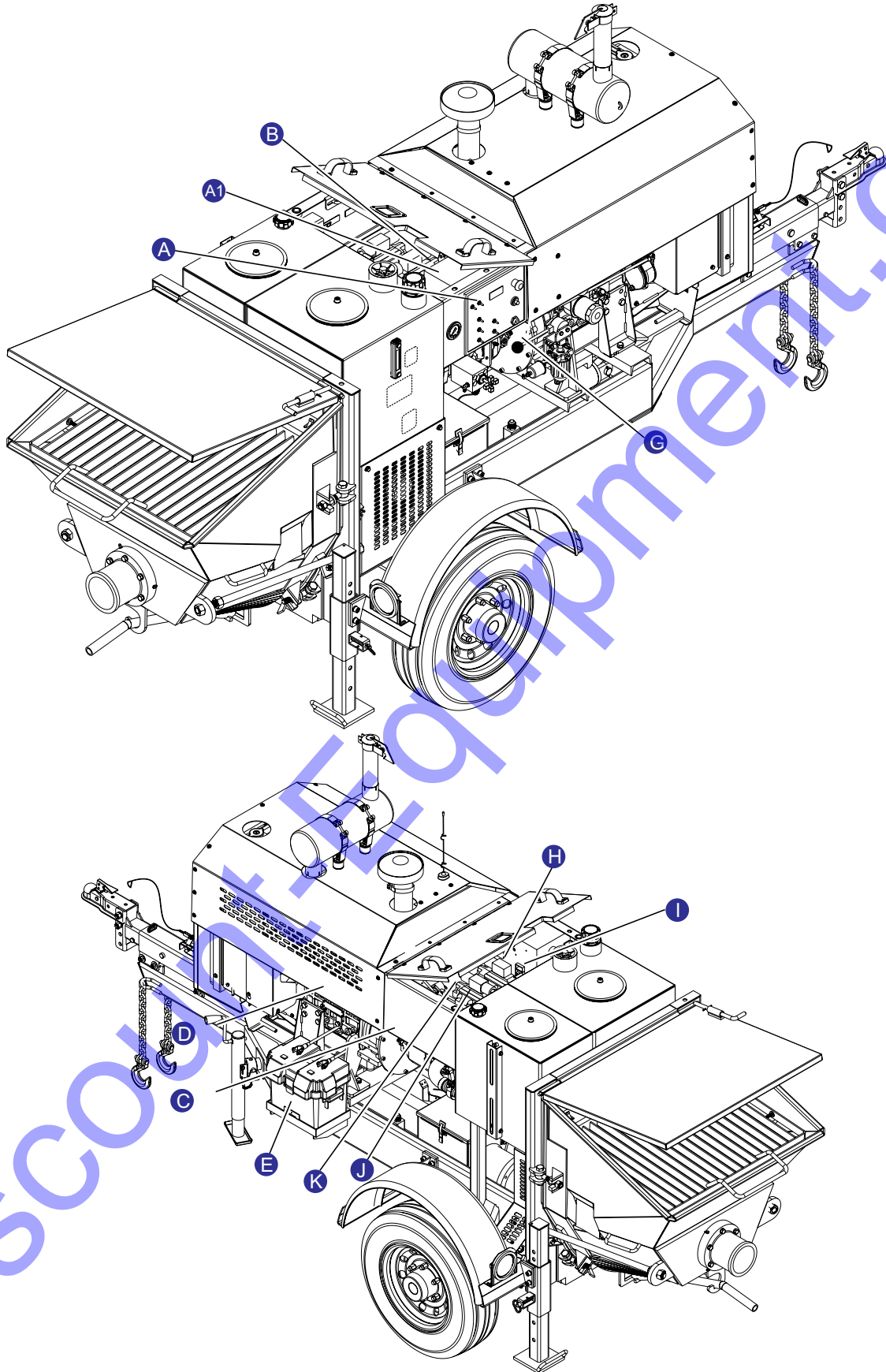
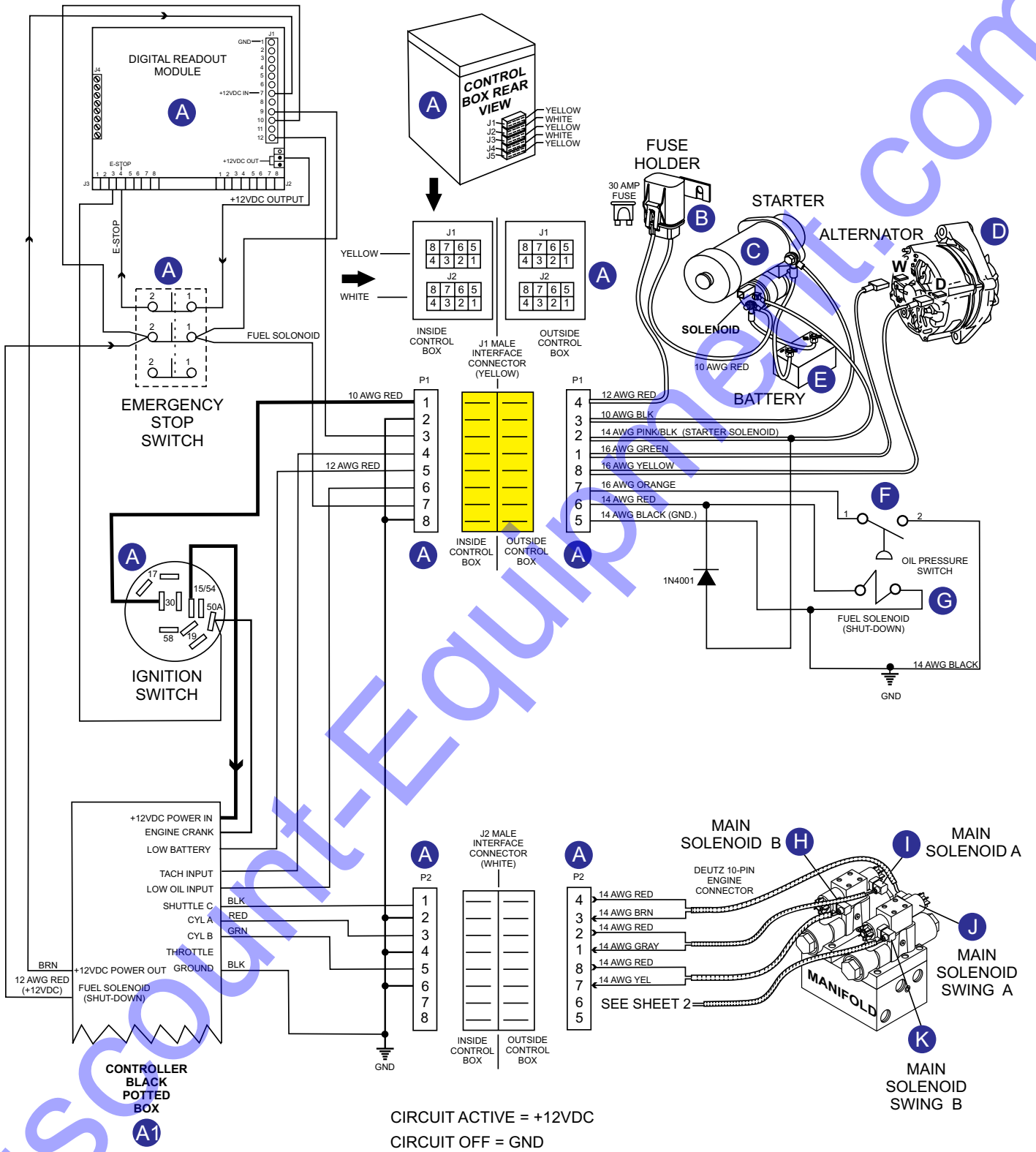


WIRING DIAGRAM LOCATOR 1 (EXTERNAL CONTROL BOX)

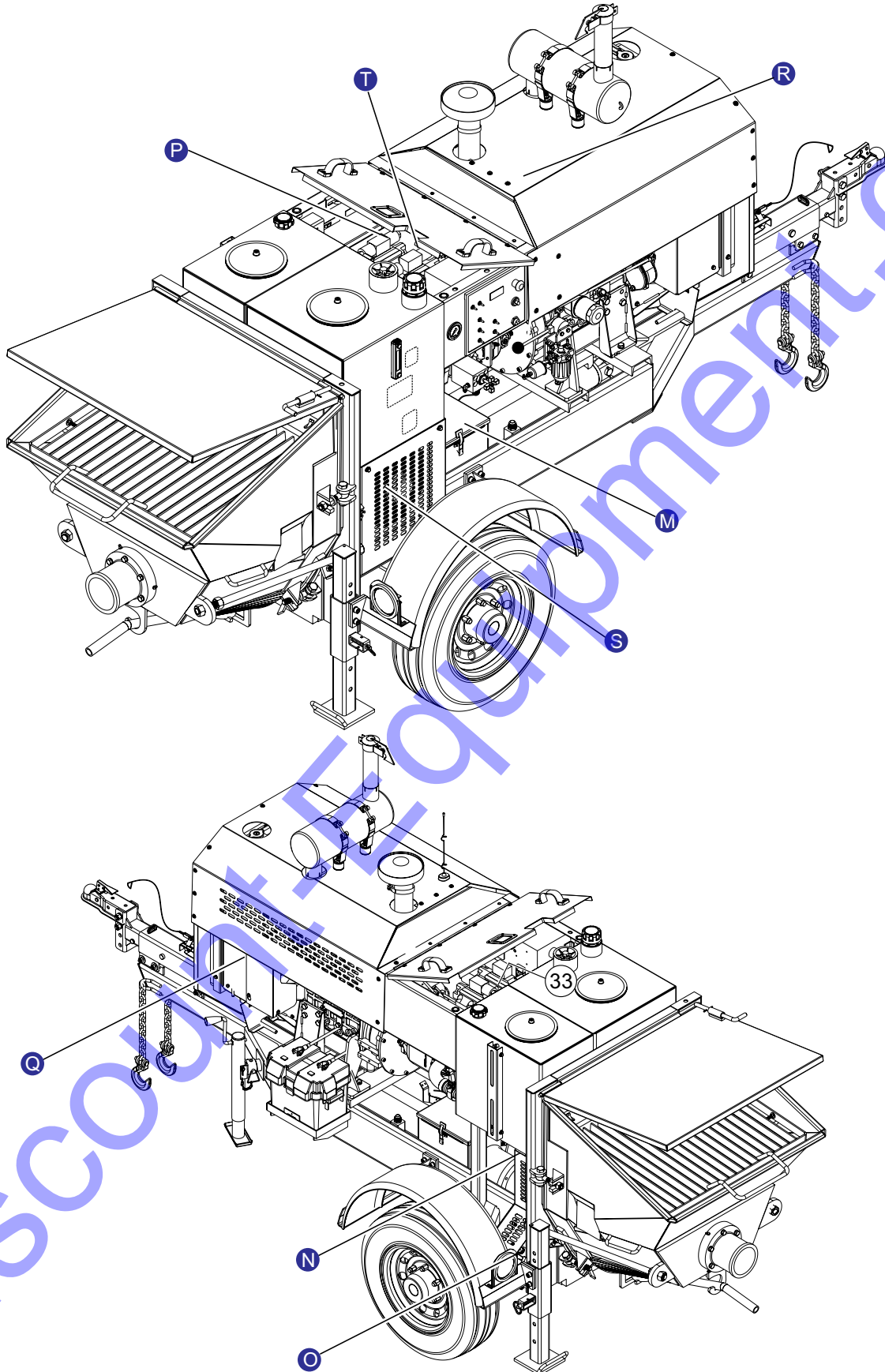


WIRING DIAGRAM 1 (EXTERNAL CONTROL BOX)



WIRING CONNECTIONS TO J1 AND J2 RECEPTACLES ON DIGITAL CONTROL BOX (LS300P)

WIRING DIAGRAM LOCATOR 2 (EXTERNAL CONTROL BOX)



WIRING DIAGRAM 2 (EXTERNAL CONTROL BOX)

