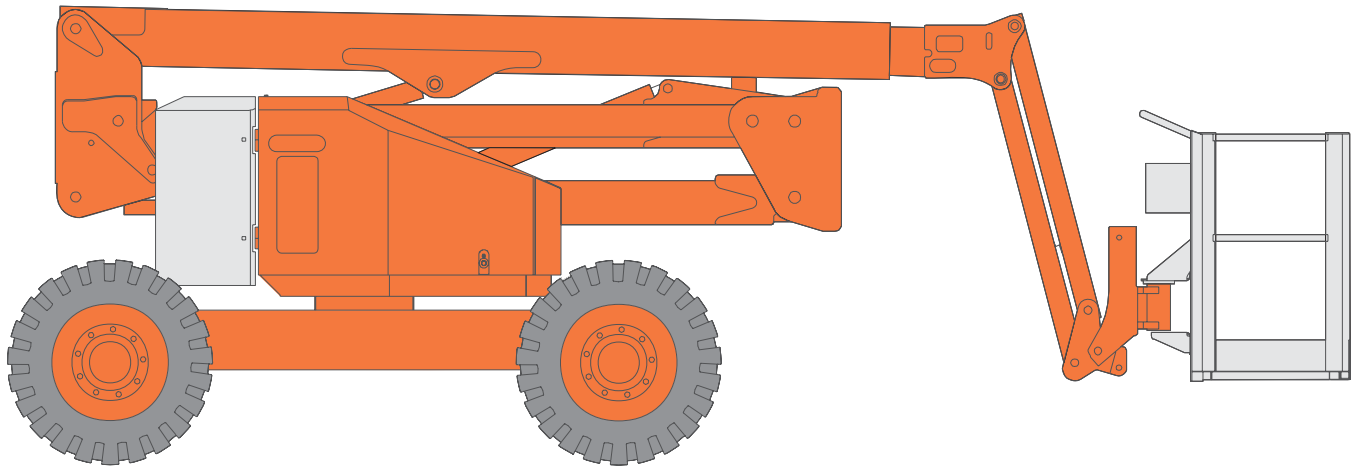


Operator's Manual



AB50J

Snorkel

LIMITED WARRANTY

Snorkel warrants each new machine manufactured and sold by it to be free from defects in material and workmanship for a period of one (1) year from date of delivery to a Customer or for one year after the machine has been placed in first service in a Dealer rental fleet, whichever comes first. Any part or parts which, upon examination by the Snorkel Service Department, are found to be defective, will be replaced or repaired, at the sole discretion of Snorkel, through its local Authorized Dealer at no charge.

Snorkel further warrants the structural components; specifically, the mainframe chassis, turntable, booms and scissor arms, of each new machine manufactured by it to be free from defects in material and workmanship for an additional period of four (4) years. Any such part or parts which, upon examination by the Snorkel Service Department, are found to be defective will be replaced or repaired by Snorkel through its local Authorized Dealer at no charge; however, any labor charges incurred as a result of such replacement or repair will be the responsibility of the Customer or Dealer.

The Snorkel Service Department must be notified within forty-eight (48) hours of any possible warranty situation during the applicable warranty period. Personnel performing warranty repair or replacement must obtain specific approval by Snorkel Service Department prior to performing any warranty repair or replacement.

Customer and Dealer shall not be entitled to the benefits of this warranty and Snorkel shall have no obligations hereunder unless the "Pre-Delivery and Inspection Report" has been properly completed and returned to the Snorkel Service Department within ten (10) days after delivery of the Snorkel product to Customer or Dealer's rental fleet. Snorkel must be notified, in writing, within ten (10) days, of any machine sold to a Customer from a Dealer's rental fleet during the warranty period.

At the direction of the Snorkel Service Department, any component part(s) of Snorkel products to be replaced or repaired under this warranty program must be returned freight prepaid to the Snorkel Service Department for inspection. All warranty replacement parts will be shipped freight prepaid (standard ground) from the Snorkel Service Department or from Snorkel's Vendor to Dealer or Customer.

REPLACEMENT PARTS WARRANTY

Any replacement or service part made or sold by Snorkel is not subject to the preceding **Limited Warranty** beyond the normal warranty period of the machine upon which the part was installed.

THIS WARRANTY EXCLUDES AND SNORKEL DOES NOT WARRANT:

1. Engines, motors, tires and batteries which are manufactured by suppliers to Snorkel, who furnish their own warranty. Snorkel will, however, to the extent permitted, pass through any such warranty protection to the Customer or Dealer.
2. Any Snorkel product which has been modified or altered outside Snorkel's factory without Snorkel's written approval, if such modification or alteration, in the sole judgment of Snorkel's Engineering and/or Service Departments, adversely affects the stability, reliability or service life of the Snorkel product or any component thereof.
3. Any Snorkel product which has been subject to misuse, improper maintenance or accident. "Misuse" includes but is not limited to operation beyond the factory-rated load capacity and speeds. "Improper maintenance" includes but is not limited to failure to follow the recommendations contained in the Snorkel Operation, Maintenance, Repair Parts Manuals. Snorkel is not responsible for normal maintenance, service adjustments and replacements, including but not limited to hydraulic fluid, filters and lubrication.
4. Normal wear of any Snorkel component part(s). Normal wear of component parts may vary with the type application or type of environment in which the machine may be used; such as, but not limited to sandblasting applications.
5. Any Snorkel product that has come in direct contact with any chemical or abrasive material.
6. Incidental or consequential expenses, losses, or damages related to any part or equipment failure, including but not limited to freight cost to transport the machine to a repair facility, downtime of the machine, lost time for workers, lost orders, lost rental revenue, lost profits or increased cost.

This warranty is expressly in lieu of all other warranties, representations or liabilities of Snorkel, either expressed or implied, unless otherwise amended in writing by Snorkel's President, Vice President-Engineering, Vice President-Sales or Vice President-Marketing.

SNORKEL MAKES NO WARRANTIES WHICH EXTEND BEYOND THE DESCRIPTION OF THIS LIMITED WARRANTY. SNORKEL MAKES NO IMPLIED WARRANTY OF MERCHANTABILITY OR FITNESS FOR A PARTICULAR PURPOSE AND DISCLAIMS ALL LIABILITY FOR INCIDENTAL OR CONSEQUENTIAL DAMAGES, INCLUDING BUT NOT LIMITED TO INJURY TO PERSONS OR PROPERTY.

The Customer shall make all warranty claims through its local Authorized Dealer and should contact the Dealer from whom the Snorkel product was purchased for warranty service. Or, if unable to contact the Dealer, contact the Snorkel Service Department for further assistance.

Effective July 1995

■ Electrical Hazard Warning

 **DANGER**

**THE SNORKELIFT AERIAL WORK PLATFORM
IS NOT ELECTRICALLY INSULATED.**

If the platform, booms, or any other conductive part of a Snorkelift contacts a high-voltage electrical conductor, the result can be **SERIOUS INJURY** or **DEATH** for persons on or near the machine.



**GO NO CLOSER THAN THE MINIMUM SAFE APPROACH DISTANCES
(M.S.A.D) - AS OUTLINED IN TABLE 1 AND FIGURE 3
ON THE NEXT PAGE.**

Be sure to allow for sag and sway in the wires and the work platform.

If a Snorkelift comes in contact with a live electrical conductor, the entire machine can be charged.

If that happens, you should remain on the machine and not contact any other structure or object within reach. That includes the ground, adjacent buildings, poles, and any object not a part of the Snorkelift.

Such contact could make your body a conductor to the other object creating an electrical shock hazard resulting in **SERIOUS INJURY** or **DEATH**.

DO NOT attempt to enter or leave the Snorkelift until you are sure the electricity has been turned off.

If a Snorkelift is in contact with a live conductor, the platform operator **MUST** warn others on the ground in the vicinity of the Snorkelift to **STAY AWAY** from the machine, since their bodies can also form a path for electricity to ground thus creating an electrical shock hazard with possible **ELECTROCUTION** and **DEATH**.

DO NOT attempt to operate the Snorkelift ground controls when the platform, booms, or any other conducting part of a Snorkelift is in contact with electrical wires or if there is an immediate danger of such contact.

Regard all conductors as energized.

Personnel working on or near a Snorkelift must be continuously aware of electrical hazards, recognizing that **SERIOUS INJURY** or **DEATH** can result if contact with an electrical wire does occur.

Electrical Hazard

■ Minimum Safe Approach Distance

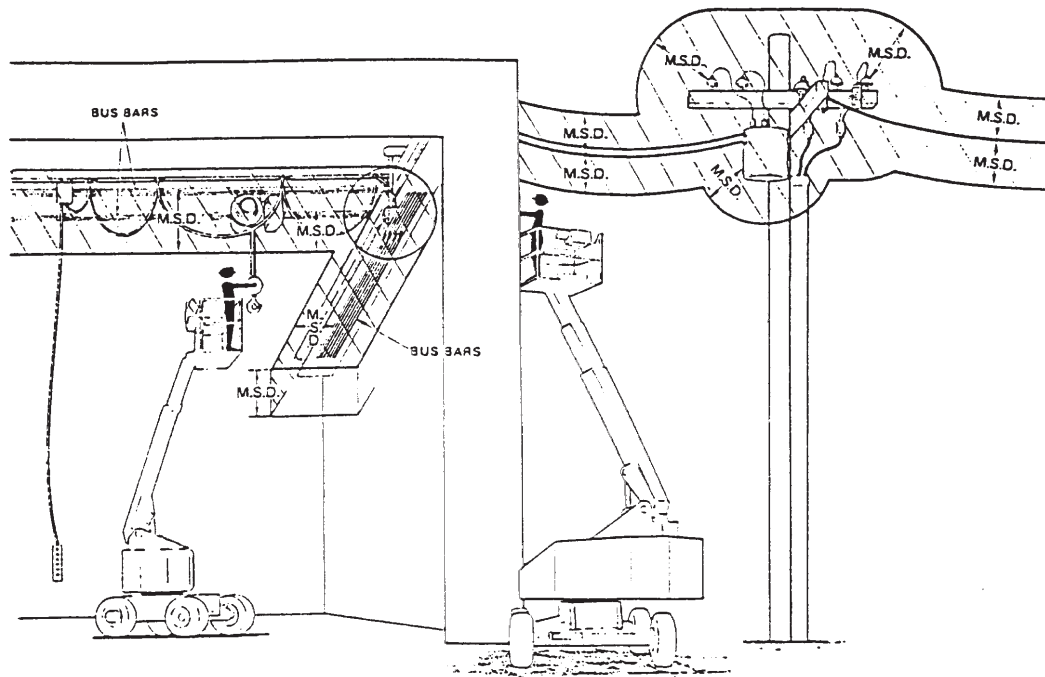
The Snorkelift is an all metal boom, **NOT ELECTRICALLY INSULATED**, aerial work platform. **DO NOT** operate it near **ELECTRICAL** conductors. Regard all conductors as being energized. Use the table and illustration below to determine safe clearance from electrical conductors. Table 1 and Figure 3 are reprinted courtesy of Scaffold Industry Association, ANSI/SIA A92.5, page 23.

□ Table 1 - (M.S.A.D.)

**Minimum Safe Approach Distance
to energized (exposed or insulated power lines)**

| Voltage range (phase to phase) | Minimum safe approach distance | |
|-----------------------------------|--------------------------------|----------|
| | (Feet) | (Meters) |
| 0 to 300V | Avoid contact | |
| over 300v to 50kv | 10 | 3.05 |
| over 50kv to 200kv | 15 | 4.60 |
| over 200kv to 350kv | 20 | 6.10 |
| over 350kv to 500kv | 25 | 7.62 |
| over 500kv to 750kv | 35 | 10.67 |
| over 750kv to 1000kv | 45 | 13.72 |

□ Figure 3 - (M.S.A.D.)



Denotes prohibited zone

- Danger:** - Do not allow machine personnel or conductive materials inside prohibited zone.
- Maintain M.S.A.D. from all energized lines and parts as well as those shown.
 - Assume all electrical parts and wires are energized unless known otherwise.
- Caution:** - Diagrams shown are only for purposes of illustrating M.S.A.D. work positions, not all work positions.

The most important chapter in this manual is "Safety" chapter 1. Take time, now, to study it closely. The information in chapter 1, might save your life or prevent serious injury.

■ Signs

The following three conventions are used throughout this manual.

1. Danger sign

▲ DANGER

means: Attention! Become alert! Your safety is involved.

2. Caution sign

▲ CAUTION

means one of two things: (1) an action, about to be performed, is potentially hazardous and might result in minor personal injury if not done correctly, or (2) an action, about to be performed, can harm the Snorkelift if not done correctly.

3. Note sign

———— NOTE ————

means: The information following is to assist you in either the proper steps to take for an action or as additional information concerning your present situation, but does not indicate a dangerous condition to either you or the Snorkelift.

■ Qualified Operators

The Snorkelift aerial platform has built in safety features and has been factory tested for compliance with Snorkel specifications and industry standards. However, any personnel lifting device can be potentially dangerous in the hands of untrained or careless operators.

Training is essential and must be performed by a QUALIFIED person. Become proficient in knowledge and actual operation before using the machine on the job. You must be TRAINED and AUTHORIZED to perform and functions of the Snorkelift. Operation of the Snorkelift must be within the scope of the machine specifications.

Before operation of the Snorkelift you must read and understand the operating instructions in this manual as well as the decals, warnings, and instructions on the machine itself.

■ Operation Rules

The following rules will help ensure the safety of personnel and help prevent needless downtime because of damaged equipment.

1. Only TRAINED and AUTHORIZED operators shall be permitted to operate the equipment.
2. All manufacturer's operating instructions and safety rules and all employers' safety rules and all OSHA and other government safety rules must be strictly adhered to.
3. Repairs and adjustments shall be made only by QUALIFIED TRAINED maintenance personnel.
4. No modification shall be made to the equipment without prior written consent of the Snorkel Engineering Department.
5. You must make a pre-start inspection of the Snorkelift at the beginning of each shift. A malfunctioning machine must not be used.
6. You must make an inspection of the work place to locate possible hazards before operating the Snorkelift.

▲ DANGER

DO NOT operate this equipment unless you are TRAINED and AUTHORIZED and have read and thoroughly understand all of the information given in this Operator's Manual and on all DANGER and CAUTION signs on the machine. Misuse of this machine can result in **DEATH** or **SERIOUS INJURY**.

■ Maintenance

Every person who maintains, inspects, tests, or repairs these machines, and every person supervising any of these functions, **MUST** be properly trained.

This Operator's Manual provides a daily inspection procedure that will help you keep your Snorkelift in good operating condition. **DO NOT** perform other maintenance unless you are a TRAINED mechanic, QUALIFIED to work on the Snorkelift. Call QUALIFIED maintenance personnel if you find problems or malfunctions.

DO NOT modify this machine without written approval from the Engineering Department of Snorkel.

Introduction

■ Responsibilities of Parties

It is imperative that all owners and users of the Snorkelift read, understand, and conform to all applicable regulations. Ultimate compliance to OSHA regulations is the responsibility of the employer using the equipment.

ANSI Standard A92.5 identifies requirements of all parties who might be involved with Boom-Supported Elevating Work Platforms.

A reprint of the "Manual of Responsibilities for Dealers, Owners, Users, Operators, Lessors and Lessees of ANSI/SIA A92.5-1992 Boom Supported Elevating Work Platforms" is available from Snorkel dealers or from the factory upon request.

Copies are also available from:

Scaffold Industry Association
20335 Ventura Blvd. Suite 310
Woodland Hills, CA 91364-2471 USA

■ OSHA, ANSI and CSA Standards

The Snorkelift is a boom-supported elevating work platform built to conform to the following standards:

OSHA Paragraph 1910.67 Title 29, C.F.R.
Vehicle-Mounted Elevating and Rotating
Work Platforms - Labor.

OSHA Paragraph 1926.556 Title 29, C.F.R.
Aerial Lifts - Construction.

ANSI Standard A92.5-1992
Boom-Supported Elevating Work Platforms.

CSA Standard CAN 3-B354.4-M82
Boom-type Elevating Work Platforms.

■ California Proposition 65 Warning

The state of California requires that all equipment used within its boundaries shall have the following warnings noted in the Operator's Manual.

CALIFORNIA

Proposition 65 Warning

Battery posts, terminals and related accessories contain lead and lead components, chemicals known to the State of California to cause cancer and birth defects or other reproductive harm. Wash hands after handling.

CALIFORNIA

Proposition 65 Warning

Diesel and gasoline engine exhaust and some of its constituents are known by the State of California to cause cancer, birth defects or other reproductive harm.

■ Options

The use of optional equipment is discussed in the "Options" chapter 11.

The options you will find discussed there are:

1. AC generator.
2. Air line to platform.
3. Motion warning alarms.
4. Battery (extra).
5. Cold weather start kit.
6. Dual fuel.
7. Operator horn.
8. Flashing lights.
9. Platform work lights.
10. LPS rating.
11. Sandblast protection kit.
12. Spark arrestor.
13. Platform swinging gate.
14. Optional tires.
15. Tow kit.
16. 4-wheel drive functions.

■ Additional Information

For additional information contact your local dealer or Snorkel at:

Snorkel International, Inc.
P.O. Box 1160
St. Joseph, MO 64502-1160 USA
816-364-0317

<http://www.snorkelusa.com>

Electrical Hazard

Electrical Hazard Warning i
 Minimum Safe Approach Distance ii
 Table 1 - (M.S.A.D.) ii
 Figure 3 - (M.S.A.D.) ii

Introduction

Signs iii
 Qualified Operators iii
 Operation Rules iii
 Maintenance iii
 Responsibilities of Parties iv
 OSHA, ANSI and CSA Standards iv
 California Proposition 65 Warning iv
 Options iv
 Additional Information iv

1. Safety

Safe Operation 1-1
 Pre-Start Inspection 1-1
 Work Place Inspection and Practices 1-1
 Electrocution 1-2
 Tipover and Falling Hazards 1-2
 Crushing 1-2
 General Safety Precautions 1-2
 Personnel Precautions 1-2
 Operator General Precautions 1-2
 Mounting and Dismounting Precautions 1-3
 Starting and Stopping Precautions 1-3
 Operating Precautions 1-3
 Operator Maintenance Precautions 1-3
 Fuel Handling Precautions 1-3
 Safety Placards and Decals 1-3
 Safety Placards and Decals Location 1-4

2. Safety Devices

Safety Device Information 2-1
 Alarms 2-1
 Start-Up Alarm 2-1
 Engine Shut-Off Alarm 2-2
 Alternator Not Charging Alarm 2-2
 Axle Unlocked Alarm 2-2
 Tilt Alarm 2-3
 All Motion Alarm 2-3
 Descending Boom Alarm 2-3
 Drive Motion Alarm 2-3
 Other Safety Devices 2-3
 Battery 2-3
 Emergency Stop Switches 2-4
 At Ground Control Box 2-4
 At Platform Control Box 2-4
 Flashing Lights 2-4
 Foam Filled Tires 2-5
 Platform Foot Switch 2-5
 Lanyard Anchor Points 2-5
 Platform Guardrails 2-5
 Ground Fault Circuit Interrupt 2-6
 Platform Gravity Gate 2-6
 Ground Operation Switch 2-7
 Operator Horn 2-7
 Level Sensor 2-7
 Platform Swinging Gate 2-7
 Platform Work Lights 2-8
 Tipover Hazard Light 2-8

3. Specifications

General Specifications 3-1
 Engine Oil Charts 3-2
 Engine Data 3-2
 Overall Dimensions 3-3
 Working Envelope 3-4
 Nomenclature and Serial Numbers 3-5
 Right Side View Of Machine 3-5
 Booms Identification 3-5
 Left Side View Of Machine 3-6
 Serial Number Location 3-6

Table of Contents

4. Gauges

| | |
|-------------------------------|-----|
| Ammeter | 4-1 |
| Engine Coolant | 4-1 |
| Engine Oil | 4-1 |
| Gas Engine | 4-1 |
| Diesel Engine | 4-1 |
| Engine Oil Dipstick | 4-2 |
| Filter Minder | 4-2 |
| Filter Minder Indicators | 4-2 |
| Fuel | 4-2 |
| LPG (Liquefied Petroleum Gas) | 4-3 |
| Hour Meter | 4-3 |
| Hydraulic Oil Filter | 4-3 |
| Hydraulic Oil Level | 4-4 |
| Hydraulic Oil Temperature | 4-4 |
| Temperature | 4-4 |

5. Automatic Shut-Offs and Circuit Breakers

| | |
|---------------------|-----|
| Automatic Shut-Offs | 5-1 |
| Engine Temperature | 5-1 |
| Engine Oil Pressure | 5-1 |
| Circuit Breakers | 5-2 |

6. Controls

| | |
|--|-----|
| Controls Description | 6-1 |
| Controls and Controls Decals Locations | 6-1 |
| Ground Control Box | 6-2 |
| Ground Control Box Controls | 6-3 |
| Platform Control Box | 6-4 |
| Platform Control Box Controls | 6-5 |
| Platform Foot Switch | 6-6 |
| Battery Switch | 6-6 |

7. Daily Inspection and Maintenance

| | |
|--|------|
| Daily Inspection and Maintenance Table | 7-1 |
| Engine Fuel Level | 7-2 |
| Fuel Tank Cap | 7-2 |
| Engine Oil Level | 7-2 |
| Gasoline Engine | 7-2 |
| Diesel Engine | 7-3 |
| Fuel Leaks | 7-3 |
| Gasoline Engine | 7-3 |
| Diesel Engine | 7-3 |
| Engine Coolant Level | 7-3 |
| Wiring Harnesses | 7-4 |
| Battery Terminals | 7-4 |
| Battery Fluid Level | 7-5 |
| Hydraulic Oil Level | 7-5 |
| Hydraulic Oil Leaks | 7-5 |
| Tires | 7-6 |
| Bolts and Fasteners | 7-6 |
| Structural Damage and Welds | 7-7 |
| Lanyard Anchor Points | 7-8 |
| Platform Gravity Gate | 7-8 |
| Swinging Gate | 7-8 |
| Platform Guardrails | 7-8 |
| Flashing Lights | 7-9 |
| Air Filter | 7-9 |
| Charging System | 7-9 |
| Ground Control Switches and Alarms | 7-9 |
| Level Sensor | 7-10 |
| Emergency Power | 7-10 |
| Platform Box Switches and Alarms | 7-11 |
| Operator Horn | 7-11 |
| Motion Warning Alarm | 7-11 |
| Ground Fault Circuit Interrupt | 7-11 |
| Platform Work Lights | 7-12 |
| Slide Pads | 7-12 |
| Axle Unlocked Alarm | 7-13 |
| Placards and Decals | 7-14 |
| Standard Placards and Decals | 7-14 |
| Optional Placards and Decals | 7-14 |
| Inspection Drawing | 7-15 |

8. Operation

| | |
|---|-----|
| Operating Procedures | 8-1 |
| Control Stations | 8-1 |
| Emergency Stopping | 8-1 |
| Operation Considerations | 8-2 |
| Starting From Ground Control Box | 8-2 |
| Starting From Platform Control Box | 8-4 |
| Moving The Platform | 8-5 |
| From Ground Control Box | 8-6 |
| From Platform Control Box | 8-6 |
| Driving the AB50J | 8-7 |
| Forward and Reverse Drive | 8-7 |
| Steering the AB50J | 8-7 |
| Steer Left and Right | 8-7 |
| 4-Wheel Steer | 8-7 |
| 4-Wheel Steer With Crab Steer | 8-8 |
| Electrical Outlets (GFCI) at Platform | 8-8 |
| AC Generator | 8-9 |
| Securing for Day | 8-9 |

9. Emergency Operation

| | |
|---|-----|
| Emergency Operation Procedures | 9-1 |
| Operation From Platform Control Box | 9-1 |
| Operation From Ground Control Box | 9-2 |

10. Stowing and Transporting

| | |
|---|------|
| Stowing | 10-1 |
| To Lock the AB50J: | 10-1 |
| Transporting | 10-1 |
| Trailing | 10-1 |
| Securing to a Transport Vehicle | 10-2 |
| Towing | 10-4 |
| Lifting | 10-4 |

11. Options

| | |
|---|------|
| AC Generator | 11-1 |
| Air Line To Platform | 11-1 |
| Alarms | 11-1 |
| Extra Battery | 11-2 |
| Cold Weather Start Kit | 11-2 |
| Dual Fuel | 11-2 |
| Operator Horn | 11-2 |
| Lights | 11-2 |
| LPS Rating | 11-2 |
| Sandblast Protection Kit | 11-2 |
| Spark Arrestor | 11-3 |
| Platform Swinging Gate | 11-3 |
| Tires | 11-3 |
| Highway or Bar Lug | 11-3 |
| Flotation Tires | 11-3 |
| Foam Filled Tires | 11-4 |
| Large Tires | 11-4 |
| Tow Kit | 11-4 |
| Towing Procedures | 11-4 |
| 4-Wheel Functions | 11-5 |
| 4-Wheel Drive | 11-5 |
| 4-Wheel Steer | 11-5 |
| 4-Wheel Steer With Crab Steer | 11-5 |

Chapter 12. Troubleshooting

| | |
|---------------------------------|------|
| Troubleshooting Chart | 12-1 |
|---------------------------------|------|

■ Safe Operation

The following safety information is vitally important for safe operation of the AB50J. Failure to follow these instructions can result in personal injury or **DEATH**.

□ Pre-Start Inspection

At the start of each work shift, the AB50J shall be given a visual inspection and function test. See the “Daily Inspection and Maintenance” chapter 7, in this manual for a list of items to inspect and test.

⚠ CAUTION

DO NOT operate the AB50J unless you are trained and authorized, understand the operation characteristics of the AB50J, and have inspected and tested all functions to be sure they are in proper working order.

□ Work Place Inspection and Practices

Do not use the AB50J as a ground for welding. Ground to the work piece.

Before the AB50J is used, and during use, check the area in which the AB50J is to be used for possible hazards such as, but not limited to:

1. Drop-offs or holes.
2. Side slopes.
3. Bumps and floor obstructions.
4. Debris.
5. Overhead obstructions and electrical conductors.
6. Hazardous locations.
7. Inadequate surface and support to withstand all load forces imposed by the aerial platform in all operating configurations.
8. Wind and weather conditions.
9. Presence of unauthorized persons.
10. Other possible unsafe conditions.

Before using the aerial platform in any hazardous (classified) location, make certain it is approved and of the type required by ANSI/NFPA 505 for use in that particular location.

A recommended safety practice is to have personnel that are trained in the operation of the emergency controls working in the immediate area of the AB50J to assist the platform operator in the event of an emergency.

When moving the platform, check the clearance around the AB50J to avoid contact with structures or other hazards. Always look in the direction of motion.

Keep ground personnel from under the platform when the platform is raised.

Secure all accessories, containers, tools, and other materials in the platform to prevent them from accidentally falling or being kicked off the platform.

DO NOT engage in any form of “horseplay” or “stunt driving” while operating the AB50J.

DO NOT permit riders on the machine anywhere other than on the platform.

Remove all loose objects stored in or on the machine, particularly in the platform. Remove all objects which do not belong in or on the machine.

When other moving equipment is in the area, take special precautions to comply with local regulations regarding warnings.

Never steady the platform by positioning it against another platform.

DO NOT operate an AB50J that is not functioning properly, or has been damaged, until the machine has been repaired by a qualified maintenance person.

DO NOT operate an AB50J that does not have all its decals and placards attached and legible.

Drive the machine with care and at speeds compatible with conditions. Use extra caution when driving over rough ground, on slopes, and when turning.

Know and understand the job site traffic flow patterns and obey the flagmen, road signs, and signals.

Watch for bystanders and never allow anyone to be under, or to reach through, the machine and its equipment while operating.

Use the recommended transport device when loading the machine.

1. Safety

Electrocution

The AB50J is an all metal boom, NON-INSULATED, aerial work platform. DO NOT operate it near ELECTRICAL conductors. Regard all conductors as being energized.

DO NOT operate outside during a thunderstorm.

Tipover and Falling Hazards

DO NOT operate the AB50J from a position on trucks, trailers, railway cars, floating vessels, scaffolds, or similar equipment unless the application is approved in writing by Snorkel.

If the platform or elevating assembly becomes caught, snagged, or otherwise prevented from normal motion by an adjacent structure or other obstacles such that control reversal does not free the platform, remove all personnel from the platform before attempts are made to free the platform using ground controls.

It is best not to transfer from the platform to another structure or from the structure to the platform, unless that is the safest way to do the job. Judge each situation separately taking the work environment into account. If it is necessary to transfer from the platform to another structure the following guidelines apply:

1. Where possible, place the work platform over a roof or walking structure to do the transfer.
2. Transfer your anchorage from one structure to another before you step across.
3. Remember, you might be departing the work platform to a structure where *personal fall arrest* is required.
4. Use the platform entrance, do not climb over the guard rails.

All platform occupants **MUST** wear a fall restraint device connected to a lanyard anchor point.

DO NOT exceed the unrestricted platform capacity as indicated on the capacity placard at the entrance to the platform.

DO NOT raise the boom if the AB50J is on soft ground. Operate the boom only on a firm surface capable of withstanding all load forces imposed by the aerial platform in all operating conditions.

Do Not carry loads that extend beyond the platform guardrails without prior written consent from Snorkel.

Care shall be taken to prevent rope, electrical cords, and hoses, etc., from becoming entangled in the aerial platform.

Raise the platform only when the AB50J is on level ground.

Maintain a firm footing on the platform floor. Climbing on the guardrails is prohibited.

DO NOT use ladders, planks, or other devices to extend or increase your work position from the platform.

DO NOT jerk the controls. Move the controls slowly and deliberately to avoid jerky and erratic operation. Always stop the controls in the neutral, off, position before going in the opposite direction.

DO NOT use the boom for any purpose other than to position personnel, their tools, and materials.

DO NOT use the AB50J as a crane, hoist, or jack.

DO NOT operate the AB50J in winds, or wind gusts, of 28 mph (45 km/h) or more.

DO NOT add anything to the AB50J that will increase the wind loading (banners, flags, etc.).

Crushing

Always look in the direction of travel. Avoid overhead obstructions.

Never cover the floor grating or otherwise obstruct your view below.

Make sure the area below the platform is free of personnel before lowering.

■ **General Safety Precautions**

Personnel Precautions

If you encounter any suspected malfunction of the aerial platform, or any hazard or potentially unsafe condition relating to capacity, intended use, or safe operation, cease operation and seek assistance from management.

Operator General Precautions

Make sure that all protective guards, cowlings, and doors are in place and secure.

Be sure the guardrail system, including the gate, is in place and secure.

Mounting and Dismounting Precautions

Use three points of support when getting on or off the platform (two hands and one foot or a similar set of points). Keep the platform clean.

DO NOT jump off the machine.

DO NOT dismount while the machine is in motion.

Starting and Stopping Precautions

DO NOT start until all personnel are clearly away from the machine.

Before leaving the operator's station, place the machine in the stowed position.

When leaving the machine parked or unattended, remove the starter key from the **Master Key Switch**, set the **Battery** switch to OFF, then lock the **Battery** switch.

Operating Precautions

DO NOT modify the AB50J in any way.

When parts or components are replaced, they shall be identical or equivalent to original Snorkel parts or components.

DO NOT override any of the safety features of the AB50J.

Limit travel speeds according to conditions. Take into account: grade, surface, congestion, visibility, side slope, location of personnel, and other hazards.

Operator Maintenance Precautions

Use extreme caution when removing radiator caps. Park the machine and let it cool down before opening a pressurized compartment.

⚠ CAUTION

DO NOT use your hand to search for hydraulic oil leaks. High pressure hydraulic oil can easily cut and penetrate your skin — a very serious injury that requires immediate attention by a medical specialist trained in that type of injury. Use a piece of cardboard or wood to search for hydraulic oil leaks.

DO NOT attempt repairs unless you are trained. Refer to manuals and experienced repair personnel for help.

Fuel Handling Precautions

DO NOT smoke or permit open flames while fueling or near fueling operations.

Never remove the fuel cap or refuel a gasoline engine while the engine is running or hot. Never allow fuel to spill on hot machine components.

Maintain control of the fuel filler nozzle when filling the tank.

DO NOT fill the fuel tank to capacity. Allow room for expansion.

Clean up spilled fuel immediately.

Tighten the fuel tank cap securely. If the fuel cap is lost, replace it with an approved cap from Snorkel. Use of a non-approved cap without proper venting may result in pressurization of the tank.

Never use fuel for cleaning purposes.

For diesel engines, use the correct fuel grade for the operating season.

■ Safety Placards and Decals

There are several safety placards and decals on the AB50J. Their locations and descriptions are shown in this section. Take time to study them.

⚠ CAUTION

Be sure that all the safety placards and decals on the AB50J are legible. Clean or replace them if you cannot read the words or see the pictures. Clean with soap & water and a soft cloth. Do not use solvents.

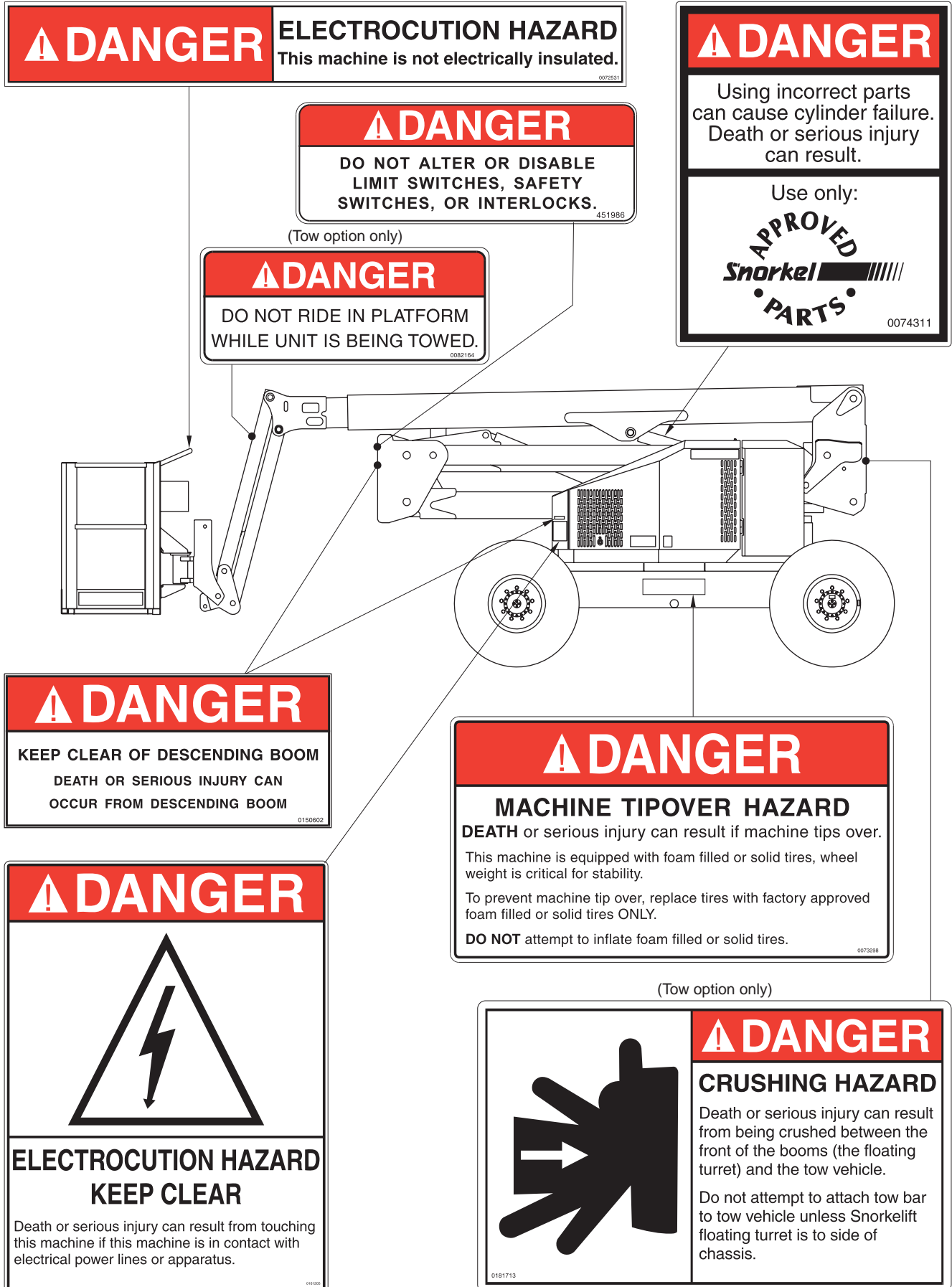
You **MUST** replace a placard or decal if it is damaged, missing, or cannot be read. If it is on a part that is replaced, make sure a new decal or placard is installed on the replaced part. See your Snorkel dealer for new decals and placards.

———— NOTE ————

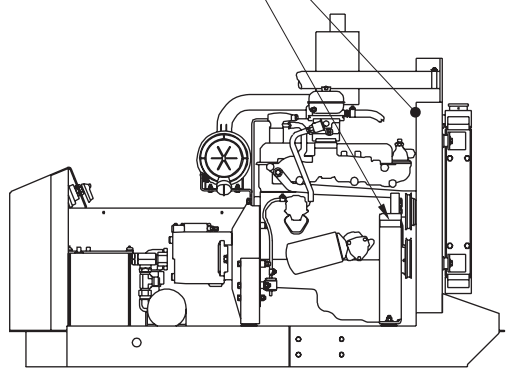
Refer to Placards and Decals in the “Daily Inspection and Maintenance” chapter 7, for part numbers, location, and required quantities of all placards and decals.

1. Safety

■ Safety Placards and Decals Location



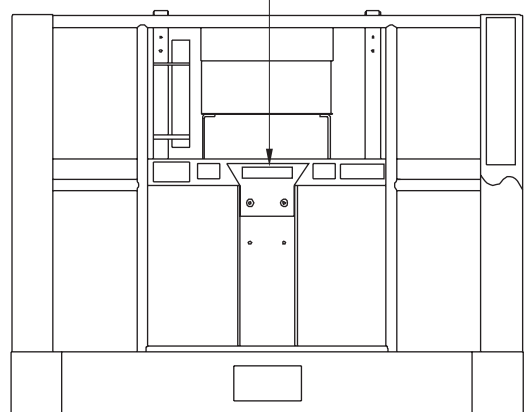
⚠ DANGER
ROTATING ENGINE PARTS
KEEP CLEAR
SERIOUS INJURY CAN RESULT
0151410



⚠ DANGER

- Perform the **DAILY INSPECTION & MAINTENANCE**, listed in the Operator's Manual, prior to each work shift.
- All platform occupants **MUST** wear fall restraint attached to lanyard anchor points provided.

0181654



PLATFORM

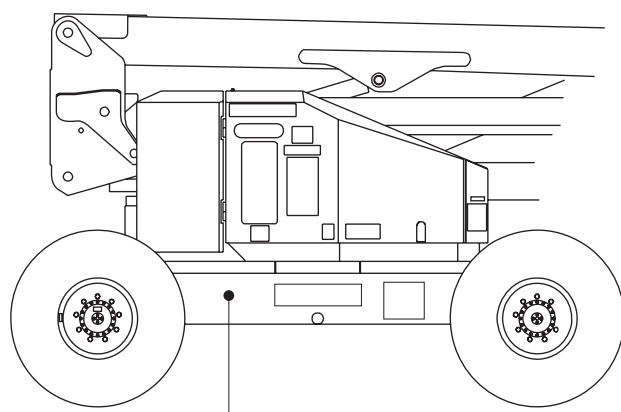
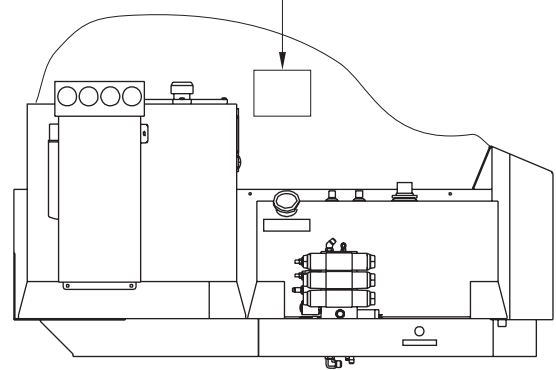
(LPG option only)

⚠ CAUTION

THIS MACHINE IS EQUIPPED WITH
LIQUID WITHDRAWAL
 L.P. GAS SYSTEM

- LIQUID OR VAPOR WITHDRAWAL L.P.-GAS CYLINDER MAY BE USED.
- ALWAYS KEEP L.P.-GAS CYLINDER SHUT-OFF VALVE CLOSED WHEN NOT USING L.P.-GAS SYSTEM.

0081441



(Tow option only)

⚠ DANGER

A "RUNAWAY" SNORKELIFT CAN CAUSE **DEATH** OR **SERIOUS INJURY**. CHECK WITH TOW VEHICLE MANUFACTURER OR MANUFACTURER'S LITERATURE TO SEE THAT TOW VEHICLE CAN SAFELY TOW AND STOP TOTAL WEIGHT OF SNORKELIFT ON THE STEEPEST GRADE YOU WILL ENCOUNTER. REMEMBER, SNORKELIFT DOES NOT HAVE BRAKES WHEN IT IS TOWED.

BE CERTAIN TOW VEHICLE BRAKES ARE SET AND TOW BAR IS CONNECTED TO BOTH TOW VEHICLE AND SNORKELIFT BEFORE YOU TURN SNORKELIFT DISCONNECT-PLATES OVER.

AT THE END OF THE TOW, BEFORE YOU DISCONNECT THE SNORKELIFT FROM THE TOWING VEHICLE, TURN THE DISCONNECT-PLATES BACK OVER SO THE NIPPLES ARE OUT. THAT WILL PREVENT THE MACHINE FROM ROLLING WHEN YOU DISCONNECT IT FROM THE TOW VEHICLE.

DO NOT EXCEED 10 MPH (16 KM/HR) WHEN TOWING. AVOID SHARP TURNS.

0082180

1. Safety

⚠ DANGER

- Do not operate this machine unless you are a qualified operator and have read and thoroughly understand all information given in the Operator's Manual and on DANGER and CAUTION signs on this machine.
- Maintain 10 feet minimum clearance from electrical power lines and apparatus. This machine is NOT electrically insulated.
- Do not exceed the UNRESTRICTED PLATFORM CAPACITY shown on the platform.
- Do not operate this machine on soft or unstable ground.
- Operate this machine only on a firm level surface.
- Inspect machine, including operation prior to each work shift.
- Operators must wear approved fall restraint attached to loop provided.

0161401

⚠ DANGER

TIP OVER HAZARD

DEATH or serious injury can result if machine tips over

If indicator light above is illuminated, the FRONT AXLE is unlocked.

To prevent tip over, move boom to stowed position and shut down machine.

Determine cause of unlock condition and repair before returning machine to service.

DO NOT elevate booms with axle unlocked.

0161937

PLATFORM CONTROL BOX

⚠ CAUTION

Move control handle slowly and deliberately to avoid jerky and erratic platform movement. In case of emergency, depress **EMERGENCY STOP** button. Pull out to reset.

Turn **MASTER KEY SWITCH** to OFF and release foot switch before starting engine.

0161402

Snorkel ST JOSEPH, MISSOURI U.S.A.

| | | | |
|--|---|------------------------------|--|
| MODEL NUMBER | <input type="text"/> | SERIAL NUMBER | <input type="text"/> |
| MONTH / YEAR OF MANUFACTURE | <input type="text"/> | SLOPE SENSOR ALARM SETTING | <input type="text"/> deg |
| MAXIMUM MACHINE WEIGHT | <input type="text"/> lbs <input type="text"/> kg | MAXIMUM WHEEL LOAD | <input type="text"/> lbs <input type="text"/> kg |
| ENGINE POWERED MODELS | <input type="text"/> hp <input type="text"/> kW | BATTERY POWERED MODELS ONLY | DRIVE MOTORS <input type="text"/> V BATTERIES <input type="text"/> V <input type="text"/> Ah |
| MAXIMUM ALLOWABLE MANUAL FORCE (SIDE PULL) | <input type="text"/> lbs <input type="text"/> N | MAXIMUM ALLOWABLE WIND SPEED | <input type="text"/> mi/h <input type="text"/> m/s |
| PLATFORM SIZE | <input type="text"/> in <input type="text"/> cm | MAXIMUM PLATFORM REACH | <input type="text"/> ft <input type="text"/> m |
| MAXIMUM PLATFORM HEIGHT | <input type="text"/> ft <input type="text"/> m | MAXIMUM DRIVE HEIGHT | <input type="text"/> ft <input type="text"/> m |

CAUTION

Do not remove any weight from this unit. Any weight added must be distributed equally on each axle. Proper stability and axle weights of this unit are based on the platform size shown above.
Axle weights with unit in the stowed - travel position.

| | | |
|------------|--------------------------|-------------------------|
| STEER AXLE | <input type="text"/> lbs | <input type="text"/> kg |
| DRIVE AXLE | <input type="text"/> lbs | <input type="text"/> kg |

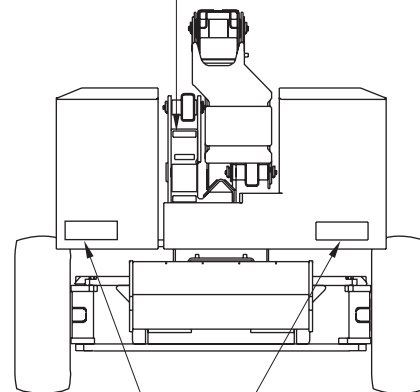
0070901

⚠ DANGER

KEEP CLEAR OF DESCENDING BOOM

DEATH OR SERIOUS INJURY CAN OCCUR FROM DESCENDING BOOM

0150602



⚠ DANGER

ELECTROCUTION HAZARD

THIS MACHINE IS NOT ELECTRICALLY INSULATED.

- Death or serious injury can result from contact or inadequate clearance to electrical power lines and apparatus.
- Maintain 10 feet minimum clearance from electrical power lines and apparatus.
- Allow for sway, rock, and sag.

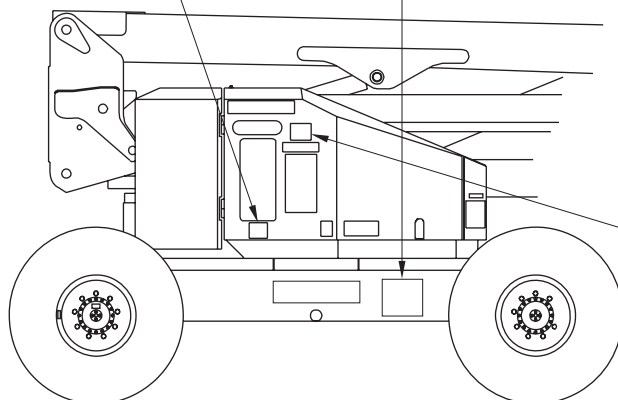
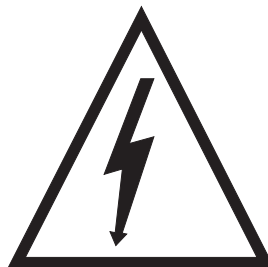
0323899

⚠ DANGER

ELECTROCUTION HAZARD

KEEP CLEAR

Death or serious injury can result from touching this machine if this machine is in contact with electrical power lines or apparatus.



⚠ DANGER

YOU MUST NOT OPERATE THIS DEVICE UNLESS:

1. YOU HAVE BEEN TRAINED IN THE SAFE OPERATION OF THIS DEVICE AND
2. YOU KNOW AND FOLLOW THE SAFETY AND OPERATING RECOMMENDATIONS CONTAINED IN THE MANUFACTURER'S MANUALS, YOUR EMPLOYER'S WORK RULES, AND APPLICABLE GOVERNMENTAL REGULATIONS.

AN UNTRAINED OPERATOR SUBJECTS HIMSELF AND OTHERS TO DEATH OR SERIOUS INJURY.

0323897

■ Safety Device Information

For emergency operation controls and procedures, see the “Emergency Operation” chapter 9.

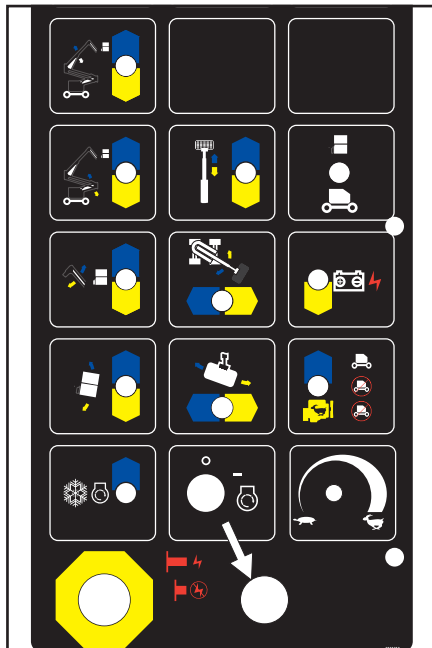
The devices listed in this chapter are safety devices.

They are on the AB50J to increase safety in the work place for both the operator and other people near the AB50J.

⚠ CAUTION

DO NOT by pass, disable, modify, or ignore any of these devices. Check them carefully at the start of each work shift to see that they are in working order (see “Daily Inspection and Maintenance” chapter 7). If any is found to be defective, remove the AB50J from service immediately until a qualified service technician can make repairs.

■ Alarms

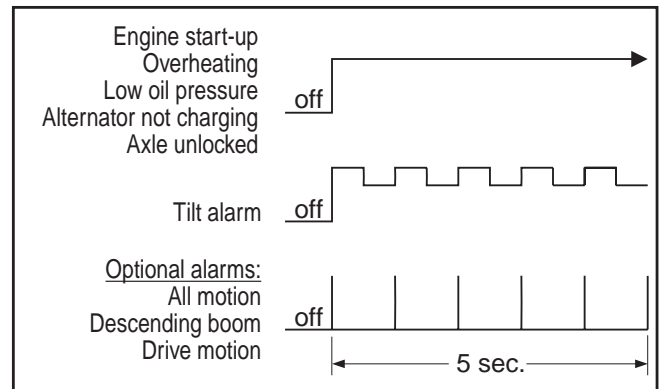


There are two buzzers on the AB50J. One is located on the ground control box,



the other is located on the platform control box. The buzzers are connected in parallel, they both emit the same pattern of sound at the same time. The tilt alarm is also located on the platform control box.

The different alarm sound patterns these three devices make are shown in the table immediately below and discussed below the table.



□ Start-Up Alarm

When the **Master Key Switch** or **Anti-Restart** switch is turned ON, just prior to starting, the buzzers emit a loud continuous tone to alert others in the area that the AB50J is about to start. The tone will continue until the AB50J starts or the switch is turned OFF.

2. Safety Devices

□ Engine Shut-Off Alarm

The engine shut-off alarm comes on when the engine is overheating or the oil pressure is low.

When the alarm sounds you should immediately lower the platform completely down then turn the engine off until the condition that caused the alarm has been corrected. See “Automatic Shut-Offs and Circuit Breakers” chapter 5 for more information.

NOTE

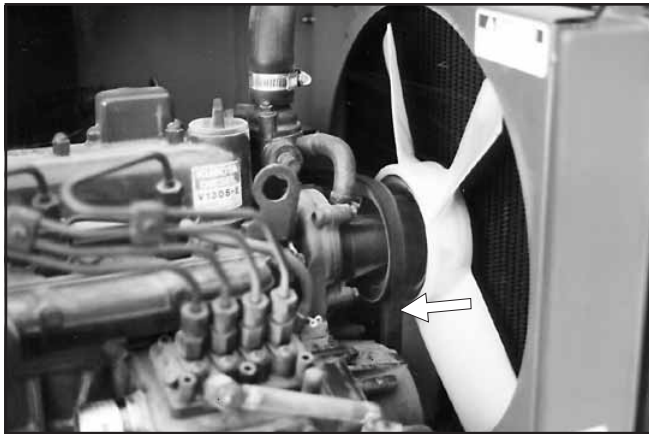
If the engine has automatically shut off, and will not restart, go to the “Emergency Operation” chapter 9, and use emergency operation procedures to lower the platform.

□ Alternator Not Charging Alarm

CAUTION

DO NOT continue to operate the AB50J while the alternator alarm sounds. Without charging current, the battery will discharge to the point it cannot operate Emergency Power.

If the engine alternator quits (usually because of a broken fan belt), a continuous tone alarm will automatically sound. The alarm warns you that the battery is discharging.



Check the alternator drive belt to see if it is broken or loose before you try to restart the engine. If the engine will not restart, refer the problem to a qualified service technician.

□ Axle Unlocked Alarm

The front axle of the AB50J pivots so that all four wheels remain on the ground when the machine is driven with the main boom elevated less than 5° and the riser booms down. This improves traction for 4-wheel drive machines and reduces the ground pressure for all machines while they are driven between work sites.

The main boom (more than 5°) and/or riser booms should only be raised when the AB50J is on a smooth level surface. When the main boom is raised more than 5° or the riser booms are raised slightly the front axle is automatically forced to lock into position parallel to the rear axle so that the bottoms of all four tires are in the same plane. This maximizes stability of the chassis while the booms are up.



If the front axle is not locked parallel to the rear axle when the main boom is raised more than 5° or riser booms are raised, the TIP OVER HAZARD light will come on and the “axle unlocked” alarm will sound.

DANGER

DO NOT raise the main boom or riser booms while the “axle unlocked” alarm is sounding.

CAUTION

When the alarm sounds you should **IMMEDIATELY** lower the booms completely down. Drive to a slightly different position, then raise the booms again. If the alarm comes on again, take the machine out of service immediately and refer the problem to a qualified service technician.

Tilt Alarm

The tilt alarm warns the AB50J operator that the AB50J is over 5° out of level. If the tilt continues to increase, the AB50J will eventually tip over.

! DANGER

To prevent **Death** or **Serious Injury**, when you hear the loud two toned (high-low-high-low...) alarm, immediately retract and lower the platform. When the platform is completely down, determine and correct the cause of the tilt before raising the platform again.

All Motion Alarm

The optional all motion alarm emits a loud beeping sound anytime a platform moving switch is used or anytime the DRIVE/STEER controller is used. The alarm alerts people near the AB50J that some part of the AB50J is moving.

Descending Boom Alarm

The optional descending boom alarm emits a loud beeping sound anytime the jib boom, main boom, or riser booms come DOWN. The alarm also sounds when the tip boom RETRACTS. The alarm alerts people near the AB50J that a boom is lowering.

Drive Motion Alarm

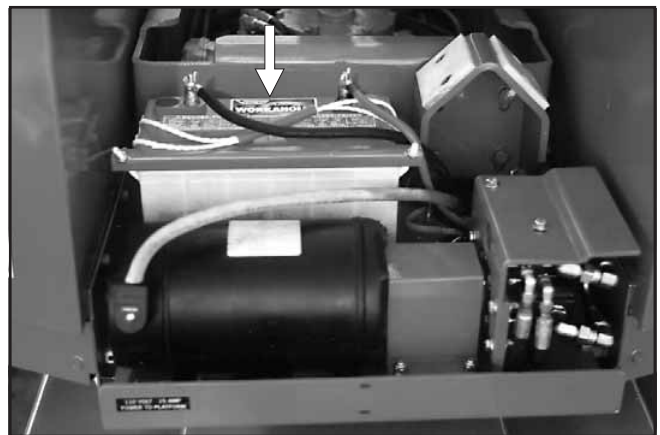
The optional drive motion alarm emits a loud beeping sound anytime the **Drive/Steer** controller is in FORWARD or REVERSE. This alarm alerts people on the ground that the AB50J is traveling along the ground.

■ Other Safety Devices

Battery



The battery in the AB50J is a safety device because it powers the emergency operating circuits. If the platform is aloft and the engine dies, battery power is the only way to lower the platform, there is no manual bleed down procedure. Thus, battery maintenance is very important. The battery should always be kept at full charge and the battery terminals kept free of corrosion.

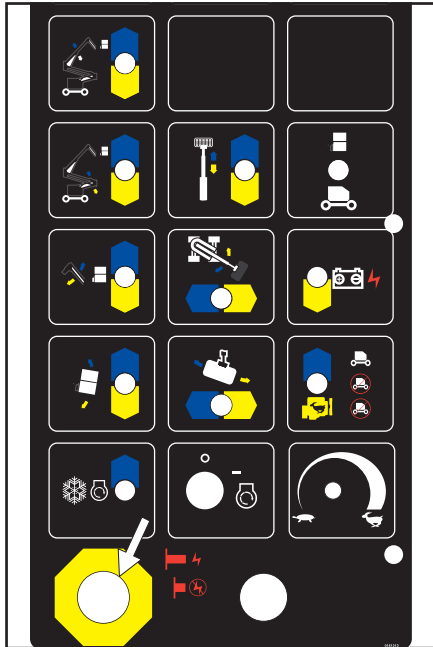


If an optional extra battery is installed, at rear of turntable, it too is a safety device. The extra battery is not connected to the standard battery. The batteries alternate use: only one battery is connected to the electrical system at a time. Each time the starter motor is activated the battery used changes.

2. Safety Devices

Emergency Stop Switches

At Ground Control Box



Press the large red **Emergency Stop** switch in, at any time, under any conditions, and the entire machine stops, the engine turns off, the brakes automatically set, and nothing moves.

This switch must be pulled out (on) for anything on the AB50J to work.

⚠ CAUTION

The ground control box is designed to override the platform control box.

If the platform control box **Emergency Stop** switch is down (off) the ground control box can still be used to start and operate the AB50J.

At Platform Control Box



Press the large red **Emergency Stop** switch down (off) and the entire machine stops, the engine turns off, the brakes automatically set, and nothing moves.

This switch must be pulled to its up (on) position to control the AB50J from the platform.

Flashing Lights



The optional flashing lights alert people that the AB50J is present. The lights flash at about one flash per second any time the **Battery**, **Emergency Stop** (at the ground), and **Master Key Switch** are all ON.

There is no ON/OFF switch for the flashing lights.

Foam Filled Tires

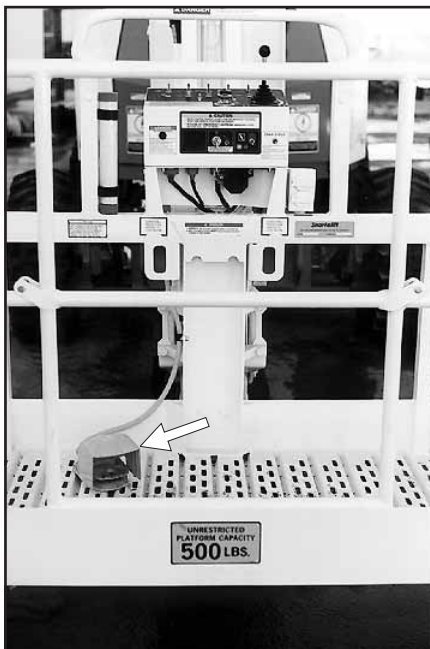


Optional foam filled tires eliminate the possibility of air leaks or blowouts which might cause a tipover. Foam filled tires are therefore a safety device.

Inspect them at the start of each work shift according to the procedures in the “Daily Inspection and Maintenance” chapter 7.

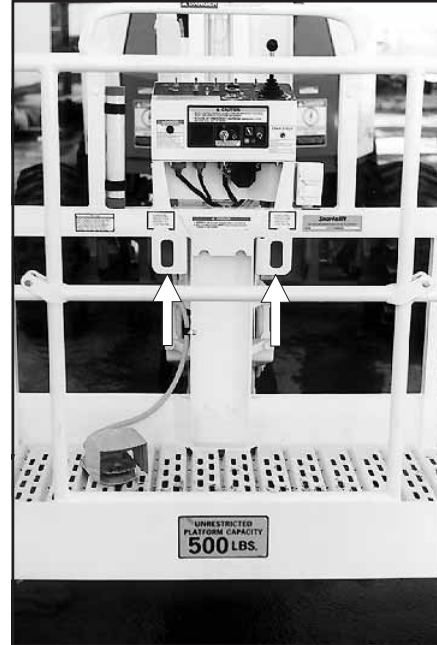
The foam filled tire shown here, shows signs of damage and therefore is not acceptable for service.

Platform Foot Switch



The platform foot switch prevents the platform from moving if something accidentally pushes one of the platform moving controls on the platform control box. To make the platform move you must step on the foot switch at the same time you use a platform moving control.

Lanyard Anchor Points



All personnel on the platform shall attach their fall restraint lanyards to one of the lanyard anchor points.

Platform Guardrails



The guardrails help protect you from falling off the platform. Be sure the guardrails are properly installed and that the gravity gate or swinging gate is in place.

2. Safety Devices

Ground Fault Circuit Interrupt



The ground fault circuit interrupt (GFCI) is located near the platform control box.

The GFCI protects against short circuits to ground. When there is a short to ground the GFCI shuts off power to the electrical outlets.

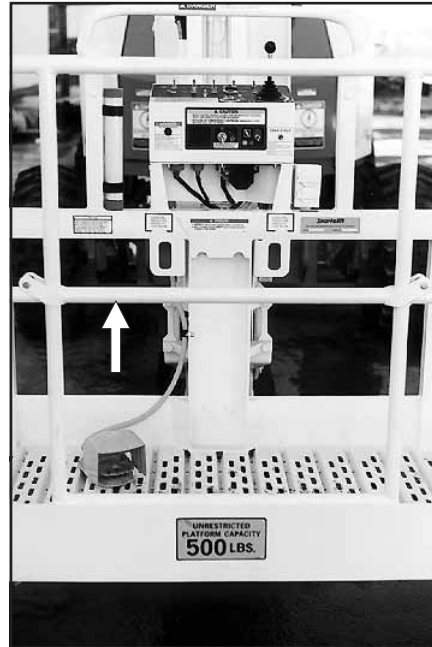
To use the outlet, connect the power input connector, at the rear of the turntable, to a source of 125 V AC, 15 A electrical power.

NOTE

If the AB50J has the optional AC Generator, plug the power input connector into the generator. Then, set the **AC Generator** switch, on the platform control box, to ON.

See "electrical Outlet at the Platform" in the "Operation" chapter 8, for more information about how to use the GFCI.

Platform Gravity Gate



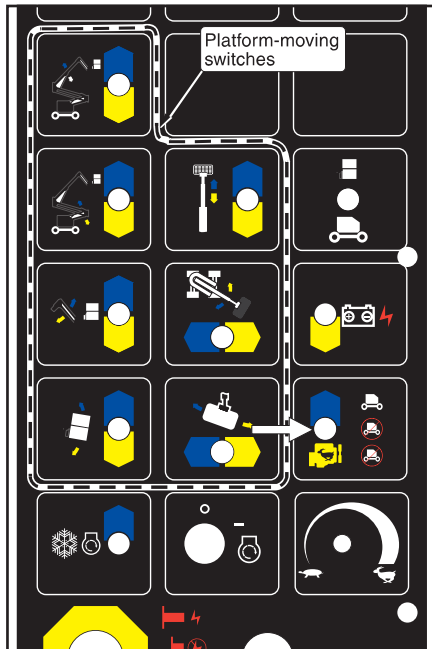
The platform gravity gate is the place in the platform guardrail system where you should enter and leave the platform.

Raise the gate and step under it onto the platform.

CAUTION

Once you have entered the platform and attached your fall restraint lanyard to an anchor point, check to see that the gravity gate has fallen back into place.

□ Ground Operation Switch



The **Ground Operation** switch prevents the platform from moving if something accidentally pushes one of the platform moving switches at the ground control box. To make the platform move you must push and hold the **Ground Operation** switch up at the same time you use a platform moving switch.

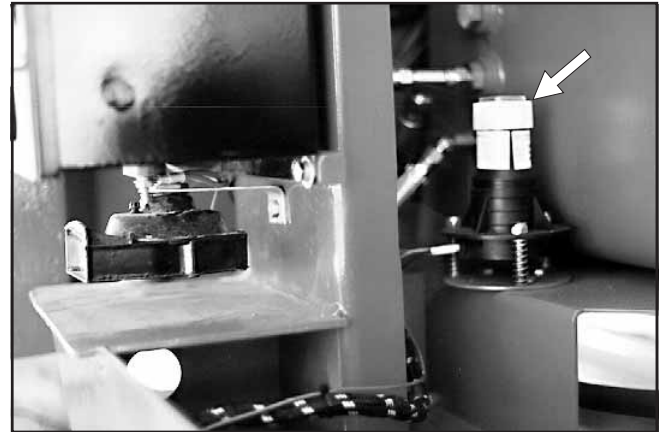
□ Operator Horn



The optional operator **Horn** is used primarily to get the attention of people on the ground when you are working aloft. For the horn to work the **Battery** switch must be ON and the following switches, on the ground control box, must be set as indicated:

Platform/Ground Selector PLATFORM
Emergency Stop Pulled Out (ON)
Master Key Switch ON

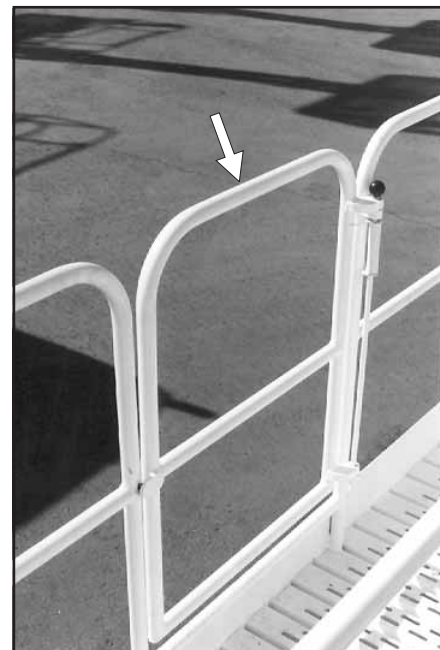
□ Level Sensor



The level sensor, located behind the ground control box, detects how far out of level the turntable is.

If the turntable gets over 5° out of level and the booms are raised, the level sensor activates the tilt alarm.

□ Platform Swinging Gate



The optional platform swinging gate is designed to automatically close after you enter or leave the platform. It helps prevent people from falling off the platform.

2. Safety Devices

□ Platform Work Lights



The optional platform work lights are located on top the platform guardrail. For the lights to work, the **Battery** switch must be ON and the following switches, on the ground control box, must be set as indicated:

Platform/Ground Selector PLATFORM
Emergency Stop Pulled Out (ON)
Master Key Switch ON

The toggle switch on the back of a light turns it on.

⚠ CAUTION

Incandescent lights draw three amperes (35 watts) each. Halogen lights draw four amperes (50 watts) each.

If you work with the lights turned on and the engine turned off, the battery can discharge to the point it will not start the engine nor run the Emergency Power hydraulic pump.

If you cannot leave the engine running while the lights are on, start and run the engine at least 15 minutes in each hour to keep the battery charged.

□ Tipover Hazard Light



This light will come on when the front axle should be locked but is not. The axle unlocked alarm will sound when this light is on. When this light comes on you should immediately completely lower the booms.

Drive to a slightly different position then raise the booms again. If the alarm comes on, take the machine out of service IMMEDIATELY and refer the problem to a qualified service technician. For more information about the axle lock, see “Axle Unlocked Alarm” at the start of this chapter.

The Snorkelift AB50J is a boom supported elevating work platform built to conform to all applicable OSHA, ANSI or CSA standards as previously outlined.

■ General Specifications

| | |
|--|--------------------------|
| Working height, nominal | 56.0 ft (17.07 m) |
| Platform height, maximum | 50.2 ft (15.30 m) |
| Platform reach, max | 28.0 ft (8.53 m) |
| Length, stowed | 21.0 ft (6.40 m) |
| Width, overall | 90 in (2.29 m) |
| Height (booms down & retracted) | 83 in (2.11 m) |
| Wheelbase | 96 in (2.44 m) |
| Ground clearance | 7 in (17.8 cm) |
| Tailswing, stowed | 15 in (0.38 m) |
| Weight, approximate | 15,280 lbs (6,930 kg) |
| Wheel loading, single - max. | 7,890 lbs (3,580 kg) |
| Ground pressure, standard tires | 77 psi (529 kPa) |
| Gradeability | |
| 2-wheel drive | 25% |
| 4-wheel drive | 40% |
| Platform size: | |
| Standard | 30 x 72 in (76 x 183 cm) |
| Optional | 30 x 96 in (76 x 244 cm) |
| Unrestricted rated work load (total weight of personnel, tools, and equipment that platform is designed to carry above its floor): | |
| Load weight | 500 lbs (227 kg) |
| Occupants | 2 people |
| Travel speeds | |
| Booms down and retracted | 3.5 mph (5.6 km/h) |
| Booms up and/or extended | 0.5 mph (0.8 km/h) |

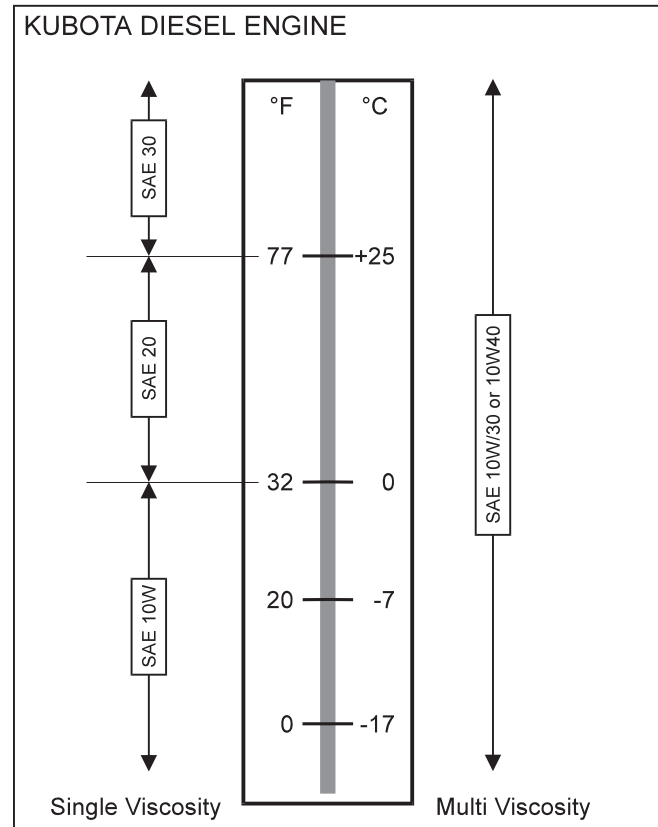
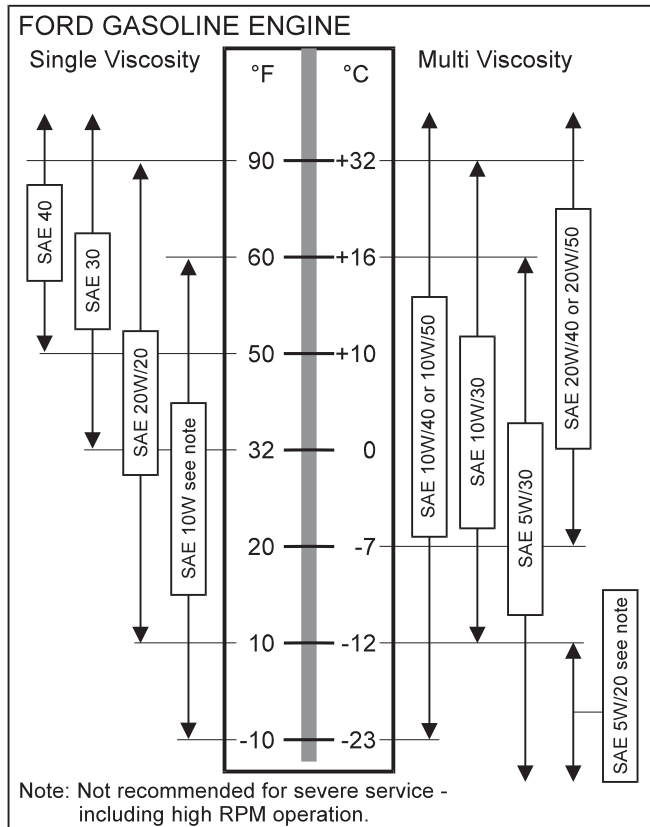
| | |
|--|-------------------------------|
| Turning radius | |
| 2-wheel steer, inside | 89 in (2.26 m) |
| 2-wheel steer, outside | 205 in (5.21 m) |
| 4-wheel steer, inside | 45 in (1.14 m) |
| 4-wheel steer, outside | 124 in (3.15 m) |
| Tires | 12 x 16.5 (30.5 x 42), 8 ply |
| Electrical system | 12 V dc (neg. chassis ground) |
| Environmental operating ranges: | |
| ambient air temperature | |
| Fahrenheit | 0°F to +110°F |
| Centigrade | -18°C to +43°C |
| Wind speed (maximum gust or steady) | 28 mph (45 km/hr) |
| Fuel tank capacity | |
| Gas or diesel | 15 gal USA (56.8 liters) |
| Optional LPG | 43.5 lbs USA (20 kg) |
| Hydraulic oil | |
| Pressure, maximum | 3,500 psi (24,150 kPa) |
| Tank capacity | 16.5 gal USA (62.5 liters) |
| Maximum temperature at tank | 200°F (93°C) |
| Type and grade recommended | |
| Above 10°F (-13°C) | Mobil DTE-13M ISO VG32 |
| Below 10°F (-13°C) | Mobil DTE-11M ISO VG15 |
| Boom times, (complete range of movement): | |
| Turntable Swing, 360° | |
| CW or CCW | 60 - 70 seconds |
| Platform Rotation, 180° | |
| CW or CCW | 15 - 20 seconds |
| Main Boom Elevation, +75°/-1° to horizontal | |
| UP: | 30 - 35 seconds |
| DOWN: | 20 - 25 seconds |
| Riser Boom Elevation | |
| UP: | 55 - 60 seconds |
| DOWN: | 55 - 60 seconds |
| Jib Boom, +45°/-75° to horizontal | |
| UP: | 25 - 30 seconds |
| DOWN: | 15 - 20 seconds |

3. Specifications

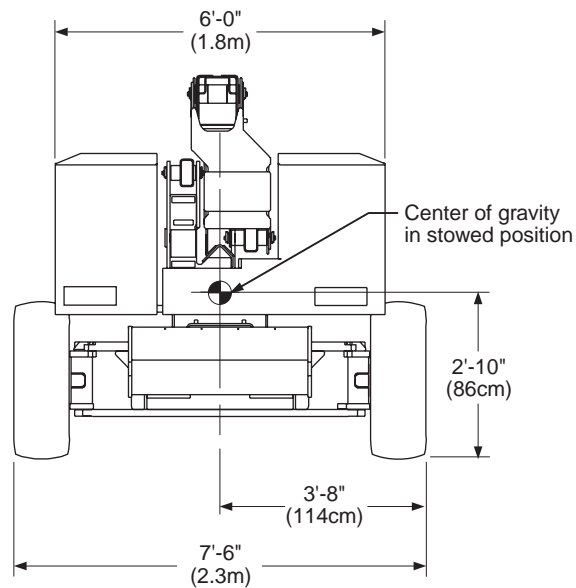
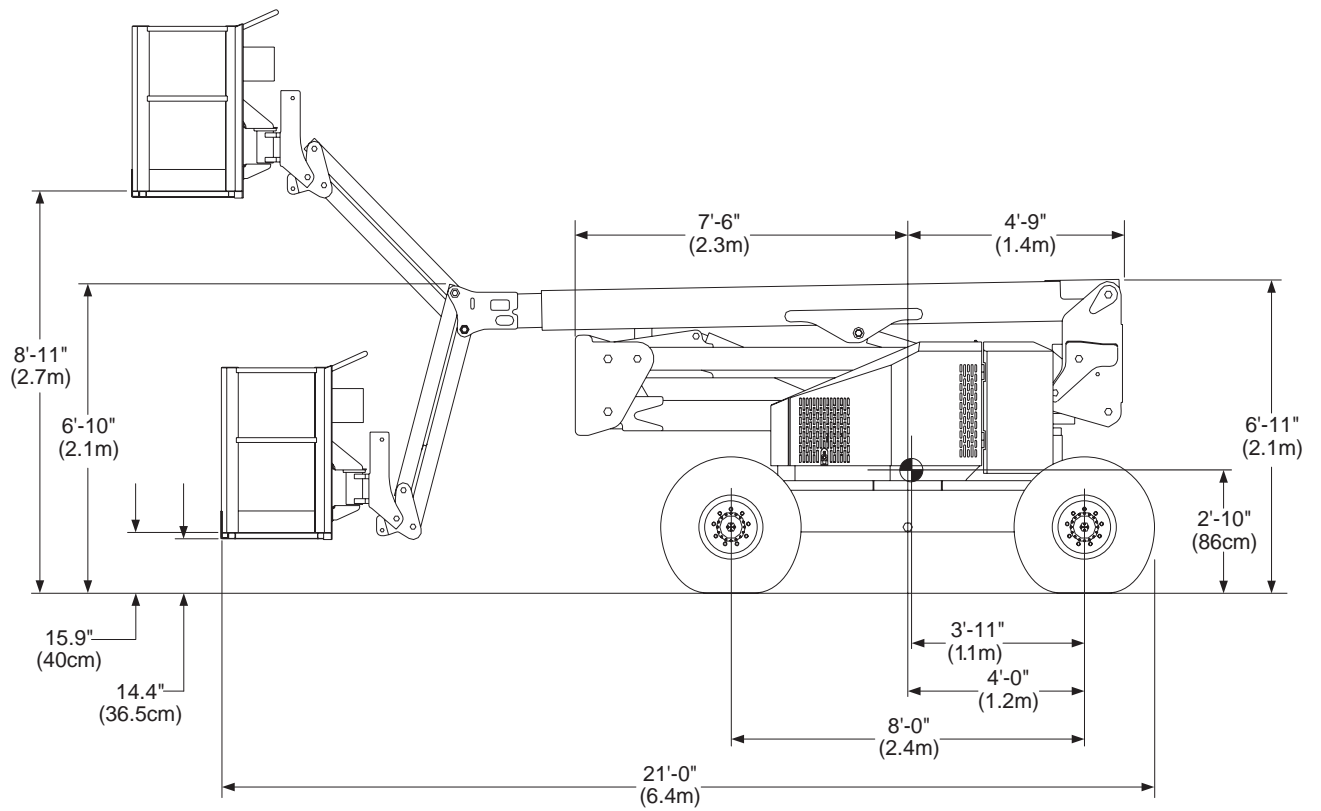
■ Engine Data

| Engine Make | Ford (gasoline) | Ford (LPG) | Kubota (diesel) |
|------------------------------|---|---|---------------------------------|
| Model | VSG 411 or VSG 413 | | V1305 |
| Fuel | gasoline | LPG (liquefied petroleum gas) | diesel |
| Fuel Grade | Unleaded 87 octane (motor method) Do not use gasoline blended with methyl alcohol. | HD5 Gas Processors Association Standard 2140. Category: special duty propane | Diesel fuel No. 2-D (ASTM D975) |
| Coolant | 50% water + 50% ethylene glycol | | |
| Operating Temperature | 160°F - 190°F (71°C - 88°C) | | 180°F - 205°F (82°C - 96°C) |
| Oil Capacity | 3.5 qt USA (3.25 liters) | | 1.59 gal USA (6.0 liters) |
| Oil Grade | API: SG, SG/CC, or SG/CD | | API: CD/CE |
| Oil Weight | see chart below | | |
| Running Time (one tank fuel) | A full tank of gasoline, or diesel, will last an entire eight hour shift, under normal working conditions. It normally takes two tanks of LPG per eight hour shift. | | |

■ Engine Oil Charts

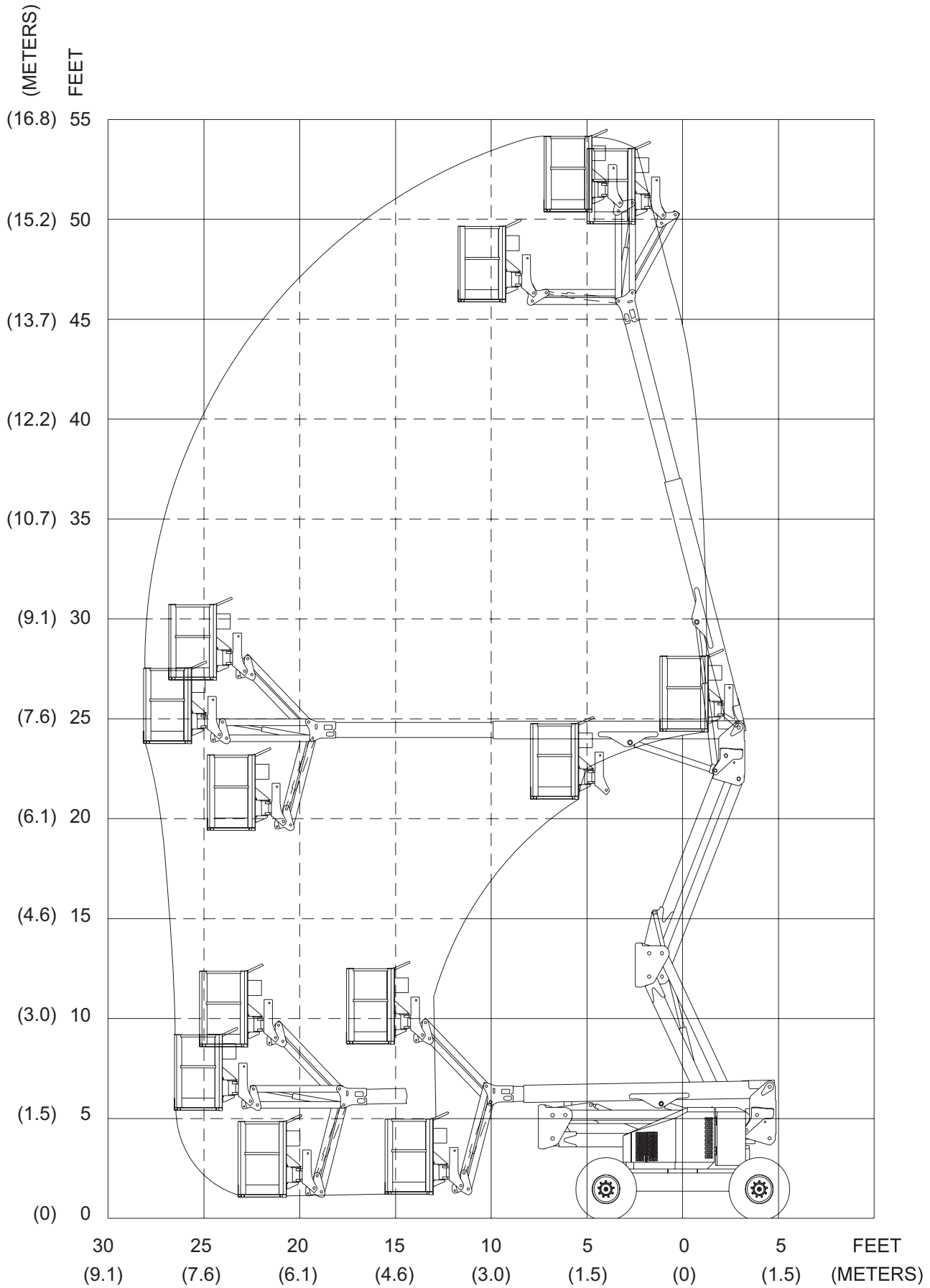


Overall Dimensions



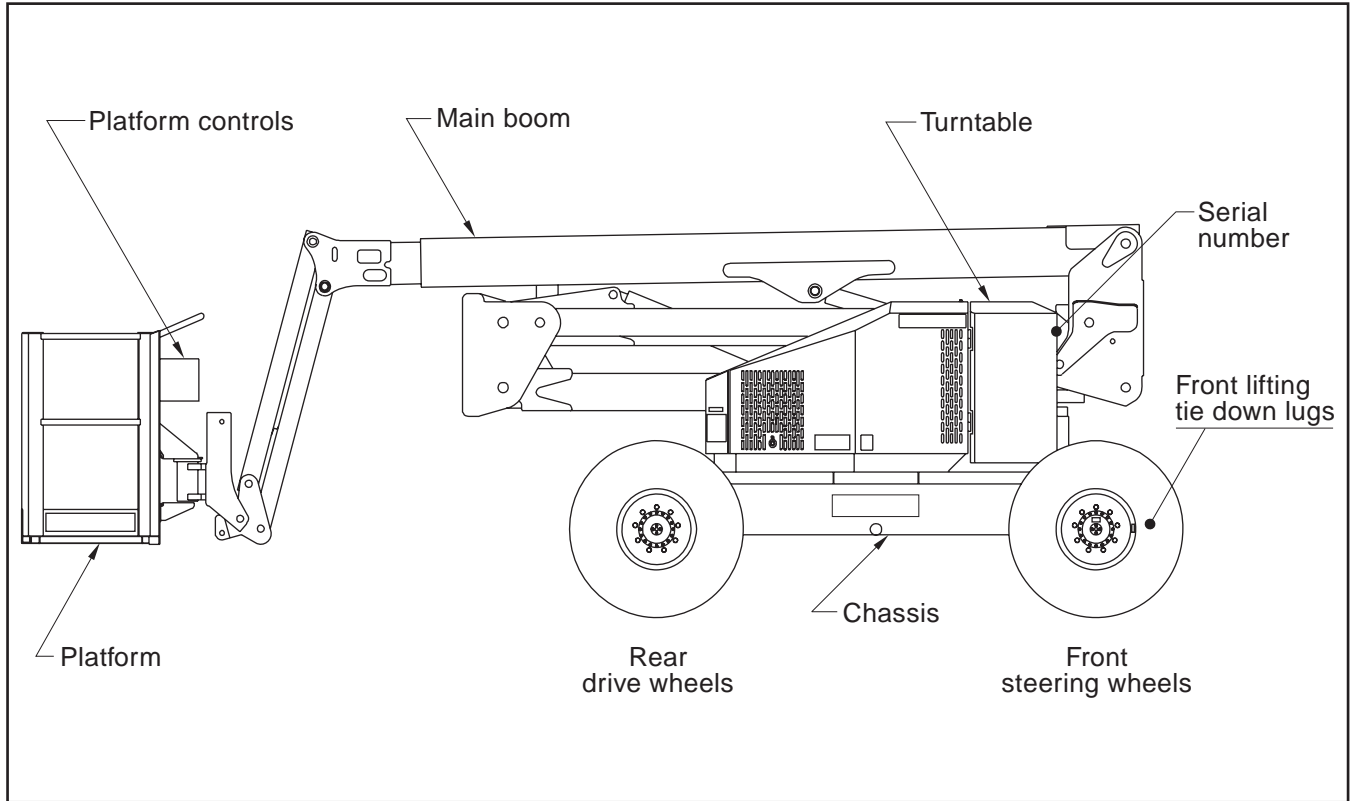
3. Specifications

■ Working Envelope

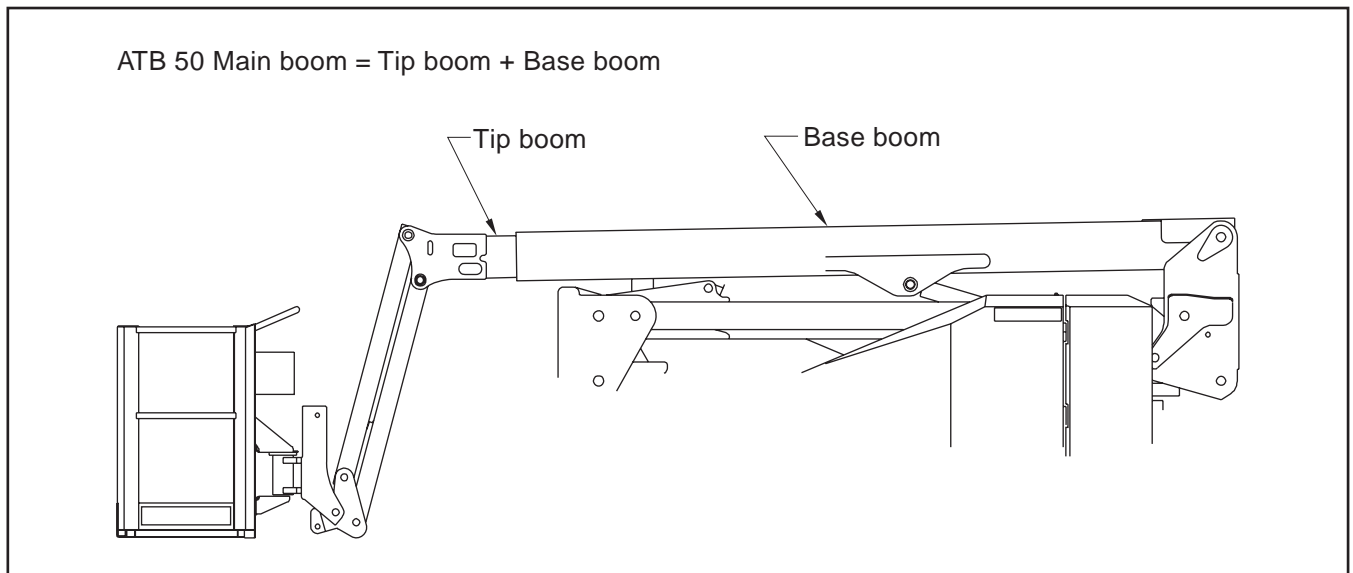


■ Nomenclature and Serial Numbers

□ Right Side View Of Machine

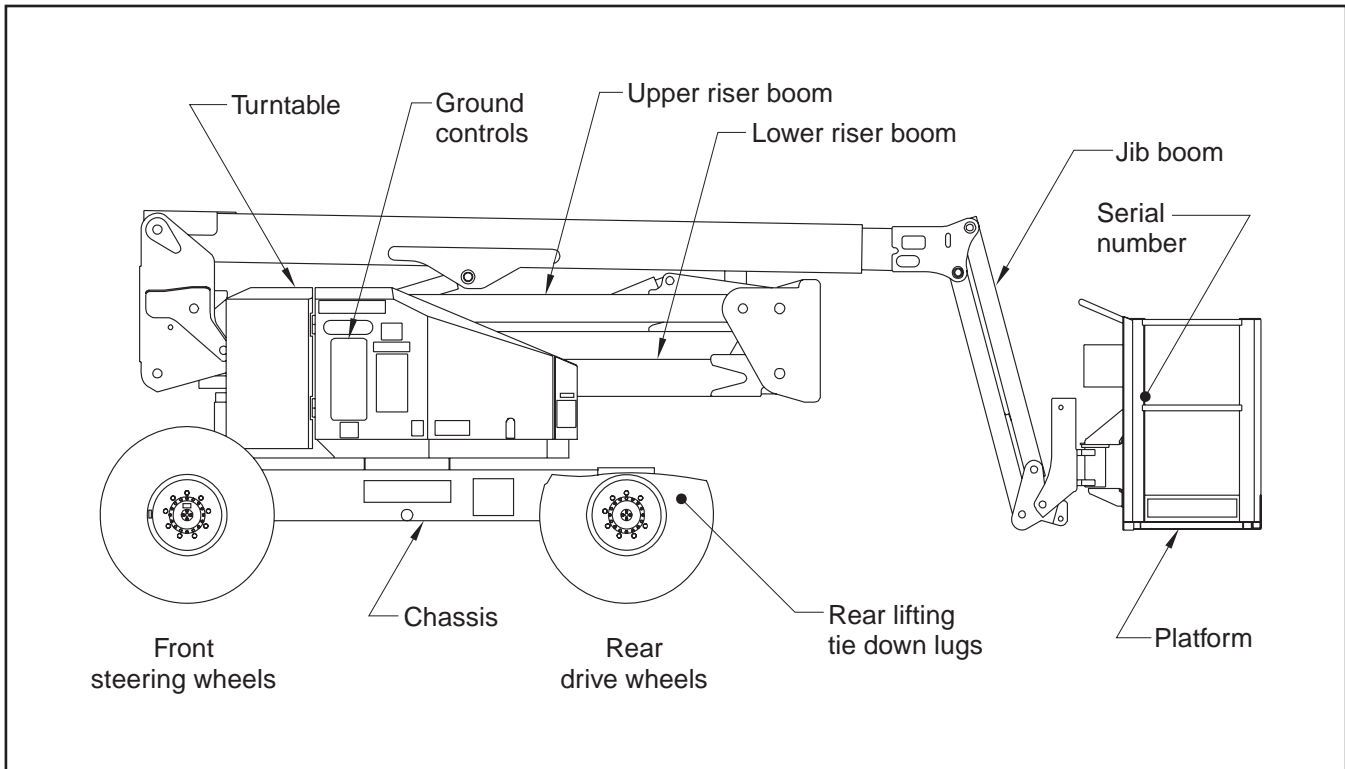


□ Booms Identification

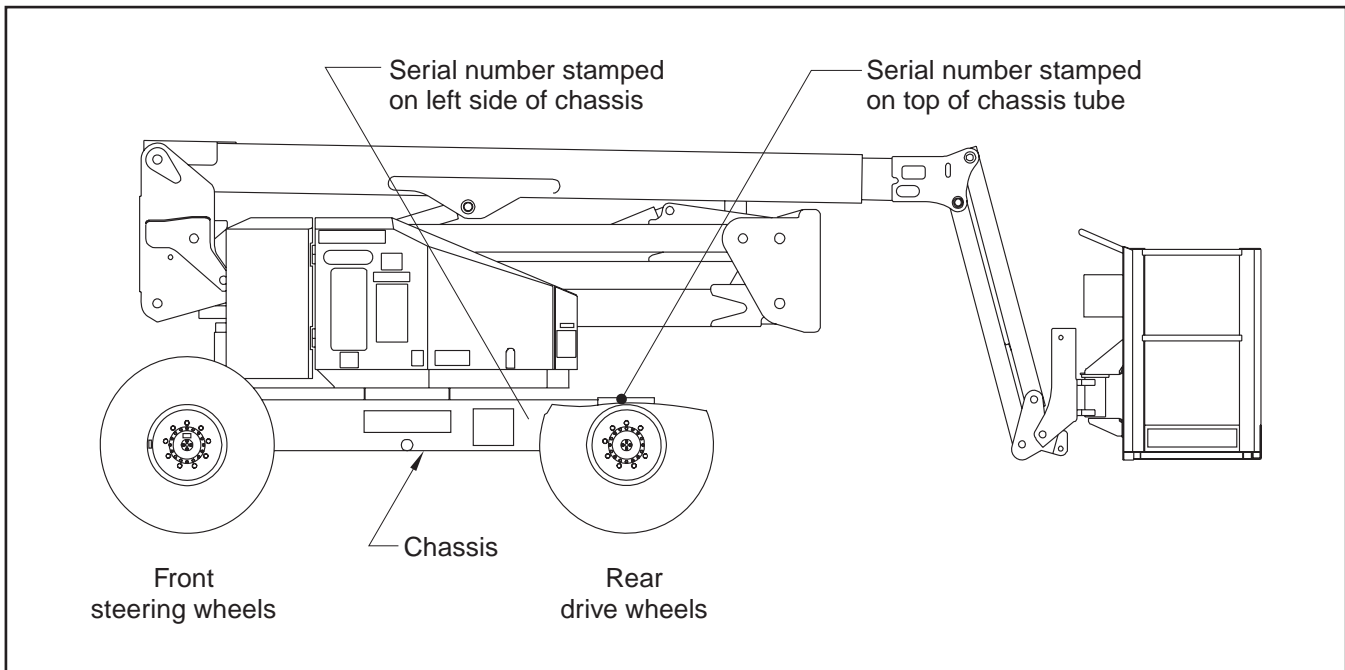


3. Specifications

□ Left Side View Of Machine



□ Serial Number Location

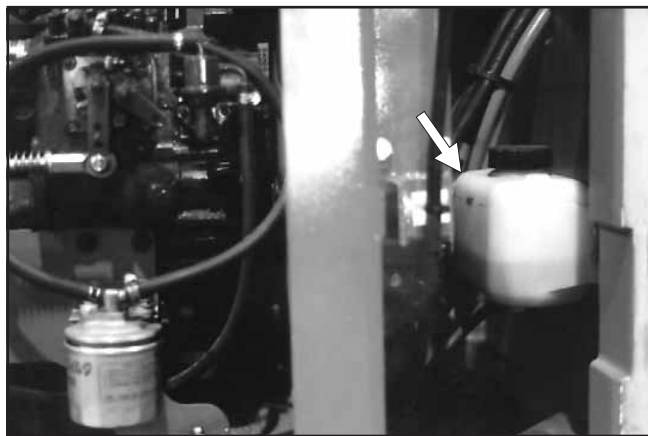


■ Ammeter



The ammeter gauge shows the electric current from the alternator to the battery. When the engine is running, the needle in the ammeter gauge should not be to the left of "0." Under normal operating conditions, after the engine has been running for a few minutes, this gauge should read "0."

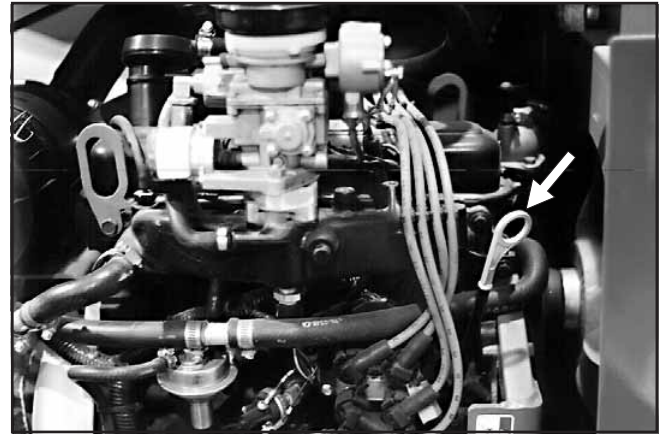
■ Engine Coolant



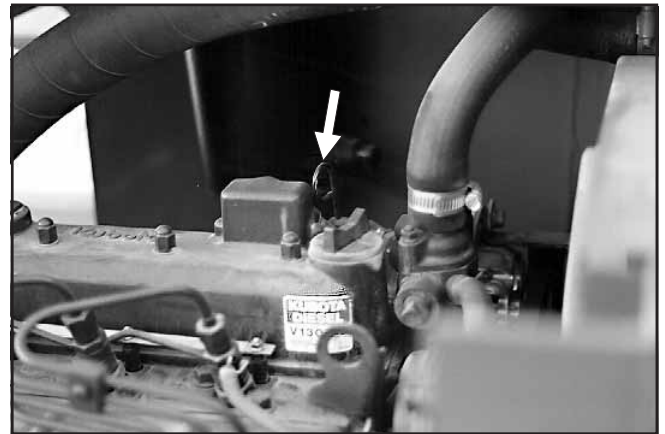
The engine coolant reservoir is in front of the radiator. When the engine is at operating temperature the coolant level should be at the HOT line. When the engine is cold there should be about one inch (2.5 cm) of coolant in the bottom of the reservoir.

■ Engine Oil

□ Gas Engine



□ Diesel Engine



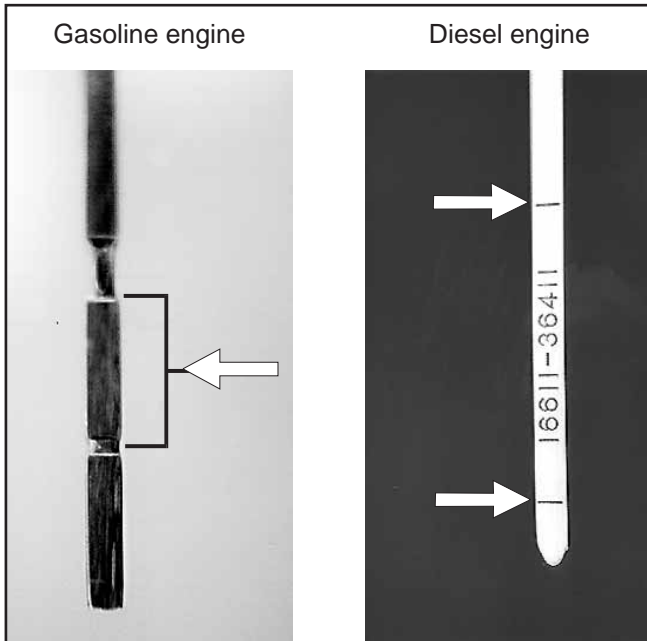
Engine oil level is measured with a dipstick. Oil capacities given in "Specifications" chapter 3, are approximate.

True values may vary from machine to machine due to slight variations or modifications during production.

The oil dipstick is the only way to accurately gauge if the engine oil level is correct.

4. Gauges

□ Engine Oil Dipstick

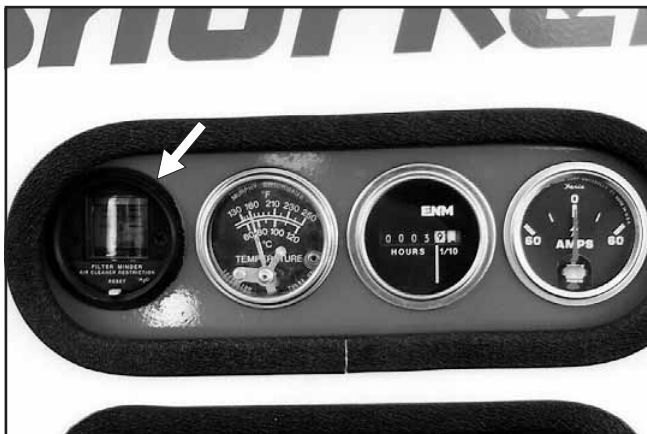


Engine oil level should always be between the lines on the dipstick, never above or below them.

The AB50J should be on level ground when you check the dipstick.

Check the oil level after the engine has been turned off a few minutes so that oil can run down out of the engine into the sump.

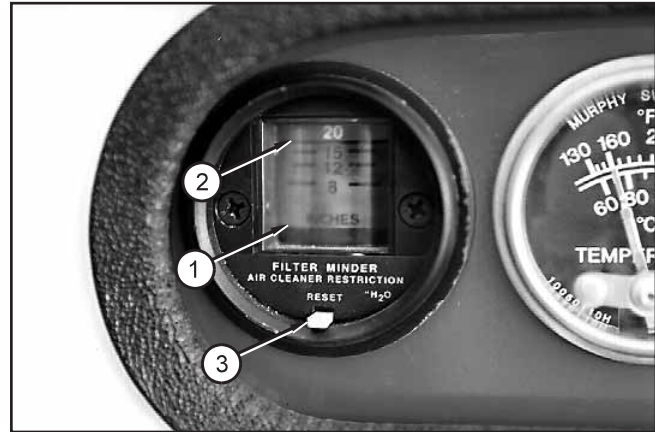
■ Filter Minder



The air filter gauge, filter minder, is located just above the ground control box.

The gauge measures the vacuum (air pressure) between the intake manifold and the air filter.

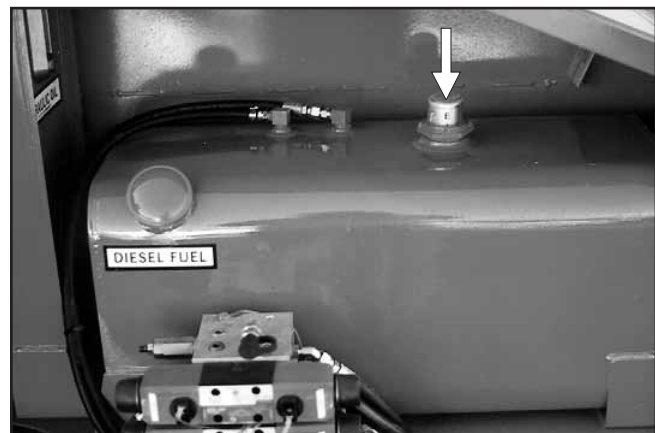
□ Filter Minder Indicators



As the filter clogs, the vacuum increases (pressure drops). As the vacuum increases, the yellow indicator (1) raises toward the red area (2) of the sight glass. When the yellow indicator reaches the red, it's time to change the air filter.

The yellow indicator (1) stays at its highest setting. It does not go to the bottom of the sight glass when the engine is turned off. After the filter is changed, press the small RESET button (3) to reset the yellow indicator to the bottom of the sight glass.

■ Fuel

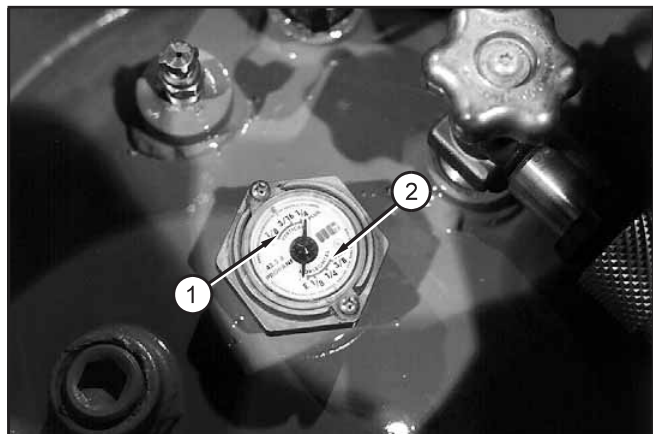


The fuel gauge is located on top of the gasoline or diesel fuel tank. Read the fuel gauge at the line in the clear plastic window. The gauge reads in fractions-of-a-full-tank.

⚠ CAUTION

DO NOT run a diesel fuel tank empty. Air in the fuel line makes a diesel engine hard to start.

■ **LPG (Liquefied Petroleum Gas)**



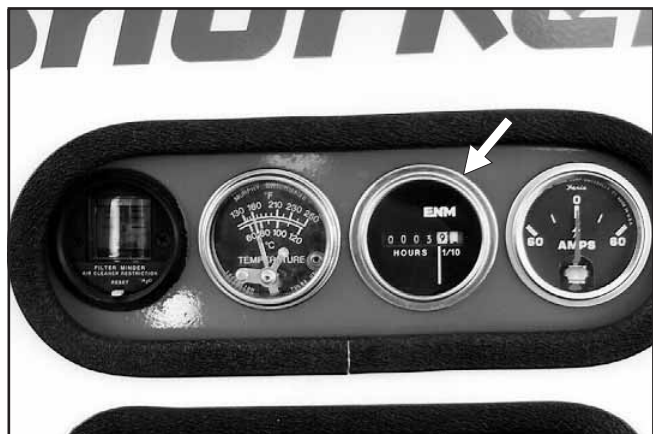
Optional LPG tanks have two fuel gauges (1) and (2) on top. One measures correctly when the tank is standing on end (vertical), the other measures correctly when the tank is laying down (horizontal).

Both read in fractions-of-a-full-tank. Standard AB50J tanks are mounted vertically, therefore, you should read the vertical scale (1).

———— **NOTE** ————

Optional second LPG tanks are mounted horizontally. Read the horizontal gauge on them.

■ **Hour Meter**



The hour meter gauge is basically an electric clock. It accumulates time when:

- Battery Switch** ON
- Platform/Ground Selector** GROUND
- Emergency Stop**
(at ground control box) Pulled Out (ON)
- Master Key Switch** ON

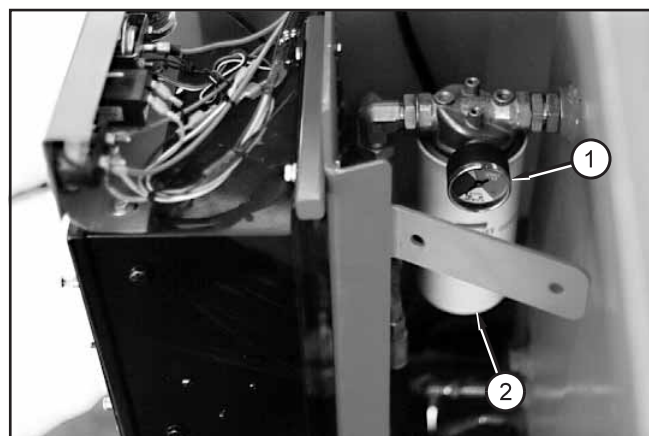
The Hour Meter also accumulates time when:

- Battery Switch** ON
- Platform/Ground Selector** PLATFORM
- Emergency Stop**
(at ground control box) Pulled Out (ON)
- Emergency Stop**
(at platform control box) Pulled Out (ON)
- Master Key Switch** ON
- Anti-Restart Switch** ON

———— **NOTE** ————

The hour meter gauge cannot be reset. use it to tell when it is time to perform the periodic maintenance listed in the Maintenance and Repair Parts Manual.

■ **Hydraulic Oil Filter**



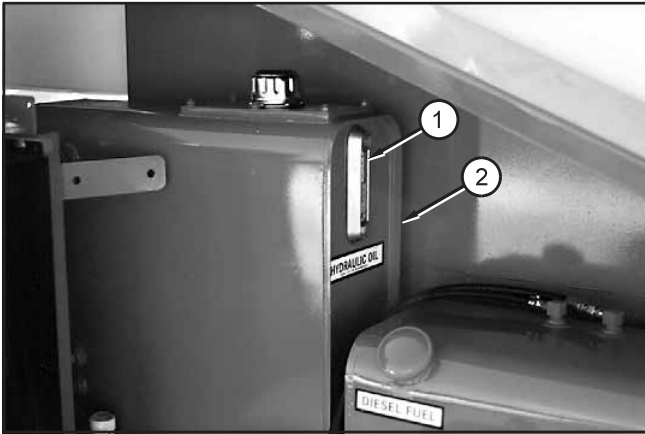
The hydraulic oil filter gauge (1) is located above the hydraulic oil filter (2). The gauge measures pressure into the filter. As the filter clogs, the pressure goes up.

⚠ CAUTION

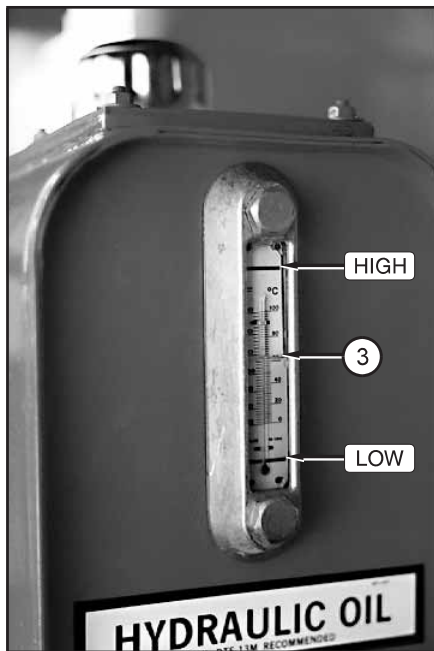
The hydraulic oil filter gauge should only be read by qualified trained maintenance personnel. An accurate reading requires very special conditions and should not be attempted by operators.

4. Gauges

■ Hydraulic Oil Level



The hydraulic oil level gauge (1) is on the side of the hydraulic oil tank (2).



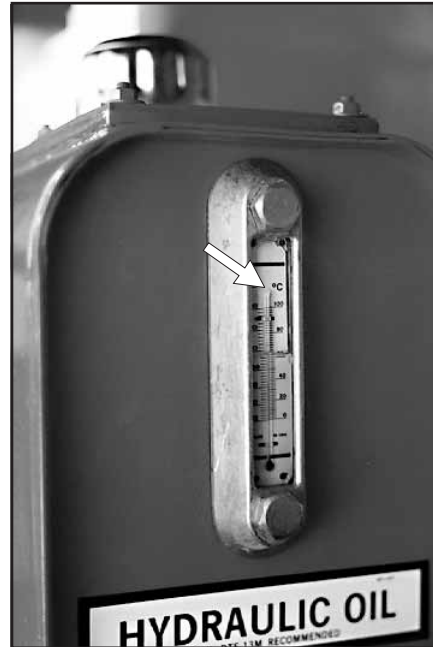
The gauge shows the actual level of oil inside the hydraulic oil tank.

NOTE

Read it only when the booms are completely down and completely retracted. Otherwise, the boom hydraulic cylinders become large reservoirs for hydraulic oil and the oil level in the tank will be low.

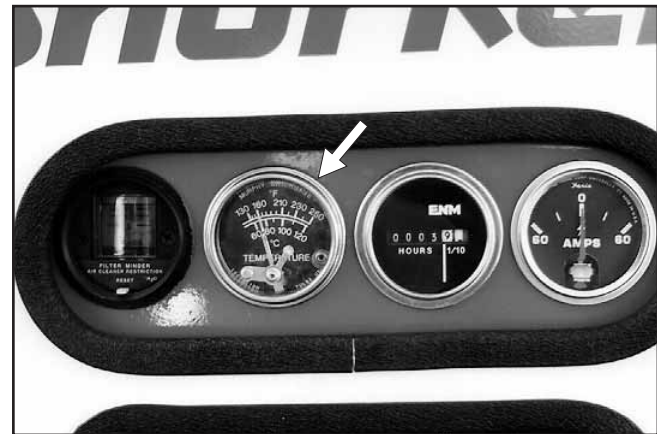
The oil level (3) should be between the HIGH mark and LOW mark.

■ Hydraulic Oil Temperature



The hydraulic oil temperature gauge measures the temperature of the oil in the tank. The temperature should not exceed 200°F (93°C). If it does, reduce your driving speed or stop the engine and let the hydraulic oil cool.

■ Temperature



The temperature gauge shows the temperature of the water antifreeze mixture as the mixture enters the engine block.

The typical operating temperature range for FORD engines is 160°F to 190°F (71°C to 88°C).

The typical range for Kubota engines is 180°F to 205°F (82°C to 96°C).

5. Automatic Shut-Offs and Circuit Breakers

■ Automatic Shut-Offs

The AB50J engine will automatically shut off if:

1. The engine temperature gets too high.
2. The engine oil pressure gets too low.
3. The main circuit breaker trips.

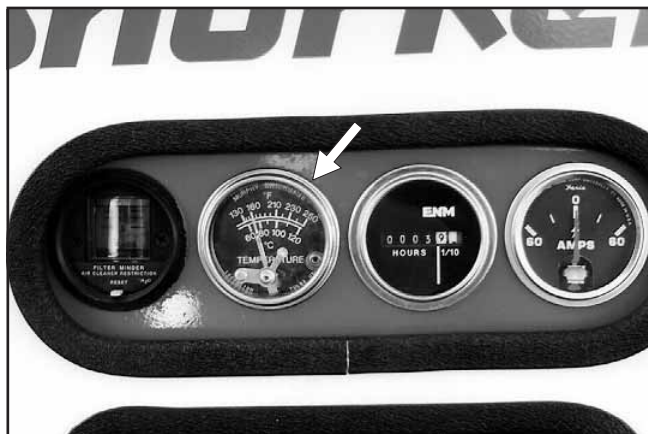
A continuous tone alarm will sound as the engine begins to overheat or if the oil pressure is low. For circuit breaker problems there is no audible alarm. The subsections below explain the shut-offs in more detail.

See the “Safety Devices” chapter 2, for an alarm timing diagram.

⚠ DANGER

If you are aloft in the platform when a continuous tone alarm sounds, **IMMEDIATELY** lower the platform to ground by using normal operating procedures or emergency operating procedures if the engine will not run. Then, check the AB50J as described below. Failure to do so might result in harm to the AB50J or might result in stranding you aloft, in some cases, with no EMERGENCY POWER.

□ Engine Temperature



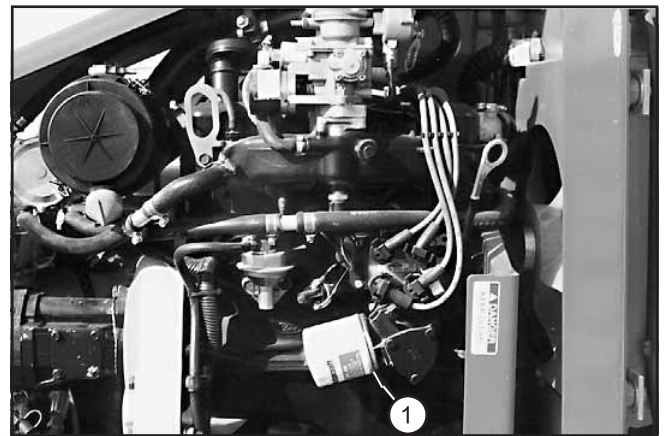
If the temperature of either a gasoline or diesel engine reaches 220°F (104°C) a warning alarm will sound. If the temperature continues to climb to 230°F (110°C) the engine will automatically shut off and cannot be restarted until it cools.

Check engine coolant level (see “Daily Inspection and Maintenance” chapter 7), before you try to restart the engine. If the coolant is low, replenish it then start the engine and visually check the radiator, radiator hoses, and engine head gasket for leaks. If the engine will not restart, or if it automatically shuts off a second time, refer the problem to a qualified service technician.

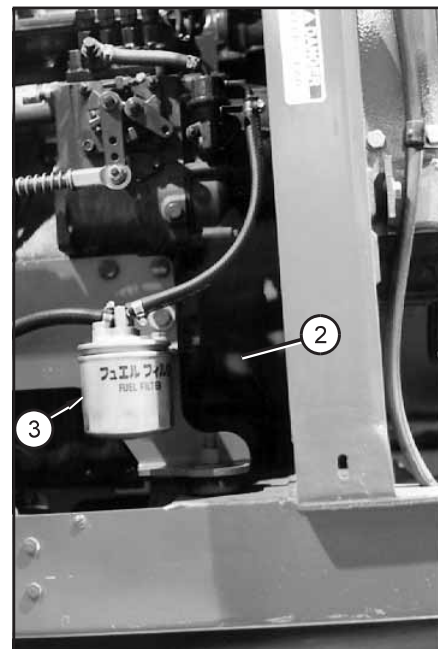
□ Engine Oil Pressure

If the engine oil pressure drops to an unsafe level the engine automatically shuts off and an alarm sounds. If you are aloft in the platform and the engine automatically shuts off and will not restart, use EMERGENCY POWER to lower the platform (see “Emergency Operation” chapter 9).

Check the engine oil level (see “Daily Inspection and Maintenance” chapter 7), before you try to restart the engine. If the engine oil is low, replenish it then check for leaks. Check the engine oil filter (with the engine turned off) to be sure it is in place and tight. If the engine will not restart, or if it automatically shuts off a second time, refer the problem to a qualified service technician.

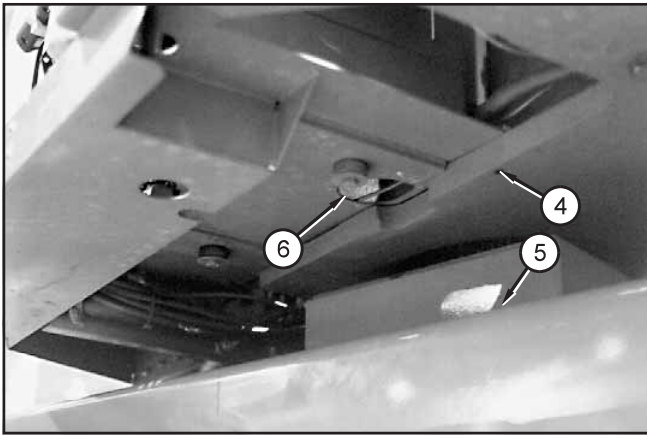


The oil filter (1) on a Ford engine is easy to reach.



The oil filter (2) on a Kubota engine is on the back side of the engine, approximately where the fuel filter (3) is on the front side.

5. Automatic Shut-Offs and Circuit Breakers

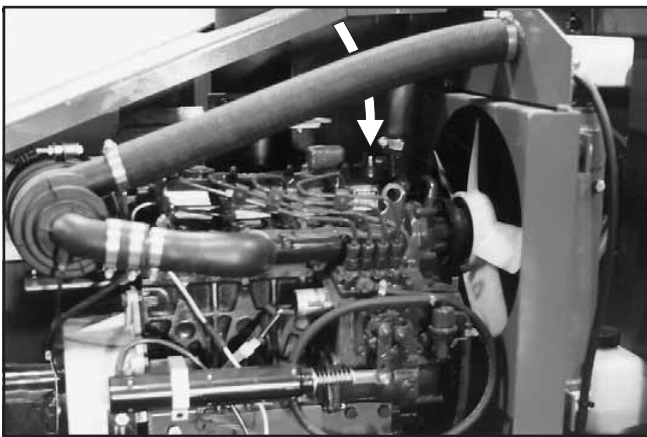


There are two ways to get to the oil filter on a Kubota engine.

1. One way is to rotate the turntable (4) about 30° clockwise with respect to the chassis (5) then reach through the hole (6) in the bottom of the turntable (4).

⚠ CAUTION

Use caution to avoid burns as the engine and exhaust manifold might be hot.



2. The second way is to reach over the engine.

■ Circuit Breakers

With the exception of the GFCI outlet at the platform, there are no circuit breakers on the AB50J that are accessible to an operator.

Circuit breakers on the AB50J automatically reset themselves about one minute after tripping. When a circuit breaker trips that will not reset, or if it resets automatically but trips again, immediately attempt to lower the platform to the ground by using normal operating procedures.

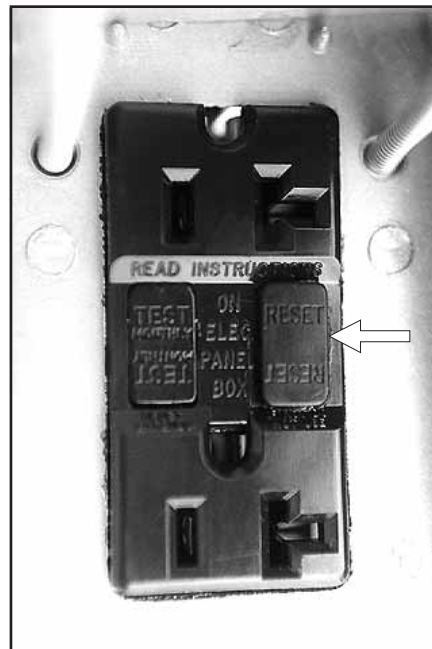
If normal procedures do not work, use EMERGENCY procedures (see "Emergency Operation" chapter 9) to lower the platform.

⚠ CAUTION

If the cause of the problem is not immediately obvious, refer the problem to a qualified service technician.



If the 15 A circuit breaker on the side of the outlet trips, disconnect whatever you plugged into the outlet, wait one minute, then press the circuit breaker button back in.



If the ground fault circuit breaker in the GFCI outlet trips, disconnect whatever you plugged into the outlet, wait one minute, then press the RESET button back in.

If a circuit breaker trips two times in a row, refer the problem to a qualified service technician.

■ Controls Description

This chapter shows the controls at the ground control box and the platform control box, and explains what each control does.

NOTE

This chapter **DOES NOT** explain how to use the controls to produce useful work.

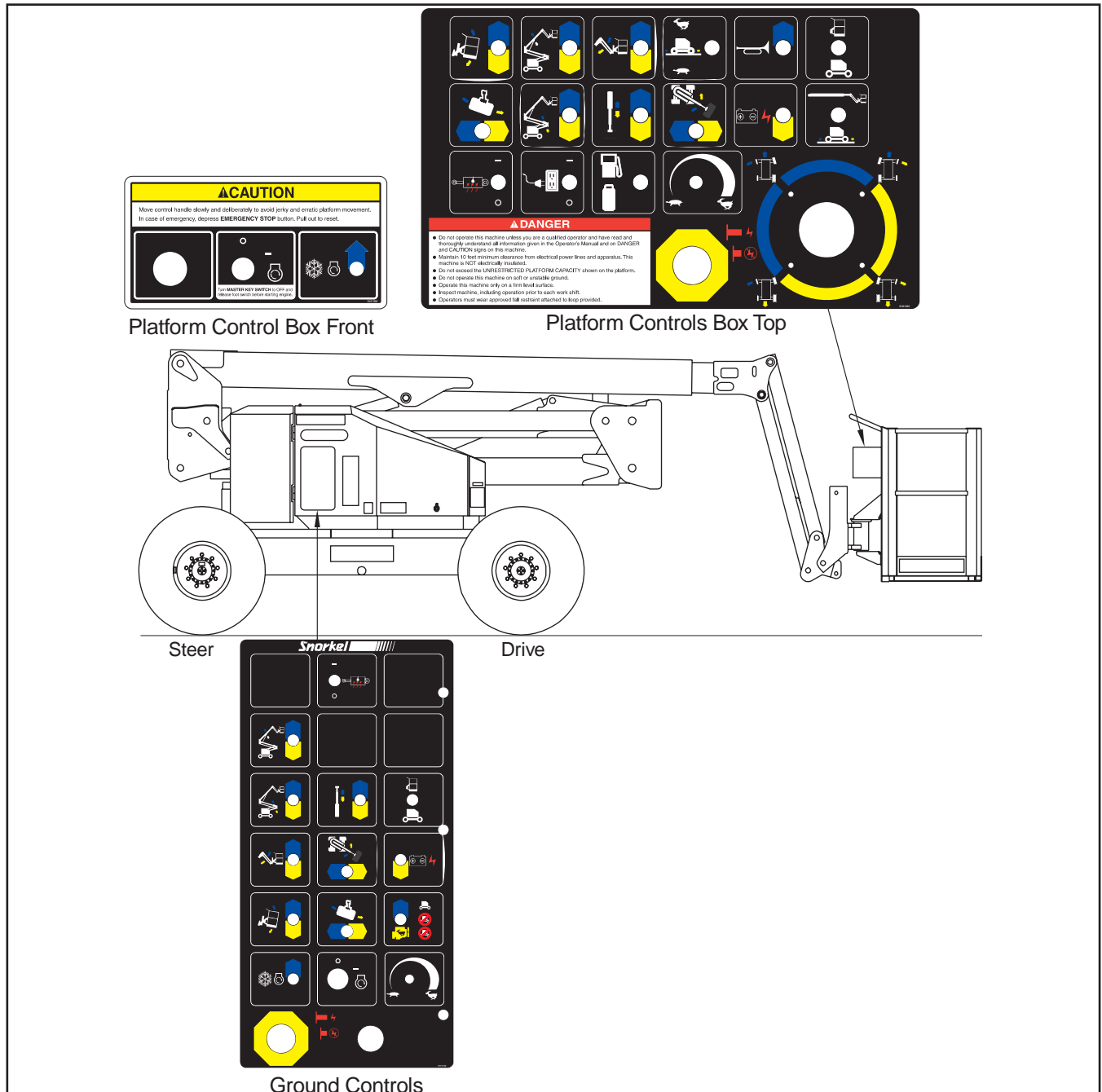
“Operation” chapter 8, covers the proper use of controls.

See the “Emergency Operation” chapter 9, for correct emergency operation procedures.

See the “Options” chapter 11, for correct operation procedures of any optional equipment.

The main operating functions of an AB50J can be controlled from the ground control box or from the platform control box.

■ Controls and Controls Decals Locations



6. Controls

■ Ground Control Box

Controls for operating the AB50J from the ground, are located on the left side of the turntable.

The number of each control below corresponds to the control's call out on the control box illustration.

1. **Emergency Stop:** Press the red button in, at any time, under any conditions, and the entire machine stops - the engine turns off, the brakes automatically set, and nothing moves. This switch must be out for anything on the machine to work.
2. **Platform/Ground Selector :** Must be in the GROUND position (down) for the ground control box to work. The switch **MUST** be in the PLATFORM position (up) for the platform control box to work.
3. **Choke/Cold Start:** This switch only works for diesel engines. Gasoline engines have automatic chokes. Hold the switch UP for 10 seconds then release it just before you start an engine that is at ambient air temperature (a "cold" engine). That will cause the glow plugs to warm the inside top of each cylinder, thus aiding combustion.
4. **Master Key Switch:** This switch works like an automobile ignition switch. Hold it at START until the engine starts, then release it to ON. Turn the **Master Key Switch** to OFF if the platform is to stay in one position for a long time, that will turn the engine off and save fuel.
5. **Boom Speed:** This control determines how fast the booms move. Set it to SLOW (turtle) until you are very familiar with the way the machine works or if the platform is working in dangerous or cramped surroundings.
6. **Ground Operation:** You must manually hold this switch up any time you use one of the seven platform moving switches, (switches 7 through 13), to move the platform.

Holding the switch up increases the engine speed and activates the platform moving switches in preparation to do work. Set the switch to FAST IDLE (down position) only when you need to quickly warm the engine. Return to IDLE (center position) after engine warm up.

Control switches 7 through 13 are the platform moving switches. Each is a three position, momentary contact, normally OFF switch.

NOTE

See Nomenclature and Serial Numbers in the "Specifications" chapter 3, for boom identification.

7. **Main Boom Lift:** UP raises the main boom. DOWN lowers the base boom.
8. **Extend/Retract:** EXTEND extends the tip boom out of the base boom. RETRACT retracts the tip boom into the base boom.
9. **Riser Lift:** Up raises the upper and lower riser booms. DOWN lowers them.
10. **Jib:** UP raises the jib boom. DOWN lowers the jib boom.
11. **Swing:** CW (left) rotates the entire turntable clockwise (as seen from above). CCW (right) rotates the turntable counterclockwise.
12. **Platform Level:** UP rotates the platform up relative to the end of the jib boom. DOWN rotates the platform down.
13. **Platform Rotate:** CW (left) rotates the platform clockwise (as seen from above) relative to the end of the jib boom. CCW (right) rotates the platform counterclockwise.
14. **Emergency Power:** If the engine stops and cannot be restarted, continuously holding this switch down activates a small, battery powered hydraulic pump that supplies emergency hydraulic power for the machine. Boom movements will be slow and have long lag times under EMERGENCY POWER. **DO NOT** use this switch for normal operation.

6. Controls

■ Platform Control Box

Controls for operating the AB50J from the platform are located on the platform control box, with the exception of the foot switch which is on the platform floor.

The number of each control below corresponds to the control's call out on the control box illustration.

1. **Emergency Stop:** Press the large red button down at any time, under any conditions, and the entire machine stops - the engine turns off, the brakes automatically set, and nothing moves. This switch must be pulled to its up (or out) position if the AB50J is to be controlled from the platform.
2. **Choke/Cold Start:** This switch only works for diesel engines. Gasoline engines have automatic chokes. Hold the switch UP for 10 seconds, then release it just before you start an engine that is at ambient air temperature (a "cold" engine). That will cause the glow plugs to warm the inside top of each cylinder, thus aiding combustion.
3. **Anti-Restart:** This switch works like an automobile ignition switch. Hold it at START until the engine starts, then release it to ON. If the engine dies in ON, the key must be turned to OFF before it will go back to START. Turn the switch to OFF if the platform is to stay in one position for a long time, that will turn the engine off and save fuel.
4. **Boom Speed:** This control determines how fast the booms move. Set it to SLOW (turtle) until you are very familiar with the way the machine works or if the platform is working in dangerous or cramped surroundings.
5. **Drive Range:** Switching from LOW to HIGH changes from low speed and high torque to the wheels to high speed and low torque to the wheels. Set this switch to LOW for driving on loading ramps or other steep grades and when safety considerations demand slow deliberate machine movements. Set the switch to MID for traveling across soft surfaces when the booms are down and retracted. Set the switch to HIGH to travel across hard surfaces when the booms are down and retracted.

NOTE

Prolonged driving in HI (3.5 mph, 5.6 km/h), heats the hydraulic oil.

Periodically check the thermometer at the hydraulic oil gauge. **DO NOT** let the oil exceed 200°F (93°C). Stop the engine and let the oil cool if necessary.

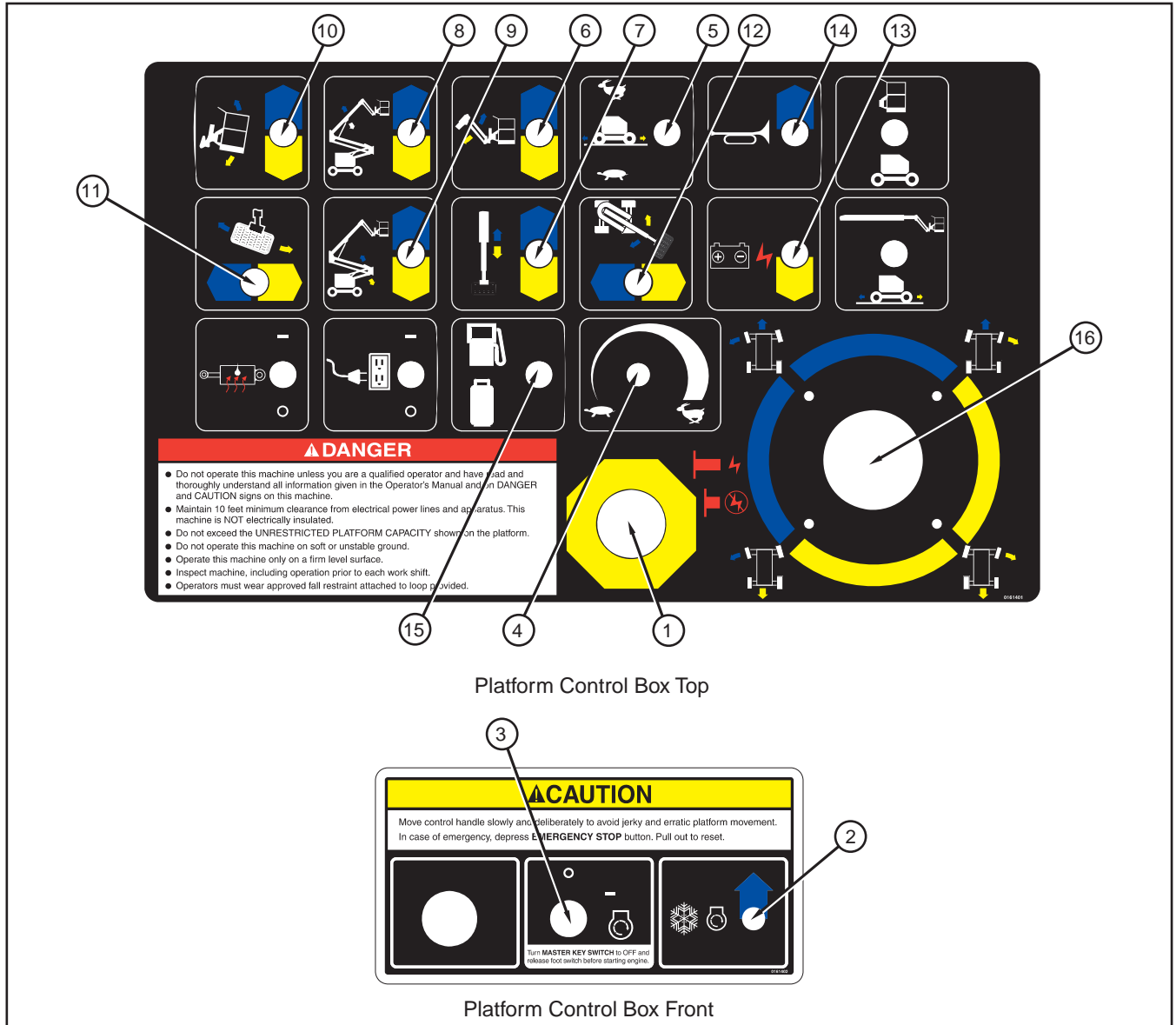
Items 6 through 12 are the platform moving switches. Each is a three position, momentary contact, normally OFF switch.

NOTE

See Nomenclature and Serial Numbers in the "Specifications" chapter 3, for boom identification.

6. **Jib:** UP raises the jib boom. DOWN lowers the jib boom.
7. **Extend/Retract:** EXTEND extends the tip boom out of the base boom. RETRACT retracts the tip boom into the base boom.
8. **Main Boom Lift:** UP raises the main boom. DOWN lowers the base boom.
9. **Riser Lift:** UP raises the upper and lower riser booms. DOWN lowers them.
10. **Platform Level:** UP rotates the platform up relative to the end of the jib boom. DOWN rotates the platform down.
11. **Platform Rotate:** CW (left) rotates the platform clockwise (as seen from above) relative to the end of the jib boom. CCW (right) rotates the platform counterclockwise.
12. **Swing:** CW (left) rotates the entire turntable clockwise (as seen from above). CCW (right) rotates the turntable counterclockwise.
13. **Emergency Power:** If the engine stops and cannot be restarted, hold the switch toward you and a small, battery powered hydraulic pump comes on to supply power for the machine. Boom movements will be slow and have long lag times under EMERGENCY POWER. **DO NOT** use this switch for normal operation.
14. **Horn:** The horn (optional item), is used to get the attention of people on the ground.
15. **Dual Fuel:** Before starting a dual fuel engine, set the **Dual Fuel** switch to GAS (gasoline), or LP depending on which you want to use. If you select LP, be sure to open the valve on top of the LP tank. To switch fuels while the engine is running, see the dual fuel system decal on the platform corner post.
16. **Drive/Steer Controller:** The Drive/Steer Controller is a joystick type controller to regulate the drive and steer movement as follows:

□ Platform Control Box Controls



- **DRIVE FORWARD:** Slowly push the **Drive/Steer** controller FORWARD and the AB50J moves forward. The further forward you push the controller the faster the AB50J goes (max. 3.5 mph, 5.6 km/hr).
- **DRIVE REVERSE:** Same as DRIVE FORWARD except move the controller backward, and the AB50J chassis moves backward.

- **STEER RIGHT:** Slowly push the **Drive/Steer** controller to the right and the front wheels move in the direction for a right hand turn. The longer you hold the controller to the right the further the wheels turn.
- **STEER LEFT:** Works the same as STEER RIGHT only for a left hand turn.

NOTE

NOTE

The smoother you move the controller the smoother starts and stops will be.

The wheels stay the direction you turn them, they do not automatically return to center the way automobile wheels do.

6. Controls

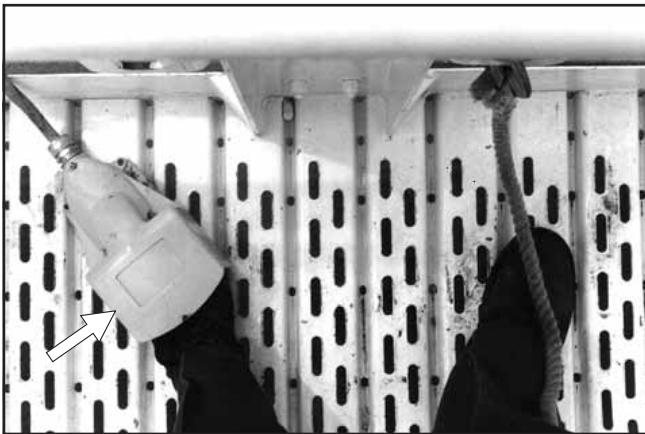
There are blue and yellow arrows on top of the chassis. The blue arrows point to the FORWARD end of the chassis and to the LEFT side of the chassis. The yellow arrows point to the REVERSE end of the chassis and to the RIGHT side of the chassis.

The **Drive/Steer** controller is color coded to match the arrows. The color coding is designed to keep you from becoming disoriented when you are aloft and the platform is rotated with respect to the chassis.

NOTE

If you have an AB50J that is equipped with 4-wheel steer, (or 4-wheel steer with crab steer), see Steering the AB50J in the “Operation” chapter 8, and also see 4-Wheel Drive Functions in the “Options” chapter 11, for more information.

■ Platform Foot Switch



You must step down on the platform foot switch, and hold it down, when you use any platform control that causes the platform to move.

Stepping on the platform foot switch increases the engine speed and activates other switches and controls in preparation to do work. The foot switch is to the platform control box what the **Ground Operation** switch is to the ground control box.

NOTE

DO NOT step on the platform foot switch while you are trying to start the engine. The AB50J is designed not to start, or even crank, if you are stepping on the foot switch.

■ Battery Switch



When the **Battery** switch is set to OFF, the negative terminal of the battery is disconnected from the electrical system of the AB50J.

However, the positive terminal remains connected to the emergency power and battery charging circuits.

7. Daily Inspection and Maintenance

At the start of each work day (or 8 hour shift), an AB50J qualified operator must perform the Daily Inspection and Maintenance as listed in the table below.

The purpose of the Daily Inspection and Maintenance is to keep the AB50J in proper working condition and to detect signs of malfunction at the earliest possible time.

The AB50J should be in the **STOWED POSITION** and the **Master Key Switch** set to OFF before you begin this inspection.

Defective parts and/or equipment malfunctions jeopardize the safety of the operator and other personnel, and can cause damage to the machine.

DANGER

DO NOT operate an AB50J that is known to be damaged or malfunctioning.

Repair all equipment damage or malfunctions, before placing the AB50J into service.

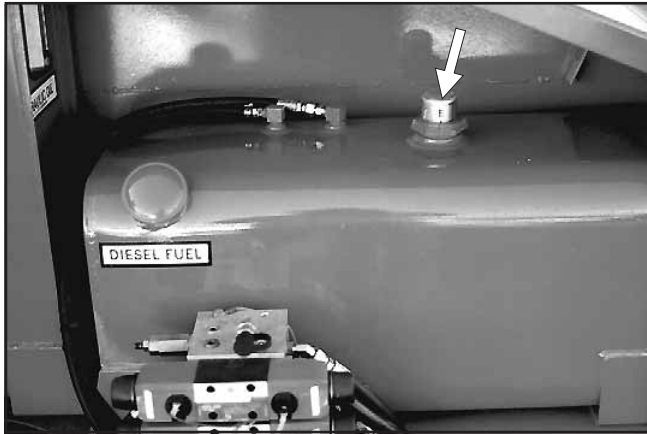
■ Daily Inspection and Maintenance Table

| Item | Service Required |
|---|---|
| Engine fuel level | Look to see that the fuel tank is full |
| Fuel tank cap | Check to see that the cap is tight |
| Engine oil level | Check oil level (between dipstick lines) |
| Fuel leaks | Visually inspect (hoses and connections) |
| Engine coolant level | Check fluid level and radiator hoses |
| Wiring harnesses | Visually inspect (installation, condition) |
| Battery terminals | Visually inspect (no corrosion) |
| Battery fluid level | Check fluid level (1/4" or 6 mm below filler neck) |
| Hydraulic oil level | Visually inspect level (between lines on gauge) |
| Hydraulic oil leaks | Visually inspect (hoses, tubes) |
| Tires | Visually inspect (condition) |
| Bolts and fasteners | Visually inspect (condition) |
| Structural damage and welds | Visually inspect (weld cracks, dents) |
| Lanyard anchor points | Visually inspect (condition) |
| Platform gravity gate | Check condition and operation |
| Platform swinging gate (option) | Check condition and operation |
| Platform guardrails | Visually inspect (condition) |
| Flashing lights (option) | Visually inspect (operation) |
| Air filter | Check condition (gauge) |
| Charging system | Visually inspect (gauge) |
| Ground control switches and alarms | Actuate and inspect for proper operation |
| Level sensor | Check operation |
| Emergency power | Check operation (causes correct motion) |
| Platform control box switches and alarms | Actuate and inspect for proper operation |
| Ground Fault Circuit Interrupt | Check operation |
| Platform work lights (option) | Check operation |
| Slide pads | Visually inspect for installation and boom wear marks |
| Axle unlocked alarm, tipover hazard light | Actuate and inspect for proper operation |
| Placards and decals | Visually inspect (installation, condition) |

7. Daily Inspection and Maintenance

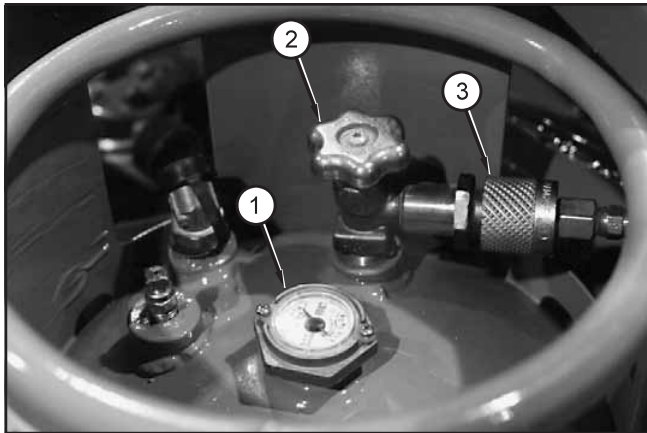
The rest of this chapter shows how to perform the inspection and maintenance required for each item in the Daily Inspection and Maintenance Table.

■ Engine Fuel Level



Visually check to see that the gasoline or diesel tank is full.

See the "Specifications" chapter 3, fuel for octane and grade.



(Option - LPG) Visually check to see that the LPG tank is full (1).

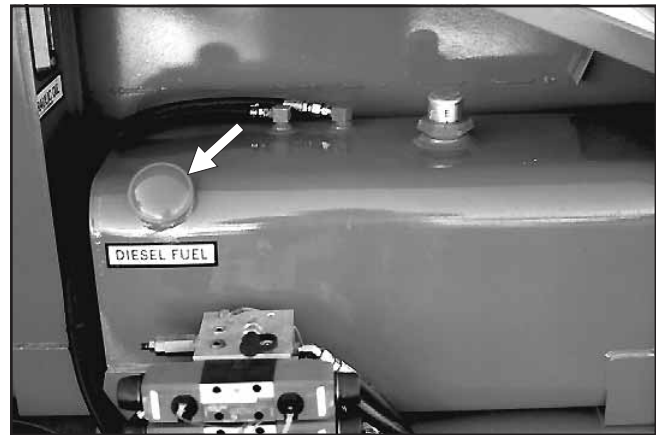
To replace an LPG tank:

1. Close the valve (2) by screwing clockwise.
2. Manually disconnect the fuel hose at the knurled ring (3).



3. Open the strap (4).
4. Manually lift the tank out.

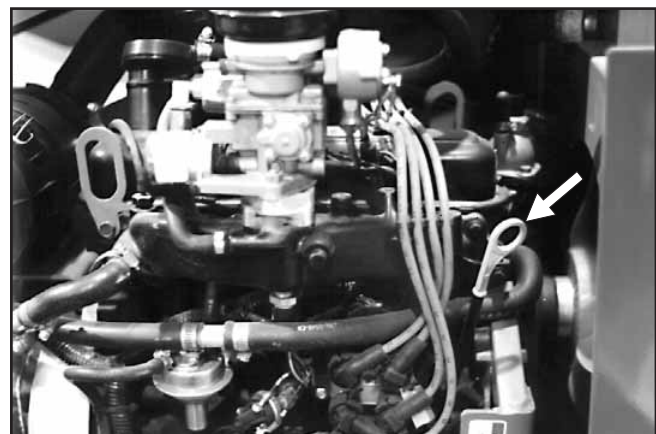
■ Fuel Tank Cap



Check to see that the tank cap is in place and is tight.

■ Engine Oil Level

Gasoline Engine



7. Daily Inspection and Maintenance

☐ Diesel Engine



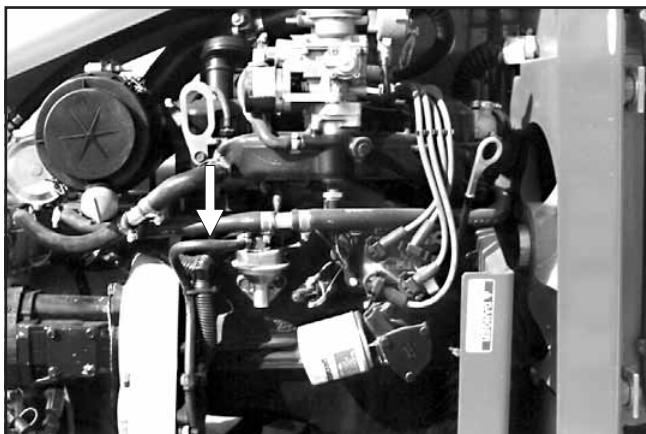
Keep the oil level between the marks on the engine oil dipstick.

The distance between the top and bottom dipstick marks corresponds to about 1 qt USA (one liter). Add oil, if needed, at the top of the engine.

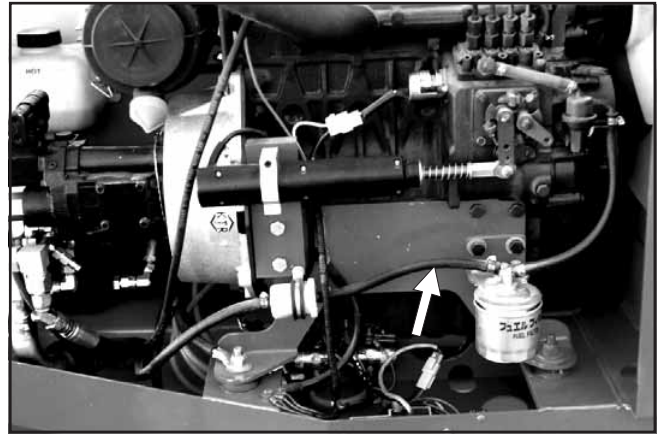
See the "Specifications" chapter 3, for the correct engine oil grade and weight.

■ Fuel Leaks

☐ Gasoline Engine

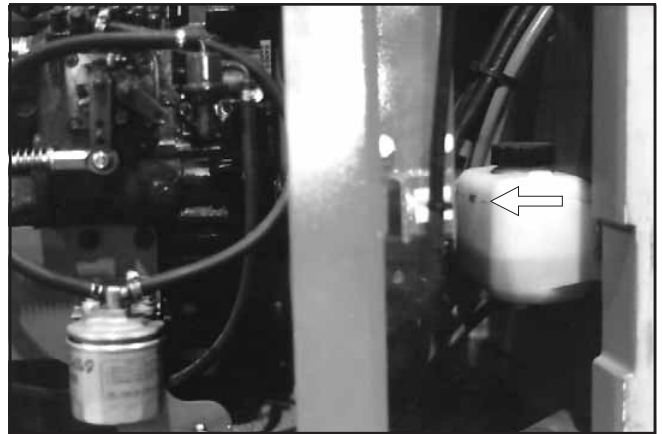


☐ Diesel Engine



Visually inspect the entire length of the fuel line, from the engine to the fuel tank, for leaks.

■ Engine Coolant Level



At operating temperature the coolant should be at the HOT level. When cold, there should be about 1 inch (2.5 cm) of coolant in the bottom of the reservoir.

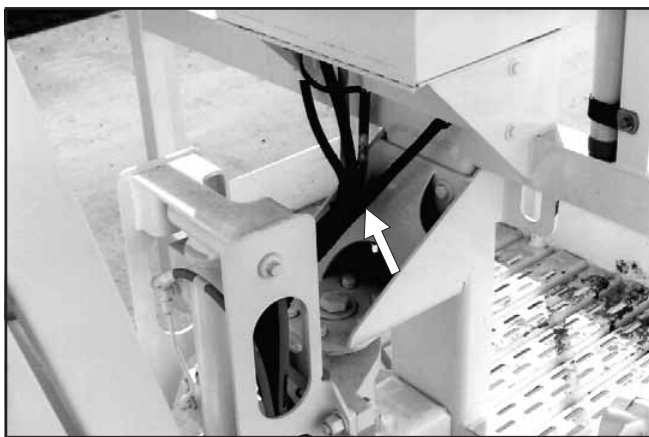
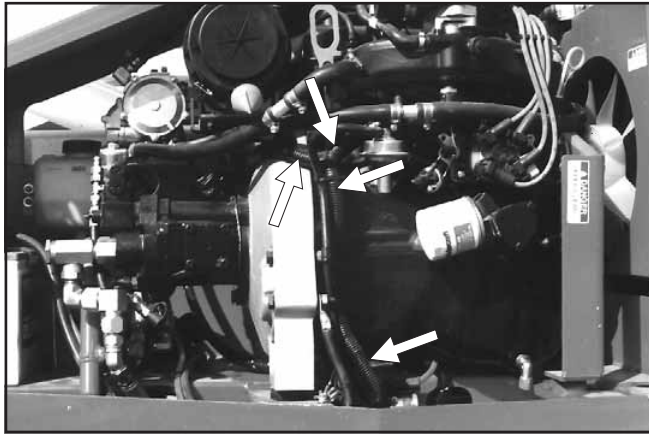
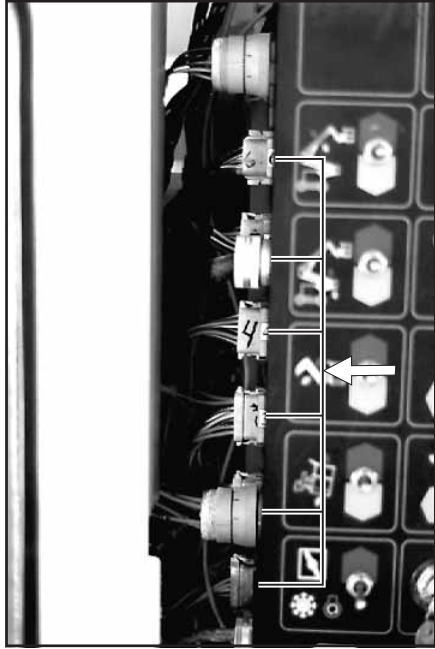
The coolant is half water and half antifreeze, (Kubota recommends ethylene glycol antifreeze).

To add coolant:

1. Turn the engine OFF at the ground control box **Master Key Switch**.
2. Remove the cap from the coolant reservoir.
3. Add coolant, then replace the cap.

7. Daily Inspection and Maintenance

■ Wiring Harnesses

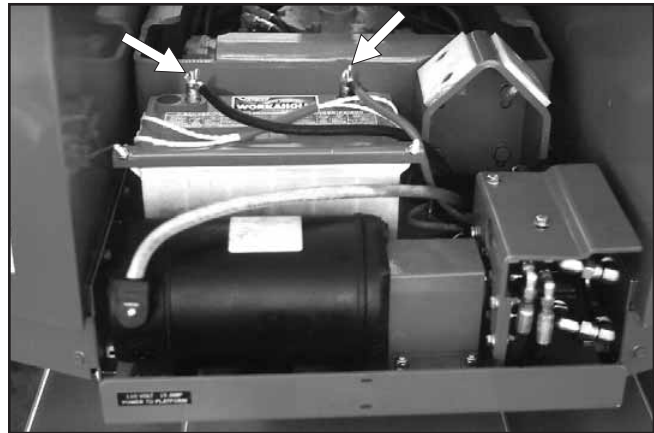


Inspect all the wiring harnesses, on the machine, for loose connections, broken wires, and frayed insulation.

■ Battery Terminals



Battery terminals should be clean and free of dirt and corrosion.



If the machine is equipped with the optional extra battery, check it too.

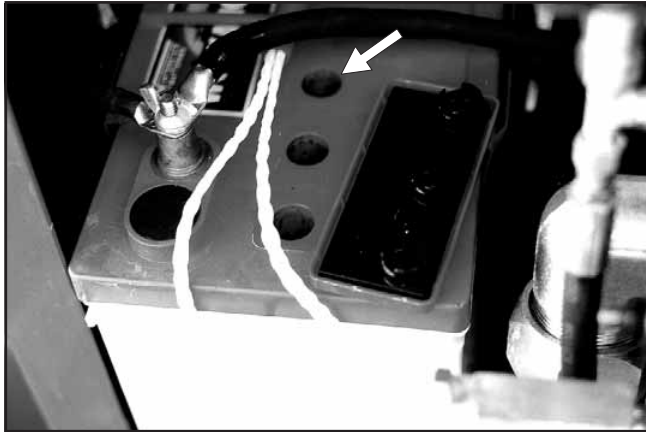
7. Daily Inspection and Maintenance

■ Battery Fluid Level

⚠ DANGER

Batteries emit hydrogen and oxygen, elements that can combine explosively.

DO NOT smoke or permit open flames or sparks when checking batteries.

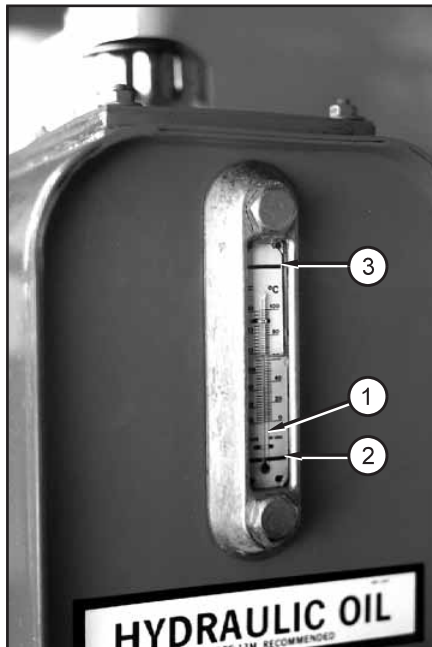


Remove the caps from each battery and visually check to see that the battery fluid is 1/4" (6 mm) below the bottom of the filler neck inside each hole.

■ Hydraulic Oil Level

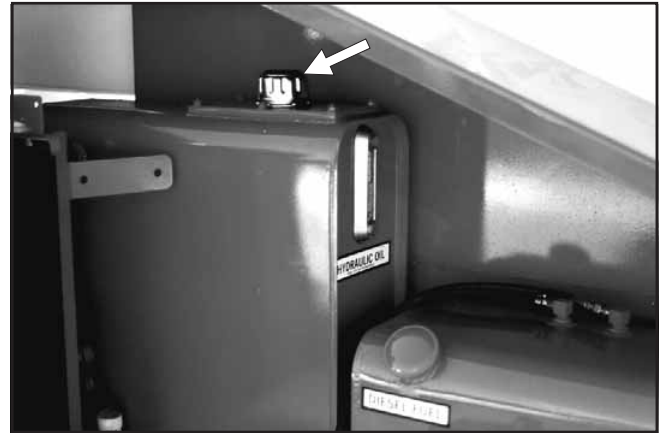
To check the hydraulic oil level:

Completely lower and completely retract the booms.



The hydraulic oil temperature (1) should be less than 200°F (93°C).

The hydraulic oil level should be between the two marks (2) and (3) on the sight glass gauge.

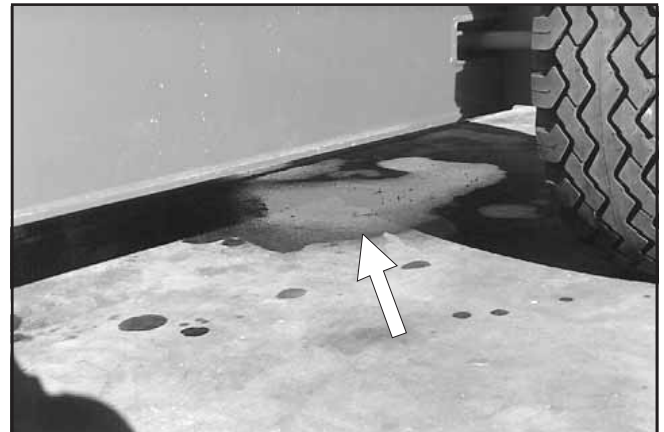


If necessary, add hydraulic oil at the filler cap. See the "Specifications" chapter 3, for type and grade of hydraulic oil.

■ Hydraulic Oil Leaks

⚠ DANGER

Leaking hydraulic oil can cause burns, fires, falls (slipping), cuts, and puncture wounds (if under high pressure). Have a qualified trained maintenance person repair all hydraulic fluid leaks before you operate an AB50J.



Hydraulic oil leaks are easily visible and can show up anywhere.

Visually inspect the entire machine for hydraulic oil. Check the ground under the machine for leaked oil.

Inspect the ends of the main boom. Oil can run down the inside of the boom and drip out the ends.

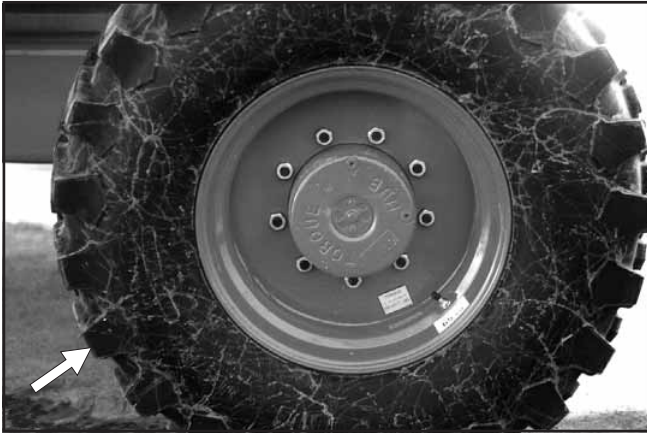
7. Daily Inspection and Maintenance

■ Tires

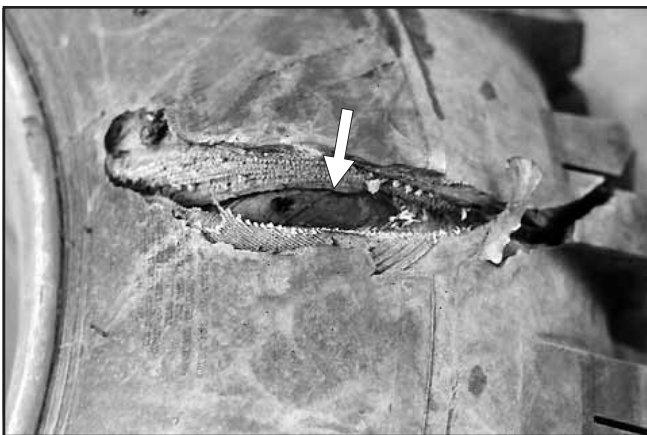
⚠ DANGER

Death or Serious Injury can result if an AB50J tips over. An air filled tire that has an air leak or blow out is a tipover hazard.

DO NOT raise the AB50J platform if any tire has an air leak or is in such condition that a blow out could occur.



Air filled tires should be visually checked several times a day to see that they are properly inflated. Air filled tires should be checked very carefully for imbedded material, cuts, punctures, or abraded areas. Do not tolerate a suspect tire, it can be fatal.

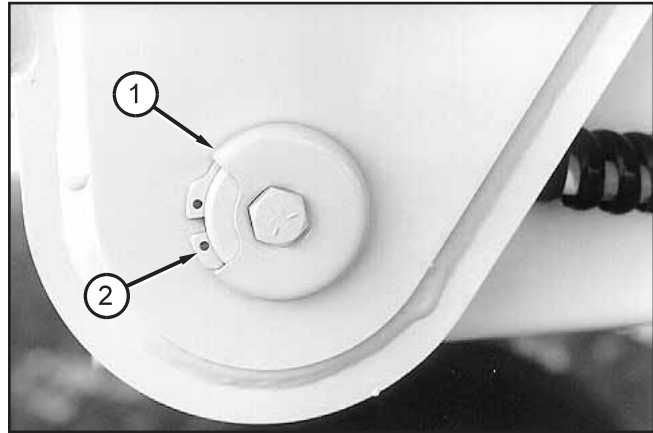


Punctures of the type caused by bolts, screws, or nails are not a problem for the optional foam filled tires. Look for large holes or long cuts completely through the tire body: holes or cuts where foam is being forced or eroded out of the tire. Also, look for large imbedded objects, such as angle iron, that can rip a tire body open under some conditions.

The tire shown above is not fit for service.

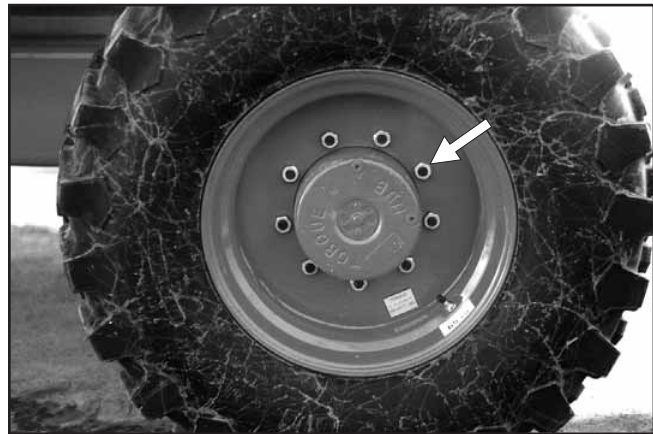
■ Bolts and Fasteners

Visually inspect all fasteners to see that none is missing or obviously loose.



Pay particular attention to all of the pin caps (1) and snap rings (2) that connect the booms. They should all be present and not damaged in any way.

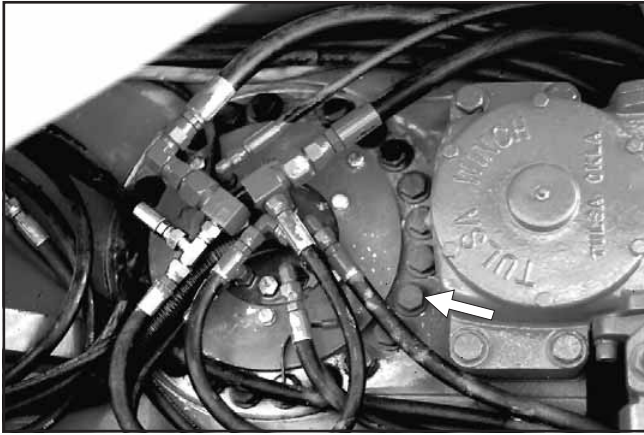
Check the turntable end of the booms and the end of the lift cylinders for other pin caps and snap rings. Check both sides of the machine.



Pay particular attention to all of the wheel nuts and bolts.

None should be visibly loose, missing, or deformed.

7. Daily Inspection and Maintenance



Pay particular attention to all of the upper rotation bearing bolts.

None should be visibly loose, missing, or have broken heads.

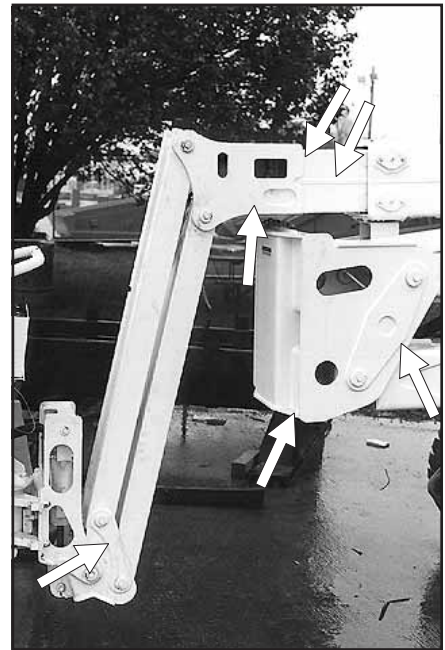
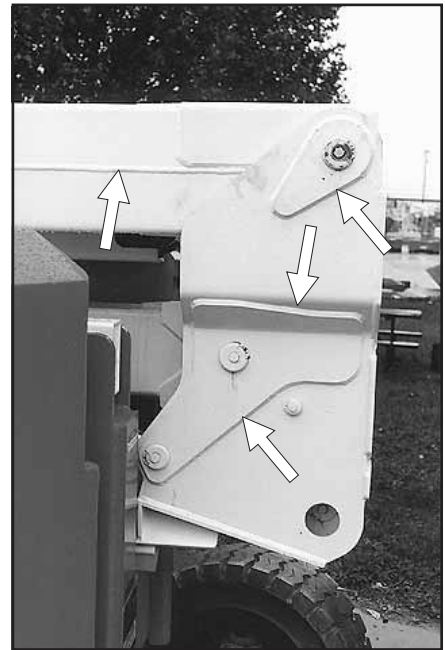


Pay particular attention to all of the lower (view from under the machine) rotation bearing bolts.

None should be visibly loose, missing, or have broken heads.

■ Structural Damage and Welds

Visually inspect all welds for cracks, all structural members for deformity, and all sheet metal for dents that could interfere with machine operation.

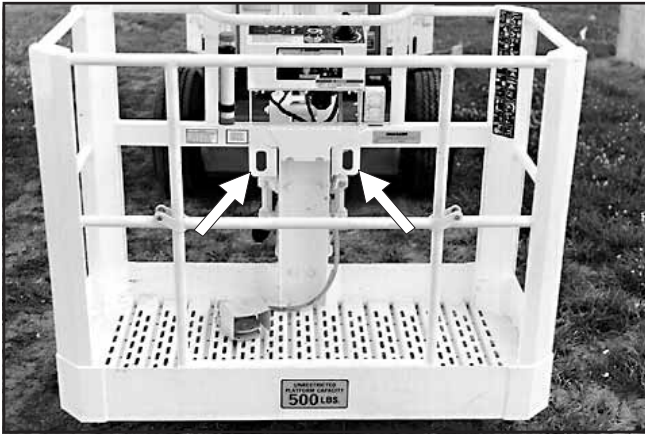


Pay particular attention to boom welds.

Closely inspect boom welds, all the way around, for cracks.

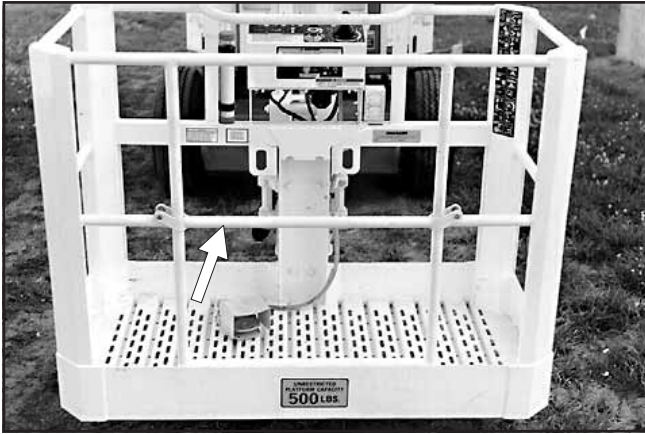
7. Daily Inspection and Maintenance

■ Lanyard Anchor Points



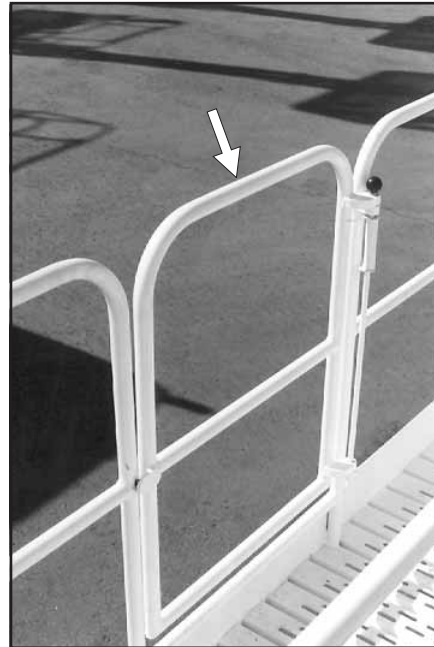
Visually check the lanyard anchor points to see that they are not deformed or cut off.

■ Platform Gravity Gate



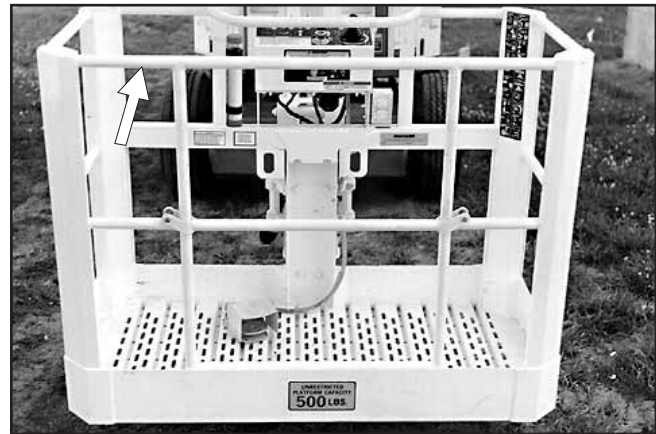
Inspect the platform gate to be sure it is present and moves freely.

■ Swinging Gate



Inspect the optional platform swinging gate, at the platform entrance, to see that it swings freely, latches securely, and is not deformed in any way.

■ Platform Guardrails



Visually inspect the platform guardrails to see that none of the tubing has been cut out, removed, or is deformed in any way.

Visually check the guardrail welds to see that none is cracked or ground down.

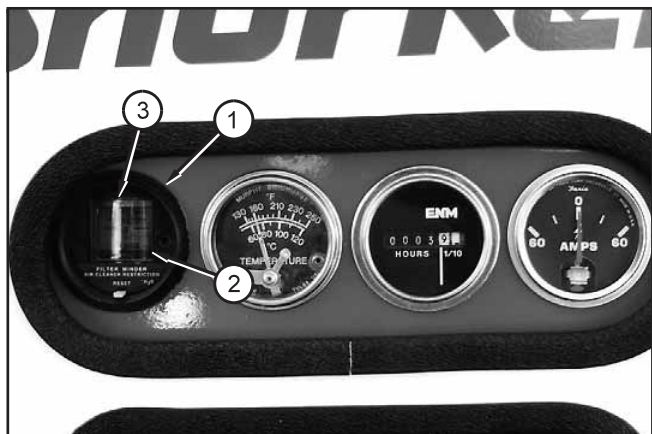
■ Flashing Lights



Visually check the optional flashing lights, to see that the lights flash at approximately one flash per second when the engine is running.

■ Air Filter

Start the engine from the ground control box.



The **Filter Minder** gauge (1) has a yellow indicator in it (2). As the air filter clogs the yellow indicator raises toward the red area (3) of the sight glass.

If the indicator is in the red, after the engine has been running for 30 seconds in **Ground Operation FAST IDLE**, the air filter needs to be replaced. (For further explanation of the **Filter Minder** gauge, see “Gauges” chapter 4).

———— NOTE ————

Leave the engine running for the next step.

■ Charging System



With the engine running at **Ground Operation IDLE**, the needle in the ammeter gauge should not be to the left of “0” (left of “0” is discharging).

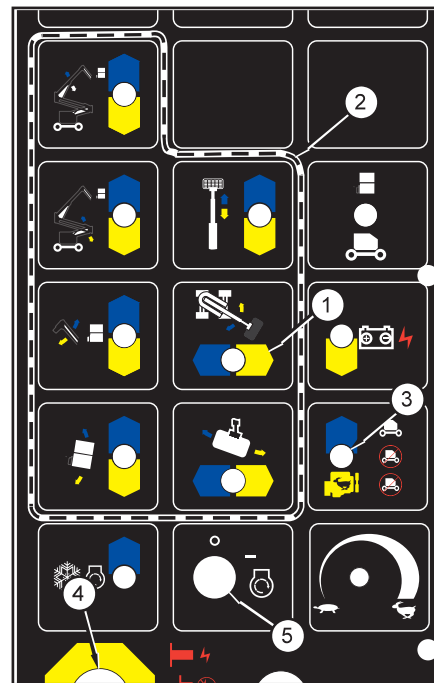
———— NOTE ————

Leave the engine running for the next step.

■ Ground Control Switches and Alarms

⚠ DANGER

When you check turntable **Swing** at CCW (1) the turntable will move directly toward you. Be sure you have room to step backward.



Check each of the seven platform moving switches (2) using **Ground Operation** (3) to see that they cause the AB50J to move the way it should.

7. Daily Inspection and Maintenance

Check both positions of each switch.

For correct operating procedures see the “Operation” chapter 8.

Pay particular attention to the **Emergency Stop** switch (4) to see that it turns the AB50J engine off when struck.

Listen for the start up alarm when the **Master Key Switch** (5) is first turned ON.

NOTE

Leave the engine running for the next step.

■ Level Sensor



Use **Riser Lift** to raise the platform about six feet (2 m). With the **Master Key Switch** and the **Emergency Stop** switch (at the ground) ON, pull the level sensor to the side as far as possible.

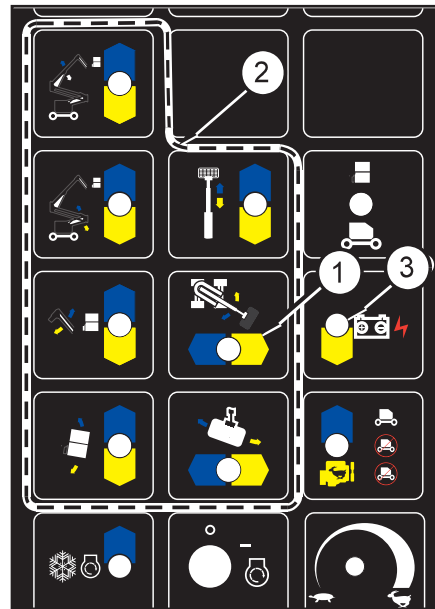
The tilt alarm should sound.

The level sensor is located in the left side of the turntable, behind the ground control box.

■ Emergency Power

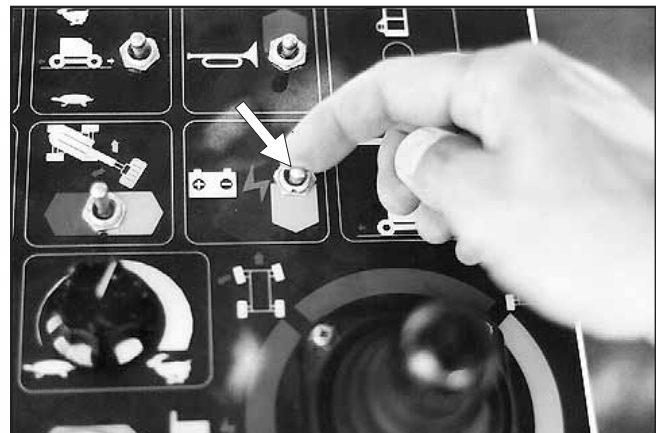
⚠ DANGER

When you check turntable **Swing** at CCW (1) the turntable will move directly toward you. Be sure you have room to step backward.



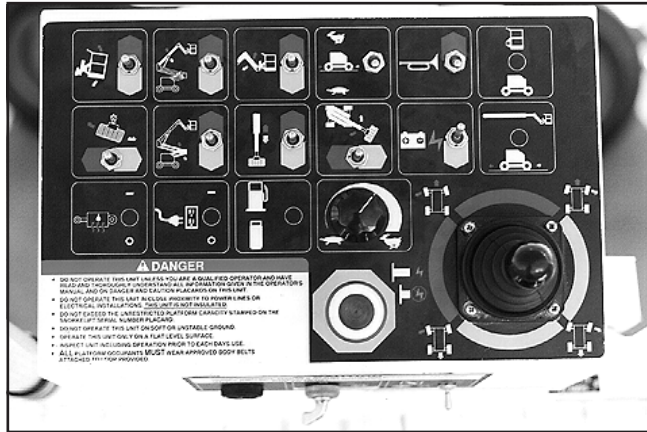
Check each of the seven platform moving switches (2), using **Emergency Power** (3), to see that they work correctly. Check both positions of each switch (2).

For correct emergency power operating procedures see “Emergency Operation” chapter 9.



Check each of the boom movement functions from the platform control box, using **Emergency Power**. Check all positions of each control.

■ Platform Box Switches and Alarms



Check all of the platform moving, drive, and steering functions from the platform control box to see that they cause the AB50J to move the way it should.

For correct operating procedures see the “Operation” chapter 8.

Pay particular attention to the **Emergency Stop** switch to see that it turns the AB50J engine off when struck.

Pay particular attention to the platform foot switch to see that it deactivates the platform moving switches when the foot switch is not stepped on.

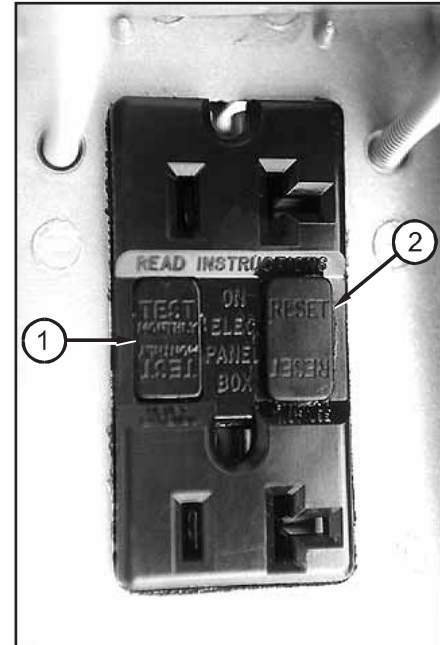
■ Operator Horn

Press the operator horn (if the AB50J has that option) to see that it works.

■ Motion Warning Alarm

Listen for the motion warning alarm (if the AB50J has that option) as you drive forward and backward. Listen for the start up alarm when the **Anti-Restart Switch** is first turned ON.

■ Ground Fault Circuit Interrupt



Connect the power input connector (at the rear of the turntable) to a source of 125 volt AC, 15 A electrical power.

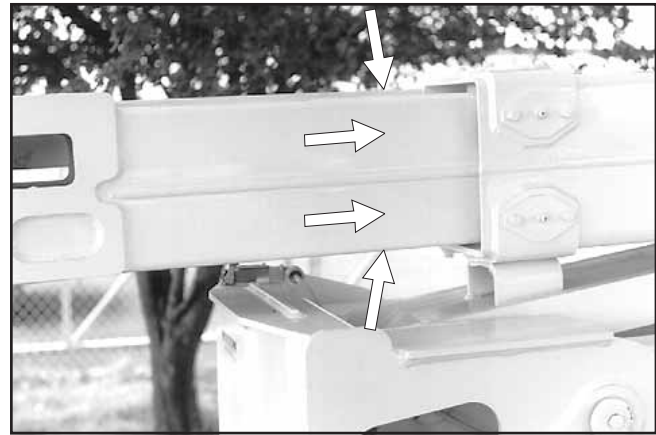
NOTE

If the AB50J is equipped with the optional AC generator, connect the power input connector to the AC generator, start the engine, then set the **AC Generator** switch to ON.

1. Push the TEST button (1) IN on the GFCI. The RESET button (2) should pop OUT.
2. Press the RESET button (2) back IN. Set the **AC Generator** switch to OFF if you used the optional AC generator.

7. Daily Inspection and Maintenance

■ Platform Work Lights



Look at the surface that slides on each slide pad. The paint should still be in place and there should not be any signs of bare metal gouging.

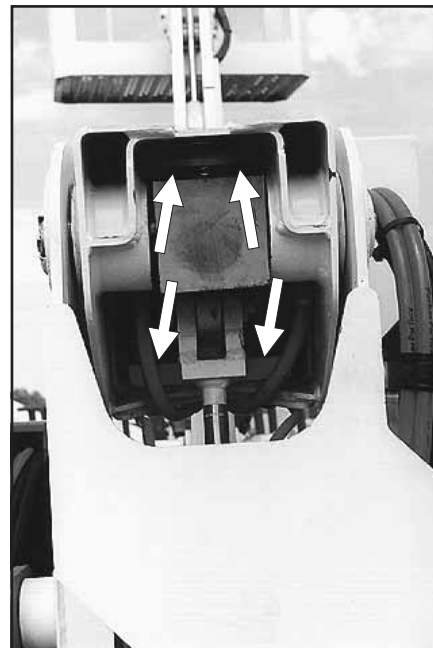
To check the optional platform work lights, while the engine is running, momentarily turn each work light on (use the switch on the back of each light) to see that they both work.

■ Slide Pads



With the engine running, use the ground control box to extend the tip boom about 1 foot (30 cm).

Visually inspect to see that all the slide pads are in place in the rear end of the base boom.



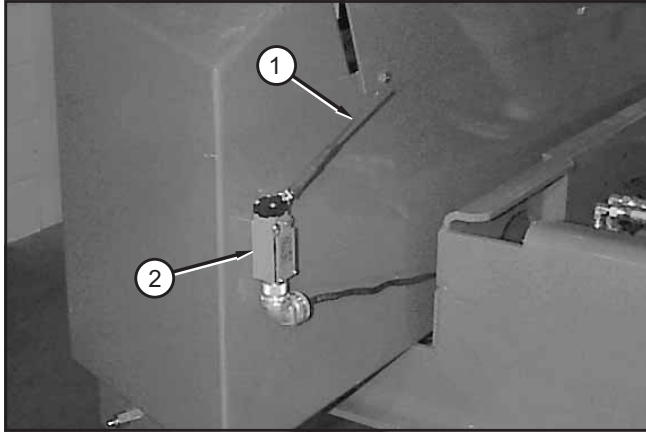
Check the slide pads and paint inside the front end of the base boom similarly.

Completely retract the boom then turn the engine OFF at the ground control box **Master Key Switch**.

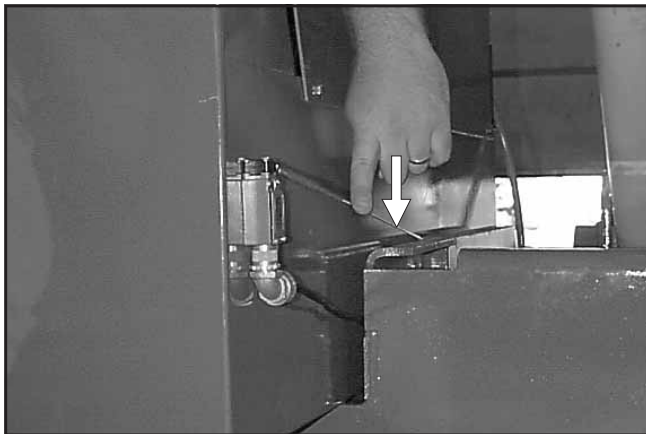
■ Axle Unlocked Alarm

To test the **Axle Unlocked Alarm** and **Tipover Hazard** light do the following:

1. Start the engine from the ground control box and stow the AB50J.



2. Use the **Riser Boom** switch to raise the riser boom about 6 feet (2 m). The arm (1) of the limit switch (2) at the end of the riser should be up as shown.



3. Manually push the arm completely down then operate Jib DOWN while holding switch.
4. Release the Jib DOWN switch, then release the switch arm.

When you release the arm, the **Axle Unlocked Alarm** should sound and the **Tipover Hazard** light on the front of the platform control box should come on.

5. Use the **Riser Boom** switch to lower the riser boom onto the limit switch. The alarm should stop sounding and the light should go out.

⚠ DANGER

If either the **Axle Unlocked Alarm** or **Tipover Hazard** light fails to respond correctly, repeat this test.

If either fails a second time, remove the AB50J from service **IMMEDIATELY** and refer the problem to a qualified service technician.

7. Daily Inspection and Maintenance

■ Placards and Decals

Look to see that all placards and decals are in place and legible. Replace any missing or illegible placards or decals before placing the Snorkelift into service for the daily work shift.

Decal and placard kits for the AB50J are available from Snorkel dealers.

Standard Placards and Decals

| No | Part No | Description | Req |
|-----------------------------|---------|-------------------------------------|-----|
| 1 | 0071927 | Hydraulic oil | 1 |
| 2 | 0070418 | Snorkelift logo | 2 |
| 3 | 0162337 | Emergency lowering procedures | 1 |
| 4 | 0070901 | Caution serial number | 1 |
| 5 | 0071425 | Platform identification | 1 |
| 6 | 0072277 | Lug nut torque | 4 |
| 7 | 0072531 | Danger electrical hazard | 1 |
| 8 | 0073224 | Notice manual reorder | 2 |
| 9 | 0074372 | Engine RPM | 1 |
| 10 | 0073492 | Rotate while greasing | 1 |
| 11 | 0073585 | Made in USA | 2 |
| 12 | 0074209 | Pre-start instructions | 1 |
| 13 | 0074311 | Danger cylinder failure (1 per cyl) | 10 |
| 14 | 0073491 | Safe operating information | 1 |
| 15 | 0150448 | Attach fall restraint | 2 |
| 16 | 0150452 | Directional arrows forward/reverse | 1 |
| 17 | 0150602 | Danger descending boom | 4 |
| 18 | 0073043 | Manual reorder | 1 |
| 19 | 0151410 | Danger rotating engine parts | 2 |
| 20 | 0151917 | Directional arrows | 1 |
| 21 | 0090589 | Platform capacity 500 pounds | 1 |
| 22 | 0161180 | Snorkelift logo | 2 |
| 23 | 0161205 | Danger electrical hazards | 2 |
| 24 | 7030003 | Lube recommendations | 1 |
| 25 | 0161329 | Patents applied for | 1 |
| 26 | 451986 | Danger do not alter switch | 1 |
| 27 | 0323899 | Danger electrical hazard | 1 |
| 28 | 0323897 | Danger you must not operate | 1 |
| 29 | 7030004 | Omniquip logo | 2 |
| 30 | 0161819 | Emergency lowering procedures | 1 |
| 31 | 0161937 | Danger tipover hazard | 1 |
| 32 | 0323896 | Danger electrical hazard | 2 |
| 33 | 0181562 | ANSI standard | 1 |
| 34 | 0181654 | Danger inspect unit | 1 |
| 35 | 0161402 | Caution platform control box front | 1 |
| 36 | 0161401 | Danger platform control box top | 1 |
| 37 | 0161212 | Ground controls | 1 |
| Model identification | | | |
| 100 | 0161707 | ATB 50 logo | 2 |
| 125 | 0161867 | ATB 42 logo | 2 |

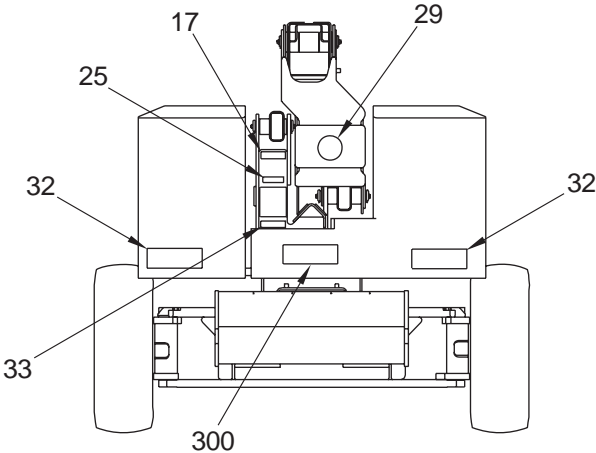
| No | Part No | Description | Req |
|--------------------------|---------|-----------------------------|-----|
| Diesel engine | | | |
| 150 | 0071926 | Diesel fuel | 1 |
| Gasoline engine | | | |
| 175 | 0071925 | Gasoline fuel | 1 |
| 176 | 0074316 | Caution governor damage | 1 |
| Dual fuel | | | |
| 200 | 0161667 | Dual fuel system | 1 |
| 201 | 0081441 | Caution liquid withdrawal | 1 |
| 202 | 0071925 | Gasoline fuel | 1 |
| LP fuel only | | | |
| 225 | 0081441 | Caution liquid withdrawal | 1 |
| 226 | 0074316 | Caution governor damage | 1 |
| Foam filled tires | | | |
| 250 | 0073298 | Danger foam filled tires | 2 |
| Air filled tires | | | |
| 275 | 0070421 | Tire pressure (1 per wheel) | 4 |
| 4 wheel drive | | | |
| 300 | 0111390 | 4 x 4 logo | 2 |
| Crab steer | | | |
| 325 | 0161396 | Crab steer | 1 |

Optional Placards and Decals

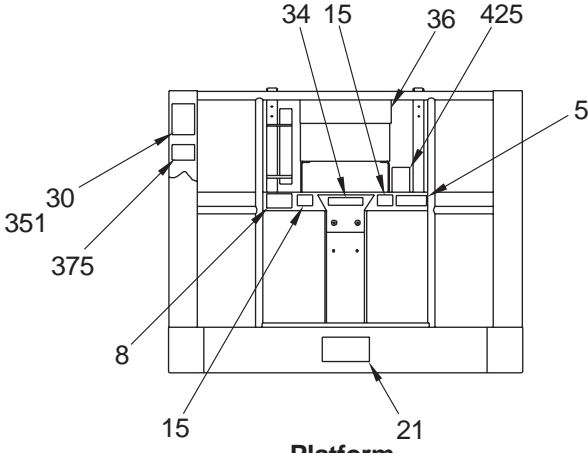
| No | Part No | Description | Req |
|-----|----------|--------------------------------|-----|
| 350 | 0161778 | CE 5 station control valve | 1 |
| 351 | 0161819E | CE emergency lowering | 1 |
| 352 | 0162194 | CE mark logo | 1 |
| 353 | 0162311 | CE logo | 1 |
| 375 | 0161699 | Caution do not run engine | 1 |
| 400 | 0181634 | Engine block heater, Ford only | 1 |
| 425 | 0150606 | 125 volt power to platform | 1 |

7. Daily Inspection and Maintenance

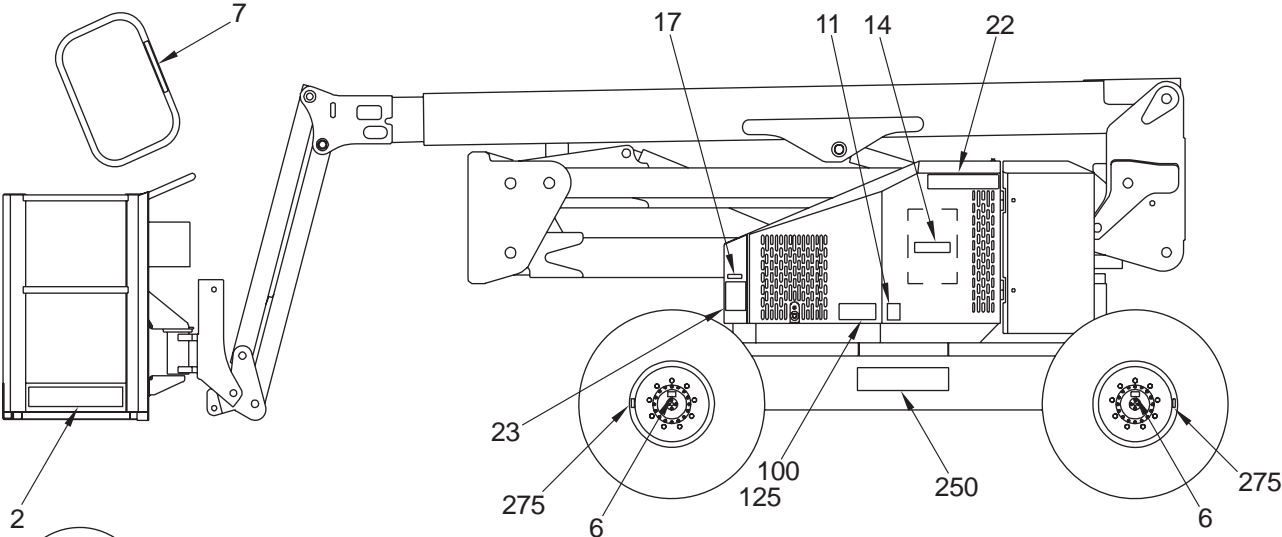
□ Inspection Drawing



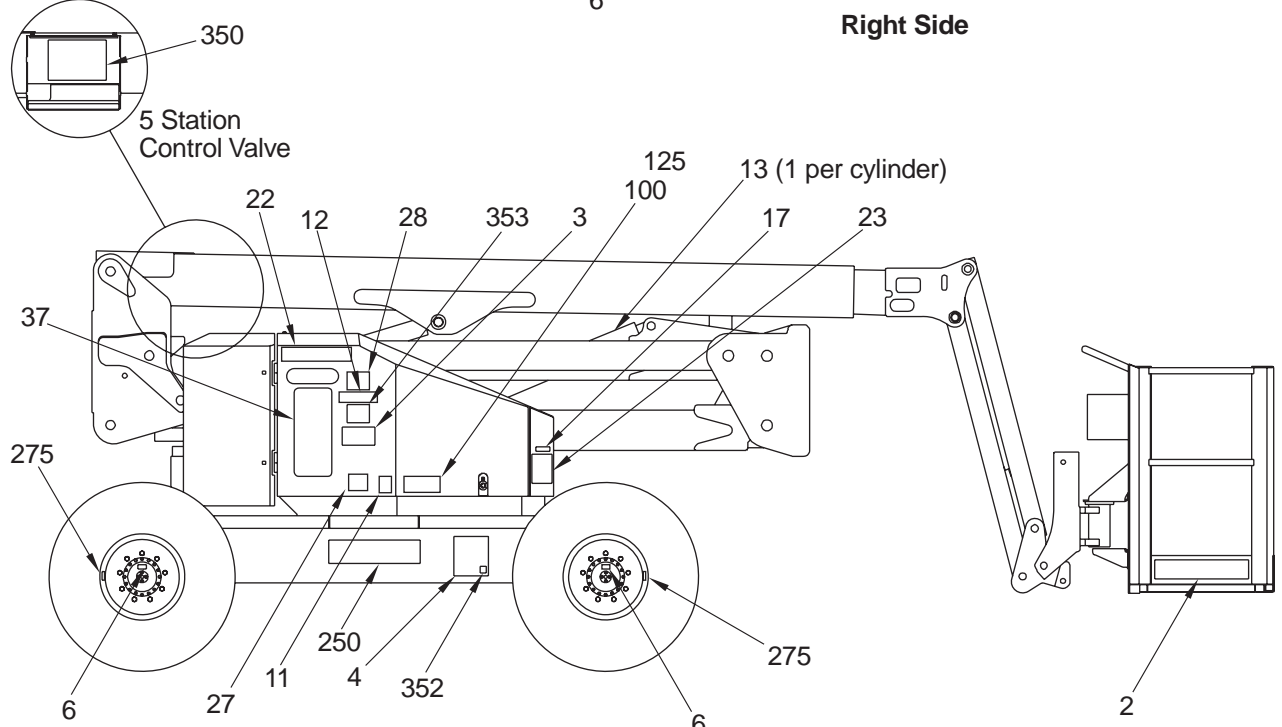
Front



Platform

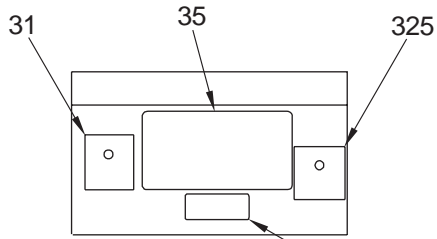


Right Side

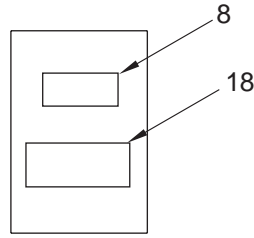


Left Side

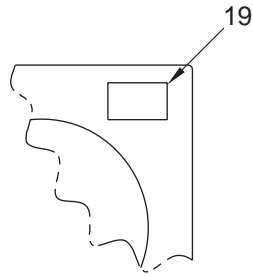
7. Daily Inspection and Maintenance



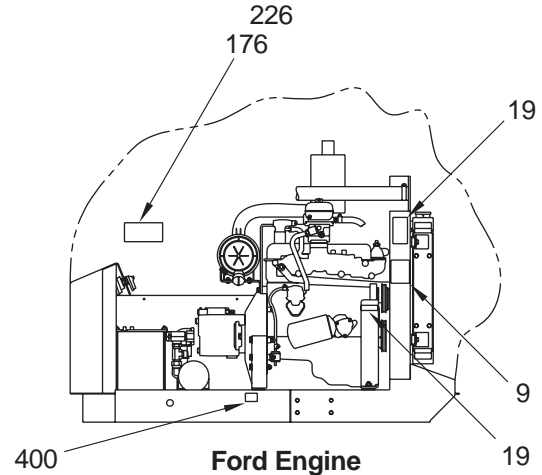
Crab Steer Controls



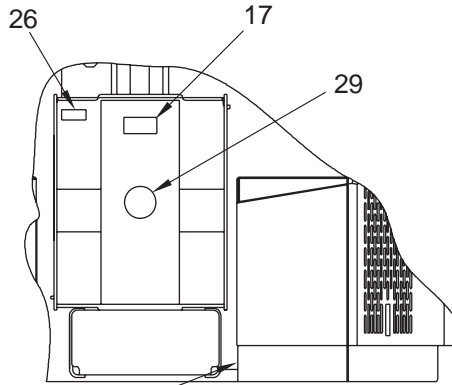
Manual Record box



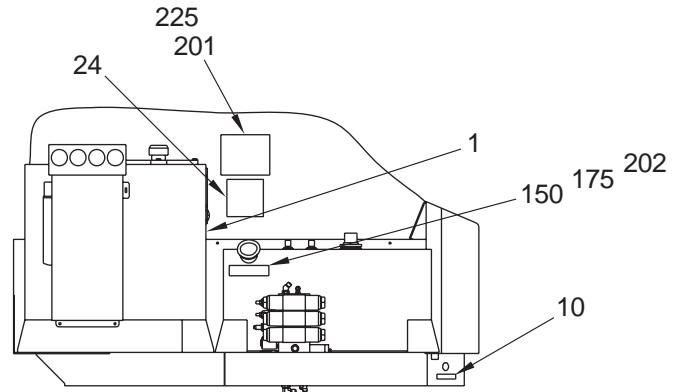
Engine Shroud



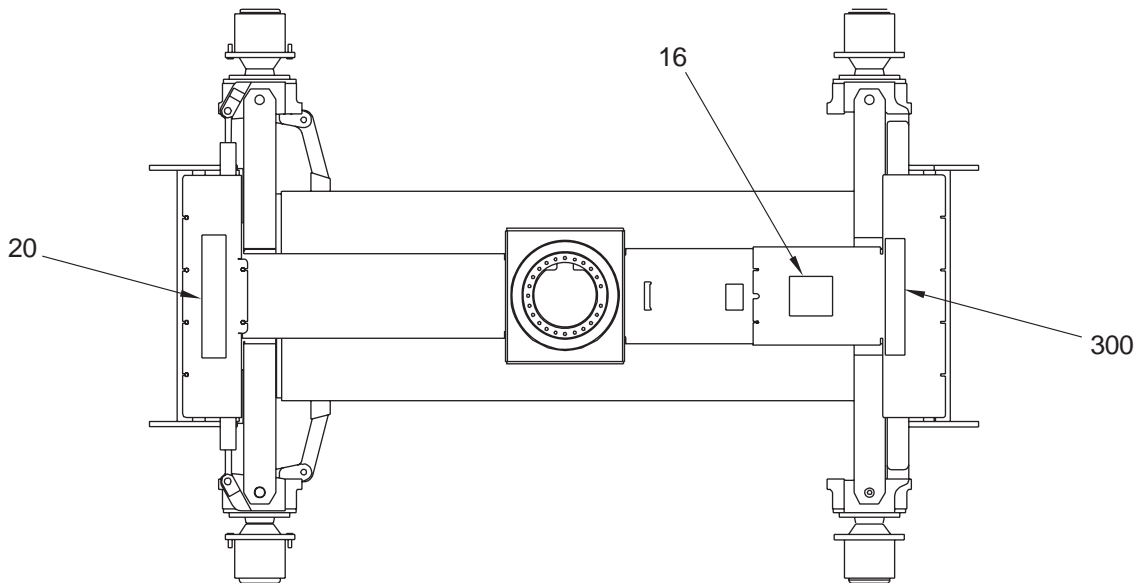
Ford Engine



Rear of Turntable



Fuel and Hydraulic Tanks



Top of Chassis

■ Operating Procedures

This chapter explains how to properly start and operate an AB50J that has either a gasoline or diesel engine. Starting a gasoline engine that is set up to burn LPG only or dual fuel, is also explained in this chapter. Read and understand all the previous chapters in this manual before you begin to operate an AB50J.

⚠ CAUTION

If you use the AB50J for painting be sure the optional sandblast protection kit is installed to protect the hydraulic cylinder rods from paint. Do not leave the AB50J engine running if you are sandblasting. Sand drawn through the radiator erodes the core and fan.

■ Control Stations

An AB50J can be operated from the ground control box or from the platform control box. There are basically two differences between ground control and platform control operations, both are safety related:

1. The ground control box can override the platform control box at any time. If a person operating the machine from the platform becomes incapacitated, a person on the ground can always take over machine control.
2. The AB50J can only be driven from the platform control box. The wheels cannot be made to move from the ground control box. This prevents ground control operators from running over themselves.

⚠ DANGER

The AB50J is **not Electrically Insulated**.

Death or Serious Injury to operating personnel, can occur if the machine should come into contact with energized electrical wires during operation.

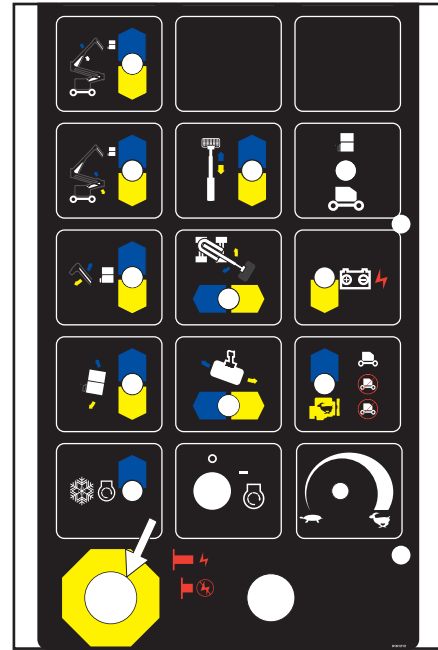
DO NOT attempt to operate the AB50J ground controls if the platform, booms, or any other conducting part of an AB50J is in contact with energized electrical wires or if there is an immediate danger of such contact.

NOTE

See the “Electrical Hazard Warning” section for a complete explanation of the hazards concerning electricity.

■ Emergency Stopping

To stop an AB50J, push the **Emergency Stop** button at the ground control box or at the platform control box IN.



Ground control box **Emergency Stop** switch location.



Platform control box **Emergency Stop** switch location.

NOTE

For a complete discussion of the **Emergency Stop** switches, see “Controls” chapter 6.

8. Operation

■ Operation Considerations

To use this chapter, first decide whether you will be starting and operating the AB50J from the ground control box or the platform control box.

Begin at the section entitled “Starting From Ground Control Box”, if you intend to start and run the AB50J from the ground station.

Begin at the section entitled “Starting From Platform Control Box”, if you intend to start and run the AB50J from the platform.

After you have made the decision as to ground or platform control operation, you need to know whether the AB50J has a gasoline or diesel engine. If it has a gasoline engine, you further need to know whether the engine is set up to run on LPG only, or dual fuel (LPG or gasoline). If it is set up to burn dual fuel, you have to decide on gasoline or LPG operation.

The simplest way to tell what kind of engine set up you have is to look inside the fuel compartment at the left rear of the AB50J turntable.

- If the only fuel source you see there is a tank labeled GASOLINE, and there is no strap or hose to mount an LPG tank, the AB50J has a gasoline engine set up to burn gasoline fuel only.
- If all you see is a fuel tank labeled DIESEL FUEL, the AB50J has a diesel engine.
- If all you see is one or more LPG tanks, the AB50J has a special gasoline engine set up to burn LPG only.
- If you see a GASOLINE tank and an LPG tank, the AB50J has a special gasoline engine set up to burn either gasoline or LPG fuel.

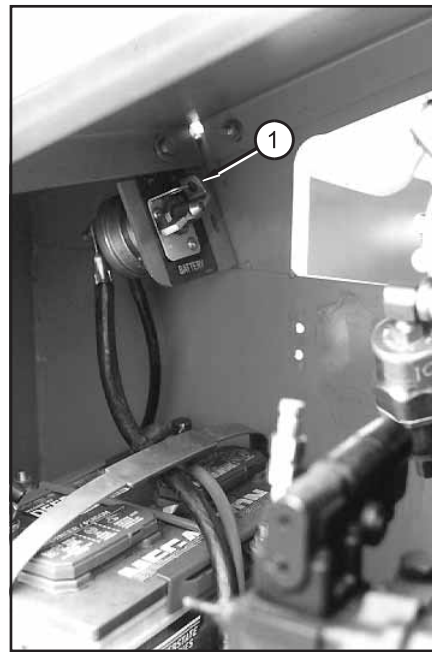
NOTE

Once you have determined the type of engine installed and the type of fuel that you will operate the AB50J on, you are ready to start the engine.

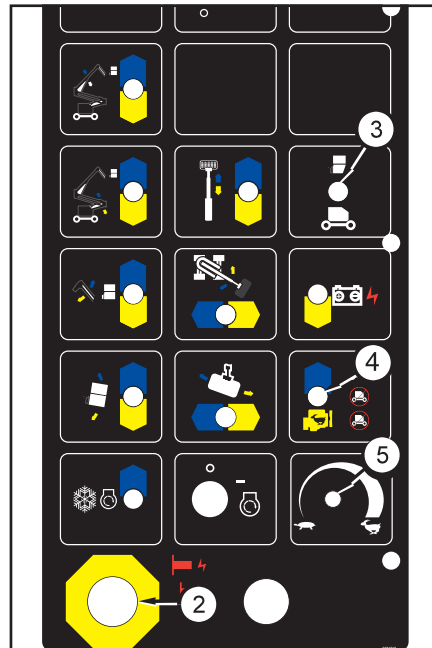
■ Starting From Ground Control Box

Before you begin to operate the AB50J from the ground control box, a qualified operator must perform the “Daily Inspection and Maintenance” as described in chapter 7.

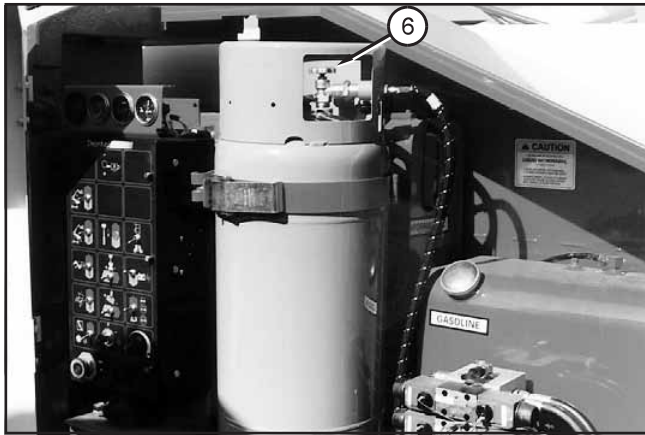
To start the engine from the ground control box do the following:



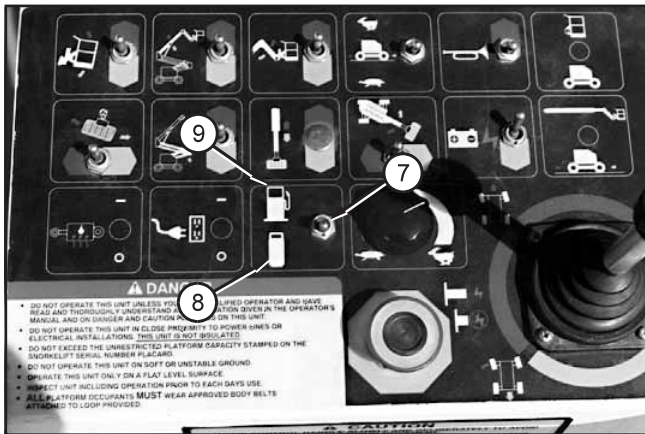
1. Set the **Battery** switch (1) to ON.



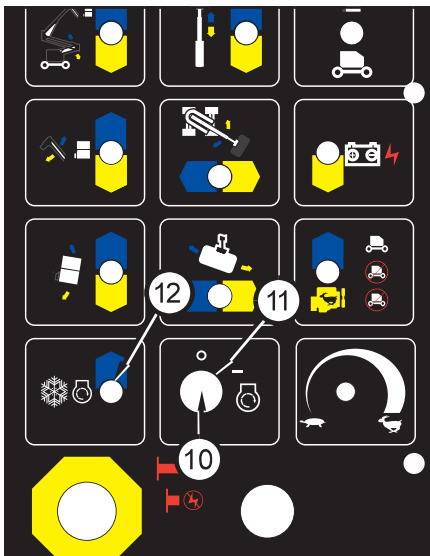
2. Set the **Emergency Stop** switch (2) to ON (pulled out).
3. Set the **Platform/Ground Selector** switch (3) to GROUND (down).
4. Set the **Ground Operation** switch (4) to the engine IDLE position (center).
5. Set the **Boom Speed** knob (5) at about 3/4 full scale.



6. For LPG fuel operation: Completely open the valve (6) on top of the LPG tank, (turn counterclockwise until it stops).



7. For a dual fuel engine: Set the **Dual Fuel** switch (7) to GAS (gasoline) (9) or to LPG (gas) (8), depending on which fuel you want to use for operation.

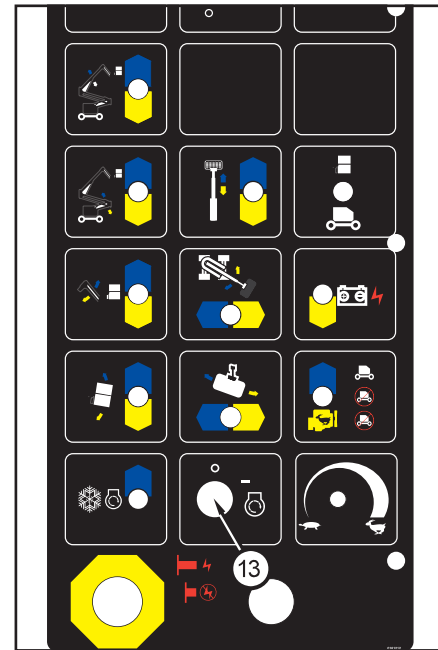


8. Insert the key (10) in to the **Master Key Switch** (11).

9. Turn the key (10) to ON and pause there a few seconds (but not over 30 seconds), while an alarm sounds to alert others that the AB50J is about to start.
10. For a diesel engine: If engine is at cold ambient temperature, hold the **Choke/Cold Start** switch (12) up for 10 seconds just before you perform the next step.

NOTE

Gasoline engines have automatic chokes. They do not use the **Choke/Cold Start** switch.



11. Turn the key (13) to START and hold it there until the engine starts, or for 20 seconds, whichever comes first. When the engine starts, release the key (13).

NOTE

If you pause 30 seconds or more, after turning the **Master Key Switch** to ON, an automatic protection feature will prevent the AB50J from starting. If that happens, turn the key to OFF, then try again.

CAUTION

If the engine does not start in 20 seconds, turn the key (13) to OFF. Wait 60 seconds before trying to start the engine again.

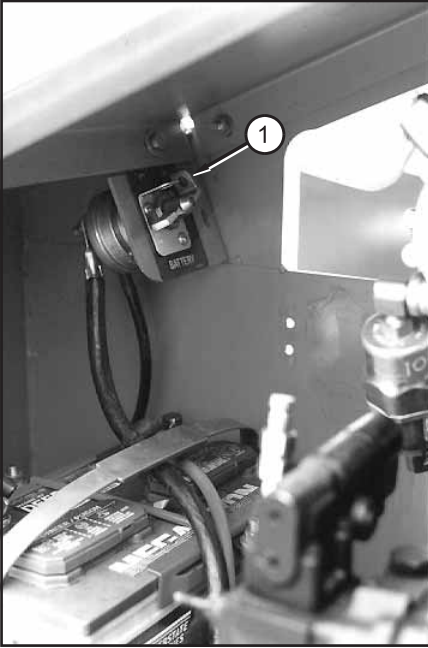
The engine should now be running, and the AB50J is ready to begin work.

8. Operation

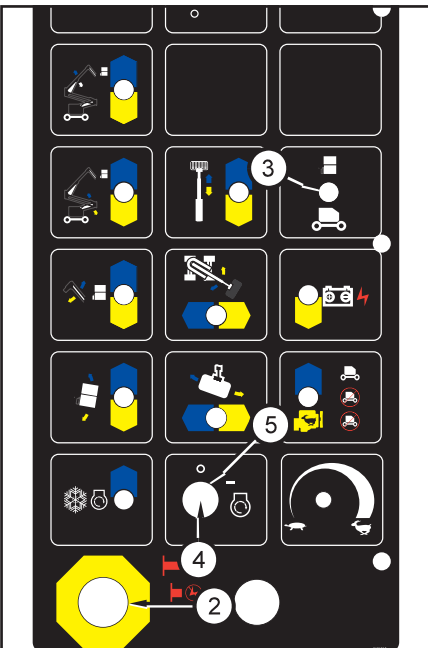
■ Starting From Platform Control Box

Before you begin to operate the AB50J from the platform control box, a qualified operator must perform the “Daily Inspection and Maintenance” as described in chapter 7.

To start the engine from the platform control box do the following:

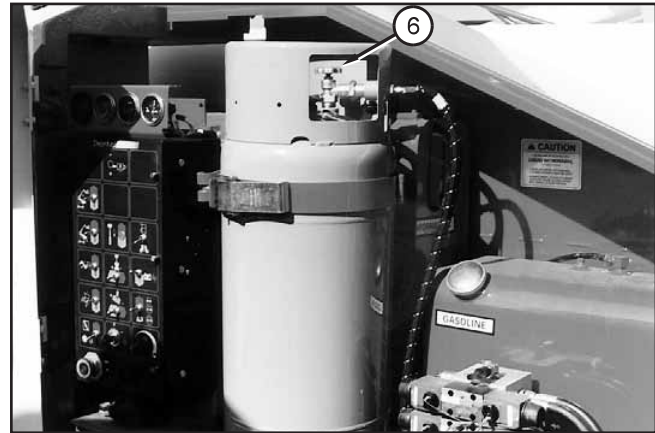


1. Set the **Battery** switch (1) in turntable to ON.

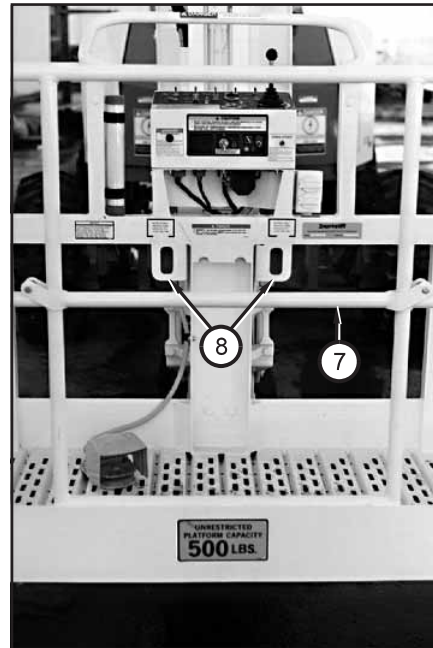


2. Set the **Emergency Stop** switch (2) at the ground controls to ON (pulled out).
3. Set the **Platform/Ground Selector** switch (3) to PLATFORM (up).

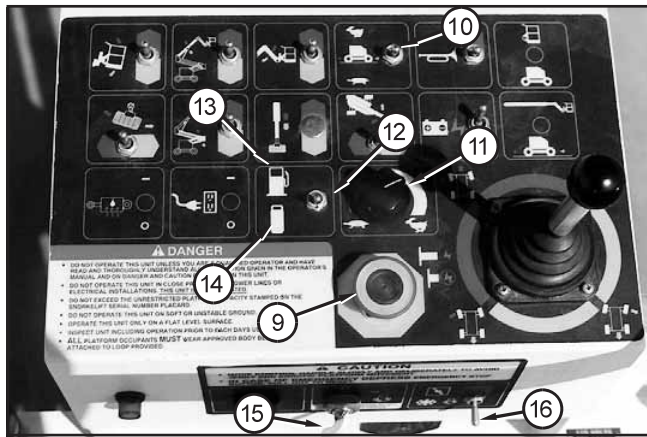
4. Insert the key (4) and set the **Master Key Switch** (5) to ON.



5. For LPG fuel operation: Completely open the valve (6) on top of the LPG tank, (turn counterclockwise until it stops).



6. Enter the platform, close the gate (7), and attach the lanyard of your fall restraint to one of the anchor points (8).



7. Pull the **Emergency Stop** switch (9) on the platform control box up (ON).
8. Set the **Drive Range** switch (10) to LOW.
9. Set the **Boom Speed** knob (11) as shown.
10. For a dual fuel engine: Set the **Dual Fuel** switch (12) to GAS (gasoline) (13) or to LPG (gas) (14), depending on which fuel you want to use for operation.
11. Turn the **Anti-Restart** switch (15) to ON, and pause there a few seconds (but not over 30 seconds), while an alarm sounds to alert others that the AB50J is about to start.
12. For a diesel engine: If the engine is at ambient temperature (cold), hold the **Choke/Cold Start** switch (16) up for 10 seconds just before you perform the next step.

NOTE

Gasoline engines have automatic chokes. They do not use the **Choke/Cold Start** switch.



13. Turn the **Anti-Restart** switch (17) to START and hold it there until the engine starts or for 20 seconds, whichever comes first. When the engine starts, release the **Anti-Restart** switch.

NOTE

If you pause 30 seconds or more, after turning the **Anti-Restart** switch (17) to ON, an automatic protection feature will prevent the AB50J from starting. If that happens, turn the **Anti-Restart** switch to OFF, then try again.

CAUTION

If the engine does not start in 20 seconds, turn the Anti-Restart switch (17) to OFF. Wait 60 seconds before trying to start the engine again.

The engine should now be running, and the AB50J is ready to begin work.

■ Moving The Platform

The engine should already be running (as described earlier in this chapter), before you start this section.

DANGER

DO NOT operate near energized electrical conductors. Maintain the Minimum Safe Approach Distance (M.S.A.D.), to energized power lines. See the “Electrical Hazard Warning” section for a complete explanation of the hazards concerning electricity.

Be certain that the space into which you are about to move the platform, boom, turntable, and/or chassis is free of obstructions.

ALWAYS look in the direction of movement.

When you operate from the platform control box, be sure that the lanyard of your fall restraint is attached to an anchor point on the platform mount. Also, be sure that platform gate is closed behind you.

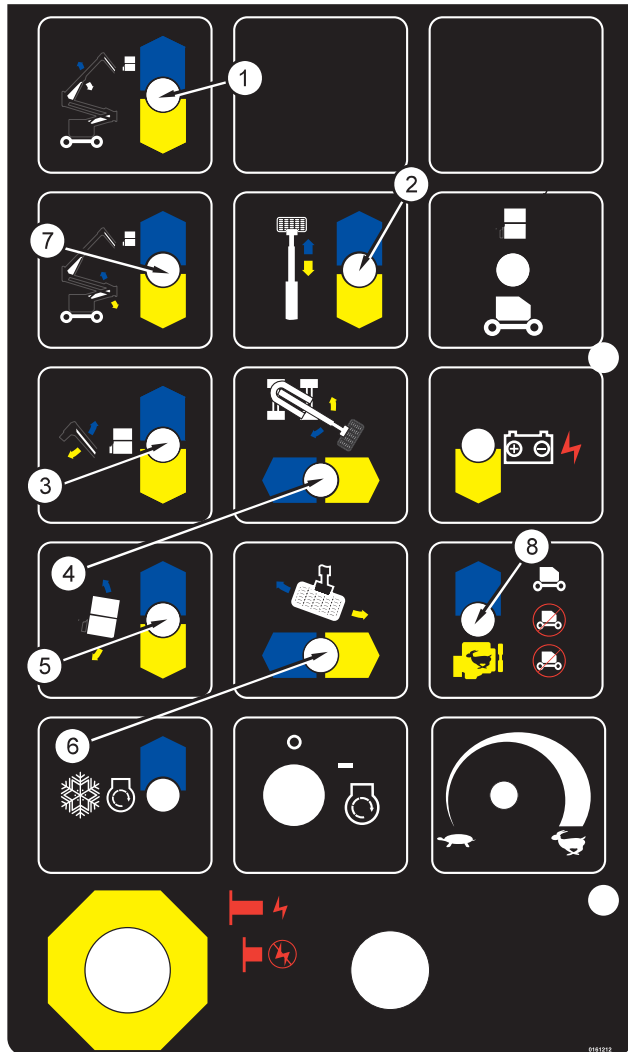
Death or Serious Injury can result from sudden stops. To avoid sudden stops, **DO NOT** remove your foot from the platform foot switch while the AB50J is in motion.

8. Operation

□ From Ground Control Box

Each of the ways the platform can move is shown in the following photograph and switch illustration:

The illustration shows the platform switches that cause the platform or booms to move.



Although the **Ground Operation** switch (8) is not a platform moving switch, its use is required whenever any of the other switches are operated.

NOTE

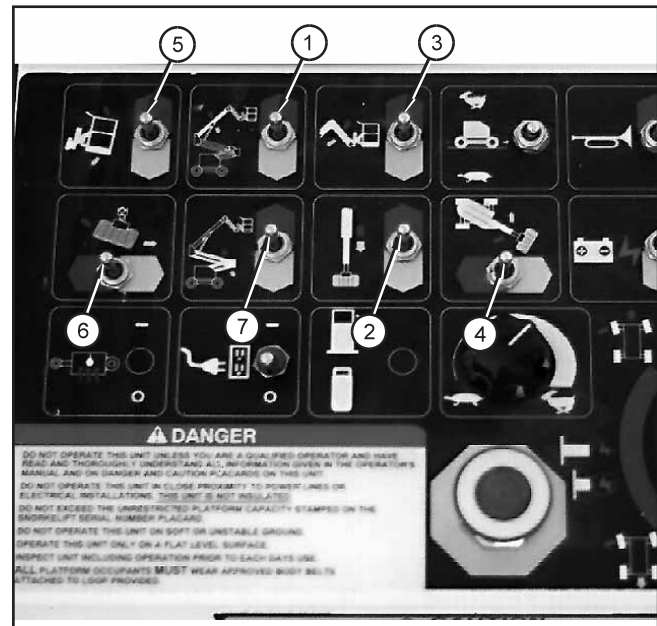
You must hold the **Ground Operation** switch (8) up when you use any of the platform moving switches (1 through 7) to move the platform.

This is a safety feature to prevent the platform from moving if a single platform moving switch is accidentally pushed.

□ From Platform Control Box

When you operate from the platform control box, be sure that the lanyard of your fall restraint is attached to an anchor point on the platform mount. Also, be sure the gate is closed. Each of the ways the platform can move is shown in the following photograph and switch illustration.

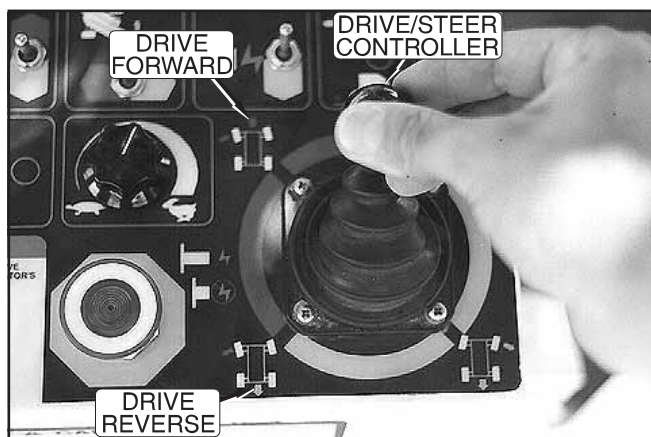
The illustration shows the platform switches that cause the platform or booms to move.



You must be stepping on the platform foot switch (9) when you use any of the platform moving switches (1 through 7) or the **Drive/Steer** controller to move the platform. The platform foot switch is a safety feature to prevent the platform from moving if a platform moving switch, or controller, is accidentally pushed.

■ Driving the AB50J

The AB50J chassis can only be driven from the platform control box. You cannot drive from the ground control box.



There is a blue arrow on the forward end of the chassis and a yellow arrow on the reverse end of the chassis.

□ Forward and Reverse Drive

Pushing the **Drive/Steer** controller to FORWARD causes the chassis to move in the direction of the blue arrow on the end of the chassis.

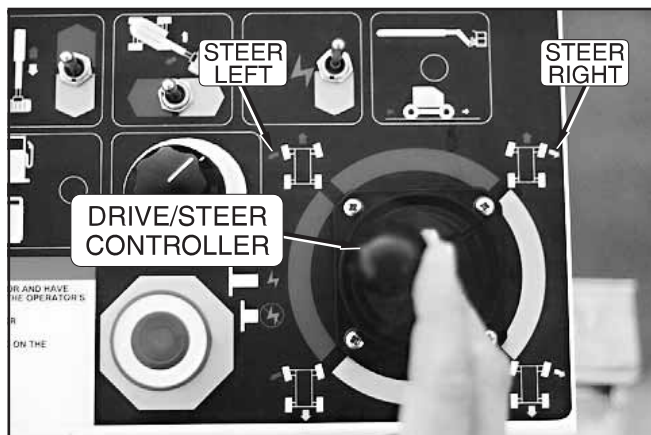
Pushing the **Drive/Steer** controller to REVERSE causes the chassis to move in the direction of the yellow arrow on the opposite end of the chassis.

———— NOTE ————

You must be stepping on the platform foot switch for the **Drive/Steer** controller to work.

■ Steering the AB50J

The AB50J can only be steered from the platform control box. You cannot steer the AB50J from the ground control box.



There are two blue arrows on the left side of the chassis and two yellow arrows on the right side of the chassis.

□ Steer Left and Right

Pushing the **Drive/Steer** controller to LEFT causes the front wheels to turn for a left turn.

Pushing the **Drive/Steer** controller to RIGHT causes the front wheels to turn for a right turn.

———— NOTE ————

You must be stepping on the platform foot switch for the **Drive/Steer** controller to work.

When you release the **Drive/Steer** controller the wheels stay where you set them. The wheels do not return to the “straight ahead” position the way automobile wheels do.

□ 4-Wheel Steer



An AB50J equipped with optional 4-wheel steer can make extremely sharp turns by turning the two front wheels (1) one direction then turning the two rear wheels (2) the opposite direction.

4-wheel steer works like 2-wheel steer: Hold the **Drive/Steer** controller to the RIGHT or LEFT until the front wheels (1) turn as far as they will go.

Continue to hold the Drive/Steer controller to the RIGHT or LEFT and the rear wheels (2) will begin to turn.

8. Operation

The wheels straighten in reverse order: Hold the **Drive/Steer** controller to the LEFT or RIGHT and the rear wheels (2) will come back to the straight ahead position before the front wheels (1) start to turn back.

❑ 4-Wheel Steer With Crab Steer



An AB50J equipped with optional crab steering can move sideways.

To do so, use the **Drive/Steer** controller to turn the front wheels (1) in the direction you want to move the AB50J.



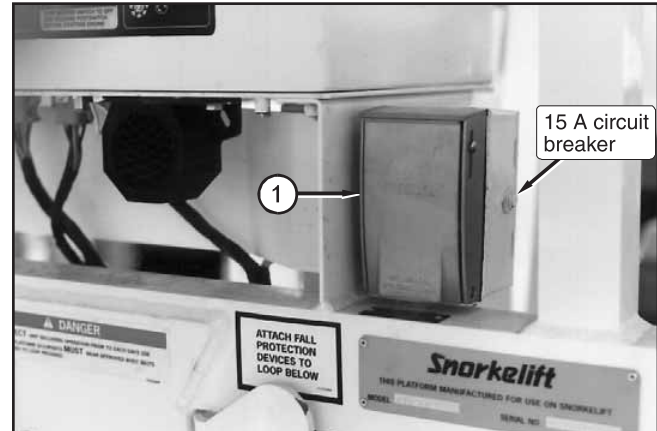
Then, hold the Crab Steer switch UP until the rear wheels (2) point the same direction as the front wheels (1).

Use the **Drive/Steer** controller to drive the AB50J FORWARD (and to the side), or REVERSE (and to the side).

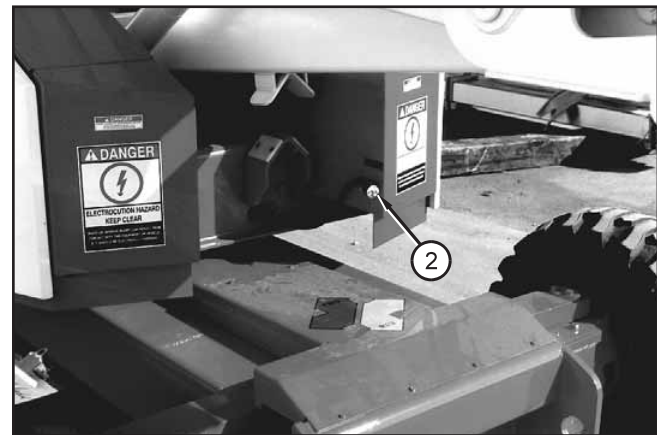
NOTE

If the Drive/Steer controller is not returned to the center position the wheels may return to the straight position.

■ Electrical Outlets (GFCI) at Platform



The electrical box (1) has two 3 prong, 125 volt AC electrical connectors. Their combined output is limited by a 15 A, slow blow circuit breaker.

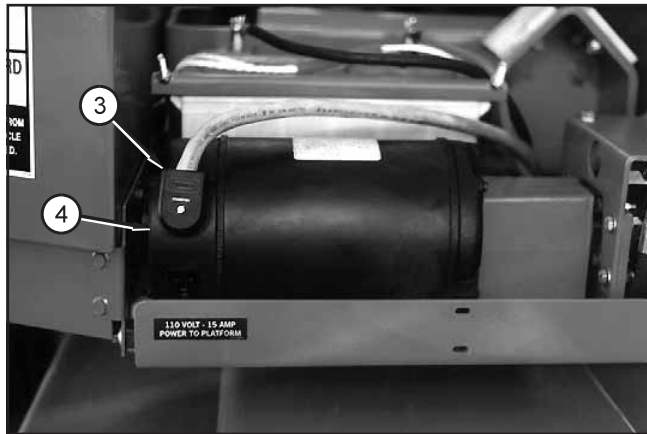


The power input connector (2) for the electrical box (1) is at the rear of the turntable. Plug a 125 volt AC - 15 amp source of power into the power input connector (2) if you intend to use the electrical outlet (1) to power equipment.

⚠ CAUTION

ALWAYS be sure to unplug the power source before you move the AB50J.

□ AC Generator



If the AB50J has the AC generator option, the power input connector (3) should be plugged into the AC generator (4).



After the power input connector is plugged into the generator, turn the **AC Generator** switch (5) ON.

NOTE

For more information about the electrical outlet, see Ground Fault Circuit Interrupt in “Safety Devices” chapter 2 and Circuit Breakers in “Automatic Shut-Offs and Circuit Breakers” chapter 5.

■ Securing for Day

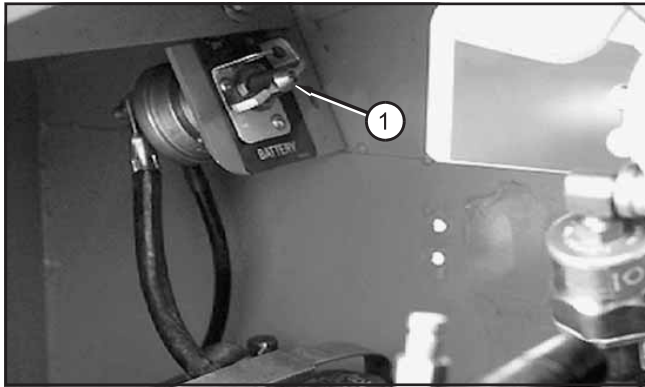
At the end of each work day the AB50J should be returned to the stowed position and locked as described under Stowing in the “Stowing and Transporting” chapter 10.

■ Emergency Operation Procedures

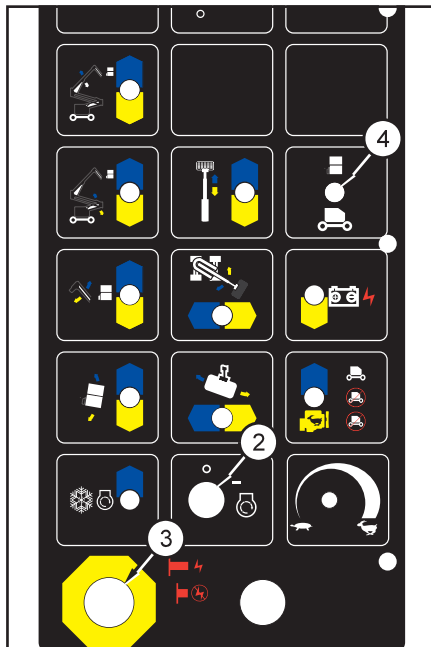
The following procedures are emergency procedures only. **DO NOT** use them for normal operation. Their purpose is to get the platform and operator safely to ground when a problem keeps the platform from lowering in a normal way.

□ Operation From Platform Control Box

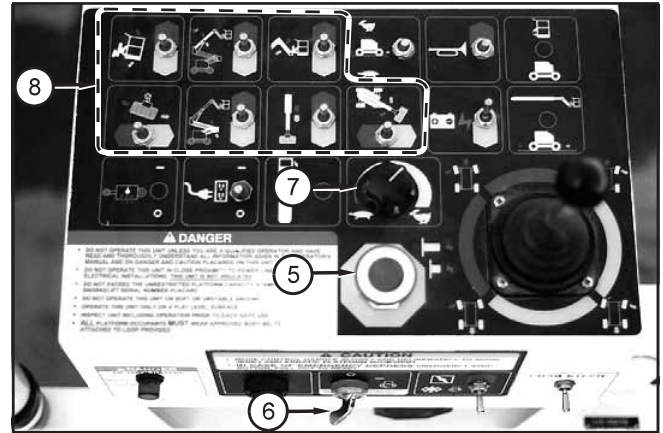
Switch settings listed in the first four steps below must exist at the ground before emergency operation procedures will work at the platform control box:



1. The **Battery** switch (1) must be ON.



2. The **Master Key Switch** (2) must be ON.
3. The **Emergency Stop** switch (3) must be pulled out (ON).
4. The **Platform/Ground Selector** switch (4) must be set to PLATFORM (up).



5. Set the **Emergency Stop** switch (5) to ON (pulled up).
6. Set the **Anti-Restart** switch (6) to ON.
7. Set the **Boom Speed** knob (7) to the speed you want.
8. Hold the appropriate platform moving switch (8) the direction you want the platform to move.



9. Step on the platform foot switch (9).



10. Hold the **Emergency Power** switch (10) down and the platform will move.

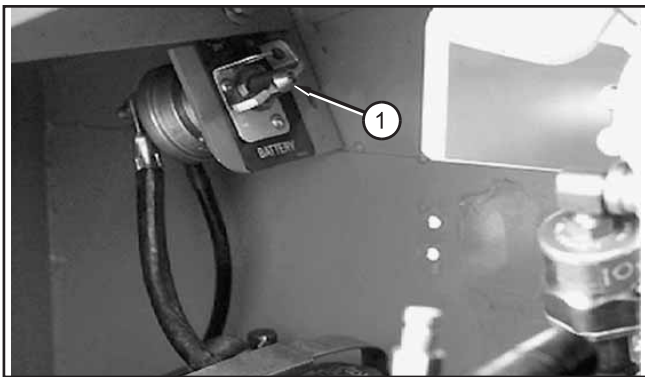
9. Emergency Operation

NOTE

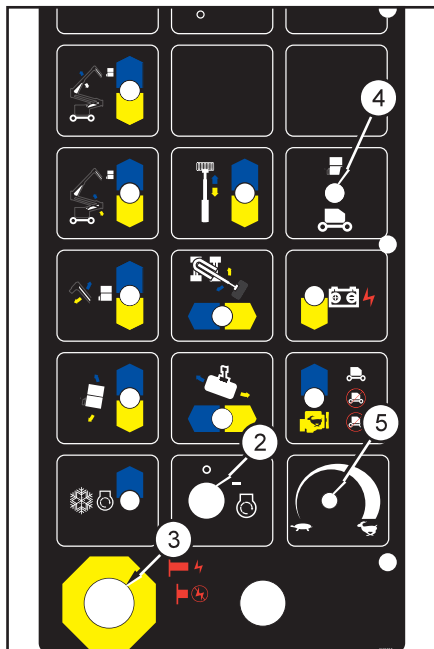
Boom movements will be slow and have long lag times under Emergency Power from the ground controls, even with the **Boom Speed** switch set at the maximum speed setting.

If the platform does not move and the AB50J has the optional extra battery installed, turn the **Anti-Restart** switch to OFF then back to ON (to cycle to the opposite battery) then go back to step 8 on page 9-1.

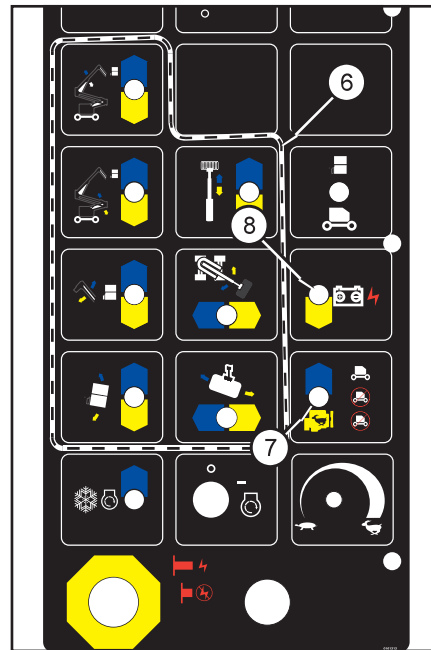
❑ Operation From Ground Control Box



1. Set the **Battery** switch (1) to ON.



2. Set the **Master Key Switch** (2) to ON.
3. Pull the **Emergency Stop** switch (3) out (ON).
4. Set the **Platform/Ground Selector** switch (4) to GROUND.
5. Set the **Boom Speed** knob (5) to the speed you want.



6. Hold the appropriate platform moving switch (6) the direction you want the platform to move.
7. Hold the **Ground Operation** switch (7) up.
8. Hold the **Emergency Power** switch (8) down and the platform will move.

NOTE

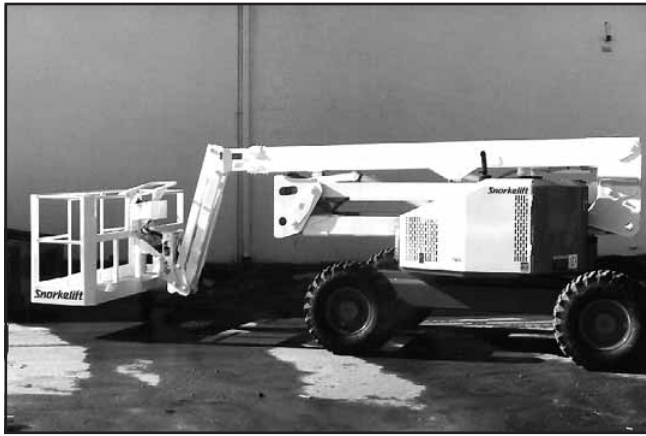
Boom movements will be slow and have long lag times under Emergency Power from the platform, even with the **Boom Speed** knob set at the maximum speed setting.

If the platform does not move and the AB50J has the optional extra battery installed, turn the **Master Key Switch** to OFF then back to ON (to cycle to the opposite battery) then go back to step 6 above.

■ Stowing

At the end of each work day (or in preparation for lifting or storage) a qualified operator should put the AB50J into its stowed position then lock it.

The correct stowed position is shown here.



To bring the AB50J into the stowed position use the controls on the ground control box or platform control box to:

1. Fully retract the booms.
2. Fully lower the booms.
3. Center the main boom between the rear wheels.

□ To Lock the AB50J:

NOTE

If the engine has just been under load and is hot, let the engine idle for one minute.

1. Set the **Master Key Switch** to OFF then remove the key.



2. Set the **Battery** switch to OFF and it.

3. For machines equipped with optional LPG fuel, close the valve on the LPG tank (completely turned clockwise).
4. Close and lock all doors.

■ Transporting

The user assumes all responsibility for choosing the proper method of transportation, and the proper selection and use of transportation and tie-down devices, making sure the equipment used is capable of supporting the weight of the aerial platform and that all manufacturer's instructions and warnings, regulations and safety rules of their employer, the DOT and/or any other state or federal law are followed.

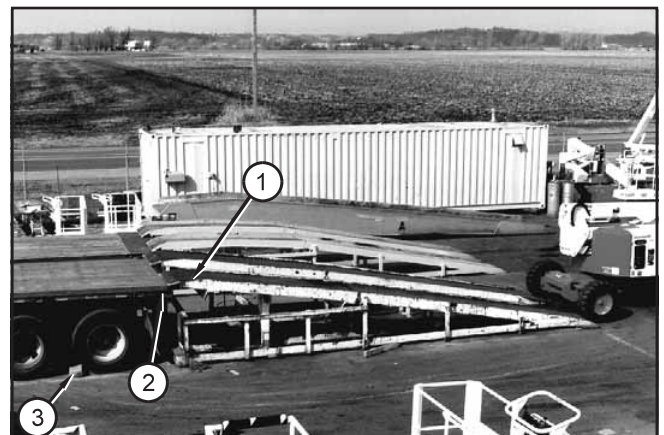
□ Trailering

An AB50J weighs approximately 15,280 pounds (6930 kg). Loading ramps must be able to support that weight. Transport trailers must be able to safely transport that weight.

⚠ DANGER

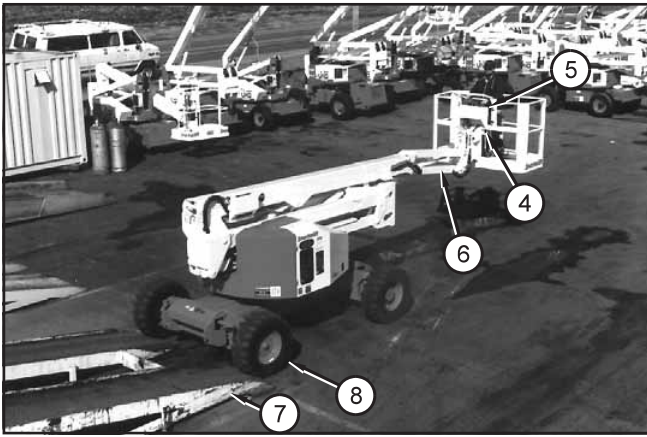
DO NOT load an AB50J on grades over 25%; or with the turntable rotated with respect to the chassis; or on ramps with poor traction, uneven surfaces, or steps.

To safely drive an AB50J onto a transport trailer:



1. Visually inspect the alignment of the loading ramp (1) and the truck or trailer (2). They should both be on the same straight line.
2. Chock (3) the wheels of the truck or trailer so it cannot roll away from the loading ramp (1) while the AB50J is being loaded.
3. Set the ground control box for platform operation.

10. Stowing and Transporting



4. Enter the platform and attach the lanyard of your fall restraint to the lanyard anchor point (4) on the platform.
5. Use the controls on the platform control box (5) to raise the jib boom (6) to its horizontal position.
6. Use the platform controls to bring the AB50J into the stowed position (except jib boom horizontal) at the foot of the loading ramp (7) with the steering wheels (8) nearest the ramp (7).
7. Visually check (from the platform) to be sure the AB50J is aligned with the ramp and the ramp is still aligned with the truck or trailer. All should be in a straight line.

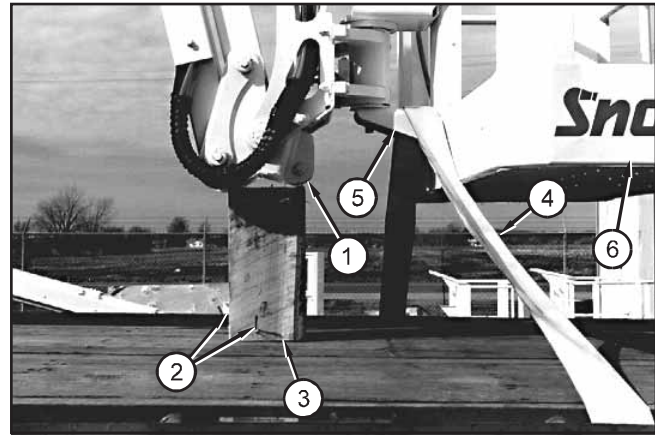
⚠ DANGER

Death or Serious Injury can result from losing control of an AB50J while loading. Always set the **Drive Range** to LOW before you drive up or down a grade.

8. Set the **Drive Range** to LOW.
9. Use turntable **Swing** to move the platform slightly to the side so you are aligned with the wheels and can see them better.
10. Use the **Drive/Steer** controller to slowly drive the AB50J straight onto the ramp and transport trailer.
11. Use turntable **Swing** to align the main boom between the rear wheels.
12. Lower the jib boom until it is completely down.
13. Leave the engine running in preparation for securing the machine to the transport vehicle.
14. Chock the AB50J wheels.

Securing to a Transport Vehicle

This procedure assumes that you have just finished loading the machine onto the transport vehicle, that the AB50J engine is still running, and that the wheels are chocked.



1. Use **Main Boom Lift** to raise the jib end bracket (1) a few inches.
2. Toenail (2) a large wooden block (3) directly below the jib end bracket (1).
3. Use **Main Boom Lift** to lower the jib end bracket (1) onto the block (3).
4. Set the **Anti-Restart** switch to OFF.
5. Set the **Master Key Switch** to OFF then remove the key.

⚠ DANGER

DO NOT run a strap over the platform toe board (6). The toe board is not strong enough to hold the platform down and will be damaged in transit. Run a strap where shown.

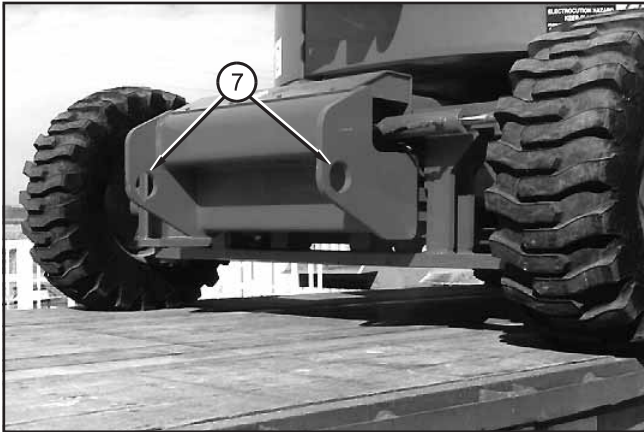
6. Tighten a nylon strap (4) over the mounting bracket (5) as shown.



7. Set the **Battery** switch to OFF and lock it.

10. Stowing and Transporting

8. For machines equipped with optional LPG fuel, close the valve on the LPG tank (completely turned clockwise).

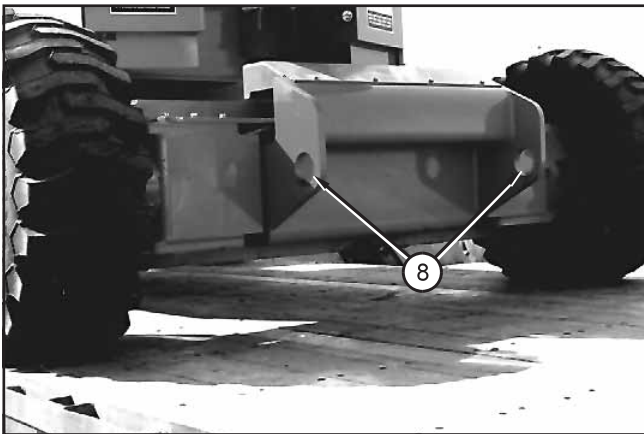


⚠ DANGER

Transporting a loose AB50J can cause **Death** or **Serious Injury**.

DO NOT attach tie downs to the steering tie rods. The tie rods are not strong enough to safely hold an AB50J.

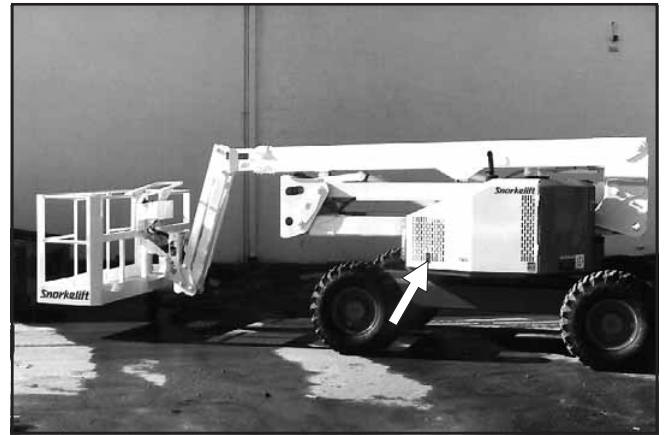
9. Attach chains to the front lifting tie down lugs (7) on the AB50J chassis.



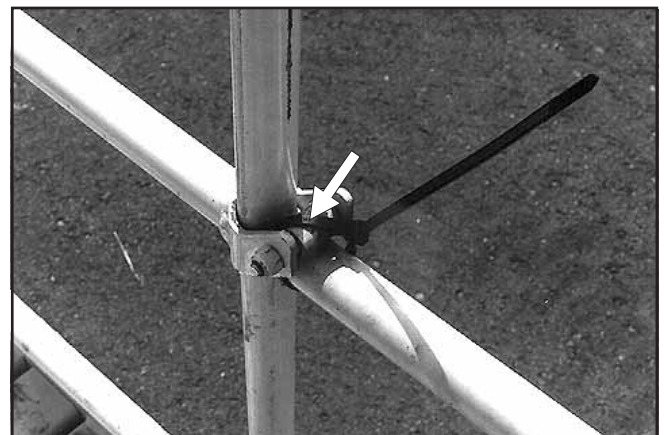
10. Attach chains to the rear lifting tie down lugs (8) on the AB50J chassis.

NOTE

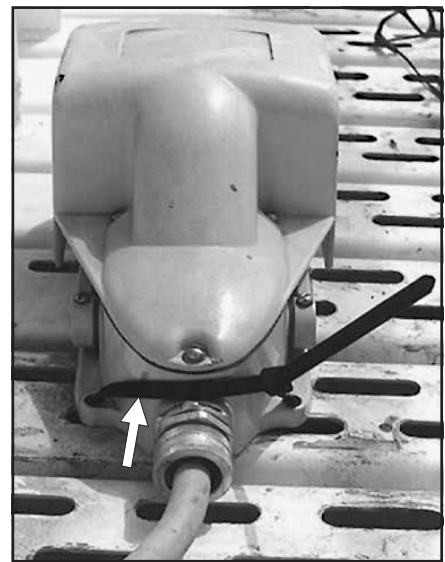
Chocks may be removed at this time, though it is a good idea to leave them in place.



11. Lock the cowling doors closed.



12. Use wire ties, as shown, to keep the platform gravity gate from bouncing around.



13. Use wire ties, as shown, to keep the platform foot switch from bouncing around.

NOTE

Reverse the above procedure after transporting.

10. Stowing and Transporting

■ Towing

⚠ DANGER

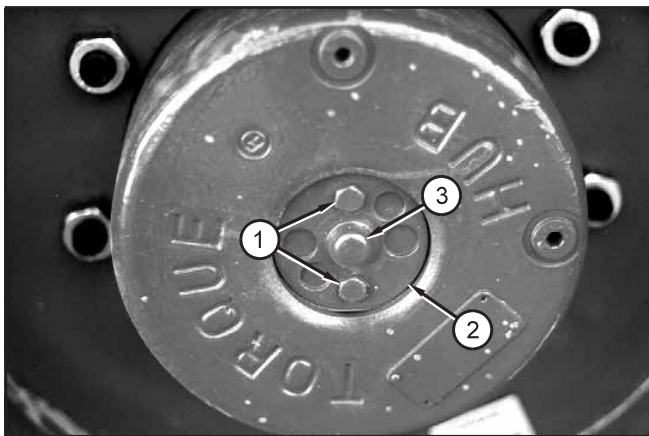
DO NOT tow an AB50J unless it is equipped with the optional tow kit.

A runaway AB50J can cause **Death** or **Serious Injury**. If you have to move an AB50J down a grade, chain a braking vehicle to the “uphill” end of the AB50J.

Be certain the braking vehicle has the capacity to stop and hold both itself and the AB50J on the steepest grade they will encounter and under the prevailing environmental conditions.

In an emergency when you have to move a disabled AB50J a few feet to safety or for repairs, do the following:

1. Chain a forklift or other heavy vehicle to the front lifting tie down lugs and chain a similar vehicle to the rear lifting tie down lugs.



2. At each drive wheel, remove the two bolts (1) and turn the disconnect plate (2) over so that the nipple (3) points into the drive motor, then reinstall the bolts (1). This disengages the brakes and lets the drive wheels freewheel.
3. Pull the AB50J, at less than 1 mph (1.6 km/h), to its new position then turn the disconnect plates back over so the nipples are out and the drive wheels are locked.
4. Unchain the AB50J.

■ Lifting

An AB50J can be safely lifted.

⚠ CAUTION

To prevent any damage to the AB50J or injury to personnel, only a trained qualified service technician should perform lifting.

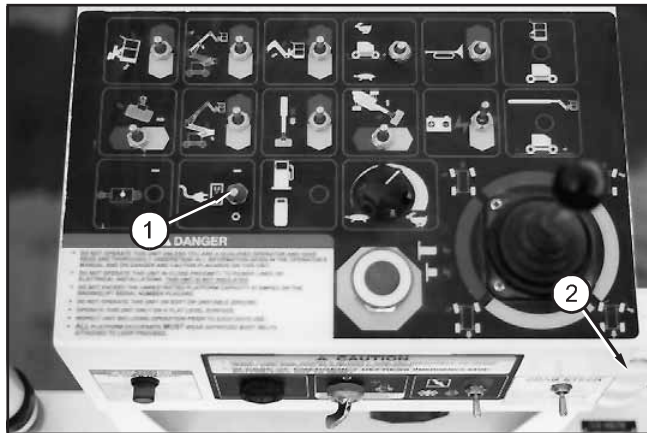
■ AC Generator

⚠ CAUTION

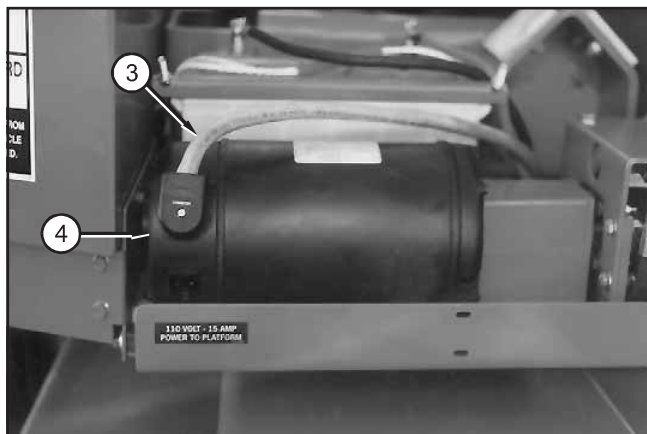
Do not use the AC generator unless the hydraulic oil is over 70°F (21°C). The output voltage of the generator depends on the temperature of the hydraulic oil.

Temperature below 70°F (21°C) will cause dangerously low output voltages that can burn out some kinds of electrical equipment.

The hydraulically powered, 120 volt AC generator can be used anytime the AB50J engine is running. When the generator is ON the AB50J cannot be driven in high drive range.



Set the **AC Generator** switch (1), on the platform control box, to ON and a total of 2 kW, continuous duty, 120 volt AC power is available from the two electrical outlets (2) near the platform control box or from the electrical outlets on the end of the generator housing.



To energize the two platform electrical outlets, the power cord (3) from the platform outlets must be plugged into the receptacle on the generator (4).

■ Air Line To Platform

The input to the air line is on the bottom left rear of the turntable. The outlet is on the platform mounting frame. The maximum safe working pressure for the air line is 250 psi (1725 kPa).

⚠ CAUTION

Water or antifreeze solution in the air line might damage some air tools.

If you use the air line to conduct water or antifreeze solution be sure to drain and blow out the air line before attaching air tools.

The air line can be used to conduct air, water, or antifreeze solution.

NOTE

If you want to conduct other liquids, contact your Snorkel dealer for compatibility information

To drain the air line:

1. Close the turntable end of the air line.
2. Open the platform end of the air line.
3. Raise the main boom slightly above horizontal.
4. Open the turntable end of the air line.

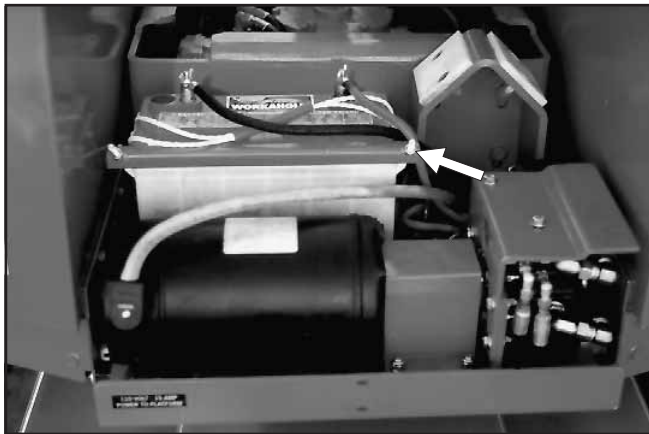
■ Alarms

For a complete discussion of the following alarms see the "Alarms" section of the "Safety Devices" chapter 2.

- All motion warning
- Descending boom alarm
- Drive motion alarm

11. Options

■ Extra Battery



The extra battery is located at the rear of the turntable. For a complete discussion of the extra battery see the Battery section of the “Safety Devices” chapter 2.

■ Cold Weather Start Kit

The cold weather start kit on an AB50J is a freeze plug type block heater. The engine is heated by convection of water that is warmed by the heater. The heater is located in a freeze plug hole just below the engine exhaust manifold. If the engine starting temperature is expected to be 32°F (0°C) or below, plug the power cord from the heater into 125 Volt AC, 600 watt source eight hours before starting the engine.

⚠ CAUTION

Unplug the heater just before starting the engine. That will keep you from driving off while the heater is still plugged in.

■ Dual Fuel

The dual fuel option lets you run a gasoline engine on either gasoline or liquefied petroleum gas (LPG).

Instructions for using this option are listed throughout this manual.

■ Operator Horn

For a complete discussion of the horn see the Operator Horn section of the “Safety Devices” chapter 2.

■ Lights

For a complete discussion of the following lights see the “Safety Devices” chapter 2.

- Flashing lights
- Platform work lights

■ LPS Rating

LPS is a rating devised by Underwriters Laboratory, Inc. for specialized industrial vehicles that meet certain fire safety standards.

The rating specifies physical characteristics of the electrical, exhaust, and fuel systems of vehicles powered by liquefied petroleum gas engines. An LPS rating signifies fire safety characteristics that not only meet, but exceed, the minimum standards for fire safety.

NOTE

See ANSI/UL 558-1984 for specific information.

■ Sandblast Protection Kit



Sandblast protection for the AB50J consists of bellows over the boom hydraulic cylinder rods.

The bellows prevent sand and paint from damaging the cylinder rods and seals, and thus prevent hydraulic oil leaks.

⚠ CAUTION

DO NOT paint or sandblast from an AB50J unless the cylinder rods are protected by bellows.

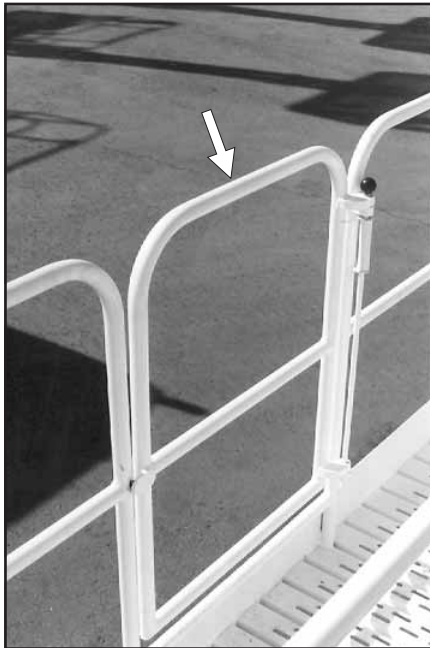
■ Spark Arrestor

The spark arrestor prevents incandescent carbon particles from coming out the tail pipe.

Baffles in the spark arrestor slow the flow of particles through the exhaust system.

The additional time spent in the exhaust system lets the carbon completely burn before it comes out the tail pipe.

■ Platform Swinging Gate



The platform swinging gate is designed to automatically close after you enter or leave the platform.

It helps prevent people from falling off the platform.

■ Tires

Highway or Bar Lug

Standard highway tread tires and large bar lug tires can be air filled.

Air filled tires should be visually checked several times a day to see that they are properly inflated.

Air filled tires should be checked very carefully for imbedded material, cuts, punctures, or abraded areas

⚠ DANGER

Death or Serious Injury can result if the AB50J tips over. An air filled tire that has an air leak or blow out is a tipover hazard. **DO NOT** raise the platform if any tire has an air leak or is in such condition that a blow out could occur.

Flotation Tires



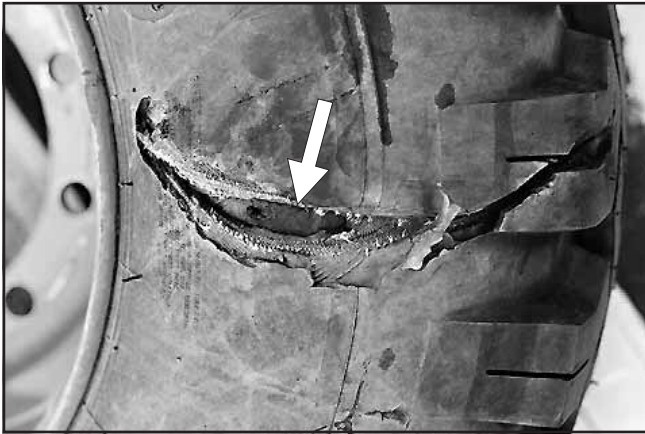
Flotation tires are designed for use in sand, gravel, or loose soil.

Their increased size helps keep the AB50J from sinking into the ground. The increased size has three other effects.

1. It increases the overall width of the AB50J and increases the ground clearance a few inches.
2. Flotation tires are pneumatic, they cannot be foam filled.
3. It increases the overall height of the machine a few inches.

11. Options

Foam Filled Tires



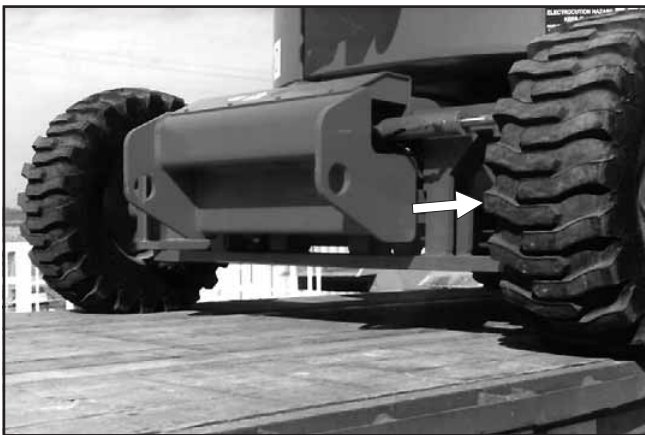
Foam filled tires eliminate the possibility of air leaks or blow outs which might cause a tipover.

Inspect them at the start of each work shift according to the procedures in the “Daily Inspection and Maintenance” chapter 7.

NOTE

The foam filled tire shown here is not acceptable for service.

Large Tires



The large bar lug tires are designed for off pavement use.

Their additional size provides a little more ground clearance than regular bar lug tires and the bar lugs give better traction off pavement.

Tow Kit

Improper towing can cause an AB50J to break away from the towing vehicle.

⚠ DANGER

A “runaway” AB50J can cause **Death** or **Serious Injury**.

Do not tow an AB50J faster than 10 mph (16 km/h). An AB50J can behave erratically above 10 mph (16 km/h).

When you tow the AB50J around a corner or a curve do not turn so sharply that either of the yokes are fully turned. If the yokes are fully turned the steering mechanism might be damaged or the tow vehicle and AB50J might jackknife.

Check with the tow vehicle manufacturer or manufacturer’s literature, to be sure the towing vehicle can safely tow and stop a 15,280 pound (6,930 kg) AB50J on the steepest grade and type of surface you will encounter. Remember, the AB50J does not have brakes when it is towed.

Towing Procedures

1. Remove the tow bar and tie rod weldment from the storage cradles and lay them near the front of the chassis.
2. Attach the tow bar to the towing lug with the tow pin and snap pin.
3. Attach the tie rod weldment to the tow bar and the right hand steering yoke.
4. Attach the ring end of the tow bar to the tow vehicle.
5. Raise the platform approximately 3 feet (1 m) to keep the platform from scraping the ground when the AB50J starts up a grade.
6. Pull the Steering Float Valve, located on the front of the chassis, knob out and turn to lock.

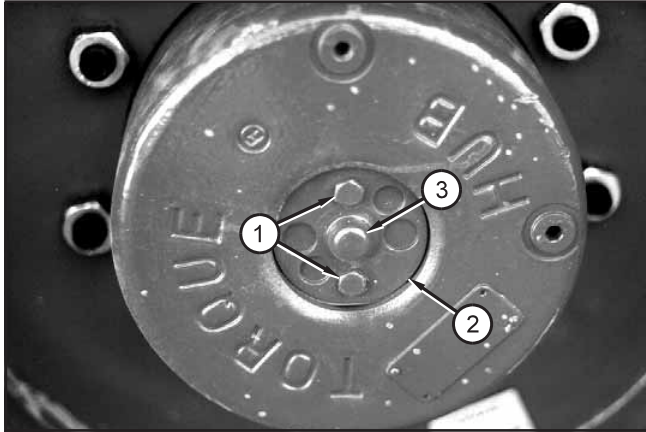
⚠ DANGER

Death or **Serious Injury** may occur from a “runaway” AB50J.

7. Disconnecting the disconnect plates will allow the AB50J drive wheels to turn freely. Before proceeding, be certain the tow bar is installed and connected to a towing vehicle that can safely control both itself and the AB50J.

⚠ CAUTION

Be certain the tow vehicle brakes are set.



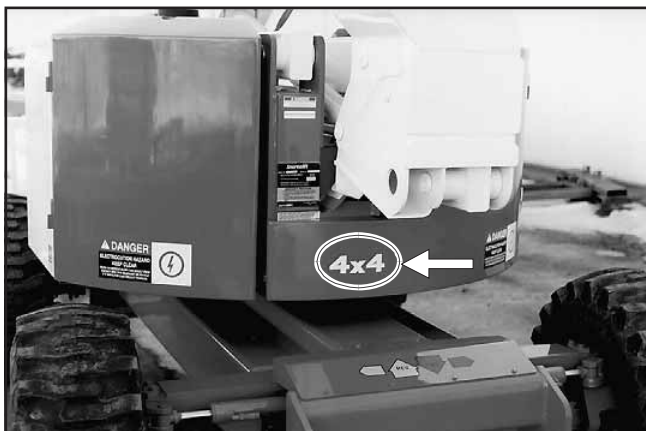
8. Remove the two bolts (1) that hold each drive wheel disconnect plate (2).
9. Turn each disconnect plate (2) over so that the nipple (3) points inward, then retighten the bolts (1).
10. At the end of the tow, before you disconnect the AB50J from the towing vehicle, turn the disconnect plates back over so the nipples are out. This will prevent the AB50J from rolling when you disconnect it from the tow vehicle.
11. Reverse the above procedure at the end of the tow.

■ 4-Wheel Functions

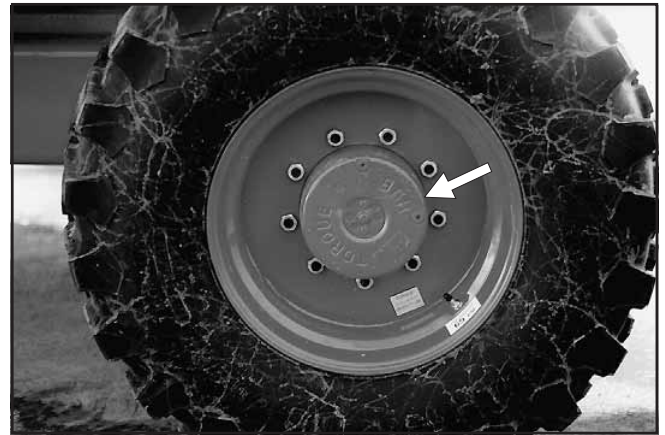
4-Wheel Drive

4-wheel drive improves traction on all surfaces.

There are two ways to tell if the AB50J has 4-wheel drive.



1. Look for the "4x4" decal shown on the front of the turntable.



2. Look at the wheels. If the hubs of all four wheels look like this, the AB50J has 4-wheel drive.

4-Wheel Steer

For a complete discussion of 4-wheel steer see the 4-Wheel Steer section of "Operation" chapter 8.

4-Wheel Steer With Crab Steer

For the AB50J to have crab steer it must first have 4-wheel steer.

For a complete discussion of crab steering see the 4-Wheel Steer with Crab Steer section of "Operation" chapter 8.

The chart below lists situations where machine operation may be interrupted. If the problem cannot be corrected with the action listed, stow the machine and remove it from service. Repairs must be made by qualified maintenance personnel.

■ Troubleshooting Chart

| Problem | Cause | Remedy |
|--|---|---|
| Engine will not start from the ground control box. | Switches are set wrong. (Engine will not crank). | <p>Set Battery switch to ON.</p> <p><u>At the ground control box:</u></p> <p>Set the Master Key Switch to ON.</p> <p>Pull Emergency Stop switch (out) ON.</p> <p>Set Platform/Ground Selector switch to GROUND.</p> <p>Set Master Key Switch to ON for 5 seconds, then turn Master Key Switch to START.</p> |
| | Main circuit breaker, in ground control box, has tripped. (Engine will not crank.) | Wait three minutes, then try to start the engine. If it will not start, refer the problem to a qualified service technician. |
| | Out of fuel. (Gasoline or diesel engine cranks but will not start). | Add fuel to tank, then alternately crank engine for 20 seconds and let starter motor cool for 60 seconds (20 on / 60 off). |
| | LPG (Option) Dual Fuel switch on the platform control box is set wrong. (Engine cranks but will not start). | <p>Set Dual Fuel switch in platform control box to GAS or LPG.</p> <p>Check the fuel gauge, on top of the tank, to see if there is fuel in tank.</p> <p>For LPG operation: Check to see that fuel valve, on top of LPG tank, is open.</p> <p>Alternately crank engine for 20 seconds, then let starter motor cool for 60 seconds.</p> |
| Engine will not start from the platform control box. | Stepping on platform foot switch. (Engine will not crank). | Be sure you are not stepping on the platform foot switch, or that the foot switch is not “blocked” in any way, while you are trying to start the engine |

Chapter 12. Troubleshooting

| Problem | Cause | Remedy |
|---|---|---|
| Engine will not start from the platform control box. (Continued): | Switches are set wrong. (Engine will not crank). | Set Battery switch to ON. <u>At the ground control box:</u> Set the Master Key Switch to ON. Pull Emergency Stop switch (out) ON. Set Platform/Ground Selector switch to PLATFORM. <u>At the platform control box:</u> Set the Anti-Restart switch to OFF. Pull Emergency Stop switch (out) ON. Turn the Anti-Restart switch to ON. Turn the Anti-Restart switch to START. |
| | The main circuit breaker, in the platform control box and/or the main system circuit breaker, in the ground control box has tripped. (Engine will not crank). | Wait three minutes, then try to start the engine. If the engine will not start, refer the problem to a qualified service technician. |
| | Out of fuel. (Gasoline or diesel engine cranks but will not start). | Add fuel to tank, then alternately crank engine for 20 seconds and let starter motor cool for 60 seconds (20 on / 60 off). |
| | LPG (Option) Dual Fuel switch on the platform control box is set wrong. (Engine cranks but will not start). | Set Dual Fuel switch at platform control box to GAS or LPG. Check the fuel gauge, on top of the tank, to see if there is fuel in tank. For LPG operation: Check to see that fuel valve, on top of LPG tank, is open. Alternately crank engine for 20 seconds, then let starter motor cool for 60 seconds. |

I

120 volt AC generator, 11-1
 125 volt AC - 15 amp source of power, 8-8
 125 volt AC electrical connectors, 8-8
 4-wheel drive, 11-5
 4-wheel steer, 8-7
 4-wheel steer with crab steer, 8-8, 11-5

A

AC electrical connectors, 8-8
 AC generator, 8-9, 11-1
 additional information, A-iv
 see introduction - page iv
 air line to platform, 11-1
 alarms, 11-1
 all motion, 2-3
 alternator not charging, 2-2
 axle unlocked, 7-13
 descending boom, 2-3
 motion warning, 7-11
 ammeter, 4-1
 arrows
 blue and yellow, 8-7
 automatic shut-offs
 engine oil pressure, 5-1
 engine temperature, 5-1

B

battery, 2-3
 battery fluid level, 7-5
 battery terminals, 7-4
 bolts and fasteners, 7-6
 rotation bearing bolts, 7-7
 booms
 movements under emergency power, 9-2
 times, 3-1
 buzzers , 2-1

C

California Proposition 65 warning
 see introduction - page iv
 charging system, 7-9
 circuit breakers, 5-2
 cold weather start kit, 11-2
 controls
 control switches
 AC generator switch, 2-6
 AC Generator switch, 11-1
 anti-restart, 6-4, 8-5, 9-1

battery switch, 6-6, 8-2, 8-4, 9-1
 boom speed, 6-2, 6-4, 8-2, 8-5, 9-1, 9-2
 choke/cold start, 6-2, 6-4, 8-3, 8-5
 drive range, 6-4, 8-5
 drive/steer controller, 6-4
 dual fuel, 6-4, 8-3, 8-5
 emergency power, 6-2, 6-4, 9-2
 emergency stop, 6-2, 6-4, 8-1, 8-4, 8-5, 9-1
 emergency Stop, 8-2
 extend/retract, 6-2, 6-4
 ground operation, 2-7, 6-2, 6-6, 7-9, 8-2,
 8-6, 9-2
 horn, 6-4
 jib, 6-2, 6-4
 main boom lift, 6-2, 6-4
 master key switch, 2-1, 6-2, 7-1, 7-12, 8-3,
 8-4, 9-1
 platform level, 6-2, 6-4
 platform rotate, 6-2, 6-4
 platform/ground selector, 6-2, 8-2, 8-4, 9-1
 riser lift, 6-2, 6-4
 swing, 6-2, 6-4
 drive/steer controller, 6-6, 8-6, 8-7
 ground control box, 6-2
 control switches, 6-2
 controls location illustration, 6-3
 platform control box
 control switches, 6-4
 platform foot switch, 6-6
 crushing hazard, 1-2

D

daily inspection and maintenance table, 7-1
 drive wheel, 10-4
 driving the AB50J, 8-7
 4-wheel steer, 11-5
 forward and reverse drive, 8-7
 dual fuel, 11-2

E

electrical
 electrocution, 1-2, 8-1
 outlets at platform , 8-8
 system, 3-1
 electrical (GFCI) outlets at platform, 8-8
 electrical hazard warning
 see electrical hazard - page i

Index

emergency operation, 9-1
 operation from ground control box, 9-2
 operation from platform control box, 9-1
 procedures, 9-1
emergency power, 7-10
engine
 air filter, 7-9
 alternator, 2-2
 automatic choke, 8-3
 coolant level, 5-1, 7-3
 coolant reservoir, 4-1
 engine oil dipstick, 4-2
 engine oil level, 7-2
 Ford - gasoline data, 3-2
 fuel gauge, 4-2
 fuel leaks, 7-3
 fuel level, 7-2
 Kubota diesel - data, 3-2
 LPG fuel operation, 8-4
 oil charts, 3-2
 oil filter, 5-2
 oil pressure, 5-1
 operating temperature range, 4-4
engine shut-off alarm, 2-2
extra battery, 11-2

F

falling hazards, 1-2
filter minder gauge, 7-9
filter minder indicators, 4-2
flashing lights, 7-9
foam filled tires, 2-5
fuel tank cap, 7-2
fuel tank capacity, 3-1

G

gauges
 engine coolant, 4-1
 engine oil, 4-1
 filter minder, 4-2
 fuel, 4-2
 hour meter, 4-3
 hydraulic oil filter, 4-3
 hydraulic oil level, 4-4
 hydraulic oil temperature, 4-4
 LPG, 4-3
 temperature, 4-4
gradeability, 3-1
ground clearance, 3-1
ground control box controls, 6-3

ground fault circuit interrupt, 7-11
ground operation switch, 2-7
ground pressure, standard tires, 3-1

H

height, 3-1
hydraulic oil, 3-1
 filler cap, 7-5
 leaks, 7-5
 oil temperature, 7-5
 tank, 4-4
 temperature gauge, 4-4
hydraulic oil level, 7-5
 sight-glass gauge, 7-5

I

incandescent lights, 2-8
inspection
 operators daily inspection, 7-1
 inspection and maintenance table, 7-1

L

lanyard anchor points, 2-5
length, overall, 3-1
level sensor, 7-10
lifting, 10-4
lights, 11-2
 flashing, 7-9
LPG tank, 8-3
 valve, 7-2
LPS rating, 11-2

M

maintenance personnel
 see iIntroduction - page iii
minimum safe approach distance
 see electrical hazard - page ii
motion warning alarm, 7-11

N

nomenclature and serial numbers, 3-5

O

operating procedures, 8-1
 control stations, 8-1
 emergency stopping, 8-1
 moving the platform, 8-5
 starting from ground control box, 8-2
 starting from platform control box, 8-4
operation, 8-1
 driving

- forward, 8-7
- reverse, 8-7
- from platform control box, 8-6
- steering
 - left, 8-7
 - right, 8-7
- operator horn, 7-11, 11-2
- operators
 - qualified, 7-1, 8-2
- OSHA, ANSI and CSA Standards
 - see introduction - page iv
- overall dimensions, 3-3

P

- placards and decals, 7-14
 - Inspection drawing, 7-15
 - optional placards and decals, 7-14
 - standard placards and decals, 7-14
- platform
 - foot switch, 8-6, 8-7
 - gravity gate, 7-8
 - guardrails, 7-8
 - lanyard anchor points, 7-8
 - platform height, maximum, 3-1
 - platform reach, maximum, 3-1
 - platform size, 3-1
 - swinging gate, 7-8, 11-3
 - work lights, 7-12
- pre-start Inspection, 1-1

Q

- qualified operators
 - see introduction - page iii

R

- responsibilities of owners and users
 - see introduction - page iv

S

- safe operation, 1-1
- safety decals and placards, 1-3
 - location illustration, 1-4

- safety devices
 - alarms, 2-1
 - emergency stop switches, 2-4
 - flashing lights, 2-4
 - ground fault circuit interrupt, 2-6
 - level sensor, 2-7
 - operator horn, 2-7
 - platform foot switch, 2-5
 - platform gravity gate, 2-6
 - platform guardrails, 2-5
 - platform swinging gate, 2-7
 - platform work lights, 2-8
 - safety device information, 2-1
 - tipover hazard light, 2-8
- safety precautions
 - fuel handling precautions, 1-3
 - mounting and dismounting Precautions, 1-3
 - operating precautions, 1-3
 - operator, 1-2
 - operator maintenance precautions, 1-3
 - personnel precautions, 1-2
 - starting and stopping precautions, 1-3
- sandblast protection kit, 8-1, 11-2
- securing for day, 8-9
- serial numbers, 3-5
- signs, caution, danger, notes
 - see introduction - page iii
- slide pads, 7-12
- spark arrestor, 11-3
- start up alarm, 2-1
- steering, 8-7
 - steer left and right, 8-7
- stowing, 10-1
 - locking:, 10-1
- structural damage and welds, 7-7
 - boom welds, 7-7

T

- tailswing, 3-1
- tilt alarm , 2-3
- tipover hazard, 1-2
- tipover hazard light, 7-13
- tires, 7-6
 - flotation tires, 11-3
 - highway or bar lug, 11-3
 - large tires, 11-4
 - punctures, 7-6
 - size, 3-1
- tow kit, 11-4

Index

towing, 10-4

 towing procedures, 11-4

transporting, 10-1

 attaching chains, 10-3

 driving onto trailer, 10-1

 loading ramp, 10-1

 securing to a transport vehicle, 10-2

 trailer, 10-1

 weight, 10-1

travel speeds, 3-1

troubleshooting

 troubleshooting chart, 12-1

turning radius, 3-1

U

unrestricted rated work load, 3-1

W

warranty - limited

 see inside front cover

weight, approximate, 3-1

wheel loading, single, 3-1

wheelbase, 3-1

width, overall, 3-1

wind speed, 3-1

wiring harnesses, 7-4

 loose connections, 7-4

work place inspection and practices, 1-1

working envelope, 3-4

working height, 3-1