

C30 CLUTCH REPLACEMENT

The purpose of this TI document is to inform that the original type clutch is discontinued and no longer available, the new type clutch is an identical fit.

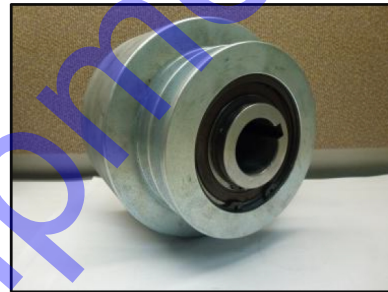
Machine Effective Dates: C30HDZ – June 2012, C30HDG – October 2012

Features include: • 6 Shoes • High Torque • Less Slippage

DISCONTINUED CLUTCH
MQ Part # EM14320



NEW REPLACEMENT CLUTCH
MQ Part # EM14351



IMPORTANT: When changing over to the new replacement clutch, the retainer bolt must be replaced.

NEW RETAINER BOLT
MQ Part # EM963105
(HHCS • ½ -13x2 inch • G5)

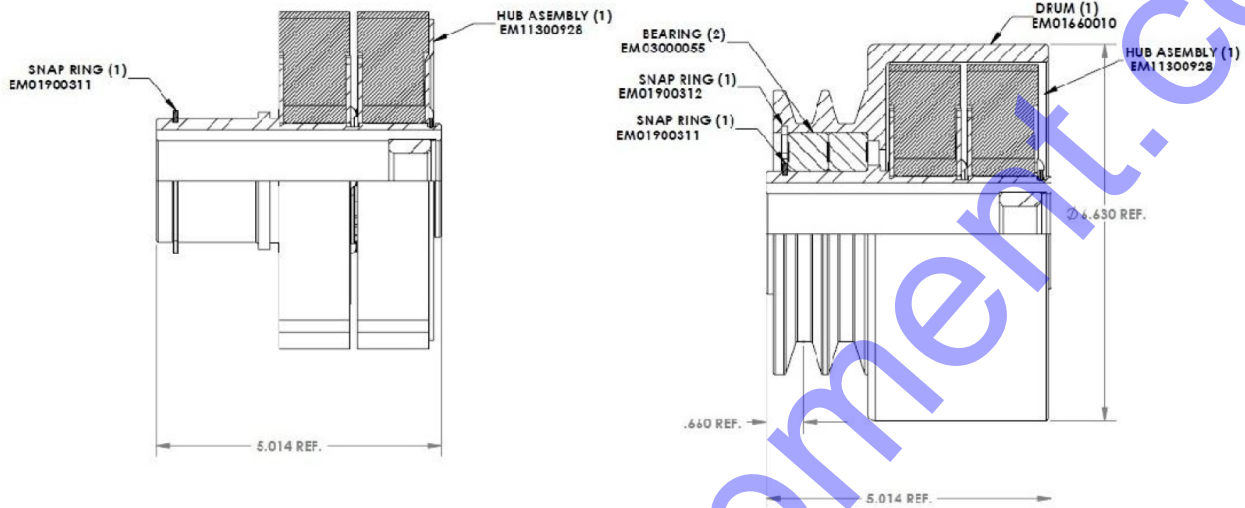


NEW LOCK WASHER
MQ Part # EM923346
(½ inch)

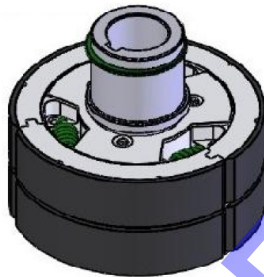
A new Key and Washer is supplied with new replacement clutch



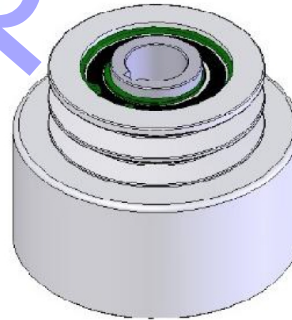
C30 CLUTCH REPLACEMENT



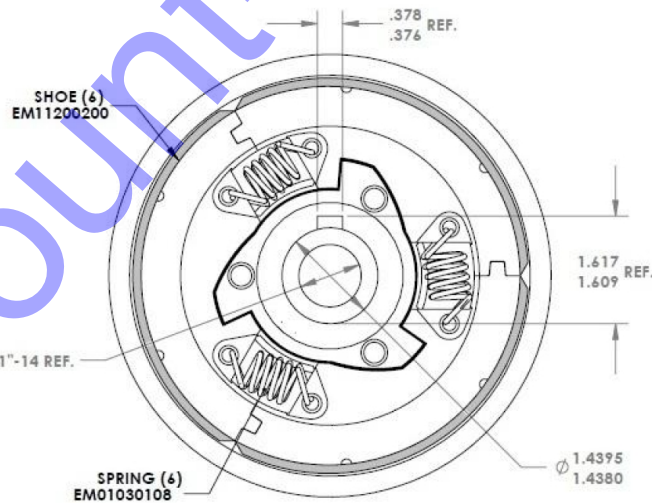
NOTE: EM0250036 KEY TO BE SUPPLIED WITH EACH CLUTCH ASSEMBLY



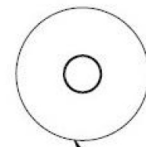
ROTOR ASSY



CLUTCH ASSY



VIEW SHOWN THROUGH COVER PLATE



WASHER (1)
EM02400134
(SUPPLIED WITH CLUTCH)