

PARTS MANUAL



 **TuffTruk**

MODEL

TB11E

TB11G

**WALK-BEHIND
POWER BUGGY**

**(HONDA GX200UT2QX4 GASOLINE ENGINE/
24VDC, 1300W ELECTRIC MOTOR)**

Revision #1 (09/12/19)



THIS MANUAL MUST ACCOMPANY THE EQUIPMENT AT ALL TIMES.

PARTS FINDER

**Search Website
by Part Number**



**Search Manual
Library For Parts
Manual & Lookup Part
Numbers – Purchase
or Request Quote**

Search Manuals

Enter your information to help us find the right parts manual for your machine.

* Brand:

* Model:

* Serial:

* Part Number:

SEARCH

**Can't Find Part or
Manual? Request Help
by Manufacturer,
Model & Description**

Parts Order Form

Please fill in the following information to help us find the right part for your machine.

Manufacturer:	<input type="text"/>
Model:	<input type="text"/>
Description:	<input type="text"/>
Part Number:	<input type="text"/>
Quantity:	<input type="text"/>
Notes:	<input type="text"/>

Submit

Discount-Equipment.com is your online resource for quality parts & equipment.

Florida: **561-964-4949** Outside Florida TOLL FREE: **877-690-3101**

Need parts?

Click on this link: <http://www.discount-equipment.com/category/5443-parts/> and choose one of the options to help get the right parts and equipment you are looking for. Please have the machine model and serial number available in order to help us get you the correct parts. If you don't find the part on the website or on one of the online manuals, please fill out the request form and one of our experienced staff members will get back to you with a quote for the right part that your machine needs.

We sell worldwide for the brands: Genie, Terex, JLG, MultiQuip, Mikasa, Essick, Whiteman, Mayco, Toro Stone, Diamond Products, Generac Magnum, Airman, Haulotte, Barreto, Power Blanket, Nifty Lift, Atlas Copco, Chicago Pneumatic, Allmand, Miller Curber, Skyjack, Lull, Skytrak, Tsurumi, Husquvarna Target, Stow, Wacker, Sakai, Mi-T-M, Sullair, Basic, Dynapac, MBW, Weber, Bartell, Bennar Newman, Haulotte, Ditch Runner, Menegotti, Morrison, Contec, Buddy, Crown, Edco, Wyco, Bomag, Laymor, EZ Trench, Bil-Jax, F.S. Curtis, Gehl Pavers, Heli, Honda, ICS/PowerGrit, IHI, Partner, Imer, Clipper, MMD, Koshin, Rice, CH&E, General Equipment, Amida, Coleman, NAC, Gradall, Square Shooter, Kent, Stanley, Tamco, Toku, Hatz, Kohler, Robin, Wisconsin, Northrock, Oztec, Toker TK, Rol-Air, APT, Wylie, Ingersoll Rand / Doosan, Innovatech, Con X, Ammann, Mecalac, Makinex, Smith Surface Prep, Small Line, Wanco, Yanmar

TB11G/E TuffTruk Walk-Behind Power Buggy

Table of Contents.....	2
Explanation of Code in Remarks Column.....	4
Suggested Spare Parts	5

Component Drawings

Nameplate and Decals Assembly.....	6-7
Top Frame Steering Assembly (Electric)	8-9
Top Frame Steering Assembly (Gas).....	10-11
Front Chassis Assembly (Electric/Gas)	12-13
Transmission Assembly (Gas).....	14-15
Battery Assembly (Electric)	16-17
Control Panel/Controller Assembly (Electric)...	18-19
Center Steering Assembly (Electric/Gas).....	20-21
Electric Motor/Transmission Mounting Assy. ...	22-23
Engine Mounting Assembly	24-25
Front Axle Assembly (Electric/Gas).....	26-27
Rear Axle Assembly (Electric).....	28-29
Rear Axle Assembly (Gas)	30-31
Tub Mount Assembly (Electric/Gas)	32-33
Power/Gnd Cable Assembly (Electric).....	34-35
Harness Assembly (Electric)	36-37
Tub Tipping Handle Assembly (Option)	38-39
Tub Extension Assembly (Option)	40-41
Tow Hitch Assembly	42-43
Flatbed Assembly	44-45
Flatbed Load Stop Assembly (Option).....	46-47
Snowplow Assembly (Option).....	48-49

NOTICE

Specifications are subject to change without notice.

EXPLANATION OF CODE IN REMARKS COLUMN

The following section explains the different symbols and remarks used in the Parts section of this manual. Use the help numbers found on the back page of the manual if there are any questions.

NOTICE

The contents and part numbers listed in the parts section are subject to change **without notice**. Multiquip does not guarantee the availability of the parts listed.

SAMPLE PARTS LIST

NO.	PART NO.	PART NAME	QTY.	REMARKS
1	12345	BOLT	1	INCLUDES ITEMS W/%
2%		WASHER, 1/4 IN.		NOT SOLD SEPARATELY
2%	12347	WASHER, 3/8 IN. ...	1	MQ-45T ONLY
3	12348	HOSE	A/R	MAKE LOCALLY
4	12349	BEARING	1	S/N 2345B AND ABOVE

NO. Column

Unique Symbols — All items with same unique symbol (@, #, +, %, or >) in the number column belong to the same assembly or kit, which is indicated by a note in the “Remarks” column.

Duplicate Item Numbers — Duplicate numbers indicate multiple part numbers, which are in effect for the same general item, such as different size saw blade guards in use or a part that has been updated on newer versions of the same machine.

NOTICE

When ordering a part that has more than one item number listed, check the remarks column for help in determining the proper part to order.

PART NO. Column

Numbers Used — Part numbers can be indicated by a number, a blank entry, or TBD.

TBD (To Be Determined) is generally used to show a part that has not been assigned a formal part number at the time of publication.

A blank entry generally indicates that the item is not sold separately or is not sold by Multiquip. Other entries will be clarified in the “Remarks” Column.

QTY. Column

Numbers Used — Item quantity can be indicated by a number, a blank entry, or A/R.

A/R (As Required) is generally used for hoses or other parts that are sold in bulk and cut to length.

A blank entry generally indicates that the item is not sold separately. Other entries will be clarified in the “Remarks” Column.

REMARKS Column

Some of the most common notes found in the “Remarks” Column are listed below. Other additional notes needed to describe the item can also be shown.

Assembly/Kit — All items on the parts list with the same unique symbol will be included when this item is purchased.

Indicated by:

“INCLUDES ITEMS W/(unique symbol)”

Serial Number Break — Used to list an effective serial number range where a particular part is used.

Indicated by:

“S/N XXXXX AND BELOW”

“S/N XXXX AND ABOVE”

“S/N XXXX TO S/N XXX”

Specific Model Number Use — Indicates that the part is used only with the specific model number or model number variant listed. It can also be used to show a part is NOT used on a specific model or model number variant.

Indicated by:

“XXXXX ONLY”

“NOT USED ON XXXX”

“Make/Obtain Locally” — Indicates that the part can be purchased at any hardware shop or made out of available items. Examples include battery cables, shims, and certain washers and nuts.

“Not Sold Separately” — Indicates that an item cannot be purchased as a separate item and is either part of an assembly/kit that can be purchased, or is not available for sale through Multiquip.

SUGGESTED SPARE PARTS

TUFFTRUK POWER BUGGY WITH 1300 WATT ELECTRIC MOTOR

1 to 3 units

Qty.	P/N	Description
3	70-0142	FUSE, 10A IGNITION
3	70-0131	FUSE, 125A CONTROLLER
3	70-0140	5K OHM POTENTIOMETER
3	70-0141	MICROSWITCH, ROLLER
3	70-0128	SOLENOID, 24 VDC
1	70-0127	EMERG. STOP SWITCH
1	70-0134	BATTERY CHARGER
1	60-6509RHF	WHEEL RIGHT-SIDE F/R
1	60-6509LHF	WHEEL LEFT-SIDE F/R
2	70-0150	IGNITION SW W/KEYS
2	75-02000	LEVER/CABLE ASSY., DM
2	75-01900	LEVER/CABLE ASSY., F
2	75-02100	LEVER ASSY., W/REV SW
2	70-0164	CABLE ASSY., 2-WIRE, REV
4	74-1022	GRIP, HANDLE BAR
2	2-1100	CYLINDER, DAMPNER
2	3-5026-0	ROD END M10, RIGHT-HAND

NOTICE

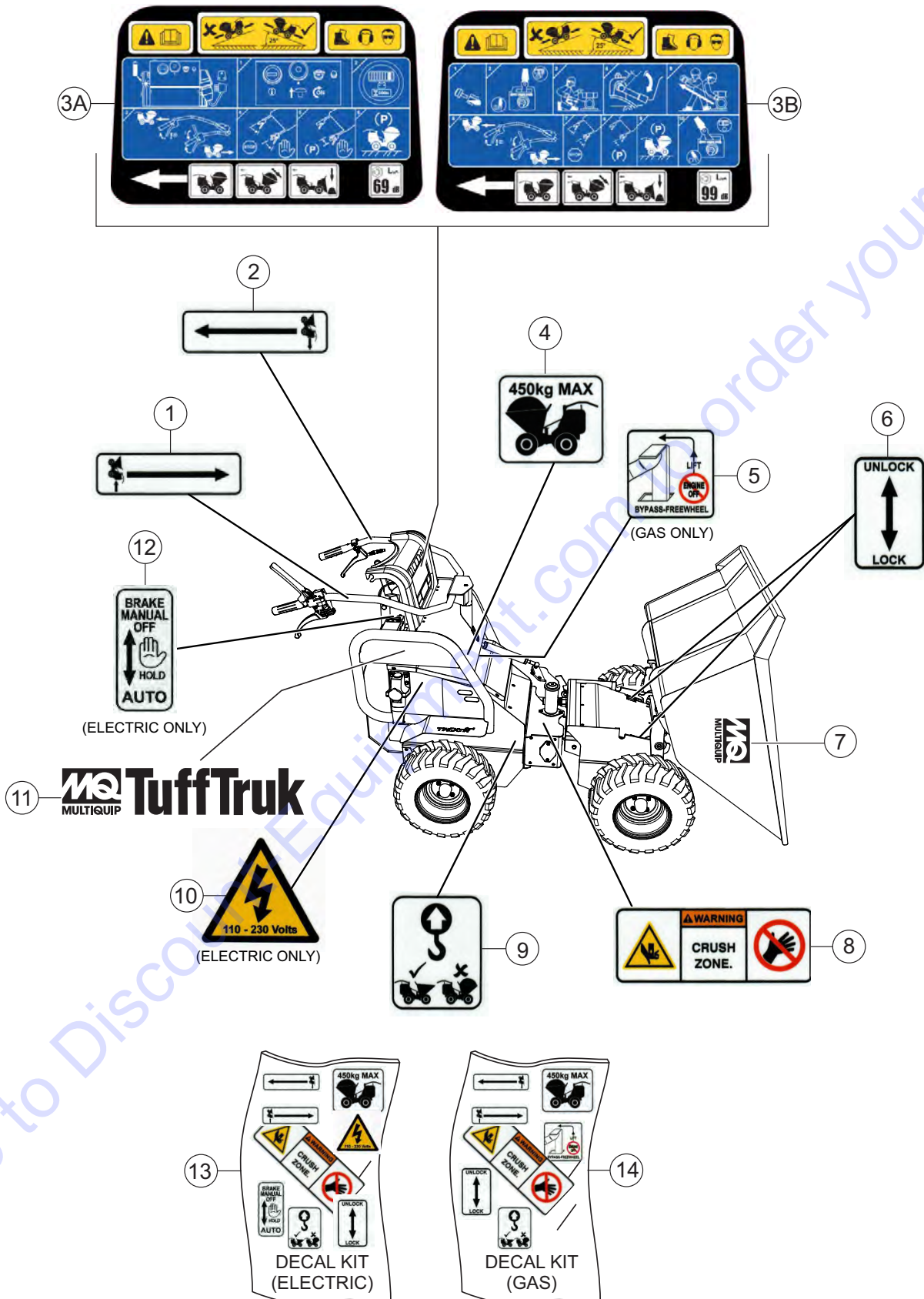
Part numbers on this Suggested Spare Parts list may supersede/replace the part numbers shown in the following parts lists.

TUFFTRUK POWER BUGGY WITH HONDA GX200UT2QX4 GASOLINE ENGINE

1 to 3 units

Qty.	P/N	Description
1	60-6509RHF	WHEEL RIGHT-SIDE F/R
1	60-6509LHF	WHEEL LEFT-SIDE F/R
3	9807956876	SPARK PLUG NKG
3	28461Z4M305	GRIP, STARTER ROPE
4	74-1022	GRIP, HANDLE BAR
1	28462ZH8003	ROPE, STARTER
3	17210ZE1822	AIR FILTER DUAL
3	12218ZE1821	AIR FILTER, OUTER
3	17620Z4H900	CAP, FUEL TANK
3	21-3030	V-BELT, A22
3	6-2002	SPIN-ON OIL FILTER
2	75-01700	LEVER/CABLE ASSY., DM
2	75-01500	LEVER/CABLE ASSY., F/R
2	2-1100	CYLINDER, DAMPNER
2	3-5026-0	ROD END M10, RIGHT-HAND

NAMEPLATE AND DECALS ASSY.

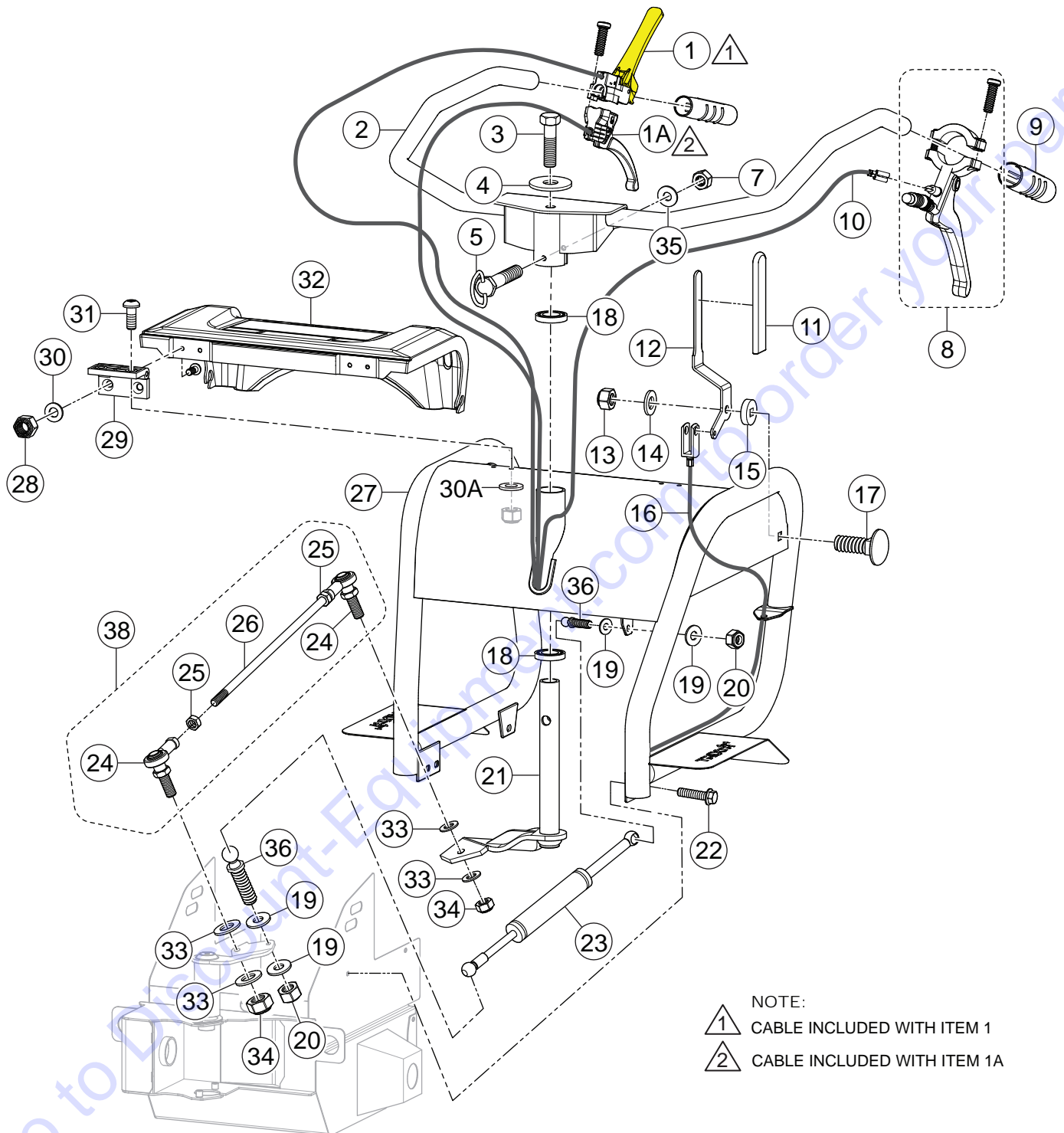


NAMEPLATE AND DECALS ASSY.

<u>NO.</u>	<u>PART NO.</u>	<u>PART NAME</u>	<u>QTY.</u>	<u>REMARKS</u>
1#%		DECAL, FORWARD TRAVEL	1	
2#%		DECAL, REVERSE TRAVEL	1	
3A#	800-11103	DECAL, SET OPERATION	1	ELECTRIC ONLY
3B%	800-11101	DECAL, SET OPERATION	1	GAS ONLY
4#%		DECAL, LOAD CAPACITY 992 LB. (450KG)	1	
5%		DECAL, BYPASS FREEWHEEL.....	1	GAS ONLY
6#%		DECAL, LOCK/UNLOCK TUB	2	
7	800-15067	DECAL, MQ LOGO	2	
8#%		DECAL, WARNING, CRUSH ZONE	1	
9#%		DECAL, LIFTING POINT	1	
10#		DECAL, ELECTRICAL SHOCK HAZARD	1	
11	80015066	DECAL, MQ/TUFFTRUK LOGO	2	
12#		DECAL, BRAKE RELEASE, BYPASS	1	ELECTRIC ONLY
13	800-11122	DECAL, SET ELECTRIC	1	INCLUDES ITEMS W/#
14	800-11122	DECAL, SET GAS	1	INCLUDES ITEMS W/%

Go to Discount-Equipment.com to order your parts

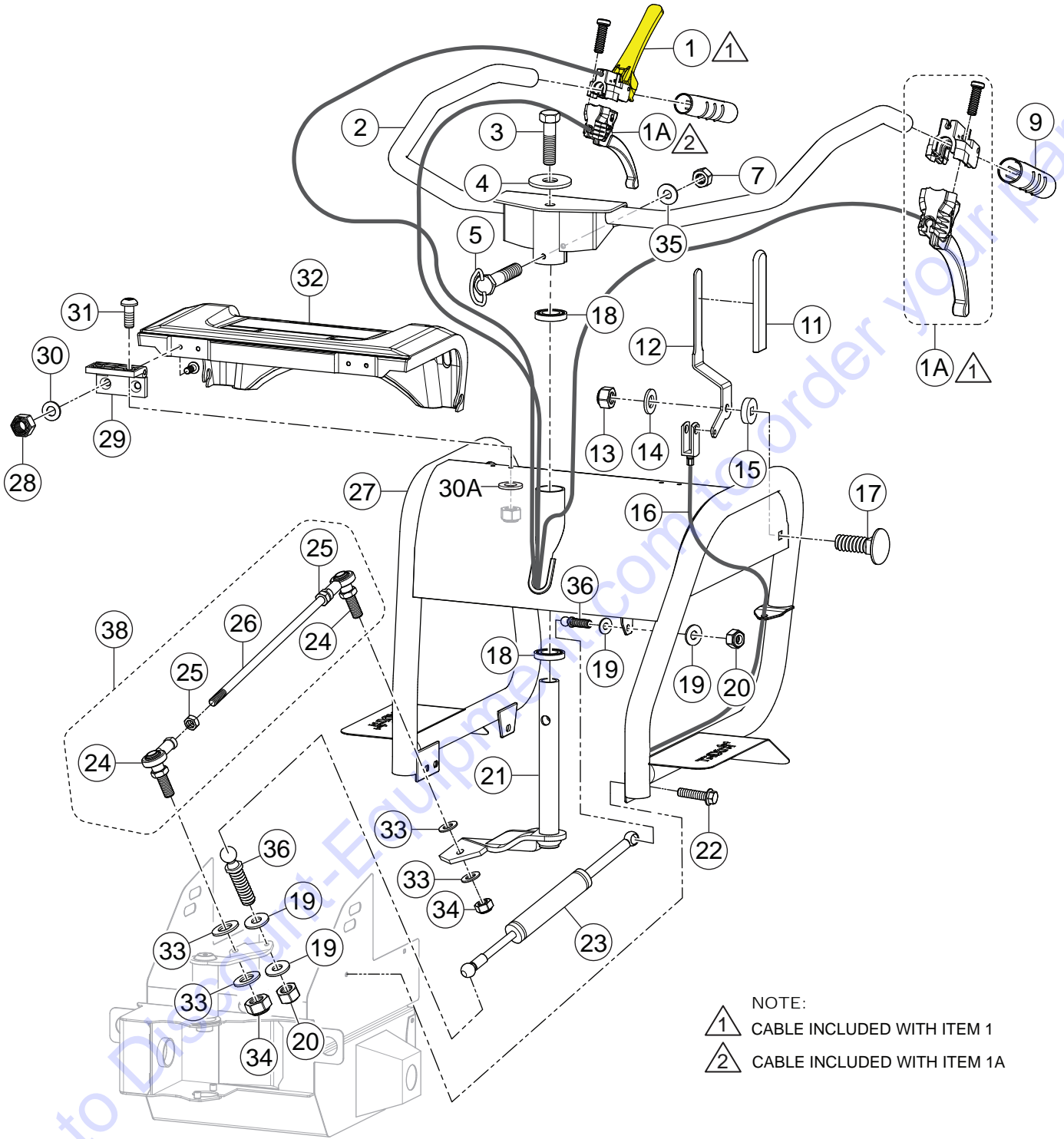
TOP FRAME STEERING ASSY. (ELECTRIC)



TOP FRAME STEERING ASSY. (ELECTRIC)

<u>NO.</u>	<u>PART NO.</u>	<u>PART NAME</u>	<u>QTY.</u>	<u>REMARKS</u>
1	75-02000	LEVER/CABLE ASSY., DEADMAN	1	
1A	75-01900	LEVER/CABLE ASSY., FWD/REV	1	
2	101-01000	HANDLE AND PIVOT	1	
3	7-10005	BOLT M10X25"	1	
4	4-1040	WASHER, M10	1	
5	9-10012	TEE-BOLT, M10X60 MM	1	
7	8-10006	NUT, NYLOC M10	4	
8	75-02100	LEVER ASSY., REVERSE W/SWITCH	1	
9	74-1022	HANDLE, GRIP	2	
10	70-0164	CABLE ASSY., 2-WIRE, REVERSE	1	
11	72-0200	GRIP, DUMP LEVER	1	
12	101-99914	DUMP LEVER	1	
13	8-10004	NUT, M10 THIN LOCK	2	
14	4-1005	WASHER	1	
15	102-99939	SPACER, DUMP LEVER	1	
16	75-00900	CABLE, TUB RELEASE	1	
17	7-10130	CARRIAGE BOLT, M10X30	1	
18	53-0160	BEARING	2	
19	4-8006	WASHER, M8	3	
20	8-8008	NUT, M8 NYLOC	3	
21	101-00800	STEERING PIVOT, REAR	1	
22	7-8080	BOLT, HEX M8X20"	6	
23	2-1100	CYLINDER, DAMPENER	1	
24	3-5026-0	ROD END M10, RIGHT-HAND.....	2	S/N B181709 AND BELOW
25	8-10003	NUT, M10.....	2	S/N B181709 AND BELOW
26	101-00901	ROD, STEERING.....	1	S/N B181709 AND BELOW
27	101-00400	TOP FRAME	1	
28	8-6007	NUT, NYLOC M6	8	
29	74-1023	HINGE	2	
30	4-6018	WASHER, M6 14 MM	4	
30A	4-6001	WASHER, M6 12.5 MM	4	
31	7-6007	SCREW, COUNTERSUNK M6X15"	4	
32	101-99945	ENGINE COVER	1	
33	4-1005	WASHER, M10	4	
34	8-10006	NUT, NYLOC	2	
35	4-1005	WASHER, M10	1	
36	7-8007	SCREW, SET M8X35 MM	2	
37	4-8020	SPACER, M8	1	
38	101-04700	STEERING ROD ASSY.....	1	S/N B181710 AND ABOVE

TOP FRAME STEERING ASSY. (GAS)

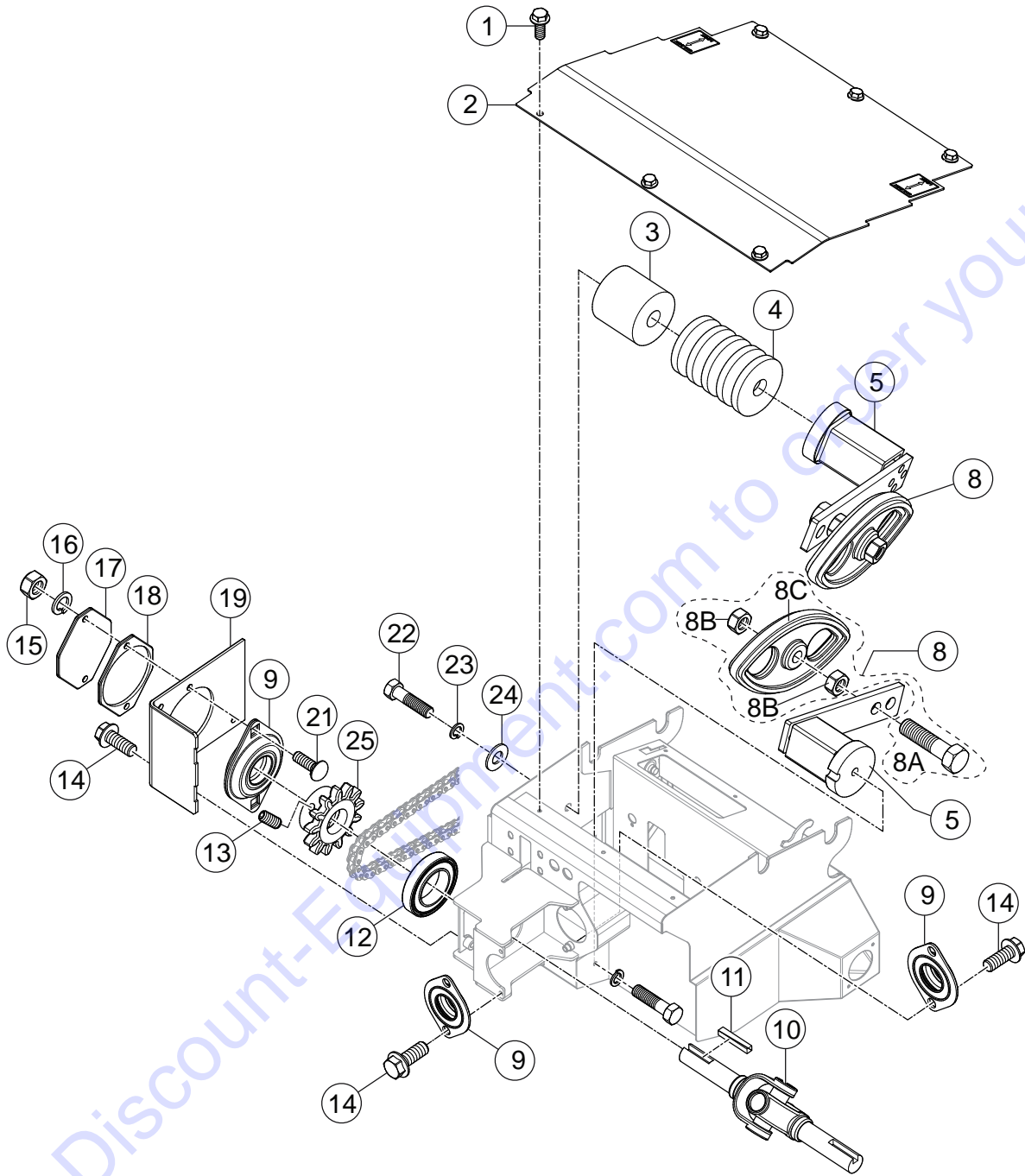


NOTE:
 1 CABLE INCLUDED WITH ITEM 1
 2 CABLE INCLUDED WITH ITEM 1A

TOP FRAME STEERING ASSY. (GAS)

<u>NO.</u>	<u>PART NO.</u>	<u>PART NAME</u>	<u>QTY.</u>	<u>REMARKS</u>
1	75-01700	LEVER/CABLE ASSY., DEADMAN	1	
1A	75-01500	LEVER/CABLE ASSY, FWD REV	2	
2	101-01000	HANDLE AND PIVOT	1	
3	7-10005	SCREW SET M10X25"	1	
4	4-1040	WASHER, M10	1	
5	9-10012	TEE-BOLT, M10X60"	1	
7	8-10006	NUT, NYLOC M10	4	
9	74-1022	HANDLE GRIP	2	
11	72-0200	GRIP, DUMP LEVER	1	
12	101-99914	DUMP LEVER	1	
13	8-10004	NUT, M10 THIN LOCK	2	
14	4-1005	WASHER	1	
15	102-99939	SPACER TUB, LEVER	1	
16	75-00900	CABLE, TUB RELEASE	1	
17	7-10130	CARRIAGE BOLT M10X30"	1	
18	53-0160	BEARING	2	
19	4-8006	WASHER, M8	3	
20	8-8008	NUT, M8 NYLOC	3	
21	101-00800	STEERING PIVOT, REAR	1	
22	2257383	BOLT, HEX M8X20"	6	
23	2-1100	DAMPER ASSY.	1	
24	3-5026-0	ROD END M10, RIGHT-HAND	2	S/N B181709 AND BELOW
25	8-10003	NUT, M10	2	S/N B181709 AND BELOW
26	101-00901	ROD, STEERING	1	S/N B181709 AND BELOW
27	101-00400	TOP FRAME	1	
28	1500265	NUT, NYLOC M6	8	
29	74-1023	HINGE	2	
30	4-6018	WASHER, M6 14 MM	4	
30A	4-6001	WASHER, M6 12.5 MM	4	
31	1500234	SCREW, COUNTERSUNK 6"X15"	4	
32	101-99945	ENGINE COVER	1	
33	4-1005	WASHER, M10	4	
34	8-10006	NUT, NYLOC	2	
35	4-1005	WASHER, M10	1	

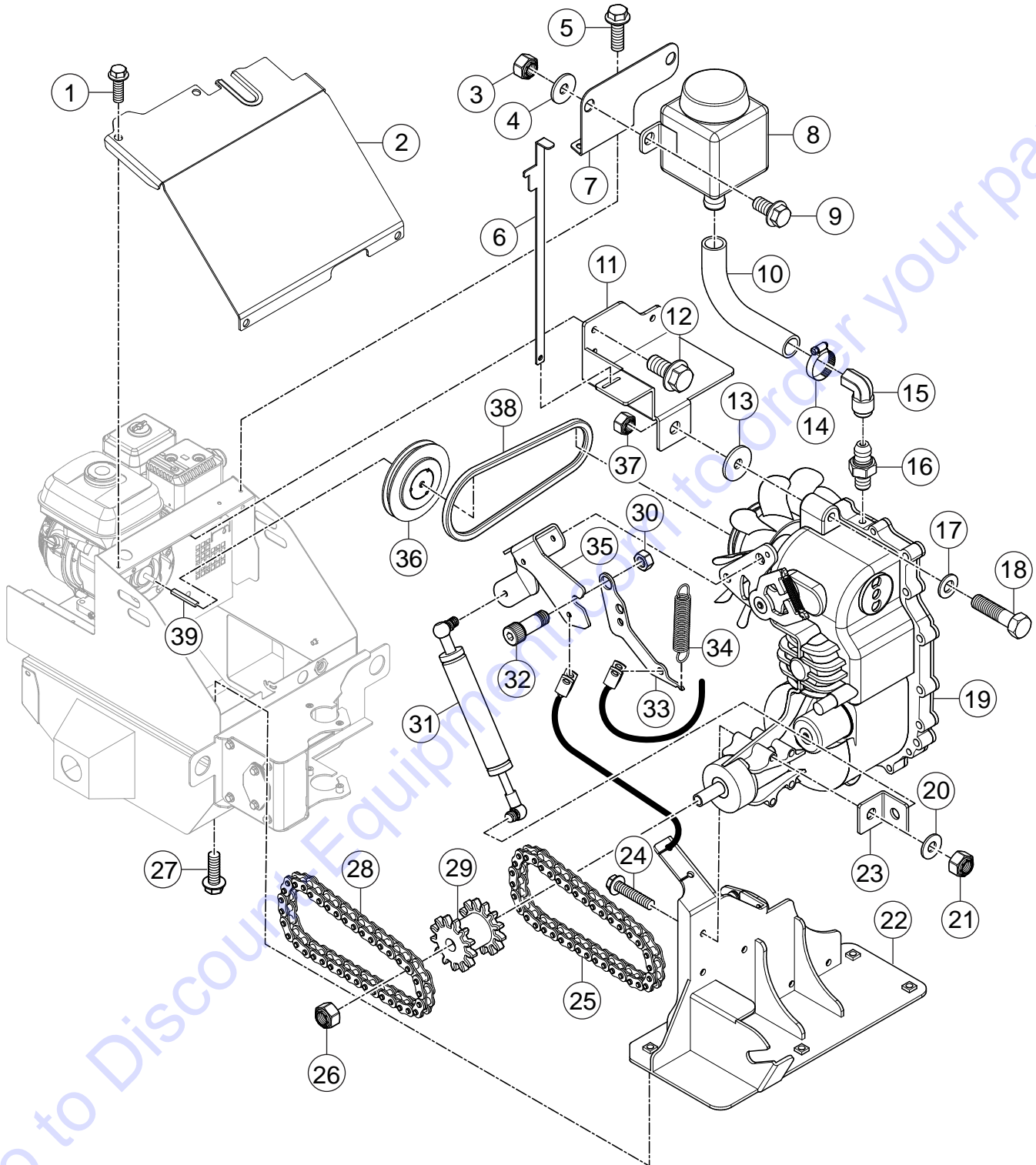
FRONT CHASSIS ASSY. (ELECTRIC/GAS)



FRONT CHASSIS ASSY. (ELECTRIC/GAS)

<u>NO.</u>	<u>PART NO.</u>	<u>PART NAME</u>	<u>QTY.</u>	<u>REMARKS</u>
1	7-6060	SCREW, SERRATED, M6X14	6	
2	101-99908	PANEL, FRONT TOP	1	
3	104-99913	BOSS TENSIONER SPACER	1	
4	4-9031	WASHER	6	
5	2-1001	TENSIONER ASSY.	2	
8	104999255	CHAIN RIDER KIT	2	INCLUDES ITEMS W/#
8A#	9-10007	SCREW	2	
8B#	8-10003	NUT M10	4	
8C#	2-1009	CHAIN RIDER	2	
9	53-0120	FLANGE BEARING	3	
10	21-0650	DRIVE, U-JOINT SHAFT ASSEMBLY	1	
11	21-1200	SQUARE KEY, 3/16"X40MM	3	
12	53-0170	BEARING	1	
13	7-6031	SET SCREW, M6X12"	2	
14	2257383	BOLT, HEX M8X20"	24	
15	8-8008	NUT, M8 NYLOC	2	
16	4-8003	WASHER, LOCK	2	
17	101-99942	PLATE, BEARING COVER	1	
18	101-99943	SPACER, BEARING COVER	1	
19	101-99961	COVER, BEARING FRONT	1	
21	9-8067	CARRIAGE BOLT M8X25"	2	
22	9-8022	BOLT, HEX M8X70"	1	
23	4-8003	WASHER, LOCK M8	1	
24	102-99940	BOSS TENSIONER SUPPORT	2	
25	21-1500	SPROCKET, 13T	1	

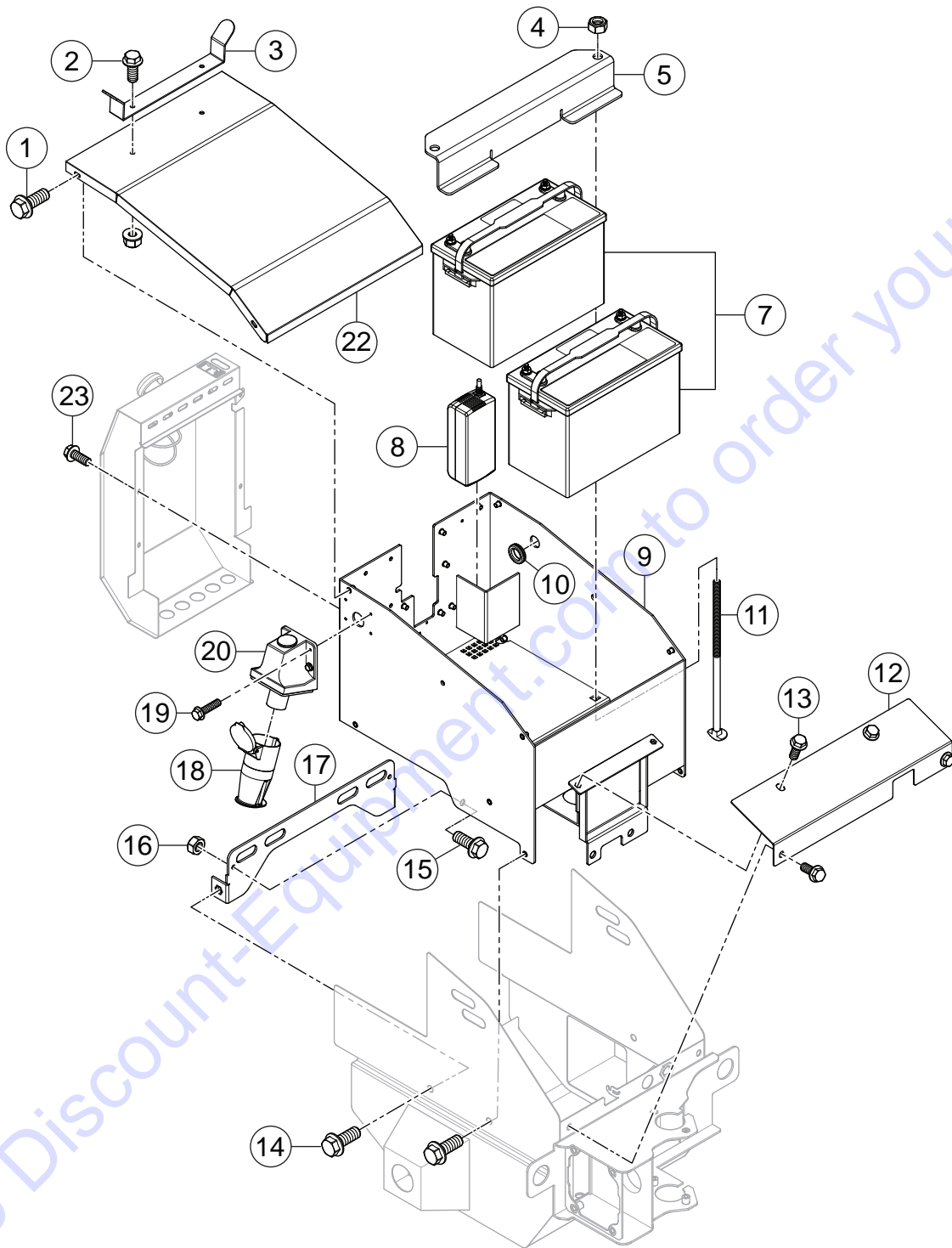
TRANSMISSION ASSY. (GAS)



TRANSMISSION ASSY. (GAS)

<u>NO.</u>	<u>PART NO.</u>	<u>PART NAME</u>	<u>QTY.</u>	<u>REMARKS</u>
1	7-6060	SCREW, SERRATED M6X14	1	
2	101-99951	COVER, REAR UNIT	1	
3	8-6007	NUT	1	
4	4-6018	WASHER, M6	1	
5	7-6060	SCREW, SERRATED M6X14	1	
6	101-99952	PLATE, PUMP OVERRIDE	1	
7	101-99943	SPACER, BEARING COVER	1	
8	6-2001	HYDRAULIC OIL TANK	1	
9	7-6060	SCREW, SERRATED M6X14	1	
10	6-0004	HOSE, 3/4" REINFORCED	1	
11	101-99949	BRACKET, CORNER UPPER	1	
12	7-6060	SCREW, SERRATED M6X14	1	
13	8-4004	WASHER	1	
14	6-0003	PINCH CLIP, HOSE	2	
15	6-0002	ELBOW, 90° F-M 1/4"	1	
16	6-0001	STRAIGHT FITTING, 7/16" UNC-1/4"	1	
17	4-8006	WASHER	1	
18	9-8020	SCREW	1	
19	6-2000	TRANSMISSION UNIT	1	
20	8-4004	WASHER	1	
21	8-8008	NUT	1	
22	101-03600	BRACKET, BASE	1	
23	101-99962	BRACKET, DAMPENER	1	
24	9-8022	SCREW	1	
25	21-2090	CHAIN, REAR 5/8" LONG	1	
26	8-19001	NUT, UNF 3/4"	1	
27	7-8080	SCREW	1	
28	21-2080	CHAIN, REAR 5/8" SHORT	1	
29	101-03700	SHAFT, OUTPUT DRIVE	1	
31	2-1300	DAMPENER STRUT	1	
32	9-10034	SHOULDER BOLT M10X16"	1	
33	101-99948	PLATE, BRAKE LOCK	1	
34	2-1011	SPRING	1	
35	101-99947	BRACKET, LEVER DIRECTION	1	
36	21-3040	PULLEY	1	
37	8-8008	NUT	1	
38	21-3030	V-BELT, A22	1	
39	21-0800	KEY, 3/16"SQ.X2"X30 MM	1	

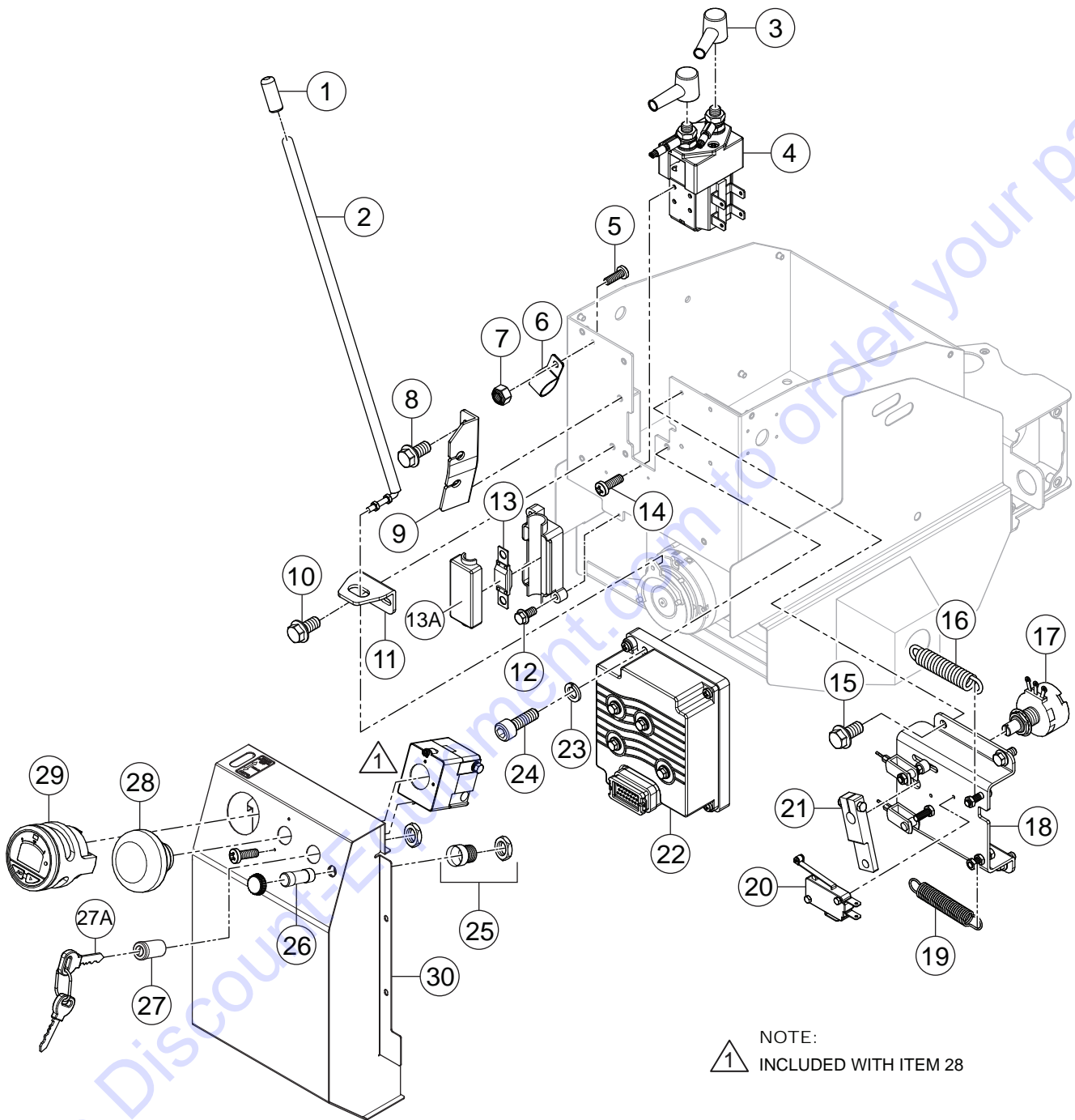
BATTERY ASSY. (ELECTRIC)



BATTERY ASSY. (ELECTRIC)

<u>NO.</u>	<u>PART NO.</u>	<u>PART NAME</u>	<u>QTY.</u>	<u>REMARKS</u>
1	7-6060	SCREW, SERRATED M6X14	4	
2	7-6060	SCREW, SERRATED M6X14	1	
3	101-99967	BRACKET, CABLE WRAP	1	
4	8-10006	NUT, M10 NYLOC	2	
5	10199946	BRACKET, BATTERY TIE-DOWN	1	
7	70-3100	BATTERY, 27-AGM	2	
8	70-0134	BATTERY, CHARGER	1	
9	101-03800	BATTERY, BOX	1	
10	72-1600	GROMMET, 20MM	1	
11	9-10033	CARRIAGE BOLT, M10X220"	2	
12	101-99965	CENTER PANEL	1	
13	7-6060	SCREW, SERRATED M6X14	4	
14	7-8080	SCREW, SERRATED M8X20	2	
15	7-8080	SCREW, SERRATED M8X20	2	
16	8-8008	NUT, M8	2	
17	101-99977	BRACKET	1	DEC. 2017 AND BELOW
18	70-0139	POWER CABLE, PLUG	1	
19	7-4012	SCREW, M4X12	4	
20	70-0137	RECEPTACLE INLET, 120 VAC	1	
22	101-99964	TOP COVER, BATTERY BOX	1	
23	7-6060	SCREW, SERRATED M6X14	3	

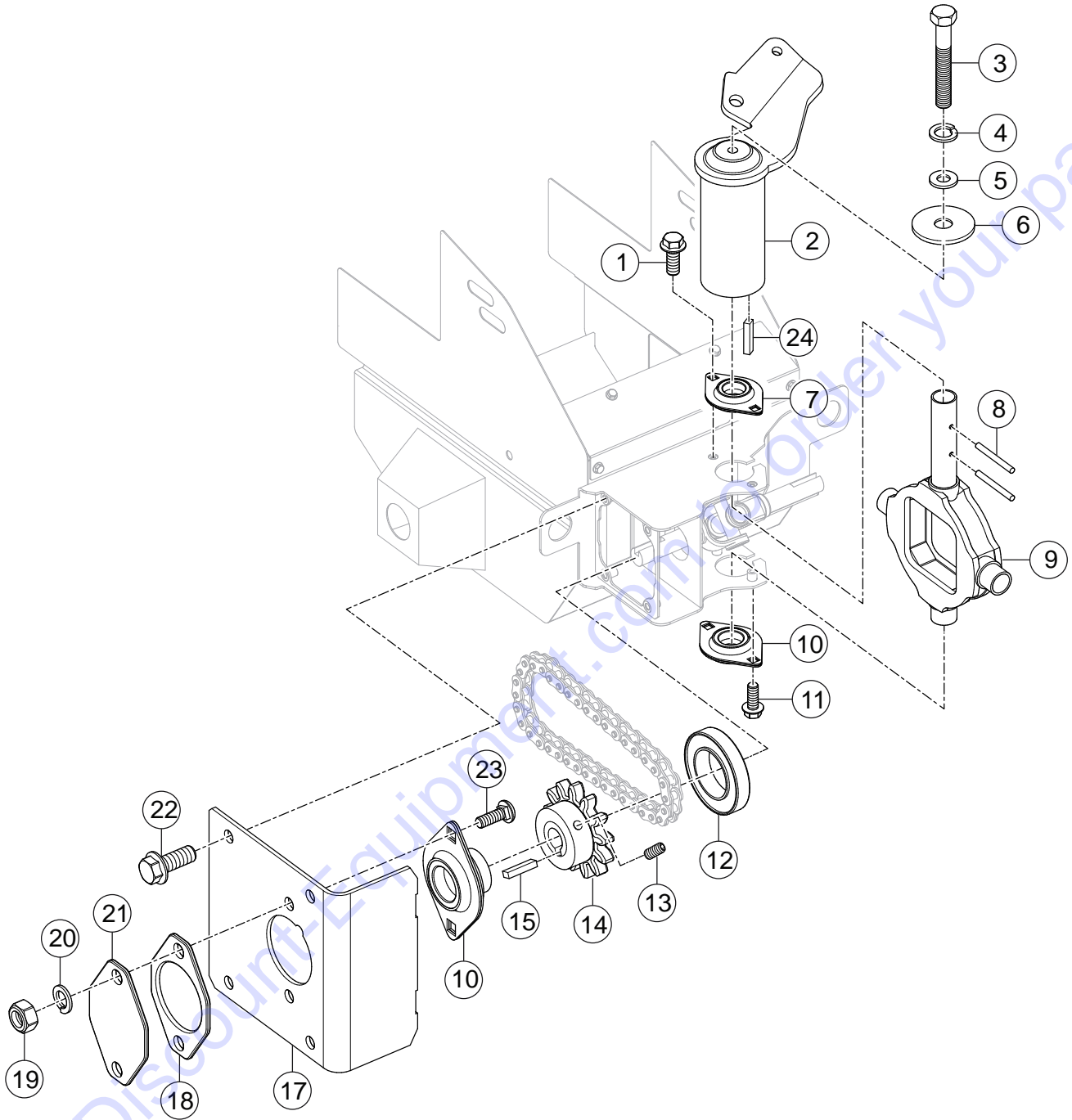
CONTROL PANEL/CONTROLLER ASSY. (ELECTRIC)



CONTROL PANEL/CONTROLLER ASSY. (ELECTRIC)

<u>NO.</u>	<u>PART NO.</u>	<u>PART NAME</u>	<u>QTY.</u>	<u>REMARKS</u>
1	72-1100	RUBBER CAP, BLACK	1	
2	101-99969	BRAKE, DISENGAGE LEVER	1	
3	72-1300	RUBBER BOOT, RED	2	
4	70-0128	SOLENOID, 24 VDC	1	
5	70-5014	SCREW, M5X15 DOMEHEAD	1	
6	3-7003	CLAMP, PLACTIC	1	
7	8-5003	NUT, NYLOC M5	1	
8	7-6060	SCREW, SERRATED M6X14	1	
9	101-99971	BRACKET, CABLE CLAMP	1	
10	7-6060	SCREW, SERRATED M6X14	1	
11	101-99966	BRACKET, BRAKE PIVOT	1	
12	7-4012	SCREW, M4X12	4	
13	70-0131	IN-LINE FUSE, 125A	1	
13A	70-0130	FUSE HOLDER	1	
14	7-4006	SCREW, M4X6 POZIPAN	1	
15	7-6060	SCREW, SERRATED M6X14	1	
16	2-1010	SPRING, DEADMAN CABLE	1	
17	70-0140	5K OHM POTENTIOMETER	1	
18	101-99970	BRACKET, THROTTLE	1	
19	2-1014	SPRING, FWD/REV CABLE	1	
20	70-0141	MICROSWITCH, ROLLER	1	
21	70-0147	CLEVIS, POTENTIOMETER	1	
22	70-0129	DC MOTOR CONTROLLER, CURTIS	1	
23	4-6005	WASHER, LOCK M6	1	
24	7-6030	BOLT, M6X30	1	
25	70-0135	FUSE HOLDER, 250V 10A	1	
26	70-0142	FUSE, 10A	1	
27	70-0136	IGNITION SWITCH	1	
27A	70-0150	IGNITION KEYS	1	
28	70-0127	EMERGENCY STOP SWITCH	1	
29	70-0133	HOUR METER/TACHOMETER	1	
30	101-03900	COVER, CONTROL PANEL	1	

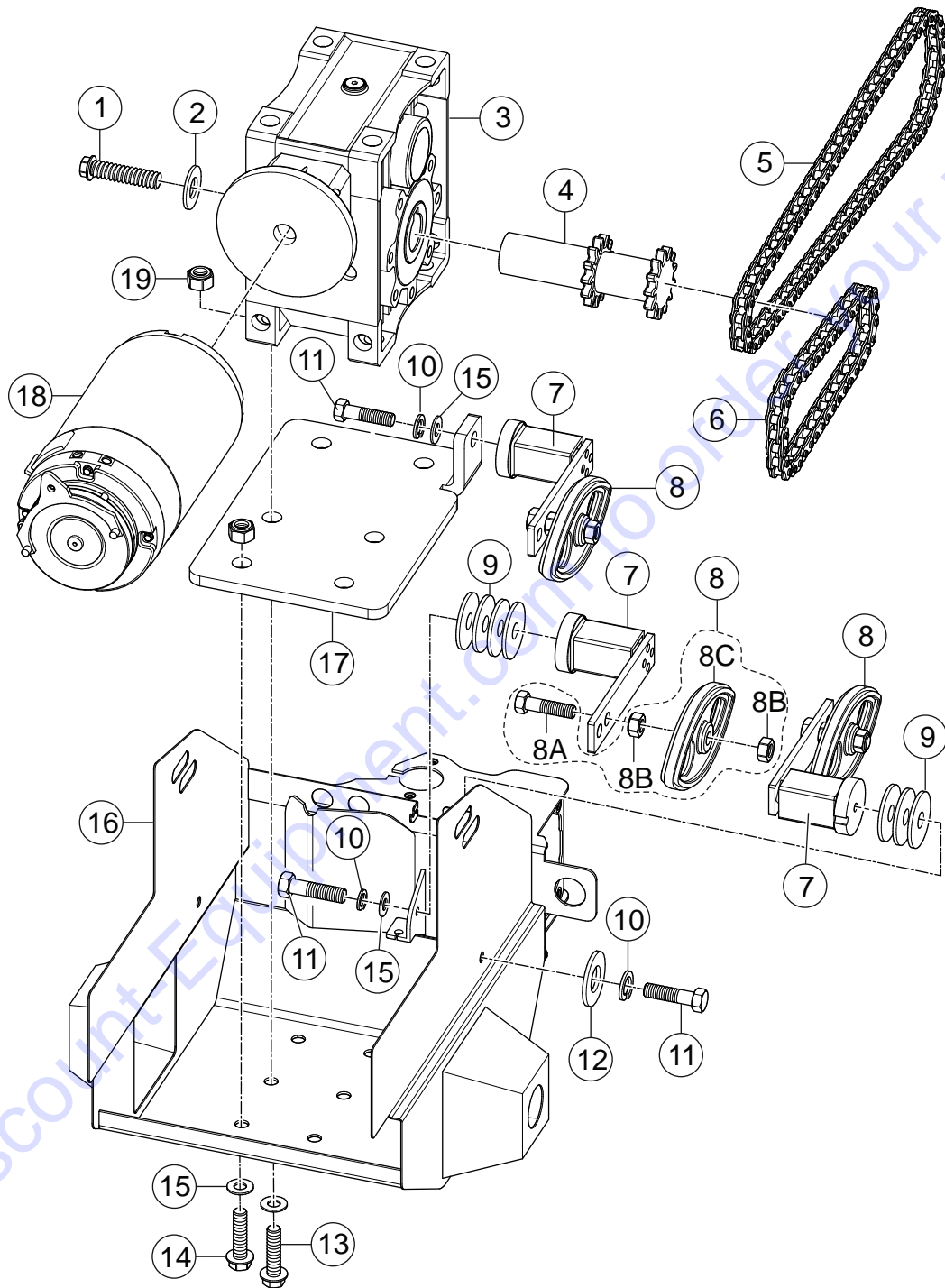
CENTER STEERING ASSY. (ELECTRIC/GAS)



CENTER STEERING ASSY. (ELECTRIC/GAS)

<u>NO.</u>	<u>PART NO.</u>	<u>PART NAME</u>	<u>QTY.</u>	<u>REMARKS</u>
1	7-8080	BOLT	1	
2	101-04000	CENTER STEERING PIVOT WA KEYED	1	
3	7-8061	SCREW SET, M8X70MM (FLAT)	1	
4	4-8003	WASHER, LOCK	1	
5	4-8006	WASHER, FLAT	1	
6	101-00500	WASHER, FLAT LARGE	1	
7	53-0110	FLANGE BEARING	1	
8	3-0093	PIN, GIMBAL 8"X50"	2	
9	101-04100	GIMBLE 3/4"	1	
10	53-0120	FLANGE BEARING	5	
11	7-8080	BOLT	1	
12	53-0170	BEARING"	1	
13	1509000	SET SCREW, M6X12"	2	
14	21-1500	SPROCKET, 13T	1	
15	21-1600	SQUARE KEY, 6"X6"X25"	1	
17	101-99960	COVER, BEARING REAR	1	
18	101-99943	SPACER, BEARING COVER	1	
19	8-8008	NUT, NYLOC	1	
20	4-8006	WASHER, FLAT	1	
21	101-99942	PLATE, BEARING COVER	1	
22	7-8080	BOLT	4	
23	9-8067	SCREW	1	
24	21-1200	SQUARE KEY, 3/16"	3	

ELECTRIC MOTOR/TRANSMISSION MOUNTING ASSY.

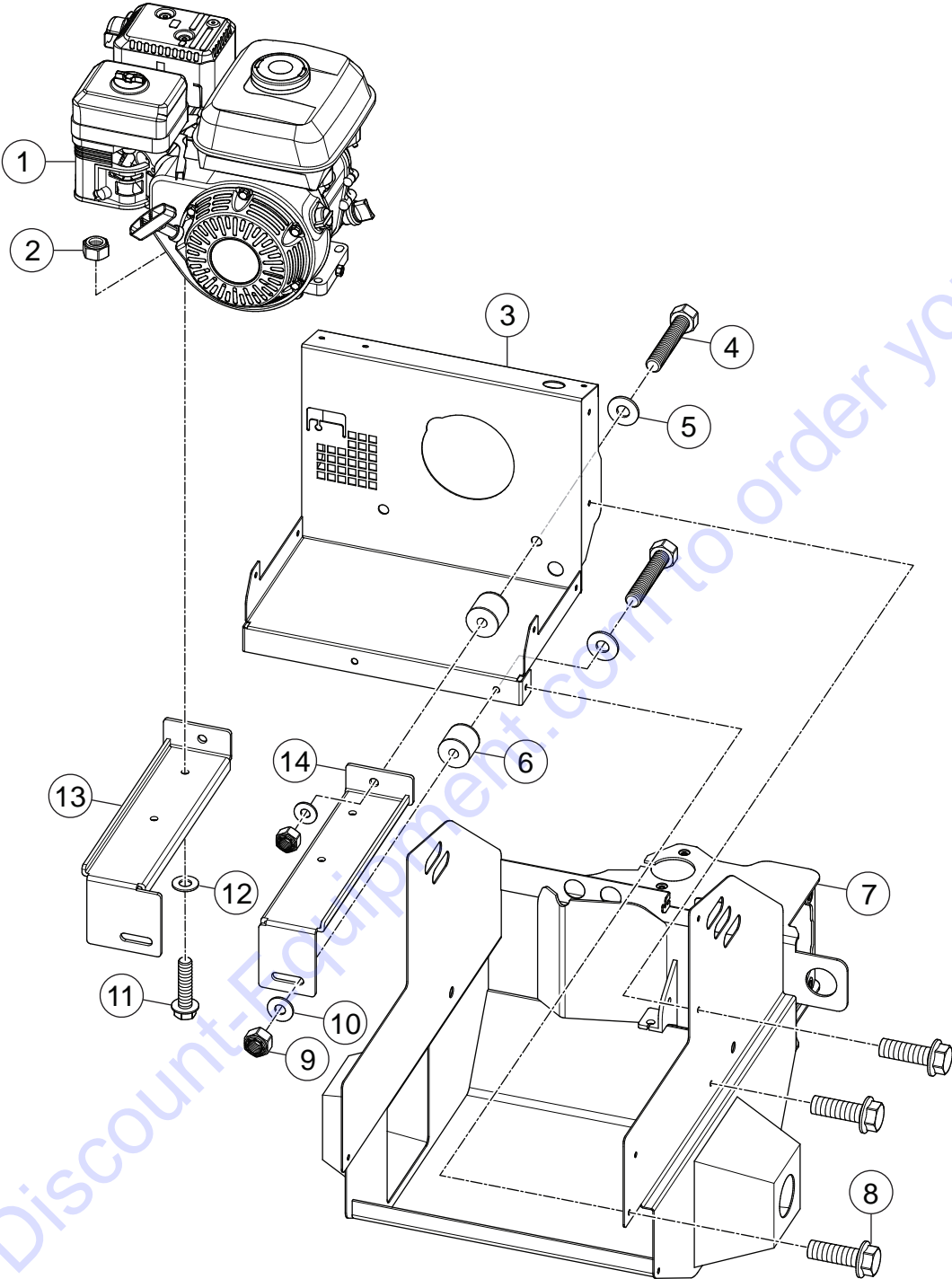


ELECTRIC MOTOR/TRANSMISSION MOUNTING ASSY.

<u>NO.</u>	<u>PART NO.</u>	<u>PART NAME</u>	<u>QTY.</u>	<u>REMARKS</u>
1	7-8080	SCREW	1	
2	10299940	WASHER	1	
3	6-2200	GEARBOX	1	
4	101-04300	OUTPUT SHAFT	1	
5	21-2400	CHAIN, 2-5/8"	1	
6	21-2200	CHAIN, SHORT	1	
7	2-1001	TENSIONER ASSEMBLY	2	
8	104999255	CHAIN RIDER KIT	3	INCLUDES ITEMS W/#
8A#	9-10007	SCREW	3	
8B#	8-10003	NUT M10	6	
8C#	2-1009	CHAIN RIDER	3	
9	4-9031	WASHER, 50X8.5X1.5	7	
10	4-8003	WASHER, LOCK	1	
11	7-8012	SCREW	1	
12	102-99940	WASHER, FLAT	1	
13	7-10009	SCREW	1	
14	7-8012	SCREW	1	
15	4-8006	WASHER, FLAT	2	
16	101-03200	REAR CHASSIS	1	
17	101-99972	BASE BRACKET, GEARBOX	1	
18	70-01200	MOTOR 1300W	1	
19	8-10006	NUT	1	
20	4-1005	WASHER, FLAT M10	?	

Go to Discount-Equipment.com to order your parts

ENGINE MOUNTING ASSY.



PARTS FINDER

**Search Website
by Part Number**



**Search Manual
Library For Parts
Manual & Lookup Part
Numbers – Purchase
or Request Quote**

Search Manuals

Enter your information to search for a parts manual or lookup a part number.

* Brand:

* Model:

* Serial:

* Part Number:

SEARCH

**Can't Find Part or
Manual? Request Help
by Manufacturer,
Model & Description**

Parts Order Form

Please fill in the following information to request help finding a part or manual.

Manufacturer:

Model:

Description:

Quantity:

Part Number:

Part Name:

Part Description:

Part Category:

Part Location:

Part Status:

Part Condition:

Part Material:

Part Color:

Part Weight:

Part Dimensions:

Part Notes:

Submit

Discount-Equipment.com is your online resource for quality parts & equipment.

Florida: **561-964-4949** Outside Florida TOLL FREE: **877-690-3101**

Need parts?

Click on this link: <http://www.discount-equipment.com/category/5443-parts/> and choose one of the options to help get the right parts and equipment you are looking for. Please have the machine model and serial number available in order to help us get you the correct parts. If you don't find the part on the website or on one of the online manuals, please fill out the request form and one of our experienced staff members will get back to you with a quote for the right part that your machine needs.

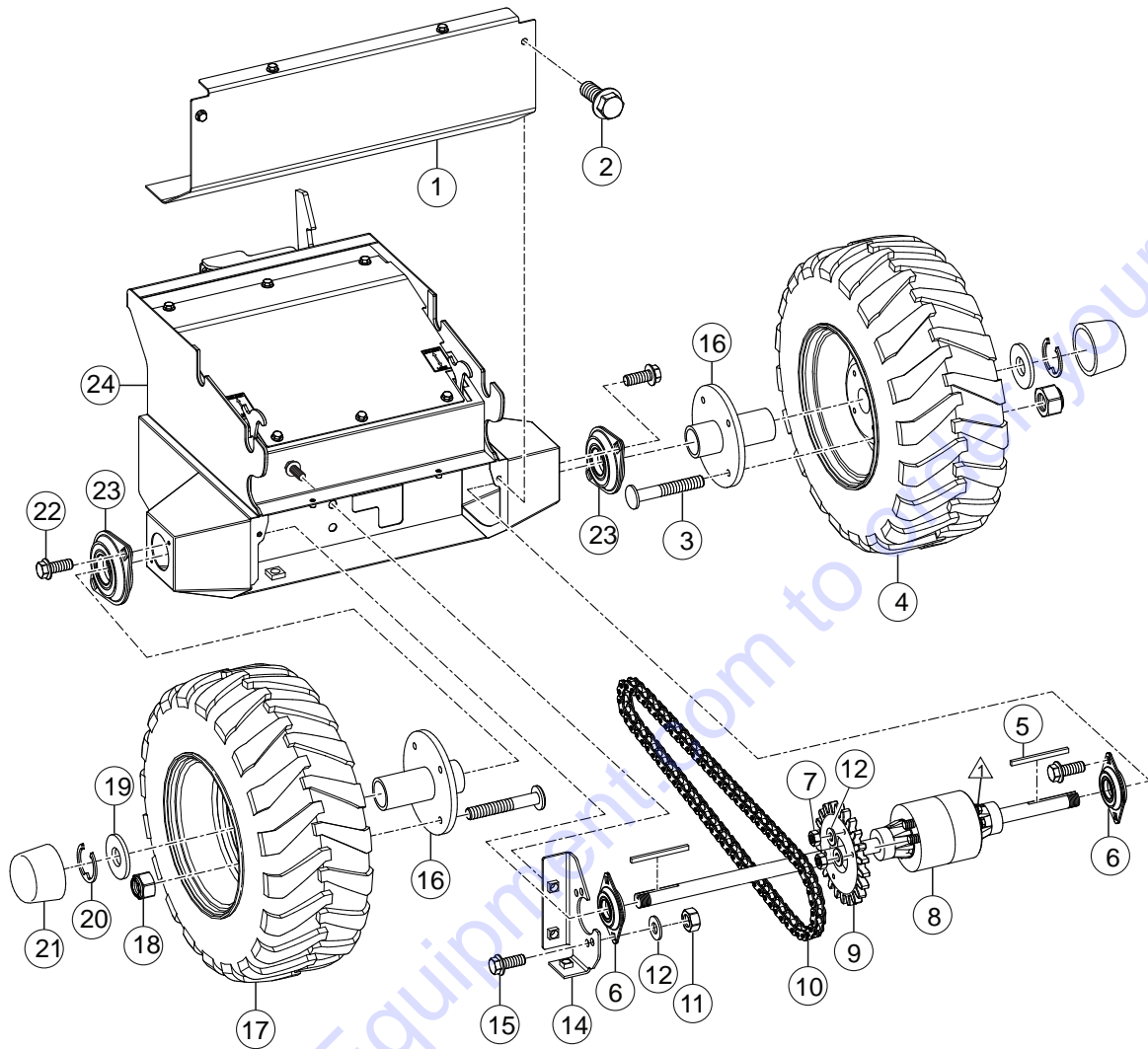
We sell worldwide for the brands: Genie, Terex, JLG, MultiQuip, Mikasa, Essick, Whiteman, Mayco, Toro Stone, Diamond Products, Generac Magnum, Airman, Haulotte, Barreto, Power Blanket, Nifty Lift, Atlas Copco, Chicago Pneumatic, Allmand, Miller Curber, Skyjack, Lull, Skytrak, Tsurumi, Husquvarna Target, Stow, Wacker, Sakai, Mi-T-M, Sullair, Basic, Dynapac, MBW, Weber, Bartell, Bennar Newman, Haulotte, Ditch Runner, Menegotti, Morrison, Contec, Buddy, Crown, Edco, Wyco, Bomag, Laymor, EZ Trench, Bil-Jax, F.S. Curtis, Gehl Pavers, Heli, Honda, ICS/PowerGrit, IHI, Partner, Imer, Clipper, MMD, Koshin, Rice, CH&E, General Equipment, Amida, Coleman, NAC, Gradall, Square Shooter, Kent, Stanley, Tamco, Toku, Hatz, Kohler, Robin, Wisconsin, Northrock, Oztec, Toker TK, Rol-Air, APT, Wylie, Ingersoll Rand / Doosan, Innovatech, Con X, Ammann, Mecalac, Makinex, Smith Surface Prep, Small Line, Wanco, Yanmar

ENGINE MOUNTING ASSY.

<u>NO.</u>	<u>PART NO.</u>	<u>PART NAME</u>	<u>QTY.</u>	<u>REMARKS</u>
1	20-2000	ENGINE, HONDA GX200UT2QX4	1	
2	8-8008	NUT, M8 NYLOC	1	
3	101-99956	ENGINE SUPPORT	1	
4	7-8004	SCREW, SET M8X12	1	
5	4-8006	WASHER, FLAT	1	
6	21-0500	ANTI-VIBRATION MOUNT 30"X15"XM8	4	
7	101-03200	REAR CHASSIS	1	
8	7-8080	SCREW, SERRATED M8X20	3	
9	8-8008	NUT, M8	1	
10	4-8006	WASHER, FLAT	1	
11	7-8007	SCREW, M8X35	1	
12	4-8006	WASHER, FLAT	1	
13	101-99927	DRAIN, BRACKET	1	
14	101-99926	FOOT, BRACKET	1	

Go to Discount-Equipment.com to order your parts

FRONT AXLE ASSY. (ELECTRIC/GAS)



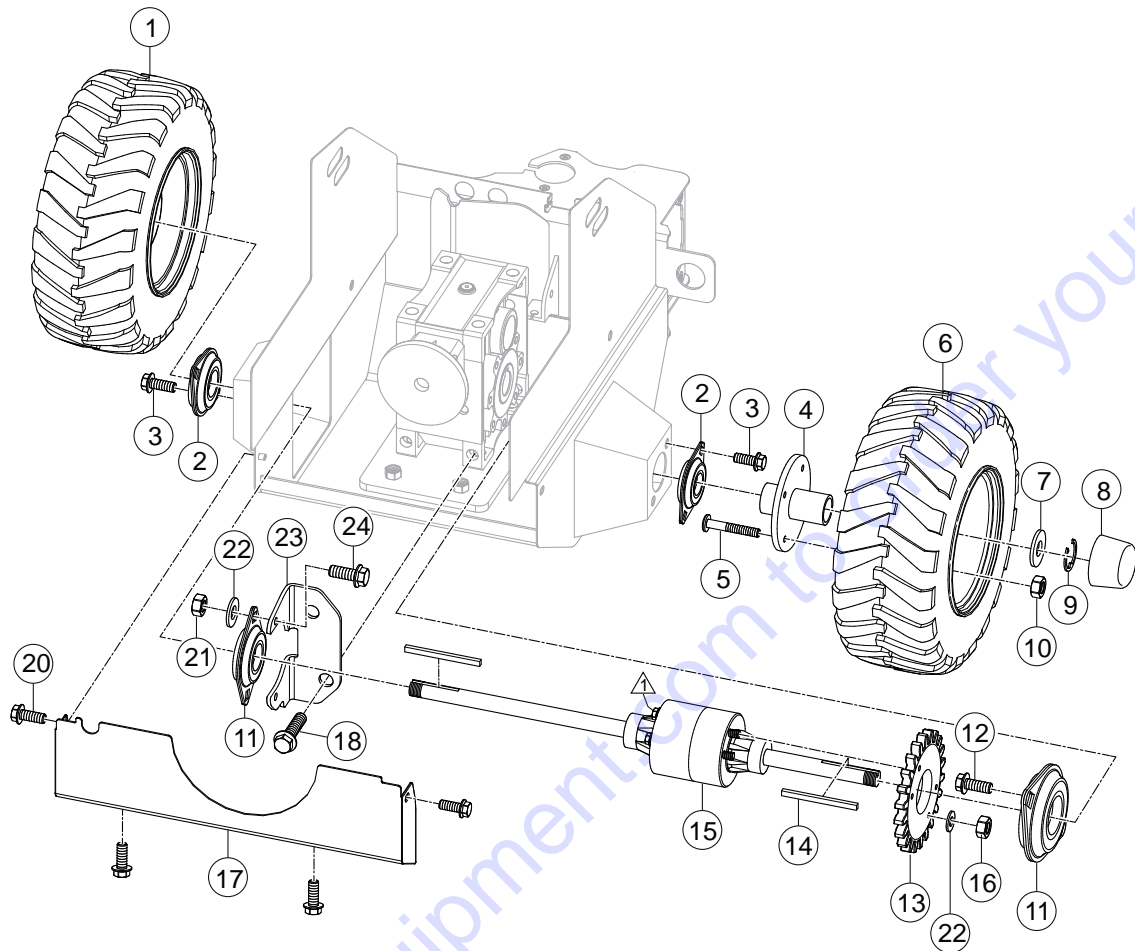
NOTES:

- ▲ BOLT IS INCLUDED WITH DIFFERENTIAL AXLE, ITEM 8.

FRONT AXLE ASSY. (ELECTRIC/GAS)

<u>NO.</u>	<u>PART NO.</u>	<u>PART NAME</u>	<u>QTY.</u>	<u>REMARKS</u>
1	102-99948	FRONT PANEL	1	
2	7-8080	SCREW, SERRATED M8X20	1	
3	7-10050	WHEEL STUD 3/8"X24 UNF	8	
4	60-6509LHF	WHEEL ASSY. 16"X6.50"X8" LEFT-SIDE.....	1	PNEUMATIC
5	21-1200	SQUARE KEY, 3/16"	2	
6	53-0120	FLANGE BEARING	2	
7	8-8024	NUT, 5/16"UNCX4"	4	
8	6-1200-0	DIFFERENTIAL AXLE FRONT	1	
9	104-99925	GEAR, 22T	1	
10	21-2100	CHAIN, 5/8" 67R FRONT	1	
11	8-8008	NUT	1	
12	4-8006	WASHER, FLAT M8	5	
14	102-99921	BEARING SUPPORT BRACKET, FRONT	1	
15	7-8080	SCREW, SERRATED M8X20	2	
16	102-03100	HUB	2	
17	60-6509RHF	WHEEL ASSY. 16"X6.5"X8" RIGHT-SIDE	1	PNEUMATIC
18	8-3800	WHEEL NUT-3/8" UNF	8	
19	4-9021	WASHER 3/4"IDX38"X2.0"	2	
20	3-1061	SNAP RING, 3/4"	2	
21	72-0400	CAP, RUBBER	2	
22	7-8080	SCREW, SERRATED M8X20	4	
23	53-0110	FLANGE BEARING	2	
24	101-03300	CHASSIS, FRONT	1	

REAR AXLE ASSY. (ELECTRIC)



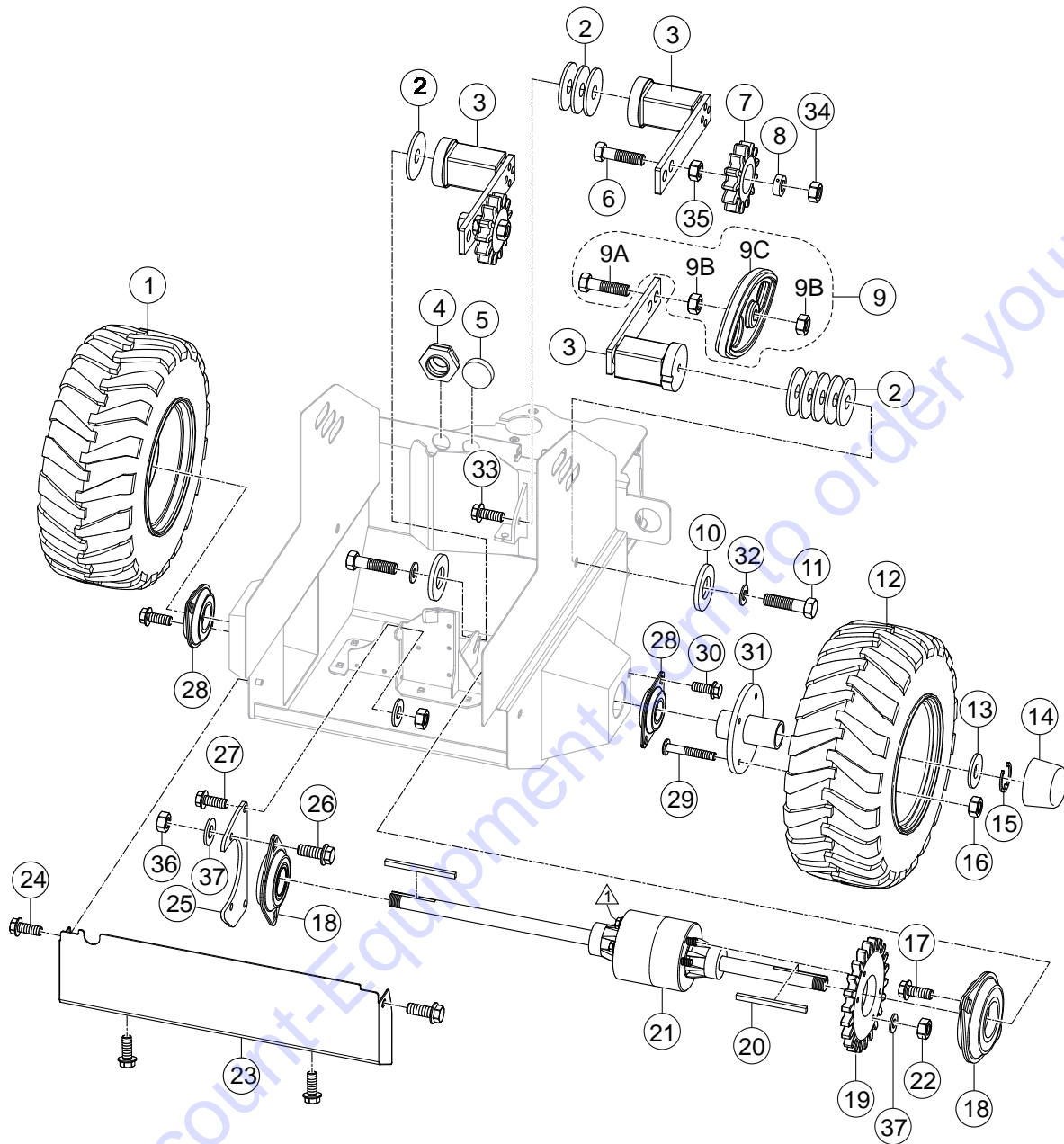
NOTES:

▲ BOLT IS INCLUDED WITH DIFFERENTIAL AXLE, ITEM 15.

REAR AXLE ASSY. (ELECTRIC)

<u>NO.</u>	<u>PART NO.</u>	<u>PART NAME</u>	<u>QTY.</u>	<u>REMARKS</u>
1	60-6509LHF	WHEEL ASSY. 16"X6.5"X8" LEFT-SIDE.....	1	PNEUMATIC
2	53-0110	FLANGE BEARING	2	
3	7-8080	SCREW, SERRATED M8X20	4	
4	102-03100	HUB	2	
5	7-10050	WHEEL STUD 3/8"X24UNF	8	
6	60-6509RHF	WHEEL ASSY. 16"X6.5"X8" RIGHT-SIDE	1	PNEUMATIC
7	4-9021	WASHER 3/4"IDX38"X2.0"	2	
8	72-0400	CAP, RUBBER	2	
9	3-1061	SNAP RING, 3/4"	2	
10	694175	WHEEL NUT-3/8" UNF	8	
11	53-0120	FLANGE BEARING	2	
12	7-8080	SCREW, SERRATED M8X20	4	
13	104-99925	GEAR, 22T	1	
14	21-1200	KEY, 3/16"SQ.X40MM	2	
15	6-1300	DIFFERENTIAL AXLE REAR	1	
16	8-8024	NUT, 5/16"UNCX4"	4	
17	101-99963	REAR PANEL	1	
18	7-8092	SCREW, M8x25	2	
20	7-6060	SCREW, M6X14 SERRATED	4	
21	8-8008	NUT	2	
22	4-8006	WASHER, FLAT M8	6	
23	101-99968	BEARING SUPPORT BRACKET, FRONT	1	
24	7-8080	SCREW, SERRATED M8X20	2	

REAR AXLE ASSY. (GAS)



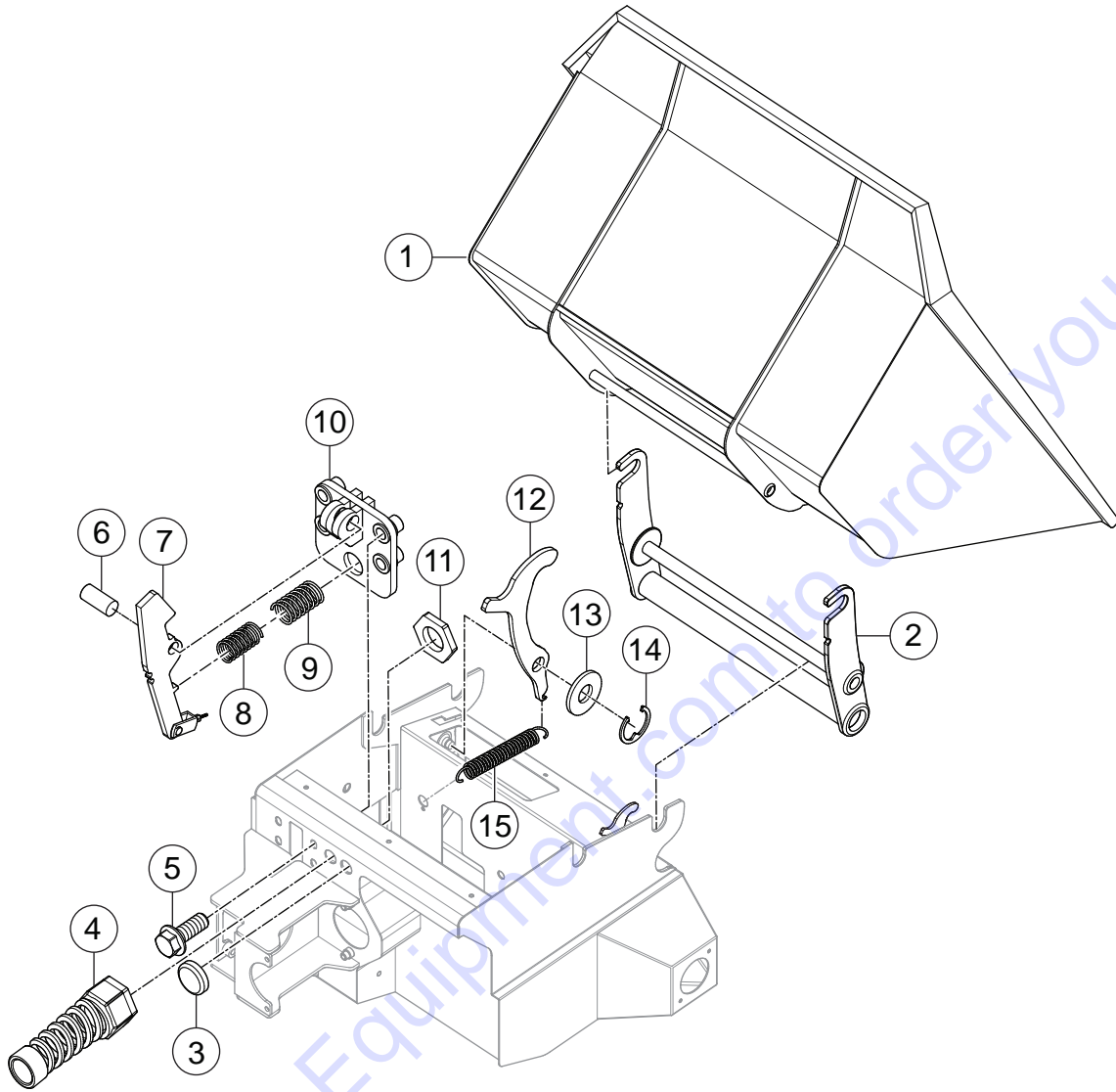
NOTES:

- ▲ BOLT IS INCLUDED WITH DIFFERENTIAL AXLE, ITEM 21.

REAR AXLE ASSY. (GAS)

<u>NO.</u>	<u>PART NO.</u>	<u>PART NAME</u>	<u>QTY.</u>	<u>REMARKS</u>
1	60-6509LHF	WHEEL ASSY. 16"X6.50"X8" LEFT-SIDE.....	1	PNEUMATIC
2	4-9031	WASHER, 50X8.5X1.5	9	
3	2-1001	TENSIONER ASSEMBLY	3	
4	70-5010	FITTING, BULKHEAD DIA. 25MM	1	
5	72-1000	PLUG 25MM	1	
6	10003	SCREW, M10 X35	2	
7	104-99926	SPROCKET WHEEL, 8T	3	
8	53-0130	BEARING, 26"X10"X8"	3	
9	104999255	CHAIN RIDER KIT	1	INCLUDES ITEMS W/#
9A#	9-10007	SCREW	1	
9B#	8-10003	NUT M10	2	
9C#	2-1009	CHAIN RIDER	1	
10	102-99940	BOSS TENSIONER SUPPORT	2	
11	7-8012	BOLT, M8X25	2	
12	60-6509RHF	WHEEL ASSY. 16"X6.5"X8"RIGHT-SIDE	1	PNEUMATIC
13	4-9021	WASHER 3/4"IDX38"X2.0"	2	
14	72-0400	CAP, RUBBER	2	
15	3-1061	SNAP RING, 3/4" SHAFT	2	
16	8-3800	WHEEL NUT-3/8" UNF	8	
17	7-8080	SCREW, SERRATED M8X20	2	
18	53-0110	FLANGE BEARING	2	
19	104-99925	GEAR, 22T	1	
20	21-1200	KEY 3/16"SQ.X40MM	2	
21	6-1300	DIFFERENTIAL AXLE REAR	1	
22	8-8024	NUT, 5/16"UNCX4"	4	
23	101-99917	REAR PANEL	1	
24	7-8080	SCREW, SERRATED M8X20	4	
25	101-99954	PLATE, BEARING REAR	1	
26	7-8080	SCREW, SERRATED M8X20	2	
27	7-8080	SCREW, SERRATED M8X20	2	
28	53-0120	FLANGE, BEARING	2	
29	7-10050	WHEEL STUD, 3/8"X24UNF	8	
17	7-8080	SCREW, SERRATED M8X20	1	
31	102-03100	HUB	2	
32	4-8003	WASHER, LOCK M8	2	
33	7-8012	SCREW, M8X25	1	
34	8-10006	NUT, NYLOC M10	3	
35	8-100	NUT, PLAIN M10	3	
36	8-80008	NUT, NYLOC M8	4	
37	4-8006	WASHER, FLAT M8	6	

TUB MOUNT ASSY. (ELECTRIC/GAS)

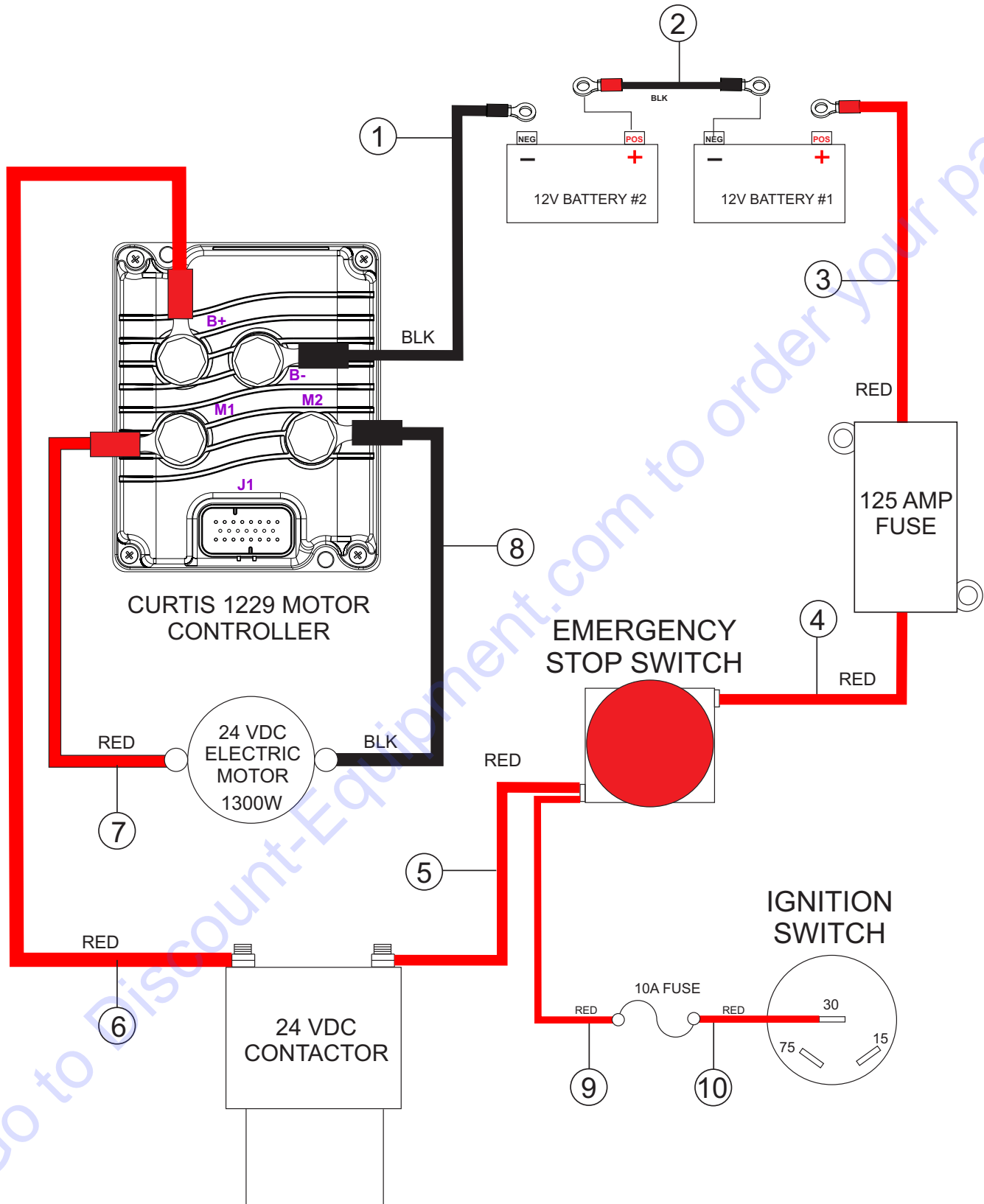


TUB MOUNT ASSY. (ELECTRIC/GAS)

<u>NO.</u>	<u>PART NO.</u>	<u>PART NAME</u>	<u>QTY.</u>	<u>REMARKS</u>
1	100-01100	TUB	1	
2	101-02100	FRAME, TUB CARRIER	1	
3	72-1000	PLUG 25MM	1	
4	70-5030	CABLE, GLAND	1	
5	7-8080	SCREW, SERRATED M8X20	4	
6	3-0091	PIN, LATCH PIVOT	1	
7	101-02901	PLATE, TUB LATCH	1	
8	2-1013	SPRING, OUTER	1	
9	2-1012	SPRING, INNER	1	
10	101-01200	TUB, LATCH BRACKET	1	
11	70-5011	NUT, BULKHEAD 25MM	1	
12	101-99929	LATCH, LOCKING	2	
13	4-1204	WASHER M12	2	
14	3-1050	CLIP-E	2	
15	2-1007	SPRING, LATCH	2	

Go to Discount-Equipment.com to order your parts

POWER/GND CABLE ASSY. (ELECTRIC)

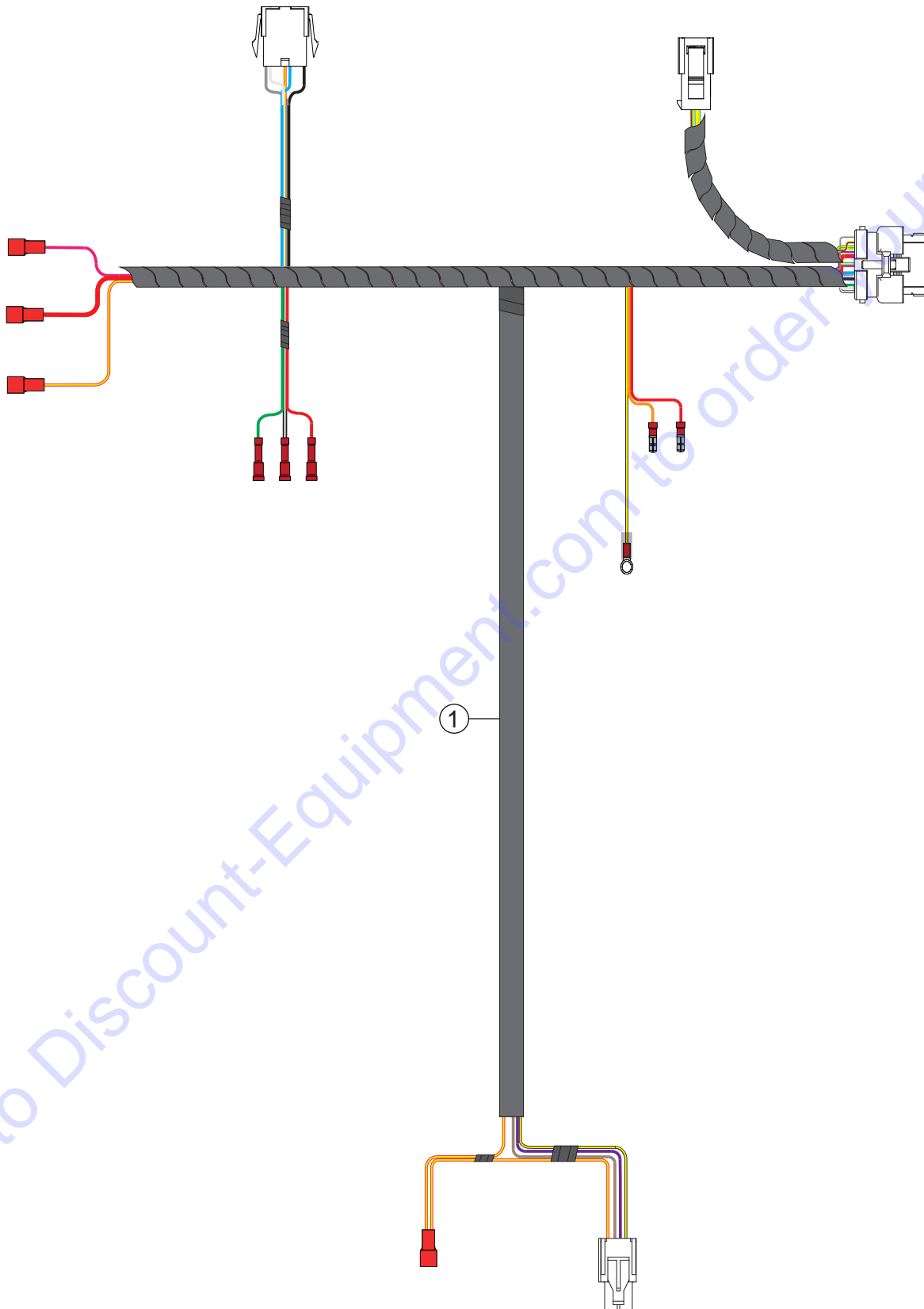


POWER/GND CABLE ASSY. (ELECTRIC)

<u>NO.</u>	<u>PART NO.</u>	<u>PART NAME</u>	<u>QTY.</u>	<u>REMARKS</u>
1	70-0124	GND. CABLE 1.96 FT. (600 MM), BLACK	1	
2	70-0121	JUMPER CABLE 1.31 FT. (400 MM), BLACK	1	
3	70-0126	PWR. CABLE 2.78 FT. (850 MM), RED	1	
4	70-0122	PWR. CABLE 2.13 FT. (650 MM), RED	1	
5	70-0125	PWR. CABLE 4.92 IN. (125 MM), RED	1	
6	70-0125	PWR. CABLE 4.92 IN. (125 MM), RED	1	
7	70-0123	PWR. CABLE 1.31 FT. (400 MM), RED	1	
8	70-0121	GND. CABLE 1.31 FT. (400 MM), BLACK	1	
9	70-0148	EMERGENCY STOP TO 10A FUSE	1	
10	70-0149	10A FUSE TO IGNITION PIN 30	1	

Go to Discount-Equipment.com to order your parts

HARNESS ASSY. (ELECTRIC)

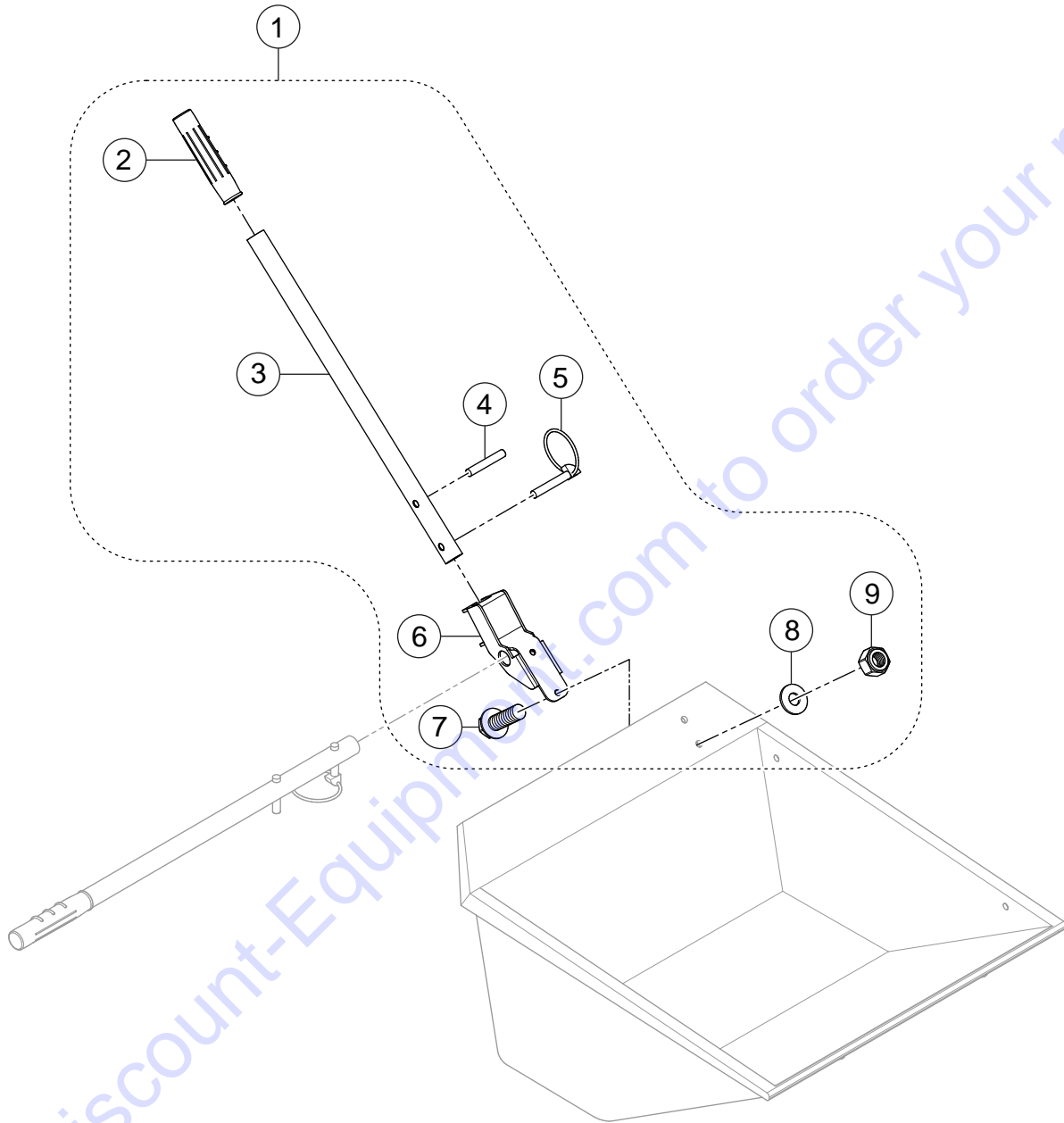


HARNES ASSY. (ELECTRIC)

<u>NO.</u>	<u>PART NO.</u>	<u>PART NAME</u>	<u>QTY.</u>	<u>REMARKS</u>
1	70-0143	CABLE HARNES	1	

Go to Discount-Equipment.com to order your parts

TUB TIPPING HANDLE ASSY. (OPTION)

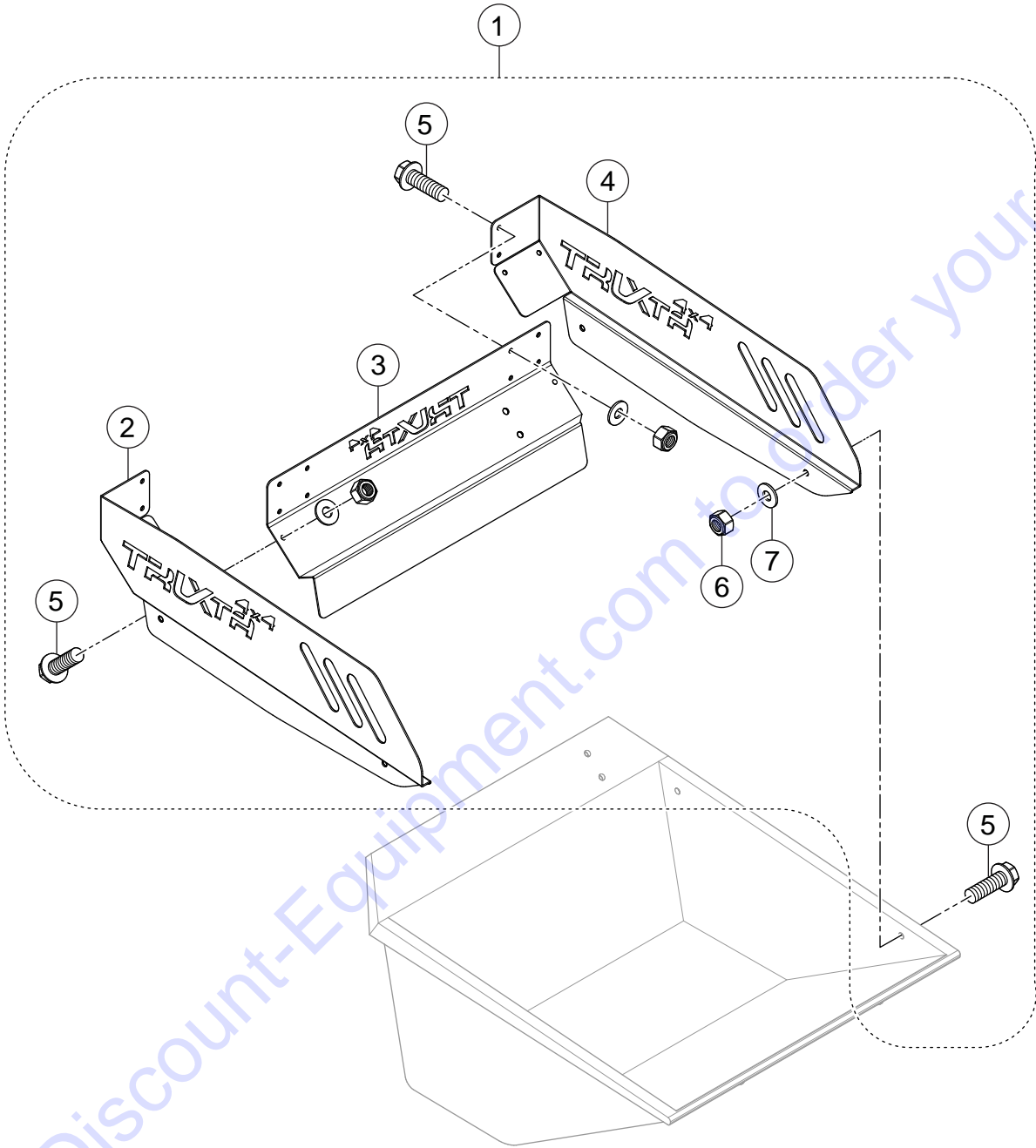


TUB TIPPING HANDLE ASSY. (OPTION)

<u>NO.</u>	<u>PART NO.</u>	<u>PART NAME</u>	<u>QTY.</u>	<u>REMARKS</u>
1	OPTT16-DIO	GRIP, HANDLE	1	
2	74-1022-0	GRIP, HANDLE	1	
3	73-1703-C	HANDLE	1	
4	3-0096-0	ROLL PIN	1	
5	3-1018-0	LYNCH PIN	1	
6	73-1700-B	HANDLE SUPPORT BRACKET	1	
7	7-6060-0	SCREW, M6X14 SER HD	2	
8	4-6001-1	WASHER M6	2	
9	8-6007-0	NUT M6	2	

Go to Discount-Equipment.com to order your parts

TUB EXTENSION ASSY. (OPTION)

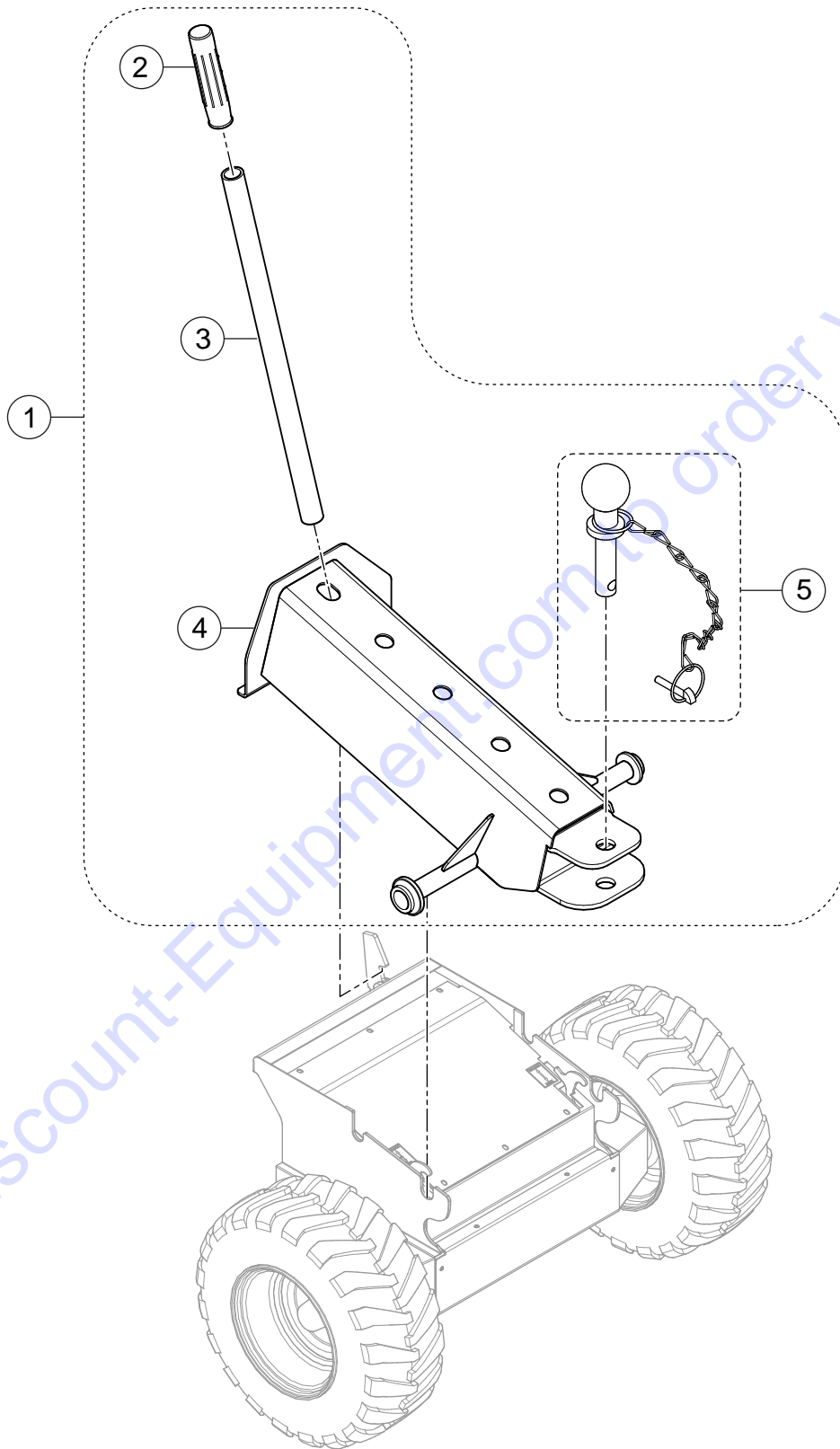


TUB EXTENSION ASSY. (OPTION)

<u>NO.</u>	<u>PART NO.</u>	<u>PART NAME</u>	<u>QTY.</u>	<u>REMARKS</u>
1	OPTT15-DIO	TUB EXTENSION ASSY.	1	
2	73-1602-B	EXTENSION PANEL, RIGHT-SIDE	1	
3	73-1603-B	EXTENSION PANEL, CENTER	1	
4	73-1601-B	EXTENSION PANEL, LEFT-SIDE	1	
5	7-6060	BOLT	10	
6	8-6007	NUT	10	
7	4-6001	WASHER, FLAT	10	

Go to Discount-Equipment.com to order your parts

TOW HITCH ASSY. (OPTION)

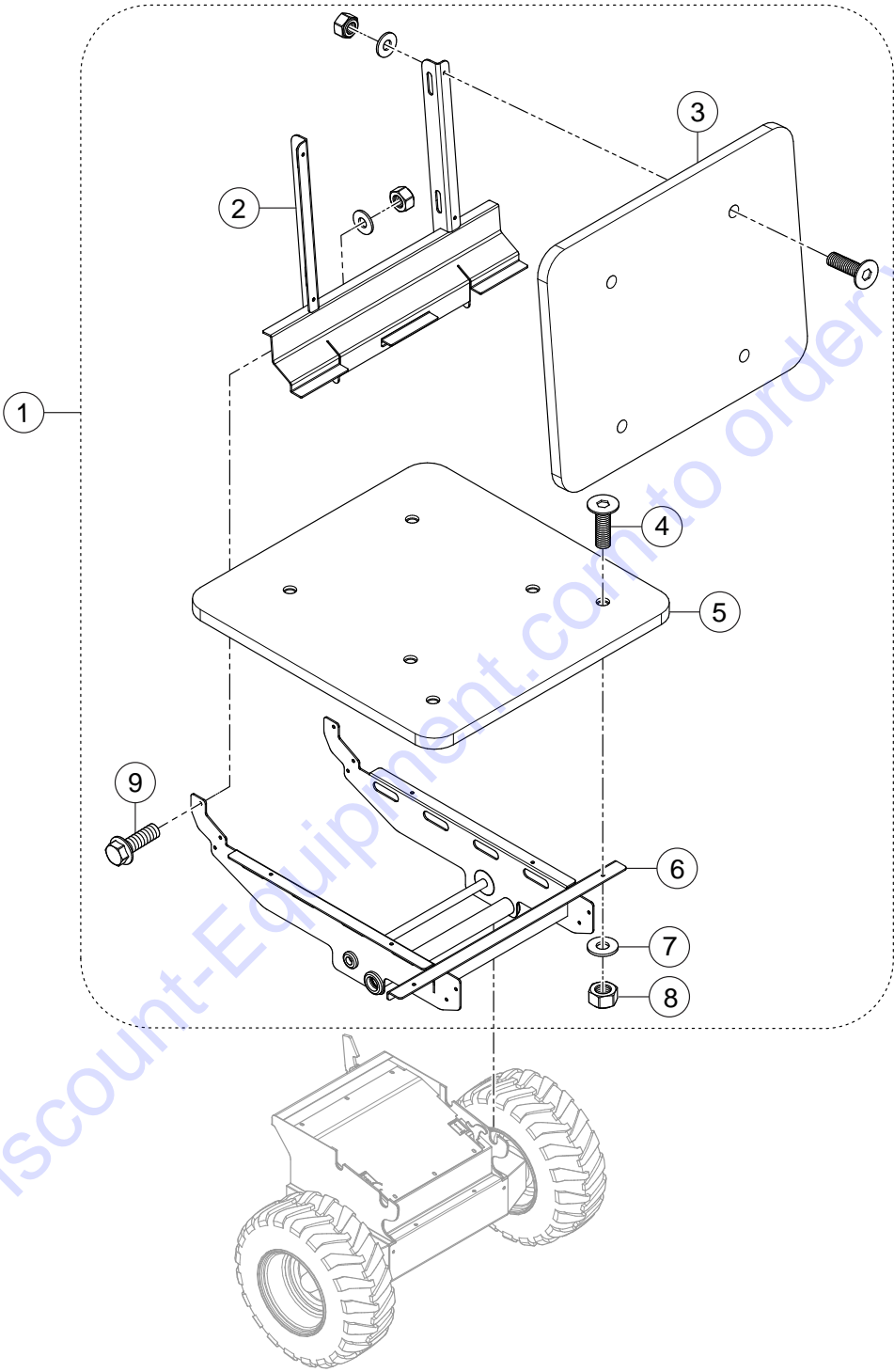


TOW HITCH ASSY. (OPTION)

<u>NO.</u>	<u>PART NO.</u>	<u>PART NAME</u>	<u>QTY.</u>	<u>REMARKS</u>
1	OPTT11-DIO	HITCH ASSY.	1	
2	74-1022-0	GRIP, HANDLE	1	
3	73-1500-B	HANDLE, HITCH	1	
4	73-1300-C	HITCH	1	
5	73-1400-A	2-INCH TOW BALL W/CHAIN AND PIN	1	

Go to Discount-Equipment.com to order your parts

FLATBED ASSY. (OPTION)

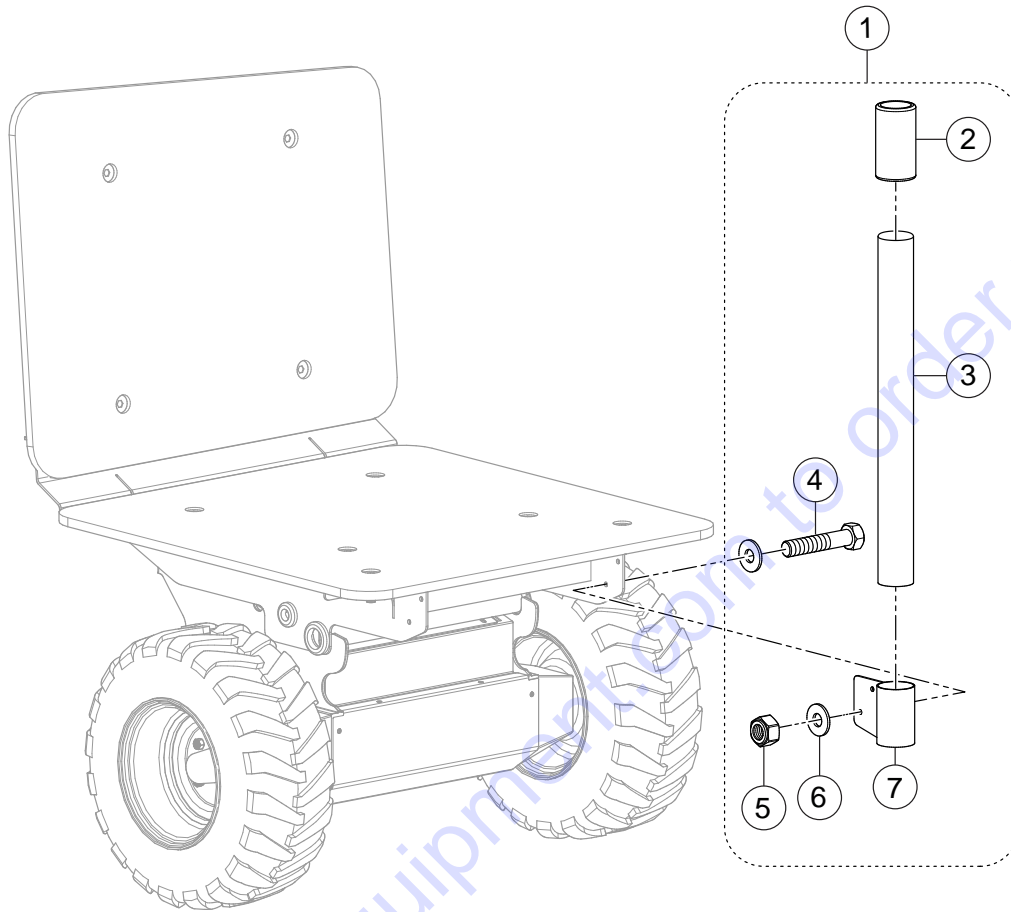


FLATBED ASSY. (OPTION)

<u>NO.</u>	<u>PART NO.</u>	<u>PART NAME</u>	<u>QTY.</u>	<u>REMARKS</u>
1	OPTT14-DIO	FLATBED ASSEMBLY	1.....	INCLUDES ITEMS W/#
2#	73-0900G	FLATBED, FRAME TOP	1	
3	73-0120-A	COMPOSITE BOARD, TOP	1	
4#	7-10035	SCREW, COUNTERSUNK M10X35	10	
5#	73-0119-A	COMPOSITE BOARD, BOTTOM	1	
6#	73-0100-H	FLATBED, FRAME BOTTOM	1	
7#	4-1005-1	WASHER, FLAT M10	10	
8#	8-10006-0	NUT, M10 NYLOC	20	
9#	7-10005	SCREW, M10X25	6	

Go to Discount-Equipment.com to order your parts

FLATBED LOAD STOP ASSY. (OPTION)



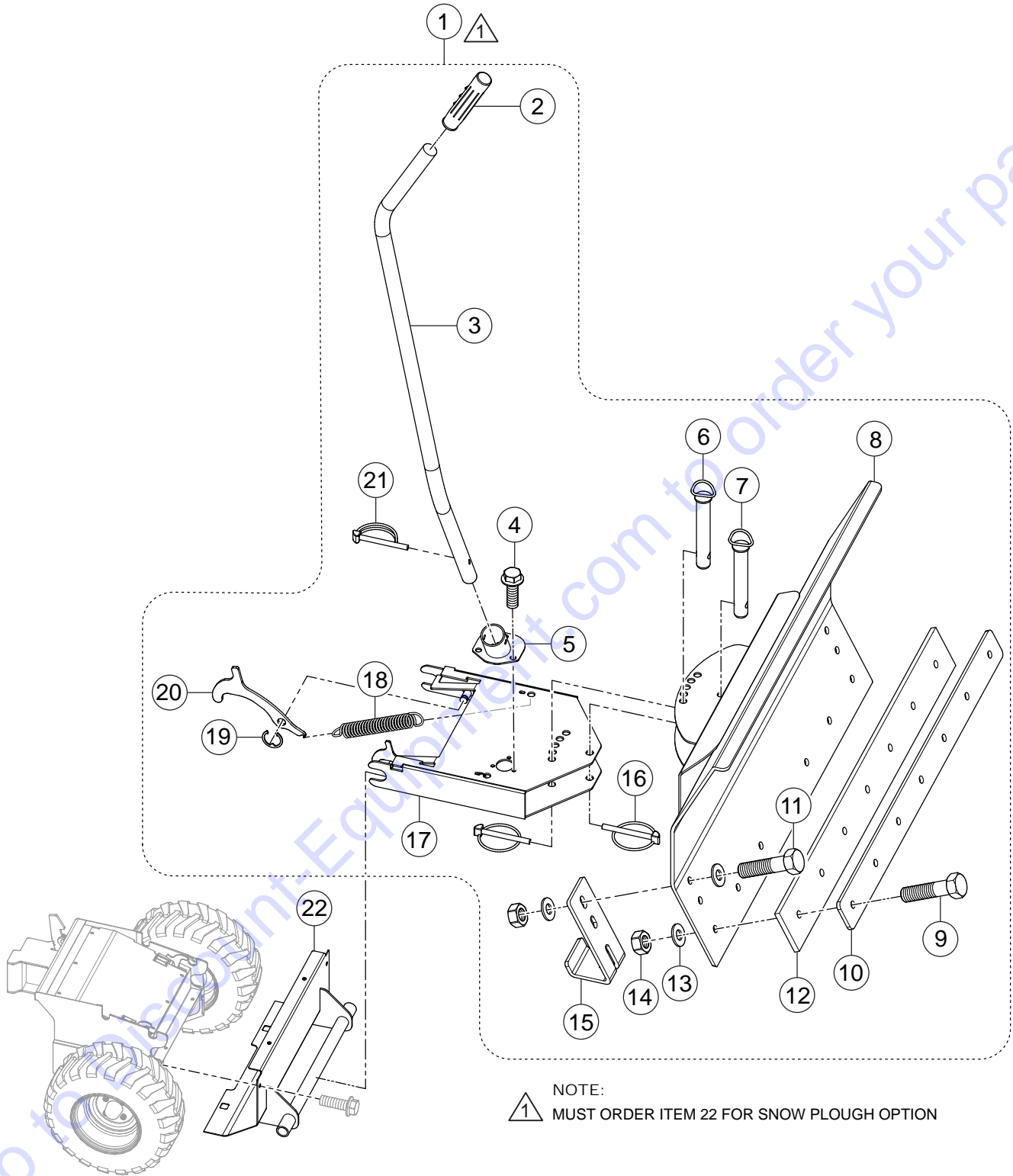
Go to Discount-Equipment.com to order your parts

FLATBED LOAD STOP ASSY. (OPTION)

<u>NO.</u>	<u>PART NO.</u>	<u>PART NAME</u>	<u>QTY.</u>	<u>REMARKS</u>
1	OPTT13-DIO	FLATBED TUBE ASSY.....	1.....	INCLUDES ITEMS W/#
2#	72-0400	CAP, RUBBER	2	
3#	73-1200	TUBE	2	
4#	7-10005-0	SCREW, M10X25	4	
5#	8-10006-0	NUT, M10 NYLOC	4	
6#	4-1005-1	WASHER, FLAT M10	8	
7#	73-1100	HOLDER, TUBE	2	

Go to Discount-Equipment.com to order your parts

SNOWPLOW ASSY. (OPTION)



NOTE:
▲ MUST ORDER ITEM 22 FOR SNOW PLOUGH OPTION

SNOWPLOW ASSY. (OPTION)

<u>NO.</u>	<u>PART NO.</u>	<u>PART NAME</u>	<u>QTY.</u>	<u>REMARKS</u>
1	OPTTI0-DIO	SNOWPLOW ASSY.	1	
2	74-1022-0	GRIP, RAISE/LOWER HANDLE	1	
3	73-0330-C	RAISE/LOWER HANDLE	1	
4	7-8080-0	BOLT, M8X20	3	
5	73-0320-B	PLATE, TILT TUBE	1	
6	73-0375-1	PIN, PIVOT ANGLE	1	
7	73-0380-1	PIN, PIVOT PLOW	1	
8	73-0300-F	METAL PLATE, PLOW	1	
9	7-8009-0	BOLT, M8X30	7	
10	73-0350-B	SUPPORT PLATE	1	
11	7-8012-0	BOLT, M8X25	4	
12	72-0800-B	BLADE, RUBBER	1	
13	4-8006	WASHER M8	15	
14	8-8008-0	NUT, M8	11	
15	73-0370-C	SHOE, SKID	2	
16	3-1018-0	LYNCH PIN	2	
17	73-0310-F	PIVOT	1	
18	2-1007-2	SPRING, LATCH	2	
19	3-1050-0	SNAP RING	2	
20	101-99929-3	LATCH, LOCKING	2	
21	3-1020-0	LYNCH PIN D LOOP	1	
22	73-1000	BRACKET, SNOWPLOW.....	1.....	MUST BE ORDERED WHEN SNOWPLOW OPTION IS USED

PARTS FINDER

**Search Website
by Part Number**



**Search Manual
Library For Parts
Manual & Lookup Part
Numbers – Purchase
or Request Quote**

Search Manuals

Enter your information to search for a manual or to purchase a manual or parts.

* Brand:

* Model:

* Serial:

* Part Number:

SEARCH

**Can't Find Part or
Manual? Request Help
by Manufacturer,
Model & Description**

Parts Order Form

Please fill in the following information to request help finding a part or manual.

Manufacturer:

Model:

Description:

Quantity:

Part Number:

Part Name:

Part Description:

Part Category:

Part Location:

Part Status:

Part Condition:

Part Material:

Part Color:

Part Weight:

Part Dimensions:

Part Price:

Part Notes:

Submit

Discount-Equipment.com is your online resource for quality parts & equipment.

Florida: **561-964-4949** Outside Florida TOLL FREE: **877-690-3101**

Need parts?

Click on this link: <http://www.discount-equipment.com/category/5443-parts/> and choose one of the options to help get the right parts and equipment you are looking for. Please have the machine model and serial number available in order to help us get you the correct parts. If you don't find the part on the website or on one of the online manuals, please fill out the request form and one of our experienced staff members will get back to you with a quote for the right part that your machine needs.

We sell worldwide for the brands: Genie, Terex, JLG, MultiQuip, Mikasa, Essick, Whiteman, Mayco, Toro Stone, Diamond Products, Generac Magnum, Airman, Haulotte, Barreto, Power Blanket, Nifty Lift, Atlas Copco, Chicago Pneumatic, Allmand, Miller Curber, Skyjack, Lull, Skytrak, Tsurumi, Husquvarna Target, Stow, Wacker, Sakai, Mi-T-M, Sullair, Basic, Dynapac, MBW, Weber, Bartell, Bennar Newman, Haulotte, Ditch Runner, Menegotti, Morrison, Contec, Buddy, Crown, Edco, Wyco, Bomag, Laymor, EZ Trench, Bil-Jax, F.S. Curtis, Gehl Pavers, Heli, Honda, ICS/PowerGrit, IHI, Partner, Imer, Clipper, MMD, Koshin, Rice, CH&E, General Equipment, Amida, Coleman, NAC, Gradall, Square Shooter, Kent, Stanley, Tamco, Toku, Hatz, Kohler, Robin, Wisconsin, Northrock, Oztec, Toker TK, Rol-Air, APT, Wylie, Ingersoll Rand / Doosan, Innovatech, Con X, Ammann, Mecalac, Makinex, Smith Surface Prep, Small Line, Wanco, Yanmar