

# OPERATION AND PARTS MANUAL



 **WHITEMAN** SERIES

**MODEL**

**WBH-21EF**  
**POWER BUGGY**

**(B&S VANGUARD 18 HP GASOLINE ELECTRIC START)**

Revision #2 (09/13/19)



THIS MANUAL MUST ACCOMPANY THE EQUIPMENT AT ALL TIMES.

# PARTS FINDER

**Search Website  
by Part Number**



**Search Manual  
Library For Parts  
Manual & Lookup Part  
Numbers – Purchase  
or Request Quote**

**Search Manuals**

Enter your information to help us find the right parts manual for your machine.

\* Brand:

\* Model:

\* Serial:

\* Part Number:

SEARCH

**Can't Find Part or  
Manual? Request Help  
by Manufacturer,  
Model & Description**

**Parts Order Form**

Please fill in the following information to help us find the right part for your machine.

|               |                      |
|---------------|----------------------|
| Manufacturer: | <input type="text"/> |
| Model:        | <input type="text"/> |
| Description:  | <input type="text"/> |
| Part Number:  | <input type="text"/> |
| Quantity:     | <input type="text"/> |
| Notes:        | <input type="text"/> |

Submit

Discount-Equipment.com is your online resource for quality parts & equipment.

Florida: **561-964-4949** Outside Florida TOLL FREE: **877-690-3101**

**Need parts?**

Click on this link: <http://www.discount-equipment.com/category/5443-parts/> and choose one of the options to help get the right parts and equipment you are looking for. Please have the machine model and serial number available in order to help us get you the correct parts. If you don't find the part on the website or on one of the online manuals, please fill out the request form and one of our experienced staff members will get back to you with a quote for the right part that your machine needs.

We sell worldwide for the brands: Genie, Terex, JLG, MultiQuip, Mikasa, Essick, Whiteman, Mayco, Toro Stone, Diamond Products, Generac Magnum, Airman, Haulotte, Barreto, Power Blanket, Nifty Lift, Atlas Copco, Chicago Pneumatic, Allmand, Miller Curber, Skyjack, Lull, Skytrak, Tsurumi, Husquvarna Target, Stow, Wacker, Sakai, Mi-T-M, Sullair, Basic, Dynapac, MBW, Weber, Bartell, Bennar Newman, Haulotte, Ditch Runner, Menegotti, Morrison, Contec, Buddy, Crown, Edco, Wyco, Bomag, Laymor, EZ Trench, Bil-Jax, F.S. Curtis, Gehl Pavers, Heli, Honda, ICS/PowerGrit, IHI, Partner, Imer, Clipper, MMD, Koshin, Rice, CH&E, General Equipment, Amida, Coleman, NAC, Gradall, Square Shooter, Kent, Stanley, Tamco, Toku, Hatz, Kohler, Robin, Wisconsin, Northrock, Oztec, Toker TK, Rol-Air, APT, Wylie, Ingersoll Rand / Doosan, Innovatech, Con X, Ammann, Mecalac, Makinex, Smith Surface Prep, Small Line, Wanco, Yanmar

**PROPOSITION 65 WARNING**

---



Go to Discount-Equipment.com to order your parts

# TABLE OF CONTENTS

## WBH-21EF Power Buggy

|  |       |
|--|-------|
| Proposition 65 Warning .....               | 2     |
| Table of Contents.....                     | 3     |
| Safety Information .....                   | 5-11  |
| Specifications (Buggy).....                | 12    |
| Specifications (Engine).....               | 13    |
| Dimensions.....                            | 14    |
| General Information.....                   | 15    |
| Components .....                           | 16    |
| Basic Engine.....                          | 17    |
| Inspection .....                           | 18-20 |
| Operation.....                             | 21-26 |
| Maintenance .....                          | 27-34 |
| Troubleshooting .....                      | 35-37 |
| Hydraulic System Diagram .....             | 38    |
| Hydraulic Hose Connections .....           | 39    |
| Wiring Diagram.....                        | 40    |
| Explanation of Code in Remarks Column..... | 42    |
| Suggested Spare Parts .....                | 43    |

## Component Drawings

|   |       |
|---|-------|
| Nameplate and Decals Assembly.....      | 44-45 |
| Hydraulic Drive Assembly.....           | 46-47 |
| Hydraulic Pump Assembly.....            | 48-49 |
| Hydraulic Dump Assembly .....           | 50-51 |
| Pump and Coupling Assembly .....        | 52-53 |
| Tube Assembly .....                     | 54-55 |
| Panel Assembly .....                    | 56-57 |
| Brake Assembly.....                     | 58-59 |
| Steering and Controls Assembly .....    | 60-61 |
| Chassis Assembly .....                  | 62-63 |
| Handle/Foot Dump Controls Assembly..... | 64-65 |
| Hydraulic Oil Tank Assembly .....       | 66-67 |
| Battery Assembly.....                   | 68-69 |
| Fuel Tank Assembly.....                 | 70-71 |
| Engine Mounting Assembly .....          | 72-73 |
| Engine Service Parts.....               | 74-75 |

### NOTICE

Specifications and part numbers are subject to change without notice.



# SAFETY INFORMATION

Do not operate or service the equipment before reading the entire manual. Safety precautions should be followed at all times when operating this equipment. Failure to read and understand the safety messages and operating instructions could result in injury to yourself and others.



## SAFETY MESSAGES

The four safety messages shown below will inform you about potential hazards that could injure you or others. The safety messages specifically address the level of exposure to the operator and are preceded by one of four words: **DANGER**, **WARNING**, **CAUTION** or **NOTICE**.

## SAFETY SYMBOLS

**! DANGER**

Indicates a hazardous situation which, if not avoided, **WILL** result in **DEATH** or **SERIOUS INJURY**.

**! WARNING**

Indicates a hazardous situation which, if not avoided, **COULD** result in **DEATH** or **SERIOUS INJURY**.






**! CAUTION**

Indicates a hazardous situation which, if not avoided, **COULD** result in **MINOR** or **MODERATE INJURY**.

**NOTICE**

Addresses practices not related to personal injury.

Potential hazards associated with the operation of this equipment will be referenced with hazard symbols which may appear throughout this manual in conjunction with safety messages.

| Symbol   | Safety Hazard              |
|--|----------------------------|
|    | Lethal exhaust gas hazards |
|    | Explosive fuel hazards     |
|    | Burn hazards               |
|   | Rotating parts hazards     |
|  | Hydraulic fluid hazards    |

# SAFETY INFORMATION

## GENERAL SAFETY

### CAUTION

- **NEVER** operate this equipment without proper protective clothing, shatterproof glasses, respiratory protection, hearing protection, steel-toed boots and other protective devices required by the job or city and state regulations.



- Avoid wearing jewelry or loose fitting clothes that may snag on the controls or moving parts as this can cause serious injury.

- **NEVER** operate this equipment when not feeling well due to fatigue, illness or when under medication.



- **NEVER** operate this equipment under the influence of drugs or alcohol.



- **ALWAYS** clear the work area of any debris, tools, etc. that would constitute a hazard while the equipment is in operation.

- No one other than the operator is to be in the working area when the equipment is in operation.

- **DO NOT** use the equipment for any purpose other than its intended purposes or applications.

### NOTICE

- This equipment should only be operated by trained and qualified personnel 18 years of age and older.
- Whenever necessary, replace nameplate, operation and safety decals when they become difficult read.
- Manufacturer does not assume responsibility for any accident due to equipment modifications. Unauthorized equipment modification will void all warranties.
- **NEVER** use accessories or attachments that are not recommended by Multiquip for this equipment. Damage to the equipment and/or injury to user may result.
- **ALWAYS** know the location of the nearest fire extinguisher.
- **ALWAYS** know the location of the nearest first aid kit.
- **ALWAYS** know the location of the nearest phone or **keep a phone on the job site**. Also, know the phone numbers of the nearest **ambulance, doctor and fire department**. This information will be invaluable in the case of an emergency.



# SAFETY INFORMATION

## POWER BUGGY SAFETY

### DANGER

- Engine fuel exhaust gases contain poisonous carbon monoxide. This gas is colorless and odorless, and can cause death if inhaled.
- The engine of this equipment requires an adequate free flow of cooling air. **NEVER** operate this equipment in any enclosed or narrow area where free flow of the air is restricted. If the air flow is restricted it will cause injury to people and property and serious damage to the equipment or engine.



- **NEVER** operate the equipment in an explosive atmosphere or near combustible materials. An explosion or fire could result causing severe **bodily harm or even death.**



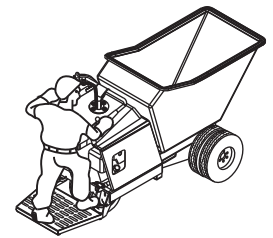
### WARNING

- **NEVER** use your hand to find hydraulic leaks. Use a piece of wood or cardboard. Hydraulic fluid injected into the skin must be treated by a knowledgeable physician immediately or severe injury or death can occur.
- Accidental starting can cause severe injury or death. **ALWAYS** place the ON/OFF switch in the OFF position.
- **NEVER** disconnect any **emergency or safety devices.** These devices are intended for operator safety. Disconnection of these devices can cause severe injury, bodily harm or even death. Disconnection of any of these devices will void all warranties.
- **NEVER** approach power lines with any part of the buggy unless all local, state/provincial and federal (OSHA) required safety precautions have been taken. Use extreme caution when approaching high voltage power lines.



### CAUTION

- **ALWAYS** inspect the surface over which you will travel. Look for holes, drop-offs and obstacles. Look for rough and weak spots on docks, ramps or floor. Look for oil spills, wet spots and slippery surfaces. Look for soft soil, deep mud and standing water. Watch for anything that might make you lose control or cause the power buggy to tip over.
- **ALWAYS** clear away trash and debris. Pick up anything that might puncture the tires.
- **ALWAYS** make sure aisles, ramps, doorways and passages are clear.
- **ALWAYS** plan your work. Make sure you know where you will make your pickups, dumps and turns. Before you take a load, know where you will place it.
- **NEVER** operate the power buggy facing backwards. In a backwards position, the operator cannot properly activate the manual brake, emergency switch, grip the handles or steer the machine. **ALWAYS** face in the direction of the bucket.
- **DO NOT** operate the power buggy on unsafe haul roads, load areas, and dump areas.
- **DO NOT** operate power buggy on excessive slopes with a grade higher than 10% (6°), forward and backward.
- **DO NOT** operate power buggy on extremely uneven surfaces.
- **NEVER** allow riders other than the operator on the power buggy.
- **ALWAYS** secure the step plate (platform) in the upright position when using the power buggy over rough terrain.
- **DO NOT** stand on the power buggy step plate (platform) when walking in rough terrain. Walk behind the power buggy.
- **DO NOT** touch, lean on or reach through the dump mechanism or permit others to do so. **NEVER** climb on the power buggy or dump mechanism.







## SAFETY INFORMATION

- **DO NOT** operate the power buggy at excessive speeds. Reckless operation may cause accidents and severe injury. Slow down when approaching people, wet areas, and going up and down grades. It is the responsibility of the operator to adjust speed, as necessary, depending on the conditions of the road or path.
  - **ALLOW** extra time to stop when operating the power buggy on wet surfaces or loosely graded materials.
  - **DO NOT** dump materials that are large and chunky. These types of material may shift causing the power buggy to tip and throw the operator off the machine. The power buggy is intended for dumping free-flowing and loose materials such as dry soil, slag, and wet concrete.
  - **DO NOT** dump materials from bucket while the power buggy is moving.
  - For walk behind operation, the operator platform must be stowed and locked in the up position. The speed should also be reduced to 3 mph (4.8 kph) or slower.
- NOTICE**
- **ALWAYS** ensure power buggy is **securely** placed on appropriate blocks or jackstands when performing maintenance requires elevation of the buggy.
  - **ALWAYS** make sure the power buggy's brakes are working properly. Check brake linkage and adjust as required. **NEVER** operate the power buggy with a defective braking system.
  - Ensure brakes are applied when leaving or when using on a slope.
  - When parking on a slope, position the power buggy at a right angle to a slope. Ensure that the parking brake is engaged and holds the power buggy safely in place when parking on a slope.
  - When filling or dumping **DO NOT** exceed payload capacity of power buggy.
  - **ALWAYS** be aware of traveling conditions. Reduce load if necessary.
  - **DO NOT** activate dump mechanism (tub) if buggy is facing a down hill slope.
  - **DO NOT** stand in front or along side the buggy when discharging a load.
  - **ALWAYS** block the power buggy with appropriate blocks when leaving the power buggy parked on a slope.
  - To prevent unexpected loss of control, **DO NOT** start engine on a sloping surface.
  - Ensure that the speed control lever works freely and returns to the closed position. **DO NOT** start engine unless speed control linkage is working properly.
  - Make sure that the tires are inflated to the manufacturer's recommended tire pressure.
  - **NEVER** operate the power buggy with bad or worn tires. **ALWAYS** replace defective tires with new ones.
  - **ALWAYS** make sure the hydraulic dumping mechanism of the tub is working properly.
  - Avoid sudden stops and starts and changes in direction. Operate the controls smoothly. **DO NOT** jerk the steering or any other controls.
  - **NEVER** attempt to work the control except from the operator's position.
  - **NEVER** drive or tow the power buggy in traffic or on public roads.
  - **ALWAYS** keep the machine in proper running condition.
  - Fix damage to machine and replace any broken parts immediately.
  - The entire power buggy (tub, step plate, shroud, wheels, etc.) should be cleaned after every use. Make sure there is no buildup of concrete, grease, oil or debris on the machine.
  - **ALWAYS** store equipment properly when it is not being used. Equipment should be stored in a clean, dry location out of the reach of children and unauthorized personnel.
  - **ALWAYS** place the fuel valve lever in the **OFF** position when the equipment is not in use.


# SAFETY INFORMATION

## ENGINE SAFETY


### ⚠ WARNING

- **DO NOT** place hands or fingers inside engine compartment when engine is running. 
- **NEVER** operate the engine with heat shields or guards removed.
- Keep fingers, hands hair and clothing away from all moving parts to prevent injury. 
- **ALWAYS** shut down the engine before performing service or maintenance.
- **DO NOT** remove the engine oil drain plug while the engine is hot. Hot oil will gush out of the oil tank and severely scald any persons in the general area of the power buggy.

### ⚠ CAUTION

- **NEVER** touch the hot exhaust manifold, muffler or cylinder. Allow these parts to cool before servicing equipment. 
- Make certain the operator knows how to and is capable of turning the engine OFF in case of an emergency.


### NOTICE

- **NEVER** run engine without an air filter or with a dirty air filter. Severe engine damage may occur. Service air filter frequently to prevent engine malfunction.
- **NEVER** tamper with the factory settings of the engine or engine governor. Damage to the engine or equipment can result if operating in speed ranges above the maximum allowable. 

## FUEL SAFETY


### ⚠ DANGER

- **DO NOT** start the engine near spilled fuel or combustible fluids. Fuel is extremely flammable and its vapors can cause an explosion if ignited.
- **ALWAYS** refuel in a well-ventilated area, away from sparks and open flames.


- **ALWAYS** use extreme caution when working with flammable liquids.
- **DO NOT** fill the fuel tank while the engine is running or hot.
- **DO NOT** overfill tank and tighten fuel cap until you hear "clicking", since spilled fuel could ignite if it comes into contact with hot engine parts or sparks from the ignition system.
- Store fuel in appropriate containers, in well-ventilated areas and away from sparks and flames.
- **NEVER** use fuel as a cleaning agent.
- **DO NOT** smoke around or near the equipment. Fire or explosion could result from fuel vapors or if fuel is spilled on a hot engine. 
- **DO NOT** leave the power buggy in the vicinity of ovens, furnaces or radiant heaters. Heat could raise the pressure of the fuel so that vented gas could ignite.

## BATTERY SAFETY (ELECTRIC START ONLY)

### ⚠ DANGER

- **DO NOT** drop the battery. There is a possibility that the battery will explode.
- **DO NOT** expose the battery to open flames, sparks, cigarettes, etc. The battery contains combustible gases and liquids. If these gases and liquids come into contact with a flame or spark, an explosion could occur. 

### ⚠ WARNING

- **ALWAYS** wear safety glasses when handling the battery to avoid eye irritation. The battery contains acids that can cause injury to the eyes and skin. 
- Use well-insulated gloves when picking up the battery.
- **ALWAYS** keep the battery charged. If the battery is not charged, combustible gas will build up.
- **DO NOT** charge battery if frozen. Battery can explode. When frozen, warm the battery to at least 61°F (16°C).

# SAFETY INFORMATION

- **ALWAYS** recharge the battery in a well-ventilated environment to avoid the risk of a dangerous concentration of combustible gases.

- If the battery liquid (dilute sulfuric acid) comes into contact with **clothing or skin**, rinse skin or clothing immediately with plenty of water.



- If the battery liquid (dilute sulfuric acid) comes into contact with **eyes**, rinse eyes immediately with plenty of water and contact the nearest doctor or hospital to seek medical attention.

## CAUTION

- **ALWAYS** disconnect the **NEGATIVE** battery terminal before performing service on the equipment.

- **ALWAYS** keep battery cables in good working condition. Repair or replace all worn cables.

## LIFTING SAFETY

### CAUTION

- **NEVER** allow any person or animal to stand underneath the equipment while lifting.

### NOTICE

- When lifting of the power buggy is required, use a properly rated forklift. Forklift pockets are provided on the power buggy's frame. Make sure the forklift arms are insert into the power buggy's fork lift pockets a minimum of 24-inches. Before lifting, make sure that the lifting bale is not damaged.

- **NEVER** tip the engine to extreme angles during lifting as it may cause oil to gravitate into the cylinder head, making the engine start difficult.

- **DO NOT** lift machine to unnecessary heights.

- **NEVER** lift the equipment while the engine is running.

- **ALWAYS** use ramps capable of supporting the weight of the power buggy and the operator to load and unload the power buggy.

## TRANSPORTING SAFETY

### NOTICE

- **ALWAYS** shutdown engine before transporting.

- Tighten fuel tank cap securely and close fuel cock to prevent fuel from spilling.

- When transporting of the power buggy is required, place the power buggy on a flat bed truck or equivalent and tie down securely.

- **ALWAYS** make sure all tie-downs and block are in place and the bucket is completely lowered in the flat (horizontal) position and securely latched.

- Place **chock blocks** underneath wheel to prevent rolling.

- When transporting the power buggy on a truck or trailer, know the overall height to avoid contacting overhead obstructions such as bridges and power lines. Check the truck and ramp capacities.

- **ALWAYS** place the fuel valve lever in the **OFF** position when the before transporting.

# SAFETY INFORMATION

## ENVIRONMENTAL SAFETY/DECOMMISSIONING

### NOTICE

Decommissioning is a controlled process used to safely retire a piece of equipment that is no longer serviceable. If the equipment poses an unacceptable and unrepairable safety risk due to wear or damage or is no longer cost effective to maintain (beyond life-cycle reliability) and is to be decommissioned (demolition and dismantlement), be sure to follow rules below.

- **DO NOT** pour waste or oil directly onto the ground, down a drain or into any water source.
- Contact your country's Department of Public Works or recycling agency in your area and arrange for proper disposal of any electrical components, waste or oil associated with this equipment.
- When the life cycle of this equipment is over, remove battery (if equipped) and bring to appropriate facility for lead reclamation. Use safety precautions when handling batteries that contain sulfuric acid.
- When the life cycle of this equipment is over, it is recommended that the unit frame and all other metal parts be sent to a recycling center.



Metal recycling involves the collection of metal from discarded products and its transformation into raw materials to use in manufacturing a new product.

Recyclers and manufacturers alike promote the process of recycling metal. Using a metal recycling center promotes energy cost savings.

## EMISSIONS INFORMATION

### NOTICE

This equipment conforms with applicable Environmental Protection Agency (EPA) and California Air Resources Board (CARB) emission regulations.

The gasoline engine used in this equipment has been designed to reduce harmful levels of carbon monoxide (CO), hydrocarbons (HC) and nitrogen oxides (NOx) contained in gasoline exhaust emissions.

Mandated Emission Components:

- Engine, EPA certified
- Fuel cap, EPA certified
- Fuel and vapor recovery hoses, EPA certified SAE J30R7 or SAE J30R14T2
- Charcoal canister, EPA certified

Miscellaneous Parts Associated with Emission System:

- Hose clamps and retainer brackets
- Roll over valve vapor recovery valve
- Steel fuel tank

Tampering with or altering the emission control system may increase emissions beyond the legal limit. Do not remove or alter any part of the system.

Additionally, modifying the fuel system may adversely affect evaporative emissions, resulting in fines or other penalties.

The Emission control system is valid only for the United States, its territories and commonwealths to include Canada.

### Emission Control Label

The emission control label is an integral part of the emission system and is strictly controlled by regulation(s).

The label must remain with the engine for its entire life.

If a replacement emission label is needed, please contact your authorized engine distributor.

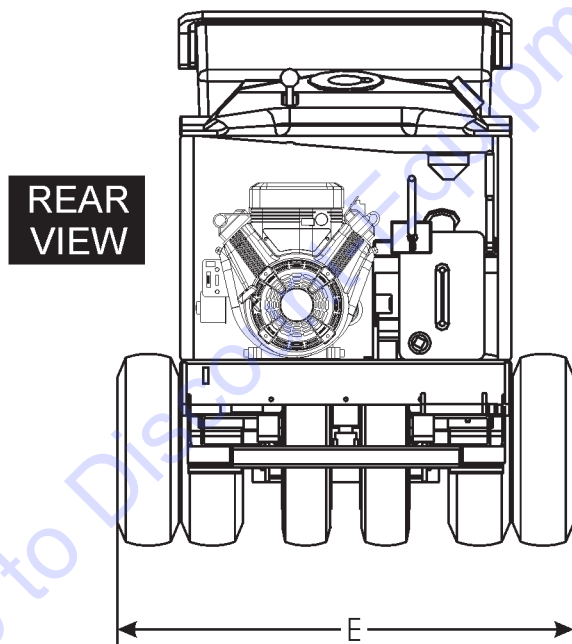
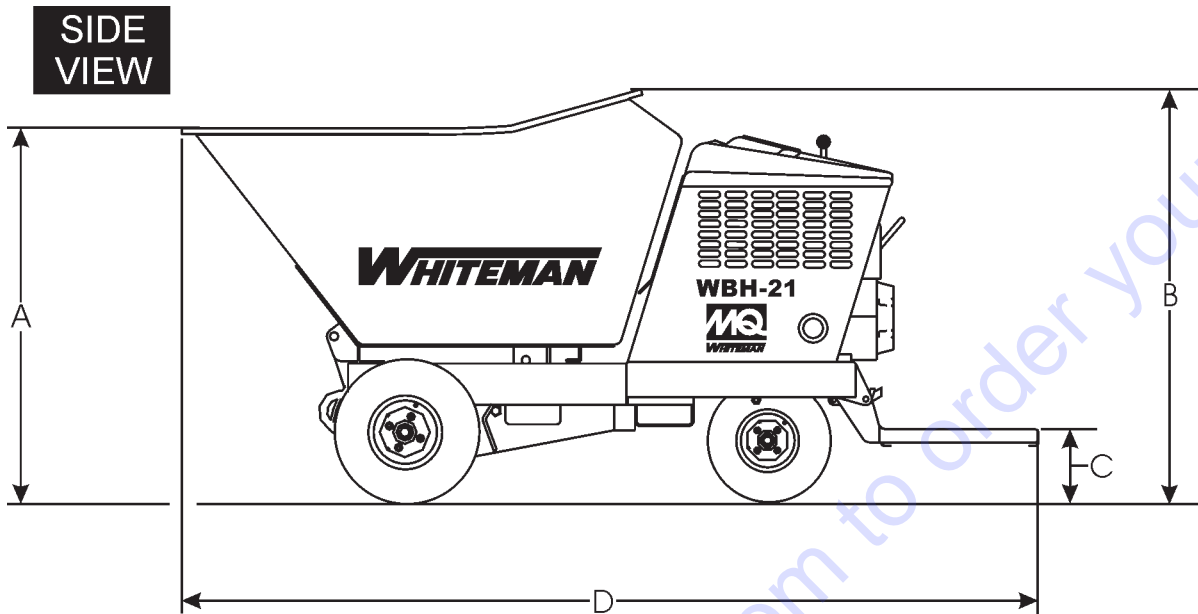
## SPECIFICATIONS (BUGGY)

| <b>Table 1. Specifications (Power Buggy)</b> |   |
|--|---|
| Model  | WBH-21EF  |
| Maximum Weight Capacity (Dual Wheels)        | 3,200 lbs. (1,451 kg)   |
| Operating Weight                             | 1,492 lbs. (677 kg.)  |
| Bucket/Tub Capacity                          | 21 cu. ft. Water Level (.78 cu. yd.)  |
| Bucket/Tub Material                          | Polyethylene  |
| Drive  | Hydrostatic   |
| Speed  | Up to 7.25 mph. (11.67 km/h)  |
| Steering                                     | Handle Bars To Rear Wheels  |
| Fuel Tank Capacity                           | 4.8 gallons (18.1 liters)   |
| Hydraulic Oil Tank Capacity                  | 5.3 gallons (20.4 liters)   |
| Hydraulic Oil Type                           | Exxon/Mobil Nuto H 46 or Equivalent.  |
| Hydraulic Filter                             | 200 Micron Mesh   |
| Brakes (Drive Wheels)                        | Dynamic Hydrostatic   |
| Parking Brake (Drive Wheels)                 | Mechanical  |
| Dump Control                                 | Hydraulic Dump and Return   |
| Discharge Height                             | 6.0 in. (152 mm)  |
| Ground Clearance                             | 6.0 in. (152 mm)  |
| Gradeability                                 | 6°  |
| Battery (LxWxH)                              | 12V BCI Group U1, 300 CCA @ 0°F<br>7.75 x 5.18 x 7.31 in.<br>(197 x 132 x 186 mm) |
| Foam Filled Tires (Drive Wheels)             | 5.70 x 8.0<br>(145 x 203 x 483 mm)  |
| Foam Filled Tires (Steering)                 | 4.80 x 8.0 in.<br>(122 x 203 mm)  |

## SPECIFICATIONS (ENGINE)

| Table 2. Specifications (Engine) |  |
|----------------------------------|--|
| Model                            | Briggs and Stratton Vanguard                         |
| Type                             | Twin Cylinder, Overhead Valve, Air Cooled            |
| Bore X Stroke                    | 2.82 x 2.75 in. (71.88 x 69.85 mm)                   |
| Displacement                     | 34.7 cu. in. (570 cc)                                |
| Maximum Power                    | 18.0 hp (3,600 rpm)                                  |
| Maximum Torque                   | 31.70 ft-lbs. (2,800 rpm)<br>14.37 kgf-m (2,800 rpm) |
| Idle Speed                       | 1,400 ± rpm  |
| Maximum No Load RPM              | 3600 ± 100 rpm                                       |
| Specific Fuel Consumption        | 1.64 gals./hr. (6.05 liters/hr.)                     |
| Fuel Type                        | Unleaded Gasoline Minimum 85 Octane                  |
| Oil Type                         | API Service Class SF, SG, SH, SJ or Higher           |
| Oil Filter                       | Spin-On  |
| Crankcase Oil Capacity           | 1.8 quarts (1.7 Liters)                              |
| Starting System                  | Recoil/Electric                                      |
| Spark Plug Gap                   | 0.028 - 0.031 in. (0.70 - 0.76 mm)                   |
| Air Cleaner                      | Dual Element   |
| Dry Weight                       | 74.0 lbs. (33.56 kg.)                                |
| Outside Dimensions L X W X H     | 17.40 x 10.60 x 18.14 in.<br>(439 x 406 x 344 mm)    |

# DIMENSIONS



| Table 3. Dimensions |                    |
|---------------------|--------------------|
| Reference Letter    | Dimension in. (mm) |
| A                   | 45.47 (1,155)      |
| B                   | 51.0 (1,295)       |
| C                   | 8.50 (216)         |
| D                   | 103 (2,612)        |
| E                   | 44 (1,117)         |

Figure 1. WBH21-EF Dimensions

## GENERAL INFORMATION

The MQ Whiteman Power Buggy, Model WBH-21EF (recoil/electric start) is intended for the transportation of concrete, concrete spreading and spot pouring. In addition, this power buggy is designed for landscaping applications, material sub-base distribution, job site cleanup and material transport.

The Power Buggy is equipped with a 6-inch dump height which provides clearance and enables the operator to maneuver over any form height. In addition, it has a unique polyethylene tub design that reduces concrete splatter.

A low center of gravity has been incorporated into the design which provides added safety when maneuvering the buggy in tight areas. A 4.8 gallon (18.1 liters) fuel tank allows for extended uninterrupted use. Maximum speed of the power buggy is rated at 7.25 mph (11.7 km/h).

The maximum weight capacity of the Power Buggy is 3,200 lbs. (1,451 kg).

Hand and foot controls are provided for ease of dumping and stopping of the power buggy. Multiple lift points have been provided to allow for easy access of a forklift when lifting is required.

The WBH-21EF is powered by a Briggs and Stratton Vanguard twin cylinder, air cooled gasoline engine rated at 18 HP at 3600 RPM.

The engine drives a variable displacement hydrostatic transmission which is activated by a cable controlled hand lever. The hydraulic fluid flows to a divider valve which directs the fluid to the forward reverse and dumping systems.

The operator controls the forward and reverse machine travel by manually shifting the control valve which directs the hydraulic fluid flow to the two drive wheel motors. The flow to the dump cylinder is also controlled by a manually operated control valve.

This hydraulic system uses a parallel loop configuration, operating at a maximum of 2100 PSI (14,478 kPa). The system also features a neutral position which allows the power buggy to be moved in the event of an emergency.

The hydraulic oil is filtered by a screen type filter located in the hydraulic tank, then doubled filtered within the system by a 10 micron cartridge spin-on return filter.

### WARNING

All operators must have training before operating the power buggy. For your safety, warnings are on the machine and in this manual. Failure to obey these warnings can cause severe injury or even death.

### CAUTION



**DO NOT** attempt to operate the power buggy until the Safety Information, General Information, and Inspection sections of this manual have been ***read and thoroughly understood.***



## COMPONENTS

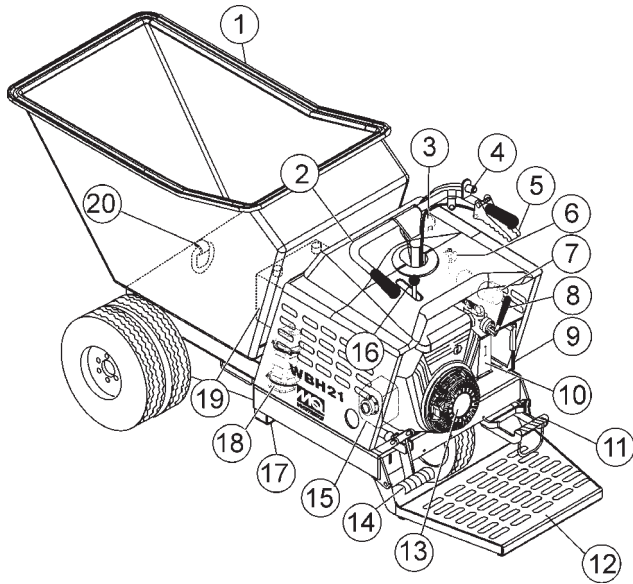


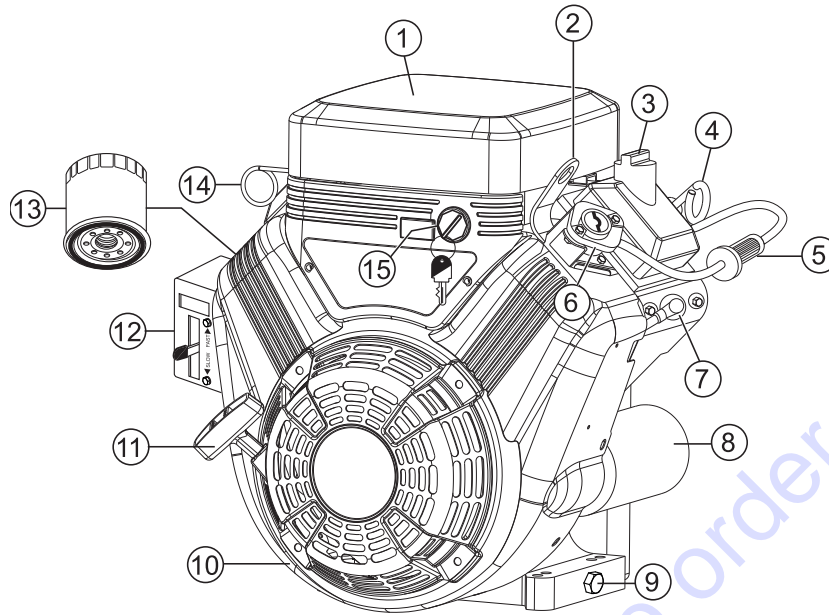
Figure 2. WBH21-EF Power Buggy Components

- 1. Tub or Bucket** — Used for the transportation of material. Tub holds approximately 21 cubic feet (0.59 cubic yards) of water.
- 2. Handle Bar (Steering)** — This handle bar is used to steer the buggy. When driving the buggy, use both hands and hold onto both handle bar grips.
- 3. Fuel Tank/Cap** — Remove this cap to add fuel. Tank holds approximately 4.8 U.S. gallons (18.1 liters). **DO NOT** over fill. Tighten cap until you hear "clicking".
- 4. Kill Switch** — In the event of an emergency, press this button to stop the engine.
- 5. Speed Control** — Sets the power buggy's travel speed. When fully depressed, the buggy will be at **FULL** speed. When released, the buggy will **STOP**.
- 6. Fuel Valve Lever** — When placed in the **ON** position fuel will flow. **OFF** position stops fuel flow. **ALWAYS** place this lever in the **ON** position when starting the engine.
- 7. Documentation Canister** — Store and maintain Operation, Parts, and Engine manuals in this container at all times.
- 8. Travel Lever** — When the travel lever is pushed forward, the buggy will travel in the forward direction. Placing the travel lever in the backward position will cause the buggy to travel in the reverse direction. Center position is neutral.
- 9. Hydraulic Tank/Cap** — Remove this cap to add hydraulic oil. Tank holds approximately 5.3 U.S. gallons (20.4 liters). **DO NOT** over fill.
- 10. Parking Brake Lever** — When this lever is activated (pulled up), the parking brake will be set. To release the brake, pull the lever downwards.
- 11. Brake Pedal** — Press this pedal with the right foot to stop the buggy.
- 12. Operator Platform** — When the buggy is in use, the operator shall **ALWAYS** stand on this platform while holding onto the handle bar (steering).
- 13. Engine** — This machine uses an electric start Briggs & Stratton 18HP Vanguard engine.
- 14. Dump Pedal** — Use this pedal to place the tub in the dump position (vertical). Press pedal a second time to return tub to the travel position (horizontal).
- 15. Muffler** — Used to reduce noise and emissions. **NEVER** touch the muffler while it is hot. Serious burns can result.
- 16. Dump Control Lever** — Use this lever forward to place the tub in the dump position (vertical), move the lever backward to return the tub to travel position (horizontal)
- 17. Forklift Pockets** — Use these fork lift pockets to lift the power buggy with a forklift. Remember to insert the forks of the fork lift a minimum of 24 inches (610 mm.) into power buggy's fork lift pockets.
- 18. Charcoal Canister** — Charcoal activated system that absorbs or traps fuel vapors. Basic component of evaporative emissions control systems.
- 19. Battery** — Always use gloves and eye protection when handling the battery.
- 20. Towing Hook** — Use this hook to tow the buggy if it gets stuck. This hook is **NOT** intended for towing the buggy on public roads at high speeds.

### CAUTION



Engine components can generate extreme heat. To prevent burns, **DO NOT** touch these areas while the engine is running or immediately after operating. **NEVER** operate the engine with the muffler removed.



**Figure 3. Briggs & Stratton Vanguard 18HP Engine**

- Air Filter** — Prevents dirt and other debris from entering the fuel system. Release the latches on the sides of the air filter cover to gain access to filter element.
- Lifting Hook** — Attach a rope or chain to this lifting point to lift engine.
- Oil Fill Cap** — Remove cap to refill or replace oil with recommended type as listed in Table 4. Make sure cap is tightened securely. **DO NOT** over fill.
- Oil Dipstick** — Remove to check amount and condition of oil in crankcase.
- In-Line Fuel Filter** — Filters fuel for contaminants. Replace as recommended in the maintenance section of this manual.
- Fuel Pump** — Draws fuel from the fuel tank into the engine.
- Spark Plugs** — Provides spark to the ignition system. Set spark plug gap to 0.70- 0.76 mm (0.028 - 0.030 in.) Clean spark plug once a week.
- Electric Starter** — Starts engine when ignition key is rotated to the **ON** position.
- Oil Drain Plug** — Remove to drain crankcase oil.
- Engine** — This machine uses an electric start Briggs & Stratton 18HP Vanguard engine.
- Recoil Starter (pull rope)** — Manual-starting method. Pull the starter grip until resistance is felt, then pull briskly and smoothly.
- Throttle Lever** — Used to adjust engine RPM speed (lever advanced forward **SLOW**, lever back toward operator **FAST**).
- Oil Filter** — Prevents dirt and other debris from entering the engine. Service the oil filter as recommended in the maintenance section of this manual
- Choke Lever** — Used in the starting of a cold engine, or in cold weather conditions. The choke enriches the fuel mixture.
- Ignition Switch/Keys** — Insert the ignition key here to start the engine. Turn the key clockwise to the **ON** position then continue turning clockwise to the **START** position and release. To stop the engine, turn the key fully counterclockwise to the **STOP** position.

### NOTICE

Operating the engine without an air filter or with a damaged or worn air filter will allow dirt to enter the engine causing rapid engine wear.

# INSPECTION

## BEFORE STARTING

1. Read safety information at the beginning of manual.
2. Clean the machine, removing dirt and dust, particularly the engine cooling air inlet, carburetor and air cleaner.
3. Check the air filter for dirt and dust. If air filter is dirty, replace air filter with a new one.
4. Check carburetor for external dirt and dust. Clean with dry compressed air.
5. Check fastening nuts and bolts for tightness.

## ENGINE OIL CHECK

1. To check the engine oil level, place the buggy on secure level ground with the engine stopped.
2. Remove the dipstick from its holder (Figure 4) and wipe it clean.

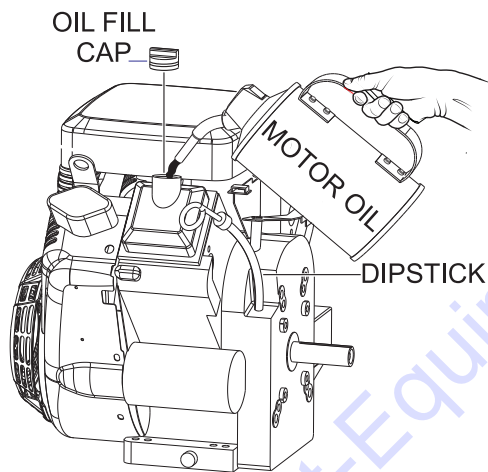


Figure 4. Engine Oil Dipstick Removal

3. Reinsert the dipstick back into its holder then remove. Check the oil level shown on the dipstick.
4. If the oil level is low, remove the oil fill cap (Figure 4) and fill the engine crankcase with lubricating oil through the oil filler hole, but **DO NOT** overfill.
5. Make sure the buggy is level and verify that the oil level is maintained between the two notches (Figure 5) as shown on the dipstick. Reference Table 4 for proper selection of engine oil.

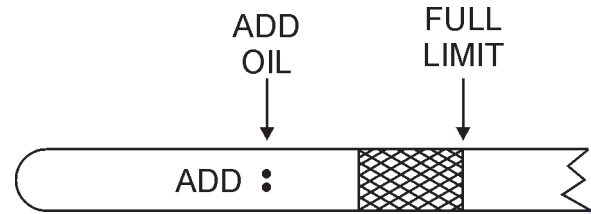


Figure 5. Engine Oil Level

6. When checking the engine oil, be sure to check if the oil is clean. If the oil is not clean, drain the oil by removing the oil drain plug, and refill with the specified amount of oil as outlined in the maintenance section of this manual. Oil should be warm before draining.

Table 4. Oil Type

| Season      | Temperature    | Oil Type      |
|-------------|----------------|---------------|
| Summer      | 25°C or Higher | SAE 10W-30    |
| Spring/Fall | 25°C~10°C      | SAE 10W-30/20 |
| Winter      | 0°C or Lower   | SAE 10W-10    |

## GASOLINE CHECK

### DANGER



Motor fuels are highly flammable and can be dangerous if mishandled. **DO NOT** smoke while refueling. **DO NOT** attempt to refuel the buggy if the engine is **hot or running**.

1. Remove the fuel cap (Figure 6) located on top of fuel tank.

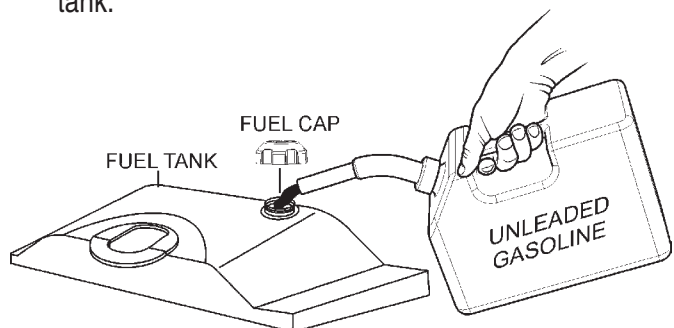


Figure 6. Fuel Tank

2. Visually inspect to see if fuel level is low. If fuel level is low, replenish with unleaded fuel.
3. When refueling, be sure to use a strainer for filtration. **DO NOT** top-off fuel. Wipe up any spilled fuel immediately. Reinstall fuel cap.

## BATTERY

This unit is of negative ground **DO NOT** connect in reverse. **ALWAYS** maintain battery fluid level between the specified marks. Battery life will be shortened, if the fluid level are not properly maintained. Add only distilled water when replenishment is necessary.

**DO NOT** over fill. Check to see whether the battery cables are loose. Poor contact may result in poor starting or malfunctions.

**ALWAYS** keep the terminals firmly tightened. Coating the terminals with an approved battery terminal treatment compound. Replace battery with only recommended type battery. The battery type used in this power buggy is BCI Group U1.

The battery is sufficiently charged if the specific gravity of the battery fluid is 1.28 (at 68° F). If the specific gravity should fall to 1.245 or lower, it indicates that the battery is dead and needs to be recharged or replaced.

Before charging the battery with an external electric source, be sure to disconnect the battery cables.

### **CAUTION**

**ALWAYS** disconnect the negative terminal **FIRST** and reconnect negative terminal **LAST**.

## Battery Cable Installation

**ALWAYS** be sure the battery cables ( ) are properly connected to the battery terminals as shown below. The **red cable** is connected to the positive terminal of the battery, and the **black cable** is connected to the negative terminal of the battery,

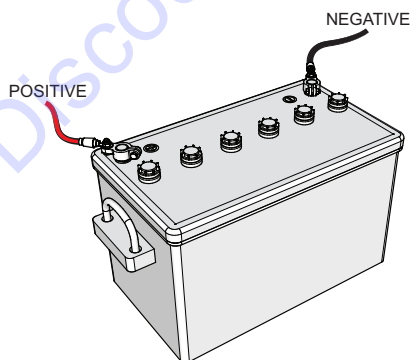


Figure 7. Battery Connections

When connecting battery do the following:

1. **NEVER** connect the battery cables to the battery terminals when the ignition is in the **ON** position (start).
2. Place a small amount of battery terminal treatment compound around both battery terminals. This will ensure a good connection and will help prevent corrosion around the battery terminals.

### **NOTICE**

If the battery cable is connected incorrectly, electrical damage to the power buggy will occur. Pay close attention to the polarity of the battery when connecting the battery.

### **CAUTION**

Inadequate battery connections may cause poor starting of the power buggy, and create other malfunctions.

## TIRE PRESSURE CHECK

The wheels and tires of the power buggy are very important in its effective operation.

1. Check the tires regularly to make certain the lugs nuts are tight
2. Make sure tires are inflated to manufacturer's suggested tire pressure. **DO NOT** operate the buggy with bad or worn tires.

## PARKING BRAKE CHECK

Check the brakes as outlined in the maintenance section of this manual.

## LINKAGE CHECK

Check and make sure that all linkages within the buggy are functioning correctly.

## STEERING CHECK

1. Check and make sure that the power buggy's steering turns freely and that there is no binding.
2. Make sure that the zerk fitting for the steering has been lubricated.

## DUMP CYLINDER CHECK

1. Check the power buggy's dump cylinder as outlined in the operation section of this manual.
2. Make sure that both zerk fittings for the dump cylinder have been lubricated.

## HYDRAULIC OIL CHECK

3. Visually read the hydraulic sight glass (Figure 8) to see if the hydraulic oil level is low.
4. If the hydraulic oil is low, add enough hydraulic oil to bring oil level to a normal safe operating level.

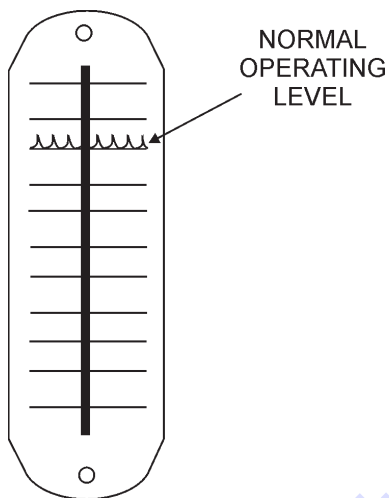


Figure 8. Hydraulic Sight Glass

## CAUTION



**DO NOT** attempt to operate the power buggy until the Safety Information, General Information, and Inspection sections of this manual have been **read and thoroughly understood**.

## ELECTRIC START (METHOD)

1. Before attempting to start the power buggy, make sure that the **safety kill switch** (Figure 9) is not pushed in. The power buggy will not start with the kill switch engaged.

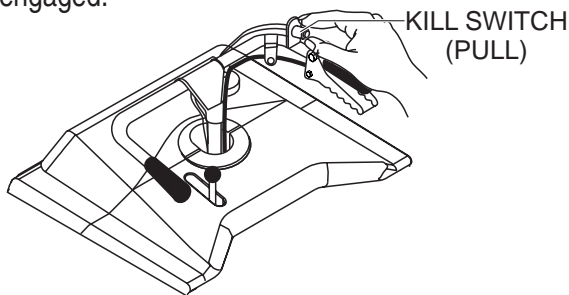


Figure 9. Kill Switch OFF

2. Place the travel control lever (Figure 10) in the **NEUTRAL** position.

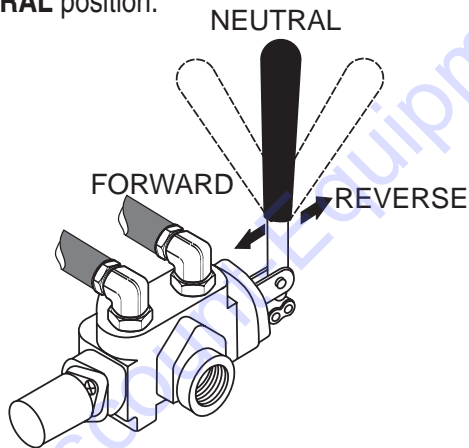


Figure 10. Travel Control Lever

3. Place the fuel tank ON/OFF valve (Figure 11) in the **ON** position.

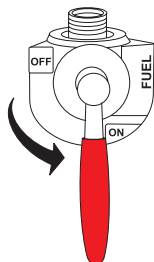


Figure 11. Fuel Tank ON/OFF Valve (ON)

4. If starting a cold engine, **push** the choke lever inward (Figure 12) to the **CLOSED** position.

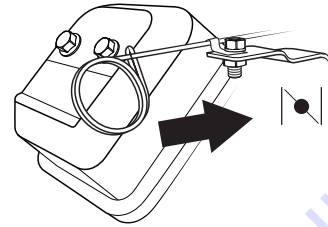


Figure 12. Engine Choke Lever (Closed)

## NOTICE

The **CLOSED** position of the choke lever enriches the fuel mixture for starting a cold engine. The **OPEN** position provides the correct fuel mixture for normal operation after starting, and for restarting a warm engine.

5. If starting a warm engine or the temperature is warm, **pull** the choke lever outward (Figure 13) to the **OPEN** position.

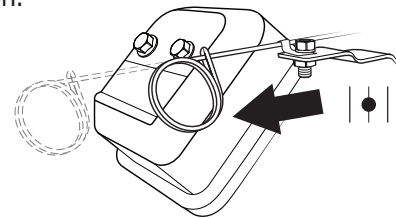


Figure 13. Engine Choke Lever (Open)

6. Move the throttle lever halfway between the **FAST** and **SLOW** position (Figure 14) for starting.

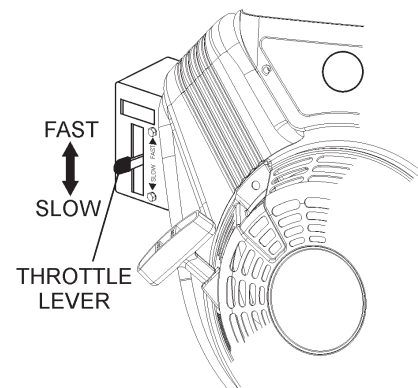
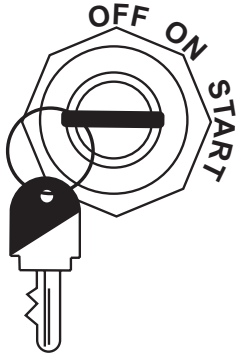


Figure 14. Throttle Lever

# OPERATION

- Place the ignition key (Figure 15) in the **START** position and hold it until the engine starts. When the engine starts, release the key, allowing it to return back to the **ON** position.

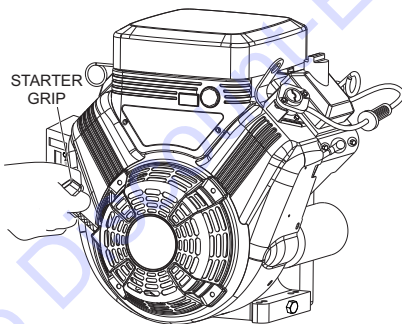


**Figure 15. Engine ON/OFF Switch (Electric Start)**

- Make sure the choke lever is placed in the **OPEN** position (Figure 13) before operating the power buggy. Before the buggy is placed into operation, run the engine for several minutes. Check for fuel leaks, and noises that would associate with a loose guard or cover.

## RECOIL START (METHOD)

- Follow steps 1 through 5 of the Electric Start procedure.
- Grasp the starter grip (Figure 16) and slowly pull it out. The resistance becomes the hardest at a certain position, corresponding to the compression point. Pull the starter grip briskly and smoothly for starting.



**Figure 16. Starter Grip**

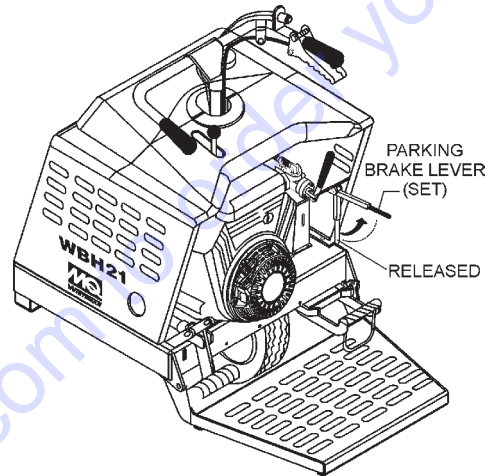
### NOTICE

**DO NOT** pull the starter rope all the way to the end.  
**DO NOT** release the starter rope after pulling. Allow it to rewind as soon as possible.

- After the engine has started and warmed, **slowly** pull the choke lever outward to the **OPEN** position.
- If the engine has not started, repeat steps 1 through 3.

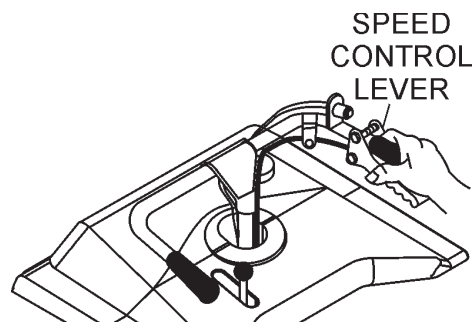
## PRE-CHECK

- Engage the parking brake lever (Figure 17) and attempt to rock the buggy back and forth. If the wheels turn during the rocking motion, adjust the brakes as outlined in the maintenance section of this manual.



**Figure 17. Parking Brake Lever**

- Place the engine's throttle lever (Figure 14) in the **slow** (idle) position.
- Check the speed control lever (Figure 18) located on the right side of the handle bar. The speed control should work freely when squeezed by hand, and return to the **neutral** position when released.

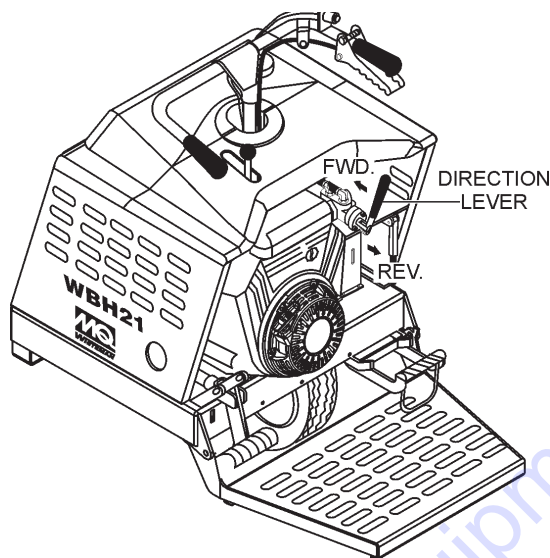


**Figure 18. Speed Control Lever**

## PARKING BRAKE/DIRECTION LEVER

Before the power buggy can be put into operational use, it is best to perform a test run to make certain that all components are functioning properly.

1. Place the buggy on flat solid ground.
2. Engage the parking brake lever.
3. Place the engine's throttle control (Figure 14) in the **SLOW** (idle) position.
4. Place the power buggy's direction lever (Figure 19) in the forward direction.

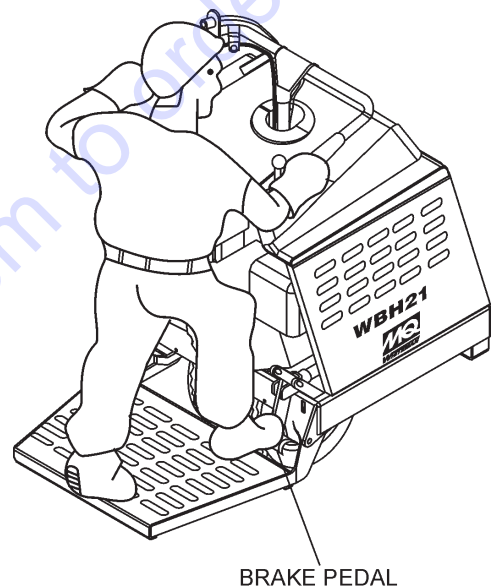


**Figure 19. Direction Lever**

5. Slowly squeeze the speed control lever slightly (Figure 18), for a short period of time to test the brake holding capacity. If the buggy moves forward, adjust the brakes as outlined in the maintenance section of this manual.
6. If the buggy does not move forward, release the speed control, and disengage the parking brake. If the buggy creeps forward or reverse while the parking brake is disengaged, the machine will require service adjustment of the pump control lever as outlined in the maintenance section of this manual.

## TRAVELING

1. With the engine running and parking brake released, place the direction lever (Figure 19) in the forward direction.
2. Squeeze the speed control lever (Figure 18) slightly until the buggy begins to move in a forward direction. Initially, let the buggy travel at about 3 MPH.
3. When using the buggy for the first time, test the brake. With the right foot, step up and place it on the brake pedal (Figure 20). Gradually apply pressure to the brake pedal until the buggy comes to rest.



**Figure 20. Brake Pedal**

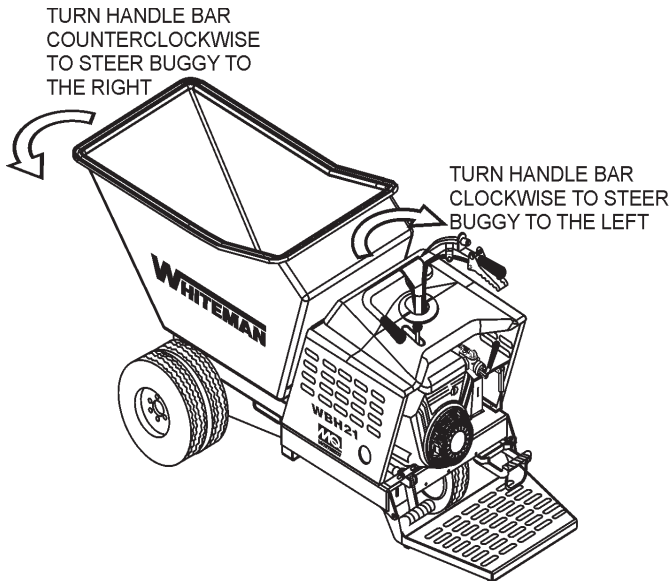
4. Test the brake at different speeds until you are comfortable with stopping the buggy. If the brakes do not seem to stop the buggy adequately, refer to the maintenance section of this manual for brake adjustment instructions.
5. When starting and stopping is confirmed to be functioning properly, the buggy is ready for operation.



## STEERING

To steer the buggy, use the handle bar in front of the operator platform.

1. To turn left when traveling in the forward direction, turn the handle bar clockwise (Figure 21).



**Figure 21. Steering the Buggy**

2. To turn right when traveling in the forward direction, turn the handle bar in the counterclockwise direction.

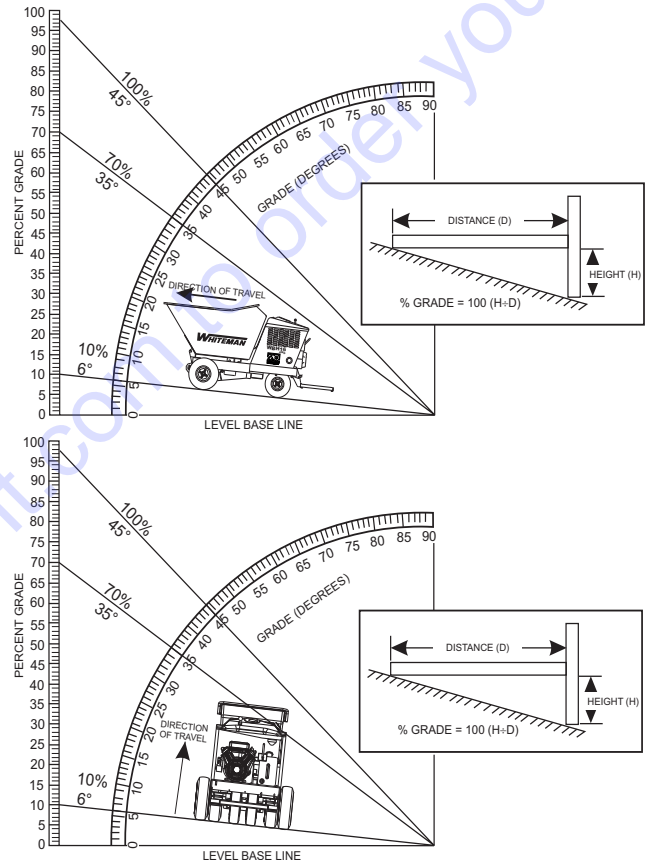
**CAUTION**  
**DO NOT** steer the buggy left or right when traveling up or down on a grade. Travel in a straight path.

**CAUTION**  
 Avoid sudden and quick turns. When steering, turn the handle bar slowly. Always face the controls when traveling.

## TRAVELING ON A SLOPE

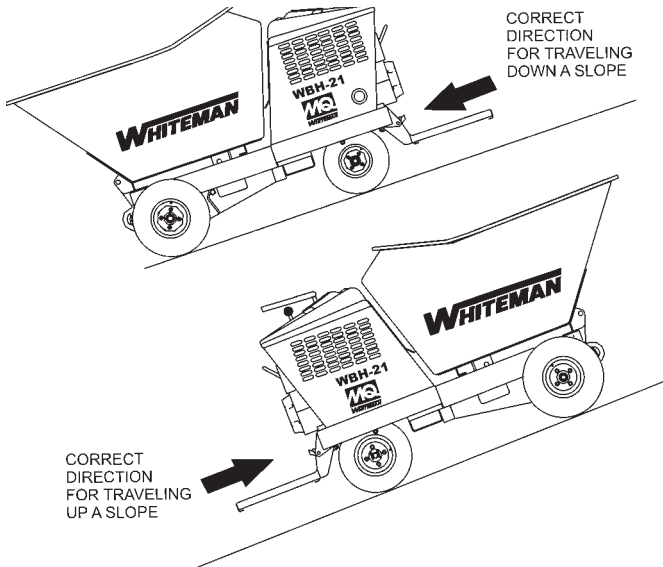
1. When traveling on a slope, it is necessary to determine the grade of the path. The WBH21-EF can travel up, down or side to side on a maximum grade of 10% (6°). **DO NOT** travel on steeper slopes.

To determine the % grade of your path of travel, use the formula and graph in Figure 22.



**Figure 22. Determining Grade of Slope**

**NOTICE**  
 When going up or down a slope, always travel in the forward direction (Figure 23).

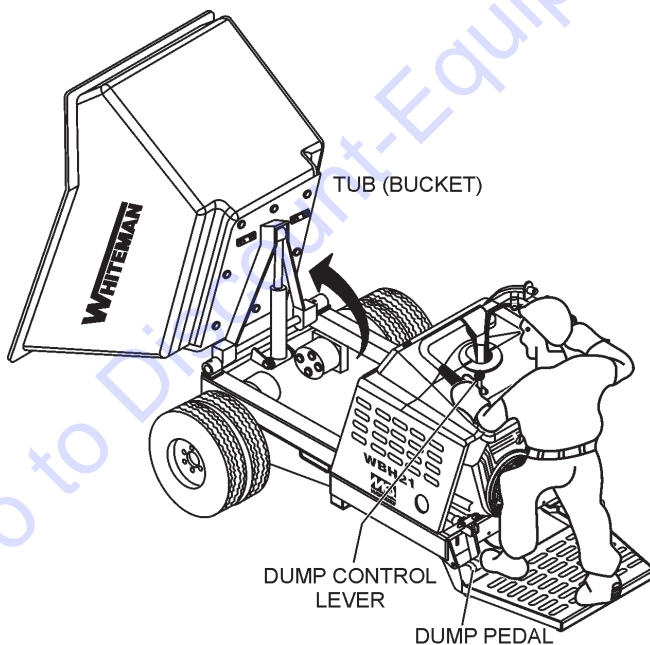


**Figure 23. Slope Travel Direction**

## TUB (BUCKET) DUMPING

The hydraulic dump can be controlled by the hand dump control lever or foot dump pedal.

1. To place the tub in the vertical position (Figure 24) press down on the dump pedal or move the dump control lever forward. The tub will move to the vertical position as long as pressure is continuously applied to the dump pedal or the dump control lever is held in the forward position.



**Figure 24. Tub Vertical Position**

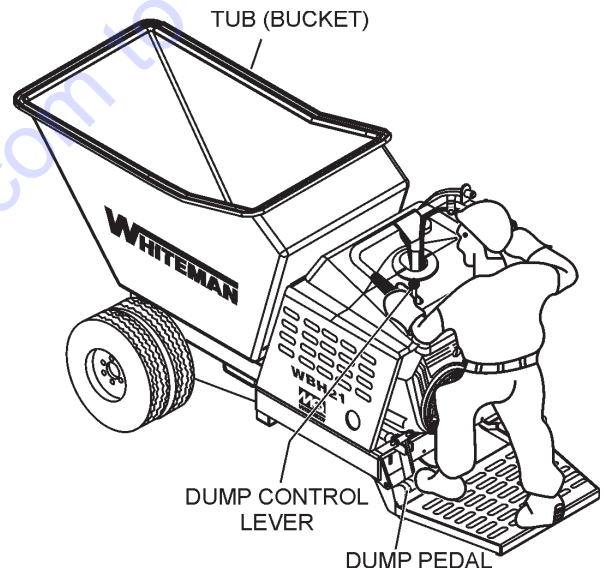
### NOTICE

**DO NOT** activate dump mechanism (tub/bucket) if buggy is facing down hill. The possibility exist of the buggy tipping over causing equipment damage and severe bodily harm.

### NOTICE

Releasing either one (dump control lever or pedal) before dump is completed, will cause the tub to return to the horizontal position.

2. To return the tub to the horizontal position (Figure 25), simply release the dump control lever or remove your foot from the dump pedal.



**Figure 25. Tub Horizontal Position**

## SHUTDOWN (NORMAL)

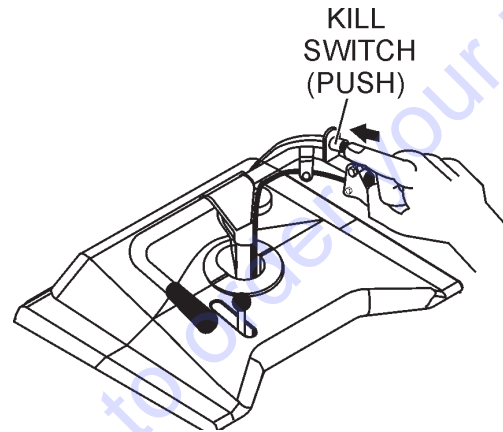
Correct shutdown is important to safe operation. Follow these general steps:

1. Come to a full stop.
2. Engage the parking brake (Figure 17).
3. Place the throttle lever (Figure 14) in the slow position. Idle engine 3-5 minutes for gradual cooling.
4. Place the ignition switch key in the **OFF** position.
5. Place the fuel valve lever in the **OFF** position
6. Cycle hydraulic controls to eliminate residual pressure..
7. Remove ignition key.
8. Block wheels if on a slope or incline.

## EMERGENCY SHUTDOWN

This power buggy is equipped with a safety kill switch. This switch is located on the right side of the handle bar.

1. Push the power buggy's kill switch inward (Figure 26) and listen for the engine to stop.



**Figure 26. Safety Kill Switch**

2. Engage the parking brake (Figure 17).
3. Place the ignition switch key in the **OFF** position.

| Table 5. Engine Maintenance Schedule |              |  |                              |                                     |                                 |                                 |
|--------------------------------------|--------------|--|------------------------------|-------------------------------------|---------------------------------|---------------------------------|
| DESCRIPTION<br>(3)                   | OPERATION    | BEFORE<br>EACH<br>USE                    | FIRST<br>MONTH OR<br>25 HRS. | EVERY 6<br>MONTHS<br>OR 100<br>HRS. | EVERY<br>YEAR<br>OR 300<br>HRS. | EVERY 2<br>YEARS OR<br>500 HRS. |
| Engine Oil                           | Check        | X  |                              |                                     |                                 |                                 |
|                                      | Change       |  | X                            | X                                   |                                 |                                 |
| Engine Oil Filter                    | Replace      | Every 100 Hrs.                           |                              |                                     |                                 |                                 |
| Air Cleaner                          | Check        | X  |                              |                                     |                                 |                                 |
|                                      | Clean        |  | X (1)                        |                                     |                                 |                                 |
|                                      | Change       |  |                              | X                                   |                                 | X (*)                           |
| Spark Plugs                          | Check/Adjust |  |                              | X                                   |                                 |                                 |
|                                      | Replace      |  |                              |                                     | X                               |                                 |
| Cooling Fins                         | Clean        |  |                              | X                                   |                                 |                                 |
| Fuel Filter                          | Replace      |  |                              |                                     | X (2)                           |                                 |
| Fuel Tube                            | Check        | Every 2 years (replace if necessary) (2) |                              |                                     |                                 |                                 |

\* - Replace the paper filter element only.

(1) Service more frequently when used in **DUSTY** areas.

(2) These items should be serviced by your service dealer, unless you have the proper tools and are mechanically proficient. Refer to the Briggs & Stratton, Vanguard Shop Manual for service procedures.


(3) For commercial use, log hours of operation to determine proper maintenance intervals.


| Table 6. Power Buggy Maintenance Schedule |           |       |                               |                 |                         |                  |
|---|-----------|-------|-------------------------------|-----------------|-------------------------|------------------|
| Check Item                                | OPERATION | DAILY | Periodic Maintenance Interval |                 |                         |                  |
|   |           |       | Every<br>25 Hrs               | Every<br>50 Hrs | Every<br>100-125<br>Hrs | Every 200<br>Hrs |
| Dump Cylinder                             | Grease    |       | X                             |                 |                         |                  |
| Steering Bearing Flange                   | Grease    |       | X                             |                 |                         |                  |
| Tub Bearing Pivot Block                   | Grease    |       | X                             |                 |                         |                  |
| Tub                                       | Clean     | X     |                               |                 | X                       |                  |
| Tub For Cracks/Deformations               | Check     |       |                               | X               |                         |                  |
| Tires For Severe Cuts/Wear                | Check     | X     |                               |                 |                         |                  |
| Hydraulic Oil Level                       | Check     | X     |                               |                 |                         | X                |
| Hydraulic Oil                             | Replace   |       |                               |                 |                         | X                |
| Hydraulic Oil System                      | Check     | X     |                               |                 | 1st time                | X                |
| Brakes                                    | Check     |       | X                             |                 |                         |                  |
| Fastners                                  | Check     | X     |                               |                 |                         |                  |


# MAINTENANCE

When performing any maintenance on the power buggy or engine, follow all safety messages and rules for safe operation stated at the beginning of this manual.


**WARNING**

 Accidental starts can cause severe injury or death.


 **ALWAYS** place the ON/OFF switch in the OFF position.

 Disconnect and ground spark plug leads and disconnect negative battery cable from battery before servicing.

**WARNING**

 Some maintenance operations may require the engine to be run. Ensure that the maintenance area is well ventilated. Exhaust contains poisonous carbon monoxide gas that can cause unconsciousness and may result in **DEATH**.

**CAUTION**

 **ALWAYS** allow the engine to cool before servicing. **NEVER** attempt any maintenance work on a hot engine.

**CAUTION**

Operating the engine with a blocked grass screen, dirty or plugged cooling fins, and/or cooling shrouds removed will cause engine damage due to overheating.

**DANGER**

**DO NOT** use gasoline as a cleaning solvent to avoid creating the risk of fire or an explosion.

## AIR CLEANER (100 HOURS)


Thoroughly remove dirt and oil from the engine and control area. Clean or replace the air cleaner elements as necessary. Check and retighten all fasteners as necessary.

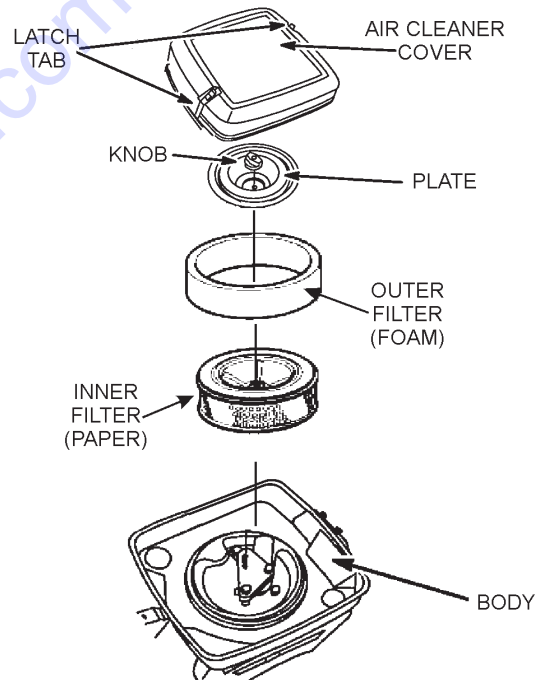
1. Release the latch tabs (Figure 27) on each side of the air cleaner cover, and remove cover.

**NOTICE**

Operating the engine with loose or damaged air cleaner components could allow unfiltered air into the engine causing premature wear and failure.

**CAUTION**

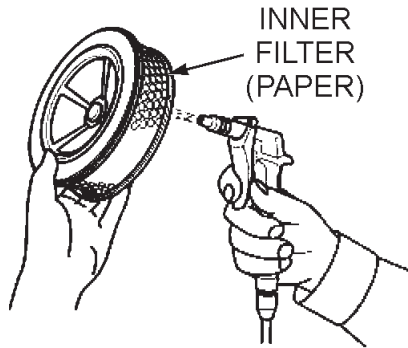
 Wear protective equipment such as approved safety glasses or face shields and dust masks or respirators when cleaning air filters with compressed air.



**Figure 27. Air Filter Components**

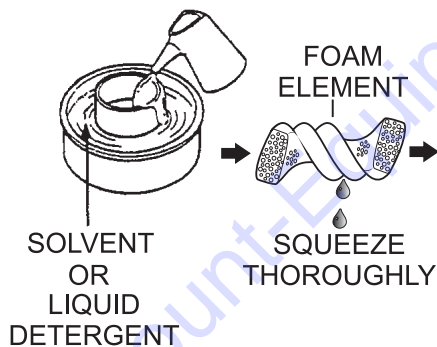
2. Remove knob and plate. Carefully remove air filter to prevent dirt and debris from entering carburetor.
3. Remove outer foam filter.
4. Remove inner paper filter.
5. Inspect both air filter elements, replace them if necessary.

6. To clean the paper air filter (Figure 28), tap the filter element several times on a hard surface to remove dirt, or blow compressed air [not to exceed 30 psi (207 kPa, 2.1 kgf/cm<sup>2</sup>)] through the filter element from the air cleaner case side.



**Figure 28. Cleaning Inner Paper Filter**

7. **NEVER!** try to brush off dirt; brushing will force dirt into the fibers. If the paper element is excessively dirty, replace element.
8. Clean the foam air filter (Figure 29) element in warm soapy water, rinse and allow to dry thoroughly or clean with a nonflammable solvent and allow to dry. **DO NOT** pour any type of oil into the foam element.

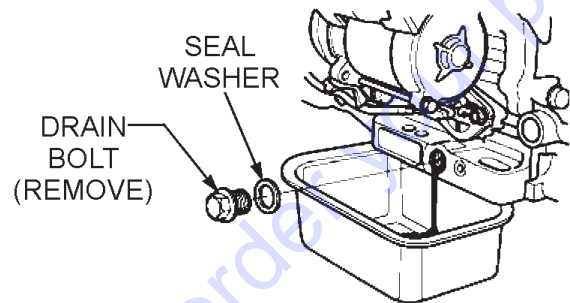


**Figure 29. Cleaning Foam Element**

9. Wipe dirt from the inside of the air cleaner body and cover, using a moist cloth. Be careful not to let any dirt or debris enter the air chamber that leads to the carburetor.
10. Reinstall the foam air filter element to the air cleaner cover, then reinstall the paper air filter element and cover to the air cleaner case. Securely latch the hook tabs onto the air cleaner cover.

## CHANGING ENGINE OIL (100 HOURS)

1. Drain the engine oil when the oil is warm as shown in (Figure 30).
2. Remove the oil drain bolt and sealing washer and allow the oil to drain into a suitable container.

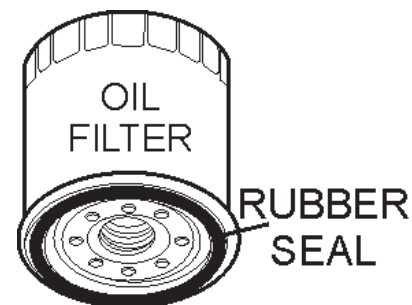


**Figure 30. Draining Engine Oil**

3. Reinstall drain bolt with sealing washer and tighten securely.
4. Replace engine oil with recommended type oil as listed in Table 4. For engine oil capacity, see Table 2. **DO NOT** over fill.

## OIL FILTER (200 HOURS)

1. Replace the engine oil filter (Figure 31) every 200 hours.

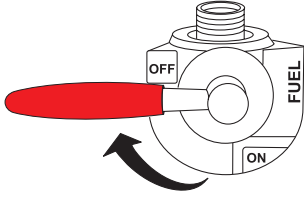


**Figure 31. Oil Filter**

2. Be sure to coat the seal of the new oil filter with clean engine oil.

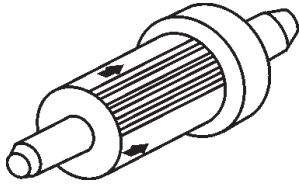
## IN-LINE FUEL FILTER (200 HOURS)

1. Place the fuel tank ON/OFF valve lever (Figure 32) in the OFF position.



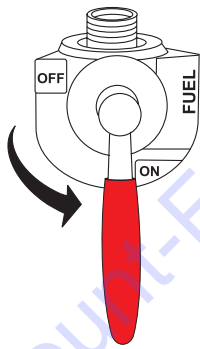
**Figure 32. Fuel Tank Valve Lever (OFF)**

2. Replace the engine in-line fuel filter (Figure 33) every 200 hours. When replacing filter pay close attention to the orientation of the arrows.



**Figure 33. In-Line Fuel Filter**

3. Return the fuel tank ON/OFF valve (Figure 34) to the ON position.



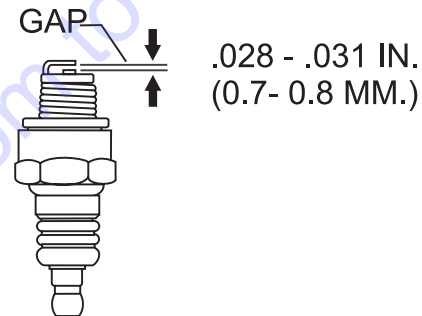
**Figure 34. Fuel Tank Valve Lever (ON)**

## Oil And Fuel Lines

- Check the oil and fuel lines and connections regularly for leaks or damage. Repair or replace as necessary.
- Replace the oil and fuel lines every two years to maintain the line's performance and flexibility.

## SPARK PLUG ADJUSTMENT

1. Make sure the engine is cool before servicing the spark plugs.
2. Disconnect the spark plug caps. Check for dirt and remove any dirt from around the spark plug area.
3. Remove the spark plugs with a 5/8-inch spark plug wrench.
4. If the spark plugs are damaged, the sealing washer is in poor condition, or if the electrode is worn, replace the spark plugs.
5. Measure the spark plug electrode gap (Figure 35) with a wire-type feeler gauge. If needed, adjust the gap to 0.7 - 0.8 mm (0.028 - 0.031 in), by carefully bending the side electrode.



**Figure 35. Spark Plug Gap**

6. Install the spark plug carefully, by hand, to avoid cross threading.
7. After the spark plug is seated, tighten with a 5/8-inch spark plug wrench to compress the sealing washer.
8. When installing a new spark plug, tighten 1/2 turn, after the spark plug seats, to compress the washer.
9. When reinstalling the original spark plug, tighten 1/8 to 1/4 turn after the spark plug seats to compress the washer.
10. Reattach the spark plug caps.

## ENGINE TUNE-UP ENGINE

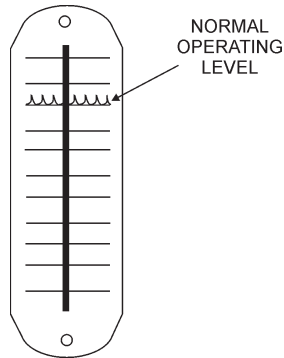
See your engine manual for specific information on tuning up your engine, checking and gapping the spark plugs, etc.

### NOTICE

See the engine manual supplied with your machine for appropriate engine maintenance schedule and troubleshooting guide for problems.

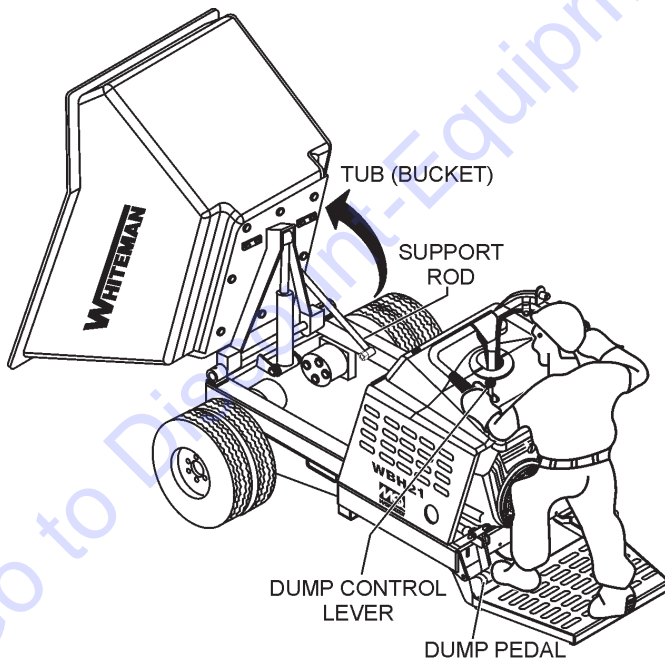
## ADDING HYDRAULIC OIL

1. Check the hydraulic oil level in the hydraulic oil tank, by reading the hydraulic oil sight glass (Figure 36) mounted on the hydraulic oil tank.



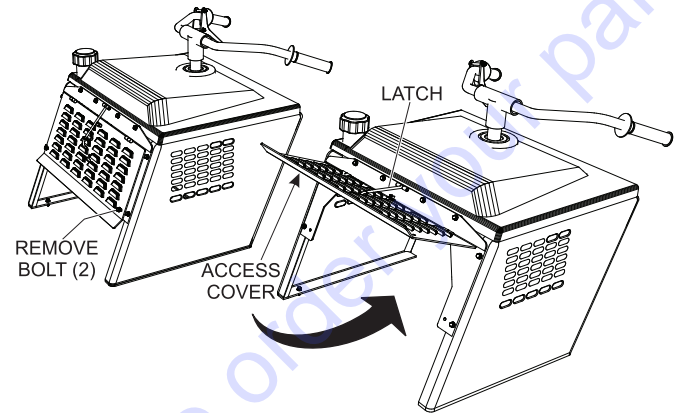
**Figure 36. Hydraulic Oil Sight Glass**

2. If the hydraulic oil level is low, fill to the proper level with EXXON/MOBIL NUTO H 46 or equivalent.
3. To gain access to the hydraulic oil tank filler hole, the tub (Figure 37) must be placed in the dump position (vertical).
4. Start the engine as outlined in the starting procedure, then place the tub in the dumping position.



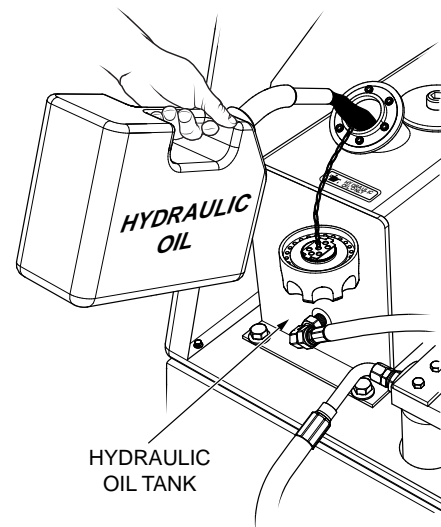
**Figure 37. Tub Dump Position  
Hydraulic Oil Access**

5. Use the tub support rod to support the tub, then turn the engine **OFF**.
6. Remove the two bolts that secure the access cover (Figure 38) to the buggy frame.



**Figure 38. Access Cover**

7. Lift up on access door and secure latch.
8. Remove the hydraulic oil filler cap (Figure 39), and add hydraulic oil as required. Fill to the normal operating mark as indicated on the hydraulic oil sight gauge.



**Figure 39. Adding Hydraulic Oil**

### NOTICE

In climates where temperatures are below 35°F (1.6°C), hard starting may occur. In these cases, the hydraulic oil should be switched to a thinner 15 weight hydraulic fluid.



9. Replace hydraulic oil after every 200 hours of operation. The reservoir capacity is 5.3 gallons (20.4 liters). The hydraulic oil filter should be changed each time the hydraulic oil is changed.

## HYDRAULIC OIL FILTER REPLACEMENT

1. Replace the hydraulic oil filter (Figure 40) every 200 hours. Replace with only recommended type filter.

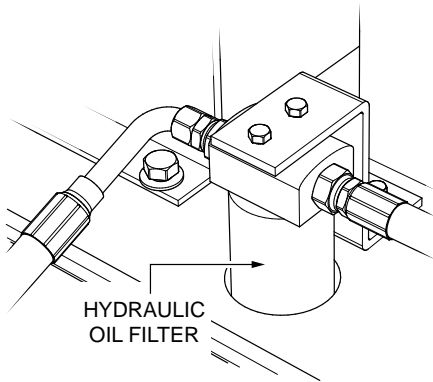


Figure 40. Hydraulic Oil Filter

## Hydraulic Drive Motors

The hydraulic drive motors (Figure 41) are extremely reliable and will not need maintenance or repair under normal conditions.

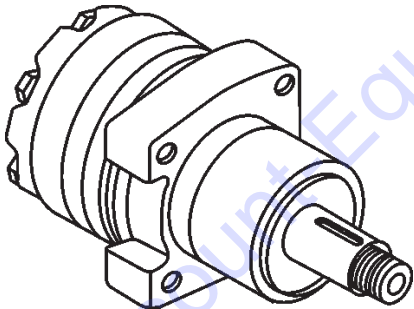


Figure 41. Hydraulic Drive Motor

## NOTICE

Contact Multiquip's Service Department should any problems develop with the hydraulic drive motors

## BRAKE ADJUSTMENT

Brake adjustment can be made on the brake linkage rod located on the right-side of the buggy.

1. Place the parking brake lever in the engaged position. The parking brake should be adjusted so that the buggy will not move.
2. Adjustment is provided by a knob at the end of the parking brake lever. To tighten, turn the knob clockwise.

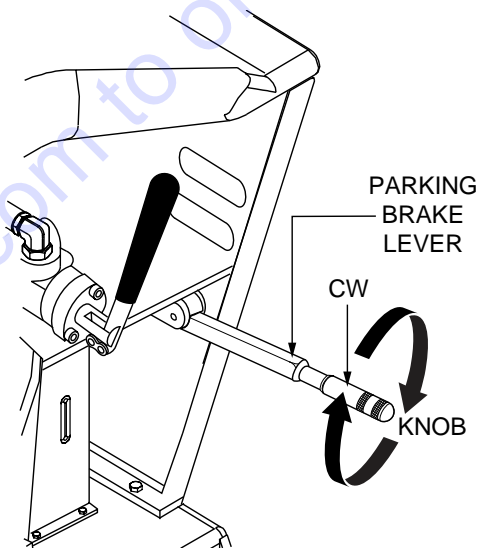


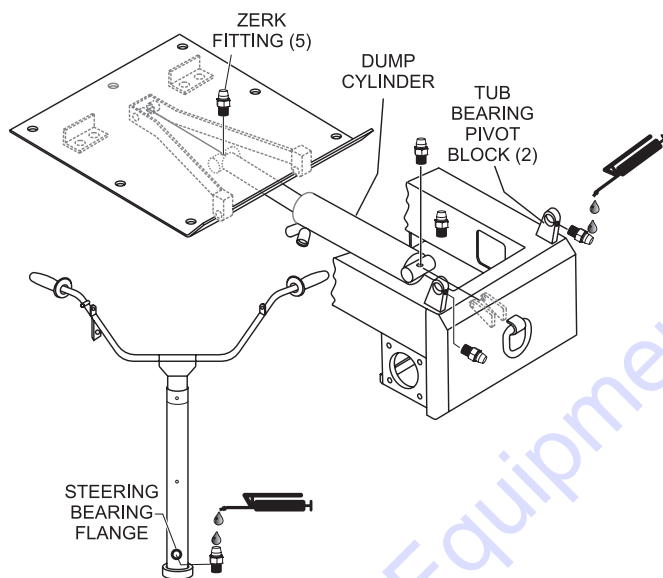
Figure 42. Parking Brake Adjustment

3. Adjust the knob sufficiently tight so that when the parking brake lever is pulled upward to the engaged position (set), there is a sufficient amount of tension.
4. With the parking brake engaged, the buggy should not move when the engine is started and the travel lever placed in the forward position.

## CHASSIS LUBRICATION

This power buggy is equipped with **five** zerk fittings (Figure 43). Lubricate these zerk fittings each day before operating the buggy.

1. Lubricate with high grade chassis lubricant at all lubricating points listed below:
  - Dump Cylinder Pivots - Two zerk fittings
  - Tub Bearing Pivot Blocks (Underside of Tub) - Two zerk fittings.
  - Steering Bearing Flange (Front Side of Handle Bar) - One zerk fitting.



**Figure 43. Lubrication Points**

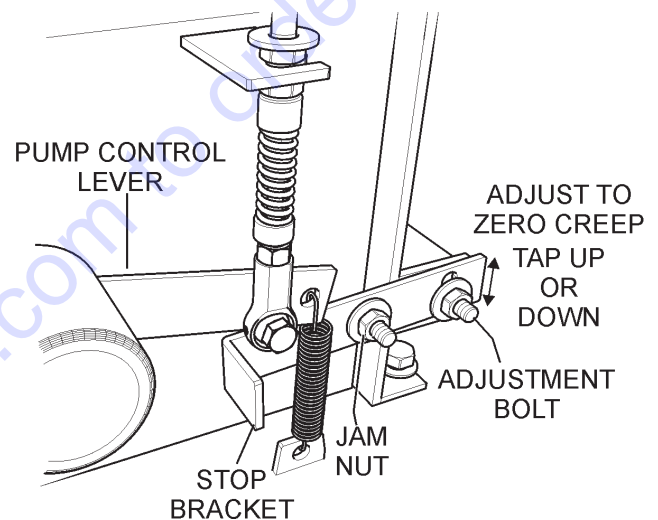
2. Remove rear wheel hubs and repack bearings after every 400 hours of operation.

## PUMP CONTROL LEVER ADJUSTMENT

Inspect the speed control return springs. The tension should be sufficient to allow lever to snap back when released. Replace any broken, deformed, or damaged springs.

If the power buggy tends to **creep** in the forward or reverse directions after you release the speed control lever, the pump control lever requires adjustment.

1. Place the machines drive wheels on jacks or blocks free from ground contact.
2. Locate the **pump control lever** adjustment bolt (Figure 44).



**Figure 44. Pump Control Lever Adjustment**

3. Loosen the jam nut.
4. Start the engine and place the buggy's directional control lever in the forward then reverse directions while observing for wheel movement.
5. The pump lever has a very sensitive neutral position of about 1/32" to 1/16". If the wheels are creeping, turn the adjusting bolt in very slight increments.
6. Tap lever up or down to determine neutral position. Tighten both nuts when correct neutral position has been achieved.
7. If wheels are creeping in reverse, turn the adjusting bolt counterclockwise. If wheels are creeping forward, turn the adjusting bolt clockwise.

## TIRES/WHEELS/LUG NUTS

Tires and wheels are very important and critical components of the buggy. When specifying or replacing the wheels, it is important that the wheels, tires, and axle are properly matched.

### CAUTION

**DO NOT** attempt to repair or modify a wheel. If the rim is cracked, replace the rim immediately and inspect the tire for cuts, wear, and deformations.

## TIRE WEAR

The tires (Figure 45) used on this power buggy are foam filled and therefore do not have to be inflated. However the tires should be inspected for cuts, wear and deformity.

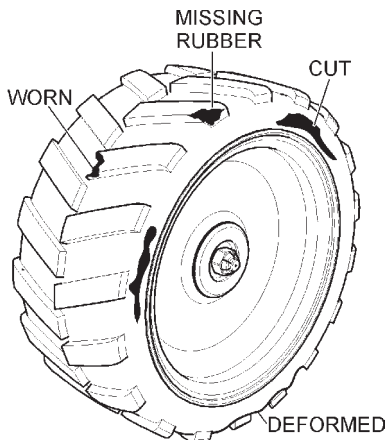


Figure 45. Tire Inspection

## LUG NUT TORQUE REQUIREMENTS

It is extremely important to apply and maintain proper wheel mounting torque on the trailer. Be sure to use only the fasteners matched to the cone angle of the wheel. Proper procedure for attachment of the wheels is as follows:

1. Start all wheel lug nuts by hand.
2. Torque all lug nuts (Figure 46) in sequence. **DO NOT** torque the wheel lug nuts all the way down. Tighten each lug nut in 3 separate passes as defined by Table 7.

Table 7. Tire Torque Requirements

| Wheel Size  | First Pass FT-LBS | Second Pass FT-LBS | Third Pass FT-LBS |
|-------------|-------------------|--------------------|-------------------|
| 480 x 8 in. | 20-25             | 35-40              | 50-65             |

3. After first road use, retorque all lug nuts in sequence. Check all wheel lug nuts periodically.

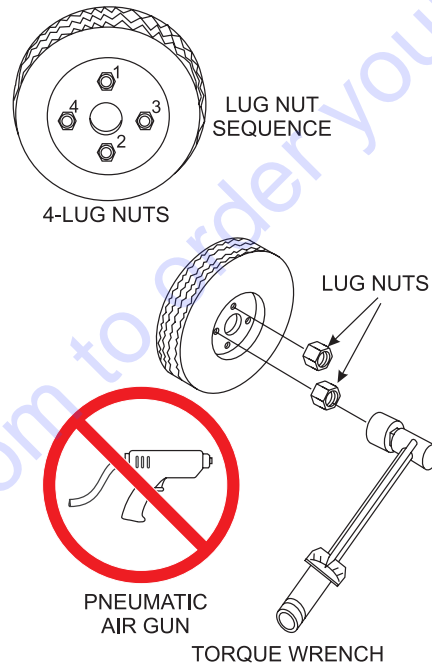


Figure 46. Lug Nut Torque Sequence

## LONG TERM STORAGE

- Drain the fuel tank completely, or add STA-BIL to the fuel.
- Remove spark plug and pour a few drops of motor oil into cylinder. Crank engine 3 to 4 times so that oil reaches all internal parts.
- Clean exterior with a cloth soaked in clean oil.
- Remove the battery.
- Store unit covered with plastic sheet in moisture and dust-free location out of direct sunlight.

### CAUTION

**NEVER** store the power buggy with fuel in the tank for any extended period of time. **ALWAYS** clean up spilled fuel immediately.

# TROUBLESHOOTING

| Troubleshooting (Power Buggy) |  |   |
|-------------------------------|--|---|
| Symptom                       | Possible Problem                           | Solution  |
| Loss of Power.                | Speed control cable out of adjustment?     | Adjust speed control cable. Replace cable if necessary                      |
|                               | Hydraulic oil level low.?                  | Check hydraulic oil level. Add oil if necessary.                            |
|                               | Contaminated hydraulic oil filter?         | Replace hydraulic oil filter. Clean system.                                 |
|                               | Low engine RPM?                            | Check engine speed.   |
| Loss of Travel.               | Forward/Reverse lever in neutral position? | Place lever in either forward or reverse position. Check hydraulic motors.  |
|                               | Parking brake partially engaged?           | Release parking brake.  |
| System Operating Hot.         | Hydraulic oil level low?                   | Check hydraulic oil level add hydraulic oil if necessary.                   |
|                               | Defective cooling fan?                     | Inspect cooling fan, replace if necessary.                                  |
| Slow Dumping.                 | Low engine speed?                          | Check engine speed. Adjust engine speed if necessary.                       |
|                               | Dump cylinder is internally bypassing oil? | Replace dump cylinder or seal.  |
|                               | Dump valve pressure low?                   | Check dump valve relief pressure. Pressure should be 1000 psi $\pm$ 50 psi. |
| System jerky when started.    | Speed cable out of adjustment?             | Adjust speed control cable.   |
|                               | Defective drive motors?                    | Check drive motors, replace if necessary.                                   |
| Difficult to steer.           | Un-lubricated steering column?             | Lubricate steering column.  |
| Parking brake will not hold.  | Brake linkage out of adjustment?           | Adjust.   |
| Difficulty in stopping.       | Brakes out of adjustment?                  | Brake lining worn. Replace brake lining.                                    |
| Engine will not start.        | Low on fuel or fuel tank empty?            | Add fuel.   |
|                               | Defective kill switch?                     | Check kill switch. Replace if necessary                                     |
|                               | Engine ON/OFF switch in OFF position?      | Set engine ON/OFF switch to ON position.                                    |
|                               | Fuel Shut-off valve CLOSED?                | Open Fuel shut-off valve.   |

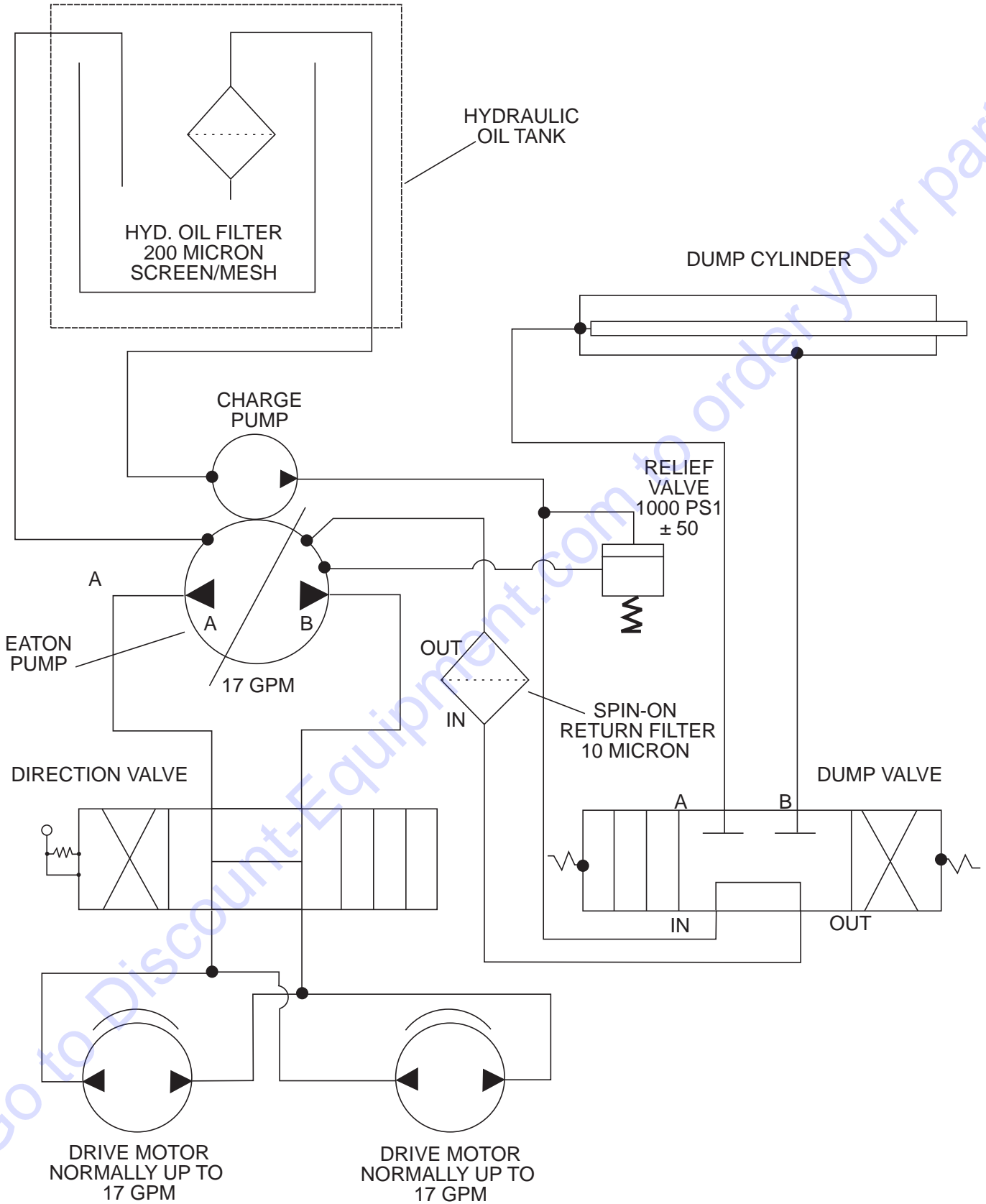
# TROUBLESHOOTING

| Troubleshooting (Engine)   |   |  |
|--|---|--|
| Symptom  | Possible Problem  | Solution   |
| Difficult to start, fuel is available, but no spark at spark plug.                 | Spark plug bridging?  | Check gap, insulation or replace spark plug.   |
|  | Carbon deposit on spark plug?                                 | Clean or replace spark plug.   |
|  | Short circuit due to deficient spark plug insulation?         | Check spark plug insulation, replace if worn.  |
|  | Improper spark plug gap?                                      | Set to proper gap.   |
|  | Spark plug is red?  | Check transistor ignition unit.  |
|  | Spark plug is bluish white?                                   | If insufficient compression, repair or replace engine. If injected air leaking, correct leak. If carburetor jets clogged, clean carburetor.                              |
|  | No spark present at tip of spark plug?                        | Check if transistor ignition unit is broken, and replace defective unit. Check if voltage cord cracked or broken and replace. Check if spark plug if fouled and replace. |
|  | No oil?   | Add oil as required.   |
|  | Oil pressure alarm lamp blinks upon starting? (if applicable) | Check automatic shutdown circuit, "oil sensor". (if applicable)  |
| Difficult to start, fuel is available, and spark is present at the spark plug.     | ON/OFF switch is shorted?                                     | Check switch wiring, replace switch.   |
|  | Ignition coil defective?                                      | Replace ignition coil.   |
|  | Improper spark gap, points dirty?                             | Set correct spark gap and clean points.  |
|  | Condenser insulation worn or short circuiting?                | Replace condenser.   |
|  | Spark plug wire broken or short circuiting?                   | Replace defective spark plug wiring.   |
| Difficult to start, fuel is available, spark is present and compression is normal. | Wrong fuel type?  | Flush fuel system, replace with correct type of fuel.  |
|  | Water or dust in fuel system?                                 | Flush fuel system.   |
|  | Air cleaner dirty?  | Clean or replace air cleaner.  |
|  | Choke open?   | Close choke.   |
| Difficult to start, fuel is available, spark is present and compression is low.    | Suction/exhaust valve stuck or protruded?                     | Reseat valves.   |
|  | Piston ring and/or cylinder worn?                             | Replace piston rings and/or piston.  |
|  | Cylinder head and/or spark plug not tightened properly?       | Torque cylinder head bolts and spark plug.   |
|  | Head gasket and/or spark plug gasket damaged?                 | Replace head and spark plug gaskets.   |
| No fuel present at carburetor.   | No fuel in fuel tank?   | Fill with correct type of fuel.  |
|  | Fuel cock does not open properly?                             | Apply lubricant to loosen fuel cock lever, replace if necessary.   |
|  | Fuel filter/lines clogged?                                    | Replace fuel filter.   |
|  | Fuel tank cap breather hole clogged?                          | Clean or replace fuel tank cap.  |
|  | Air in fuel line?   | Bleed fuel line.   |

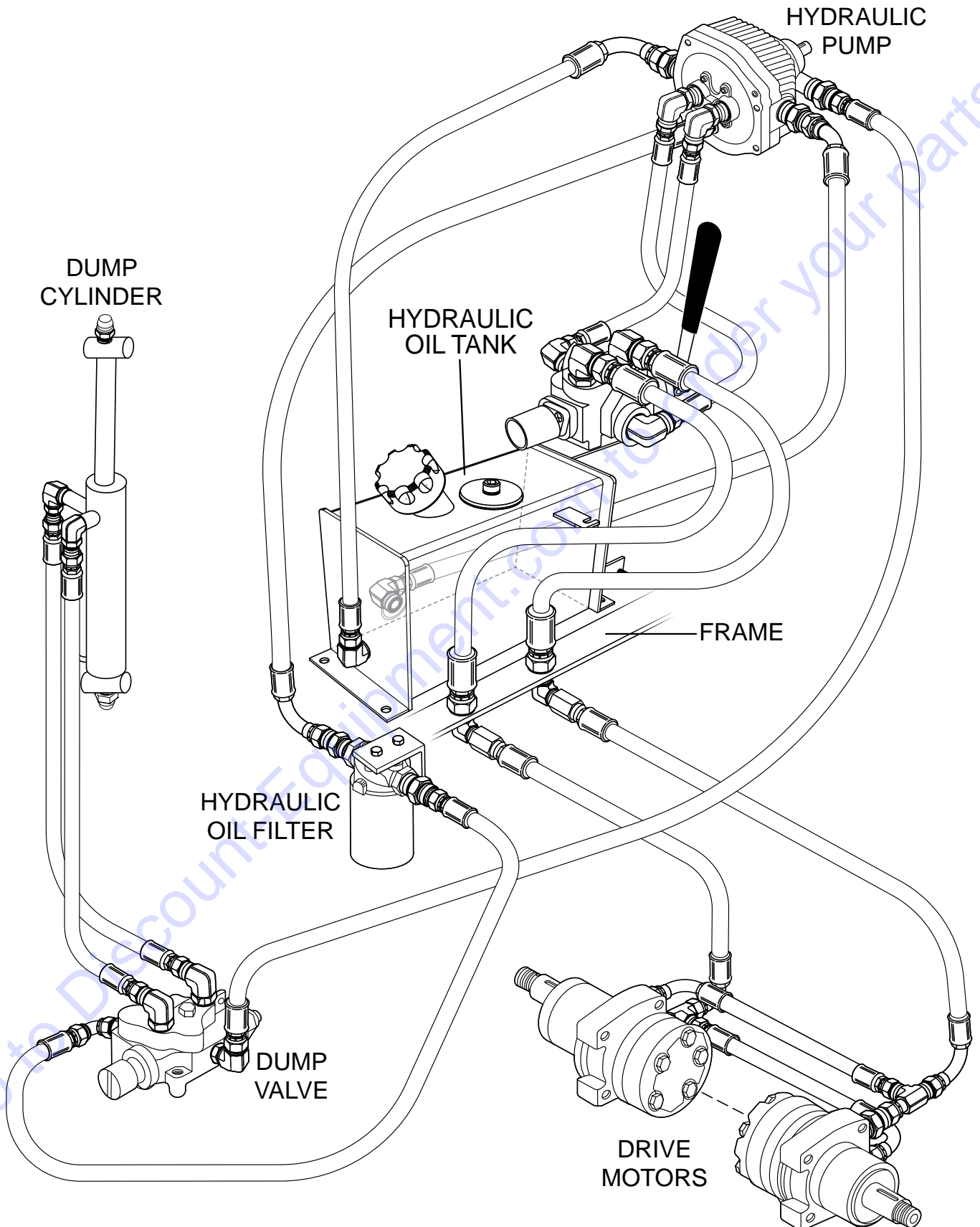
# TROUBLESHOOTING

| <b>Troubleshooting (Engine) - continued</b>                |   |   |
|--|---|---|
| <b>Symptom</b>   | <b>Possible Problem</b>                           | <b>Solution</b>   |
| Weak in power, compression is proper and does not misfire. | Air cleaner dirty?                                | Clean or replace air cleaner.   |
|  | Improper level in carburetor?                     | Check float adjustment, rebuild carburetor.                                 |
|  | Defective spark plug?                             | Clean or replace spark plug.  |
|  | Improper spark plug?                              | Set to proper gap.  |
| Weak in power, compression is proper but misfires.         | Water in fuel system?                             | Flush fuel system and replace with correct type of fuel.                    |
|  | Dirty spark plug?                                 | Clean or replace spark plug.  |
|  | Ignition coil defective?                          | Replace ignition coil.  |
| Engine overheats   | Wrong type of fuel?                               | Replace with correct type of fuel.  |
|  | Cooling fins dirty?                               | Clean cooling fins.   |
|  | Intake air restricted?                            | Clear intake of dirt and debris. Replace air cleaner elements as necessary. |
|  | Oil level too low or too high?                    | Adjust oil to proper level.   |
| Rotational speed fluctuates.                               | Governor adjusted incorrectly?                    | Adjust governor.  |
|  | Governor spring defective?                        | Replace governor spring.  |
|  | Fuel flow restricted?                             | Check entire fuel system for leaks or clogs.                                |
| Recoil starter malfunctions. (if applicable)               | Recoil mechanism clogged with dust and dirt?      | Clean recoil assembly with soap and water.                                  |
|  | Spiral spring loose?                              | Replace spiral spring.  |
| Starter malfunctions.                                      | Loose, damaged wiring?                            | Ensure tight, clean connections on battery and starter.                     |
|  | Battery insufficiently charged?                   | Recharge or replace battery.  |
|  | Starter damaged or internally shorted?            | Replace starter.  |
| Burns too much fuel.                                       | Over-accumulation of exhaust products?            | Check and clean valves. Check muffler and replace if necessary.             |
|  | Wrong spark plug?                                 | Replace spark plug with manufacturer's suggested type.                      |
| Exhaust color is continuously "white".                     | Lubricating oil is wrong viscosity?               | Replace lubricating oil with correct viscosity.                             |
|  | Worn rings?                                       | Replace rings.  |
| Exhaust color is continuously "black".                     | Air cleaner clogged?                              | Clean or replace air cleaner.   |
|  | Choke valve set to incorrect position?            | Adjust choke valve to correct position.                                     |
|  | Carburetor defective, seal on carburetor broken?  | Replace carburetor or seal.   |
|  | Poor carburetor adjustment, engine runs too rich? | Adjust carburetor.  |
| Will not start, no power with key "ON". (if applicable)    | ON/OFF device not activated ON?                   | Turn on ON/OFF device.  |
|  | Battery disconnected or discharged?               | Check cable connections. Charge or replace battery                          |
|  | Ignition switch/wiring defective?                 | Replace ignition switch. Check wiring.                                      |

# HYDRAULIC SYSTEM DIAGRAM



# HYDRAULIC HOSE CONNECTIONS





# PARTS FINDER

**Search Website  
by Part Number**



**Search Manual  
Library For Parts  
Manual & Lookup Part  
Numbers – Purchase  
or Request Quote**

**Search Manuals**

Enter your information to help us find the right parts manual for your machine.

\* Brand:

\* Model:

\* Serial:

\* Part Number:

SEARCH

**Can't Find Part or  
Manual? Request Help  
by Manufacturer,  
Model & Description**

**Parts Order Form**

Please fill in the following information to help us find the right part for your machine.

|               |                                       |
|---------------|---------------------------------------|
| Manufacturer: | <input type="text"/>                  |
| Model:        | <input type="text"/>                  |
| Description:  | <input type="text"/>                  |
| Part Number:  | <input type="text"/>                  |
| Quantity:     | <input type="text"/>                  |
| Notes:        | <input type="text"/>                  |
| Submit        | <input type="button" value="Submit"/> |

Discount-Equipment.com is your online resource for quality parts & equipment.

Florida: **561-964-4949** Outside Florida TOLL FREE: **877-690-3101**

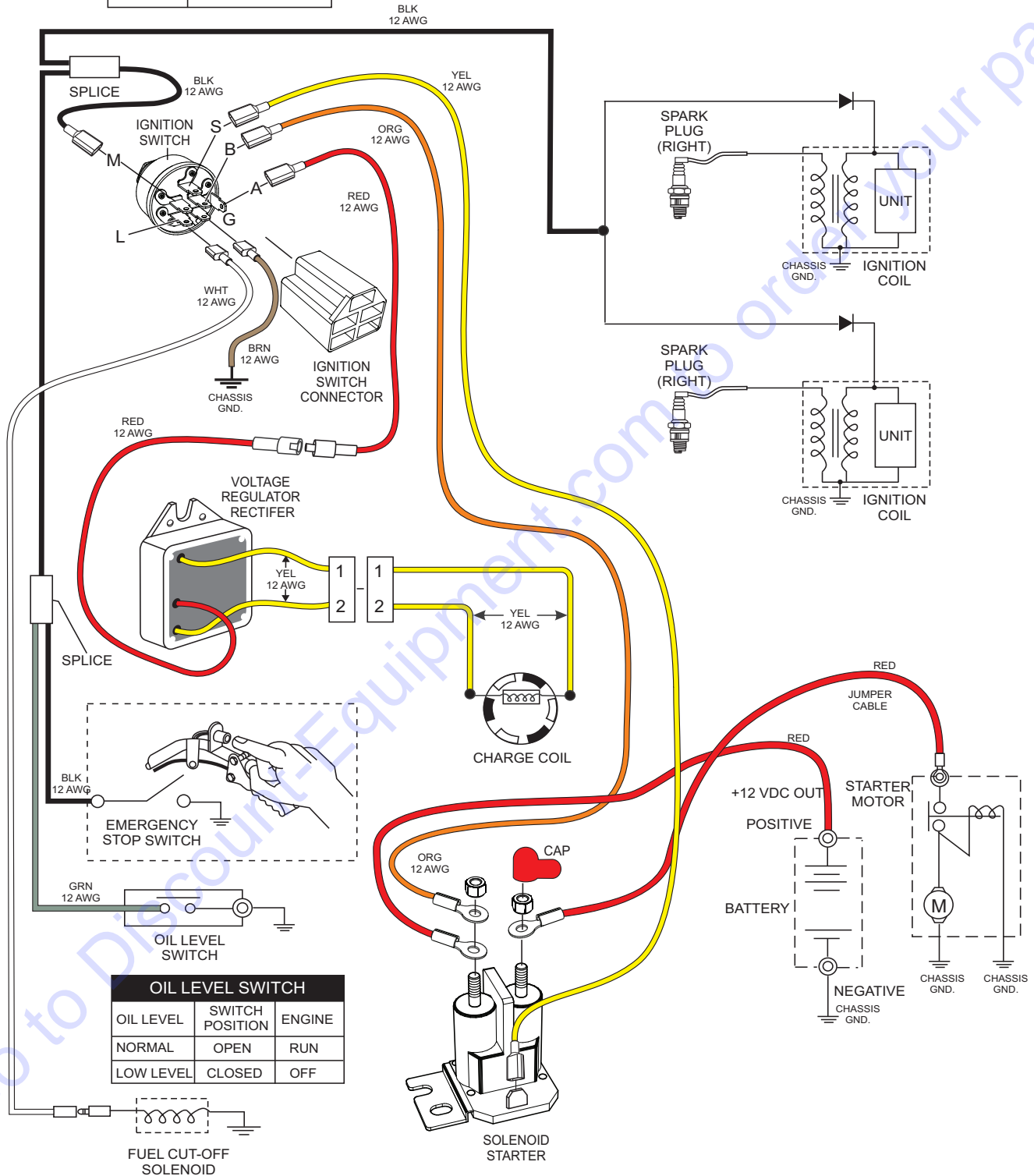
**Need parts?**

Click on this link: <http://www.discount-equipment.com/category/5443-parts/> and choose one of the options to help get the right parts and equipment you are looking for. Please have the machine model and serial number available in order to help us get you the correct parts. If you don't find the part on the website or on one of the online manuals, please fill out the request form and one of our experienced staff members will get back to you with a quote for the right part that your machine needs.

We sell worldwide for the brands: Genie, Terex, JLG, MultiQuip, Mikasa, Essick, Whiteman, Mayco, Toro Stone, Diamond Products, Generac Magnum, Airman, Haulotte, Barreto, Power Blanket, Nifty Lift, Atlas Copco, Chicago Pneumatic, Allmand, Miller Curber, Skyjack, Lull, Skytrak, Tsurumi, Husquvarna Target, Stow, Wacker, Sakai, Mi-T-M, Sullair, Basic, Dynapac, MBW, Weber, Bartell, Bennar Newman, Haulotte, Ditch Runner, Menegotti, Morrison, Contec, Buddy, Crown, Edco, Wyco, Bomag, Laymor, EZ Trench, Bil-Jax, F.S. Curtis, Gehl Pavers, Heli, Honda, ICS/PowerGrit, IHI, Partner, Imer, Clipper, MMD, Koshin, Rice, CH&E, General Equipment, Amida, Coleman, NAC, Gradall, Square Shooter, Kent, Stanley, Tamco, Toku, Hatz, Kohler, Robin, Wisconsin, Northrock, Oztec, Toker TK, Rol-Air, APT, Wylie, Ingersoll Rand / Doosan, Innovatech, Con X, Ammann, Mecalac, Makinex, Smith Surface Prep, Small Line, Wanco, Yanmar

# WIRING DIAGRAM

| IGNITION SWITCH |              |
|-----------------|--------------|
| POSITION        | CIRCUIT MAKE |
| OFF             | G+M+A        |
| RUN             | B+L+A        |
| START           | B+L+S        |



| OIL LEVEL SWITCH |                 |        |
|------------------|-----------------|--------|
| OIL LEVEL        | SWITCH POSITION | ENGINE |
| NORMAL           | OPEN            | RUN    |
| LOW LEVEL        | CLOSED          | OFF    |



# EXPLANATION OF CODE IN REMARKS COLUMN

The following section explains the different symbols and remarks used in the Parts section of this manual. Use the help numbers found on the back page of the manual if there are any questions.

**NOTICE**

The contents and part numbers listed in the parts section are subject to change **without notice**. Multiquip does not guarantee the availability of the parts listed.

## SAMPLE PARTS LIST

| NO. | PART NO. | PART NAME            | QTY. | REMARKS             |
|-----|----------|----------------------|------|---------------------|
| 1   | 12345    | BOLT .....           | 1    | INCLUDES ITEMS W/%  |
| 2%  |          | WASHER, 1/4 IN. .... |      | NOT SOLD SEPARATELY |
| 2%  | 12347    | WASHER, 3/8 IN. ...  | 1    | MQ-45T ONLY         |
| 3   | 12348    | HOSE .....           | A/R  | MAKE LOCALLY        |
| 4   | 12349    | BEARING .....        | 1    | S/N 2345B AND ABOVE |

### NO. Column

**Unique Symbols** — All items with same unique symbol (@, #, +, %, or >) in the number column belong to the same assembly or kit, which is indicated by a note in the “Remarks” column.

**Duplicate Item Numbers** — Duplicate numbers indicate multiple part numbers, which are in effect for the same general item, such as different size saw blade guards in use or a part that has been updated on newer versions of the same machine.

**NOTICE**

When ordering a part that has more than one item number listed, check the remarks column for help in determining the proper part to order.

### PART NO. Column

**Numbers Used** — Part numbers can be indicated by a number, a blank entry, or TBD.

TBD (To Be Determined) is generally used to show a part that has not been assigned a formal part number at the time of publication.

A blank entry generally indicates that the item is not sold separately or is not sold by Multiquip. Other entries will be clarified in the “Remarks” Column.

### QTY. Column

**Numbers Used** — Item quantity can be indicated by a number, a blank entry, or A/R.

A/R (As Required) is generally used for hoses or other parts that are sold in bulk and cut to length.

A blank entry generally indicates that the item is not sold separately. Other entries will be clarified in the “Remarks” Column.

### REMARKS Column

Some of the most common notes found in the “Remarks” Column are listed below. Other additional notes needed to describe the item can also be shown.

**Assembly/Kit** — All items on the parts list with the same unique symbol will be included when this item is purchased.

Indicated by:

“INCLUDES ITEMS W/(unique symbol)”

**Serial Number Break** — Used to list an effective serial number range where a particular part is used.

Indicated by:

“S/N XXXXX AND BELOW”

“S/N XXXX AND ABOVE”

“S/N XXXX TO S/N XXX”

**Specific Model Number Use** — Indicates that the part is used only with the specific model number or model number variant listed. It can also be used to show a part is NOT used on a specific model or model number variant.

Indicated by:

“XXXXX ONLY”

“NOT USED ON XXXX”

**“Make/Obtain Locally”** — Indicates that the part can be purchased at any hardware shop or made out of available items. Examples include battery cables, shims, and certain washers and nuts.

**“Not Sold Separately”** — Indicates that an item cannot be purchased as a separate item and is either part of an assembly/kit that can be purchased, or is not available for sale through Multiquip.

## SUGGESTED SPARE PARTS

### WBH-21EF POWER BUGGY

1 to 3 units

| Qty. | P/N     | Description             |
|------|---------|-------------------------|
| 1    | 508667  | FILTER, HYDRAULIC OIL   |
| 1    | EM16477 | CAP, HYDRAULIC OIL TANK |
| 1    | 18035   | PUMP, HYDROSTATIC       |
| 1    | 18051   | COUPLING, ENGINE SHAFT  |
| 2    | 512881  | BRAKE BAND ASSY.        |
| 1    | 18145   | ROD, BRAKE CONTROL      |
| 1    | 520820  | CAP, FUEL (EPA)         |
| 5    | 845125  | FILTER, IN-LINE FUEL    |
| 1    | 18131   | SWITCH, KILL            |
| 1    | 18133   | CABLE, THROTTLE         |
| 1    | 18132   | LEVER, THROTTLE         |
| 1    | 18029F  | WHEEL, DRIVE, FOAM      |
| 1    | 18049F  | WHEEL, STEERING, FOAM   |
| 1    | 18016   | CABLE, PARKING BRAKE    |

#### NOTICE

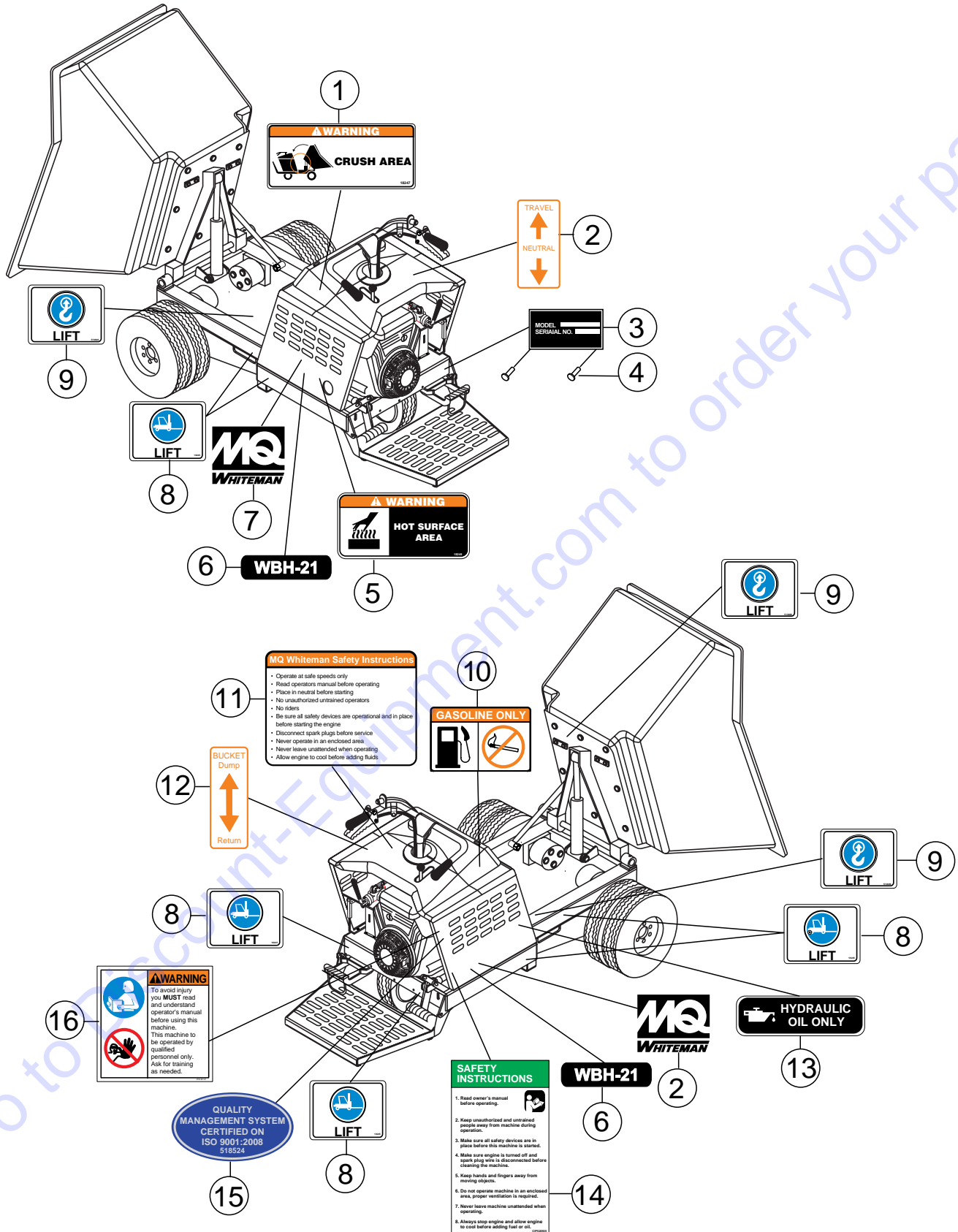
Part numbers on this Suggested Spare Parts list may supersede/replace the part numbers shown in the following parts lists.

### B&S VANGUARD 18 HP GASOLINE ENGINE

1 to 3 units

| Qty. | P/N     | Description         |
|------|---------|---------------------|
| 3    | 496018S | SPARK PLUG          |
| 3    | 691959  | KEY, IGNITION       |
| 3    | 808167  | GRIP, STARTER       |
| 1    | 66574   | ROPE, STARTER       |
| 3    | 394018S | AIR FILTER          |
| 3    | 272490S | PRE-CLEANER         |
| 3    | 842921  | OIL FILTER          |
| 3    | 845125  | IN-LINE FUEL FILTER |

# NAMEPLATE AND DECALS ASSY.



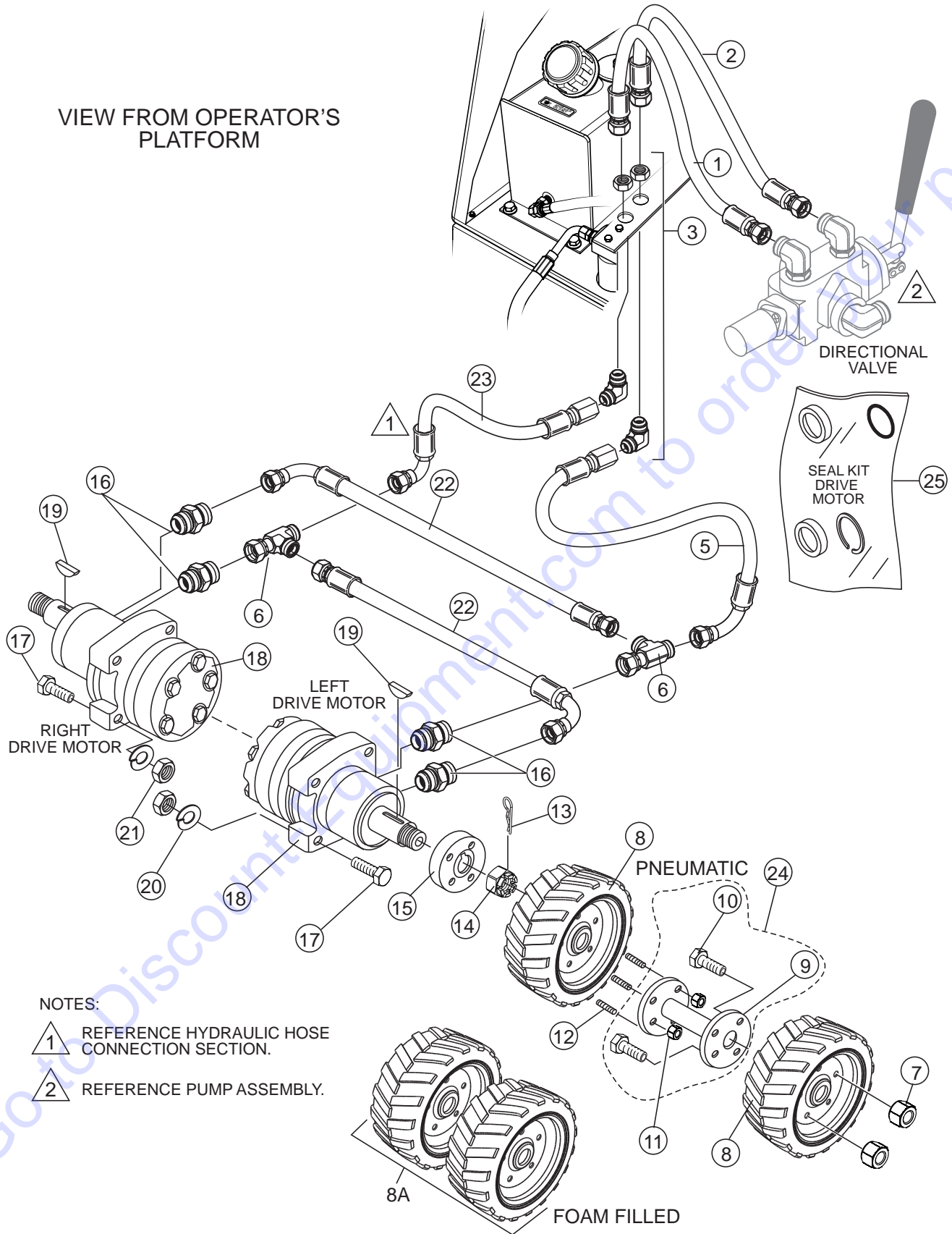
## NAMEPLATE AND DECALS ASSY.

| <u>NO.</u> | <u>PART NO.</u> | <u>PART NAME</u>                         | <u>QTY.</u> | <u>REMARKS</u>              |
|------------|-----------------|--|-------------|-----------------------------|
| 1          | 18247           | DECAL, CRUSH WARNING                     | 1           |                             |
| 2          |                 | DECAL, TRAVEL LEVER DIRECTION.....       | 1.....      | MOLDED INTO FUEL TANK COVER |
| 3          |                 | PLATE, SERIAL NUMBER.....                | 1.....      | CONTACT DISCOUNT-EQUIPMENT  |
| 4          | 491757          | RIVET, I.D. PLATE                        | 2           |                             |
| 5          | 18248           | DECAL, HOT SURFACE WARNING               | 1           |                             |
| 6          | 804592          | DECAL, WBH-21                            | 2           |                             |
| 7          | 18252           | DECAL, MQ WHITEMAN                       | 2           |                             |
| 8          | 18245           | DECAL, FORKLIFT LIFTING                  | 6           |                             |
| 9          | 513608          | DECAL, LIFTING HOOK                      | 3           |                             |
| 10         |                 | DECAL, GASOLINE ONLY .....               | 1.....      | MOLDED INTO FUEL TANK COVER |
| 11         |                 | DECAL, WHITEMAN SAFETY INSTRUCTIONS..... | 1.....      | MOLDED INTO FUEL TANK COVER |
| 12         |                 | DECAL, BUCKET DUMP LEVER.....            | 1.....      | MOLDED INTO FUEL TANK COVER |
| 13         | EM985           | DECAL, HYDRAULIC OIL                     | 1           |                             |
| 14         | 520935          | DECAL, SAFETY INSTRUCTIONS               | 1           |                             |
| 15         | 518524          | DECAL, ISO 9001:2008                     | 1           |                             |
| 16         | 35137           | DECAL, READ MANUAL, ASK FOR TRAINING     | 1           |                             |

Go to Discount-Equipment.com to order your parts

# HYDRAULIC DRIVE ASSY.

VIEW FROM OPERATOR'S PLATFORM



NOTES:

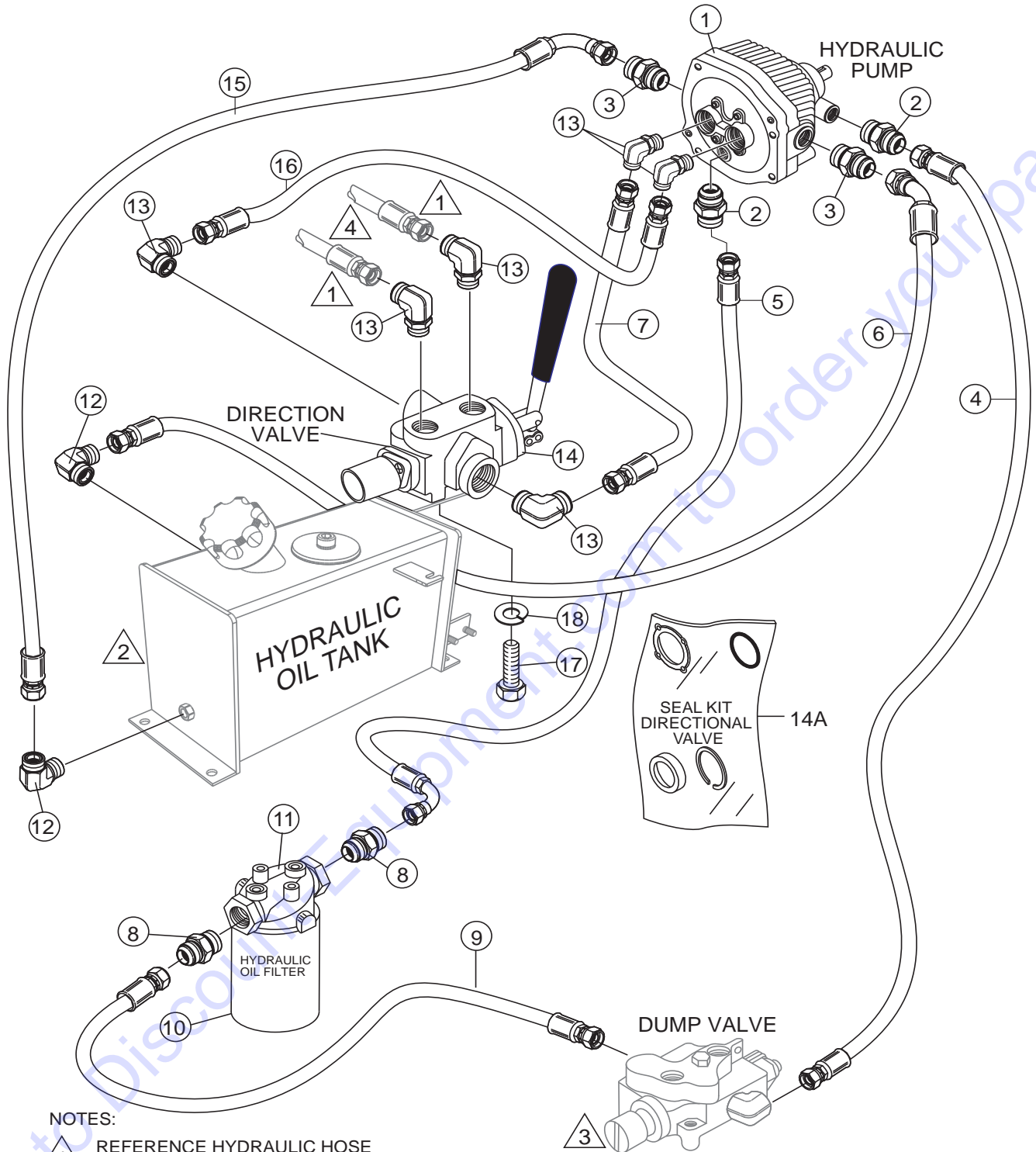
- 1 REFERENCE HYDRAULIC HOSE CONNECTION SECTION.
- 2 REFERENCE PUMP ASSEMBLY.



## HYDRAULIC DRIVE ASSY.

| <u>NO.</u> | <u>PART NO.</u> | <u>PART NAME</u>                 | <u>QTY.</u> | <u>REMARKS</u>        |
|------------|-----------------|----------------------------------|-------------|-----------------------|
| 1          | 18265M          | HOSE, DIRECTION VALVE .....      | 1.....      | RIGHT-DRIVE MOTOR     |
| 2          | 18264M          | HOSE, DIRECTION VALVE .....      | 1.....      | LEFT-DRIVE MOTOR      |
| 3          | 511810          | ADAPTER, ELBOW                   | 2           |                       |
| 5          | 18276M          | HOSE, LH HYDRAULIC MOTOR         | 1           |                       |
| 6          | 512189          | ADAPTER, TEE CONNECTOR           | 2           |                       |
| 7          | 492527          | NUT, HEX 1/2"-20                 | 8           |                       |
| 8          | 18029           | WHEEL, DRIVE ASSY. FRONT .....   | 4.....      | PNEUMATIC TIRE        |
| 8A         | 18029F          | WHEEL, DRIVE ASSY. FRONT .....   | 4.....      | FOAM FILLED TIRE      |
| 9\$        | 511692          | FLANGE, HUB                      | 2           |                       |
| 10\$       | 18237           | LUG BOLT/HUB FLANGE              | 8           |                       |
| 11         | 492584          | NUT, HEX 1/2"-13 NYLON.....      | 8.....      | REPLACES P/N 6109160  |
| 12         | 18190           | SCREW, HUB STUD 1/2"-20 X 2-3/4" | 8           |                       |
| 13         | 491689          | KEY, COTTER 1/8" X 2             | 2           |                       |
| 14         | PT018038        | NUT, CASTLE 1-1/8"-18            | 2           |                       |
| 15         | 803281          | HUB, DRIVE (INDEXED)             | 2           |                       |
| 16         | 3365            | ADAPTER, STRAIGHT                | 5           |                       |
| 17         | 505718          | SCREW, HHC 1/2"-13 X 2-3/4"      | 8           |                       |
| 18         | 18011           | MOTOR, HYDRAULIC DRIVE           | 2           |                       |
| 19         | 3311            | KEY, 7 MM X 8 MM X 1-1/4" .....  | 2.....      | REPLACES P/N PE449105 |
| 20         | 6109180         | WASHER, LOCK 1/2"                | 8           |                       |
| 21         | 6109160         | NUT, HEX 1/2"-13                 | 8           |                       |
| 22         | 18027           | HOSE, DRIVER MOTOR CROSSOVER     | 2           |                       |
| 23         | 18275M          | HOSE, RH HYDRAULIC MOTOR         | 1           |                       |
| 24         | 516528          | FLANGE HUB ASSY.....             | 1.....      | INCLUDES ITEMS W/\$   |
| 25         | 18011SK         | SEAL KIT, DRIVE MOTOR            | 1           |                       |

# HYDRAULIC PUMP ASSY.



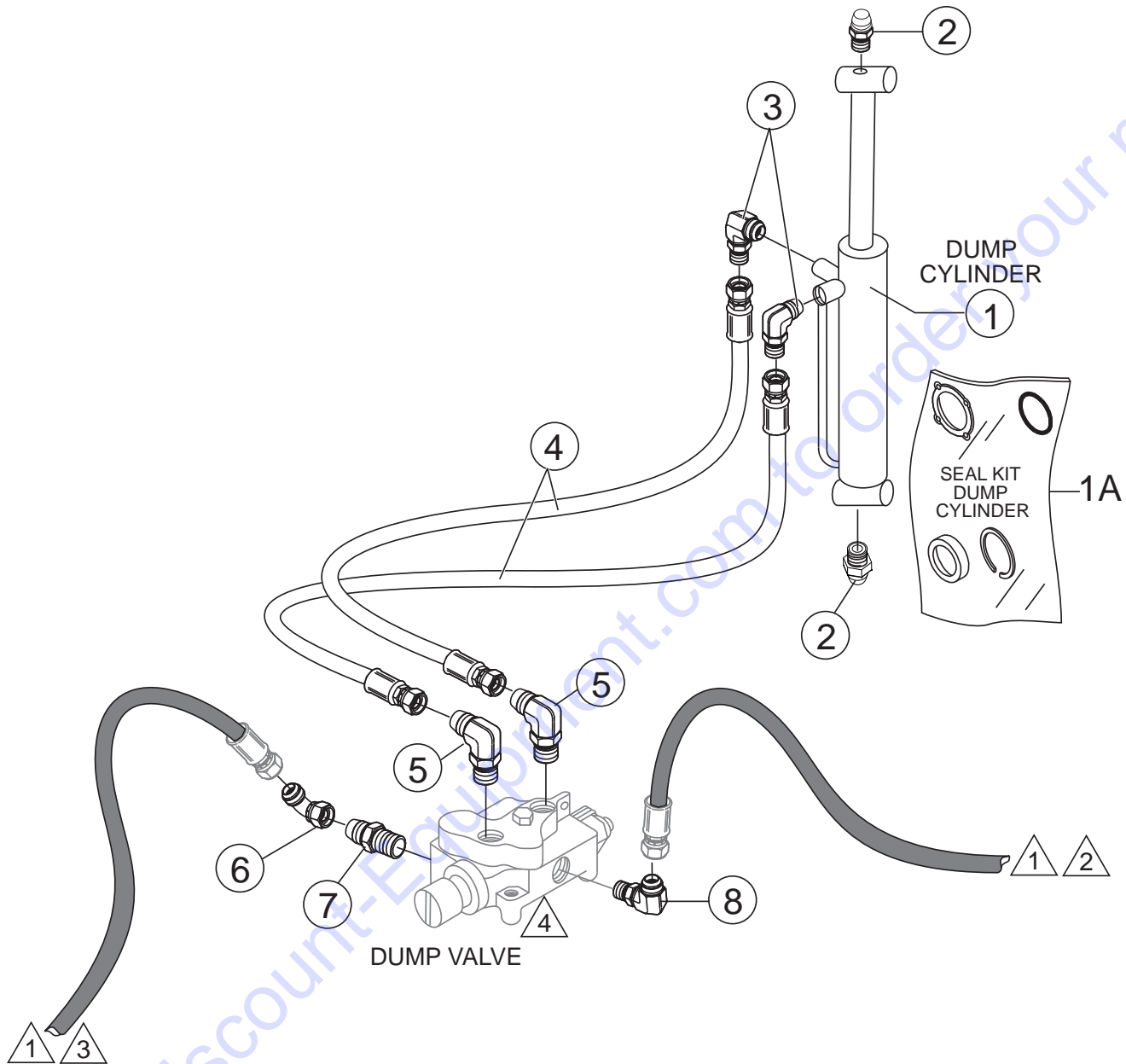
**NOTES:**

- 1 REFERENCE HYDRAULIC HOSE CONNECTION SECTION.
- 2 REFERENCE HYDRAULIC OIL TANK ASSEMBLY.
- 3 REFERENCE DUMP VALVE ASSEMBLY.
- 4 REFERENCE HYDRAULIC DRIVE ASSEMBLY ITEMS 1 AND 2 FOR HOSE PART NUMBERS

## HYDRAULIC PUMP ASSY.

| <u>NO.</u> | <u>PART NO.</u> | <u>PART NAME</u>                    | <u>QTY.</u> | <u>REMARKS</u>      |
|------------|-----------------|-------------------------------------|-------------|---------------------|
| 1          | 18035           | PUMP, HYDRAULIC                     | 1           |                     |
| 2          | 511808          | ADAPTER, STRAIGHT                   | 2           |                     |
| 3          | 3365            | ADAPTER, STRAIGHT                   | 6           |                     |
| 4          | 18256M          | HOSE, PUMP TO DUMP VALVE            | 1           |                     |
| 5          | 18258M          | HOSE, FILTER TO PUMP                | 1           |                     |
| 6          | 18261M          | HOSE, PUMP TO TANK                  | 1           |                     |
| 7          | 18265M          | HOSE, PUMP TO DIRECTION VALVE ..... | 1.....      | REPLACES P/N 18263M |
| 8          | 512190          | ADAPTER, STRAIGHT                   | 2           |                     |
| 9          | 18257M          | HOSE, FILTER TO DUMP VALVE          | 1           |                     |
| 10         | 508667          | FILTER, HYDRAULIC                   | 1           |                     |
| 11         | 508664          | HYDRAULIC FILTER HEAD               | 1           |                     |
| 12         | 511799          | ADAPTER, ELBOW                      | 2           |                     |
| 13         | 3322            | ADAPTER, ELBOW                      | 6           |                     |
| 14         | 18058           | VALVE, DIRECTION CONTROL, TRAVEL    | 1           |                     |
| 14A        | 18058SK         | SEAL KIT, DIRECTIONAL VALVE         | 1           |                     |
| 15         | 18262M          | HOSE, TANK TO PUMP                  | 1           |                     |
| 16         | 18266M          | HOSE, PUMP TO DIRECTION VALVE       | 1           |                     |
| 17         | EM963055        | HEX HEAD CAP SCREW .....            | 2.....      | REPLACES P/N 492373 |
| 18         | 0166 A          | WASHER, LOCK 3/8" .....             | 2.....      | REPLACES P/N 492624 |

# HYDRAULIC DUMP ASSY.



**NOTES:**

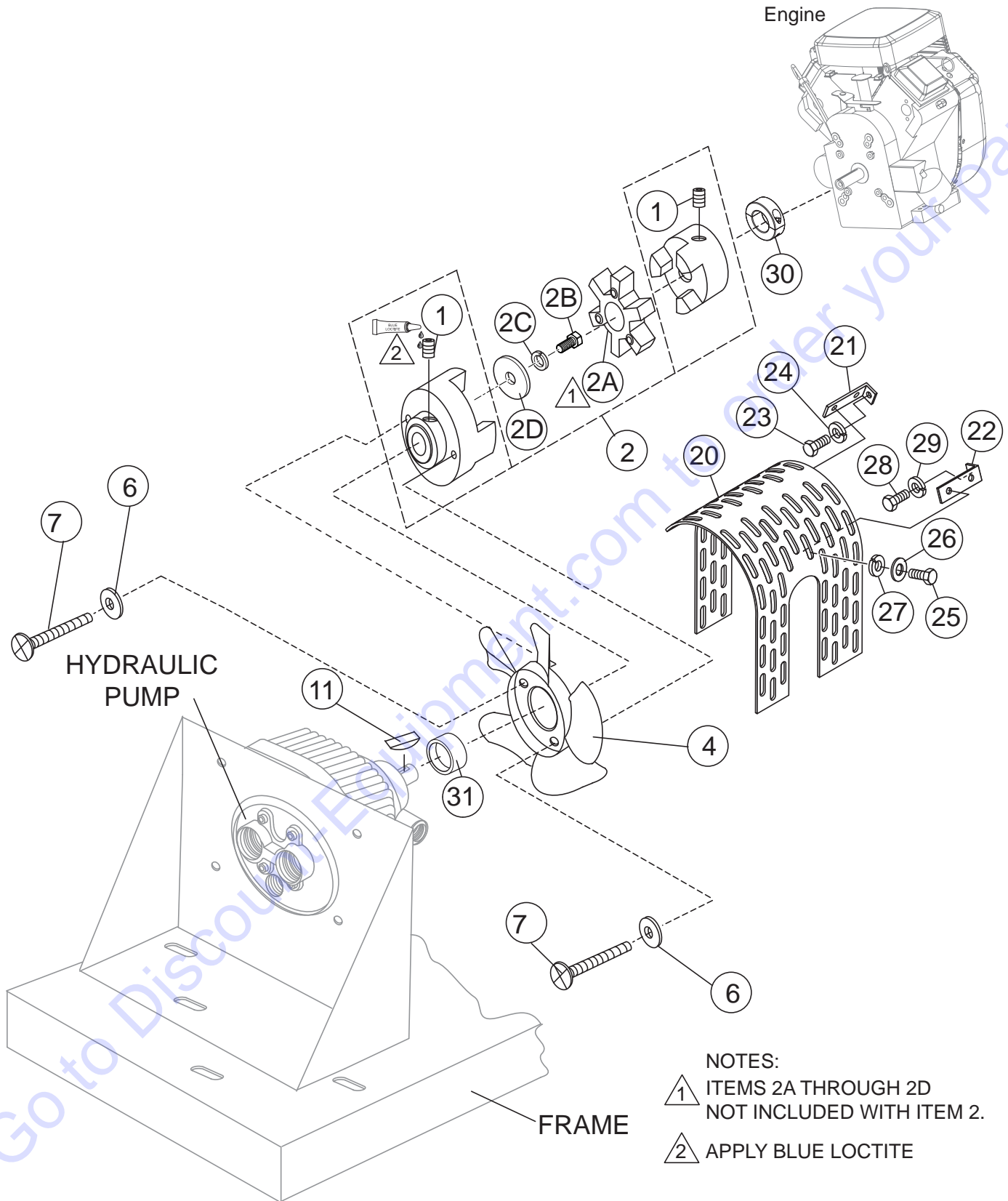
- △ 1 REFERENCE HYDRAULIC HOSE CONNECTION SECTION.
- △ 2 REFERENCE HYDRAULIC PUMP ASSEMBLY ITEM 4 FOR HOSE PART NUMBER.
- △ 3 REFERENCE HYDRAULIC PUMP ASSEMBLY ITEM 9 FOR HOSE PART NUMBER.
- △ 4 REFERENCE HANDLE/FOOT DUMP CONTROLS ASSEMBLY ITEM 8 FOR DUMP VALVE PART NUMBER.

## HYDRAULIC DUMP ASSY.

| <u>NO.</u> | <u>PART NO.</u> | <u>PART NAME</u>                | <u>QTY.</u> | <u>REMARKS</u>      |
|------------|-----------------|---------------------------------|-------------|---------------------|
| 1          | 803747          | CYLINDER, HYDRAULIC DUMP        | 1           |                     |
| 1A         | 18022SK         | SEAL KIT, DUMP CYLINDER         | 1           |                     |
| 2          | EM916019        | ZERK FITTING .....              | 2.....      | REPLACES P/N 491705 |
| 3          | 511803          | ADAPTER, ELBOW                  | 2           |                     |
| 4          | 18020           | HOSE, DUMP VALVE TO HYD. PISTON | 2           |                     |
| 5          | 511804          | ADAPTER, ELBOW MALE             | 2           |                     |
| 6          | 512234          | ADAPTER, ELBOW                  | 1           |                     |
| 7          | 511806          | ADAPTER, STRAIGHT               | 1           |                     |
| 8          | 506191          | ADAPTER, ELBOW                  | 1           |                     |

Go to Discount-Equipment.com to order your parts

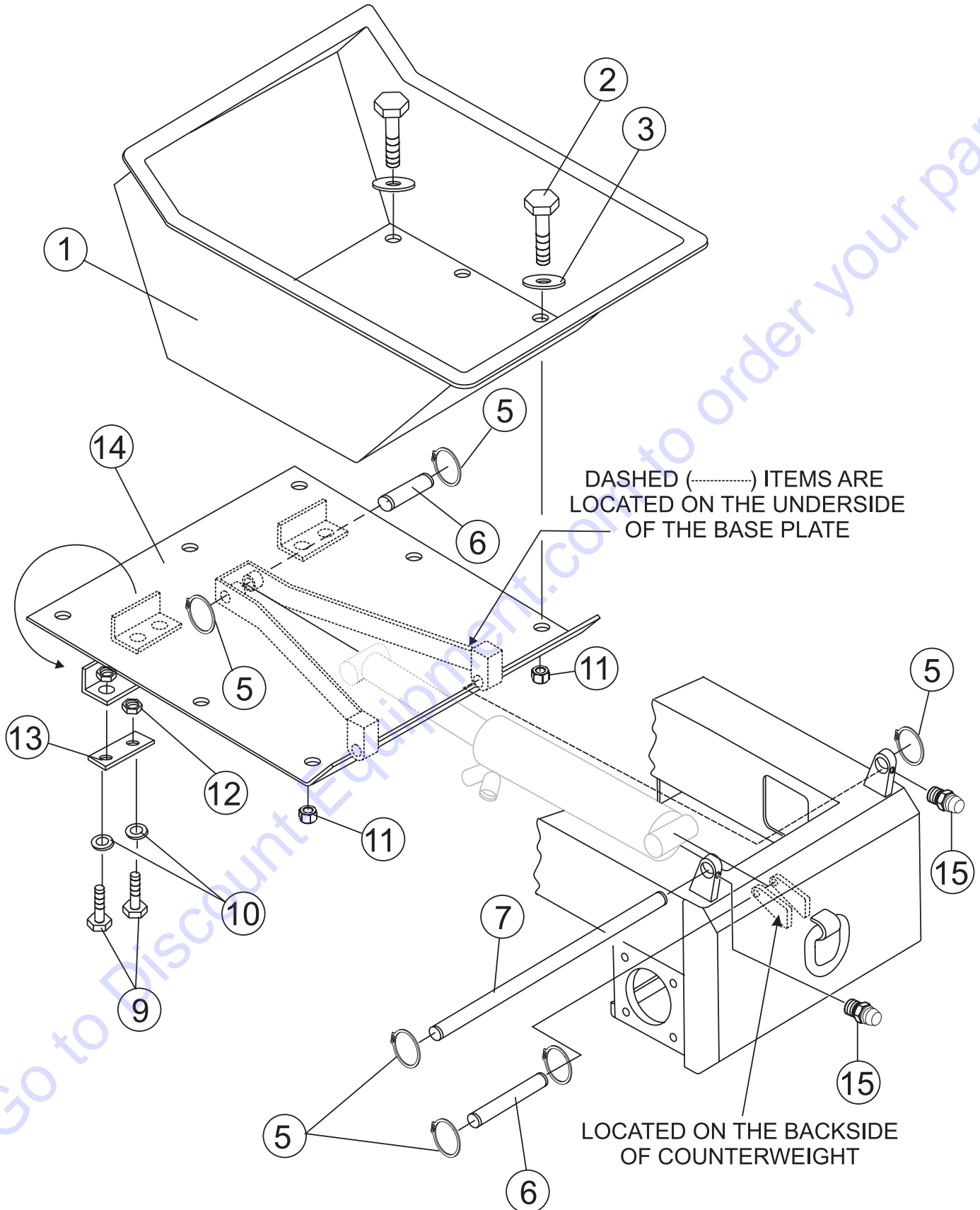
# PUMP AND COUPLING ASSY.



## PUMP AND COUPLING ASSY.

| <u>NO.</u> | <u>PART NO.</u> | <u>PART NAME</u>                           | <u>QTY.</u> | <u>REMARKS</u>      |
|------------|-----------------|--|-------------|---------------------|
| 1#         | 492472          | SCREW, ALLEN HEAD 3/8"-16 X 3/4"           | 2           |                     |
| 2          | 18051           | COUPLING, ENGINE SHAFT.....                | 1           | INCLUDES ITEMS W/#  |
| 2A         | 18051RS         | SPIDER, URETHANE                           | 1           |                     |
| 2B         | 492356          | SCREW, 1/4" X 3/4" GRD 5                   | 1           |                     |
| 2C         | 2101402         | WASHER, LOCK 1/4" .....                    | 1           | REPLACES P/N 492622 |
| 2D         | EM923057        | WASHER, FLAT 3/4" .....                    | 1           | REPLACES P/N 504451 |
| 4          | 18112           | FAN  | 1           |                     |
| 6          | EM923057        | WASHER, FLAT 1/4" .....                    | 2           | REPLACES P/N 492596 |
| 7          | 1579            | SCREW, HHC 1/4"-20 X 1/2" .....            | 2           | REPLACES P/N 492355 |
| 11         | 506250          | KEY, WOODRUFF                              | 1           |                     |
| 20         | 512494          | FAN GUARD                                  | 1           |                     |
| 21         | 512493          | BRACKET, LONG                              | 1           |                     |
| 22         | 513737          | BRACKET, SHORT                             | 1           |                     |
| 23         | EM963055        | SCREW, HEX HEAD CAP 3/8" NC X 3/4" GRD 5.. | 1           | REPLACES P/N 492373 |
| 24         | 0166A           | WASHER, LOCK 3/8" .....                    | 1           | REPLACES P/N 492624 |
| 25         | 512367          | BOLT, C/H 3/16" NC X 1/2" GRD 2            | 4           |                     |
| 26         | 492595          | WASHER, FLAT 3/16"                         | 4           |                     |
| 27         | 3103160         | WASHER, LOCK 3/16" .....                   | 4           | REPLACES P/N 492621 |
| 28         | 492438          | BOLT, C/H 5/16" NF X 1" GRD 5              | 1           |                     |
| 29         | EM923343        | WASHER, LOCK 5/16" .....                   | 1           | REPLACES P/N 492623 |
| 30         | 802442          | LOCK COLLAR                                | 1           |                     |
| 31         | 803009          | BUSHING, HYDRAULIC PUMP                    | 1           |                     |

# TUB ASSY.

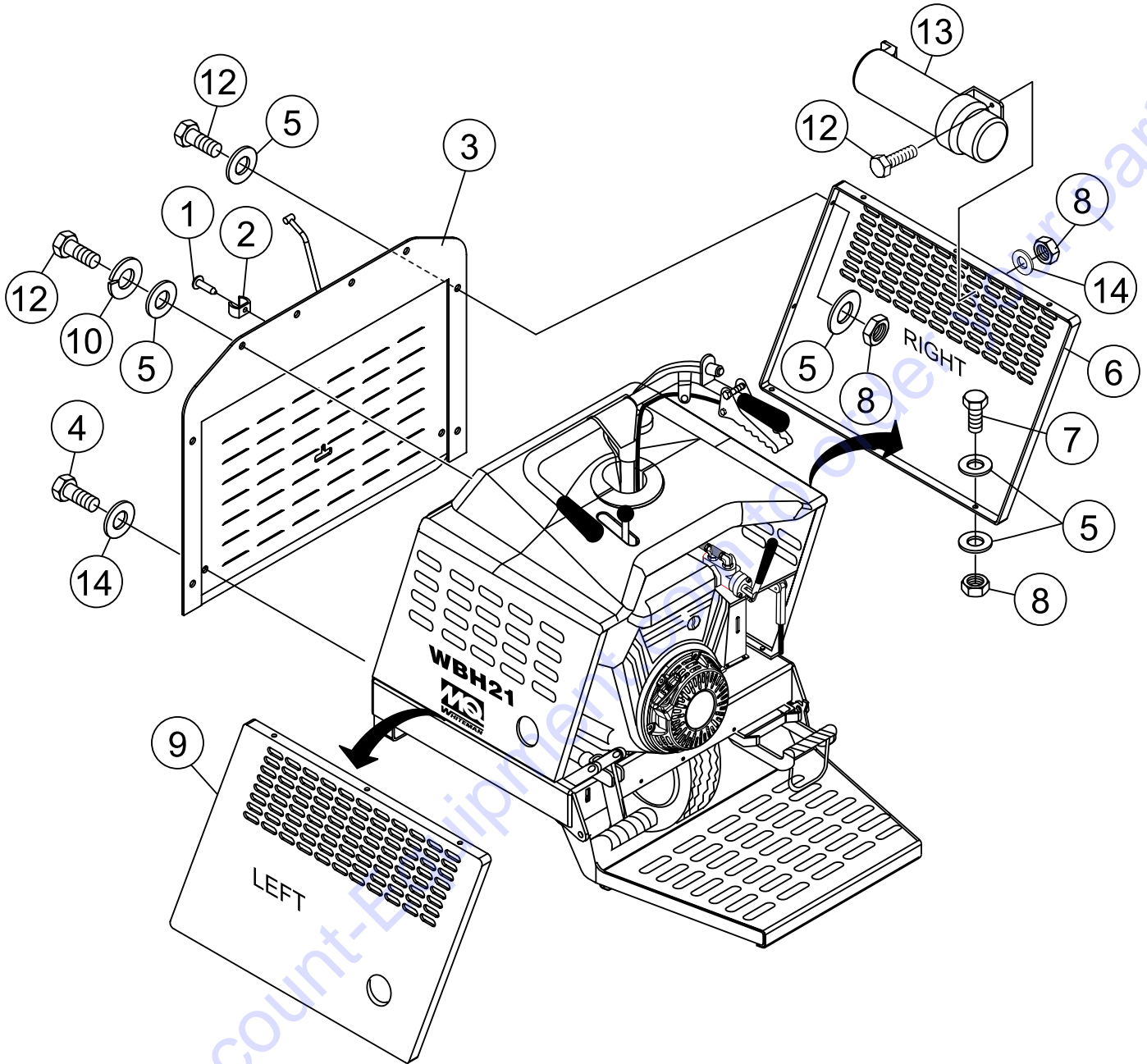




## TUB ASSY.

| <u>NO.</u> | <u>PART NO.</u> | <u>PART NAME</u>                   | <u>QTY.</u> | <u>REMARKS</u>      |
|------------|-----------------|------------------------------------|-------------|---------------------|
| 1          | 804580          | TUB, PLASTIC 21 CU. FT.            | 1           |                     |
| 2          | EM963057        | SCREW, HHC 3/8"-16 X 1-1/2" .....  | 9           | REPLACES P/N 492313 |
| 3          | 512193          | WASHER, FLAT 3/8"                  | 9           |                     |
| 5          | 490957          | RING, SNAP                         | 6           |                     |
| 6          | 18130           | PIN, HYD. PISTON CROSS             | 2           |                     |
| 7          | 18129           | PIN, TUB FRAME CROSS               | 1           |                     |
| 9          | 0202            | SCREW, HHC 5/16"-18 X 1 ZINC ..... | 4           | REPLACES P/N 492364 |
| 10         | EM923023        | WASHER, FLAT 9.5 X 22.2 .....      | 8           | REPLACES P/N 492597 |
| 11         | EM969013        | NUT, NYLOC 3/4"-16 .....           | 9           | REPLACES P/N 492583 |
| 12         | 2105164         | NUT, NYLOC 5/16"-18 .....          | 4           | REPLACES P/N 492582 |
| 13         | 512279          | SUPPORT, BUM STOP                  | 2           |                     |
| 14         | 804586          | FRAME, TUB MOUNT, 21 CU. FT.       | 1           |                     |
| 15         | EM916019        | GREASE FITTING .....               | 2           | REPLACES P/N 491705 |

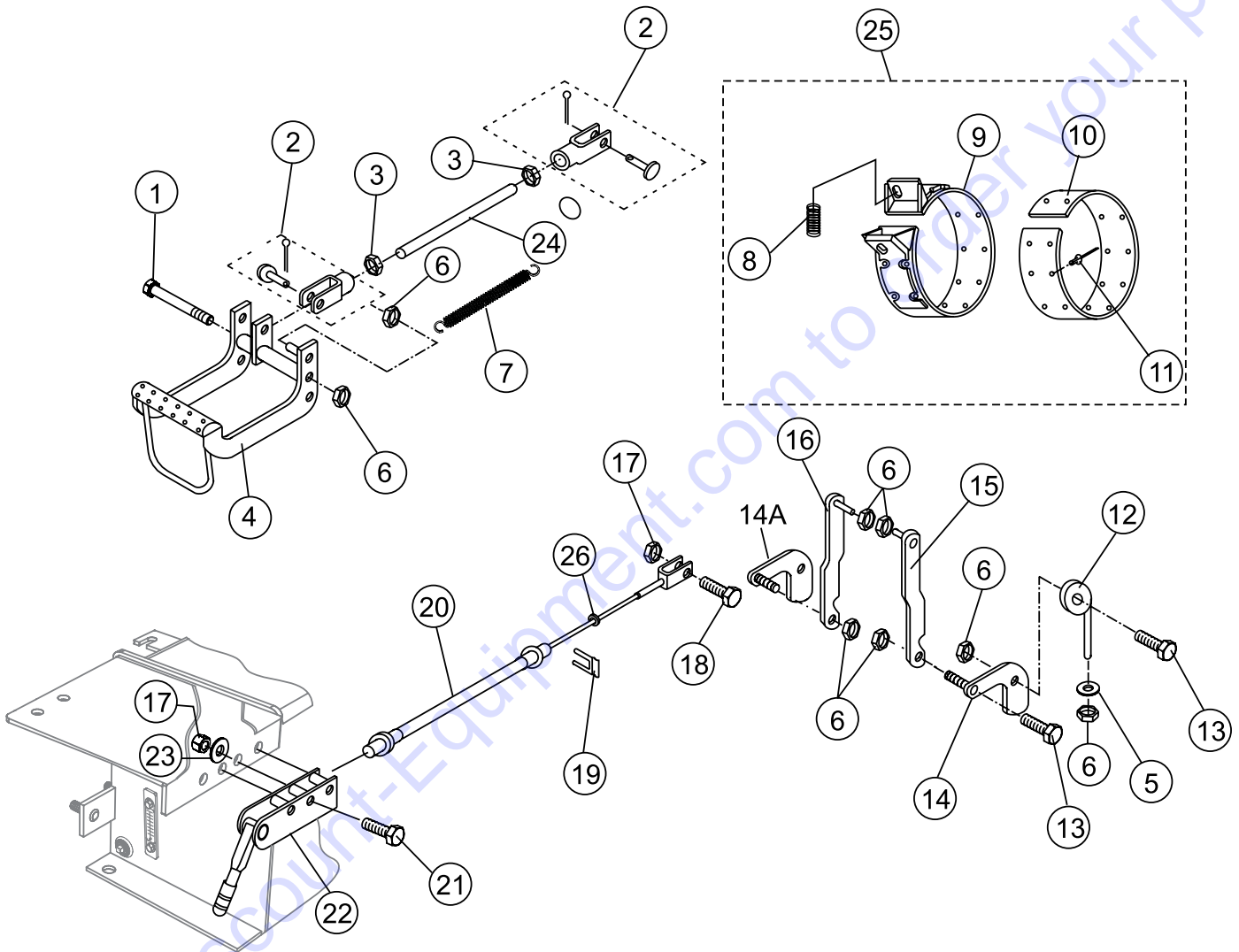
# PANEL ASSY.



## PANEL ASSY.

| <u>NO.</u> | <u>PART NO.</u> | <u>PART NAME</u>                 | <u>QTY.</u> | <u>REMARKS</u>      |
|------------|-----------------|----------------------------------|-------------|---------------------|
| 1          | 503978          | POP RIVET AM-56                  | 1           |                     |
| 2          | 511474          | FASTENER, ACCESS DOOR            | 1           |                     |
| 3          | 18008           | DOOR, ACCESS                     | 1           |                     |
| 4          | 1579            | SCREW, 1/4" NC X 1/2" GRD 5..... | 2.....      | REPLACES P/N 492355 |
| 5          | EM923023        | WASHER, FLAT 3/8".....           | 32.....     | REPLACES P/N 492597 |
| 6          | 18141           | COVER, RIGHT/SIDE ENGINE         | 1           |                     |
| 7          | 0202            | SCREW, HHC 5/16"-18 X 1".....    | 6.....      | REPLACES P/N 492364 |
| 8          | 2105164         | NUT, NYLOC 5/16"-18.....         | 9.....      | REPLACES P/N 492582 |
| 9          | 521389          | COVER, LEFT/SIDE ENGINE          | 1           |                     |
| 10         | EM923343        | WASHER, LOCK 5/16".....          | 4.....      | REPLACES P/N 492623 |
| 12         | 492363          | SCREW, HHC 5/16" NC X 3/4" GRD 5 | 6           |                     |
| 13         | 23297           | MANUAL HOLDER                    | 1           |                     |
| 14         | EM923057        | WASHER, 1/4".....                | 4.....      | REPLACES P/N 492596 |

# BRAKE ASSY.

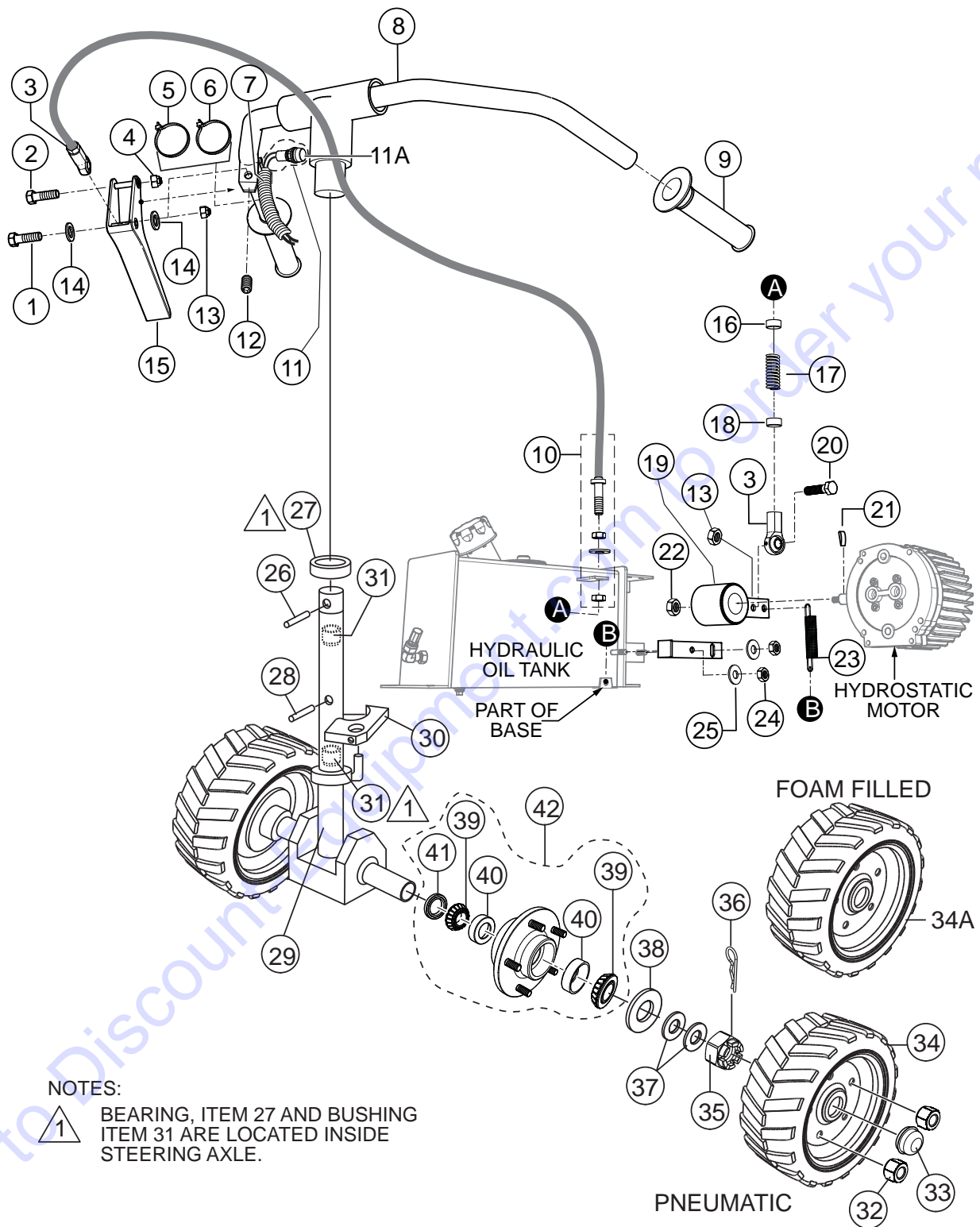


# BRAKE ASSY.

| <u>NO.</u> | <u>PART NO.</u> | <u>PART NAME</u>                        | <u>QTY.</u> | <u>REMARKS</u>      |
|------------|-----------------|---|-------------|---------------------|
| 1          | 511762          | SCREW, HHC 1/2"-13 X 8"                 | 1           |                     |
| 2          | 511698          | CLEVIS, ASSY. BRAKE                     | 2           |                     |
| 3          | EM492574        | NUT, HEX 3/8"-24 .....                  | 2.....      | REPLACES P/N 492574 |
| 4          | 18111           | PEDAL, BRAKE                            | 1           |                     |
| 5          | EM621           | WASHER, FLAT 1/2".....                  | 1.....      | REPLACES P/N 621    |
| 6          | 492584          | NUT, NYLOC 1/2"-13                      | 10          |                     |
| 7          | 18167           | SPRING, BRAKE PEDAL                     | 1           |                     |
| 8\$        | 18307           | SPRING, BRAKE                           | 2           |                     |
| 9\$        |                 | BAND, BRAKE.....                        | 2.....      | NOT SOLD SEPARATELY |
| 10\$       |                 | LINING, BRAKE.....                      | 2.....      | NOT SOLD SEPARATELY |
| 11\$       | 512881          | RIVET, BRAKE LINING.....                | 56.....     | REPLACES P/N 503723 |
| 12         | 18303           | SHAFT, CRANK PIN                        | 2           |                     |
| 13         | 492395          | SCREW, HHC 1/2"-13 X 1-3/4"             | 1           |                     |
| 14         | 512602          | BRAKE LEVER, LEFT                       | 1           |                     |
| 14A        | 512601          | BRAKE LEVER, RIGHT                      | 1           |                     |
| 15         | 18032           | LINKAGE, RIGHT BRAKE                    | 1           |                     |
| 16         | 18314           | LINKAGE, LEFT BRAKE                     | 1           |                     |
| 17         | 2105164         | NUT, NYLOC 5/16" .....                  | 3.....      | REPLACES P/N 492582 |
| 18         | 492303          | SCREW, HHC 5/16" NC X 1-1/4" GRD 5..... | 1.....      | REPLACES P/N 492365 |
| 19         | 505170          | CLIP, PARK CABLE                        | 1           |                     |
| 20         | 18016           | CABLE, PARK BRAKE                       | 1           |                     |
| 21         | 2105162         | SCREW, HHC 5/16"-18 X 1-3/4".....       | 3.....      | REPLACES P/N 492367 |
| 22         | 18057           | LEVER, ASSY. PARK BRAKE                 | 1           |                     |
| 23         | EM923023        | WASHER, FLAT 3/8".....                  | 6.....      | REPLACES P/N 492597 |
| 24         | 18145           | ROD, BRAKE CONTROL                      | 1           |                     |
| 25         | 512881          | BRAKE BAND ASSY.....                    | 2.....      | INCLUDES ITEMS W/\$ |
| 26         | 6109170         | WASHER, FLAT 1/2".....                  | 2.....      | REPLACES P/N 492600 |

Go to Discount-Equipment.com to order your parts

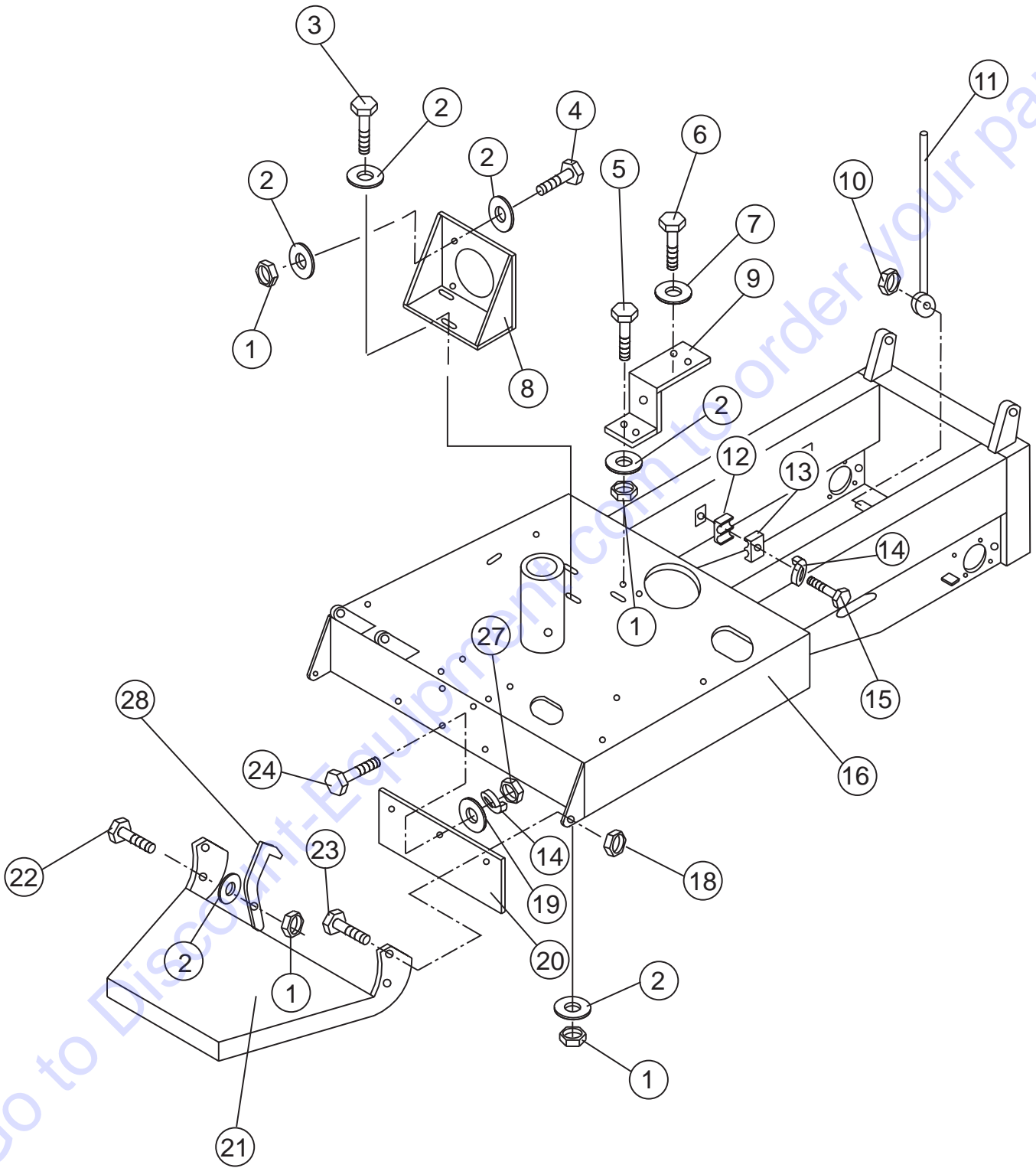
# STEERING AND CONTROLS ASSY.



## STEERING AND CONTROLS ASSY.

| <u>NO.</u> | <u>PART NO.</u> | <u>PART NAME</u>                      | <u>QTY.</u> | <u>REMARKS</u>      |
|------------|-----------------|---------------------------------------|-------------|---------------------|
| 1          | 2508            | SCREW, HHC 1/4"-20 X 2-1/4".....      | 1.....      | REPLACES P/N 512414 |
| 2          | 492369          | SCREW, HHC 5/16"-18 X 2-1/4"          | 1           |                     |
| 3          | 18183           | ROD-END, THROTTLE CABLE               | 2           |                     |
| 4          | 2105164         | NUT, NYLOC 5/16"-18.....              | 1.....      | REPLACES P/N 492582 |
| 5          | EM504505        | WRAP, TIE 4.6 X 360 MM.....           | 1.....      | REPLACES PN 504505  |
| 6          | 491030          | WRAP, TIE 2.5 X 142 MM                | 2           |                     |
| 7          | 505304          | COVER, WIRE (LOOM)                    | 1           |                     |
| 8          | 18242           | HANDLE BAR                            | 1           |                     |
| 9          | 15081           | GRIP, HANDLE BAR                      | 2           |                     |
| 10         | 18133           | CABLE, THROTTLE                       | 1           |                     |
| 11         | 515417          | SWITCH HARNESS ASSY.                  | 1           |                     |
| 11A        | 18131           | SWITCH, KILL.....                     | 1.....      | REPLACES P/N 18025  |
| 12         | 513489          | SCREW, ALLEN HEAD 1/4"-20 X 3/8"..... | 1.....      | REPLACES P/N 492465 |
| 13         | 492581          | NUT, NYLOC 1/4"-20                    | 2           |                     |
| 14         | 509161          | WASHER, FLAT 5/16"                    | 2           |                     |
| 15         | 18132           | LEVER, THROTTLE                       | 1           |                     |
| 16         | 18182           | BUSHING, CABLE                        | 1           |                     |
| 17         | 18176           | SPRING                                | 1           |                     |
| 18         | 18181           | BUSHING, CABLE                        | 1           |                     |
| 19         | 18061           | LEVER, CONTROL                        | 1           |                     |
| 20         | 492357          | SCREW, HHC 1/4"-20 X 1                | 1           |                     |
| 21         | 511717          | KEY, WOODRUFF 1/8" X 5/8"             | 1           |                     |
| 22         | 492584          | NUT, NYLOC 1/2"-13                    | 1           |                     |
| 23         | 18177           | SPRING                                | 1           |                     |
| 24         | EM969013        | NUT, NYLOC 3/8".....                  | 2.....      | REPLACES P/N 492583 |
| 25         | 3019092         | WASHER, FLAT 3/8".....                | 2.....      | REPLACES P/N 492598 |
| 26         | 491723          | PIN, STEERING SHAFT                   | 1           |                     |
| 27         | 18238           | BEARING, STEERING SHAFT               | 1           |                     |
| 28         | 512186          | PIN, STEERING SHAFT                   | 1           |                     |
| 29         | 513360          | AXLE, STEERING                        | 1           |                     |
| 30         | 803151          | STOP, STEERING                        | 1           |                     |
| 31         | 512200          | BUSHING, BRONZE                       | 2           |                     |
| 32         | 8115            | NUT LUG                               | 8           |                     |
| 33         | 3469            | CAP, DUST                             | 2           |                     |
| 34         | 18049           | WHEEL, STEERING ASSY. REAR.....       | 2.....      | PNEUMATIC TIRE      |
| 34A        | 18049F          | WHEEL, STEERING ASSY. REAR.....       | 2.....      | FOAM FILLED TIRE    |
| 35         | 512210          | NUT, CASTLE                           | 2           |                     |
| 36         | EM924008        | PIN, COTTER 1/8" X 1-1/2".....        | 2.....      | REPLACES P/N 491688 |
| 37         | EM501299        | WASHER, REAR WHEEL HUB                | 4           |                     |
| 38         | 511159          | WASHER, FLAT 1"                       | 2           |                     |
| 39#        | EM903113        | BEARING CONE                          | 4           |                     |
| 40#        | EM903012        | BEARING CUP                           | 4           |                     |
| 41#        | 15191VB         | SEAL                                  | 2           |                     |
| 42         | EM941306        | HUB, REAR WHEEL.....                  | 2.....      | INCLUDES ITEMS W/#  |

# CHASSIS ASSY.

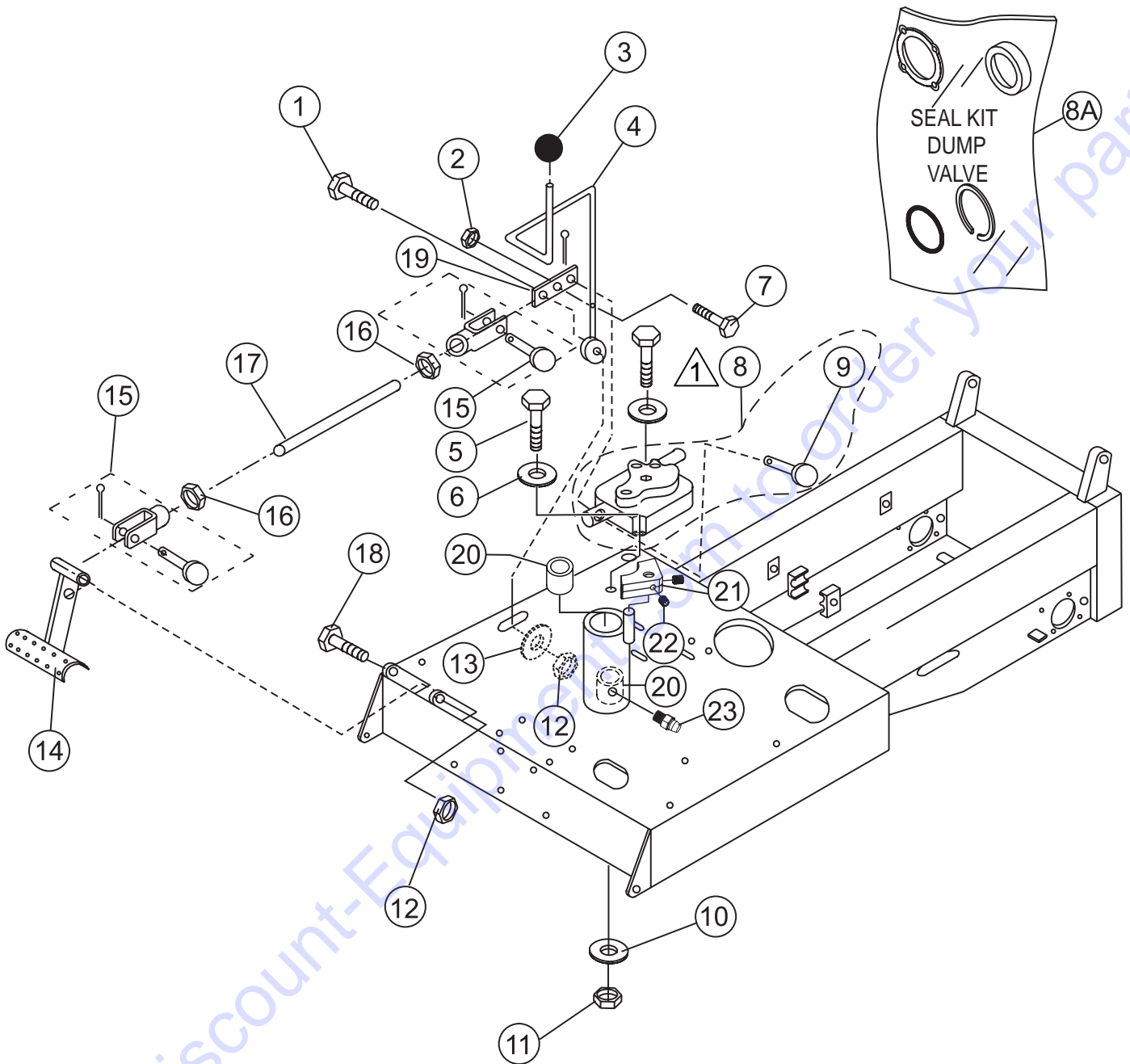




## CHASSIS ASSY.

| <u>NO.</u> | <u>PART NO.</u> | <u>PART NAME</u>                      | <u>QTY.</u> | <u>REMARKS</u>      |
|------------|-----------------|---------------------------------------|-------------|---------------------|
| 1          | EM969013        | NUT, NYLOC 3/8" .....                 | 10.....     | REPLACES P/N 492583 |
| 2          | 3019092         | WASHER, FLAT 3/8" .....               | 18.....     | REPLACES P/N 492598 |
| 3          | EM963057        | SCREW, HHC 3/8"-16 X 1-1/2" .....     | 3.....      | REPLACES P/N 492313 |
| 4          | 503112          | SCREW, HHC 3/8"-16 X 2-3/4" .....     | 4           |                     |
| 5          | EM963610        | SCREW, HHC 3/8" X 1-1/4" GRD 8 .....  | 2.....      | REPLACES P/N 492375 |
| 6          | 492356          | SCREW, HHC 1/4" NC X 3/4" GRD 5 ..... | 2           |                     |
| 7          | 2101402         | WASHER, LOCK 1/4" .....               | 2.....      | REPLACES P/N 492622 |
| 8          | 512196          | BRACKET, HYD. PUMP MOUNTING .....     | 1           |                     |
| 9          | 18146           | MOUNT, OIL FILTER .....               | 1           |                     |
| 10         | 505069          | NUT, NYLOC 3/4"-10 .....              | 1           |                     |
| 11         | 18198           | ROD, TUB PROP .....                   | 1           |                     |
| 12         | 505976          | CLAMP, BRACKET .....                  | 2           |                     |
| 13         | 506185          | CLAMP, BRACKET .....                  | 2           |                     |
| 14         | EM923343        | WASHER, LOCK 5/16" .....              | 5.....      | REPLACES P/N 492623 |
| 15         | 492366          | SCREW, HHC 5/16"-18 X 1-1/2" .....    | 2           |                     |
| 16         | 18047           | CHASSIS .....                         | 1           |                     |
| 18         | EM969023        | NUT, NYLOC 5/8"-11 .....              | 2.....      | REPLACES P/N 492586 |
| 19         | 492597          | WASHER, FLAT 9.5 X 22.2 .....         | 3           |                     |
| 20         | 18162           | PANEL, REAR WHEEL COVER .....         | 1           |                     |
| 21         | 18222           | PLATFORM, OPERATOR .....              | 1           |                     |
| 22         | EM963057        | SCREW, HHC 3/8"-16 X 1-1/2" .....     | 1.....      | REPLACES P/N 492313 |
| 23         | 492406          | SCREW, HHC 5/8"-11 X 1-1/2" .....     | 2           |                     |
| 24         | 492363          | SCREW, HHC 5/16"-18 X 3/4" .....      | 3           |                     |
| 27         | 2105164         | NUT, HEX 5/16"-18 .....               | 3.....      | REPLACES P/N 492553 |
| 28         | 18173           | LATCH, PLATFORM .....                 | 1           |                     |

# HANDLE/FOOT DUMP CONTROLS ASSY.

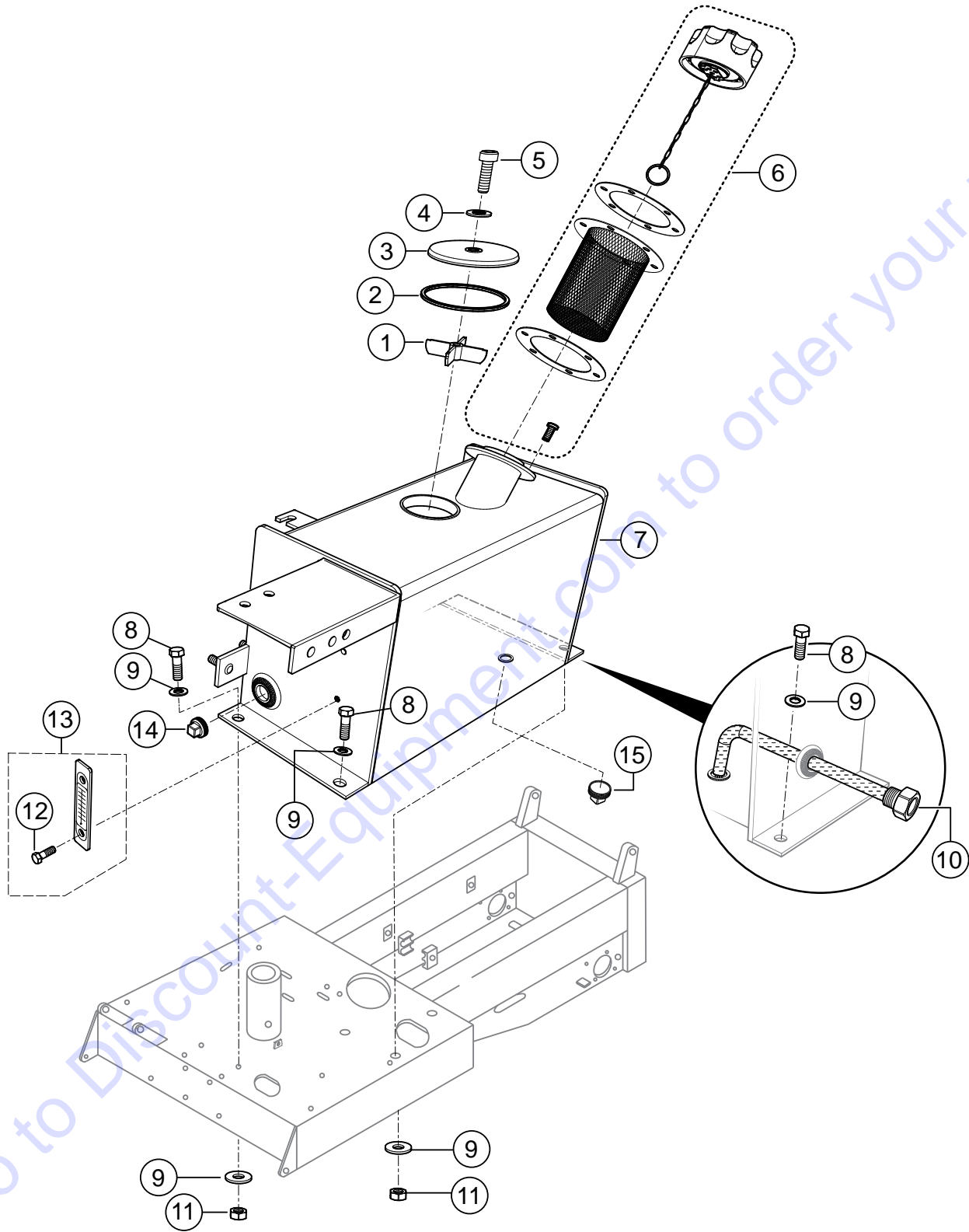


△ 1 REFERENCE HYDRAULIC  
DUMP ASSY.

## HANDLE/FOOT DUMP CONTROLS ASSY.

| <u>NO.</u> | <u>PART NO.</u> | <u>PART NAME</u>             | <u>QTY.</u> | <u>REMARKS</u>      |
|------------|-----------------|------------------------------|-------------|---------------------|
| 1          | 492401          | SCREW, HHC 1/2"-13 X 4       | 1           |                     |
| 2          | 503119          | NUT, NYLOC 3/16"             | 1           |                     |
| 3          | 18121           | KNOB, LEVER                  | 1           |                     |
| 4          | 18065           | LEVER, DUMP VALVE            | 1           |                     |
| 5          | 512185          | SCREW, HHC 1/4"-20 X 1-3/4"  | 2           |                     |
| 6          | 492622          | WASHER, FLAT 1/4"            | 4           |                     |
| 7          | 512183          | SCREW, HHC 3/16"-24 X 1-1/4" | 1           |                     |
| 8          | 18064           | VALVE, DUMP .....            | 1           | INCLUDES ITEMS W/\$ |
| 8A         | 18064SK         | SEAL KIT, DUMP VALVE         | 1           |                     |
| 9\$        |                 | PIN, DUMP VALVE CROSS .....  | 1           | NOT SOLD SEPARATELY |
| 10         | 492596          | WASHER, FLAT 1/4"            | 1           |                     |
| 11         | 492581          | NUT, NYLOC 1/4"-20           | 1           |                     |
| 12         | 492584          | NUT, NYLOC 1/2"-13           | 2           |                     |
| 13         | 492600          | WASHER, FLAT 1/2"            | 1           |                     |
| 14         | 18152           | PEDAL, DUMP VALVE            | 1           |                     |
| 15         | 18123           | CLEVIS ASSY., DUMP VALVE     | 2           |                     |
| 16         | 492574          | NUT, HEX 3/8"                | 2           |                     |
| 17         | 18153           | ROD, DUMP VALVE              | 1           |                     |
| 18         | 492400          | SCREW, HHC 1/2"-13 X 3-1/2"  | 1           |                     |
| 19         | 18122           | BELL CRANK, DUMP VALVE       | 1           |                     |
| 20         | 512200          | BUSHING, BRONZE              | 2           |                     |
| 21         | 803151          | STOP, STEERING               | 1           |                     |
| 22         | 492467          | SET SCREW, 5/16" X 3/8" NC   | 2           |                     |
| 23         | 503901          | ZERK FITTING 1/4"-28         | 1           |                     |

# HYDRAULIC OIL TANK ASSY.

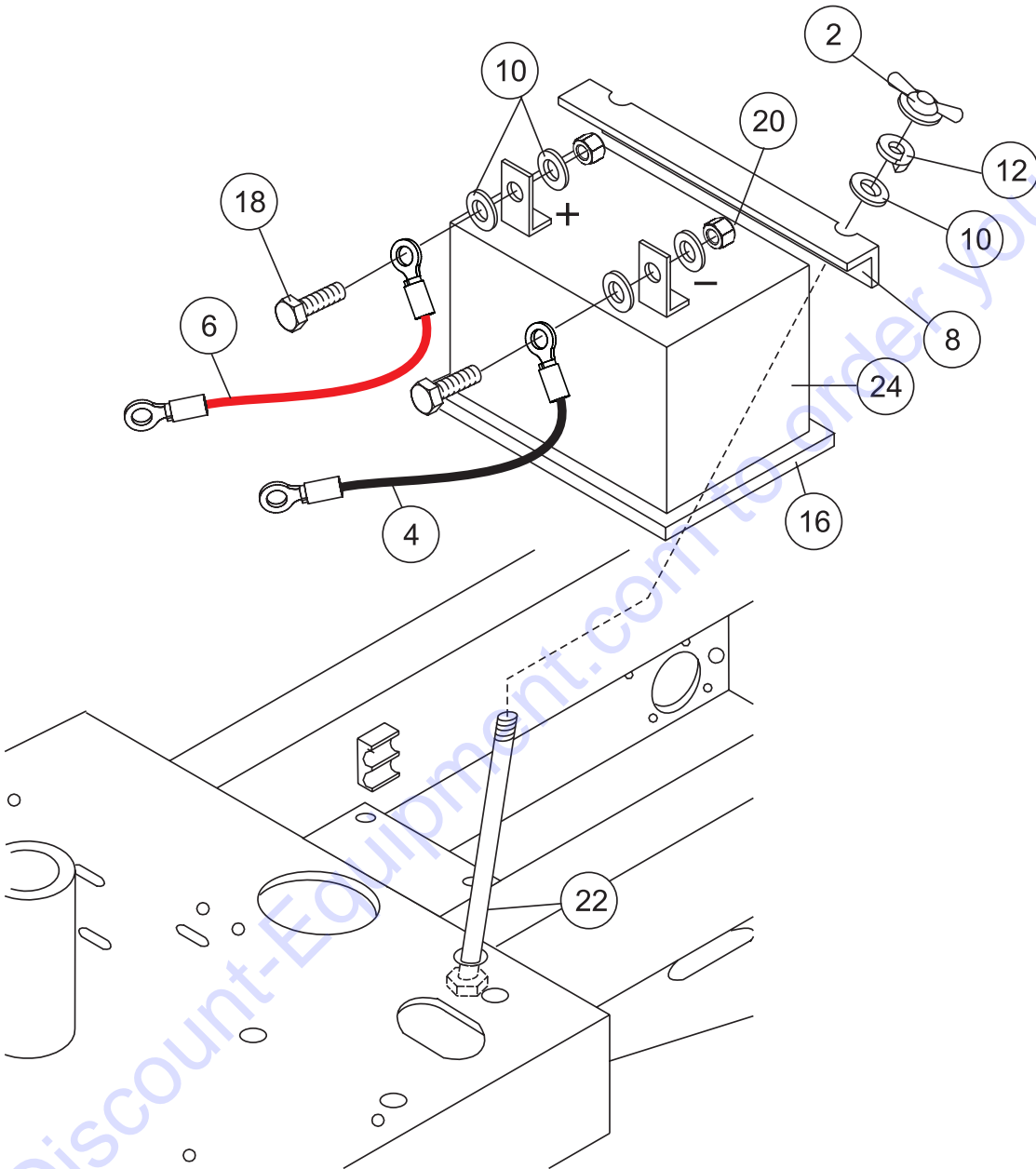


## HYDRAULIC OIL TANK ASSY.

| <u>NO.</u> | <u>PART NO.</u> | <u>PART NAME</u>                 | <u>QTY.</u> | <u>REMARKS</u>      |
|------------|-----------------|----------------------------------|-------------|---------------------|
| 1          | 520461          | RETAINER                         | 1           |                     |
| 2          | 801791          | O-RING                           | 1           |                     |
| 3          | 520460          | COVER                            | 1           |                     |
| 4          | 520343          | O-RING                           | 1           |                     |
| 5          | 510717          | BOLT, 1/2"NC X 1-3/4"            | 1           |                     |
| 6          | EM16477         | CAP, HYDRAULIC OIL TANK          | 1           |                     |
| 7          | 18125           | TANK, HYDRAULIC OIL              | 1           |                     |
| 8          | EM963610        | SCREW, HHC 3/8" X 1-1/4" .....   | 3.....      | REPLACES P/N 492376 |
| 9          | 3019092         | WASHER, FLAT 3/8".....           | 6.....      | REPLACES P/N 492598 |
| 10         | 18229           | SCREEN, OIL RESERVOIR            | 1           |                     |
| 11         | EM969013        | NUT, NYLOC 3/8"-16 .....         | 3.....      | REPLACES P/N 492583 |
| 12%        |                 | SCREW.....                       | 2.....      | NOT SOLD SEPARATELY |
| 13         | 18052           | SIGHT GAUGE, HYD. OIL TANK ..... | 1.....      | INCLUDES ITEMS W/%  |
| 14         | 491213          | PLUG, HYD. OIL TANK 3/4"-14 NPT  | 1           |                     |
| 15         | 506094          | PLUG, HYD. OIL TANK 1/2" NPT     | 1           |                     |

Go to Discount-Equipment.com to order 100% parts

**BATTERY ASSY.**

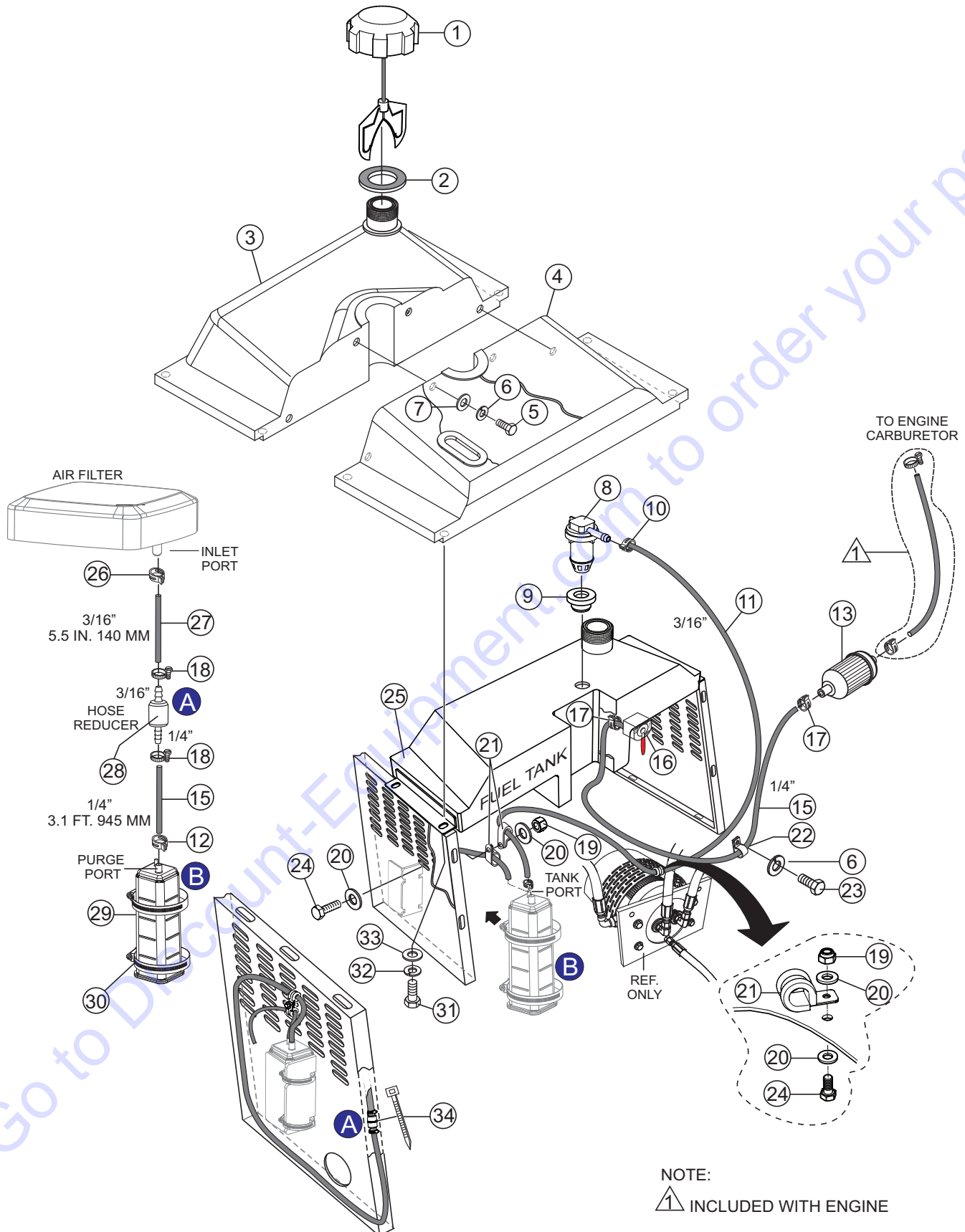


## BATTERY ASSY.

| <u>NO.</u> | <u>PART NO.</u> | <u>PART NAME</u>         | <u>QTY.</u> | <u>REMARKS</u>      |
|------------|-----------------|--------------------------|-------------|---------------------|
| 2          | 505500          | WINGNUT                  | 2           |                     |
| 4          | 512557          | BATTERY CABLE, NEGATIVE  | 1           |                     |
| 6          | 511250          | BATTERY CABLE, POSITIVE  | 1           |                     |
| 8          | 512555          | BATTERY SUPPORT BRACKET  | 1           |                     |
| 10         | EM92305         | WASHER, FLAT 1/4".....   | 6.....      | REPLACES P/N 492596 |
| 12         | 2101402         | WASHER, LOCK 1/4" .....  | 2.....      | REPLACES P/N 492622 |
| 16         | 508480          | BATTERY SUPPORT PLATFORM | 1           |                     |
| 18         | 503118          | BOLT 3/16" X 1"          | 2           |                     |
| 20         | 503119          | NUT 3/16"                | 2           |                     |
| 22         | 512585          | SUPPORT BRACKET BOLT     | 2           |                     |
| 24         | 4671            | BATTERY                  | 1           |                     |

Go to Discount-Equipment.com to order your parts

# FUEL TANK ASSY.

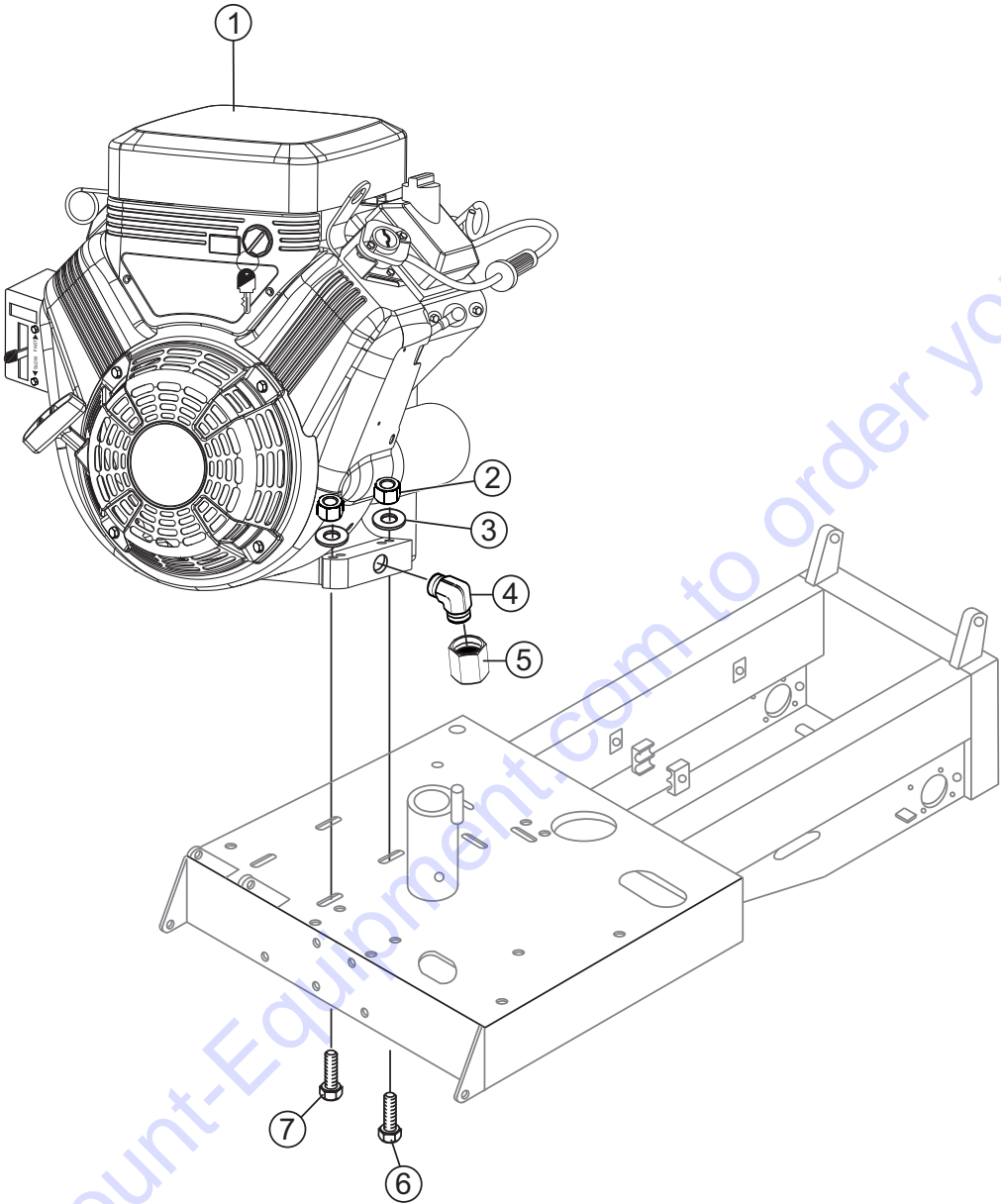




## FUEL TANK ASSY.

| <u>NO.</u> | <u>PART NO.</u> | <u>PART NAME</u>                       | <u>QTY.</u> | <u>REMARKS</u>      |
|------------|-----------------|--|-------------|---------------------|
| 1          | 520820          | CAP, FUEL (EPA) 2" DIA.                | 1           |                     |
| 2          | 802006          | FUEL TANK NECK SEAL                    | 1           |                     |
| 3          | 800845          | COVER, FUEL TANK, FRONT                | 1           |                     |
| 4          | 521392          | COVER, FUEL TANK, REAR                 | 1           |                     |
| 5          | 492356          | SCREW, 1/4" X 3/4" GRD 5               | 4           |                     |
| 6          | 492622          | WASHER, LOCK 1/4"                      | 4           |                     |
| 7          | 509161          | WASHER, FLAT 5/16"                     | 4           |                     |
| 8          | EM202772        | VENT VALVE, EPA                        | 1           |                     |
| 9          | EM203403        | GROMMET, VENT VALVE                    | 1           |                     |
| 10         | 802498          | TENSION CLAMP                          | 1           |                     |
| 11         | 60004           | HOSE, FUEL, Ø.1875, LOW PERM 50PSI 41" | 1           |                     |
| 12         | 802573          | TENSION CLAMP                          | 1           |                     |
| 13         | 845125          | FILTER, IN-LINE FUEL                   | 1           |                     |
| 15         | 520611          | HOSE, FUEL, 1/4" EPA (3.1 FT.)         | 4           | 1PC=1FT             |
| 16         | 22081           | VALVE, FUEL SHUT-OFF                   | 1           |                     |
| 17         | 802574          | TENSION CLAMP                          | 1           |                     |
| 18         | 506208          | CLAMP, FUEL HOSE                       | 3           |                     |
| 19         | 492581          | NUT, NYLOC 1/4"                        | 2           |                     |
| 20         | 492595          | WASHER, FLAT 1/4"                      | 2           |                     |
| 21         | 801130          | CLAMP, RUBBER COATED                   | 3           |                     |
| 22         | 511807          | CLAMP NYLON 5/8"                       | 1           |                     |
| 23         | 492355          | SCREW, 1/4" NC X 1/2" GRD 5            | 1           |                     |
| 24         | 800056          | BOLT, HHCC 1/4" NC X 3/4" GRD 5        | 2           |                     |
| 25         | 800841          | TANK, FUEL                             | 1           |                     |
| 26         | 802498          | TENSION CLAMP                          | 3           |                     |
| 27         | 520833          | HOSE, AIR FILTER 3/16" (5.5") EPA      | 1           | 1PC=1FT             |
| 28         | 802405          | HOSE REDUCER, 1/4" TO 3/16"            | 1           |                     |
| 29         | 23505           | CANISTER, CHARCOAL, 390CC (EPA)        | 1           |                     |
| 30         | 510725          | CLAMP                                  | 2           |                     |
| 31         | 492363          | SCREW, 5/16" X 3/4" GRD 5              | 6           |                     |
| 32         | EM923343        | WASHER, LOCK 5/16"                     | 8           | REPLACES P/N 492623 |
| 33         | EM923023        | WASHER, FLAT 5/16"                     | 8           | REPLACES P/N 492597 |
| 34         | 491030          | PLASTIC TIE WRAP                       | 1           |                     |

**ENGINE MOUNTING ASSY.**

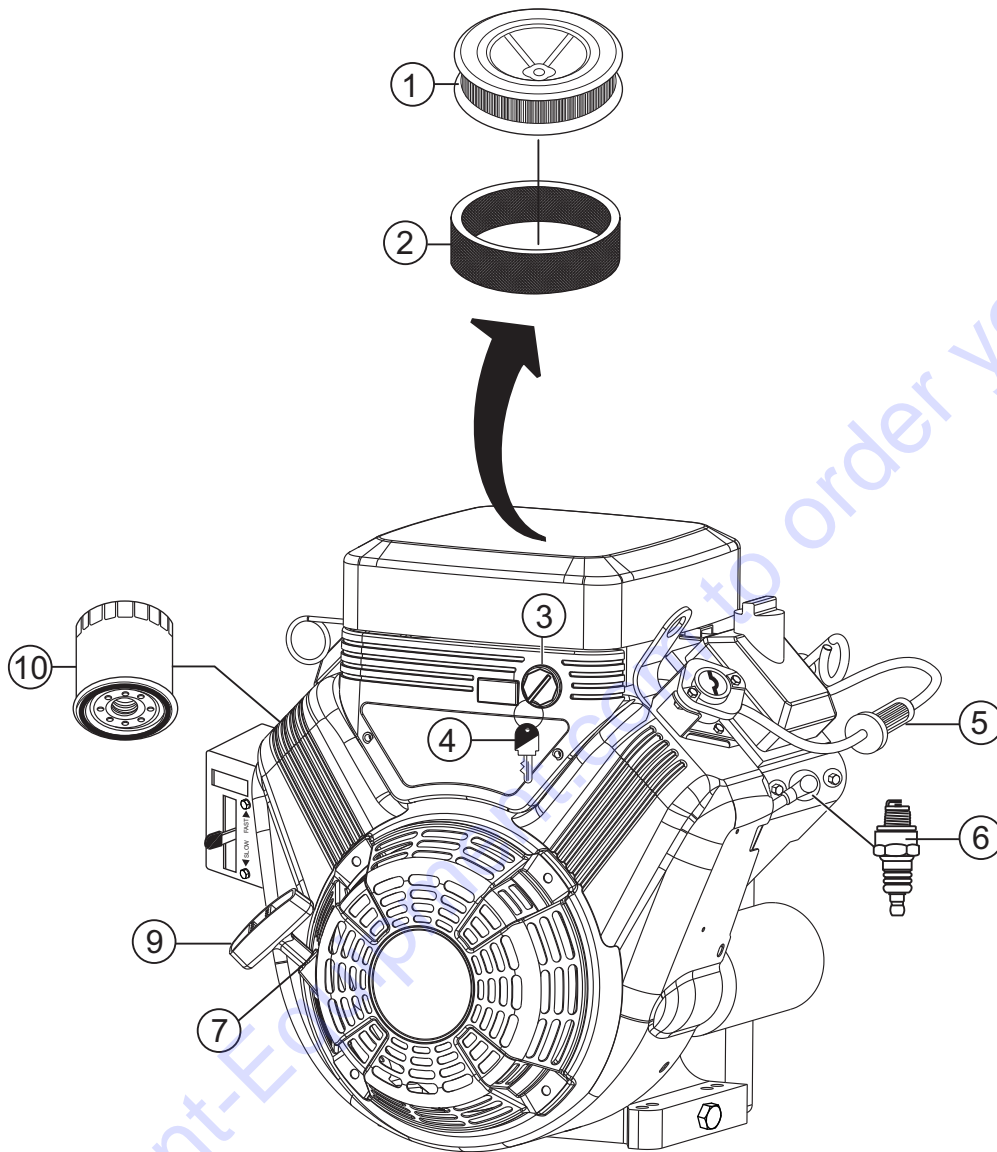


## ENGINE MOUNTING ASSY.

| <u>NO.</u> | <u>PART NO.</u> | <u>PART NAME</u>                     | <u>QTY.</u> | <u>REMARKS</u>      |
|------------|-----------------|--------------------------------------|-------------|---------------------|
| 1          | 3564470394G1    | ENGINE, B&S 18HP VANGUARD            | 1           |                     |
| 2          | 492581          | NUT, NYLOC 5/6"                      | 4           |                     |
| 3          | EM923023        | WASHER, FLAT 3/8" .....              | 4.....      | REPLACES P/N 505679 |
| 4          | 513593          | 90° FITTING                          | 1           |                     |
| 5          | 513594          | ADAPTER PLUG                         | 1           |                     |
| 6          | 492368          | SCREW, 5/16" NC X 2" GRD 5.....      | 1.....      | GROUND CONNECTION   |
| 7          | 2105162         | SCREW, 5/16" NC X 1-3/4" GRD 5 ..... | 3.....      | REPLACES P/N 492367 |

Go to Discount-Equipment.com to order your parts

# ENGINE SERVICE PARTS



## ENGINE SERVICE PARTS

---

| <u>NO.</u> | <u>PART NO.</u> | <u>PART NAME</u>       | <u>QTY.</u> | <u>REMARKS</u> |
|------------|-----------------|------------------------|-------------|----------------|
| 1          | 394018S         | AIR FILTER             | 1           |                |
| 2          | 272490S         | PRE-CLEANER            | 1           |                |
| 3          | 692318          | IGNITION SWITCH, W/KEY | 1           |                |
| 4          | 691959          | IGNITION KEY SET       | 2           |                |
| 5          | 845125          | IN-LINE FUEL FILTER    | 1           |                |
| 6          | 496018S         | SPARK PLUG, CHAMPION   | 2           |                |
| 7          | 66574           | ROPE STARTER           | 1           |                |
| 9          | 808167          | GRIP STARTER           | 1           |                |
| 10         | 842921          | OIL FILTER             | 1           |                |

Go to Discount-Equipment.com to order your parts

# PARTS FINDER

**Search Website  
by Part Number**



**Search Manual  
Library For Parts  
Manual & Lookup Part  
Numbers – Purchase  
or Request Quote**

**Search Manuals**

Enter your information to help us find the right parts manual for your machine.

\* Brand:

\* Model:

\* Serial:

\* Part Number:

SEARCH

**Can't Find Part or  
Manual? Request Help  
by Manufacturer,  
Model & Description**

**Parts Order Form**

Please fill in the following information to help us find the right part for your machine.

|               |                      |
|---------------|----------------------|
| Manufacturer: | <input type="text"/> |
| Model:        | <input type="text"/> |
| Description:  | <input type="text"/> |
| Part Number:  | <input type="text"/> |
| Quantity:     | <input type="text"/> |
| Notes:        | <input type="text"/> |

Submit

Discount-Equipment.com is your online resource for quality parts & equipment.

Florida: **561-964-4949** Outside Florida TOLL FREE: **877-690-3101**

**Need parts?**

Click on this link: <http://www.discount-equipment.com/category/5443-parts/> and choose one of the options to help get the right parts and equipment you are looking for. Please have the machine model and serial number available in order to help us get you the correct parts. If you don't find the part on the website or on one of the online manuals, please fill out the request form and one of our experienced staff members will get back to you with a quote for the right part that your machine needs.

We sell worldwide for the brands: Genie, Terex, JLG, MultiQuip, Mikasa, Essick, Whiteman, Mayco, Toro Stone, Diamond Products, Generac Magnum, Airman, Haulotte, Barreto, Power Blanket, Nifty Lift, Atlas Copco, Chicago Pneumatic, Allmand, Miller Curber, Skyjack, Lull, Skytrak, Tsurumi, Husquvarna Target, Stow, Wacker, Sakai, Mi-T-M, Sullair, Basic, Dynapac, MBW, Weber, Bartell, Bennar Newman, Haulotte, Ditch Runner, Menegotti, Morrison, Contec, Buddy, Crown, Edco, Wyco, Bomag, Laymor, EZ Trench, Bil-Jax, F.S. Curtis, Gehl Pavers, Heli, Honda, ICS/PowerGrit, IHI, Partner, Imer, Clipper, MMD, Koshin, Rice, CH&E, General Equipment, Amida, Coleman, NAC, Gradall, Square Shooter, Kent, Stanley, Tamco, Toku, Hatz, Kohler, Robin, Wisconsin, Northrock, Oztec, Toker TK, Rol-Air, APT, Wylie, Ingersoll Rand / Doosan, Innovatech, Con X, Ammann, Mecalac, Makinex, Smith Surface Prep, Small Line, Wanco, Yanmar