

# BOMAG

FAYAT GROUP

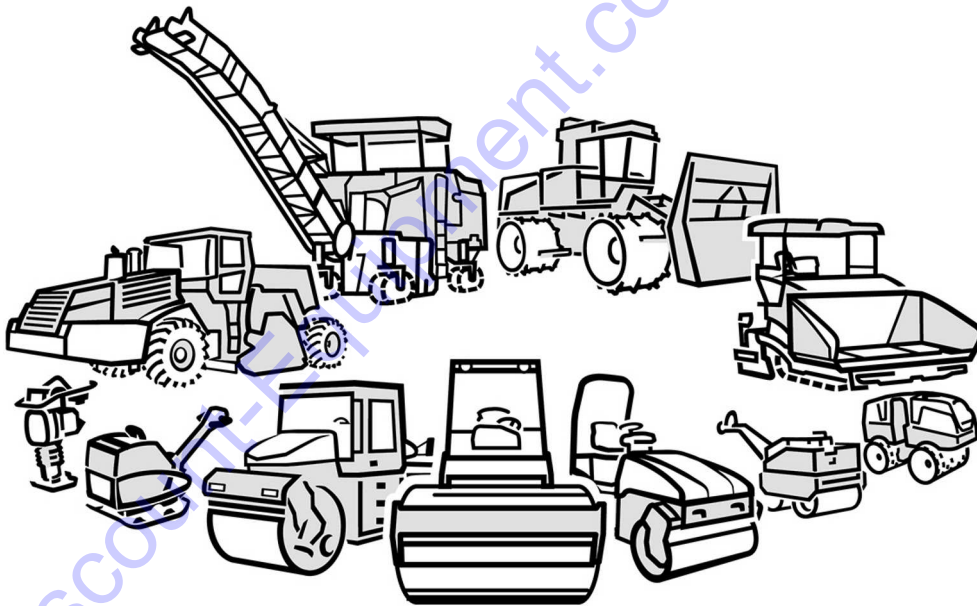
## Spare Parts Catalogue

---

**BW 900-50**

---

S/N 861834071001 > 861834072735  
HONDA GX620 K1



---

**Tandem vibratory roller**

---

**Discount  
Equipment**

[www.discount-equipment.com](http://www.discount-equipment.com)

Catalogue number - **00818921**

**01.07.2010 - 01.10.2018**

# PARTS FINDER

**Search Website  
by Part Number**



**Search Manual  
Library For Parts  
Manual & Lookup Part  
Numbers – Purchase  
or Request Quote**

**Search Manuals**

Enter your information to search for a manual or parts manual for your equipment.

\* Brand:

\* Model:

\* Serial:

\* Part Number:

SEARCH

**Can't Find Part or  
Manual? Request Help  
by Manufacturer,  
Model & Description**

**Parts Order Form**

Please fill in the following information to request help finding a part or manual.

Manufacturer:

Model:

Description:

Quantity:

Part Number:

Part Name:

Part Description:

Part Category:

Part Location:

Part Status:

Part Condition:

Part Material:

Part Color:

Part Weight:

Part Dimensions:

Part Notes:

Submit

Discount-Equipment.com is your online resource for quality parts & equipment.

Florida: **561-964-4949** Outside Florida TOLL FREE: **877-690-3101**

**Need parts?**

Click on this link: <http://www.discount-equipment.com/category/5443-parts/> and choose one of the options to help get the right parts and equipment you are looking for. Please have the machine model and serial number available in order to help us get you the correct parts. If you don't find the part on the website or on one of the online manuals, please fill out the request form and one of our experienced staff members will get back to you with a quote for the right part that your machine needs.

We sell worldwide for the brands: Genie, Terex, JLG, MultiQuip, Mikasa, Essick, Whiteman, Mayco, Toro Stone, Diamond Products, Generac Magnum, Airman, Haulotte, Barreto, Power Blanket, Nifty Lift, Atlas Copco, Chicago Pneumatic, Allmand, Miller Curber, Skyjack, Lull, Skytrak, Tsurumi, Husquvarna Target, Stow, Wacker, Sakai, Mi-T-M, Sullair, Basic, Dynapac, MBW, Weber, Bartell, Bennar Newman, Haulotte, Ditch Runner, Menegotti, Morrison, Contec, Buddy, Crown, Edco, Wyco, Bomag, Laymor, EZ Trench, Bil-Jax, F.S. Curtis, Gehl Pavers, Heli, Honda, ICS/PowerGrit, IHI, Partner, Imer, Clipper, MMD, Koshin, Rice, CH&E, General Equipment, Amida, Coleman, NAC, Gradall, Square Shooter, Kent, Stanley, Tamco, Toku, Hatz, Kohler, Robin, Wisconsin, Northrock, Oztec, Toker TK, Rol-Air, APT, Wylie, Ingersoll Rand / Doosan, Innovatech, Con X, Ammann, Mecalac, Makinex, Smith Surface Prep, Small Line, Wanco, Yanmar

**© 06/2019 Bomag GmbH**

The reproduction, distribution and utilization of this document as well as the communication of its contents to others without express authorization is prohibited. Offenders will be held liable for the payment of damages. All rights reserved in the event of the grant of a patent, utility model or design.

[Go to Discount-Equipment.com](http://Discount-Equipment.com) to order your parts

**EN**

**GENERAL INFORMATIONS**



**PLEASE FILL IN WHEN RECEIVING THE MACHINE**

TYPE \_\_\_\_\_

SERIAL-NUMBER \_\_\_\_\_

ENGINE-TYPE \_\_\_\_\_

DATE OF DELIVERY \_\_\_\_\_

ENGINE-NUMBER \_\_\_\_\_

Only the use of BOMAG GENUINE PARTS guarantees the correct function of the machine. The use of nonoriginal spare parts results in the loss of all claims, regarding warranty as well as product liability.

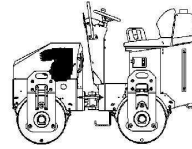
The relevant sales terms and delivery conditions are valid for all spare parts deliveries.

We reserve the right for technical modifications without prior notification.

**PLEASE STATE THE FOLLOWING WHEN ORDERING SPARE PARTS:**

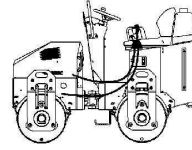
- machine type**
- Serial number (e.g. 101 400 04 1001)**
- Engine type and number resp. component number**
- Part number**
- Quantity**
- Designation**

Engine / Fitting Parts



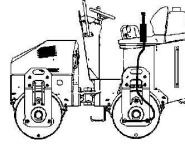
10

Power Transmission / Actuation



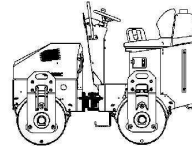
20

Brake system



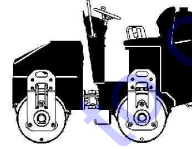
30

Steering System



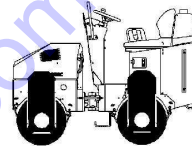
40

Frame with Attachment Parts



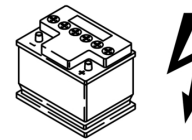
50

Drum / Tires



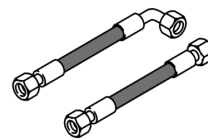
60

Electrical System



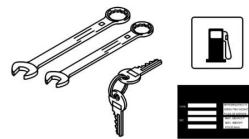
80

Hydraulic



90

Accessories



100

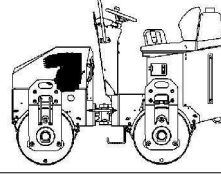
Special Equipment

**Option**

110

Go to Discount-Equipment.com to order your parts

**Engine / Fitting Parts**



**10**

[Go to Discount-Equipment.com](http://Discount-Equipment.com) to order your parts

**10.00**

Engine / Fitting Parts

Page /



**For this catalogue group no illustration.**


[Go to Discount-Equipment.com](http://Discount-Equipment.com) to order your parts

**Pos. Description**

- 11.00 Engine Parts List
- 11.01 Crankcase
- 11.02 Front Cover
- 11.08 Cylinder Head
- 11.09 Camshaft
- 11.19 Crankshaft And Piston
- 11.22 Dry Air Filter
- 11.25 Throttle Control
- 11.34 Generator And Starter
- 11.44 Covering
- 11.46 Contact Breaker/Ign.Coil
- 11.50 Fuel Lift Pump
- 11.53 Carburetor
- 11.96 Other Parts
- 12.13 Engine
- 12.14 Pump Mounting
- 12.31 Exhaust System


Go to Discount-Equipment.com to order your parts



<b>11.00</b>	Engine no. S/N GCAMG-1042803 ▶
Page 1 / 1	Engine Parts List GX630R1
 <b>BOMAG</b> FAYAT GROUP	

**For this catalogue group no illustration.**

[Go to Discount-Equipment.com](http://Discount-Equipment.com) to order your parts

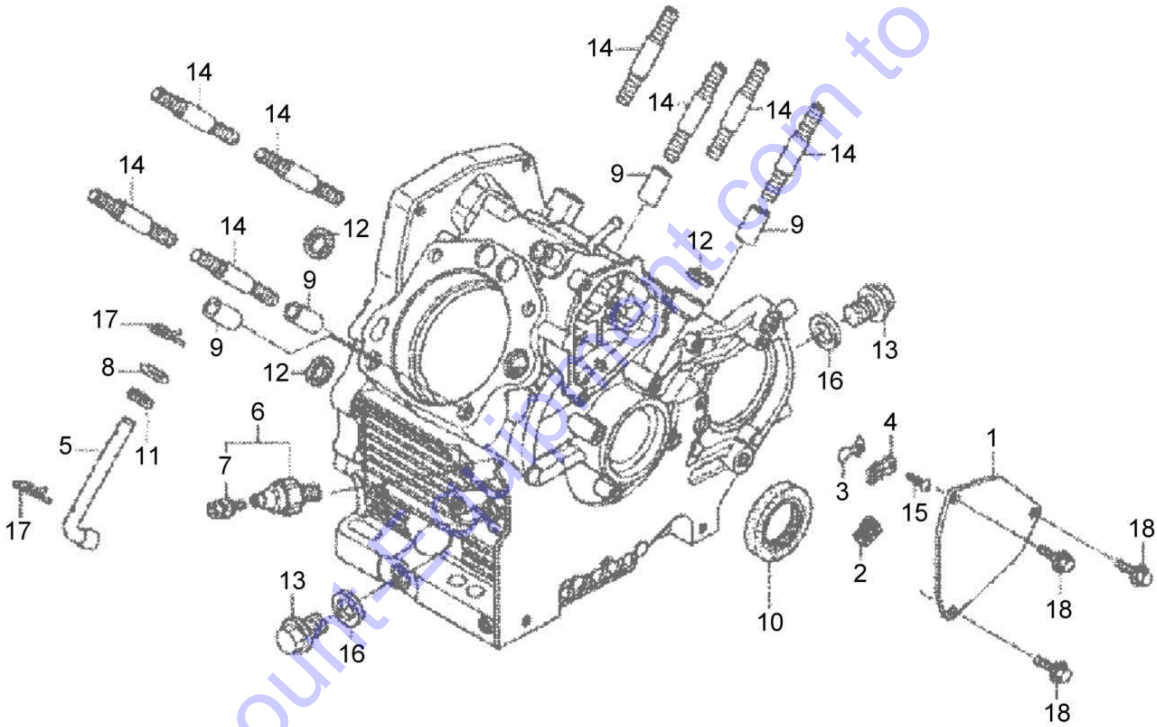
Engine no.	S/N GCAMG-1042803 ▶	
Engine Parts List	GX630R1	<b>11.00</b>
		Page 1 / 1
		
		8061 E

**Pos. Part no. Qty. Description**


1 05050376 1 Four-stroke engine

Go to Discount-Equipment.com to order your parts

<b>11.01</b>	Engine no.	S/N GCAMG-1042803 ▶
	<b>Crankcase</b>	
Page <b>1 / 1</b>		
<b>BOMAG</b> FAYAT GROUP		MOT012867_000_00




Go to Discount [www.discountpart.com](http://www.discountpart.com) to order your parts

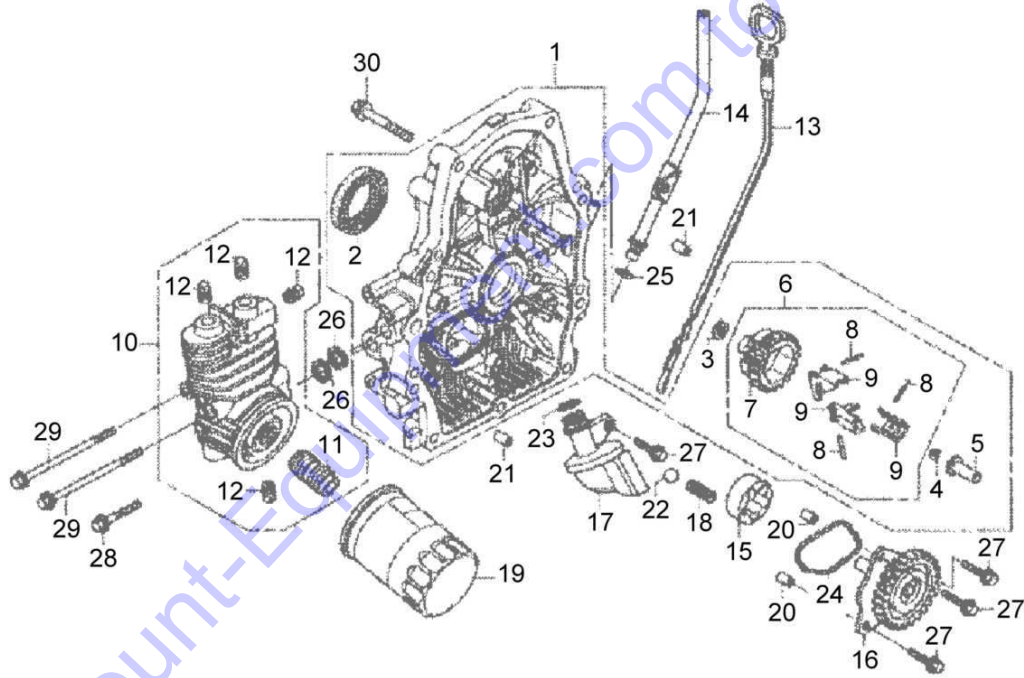
Engine no.	S/N GCAMG-1042803 ▶	<b>11.01</b>
<b>Crankcase</b>		
		Page <b>1 / 1</b>
	MOT012867 8061 E	


**Pos. Part no. Qty. Description**

1	05748705	1	Cover
2	05748706	1	Filter
3	05748707	1	Oil drain valve
4	05748708	1	Stop plate
5	05748758	1	Shaft
6	05748709	1	Oil pressure switch
7	05747943	1	>Bolt and washer
8	05748710	1	Washer
9	05748711	4	Dowel pin
10	05748712	1	Radial seal
11	05748713	1	Radial seal
12	05748714	3	Gasket
13	05748715	2	Oil drain plug
14	05748716	8	Stud
15	05748717	1	Taper handle screw
16	05748718	2	Gasket, oil drain
17	05748349	2	Safety bow
18	05747779	3	Screw

Go to Discount-Equipment.com to order your parts

<b>11.02</b>	Engine no.	S/N GCAMG-1042803 ▶
	<b>Front Cover</b>	
Page	<b>1 / 1</b>	
 <b>BOMAG</b> FAYAT GROUP	MOT012868_000_00	

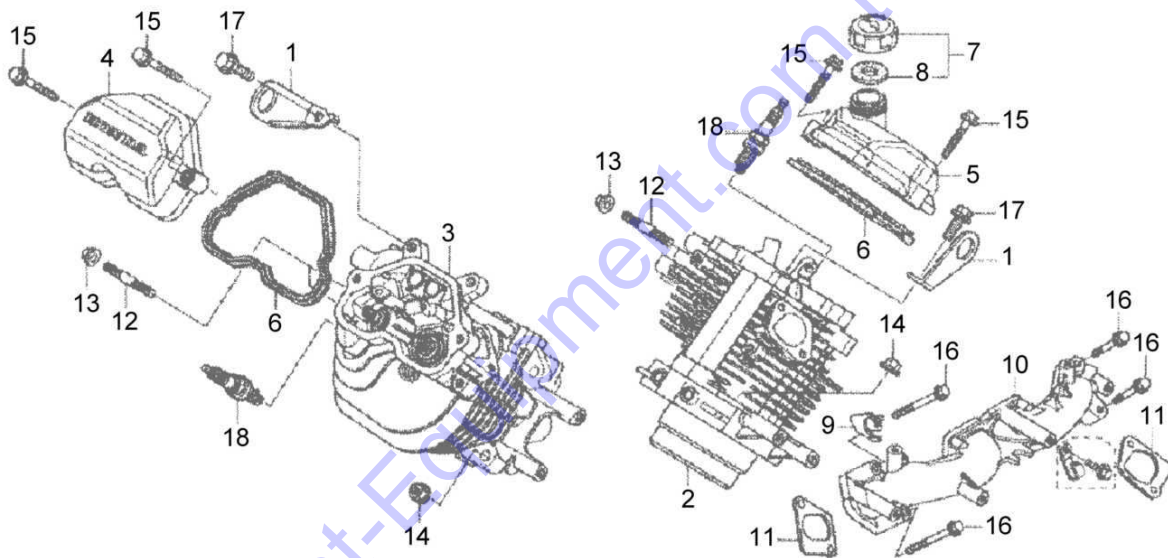



Engine no.	S/N GCAMG-1042803 ▶	<b>11.02</b>
<b>Front Cover</b>		
		Page <b>1 / 1</b>
		
		MOT012868 8061 E

Pos.	Part no.	Qty.	Description
1	05748719	1	Housing cover
2	05748739	1	>Radial seal
3	05748735	1	>Washer
4	05747377	1	>Spring ring
5	05748734	1	>Spool valve
6	05748730	1	>Governor / controller
7	05748732	1	>>Holder
8	05748733	3	>>Pin
9	05748731	3	>>Governor weight
10	05748725	1	Oil filter
11	05748726	1	>Holder
12	05748727	4	>Sealing screw
13	05748728	1	Oil dip stick
14	05748729	1	Oil dip stick guide
15	05748720	1	Rotor
16	05748721	1	Gear wheel
17	05748722	1	Oil screen
18	05748723	1	Valve spring
19	05748724	1	Oil filter cartridge
20	05748736	2	Dowel pin
21	05748737	2	Dowel pin
22	05748738	1	Steel ball
23	05748740	1	O-ring
24	05748741	1	O-ring
25	05748742	1	O-ring
26	05748714	2	Gasket
27	05747452	4	Screw
28	05748059	1	Screw
29	05748743	2	Screw
30	05748744	9	Screw

Go to DiscountEquipment.com to order your parts

<b>11.08</b>	Engine no.	S/N GCAMG-1042803 ▶
	<b>Cylinder Head</b>	
Page <b>1 / 1</b>		
<b>BOMAG</b> FAYAT GROUP		MOT012869_000_00



Engine no. S/N GCAMG-1042803 ▶		<b>11.08</b>
<b>Cylinder Head</b>		
MOT012869 8061 E		Page <b>1 / 1</b>
		

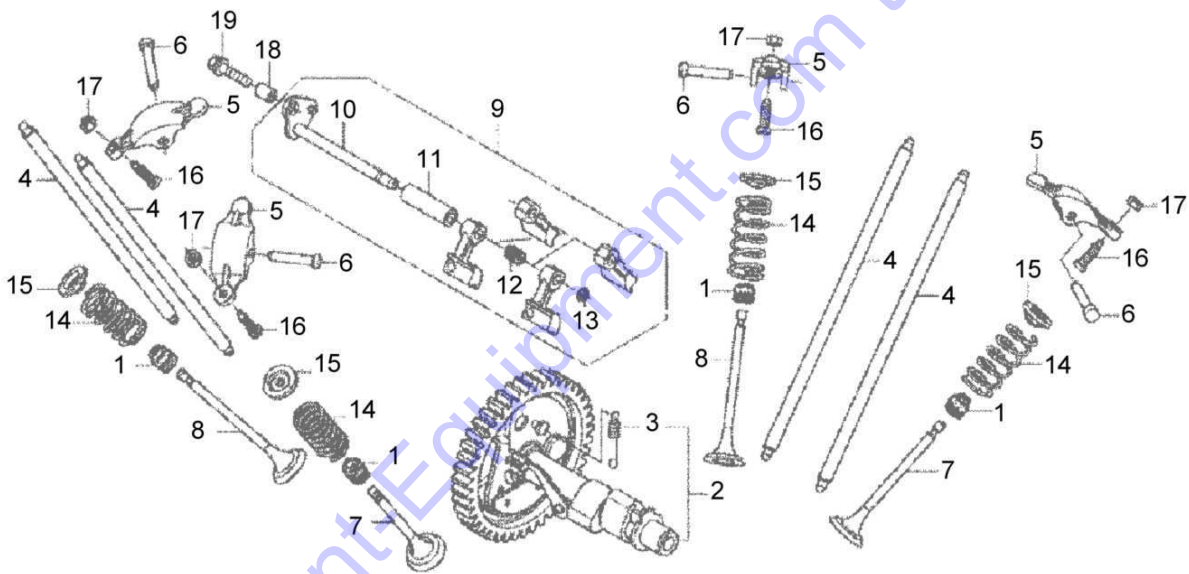
**Pos. Part no. Qty. Description Designation**


1	05748745	2	Engine suspension	
2	05748746	1	Cylinder head	
3	05748747	1	Cylinder head	
4	05748748	1	Cylinder head cover	
5	05748749	1	Cylinder head cover	
6	05748750	2	Valve cover gasket	
7	05748751	1	Oil filler cover	
8	05748752	1	>Gasket	
9	05748753	1	Strut	
10	05748754	1	Intake manifold	
11	05748755	2	Gasket,intake manifold	
12	05748756	4	Stud	
13	05747998	4	Nut	
14	05747379	8	Collar nut	
15	05748757	4	Screw	
16	05748888	4	Screw	
17	05748035	2	Screw	
18	05748759	2	Spark plug	

Go to Discount-Equipment.com to order your parts



<b>11.09</b>	Engine no.	S/N GCAMG-1042803 ▶
	Camshaft	
Page <b>1 / 1</b>		
<b>BOMAG</b> FAYAT GROUP		MOT012870_000_00

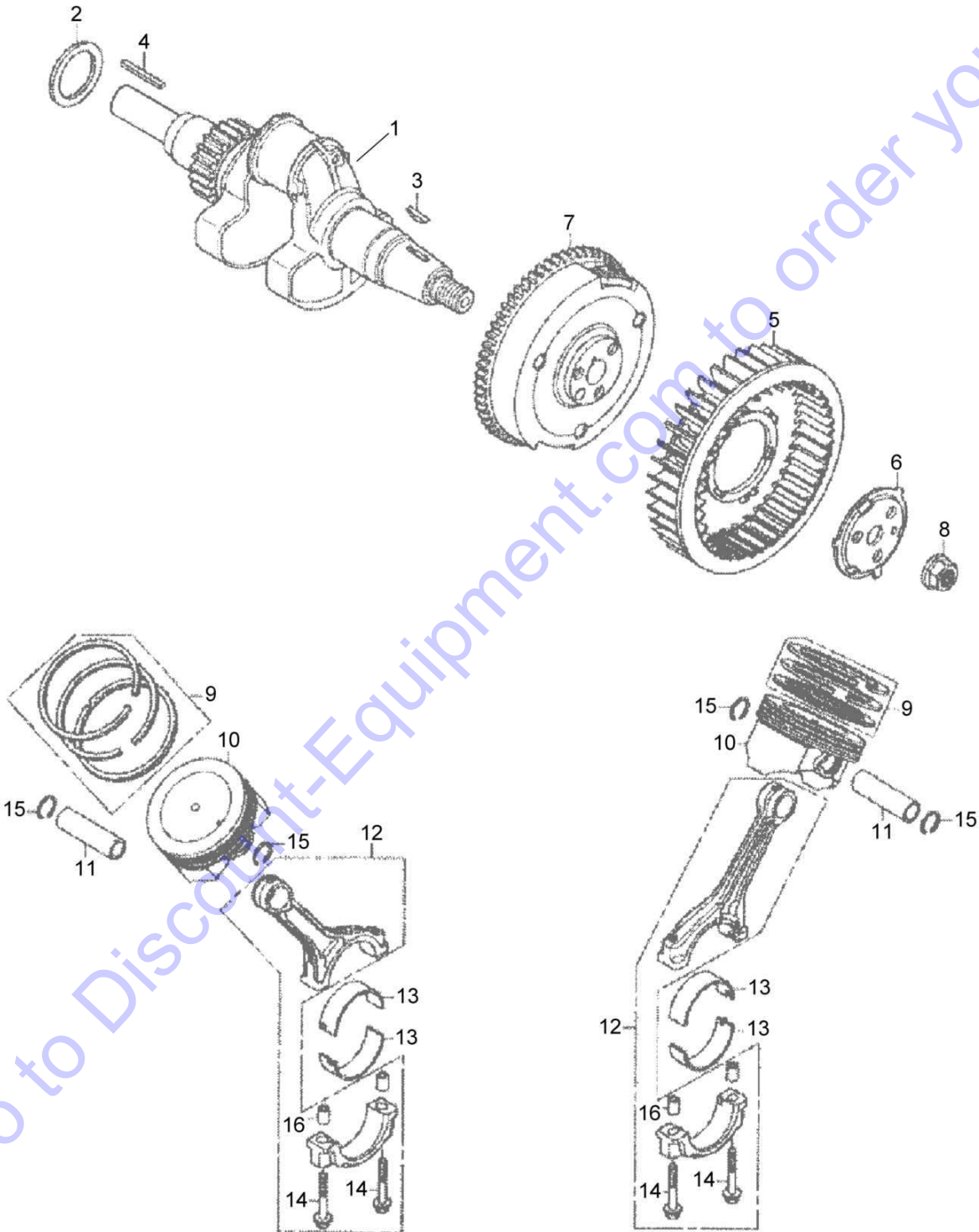



Engine no.	S/N GCAMG-1042803 ▶	<b>11.09</b>
<b>Camshaft</b>		
		Page <b>1 / 1</b>
		
		MOT012870 8061 E

Pos.	Part no.	Qty.	Description
1	05748760	4	Valve stem seal
2	05748761	1	Camshaft
3	05748765	1	>Return spring
4	05748762	4	Cam plunger
5	05748763	4	Rocker arm
6	05748764	4	Rocker lever axle
7	05748766	2	Inlet valve
8	05748767	2	Outlet valve
9	05748768	1	Plunger
10	05748769	1	>Shaft
11	05748771	1	>Sleeve
12	05748772	1	>Valve spring
13	05747377	1	>Spring ring
14	05748770	4	Valve spring
15	05747106	4	Valve plate
16	05748773	4	Setscrew
17	05748774	4	Adjustment nut
18	05748736	1	Dowel pin
19	05748775	1	Screw

Go to Discount-Equipment.com to order your parts

<b>11.19</b>	Engine no. S/N GCAMG-1042803 ▶
	<b>Crankshaft And Piston</b>
Page <b>1 / 1</b>	
<b>BOMAG</b> FAYAT GROUP	MOT012871_000_00




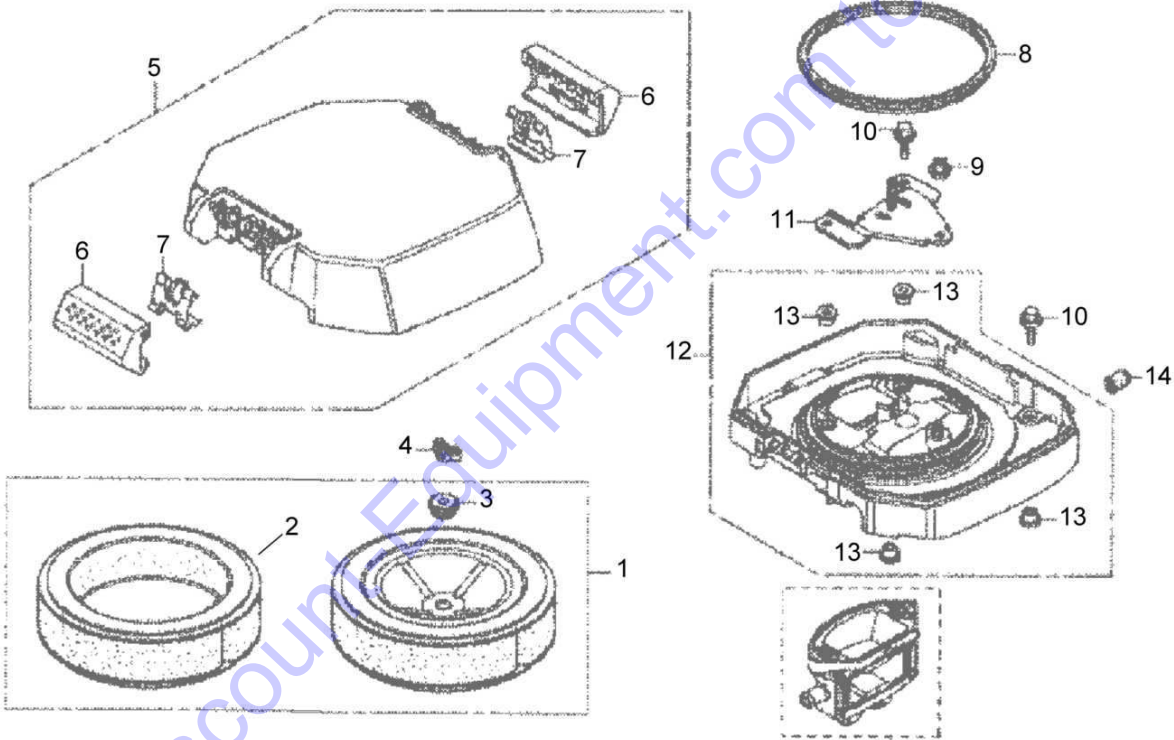
Engine no.	S/N GCAMG-1042803 ▶	<b>11.19</b>
<b>Crankshaft And Piston</b>		
		Page <b>1 / 1</b>
		
		MOT012871 8061 E


Pos.	Part no.	Qty.	Description
------	----------	------	-------------

1	05748776	1	Crankshaft
2	05748777	1	Thrust disc
3	05748034	1	Tepered disc
4	09181211	1	Fitting key
5	05748778	1	Fan
6	05748779	1	Set plate
7	05748780	1	Flywheel
8	05748781	1	Nut
9	05748782	2	Piston ring set Standard
10	05748783	2	Piston
11	05748784	2	Floating wrist pin
12	05748785	2	Conrod
13	05748786	4	Conrod bearing
14	05748787	4	Conrod screw
15	05747239	4	Spring ring
16	05748788	4	Dowel pin

Go to Discount-Equipment.com to order your parts

<b>11.22</b>	Engine no. S/N GCAMG-1042803 ▶
Page 1 / 1	<b>Dry Air Filter</b>
 <b>BOMAG</b> <small>FAYAT GROUP</small>	MOT012872_000_00

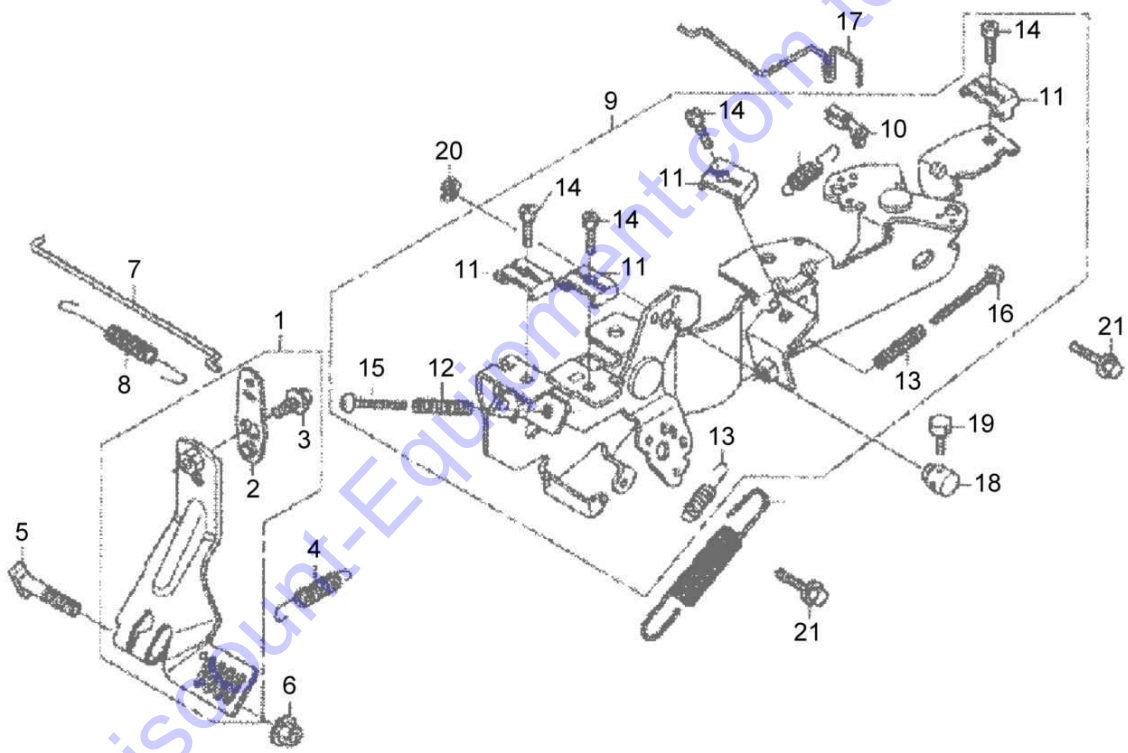



Engine no. S/N GCAMG-1042803 ▶		<b>11.22</b>
Dry Air Filter		
MOT012872 8061 E		Page 1 / 1
		

Pos.	Part no.	Qty.	Description
1	05748789	1	Air filter element
2	05748800	1	>External filter
3	05748793	1	>Rubber grommet
4	05747183	1	Wing nut
5	05748792	1	Cover, air filter
6	05748794	2	>Handle
7	05748795	2	>Spring
8	05748796	1	Packing, air cleaner
9	05747312	1	Collar nut
10	05748798	1	Screw
11	05748791	1	Air filter bracket
12	05748790	1	Air filter housing
13	05748797	4	>Sleeve
14	05748799	1	Sealing cap

Go to Discount-Equipment.com to order your parts

<b>11.25</b>	Engine no. S/N GCAMG-1042803 ▶
	Throttle Control
Page 1 / 1	
<b>BOMAG</b> FAYAT GROUP	MOT012873_000_00




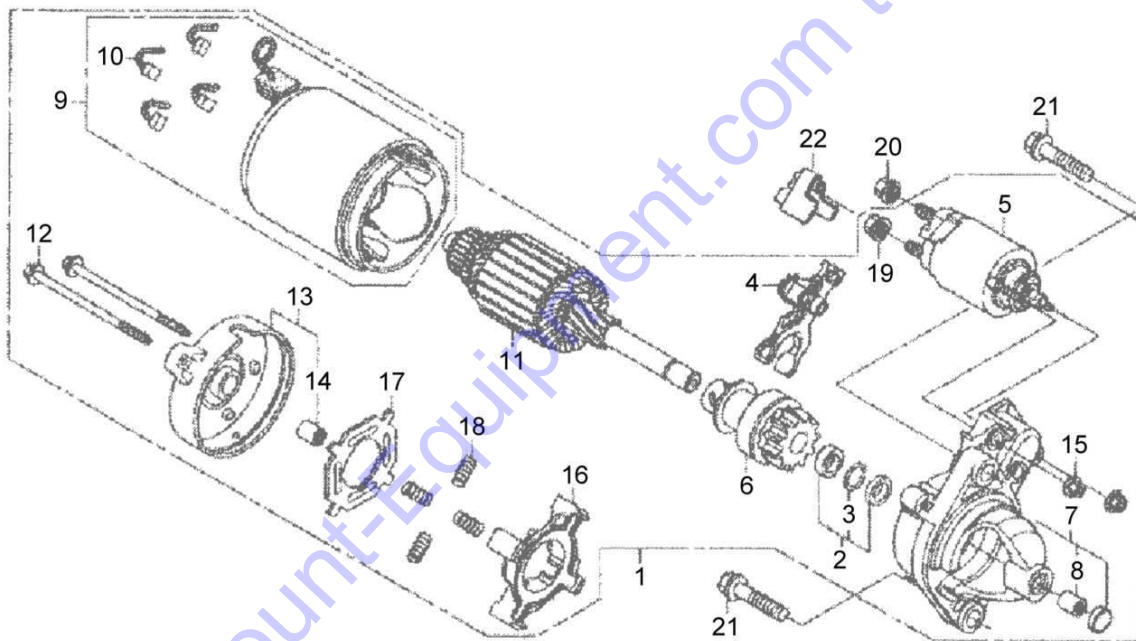
Engine no. S/N GCAMG-1042803 ▶		<b>11.25</b>
<b>Throttle Control</b>		
MOT012873 8061 E		Page <b>1 / 1</b>
		


Pos.	Part no.	Qty.	Description
1	05748806	1	Arm governor
2	05748807	1	>Lever
3	05747217	1	>Screw
4	05748805	1	Spring
5	05748813	1	Screw
6	05747312	1	Collar nut
7	05748808	1	Governor rod
8	05748810	1	Return spring
9	05748802	1	Control assy.
10	05748804	1	>Connecting rod
11	05747418	1	>Cable clip
12	05747158	2	>Adjusting spring
13	05748066	2	>Return spring
14	05748068	4	>Screw
15	05748815	1	>Screw
16	05748832	1	>Screw
17	05748811	1	Rod
18	05748812	1	Cableclip
19	05748814	1	Screw
20	05748817	1	Ring
21	05747779	2	Screw

Go to Discount-Equipment.com to order your parts



<b>11.34</b>	Engine no. S/N GCAMG-1042803 ▶
Page 1 / 1	<b>Generator And Starter</b>
	MOT012874_000_00



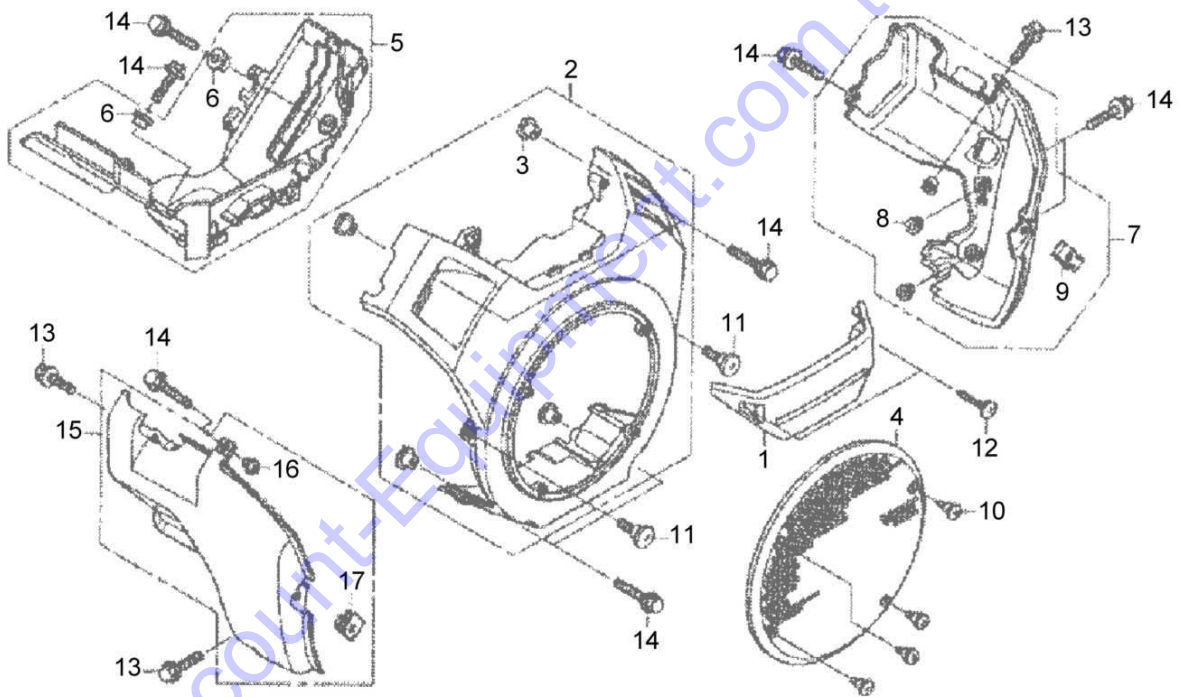
Engine no.	S/N GCAMG-1042803 ▶	<b>11.34</b>
<b>Generator And Starter</b>		
		Page <b>1 / 1</b>
		
		MOT012874 8061 E


**Pos. Part no. Qty. Description**

1	05748820	1	Starter
2	05748133	1	>Collar
3	05748132	1	>>Spring ring
4	05748135	1	>Control lever
5	05748821	1	>Switch
6	05748822	1	>Coupling
7	05748823	1	>Housing
8	05748149	1	>>Bearing
9	05748825	1	>Yoke
10	05748139	4	>>Carbon brush
11	05748824	1	>Anchor
12	05748142	2	>Screw
13	05748826	1	>Cover
14	05748149	1	>>Bearing
15	05748145	2	>Collar nut
16	05748146	1	>Brush holder
17	05748147	1	>Insulator
18	05748140	4	>Pressure spring
19	05748144	1	>Hexagon nut
20	05748828	1	>Nut
21	05748829	2	>Screw
22	05748827	1	>Cover

Go to Discount-Equipment.com to order your parts

<b>11.44</b>	Engine no.	S/N GCAMG-1042803 ▶
	Page	1 / 1
<b>BOMAG</b> FAYAT GROUP	Covering	MOT012875_000_00

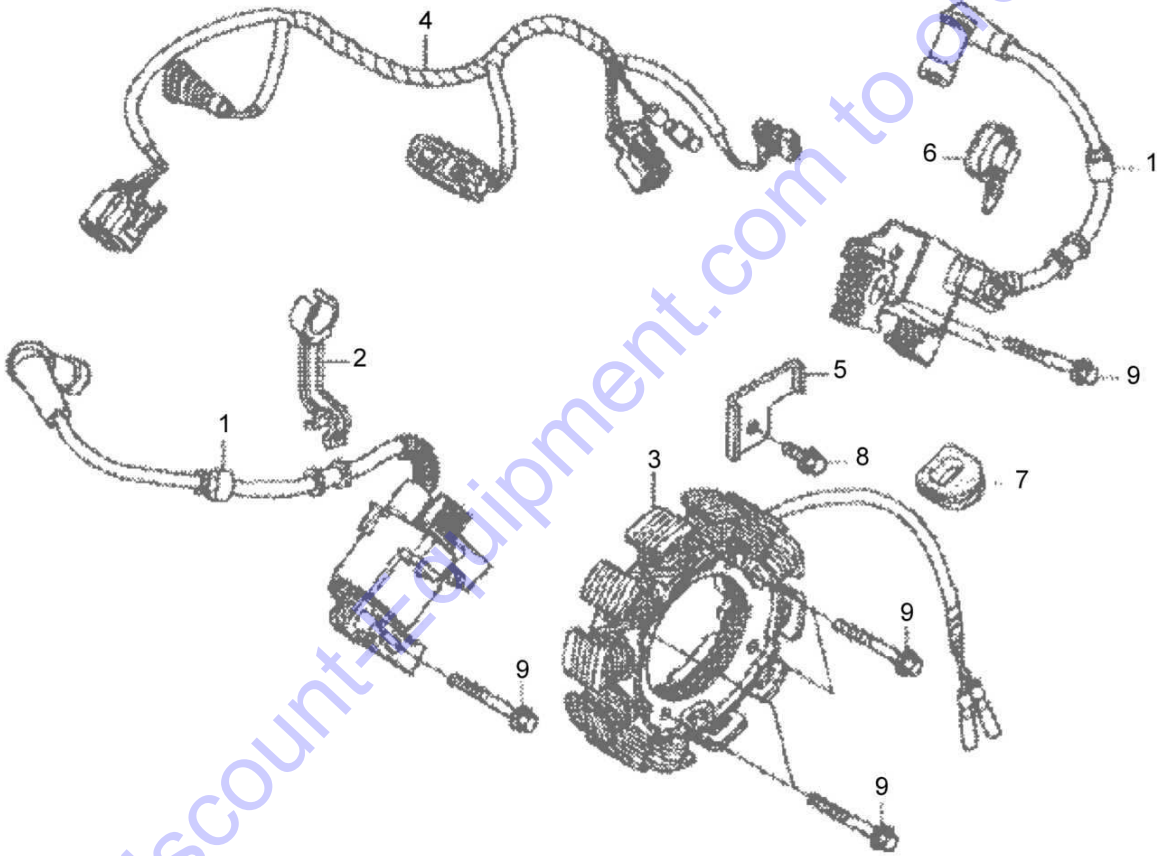


Engine no. S/N GCAMG-1042803 ▶		<b>11.44</b>
Covering		
MOT012875 8061 E		Page 1 / 1
		


Pos.	Part no.	Qty.	Description
1	05748830	1	Cover
2	05748831	1	Cover
3	05748797	4	>Sleeve
4	05748833	1	Guard
5	05748834	1	Apron
6	05748797	2	>Sleeve
7	05748835	1	Protection, right
8	05748797	3	>Sleeve
9	05748837	1	>Nut
10	05748838	2	Screw
11	05748839	1	Screw
12	05748081	2	Self tapping screw
13	05747902	3	Screw
14	05747452	8	Screw
15	05748836	1	Protection left
16	05748797	1	>Sleeve
17	05748837	1	>Nut

Go to Discount-Equipment.com to order your parts

<b>11.46</b>	Engine no.	S/N GCAMG-1042803 ▶
	<b>Contact Breaker / Ignition Coil</b>	
Page <b>1 / 1</b>		
<b>BOMAG</b> FAYAT GROUP		MOT012876_000_00



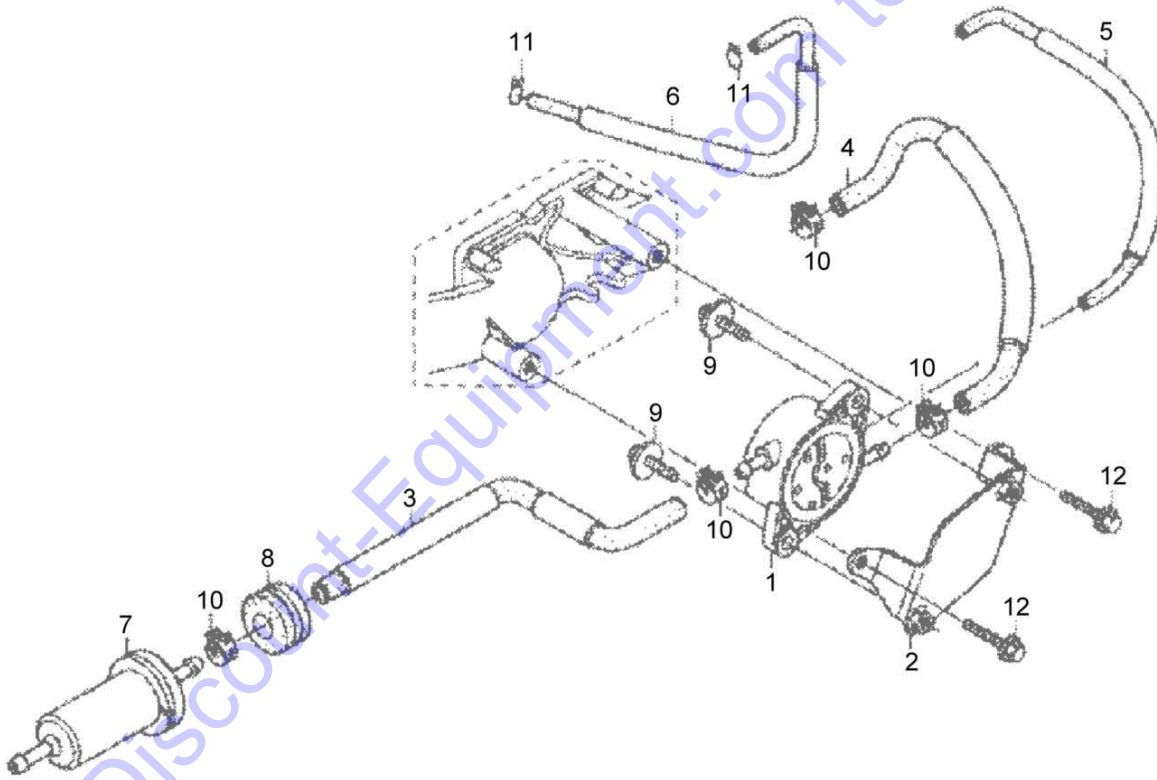
Go to Discount-Equipment.com to order your parts


Engine no.	S/N GCAMG-1042803 ▶	<b>11.46</b>
<b>Contact Breaker / Ignition Coil</b>		
		Page <b>1 / 1</b>
		
		MOT012876 8061 E

Pos.	Part no.	Qty.	Description
1	05748840	2	Coil,ignition
2	05748841	1	Clamp
3	05748842	1	Coil
4	05748843	1	Wire harness
5	05748844	1	Bow
6	05748845	1	Wiring strap
7	05748847	1	Rubber grommet
8	05747380	7	Screw
9	05748848	8	Screw

Go to [Discount-Equipment.com](http://Discount-Equipment.com) to order your parts

<b>11.50</b>	Engine no. S/N GCAMG-1042803 ▶
	Fuel Lift Pump
Page 1 / 1	
<b>BOMAG</b> FAYAT GROUP	MOT012877_000_00



Engine no. S/N GCAMG-1042803 ▶		<b>11.50</b>
<b>Fuel Lift Pump</b>		
MOT012877 8061 E		Page <b>1 / 1</b>
		

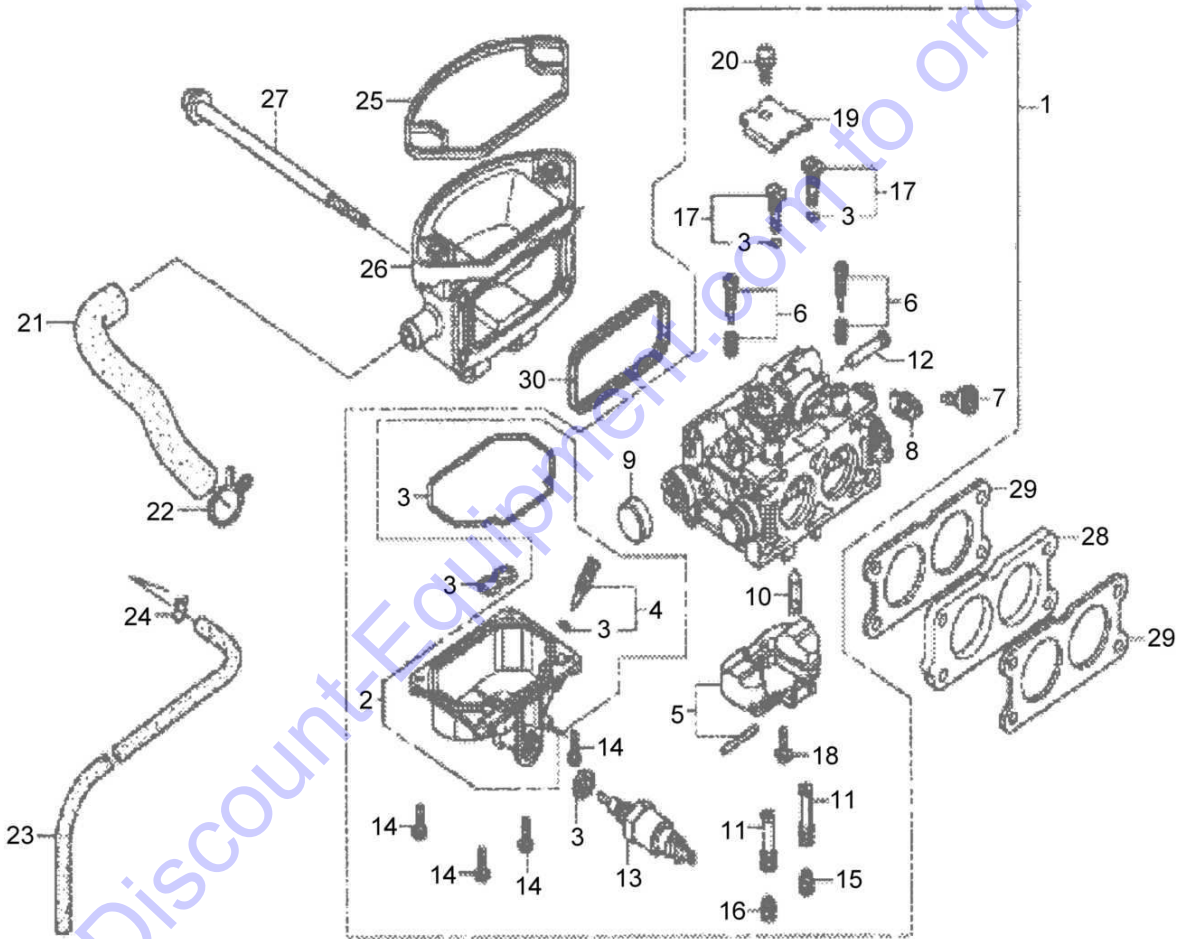
**Pos. Part no. Qty. Description**


1	05748849	1	Fuel pump
2	05748850	1	Holder
3	05748851	1	Fuel hose
4	05748852	1	Fuel hose
5	05748853	1	Bleeding tube
6	05748854	1	Fuel hose
7	05748855	1	Strainer,fuel
8	05748856	1	Rubber grommet
9	05748102	2	Bolt and washer
10	05748857	3	Clip
11	05748858	2	Hose clip
12	05747779	2	Screw

Go to Discount-Equipment.com to order your parts




<b>11.53</b>	Engine no.	S/N GCAMG-1042803 ▶
	Page	1 / 1
<b>BOMAG</b> FAYAT GROUP	Carburetor	MOT012878_000_00

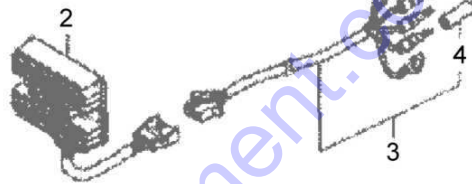


Engine no.	S/N GCAMG-1042803 ▶	<b>11.53</b>
<b>Carburetor</b>		
		Page 1 / 1 Seite 1 / 1
	MOT012878 8061 E	


Pos.	Part no.	Qty.	Description
1	05748867	1	Carburetor
2	05748865	1	>Floater housing
3	05748863	1	>>Kit,seal
4	05748110	1	>>Drain plug
5	05748864	1	>Float set
6	05748866	2	>Kit, bolts
7	05747148	1	>Stop screw
8	05748869	1	>Arm
9	05748113	1	>Dust cap
10	05748868	1	>Kit,floater valve
11	05748870	2	>Main nozzle
12	05748871	1	>Strainer,fuel
13	05748873	1	>Valve
14	05748881	4	>Screw
15	05748889	1	>Main nozzle #102 Standard
15	05748503	1	>Main nozzle #90
15	05748882	1	>Main nozzle #95
16	05748890	1	>Main nozzle #105 Standard
16	05748504	1	>Main nozzle #92
16	05748883	1	>Main nozzle #98
17	05748884	2	>Kit,nozzle
18	05748885	1	>Screw
19	05748886	1	>Plate
20	05748887	1	>Screw
21	05748862	1	Bleeding tube
22	05748878	1	Hose clip
23	05748872	1	Drain hose
24	05747193	1	Hose clip
25	05748877	1	Gasket
26	05748879	1	Knuckle tube
27	05748880	4	Screw
28	05748874	1	Insulator
29	05748875	2	Gasket,carburetor
30	05748876	1	Packing, air cleaner

Go to [www.equipment.com](http://www.equipment.com) to order your parts

<b>11.96</b>	Engine no. S/N GCAMG-1042803 ▶
Page 1 / 1	<b>Other Parts</b>
 <b>BOMAG</b> FAYAT GROUP	MOT012879_000_00



Go to Discount-Equipment.com to order your parts

Engine no.	S/N GCAMG-1042803 ▶	
Other Parts		<b>11.96</b>
		Page 1 / 1
		
		MOT012879 8061 E

**Pos. Part no. Qty. Description**

1	05747991	2	Exhaust gasket
2	05748859	1	Rectifier
3	05748860	1	Wire harness
4	05748861	1	>Plug

Go to Discount-Equipment.com to order your parts

BW 900-50

S/N 861834071111 ▶

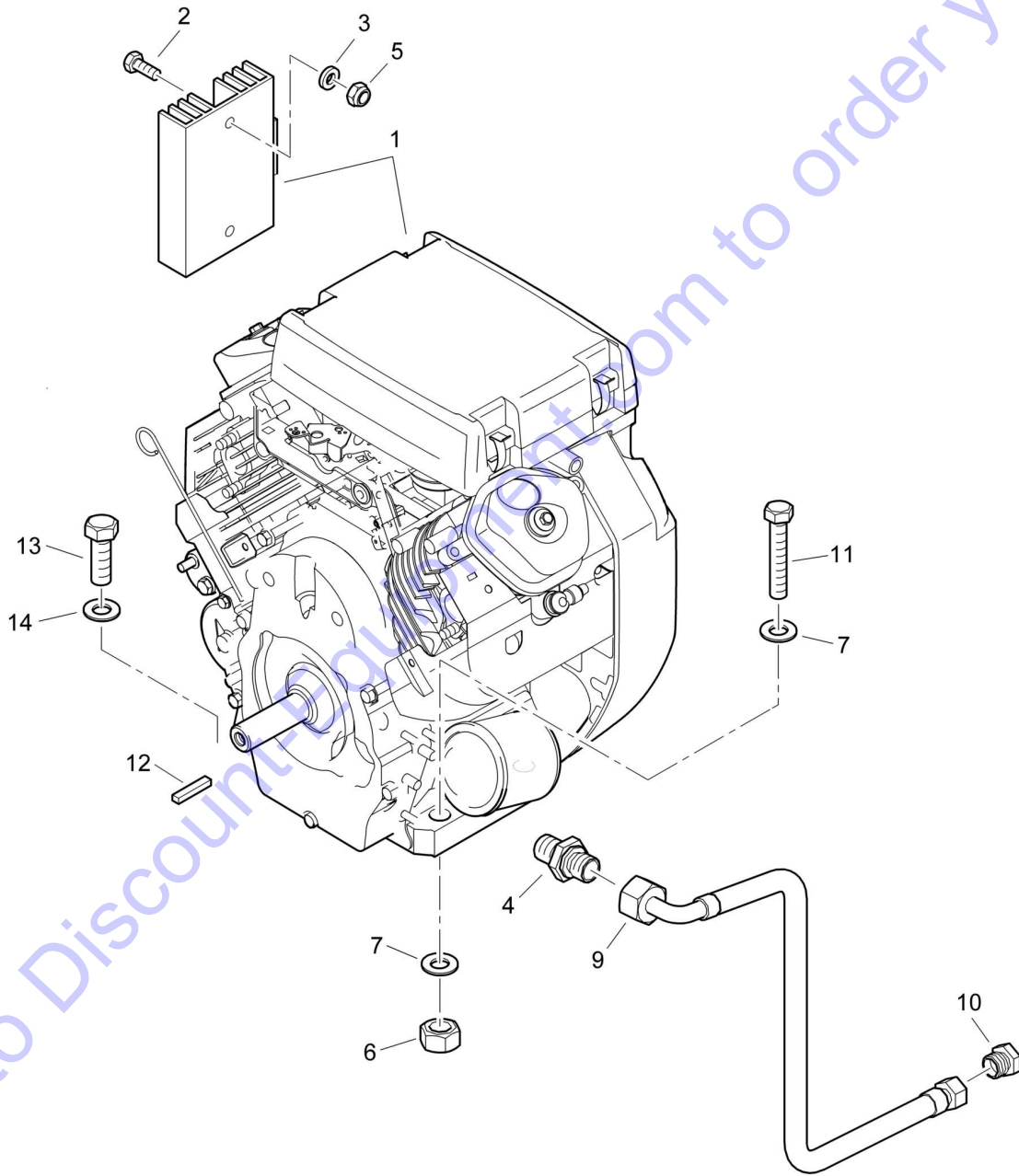
**12.13**

**Engine**


Page **1 / 1**



83408035\_000\_02



83408035\_000\_02

BW 900-50		
S/N 861834071111 ▶		
Engine		<b>12.13</b>
		Page <b>1 / 1</b>
	83408035 8061 1	

Pos.	Part no.	Qty.	Description
1	05050376	1	Four-stroke engine
2	07140633	2	Hexagon bolt
3	08510612	2	Washer
4	05050426	1	Double-ended union
5	08130611	2	Safety nut
6	08131016	2	Safety nut
7	08511021	4	Washer
9	05050505	1	Hose assy.ac.WN3111
10	05546205	1	Locking cap
11	07141048	2	Hexagon bolt
12	09181211	1	Fitting key
13	07141039	2	Hexagon bolt
14	08752106	2	Spring washer

Go to [Discount-Equipment.com](http://Discount-Equipment.com) to order your parts

BW 900-50

S/N 861834071005 ▶ S/N 861834071110

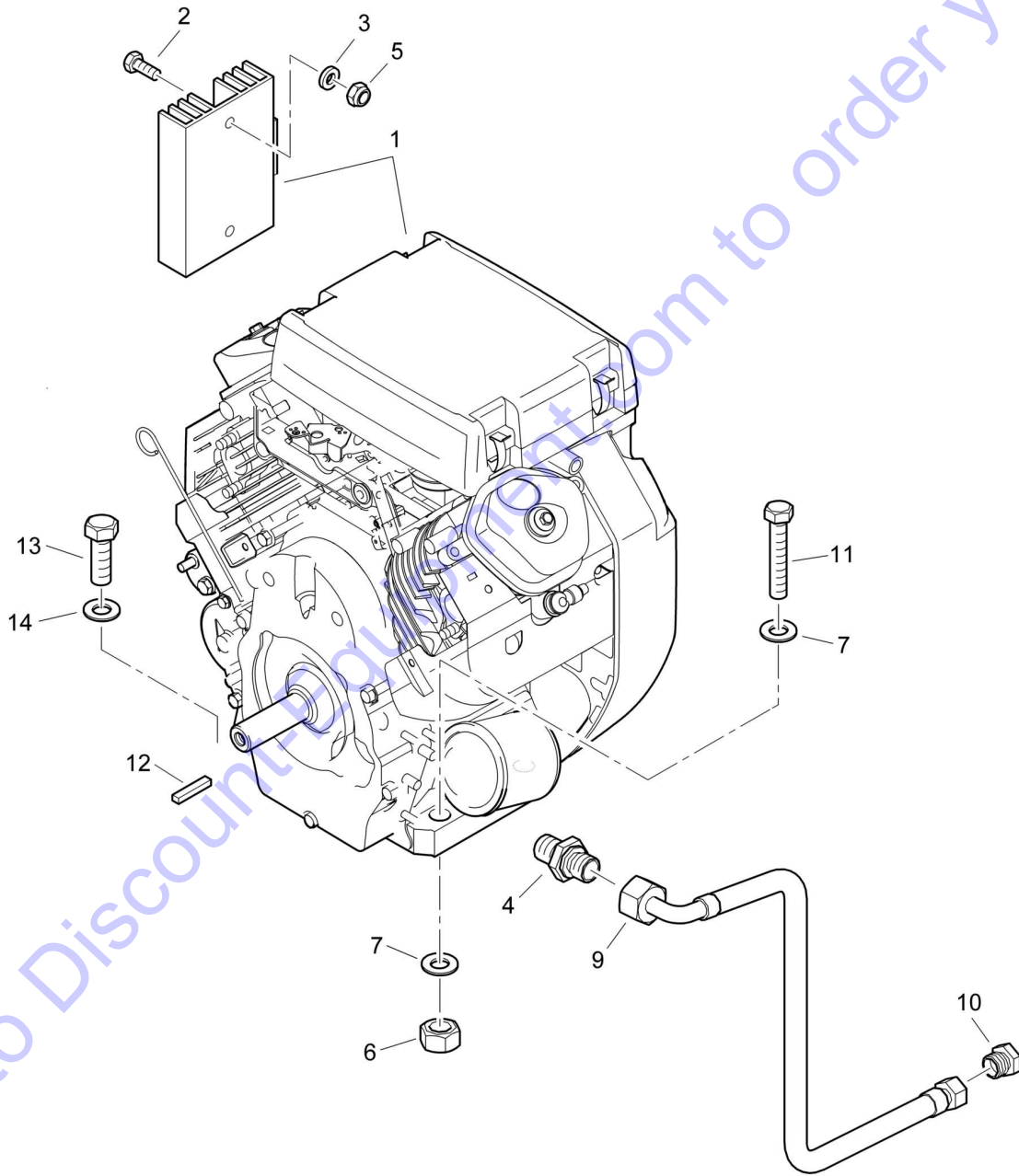
**12.13**

**Engine**


Page **1 / 1**



83408035\_000\_02



83408035\_000\_02

BW 900-50		
S/N 861834071005 ▶ S/N 861834071110		
<b>Engine</b>		<b>12.13</b>
		Page <b>1 / 1</b>
	83408035 8061 1	

Pos.	Part no.	Qty.	Description
1	05050376	1	Four-stroke engine
2	07140633	2	Hexagon bolt
3	08510612	2	Washer
4	05050426	1	Double-ended union
5	08130611	2	Safety nut
6	08131016	2	Safety nut
7	08511021	4	Washer
9	05594397	1	Hose assy.ac.WN3111
10	05546205	1	Locking cap
11	07141048	2	Hexagon bolt
12	09181211	1	Fitting key
13	07141039	2	Hexagon bolt
14	08752106	2	Spring washer

Go to [Discount-Equipment.com](http://Discount-Equipment.com) to order your parts



BW 900-50

S/N 861834071004 ▶ S/N 861834071004

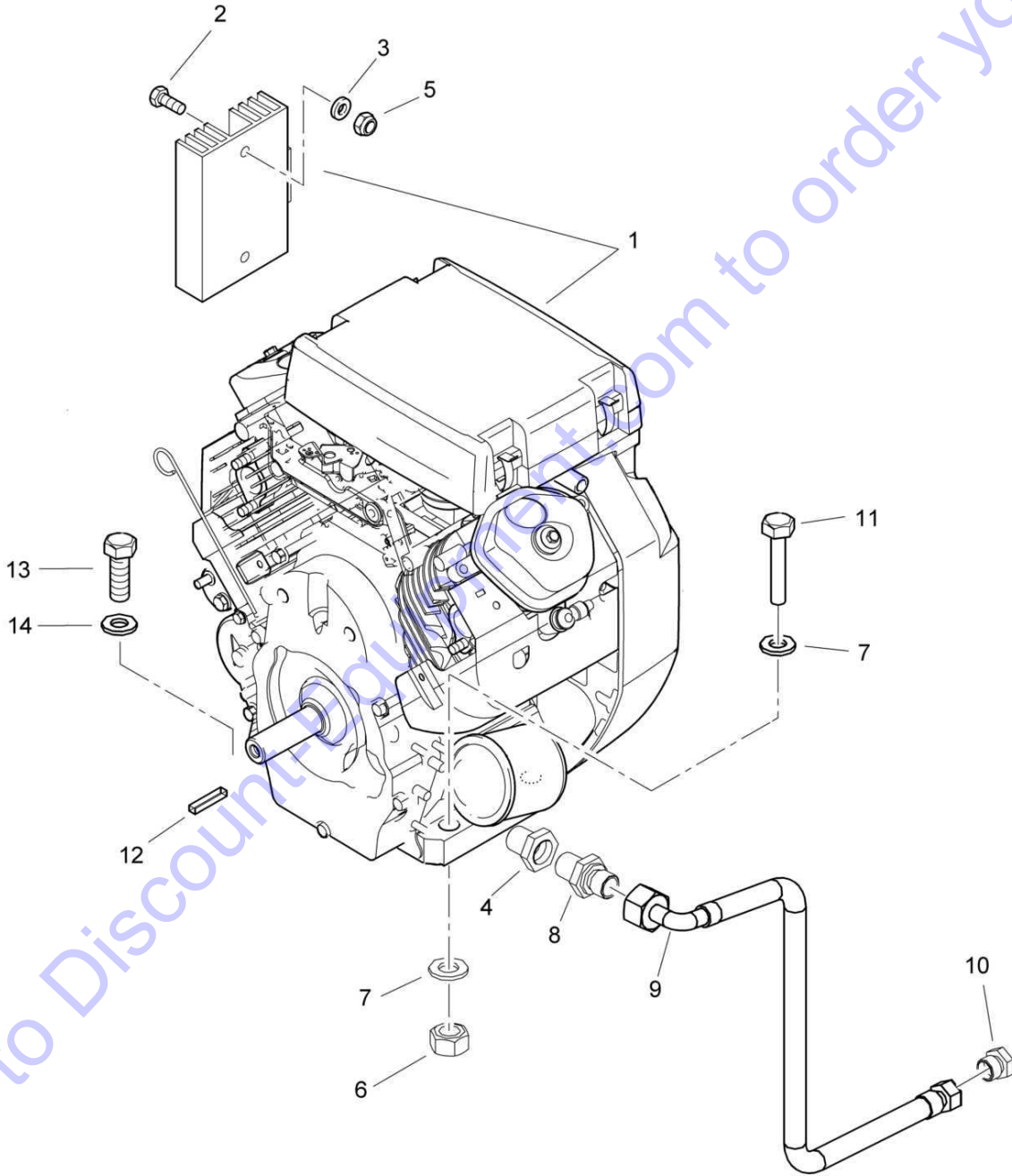
**12.13**

Engine


Page 1 / 1



83408035\_000\_01



83408035\_000\_01

BW 900-50		
S/N 861834071004 ▶ S/N 861834071004		<b>12.13</b>
<b>Engine</b>		Page <b>1 / 1</b>
	83408035 8061 1	

Pos.	Part no.	Qty.	Description
1	05050376	1	Four-stroke engine
2	07140633	2	Hexagon bolt
3	08510612	2	Washer
4	05050426	1	Double-ended union
5	08130611	2	Safety nut
6	08131016	2	Safety nut
7	08511021	4	Washer
9	05594397	1	Hose assy.ac.WN3111
10	05546205	1	Locking cap
11	07141048	2	Hexagon bolt
12	09181211	1	Fitting key
13	07141039	2	Hexagon bolt
14	08752106	2	Spring washer

Go to Discount-Equipment.com to order your parts

BW 900-50

S/N 861834071001 ▶ S/N 861834071003

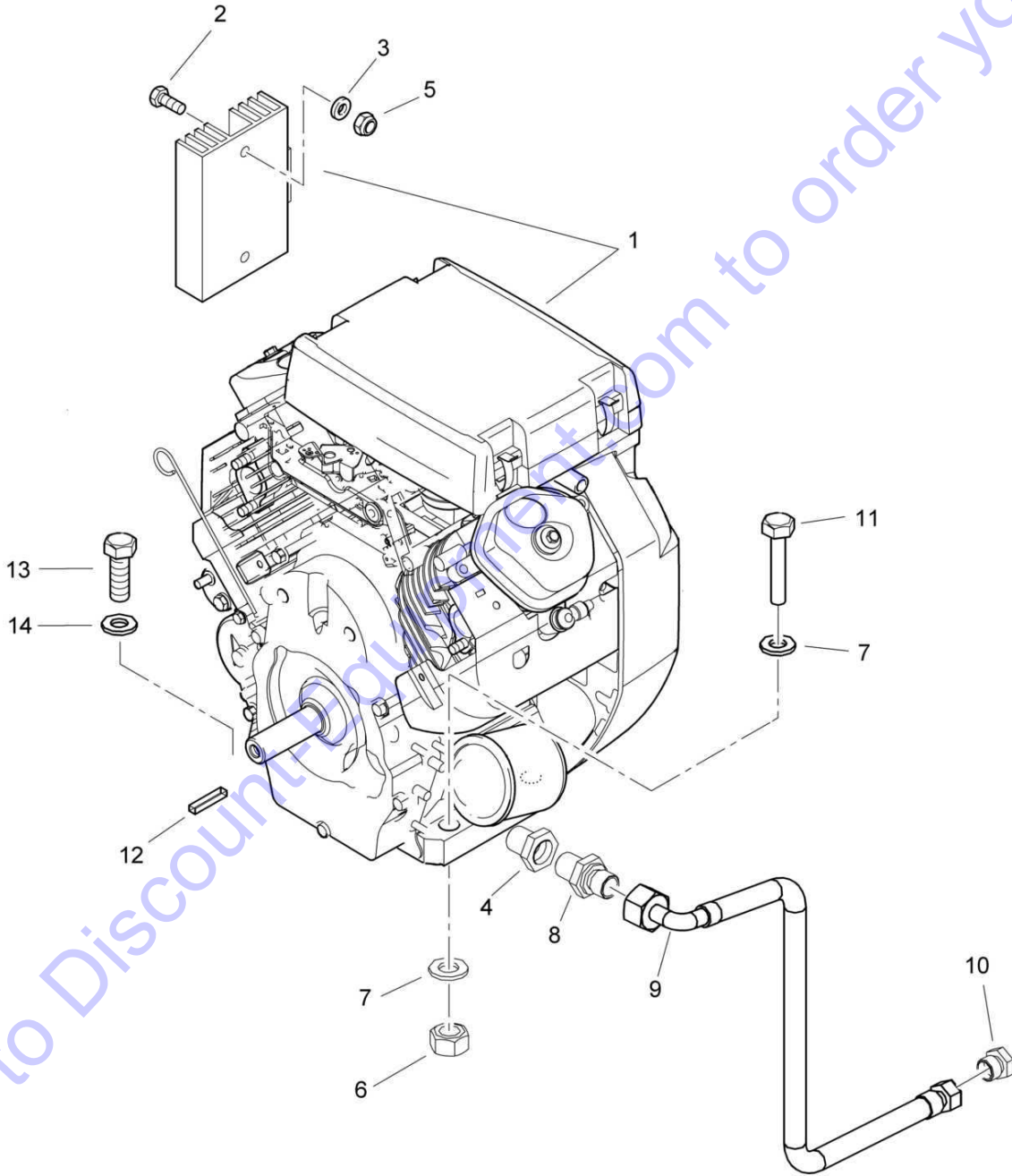
**12.13**

Engine

Page 1 / 1



83408035\_000\_01



83408035\_000\_01

BW 900-50		
S/N 861834071001 ▶ S/N 861834071003		
<b>Engine</b>		<b>12.13</b>
		Page <b>1 / 1</b>
	83408035 8061 1	

Pos.	Part no.	Qty.	Description
1	05050376	1	Four-stroke engine
2	07140633	2	Hexagon bolt
3	08510612	2	Washer
4	05050426	1	Double-ended union
5	08130611	2	Safety nut
6	08131016	2	Safety nut
7	08511021	4	Washer
8	05548008	1	Double-ended union
9	05594397	1	Hose assy.ac.WN3111
10	05546205	1	Locking cap
11	07141048	2	Hexagon bolt
12	09181211	1	Fitting key
13	07141039	2	Hexagon bolt
14	08752106	2	Spring washer

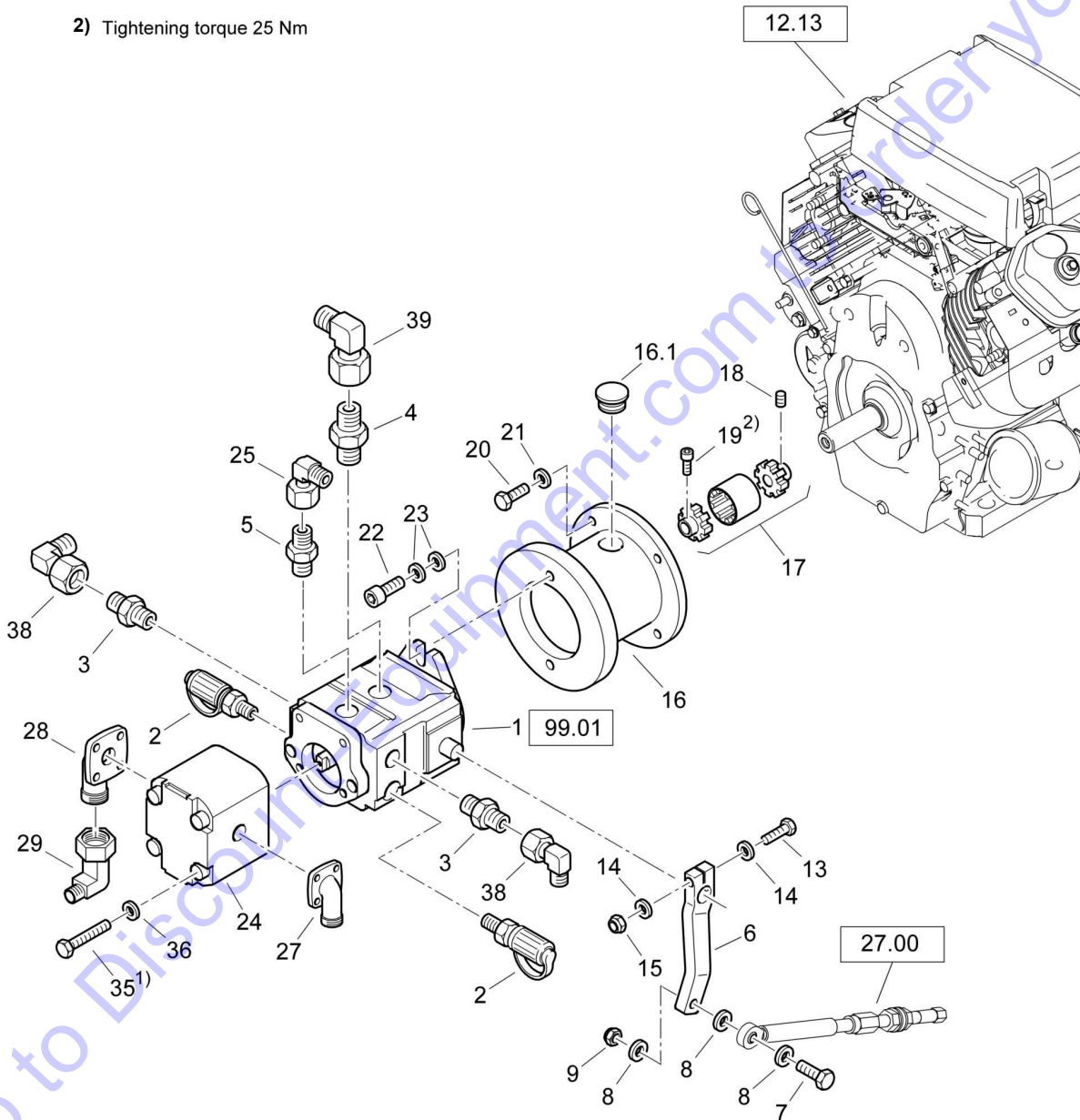
Go to Discount-Equipment.com to order your parts


# 12.14

## Pump Mounting

1) Tightening torque 45 Nm

2) Tightening torque 25 Nm

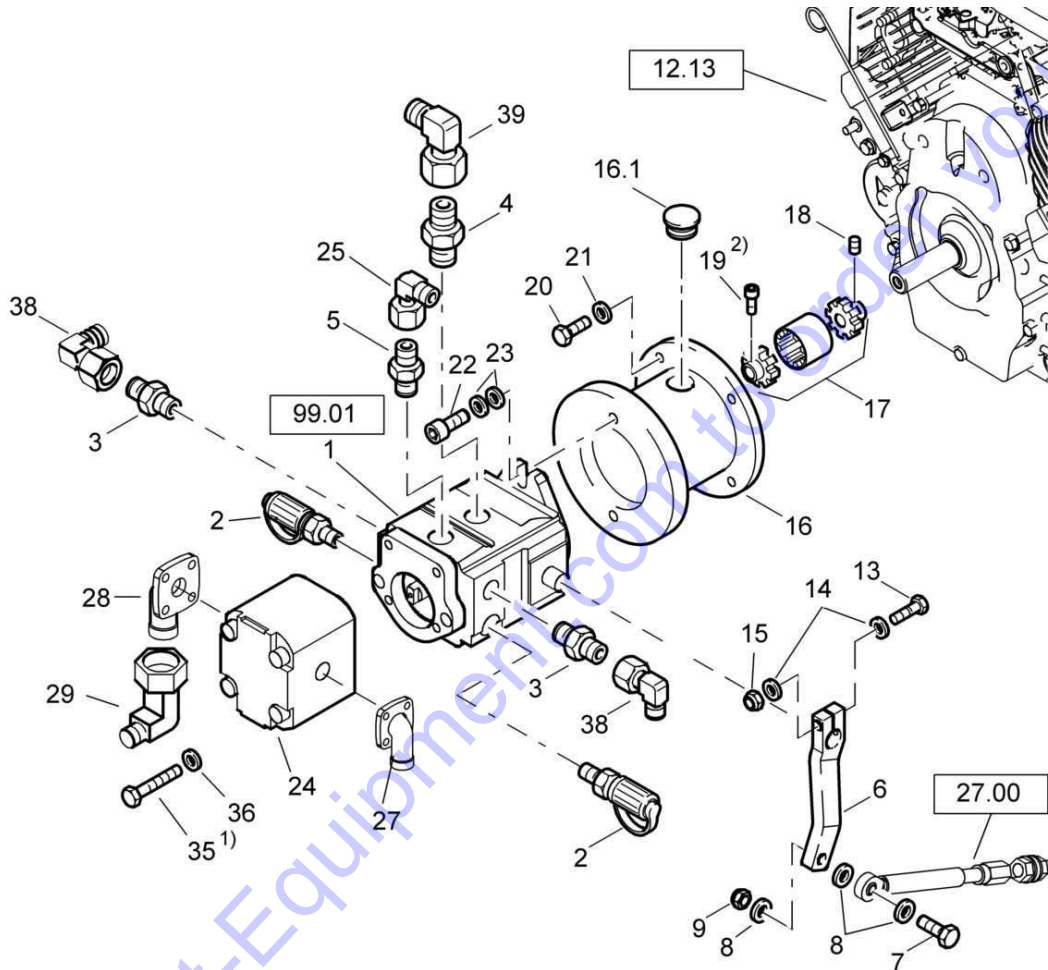


BW 900-50		
S/N 861834071943 ▶		<b>12.14</b>
<b>Pump Mounting</b>		Page <b>1 / 1</b>
	83408036 8061 1	

Pos.	Part no.	Qty.	Description
1	05818266	1	Travel pump
2	05544021	2	Test connection
3	05540050	2	Double-ended union
4	05548071	1	Double-ended union
5	05540037	1	Double-ended union
6	83410748	1	Clamping lever
7	07140848	1	Hexagon bolt
8	08510817	3	Washer
9	08130813	1	Safety nut
13	07140848	1	Hexagon bolt
14	08510817	2	Washer
15	08130813	1	Safety nut
16	05614012	1	Pump flange
16.1	05614049	1	Plug
17	05614011	1	Coupling
18	07560804	1	Tapped pin
19	07230817	1	Socket-head cap screw
20	07021024	2	Hexagon bolt
21	08752106	2	Spring washer
22	07231023	2	Socket-head cap screw
23	08752106	4	Spring washer
24	05050249	1	Gear pump
25	05542123	1	Angular union
27	05548045	1	Angular flange union
27.1	06220205	1	Loop ring
28	05548047	1	Angular flange union
28.1	06220244	1	Loop ring
29	05542127	1	Angular union
35	07131056	2	Hexagon bolt
36	08752106	2	Spring washer
38	05542136	2	Angular union
39	05542126	1	Angular union


Go to DiscountEquipment.com to order your parts

## Pump Mounting



1) Tightening torque 45 Nm

2) Tightening torque 25 Nm

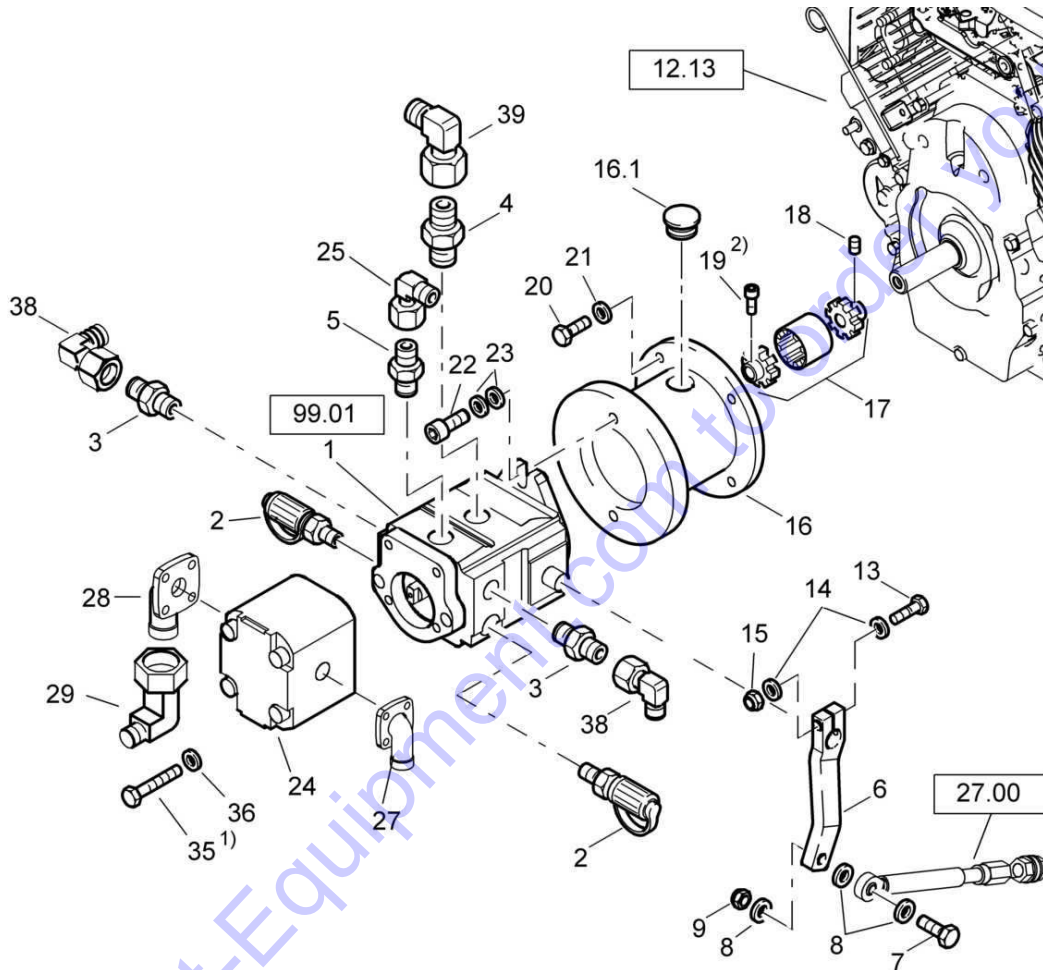
BW 900-50		
S/N 861834071689 ▶ S/N 861834071942		<b>12.14</b>
<b>Pump Mounting</b>		Page <b>1 / 1</b>
83408036 8061 1		

Pos.	Part no.	Qty.	Description	Designation
1	05818266	1	Travel pump	
2	05544021	2	Test connection	
3	05540050	2	Double-ended union	
4	05548071	1	Double-ended union	
5	05540037	1	Double-ended union	
6	83410748	1	Clamping lever	
7	07140848	1	Hexagon bolt	
8	08510817	3	Washer	
9	08130813	1	Safety nut	
13	07140848	1	Hexagon bolt	
14	08510817	2	Washer	
15	08130813	1	Safety nut	
16	05614012	1	Pump flange	
16.1	05614049	1	Plug	
17	05614011	1	Coupling	
18	07560804	1	Tapped pin	
19	07230817	1	Socket-head cap screw	
20	07021024	2	Hexagon bolt	
21	08752106	2	Spring washer	
22	07231023	2	Socket-head cap screw	
23	08752106	4	Spring washer	
24	05050249	1	Gear pump	
25	05542123	1	Angular union	
27	05548045	1	Angular flange union	
27.1	06220205	1	Loop ring	
28	05548047	1	Angular flange union	
28.1	06220244	1	Loop ring	
29	05542127	1	Angular union	
35	07131056	2	Hexagon bolt	
36	08752106	2	Spring washer	
38	05542136	2	Angular union	
39	05542126	1	Angular union	

Go to DiscountEquipment.com to order your parts



## Pump Mounting



1) Tightening torque 45 Nm

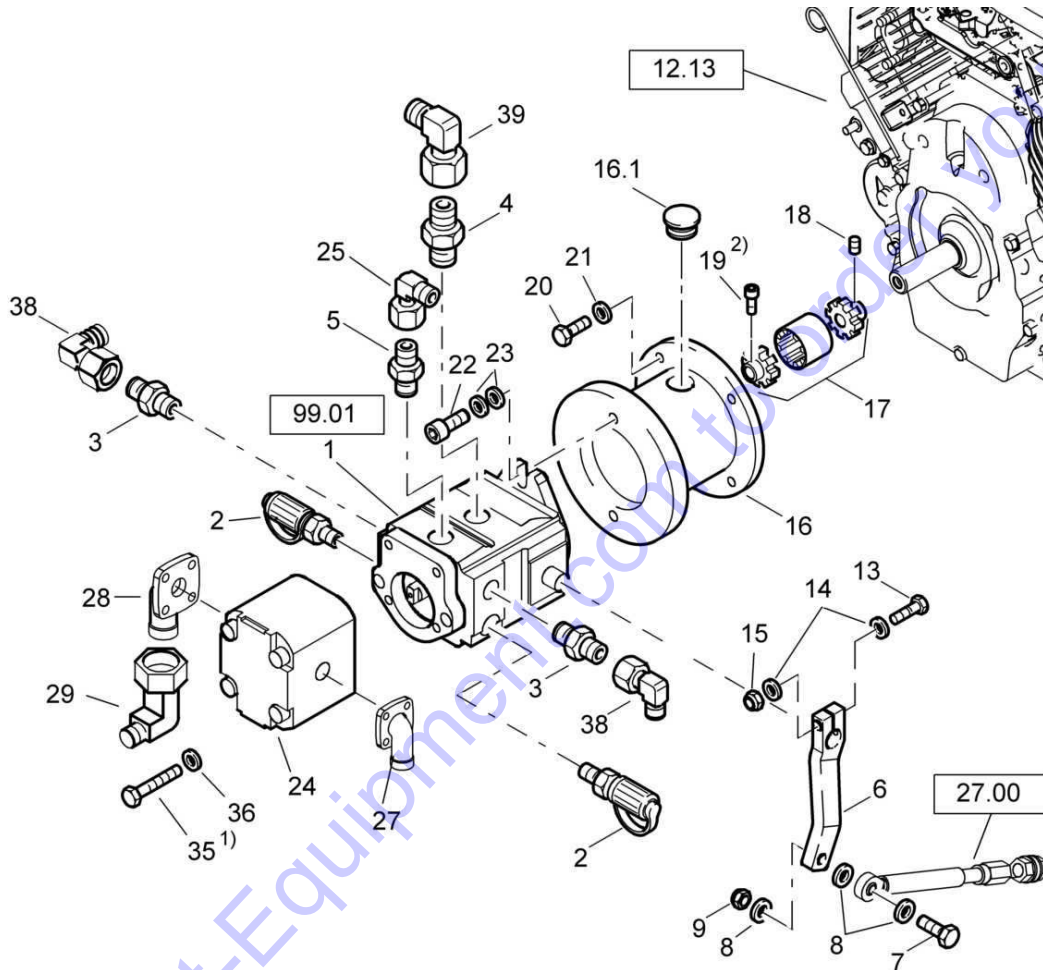
2) Tightening torque 25 Nm

BW 900-50		
S/N 861834071633 ▶ S/N 861834071688		<b>12.14</b>
<b>Pump Mounting</b>		Page <b>1 / 1</b>
83408036 8061 1		

Pos.	Part no.	Qty.	Description	Designation
1	05818266	1	Travel pump	
2	05544021	2	Test connection	
3	05540050	2	Double-ended union	
4	05548071	1	Double-ended union	
5	05540037	1	Double-ended union	
6	83410748	1	Clamping lever	
7	07140848	1	Hexagon bolt	
8	08510817	3	Washer	
9	08130813	1	Safety nut	
13	07140848	1	Hexagon bolt	
14	08510817	2	Washer	
15	08130813	1	Safety nut	
16	05614012	1	Pump flange	
16.1	05614049	1	Plug	
17	05614011	1	Coupling	
18	07560804	1	Tapped pin	
19	07230817	1	Socket-head cap screw	
20	07021024	2	Hexagon bolt	
21	08752106	2	Spring washer	
22	07231023	2	Socket-head cap screw	
23	08752106	4	Spring washer	
24	05050249L	1	Gear pump	
25	05542123	1	Angular union	
27	05548045	1	Angular flange union	
27.1	06220205	1	Loop ring	
28	05548047	1	Angular flange union	
28.1	06220244	1	Loop ring	
29	05542127	1	Angular union	
35	07131056	2	Hexagon bolt	
36	08752106	2	Spring washer	
38	05542136	2	Angular union	
39	05542126	1	Angular union	


Go to DiscountEquipment.com to order your parts

## Pump Mounting



1) Tightening torque 45 Nm

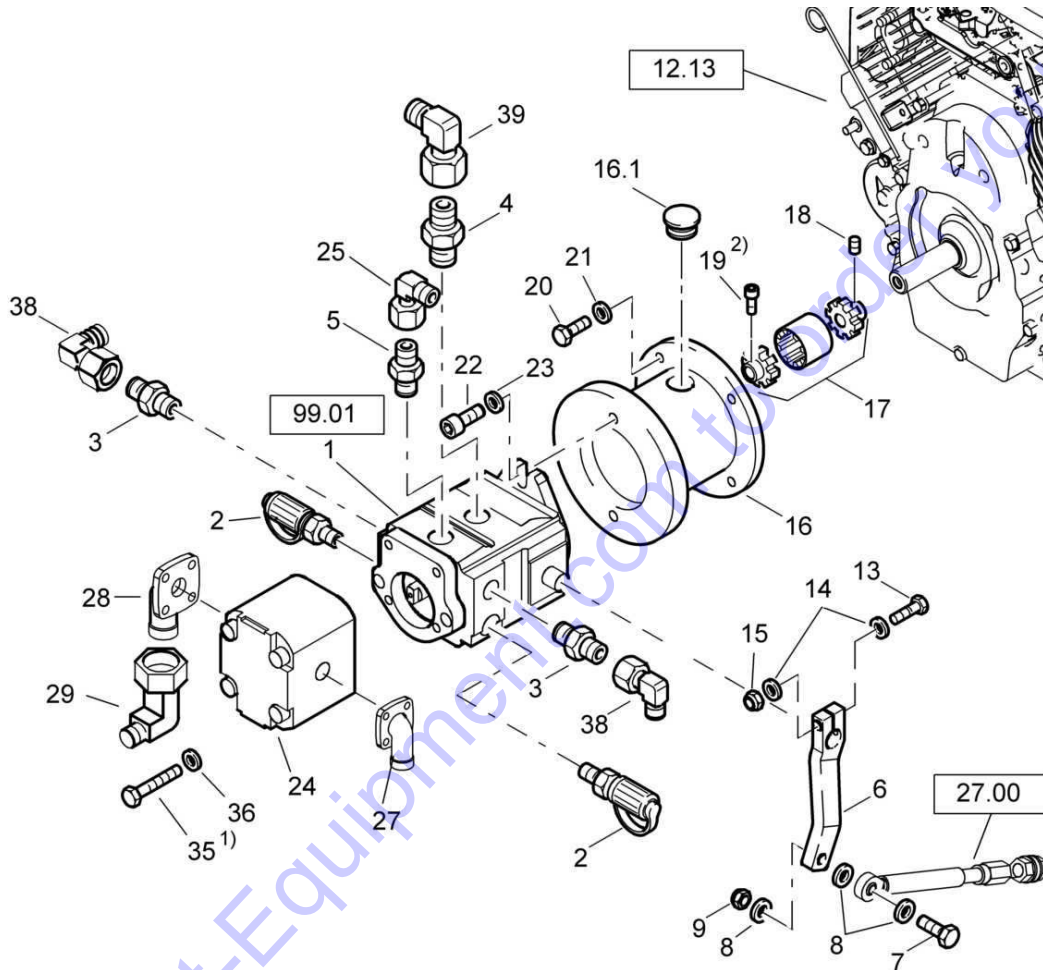
2) Tightening torque 25 Nm

BW 900-50		
S/N 861834071476 ▶ S/N 861834071632		<b>12.14</b>
<b>Pump Mounting</b>		Page <b>1 / 1</b>
83408036 8061 1		

Pos.	Part no.	Qty.	Description
1	05818266	1	Travel pump
2	05544021	2	Test connection
3	05540050	2	Double-ended union
4	05548071	1	Double-ended union
5	05540037	1	Double-ended union
6	83410748	1	Clamping lever
7	07140848	1	Hexagon bolt
8	08510817	3	Washer
9	08130813	1	Safety nut
13	07140848	1	Hexagon bolt
14	08510817	2	Washer
15	08130813	1	Safety nut
16	05614012	1	Pump flange
16.1	05614049	1	Plug
17	05614011	1	Coupling
18	07560804	1	Tapped pin
19	07230817	1	Socket-head cap screw
20	07021024	2	Hexagon bolt
21	08752106	2	Spring washer
22	07231023	2	Socket-head cap screw
23	08752106	4	Spring washer
24	05050249	1	Gear pump
25	05542123	1	Angular union
27	05548045	1	Angular flange union
27.1	06220205	1	Loop ring
28	05548047	1	Angular flange union
28.1	06220244	1	Loop ring
29	05542127	1	Angular union
35	07131056	2	Hexagon bolt
36	08752106	2	Spring washer
38	05542136	2	Angular union
39	05542126	1	Angular union

Go to DiscountEquipment.com to order your parts

## Pump Mounting



1) Tightening torque 45 Nm

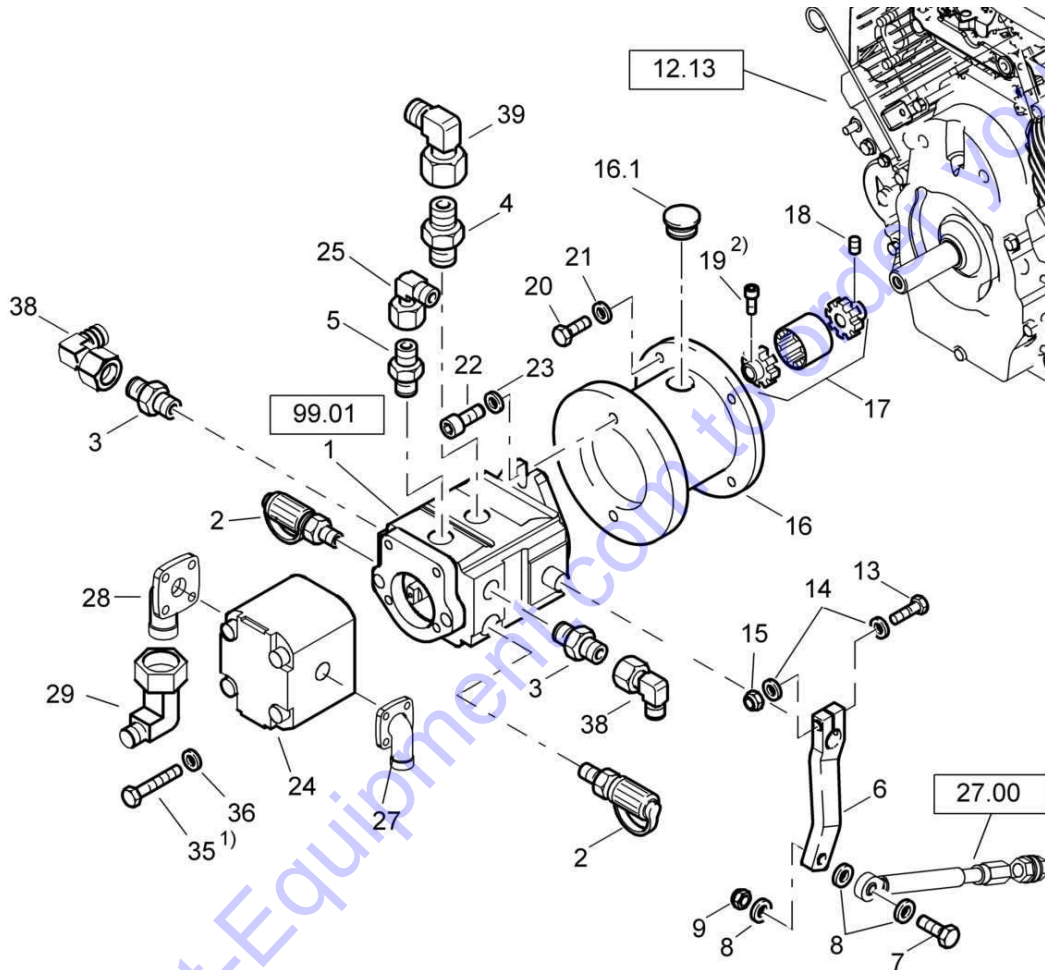
2) Tightening torque 25 Nm

BW 900-50		
S/N 861834071121 ▶ S/N 861834071475		<b>12.14</b>
<b>Pump Mounting</b>		Page <b>1 / 1</b>
83408036 8061 1		

Pos.	Part no.	Qty.	Description
1	05818266	1	Travel pump
2	05544021	2	Test connection
3	05540050	2	Double-ended union
4	05548071	1	Double-ended union
5	05540037	1	Double-ended union
6	83410748	1	Clamping lever
7	07140848	1	Hexagon bolt
8	08510817	3	Washer
9	08130813	1	Safety nut
13	07140848	1	Hexagon bolt
14	08510817	2	Washer
15	08130813	1	Safety nut
16	05614012	1	Pump flange
16.1	05614049	1	Plug
17	05614011	1	Coupling
18	07560804	1	Tapped pin
19	07230817	1	Socket-head cap screw
20	07021024	2	Hexagon bolt
21	08752106	2	Spring washer
22	07231023	2	Socket-head cap screw
23	08752106	2	Spring washer
24	05050249	1	Gear pump
25	05542123	1	Angular union
27	05548045	1	Angular flange union
27.1	06220205	1	Loop ring
28	05548047	1	Angular flange union
28.1	06220244	1	Loop ring
29	05542127	1	Angular union
35	07131056	2	Hexagon bolt
36	08752106	2	Spring washer
38	05542136	2	Angular union
39	05542126	1	Angular union


Go to DiscountEquipment.com to order your parts

## Pump Mounting



1) Tightening torque 45 Nm

2) Tightening torque 25 Nm

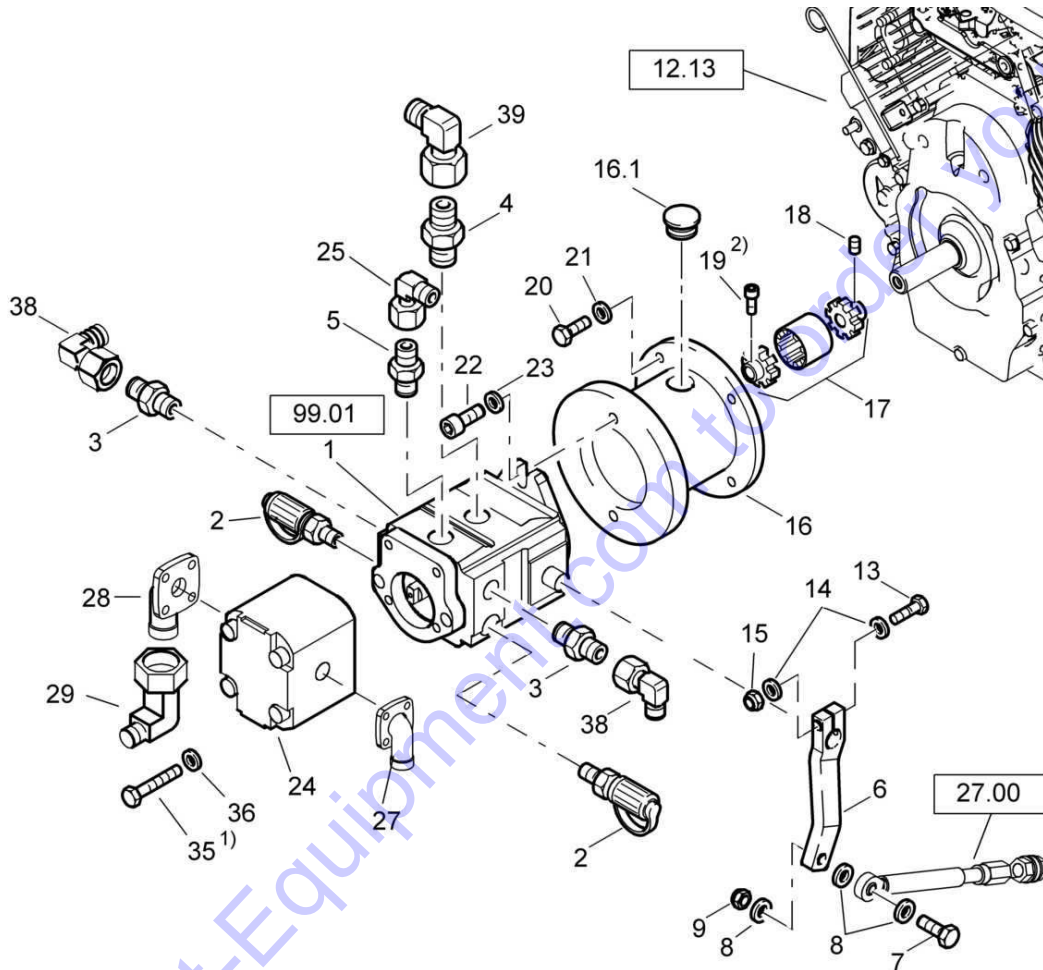
BW 900-50		
S/N 861834071006 ▶ S/N 861834071120		<b>12.14</b>
<b>Pump Mounting</b>		Page <b>1 / 1</b>
83408036 8061 1		

Pos.	Part no.	Qty.	Description
1	05818266	1	Travel pump
2	05544021	2	Test connection
3	05540050	2	Double-ended union
4	05548071	1	Double-ended union
5	05540037	1	Double-ended union
6	83410748	1	Clamping lever
7	07140848	1	Hexagon bolt
8	08510817	3	Washer
9	08130813	1	Safety nut
13	07140848	1	Hexagon bolt
14	08510817	2	Washer
15	08130813	1	Safety nut
16	05614012	1	Pump flange
16.1	05614049	1	Plug
17	05614011	1	Coupling
18	07560804	1	Tapped pin
19	07230817	1	Socket-head cap screw
20	07021024	4	Hexagon bolt
21	08752106	4	Spring washer
22	07231023	2	Socket-head cap screw
23	08752106	2	Spring washer
24	05050249	1	Gear pump
25	05542123	1	Angular union
27	05548045	1	Angular flange union
27.1	06220205	1	Loop ring
28	05548047	1	Angular flange union
28.1	06220244	1	Loop ring
29	05542127	1	Angular union
35	07131056	2	Hexagon bolt
36	08752106	2	Spring washer
38	05542136	2	Angular union
39	05542126	1	Angular union

Go to DiscountEquipment.com to order your parts




## Pump Mounting



1) Tightening torque 45 Nm

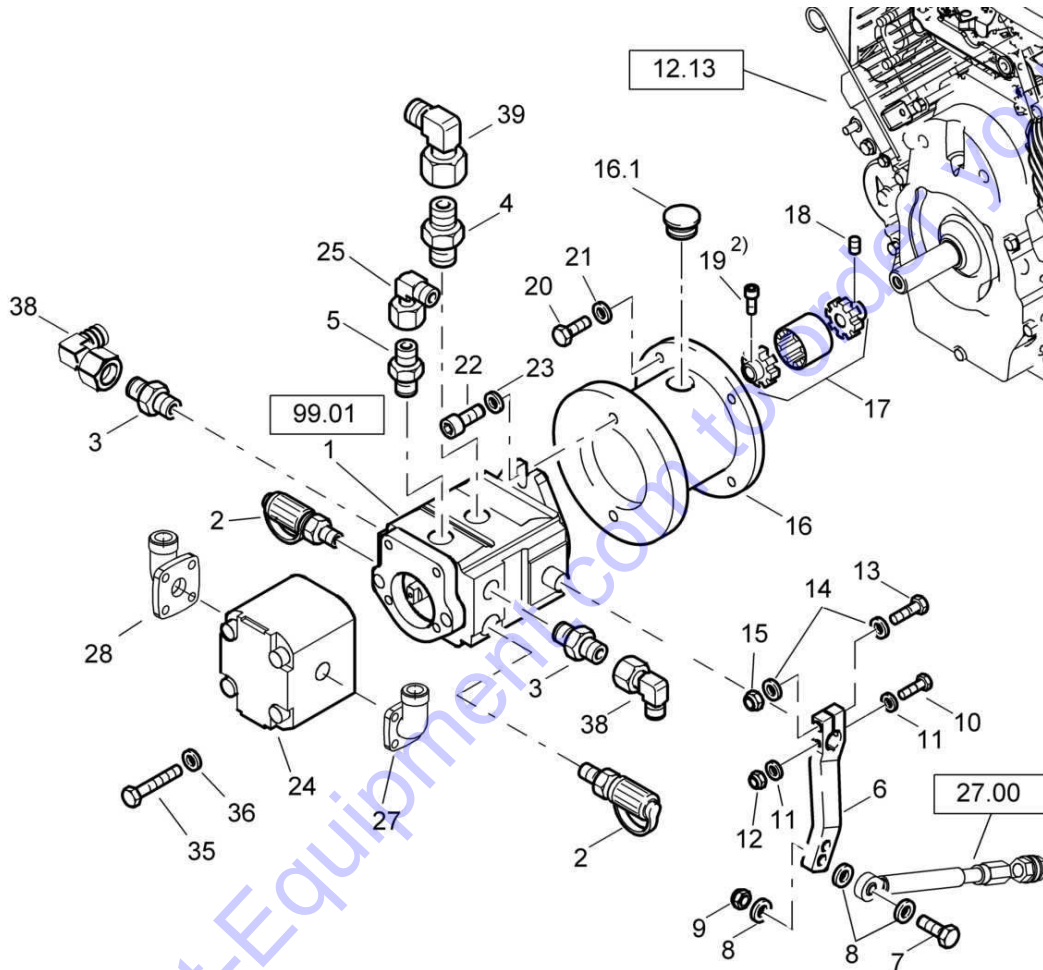
2) Tightening torque 25 Nm

BW 900-50		
S/N 861834071005 ▶ S/N 861834071005		<b>12.14</b>
<b>Pump Mounting</b>		Page <b>1 / 1</b>
83408036 8061 1		

Pos.	Part no.	Qty.	Description
1	05818266	1	Travel pump
2	05544021	2	Test connection
3	05540050	2	Double-ended union
4	05548071	1	Double-ended union
5	05540037	1	Double-ended union
6	83410748	1	Clamping lever
7	07140848	1	Hexagon bolt
8	08510817	3	Washer
9	08130813	1	Safety nut
10	07130521	1	Hexagon bolt
11	08510511	2	Washer
12	08130508	1	Safety nut
13	07140848	1	Hexagon bolt
14	08510817	2	Washer
15	08130813	1	Safety nut
16	05614012	1	Pump flange
16.1	05614049	1	Plug
17	05614011	1	Coupling
18	07560804	1	Tapped pin
19	07230817	1	Socket-head cap screw
20	07021024	4	Hexagon bolt
21	08752106	4	Spring washer
22	07231023	2	Socket-head cap screw
23	08752106	2	Spring washer
24	05050249	1	Gear pump
25	05542123	1	Angular union
27	05548045	1	Angular flange union
27.1	06220205	1	Loop ring
28	05548047	1	Angular flange union
28.1	06220244	1	Loop ring
29	05542127	1	Angular union
35	07131056	2	Hexagon bolt
36	08752106	2	Spring washer
38	05542136	2	Angular union
39	05542126	1	Angular union


Go to Discount Equipment.com to order your parts

## Pump Mounting



1) Tightening torque 45 Nm

2) Tightening torque 25 Nm

BW 900-50		
S/N 861834071001 ▶ S/N 861834071004		<b>12.14</b>
<b>Pump Mounting</b>		Page <b>1 / 1</b>
83408036 8061 1		

Pos.	Part no.	Qty.	Description
1	05818266	1	Travel pump
2	05544021	2	Test connection
3	05540050	2	Double-ended union
4	05548071	1	Double-ended union
5	05540037	1	Double-ended union
6	83410748	1	Clamping lever
7	07140848	1	Hexagon bolt
8	08510817	3	Washer
9	08130813	1	Safety nut
10	07130521	1	Hexagon bolt
11	08510511	2	Washer
12	08130508	1	Safety nut
13	07140848	1	Hexagon bolt
15	08130813	1	Safety nut
16	05614012	1	Pump flange
16.1	05614049	1	Plug
17	05614011	1	Coupling
18	07560804	1	Tapped pin
19	07230817	1	Socket-head cap screw
20	07021024	4	Hexagon bolt
21	08752106	4	Spring washer
22	07231023	2	Socket-head cap screw
23	08752106	2	Spring washer
24	05050249	1	Gear pump
25	05542123	1	Angular union
27	05548045	1	Angular flange union
27.1	06220205	1	Loop ring
28	05548047	1	Angular flange union
28.1	06220244	1	Loop ring
35	07131056	2	Hexagon bolt
36	08752106	2	Spring washer
38	05542136	2	Angular union
39	05542126	1	Angular union

Go to DiscountEquipment.com to order your parts

BW 900-50

S/N 861834071476 ▶

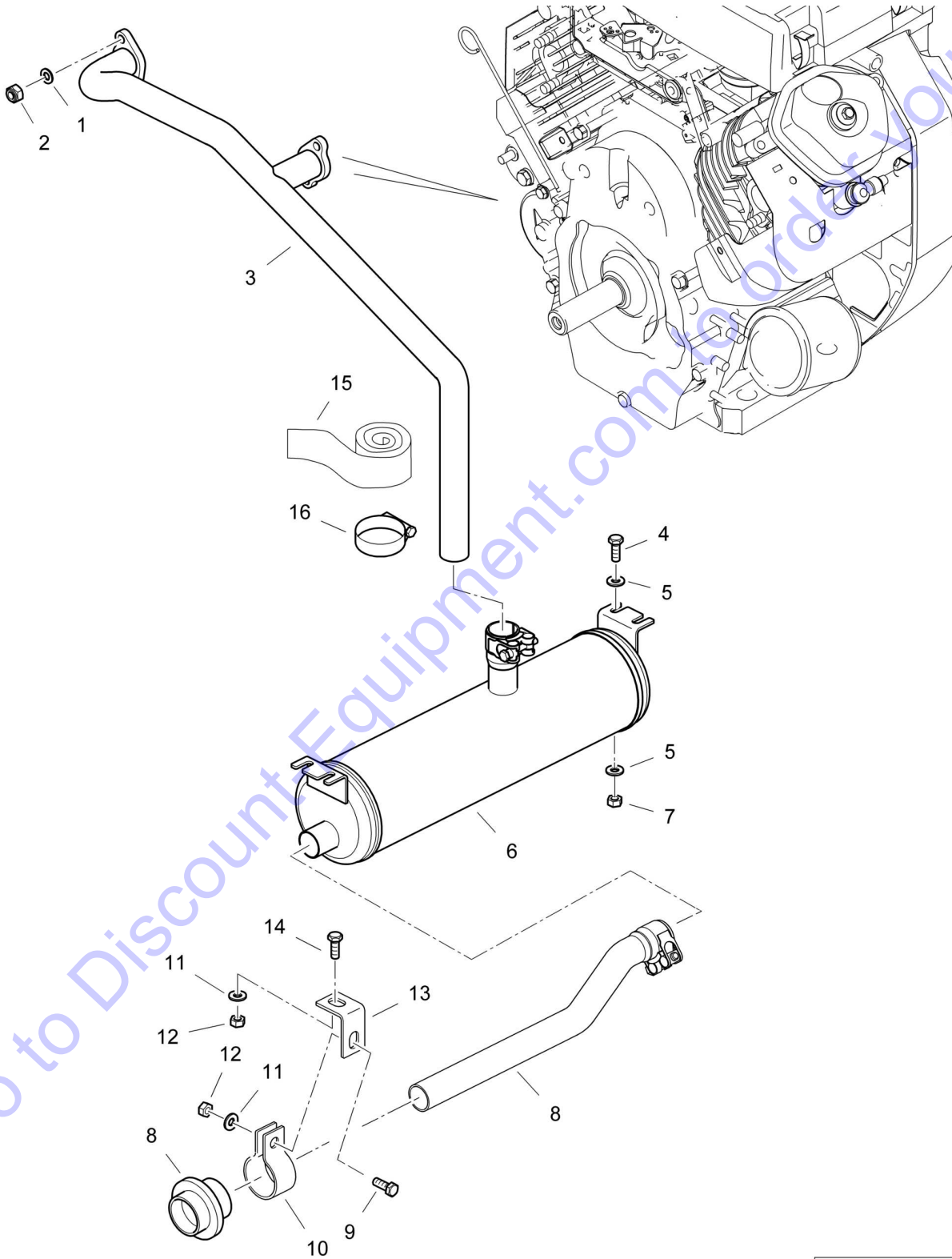
# 12.31

## Exhaust System


Page 1 / 1



83408037\_000\_02



83408037\_000\_02

BW 900-50		
S/N 861834071476 ▶		
<b>Exhaust System</b>		<b>12.31</b>
		Page <b>1 / 1</b>
	83408037 8061 1	

Pos.	Part no.	Qty.	Description
1	08752084	4	Spring washer
2	05727284	4	Safety nut
3	83410480	1	Exhaust pipe
4	07140828	4	Hexagon bolt
5	08752084	8	Spring washer
6	05050549	1	Silencer
7	08110813	4	Hexagon nut
8	05050337	1	Exhaust pipe
9	07140828	1	Hexagon bolt
10	05050342	1	Tube clamp
11	08752084	2	Spring washer
12	08110813	2	Hexagon nut
13	83410607	1	Angle
14	07140828	1	Hexagon bolt
15	05050431	4,00 m	Glass wool insulation
16	05552405	3	Hose clip

Go to Discount-Equipment.com to order your parts

BW 900-50

S/N 861834071321 ▶ S/N 861834071475

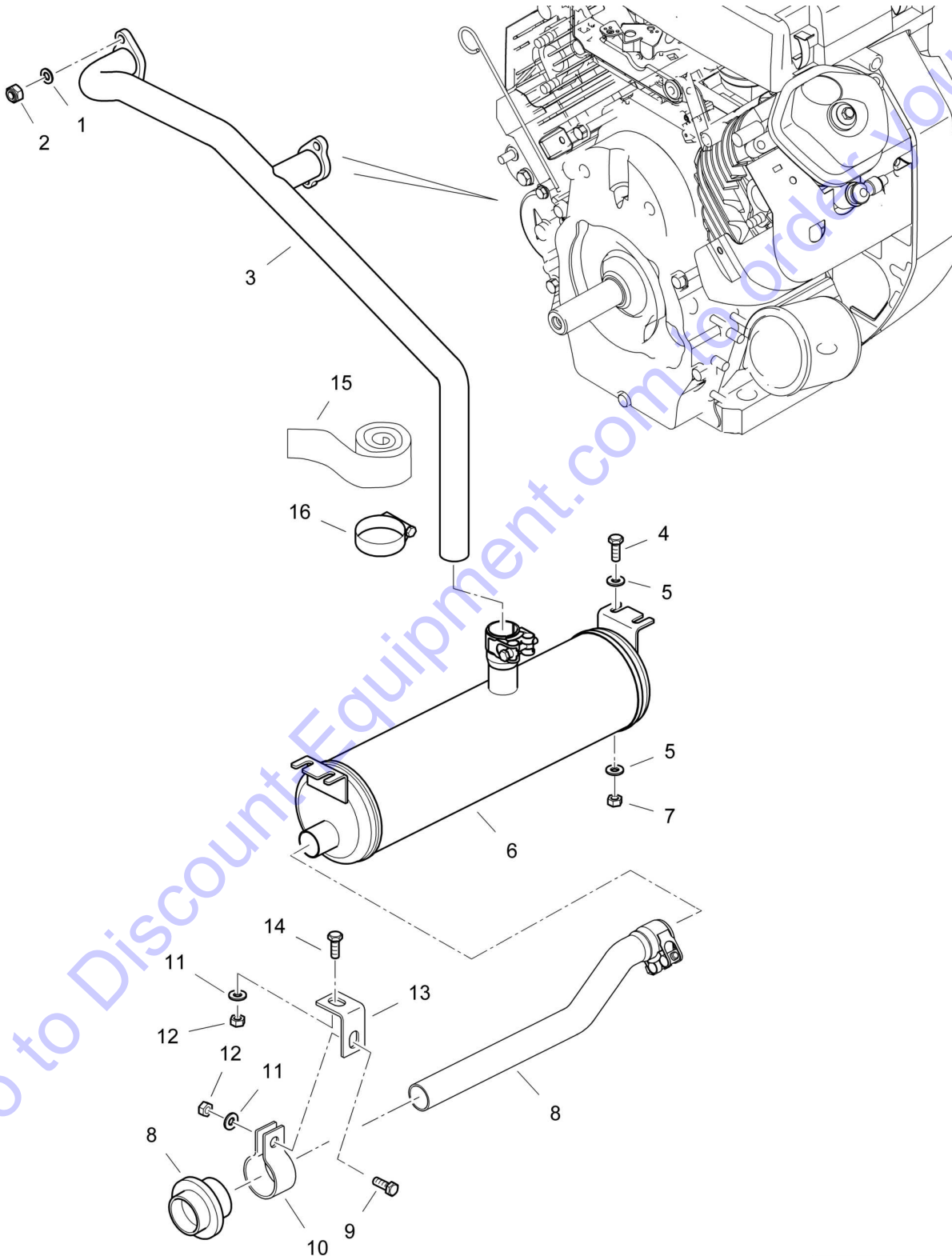
# 12.31

## Exhaust System


Page 1 / 1



83408037\_000\_02



83408037\_000\_02

BW 900-50		
S/N 861834071321 ▶ S/N 861834071475		
<b>Exhaust System</b>		<b>12.31</b>
		Page <b>1 / 1</b>
83408037 8061 1		

Pos.	Part no.	Qty.	Description
1	08752084	4	Spring washer
2	05727284	4	Safety nut
3	83410480	1	Exhaust pipe
4	07140828	4	Hexagon bolt
5	08752084	8	Spring washer
6	05050549	1	Silencer
7	08110813	4	Hexagon nut
8	05050337	1	Exhaust pipe
9	07140828	1	Hexagon bolt
10	05050342	1	Tube clamp
11	08752084	2	Spring washer
12	08110813	2	Hexagon nut
13	83410607	1	Angle
14	07140828	1	Hexagon bolt
15	05050431	3,00 m	Glass wool insulation
16	05552405	3	Hose clip

Go to Discount-Equipment.com to order your parts



BW 900-50

S/N 861834071111 ▶ S/N 861834071320

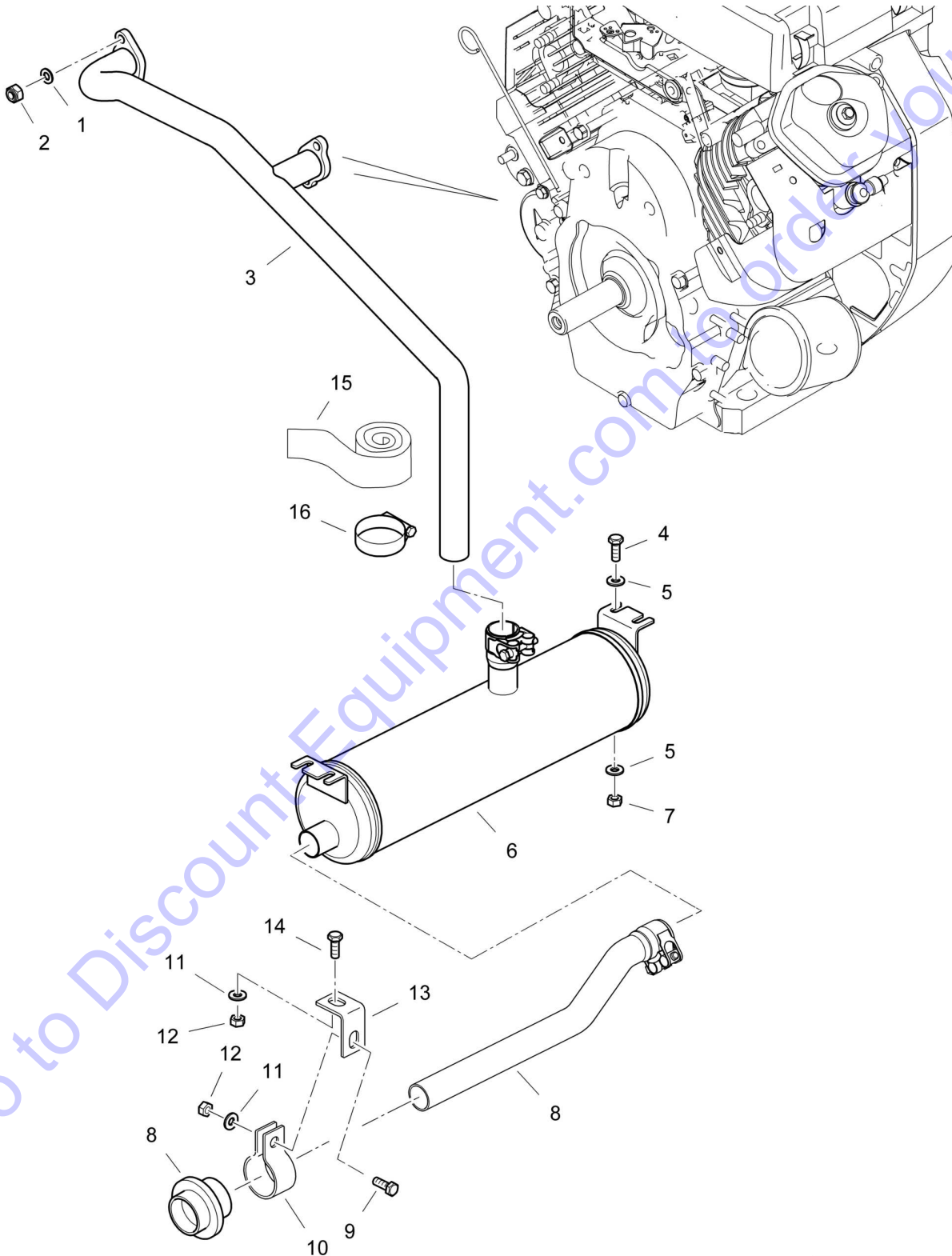
# 12.31

## Exhaust System

Page 1 / 1



83408037\_000\_02



83408037\_000\_02

BW 900-50		
S/N 861834071111 ▶ S/N 861834071320		
<b>Exhaust System</b>		<b>12.31</b>
		Page <b>1 / 1</b>
83408037 8061 1		

Pos.	Part no.	Qty.	Description
1	08752084	4	Spring washer
2	05727284	4	Safety nut
3	83410480	1	Exhaust pipe
4	07140828	4	Hexagon bolt
5	08752084	8	Spring washer
6	05050336	1	Silencer
7	08110813	4	Hexagon nut
8	05050337	1	Exhaust pipe
9	07140828	1	Hexagon bolt
10	05050342	1	Tube clamp
11	08752084	2	Spring washer
12	08110813	2	Hexagon nut
13	83410607	1	Angle
14	07140828	1	Hexagon bolt
15	05050431	3,00 m	Glass wool insulation
16	05552405	3	Hose clip

Go to Discount-Equipment.com to order your parts

BW 900-50

S/N 861834071001 ▶ S/N 861834071110

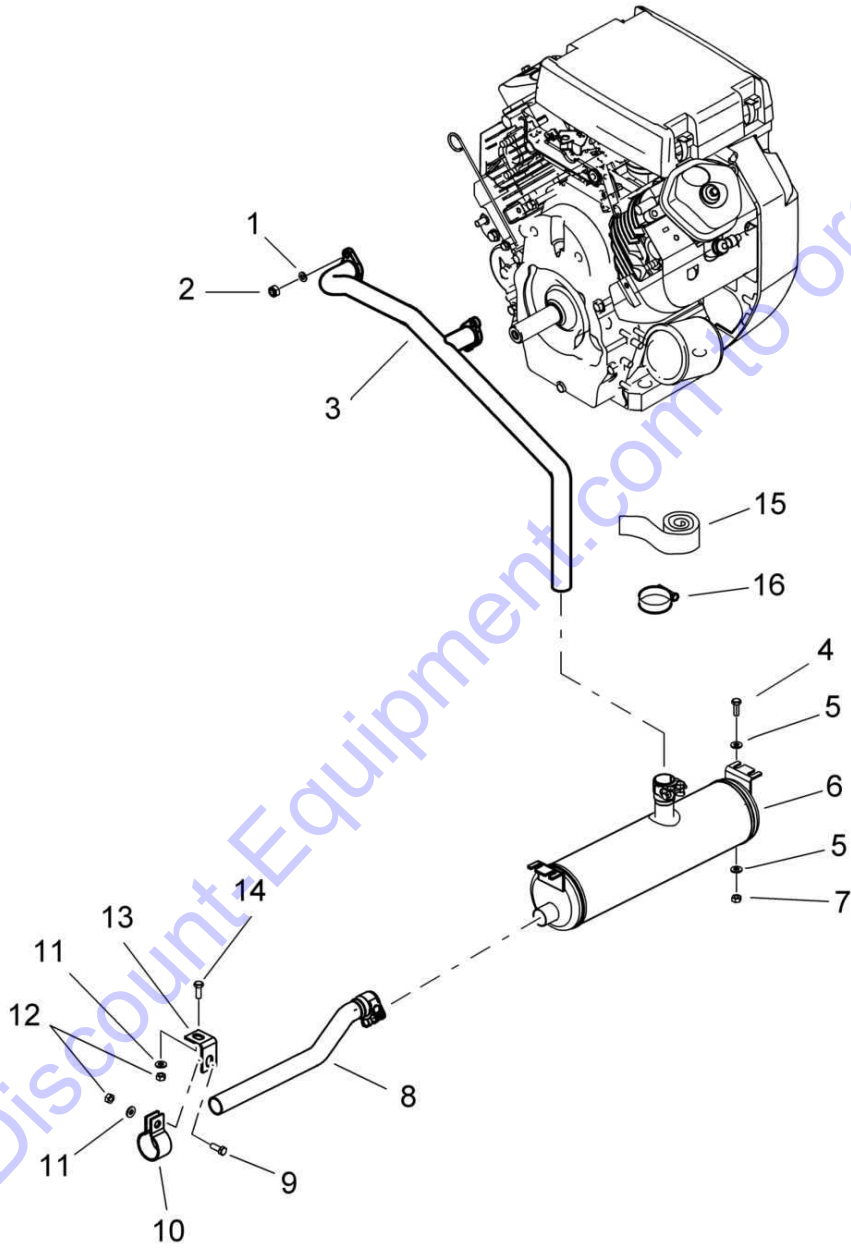
# 12.31

## Exhaust System

Page 1 / 1



83408037\_000\_01



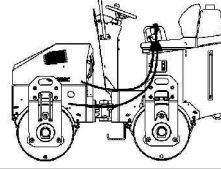
83408037\_000\_01

BW 900-50		
S/N 861834071001 ▶ S/N 861834071110		
<b>Exhaust System</b>		<b>12.31</b>
		Page 1 / 1
83408037 8061 1		

Pos.	Part no.	Qty.	Description
1	08752084	4	Spring washer
2	05727284	4	Safety nut
3	83410480	1	Exhaust pipe
4	07140828	4	Hexagon bolt
5	08752084	8	Spring washer
6	05050336	1	Silencer
7	08110813	4	Hexagon nut
8	05050337	1	Exhaust pipe
9	07140828	1	Hexagon bolt
10	05050342	1	Tube clamp
11	08752084	2	Spring washer
12	08110813	2	Hexagon nut
13	83410607	1	Angle
14	07140828	1	Hexagon bolt
15	05050431	3,00 m	Glass wool insulation
16	05552405	3	Hose clip

Go to Discount-Equipment.com to order your parts

**Power Transmission / Actuation**



**20**

*Go to [Discount-Equipment.com](http://Discount-Equipment.com) to order your parts*

**20.00**

Power Transmission / Actuation

Page /



**For this catalogue group no illustration.**

Go to [Discount-Equipment.com](http://Discount-Equipment.com) to order your parts

Power Transmission / Actuation

**20.00**

Page /



**Pos. Description**

27.00 Actuation

Go to Discount-Equipment.com to order your parts

BW 900-50

S/N 861834072652 ▶

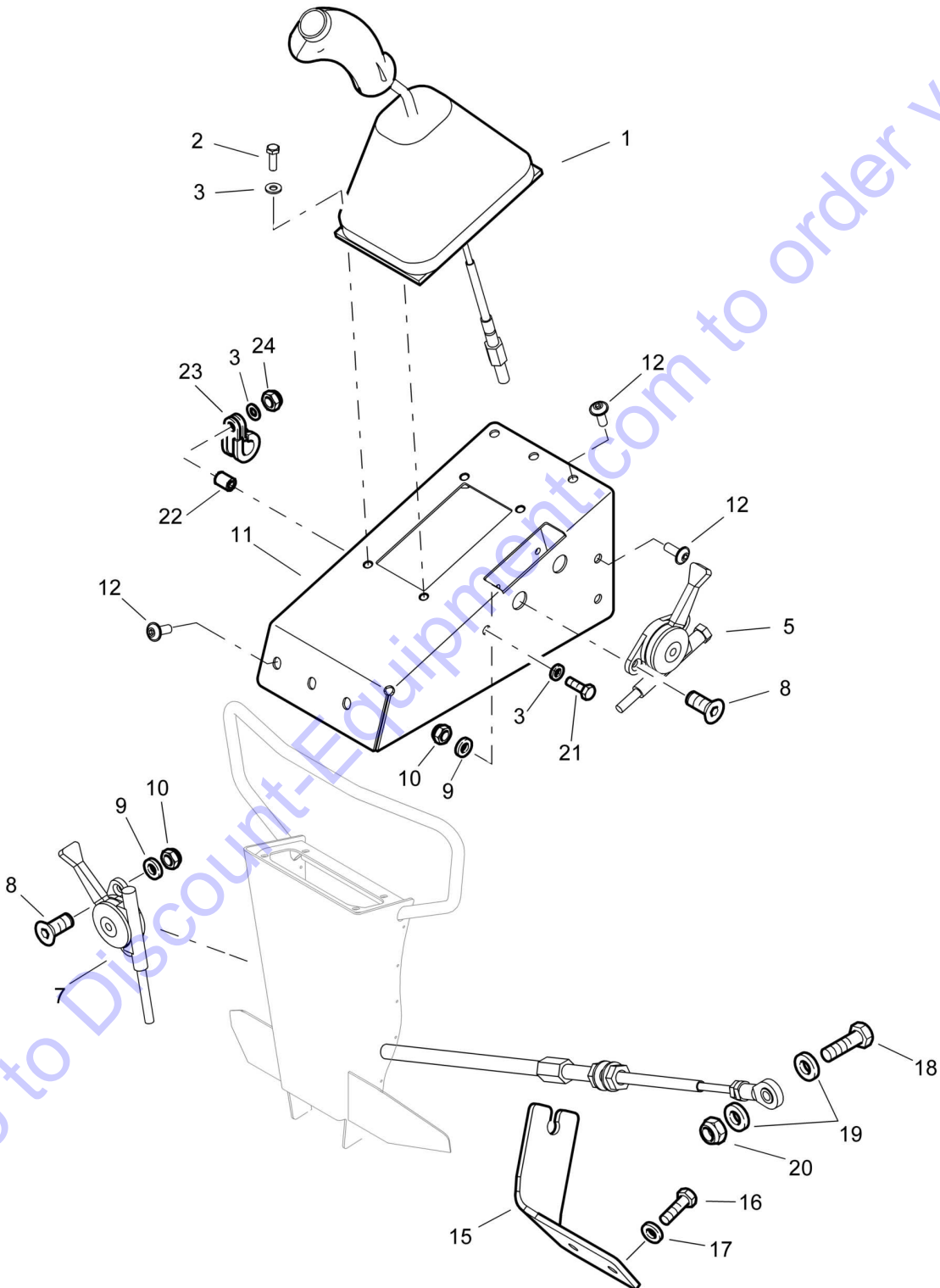
**27.00**

**Actuation**

Page **1 / 1**



83408061\_000\_02



83408061\_000\_02



BW 900-50		
S/N 861834072652 ▶		<b>27.00</b>
<b>Actuation</b>		Page <b>1 / 1</b>
	83408061 8061 1	

Pos.	Part no.	Qty.	Description
1	05050498	1	Travel actuation
2	07140633	4	Hexagon bolt
3	08510612	6	Washer
5	05561646	1	Throttle control
7	05050395	1	Controller
8	07320512	4	Countersunk screw
9	08510511	8	Washer
10	08130508	4	Safety nut
11	83410645	1	Control support
12	07210616	8	Pens head screw
15	83410750	1	Bracket
16	07140828	2	Hexagon bolt
17	08752084	2	Spring washer
18	07140853	1	Hexagon bolt
19	08510817	3	Washer
20	08130813	1	Safety nut
21	07140649	1	Hexagon bolt
22	83411512	1	Tube
23	05551944	1	Tube clamp
24	08130611	1	Safety nut

Go to Discount-Equipment.com to order your parts

BW 900-50

S/N 861834071961 ▶ S/N 861834072651

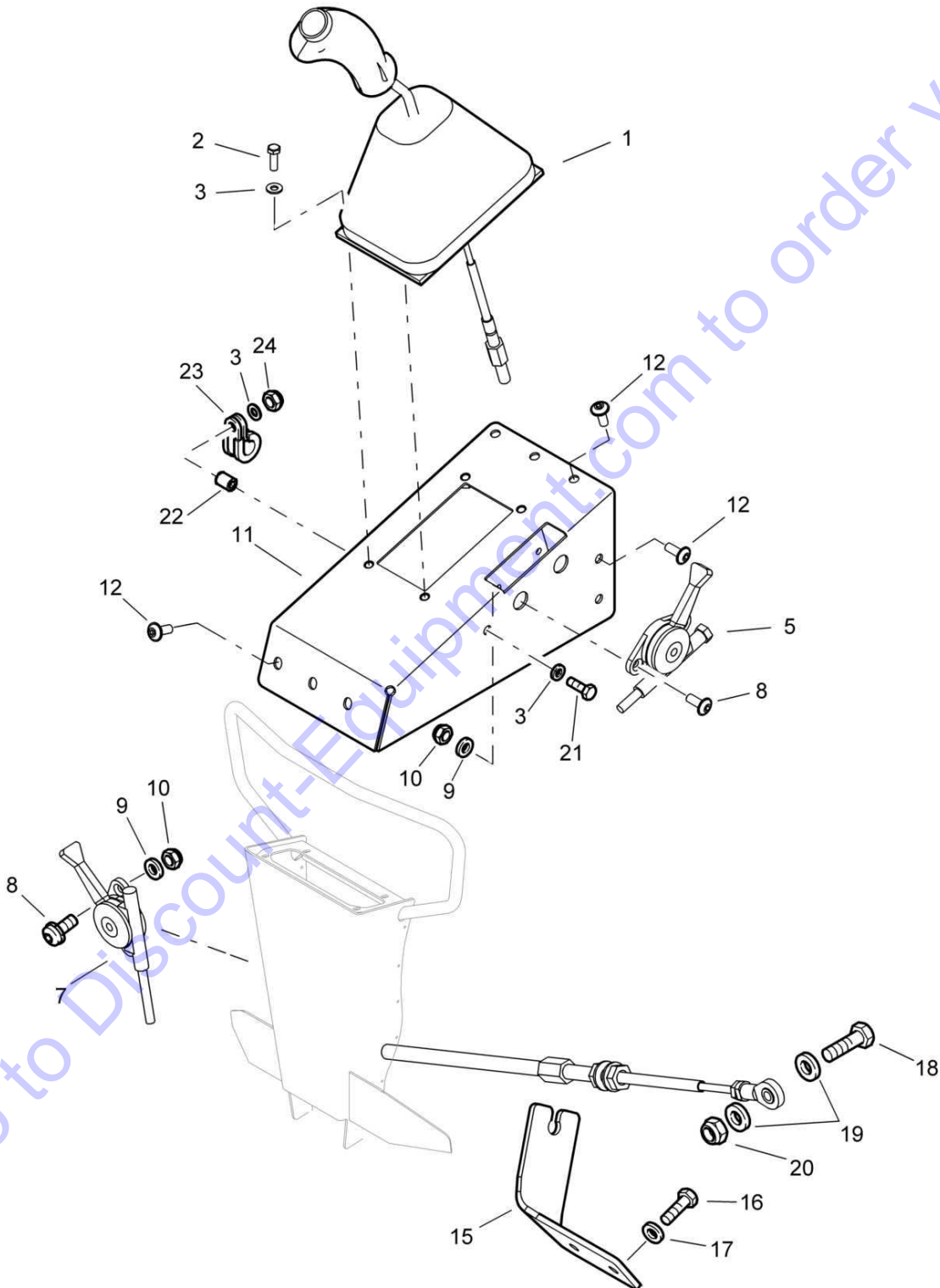
**27.00**

**Actuation**

Page **1 / 1**



83408061\_000\_01



83408061\_000\_01

BW 900-50		
S/N 861834071961 ▶ S/N 861834072651		<b>27.00</b>
<b>Actuation</b>		Page <b>1 / 1</b>
	83408061 8061 1	

Pos.	Part no.	Qty.	Description
1	05050498	1	Travel actuation
2	07140633	4	Hexagon bolt
3	08510612	6	Washer
5	05561646	1	Throttle control
7	05050395	1	Controller
8	07140524	4	Hexagon bolt
9	08510511	8	Washer
10	08130508	4	Safety nut
11	83410645	1	Control support
12	07210616	8	Pens head screw
15	83410750	1	Bracket
16	07140828	2	Hexagon bolt
17	08752084	2	Spring washer
18	07140853	1	Hexagon bolt
19	08510817	3	Washer
20	08130813	1	Safety nut
21	07140649	1	Hexagon bolt
22	83411512	1	Tube
23	05551944	1	Tube clamp
24	08130611	1	Safety nut

Go to Discount-Equipment.com to order your parts

BW 900-50

S/N 861834071943 ▶ S/N 861834071960

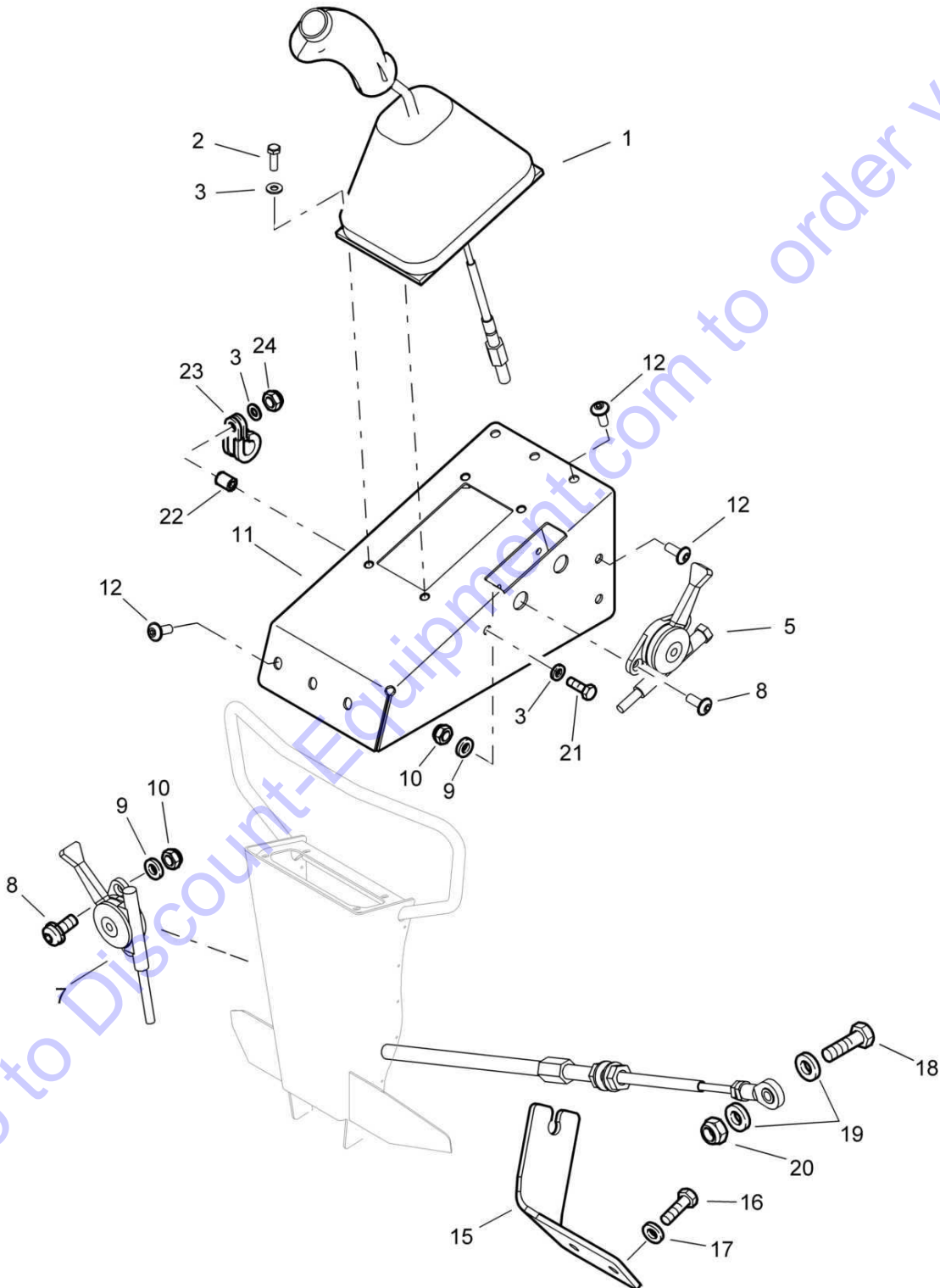
**27.00**

**Actuation**

Page **1 / 1**



83408061\_000\_01



83408061\_000\_01

BW 900-50		
S/N 861834071943 ▶ S/N 861834071960		<b>27.00</b>
<b>Actuation</b>		Page <b>1 / 1</b>
83408061 8061 1		

Pos.	Part no.	Qty.	Description
1	05050498L	1	Travel actuation
2	07140633	4	Hexagon bolt
3	08510612	6	Washer
5	05561646	1	Throttle control
7	05050395	1	Controller
8	07140524	4	Hexagon bolt
9	08510511	8	Washer
10	08130508	4	Safety nut
11	83410645	1	Control support
12	07210616	8	Pens head screw
15	83410750	1	Bracket
16	07140828	2	Hexagon bolt
17	08752084	2	Spring washer
18	07140853	1	Hexagon bolt
19	08510817	3	Washer
20	08130813	1	Safety nut
21	07140649	1	Hexagon bolt
22	83411512	1	Tube
23	05551944	1	Tube clamp
24	08130611	1	Safety nut

Go to Discount-Equipment.com to order your parts

BW 900-50

S/N 861834071865 ▶ S/N 861834071942

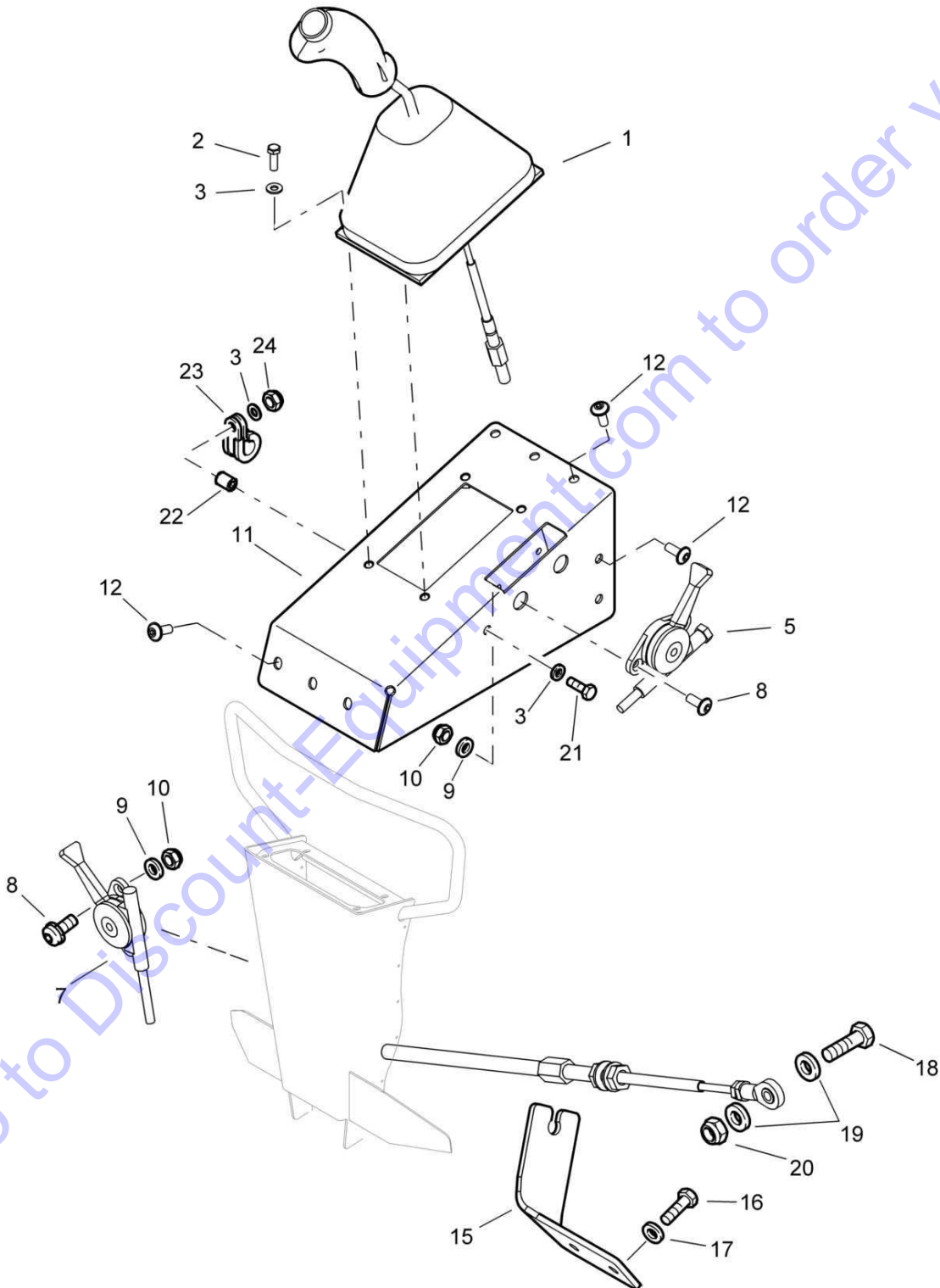
**27.00**

**Actuation**


Page **1 / 1**



83408061\_000\_01



83408061\_000\_01

BW 900-50		
S/N 861834071865 ▶ S/N 861834071942		
<b>Actuation</b>		<b>27.00</b>
		Page 1 / 1
	83408061 8061 1	

Pos.	Part no.	Qty.	Description
1	05050498L	1	Travel actuation
2	07140633	4	Hexagon bolt
3	08510612	6	Washer
5	05050454L	1	Throttle control
7	05050395	1	Controller
8	07140524	4	Hexagon bolt
9	08510511	8	Washer
10	08130508	4	Safety nut
11	83410645	1	Control support
12	07210616	8	Pens head screw
15	83410750	1	Bracket
16	07140828	2	Hexagon bolt
17	08752084	2	Spring washer
18	07140853	1	Hexagon bolt
19	08510817	3	Washer
20	08130813	1	Safety nut
21	07140649	1	Hexagon bolt
22	83411512	1	Tube
23	05551944	1	Tube clamp
24	08130611	1	Safety nut

Go to Discount-Equipment.com to order your parts

BW 900-50

S/N 861834071530 ▶ S/N 861834071864

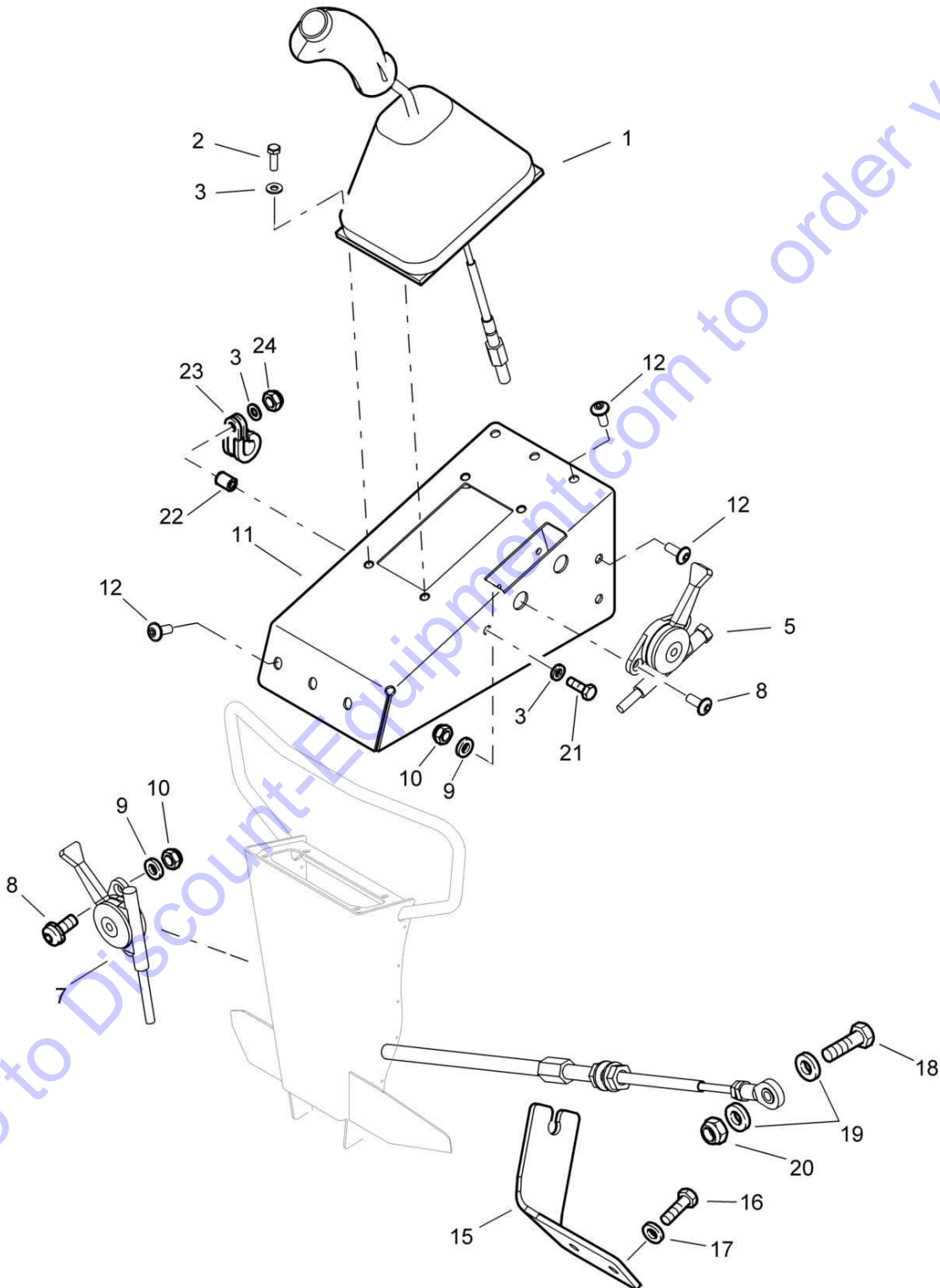
**27.00**

**Actuation**

Page **1 / 1**




83408061\_000\_01



83408061\_000\_01



BW 900-50		
S/N 861834071530 ▶ S/N 861834071864		<b>27.00</b>
<b>Actuation</b>		Page <b>1 / 1</b>
	83408061 8061 1	

Pos.	Part no.	Qty.	Description
1	05050498	1	Travel actuation
2	07140633	4	Hexagon bolt
3	08510612	6	Washer
5	05050454	1	Throttle control
7	05050395	1	Controller
8	07140524	4	Hexagon bolt
9	08510511	8	Washer
10	08130508	4	Safety nut
11	83410645	1	Control support
12	07210616	8	Pens head screw
15	83410750	1	Bracket
16	07140828	2	Hexagon bolt
17	08752084	2	Spring washer
18	07140853	1	Hexagon bolt
19	08510817	3	Washer
20	08130813	1	Safety nut
21	07140649	1	Hexagon bolt
22	83411512	1	Tube
23	05551944	1	Tube clamp
24	08130611	1	Safety nut

Go to Discount-Equipment.com to order your parts

BW 900-50

S/N 861834071299 ▶ S/N 861834071529

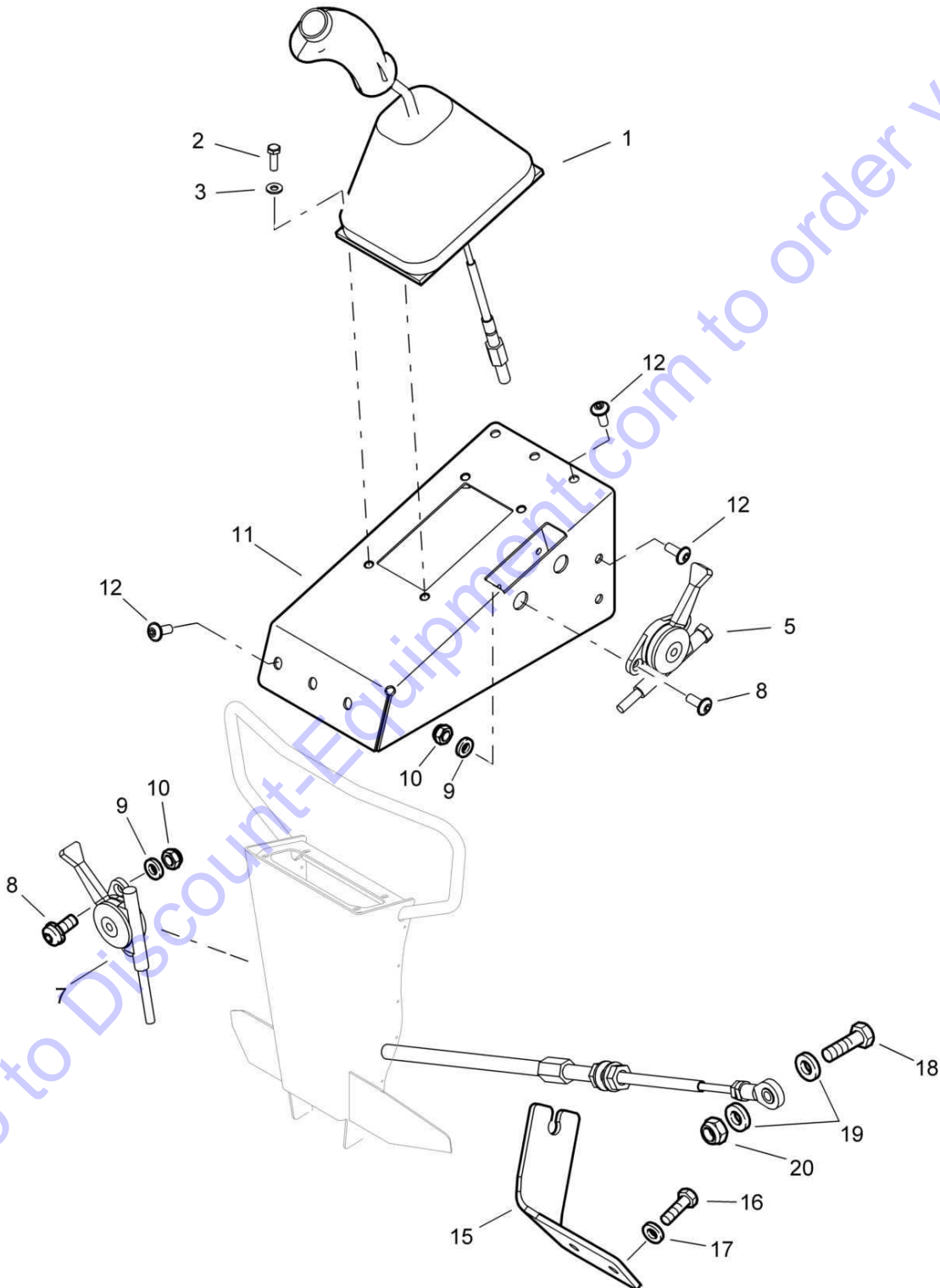
**27.00**

**Actuation**


Page **1 / 1**



83408061\_000\_00



83408061\_000\_00

BW 900-50		
S/N 861834071299 ▶ S/N 861834071529		
<b>Actuation</b>		<b>27.00</b>
		Page 1 / 1
	83408061 8061 1	

Pos.	Part no.	Qty.	Description
1	05050498	1	Travel actuation
2	07140633	4	Hexagon bolt
3	08510612	4	Washer
5	05050454	1	Throttle control
7	05050395	1	Controller
8	07140524	4	Hexagon bolt
9	08510511	8	Washer
10	08130508	4	Safety nut
11	83410645	1	Control support
12	07210616	8	Pens head screw
15	83410750	1	Bracket
16	07140828	2	Hexagon bolt
17	08752084	2	Spring washer
18	07140853	1	Hexagon bolt
19	08510817	3	Washer
20	08130813	1	Safety nut

Go to Discount-Equipment.com to order your parts

BW 900-50

S/N 861834071005 ▶ S/N 861834071298

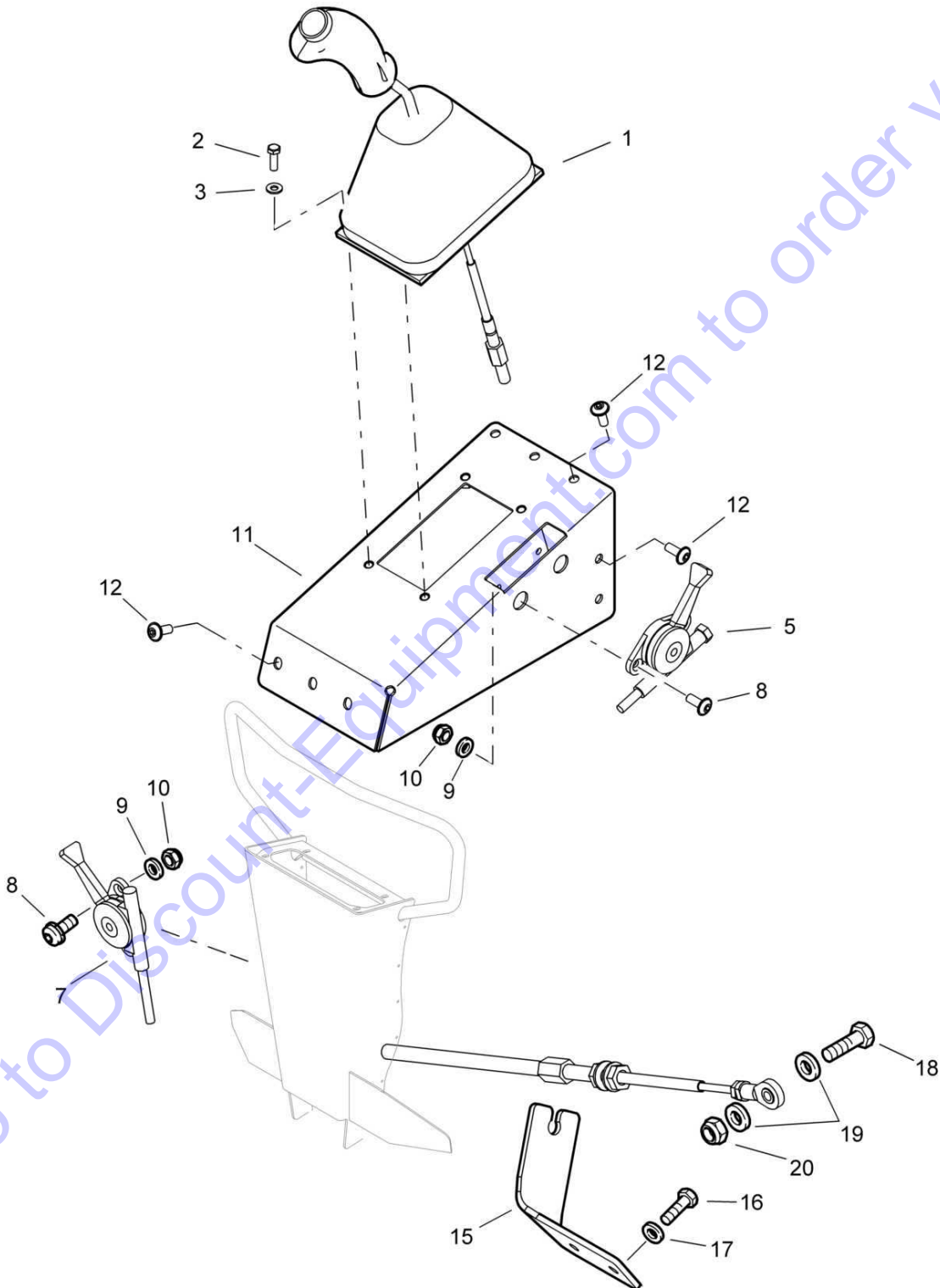
**27.00**

**Actuation**


Page **1 / 1**



83408061\_000\_00




83408061\_000\_00

BW 900-50		
S/N 861834071005 ▶ S/N 861834071298		
<b>Actuation</b>		<b>27.00</b>
		Page 1 / 1
	83408061 8061 1	

Pos.	Part no.	Qty.	Description
1	05561277	1	Travel actuation
2	07140633	4	Hexagon bolt
3	08510612	4	Washer
5	05050454	1	Throttle control
7	05050395	1	Controller
8	07140524	4	Hexagon bolt
9	08510511	8	Washer
10	08130508	4	Safety nut
11	83410645	1	Control support
12	07210616	8	Pens head screw
15	83410750	1	Bracket
16	07140828	2	Hexagon bolt
17	08752084	2	Spring washer
18	07140853	1	Hexagon bolt
19	08510817	3	Washer
20	08130813	1	Safety nut

Go to Discount-Equipment.com to order your parts

	BW 900-50
<b>27.00</b>	S/N 861834071004 ▶ S/N 861834071004
Page <b>1 / 1</b>	<b>Actuation</b>
 <b>BOMAG</b> FAYAT GROUP	


**For this catalogue group no illustration.**

*Go to Discount-Equipment.com to order your parts*

BW 900-50		
S/N 861834071004 ▶ S/N 861834071004		
<b>Actuation</b>		<b>27.00</b>
		Page 1 / 1
	83408061 8061 1	

Pos.	Part no.	Qty.	Description
1	05561277	1	Travel actuation
2	07140633	4	Hexagon bolt
3	08510612	4	Washer
5	05050396	1	Controller
7	05050395	1	Controller
8	07140524	4	Hexagon bolt
9	08510511	8	Washer
10	08130508	4	Safety nut
11	83410645	1	Control support
12	07210616	8	Pens head screw
15	83410750	1	Bracket

Go to Discount-Equipment.com to order your parts

	BW 900-50
<b>27.00</b>	S/N 861834071001 ▶ S/N 861834071003
Page <b>1 / 1</b>	<b>Actuation</b>
 <b>BOMAG</b> FAYAT GROUP	

**For this catalogue group no illustration.**

[Go to Discount-Equipment.com](https://www.Discount-Equipment.com) to order your parts

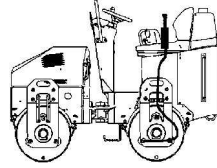


BW 900-50		
S/N 861834071001 ▶ S/N 861834071003		<b>27.00</b>
<b>Actuation</b>		Page <b>1 / 1</b>
83408061 8061 1		

Pos.	Part no.	Qty.	Description
1	05561277	1	Travel actuation
2	07140633	4	Hexagon bolt
3	08510612	4	Washer
5	05561265	1	Throttle control
7	05050395	1	Controller
8	07140524	4	Hexagon bolt
9	08510511	8	Washer
10	08130508	4	Safety nut
11	83410645	1	Control support
12	07210616	8	Pens head screw
13	05050361	1	Control cable
14	05050362	1	Rod end bearing
15	83410750	1	Bracket

Go to Discount-Equipment.com to order your parts

**Brake system**



**30**

*Go to [Discount-Equipment.com](http://Discount-Equipment.com) to order your parts*

**30.00**


**Brake system**

Page /



**For this catalogue group no illustration.**

*Go to [Discount-Equipment.com](http://Discount-Equipment.com) to order your parts*

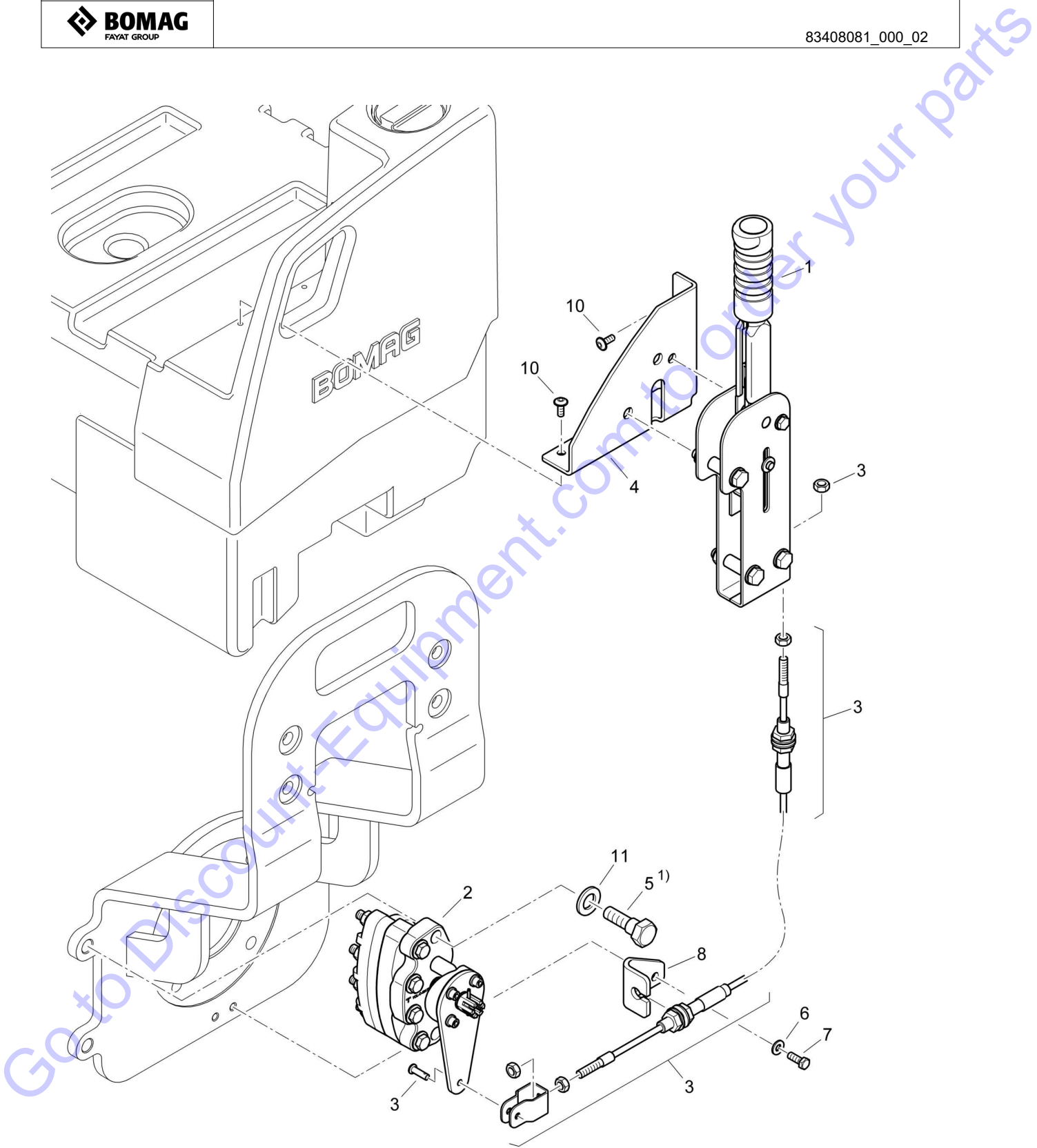
Brake system	<b>30.00</b>
	Page /
	

**Pos. Description**

39.04 Drum brake


Go to Discount-Equipment.com to order your parts

	BW 900-50	
<b>39.04</b>		S/N 861834071961 ▶
	<b>Drum brake</b>	
Page <b>1 / 1</b>		
<b>BOMAG</b> FAYAT GROUP		83408081_000_02



1) Inserted with threadlocker, medium strength (00978006)

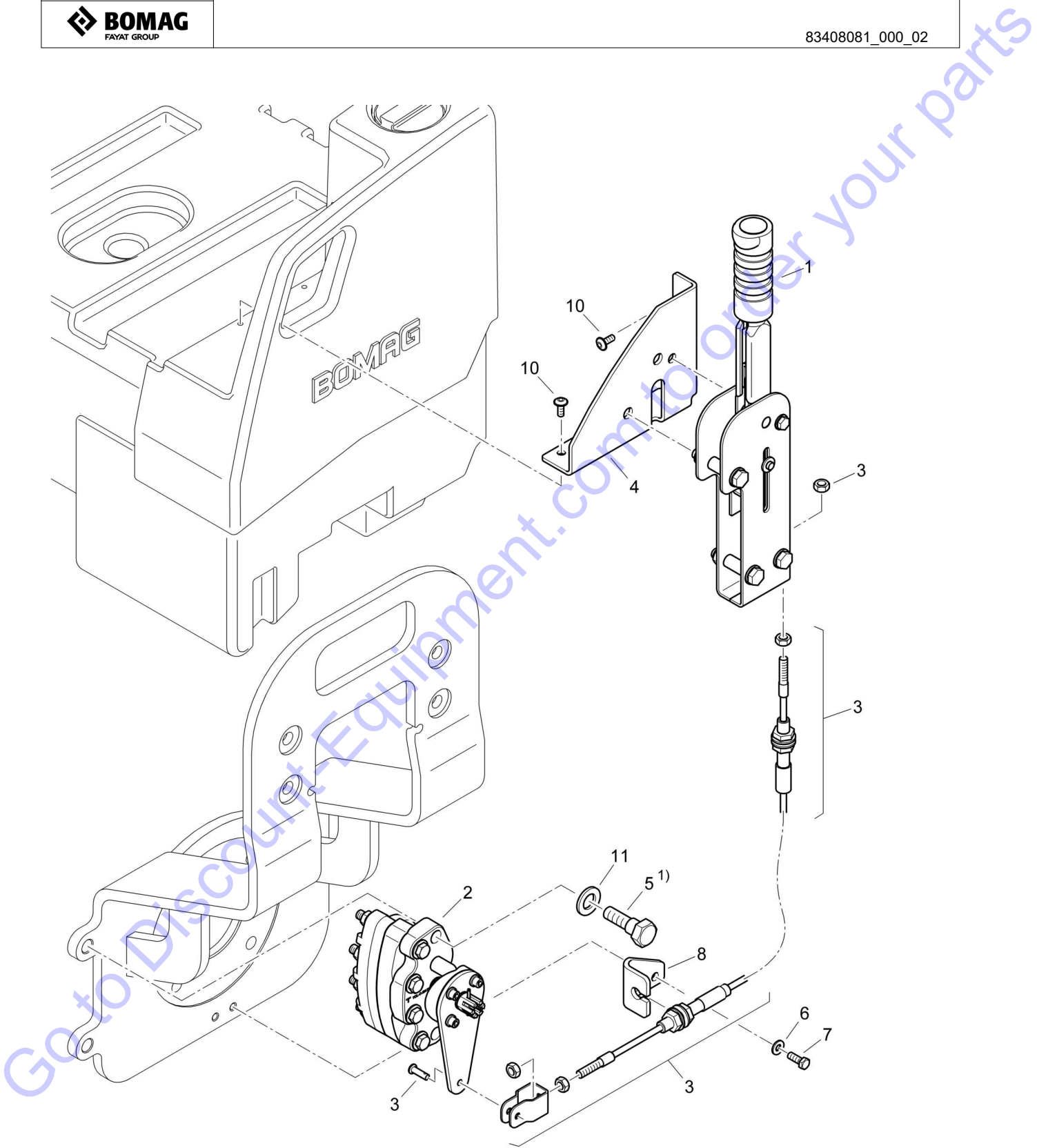
83408081\_000\_02

BW 900-50		
S/N 861834071961 ▶		
Drum brake		<b>39.04</b>
		Page 1 / 1
	83408081 8061 1	

Pos.	Part no.	Qty.	Description
1	05050872	1	Control
2	05050245	1	Brake
3	05050357	1	Hand brake cable
4	83410563	1	Support
5	83410552	2	Pin
6	08752084	2	Spring washer
7	07140828	2	Hexagon bolt
8	83410611	1	Angle
10	07210616	6	Pens head screw
11	08511730	2	Washer


Go to Discount-Equipment.com to order your parts

	BW 900-50	S/N 861834071840 ▶ S/N 861834071960
<b>39.04</b>	<b>Drum brake</b>	
Page <b>1 / 1</b>		
<b>BOMAG</b> FAYAT GROUP		83408081_000_02



1) Inserted with threadlocker, medium strength (00978006)

83408081\_000\_02

BW 900-50		
S/N 861834071840 ▶ S/N 861834071960		
Drum brake		<b>39.04</b>
		Page 1 / 1
	83408081 8061 1	

Pos.	Part no.	Qty.	Description
1	05050244	1	Control
2	05050245	1	Brake
3	05050357	1	Hand brake cable
4	83410563	1	Support
5	83410552	2	Pin
6	08752084	2	Spring washer
7	07140828	2	Hexagon bolt
8	83410611	1	Angle
10	07210616	6	Pens head screw
11	08511730	2	Washer

Go to Discount-Equipment.com to order your parts



BW 900-50

S/N 861834071771 ▶ S/N 861834071839

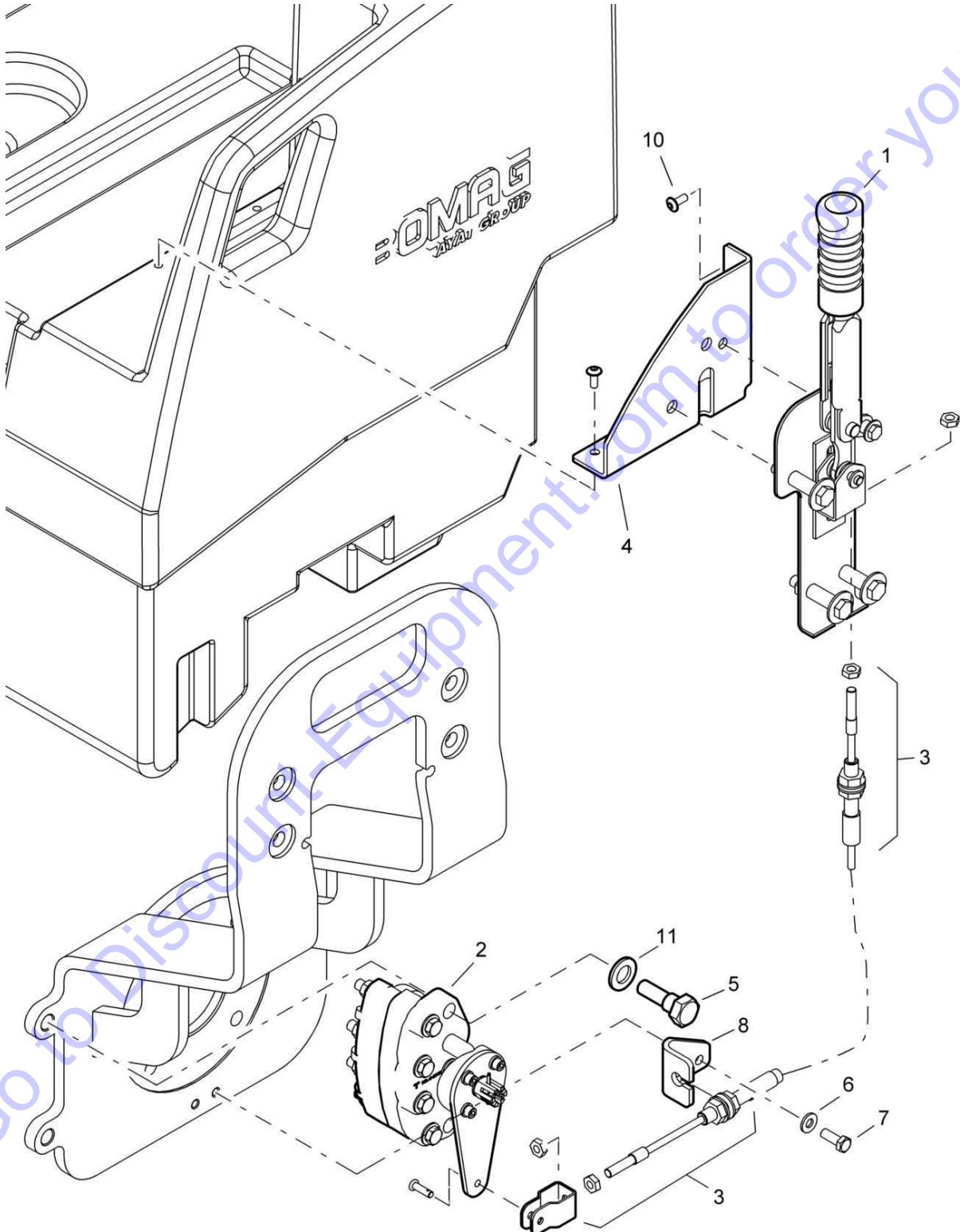
**39.04**

**Drum brake**

Page **1 / 1**



83408081\_000\_01



83408081\_000\_01

BW 900-50		
S/N 861834071771 ▶ S/N 861834071839		
Drum brake		<b>39.04</b>
		Page 1 / 1
	83408081 8061 1	

Pos.	Part no.	Qty.	Description
1	05050244	1	Control
2	05050245	1	Brake
3	05050357	1	Hand brake cable
4	83410563	1	Support
5	83410552	2	Pin
6	08752084	2	Spring washer
7	07140828	2	Hexagon bolt
8	83410611	1	Angle
10	07210616	6	Pens head screw
11	08752170	2	Spring washer

Go to Discount-Equipment.com to order your parts

BW 900-50

S/N 861834071710 ▶ S/N 861834071770

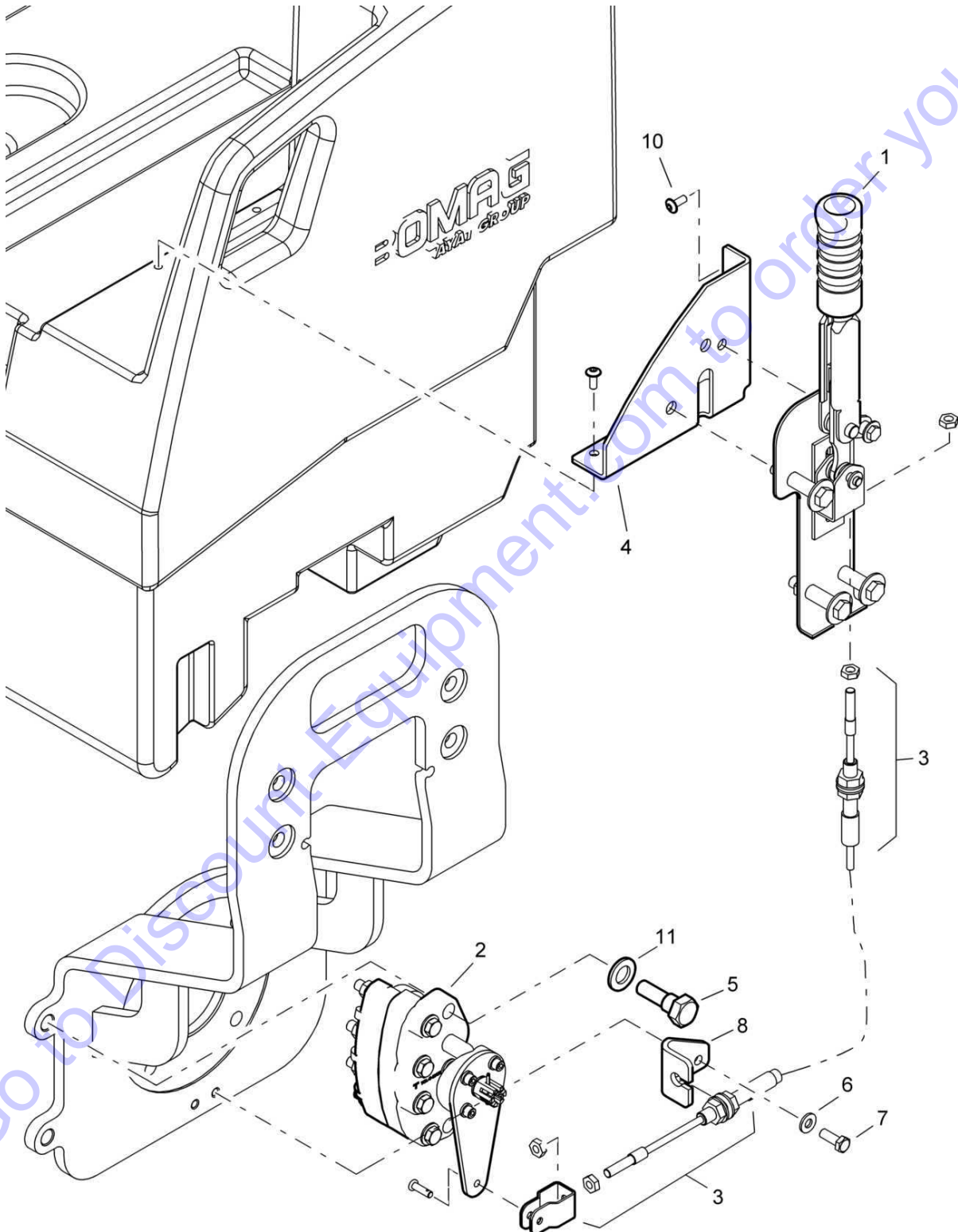
**39.04**

**Drum brake**


Page **1 / 1**



83408081\_000\_01



83408081\_000\_01

BW 900-50		
S/N 861834071710 ▶ S/N 861834071770		
Drum brake		<b>39.04</b>
		Page 1 / 1
	83408081 8061 1	

Pos.	Part no.	Qty.	Description
1	05050244	1	Control
2	05050245L	1	Brake
3	05050357	1	Hand brake cable
4	83410563	1	Support
5	83410552	2	Pin
6	08752084	2	Spring washer
7	07140828	2	Hexagon bolt
8	83410611	1	Angle
10	07210616	6	Pens head screw
11	08752170	2	Spring washer

Go to Discount-Equipment.com to order your parts

BW 900-50

S/N 861834071016 ▶ S/N 861834071709

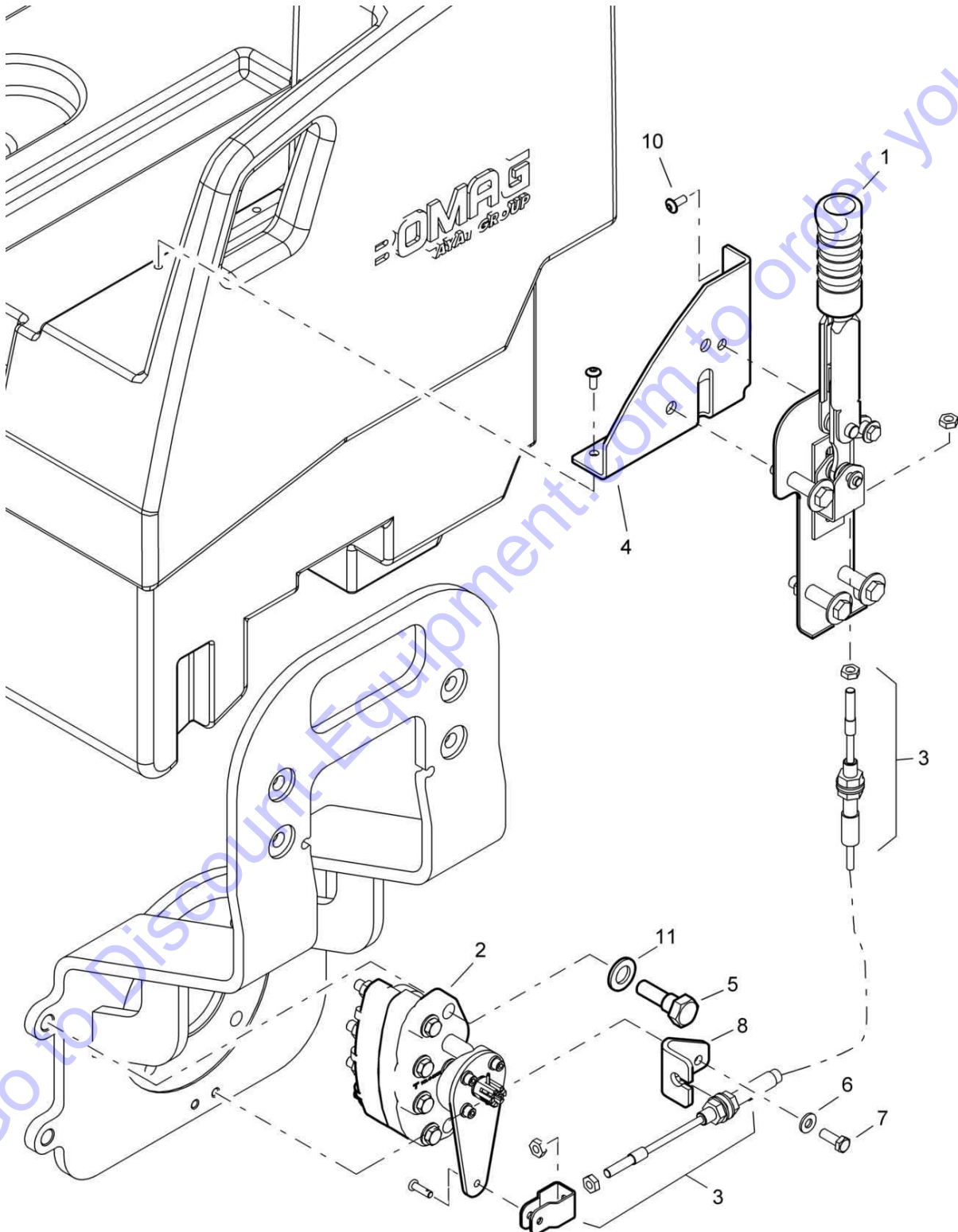
**39.04**

**Drum brake**


Page **1 / 1**



83408081\_000\_01



83408081\_000\_01

BW 900-50		
S/N 861834071016 ▶ S/N 861834071709		
Drum brake		<b>39.04</b>
		Page 1 / 1
	83408081 8061 1	

Pos.	Part no.	Qty.	Description
1	05050244	1	Control
2	05050245	1	Brake
3	05050357	1	Hand brake cable
4	83410563	1	Support
5	83410552	2	Pin
6	08752084	2	Spring washer
7	07140828	2	Hexagon bolt
8	83410611	1	Angle
10	07210616	6	Pens head screw
11	08752170	2	Spring washer

Go to Discount-Equipment.com to order your parts

BW 900-50

S/N 861834071005 ▶ S/N 861834071015

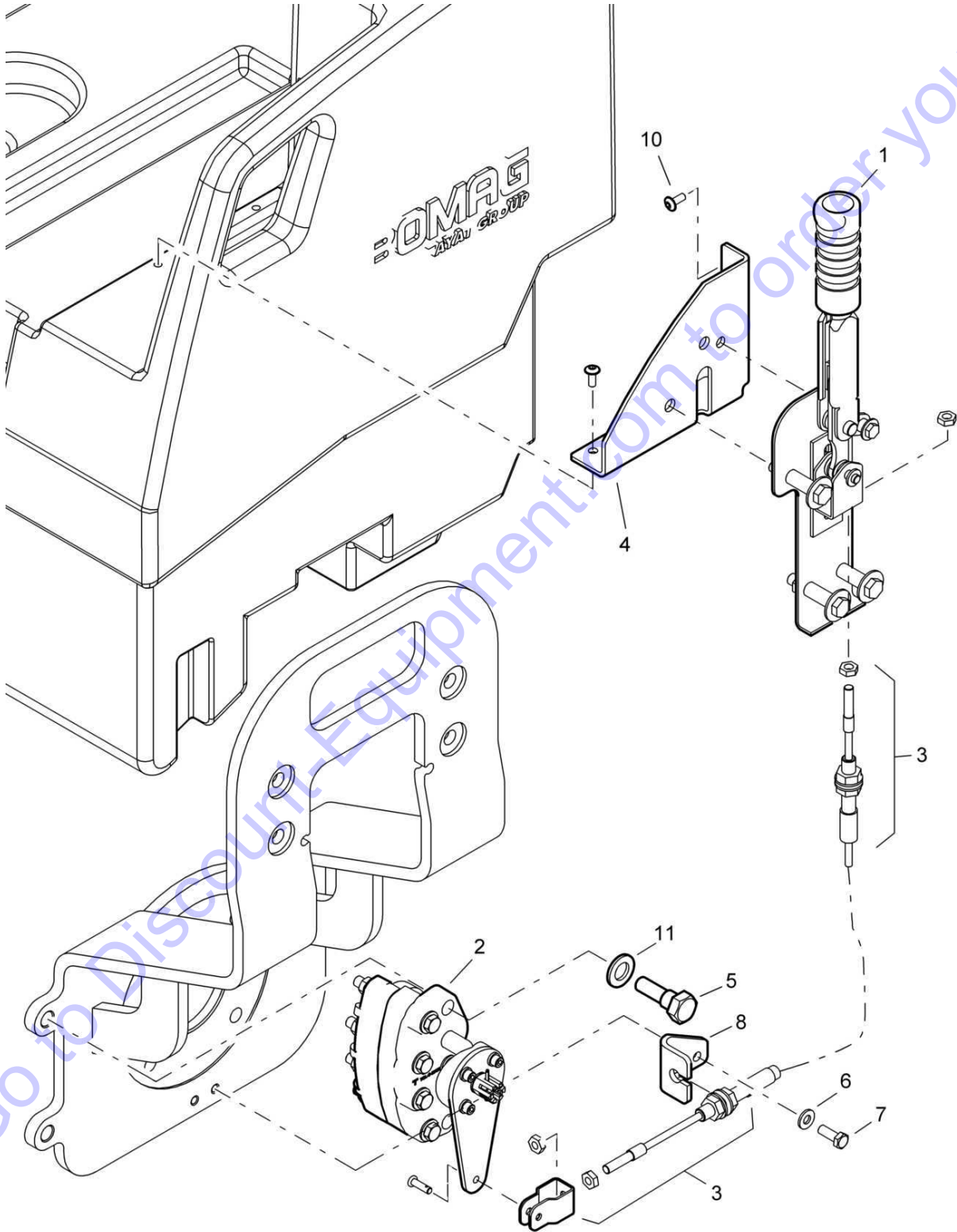
**39.04**

**Drum brake**

Page **1 / 1**



83408081\_000\_01



83408081\_000\_01

BW 900-50		
S/N 861834071005 ▶ S/N 861834071015		
Drum brake		<b>39.04</b>
		Page 1 / 1
	83408081 8061 1	

Pos.	Part no.	Qty.	Description
1	83410723	1	Hand brake lever
2	05050245	1	Brake
3	05050357	1	Hand brake cable
4	83410563	1	Support
5	83410552	2	Pin
6	08752084	2	Spring washer
7	07140828	2	Hexagon bolt
8	83410611	1	Angle
10	07210616	6	Pens head screw
11	08752170	2	Spring washer

Go to Discount-Equipment.com to order your parts



BW 900-50

S/N 861834071001 ▶ S/N 861834071004

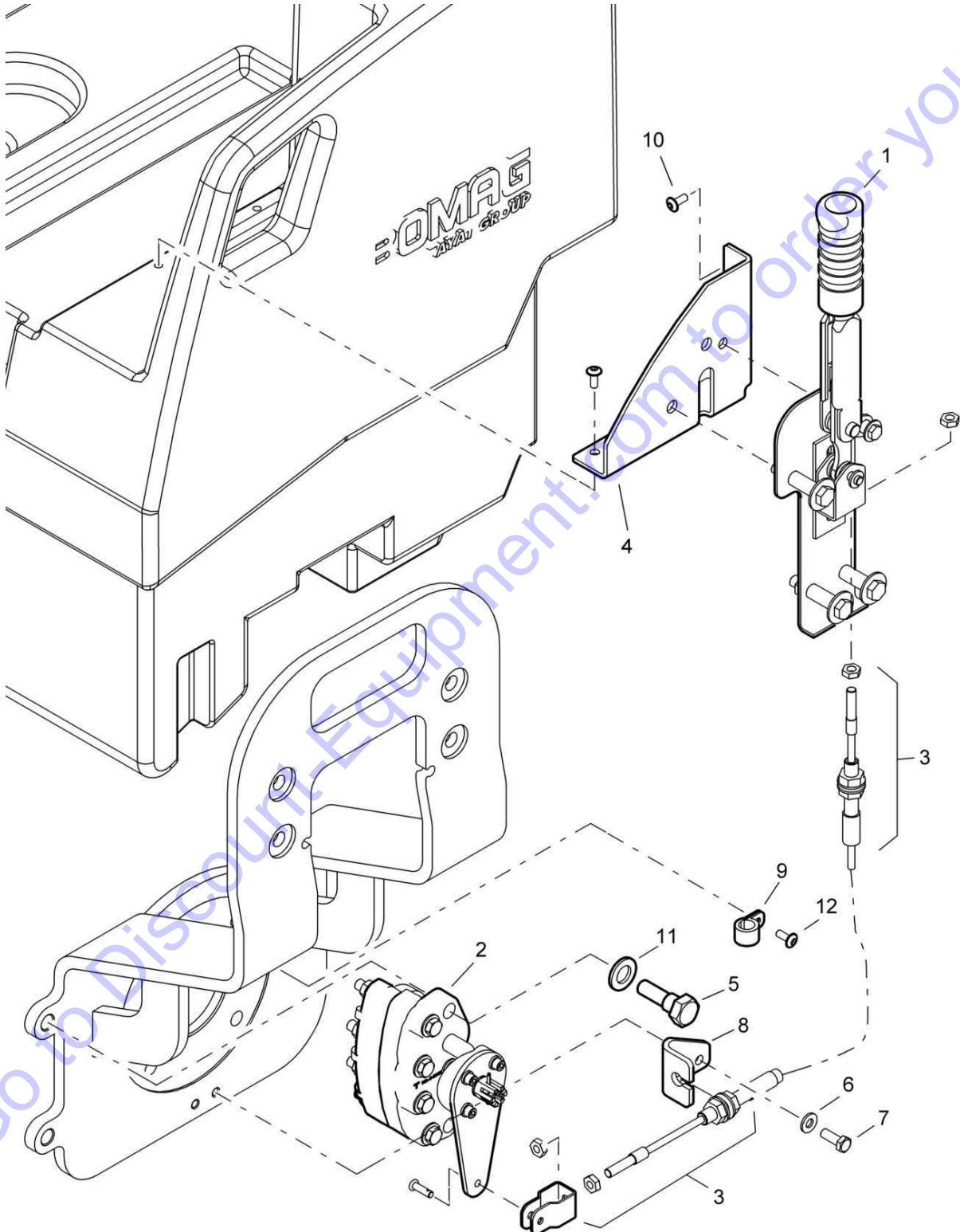
**39.04**

**Drum brake**


Page **1 / 1**



83408081\_000\_00



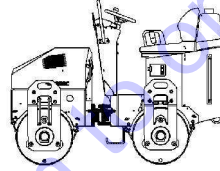
83408081\_000\_00

BW 900-50		
S/N 861834071001 ▶ S/N 861834071004		
Drum brake		<b>39.04</b>
		Page 1 / 1
	83408081 8061 1	

Pos.	Part no.	Qty.	Description
1	83410723	1	Hand brake lever
2	05050245	1	Brake
3	05050357	1	Hand brake cable
4	83410563	1	Support
5	83410552	2	Pin
6	08752084	2	Spring washer
7	07140828	2	Hexagon bolt
8	83410611	1	Angle
9	05551910	1	Tube clamp
10	07210616	6	Pens head screw
11	08752170	2	Spring washer
12	07210616	1	Pens head screw

Go to Discount-Equipment.com to order your parts

**Steering System**



**40**

Go to [Discount-Equipment.com](http://Discount-Equipment.com) to order your parts

**40.00**


Steering System

Page /



**For this catalogue group no illustration.**

*Go to [Discount-Equipment.com](http://Discount-Equipment.com) to order your parts*

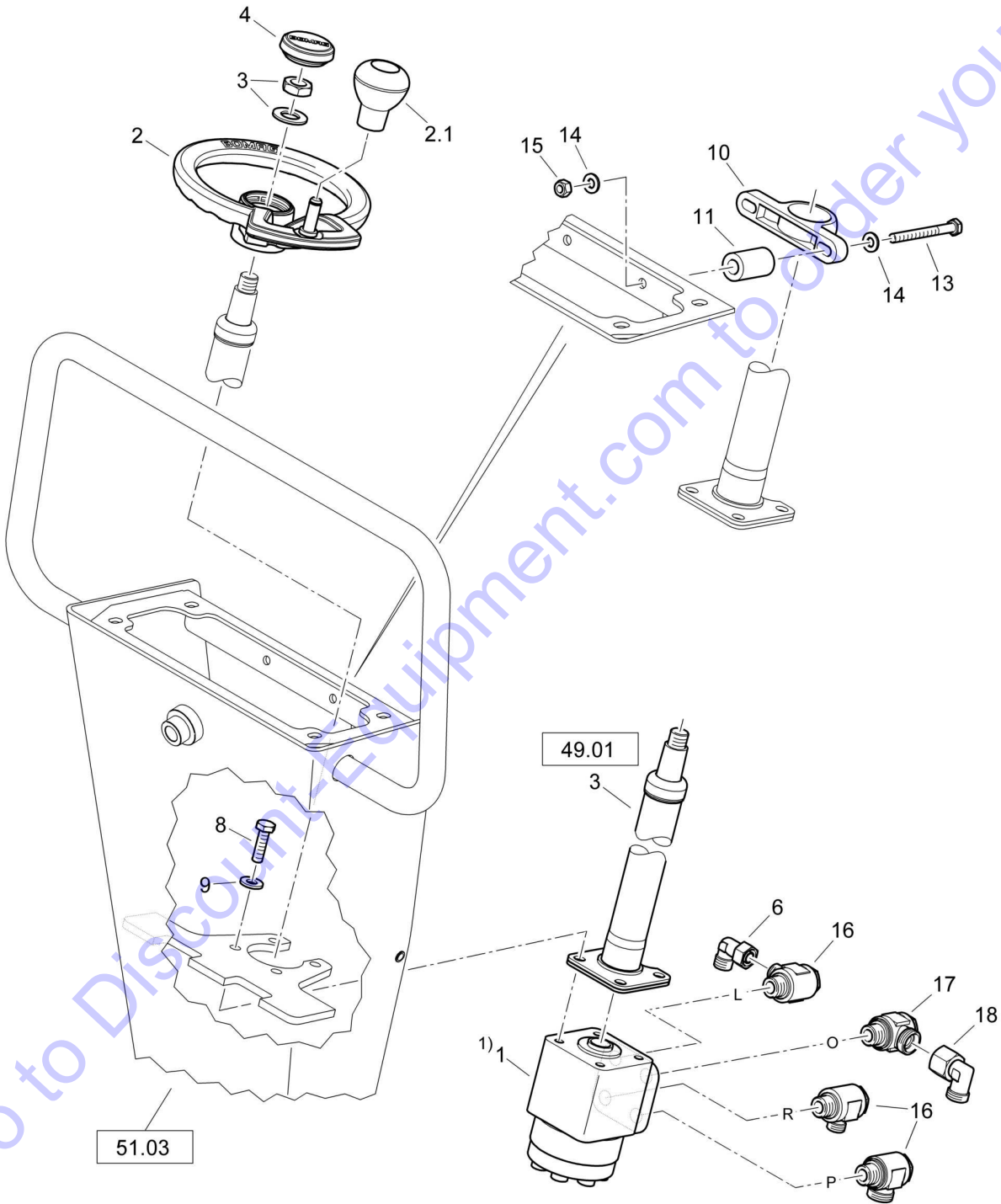
Steering System	<b>40.00</b>
	Page /
	

**Pos. Description**

- 41.00 Steering
- 41.11 Articulated Joint
- 41.15 Oscillat. articul. joint, ass.
- 49.01 Steering Column


Go to Discount-Equipment.com to order your parts

	BW 900-50	
<b>41.00</b>		S/N 861834071943 ▶
Page <b>1 / 2</b>	<b>Steering</b>	
<b>BOMAG</b> FAYAT GROUP		83408060_001_03



1) Rotary shaft seal and teeth with approx. 5g  
Autol Top 2000 (009 960 01) grease.

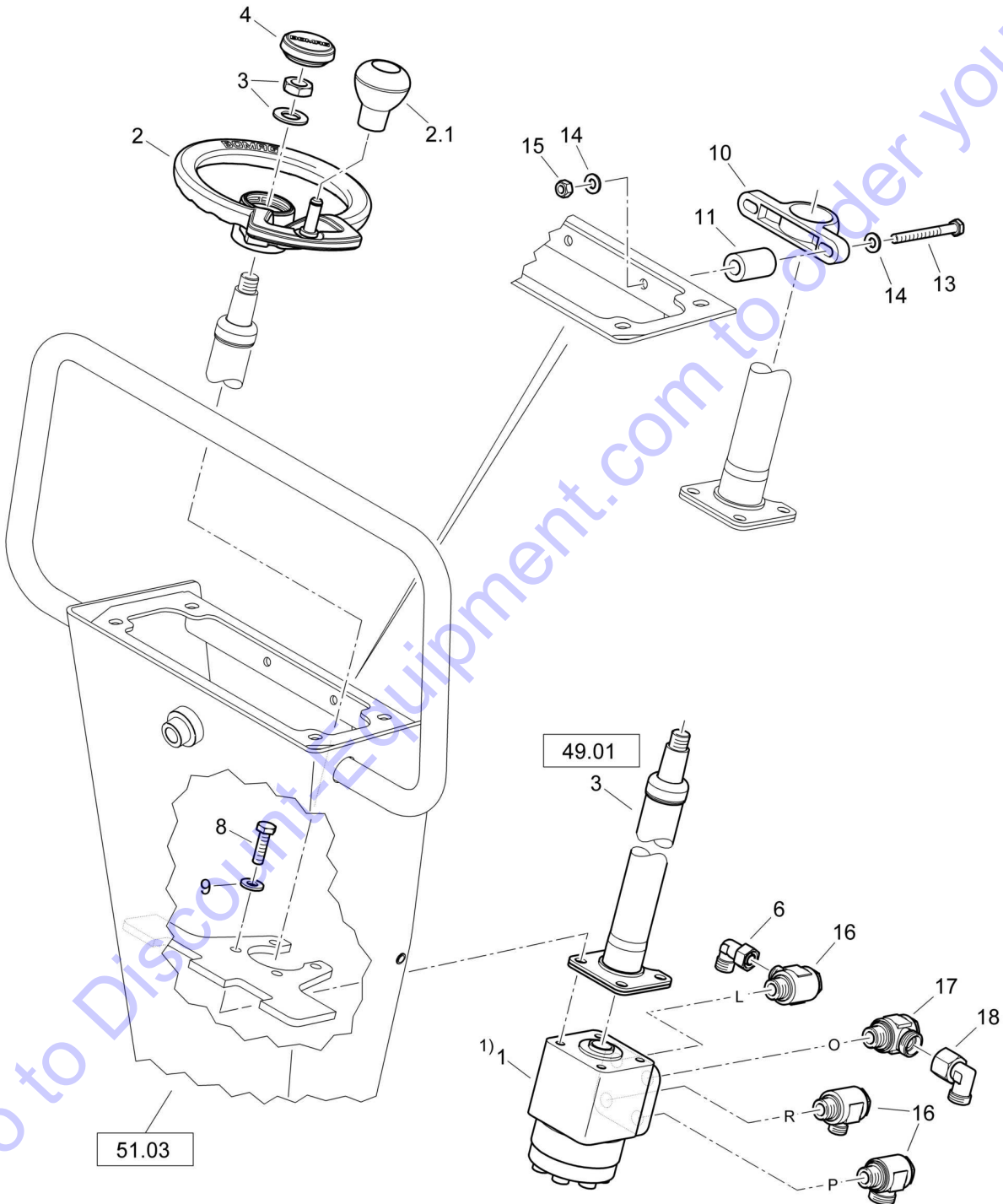
83408060\_001\_03

BW 900-50		
S/N 861834071943 ▶		
Steering		<b>41.00</b>
		Page 1 / 2
	83408060 8061 1	

Pos.	Part no.	Qty.	Description
1	05050331	1	Steering unit
2	05580174	1	Steering wheel
2.1	05580176	1	Winding button
3	05902586	1	Steering column
4	05580175	1	Cap,steering wheel
6	05542124	1	Angular union
8	07141032	4	Hexagon bolt
9	08752106	4	Spring washer
10	05301629	1	Plummer block
11	92001040	2	Round steel bar
13	07130848	2	Hexagon bolt
14	08510817	4	Washer
15	08130813	2	Safety nut
16	05543430	2	Swivel fitting
17	05541434	2	Banjo coupling,eccentric
18	05542125	1	Angular union


Go to Discount-Equipment.com to order your parts

	BW 900-50	S/N 861834071916 ▶ S/N 861834071942
<b>41.00</b>	<b>Steering</b>	
Page <b>1 / 2</b>		
<b>BOMAG</b> FAYAT GROUP		83408060_001_03



1) Rotary shaft seal and teeth with approx. 5g Autol Top 2000 (009 960 01) grease.

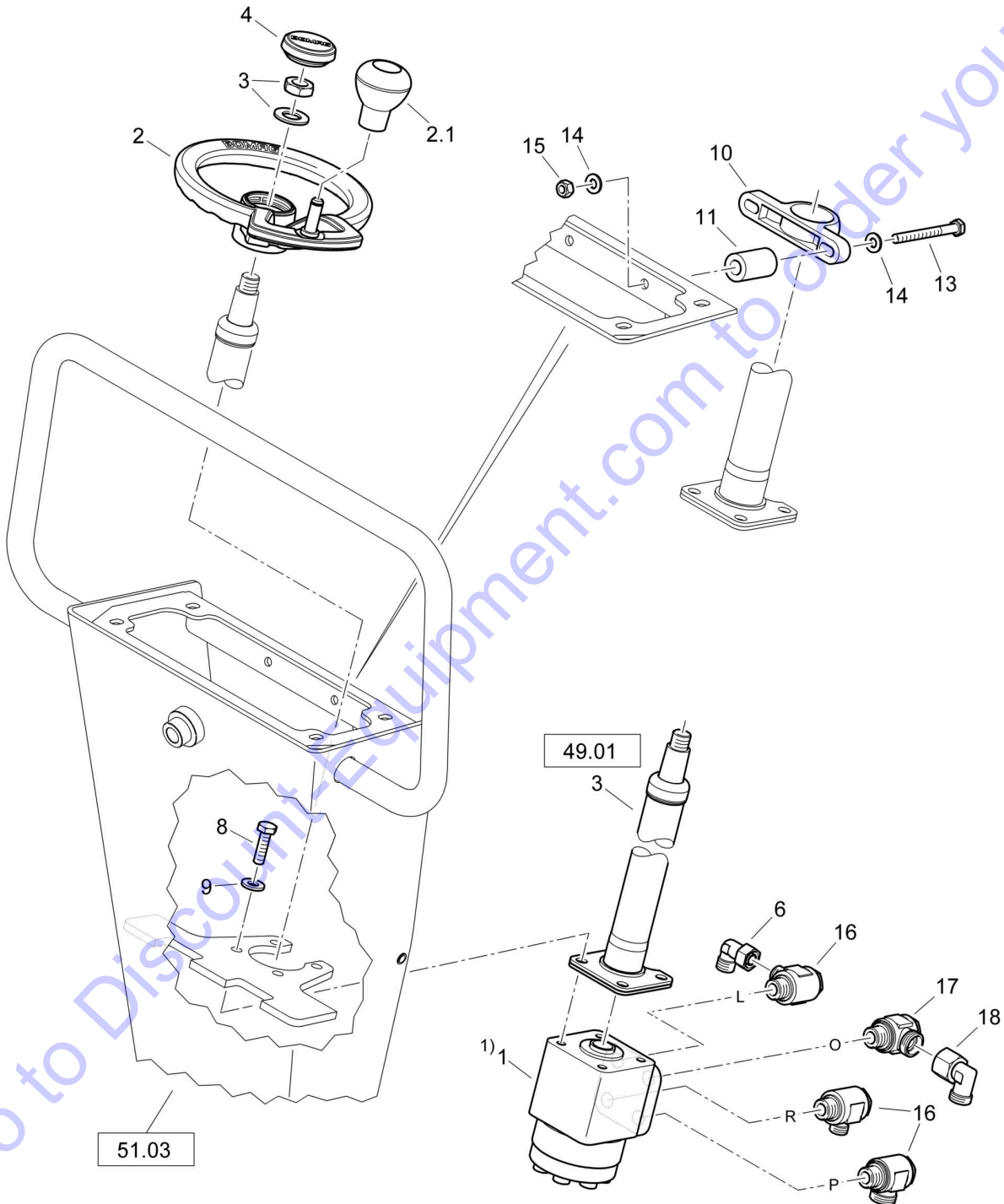


BW 900-50		
S/N 861834071916 ▶ S/N 861834071942		
Steering		<b>41.00</b>
		Page <b>1 / 2</b>
	83408060 8061 1	

Pos.	Part no.	Qty.	Description
1	05050331	1	Steering unit
2	05580174	1	Steering wheel
3	05902586	1	Steering column
4	05580175	1	Cap,steering wheel
6	05542124	1	Angular union
8	07141032	4	Hexagon bolt
9	08752106	4	Spring washer
10	05301629	1	Plummer block
11	92001040	2	Round steel bar
13	07130848	2	Hexagon bolt
14	08510817	4	Washer
15	08130813	2	Safety nut
16	05543430	2	Swivel fitting
17	05541434	2	Banjo coupling,eccentric
18	05542125	1	Angular union


Go to Discount-Equipment.com to order your parts

	BW 900-50	S/N 861834071657 ▶ S/N 861834071915
<b>41.00</b>	<b>Steering</b>	
Page <b>1 / 2</b>		
<b>BOMAG</b> FAYAT GROUP		83408060_001_03



1) Rotary shaft seal and teeth with approx. 5g  
Autol Top 2000 (009 960 01) grease.

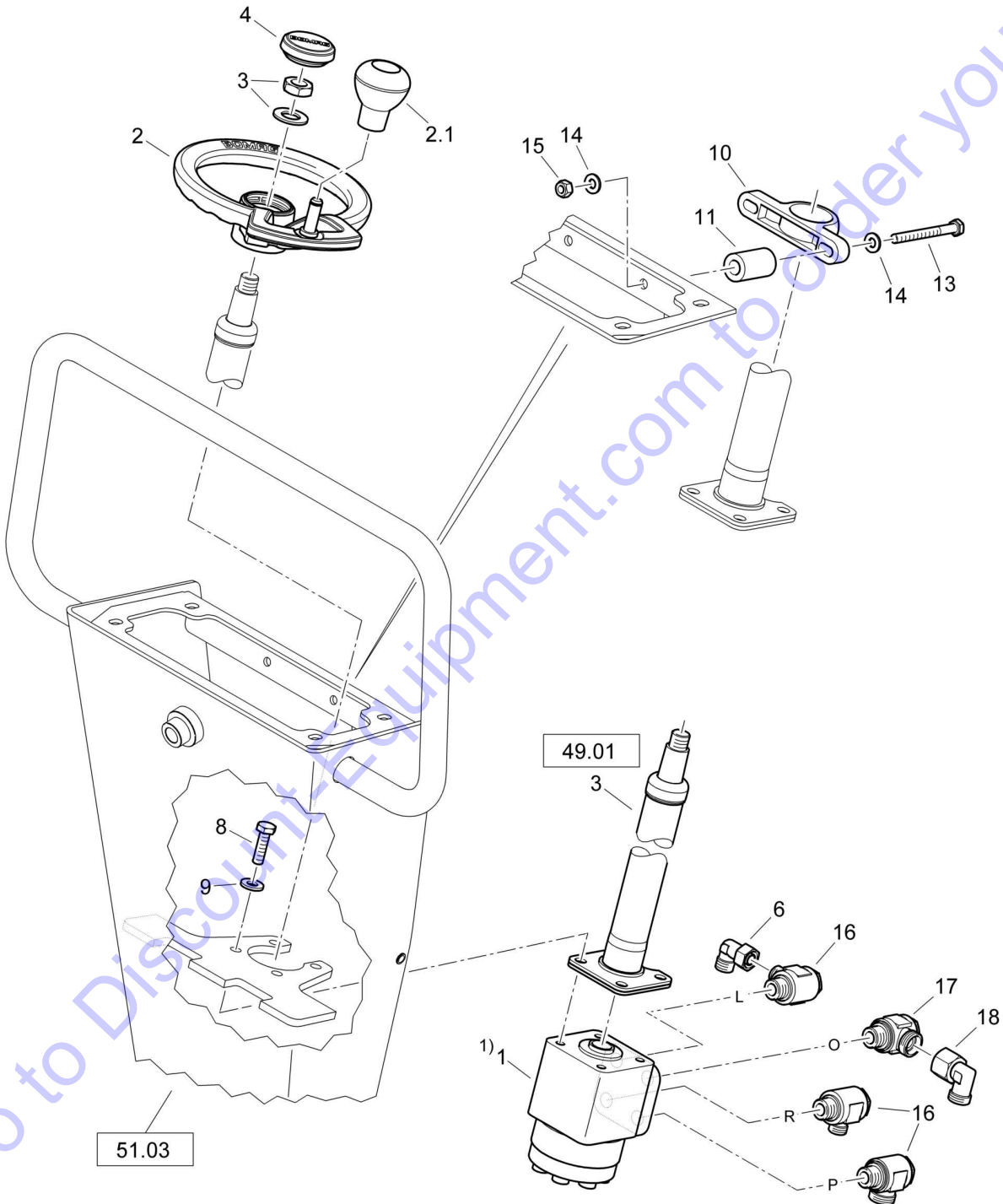
83408060\_001\_03

BW 900-50		
S/N 861834071657 ▶ S/N 861834071915		
Steering		<b>41.00</b>
		Page 1 / 2
	83408060 8061 1	

Pos.	Part no.	Qty.	Description
1	05050331	1	Steering unit
2	05580174	1	Steering wheel
2.1	05580176	1	Winding button
3	05902586	1	Steering column
4	05580175	1	Cap,steering wheel
6	05542124	1	Angular union
8	07141032	4	Hexagon bolt
9	08752106	4	Spring washer
10	05301629	1	Plummer block
11	92001040	2	Round steel bar
13	07130848	2	Hexagon bolt
14	08510817	4	Washer
15	08130813	2	Safety nut
16	05543430	2	Swivel fitting
17	05541434	2	Banjo coupling,eccentric
18	05542125	1	Angular union

Go to Discount-Equipment.com to order your parts

	BW 900-50	S/N 861834071633 ▶ S/N 861834071656
<b>41.00</b>	<b>Steering</b>	
Page <b>1 / 2</b>		
<b>BOMAG</b> FAYAT GROUP		83408060_001_03



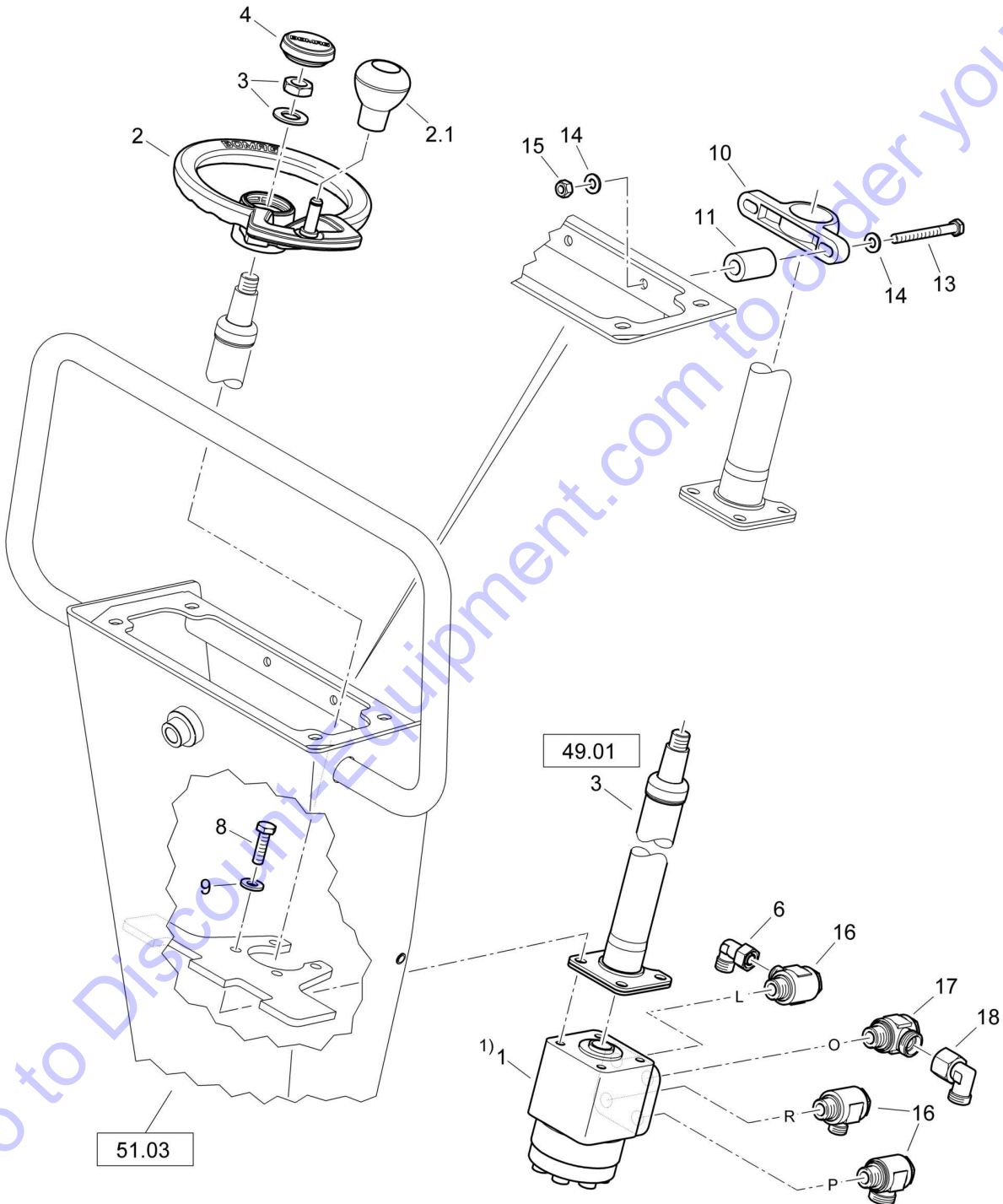
1) Rotary shaft seal and teeth with approx. 5g  
Autol Top 2000 (009 960 01) grease.

BW 900-50		
S/N 861834071633 ▶ S/N 861834071656		
Steering		<b>41.00</b>
		Page 1 / 2
	83408060 8061 1	

Pos.	Part no.	Qty.	Description
1	05050331	1	Steering unit
2	05580174	1	Steering wheel
2.1	05580176	1	Winding button
3	05902586L	1	Steering column
4	05580175	1	Cap,steering wheel
6	05542124	1	Angular union
8	07141032	4	Hexagon bolt
9	08752106	4	Spring washer
10	05301629	1	Plummer block
11	92001040	2	Round steel bar
13	07130848	2	Hexagon bolt
14	08510817	4	Washer
15	08130813	2	Safety nut
16	05543430	2	Swivel fitting
17	05541434	2	Banjo coupling,eccentric
18	05542125	1	Angular union


Go to Discount-Equipment.com to order your parts

	BW 900-50	S/N 861834071331 ▶ S/N 861834071632
<b>41.00</b>	<b>Steering</b>	
Page <b>1 / 2</b>		
<b>BOMAG</b> FAYAT GROUP		83408060_001_03



1) Rotary shaft seal and teeth with approx. 5g  
Autol Top 2000 (009 960 01) grease.

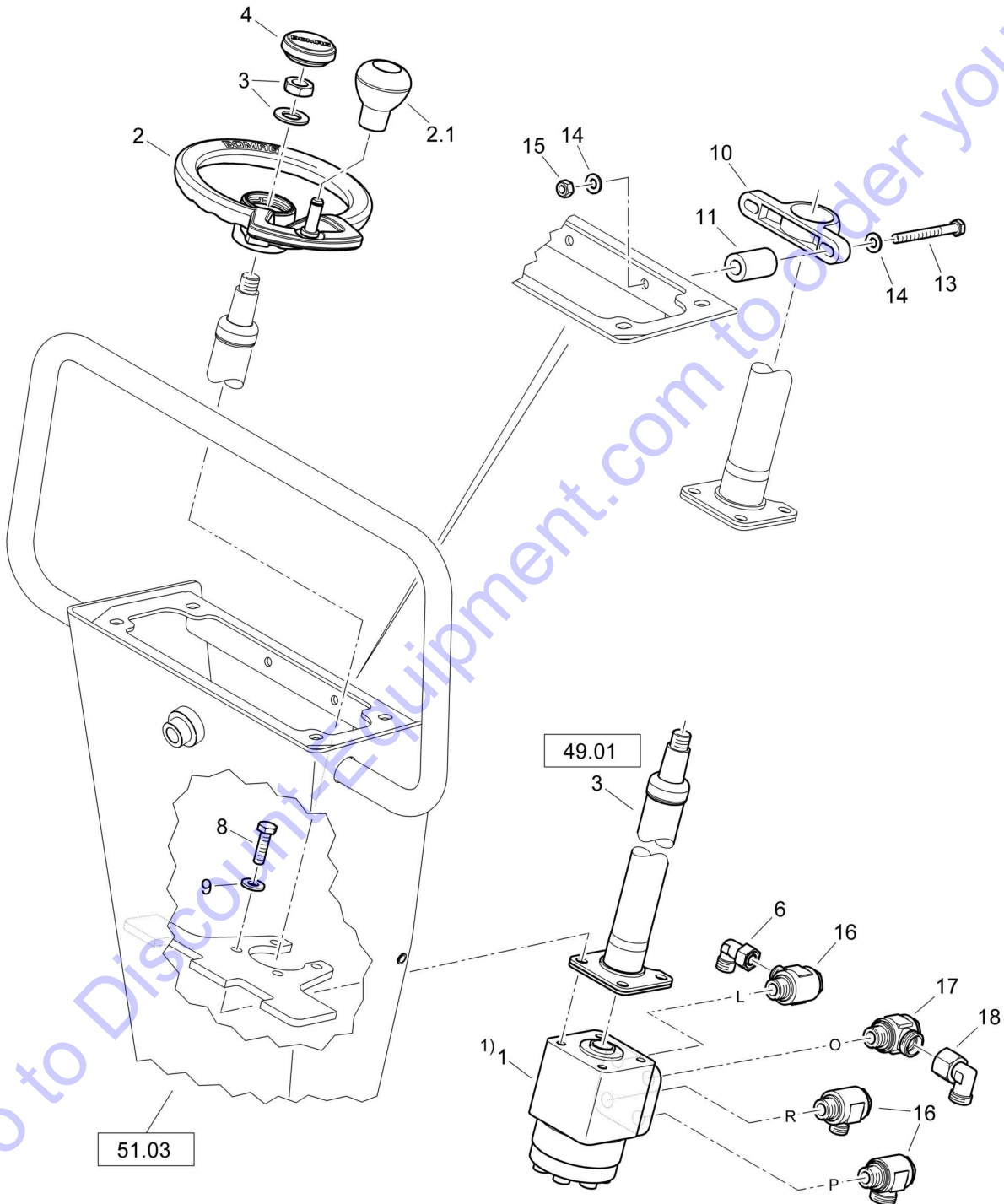
83408060\_001\_03

BW 900-50		
S/N 861834071331 ▶ S/N 861834071632		
Steering		<b>41.00</b>
		Page 1 / 2
	83408060 8061 1	

Pos.	Part no.	Qty.	Description
1	05050331	1	Steering unit
2	05580174	1	Steering wheel
2.1	05580176	1	Winding button
3	05902586	1	Steering column
4	05580175	1	Cap,steering wheel
6	05542124	1	Angular union
8	07141032	4	Hexagon bolt
9	08752106	4	Spring washer
10	05301629	1	Plummer block
11	92001040	2	Round steel bar
13	07130848	2	Hexagon bolt
14	08510817	4	Washer
15	08130813	2	Safety nut
16	05543430	2	Swivel fitting
17	05541434	2	Banjo coupling,eccentric
18	05542125	1	Angular union

Go to Discount-Equipment.com to order your parts


	BW 900-50	S/N 861834071121 ▶ S/N 861834071330
<b>41.00</b>	<b>Steering</b>	
Page <b>1 / 2</b>		
<b>BOMAG</b> FAYAT GROUP	83408060_001_03	



1) Rotary shaft seal and teeth with approx. 5g  
Autol Top 2000 (009 960 01) grease.

83408060\_001\_03

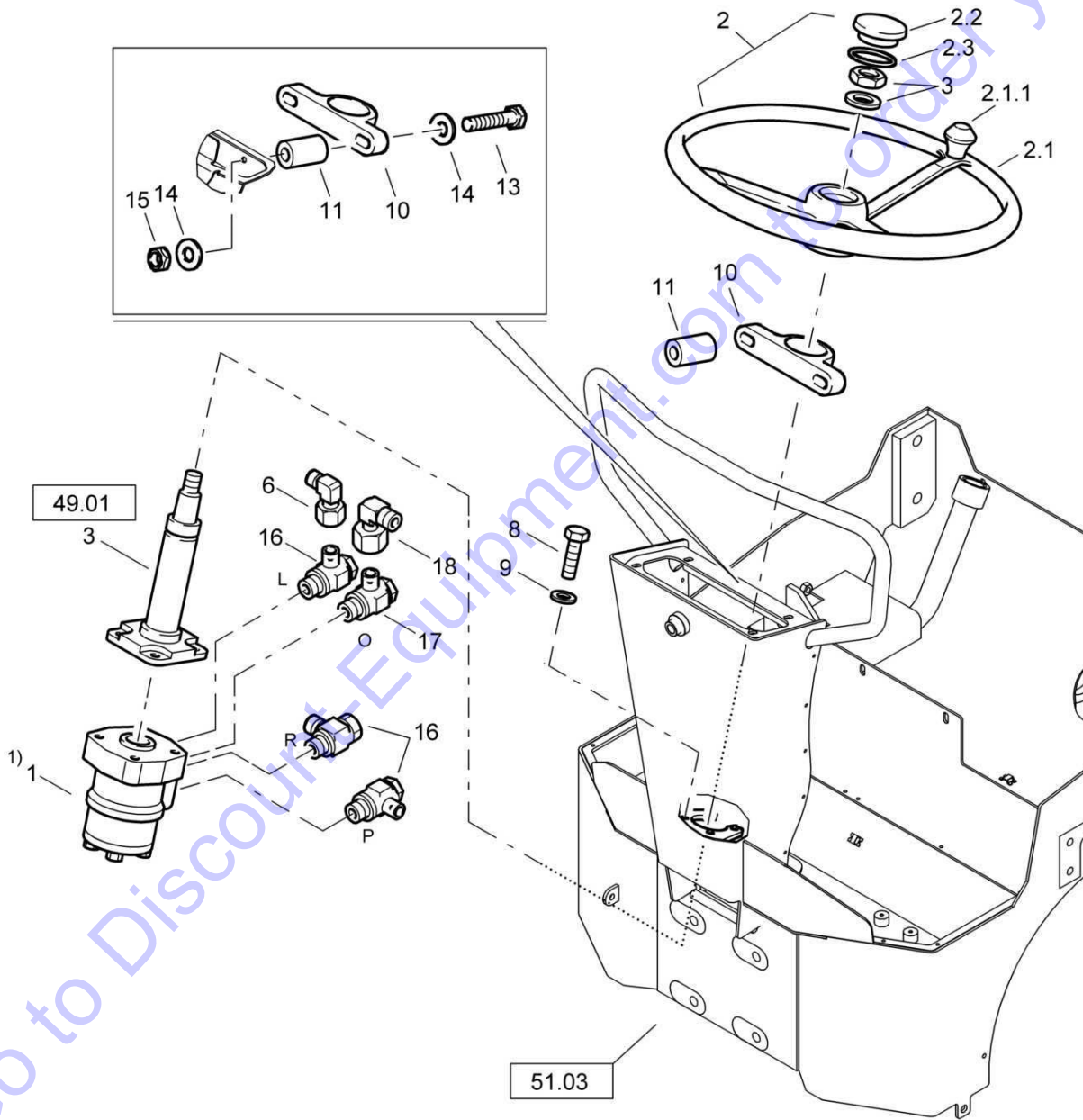


BW 900-50		
S/N 861834071121 ▶ S/N 861834071330		<b>41.00</b>
Steering		Page 1 / 2
	83408060 8061 1	


Pos.	Part no.	Qty.	Description
1	05050331	1	Steering unit
2	05580174	1	Steering wheel
2.1	05580176	1	Winding button
3	05902586	1	Steering column
4	05580175	1	Cap,steering wheel
6	05542124	1	Angular union
8	07141032	4	Hexagon bolt
9	08752106	4	Spring washer
10	05301629	1	Plummer block
11	92001040	2	Round steel bar
13	07130848	2	Hexagon bolt
14	08510817	4	Washer
15	08130813	2	Safety nut
16	05543430	3	Swivel fitting
17	05541434	1	Banjo coupling,eccentric
18	05542125	1	Angular union

Go to Discount-Equipment.com to order your parts

	BW 900-50	S/N 861834071086 ▶ S/N 861834071120
<b>41.00</b>	<b>Steering</b>	
Page <b>1 / 2</b>		
<b>BOMAG</b> FAYAT GROUP	83408060_001_02	



1) Rotary shaft seal and teeth with approx. 5g  
Autol Top 2000 (009 960 01) grease.

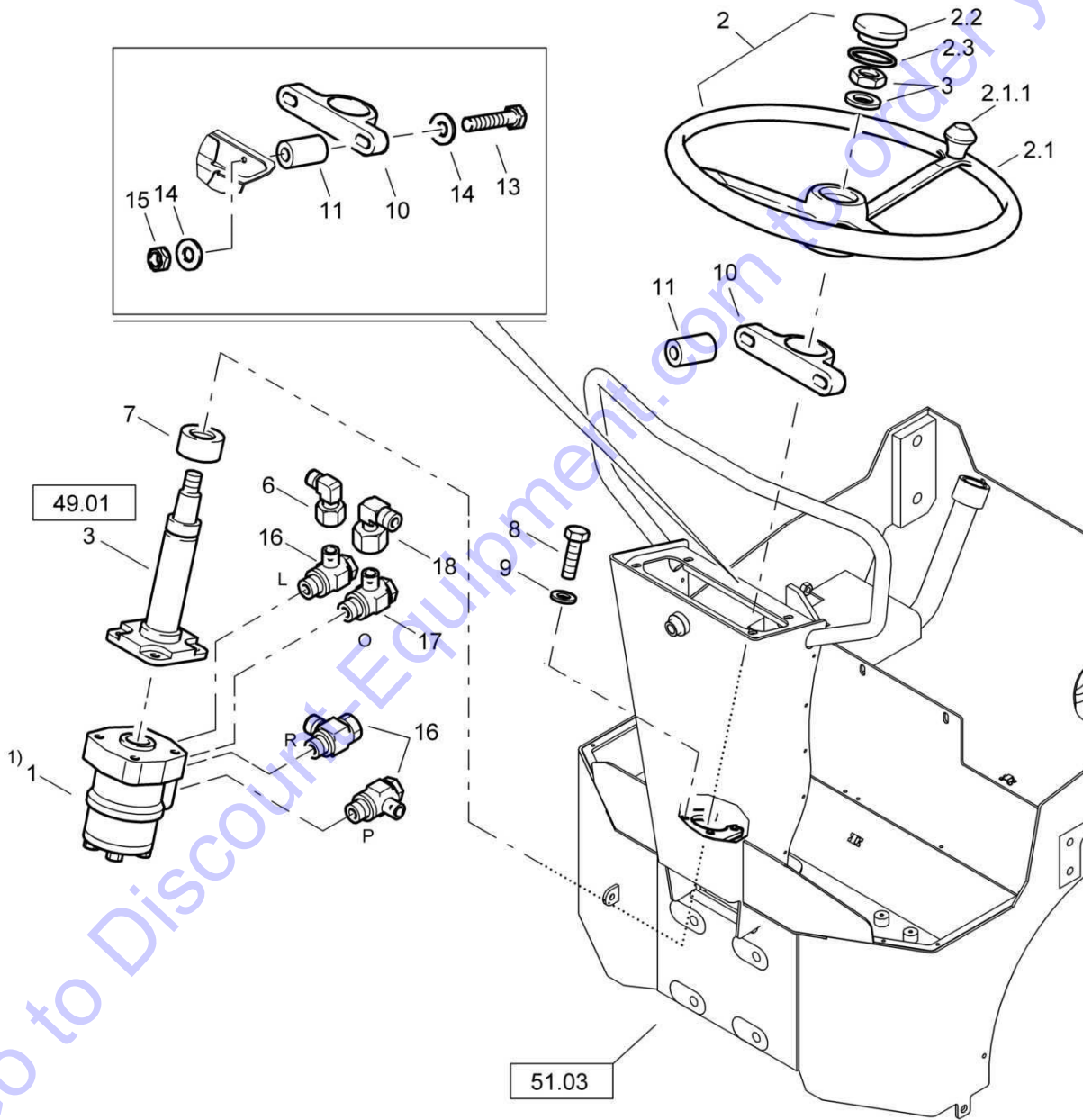
BW 900-50		
S/N 861834071086 ▶ S/N 861834071120		<b>41.00</b>
<b>Steering</b>		
		Page <b>1 / 2</b>
83408060 8061 1		

**Pos. Part no. Qty. Description Designation**

1	05050331	1	Steering unit	
2	05050455	1	Steering wheel	
2.1	05050456	1	Steering wheel	
2.1.1	05050458	1	Winding button	
2.2	05050457	1	Cap,steering wheel	
2.3	05580170	1	Loop ring	
3	05902586	1	Steering column	
6	05542124	1	Angular union	
8	07141032	4	Hexagon bolt	
9	08752106	4	Spring washer	
10	05301629	1	Plummer block	
11	92001040	2	Round steel bar	
13	07130848	2	Hexagon bolt	
14	08510817	4	Washer	
15	08130813	2	Safety nut	
16	05543430	3	Swivel fitting	
17	05541434	1	Banjo coupling,eccentric	
18	05542125	1	Angular union	

Go to Discount-Equipment.com to order your parts

	BW 900-50	S/N 861834071004 ▶ S/N 861834071085
<b>41.00</b>	<b>Steering</b>	
Page <b>1 / 2</b>		
<b>BOMAG</b> FAYAT GROUP	83408060_001_01	



1) Rotary shaft seal and teeth with approx. 5g  
Autol Top 2000 (009 960 01) grease.

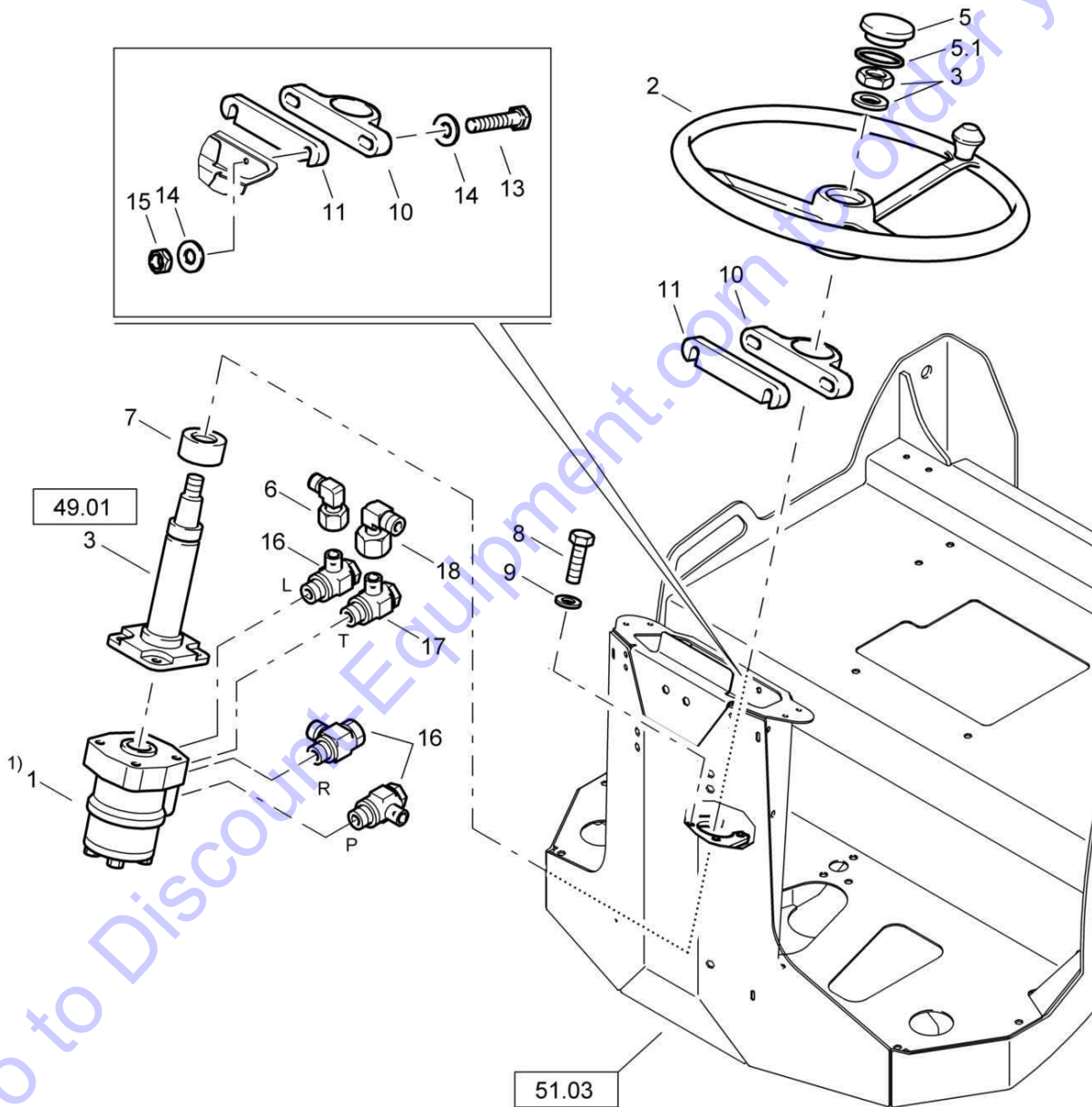
83408060\_001\_01

BW 900-50		
S/N 861834071004 ▶ S/N 861834071085		
Steering		<b>41.00</b>
		Page <b>1 / 2</b>
	83408060 8061 1	

Pos.	Part no.	Qty.	Description
1	05050331	1	Steering unit
2	05050455	1	Steering wheel
2.1	05050456	1	Steering wheel
2.1.1	05050458	1	Winding button
2.2	05050457	1	Cap,steering wheel
2.3	05580170	1	Loop ring
3	05902586	1	Steering column
6	05542124	1	Angular union
7	06510324	1	Cap
8	07141032	4	Hexagon bolt
9	08752106	4	Spring washer
10	05301629	1	Plummer block
11	92001040	2	Round steel bar
13	07130848	2	Hexagon bolt
14	08510817	4	Washer
15	08130813	2	Safety nut
16	05543430	3	Swivel fitting
17	05541434	1	Banjo coupling,eccentric
18	05542125	1	Angular union

Go to Discount-Equipment.com to order your parts

	BW 900-50	S/N 861834071001 ▶ S/N 861834071003
<b>41.00</b>	<b>Steering</b>	
Page <b>1 / 2</b>		
<b>BOMAG</b> FAYAT GROUP	83408060_001_00	



1) Rotary shaft seal and teeth with approx. 5g  
Autol Top 2000 (009 960 01) grease.

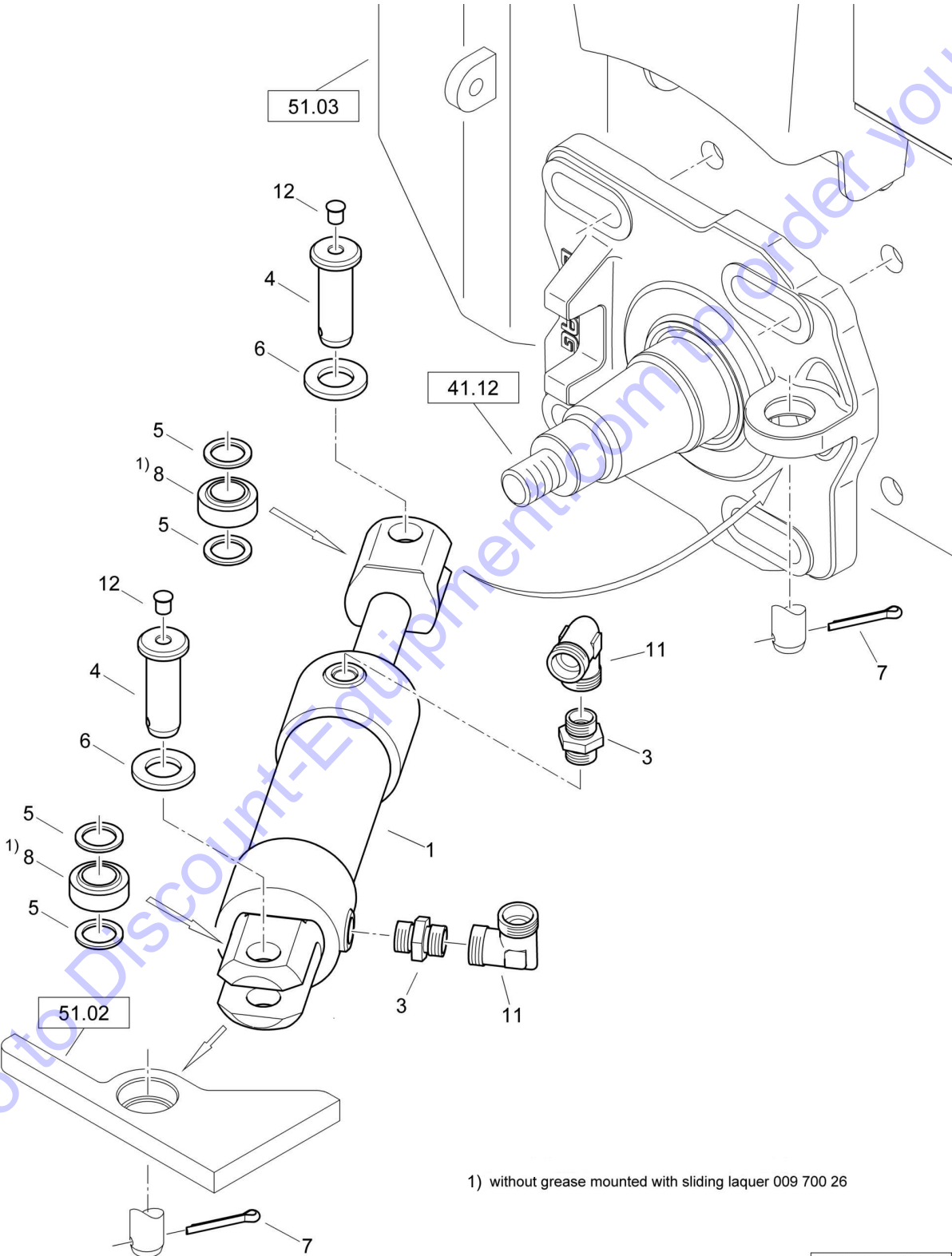
83408060\_001\_00

BW 900-50		
S/N 861834071001 ▶ S/N 861834071003		
Steering		<b>41.00</b>
		Page <b>1 / 2</b>
	83408060 8061 1	

Pos.	Part no.	Qty.	Description
1	05050331	1	Steering unit
2	05050455	1	Steering wheel
2.1	05050456	1	Steering wheel
2.1.1	05050458	1	Winding button
2.2	05050457	1	Cap,steering wheel
2.3	05580170	1	Loop ring
3	05902202	1	Steering column
6	05542124	1	Angular union
7	06510324	1	Cap
8	07141032	4	Hexagon bolt
9	08752106	4	Spring washer
10	05301629	1	Plummer block
11	83410653	1	
13	07140848	2	Hexagon bolt
14	08510817	4	Washer
15	08130813	2	Safety nut
16	05543430	3	Swivel fitting
17	05541434	1	Banjo coupling,eccentric
18	05542125	1	Angular union


Go to Discount-Equipment.com to order your parts

BW 900-50	
<b>41.00</b>	S/N 861834072608 ▶
	Steering
Page <b>2 / 2</b>	
<b>BOMAG</b> FAYAT GROUP	83408060_002_01



1) without grease mounted with sliding laquer 009 700 26

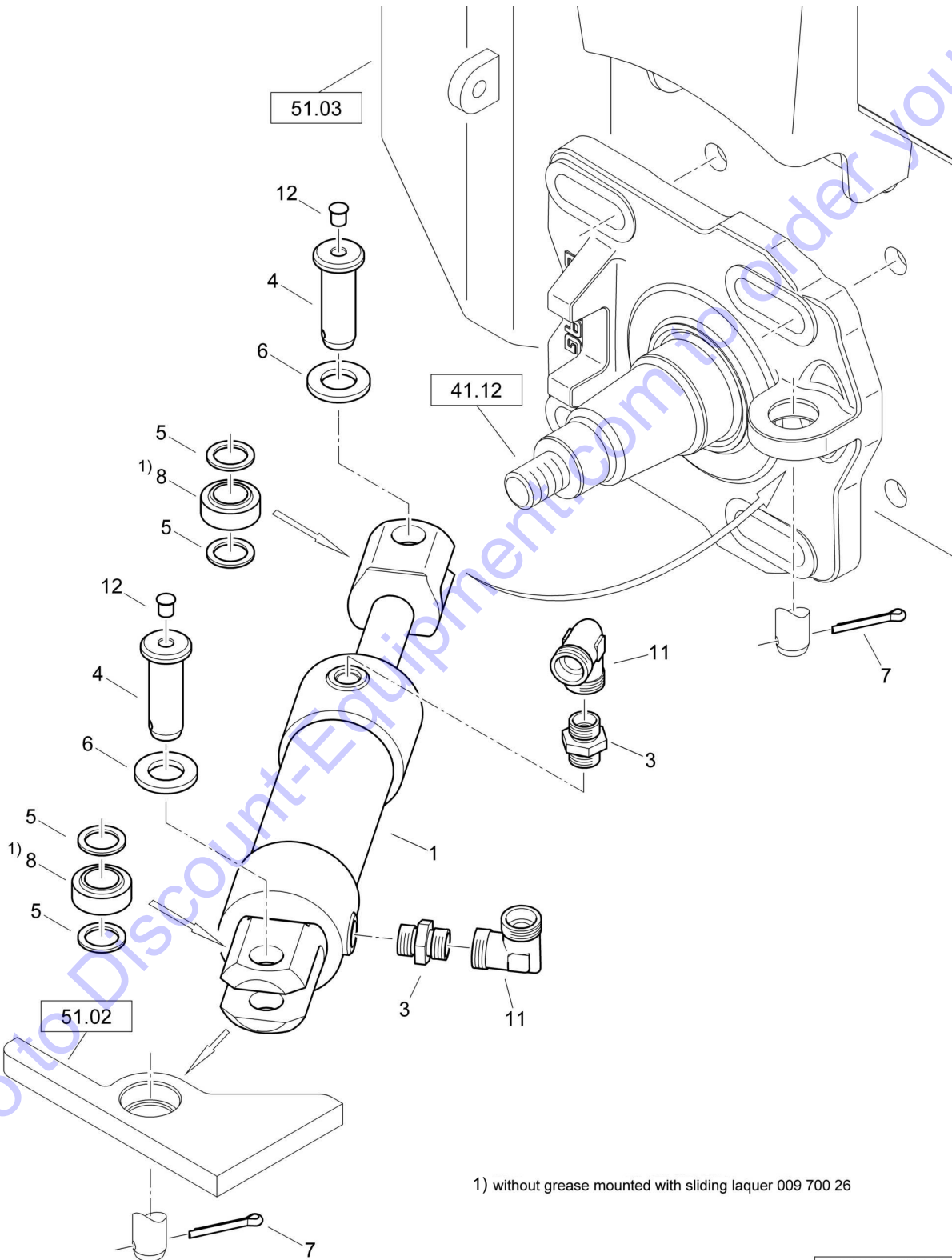



BW 900-50		
S/N 861834072608 ▶		
Steering		<b>41.00</b>
		Page <b>2 / 2</b>
	83408060 8061 1	

Pos.	Part no.	Qty.	Description
1	05050495	1	Steering cylinder
3	05548011	2	Double-ended union
4	83412481	2	Bolt
5	05520620	4	Supporting disc
6	08512136	2	Washer
7	09170404	2	Cotter pin
8	05272007	2	Spherical plain bearing
9	07141234	4	Hexagon bolt
10	08752130	4	Spring washer
11	05542124	2	Angular union
12	06510113	2	Protection plug

Go to Discount-Equipment.com to order your parts

BW 900-50	
<b>41.00</b>	S/N 861834071679 ▶ S/N 861834072607
	Steering
Page <b>2 / 2</b>	
<b>BOMAG</b> FAYAT GROUP	83408060_002_01

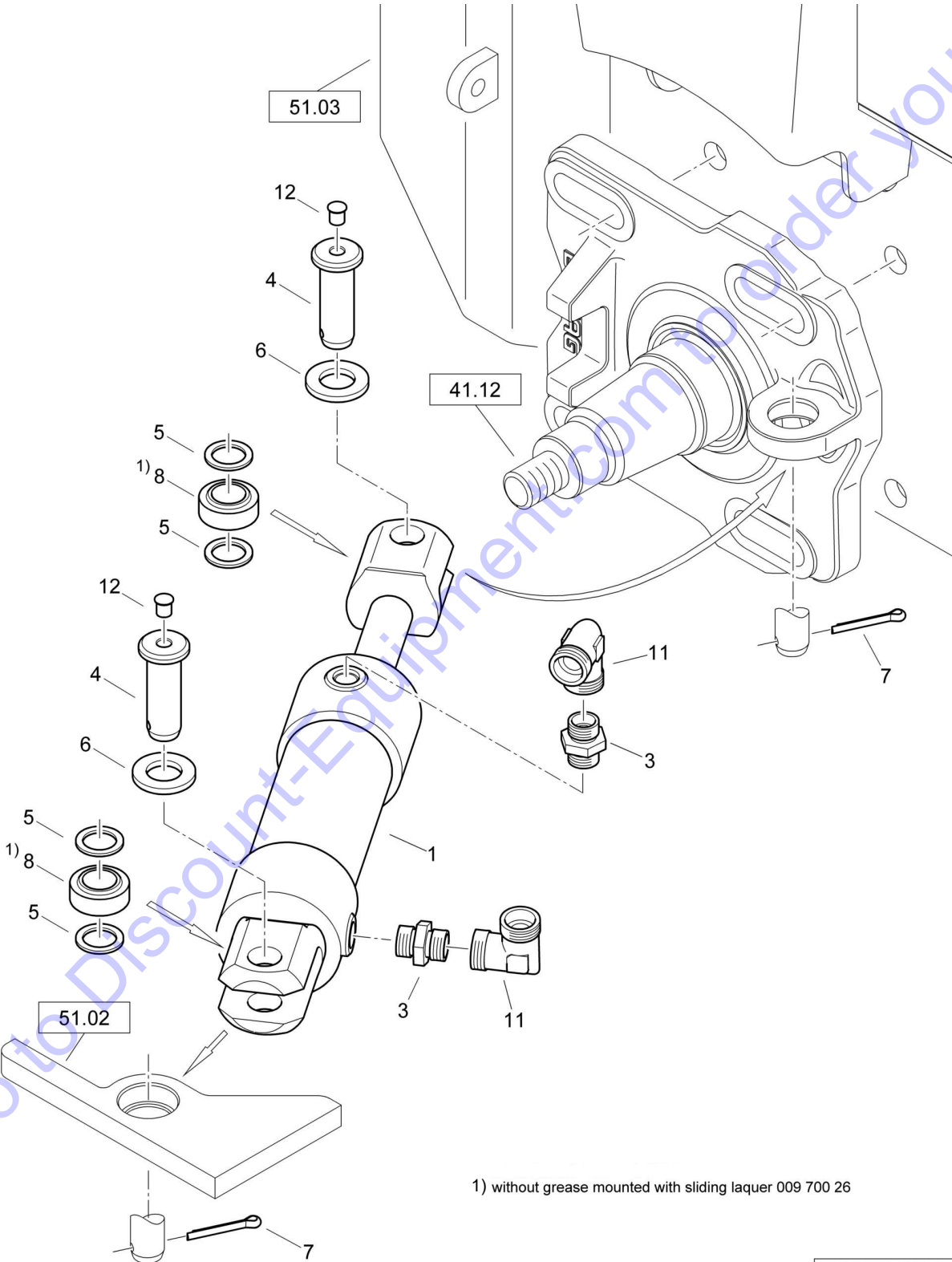



BW 900-50		
S/N 861834071679 ▶ S/N 861834072607		
Steering		<b>41.00</b>
		Page <b>2 / 2</b>
	83408060 8061 1	

Pos.	Part no.	Qty.	Description
1	05050495	1	Steering cylinder
3	05548011	2	Double-ended union
4	09872201	2	Bolt
5	05520620	4	Supporting disc
6	08512136	2	Washer
7	09170404	2	Cotter pin
8	05272007	2	Spherical plain bearing
9	07141234	4	Hexagon bolt
10	08752130	4	Spring washer
11	05542124	2	Angular union
12	06510113	2	Protection plug

Go to Discount-Equipment.com to order your parts

BW 900-50	
<b>41.00</b>	S/N 861834071661 ▶ S/N 861834071678
	Steering
Page <b>2 / 2</b>	
<b>BOMAG</b> FAYAT GROUP	83408060_002_01

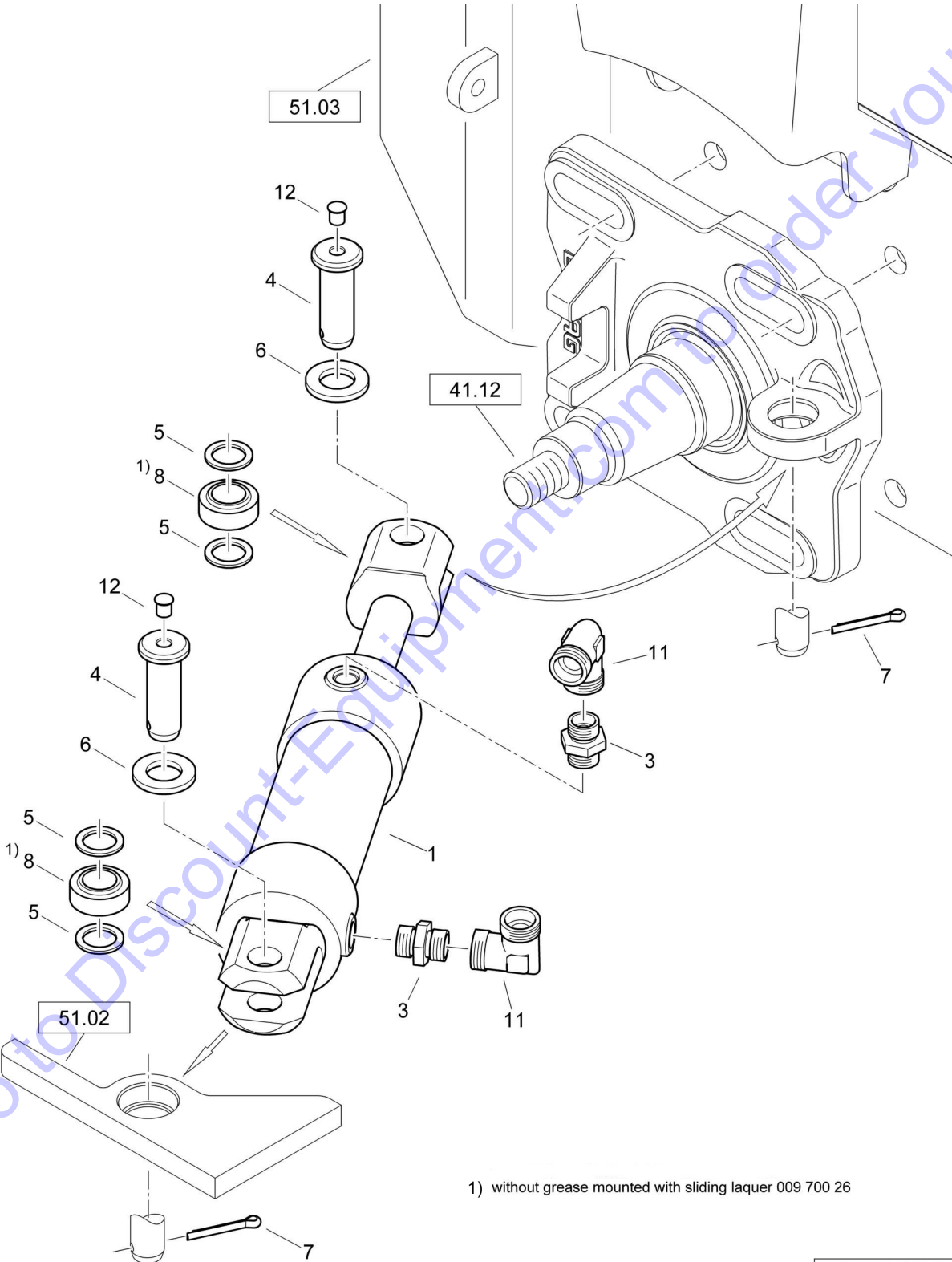


BW 900-50		
S/N 861834071661 ▶ S/N 861834071678		
Steering		<b>41.00</b>
		Page <b>2 / 2</b>
	83408060 8061 1	


Pos.	Part no.	Qty.	Description
1	05050495L	1	Steering cylinder
3	05548011	2	Double-ended union
4	09872201	2	Bolt
5	05520620	4	Supporting disc
6	08512136	2	Washer
7	09170404	2	Cotter pin
8	05272007	2	Spherical plain bearing
9	07141234	4	Hexagon bolt
10	08752130	4	Spring washer
11	05542124	2	Angular union
12	06510113	2	Protection plug

Go to Discount-Equipment.com to order your parts

BW 900-50	
<b>41.00</b>	S/N 861834071005 ▶ S/N 861834071660
	Steering
Page <b>2 / 2</b>	
<b>BOMAG</b> FAYAT GROUP	83408060_002_01



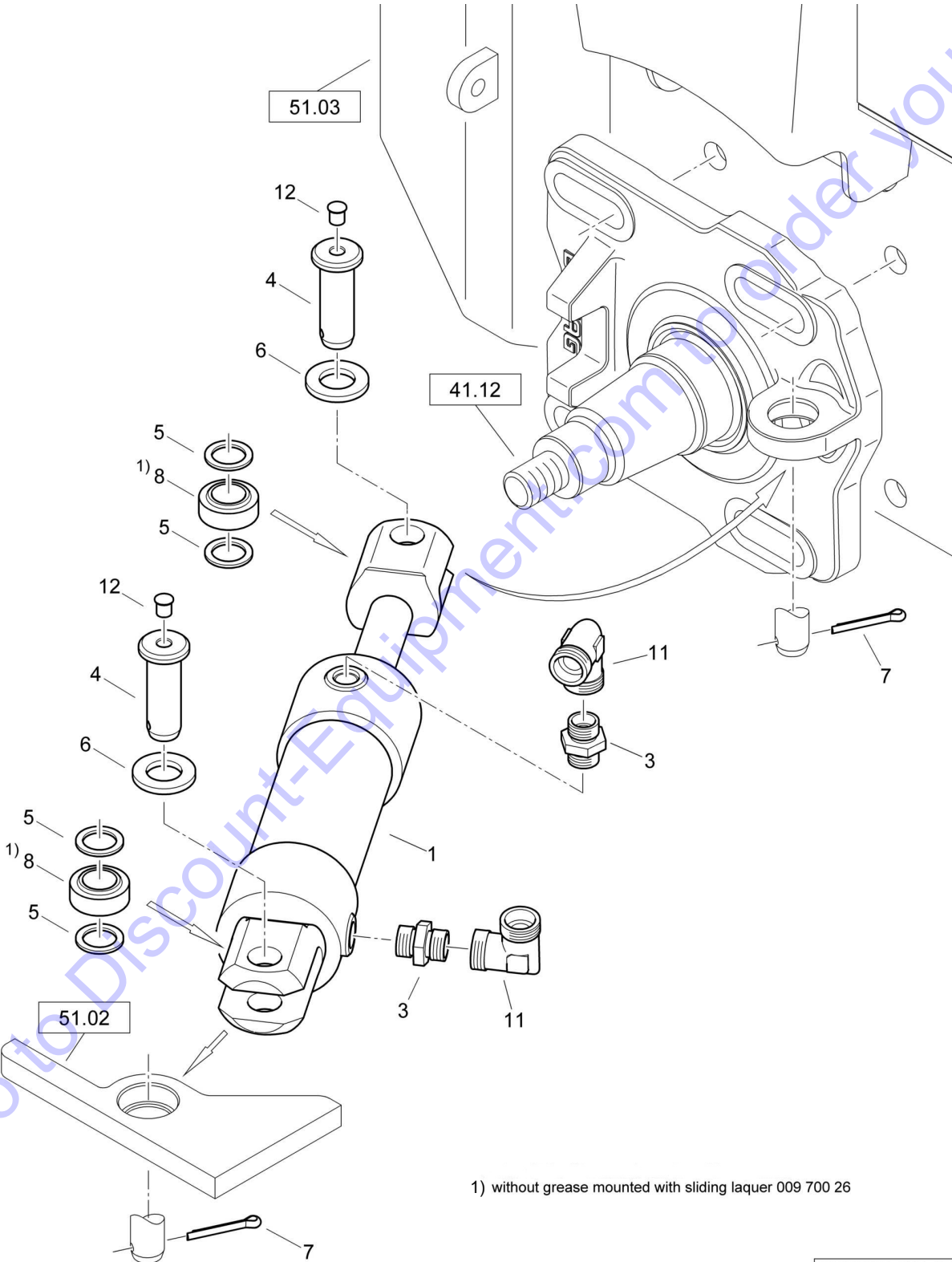
1) without grease mounted with sliding laquer 009 700 26

BW 900-50		
S/N 861834071005 ▶ S/N 861834071660		
Steering		<b>41.00</b>
		Page <b>2 / 2</b>
	83408060 8061 1	

Pos.	Part no.	Qty.	Description
1	05050495	1	Steering cylinder
3	05548011	2	Double-ended union
4	09872201	2	Bolt
5	05520620	4	Supporting disc
6	08512136	2	Washer
7	09170404	2	Cotter pin
8	05272007	2	Spherical plain bearing
9	07141234	4	Hexagon bolt
10	08752130	4	Spring washer
11	05542124	2	Angular union
12	06510113	2	Protection plug

Go to Discount-Equipment.com to order your parts

BW 900-50	
<b>41.00</b>	S/N 861834071004 ▶ S/N 861834071004
	Steering
Page <b>2 / 2</b>	
<b>BOMAG</b> FAYAT GROUP	83408060_002_01



1) without grease mounted with sliding laquer 009 700 26

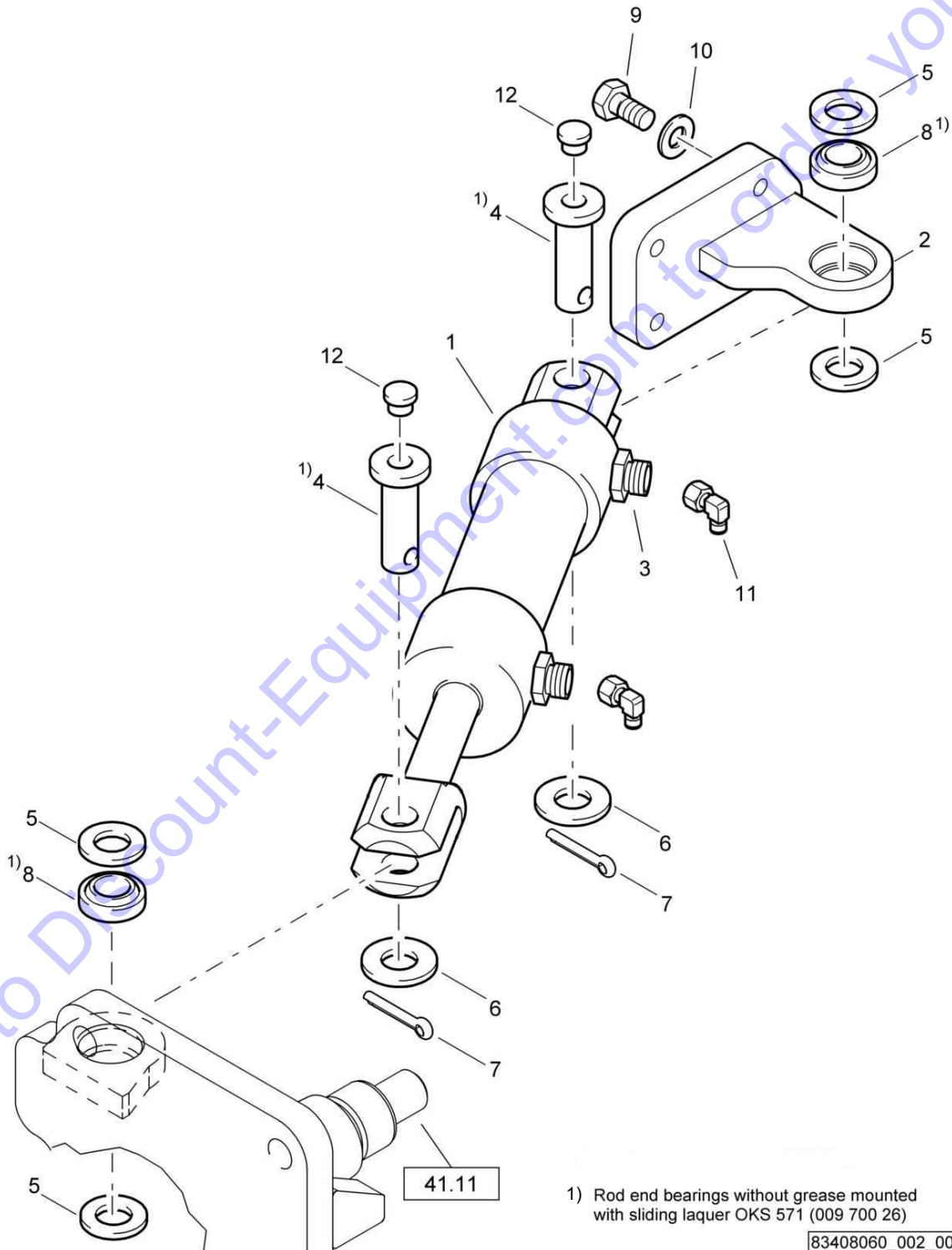


BW 900-50		
S/N 861834071004 ▶ S/N 861834071004		<b>41.00</b>
<b>Steering</b>		Page <b>2 / 2</b>
	83408060 8061 1	


Pos.	Part no.	Qty.	Description
1	05050495	1	Steering cylinder
2	83410642	1	
3	05548011	2	Double-ended union
4	09872201	2	Bolt
5	05520620	4	Supporting disc
6	08512136	2	Washer
7	09170404	2	Cotter pin
8	05272007	2	Spherical plain bearing
9	07141234	4	Hexagon bolt
10	08752130	4	Spring washer
11	05542124	2	Angular union
12	06510113	2	Protection plug

Go to Discount-Equipment.com to order your parts

	BW 900-50	S/N 861834071001 ▶ S/N 861834071003
<b>41.00</b>	<b>Steering</b>	
Page <b>2 / 2</b>		
<b>BOMAG</b> FAYAT GROUP		83408060_002_00



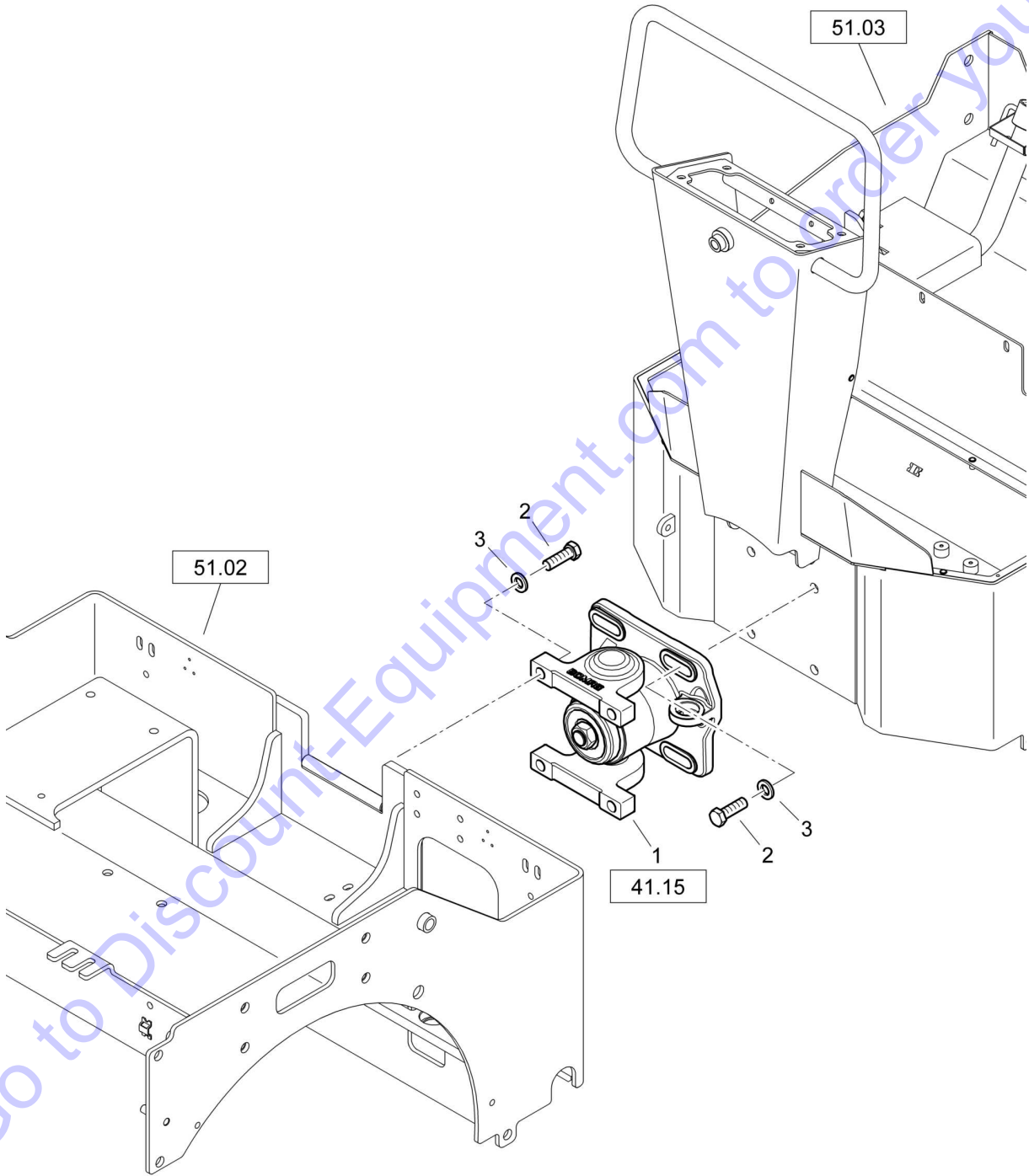
1) Rod end bearings without grease mounted with sliding laquer OKS 571 (009 700 26)


BW 900-50		
S/N 861834071001 ▶ S/N 861834071003		<b>41.00</b>
Steering		Page <b>2 / 2</b>
	83408060 8061 1	

Pos.	Part no.	Qty.	Description
1	05050495	1	Steering cylinder
2	83410642	1	
3	05548011	2	Double-ended union
4	09872201	2	Bolt
5	05520620	4	Supporting disc
6	08512136	2	Washer
7	09170404	2	Cotter pin
8	05272007	2	Spherical plain bearing
9	07141234	4	Hexagon bolt
10	08752130	4	Spring washer
11	05542124	2	Angular union
12	06510113	2	Protection plug

Go to Discount-Equipment.com to order your parts

	BW 900-50	
<b>41.11</b>		S/N 861834071004 ▶
	<b>Articulated Joint</b>	
Page <b>1 / 1</b>		
<b>BOMAG</b> FAYAT GROUP		83408038_000_00

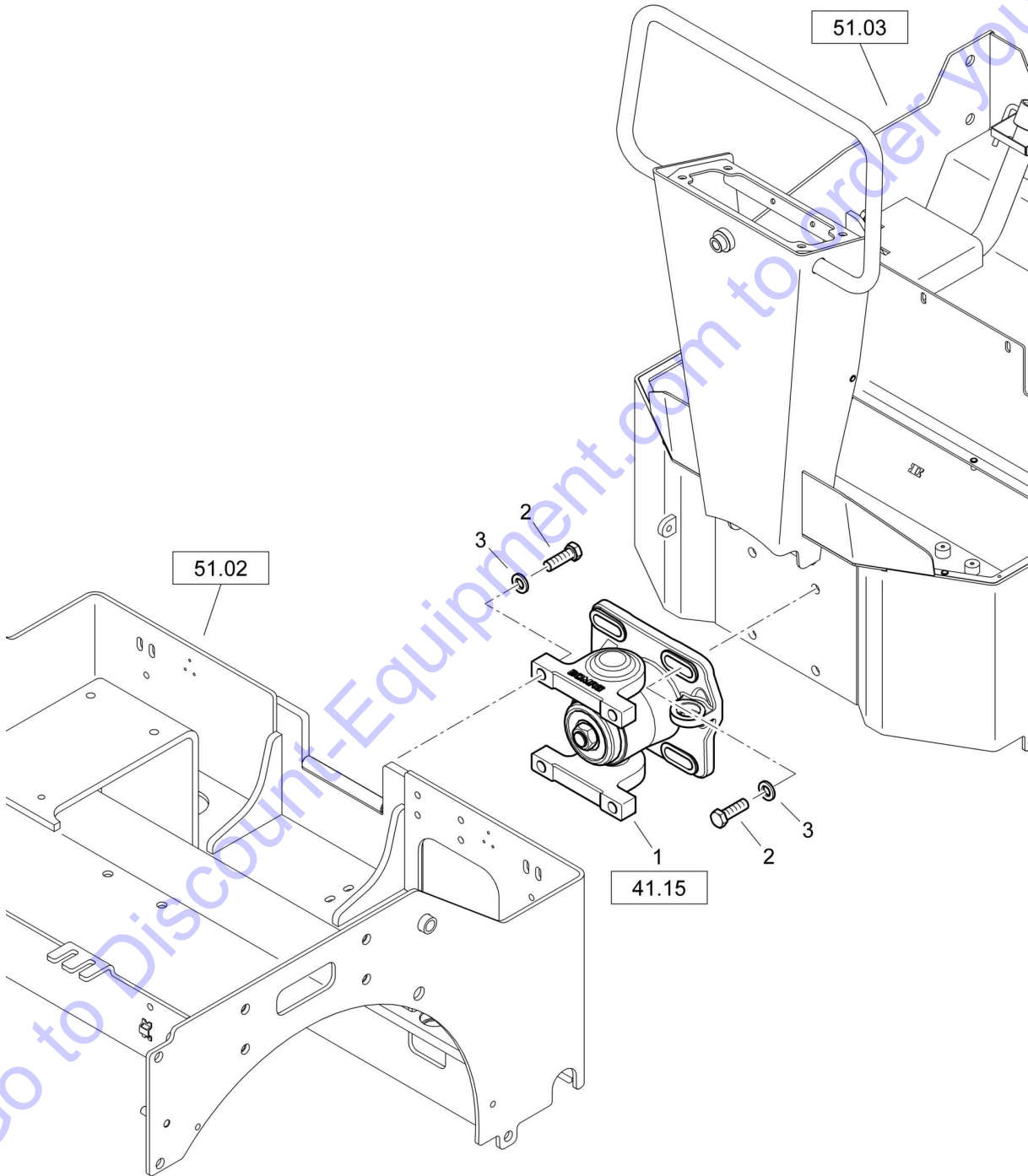


BW 900-50		
S/N 861834071004 ▶		<b>41.11</b>
<b>Articulated Joint</b>		
		Page <b>1 / 1</b>
83408038 8061 1		

Pos.	Part no.	Qty.	Description
1	46280105	1	Oscillat. articul. joint, ass.
2	07131617	8	Hexagon bolt
3	08511730	8	Washer

Go to Discount-Equipment.com to order your parts

BW 900-50	
<b>41.11</b>	S/N 861834071001 ▶ S/N 861834071003
	<b>Articulated Joint</b>
Page <b>1 / 1</b>	
<b>BOMAG</b> FAYAT GROUP	83408038_000_00



BW 900-50		
S/N 861834071001 ▶ S/N 861834071003		<b>41.11</b>
Articulated Joint		Page 1 / 1
83408038 8061 1		

Pos.	Part no.	Qty.	Description
------	----------	------	-------------

1	83410654	1	Articulated joint
2	07131617	8	Hexagon bolt
3	08511730	8	Washer

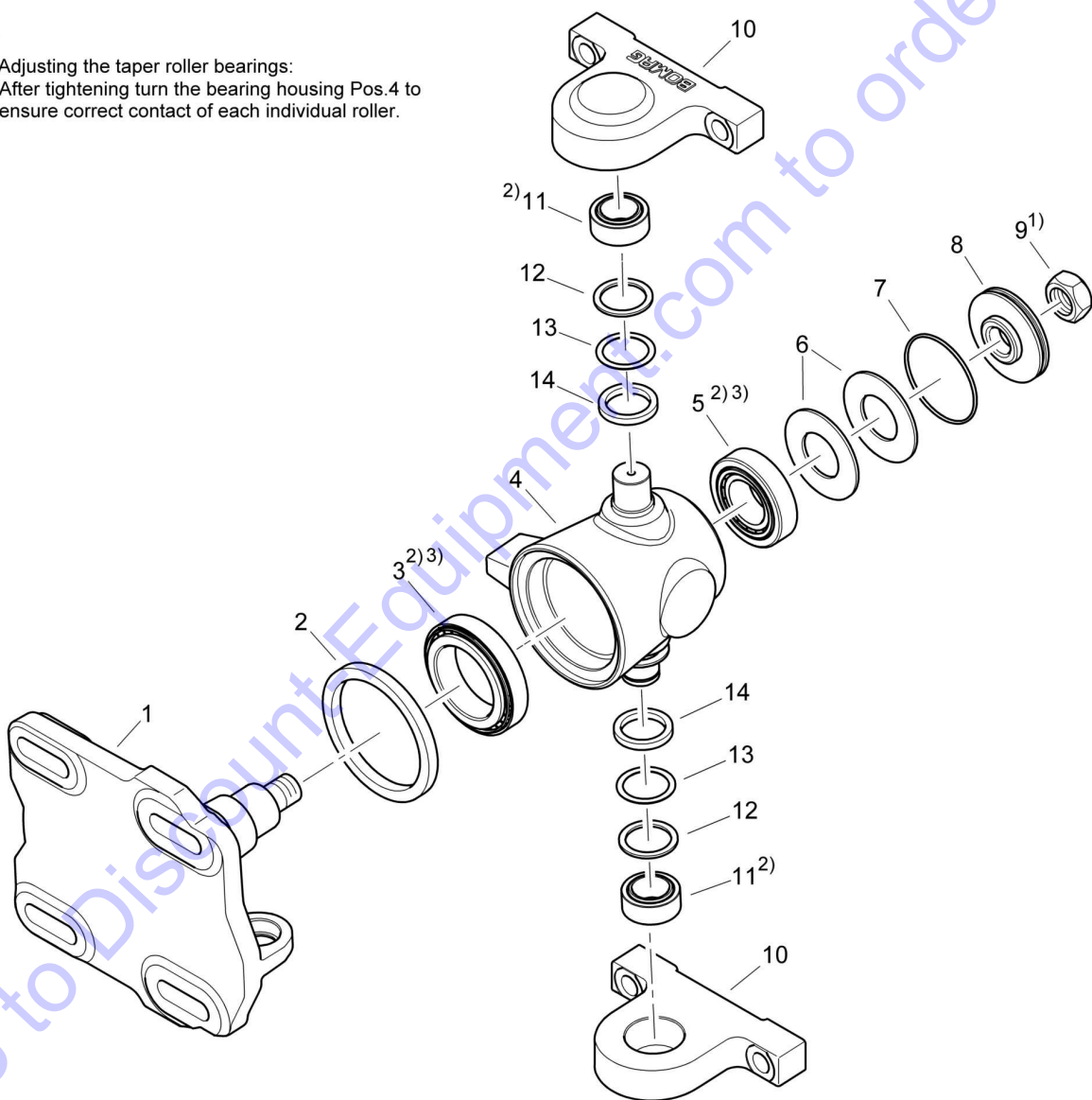
Go to Discount-Equipment.com to order your parts

	BW 900-50	
<b>41.15</b>		S/N 861834071056 ▶
	<b>Oscillating articulated joint assembly</b>	
Page <b>1 / 1</b>		
<b>BOMAG</b> FAYAT GROUP		46280105_000_00


inserted with screw locking 009 780 01

- 1) Tightening torque max. 300 Nm
- 2) Bearing filled with multi purpose grease 009 960 00

- 3) Adjusting the taper roller bearings:  
After tightening turn the bearing housing Pos.4 to ensure correct contact of each individual roller.





BW 900-50		
S/N 861834071056 ▶		
Oscillating articulated joint assembly		<b>41.15</b>
		Page <b>1 / 1</b>
46280105 8061 1		

Pos.	Part no.	Qty.	Description
1	46280110	1	Pin, bearing
2	80040106	1	Sealing ring
3	05231122	1	Taper roller bearing
4	46280109	1	Housing,bearing
5	05232209	1	Taper roller bearing
6	09290810	2	Belleville spring
7	06220743	1	Loop ring
8	80040109	1	Washer
9	08112430	1	Hexagon nut
10	46280103	2	Pillow block
11	05272009	2	Spherical plain bearing
12	05521425	2	Supporting disc
13	05521406	2	Shim
14	80040107	2	Sealing ring

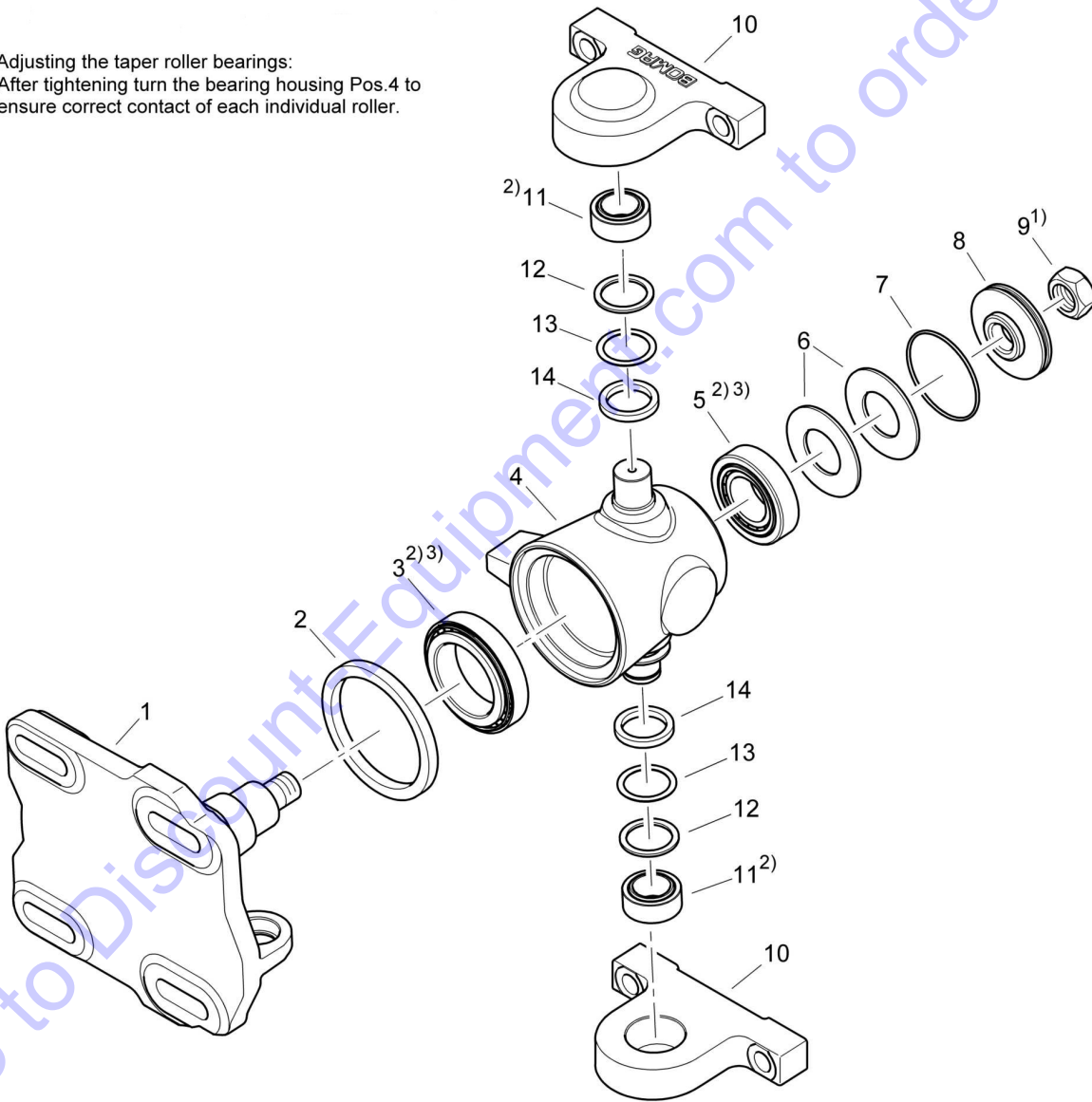
Go to [Discount-Equipment.com](http://Discount-Equipment.com) to order your parts


	BW 900-50	S/N 861834071016 ▶ S/N 861834071055
<b>41.15</b>	<b>Oscillating articulated joint assembly</b>	
Page <b>1 / 1</b>		
<b>BOMAG</b> FAYAT GROUP	46280105_000_00	

inserted with screw locking 009 780 01

- 1) Tightening torque max. 300 Nm
- 2) Bearing filled with multi purpose grease 009 960 00

- 3) Adjusting the taper roller bearings:  
After tightening turn the bearing housing Pos.4 to ensure correct contact of each individual roller.



BW 900-50		
S/N 861834071016 ▶ S/N 861834071055		<b>41.15</b>
<b>Oscillating articulated joint assembly</b>		
		Page <b>1 / 1</b>
46280105 8061 1		

Pos.	Part no.	Qty.	Description
1	46280106	1	Pin, bearing
2	80040106	1	Sealing ring
3	05231122	1	Taper roller bearing
4	46280109	1	Housing,bearing
5	05232209	1	Taper roller bearing
6	09290810	2	Belleville spring
7	06220743	1	Loop ring
8	80040109	1	Washer
9	08112430	1	Hexagon nut
10	46280103	2	Pillow block
11	05272009	2	Spherical plain bearing
12	05521425	2	Supporting disc
13	05521406	2	Shim
14	80040107	2	Sealing ring

Go to Discount-Equipment.com to order your parts

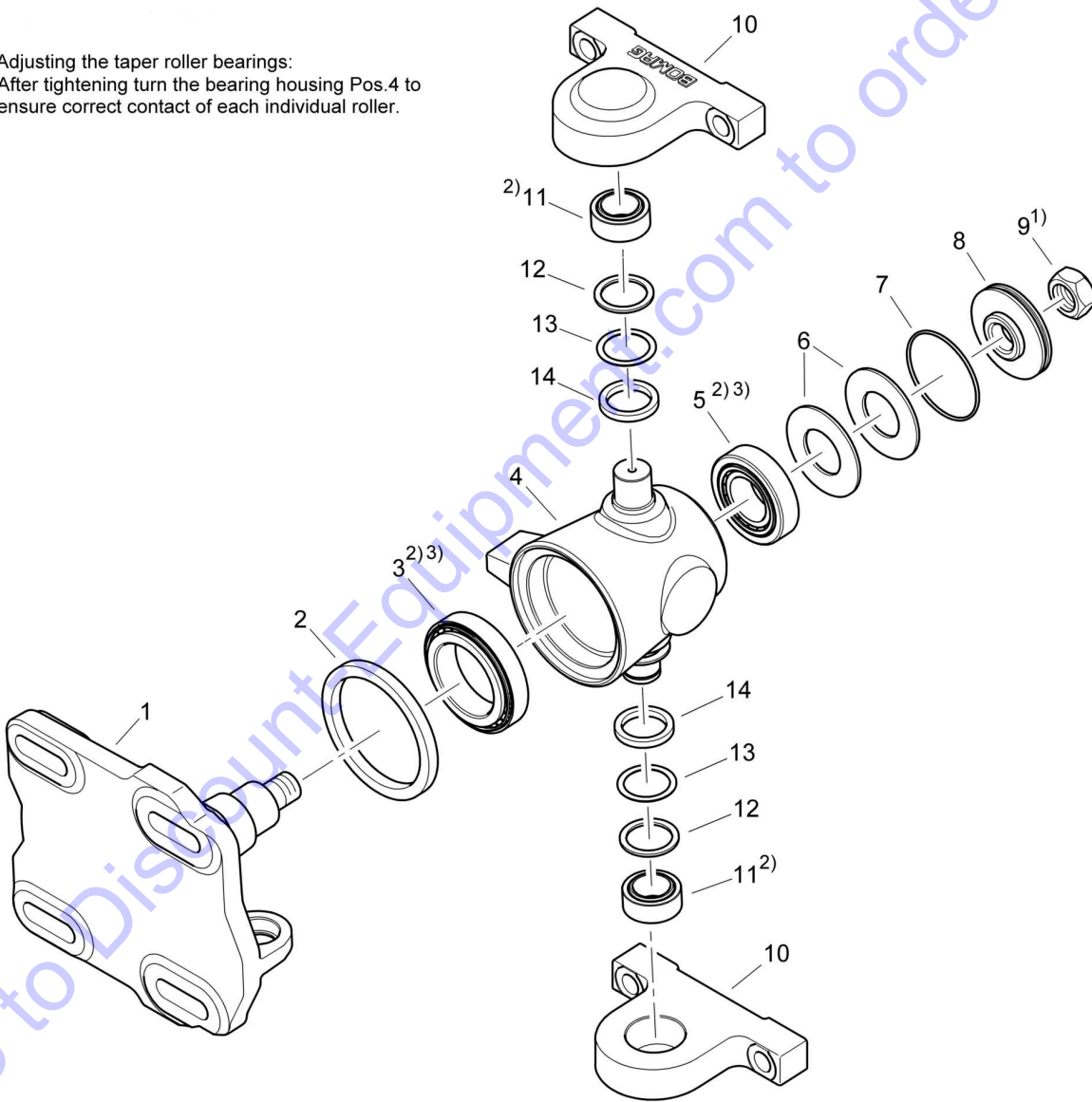
BW 900-50	
<b>41.15</b>	S/N 861834071005 ▶ S/N 861834071015
	<b>Oscillating articulated joint assembly</b>
Page <b>1 / 1</b>	
<b>BOMAG</b> FAYAT GROUP	46280105_000_00


1) inserted with screw locking 009 780 01

Tightening torque max. 300 Nm

2) Bearing filled with multi purpose grease 009 960 00


3) Adjusting the taper roller bearings:  
After tightening turn the bearing housing Pos.4 to ensure correct contact of each individual roller.

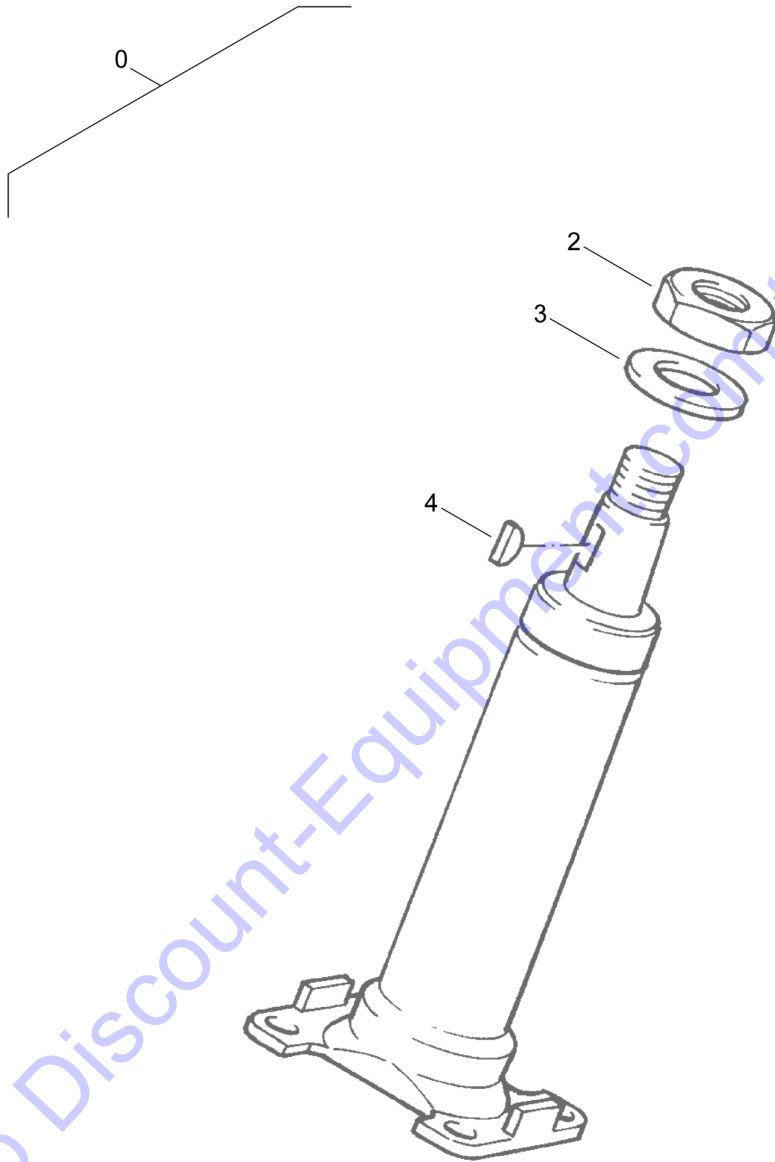


BW 900-50		
S/N 861834071005 ▶ S/N 861834071015		
<b>Oscillating articulated joint assembly</b>		<b>41.15</b>
		Page <b>1 / 1</b>
46280105 8061 1		


Pos.	Part no.	Qty.	Description
1	46280106	1	Pin, bearing
2	80040106	1	Sealing ring
3	05231122	1	Taper roller bearing
4	80040115	1	Housing,bearing
5	05232209	1	Taper roller bearing
6	09290810	2	Belleville spring
7	06220743	1	Loop ring
8	80040109	1	Washer
9	08112430	1	Hexagon nut
10	46280103	2	Pillow block
11	05272009	2	Spherical plain bearing
12	05521425	2	Supporting disc
13	05521406	2	Shim
14	80040107	2	Sealing ring

Go to Discount-Equipment.com to order your parts

	BW 900-50	S/N 861834071001 ▶ S/N 861834071003
<b>49.01</b>	<b>Steering Column</b>	
Page <b>1 / 1</b>		
 <b>BOMAG</b> FAYAT GROUP	EA000331_000_00	



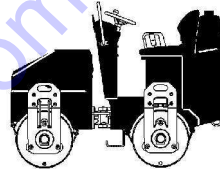
Go to Discount-Equipment.com to order your parts

BW 900-50		
S/N 861834071001 ▶ S/N 861834071003		<b>49.01</b>
<b>Steering Column</b>		
		Page <b>1 / 1</b>
EA000331 8061 E		

Pos.	Part no.	Qty.	Description
0	05902202	1	Steering column
2	08121815	1	>Hexagon nut
3	08511934	1	>Round anchor plate
4	09190503	1	>Woodruff key

Go to Discount-Equipment.com to order your parts

**Frame with Attachment Parts**



**50**

*Go to Discount-Equipment.com to order your parts*



**50.00**

Frame with Attachment Parts

Page /



**For this catalogue group no illustration.**

[Go to Discount-Equipment.com](http://Discount-Equipment.com) to order your parts

**Frame with Attachment Parts**

**50.00**

Page /



**Pos. Description**

- 51.02 Front Frame
- 51.03 Rear Frame
- 53.33 Engine Hood
- 53.36 Operator's Seat
- 53.51 Fuel Tank
- 53.61 Scraper
- 53.74 Water Sprinkler System
- 59.18 Hydraulic oil tank
- 59.22 Water Pump
- 59.22 Water Pump

Go to Discount-Equipment.com to order your parts

BW 900-50

S/N 861834072729 ▶

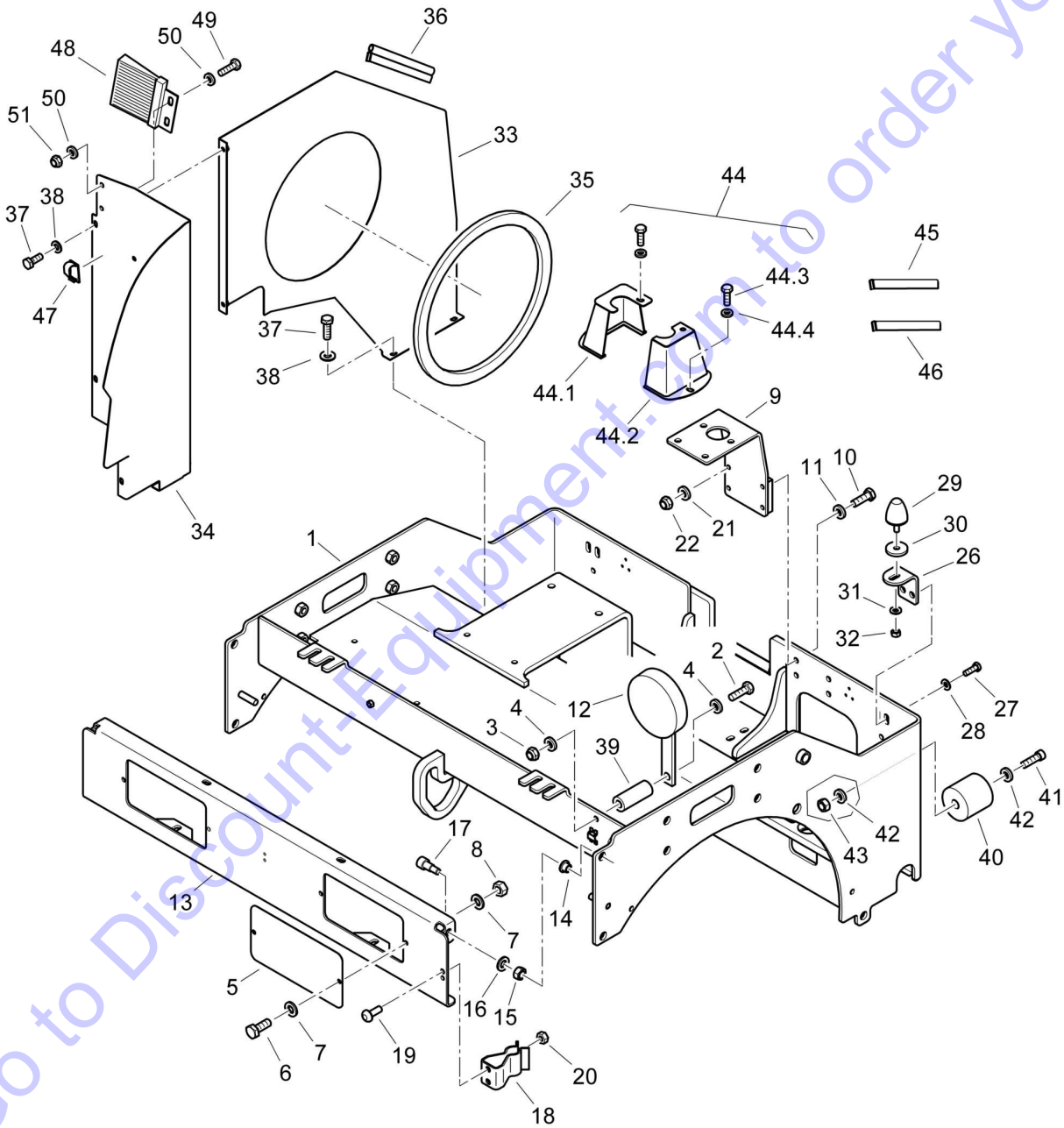
**51.02**

Front Frame

Page 1 / 1



83408039\_000\_05



83408039\_000\_05

BW 900-50		
S/N 861834072729 ▶		
Front Frame	<b>51.02</b>	
	Page <b>1 / 1</b>	
	83408039 8061 1 	

Pos.	Part no.	Qty.	Description
1	83410460	1	Frame
2	07140842	1	Hexagon bolt
3	08130813	1	Safety nut
4	08752084	2	Spring washer
5	80021637	2	Plate
6	07140626	4	Hexagon bolt
7	08510612	8	Washer
8	08130611	4	Safety nut
9	83410628	1	Filter support
10	07140856	4	Hexagon bolt
11	08510817	4	Washer
12	05766864	1	Horn
13	83411121	1	Screen
14	06281204	2	Bushing
15	08111217	2	Hexagon nut
16	08511325	2	Washer
17	78320212	2	Stud-bolt
18	05990100	2	Clamping spring
19	07210416	4	Pens head screw
20	08130408	4	Safety nut
21	08510817	4	Washer
22	08130813	4	Safety nut
26	95880065	2	Angle
27	07140834	4	Hexagon bolt
28	08752084	4	Spring washer
29	06143136	2	Stop buffer
30	69040261	2	Washer
31	08752084	2	Spring washer
32	08110812	2	Hexagon nut
33	83410744	1	Plate
34	83410745	1	Plate
35	83410752	1	Adhesive foam rubber
36	00652060	1,50 m	Sealing section
37	07140626	7	Hexagon bolt
38	08751064	7	Spring washer
39	80030211	1	Spacer piece
40	83411126	2	Stop
41	07230831	2	Socket-head cap screw
42	08650817	4	Washer
43	08130813	2	Safety nut
44	83408229	1	Cover, assembled
44.1	83411982	1	Cover plate
44.2	83411977	1	Cover plate
44.3	07140626	3	Hexagon bolt
44.4	08751064	3	Spring washer

continued

BW 900-50

S/N 861834072729 ▶

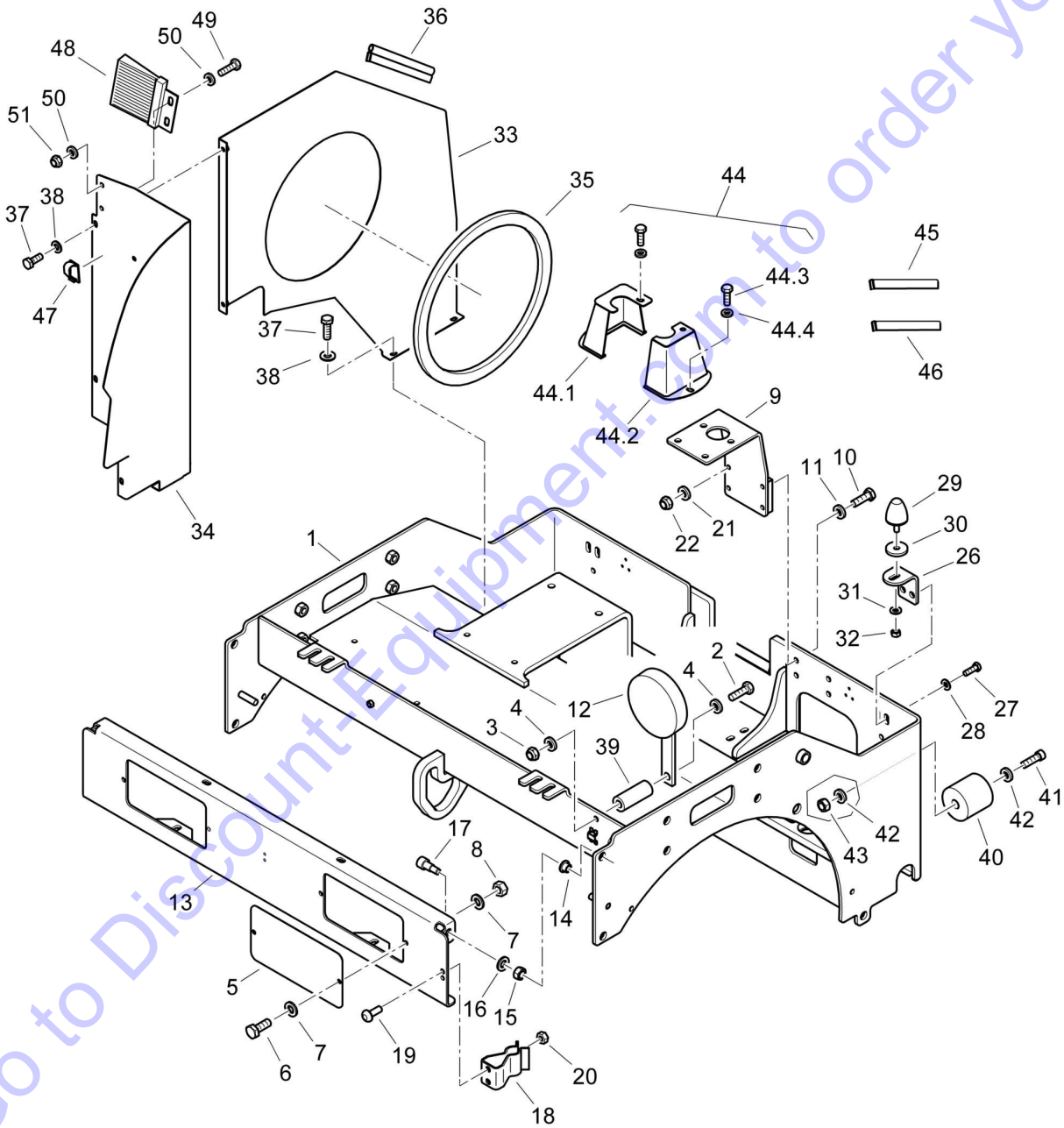
**51.02**

Front Frame

Page 1 / 1



83408039\_000\_05

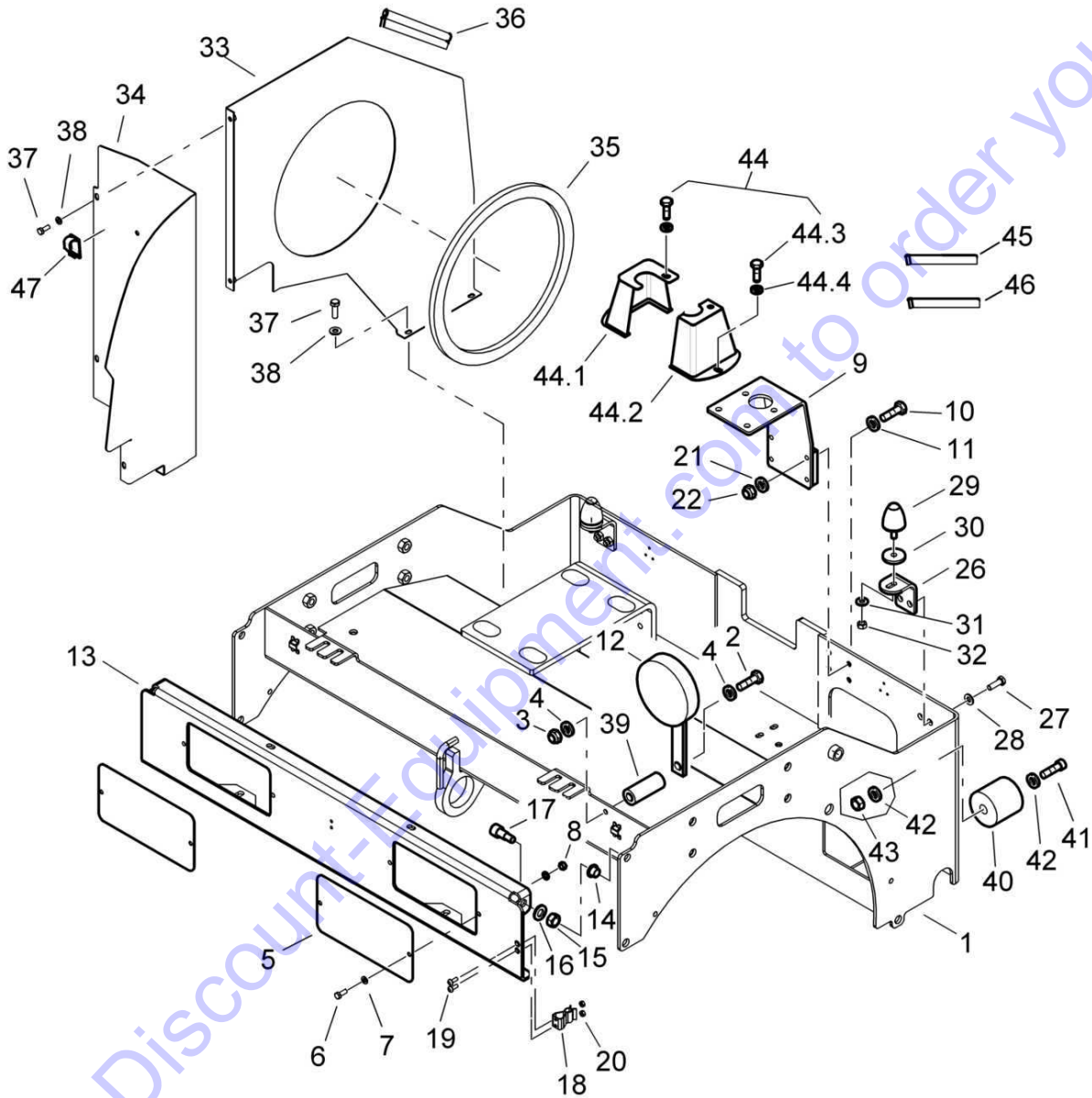



83408039\_000\_05

BW 900-50		
S/N 861834072729 ▶		
Front Frame		<b>51.02</b>
		Page 1 / 1
	83408039 8061 1	

Pos.	Part no.	Qty.	Description
45	00652080	0,50 m	Edge protector
46	00652010	0,50 m	Profile
47	06911201	2	Cableclip
48	83412504	1	Sealing brush
49	07140626	2	Hexagon bolt
50	08751064	4	Spring washer
51	08130611	2	Safety nut

Go to Discount-Equipment.com to order your parts



BW 900-50		
S/N 861834072365 ▶ S/N 861834072728		
Front Frame		<b>51.02</b>
		Page <b>1 / 1</b>
	83408039 8061 1	

Pos.	Part no.	Qty.	Description
1	83410460	1	Frame
2	07140842	1	Hexagon bolt
3	08130813	1	Safety nut
4	08752084	2	Spring washer
5	80021637	2	Plate
6	07140626	4	Hexagon bolt
7	08510612	8	Washer
8	08130611	4	Safety nut
9	83410628	1	Filter support
10	07140856	4	Hexagon bolt
11	08510817	4	Washer
12	05766864	1	Horn
13	83411121	1	Screen
14	06281204	2	Bushing
15	08111217	2	Hexagon nut
16	08511325	2	Washer
17	78320212	2	Stud-bolt
18	05990100	2	Clamping spring
19	07210416	4	Pens head screw
20	08130408	4	Safety nut
21	08510817	4	Washer
22	08130813	4	Safety nut
26	95880065	2	Angle
27	07140834	4	Hexagon bolt
28	08752084	4	Spring washer
29	06143136	2	Stop buffer
30	69040261	2	Washer
31	08752084	2	Spring washer
32	08110812	2	Hexagon nut
33	83410744	1	Plate
34	83410745	1	Plate
35	83410752	1	Adhesive foam rubber
36	00652060	1,50 m	Sealing section
37	07140626	7	Hexagon bolt
38	08751064	7	Spring washer
39	80030211	1	Spacer piece
40	83411126	2	Stop
41	07230831	2	Socket-head cap screw
42	08650817	4	Washer
43	08130813	2	Safety nut
44	83408229	1	Cover, assembled
44.1	83411982	1	Cover plate
44.2	83411977	1	Cover plate
44.3	07140626	3	Hexagon bolt
44.4	08751064	3	Spring washer
45	00652080	0,50 m	Edge protector
46	00652010	0,50 m	Profile
47	06911201	2	Cableclip



BW 900-50

S/N 861834072143 ▶ S/N 861834072364

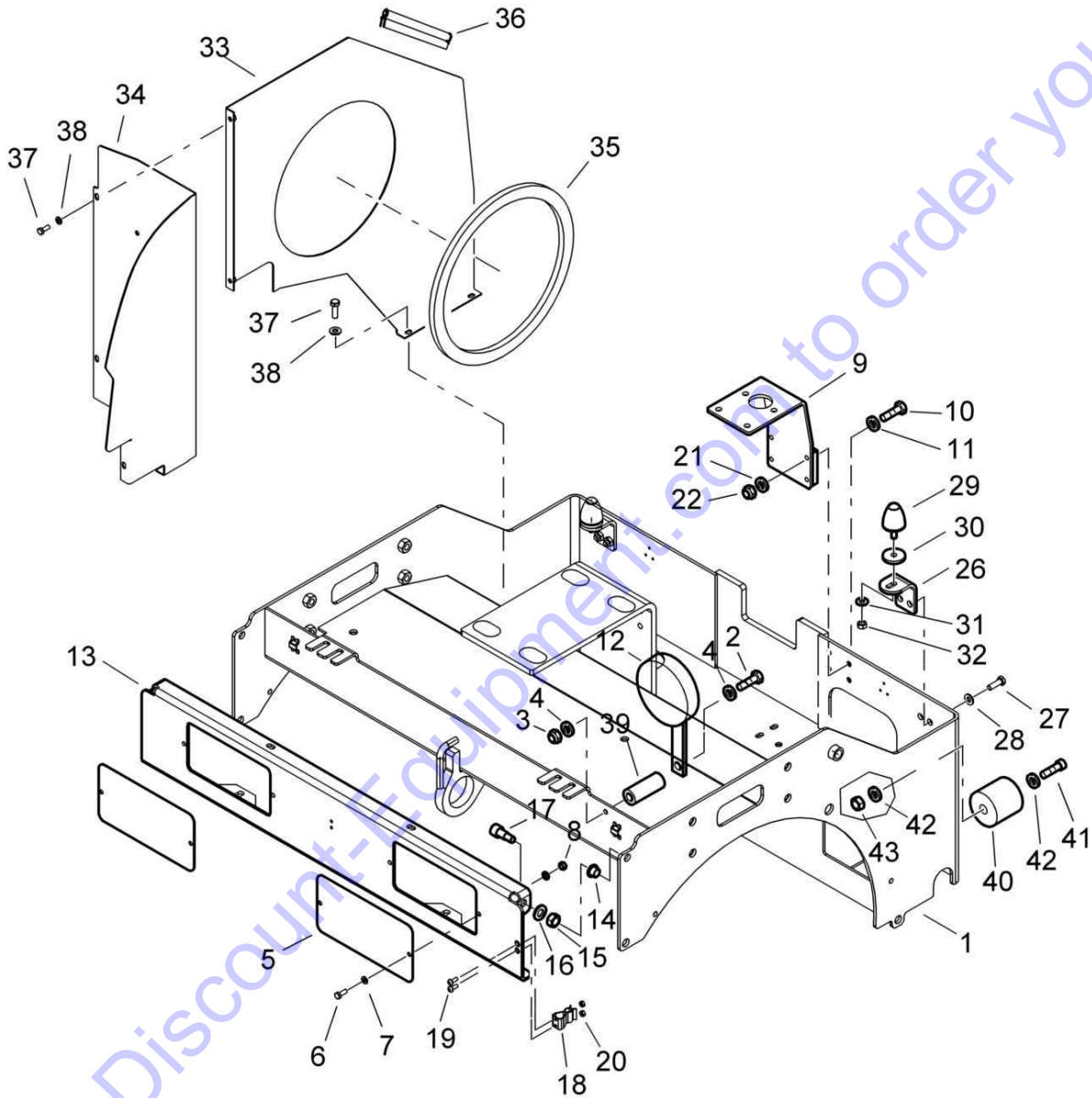
**51.02**

Front Frame


Page 1 / 1



83408039\_000\_03



83408039\_000\_03

BW 900-50		
S/N 861834072143 ▶ S/N 861834072364		
Front Frame		<b>51.02</b>
		Page 1 / 1
	83408039 8061 1	

Pos.	Part no.	Qty.	Description
1	83410460	1	Frame
2	07140842	1	Hexagon bolt
3	08130813	1	Safety nut
4	08752084	2	Spring washer
5	80021637	2	Plate
6	07140626	4	Hexagon bolt
7	08510612	8	Washer
8	08130611	4	Safety nut
9	83410628	1	Filter support
10	07140856	4	Hexagon bolt
11	08510817	4	Washer
12	05766864	1	Horn
13	83411121	1	Screen
14	06281204	2	Bushing
15	08111217	2	Hexagon nut
16	08511325	2	Washer
17	78320212	2	Stud-bolt
18	05990100	2	Clamping spring
19	07210416	4	Pens head screw
20	08130408	4	Safety nut
21	08510817	4	Washer
22	08130813	4	Safety nut
26	95880065	2	Angle
27	07140834	4	Hexagon bolt
28	08752084	4	Spring washer
29	06143136	2	Stop buffer
30	69040261	2	Washer
31	08752084	2	Spring washer
32	08110812	2	Hexagon nut
33	83410744	1	Plate
34	83410745	1	Plate
35	83410752	1	Adhesive foam rubber
36	00652060	1,50 m	Sealing section
37	07140626	7	Hexagon bolt
38	08751064	7	Spring washer
39	80030211	1	Spacer piece
40	83411126	2	Stop
41	07230831	2	Socket-head cap screw
42	08650817	4	Washer
43	08130813	2	Safety nut
44	83408229	1	Cover, assembled
44.1	83411982	1	Cover plate
44.2	83411977	1	Cover plate
44.3	07140626	3	Hexagon bolt
44.4	08751064	3	Spring washer
45	00652080	0,50 m	Edge protector
46	00652010	0,50 m	Profile

Go to [www.equipment.com](http://www.equipment.com) to order your parts

BW 900-50

S/N 861834071943 ▶ S/N 861834072142

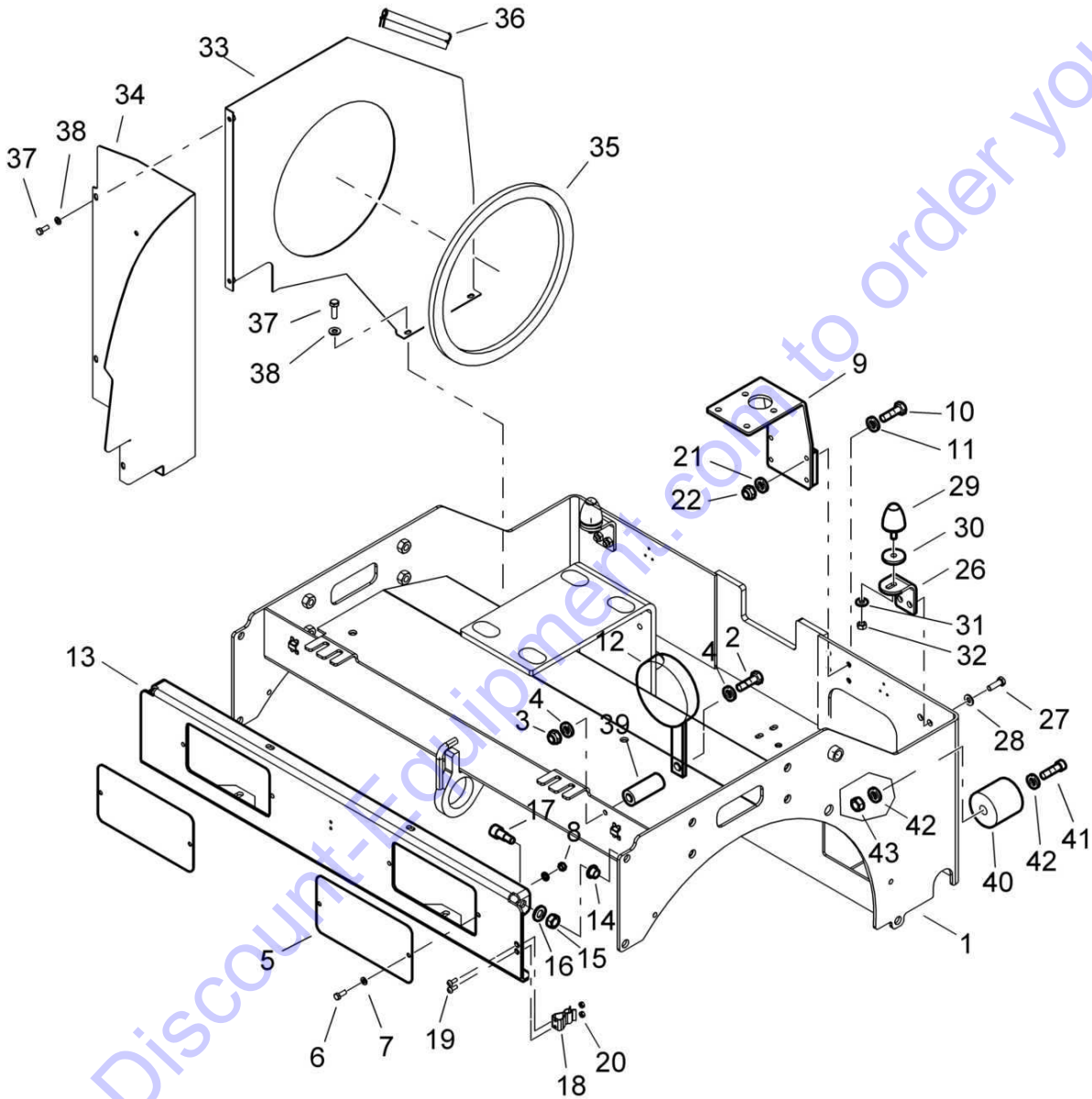
**51.02**

Front Frame


Page 1 / 1



83408039\_000\_03



83408039\_000\_03

BW 900-50		
S/N 861834071943 ▶ S/N 861834072142		<b>51.02</b>
<b>Front Frame</b>		Page <b>1 / 1</b>
	83408039 8061 1	

Pos.	Part no.	Qty.	Description
1	83410460	1	Frame
2	07140842	1	Hexagon bolt
3	08130813	1	Safety nut
4	08752084	2	Spring washer
5	80021637	2	Plate
6	07140626	4	Hexagon bolt
7	08510612	8	Washer
8	08130611	4	Safety nut
9	83410628	1	Filter support
10	07140856	4	Hexagon bolt
11	08510817	4	Washer
12	05766864	1	Horn
13	83411121	1	Screen
14	06281204	2	Bushing
15	08111217	2	Hexagon nut
16	08511325	2	Washer
17	78320212	2	Stud-bolt
18	05990100	2	Clamping spring
19	07210416	4	Pens head screw
20	08130408	4	Safety nut
21	08510817	4	Washer
22	08130813	4	Safety nut
26	95880065	2	Angle
27	07140834	4	Hexagon bolt
28	08752084	4	Spring washer
29	06143136	2	Stop buffer
30	69040261	2	Washer
31	08752084	2	Spring washer
32	08110812	2	Hexagon nut
33	83410744	1	Plate
34	83410745	1	Plate
35	83410752	1	Adhesive foam rubber
36	00652060	1,50 m	Sealing section
37	07140626	7	Hexagon bolt
38	08751064	7	Spring washer
39	80030211	1	Spacer piece
40	83411126	2	Stop
41	07230831	2	Socket-head cap screw
42	08650817	4	Washer
43	08130813	2	Safety nut
45	00652080	0,50 m	Edge protector
46	00652010	0,50 m	Profile

Go to [www.equipment.com](http://www.equipment.com) to order your parts

BW 900-50

S/N 861834071679 ▶ S/N 861834071942

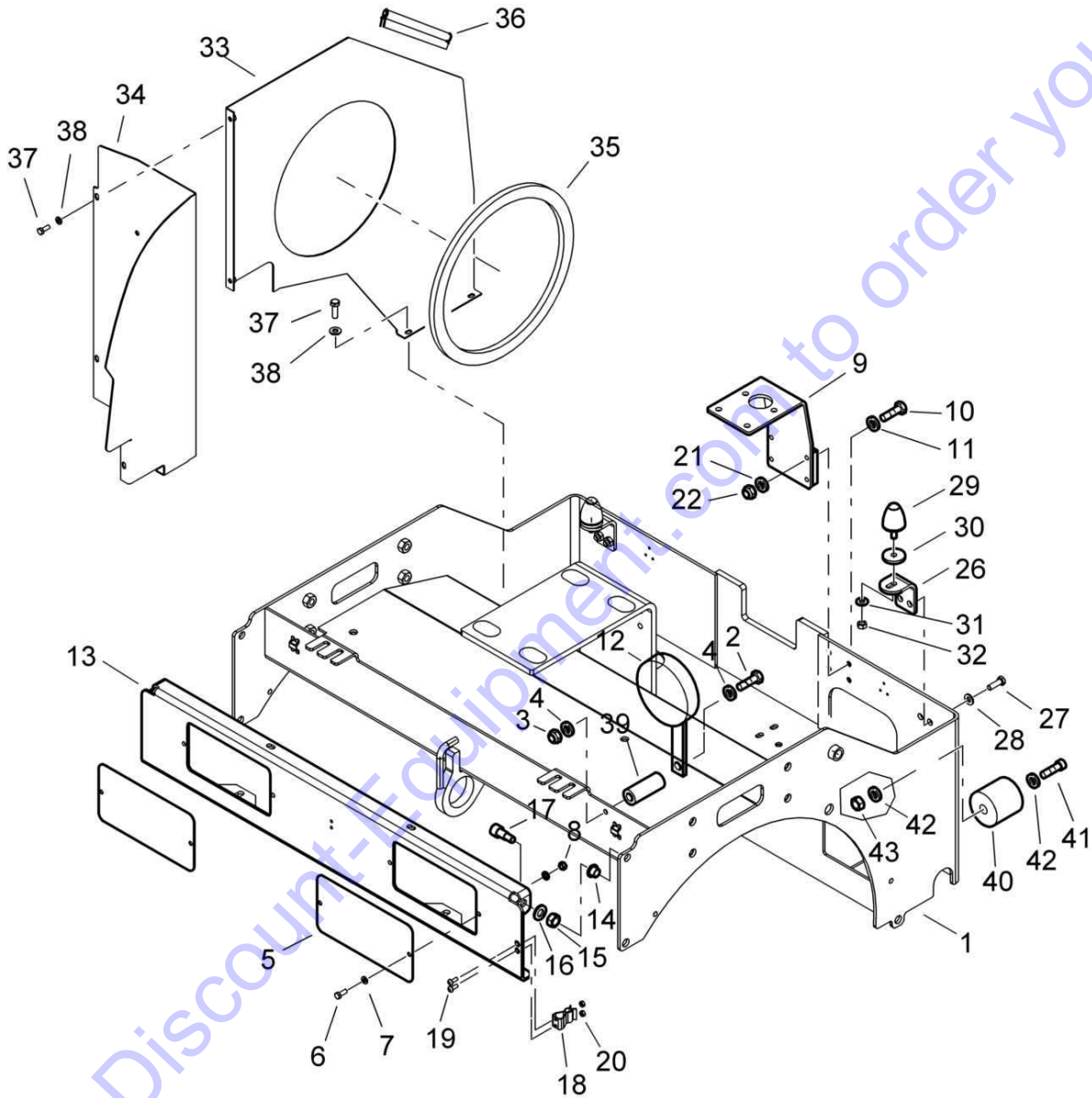
**51.02**

Front Frame


Page 1 / 1



83408039\_000\_03



83408039\_000\_03

BW 900-50		
S/N 861834071679 ▶ S/N 861834071942		
Front Frame	<b>51.02</b>	
	Page 1 / 1	
	83408039 8061 1	
		

Pos.	Part no.	Qty.	Description
1	83410460	1	Frame
2	07140842	1	Hexagon bolt
3	08130813	1	Safety nut
4	08752084	2	Spring washer
5	80021637	2	Plate
6	07140626	4	Hexagon bolt
7	08510612	8	Washer
8	08130611	4	Safety nut
9	83410628	1	Filter support
10	07140856	4	Hexagon bolt
11	08510817	4	Washer
12	05766864	1	Horn
13	83411121	1	Screen
14	06281204	2	Bushing
15	08111217	2	Hexagon nut
16	08511325	2	Washer
17	78320212	2	Stud-bolt
18	05990100	2	Clamping spring
19	07210416	4	Pens head screw
20	08130408	4	Safety nut
21	08510817	4	Washer
22	08130813	4	Safety nut
26	95880065	2	Angle
27	07140834	4	Hexagon bolt
28	08752084	4	Spring washer
29	06143136	2	Stop buffer
30	69040261	2	Washer
31	08752084	2	Spring washer
32	08110812	2	Hexagon nut
33	83410744	1	Plate
34	83410745	1	Plate
35	83410752	1	Adhesive foam rubber
36	00652060	1,50 m	Sealing section
37	07140626	7	Hexagon bolt
38	08751064	7	Spring washer
39	80030211	1	Spacer piece
40	83411126	2	Stop
41	07230831	2	Socket-head cap screw
42	08650817	4	Washer
43	08130813	2	Safety nut

Go to [www.equipment.com](http://www.equipment.com) to order your parts

BW 900-50

S/N 861834071657 ▶ S/N 861834071678

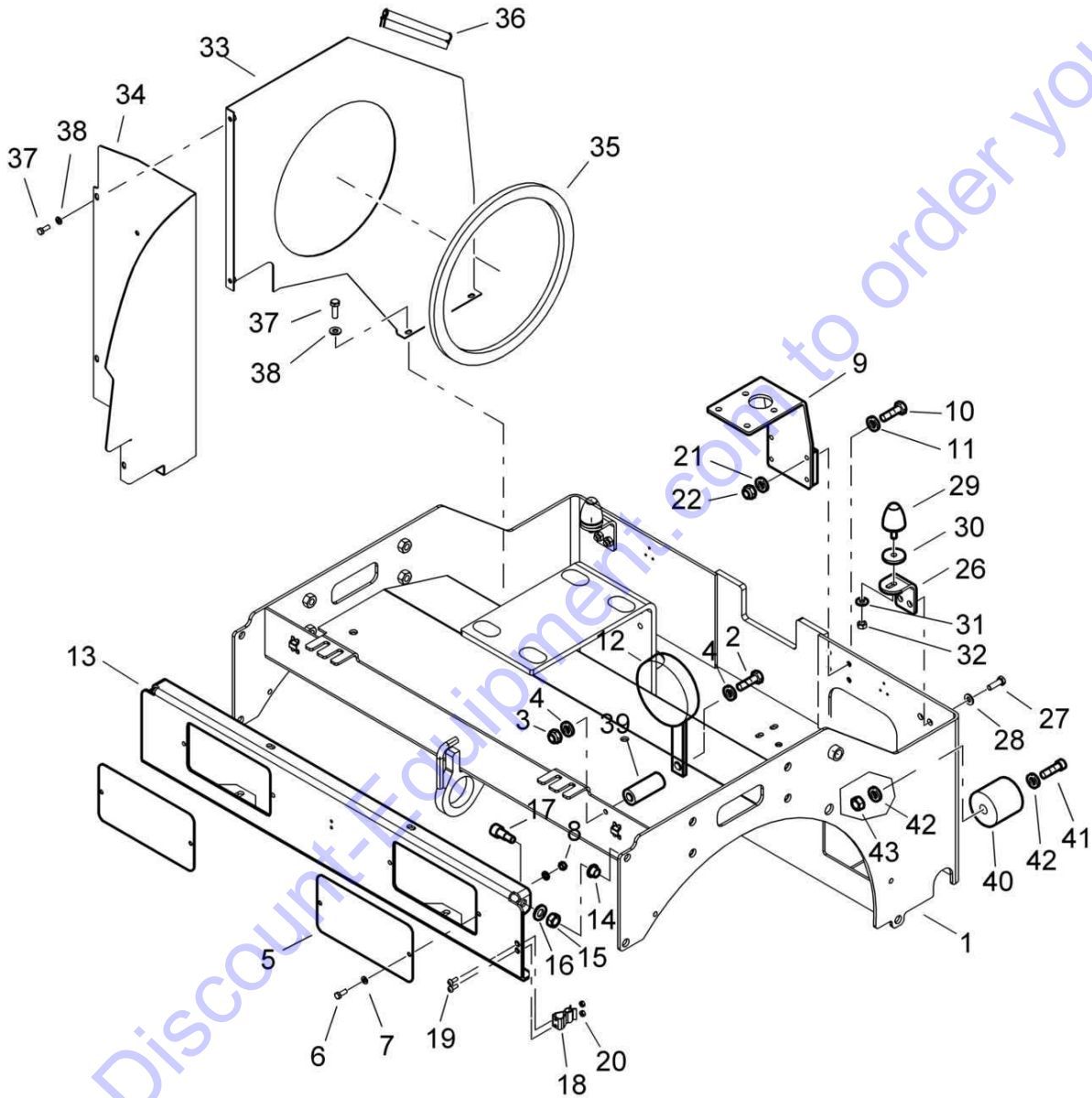
**51.02**

Front Frame


Page 1 / 1



83408039\_000\_03



83408039\_000\_03

BW 900-50		
S/N 861834071657 ▶ S/N 861834071678		
Front Frame	<b>51.02</b>	
	Page 1 / 1	
	83408039 8061 1	
		

Pos.	Part no.	Qty.	Description
1	83410460	1	Frame
2	07140842	1	Hexagon bolt
3	08130813	1	Safety nut
4	08752084	2	Spring washer
5	80021637	2	Plate
6	07140626	4	Hexagon bolt
7	08510612	8	Washer
8	08130611	4	Safety nut
9	83410628	1	Filter support
10	07140856	4	Hexagon bolt
11	08510817	4	Washer
12	05766864L	1	Horn
13	83411121	1	Screen
14	06281204	2	Bushing
15	08111217	2	Hexagon nut
16	08511325	2	Washer
17	78320212	2	Stud-bolt
18	05990100	2	Clamping spring
19	07210416	4	Pens head screw
20	08130408	4	Safety nut
21	08510817	4	Washer
22	08130813	4	Safety nut
26	95880065	2	Angle
27	07140834	4	Hexagon bolt
28	08752084	4	Spring washer
29	06143136	2	Stop buffer
30	69040261	2	Washer
31	08752084	2	Spring washer
32	08110812	2	Hexagon nut
33	83410744	1	Plate
34	83410745	1	Plate
35	83410752	1	Adhesive foam rubber
36	00652060	1,50 m	Sealing section
37	07140626	7	Hexagon bolt
38	08751064	7	Spring washer
39	80030211	1	Spacer piece
40	83411126	2	Stop
41	07230831	2	Socket-head cap screw
42	08650817	4	Washer
43	08130813	2	Safety nut

Go to [www.equipment.com](http://www.equipment.com) to order your parts



BW 900-50

S/N 861834071155 ▶ S/N 861834071656

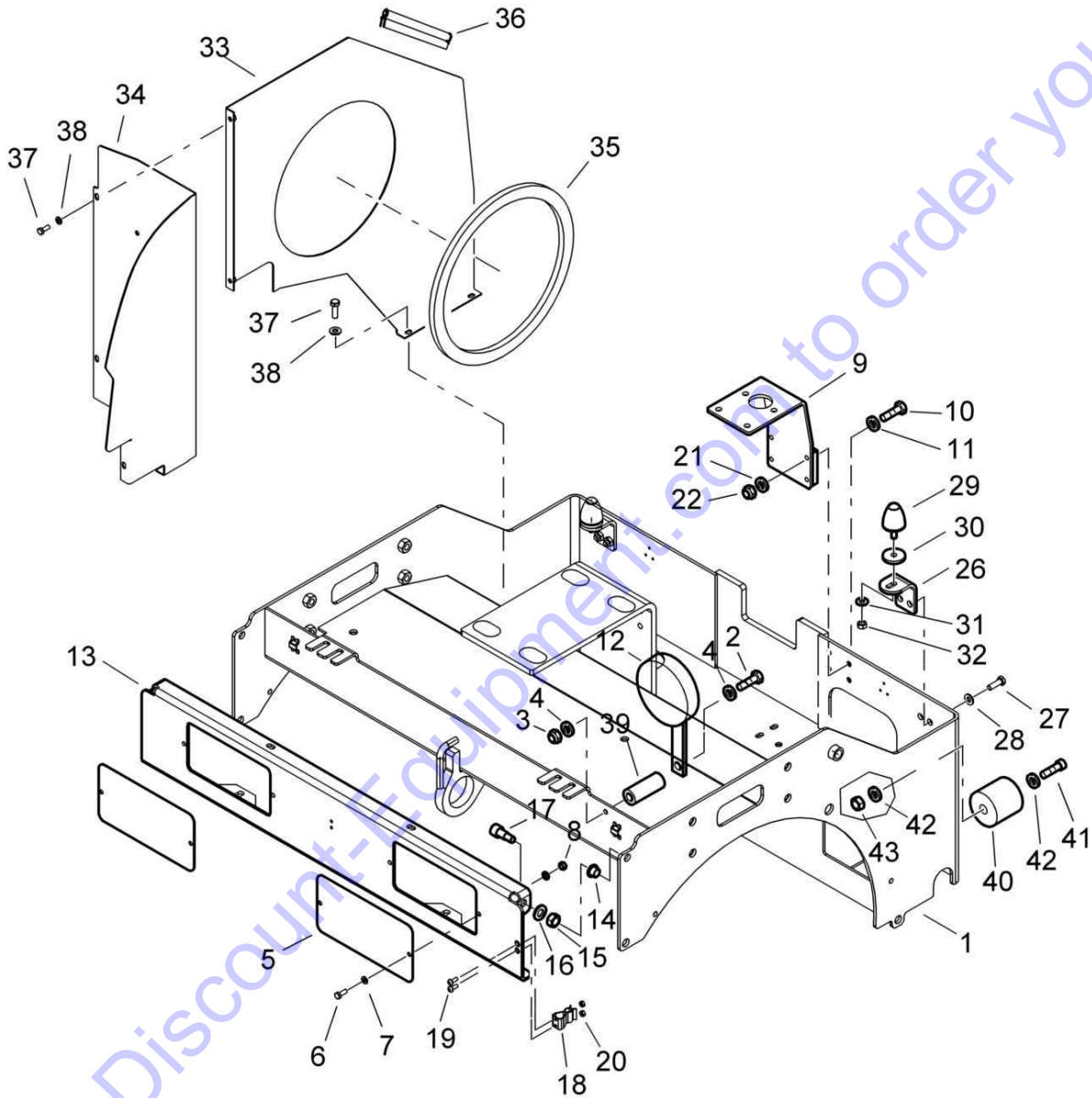
# 51.02

## Front Frame


Page 1 / 1



83408039\_000\_03



83408039\_000\_03

BW 900-50		
S/N 861834071155 ▶ S/N 861834071656		
Front Frame		<b>51.02</b>
		Page 1 / 1
	83408039 8061 1	

Pos.	Part no.	Qty.	Description
1	83410460	1	Frame
2	07140842	1	Hexagon bolt
3	08130813	1	Safety nut
4	08752084	2	Spring washer
5	80021637	2	Plate
6	07140626	4	Hexagon bolt
7	08510612	8	Washer
8	08130611	4	Safety nut
9	83410628	1	Filter support
10	07140856	4	Hexagon bolt
11	08510817	4	Washer
12	05766864	1	Horn
13	83411121	1	Screen
14	06281204	2	Bushing
15	08111217	2	Hexagon nut
16	08511325	2	Washer
17	78320212	2	Stud-bolt
18	05990100	2	Clamping spring
19	07210416	4	Pens head screw
20	08130408	4	Safety nut
21	08510817	4	Washer
22	08130813	4	Safety nut
26	95880065	2	Angle
27	07140834	4	Hexagon bolt
28	08752084	4	Spring washer
29	06143136	2	Stop buffer
30	69040261	2	Washer
31	08752084	2	Spring washer
32	08110812	2	Hexagon nut
33	83410744	1	Plate
34	83410745	1	Plate
35	83410752	1	Adhesive foam rubber
36	00652060	1,50 m	Sealing section
37	07140626	7	Hexagon bolt
38	08751064	7	Spring washer
39	80030211	1	Spacer piece
40	83411126	2	Stop
41	07230831	2	Socket-head cap screw
42	08650817	4	Washer
43	08130813	2	Safety nut

Go to [www.equipment.com](http://www.equipment.com) to order your parts

BW 900-50

S/N 861834071016 ▶ S/N 861834071154

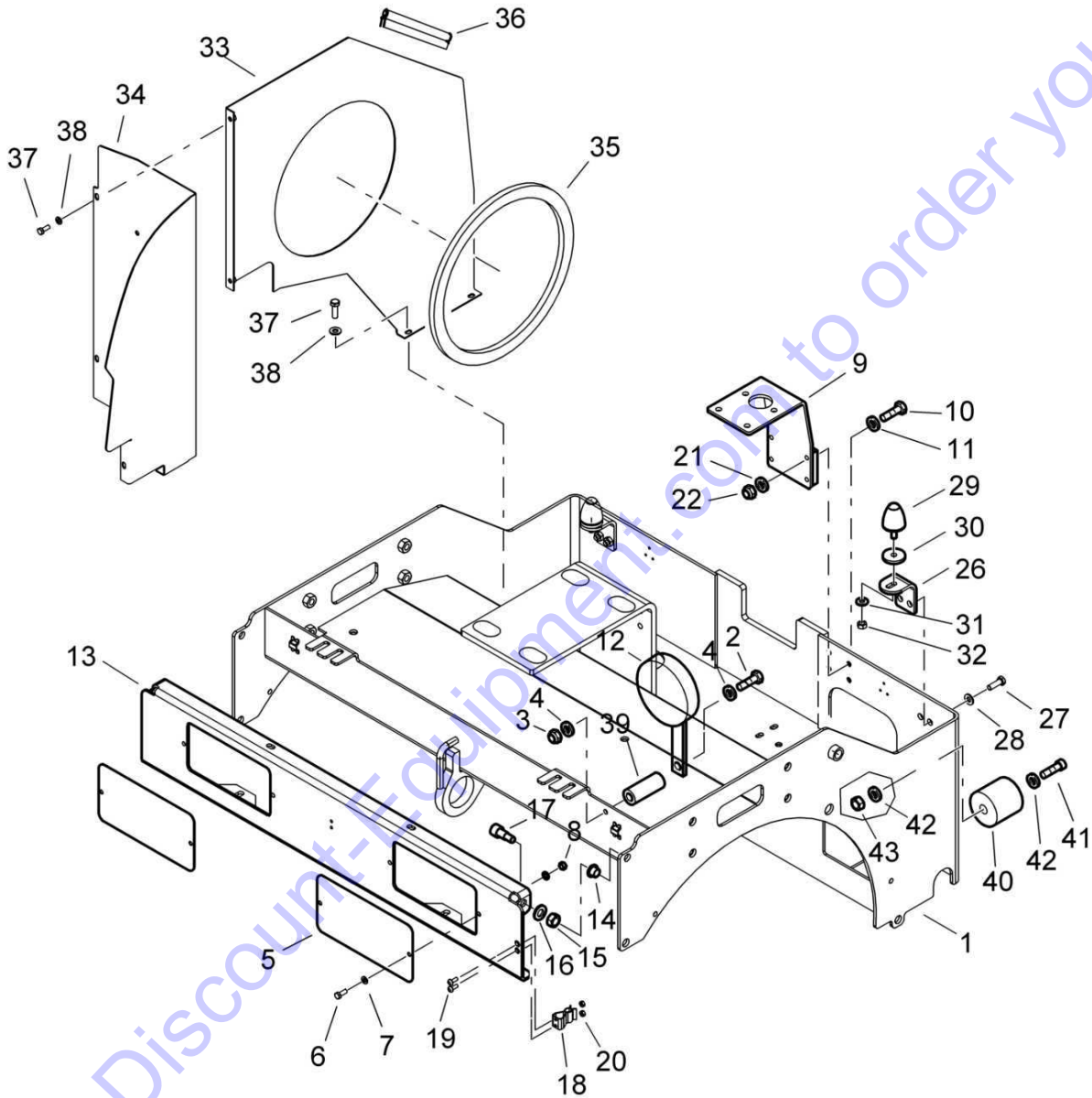
**51.02**

Front Frame


Page 1 / 1



83408039\_000\_03



83408039\_000\_03

BW 900-50		
S/N 861834071016 ▶ S/N 861834071154		
Front Frame		<b>51.02</b>
		Page 1 / 1
	83408039 8061 1	

Pos.	Part no.	Qty.	Description
1	83410460	1	Frame
2	07140842	1	Hexagon bolt
3	08130813	1	Safety nut
4	08752084	2	Spring washer
5	80021637	2	Plate
6	07140626	4	Hexagon bolt
7	08510612	8	Washer
8	08130611	4	Safety nut
9	83410628	1	Filter support
10	07140856	4	Hexagon bolt
11	08510817	4	Washer
12	05766864	1	Horn
13	83410509	1	Screen
14	06281204	2	Bushing
15	08111217	2	Hexagon nut
16	08511325	2	Washer
17	78320212	2	Stud-bolt
18	05990100	2	Clamping spring
19	07210416	4	Pens head screw
20	08130408	4	Safety nut
21	08510817	4	Washer
22	08130813	4	Safety nut
26	95880065	2	Angle
27	07140834	4	Hexagon bolt
28	08752084	4	Spring washer
29	06143136	2	Stop buffer
30	69040261	2	Washer
31	08752084	2	Spring washer
32	08110812	2	Hexagon nut
33	83410744	1	Plate
34	83410745	1	Plate
35	83410752	1	Adhesive foam rubber
36	00652060	1,50 m	Sealing section
37	07140626	7	Hexagon bolt
38	08751064	7	Spring washer
39	80030211	1	Spacer piece
40	83411126	2	Stop
41	07230831	2	Socket-head cap screw
42	08650817	4	Washer
43	08130813	2	Safety nut

Go to [www.equipment.com](http://www.equipment.com) to order your parts

BW 900-50

S/N 861834071005 ▶ S/N 861834071015

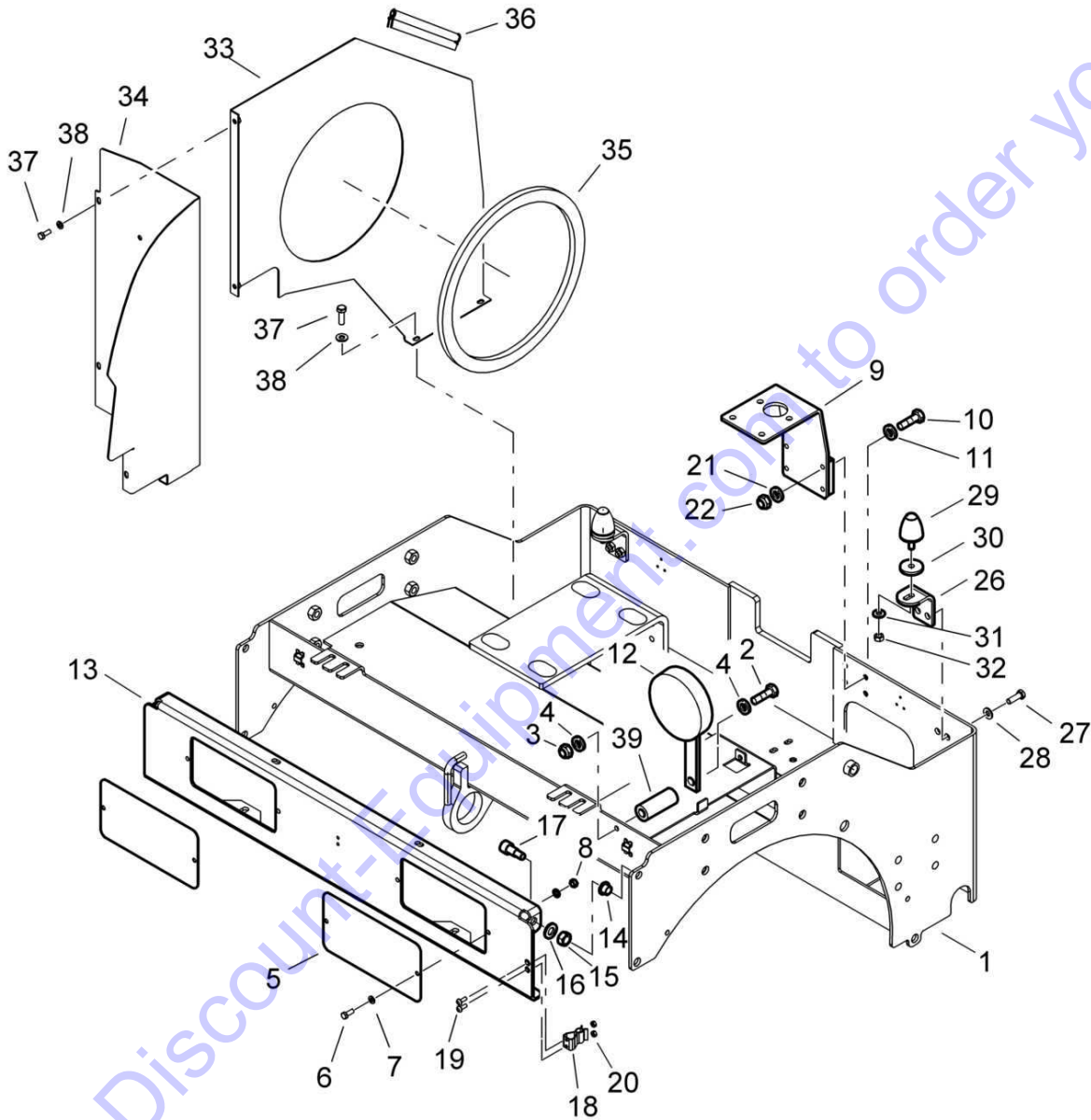
**51.02**

Front Frame


Page 1 / 1



83408039\_000\_02



83408039\_000\_02

BW 900-50		
S/N 861834071005 ▶ S/N 861834071015		
Front Frame	<b>51.02</b>	
	Page <b>1 / 1</b>	
	83408039 8061 1 	

Pos.	Part no.	Qty.	Description
1	83410460	1	Frame
2	07140842	1	Hexagon bolt
3	08130813	1	Safety nut
4	08752084	2	Spring washer
5	80021637	2	Plate
6	07140626	4	Hexagon bolt
7	08510612	8	Washer
8	08130611	4	Safety nut
9	83410628	1	Filter support
10	07140856	4	Hexagon bolt
11	08510817	4	Washer
12	05766864	1	Horn
13	83410509	1	Screen
14	06281204	2	Bushing
15	08111217	2	Hexagon nut
16	08511325	2	Washer
17	78320212	2	Stud-bolt
18	05990100	2	Clamping spring
19	07210416	4	Pens head screw
20	08130408	4	Safety nut
21	08510817	4	Washer
22	08130813	4	Safety nut
26	95880065	2	Angle
27	07140834	4	Hexagon bolt
28	08752084	4	Spring washer
29	06143136	2	Stop buffer
30	69040261	2	Washer
31	08752084	2	Spring washer
32	08110812	2	Hexagon nut
33	83410744	1	Plate
34	83410745	1	Plate
35	83410752	1	Adhesive foam rubber
36	00652060	1,50 m	Sealing section
37	07140626	7	Hexagon bolt
38	08751064	7	Spring washer
39	80030211	1	Spacer piece

Go to [DipointEquipment.com](http://DipointEquipment.com) to order your parts

BW 900-50

S/N 861834071004 ▶ S/N 861834071004

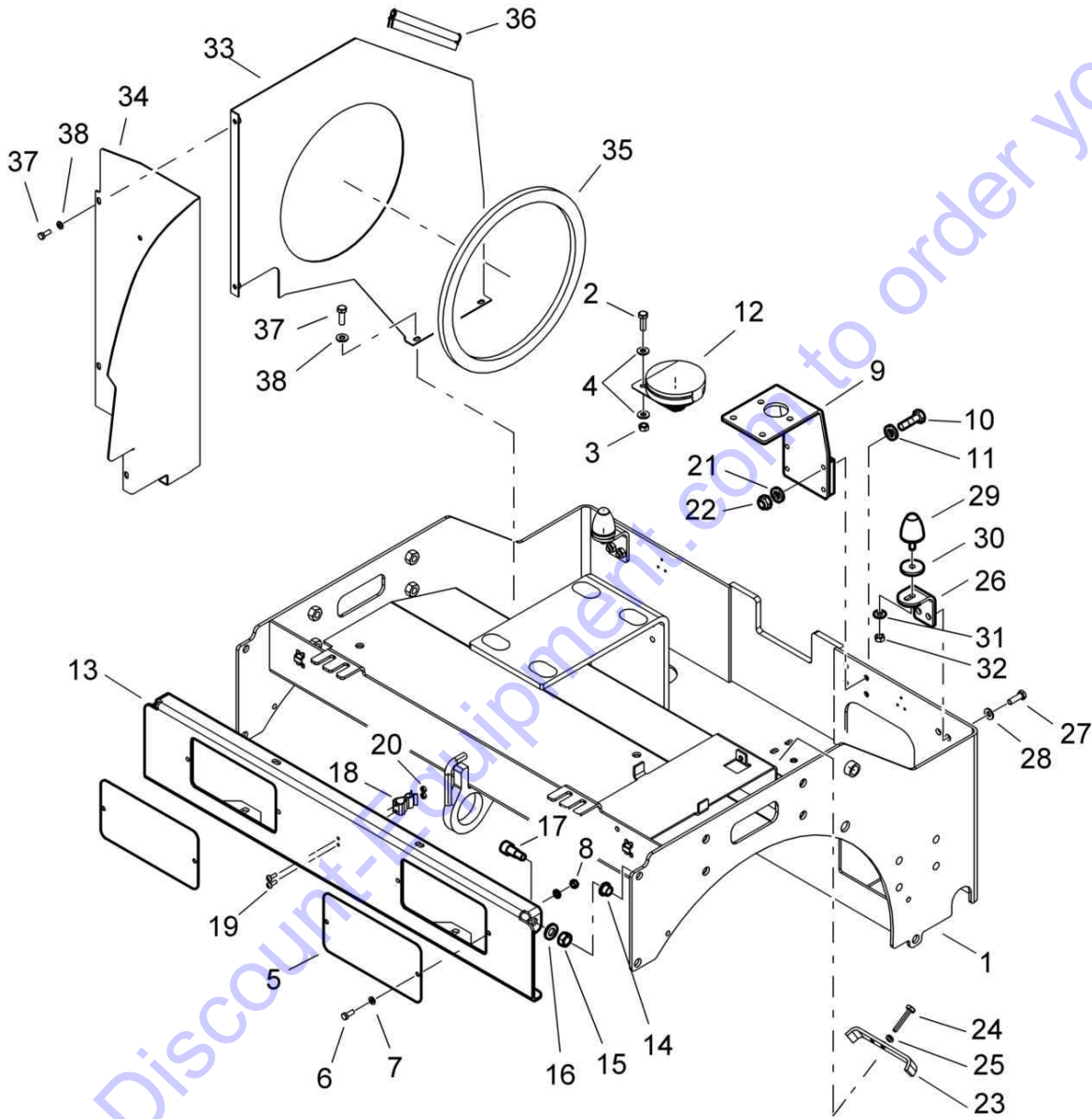
**51.02**

Front Frame

Page 1 / 1



83408039\_000\_01



83408039\_000\_01

BW 900-50		
S/N 861834071004 ▶ S/N 861834071004		
Front Frame		<b>51.02</b>
		Page <b>1 / 1</b>
	83408039 8061 1	

Pos.	Part no.	Qty.	Description
1	83410460	1	Frame
2	07140834	1	Hexagon bolt
3	08110812	1	Hexagon nut
4	08752084	2	Spring washer
5	80021637	2	Plate
6	07140626	4	Hexagon bolt
7	08510612	8	Washer
8	08130611	4	Safety nut
9	83410628	1	Filter support
10	07140649	4	Hexagon bolt
11	08510612	4	Washer
12	05766864	1	Horn
13	83410509	1	Screen
14	06281204	2	Bushing
15	08111217	2	Hexagon nut
16	08511325	2	Washer
17	78320212	2	Stud-bolt
18	05990100	2	Clamping spring
19	07210416	4	Pens head screw
20	08130408	4	Safety nut
21	08510612	4	Washer
22	08130611	4	Safety nut
26	95880065	2	Angle
27	07140834	4	Hexagon bolt
28	08752084	4	Spring washer
29	06143136	2	Stop buffer
30	69040261	2	Washer
31	08752084	2	Spring washer
32	08110812	2	Hexagon nut
33	83410744	1	Plate
34	83410745	1	Plate
35	83410752	1	Adhesive foam rubber
36	00652060	1,50 m	Sealing section
37	07140626	7	Hexagon bolt
38	08751064	7	Spring washer

Go to DiscountEquipment.com to order your parts



BW 900-50

S/N 861834071001 ▶ S/N 861834071003

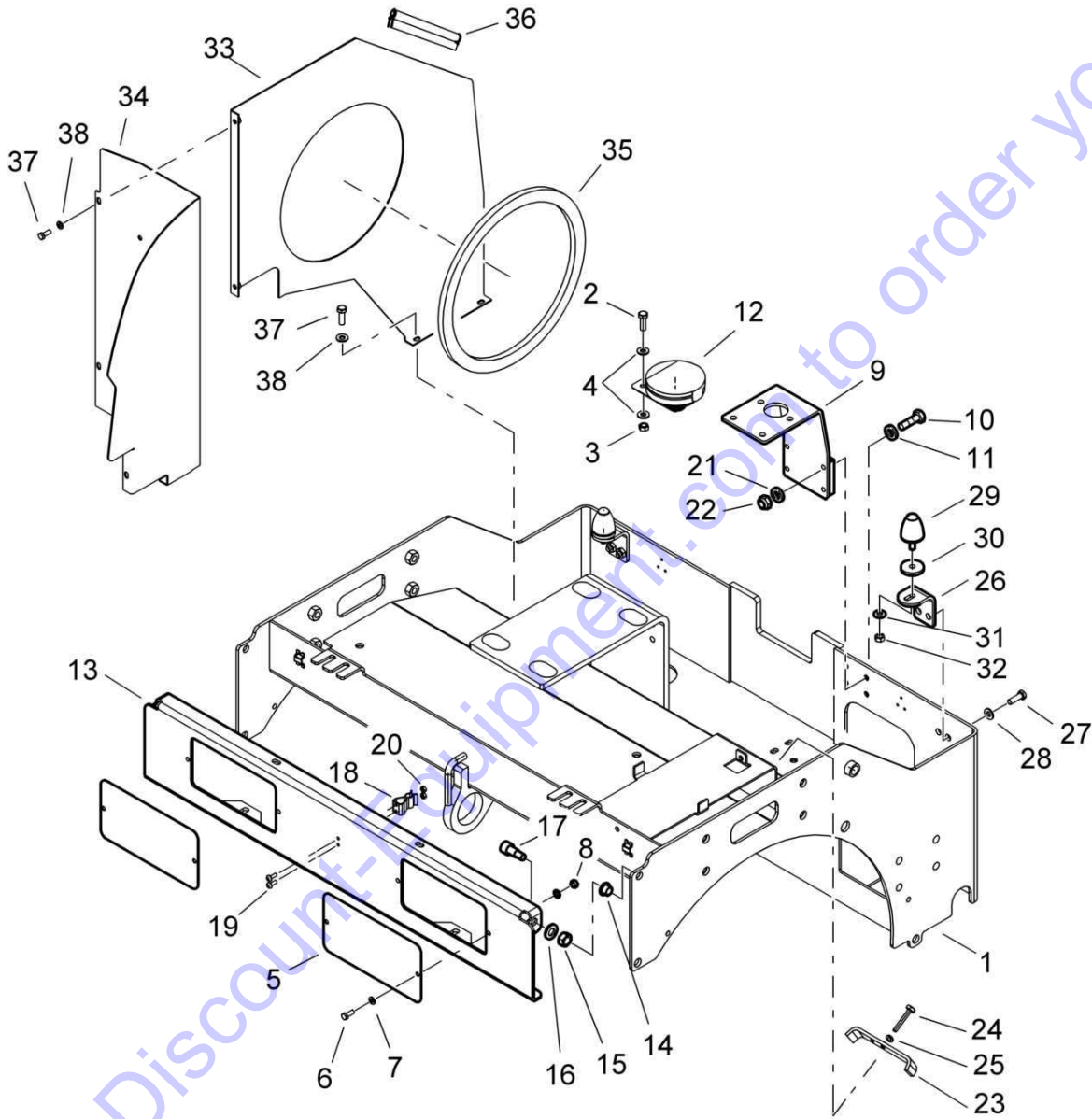
**51.02**

Front Frame

Page 1 / 1



83408039\_000\_01



83408039\_000\_01

BW 900-50		
S/N 861834071001 ▶ S/N 861834071003		
Front Frame	<b>51.02</b>	
	Page 1 / 1	
	83408039 8061 1	
		

Pos.	Part no.	Qty.	Description
1	83410460	1	Frame
2	07140834	1	Hexagon bolt
3	08110812	1	Hexagon nut
4	08752084	2	Spring washer
5	80021637	2	Plate
6	07140626	4	Hexagon bolt
7	08510612	8	Washer
8	08130611	4	Safety nut
9	83410628	1	Filter support
10	07140649	4	Hexagon bolt
11	08510612	4	Washer
12	05766864	1	Horn
13	83410509	1	Screen
14	06281204	2	Bushing
15	08111217	2	Hexagon nut
16	08511325	2	Washer
17	78320212	2	Stud-bolt
18	05990100	1	Clamping spring
19	07210416	2	Pens head screw
20	08130408	2	Safety nut
21	08510612	4	Washer
22	08130611	4	Safety nut
23	88013520	1	Clamp
24	07130624	1	Hexagon bolt
25	08751064	1	Spring washer
26	95880065	2	Angle
27	07140834	4	Hexagon bolt
28	08752084	4	Spring washer
29	06143136	2	Stop buffer
30	69040261	2	Washer
31	08752084	2	Spring washer
32	08110812	2	Hexagon nut
33	83410744	1	Plate
34	83410745	1	Plate
35	83410752	1	Adhesive foam rubber
36	00652060	1,50 m	Sealing section
37	07140626	7	Hexagon bolt
38	08751064	7	Spring washer

Go to [www.bountysupply.com](http://www.bountysupply.com) to order your parts

BW 900-50

S/N 861834072476 ▶

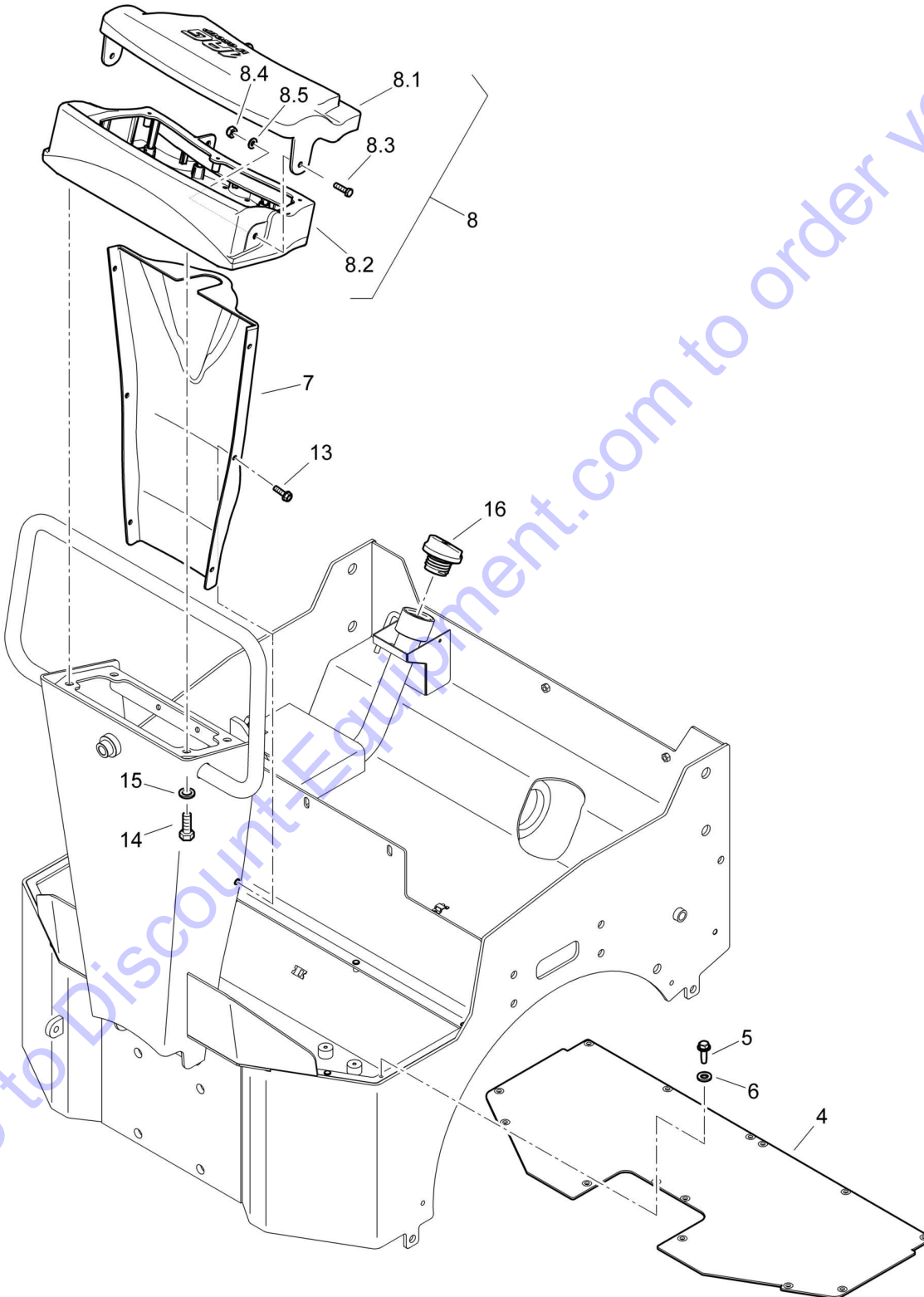
**51.03**

Rear Frame


Page **1 / 3**



83408040\_001\_03



83408040\_001\_03

BW 900-50		
S/N 861834072476 ▶		
Rear Frame		<b>51.03</b>
		Page <b>1 / 3</b>
	83408040 8061 1	

Pos.	Part no.	Qty.	Description
4	83411960	1	
5	07140633	8	Hexagon bolt
6	08751064	8	Spring washer
7	83411986	1	Trim
8	46330150	1	Dashboard
13	07210892	6	Pens head screw
14	07140824	4	Hexagon bolt
15	08752084	4	Spring washer
16	05950900	1	Tank cover

Go to Discount-Equipment.com to order your parts

BW 900-50

S/N 861834072119 ▶ S/N 861834072475

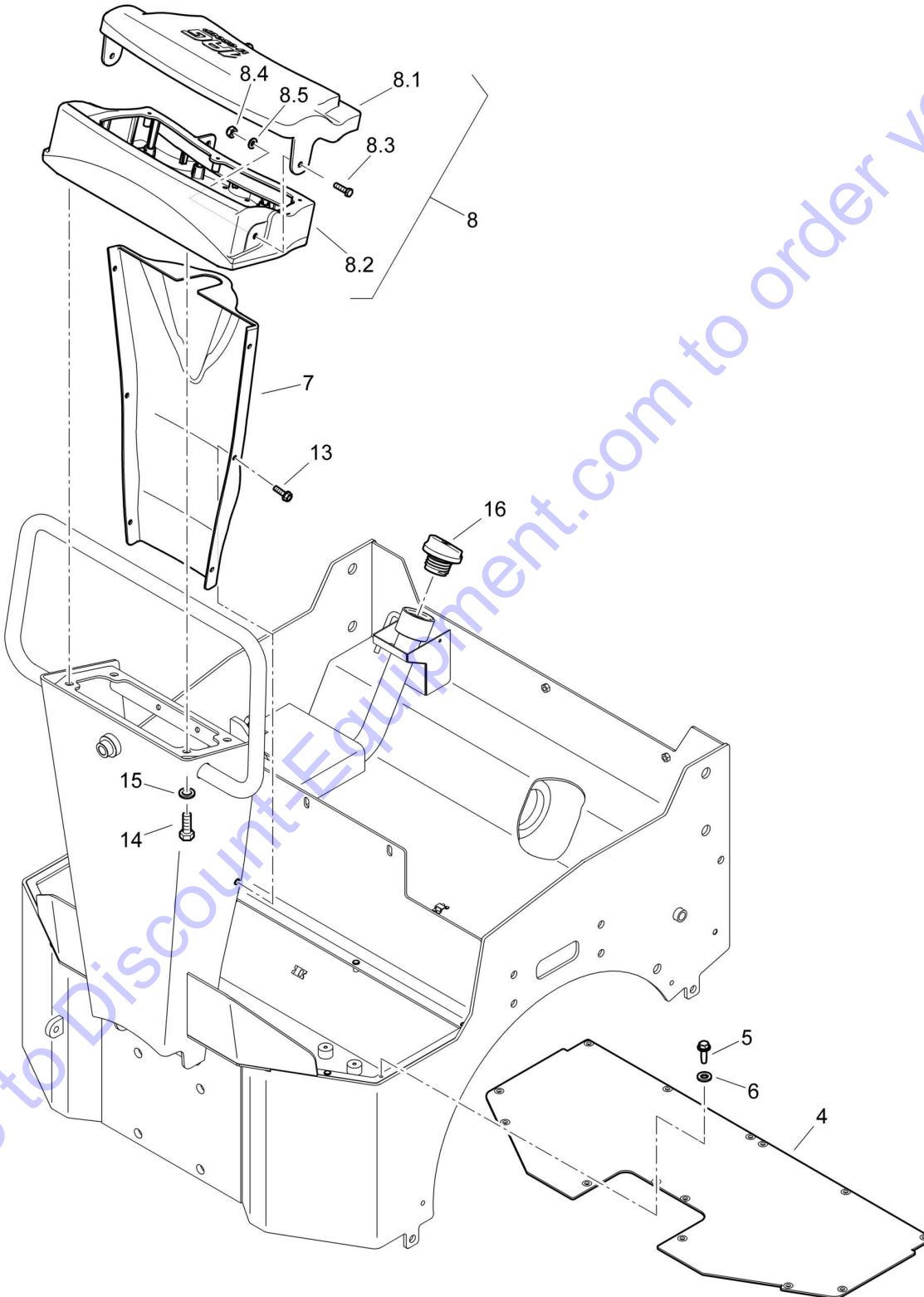
**51.03**

Rear Frame


Page **1 / 3**



83408040\_001\_03



83408040\_001\_03

BW 900-50		
S/N 861834072119 ▶ S/N 861834072475		
Rear Frame		<b>51.03</b>
		Page <b>1 / 3</b>
	83408040 8061 1	

Pos.	Part no.	Qty.	Description
4	83411960	1	
5	07140633	8	Hexagon bolt
6	08751064	8	Spring washer
7	83411986	1	Trim
8	46330150	1	Dashboard
13	07210892	6	Pens head screw
14	07140824	4	Hexagon bolt
15	08752084	4	Spring washer
16	05050466	1	Tank cap

Go to Discount-Equipment.com to order your parts

BW 900-50

S/N 861834072094 ▶ S/N 861834072118

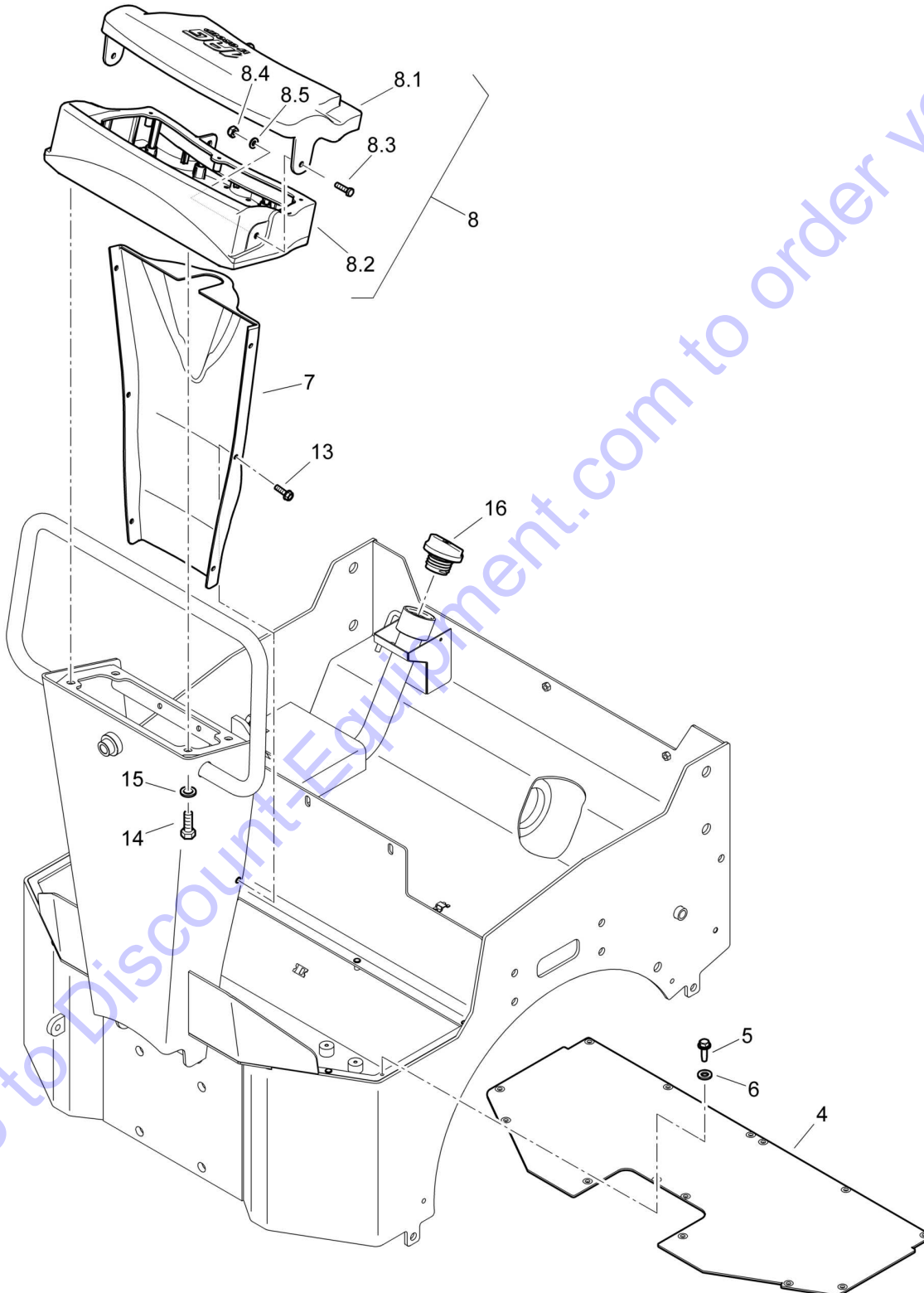
**51.03**

Rear Frame

Page **1 / 3**



83408040\_001\_03



83408040\_001\_03

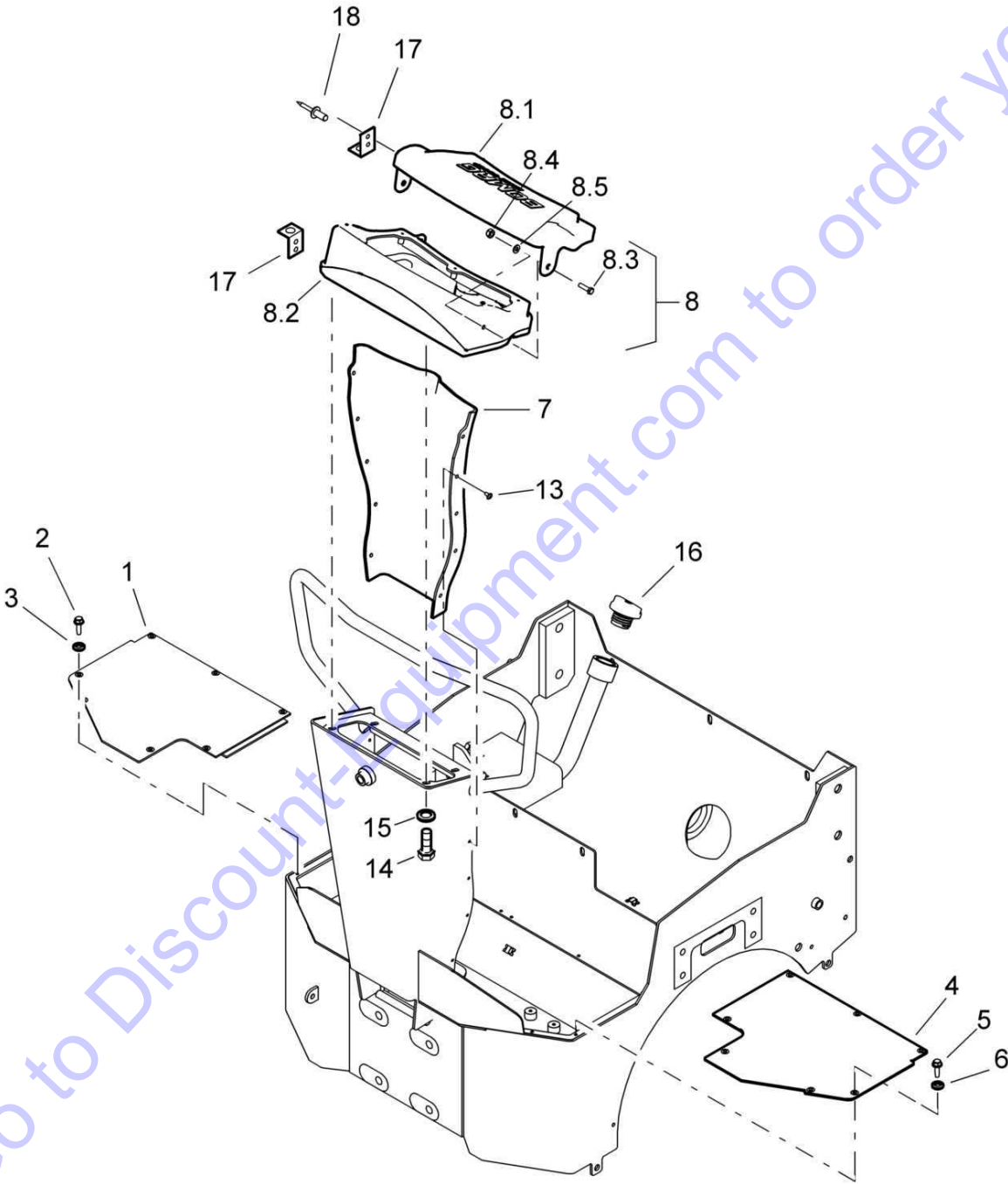
BW 900-50		
S/N 861834072094 ▶ S/N 861834072118		<b>51.03</b>
<b>Rear Frame</b>		
		Page <b>1 / 3</b>
83408040 8061 1		


Pos.	Part no.	Qty.	Description
4	83411960	1	
5	07140633	8	Hexagon bolt
6	08751064	8	Spring washer
7	46220255	1	Trim
8	46330150	1	Dashboard
13	07210892	6	Pens head screw
14	07140824	4	Hexagon bolt
15	08752084	4	Spring washer
16	05050466	1	Tank cap

Go to Discount-Equipment.com to order your parts



BW 900-50	
<b>51.03</b>	S/N 861834071121 ▶ S/N 861834072093
	Rear Frame
Page <b>1 / 3</b>	
<b>BOMAG</b> FAYAT GROUP	83408040_001_02

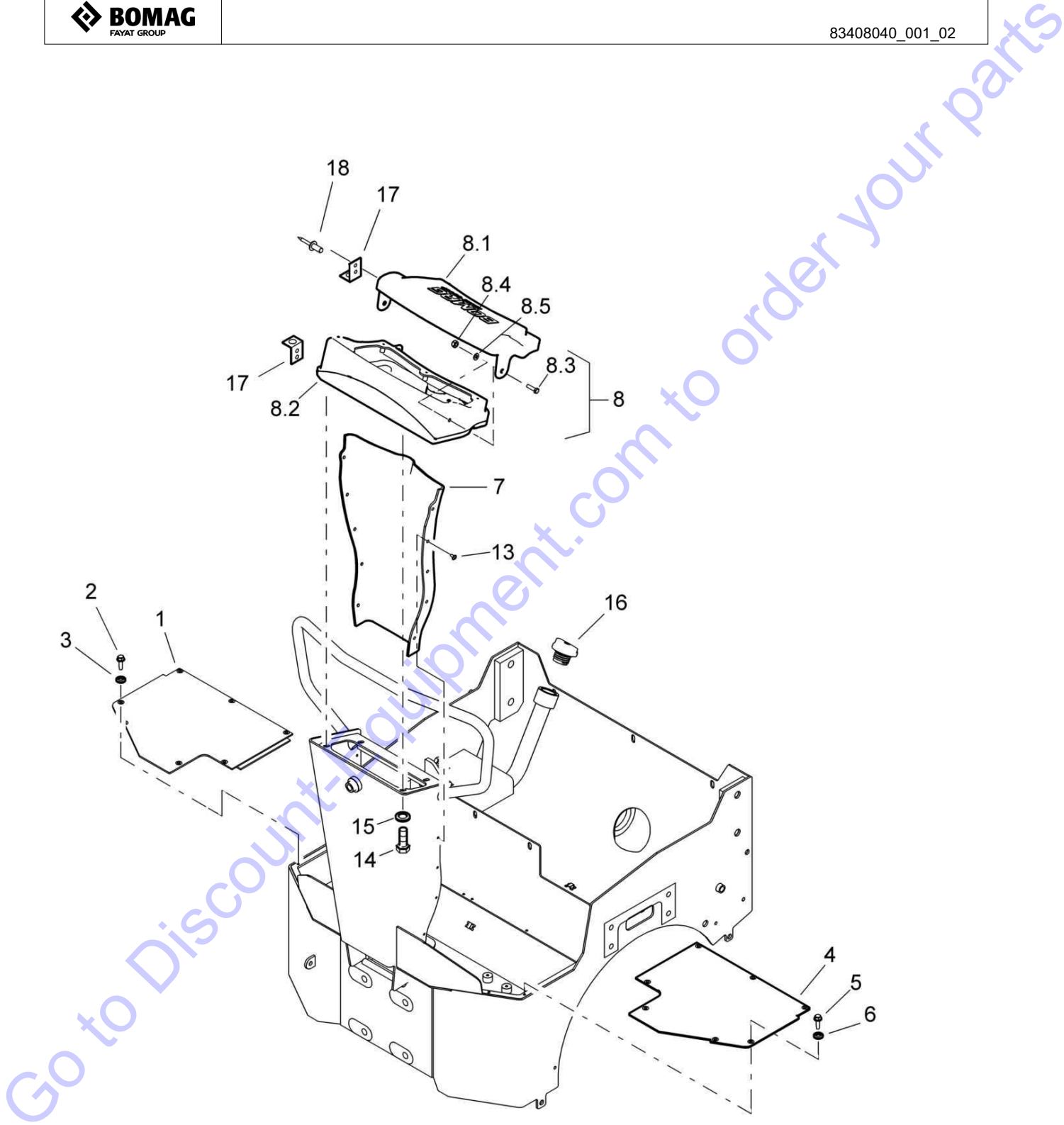



BW 900-50		
S/N 861834071121 ▶ S/N 861834072093		
Rear Frame		<b>51.03</b>
		Page 1 / 3
	83408040 8061 1	

Pos.	Part no.	Qty.	Description
1	83410659	1	Footboard
2	07140633	4	Hexagon bolt
3	08751064	4	Spring washer
4	83410559	1	Footboard
5	07140633	4	Hexagon bolt
6	08751064	4	Spring washer
7	46220255	1	Trim
8	46330150	1	Dashboard
13	07210892	6	Pens head screw
14	07140824	4	Hexagon bolt
15	08752084	4	Spring washer
16	05050466	1	Tank cap

Go to Discount-Equipment.com to order your parts

	BW 900-50	S/N 861834071111 ▶ S/N 861834071120
<b>51.03</b>	<b>Rear Frame</b>	
Page <b>1 / 3</b>		
<b>BOMAG</b> FAYAT GROUP	83408040_001_02	



BW 900-50		
S/N 861834071111 ▶ S/N 861834071120		
Rear Frame		<b>51.03</b>
		Page <b>1 / 3</b>
	83408040 8061 1	

Pos.	Part no.	Qty.	Description
1	83410659	1	Footboard
2	07140633	4	Hexagon bolt
3	08751064	4	Spring washer
4	83410559	1	Footboard
5	07140633	4	Hexagon bolt
6	08751064	4	Spring washer
7	46220255	1	Trim
8	46330150	1	Dashboard
13	07210892	6	Pens head screw
14	07140824	4	Hexagon bolt
15	08752084	4	Spring washer
16	05050466	1	Tank cap
17	95460070	2	Joint bar
18	05990016	4	Rivet,blind

Go to [Discount-Equipment.com](http://Discount-Equipment.com) to order your parts

BW 900-50

S/N 861834071086 ▶ S/N 861834071110

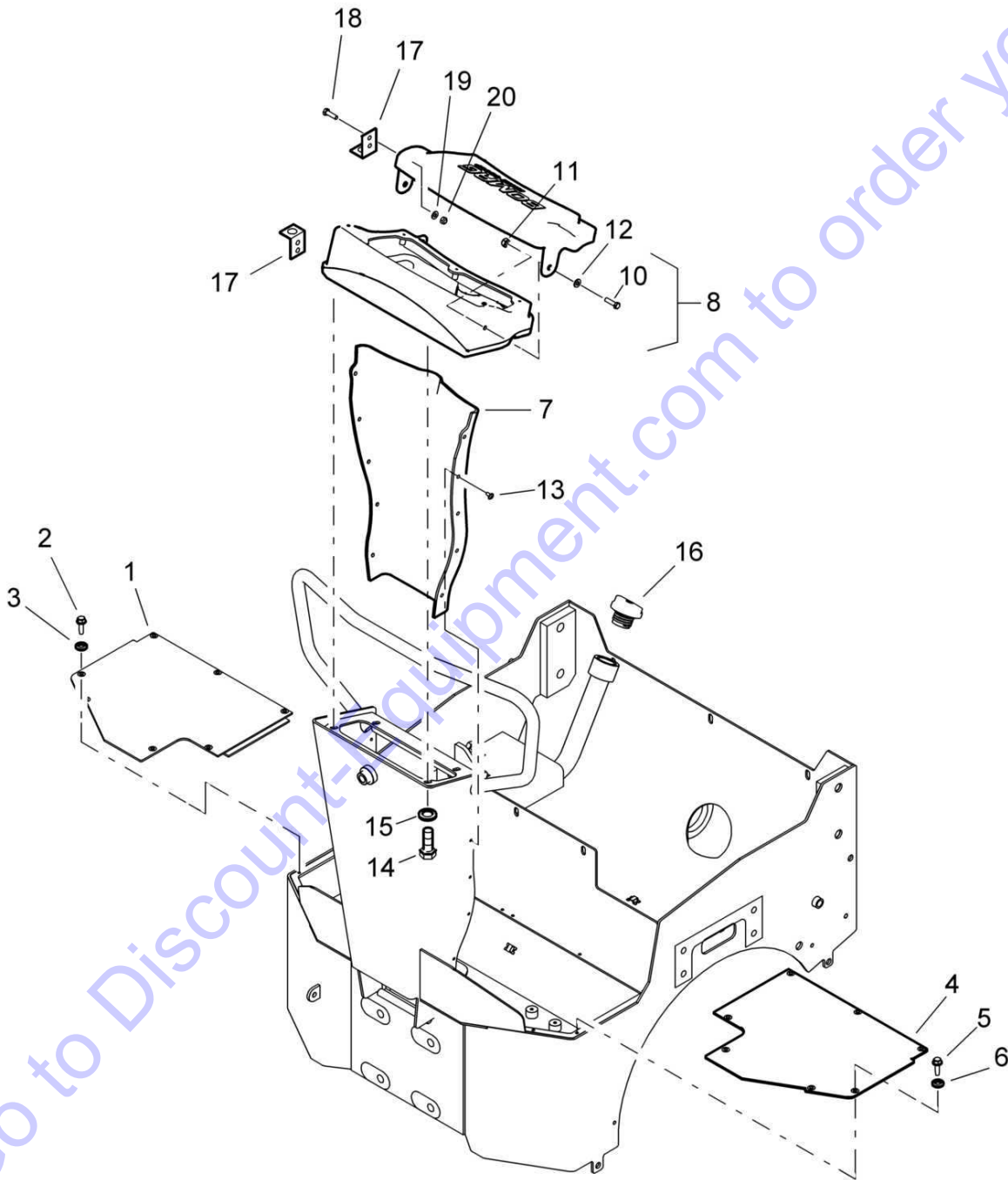
**51.03**

Rear Frame


Page **1 / 3**



83408040\_001\_01



83408040\_001\_01

BW 900-50		
S/N 861834071086 ▶ S/N 861834071110		<b>51.03</b>
<b>Rear Frame</b>		
		Page <b>1 / 3</b>
83408040 8061 1		

Pos.	Part no.	Qty.	Description
1	83410659	1	Footboard
2	07140633	4	Hexagon bolt
3	08751064	4	Spring washer
4	83410559	1	Footboard
5	07140633	4	Hexagon bolt
6	08751064	4	Spring washer
7	46220255	1	Trim
8	46330150	1	Dashboard
13	07210892	6	Pens head screw
14	07140824	4	Hexagon bolt
15	08752084	4	Spring washer
16	05050466	1	Tank cap
17	95460070	2	Joint bar
18	07140524	4	Hexagon bolt
19	08510511	4	Washer
20	08130508	4	Safety nut

Go to [Discount-Equipment.com](http://Discount-Equipment.com) to order your parts

BW 900-50

S/N 861834071056 ▶ S/N 861834071085

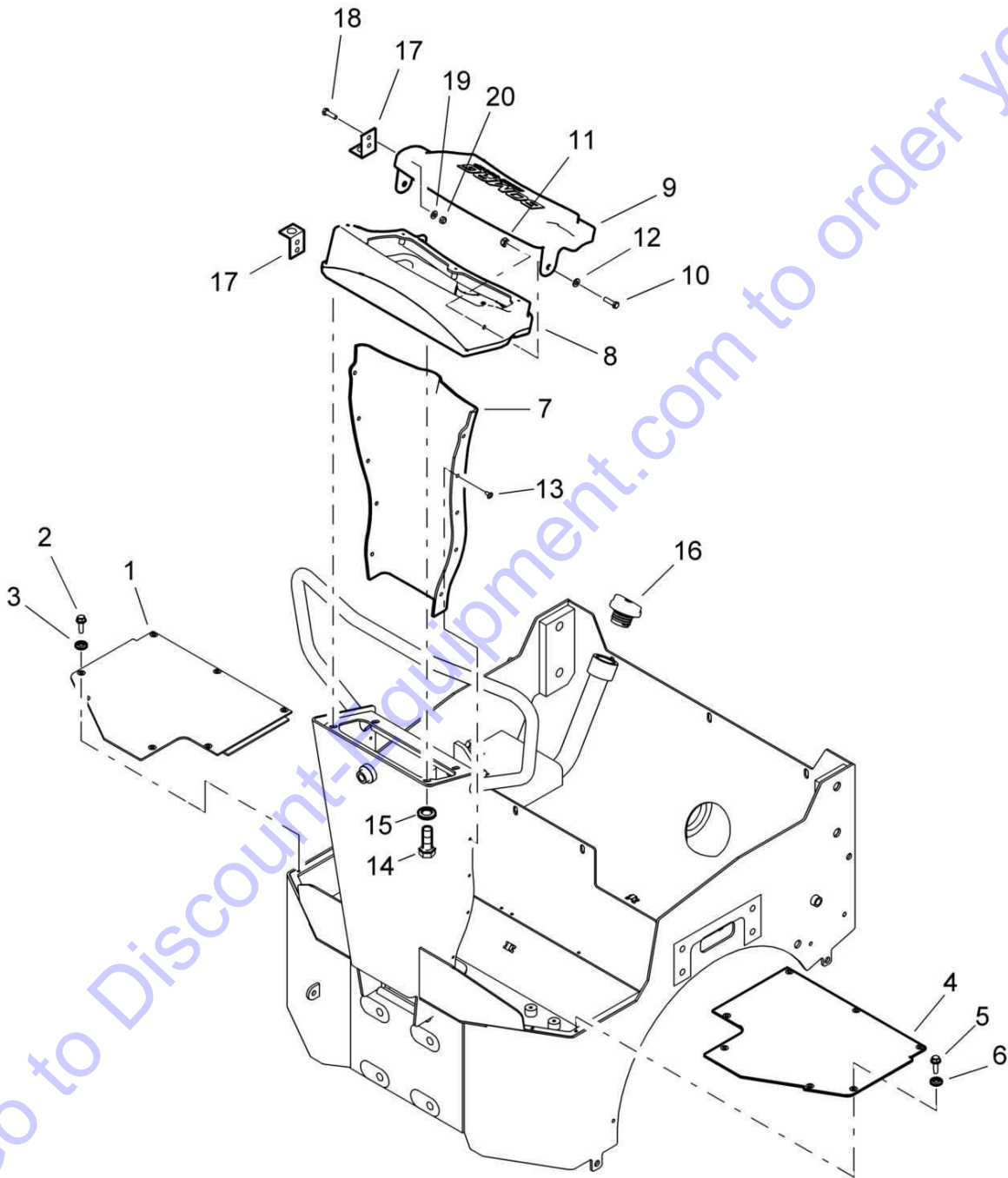
**51.03**

Rear Frame


Page **1 / 3**



83408040\_001\_00



83408040\_001\_00

BW 900-50		
S/N 861834071056 ▶ S/N 861834071085		
Rear Frame		<b>51.03</b>
		Page <b>1 / 3</b>
	83408040 8061 1	

Pos.	Part no.	Qty.	Description
1	83410659	1	Footboard
2	07140633	4	Hexagon bolt
3	08751064	4	Spring washer
4	83410559	1	Footboard
5	07140633	4	Hexagon bolt
6	08751064	4	Spring washer
7	46220255	1	Trim
8	46330147	1	Dashboard
9	46330146	1	Vandalism protection
10	07140842	2	Hexagon bolt
11	08130813	2	Safety nut
12	08621084	2	Washer
13	07210892	6	Pens head screw
14	07140824	4	Hexagon bolt
15	08752084	4	Spring washer
16	05050466	1	Tank cap
17	95460070	2	Joint bar
18	07140524	4	Hexagon bolt
19	08510511	4	Washer
20	08130508	4	Safety nut

Go to Discount-Equipment.com to order your parts



BW 900-50

S/N 861834071005 ▶ S/N 861834071055

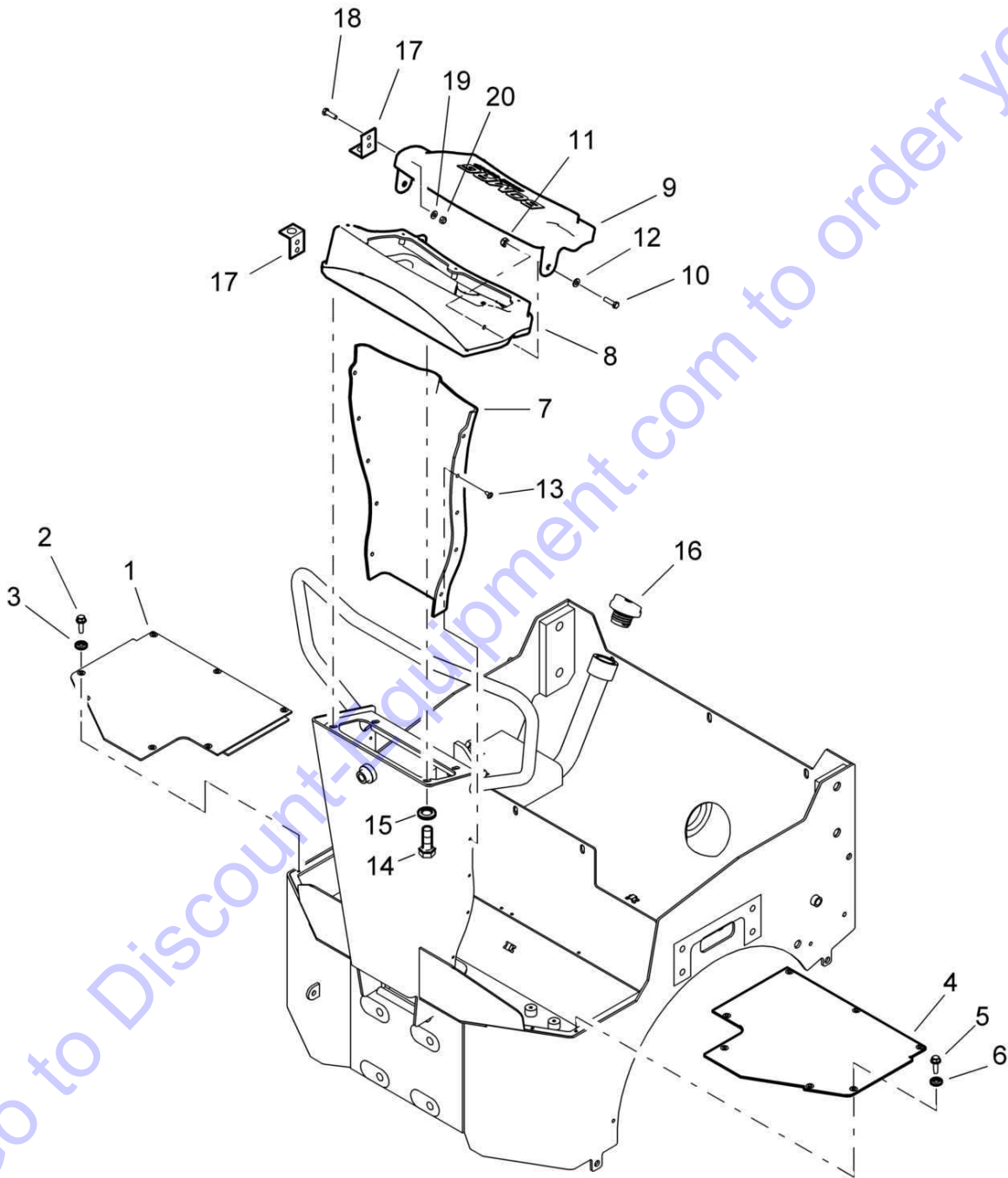
**51.03**

Rear Frame

Page 1 / 3



83408040\_001\_00



83408040\_001\_00

BW 900-50		
S/N 861834071005 ▶ S/N 861834071055		
Rear Frame		<b>51.03</b>
		Page <b>1 / 3</b>
	83408040 8061 1	

Pos.	Part no.	Qty.	Description
1	83410659	1	Footboard
2	07140633	4	Hexagon bolt
3	08751064	4	Spring washer
4	83410559	1	Footboard
5	07140633	4	Hexagon bolt
6	08751064	4	Spring washer
7	46220255	1	Trim
8	46330147	1	Dashboard
9	46330146	1	Vandalism protection
10	07140842	2	Hexagon bolt
11	08130813	2	Safety nut
12	08621084	2	Washer
13	07210616	10	Pens head screw
14	07140824	4	Hexagon bolt
15	08752084	4	Spring washer
16	05050466	1	Tank cap
17	95460070	2	Joint bar
18	07140524	4	Hexagon bolt
19	08510511	4	Washer
20	08130508	4	Safety nut

Go to Discount-Equipment.com to order your parts

BW 900-50

S/N 861834071004 ▶ S/N 861834071004

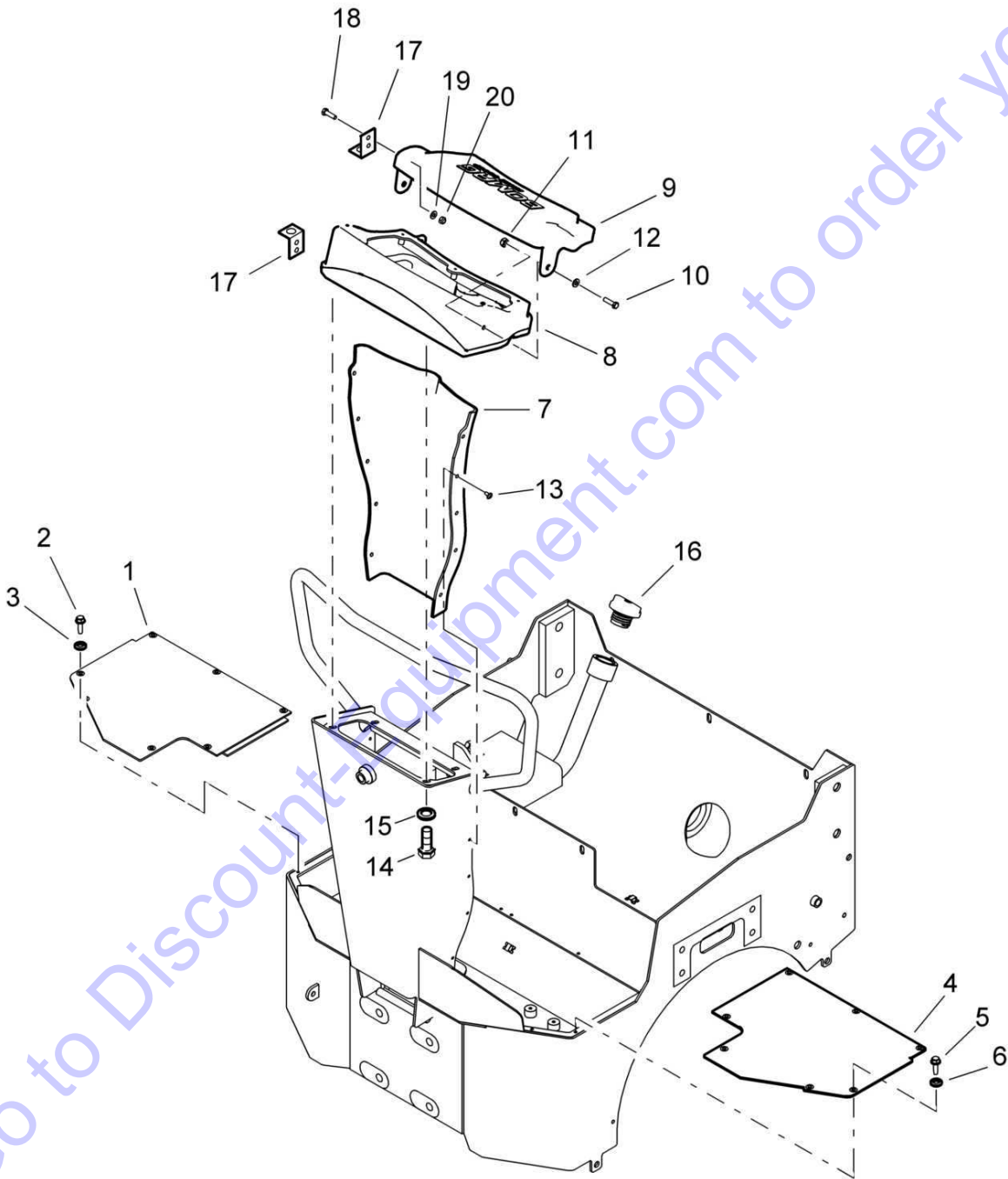
**51.03**

Rear Frame


Page **1 / 3**



83408040\_001\_00



83408040\_001\_00

BW 900-50		
S/N 861834071004 ▶ S/N 861834071004		<b>51.03</b>
<b>Rear Frame</b>		
		Page <b>1 / 3</b>
83408040 8061 1		

Pos.	Part no.	Qty.	Description	Benennung
1	83410659	1	Footboard	
2	07860513	7	Screw	
4	83410559	1	Footboard	
5	07860513	7	Screw	
7	46220190	1	Trim	
8	46330147	1	Dashboard	
9	46330146	1	Vandalism protection	
10	07140842	2	Hexagon bolt	
11	08130813	2	Safety nut	
12	08621084	2	Washer	
13	07860512	10	Screw	
16	05745282	1	Tank cover	

Go to Discount-Equipment.com to order your parts

BW 900-50

S/N 861834071001 ▶ S/N 861834071003

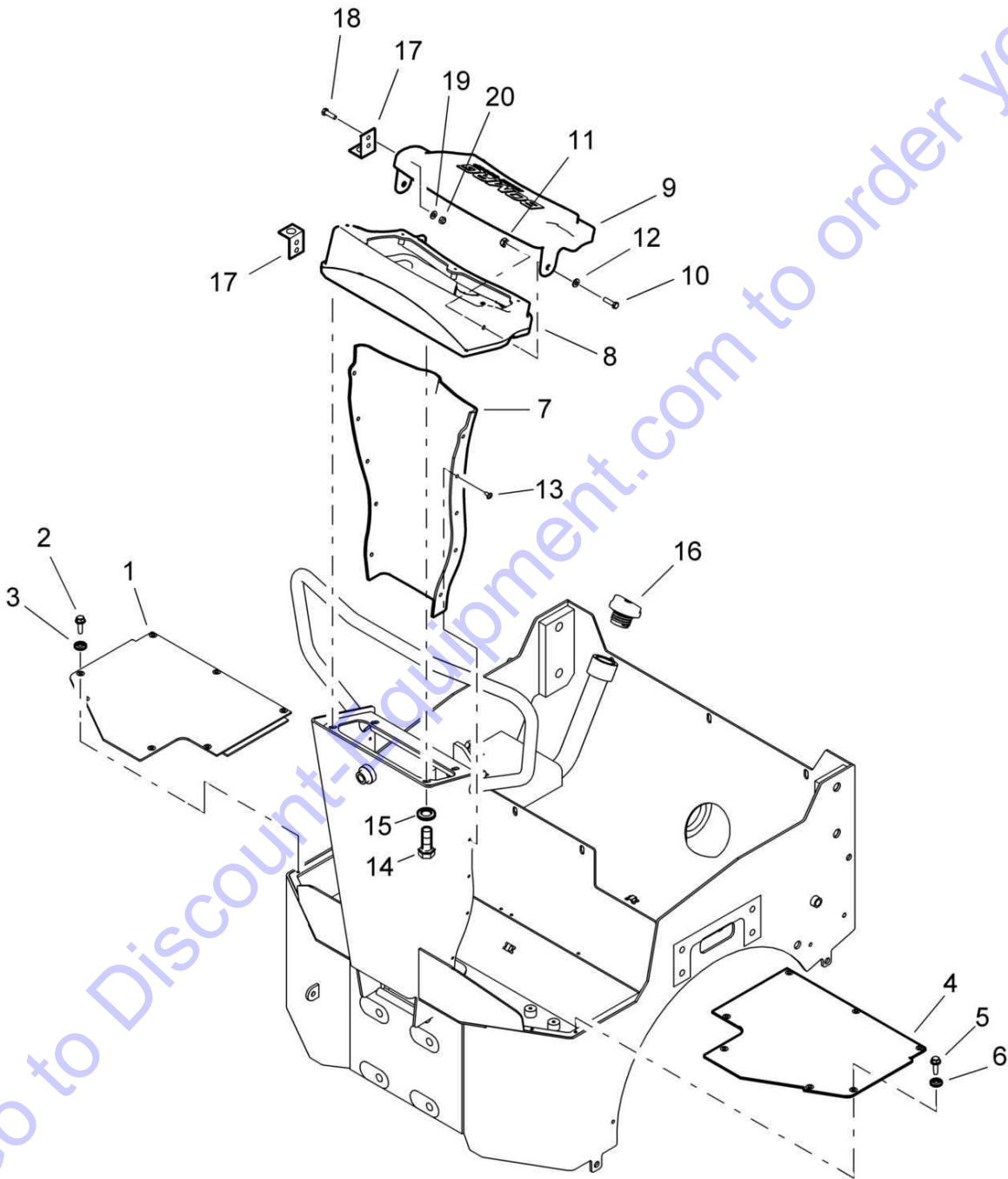
**51.03**

Rear Frame


Page **1 / 3**



83408040\_001\_00



83408040\_001\_00

BW 900-50		
S/N 861834071001 ▶ S/N 861834071003		
Rear Frame		<b>51.03</b>
		Page <b>1 / 3</b>
	83408040 8061 1	

Pos.	Part no.	Qty.	Description
1	83410659	1	Footboard
2	07860513	7	Screw
4	83410559	1	Footboard
5	07860513	7	Screw
7	46220100	1	Trim
8	46330108	1	Dashboard
9	46330119	1	Vandalism protection
10	07140842	2	Hexagon bolt
11	08130813	2	Safety nut
12	08621084	2	Washer
13	07860512	10	Screw
16	05050345	1	Cap

Go to Discount-Equipment.com to order your parts

BW 900-50

S/N 861834071674 ▶

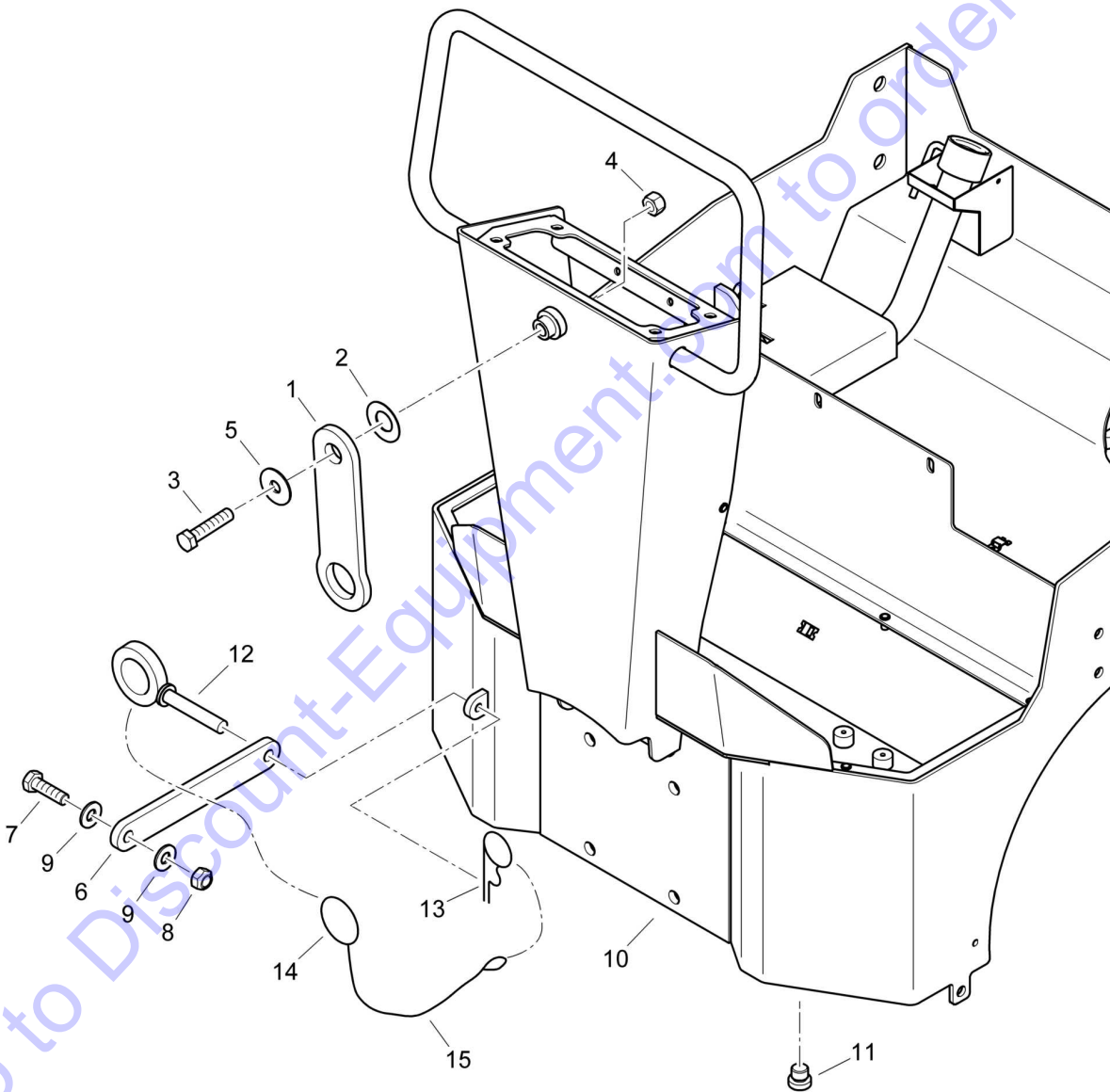
**51.03**

Rear Frame


Page **2 / 3**



83408040\_002\_00



83408040\_002\_00

BW 900-50		
S/N 861834071674 ▶		
Rear Frame		<b>51.03</b>
		Page <b>2 / 3</b>
	83408040 8061 1	

Pos.	Part no.	Qty.	Description
1	95880539	1	Towing hook
2	09290568	1	Belleville spring
3	07131624	1	Hexagon bolt
4	08131621	1	Safety nut
5	08591740	1	Washer
6	83410560	1	Securing device
7	07141032	1	Hexagon bolt
8	08131016	1	Safety nut
9	08511021	2	Washer
10	83410461	1	Frame
11	05546118	2	Screw plug with seal
12	15060803	1	Bolt
13	05994002	1	Spring cotter
14	05939901	2	Key ring
15	00911227	2,00 dm	Knotted link chain

Go to [Discount-Equipment.com](http://Discount-Equipment.com) to order your parts



BW 900-50

S/N 861834071016 ▶ S/N 861834071673

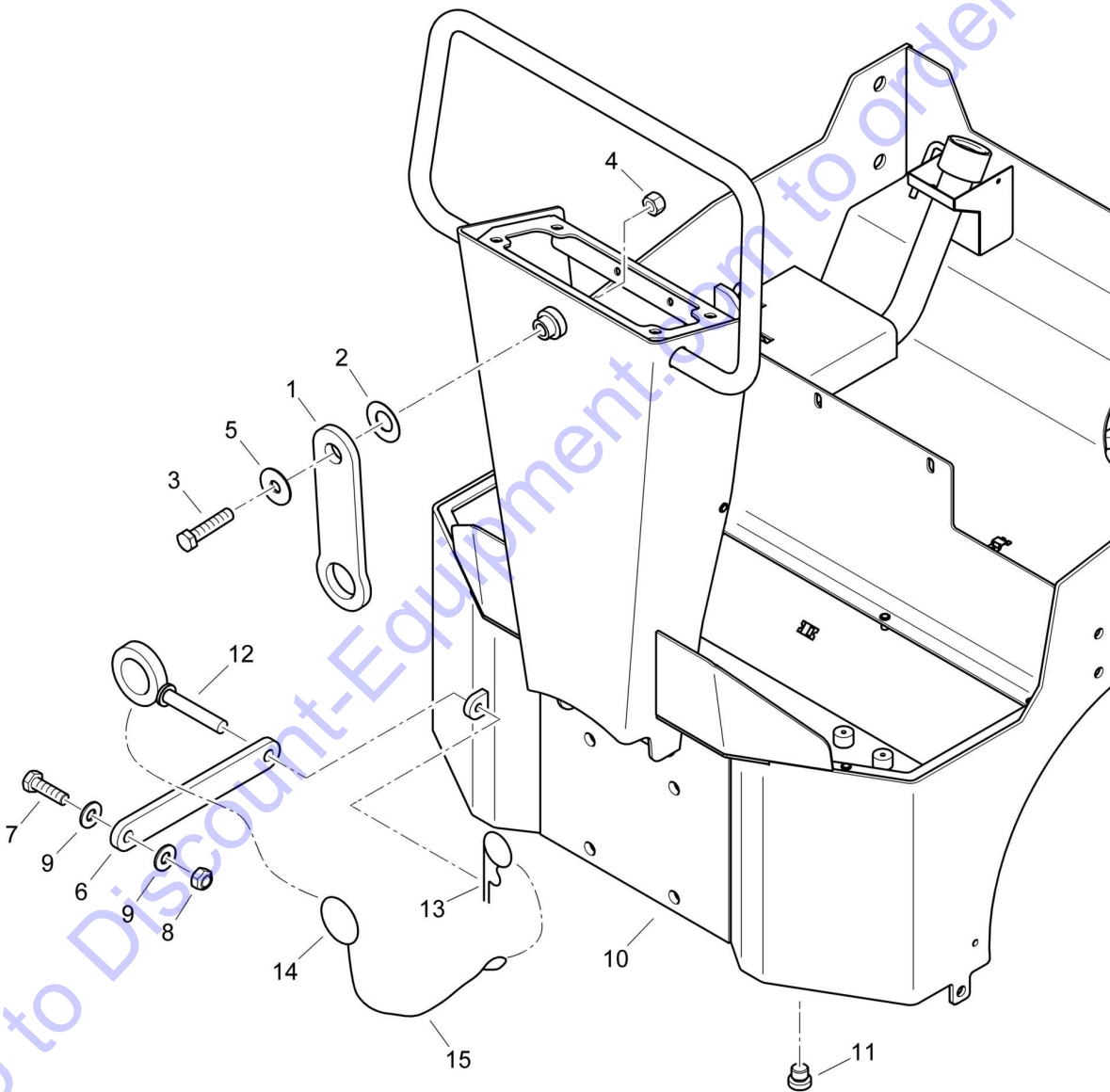
**51.03**

Rear Frame


Page **2 / 3**



83408040\_002\_00



83408040\_002\_00

BW 900-50		
S/N 861834071016 ▶ S/N 861834071673		
Rear Frame		<b>51.03</b>
		Page <b>2 / 3</b>
	83408040 8061 1	

Pos.	Part no.	Qty.	Description
1	95880539	1	Towing hook
2	09290568	1	Belleville spring
3	07131624	1	Hexagon bolt
4	08131621	1	Safety nut
5	08591740	1	Washer
6	83410560	1	Securing device
7	07141032	1	Hexagon bolt
8	08131016	1	Safety nut
9	08511021	2	Washer
10	83410461	1	Frame
11	05546118	2	Screw plug with seal
12	15060803	1	Bolt
13	05994002	1	Spring cotter
14	05939901	2	Key ring
15	83411111	1	Rope

Go to [Discount-Equipment.com](http://Discount-Equipment.com) to order your parts

BW 900-50

S/N 861834071005 ▶ S/N 861834071015

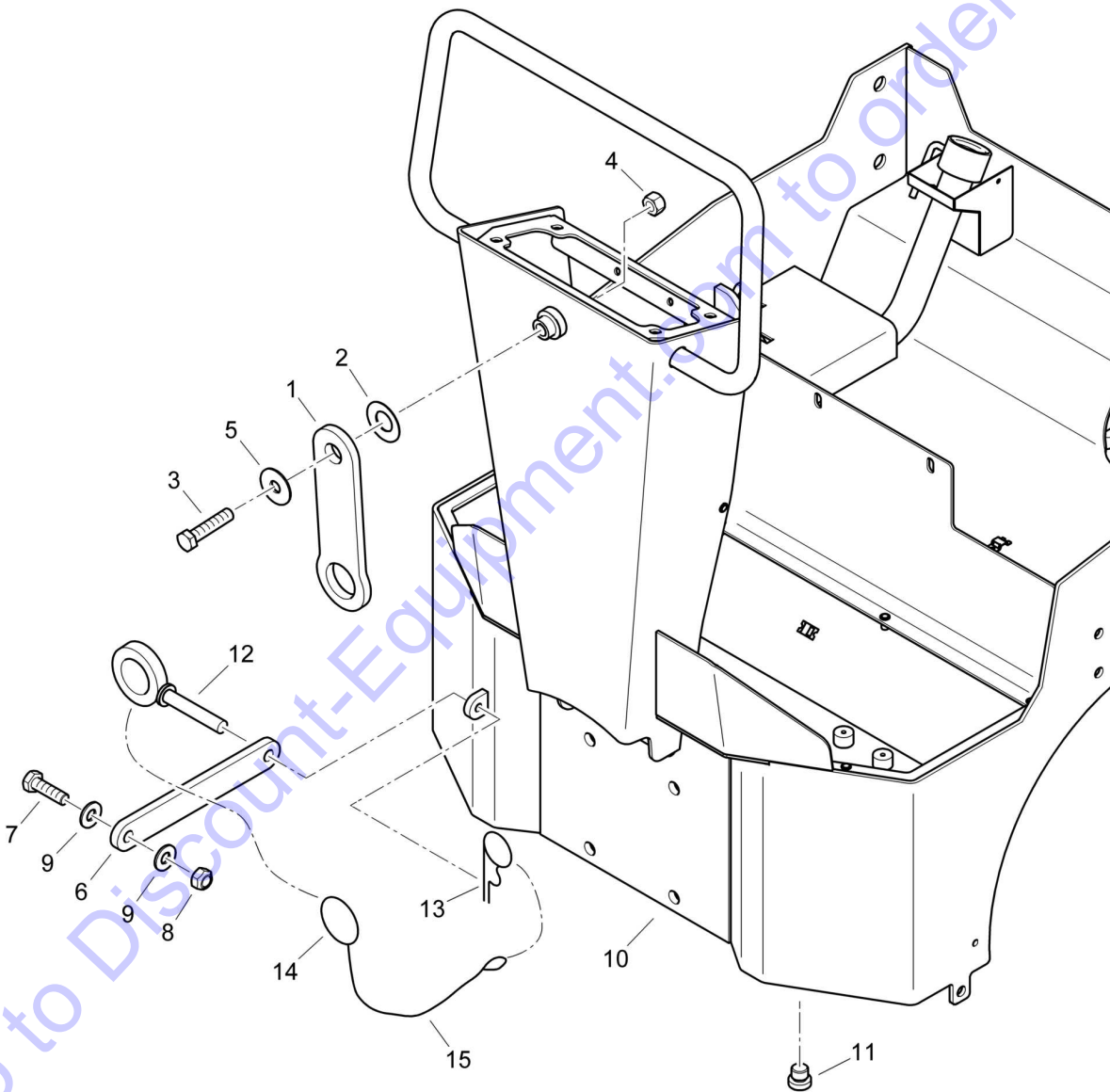
**51.03**

Rear Frame


Page **2 / 3**



83408040\_002\_00




83408040\_002\_00

BW 900-50		
S/N 861834071005 ▶ S/N 861834071015		
Rear Frame		<b>51.03</b>
		Page <b>2 / 3</b>
	83408040 8061 1	

Pos.	Part no.	Qty.	Description
1	95880539	1	Towing hook
2	09290568	1	Belleville spring
3	07131624	1	Hexagon bolt
4	08131621	1	Safety nut
5	08591740	1	Washer
6	83410560	1	Securing device
7	07141032	1	Hexagon bolt
8	08131016	1	Safety nut
9	08511021	2	Washer
10	83410461	1	Frame
11	05546103	1	Screw plug with seal
12	15060803	1	Bolt
13	05994002	1	Spring cotter
14	05939901	2	Key ring
15	83411111	1	Rope

Go to Discount-Equipment.com to order your parts

	BW 900-50
<b>51.03</b>	S/N 861834071004 ▶ S/N 861834071004
	Rear Frame
Page <b>2 / 3</b>	
 <b>BOMAG</b> FAYAT GROUP	


**For this catalogue group no illustration.**

*Go to Discount-Equipment.com to order your parts*

BW 900-50		
S/N 861834071004 ▶ S/N 861834071004		
Rear Frame		<b>51.03</b>
		Page <b>2 / 3</b>
	83408040 8061 1	


Pos.	Part no.	Qty.	Description
1	95880539	1	Towing hook
2	09290568	1	Belleville spring
3	07131624	1	Hexagon bolt
4	08131621	1	Safety nut
5	08591740	1	Washer
6	83410560	1	Securing device
7	07141032	1	Hexagon bolt
8	08131016	1	Safety nut
9	08511021	2	Washer
10	83410461	1	Frame
11	05546103	1	Screw plug with seal
12	15060803	1	Bolt
13	05994002	1	Spring cotter
14	05939901	2	Key ring
15	00911227	1,00 dm	Knotted link chain

Go to Discount-Equipment.com to order your parts

	BW 900-50
<b>51.03</b>	S/N 861834071001 ▶ S/N 861834071003
	Rear Frame
Page <b>2 / 3</b>	
 <b>BOMAG</b> FAYAT GROUP	

**For this catalogue group no illustration.**

*Go to Discount-Equipment.com to order your parts*

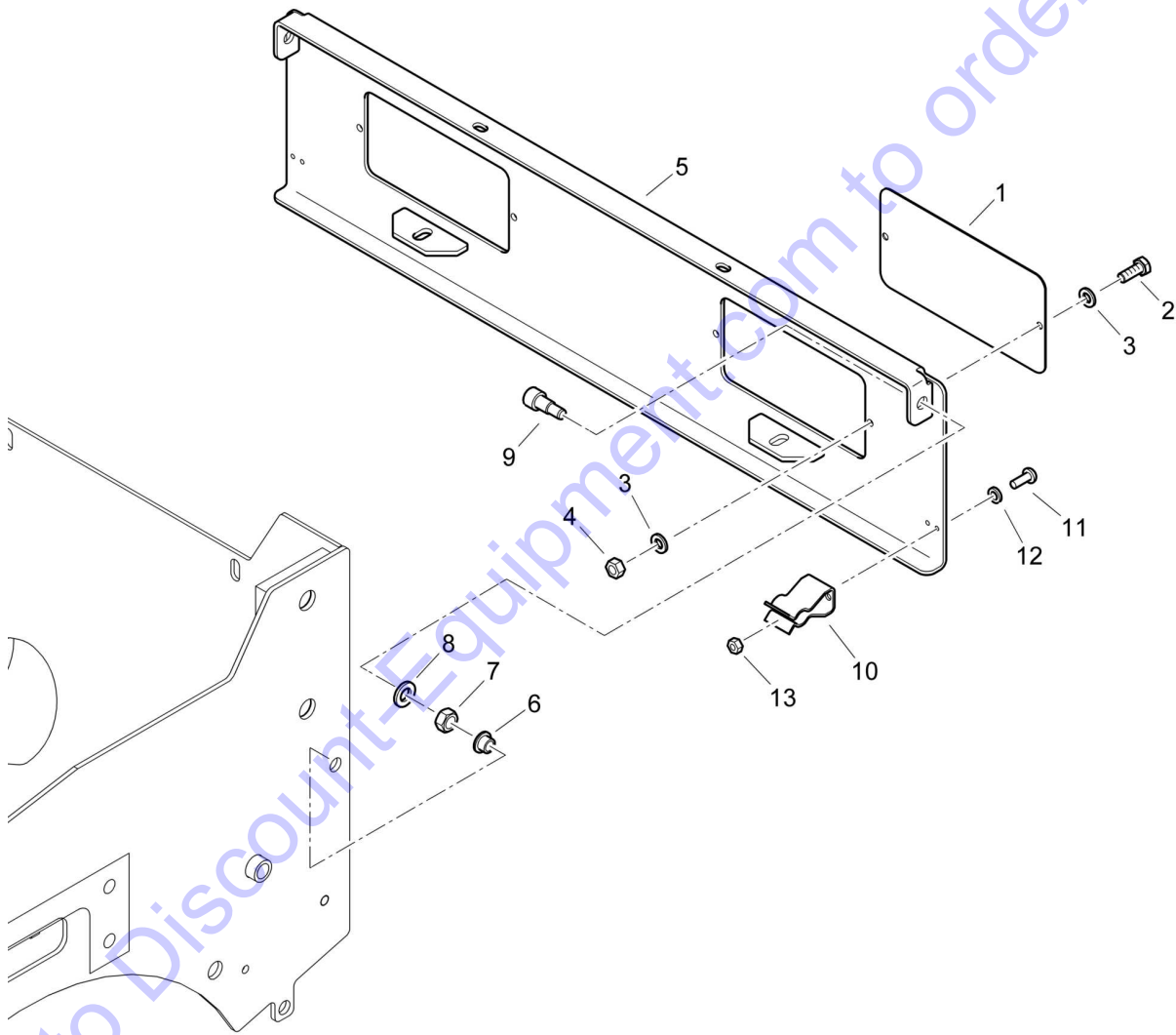
BW 900-50		
S/N 861834071001 ▶ S/N 861834071003		
Rear Frame		<b>51.03</b>
		Page 2 / 3 Seite
	83408040 8061 1	


Pos.	Part no.	Qty.	Description
1	95880539	1	Towing hook
2	09290568	1	Belleville spring
3	07131624	1	Hexagon bolt
4	08131621	1	Safety nut
5	08591740	1	Washer
6	83410560	1	Securing device
7	07141032	2	Hexagon bolt
8	08131016	2	Safety nut
9	08511021	4	Washer
10	83410461	1	Frame
11	05546103	1	Screw plug with seal

Go to Discount-Equipment.com to order your parts



	BW 900-50	
<b>51.03</b>		S/N 861834071155 ▶
	<b>Rear Frame</b>	
Page <b>3 / 3</b>		
<b>BOMAG</b> FAYAT GROUP		83408040_003_00

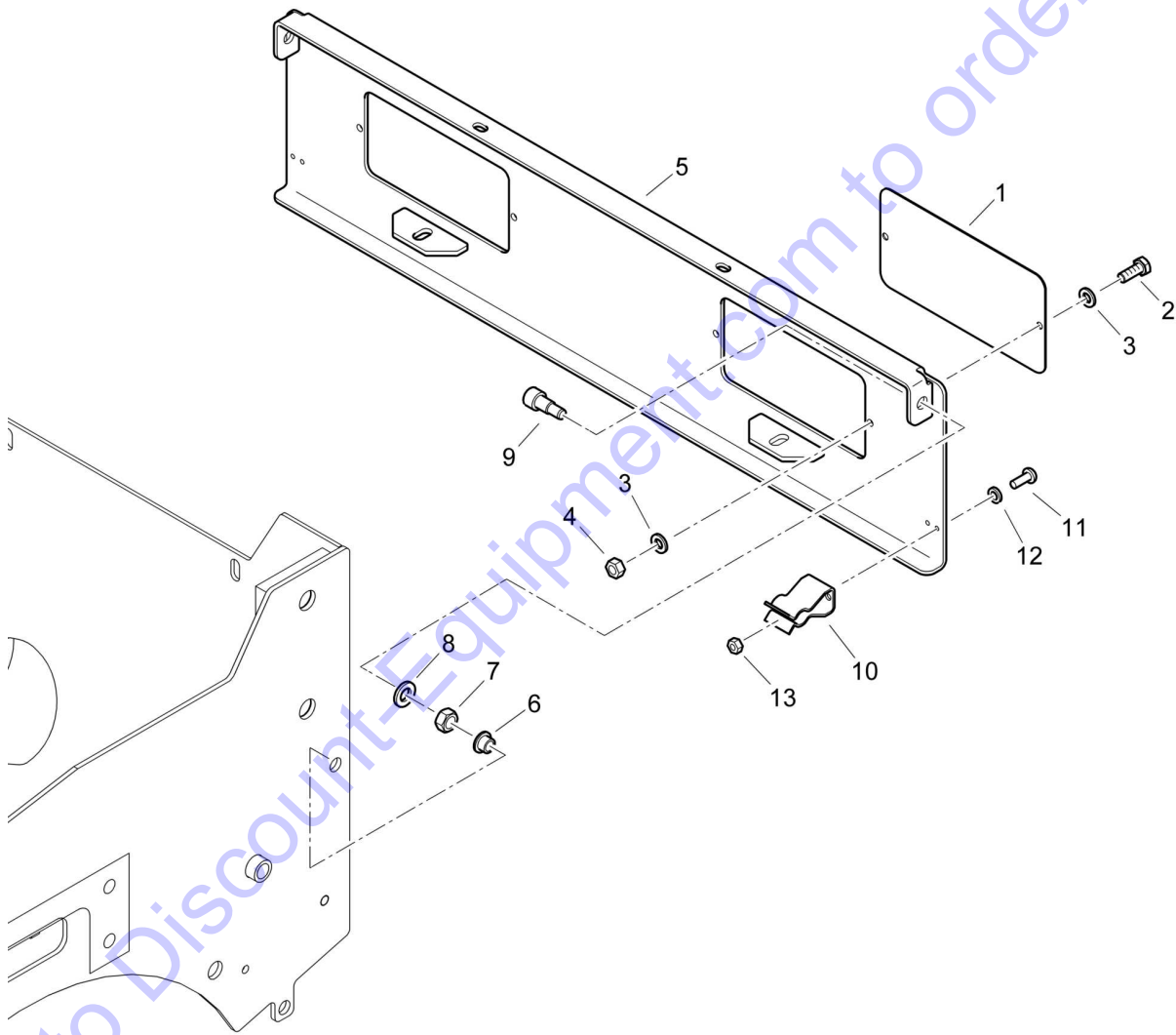



BW 900-50		
S/N 861834071155 ▶		
Rear Frame		<b>51.03</b>
		Page <b>3 / 3</b>
	83408040 8061 1	

Pos.	Part no.	Qty.	Description
1	80021637	2	Plate
2	07140626	4	Hexagon bolt
3	08751064	8	Spring washer
4	08130611	4	Safety nut
5	83411119	1	Screen
6	06281204	2	Bushing
7	08111217	2	Hexagon nut
8	08511325	2	Washer
9	78320212	2	Stud-bolt
10	05990100	2	Clamping spring
11	07210416	2	Pens head screw
12	08621043	4	Washer
13	08130408	2	Safety nut

Go to Discount-Equipment.com to order your parts


	BW 900-50	S/N 861834071005 ▶ S/N 861834071154
<b>51.03</b>	<b>Rear Frame</b>	
Page <b>3 / 3</b>		
<b>BOMAG</b> FAYAT GROUP	83408040_003_00	



BW 900-50		
S/N 861834071005 ▶ S/N 861834071154		
Rear Frame		<b>51.03</b>
		Page <b>3 / 3</b>
	83408040 8061 1	

Pos.	Part no.	Qty.	Description
1	80021637	2	Plate
2	07140626	4	Hexagon bolt
3	08751064	8	Spring washer
4	08130611	4	Safety nut
5	83410510	1	Screen
6	06281204	2	Bushing
7	08111217	2	Hexagon nut
8	08511325	2	Washer
9	78320212	2	Stud-bolt
10	05990100	2	Clamping spring
11	07210416	2	Pens head screw
12	08621043	4	Washer
13	08130408	2	Safety nut

Go to Discount-Equipment.com to order your parts

	BW 900-50
<b>51.03</b>	S/N 861834071001 ▶ S/N 861834071004
Page <b>3 / 3</b>	<b>Rear Frame</b>
 <b>BOMAG</b> FAYAT GROUP	

**For this catalogue group no illustration.**

*Go to Discount-Equipment.com to order your parts*

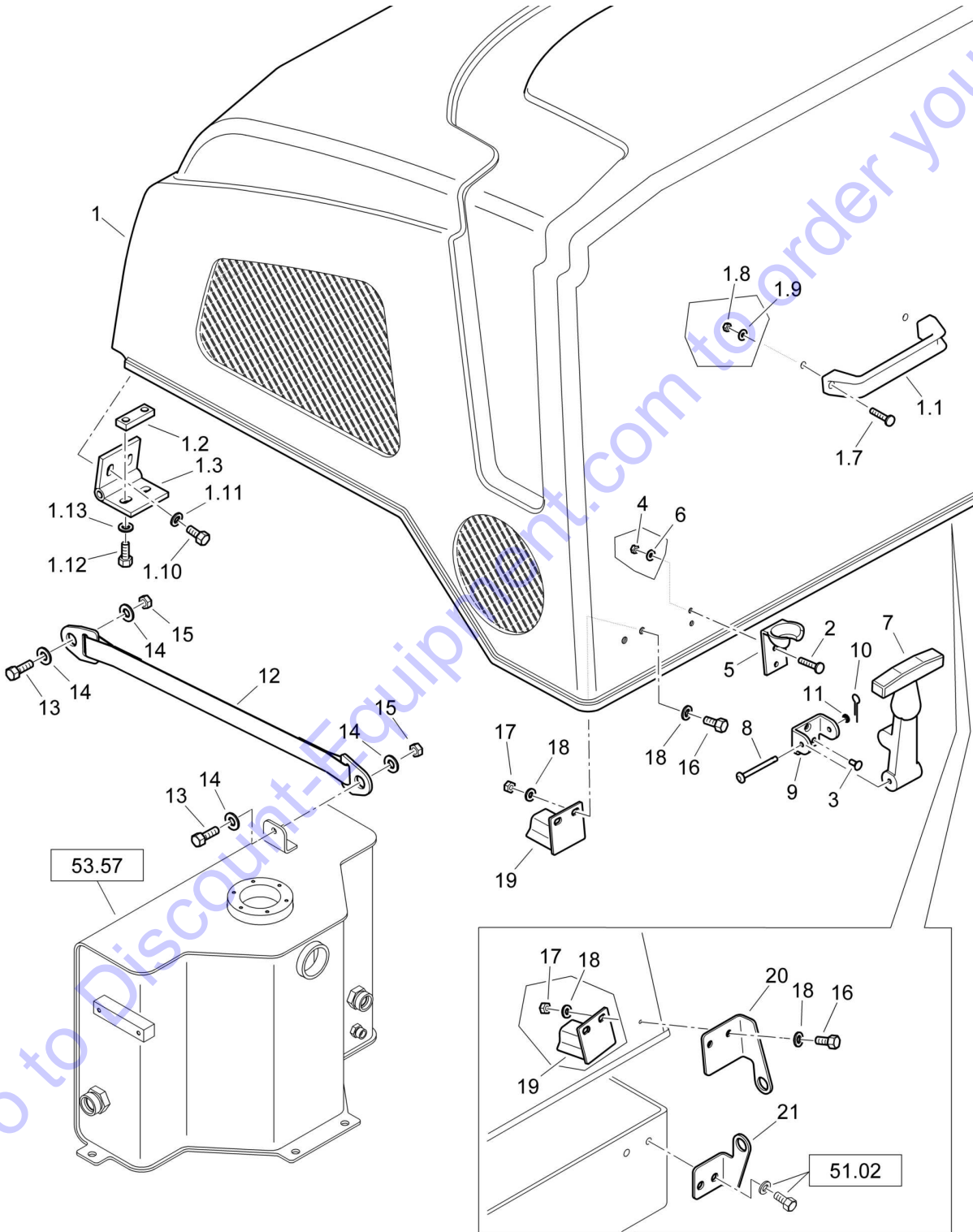
BW 900-50		
S/N 861834071001 ▶ S/N 861834071004		
Rear Frame		<b>51.03</b>
		Page <b>3 / 3</b>
	83408040 8061 1	


Pos.	Part no.	Qty.	Description
1	80021637	2	Plate
2	07140626	4	Hexagon bolt
3	08751064	8	Spring washer
4	08130611	4	Safety nut
5	83410510	1	Screen
6	06281204	2	Bushing
7	08111217	2	Hexagon nut
8	08511325	2	Washer
9	78320212	2	Stud-bolt
10	05990100	2	Clamping spring
11	07210416	2	Pens head screw
12	08621043	4	Washer
13	08130408	2	Safety nut

Go to Discount-Equipment.com to order your parts

**53.33**

**Engine Hood**




BW 900-50		
S/N 861834071005 ▶		
<b>Engine Hood</b>		<b>53.33</b>
		Page 1 / 1
	83408041 8061 1	

Pos.	Part no.	Qty.	Description
1	83410467	1	Engine hood
2	07210432	4	Pens head screw
3	07310412	6	Countersunk screw
4	08130408	4	Safety nut
5	04092414	2	Hook
6	08621043	4	Washer
7	04092348	2	Rubber piece
8	04092349	2	Bolt
9	06420022	2	Fastening plate
10	09170152	2	Cotter pin
11	08510511	2	Washer
12	83410548	1	Band, belt
13	07140834	2	Hexagon bolt
14	08621084	4	Washer
15	08130813	2	Safety nut
16	07140649	4	Hexagon bolt
17	08130611	4	Safety nut
18	08510612	8	Washer
19	83410614	2	Support
20	83410841	1	Angle
21	83410842	1	Angle

Go to Discount-Equipment.com to order your parts



	BW 900-50
<b>53.33</b>	S/N 861834071004 ▶ S/N 861834071004
Page <b>1 / 1</b>	<b>Engine Hood</b>
 <b>BOMAG</b> FAYAT GROUP	


**For this catalogue group no illustration.**

*Go to Discount-Equipment.com to order your parts*

BW 900-50		
S/N 861834071004 ▶ S/N 861834071004		
<b>Engine Hood</b>		<b>53.33</b>
		Page <b>1 / 1</b>
	83408041 8061 1	


Pos.	Part no.	Qty.	Description
1	83410467	1	Engine hood
2	07210432	4	Pens head screw
3	07310412	6	Countersunk screw
4	08130408	4	Safety nut
5	04092414	2	Hook
6	08621043	4	Washer
7	04092348	2	Rubber piece
8	04092349	2	Bolt
9	06420022	2	Fastening plate
10	09170152	2	Cotter pin
11	08510511	2	Washer
12	83410548	1	Band, belt
13	07140834	2	Hexagon bolt
14	08621084	4	Washer
16	07210620	0	Pens head screw
17	08130611	0	Safety nut
18	08510612	0	Washer
19	83410614	2	Support
20	83410841	1	Angle
21	83410842	1	Angle

Go to Discount-Equipment.com to order your parts

	BW 900-50
<b>53.33</b>	S/N 861834071001 ▶ S/N 861834071003
Page <b>1 / 1</b>	<b>Engine Hood</b>
 <b>BOMAG</b> FAYAT GROUP	

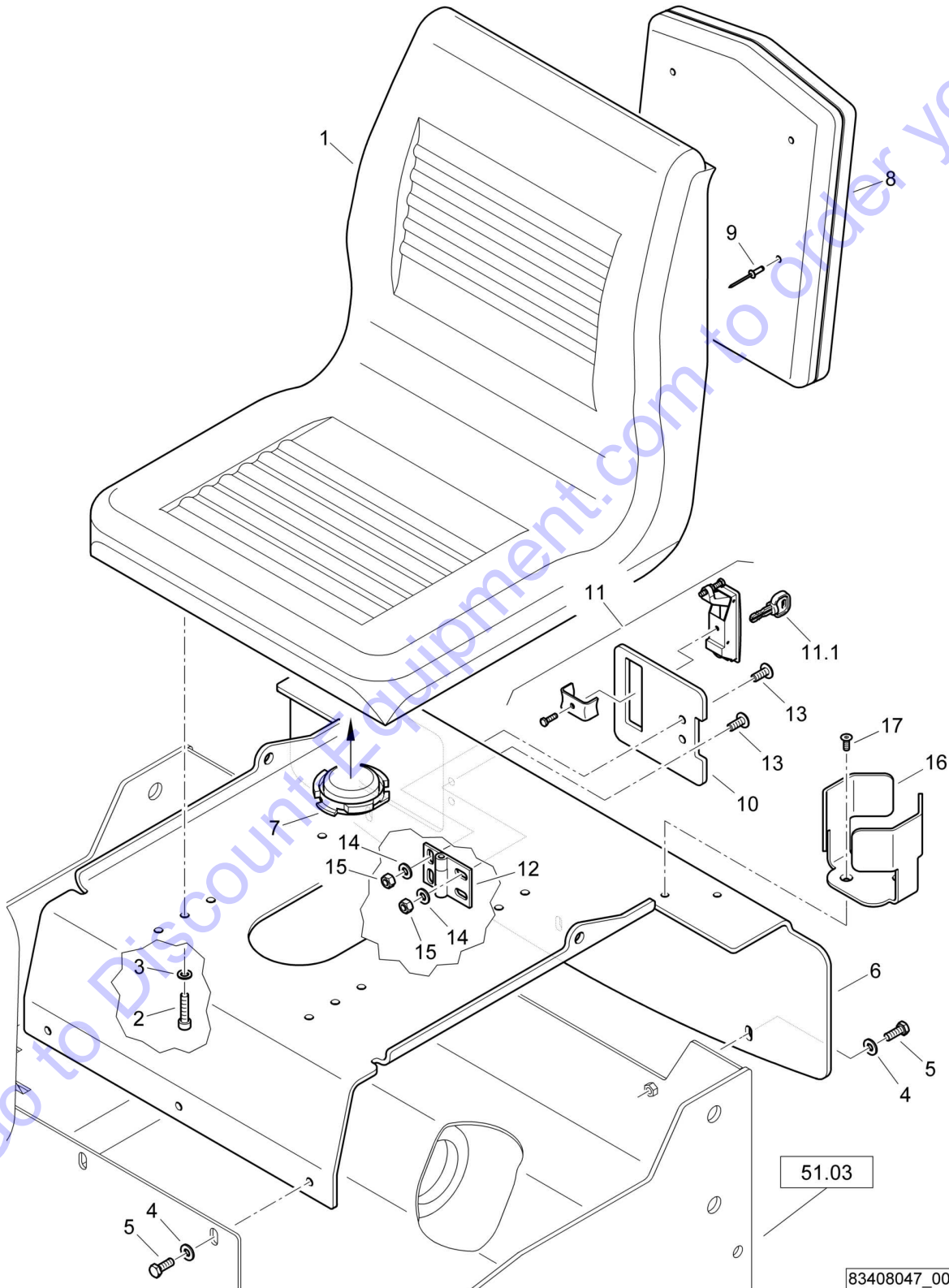
**For this catalogue group no illustration.**


Go to [Discount-Equipment.com](https://Discount-Equipment.com) to order your parts

BW 900-50		
S/N 861834071001 ▶ S/N 861834071003		
<b>Engine Hood</b>		<b>53.33</b>
		Page 1 / 1
	83408041 8061 1	

Pos.	Part no.	Qty.	Description
1	83410467	1	Engine hood
2	07210432	4	Pens head screw
3	07310412	6	Countersunk screw
4	08130408	4	Safety nut
5	04092414	2	Hook
6	08621043	4	Washer
7	04092348	2	Rubber piece
8	04092349	2	Bolt
9	06420022	2	Fastening plate
10	09170152	2	Cotter pin
11	08510511	2	Washer
12	83410548	1	Band, belt
13	07140834	2	Hexagon bolt
14	08621084	4	Washer
16	07210620	0	Pens head screw
17	08130611	0	Safety nut
18	08510612	0	Washer
19	83410614	2	Support

Go to Discount-Equipment.com to order your parts



BW 900-50		
S/N 861834071633 ▶		
Operator's Seat		<b>53.36</b>
		Page 1 / 1
83408047 8061 1		

Pos.	Part no.	Qty.	Description
1	05050243	1	Operator's seat
2	07230827	4	Socket-head cap screw
3	08650817	4	Washer
4	08752084	6	Spring washer
5	07140828	6	Hexagon bolt
6	83411100	1	Seat console
7	05050327	1	Pressure switch
8	07902501	1	Document bag
9	05050665	4	Rivet
10	83410755	1	Door
11	05932125	1	Lock
11.1	05932129	1	Key, spare
12	87140117	1	Hinge
13	07210896	4	Pens head screw
14	08510817	4	Washer
15	08130813	4	Safety nut
16	83410913	1	Holder
17	07320612	2	Countersunk screw

Go to Discount-Equipment.com to order your parts

BW 900-50

S/N 861834071005 ▶ S/N 861834071632

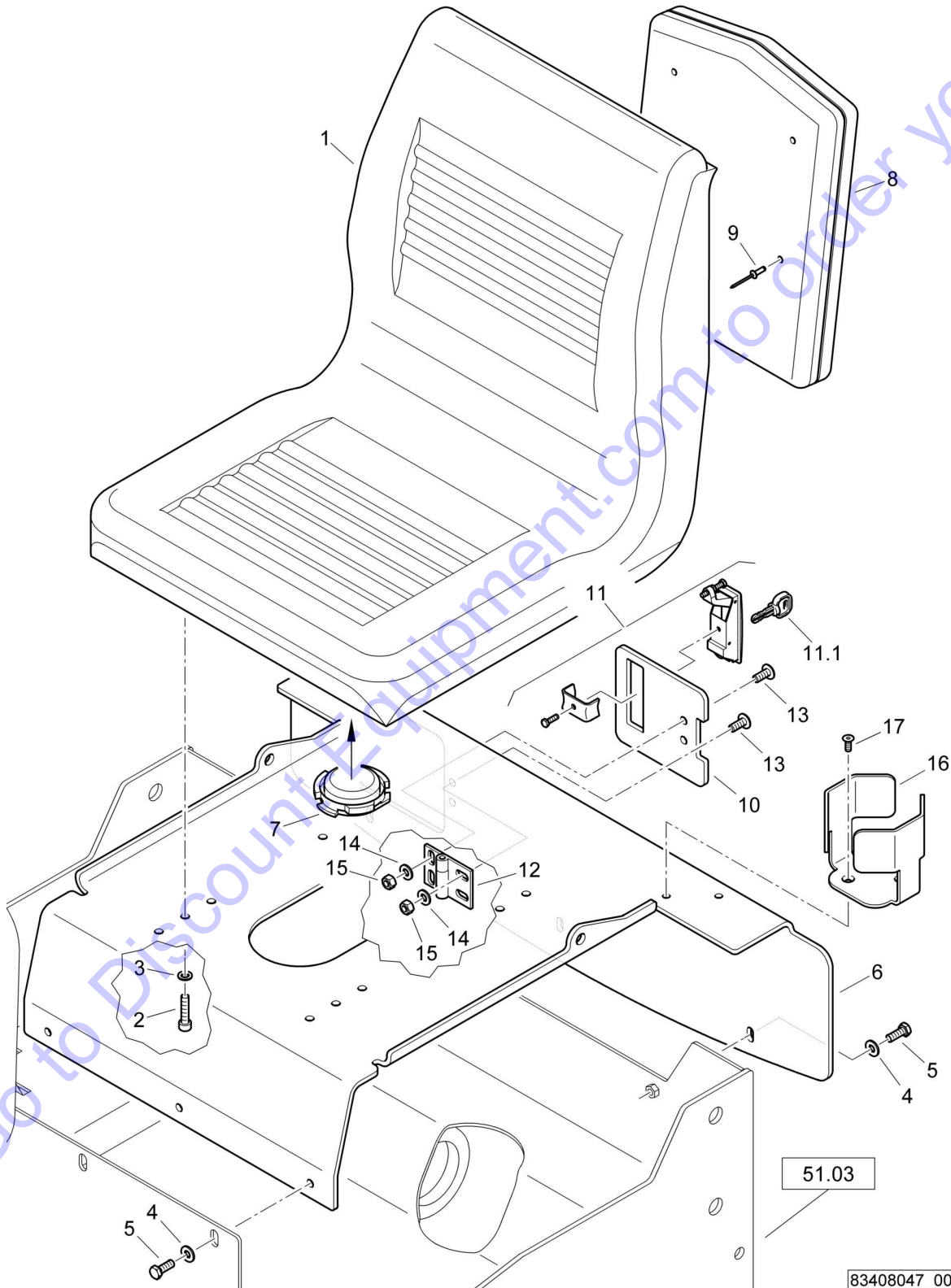
**53.36**


Operator's Seat

Page 1 / 1



83408047\_000\_00



BW 900-50		
S/N 861834071005 ▶ S/N 861834071632		
Operator's Seat		<b>53.36</b>
		Page 1 / 1
83408047 8061 1		

Pos.	Part no.	Qty.	Description
1	05050243	1	Operator's seat
2	07230827	4	Socket-head cap screw
3	08650817	4	Washer
4	08752084	6	Spring washer
5	07140828	6	Hexagon bolt
6	83411100	1	Seat console
7	05050327	1	Pressure switch
8	07902501	1	Document bag
9	05990007	4	Rivet,blind
10	83410755	1	Door
11	05932125	1	Lock
11.1	05932129	1	Key, spare
12	87140117	1	Hinge
13	07210896	4	Pens head screw
14	08510817	4	Washer
15	08130813	4	Safety nut
16	83410913	1	Holder
17	07320612	2	Countersunk screw

Go to Discount-Equipment.com to order your parts



BW 900-50

S/N 861834071004 ▶ S/N 861834071004

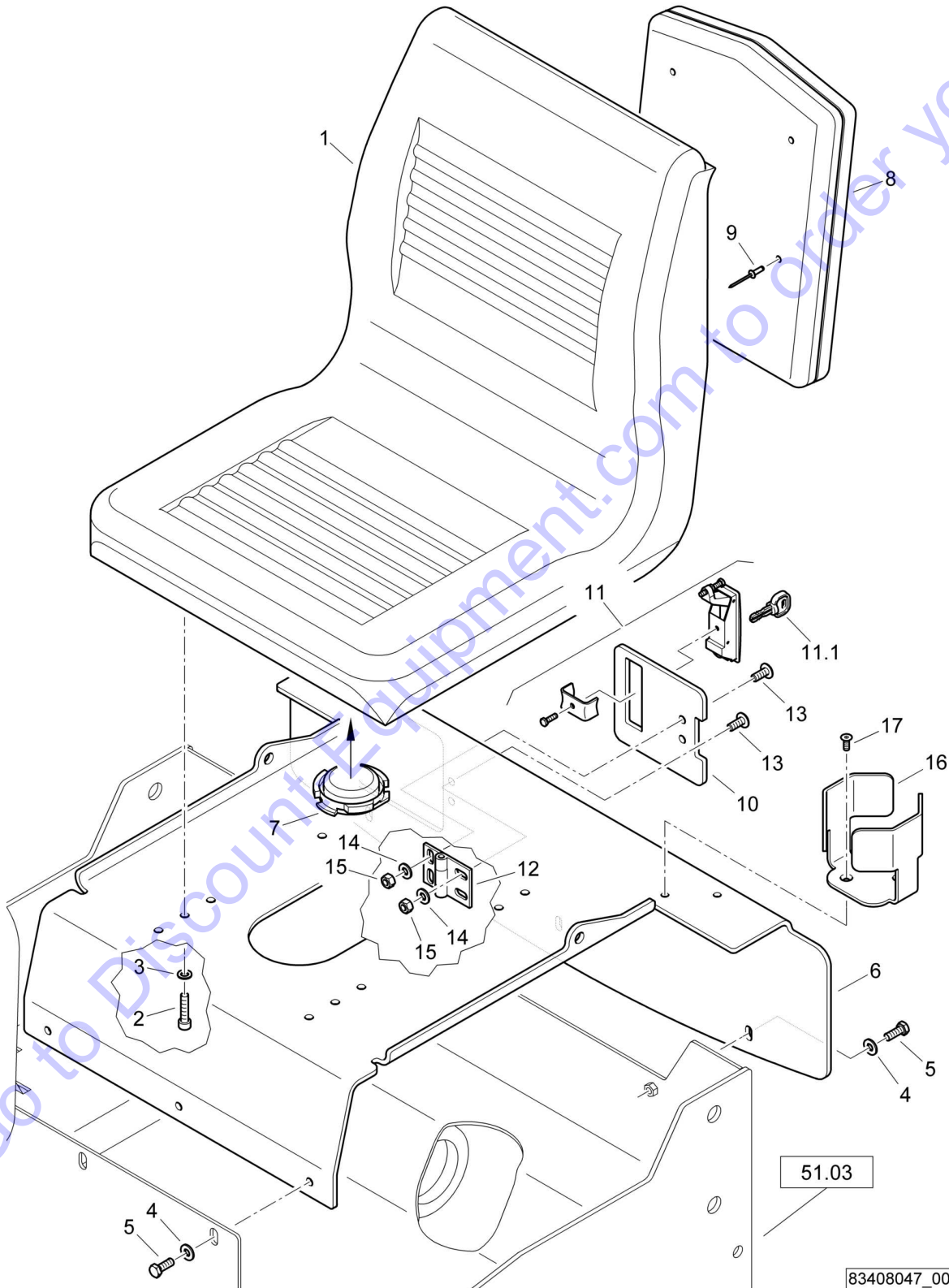
**53.36**


**Operator's Seat**

Page **1 / 1**



83408047\_000\_00



BW 900-50		
S/N 861834071004 ▶ S/N 861834071004		
Operator's Seat		<b>53.36</b>
		Page 1 / 1
83408047 8061 1		

Pos.	Part no.	Qty.	Description
1	05050243	1	Operator's seat
2	07230827	4	Socket-head cap screw
3	08650817	4	Washer
4	08752084	6	Spring washer
5	07140828	6	Hexagon bolt
7	05050327	1	Pressure switch
8	07902501	1	Document bag
9	05990007	4	Rivet,blind
10	83410755	1	Door
11	05932125	1	Lock
11.1	05932129	1	Key, spare
12	87140117	1	Hinge
13	07210896	4	Pens head screw
14	08510817	4	Washer
15	08130813	4	Safety nut
16	83410913	1	Holder

Go to Discount-Equipment.com to order your parts

BW 900-50

S/N 861834071001 ▶ S/N 861834071003

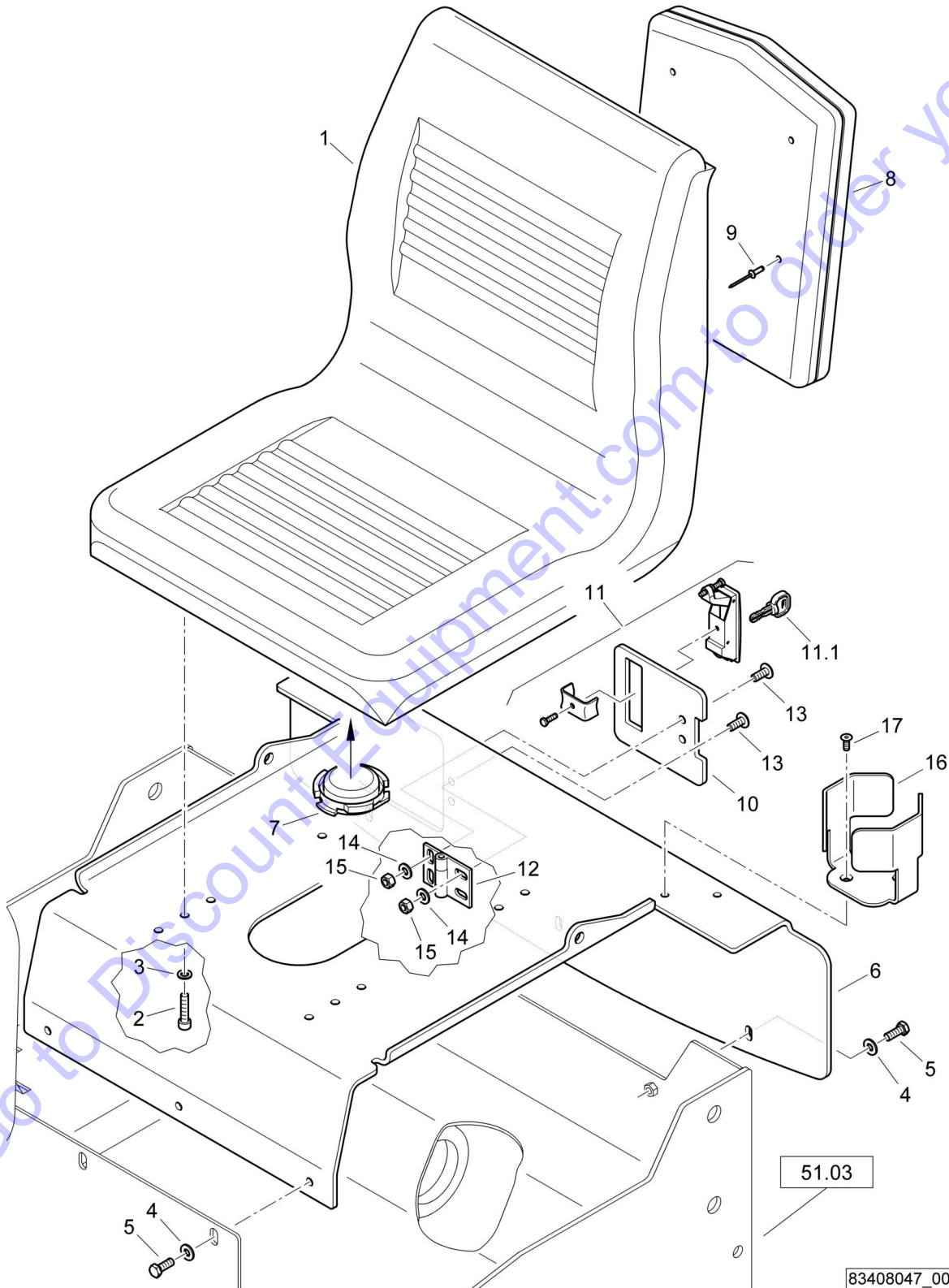
**53.36**

Operator's Seat

Page 1 / 1



83408047\_000\_00



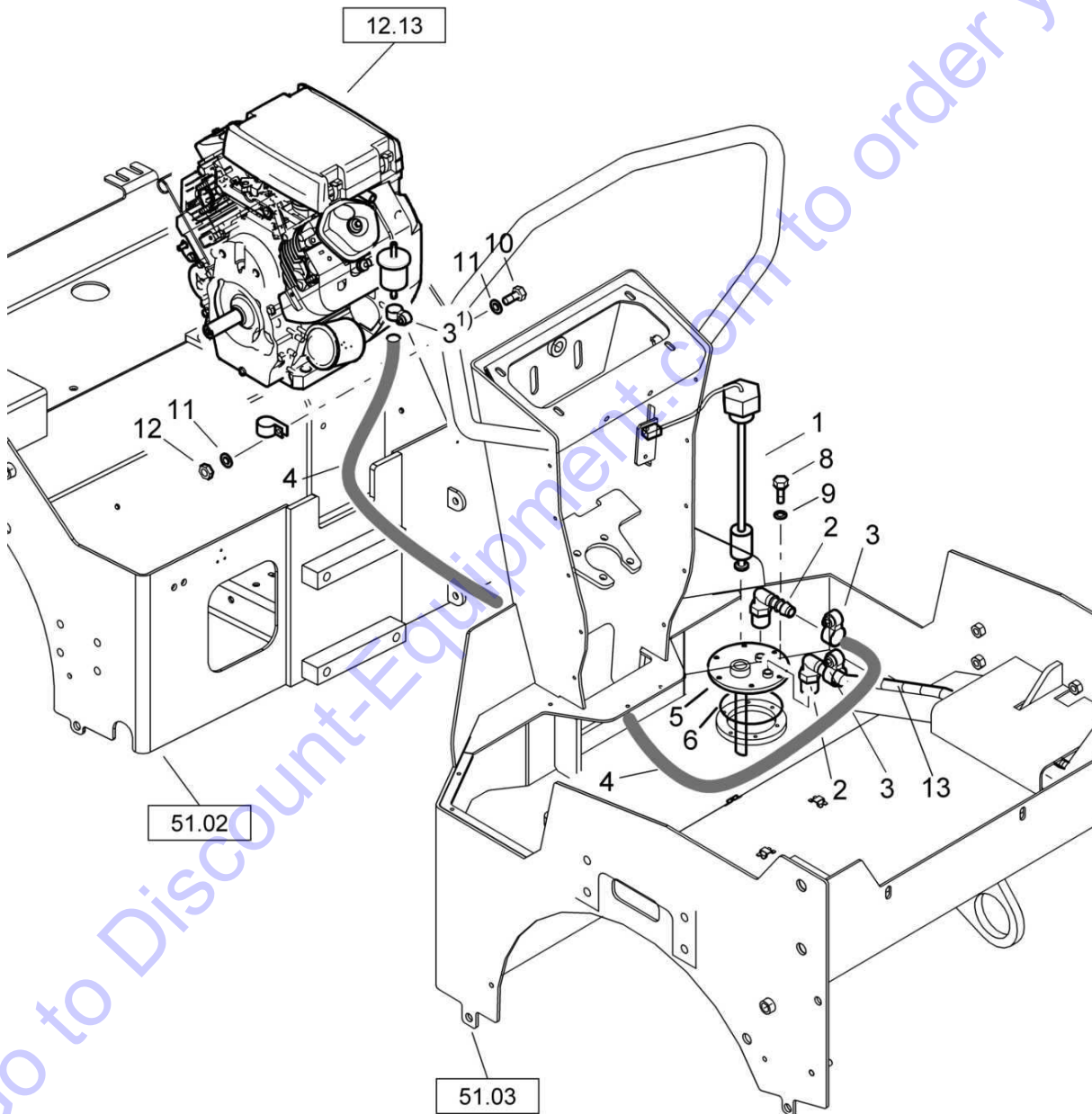
BW 900-50		
S/N 861834071001 ▶ S/N 861834071003		
Operator's Seat		<b>53.36</b>
		Page 1 / 1
83408047 8061 1		


Pos.	Part no.	Qty.	Description
1	05050243	1	Operator's seat
2	07230827	4	Socket-head cap screw
3	08650817	4	Washer
4	08752084	6	Spring washer
5	07140828	6	Hexagon bolt
6	83410562	1	Seat console
7	05050327	1	Pressure switch
8	07902501	1	Document bag
9	05990007	4	Rivet,blind
10	83410755	1	Door
11	05932125	1	Lock
11.1	05932129	1	Key, spare
12	87140117	1	Hinge
13	07210896	4	Pens head screw
14	08510817	4	Washer
15	08130813	4	Safety nut

Go to Discount-Equipment.com to order your parts

	BW 900-50	
<b>53.51</b>		S/N 861834072437 ▶
	<b>Fuel Tank</b>	
Page <b>1 / 1</b>		
<b>BOMAG</b> FAYAT GROUP	83408042_000_03	

1) Tightening torque 1.2Nm

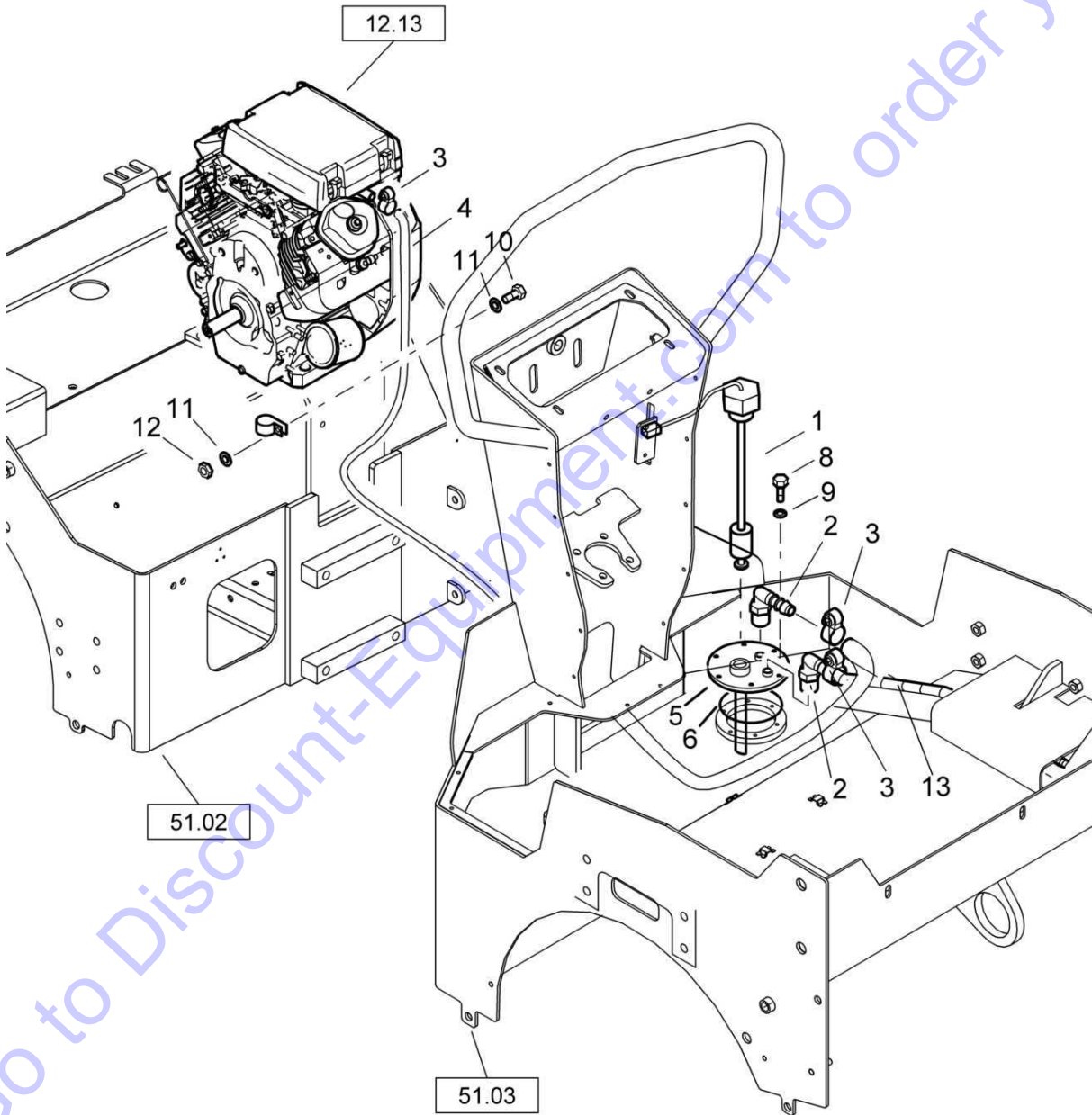



BW 900-50		
S/N 861834072437 ▶		
Fuel Tank		<b>53.51</b>
		Page 1 / 1
	83408042 8061 1	

Pos.	Part no.	Qty.	Description
1	05050246	1	Level sending unit
2	05050754	2	Angular union
3	05552402	4	Hose clip
4	05050160	2,00 m	Hose
5	83411517	1	Cover
6	05050429	1	Seal
7	05551912	1	Tube clamp
8	07140516	6	Hexagon bolt
9	08751053	6	Spring washer
10	07140633	1	Hexagon bolt
11	08510612	2	Washer
12	08130611	1	Safety nut
13	05050160	0,90 m	Hose

Go to Discount-Equipment.com to order your parts

	BW 900-50	S/N 861834071931 ▶ S/N 861834072436
<b>53.51</b>	<b>Fuel Tank</b>	
Page <b>1 / 1</b>		
<b>BOMAG</b> FAYAT GROUP		83408042_000_02



BW 900-50		
S/N 861834071931 ▶ S/N 861834072436		
<b>Fuel Tank</b>		<b>53.51</b>
		Page <b>1 / 1</b>
83408042 8061 1		

Pos.	Part no.	Qty.	Description
1	05050246	1	Level sending unit
2	05050754	2	Angular union
3	05552402	4	Hose clip
4	05050160	2,00 m	Hose
5	83411517	1	Cover
6	05050429	1	Seal
7	05551912	1	Tube clamp
8	07140516	6	Hexagon bolt
9	08751053	6	Spring washer
10	07140633	1	Hexagon bolt
11	08510612	2	Washer
12	08130611	1	Safety nut
13	05050160	0,90 m	Hose

Go to Discount-Equipment.com to order your parts



BW 900-50

S/N 861834071585 ▶ S/N 861834071930

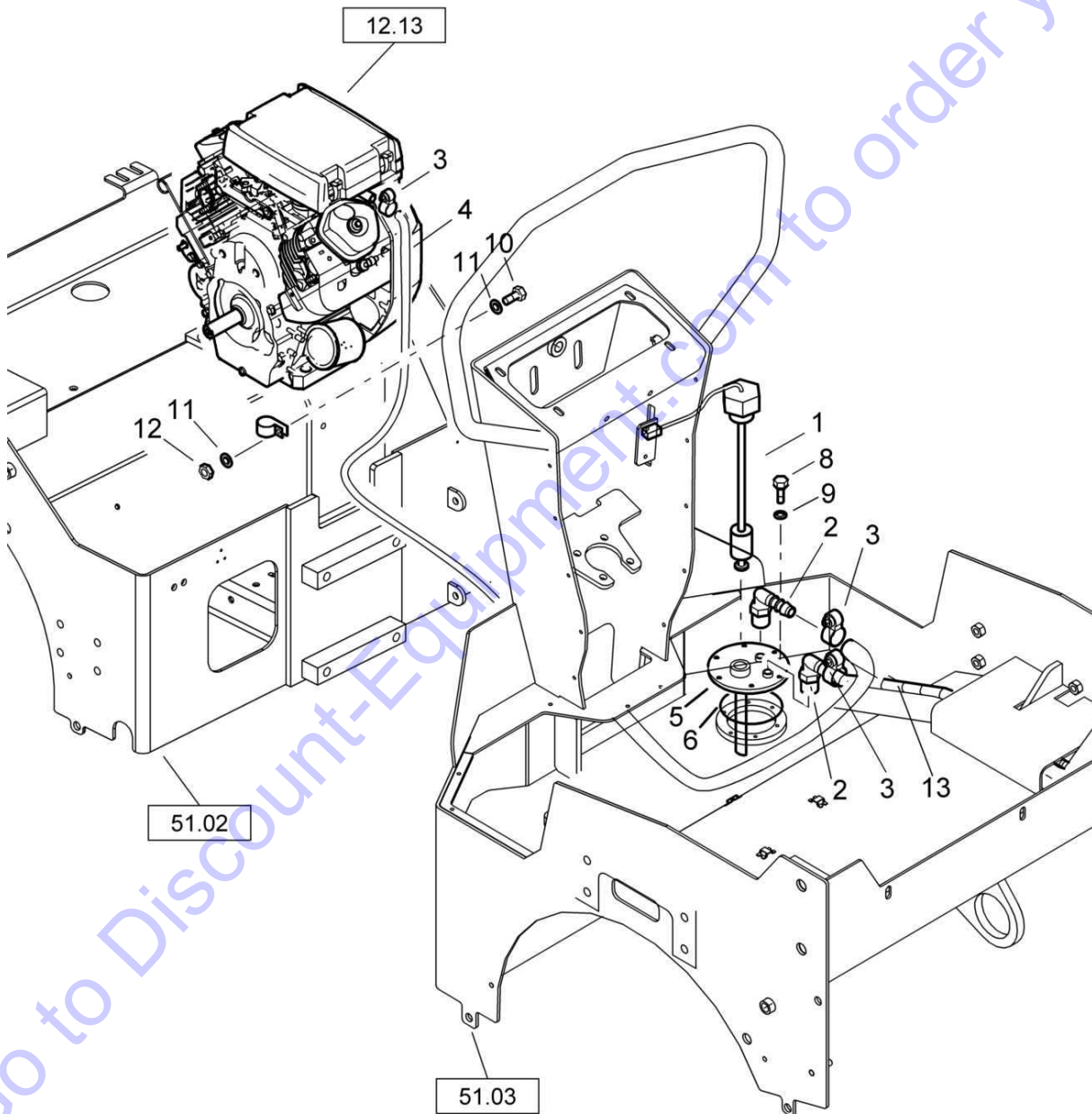
**53.51**

Fuel Tank


Page 1 / 1



83408042\_000\_02



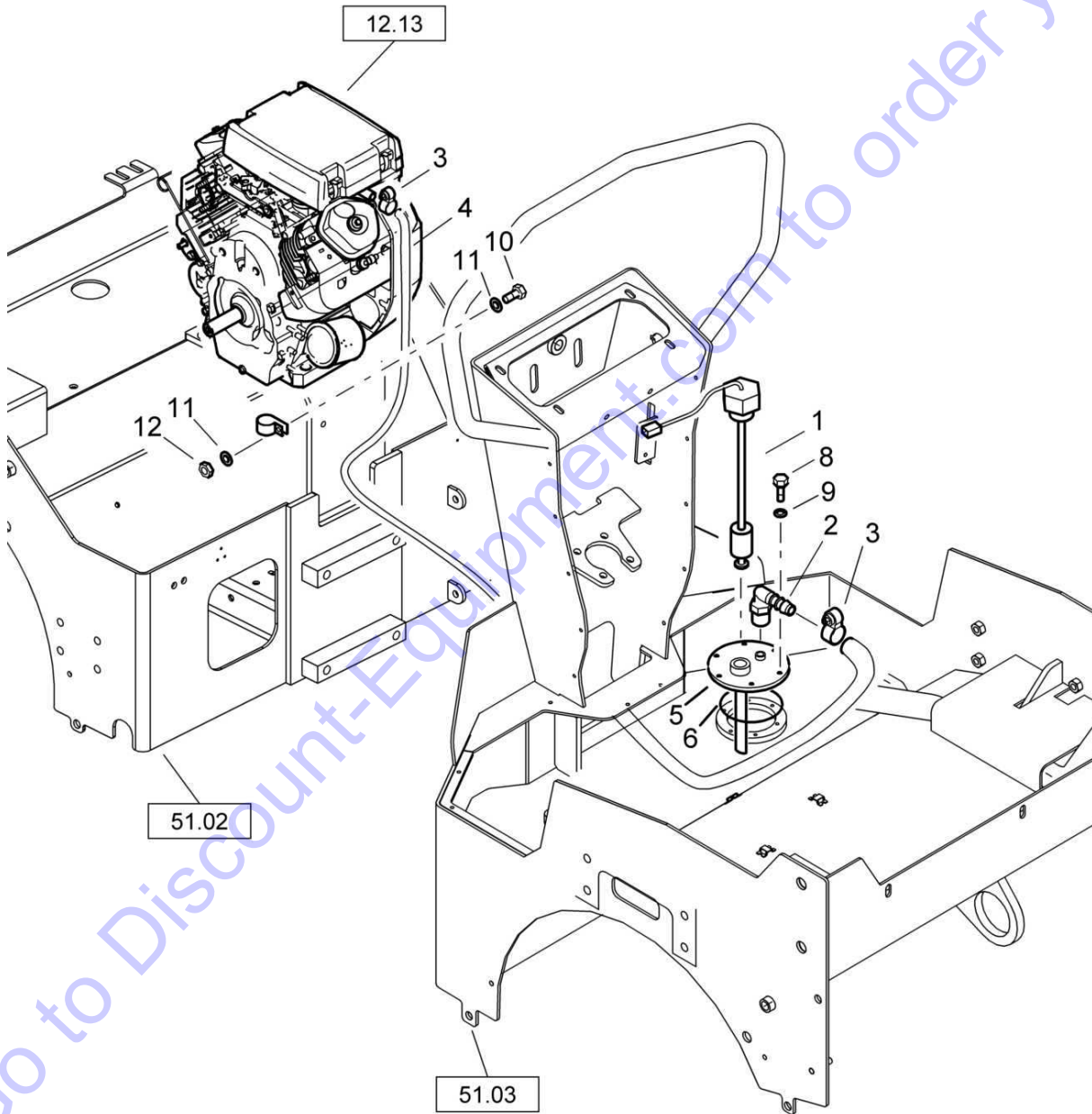
83408042\_000\_02


BW 900-50		
S/N 861834071585 ▶ S/N 861834071930		
<b>Fuel Tank</b>		<b>53.51</b>
		Page <b>1 / 1</b>
83408042 8061 1		

Pos.	Part no.	Qty.	Description
1	05050246	1	Level sending unit
2	05553424	2	Angular union
3	05552402	4	Hose clip
4	05050160	2,00 m	Hose
5	83411517	1	Cover
6	05050429	1	Seal
7	05551912	1	Tube clamp
8	07140516	6	Hexagon bolt
9	08751053	6	Spring washer
10	07140633	1	Hexagon bolt
11	08510612	2	Washer
12	08130611	1	Safety nut
13	05050160	0,90 m	Hose

Go to Discount-Equipment.com to order your parts

	BW 900-50	S/N 861834071005 ▶ S/N 861834071584
<b>53.51</b>	<b>Fuel Tank</b>	
Page <b>1 / 1</b>		
<b>BOMAG</b> FAYAT GROUP		83408042_000_01



BW 900-50		
S/N 861834071005 ▶ S/N 861834071584		
Fuel Tank		<b>53.51</b>
		Page <b>1 / 1</b>
		 <b>BOMAG</b> FAYAT GROUP
83408042 8061 1		

Pos.	Part no.	Qty.	Description
1	05050246	1	Level sending unit
2	05553424	1	Angular union
3	05552402	2	Hose clip
4	05050160	2,00 m	Hose
5	83410732	1	Cover
6	05050429	1	Seal
7	05551912	1	Tube clamp
8	07140516	6	Hexagon bolt
9	08751053	6	Spring washer
10	07140633	1	Hexagon bolt
11	08510612	2	Washer
12	08130611	1	Safety nut

Go to Discount-Equipment.com to order your parts

BW 900-50

S/N 861834071004 ▶ S/N 861834071004

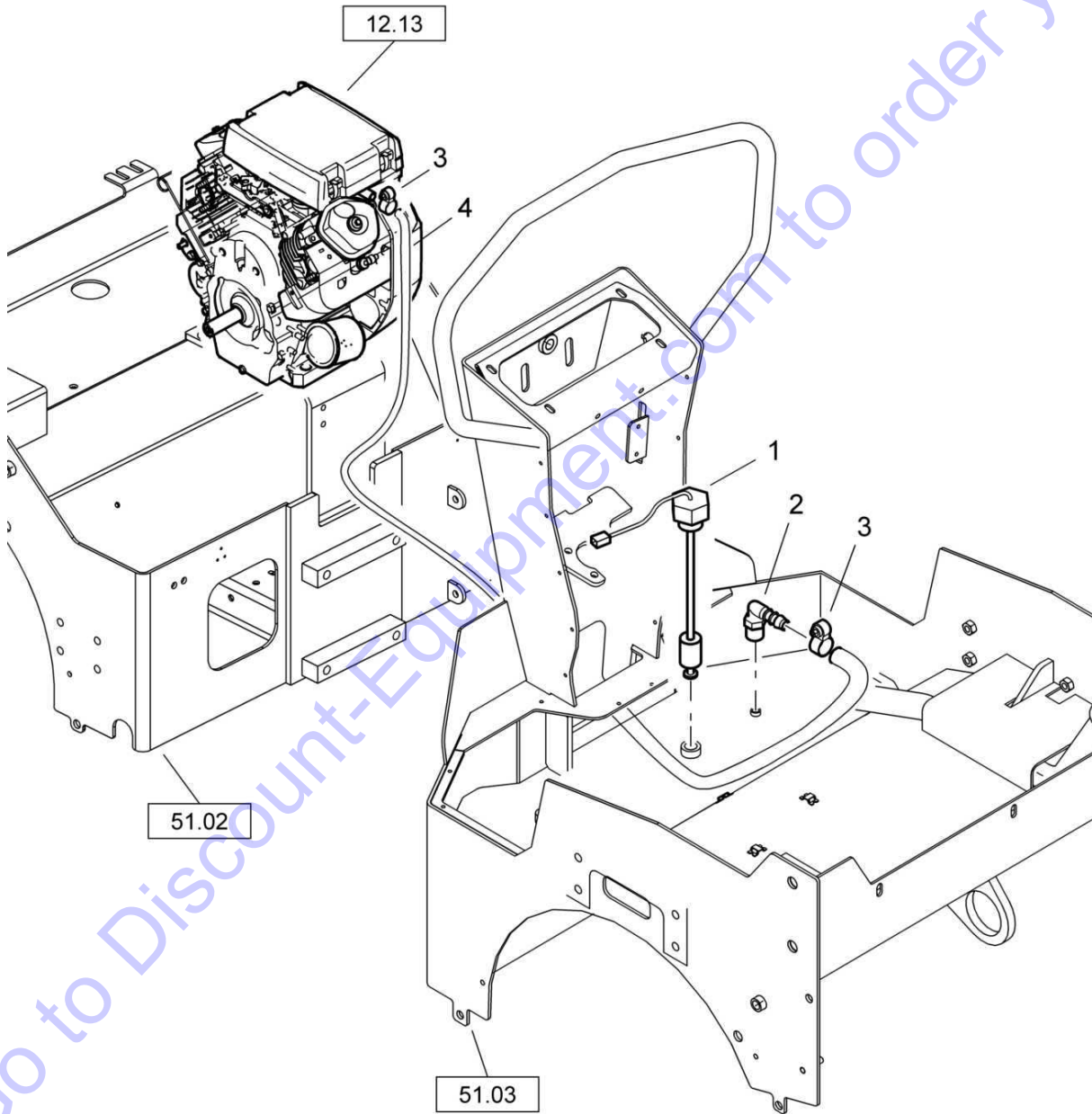
**53.51**

Fuel Tank

Page 1 / 1



83408042\_000\_00



83408042\_000\_00

BW 900-50		
S/N 861834071004 ▶ S/N 861834071004		
Fuel Tank		<b>53.51</b>
		Page 1 / 1
83408042 8061 1		

Pos.	Part no.	Qty.	Description
1	05050246	1	Level sending unit
2	05553424	1	Angular union
3	05552402	2	Hose clip
4	05050160	2,00 m	Hose
5	83410732	1	Cover
6	05050429	1	Seal
7	05551912	1	Tube clamp
8	07140516	6	Hexagon bolt
9	08751053	6	Spring washer

Go to Discount-Equipment.com to order your parts

BW 900-50

S/N 861834071001 ▶ S/N 861834071003

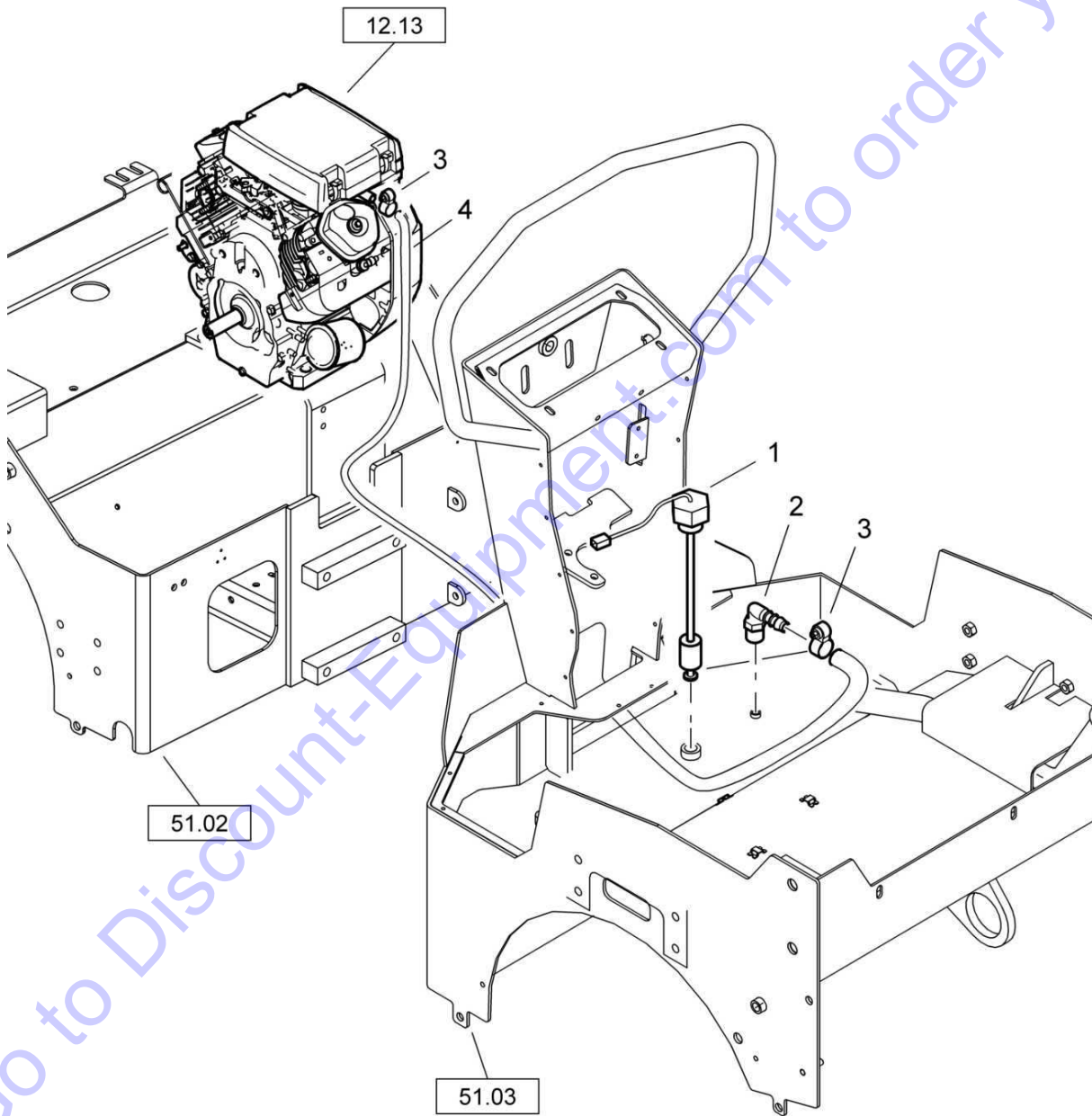
**53.51**

Fuel Tank

Page 1 / 1



83408042\_000\_00



83408042\_000\_00

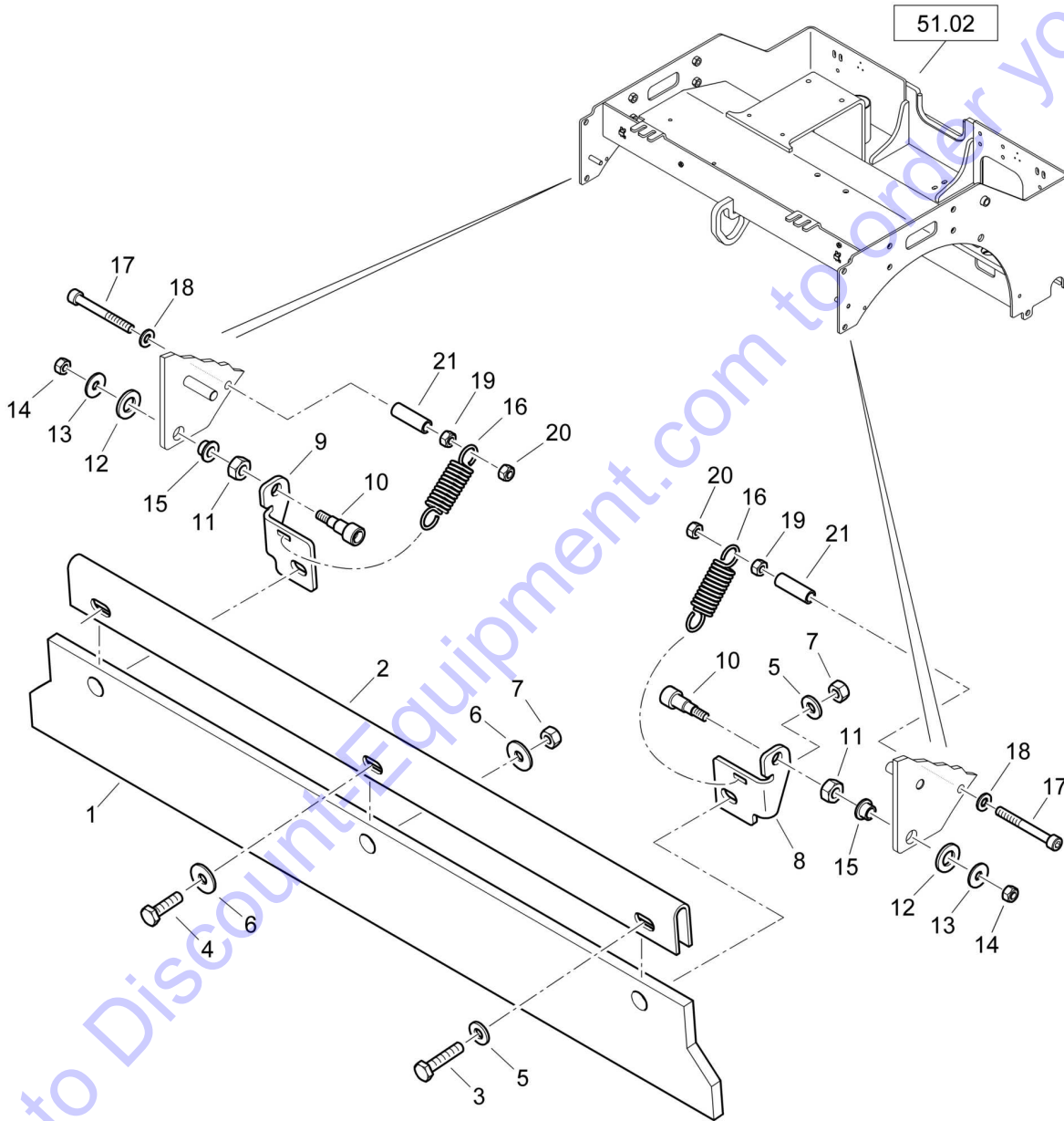
BW 900-50		
S/N 861834071001 ▶ S/N 861834071003		
Fuel Tank		<b>53.51</b>
		Page <b>1 / 1</b>
		 <b>BOMAG</b> FAYAT GROUP
		83408042 8061 1


**Pos. Part no. Qty. Description**

1	05050246	1	Level sending unit
2	05553424	1	Angular union
3	05552402	2	Hose clip
4	05050160	2,00 m	Hose
5	83410732	1	Cover
6	05050429	1	Seal
7	05551912	1	Tube clamp

Go to Discount-Equipment.com to order your parts

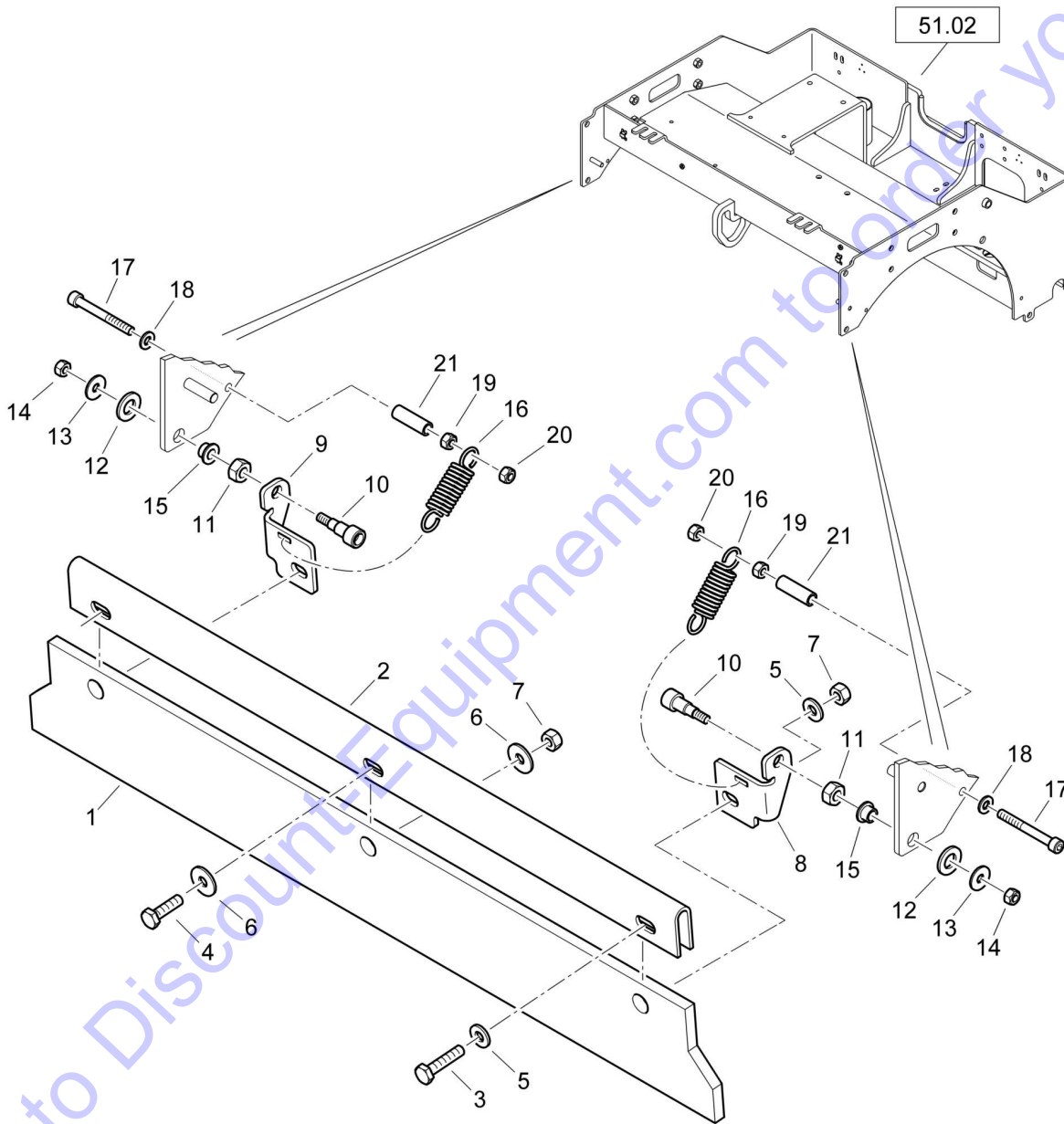




BW 900-50		
S/N 861834071005 ▶		
<b>Scraper</b>		<b>53.61</b>
		Page 1 / 2
	83408045 8061 1	

Pos.	Part no.	Qty.	Description	Designation
1	83410542	2	Scraper	
2	83410543	2	Scraper holder	
3	07141041	4	Hexagon bolt	
4	07141032	2	Hexagon bolt	
5	08752106	8	Spring washer	
6	08621105	4	Washer	
7	08131016	6	Safety nut	
8	83410911	1	Holder	
9	83410912	1	Holder	
10	83410544	1	Holder	
11	83410545	1	Holder	
12	83411097	4	Stud-bolt	
13	08111218	4	Hexagon nut	
14	08511528	4	Washer	
15	08621084	4	Washer	
16	08130813	4	Safety nut	
17	06281204	4	Bushing	
18	05660347	4	Tension spring	
19	07230854	4	Socket-head cap screw	
20	08510817	4	Washer	
21	08110813	4	Hexagon nut	
22	08130813	4	Safety nut	
23	83410641	4	Tube	

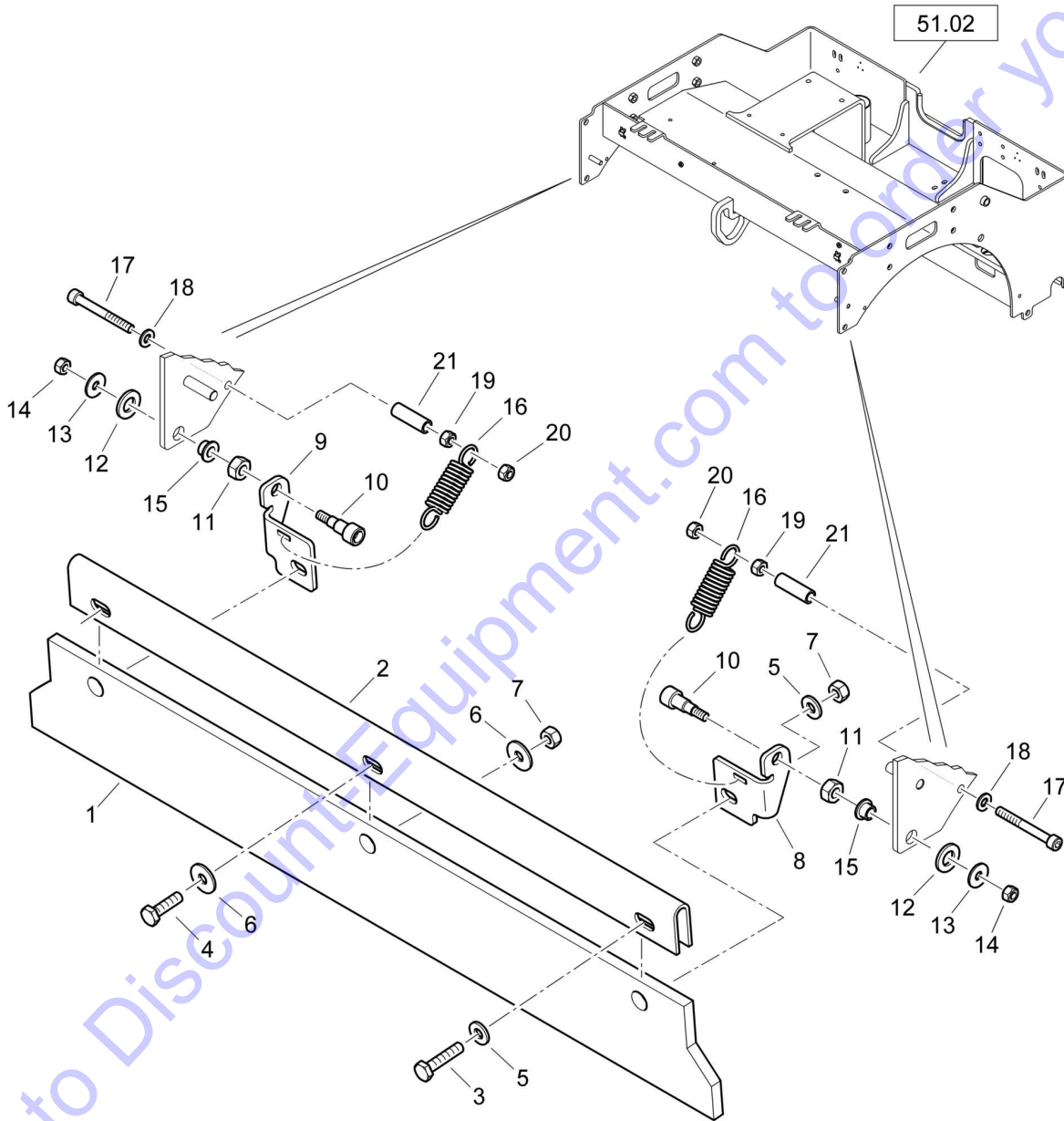
Go to Discount-Equipment.com to order your parts



BW 900-50		
S/N 861834071004 ▶ S/N 861834071004		
<b>Scraper</b>		<b>53.61</b>
		Page <b>1 / 2</b>
	83408045 8061 1	

Pos.	Part no.	Qty.	Description
1	83410542	2	Scraper
2	83410543	2	Scraper holder
3	07141041	4	Hexagon bolt
4	07141032	2	Hexagon bolt
5	08752106	8	Spring washer
6	08621105	4	Washer
7	08131016	6	Safety nut
8	83410911	1	Holder
9	83410912	1	Holder
10	83410544	1	Holder
11	83410545	1	Holder
12	83410915	4	Stud-bolt
13	08111218	4	Hexagon nut
14	08501028	4	Washer
17	06281204	4	Bushing
18	05660347	4	Tension spring
19	07230829	4	Socket-head cap screw
20	08510817	8	Washer
21	08110813	4	Hexagon nut
22	08130813	4	Safety nut

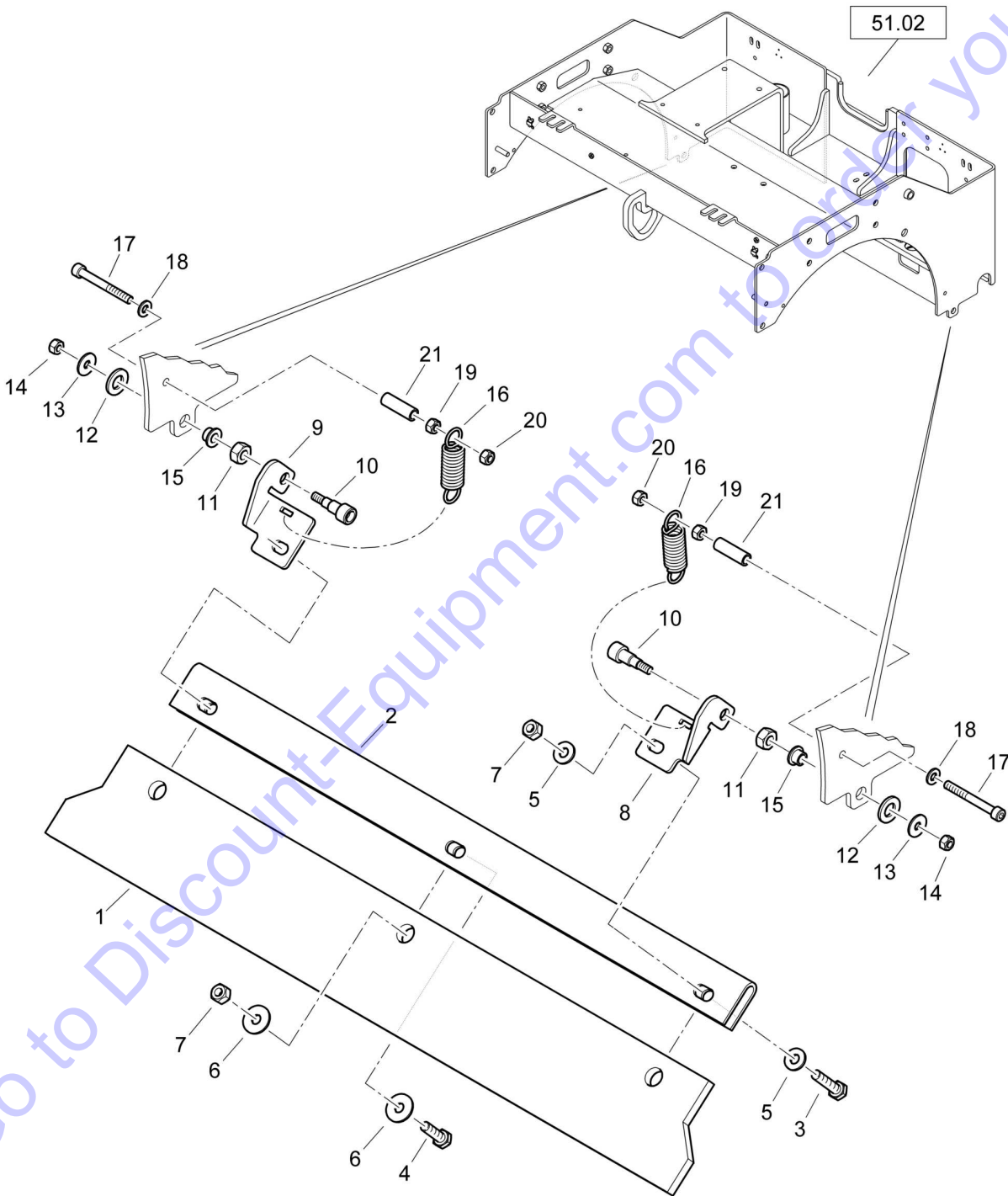
Go to Discount-Equipment.com to order your parts




BW 900-50		
S/N 861834071001 ▶ S/N 861834071003		
<b>Scraper</b>		<b>53.61</b>
		Page <b>1 / 2</b>
	83408045 8061 1	

Pos.	Part no.	Qty.	Description
1	83410542	2	Scraper
2	83410543	2	Scraper holder
3	07141041	4	Hexagon bolt
4	07141032	2	Hexagon bolt
5	08752106	8	Spring washer
6	08621105	4	Washer
7	08131016	6	Safety nut
8	83410546	1	Holder
9	83410547	1	Holder
10	83410544	1	Holder
11	83410545	1	Holder
12	78320212	4	Stud-bolt
13	08111218	4	Hexagon nut
14	08501028	4	Washer
17	06281204	4	Bushing
18	05660347	4	Tension spring
19	07230829	4	Socket-head cap screw
20	08510817	8	Washer
21	08110813	4	Hexagon nut
22	08130813	4	Safety nut

Go to Discount-Equipment.com to order your parts



BW 900-50		
S/N 861834071005 ▶		
<b>Scraper</b>		<b>53.61</b>
		Page <b>2 / 2</b>
	83408045 8061 1	

Pos.	Part no.	Qty.	Description
1	83410542	2	Scraper
2	83410543	2	Scraper holder
3	07141041	4	Hexagon bolt
4	07141032	2	Hexagon bolt
5	08752106	8	Spring washer
6	08621105	4	Washer
7	08131016	6	Safety nut
8	83410911	1	Holder
9	83410912	1	Holder
10	83410911	1	Holder
11	83410912	1	Holder
12	83411097	4	Stud-bolt
13	08111218	4	Hexagon nut
14	08511528	4	Washer
15	08621084	4	Washer
16	08130813	4	Safety nut
17	06281204	4	Bushing
18	05660347	4	Tension spring
19	07230854	4	Socket-head cap screw
20	08510817	4	Washer
21	08110813	4	Hexagon nut
22	08130813	4	Safety nut
23	83410641	4	Tube

Go to Discount-Equipment.com to order your parts



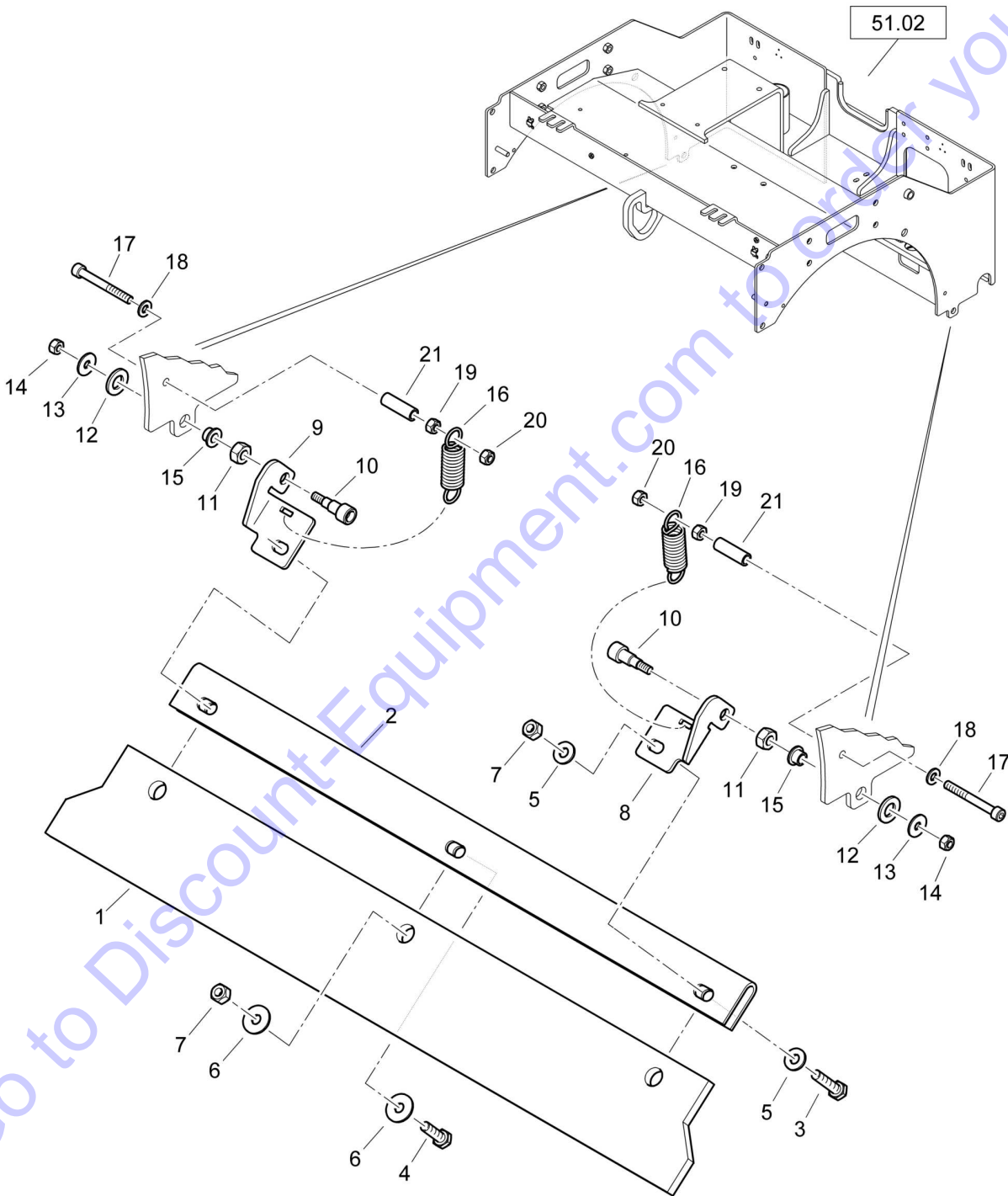
**53.61**


Scraper

Page **2 / 2**



83408045\_002\_00



BW 900-50		
S/N 861834071004 ▶ S/N 861834071004		
<b>Scraper</b>		<b>53.61</b>
		Page <b>2 / 2</b>
	83408045 8061 1	

Pos.	Part no.	Qty.	Description
1	83410542	2	Scraper
2	83410543	2	Scraper holder
3	07141041	4	Hexagon bolt
4	07141032	2	Hexagon bolt
5	08752106	8	Spring washer
6	08621105	4	Washer
7	08131016	6	Safety nut
8	83410911	1	Holder
9	83410912	1	Holder
10	83410911	1	Holder
11	83410912	1	Holder
12	83410915	4	Stud-bolt
13	08111218	4	Hexagon nut
14	08501028	4	Washer
17	06281204	4	Bushing
18	05660347	4	Tension spring
19	07230829	4	Socket-head cap screw
20	08510817	8	Washer
21	08110813	4	Hexagon nut
22	08130813	4	Safety nut
23	83410641	8	Tube

Go to Discount-Equipment.com to order your parts

BW 900-50

S/N 861834071001 ▶ S/N 861834071003

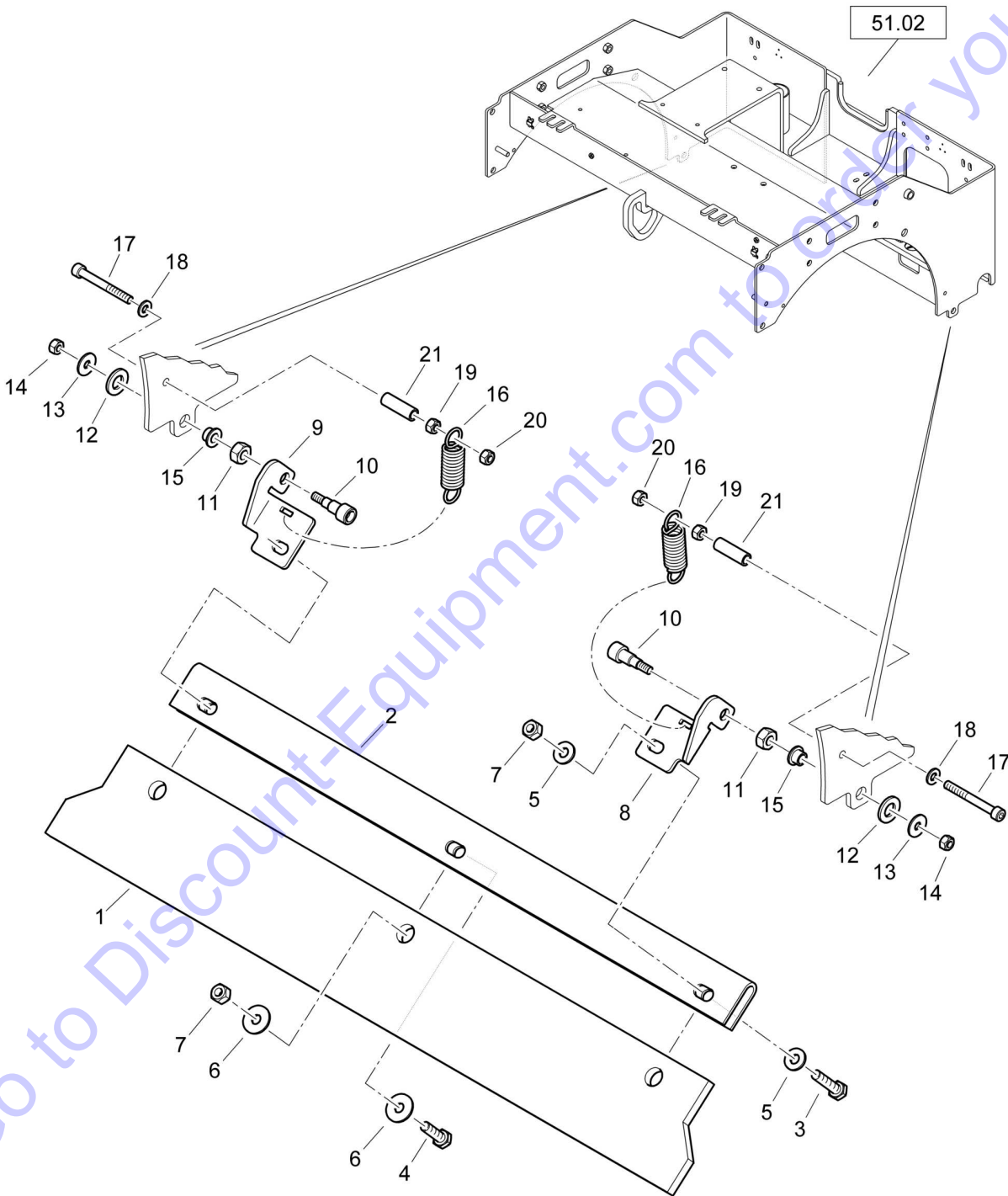
**53.61**

Scraper

Page **2 / 2**



83408045\_002\_00



83408045\_002\_00

BW 900-50		
S/N 861834071001 ▶ S/N 861834071003		
<b>Scraper</b>		<b>53.61</b>
		Page <b>2 / 2</b>
	83408045 8061 1	

Pos.	Part no.	Qty.	Description
1	83410542	2	Scraper
2	83410543	2	Scraper holder
3	07141041	4	Hexagon bolt
4	07141032	2	Hexagon bolt
5	08752106	8	Spring washer
6	08621105	4	Washer
7	08131016	6	Safety nut
13	08111218	4	Hexagon nut
14	08501028	4	Washer
17	06281204	4	Bushing
18	05660347	4	Tension spring
19	07230829	4	Socket-head cap screw
20	08510817	8	Washer
21	08110813	4	Hexagon nut
22	08130813	4	Safety nut
23	83410641	8	Tube

Go to Discount-Equipment.com to order your parts

BW 900-50

S/N 861834072437 ▶

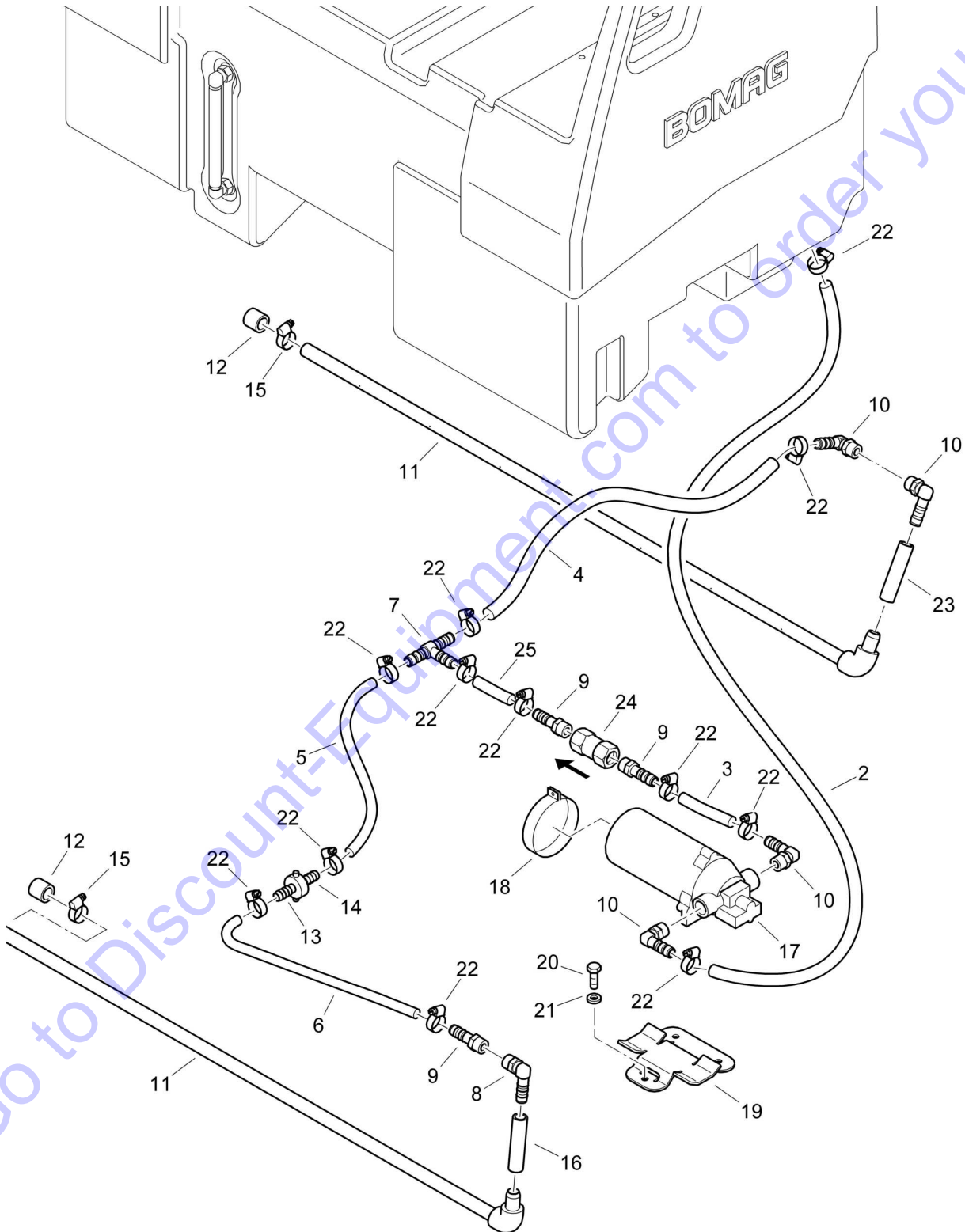
**53.74**

**Water Sprinkler System**


Page **1 / 3**



83408046\_001\_01



83408046\_001\_01

BW 900-50		
S/N 861834072437 ▶		
<b>Water Sprinkler System</b>		<b>53.74</b>
		Page <b>1 / 3</b>
	83408046 8061 1	

Pos.	Part no.	Qty.	Description
2	00663012	20,0 dm	Hose
3	00663012	1,40 dm	Hose
4	00663012	11,0 dm	Hose
5	00663012	3,20 dm	Hose
6	00663012	6,30 dm	Hose
7	05553646	1	Y-union
8	05553432	1	Angular union
9	05553339	3	Double-ended union
10	05553432	4	Angular union
11	83410757	2	Nozzle tube
12	06510013	2	Rubber cover
13	05553866	1	Hose connection
14	05553867	1	Hose connection
15	05552403	2	Hose clip
16	00663012	0,70 dm	Hose
17	05794312	1	Water pump
18	05551468	2	Hose clip
19	88020001	1	Pump holder
20	07140626	3	Hexagon bolt
21	08751064	3	Spring washer
22	05552402	12	Hose clip
23	00663012	0,07 m	Hose
24	05553870	1	Valve
25	00663012	1,40 dm	Hose

Go to Discount-Equipment.com to order your parts

BW 900-50

S/N 861834071661 ▶ S/N 861834072436

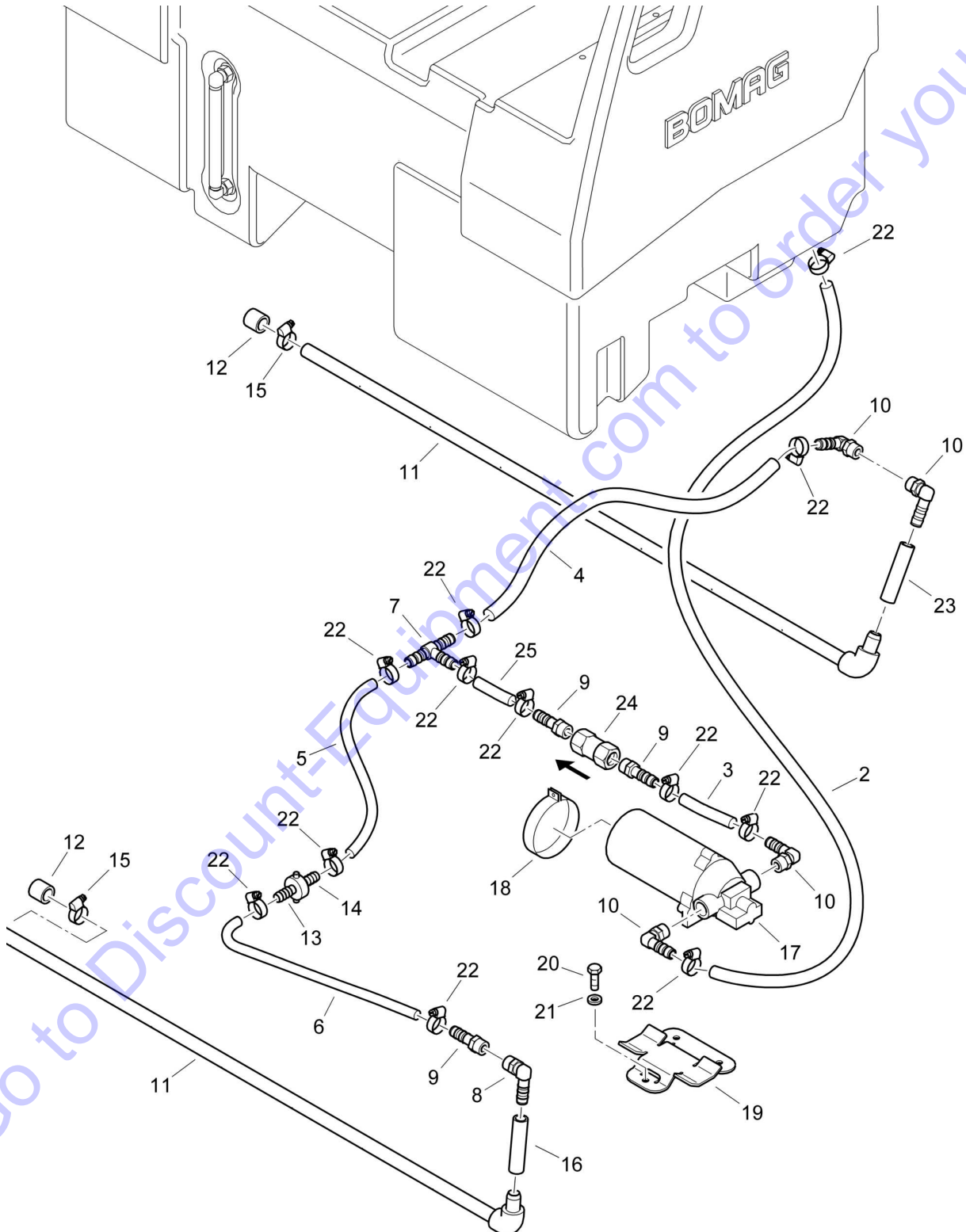
**53.74**

**Water Sprinkler System**


Page **1 / 3**



83408046\_001\_01



83408046\_001\_01

BW 900-50		
S/N 861834071661 ▶ S/N 861834072436		
<b>Water Sprinkler System</b>		<b>53.74</b>
		Page <b>1 / 3</b>
83408046 8061 1		

Pos.	Part no.	Qty.	Description
2	00663012	20,0 dm	Hose
3	00663012	1,40 dm	Hose
4	00663012	11,0 dm	Hose
5	00663012	3,20 dm	Hose
6	00663012	6,30 dm	Hose
7	05553646	1	Y-union
8	05553432	1	Angular union
9	05553339	3	Double-ended union
10	05553432	4	Angular union
11	83410757	2	Nozzle tube
12	06510013	2	Rubber cover
13	05553866	1	Hose connection
14	05553867	1	Hose connection
15	05552403	2	Hose clip
16	00663012	0,70 dm	Hose
17	05794037	1	Water pump
18	05551468	2	Hose clip
19	88020001	1	Pump holder
20	07140626	3	Hexagon bolt
21	08751064	3	Spring washer
22	05552402	12	Hose clip
23	00663012	0,07 m	Hose
24	05553870	1	Valve
25	00663012	1,40 dm	Hose

Go to Discount-Equipment.com to order your parts



BW 900-50

S/N 861834071633 ▶ S/N 861834071660

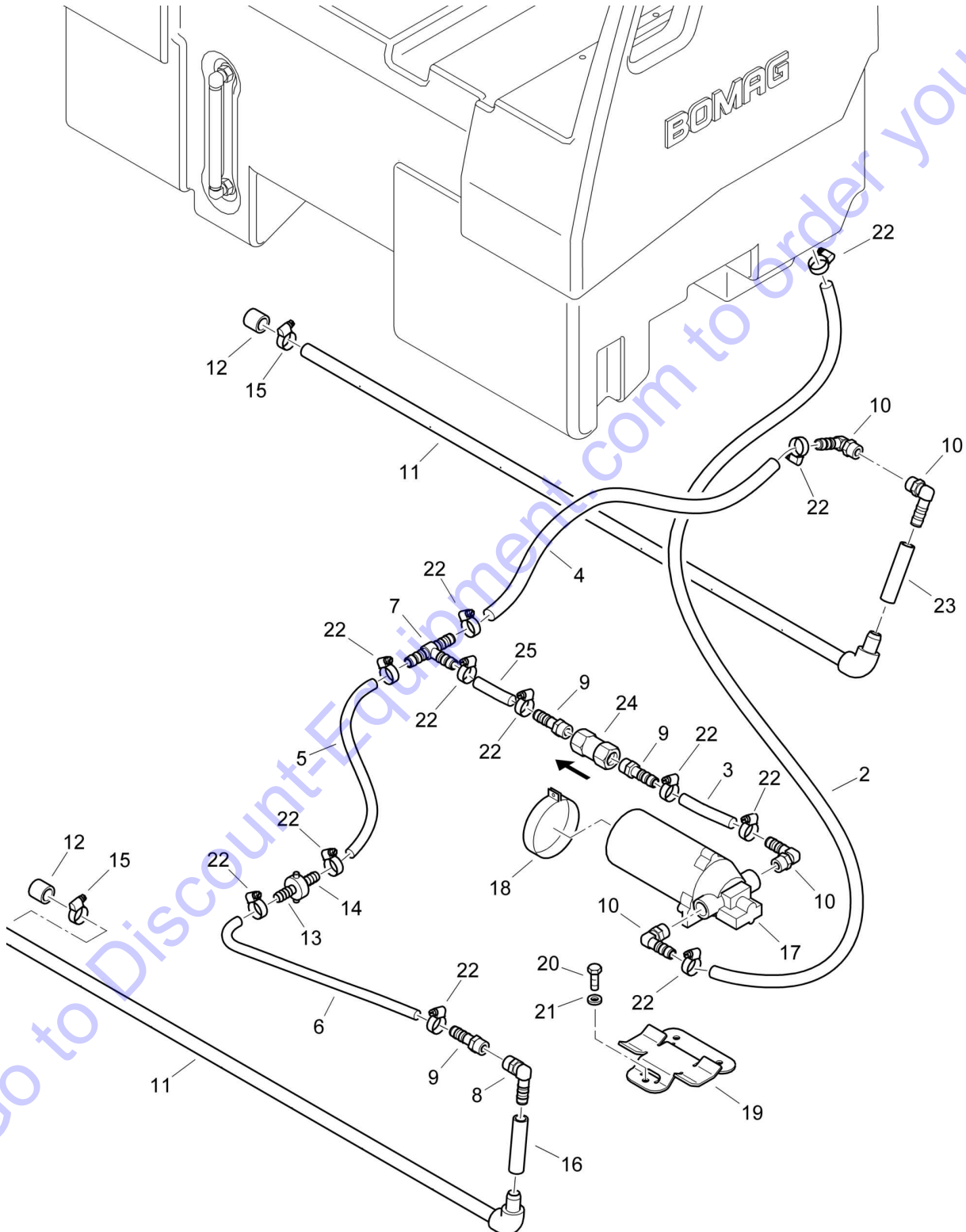
**53.74**

**Water Sprinkler System**


Page **1 / 3**



83408046\_001\_01



83408046\_001\_01

BW 900-50		
S/N 861834071633 ▶ S/N 861834071660		
<b>Water Sprinkler System</b>		<b>53.74</b>
		Page <b>1 / 3</b>
83408046 8061 1		

Pos.	Part no.	Qty.	Description
2	00663012	20,0 dm	Hose
3	00663012	1,40 dm	Hose
4	00663012	11,0 dm	Hose
5	00663012	3,20 dm	Hose
6	00663012	6,30 dm	Hose
7	05553646	1	Y-union
8	05553432	1	Angular union
9	05553339	3	Double-ended union
10	05553432	4	Angular union
11	83410757	2	Nozzle tube
12	06510013	2	Rubber cover
13	05553866	1	Hose connection
14	05553867	1	Hose connection
15	05552403	2	Hose clip
16	00663012	0,70 dm	Hose
17	05794037L	1	Water pump
18	05551468	2	Hose clip
19	88020001	1	Pump holder
20	07140626	3	Hexagon bolt
21	08751064	3	Spring washer
22	05552402	12	Hose clip
23	00663012	0,07 m	Hose
24	05553870	1	Valve
25	00663012	1,40 dm	Hose

Go to Discount-Equipment.com to order your parts

BW 900-50

S/N 861834071086 ▶ S/N 861834071632

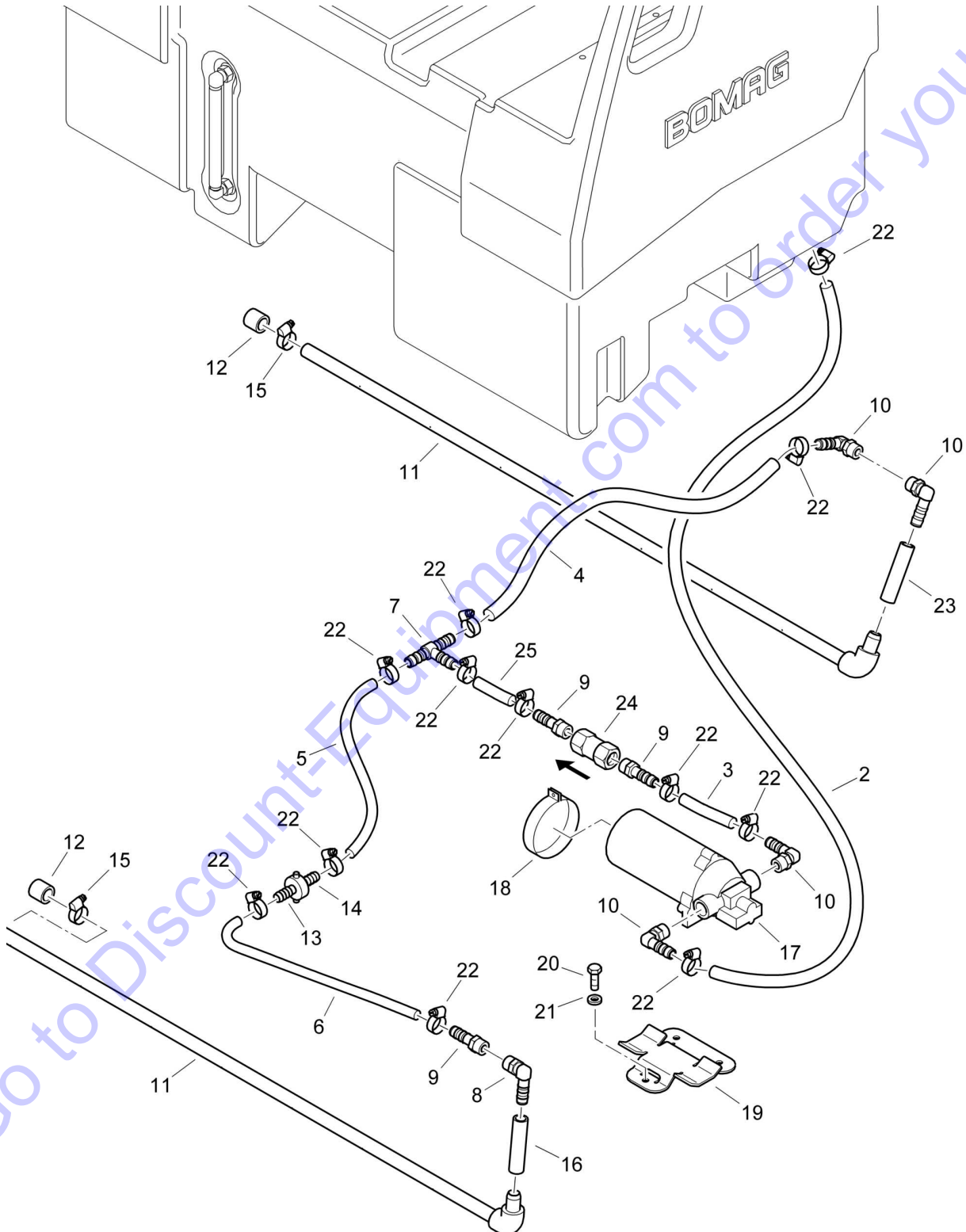
**53.74**

**Water Sprinkler System**

Page **1 / 3**



83408046\_001\_01



83408046\_001\_01

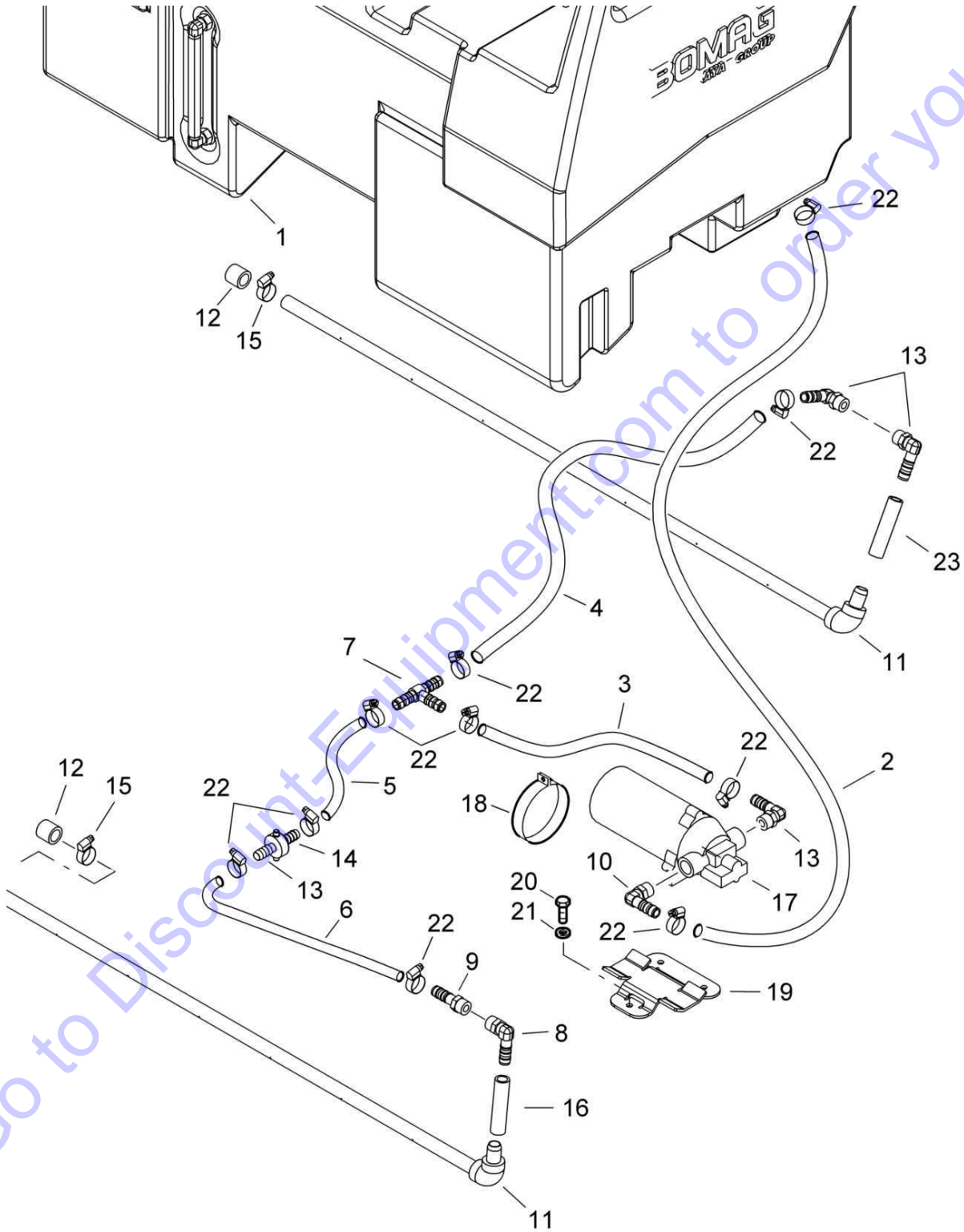
BW 900-50		
S/N 861834071086 ▶ S/N 861834071632		
<b>Water Sprinkler System</b>		<b>53.74</b>
		Page <b>1 / 3</b>
83408046 8061 1		


Pos.	Part no.	Qty.	Description
2	00663012	20,0 dm	Hose
3	00663012	1,40 dm	Hose
4	00663012	11,0 dm	Hose
5	00663012	3,20 dm	Hose
6	00663012	6,30 dm	Hose
7	05553646	1	Y-union
8	05553432	1	Angular union
9	05553339	3	Double-ended union
10	05553432	4	Angular union
11	83410757	2	Nozzle tube
12	06510013	2	Rubber cover
13	05553866	1	Hose connection
14	05553867	1	Hose connection
15	05552403	2	Hose clip
16	00663012	0,70 dm	Hose
17	05794037	1	Water pump
18	05551468	2	Hose clip
19	88020001	1	Pump holder
20	07140626	3	Hexagon bolt
21	08751064	3	Spring washer
22	05552402	12	Hose clip
23	00663012	0,07 m	Hose
24	05553870	1	Valve
25	00663012	1,40 dm	Hose

Go to Discount-Equipment.com to order your parts

**53.74**

**Water Sprinkler System**



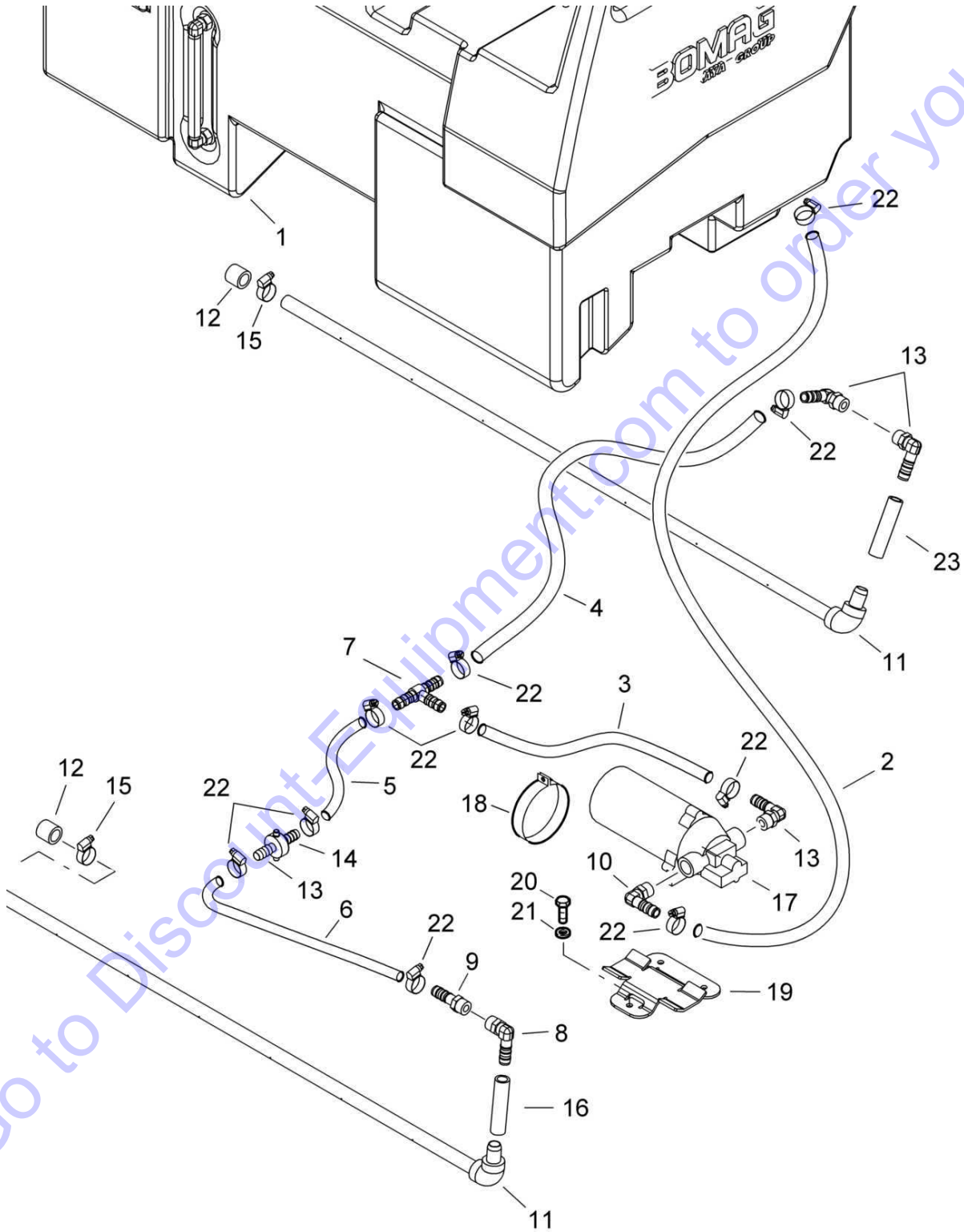
BW 900-50		
S/N 861834071005 ▶ S/N 861834071085		
<b>Water Sprinkler System</b>		<b>53.74</b>
		Page 1 / 3
83408046 8061 1		


**Pos. Part no. Qty. Description**

2	00663012	20,0 dm	Hose
3	00663012	2,80 dm	Hose
4	00663012	11,0 dm	Hose
5	00663012	3,20 dm	Hose
6	00663012	6,30 dm	Hose
7	05553646	1	Y-union
8	05553432	1	Angular union
9	05553339	1	Double-ended union
10	05553432	4	Angular union
11	83410757	2	Nozzle tube
12	06510013	2	Rubber cover
13	05553866	1	Hose connection
14	05553867	1	Hose connection
15	05552403	2	Hose clip
16	00663012	0,70 dm	Hose
17	05794037	1	Water pump
18	05551468	2	Hose clip
19	88020001	1	Pump holder
20	07140626	3	Hexagon bolt
21	08751064	3	Spring washer
22	05552402	10	Hose clip
23	00663012	0,07 m	Hose

Go to Discount-Equipment.com to order your parts

## Water Sprinkler System



BW 900-50		
S/N 861834071001 ▶ S/N 861834071004		
<b>Water Sprinkler System</b>		<b>53.74</b>
		Page <b>1 / 3</b>
83408046 8061 1		

Pos.	Part no.	Qty.	Description
2	00663012	5,20 dm	Hose
3	00663012	1,60 dm	Hose
4	00663012	6,50 dm	Hose
5	00663012	7,00 dm	Hose
6	00663012	6,00 dm	Hose
7	05553646	1	Y-union
8	05553432	1	Angular union
9	05553339	1	Double-ended union
10	05553432	2	Angular union
11	83410757	2	Nozzle tube
12	06510013	2	Rubber cover
13	05553866	1	Hose connection
14	05553867	1	Hose connection
15	05552403	18	Hose clip
16	00663012	3,00 dm	Hose
17	05794037	1	Water pump
18	05551468	2	Hose clip
19	88020001	1	Pump holder
20	07140622	3	Hexagon bolt
21	08751064	3	Spring washer

Go to Discount-Equipment.com to order your parts



BW 900-50

S/N 861834071005 ▶

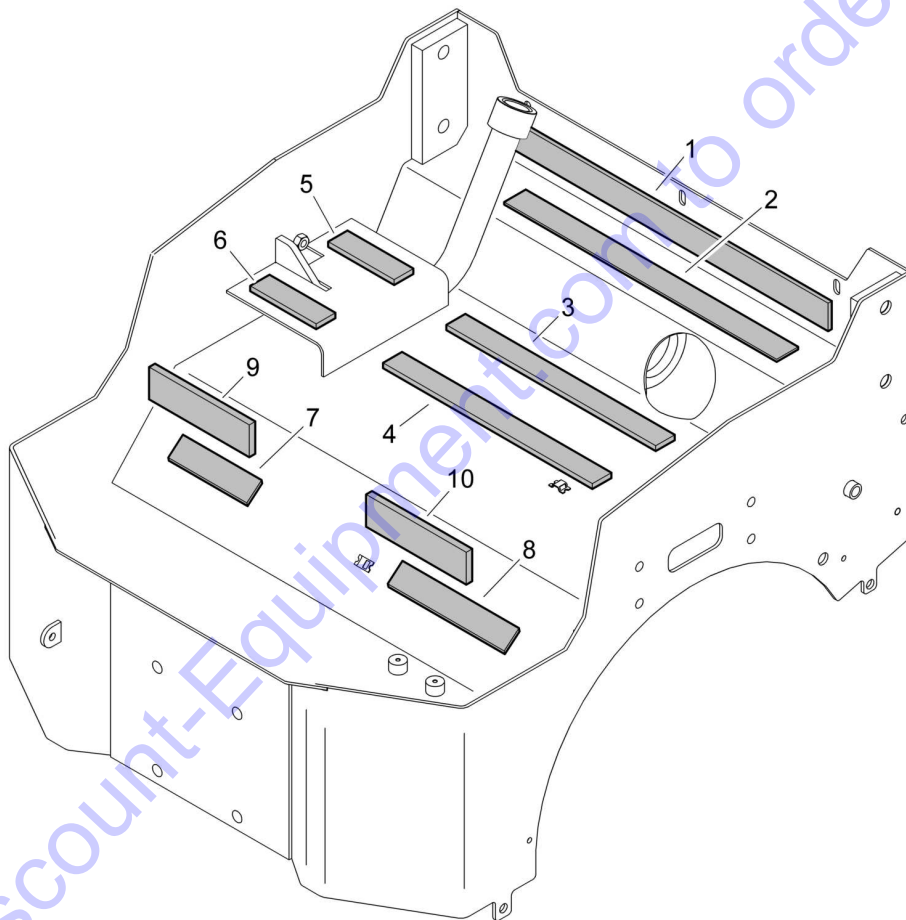
**53.74**

**Water Sprinkler System**

Page **2 / 3**




83408046\_002\_00



Go to Discount-Equipment.com to order your parts

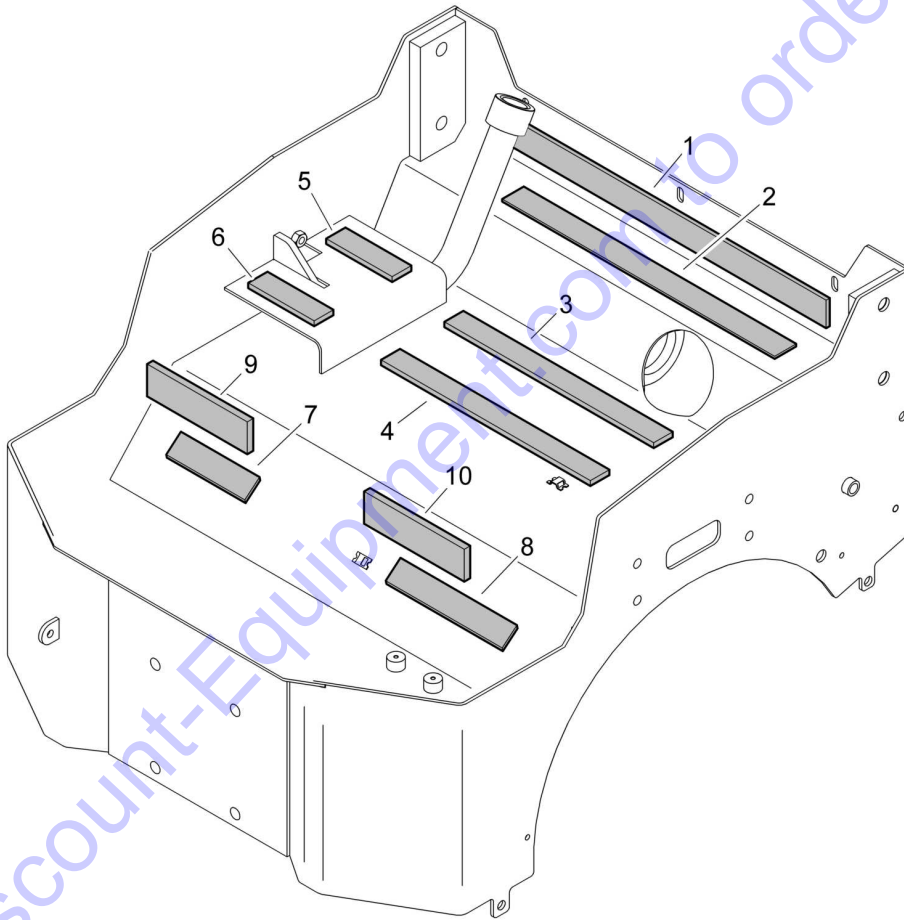
83408046\_002\_00

BW 900-50		
S/N 861834071005 ▶		
<b>Water Sprinkler System</b>		<b>53.74</b>
		Page <b>2 / 3</b>
	83408046 8061 1	

Pos.	Part no.	Qty.	Description
1	00652073	0,50 m	Expanded rubber
2	00652096	6,00 dm	Expanded rubber
3	00652096	4,00 dm	Expanded rubber
4	00652096	5,00 dm	Expanded rubber
5	00652096	5,00 dm	Expanded rubber
6	00652096	0,06 m	Expanded rubber
7	00652096	0,10 m	Expanded rubber
8	00652096	0,30 m	Expanded rubber
9	00652096	0,20 m	Expanded rubber
10	00652096	0,28 m	Expanded rubber

Go to Discount-Equipment.com to order your parts

	BW 900-50	S/N 861834071001 ▶ S/N 861834071004
<b>53.74</b>	<b>Water Sprinkler System</b>	
Page <b>2 / 3</b>		
<b>BOMAG</b> FAYAT GROUP	83408046_002_00	



Go to Discount-Equipment.com to order your parts

BW 900-50		
S/N 861834071001 ▶ S/N 861834071004		
<b>Water Sprinkler System</b>		<b>53.74</b>
		Page <b>2 / 3</b>
		 <b>BOMAG</b> FAYAT GROUP
83408046 8061 1		

**Pos. Part no. Qty. Description**

2	00652096	6,00 dm	Expanded rubber
3	00652096	4,00 dm	Expanded rubber
4	00652096	5,00 dm	Expanded rubber
5	00652096	5,00 dm	Expanded rubber

Go to Discount-Equipment.com to order your parts

BW 900-50

S/N 861834072238 ▶

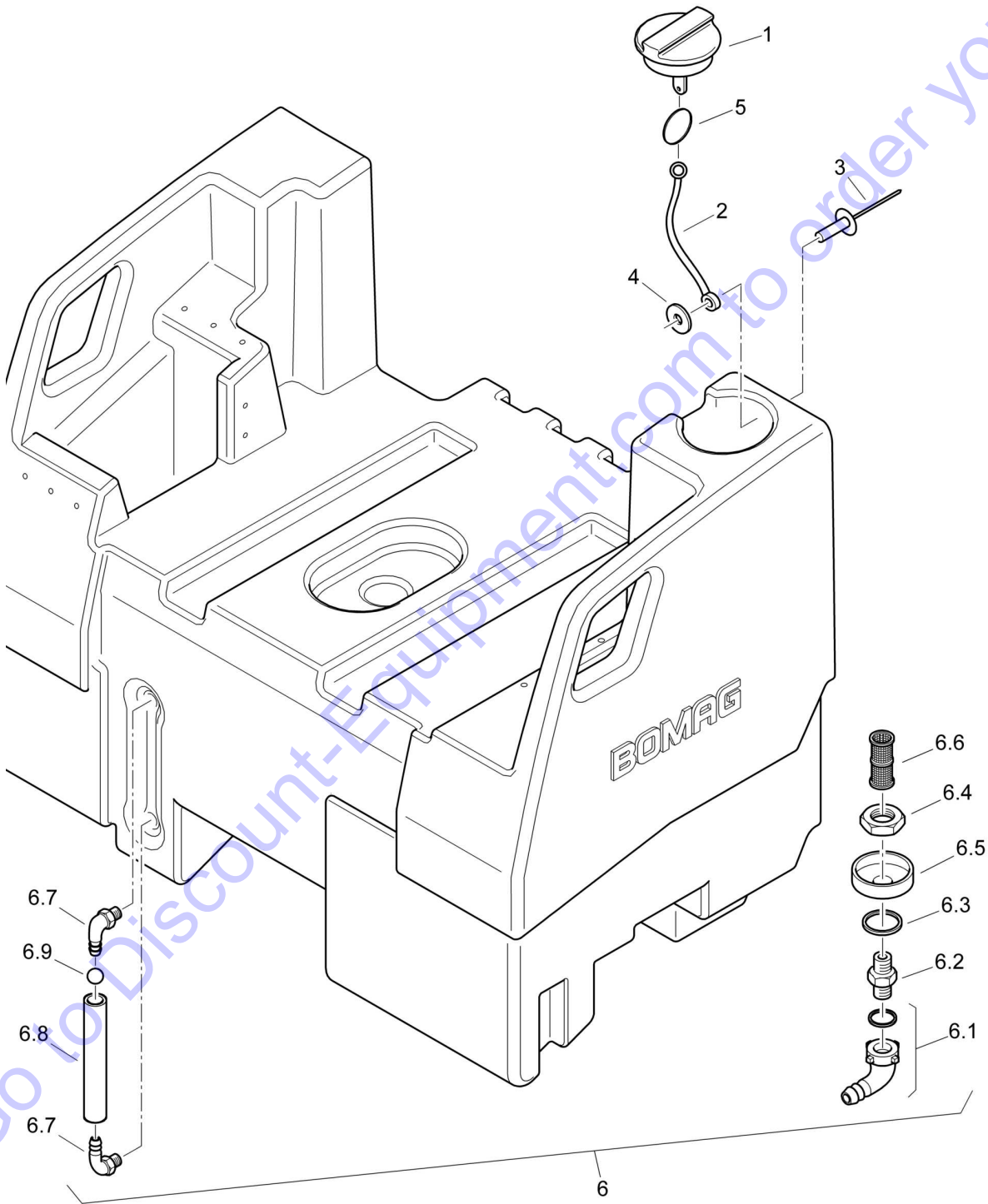
**53.74**

**Water Sprinkler System**


Page **3 / 3**



83408046\_003\_01



83408046\_003\_01

BW 900-50		
S/N 861834072238 ▶		
<b>Water Sprinkler System</b>		<b>53.74</b>
		Page <b>3 / 3</b>
	83408046 8061 1	

**Pos. Part no. Qty. Description**

1	46320113	1	Cover
2	06520019	1	Rope
3	05050489	1	Rivet
4	08621053	1	Washer
5	05939901	1	Key ring
6	83410466	1	Water tank
6.1	05553868	1	Angular fitting
6.2	80090112	1	Double nipple
6.3	06220232	1	Loop ring
6.4	06510321	1	Nut
6.5	05576364	1	Tank cover
6.6	06550003	1	Filter strainer
6.7	05553431	2	Angular union
6.8	00661097	1,40 dm	Hose
6.9	05050450	1	Float

Go to Discount-Equipment.com to order your parts

BW 900-50

S/N 861834071446 ▶ S/N 861834072237

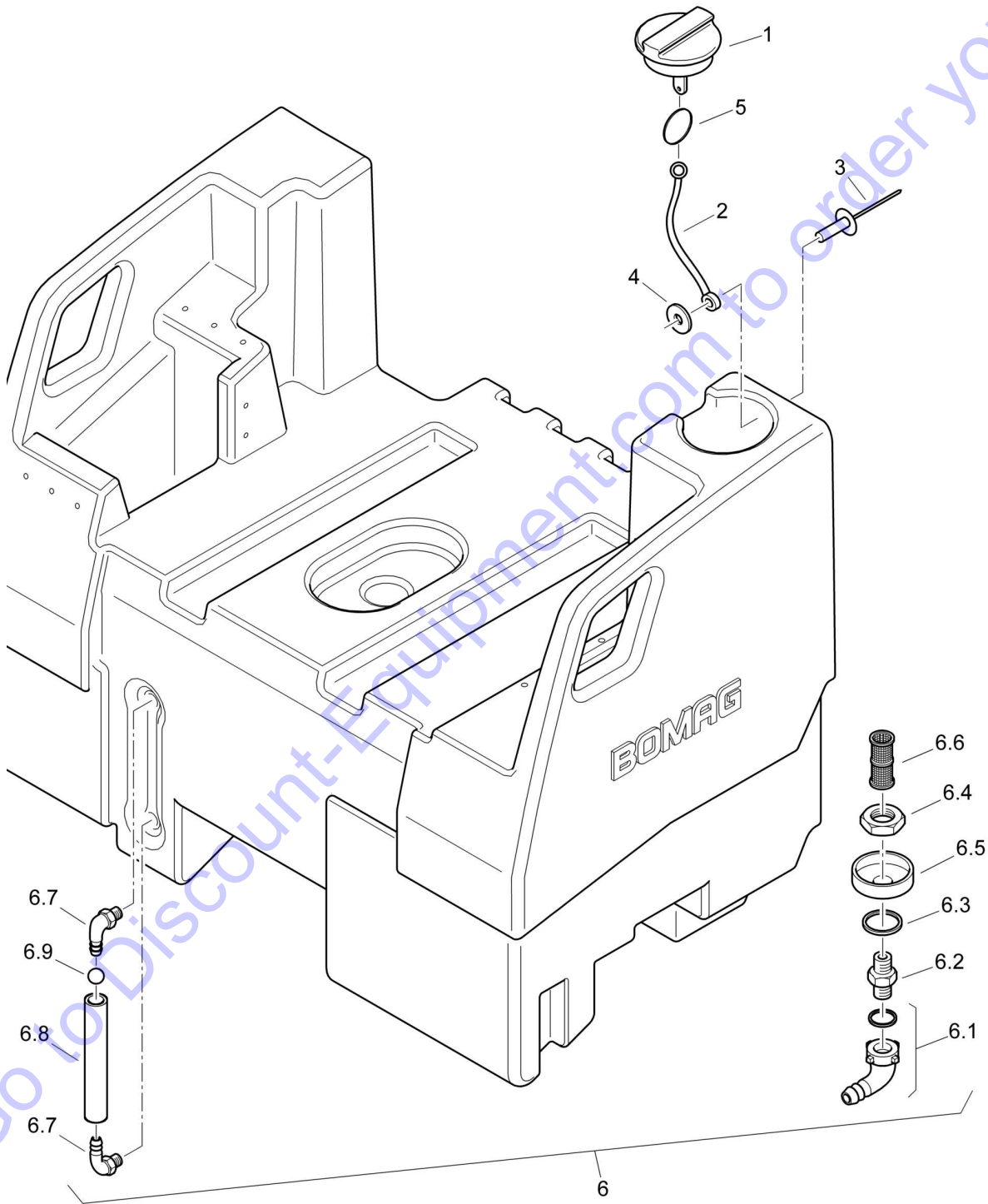
**53.74**

**Water Sprinkler System**


Page **3 / 3**



83408046\_003\_01



83408046\_003\_01

BW 900-50		
S/N 861834071446 ▶ S/N 861834072237		
<b>Water Sprinkler System</b>		<b>53.74</b>
		Page <b>3 / 3</b>
83408046 8061 1		

**Pos. Part no. Qty. Description**

1	46320113	1	Cover
2	06520019	1	Rope
3	05050489	1	Rivet
4	08621053	1	Washer
5	05939901	1	Key ring
6	83410466	1	Water tank
6.1	05553868	1	Angular fitting
6.2	80090112	1	Double nipple
6.3	06220232	1	Loop ring
6.4	06510321	1	Nut
6.5	80090125	1	Cover
6.6	06550003	1	Filter strainer
6.7	05553431	2	Angular union
6.8	00661097	1,40 dm	Hose
6.9	05050450	1	Float

Go to Discount-Equipment.com to order your parts



BW 900-50

S/N 861834071086 ▶ S/N 861834071445

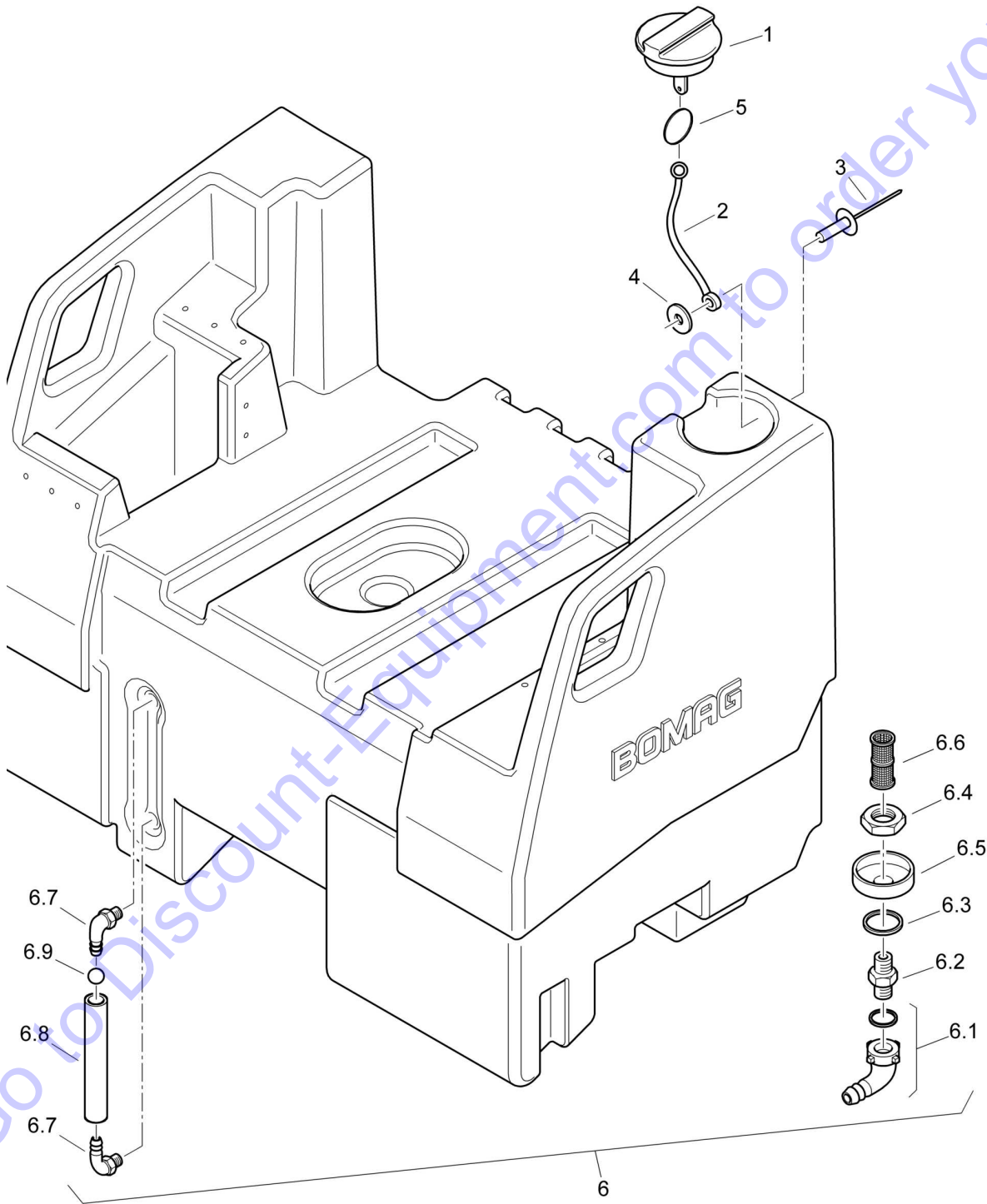
**53.74**

**Water Sprinkler System**

Page **3 / 3**



83408046\_003\_01



83408046\_003\_01

BW 900-50		
S/N 861834071086 ▶ S/N 861834071445		
<b>Water Sprinkler System</b>		<b>53.74</b>
		Page <b>3 / 3</b>
83408046 8061 1		

**Pos. Part no. Qty. Description**

1	46320101	1	Cover
2	06520019	1	Rope
3	05050489	1	Rivet
4	08621053	1	Washer
5	05939901	1	Key ring
6	83410466	1	Water tank
6.1	05553868	1	Angular fitting
6.2	80090112	1	Double nipple
6.3	06220232	1	Loop ring
6.4	06510321	1	Nut
6.5	80090125	1	Cover
6.6	06550003	1	Filter strainer
6.7	05553431	2	Angular union
6.8	00661097	1,40 dm	Hose
6.9	05050450	1	Float

Go to Discount-Equipment.com to order your parts

BW 900-50

S/N 861834071005 ▶ S/N 861834071085

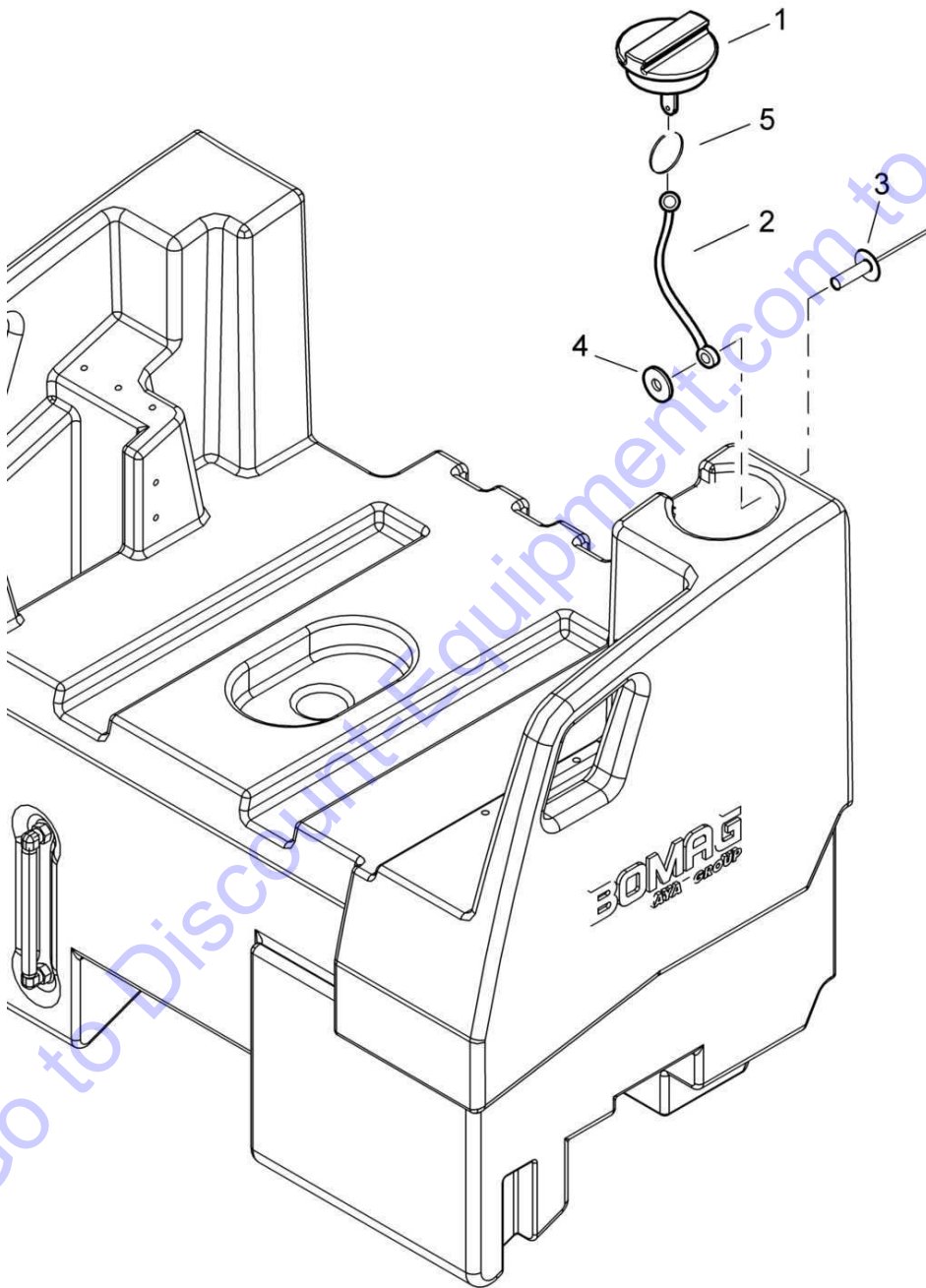
**53.74**

**Water Sprinkler System**


Page **3 / 3**

**BOMAG**  
FAYAT GROUP

83408046\_003\_00




83408046\_003\_00

BW 900-50		
S/N 861834071005 ▶ S/N 861834071085		
<b>Water Sprinkler System</b>		<b>53.74</b>
		Page <b>3 / 3</b>
83408046 8061 1		

Pos.	Part no.	Qty.	Description
1	46320101	1	Cover
2	06520019	1	Rope
3	05050489	1	Rivet
4	08621053	1	Washer
5	05939901	1	Key ring
6	83410466	1	Water tank
6.1	05553868	1	Angular fitting
6.2	80090112	1	Double nipple
6.3	06220232	1	Loop ring
6.4	06510321	1	Nut
6.5	80090125	1	Cover
6.6	06550003	1	Filter strainer
6.7	05553339	1	Double-ended union
6.8	05553432	2	Angular union
6.8	00661097	1,40 dm	Hose
6.9	05050369	1	Cover
6.10	05050370	1	O-ring
6.11	05553431	1	Angular union

Go to Discount-Equipment.com to order your parts

	BW 900-50
<b>53.74</b>	S/N 861834071001 ▶ S/N 861834071004
Page <b>3 / 3</b>	<b>Water Sprinkler System</b>
 <b>BOMAG</b> FAYAT GROUP	

**For this catalogue group no illustration.**

*Go to Discount-Equipment.com to order your parts*

BW 900-50		
S/N 861834071001 ▶ S/N 861834071004		
<b>Water Sprinkler System</b>		<b>53.74</b>
		Page <b>3 / 3</b>
83408046 8061 1		

Pos.	Part no.	Qty.	Description
6	83410466	1	Water tank
6.1	05553868	1	Angular fitting
6.2	80090112	1	Double nipple
6.3	06220232	1	Loop ring
6.4	06510321	1	Nut
6.5	80090125	1	Cover
6.6	06550003	1	Filter strainer
6.7	05553339	1	Double-ended union
6.8	05553432	2	Angular union
6.8	00661097	1,40 dm	Hose
6.9	05050369	1	Cover
6.10	05050370	1	O-ring
6.11	05553431	1	Angular union

Go to Discount-Equipment.com to order your parts

BW 900-50

S/N 861834071001 ▶

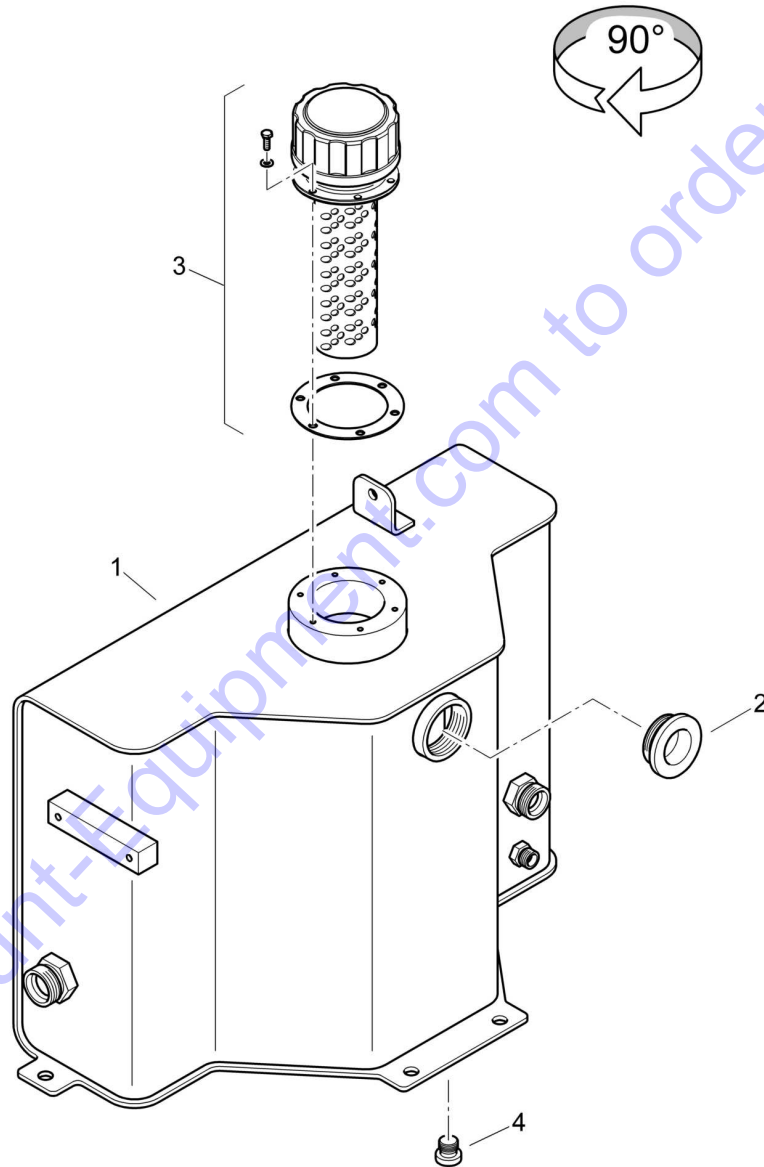
**59.18**

Hydraulic oil tank


Page 1 / 1



83410475\_000\_00



83410475\_000\_00

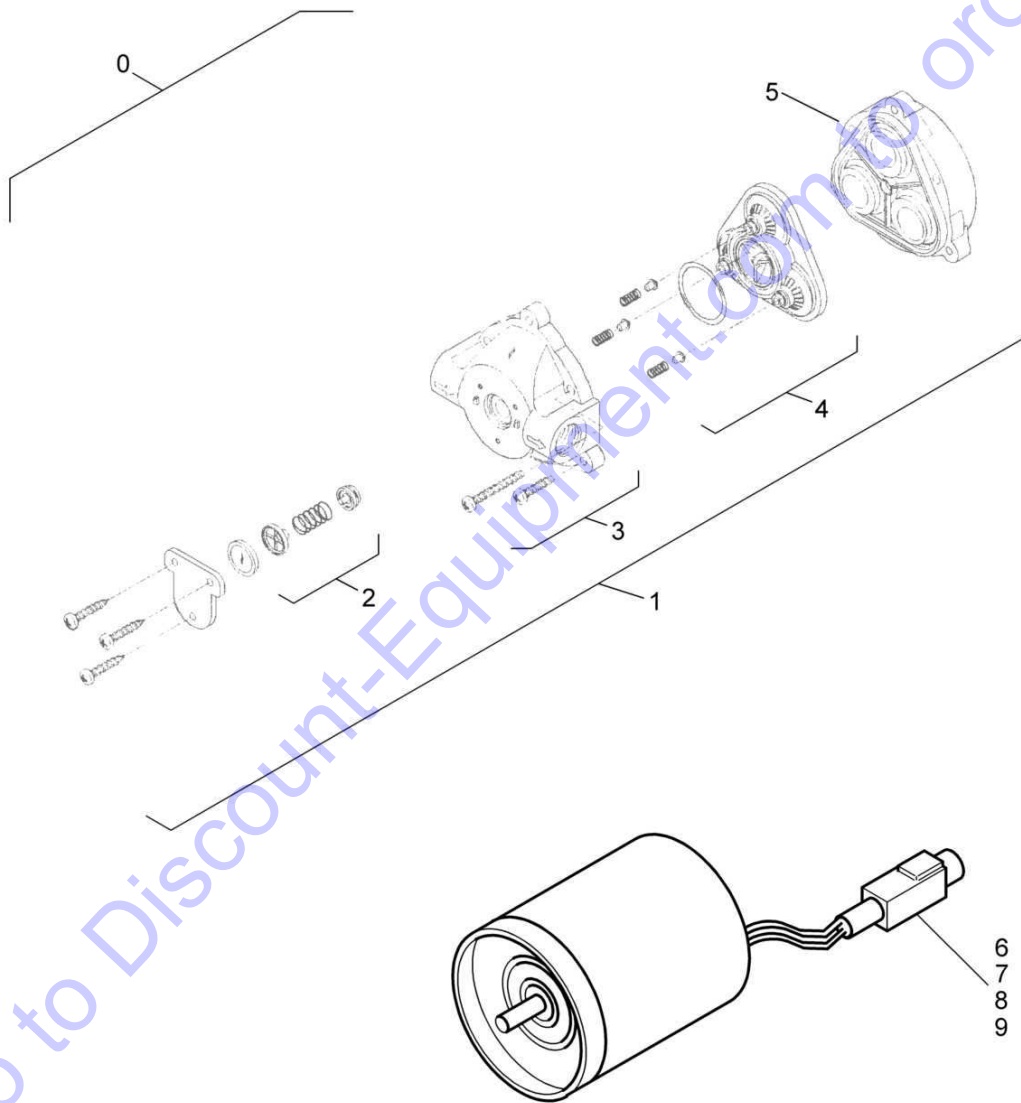
BW 900-50		
S/N 861834071001 ▶		
Hydraulic oil tank		<b>59.18</b>
		Page <b>1 / 1</b>
	83410475 8061 1	

Pos.	Part no.	Qty.	Description
1	83410474	1	Hydraulic oil tank
2	05050354	1	Oil level gauge
3	05050338	1	Filling strainer


Go to Discount-Equipment.com to order your parts



	BW 900-50	S/N 861834071661 ▶ S/N 861834072436
<b>59.22</b>	<b>Water Pump</b>	
Page <b>1 / 1</b>		
<b>BOMAG</b> FAYAT GROUP		EA000502_000_00



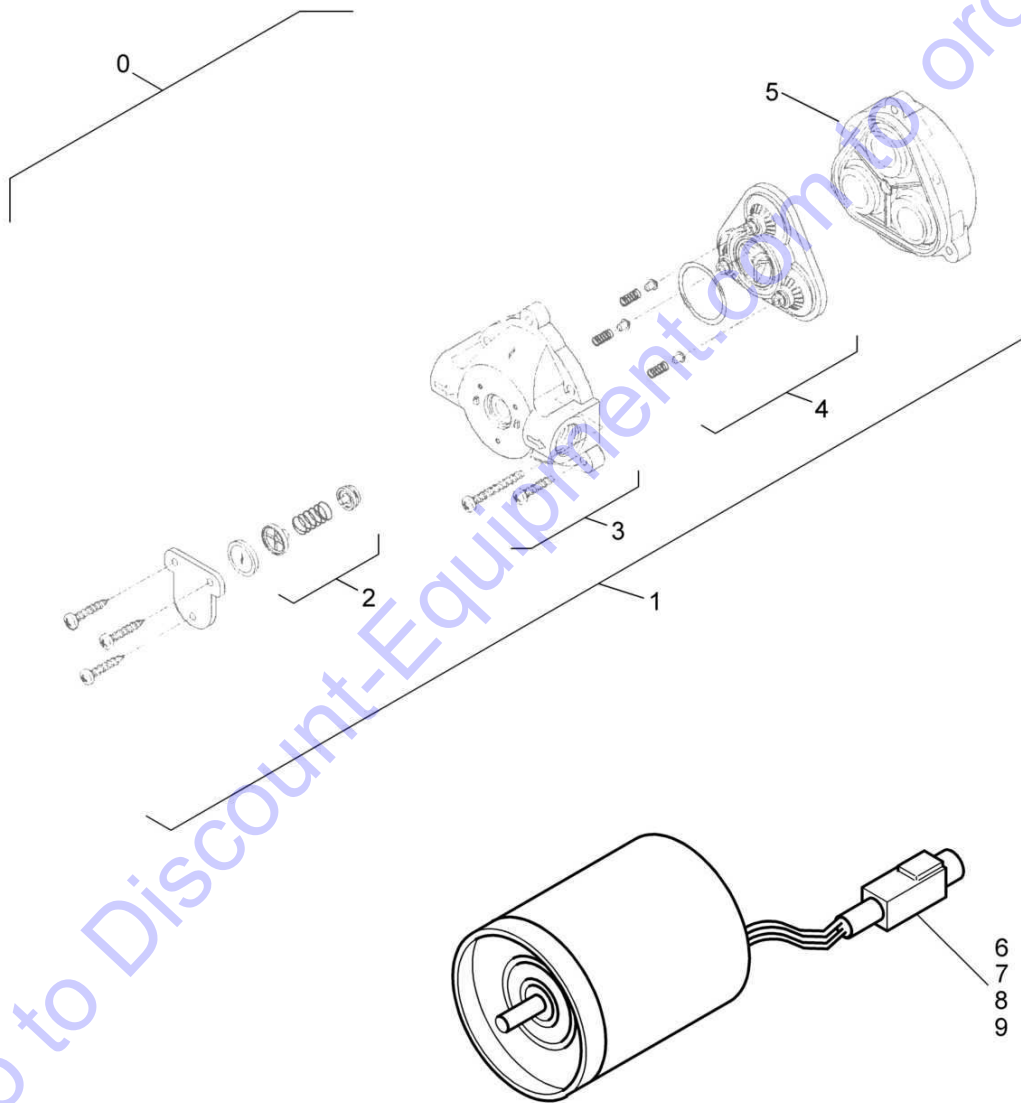
Go to [Discount-Equipment.com](http://Discount-Equipment.com) to order your parts

BW 900-50		
S/N 861834071661 ▶ S/N 861834072436		
<b>Water Pump</b>		<b>59.22</b>
		Page 1 / 1
	EA000502 8061 E	


Pos.	Part no.	Qty.	Description
0	05794037	1	Water pump
1	05794083	1	>Pump head
2	05794080	1	>>Check valve
3	05794077	1	>>Housing kit
4	05794084	1	>>Valve plate
5	05794055	1	>>Drive
6	05756716	1	>Plug housing
7	05756701	2	>Pin
8	05756722	1	>Locking device
9	05756734	1	>Grommet

Go to Discount-Equipment.com to order your parts

	BW 900-50	S/N 861834071001 ▶ S/N 861834071632
<b>59.22</b>	<b>Water Pump</b>	
Page <b>1 / 1</b>		
<b>BOMAG</b> FAYAT GROUP		EA000502_000_00



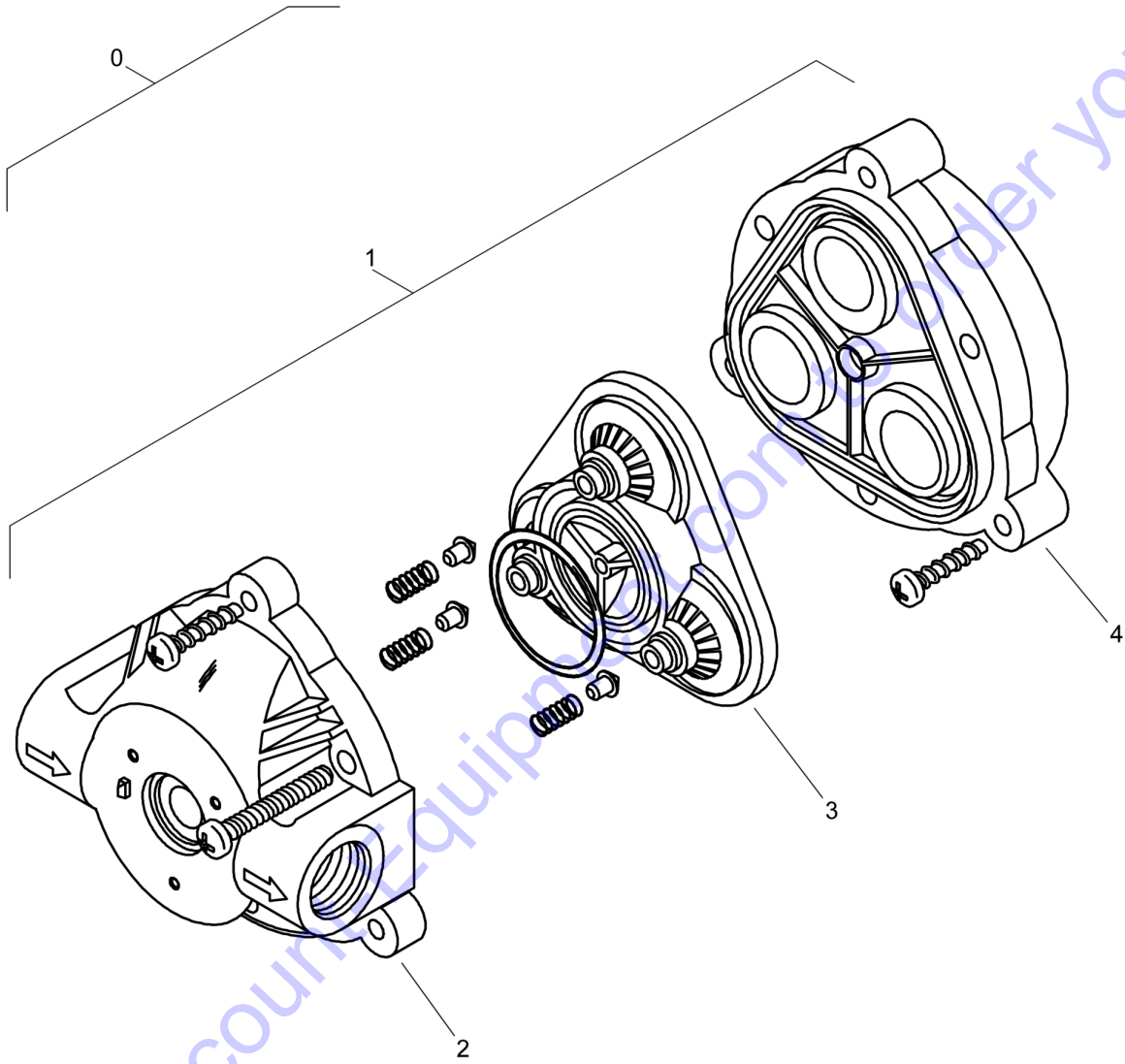
Go to Discount-Equipment.com to order your parts

BW 900-50		
S/N 861834071001 ▶ S/N 861834071632		
<b>Water Pump</b>		<b>59.22</b>
		Page 1 / 1
	EA000502 8061 E	


Pos.	Part no.	Qty.	Description
0	05794037	1	Water pump
1	05794083	1	>Pump head
2	05794080	1	>>Check valve
3	05794077	1	>>Housing kit
4	05794084	1	>>Valve plate
5	05794055	1	>>Drive
6	05756716	1	>Plug housing
7	05756701	2	>Pin
8	05756722	1	>Locking device
9	05756734	1	>Grommet

Go to Discount-Equipment.com to order your parts

	BW 900-50	
<b>59.22</b>		S/N 861834072437 ▶
	<b>Water Pump</b>	
Page <b>1 / 1</b>		
<b>BOMAG</b> FAYAT GROUP		EA005042_000_00



Go to DiscountEquip.com to order your parts

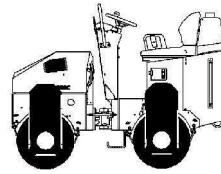
BW 900-50		
S/N 861834072437 ▶		
<b>Water Pump</b>		<b>59.22</b>
		Page <b>1 / 1</b>
	EA005042 8061 E	

Pos.	Part no.	Qty.	Description
0	05794312	1	Water pump
1	05794083	1	>Pump head
2	05794080	1	>>Check valve
3	05794077	1	>>Housing kit
4	05794084	1	>>Valve plate

Go to Discount-Equipment.com to order your parts

Go to [Discount-Equipment.com](http://Discount-Equipment.com) to order your parts

**Drum / Tires**



**60**

**60.00**

Drum / Tires


Page /



**For this catalogue group no illustration.**

[Go to Discount-Equipment.com](http://Discount-Equipment.com) to order your parts



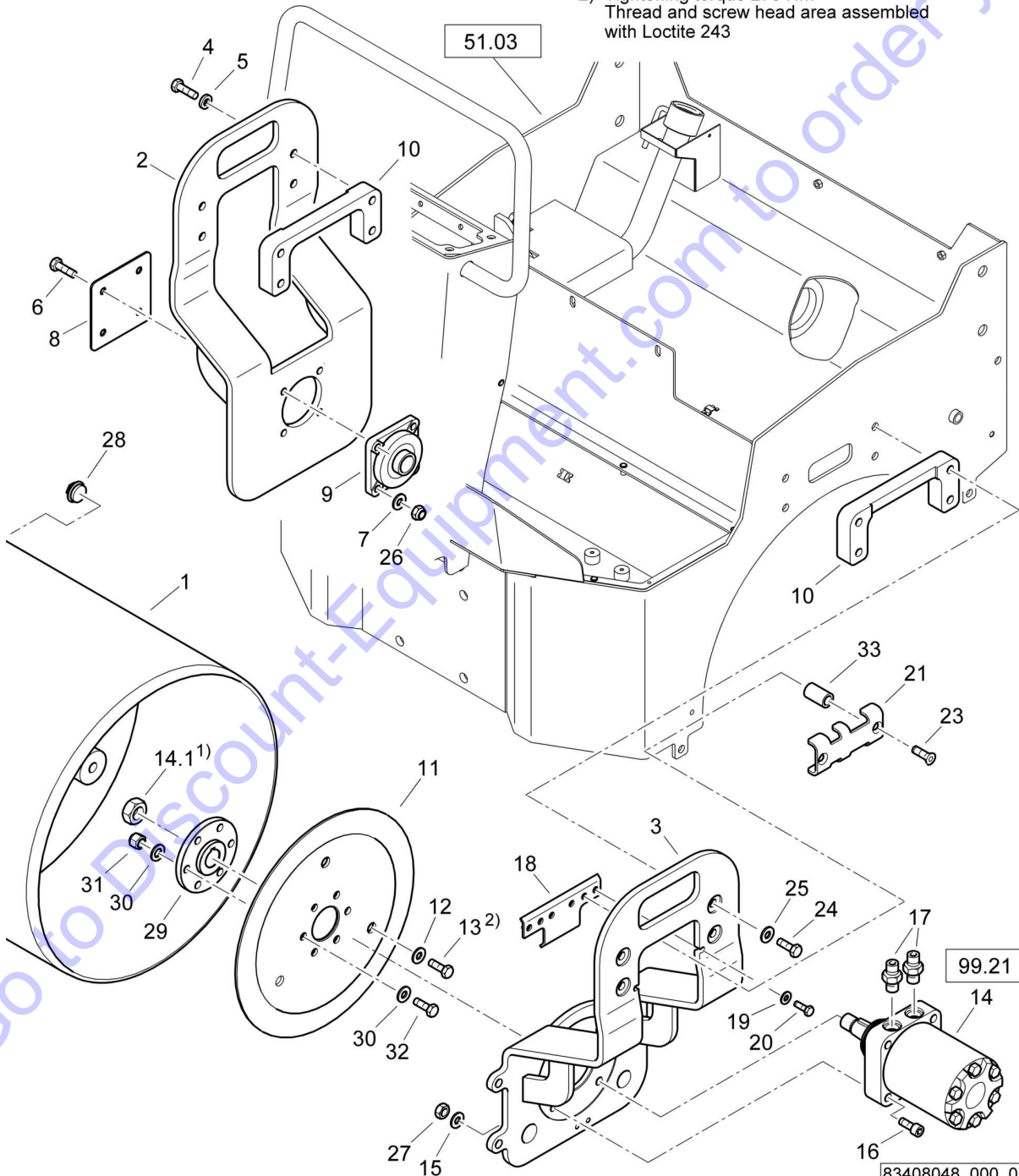
Drum / Tires	<b>60.00</b>
	Page /
	


**Pos. Description**

- 61.01 Roller drum
- 61.07 Front Vibr. Drum

Go to Discount-Equipment.com to order your parts

- 1) Tightening torque 407 Nm - 542 Nm  
Surfaces to be bolted have to be metallic bright in the contact area.
- 2) Tightening torque 270 Nm  
Thread and screw head area assembled with Loctite 243

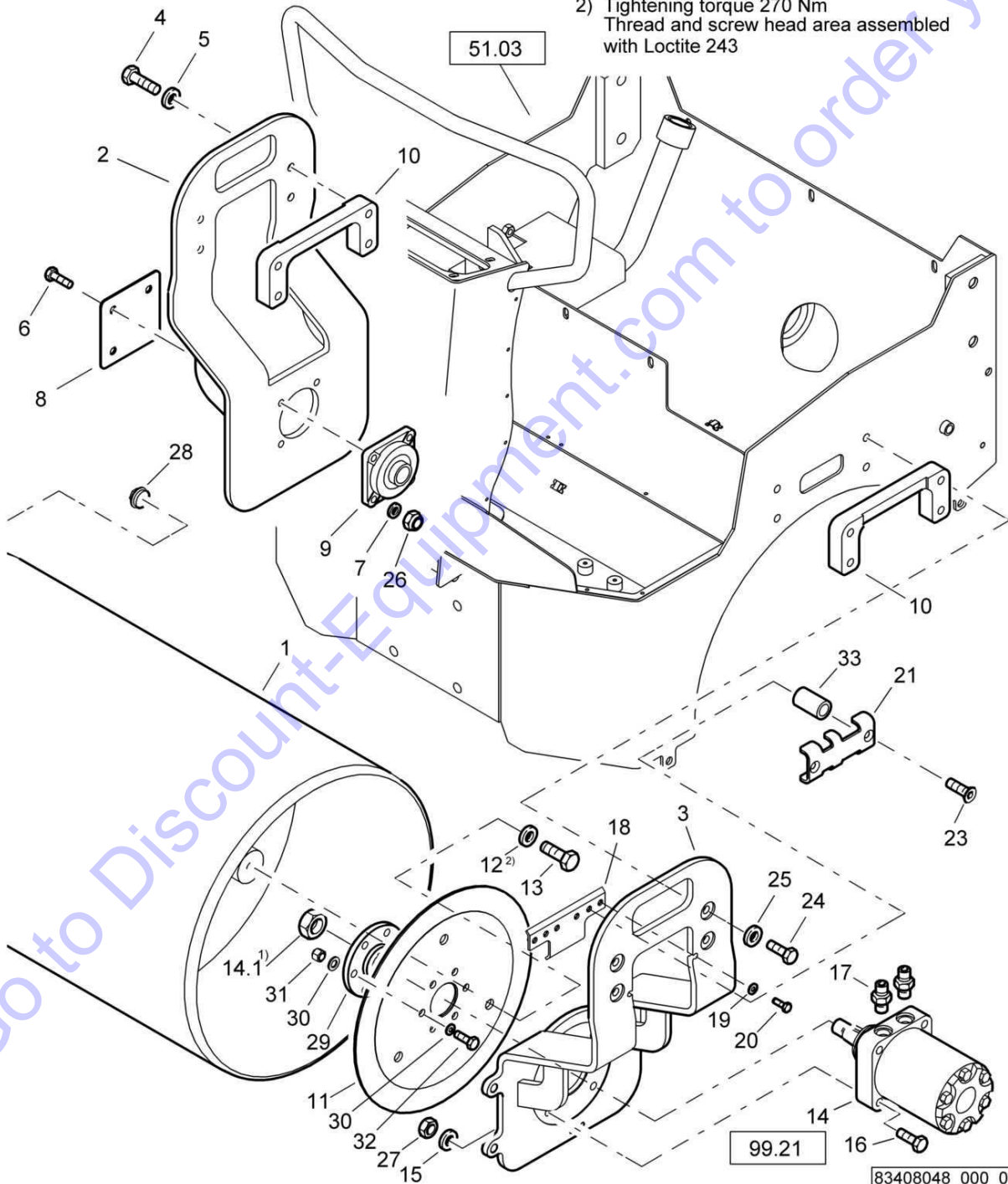



BW 900-50		
S/N 861834072476 ▶		
Roller drum	<b>61.01</b>	
	Page <b>1 / 1</b>	
	83408048 8061 1 	

Pos.	Part no.	Qty.	Description
1	83410462	1	Roller drum
2	83410471	1	Drum support
3	83410470	1	Drum support
4	07141256	4	Hexagon bolt
5	08752130	4	Spring washer
6	07131017	4	Hexagon bolt
7	08752106	4	Spring washer
8	83410534	1	Cover plate
9	05050332	1	Bearing
10	83410511	2	Spacer piece
11	83410763	1	Plate
12	08511730	3	Washer
13	07156645	3	Hexagon bolt
14	05050242	1	Travel motor
15	08752130	4	Spring washer
16	07231239	4	Socket-head cap screw
17	05540151	2	Socket
18	83411099	1	Bracket
19	08752084	2	Spring washer
20	07140842	2	Hexagon bolt
21	83410822	1	Clamp
23	07320825	2	Countersunk screw
24	07141256	4	Hexagon bolt
25	08752130	4	Spring washer
26	08131015	4	Safety nut
27	08131218	4	Safety nut
28	05558785	1	Plug
29	83412055	1	Flange
30	08511325	12	Washer
31	08111218	6	Hexagon nut
32	07141243	6	Hexagon bolt
33	49040301	2	Tube

Go to DiscountEquipment.com to order your parts

- 1) Tightening torque 407 Nm - 542 Nm  
Surfaces to be bolted have to be metallic bright in the contact area.
- 2) Tightening torque 270 Nm  
Thread and screw head area assembled with Loctite 243

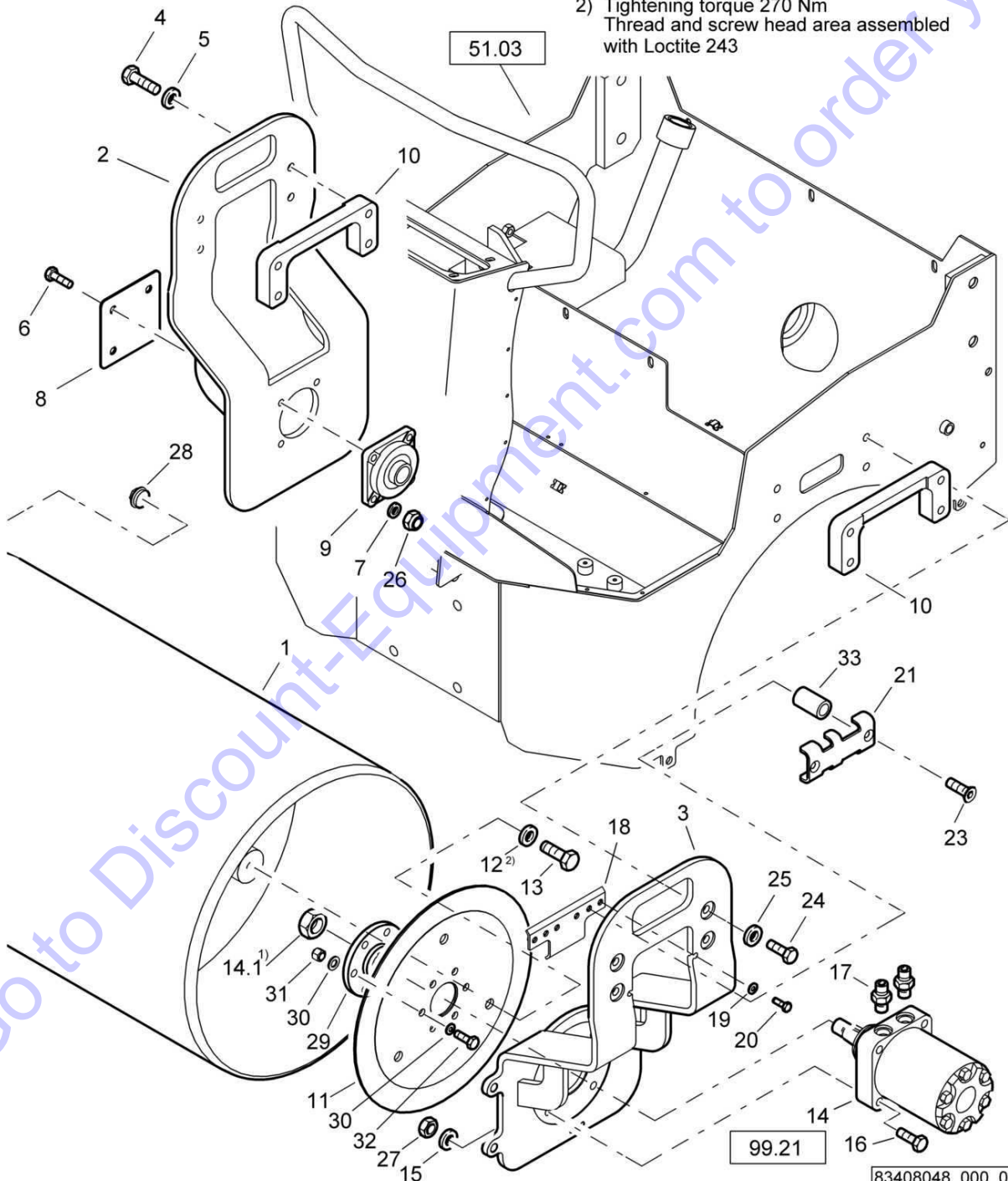



BW 900-50		
S/N 861834072143 ▶ S/N 861834072475		
Roller drum	<b>61.01</b>	
	Page <b>1 / 1</b>	
	83408048 8061 1 	

Pos.	Part no.	Qty.	Description
1	83410462	1	Roller drum
2	83410471	1	Drum support
3	83410470	1	Drum support
4	07141256	4	Hexagon bolt
5	08752130	4	Spring washer
6	07131017	4	Hexagon bolt
7	08752106	4	Spring washer
8	83410534	1	Cover plate
9	05050332	1	Bearing
10	83410511	2	Spacer piece
11	83410763	1	Plate
12	08511730	3	Washer
13	07156645	3	Hexagon bolt
14	05050242	1	Travel motor
15	08752130	4	Spring washer
16	07131229	4	Hexagon bolt
17	05540151	2	Socket
18	83411099	1	Bracket
19	08752084	2	Spring washer
20	07140842	2	Hexagon bolt
21	83410822	1	Clamp
23	07320825	2	Countersunk screw
24	07141256	4	Hexagon bolt
25	08752130	4	Spring washer
26	08131015	4	Safety nut
27	08131218	4	Safety nut
28	05558785	1	Plug
29	83412055	1	Flange
30	08511325	12	Washer
31	08111218	6	Hexagon nut
32	07141243	6	Hexagon bolt
33	49040301	2	Tube

Go to DiscountEquipment.com to order your parts

- 1) Tightening torque 407 Nm - 542 Nm  
Surfaces to be bolted have to be metallic bright in the contact area.
- 2) Tightening torque 270 Nm  
Thread and screw head area assembled with Loctite 243

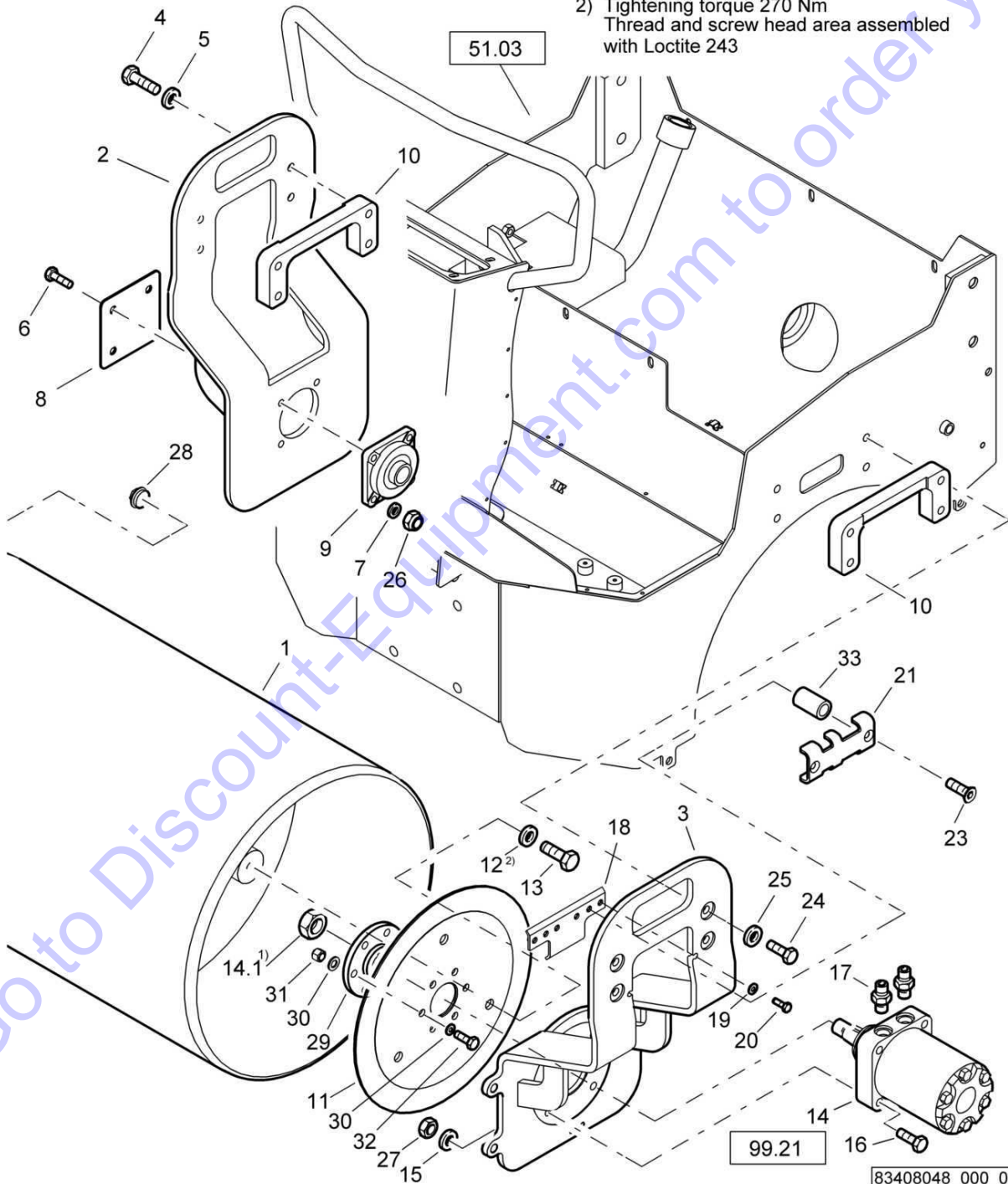


BW 900-50		
S/N 861834072080 ▶ S/N 861834072142		
Roller drum	<b>61.01</b>	
	Page <b>1 / 1</b>	
	83408048 8061 1 	

Pos.	Part no.	Qty.	Description
1	83410462	1	Roller drum
2	83410471	1	Drum support
3	83410470	1	Drum support
4	07141256	4	Hexagon bolt
5	08752130	4	Spring washer
6	07131017	4	Hexagon bolt
7	08752106	4	Spring washer
8	83410534	1	Cover plate
9	05050332	1	Bearing
10	83410511	2	Spacer piece
11	83410763	1	Plate
12	08511730	3	Washer
13	07156645	3	Hexagon bolt
14	05050242	1	Travel motor
15	08752130	4	Spring washer
16	07131229	4	Hexagon bolt
17	05540151	2	Socket
18	83411099	1	Bracket
19	08752084	2	Spring washer
20	07140842	2	Hexagon bolt
21	83410822	1	Clamp
23	07320825	2	Countersunk screw
24	07141256	4	Hexagon bolt
25	08752130	4	Spring washer
26	08131015	4	Safety nut
27	08131218	4	Safety nut
28	05558785	1	Plug
29	83410762	1	Flange
30	08511325	12	Washer
31	08111218	6	Hexagon nut
32	07141243	6	Hexagon bolt
33	49040301	2	Tube

Go to DiscountEquipment.com to order your parts

- 1) Tightening torque 407 Nm - 542 Nm  
Surfaces to be bolted have to be metallic bright in the contact area.
- 2) Tightening torque 270 Nm  
Thread and screw head area assembled with Loctite 243



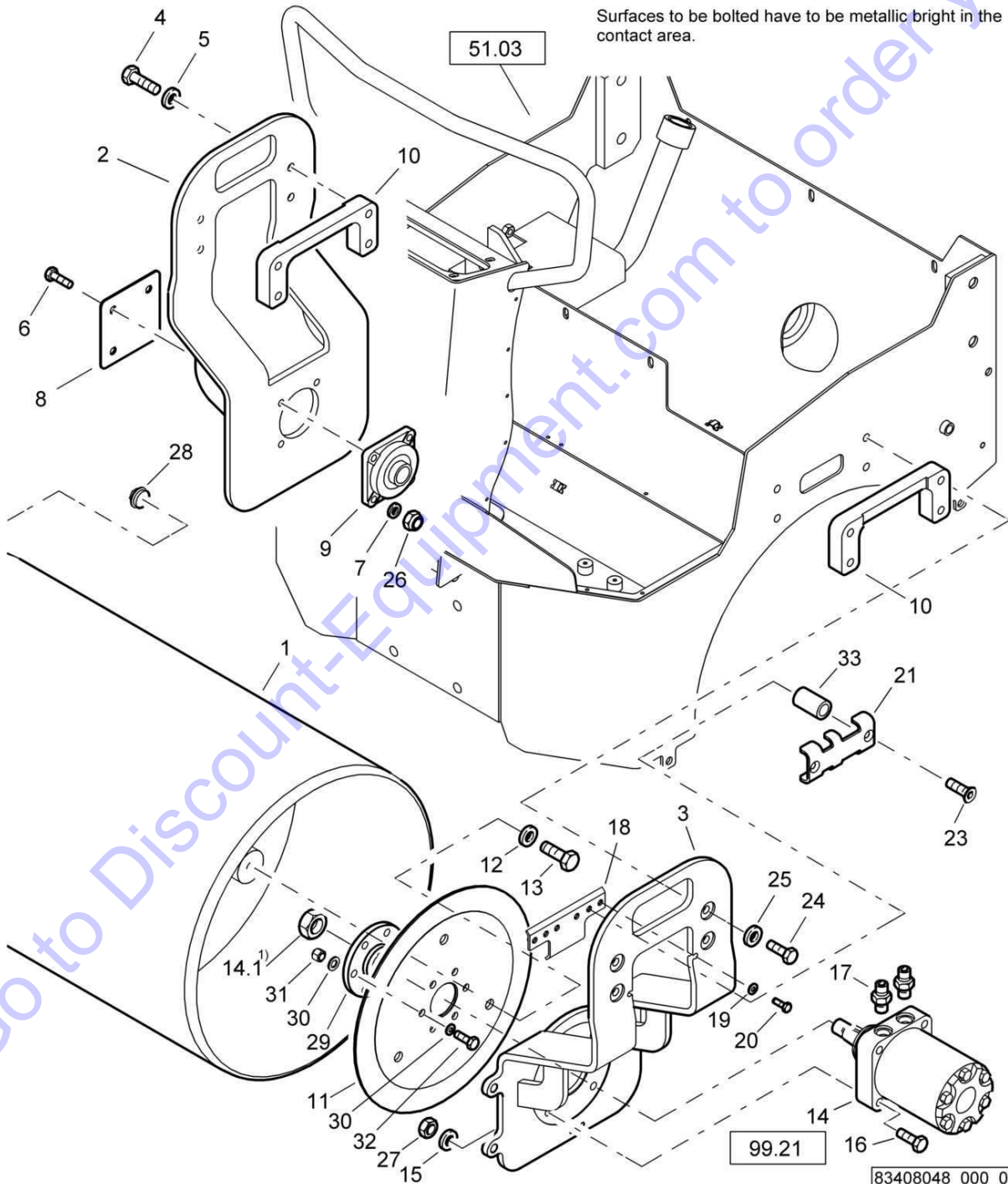



BW 900-50	S/N 861834071840 ▶ S/N 861834072079	<b>61.01</b>
<b>Roller drum</b>		
		Page <b>1 / 1</b>
	83408048 8061 1	

Pos.	Part no.	Qty.	Description
1	83410462	1	Roller drum
2	83410471	1	Drum support
3	83410470	1	Drum support
4	07141256	4	Hexagon bolt
5	08752130	4	Spring washer
6	07131017	4	Hexagon bolt
7	08752106	4	Spring washer
8	83410534	1	Cover plate
9	05050332	1	Bearing
10	83410511	2	Spacer piece
11	83410763	1	Plate
12	08511730	3	Washer
13	07141633	3	Hexagon bolt
14	05050242	1	Travel motor
15	08752130	4	Spring washer
16	07131229	4	Hexagon bolt
17	05540151	2	Socket
18	83411099	1	Bracket
19	08752084	2	Spring washer
20	07140842	2	Hexagon bolt
21	83410822	1	Clamp
23	07320825	2	Countersunk screw
24	07141256	4	Hexagon bolt
25	08752130	4	Spring washer
26	08131015	4	Safety nut
27	08131218	4	Safety nut
28	05558785	1	Plug
29	83410762	1	Flange
30	08511325	12	Washer
31	08111218	6	Hexagon nut
32	07141243	6	Hexagon bolt
33	49040301	2	Tube

Go to DiscountEquipment.com to order your parts

1) Tightening torque 407 Nm - 542 Nm  
Surfaces to be bolted have to be metallic bright in the contact area.

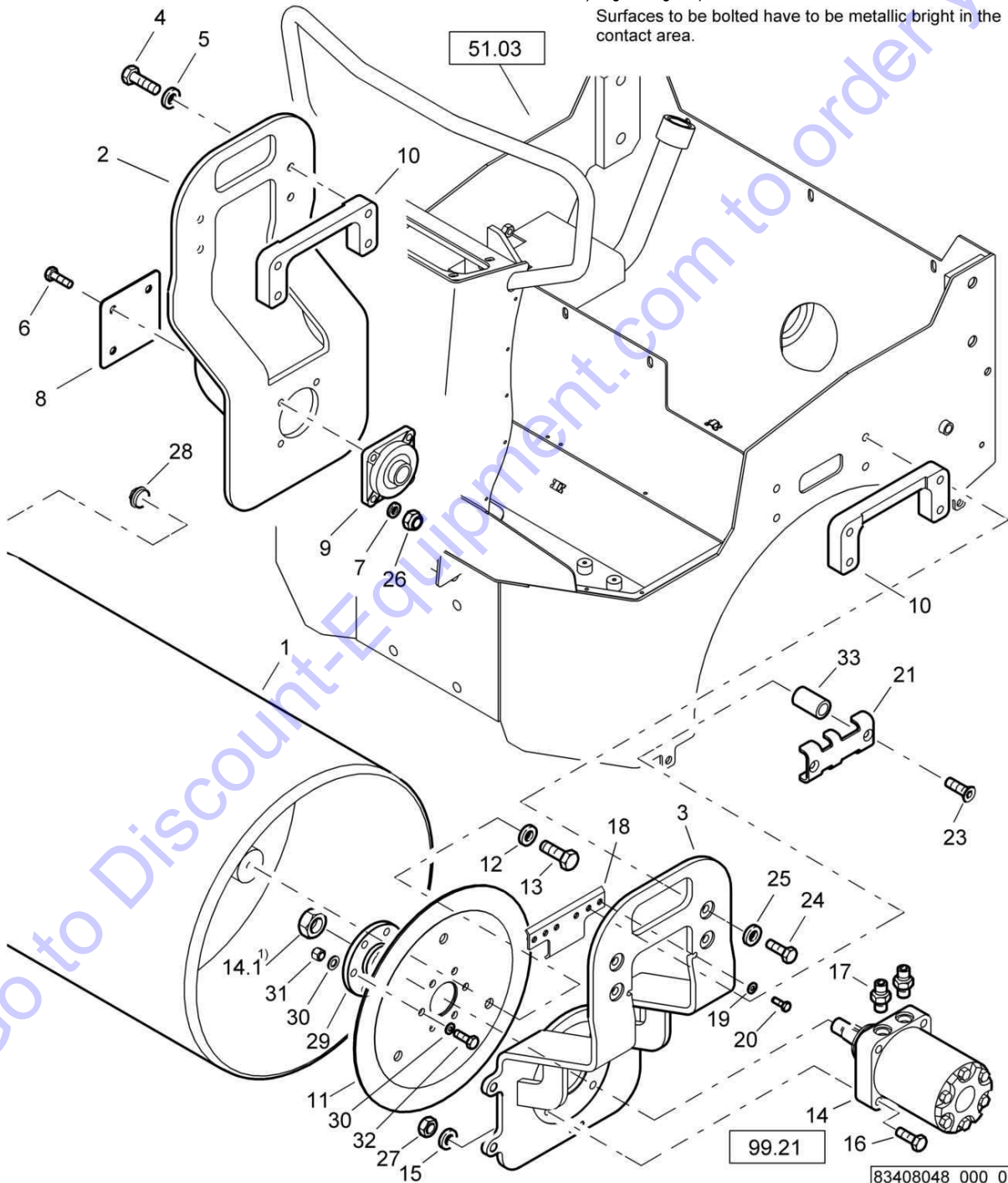



BW 900-50		
S/N 861834071005 ▶ S/N 861834071839		
Roller drum	<b>61.01</b>	
	Page <b>1 / 1</b>	
	83408048 8061 1 	

Pos.	Part no.	Qty.	Description
1	83410462	1	Roller drum
2	83410471	1	Drum support
3	83410470	1	Drum support
4	07141256	4	Hexagon bolt
5	08752130	4	Spring washer
6	07131017	4	Hexagon bolt
7	08752106	4	Spring washer
8	83410534	1	Cover plate
9	05050332	1	Bearing
10	83410511	2	Spacer piece
11	83410763	1	Plate
12	08752170	3	Spring washer
13	07141633	3	Hexagon bolt
14	05050242	1	Travel motor
15	08752130	4	Spring washer
16	07131229	4	Hexagon bolt
17	05540151	2	Socket
18	83411099	1	Bracket
19	08752084	2	Spring washer
20	07140842	2	Hexagon bolt
21	83410822	1	Clamp
23	07320825	2	Countersunk screw
24	07141256	4	Hexagon bolt
25	08752130	4	Spring washer
26	08131015	4	Safety nut
27	08131218	4	Safety nut
28	05558785	1	Plug
29	83410762	1	Flange
30	08511325	12	Washer
31	08111218	6	Hexagon nut
32	07141243	6	Hexagon bolt
33	49040301	2	Tube

Go to DiscountEquipment.com to order your parts

1) Tightening torque 407 Nm - 542 Nm  
Surfaces to be bolted have to be metallic bright in the contact area.



BW 900-50		
S/N 861834071004 ▶ S/N 861834071004		
Roller drum	<b>61.01</b>	
	Page <b>1 / 1</b>	
	83408048 8061 1 	

Pos.	Part no.	Qty.	Description
1	83410462	1	Roller drum
2	83410471	1	Drum support
3	83410470	1	Drum support
4	07141256	4	Hexagon bolt
5	08752130	4	Spring washer
6	07141037	4	Hexagon bolt
7	08752106	4	Spring washer
8	83410534	1	Cover plate
9	05050332	1	Bearing
10	83410511	2	Spacer piece
11	83410763	1	Plate
12	08752170	3	Spring washer
13	07141633	3	Hexagon bolt
14	05050242	1	Travel motor
15	08752130	4	Spring washer
16	07131225	4	Hexagon bolt
17	05540151	2	Socket
18	83410664	1	Bracket
19	08752084	2	Spring washer
20	07140842	2	Hexagon bolt
21	83410822	1	Clamp
23	07320825	2	Countersunk screw
24	07141256	4	Hexagon bolt
25	08752130	4	Spring washer
26	08131015	4	Safety nut
27	08131218	4	Safety nut
28	05558785	1	Plug
29	83410762	1	Flange
30	08511325	12	Washer
31	08131218	6	Safety nut
32	07141234	6	Hexagon bolt

Go to DiscountEquipment.com to order your parts

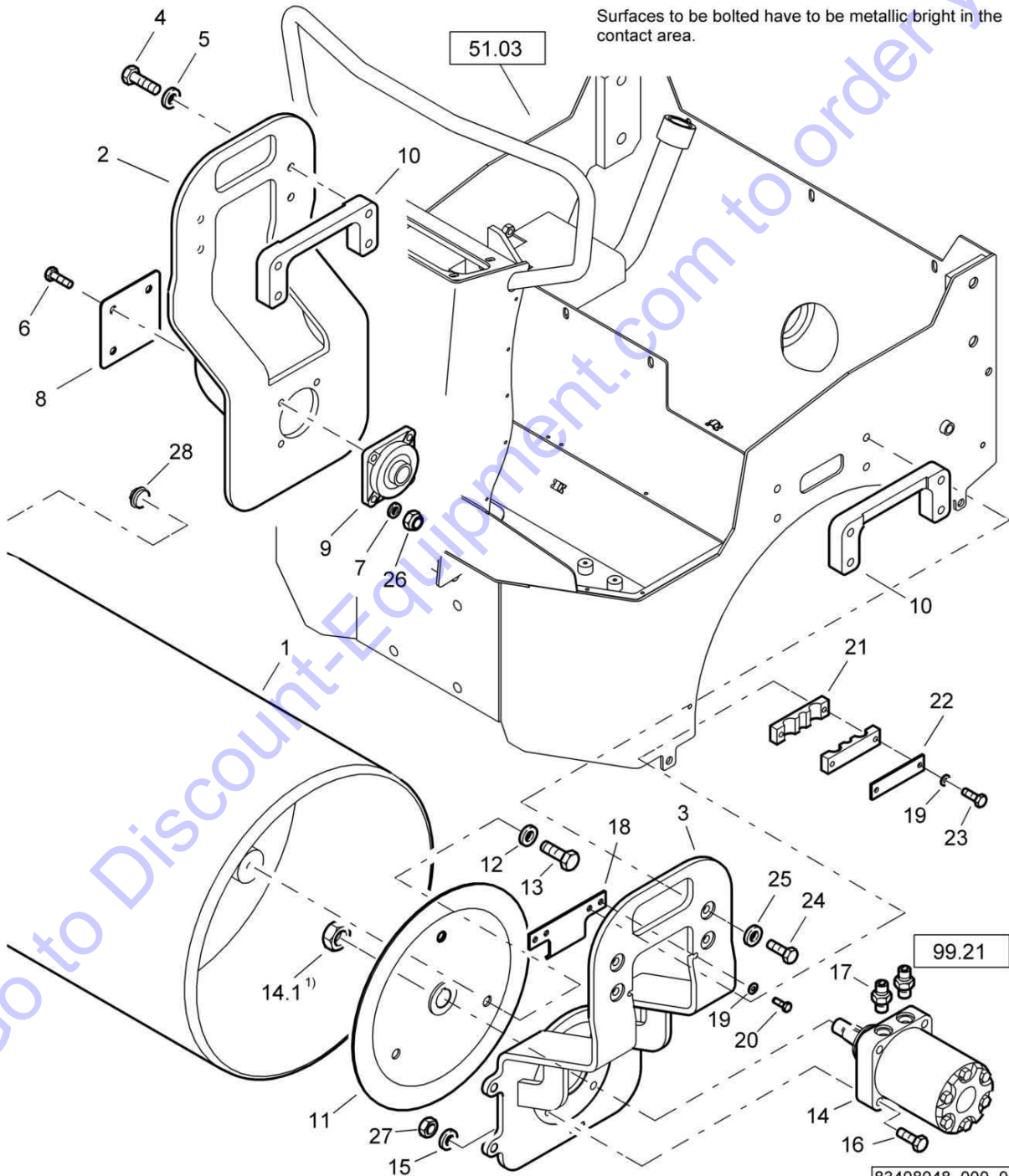
# 61.01

## Roller drum



1) Tightening torque 407 Nm - 542 Nm

Surfaces to be bolted have to be metallic bright in the contact area.



BW 900-50		
S/N 861834071001 ▶ S/N 861834071003		
Roller drum		<b>61.01</b>
		Page 1 / 1
	83408048 8061 1	

**Pos. Part no. Qty. Description**

1	83410462	1	Roller drum
2	83410471	1	Drum support
3	83410470	1	Drum support
4	07131225	4	Hexagon bolt
5	08752130	4	Spring washer
6	07141037	4	Hexagon bolt
7	08752106	4	Spring washer
8	83410534	1	Cover plate
9	05050332	1	Bearing
10	83410511	2	Spacer piece
11	83410763	1	Plate
12	08752170	3	Spring washer
13	07141633	3	Hexagon bolt
14	05050242	1	Travel motor
15	08752130	4	Spring washer
16	07131225	4	Hexagon bolt
17	05540151	2	Socket
18	83410664	1	Bracket
19	08752084	4	Spring washer
20	07140842	2	Hexagon bolt
21	83410665	1	Hose clamp
22	83410667	1	Plate
23	07140861	2	Hexagon bolt
24	07141238	4	Hexagon bolt
25	08752130	4	Spring washer
26	08131015	4	Safety nut
27	08131218	4	Safety nut
28	05558785	1	Plug
29	83410762	1	Flange
30	08511325	12	Washer
31	08131218	6	Safety nut
32	07141234	6	Hexagon bolt

Go to Discount Equipment.com to order your parts

	BW 900-50	S/N 861834072171 ▶
<b>61.07</b>	<b>Front Vibratory Drum</b>	
Page <b>1 / 2</b>		
<b>BOMAG</b> FAYAT GROUP	83408049_001_02	

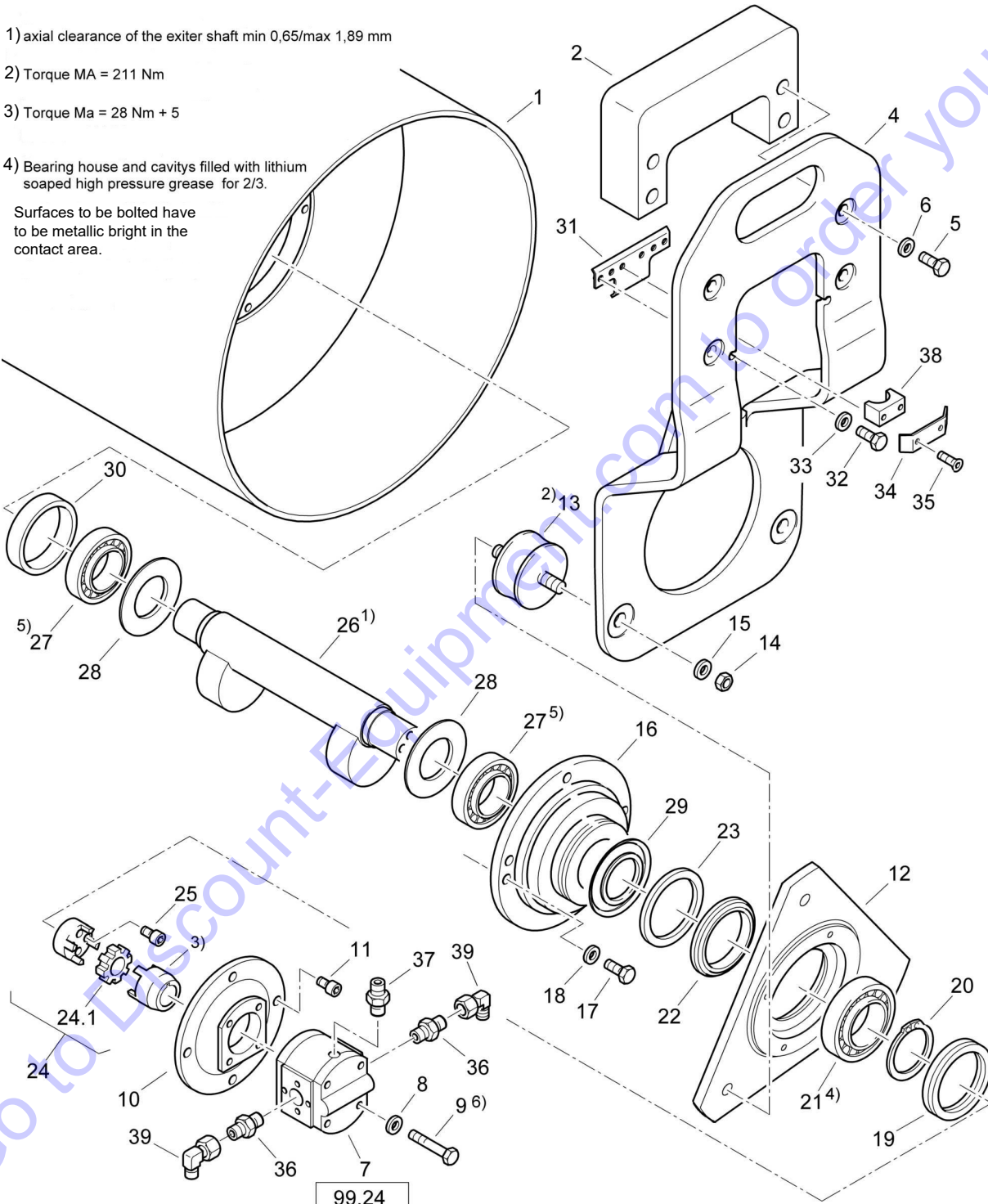
1) axial clearance of the exiter shaft min 0,65/max 1,89 mm

2) Torque MA = 211 Nm

3) Torque Ma = 28 Nm + 5

4) Bearing house and cavities filled with lithium soaped high pressure grease for 2/3.

Surfaces to be bolted have to be metallic bright in the contact area.



6) Tightening torque 25 Nm

5) ca. 15g lithium soaped high pressure grease filled in between the roll bodies and ca. 15 g in the intended grease chambers of the flanged bearing covers.

83408049\_001\_02



BW 900-50		
S/N 861834072171 ▶		
Front Vibratory Drum	<b>61.07</b>	
	Page <b>1 / 2</b>	
	83408049 8061 1 	

Pos.	Part no.	Qty.	Description
1	83410463	1	Roller drum
2	83410511	1	Spacer piece
4	83410469	1	Support
5	07141256	4	Hexagon bolt
6	08752130	4	Spring washer
7	05816296	1	Gear motor
8	08510817	2	Washer
9	07130848	2	Hexagon bolt
10	83411987	1	Flange
11	07230819	4	Socket-head cap screw
12	80010109	1	Flange
13	06118312	3	Rubber buffer
14	08111623	3	Hexagon nut
15	08752170	3	Spring washer
16	95800551	1	Flange,bearing
17	07141027	4	Hexagon bolt
18	08752106	4	Spring washer
19	06235285	1	V-ring
20	09214500	1	Circlip,external
21	05117017	1	Ball bearing,grooved
22	06235295	1	V-ring
23	05522910	1	Shim
24	05050393	1	Coupling
24.1	05615207	1	Coupling element
25	07230822	4	Socket-head cap screw
26	83410674	1	Exciter shaft
27	05222263	2	Cylinder roller bearing
28	80010161	2	Gasket
29	95800558	1	Gasket
30	06510273	1	Locking cap
31	83411099	1	Bracket
32	07140842	2	Hexagon bolt
33	08752084	2	Spring washer
34	83410825	1	Plate
35	07320825	2	Countersunk screw
36	05548033	2	Socket
37	05548073	1	Double-ended union
38	83410824	1	Hose clamp
39	05542125	2	Angular union

Go to [www.equipment.com](http://www.equipment.com) to order your parts

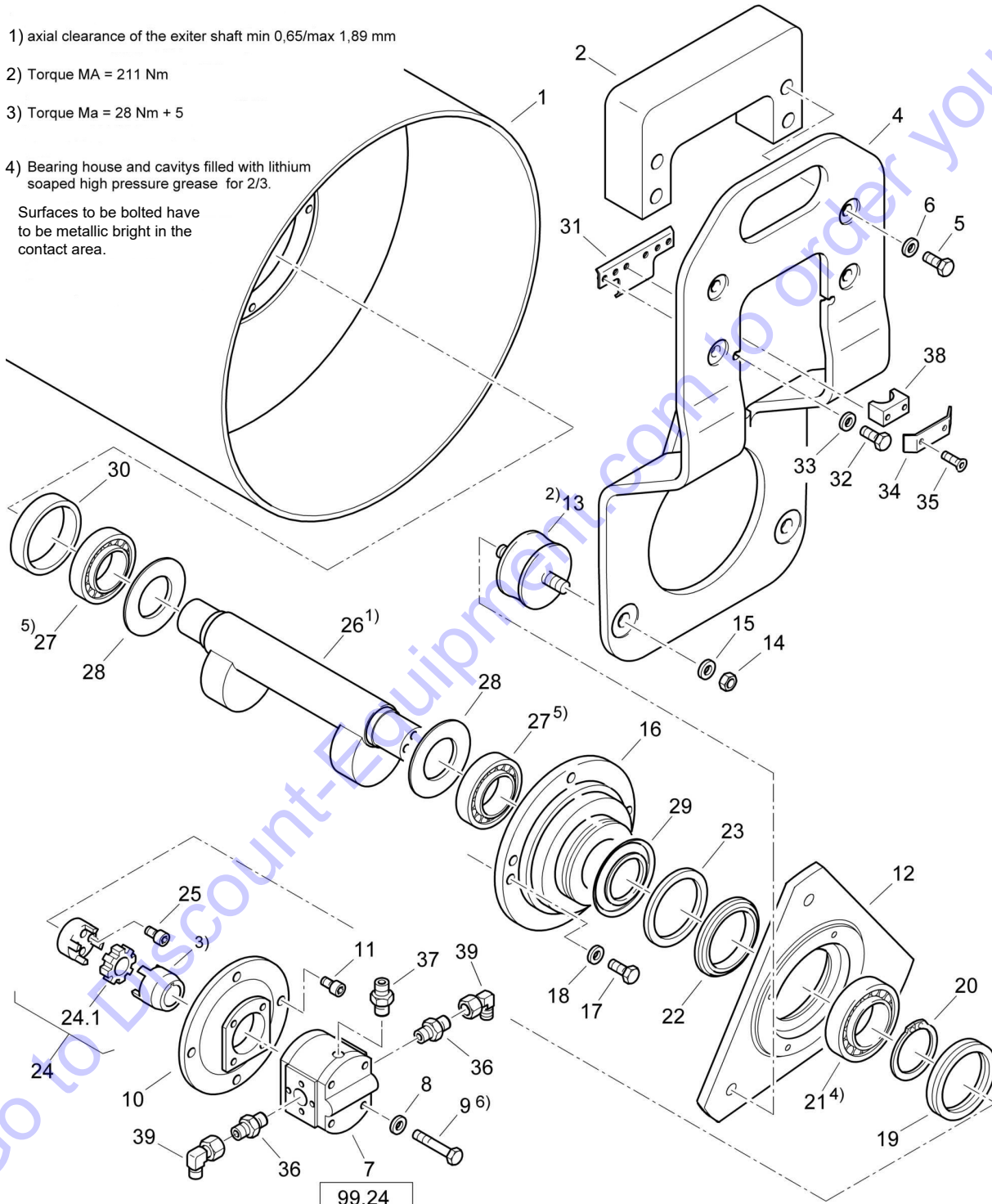
1) axial clearance of the exiter shaft min 0,65/max 1,89 mm

2) Torque MA = 211 Nm

3) Torque Ma = 28 Nm + 5


4) Bearing house and cavities filled with lithium soaped high pressure grease for 2/3.

Surfaces to be bolted have to be metallic bright in the contact area.



6) Tightening torque 25 Nm

5) ca. 15g lithium soaped high pressure grease filled in between the roll bodies and ca. 15 g in the intended grease chambers of the flanged bearing covers.

BW 900-50		
S/N 861834072119 ▶ S/N 861834072170		<b>61.07</b>
<b>Front Vibratory Drum</b>		Page <b>1 / 2</b>
		83408049 8061 1 

Pos.	Part no.	Qty.	Description
1	83410463	1	Roller drum
2	83410511	1	Spacer piece
4	83410469	1	Support
5	07141256	4	Hexagon bolt
6	08752130	4	Spring washer
7	05050340	1	Gear motor
8	08510817	2	Washer
9	07130848	2	Hexagon bolt
10	83410639	1	Flange
11	07230819	4	Socket-head cap screw
12	80010109	1	Flange
13	06118312	3	Rubber buffer
14	08111623	3	Hexagon nut
15	08752170	3	Spring washer
16	95800551	1	Flange,bearing
17	07141027	4	Hexagon bolt
18	08752106	4	Spring washer
19	06235285	1	V-ring
20	09214500	1	Circlip,external
21	05117017	1	Ball bearing,grooved
22	06235295	1	V-ring
23	05522910	1	Shim
24	05050393	1	Coupling
24.1	05615207	1	Coupling element
25	07230822	4	Socket-head cap screw
26	83410674	1	Exciter shaft
27	05222263	2	Cylinder roller bearing
28	80010161	2	Gasket
29	95800558	1	Gasket
30	06510273	1	Locking cap
31	83411099	1	Bracket
32	07140842	2	Hexagon bolt
33	08752084	2	Spring washer
34	83410825	1	Plate
35	07320825	2	Countersunk screw
36	05548033	2	Socket
37	05548073	1	Double-ended union
38	83410824	1	Hose clamp
39	05542125	2	Angular union

Go to [www.equipment.com](http://www.equipment.com) to order your parts

BW 900-50		S/N 861834071990 ▶ S/N 861834072118
<b>61.07</b>	<b>Front Vibratory Drum</b>	
	Page <b>1 / 2</b>	
<b>BOMAG</b> FAYAT GROUP	83408049_001_02	

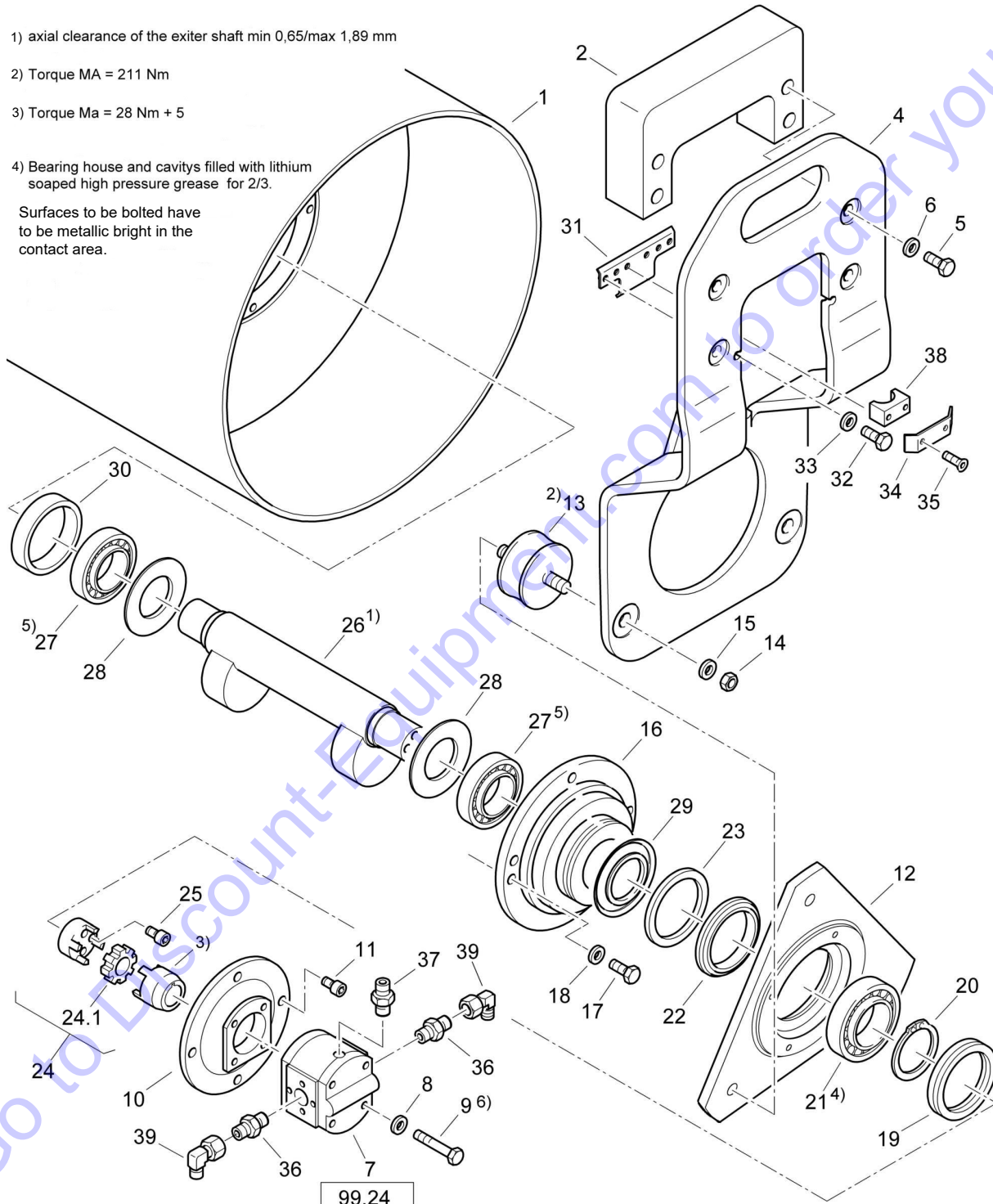
1) axial clearance of the exiter shaft min 0,65/max 1,89 mm

2) Torque MA = 211 Nm

3) Torque Ma = 28 Nm + 5

4) Bearing house and cavities filled with lithium soaped high pressure grease for 2/3.


Surfaces to be bolted have to be metallic bright in the contact area.



6) Tightening torque 25 Nm

5) ca. 15g lithium soaped high pressure grease filled in between the roll bodies and ca. 15 g in the intended grease chambers of the flanged bearing covers.

83408049\_001\_02

BW 900-50		
S/N 861834071990 ▶ S/N 861834072118		
Front Vibratory Drum		<b>61.07</b>
		Page <b>1 / 2</b>
		
		83408049 8061 1

Pos.	Part no.	Qty.	Description
1	83410463	1	Roller drum
2	83410511	1	Spacer piece
4	83410469	1	Support
5	07141256	4	Hexagon bolt
6	08752130	4	Spring washer
7	05050340	1	Gear motor
8	08510817	2	Washer
9	07130848	2	Hexagon bolt
10	83410639	1	Flange
11	07230819	4	Socket-head cap screw
12	80010109	1	Flange
13	06118312L	3	Rubber buffer
14	08111623	3	Hexagon nut
15	08752170	3	Spring washer
16	95800551	1	Flange,bearing
17	07141027	4	Hexagon bolt
18	08752106	4	Spring washer
19	06235285	1	V-ring
20	09214500	1	Circlip,external
21	05117017	1	Ball bearing,grooved
22	06235295	1	V-ring
23	05522910	1	Shim
24	05050393	1	Coupling
24.1	05615207	1	Coupling element
25	07230822	4	Socket-head cap screw
26	83410674	1	Exciter shaft
27	05222263	2	Cylinder roller bearing
28	80010161	2	Gasket
29	95800558	1	Gasket
30	06510273	1	Locking cap
31	83411099	1	Bracket
32	07140842	2	Hexagon bolt
33	08752084	2	Spring washer
34	83410825	1	Plate
35	07320825	2	Countersunk screw
36	05548033	2	Socket
37	05548073	1	Double-ended union
38	83410824	1	Hose clamp
39	05542125	2	Angular union

Go to [www.bomag-equipment.com](http://www.bomag-equipment.com) to order your parts

BW 900-50	
<b>61.07</b>	S/N 861834071840 ▶ S/N 861834071989
	<b>Front Vibratory Drum</b>
Page <b>1 / 2</b>	
<b>BOMAG</b> FAYAT GROUP	83408049_001_02

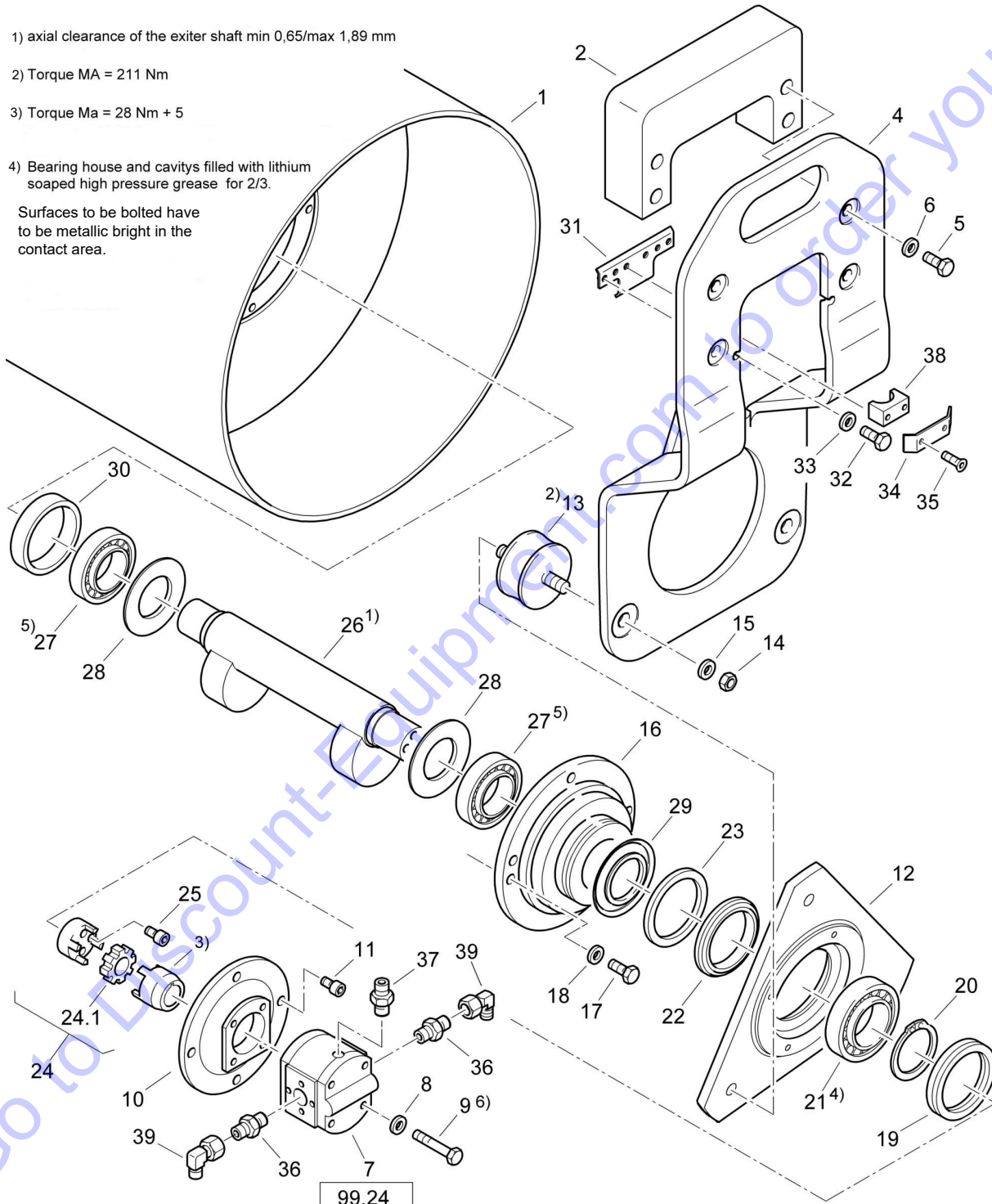
1) axial clearance of the exiter shaft min 0,65/max 1,89 mm

2) Torque MA = 211 Nm

3) Torque Ma = 28 Nm + 5

4) Bearing house and cavities filled with lithium soaped high pressure grease for 2/3.


Surfaces to be bolted have to be metallic bright in the contact area.



6) Tightening torque 25 Nm

5) ca. 15g lithium soaped high pressure grease filled in between the roll bodies and ca. 15 g in the intended grease chambers of the flanged bearing covers.

83408049\_001\_02

BW 900-50		
S/N 861834071840 ▶ S/N 861834071989		
Front Vibratory Drum		<b>61.07</b>
		Page <b>1 / 2</b>
		

83408049 8061 1

Pos.	Part no.	Qty.	Description
1	83410463	1	Roller drum
2	83410511	1	Spacer piece
4	83410469	1	Support
5	07141256	4	Hexagon bolt
6	08752130	4	Spring washer
7	05050340	1	Gear motor
8	08510817	2	Washer
9	07130848	2	Hexagon bolt
10	83410639	1	Flange
11	07230819	4	Socket-head cap screw
12	80010109	1	Flange
13	06118312	3	Rubber buffer
14	08111623	3	Hexagon nut
15	08752170	3	Spring washer
16	95800551	1	Flange,bearing
17	07141027	4	Hexagon bolt
18	08752106	4	Spring washer
19	06235285	1	V-ring
20	09214500	1	Circlip,external
21	05117017	1	Ball bearing,grooved
22	06235295	1	V-ring
23	05522910	1	Shim
24	05050393	1	Coupling
24.1	05615207	1	Coupling element
25	07230822	4	Socket-head cap screw
26	83410674	1	Exciter shaft
27	05222263	2	Cylinder roller bearing
28	80010161	2	Gasket
29	95800558	1	Gasket
30	06510273	1	Locking cap
31	83411099	1	Bracket
32	07140842	2	Hexagon bolt
33	08752084	2	Spring washer
34	83410825	1	Plate
35	07320825	2	Countersunk screw
36	05548033	2	Socket
37	05548073	1	Double-ended union
38	83410824	1	Hose clamp
39	05542125	2	Angular union

Go to [www.equipment.com](http://www.equipment.com) to order your parts

BW 900-50	
<b>61.07</b>	S/N 861834071737 ▶ S/N 861834071839
	<b>Front Vibratory Drum</b>
Page <b>1 / 2</b>	
<b>BOMAG</b> FAYAT GROUP	83408049_001_02

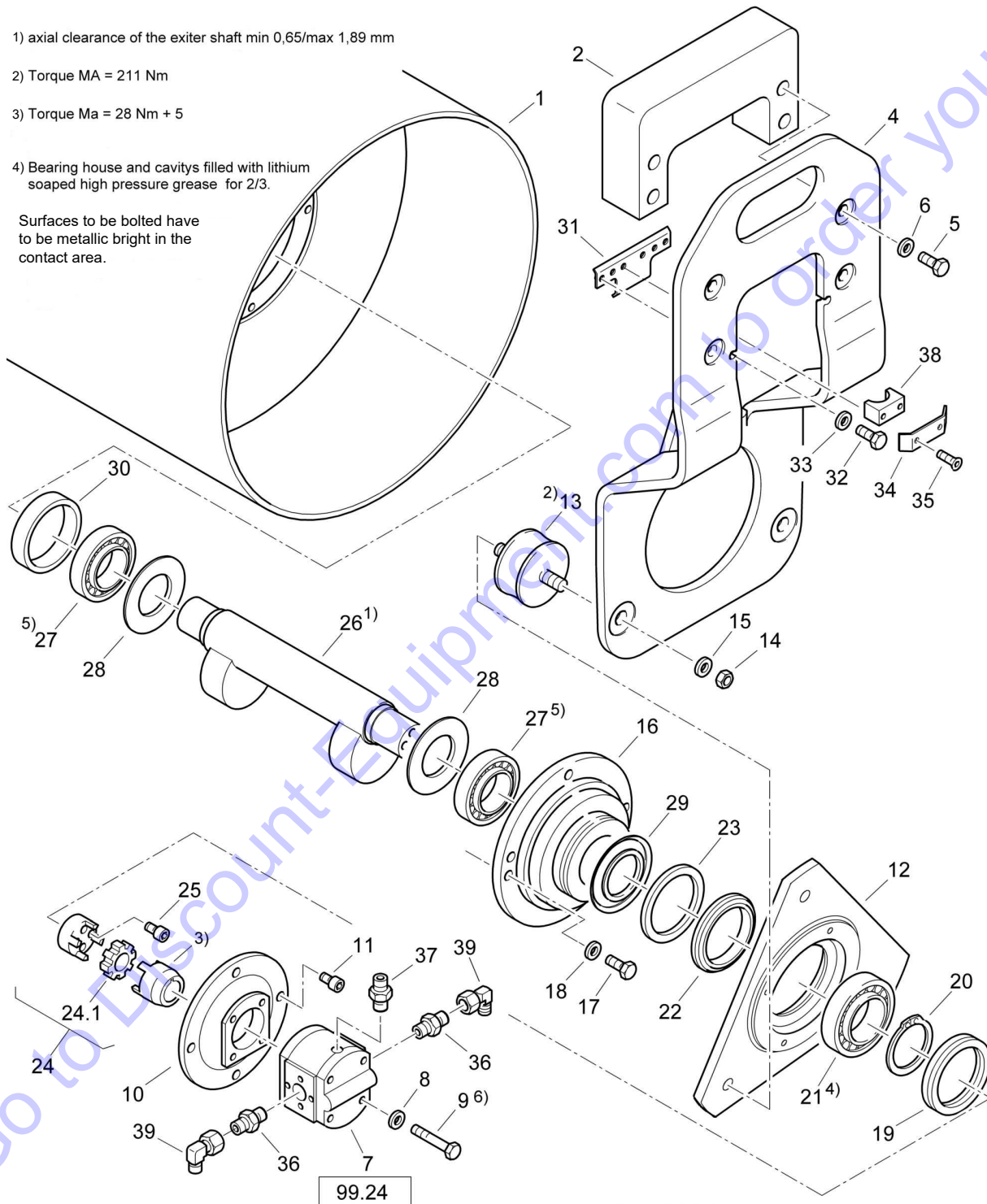
1) axial clearance of the exiter shaft min 0,65/max 1,89 mm

2) Torque MA = 211 Nm

3) Torque Ma = 28 Nm + 5

4) Bearing house and cavities filled with lithium soaped high pressure grease for 2/3.

Surfaces to be bolted have to be metallic bright in the contact area.




6) Tightening torque 25 Nm

5) ca. 15g lithium soaped high pressure grease filled in between the roll bodies and ca. 15 g in the intended grease chambers of the flanged bearing covers.

83408049\_001\_02



BW 900-50		
S/N 861834071737 ▶ S/N 861834071839		
Front Vibratory Drum		<b>61.07</b>
		Page <b>1 / 2</b>
		83408049 8061 1 

Pos.	Part no.	Qty.	Description
1	83410463	1	Roller drum
2	83410511	1	Spacer piece
4	83410469	1	Support
5	07141256	4	Hexagon bolt
6	08752130	4	Spring washer
7	05050340	1	Gear motor
8	08510817	2	Washer
9	07130848	2	Hexagon bolt
10	83410639	1	Flange
11	07230819	4	Socket-head cap screw
12	80010109	1	Flange
13	06118312	3	Rubber buffer
14	08111623	3	Hexagon nut
15	08752170	3	Spring washer
16	95800551	1	Flange,bearing
17	07141027	4	Hexagon bolt
18	08752106	4	Spring washer
19	06235285	1	V-ring
20	09214500	1	Circlip,external
21	05117017	1	Ball bearing,grooved
22	06235295	1	V-ring
23	05522910	1	Shim
24	05050393	1	Coupling
24.1	05615207	1	Coupling element
25	07230822	4	Socket-head cap screw
26	83410674	1	Exciter shaft
27	05222263L	2	Cylinder roller bearing
28	80010161	2	Gasket
29	95800558	1	Gasket
30	06510273	1	Locking cap
31	83411099	1	Bracket
32	07140842	2	Hexagon bolt
33	08752084	2	Spring washer
34	83410825	1	Plate
35	07320825	2	Countersunk screw
36	05548033	2	Socket
37	05548073	1	Double-ended union
38	83410824	1	Hose clamp
39	05542125	2	Angular union

Go to [www.equipment.com](http://www.equipment.com) to order your parts

BW 900-50	
<b>61.07</b>	S/N 861834071248 ▶ S/N 861834071736
	<b>Front Vibratory Drum</b>
Page <b>1 / 2</b>	
<b>BOMAG</b> FAYAT GROUP	83408049_001_02

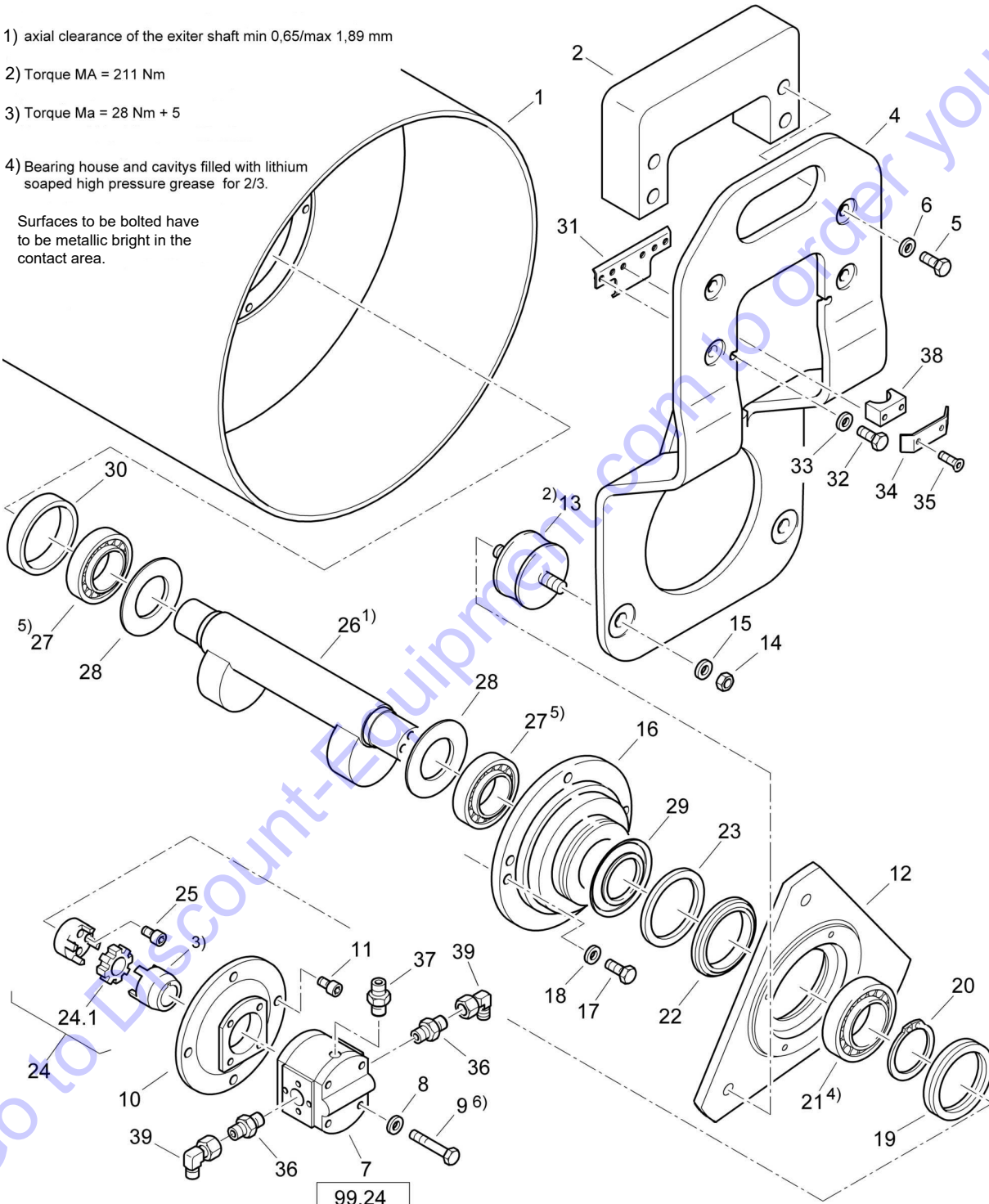
1) axial clearance of the exiter shaft min 0,65/max 1,89 mm

2) Torque MA = 211 Nm

3) Torque Ma = 28 Nm + 5

4) Bearing house and cavities filled with lithium soaped high pressure grease for 2/3.


Surfaces to be bolted have to be metallic bright in the contact area.



6) Tightening torque 25 Nm

5) ca. 15g lithium soaped high pressure grease filled in between the roll bodies and ca. 15 g in the intended grease chambers of the flanged bearing covers.

83408049\_001\_02

BW 900-50		
S/N 861834071248 ▶ S/N 861834071736		<b>61.07</b>
<b>Front Vibratory Drum</b>		Page <b>1 / 2</b>
		83408049 8061 1 

Pos.	Part no.	Qty.	Description
1	83410463	1	Roller drum
2	83410511	1	Spacer piece
4	83410469	1	Support
5	07141256	4	Hexagon bolt
6	08752130	4	Spring washer
7	05050340	1	Gear motor
8	08510817	2	Washer
9	07130848	2	Hexagon bolt
10	83410639	1	Flange
11	07230819	4	Socket-head cap screw
12	80010109	1	Flange
13	06118312	3	Rubber buffer
14	08111623	3	Hexagon nut
15	08752170	3	Spring washer
16	95800551	1	Flange,bearing
17	07141027	4	Hexagon bolt
18	08752106	4	Spring washer
19	06235285	1	V-ring
20	09214500	1	Circlip,external
21	05117017	1	Ball bearing,grooved
22	06235295	1	V-ring
23	05522910	1	Shim
24	05050393	1	Coupling
24.1	05615207	1	Coupling element
25	07230822	4	Socket-head cap screw
26	83410674	1	Exciter shaft
27	05222263	2	Cylinder roller bearing
28	80010161	2	Gasket
29	95800558	1	Gasket
30	06510273	1	Locking cap
31	83411099	1	Bracket
32	07140842	2	Hexagon bolt
33	08752084	2	Spring washer
34	83410825	1	Plate
35	07320825	2	Countersunk screw
36	05548033	2	Socket
37	05548073	1	Double-ended union
38	83410824	1	Hose clamp
39	05542125	2	Angular union

Go to [www.equipment.com](http://www.equipment.com) to order your parts

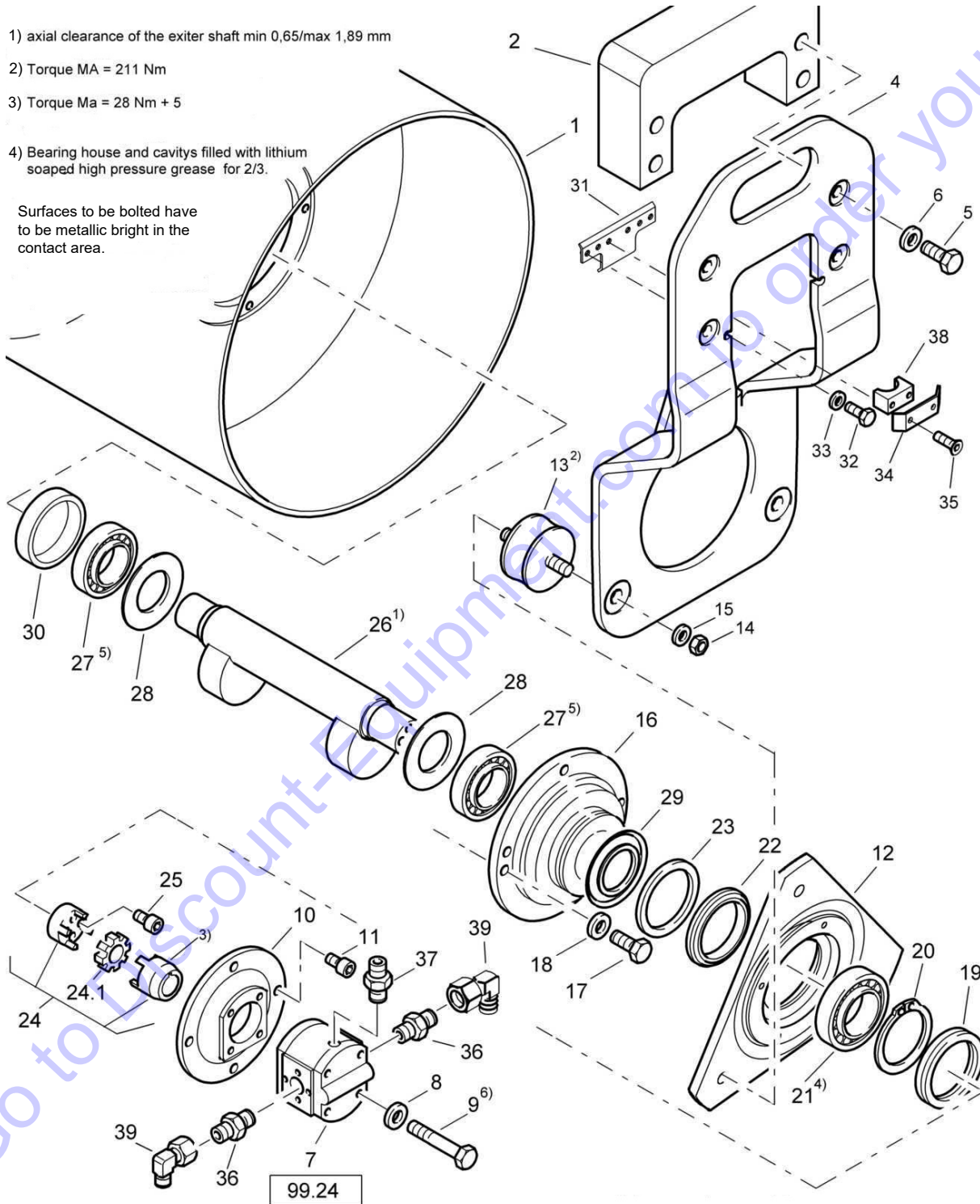
1) axial clearance of the exiter shaft min 0,65/max 1,89 mm

2) Torque MA = 211 Nm

3) Torque Ma = 28 Nm + 5


4) Bearing house and cavities filled with lithium soaped high pressure grease for 2/3.

Surfaces to be bolted have to be metallic bright in the contact area.



6) Tightening torque 50 +10 Nm

5) ca. 15g lithium soaped high pressure grease filled in between the roll bodies and ca. 15 g in the intended grease chambers of the flanged bearing covers.

BW 900-50		
S/N 861834071005 ▶ S/N 861834071247		
Front Vibratory Drum	<b>61.07</b>	
	Page <b>1 / 2</b>	
	83408049 8061 1 	

Pos.	Part no.	Qty.	Description
1	83410463	1	Roller drum
2	83410511	1	Spacer piece
4	83410469	1	Support
5	07141256	4	Hexagon bolt
6	08752130	4	Spring washer
7	05050340	1	Gear motor
8	08510817	2	Washer
9	07130848	2	Hexagon bolt
10	83410639	1	Flange
11	07230819	4	Socket-head cap screw
12	80010109	1	Flange
13	06118312	3	Rubber buffer
14	08111623	3	Hexagon nut
15	08752170	3	Spring washer
16	95800551	1	Flange,bearing
17	07141027	4	Hexagon bolt
18	08752106	4	Spring washer
19	06235285	1	V-ring
20	09214500	1	Circlip,external
21	05117017	1	Ball bearing,grooved
22	06235295	1	V-ring
23	05522910	1	Shim
24	05050393	1	Coupling
24.1	05615207	1	Coupling element
25	07230822	4	Socket-head cap screw
26	83410674	1	Exciter shaft
27	05222263	2	Cylinder roller bearing
28	80010161	2	Gasket
29	95800558	1	Gasket
30	06510273	1	Locking cap
31	83411099	1	Bracket
32	07140842	2	Hexagon bolt
33	08752084	2	Spring washer
34	83410825	1	Plate
35	07320825	2	Countersunk screw
36	05548033	2	Socket
37	05548073	1	Double-ended union
38	83410824	1	Hose clamp
39	05542125	2	Angular union

Go to [www.bombardier.com](http://www.bombardier.com) to order your parts

BW 900-50	
<b>61.07</b>	S/N 861834071004 ▶ S/N 861834071004
	<b>Front Vibratory Drum</b>
Page <b>1 / 2</b>	
<b>BOMAG</b> FAYAT GROUP	83408049_001_01

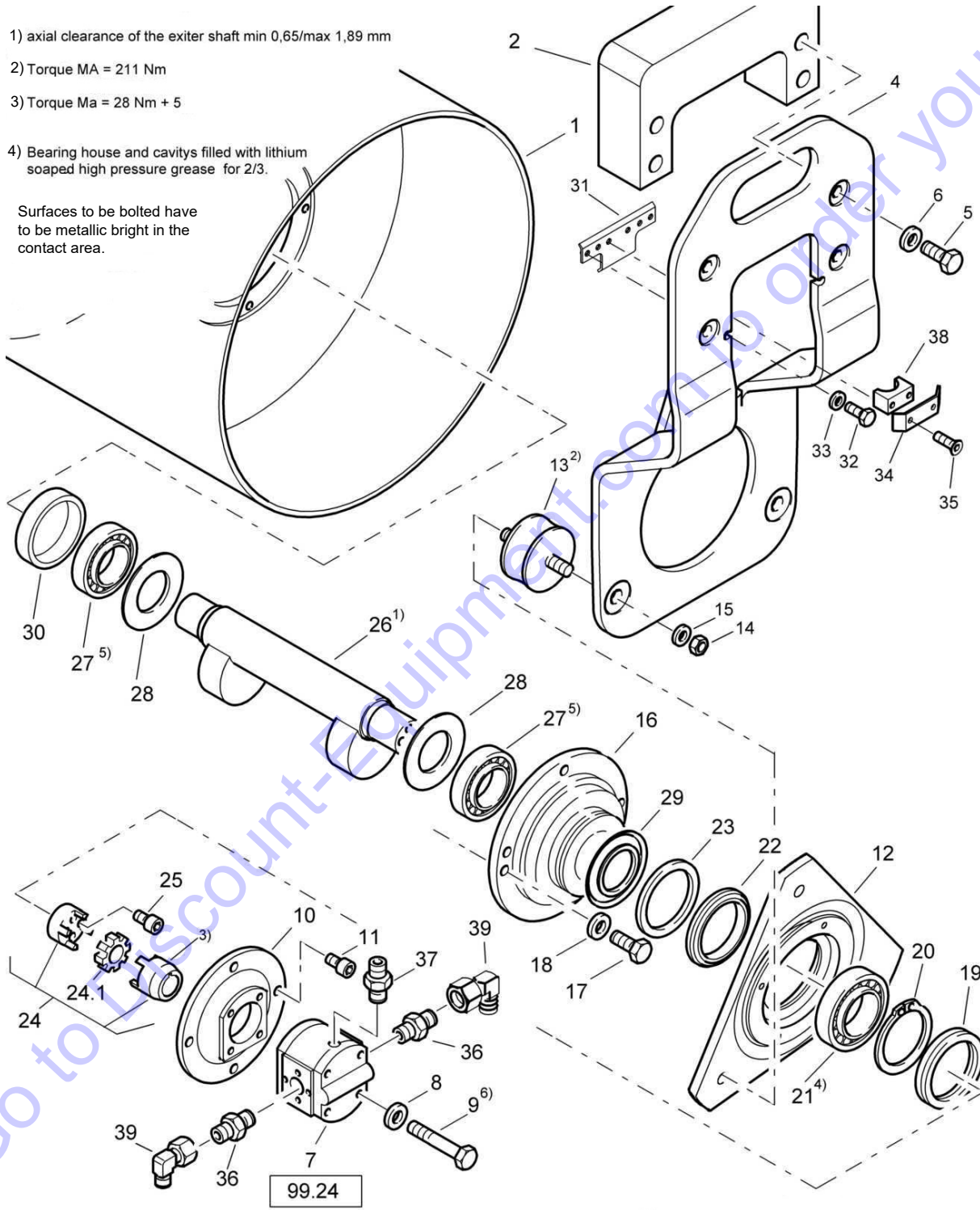
1) axial clearance of the exiter shaft min 0,65/max 1,89 mm

2) Torque MA = 211 Nm

3) Torque Ma = 28 Nm + 5

4) Bearing house and cavities filled with lithium soaped high pressure grease for 2/3.

Surfaces to be bolted have to be metallic bright in the contact area.



6) Tightening torque 50 <sup>+10</sup>Nm

5) ca. 15g lithium soaped high pressure grease filled in between the roll bodies and ca. 15 g in the intended grease chambers of the flanged bearing covers.

83408049\_001\_01

BW 900-50		
S/N 861834071004 ▶ S/N 861834071004		<b>61.07</b>
<b>Front Vibratory Drum</b>		Page <b>1 / 2</b>
		83408049 8061 1 

Pos.	Part no.	Qty.	Description
1	83410463	1	Roller drum
2	83410511	1	Spacer piece
4	83410469	1	Support
5	07141225	4	Hexagon bolt
6	08752130	4	Spring washer
7	05050340	1	Gear motor
8	08510817	2	Washer
9	07130857	2	Hexagon bolt
10	83410639	1	Flange
11	07230819	4	Socket-head cap screw
12	80010109	1	Flange
13	06118312	3	Rubber buffer
14	08111623	3	Hexagon nut
15	08752170	3	Spring washer
16	95800551	1	Flange,bearing
17	07141027	4	Hexagon bolt
18	08752106	4	Spring washer
19	06235285	1	V-ring
20	09214500	1	Circlip,external
21	05117017	1	Ball bearing,grooved
22	06235295	1	V-ring
23	05522910	1	Shim
24	05050393	1	Coupling
24.1	05615207	1	Coupling element
25	07230822	4	Socket-head cap screw
26	83410674	1	Exciter shaft
27	05222263	2	Cylinder roller bearing
28	80010161	2	Gasket
29	95800558	1	Gasket
30	06510273	1	Locking cap
31	83410823	1	Bracket
32	07140842	2	Hexagon bolt
33	08752084	4	Spring washer
34	83410825	1	Plate
35	07140861	2	Hexagon bolt
36	05548033	2	Socket
37	05548073	1	Double-ended union
38	83410824	1	Hose clamp

Go to [www.equipment.com](http://www.equipment.com) to order your parts

	BW 900-50	S/N 861834071001 ▶ S/N 861834071003
<b>61.07</b>	<b>Front Vibratory Drum</b>	
Page <b>1 / 2</b>		
<b>BOMAG</b> FAYAT GROUP	83408049_001_01	

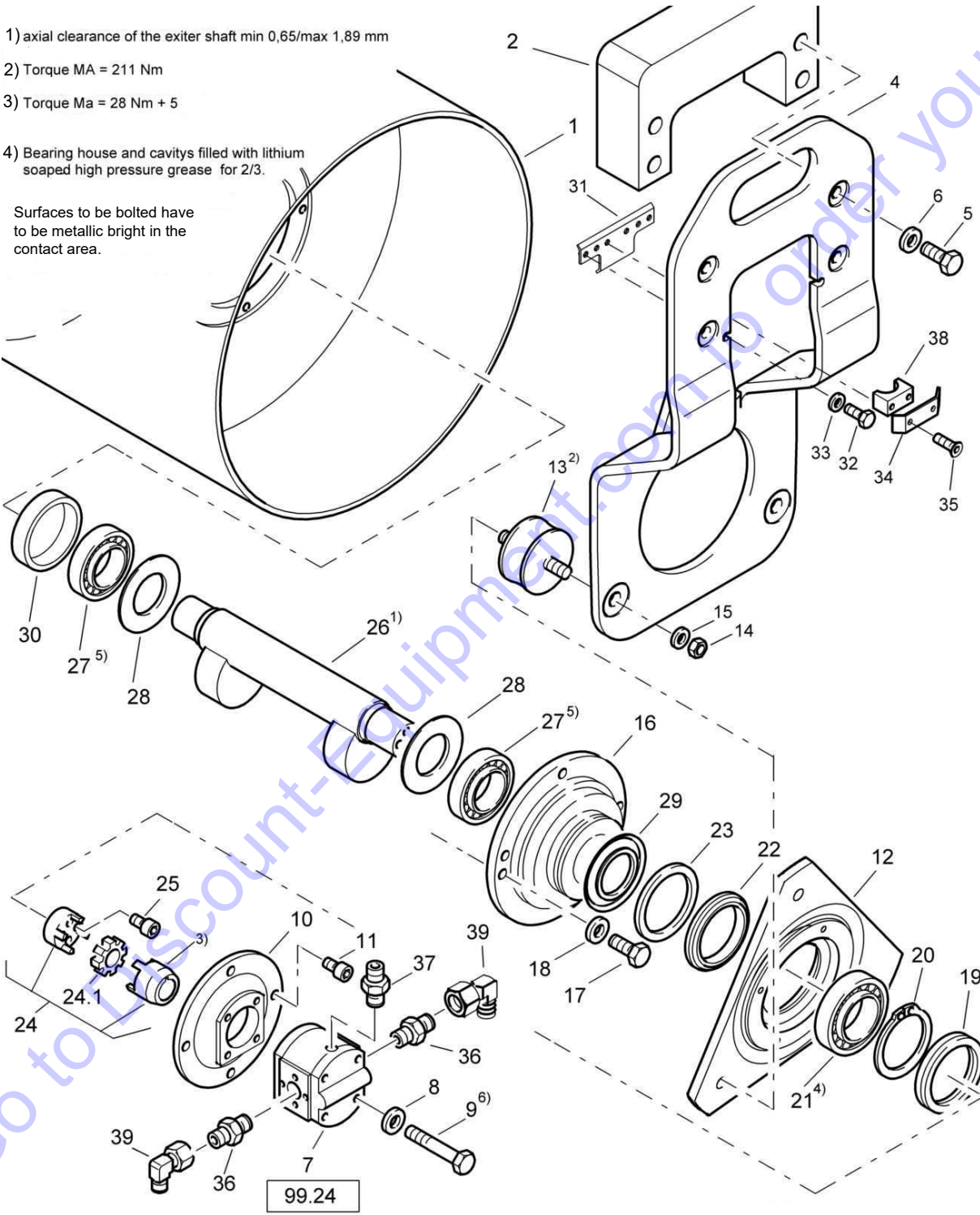
1) axial clearance of the exiter shaft min 0,65/max 1,89 mm

2) Torque MA = 211 Nm

3) Torque Ma = 28 Nm + 5

4) Bearing house and cavities filled with lithium soaped high pressure grease for 2/3.

Surfaces to be bolted have to be metallic bright in the contact area.



6) Tightening torque 50 <sup>+10</sup>Nm

5) ca. 15g lithium soaped high pressure grease filled in between the roll bodies and ca. 15 g in the intended grease chambers of the flanged bearing covers.

83408049\_001\_01

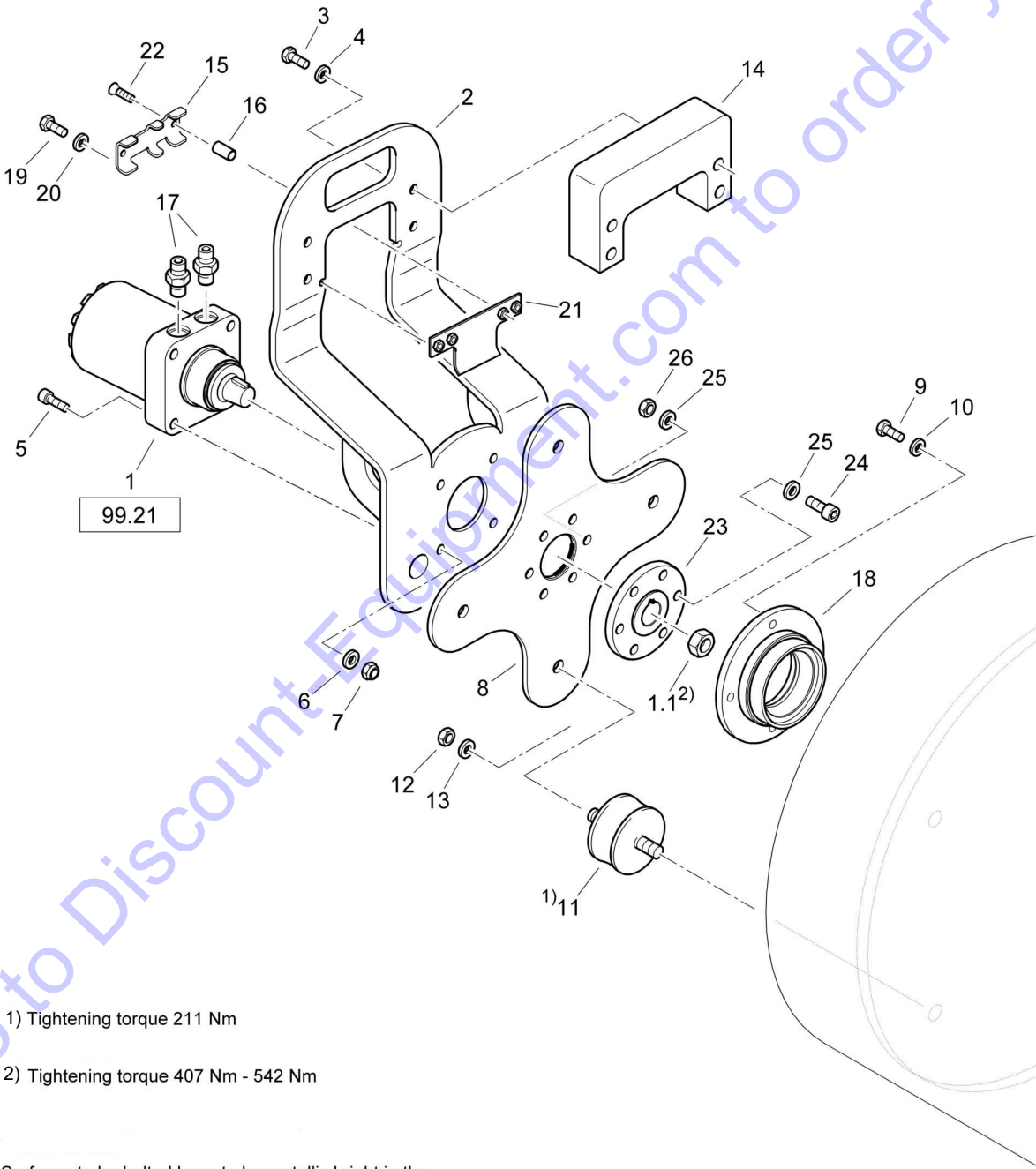


BW 900-50		
S/N 861834071001 ▶ S/N 861834071003		
Front Vibratory Drum		<b>61.07</b>
		Page <b>1 / 2</b>
83408049 8061 1		

Pos.	Part no.	Qty.	Description
1	83410463	1	Roller drum
2	83410511	1	Spacer piece
4	83410469	1	Support
5	07141225	4	Hexagon bolt
6	08752130	4	Spring washer
7	05050340	1	Gear motor
8	08510817	2	Washer
9	07130857	2	Hexagon bolt
10	83410639	1	Flange
11	07230819	4	Socket-head cap screw
12	80010109	1	Flange
13	06118312	3	Rubber buffer
14	08111623	3	Hexagon nut
15	08752170	3	Spring washer
16	95800551	1	Flange,bearing
17	07141027	4	Hexagon bolt
18	08752106	4	Spring washer
19	06235285	1	V-ring
20	09214500	1	Circlip,external
21	05117017	1	Ball bearing,grooved
22	06235295	1	V-ring
23	05522910	1	Shim
24	05050393	1	Coupling
24.1	05615207	1	Coupling element
25	07230822	4	Socket-head cap screw
26	83410674	1	Exciter shaft
27	05222263	2	Cylinder roller bearing
28	80010161	2	Gasket
29	95800558	1	Gasket
30	06510273	1	Locking cap
31	83410664	1	Bracket
32	07140842	2	Hexagon bolt
33	08752084	4	Spring washer
34	83410667	1	Plate
35	07140861	2	Hexagon bolt
36	05548033	2	Socket
37	05548073	1	Double-ended union
38	83410666	1	Hose clamp

Go to [www.equipment.com](http://www.equipment.com) to order your parts


	BW 900-50	
<b>61.07</b>		S/N 861834072476 ▶
Page <b>2 / 2</b>	<b>Front Vibratory Drum</b>	
<b>BOMAG</b> FAYAT GROUP		83408049_002_03



1) Tightening torque 211 Nm

2) Tightening torque 407 Nm - 542 Nm

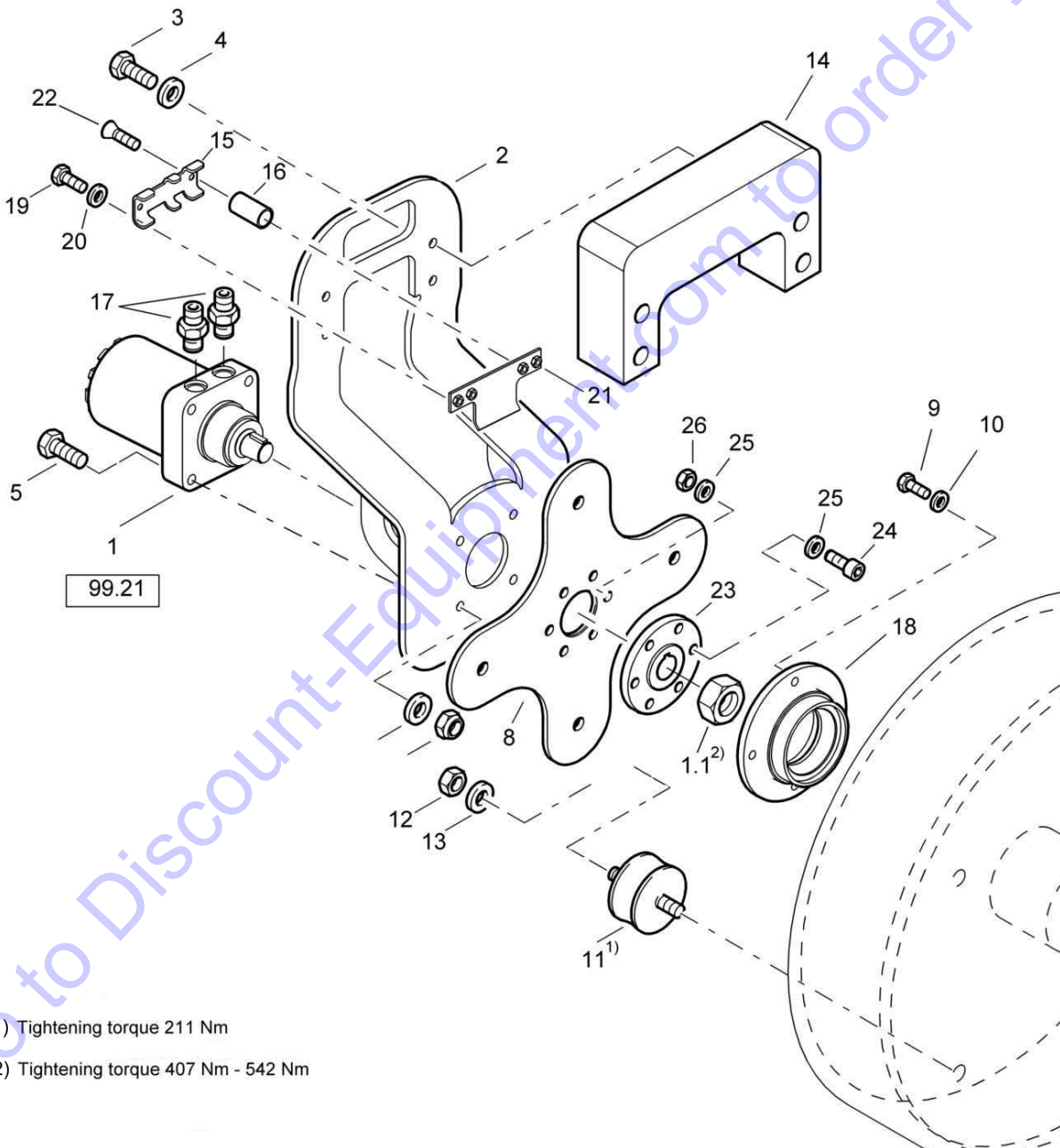
Surfaces to be bolted have to be metallic bright in the contact area.

BW 900-50		
S/N 861834072476 ▶		
Front Vibratory Drum	<b>61.07</b>	
	Page <b>2 / 2</b>	
	83408049 8061 1 	

Pos.	Part no.	Qty.	Description
1	05050242	1	Travel motor
2	83410468	1	Support
3	07141256	4	Hexagon bolt
4	08752130	4	Spring washer
5	07231239	4	Socket-head cap screw
6	08752130	4	Spring washer
7	08131218	4	Safety nut
8	83412056	1	Plate
9	07141027	4	Hexagon bolt
10	08752106	4	Spring washer
11	06118312	4	Rubber buffer
12	08111623	4	Hexagon nut
13	08752170	4	Spring washer
14	83410511	1	Spacer piece
15	83410822	1	Clamp
16	49040301	2	Tube
17	05540151	2	Socket
18	83410551	1	Flange
19	07140842	2	Hexagon bolt
20	08752084	2	Spring washer
21	83411099	1	Bracket
22	07320825	2	Countersunk screw
23	83412050	1	Flange
24	07141243	6	Hexagon bolt
25	08511325	12	Washer
26	08111218	6	Hexagon nut


Go to Discount-Equipment.com to order your parts

	BW 900-50	S/N 861834072143 ▶ S/N 861834072475
<b>61.07</b>	<b>Front Vibratory Drum</b>	
Page <b>2 / 2</b>		
<b>BOMAG</b> FAYAT GROUP	83408049_002_02	



- 1) Tightening torque 211 Nm
- 2) Tightening torque 407 Nm - 542 Nm

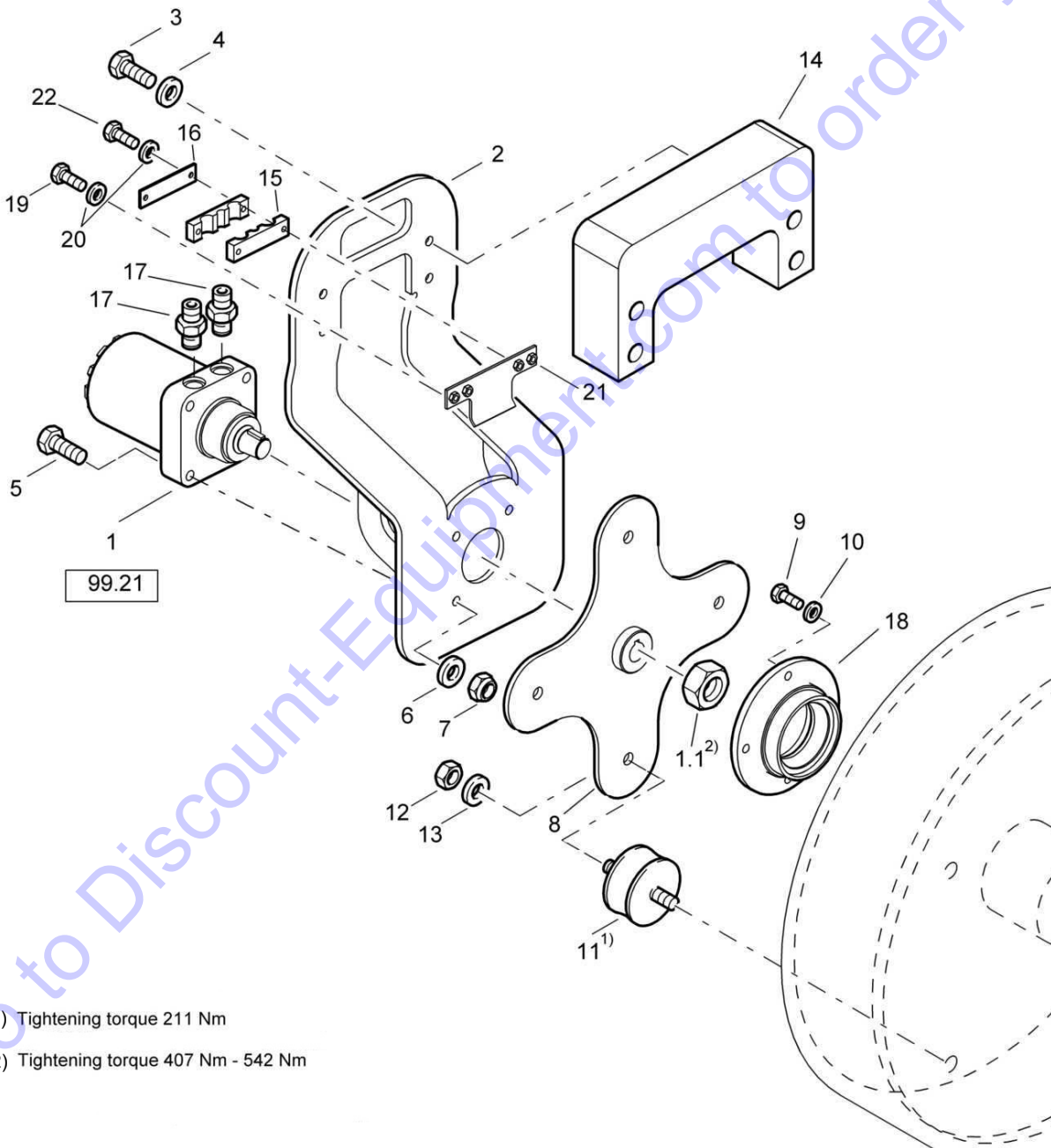
Surfaces to be bolted have to be metallic bright in the contact area.

BW 900-50		
S/N 861834072143 ▶ S/N 861834072475		<b>61.07</b>
Front Vibratory Drum		Page 2 / 2 Seite 2 / 2
83408049 8061 1		

Pos.	Part no.	Qty.	Description
1	05050242	1	Travel motor
2	83410468	1	Support
3	07141256	4	Hexagon bolt
4	08752130	4	Spring washer
5	07131229	4	Hexagon bolt
6	08752130	4	Spring washer
7	08131218	4	Safety nut
8	83412056	1	Plate
9	07141027	4	Hexagon bolt
10	08752106	4	Spring washer
11	06118312	4	Rubber buffer
12	08111623	4	Hexagon nut
13	08752170	4	Spring washer
14	83410511	1	Spacer piece
15	83410822	1	Clamp
16	49040301	2	Tube
17	05540151	2	Socket
18	83410551	1	Flange
19	07140842	2	Hexagon bolt
20	08752084	2	Spring washer
21	83411099	1	Bracket
22	07320825	2	Countersunk screw
23	83412050	1	Flange
24	07141243	6	Hexagon bolt
25	08511325	12	Washer
26	08111218	6	Hexagon nut


Go to Discount-Equipment.com to order your parts

	BW 900-50	S/N 861834072119 ▶ S/N 861834072142
<b>61.07</b>	<b>Front Vibratory Drum</b>	
Page <b>2 / 2</b>		
<b>BOMAG</b> FAYAT GROUP	83408049_002_00	



- 1) Tightening torque 211 Nm
- 2) Tightening torque 407 Nm - 542 Nm

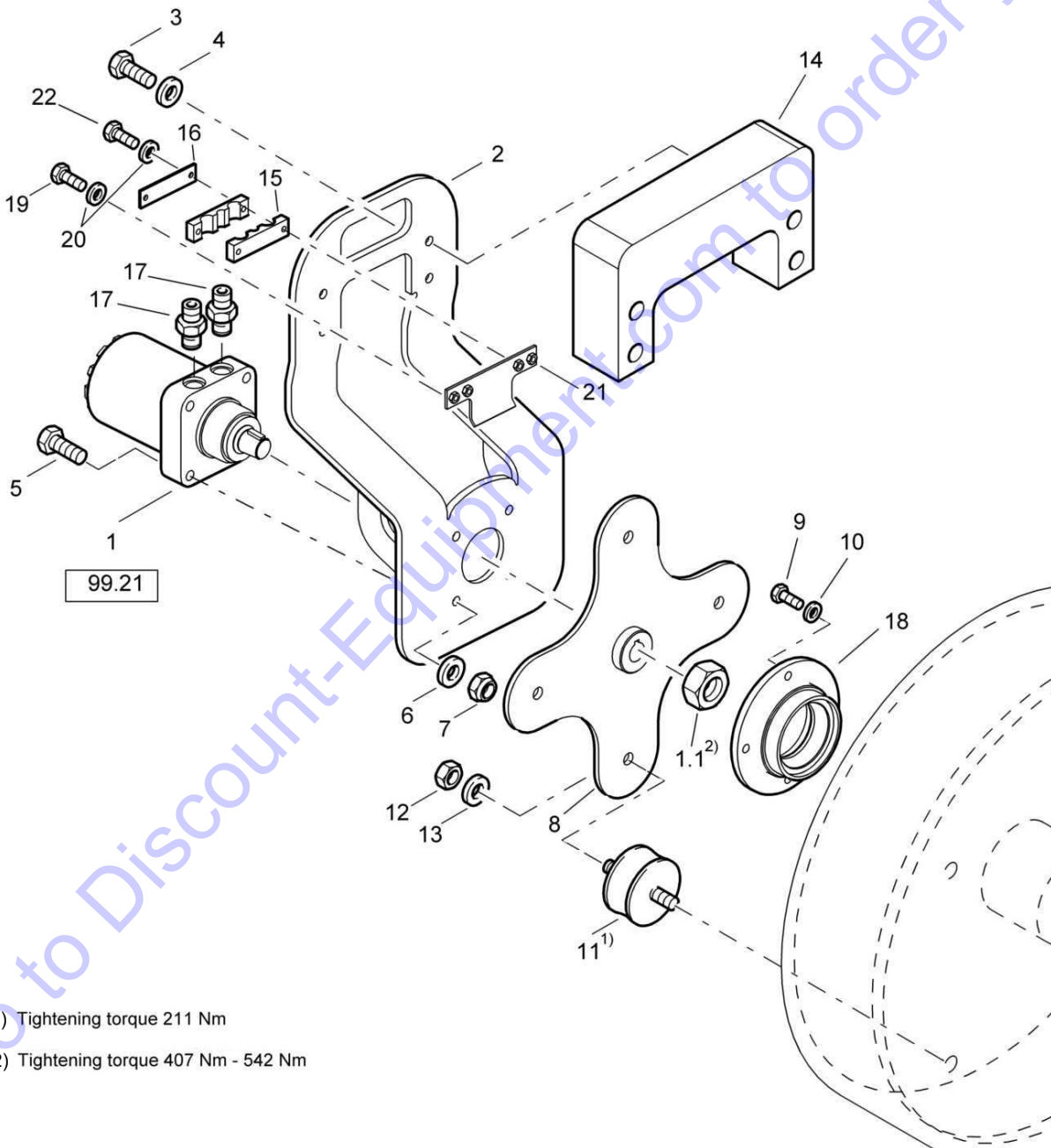
Surfaces to be bolted have to be metallic bright in the contact area.

BW 900-50		
S/N 861834072119 ▶ S/N 861834072142		
Front Vibratory Drum		<b>61.07</b>
		Page <b>2 / 2</b>
	83408049 8061 1	

Pos.	Part no.	Qty.	Description
1	05050242	1	Travel motor
2	83410468	1	Support
3	07141256	4	Hexagon bolt
4	08752130	4	Spring washer
5	07131229	4	Hexagon bolt
6	08752130	4	Spring washer
7	08131218	4	Safety nut
8	83410577	1	Drive disc
9	07141027	4	Hexagon bolt
10	08752106	4	Spring washer
11	06118312	4	Rubber buffer
12	08111623	4	Hexagon nut
13	08752170	4	Spring washer
14	83410511	1	Spacer piece
15	83410822	1	Clamp
16	49040301	2	Tube
17	05540151	2	Socket
18	83410551	1	Flange
19	07140842	2	Hexagon bolt
20	08752084	2	Spring washer
21	83411099	1	Bracket
22	07320825	2	Countersunk screw

Go to Discount-Equipment.com to order your parts


	BW 900-50	S/N 861834071990 ▶ S/N 861834072118
<b>61.07</b>	<b>Front Vibratory Drum</b>	
Page <b>2 / 2</b>		
<b>BOMAG</b> FAYAT GROUP	83408049_002_00	



- 1) Tightening torque 211 Nm
- 2) Tightening torque 407 Nm - 542 Nm

Surfaces to be bolted have to be metallic bright in the contact area.

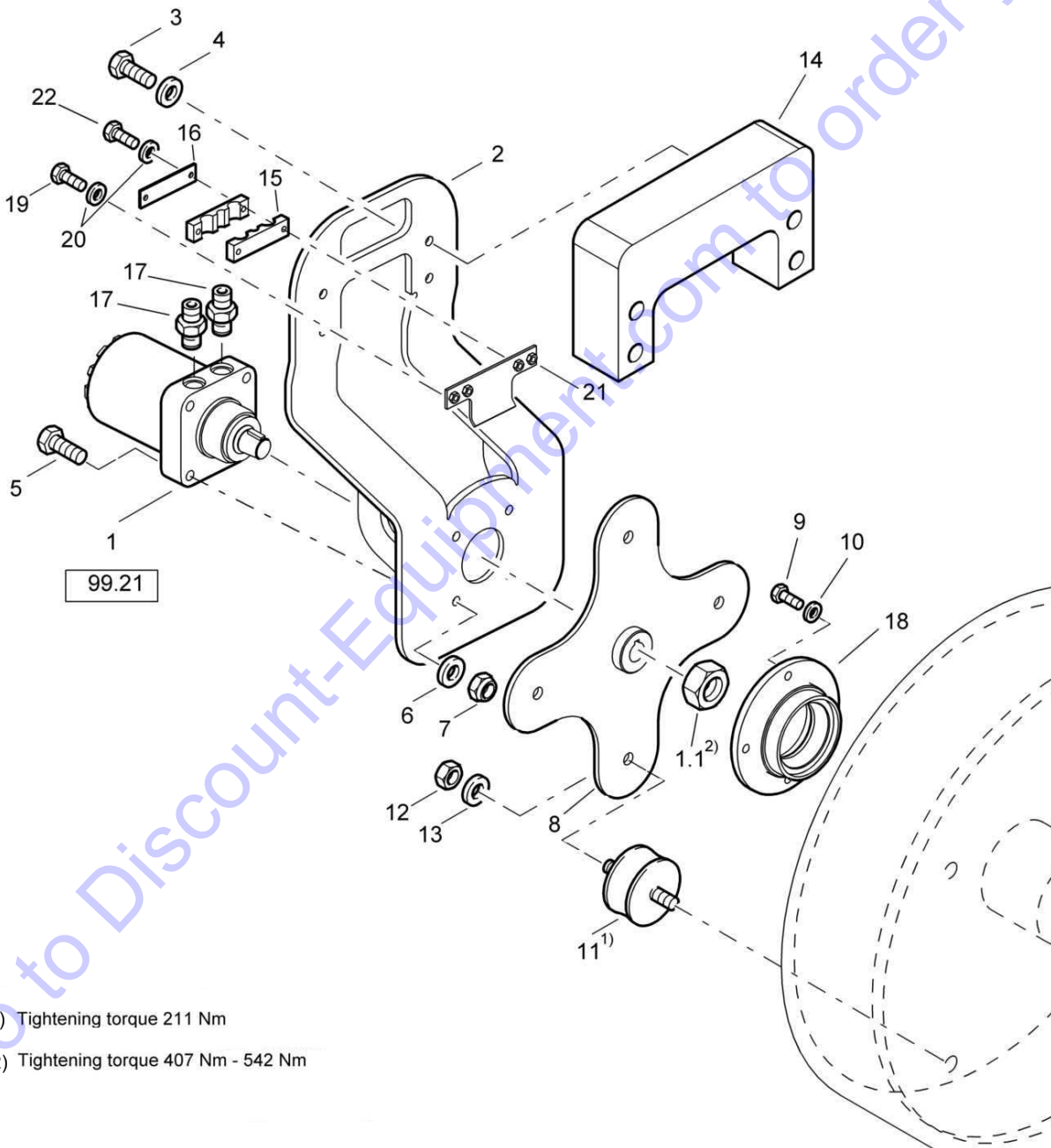


BW 900-50		
S/N 861834071990 ▶ S/N 861834072118		
Front Vibratory Drum		<b>61.07</b>
		Page <b>2 / 2</b>
83408049 8061 1		

Pos.	Part no.	Qty.	Description
1	05050242	1	Travel motor
2	83410468	1	Support
3	07141256	4	Hexagon bolt
4	08752130	4	Spring washer
5	07131229	4	Hexagon bolt
6	08752130	4	Spring washer
7	08131218	4	Safety nut
8	83410577	1	Drive disc
9	07141027	4	Hexagon bolt
10	08752106	4	Spring washer
11	06118312L	4	Rubber buffer
12	08111623	4	Hexagon nut
13	08752170	4	Spring washer
14	83410511	1	Spacer piece
15	83410822	1	Clamp
16	49040301	2	Tube
17	05540151	2	Socket
18	83410551	1	Flange
19	07140842	2	Hexagon bolt
20	08752084	2	Spring washer
21	83411099	1	Bracket
22	07320825	2	Countersunk screw


Go to Discount-Equipment.com to order your parts

	BW 900-50	S/N 861834071056 ▶ S/N 861834071989
<b>61.07</b>	<b>Front Vibratory Drum</b>	
Page <b>2 / 2</b>		
<b>BOMAG</b> FAYAT GROUP	83408049_002_00	



- 1) Tightening torque 211 Nm
- 2) Tightening torque 407 Nm - 542 Nm

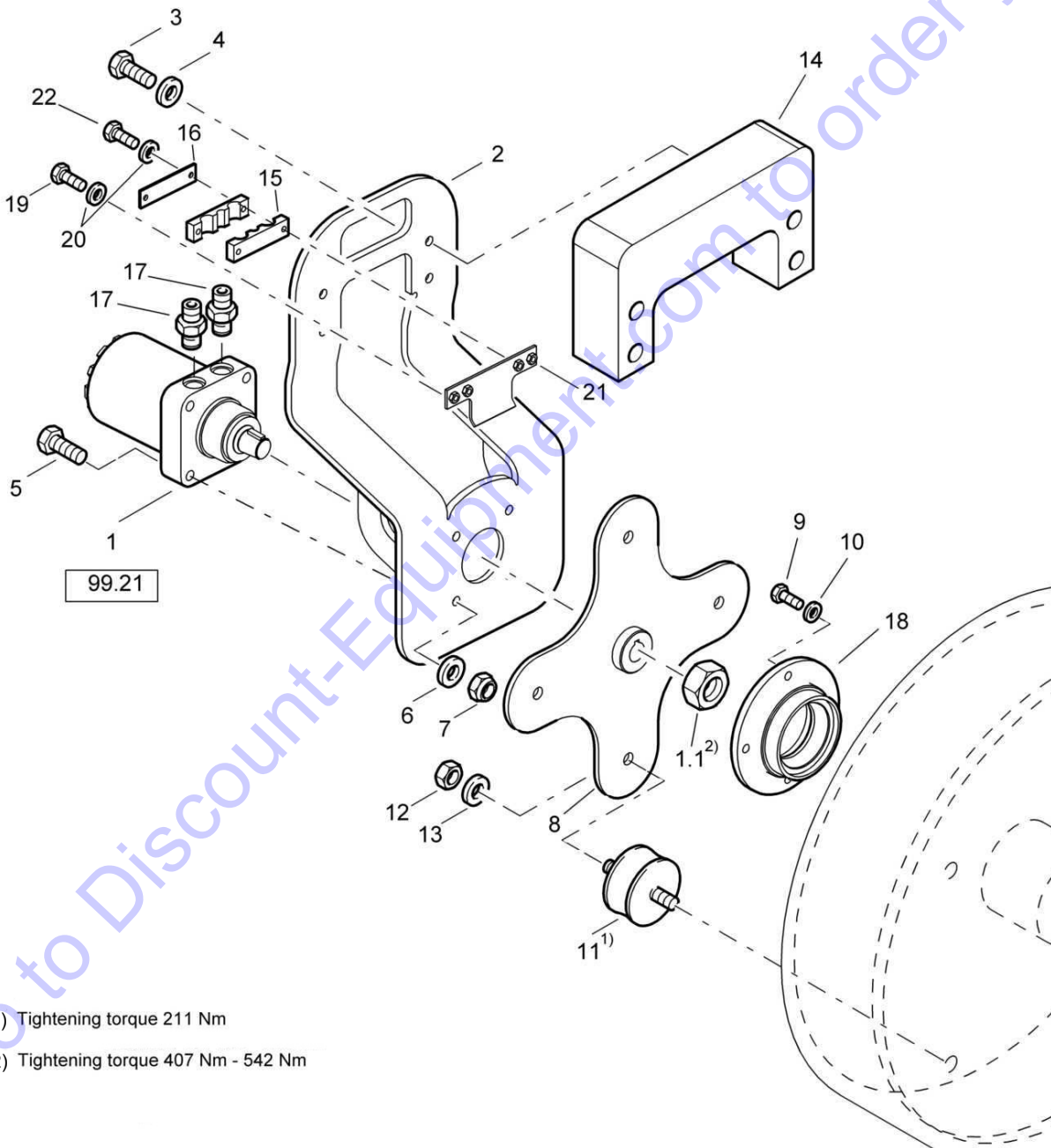
Surfaces to be bolted have to be metallic bright in the contact area.

BW 900-50		
S/N 861834071056 ▶ S/N 861834071989		<b>61.07</b>
Front Vibratory Drum		Page <b>2 / 2</b>
83408049 8061 1		

Pos.	Part no.	Qty.	Description
1	05050242	1	Travel motor
2	83410468	1	Support
3	07141256	4	Hexagon bolt
4	08752130	4	Spring washer
5	07131229	4	Hexagon bolt
6	08752130	4	Spring washer
7	08131218	4	Safety nut
8	83410577	1	Drive disc
9	07141027	4	Hexagon bolt
10	08752106	4	Spring washer
11	06118312	4	Rubber buffer
12	08111623	4	Hexagon nut
13	08752170	4	Spring washer
14	83410511	1	Spacer piece
15	83410822	1	Clamp
16	49040301	2	Tube
17	05540151	2	Socket
18	83410551	1	Flange
19	07140842	2	Hexagon bolt
20	08752084	2	Spring washer
21	83411099	1	Bracket
22	07320825	2	Countersunk screw


Go to Discount-Equipment.com to order your parts

	BW 900-50	S/N 861834071005 ▶ S/N 861834071055
<b>61.07</b>	<b>Front Vibratory Drum</b>	
Page <b>2 / 2</b>		
<b>BOMAG</b> FAYAT GROUP	83408049_002_00	



- 1) Tightening torque 211 Nm
- 2) Tightening torque 407 Nm - 542 Nm

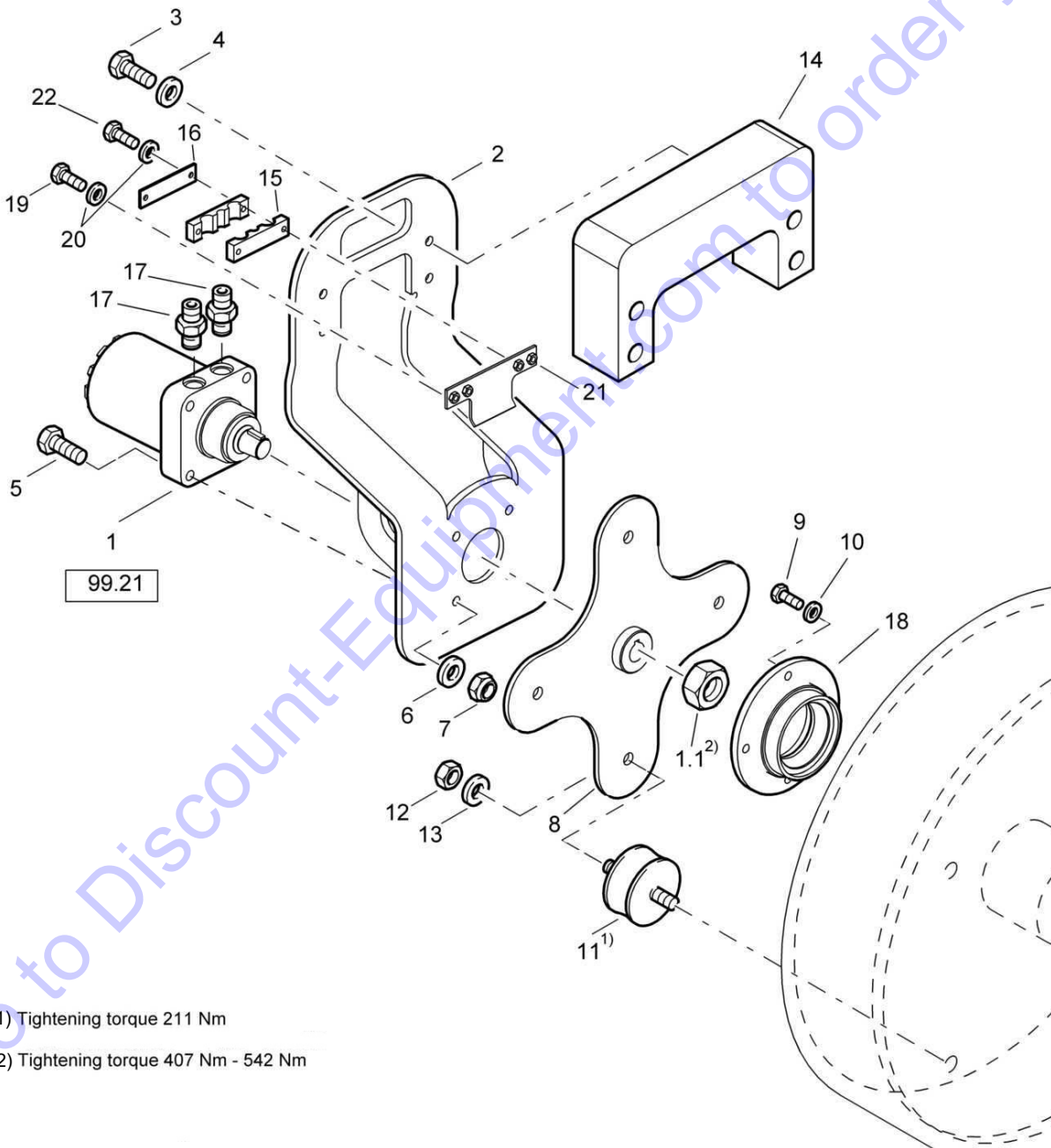
Surfaces to be bolted have to be metallic bright in the contact area.

BW 900-50	S/N 861834071005 ▶ S/N 861834071055	<b>61.07</b>
<b>Front Vibratory Drum</b>		
		Page <b>2 / 2</b>
	83408049 8061 1	

Pos.	Part no.	Qty.	Description
1	05050242	1	Travel motor
2	83410468	1	Support
3	07141256	4	Hexagon bolt
4	08752130	4	Spring washer
5	07131229	4	Hexagon bolt
6	08752130	4	Spring washer
7	08131218	4	Safety nut
8	83410577	1	Drive disc
9	07141027	4	Hexagon bolt
10	08752106	4	Spring washer
11	06118312	4	Rubber buffer
12	08111623	4	Hexagon nut
13	08752170	4	Spring washer
14	83410511	1	Spacer piece
15	83410822	1	Clamp
16	49040301	2	Tube
17	05540151	2	Socket
18	83410551	1	Flange
19	07140842	2	Hexagon bolt
20	08752084	2	Spring washer
21	83410664	1	Bracket
22	07320825	2	Countersunk screw

Go to Discount-Equipment.com to order your parts

	BW 900-50	S/N 861834071004 ▶ S/N 861834071004
<b>61.07</b>	<b>Front Vibratory Drum</b>	
Page <b>2 / 2</b>		
<b>BOMAG</b> FAYAT GROUP	83408049_002_00	



- 1) Tightening torque 211 Nm
- 2) Tightening torque 407 Nm - 542 Nm

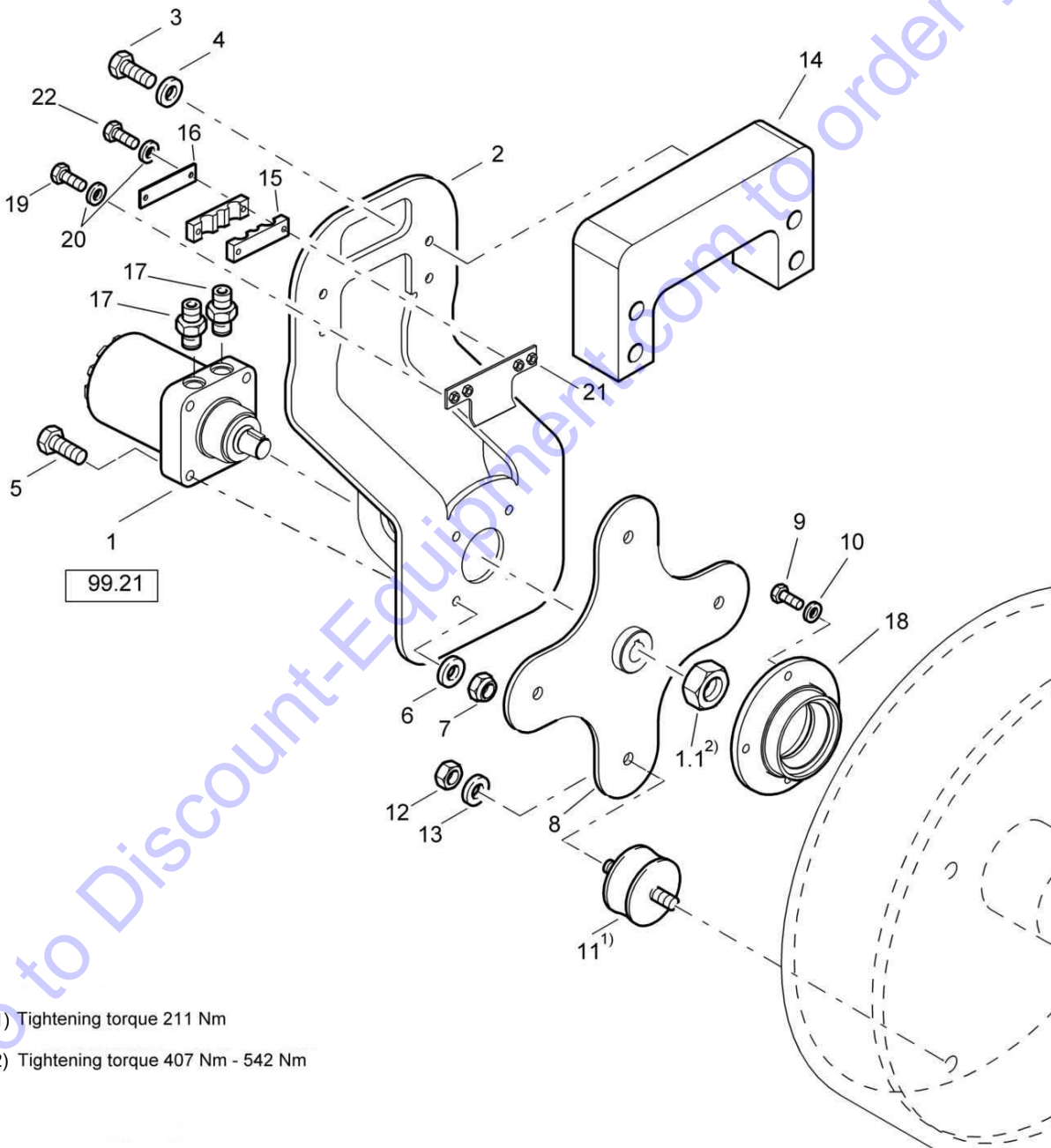
Surfaces to be bolted have to be metallic bright in the contact area.

BW 900-50		
S/N 861834071004 ▶ S/N 861834071004		<b>61.07</b>
Front Vibratory Drum		Page <b>2 / 2</b>
83408049 8061 1		

Pos.	Part no.	Qty.	Description
1	05050242	1	Travel motor
2	83410468	1	Support
3	07141225	4	Hexagon bolt
4	08752130	4	Spring washer
5	07141257	4	Hexagon bolt
6	08752130	4	Spring washer
7	08131218	4	Safety nut
8	83410577	1	Drive disc
9	07141027	4	Hexagon bolt
10	08752106	4	Spring washer
11	06118312	4	Rubber buffer
12	08111623	4	Hexagon nut
13	08752170	4	Spring washer
14	83410511	1	Spacer piece
15	83410822	1	Clamp
17	05540151	2	Socket
18	83410551	1	Flange
19	07140842	2	Hexagon bolt
20	08752084	4	Spring washer
21	83410664	1	Bracket
22	07140861	2	Hexagon bolt

Go to Discount-Equipment.com to order your parts

BW 900-50		S/N 861834071001 ▶ S/N 861834071003
<b>61.07</b>	<b>Front Vibratory Drum</b>	
Page <b>2 / 2</b>		
<b>BOMAG</b> FAYAT GROUP	83408049_002_00	



- 1) Tightening torque 211 Nm
- 2) Tightening torque 407 Nm - 542 Nm

Surfaces to be bolted have to be metallic bright in the contact area.



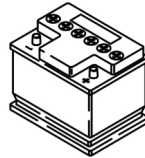
BW 900-50		
S/N 861834071001 ▶ S/N 861834071003		<b>61.07</b>
Front Vibratory Drum		Page <b>2 / 2</b>
83408049 8061 1		

Pos.	Part no.	Qty.	Description
1	05050242	1	Travel motor
2	83410468	1	Support
3	07141225	4	Hexagon bolt
4	08752130	4	Spring washer
5	07141257	4	Hexagon bolt
6	08752130	4	Spring washer
7	08131218	4	Safety nut
8	83410577	1	Drive disc
9	07141027	4	Hexagon bolt
10	08752106	4	Spring washer
11	06118312	4	Rubber buffer
12	08111623	4	Hexagon nut
13	08752170	4	Spring washer
14	83410511	1	Spacer piece
15	83410665	1	Hose clamp
16	83410667	1	Plate
17	05540151	2	Socket
18	83410551	1	Flange
19	07140842	2	Hexagon bolt
20	08752084	4	Spring washer
21	83410664	1	Bracket
22	07140861	2	Hexagon bolt

Go to Discount-Equipment.com to order your parts

Go to [Discount-Equipment.com](http://Discount-Equipment.com) to order your parts

**Electrical System**



**80**

**80.00**


Electrical System

Page /



**For this catalogue group no illustration.**

*Go to [Discount-Equipment.com](http://Discount-Equipment.com) to order your parts*

Electrical System	<b>80.00</b>
	Page /
	

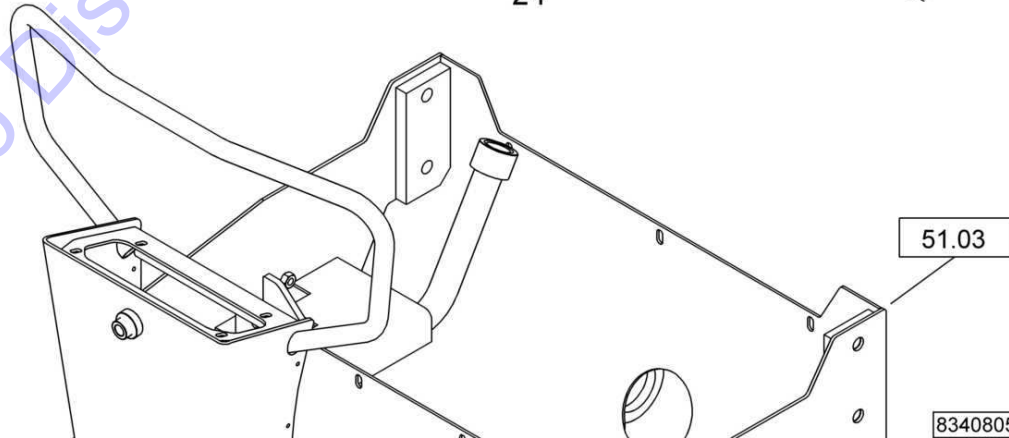
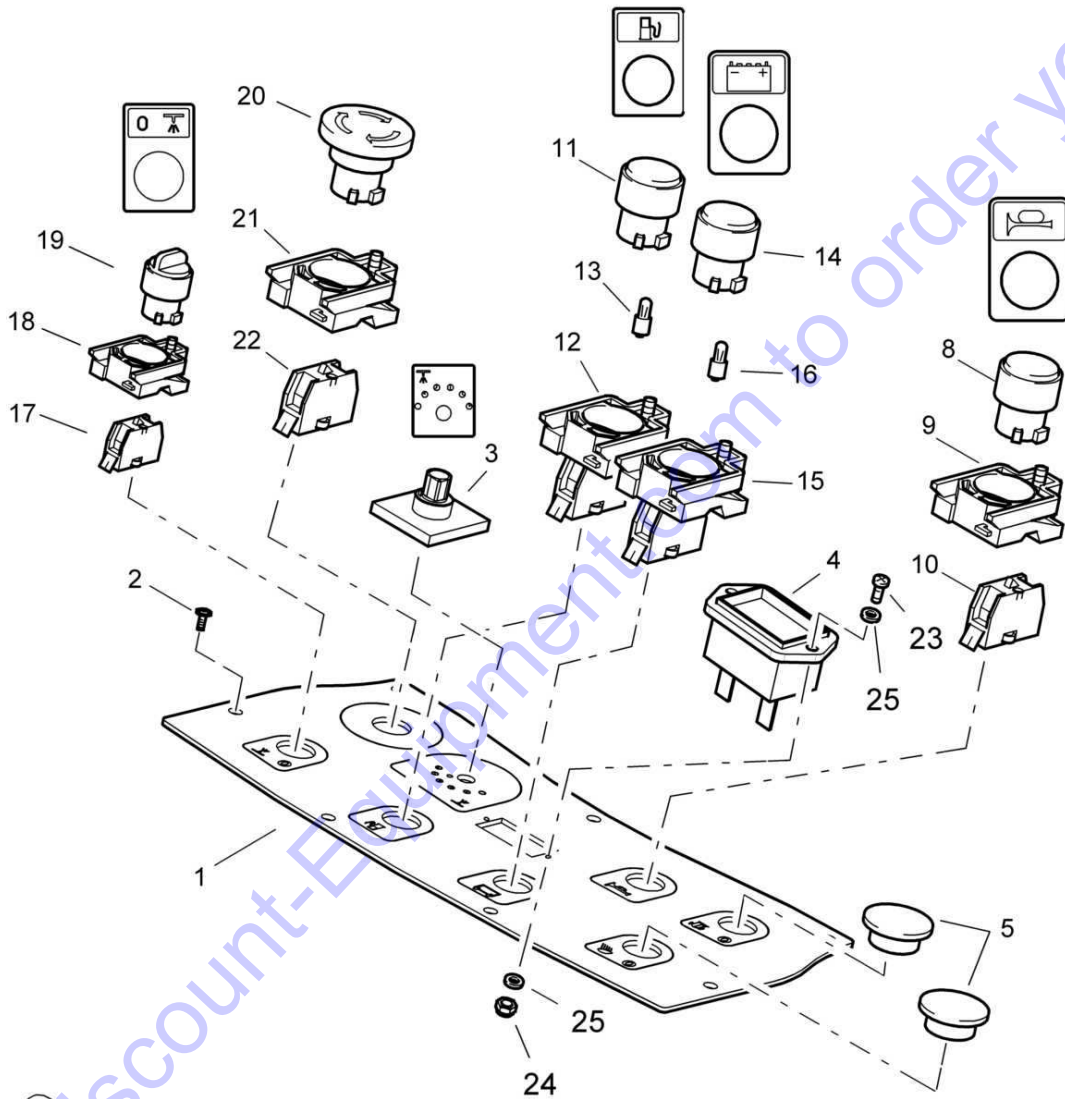
**Pos. Description**

- 81.03 Instruments
- 81.05 Battery
- 81.27 Dashboard,assembled
- 82.04 Back Up Alarm
- 88.01 Wire harnesses

Go to Discount-Equipment.com to order your parts


# 81.03

## Instruments



51.03

Go to Discount-Equipment.com to order your parts

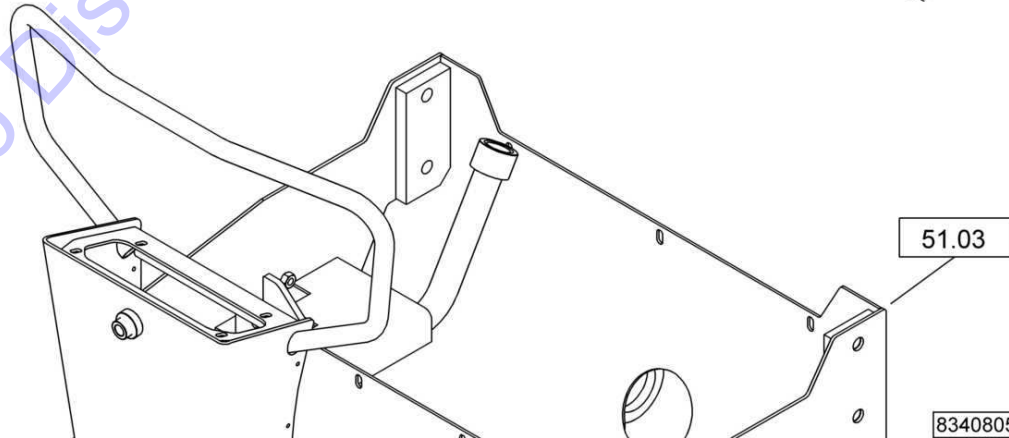
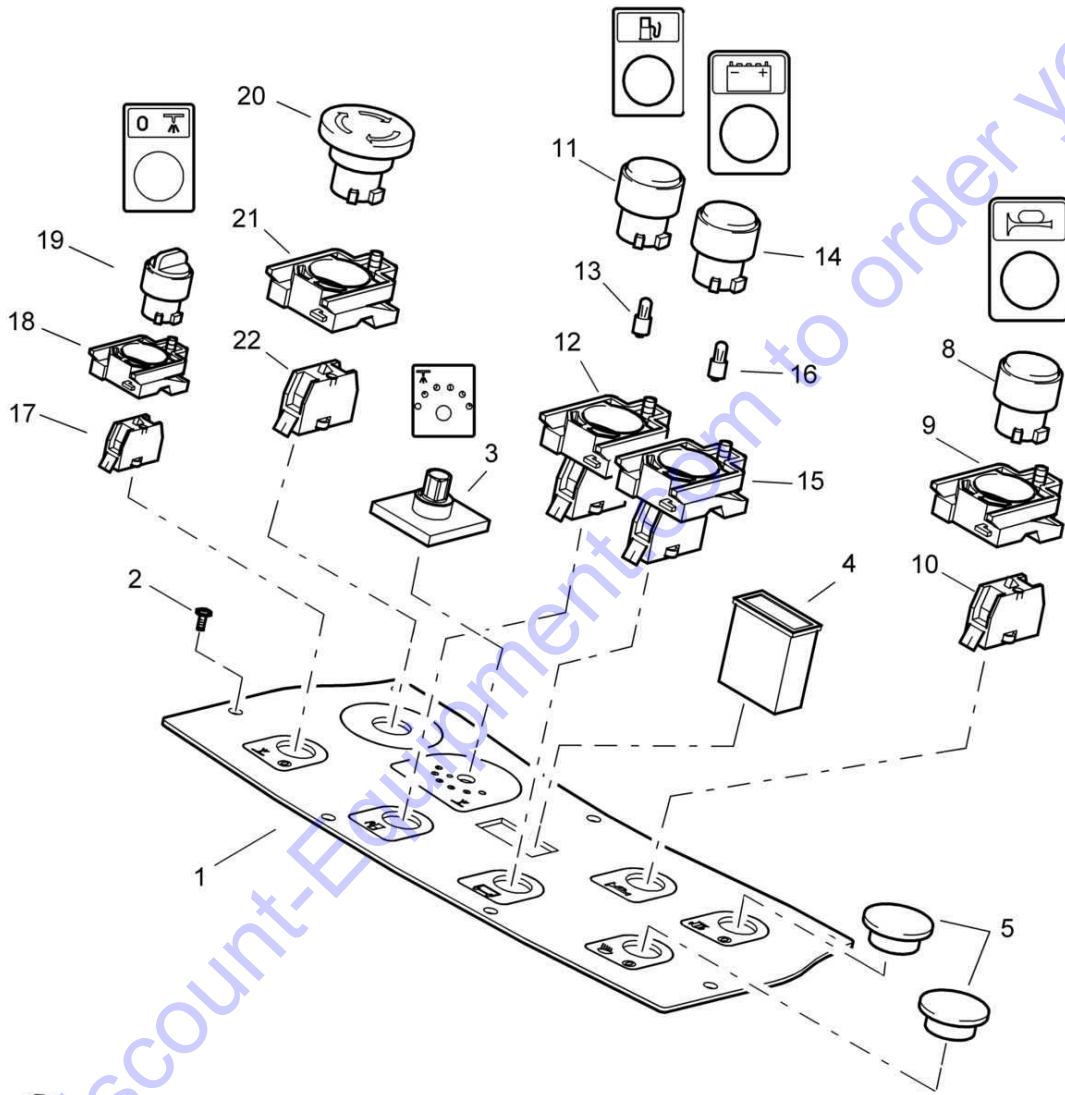
BW 900-50		
S/N 861834072652 ▶		
<b>Instruments</b>		<b>81.03</b>
		Page 1 / 2
	83408050 8061 1	

Pos.	Part no.	Qty.	Description
1	83412489	1	Dashboard
2	07210616	2	Pens head screw
3	05750840	1	Interval switch
4	05766887	1	Hourmeter
5	06510177	2	Cover
8	05762307	1	Front element
9	05762300	1	Fastening flange
10	05762302	1	Switch,normally open
11	05762308	1	Front element
12	05762309	1	Lower part
13	05762202	1	Incandescent bulb
14	05762308	1	Front element
15	05762309	1	Lower part
16	05762202	1	Incandescent bulb
17	05762302	1	Switch,normally open
18	05762300	1	Fastening flange
19	05762303	1	Front element
20	05762373	1	Front element
21	05762300	1	Fastening flange
22	05762301	1	Switch,normally closed
23	07210325	2	Pens head screw
24	08130305	2	Safety nut
25	08510307	4	Washer

Go to Discount-Equipment.com to order your parts

# 81.03

## Instruments



BW 900-50		
S/N 861834072010 ▶ S/N 861834072651		
<b>Instruments</b>		<b>81.03</b>
		Page <b>1 / 2</b>
	83408050 8061 1	

Pos.	Part no.	Qty.	Description
1	05050446	1	Dashboard
2	07210616	2	Pens head screw
3	05750840	1	Interval switch
4	05050335	1	Hourmeter
5	06510177	2	Cover
8	05762307	1	Front element
9	05762300	1	Fastening flange
10	05762302	1	Switch,normally open
11	05762308	1	Front element
12	05762309	1	Lower part
13	05762202	1	Incandescent bulb
14	05762308	1	Front element
15	05762309	1	Lower part
16	05762202	1	Incandescent bulb
17	05762302	1	Switch,normally open
18	05762300	1	Fastening flange
19	05762303	1	Front element
20	05762373	1	Front element
21	05762300	1	Fastening flange
22	05762301	1	Switch,normally closed

Go to Discount-Equipment.com to order your parts



BW 900-50

S/N 861834071674 ▶ S/N 861834072009

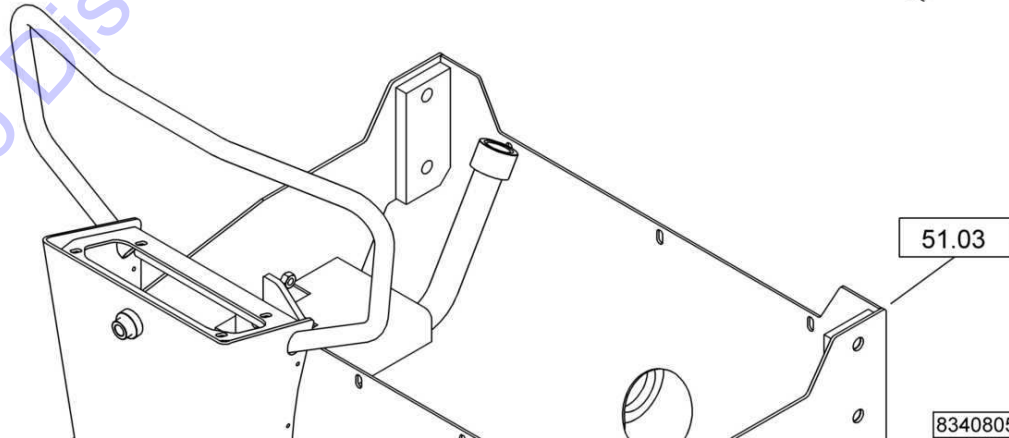
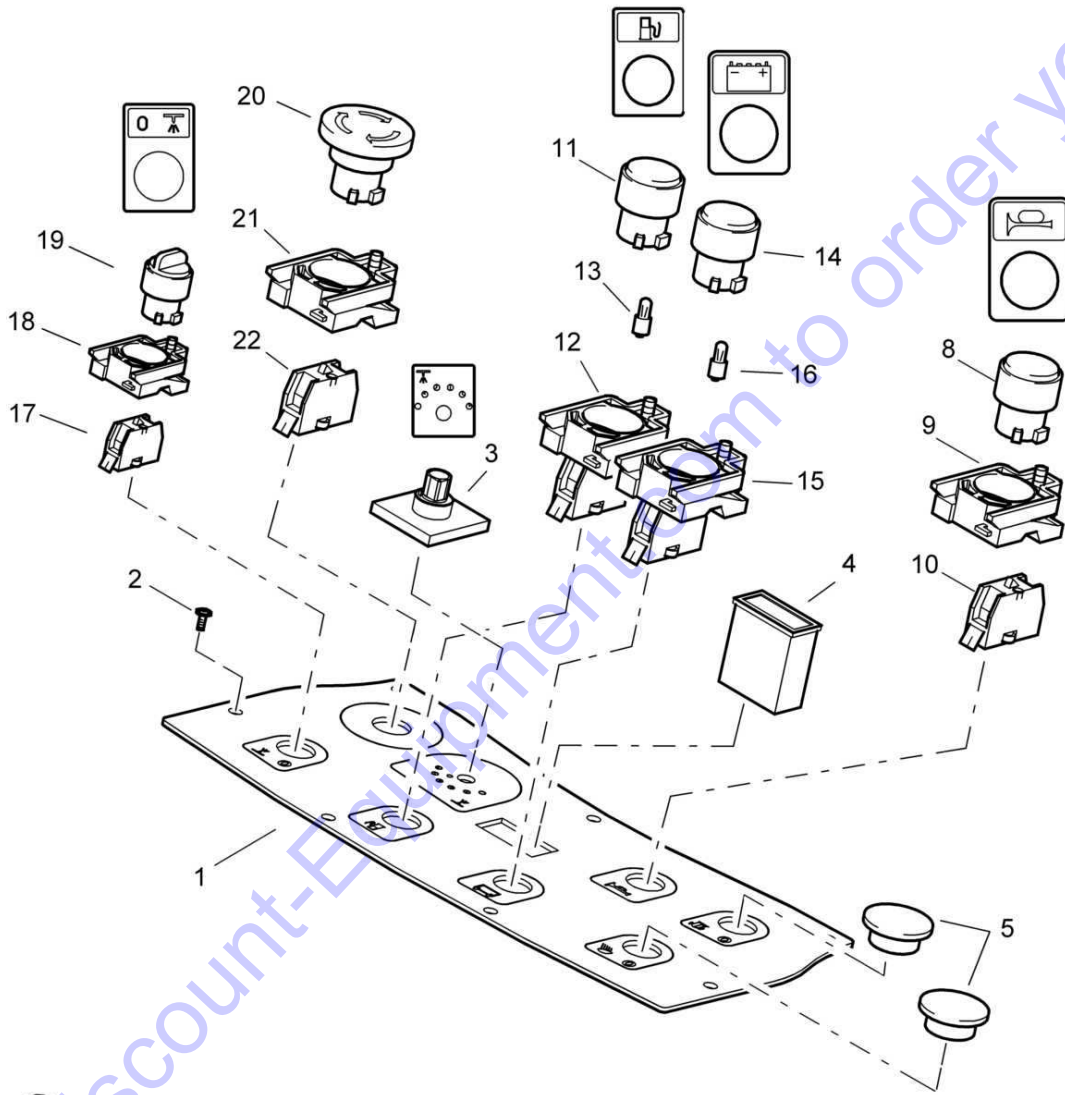
# 81.03

Instruments

Page 1 / 2



83408050\_001\_01



51.03

83408050\_001\_01

Go to Discount-Equipment.com to order your parts

BW 900-50		
S/N 861834071674 ▶ S/N 861834072009		
<b>Instruments</b>		<b>81.03</b>
		Page 1 / 2
	83408050 8061 1	

Pos.	Part no.	Qty.	Description
1	05050446	1	Dashboard
2	07210616	2	Pens head screw
3	05750840	1	Interval switch
4	05050335	1	Hourmeter
5	06510177	2	Cover
8	05762307	1	Front element
9	05762300	1	Fastening flange
10	05762302	1	Switch,normally open
11	05762308	1	Front element
12	05762309	1	Lower part
13	05762202	1	Incandescent bulb
14	05762308	1	Front element
15	05762309	1	Lower part
16	05762202	1	Incandescent bulb
17	05762302	1	Switch,normally open
18	05762300	1	Fastening flange
19	05762303	1	Front element
20	05762376	1	Front element
21	05762300	1	Fastening flange
22	05762301	1	Switch,normally closed

Go to Discount-Equipment.com to order your parts

BW 900-50

S/N 861834071004 ▶ S/N 861834071673

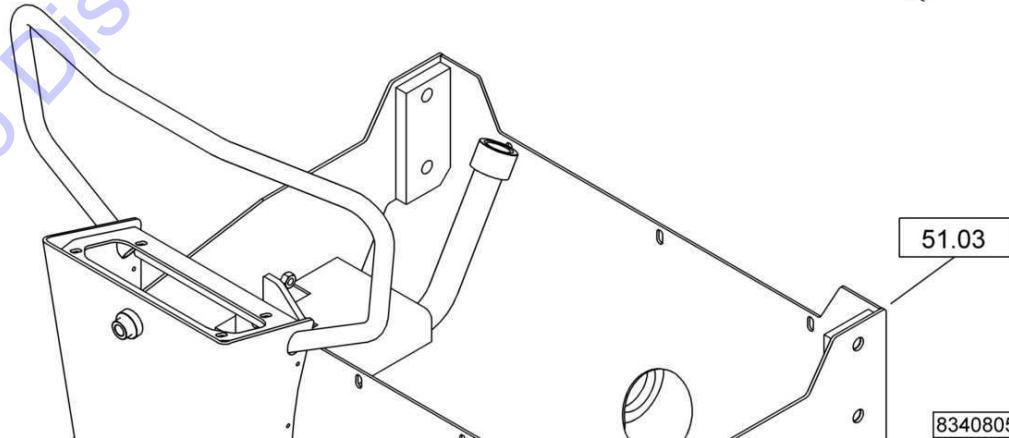
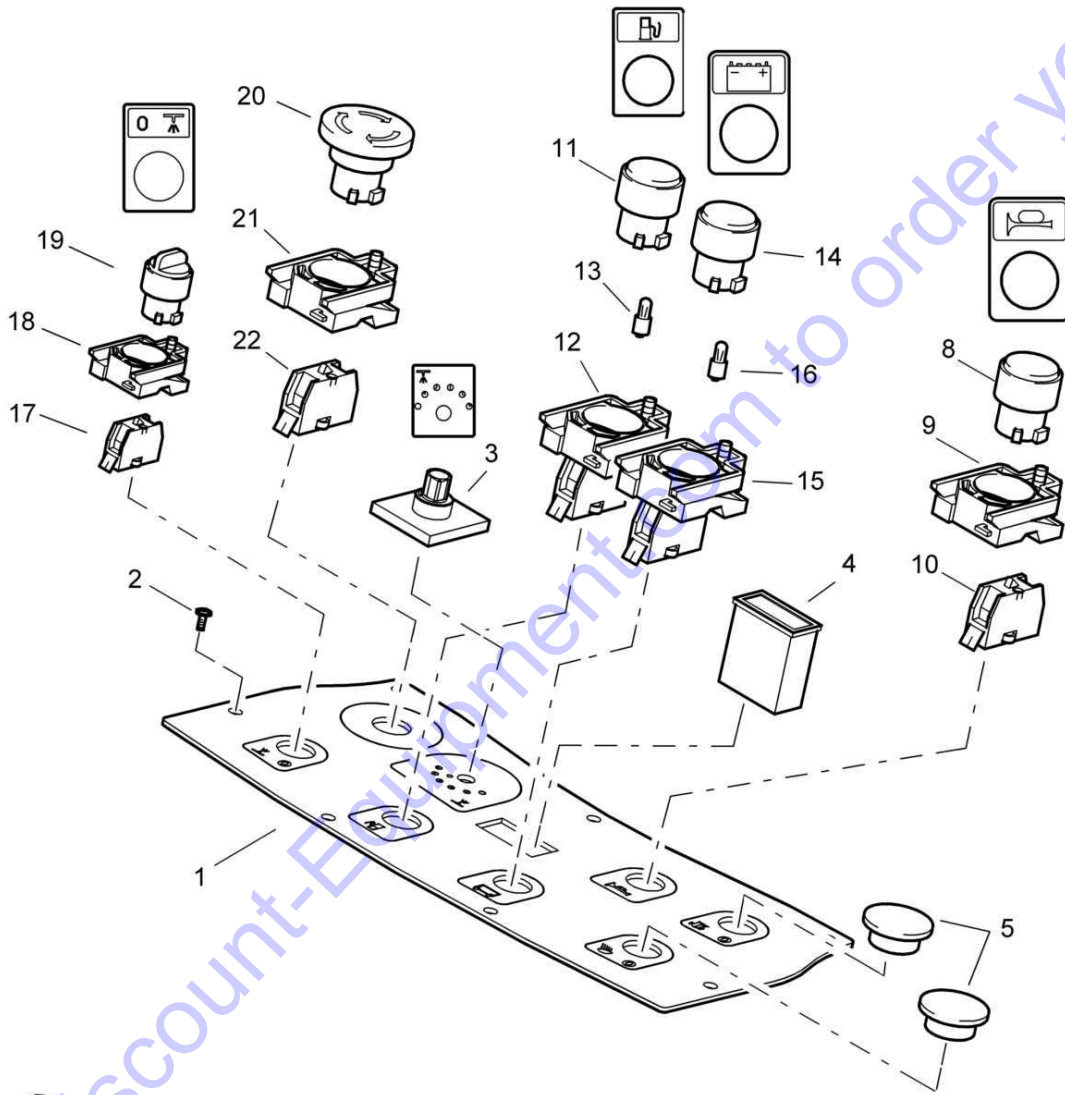
# 81.03

Instruments

Page 1 / 2



83408050\_001\_01



51.03

83408050\_001\_01

Go to Discount-Equipment.com to order your parts

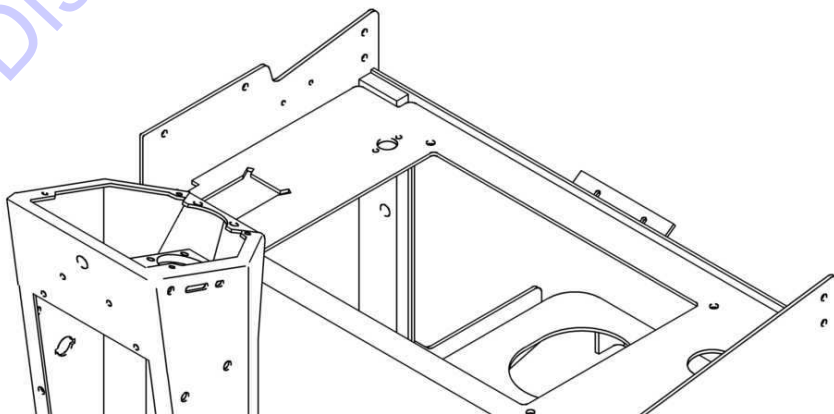
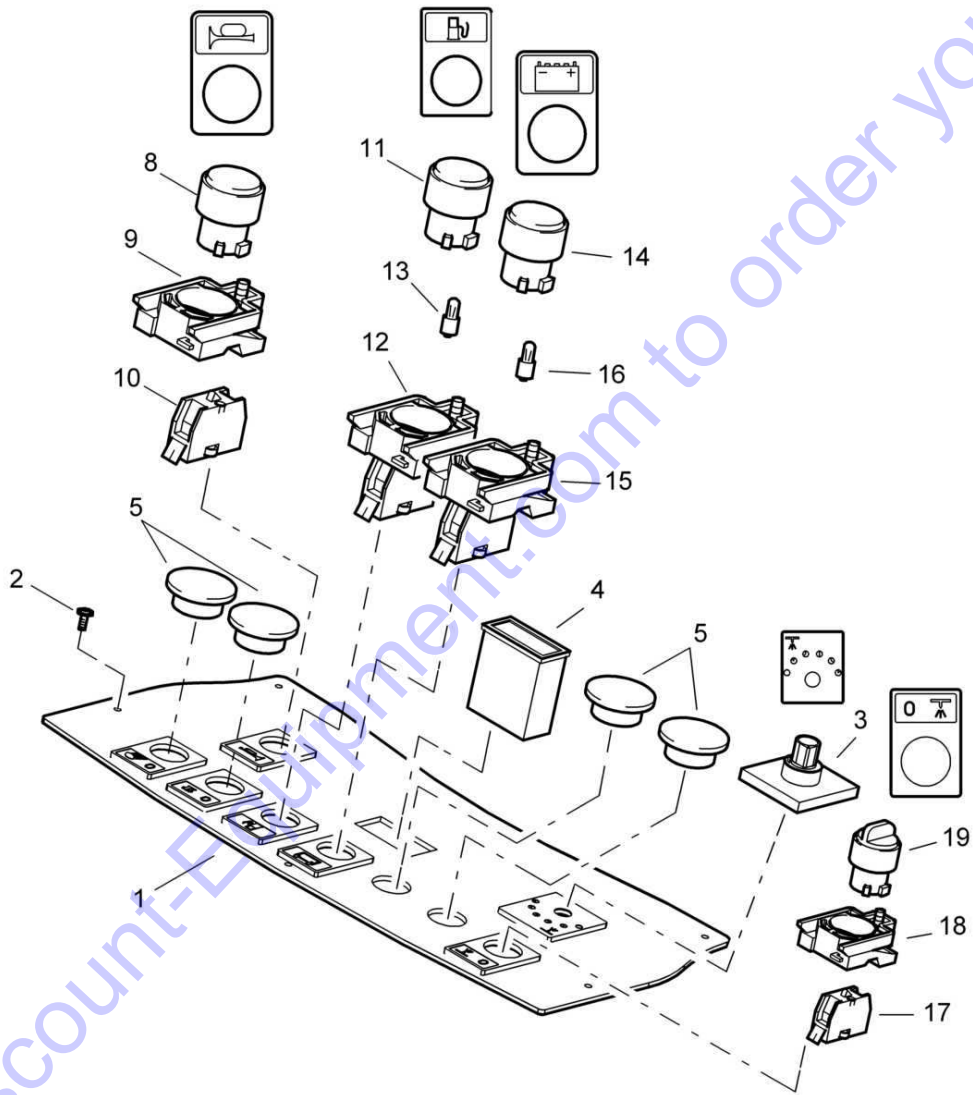
BW 900-50		
S/N 861834071004 ▶ S/N 861834071673		
<b>Instruments</b>		<b>81.03</b>
		Page 1 / 2
	83408050 8061 1	

Pos.	Part no.	Qty.	Description
1	05050446	1	Dashboard
2	07210616	2	Pens head screw
3	05750840	1	Interval switch
4	05050335	1	Hourmeter
5	06510177	2	Cover
8	05762307	1	Front element
9	05762300	1	Fastening flange
10	05762302	1	Switch,normally open
11	05762308	1	Front element
12	05762309	1	Lower part
13	05762202	1	Incandescent bulb
14	05762308	1	Front element
15	05762309	1	Lower part
16	05762202	1	Incandescent bulb
17	05762302	1	Switch,normally open
18	05762300	1	Fastening flange
19	05762303	1	Front element
20	05762306	1	Front element
21	05762300	1	Fastening flange
22	05762301	1	Switch,normally closed

Go to Discount-Equipment.com to order your parts

# 81.03

## Instruments



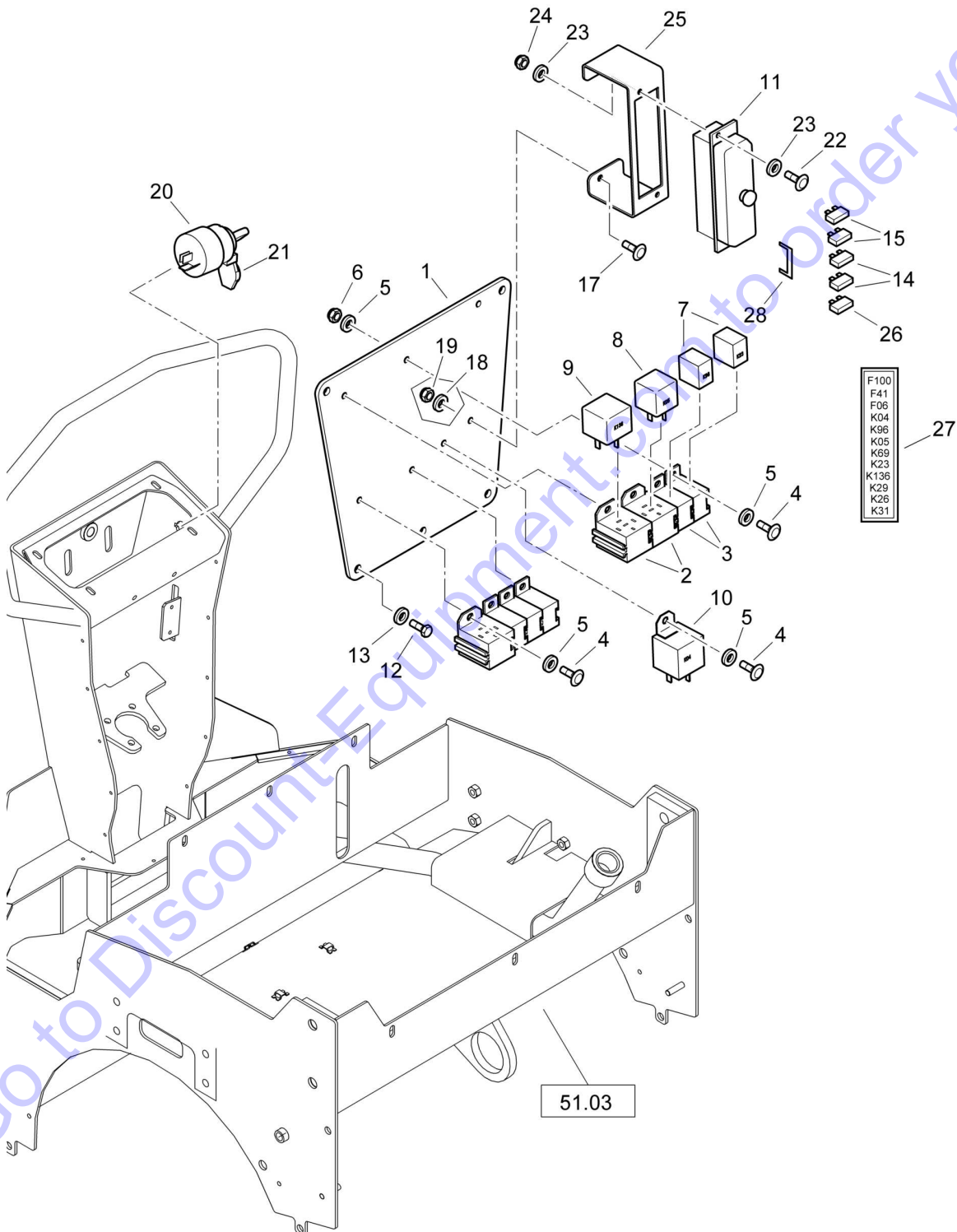
51.03

Go to Discount-Equipment.com to order your parts

BW 900-50		
S/N 861834071001 ▶ S/N 861834071003		<b>81.03</b>
<b>Instruments</b>		Page <b>1 / 2</b>
	83408050 8061 1	

Pos.	Part no.	Qty.	Description
1	05050333	1	Decal,operation
2	07210616	2	Pens head screw
3	05750840	1	Interval switch
4	05050335	1	Hourmeter
5	06510177	4	Cover
8	05762307	1	Front element
9	05762300	1	Fastening flange
10	05762302	1	Switch,normally open
11	05762310	1	Front element
12	05762309	1	Lower part
13	05762202	1	Incandescent bulb
14	05762308	1	Front element
15	05762309	1	Lower part
16	05762202	1	Incandescent bulb
17	05762302	1	Switch,normally open
18	05762300	1	Fastening flange
19	05762303	1	Front element

Go to Discount-Equipment.com to order your parts



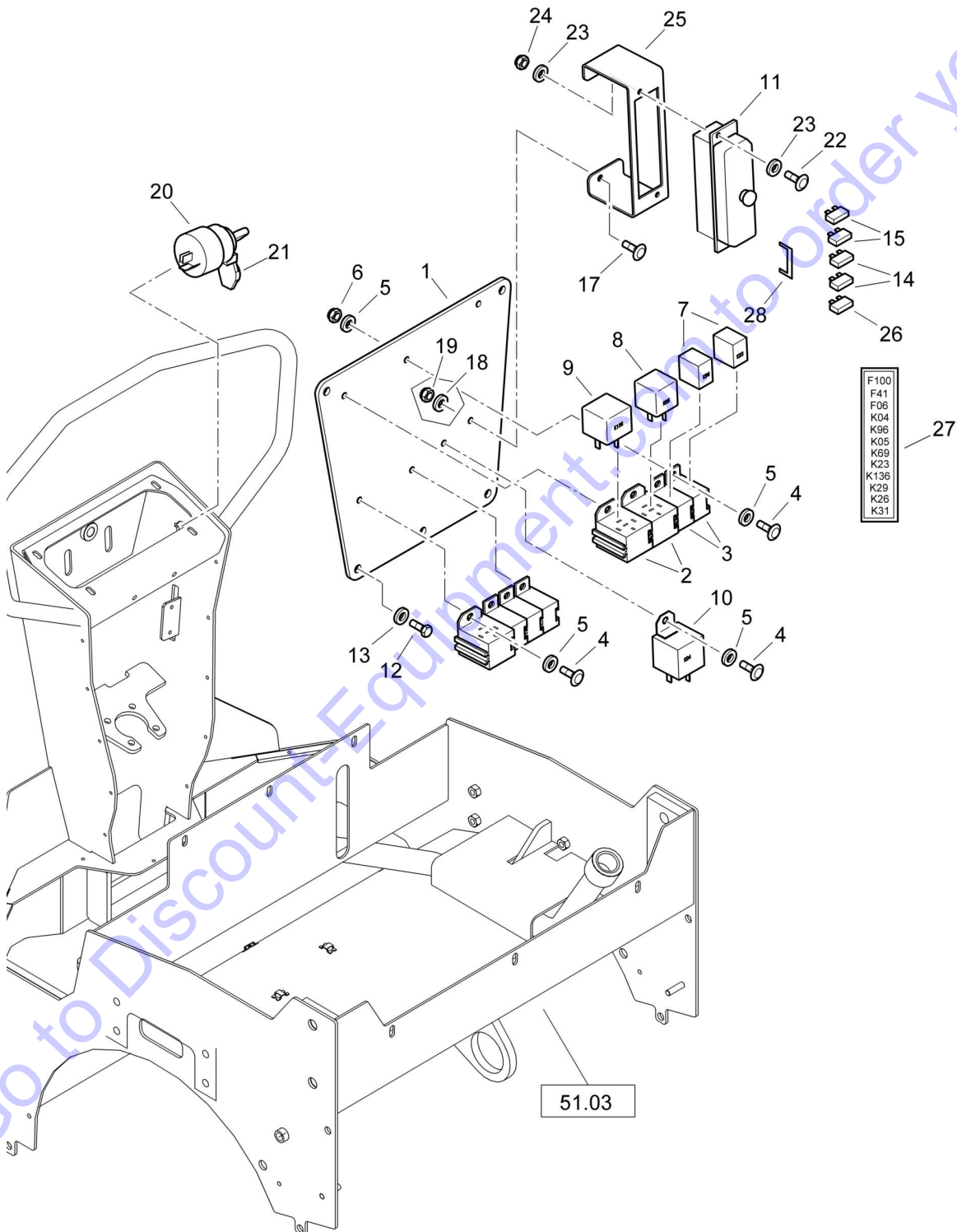
51.03

BW 900-50		
S/N 861834072342 ▶		
<b>Instruments</b>		<b>81.03</b>
		Page 2 / 2 Seite
	83408050 8061 1	

Pos.	Part no.	Qty.	Description
1	83410904	1	Bracket
2	05726842	3	Relay base
3	05766496	5	Relay base
4	07210516	5	Pens head screw
5	08510511	10	Washer
6	08110508	5	Hexagon nut
7	05766955	5	Relay
8	05766959	2	Relay
9	05767789	1	Marginal relay
10	05767943	1	Vibration modul
11	05755617	1	Fuse box
11.1	05755634	1	Cover
12	07140626	4	Hexagon bolt
13	08751064	4	Spring washer
14	05751098	2	Flat fuse
15	05751098	2	Flat fuse
17	07210516	2	Pens head screw
18	08510511	4	Washer
19	08130508	2	Safety nut
20	05766813	1	Glower starter switch
20.1	05755124	1	>Key,ignition
21	05766885	1	Cover
22	07210420	2	Pens head screw
23	08510409	4	Washer
24	08130408	2	Safety nut
25	83411096	1	Bracket
26	05751109	1	Flat fuse
27	05050499	1	Decal
28	05755622	1	Bridge

Go to Discount Equipment.com to order your parts

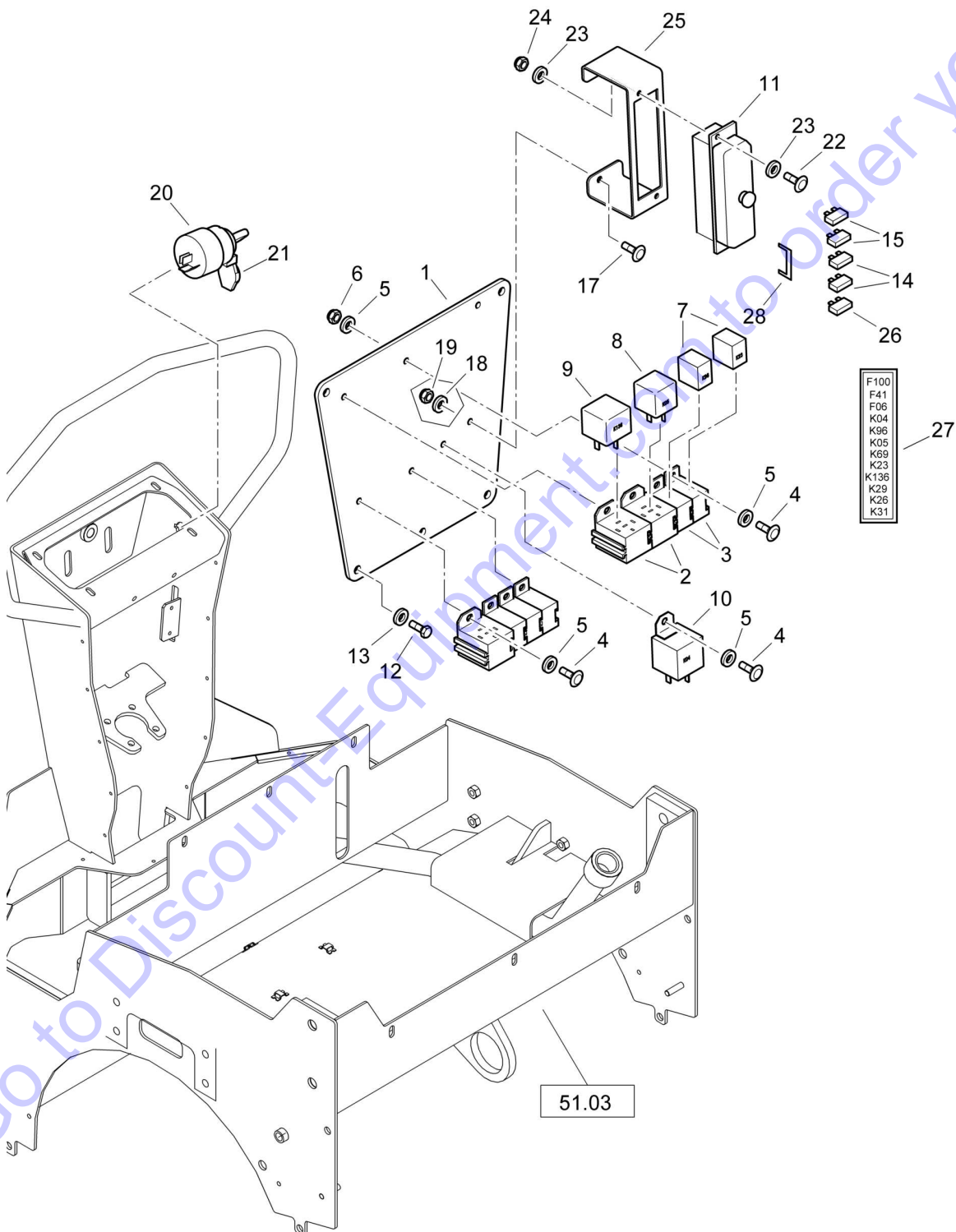





BW 900-50		
S/N 861834071737 ▶ S/N 861834072341		
<b>Instruments</b>		<b>81.03</b>
		Page <b>2 / 2</b>
	83408050 8061 1	

Pos.	Part no.	Qty.	Description
1	83410904	1	Bracket
2	05726842	3	Relay base
3	05766496	5	Relay base
4	07210516	5	Pens head screw
5	08510511	10	Washer
6	08110508	5	Hexagon nut
7	05766955	5	Relay
8	05766959	2	Relay
9	05767789	1	Marginal relay
10	05767052	1	Vibration modul
11	05755617	1	Fuse box
11.1	05755634	1	Cover
12	07140626	4	Hexagon bolt
13	08751064	4	Spring washer
14	05751098	2	Flat fuse
15	05751098	2	Flat fuse
17	07210516	2	Pens head screw
18	08510511	4	Washer
19	08130508	2	Safety nut
20	05766813	1	Glower starter switch
20.1	05755124	1	>Key,ignition
21	05766885	1	Cover
22	07210420	2	Pens head screw
23	08510409	4	Washer
24	08130408	2	Safety nut
25	83411096	1	Bracket
26	05751109	1	Flat fuse
27	05050499	1	Decal
28	05755622	1	Bridge

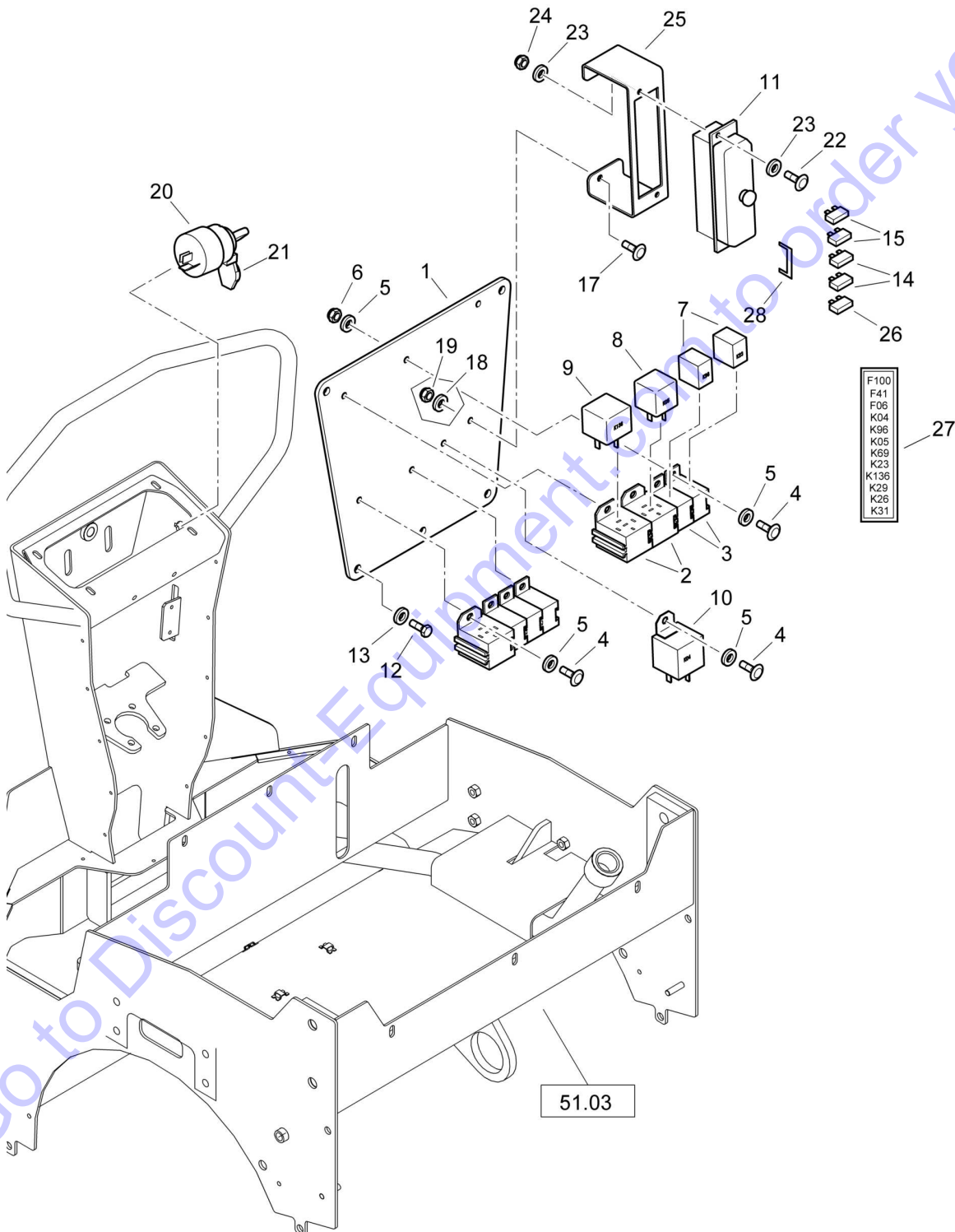
Go to DiscountEquipment.com to order your parts




BW 900-50		
S/N 861834071679 ▶ S/N 861834071736		
<b>Instruments</b>		<b>81.03</b>
		Page 2 / 2 Seite 2 / 2
	83408050 8061 1	

Pos.	Part no.	Qty.	Description
1	83410904	1	Bracket
2	05726842	3	Relay base
3	05766496	5	Relay base
4	07210516	5	Pens head screw
5	08510511	10	Washer
6	08110508	5	Hexagon nut
7	05766955	5	Relay
8	05766959	2	Relay
9	05050334	1	Marginal relay
10	05767052	1	Vibration modul
11	05755617	1	Fuse box
11.1	05755634	1	Cover
12	07140626	4	Hexagon bolt
13	08751064	4	Spring washer
14	05751098	2	Flat fuse
15	05751098	2	Flat fuse
17	07210516	2	Pens head screw
18	08510511	4	Washer
19	08130508	2	Safety nut
20	05766813	1	Glower starter switch
20.1	05755124	1	>Key,ignition
21	05766885	1	Cover
22	07210420	2	Pens head screw
23	08510409	4	Washer
24	08130408	2	Safety nut
25	83411096	1	Bracket
26	05751109	1	Flat fuse
27	05050499	1	Decal
28	05755622	1	Bridge

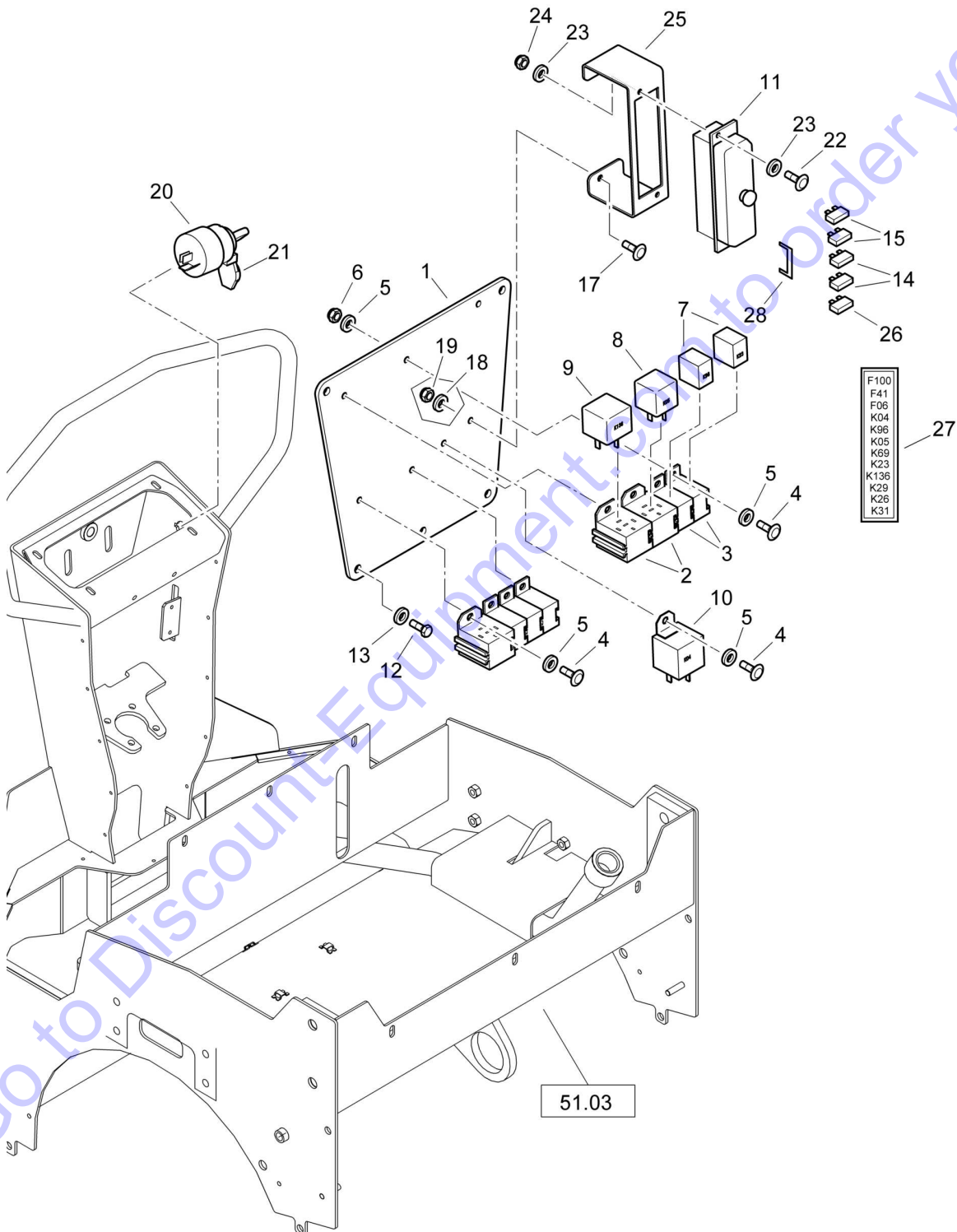
Go to Discount Equipment.com to order your parts



BW 900-50		
S/N 861834071657 ▶ S/N 861834071678		
<b>Instruments</b>		<b>81.03</b>
		Page <b>2 / 2</b>
	83408050 8061 1	

Pos.	Part no.	Qty.	Description
1	83410904	1	Bracket
2	05726842	3	Relay base
3	05766496	5	Relay base
4	07210516	5	Pens head screw
5	08510511	10	Washer
6	08110508	5	Hexagon nut
7	05766955	5	Relay
8	05766959	2	Relay
9	05050334	1	Marginal relay
10	05767052	1	Vibration modul
11	05755617	1	Fuse box
11.1	05755634	1	Cover
12	07140626	4	Hexagon bolt
13	08751064	4	Spring washer
14	05751098	2	Flat fuse
15	05751098	2	Flat fuse
17	07210516	2	Pens head screw
18	08510511	4	Washer
19	08130508	2	Safety nut
20	05766813L	1	Glower starter switch
21	05766885	1	Cover
22	07210420	2	Pens head screw
23	08510409	4	Washer
24	08130408	2	Safety nut
25	83411096	1	Bracket
26	05751109	1	Flat fuse
27	05050499	1	Decal
28	05755622	1	Bridge

Go to Discount-Equipment.com to order your parts



51.03

BW 900-50		
S/N 861834071426 ▶ S/N 861834071656		
<b>Instruments</b>		<b>81.03</b>
		Page <b>2 / 2</b>
	83408050 8061 1	

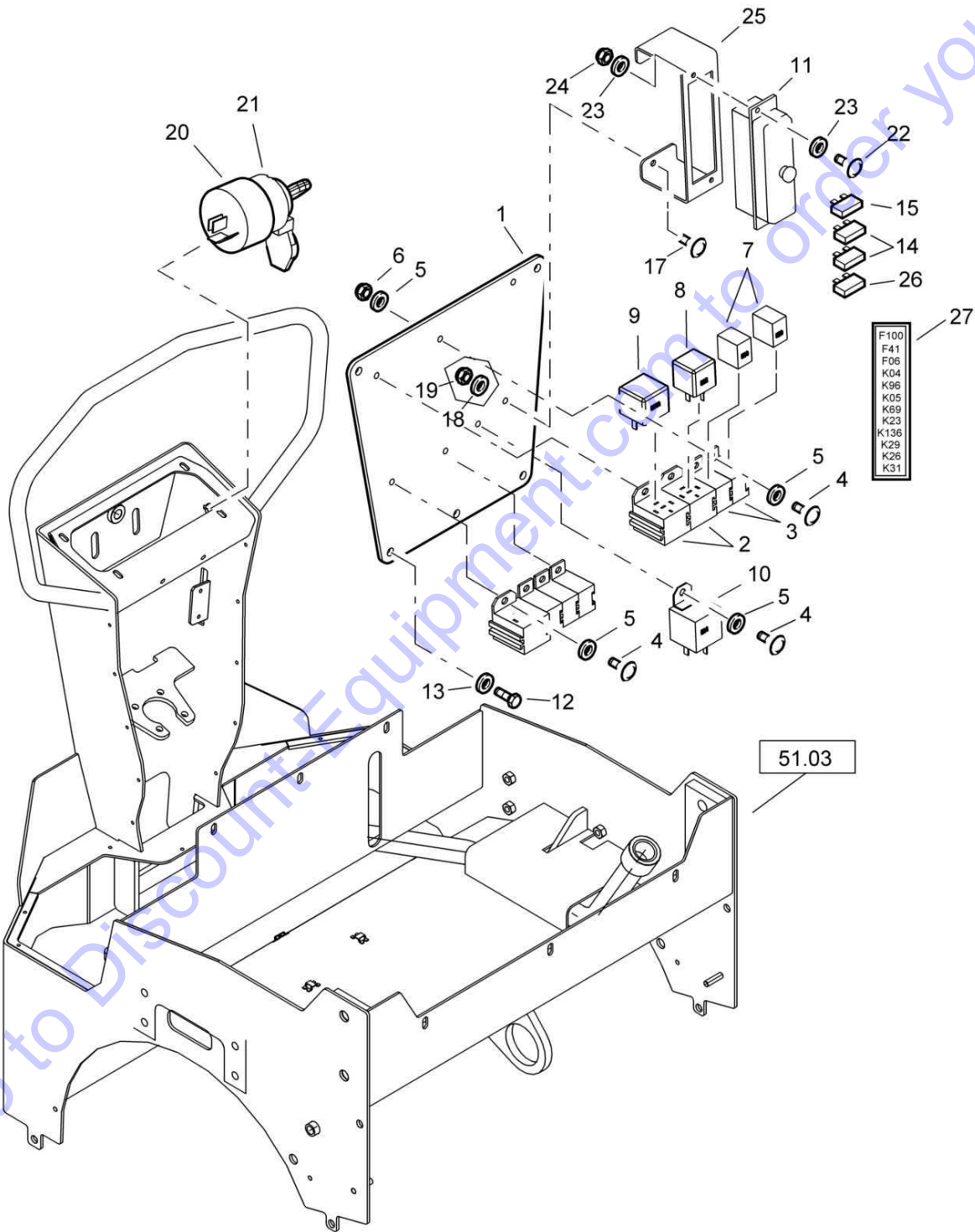
Pos.	Part no.	Qty.	Description
1	83410904	1	Bracket
2	05726842	3	Relay base
3	05766496	5	Relay base
4	07210516	5	Pens head screw
5	08510511	10	Washer
6	08110508	5	Hexagon nut
7	05766955	5	Relay
8	05766959	2	Relay
9	05050334	1	Marginal relay
10	05767052	1	Vibration modul
11	05755617	1	Fuse box
11.1	05755634	1	Cover
12	07140626	4	Hexagon bolt
13	08751064	4	Spring washer
14	05751098	2	Flat fuse
15	05751098	2	Flat fuse
17	07210516	2	Pens head screw
18	08510511	4	Washer
19	08130508	2	Safety nut
20	05766813	1	Glower starter switch
20.1	05755124	1	>Key,ignition
21	05766885	1	Cover
22	07210420	2	Pens head screw
23	08510409	4	Washer
24	08130408	2	Safety nut
25	83411096	1	Bracket
26	05751109	1	Flat fuse
27	05050499	1	Decal
28	05755622	1	Bridge

Go to Discount Equipment.com to order your parts



# 81.03

## Instruments



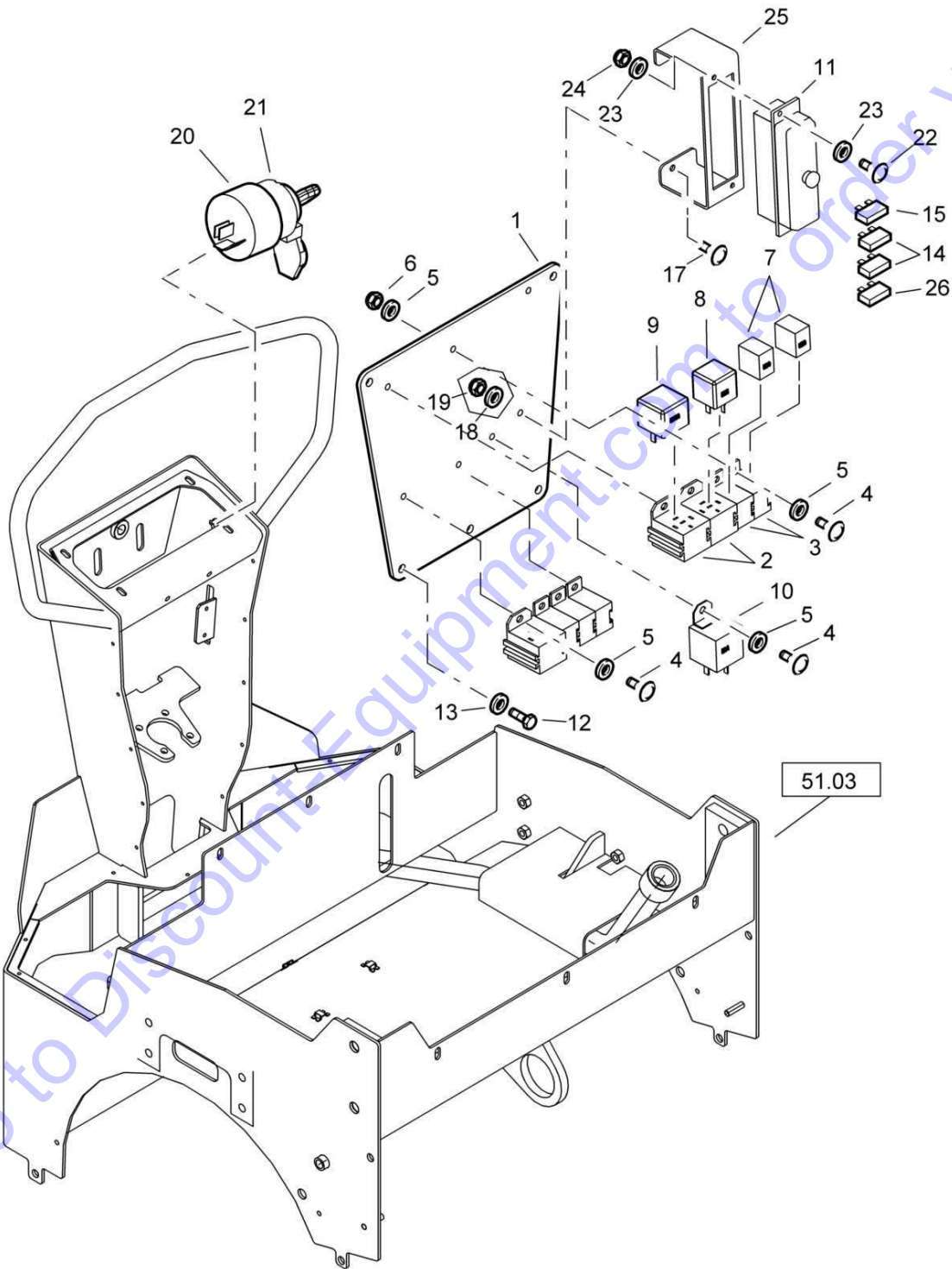
BW 900-50		
S/N 861834071088 ▶ S/N 861834071425		
<b>Instruments</b>		<b>81.03</b>
		Page <b>2 / 2</b>
	83408050 8061 1	


Pos.	Part no.	Qty.	Description
1	83410904	1	Bracket
2	05726842	3	Relay base
3	05766496	5	Relay base
4	07210516	5	Pens head screw
5	08510511	10	Washer
6	08110508	5	Hexagon nut
7	05766955	5	Relay
8	05766959	2	Relay
9	05050334	1	Marginal relay
10	05767052	1	Vibration modul
11	05755617	1	Fuse box
11.1	05755634	1	Cover
12	07140626	4	Hexagon bolt
13	08751064	4	Spring washer
14	05751098	2	Flat fuse
15	05751100	1	Flat fuse
17	07210516	2	Pens head screw
18	08510511	4	Washer
19	08130508	2	Safety nut
20	05766813	1	Glower starter switch
20.1	05755124	1	>Key,ignition
21	05766885	1	Cover
22	07210420	2	Pens head screw
23	08510409	4	Washer
24	08130408	2	Safety nut
25	83411096	1	Bracket
26	05751109	1	Flat fuse
27	05050499	1	Decal

Go to Discount-Equipment.com to order your parts

# 81.03

## Instruments



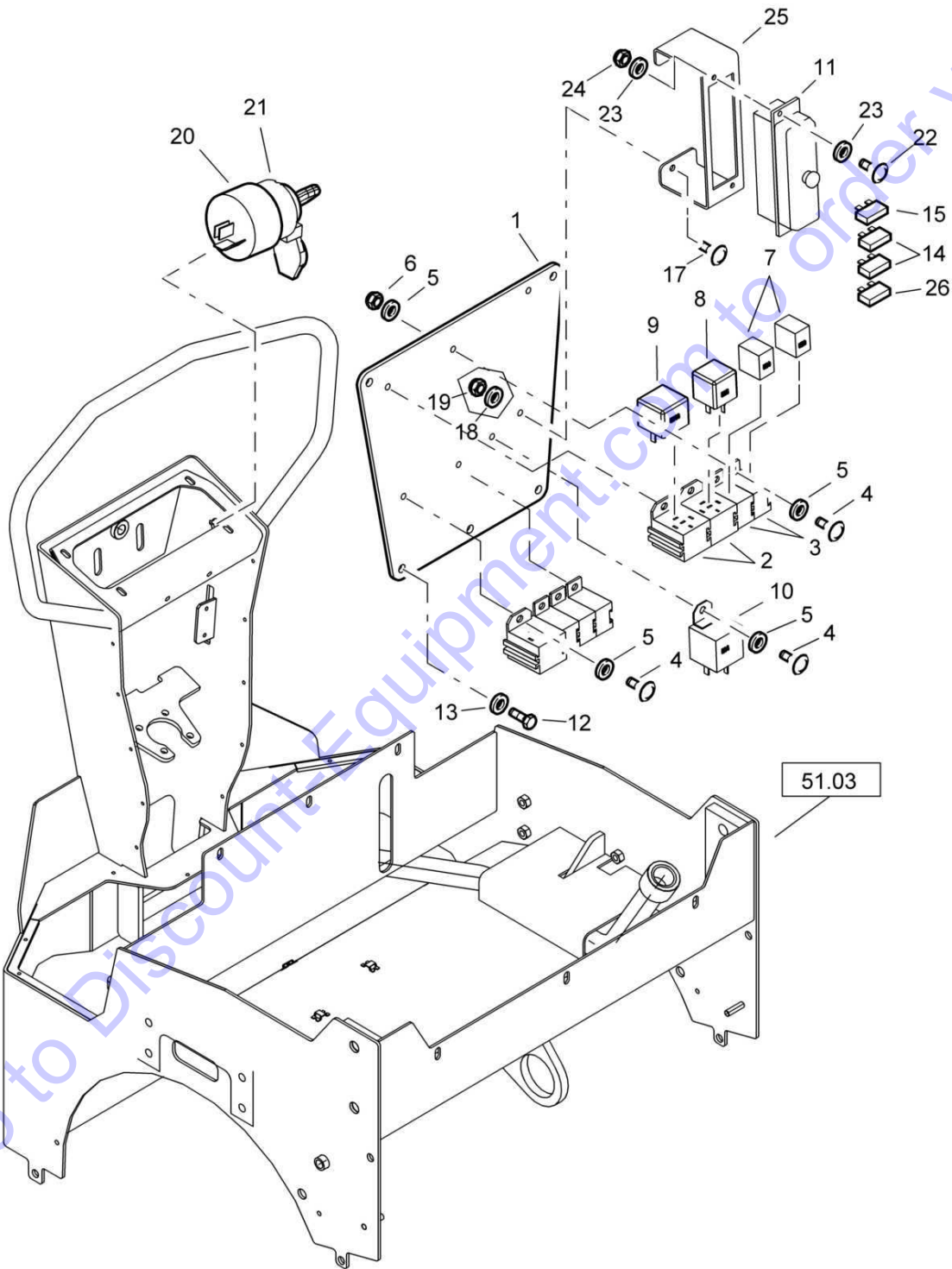
BW 900-50		
S/N 861834071005 ▶ S/N 861834071087		
<b>Instruments</b>		<b>81.03</b>
		Page 2 / 2 Seite
	83408050 8061 1	


Pos.	Part no.	Qty.	Description
1	83410904	1	Bracket
2	05726842	3	Relay base
3	05766496	5	Relay base
4	07210516	5	Pens head screw
5	08510511	10	Washer
6	08110508	5	Hexagon nut
7	05766955	5	Relay
8	05766959	2	Relay
9	05050334	1	Marginal relay
10	05767052	1	Vibration modul
11	05755617	1	Fuse box
11.1	05755634	1	Cover
12	07140626	4	Hexagon bolt
13	08751064	4	Spring washer
14	05751098	2	Flat fuse
15	05751100	1	Flat fuse
17	07210516	2	Pens head screw
18	08510511	4	Washer
19	08130508	2	Safety nut
20	05766813	1	Glower starter switch
20.1	05755124	1	>Key,ignition
21	05766885	1	Cover
22	07210420	2	Pens head screw
23	08510409	4	Washer
24	08130408	2	Safety nut
25	83411096	1	Bracket
26	05751109	1	Flat fuse

Go to Discount-Equipment.com to order your parts

# 81.03

## Instruments



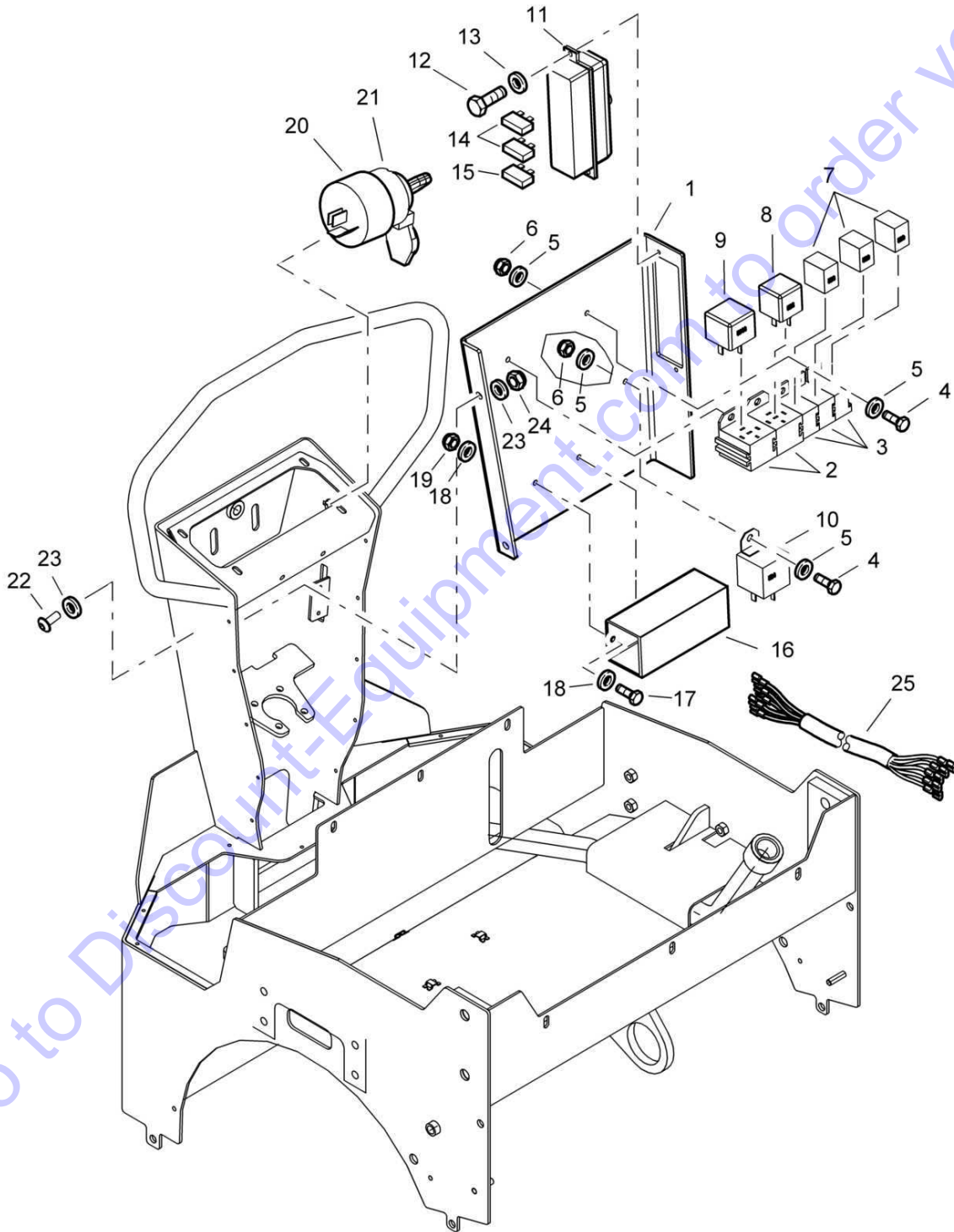
BW 900-50		
S/N 861834071004 ▶ S/N 861834071004		
<b>Instruments</b>		<b>81.03</b>
		Page <b>2 / 2</b>
	83408050 8061 1	

Pos.	Part no.	Qty.	Description
1	83410904	1	Bracket
2	05726842	3	Relay base
3	05766496	5	Relay base
4	07210516	5	Pens head screw
5	08510511	10	Washer
6	08110508	5	Hexagon nut
7	05766955	5	Relay
8	05766959	2	Relay
9	05050334	1	Marginal relay
10	05767052	1	Vibration modul
11	05755617	1	Fuse box
11.1	05755634	1	Cover
12	07140626	4	Hexagon bolt
13	08751064	4	Spring washer
14	05751098	2	Flat fuse
15	05751100	1	Flat fuse
17	07210516	2	Pens head screw
18	08510511	4	Washer
19	08130508	2	Safety nut
20	05766813	1	Glower starter switch
20.1	05755124	1	>Key,ignition
21	05766885	1	Cover
22	07210420	2	Pens head screw
23	08510409	4	Washer
24	08130408	2	Safety nut

Go to Discount-Equipment.com to order your parts

**81.03**

**Instruments**



BW 900-50		
S/N 861834071001 ▶ S/N 861834071003		
<b>Instruments</b>		<b>81.03</b>
		Page <b>2 / 2</b>
	83408050 8061 1	

Pos.	Part no.	Qty.	Description
1	83410554	1	Locating plate
2	05726842	2	Relay base
3	05766496	3	Relay base
4	07210420	3	Pens head screw
5	08510409	6	Washer
6	08110408	3	Hexagon nut
7	05766955	3	Relay
8	05766959	1	Relay
9	05050334	1	Marginal relay
10	05767052	1	Vibration modul
11	05755617	1	Fuse box
11.1	05755634	1	Cover
12	07210424	2	Pens head screw
13	08510412	2	Washer
14	05751098	2	Flat fuse
15	05751100	1	Flat fuse
16	05050422	0,10 m	Cable channel
17	07210424	2	Pens head screw
18	08510412	4	Washer
19	08130408	2	Safety nut
20	05766813	1	Glower starter switch
20.1	05755124	1	>Key,ignition
21	05766885	1	Cover
22	07210616	2	Pens head screw
23	08510612	4	Washer
24	08130611	2	Safety nut

Go to Discount-Equipment.com to order your parts



BW 900-50

S/N 861834071613 ▶

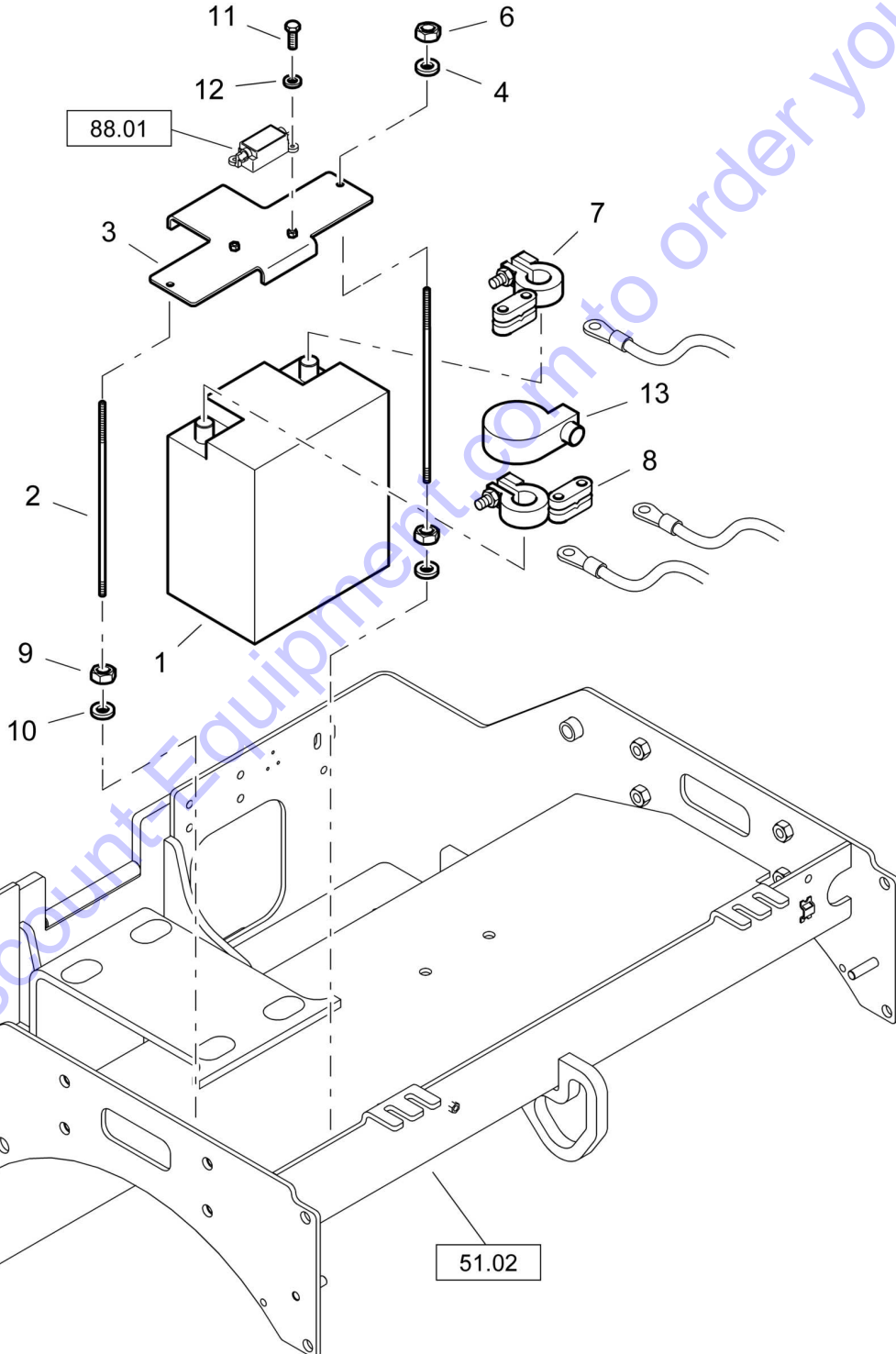
**81.05**

**Battery**


Page **1 / 1**



83408051\_000\_02



83408051\_000\_02

BW 900-50		
S/N 861834071613 ▶		
<b>Battery</b>		<b>81.05</b>
		Page 1 / 1
	83408051 8061 1	

Pos.	Part no.	Qty.	Description
1	05050328	1	Battery
2	83410568	2	Fixing bolt
3	83410564	1	Battery holder
4	08510612	2	Washer
6	08130611	2	Safety nut
7	05756034	1	Pole clamp
8	05756033	1	Pole clamp
9	08110620	2	Hexagon nut
10	08510612	2	Washer
11	07210416	2	Pens head screw
12	08510409	2	Washer
13	05753266	1	Cap, cover

Go to Discount-Equipment.com to order your parts

BW 900-50

S/N 861834071492 ▶ S/N 861834071612

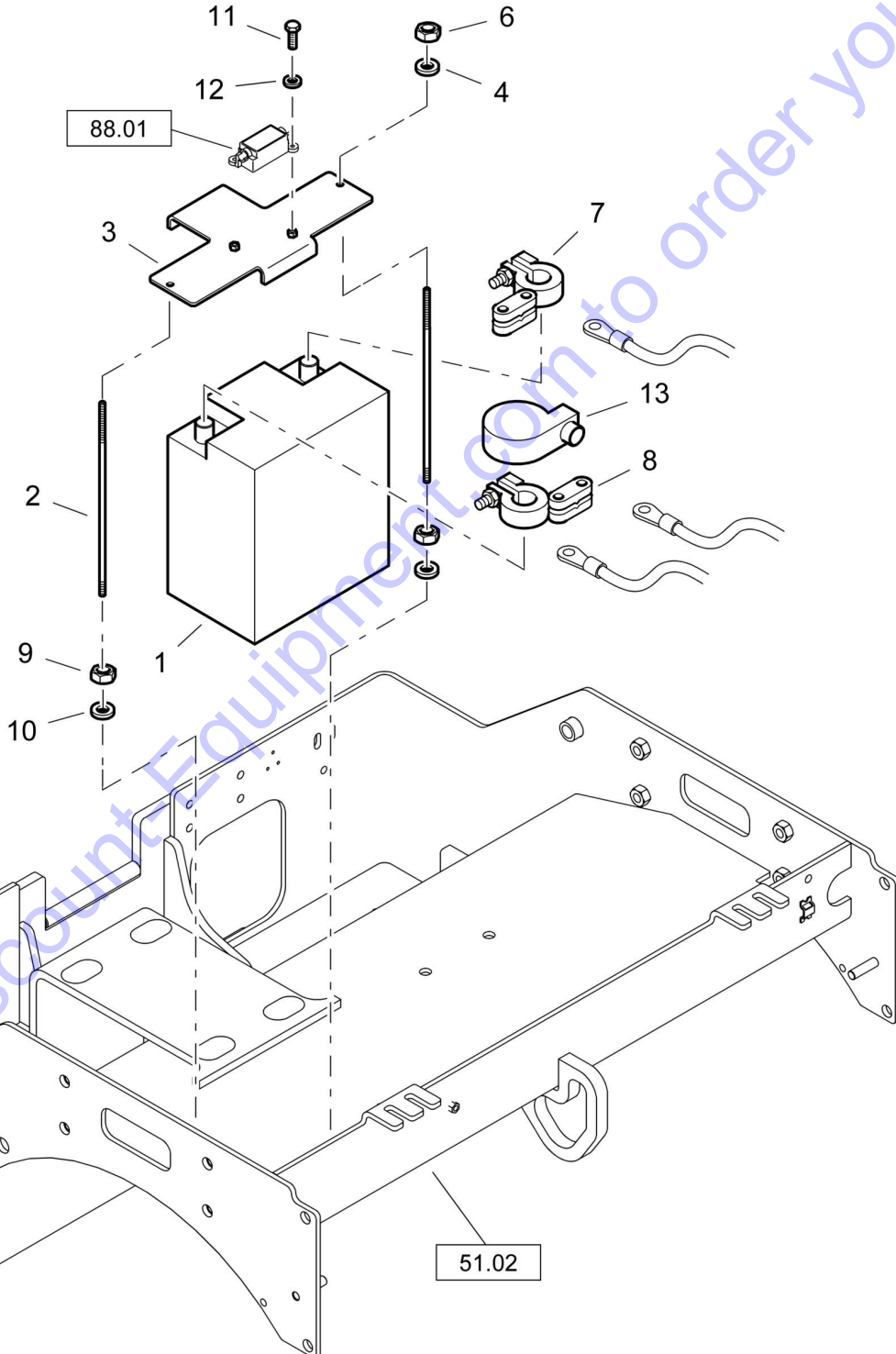
**81.05**

**Battery**

Page **1 / 1**



83408051\_000\_02



83408051\_000\_02

BW 900-50		
S/N 861834071492 ▶ S/N 861834071612		<b>81.05</b>
		Page <b>1 / 1</b>
		
		83408051 8061 1

Pos.	Part no.	Qty.	Description
1	05050328	1	Battery
2	83410568	2	Fixing bolt
3	83410564	1	Battery holder
4	08510612	2	Washer
6	08130611	2	Safety nut
7	05050437	1	Screw rail clip
9	08110620	2	Hexagon nut
10	08510612	2	Washer
11	07210416	2	Pens head screw
12	08510409	2	Washer
13	05753265	1	Cap, cover

Go to [Discount-Equipment.com](http://Discount-Equipment.com) to order your parts

BW 900-50

S/N 861834071128 ▶ S/N 861834071491

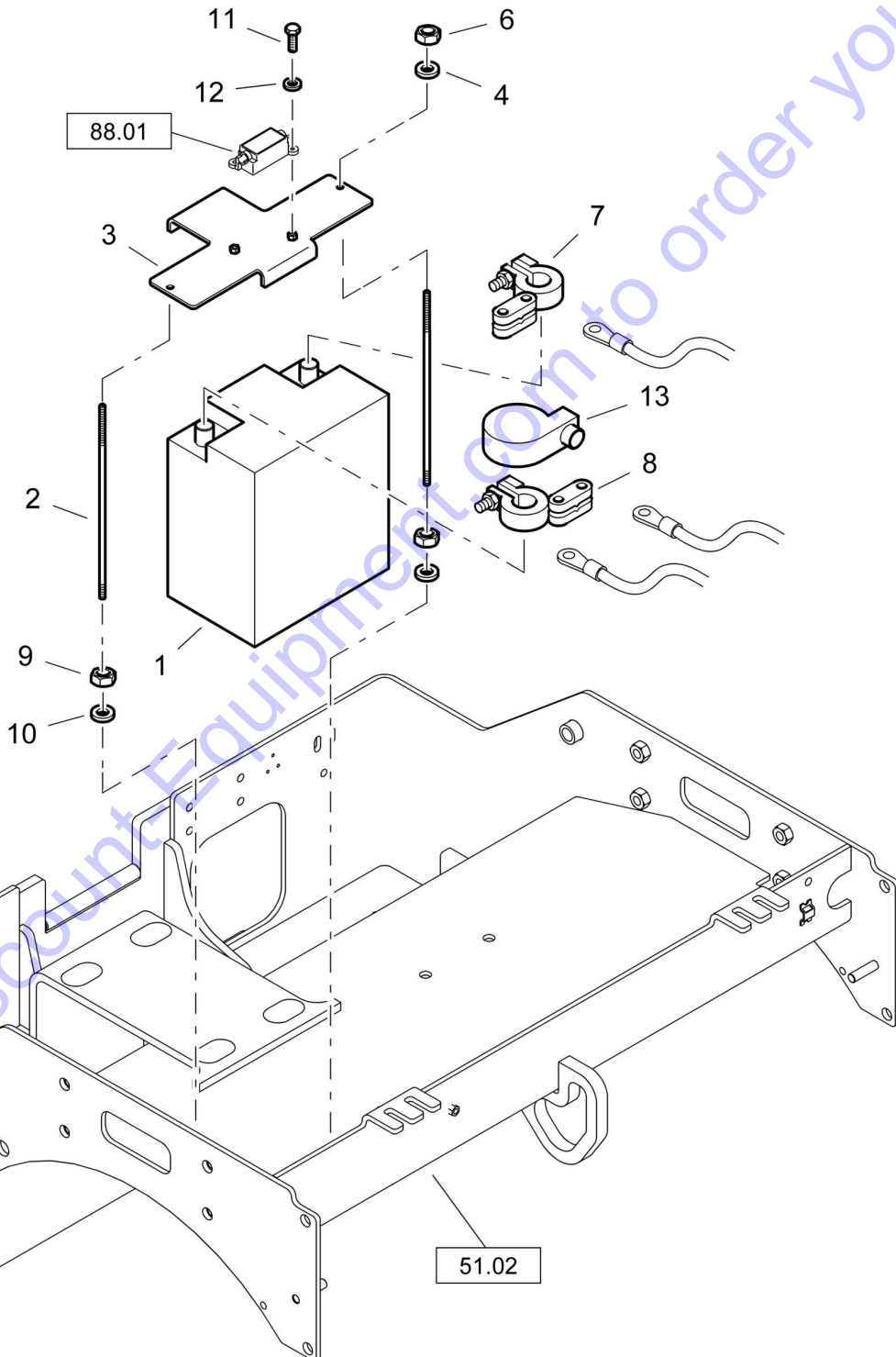
**81.05**

**Battery**

Page **1 / 1**



83408051\_000\_02



83408051\_000\_02

BW 900-50		
S/N 861834071128 ▶ S/N 861834071491		
<b>Battery</b>		<b>81.05</b>
		Page <b>1 / 1</b>
	83408051 8061 1	

Pos.	Part no.	Qty.	Description
1	05050328	1	Battery
2	83410568	2	Fixing bolt
3	83410564	1	Battery holder
4	08510612	2	Washer
6	08130611	2	Safety nut
7	05050437	1	Screw rail clip
9	08110620	2	Hexagon nut
10	08510612	2	Washer
11	07210416	2	Pens head screw
12	08510409	2	Washer
13	05753255	1	Cap, cover

Go to Discount-Equipment.com to order your parts

BW 900-50

S/N 861834071005 ▶ S/N 861834071127

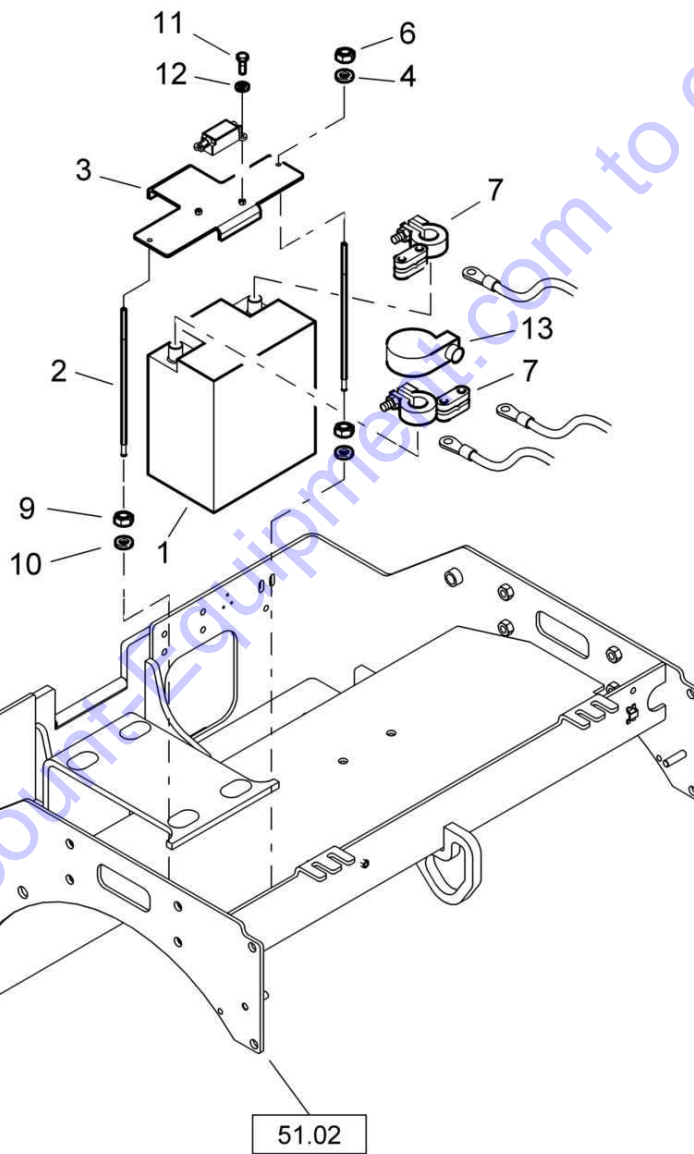
**81.05**

**Battery**


Page **1 / 1**



83408051\_000\_01



83408051\_000\_01

BW 900-50		
S/N 861834071005 ▶ S/N 861834071127		
<b>Battery</b>		<b>81.05</b>
		Page <b>1 / 1</b>
	83408051 8061 1	

Pos.	Part no.	Qty.	Description
1	05050328	1	Battery
2	83410568	2	Fixing bolt
3	83410564	1	Battery holder
4	08510612	2	Washer
6	08130611	2	Safety nut
7	05050437	1	Screw rail clip
9	08110620	2	Hexagon nut
10	08510612	2	Washer
11	07210416	2	Pens head screw
12	08510409	2	Washer
13	05753255	1	Cap, cover

Go to Discount-Equipment.com to order your parts



BW 900-50

S/N 861834071004 ▶ S/N 861834071004

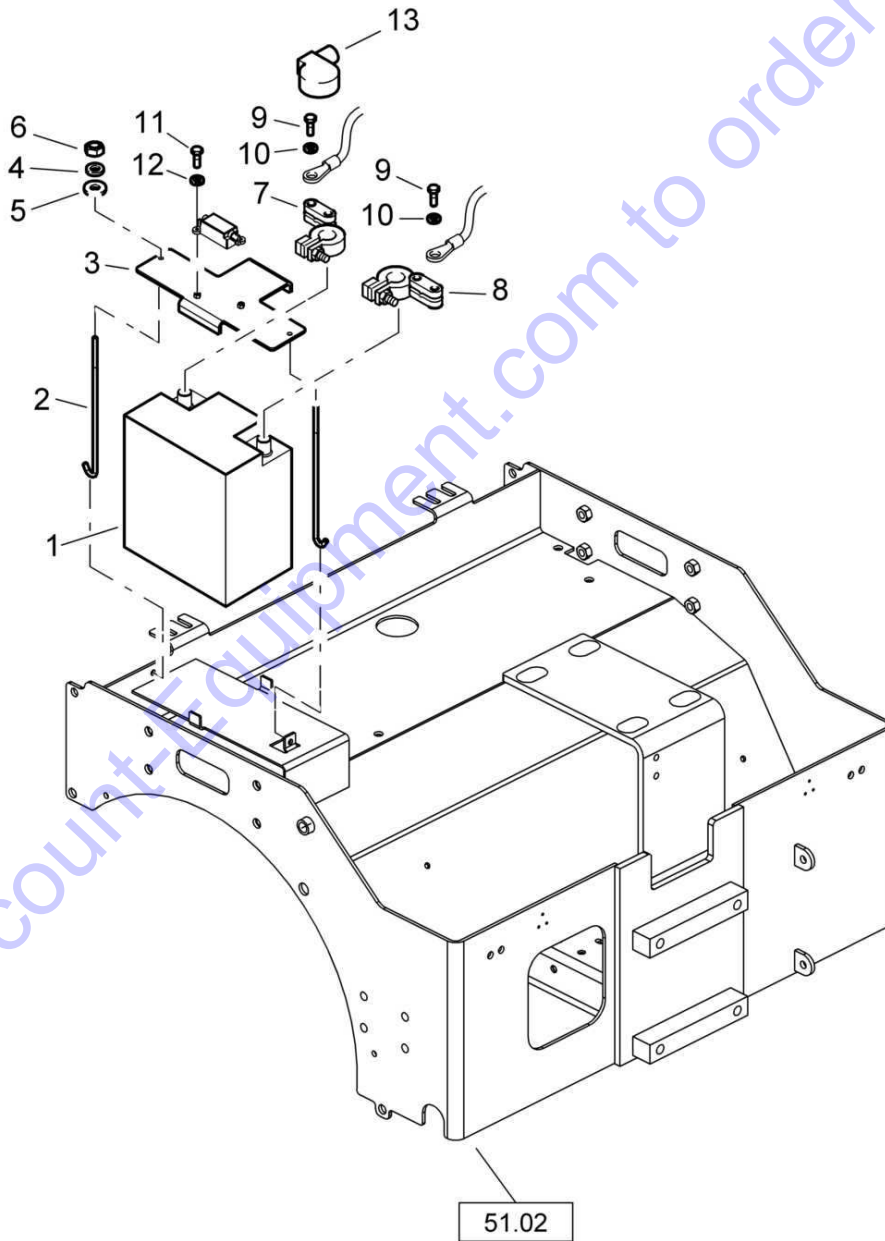
**81.05**

**Battery**


Page **1 / 1**



83408051\_000\_00



83408051\_000\_00

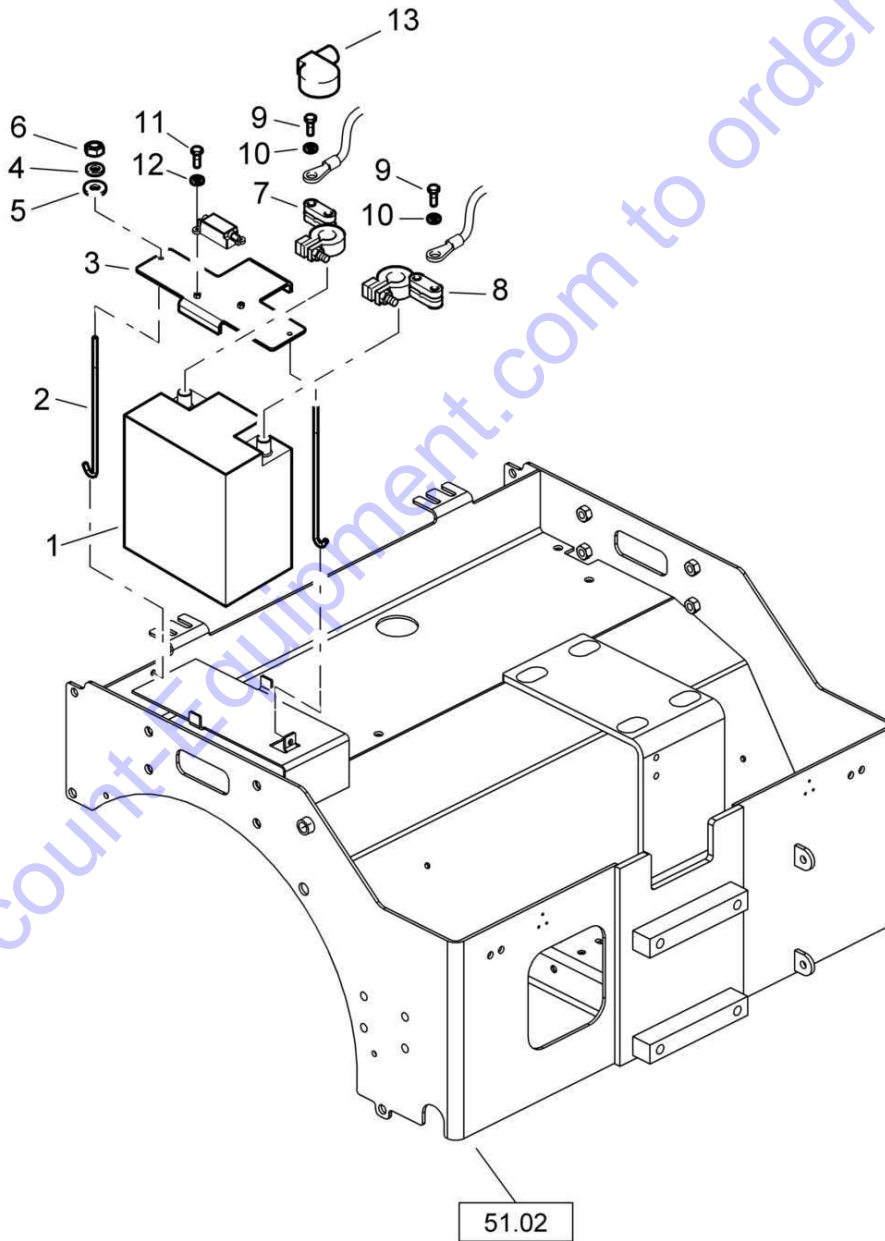
BW 900-50		
S/N 861834071004 ▶ S/N 861834071004		
<b>Battery</b>		<b>81.05</b>
		Page <b>1 / 1</b>
	83408051 8061 1	


**Pos. Part no. Qty. Description**

1	05050328	1	Battery
2	83410568	2	Fixing bolt
3	83410564	1	Battery holder
4	08621064	2	Washer
5	08621084	2	Washer
6	08130611	2	Safety nut
7	05050437	1	Screw rail clip
9	07140626	4	Hexagon bolt
10	08510612	4	Washer
11	07140441	2	Hexagon bolt
12	08510409	2	Washer
13	05753254	1	Cap, cover

Go to Discount-Equipment.com to order your parts

## Battery




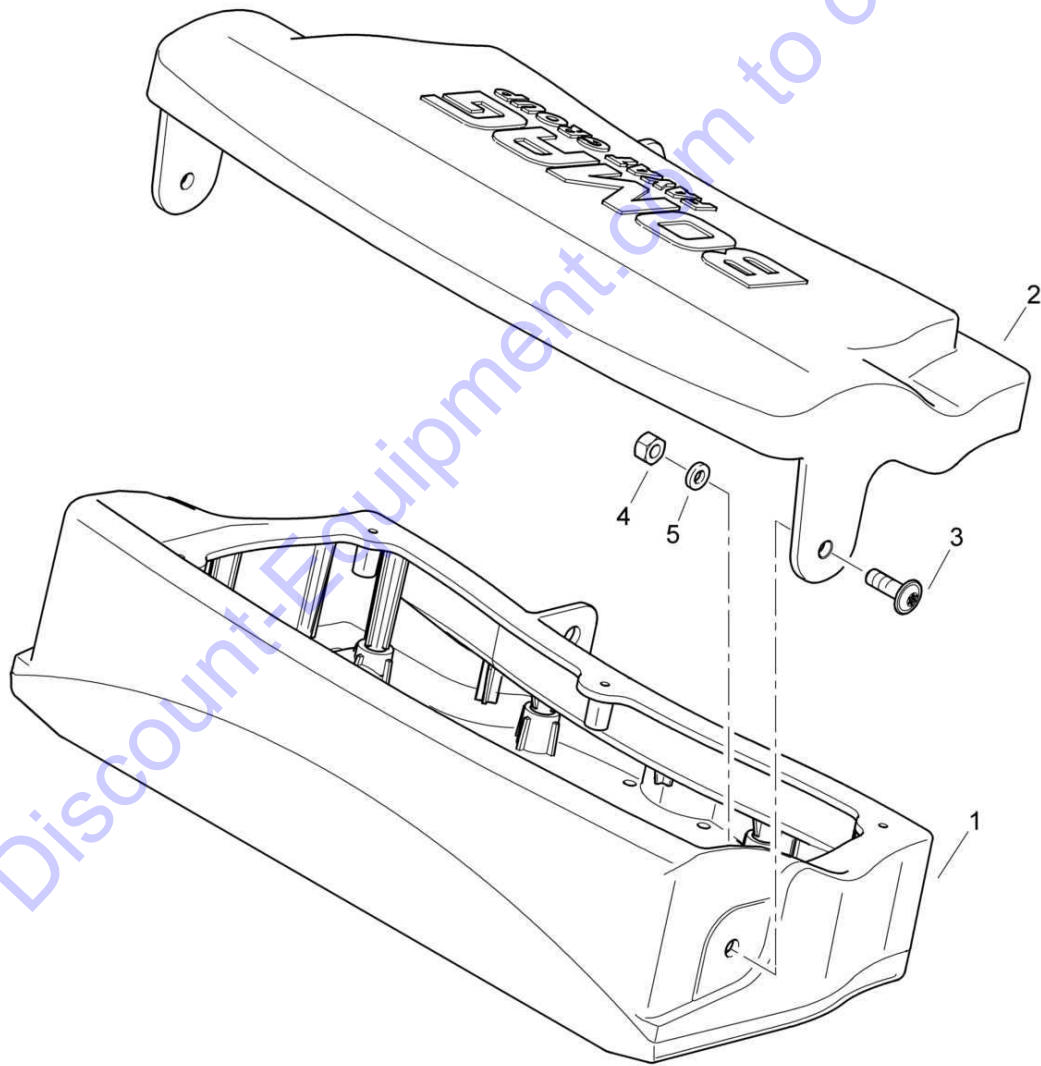
BW 900-50		
S/N 861834071001 ▶ S/N 861834071003		
<b>Battery</b>		<b>81.05</b>
		Page <b>1 / 1</b>
	83408051 8061 1	


**Pos. Part no. Qty. Description**

1	05050328	1	Battery
2	83410568	2	Fixing bolt
3	83410564	1	Battery holder
4	08621064	2	Washer
5	08621084	2	Washer
6	08130611	2	Safety nut
7	05756011	1	Screw rail clip
8	05756014	1	Screw rail clip
9	07140626	4	Hexagon bolt
10	08510612	4	Washer
11	07140441	2	Hexagon bolt
12	08510409	2	Washer
13	05753254	1	Cap, cover

Go to Discount-Equipment.com to order your parts

	BW 900-50	S/N 861834071086 ▶
<b>81.27</b>	<b>Dashboard, Assembled</b>	
Page <b>1 / 1</b>		
 <b>BOMAG</b> FAYAT GROUP	46330150_000_00	



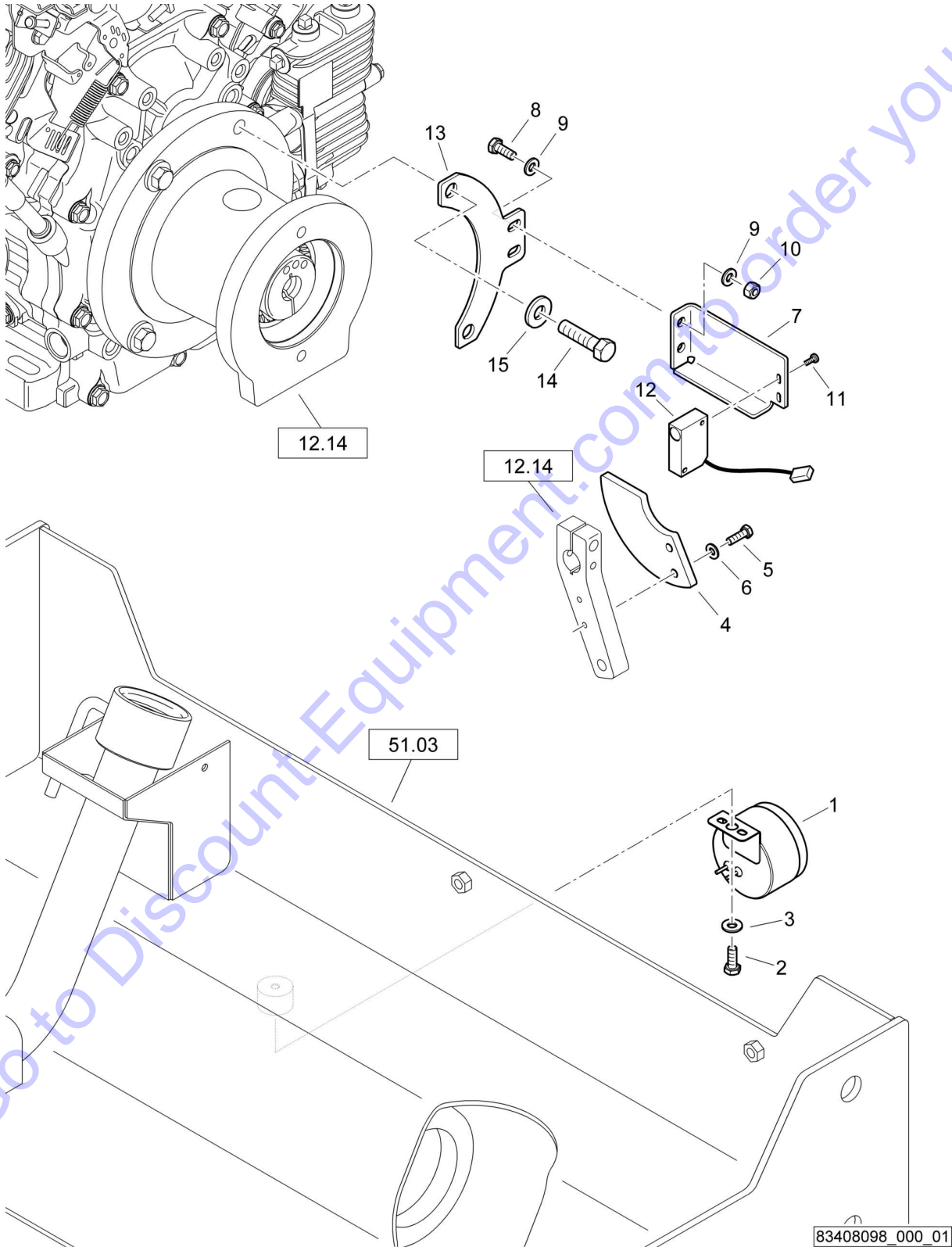
BW 900-50		
S/N 861834071086 ▶		<b>81.27</b>
Dashboard, Assembled		
		Page 1 / 1
46330150 8061 1		


Pos.	Part no.	Qty.	Description
1	46330147	1	Dashboard
2	46330146	1	Vandalism protection
3	07210825	2	Pens head screw
4	08130813	2	Safety nut
5	08752084	2	Spring washer

Go to Discount-Equipment.com to order your parts

# 82.04

## Back Up Alarm



BW 900-50		
S/N 861834071121 ▶		<b>82.04</b>
<b>Back Up Alarm</b>		Page <b>1 / 1</b>
83408098 8061 1		

Pos.	Part no.	Qty.	Description
1	58260380	1	Warning buzzer
2	05766955	1	Relay
3	80150210	1	Proximity switch
4	83410758	1	Control plate
5	83410839	1	Plate
7	83410840	1	Plate
8	07140626	2	Hexagon bolt
9	08510612	4	Washer
10	08130813	2	Safety nut
11	07140524	2	Hexagon bolt
12	08751053	2	Spring washer
13	07210316	2	Pens head screw
14	07140626	1	Hexagon bolt
15	08751064	1	Spring washer
16	07021028	2	Hexagon bolt
17	08752106	2	Spring washer

Go to Discount-Equipment.com to order your parts



BW 900-50

S/N 861834071004 ▶ S/N 861834071120

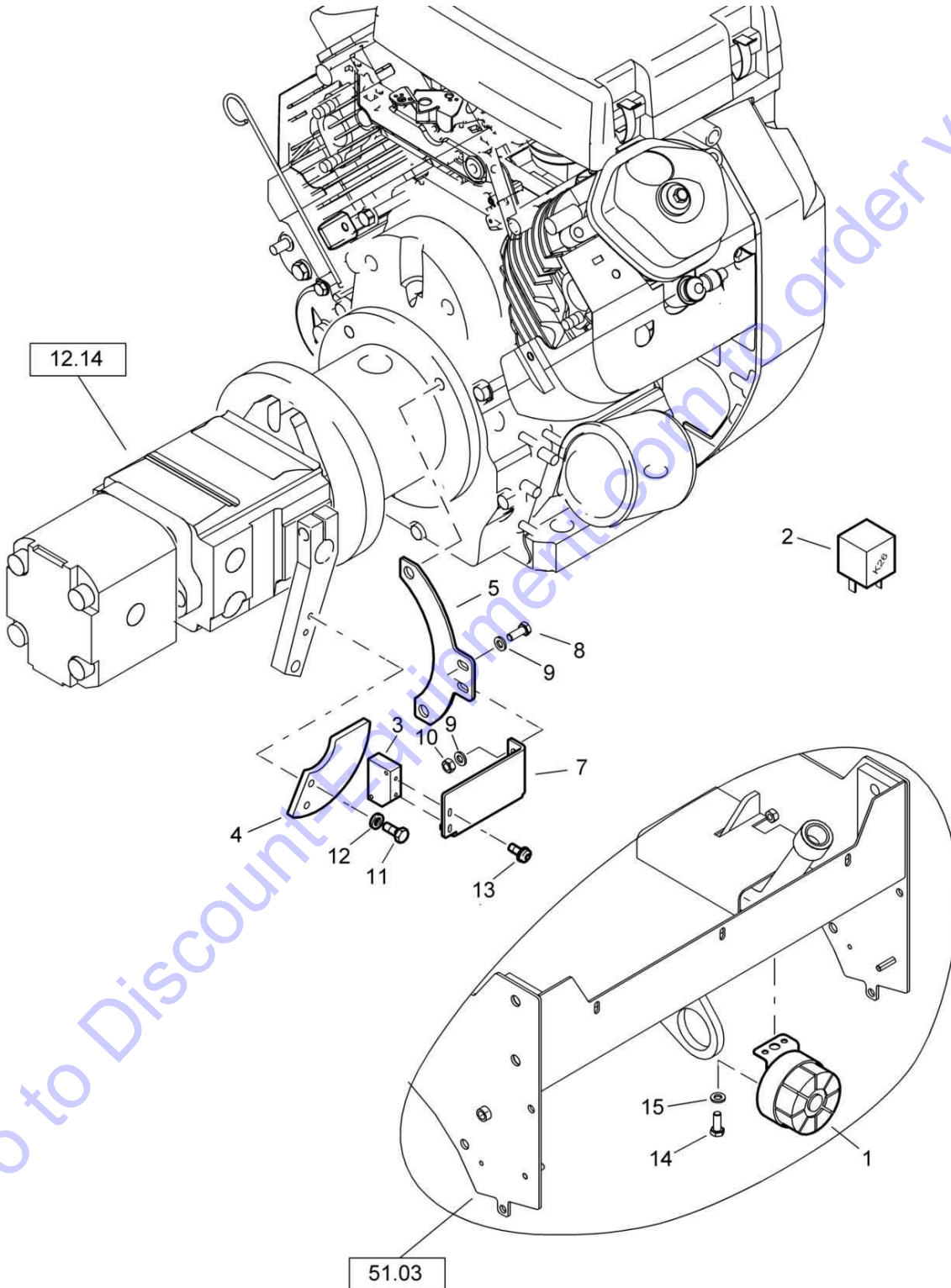
**82.04**

**Back Up Alarm**


Page **1 / 1**



83408098\_000\_00



83408098\_000\_00

BW 900-50		
S/N 861834071004 ▶ S/N 861834071120		
<b>Back Up Alarm</b>		<b>82.04</b>
		Page <b>1 / 1</b>
83408098 8061 1		

Pos.	Part no.	Qty.	Description
1	58260380	1	Warning buzzer
2	05766955	1	Relay
3	80150210	1	Proximity switch
4	83410758	1	Control plate
5	83410839	1	Plate
7	83410840	1	Plate
8	07140626	2	Hexagon bolt
9	08510612	4	Washer
10	08130813	2	Safety nut
11	07140524	2	Hexagon bolt
12	08751053	2	Spring washer
13	07210316	2	Pens head screw
14	07140626	1	Hexagon bolt
15	08751064	1	Spring washer

Go to Discount-Equipment.com to order your parts

BW 900-50

S/N 861834071002 ▶ S/N 861834071003

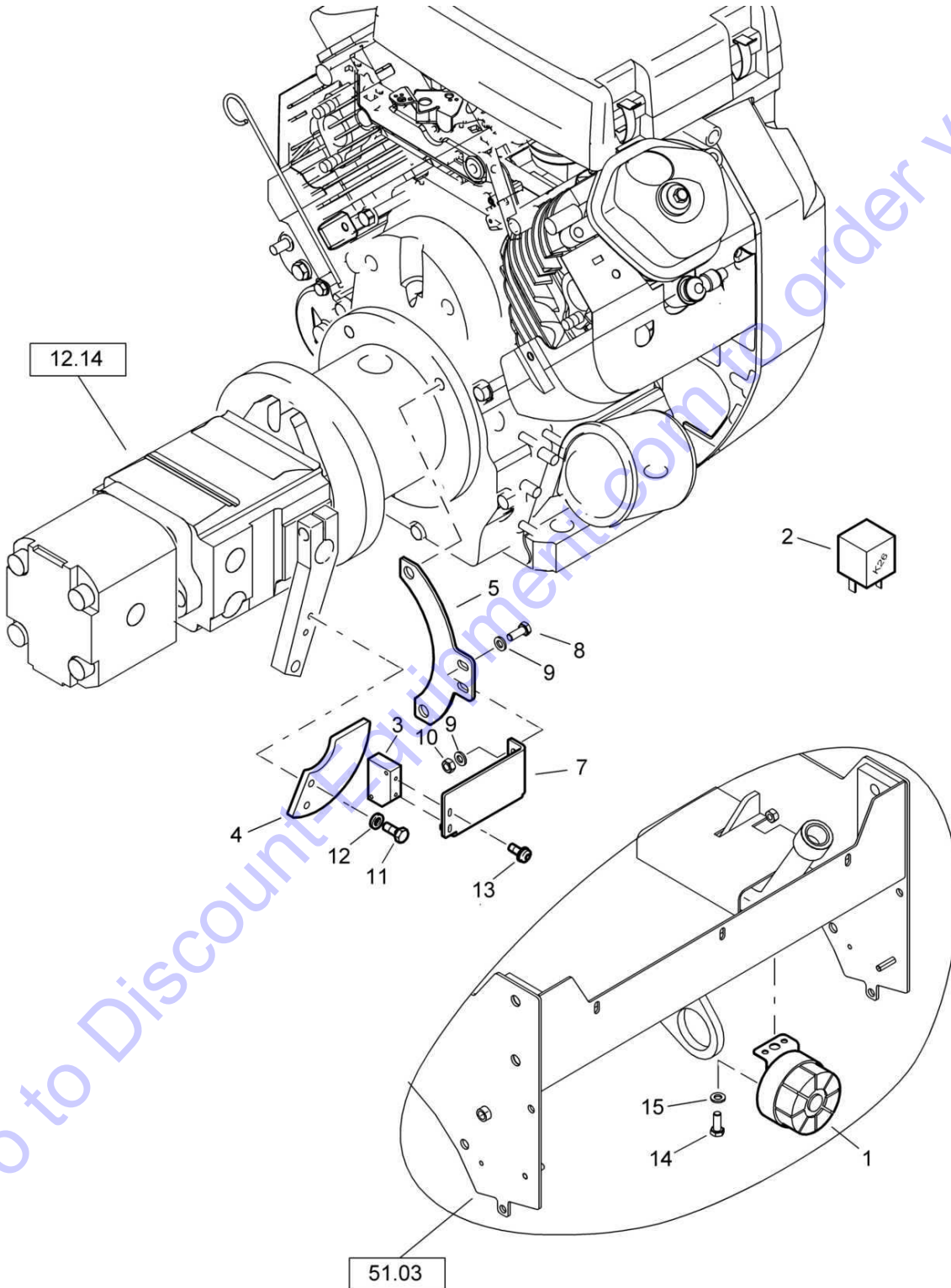
**82.04**

**Back Up Alarm**

Page **1 / 1**



83408098\_000\_00



83408098\_000\_00

BW 900-50		
S/N 861834071002 ▶ S/N 861834071003		<b>82.04</b>
<b>Back Up Alarm</b>		Page <b>1 / 1</b>
83408098 8061 1		

Pos.	Part no.	Qty.	Description
1	58260380	1	Warning buzzer
2	05766955	1	Relay
3	80150210	1	Proximity switch
4	83410758	1	Control plate
5	83410759	1	Bracket
6	83410760	1	Wire harness
7	07140815	1	Hexagon bolt
8	08752084	1	Spring washer

Go to Discount-Equipment.com to order your parts

BW 900-50

S/N 861834071128 ▶

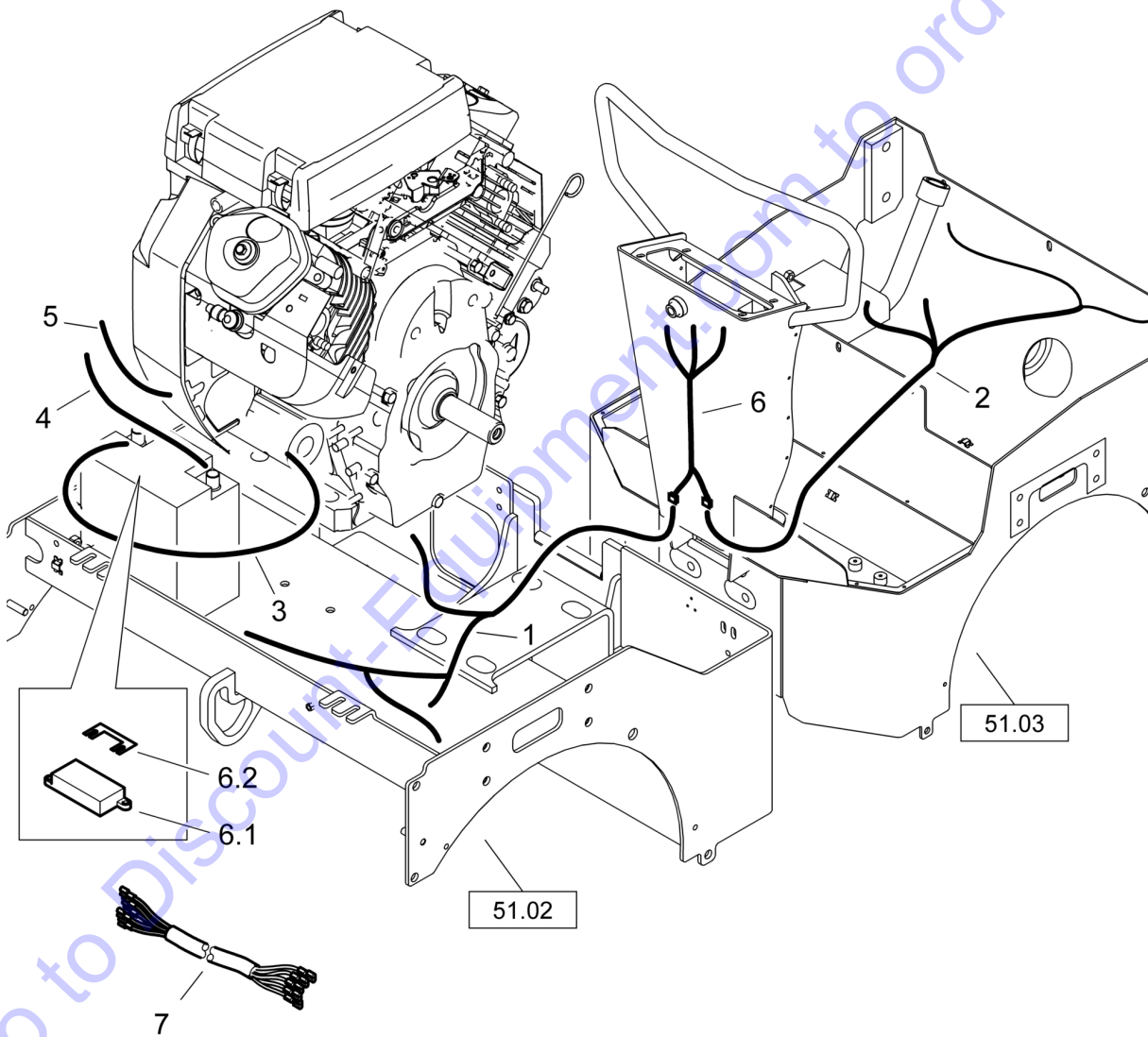
**88.01**

Wire harnesses


Page 1 / 1



83408052\_000\_01




83408052\_000\_01

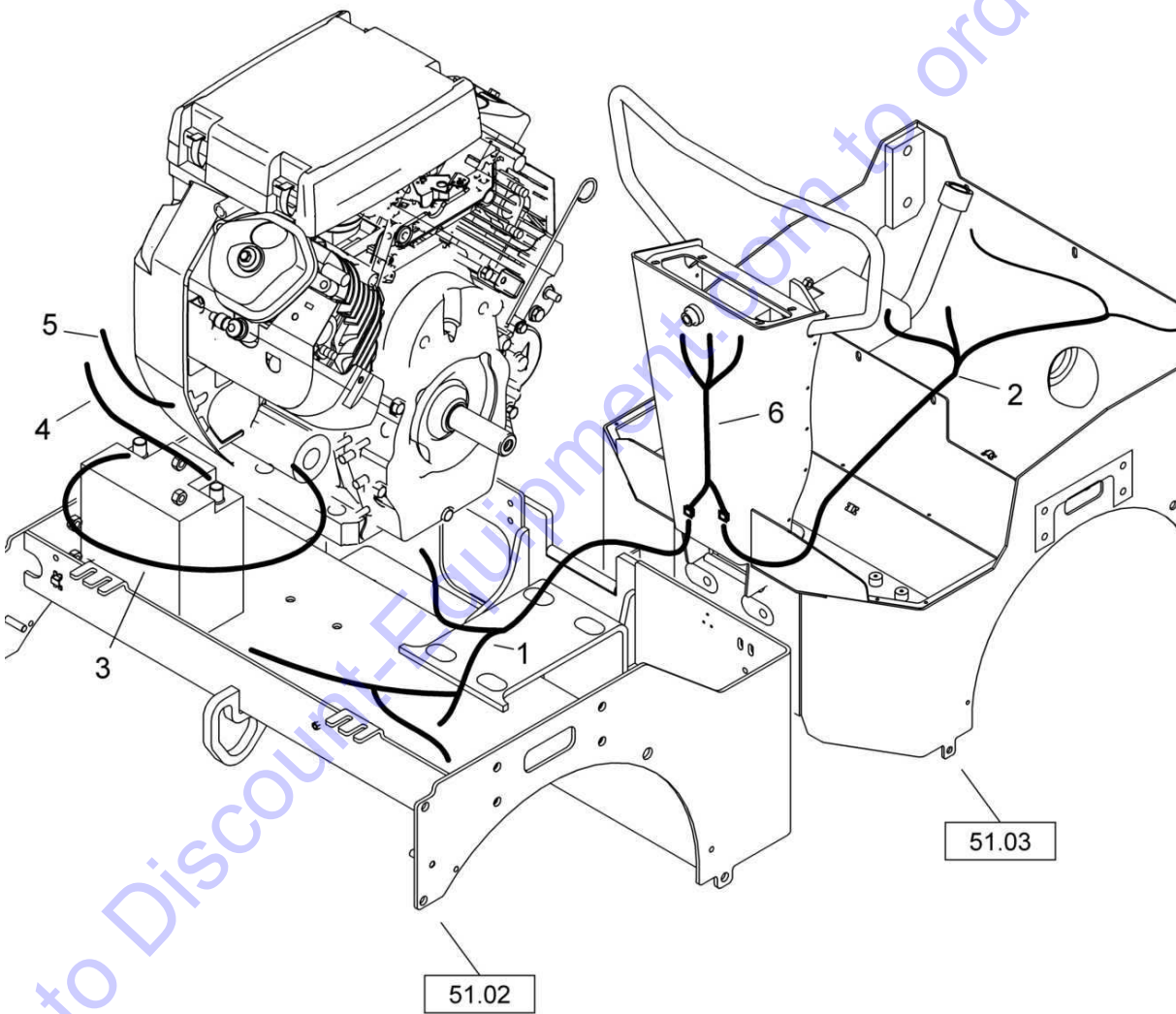
BW 900-50		
S/N 861834071128 ▶		
Wire harnesses		<b>88.01</b>
		Page <b>1 / 1</b>
	83408052 8061 1	


Pos.	Part no.	Qty.	Description
------	----------	------	-------------

1	83410549	1	Wire harness
2	83410550	1	Wire harness
3	83408080	1	Wire harness
4	83408079	1	Wire harness
5	83410746	1	Wire harness
6	83410553	1	Wire harness
6.1	05755112	1	Fuse holder
6.2	05751356	1	Fuse

Go to Discount-Equipment.com to order your parts

	BW 900-50	S/N 861834071004 ▶ S/N 861834071127
<b>88.01</b>	<b>Wire harnesses</b>	
Page <b>1 / 1</b>		
 <b>BOMAG</b> FAYAT GROUP		83408052_000_00



BW 900-50		
S/N 861834071004 ▶ S/N 861834071127		<b>88.01</b>
<b>Wire harnesses</b>		Page <b>1 / 1</b>
83408052 8061 1		

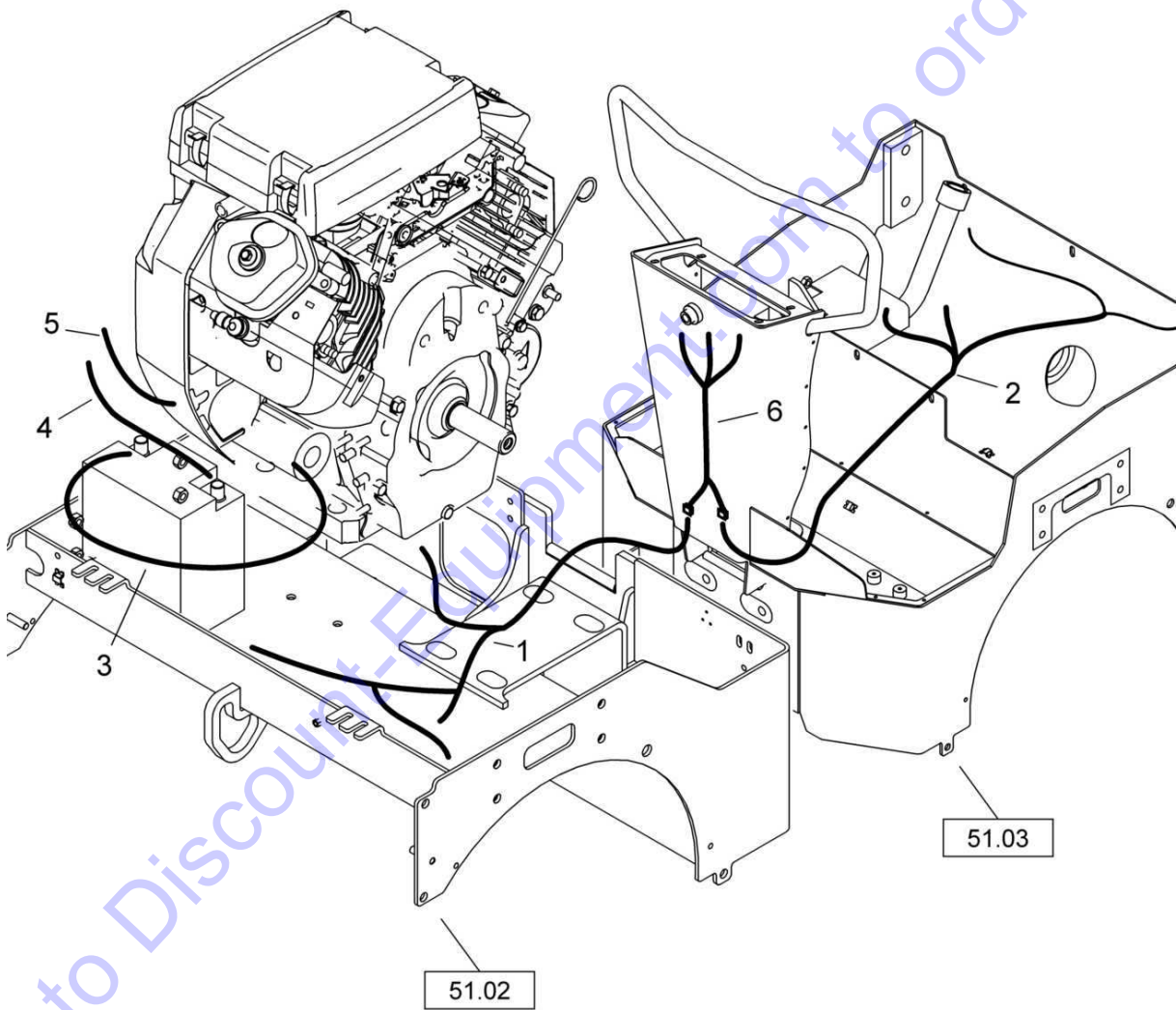
**Pos. Part no. Qty. Description**


1	83410549	1	Wire harness
2	83410550	1	Wire harness
3	83408080	1	Wire harness
4	83408079	1	Wire harness
5	83410746	1	Wire harness
6	83410553	1	Wire harness

Go to Discount-Equipment.com to order your parts



	BW 900-50	S/N 861834071001 ▶ S/N 861834071003
<b>88.01</b>	<b>Wire harnesses</b>	
Page <b>1 / 1</b>		
<b>BOMAG</b> FAYAT GROUP	83408052_000_00	



BW 900-50		
S/N 861834071001 ▶ S/N 861834071003		<b>88.01</b>
<b>Wire harnesses</b>		Page <b>1 / 1</b>
83408052 8061 1		

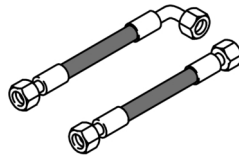
**Pos. Part no. Qty. Description**

1	83410549	1	Wire harness
2	83410550	1	Wire harness
3	83408080	1	Wire harness
4	83408079	1	Wire harness
5	83410746	1	Wire harness
6	83410553	1	Wire harness
7	83410756	1	Wire harness

Go to Discount-Equipment.com to order your parts

Go to [Discount-Equipment.com](http://Discount-Equipment.com) to order your parts

Hydraulic



**90**

**90.00**


Hydraulic

Page /



**For this catalogue group no illustration.**

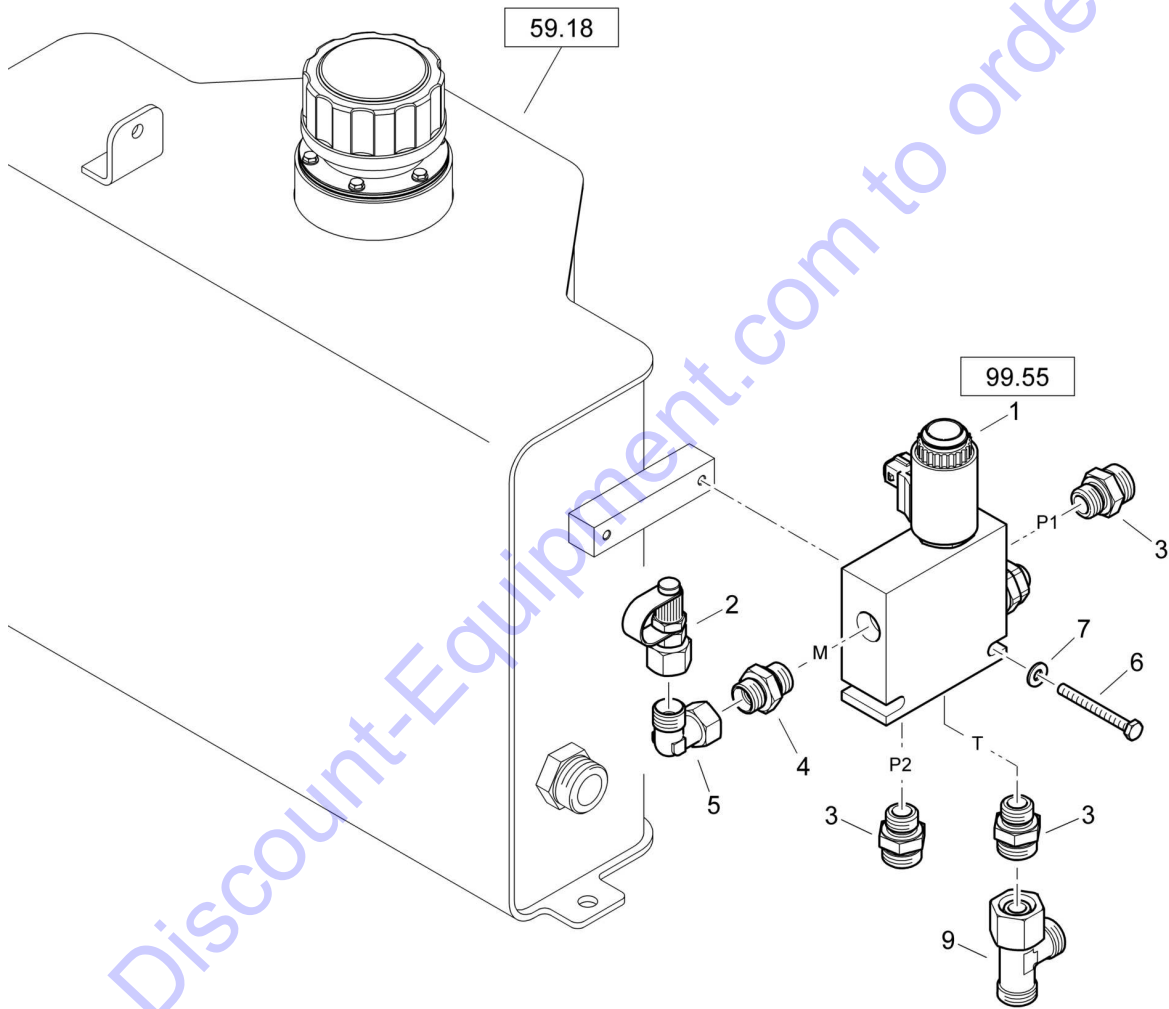
*Go to [Discount-Equipment.com](http://Discount-Equipment.com) to order your parts*


Hydraulic	<b>90.00</b>
	Page /
	

**Pos. Description**

- 91.36 Valves
- 92.00 Hydraulic,travel system
- 94.00 Hydraulic,steering
- 95.00 Hydraulics,vibration
- 97.00 Hydraulics,charge system
- 97.01 Hydraulic Filter
- 99.01 Hydr.Pump,Travel System
- 99.21 Hydr.Motor,Travel System
- 99.50 Filter,Hydraulic Oil
- 99.55 Control Block

Go to Discount-Equipment.com to order your parts

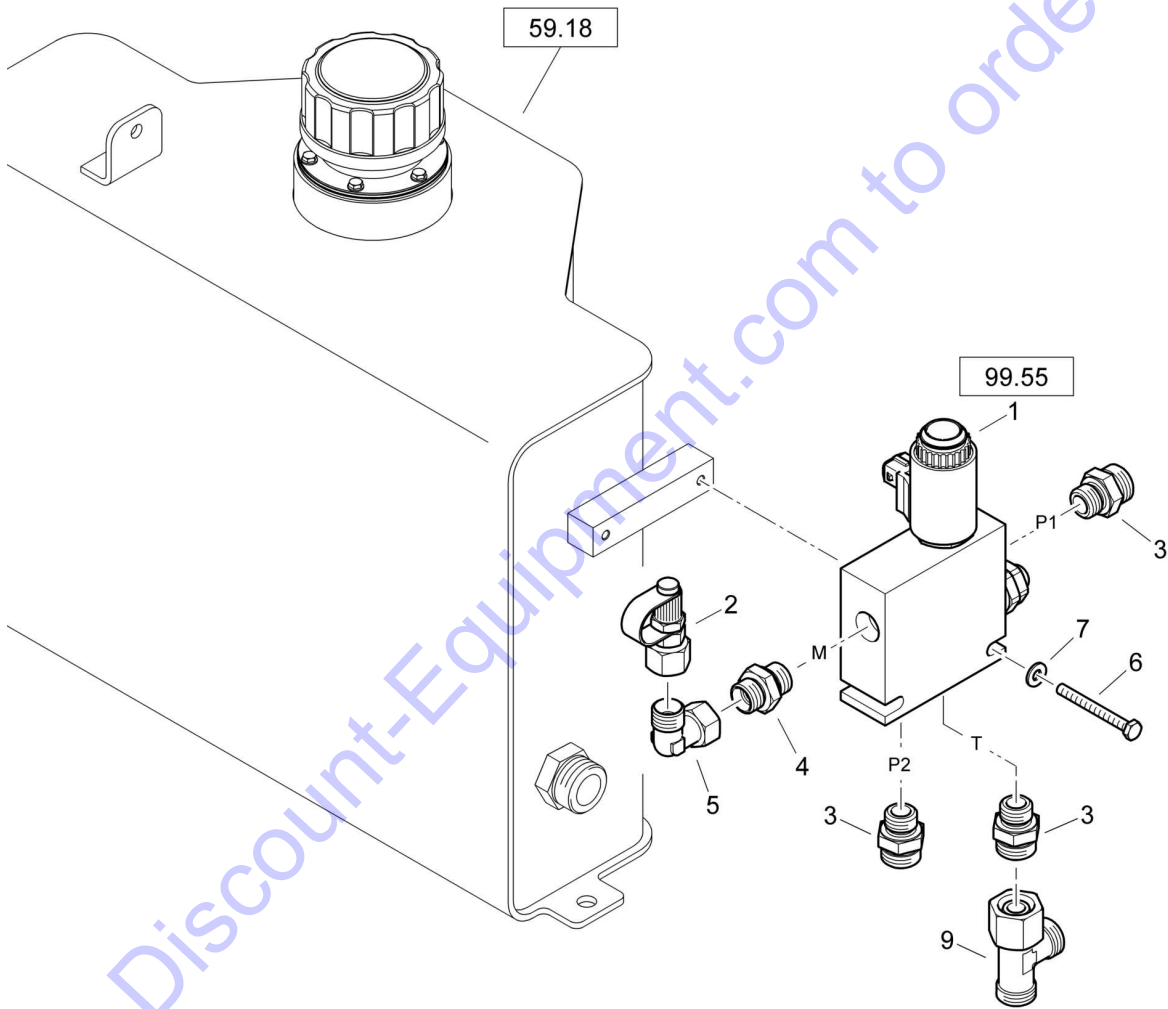


BW 900-50		
S/N 861834072476 ▶		
<b>Valves</b>		<b>91.36</b>
		Page 1 / 1
	83408057 8061 1	

Pos.	Part no.	Qty.	Description
1	05878170	1	Control block
2	05544033	1	Test connection
3	05540010	3	Double-ended union
4	05548011	1	Double-ended union
5	05542124	1	Angular union
6	07140668	2	Hexagon bolt
7	08751064	2	Spring washer
9	05542194	1	L-union

Go to Discount-Equipment.com to order your parts

	BW 900-50	S/N 861834072183 ▶ S/N 861834072475
<b>91.36</b>	<b>Valves</b>	
Page <b>1 / 1</b>		
<b>BOMAG</b> FAYAT GROUP	83408057_000_01	



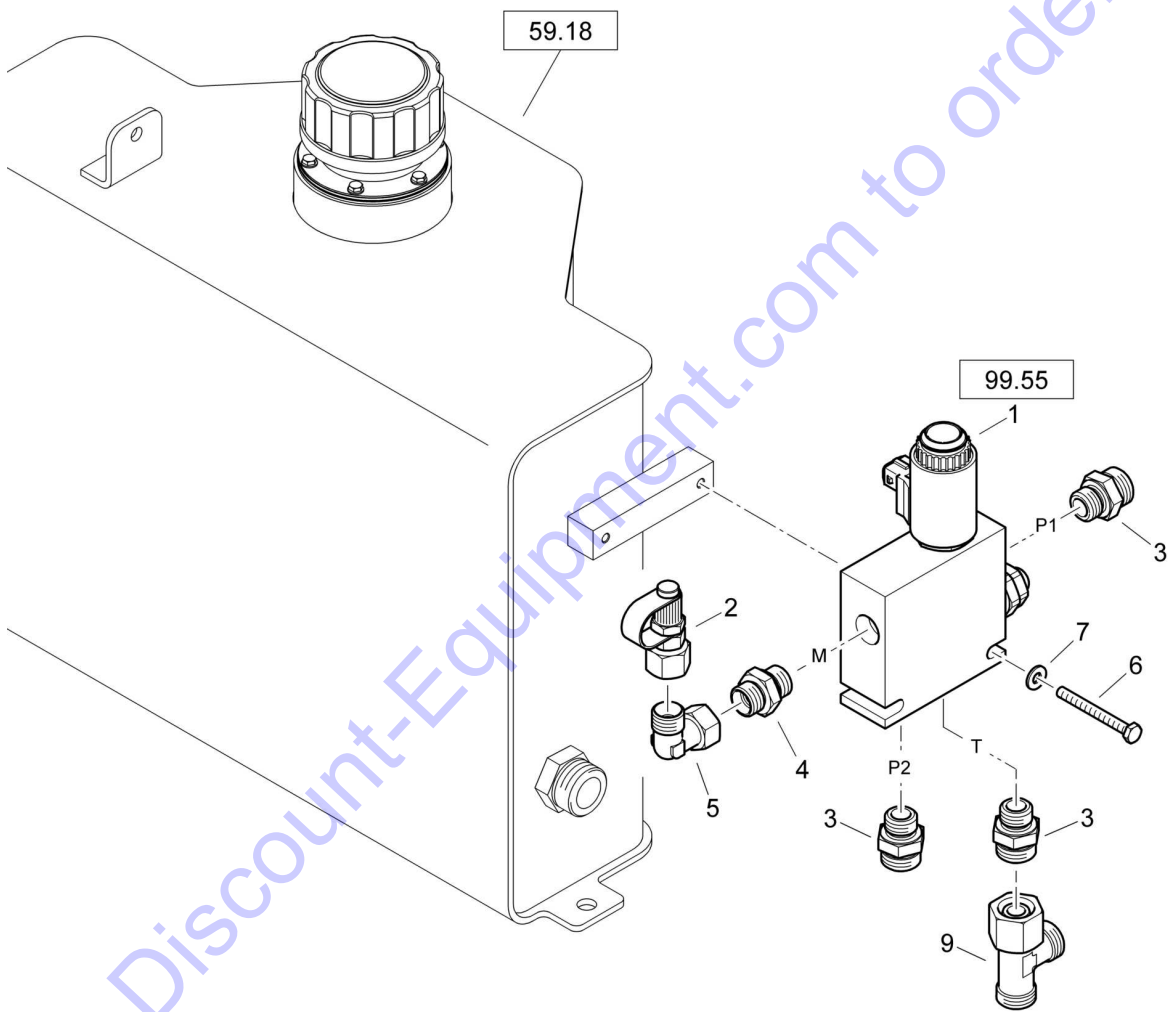



BW 900-50		
S/N 861834072183 ▶ S/N 861834072475		
<b>Valves</b>		<b>91.36</b>
		Page <b>1 / 1</b>
	83408057 8061 1	

Pos.	Part no.	Qty.	Description
1	05878170L	1	Control block
2	05544033	1	Test connection
3	05540010	3	Double-ended union
4	05548011	1	Double-ended union
5	05542124	1	Angular union
6	07140668	2	Hexagon bolt
7	08751064	2	Spring washer
9	05542194	1	L-union

Go to Discount-Equipment.com to order your parts

	BW 900-50	S/N 861834071679 ▶ S/N 861834072182
<b>91.36</b>	<b>Valves</b>	
Page <b>1 / 1</b>		
<b>BOMAG</b> FAYAT GROUP	83408057_000_01	

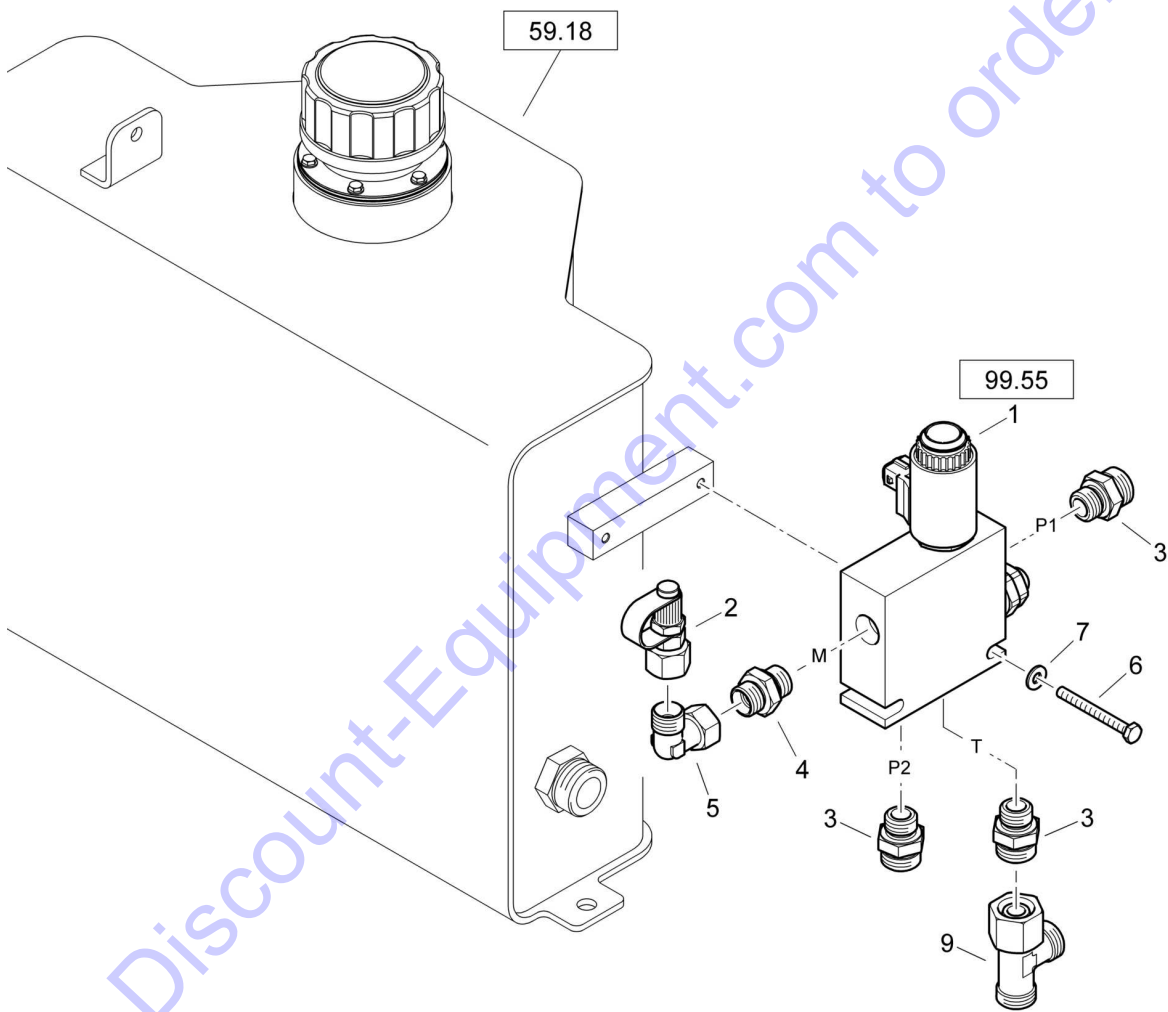


BW 900-50		
S/N 861834071679 ▶ S/N 861834072182		<b>91.36</b>
<b>Valves</b>		
		Page <b>1 / 1</b>
83408057 8061 1		

Pos.	Part no.	Qty.	Description	Designation
1	05878170	1	Control block	
2	05544033	1	Test connection	
3	05540010	3	Double-ended union	
4	05548011	1	Double-ended union	
5	05542124	1	Angular union	
6	07140668	2	Hexagon bolt	
7	08751064	2	Spring washer	
9	05542194	1	L-union	

Go to Discount-Equipment.com to order your parts

	BW 900-50	S/N 861834071633 ▶ S/N 861834071678
<b>91.36</b>	<b>Valves</b>	
Page <b>1 / 1</b>		
<b>BOMAG</b> FAYAT GROUP	83408057_000_01	



BW 900-50		
S/N 861834071633 ▶ S/N 861834071678		
<b>Valves</b>		<b>91.36</b>
		Page <b>1 / 1</b>
	83408057 8061 1	

Pos.	Part no.	Qty.	Description
1	05878170L	1	Control block
2	05544033	1	Test connection
3	05540010	3	Double-ended union
4	05548011	1	Double-ended union
5	05542124	1	Angular union
6	07140668	2	Hexagon bolt
7	08751064	2	Spring washer
9	05542194	1	L-union

Go to Discount-Equipment.com to order your parts

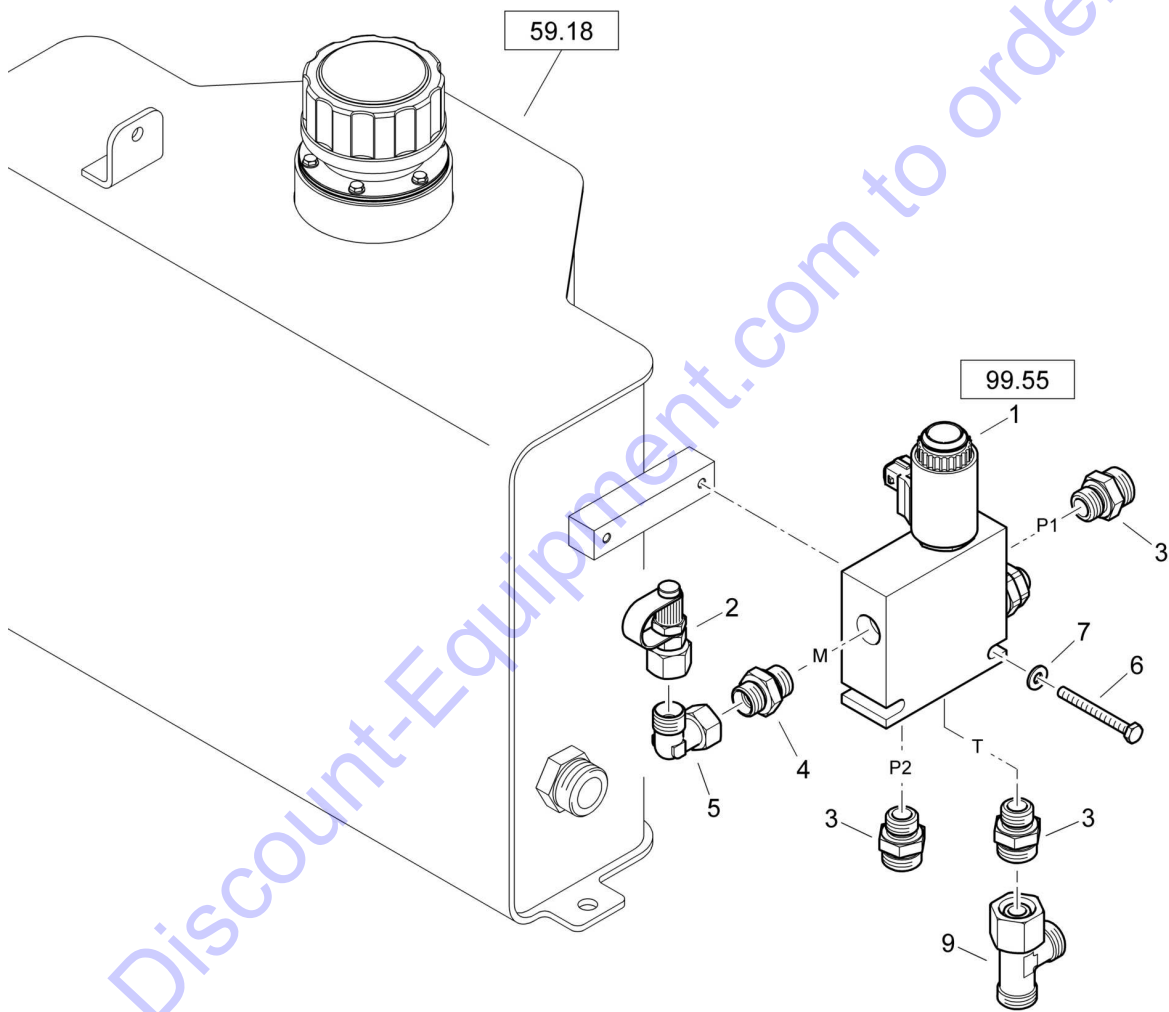
**91.36**

Valves

Page 1 / 1



83408057\_000\_01



BW 900-50		
S/N 861834071001 ▶ S/N 861834071632		
<b>Valves</b>		<b>91.36</b>
		Page <b>1 / 1</b>
	83408057 8061 1	

Pos.	Part no.	Qty.	Description
1	05878170	1	Control block
2	05544033	1	Test connection
3	05540010	3	Double-ended union
4	05548011	1	Double-ended union
5	05542124	1	Angular union
6	07140668	2	Hexagon bolt
7	08751064	2	Spring washer
9	05542194	1	L-union

Go to Discount-Equipment.com to order your parts

BW 900-50

S/N 861834072080 ▶

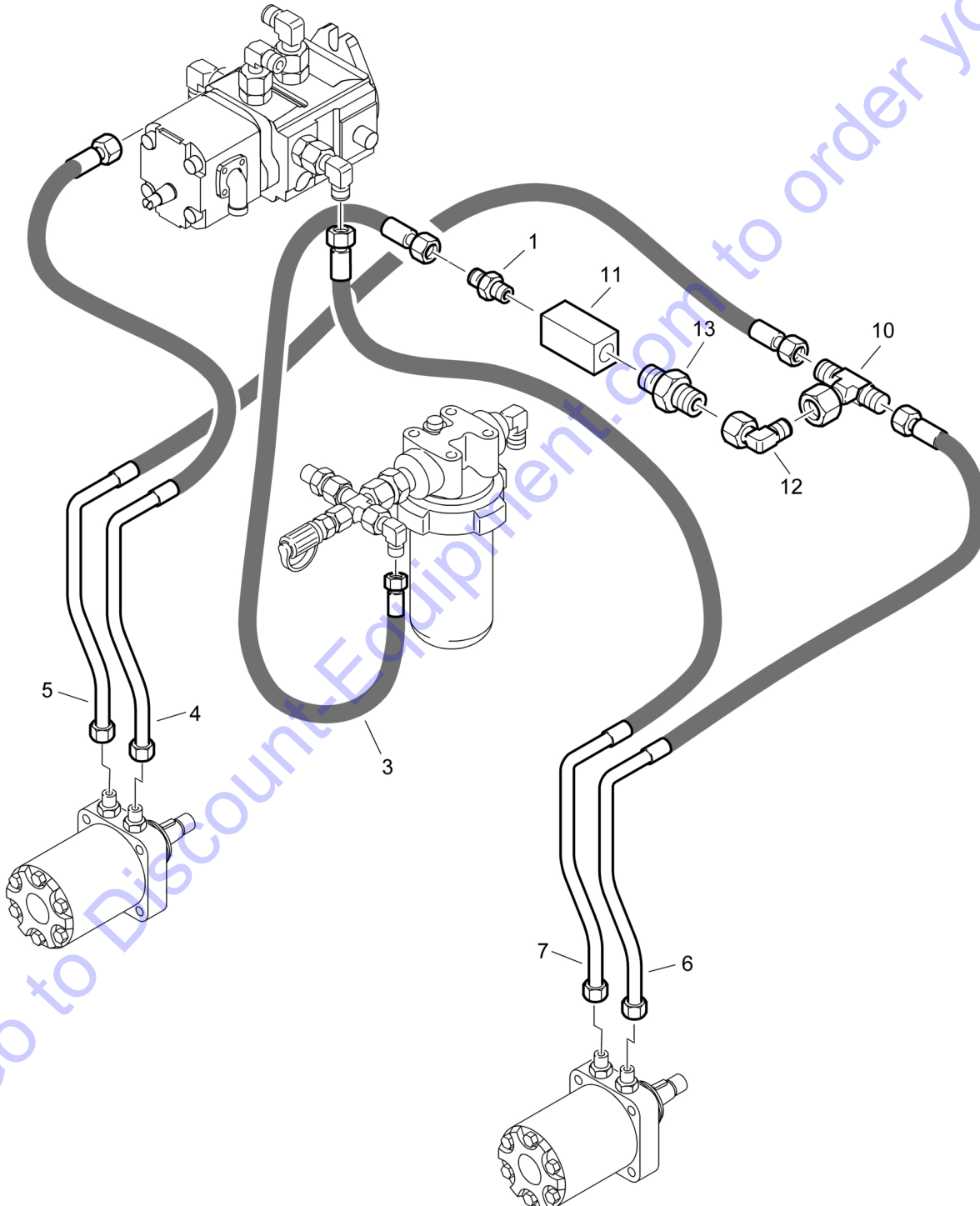
**92.00**

Hydraulic, travel system

Page **1 / 1**




83408056\_000\_01



83408056\_000\_01



BW 900-50		
S/N 861834072080 ▶		
Hydraulic, travel system		<b>92.00</b>
		Page <b>1 / 1</b>
		 <b>BOMAG</b> FAYAT GROUP
83408056 8061 1		

Pos.	Part no.	Qty.	Description
1	05540038	1	Double-ended union
3	05050385	1	Hydraulic hose
4	05050379	1	Hydraulic hose
5	05050380	1	Hydraulic hose
6	05050381	1	Hydraulic hose
7	05050382	1	Hydraulic hose
10	05542181	1	T-union
11	05050375	1	Check valve kit
12	05542136	1	Angular union
13	05050820	1	Union

Go to Discount-Equipment.com to order your parts

BW 900-50

S/N 861834071391 ▶ S/N 861834072079

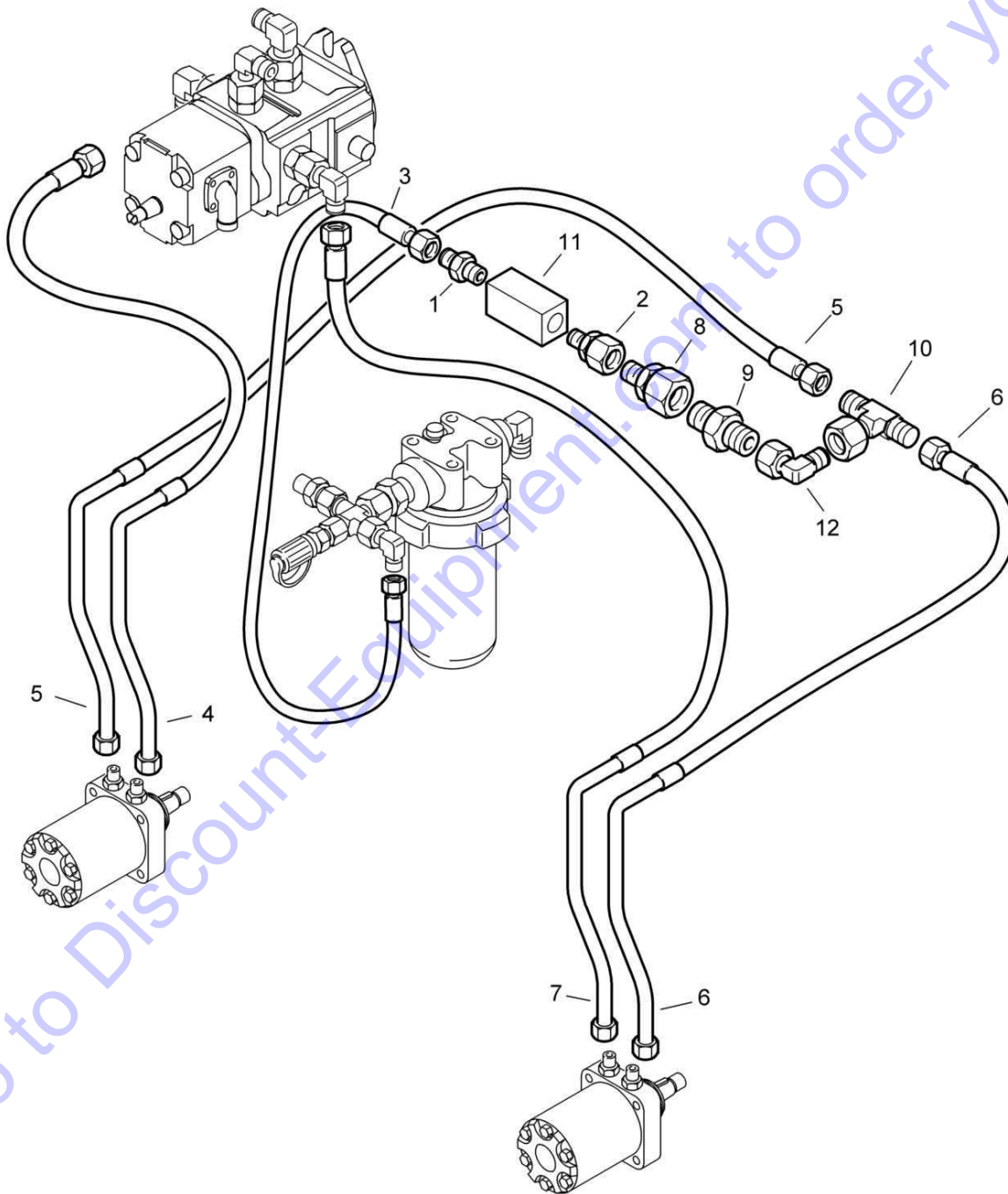
**92.00**

Hydraulic, travel system

Page **1 / 1**



83408056\_000\_00



83408056\_000\_00

BW 900-50		
S/N 861834071391 ▶ S/N 861834072079		<b>92.00</b>
Hydraulic, travel system		Page 1 / 1
83408056 8061 1		

Pos.	Part no.	Qty.	Description
1	05540038	1	Double-ended union
3	05050378	1	Hydraulic hose
4	05050379	1	Hydraulic hose
5	05050380	1	Hydraulic hose
6	05050381	1	Hydraulic hose
7	05050382	1	Hydraulic hose
10	05542181	1	T-union
11	05050375	1	Check valve kit
12	05542136	1	Angular union

Go to Discount-Equipment.com to order your parts

BW 900-50

S/N 861834071331 ▶ S/N 861834071390

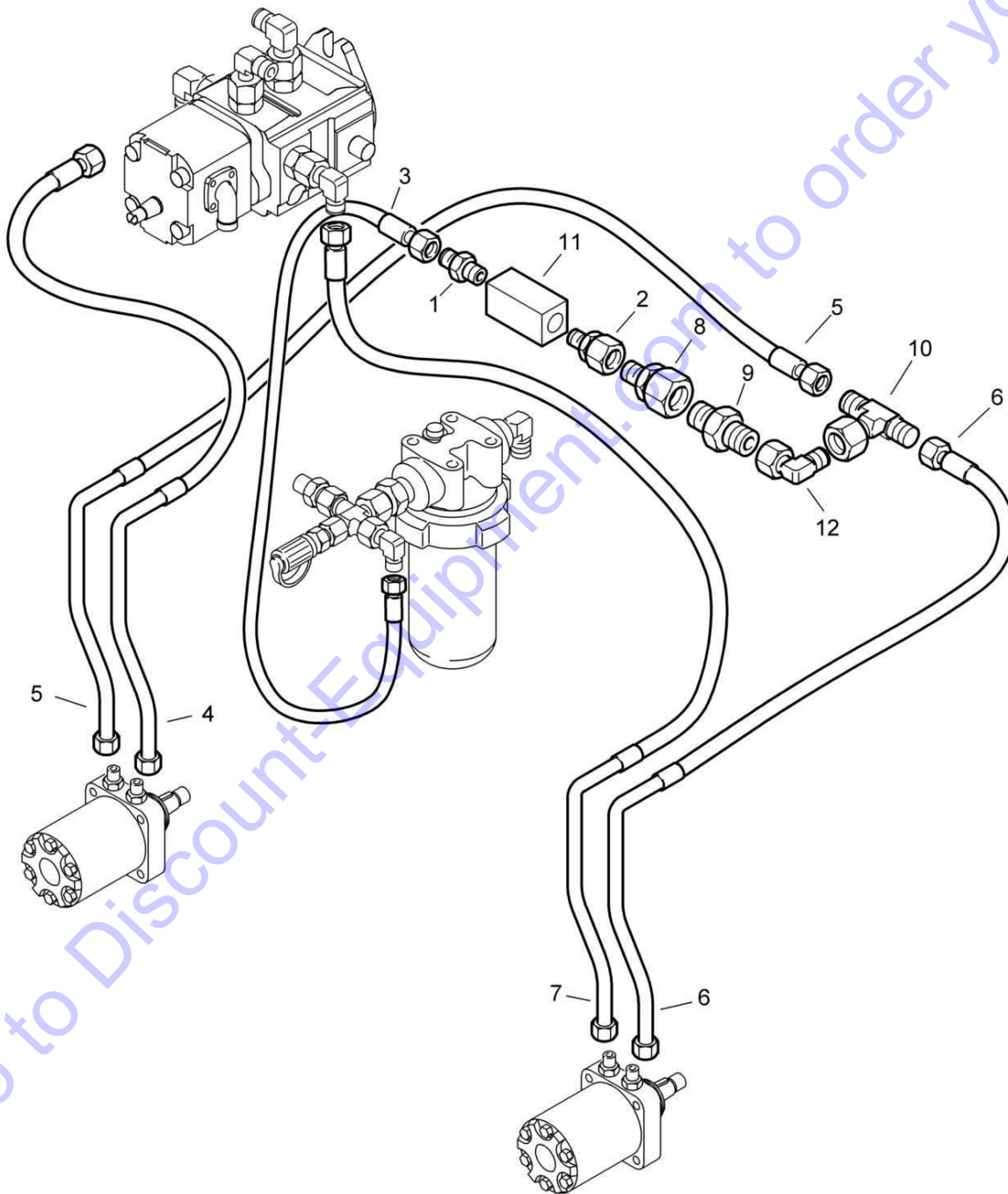
**92.00**

Hydraulic, travel system

Page **1 / 1**



83408056\_000\_00



83408056\_000\_00

BW 900-50		
S/N 861834071331 ▶ S/N 861834071390		<b>92.00</b>
Hydraulic, travel system		Page <b>1 / 1</b>
83408056 8061 1		

Pos.	Part no.	Qty.	Description
1	05540038	1	Double-ended union
3	05050378	1	Hydraulic hose
4	05050379	1	Hydraulic hose
5	05050380	1	Hydraulic hose
6	05050381	1	Hydraulic hose
7	05050382	1	Hydraulic hose
10	05542181	1	T-union
11	05050375	1	Check valve kit
12	05542136	1	Angular union
13	80140114	3	Protection hose

Go to Discount-Equipment.com to order your parts

BW 900-50

S/N 861834071005 ▶ S/N 861834071330

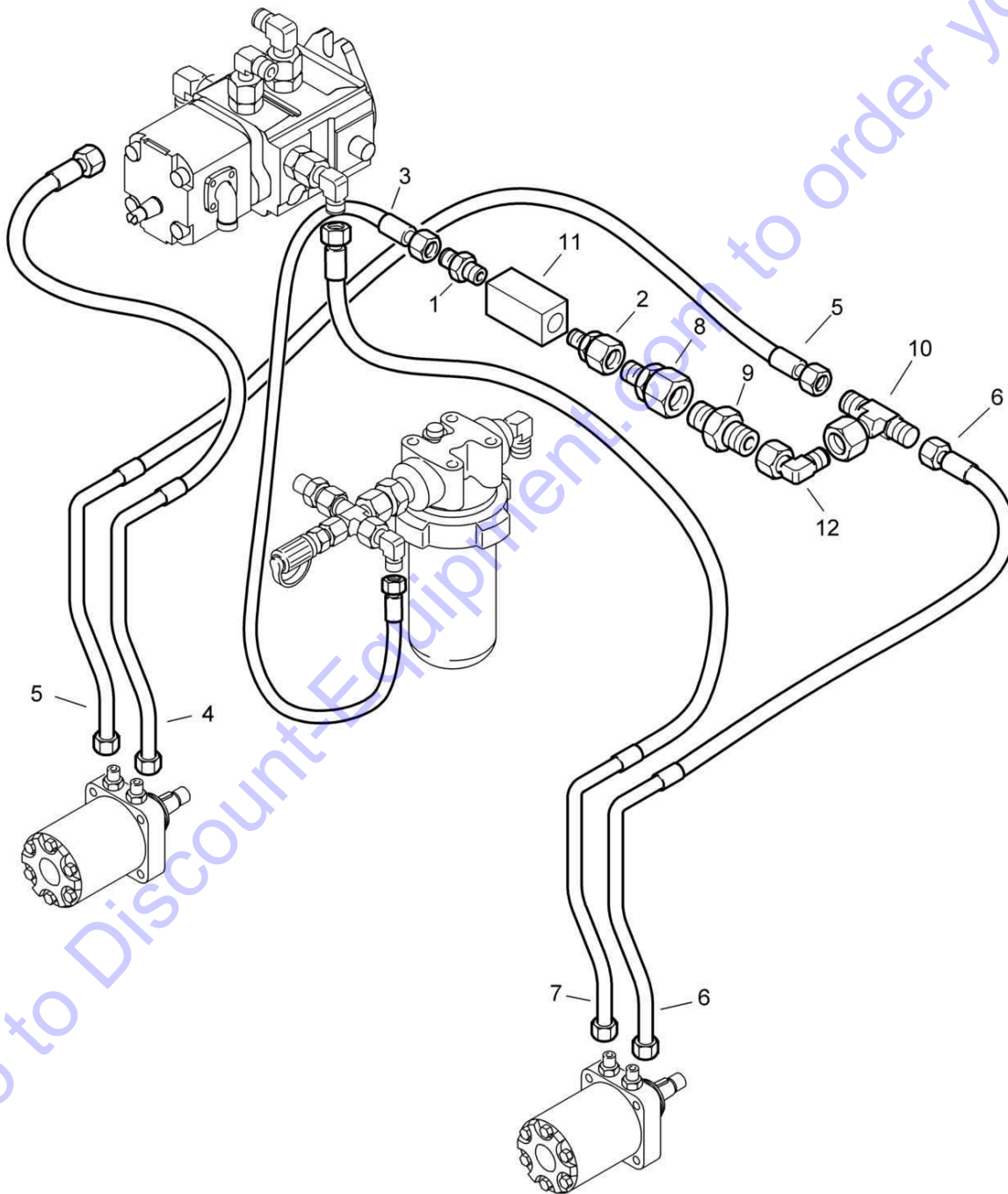
**92.00**

Hydraulic, travel system


Page **1 / 1**



83408056\_000\_00



83408056\_000\_00

BW 900-50		
S/N 861834071005 ▶ S/N 861834071330		<b>92.00</b>
Hydraulic, travel system		Page 1 / 1
83408056 8061 1		

Pos.	Part no.	Qty.	Description
1	05540038	1	Double-ended union
3	05050378	1	Hydraulic hose
4	05050379	1	Hydraulic hose
5	05050380	1	Hydraulic hose
6	05050381	1	Hydraulic hose
7	05050382	1	Hydraulic hose
10	05542181	1	T-union
11	05050375	1	Check valve kit
12	80140114	1	Protection hose

Go to Discount-Equipment.com to order your parts

BW 900-50

S/N 861834071001 ▶ S/N 861834071004

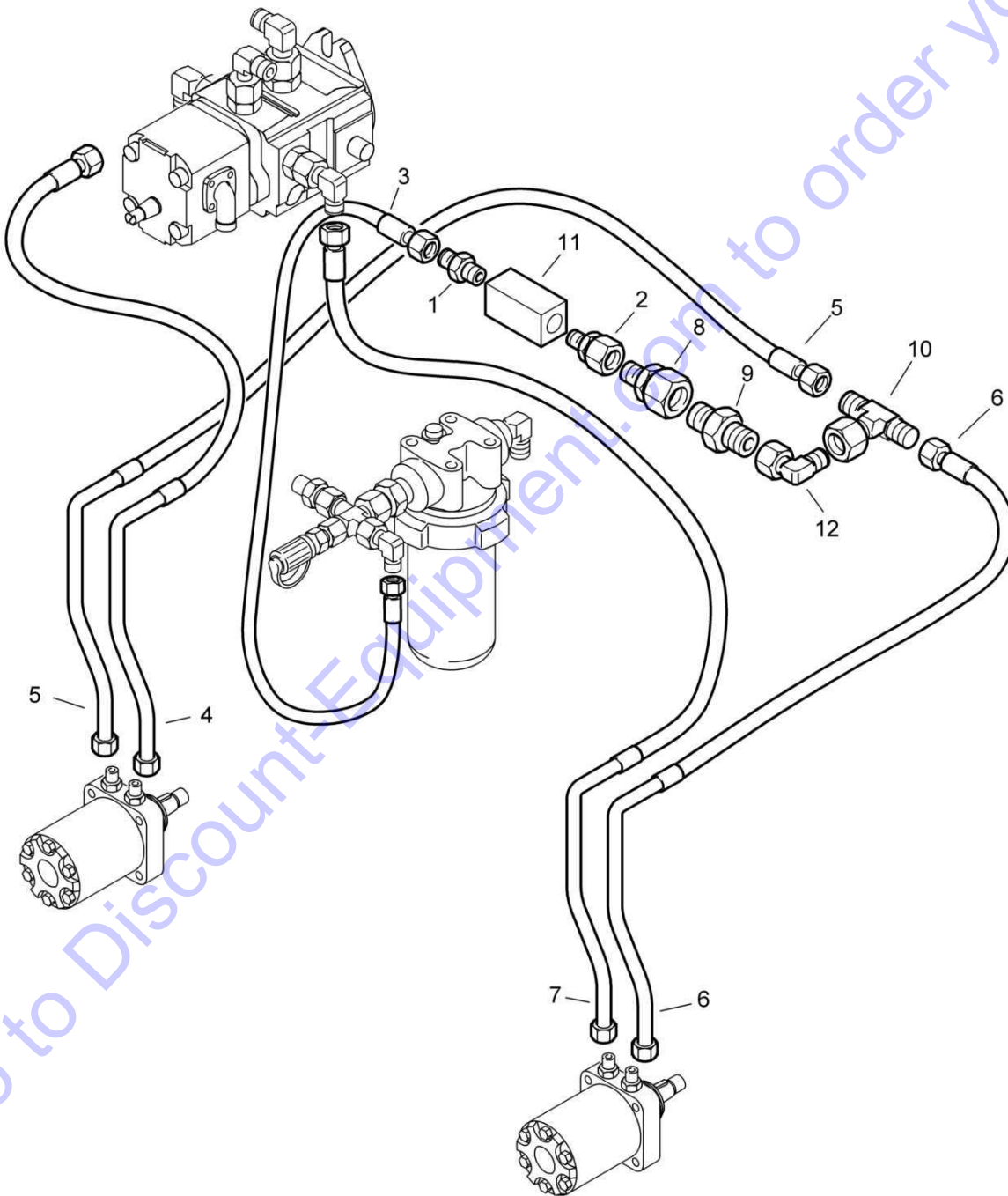
**92.00**

Hydraulic, travel system

Page **1 / 1**



83408056\_000\_00



83408056\_000\_00

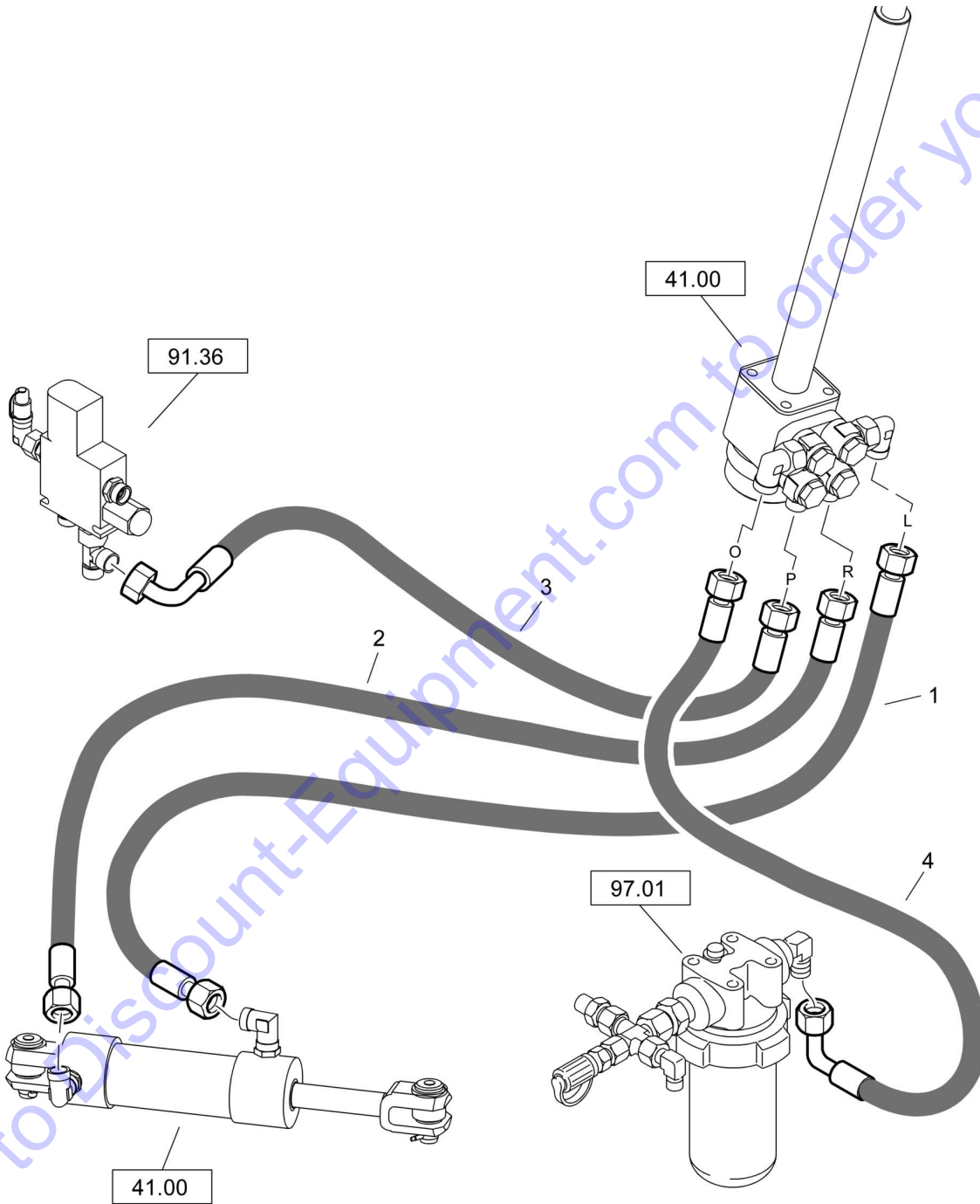



BW 900-50		
S/N 861834071001 ▶ S/N 861834071004		<b>92.00</b>
Hydraulic, travel system		Page <b>1 / 1</b>
83408056 8061 1		

Pos.	Part no.	Qty.	Description
1	05540038	1	Double-ended union
3	05050378	1	Hydraulic hose
4	05050379	1	Hydraulic hose
5	05050380	1	Hydraulic hose
6	05050381	1	Hydraulic hose
7	05050382	1	Hydraulic hose
10	05542181	1	T-union
11	05050375	1	Check valve kit

Go to Discount-Equipment.com to order your parts

	BW 900-50	
<b>94.00</b>		S/N 861834071004 ▶
	Hydraulic, steering	
Page <b>1 / 1</b>		
<b>BOMAG</b> FAYAT GROUP		83408053_000_00

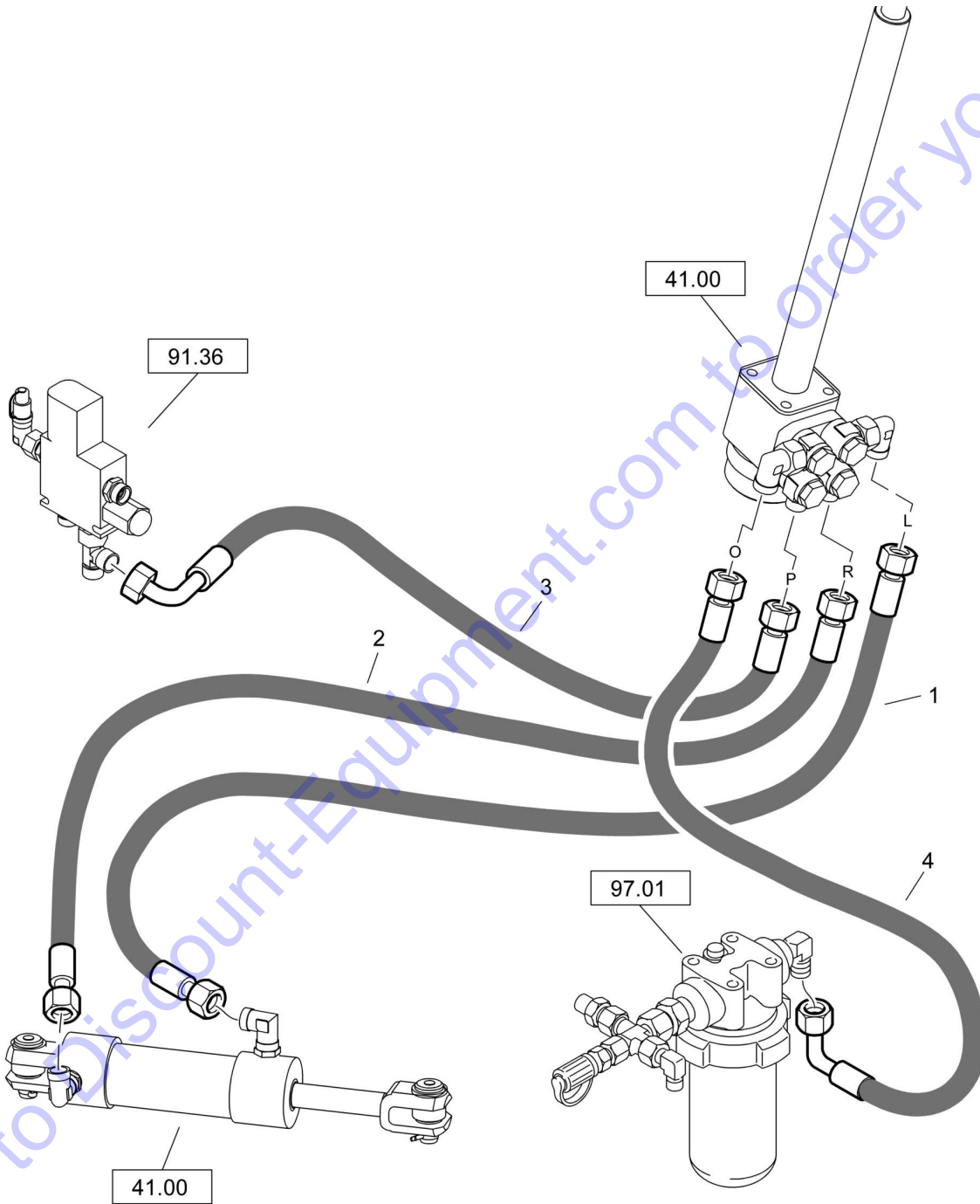


BW 900-50		
S/N 861834071004 ▶		<b>94.00</b>
Hydraulic, steering		
		Page 1 / 1
83408053 8061 1		

Pos.	Part no.	Qty.	Description
1	05050385	1	Hydraulic hose
2	05050385	1	Hydraulic hose
3	05050388	1	Hose assy.ac.WN3111
4	05050389	1	Hose assy.ac.WN3111

Go to Discount-Equipment.com to order your parts

	BW 900-50	S/N 861834071001 ▶ S/N 861834071003
<b>94.00</b>	Hydraulic, steering	
Page <b>1 / 1</b>		
<b>BOMAG</b> FAYAT GROUP	83408053_000_00	

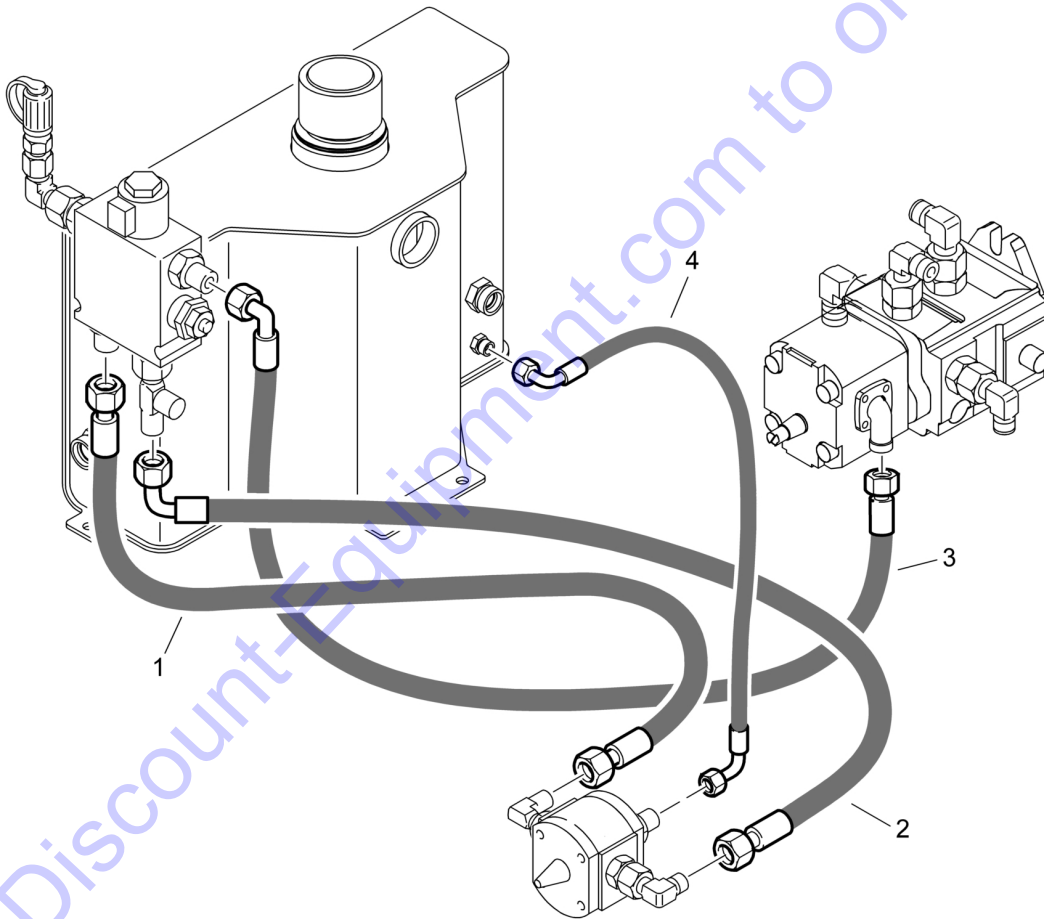



BW 900-50		
S/N 861834071001 ▶ S/N 861834071003		<b>94.00</b>
Hydraulic, steering		Page 1 / 1
83408053 8061 1		

Pos.	Part no.	Qty.	Description
1	05050385	1	Hydraulic hose
3	05050388	1	Hose assy.ac.WN3111
4	05050389	1	Hose assy.ac.WN3111

Go to Discount-Equipment.com to order your parts

	BW 900-50	
<b>95.00</b>		S/N 861834071004 ▶
	Hydraulics, vibration	
Page <b>1 / 1</b>		
<b>BOMAG</b> FAYAT GROUP		83408055_000_00

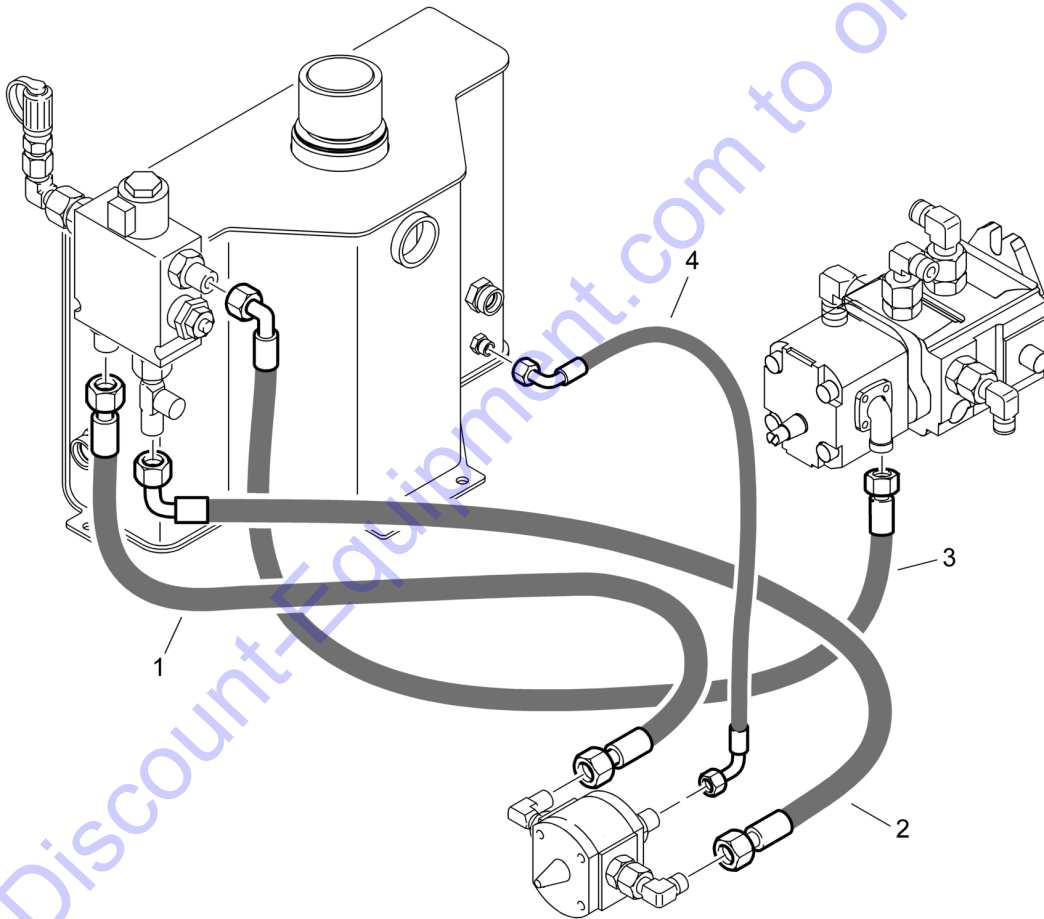


BW 900-50		
S/N 861834071004 ▶		
Hydraulics, vibration		<b>95.00</b>
		Page <b>1 / 1</b>
	83408055 8061 1	

Pos.	Part no.	Qty.	Description
1	05050383	1	Hose assy.ac.WN3111
2	05050384	1	Hose assy.ac.WN3111
3	05551688	1	Hose assy.ac.WN3111
4	05050391	1	Hose assy.ac.WN3111

Go to Discount-Equipment.com to order your parts

	BW 900-50	S/N 861834071001 ▶ S/N 861834071003
<b>95.00</b>	<b>Hydraulics, vibration</b>	
Page <b>1 / 1</b>		
<b>BOMAG</b> FAYAT GROUP	83408055_000_00	



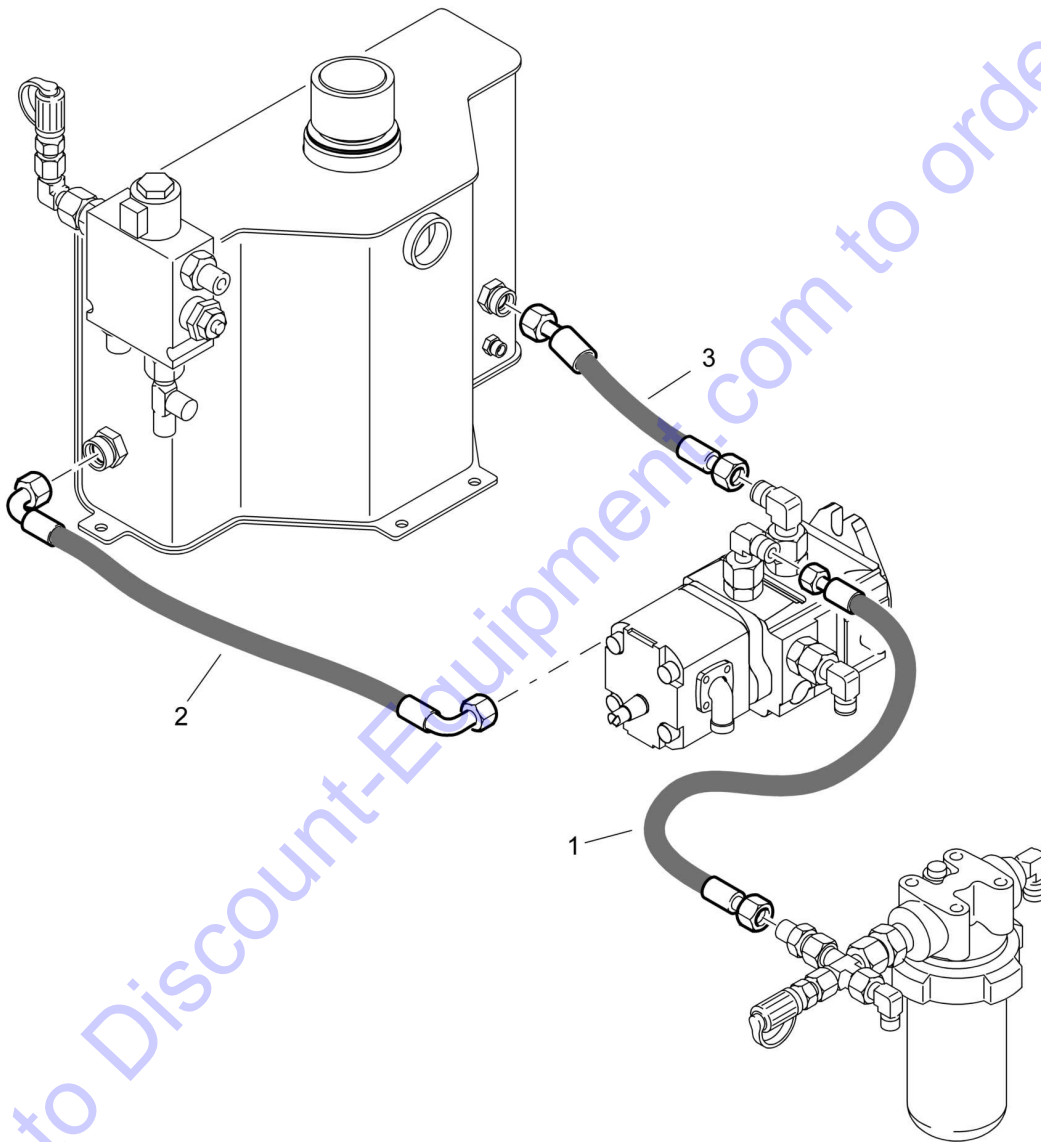


BW 900-50		
S/N 861834071001 ▶ S/N 861834071003		<b>95.00</b>
Hydraulics, vibration		Page 1 / 1
83408055 8061 1		


Pos.	Part no.	Qty.	Description
1	05050383	1	Hose assy.ac.WN3111
2	05050384	1	Hose assy.ac.WN3111
4	05050391	1	Hose assy.ac.WN3111

Go to Discount-Equipment.com to order your parts

	BW 900-50	
<b>97.00</b>		S/N 861834071001 ▶
	Hydraulics, charge system	
Page <b>1 / 1</b>		
<b>BOMAG</b> FAYAT GROUP		83408054_000_00



Go to [Discount-Equipment.com](http://Discount-Equipment.com) to order your parts

BW 900-50		
S/N 861834071001 ▶		
Hydraulics, charge system		<b>97.00</b>
		Page <b>1 / 1</b>
		
83408054 8061 1		

Pos.	Part no.	Qty.	Description
1	05050377	1	Hose assy.ac.WN3111
2	05050390	1	Hose assy.ac.WN3111
3	05050392	1	Hose assy.ac.WN3111

Go to Discount-Equipment.com to order your parts

BW 900-50

S/N 861834072608 ▶

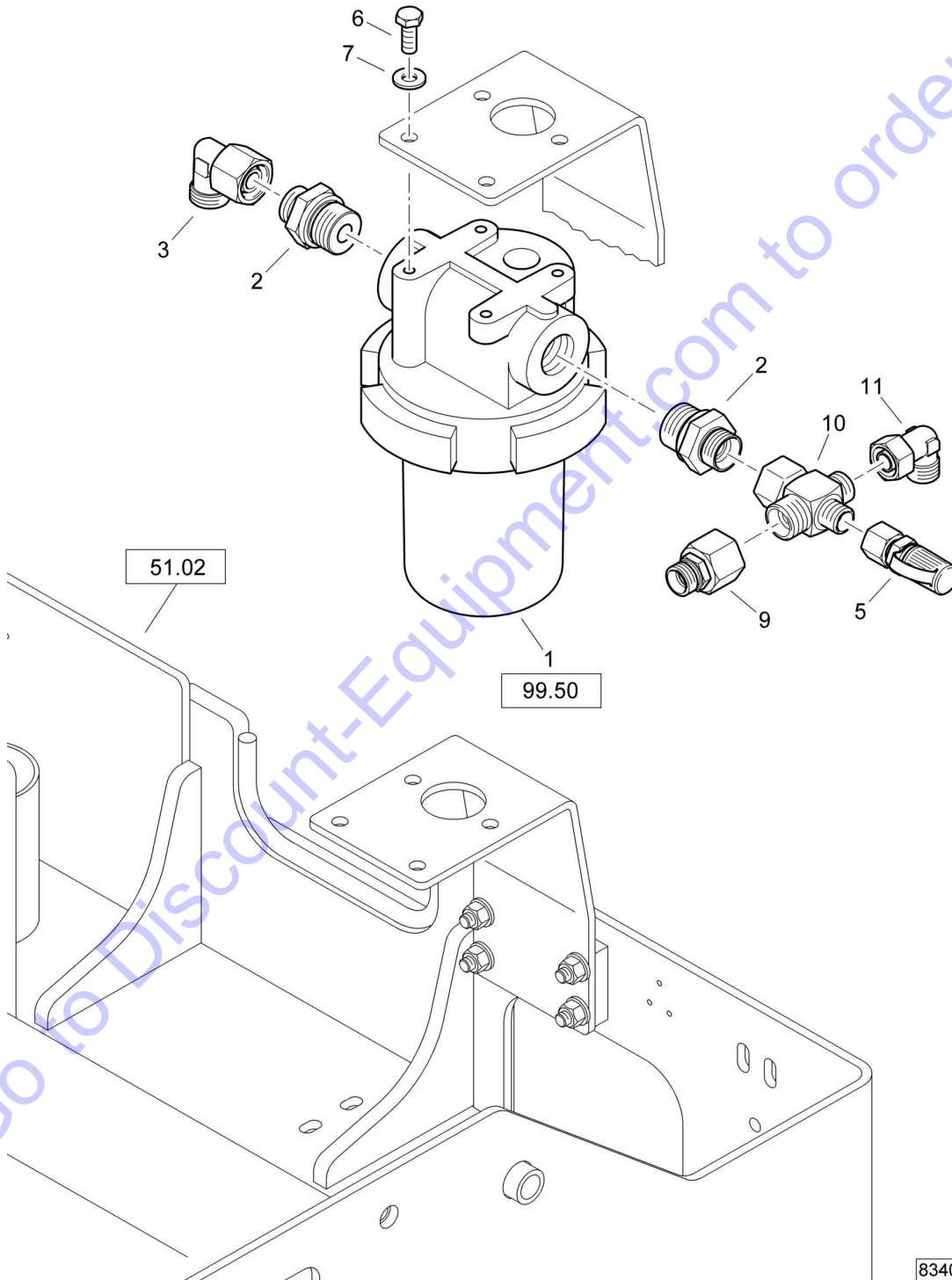
**97.01**


Hydraulic Filter

Page 1 / 1



83408044\_000\_01



BW 900-50		
S/N 861834072608 ▶		
Hydraulic Filter		<b>97.01</b>
		Page <b>1 / 1</b>
	83408044 8061 1	

Pos.	Part no.	Qty.	Description
1	07993053L	1	Filter
2	05540089	2	Double-ended union
3	05542125	1	Angular union
5	05544032	1	Test connection
6	07140824	4	Hexagon bolt
7	08752084	4	Spring washer
9	05542288	1	Reducing union
10	05557315	1	Distributor
11	05542124	1	Angular union

Go to Discount-Equipment.com to order your parts

BW 900-50

S/N 861834071005 ▶ S/N 861834072607

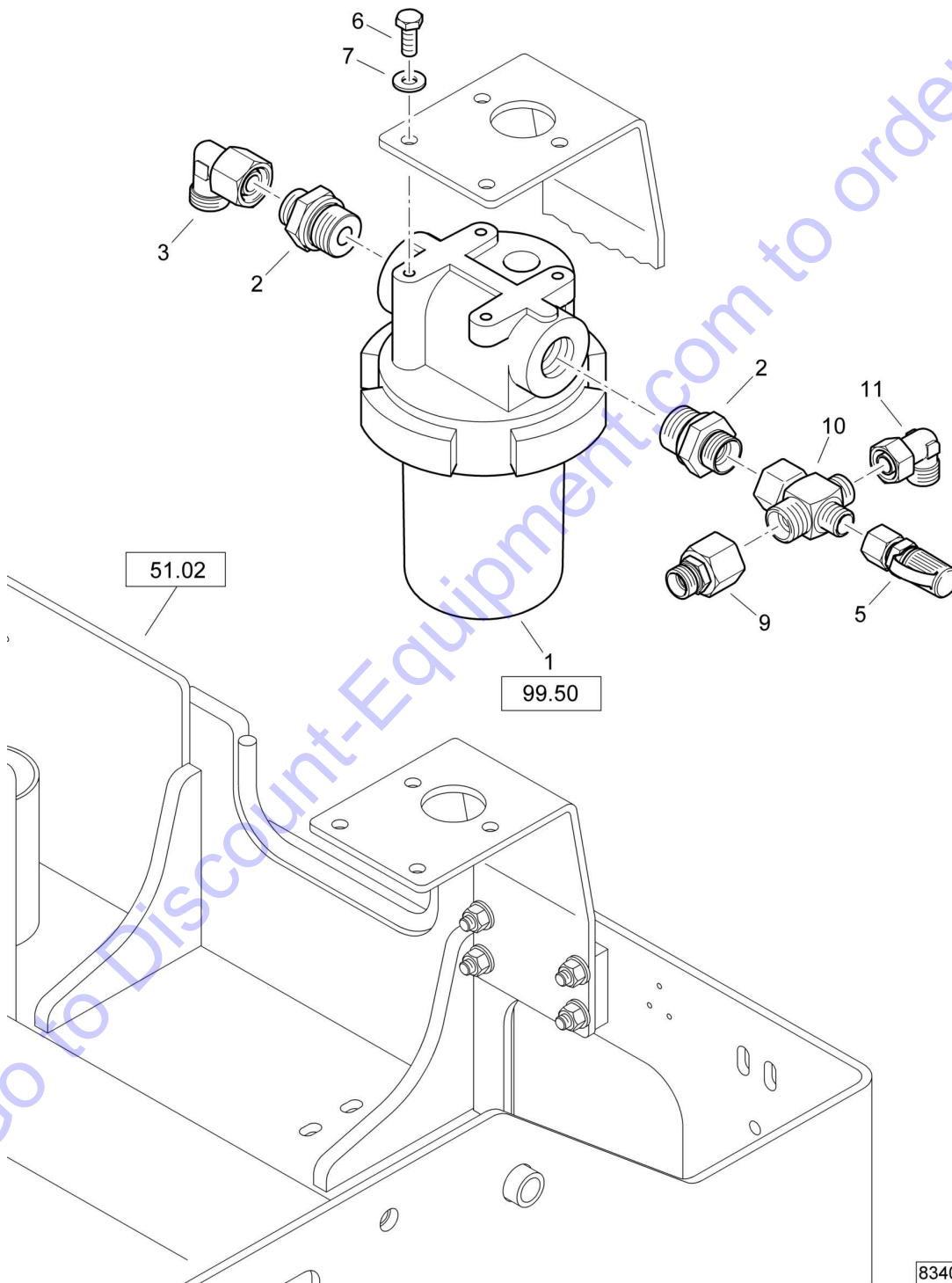
**97.01**


Hydraulic Filter

Page **1 / 1**



83408044\_000\_01



BW 900-50		
S/N 861834071005 ▶ S/N 861834072607		
Hydraulic Filter		<b>97.01</b>
		Page <b>1 / 1</b>
	83408044 8061 1	

Pos.	Part no.	Qty.	Description
1	07993053	1	Filter
2	05540089	2	Double-ended union
3	05542125	1	Angular union
5	05544032	1	Test connection
6	07140824	4	Hexagon bolt
7	08752084	4	Spring washer
9	05542288	1	Reducing union
10	05557315	1	Distributor
11	05542124	1	Angular union

Go to Discount-Equipment.com to order your parts

BW 900-50

S/N 861834071001 ▶ S/N 861834071004

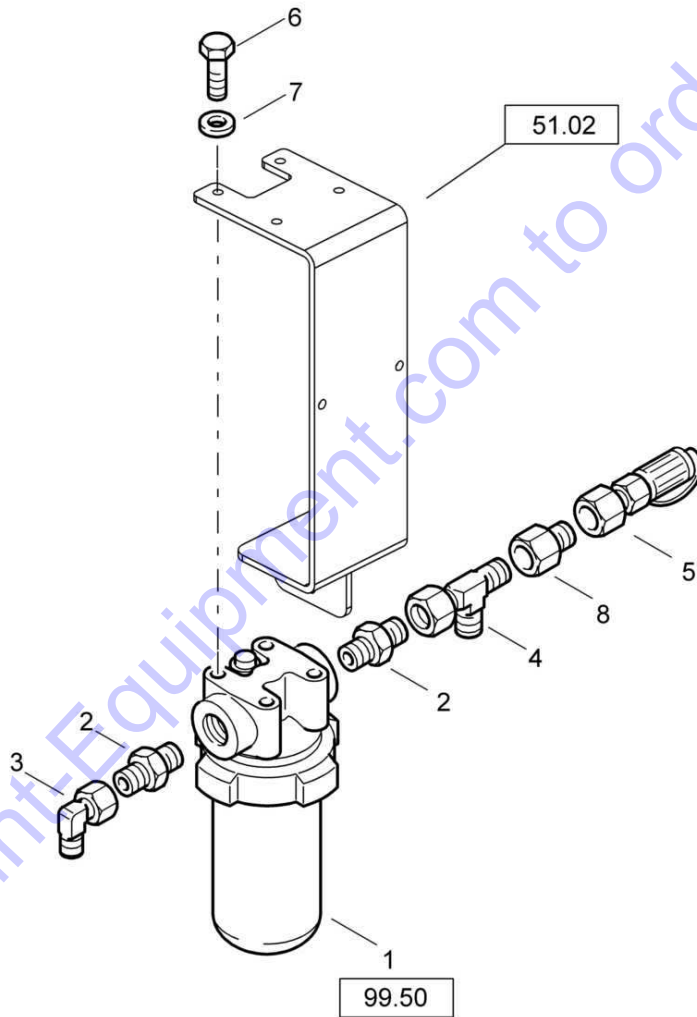
**97.01**

Hydraulic Filter

Page **1 / 1**



83408044\_000\_00



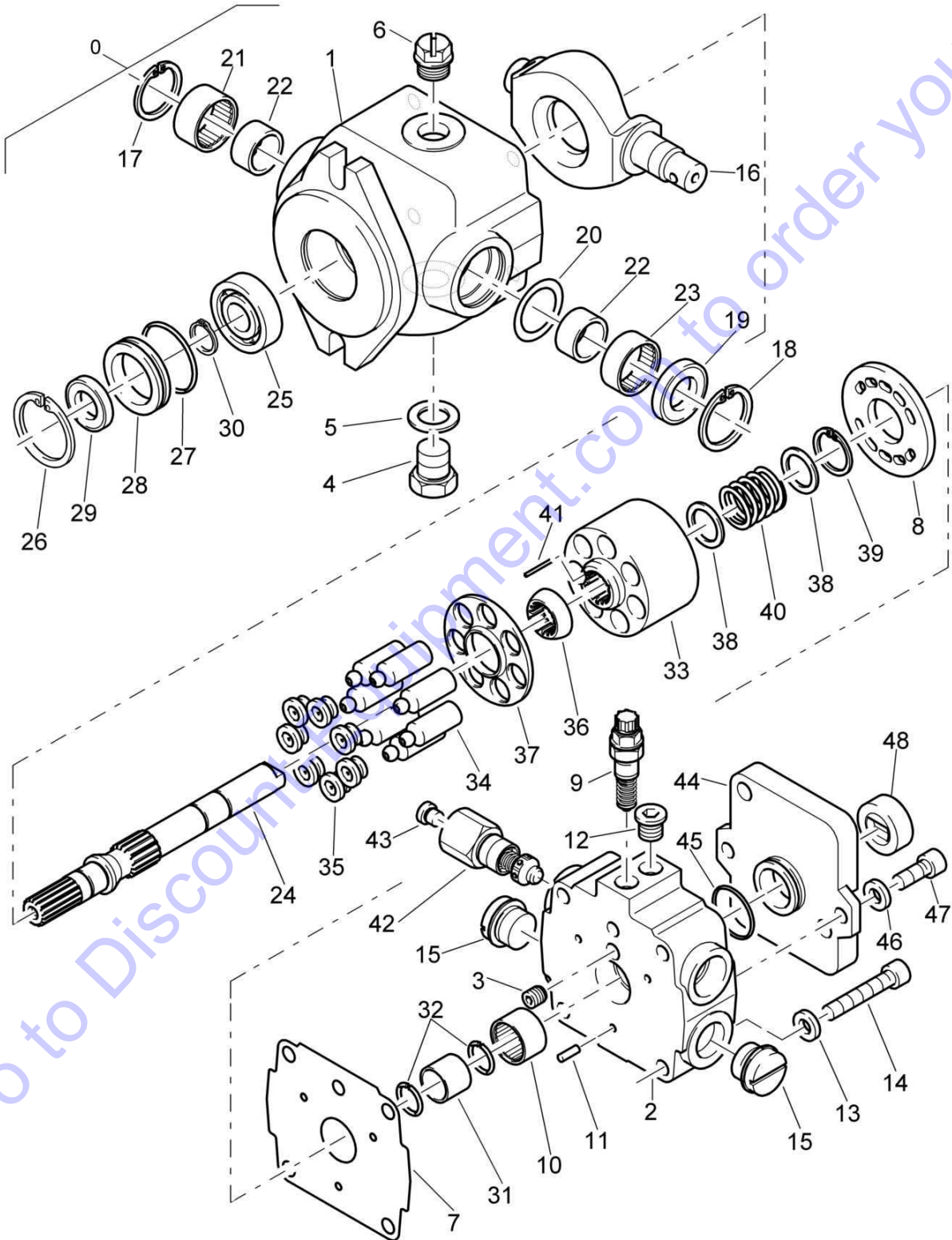
83408044\_000\_00




BW 900-50		
S/N 861834071001 ▶ S/N 861834071004		<b>97.01</b>
Hydraulic Filter		Page <b>1 / 1</b>
83408044 8061 1		

Pos.	Part no.	Qty.	Description
1	07993053	1	Filter
2	05540089	2	Double-ended union
3	05542125	1	Angular union
4	05542194	1	L-union
5	05544033	1	Test connection
6	07140824	4	Hexagon bolt
7	08752084	4	Spring washer
9	05542288	1	Reducing union

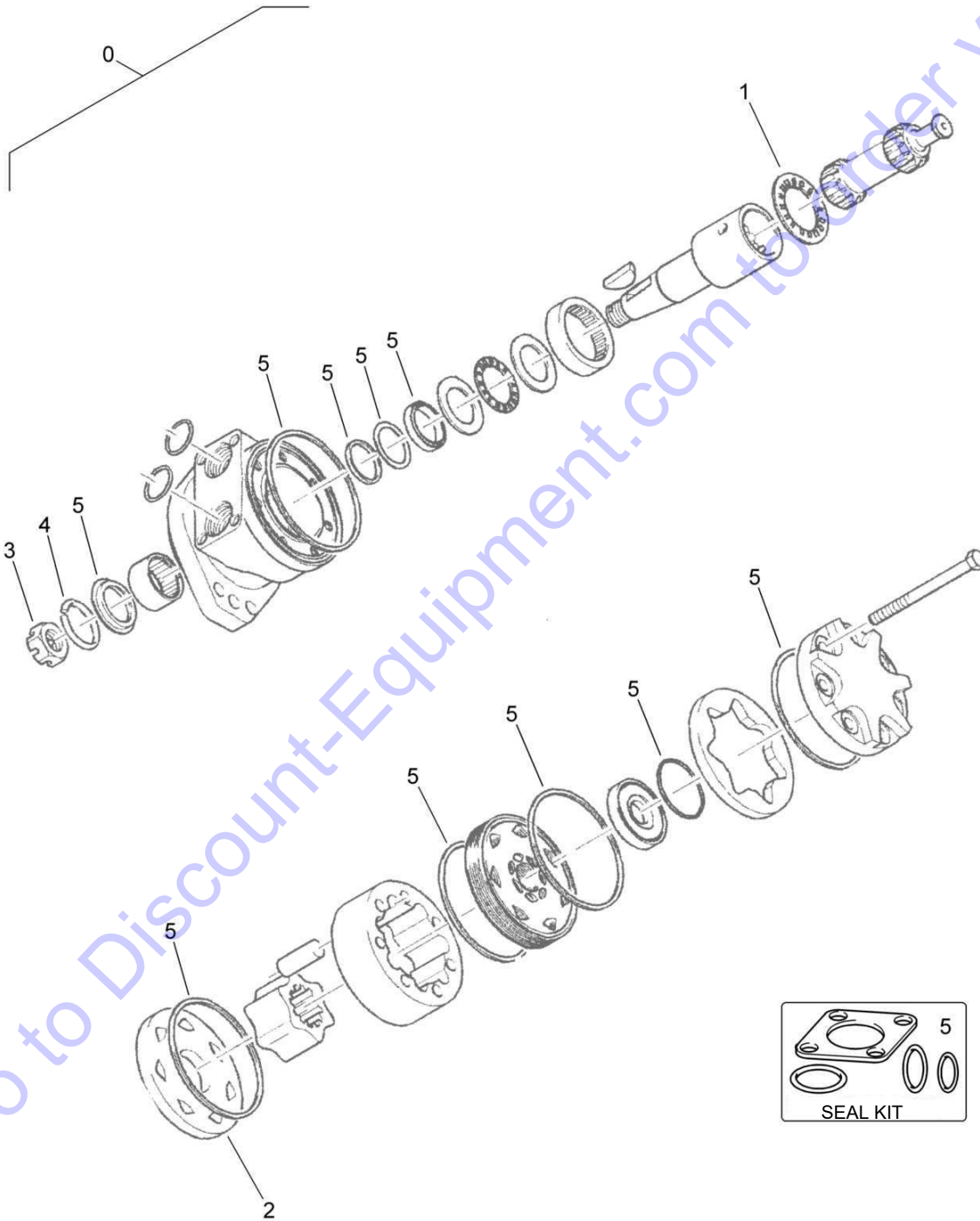
Go to Discount-Equipment.com to order your parts




BW 900-50		
S/N 861834071001 ▶		
Hydraulic Pump, Travel System		<b>99.01</b>
		Page <b>1 / 1</b>
EA000017 8061 E		

Pos.	Part no.	Qty.	Description
0	05818266	1	Travel pump
1	05818402	1	>Pump housing
2	05818403	1	>Pump head
3	05818404	1	>Tapped pin
4	05818405	1	>Screw plug
5	05818406	1	>Sealing ring
6	05818407	1	>Screw plug
7	05818408	1	>Gasket
8	05818409	1	>Distributor ring
9	05818410	1	>Valve
10	05818411	1	>Sleeve
11	05818412	3	>Pin
12	05818452	1	>Screw plug
13	05818414	4	>Washer
14	05818415	4	>Screw
15	05818416	2	>Screw plug
16	05818453	1	>Pump element
17	05818418	1	>Circlip
18	05818419	1	>Circlip
19	05818420	1	>Ring
20	05818421	1	>Washer
21	05818423	1	>Bearing
22	05818422	2	>Sleeve
23	05818424	1	>Bearing
24	05818427	1	>Shaft
25	05818428	1	>Bearing
26	05818429	1	>Circlip
27	05818430	1	>O-ring
28	05818431	1	>Ring
29	05818432	1	>Ring
30	05818433	1	>Circlip
31	05818434	1	>Sleeve
32	05818435	2	>Circlip
33	05818436	1	>Cylinder
34	05818437	7	>Piston
35	05818438	7	>Piston sliding piece
36	05818439	1	>Pull back ball
37	05818440	1	>Pull back plate
38	05818441	2	>Spacer ring
39	05818442	1	>Circlip
40	05818443	1	>Pressure spring
41	05818444	3	>Pin
42	05818454	2	>Valve
43	05818446	2	>Screw plug
44	05818447	1	>End plate
45	05818448	1	>O-ring
46	05818449	2	>Washer
47	05818450	2	>Screw
48	05818451	1	>Plug

Go to [www.equipment.com](http://www.equipment.com) to order your parts

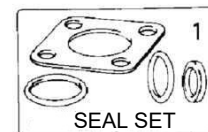
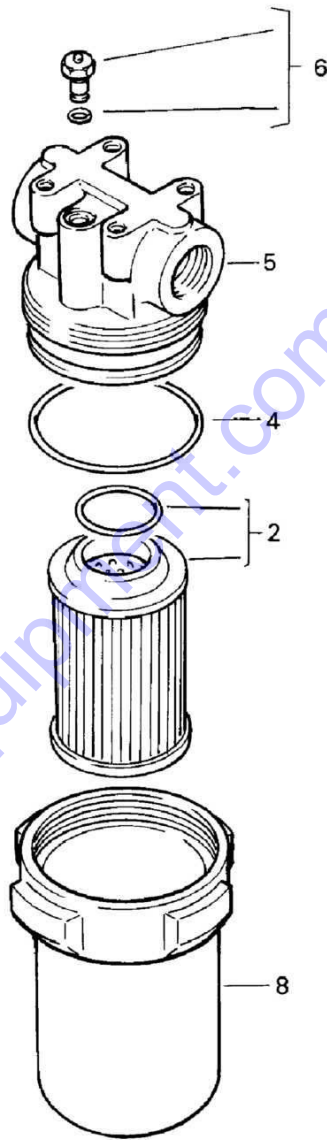
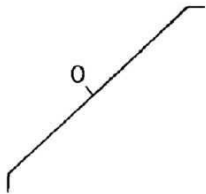


BW 900-50		
S/N 861834071001 ▶		
Hydraulic Motor, Travel System		<b>99.21</b>
		Page <b>1 / 1</b>
		 <b>BOMAG</b> FAYAT GROUP
EA002448 8061 E		

Pos.	Part no.	Qty.	Description
0	05050242	1	Travel motor
1	05878193	1	>Axial bearing
2	05878194	1	>Intermediate disc
3	05878195	1	>Self locking nut
4	05878196	1	>Spring cotter
5	05878197	1	>Kit,seal

Go to Discount-Equipment.com to order your parts

	BW 900-50	S/N 861834071001 ▶ S/N 861834072607
<b>99.50</b>	<b>Filter, Hydraulic Oil</b>	
Page <b>1 / 1</b>		
<b>BOMAG</b> FAYAT GROUP	EA000101_000_00	

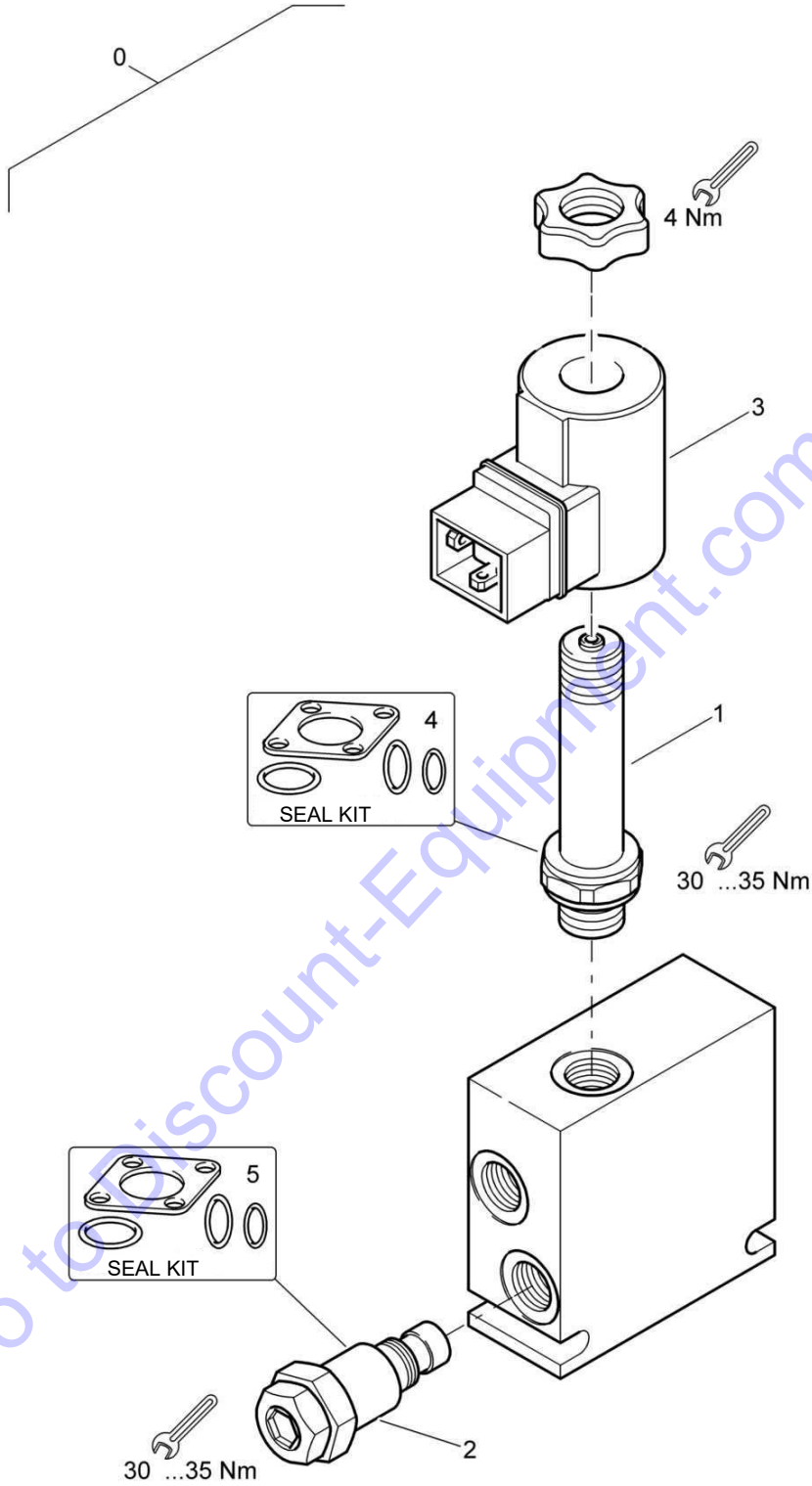


Go to Discount-Equipment.com to order your parts


BW 900-50		
S/N 861834071001 ▶ S/N 861834072607		
Filter, Hydraulic Oil		<b>99.50</b>
		Page <b>1 / 1</b>
EA000101 8061 E		

Pos.	Part no.	Qty.	Description
0	07993053	1	Filter
1	07993023	1	>Kit,seal
2	07993022	1	>Filter element,hydr.oil With seal
4	06220882	1	>Loop ring
5	07993209	1	>Filter head
6	07993996	1	>Different.press.indicator
8	07993204	1	>Filt.housing w.cam nut

Go to Discount-Equipment.com to order your parts

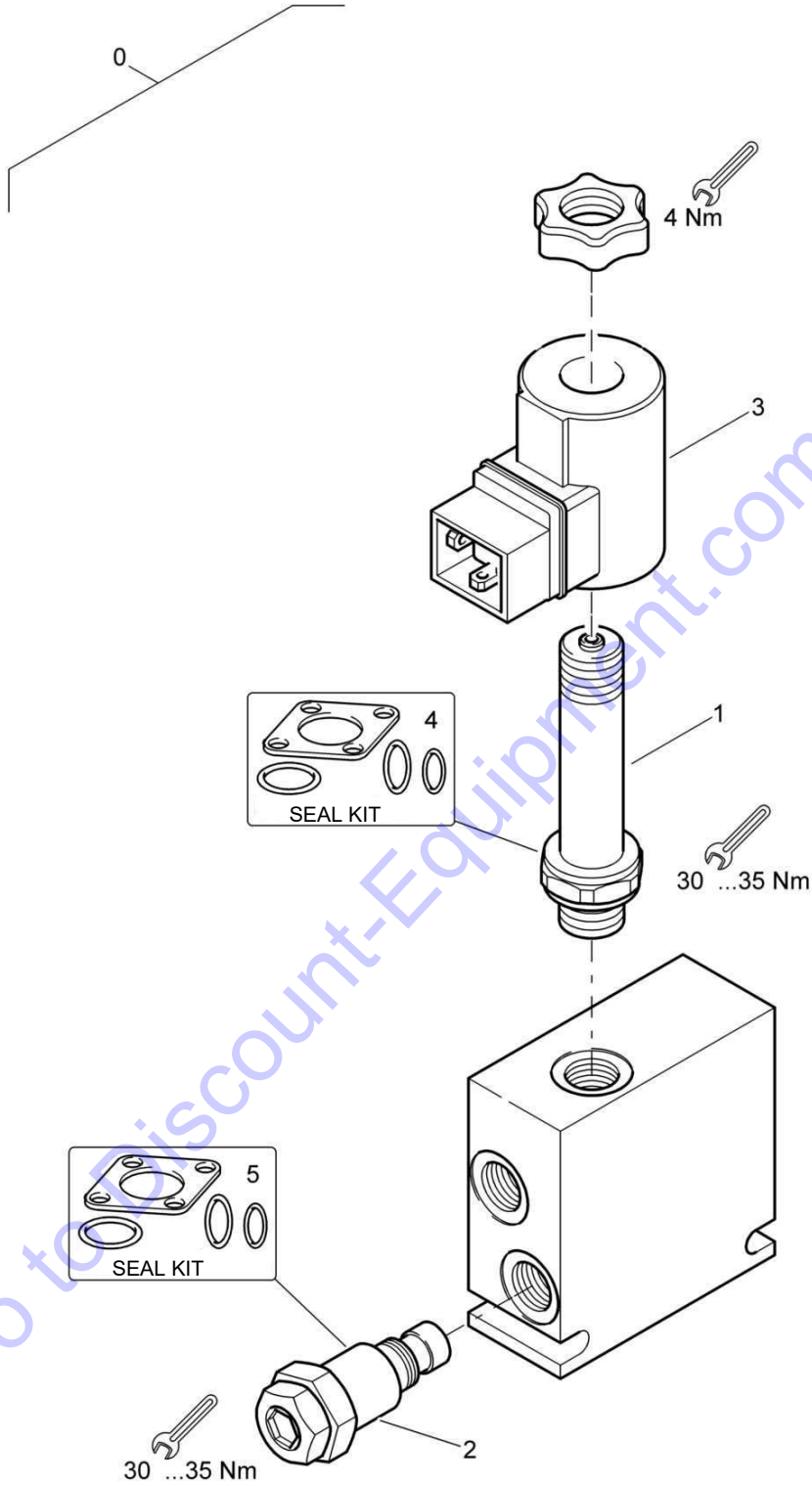





BW 900-50		
S/N 861834072476 ▶		
<b>Control Block</b>		<b>99.55</b>
		Page 1 / 1
	EA002557 8061 E	

Pos.	Part no.	Qty.	Description
0	05878170	1	Control block
1	05877147	1	>Way valve
2	05877077	1	>Pressure relief valve
3	05877091	1	>Magnetic coil
4	05877148	1	>Kit,seal
5	05877090	1	>Kit,seal

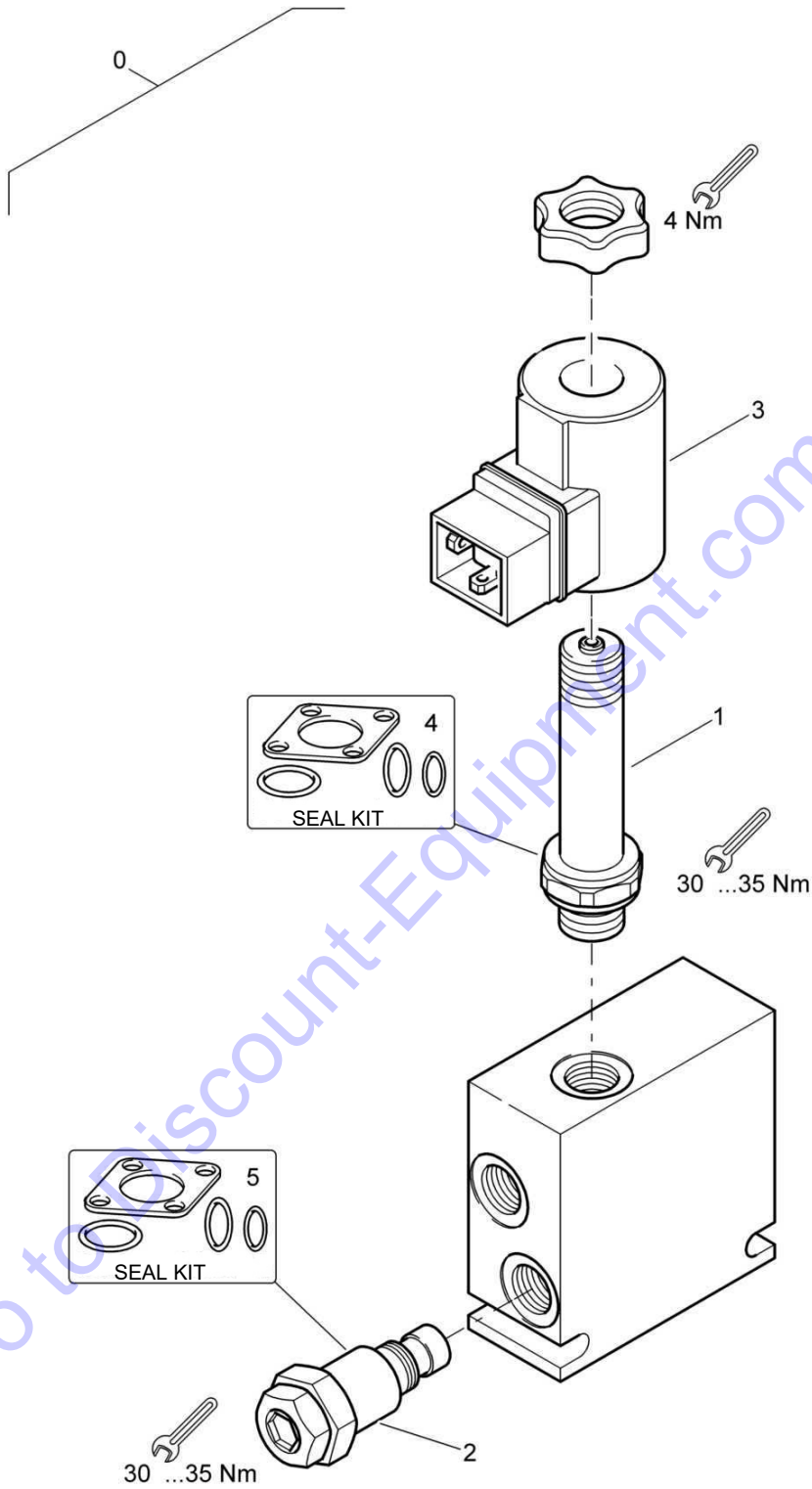
Go to Discount-Equipment.com to order your parts



BW 900-50		
S/N 861834071679 ▶ S/N 861834072182		
<b>Control Block</b>		<b>99.55</b>
		Page 1 / 1
	EA002557 8061 E	

Pos.	Part no.	Qty.	Description
0	05878170	1	Control block
1	05877147	1	>Way valve
2	05877077	1	>Pressure relief valve
3	05877091	1	>Magnetic coil
4	05877148	1	>Kit,seal
5	05877090	1	>Kit,seal

Go to Discount-Equipment.com to order your parts



Go to [Discount-Equipment.com](http://Discount-Equipment.com) to order your parts

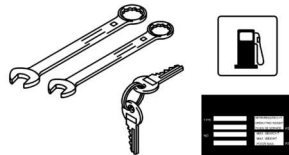
BW 900-50		
S/N 861834071001 ▶ S/N 861834071632		
<b>Control Block</b>		<b>99.55</b>
		Page <b>1 / 1</b>
	EA002557 8061 E	

Pos.	Part no.	Qty.	Description
0	05878170	1	Control block
1	05877147	1	>Way valve
2	05877077	1	>Pressure relief valve
3	05877091	1	>Magnetic coil
4	05877148	1	>Kit,seal
5	05877090	1	>Kit,seal

Go to Discount-Equipment.com to order your parts

Go to [Discount-Equipment.com](http://Discount-Equipment.com) to order your parts

**Accessories**



**100**

**100.00**

**Accessories**

Page /



**For this catalogue group no illustration.**

[Go to Discount-Equipment.com](http://Discount-Equipment.com) to order your parts

**Accessories**

**100.00**

Page /




**Pos. Description**

101.03 Decals

Go to [Discount-Equipment.com](http://Discount-Equipment.com) to order your parts



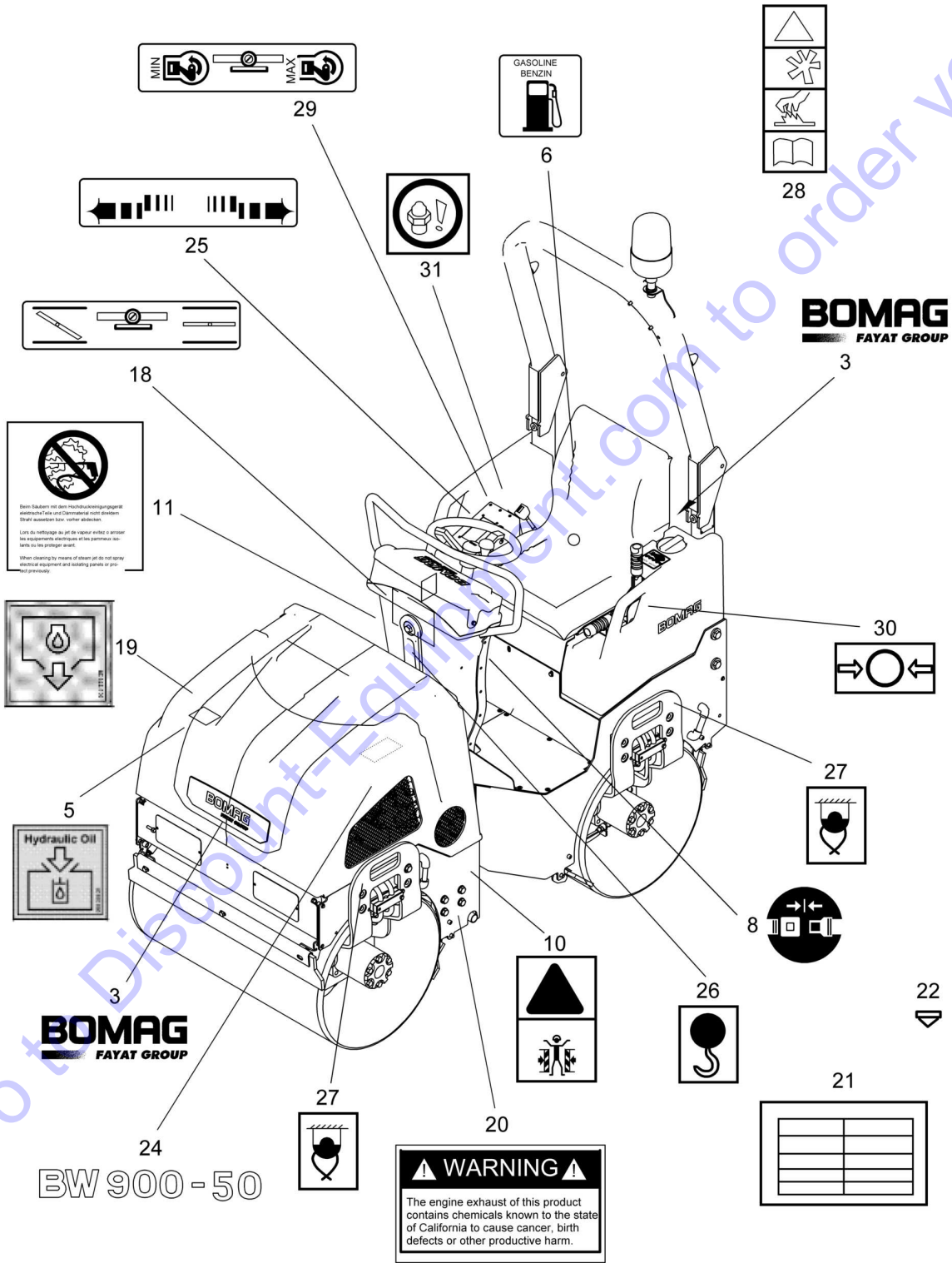


BW 900-50		
S/N 861834072476 ▶		
<b>Decals</b>		<b>101.03</b>
		Page 1 / 1
	83408058 8061 1	

Pos.	Part no.	Qty.	Description
3	00831917	2	Decal
5	00833831	1	Decal,indication
6	00832193	1	Decal,indication
8	00832477	1	Decal,indication
10	00832079	2	Decal,indication
11	00832120	2	Decal,indication
18	00832670	1	Decal,indication
19	00833828	1	Decal,indication
20	00832665	1	Decal,indication
21	83411162	1	Type plate
22	05050527	4	Rivet
24	05050502	2	Decal
25	05050443	1	Decal
26	00832900	1	Decal,indication
27	00832901	6	Decal,indication
28	00833005	1	Warning sign
29	00832675	1	Decal,operation
30	05050461	1	Decal
31	00832149	1	Decal,indication

Go to Discount-Equipment.com to order your parts


	BW 900-50	S/N 861834072437 ▶ S/N 861834072475
<b>101.03</b>	<b>Decals</b>	
Page <b>1 / 1</b>		
<b>BOMAG</b> FAYAT GROUP		83408058_000_01



**BOMAG**  
FAYAT GROUP

BW 900 - 50

**▲ WARNING ▲**  
The engine exhaust of this product contains chemicals known to the state of California to cause cancer, birth defects or other productive harm.

BW 900-50		
S/N 861834072437 ▶ S/N 861834072475		
<b>Decals</b>		<b>101.03</b>
		Page 1 / 1
	83408058 8061 1	

**Pos. Part no. Qty. Description**

3	00831917	2	Decal
5	00833831	1	Decal,indication
6	00832193	1	Decal,indication
8	00832477	1	Decal,indication
10	00832079	2	Decal,indication
11	00832120	2	Decal,indication
18	00832670	1	Decal,indication
19	00833828	1	Decal,indication
20	00832665	1	Decal,indication
21	83411162	1	Type plate
22	05050527	4	Rivet
24	05050502	2	Decal
25	05050443	1	Decal
26	00832900	1	Decal,indication
27	00832901	6	Decal,indication
28	00833005	1	Warning sign
29	00832675	1	Decal,operation
30	05050461	1	Decal
31	00832149	1	Decal,indication
32	05051040	1	Decal,indication

Go to Discount-Equipment.com to order your parts

BW 900-50

S/N 861834072342 ▶ S/N 861834072436

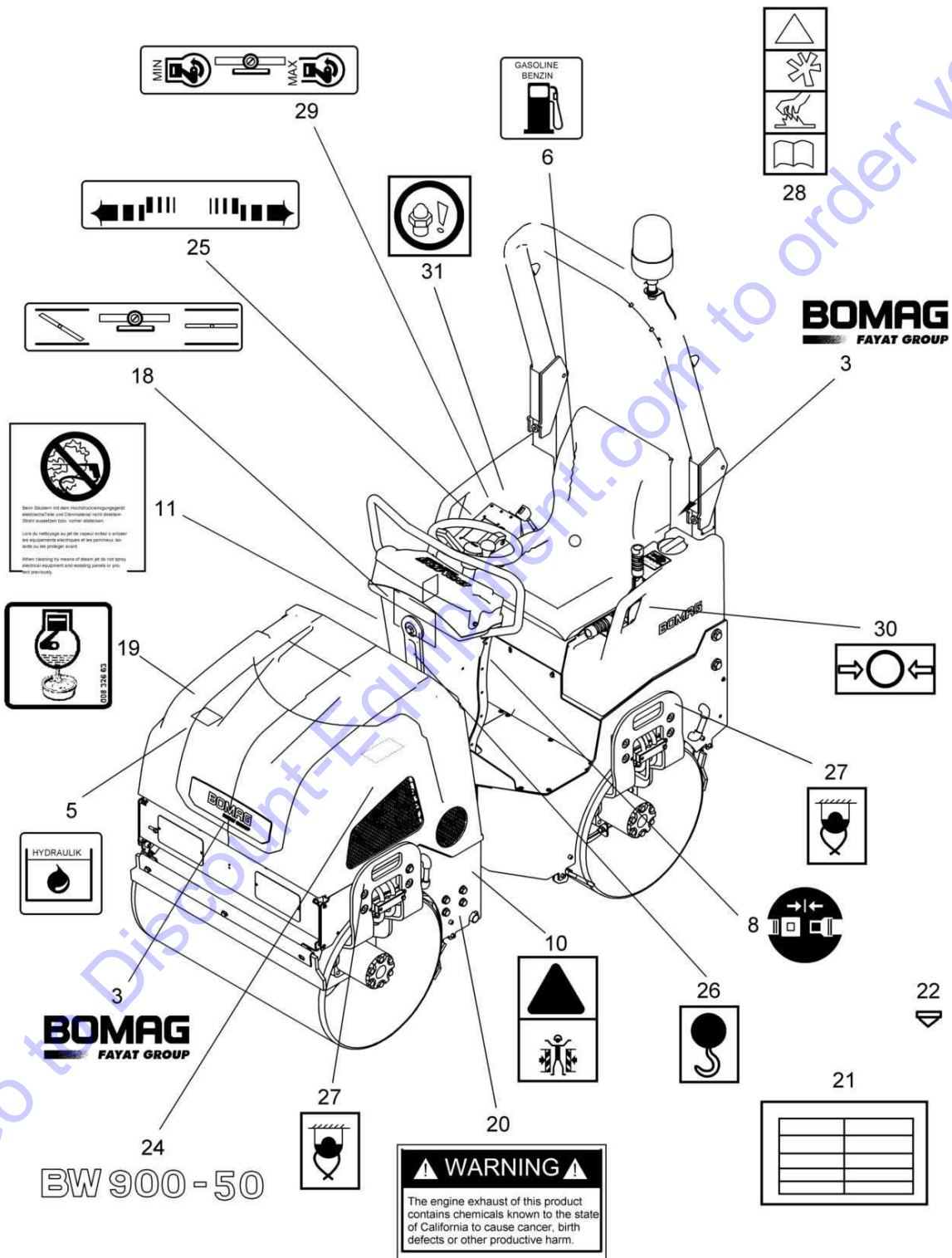
# 101.03

Decals

Page 1 / 1



83408058\_000\_00



83408058\_000\_00

BW 900-50		
S/N 861834072342 ▶ S/N 861834072436		
<b>Decals</b>		<b>101.03</b>
		Page 1 / 1
	83408058 8061 1	

Pos.	Part no.	Qty.	Description
------	----------	------	-------------

3	00831917	2	Decal
5	00830055	1	Decal,indication
6	00832193	1	Decal,indication
8	00832477	1	Decal,indication
10	00832079	2	Decal,indication
11	00832120	2	Decal,indication
18	00832670	1	Decal,indication
19	00832663	1	Decal,indication
20	00832665	1	Decal,indication
21	83411162	1	Type plate
22	05050527	4	Rivet
24	05050502	2	Decal
25	05050443	1	Decal
26	00832900	1	Decal,indication
27	00832901	6	Decal,indication
28	00833005	1	Warning sign
29	00832675	1	Decal,operation
30	05050461	1	Decal
31	00832149	1	Decal,indication
32	05051040	1	Decal,indication

Go to Discount-Equipment.com to order your parts

BW 900-50

S/N 861834071585 ▶ S/N 861834072341

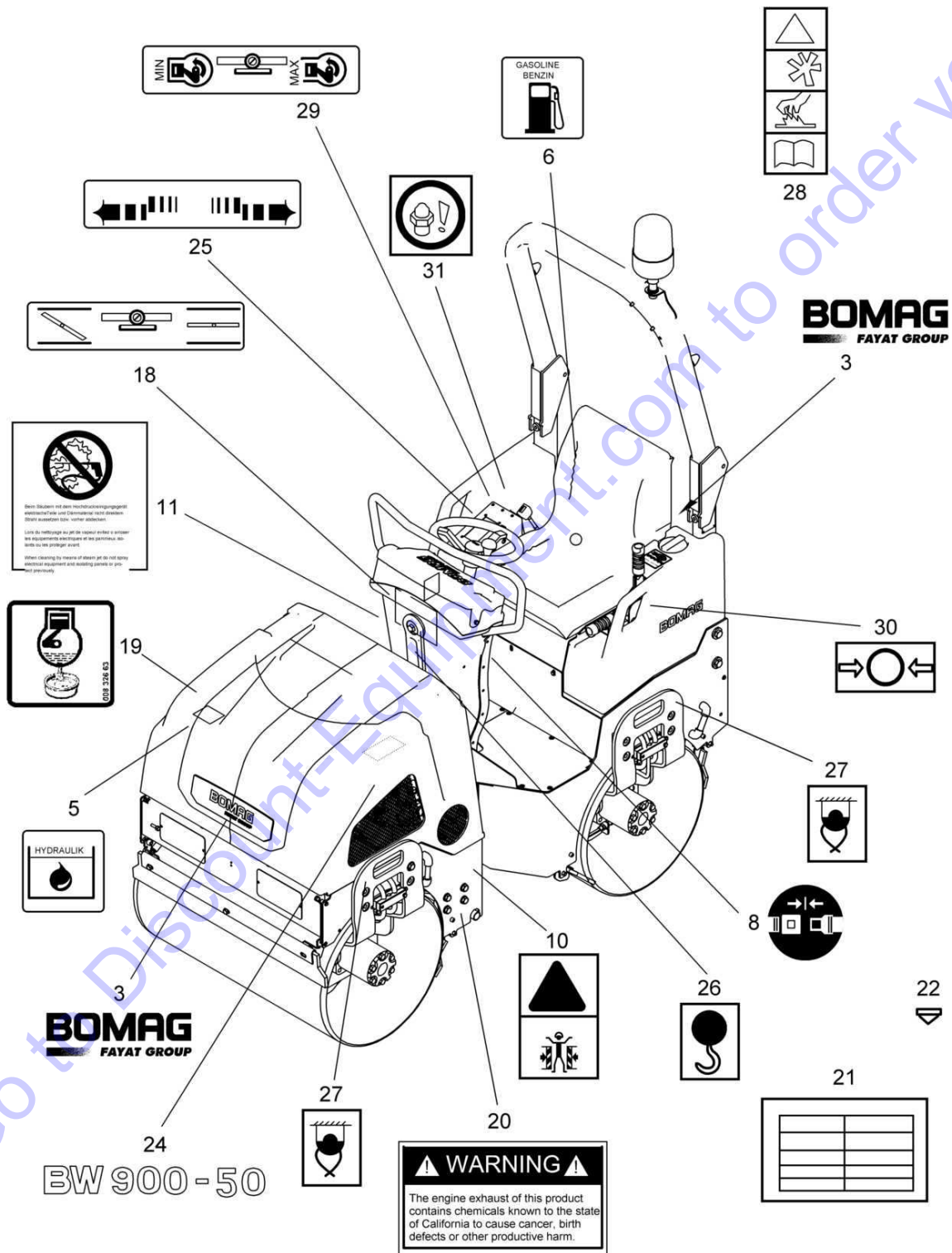
# 101.03

Decals


Page 1 / 1



83408058\_000\_00



83408058\_000\_00

BW 900-50		
S/N 861834071585 ▶ S/N 861834072341		
<b>Decals</b>		<b>101.03</b>
		Page 1 / 1
	83408058 8061 1	

Pos.	Part no.	Qty.	Description
------	----------	------	-------------

3	00831917	2	Decal
5	00830055	1	Decal,indication
6	00832193	1	Decal,indication
8	00832477	1	Decal,indication
10	00832079	2	Decal,indication
11	00832120	2	Decal,indication
18	00832670	1	Decal,indication
19	00832663	1	Decal,indication
20	00832665	1	Decal,indication
21	83411162	1	Type plate
22	05050527	4	Rivet
24	05050502	2	Decal
25	05050443	1	Decal
26	00832900	1	Decal,indication
27	00832901	6	Decal,indication
28	00833005	1	Warning sign
29	00832675	1	Decal,operation
30	05050461	1	Decal
31	00832149	1	Decal,indication

Go to Discount-Equipment.com to order your parts



BW 900-50

S/N 861834071361 ▶ S/N 861834071584

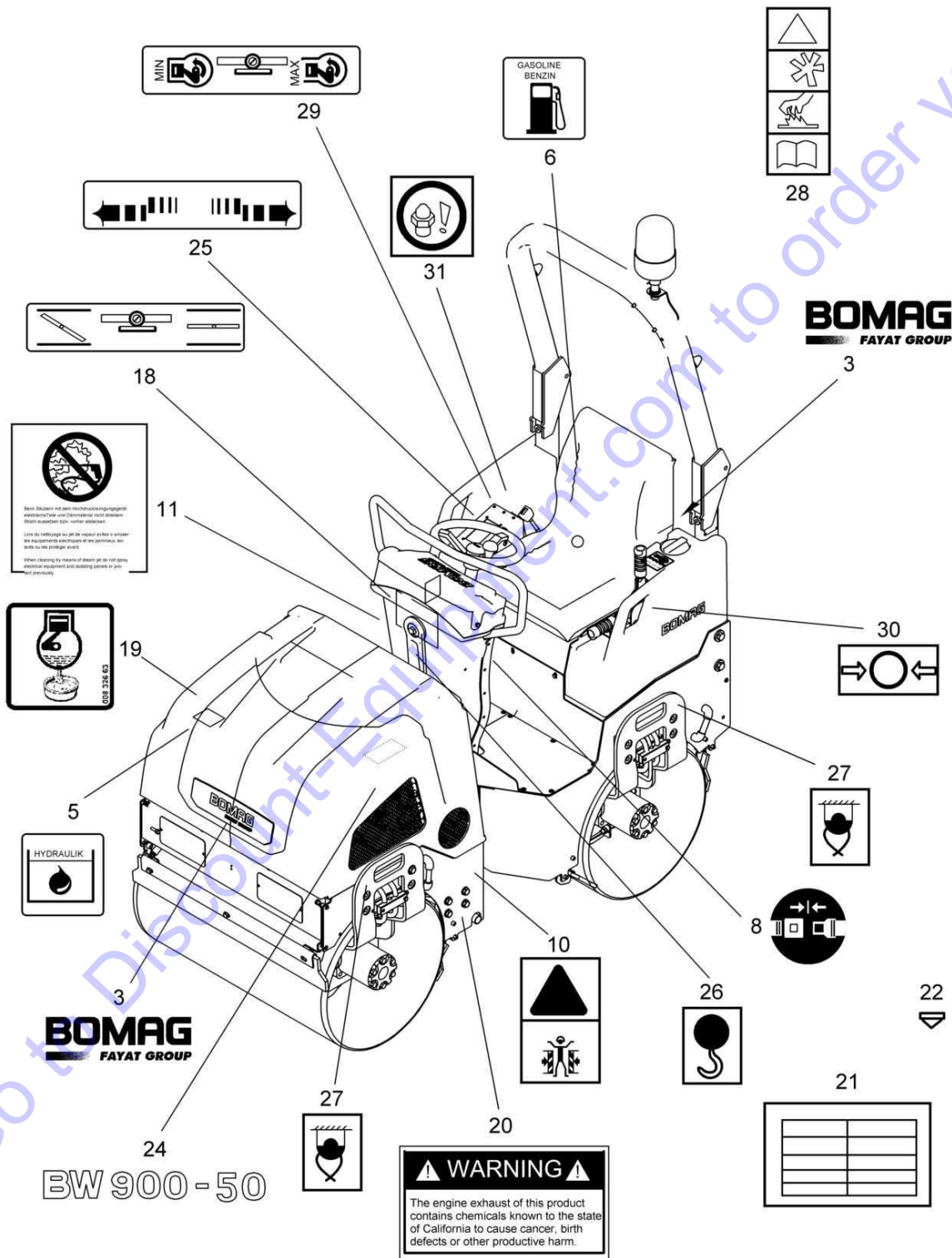
# 101.03

Decals

Page 1 / 1




83408058\_000\_00



## BW 900 - 50

83408058\_000\_00

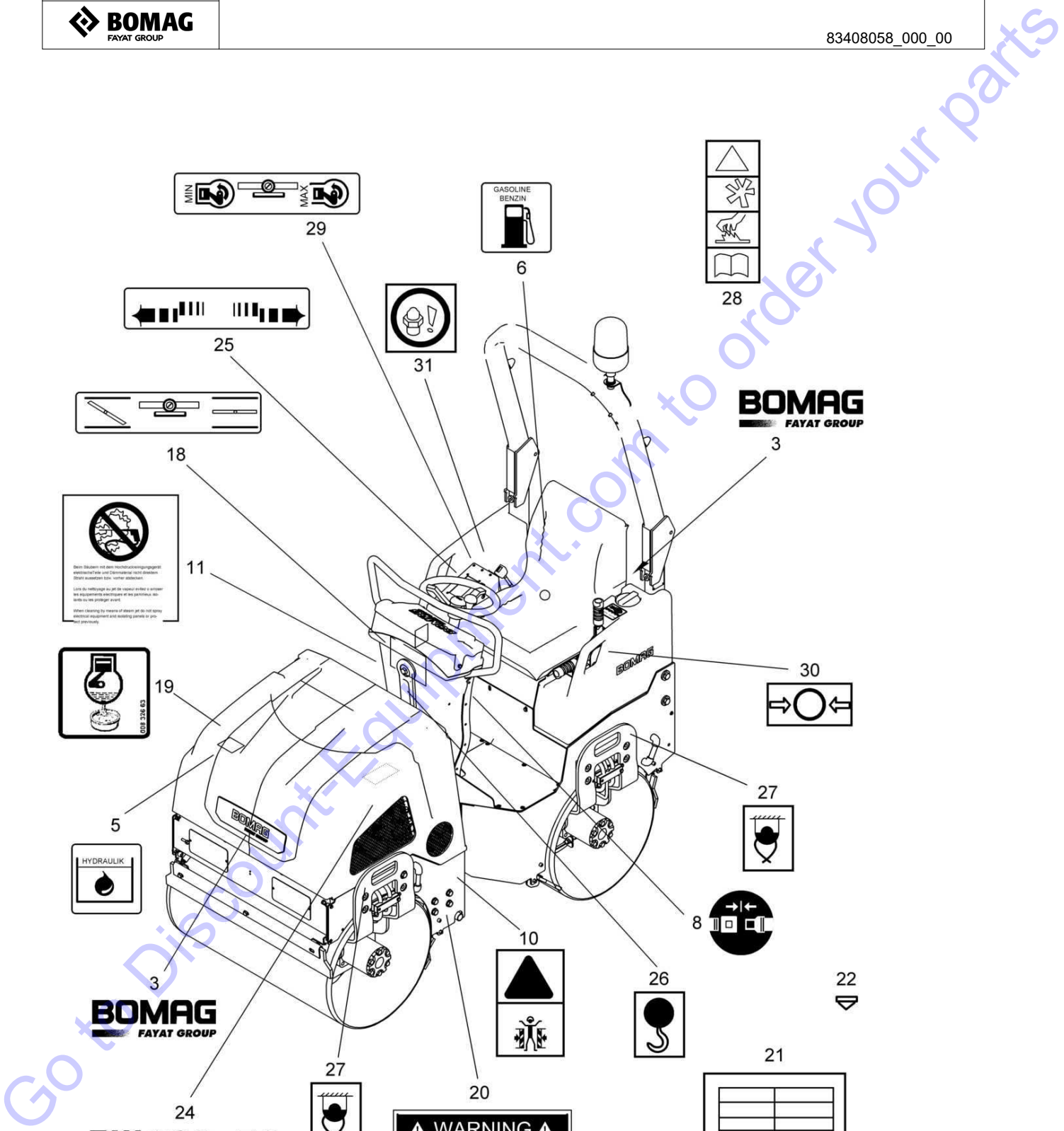
BW 900-50		
S/N 861834071361 ▶ S/N 861834071584		
<b>Decals</b>		<b>101.03</b>
		Page 1 / 1
	83408058 8061 1	

Pos.	Part no.	Qty.	Description
------	----------	------	-------------

3	00831917	2	Decal
5	00830055	1	Decal,indication
6	00832193	1	Decal,indication
8	00832477	1	Decal,indication
10	00832079	2	Decal,indication
11	00832120	2	Decal,indication
18	00832670	1	Decal,indication
19	00832663	1	Decal,indication
20	00832665	1	Decal,indication
21	83411162	1	Type plate
22	05990102	4	Metal-nail
24	05050502	2	Decal
25	05050443	1	Decal
26	00832900	1	Decal,indication
27	00832901	6	Decal,indication
28	00833005	1	Warning sign
29	00832675	1	Decal,operation
30	05050461	1	Decal
31	00832149	1	Decal,indication

Go to Discount-Equipment.com to order your parts

	BW 900-50	S/N 861834071121 ▶ S/N 861834071360
<b>101.03</b>	<b>Decals</b>	
Page <b>1 / 1</b>		
<b>BOMAG</b> FAYAT GROUP		83408058_000_00




**BOMAG**  
FAYAT GROUP

**BOMAG**  
FAYAT GROUP

BW 900 - 50

**▲ WARNING ▲**  
The engine exhaust of this product contains chemicals known to the state of California to cause cancer, birth defects or other productive harm.

83408058\_000\_00

BW 900-50		
S/N 861834071121 ▶ S/N 861834071360		
<b>Decals</b>		<b>101.03</b>
		Page 1 / 1
	83408058 8061 1	

Pos.	Part no.	Qty.	Description
------	----------	------	-------------

3	00830384	2	Decal
5	00830055	1	Decal,indication
6	00832193	1	Decal,indication
8	00832477	1	Decal,indication
10	00832079	2	Decal,indication
11	00832120	2	Decal,indication
18	00832670	1	Decal,indication
19	00832663	1	Decal,indication
20	00832665	1	Decal,indication
21	83411162	1	Type plate
22	05990102	4	Metal-nail
24	05050502	2	Decal
25	05050443	1	Decal
26	00832900	1	Decal,indication
27	00832901	6	Decal,indication
28	00833005	1	Warning sign
29	00832675	1	Decal,operation
30	05050461	1	Decal
31	00832149	1	Decal,indication

Go to Discount-Equipment.com to order your parts

BW 900-50

S/N 861834071111 ▶ S/N 861834071120

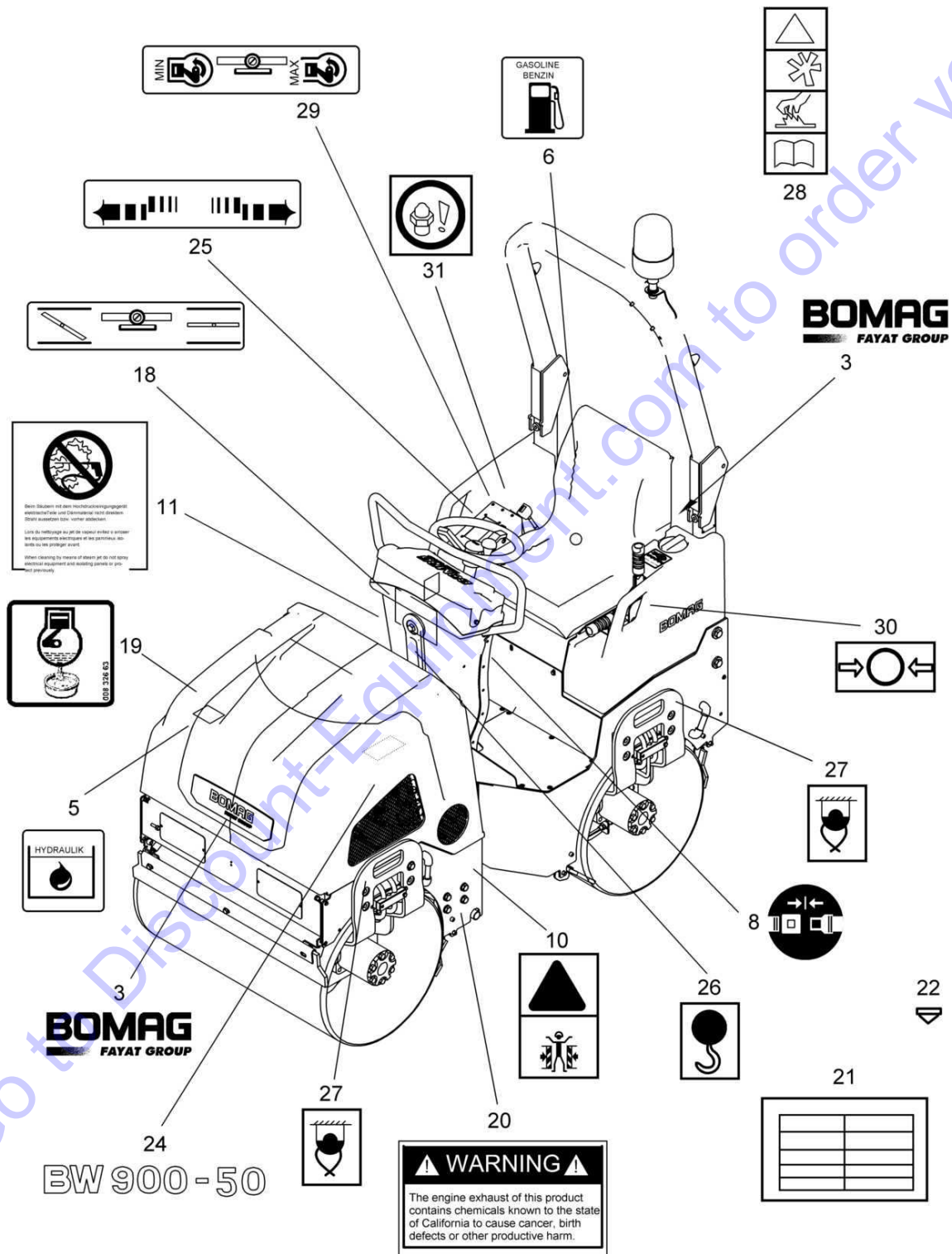
# 101.03

Decals

Page 1 / 1



83408058\_000\_00



83408058\_000\_00

BW 900-50		
S/N 861834071111 ▶ S/N 861834071120		
<b>Decals</b>		<b>101.03</b>
		Page 1 / 1
	83408058 8061 1	

Pos.	Part no.	Qty.	Description
------	----------	------	-------------

3	00830384	2	Decal
5	00830055	1	Decal,indication
6	00832193	1	Decal,indication
8	00832477	1	Decal,indication
10	00832079	2	Decal,indication
11	00832120	2	Decal,indication
18	00832670	1	Decal,indication
19	00832663	1	Decal,indication
20	00832665	1	Decal,indication
21	00833031	1	Type plate
22	05990102	4	Metal-nail
24	05050502	2	Decal
25	05050443	1	Decal
26	00832900	1	Decal,indication
27	00832901	6	Decal,indication
28	00833005	1	Warning sign
29	00832675	1	Decal,operation
30	05050461	1	Decal
31	00832149	1	Decal,indication

Go to Discount-Equipment.com to order your parts

BW 900-50

S/N 861834071056 ▶ S/N 861834071110

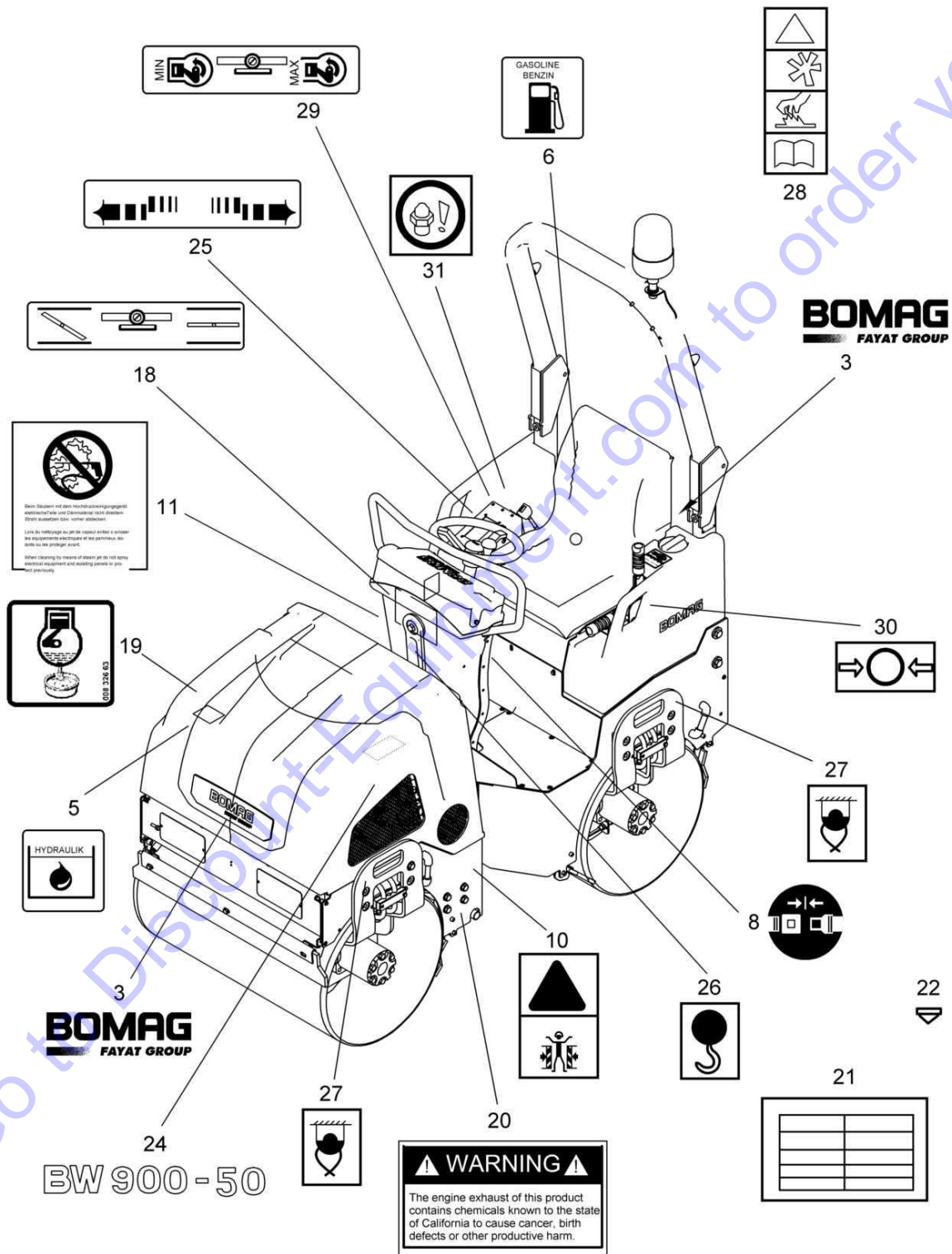
# 101.03

Decals


Page 1 / 1



83408058\_000\_00



Go to [Discount-Parts.com](http://Discount-Parts.com) to order your parts

BW 900-50		
S/N 861834071056 ▶ S/N 861834071110		
<b>Decals</b>		<b>101.03</b>
		Page 1 / 1
	83408058 8061 1	

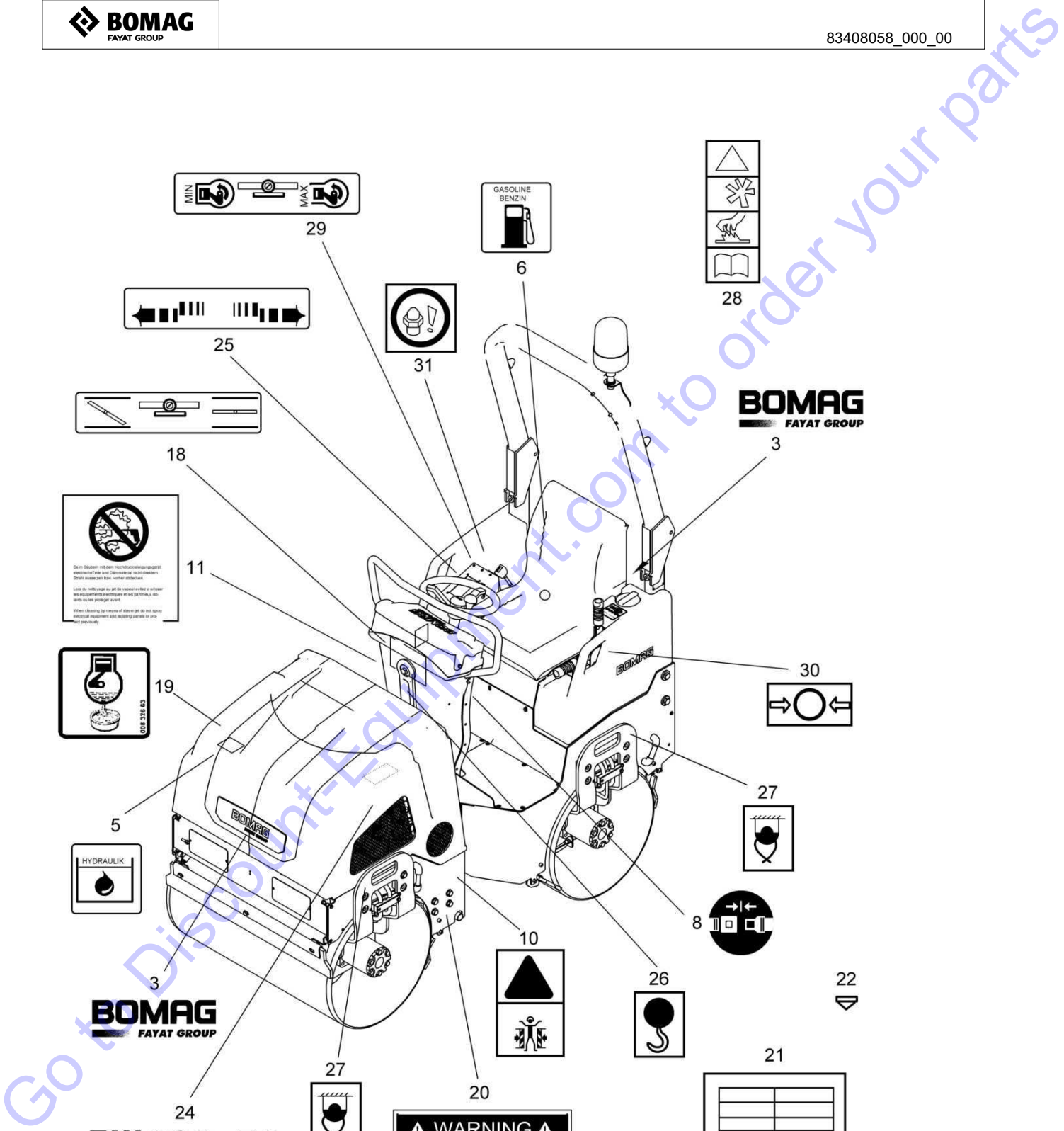
Pos.	Part no.	Qty.	Description
------	----------	------	-------------

3	00830384	2	Decal
5	00830055	1	Decal,indication
6	00832193	1	Decal,indication
8	00832477	1	Decal,indication
10	00832079	2	Decal,indication
11	00832120	2	Decal,indication
18	00832670	1	Decal,indication
19	00832663	1	Decal,indication
20	00832665	1	Decal,indication
21	00833031	1	Type plate
22	05990102	4	Metal-nail
24	05050491	2	Decal
25	05050443	1	Decal
26	00832900	1	Decal,indication
27	00832901	6	Decal,indication
28	00833005	1	Warning sign
29	00832585	1	Decal,operation
30	05050461	1	Decal
31	00832149	1	Decal,indication

Go to Discount-Equipment.com to order your parts




	BW 900-50	S/N 861834071005 ▶ S/N 861834071055
<b>101.03</b>	<b>Decals</b>	
Page <b>1 / 1</b>		
<b>BOMAG</b> FAYAT GROUP		83408058_000_00



BW 900 - 50

**▲ WARNING ▲**  
 The engine exhaust of this product contains chemicals known to the state of California to cause cancer, birth defects or other productive harm.

BW 900-50		
S/N 861834071005 ▶ S/N 861834071055		
<b>Decals</b>		<b>101.03</b>
		Page 1 / 1
	83408058 8061 1	

Pos.	Part no.	Qty.	Description
------	----------	------	-------------

3	00830384	2	Decal
5	00830055	1	Decal,indication
6	00832193	1	Decal,indication
8	00832477	1	Decal,indication
10	00832079	2	Decal,indication
11	00832120	2	Decal,indication
18	00832670	1	Decal,indication
19	00832663	1	Decal,indication
20	00832665	1	Decal,indication
21	00833031	1	Type plate
22	05990102	4	Metal-nail
24	05050398	2	Model
25	05050443	1	Decal
26	00832900	1	Decal,indication
27	00832901	6	Decal,indication
28	00833005	1	Warning sign
29	00832585	1	Decal,operation
30	05050461	1	Decal
31	00832149	1	Decal,indication

Go to Discount-Equipment.com to order your parts

BW 900-50

S/N 861834071004 ▶ S/N 861834071004

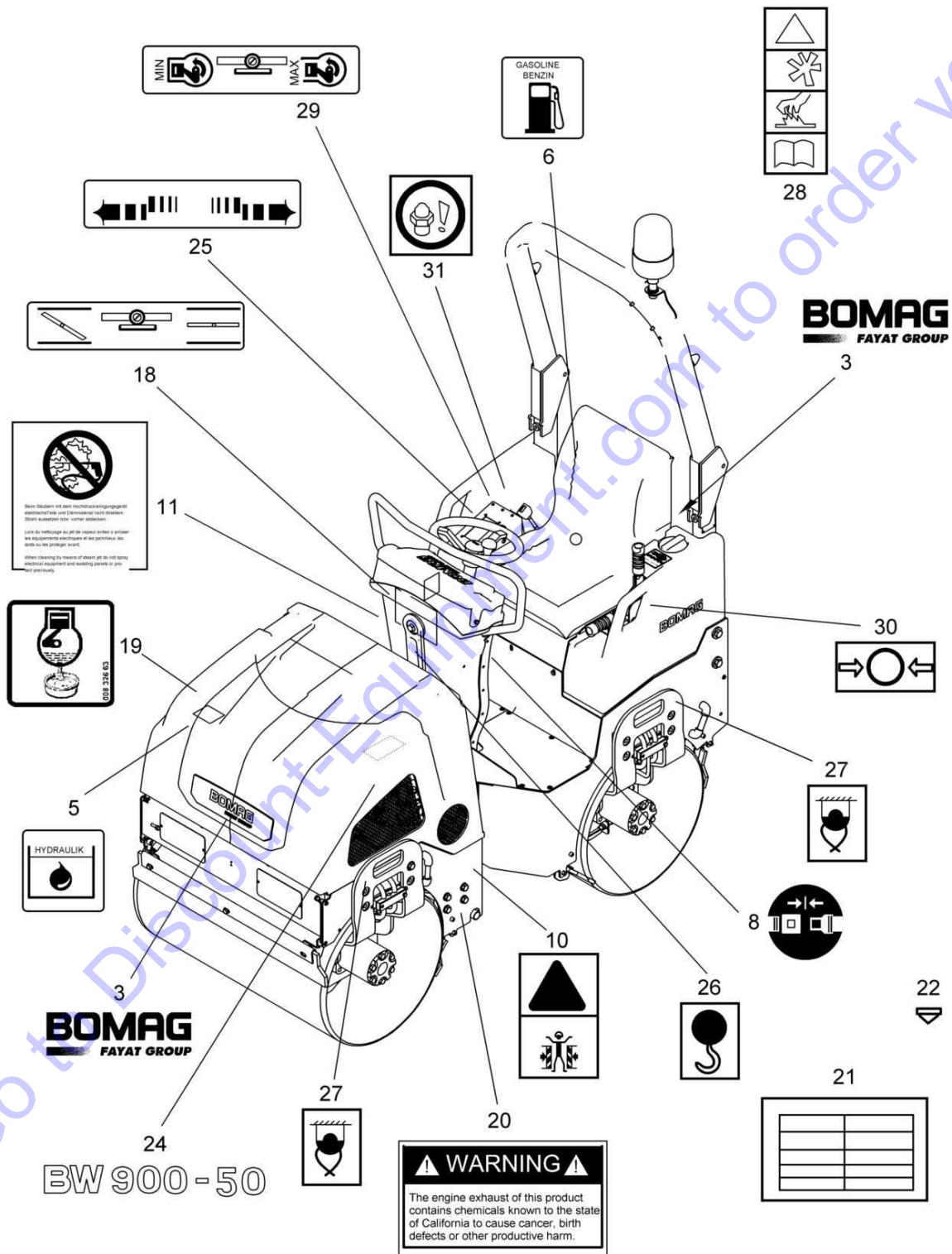
# 101.03

Decals


Page 1 / 1



83408058\_000\_00



83408058\_000\_00

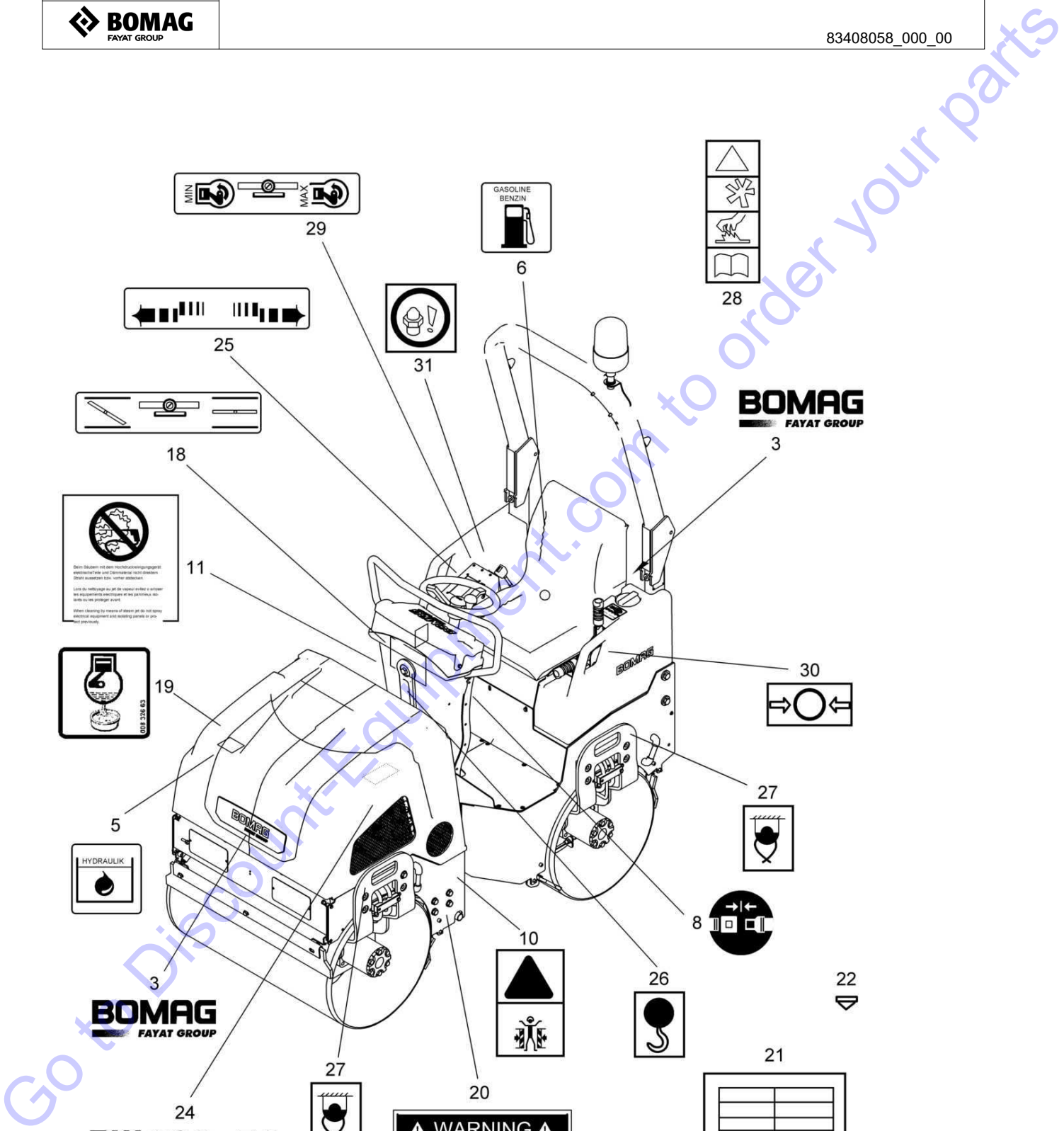
BW 900-50		
S/N 861834071004 ▶ S/N 861834071004		
<b>Decals</b>		<b>101.03</b>
		Page 1 / 1
	83408058 8061 1	

Pos.	Part no.	Qty.	Description
------	----------	------	-------------

3	00830384	2	Decal
5	00830055	1	Decal,indication
6	00832193	1	Decal,indication
7	00830064	1	Decal,indication
8	00832477	1	Decal,indication
10	00832079	2	Decal,indication
11	00832120	2	Decal,indication
14	00832668	1	Decal,indication
17	00832669	1	Decal,indication
18	00832670	1	Decal,indication
19	00832663	1	Decal,indication
20	00832665	1	Decal,indication
21	00833031	1	Type plate
22	05990102	4	Metal-nail
23	83410669	1	Decal,indication
24	05050398	2	Model
25	05050443	1	Decal
26	00832900	1	Decal,indication
27	00832901	6	Decal,indication
28	00833005	1	Warning sign
29	00832585	1	Decal,operation
30	05050461	1	Decal


Go to Discount-Equipment.com to order your parts

	BW 900-50	S/N 861834071001 ▶ S/N 861834071003
<b>101.03</b>	<b>Decals</b>	
Page <b>1 / 1</b>		
<b>BOMAG</b> FAYAT GROUP		83408058_000_00



BW 900 - 50

**▲ WARNING ▲**  
 The engine exhaust of this product contains chemicals known to the state of California to cause cancer, birth defects or other productive harm.

BW 900-50		
S/N 861834071001 ▶ S/N 861834071003		
<b>Decals</b>		<b>101.03</b>
		Page 1 / 1
	83408058 8061 1	

Pos.	Part no.	Qty.	Description
------	----------	------	-------------

3	00830384	2	Decal
5	00830055	1	Decal,indication
6	00832193	1	Decal,indication
7	00830064	1	Decal,indication
8	00832477	1	Decal,indication
10	00832079	2	Decal,indication
11	00832120	2	Decal,indication
14	00832668	1	Decal,indication
17	00832669	1	Decal,indication
18	00832670	1	Decal,indication
19	00832663	1	Decal,indication
20	00832665	1	Decal,indication
21	00833031	1	Type plate
22	05990102	4	Metal-nail
23	83410669	1	Decal,indication
24	05050398	2	Model

Go to Discount-Equipment.com to order your parts

Go to [Discount-Equipment.com](http://Discount-Equipment.com) to order your parts

Special Equipment

***Option***

**110**

**110.00**

Special Equipment

Page /



**For this catalogue group no illustration.**

[Go to Discount-Equipment.com](http://Discount-Equipment.com) to order your parts



Special Equipment

**110.00**

Page /



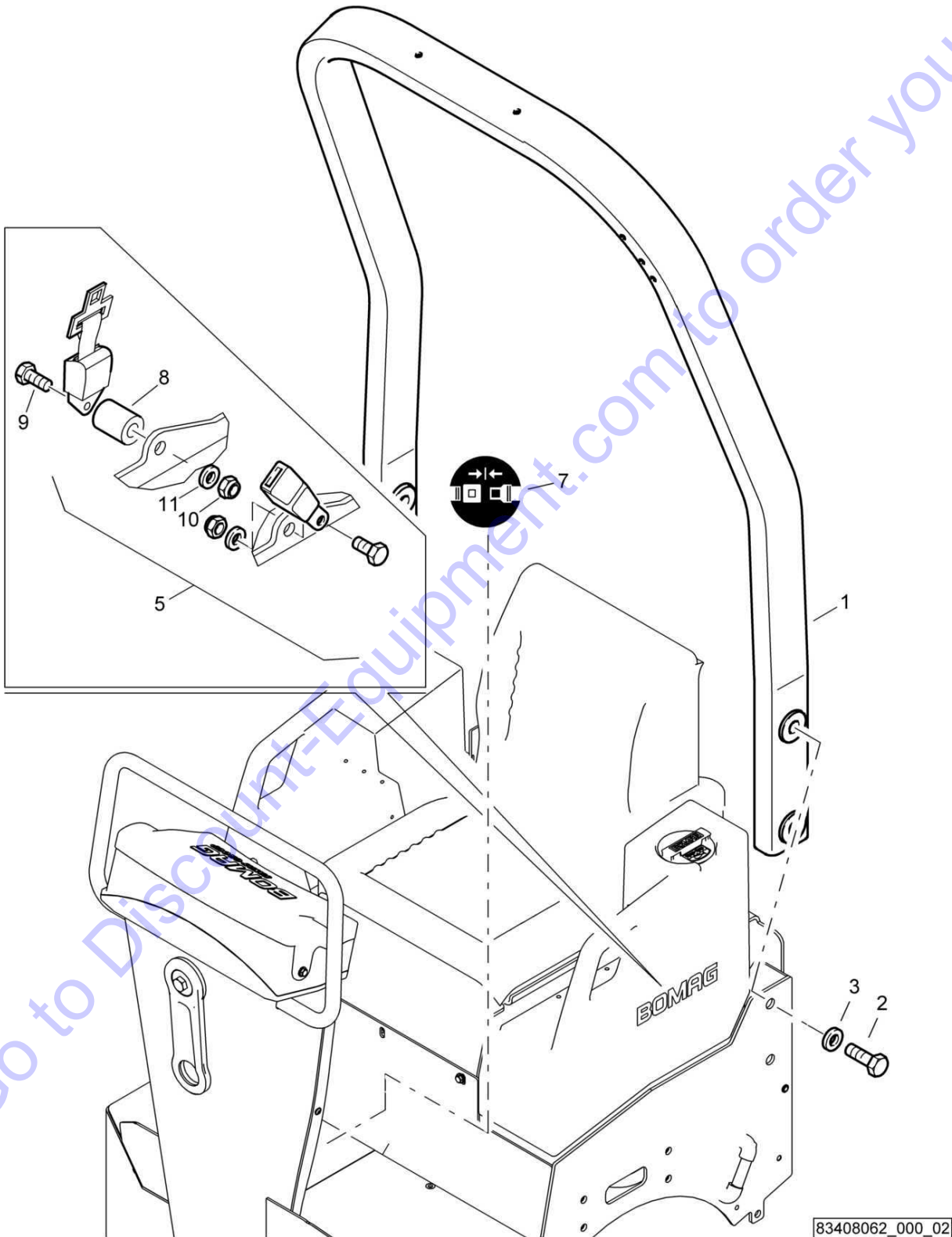
**Pos. Description**

- 150.22 S2-ROPS
- 150.30 S19-ROPS, hinged
- 180.02 E1-Working lighting
- 180.08 E16-Rotary beacon
- 181.23 E87-Dev. Telematic Morey/ZTR

Go to Discount-Equipment.com to order your parts

# 150.22

S2-ROPS



BW 900-50		
S/N 861834072070 ▶		
S2-ROPS		<b>150.22</b>
		Page 1 / 1
		
83408062 8061 1		

Pos.	Part no.	Qty.	Description
1	83410662	1	ROPS
2	07131626	4	Hexagon bolt
3	08752170	4	Spring washer
4	06510208	6	Plug
5	05570425	1	Seat belt
7	00832477	1	Decal,indication
8	92001040	1	Round steel bar
9	07131036	1	Hexagon bolt
10	08131016	1	Safety nut
11	08511021	1	Washer

Go to Discount-Equipment.com to order your parts

BW 900-50

S/N 861834071990 ▶ S/N 861834072069

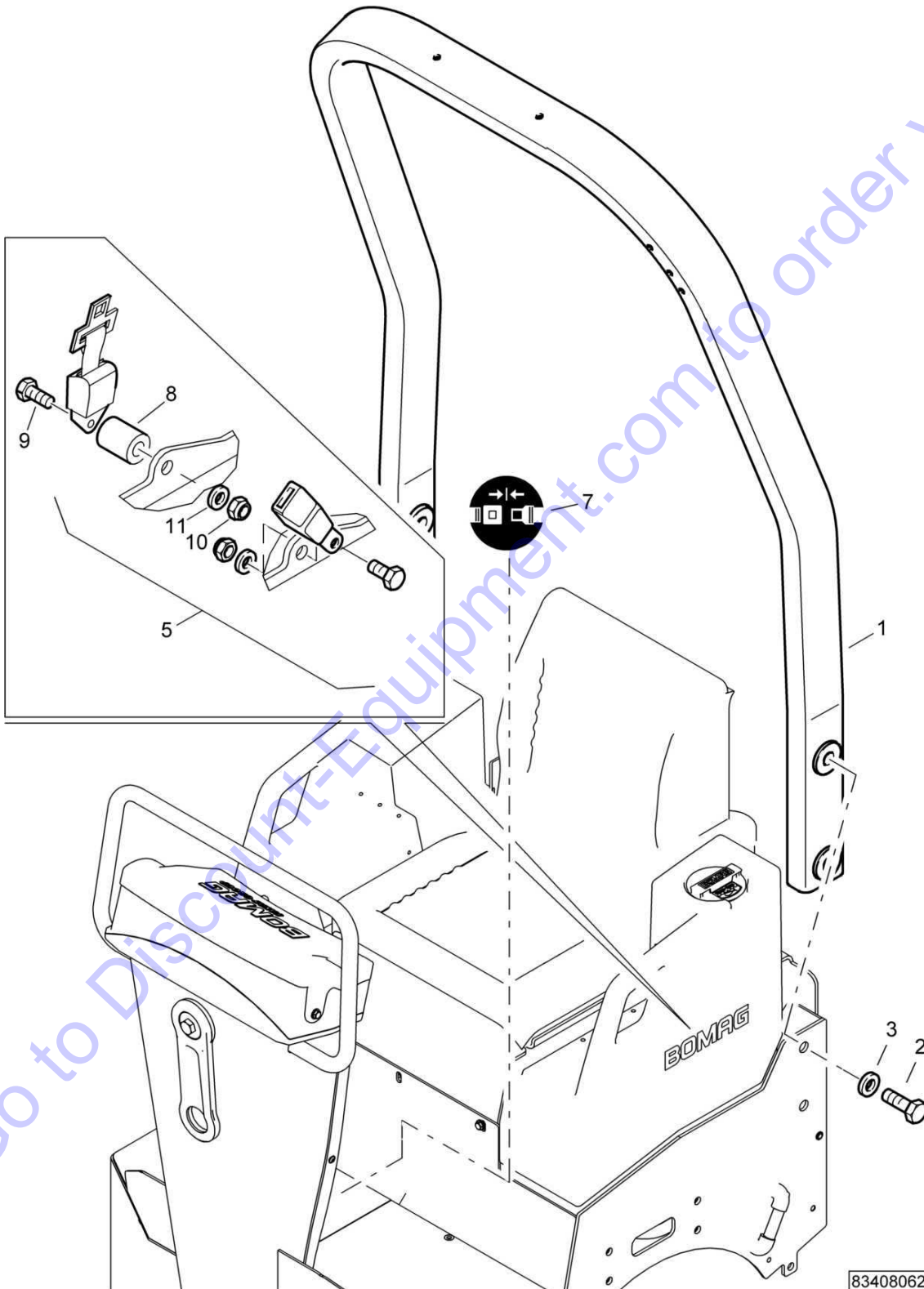
**150.22**

S2-ROPS


Page **1 / 1**



83408062\_000\_02



83408062\_000\_02

BW 900-50		
S/N 861834071990 ▶ S/N 861834072069		
S2-ROPS		<b>150.22</b>
		Page 1 / 1
	83408062 8061 1	

Pos.	Part no.	Qty.	Description
1	83410662	1	ROPS
2	07131626	4	Hexagon bolt
3	08752170	4	Spring washer
4	06510208	6	Plug
5	05570425L	1	Seat belt
7	00832477	1	Decal,indication
8	92001040	1	Round steel bar
9	07131036	1	Hexagon bolt
10	08131016	1	Safety nut
11	08511021	1	Washer

Go to Discount-Equipment.com to order your parts

BW 900-50

S/N 861834071661 ▶ S/N 861834071989

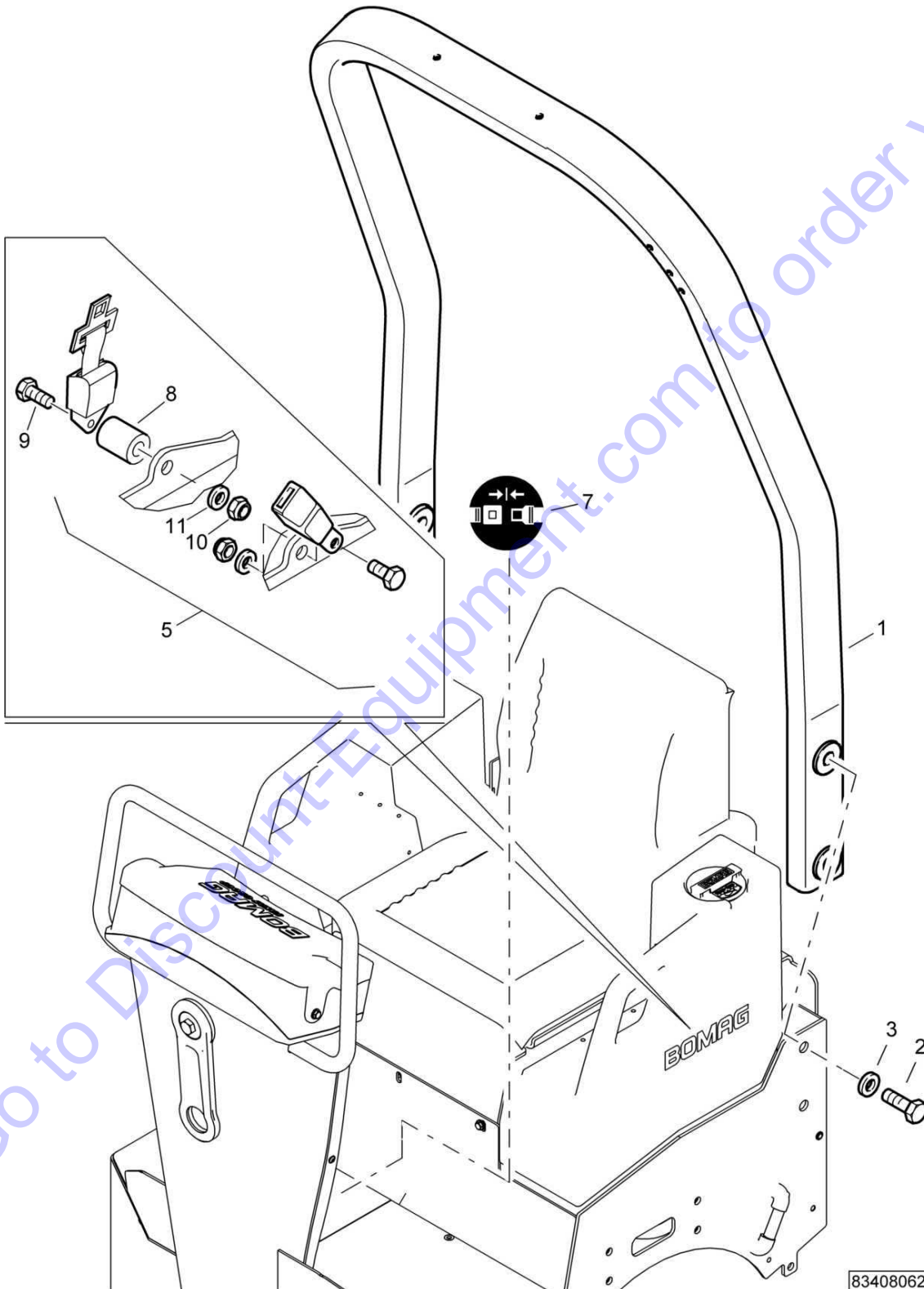
# 150.22

S2-ROPS


Page 1 / 1



83408062\_000\_02



83408062\_000\_02

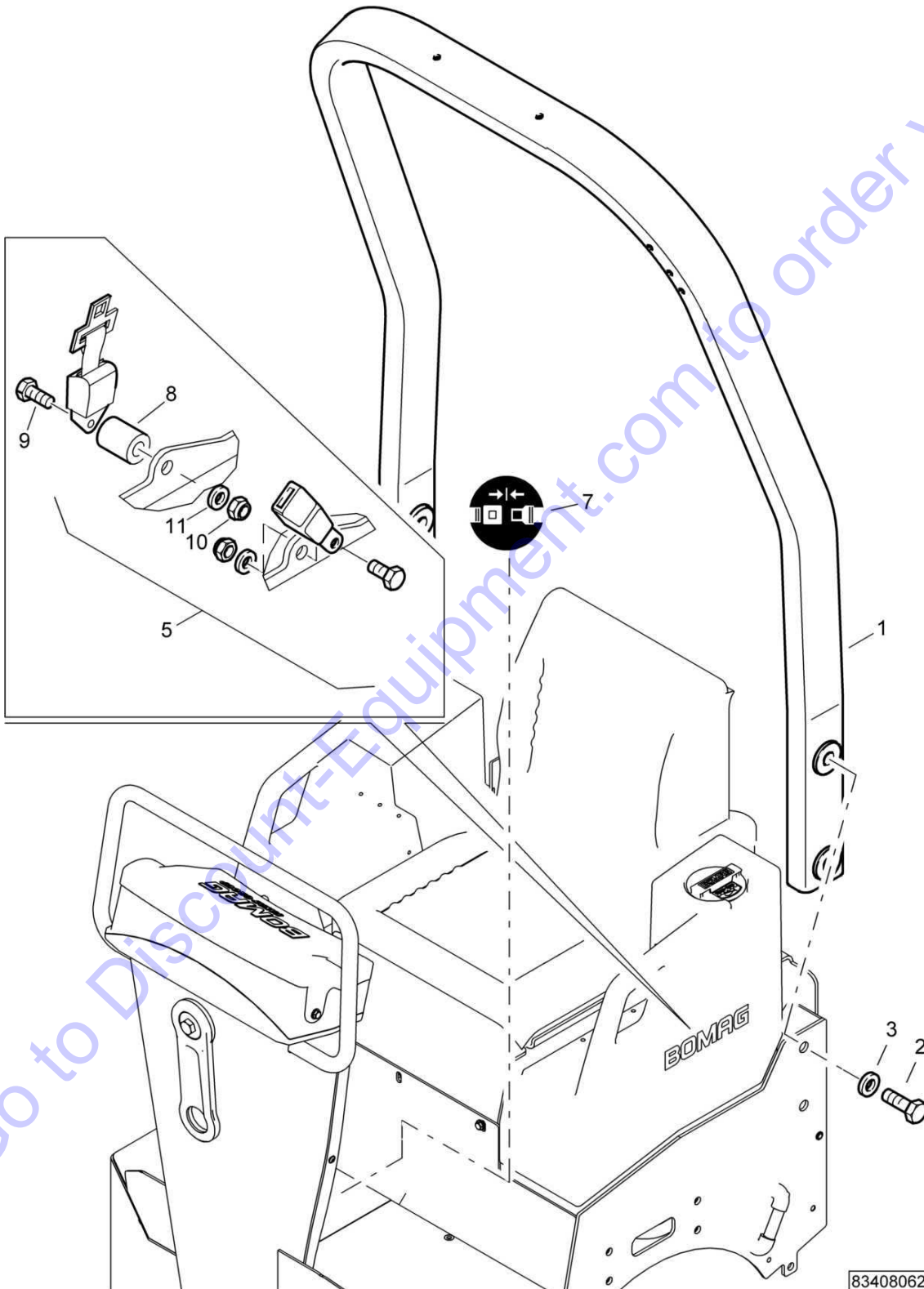
BW 900-50		
S/N 861834071661 ▶ S/N 861834071989		
S2-ROPS		<b>150.22</b>
		Page 1 / 1
	83408062 8061 1	

Pos.	Part no.	Qty.	Description
1	83410662	1	ROPS
2	07131626	4	Hexagon bolt
3	08752170	4	Spring washer
4	06510208	6	Plug
5	05570425	1	Seat belt
7	00832477	1	Decal,indication
8	92001040	1	Round steel bar
9	07131036	1	Hexagon bolt
10	08131016	1	Safety nut
11	08511021	1	Washer


Go to Discount-Equipment.com to order your parts

# 150.22

S2-ROPS





BW 900-50		
S/N 861834071006 ▶ S/N 861834071660		
<b>S2-ROPS</b>		<b>150.22</b>
		Page 1 / 1
83408062 8061 1		

Pos.	Part no.	Qty.	Description
1	83410662	1	ROPS
2	07131626	4	Hexagon bolt
3	08752170	4	Spring washer
5	05570425	1	Seat belt
7	00832477	1	Decal,indication
8	92001040	1	Round steel bar
9	07131036	1	Hexagon bolt
10	08131016	1	Safety nut
11	08511021	1	Washer

Go to Discount-Equipment.com to order your parts

BW 900-50

S/N 861834071004 ▶ S/N 861834071005

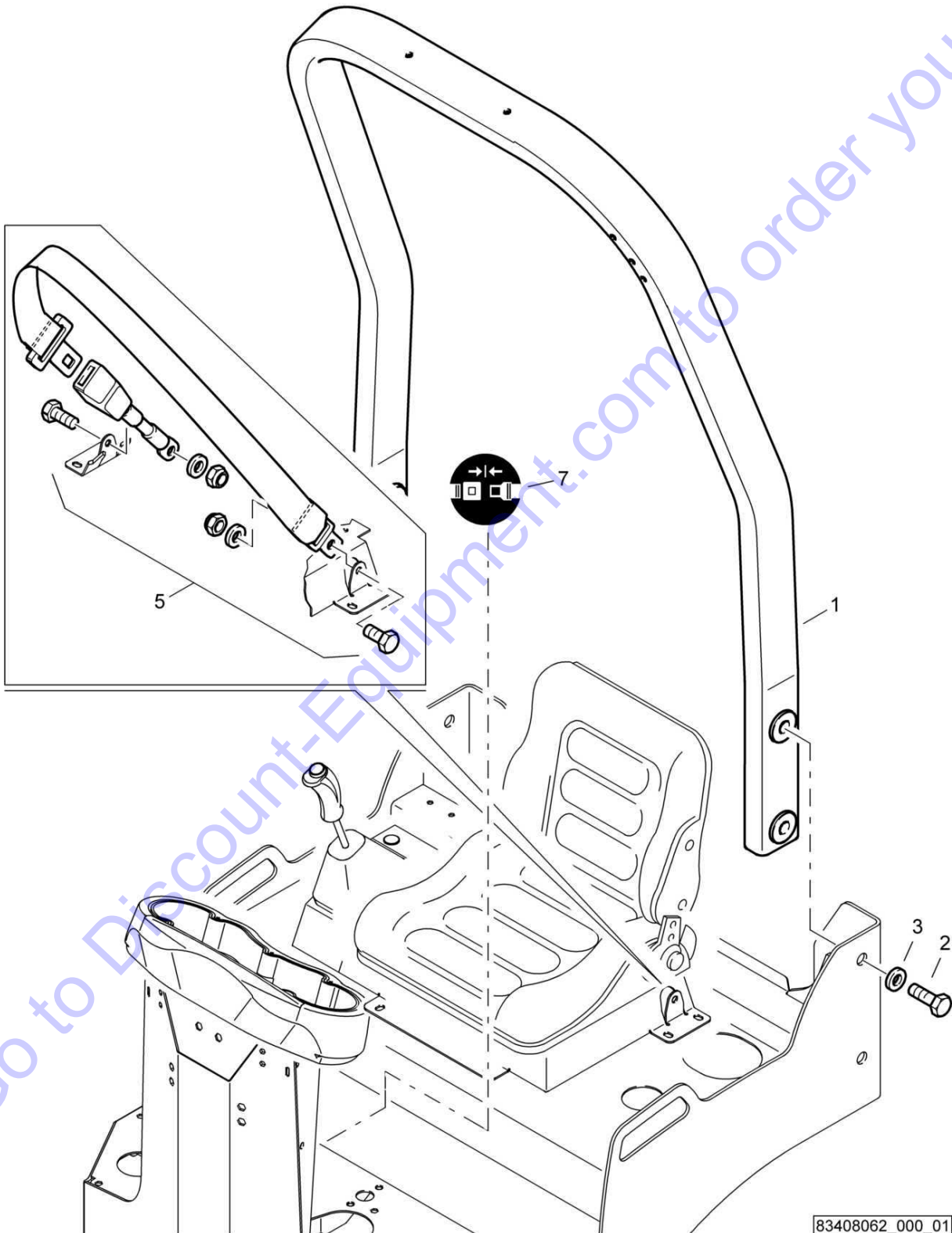
**150.22**

S2-ROPS


Page 1 / 1



83408062\_000\_01



83408062\_000\_01

BW 900-50		
S/N 861834071004 ▶ S/N 861834071005		
<b>S2-ROPS</b>		<b>150.22</b>
		Page <b>1 / 1</b>
83408062 8061 1		

Pos.	Part no.	Qty.	Description
1	83410662	1	ROPS
2	07131626	4	Hexagon bolt
3	08752170	4	Spring washer
5	05570425	1	Seat belt
7	00832477	1	Decal,indication

Go to Discount-Equipment.com to order your parts

BW 900-50

S/N 861834071001 ▶ S/N 861834071003

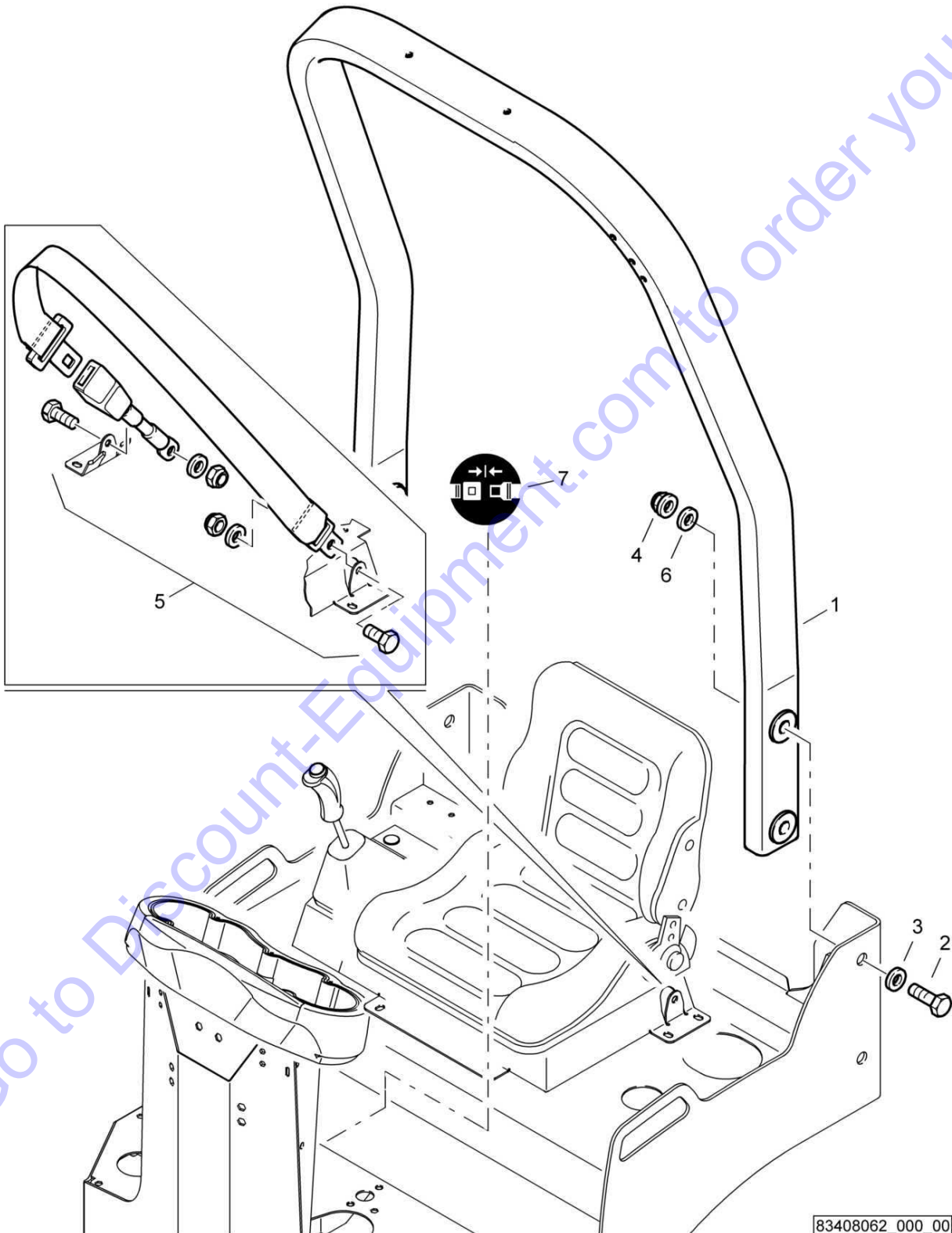
**150.22**

S2-ROPS

Page **1 / 1**



83408062\_000\_00



83408062\_000\_00

BW 900-50		
S/N 861834071001 ▶ S/N 861834071003		
<b>S2-ROPS</b>		<b>150.22</b>
		Page <b>1 / 1</b>
	83408062 8061 1	 <b>BOMAG</b> FAYAT GROUP

Pos.	Part no.	Qty.	Description
1	83410662	1	ROPS
2	07131655	4	Hexagon bolt
3	08591740	4	Washer
5	05570253	1	Static seat belt
7	00832477	1	Decal,indication

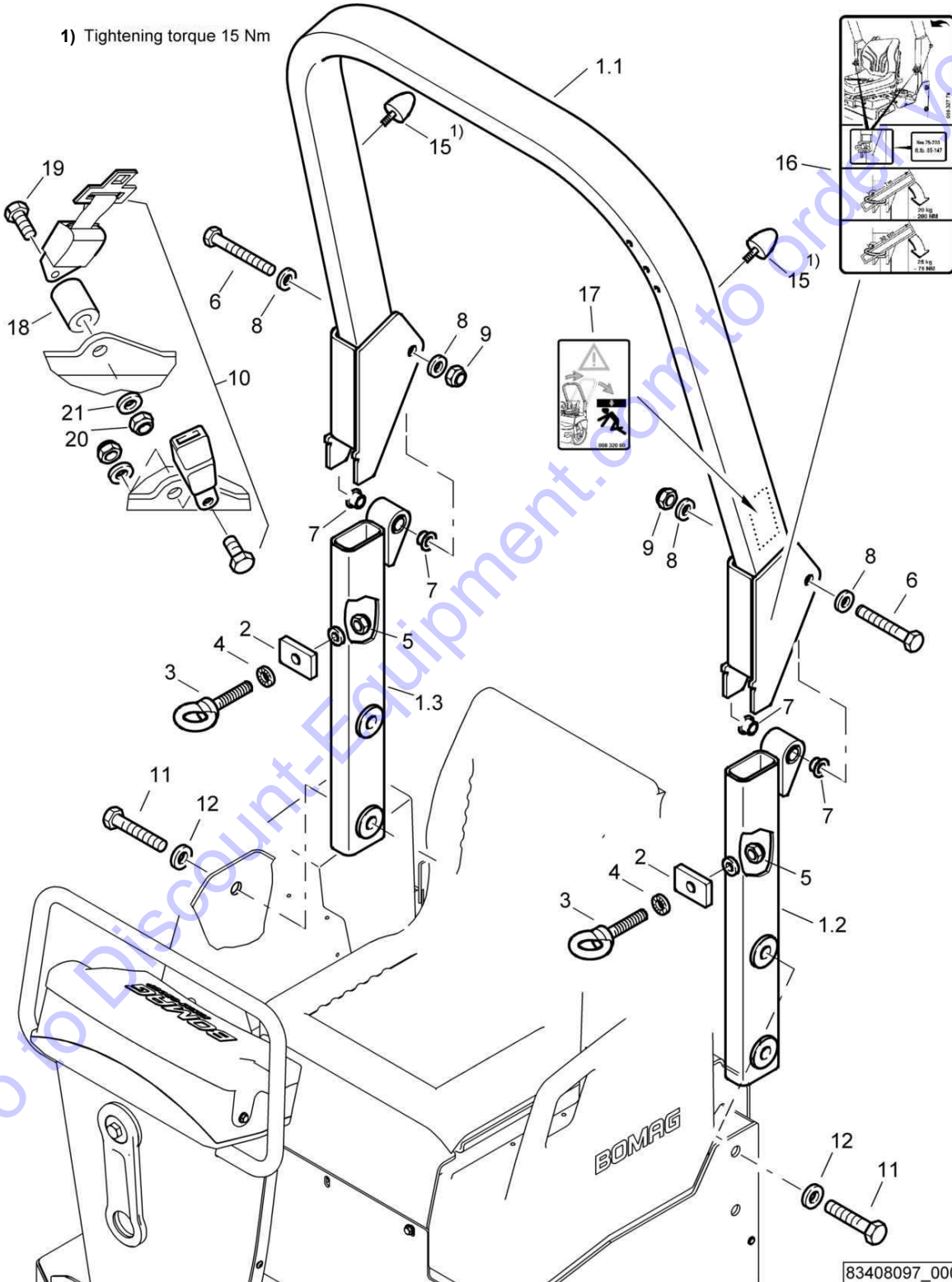
Go to Discount-Equipment.com to order your parts

# 150.30

S19-ROPS, hinged



1) Tightening torque 15 Nm



BW 900-50		
S/N 861834072070 ▶		
S19-ROPS, hinged		<b>150.30</b>
		Page 1 / 1
83408097 8061 1		

Pos.	Part no.	Qty.	Description
1	83410742	1	ROPS
1.1	83410909	1	ROPS bow
1.2	83410908	1	Tube
1.3	83411117	1	Tube
2	80003312	2	Plate
3	07711622	2	Eye bolt
4	06270013	2	Wedge safety washer
5	08131218	2	Safety nut
6	07131241	2	Hexagon bolt
7	06281205	4	Bushing
8	08511324	4	Washer
9	08131218	2	Safety nut
10	05570425	1	Seat belt
11	07131626	4	Hexagon bolt
12	08752170	4	Spring washer
13	06510208	6	Plug
15	06143136	2	Stop buffer
16	00830329	1	Decal,operation
17	00832000	1	Warning sign
18	92001040	1	Round steel bar
19	07131036	1	Hexagon bolt
20	08131016	1	Safety nut
21	08511021	1	Washer

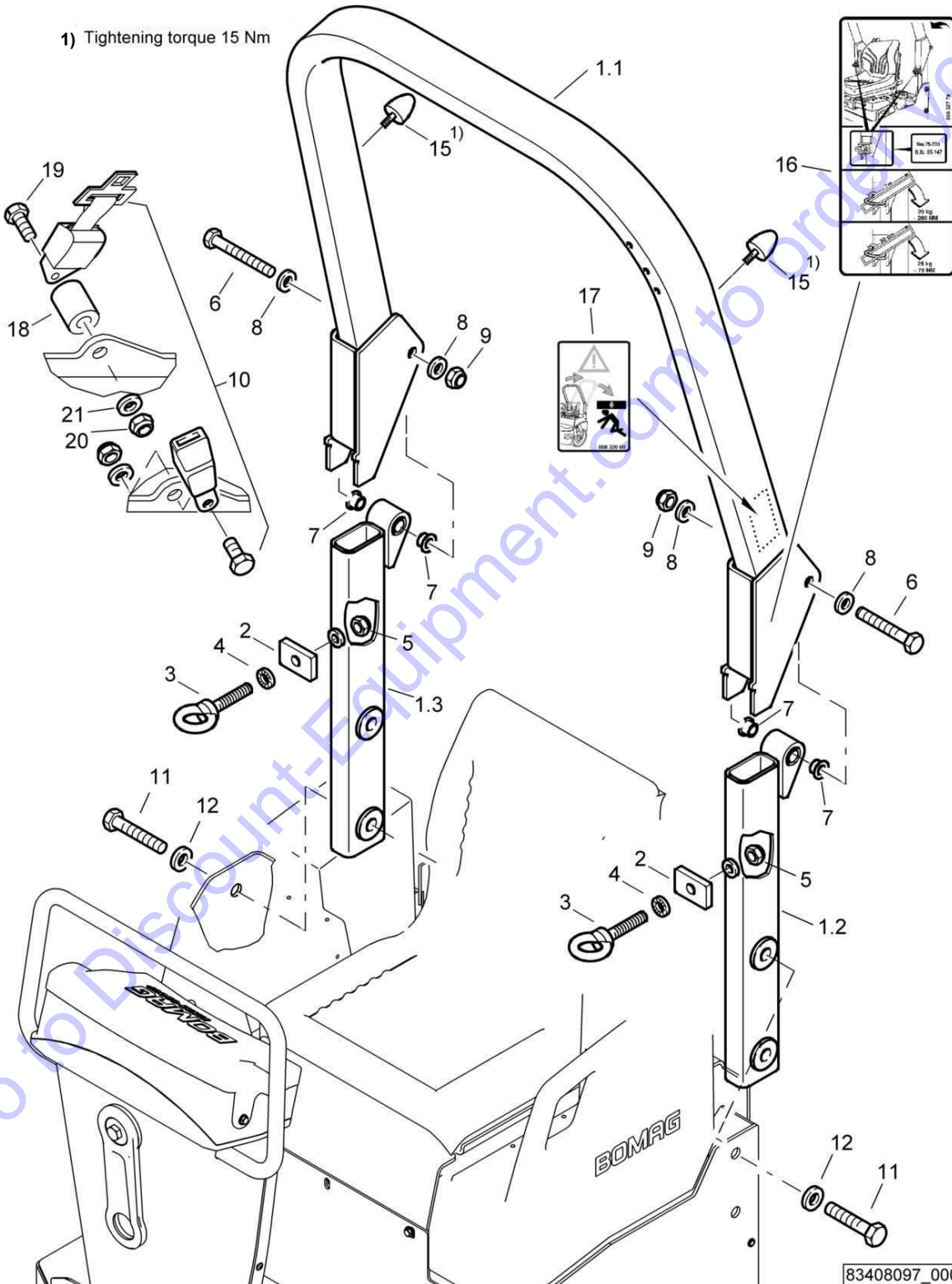
Go to Discount-Equipment.com to order your parts

# 150.30


S19-ROPS, hinged



1) Tightening torque 15 Nm





BW 900-50		
S/N 861834071990 ▶ S/N 861834072069		
<b>S19-ROPS, hinged</b>		<b>150.30</b>
		Page <b>1 / 1</b>
83408097 8061 1		

Pos.	Part no.	Qty.	Description
1	83410742	1	ROPS
1.1	83410909	1	ROPS bow
1.2	83410908	1	Tube
1.3	83411117	1	Tube
2	80003312	2	Plate
3	07711622	2	Eye bolt
4	06270013	2	Wedge safety washer
5	08131218	2	Safety nut
6	07131241	2	Hexagon bolt
7	06281205	4	Bushing
8	08511324	4	Washer
9	08131218	2	Safety nut
10	05570425L	1	Seat belt
11	07131626	4	Hexagon bolt
12	08752170	4	Spring washer
13	06510208	6	Plug
15	06143136	2	Stop buffer
16	00830329	1	Decal,operation
17	00832000	1	Warning sign
18	92001040	1	Round steel bar
19	07131036	1	Hexagon bolt
20	08131016	1	Safety nut
21	08511021	1	Washer

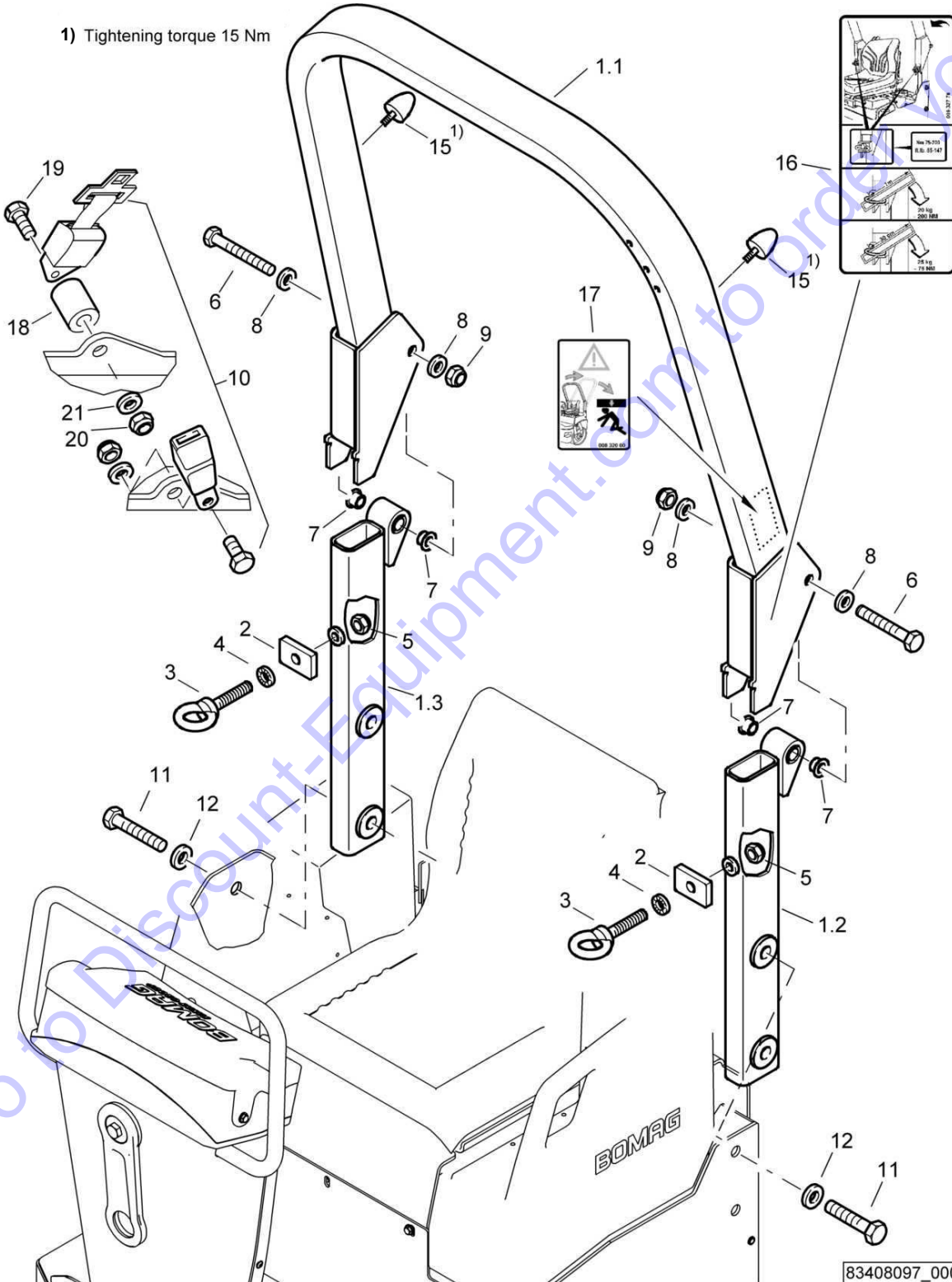
Go to Discount-Equipment.com to order your parts


**150.30**

**S19-ROPS, hinged**



1) Tightening torque 15 Nm



BW 900-50		
S/N 861834071661 ▶ S/N 861834071989		
<b>S19-ROPS, hinged</b>		<b>150.30</b>
		Page 1 / 1
83408097 8061 1		

Pos.	Part no.	Qty.	Description
1	83410742	1	ROPS
1.1	83410909	1	ROPS bow
1.2	83410908	1	Tube
1.3	83411117	1	Tube
2	80003312	2	Plate
3	07711622	2	Eye bolt
4	06270013	2	Wedge safety washer
5	08131218	2	Safety nut
6	07131241	2	Hexagon bolt
7	06281205	4	Bushing
8	08511324	4	Washer
9	08131218	2	Safety nut
10	05570425	1	Seat belt
11	07131626	4	Hexagon bolt
12	08752170	4	Spring washer
13	06510208	6	Plug
15	06143136	2	Stop buffer
16	00830329	1	Decal,operation
17	00832000	1	Warning sign
18	92001040	1	Round steel bar
19	07131036	1	Hexagon bolt
20	08131016	1	Safety nut
21	08511021	1	Washer

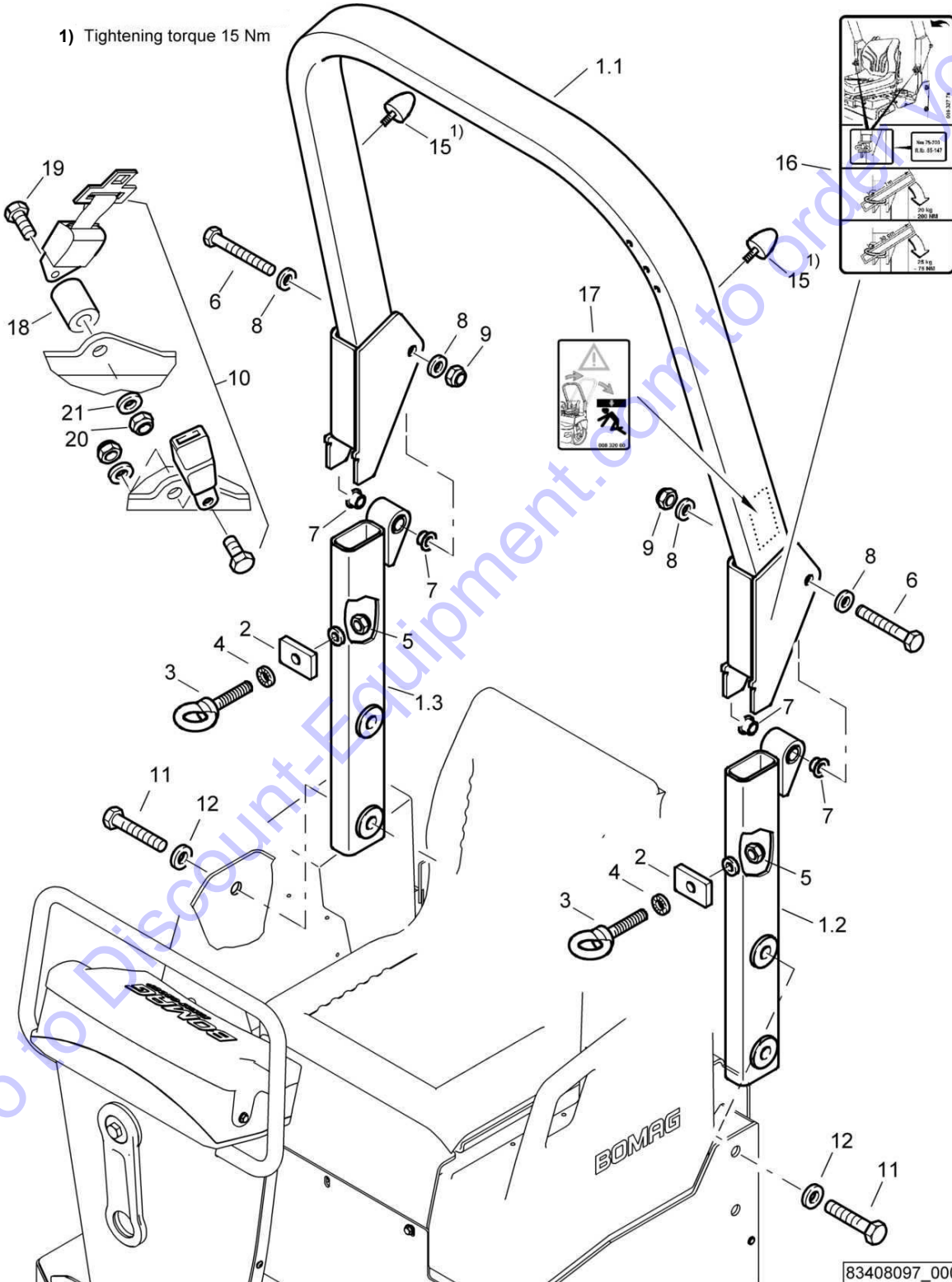
Go to Discount-Equipment.com to order your parts


# 150.30

S19-ROPS, hinged



1) Tightening torque 15 Nm



BW 900-50		
S/N 861834071426 ▶ S/N 861834071660		
<b>S19-ROPS, hinged</b>		<b>150.30</b>
		Page 1 / 1
83408097 8061 1		

Pos.	Part no.	Qty.	Description
1	83410742	1	ROPS
1.1	83410909	1	ROPS bow
1.2	83410908	1	Tube
1.3	83411117	1	Tube
2	80003312	2	Plate
3	07711622	2	Eye bolt
4	06270013	2	Wedge safety washer
5	08131218	2	Safety nut
6	07131241	2	Hexagon bolt
7	06281205	4	Bushing
8	08511324	4	Washer
9	08131218	2	Safety nut
10	05570425	1	Seat belt
11	07131626	4	Hexagon bolt
12	08752170	4	Spring washer
15	06143136	2	Stop buffer
16	00830329	1	Decal,operation
17	00832000	1	Warning sign
18	92001040	1	Round steel bar
19	07131036	1	Hexagon bolt
20	08131016	1	Safety nut
21	08511021	1	Washer

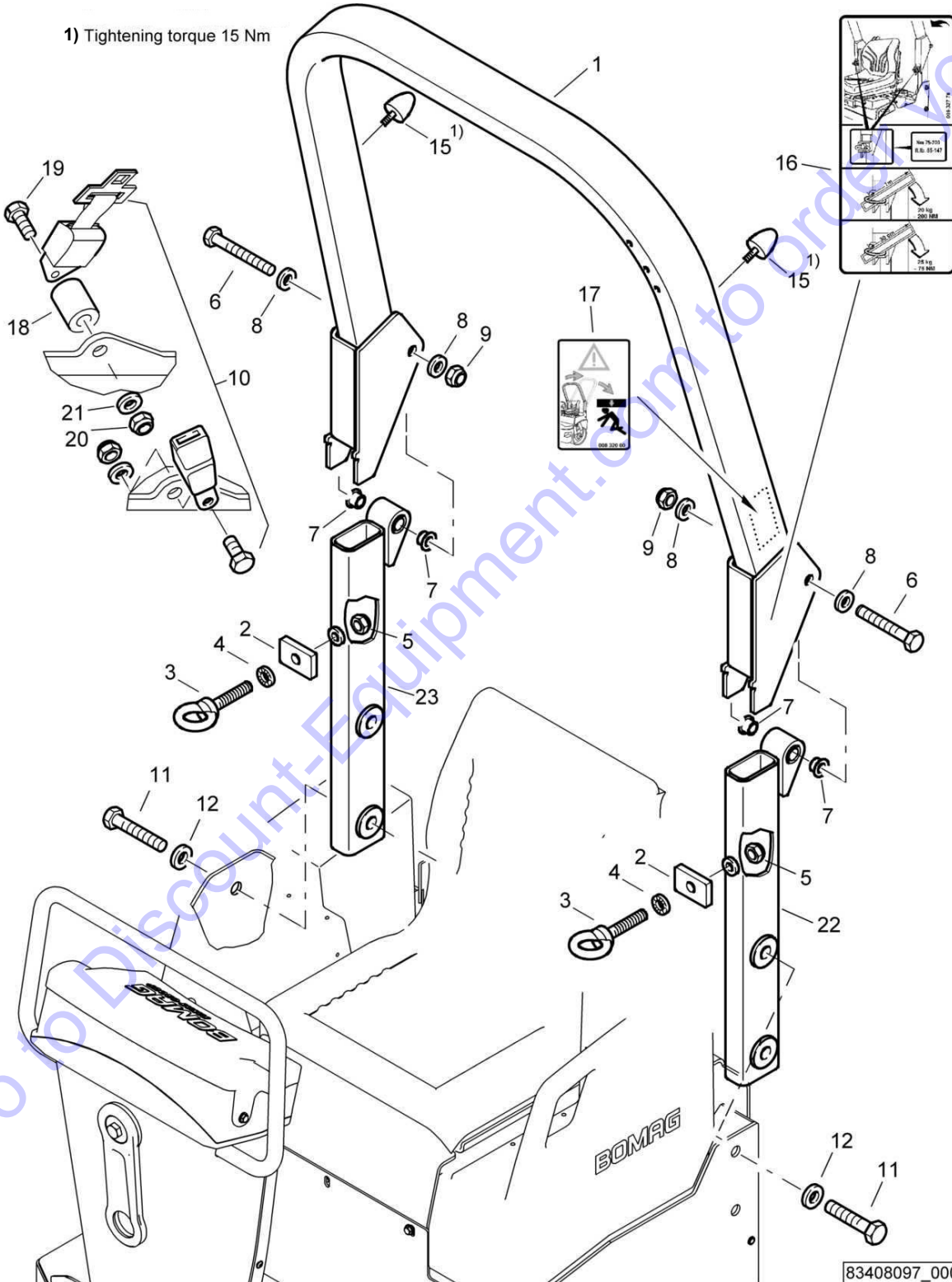
Go to Discount-Equipment.com to order your parts

# 150.30

S19-ROPS, hinged



1) Tightening torque 15 Nm

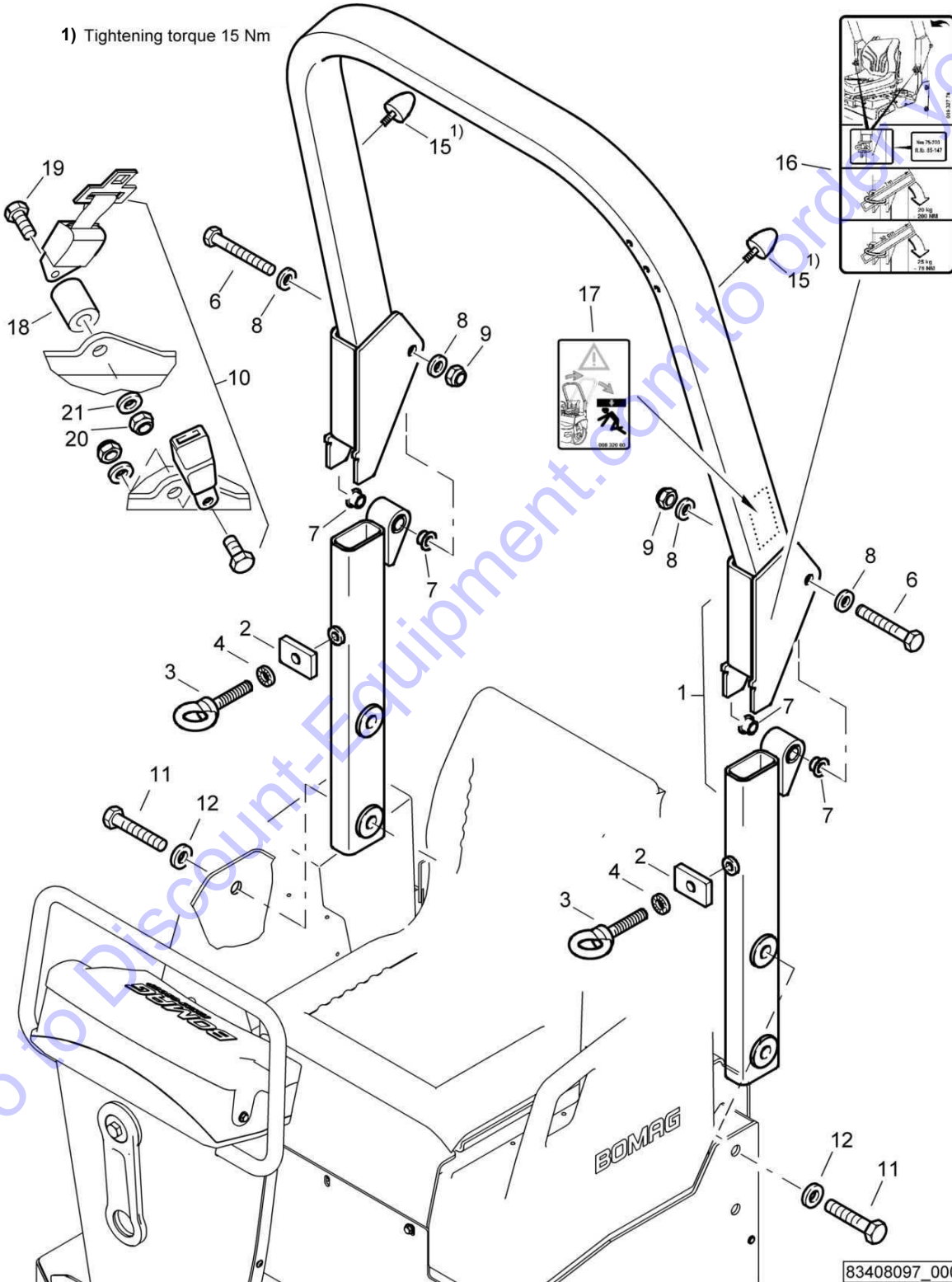


BW 900-50		
S/N 861834071248 ▶ S/N 861834071425		
S19-ROPS, hinged		<b>150.30</b>
		Page 1 / 1
83408097 8061 1		


Pos.	Part no.	Qty.	Description
1	83410909	1	ROPS bow
2	80003312	2	Plate
3	07711622	2	Eye bolt
4	06270013	2	Wedge safety washer
5	08131218	2	Safety nut
6	07131241	2	Hexagon bolt
7	06281205	4	Bushing
8	08511324	4	Washer
9	08131218	2	Safety nut
10	05570425	1	Seat belt
11	07131626	4	Hexagon bolt
12	08752170	4	Spring washer
15	06143136	2	Stop buffer
16	00830329	1	Decal,operation
17	00832000	1	Warning sign
18	92001040	1	Round steel bar
19	07131036	1	Hexagon bolt
20	08131016	1	Safety nut
21	08511021	1	Washer
22	83410908	1	Tube
23	83411117	1	Tube

Go to Discount-Equipment.com to order your parts

1) Tightening torque 15 Nm



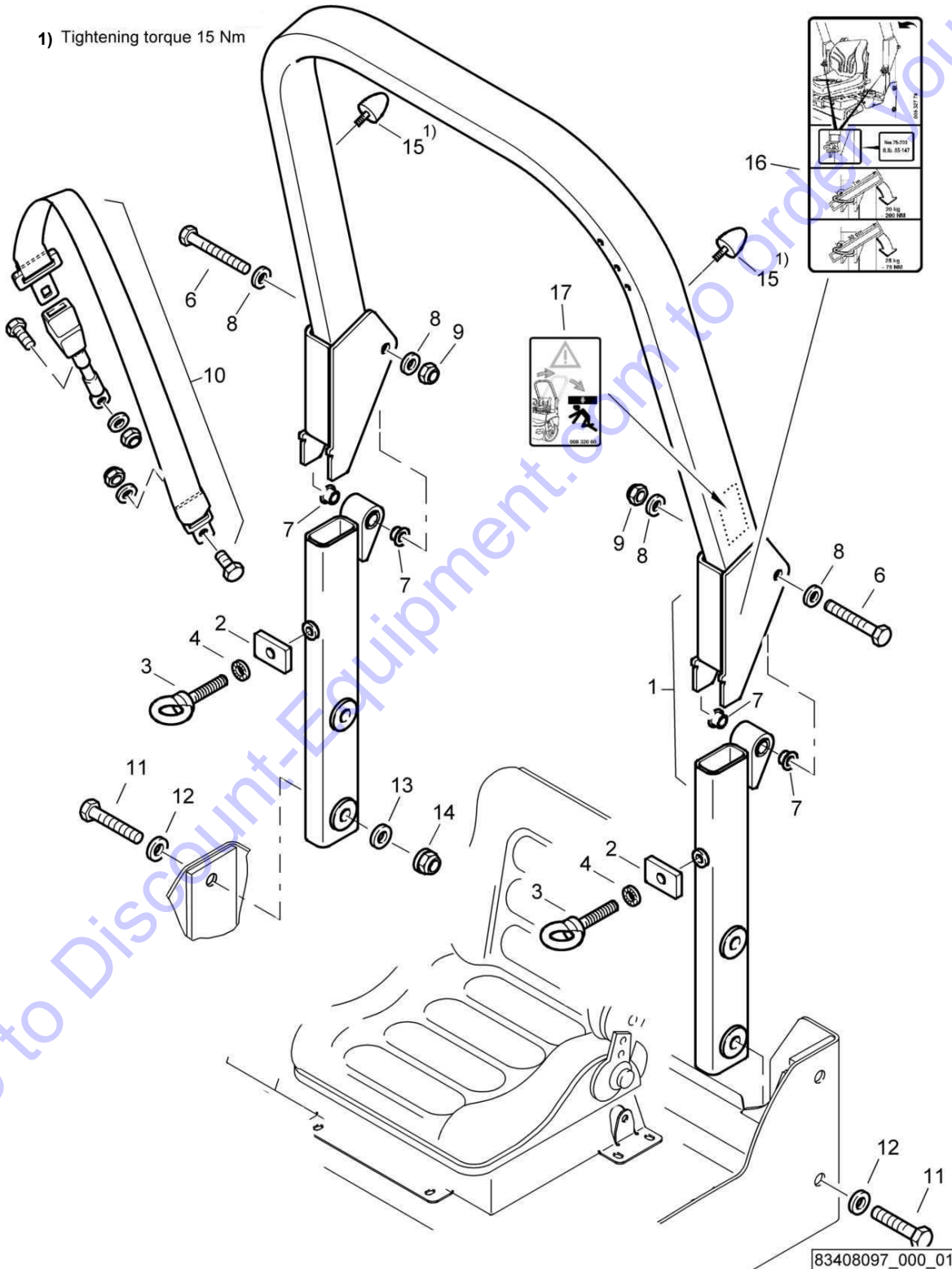



BW 900-50		
S/N 861834071006 ▶ S/N 861834071247		
<b>S19-ROPS, hinged</b>		<b>150.30</b>
		Page <b>1 / 1</b>
83408097 8061 1		

Pos.	Part no.	Qty.	Description
1	83410742	1	ROPS
1.1	83410909	1	ROPS bow
1.2	83410908	1	Tube
1.3	83411117	1	Tube
2	80003312	2	Plate
3	07711622	2	Eye bolt
4	06270013	2	Wedge safety washer
6	07131241	2	Hexagon bolt
7	06281205	4	Bushing
8	08511324	4	Washer
9	08131218	2	Safety nut
10	05570425	1	Seat belt
11	07131626	4	Hexagon bolt
12	08752170	4	Spring washer
15	06143136	2	Stop buffer
16	00830329	1	Decal,operation
17	00832000	1	Warning sign
18	92001040	1	Round steel bar
19	07131036	1	Hexagon bolt
20	08131016	1	Safety nut
21	08511021	1	Washer

Go to Discount-Equipment.com to order your parts

1) Tightening torque 15 Nm

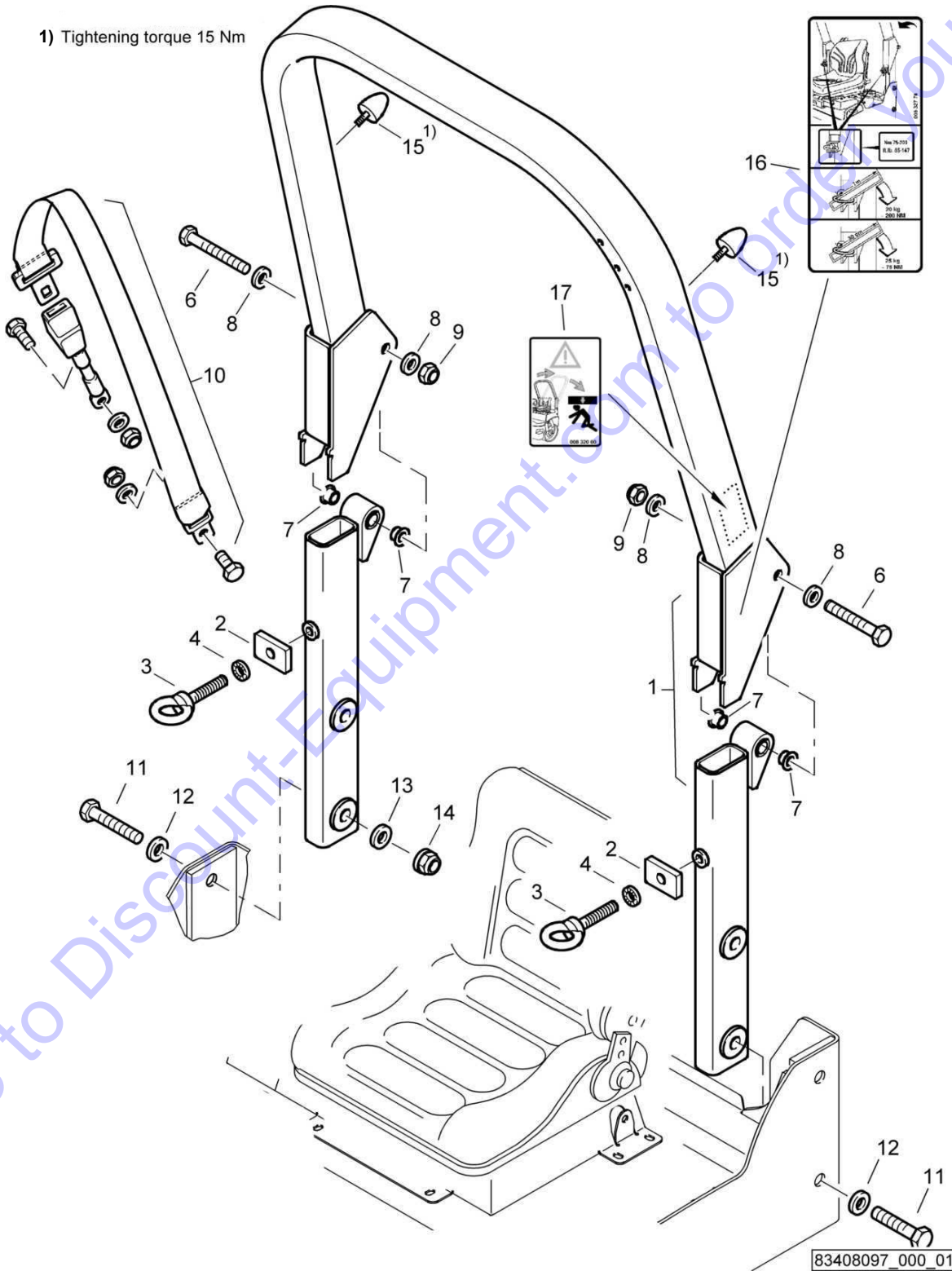



BW 900-50		
S/N 861834071005 ▶ S/N 861834071005		
<b>S19-ROPS, hinged</b>		<b>150.30</b>
		Page <b>1 / 1</b>
83408097 8061 1		

Pos.	Part no.	Qty.	Description
1	83410742	1	ROPS
1.1	83410909	1	ROPS bow
1.2	83410908	1	Tube
1.3	83411117	1	Tube
2	80003312	2	Plate
3	07711622	2	Eye bolt
4	06270013	2	Wedge safety washer
6	07131241	2	Hexagon bolt
7	06281205	4	Bushing
8	08511324	4	Washer
9	08131218	2	Safety nut
10	05570425	1	Seat belt
11	07131626	4	Hexagon bolt
12	08752170	4	Spring washer
15	06143136	2	Stop buffer
16	00830329	1	Decal,operation
17	00832000	1	Warning sign

Go to Discount-Equipment.com to order your parts

1) Tightening torque 15 Nm



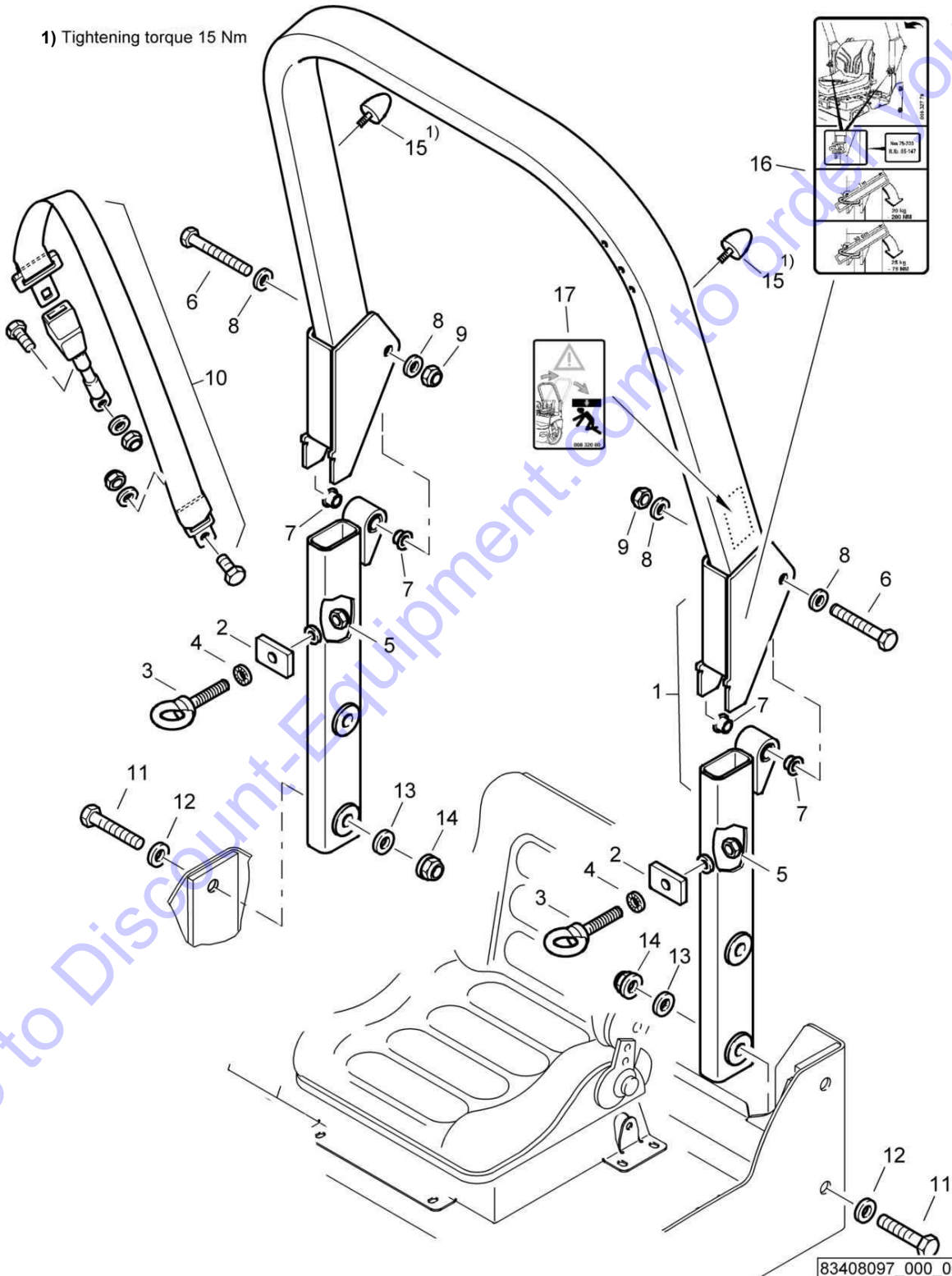
BW 900-50		
S/N 861834071004 ▶ S/N 861834071004		
<b>S19-ROPS, hinged</b>		<b>150.30</b>
		Page <b>1 / 1</b>
83408097 8061 1		

**Pos. Part no. Qty.**

1	83410742	1	ROPS
1.1	83410909	1	ROPS bow
2	80003312	2	Plate
3	07711622	2	Eye bolt
4	06270013	2	Wedge safety washer
5	08131218	2	Safety nut
6	07131241	2	Hexagon bolt
7	06281205	4	Bushing
8	08511324	4	Washer
9	08131218	2	Safety nut
10	05570425	1	Seat belt
11	07131626	4	Hexagon bolt
12	08752170	4	Spring washer
15	06143136	2	Stop buffer
16	00830329	1	Decal,operation
17	00832000	1	Warning sign

Go to Discount-Equipment.com to order your parts

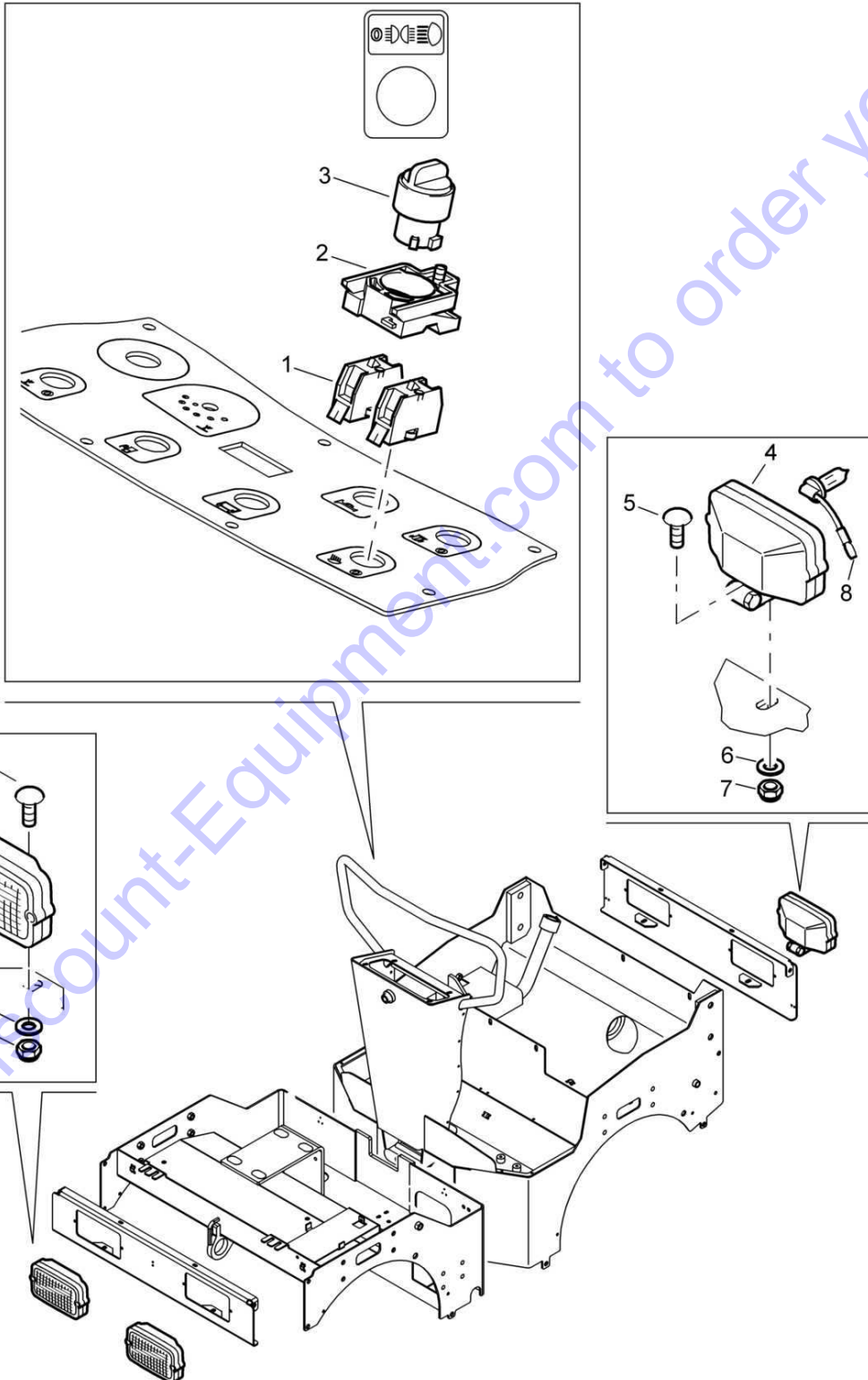
1) Tightening torque 15 Nm




BW 900-50		
S/N 861834071002 ▶ S/N 861834071003		
S19-ROPS, hinged		<b>150.30</b>
		Page 1 / 1
83408097 8061 1		

Pos.	Part no.	Qty.	Description
1	83410742	1	ROPS
2	80003312	2	Plate
3	07711622	2	Eye bolt
4	06270013	2	Wedge safety washer
5	08131218	2	Safety nut
6	07131241	2	Hexagon bolt
7	06281205	4	Bushing
8	08511324	4	Washer
9	08131218	2	Safety nut
10	05570253	1	Static seat belt
11	07131655	4	Hexagon bolt
12	08752170	4	Spring washer
13	08591740	4	Washer
14	08111623	4	Hexagon nut
15	06143136	2	Stop buffer
16	00830329	1	Decal,operation
17	00832000	1	Warning sign

Go to Discount-Equipment.com to order your parts

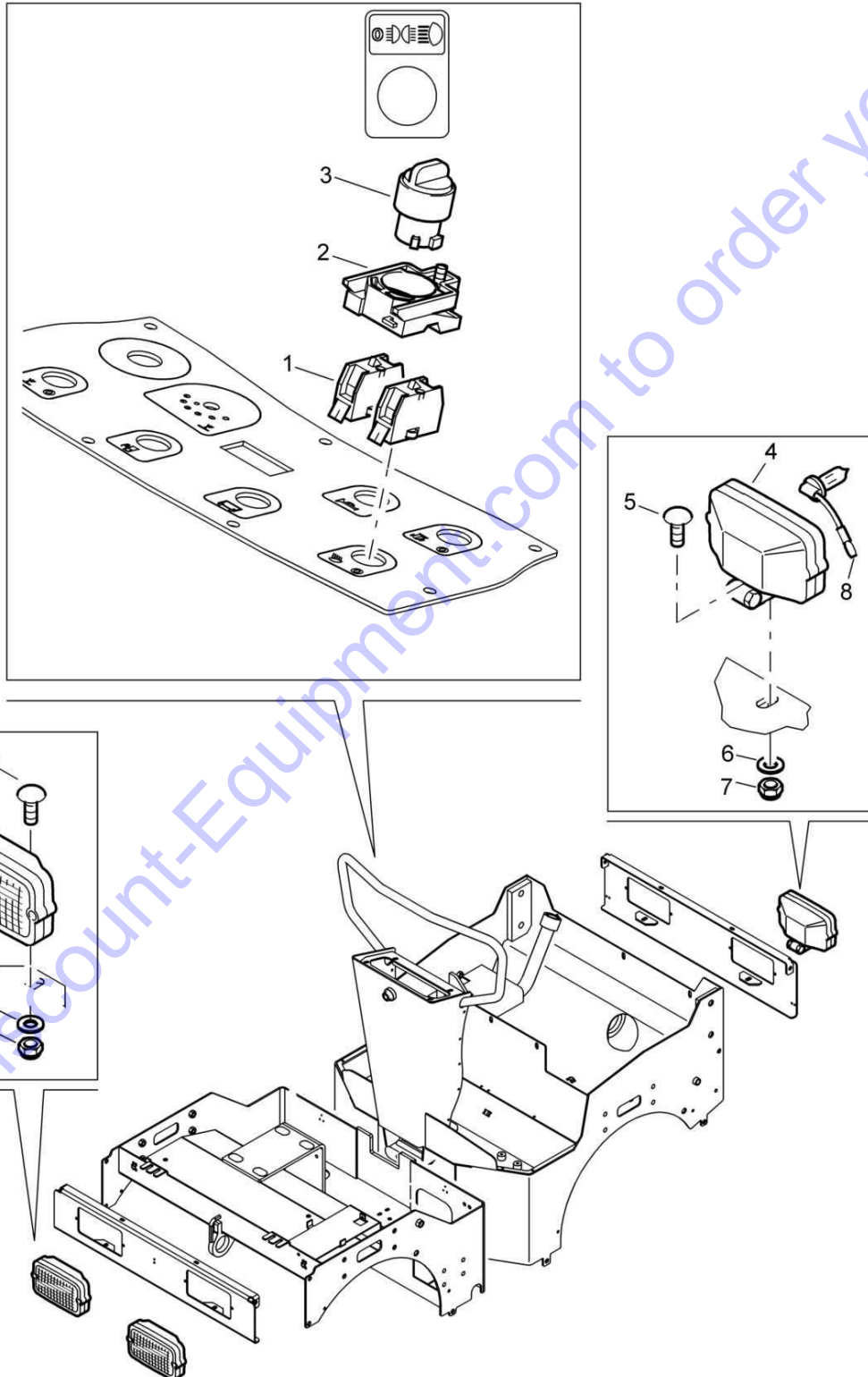




BW 900-50		
S/N 861834071679 ▶		
<b>E1-Working lighting</b>		<b>180.02</b>
		Page 1 / 1
		
83408064 8061 1		

Pos.	Part no.	Qty.	Description
1	05762302	2	Switch,normally open
2	05762300	1	Fastening flange
3	05762303	1	Front element
4	05751381	4	Headlight
5	07281012	4	Flat head screw
6	08511021	8	Washer
7	08131016	4	Safety nut
8	05751059	4	Incandescent bulb

Go to Discount-Equipment.com to order your parts

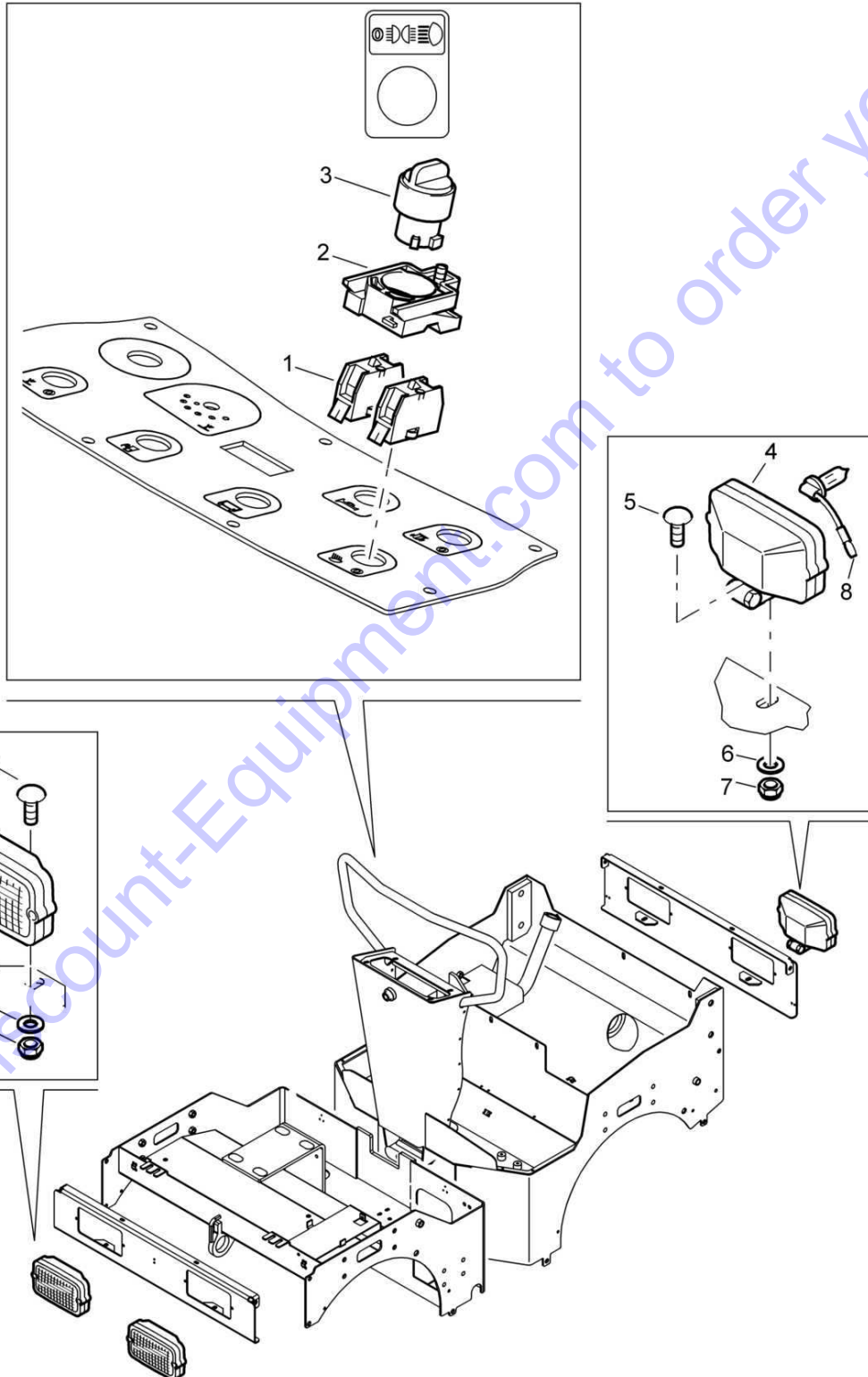


BW 900-50		
S/N 861834071426 ▶ S/N 861834071678		
<b>E1-Working lighting</b>		<b>180.02</b>
		Page 1 / 1
83408064 8061 1		

Pos.	Part no.	Qty.	Description
1	05762302	2	Switch,normally open
2	05762300	1	Fastening flange
3	05762303	1	Front element
4	05751376	4	Headlight
5	07281012	4	Flat head screw
6	08511021	8	Washer
7	08131016	4	Safety nut
8	05751059	4	Incandescent bulb

Go to Discount-Equipment.com to order your parts

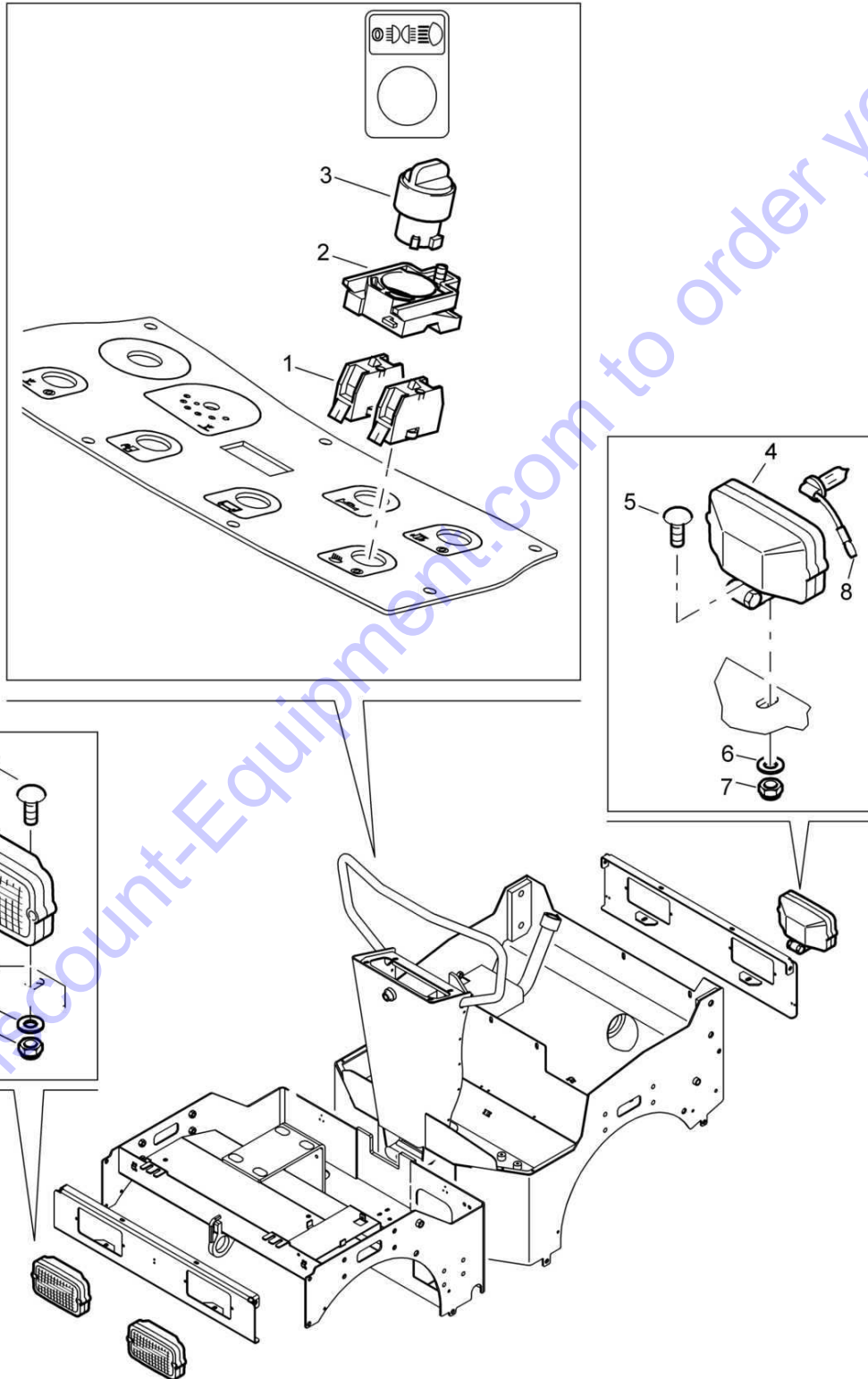
## E1-Working lighting




BW 900-50		
S/N 861834071155 ▶ S/N 861834071425		
<b>E1-Working lighting</b>		<b>180.02</b>
		Page 1 / 1
83408064 8061 1		

Pos.	Part no.	Qty.	Description
1	05762302	2	Switch,normally open
2	05762300	1	Fastening flange
3	05762303	1	Front element
4	05751370	4	Headlight
5	07281012	4	Flat head screw
6	08511021	8	Washer
7	08131016	4	Safety nut
8	05751059	4	Incandescent bulb

Go to Discount-Equipment.com to order your parts

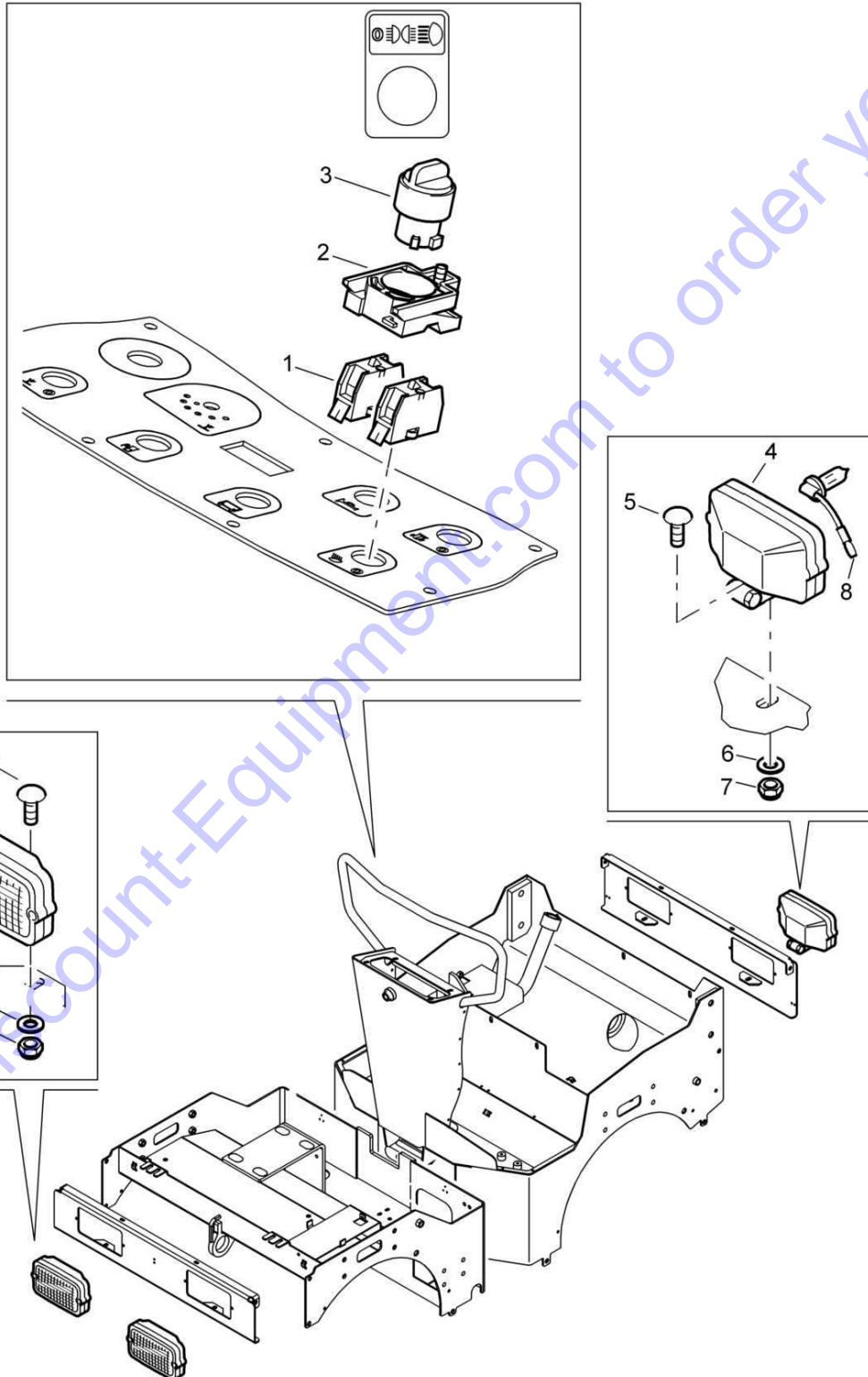


BW 900-50		
S/N 861834071004 ▶ S/N 861834071154		
<b>E1-Working lighting</b>		<b>180.02</b>
		Page 1 / 1
83408064 8061 1		

Pos.	Part no.	Qty.	Description
1	05762302	2	Switch,normally open
2	05762300	1	Fastening flange
3	05762303	1	Front element
4	05751175	4	Headlight
5	07281012	4	Flat head screw
6	08511021	8	Washer
7	08131016	4	Safety nut
8	05751059	4	Incandescent bulb

Go to Discount-Equipment.com to order your parts

## E1-Working lighting





BW 900-50		
S/N 861834071001 ▶ S/N 861834071003		
<b>E1-Working lighting</b>		<b>180.02</b>
		Page 1 / 1
83408064 8061 1		

Pos.	Part no.	Qty.	Description
1	05762302	2	Switch,normally open
2	05762300	1	Fastening flange
3	05762303	1	Front element
4	05751175	4	Headlight
5	07141027	4	Hexagon bolt
6	08511021	8	Washer
7	08131016	4	Safety nut
8	05751059	4	Incandescent bulb

Go to Discount-Equipment.com to order your parts

BW 900-50

S/N 861834071689 ▶

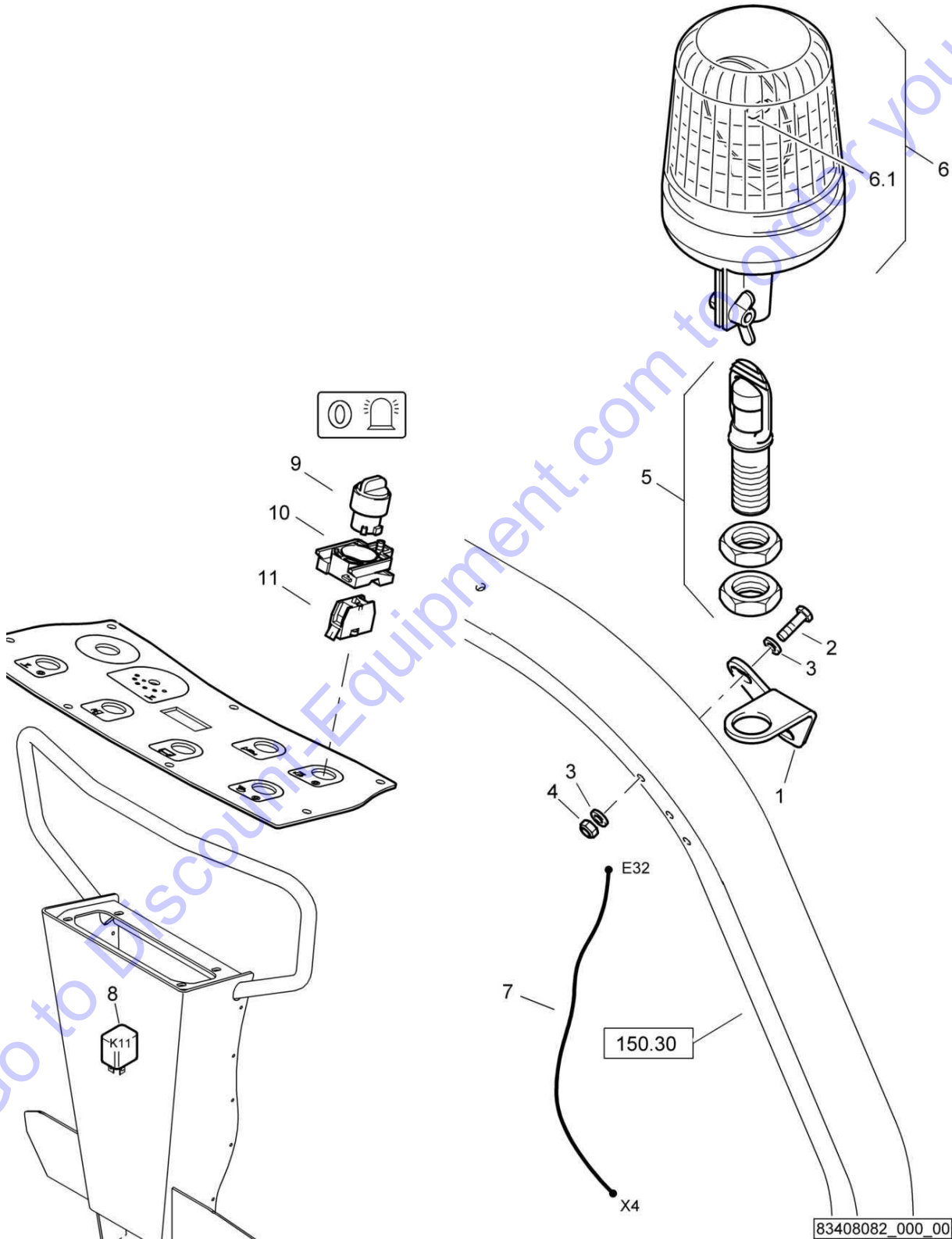
**180.08**


E16-Rotary beacon

Page 1 / 1



83408082\_000\_00



BW 900-50		
S/N 861834071689 ▶		
E16-Rotary beacon		<b>180.08</b>
		Page <b>1 / 1</b>
		 <b>BOMAG</b> FAYAT GROUP
83408082 8061 1		

Pos.	Part no.	Qty.	Description
1	83410658	1	Support
2	07130866	2	Hexagon bolt
3	08752084	4	Spring washer
4	08130813	2	Safety nut
5	05751164	1	Tube
6	05751055	1	Rotary beacon
6.1	05751054	1	Incandescent bulb
7	88000651	1	Wire harness
8	05766955	1	Relay
9	05762303	1	Front element
10	05762300	1	Fastening flange
11	05762302	1	Switch, normally open

Go to Discount-Equipment.com to order your parts

BW 900-50

S/N 861834071657 ▶ S/N 861834071688

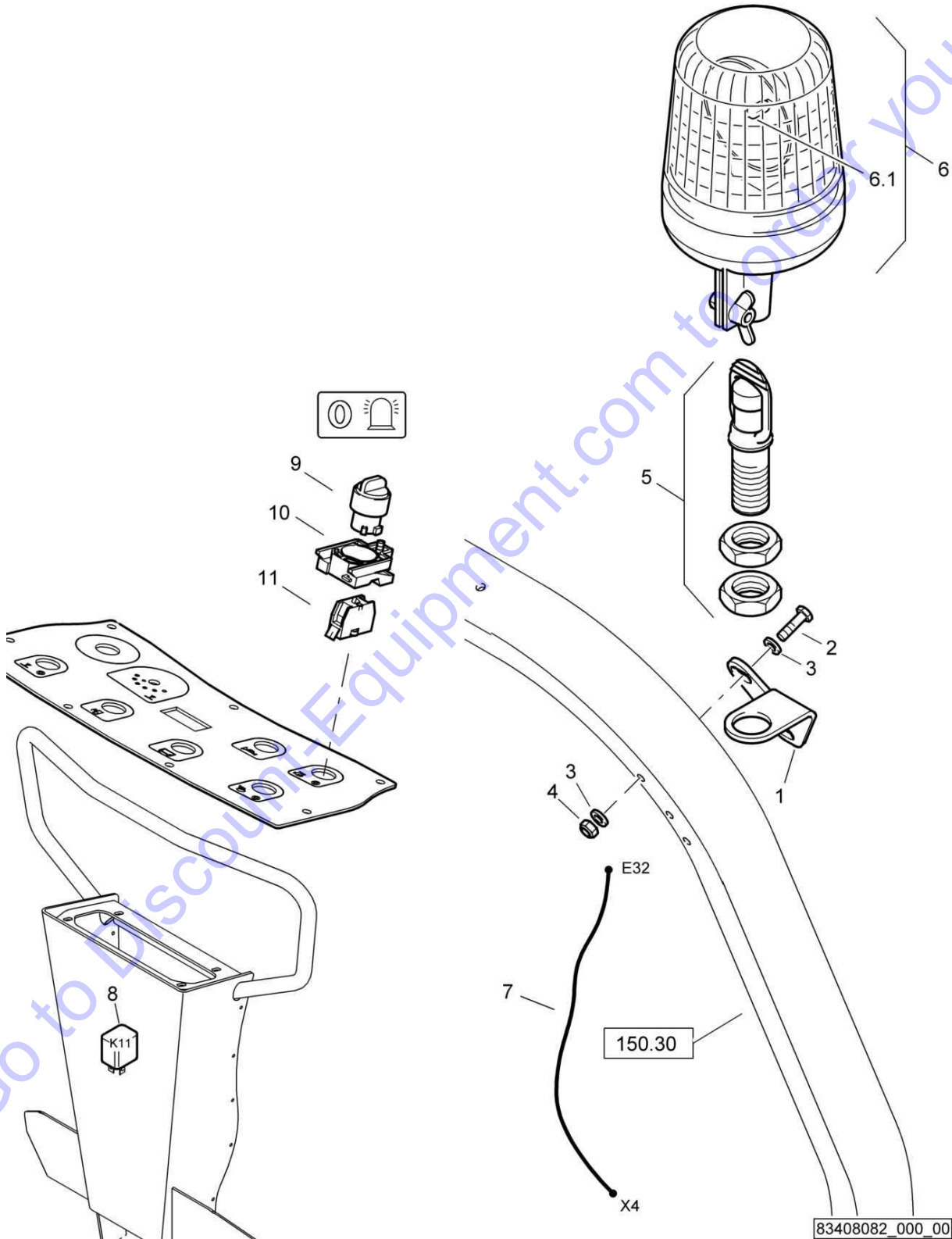
**180.08**


E16-Rotary beacon

Page **1 / 1**



83408082\_000\_00



BW 900-50		
S/N 861834071657 ▶ S/N 861834071688		
<b>E16-Rotary beacon</b>		<b>180.08</b>
		Page 1 / 1
83408082 8061 1		

Pos.	Part no.	Qty.	Description
1	83410658	1	Support
2	07130866	2	Hexagon bolt
3	08752084	4	Spring washer
4	08130813	2	Safety nut
5	05751164	1	Tube
6	05751055L	1	Rotary beacon
7	88000651	1	Wire harness
8	05766955	1	Relay
9	05762303	1	Front element
10	05762300	1	Fastening flange
11	05762302	1	Switch,normally open

Go to Discount-Equipment.com to order your parts

BW 900-50

S/N 861834071001 ▶ S/N 861834071656

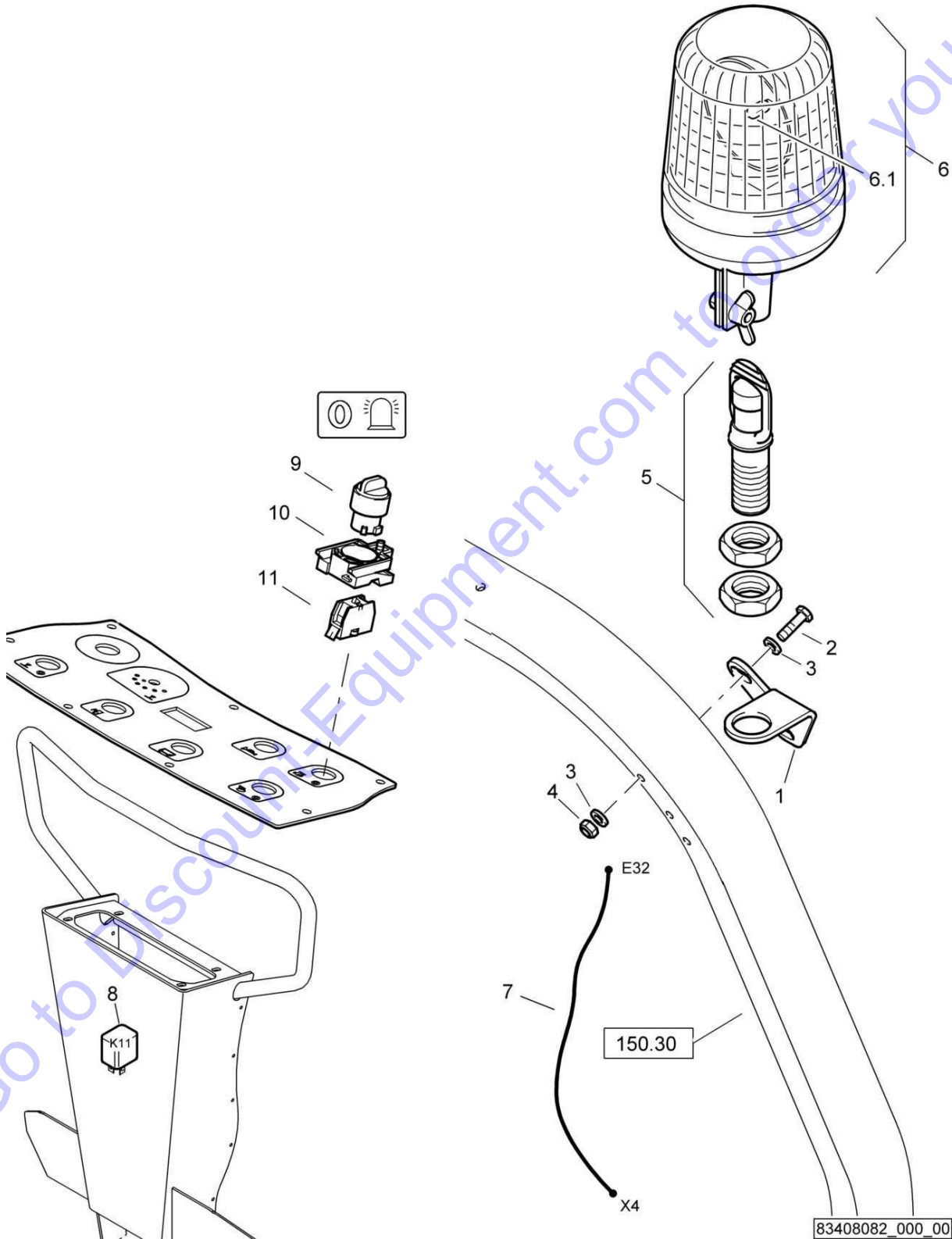
**180.08**

E16-Rotary beacon

Page **1 / 1**



83408082\_000\_00

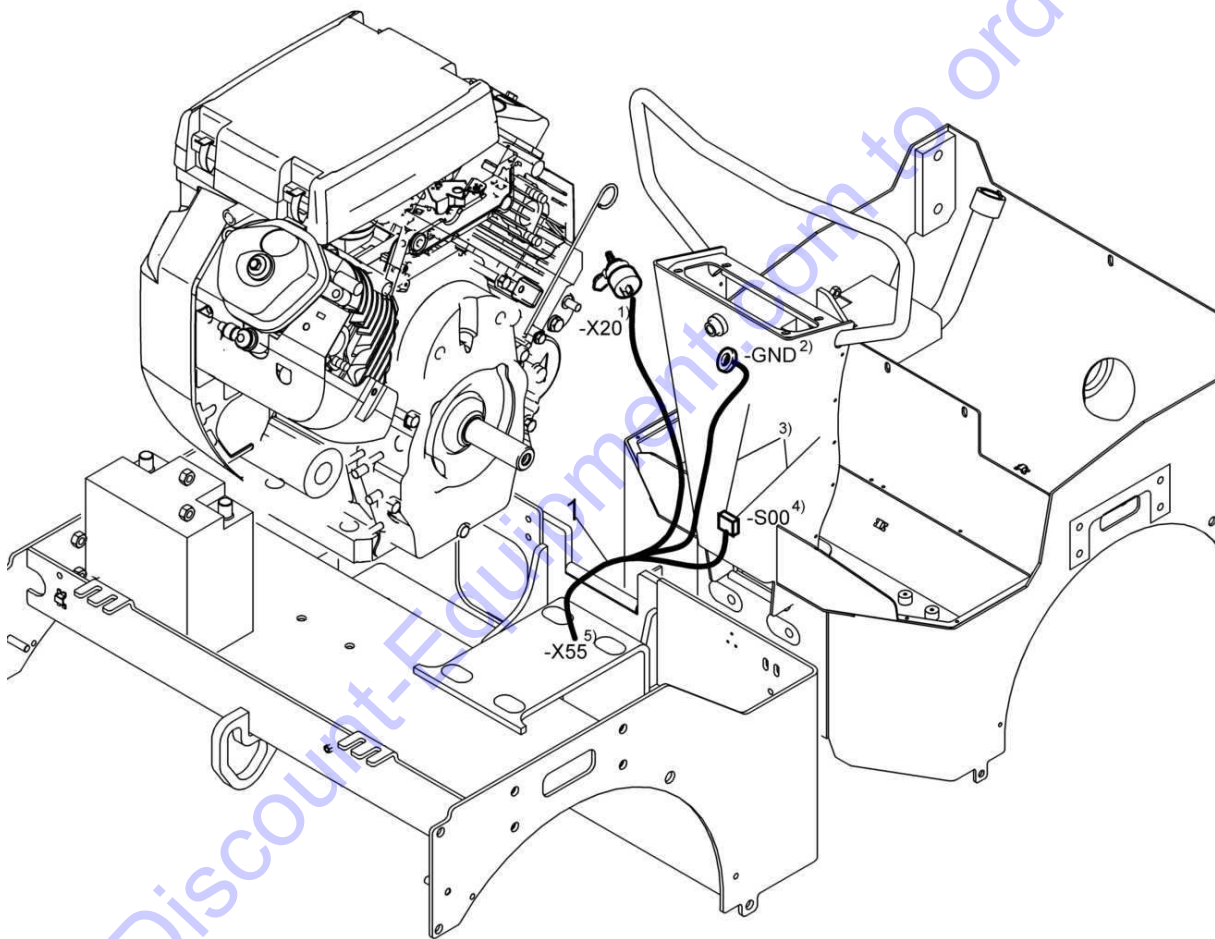


BW 900-50		
S/N 861834071001 ▶ S/N 861834071656		
<b>E16-Rotary beacon</b>		<b>180.08</b>
		Page <b>1 / 1</b>
83408082 8061 1		

Pos.	Part no.	Qty.	Description
1	83410658	1	Support
2	07130866	2	Hexagon bolt
3	08752084	4	Spring washer
4	08130813	2	Safety nut
5	05751164	1	Tube
6	05751055	1	Rotary beacon
6.1	05751054	1	Incandescent bulb
7	88000651	1	Wire harness
8	05766955	1	Relay
9	05762303	1	Front element
10	05762300	1	Fastening flange
11	05762302	1	Switch, normally open


Go to Discount-Equipment.com to order your parts

	BW 900-50	S/N 861834071896 ▶
<b>181.23</b>	<b>E87-Dev. Telematic Morey/ZTR</b>	
Page <b>1 / 1</b>		
<b>BOMAG</b> FAYAT GROUP	83400209_000_00	



- 1) Insert blade terminal from wire harness into number #2 spot on plug just removed.
- 2) Install ground wire from harness.
- 3) Cut wire approximately 3" from plug and strip back around 3/8" of insulation.
- 4) Connect both ends of the wire just cut into the wire splice of the harness.
- 5) Stabilize this side.



BW 900-50		
S/N 861834071896 ▶		
E87-Dev. Telematic Morey/ZTR		<b>181.23</b>
		Page 1 / 1
83400209 8061 1		

**Pos. Part no. Qty. Description**

1 83400207 1 Wire harness

Go to Discount-Equipment.com to order your parts

# PARTS FINDER

**Search Website  
by Part Number**



**Search Manual  
Library For Parts  
Manual & Lookup Part  
Numbers – Purchase  
or Request Quote**

**Search Manuals**

Enter your information to help us find the right parts manual for your machine.

\* Brand:

\* Model:

\* Serial:

\* Part Number:

SEARCH

**Can't Find Part or  
Manual? Request Help  
by Manufacturer,  
Model & Description**

**Parts Order Form**

Please fill in the following information to help us find the right part for your machine.

Manufacturer:	<input type="text"/>
Model:	<input type="text"/>
Description:	<input type="text"/>
Part Number:	<input type="text"/>
Quantity:	<input type="text"/>
Notes:	<input type="text"/>

Discount-Equipment.com is your online resource for quality parts & equipment.

Florida: **561-964-4949** Outside Florida TOLL FREE: **877-690-3101**

**Need parts?**

Click on this link: <http://www.discount-equipment.com/category/5443-parts/> and choose one of the options to help get the right parts and equipment you are looking for. Please have the machine model and serial number available in order to help us get you the correct parts. If you don't find the part on the website or on one of the online manuals, please fill out the request form and one of our experienced staff members will get back to you with a quote for the right part that your machine needs.

We sell worldwide for the brands: Genie, Terex, JLG, MultiQuip, Mikasa, Essick, Whiteman, Mayco, Toro Stone, Diamond Products, Generac Magnum, Airman, Haulotte, Barreto, Power Blanket, Nifty Lift, Atlas Copco, Chicago Pneumatic, Allmand, Miller Curber, Skyjack, Lull, Skytrak, Tsurumi, Husquvarna Target, Stow, Wacker, Sakai, Mi-T-M, Sullair, Basic, Dynapac, MBW, Weber, Bartell, Bennar Newman, Haulotte, Ditch Runner, Menegotti, Morrison, Contec, Buddy, Crown, Edco, Wyco, Bomag, Laymor, EZ Trench, Bil-Jax, F.S. Curtis, Gehl Pavers, Heli, Honda, ICS/PowerGrit, IHI, Partner, Imer, Clipper, MMD, Koshin, Rice, CH&E, General Equipment, Amida, Coleman, NAC, Gradall, Square Shooter, Kent, Stanley, Tamco, Toku, Hatz, Kohler, Robin, Wisconsin, Northrock, Oztec, Toker TK, Rol-Air, APT, Wylie, Ingersoll Rand / Doosan, Innovatech, Con X, Ammann, Mecalac, Makinex, Smith Surface Prep, Small Line, Wanco, Yanmar