

STOW PortoMix Concrete Mixer

Welcome to the future of portable concrete mixers.

The new STOW PortoMix combines a host of performance-enhancing features with ease of transportation to, from and around the job site. It can mix up to three cubic feet of material ($\frac{1}{2}$ bag), making the mixer the tool of choice for homeowners and small contractors.

With a stronger frame and polyethylene drum, the PortoMix is ideal for small footings and bases, binding block and concrete patching. Powered by an electric motor, it can also be used as a wheelbarrow to transport concrete, debris and other material around the job site.

When the job is complete, the compact PortoMix fits neatly into the trunk of a car.

- **New replaceable blades** bolted to the drum.
- **Electric motor** — $\frac{3}{4}$ HP, 115 single-phase UL- and CSA-approved Baldor electric motor.
- **Job site convenience** — can use standard household power.
- **Optional mixer stand** allows 360° rotation.
- **New on/off switch protection** — water-resistant and dust proof.
- **Improved drum capacity** — a maximum 4.5 cubic feet.
- **Pneumatic wheels** — for greater mobility.



STOW

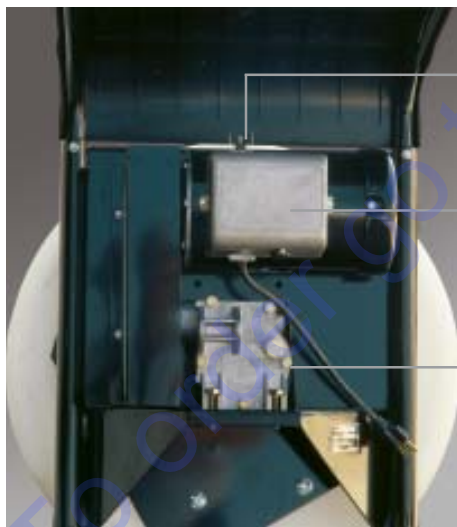
STOW PortoMix Concrete Mixer

Specifications

Model	Drum Construction	Max. Drum Capacity cu.ft. (m ³)	Max. Mixing Capacity	Engine	Height in. (mm)	Width in. (mm)	Length in. (mm)	Stand Weight lbs. (kg)	Dry Weight lbs. (kg)
SMC3PE	Polyethylene	4.5 (0.13)	½ bag (3.0 cu. ft.)	¾ HP, 115V, 1Ø Electric Motor	34 (863.6)	23 ⁵ / ₈ (584.2)	48½ (1219.2)	35 (15.9)	138 (62.6)



Optional mixer stand allows 360° rotation. (Specify part number DM1200)

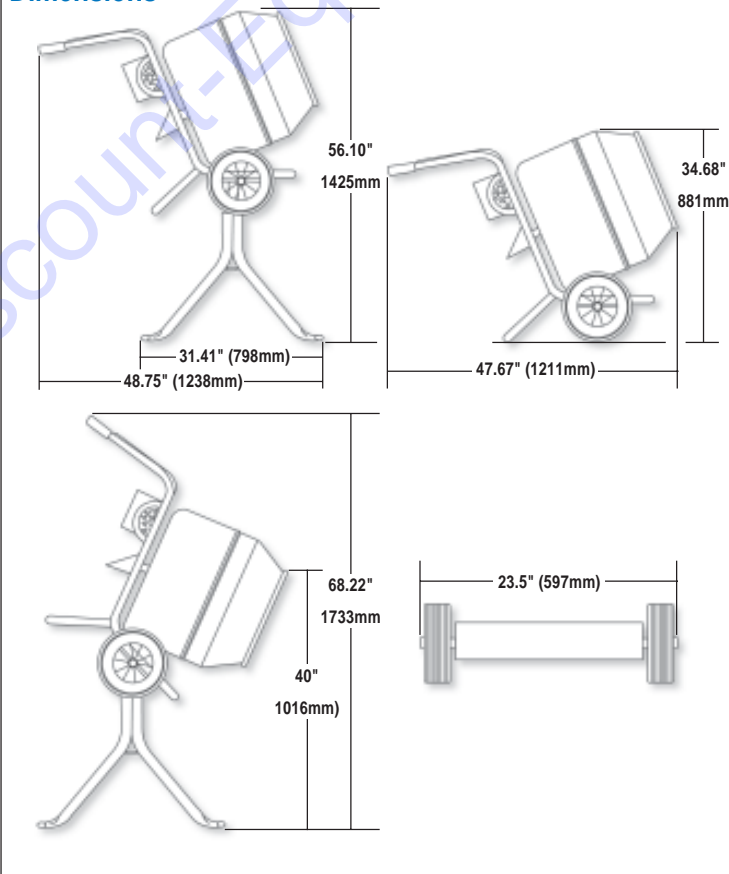


Water-resistant, dust-proof on/off switch

Strong ¾-HP brushless motor, UL and CSA approved

Improved gearbox for reduced friction operation

Dimensions



Your Stow dealer is:

STOW
A DIVISION OF MULTIQUIP INC.

Discount Equipment

TO PURCHASE THIS PRODUCT PLEASE CONTACT US



**Equipment Financing and
Extended Warranties Available**



**Discount-Equipment.com is your online resource for
commercial and industrial quality parts and equipment sales.**

561-964-4949

visit us on line @ www.discount-equipment.com

Select an option below to find your Equipment

Search by Manufacturer

Search by Product Type

Request a Quote

We sell worldwide for the brands: Genie, Terex, JLG, MultiQuip, Mikasa, Essick, Whiteman, Mayco, Toro Stone, Diamond Products, Generac Magnum, Airman, Haulotte, Barreto, Power Blanket, Nifty Lift, Atlas Copco, Chicago Pneumatic, Allmand, Miller Curber, Skyjack, Lull, Skytrak, Tsurumi, Husquvarna Target, Stow, Wacker, Sakai, Mi-T-M, Sullair, Basic, Dynapac, MBW, Weber, Bartell, Bennar Newman, Haulotte, Ditch Runner, Menegotti, Morrison, Contec, Buddy, Crown, Edco, Wyco, Bomag, Laymor, EZ Trench, Bil-Jax, F.S. Curtis, Gehl Pavers, Heli, Honda, ICS/PowerGrit, IHI, Partner, Imer, Clipper, MMD, Koshin, Rice, CH&E, General Equipment, Amida, Coleman, NAC, Gradall, Square Shooter, Kent, Stanley, Tamco, Toku, Hatz, Kohler, Robin, Wisconsin, Northrock, Oztec, Toker TK, Rol-Air, APT, Wylie, Ingersoll Rand / Doosan, Innovatech, Con X, Ammann, Mecalac, Makinex, Smith Surface Prep, Small Line, Wanco, Yanmar