



TEREX

1705 M

Wheeled Excavator

OPERATING WEIGHT	33,510 – 34,833 lbs (15 200 – 15 800 kg)
NET ENGINE POWER	148 HP (110 kW)
MAX DIG DEPTH	18' 8" (5.7 m)
MAX REACH	30' 2" (9.2 m)



WHEELED EXCAVATOR
1705 M

FEATURES

- High stability and high dig forces due to optimum weight distribution and precise balance of machine's center of gravity.
- Powerful, quiet, fuel efficient, turbocharged diesel engine maximizes power output and utilization.
- Precision hydraulic components provide smooth reliable control, independent of load, to multiple functions simultaneously.
- AEM control monitoring system provides simple, informative interface between the operator and the machine.
- Spacious and comfortable cab includes 12 ventilation jets and air conditioning standard.
- Panoramic windows and minimum obstructions optimize visibility.

Specifications

Engine	
Manufacturer / Model	Deutz / BF6M 2012 C
Type	Turbocharged, Water Cooled
Net HP (ISO1585)	148 HP (110 kW)
Displacement	366 in ³ (6057 cm ³)
Max. RPM	2000
Batteries	2 x 12 V x 100 AH

Hydraulic System	
Computer controlled AWE5 system with one load limit controlled high performance piston pump. All functions are proportional with independent load control and protected against cavitation. There are primary and secondary hydraulic reliefs in the case of system overload. Hydraulic cooling system is an isolated system with a temperature controlled cooling fan to minimize fuel consumption.	
Main Pump	Rexroth, A11VO130
Max. gear pump output	68.9 gpm (260 l/min)
Max. operation pressure	5220 psi (360 bar)

Noise Level	
Outside the cab	100 dBA
Inside the cab	75 dBA
(Measurements per 2000 / 14 EU regulations)	

Brakes	
Dual-circuit brake system	Discs
Parking brakes	Discs

Operator's Cab	
Spacious cab equipped with panoramic windows for optimum visibility. Seat and steering column are fully adjustable independent of one another. Front window slides up and stores in the roof and the side window opens for added ventilation. Air conditioning is standard.	

Fluid Capacities	
Fuel tank	69.7 gal (264 l)
Hydraulic tank	47.6 gal (180 l)
Engine oil	2.64 gal (10 l)

Swing Mechanism	
Motor	Axial piston
Gears	Planetary transmission
Brake	Lockable, multi-disc
Max. speed	9 RPM
Max. torque	28,760 lbf•ft. (39 kNm)

Drive	
The power transmission is hydraulically driven and provides a 40:1 gear reduction. Oscillating front axle with pendulum lock-out. All-wheel drive with infinitely variable speed control forward and reverse in 3 speed ranges:	
Off-road low	0-621 mph (0-1.0 kmh)
Off-road high	0-3.1 mph (0-5.0 kmh)
On-road high	0-18.6 mph (0-30.0 kmh)

Tires	
8-ply	10.00 – 20
4-ply (optional)	600/40-22.5
Turning radius	24 ft. 7 in. (7.5 m)

Standard Equipment

Chassis
Wheels with intermediate rings • Battery main switch • Emergency lowering system of the stick • Toolbox on the chassis • Grab handle for securing the grab attachment while driving • Centralized lubrication points Cold start package • Automatic swing brake • Power shift transmission

Boom
Auxiliary hydraulics for grab attachments • Auxiliary hydraulics for hammer attachments • Lifting cylinders overload protection with warning device

Other
Sliding cab door window • Tinted windows • "Drive" with foot pedals • Self-diagnostic system • AEM excavator management system • Suspension type cab mounts • Automatic engine idle • Windshield wipers and wash • Air conditioning • AM/FM radio with cassette player • Adjustable steering column, tilt and telescope • Adjustable suspension seat with arm rests • Storage compartment in the cab • Cigarette lighter, 24 volts • Cup holders • Interior cab light • Rearview mirror • Travel alarm

Optional Equipment

Chassis

Outriggers, front and back • Blades and two outriggers • Wide axles and blade, 108 inches (2750 mm) • 4 600/40 - 22.5, 18 PR tires
• 8 MITAS 10.00 - 20, 16 PR tires • 8 super-elastic 10.00 - 20 tires
• Electric refueling pump • Secondary toolbox on chassis • Electronic centralized lubrication • 10.0 kW hydraulic generator

Other

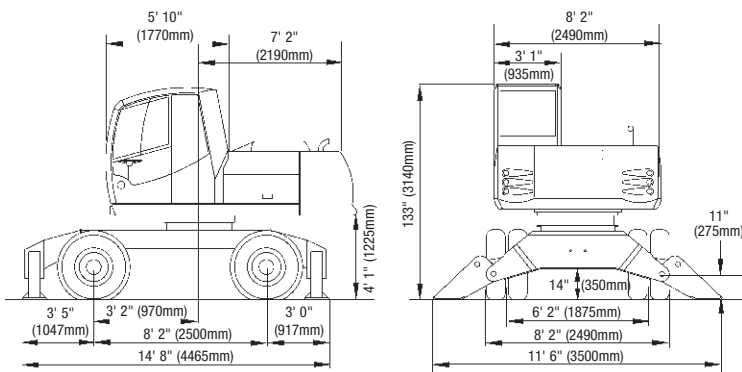
Custom paint • Work lights • Heated air cushioned seat • Break-proof LEXAN for front and top panes • Top and front cab protection

Boom and Stick

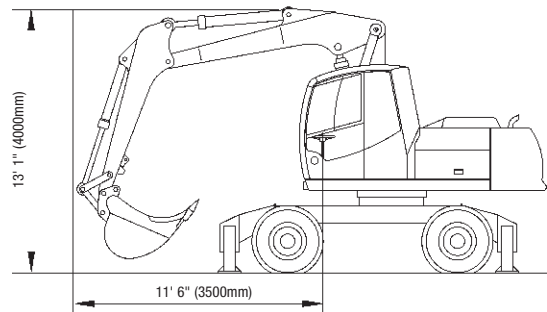
Two piece boom	10' 2" (3.10 m) or 11' 11" (3.63 m)
One piece boom	14' 2" (4.32 m) or 17' 4" (5.28 m)
One piece boom straight	15' 11" (4.85 m)
Stick	7' 1" (2.16 m), 8' 9" (2.67 m) or 11' 8" (3.56 m)

Dimensions

Principal Dimensions



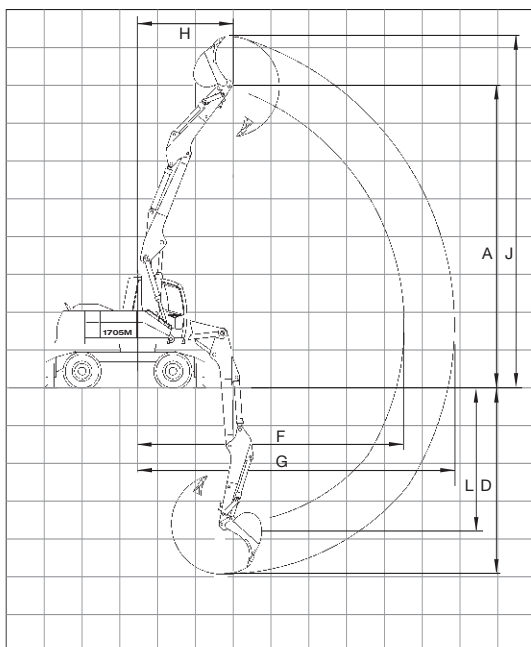
Travel Position w/Bucket



Shipping Dimensions (L x W x H)

Two Piece Boom	28' 7" x 8' 2" x 10' 6" (8.71 x 2.49 x 3.20 m)
One Piece Boom	31' 10" x 8' 2" x 10' 6" (9.70 x 2.49 x 3.20 m)

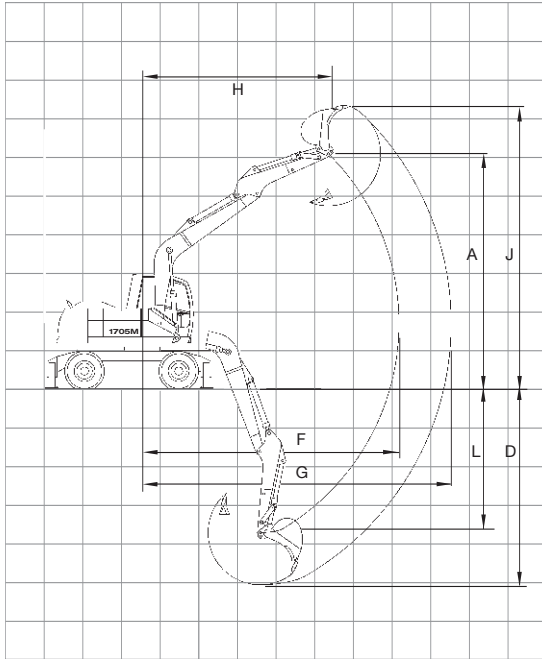
Working Range: Two Piece Boom 10' 2" (3.10 m)



		Standard stick 7' 1" (2.16 m)	Optional stick 8' 9" (2.67 m)	
A	Stick height	ft./in. (mm)	27' 3" (8300)	28' 7" (8700)
D	Max. digging depth	ft./in. (mm)	16' 9" (5100)	18' 4" (5600)
F	Max. radius	ft./in. (mm)	24' 1" (7350)	25' 7" (7800)
G	Max. reach length	ft./in. (mm)	28' 7" (8700)	30' 2" (9200)
H	Max. stick position	ft./in. (mm)	8' 2" (2500)	9' 2" (2800)
J	Max. outreach height	ft./in. (mm)	31' 8" (9650)	30' 0" (10 500)
L	Bucket pivot point	ft./in. (mm)	12' 4" (3750)	13' 9" (4200)
Digging Forces				
	Bucket	yd ³ (l)	1.07 (820)	1.07 (820)
	Tear-out force	lbf (kN)	18,430 (82)	16,190 (72)
	Break-out force	lbf (kN)	29,230 (130)	29,230 (130)
Weight				
	Operating weight	lbs. (kg)	34,613 (15 700)	34,833 (15 800)

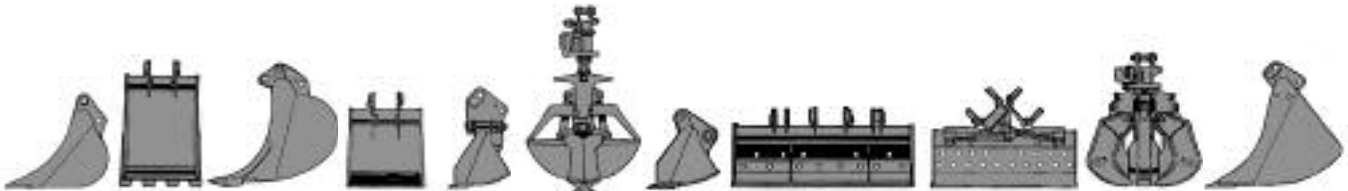
Wheeled Excavator 1705 M

Working Range: One Piece Boom 14' 2" (4.32 m)



		Standard stick 7' 1" (2.16 m)	Optional stick 8' 9" (2.67 m)	
A	Stick height	ft./in. (mm)	22' 2" (6750)	23' 0" (7000)
D	Max. digging depth	ft./in. (mm)	17' 1" (5200)	18' 8" (5700)
F	Max. radius	ft./in. (mm)	22' 6" (6850)	23' 11" (7300)
G	Max. reach length	ft./in. (mm)	26' 11" (8200)	29' 0" (8700)
H	Max. stick position	ft./in. (mm)	14' 5" (4400)	15' 11" (4850)
J	Max. outreach height	ft./in. (mm)	26' 7" (8100)	27' 5" (8350)
L	Bucket pivot point	ft./in. (mm)	12' 6" (3800)	14' 1" (4300)
Digging Forces				
	Bucket	yd ³ (l)	1.07 (820)	1.07 (820)
	Tear-out force	lbf (kN)	18,430 (82)	18,430 (82)
	Break-out force	lbf (kN)	27,230 (130)	27,230 (130)
Weight				
	Operating weight	lbs. (kg)	33,510 (15 200)	33,731 (15 300)

Attachments



Bucket capacity*	cu. yd. (l)	1.46 (1120)	1.20 (920)	1.08 (830)	1.13 (670)
Bucket width*	in. (mm)	51.2 (1300)	43.3 (1100)	39.4 (1000)	33.5 (850)
Dozer blade max. reach	ft./in. (m)	19' 8" (6.0)	19' 8" (6.0)	23' 0" (7.0)	23' 0" (7.0)
Support pads at both ends max. reach	ft./in. (m)	27' 11" (8.5)	31' 2" (9.5)	32' 10" (10.0)	32' 10" (10.0)

*Permitted bucket attachments for max. radius F

Stability acc. to ISO 10567, bulk weight 112 lbs/ft³ (1.8 t/m³)



For more information, product demonstration, or details on purchase, lease and rental plans, please contact your local TEREX Distributor.

TEREX Construction Americas

8800 Rostin Road
Southaven, MS 38671
USA

TEL 662-393-1800
SALES 866-837-3923
PARTS & TECH SUPPORT 888-201-6008
FAX 662-393-1700
EMAIL sales@terexca.com
WEB terexca.com