

# Bucket Brooms

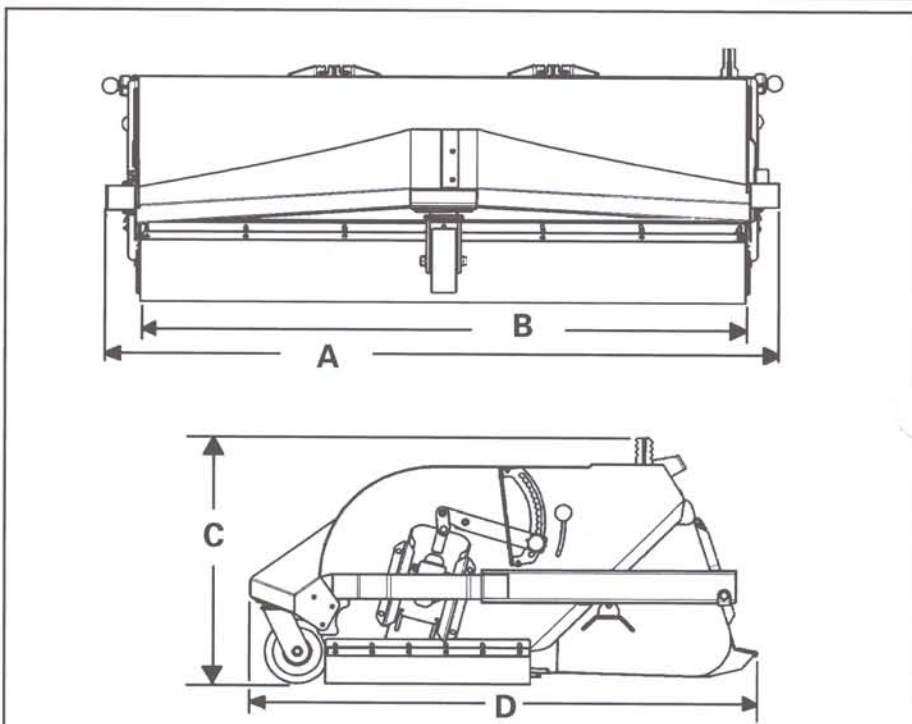
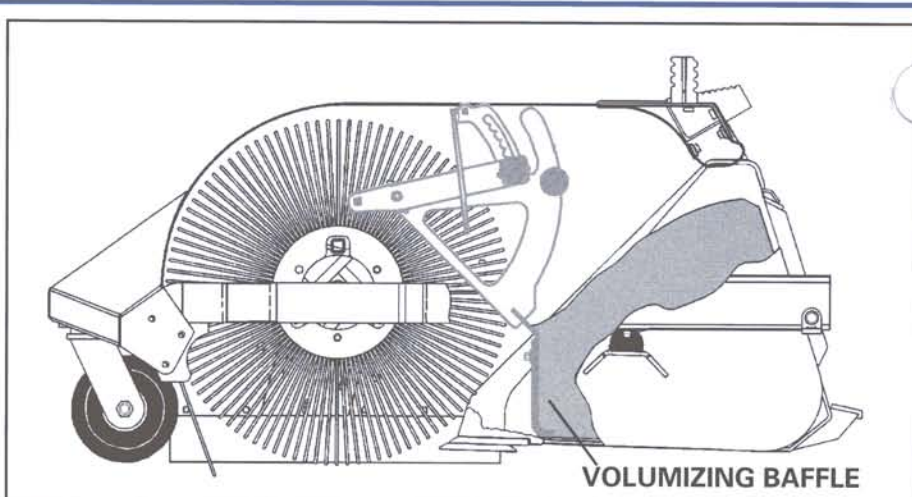
## FEATURES & BENEFITS

**OVER 35 YEARS of PRODUCTIVITY, RELIABILITY and DURABILITY.**

- Patent pending "Volumizing" feature: Bucket will hold considerably more debris volume as compared to conventional sweepers with less recirculation.
- Positive seal between broom and bucket for better dust control.
- Broom detaches easily, with simple pins, allowing full use of the bucket for loading or initial clean up.
- Bucket is equipped with bolt-on edge.
- No tools required for ratchet style adjustment of brush footprint.
- Standard heavy duty front caster wheel and replaceable front guard protects the optional front water nozzles.
- BRADCO® Brooms are covered by an exclusive two year limited warranty.
- BRADCO® uses more wafers than many competitors.
- Optional Water Kit with 25 gallon water reservoir and various high end features, such as: quick coupled hoses, mainline filter, tip screens and quick release tank.
- Optional Left & Right Pin-On Gutter Brush Kits or Center Pivot Gutter Brush Kit with auto swing right to left and 4-bar linkage.
- Optional Wafer Kits include: wire, poly or combination.

Specifications and design are subject to change without notice and without liability therefore. Whenever applicable specifications are in accordance with SAE standards.

**Get Attached®**



DESCRIPTION	SPECIFICATION	
	72"	84"
A. Overall Width .....	82"	94"
B. Sweeping Width .....	73"	85"
Sweeping Width with Optional Gutter Brush .....	86"	98"
C. Overall Height .....	30.5"	30.5"
D. Overall Length .....	61.93"	61.93"
Weight .....	1183#	1276#
Bucket Capacity (Cu. Ft.) .....	17.0 <sup>3</sup>	19.9 <sup>3</sup>
Brush Diameter .....	26"	26"
Wafers (Quantity) .....	37	45
Hydraulic Flow (GPM) .....	14 - 20	
Hydraulic Pressure (PSI) .....	2000 - 3000	
Rated Brush Speed (RPM) .....	340	



# BRADCO

Attachment Technologies, Inc.  
BRADCO®/McMILLEN™  
P.O. Box 266 · Delhi, Iowa 52223 USA  
563 922 2981 · 800 922 2981  
Fax 563 922 2700 · www.get-attached.com