

TELEHANDLER

MODELS

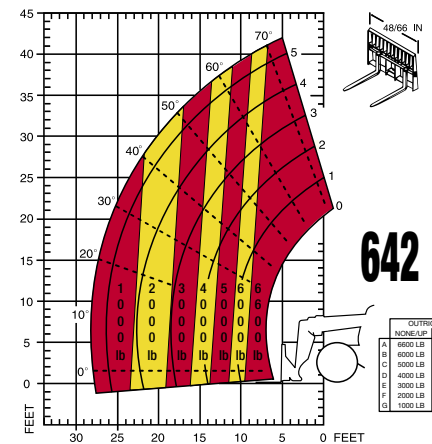
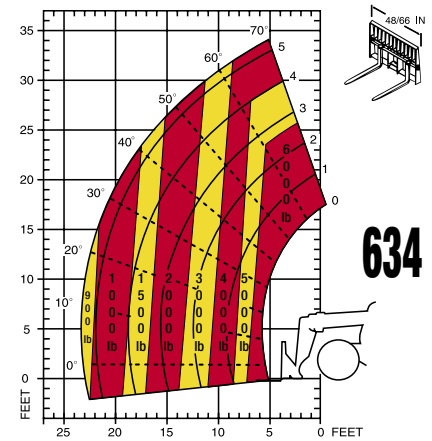
634, 642 and 844



SHOWN WITH
OPTIONAL EQUIPMENT

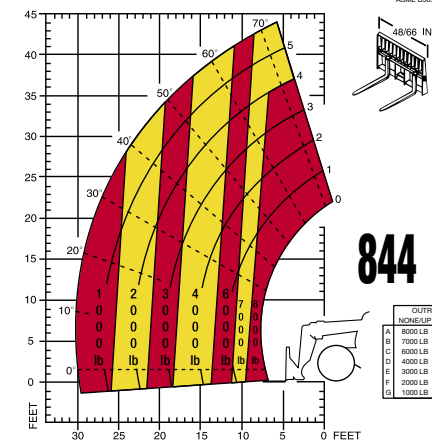


| | Mustang 634 | Mustang 642 | Mustang 844 |
|----------------------------|--|--|--|
| Capacities | | | |
| Lift | | | |
| Lift Capacity (kg) | 6000 lbs. (2722) | 6600 lbs. (2994) | 8000 lbs. (3629) |
| Lift Height (m) | 34' 3" (10.4) | 42' (12.8) | 44' (13.4) |
| Lift Capacity at | | | |
| Max. Lift Height (kg) | 4000 lbs. (1814) | 6600 lbs. (2994) | 7000 lbs. (3175) |
| Max. Forward Reach (m) | 23' 3" (7.0) | 28' 3" (8.6) | 30' 5" (9.3) |
| Lift Capacity at | | | |
| Max. Forward Reach (kg) | 900 lbs. (408) | 1000 lbs. (453) | 1000 lbs. (453) |
| Max. Reach | | | |
| Below Ground (mm) | 2' (610) | 1' 2" (355) | 1' 4" (406) |
| Engine | | | |
| Manufacturer | John Deere | John Deere | John Deere |
| Power (kW) | Std. 99 hp (74) Opt. 115 hp (86) | Std. 99 hp (74) Opt. 115 hp (86) | Std. 115 hp (86) |
| Aspiration | | | |
| Model | Turbo | Turbo | Turbo |
| Model | 4045T | 4045T | 4045T |
| Components | | | |
| Transmission - | | | |
| Power Shift | Clark 3-Speed | Clark 3-Speed | Clark 3-Speed |
| Drive (Full-Time) | | | |
| Steering | 4-Wheel | 4-Wheel | 4-Wheel |
| | 2-Wheel, Crab | 2-Wheel, Crab | 2-Wheel, Crab |
| Brakes (4-wheel) | | | |
| Hydraulic | Internal Wet Disc | Internal Wet Disc | Internal Wet Disc |
| Parking Brake | | | |
| | SAHR (Spring Applied, Hydraulic Release) | SAHR (Spring Applied, Hydraulic Release) | SAHR (Spring Applied, Hydraulic Release) |
| Axle Manufacturer | | | |
| | Dana | Dana | Dana |
| Hydraulic System | | | |
| Boom Control | | | |
| | Pilot-Operated Joystick | Pilot-Operated Joystick | Pilot-Operated Joystick |
| Fork Tilt Control | | | |
| | Pilot-Operated Joystick | Pilot-Operated Joystick | Pilot-Operated Joystick |
| Frame Level Control | | | |
| | Pilot-Operated Joystick | Pilot-Operated Joystick | Pilot-Operated Joystick |
| Auxiliary Control | | | |
| | Pilot-Operated Lever | Pilot-Operated Lever | Pilot-Operated Lever |
| Outrigger Control | | | |
| | N/A | Dual Levers | Dual Levers |
| Specifications | | | |
| Approx. Weight (kg) | 15,100 lbs. (6850) | 22,000 lbs. (9979) | 23,500 lbs. (10,660) |
| Length - Less forks (m) | 16' (4.9) | 19' 1" (5.82) | 19' 10" (6.05) |
| Width (m) | 7' 10" (2.4) | 8' 2" (2.5) | 8' 2" (2.5) |
| Ground Clearance (mm) | 1' 2" (355) | 1' 4" (406) | 1' 4" (406) |
| Wheel Base (m) | 9' 2" (2.8) | 9' 11.5" (3.03) | 9' 11.5" (3.03) |
| Turning Radius (m) | 12' 6" (3.8) | 13' 8" (4.17) | 13' 8" (4.17) |
| Overall Height (m) | 7' 10" (2.4) | 7' 11" (2.4) | 7' 11" (2.4) |
| Frame Leveling | | | |
| | ±10° | ±10° | ±10° |
| Fuel Capacity (L) | 29 gal. (110) | 47 gal. (178) | 47 gal. (178) |
| Hydraulic Oil Reservoir | | | |
| Capacity (L) | 35 gal. (133) | 47 gal. (178) | 47 gal. (178) |
| Additional Options: | | | |
| | All-Weather Cab, Air Conditioning, Lights, Tire Options, Cold Start Kit, Clutch Cut-Out, Aux. Hydraulics, Special Paint | All-Weather Cab, Lights, Tire Options, Cold Start Kit, Clutch Cut-Out, Aux. Hydraulics, Special Paint, Work Platform System, Outrigger Package and Centrifugal Precleaner Package | All-Weather Cab, Lights, Tire Options, Cold Start Kit, Clutch Cut-Out, Aux. Hydraulics, Special Paint, Work Platform System, Outrigger Package and Centrifugal Precleaner Package |



| OUTRIGGERS | |
|------------|---------|
| NONE-UP | DOWN |
| A 6000 LB | 6000 LB |
| B 4000 LB | 6000 LB |
| C 5000 LB | 6000 LB |
| D 4000 LB | 4000 LB |
| E 3000 LB | 4000 LB |
| F 2000 LB | 4000 LB |
| G 1000 LB | 3000 LB |

Chart based on a 24" load center per ASME B56.6-2002



| OUTRIGGERS | |
|------------|---------|
| NONE-UP | DOWN |
| A 8000 LB | 8000 LB |
| B 7000 LB | 8000 LB |
| C 6000 LB | 8000 LB |
| D 4000 LB | 8000 LB |
| E 3000 LB | 4000 LB |
| F 2000 LB | 4000 LB |
| G 1000 LB | 3000 LB |

Chart based on a 24" load center per ASME B56.6-2002

CONTACT YOUR MUSTANG DEALER TODAY!



MUSTANG
www.mustangmfg.com

1880 Austin Road
Owatonna, MN 55060-0547
507-451-7112 Fax: 507-451-8209

SAFETY IS NO ACCIDENT. Mustang Manufacturing Company reminds you that before operating any piece of equipment, be sure to read and understand the operator's manual. U.S. OSHA regulations require that forklift operators be trained and certified. Additionally, be sure all safety devices and shields are securely in place and functioning properly. Mustang Manufacturing Company reserves the right to make changes in specifications and add improvements at any time without notice or obligation.

© 2004 Mustang Manufacturing Company, Inc.
All Rights Reserved.
TEL 634/642/844 Rev. 2/2005 Printed in the U.S.A.