

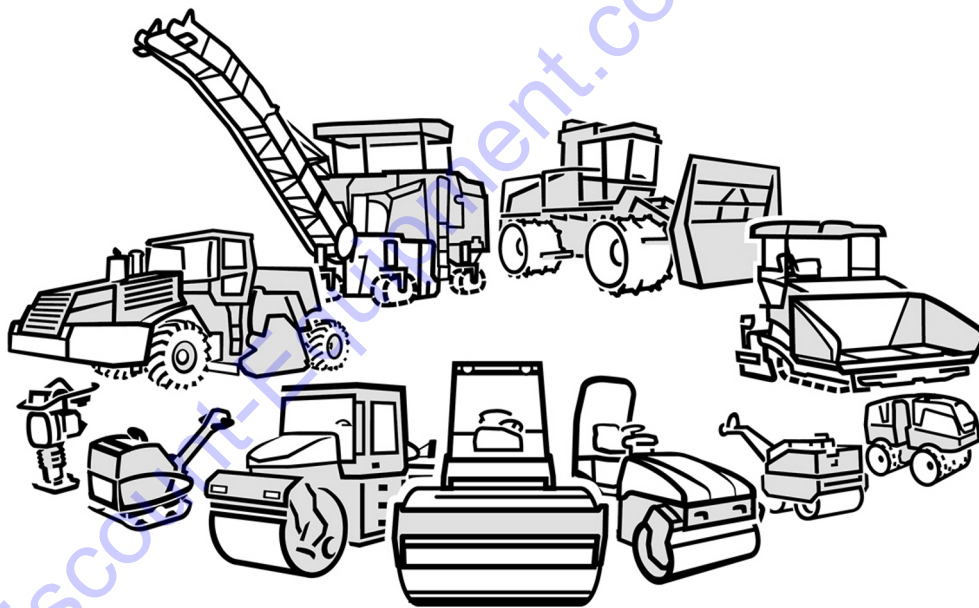
BOMAG

FAYAT GROUP

Spare Parts Catalogue

BPR 35/60 H

S/N 101692951001 > 101692951190
Honda



Vibratory plate compactor



www.discount-equipment.com

Catalogue number
00825521

01.08.2018 - 01.04.2019

PARTS FINDER

**Search Website
by Part Number**



**Search Manual
Library For Parts
Manual & Lookup Part
Numbers – Purchase
or Request Quote**

Search Manuals

Enter your information to help us find the right parts manual for your machine.

* Brand:

* Model:

* Serial:

* Part Number:

SEARCH

**Can't Find Part or
Manual? Request Help
by Manufacturer,
Model & Description**

Parts Order Form

Please fill in the following information to help us find the right part for your machine.

Manufacturer:	<input type="text"/>
Model:	<input type="text"/>
Description:	<input type="text"/>
Part Number:	<input type="text"/>
Quantity:	<input type="text"/>
Notes:	<input type="text"/>

Submit

Discount-Equipment.com is your online resource for quality parts & equipment.

Florida: **561-964-4949** Outside Florida TOLL FREE: **877-690-3101**

Need parts?

Click on this link: <http://www.discount-equipment.com/category/5443-parts/> and choose one of the options to help get the right parts and equipment you are looking for. Please have the machine model and serial number available in order to help us get you the correct parts. If you don't find the part on the website or on one of the online manuals, please fill out the request form and one of our experienced staff members will get back to you with a quote for the right part that your machine needs.

We sell worldwide for the brands: Genie, Terex, JLG, MultiQuip, Mikasa, Essick, Whiteman, Mayco, Toro Stone, Diamond Products, Generac Magnum, Airman, Haulotte, Barreto, Power Blanket, Nifty Lift, Atlas Copco, Chicago Pneumatic, Allmand, Miller Curber, Skyjack, Lull, Skytrak, Tsurumi, Husquvarna Target, Stow, Wacker, Sakai, Mi-T-M, Sullair, Basic, Dynapac, MBW, Weber, Bartell, Bennar Newman, Haulotte, Ditch Runner, Menegotti, Morrison, Contec, Buddy, Crown, Edco, Wyco, Bomag, Laymor, EZ Trench, Bil-Jax, F.S. Curtis, Gehl Pavers, Heli, Honda, ICS/PowerGrit, IHI, Partner, Imer, Clipper, MMD, Koshin, Rice, CH&E, General Equipment, Amida, Coleman, NAC, Gradall, Square Shooter, Kent, Stanley, Tamco, Toku, Hatz, Kohler, Robin, Wisconsin, Northrock, Oztec, Toker TK, Rol-Air, APT, Wylie, Ingersoll Rand / Doosan, Innovatech, Con X, Ammann, Mecalac, Makinex, Smith Surface Prep, Small Line, Wanco, Yanmar

© 06/2019 Bomag GmbH

The reproduction, distribution and utilization of this document as well as the communication of its contents to others without express authorization is prohibited. Offenders will be held liable for the payment of damages. All rights reserved in the event of the grant of a patent, utility model or design.

[Go to Discount-Equipment.com](http://Discount-Equipment.com) to order your parts

EN

GENERAL INFORMATIONS



PLEASE FILL IN WHEN RECEIVING THE MACHINE

TYPE _____

SERIAL-NUMBER _____

ENGINE-TYPE _____

DATE OF DELIVERY _____

ENGINE-NUMBER _____

Only the use of BOMAG GENUINE PARTS guarantees the correct function of the machine. The use of nonoriginal spare parts results in the loss of all claims, regarding warranty as well as product liability.

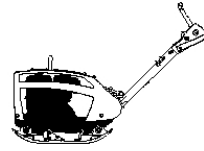
The relevant sales terms and delivery conditions are valid for all spare parts deliveries.

We reserve the right for technical modifications without prior notification.

PLEASE STATE THE FOLLOWING WHEN ORDERING SPARE PARTS:

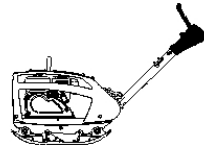
- machine type**
- Serial number (e.g. 101 400 04 1001)**
- Engine type and number resp. component number**
- Part number**
- Quantity**
- Designation**

Engine / Fitting Parts



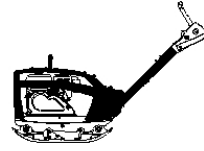
10

Power Transmission / Actuation



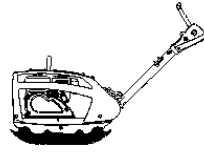
20

Frame with Attachment Parts



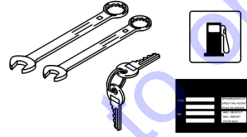
50

Plate / Foot



65

Accessories



100

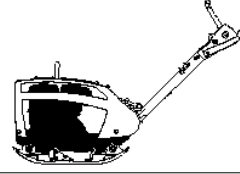
Special Equipment

Option

110

Go to Discount-Equipment.com to order your parts

Engine / Fitting Parts



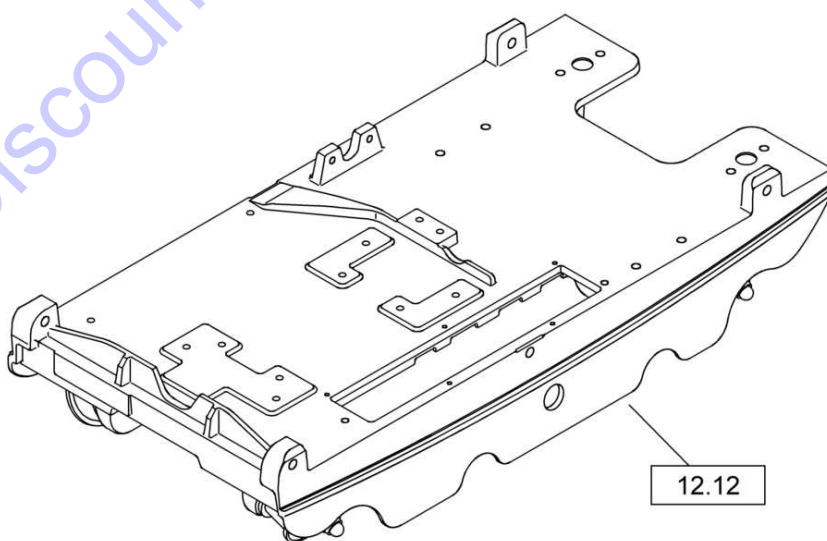
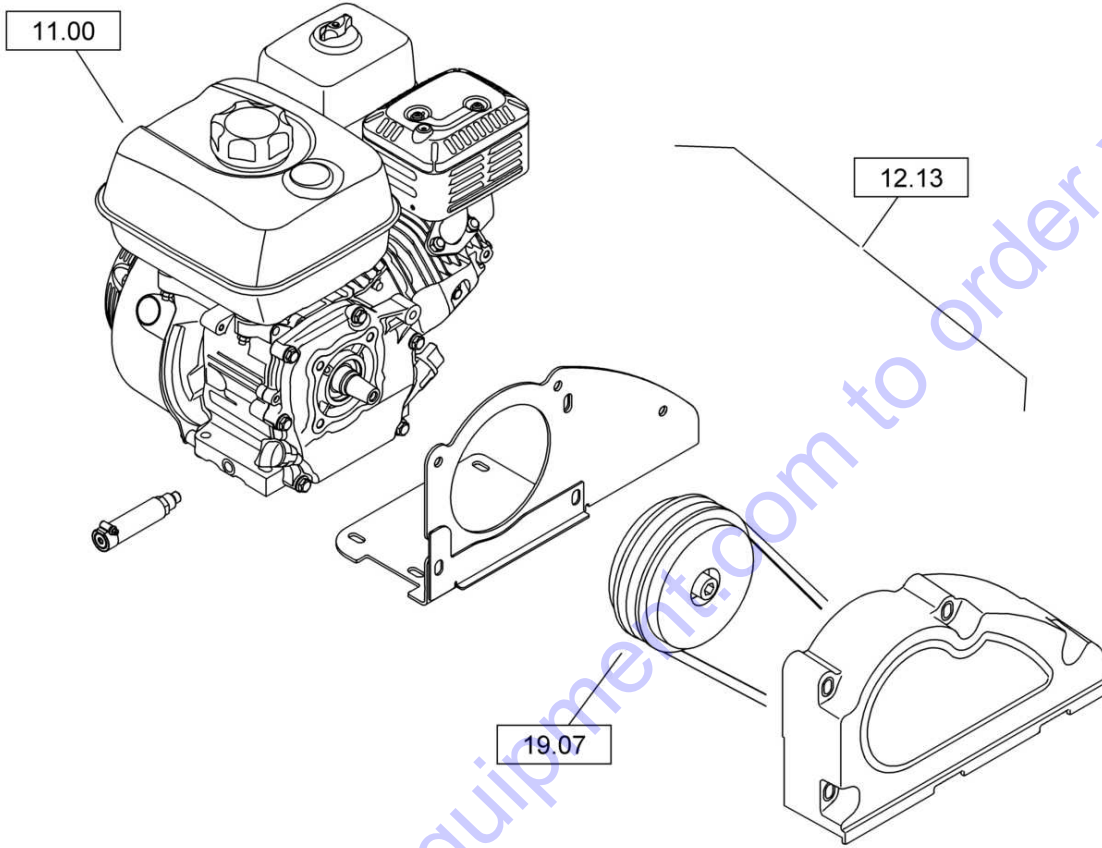
10

Go to Discount-Equipment.com to order your parts

10.00

Engine / Fitting Parts


Page /



Pos. Description


- 11.00 Engine Parts List
- 11.01 Crankcase
- 11.02 Front Cover
- 11.08 Cylinder Head
- 11.09 Camshaft
- 11.19 Crankshaft And Piston
- 11.21 Fuel Tank
- 11.22 Dry Air Filter
- 11.25 Throttle Control
- 11.26 Silencer
- 11.31 Recoil Starter
- 11.44 Covering
- 11.46 Contact Breaker/Ign.Coil
- 11.53 Carburetor
- 12.12 Engine Carrier
- 12.13 Engine
- 19.07 Centrifugal Clutch

Go to Discount-Equipment.com to order your parts

11.00	Engine no. S/N GCBPT-2606966 ▶
Page 1 / 1	Engine Parts List GX160UT2-VG-25-SD
 BOMAG FAYAT GROUP	

For this catalogue group no illustration.

Go to Discount-Equipment.com to order your parts

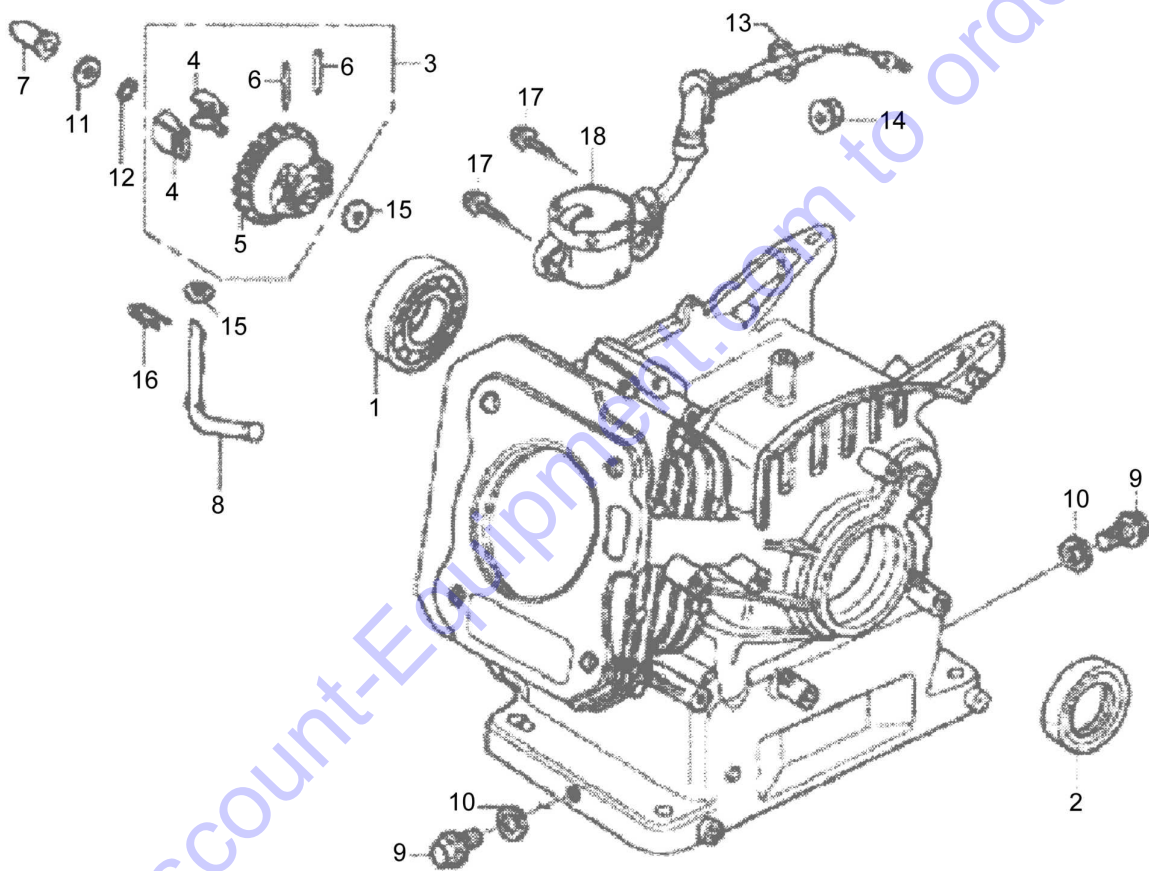
Engine no.	S/N GCBPT-2606966 ▶	
Engine Parts List	GX160UT2-VG-25-SD	11.00
		Page 1 / 1
		
		1001 E


Pos. Part no. Qty. Description

1 05747045 1 Four-stroke engine

Go to Discount-Equipment.com to order your parts

11.01	Engine no.	S/N GCBPT-2606966 ▶
	Crankcase	
Page 1 / 1		
BOMAG FAYAT GROUP		MOT019729_000_00

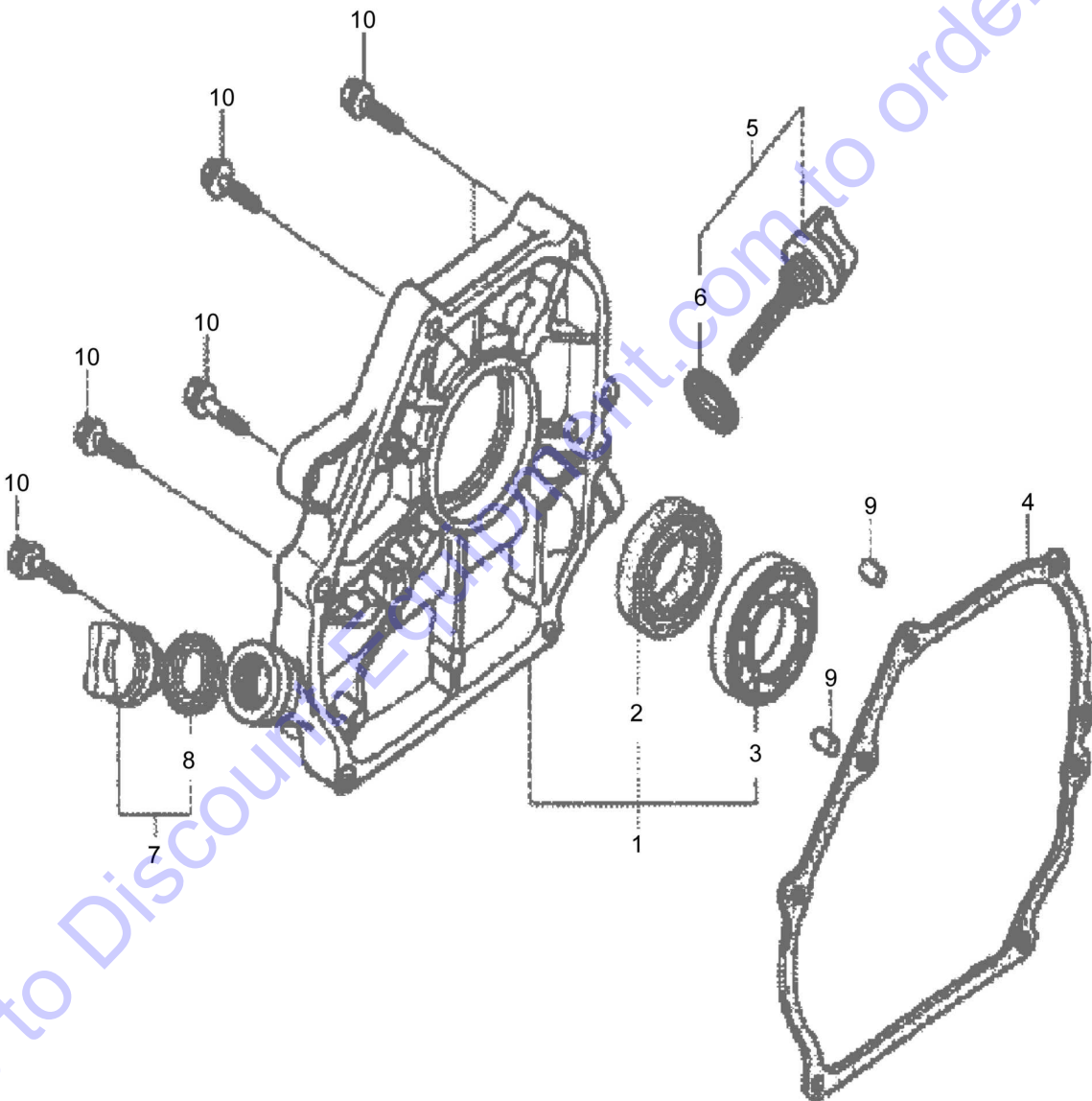



Engine no.	S/N GCBPT-2606966 ▶	
Crankcase		11.01
		Page 1 / 1
	MOT019729 1001 E	

Pos.	Part no.	Qty.	Description
1	05747378	1	Ball bearing,grooved
2	05748553	1	Radial seal
3	05748950	1	Governor / controller
4	05748951	2	>Weight
5	05748952	1	>Holder
6	05747346	2	>Pin
7	05748953	1	Spool valve
8	05748954	1	Shaft
9	05747180	2	Drain plug
10	05747129	2	Gasket
11	05747233	1	Thrust disc
12	05747377	1	Spring ring
13	05747188	1	Loop ring
14	05747379	1	Collar nut
15	05747348	2	Washer
16	05747349	1	Spring cotter
17	05747380	2	Screw
18	05748599	1	Oil pressure switch

Go to Discount-Equipment.com to order your parts

11.02	Engine no. S/N GCBPT-2606966 ▶
	Front Cover
Page 1 / 1	
BOMAG FAYAT GROUP	MOT019730_000_00

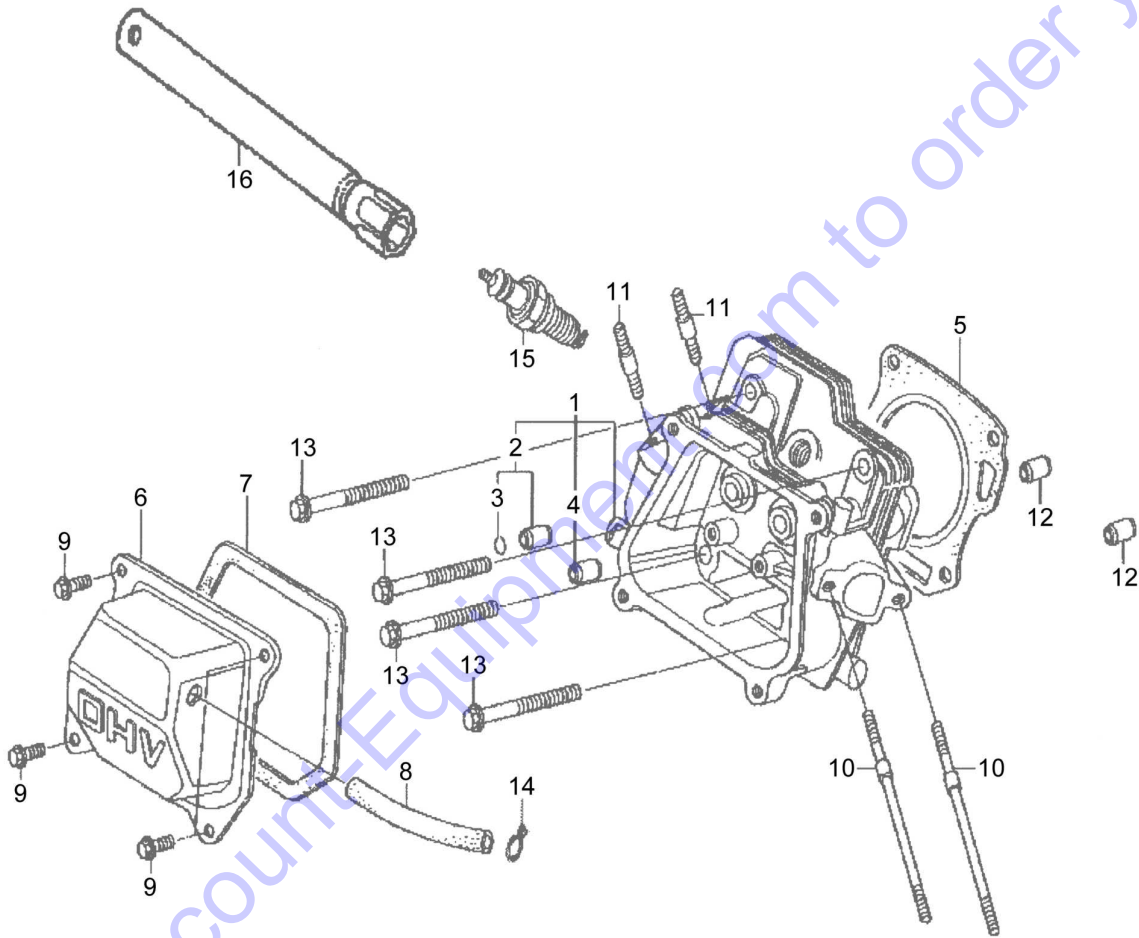



Engine no. S/N GCBPT-2606966 ▶		
Front Cover		11.02
		Page 1 / 1
		MOT019730 1001 E
		

Pos.	Part no.	Qty.	Description
1	05748955	1	Crank case cover
2	05748553	1	>Radial seal
3	05114005	1	>Ball bearing,grooved
4	05747221	1	Gasket
5	05748601	1	Filler cap
6	05748603	1	>Gasket, oil dip stick
7	05748602	1	Filler cap
8	05748603	1	>Gasket, oil dip stick
9	05747389	2	Dowel pin
10	05747390	6	Screw

Go to Discount-Equipment.com to order your parts

11.08	Engine no. S/N GCBPT-2606966 ▶
	Cylinder Head
Page 1 / 1	
BOMAG FAYAT GROUP	MOT019731_000_00



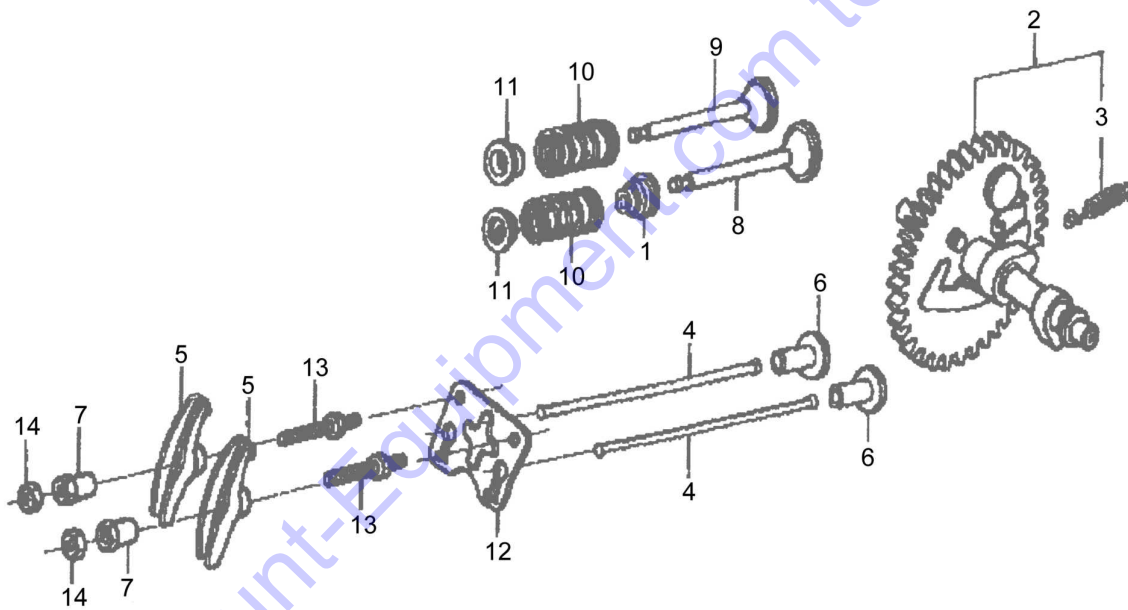
Engine no. S/N GCBPT-2606966 ▶		
Cylinder Head		11.08
		Page 1 / 1
		MOT019731 1001 E 


Pos. Part no. Qty. Description

1	05748940	1	Cylinder head
2	05747212	1	Valve guide
3	05747368	1	Circlip
4	05747211	1	Valve guide
5	05748941	1	Cylinder head gasket
6	05748916	1	Cylinder head cover
7	05747125	1	Valve cover gasket
8	05747369	1	Ventilation pipe
9	05747322	4	Hexagon bolt
10	05747356	2	Stud
11	05747370	2	Stud
12	05747371	2	Dowel pin
13	05748639	4	Hexagon bolt
14	05748558	2	Hose clip
15	05748607	1	Spark plug
16	05748608	1	Spark plug spanner

Go to Discount-Equipment.com to order your parts


11.09	Engine no.	S/N GCBPT-2606966 ▶
	Camshaft	
Page 1 / 1		
BOMAG FAYAT GROUP		MOT019732_000_00

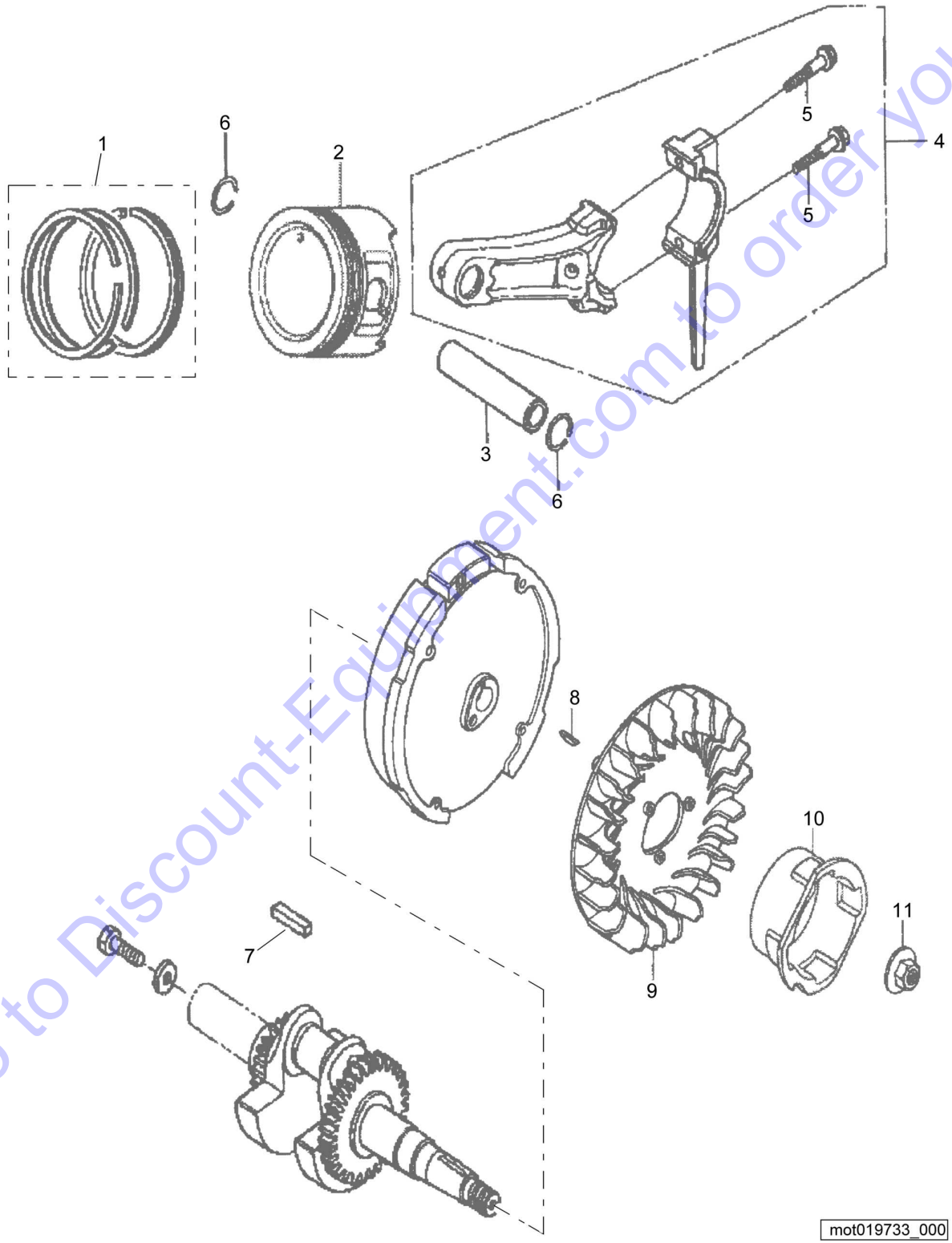


Engine no. S/N GCBPT-2606966 ▶		11.09
Camshaft		
MOT019732 1001 E		Page 1 / 1
		


Pos.	Part no.	Qty.	Description
1	05748920	1	Valve stem seal
2	05748961	1	Camshaft
3	05747139	1	>Return spring
4	05748962	2	Pushrod
5	05747231	2	Rocker arm
6	05747404	2	Tappet
7	05749002	2	Journal
8	05748963	1	Inlet valve
9	05748964	1	Outlet valve
10	05747345	2	Valve spring
11	05749003	2	Valve plate
12	05748965	1	Guide plate
13	05747272	2	Bolt
14	05747354	2	Adjustment nut

Go to Discount-Equipment.com to order your parts

11.19	Engine no. S/N GCBPT-2606966 ▶
Page 1 / 1	Crankshaft And Piston
	MOT019733_000_00



Go to Discount-Equipment.com to order your parts

Engine no. S/N GCBPT-2606966 ▶		11.19
Crankshaft And Piston		
MOT019733 1001 E		Page 1 / 1
		

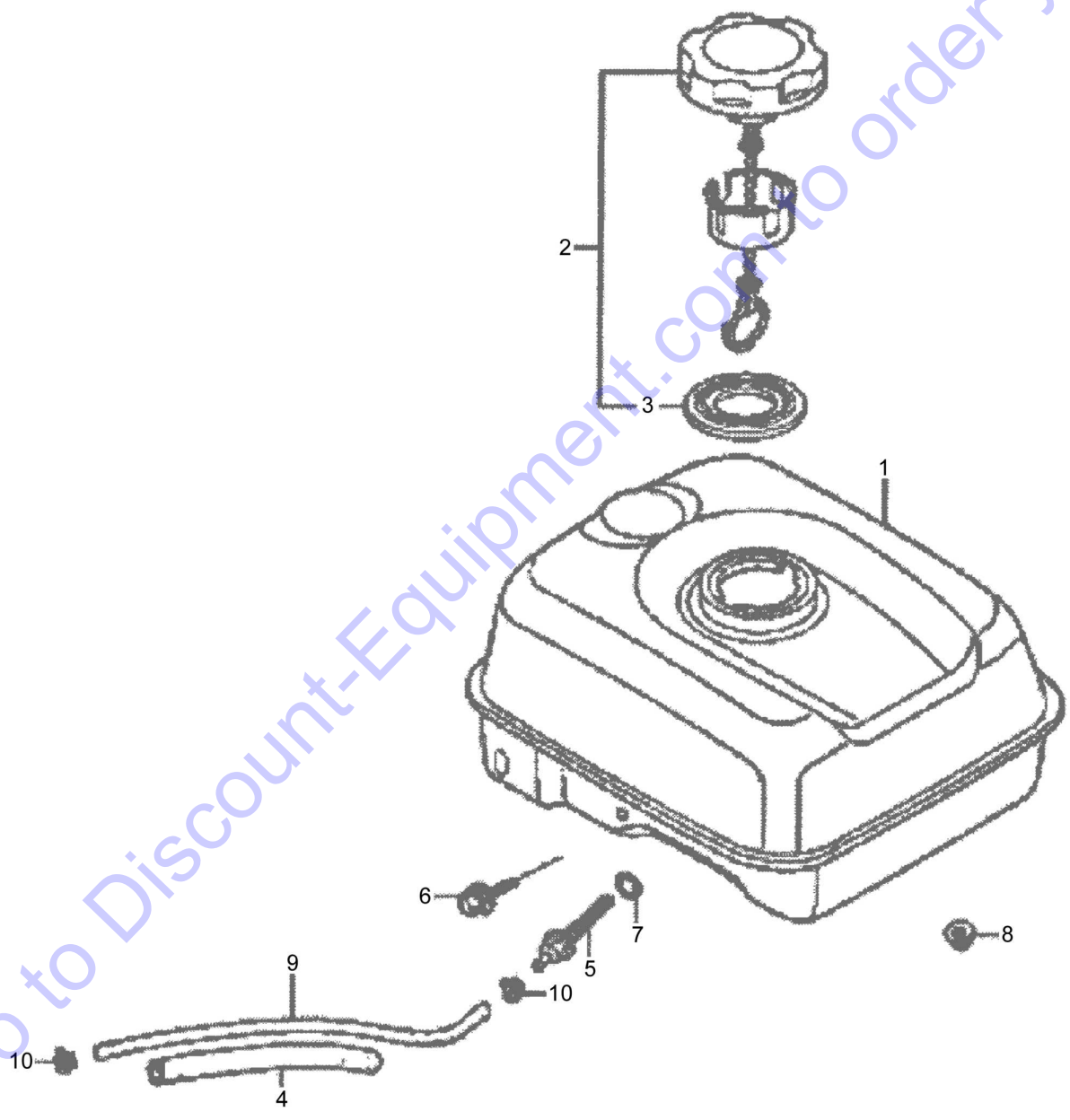
Pos. Part no. Qty. Description


1	05748932	1	Piston ring set
2	05748957	1	Piston
3	05748958	1	Floating wrist pin
4	05748959	1	Conrod
5	05748960	2	>Conrod screw
6	05747239	2	Spring ring
7	05748619	1	Fitting key
8	05747191	1	Woodruff key
9	05747228	1	Fan
10	05749001	1	Starting pulley
11	05748622	1	Collar nut

Go to Discount-Equipment.com to order your parts

11.21	Engine no.	S/N GCBPT-2606966 ▶
	Fuel Tank	
Page 1 / 1		
BOMAG FAYAT GROUP		MOT019734_000_00

Go to Discount-Equipment.com to order your parts

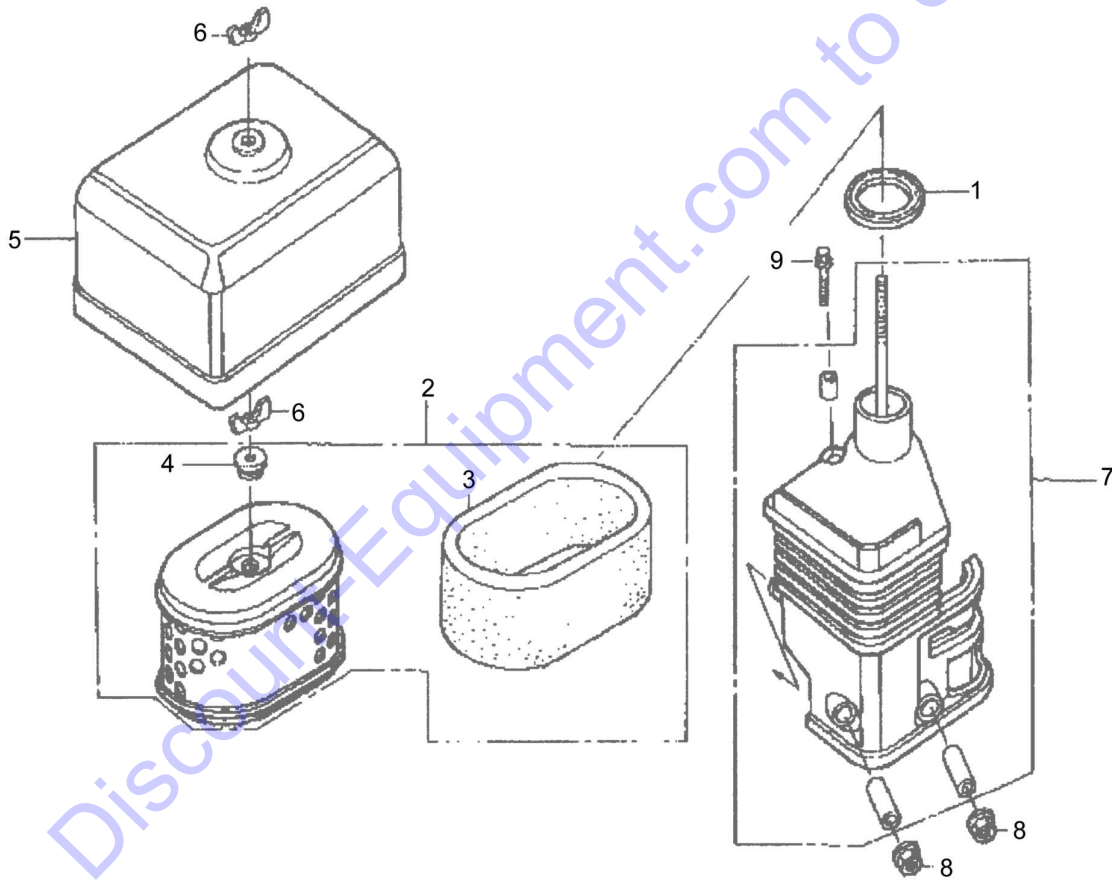



Engine no.	S/N GCBPT-2606966 ▶	
Fuel Tank		11.21
		Page 1 / 1
		
		MOT019734 1001 E

Pos.	Part no.	Qty.	Description
1	05748938	1	Fuel tank
2	05748592	1	Tank cover
3	05748593	1	>Gasket, tank cover
4	05747464	1	Rubber,supporter
5	05747161	1	Filter,fuel
6	05748568	1	Hexagon bolt
7	05747188	1	Loop ring
8	05747312	2	Collar nut
9	05748937	1	Fuel hose
10	05748570	2	Hose clip

Go to Discount-Equipment.com to order your parts

11.22	Engine no.	S/N GCBPT-2606966 ▶
	Dry Air Filter	
Page 1 / 1		
BOMAG FAYAT GROUP		MOT019735_000_00

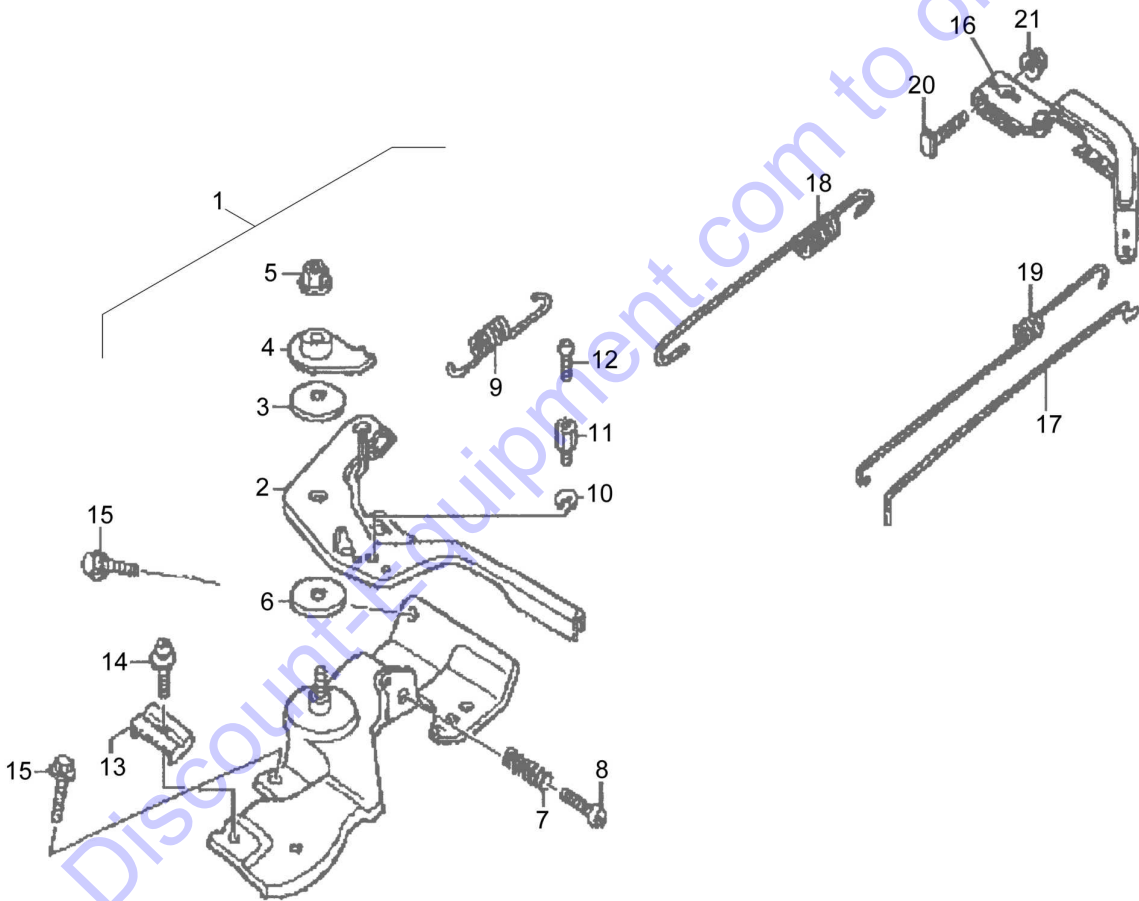



Engine no.	S/N GCBPT-2606966 ▶	
Dry Air Filter		11.22
		Page 1 / 1
	MOT019735 1001 E	

Pos.	Part no.	Qty.	Description
1	05747126	1	Gasket,knuckle tube
2	05749004	1	Element,washable
3	05747447	1	>External filter
4	05747163	1	>Rubber grommet
5	05748935	1	Filter cover
6	05747183	2	Wing nut
7	05748936	1	Knuckle tube
8	05747312	2	Collar nut
9	05747452	1	Screw

Go to Discount-Equipment.com to order your parts

11.25	Engine no. S/N GCBPT-2606966 ▶
	Throttle Control
Page 1 / 1	
BOMAG FAYAT GROUP	MOT019736_000_00

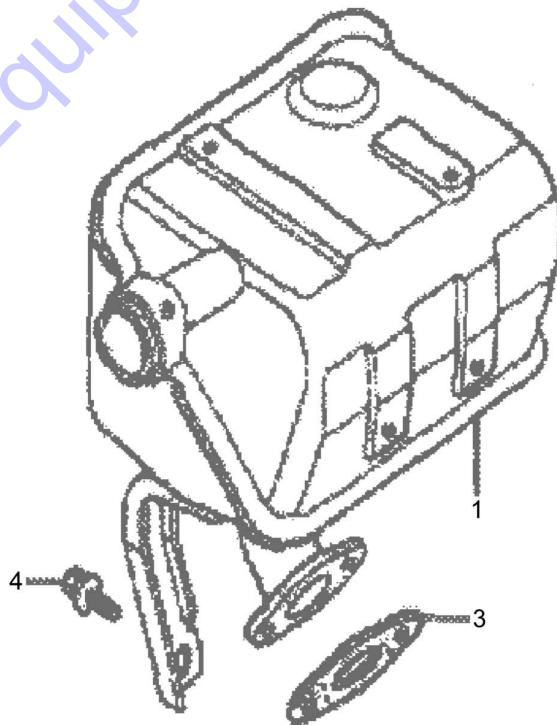
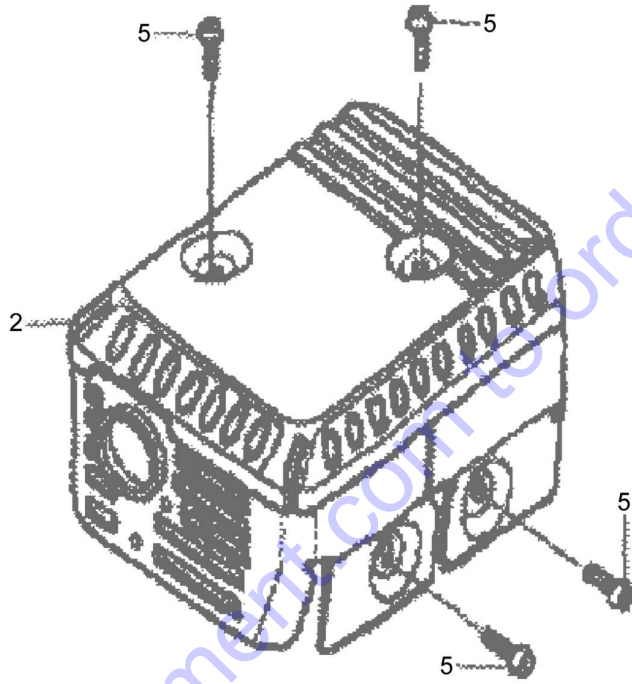


Engine no.	S/N GCBPT-2606966 ▶	11.25
Throttle Control		
		Page 1 / 1
	MOT019736 1001 E	

Pos.	Part no.	Qty.	Description
1	05748897	1	Control assy.
2	05748947	1	>Lever,control
3	05747227	1	>Belleville spring
4	05747155	1	>Washer
5	05747264	1	>Safety nut
6	05747156	1	>Connecting piece
7	05747158	1	>Adjusting spring
8	05747425	1	>Screw
9	05747341	1	>Return spring
10	05747333	1	>Spring ring
11	05747332	1	>Wire holder
12	05747334	1	>Screw
13	05747418	1	Cable clip
14	05747426	1	Screw
15	05747322	2	Hexagon bolt
16	05748943	1	Arm governor
17	05748944	1	Governor rod
18	05748945	1	Governor spring
19	05748946	1	Return spring
20	05748997	1	Screw
21	05747312	1	Collar nut


Go to Discount-Equipment.com to order your parts

11.26	Engine no.	S/N GCBPT-2606966 ▶
	Silencer	
Page 1 / 1		
BOMAG FAYAT GROUP		MOT019737_000_00



mot019737_000

Go to Discount-Equipment.com to order your parts

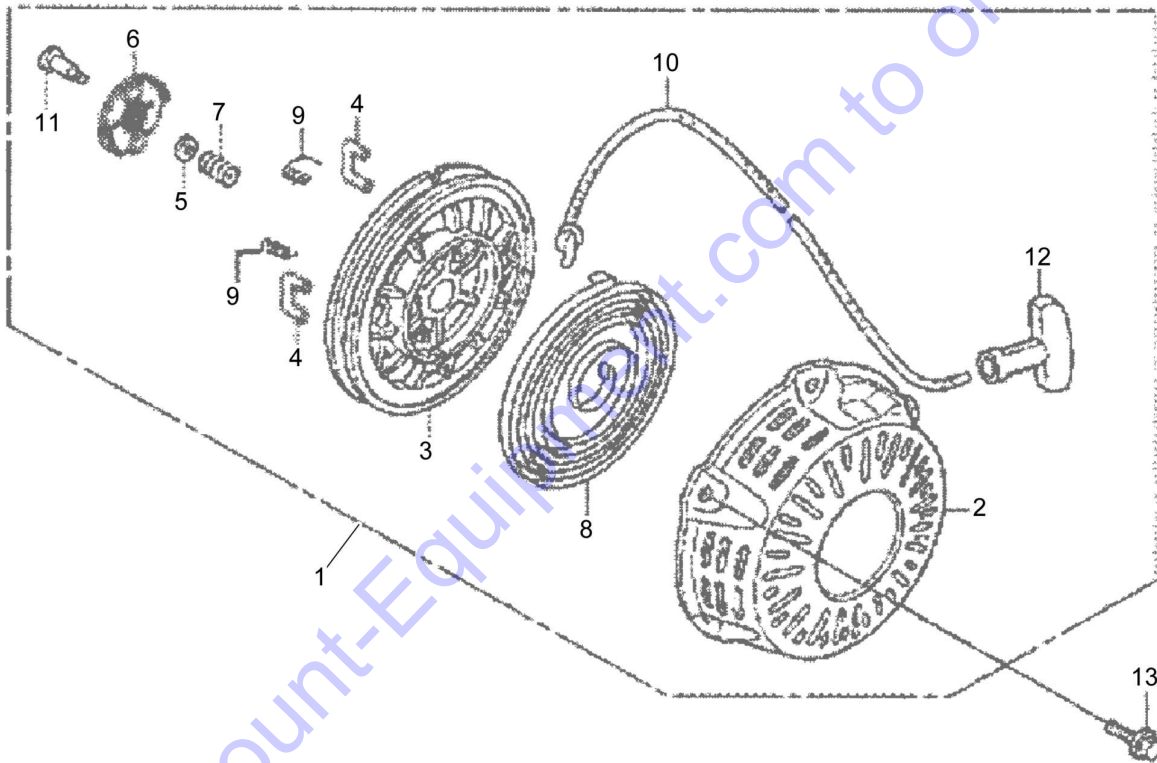
Engine no.	S/N GCBPT-2606966 ▶	11.26
Silencer		
		Page 1 / 1
		 BOMAG FAYAT GROUP
		MOT019737 1001 E


Pos.	Part no.	Qty.	Description
------	----------	------	-------------

1	05748911	1	Silencer
2	05748912	1	Muffler guard
3	05748624	1	Exhaust gasket
4	05747355	1	Screw
5	05747316	4	Self tapping screw

Go to Discount-Equipment.com to order your parts

11.31	Engine no. S/N GCBPT-2606966 ▶
	Recoil Starter
Page 1 / 1	
BOMAG FAYAT GROUP	MOT019738_000_00

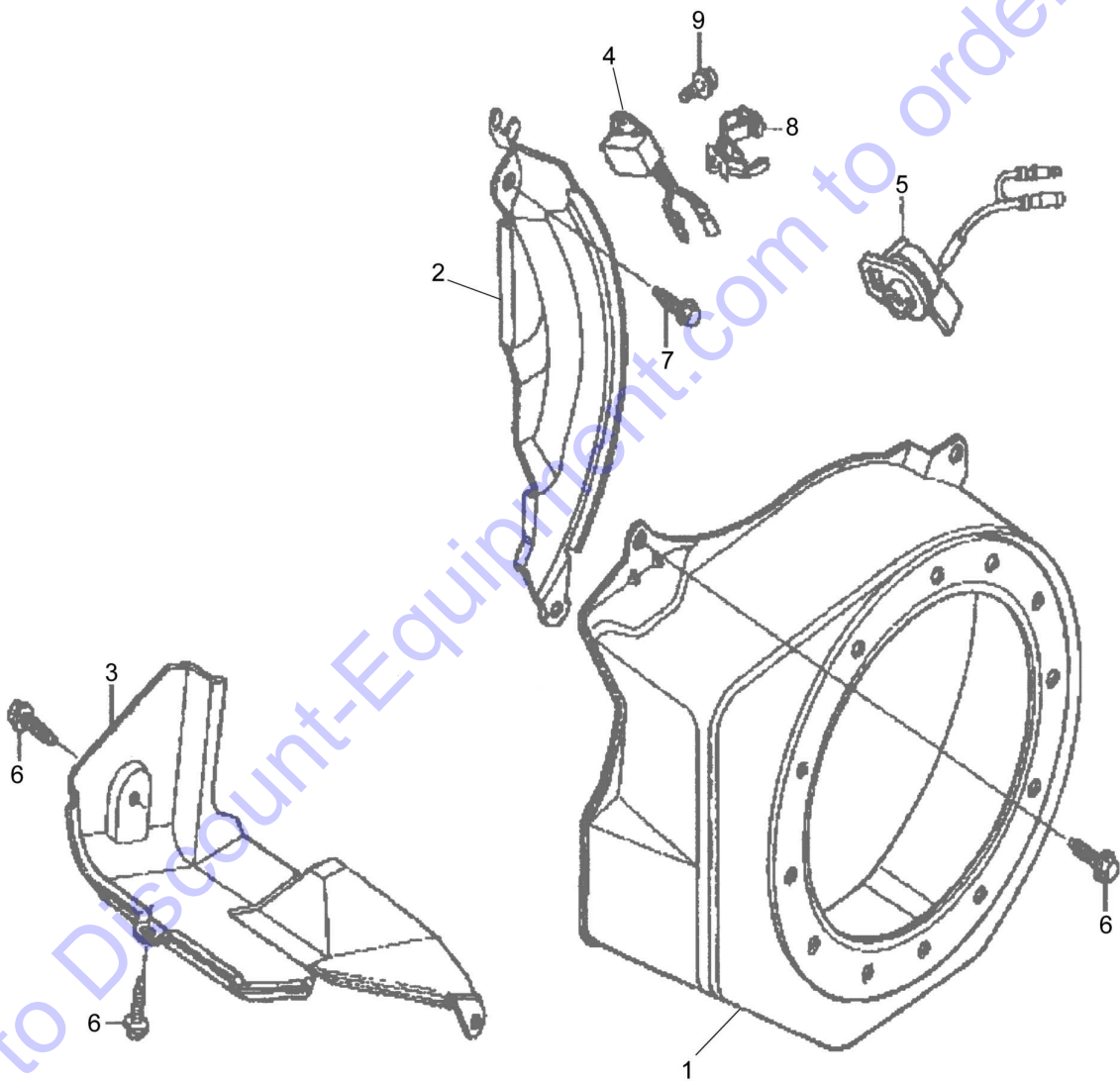



Engine no. S/N GCBPT-2606966 ▶		11.31
Recoil Starter		
MOT019738 1001 E		Page 1 / 1
		

Pos.	Part no.	Qty.	Description
1	05749005	1	Recoil starter
2	05747642	1	>Starter housing
3	05749006	1	>Rope pulley
4	05749007	2	>Ratchet
5	05748327	1	>Friction spring
6	05749008	1	>Guide,ratchet
7	05748329	1	>Spring
8	05747293	1	>Return spring
9	05749009	2	>Return spring
10	05748578	1	>Starter rope
11	05748579	1	>Locking screw
12	05747656	1	>Handle
13	05748331	3	Screw
14	05748654	1	Label

Go to Discount-Equipment.com to order your parts


11.44	Engine no. S/N GCBPT-2606966 ▶
	Covering
Page 1 / 1	
BOMAG FAYAT GROUP	MOT019739_000_00

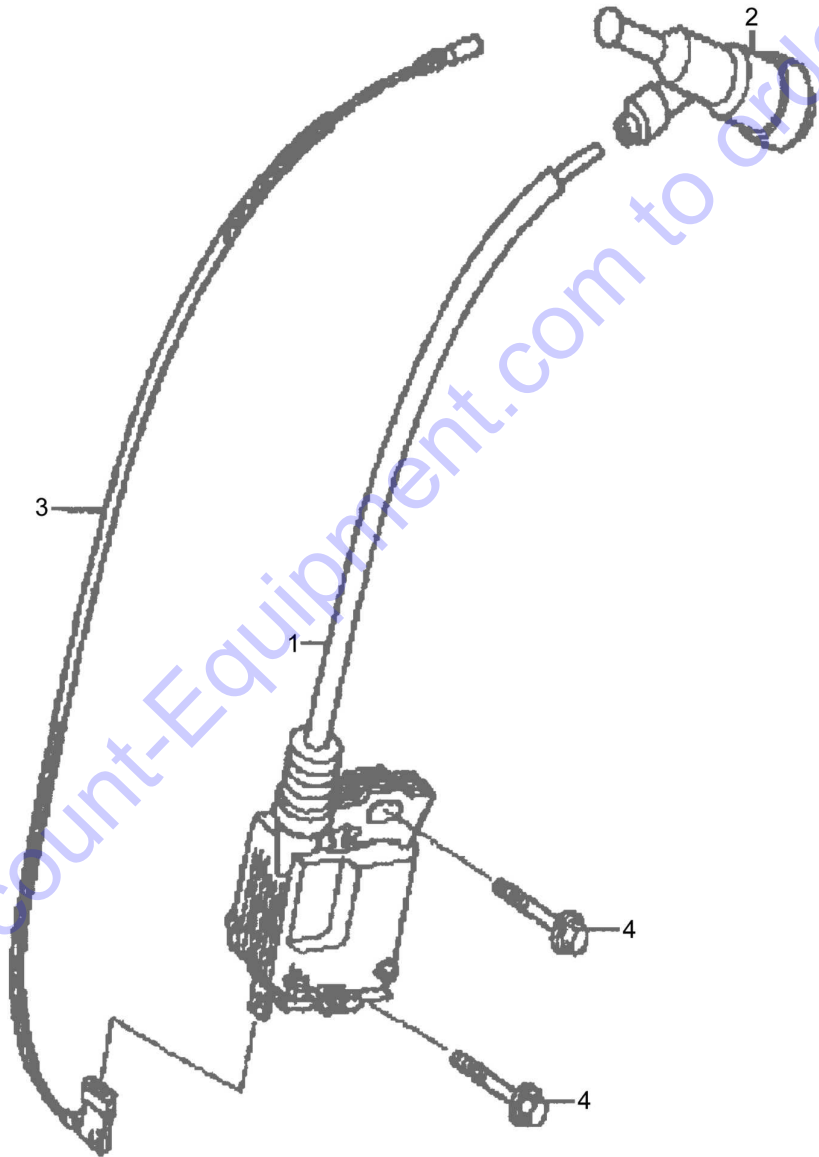



Engine no. S/N GCBPT-2606966 ▶		
Covering		11.44
		Page 1 / 1
	MOT019739 1001 E	

Pos.	Part no.	Qty.	Description
1	05748925	1	Engine cover
2	05748926	1	Side plate
3	05749010	1	Cover
4	05748627	1	Oil alarm unit
5	05748628	1	Engine stop switch
6	05747322	6	Hexagon bolt
7	05747325	1	Screw
8	05747648	1	Cable clip
9	05747318	1	Screw

Go to Discount-Equipment.com to order your parts

11.46	Engine no. S/N GCBPT-2606966 ▶
Page 1 / 1	Contact Breaker / Ignition Coil
 BOMAG FAYAT GROUP	MOT019740_000_00




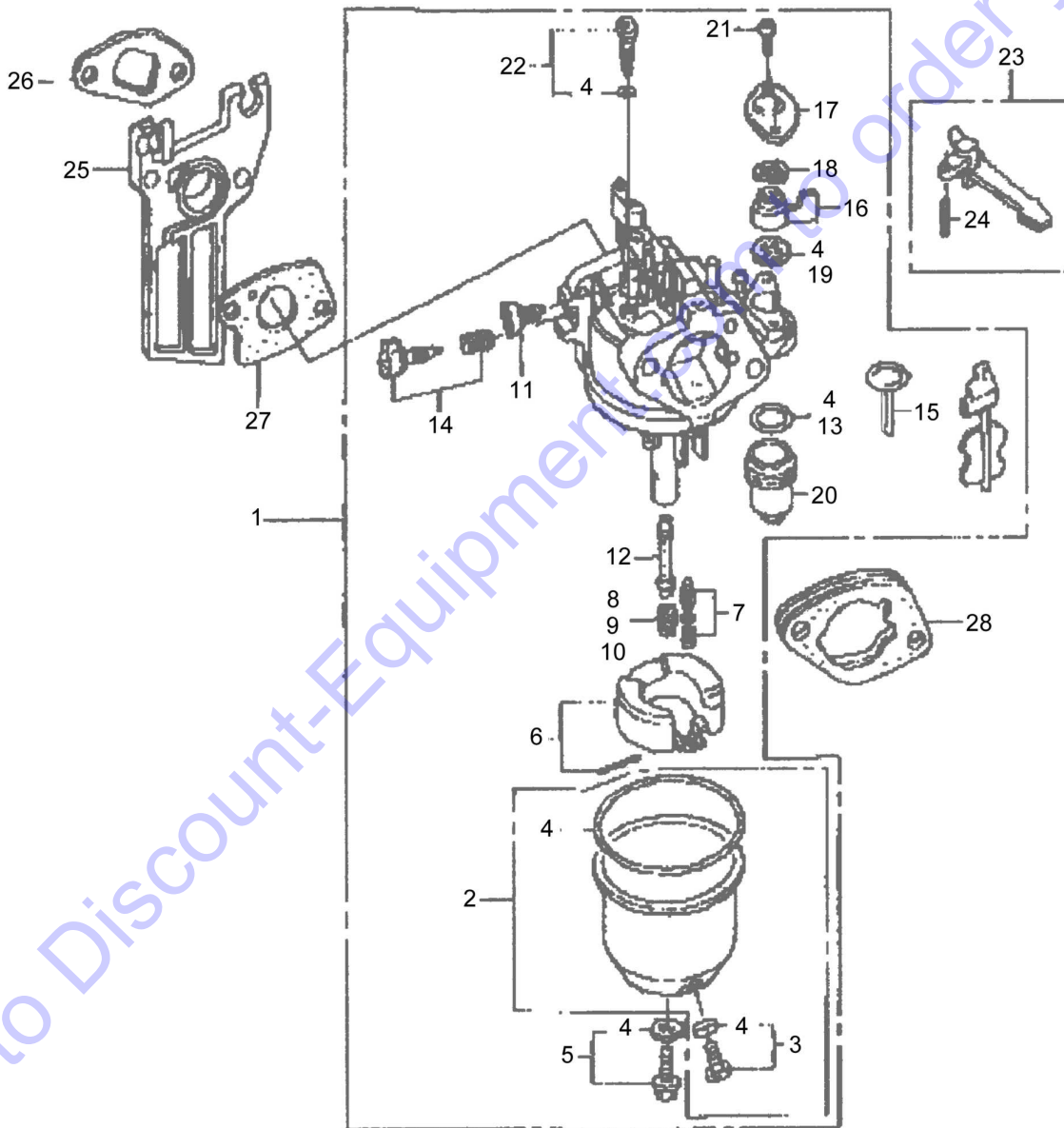
Engine no.	S/N GCBPT-2606966 ▶	
Contact Breaker / Ignition Coil		11.46
		Page 1 / 1
		
		MOT019740 1001 E


Pos.	Part no.	Qty.	Description
------	----------	------	-------------

1	05748630	1	Coil,ignition
2	05748631	1	Spark plug socket
3	05749011	1	Shut down rope
4	05747395	2	Screw

Go to Discount-Equipment.com to order your parts


11.53	Engine no. S/N GCBPT-2606966 ▶
Page 1 / 1	Carburetor
	MOT019741_000_00

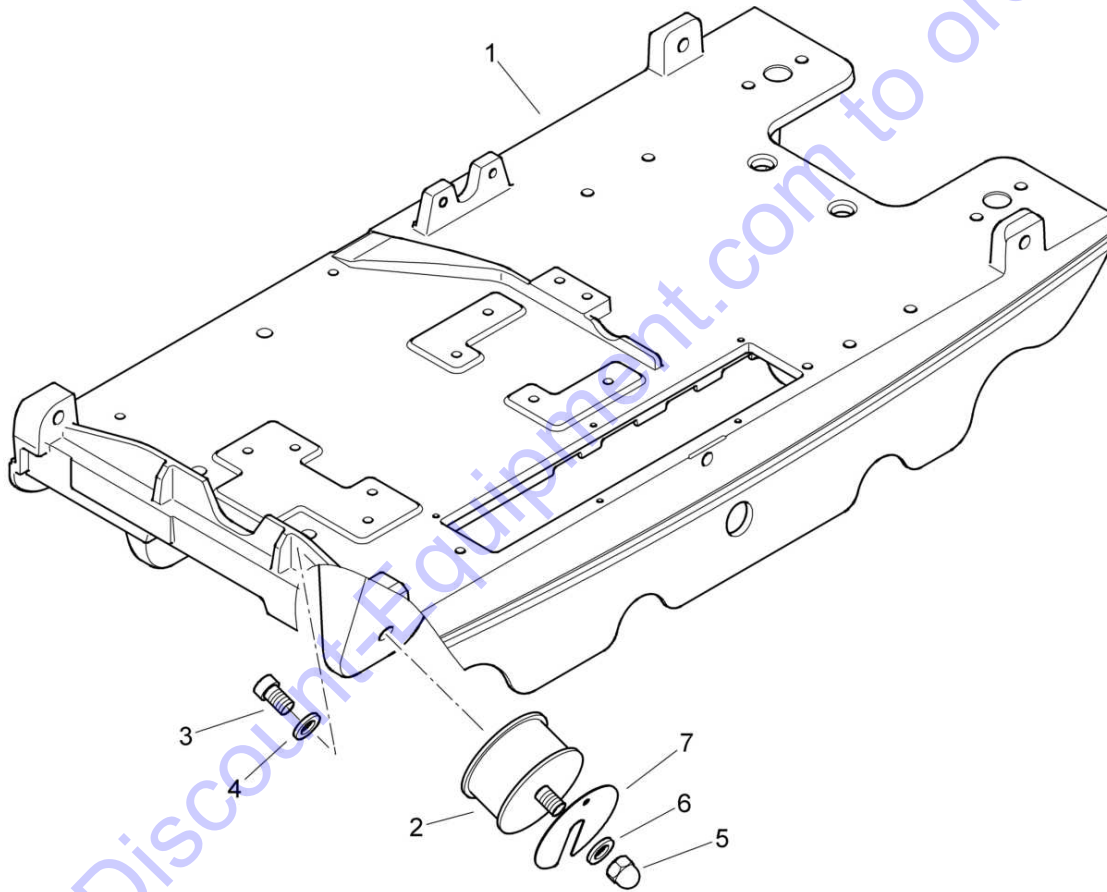



Engine no.	S/N GCBPT-2606966 ▶	11.53
Carburetor		
		Page 1 / 1
	MOT019741 1001 E	

Pos.	Part no.	Qty.	Description
1	05749157	1	Carburetor
2	05748898	1	>Floater housing
3	05748899	1	>Screw plug with seal
4	05747249	1	>Kit,seal
5	05748900	1	>Screw plug with seal
6	05748588	1	>Float set
7	05747146	1	>Kit,float valve
8	05748583	1	>Main nozzle
9	05749159	1	>Main nozzle
10	05749160	1	>Main nozzle
11	05747148	1	>Stop screw
12	05749158	1	>Main nozzle
13	05748490	1	>Gasket
14	05747644	1	>Kit, bolts
15	05748905	1	>Cap,filter
16	05747645	1	>Lever
17	05747441	1	>Fastening plate
18	05747442	1	>Spring
19	05747218	1	>Gasket
20	05747313	1	>Cup,fuel strainer
21	05748500	2	>Screw
22	05747194	1	>Kit,nozzle
23	05747159	1	Lever
24	05747281	1	>Dowel pin
25	05748931	1	Insulator
26	05747342	1	Insulator gasket
27	05747440	1	Gasket
28	05747149	1	Connecting piece

Go to Discount-Equipment.com to order your parts

	BPR 35/60 H
12.12	S/N 101692951001 ▶
Page 1 / 1	Engine Carrier
 BOMAG FAYAT GROUP	69030054_000_03



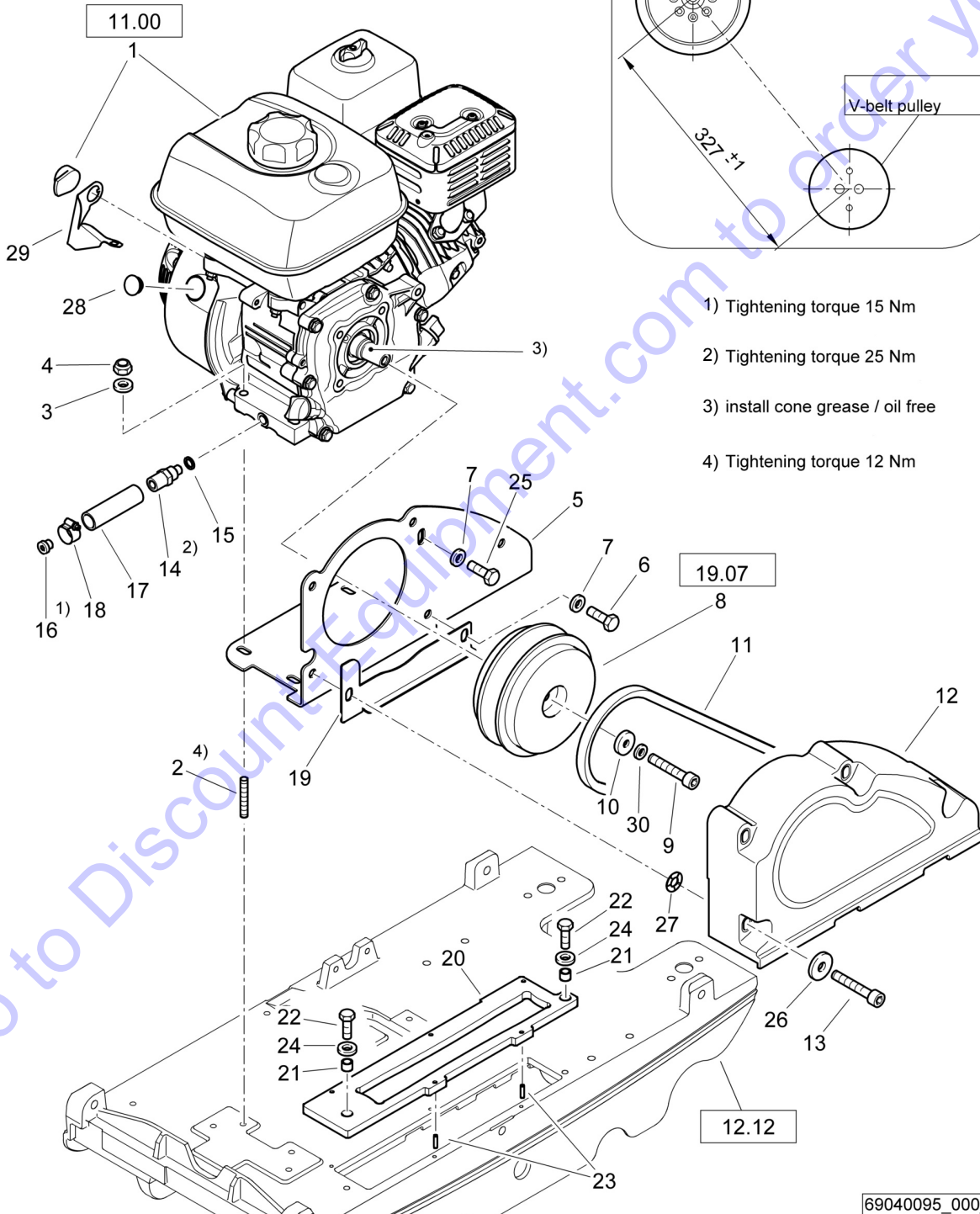
BPR 35/60 H		
S/N 101692951001 ▶		
Engine Carrier		12.12
		Page 1 / 1
	69030054 1001 1	


Pos.	Part no.	Qty.	Description
1	69030332	1	Engine carrier
2	06127525	4	Rubber buffer
3	07231211	4	Socket-head cap screw
4	08511324	4	Washer
5	08241217	4	Domed cap nut
6	08752130	4	Spring washer
7	69030240	4	Shim

Go to Discount-Equipment.com to order your parts

12.13

Engine



BPR 35/60 H		
S/N 101692951001 ▶		
Engine		12.13
		Page 1 / 1
	69040095 1001 1	 BOMAG FAYAT GROUP

Pos.	Part no.	Qty.	Description
1	05747045	1	Four-stroke engine
2	07590825	4	Pin screw
3	08510817	4	Washer
4	08130813	4	Safety nut
5	69040357	1	Supporting plate
6	07140824	1	Hexagon bolt
7	08510817	2	Washer
8	05650116	1	Centrifugal clutch
9	07230838	1	Socket-head cap screw
10	69040261	1	Washer
11	06312274	1	V-belt
12	69040401	1	V-belt guard
13	07230847	4	Socket-head cap screw
14	69040215	1	Double-ended union
15	09331098	1	Sealing ring
16	05546131	1	Screw plug with seal
17	69040391	1	Hose
18	05551409	1	Hose clip
19	69040308	1	Holding rail
20	69040362	1	Seal
21	69040291	2	Sleeve
22	07140824	2	Hexagon bolt
23	09160406	5	Dowel pin
24	08510817	2	Washer
25	07010816	1	Hexagon bolt
26	08500823	4	Round anchor plate
27	08665000	4	Stop disc
28	06510213	1	Plug
29	23040147	1	Supporting plate
30	08510817	1	Washer

Go to Discount-Equipment.com to order your parts

BPR 35/60 H

S/N 101692951001 ▶

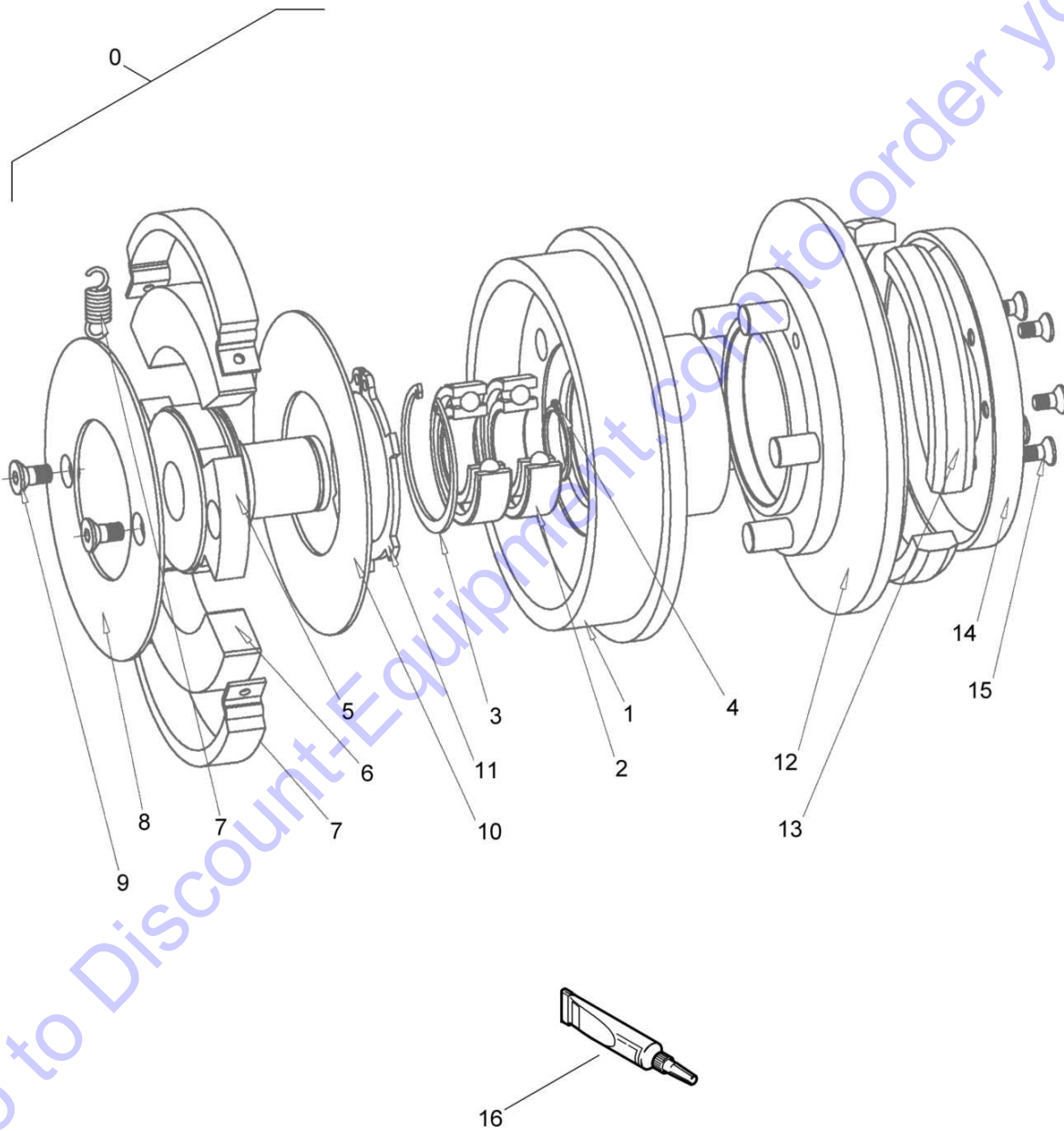
19.07

Centrifugal Clutch


Page **1 / 1**



EA002611_000_00



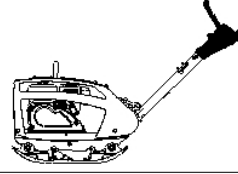
Go to Discount-Equipment.com to order your parts

BPR 35/60 H	
S/N 101692951001 ▶	
Centrifugal Clutch	19.07
	Page 1 / 1
	 BOMAG FAYAT GROUP
EA002611 1001 E	

Pos.	Part no.	Qty.	Description
0	05650116	1	Centrifugal clutch
1	05660177	1	>Coupling housing
2	05113305	2	>Ball bearing,grooved
3	09222500	1	>Circlip,internal
4	05660784	1	>Circlip
5	05660179	1	>Coupling hub
6	05660728	2	>Centrifugal weight
7	05660189	1	>Repair Kit
8	05660724	1	>Cover disc
9	05660731	2	>Countersunk screw
10	05660725	1	>Cover disc
11	09240055	1	>Circlip,external
12	05660181	1	>Belt pulley
13	05660183	3	>Centrifugal weight
14	05660185	1	>Covering disc
15	05660187	6	>Countersunk screw
16	05660188	1	Paste

Go to Discount-Equipment.com to order your parts

Power Transmission / Actuation



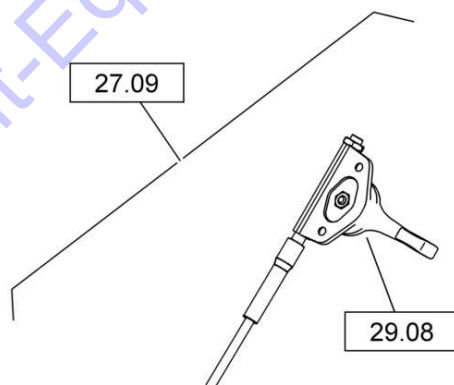
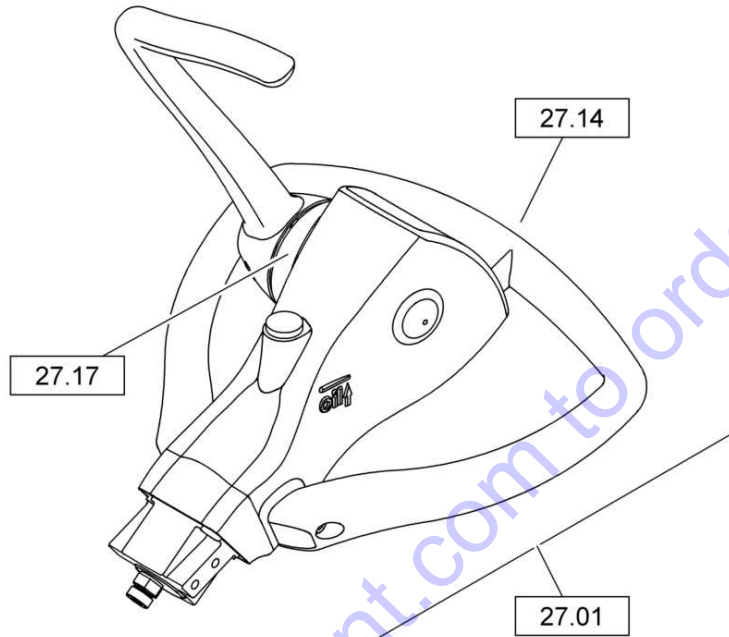
20

Go to Discount-Equipment.com to order your parts

20.00

Power Transmission / Actuation

Page /



Power Transmission / Actuation

20.00

Page /

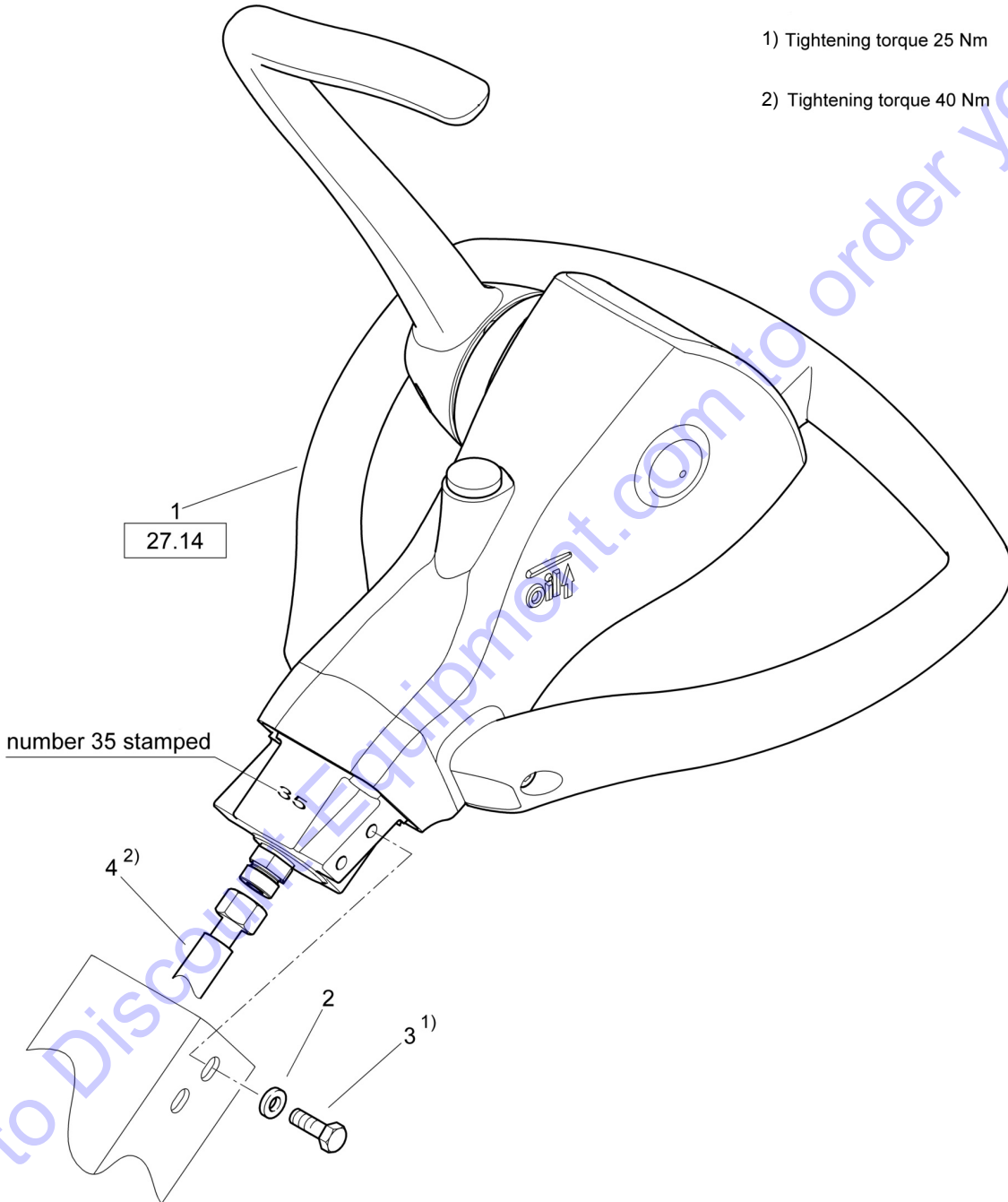


Pos. Description

- 27.01 Travel Actuation
- 27.09 Throttle Control
- 27.14 Steering rod head
- 27.17 Detent, assembled
- 29.08 Actuat.Cable Throttle Re.


Go to Discount-Equipment.com to order your parts

	BPR 35/60 H	
27.01		S/N 101692951001 ▶
	Travel Actuation	
Page 1 / 1		
BOMAG FAYAT GROUP		69110044_000_02



1) Tightening torque 25 Nm

2) Tightening torque 40 Nm

BPR 35/60 H	
S/N 101692951001 ▶	
Travel Actuation	27.01
	Page 1 / 1
	
69110044 1001 1	

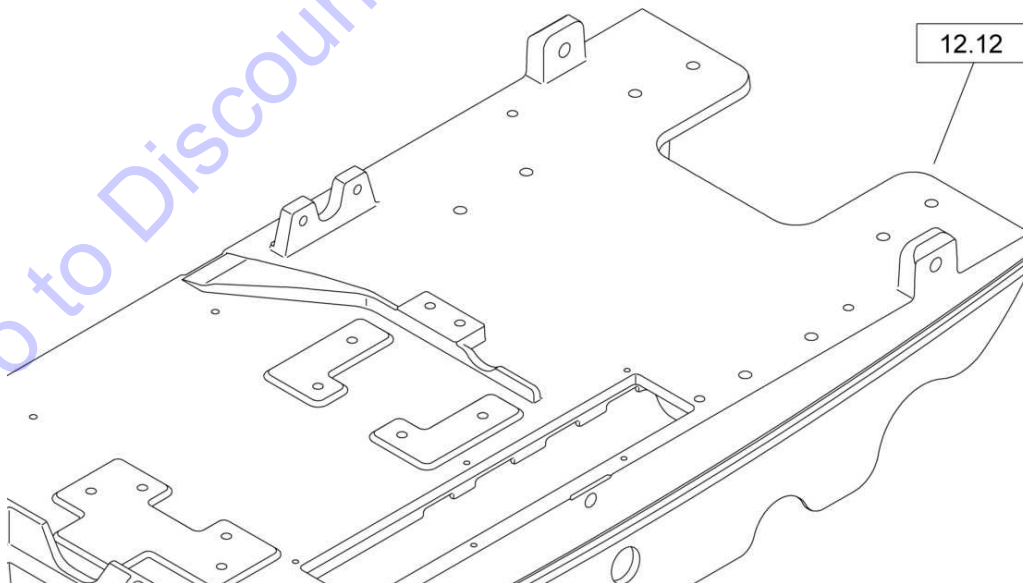
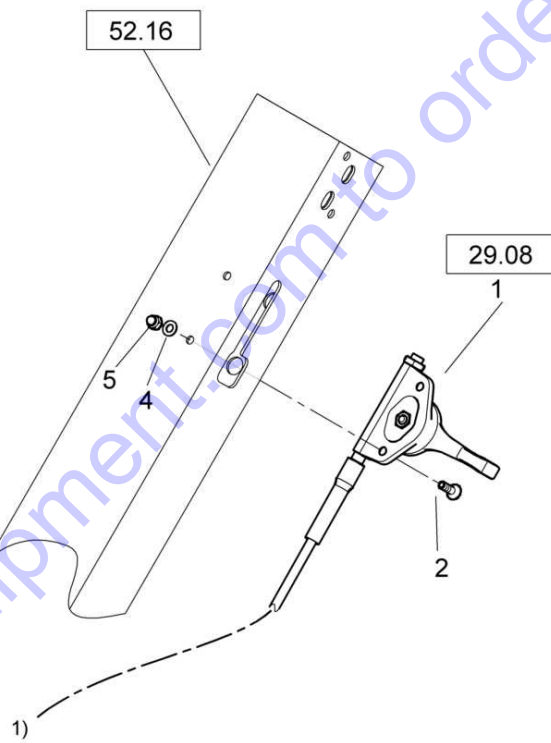
Pos.	Part no.	Qty.	Description
1	69110170	1	Steering rod head
2	08510817	4	Washer
3	07140824	4	Hexagon bolt
4	05553192	1	Hose assy.ac.WN3111


Go to Discount-Equipment.com to order your parts

	BPR 35/60 H
27.09	S/N 101692951001 ▶
	Throttle Control
Page 1 / 1	
BOMAG FAYAT GROUP	69100045_000_01



1) Mounting position throttle control on motor



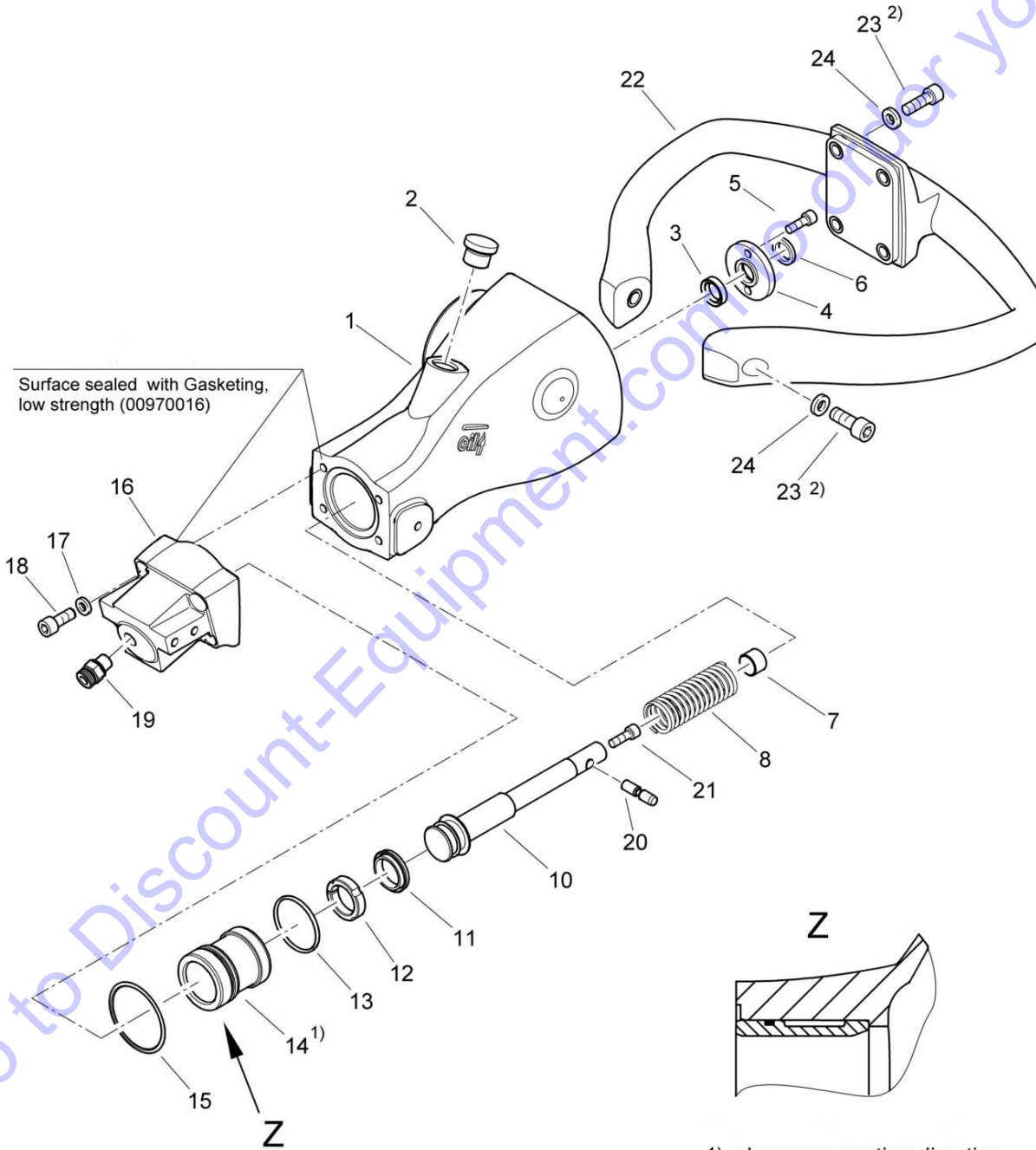
BPR 35/60 H		
S/N 101692951001 ▶		27.09
Throttle Control		Page 1 / 1
		
		69100045 1001 1


Pos.	Part no.	Qty.	Description
1	05561594	1	Throttle control
2	07320508	2	Countersunk screw
4	08510511	2	Washer
5	08240510	2	Domed cap nut

Go to Discount-Equipment.com to order your parts

	BPR 35/60 H	
27.14		S/N 101692951001 ▶
	Steering rod head	
Page 1 / 2		
BOMAG FAYAT GROUP	69110170_001_02	

2) Tightening torque 25 Nm

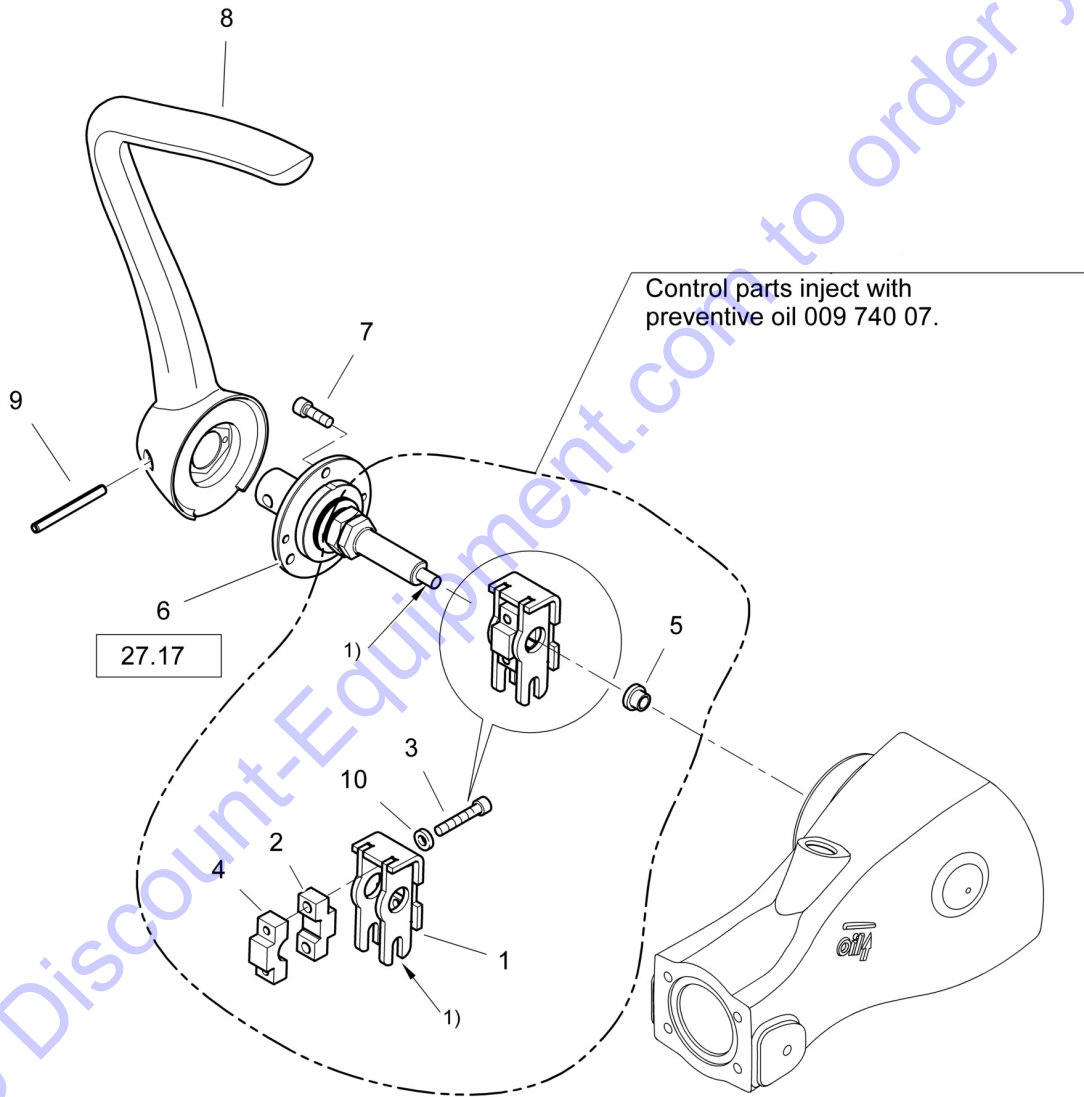


BPR 35/60 H	
S/N 101692951001 ▶	
Steering rod head	27.14
	Page 1 / 2
	
69110170 1001 1	


Pos.	Part no.	Qty.	Description
1	69110178	1	Housing
2	05546051	1	Screw plug with seal
3	06245060	1	Sealing ring
4	69110147	1	Sealing lid
5	07230605	2	Socket-head cap screw
6	05568996	1	Scraper
7	06283067	1	Bushing
8	05661358	1	Pressure spring
10	69110354	1	Piston rod
11	05802099	1	Piston seal
12	69110168	1	Guide bush
13	06220401	1	Loop ring
14	69110169	1	Bushing
15	06220530	1	Loop ring
16	69110363	1	Flange
17	08650817	4	Washer
18	07230822	4	Socket-head cap screw
19	05548022	1	Double-ended union
20	69110123	1	Bolt
21	69110122	1	Socket-head cap screw
22	69110164	1	Handle
23	07230822	6	Socket-head cap screw
24	08650817	6	Washer

Go to Discount-Equipment.com to order your parts

	BPR 35/60 H	S/N 101692951001 ▶
27.14	Steering rod head	
Page 2 / 2		
BOMAG FAYAT GROUP	69110170_002_05	



1) insert with grease 00996016

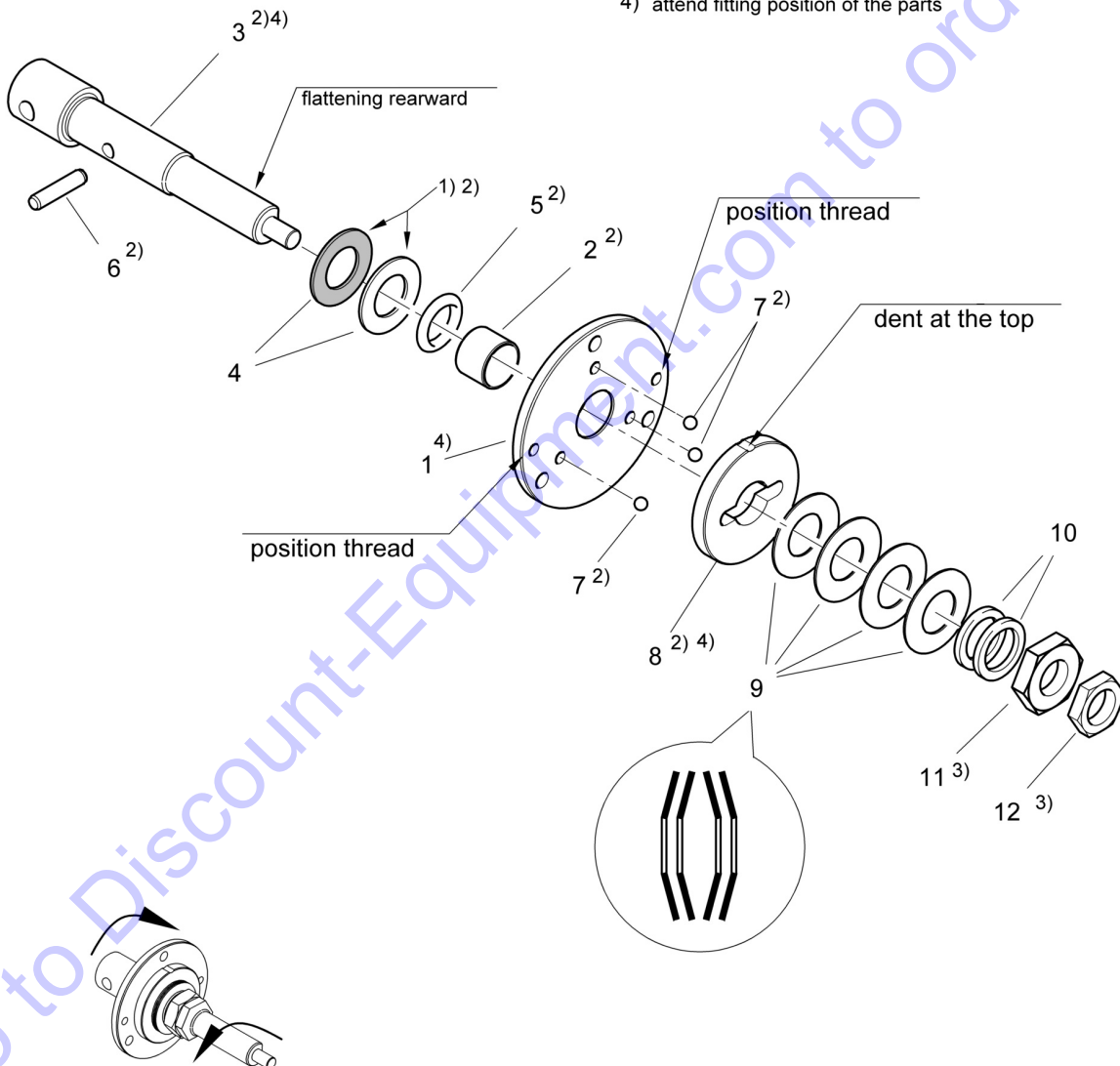
BPR 35/60 H	
S/N 101692951001 ▶	27.14
Steering rod head	Page 2 / 2
69110170 1001 1	


Pos.	Part no.	Qty.	Description
1	69110190	1	Lever
2	69110219	1	Driver
3	07230623	2	Socket-head cap screw
4	69110220	1	Driver
5	06282084	1	Bushing
6	69110222	1	Detent, assembled
7	07230613	3	Socket-head cap screw
8	69110188	1	Travel lever
9	09160817	1	Dowel pin
10	06270009	2	Wedge safety washer

Go to Discount-Equipment.com to order your parts

27.17**Detent, assembled**Page **1 / 1**


- 1) Sliding surface face together
- 2) insert with grease 00996016
- 3) tightend and lock the nuts to adjust the holding torque of the defend up to 25^{+3} Nm.
- 4) attend fitting position of the parts

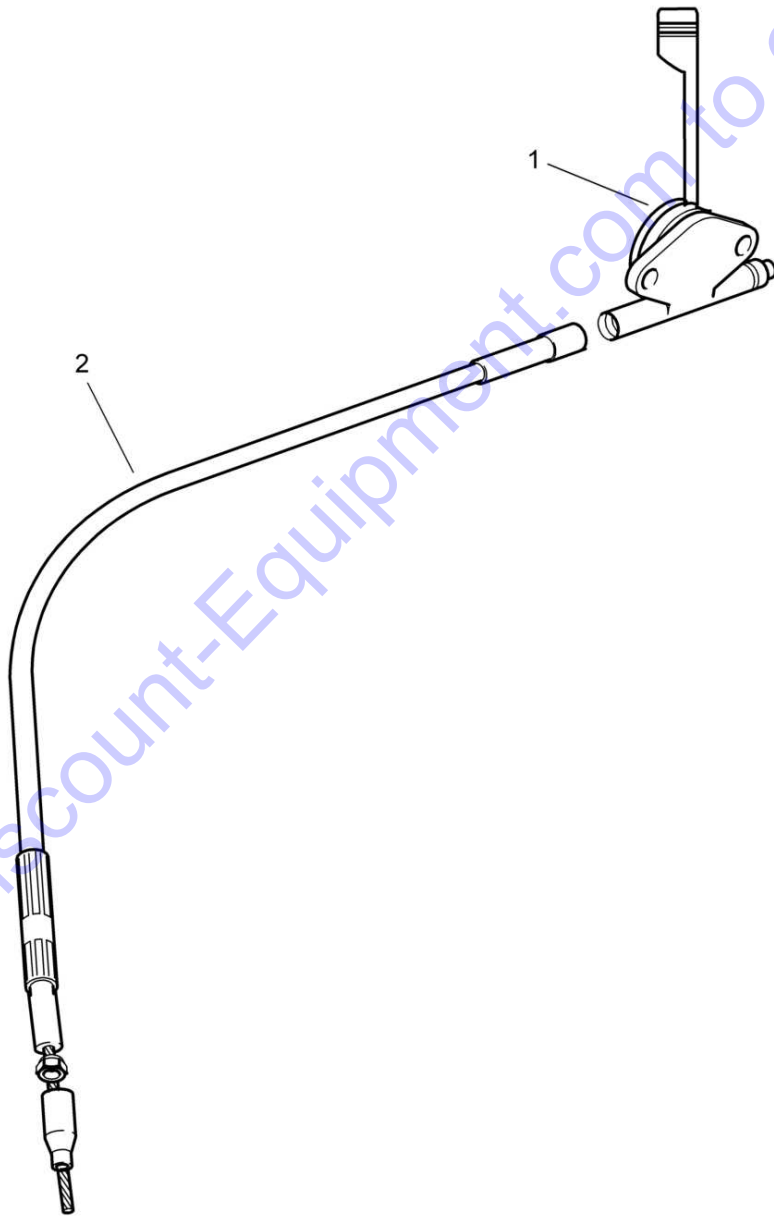
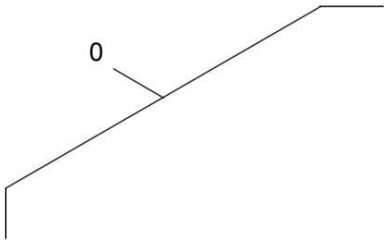


BPR 35/60 H	
S/N 101692951001 ▶	27.17
Detent, assembled	Page 1 / 1
69110222 1001 1	


Pos.	Part no.	Qty.	Description
1	69110186	1	Flange
2	06283093	1	Bushing
3	69110221	1	Control shaft
4	05586256	2	Stop disc
5	06220183	1	Loop ring
6	09126629	1	Pin,cylindric
7	05340050	3	Ball
8	69110199	1	Stop disc
9	09290350	4	Belleville spring
10	05520416	2	Supporting disc
11	08121815	1	Hexagon nut
12	05542918	1	Nut

Go to Discount-Equipment.com to order your parts

	BPR 35/60 H
29.08	S/N 101692951001 ▶
	Actuat. Cable Throttle Re.
Page 1 / 1	
 BOMAG FAYAT GROUP	EA002305_000_00



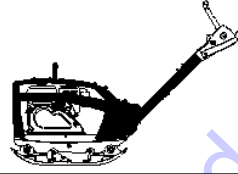
ea002305_000

BPR 35/60 H	
S/N 101692951001 ▶	
Actuat. Cable Throttle Re.	29.08
	Page 1 / 1
	EA002305 1001 E 

Pos.	Part no.	Qty.	Description
0	05561594	1	Throttle control
1	05566582	1	>Control box with lever
2	05561582	1	>Control

Go to Discount-Equipment.com to order your parts

Frame with Attachment Parts



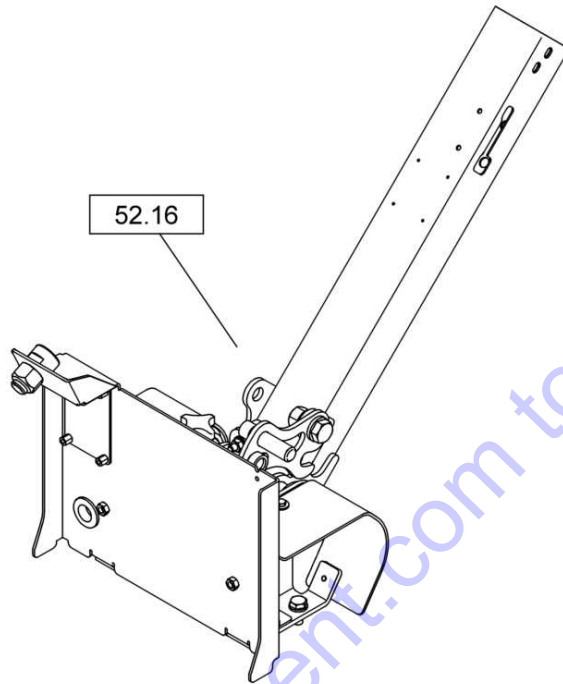
50

Go to Discount-Equipment.com to order your parts

50.00

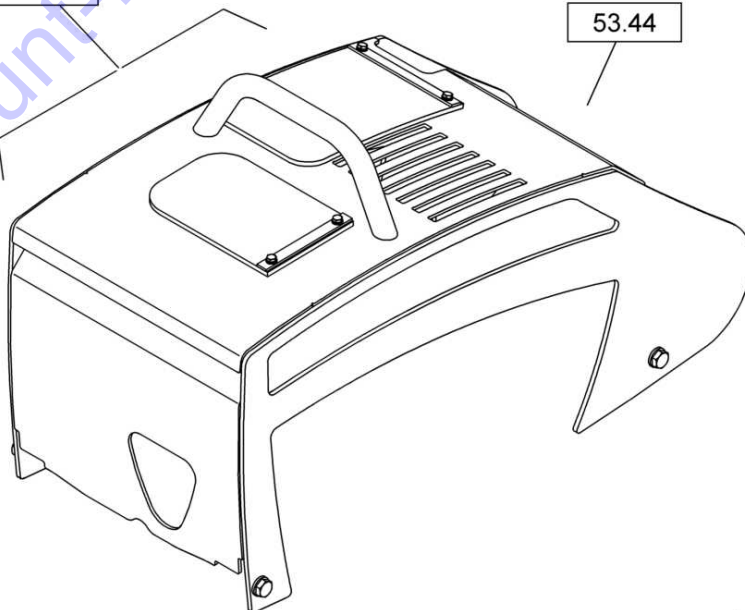
Frame with Attachment Parts


Page /



53.28

53.44



Frame with Attachment Parts	50.00
	Page /
	

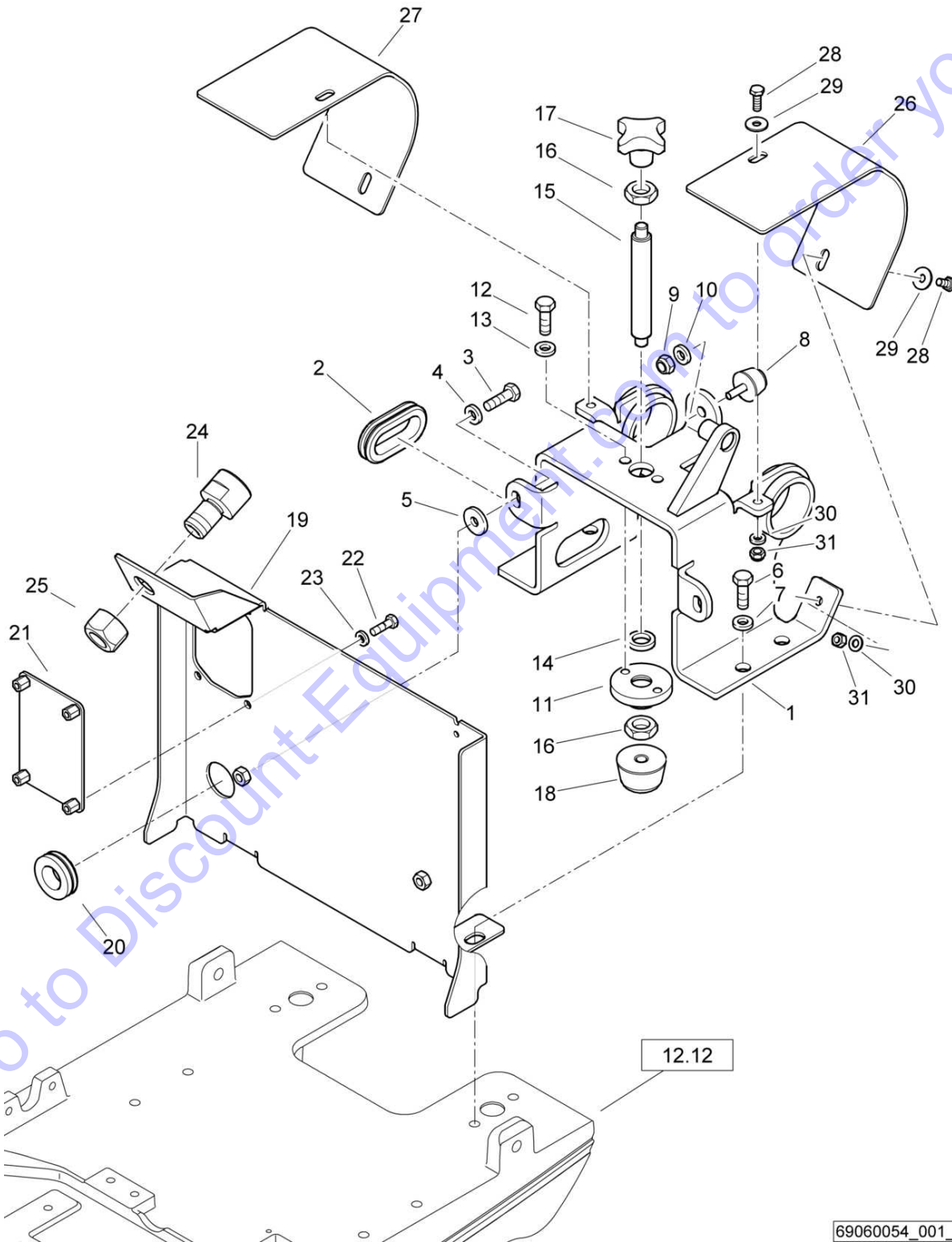
Pos. Description Benennung


52.16 Steering Handle
53.28 Protection hood
53.97 Single-point suspens.,assembled

Go to Discount-Equipment.com to order your parts

52.16

Steering Handle



BPR 35/60 H		
S/N 101692951001 ▶		52.16
Steering Handle		Page 1 / 2
	69060054 1001 1	

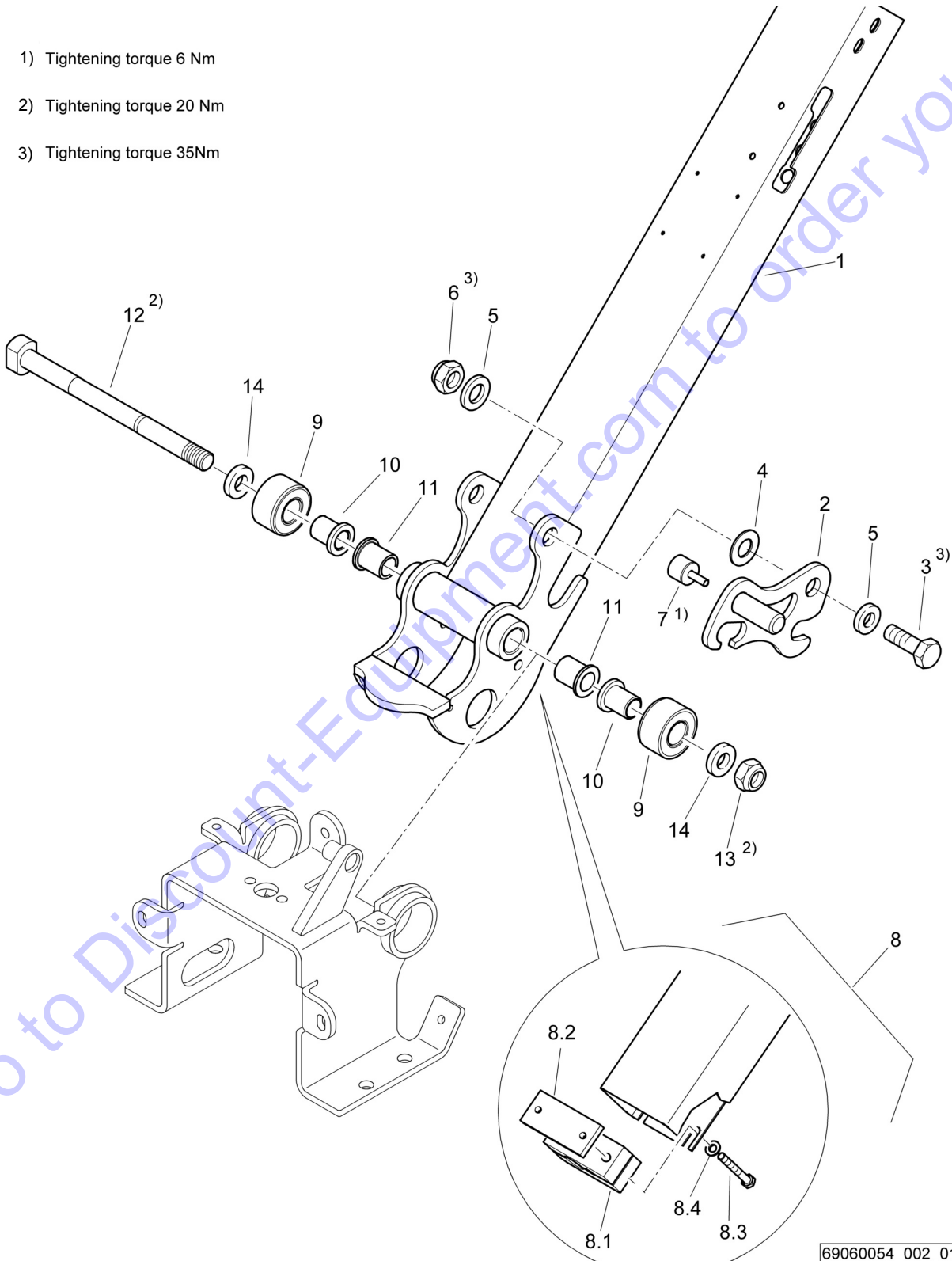
Pos.	Part no.	Qty.	Description
1	69060485	1	Console
2	58160116	1	Wall duct
3	07140824	2	Hexagon bolt
4	08510817	2	Washer
5	08621084	2	Washer
6	07141027	4	Hexagon bolt
7	08511021	4	Washer
8	06142915	1	Stop buffer
9	08110813	1	Hexagon nut
10	08752084	1	Spring washer
11	69440120	1	Seal
12	07140824	2	Hexagon bolt
13	08510817	2	Washer
14	68110147	1	Sealing ring
15	73060114	1	Threaded rod
16	08141620	2	Hexagon nut
17	06421265	1	Star knob
18	06147115	1	Stop buffer
19	69121033	1	Intermediate plate
20	05756064	1	Wall duct
21	69060273	1	Orifice
22	07140629	4	Hexagon bolt
23	08510612	4	Washer
24	69060156	1	Sleeve
25	08132026	1	Safety nut
26	69121019	1	Cover
27	69121020	1	Cover
28	07140633	4	Hexagon bolt
29	08621064	4	Washer
30	08510612	4	Washer
31	08130611	4	Safety nut

Go to Discount-Equipment.com to order your parts


52.16**Steering Handle**Page **2 / 2**

69060054_002_01

- 1) Tightening torque 6 Nm
- 2) Tightening torque 20 Nm
- 3) Tightening torque 35Nm

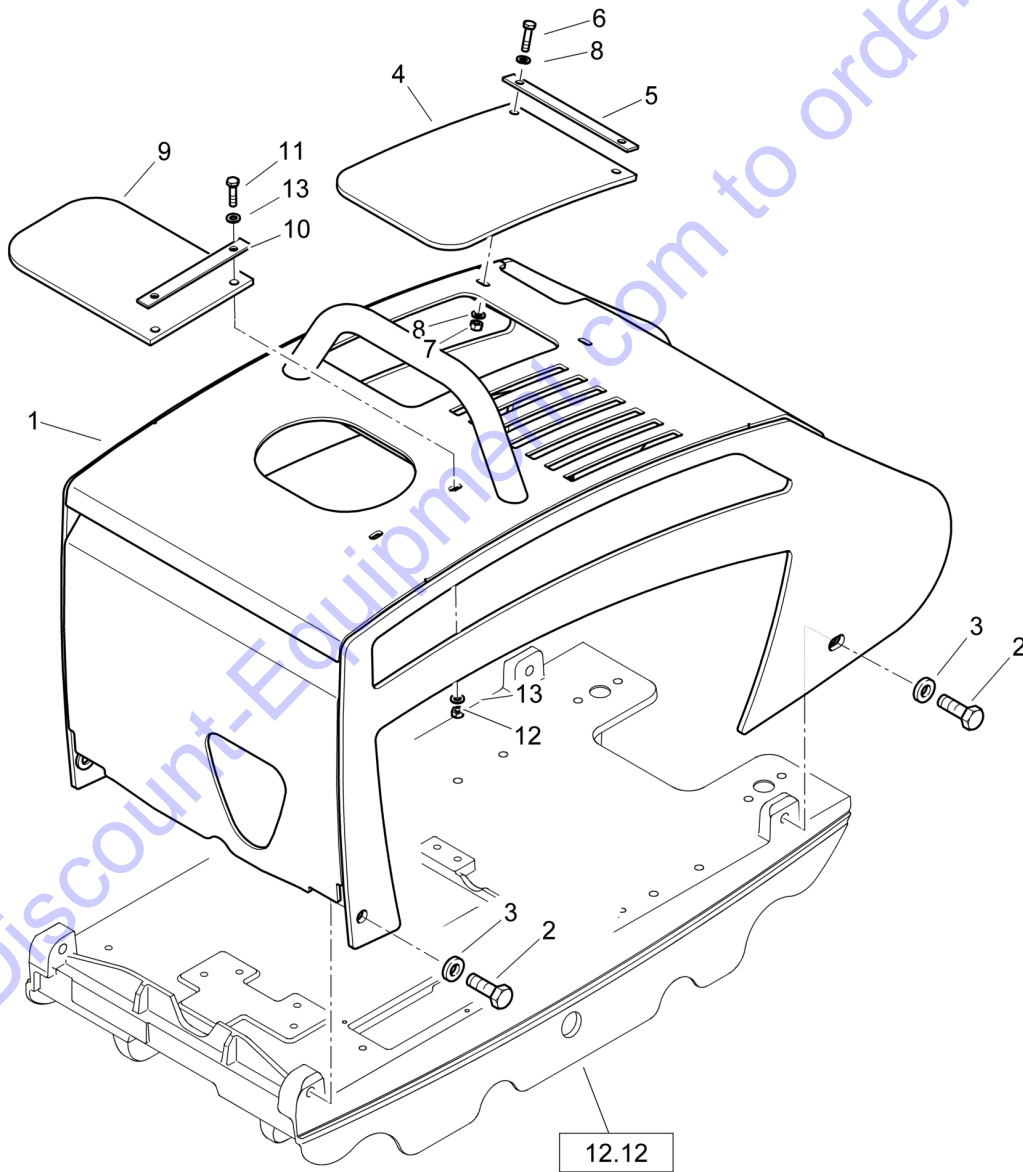



69060054_002_01

BPR 35/60 H		
S/N 101692951001 ▶		52.16
Steering Handle		Page 2 / 2
		
		69060054 1001 1

Pos.	Part no.	Qty.	Description
1	69060527	1	Steering handle
2	69060320	1	Lever
3	07141641	1	Hexagon bolt
4	09293152	1	Belleville spring
5	08511730	2	Washer
6	08131621	1	Safety nut
7	06140985	1	Stop buffer
8	69060460	1	Holder,assembled
8.1	69060206	1	Pillow block
8.2	69060147	1	Flat steel
8.3	07140665	2	Hexagon bolt
8.4	08510612	2	Washer
9	06151711	2	Rubber bush
10	22040106	2	Bushing
11	06282087	2	Bushing
12	69060443	1	Threaded bolt
13	08131621	1	Safety nut
14	08511730	2	Washer

Go to Discount-Equipment.com to order your parts



BPR 35/60 H		
S/N 101692951001 ▶		
Protection hood		53.28
		Page 1 / 1
	69120056 1001 1	

Pos. Part no. Qty. Description

1	69121009	1	Hood
2	07141231	4	Hexagon bolt
3	08511323	4	Washer
4	69120778	1	Cover plate
5	69120440	1	Strip steel
6	07140641	2	Hexagon bolt
7	08130611	2	Safety nut
8	08510612	4	Washer
9	69120853	1	Cover plate
10	69120353	1	Strip steel
11	07140641	2	Hexagon bolt
12	08130611	2	Safety nut
13	08510612	4	Washer

Go to Discount-Equipment.com to order your parts

BPR 35/60 H

S/N 101692951001 ▶

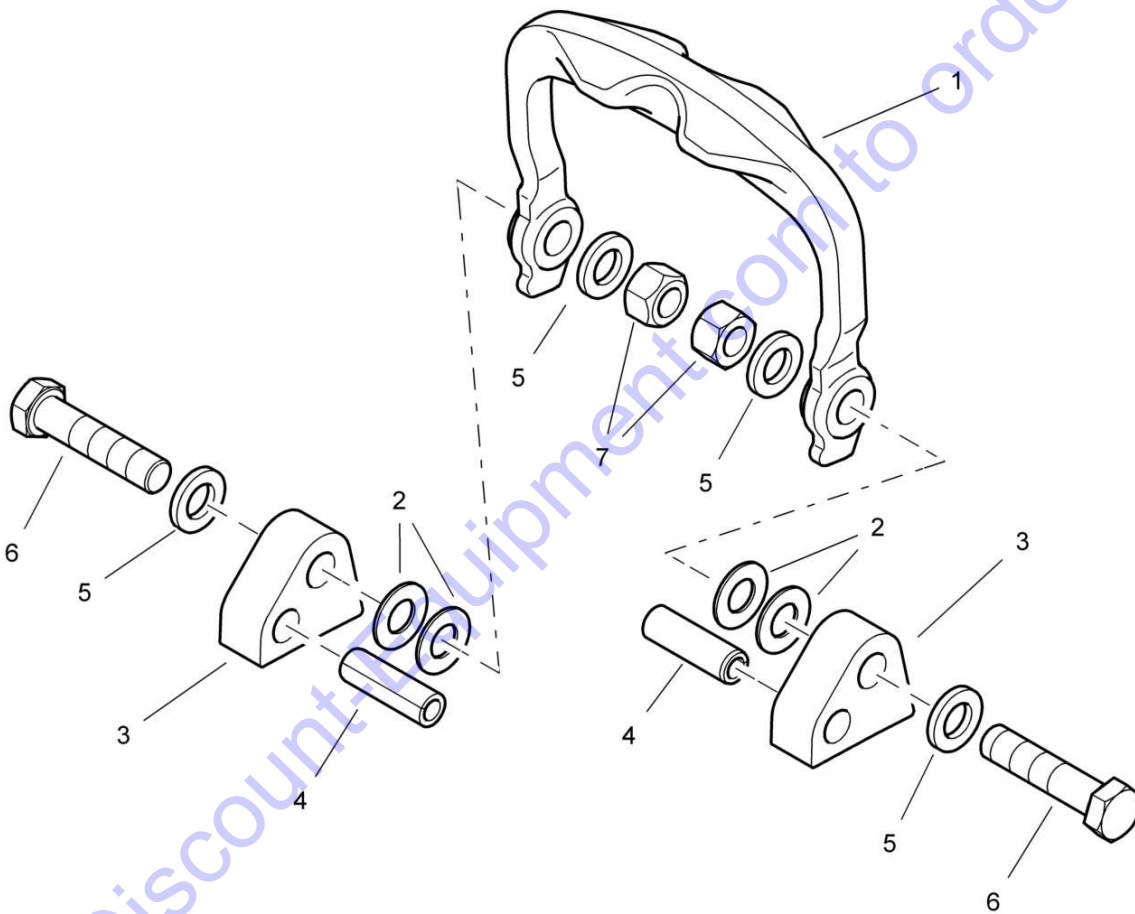
53.97

Single-point suspension, assembled


Page **1 / 1**



69120833_000_00



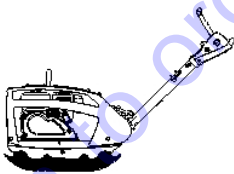
69120833_000_00

BPR 35/60 H	
S/N 101692951001 ▶	
Single-point suspension, assembled	53.97
	Page 1 / 1
	
69120833 1001 1	

Pos.	Part no.	Qty.	Description
1	69120568	1	Single-point-lifting-dev.
2	09293152	4	Belleville spring
3	69120138	2	Holder
4	09151615	2	Dowel pin
5	08511730	4	Washer
6	07131624	2	Hexagon bolt
7	08131621	2	Safety nut

Go to Discount-Equipment.com to order your parts

Plate / Foot



65

Go to Discount-Equipment.com to order your parts

65.00

Plate / Foot

Page /

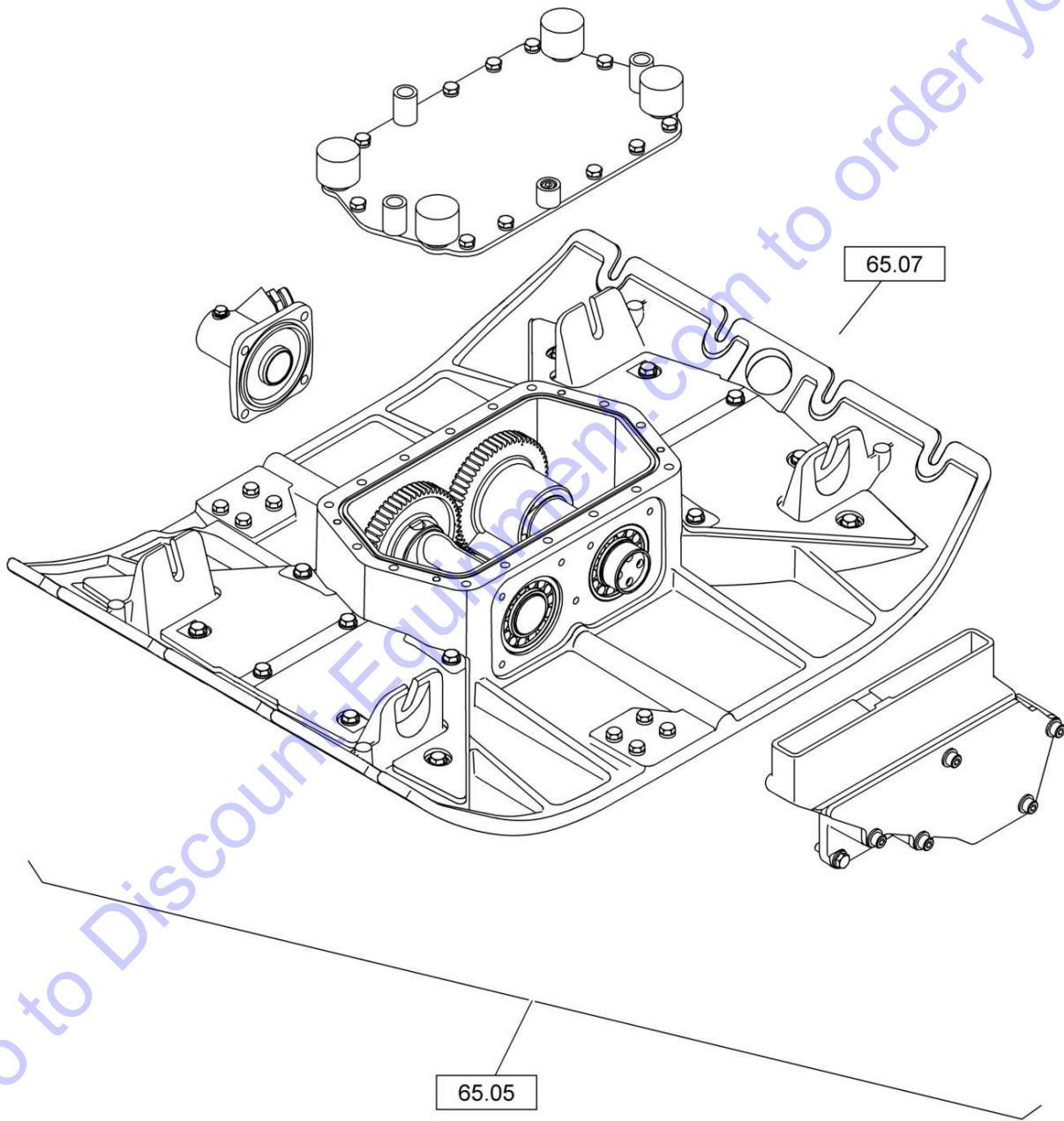



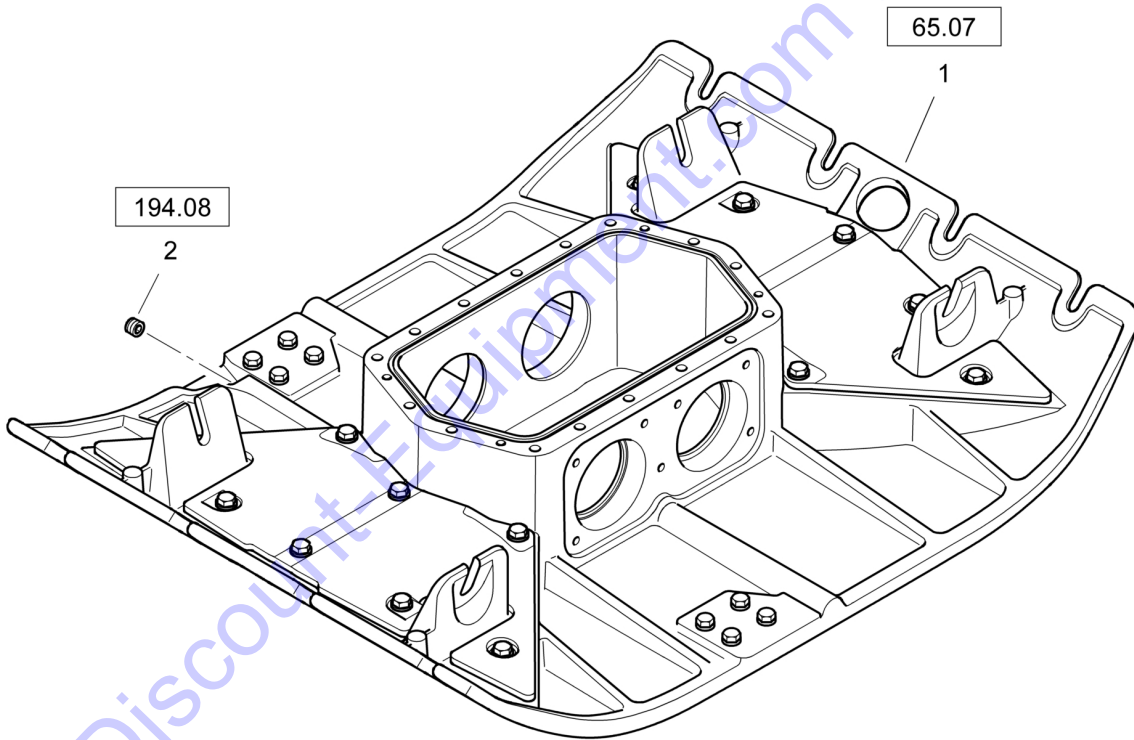
Plate / Foot	65.00
	Page /
	


Pos. Description

- 65.05 Base Plate
- 65.07 Base plate,assembled

Go to Discount-Equipment.com to order your parts

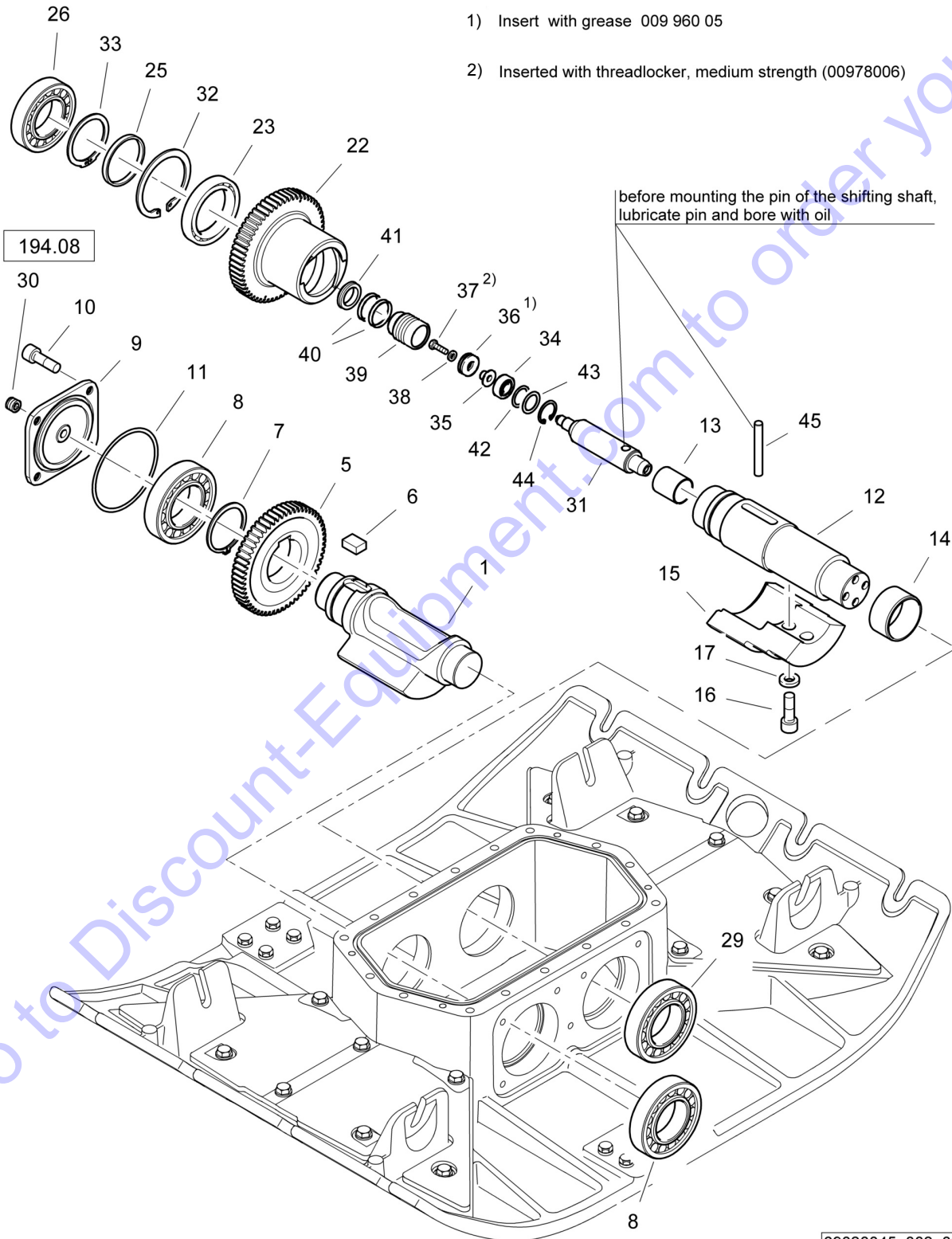
	BPR 35/60 H
65.05	S/N 101692951001 ▶
	Base Plate
Page 1 / 3	
BOMAG FAYAT GROUP	69020045_001_02




BPR 35/60 H	
S/N 101692951001 ▶	
Base Plate	65.05
	Page 1 / 3
	 BOMAG FAYAT GROUP
69020045 1001 1	

Pos.	Part no.	Qty.	Description
1	69020834	1	Base plate,assembled
2	07611215	1	Screw plug

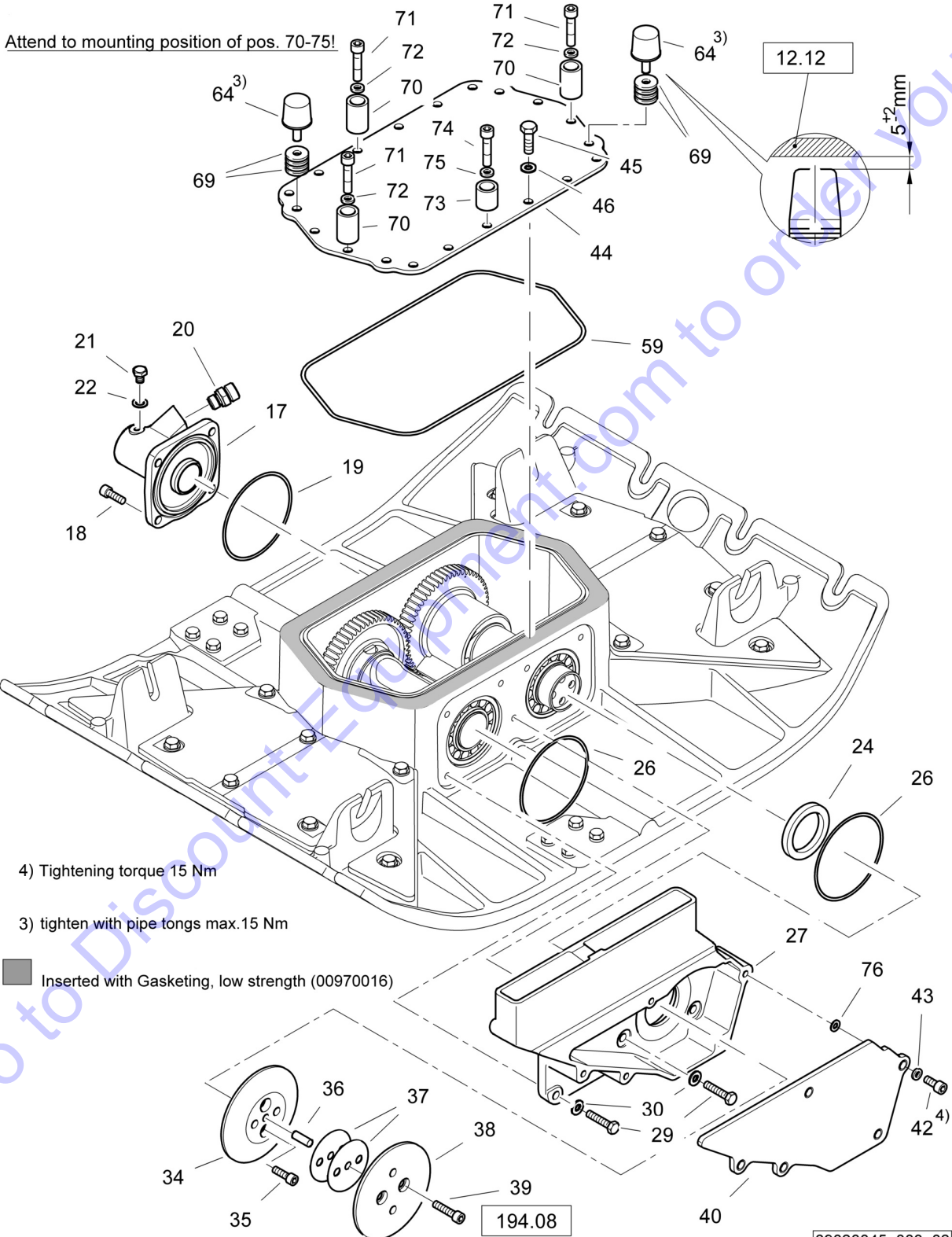
Go to Discount-Equipment.com to order your parts




BPR 35/60 H		
S/N 101692951001 ▶		
Base Plate		65.05
		Page 2 / 3
	69020045 1001 1	

Pos.	Part no.	Qty.	Description
1	69020674	1	Exciter shaft
5	69020753	1	Gear wheel
6	09182820	1	Fitting key
7	09213000	1	Circlip,external
8	05222264	2	Cylinder roller bearing
9	69020384	1	Cover
10	07230806	4	Socket-head cap screw
11	06220803	1	Loop ring
12	69020746	1	Exciter shaft
13	06283104	1	Bushing
14	05428122	1	Inner ring
15	69020670	1	Eccentric weight
16	07231211	2	Socket-head cap screw
17	69210174	2	Washer
22	69020672	1	Gear wheel
23	05114030	1	Ball bearing,grooved
25	69020747	1	Bushing
26	05222263	1	Cylinder roller bearing
29	05222264	1	Cylinder roller bearing
30	07611010	1	Screw plug
31	69020707	1	Control shaft
32	09223700	1	Circlip,internal
33	09213000	1	Circlip,external
34	05113700	1	Ball bearing,grooved
35	68110170	1	Bushing
36	05151010	1	Axial ball bearing
37	07140532	1	Hexagon bolt
38	08510511	1	Washer
39	69020727	1	Piston
40	06245052	2	Guiding band
41	06245051	1	Piston seal
42	08602603	1	Spring washer
43	05520510	1	Shim
44	09221130	1	Circlip,internal
45	69020802	1	Pin,cylindric

Go to DiscountEquipment.com to order your parts



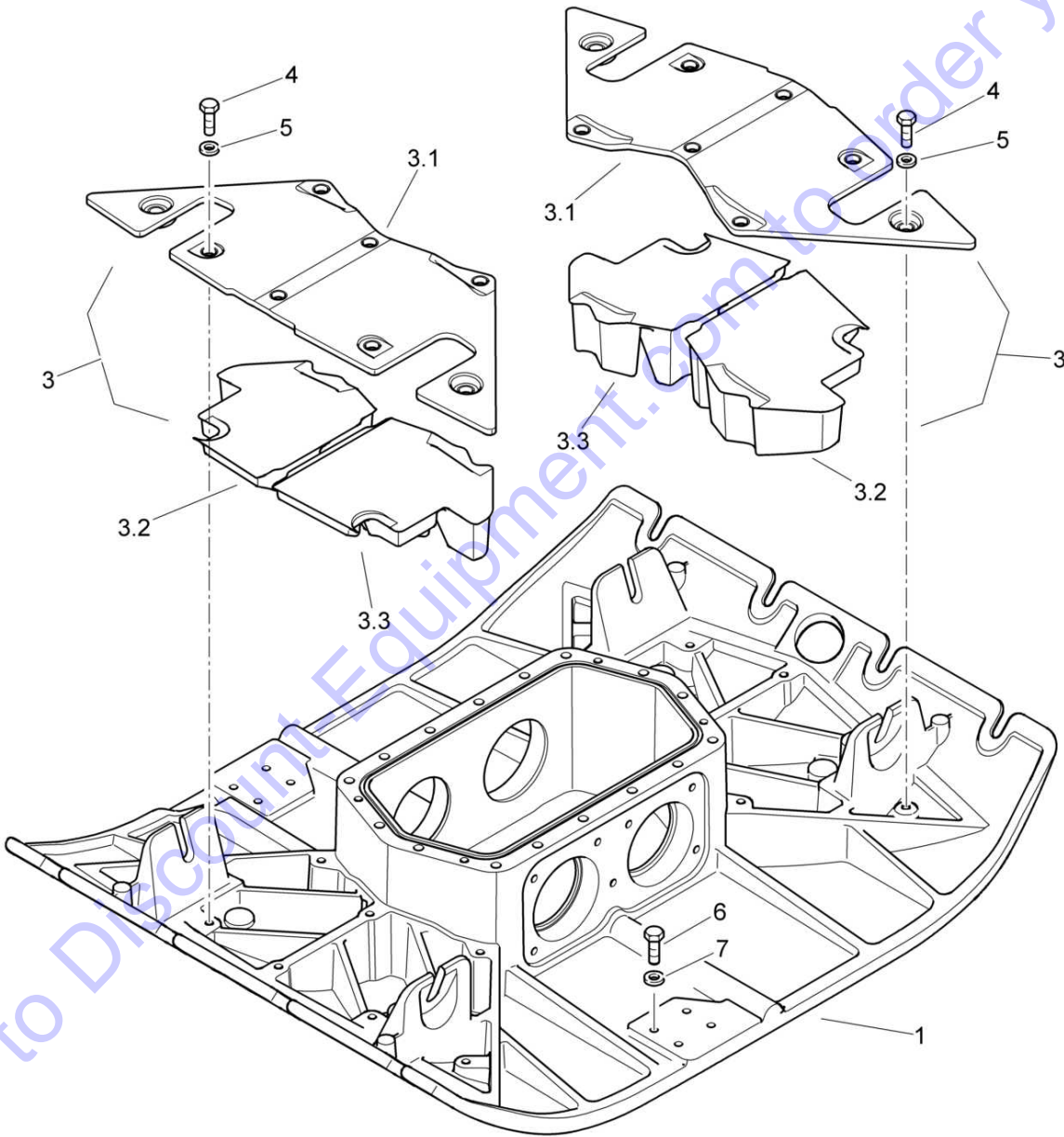
BPR 35/60 H	
S/N 101692951001 ▶	65.05
Base Plate	Page 3 / 3
	
69020045 1001 1	


Pos.	Part no.	Qty.	Description
17	69020367	1	Cylinder
18	07230811	4	Socket-head cap screw
19	06220852	1	Loop ring
20	05548036	1	Double-ended union
21	07140608	1	Hexagon bolt
22	06210610	1	U-seal
24	09312809	1	Radial seal
26	06220803	2	Loop ring
27	69020733	1	V-belt guard
29	07140842	7	Hexagon bolt
30	08510817	7	Washer
34	69020479	1	V-belt pulley
35	07230827	2	Socket-head cap screw
36	09120862	1	Pin,cylindric
37	69020304	2	Shim
38	69020480	1	V-belt pulley
39	07230834	2	Socket-head cap screw
40	69020732	1	Cover
42	07230811	5	Socket-head cap screw
43	08752084	5	Spring washer
44	69020253	1	Housing cover
45	07140842	12	Hexagon bolt
46	06270011	12	Wedge safety washer
59	06222657	1	Loop ring
64	06143712	4	Stop buffer
69	08621084	16	Washer
70	69020718	3	Stop
71	07230831	3	Socket-head cap screw
72	06270011	3	Wedge safety washer
73	69020719	1	Stop
74	07230831	1	Socket-head cap screw
75	06270011	1	Wedge safety washer
76	08665000	5	Stop disc

Go to Discount-Equipment.com to order your parts

65.07

Base plate, assembled



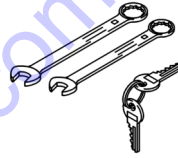
BPR 35/60 H	
S/N 101692951001 ▶	
Base plate, assembled	65.07
	Page 1 / 1
	
69020834 1001 1	

Pos. Part no. Qty. Description

1	69020812	1	Base plate
3	69020685	2	Hood, cover
3.1	69020686	1	Cover plate
3.2	69020681	1	Foam
3.3	69020682	1	Foam
4	07140824	16	Hexagon bolt
5	08621084	16	Washer
6	07140814	8	Hexagon bolt
7	08510817	8	Washer

Go to Discount-Equipment.com to order your parts

Accessories



100

Go to Discount-Equipment.com to order your parts

100.00

Accessories


Page /



101.03



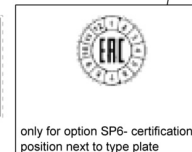
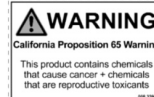
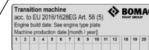
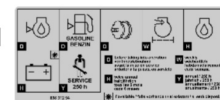
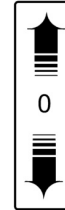
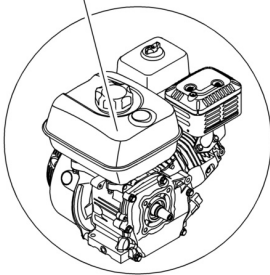
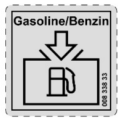
69200056_100_00

Accessories	100.00
	Page /
	

Pos. Description


101.03 Decals

Go to Discount-Equipment.com to order your parts



BPR35/60

inside hood

BPR 35/60 H		
S/N 101692951030 ▶		
Decals		101.03
		Page 1 / 1
	69080095 1001 1	

Pos.	Part no.	Qty.	Description
1	00831294	1	Decal,maintenance instr.
2	00830766	1	Decal,operation
3	00833279	2	Type designation
4	00832675	1	Decal,operation
5	00830085	1	Decal,operation
6	00831919	1	Decal
7	00831902	2	Decal
8	00832654	1	Decal,indication
9	00833833	1	Decal,indication
11	00832900	1	Decal,indication
12	00832901	1	Decal,indication
13	00833653	1	Decal,indication
14	00833968	1	Warning sign

Go to Discount-Equipment.com to order your parts

BPR 35/60 H

S/N 101692951001 ▶ S/N 101692951029

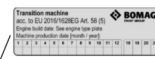
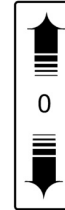
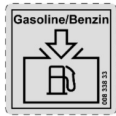
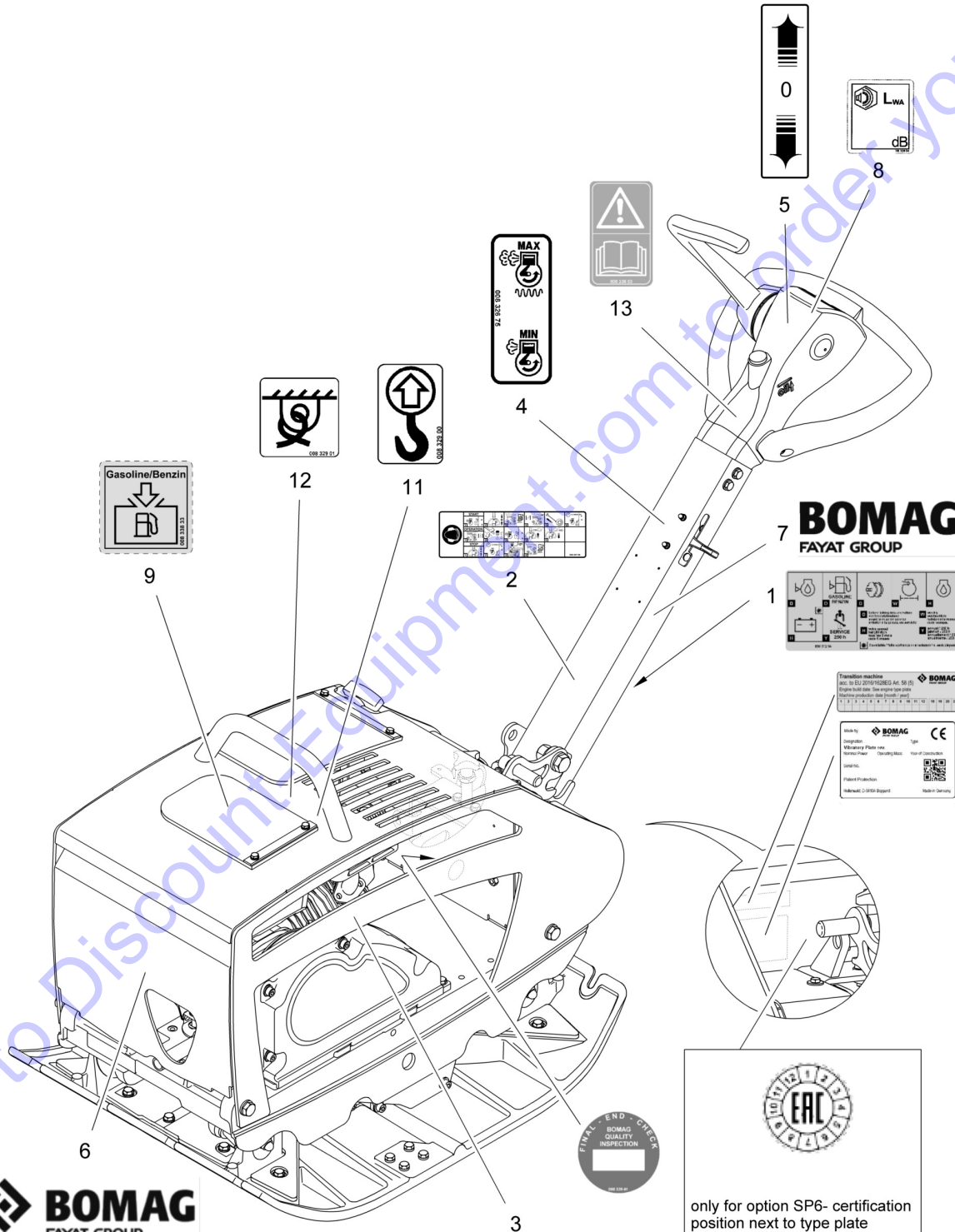
101.03

Decals

Page 1 / 1



69080095_000_00




only for option SP6- certification position next to type plate



BPR35 / 60!!!

69080095_000_00

BPR 35/60 H		
S/N 101692951001 ▶ S/N 101692951029		
Decals		101.03
		Page 1 / 1
	69080095 1001 1	

Pos.	Part no.	Qty.	Description
1	00831294	1	Decal,maintenance instr.
2	00830766	1	Decal,operation
3	00833279	2	Type designation
4	00832675	1	Decal,operation
5	00830085	1	Decal,operation
6	00831919	1	Decal
7	00831902	2	Decal
8	00832654	1	Decal,indication
9	00833833	1	Decal,indication
11	00832900	1	Decal,indication
12	00832901	1	Decal,indication
13	00833653	1	Decal,indication

Go to Discount-Equipment.com to order your parts

Special Equipment

Option

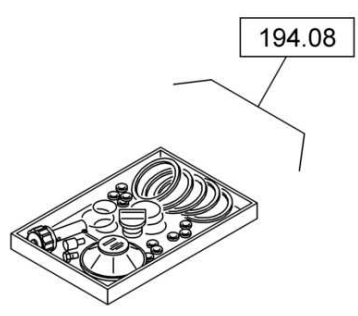
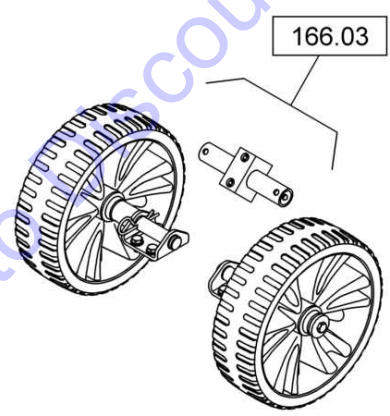
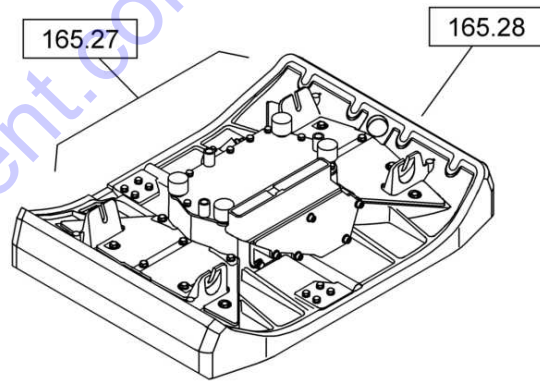
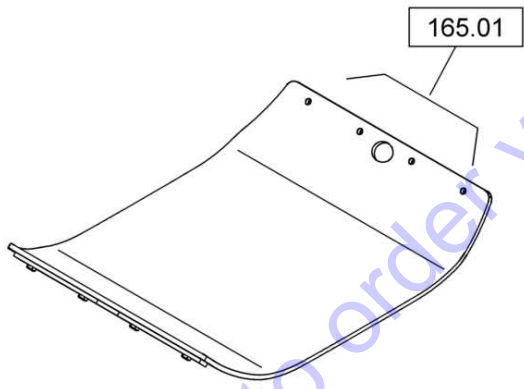
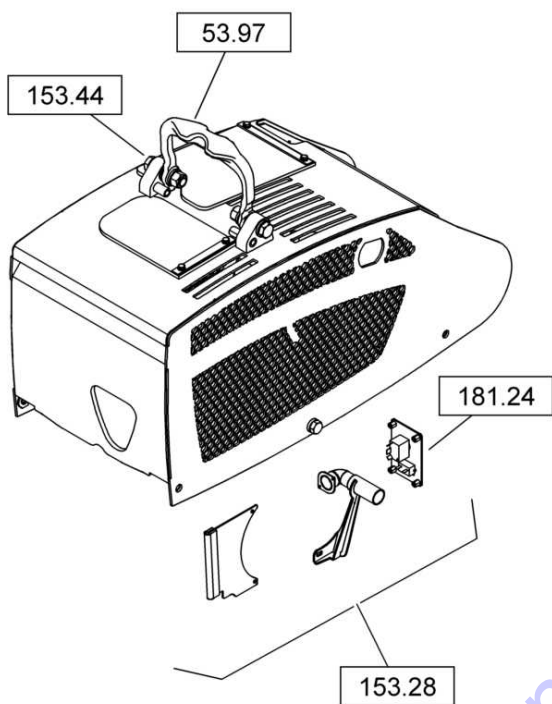
110

Go to Discount-Equipment.com to order your parts

110.00

Special Equipment

Page /



Special Equipment

110.00


Page /

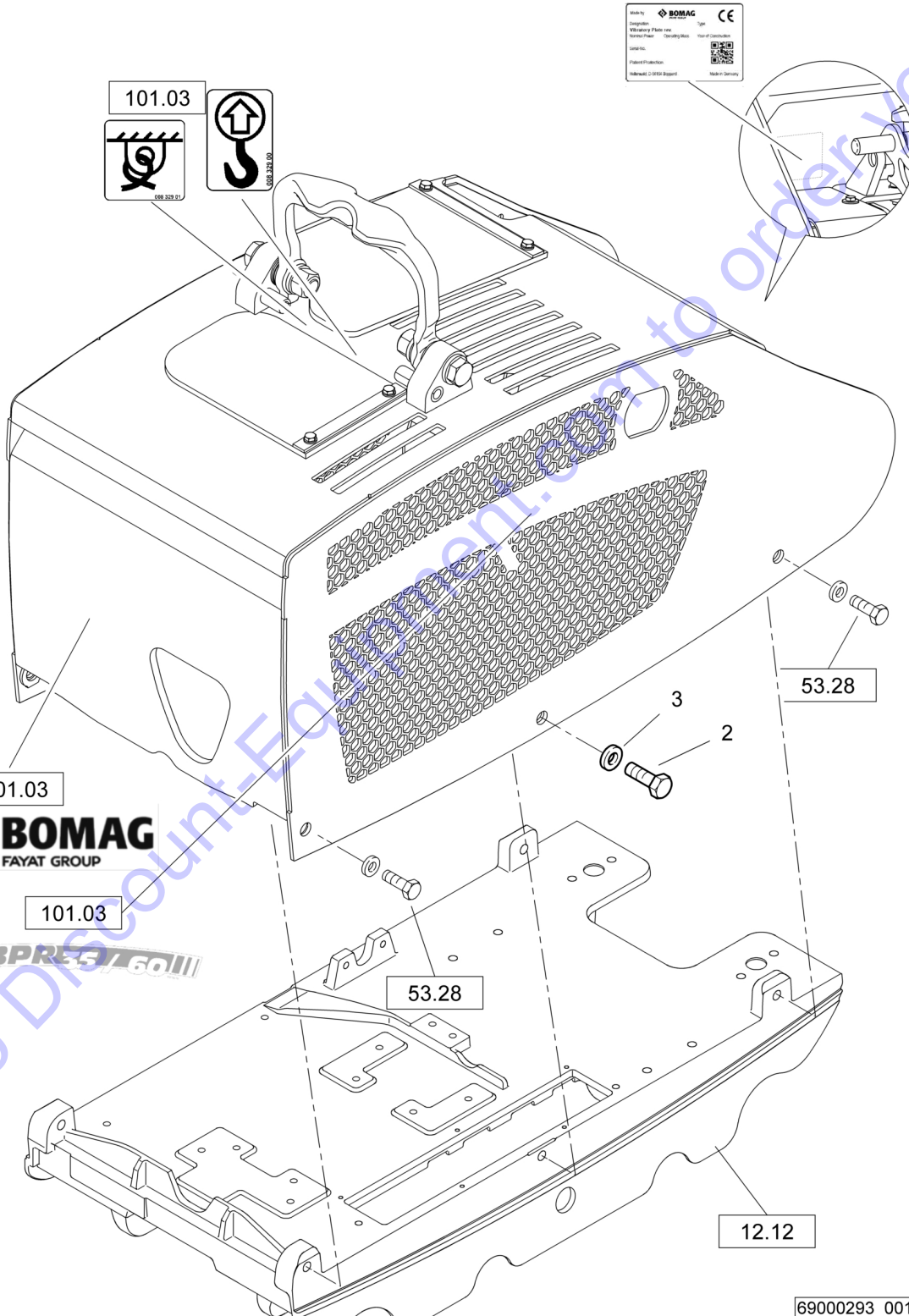



Pos. Description

- 153.28 AD1-Protection hood
- 154.90 Base plate,assembled
- 165.01 X5-Synthetic plate
- 165.27 X28-Paving plate
- 165.28 Base plate
- 166.03 T94-Transport wheels,failsave
- 181.24 Central electric, assembled
- 182.04 AZ4-Operating hourmeter
- 194.08 SW10-Service kit

Go to Discount-Equipment.com to order your parts

	BPR 35/60 H	S/N 101692951001 ▶
153.28	AD1-Protection hood	
Page 1 / 3		
 BOMAG FAYAT GROUP	69000293_001_01	



BPR 35/60 H	
S/N 101692951001 ▶	
AD1-Protection hood	153.28
	Page 1 / 3
	
69000293 1001 1	

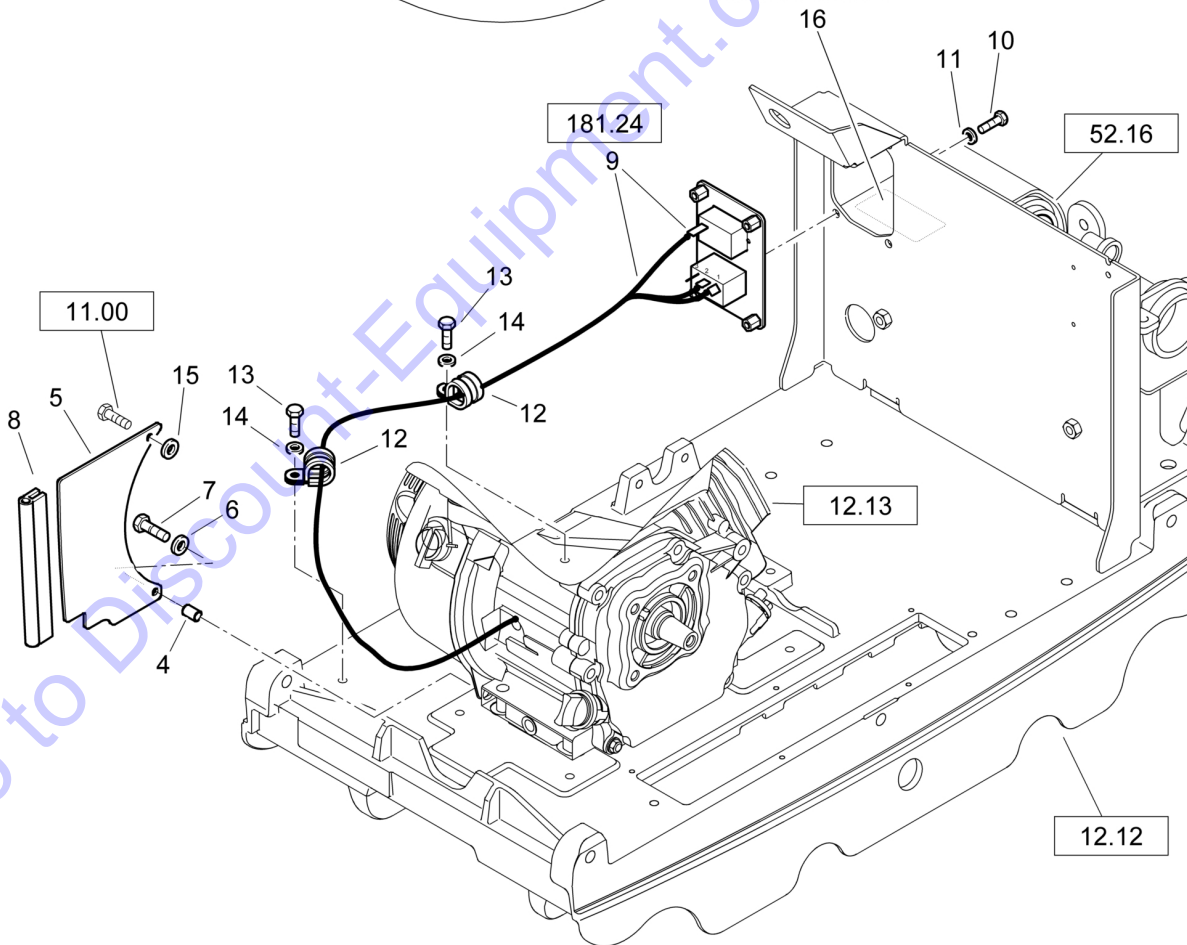
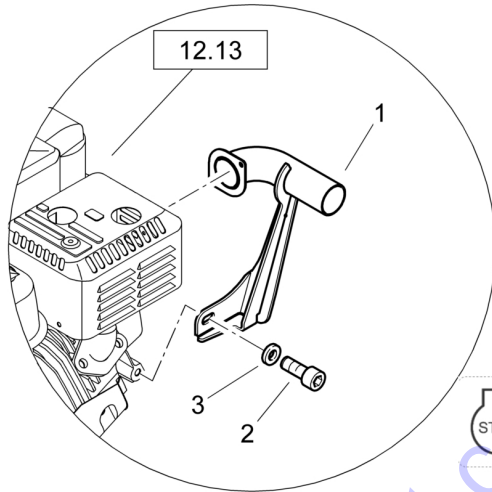
Pos. Part no. Qty. Description


2	07141220	2	Hexagon bolt
3	08511323	2	Washer

Go to Discount-Equipment.com to order your parts

153.28

AD1-Protection hood



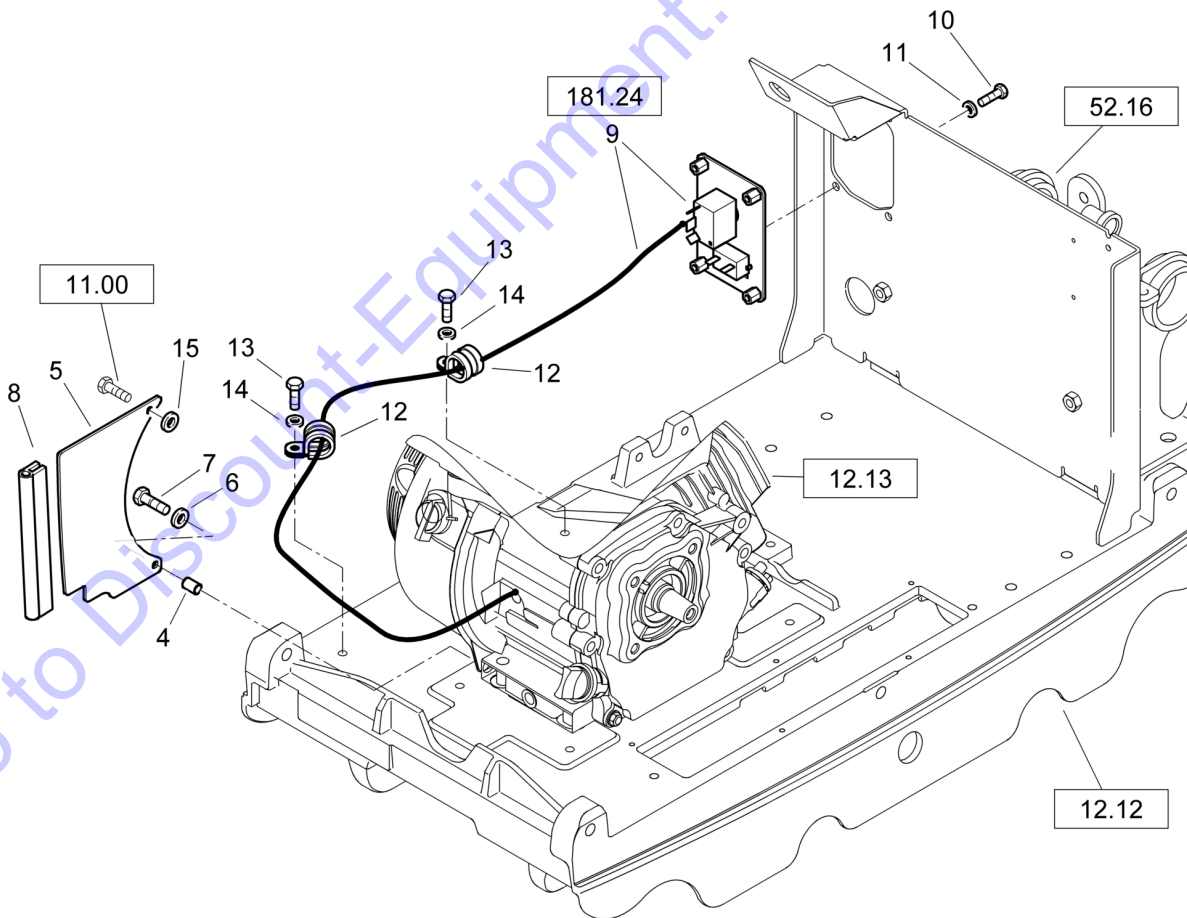
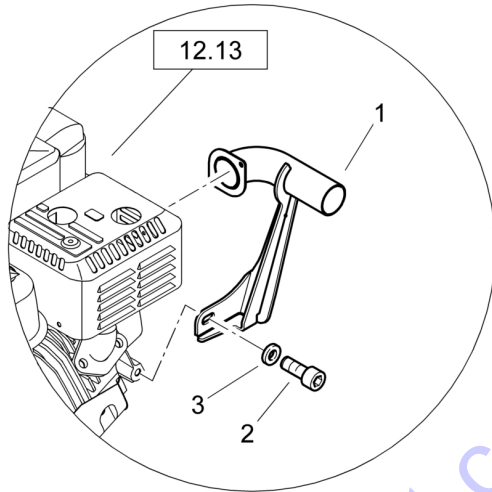
BPR 35/60 H	
S/N 101692951052 ▶	
AD1-Protection hood	153.28
	Page 2 / 3
69000293 1001 1	


Pos.	Part no.	Qty.	Description
1	69040450	1	Exhaust
2	07230605	1	Socket-head cap screw
3	08590617	1	Washer
4	82040409	1	Tube
5	69120519	1	Baffle
6	08510612	1	Washer
7	07140649	1	Hexagon bolt
8	00652060	1,60 dm	Sealing section
9	69070308	1	Central electric, assembled
10	07140629	4	Hexagon bolt
11	08510612	4	Washer
12	05551910	2	Tube clamp
13	07140818	2	Hexagon bolt
14	08510817	2	Washer
15	08590617	1	Washer
16	00833854	1	Decal,operation

Go to Discount-Equipment.com to order your parts

153.28

AD1-Protection hood



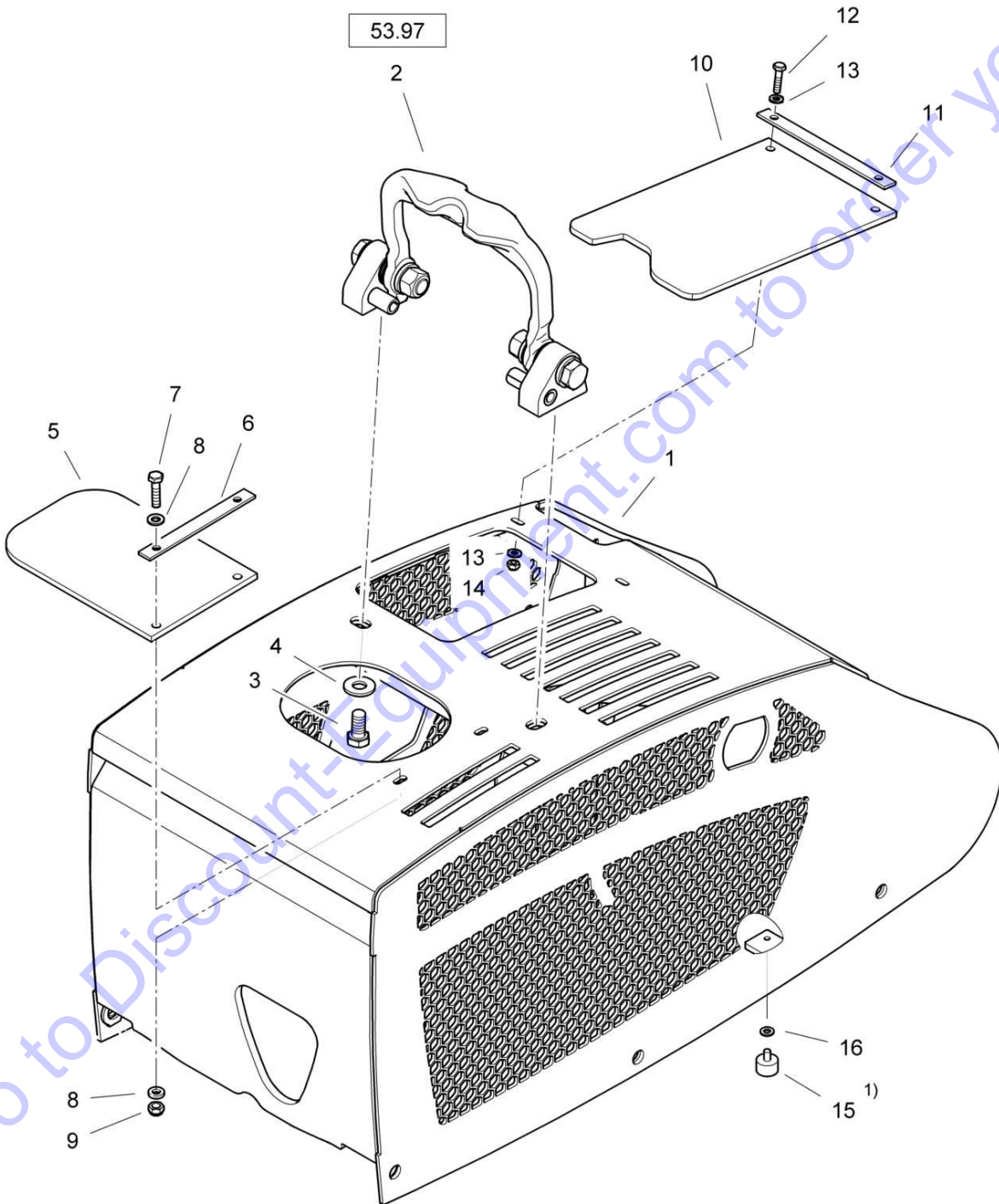
BPR 35/60 H	
S/N 101692951001 ▶ S/N 101692951051	
AD1-Protection hood	153.28
	Page 2 / 3
69000293 1001 1	

Pos.	Part no.	Qty.	Description
1	69040450	1	Exhaust
2	07230605	1	Socket-head cap screw
3	08590617	1	Washer
4	82040409	1	Tube
5	69120519	1	Baffle
6	08510612	1	Washer
7	07140649	1	Hexagon bolt
8	00652060	1,60 dm	Sealing section
9	69070274	1	Central electric, assembled
10	07140629	4	Hexagon bolt
11	08510612	4	Washer
12	05551910	2	Tube clamp
13	07140818	2	Hexagon bolt
14	08510817	2	Washer
15	08590617	1	Washer


Go to Discount-Equipment.com to order your parts

153.28

AD1-Protection hood



1) Tightening torque 6 Nm

BPR 35/60 H	
S/N 101692951001 ▶	
AD1-Protection hood	153.28
	Page 3 / 3
69000293 1001 1	

Pos.	Part no.	Qty.	Description	Benennung
1	69120892	1	Hood	
2	69120833	1	Single-point suspension, assembled	
3	07141224	2	Hexagon bolt	
4	08752130	2	Spring washer	
5	69120853	1	Cover plate	
6	69120353	1	Strip steel	
7	07140641	2	Hexagon bolt	
8	08510612	4	Washer	
9	08130611	2	Safety nut	
10	69120854	1	Cover plate	
11	69120440	1	Strip steel	
12	07140641	2	Hexagon bolt	
13	08510612	4	Washer	
14	08130611	2	Safety nut	
15	06140945	1	Stop buffer	
16	08510612	1	Washer	

Go to Discount-Equipment.com to order your parts

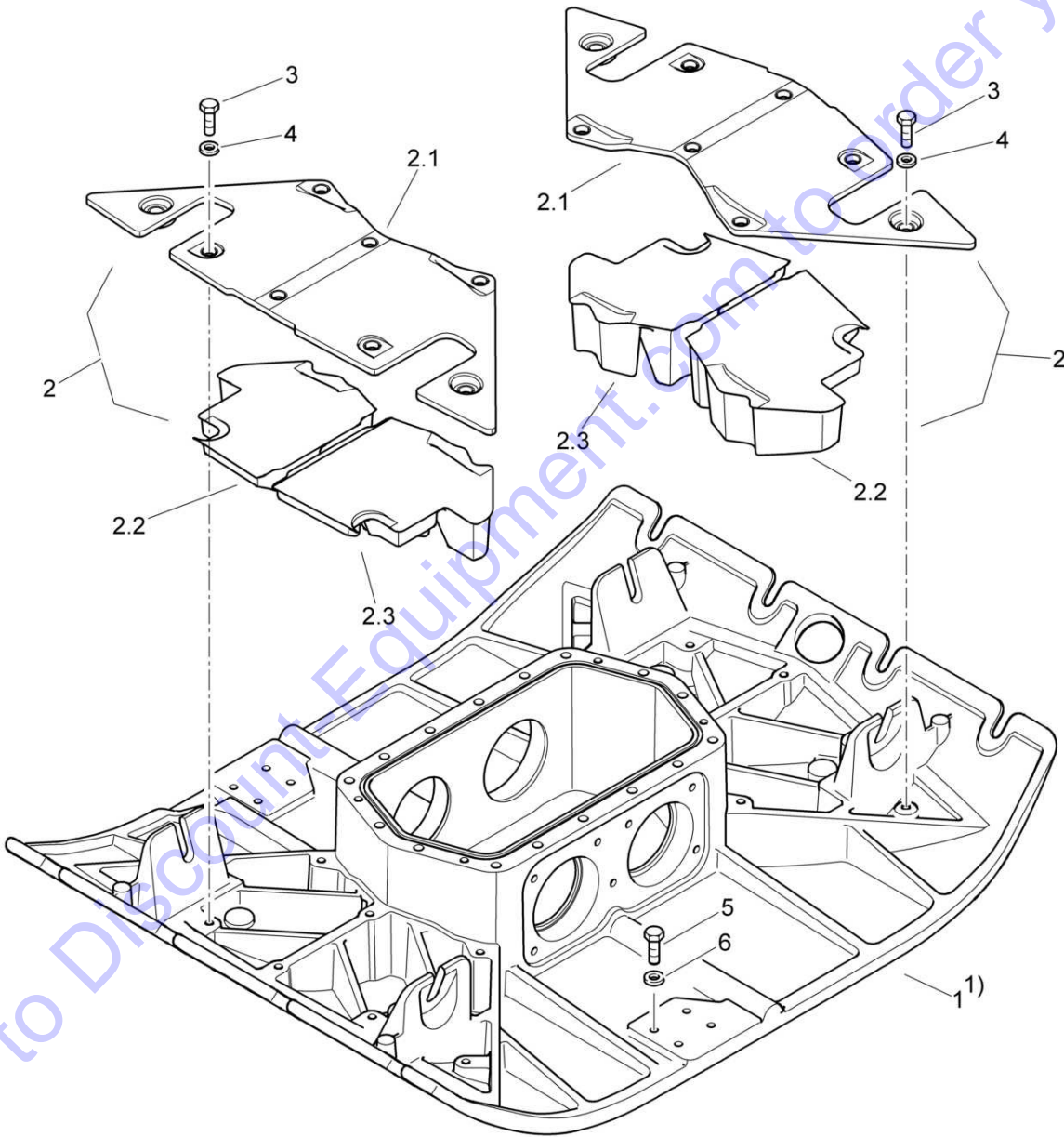
154.90

Base plate, ssembled


Page **1 / 1**
Seite



69003230_000_00



1) Special colour part

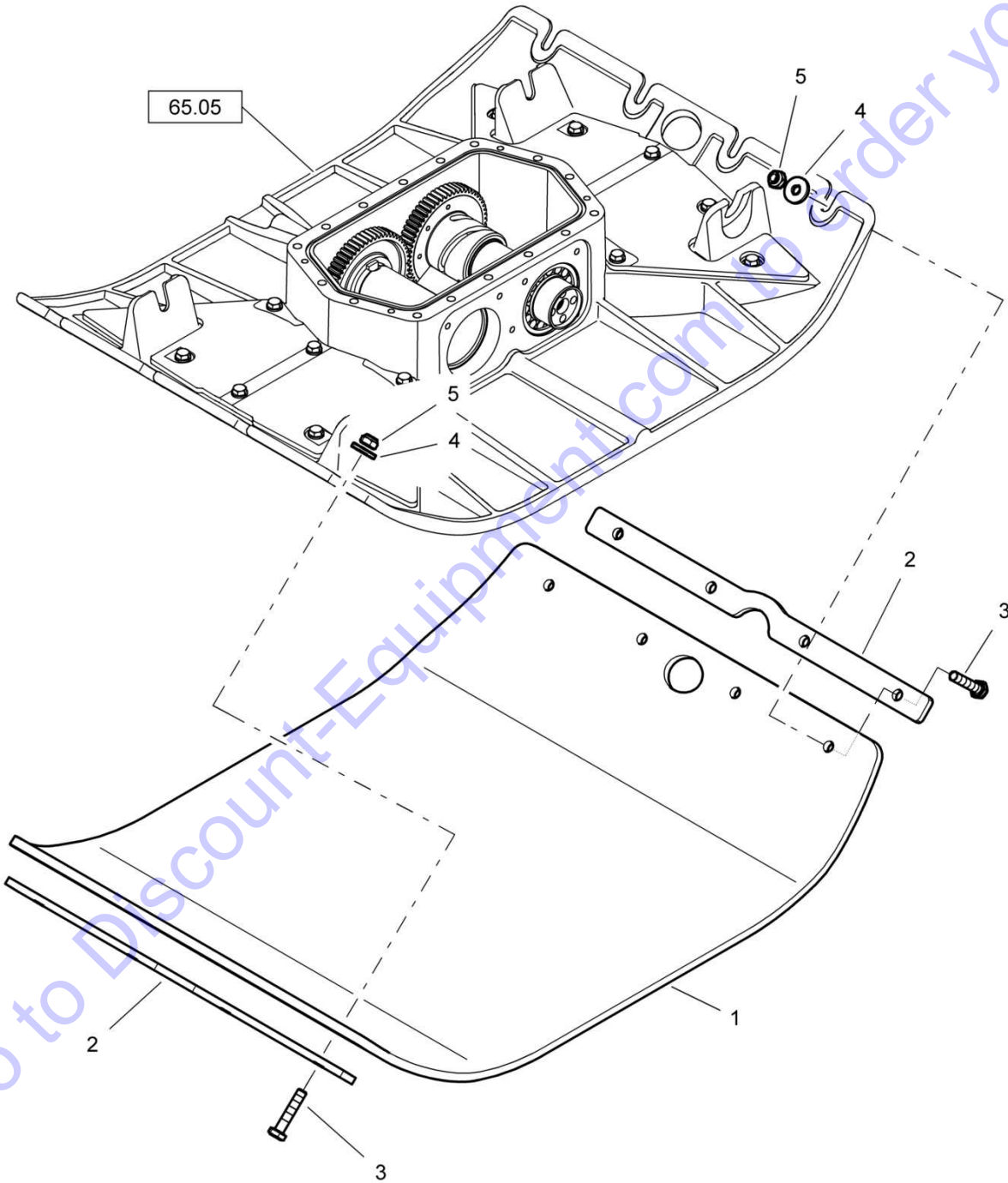
BPR 35/60 H		
S/N 101692951001 ▶		
Base plate, assembled		154.90
		Page 1 / 1
	69003230 1001 1	

Pos. Part no. Qty. Description


1	69003207	1	Base plate
2	69020685	2	Hood, cover
2.1	69020686	1	Cover plate
2.2	69020681	1	Foam
2.3	69020682	1	Foam
3	07140824	16	Hexagon bolt
4	08621084	16	Washer
5	07140814	8	Hexagon bolt
6	08510817	8	Washer

Go to Discount-Equipment.com to order your parts

	BPR 35/60 H
165.01	S/N 101692951001 ▶
	X5-Synthetic plate
Page 1 / 1	
BOMAG FAYAT GROUP	69002124_000_02




69002124_000_02

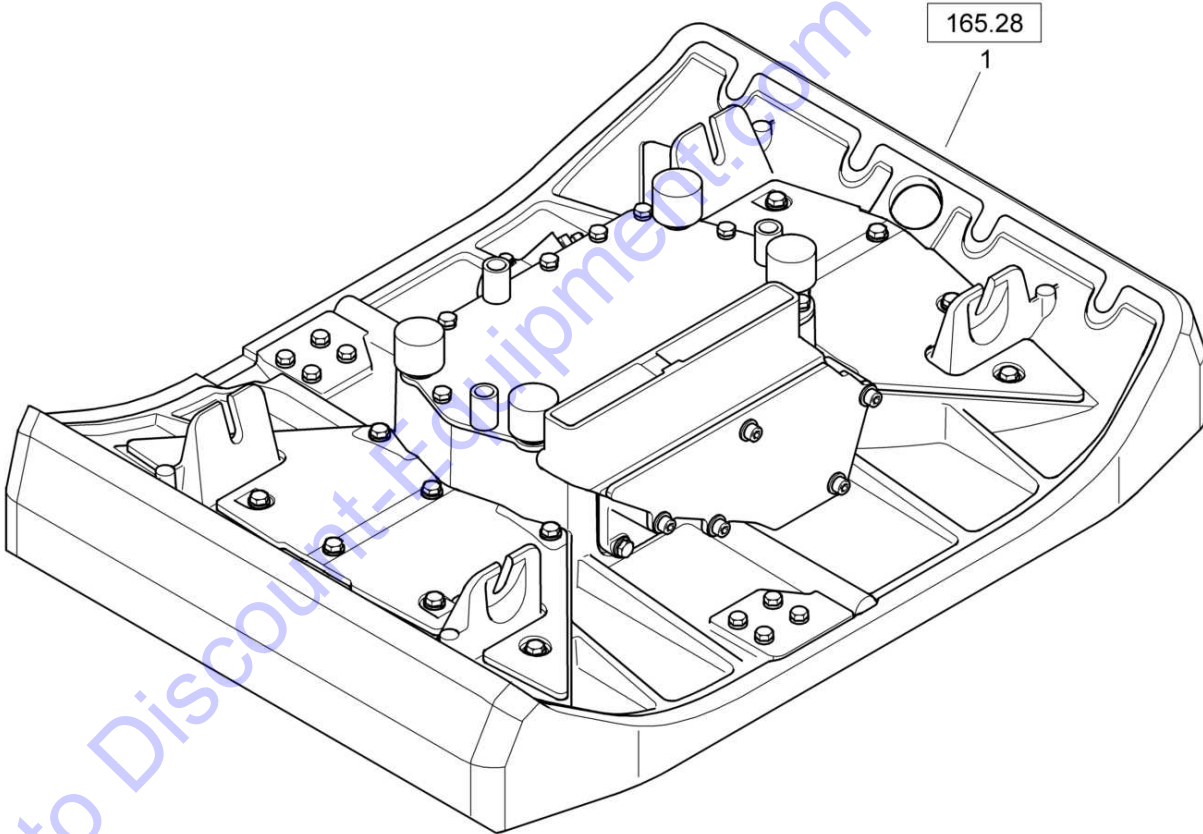
BPR 35/60 H	
S/N 101692951001 ▶	
X5-Synthetic plate	165.01
	Page 1 / 1
	 BOMAG FAYAT GROUP
69002124 1001 1	


Pos.	Part no.	Qty.	Description
------	----------	------	-------------

0	69002124	1	X5-Synthetic plate
1	69003194	1	Plastic plate
2	69003152	2	Ridge
3	07141044	8	Hexagon bolt
4	08501028	8	Washer
5	08131016	8	Safety nut

Go to Discount-Equipment.com to order your parts

	BPR 35/60 H	S/N 101692951001 ▶
165.27	X28-Paving plate	
Page 1 / 1		
 BOMAG FAYAT GROUP		69200401_000_00



BPR 35/60 H	
S/N 101692951001 ▶	
X28-Paving plate	165.27
	Page 1 / 1
	
69200401 1001 1	

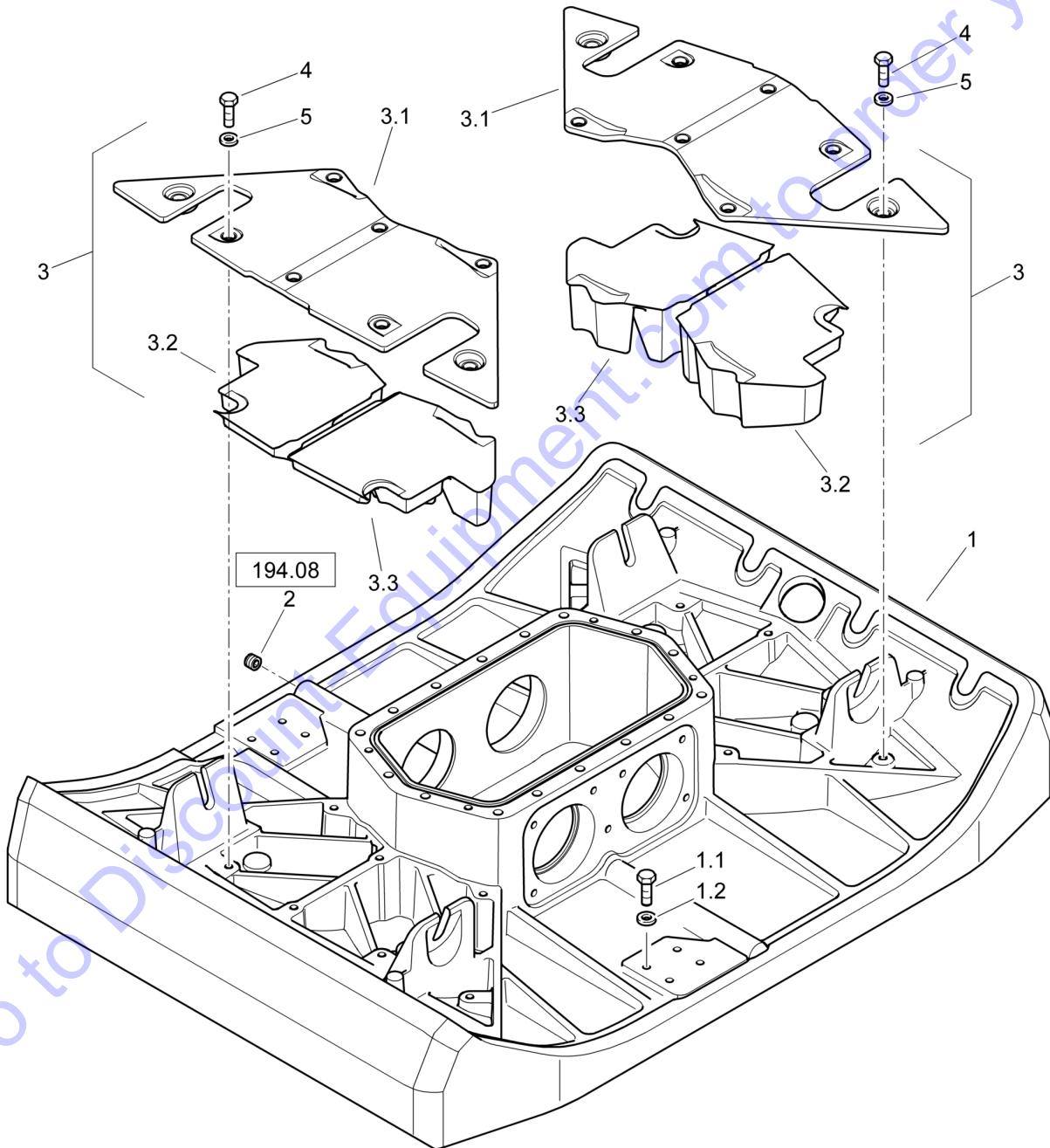
Pos. Part no. Qty. Description


1 69203101 1 Base plate

Go to Discount-Equipment.com to order your parts

165.28

Base plate



BPR 35/60 H	
S/N 101692951001 ▶	
Base plate	165.28
	Page 1 / 3
	
69203101 1001 1	

Pos. Part no. Qty. Description

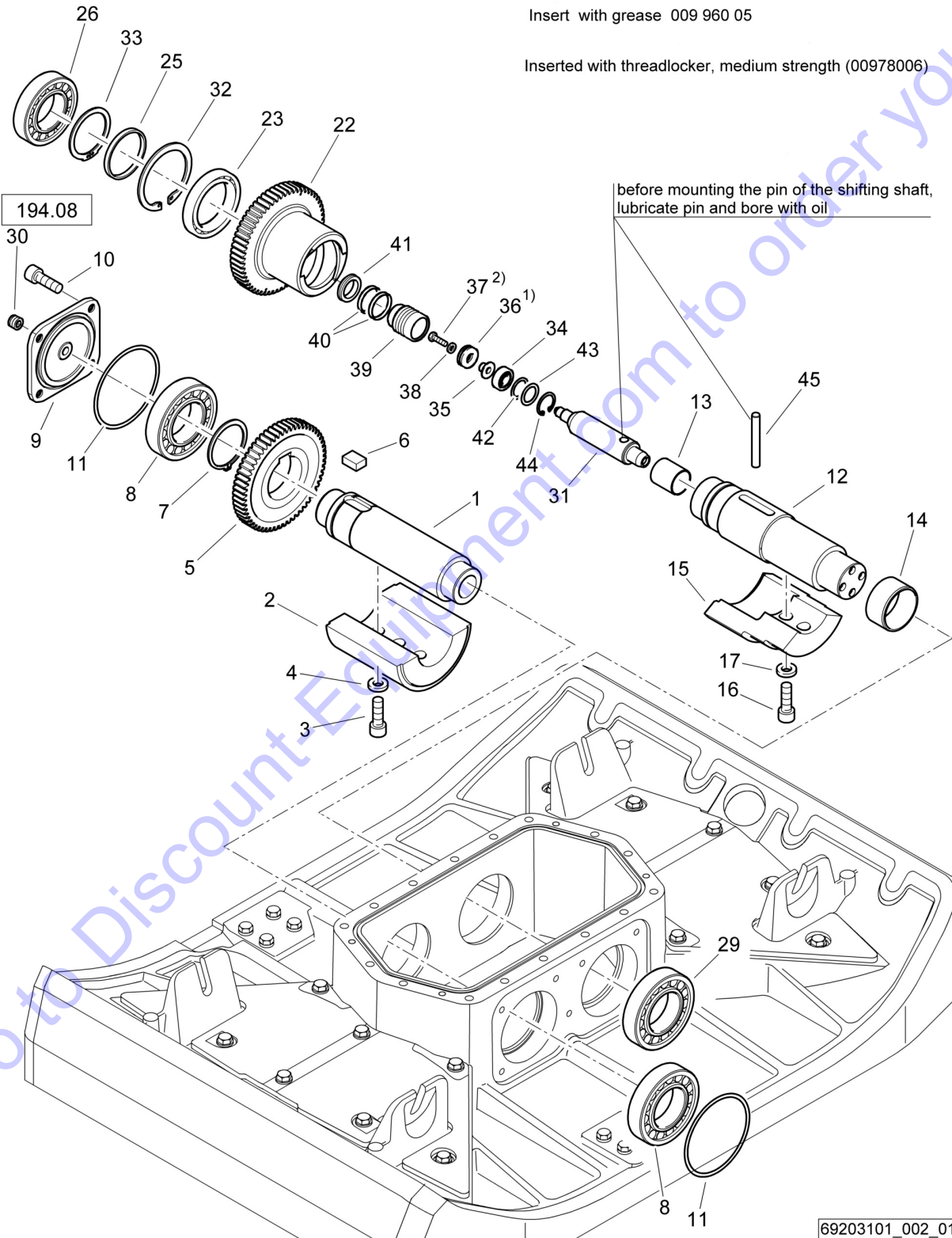
1	69203127	1	Plastic plate
1.1	07140814	8	Hexagon bolt
1.2	08510817	8	Washer
2	07611215	1	Screw plug
3	69020685	2	Hood, cover
3.1	69020686	1	Cover plate
3.2	69020681	1	Foam
3.3	69020682	1	Foam
4	07140824	16	Hexagon bolt
5	08621084	16	Washer


Go to Discount-Equipment.com to order your parts

Insert with grease 009 960 05

Inserted with threadlocker, medium strength (00978006)

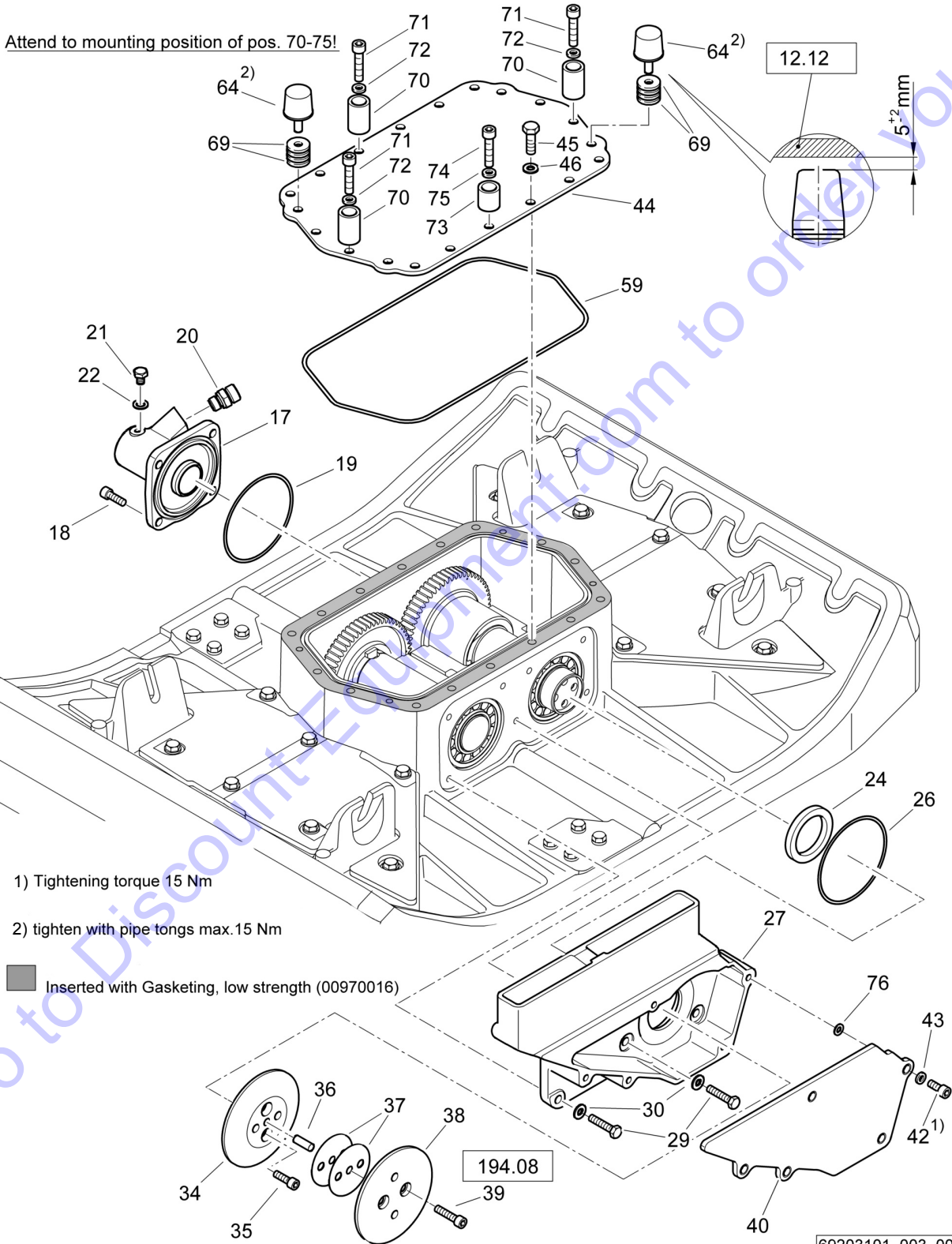
before mounting the pin of the shifting shaft,
lubricate pin and bore with oil




BPR 35/60 H	
S/N 101692951001 ▶	
Base plate	165.28
	Page 2 / 3
	
69203101 1001 1	

Pos.	Part no.	Qty.	Description
1	69020306	1	Exciter shaft
2	69203110	1	Eccentric weight
3	07231211	3	Socket-head cap screw
4	69210174	3	Washer
5	69020753	1	Gear wheel
6	09182820	1	Fitting key
7	09213000	1	Circlip,external
8	05222264	2	Cylinder roller bearing
9	69020384	1	Cover
10	07230806	4	Socket-head cap screw
11	06220803	2	Loop ring
12	69020746	1	Exciter shaft
13	06283104	1	Bushing
14	05428122	1	Inner ring
15	69203109	1	Eccentric weight
16	07231211	2	Socket-head cap screw
17	69210174	2	Washer
22	69020672	1	Gear wheel
23	05114030	1	Ball bearing,grooved
25	69020747	1	Bushing
26	05222263	1	Cylinder roller bearing
29	05222264	1	Cylinder roller bearing
30	07611010	1	Screw plug
31	69020707	1	Control shaft
32	09223700	1	Circlip,internal
33	09213000	1	Circlip,external
34	05113700	1	Ball bearing,grooved
35	68110170	1	Bushing
36	05151010	1	Axial ball bearing
37	07140532	1	Hexagon bolt
38	08510511	1	Washer
39	69020727	1	Piston
40	06245052	2	Guiding band
41	06245051	1	Piston seal
42	08602603	1	Spring washer
43	05520510	1	Shim
44	09221130	1	Circlip,internal
45	69020802	1	Pin,cylindric

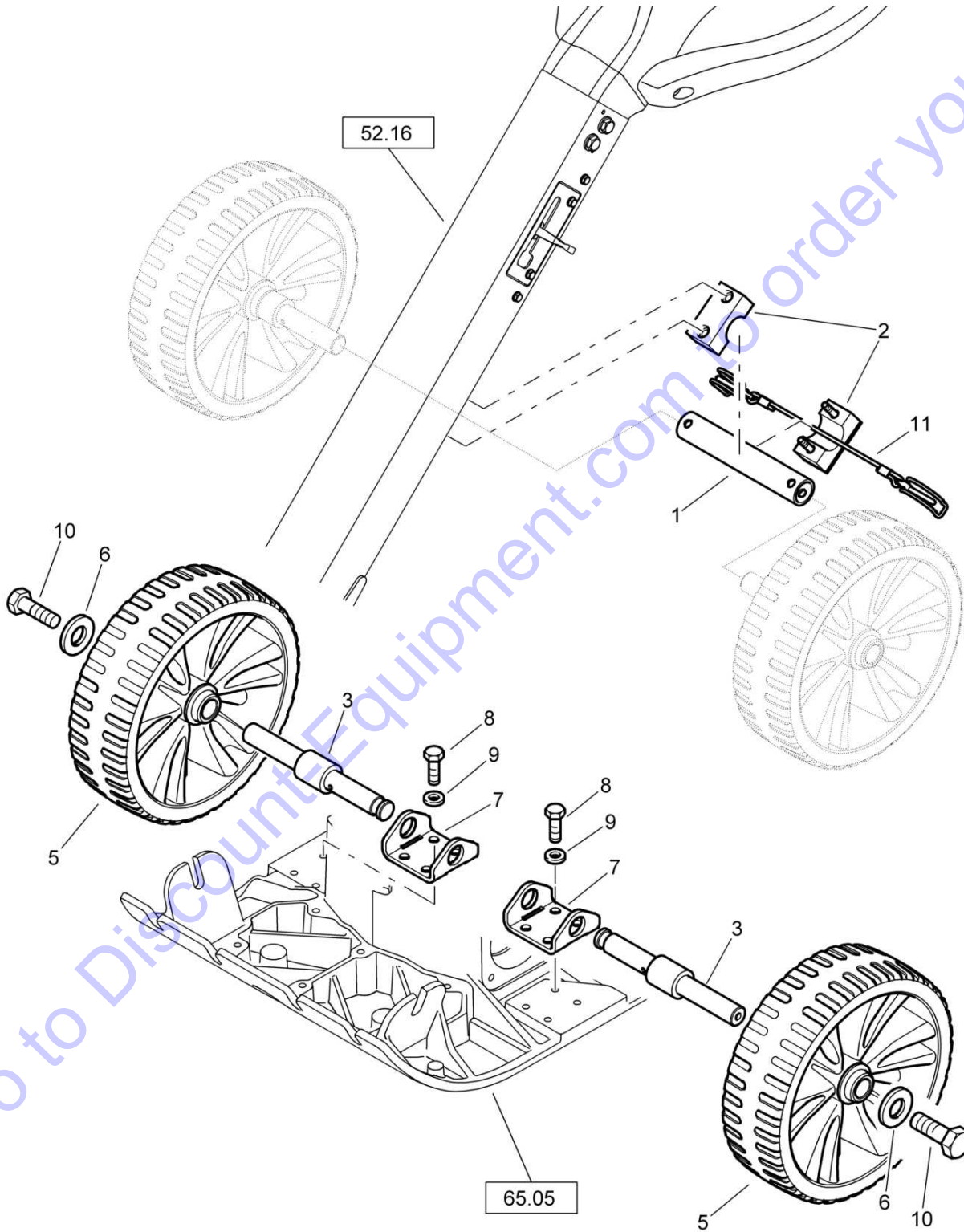
Go to www.bomag.com to order your parts




BPR 35/60 H	
S/N 101692951001 ▶	
Base plate	165.28
	Page 3 / 3
	 BOMAG FAYAT GROUP
69203101 1001 1	

Pos.	Part no.	Qty.	Description
17	69020367	1	Cylinder
18	07230811	4	Socket-head cap screw
19	06220852	1	Loop ring
20	05548036	1	Double-ended union
21	07140608	1	Hexagon bolt
22	06210610	1	U-seal
24	09312809	1	Radial seal
26	06220803	1	Loop ring
27	69020733	1	V-belt guard
29	07140842	7	Hexagon bolt
30	08510817	7	Washer
34	69020479	1	V-belt pulley
35	07230827	2	Socket-head cap screw
36	09120862	1	Pin,cylindric
37	69020304	2	Shim
38	69020480	1	V-belt pulley
39	07230834	2	Socket-head cap screw
40	69020732	1	Cover
42	07230811	5	Socket-head cap screw
43	08752084	5	Spring washer
44	69020253	1	Housing cover
45	07140842	12	Hexagon bolt
46	06270011	12	Wedge safety washer
59	06222657	1	Loop ring
64	06143712	4	Stop buffer
69	08621084	16	Washer
70	69020718	3	Stop
71	07230831	3	Socket-head cap screw
72	06270011	3	Wedge safety washer
73	69020719	1	Stop
74	07230831	1	Socket-head cap screw
75	06270011	1	Wedge safety washer
76	08665000	5	Stop disc

Go to Discount-Equipment.com to order your parts

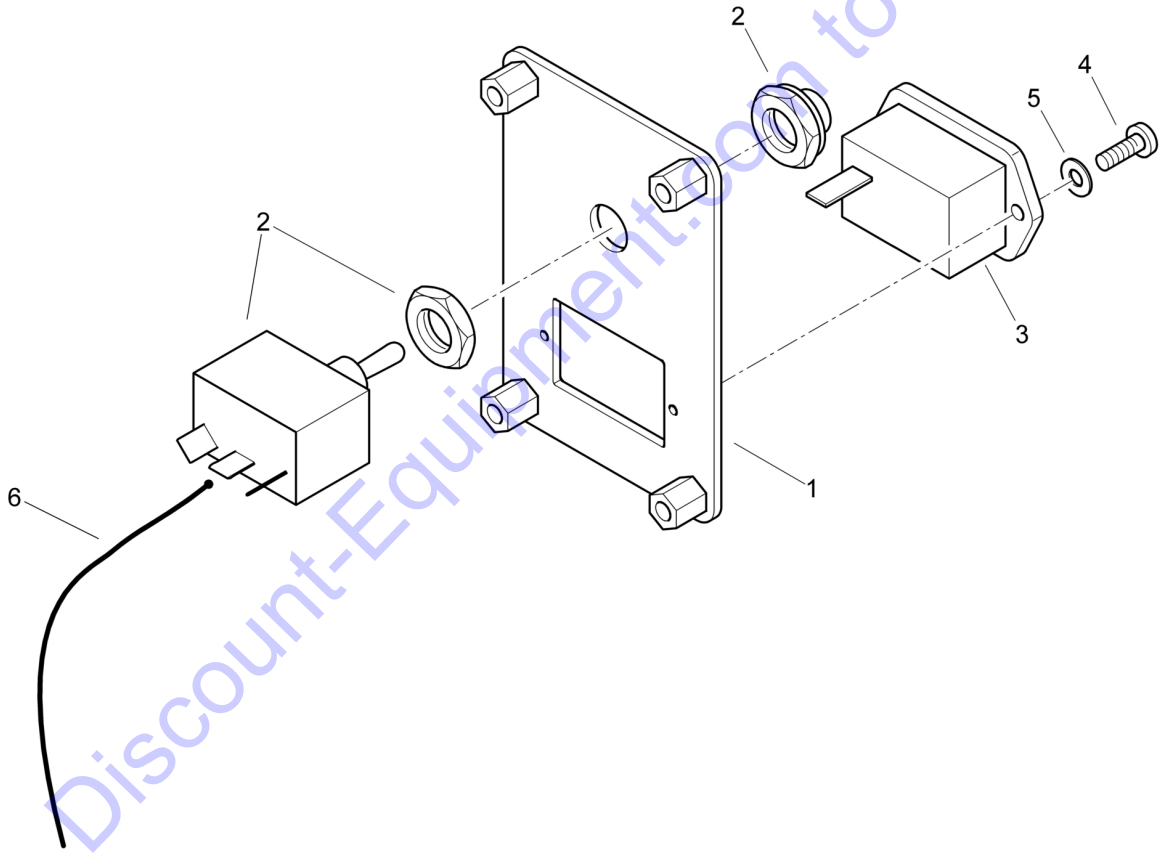



BPR 35/60 H	
S/N 101692951001 ▶	
T94-Transport wheels, failsave	166.03
	Page 1 / 1
	
69200601 1001 1	

Pos.	Part no.	Qty.	Description
1	69003134	1	Tube
2	06910171	1	Fastening clamp
3	69003243	2	Axle
5	06704509	2	Rubber tyre
6	69040261	2	Washer
7	73003044	2	Holder
8	07140818	8	Hexagon bolt
9	08510817	8	Washer
10	07140824	2	Hexagon bolt
11	69003242	1	Securing device

Go to Discount-Equipment.com to order your parts


	BPR 35/60 H
181.24	S/N 101692951052 ▶
Page 1 / 1	Central electric, assembled
BOMAG FAYAT GROUP	69070308_000_00

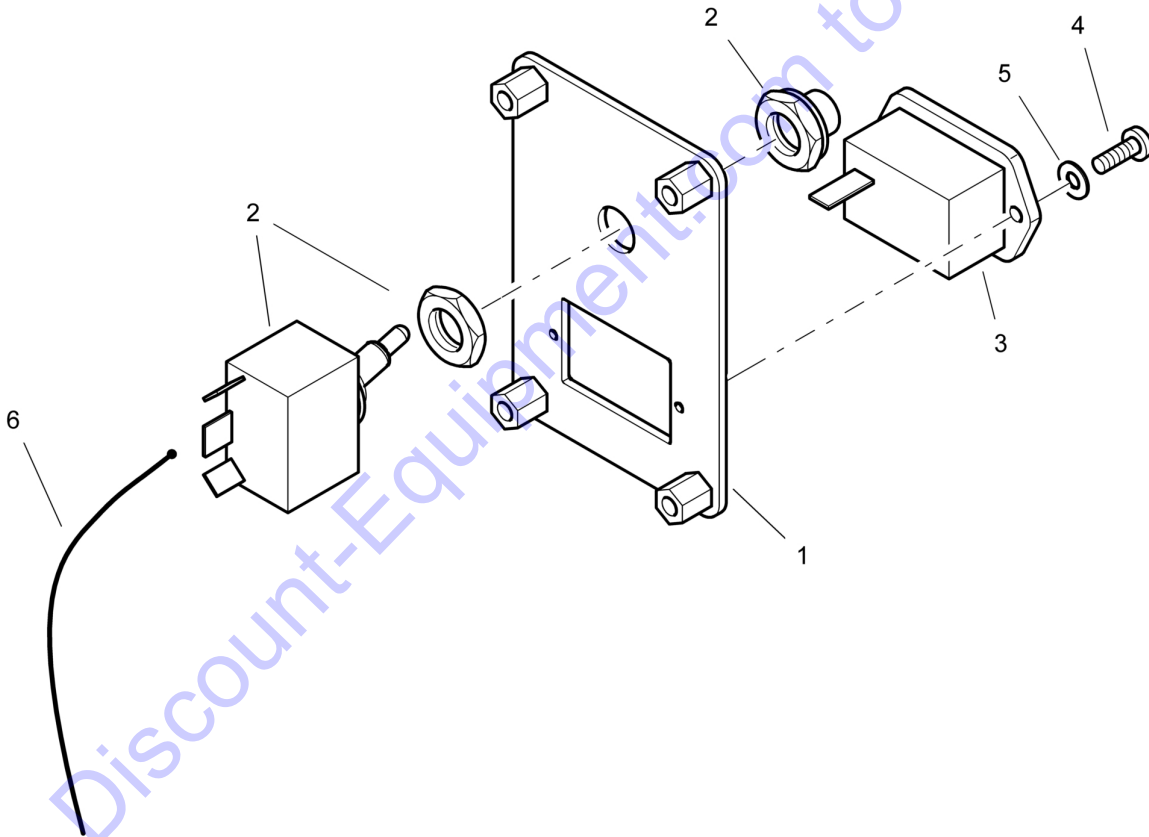



BPR 35/60 H	
S/N 101692951052 ▶	
Central electric, assembled	181.24
	Page 1 / 1
	
69070308 1001 1	

Pos.	Part no.	Qty.	Description
1	69070202	1	Dash board
2	05766777	1	Switch
3	05768253	1	Hourmeter
4	07210316	2	Pens head screw
5	08510307	2	Washer
6	69070212	1	Wire harness

Go to Discount-Equipment.com to order your parts

	BPR 35/60 H	S/N 101692951001 ▶ S/N 101692951051
181.24	Central electric, assembled	
Page 1 / 1		
 BOMAG FAYAT GROUP		69070274_000_00



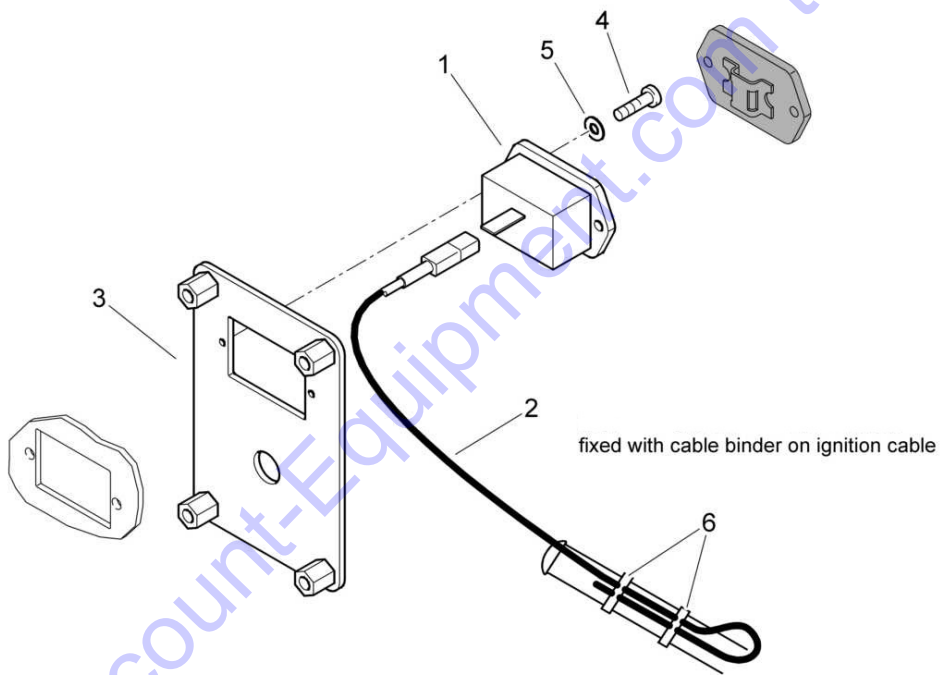
BPR 35/60 H	S/N 101692951001 ▶ S/N 101692951051	181.24
Central electric, assembled		
		Page 1 / 1
	69070274 1001 1	


Pos.	Part no.	Qty.	Description
1	69070202	1	Dash board
2	05766882	1	Push button
3	05766888	1	Hourmeter
4	07210316	2	Pens head screw
5	08510307	2	Washer
6	69070212	1	Wire harness

Go to Discount-Equipment.com to order your parts

	BPR 35/60 H	
182.04		S/N 101692951143 ▶
	AZ4-Operating hourmeter	
Page 1 / 1		
BOMAG FAYAT GROUP	69002096_000_02	

■ deleted parts



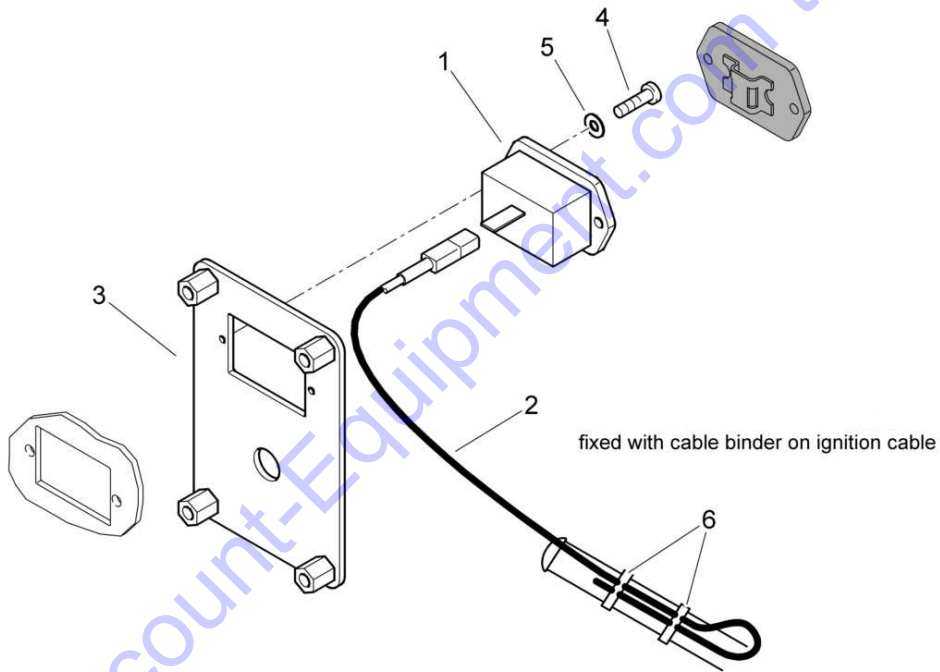
BPR 35/60 H		
S/N 101692951143 ▶		
AZ4-Operating hourmeter		182.04
		Page 1 / 1
69002096 1001 1		


Pos.	Part no.	Qty.	Description
0	69002096	1	AZ4-Operating hourmeter
1	05768253	1	Hourmeter
2	69070283	1	Wire harness
3	69070202	1	Dash board
4	07210316	2	Pens head screw
5	08510307	2	Washer
6	06911047	5	Cable strap

Go to Discount-Equipment.com to order your parts

	BPR 35/60 H	S/N 101692951128 ▶ S/N 101692951142
182.04	AZ4-Operating hourmeter	
Page 1 / 1		
BOMAG FAYAT GROUP	69002096_000_02	

■ deleted parts



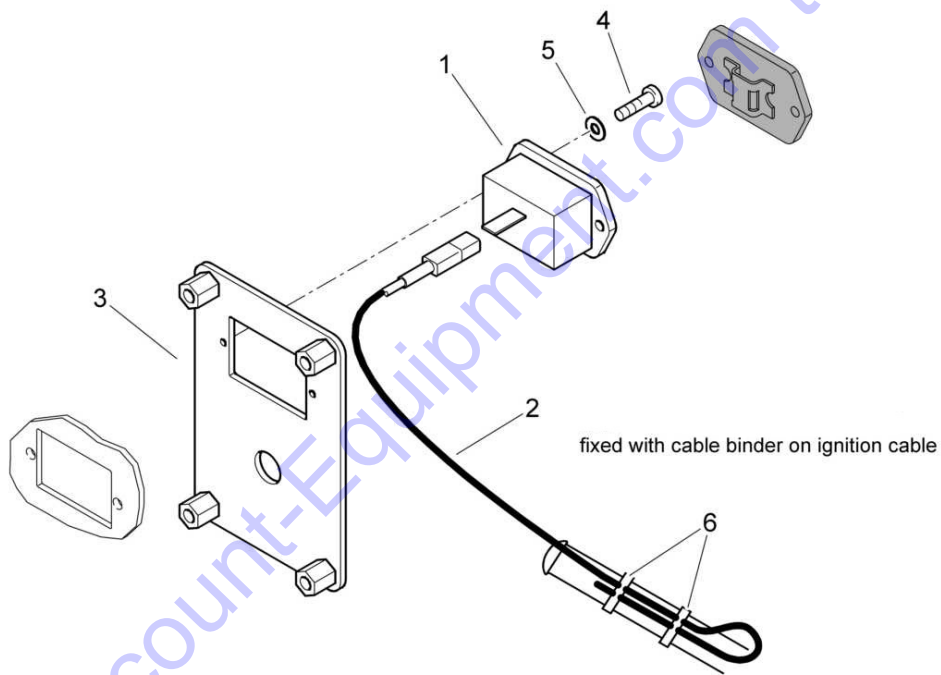
BPR 35/60 H	
S/N 101692951128 ▶ S/N 101692951142	
AZ4-Operating hourmeter	182.04
	Page 1 / 1
69002096 1001 1	


Pos.	Part no.	Qty.	Description
0	69002096	1	AZ4-Operating hourmeter
1	05766888	1	Hourmeter
1	05768253	1	Hourmeter
2	69070283	1	Wire harness
3	69070202	1	Dash board
4	07210316	2	Pens head screw
5	08510307	2	Washer
6	06911047	5	Cable strap

Go to Discount-Equipment.com to order your parts

	BPR 35/60 H	S/N 101692951001 ▶ S/N 101692951127
182.04	AZ4-Operating hourmeter	
Page 1 / 1		
BOMAG FAYAT GROUP	69002096_000_02	

■ deleted parts



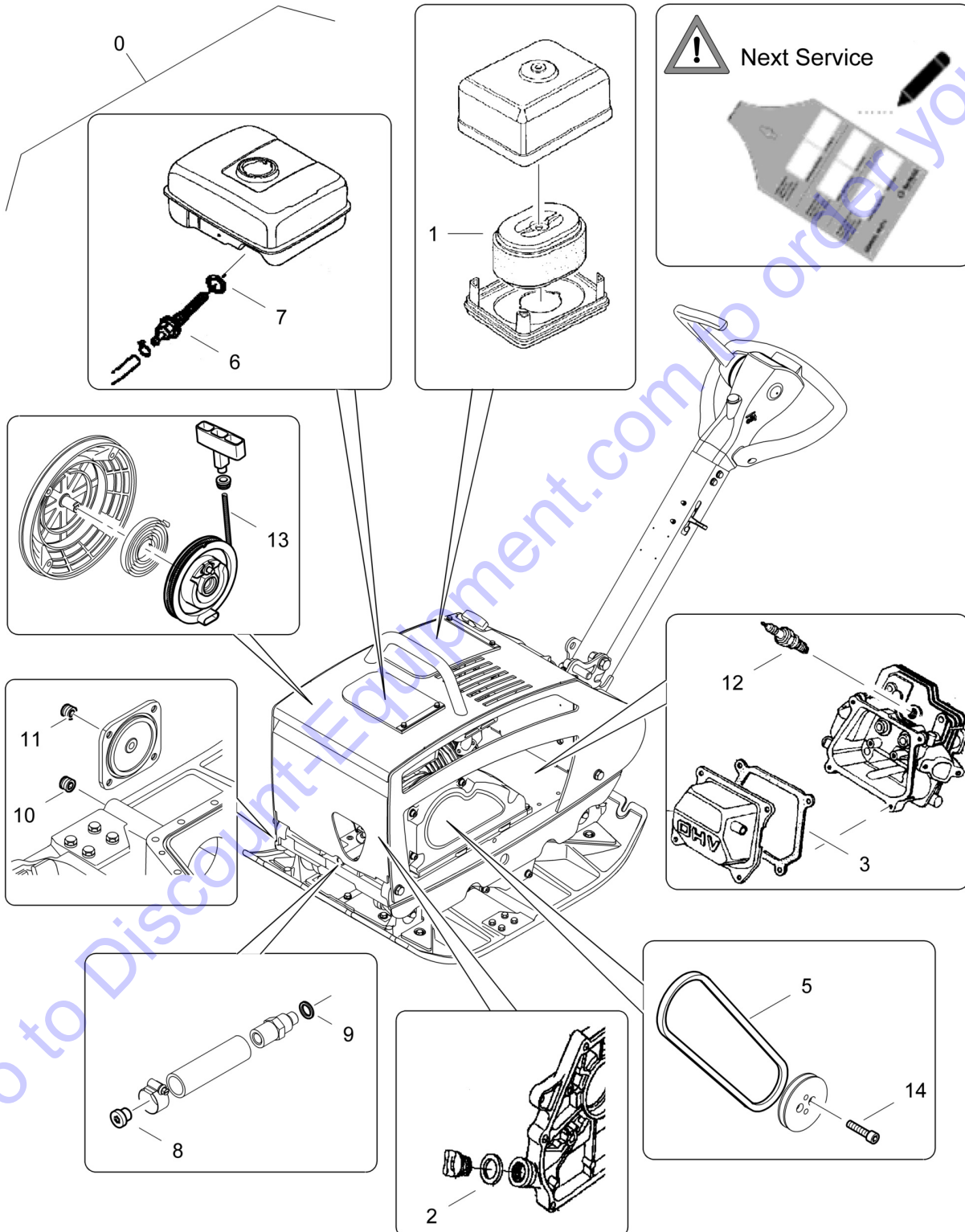
BPR 35/60 H		
S/N 101692951001 ▶ S/N 101692951127		
AZ4-Operating hourmeter		182.04
		Page 1 / 1
69002096 1001 1		


Pos.	Part no.	Qty.	Description
0	69002096	1	AZ4-Operating hourmeter
1	05766888	1	Hourmeter
2	69070283	1	Wire harness
3	69070202	1	Dash board
4	07210316	2	Pens head screw
5	08510307	2	Washer
6	06911047	5	Cable strap

Go to Discount-Equipment.com to order your parts

194.08

SW10-Service kit



BPR 35/60 H	
S/N 101692951001 ▶	
SW10-Service kit	194.08
	Page 1 / 1
	
77569045 1001 1	

Pos.	Part no.	Qty.	Description
0	77569045	1	SW10-Service kit
1	05747215	1	Element,washable
2	05748603	1	Gasket, oil dip stick
3	05747125	1	Valve cover gasket
5	06312274	1	V-belt
6	05747161	1	Filter,fuel
7	05747188	1	Loop ring
8	05546131	1	Screw plug with seal
9	09331098	1	Sealing ring
10	07611215	1	Screw plug
11	07611010	1	Screw plug
12	05747930	1	Spark plug
13	05748578	1	Starter rope
14	07230834	2	Socket-head cap screw

Go to Discount-Equipment.com to order your parts

PARTS FINDER

**Search Website
by Part Number**



**Search Manual
Library For Parts
Manual & Lookup Part
Numbers – Purchase
or Request Quote**

Search Manuals

Enter your information to help us find the right parts manual for your machine.

* Brand:

* Model:

* Serial:

* Part Number:

SEARCH

**Can't Find Part or
Manual? Request Help
by Manufacturer,
Model & Description**

Parts Order Form

Please fill in the following information to help us find the right part for your machine.

Manufacturer:	<input type="text"/>
Model:	<input type="text"/>
Description:	<input type="text"/>
Part Number:	<input type="text"/>
Quantity:	<input type="text"/>
Notes:	<input type="text"/>

Submit

Discount-Equipment.com is your online resource for quality parts & equipment.

Florida: **561-964-4949** Outside Florida TOLL FREE: **877-690-3101**

Need parts?

Click on this link: <http://www.discount-equipment.com/category/5443-parts/> and choose one of the options to help get the right parts and equipment you are looking for. Please have the machine model and serial number available in order to help us get you the correct parts. If you don't find the part on the website or on one of the online manuals, please fill out the request form and one of our experienced staff members will get back to you with a quote for the right part that your machine needs.

We sell worldwide for the brands: Genie, Terex, JLG, MultiQuip, Mikasa, Essick, Whiteman, Mayco, Toro Stone, Diamond Products, Generac Magnum, Airman, Haulotte, Barreto, Power Blanket, Nifty Lift, Atlas Copco, Chicago Pneumatic, Allmand, Miller Curber, Skyjack, Lull, Skytrak, Tsurumi, Husquvarna Target, Stow, Wacker, Sakai, Mi-T-M, Sullair, Basic, Dynapac, MBW, Weber, Bartell, Bennar Newman, Haulotte, Ditch Runner, Menegotti, Morrison, Contec, Buddy, Crown, Edco, Wyco, Bomag, Laymor, EZ Trench, Bil-Jax, F.S. Curtis, Gehl Pavers, Heli, Honda, ICS/PowerGrit, IHI, Partner, Imer, Clipper, MMD, Koshin, Rice, CH&E, General Equipment, Amida, Coleman, NAC, Gradall, Square Shooter, Kent, Stanley, Tamco, Toku, Hatz, Kohler, Robin, Wisconsin, Northrock, Oztec, Toker TK, Rol-Air, APT, Wylie, Ingersoll Rand / Doosan, Innovatech, Con X, Ammann, Mecalac, Makinex, Smith Surface Prep, Small Line, Wanco, Yanmar