



# TEREX

# TX5519

## Telehandler

<b>OPERATING WEIGHT</b>	9,990 lbs (4,531 kg)
<b>NET ENGINE POWER</b>	63 hp (46.5 kW)
<b>MAXIMUM LIFT HEIGHT</b>	18' 10.4" (5.75 m)
<b>PAYLOAD @ MAX HEIGHT</b>	2,600 lbs (1,179 kg)



# TELEHANDLER TX5519

### Performance Specifications

Operating weight with forks	9,990 lbs (4,531 kg)
Inside/outside turn radius	5' 6.1" / 10' 11.7" (1.68/3.35 m)
Maximum draw bar pull	10,250 lbs (4,650 kg)
Maximum lifting height	18' 10.4" (5.75 m)
Reach at maximum height	21.6" (550 mm)
Maximum forward reach	11' 3.4" (3.44 m)
Payload at maximum capacity	5,500 lbs (2,495 kg)
Payload at maximum height	2,600 lbs (1,179 kg)
Payload at maximum reach	1,700 lbs (771 kg)
Obstruction angle	90°
Departure angle	70°
Fork-holder plate rotation	135°

# Telehandler TX5519

## Specifications

Engine	
Diesel direct injection, oil cooled	
4 cylinders naturally aspirated	
Net power @ 2,600 rpm (DIN 70020)	63 HP (45.6 kw)
Deutz F4M2011, Tier II	
Cold start intake glow plug	

Transmission	
Hydrostatic closed circuit, continuous speed regulation, variable displacement pump and motor	
Mechanical dropbox	
4-wheel drive	
Limited slip front axle differential	
Maximum speed	15 mph (24 km/h)

Steering	
Power assisted steering	
Three steering modes: 2-wheel, 4-wheel coordinated, and 4-wheel crab	

Brakes	
Wet disc	

Hydraulic System	
Fixed displacement hydraulic pump for proportional functions, hydraulic steering, quick coupling and tools	
16 gpm (60.6 Lpm) flow rate at 3,915 psi (270 bar) system pressure	

Tank Capacities	
Fuel	15.8 gal (60 L)
Engine oil	3.8 gal (14.5 L)
Hydraulic oil	18.5 gal (70 L)

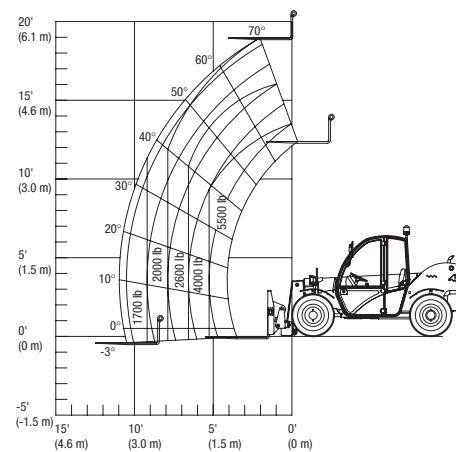
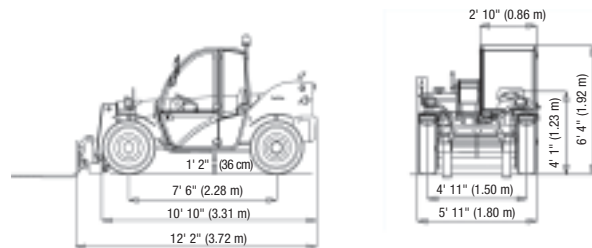
Tires	
Type: 12 x 16.5, 10 PR	
8-holes wheel disk (DIN 70361)	

Forks and Attachment Holder Plate	
Type	FEM 2
Length	48" (1,200 mm)
Section	4" x 2" (103 x 50 mm)
Attachment holder plate with hydraulic quick attach coupling	

Operating Cab	
Structure conforms to ISO 8471 (ROPS) and ISO 8449 (FOPS)	
Optional enclosed cab, heater and A/C	

Attachments and Accessories	
A wide range of accessories and attachments for civil and industrial work is available: please ask for quote.	

## Dimensions and Working Ranges



For more information, product demonstration, or details on purchase, lease and rental plans, please contact your local TEREX Distributor.



### TEREX Construction Americas

8800 Rostin Road  
Southaven, MS 38671  
USA

TEL 662-393-1800  
SALES 866-837-3923  
PARTS & TECH SUPPORT 888-201-6008  
FAX 662-393-1700  
EMAIL sales@terexca.com  
WEB terexca.com

Effective date: January 1, 2005. For further information, please contact your local distributor or the TEREX sales office listed. Continuous improvement of our products is a TEREX policy. Product specifications are subject to change without notice or obligation. The photographs and drawings in this brochure are for illustrative purposes only. Refer to the appropriate Operator's Manual for instructions on the proper use of this equipment. Failure to follow the appropriate Operator's Manual when using our equipment or to otherwise act irresponsibly may result in serious injury or death. Prices and specifications subject to change without notice. The only warranty applicable is the standard written warranty applicable to the particular product and sale. TEREX makes no other warranty, expressed or implied. Products and services listed may be trademarks, service marks or trade-names of TEREX Corporation and/or its subsidiaries in the USA and other countries and all rights are reserved. "TEREX" is a Registered Trademark of TEREX Corporation in the USA and many other countries. Copyright ©2005 TEREX Corporation

TX5519 5K 0605B Part #109029