

JLG® Triple-L® Trailers

SPECIFICATIONS

OPTIONS & ACCESSORIES



TRICKLE CHARGER

1.5-amp on-board charger with indicator lights.



WINCH

12-volt loading winch with 12-foot remote control.



SPARE TIRE & BRACKET

Mounts conveniently within the width of the chassis.



SURGE BRAKES

Heavy-duty actuator with adjustable coupler.



EXTENDED SIDE RAILS

Bolted to existing rails for 36 in. or 48 in. heights.



TAILGATE

Full width swinging tailgate can easily be removed.



PINTLE HITCH

Interchanges and replaces standard ball coupler.

Flatbed Model	248	449	4610	7610	7612	7614	7616	1012	1014
Capacity	2,200 lb (998 kg)	5,000 lb (2,268 kg)	4,500 lb (2,041 kg)	7,000 lb (3,175 kg)	7,000 lb (3,175 kg)	7,000 lb (3,175 kg)	6,500 lb (2,948 kg)	10,000 lb (4,536 kg)	10,000 lb (4,536 kg)
Deck Width	4 ft 4 in. (1.32 m)	4' 4 in. (1.32 m)	6 ft (1.83 m)	6 ft (1.83 m)	6 ft (1.83 m)	6 ft (1.83 m)	6 ft (1.83 m)	5 ft 10 in. (1.78 m)	5 ft 10 in. (1.78 m)
Deck Length	8 ft (2.44 m)	9 ft (2.74 m)	10 ft (3.05 m)	10 ft (3.05 m)	12 ft (3.66 m)	14 ft (4.27 m)	16 ft (4.88 m)	12 ft (3.66 m)	14 ft (4.27 m)
Overall Length	14 ft (4.27 m)	14 ft (4.27 m)	15 ft (4.57 m)	15 ft (4.57 m)	17 ft (5.18 m)	19 ft (5.79 m)	21 ft (6.4 m)	17 ft (5.18 m)	19 ft (5.79 m)
Trailer Weight*	1,510 lb (685 kg)	1,670 lb (758 kg)	2,070 lb (939 kg)	2,500 lb (1,134 kg)	2,690 lb (1,200 kg)	2,930 lb (1,329 kg)	3,150 lb (1,429 kg)	3,010 lb (1,365 kg)	3,210 lb (1,456 kg)
Lift Mechanism	Winch	Hydraulic	Hydraulic	Hydraulic	Hydraulic	Hydraulic	Hydraulic	Hydraulic	Hydraulic
Axle	Single	Single	Single	Tandem	Tandem	Tandem	Tandem	Tandem	Tandem
Wheel Size	15 in. (0.38 m)	16 in. (0.41 m)	14.5 in. (0.37 m)	15 in. (0.38 m)	15 in. (0.38 m)	15 in. (0.38 m)	15 in. (0.38 m)	16 in. (0.41 m)	16 in. (0.41 m)
Brakes	Optional	Electric	Electric	Electric	Electric	Electric	Electric	Electric	Electric
Hitch — Ball Size	2 in. (0.5 m)	2.3 in. (0.58 m)	2.3 in. (0.58 m)	2.3 in. (0.58 m)	2.3 in. (0.58 m)	2.3 in. (0.58 m)	2.3 in. (0.58 m)	2.3 in. (0.58 m)	2.3 in. (0.58 m)

*Will vary slightly with optional equipment.

Utility Model	UT28	UT49	UT410	UT610	UT612	UT614	UT912	UT914
Capacity	2,200 lb (998 kg)	5,000 lb* (2,268 kg)	4,500 lb (2,041 kg)	7,000 lb (3,175 kg)	7,000 lb (3,175 kg)	6,500 lb (2,948 kg)	10,000 lb (4,536 kg)	10,000 lb (4,536 kg)
Deck Width	4 ft 4 in. (1.32 m)	4 ft 4 in. (1.32 m)	6 ft (1.83 m)	6 ft (1.83 m)	6 ft (1.83 m)	6 ft (1.83 m)	5 ft 10 in. (1.78 m)	5 ft 10 in. (1.78 m)
Deck Length	8 ft (2.44 m)	9 ft (2.74 m)	10 ft (3.05 m)	10 ft (3.05 m)	12 ft (3.66 m)	14 ft (4.27 m)	12 ft (3.66 m)	14 ft (4.27 m)
Overall Length	14 ft (4.27 m)	14 ft (4.27 m)	15 ft (4.57 m)	15 ft (4.57 m)	17 ft (5.18 m)	19 ft (5.79 m)	17 ft (5.18 m)	19 ft (5.79 m)
Trailer Weight*	1,590 lb (721 kg)	1,795 lb (814 kg)	2,220 lb (1,007 kg)	2,650 lb (1,202 kg)	2,850 lb (1,293 kg)	3,050 lb (1,383 kg)	3,170 lb (1,438 kg)	3,370 lb (1,529 kg)
Lift Mechanism	Winch	Hydraulic	Hydraulic	Hydraulic	Hydraulic	Hydraulic	Hydraulic	Hydraulic
Axle	Single	Single	Single	Tandem	Tandem	Tandem	Tandem	Tandem
Wheel Size	15 in. (0.38 m)	16 in. (0.41 m)	14.5 in. (0.37 m)	15 in. (0.38 m)	15 in. (0.38 m)	15 in. (0.38 m)	16 in. (0.41 m)	16 in. (0.41 m)
Brakes	Optional	Electric	Electric	Electric	Electric	Electric	Electric	Electric
Hitch — Ball Size	2 in. (0.5 m)	2.3 in. (0.58 m)	2.3 in. (0.58 m)	2.3 in. (0.58 m)	2.3 in. (0.58 m)	2.3 in. (0.58 m)	2.3 in. (0.58 m)	2.3 in. (0.58 m)

*Will vary slightly with optional equipment.



www.Discount-Equipment.com

Form No.: B-TRAILER-0714
Part No.: 3132302
R091706
Printed in USA



An Oshkosh Corporation Company

JLG® TRIPLE-L® TRAILERS



www.Discount-Equipment.com



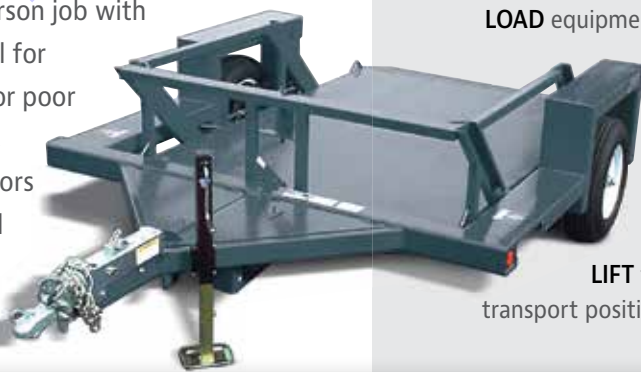
JLG® Triple-L® Trailers
FLATBED



INCREASE PRODUCTIVITY WITH EFFICIENT, SAFER LOADING

Load equipment and supplies faster and safer with the TRIPLE-L® trailer from JLG®. Unlike ramp and tilt-bed systems, the TRIPLE-L trailer features the exclusive Power Deck system, a unique hydraulic mechanism used to lower the entire deck of the trailer to ground level. This eliminates the need to drive, pull, winch or push a payload up or down a loading ramp, which increases productivity and improves safety. The result is a more efficient solution for loading construction and industrial equipment, machines and supplies.

Even hard-to-load equipment becomes a one-person job with a TRIPLE-L flatbed trailer. These models are ideal for carrying equipment with low ground clearance or poor traction such as scissor lifts, industrial sweepers, landscaping equipment, pavers, rollers, compactors and more. With nine models to choose from and capacities up to 10,000 pounds—you'll always find the right solution with a TRIPLE-L trailer.



Power Deck

POWER DECK ADVANTAGE

- No driving or lifting payload up/down inclines.
- No cumbersome ramp adjustments.
- Efficient one-person operation.
- Can be loaded or unloaded while detached from a tow vehicle.
- Can accommodate multiple items.
- No winches required.
- Raises and lowers in 15 seconds.



Single lever hydraulic control

LOWER entire deck to ground level.



LOAD equipment



LIFT to transport position



Large Deck

Up to 72 inches wide to hold more payload.



Quadra Spring Suspension

For smoother transport.



Low Angle Ramp

For low clearance loading.



Shielded Tail Lights

Added protection with improved visibility.



Storage Compartments

Protects components and tools; lockable.

CONVENIENT LOADING FOR EASE OF TRANSPORT

TRIPLE-L utility trailers load as quickly and easily as flatbed models, with the added convenience of enclosed sides. These dual-purpose models are ideal for carrying equipment or supplies. A full width, low angle ramp allows for easier loading with a handcart or dolly. Choose from eight models with capacities up to 10,000 pounds. Optional rails and a tailgate can be added or removed at any time for added convenience.

IMPROVED SAFETY

- Keeps all loading and unloading at ground level.
- Eliminates chances of dropping cargo off ramps.
- No climbing to access machine tie-downs.
- No heavy, hinged ramps that can come loose or drop.



Fenderless

No protruding fenders that are susceptible to damage.



Un hitched Loading

Trailer can be loaded while hitched or freestanding.



Single Lever Control

12-volt hydraulic system is proportional in both directions.



Automatic Deck Latch

Deck automatically locks upon raising for added security.



Powder Coating

Provides durable protective finish.