

# Mustang Skid-Steer Loader 2086

## Technical Specifications

### ENGINE SPECS

Make	CUMMINS	
Model	B3.3-80	
Displacement	199 cu. in.	(3.3 L)
Number of Cylinders	4	
Rated Net Power Output	80 hp	(60 kW) @ 2200 rpm
SAE-Rated Torque	215 ft. lbs.	(291 Nm) @ 1600 rpm
Max. Axle Torque	6414 ft. lbs.	(8696 Nm)
Fuel Tank	24 gal.	(91 L)

### ELECTRICAL SYSTEM SPECS

Battery Power	12 volt	
Cold Cranking Amps	950 amp	

### HYDRAULIC SYSTEM SPECS

Std. Auxiliary Hydraulics	21.5 gpm	(81 L/min)
Optional Hi-Flow Auxiliary Hydraulics	36 gpm	(136 L/min)
Working Pressure	3000 psi	(207 bar)
Hydraulic Tank Refill/System Total	16/18 gal.	(61/68 L)

### CAPACITIES / PERFORMANCE SPECS

SAE Breakout Force - Lift	6296 lbs.	(28 kN)
SAE Breakout Force - Tilt	5640 lbs.	(25 kN)
SAE Rated Operating Load	2600 lbs.	(1179 kg)
SAE Rated Operating Load w/ Optional Weight Kit	2900 lbs.	(1315 kg)
Tipping Load	5200 lbs.	(2358 kg)
Lifting Arm	Radial	
Travel Speed	0 - 7.7 mph	(0 - 12.4 km/h)
Optional Travel Speed	0 - 11.2 mph	(0 - 18.0 km/h)

### UNDERCARRIAGE SPECS

Wheel Base	(F)	48"	(1219 mm)
Ground Clearance	(I)	7.9"	(201 mm)

### DIMENSIONS / WEIGHT SPECS

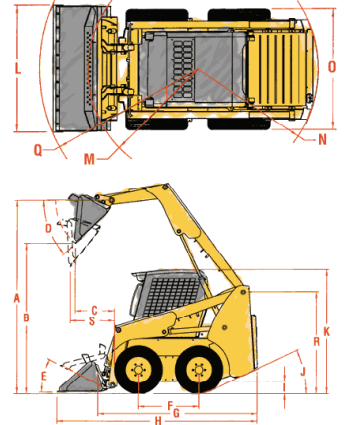
Operating Weight		7860 lbs.	(3565 kg)
Length - with Bucket	(H)	134.7"	(3421 mm)
Specified Height	(R)	69.5"	(1765 mm)
Overall Height - Top of ROPS	(K)	81.1"	(2060 mm)
Clearance Circle - Front (w/o Bucket)	(M)	55.5"	(1410 mm)
Clearance Circle - Front (w/ Bucket)	(Q)	83.1"	(2111 mm)
Clearance Circle - Rear	(N)	65.4"	(1661 mm)
Rollback Angle at Ground Level	(E)	26°	
Departure Angle	(J)	26°	
Reach at Specified Height	(S)	40.5"	(1029 mm)
Width w/o Bucket (12 x 16.5 HD Tires)	(O)	67.3"	(1709 mm)
Length w/o Bucket	(G)	105"	(2667 mm)
Width Over Tires		67.3"	(1709 mm)
Height to Hinge Pin	(A)	123"	(3124 mm)

### DUMPING CAPACITY SPECS

Dump Height	(B)	95"	(2413 mm)
Dump Reach	(C)	28"	(711 mm)
Dump Angle at Full Height	(D)	41°	

### BUCKET SPECS

Width	(L)	75"	(1905 mm)
Self-Leveling Bucket		Standard	
Reference Bucket Capacity		18.2 cu. ft.	(515 L)



1880 Austin Road  
 Owatonna, MN 55060-0547  
 Phone: 507-451-7112  
 Fax: 507-451-8209  
 www.mustangmfg.com

© 2005 Mustang Manufacturing Company, Inc.  
 All Rights Reserved.

Rev. 7/2005