

Mustang Skid-Steer Loader 2076

Technical Specifications

ENGINE SPECS

Make	CUMMINS	
Model	B3.3-80	
Displacement	199 cu. in.	(3.3 L)
Number of Cylinders	4	
Rated Net Power Output	80 hp	(60 kW) @ 2200 rpm
SAE-Rated Torque	215 ft. lbs.	(291 Nm) @ 1600 rpm
Max. Axle Torque	6414 ft. lbs.	(8696 Nm)
Fuel Tank	19 gal.	(72 L)

ELECTRICAL SYSTEM SPECS

Battery Power	12 volt	
Cold Cranking Amps	950 amp	

HYDRAULIC SYSTEM SPECS

Std. Auxiliary Hydraulics	21.5 gpm	(81 L/min)
Optional Hi-Flow Auxiliary Hydraulics	36 gpm	(136 L/min)
Working Pressure	3000 psi	(207 bar)
Hydraulic Tank Refill/System Total	16/18 gal.	(61/68 L)

CAPACITIES / PERFORMANCE SPECS

SAE Breakout Force - Lift	6692 lbs.	(29.7 kN)
SAE Breakout Force - Tilt	5820 lbs.	(25.8 kN)
SAE Rated Operating Load	2200 lbs.	(998 kg)
SAE Rated Operating Load w/ Optional Weight Kit	2500 lbs.	(1134 kg)
Tipping Load	4400 lbs.	(1996 kg)
Lifting Arm	Radial	
Travel Speed	0 - 7.7 mph	(0 - 12.4 km/h)
Optional Travel Speed	0 - 11.2 mph	(0 - 18.0 km/h)

UNDERCARRIAGE SPECS

Wheel Base	(F)	43"	(1092 mm)
Ground Clearance	(I)	7.9"	(201 mm)

DIMENSIONS / WEIGHT SPECS

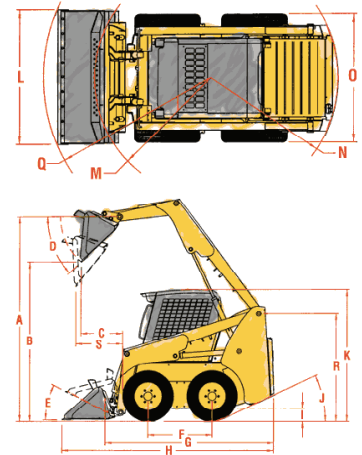
Operating Weight		7480 lbs.	(3393 kg)
Length - with Bucket	(H)	129"	(3277 mm)
Specified Height	(R)	69.5"	(1765 mm)
Overall Height - Top of ROPS	(K)	81.1"	(2060 mm)
Clearance Circle - Front (w/o Bucket)	(M)	50.6"	(1285 mm)
Clearance Circle - Front (w/ Bucket)	(Q)	79.5"	(2019 mm)
Clearance Circle - Rear	(N)	62.6"	(1590 mm)
Rollback Angle at Ground Level	(E)	26°	
Departure Angle	(J)	26°	
Reach at Specified Height	(S)	40.5"	(1029 mm)
Width w/o Bucket (12 x 16.5 HD Tires)	(O)	67.3"	(1709 mm)
Length w/o Bucket	(G)	93"	(2362 mm)
Width Over Tires		67.3"	(1709 mm)
Height to Hinge Pin	(A)	123"	(3124 mm)

DUMPING CAPACITY SPECS

Dump Height	(B)	95"	(2413 mm)
Dump Reach	(C)	28"	(711 mm)
Dump Angle at Full Height	(D)	41°	

BUCKET SPECS

Width	(L)	67.5"	(1715 mm)
Self-Leveling Bucket		Standard	
Reference Bucket Capacity		18.2 cu. ft.	(515 L)



1880 Austin Road
 Owatonna, MN 55060-0547
 Phone: 507-451-7112
 Fax: 507-451-8209
 www.mustangmfg.com

Mustang reserves the right to make changes in specifications without notice or obligation

© 2005 Mustang Manufacturing Company, Inc.
 All Rights Reserved.

Rev. 7/2005