



EM/WM-90 and EM/WM-120 Series Paddle Arm Conversion Installation Instructions

The following instructions are intended to assist the user in the installation of the NEW Paddle Arms for the following mixers:

- EM-90S/P
- WM-90S/P
- EM-120S/P
- WM-120S/P

INSTALLATION

The mixer paddle arms for the models listed above have been converted to new ones. See Figures 1 and 3 for the old paddle arm configuration. When replacements for these parts are required, the new paddle arms have to be installed. See Figures 2 and 4 for new paddle arm configuration.



The new paddle arms for the EM-120S/P and WM-120S/P are installed differently from the old paddle arms. Make sure you install the new paddle arms as shown in Figures 2 and 4. The paddle bolts for the EM-120S/P and WM-120S/P have also been changed to all U-bolts. Refer to Tables below for Part Numbers.

EM/WM-90S/P Series Paddle Arms			
ITEM	OLD PART NUMBER	NEW PART NUMBER	NEW PART DESCRIPTION
A	EM200293	EM200293A	Paddle Arm Tow End
B	EM200294	EM200294A	Paddle Arm Center Engine End
C	EM200295	EM200295A	Paddle Arm Center Tow End
D	EM200296	EM200296A	Paddle Arm Engine End

EM/WM-120S/P Series Paddle Arms			
ITEM	OLD PART NUMBER	NEW PART NUMBER	NEW PART DESCRIPTION
A	EM200293	EM200293A	Paddle Arm Tow End
B	EM200294	EM200295A	Paddle Arm Center Tow End
C	EM200295	EM200294A	Paddle Arm Center Engine End
D	EM200296	EM200296A	Paddle Arm Engine End
E	(2) EM200297	(4) EM200297	U-Bolt
F	(2) EM200268		

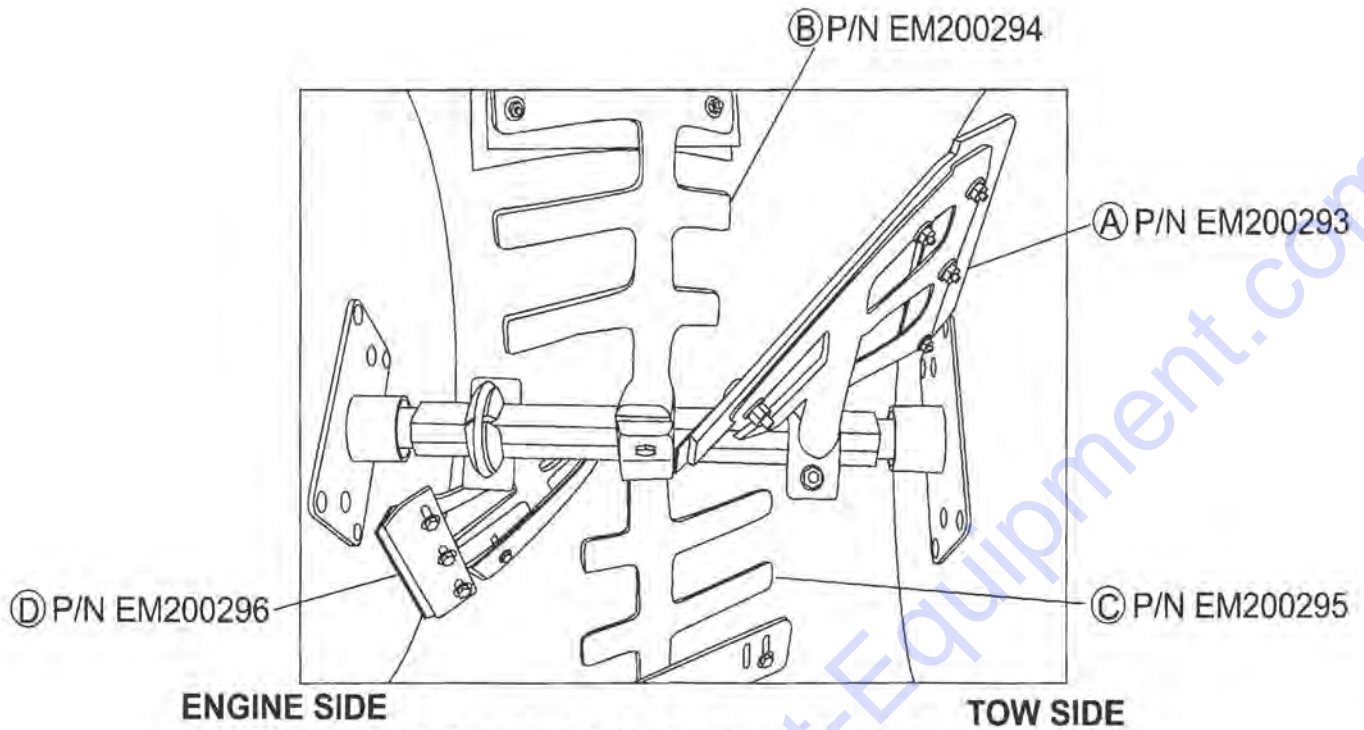


Figure 1. EM/WM-90P/S (9 Cubic-Foot Mixers) OLD PADDLE ARMS

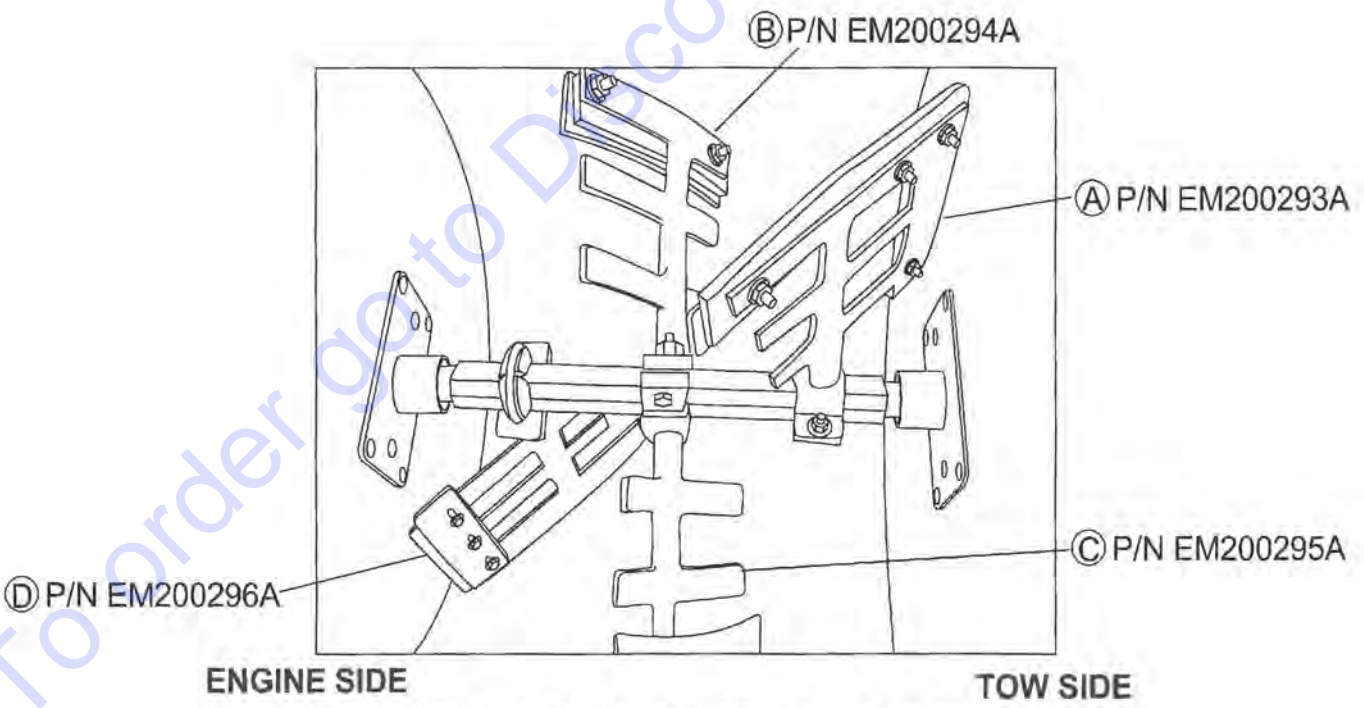


Figure 2. EM/WM-90P/S (9 Cubic-Foot Mixers) NEW PADDLE ARMS

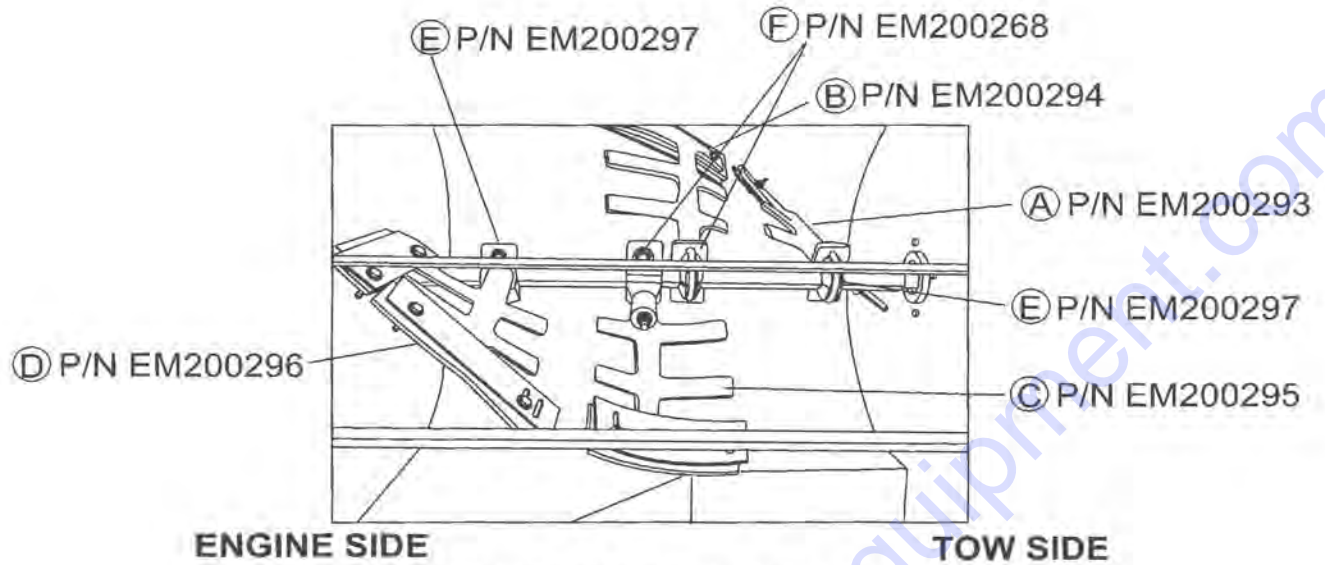


Figure 3. EM/WM-120P/S (12 Cubic-Foot Mixers) OLD PADDLE ARMS

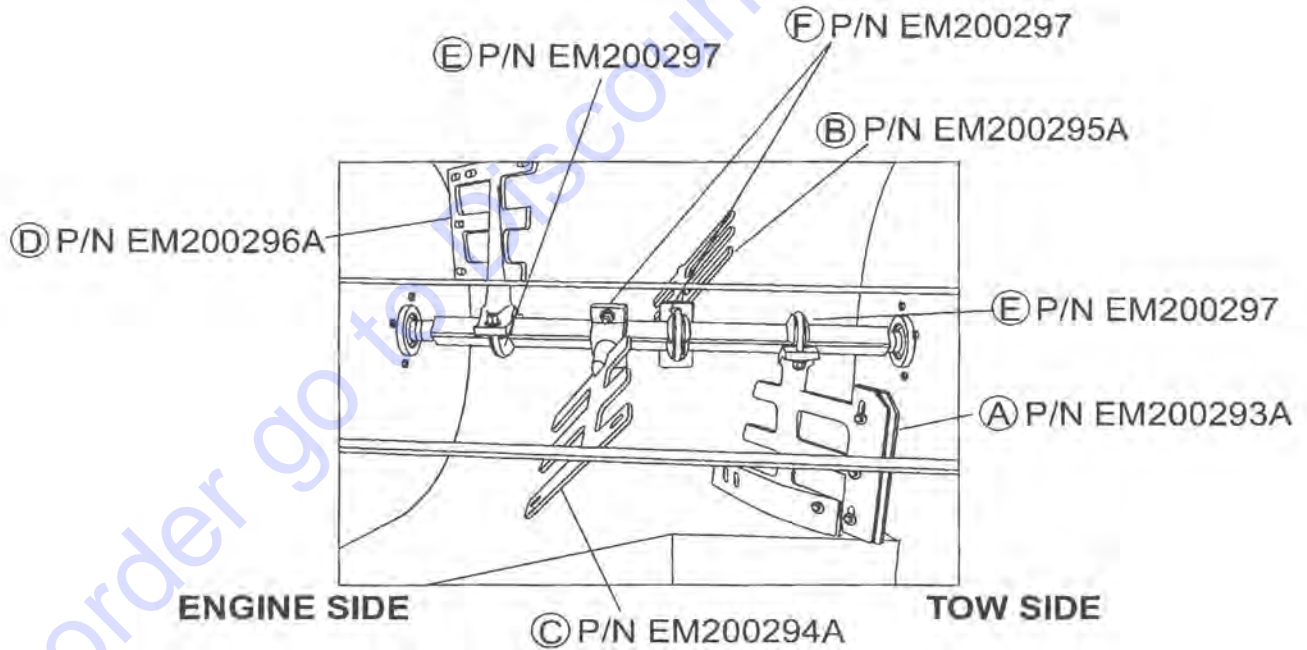


Figure 4. EM/WM-120P/S (12 Cubic-Foot Mixers) NEW PADDLE ARMS

TO PURCHASE THIS PRODUCT PLEASE CONTACT US



**Equipment Financing and
Extended Warranties Available**



**Discount-Equipment.com is your online resource for
commercial and industrial quality parts and equipment sales.**

561-964-4949

visit us on line @ www.discount-equipment.com

Select an option below to find your Equipment

Search by Manufacturer

Search by Product Type

Request a Quote

We sell worldwide for the brands: Genie, Terex, JLG, MultiQuip, Mikasa, Essick, Whiteman, Mayco, Toro Stone, Diamond Products, Generac Magnum, Airman, Haulotte, Barreto, Power Blanket, Nifty Lift, Atlas Copco, Chicago Pneumatic, Allmand, Miller Curber, Skyjack, Lull, Skytrak, Tsurumi, Husquvarna Target, Stow, Wacker, Sakai, Mi-T-M, Sullair, Basic, Dynapac, MBW, Weber, Bartell, Bennar Newman, Haulotte, Ditch Runner, Menegotti, Morrison, Contec, Buddy, Crown, Edco, Wyco, Bomag, Laymor, EZ Trench, Bil-Jax, F.S. Curtis, Gehl Pavers, Heli, Honda, ICS/PowerGrit, IHI, Partner, Imer, Clipper, MMD, Koshin, Rice, CH&E, General Equipment, Amida, Coleman, NAC, Gradall, Square Shooter, Kent, Stanley, Tamco, Toku, Hatz, Kohler, Robin, Wisconsin, Northrock, Oztec, Toker TK, Rol-Air, APT, Wylie, Ingersoll Rand / Doosan, Innovatech, Con X, Ammann, Mecalac, Makinex, Smith Surface Prep, Small Line, Wanco, Yanmar