

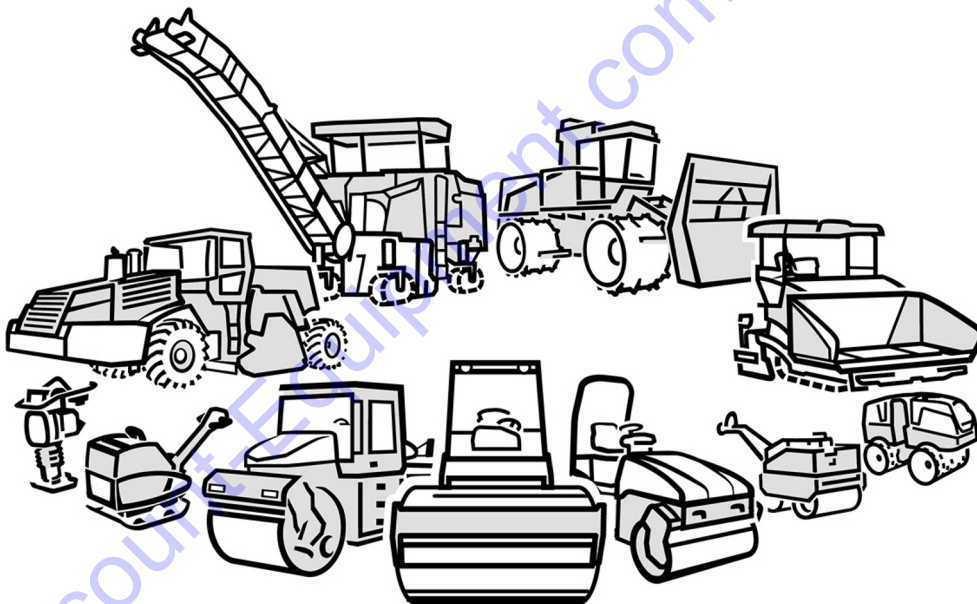
BOMAG

FAYAT GROUP

Spare Parts Catalogue

BVP 18/45

S/N 861834111001 > 861834115623
Honda



Vibratory plate compactor



www.discount-equipment.com

Catalogue number:
00824365

01.12.2013 - 01.12.2014

PARTS FINDER

**Search Website
by Part Number**



**Search Manual
Library For Parts
Manual & Lookup Part
Numbers – Purchase
or Request Quote**

Search Manuals

Enter your information to help us find the right parts manual for your machine.

* Brand:

* Model:

* Serial:

* Part Number:

SEARCH

**Can't Find Part or
Manual? Request Help
by Manufacturer,
Model & Description**

Parts Order Form

Please fill in the following information to help us find the right part for your machine.

Manufacturer:	<input type="text"/>
Model:	<input type="text"/>
Description:	<input type="text"/>
Part Number:	<input type="text"/>
Quantity:	<input type="text"/>
Notes:	<input type="text"/>

Discount-Equipment.com is your online resource for quality parts & equipment.

Florida: **561-964-4949** Outside Florida TOLL FREE: **877-690-3101**

Need parts?

Click on this link: <http://www.discount-equipment.com/category/5443-parts/> and choose one of the options to help get the right parts and equipment you are looking for. Please have the machine model and serial number available in order to help us get you the correct parts. If you don't find the part on the website or on one of the online manuals, please fill out the request form and one of our experienced staff members will get back to you with a quote for the right part that your machine needs.

We sell worldwide for the brands: Genie, Terex, JLG, MultiQuip, Mikasa, Essick, Whiteman, Mayco, Toro Stone, Diamond Products, Generac Magnum, Airman, Haulotte, Barreto, Power Blanket, Nifty Lift, Atlas Copco, Chicago Pneumatic, Allmand, Miller Curber, Skyjack, Lull, Skytrak, Tsurumi, Husquvarna Target, Stow, Wacker, Sakai, Mi-T-M, Sullair, Basic, Dynapac, MBW, Weber, Bartell, Bennar Newman, Haulotte, Ditch Runner, Menegotti, Morrison, Contec, Buddy, Crown, Edco, Wyco, Bomag, Laymor, EZ Trench, Bil-Jax, F.S. Curtis, Gehl Pavers, Heli, Honda, ICS/PowerGrit, IHI, Partner, Imer, Clipper, MMD, Koshin, Rice, CH&E, General Equipment, Amida, Coleman, NAC, Gradall, Square Shooter, Kent, Stanley, Tamco, Toku, Hatz, Kohler, Robin, Wisconsin, Northrock, Oztec, Toker TK, Rol-Air, APT, Wylie, Ingersoll Rand / Doosan, Innovatech, Con X, Ammann, Mecalac, Makinex, Smith Surface Prep, Small Line, Wanco, Yanmar

© 2015 Bomag GmbH

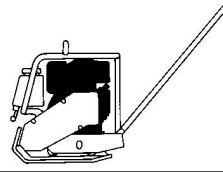
The reproduction, distribution and utilization of this document as well as the communication of its contents to others without express authorization is prohibited. Offenders will be held liable for the payment of damages. All rights reserved in the event of the grant of a patent, utility model or design.

[Go to Discount-Equipment.com](http://Discount-Equipment.com) to order your parts

Preface and Instructions



Engine / Fitting Parts



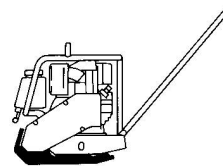
10

Frame with Attachment Parts



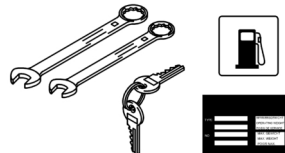
50

Plate / Foot



65

Accessories



100

Special Equipment

Option

110

Go to Discount-Equipment.com to order your parts

Table of Contents

Foreword

Ordering Conditions

Structure of Spare Parts Catalogue

Frequently Used Parts

Spare Parts Catalogue

Numerical Index

[Go to Discount-Equipment.com](http://Discount-Equipment.com) to order your parts

Foreword



- Only the use of ORIGINAL SPARE PARTS guarantees the correct function of the machine. The use of non-original spare parts results in the loss of all claims, regarding warranty as well as product liability.
- The relevant warranty conditions are valid for all spare parts deliveries.

The listing of parts and part numbers is in accordance with economical and technical aspects. Further spare parts are not recommended.

- Our branch offices and dealers have well sorted spare parts stores. Therefore, first of all contact our nearest activity when ordering spare parts.
- We reserve the right for technical modifications without prior notification.

Please fill in when receiving the machine

_____	_____
Serial number	Engine type
_____	_____
Date of delivery	Engine number
Key-numbers: _____	
Ignition switch _____	Cabin door _____
Engine cover _____	Hydraulic tank lock _____
Burglary protection _____	Rear flap _____
Fuel tank lock _____	Others _____

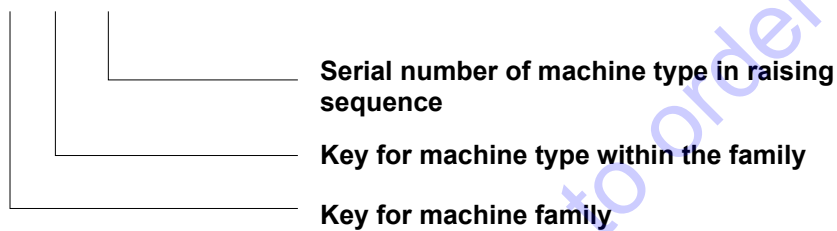
- Texts and illustrations from this catalogue must not be copied and distributed, nor must they be used for competitive purposes. All rights referring to the copyright law remain expressly reserved.



Please state the following when ordering spare parts:

1. Machine type

2. Serial number 101 400 04 0101



3. Engine type and number resp. component number

4. Part number

5. Quantity

6. Designation

7. Kind of shipment (mail, freight, express delivery, air freight, sea freight).

8. Destination (Post office, railway station, air port)
If no instructions are given concerning the Kind of shipment, we will deliver the parts in our estimation.

Spare parts deliveries are not possible without this information.

The customer is solely responsible for the acceptance and the transmission of phone orders.

USE ONLY ORIGINAL SPARE PARTS!

Structure of Spare Parts Catalogue



Motor / Anbaueile èces de montage orios de montaje		10
ision / Actuations ng / Betätigungen ce / Commandes / Accionamientos		20
Brake System Bremsystem		30

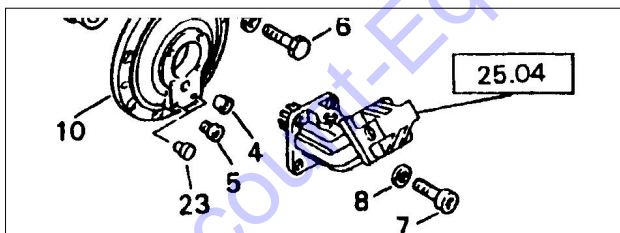
1. Subdivision of the catalogue main assembly groups

11.00	ENGINE PARTS LIST	MOTOREN-ERSATZTEILLISTE
11.01	Crankcase	Kurbelgehäuse
11.02	Front cover	Vorderer Deckel
11.04	Oil pan	Ölwanne
11.05	Cylinder and piston	Zylinder und Kolben
11.06	Crankshaft	Kurbelwelle
11.08	Cylinder head	Zylinderkopf
11.10	Control pieces	Steuerungsteile

2. Subdivision of the main assembly groups.

51.03	BC 671 RB	S/N 1015703
	Frame Rear Rahmen hinten Chassis Arriere Chasis Trasero	
Page Seite	1 / 3	

3. Assembly group consists of several pages. Page 1 of 3 pages.



4. 25.04 = Reference to another assembly group.

161 A	S/N 101640000101 ▶
VIBR.ROLLER DRUM IN FRONT VIBRATIONS BANDAGE VORN BANDAGE DE VIBR.AVANT	

5. Serial number

S/N 101 570 32 1001 ▶ = from serial number.

▶ S/N 101 570 32 1062 = up to serial number.


(Important for spare parts orders!)

05815244	1	TRAVEL MOTOR	FAHRMOTOR
05815976	1	>SEAL KIT	>DICHTUNGSSATZ
05815981	1	>DISTRIBUTOR	>VERTEILER
05815982	1	>>COVER	>>DECKEL
07231649	16	>>SOCKET-HEAD CAP SCRE	>>ZYLINDERSCHRAUBI
05815698	1	>>SEAL/O-RING	>>DICHTRING
07230802	1	>>SOCKET-HEAD CAP SCRE	>>ZYLINDERSCHRAUBI
	1	>>>LOOP RING	>>>RUNDDICHTRING
	1	>>>LOOP RING	>>>RUNDDICHTRING
	1	>>>LOOP RING	>>>RUNDDICHTRING

6. ">" ">>" ">>>" :Parts marked with one or more additional ">" indicate, that one or more parts belong to a higher assembly group. Einheit gehören.

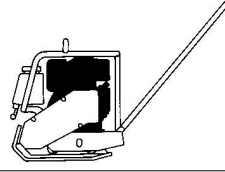
0	05801177	1	CONNECTING PLATE	ANSCHLUSSPLA
18		1	>CONNECTING PLATE	>ANSCHLUSSPLA
19	05801185	1	>COUPLING HUB	>KUPPLUNGSNA
20		4	>SPRING SLEEVE	>FEDERHUELSE
21		4	>PRESSURE SPRING	>DRUCKFEDER
22		4	>SOCKET-HEAD CAP SCRE	>ZYLINDERSCHF
23	06220983	1	>LOOP RING	>RUNDDICHTRI
24	06220821	1	>LOOP RING	>RUNDDICHTRI
25	06220109	1	>LOOP RING	>RUNDDICHTRI
26	06220083	4	>LOOP RING	>RUNDDICHTRI

7. Index: List of Part-No. with reference to the assembly group and position.

	BVP 18/45	S/N 861834111001 ▶ S/N 861834115623
	Frequently used parts	
		

Description		Part no.	see
Filter Elements			
Element, washable	Air filter	05747215	11.22/1
External filter		05747447	11.22/1
Element, washable	Air filter	05747215	194.08/1
Seals			
Gasket		05747129	11.01/1
Loop ring		05747188	11.01/1
Radial seal		05748553	11.01/1
Radial seal		05748553	11.02/1
Valve cover gasket		05747125	11.08/1
Loop ring		05747188	11.21/1
Kit, seal		05747249	11.53/1
U-seal		06211418	152.18/1
U-seal		06211418	152.18/1
U-seal		06211418	152.18/1
Valve cover gasket		05747125	194.08/1
Gasket		05747129	194.08/1
Loop ring		05747188	194.08/1
Loop ring		06220745	65.06/1
Radial seal		09311932	65.06/1
V-Belts			
V-belt	Travel system	06312013	12.13/1
V-belt	Travel system	06312013	194.08/1
Actuations			
Starter rope		05747296	11.31/1
Starter rope		05747296	194.08/1
Spark plug			
Spark plug		05747282	194.08/1

Go to Discount-Equipment.com to order your parts



Go to Discount-Equipment.com to order your parts

10.00

Engine / Fitting Parts

Page /



For this catalogue group no illustration.

Go to Discount-Equipment.com to order your parts


Engine / Fitting Parts**10.00**

Page /

**Pos. Description**

- 11.00 Engine Parts List
- 11.01 Crankcase
- 11.02 Front Cover
- 11.08 Cylinder Head
- 11.09 Camshaft
- 11.19 Crankshaft And Piston
- 11.21 Fuel Tank
- 11.22 Dry Air Filter
- 11.25 Throttle Control
- 11.26 Silencer
- 11.31 Recoil Starter
- 11.44 Covering
- 11.46 Contact Breaker/Ign.Coil
- 11.53 Carburetor
- 12.12 Engine Carrier
- 12.13 Engine

Go to Discount-Equipment.com to order your parts

	Engine no.	S/N GCBPT-1697431 ▶
11.00	Engine Parts List	GX160UT2-QW-A4-SD
Page 1 / 1		
 BOMAG FAYAT GROUP		

For this catalogue group no illustration.

Go to Discount-Equipment.com to order your parts

Engine no.	S/N GCBPT-1697431 ▶	
Engine Parts List	GX160UT2-QW-A4-SD	11.00
		Page 1 / 1
	8061 E	

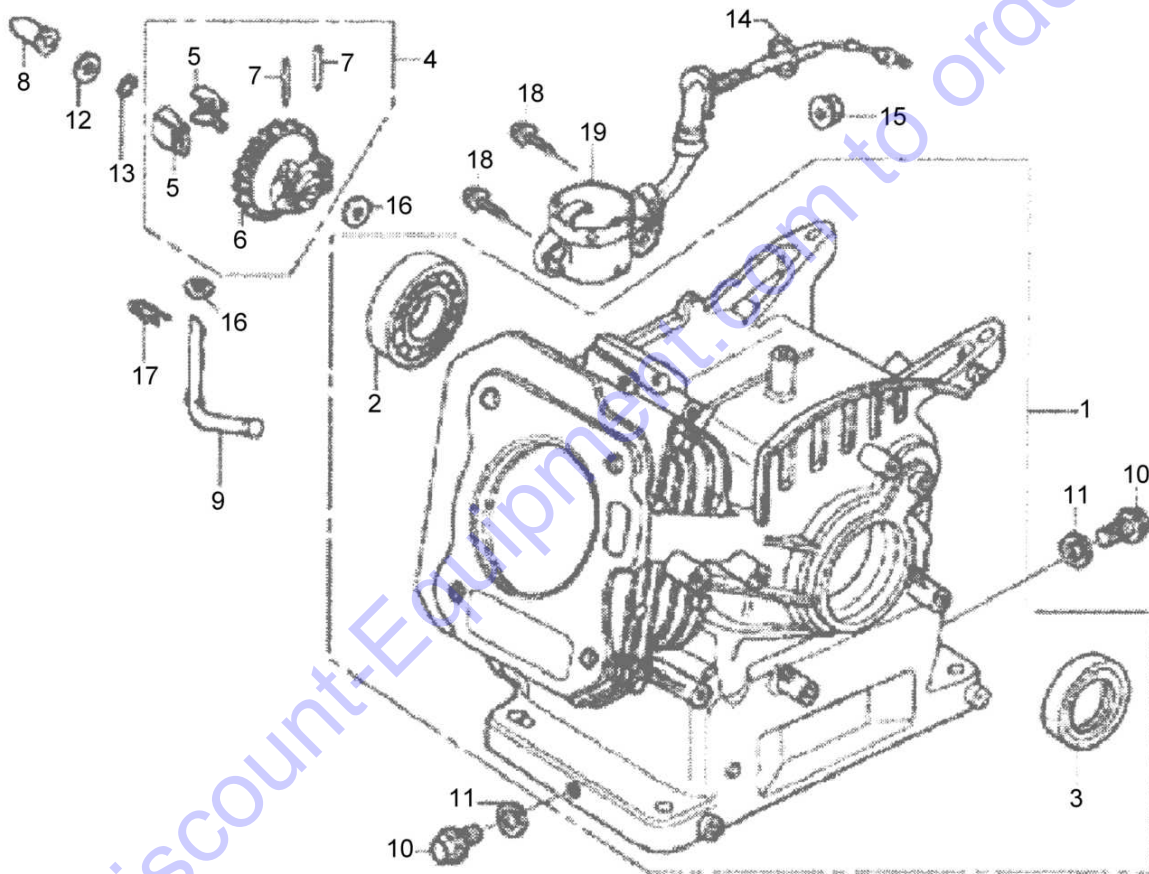
Pos. Part no. Qty. Description


1 05747029 1 Four-stroke engine

Go to Discount-Equipment.com to order your parts

11.01

Crankcase



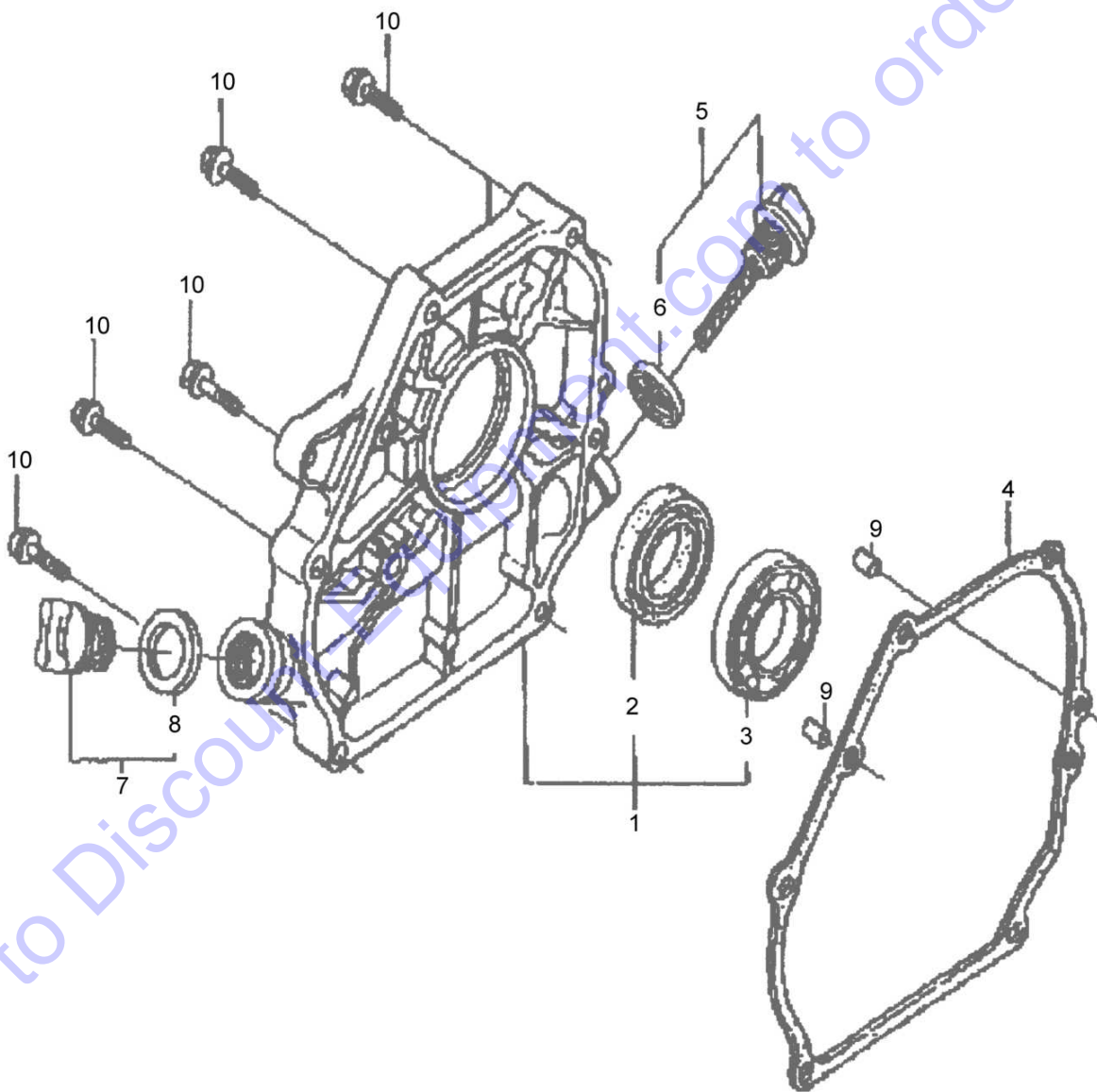
Engine no.	S/N GCBPT-1697431 ▶	
Crankcase		11.01
		Page 1 / 1
	MOT015175 8061 E	


Pos.	Part no.	Qty.	Description
1	05748949	1	Crankcase
2	05747378	1	>Ball bearing,grooved
3	05748553	1	>Radial seal
4	05748950	1	Governor / controller
5	05748951	2	>Weight
6	05748952	1	>Holder
7	05747346	2	>Pin
8	05748953	1	Spool valve
9	05748954	1	Shaft
10	05747180	2	Drain plug
11	05747129	2	Gasket
12	05747233	1	Thrust disc
13	05747377	1	Spring ring
14	05747188	1	Loop ring
15	05747379	1	Collar nut
16	05747348	2	Washer
17	05747349	1	Spring cotter
18	05747380	2	Screw
19	05748599	1	Oil pressure switch

Go to Discount-Equipment.com to order your parts

11.02

Front Cover



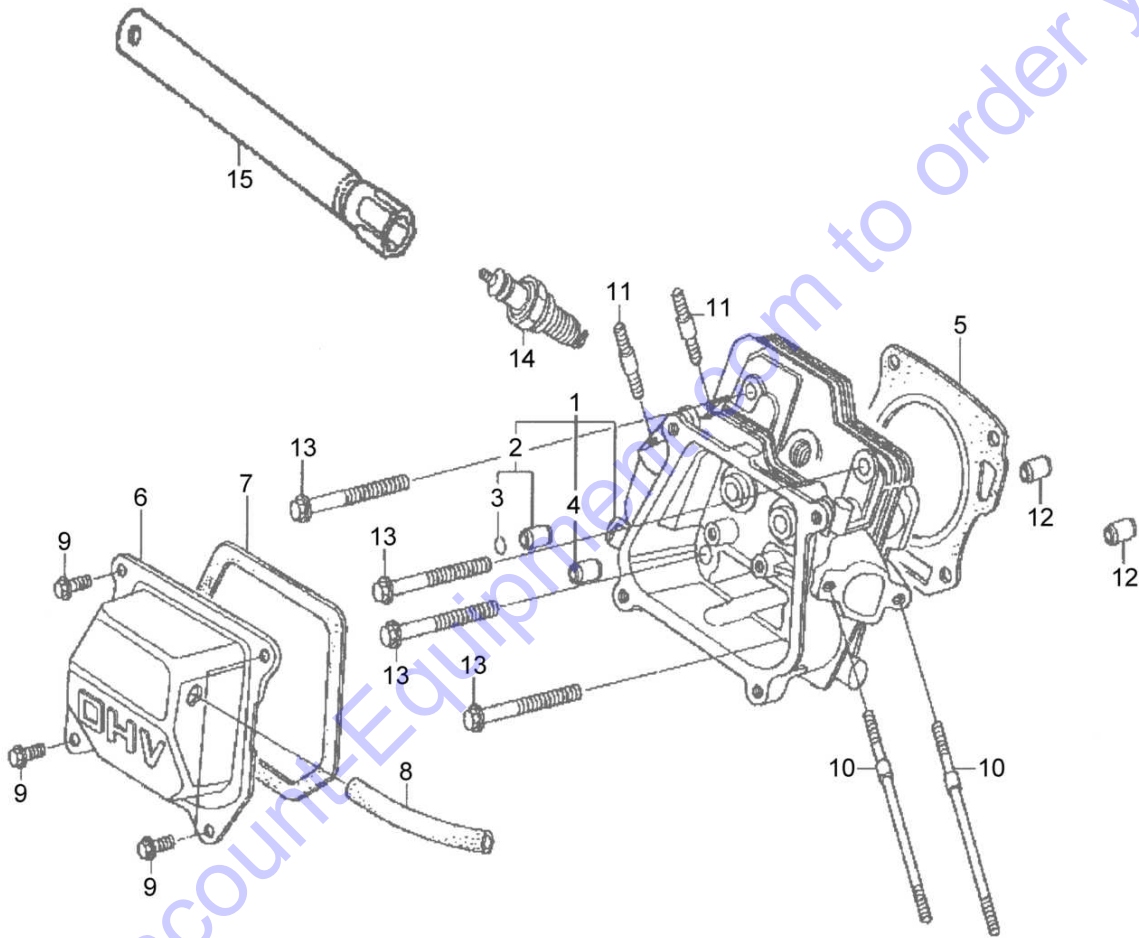
Engine no.	S/N GCBPT-1697431 ▶	
Front Cover		11.02
		Page 1 / 1
	MOT015176 8061 E	


Pos.	Part no.	Qty.	Description
1	05748955	1	Crank case cover
2	05748553	1	>Radial seal
3	05114005	1	>Ball bearing,grooved
4	05747384	1	Gasket
5	05748601	1	Filler cap
6	05748603	1	>Gasket, oil dip stick
7	05748602	1	Filler cap
8	05748603	1	>Gasket, oil dip stick
9	05747389	2	Dowel pin
10	05747390	6	Screw

Go to Discount-Equipment.com to order your parts

11.08

Cylinder Head



Engine no.	S/N GCBPT-1697431 ▶	
Cylinder Head		11.08
		Page 1 / 1
	MOT015177 8061 E	

Pos.	Part no.	Qty.	Description
------	----------	------	-------------

1	05748940	1	Cylinder head
2	05747212	1	>Valve guide Exhaust
3	05747368	1	>>Circlip
4	05747211	1	>Valve guide Intake
5	05748941	1	Cylinder head gasket
6	05748916	1	Cylinder head cover
7	05747125	1	Valve cover gasket
8	05747369	1	Ventilation pipe
9	05747322	4	Hexagon bolt
10	05747356	2	Stud
11	05747370	2	Stud
12	05747371	2	Dowel pin
13	05748639	4	Hexagon bolt
14	05748607	1	Spark plug
			Service Parts
15	05748608	1	Spark plug spanner

Go to Discount-Equipment.com to order your parts

Engine no.

S/N GCBPT-1697431 ▶

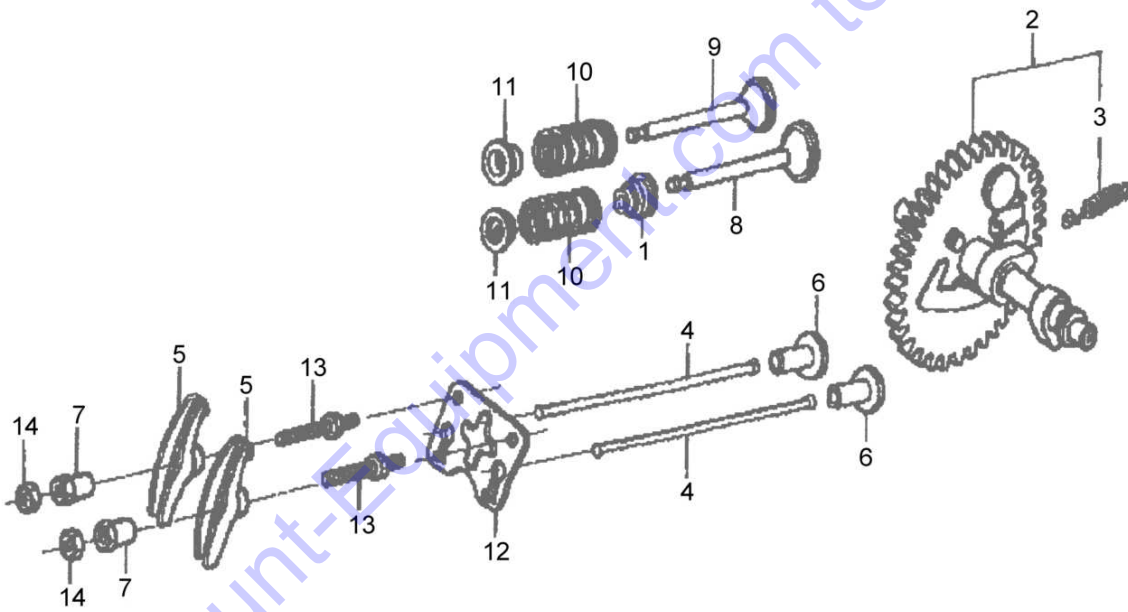
11.09

Camshaft


Page 1 / 1



MOT015178_000_00



mot015178_000

Engine no.	S/N GCBPT-1697431 ▶	
Camshaft		11.09
		Page 1 / 1
	MOT015178 8061 E	

Pos.	Part no.	Qty.	Description
1	05748920	1	Valve stem seal
2	05748961	1	Camshaft
3	05747139	1	>Return spring
4	05748962	2	Pushrod
5	05747231	2	Rocker arm
6	05747404	2	Tappet
7	05747406	2	Journal
8	05748963	1	Inlet valve
9	05748964	1	Outlet valve
10	05747345	2	Valve spring
11	05747106	2	Valve plate
12	05747257	1	Guide plate
13	05747272	2	Bolt
14	05747354	2	Adjustment nut

Go to Discount-Equipment.com to order your parts

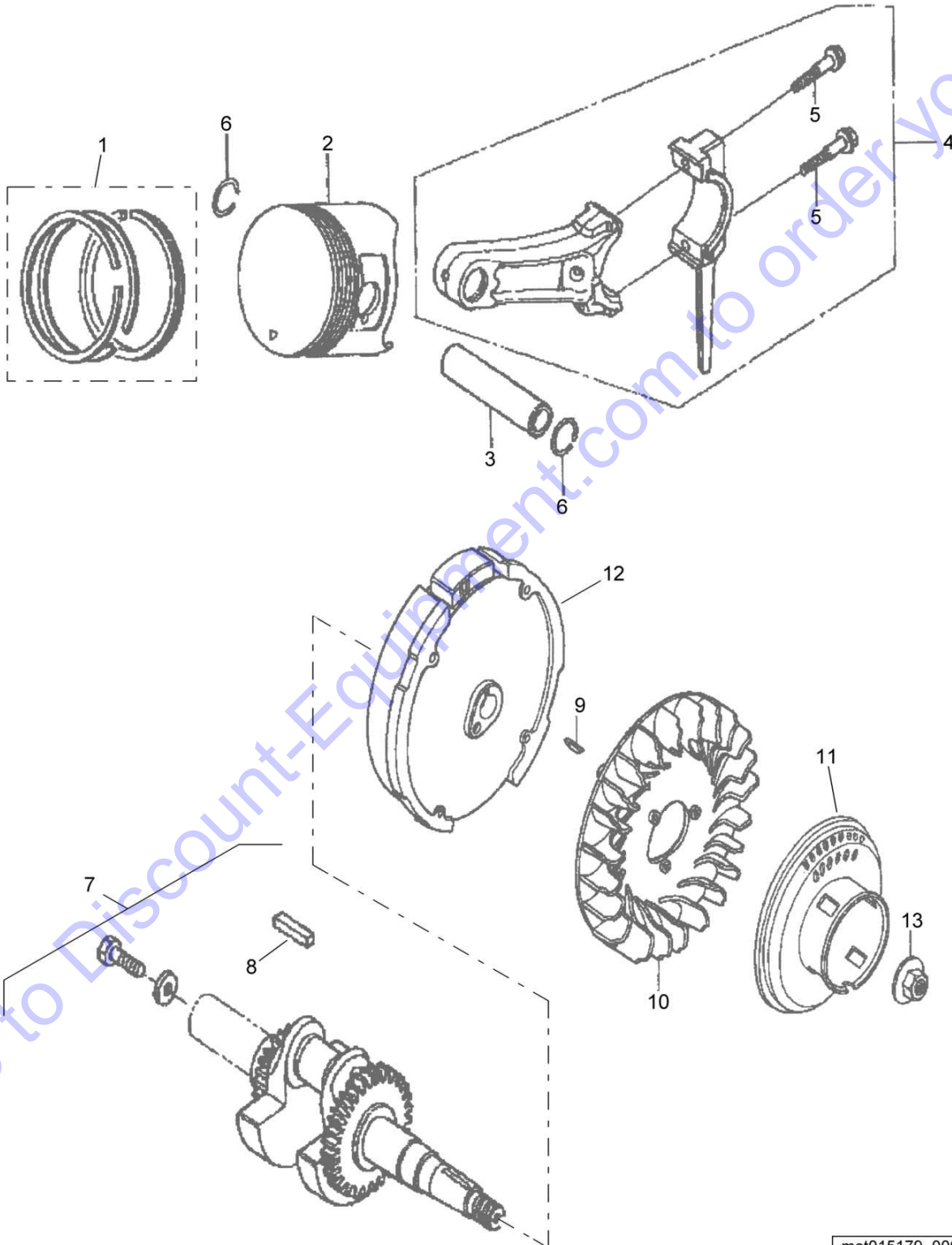
11.19


Crankshaft And Piston

Page **1 / 1**



MOT015179_000_00



Engine no.	S/N GCBPT-1697431 ▶	
Crankshaft And Piston		11.19
		Page 1 / 1
	MOT015179 8061 E	

Pos.	Part no.	Qty.	Description
1	05748932	1	Piston ring set Standard
2	05748957	1	Piston
3	05748958	1	Floating wrist pin
4	05748959	1	Conrod
5	05748960	2	>Conrod screw
6	05747239	2	Spring ring
7	05748956	1	Crankshaft
8	05748619	1	>Fitting key
9	05747191	1	Woodruff key
10	05747228	1	Fan
11	05748650	1	Starting pulley
12	05748939	1	Flywheel
13	05748622	1	Collar nut

Go to Discount-Equipment.com to order your parts

Engine no.

S/N GCBPT-1697431 ▶

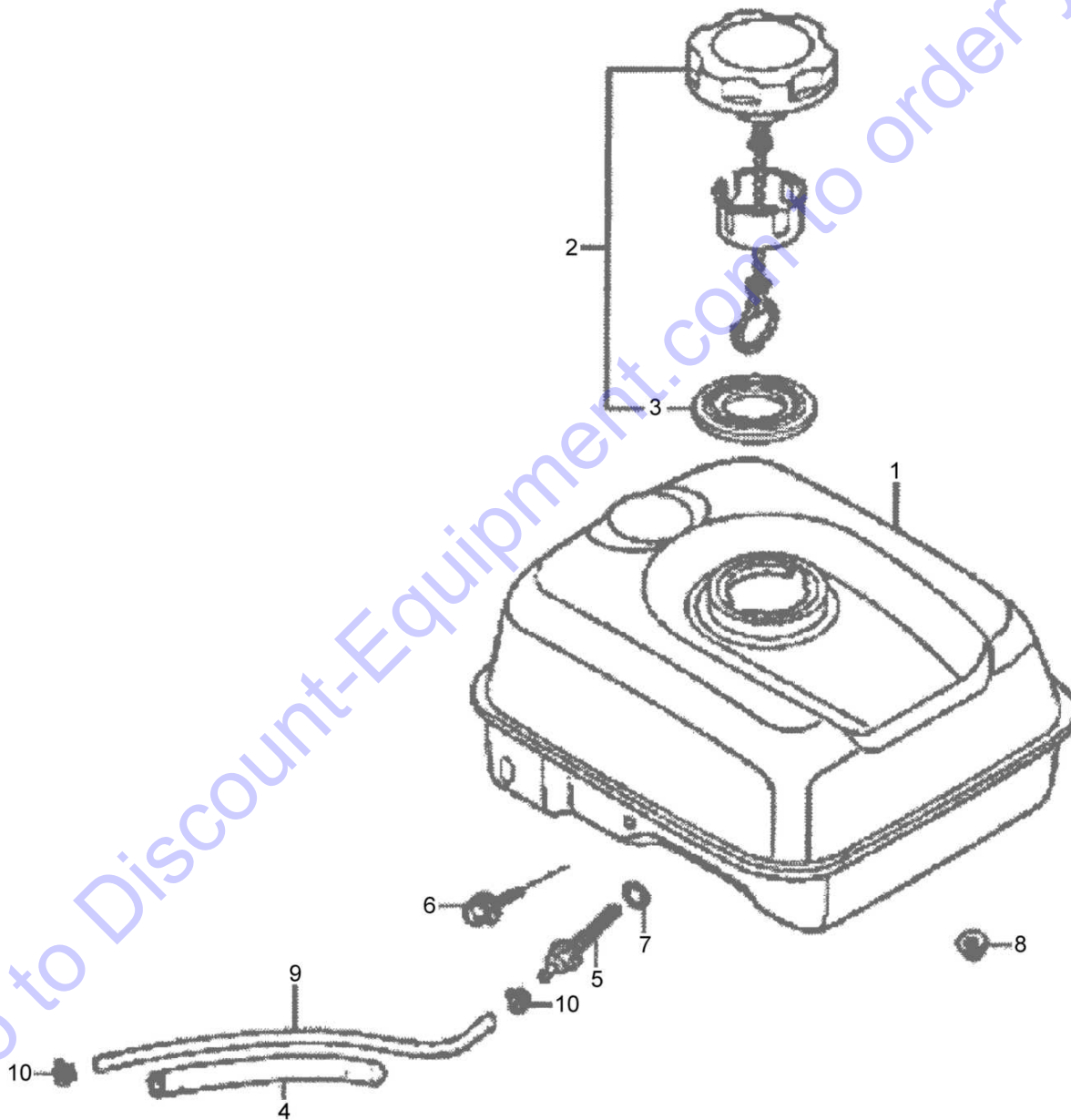
11.21

Fuel Tank


Page 1 / 1



MOT015180_000_00



mot015180_000

Engine no.	S/N GCBPT-1697431 ▶	
Fuel Tank		11.21
		Page 1 / 1
	MOT015180 8061 E	

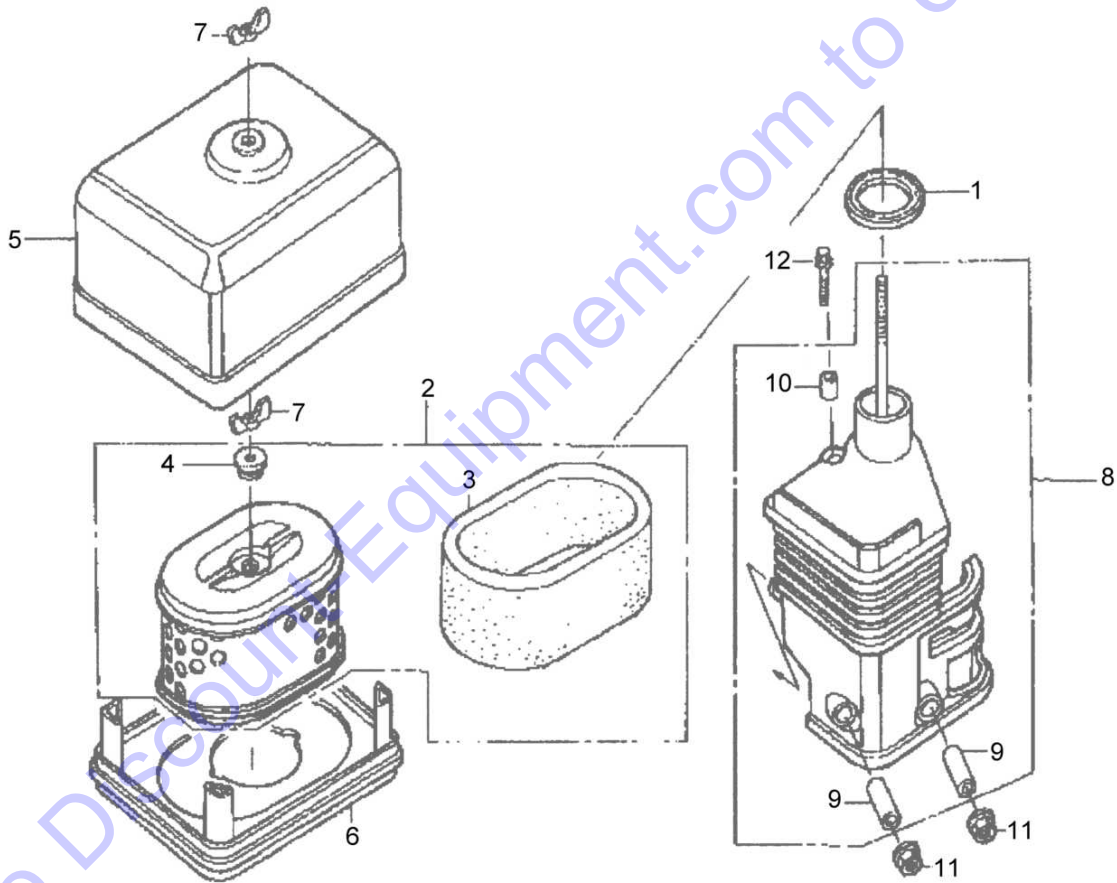
Pos. Part no. Qty. Description Benennung


1	05748938	1	Fuel tank	
2	05748914	1	Tank cover	
3	05748593	1	>Gasket, tank cover	
4	05747464	1	Rubber,supporter	
5	05747161	1	Filter,fuel	
6	05748568	1	Hexagon bolt	
7	05747188	1	Loop ring	
8	05747312	2	Collar nut	
9	05748937	1	Fuel hose	
10	05748570	2	Hose clip	

Go to Discount-Equipment.com to order your parts

11.22

Dry Air Filter



Engine no.	S/N GCBPT-1697431 ▶	
Dry Air Filter		11.22
		Page 1 / 1
	MOT015181 8061 E	

Pos.	Part no.	Qty.	Description
1	05747126	1	Gasket,knuckle tube
2	05747215	1	Element,washable
3	05747447	1	>External filter
4	05747163	1	>Rubber grommet
5	05748935	1	Filter cover
6	05747164	1	Air filter base
7	05747183	2	Wing nut
8	05748936	1	Knuckle tube
9	05747451	2	>Bushing
10	05747449	1	>Bushing
11	05747312	2	Collar nut
12	05747452	1	Screw

Go to Discount-Equipment.com to order your parts

Engine no.

S/N GCBPT-1697431 ▶

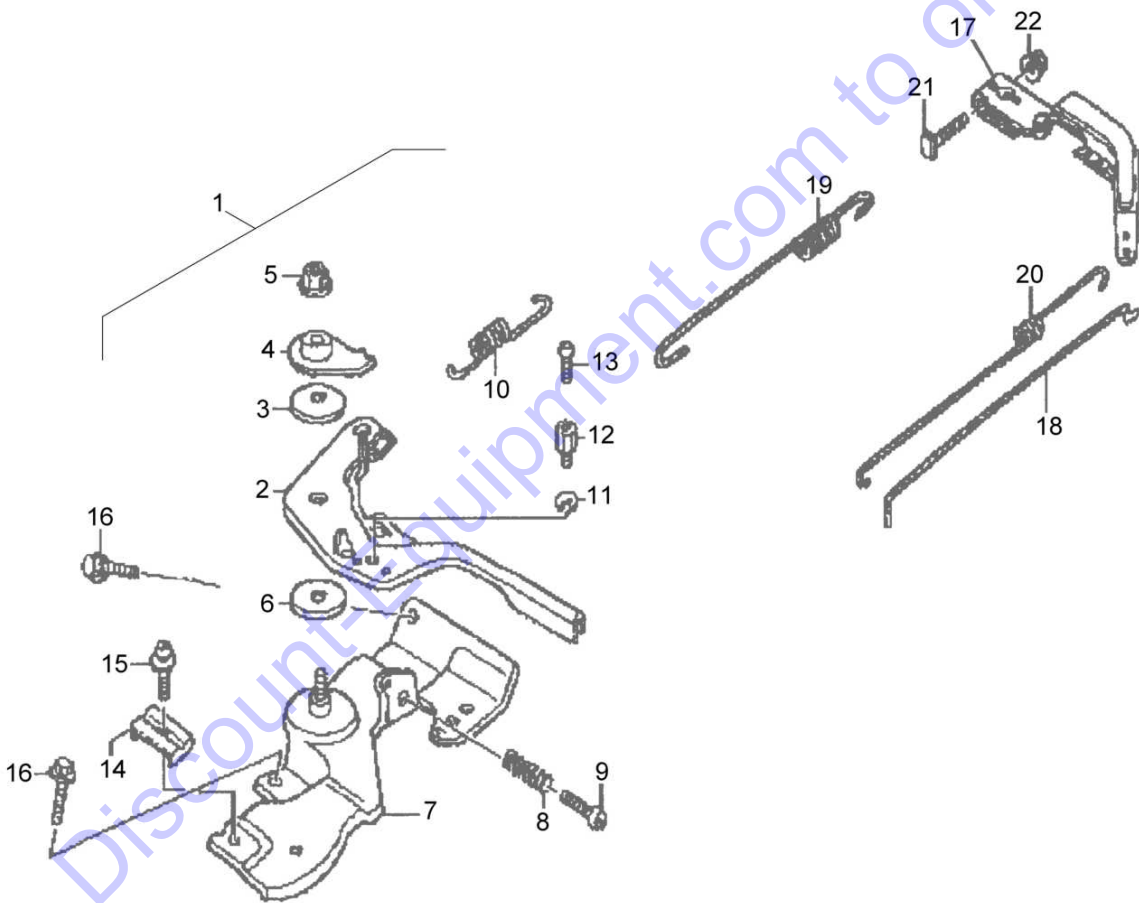
11.25

Throttle Control


Page 1 / 1



MOT015182_000_00



mot015182_000

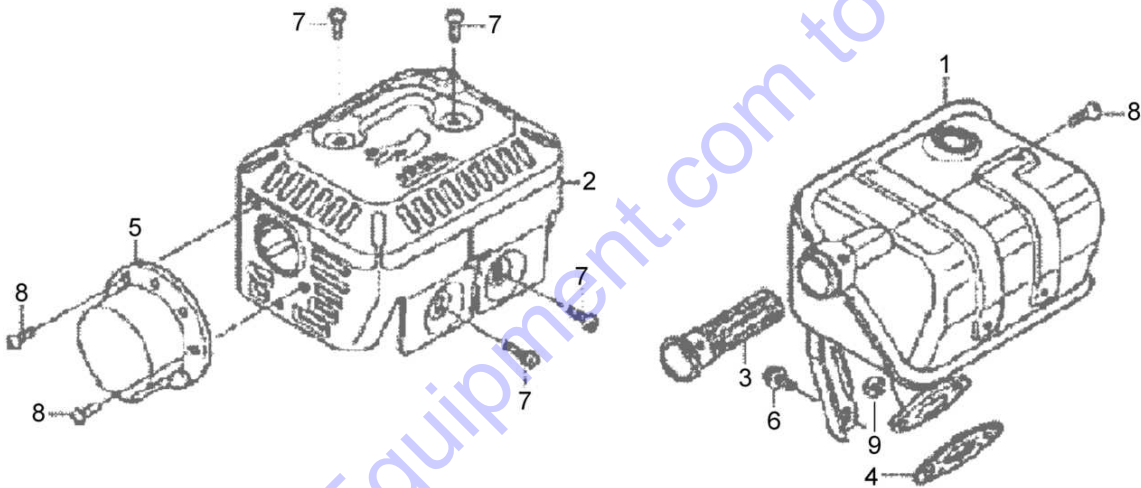
Engine no.	S/N GCBPT-1697431 ▶	
Throttle Control		11.25
		Page 1 / 1
	MOT015182 8061 E	


Pos.	Part no.	Qty.	Description
1	05748942	1	Control assy.
2	05748947	1	>Lever,control
3	05747227	1	>Belleville spring
4	05747155	1	>Washer
5	05747264	1	>Safety nut
6	05747156	1	>Connecting piece
7	05748948	1	>Control base
8	05747158	1	>Adjusting spring
9	05747425	1	>Screw
10	05747341	1	>Return spring
11	05747333	1	>Spring ring
12	05747332	1	>Wire holder
13	05747334	1	>Screw
14	05747418	1	>Cable clip
15	05747426	1	>Screw
16	05747322	2	Hexagon bolt
17	05748943	1	Arm governor
18	05748944	1	Governor rod
19	05748945	1	Governor spring
20	05748946	1	Return spring
21	05747423	1	Screw
22	05747312	1	Collar nut

Go to Discount-Equipment.com to order your parts

11.26

Silencer



Engine no.	S/N GCBPT-1697431 ▶	
Silencer		11.26
		Page 1 / 1
	MOT015183 8061 E	

Pos.	Part no.	Qty.	Description
1	05748911	1	Silencer
2	05748912	1	Muffler guard
3	05748910	1	Avoid-sparks
4	05748624	1	Exhaust gasket
5	05747128	1	Cap
6	05747355	1	Screw
7	05747316	4	Self tapping screw
8	05747317	3	Self tapping screw
9	05747190	2	Hexagon nut

Go to Discount-Equipment.com to order your parts

Engine no.

S/N GCBPT-1697431 ▶

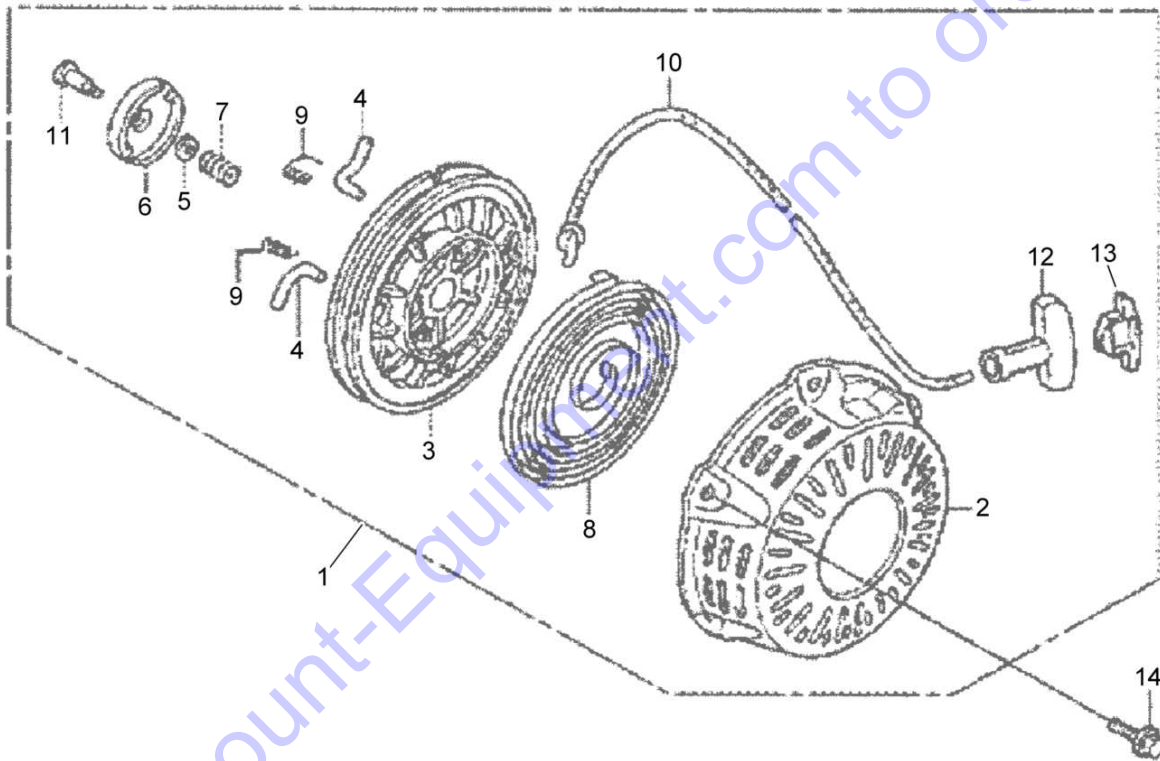
11.31

Recoil Starter


Page **1 / 1**



MOT015184_000_00



mot015184_000

Engine no.	S/N GCBPT-1697431 ▶	
Recoil Starter		11.31
		Page 1 / 1
	MOT015184 8061 E	

Pos. Part no. Qty. Description

1	05748923	1	Recoil starter
2	05748893	1	>Starter housing
3	05748894	1	>Rope pulley
4	05748326	2	>Ratchet
5	05748327	1	>Friction spring
6	05748328	1	>Guide,ratchet
7	05748329	1	>Spring
8	05747293	1	>Return spring
9	05748330	2	>Return spring
10	05747296	1	>Starter rope
11	05748579	1	>Locking screw
12	05748895	1	>Starter handle
13	05748896	1	>Handle
14	05748331	3	Screw
15	05748654	1	Label

Go to Discount-Equipment.com to order your parts

Engine no.

S/N GCBPT-1697431 ▶

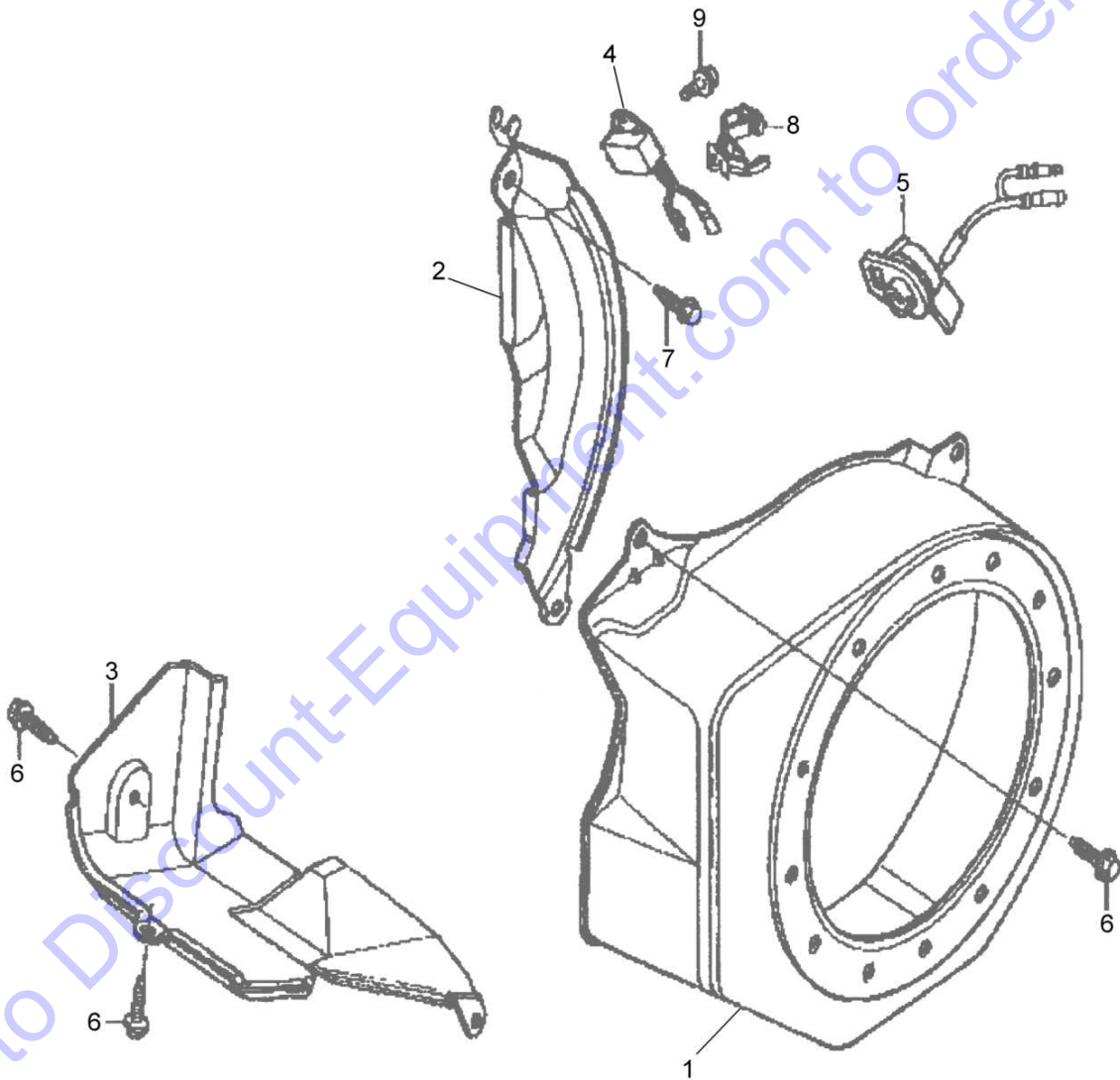
11.44

Covering


Page 1 / 1



MOT015185_000_00



mot015185_000

Engine no.	S/N GCBPT-1697431 ▶	
Covering		11.44
		Page 1 / 1
	MOT015185 8061 E	 BOMAG FAYAT GROUP

Pos.	Part no.	Qty.	Description
1	05748925	1	Engine cover
2	05748926	1	Side plate
3	05748927	1	Cover
4	05748627	1	Oil alarm unit
5	05748628	1	Engine stop switch
6	05747322	6	Hexagon bolt
7	05747325	1	Screw
8	05747648	1	Cable clip
9	05747318	1	Screw

Go to Discount-Equipment.com to order your parts

Engine no.

S/N GCBPT-1697431 ▶

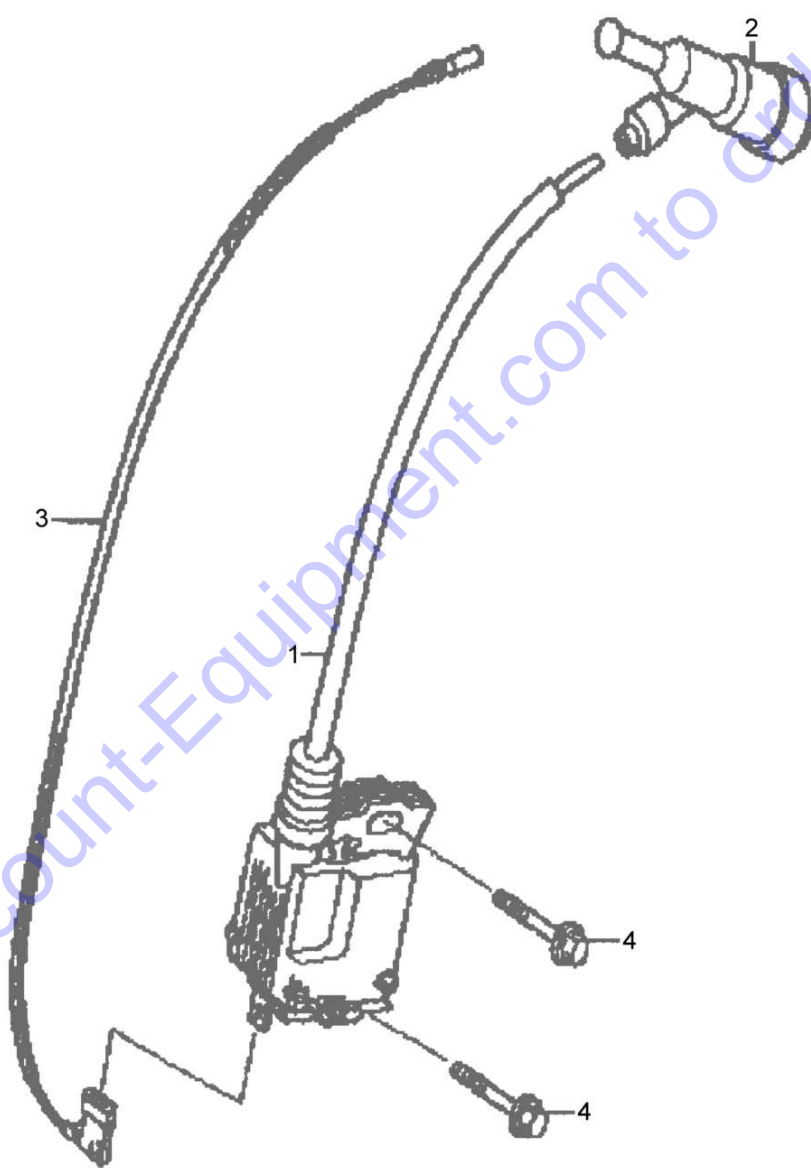
11.46

Contact Breaker/Ign. Coil


Page 1 / 1



MOT015186_000_00



mot015186_000

Engine no.	S/N GCBPT-1697431 ▶	
Contact Breaker/Ign. Coil		11.46
		Page 1 / 1
	MOT015186 8061 E	

Pos. Part no. Qty. Description

1	05748630	1	Coil,ignition
2	05748631	1	Spark plug socket
3	05747415	1	Shut down rope
4	05747395	2	Screw

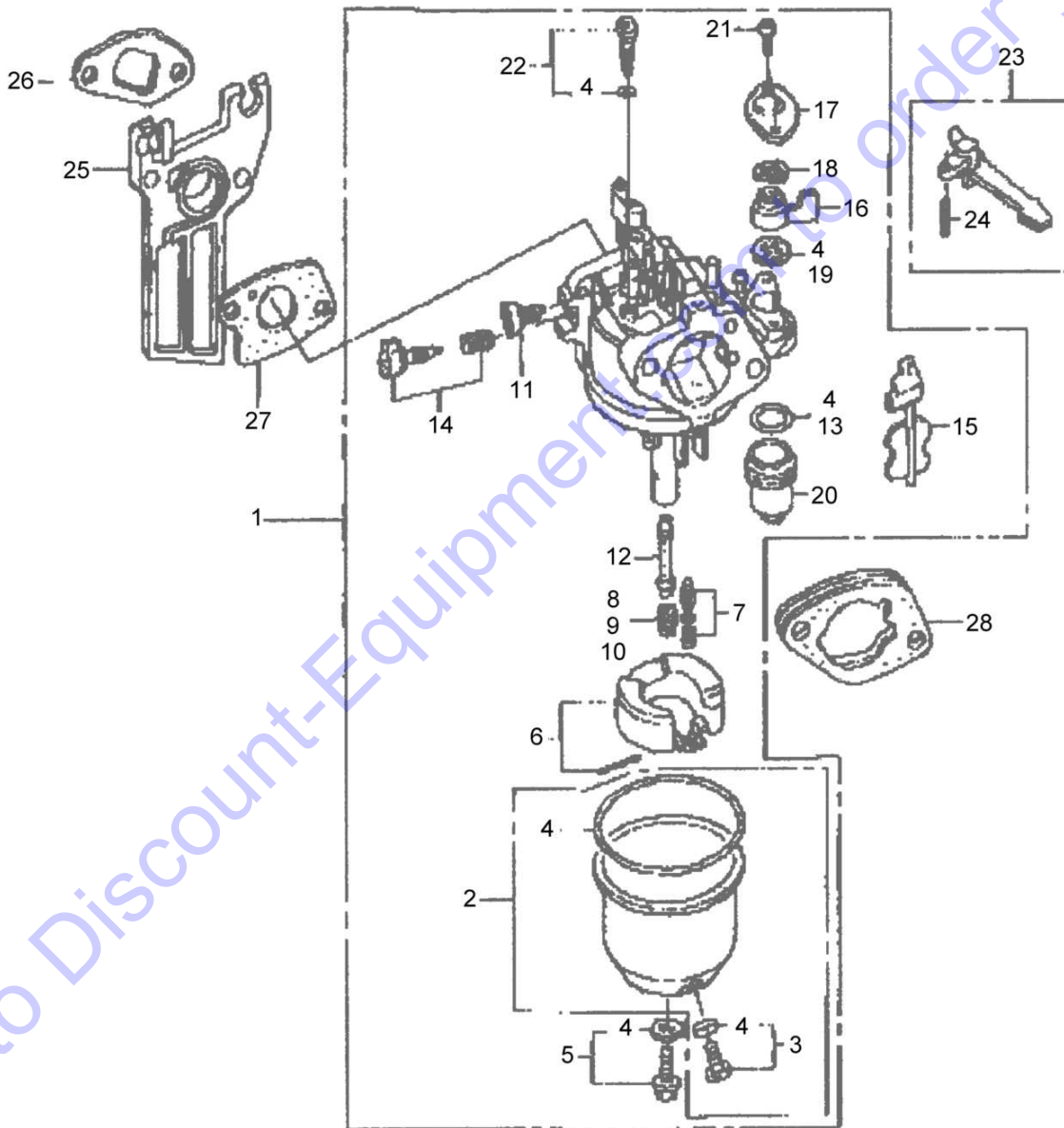
Go to Discount-Equipment.com to order your parts


11.53

Carburetor



MOT015187_000_00



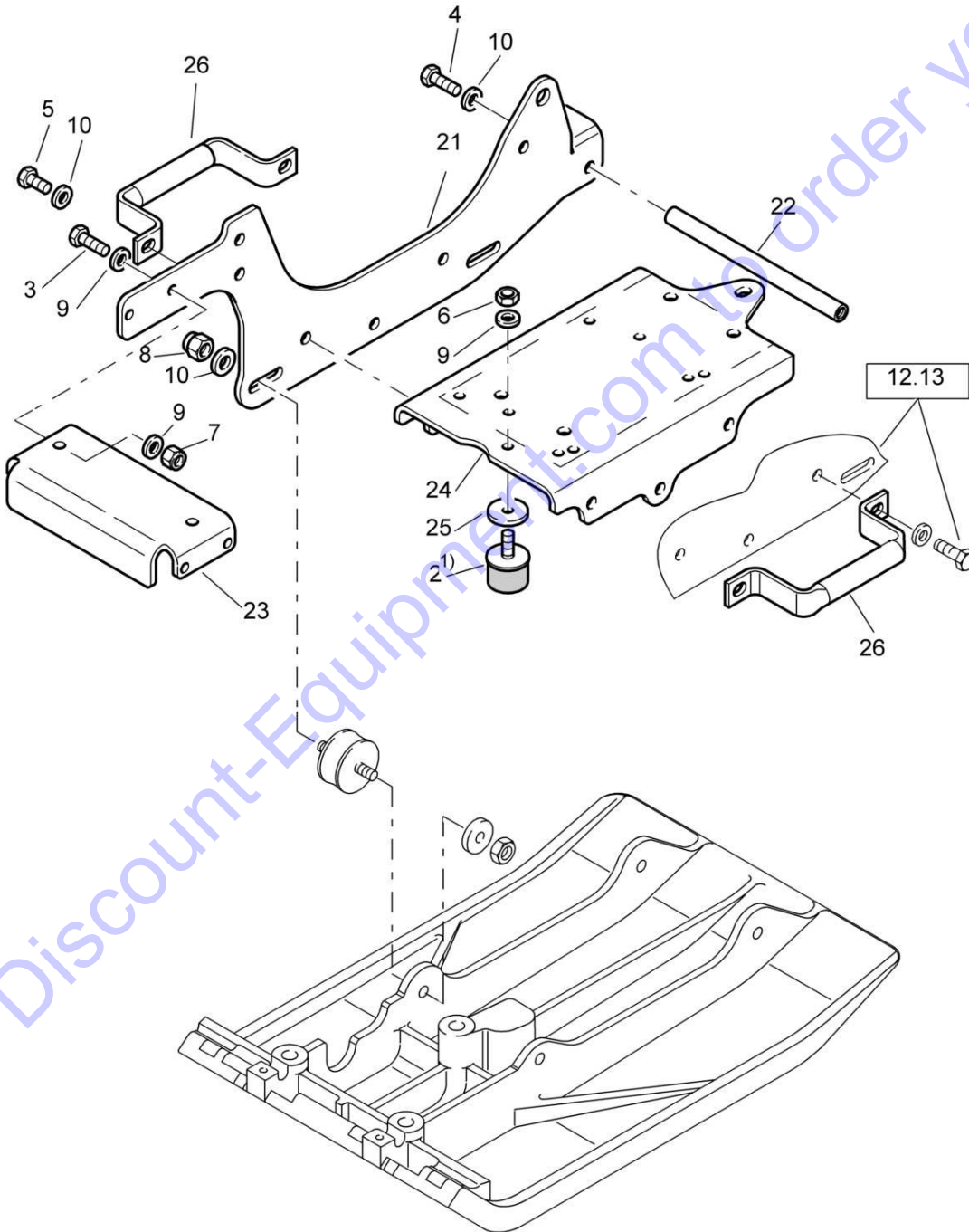
Engine no.	S/N GCBPT-1697431 ▶	
Carburetor		11.53
		Page 1 / 1
	MOT015187 8061 E	


Pos.	Part no.	Qty.	Description
------	----------	------	-------------

1	05748929	1	Carburetor
2	05748898	1	>Floater housing
3	05748899	1	>>Screw plug with seal
4	05747249	1	>>Kit,seal
5	05748900	1	>Screw plug with seal
6	05748588	1	>Float set
7	05747146	1	>Kit,float valve
8	05748584	1	>Main nozzle #65
9	05748585	1	>Main nozzle #68
10	05748589	1	>Main nozzle #70
11	05747148	1	>Stop screw
12	05748930	1	>Main nozzle
13	05748490	1	>Gasket
14	05747644	1	>Kit, bolts
15	05748928	1	>Kit, choke
16	05747645	1	>Lever
17	05747441	1	>Fastening plate
18	05747442	1	>Spring
19	05747218	1	>Gasket
20	05747313	1	>Cup,fuel strainer
21	05748500	2	>Screw
22	05748505	1	>Kit,nozzle #35
23	05747159	1	Lever
24	05747281	1	>Dowel pin
25	05748931	1	Insulator
26	05747342	1	Insulator gasket
27	05747440	1	Gasket
28	05747149	1	Connecting piece

Go to Discount-Equipment.com to order your parts

1) Tightening torque 15 Nm



BVP 18/45	
S/N 861834111001 ▶	12.12
Engine Carrier	Page 1 / 1
22120000 8061 1	

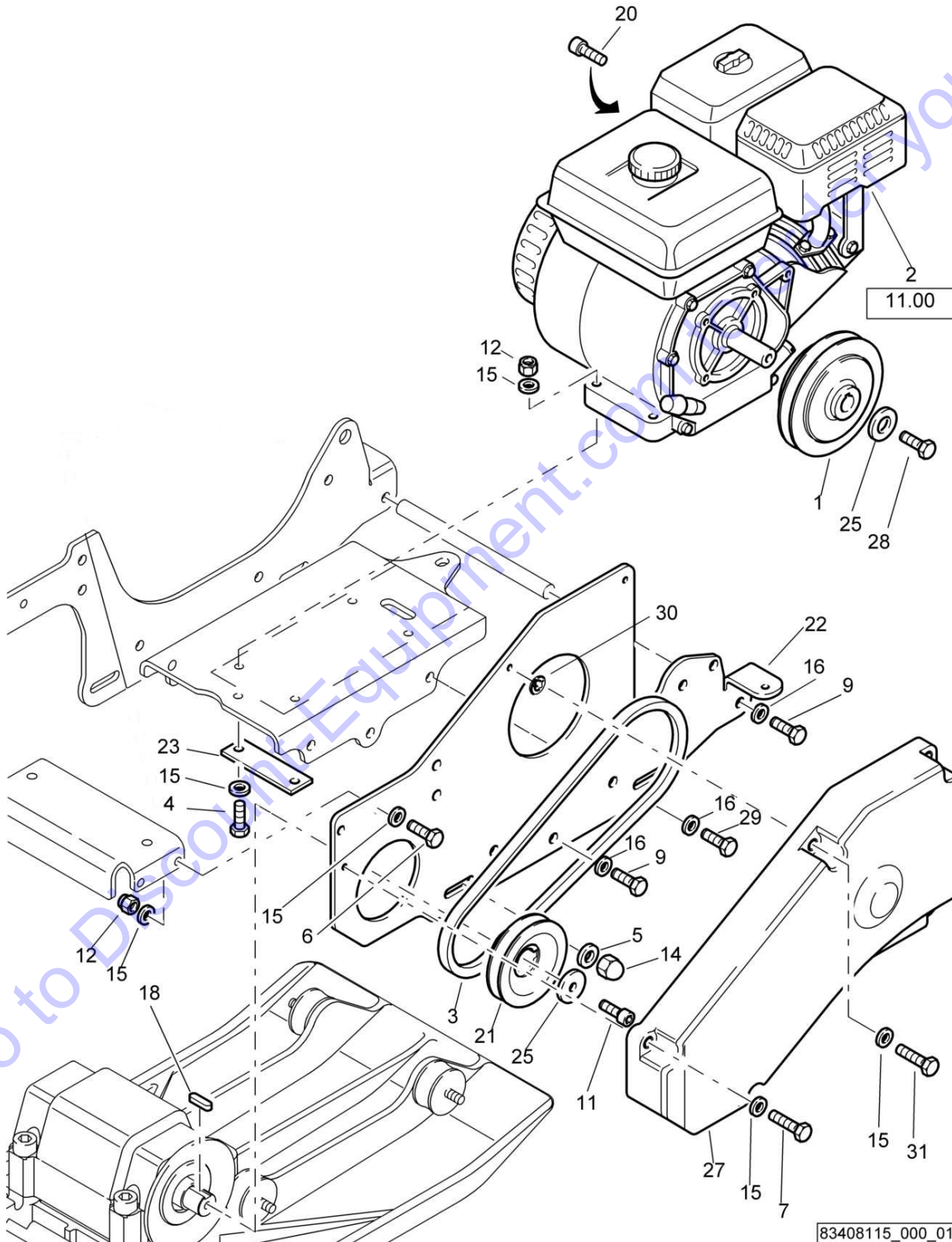
Pos. Part no. Qty. Description

2	06143712	1	Stop buffer
3	07140834	2	Hexagon bolt
4	07141017	1	Hexagon bolt
5	07141030	3	Hexagon bolt
6	08110812	1	Hexagon nut
7	08130813	2	Safety nut
8	08241035	2	Domed cap nut
9	08510817	5	Washer
10	08511021	4	Washer
11	08501028	2	Washer
21	83411273	1	Flange
22	22120103	1	Handle
23	22120110	1	Pillow block
24	83411274	1	Engine carrier
25	69040261	1	Washer
26	22130136	2	Handle

Go to Discount-Equipment.com to order your parts

12.13

Engine



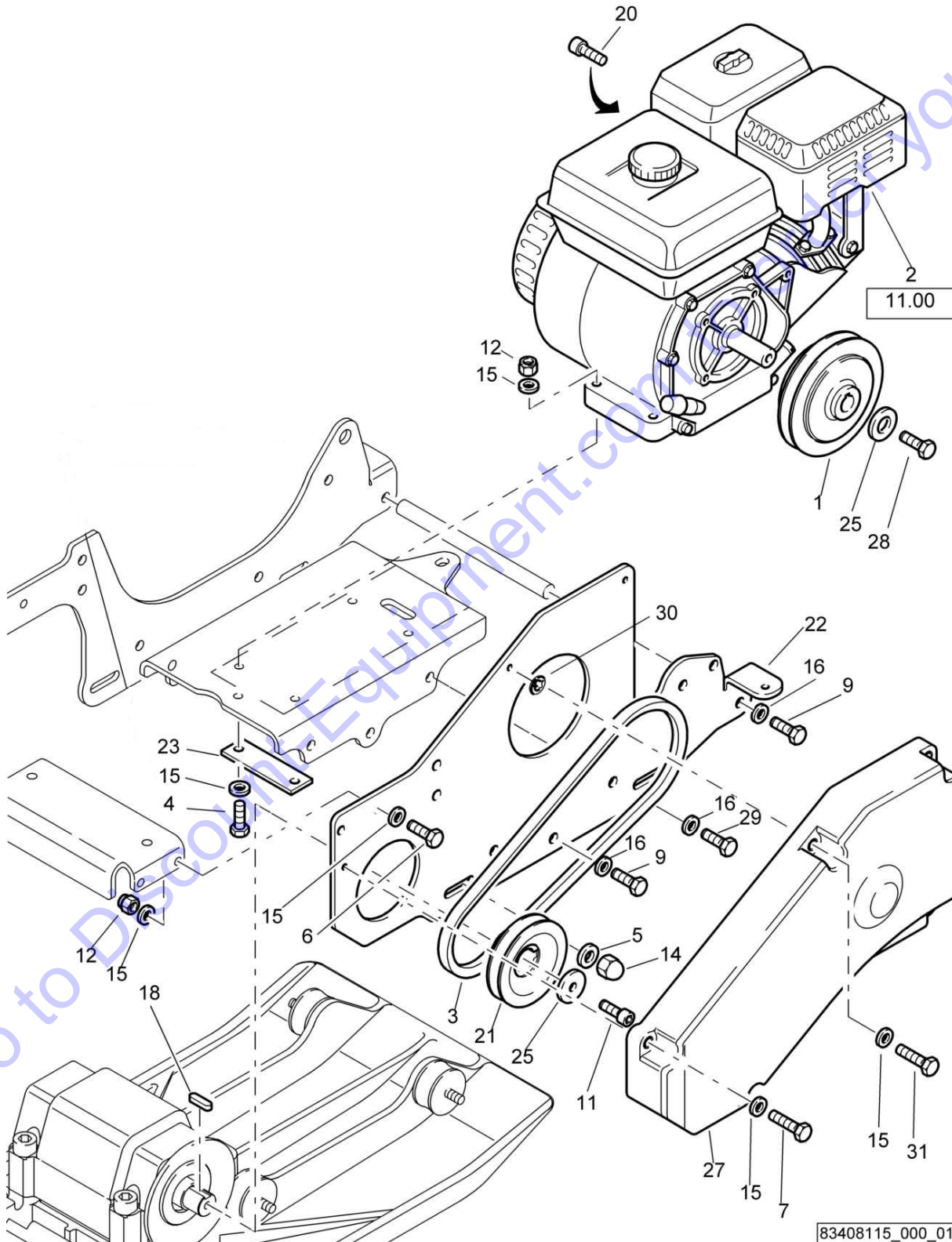
BVP 18/45	
S/N 861834112981 ▶	
Engine	12.13
	Page 1 / 1
	83408115 8061 1
	 BOMAG FAYAT GROUP


Pos.	Part no.	Qty.	Description
1	05050149	1	Centrifugal clutch
2	05747029	1	Four-stroke engine
3	06312013	1	V-belt
4	07140853	4	Hexagon bolt
5	08501028	2	Washer
6	07140824	2	Hexagon bolt
7	07140842	1	Hexagon bolt
9	07141017	2	Hexagon bolt
11	07230811	1	Socket-head cap screw
12	08130813	6	Safety nut
14	08241035	2	Domed cap nut
15	08510817	17	Washer
16	08511021	4	Washer
18	09181602	1	Fitting key
20	07140665	1	Hexagon bolt
21	22110121	1	V-belt pulley
22	83410580	1	Flange
23	22130104	2	Flat steel
25	83410421	1	Washer
27	63150112	1	Protection hood
28	83410455	1	Bolt
29	07141030	2	Hexagon bolt
30	08665000	4	Stop disc
31	07140846	4	Hexagon bolt

Go to Discount-Equipment.com to order your parts

12.13

Engine



BVP 18/45	
S/N 861834111001 ▶ S/N 861834112980	12.13
Engine	Page 1 / 1
83408115 8061 1	

Pos.	Part no.	Qty.	Description
1	05050149	1	Centrifugal clutch
2	05747029	1	Four-stroke engine
3	06312013	1	V-belt
4	07140853	4	Hexagon bolt
5	08501028	2	Washer
6	07140824	2	Hexagon bolt
7	07140842	1	Hexagon bolt
9	07141017	2	Hexagon bolt
11	07230819	1	Socket-head cap screw
12	08130813	6	Safety nut
14	08241035	2	Domed cap nut
15	08510817	17	Washer
16	08511021	4	Washer
18	09181602	1	Fitting key
20	07140665	1	Hexagon bolt
21	22110121	1	V-belt pulley
22	83410580	1	Flange
23	22130104	2	Flat steel
25	83410421	1	Washer
27	63150112	1	Protection hood
28	83410455	1	Bolt
29	07141030	2	Hexagon bolt
30	08665000	4	Stop disc
31	07140846	4	Hexagon bolt

Go to Discount-Equipment.com to order your parts

Frame with Attachment Parts



50

Go to Discount-Equipment.com to order your parts

50.00


Frame with Attachment Parts

Page /



For this catalogue group no illustration.

Go to Discount-Equipment.com to order your parts

Frame with Attachment Parts	50.00
	Page /
	 BOMAG <small>FAYAT GROUP</small>

Pos. Description

52.17 Protection Bow
53.26 Steering Handle

Go to Discount-Equipment.com to order your parts



BVP 18/45

S/N 861834111001 ▶

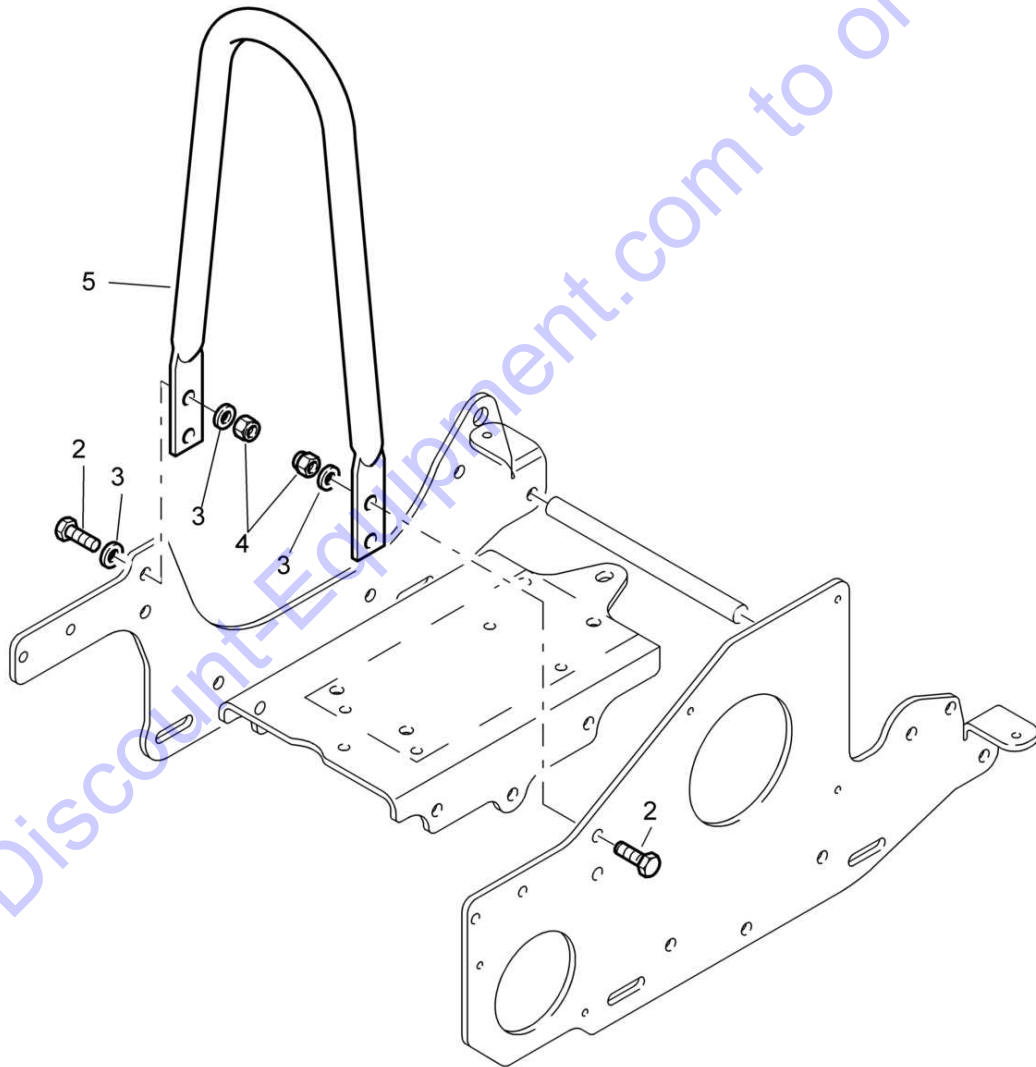
52.17

Protection Bow


Page **1 / 1**



83408026_000_00



83408026_000_00

BVP 18/45	
S/N 861834111001 ▶	
Protection Bow	52.17
	Page 1 / 1
	
83408026 8061 1	

Pos.	Part no.	Qty.	Description
------	----------	------	-------------

2	07141030	4	Hexagon bolt
3	08511021	6	Washer
4	08131016	4	Safety nut
5	83410401	1	Bow

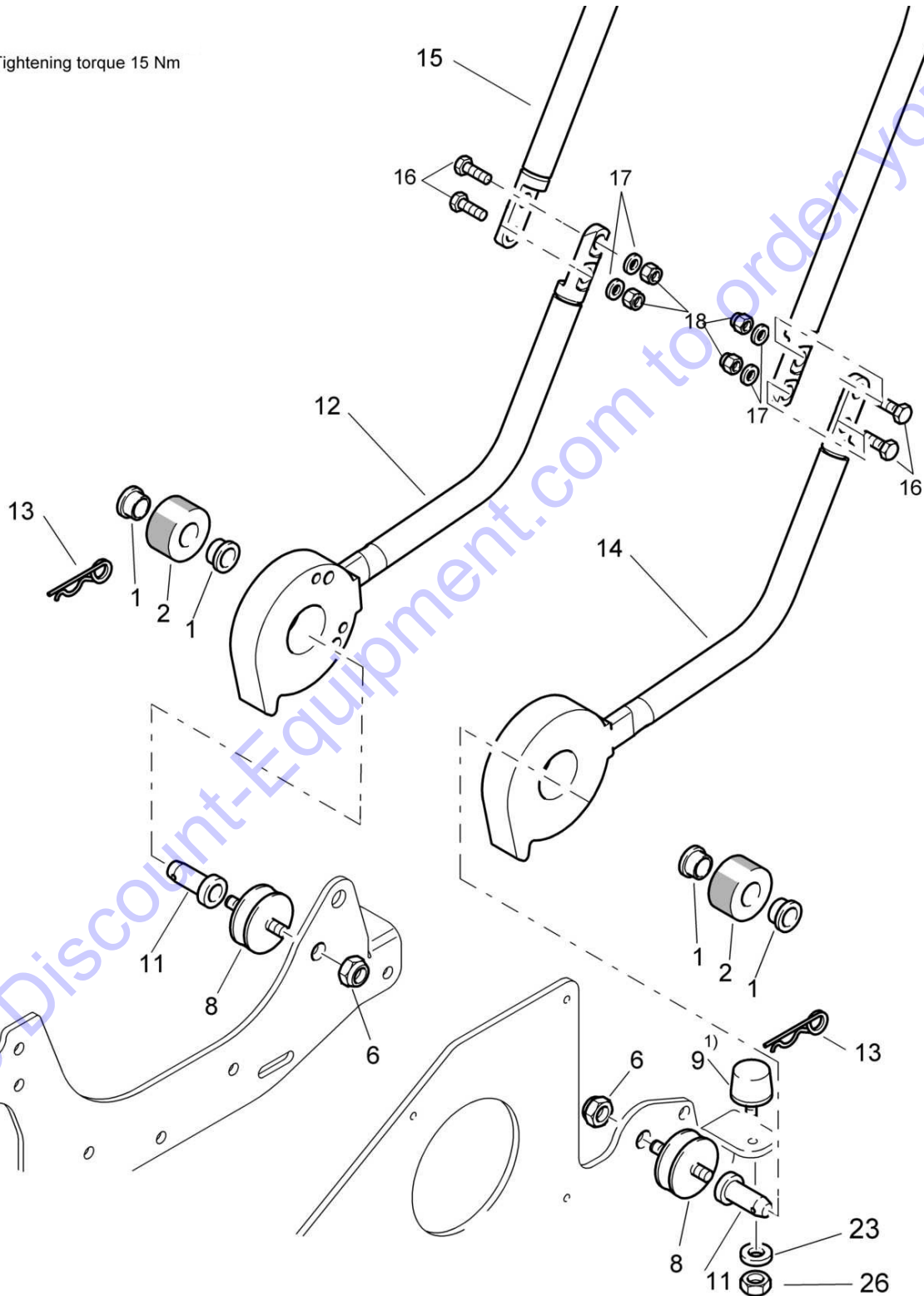
Go to Discount-Equipment.com to order your parts




53.26**Steering Handle**Page **1 / 1**

83408027_000_00

1) Tightening torque 15 Nm



83408027_000_00

BVP 18/45	
S/N 861834111001 ▶	
Steering Handle	53.26
	Page 1 / 1
	
83408027 8061 1	

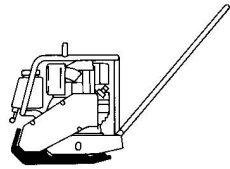
Pos. Part no. Qty. Description

1	22040112	4	Bushing
2	06151711	2	Rubber bush
6	08131218	2	Safety nut
8	06116915	2	Rubber buffer
9	06142910	2	Stop buffer
11	22230113	2	Journal
12	83410403	1	Steering rod
13	05994004	2	Spring cotter
14	83410404	1	Steering rod
15	83410408	1	Steering rod
16	07141238	4	Hexagon bolt
17	08511324	4	Washer
18	08131218	4	Safety nut
23	08510817	2	Washer
26	08130813	2	Safety nut

Go to Discount-Equipment.com to order your parts

Go to Discount-Equipment.com to order your parts

Plate / Foot



65

65.00


Plate / Foot

Page /



For this catalogue group no illustration.

Go to Discount-Equipment.com to order your parts


Plate / Foot	65.00
	Page /
	 BOMAG <small>FAYAT GROUP</small>

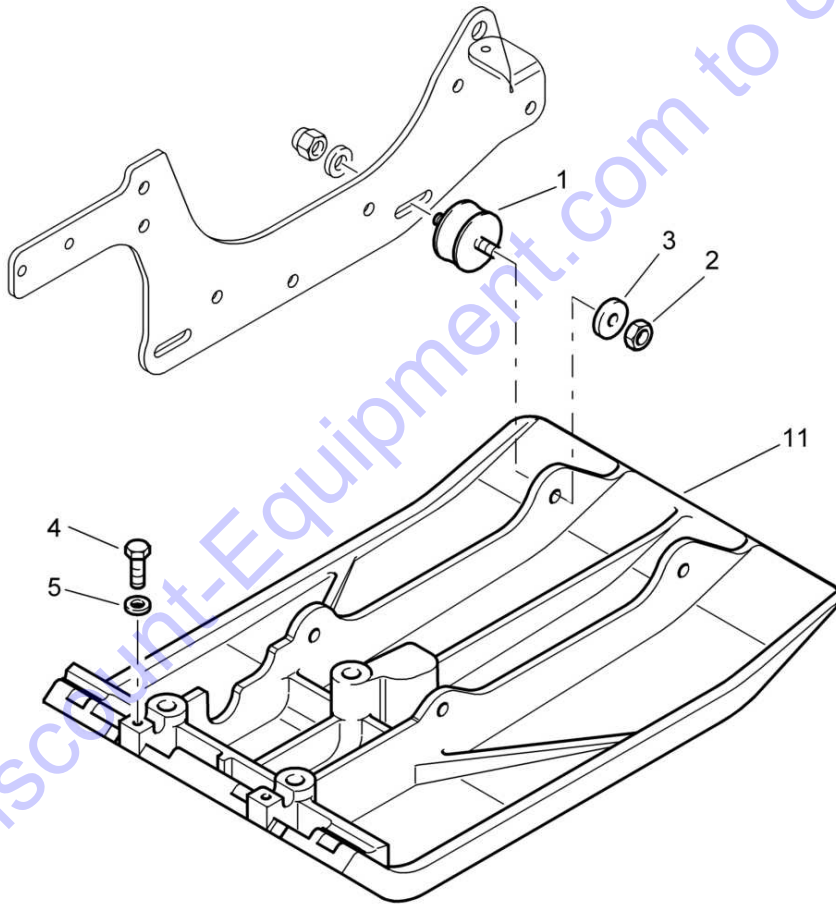
Pos. Description

65.05 Base Plate
65.06 Exciter Unit


Go to Discount-Equipment.com to order your parts



	BVP 18/45	
65.05		S/N 861834111001 ▶
	Base Plate	
Page 1 / 1		
 BOMAG FAYAT GROUP		63130000_000_02



Go to Discount-Equipment.com to order your parts

BVP 18/45	
S/N 861834111001 ▶	
Base Plate	65.05
	Page 1 / 1
	 BOMAG FAYAT GROUP
63130000 8061 1	

Pos.	Part no.	Qty.	Description
------	----------	------	-------------

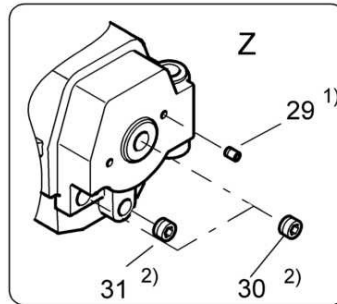
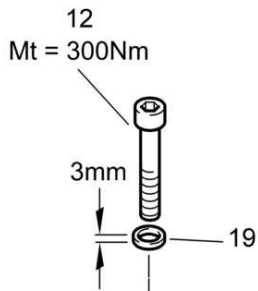
1	06115816	4	Rubber buffer
2	08131015	4	Safety nut
3	08501028	4	Washer
4	07140814	2	Hexagon bolt
5	08510817	2	Washer
11	63130115	1	Base plate

Go to Discount-Equipment.com to order your parts



65.06**Exciter Unit**Page **1 / 1**

63140002_000_03

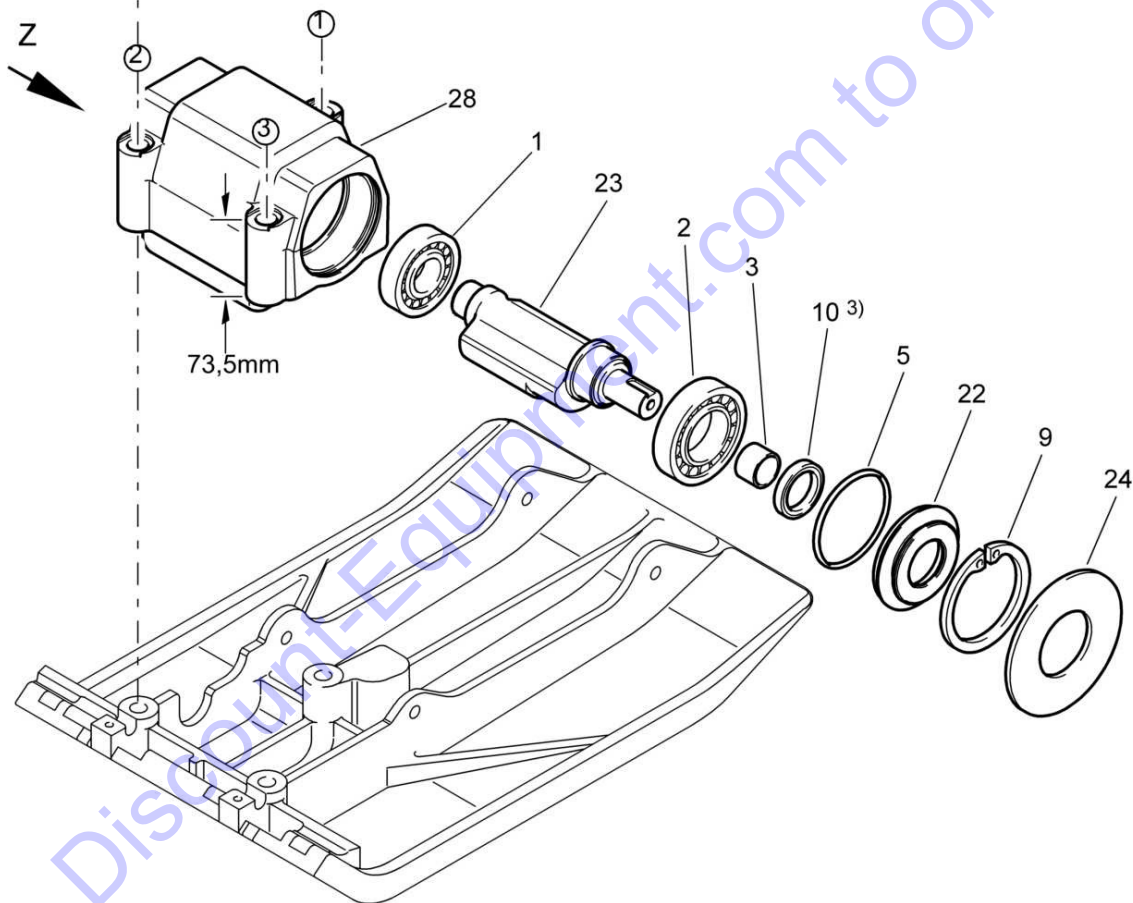


1) Tightening torque 10 Nm

2) Tightening torque 40 Nm


Pos. 29 , 30 und 31: Housing threads have to be cleaned first. Treat screws with Omnifit FD10.

3) Grease before mounting



 mounting note

- Sequence for tightening the socket head cap screws: ① ② ③
- Contact faces clean and free of paint residuals
- Assembly without Loctite
- Oil quantity: 0,25l

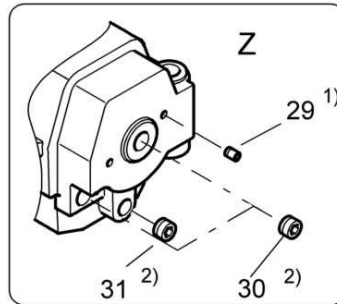
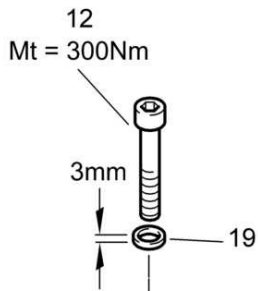
BVP 18/45	
S/N 861834113914 ▶	
Exciter Unit	65.06
	Page 1 / 1
	 BOMAG FAYAT GROUP
63140002 8061 1	

Pos.	Part no.	Qty.	Description
1	05224241	1	Cylinder roller bearing
2	05222263	1	Cylinder roller bearing
3	05428091	1	Inner ring
5	06220745	1	Loop ring
9	09224400	1	Circlip,internal
10	09311932	1	Radial seal
12	07231650	3	Socket-head cap screw
19	08511730	3	Washer
22	22110109	1	Flange
23	63140106	1	Exciter shaft
24	22110112	1	Sealing section
28	22110125	1	Exciter housing
29	07610608	2	Screw plug
30	07611615	2	Screw plug
31	07611616	1	Magnetic plug

Go to Discount-Equipment.com to order your parts



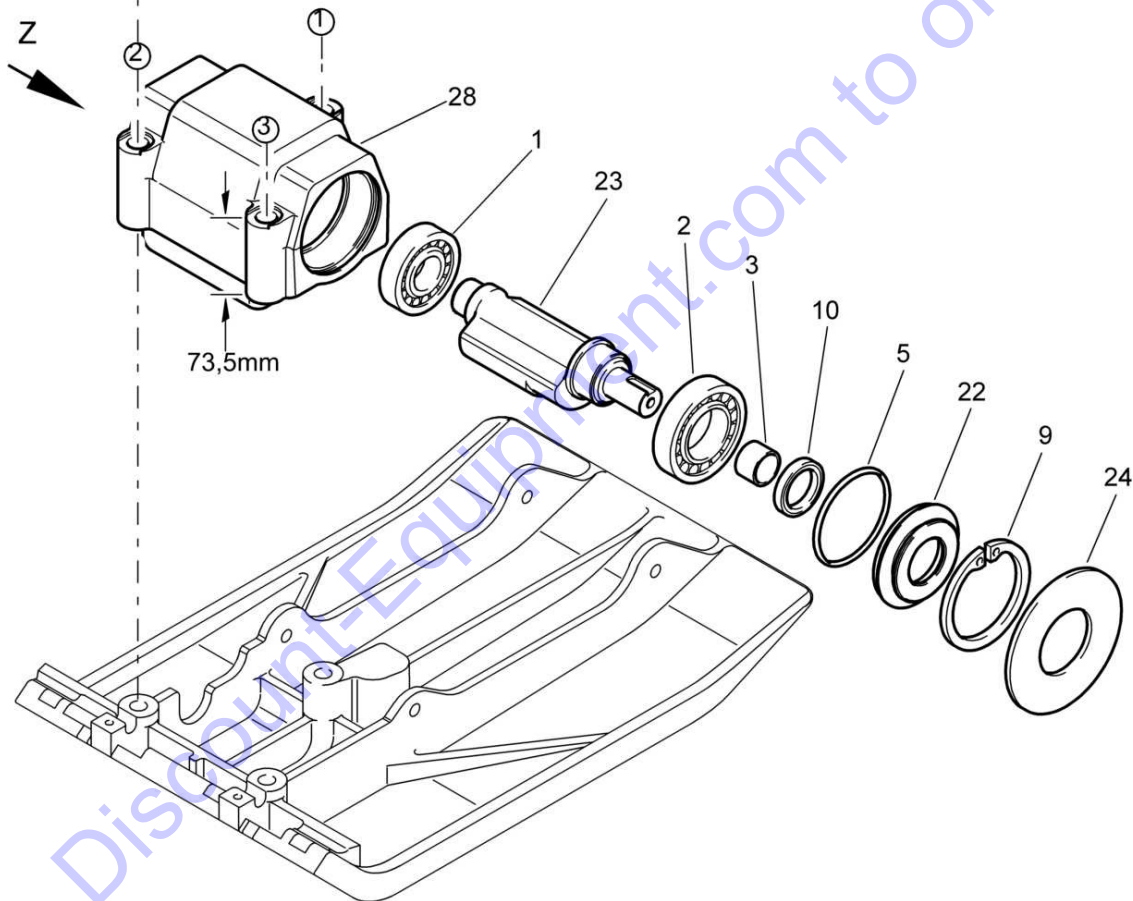
BVP 18/45	
65.06	S/N 861834111001 ▶ S/N 861834113913
	Exciter Unit
Page 1 / 1	
BOMAG FAYAT GROUP	63140002_000_02



1) Tightening torque 10 Nm


2) Tightening torque 40 Nm

Pos. 29 , 30 und 31: Housing threads have to be cleaned first. Treat screws with Omnifit FD10.



mounting note

- Sequence for tightening the socket head cap screws: ① ② ③
- Contact faces clean and free of paint residuals
- Assembly without Loctite
- Oil quantity: 0,25l

BVP 18/45	S/N 861834111001 ▶ S/N 861834113913	65.06
Exciter Unit		
		Page 1 / 1
	63140002 8061 1	

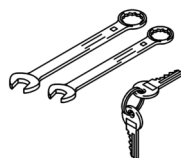
Pos.	Part no.	Qty.	Description
1	05224241	1	Cylinder roller bearing
2	05222263	1	Cylinder roller bearing
3	05428091	1	Inner ring
5	06220745	1	Loop ring
9	09224400	1	Circlip,internal
10	09311932	1	Radial seal
12	07231650	3	Socket-head cap screw
19	08511730	3	Washer
22	22110109	1	Flange
23	63140106	1	Exciter shaft
24	22110112	1	Sealing section
28	22110125	1	Exciter housing
29	07610608	2	Screw plug
30	07611615	2	Screw plug
31	07611616	1	Magnetic plug

Go to Discount-Equipment.com to order your parts



Go to Discount-Equipment.com to order your parts

Accessories



100.00


Accessories

Page /



For this catalogue group no illustration.

Go to Discount-Equipment.com to order your parts

Accessories	100.00
	Page /
	 BOMAG FAYAT GROUP

Pos. Description

101.03 Decals

Go to Discount-Equipment.com to order your parts



BVP 18/45

S/N 861834111001 ▶

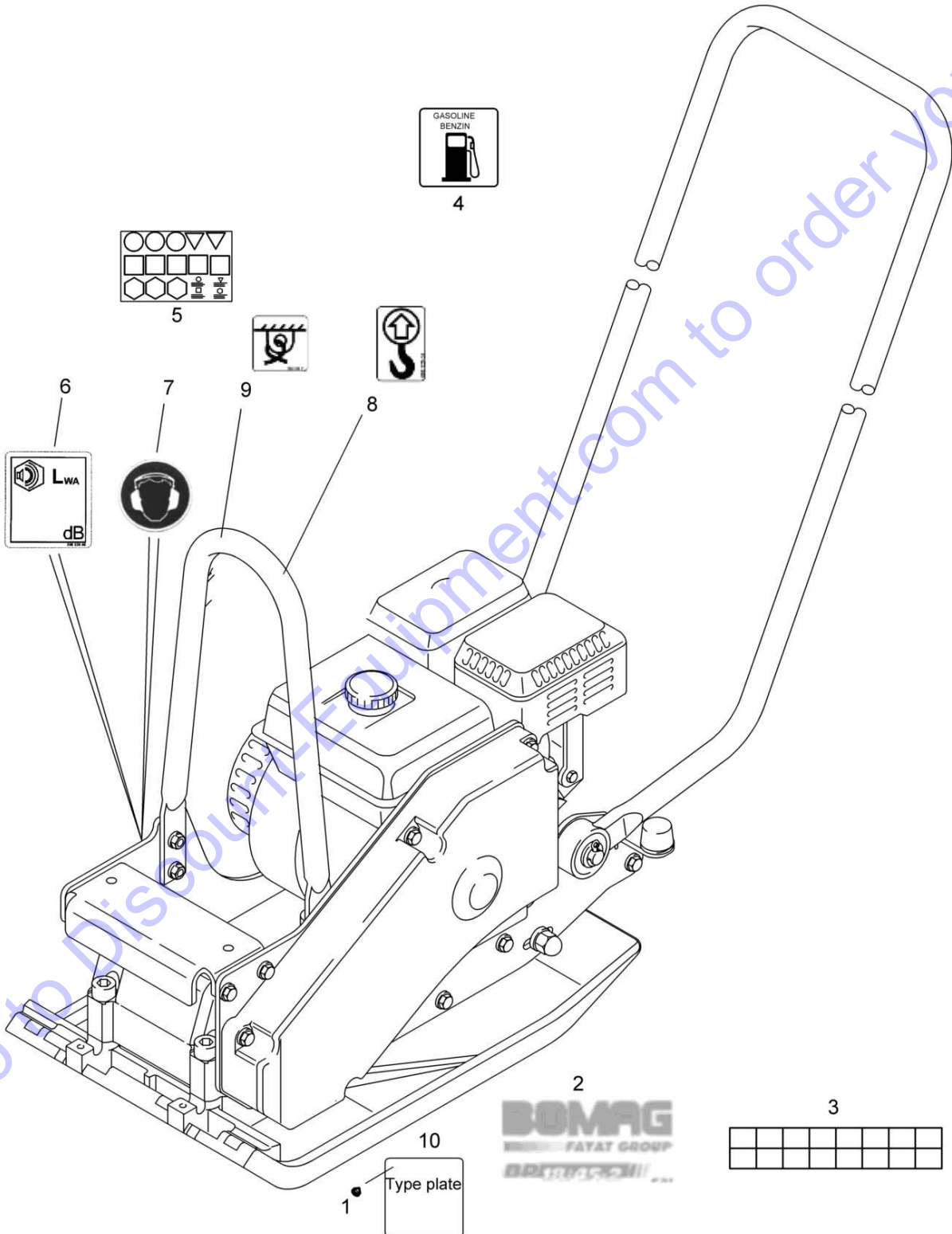
101.03

Decals


Page 1 / 1



83408029_000_01



83408029_000_01

BVP 18/45	
S/N 861834111001 ▶	
Decals	101.03
	Page 1 / 1
	83408029 8061 1 

Pos. Part no. Qty. Description

1	05990011	4	Rivet,blind
2	00833202	1	Type designation
3	00831424	1	Decal,operation
4	00832193	1	Decal,indication
5	00831388	1	Decal,maintenance instr.
6	00832654	1	Decal,indication
7	00832046	1	Decal,indication
8	05050358	1	Decal,indication
9	05050359	1	Decal,indication
10	83410574	1	Type plate

Go to Discount-Equipment.com to order your parts



Go to Discount-Equipment.com to order your parts

Special Equipment

Option

110

110.00


Special Equipment

Page /



For this catalogue group no illustration.

Go to Discount-Equipment.com to order your parts

Special Equipment	110.00
	Page /
	

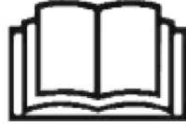
Pos. Description

- 112.66 SP4-Exhaust directive
- 152.17 S9-Protection bow
- 152.18 W1-Water sprinkler system
- 154.64 SL5-Dual colour spraying
- 162.10 T1-Transport wheels
- 165.01 X5-Synthetic plate
- 194.08 SW10-Service kit

Go to Discount-Equipment.com to order your parts



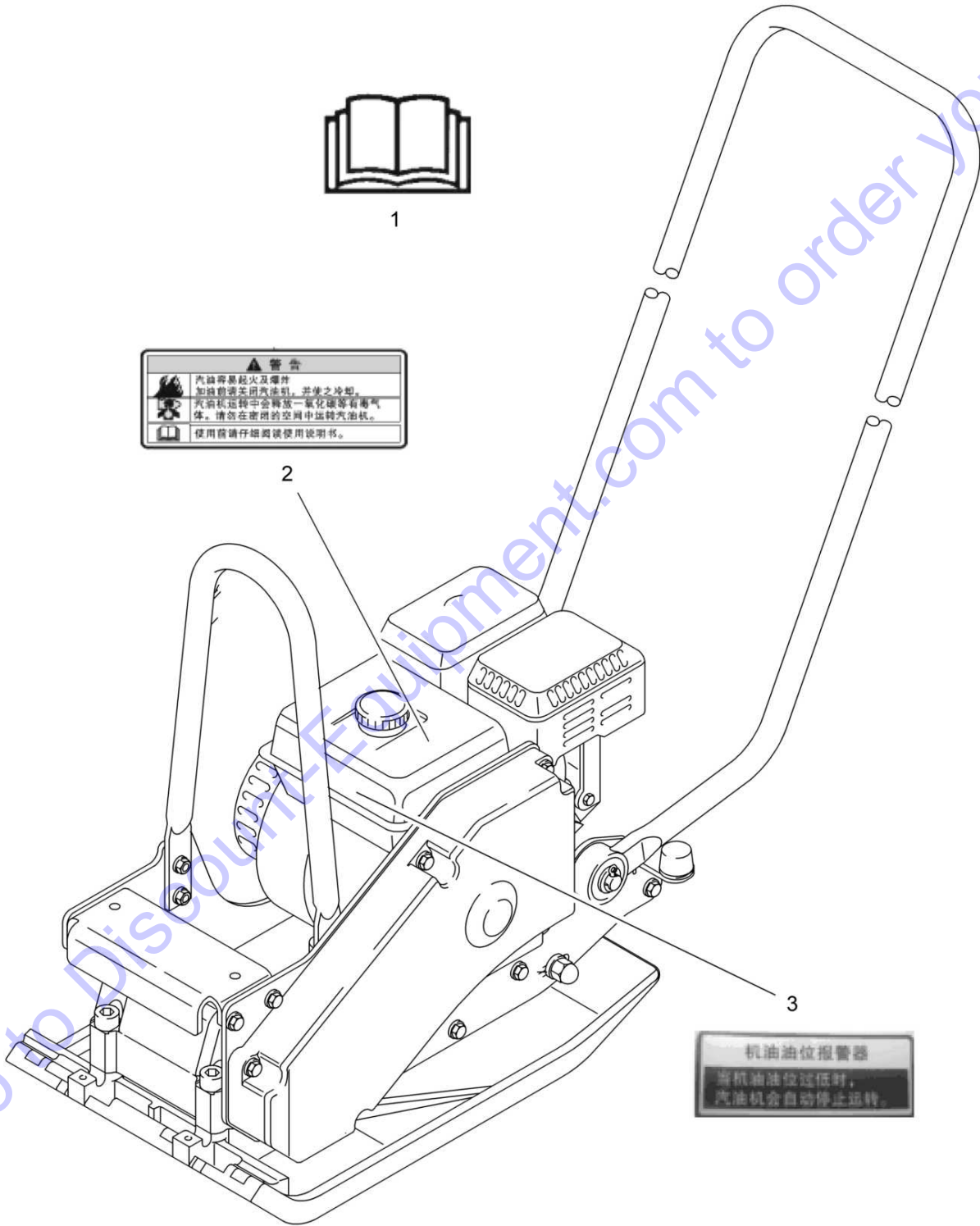
	BVP 18/45	S/N 861834111001 ▶
112.66	SP4-Exhaust directive	
Page 1 / 1		
BOMAG FAYAT GROUP	83400180_000_00	



1




2



3



BVP 18/45	
S/N 861834111001 ▶	
SP4-Exhaust directive	112.66
	Page 1 / 1
	
83400180 8061 1	

Pos.	Part no.	Qty.	Description
1	00801396	1	BA_ZH-Operat.maint.instructions
2	00833220	1	Label
3	00833236	1	Decal,indication

Go to Discount-Equipment.com to order your parts



BVP 18/45

S/N 861834111001 ▶

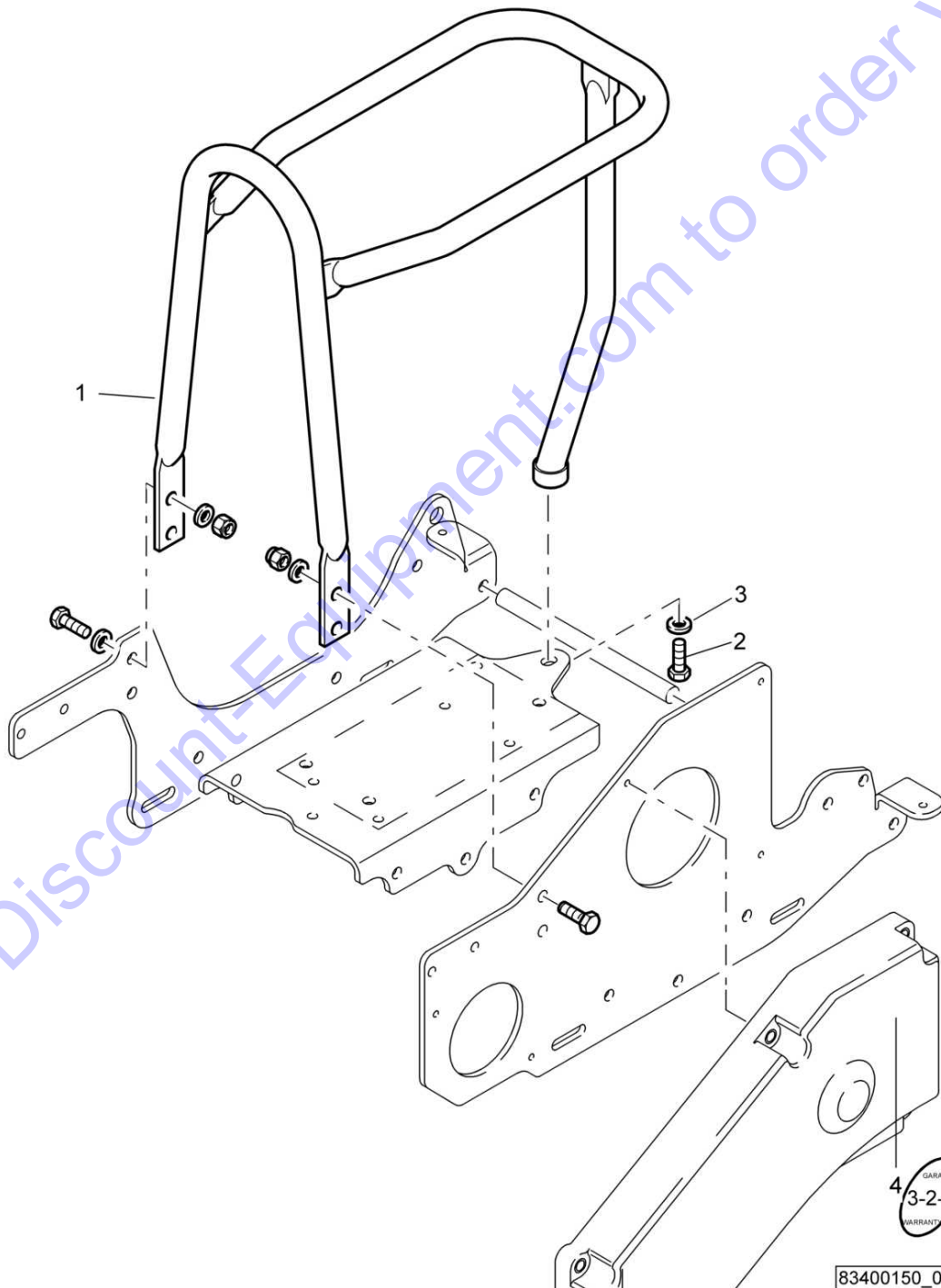
152.17

S9-Protection bow

Page **1 / 1**




83400150_000_01



83400150_000_01

Go to DiscountEquipment.com to order your parts

BVP 18/45	
S/N 861834111001 ▶	
S9-Protection bow	152.17
	Page 1 / 1
	 BOMAG FAYAT GROUP
83400150 8061 1	

Pos.	Part no.	Qty.	Description
1	22130166	1	Protection bow
2	07141017	1	Hexagon bolt
3	08511021	1	Washer
4	00892018	1	Label
5	83410621	1	Type plate

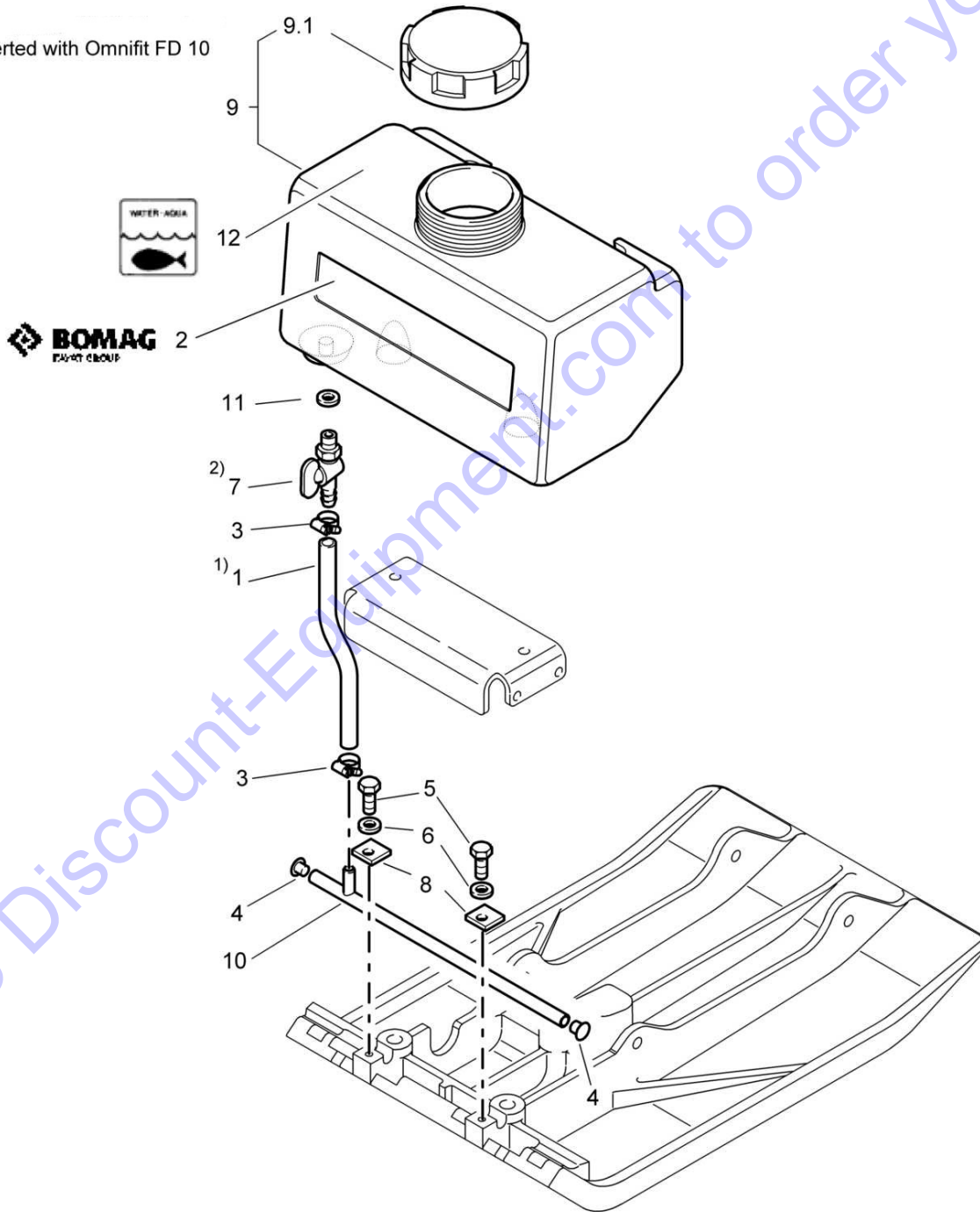
Go to Discount-Equipment.com to order your parts




	BVP 18/45	S/N 861834115184 ▶
152.18	W1-Water sprinkler system	
Page 1 / 1		
BOMAG FAYAT GROUP	83400197_000_00	

1) Length of hose has to be adapted, folding is not acceptable.

2) Inserted with Omnifit FD 10



BVP 18/45	
S/N 861834115184 ▶	
W1-Water sprinkler system	152.18
	Page 1 / 1
	 BOMAG FAYAT GROUP
83400197 8061 1	

Pos.	Part no.	Qty.	Description
1	00661095	1,65 dm	Fuel hose
2	00831915	1	Decal
3	05552465	2	Hose clip
4	06510208	2	Plug
5	07140818	2	Hexagon bolt
6	08510817	0	Washer
7	09510010	1	Drain cock
8	22103021	2	Flat steel
9	22103026	1	Water tank
9.1	06550091	1	Screwing cover
10	83411489	1	Spray bar
11	06211418	0	U-seal
12	00830064	1	Decal,indication

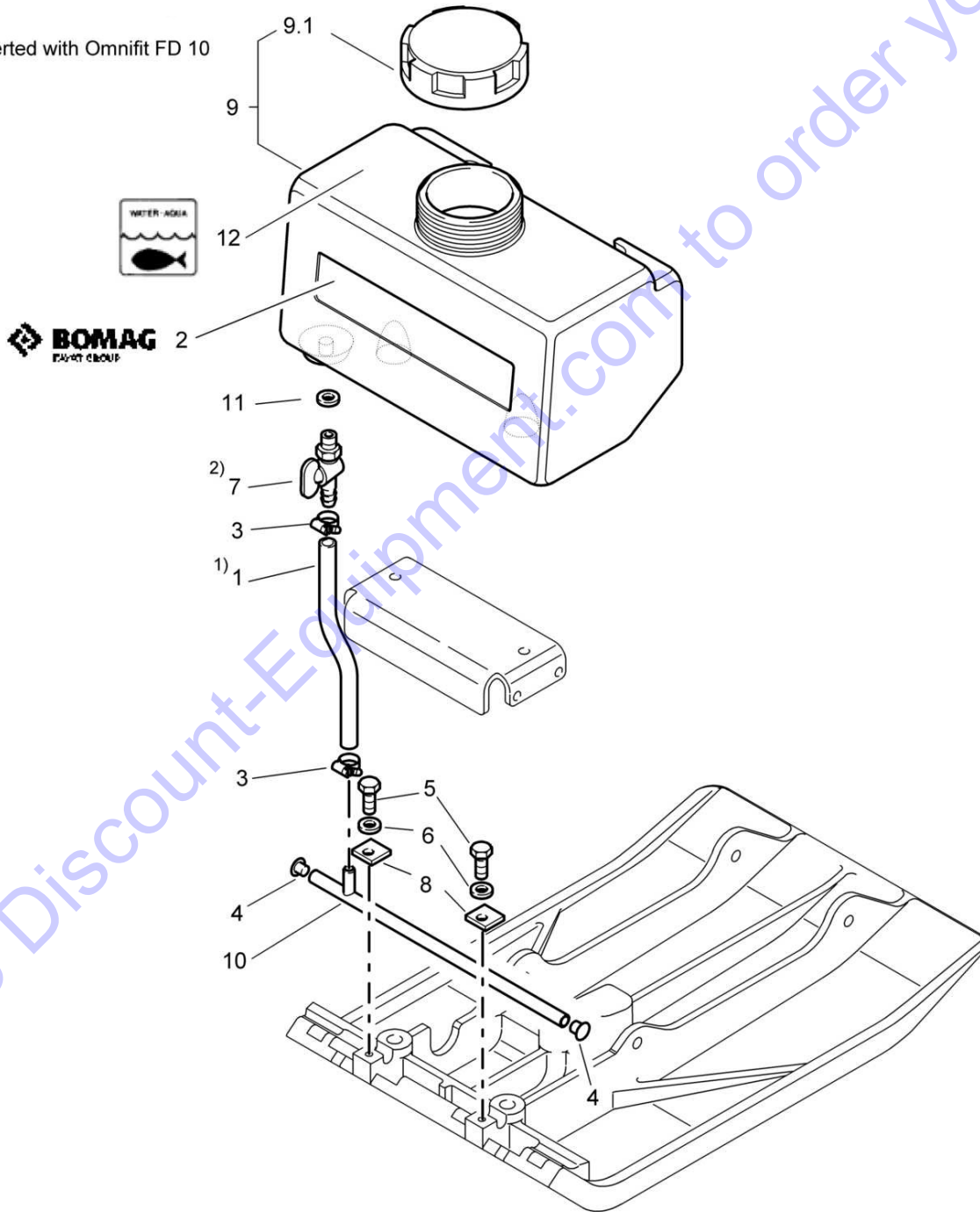
Go to Discount-Equipment.com to order your parts




	BVP 18/45	S/N 861834113914 ▶ S/N 861834115183
152.18	W1-Water sprinkler system	
Page 1 / 1		
BOMAG FAYAT GROUP	83400197_000_00	

1) Length of hose has to be adapted, folding is not acceptable.

2) Inserted with Omnifit FD 10




BVP 18/45	S/N 861834113914 ▶ S/N 861834115183	152.18
W1-Water sprinkler system		
		Page 1 / 1
	83400197 8061 1	

Pos.	Part no.	Qty.	Description
1	00661095	1,65 dm	Fuel hose
2	00831915	1	Decal
3	05552465	2	Hose clip
4	06510208	2	Plug
5	07140818	2	Hexagon bolt
6	08510817	1	Washer
7	09510010	1	Drain cock
8	22103021	2	Flat steel
9	22103026	1	Water tank
9.1	06550091	1	Screwing cover
10	83411489	1	Spray bar
11	06211418	2	U-seal
12	00830064	1	Decal,indication

Go to Discount-Equipment.com to order your parts



BVP 18/45	
S/N 861834112131 ▶ S/N 861834113913	
W1-Water sprinkler system	152.18
	Page 1 / 1
	
83400197 8061 1	

Pos.	Part no.	Qty.	Description
1	00661097	1,65 dm	Hose
2	00831915	1	Decal
3	05552465	2	Hose clip
4	06510208	2	Plug
5	07140818	2	Hexagon bolt
6	08510817	1	Washer
7	09510010	1	Drain cock
8	22103021	2	Flat steel
9	22103026	1	Water tank
9.1	06550091	1	Screwing cover
10	83411489	1	Spray bar
11	06211418	2	U-seal
12	00830064	1	Decal,indication

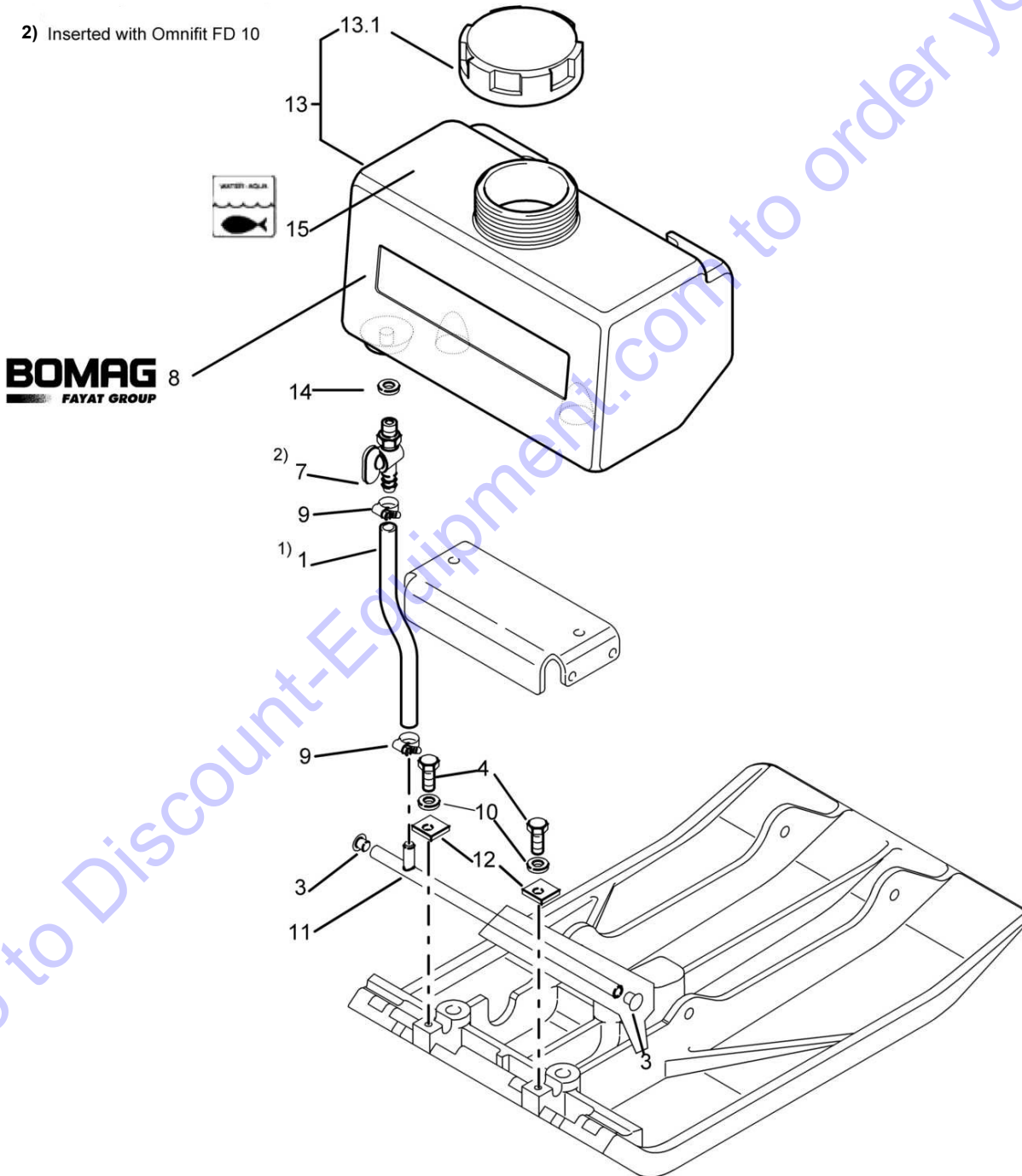
Go to Discount-Equipment.com to order your parts




	BVP 18/45	S/N 861834111001 ▶ S/N 861834112130
152.18	W1-Water sprinkler system	
Page 1 / 1		
BOMAG FAYAT GROUP	63000585_000_06	

1) Length of hose has to be adapted, folding is not acceptable.

2) Inserted with Omnifit FD 10




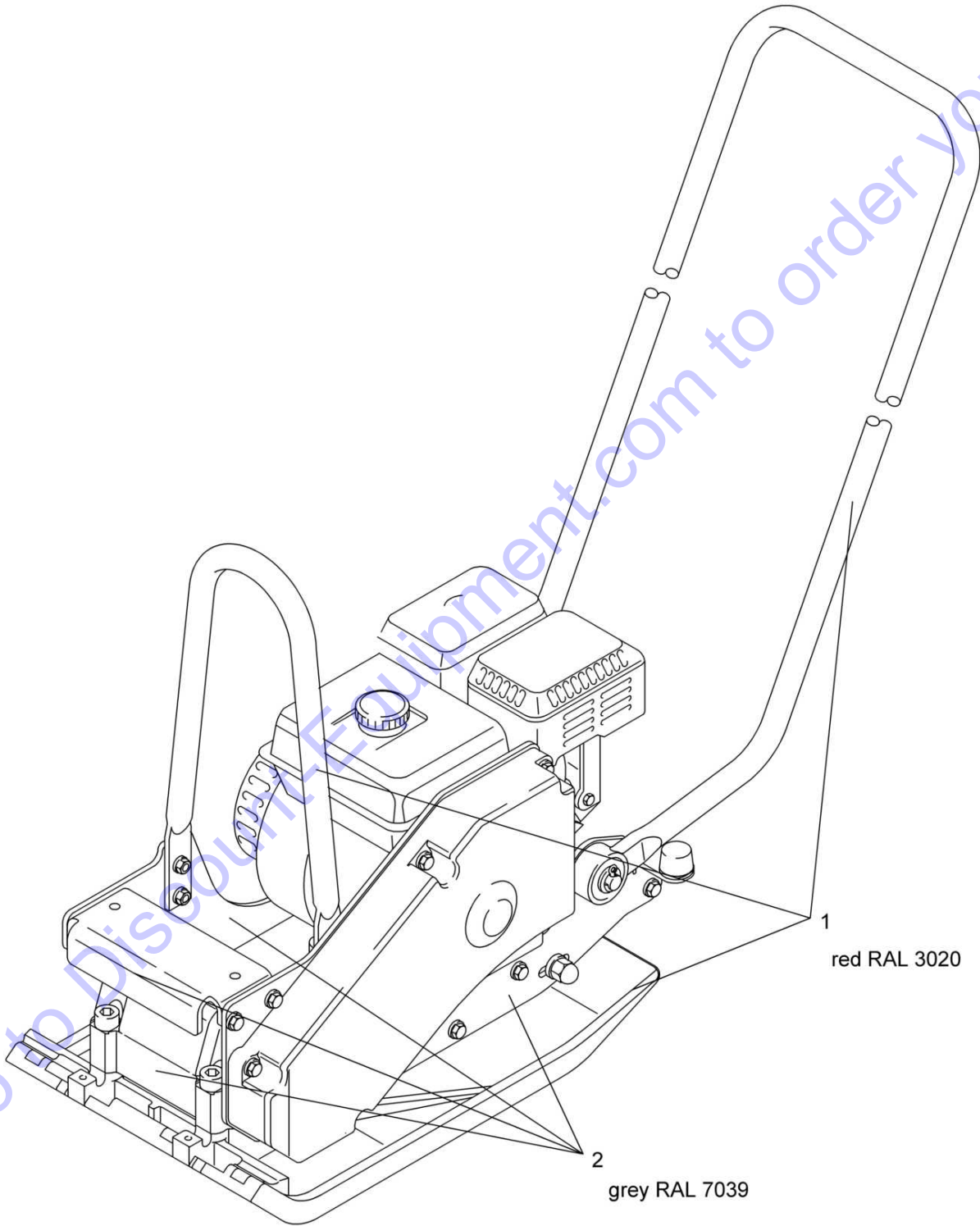
BVP 18/45	
S/N 861834111001 ▶ S/N 861834112130	
W1-Water sprinkler system	152.18
	Page 1 / 1
	 BOMAG FAYAT GROUP
63000585 8061 1	


Pos.	Part no.	Qty.	Description
1	00661097	1,65 dm	Hose
3	06510208	2	Plug
4	07140818	2	Hexagon bolt
7	09510010	1	Drain cock
8	00831915	1	Decal
9	05552465	2	Hose clip
10	08510817	2	Washer
11	63103008	1	Sprayer bar
12	22103021	2	Flat steel
13	22103026	1	Water tank
13.1	06550091	1	Screwing cover
14	06211418	1	U-seal
15	00830064	1	Decal,indication

Go to Discount-Equipment.com to order your parts



	BVP 18/45	S/N 861834111001 ▶
154.64	SL5-Dual color spraying	
Page 1 / 1		
 BOMAG FAYAT GROUP		83400145_000_01



BVP 18/45	
S/N 861834111001 ▶	
SL5-Dual color spraying	154.64
	Page 1 / 1
	 BOMAG <small>FAYAT GROUP</small>
83400145 8061 1	

Pos. Part no. Qty. Description

Go to Discount-Equipment.com to order your parts



BVP 18/45

S/N 861834111001 ▶

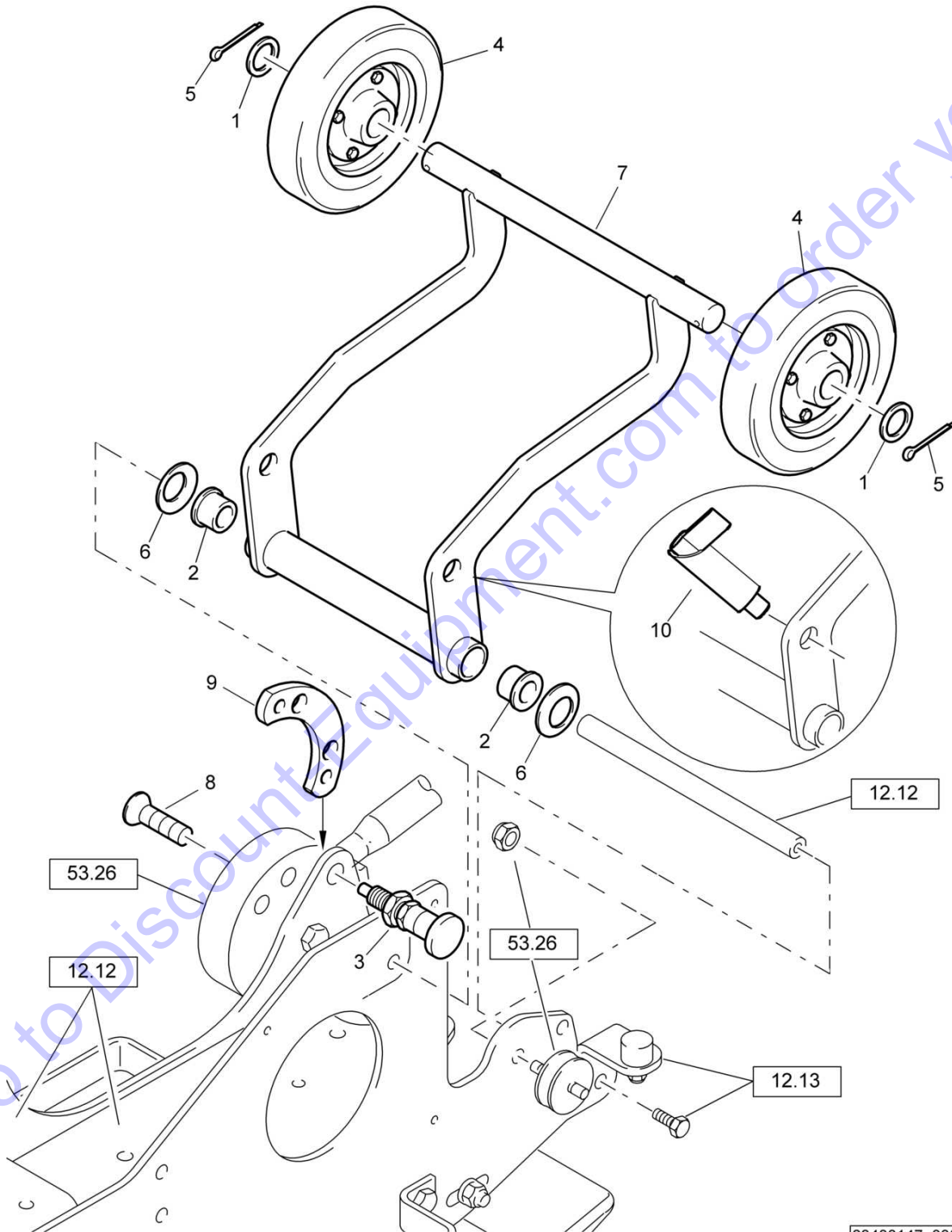
162.10

T1-Transport wheels


Page 1 / 1



83400147_000_04




83400147_000_04

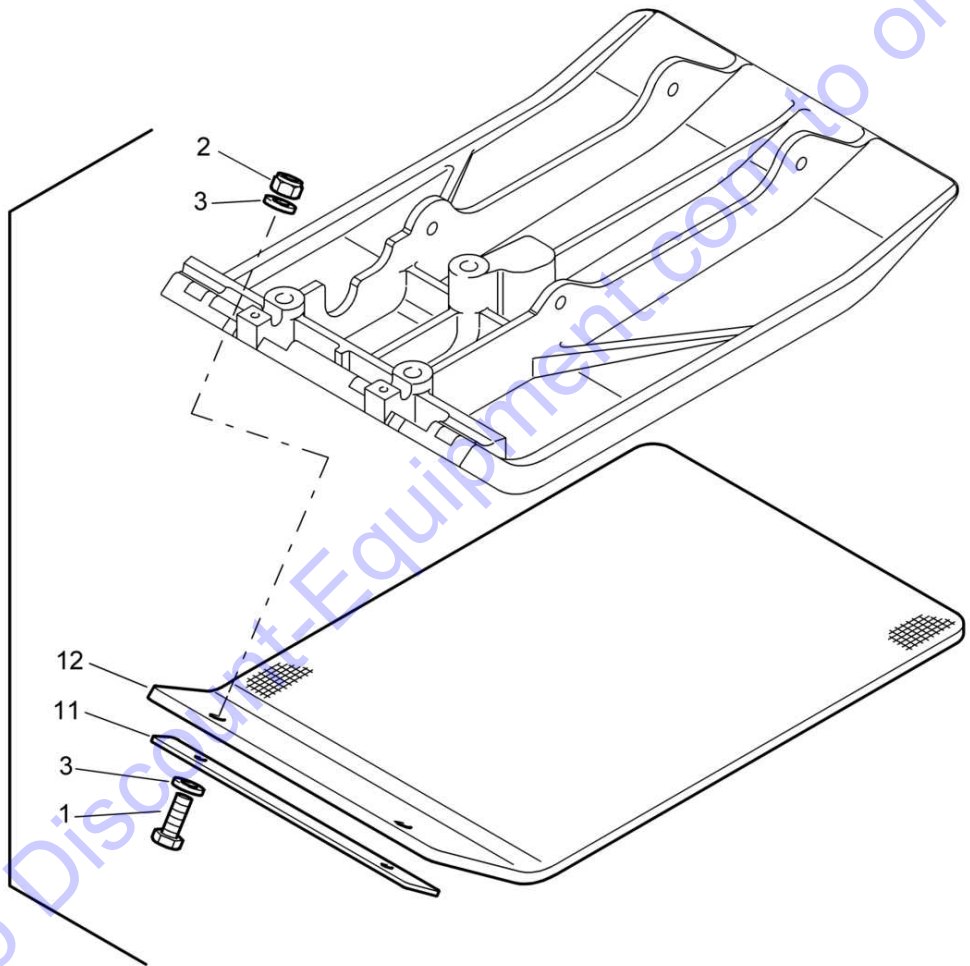
BVP 18/45	
S/N 861834111001 ▶	
T1-Transport wheels	162.10
	Page 1 / 1
	
83400147 8061 1	


Pos.	Part no.	Qty.	Description
1	05050166	2	Disc
2	06281206	2	Bushing
3	06422040	1	Control pin
4	05050140	2	Wheel
5	09170407	2	Cotter pin
6	09293152	2	Belleville spring
7	83410426	1	Frame
8	07320828	2	Countersunk screw
9	22140130	1	Plate
10	05050184	1	Locking bar

Go to Discount-Equipment.com to order your parts



	BVP 18/45	S/N 861834111001 ▶
165.01	X5-Synthetic plate	
Page 1 / 1		
 BOMAG FAYAT GROUP	83400155_000_01	



BVP 18/45	
S/N 861834111001 ▶	
X5-Synthetic plate	165.01
	Page 1 / 1
	 BOMAG FAYAT GROUP
83400155 8061 1	

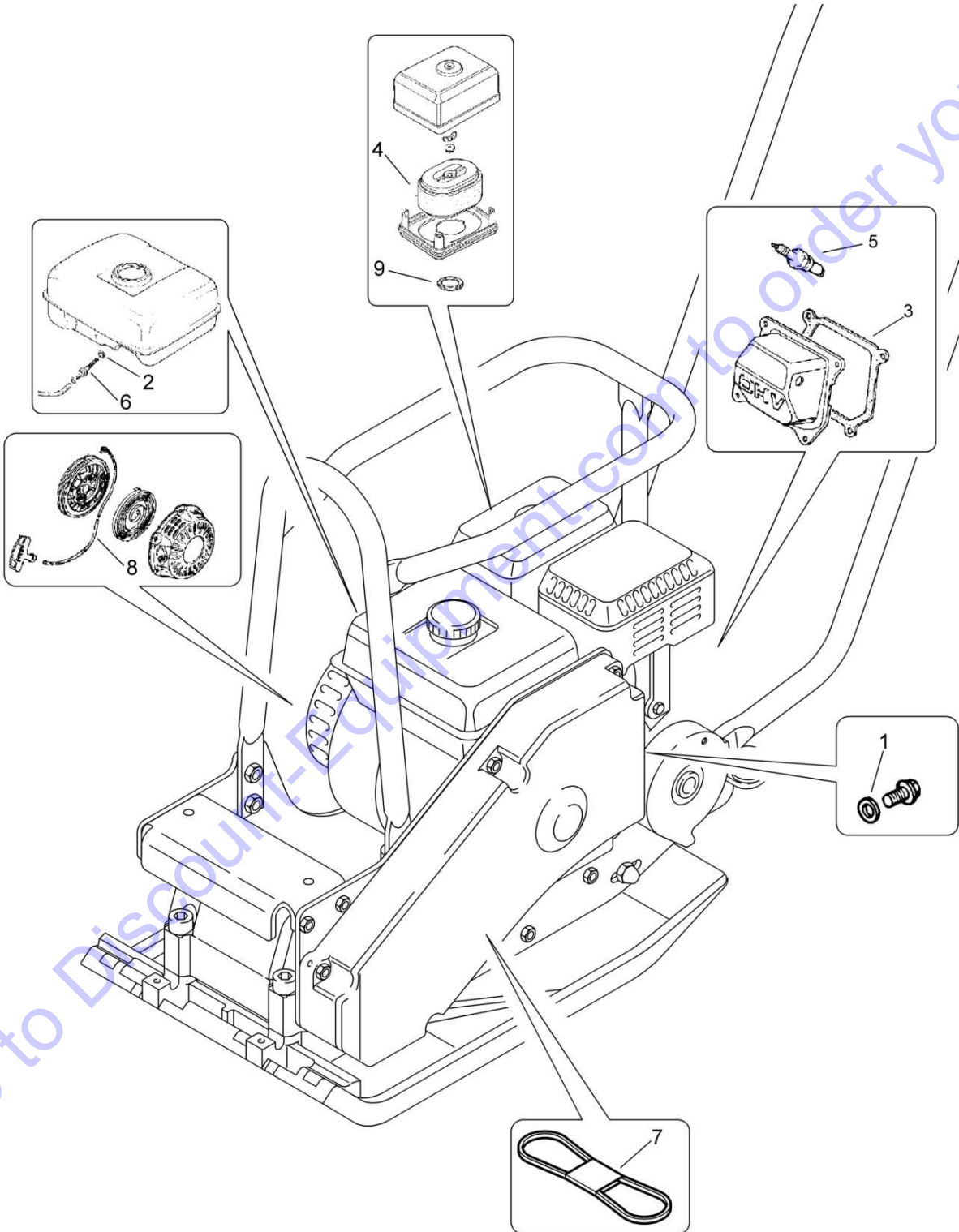
Pos.	Part no.	Qty.	Description
0	83400155	1	X5-Synthetic plate
1	07141039	2	>Hexagon bolt
2	08131016	2	>Safety nut
3	08511021	4	>Washer
11	63103006	1	>Supporting plate
12	83410420	1	>Plate


Go to Discount-Equipment.com to order your parts



194.08

SW10-Service kit



BVP 18/45	
S/N 861834111001 ▶	
SW10-Service kit	194.08
	Page 1 / 1
	
77563085 8061 1	

Pos.	Part no.	Qty.	Description
0	77563085	1	SW10-Service kit
1	05747129	1	Gasket
2	05747188	1	Loop ring
3	05747125	1	Valve cover gasket
4	05747215	1	Element,washable
5	05747282	1	Spark plug
6	05747161	1	Filter,fuel
7	06312013	1	V-belt
8	05747296	1	Starter rope
9	05747126	1	Gasket,knuckle tube

Go to Discount-Equipment.com to order your parts



INDEX



Part no.	Group	Pos.	Part no.	Group	Pos.	Part no.	Group	Pos.
00661095	152.18/1	1	05747180	11.01/1	10	05747369	11.08/1	8
00661097	152.18/1	1	05747183	11.22/1	7	05747370	11.08/1	11
00801396	112.66/1	1	05747188	11.01/1	14	05747371	11.08/1	12
00830064	152.18/1	12	05747188	11.21/1	7	05747377	11.01/1	13
00830064	152.18/1	15	05747188	194.08/1	2	05747378	11.01/1	2
00831388	101.03/1	5	05747190	11.26/1	9	05747379	11.01/1	15
00831424	101.03/1	3	05747191	11.19/1	9	05747380	11.01/1	18
00831915	152.18/1	2	05747211	11.08/1	4	05747384	11.02/1	4
00831915	152.18/1	8	05747212	11.08/1	2	05747389	11.02/1	9
00832046	101.03/1	7	05747215	11.22/1	2	05747390	11.02/1	10
00832193	101.03/1	4	05747215	194.08/1	4	05747395	11.46/1	4
00832654	101.03/1	6	05747218	11.53/1	19	05747404	11.09/1	6
00833202	101.03/1	2	05747227	11.25/1	3	05747406	11.09/1	7
00833220	112.66/1	2	05747228	11.19/1	10	05747415	11.46/1	3
00833236	112.66/1	3	05747231	11.09/1	5	05747418	11.25/1	14
00892018	152.17/1	4	05747233	11.01/1	12	05747423	11.25/1	21
05050140	162.10/1	4	05747239	11.19/1	6	05747425	11.25/1	9
05050149	12.13/1	1	05747249	11.53/1	4	05747426	11.25/1	15
05050166	162.10/1	1	05747257	11.09/1	12	05747440	11.53/1	27
05050184	162.10/1	10	05747264	11.25/1	5	05747441	11.53/1	17
05050358	101.03/1	8	05747272	11.09/1	13	05747442	11.53/1	18
05050359	101.03/1	9	05747281	11.53/1	24	05747447	11.22/1	3
05114005	11.02/1	3	05747282	194.08/1	5	05747449	11.22/1	10
05222263	65.06/1	2	05747293	11.31/1	8	05747451	11.22/1	9
05224241	65.06/1	1	05747296	11.31/1	10	05747452	11.22/1	12
05428091	65.06/1	3	05747296	194.08/1	8	05747464	11.21/1	4
05552465	152.18/1	3	05747312	11.21/1	8	05747644	11.53/1	14
05552465	152.18/1	9	05747312	11.22/1	11	05747645	11.53/1	16
05747029	11.00/1	1	05747312	11.25/1	22	05747648	11.44/1	8
05747029	12.13/1	2	05747313	11.53/1	20	05748326	11.31/1	4
05747106	11.09/1	11	05747316	11.26/1	7	05748327	11.31/1	5
05747125	11.08/1	7	05747317	11.26/1	8	05748328	11.31/1	6
05747125	194.08/1	3	05747318	11.44/1	9	05748329	11.31/1	7
05747126	11.22/1	1	05747322	11.08/1	9	05748330	11.31/1	9
05747126	194.08/1	9	05747322	11.25/1	16	05748331	11.31/1	14
05747128	11.26/1	5	05747322	11.44/1	6	05748490	11.53/1	13
05747129	11.01/1	11	05747325	11.44/1	7	05748500	11.53/1	21
05747129	194.08/1	1	05747332	11.25/1	12	05748505	11.53/1	22
05747139	11.09/1	3	05747333	11.25/1	11	05748553	11.01/1	3
05747146	11.53/1	7	05747334	11.25/1	13	05748553	11.02/1	2
05747148	11.53/1	11	05747341	11.25/1	10	05748568	11.21/1	6
05747149	11.53/1	28	05747342	11.53/1	26	05748570	11.21/1	10
05747155	11.25/1	4	05747345	11.09/1	10	05748579	11.31/1	11
05747156	11.25/1	6	05747346	11.01/1	7	05748584	11.53/1	8
05747158	11.25/1	8	05747348	11.01/1	16	05748585	11.53/1	9
05747159	11.53/1	23	05747349	11.01/1	17	05748588	11.53/1	6
05747161	11.21/1	5	05747354	11.09/1	14	05748589	11.53/1	10
05747161	194.08/1	6	05747355	11.26/1	6	05748593	11.21/1	3
05747163	11.22/1	4	05747356	11.08/1	10	05748599	11.01/1	19
05747164	11.22/1	6	05747368	11.08/1	3	05748601	11.02/1	5

INDEX

Part no.	Group	Pos.	Part no.	Group	Pos.	Part no.	Group	Pos.
05748602	11.02/1	7	05748948	11.25/1	7	07141039	165.01/1	1
05748603	11.02/1	6	05748949	11.01/1	1	07141238	53.26/1	16
05748603	11.02/1	8	05748950	11.01/1	4	07230811	12.13/1	11
05748607	11.08/1	14	05748951	11.01/1	5	07230819	12.13/1	11
05748608	11.08/1	15	05748952	11.01/1	6	07231650	65.06/1	12
05748619	11.19/1	8	05748953	11.01/1	8	07320828	162.10/1	8
05748622	11.19/1	13	05748954	11.01/1	9	07610608	65.06/1	29
05748624	11.26/1	4	05748955	11.02/1	1	07611615	65.06/1	30
05748627	11.44/1	4	05748956	11.19/1	7	07611616	65.06/1	31
05748628	11.44/1	5	05748957	11.19/1	2	08110812	12.12/1	6
05748630	11.46/1	1	05748958	11.19/1	3	08130813	12.12/1	7
05748631	11.46/1	2	05748959	11.19/1	4	08130813	12.13/1	12
05748639	11.08/1	13	05748960	11.19/1	5	08130813	53.26/1	26
05748650	11.19/1	11	05748961	11.09/1	2	08131015	65.05/1	2
05748654	11.31/1	15	05748962	11.09/1	4	08131016	52.17/1	4
05748893	11.31/1	2	05748963	11.09/1	8	08131016	165.01/1	2
05748894	11.31/1	3	05748964	11.09/1	9	08131218	53.26/1	18
05748895	11.31/1	12	05990011	101.03/1	1	08131218	53.26/1	6
05748896	11.31/1	13	05994004	53.26/1	13	08241035	12.12/1	8
05748898	11.53/1	2	06115816	65.05/1	1	08241035	12.13/1	14
05748899	11.53/1	3	06116915	53.26/1	8	08501028	12.12/1	11
05748900	11.53/1	5	06142910	53.26/1	9	08501028	12.13/1	5
05748910	11.26/1	3	06143712	12.12/1	2	08501028	65.05/1	3
05748911	11.26/1	1	06151711	53.26/1	2	08510817	12.12/1	9
05748912	11.26/1	2	06211418	152.18/1	11	08510817	12.13/1	15
05748914	11.21/1	2	06211418	152.18/1	14	08510817	53.26/1	23
05748916	11.08/1	6	06220745	65.06/1	5	08510817	65.05/1	5
05748920	11.09/1	1	06281206	162.10/1	2	08510817	152.18/1	10
05748923	11.31/1	1	06312013	12.13/1	3	08510817	152.18/1	6
05748925	11.44/1	1	06312013	194.08/1	7	08511021	12.12/1	10
05748926	11.44/1	2	06422040	162.10/1	3	08511021	12.13/1	16
05748927	11.44/1	3	06510208	152.18/1	3	08511021	52.17/1	3
05748928	11.53/1	15	06510208	152.18/1	4	08511021	152.17/1	3
05748929	11.53/1	1	06550091	152.18/1	13.1	08511021	165.01/1	3
05748930	11.53/1	12	06550091	152.18/1	9.1	08511324	53.26/1	17
05748931	11.53/1	25	07140665	12.13/1	20	08511730	65.06/1	19
05748932	11.19/1	1	07140814	65.05/1	4	08665000	12.13/1	30
05748935	11.22/1	5	07140818	152.18/1	4	09170407	162.10/1	5
05748936	11.22/1	8	07140818	152.18/1	5	09181602	12.13/1	18
05748937	11.21/1	9	07140824	12.13/1	6	09224400	65.06/1	9
05748938	11.21/1	1	07140834	12.12/1	3	09293152	162.10/1	6
05748939	11.19/1	12	07140842	12.13/1	7	09311932	65.06/1	10
05748940	11.08/1	1	07140846	12.13/1	31	09510010	152.18/1	7
05748941	11.08/1	5	07140853	12.13/1	4	22040112	53.26/1	1
05748942	11.25/1	1	07141017	12.12/1	4	22103021	152.18/1	12
05748943	11.25/1	17	07141017	12.13/1	9	22103021	152.18/1	8
05748944	11.25/1	18	07141017	152.17/1	2	22103026	152.18/1	13
05748945	11.25/1	19	07141030	12.12/1	5	22103026	152.18/1	9
05748946	11.25/1	20	07141030	12.13/1	29	22110109	65.06/1	22
05748947	11.25/1	2	07141030	52.17/1	2	22110112	65.06/1	24

INDEX

Part no.	Group	Pos.	Part no.	Group	Pos.	Part no.	Group	Pos.
22110121	12.13/1	21						
22110125	65.06/1	28						
22120103	12.12/1	22						
22120110	12.12/1	23						
22130104	12.13/1	23						
22130136	12.12/1	26						
22130166	152.17/1	1						
22140130	162.10/1	9						
22230113	53.26/1	11						
63103006	165.01/1	11						
63103008	152.18/1	11						
63130115	65.05/1	11						
63140106	65.06/1	23						
63150112	12.13/1	27						
69040261	12.12/1	25						
77563085	194.08/1	0						
83400155	165.01/1	0						
83410401	52.17/1	5						
83410403	53.26/1	12						
83410404	53.26/1	14						
83410408	53.26/1	15						
83410420	165.01/1	12						
83410421	12.13/1	25						
83410426	162.10/1	7						
83410455	12.13/1	28						
83410574	101.03/1	10						
83410580	12.13/1	22						
83410621	152.17/1	5						
83411273	12.12/1	21						
83411274	12.12/1	24						
83411489	152.18/1	10						

Go to Discount-Equipment.com to order your parts

PARTS FINDER

**Search Website
by Part Number**



**Search Manual
Library For Parts
Manual & Lookup Part
Numbers – Purchase
or Request Quote**

Search Manuals

Enter your information to help us find the right part for your machine.

* Brand:

* Model:

* Serial:

* Part Number:

SEARCH

**Can't Find Part or
Manual? Request Help
by Manufacturer,
Model & Description**

Parts Order Form

Please fill in the following information to help us find the right part for your machine.

Manufacturer:	<input type="text"/>
Model:	<input type="text"/>
Description:	<input type="text"/>
Part Number:	<input type="text"/>
Quantity:	<input type="text"/>
Notes:	<input type="text"/>

Discount-Equipment.com is your online resource for quality parts & equipment.

Florida: **561-964-4949** Outside Florida TOLL FREE: **877-690-3101**

Need parts?

Click on this link: <http://www.discount-equipment.com/category/5443-parts/> and choose one of the options to help get the right parts and equipment you are looking for. Please have the machine model and serial number available in order to help us get you the correct parts. If you don't find the part on the website or on one of the online manuals, please fill out the request form and one of our experienced staff members will get back to you with a quote for the right part that your machine needs.

We sell worldwide for the brands: Genie, Terex, JLG, MultiQuip, Mikasa, Essick, Whiteman, Mayco, Toro Stone, Diamond Products, Generac Magnum, Airman, Haulotte, Barreto, Power Blanket, Nifty Lift, Atlas Copco, Chicago Pneumatic, Allmand, Miller Curber, Skyjack, Lull, Skytrak, Tsurumi, Husquvarna Target, Stow, Wacker, Sakai, Mi-T-M, Sullair, Basic, Dynapac, MBW, Weber, Bartell, Bennar Newman, Haulotte, Ditch Runner, Menegotti, Morrison, Contec, Buddy, Crown, Edco, Wyco, Bomag, Laymor, EZ Trench, Bil-Jax, F.S. Curtis, Gehl Pavers, Heli, Honda, ICS/PowerGrit, IHI, Partner, Imer, Clipper, MMD, Koshin, Rice, CH&E, General Equipment, Amida, Coleman, NAC, Gradall, Square Shooter, Kent, Stanley, Tamco, Toku, Hatz, Kohler, Robin, Wisconsin, Northrock, Oztec, Toker TK, Rol-Air, APT, Wylie, Ingersoll Rand / Doosan, Innovatech, Con X, Ammann, Mecalac, Makinex, Smith Surface Prep, Small Line, Wanco, Yanmar