



# BOMAG

FAYAT GROUP

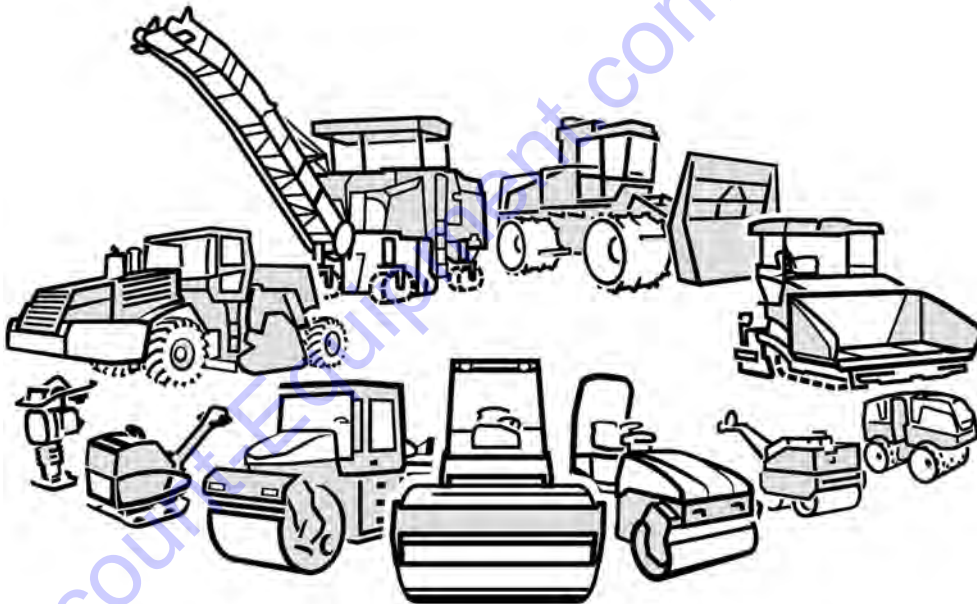
## Spare Parts Catalogue

---

**BVP 10/36**

---

S/N 861834035705 >  
Honda



---

**Vibratory plate compactor**

---



[www.discount-equipment.com](http://www.discount-equipment.com)

Catalogue number:  
**00824082**

**01.12.2014**

# PARTS FINDER

**Search Website  
by Part Number**



**Search Manual  
Library For Parts  
Manual & Lookup Part  
Numbers – Purchase  
or Request Quote**

**Search Manuals**

Enter your information to help us find the right parts manual for your machine.

\* Brand:

\* Model:

\* Serial:

\* Part Number:

SEARCH

**Can't Find Part or  
Manual? Request Help  
by Manufacturer,  
Model & Description**

**Parts Order Form**

Please fill in the following information to help us find the right part for your machine.

Manufacturer:	<input type="text"/>
Model:	<input type="text"/>
Description:	<input type="text"/>
Part Number:	<input type="text"/>
Quantity:	<input type="text"/>
Notes:	<input type="text"/>

Submit

Discount-Equipment.com is your online resource for quality parts & equipment.

Florida: **561-964-4949** Outside Florida TOLL FREE: **877-690-3101**

**Need parts?**

Click on this link: <http://www.discount-equipment.com/category/5443-parts/> and choose one of the options to help get the right parts and equipment you are looking for. Please have the machine model and serial number available in order to help us get you the correct parts. If you don't find the part on the website or on one of the online manuals, please fill out the request form and one of our experienced staff members will get back to you with a quote for the right part that your machine needs.

We sell worldwide for the brands: Genie, Terex, JLG, MultiQuip, Mikasa, Essick, Whiteman, Mayco, Toro Stone, Diamond Products, Generac Magnum, Airman, Haulotte, Barreto, Power Blanket, Nifty Lift, Atlas Copco, Chicago Pneumatic, Allmand, Miller Curber, Skyjack, Lull, Skytrak, Tsurumi, Husquvarna Target, Stow, Wacker, Sakai, Mi-T-M, Sullair, Basic, Dynapac, MBW, Weber, Bartell, Bennar Newman, Haulotte, Ditch Runner, Menegotti, Morrison, Contec, Buddy, Crown, Edco, Wyco, Bomag, Laymor, EZ Trench, Bil-Jax, F.S. Curtis, Gehl Pavers, Heli, Honda, ICS/PowerGrit, IHI, Partner, Imer, Clipper, MMD, Koshin, Rice, CH&E, General Equipment, Amida, Coleman, NAC, Gradall, Square Shooter, Kent, Stanley, Tamco, Toku, Hatz, Kohler, Robin, Wisconsin, Northrock, Oztec, Toker TK, Rol-Air, APT, Wylie, Ingersoll Rand / Doosan, Innovatech, Con X, Ammann, Mecalac, Makinex, Smith Surface Prep, Small Line, Wanco, Yanmar

**© 2015 Bomag GmbH**

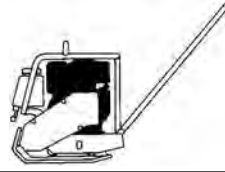
The reproduction, distribution and utilization of this document as well as the communication of its contents to others without express authorization is prohibited. Offenders will be held liable for the payment of damages. All rights reserved in the event of the grant of a patent, utility model or design.

[Go to Discount-Equipment.com](http://Discount-Equipment.com) to order your parts

**Preface and Instructions**



**Engine / Fitting Parts**



**10**

**Frame with Attachment Parts**



**50**

**Plate / Foot**



**65**

**Accessories**



**100**

**Special Equipment**



**110**

Go to Discount-Equipment.com to order your parts



## **Table of Contents**

**Foreword**

**Ordering Conditions**

**Structure of Spare Parts Catalogue**

**Frequently Used Parts**

**Spare Parts Catalogue**

**Numerical Index**

*Go to [Discount-Equipment.com](http://Discount-Equipment.com) to order your parts*

## Foreword



- Only the use of ORIGINAL SPARE PARTS guarantees the correct function of the machine. The use of non-original spare parts results in the loss of all claims, regarding warranty as well as product liability.
- The relevant warranty conditions are valid for all spare parts deliveries.

The listing of parts and part numbers is in accordance with economical and technical aspects. Further spare parts are not recommended.

- Our branch offices and dealers have well sorted spare parts stores. Therefore, first of all contact our nearest activity when ordering spare parts.
- We reserve the right for technical modifications without prior notification.

### Please fill in when receiving the machine

_____	_____
Serial number	Engine type
_____	_____
Date of delivery	Engine number
Key-numbers: _____	
Ignition switch _____	Cabin door _____
Engine cover _____	Hydraulic tank lock _____
Burglary protection _____	Rear flap _____
Fuel tank lock _____	Others _____

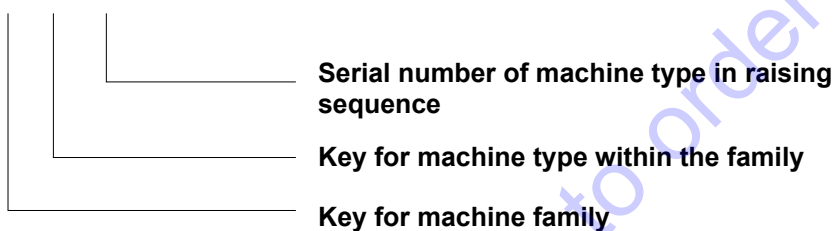
- Texts and illustrations from this catalogue must not be copied and distributed, nor must they be used for competitive purposes. All rights referring to the copyright law remain expressly reserved.



Please state the following when ordering spare parts:

1. Machine type

2. Serial number 101 400 04 0101



3. Engine type and number resp. component number

4. Part number

5. Quantity

6. Designation

7. Kind of shipment (mail, freight, express delivery, air freight, sea freight).

8. Destination (Post office, railway station, air port)

If no instructions are given concerning the Kind of shipment, we will deliver the parts in our estimation.

Spare parts deliveries are not possible without this information.

The customer is solely responsible for the acceptance and the transmission of phone orders.

**USE ONLY ORIGINAL SPARE PARTS!**

# Structure of Spare Parts Catalogue



Motor / Anbauteile Pièces de montage Series de montaje		<b>10</b>
Actuation / Actuations Bewegungen / Betätigungen Comandos / Commandes Accionamientos		<b>20</b>
Brake System Bremsensystem		<b>30</b>

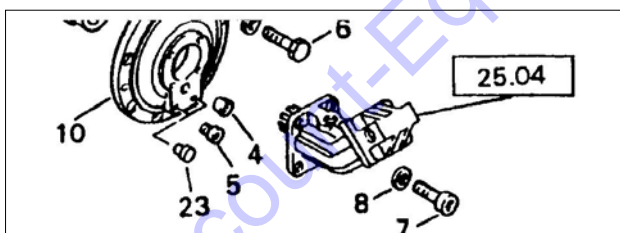
1. Subdivision of the catalogue main assembly groups

11.00	ENGINE PARTS LIST	MOTOREN-ERSATZTEILLISTE
11.01	Crankcase	Kurbelgehäuse
11.02	Front cover	Vorderer Deckel
11.04	Oil pan	Ölwanne
11.05	Cylinder and piston	Zylinder und Kolben
11.06	Crankshaft	Kurbelwelle
11.08	Cylinder head	Zylinderkopf
11.10	Control pieces	Steuerungsteile

2. Subdivision of the main assembly groups.

<b>51.03</b>	BC 671 RB	S/N 1015703
	<b>Frame Rear</b> <b>Rahmen hinten</b> <b>Chassis Arriere</b> <b>Chasis Trasero</b>	
Page Seite	<b>1 / 3</b>	

3. Assembly group consists of several pages.  
Page 1 of 3 pages.



4. **25.04** = Reference to another assembly group.

161 A	S/N 101640000101 ▶
<b>VIBR.ROLLER DRUM IN FRONT</b> <b>VIBRATIONS BANDAGE VORN</b> <b>BANDAGE DE VIBR.AVANT</b>	

5. Serial number

S/N 101 570 32 1001 ▶ = from serial number.

▶ S/N 101 570 32 1062 = up to serial number.

(Important for spare parts orders!)


05815244	1	TRAVEL MOTOR	FAHRMOTOR
05815976	1	>SEAL KIT	>DICHTUNGSSATZ
05815981	1	>DISTRIBUTOR	>VERTEILER
05815982	1	>>COVER	>>DECKEL
07231649	16	>>SOCKET-HEAD CAP SCRE	>>ZYLINDERSCHRAUBI
05815698	1	>>SEAL/O-RING	>>DICHTRING
07230802	1	>>SOCKET-HEAD CAP SCRE	>>ZYLINDERSCHRAUBI
	1	>>>LOOP RING	>>>RUNDDICHTRING
	1	>>>LOOP RING	>>>RUNDDICHTRING
	1	>>>LOOP RING	>>>RUNDDICHTRING

6. ">" ">>" ">>>": Parts marked with one or more additional ">" indicate, that one or more parts belong to a higher assembly group.  
Einheit gehören.

0	05801177	1	CONNECTING PLATE	ANSCHLUSSPLA
18		1	>CONNECTING PLATE	>ANSCHLUSSPLA
19	05801185	1	>COUPLING HUB	>KUPPLUNGSNA
20		4	>SPRING SLEEVE	>FEDERHUELSE
21		4	>PRESSURE SPRING	>DRUCKFEDER
22		4	>SOCKET-HEAD CAP SCRE	>ZYLINDERSCHF
23	06220983	1	>LOOP RING	>RUNDDICHTRI
24	06220821	1	>LOOP RING	>RUNDDICHTRI
25	06220109	1	>LOOP RING	>RUNDDICHTRI
26	06220083	4	>LOOP RING	>RUNDDICHTRI

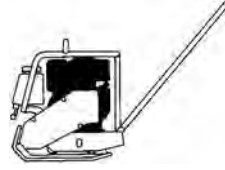
7. Index: List of Part-No. with reference to the assembly group and position.



	BVP 10/36	S/N 861834035705 ▶
	<b>Frequently used parts</b>	
		

Description		Part no.	see
<b>Filter Elements</b>			
Element, washable	Air filter	05747116	11.22/1
<b>Seals</b>			
Gasket		05747129	11.01/1
Loop ring		05747188	11.01/1
Radial seal		05747187	11.02/1
Valve cover gasket		05747125	11.08/1
Loop ring		05747188	11.21/1
Kit, seal		05747249	11.53/1
U-seal		06211418	152.18/1
Loop ring		06220745	65.06/1
Radial seal		09311932	65.06/1
<b>V-Belts</b>			
V-belt	Travel system	06312013	12.13/1
<b>Actuations</b>			
Starter rope		05747296	11.31/1
<b>Spark plug</b>			
Spark plug		05747282	11.08/1

Go to Discount-Equipment.com to order your parts



Go to [Discount-Equipment.com](http://Discount-Equipment.com) to order your parts

**10.00**

Engine / Fitting Parts

Page /



**For this catalogue group no illustration.**

*Go to [Discount-Equipment.com](http://Discount-Equipment.com) to order your parts*

**Engine / Fitting Parts**

**10.00**


Page /



**Pos. Description**


- 11.00 Engine Parts List
- 11.01 Crankcase
- 11.02 Front Cover
- 11.08 Cylinder Head
- 11.09 Camshaft
- 11.19 Crankshaft And Piston
- 11.21 Fuel Tank
- 11.22 Dry Air Filter
- 11.25 Throttle Control
- 11.26 Silencer
- 11.31 Recoil Starter
- 11.44 Covering
- 11.46 Contact Breaker/Ign.Coil
- 11.53 Carburetor
- 12.12 Engine Carrier
- 12.13 Engine

Go to Discount-Equipment.com to order your parts

<b>11.00</b>	Engine no. S/N GCBMT-1249491 ▶
Page 1 / 1	Engine Parts List GX120UT2-QW-A4-SD
 <b>BOMAG</b> FAYAT GROUP	

**For this catalogue group no illustration.**

[Go to Discount-Equipment.com](http://Discount-Equipment.com) to order your parts

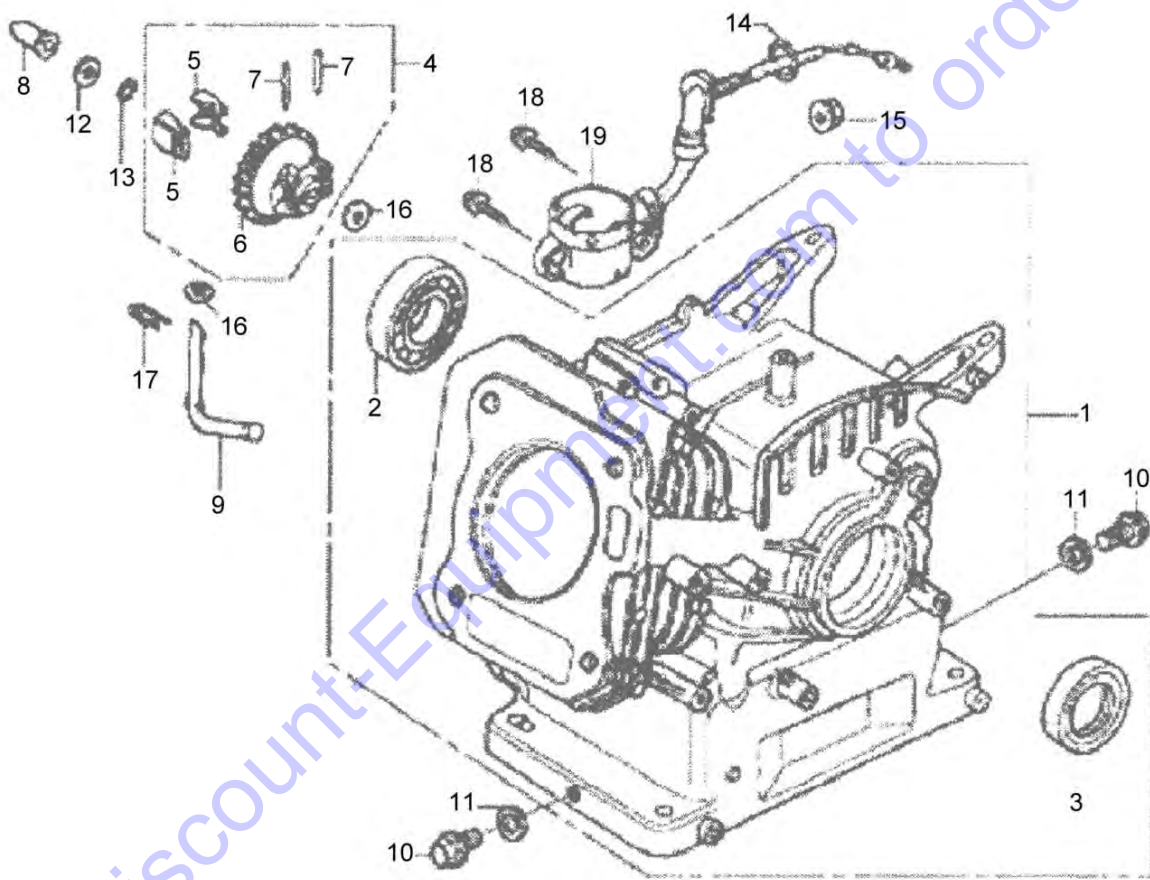
Engine no.	S/N GCBMT-1249491 ▶	<b>11.00</b>
<b>Engine Parts List</b>	<b>GX120UT2-QW-A4-SD</b>	
		Page <b>1 / 1</b>
		
		8061 E


**Pos. Part no. Qty. Description**

1 05747027 1 Four-stroke engine

Go to Discount-Equipment.com to order your parts

	Engine no.	S/N GCBMT-1249491 ▶
<b>11.01</b>	<b>Crankcase</b>	
Page <b>1 / 1</b>		
<b>BOMAG</b> FAYAT GROUP		MOT015147_000_00



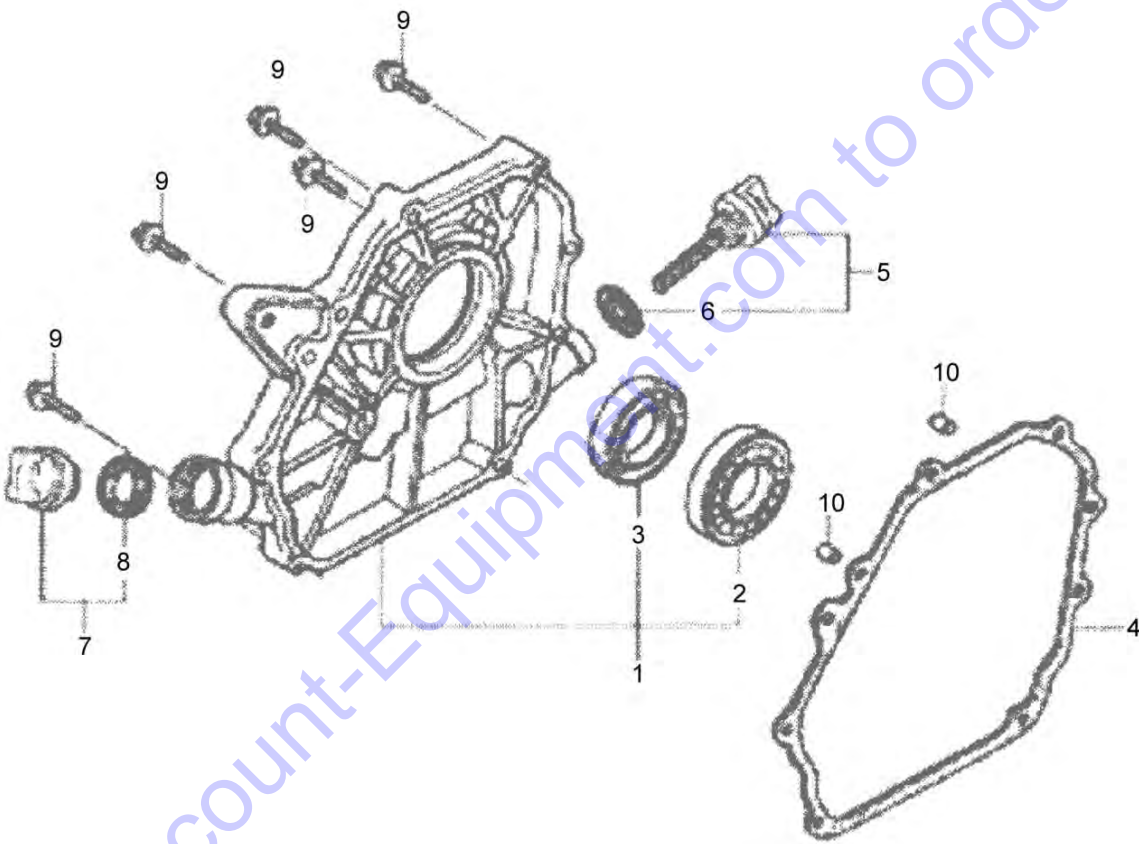
Engine no.	S/N GCBMT-1249491 ▶	<b>11.01</b>
<b>Crankcase</b>		
		Page 1 / 1
		
		MOT015147 8061 E


Pos.	Part no.	Qty.	Description
1	05748597	1	Crankcase
2	05747185	1	>Ball bearing,grooved
3	05748598	1	>Radial seal
4	05747376	1	Governor / controller
5	05747266	2	>Weight
6	05747209	1	>Holder
7	05747346	2	>Pin
8	05747226	1	Spool valve
9	05747347	1	Shaft
10	05747180	2	Drain plug
11	05747129	2	Gasket
12	05747233	1	Thrust disc
13	05747377	1	Spring ring
14	05747188	1	Loop ring
15	05747379	1	Collar nut
16	05747348	2	Washer
17	05747349	1	Spring cotter
18	05747380	2	Screw
19	05748599	1	Oil pressure switch

Go to Discount-Equipment.com to order your parts



	Engine no.	S/N GCBMT-1249491 ▶
<b>11.02</b>	<b>Front Cover</b>	
Page <b>1 / 1</b>		
<b>BOMAG</b> FAYAT GROUP	MOT015148_000_00	

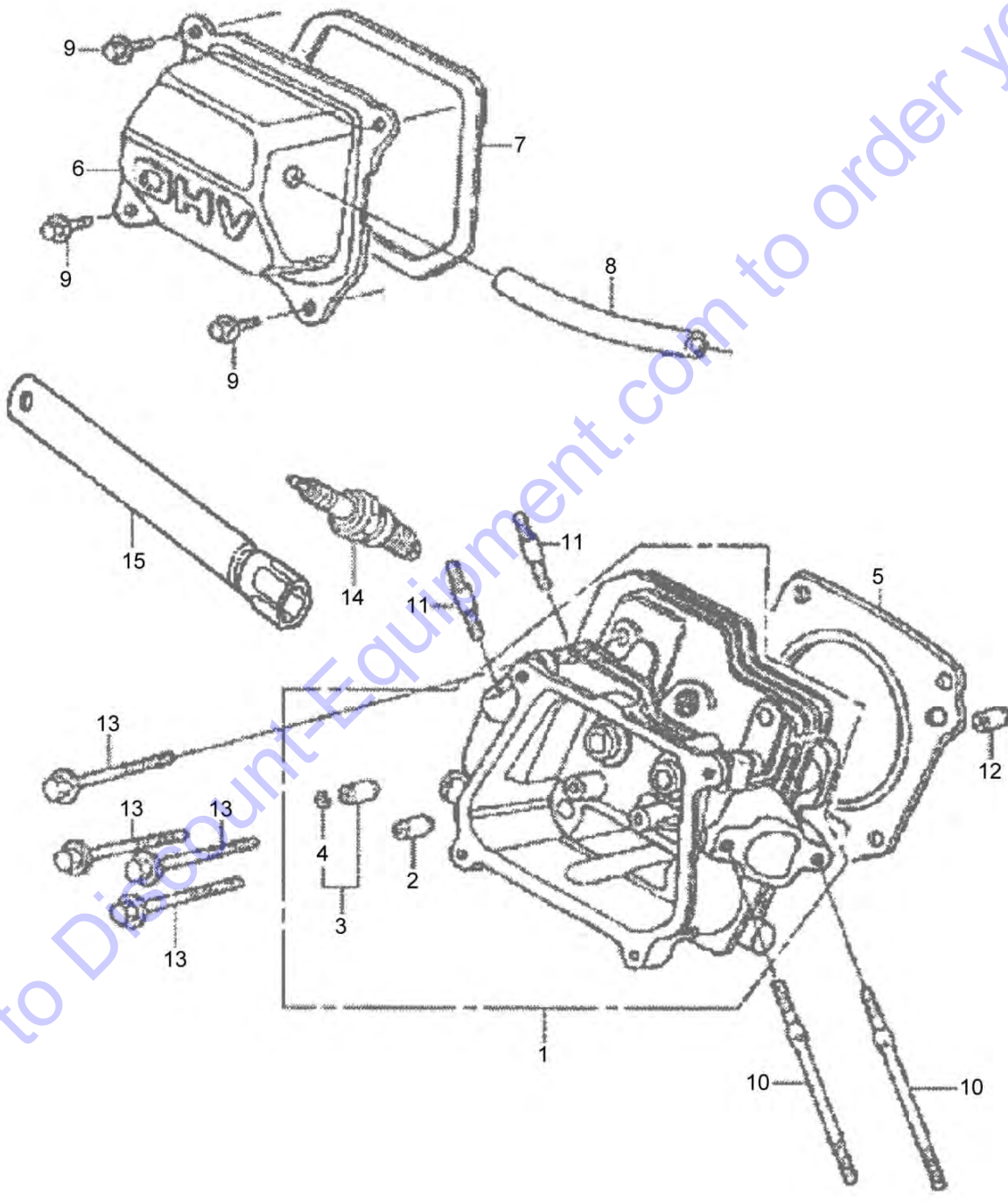


Engine no.	S/N GCBMT-1249491 ▶	
Front Cover		<b>11.02</b>
		Page 1 / 1
		 <b>BOMAG</b> FAYAT GROUP
		MOT015148 8061 E

Pos.	Part no.	Qty.	Description
1	05747381	1	Crank case cover
2	05747185	1	>Ball bearing,grooved
3	05747187	1	>Radial seal
4	05747383	1	Gasket,crankcase
5	05748601	1	Filler cap
6	05748603	1	>Gasket, oil dip stick
7	05748602	1	Filler cap
8	05748603	1	>Gasket, oil dip stick
9	05747247	7	Screw
10	05747389	2	Dowel pin


Go to Discount-Equipment.com to order your parts

<b>11.08</b>	Engine no.	S/N GCBMT-1249491 ▶
	<b>Cylinder Head</b>	
Page <b>1 / 1</b>		
<b>BOMAG</b> FAYAT GROUP		MOT015149_000_00



mot015149\_000

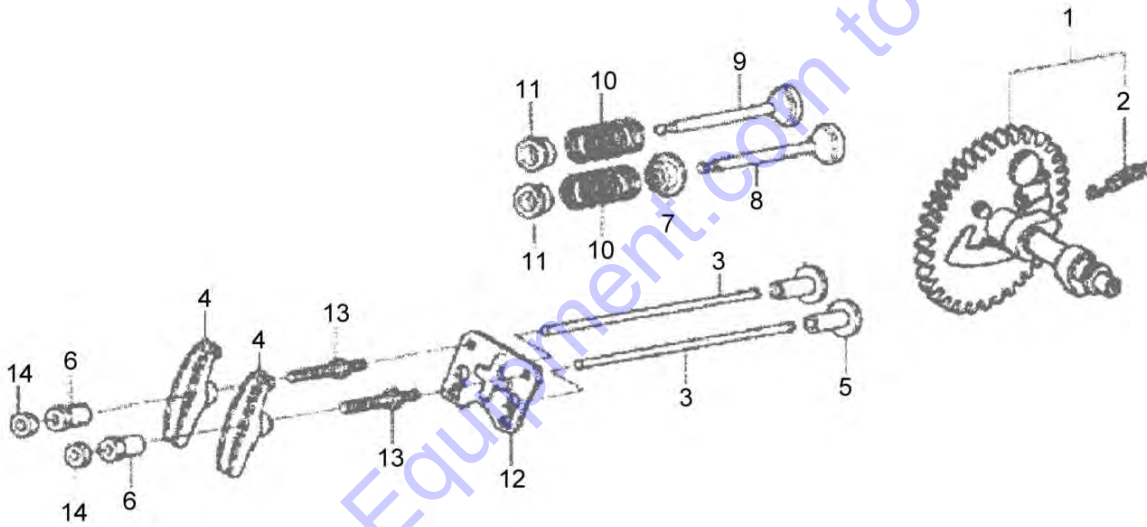
Go to DiscountEquipment.com to order your parts


Engine no. S/N GCBMT-1249491 ▶		
Cylinder Head		<b>11.08</b>
		Page 1 / 1
		
		MOT015149 8061 E

Pos.	Part no.	Qty.	Description
1	05747421	1	Cylinder head
2	05747211	1	>Valve guide Intake
3	05747212	1	>Valve guide Exhaust
4	05747368	1	>>Circlip
5	05748605	1	Cylinder head gasket
6	05748916	1	Cylinder head cover
7	05747125	1	Valve cover gasket
8	05747369	1	Ventilation pipe
9	05747322	4	Hexagon bolt
10	05748917	2	Stud
11	05747370	2	Stud
12	05747371	2	Dowel pin
13	05748606	4	Screw
14	05747282	1	Spark plug
15	05748608	1	Service Parts Spark plug spanner

Go to Discount-Equipment.com to order your parts

<b>11.09</b>	Engine no. S/N GCBMT-1249491 ▶
	<b>Camshaft</b>
Page <b>1 / 1</b>	
<b>BOMAG</b> FAYAT GROUP	MOT015150_000_00



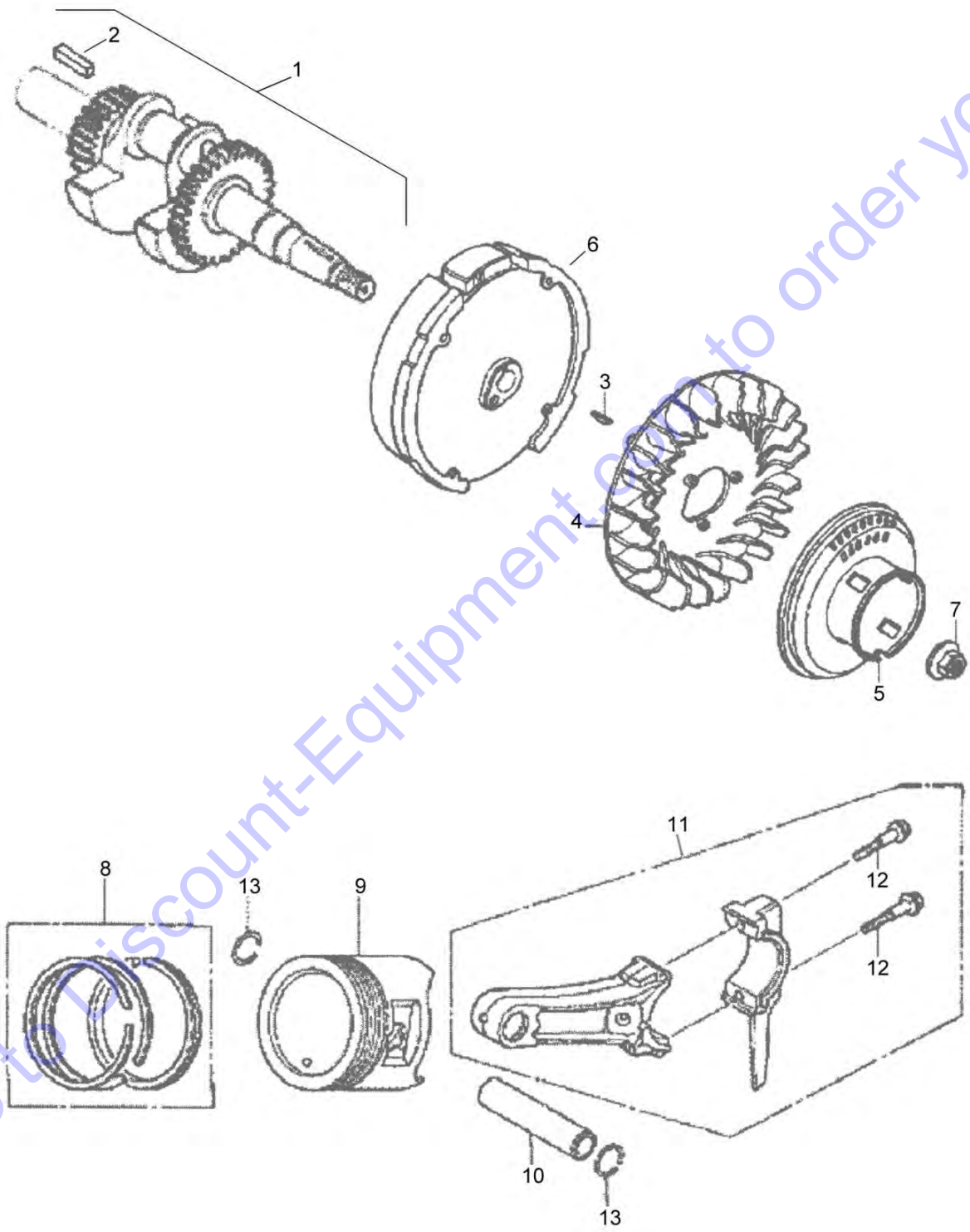
Engine no.	S/N GCBMT-1249491 ▶	<b>11.09</b>
<b>Camshaft</b>		
		Page <b>1 / 1</b>
		
		MOT015150 8061 E


**Pos. Part no. Qty. Description**

1	05747137	1	Camshaft
2	05747139	1	>Return spring
3	05747224	2	Pushrod
4	05747231	2	Rocker arm
5	05747404	2	Tappet
6	05747406	2	Journal
7	05748920	1	Valve stem seal
8	05748921	1	Inlet valve
9	05748922	1	Outlet valve
10	05747345	2	Valve spring
11	05747106	2	Valve plate
12	05747256	1	Guide plate
13	05747272	2	Bolt
14	05747354	2	Adjustment nut

Go to Discount-Equipment.com to order your parts

<b>11.19</b>	Engine no.	S/N GCBMT-1249491 ▶
	<b>Crankshaft And Piston</b>	
Page <b>1 / 1</b>		
<b>BOMAG</b> FAYAT GROUP	MOT015151_000_00	



Engine no. S/N GCBMT-1249491 ▶		<b>11.19</b>
<b>Crankshaft And Piston</b>		
MOT015151 8061 E		Page <b>1 / 1</b>
		

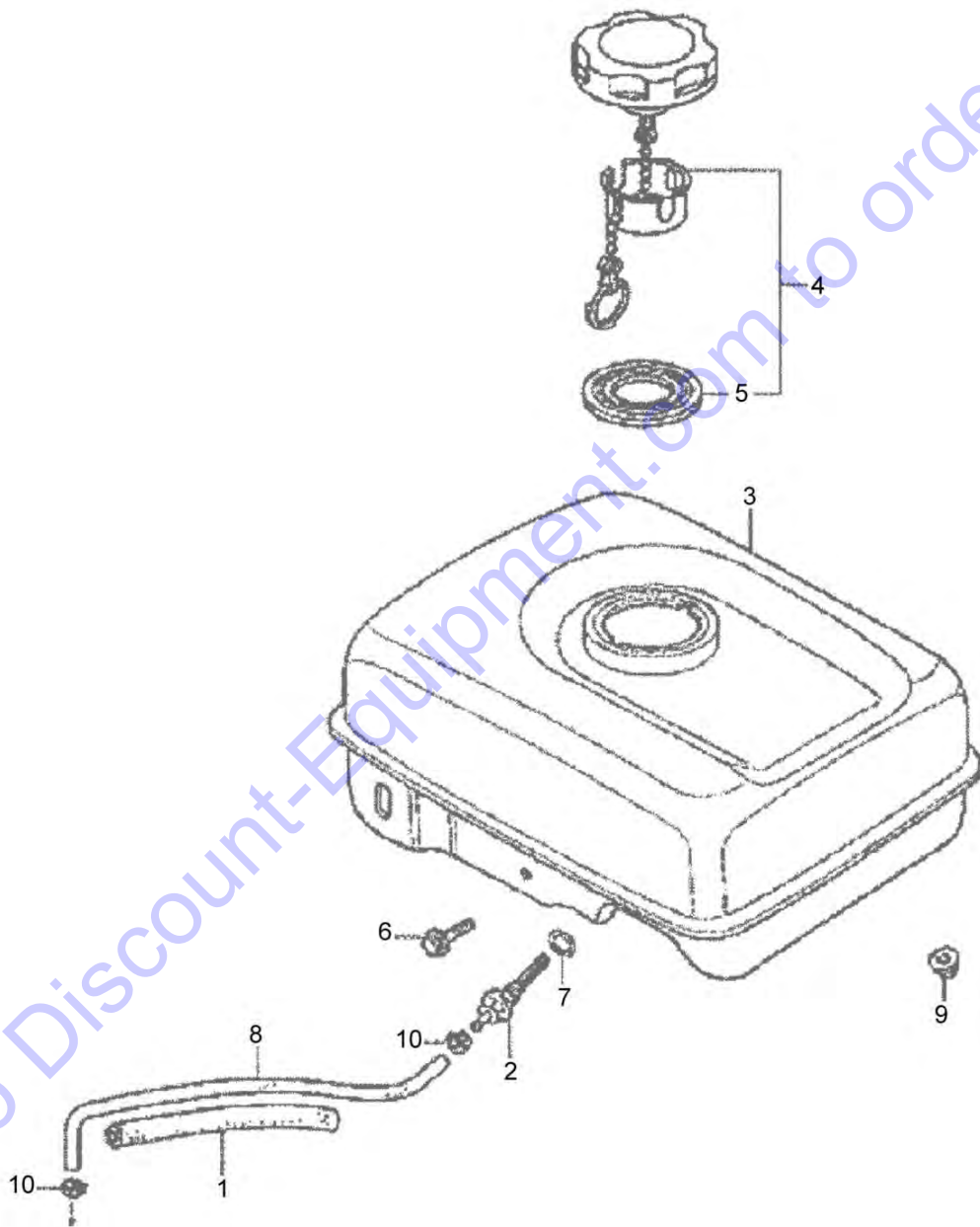
**Pos. Part no. Qty. Description**


1	05748618	1	Crankshaft
2	05748619	1	>Fitting key
3	05747191	1	Woodruff key
4	05747170	1	Fan
5	05748620	1	Starting pulley
6	05748621	1	Flywheel
7	05748622	1	Collar nut
8	05748609	1	Piston ring set Standard
8	05748610	1	Piston ring set +0,25mm
8	05748611	1	Piston ring set +0,50mm
9	05748613	1	Piston Standard
9	05748614	1	Piston +0,25mm
9	05748615	1	Piston +0,50mm
9	05748616	1	Piston +0,75mm
10	05747134	1	Floating wrist pin
11	05748617	1	Conrod
12	05747179	2	>Conrod screw
13	05747396	2	Spring ring

Go to Discount-Equipment.com to order your parts



<b>11.21</b>	Engine no.	S/N GCBMT-1249491 ▶
	Fuel Tank	
Page <b>1 / 1</b>		
<b>BOMAG</b> FAYAT GROUP		MOT015152_000_00



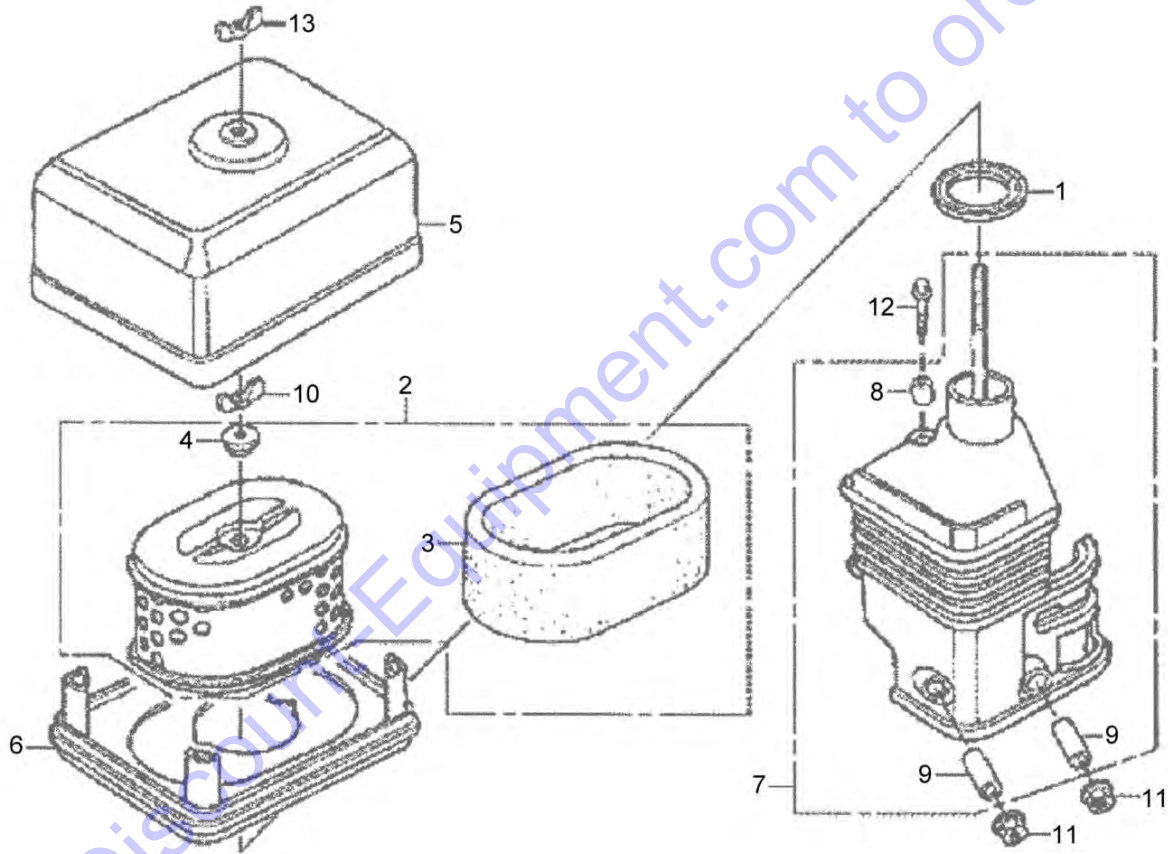
Engine no.	S/N GCBMT-1249491 ▶	<b>11.21</b>
<b>Fuel Tank</b>		
		Page <b>1 / 1</b>
		 <b>BOMAG</b> FAYAT GROUP
		MOT015152 8061 E


Pos.	Part no.	Qty.	Description
------	----------	------	-------------

1	05747464	1	Rubber,supporter
2	05747161	1	Filter,fuel
3	05748913	1	Fuel tank complete
4	05748914	1	Tank cover
5	05748593	1	>Gasket, tank cover
6	05748568	1	Hexagon bolt
7	05747188	1	Loop ring
8	05748915	1	Fuel hose
9	05747312	2	Collar nut
10	05748570	2	Hose clip

Go to Discount-Equipment.com to order your parts

<b>11.22</b>	Engine no.	S/N GCBMT-1249491 ▶
	<b>Dry Air Filter</b>	
Page <b>1 / 1</b>		
<b>BOMAG</b> FAYAT GROUP		MOT015153_000_00

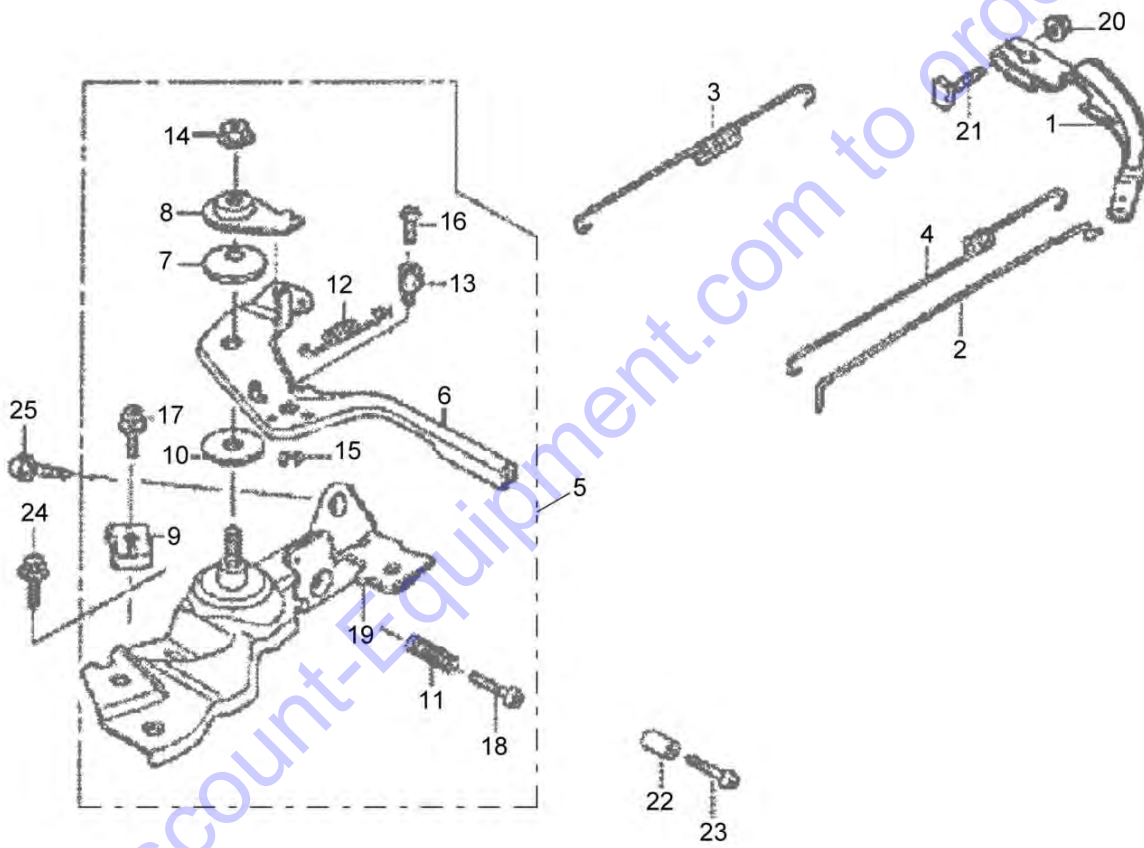



Engine no. S/N GCBMT-1249491 ▶		
Dry Air Filter		<b>11.22</b>
		Page 1 / 1
		
		MOT015153 8061 E

Pos.	Part no.	Qty.	Description
1	05747126	1	Gasket,knuckle tube
2	05747116	1	Element,washable
3	05747446	1	>External filter
4	05747163	1	>Rubber grommet
5	05748906	1	Filter cover
6	05748907	1	Air filter base
7	05748908	1	Knuckle tube
8	05747449	1	>Bushing
9	05747451	2	>Bushing
10	05747183	1	Wing nut
11	05747312	2	Collar nut
12	05747452	1	Screw
13	05748909	1	Wing nut

Go to Discount-Equipment.com to order your parts

<b>11.25</b>	Engine no.	S/N GCBMT-1249491 ▶
	<b>Throttle Control</b>	
Page <b>1 / 1</b>		
<b>BOMAG</b> FAYAT GROUP	MOT015154_000_00	

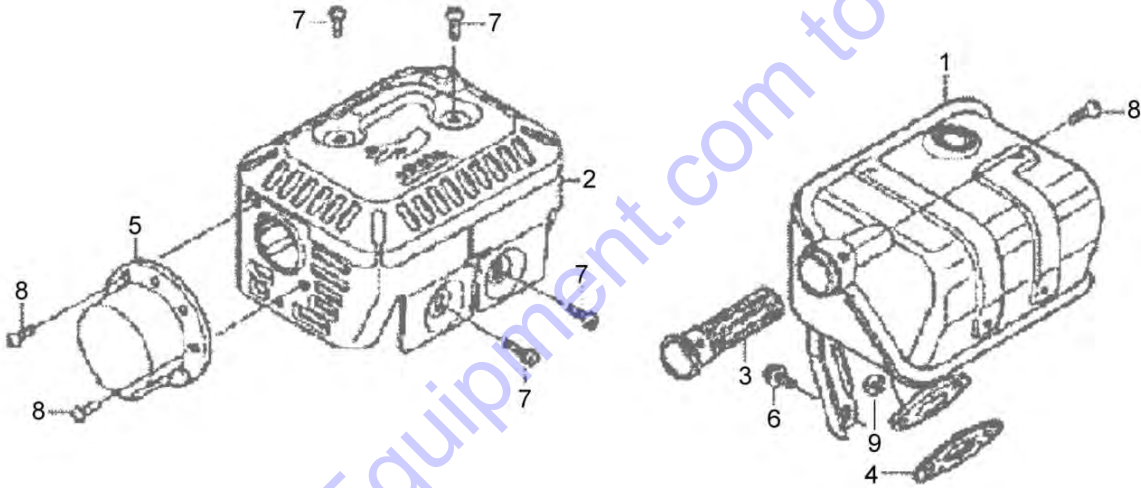



Engine no. S/N GCBMT-1249491 ▶		
Throttle Control		<b>11.25</b>
		Page 1 / 1
		
		MOT015154 8061 E

Pos.	Part no.	Qty.	Description
1	05747151	1	Arm governor
2	05747152	1	Governor rod
3	05747329	1	Governor spring
4	05747330	1	Return spring
5	05748918	1	Control assy.
6	05748919	1	>Lever,control
7	05747227	1	>Belleville spring
8	05747155	1	>Washer
9	05747418	1	>Cable clip
10	05747156	1	>Connecting piece
11	05747158	1	>Adjusting spring
12	05747341	1	>Return spring
13	05747332	1	>Wire holder
14	05747264	1	>Safety nut
15	05747333	1	>Spring ring
16	05747334	1	>Screw
17	05747426	1	>Screw
18	05747425	1	>Screw
19	05748948	1	>Control base
20	05747312	1	Collar nut
21	05747423	1	Screw
22	05747422	1	Stop bush
23	05747424	1	Screw
24	05747322	1	Hexagon bolt
25	05747325	1	Screw

Go to Discount-Equipment.com to order your parts

<b>11.26</b>	Engine no.	S/N GCBMT-1249491 ▶
	Silencer	
Page <b>1 / 1</b>		
<b>BOMAG</b> FAYAT GROUP		MOT015155_000_00



Engine no.	S/N GCBMT-1249491 ▶	<b>11.26</b>
<b>Silencer</b>		
		Page 1 / 1
		 <b>BOMAG</b> FAYAT GROUP
		MOT015155 8061 E

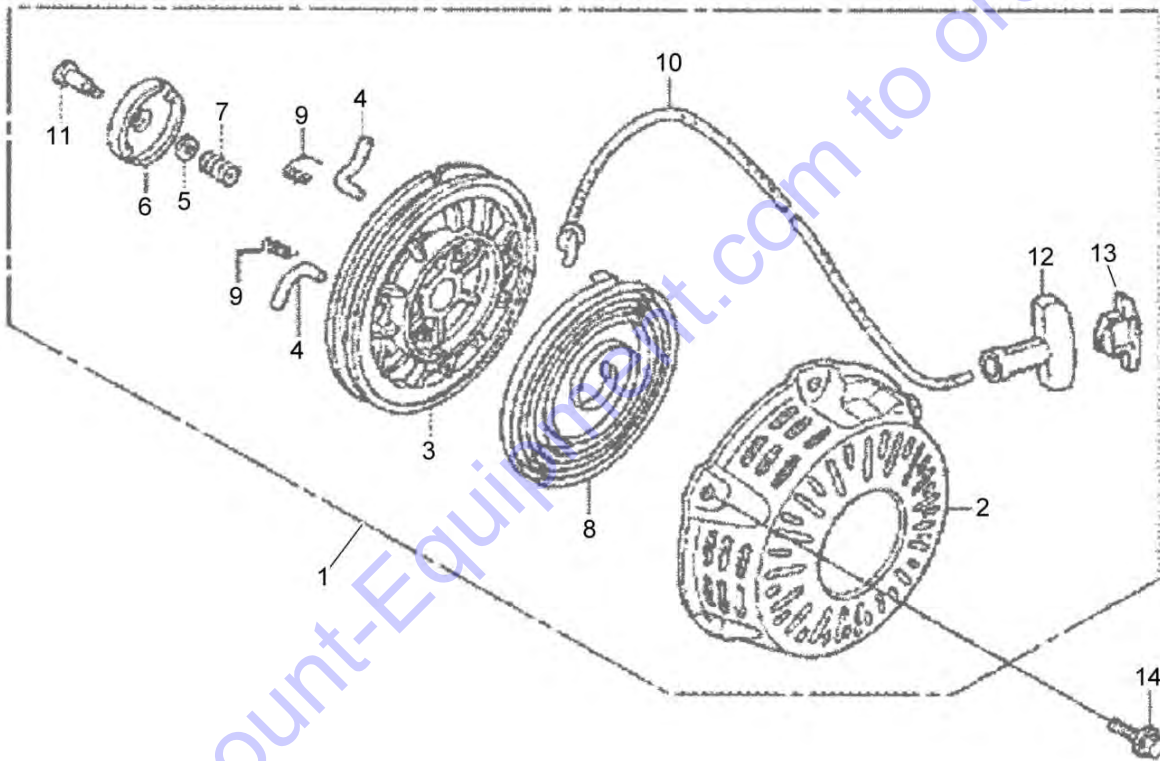
**Pos. Part no. Qty. Description**


1	05748911	1	Silencer
2	05748912	1	Muffler guard
3	05748910	1	Avoid-sparks
4	05748624	1	Exhaust gasket
5	05747128	1	Cap
6	05747355	1	Screw
7	05747316	4	Self tapping screw
8	05747317	3	Self tapping screw
9	05747190	2	Hexagon nut

Go to Discount-Equipment.com to order your parts



<b>11.31</b>	Engine no.	S/N GCBMT-1249491 ▶
	<b>Recoil Starter</b>	
Page <b>1 / 1</b>		
<b>BOMAG</b> FAYAT GROUP		MOT015156_000_00



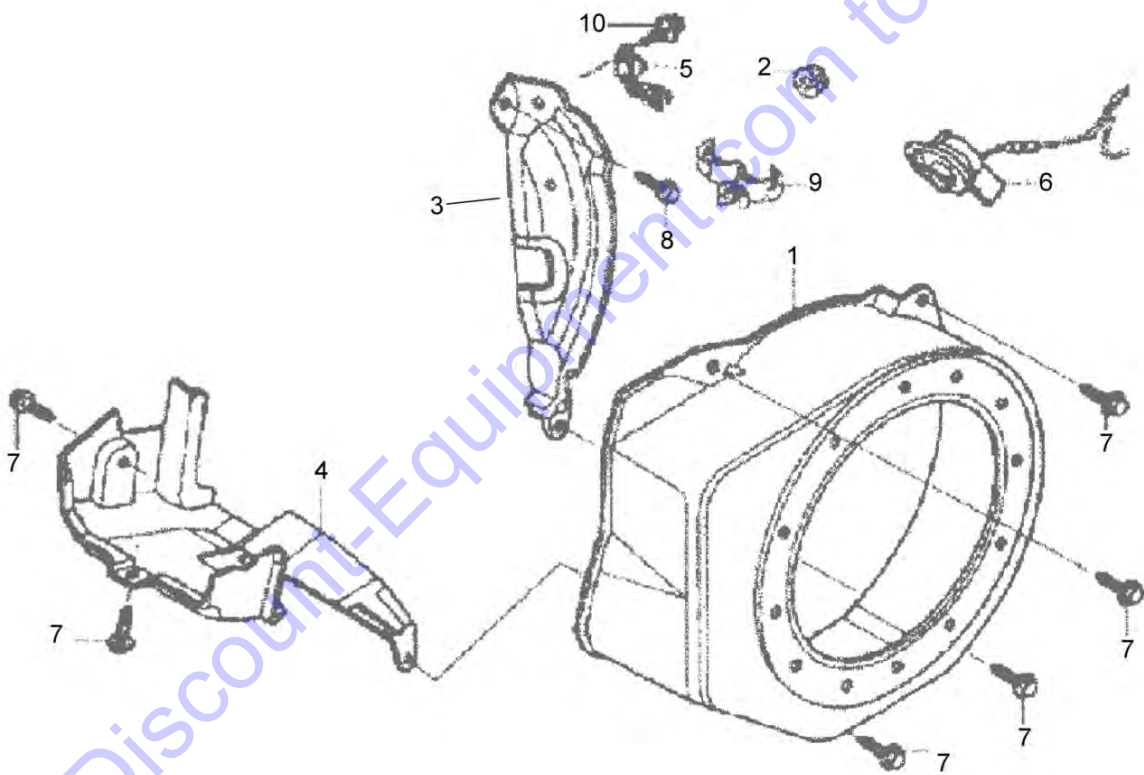
Engine no. S/N GCBMT-1249491 ▶		
<b>Recoil Starter</b>		<b>11.31</b>
		Page 1 / 1
		
		MOT015156 8061 E


Pos.	Part no.	Qty.	Description
------	----------	------	-------------

1	05748892	1	Recoil starter
2	05748893	1	>Starter housing
3	05748894	1	>Rope pulley
4	05748326	2	>Ratchet
5	05748327	1	>Friction spring
6	05748328	1	>Guide,ratchet
7	05748329	1	>Spring
8	05747293	1	>Return spring
9	05748330	2	>Return spring
10	05747296	1	>Starter rope
11	05748579	1	>Locking screw
12	05748895	1	>Starter handle
13	05748896	1	>Handle
14	05748331	3	Screw
15	05748629	1	Label

Go to Discount-Equipment.com to order your parts

<b>11.44</b>	Engine no. S/N GCBMT-1249491 ▶
	<b>Covering</b>
Page 1 / 1	
<b>BOMAG</b> FAYAT GROUP	MOT015157_000_00




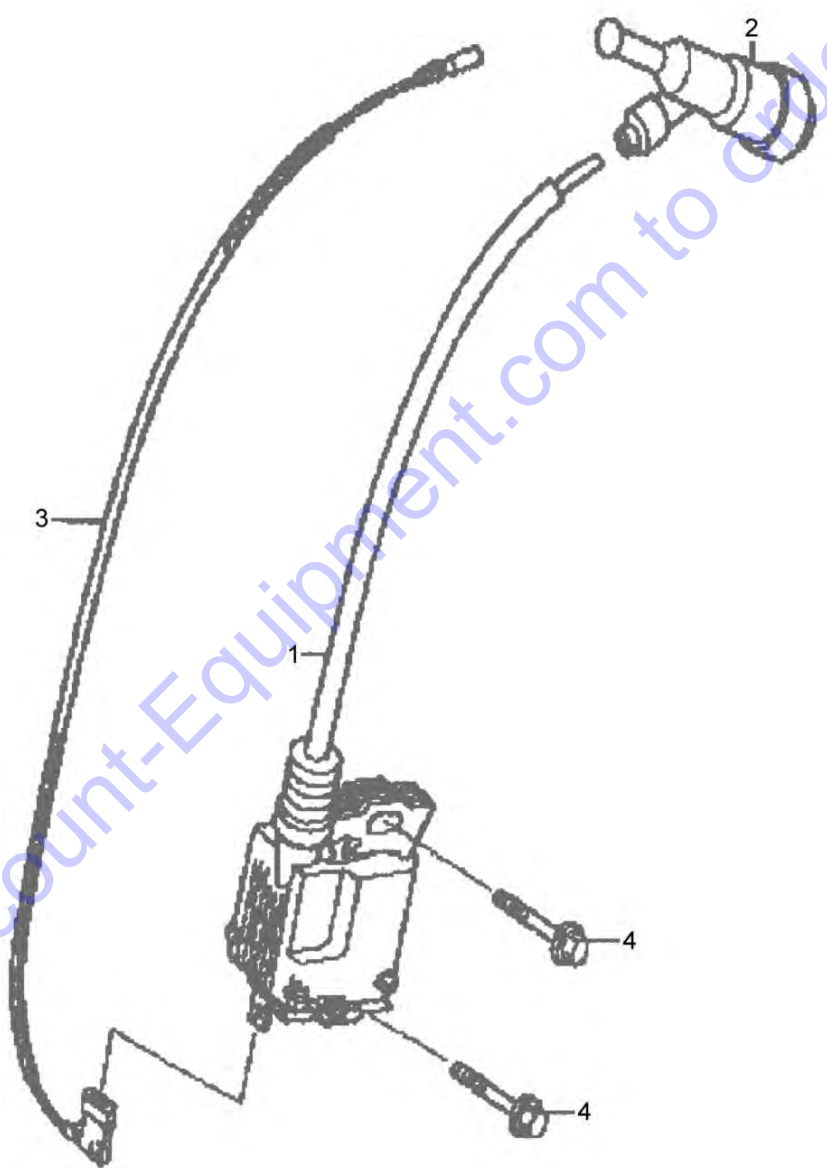
Engine no.	S/N GCBMT-1249491 ▶	<b>11.44</b>
<b>Covering</b>		
		Page <b>1 / 1</b>
		
		MOT015157 8061 E

**Pos. Part no. Qty. Description**


1	05748625	1	Engine cover
2	05747408	1	Rubber grommet
3	05748626	1	Side plate
4	05747327	1	Cover
5	05748627	1	Oil alarm unit
6	05748628	1	Engine stop switch
7	05747322	6	Hexagon bolt
8	05747325	1	Screw
9	05747648	1	Cable clip
10	05747318	1	Screw

Go to Discount-Equipment.com to order your parts

	Engine no.
<b>11.46</b>	S/N GCBMT-1249491 ▶
Page 1 / 1	<b>Contact Breaker / Ignition Coil</b>
 <b>BOMAG</b> FAYAT GROUP	MOT015158_000_00



mot015158\_000

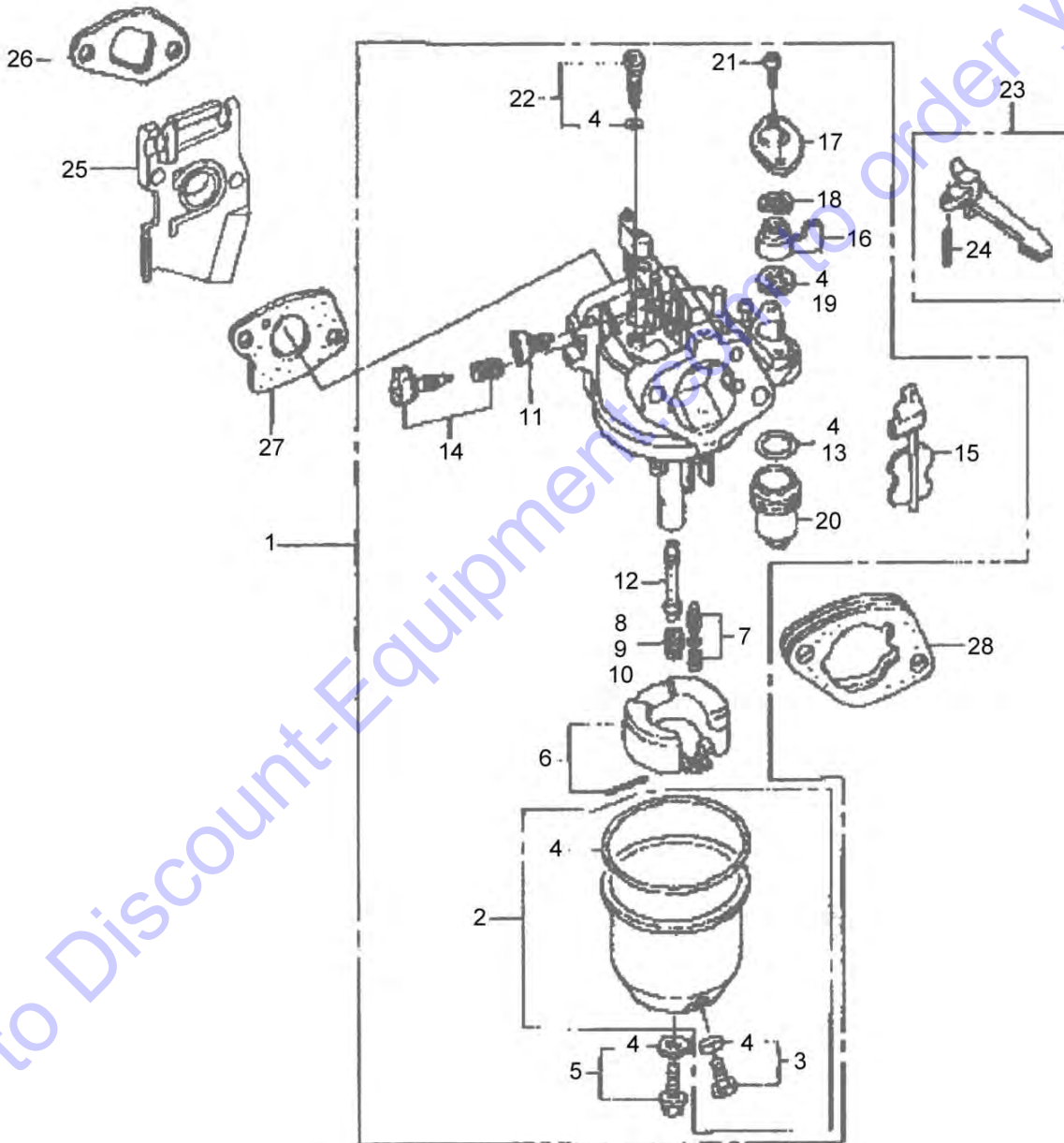
Engine no.	S/N GCBMT-1249491 ▶	<b>11.46</b>
<b>Contact Breaker / Ignition Coil</b>		
		Page <b>1 / 1</b>
		 <b>BOMAG</b> FAYAT GROUP
		MOT015158 8061 E


**Pos. Part no. Qty. Description**

1	05748630	1	Coil,ignition
2	05748631	1	Spark plug socket
3	05747415	1	Shut down rope
4	05747395	2	Screw

Go to Discount-Equipment.com to order your parts

<b>11.53</b>	Engine no.	S/N GCBMT-1249491 ▶
	Carburetor	
Page <b>1 / 1</b>		
<b>BOMAG</b> FAYAT GROUP		MOT015159_000_00



Engine no. S/N GCBMT-1249491 ▶		<b>11.53</b>
Carburetor		
MOT015159 8061 E		Page 1 / 1
		

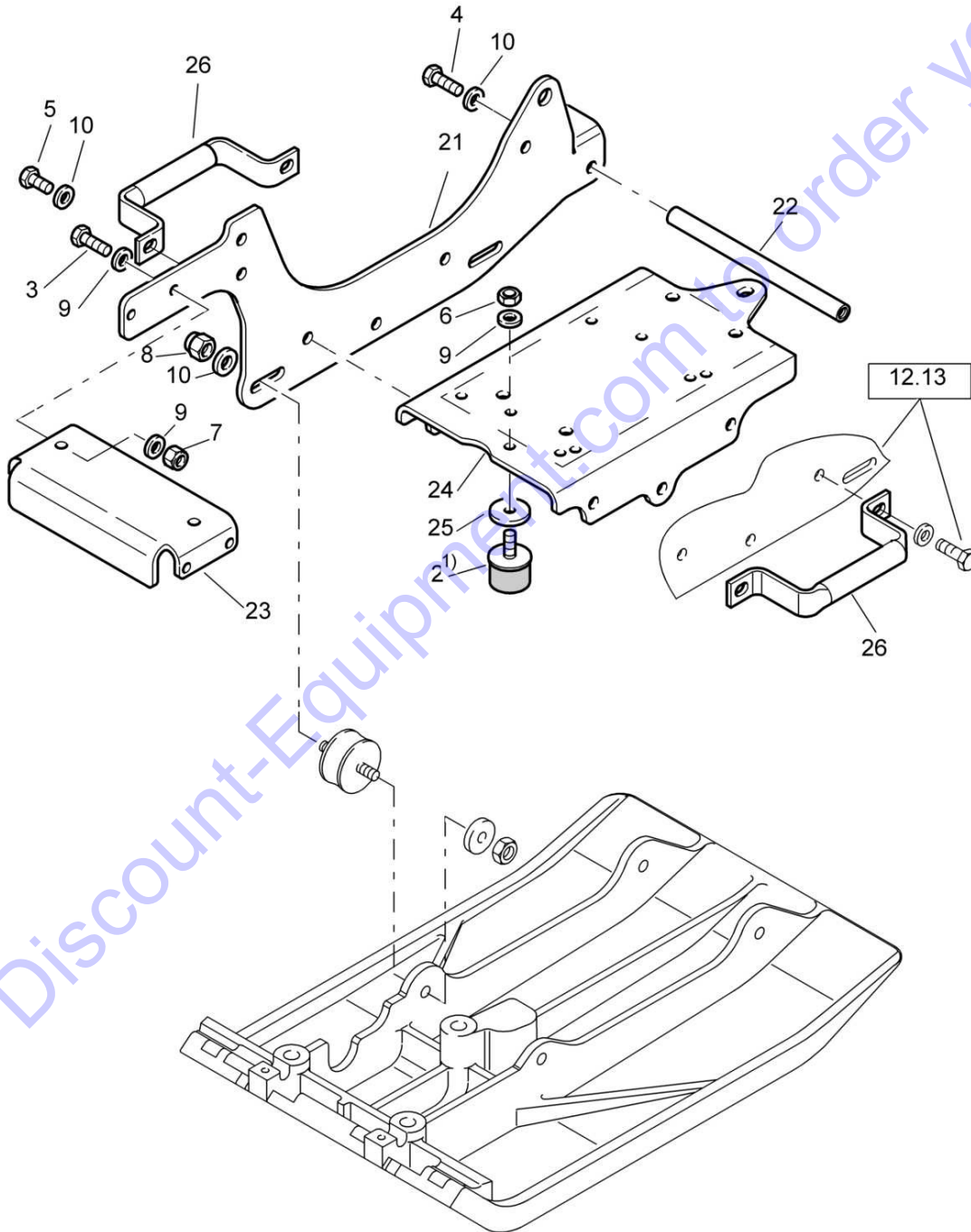
**Pos. Part no. Qty. Description**


1	05748901	1	Carburetor
2	05748898	1	>Floater housing
3	05748899	1	>>Screw plug with seal
4	05747249	1	>>Kit,seal
5	05748900	1	>Screw plug with seal
6	05748588	1	>Float set
7	05747146	1	>Kit,floater valve
8	05748633	1	>Main nozzle #55
9	05748634	1	>Main nozzle #58
10	05748635	1	>Main nozzle #60
11	05747148	1	>Stop screw
12	05747436	1	>Main nozzle
13	05748490	1	>Gasket
14	05747644	1	>Kit, bolts
15	05747433	1	>Kit, choke
16	05747645	1	>Lever
17	05747441	1	>Fastening plate
18	05747442	1	>Spring
19	05747218	1	>Gasket
20	05747313	1	>Cup,fuel strainer
21	05748500	2	>Screw
22	05747194	1	>Kit,nozzle #35
23	05747159	1	Lever
24	05747281	1	>Dowel pin
25	05747210	1	Insulator
26	05747439	1	Insulator gasket
27	05747440	1	Gasket
28	05747149	1	Connecting piece

Go to Discount-Equipment.com to order your parts



1) Tightening torque 15 Nm



BVP 10/36	
S/N 861834035705 ▶	
<b>Engine Carrier</b>	<b>12.12</b>
	Page 1 / 1
	
22120000 8061 1	

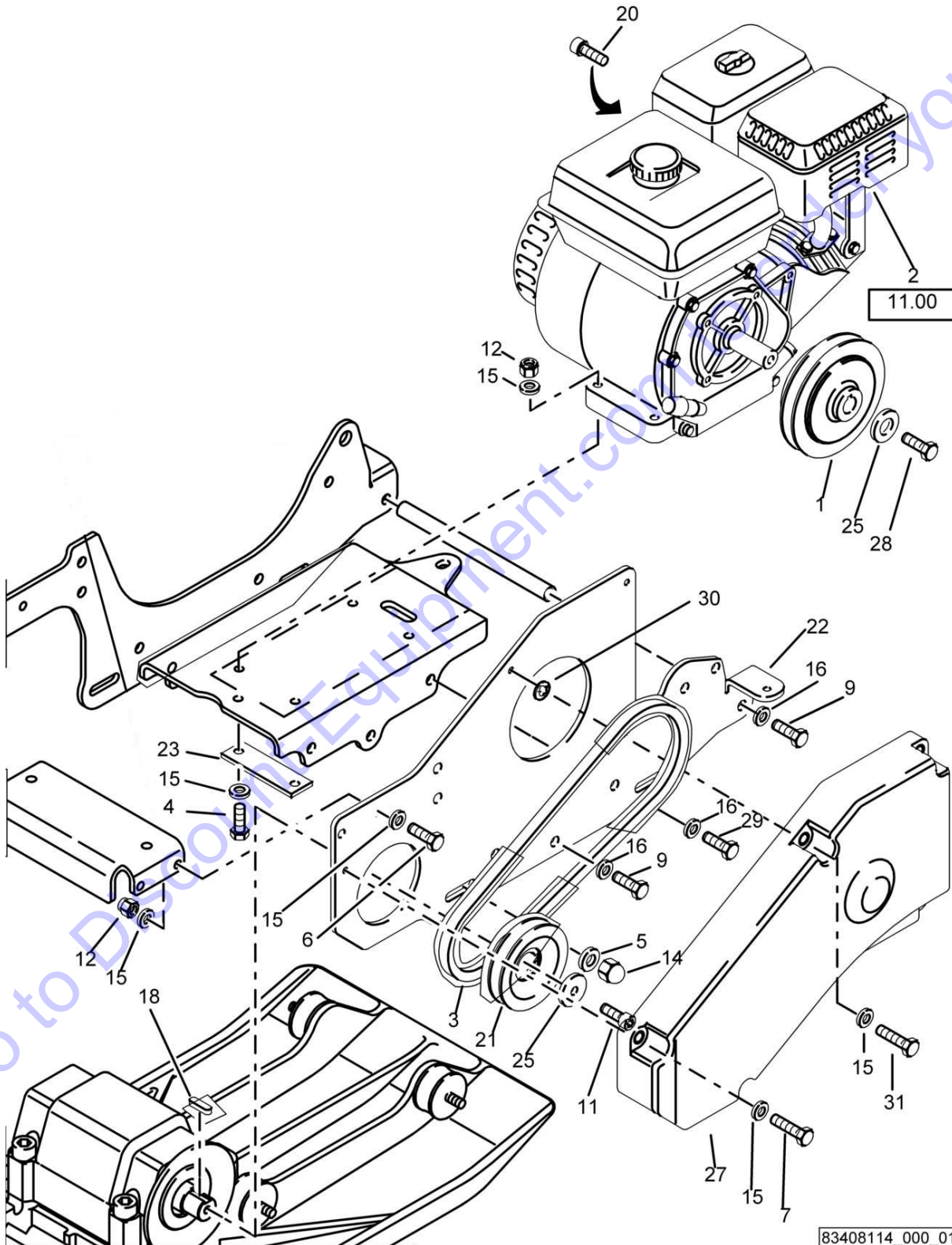
**Pos. Part no. Qty. Description**


2	06143712	1	Stop buffer
3	07140834	2	Hexagon bolt
4	07141017	1	Hexagon bolt
5	07141030	3	Hexagon bolt
6	08110812	1	Hexagon nut
7	08130813	2	Safety nut
8	08241035	2	Domed cap nut
9	08510817	5	Washer
10	08511021	4	Washer
11	08501028	2	Washer
21	83411273	1	Flange
22	22120103	1	Handle
23	22120110	1	Pillow block
24	83411274	1	Engine carrier
25	69040261	1	Washer
26	22130136	2	Handle

Go to Discount-Equipment.com to order your parts

# 12.13

## Engine



BVP 10/36	
S/N 861834035705 ▶	<b>12.13</b>
<b>Engine</b>	Page <b>1 / 1</b>
83408114 8061 1	

Pos.	Part no.	Qty.	Description
1	05050149	1	Centrifugal clutch
2	05747027	1	Four-stroke engine
3	06312013	1	V-belt
4	07140853	4	Hexagon bolt
5	08501028	2	Washer
6	07140834	2	Hexagon bolt
7	07140842	1	Hexagon bolt
9	07141017	2	Hexagon bolt
11	07230811	1	Socket-head cap screw
12	08130813	6	Safety nut
14	08241035	2	Domed cap nut
15	08510817	17	Washer
16	08511021	4	Washer
18	09181602	1	Fitting key
20	07230637	1	Socket-head cap screw
21	22110121	1	V-belt pulley
22	83410580	1	Flange
23	22130104	2	Flat steel
25	83410421	1	Washer
27	63150112	1	Protection hood
28	83410455	1	Bolt
29	07141030	2	Hexagon bolt
30	08665000	4	Stop disc
31	07140846	4	Hexagon bolt

Go to Discount-Equipment.com to order your parts

Frame with Attachment Parts



**50**

Go to [Discount-Equipment.com](http://Discount-Equipment.com) to order your parts

**50.00**


Frame with Attachment Parts

Page /



**For this catalogue group no illustration.**

*Go to [Discount-Equipment.com](http://Discount-Equipment.com) to order your parts*


Frame with Attachment Parts	<b>50.00</b>
	Page /
	

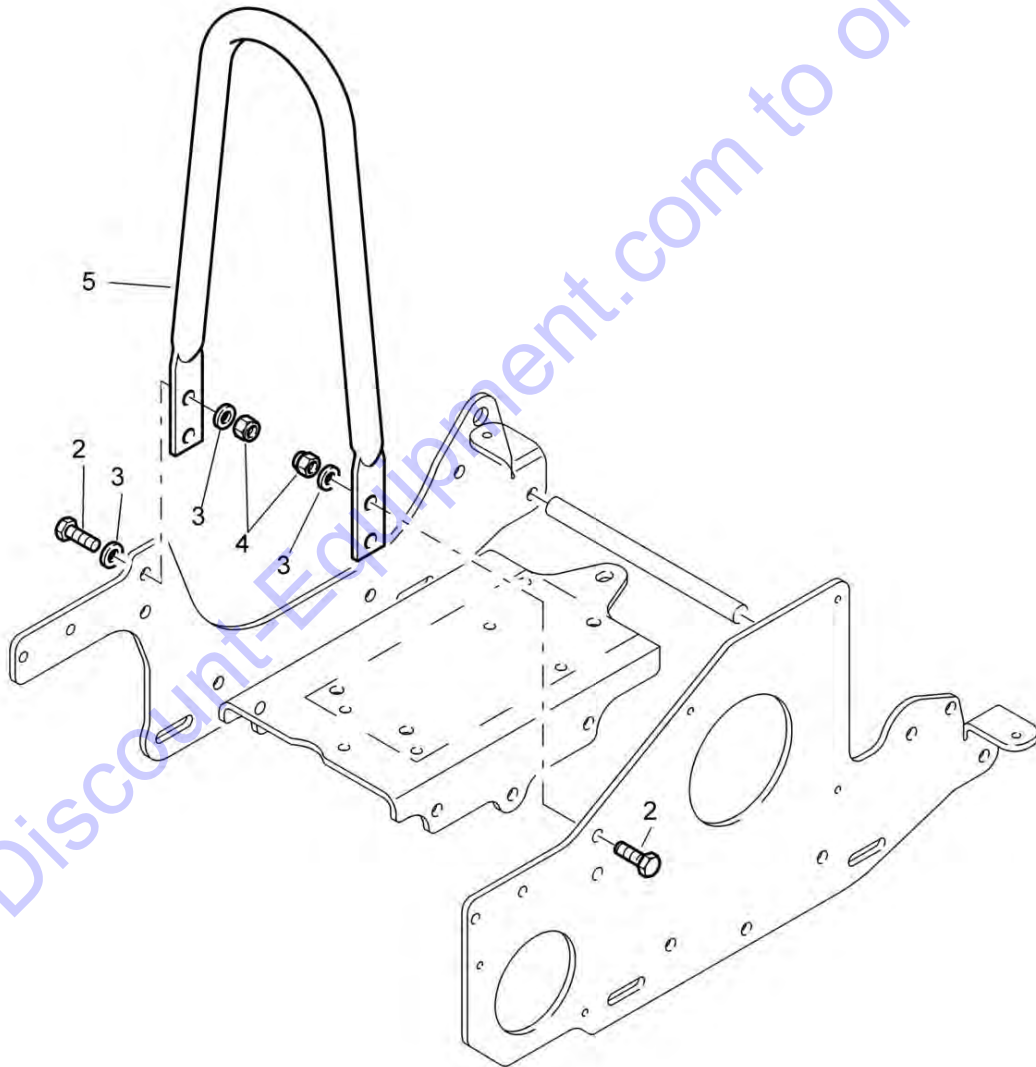
**Pos. Description**

- 52.17 Protection Bow
- 53.26 Steering Handle

Go to Discount-Equipment.com to order your parts




	BVP 10/36	S/N 861834035705 ▶
<b>52.17</b>	<b>Protection Bow</b>	
Page <b>1 / 1</b>		
 <b>BOMAG</b> FAYAT GROUP	83408026_000_00	



83408026\_000\_00



BVP 10/36	
S/N 861834035705 ▶	
Protection Bow	<b>52.17</b>
	Page 1 / 1
	
83408026 8061 1	

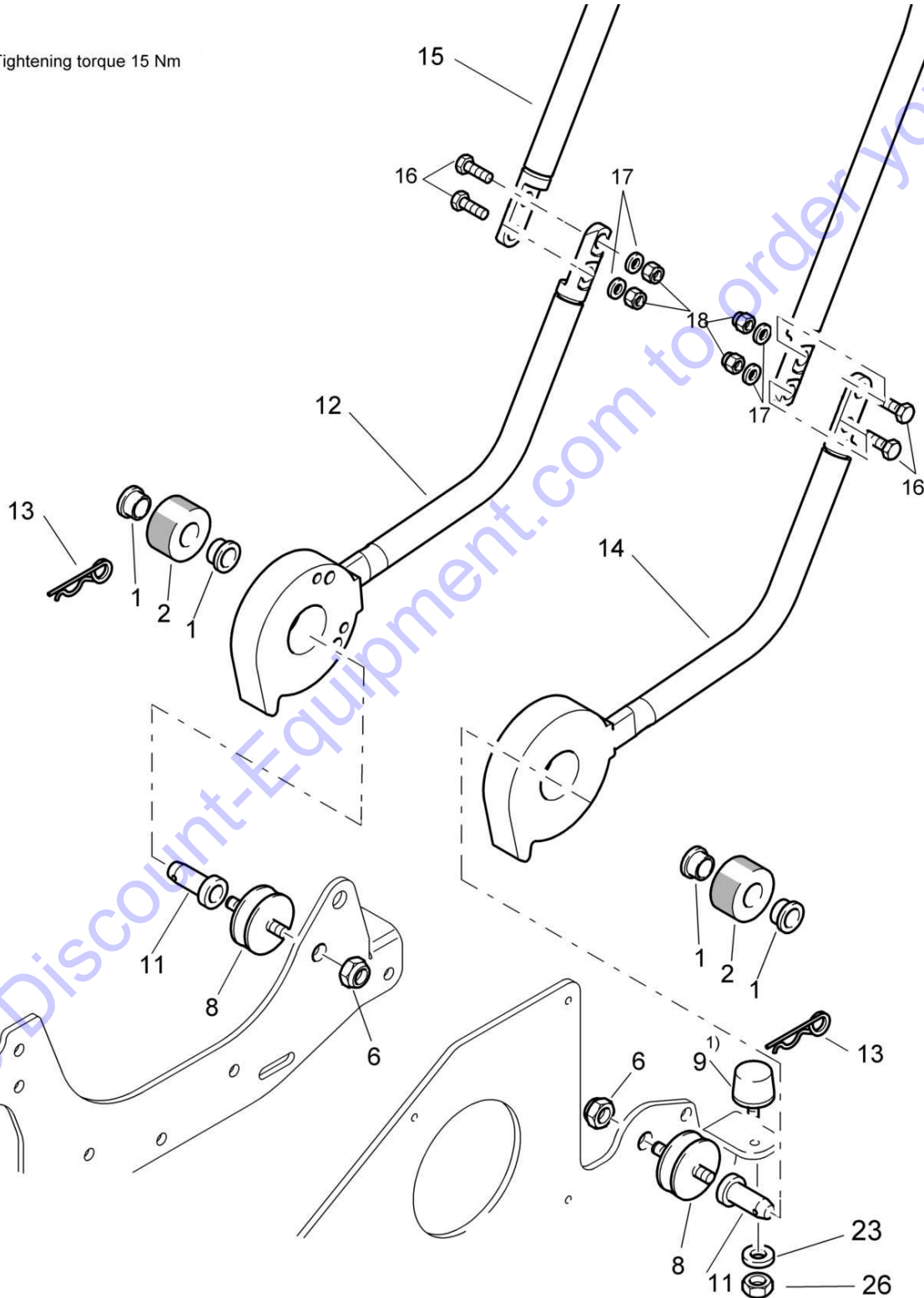
Pos.	Part no.	Qty.	Description
------	----------	------	-------------


2	07141030	4	Hexagon bolt
3	08511021	6	Washer
4	08131016	4	Safety nut
5	83410401	1	Bow

Go to Discount-Equipment.com to order your parts



1) Tightening torque 15 Nm



BVP 10/36	
S/N 861834035705 ▶	
<b>Steering Handle</b>	<b>53.26</b>
	Page 1 / 1
	
83408027 8061 1	

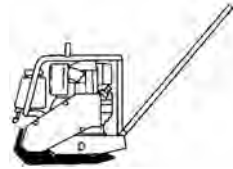
**Pos. Part no. Qty. Description**

1	22040112	4	Bushing
2	06151711	2	Rubber bush
6	08131218	2	Safety nut
8	06116915	2	Rubber buffer
9	06142910	2	Stop buffer
11	22230113	2	Journal
12	83410403	1	Steering rod
13	05994004	2	Spring cotter
14	83410404	1	Steering rod
15	83410408	1	Steering rod
16	07141238	4	Hexagon bolt
17	08511324	4	Washer
18	08131218	4	Safety nut
23	08510817	2	Washer
26	08130813	2	Safety nut

Go to Discount-Equipment.com to order your parts

Go to [Discount-Equipment.com](http://Discount-Equipment.com) to order your parts

Plate / Foot



**65**

**65.00**


Plate / Foot

Page /



**For this catalogue group no illustration.**

*Go to [Discount-Equipment.com](http://Discount-Equipment.com) to order your parts*


Plate / Foot	<b>65.00</b>
	Page /
	

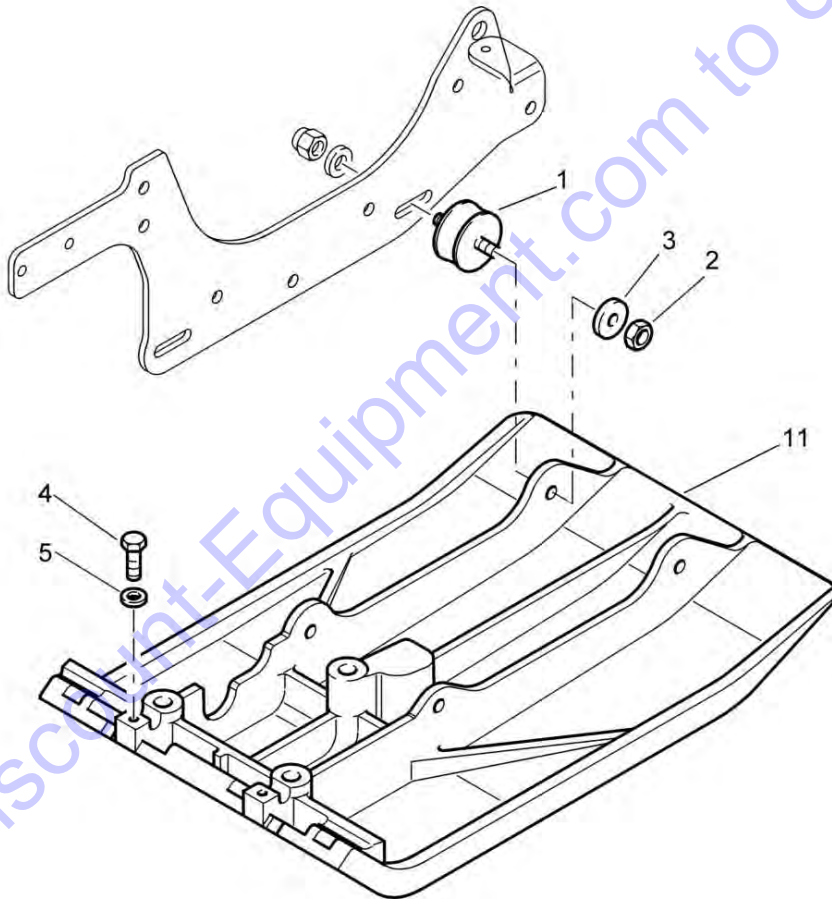
**Pos. Description**


- 65.05 Base Plate
- 65.06 Exciter Unit

Go to Discount-Equipment.com to order your parts



	BVP 10/36	
<b>65.05</b>		S/N 861834035705 ▶
Page <b>1 / 1</b>	<b>Base Plate</b>	
 <b>BOMAG</b> FAYAT GROUP		22100000_000_02



BVP 10/36	
S/N 861834035705 ▶	
<b>Base Plate</b>	<b>65.05</b>
	Page <b>1 / 1</b>
	 <b>BOMAG</b> FAYAT GROUP
22100000 8061 1	

Pos.	Part no.	Qty.	Description
------	----------	------	-------------

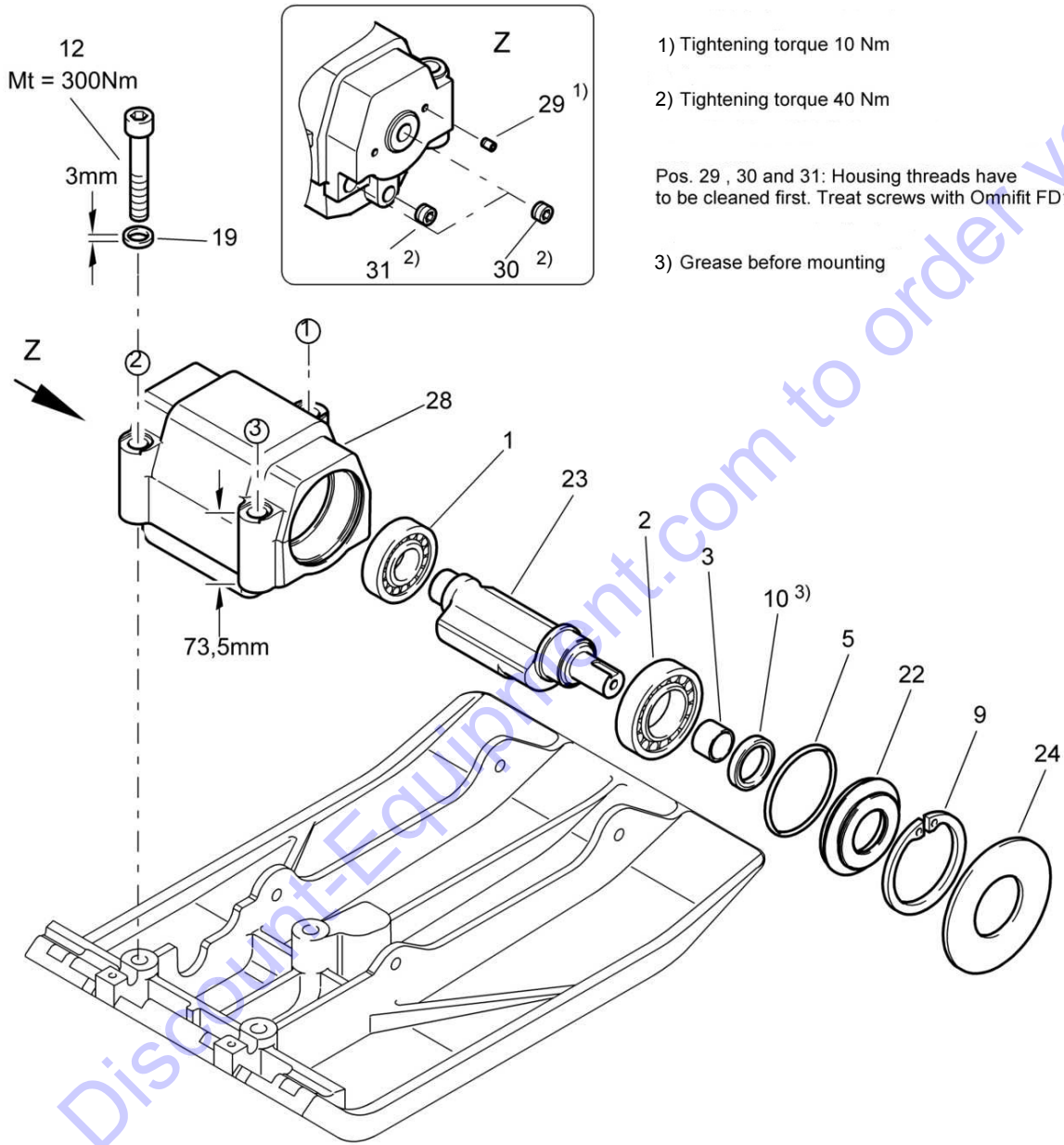
1	06115816	4	Rubber buffer
2	08131015	4	Safety nut
3	08501028	4	Washer
4	07140814	2	Hexagon bolt
5	08510817	2	Washer
11	22100112	1	Base plate

Go to Discount-Equipment.com to order your parts





	BVP 10/36	S/N 861834035705 ▶
<b>65.06</b>	<b>Exciter Unit</b>	
Page <b>1 / 1</b>		
<b>BOMAG</b> FAYAT GROUP	22110000_000_03	



1) Tightening torque 10 Nm


2) Tightening torque 40 Nm

Pos. 29 , 30 and 31: Housing threads have to be cleaned first. Treat screws with Omnifit FD10.

3) Grease before mounting

mounting note

- Sequence for tightening the socket head cap screws: ① ② ③
- Contact faces clean and free of paint residuals
- Assembly without Loctite
- Oil quantity: 0,25l

BVP 10/36	
S/N 861834035705 ▶	
<b>Exciter Unit</b>	<b>65.06</b>
	Page 1 / 1
	
22110000 8061 1	

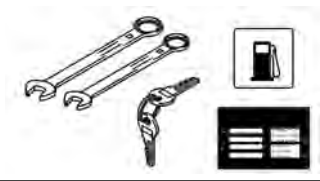
Pos.	Part no.	Qty.	Description
1	05224241	1	Cylinder roller bearing
2	05222263	1	Cylinder roller bearing
3	05428091	1	Inner ring
5	06220745	1	Loop ring
9	09224400	1	Circlip,internal
10	09311932	1	Radial seal
12	07231650	3	Socket-head cap screw
19	08511730	3	Washer
22	22110109	1	Flange
23	83411159	1	Exciter shaft
24	22110112	1	Sealing section
28	22110125	1	Exciter housing
29	07610608	2	Screw plug
30	07611615	2	Screw plug
31	07611616	1	Magnetic plug

Go to Discount-Equipment.com to order your parts



Go to Discount-Equipment.com to order your parts

**Accessories**



**100**

**100.00**


**Accessories**

Page /



**For this catalogue group no illustration.**

*Go to [Discount-Equipment.com](http://Discount-Equipment.com) to order your parts*

<b>Accessories</b>	<b>100.00</b>
	Page /
	

**Pos. Description**

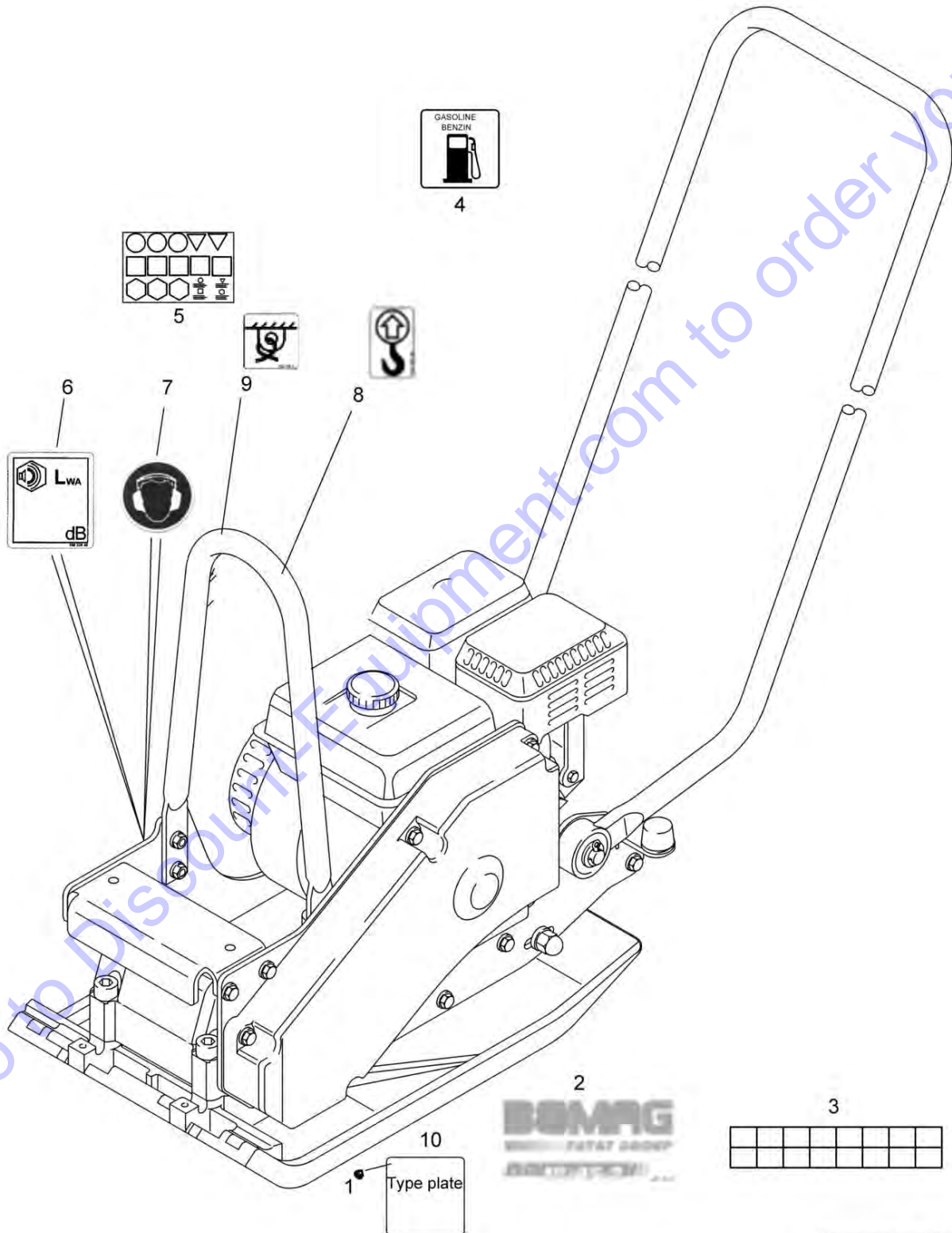
101.03 Decals

Go to Discount-Equipment.com to order your parts




# 101.03

Decals



Go to [www.Dispart.com](http://www.Dispart.com) to order your parts

BVP 10/36	
S/N 861834035705 ▶	
<b>Decals</b>	<b>101.03</b>
	Page 1 / 1
	83408028 8061 1 

Pos.	Part no.	Qty.	Description
1	05990011	4	Rivet,blind
2	00833201	1	Type designation
3	00831424	1	Decal,operation
4	00832193	1	Decal,indication
5	00831388	1	Decal,maintenance instr.
6	00832651	1	Decal,indication
7	00832046	1	Decal,indication
8	05050358	1	Decal,indication
9	05050359	1	Decal,indication
10	83410574	1	Type plate

Go to Discount-Equipment.com to order your parts



Go to Discount-Equipment.com to order your parts

Special Equipment

***Option***

**110**



**110.00**


Special Equipment

Page /



**For this catalogue group no illustration.**

*Go to [Discount-Equipment.com](http://Discount-Equipment.com) to order your parts*

<b>Special Equipment</b>	<b>110.00</b>
	Page /
	

**Pos. Description**

- 112.66 SP4-Exhaust directive
- 152.17 S9-Protection bow
- 152.18 W1-Water sprinkler system
- 154.64 SL5-Dual colour spraying
- 162.10 T1-Transport wheels
- 165.01 X5-Synthetic plate

Go to Discount-Equipment.com to order your parts



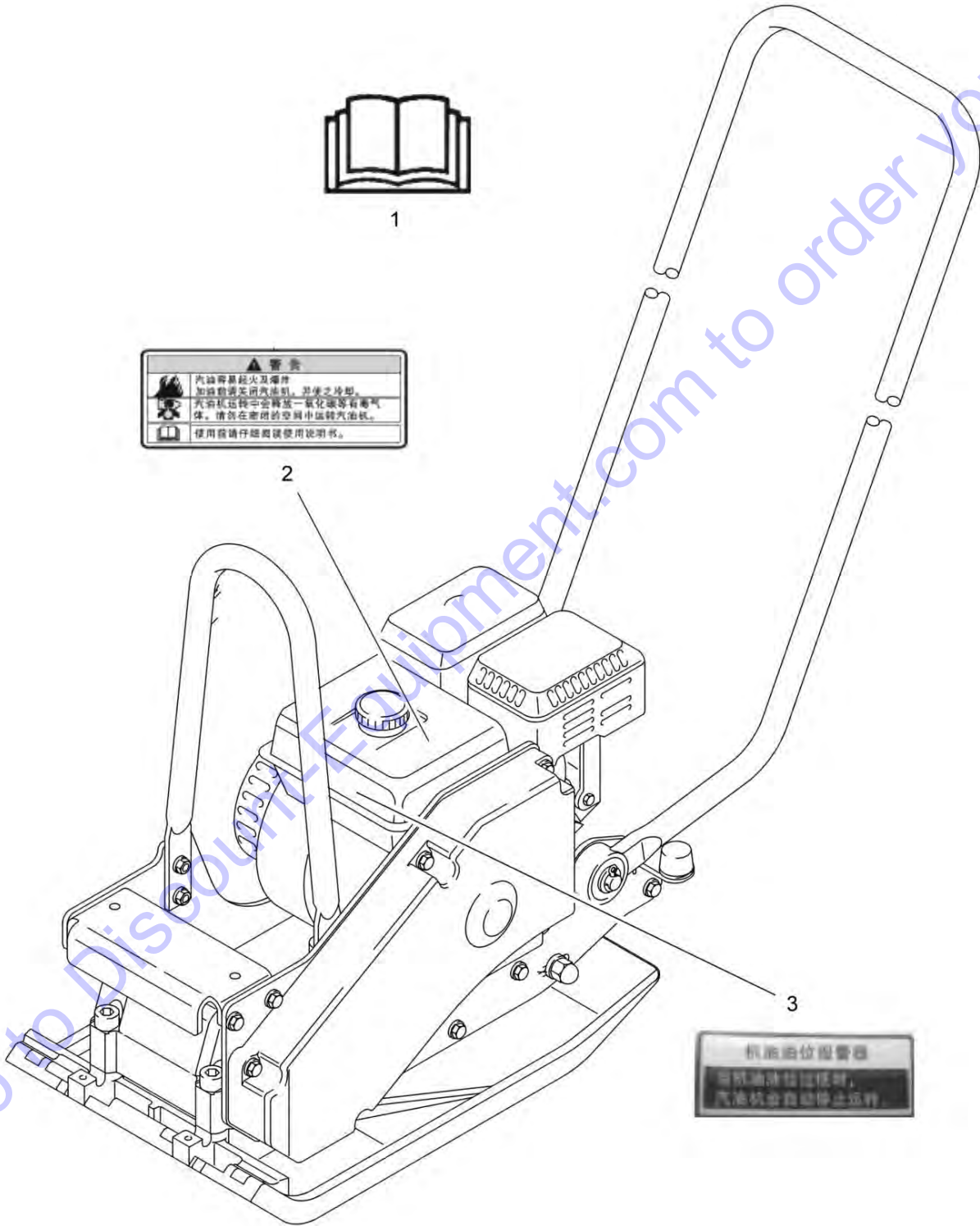
	BVP 10/36	S/N 861834035705 ▶
<b>112.66</b>	<b>SP4-Exhaust directive</b>	
Page <b>1 / 1</b>		
<b>BOMAG</b> FAYAT GROUP	83400180_000_00	



1




2



3



BVP 10/36	
S/N 861834035705 ▶	
SP4-Exhaust directive	<b>112.66</b>
	Page 1 / 1
	
83400180 8061 1	

Pos.	Part no.	Qty.	Description
1	00801396	1	BA_ZH-Operat.maint.instructions
2	00833220	1	Label
3	00833236	1	Decal,indication

Go to Discount-Equipment.com to order your parts



BVP 10/36

S/N 861834035705 ▶

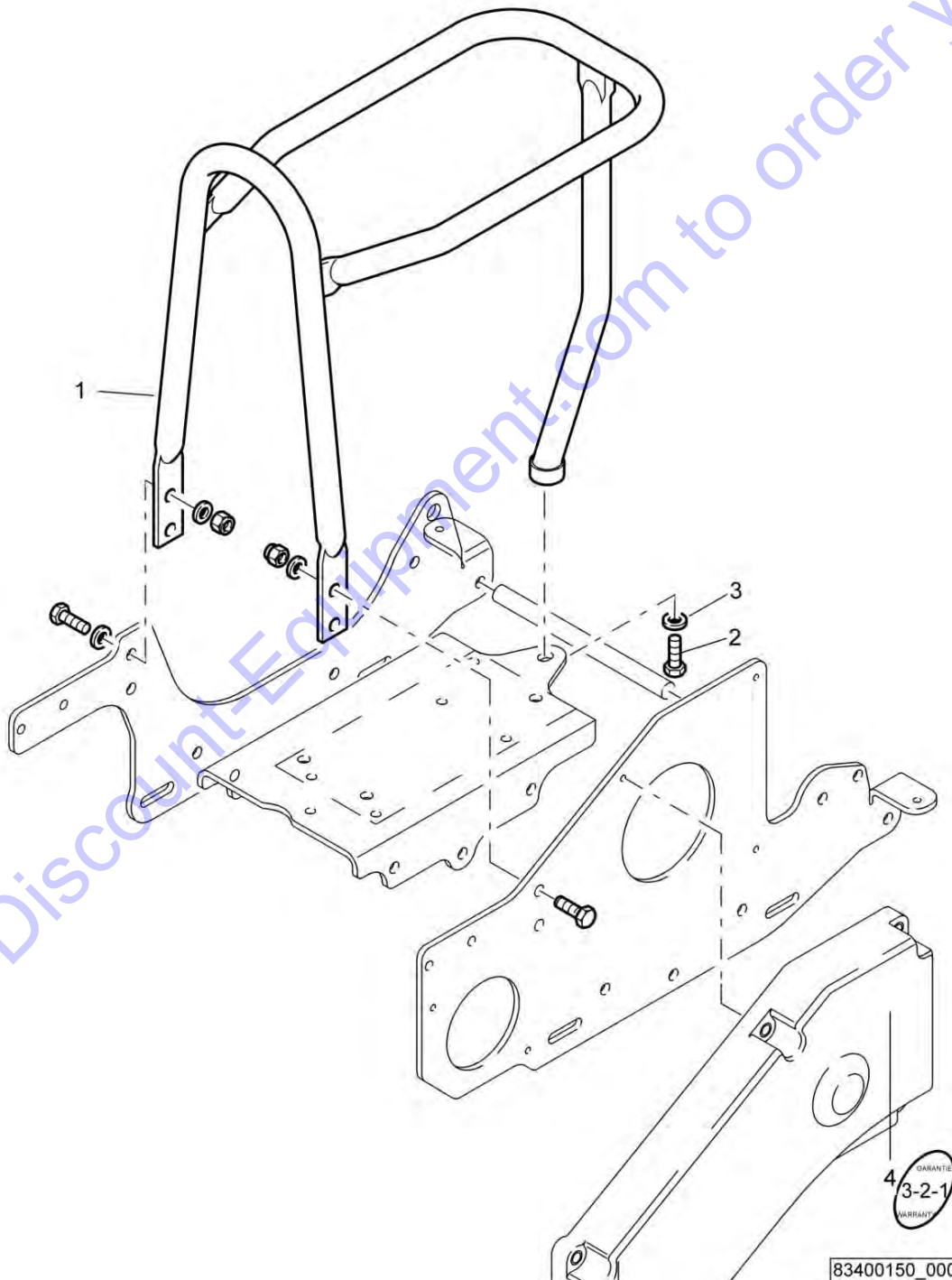
**152.17**

S9-Protection bow

Page 1 / 1




83400150\_000\_01



83400150\_000\_01

Go to DiscountEquipment.com to order your parts

BVP 10/36	
S/N 861834035705 ▶	
<b>S9-Protection bow</b>	<b>152.17</b>
	Page <b>1 / 1</b>
	
83400150 8061 1	

Pos.	Part no.	Qty.	Description
1	22130166	1	Protection bow
2	07141017	1	Hexagon bolt
3	08511021	1	Washer
4	00892018	1	Label
5	83410621	1	Type plate

Go to Discount-Equipment.com to order your parts

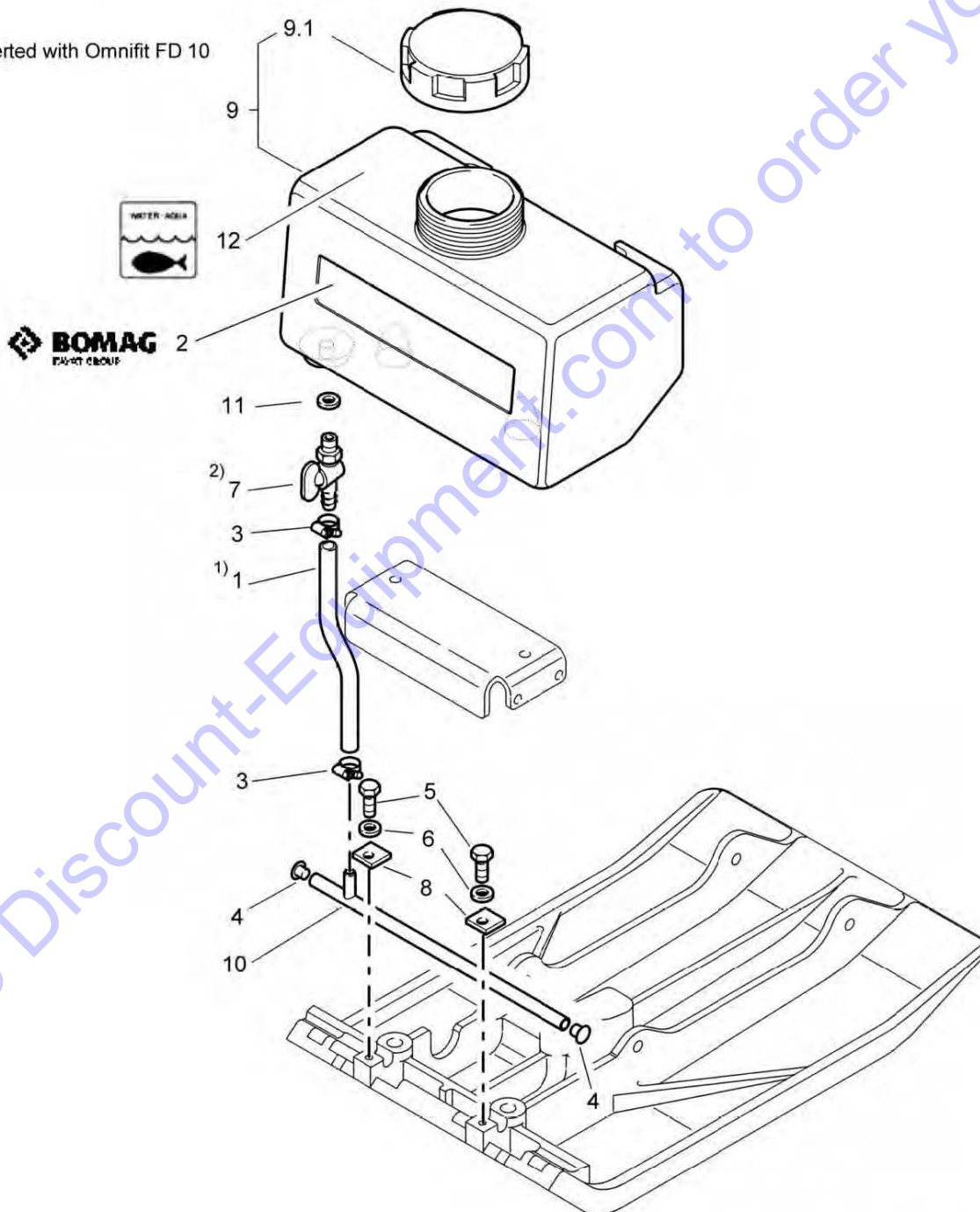


**152.18****W1-Water sprinkler system**Page **1 / 1**


83400196\_000\_00

1) Length of hose has to be adapted,  
folding is not acceptable.

2) Inserted with Omnifit FD 10



83400196\_000\_00

BVP 10/36	
S/N 861834035705 ▶	
<b>W1-Water sprinkler system</b>	<b>152.18</b>
	Page 1 / 1
	
83400196 8061 1	

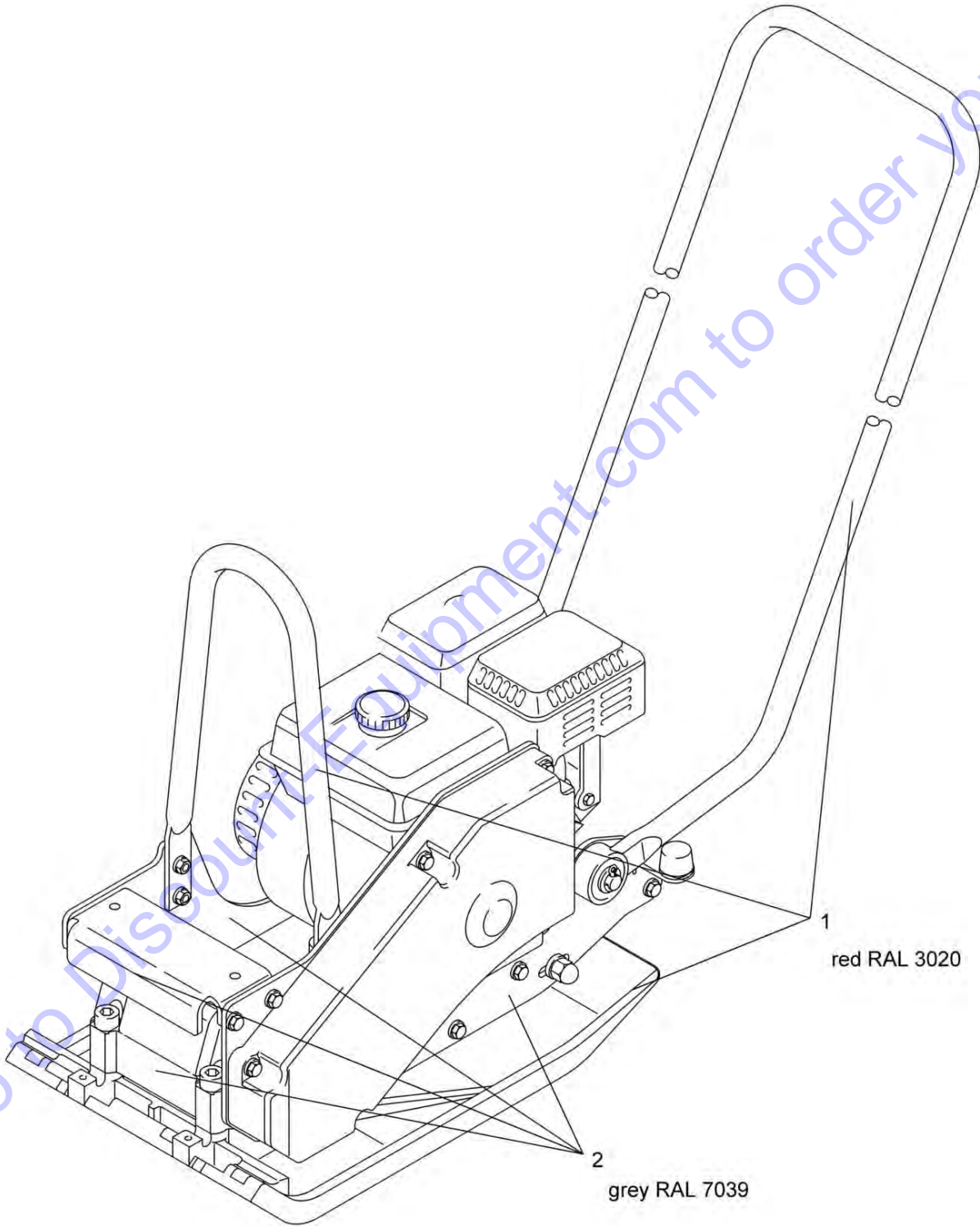
Pos.	Part no.	Qty.	Description
1	00661095	1,65 dm	Fuel hose
2	00831915	1	Decal
3	05552465	2	Hose clip
4	06510208	2	Plug
5	07140818	2	Hexagon bolt
6	08510817	2	Washer
7	09510010	1	Drain cock
8	22103021	2	Flat steel
9	22103026	1	Water tank
9.1	06550091	1	Screwing cover
10	83411490	1	Spray bar
11	06211418	1	U-seal
12	00830064	1	Decal,indication


Go to Discount-Equipment.com to order your parts





	BVP 10/36	S/N 861834035705 ▶
<b>154.64</b>	<b>SL5-Dual color spraying</b>	
Page <b>1 / 1</b>		
<b>BOMAG</b> FAYAT GROUP	83400145_000_01	



BVP 10/36	
S/N 861834035705 ▶	
SL5-Dual color spraying	<b>154.64</b>
	Page 1 / 1 Seite 1 / 1
83400145 8061 1	

Pos.	Part no.	Qty.	Description	Benennung	Designation
Pos.	Teilenr.	Menge			
Pos.	No.piece	Qte.			

Go to Discount-Equipment.com to order your parts



BVP 10/36

S/N 861834035705 ▶

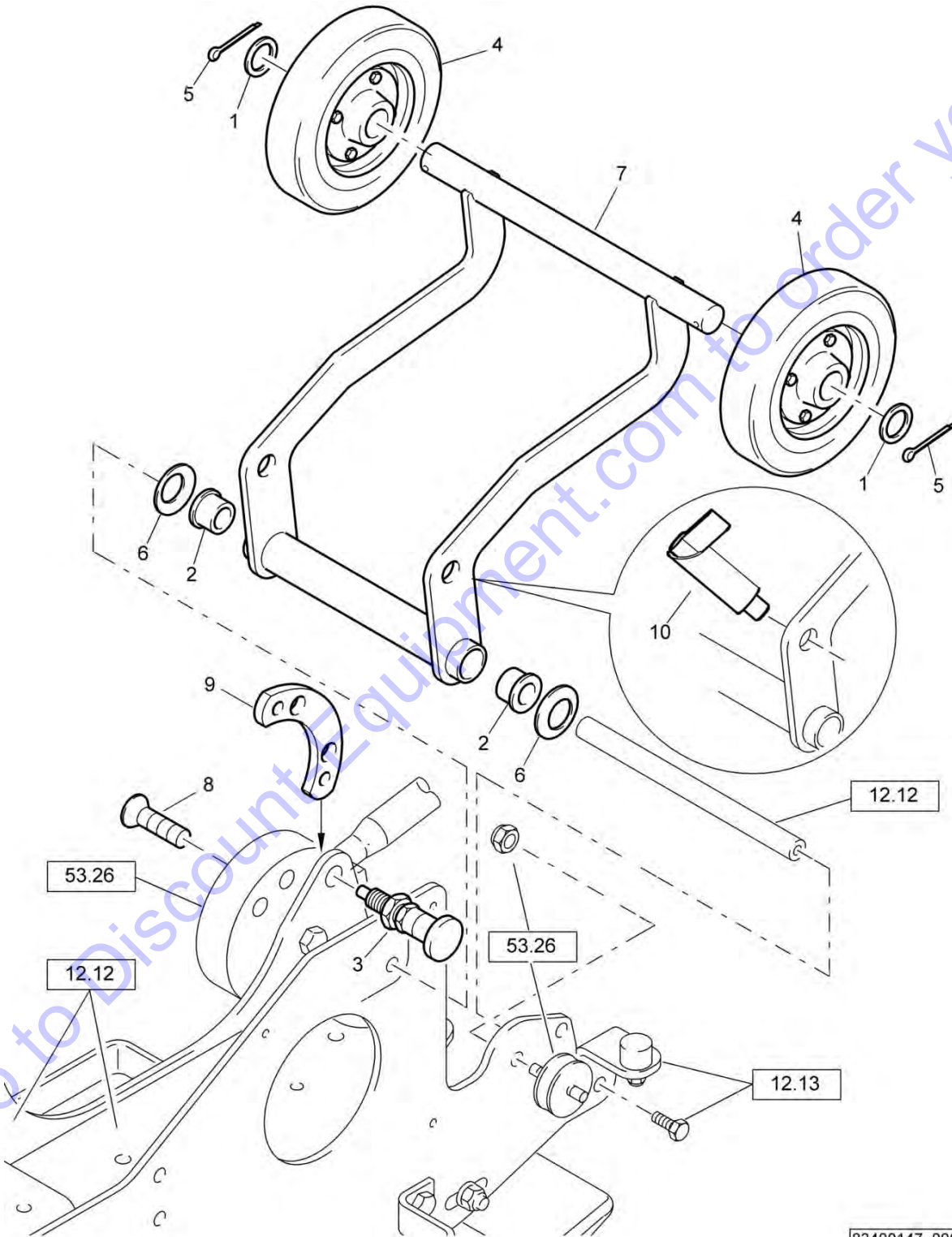
**162.10**

T1-Transport wheels


Page 1 / 1



83400147\_000\_04



83400147\_000\_04

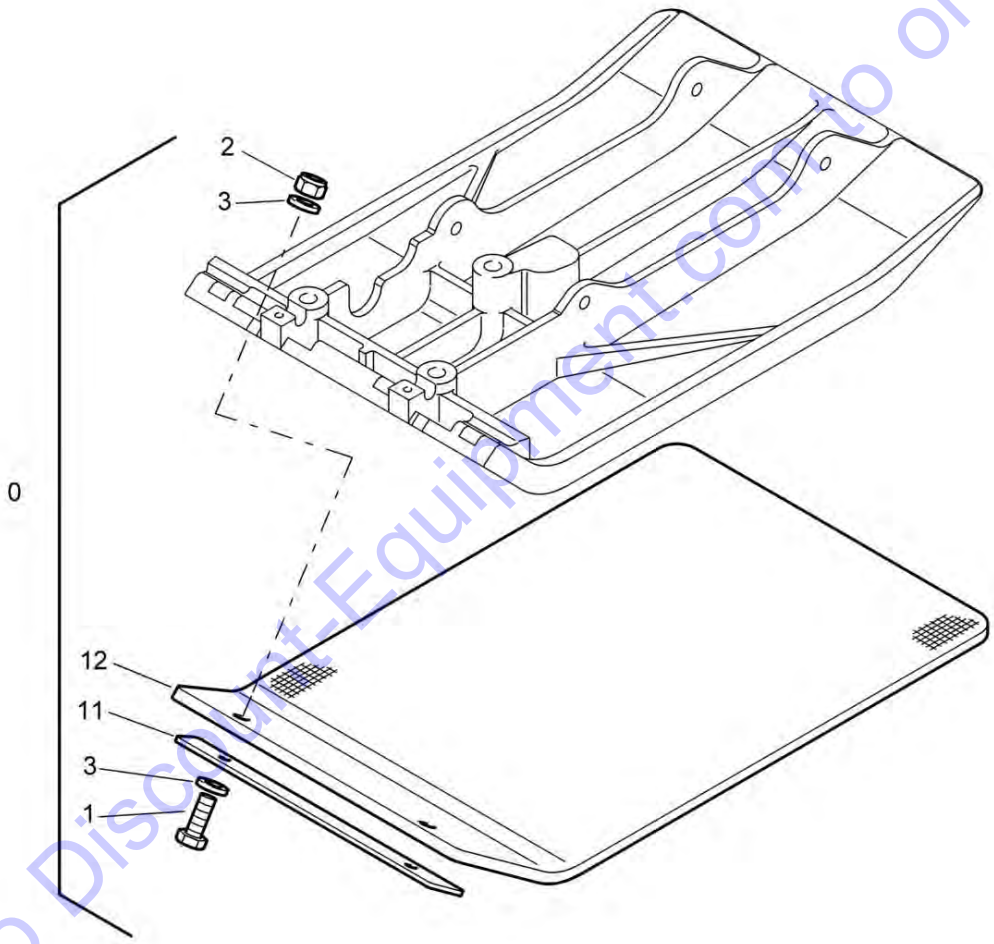
BVP 10/36	
S/N 861834035705 ▶	
T1-Transport wheels	<b>162.10</b>
	Page 1 / 1
	83400147 8061 1 


Pos.	Part no.	Qty.	Description
1	05050166	2	Disc
2	06281206	2	Bushing
3	06422040	1	Control pin
4	05050140	2	Wheel
5	09170407	2	Cotter pin
6	09293152	2	Belleville spring
7	83410426	1	Frame
8	07320828	2	Countersunk screw
9	22140130	1	Plate
10	05050184	1	Locking bar

Go to Discount-Equipment.com to order your parts



	BVP 10/36	S/N 861834035705 ▶
<b>165.01</b>	<b>X5-Synthetic plate</b>	
Page <b>1 / 1</b>		
<b>BOMAG</b> FAYAT GROUP	83400154_000_01	



BVP 10/36	
S/N 861834035705 ▶	
<b>X5-Synthetic plate</b>	<b>165.01</b>
	Page <b>1 / 1</b>
	
83400154 8061 1	

Pos.	Part no.	Qty.	Description
0	83400154	1	X5-Synthetic plate
1	07141039	2	>Hexagon bolt
2	08131016	2	>Safety nut
3	08511021	4	>Washer
11	22103016	1	>Supporting plate
12	83410402	1	>Plate

Go to Discount-Equipment.com to order your parts



## INDEX



Part no.	Group	Pos.	Part no.	Group	Pos.	Part no.	Group	Pos.
00661095	152.18/1	1	05747185	11.02/1	2	05747349	11.01/1	17
00801396	112.66/1	1	05747187	11.02/1	3	05747354	11.09/1	14
00830064	152.18/1	12	05747188	11.01/1	14	05747355	11.26/1	6
00831388	101.03/1	5	05747188	11.21/1	7	05747368	11.08/1	4
00831424	101.03/1	3	05747190	11.26/1	9	05747369	11.08/1	8
00831915	152.18/1	2	05747191	11.19/1	3	05747370	11.08/1	11
00832046	101.03/1	7	05747194	11.53/1	22	05747371	11.08/1	12
00832193	101.03/1	4	05747209	11.01/1	6	05747376	11.01/1	4
00832651	101.03/1	6	05747210	11.53/1	25	05747377	11.01/1	13
00833201	101.03/1	2	05747211	11.08/1	2	05747379	11.01/1	15
00833220	112.66/1	2	05747212	11.08/1	3	05747380	11.01/1	18
00833236	112.66/1	3	05747218	11.53/1	19	05747381	11.02/1	1
00892018	152.17/1	4	05747224	11.09/1	3	05747383	11.02/1	4
05050140	162.10/1	4	05747226	11.01/1	8	05747389	11.02/1	10
05050149	12.13/1	1	05747227	11.25/1	7	05747395	11.46/1	4
05050166	162.10/1	1	05747231	11.09/1	4	05747396	11.19/1	13
05050184	162.10/1	10	05747233	11.01/1	12	05747404	11.09/1	5
05050358	101.03/1	8	05747247	11.02/1	9	05747406	11.09/1	6
05050359	101.03/1	9	05747249	11.53/1	4	05747408	11.44/1	2
05222263	65.06/1	2	05747256	11.09/1	12	05747415	11.46/1	3
05224241	65.06/1	1	05747264	11.25/1	14	05747418	11.25/1	9
05428091	65.06/1	3	05747266	11.01/1	5	05747421	11.08/1	1
05552465	152.18/1	3	05747272	11.09/1	13	05747422	11.25/1	22
05747027	11.00/1	1	05747281	11.53/1	24	05747423	11.25/1	21
05747027	12.13/1	2	05747282	11.08/1	14	05747424	11.25/1	23
05747106	11.09/1	11	05747293	11.31/1	8	05747425	11.25/1	18
05747116	11.22/1	2	05747296	11.31/1	10	05747426	11.25/1	17
05747125	11.08/1	7	05747312	11.21/1	9	05747433	11.53/1	15
05747126	11.22/1	1	05747312	11.22/1	11	05747436	11.53/1	12
05747128	11.26/1	5	05747312	11.25/1	20	05747439	11.53/1	26
05747129	11.01/1	11	05747313	11.53/1	20	05747440	11.53/1	27
05747134	11.19/1	10	05747316	11.26/1	7	05747441	11.53/1	17
05747137	11.09/1	1	05747317	11.26/1	8	05747442	11.53/1	18
05747139	11.09/1	2	05747318	11.44/1	10	05747446	11.22/1	3
05747146	11.53/1	7	05747322	11.08/1	9	05747449	11.22/1	8
05747148	11.53/1	11	05747322	11.25/1	24	05747451	11.22/1	9
05747149	11.53/1	28	05747322	11.44/1	7	05747452	11.22/1	12
05747151	11.25/1	1	05747325	11.25/1	25	05747464	11.21/1	1
05747152	11.25/1	2	05747325	11.44/1	8	05747644	11.53/1	14
05747155	11.25/1	8	05747327	11.44/1	4	05747645	11.53/1	16
05747156	11.25/1	10	05747329	11.25/1	3	05747648	11.44/1	9
05747158	11.25/1	11	05747330	11.25/1	4	05748326	11.31/1	4
05747159	11.53/1	23	05747332	11.25/1	13	05748327	11.31/1	5
05747161	11.21/1	2	05747333	11.25/1	15	05748328	11.31/1	6
05747163	11.22/1	4	05747334	11.25/1	16	05748329	11.31/1	7
05747170	11.19/1	4	05747341	11.25/1	12	05748330	11.31/1	9
05747179	11.19/1	12	05747345	11.09/1	10	05748331	11.31/1	14
05747180	11.01/1	10	05747346	11.01/1	7	05748490	11.53/1	13
05747183	11.22/1	10	05747347	11.01/1	9	05748500	11.53/1	21
05747185	11.01/1	2	05747348	11.01/1	16	05748568	11.21/1	6

**INDEX**

Part no.	Group	Pos.	Part no.	Group	Pos.	Part no.	Group	Pos.
05748570	11.21/1	10	05748909	11.22/1	13	07611616	65.06/1	31
05748579	11.31/1	11	05748910	11.26/1	3	08110812	12.12/1	6
05748588	11.53/1	6	05748911	11.26/1	1	08130813	12.12/1	7
05748593	11.21/1	5	05748912	11.26/1	2	08130813	12.13/1	12
05748597	11.01/1	1	05748913	11.21/1	3	08130813	53.26/1	26
05748598	11.01/1	3	05748914	11.21/1	4	08131015	65.05/1	2
05748599	11.01/1	19	05748915	11.21/1	8	08131016	52.17/1	4
05748601	11.02/1	5	05748916	11.08/1	6	08131016	165.01/1	2
05748602	11.02/1	7	05748917	11.08/1	10	08131218	53.26/1	18
05748603	11.02/1	6	05748918	11.25/1	5	08131218	53.26/1	6
05748603	11.02/1	8	05748919	11.25/1	6	08241035	12.12/1	8
05748605	11.08/1	5	05748920	11.09/1	7	08241035	12.13/1	14
05748606	11.08/1	13	05748921	11.09/1	8	08501028	12.12/1	11
05748608	11.08/1	15	05748922	11.09/1	9	08501028	12.13/1	5
05748609	11.19/1	8	05748948	11.25/1	19	08501028	65.05/1	3
05748610	11.19/1	8	05990011	101.03/1	1	08510817	12.12/1	9
05748611	11.19/1	8	05994004	53.26/1	13	08510817	12.13/1	15
05748613	11.19/1	9	06115816	65.05/1	1	08510817	53.26/1	23
05748614	11.19/1	9	06116915	53.26/1	8	08510817	65.05/1	5
05748615	11.19/1	9	06142910	53.26/1	9	08510817	152.18/1	6
05748616	11.19/1	9	06143712	12.12/1	2	08511021	12.12/1	10
05748617	11.19/1	11	06151711	53.26/1	2	08511021	12.13/1	16
05748618	11.19/1	1	06211418	152.18/1	11	08511021	52.17/1	3
05748619	11.19/1	2	06220745	65.06/1	5	08511021	152.17/1	3
05748620	11.19/1	5	06281206	162.10/1	2	08511021	165.01/1	3
05748621	11.19/1	6	06312013	12.13/1	3	08511324	53.26/1	17
05748622	11.19/1	7	06422040	162.10/1	3	08511730	65.06/1	19
05748624	11.26/1	4	06510208	152.18/1	4	08665000	12.13/1	30
05748625	11.44/1	1	06550091	152.18/1	9.1	09170407	162.10/1	5
05748626	11.44/1	3	07140814	65.05/1	4	09181602	12.13/1	18
05748627	11.44/1	5	07140818	152.18/1	5	09224400	65.06/1	9
05748628	11.44/1	6	07140834	12.12/1	3	09293152	162.10/1	6
05748629	11.31/1	15	07140834	12.13/1	6	09311932	65.06/1	10
05748630	11.46/1	1	07140842	12.13/1	7	09510010	152.18/1	7
05748631	11.46/1	2	07140846	12.13/1	31	22040112	53.26/1	1
05748633	11.53/1	8	07140853	12.13/1	4	22100112	65.05/1	11
05748634	11.53/1	9	07141017	12.12/1	4	22103016	165.01/1	11
05748635	11.53/1	10	07141017	12.13/1	9	22103021	152.18/1	8
05748892	11.31/1	1	07141017	152.17/1	2	22103026	152.18/1	9
05748893	11.31/1	2	07141030	12.12/1	5	22110109	65.06/1	22
05748894	11.31/1	3	07141030	12.13/1	29	22110112	65.06/1	24
05748895	11.31/1	12	07141030	52.17/1	2	22110121	12.13/1	21
05748896	11.31/1	13	07141039	165.01/1	1	22110125	65.06/1	28
05748898	11.53/1	2	07141238	53.26/1	16	22120103	12.12/1	22
05748899	11.53/1	3	07230637	12.13/1	20	22120110	12.12/1	23
05748900	11.53/1	5	07230811	12.13/1	11	22130104	12.13/1	23
05748901	11.53/1	1	07231650	65.06/1	12	22130136	12.12/1	26
05748906	11.22/1	5	07320828	162.10/1	8	22130166	152.17/1	1
05748907	11.22/1	6	07610608	65.06/1	29	22140130	162.10/1	9
05748908	11.22/1	7	07611615	65.06/1	30	22230113	53.26/1	11



## INDEX



Part no.	Group	Pos.	Part no.	Group	Pos.	Part no.	Group	Pos.
63150112	12.13/1	27						
69040261	12.12/1	25						
83400154	165.01/1	0						
83410401	52.17/1	5						
83410402	165.01/1	12						
83410403	53.26/1	12						
83410404	53.26/1	14						
83410408	53.26/1	15						
83410421	12.13/1	25						
83410426	162.10/1	7						
83410455	12.13/1	28						
83410574	101.03/1	10						
83410580	12.13/1	22						
83410621	152.17/1	5						
83411159	65.06/1	23						
83411273	12.12/1	21						
83411274	12.12/1	24						
83411490	152.18/1	10						

Go to Discount-Equipment.com to order your parts

# PARTS FINDER

**Search Website  
by Part Number**



**Search Manual  
Library For Parts  
Manual & Lookup Part  
Numbers – Purchase  
or Request Quote**

**Search Manuals**

Enter your information to help us find the right parts manual for your machine.

\* Brand:

\* Model:

\* Serial:

\* Part Number:

SEARCH

**Can't Find Part or  
Manual? Request Help  
by Manufacturer,  
Model & Description**

**Parts Order Form**

Please fill in the following information to help us find the right part for your machine.

Manufacturer:	<input type="text"/>
Model:	<input type="text"/>
Description:	<input type="text"/>
Part Number:	<input type="text"/>
Quantity:	<input type="text"/>
Notes:	<input type="text"/>

Submit

Discount-Equipment.com is your online resource for quality parts & equipment.

Florida: **561-964-4949** Outside Florida TOLL FREE: **877-690-3101**

**Need parts?**

Click on this link: <http://www.discount-equipment.com/category/5443-parts/> and choose one of the options to help get the right parts and equipment you are looking for. Please have the machine model and serial number available in order to help us get you the correct parts. If you don't find the part on the website or on one of the online manuals, please fill out the request form and one of our experienced staff members will get back to you with a quote for the right part that your machine needs.

We sell worldwide for the brands: Genie, Terex, JLG, MultiQuip, Mikasa, Essick, Whiteman, Mayco, Toro Stone, Diamond Products, Generac Magnum, Airman, Haulotte, Barreto, Power Blanket, Nifty Lift, Atlas Copco, Chicago Pneumatic, Allmand, Miller Curber, Skyjack, Lull, Skytrak, Tsurumi, Husquvarna Target, Stow, Wacker, Sakai, Mi-T-M, Sullair, Basic, Dynapac, MBW, Weber, Bartell, Bennar Newman, Haulotte, Ditch Runner, Menegotti, Morrison, Contec, Buddy, Crown, Edco, Wyco, Bomag, Laymor, EZ Trench, Bil-Jax, F.S. Curtis, Gehl Pavers, Heli, Honda, ICS/PowerGrit, IHI, Partner, Imer, Clipper, MMD, Koshin, Rice, CH&E, General Equipment, Amida, Coleman, NAC, Gradall, Square Shooter, Kent, Stanley, Tamco, Toku, Hatz, Kohler, Robin, Wisconsin, Northrock, Oztec, Toker TK, Rol-Air, APT, Wylie, Ingersoll Rand / Doosan, Innovatech, Con X, Ammann, Mecalac, Makinex, Smith Surface Prep, Small Line, Wanco, Yanmar