

# Honda Engines Parts & Accessories

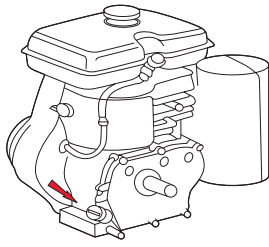
*A genuine part can make the difference*



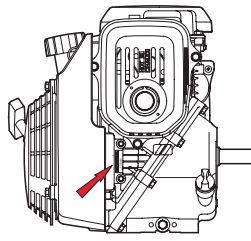
# Engine models



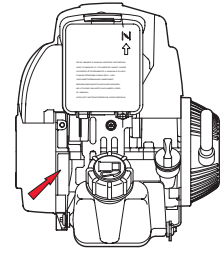
| Engine model | Model code    | Engine serial no |         |
|--------------|---------------|------------------|---------|
|              |               | From             | To      |
| G 100K1      | G100-         | 2000001          | 2424874 |
| G 100K2      | G100-         | 3000001          | 9999999 |
| G 150        | G150-         | 1000001          | 9000000 |
| G 150K1      | G150-         | 9100001          | 9999999 |
| G 200        | G200-         | 1000001          | 9000000 |
| G 200K1      | G200-         | 9100001          | 9999999 |
| GC 135       | GCAJ-         | 1000001          | 9999999 |
| GC 160       | GCAH(A)-      | 1000001          | 9999999 |
| GC 190A      | GCAA          | 1000001          | 9999999 |
| GX 22        | GCAF-         | 1000001          | 9999999 |
| GX 31        | GCAG-         | 1000001          | 9999999 |
| GX 35        | GCACM         | 1000001          | 9999999 |
| GX 25        | GCAAM-        | 1000001          | 9999999 |
| GXH 50       | GCAL-         | 1000001          | 9999999 |
| GX 100       | GCANM-        | 1000001          | 9999999 |
| GX 120K1     | GC01-         | 2000001          | 9999999 |
| GX 120T1     | GCAAT         | 1000001          | 9999999 |
| GX 160K1     | GC02-         | 2000001          | 9999999 |
| GX 160T1     | GCABT         | 1000001          | 9999999 |
| GX 200       | GCAF-         | 1000001          | 9999999 |
| GX 200T      | GCACT         | 1000001          | 9999999 |
| GX 240K1     | GC04-         | 3000001          | 9999999 |
| GX 270       | GCAB-         | 1000001          | 9999999 |
| GX 340K1     | GC05-         | 2000001          | 9999999 |
| GX 390T1     | GCAET         | 1000001          | 9999999 |
| GX 390K1     | GCAA-         | 2000001          | 9999999 |
| GX 360K1     | GA01-         | 1100001          | 9999999 |
| GX 640       | GAAD-         | 1000001          | 9999999 |
| GX 610       | GCAC-         | 1000001          | 1999999 |
| GX 620       | GCAD-         | 1000001          | 1999999 |
| GX 610K1     | GCAC-         | 2000001          | 9999999 |
| GX 620K1     | GCAD-         | 2000001          | 9999999 |
| GX 670       | GCAM-         | 1000001          | 9999999 |
| GS 160A      | GCABA         | 1000001          | 9999999 |
| GS 190A      | GCACA         | 1000001          | 9999999 |
| GV 100K1     | GV100-        | 2000001          | 2999999 |
| GV 100K2     | GV100-        | 9100001          | 9999999 |
| GCV 135      | GJAF-         | 1000001          | 9999999 |
| GCV 135E     | GJAFE-        | 1000001          | 9999999 |
| GCV 160A     | GJAEA-        | 1000001          | 9999999 |
| GCV 160      | GJAE-         | 1000001          | 9999999 |
| GCV 190A     | GJAAA         | 1000001          | 9999999 |
| GCV 520      | GJAKM-/GJANM- | 1000001          | 9999999 |
| GCV 530      | GJAJM-/GJAMM- | 1000001          | 9999999 |
| GXV 50       | GJAG-         | 1000001          | 9999999 |
| GXV 120      | GXV120-       | 1000001          | 9999999 |
| GXV 140      | GJAB-         | 6000001          | 9999999 |
| GXV 160      | GJ03-         | 1000001          | 5999999 |
| GXV 160K1    | GJ03-         | 6000001          | 9999999 |
| GXV 160H2    | GJAAH         | 1000001          | 9999999 |
| GXV 270K1    | GJ01-         | 2000001          | 9999999 |
| GXV 340T2    | GJABT         | 1000001          | 9999999 |
| GXV 340K1    | GJ02-         | 1100001          | 5999999 |
| GXV 340K2    | GJ02-         | 6000001          | 9999999 |
| GXV 390T1    | GJAAT         | 1000001          | 9999999 |
| GXV 390K1    | GJAA-         | 6000001          | 9999999 |
| GXV 520      | GJAPM-        | 1000001          | 9999999 |
| GXV 530      | GJARM-        | 1000001          | 9999999 |
| GXV 610      | GJAC-         | 1000001          | 1999999 |
| GXV 620      | GJAD-         | 1000001          | 1999999 |
| GXV 610K1    | GJAC-         | 2000001          | 9999999 |
| GXV 620K1    | GJAD-         | 2000001          | 9999999 |
| GXV 670      | GJAH-         | 1000001          | 9999999 |
| GSV 160A     | GJABA         | 1000001          | 9999999 |
| GSV 190A     | GJACA         | 1000001          | 9999999 |



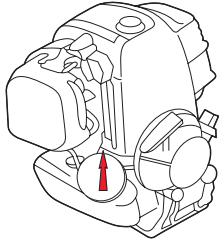
G 100/150/200



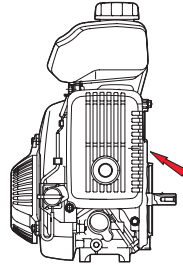
GC 135/160/190 - GS 160/190



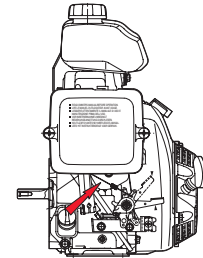
GX 22/31



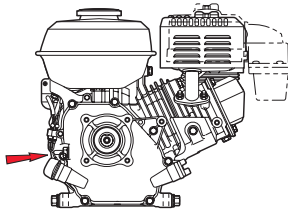
GX 25 - GX 35



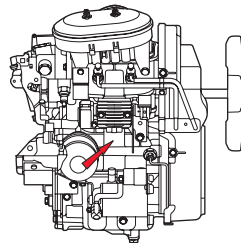
GXH 50



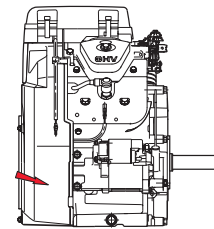
GX 100



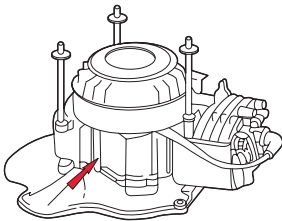
GX 120/160/200/240/270/340/390



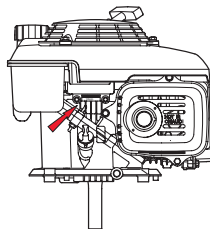
GX 360K1 - GX640



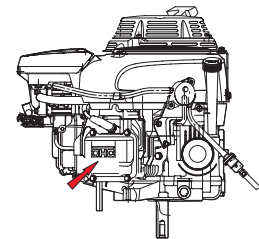
GX 610/620/670



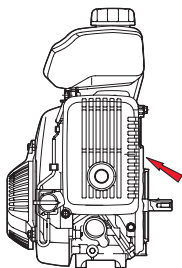
GV 100



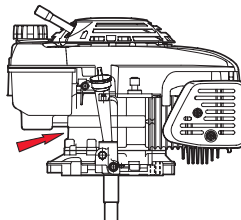
GCV 135/160/190 - GSV 160/190



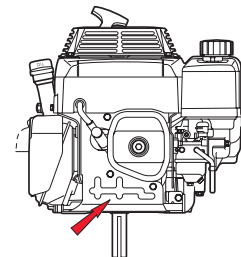
GCV 520/530



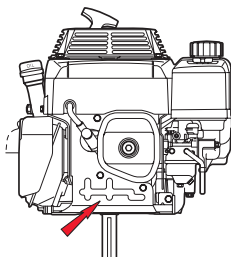
GXV 50



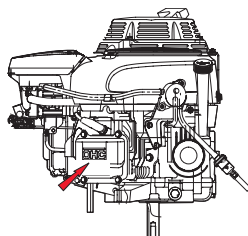
GXV 120/140/160 - GXV 160K1



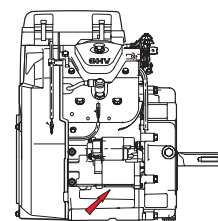
GXV 270/340



GXV 390



GXV 520/530



GXV 610/620/670

# Recoil starting system

| Engine model | REF. 1                                     | REF. 2        | REF. 3        | REF. 4         | REF. 5                                    | REF. 6        | REF. 7                            |
|--------------|--|---------------|---------------|----------------|---|---------------|-----------------------------------|
|              | Starter ratchet                            | Return spring | Reel          | Starter spring | Case comp.                                | Grip          | Complete starter assy.            |
| G 100K1      | 28422-896-010                              | 28443-896-000 | 28420-ZG0-004 | 28442-ZE6-003  | 28410-ZG0-014ZB(RED)                      | 28461-ZH8-003 | 28400-ZG0-004ZG(RED)              |
| G 100K2      |  |               |               |                | 28410-ZG0-014ZB(RED)/ZA(BLACK)            |               | 28400-ZG0-004ZG(RED)/ZA(BLACK)    |
| G 150        | 28422-883-020                              | -             | 28420-889-010 | 28442-883-000  | 28410-883-030ZB(RED)                      | 28461-883-000 | 28400-883-040ZB(RED)              |
| G 150K1      | 28422-883-T20                              | -             | 28421-883-T20 | 28442-883-T20  | 28410-883-T20ZA(RED)                      | 28461-883-T20 | 28400-883-T20ZA(RED)              |
| G 200        | 28422-883-020                              | -             | 28420-889-010 | 28442-883-000  | 28410-883-030ZB(RED)                      | 28461-883-000 | 28400-883-040ZB(RED)              |
| G 200K1      | 28422-883-T20                              | -             | 28421-883-T20 | 28442-883-T20  | 28410-883-T20ZA(RED)                      | 28461-883-T20 | 28400-883-T20ZA(RED)              |
| GC 135       | -  | -             | -             | -              | -   | 28461-ZL8-003 | 28400-ZL8-013ZA(BLACK)/ZC(RED)    |
| GC 160       | -  | -             | -             | -              | -   |               |                                   |
| GS 160A      |  |               |               |                |   |               |                                   |
| GS 190A      |  |               |               |                |   |               |                                   |
| GC 190A      |  |               |               |                |   |               |                                   |
| GX 22        | -  | -             | 28421-ZM3-003 | 28442-ZM3-003  | 28414-ZM3-003                             | 28461-ZM3-003 | 28400-ZM3-003ZA                   |
| GX 31        | -  | -             |               |                |   |               |                                   |
| GX 35        |  |               | 28421-ZM3-003 | 28442-ZM3-003  |   |               | 28400-Z02-003                     |
| GX 25        | -  | -             | 28421-Z0H-003 | 28442-Z0H-003  | 28414-Z0H-003                             | 28461-ZM3-003 | 28400-Z0H-003                     |
| GXH 50       | -  | -             | 28421-ZM7-003 | -              | 28414-ZM7-003                             | 28461-ZM3-003 | 28400-ZM7-003                     |
| GX 100 STD   | -  | -             | -             | -              | -   | 28461-Z0D-003 | 28400-Z0D-003ZB(BLACK)/ZC(RED)    |
| GX 100 TAMP  | 28422-ZG0-W02                              | -             | 28421-Z0D-V02 | 28442-ZH8-003  | 28410-Z0D-V02ZA                           | 28461-ZH8-003 | 28400-Z0D-V02ZA(BLACK)            |
| GX 120K1     | 28422-ZH8-013                              | 28443-ZH8-003 | 28420-ZH8-013 | 28442-ZH8-003  | 28410-ZH8-003YA(RED)/ZB(BLACK)            | 28461-ZH8-003 | 28400-ZH8-013YA(RED)/023ZB(BLACK) |
|              |  |               |               |                | ⚠ WARNING: As from engine number 4363434: |               | 28400-ZH8-023YA                   |
| GX 120T1     | 28422-ZH8-013                              | 28443-ZH8-003 | 28420-ZH8-013 | 28442-ZH8-003  | 28410-ZH8-003YA(RED)/ZB(BLACK)            | 28461-ZH8-003 | 28400-ZH8-013YA(RED)/023ZB(BLACK) |
|              |  |               |               |                | ⚠ WARNING: As from engine number 1154037: |               | 28400-ZH8-023YA                   |
| GX 160K1     | 28422-ZH8-013                              | 28443-ZH8-003 | 28420-ZH8-013 | 28442-ZH8-003  | 28410-ZH8-003YA(RED)/ZB(BLACK)            | 28461-ZH8-003 | 28400-ZH8-013YA(RED)/023ZB(BLACK) |
|              |  |               |               |                | ⚠ WARNING: As from engine number 8805658: |               | 28400-ZH8-023YA                   |
| GX 160T1     | 28422-ZH8-013                              | 28443-ZH8-003 | 28420-ZH8-013 | 28442-ZH8-003  | 28410-ZH8-003YA(RED)/ZB(BLACK)            | 28461-ZH8-003 | 28400-ZH8-013YA(RED)/023ZB(BLACK) |
|              |  |               |               |                | ⚠ WARNING: As from engine number 1411006: |               | 28400-ZH8-023YA                   |
| GX 200       | 28422-ZH8-013                              | 28443-ZH8-003 | 28420-ZH8-013 | 28442-ZH8-003  | 28410-ZH8-003YA(RED)/ZB(BLACK)            | 28461-ZH8-003 | 28400-ZH8-013YA(RED)/023ZB(BLACK) |
|              |  |               |               |                | ⚠ WARNING: As from engine number 1937023: |               | 28400-ZH8-023YA                   |
| GX 200T1     | 28422-ZH8-013                              | 28443-ZH8-003 | 28420-ZH8-013 | 28442-ZH8-003  | 28410-ZH8-003YA(RED)/ZB(BLACK)            | 28461-ZH8-003 | 28400-ZH8-013YA(RED)/023ZB(BLACK) |
|              |  |               |               |                | ⚠ WARNING: As from engine number 1129302: |               | 28400-ZH8-023YA                   |
| GX 240K1     | 28422-ZE2-W01                              | 28443-ZE2-W01 | 28421-ZE2-W01 | 28442-ZE2-W01  | 28410-ZE2-W01ZN(RED)/ZB(BLACK)            | 28461-ZE2-W02 | 28400-ZE2-W01ZN(RED)/ZB(BLACK)    |
| GX 270       |  |               |               |                |   |               |                                   |
| GX 340K1     |  |               | 28421-ZE3-W01 |                | 28410-ZE3-W01ZP(RED)/ZB(BLACK)            |               | 28400-ZE3-W01ZP(RED)/ZB(BLACK)    |
| GX 390T1     |  |               |               |                |   |               |                                   |
| GX 390K1     |  |               |               |                |   |               |                                   |
| GX 360K1     | NO RECOIL STARTER, ONLY WITH STARTER MOTOR |               |               |                |   |               |                                   |
| GX 640       |  |               |               |                |   |               |                                   |
| GX 610       | 28422-ZE2-W01                              | 28443-ZE2-W01 | 28421-ZE3-W01 | 28442-ZE2-W01  | 28410-ZE3-W01ZP(RED)/ZB(BLACK)            | 28461-ZE2-W02 | 28400-ZE3-W01ZP(RED)/ZB(BLACK)    |
| GX 620       |  |               |               |                | 28410-ZE3-W01ZB(BLACK)                    |               | 28400-ZE3-W01ZB(BLACK)            |
| GX 610K1     |  |               |               |                | 28410-ZE3-W01ZP(RED)/ZB(BLACK)            |               | 28400-ZE3-W01ZP(RED)/ZB(BLACK)    |
| GX 620K1     |  |               |               |                |   |               | 28400-ZE3-W01ZP(RED)/ZB(BLACK)    |
| GX 670       | NO RECOIL STARTER, ONLY WITH STARTER MOTOR |               |               |                |   |               |                                   |
| GV 100K1     | 28422-896-010                              | -             | 28420-ZG1-702 | 28442-ZE6-003  | 28410-ZG1-702ZD(RED)                      | 28461-ZE7-T00 | 28400-ZG1-T12ZC(RED)/ZB(BLACK)    |
| GV 100K2     | 28422-ZL1-003                              | -             | 28421-ZL1-003 | 28442-ZH8-003  | -   |               | 28400-ZL1-003                     |
| GCV 135      | -  | -             | -             | -              | -   | 28461-ZL8-003 | 28400-ZM0-632ZA(BLACK)            |
| GCV 135E     |  |               |               |                |   |               |                                   |
| GCV 160A     |  |               |               |                |   |               | 28400-ZL8-013ZA(BLACK)/ZC(RED)    |
| GCV 160      |  |               |               |                |   |               | 28400-ZM0-632ZA(BLACK)            |
| GSV 160A     |  |               |               |                |   |               | 28400-ZM0-632ZA(BLACK)/ZD(RED)    |
| GSV 190A     |  |               |               |                |   |               | 28400-Z0Y-003ZA(RED)/ZB(BLACK)    |
| GCV 190A     |  |               |               |                |   |               | 28400-Z0Y-003ZA(RED)/ZB(BLACK)    |
| GCV 520      | NO RECOIL STARTER, ONLY WITH STARTER MOTOR |               |               |                |   |               |                                   |
| GCV 530      |  |               |               |                |   |               |                                   |
| GXV 50       | -  | -             | 28421-ZM7-003 | -              | 28414-ZM7-003                             | 28461-ZM3-003 | 28400-ZM7-003                     |
| GXV 120      | 28422-896-010                              | 28443-896-000 | 28420-ZE6-003 | 28442-ZE6-003  | 28410-ZE6-003ZA(RED)/ZB(BLACK)            | 28461-ZE1-003 | 28400-ZE6-003ZD(RED)/ZB(BLACK)    |
| GXV 140      | 28486-ZE6-T02                              | 28486-ZE6-T02 | -             | -              | 28402-ZG9-802                             | 28461-ZE6-T02 | 28400-ZG9-803                     |
| GXV 160      | 28422-896-010                              | 28443-896-000 | 28420-ZE7-003 | 28442-896-700  | 28410-ZE7-003ZD(RED)                      | 28461-ZE1-003 | 28400-ZE7-003ZC(RED)              |
| GXV 160H2    |  |               |               |                |   |               |                                   |
| GXV 160K1    | 28486-ZE6-T02                              | 28486-ZE6-T02 | -             | -              | 28402-ZG9-802                             | 28461-ZE7-T00 | 28400-ZG9-803                     |
| GXV 270K1    | 28422-ZE2-W01                              | 28443-ZE2-W01 | 28421-ZE3-W01 | 28442-ZE2-W01  | 28410-ZE8-004ZB(RED)/ZA(BLACK)            | 28461-ZE2-W02 | 28400-ZE8-004ZD(RED)/ZA(BLACK)    |
| GXV 340K1    |  |               |               |                | 28410-ZE8-004ZB(RED)                      |               | 28400-ZE8-004ZD(RED)              |
| GXV 340T2    |  |               | 28421-ZE3-W01 |                | 28410-ZE3-W01ZP(RED)                      |               | 28400-ZE3-W01ZP(RED)              |
| GXV 340K2    |  |               | 28421-ZE8-821 |                | 28410-ZE3-W01ZP(RED)/ZB(BLACK)            |               | 28400-ZE3-W01ZP(RED)/ZB(BLACK)    |
| GXV 390T1    |  |               | 28421-ZE3-W01 |                | 28410-ZE3-W01ZP(RED)                      |               | 28400-ZE3-W01ZP(RED)              |
| GXV 390K1    |  |               | 28421-ZE3-W01 |                | 28410-ZE3-W01ZP(RED)                      |               | 28400-ZE3-W01ZP(RED)              |
| GXV 520      | NO RECOIL STARTER, ONLY WITH STARTER MOTOR |               |               |                |   |               |                                   |
| GXV 530      |  |               |               |                |   |               |                                   |
| GXV 610      | 28422-ZE2-W01                              | 28443-ZE2-W01 | 28421-ZE3-W01 | 28442-ZE2-W01  | 28410-ZE3-W01ZP(RED)/ZB(BLACK)            | 28461-ZE2-W02 | 28400-ZE3-W01ZP(RED)/ZB(BLACK)    |
| GXV 620      |  |               |               |                |   |               |                                   |
| GXV 610K1    |  |               |               |                | 28410-ZE3-W01ZP(RED)                      |               | 28400-ZE3-W01ZP(RED)              |
| GXV 620K1    |  |               |               |                | 28410-ZE3-W01ZP(RED)/ZB(BLACK)            |               | 28400-ZE3-W01ZP(RED)/ZB(BLACK)    |
| GXV 670      | NO RECOIL STARTER, ONLY WITH STARTER MOTOR |               |               |                |   |               |                                   |

# Fuel system



REF. 1



REF. 2



REF. 3



REF. 4



REF. 5



REF. 6



REF. 7

| Engine model  | REF  | Fuel tank cap |
|---|------|---------------|
| G 100K1, G 100K2, G 150K1, G 200K1, GX 120K1/T1, GX 160K1/T1, GX 200/T1, GX 240K1, GX 270, GX 340K1, GX 390K1/T1, GX 610, GX 390K1/T1, GX 610 | 1bis | 17620-ZH7-023 |
| G 150, G 200  | 1bis | 17620-883-770 |
| GX 120T1, GX 160T1, GX 200T   | 1a   | 17620-Z07-811 |
| GX 22, GX 31, GX 25, GX 35  | 1    | 17620-ZM3-043 |
| GXH 50  | 1    | 17620-ZL8-013 |
| GX 620  | 1    | 17620-899-013 |
| GX 620K1  | 1    | 17620-ZJ1-840 |
| GV 100K1  | 1    | 17620-ZG1-000 |
| GV 100K2, GXV 140   | 1    | 17620-ZG9-000 |
| GXV 50  | 1    | 17620-ZV0-020 |
| GXV 120, GXV 160, GXV 160K1/H2, GXV 270K1, GXV 340K1, GXV 340K2/T2, GXV 390K1/T1  | 1    | 17620-ZE7-000 |
| GC 135, GC 160, GS 160, GS 190, GC 190, GX 100, GCV 135, GCV 160, GCV 190, GSV 160, GSV 190   | 1    | 17620-ZL8-013 |
| Engine model  |      | Fuel filter   |
| G 100K1, G 150, G 200   | 2    | 17672-880-000 |
| GX 22, GX 31, GX 25, GX 35  | 3    | 17672-ZM3-003 |
| GX 620, GX 620K1  | 2    | 17672-899-000 |
| GXV 270K1, GXV 340K2/T2, GX 120K1/T1, GX 160K1/T1, GX 200/T, GX 240K1, GX 270, GX 340K1, GX 390K1/T1, G 100K2, G 150K1, G 200K1               | 2    | 17672-ZE2-W01 |
| Engine model  |      | Fuel cock     |
| GX 160K1, GX 200  | 4    | 16950-898-633 |
| GX 620  | 4    | 16950-ZA0-013 |
| GX 610, GX 620K1  | 4    | 16950-YA0-802 |
| GV 100K2  | 5    | 16950-ZL1-000 |
| GCV 135, GCV 160, GXV 140, GXV 50, GSV 160, GSV 190   | 5    | 16950-ZG9-M03 |
| G 150, G 200  | 4    | 16950-883-663 |
| G 150K1, G 200K1  | 4    | 16950-883-703 |

\* = diameter of body fuel filter inside fuel tank



REF. 1bis



REF. 1a



REF. 1



REF. 2



REF. 3



REF. 4

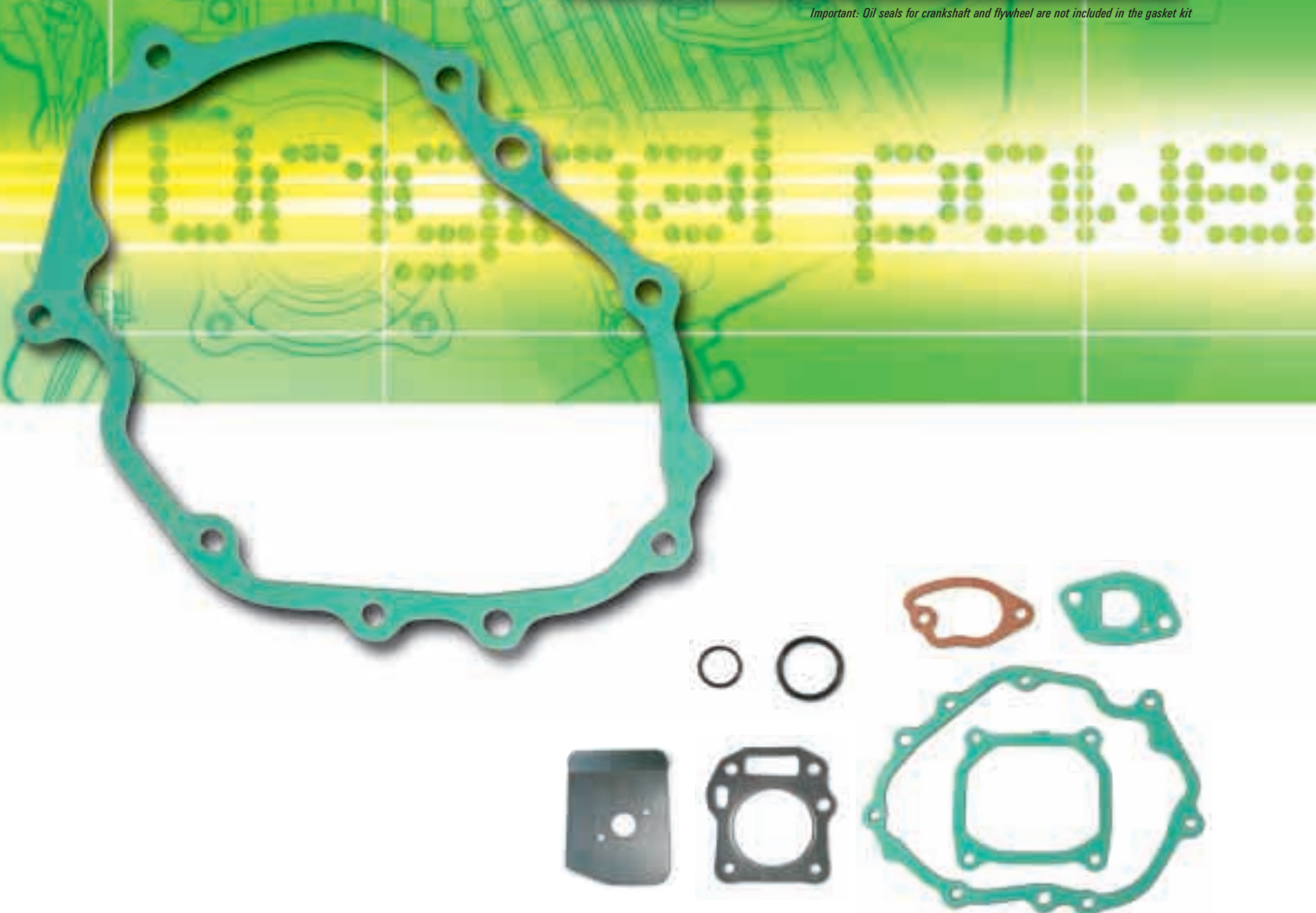


REF. 5

# Gasket

| Engine model   | Gasket kit    | Cylinder head gasket | Oil pan packing | Head cover packing | Exhaust pipe gasket |
|----------------|---------------|----------------------|-----------------|--------------------|---------------------|
| GV100K2        | -             | 12281 ZC0 003        | 11381 ZL1 000   | 12375 ZG1 000      |                     |
| GXV120         | 06111-ZE6-406 | 12251-ZE6-000        | 11381-ZG9-J60   | 12391-ZE7-M10      | 18381-ZE6-800       |
| GXV140         | 06111-ZG9-406 | 12251-ZG9-000        | 11381-ZG9-T00   |                    | 18381-ZG9-M00       |
| GXV160         | 06111-ZE7-406 | 12251-ZE7-000        | 11381 ZE7 M10   | 12391-ZE7-M10      | 18381-ZG9-M00       |
| GXV160K1       | 061A1-ZE7-T00 |                      |                 |                    |                     |
| GXV160H2       |               |                      |                 |                    | 18381-ZE6-820       |
| GXV270K1       | 06111-ZE8-405 | 12251-ZE8-020        | 11381-ZE9-801   | 12391-ZE8-000      | 18333-ZE3-800       |
| GXV340K1       | -             | 12251-ZE9-600        |                 |                    |                     |
| GXV340K2/T2    | 06111-ZE9-V01 |                      |                 |                    |                     |
| GXV390K1       | -             | 12251-ZF5-000        |                 |                    |                     |
| GXV390T1       | -             | 12251-ZF5-H01        |                 |                    |                     |
| G100K1         | 06111-ZG0-405 | 12281-ZG0-003        | 11381 ZG0 800   | 12375 ZG0 010      | 18381 ZG0 800       |
| G100K2         | 06111-ZG0-406 | 12281-ZC0-003        |                 |                    |                     |
| G150           | 06111-887-406 | 12281-887-306        | 11381 883 800   | 12375 887 000      | 18381 883 800       |
| G150K1         | -             |                      |                 |                    |                     |
| G200           | 06111-883-405 | 12281-883-801        |                 | 12375 883 000      |                     |
| G200K1         | -             |                      |                 |                    |                     |
| GX120K1/T1     | 06111-ZH7-405 | 12251-ZH7-800        | 11381-ZH7-800   | 12391 ZE1 000      | 18381 ZH8 800       |
| GX160K1/T1     | 06111-ZH8-405 | 12251-ZF1-800        | 11381-ZL0-000   |                    |                     |
| GX200/T        | 06111-ZL0-000 | 12251-ZL0-003        |                 |                    |                     |
| GX240K1        | 06111-ZE2-408 | 12251-ZE2-800        | 11381-ZE2-801   | 12391 ZE2 020      | 18381 ZE2 800       |
| GX270          | 06111-ZH9-405 | 12251-ZH9-000        |                 |                    |                     |
| GX340K1        | 06112-ZE3-405 | 12251-ZE3-W00        | 11381-ZE3-801   |                    |                     |
| GX390K1/T1     | 06111-ZF6-R81 | 12251-ZF6-W00        |                 |                    |                     |
| GX610 / 620    | 061A1-ZJ1-000 | 12251-ZJ1-003        | 11381-ZJ1-000   | 12391-ZJ1-000      | 18333-ZJ1-000       |
| GX610 / 620 K1 | 061A1-ZJ1-001 | 12251-ZJ1-841        | 11381-ZJ1-840   | 12391-ZE2-020      | 18333 ZE3 800       |

*Important: Oil seals for crankshaft and flywheel are not included in the gasket kit*



# Piston

| Engine model | REF 1          | Bore diameter in mm | REF 2          | REF 3         | REF 4         | REF 5         | Con.rod (-025) |
|--------------|----------------|---------------------|----------------|---------------|---------------|---------------|----------------|
|              | Piston         |                     | Ring set       | Piston pin    | Piston clip   | Con.rod std   |                |
| G 100K1      | 13101-Z60-003* | 48                  | 13010-Z60-003* | 13111-892-000 | 13115-147-000 | 13200-Z60-000 | 13200-Z60-305  |
| G 100K2      | 13101-ZC0-003* |                     | 13010-ZC0-003* |               |               |               |                |
| G 150        | 13101-887-003* | 64                  | 13010-887-000* | 13111-883-000 | 94601-15000   | 13200-887-505 | 13200-887-507  |
| G150K1       |                |                     |                |               |               | 13200-887-050 | -              |
| G 200        | 13101-833-003* | 67                  | 13010-YA0-004* |               |               | 13200-883-050 | 13200-883-506  |
| G 200K1      |                |                     |                |               |               |               |                |
| GC 135       | 13101-ZL8-000  | 64                  | 13010-ZL8-003  | 13111-ZE0-000 | 90551-ZE0-000 | 13200-ZL9-000 | -              |
| GC 160       |                |                     |                |               |               | 13200-ZL8-000 | -              |
| GC 190       | 13101-Z0Y-000  | 69                  | 13010-Z0Y-004  | 13111-Z0Y-000 | 90551-ZE0-000 | 13200-Z0Y-000 |                |
| GX 22        | 13101-ZM3-030  | 33                  | 13010-ZM3-000  | 13111-ZM3-000 | -             | -             | -              |
| GX 31        | 13101-ZM5-030  | 39                  | 13010-ZM5-000  | 13111-ZM5-000 |               |               |                |
| GX 25        | 13101-Z0H-000  | 35                  | 13010-Z0H-000  | 13111-Z0H-000 |               |               |                |
| GX 35        | 13101-Z0H-000  | 39                  | 13010-ZM5-000  | 13111-ZM5-000 |               |               |                |
| GXH 50       | 13101-ZM7-010  | 41,8                | 13010-ZM7-000  | 13111-GS7-000 | 13115-147-000 | 13200-ZM7-000 | -              |
| GX 100 STD   | 13101-Z0D-000  | 56                  | 13010-Z0D-003  | 13111-ZE0-000 | 90551-ZE0-000 | 13200-Z0D-000 | 13200-Z0D-305  |
| GX 100 TAMP  |                |                     |                |               |               |               |                |
| GX 120K1     | 13101-ZH7-010* | 60                  | 13010-ZK7-V02* | 13111-ZE0-000 | 90551-ZE0-000 | 13200-ZE0-000 | -              |
| GX 120T1     | 13101-Z0S-810* | 60                  | 13010-Z0S-801* | 13111-ZE0-000 | 90551-ZE0-000 | 13200-Z0S-800 |                |
| GX 160K1     | 13101-ZH8-010* | 68                  | 13010-ZH8-941* | 13111-ZE1-000 | 90551-ZE1-000 | 13200-ZE1-010 | -              |
| GX 160T1     | 13101-Z0T-810* | 68                  | 13010-ZL0-003* | 13111-ZE1-000 | 90551-ZE1-000 | 13200-Z0T-800 |                |
| GX 200       | 13101-ZL0-010* | 68                  | 13010-ZL0-003* | 13111-ZE1-000 | 90551-ZE1-000 | 13200-ZE1-010 | 132A0-ZE1-000  |
| GX 200T      | 13101-Z0T-800* | 68                  | 13010-Z0T-801* | 13111-ZE1-000 | 90551-ZE1-000 | 13200-Z0T-800 |                |
| GX 240K1     | 13101-ZE2-W00* | 73                  | 13010-ZE2-013* | 13111-ZE2-000 | 90551-ZE1-000 | 13200-ZE2-010 | 13200-ZE2-305  |
| GX 270       | 13101-ZH9-000* | 77                  | 13010-ZE8-601* |               |               |               |                |
| GX 340K1     | 13101-ZE3-W00* | 82                  | 13010-ZE3-003* | 13111-ZF6-000 | 90601-ZE3-000 | 13200-ZE3-020 | 13200-ZE3-315  |
| GX 390K1     | 13101-ZF6-W00* | 88                  | 13010-ZF6-003* | 13111-ZF6-W00 |               |               |                |
| GX 390T1     | 13101-ZF6-W00* | 88                  | 13010-Z1C-800* | 13111-ZF6-W00 |               | 13200-Z1C-000 |                |
| GX 360K1     | 13101-ZA0-010* | 58                  | 130A1-ZA0-004* | 13111-881-000 | 94601-14000   | 13210-ZA0-000 | -              |
| GX 640       | 13101-ZG8-000* | 76                  | 13010-ZG8-004* | 13111-ZG8-000 | 94601-19000   | 13210-ZG8-000 | -              |
| GX 610       | 13101-ZJ1-000* | 77                  | 13010-ZE8-601* | 13111-ZJ1-000 | 90551-ZE1-000 | 13210-ZJ1-000 | -              |
| GX 620       |                |                     |                |               |               |               |                |
| GX 610K1     | 13101-ZJ1-840* |                     | 13010-ZJ1-841* | 13111-ZJ1-840 | 94601-18000   | 13200-ZJ1-841 |                |
| GX 620K1     |                |                     |                |               |               |               |                |
| GX 670       | 13101-ZN1-000* |                     |                |               |               | 13200-ZN1-003 |                |
| GS 160       | 13101-Z2A-004  | 64                  | 13010-Z2A-004  | 13111-ZE0-000 | 90551-ZE0-000 | 13200-ZL8-000 |                |
| GS 190       | 13101-Z0Y-004  | 69                  | 13010-Z2C-004  | 13111-Z0Y-000 | 90551-ZE0-000 | 13200-Z0Y-000 |                |
| GV 100K1     | 13101-ZC0-003  | 52                  | 13010-ZG1-U11  | 13111-892-000 | 13115-147-000 | 13200-ZG0-000 | -              |
| GV 100K2     |                |                     |                |               |               |               |                |
| GCV 135      | 13101-ZL8-000  | 64                  | 13010-ZL8-003  | 13111-ZE0-000 | 90551-ZE0-000 | 13200-ZL8-000 | -              |
| GCV 135E     |                |                     |                |               |               |               |                |
| GCV 160A     |                |                     |                |               |               |               |                |
| GCV 160      |                |                     |                |               |               |               |                |
| GCV 190      | 13101-Z0Y-000  | 69                  | 13010-Z0Y-004  | 13111-Z0Y-000 | 90551-ZE0-000 | 13200-ZY0-000 |                |
| GCV 520      | 13101-Z0A-000  | 77                  | 13010-Z0A-014  | 13111-ZJ1-840 | 90551-ZE1-000 | 13200-Z0A-003 | -              |
| GCV 530      | 13101-Z0A-800  |                     | 13010-ZJ1-841  |               | 90551-ZE1-000 | 13200-Z0A-003 |                |
| GXV 50       | 13101-ZM7-010  | 41,8                | 13010-ZM7-000  | 13111-GS7-000 | 13115-147-000 | 13200-ZN4-000 | -              |
| GXV 120      | 13101-ZE6-033* | 60                  | 13010-ZE6-013* | 13111-ZJ1-840 | 90551-ZE1-000 | 13200-Z0A-003 | -              |
| GXV 140      | 13101-ZG9-010* | 64                  | 13010-ZG9-003* | 13111-ZE0-000 | 90551-ZE0-000 | 13200-ZE6-010 |                |
| GXV160       | 13101-ZE7-020* | 68                  | 13010-ZF1-024* | 13111-ZE1-000 | 90551-ZE1-000 | 13200-ZE7-000 | 13200-ZE7-305  |
| GXV 160K1    |                |                     | 13010-ZF1-023* |               |               |               | -              |
| GXV 160H2    | 13101-ZH8-010* | 68                  | 13010-ZL0-003* | 13111-Z1T-000 | 90551-ZE1-000 | 13200-Z1V-000 |                |
| GXV 270K1    | 13101-ZE8-010* | 77                  | 13010-ZE8-601* | 13111-ZE2-000 | 90551-ZE1-000 | 13200-ZE8-010 | 13200-ZE8-305  |
| GXV 340K1    | 13101-ZE3-000* | 82                  | 13010-ZE3-003* | 13111-ZF6-000 | 90601-ZE3-000 | 13200-ZE9-020 | 13200-ZE9-315  |
| GXV 340T2    | 13101-ZE3-W00* |                     | 13010-Z1F-800* | 13111-ZE3-000 |               | 13200-Z1E-000 | 13200-Z1E-305  |
| GXV 340K2    | 13101-ZE3-W00* |                     | 13010-ZE3-003* |               |               | 13200-ZE9-020 | 13200-ZE9-315  |
| GXV 390T1    | 13101-ZF6-W00* | 88                  | 13010-Z1C-800* | 13111-ZF6-000 |               | 13200-Z1E-000 | 13200-Z1E-305  |
| GXV 390K1    | 13101-ZF6-W00* | 88                  | 13010-ZF6-003* | 13111-ZF6-000 |               | 13200-ZE9-020 | 13200-ZE9-315  |
| GXV 520      | 13101-Z0A-000  | 77                  | 13010-Z0A-003  | 13111-ZJ1-840 | 90551-ZE1-000 | 13200-Z0A-801 | -              |
| GXV 530      |                |                     |                |               |               |               |                |
| GXV 610      | 13101-ZJ1-010* | 77                  | 13010-ZE8-601* | 13111-ZJ1-000 | 90551-ZE1-000 | 13210-ZJ1-000 | -              |
| GXV 620      |                |                     |                |               |               |               |                |
| GXV 610K1    | 13101-ZJ1-840* |                     | 13010-ZJ1-841* | 13111-ZJ1-840 | 94601-18000   | 13200-ZJ1-841 |                |
| GXV 620K1    |                |                     |                |               |               |               |                |
| GXV 670      | 13101-ZN1-000* |                     | 13010-ZJ1-841* | 13111-ZJ1-840 |               | 13200-ZN1-003 |                |
| GSV 160      | 13101-Z2A-000  | 64                  | 13010-Z2A-004  | 13111-ZE0-000 | 90551-ZE0-000 | 13200-ZL8-000 |                |
| GSV 190      | 13101-Z0Y-000  | 69                  | 13010-Z2C-004  | 13111-ZY0-000 | 90551-ZE0-000 | 13200-ZY0-000 |                |

\* = oversize pistons/rings sets are available



REF. 1

REF. 2

REF. 3

REF. 4

REF. 5

# Ignition coil

| Engine model | REF. | Ignition coil                             |
|--------------|------|---|
| G 100K1      | 1    | 30500-ZG0-813                             |
| G 100K2      | 1    | 30500-ZG0-W01                             |
| G 150        | 3    | 30560-887-T00                             |
| G 150K1      | 1    | 30500-883-R51                             |
| G 200        | 3    | 30560-883-015                             |
| G 200K1      | 1    | 30500-883-R51                             |
| GC 135       | 1    | 30500-ZL8-004                             |
| GC 160       |      |   |
| GC 190       |      | 30500-Z0J-003                             |
| GX 22        | 1    | 30500-ZM3-003                             |
| GX 31        |      |   |
| GX 35        |      | 30500-Z0Z-003                             |
| GX 25        | 1    | 30500-Z0H-013                             |
| GXH 50       | 1    | 30500-ZM7-004                             |
| GX 100 STD   | 1    | 30500-Z0D-003                             |
| GX 100 TAMP  | 1    | 30500-Z0D-V01                             |
| GX 120K1     | 2    | 30500-ZE1-043                             |
| GX 120T1     |      | 30500-Z0T-801                             |
| GX 160K1     |      | 30500-ZE1-043                             |
| GX 160T1     |      | 30500-Z0T-801                             |
| GX 200       |      | 30500-ZE1-043                             |
| GX 200T      |      | 30500-Z0T-801                             |
| GX 240K1     | 2    | 30500-ZF6-W02                             |
| GX 270       |      |   |
| GX 340K1     |      |   |
| GX 390K1     |      |   |
| GX 390T1     |      |   |
| GX 360K1     | 5    | 30500-ZA0-701 (CYL. 1 + CYL. 2)           |
| GX 640       | 3    | 30500-ZG8-003 (CYL. 1 + CYL. 2)           |
| GX 610       | 2    | 30500-ZJ1-023(CYL.1)/30550-ZJ1-023(CYL.2) |
| GX 620       |      |   |
| GX 610K1     | 2    | 30500-ZJ1-842(CYL.1)/30550-ZJ1-842(CYL.2) |
| GX 620K1     |      |   |
| GX 670       |      |   |
| GS 160       | 1    | 30500-Z0J-003                             |
| GS 190       |      |   |
| GV 100K1     | 1    | 30500-ZG1-U10                             |
| GV 100K2     |      | 30500-ZL1-004                             |
| GCV 135      | 1    | 30500-ZL8-004                             |
| GCV 135E     |      |   |
| GCV 160A     |      |   |
| GCV 160      |      |   |
| GCV 190      |      | 30500-Z0J-003                             |
| GCV 520      | 1    | 30500-Z0A-013(CYL.1)/30550-Z0A-013(CYL.2) |
| GCV 530      |      |   |
| GXV 50       | 1    | 30500-ZM7-004                             |
| GXV 120      | 2    | 30500-ZG9-M03                             |
| GXV 140      | 1    | 30500-ZG9-801                             |
| GXV 160      | 2    | 30500-ZE7-043                             |
| GXV 160H2    |      | 30500-Z1V-003                             |
| GXV 160K1    | 2    | 30500-ZG9-801                             |
| GXV 270K1    | 2    | 30500-ZF5-003                             |
| GXV 340K1    | 2    | 30500-ZE9-L33                             |
| GXV 340K2    |      |   |
| GXV 340T2    |      | 30500-Z1E-L01                             |
| GXV 390T1    |      |   |
| GXV 390K1    |      | 30500-ZE9-L33                             |
| GXV 520      | 1    | 30500-Z0A-013(CYL.1)/30550-Z0A-013(CYL.2) |
| GXV 530      |      |   |
| GXV 610      | 2    | 30500-ZJ1-023(CYL.1)/30550-ZJ1-023(CYL.2) |
| GXV 620      |      |   |
| GXV 610K1    | 2    | 30500-ZJ1-842(CYL.1)/30550-ZJ1-842(CYL.2) |
| GXV 620K1    |      |   |
| GXV 670      |      |   |
| GSV 160      | 1    | 30500-Z0J-003                             |
| GSV 190      |      |   |



REF. 1



REF. 2



REF. 3



REF. 4



REF. 5



# Aircleaner

| Engine model  | REF. | Aircleaner     | Outer filter  | Dimensions |       |        | Material / shape               |
|---|------|----------------|---------------|------------|-------|--------|--------------------------------|
|   |      |                |               | Long.      | Width | Height |                                |
| G 100K1, G100K2   | 1    | 17211-896-000  |               | 94         | 76    | 25     | urethane, rectangle            |
| G 150, G 200  | 2    | 17211-883-010  |               | 120        | 120   | 40     | urethane, round                |
| G 150K1, G 200K1  | 3    | 17211-883-W21  | 17218-883-W21 | 178        | 89    | 29     | paper, rectangle               |
| GC 135/160/190, GS 160/190, GCV 135/160/190, GSV 160/190  | 3    | 17211-ZL8-003  |               | 133        | 115   | 21     | paper, rectangle               |
| GX 25, GX 35  | 4    | 17211-Z0H-000  |               | 76         | 83    | 20     | urethane, +/- oval             |
| GX 22, GX 31  | 5    | 17211-ZM3-000  |               | 72         | 72    | 20     | urethane, round                |
| GXH 50, GXV 50  | 1    | 17211-ZM7-000  |               | 89         | 89    | 12     | urethane, square               |
| GX 100 STD, GX 100 TAMPER                                 | 3    | 17211-ZL8-003  | 17218-Z0D-000 | 133        | 115   | 21     | paper, rectangle               |
| GX 120K1, GX 120T1  | 6    | 17210-ZE0-505* | 17218-ZE0-505 | 102        | 74    | 52     | paper, oval(out filt.urethane) |
| GX 160K1, GX 160T1, GX 200, GX 200T                       | 6    | 17210-ZE1-505* | 17218-ZE1-505 | 102        | 74    | 71     | paper, oval(out filt.urethane) |
| GX 240K1, GX 270  | 6    | 17210-ZE2-515* | 17218-ZE2-505 | 155        | 121   | 40     | paper, oval(out filt.urethane) |
| GX 340K1, GX 390K1, GX 390T1                              | 6    | 17210-ZE3-505* | 17218-ZE3-505 | 112        | 97    | 92     | paper, oval(out filt.urethane) |
| GX 360K1  | 6    | 17210-ZA0-506  | 17218-ZA0-506 | 165        | 105   | 40     | paper, oval(out filt.urethane) |
| GX 640  | 7    | 06172-ZG8-L20  | 17218-ZG8-000 | 186        | 174   | 34     | paper, rectangle               |
| GX 610, GX 620, GXV 610, GXV 620                          | 7    | 17010-ZJ1-000  | 17218-ZJ1-000 | 238        | 183   | 32     | paper, rectangle               |
| GX 610K1, GX 620K1, GX 670, GXV 610K1, GXV 620K1, GXV 670 | 8    | 17210-ZJ1-842  | 17218-ZJ1-840 | 225        | 167   | 30     | paper, rectangle               |
| GV 100K1  | 9    | 17211-ZG1-700  |               | 130        | 75    | 25     | urethane, +/--rectangle        |
| GV 100K2  | 9    | 17211-ZL1-000  |               | 120        | 70    | 25     | urethane, +/--rectangle        |
| GCV 520, GCV 530, GXV 520, GXV 530                        | 8    | 17211-Z0A-003  | 17218-Z0A-000 | 215        | 120   | 22     | paper, rectangle               |
| GXV 120   | 6    | 17210-ZE6-505* | 17218-ZE6-505 | 190        | 62    | 50     | paper, oval(out filt.urethane) |
| GXV 140   | 7    | 17211-ZG9-800  | 17218-ZG9-800 | 137        | 61    | 25     | paper, rectangle               |
| GXV 160   | 6    | 17210-ZE7-505* | 17218-ZE6-505 | 190        | 63    | 45     | paper, oval(out filt.urethane) |
| GXV 160K1, GXV 160H2                                      | 6    | 17211-ZE7-W03* | 17218-ZE7-W02 | 180        | 62    | 50     | paper, oval(out filt.urethane) |
| GXV 270K1, GXV 340K1/K2                                   | 6    | 17210-ZF5-505  | 17218-ZF5-505 | 124        | 60    | 87     | paper, oval                    |
| GXV 340K2, GXV 340T2, GXV390K1, GXV 390T1                 | 6    | 17211-ZF5-V01  | 17218-ZF5-V00 | 124        | 60    | 87     | paper, oval                    |

\* = aircleaner + outer filter



REF. 1



REF. 2



REF. 3



REF. 4



REF. 5



REF. 6



REF. 7



REF. 8



REF. 9

# Oilfilter

| Engine model   | Oilfilter     | Ø  | Height | Material    |
|--|---------------|----|--------|-------------|
| GXV 340K2, GXV 610, GXV 610K1, GXV 620, GXV 620K1, GXV 670, GX 610, GX 610K1, GX 620, GX 620K1, GX 670 | 15400-ZJ1-004 | 83 | 82     | metal, cyl. |
| GCV 520, GCV 530, GXV 520, GXV 530   | 15400-PFB-004 | 65 | 65     | metal, cyl. |
| GX 640   | 15400-PFB-007 | 69 | 72     | metal, cyl. |
| GXV 340K1, GXV 390   | 15400-PLC-004 | 65 | 85     | metal, cyl. |
| GX 360K1   | 15400-679-033 | 68 | 67     | metal, cyl. |



Oilfilter



# Fuel strainer

| Engine model  | Fuel strainer | Small Ø | Big Ø | Height | Material |
|---|---------------|---------|-------|--------|----------|
| GCV 530, GC 135, GC 160, GC 190, GXV 520, GXV 530   | 16910-ZV4-015 | 22      | 29    | 67     | plastic  |
| GX 100, GX 120K1/T1, GX 160K1/T1, GX 200/T1, GX 240K1, GX 270, GX 360K1, GX 390K1/T1, GXV 340K1, GXV 340K2, GXV 390K1, GXV 610, GXV 610K1, GXV 620, GXV 620K1, GXV 670, GX 360K1, GX 610, GX 610K1, GX 620, GX 620K1, GX 670, G 100K1, G 100K2, GXV 270K1 | 16910-GB2-005 | 23      | 30    | 53     | plastic  |
| G 100K2   | 16910-ZE8-015 | 22      | 29    | 65     | plastic  |
| GXV 160H2   | 16910-ZG0-U02 | 22      | 29    | 64     | plastic  |
| GXV 390T1   | 16952-ZA8-800 | 23      | 30    | 53     | plastic  |
|   | 16952-ZE6-000 | 23      | 30    | 53     | plastic  |



Fuel strainer

# Spark plugs

| Engine model | ND              | NGK             |
|--------------|-----------------|-----------------|
| G100K1       | 98073-54754     | 98073-54744     |
| G100K2       |                 | 9873-54776      |
| G150         | 98076-54720     | 98076-54716     |
| G150         | 98076-54821 CDI | 98076-54911 CDI |
| G150K1       | 98076-54780     | 98076-54710     |
| G200         | 98076-54720     | 98076-54716     |
| G200         | 98076-54921 CDI | 98076-54914 CDI |
| G200K1       | 98076-54780     | 98076-54710     |
| GC135        |                 | 98079-56846     |
| GC160        |                 | 98079-56846     |
| GC190        |                 | 98079-56846     |
| GS160        |                 | 98079-56846     |
| GS190        |                 | 98079-56846     |
| GX22         | 98056-55757     | 98056-55777     |
| GX31         |                 | 98056-55777     |
| GX25         |                 | 31915-Z0H-003   |
| GX35         |                 | 31915-Z0H-003   |
| GXH50        |                 | 98056-55777     |
| GX100STD     | 98056-55757     | 98056-55777     |
| GX100TAMP    | 98056-55757     | 98056-55777     |
| GX120K1      | 98079-56855     | 98079-56846     |
| GX120T1      | 98079-56855     | 98079-56846     |
| GX160K1      | 98079-56855     | 98079-56846     |
| GX160T1      | 98079-56855     | 98079-56846     |
| GX200        | 98079-56855     | 98079-56846     |
| GX200T       | 98079-56855     | 98079-56846     |
| GX240K1      | 98079-56855     | 98079-56846     |
| GX270        | 98079-56855     | 98079-56846     |
| GX340K1      | 98079-56855     | 98079-56846     |
| GX390K1      | 98079-56855     | 98079-56846     |
| GX390T1      | 98079-56855     | 98079-56846     |
| GX360K1      |                 | 98076-54747     |
| GX340K1      | 98079-55155     | 98079-55145     |
| GX610        | 98079-56855     | 98079-56846     |
| GX620        | 98079-56855     | 98079-56846     |
| GX610K1      | 98079-5585V     | 98079-5587V     |
| GX620K1      | 98079-5585V     | 98079-5587V     |
| GX670        | 98079-5585V     | 98079-5587V     |
| GV100K1      | 98073-54754     | 98073-54744     |
| GV100K2      |                 | 98073-54776     |
| GCV135       |                 | 98079-56846     |
| GCV160       |                 | 98079-56846     |
| GCV190       |                 | 98079-56846     |
| GCV520       | 98079-55855     | 98079-56846     |
| GCV530       | 98079-55855     | 98079-56846     |
| GSV160       |                 | 98079-56846     |
| GSV190       |                 | 98079-56846     |
| GXV50        | 98056-55757     | 98056-55777     |
| GXV120       | 98079-55855     | 98079-55846     |
| GXV140       |                 | 98079-55846     |
| GXV160       | 98079-55855     | 98079-55846     |
| GXV160K1     | 98079-55855     | 98079-55846     |
| GXV160H2     | 98079-55855     | 98079-55846     |
| GXV270K1     | 98079-55855     | 98079-55846     |
| GXV340K1     | 98079-55855     | 98079-55846     |
| GXV340K2     |                 | 98079-55846     |
| GXV340T2     |                 | 98079-55846     |
| GXV390K1     |                 | 98079-55846     |
| GXV390T1     |                 | 98079-55846     |
| GXV520       | 98079-55855     | 98079-55846     |
| GXV530       | 98079-55855     | 98079-55846     |
| GXV610       |                 | 98079-55846     |
| GXV620       |                 | 98079-55846     |
| GXV610K1     | 98079-5585V     | 98079-5587V     |
| GXV620K1     | 98079-5585V     | 98079-5587V     |
| GXV670       | 98079-5585V     | 98079-5587V     |



Spark plug

# Service kit

| Engine model   | Service kit     | Quantity          |
|----------------|-----------------|-------------------|
| GC-GCV 135/160 | 06211-ZL8-000   | 1                 |
|                | 06211-ZL8-000MP | multipack of 1x12 |



## 4-stroke oil

| Engine model | 4-stroke oil                           | Quantity   |
|--------------|--|------------|
| All engines  | 08221-99953HD 4 stroke oil 10W30 SJ/SH | 25 x 0.1 L |
|              | 08221-99955HD 4 stroke oil 10W30 SJ/SH | 8 x 0.6 L  |
|              | 08221-99957HD 4 stroke oil 10W30 SJ/SH | 6 x 1 L    |



25 x 0.1 L



8 x 0.6 L



6 x 1 L

## H-HST oil

| Engine model | H-HST oil               | Quantity |
|--------------|-------------------------|----------|
| All engines  | 08208-99901HE H-HST oil | 1 x 1 L  |



1 x 1 L

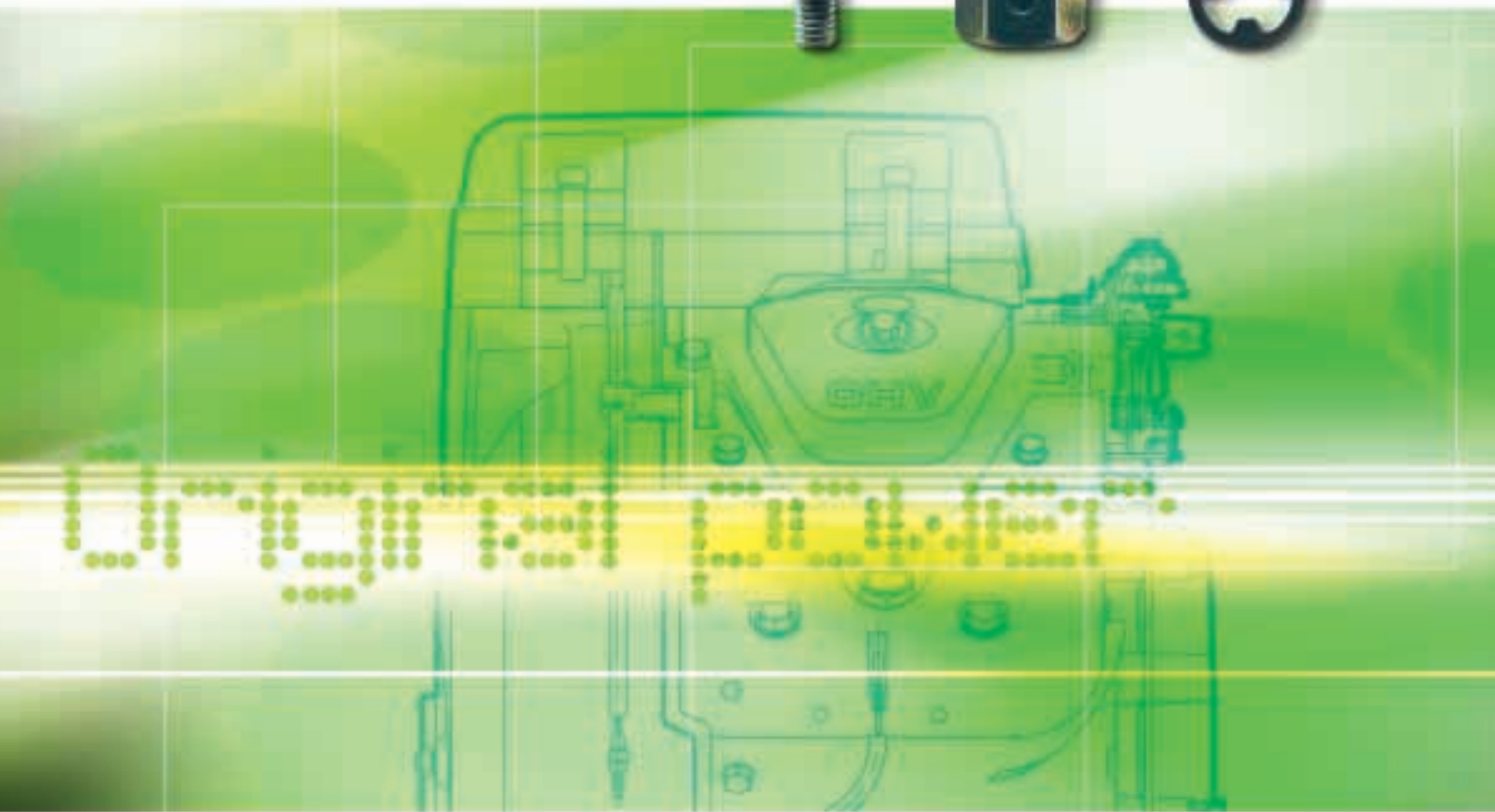
# Accessoires

|  |                                |       |
|--|--------------------------------|-------|
| Cable holder                                   | GX 10 000 000                  | p. 14 |
| Oil dipstick (205 mm)                          | GX 120-K10-05                  | p. 15 |
| Oil dipstick (225 mm)                          | GX 160-K10-06                  | p. 16 |
| Oil dipstick (370 mm)                          | GX 160-K10-26                  | p. 16 |
| Oil dipstick (255 mm)                          | GX 340-390-K18 / GX 270-000-07 | p. 17 |
| En-guard (plastic type) no deflector           | 06185-ZF6-W400                 | p. 18 |
| En-guard (plastic type) with deflector         | 06185-ZF6-W500                 | p. 19 |
| En-guard (plastic type) no deflector           | 06185-ZH8-W400                 | p. 20 |
| En-guard (plastic type) with deflector         | 06185-ZH8-W500                 | p. 21 |
| En-guard (metal type) no deflector             | 06185-ZH8-W600                 | p. 22 |
| En-guard no deflector                          | 06185-ZK9-W400                 | p. 23 |
| En-muffler guard (plastic type) with deflector | 06185-ZK9-W500                 | p. 24 |
| Universal muffler for v-twin engine            | 06183-ZJ1-BOSU                 | p. 25 |
| Top mount muffler                              | 06183-ZJ1-BOSL                 | p. 25 |
| Top mount muffler                              | 06183-ZJ1-BOSR                 | p. 26 |
| Heat shield                                    | 18434-ZJ1-BOS                  | p. 26 |
| Deflector                                      | 18431-ZH8-BOS                  | p. 27 |
| Exhaust flange                                 | GX620-000001                   | p. 27 |
| Exhaust pipe                                   | 18331-Z0A-SET                  | p. 28 |
| Deflector (long type)                          | 18431-ZH8-W500                 | p. 28 |
| Deflector (short type)                         | GX20-000-00                    | p. 29 |
| Low noise muffler                              | 18310-ZB8-SIL                  | p. 29 |
| 11 liter fuel tank                             | 17500-GX1-11L                  | p. 30 |
| 18 liter fuel tank                             | 17500-GX1-18L                  | p. 30 |

# Cable holder

| Remote throttle operation for                  | Partnumber    | Packing       |
|--|---------------|---------------|
| GX 120K1, 160K1, 200, 240K1, 270, 340K1, 390K1 | GX 10 000 000 | 50 pieces/set |
| GX 610K1, 620K1, 670                           |               |               |

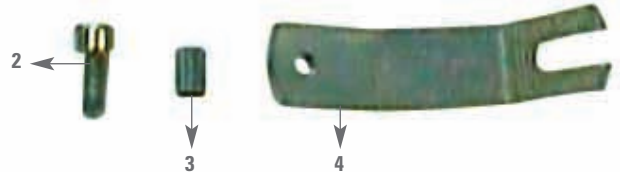
| REF. | Component name | QTY |
|------|----------------|-----|
| 1    | screw          | 1   |
| 2    | cable holder   | 1   |
| 3    | E-ring         | 1   |



# Oil dipstick (205 mm)

| Extension of oil level gauge for | Partnumber    | Packing     |
|----------------------------------|---------------|-------------|
| GX 120K1                         | GX 120-K10-05 | 1 piece/set |

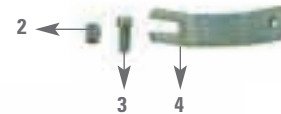
| REF. | Component name     | QTY |
|------|--------------------|-----|
| 1    | oil level dipstick | 1   |
| 2    | screw              | 1   |
| 3    | collar             | 1   |
| 4    | stay               | 1   |



# Oil dipstick (225 mm)

| Extension of oil level gauge for | Partnumber    | Packing     |
|----------------------------------|---------------|-------------|
| GX 160K1, GX 200                 | GX 160-K10-06 | 1 piece/set |

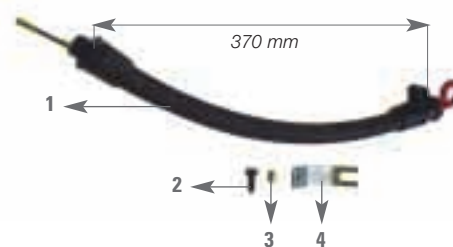
| REF. | Component name     | QTY |
|------|--------------------|-----|
| 1    | oil level dipstick | 1   |
| 2    | screw              | 1   |
| 3    | collar             | 1   |
| 4    | stay               | 1   |



# Oil dipstick (370 mm)

| Extension of oil level gauge for                                   | Partnumber    | Packing     |
|--|---------------|-------------|
| GX 120K1, GX 160K1, GX 200, GX 240K1<br>GX 270, GX 340K1, GX 390K1 | GX 160-K10-26 | 1 piece/set |

| REF. | Component name     | QTY |
|------|--------------------|-----|
| 1    | oil level dipstick | 1   |
| 2    | screw              | 1   |
| 3    | collar             | 1   |
| 4    | stay               | 1   |





# Oil dipstick (255 mm)

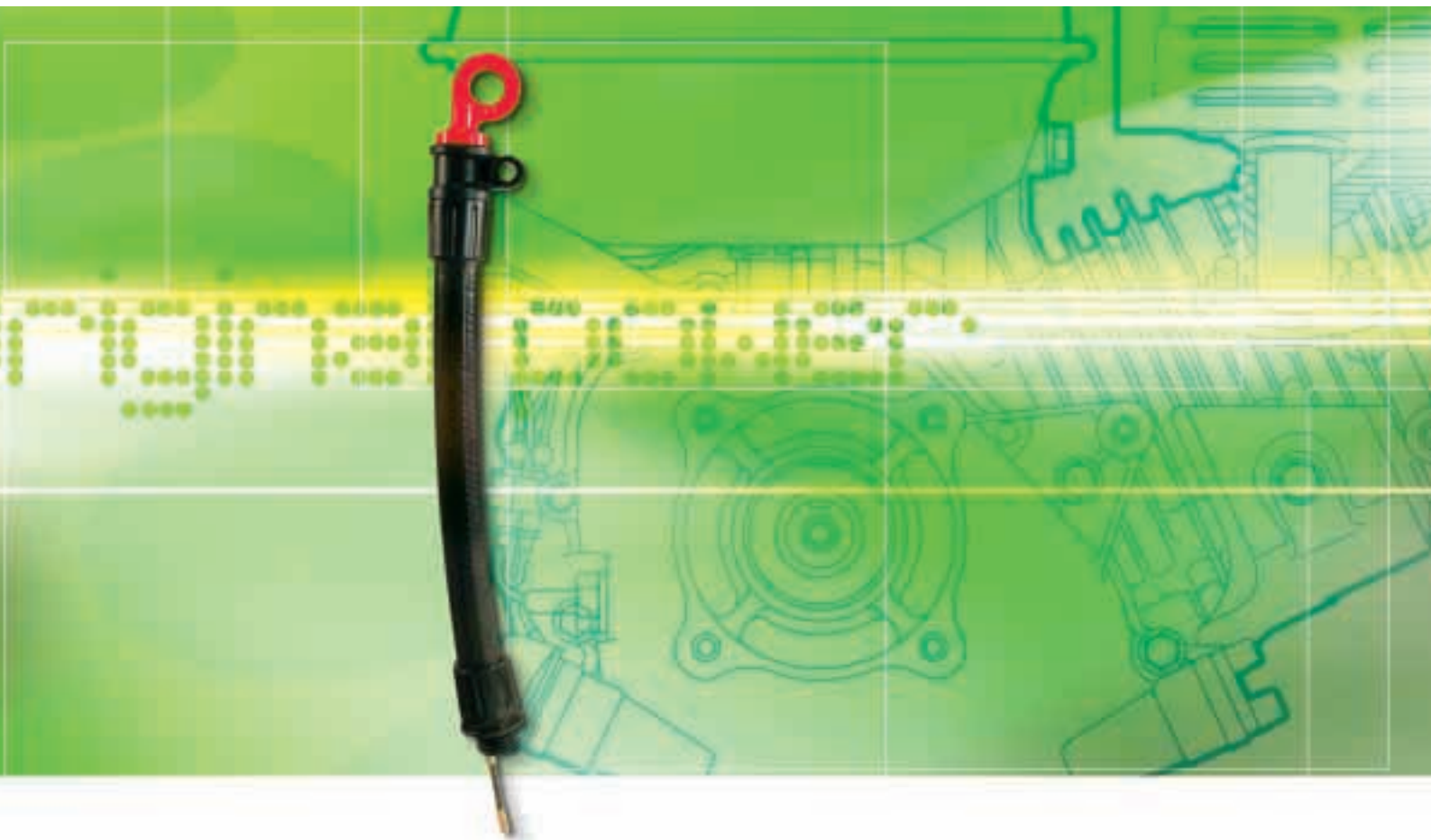
| Extension of oil level gauge for                                    | Partnumber                       | Packing     |
|---|----------------------------------|-------------|
| GX 120K1, GX 160K1, GX 200, GX 240K1,<br>GX 270, GX 340K1, GX 390K1 | GX 340-390-K18,<br>GX 270-000-07 | 1 piece/set |



GX 270-000-07



GX 340-390-K18



Applicable for GX 240K1, GX 270, GX 340K1, GX 390K1



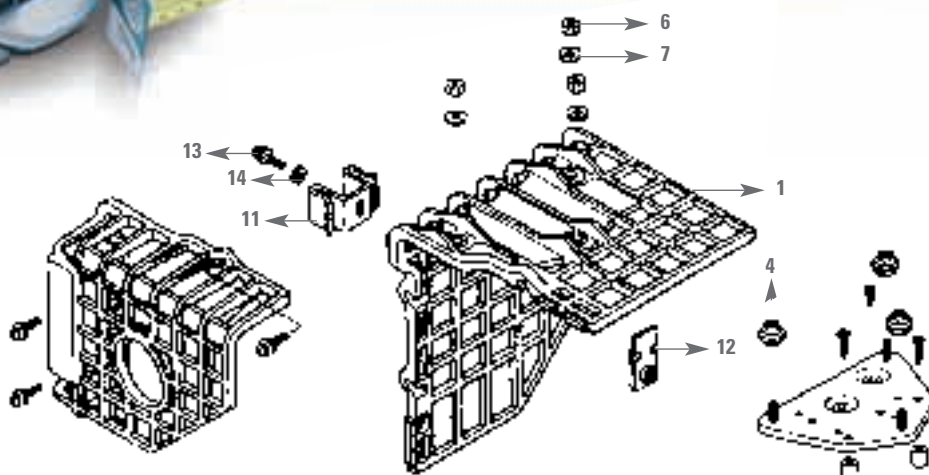
Mounted on front support tank  
Applicable for GX 120K1, GX 160K1, GX 200

# En-guard (plastic type) no deflector

| Heat protection for   | Partnumber     | Packing     |
|---|----------------|-------------|
| GX 240K1, GX 270 (silent muffler)<br>and GX 340K1, GX 390K1 (std muffler) | D6185-2F6-W400 | 1 piece/set |

| REF. | Component name           | QTY |
|------|--------------------------|-----|
| 1    | muffler cover comp.      | 1   |
| 2    | rear muffler cover comp. | 1   |
| 3    | muffler cover base comp. | 1   |
| 4    | muffler cover spacer     | 3   |
| 5    | air cleaner case collar  | 2   |
| 6    | hex.nut 5mm              | 3   |
| 7    | plain washer 5mm         | 3   |

| REF. | Component name     | QTY |
|------|--------------------|-----|
| 8    | screw washer 6x20  | 3   |
| 9    | tapping screw 5x25 | 2   |
| 10   | tapping screw 5x8  | 1   |
| 11   | muffler cover stay | 1   |
| 12   | plate set          | 1   |
| 13   | screw washer 5x12  | 1   |
| 14   | spring washer      | 1   |



Remark tapping screw (ref 9)

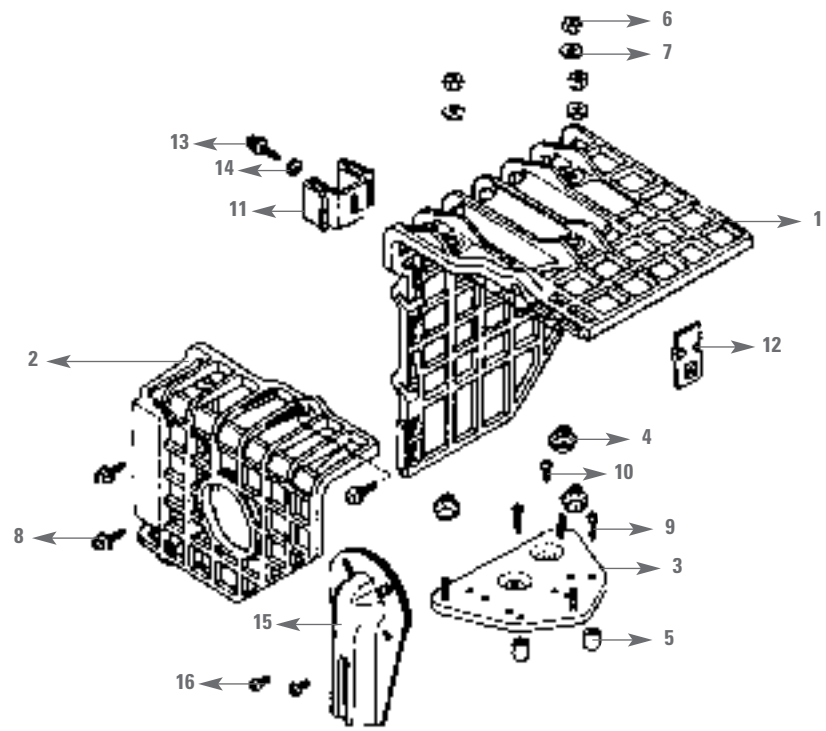
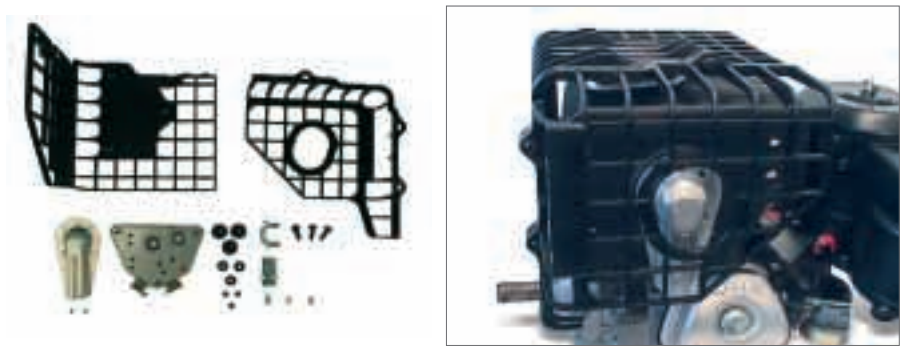
Must be mounted in holes '4' mentioned on base comp.(ref 3)

# En-guard (plastic type) with deflector

| Heat protection and deflection of exhaust gases for                       | Partnumber     | Packing     |
|---|----------------|-------------|
| GX 240K1, GX 270 (silent muffler)<br>and GX 340K1, GX 390K1 (std muffler) | 06185-2FG-W500 | 1 piece/set |

| REF. | Component name           | QTY |
|------|--------------------------|-----|
| 1    | muffler cover comp.      | 1   |
| 2    | rear muffler cover comp. | 1   |
| 3    | muffler cover base comp. | 1   |
| 4    | muffler cover spacer     | 3   |
| 5    | air cleaner case collar  | 2   |
| 6    | hex.nut 5mm              | 3   |
| 7    | plain washer 5mm         | 3   |
| 8    | screw washer 6x20        | 3   |

| REF. | Component name     | QTY |
|------|--------------------|-----|
| 9    | tapping screw 5x25 | 2   |
| 10   | tapping screw 5x8  | 1   |
| 11   | muffler cover stay | 1   |
| 12   | plate set          | 1   |
| 13   | screw washer 5x12  | 1   |
| 14   | spring washer      | 1   |
| 15   | deflector          | 1   |
| 16   | tapping screw 4x6  | 2   |



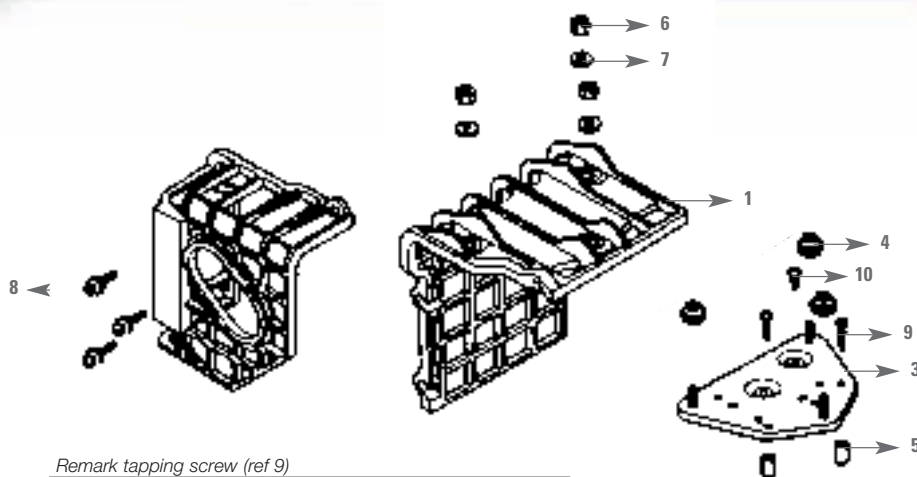
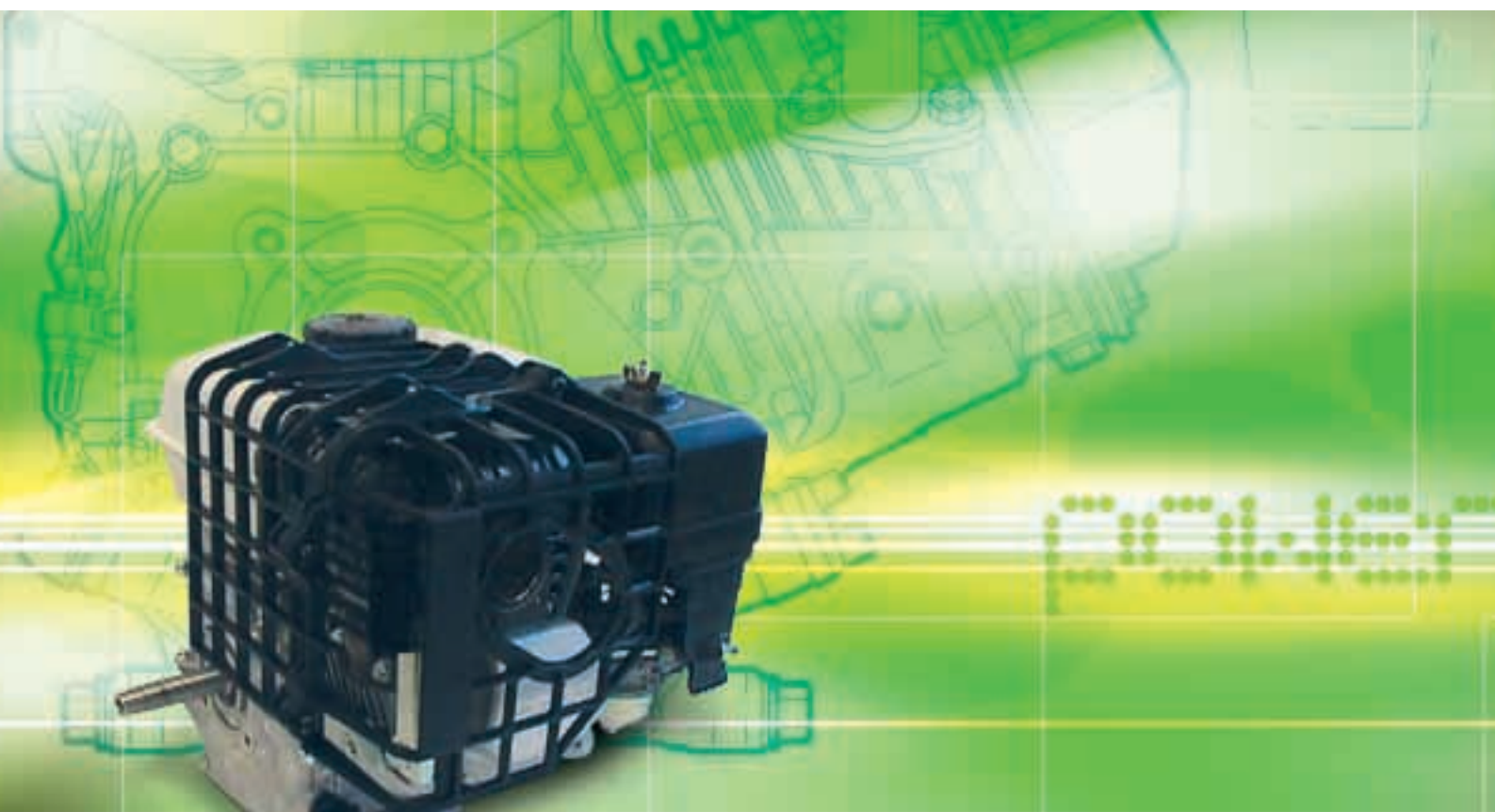
Remark tapping screw (ref 9)  
Must be mounted in holes '4' mentioned on base comp.(ref 3)

# En-guard (plastic type) no deflector

| Heat protection for  | Partnumber     | Packing     |
|--|----------------|-------------|
| GX 120K1, GX 160K1 (std and silent muffler) and GX 200 (std muffler) | D6185-ZH8-W400 | 1 piece/set |

| REF. | Component name           | QTY |
|------|--------------------------|-----|
| 1    | muffler cover comp.      | 1   |
| 2    | rear muffler cover comp. | 1   |
| 3    | muffler cover base comp. | 1   |
| 4    | muffler cover spacer     | 3   |
| 5    | air cleaner case collar  | 2   |

| REF. | Component name     | QTY |
|------|--------------------|-----|
| 6    | hex.nut 5mm        | 3   |
| 7    | plain washer 5mm   | 3   |
| 8    | screw washer 6x20  | 3   |
| 9    | tapping screw 5x25 | 2   |
| 10   | tapping screw 5x8  | 1   |



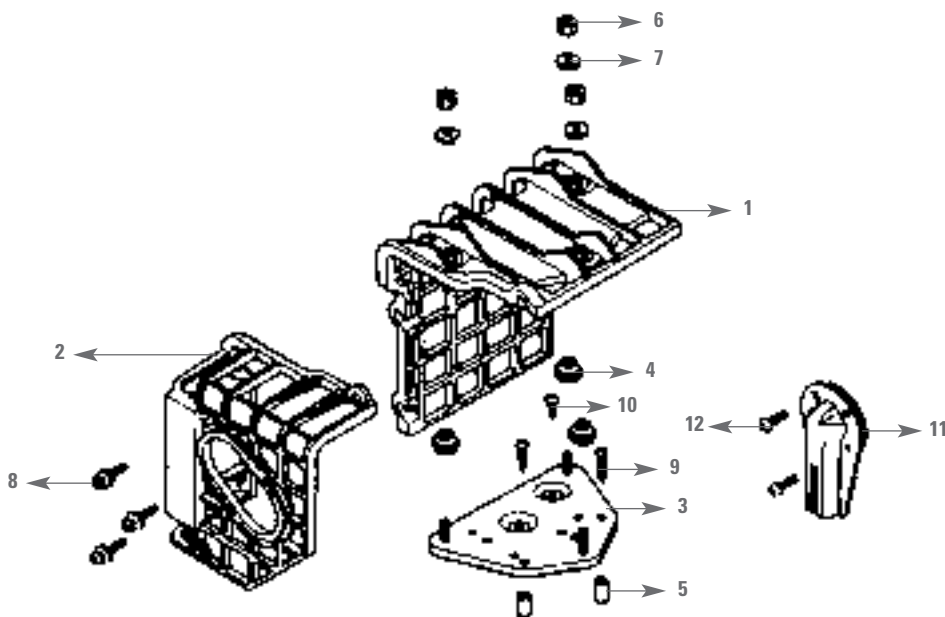
Remark tapping screw (ref 9)  
Must be mounted in holes '2' mentioned on base comp.(ref 3)

# En-guard (plastic type) with deflector

| Heat protection and deflection of exhaust gases for                  | Partnumber     | Packing     |
|--|----------------|-------------|
| GX 120K1, GX 160K1 (std and silent muffler) and GX 200 (std muffler) | 06185-ZH8-W500 | 1 piece/set |

| REF. | Component name           | QTY |
|------|--------------------------|-----|
| 1    | muffler cover comp.      | 1   |
| 2    | rear muffler cover comp. | 1   |
| 3    | muffler cover base comp. | 1   |
| 4    | muffler cover spacer     | 3   |
| 5    | air cleaner case collar  | 2   |
| 6    | hex.nut 5mm              | 3   |

| REF. | Component name     | QTY |
|------|--------------------|-----|
| 7    | plain washer 5mm   | 3   |
| 8    | screw washer 6x20  | 3   |
| 9    | tapping screw 5x25 | 2   |
| 10   | tapping screw 5x8  | 1   |
| 11   | deflector          | 1   |
| 12   | tapping screw 4x6  | 2   |

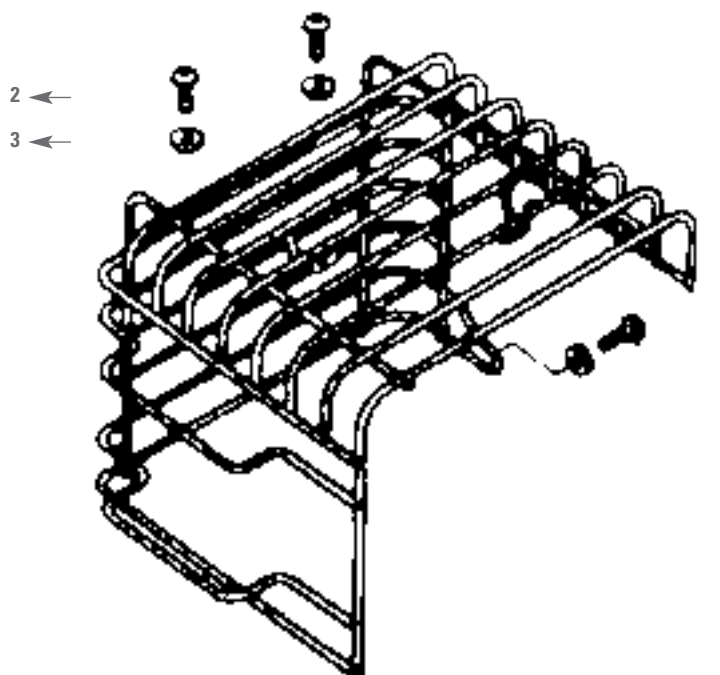
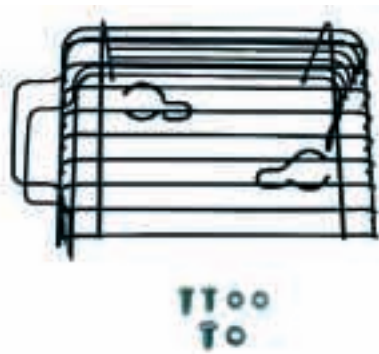


Remark tapping screw (ref 9)  
Must be mounted in holes '2' mentioned on base comp.(ref 3)

# En-guard (metal type) no deflector

| Heat protection for                          | Partnumber     | Packing     |
|--|----------------|-------------|
| GX 120K1, GX 160K1 tiller (standard muffler) | 06185-ZH8-W600 | 1 piece/set |

| REF. | Component name       | QTY |
|------|----------------------|-----|
| 1    | en-guard             | 1   |
| 2    | screw pan            | 2   |
| 3    | washer ZM5           | 2   |
| 4    | tapping screw 6,3x13 | 1   |
| 5    | washer ZM6           | 1   |

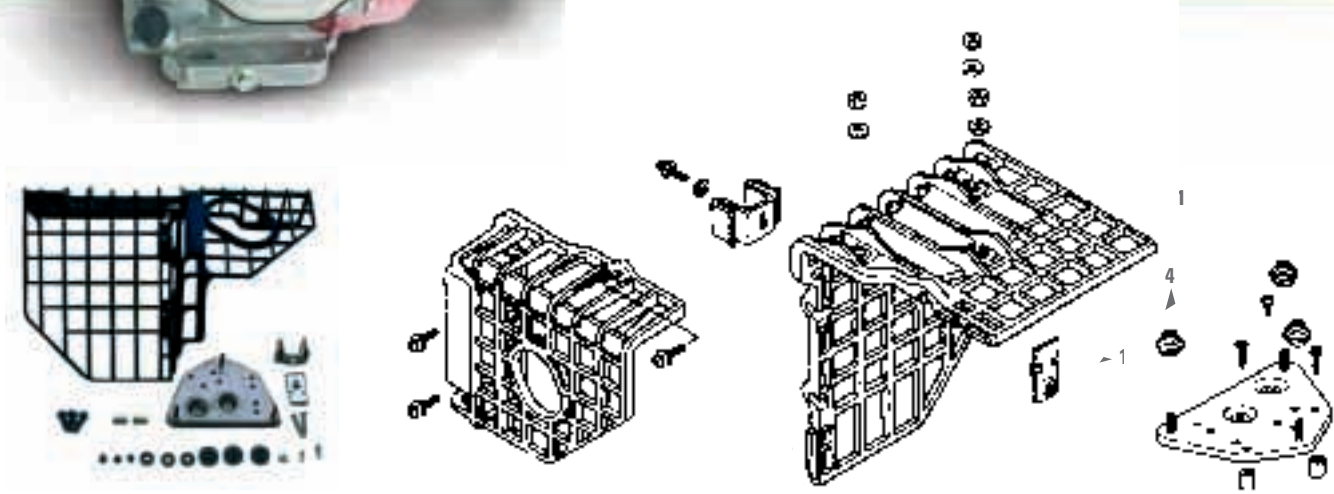
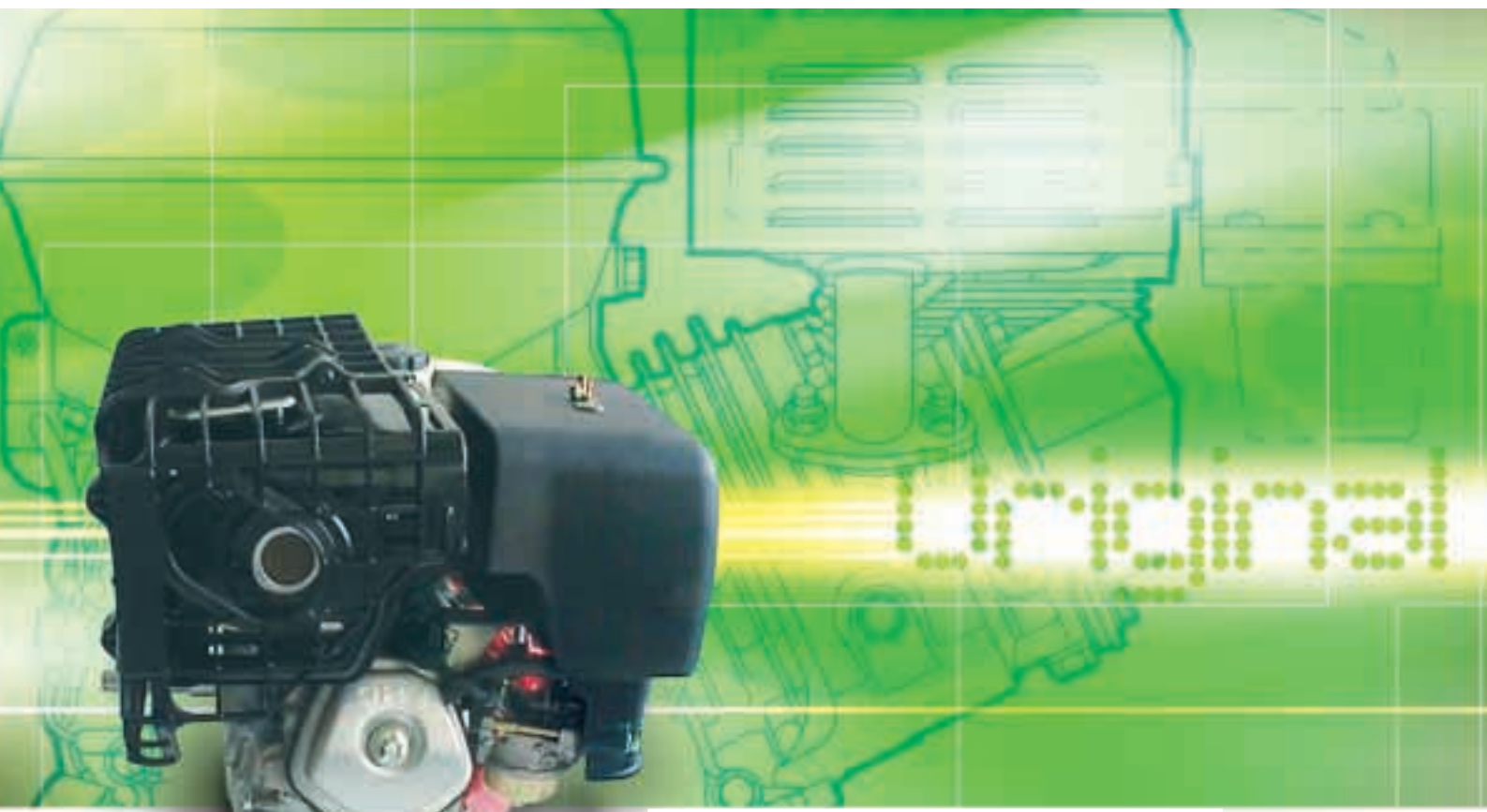


# En-guard no deflector

| Heat protection for            | Partnumber     | Packing     |
|--------------------------------|----------------|-------------|
| GX 240K1, GX 270 (std muffler) | 06185-ZK9-W400 | 1 piece/set |

| REF. | Component name           | QTY |
|------|--------------------------|-----|
| 1    | muffler cover comp.      | 1   |
| 2    | rear muffler cover comp. | 1   |
| 3    | muffler cover base comp. | 1   |
| 4    | muffler cover spacer     | 3   |
| 5    | air cleaner case collar  | 2   |
| 6    | hex.nut 5mm              | 3   |
| 7    | plain washer 5mm         | 3   |

| REF. | Component name     | QTY |
|------|--------------------|-----|
| 8    | screw washer 6x20  | 3   |
| 9    | tapping screw 5x25 | 2   |
| 10   | tapping screw 5x8  | 1   |
| 11   | muffler cover stay | 1   |
| 12   | plate set          | 1   |
| 13   | screw washer 5x12  | 1   |
| 14   | spring washer      | 1   |



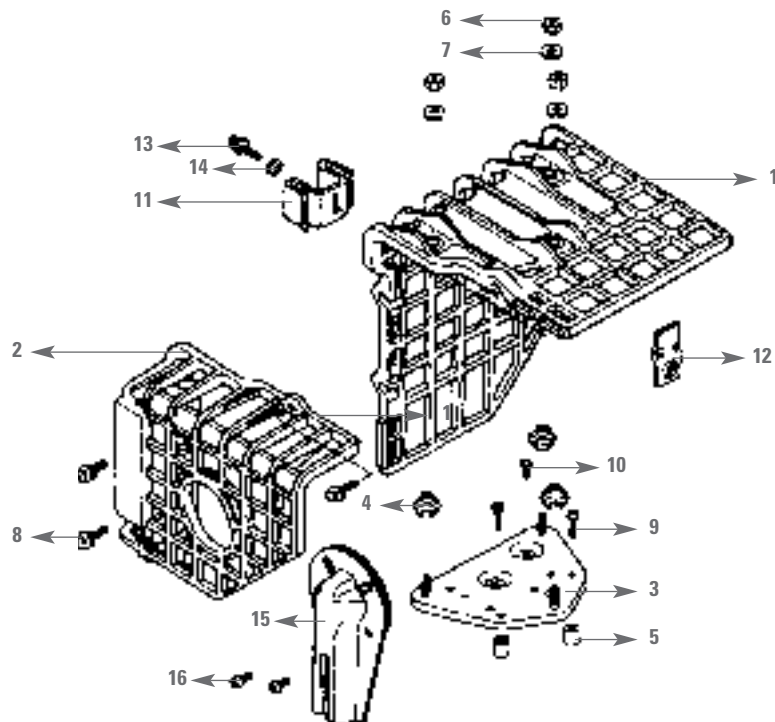
Remark tapping screw (ref 9)  
Must be mounted in holes '4' mentioned on base comp.(ref 3)

# En-muffler guard (plastic type) with deflector

| Heat protection and deflection of exhaust gases for | Partnumber     | Packing     |
|---|----------------|-------------|
| GX 240K1, GX 270 (std muffler)                      | D6185-ZK9-W500 | 1 piece/set |

| REF. | Component name           | QTY |
|------|--------------------------|-----|
| 1    | muffler cover comp.      | 1   |
| 2    | rear muffler cover comp. | 1   |
| 3    | muffler cover base comp. | 1   |
| 4    | muffler cover spacer     | 3   |
| 5    | air cleaner case collar  | 2   |
| 6    | hex.nut 5mm              | 3   |
| 7    | plain washer 5mm         | 3   |
| 8    | screw washer 6x20        | 3   |

| REF. | Component name     | QTY |
|------|--------------------|-----|
| 9    | tapping screw 5x25 | 2   |
| 10   | tapping screw 5x8  | 1   |
| 11   | muffler cover stay | 1   |
| 12   | plate set          | 1   |
| 13   | screw washer 5x12  | 1   |
| 14   | spring washer      | 1   |
| 15   | deflector          | 1   |
| 16   | tapping screw 4x6  | 2   |



Remark tapping screw (ref 9)  
 Must be mounted in holes '4' mentioned on base comp.(ref 3)



# Universal muffler for v-twin engine

| Engine model             | Partnumber     | Packing     |
|--------------------------|----------------|-------------|
| GX(V) 610K1/620K1/670    | 06183-ZJ1-BOSU | 1 piece/set |
| GCV 520/530, GXV 520/530 |                |             |



## Top mount muffler

| Muffler for                | Partnumber     | Packing     |
|----------------------------|----------------|-------------|
| GX 610K1, GX 620K1, GX 670 | 06183-ZJ1-BOSL | 1 piece/set |

| REF. | Component name    | QTY |
|------|-------------------|-----|
| 1    | top mount muffler | 1   |
| 2    | mounting bolt     | 4   |

Attention  
Left = starter motor side exhaust

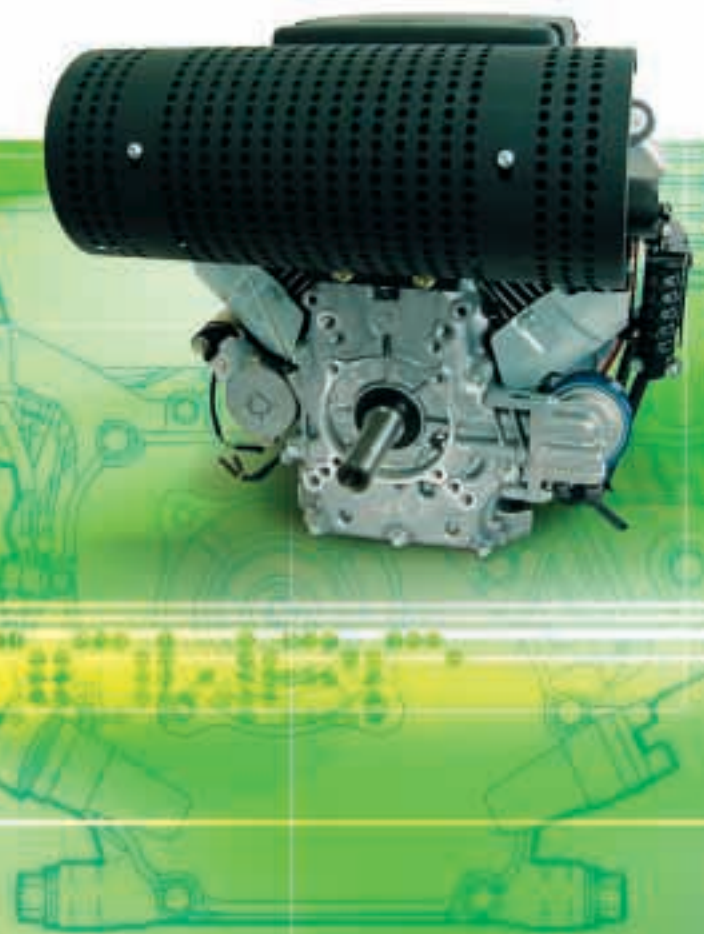
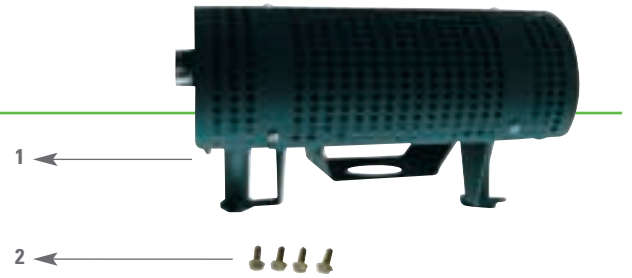


# Top mount muffler

| Muffler for                | Partnumber     | Packing     |
|----------------------------|----------------|-------------|
| GX 610K1, GX 620K1, GX 670 | 06183-ZJ1-BOSR | 1 piece/set |

| REF. | Component name    | QTY |
|------|-------------------|-----|
| 1    | top mount muffler | 1   |
| 2    | mounting bolt     | 4   |

*Attention*  
Right = oil filter side exhaust



# Heat shield

| Heat protector plate for  | Partnumber    | Packing     |
|---|---------------|-------------|
| Top mount muffler on GX 610K1, GX 620K1<br>GX 670 equipped with plastic fuel tank | 18434-ZJ1-BOS | 1 piece/set |

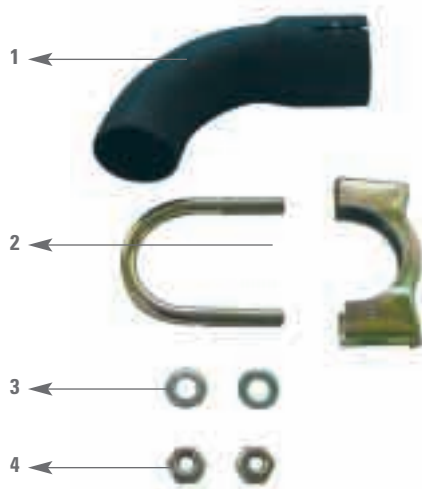


*Attention*  
Heat shield installation is obligatory when plastic fuel tank is mounted!

# Deflector

| 90° deflector pipe for top mount muffler on | Partnumber    | Packing     |
|---|---------------|-------------|
| GX 610K1, GX 620K1, GX 670                  | 18431-ZH8-B0S | 1 piece/set |

| REF. | Component name | QTY |
|------|----------------|-----|
| 1    | deflector      | 1   |
| 2    | clamp          | 1   |
| 3    | washer         | 2   |
| 4    | nut            | 2   |



# Exhaust flange

| Welding flange for exhaust pipe                    | Partnumber   | Packing      |
|--|--------------|--------------|
| GX(V) 610/620, GX(V) 610K1, GX(V) 620K1, GX(V) 670 | GX620-000001 | 2 pieces/set |



# Exhaust pipe

| Exhaust pipe for         | Partnumber    | Packing      |
|--------------------------|---------------|--------------|
| GCV 520/530, GXV 520/530 | 18331-Z0A-SET | 2 pieces/set |



# Deflector (long type)

| Deflector of exhaust gases for           | Partnumber     | Packing     |
|--|----------------|-------------|
| GX 120K1/160K1/200/240K1/270/340K1/390K1 | 18431-ZHB-W500 | 1 piece/set |

| REF. | Component name       | QTY |
|------|----------------------|-----|
| 1    | deflector            | 1   |
| 2    | tapping screw (M4x6) | 4   |



# Deflector (short type)

| Deflection of exhaust gases for          | Partnumber  | Packing     |
|--|-------------|-------------|
| GX 120K1/160K1/200/240K1/270/340K1/390K1 | GX20-000-00 | 1 piece/set |

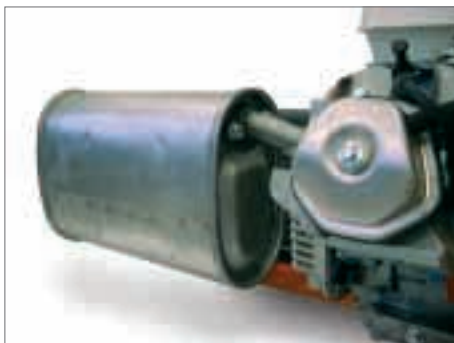
| REF. | Component name       | QTY |
|------|----------------------|-----|
| 1    | deflector            | 1   |
| 2    | tapping screw (M4x6) | 4   |



# Low noise muffler

| Super silent muffler for | Partnumber    | Packing     |
|--------------------------|---------------|-------------|
| GX 340K1, GX 390K1       | 18310-ZB8-SIL | 1 piece/set |

| REF. | Component name      | QTY |
|------|---------------------|-----|
| 1    | muffler comp.       | 1   |
| 2    | exhaust pipe        | 1   |
| 3    | gasket exhaust pipe | 2   |
| 4    | hex.bolt 8x28       | 2   |
| 5    | flange nut 10mm     | 2   |



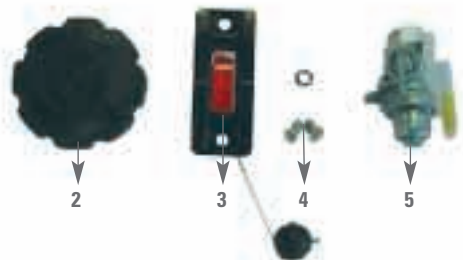
**Remark**

Flange nut 10mm is used as spacer to tighten the exhaust pipe onto the cylinder head.

# 11 liter fuel tank

| Partnumber    | Packing     |
|---------------|-------------|
| 17500-6X1-11L | 1 piece/set |

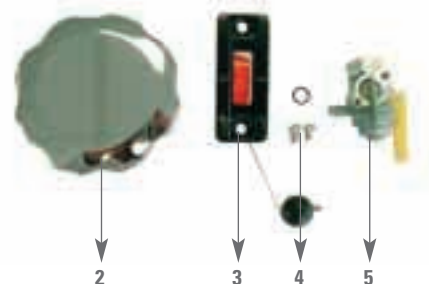
| REF. | Component name        | QTY |
|------|-----------------------|-----|
| 1    | fuel tank comp.       | 1   |
| 2    | fuel filler cap comp. | 1   |
| 3    | fuel meter assy.      | 1   |
| 4    | flat screw 5x10       | 2   |
| 5    | fuel cock assy.       | 1   |



# 18 liter fuel tank

| Partnumber    | Packing     |
|---------------|-------------|
| 17500-6X1-18L | 1 piece/set |

| REF. | Component name        | QTY |
|------|-----------------------|-----|
| 1    | fuel tank comp.       | 1   |
| 2    | fuel filler cap comp. | 1   |
| 3    | fuel meter assy.      | 1   |
| 4    | flat screw 5x10       | 2   |
| 5    | fuel cock assy.       | 1   |



**ENG IMPORTANT**

Every effort has been made to ensure accuracy and comprehensiveness of the information included in this catalogue. However, Honda Europe cannot be held responsible for errors or omissions and for alterations occurred after release for printing.

**FR IMPORTANT**

Tous les efforts ont été faits pour assurer l'exactitude et l'exhaustivité de l'information contenue dans ce catalogue. Néanmoins, Honda Europe ne peut porter la responsabilité d'erreurs ou d'annulations et de modifications intervenues après l'autorisation d'impression.

**D WICHTIG**

Die Ihnen vorliegende Information wurde nach bestem Wissen und Gewissen zusammengestellt. Für Irrtümer oder Änderungen und den daraus resultierenden Schäden kann keine Gewähr übernommen werden.

**NL BELANGRIJK**

Al het mogelijke werd gedaan om de juistheid en volledigheid van de geboden informatie in deze catalogus te garanderen. Honda Europe kan evenwel niet aansprakelijk worden gesteld voor fouten of weglatingen en voor wijzigingen die na de vrijgave voor de druk zijn voorgekomen.

**E IMPORTANTE**

Se han realizado todos los esfuerzos posibles para garantizar la fiabilidad de este catálogo. No obstante, Honda Europa no se responsabiliza de los errores, omisiones o alteraciones que puedan producirse tras su impresión.

**I IMPORTANTE**

Tutti gli sforzi sono stati fatti per assicurare l'esattezza e la completezza delle informazioni contenute in questo catalogo. In ogni caso, la società Honda Europe non potrà essere ritenuta responsabile per errori, modifiche o annullamenti verificatisi dopo l'autorizzazione alla stampa.

**P IMPORTANTE**

Todos os esforços foram feitos para assegurar a exactidão da informação contida neste catálogo. No entanto, a Honda Europe não se responsabiliza por qualquer tipo de erro ou anulação após dada a autorização para impressão.

**FI TÄRKEÄÄ**

Olemme pyrkineet tekemään tämän luettelon niin täsmälliseksi ja kattavaksi kuin mahdollista. Honda Europe ei kuitenkaan vastaa painatuksen jälkeen tapahtuneista muutoksista.

**DK VIGTIGT**

Der er lagt stor vægt på at gøre informationerne i dette katalog så korrekte og omfattende som muligt. Honda Europe kan dog ikke stilles til ansvar for fejl eller udeladelser samt ændringer der er sket efter kataloget er frigivet til trykning.

**N VIKTIG**

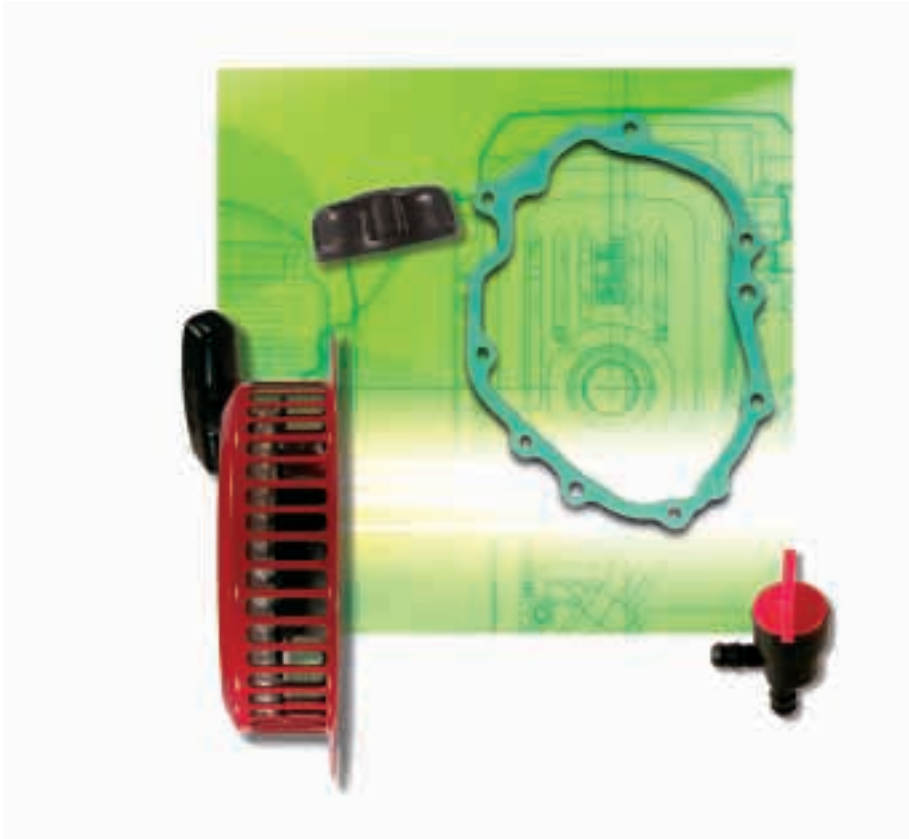
Det er lagt stor vekt på å gjøre informasjonen i denne katalogen så korrekt og omfattende som mulig. Honda reserverer seg fra eventuelle trykkfeil samt endringer som har skjedd etter publisering.

**S VIKTIGT**

Stor vikt har lagts på att göra informationen i denna katalog så korrekt och omfattande som möjligt. Honda reserverar sig för feltryck samt ändringar som gjorts efter att katalogen gått i tryck.

**CZ DŮLEŽITÉ**

Byla věnována velká pozornost přesnosti a rozsahu informací obsažených v tomto katalogu. Nicméně, Honda Europe nenes odpovědnost za chyby nebo opomenutí a za změny které nastanou po vytištění.



**Honda Europe NV**  
Langerbruggestraat 104  
B-9000 Gent