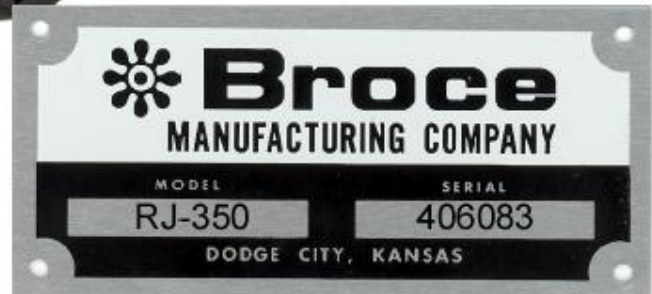


Broce Broom

PARTS MANUAL



MODELS
350 Series



Serial Numbers
407638 thru 408093

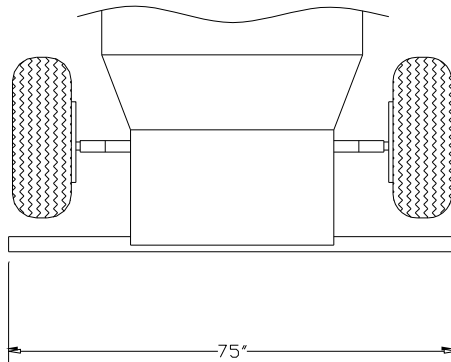
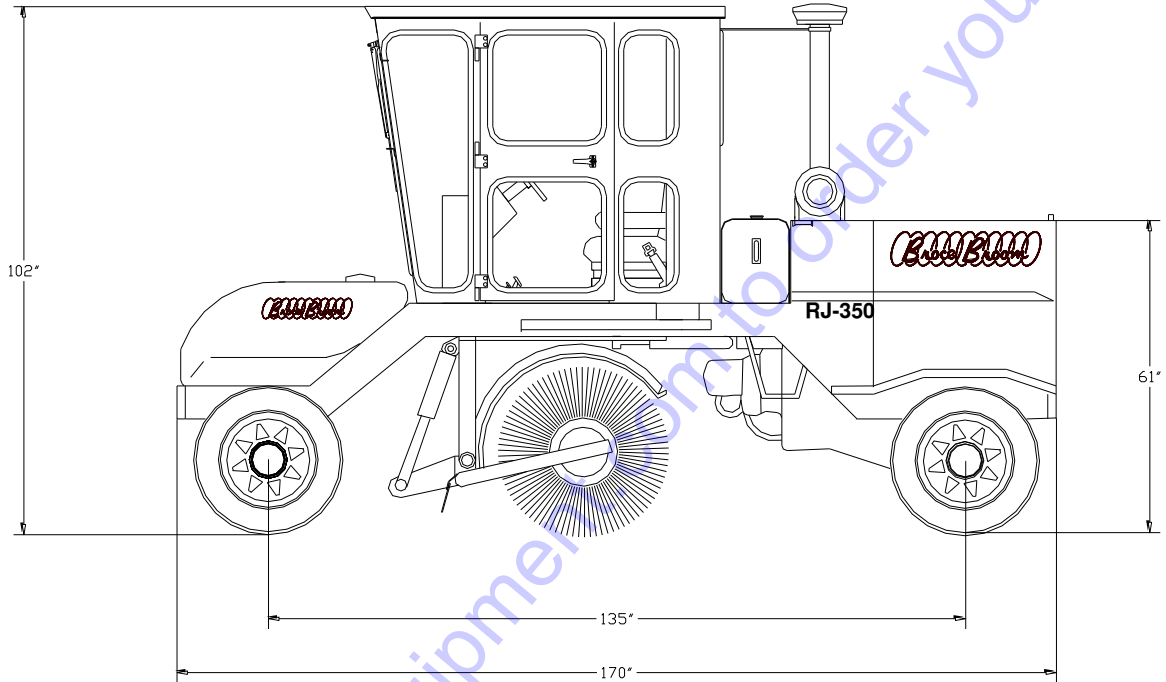
THE  LEADER



www.discount-equipment.com

BROCE BROOM MODEL 350

ESTIMATED DIMENSIONS



Go to Discount-Equipment.com to order your parts

TABLE OF CONTENTS

Main Frame Component Parts.....	1-2
Instrument Panel & Components.....	3-4
Seat and Suspension	5-6
Brake Control Assemblies.....	7-8
Hydrostatic Control Assemblies.....	9-10
Circle Frame and Components	11-12
Direct Drive Core Assembly	13-14
Chain Drive Core Assembly	15-16
Broom Core Wafers and Spacers	17-18
Bolster Assembly	19-20
Front Axle Parts and Steering.....	21-22
Front Brake Assembly	23-24
Rear Axle & Drive Assembly	25-26
Rear Brake Assembly.....	27-28
Two Speed Gear Box.....	29-30
Model 44 Industrial Axle	31-32
Tow Bar Assembly	33-34
Cab Assembly.....	35-36
Roll Over Protection Structure & Related Parts.....	37-38
Fuel Tank Assembly.....	39-40
Decal Kit	42
HYDRAULIC SYSTEM DETAILS.....	44-54
Hydraulic System Components – Front Section.....	45-46
Hydraulic System Components – Cab/Valve Section.....	47-48
Hydraulic System Components – Variable Speed Option.....	49-50
Hydraulic System Components – Rear Section	51-52
Hydrostatic Drive System	53-54

TABLE OF CONTENTS (Cont.)

HYDRAULIC SYSTEM DETAILS (Cont.)

Core Rotation Valve Assembly	55-56
Joystick Valve Assembly	57-58
Optional Down Pressure Limiter	59-60

ELECTRICAL SYSTEM & ACCESSORIES 62-76

Gauges & Senders	63-64
Windshield Wipers & Washer	65-66
Misc. Switches, Fuses, Etc.	67-68
Lights & Horns	69-70
Heater/Defroster	71-72
Air Conditioning System	73-76

BROOM ACCESSORY SYSTEMS 77-89

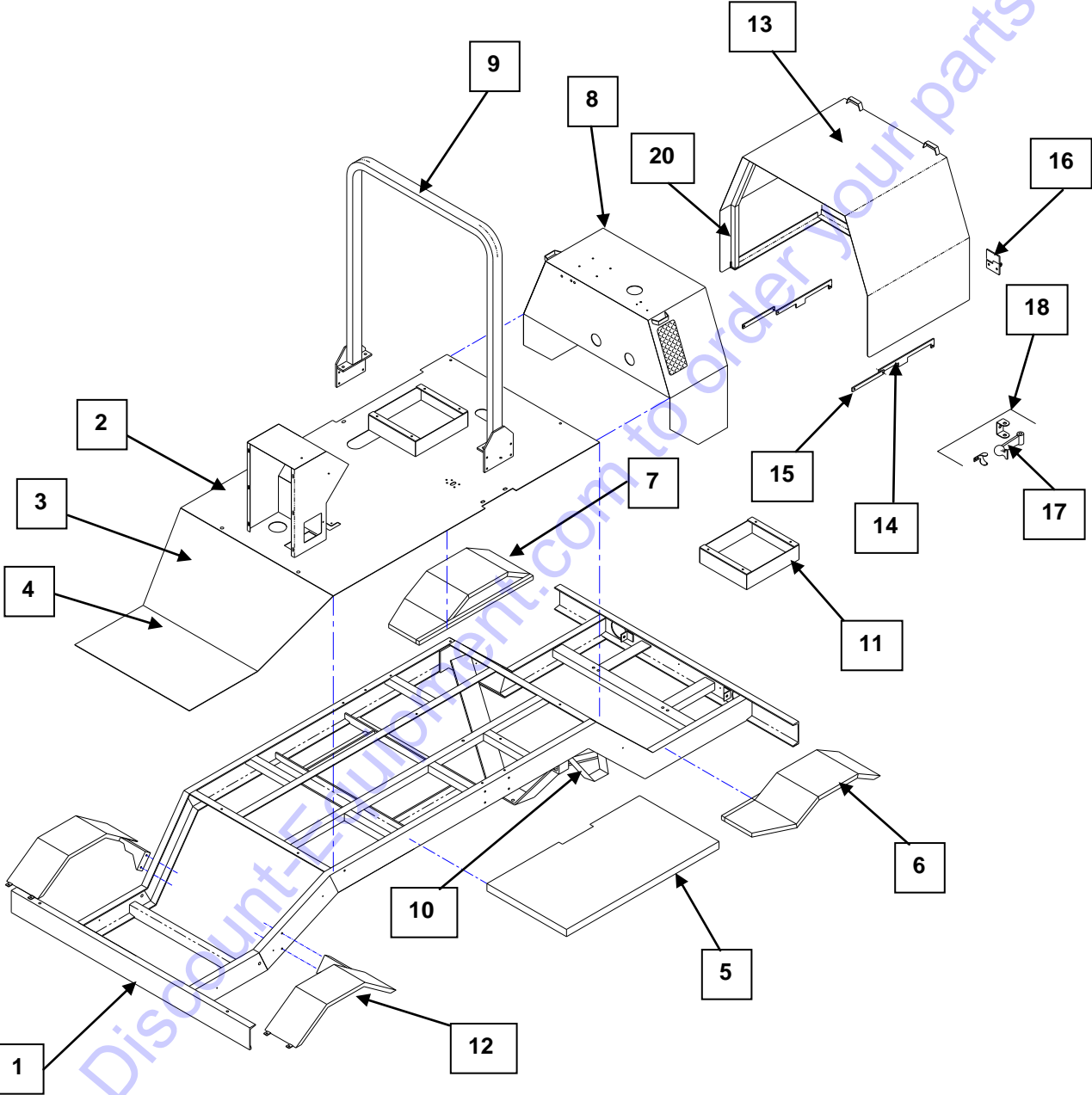
Water System Illustrations	79-80
Scraper Blade Illustrations	81-82
Scraper Blade Hydraulics	83-84
Curb Sweeper Illustrations	85-86
Curb Broom Hydraulics	87-88

ENGINES AND RELATED PARTS 89-122

RCT-350 EXPORT Engine	91-98
RCT-350 USA/CANADA Tier 4i Engine	99-108
RJT-350 Engine	109-118
KR-350 Engine	119-120
CR-350	121-122

MAINTENANCE, SPECIFICATIONS AND SCHEMATICS 123+

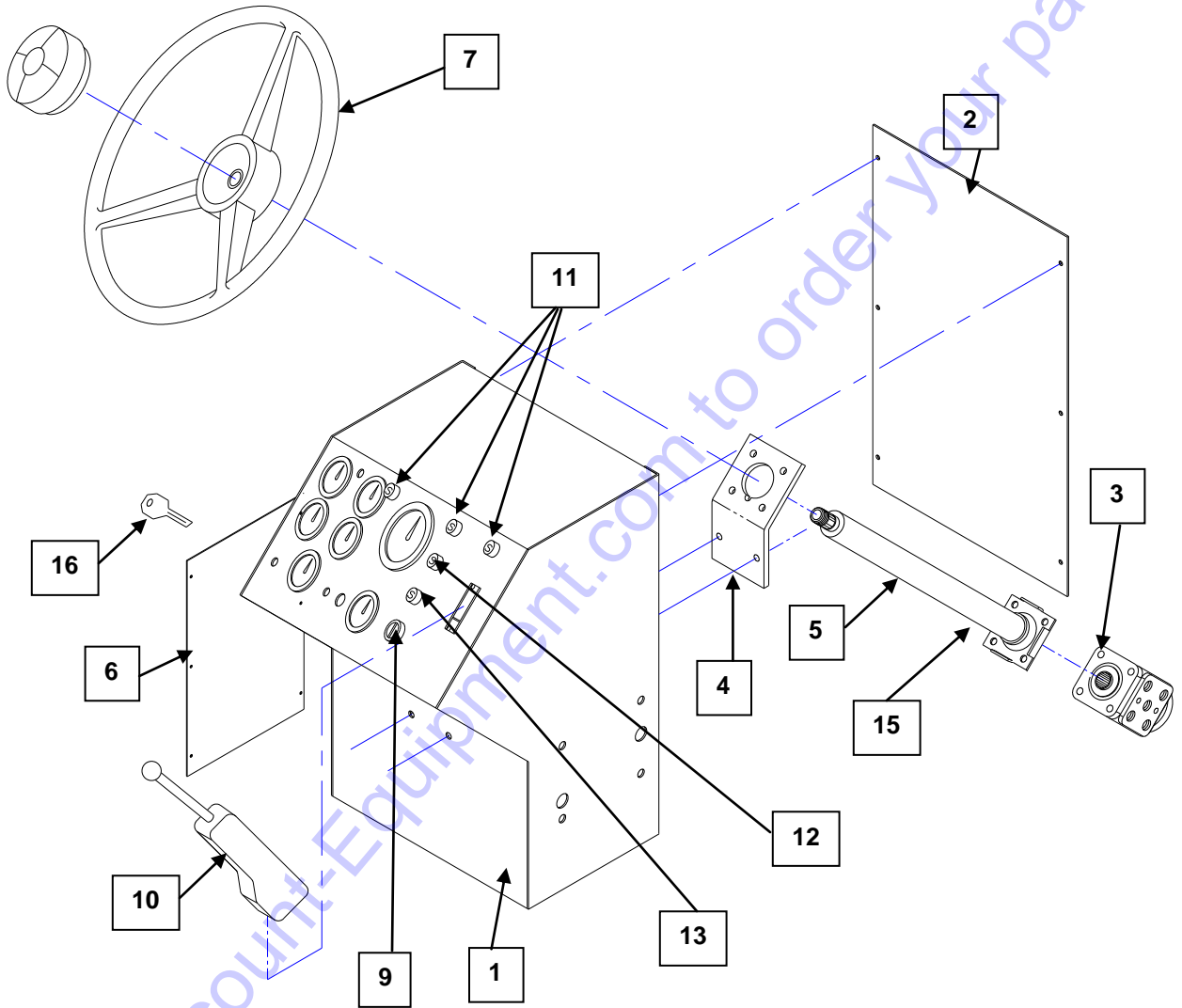
MAIN FRAME COMPONENT PARTS



MAIN FRAME COMPONENT PARTS

Reference	Part No.	Description	Qty.
1.....	F-201-R	Main Frame w/ Decking.....	1
2.....	F-206-RS.....	Main Deck (Smooth).....	1
	F-206-R	Main Deck (Diamond Tread).....	1
3.....	F-205-R	Diagonal Deck (w/o Water System)	1
	F-205-RW.....	Diagonal Deck (w/ Water System).....	1
4.....	F-204-R	Front Deck (w/o Water System)	1
	F-204-RW.....	Front Deck (w/ Water System).....	1
5.....	F-209-EX.....	Deck Step (Expanded Metal)	1
	F-209-R	Deck Step (Diamond Tread)	1
6.....	850073	Rear Fender, LH.....	1
7.....	850072	Rear Fender, RH	1
8.....	852049-C	Fire Wall.....	1
9.....	See Roll Over Protection	Roll Bar (2 Post).....	1
10.....	F-202.....	Frame Step	1
11.....	203138	Seat Support Base (Non-suspension).....	1
12.....	F-826.....	Front Fenders (pair)	1
13.....	VF-208-C.....	Hood Assembly	1
14.....	203274	Hood Support Linkage	1
15.....	001687	Hood Support Linkage	1
16.....	VF-317-B.....	Hinge, (Set of 2)	1
17.....	VF-803-R.....	Hood Catch (Rubber Strap only).....	2
18.....	VF-319-RA	Catch Assembly (Complete).....	2
19.....	F-811-R	Rock Guard	1
20.....	304009	Rubber Hood Molding.....	1

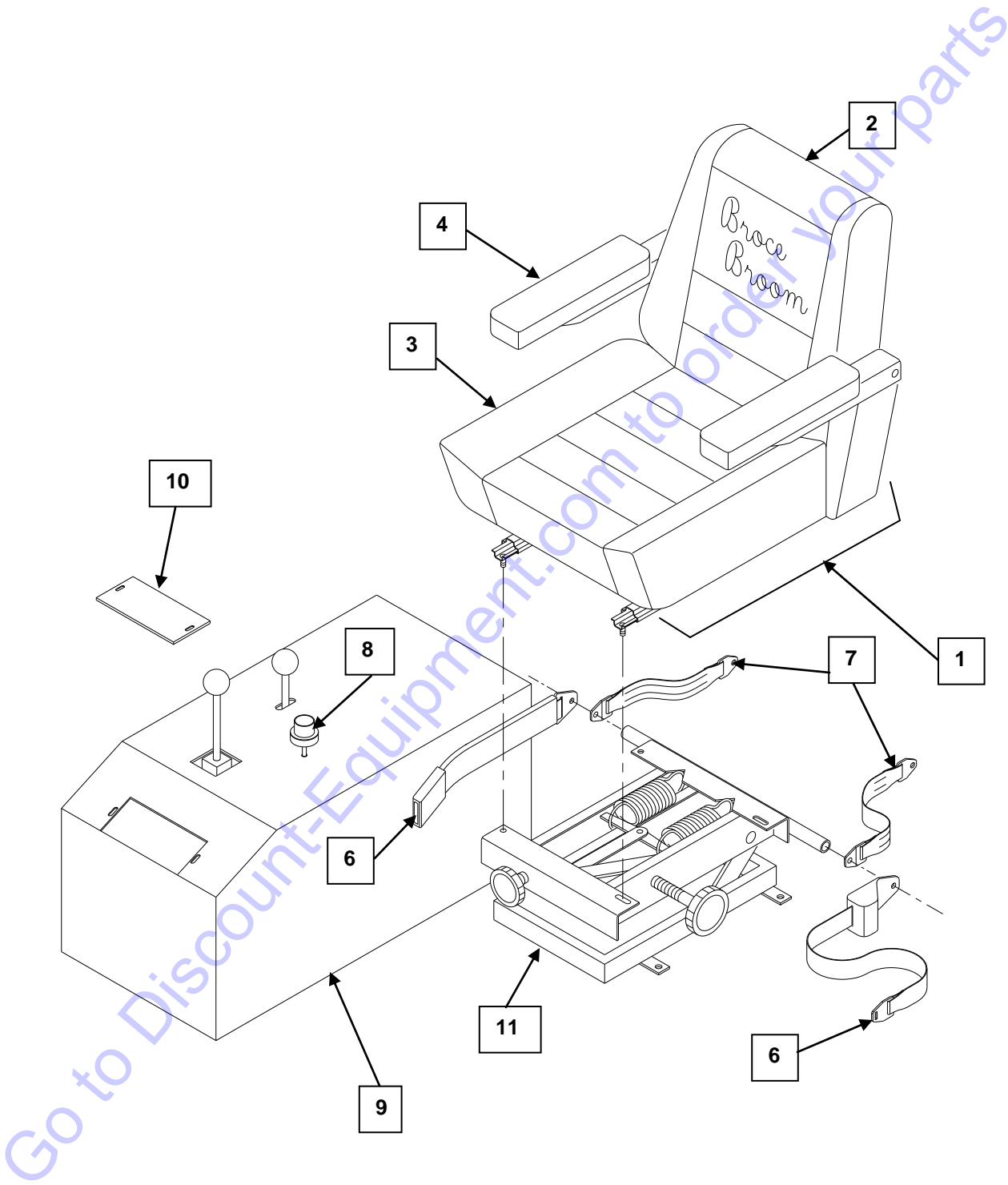
INSTRUMENT PANEL AND COMPONENTS



INSTRUMENT PANEL AND COMPONENTS

Reference	Part No.	Description	Qty.
1.....	I-217-AR.....	Dash Housing	1
2.....	I-218-R	Dash Back Cover	1
3.....	See Hydraulic System – Front Section	Power Steering Unit	1
4.....	SM-249-D.....	Power Steering Unit Mount	1
5.....	305945	Steering Column.....	1
	305950.....	Tilt Steering Column (No Conversion)	1
6.....	205169	Access Cover	1
7.....	S-253-R	Steering Wheel/Horn Assembly	1
9.....	See Electrical Section	Ignition Switch	1
10.....	HS-230-A	Shifter Assembly (2 Speed).....	1
	HS-231-A.....	Shifter Cable (Not Shown)	1
11.....	See Electrical.....	Universal Accessory Switch	3
	See Electrical Section	Lighted Rocker Switch (Not Shown)	1
12.....	See Electrical Section	Wiper Switch	1
13.....	See Heater/ Defroster	Heater Switch (2 Speed).....	1
15.....	N/A	Horn Sender (Replace Column)	1
16.....	See Electrical Section	Spare Key (pair)	1

SEAT AND SUSPENSION COMPONENTS

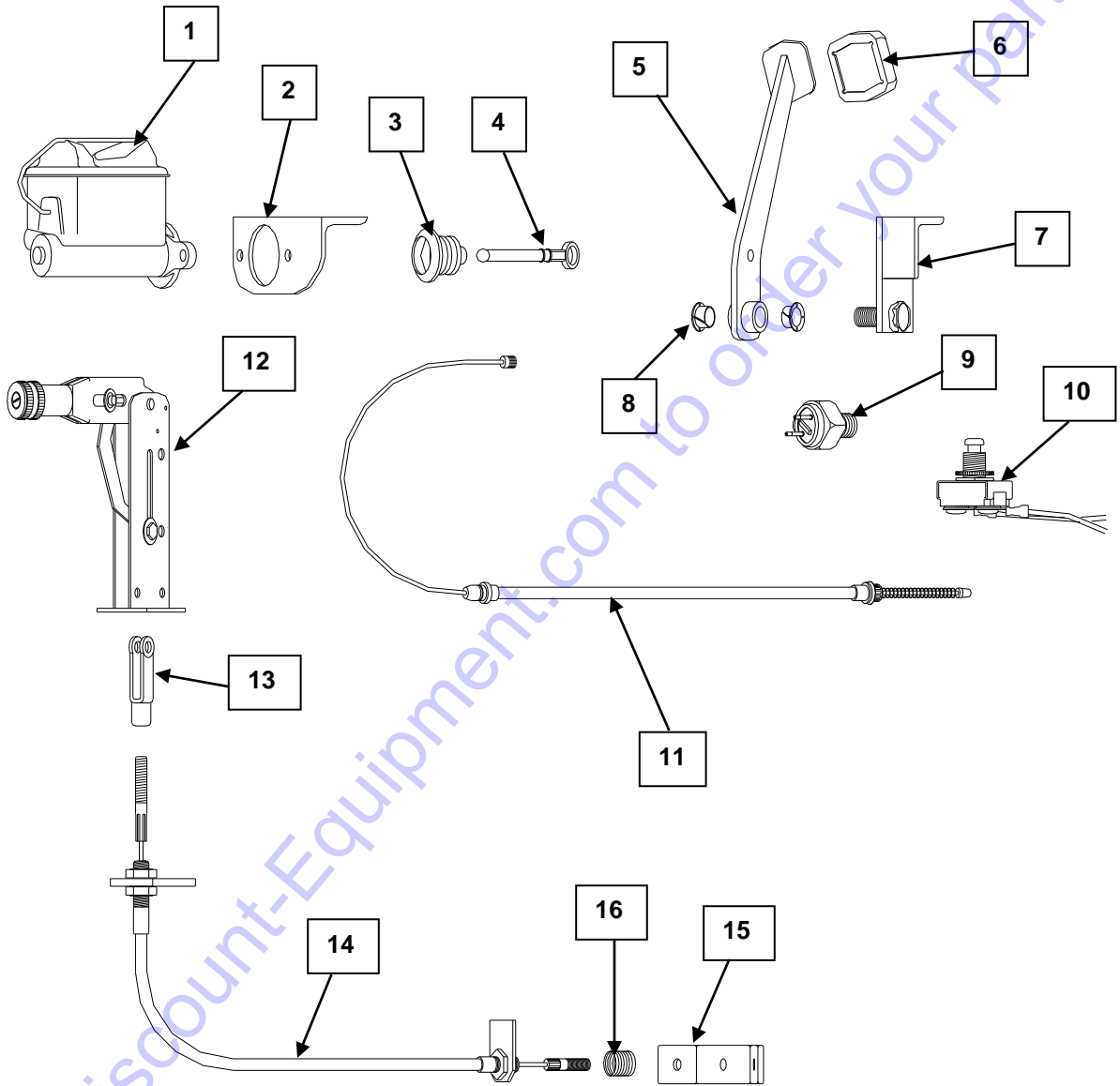


SEAT AND SUSPENSION COMPONENTS

Reference	Part No.	Description	Qty.
1.....	BS-1050.....	Seat Assembly.....	1
2.....	BS-1051.....	Back Rest.....	1
3.....	BS-1052.....	Seat Cushion.....	1
4.....	BS-1053L+R.....	Arm Rest Pad.....	2
6.....	C-211.....	Retractable Seat Belt (Shown).....	1
	C-211-SH.....	Retractable Seat Belt w/ Shoulder Harness (Not Shown).....	1
7.....	C-211-RT.....	Tether Strap Set (for use w/ Suspension Seat).....	1
8.....	T-213-R.....	Throttle Cable.....	1
9.....	203436.....	Hydraulic Control Cabinet.....	1
10.....	203183.....	Valve Box Cover.....	1
11.....	BS-1054.....	Suspension Assembly.....	1
Not Shown.....	203181.....	Hydraulic Control Cover Back.....	1
Not Shown.....	309456.....	Throttle Cable (Cat Engine).....	1

Go to Discount-Equipment.com to order your parts

BRAKE CONTROL ASSEMBLIES



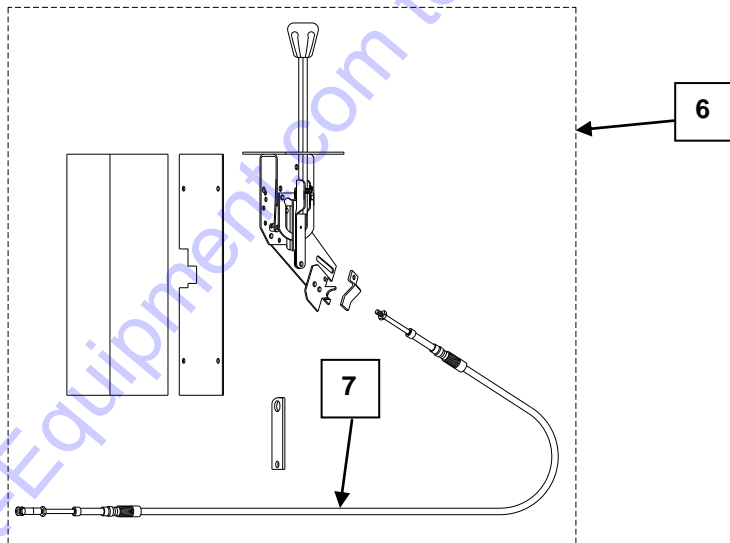
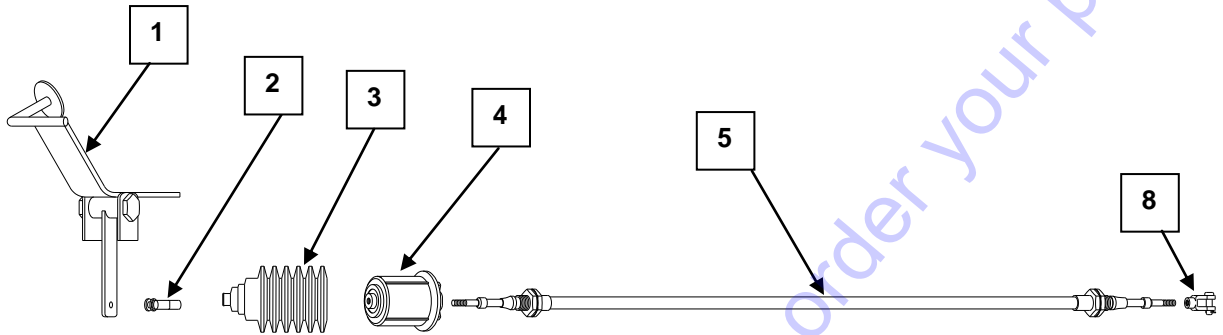
Go to Discount-Equipment.com to order your parts

BRAKE CONTROL ASSEMBLIES

Reference	Part No.	Description	Qty.
1.....	B-240-B.....	Dual Master Cylinder.....	1
2.....	BM-245-R.....	Master Cylinder Mount.....	1
3.....	B-284.....	Rubber Boot.....	1
4.....	K00001.....	Push Rod.....	1
5.....	B-238-R.....	Brake Pedal.....	1
6.....	B-241-R.....	Brake Pedal Pad.....	1
7.....	BM-244-R.....	Pedal Mount.....	1
8.....	B-242-R.....	Pedal Bushing.....	2
9.....	BLS-15.....	Brake Light Switch.....	1
10.....	PBS-13.....	Parking Brake Switch.....	1
11.....	PB-237.....	Parking Brake Cable.....	2
12.....	PB-233-C.....	Brake Lever Assembly.....	1
13.....	PB-229-C.....	Clevis (3/8" Fine Thread).....	1
14.....	PB-235-C.....	Primary Parking Brake Cable.....	1
15.....	202091.....	Parking Brake Adjuster.....	1
16.....	344105.....	Tension Spring.....	1
Not Shown.....	F97935.....	Master Cylinder Repair Kit.....	1

Go to DiscountEquipment.com to order your parts

HYDROSTATIC CONTROL ASSEMBLIES



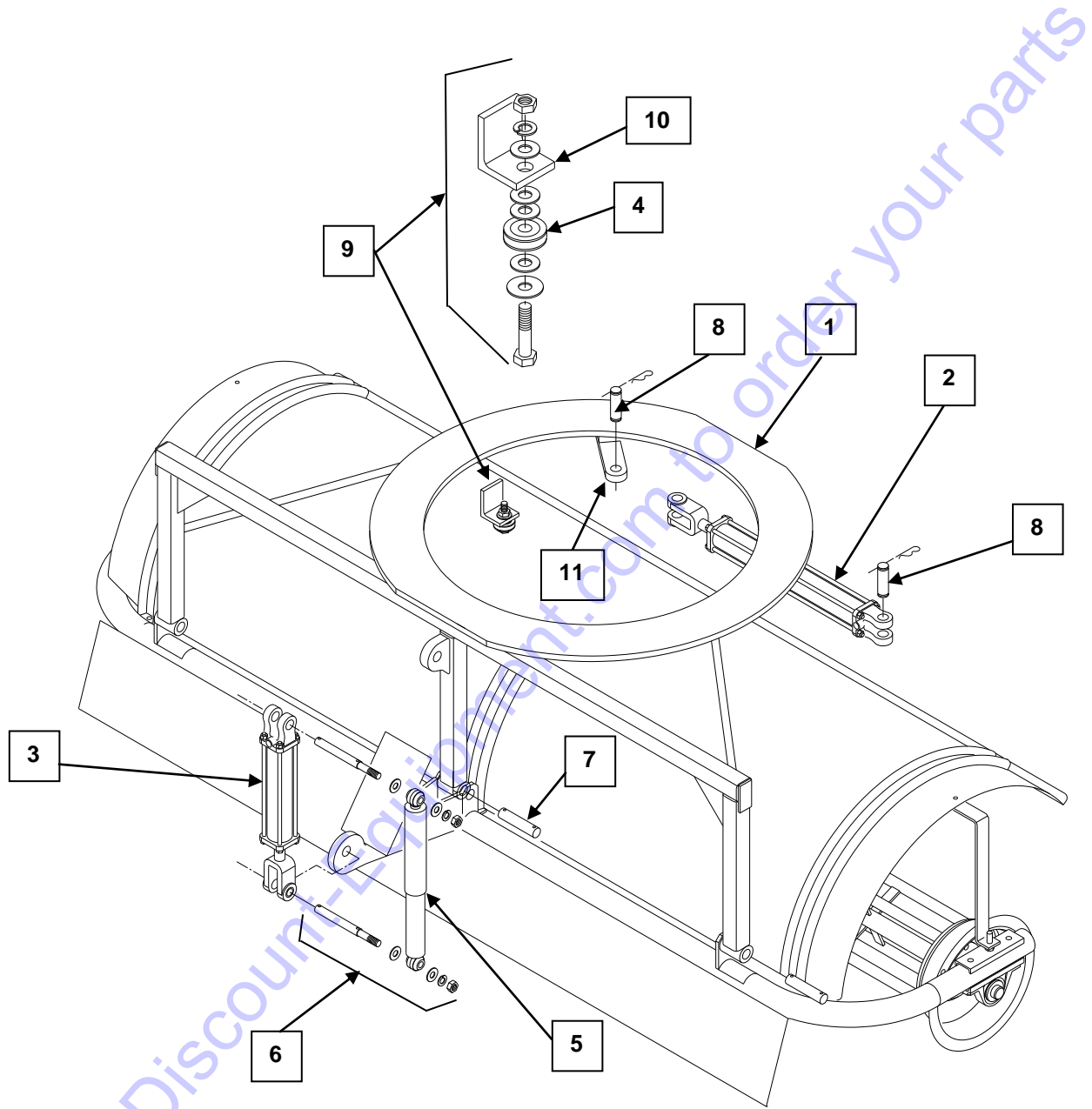
Go to DiscountEquipment.com to order your parts

HYDROSTATIC CONTROL ASSEMBLIES

Reference	Part No.	Description	Qty.
1.....	HC-226-R.....	Control Pedal Assembly	1
2.....	HC-229-B.....	1/4" Clevis w/ Pin (Note: Control Cable)	1
3.....	HC-228-B.....	Hydro-Back Boot	1
4.....	HC-228-HB.....	Hydro-Back Device.....	1
5.....	HC-228-E.....	Hydro-Back Cable.....	1
6.....	HC-226-HA.....	Hand Control Kit (Note: Converts Foot Control to Hand Control).....	1
7.....	HC-228-OH.....	Hand Control Cable.....	1
8.....	309466.....	Heims End.....	1

Go to Discount-Equipment.com to order your parts

CIRCLE FRAME & COMPONENTS

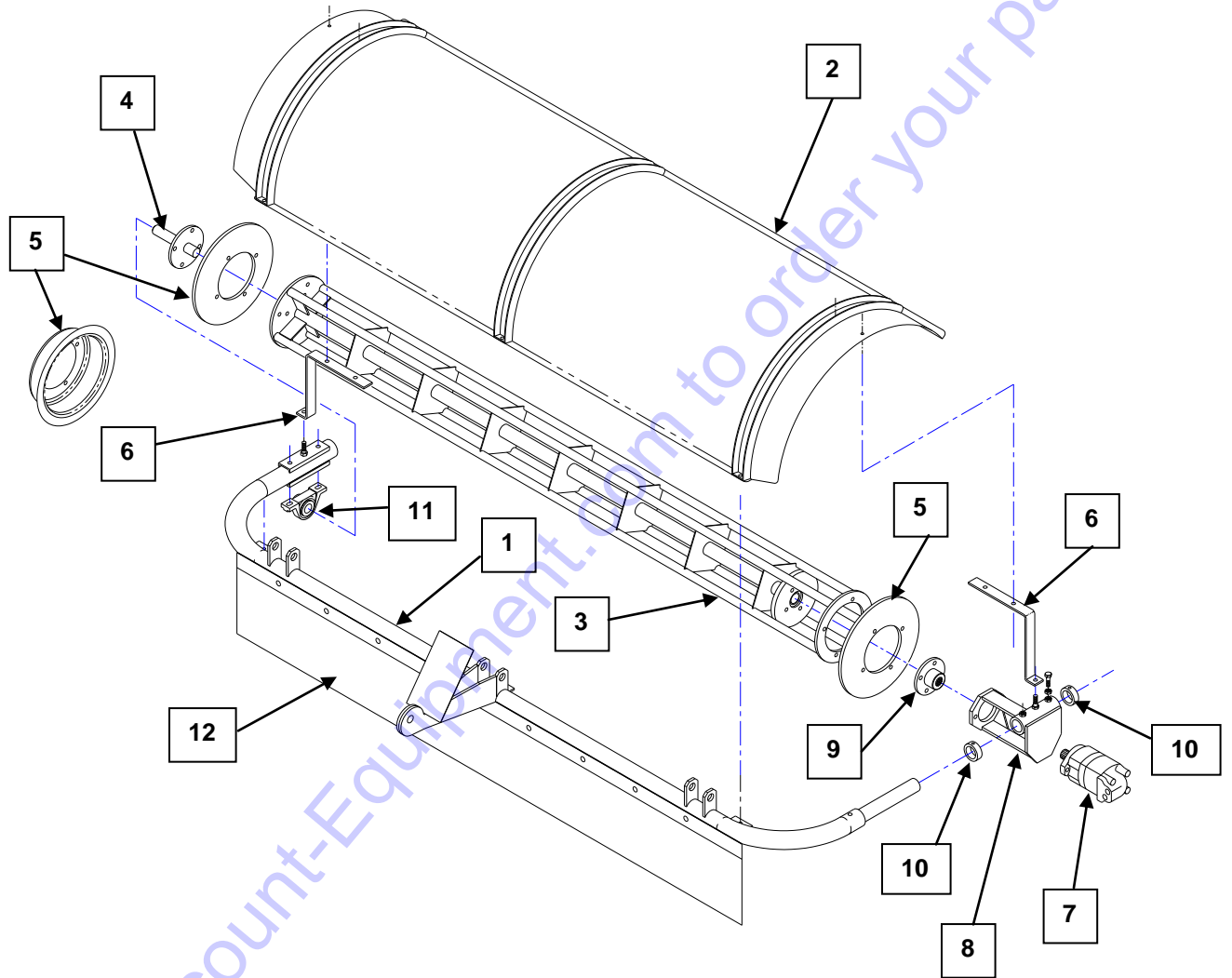


CIRCLE FRAME & COMPONENTS

Reference	Part No.	Description	Qty.
1.....	C-102.....	Circle Frame.....	1
1a.....	C-102A.....	Circle Frame w/Curb Broom Mount Bracket..	1
2.....	See Hydraulic Section.....	Shift Cylinder.....	1
3.....	See Hydraulic Section.....	Lift Cylinder.....	1
4.....	B-103.....	Circle Bearing.....	9
5.....	D-20-R.....	Shock Absorber.....	1
6.....	D-21-R.....	Shock Pin.....	2
7.....	C-109.....	Hinge Pin.....	3
8.....	RC-19.....	Cylinder Pin.....	2
9.....	B-105.....	Bearing Bracket Assembly (qty as required)	
10.....	B-104.....	Bearing Bracket.....	5
11.....	850006.....	Circle Cylinder Lug.....	1

Go to Discount-Equipment.com to order your parts

DIRECT DRIVE CORE ASSEMBLY

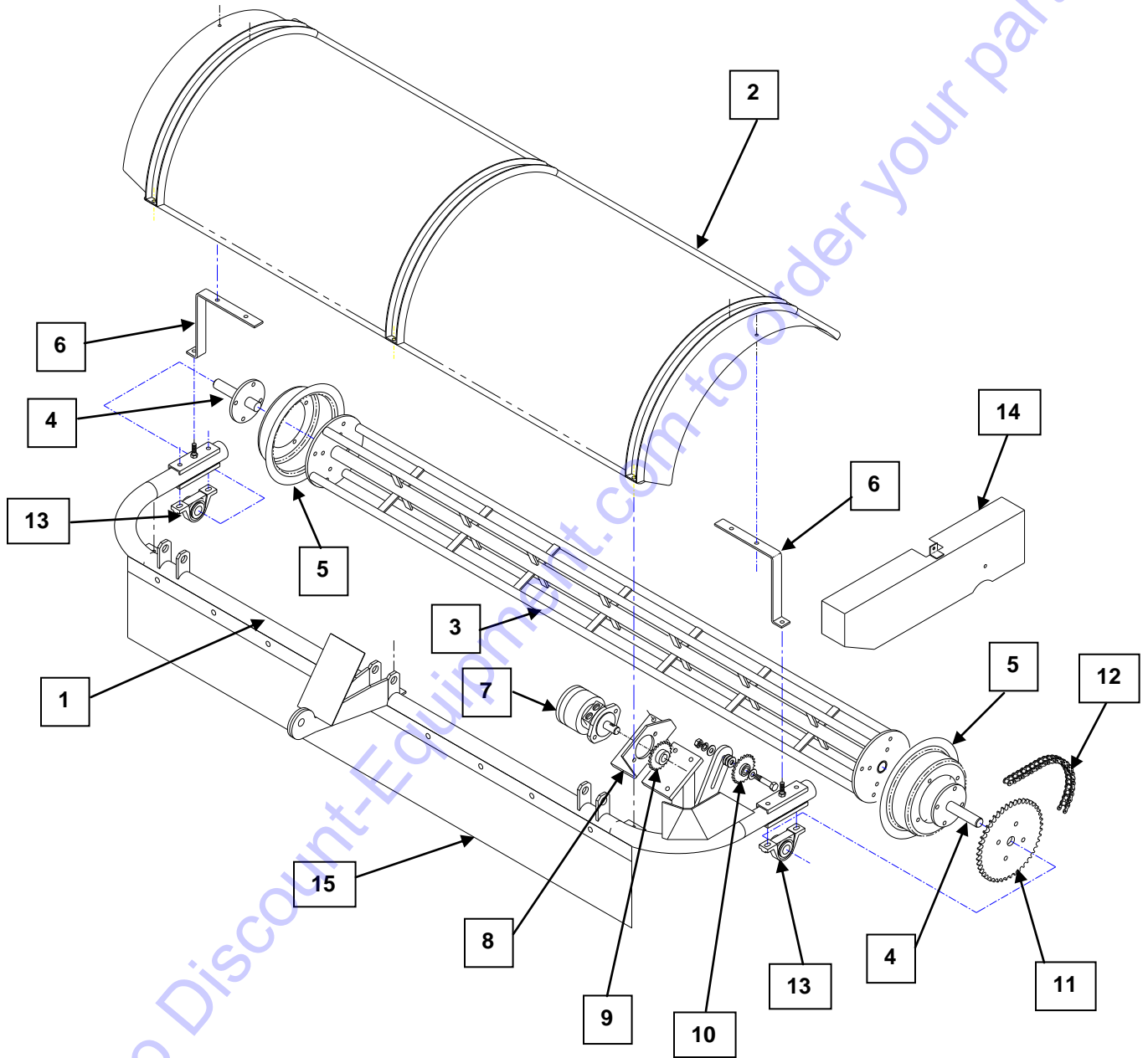


DIRECT DRIVE CORE ASSEMBLY

Reference	Part No.	Description	Qty.
1.....	C-108-SPC.....	Core Support.....	1
2.....	D-12-8	Core Cover	1
3.....	D-15-SPCA	Core w/ Flat End Caps.....	1
	D-15-SPC	Core w/ Formed End Caps.....	1
4.....	D-17.....	Spindle.....	1
5.....	203010	End Cap (Flat – Standard Equipment).....	2
	D-16.....	End Cap (Formed – Optional).....	2
6.....	D-11.....	Support Bracket.....	2
7.....	See Hydraulic	Hydraulic Motor (Core).....	1
	Section		
8.....	MR-16-SPC.....	Hydraulic Motor Mount (Core).....	1
9.....	DD-257-R	Splined Hub.....	1
10.....	MR-16-LR	Lock Ring	2
11.....	D-13.....	Pillow Block Bearing.....	1
12.....	304129	Core Rock Guard	1

Go to Discount-Equipment.com to order your parts

CHAIN DRIVE CORE ASSEMBLY

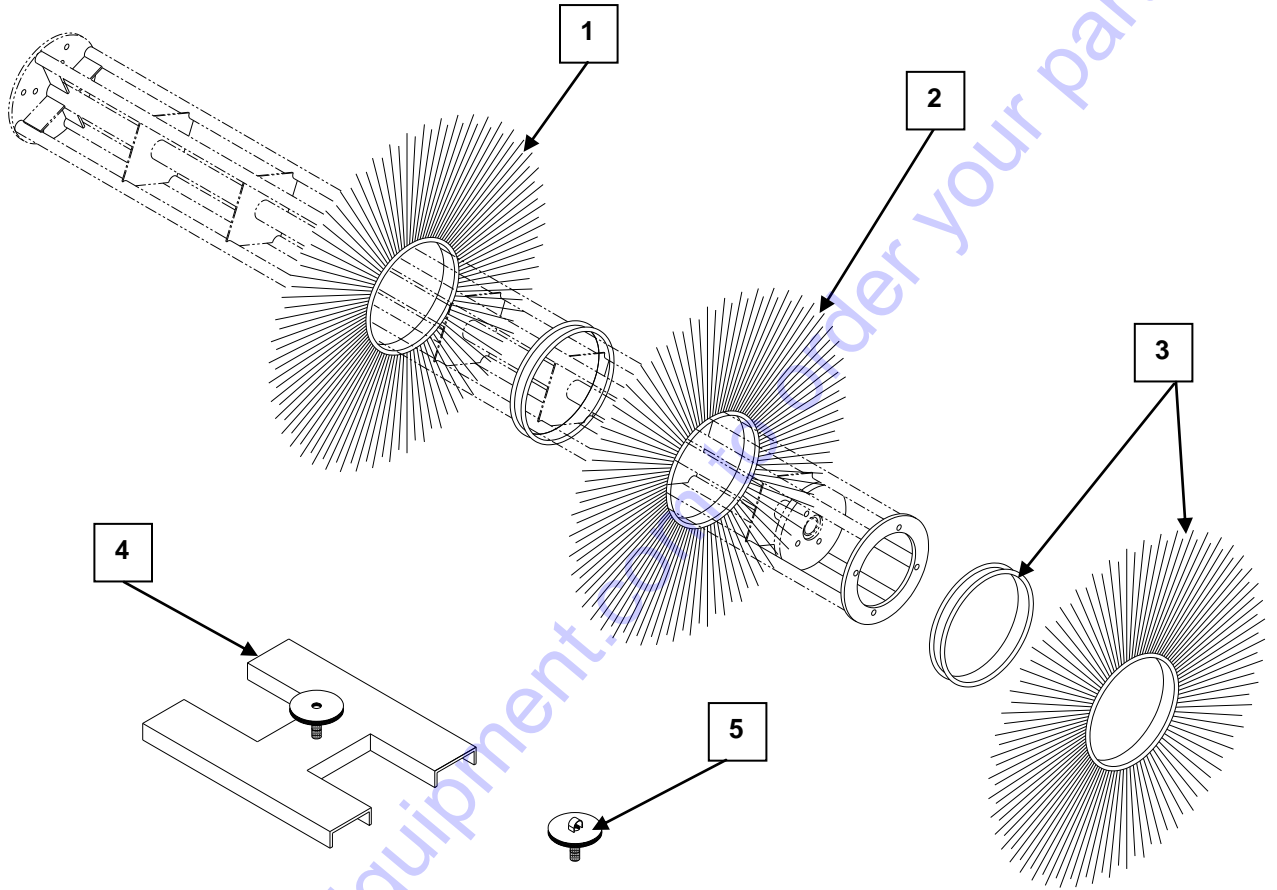


CHAIN DRIVE CORE ASSEMBLY

Reference	Part No.	Description	Qty.
1.....	C-108-R.....	Core Support.....	1
2.....	D-12-8	Core Cover	1
3.....	D-15-8	Core.....	1
4.....	D-17.....	Spindle.....	2
5.....	D-16.....	End Cap	2
6.....	D-11.....	Support Bracket.....	2
7.....	MAB-16-B	Hydraulic Motor (Core).....	1
8.....	MR-16-AR	Hydraulic Motor Mount (Core).....	1
9.....	C-111.....	Sprocket (Drive).....	1
10.....	C-109-AR	Sprocket (Idler)	1
11.....	C-110.....	Sprocket (Driven).....	1
12.....	D-14-R.....	Roller Chain	1
13.....	D-13.....	Pillow Block Bearing.....	2
14.....	D-18-R.....	Chain Guard	1
15.....	304129	Core Rock Guard	1

Go to Discount-Equipment.com to order your parts

BROOM CORE WAFER & SPACERS

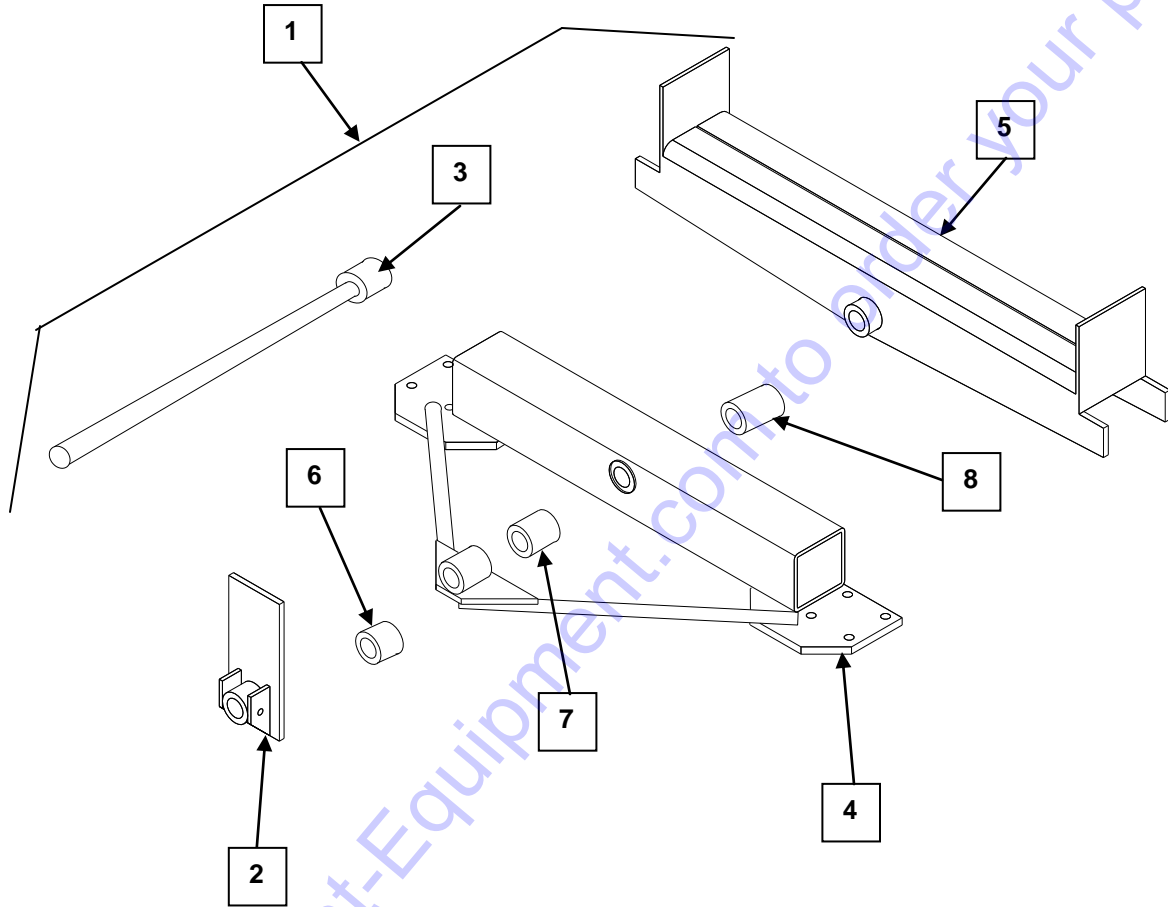


BROOM CORE WAFER & SPACERS

Reference	Part No.	Description	Qty.
1.....	RW-503	10" x 32" Poly Wafer	1
2.....	RW-504	10" x 32" Wire Wafer	1
3.....	RW-500	8' Set, Poly Wafers w/Spacers	1
	RW-502	8' Set, 1/2 Poly, 1/2 Wire w/Spacers.....	1
4.....	CS-01	Core Service Stand.....	1
5.....	CS-02	Core Service Ring.....	1
Not Shown.....	304290	Tube Brush Poly Brush.....	1
	304289	Tube Brush 1/2 Poly, 1/2 Wire Brush.....	1
Not Shown.....	852427	Strip Brush Mandrel	1
	304298	Strip Brush Poly Brush (8' Set – 2 req'd).....	1

Go to Discount-Equipment.com to order your parts

BOLSTER ASSEMBLY



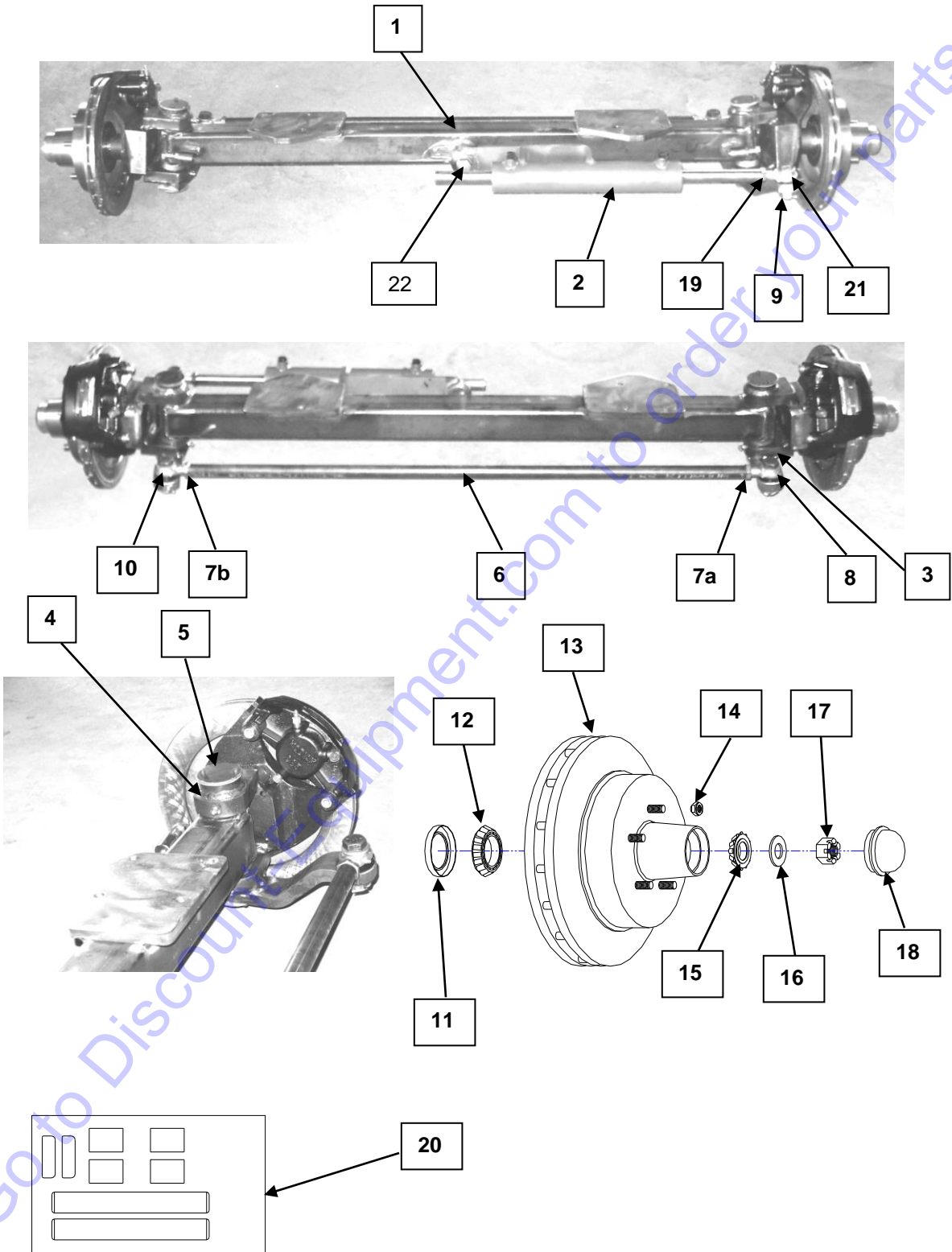
Go to Discount-Equipment.com to order your parts

BOLSTER ASSEMBLY

Reference	Part No.	Description	Qty.
1.....	752002	Bolster Assembly, Complete..... Serial Number 402415 and Higher	1
2.....	852001	Bolster Brace	1
3.....	203002	Bolster Pin.....	1
4.....	852002	Bolster A-Frame Assembly	1
5.....	852003	Bolster Support	1
6.....	309507	Oil Light Bushing (1 1/4" x 1 1/2" x 1 1/2").....	1
7.....	309505	Oil Light Bushing (1 1/4" x 1 1/2" x 2").....	1
8.....	309506	Oil Light Bushing (1 1/4" x 1 1/2" x 2 1/4").....	1

Go to Discount-Equipment.com to order your parts

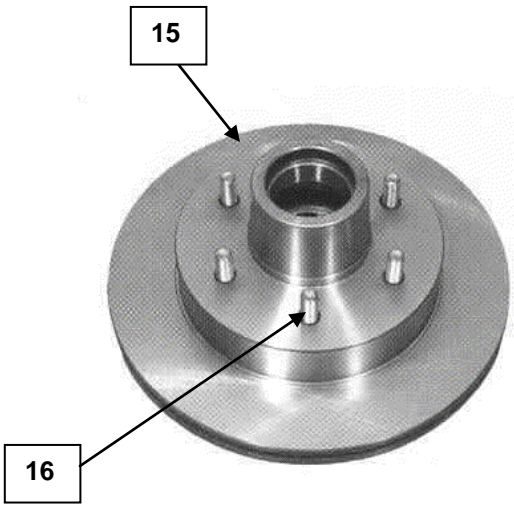
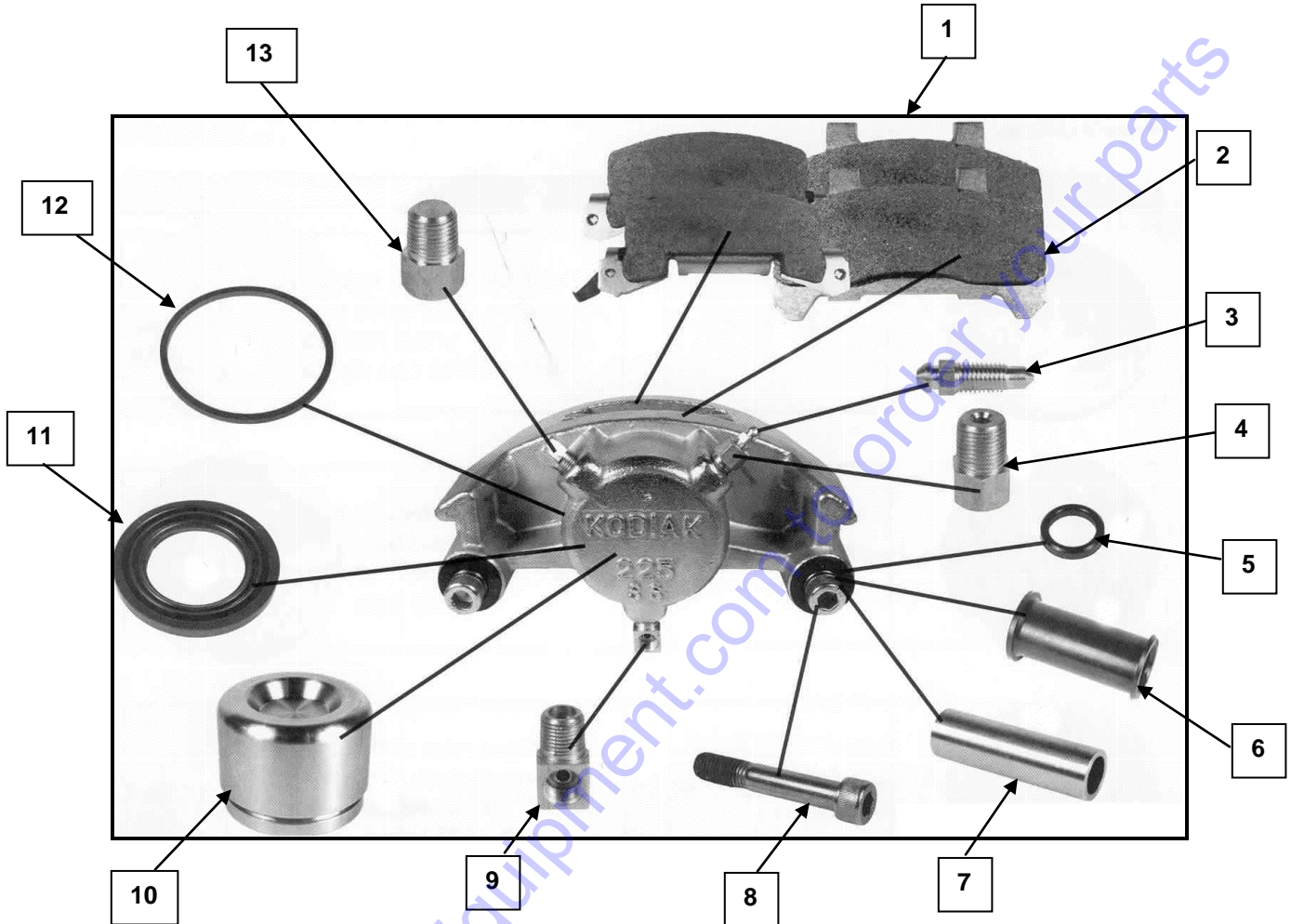
FRONT AXLE ASSEMBLY



FRONT AXLE ASSEMBLY

Reference	Part No.	Description	Qty.
1.....	403090	Front Axle Assembly (6 Lug x 5 1/2).....	1
2.....	203526	Steering Cylinder Assembly.....	1
4.....	403091	Knuckle w/Spindle, LH	1
	403092	Knuckle w/ Spindle, RH.....	1
5.....	BF4454.....	King Pin Cap	2
6.....	403093	Tie Rod Tube.....	1
7a.....	BF4470.....	Jam Nut, RH Thread	1
7b.....	BF4471.....	Jam Nut, LH Thread.....	1
8.....	BF4465R.....	Tie Rod End, LH Thread.....	1
9.....	203523	Lock Nut	1
10.....	BF4465L	Tie Rod End, RH Thread	1
11.....	BF4460.....	Seal	2
12.....	BF4461X	Inner Bearing Kit (w/Race).....	2
13.....	203544	Hub Assembly, (6 Lug x 5 1/2)	2
14.....	69957B.....	Lug Nut	10
15.....	752547	Outer Bearing Kit (w/Race).....	2
16.....	400195	Washer	2
17.....	203549	Lock Nut	2
18.....	203550	Hub Cap.....	2
19.....	BF4470.....	Jam Nut, RH Thread	1
20.....	BF4455.....	King Pin Kit	1
21.....	203520	Steering Cylinder Heims End	1
22.....	203556.....	Bolt (3/4-16 UNF-2A) Grade 8 (2-1/2" x 3/4).....	1
Not Shown.....	203553	Steering Cylinder Seal Kit	1
Not Shown.....	304039	Wheel – 6 Lug	1

5200-6000 LB FRONT BRAKE ASSEMBLY

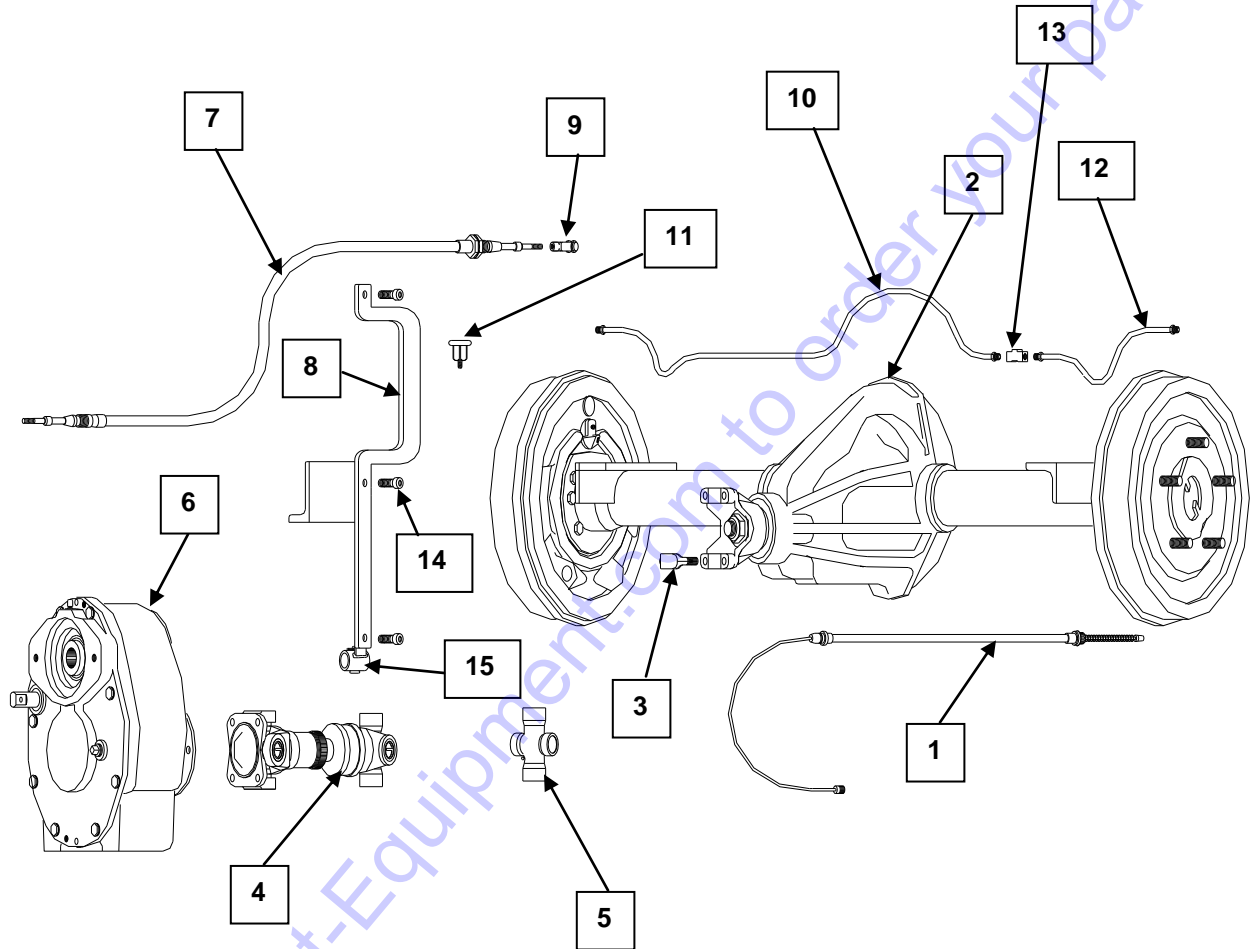


5200-6000 LB FRONT BRAKE ASSEMBLY

Reference	Part No.	Description	Qty.
1.....	203554	Complete Caliper Assembly w/ Pads	1
2.....	203530	Friction Pads (Organic).....	1
3.....	203531	1/4" – 28 Brass Bleed Screw	1
4.....	203532	1/8" Brass Bleed Screw Adapter.....	1
5.....	203533	Guide Bolt Sleeve O-ring	1
6.....	203534	Guide Bolt Rubber Sleeve	1
7.....	203535	Guide Bolt Stainless Steel Sleeve	1
8.....	203536	Guide Bolt (M11 x 1.5) w/ Thread Locker	1
9.....	203537	90° 1/8" NPT to 3/16" F.I.F.	1
10.....	203538	Caliper Piston 2 1/4" Stainless Steel	1
11.....	203539	Rubber Dust Boot.....	1
12.....	203540	Piston Rubber Seal.....	1
13.....	203541	1/8" NPT Brass Plug.....	1
15.....	203543	12" Integral Rotor w/ Hub (5 Lug x 5 1/2)	1
	203544.....	12" Integral Rotor w/ Hub (6 Lug x 5 1/2)	1
16.....	203555	Wheel Stud	5 or 6
Not Shown.....	FA-306-R	Brake Hose.....	2

Go to Discount-Equipment.com to order your parts

REAR AXLE & DRIVE ASSEMBLIES



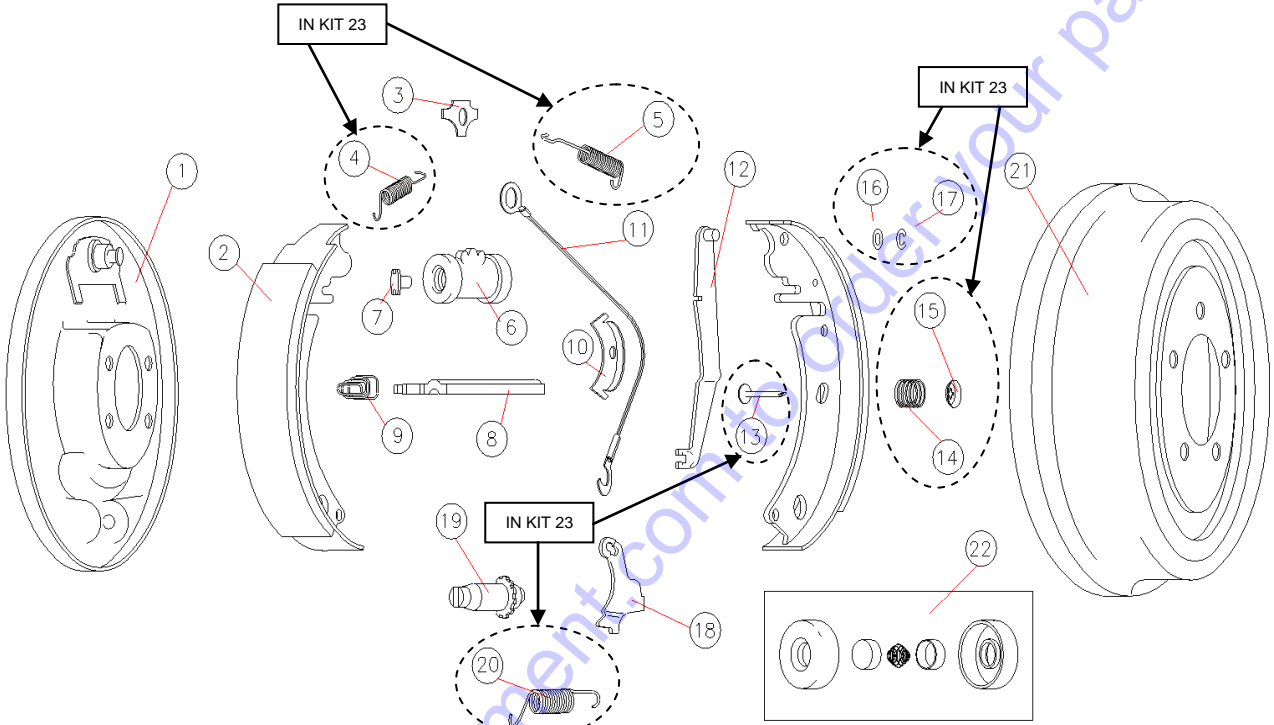
Go to Discount-Equipment.com to order your parts

REAR AXLE & DRIVE ASSEMBLIES

Reference	Part No.	Description	Qty.
1.....	PB-237	Parking Brake Cable.....	2
2.....	RA-293-R	Rear Axle Assembly Dana 44 (5 Lug).....	1
	RA-293-RA.....	Rear Axle Assembly Dana 44 (6 Lug).....	1
	RA-293-60.....	XHD Rear Axle Assembly (Optional – 5 Lug) Dana Model 60	1
	RA-293-60A	XHD Rear Axle Assembly (Optional – 6 Lug) Dana Model 60	1
3.....	403083	Cap U-Joint Dura-Axles	2
4.....	DS-299-C	Drive Line Assembly (Complete)	1
5.....	DS-298-R	Universal Joint Assembly.....	2
6.....	TS-302-C.....	2-Speed Gearbox	1
	TS-302-CR	2-Speed Gearbox (Reconditioned) Subject to Availability.....	1
7.....	HS-231-A	Shift Cable.....	1
8.....	203109	Hydraulic Shift Linkage.....	1
9.....	HC-229-R	3/8" Clevis Assembly w/ Pin.....	1
10.....	BL-296-R	Brake Line Assembly	1
11.....	RA-294-R	Breather	1
12.....	BL-297-R	Brake Line Assembly	1
13.....	RA-295-C	Union Tee	1
14.....	??????	Shoulder Bolt	3
15.....	850013	Shift Linkage Couple W/A.....	1

Go to Discount-Equipment.com to order your parts

REAR BRAKE ASSEMBLY

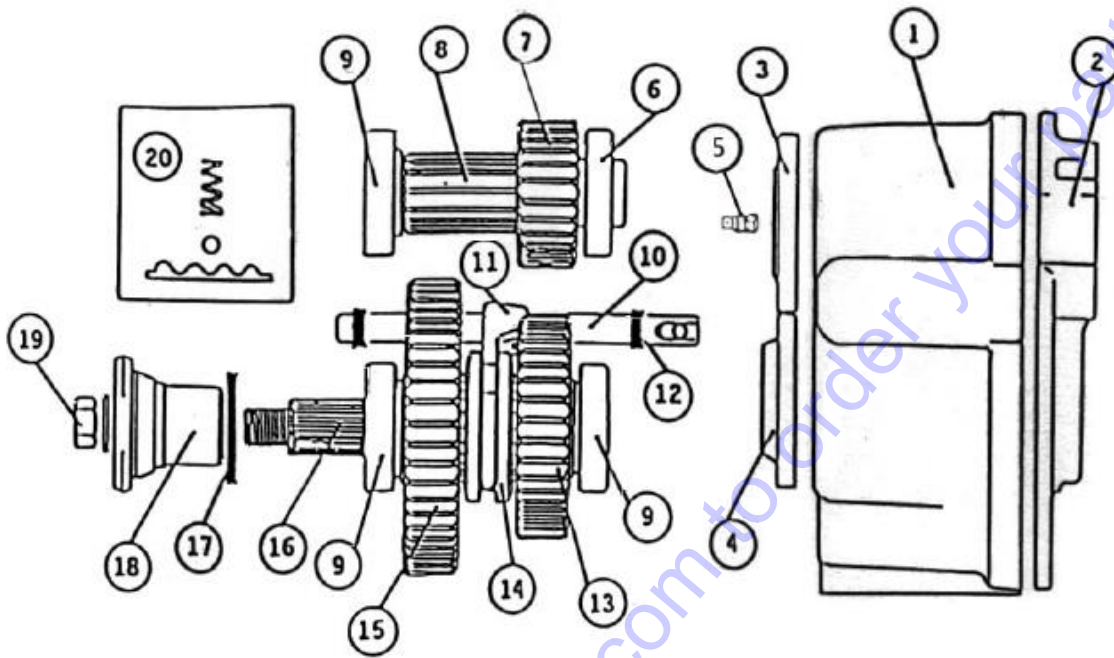


Go to Discount-Equipment.com to order your parts

REAR BRAKE ASSEMBLY

Reference	Part No.	Description	Qty.
1	4402AL	Backing Plate Assembly (Left)	1
	4402AR	Backing Plate Assembly (Right)	1
2	4414A	Shoe Set (Set of 4)	1
3	4408A	Anchor	1
4	See Ref 23	Return Spring (Front)	1
5	See Ref 23	Return Spring (Rear)	1
6	4406L	Wheel Cylinder (Left)	1
	4406R	Wheel Cylinder (Right)	1
7	4407A	Push Rod	2
8	4411A	Strut (Left)	1
	4411AR	Strut (Right)	1
9	4410	Spring	1
10	4418	Guide	1
11	4415	Cable	1
12	4413AL	Parking Brake Lever (Left)	1
	4413AR	Parking Brake Lever (Right)	1
13	See Ref 23	Pin, Shoe Hold Down	2
14	See Ref 23	Hold Down Spring	2
15	See Ref 23	Cup, Hold Down	2
16	See Ref 23	Spacer	1
17	See Ref 23	Retainer	1
18	4419L	Adjusting Lever, (Left)	1
	4419R	Adjusting Lever, (Right)	1
19	4423L	Adjusting Screw Assembly, (Left)	1
	4423R	Adjusting Screw Assembly, (Right)	1
20	See Ref 23	Spring	1
21	4404A	Brake Drum (5 Lug)	1
	403082	Brake Drum (6 Lug)	1
22	4427	Wheel Cylinder Repair Kit	A/R
23	4409	Kit (Contains Ref 4, 5, 13, 14, 15, 16, 17, 20)	1
Not Shown	4400AL	Complete Assembly, (Left)	1
Not Shown	4400AR	Complete Assembly, (Right)	1

TS-302-C TWO SPEED GEARBOX

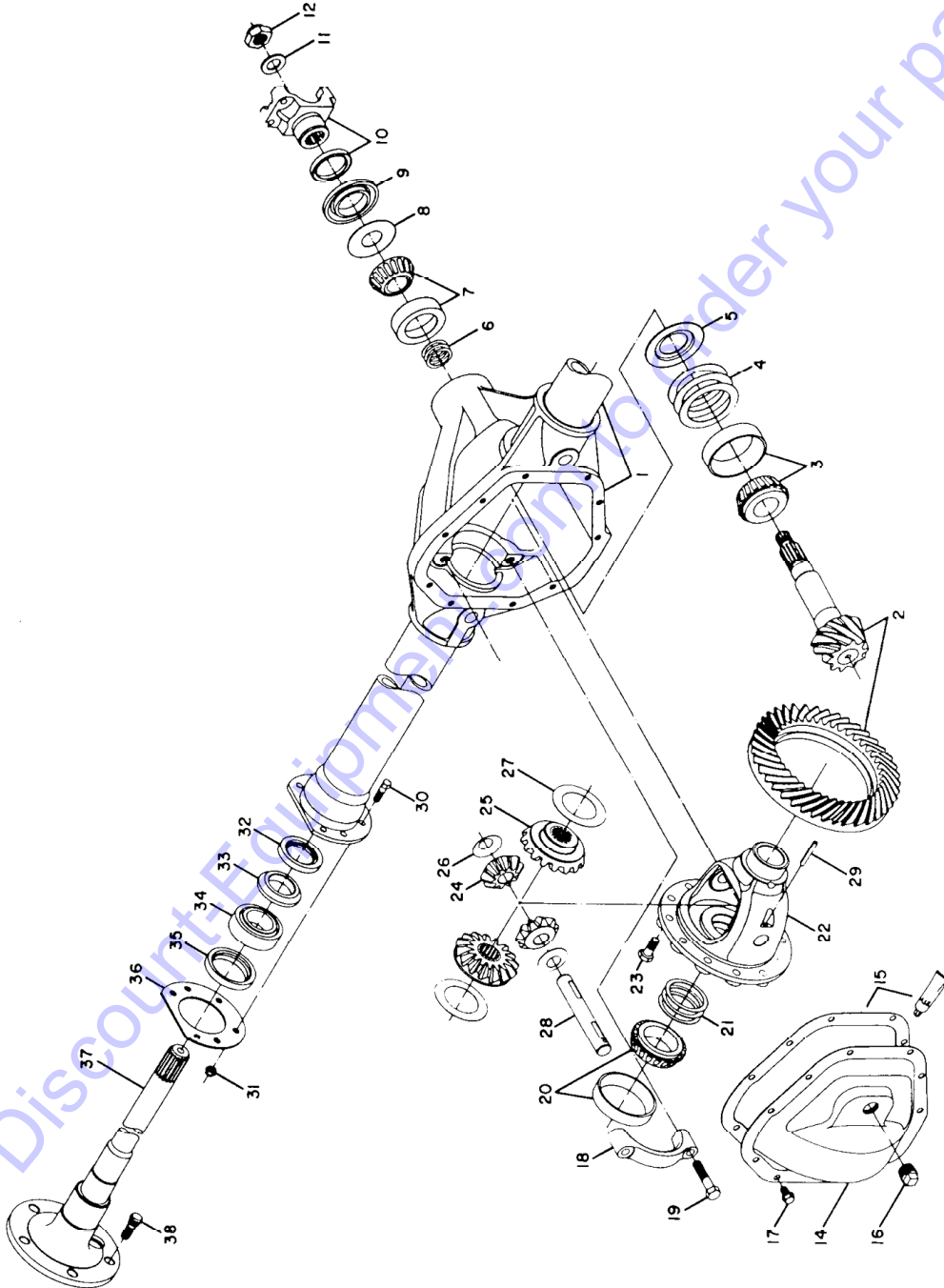


TS-302-C TWO SPEED GEARBOX

Reference	Part No.	Description	Qty.
1.....	2S-11A.....	Main Housing.....	1
2.....	2S-12.....	Housing Cover.....	1
3.....	2S-13.....	Bearing Cap.....	1
4.....	2S-14.....	Bearing & Seal Cap.....	1
5.....	2S-15.....	Vent Plug.....	1
6.....	2S-16.....	Bearing Assembly.....	1
7.....	2S-17.....	Pinion Gear w/ Key.....	1
8.....	2S-18.....	Input Shaft.....	1
9.....	2S-19.....	Bearing Assembly.....	3
10.....	2S-20.....	Shift Rail.....	1
11.....	2S-21.....	Shift Fork.....	1
12.....	2S-22.....	Seal, Shift Rail.....	2
13.....	2S-23.....	Gear, High Range.....	1
14.....	2S-24.....	Sliding Collar.....	1
15.....	2S-25.....	Gear, Low Range.....	1
16.....	2S-26.....	Output Shaft.....	1
17.....	2S-27.....	Seal, Output Shaft.....	1
18.....	2S-28.....	Output Flange.....	1
19.....	2S-29.....	Jam Nut.....	1
20.....	2S-30.....	Detent Kit.....	1
Not Shown.....	2S-31.....	Shim Kit.....	1

Go to DiscountEquipment.com to order your parts

Model 44



Go to DiscountEquipment.com to order your parts

MODEL 44 INDUSTRIAL AXLE

Reference	Part No.	Description	Qty.
1	459109 C94	Axle Housing	1
2*	NSS	Gear & Pinion Set	1
3*	706031X	Inner Pinion Bearing	1
4*	NSS	Shim – Drive Pinion	1
5*	30765	Baffle – Pinion Bearing	1
6*	NSS	Shim – Pinion Bearing	1
7*	706030X	Outer Pinion Bearing	1
8	30784	Slinger	1
9*	35723	Pinion Seal	1
10	3-4-5761X	End Yoke Assembly	1
11*	30186	Washer – Pinion Nut	1
12*	30185	Pinion Nut	1
14	343825	Cover – Carrier	1
15**	34685	Gasket – Carrier Cover	1
16	36472	Plug – Cover	1
17	34279	Bolt – Cover (source locally)	
18	NSS	Cap – Differ Bearing	1
19	NSS	Bolt – Differ Bearing Cap	4
20	706032XA	Differ Bearing Kit	1
21	NSS	Shim – Differ Bearing	1
22	32684	Differ Case	1
23**	30187	Bolt – Drive Gear	10
24**	NSS	Pinion – Differ	1
25**	NSS	Differ – Gear	1
26**	NSS	Thrust Washer – Differ Pinion	1
27**	NSS	Thrust Washer – Differ Gear	1
28**	NSS	Differ Shaft	1
29**	13449	Lock – Differ Shaft	1
30	34616-1	Bolt – Brake Mounting	8
31	35704	Nut – Brake Mounting	8
32	34419	Seal – Shaft Inboard	2
33***	36797	Retaining Ring – Wheel Bearing	2
34***	565903	Bearing Assembly	2
35***	35239	Seal – Shaft Outboard	2
36***	35490A	Retainer – Oil Seal	2
37***	26726A	Shaft – Axle Flange (5 Lug)	2
	403081	Shaft – Axle Flange (6 Lug)	2
38	35491A	Bolt – Wheel	5 or 6

* Included in Kit Number 7066139X

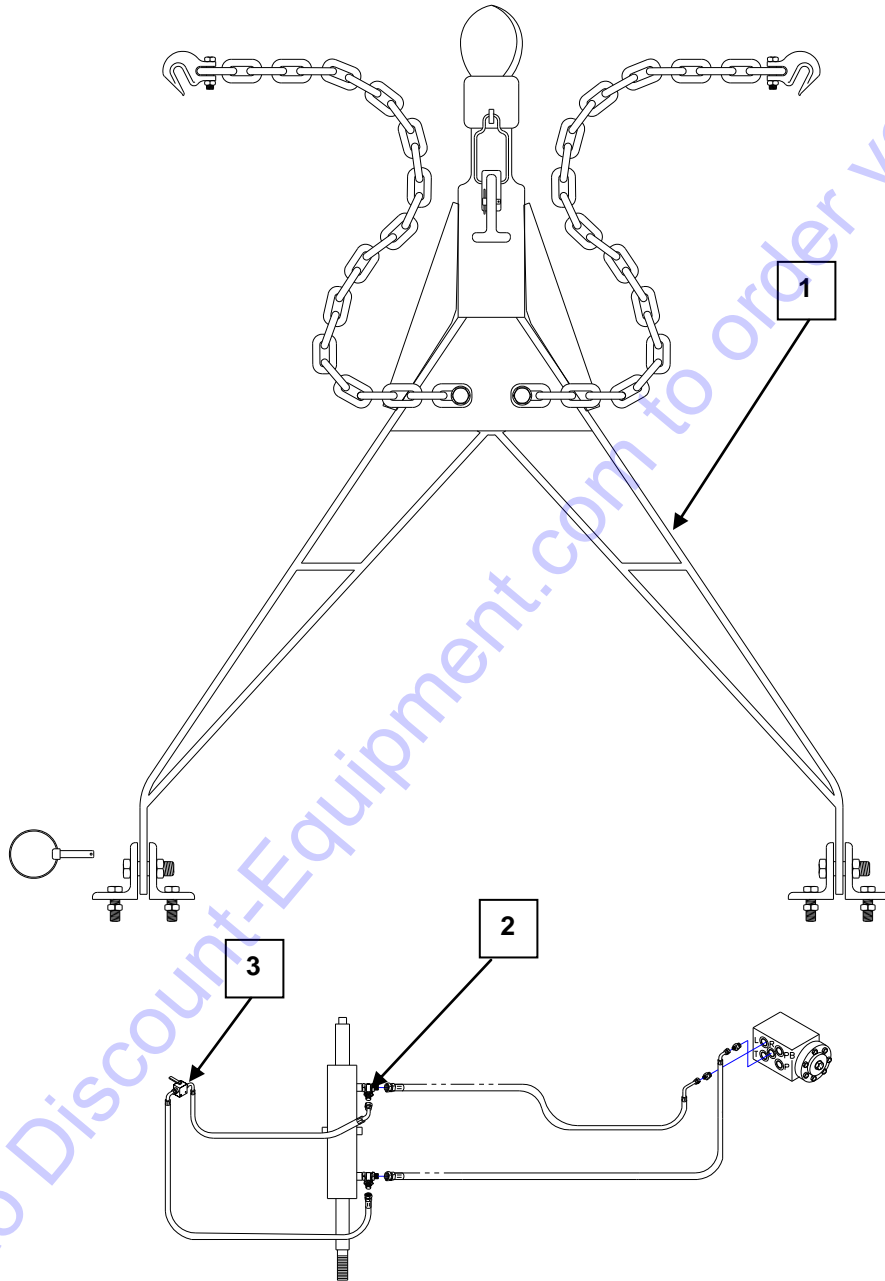
** Included in Kit Number 706027X

*** Included in Kit Number 26726A

*** Included in Kit Number 403081

NSS – Not Sold Separately

TOW BAR ASSEMBLIES



Go to Discount-Equipment.com to order your parts

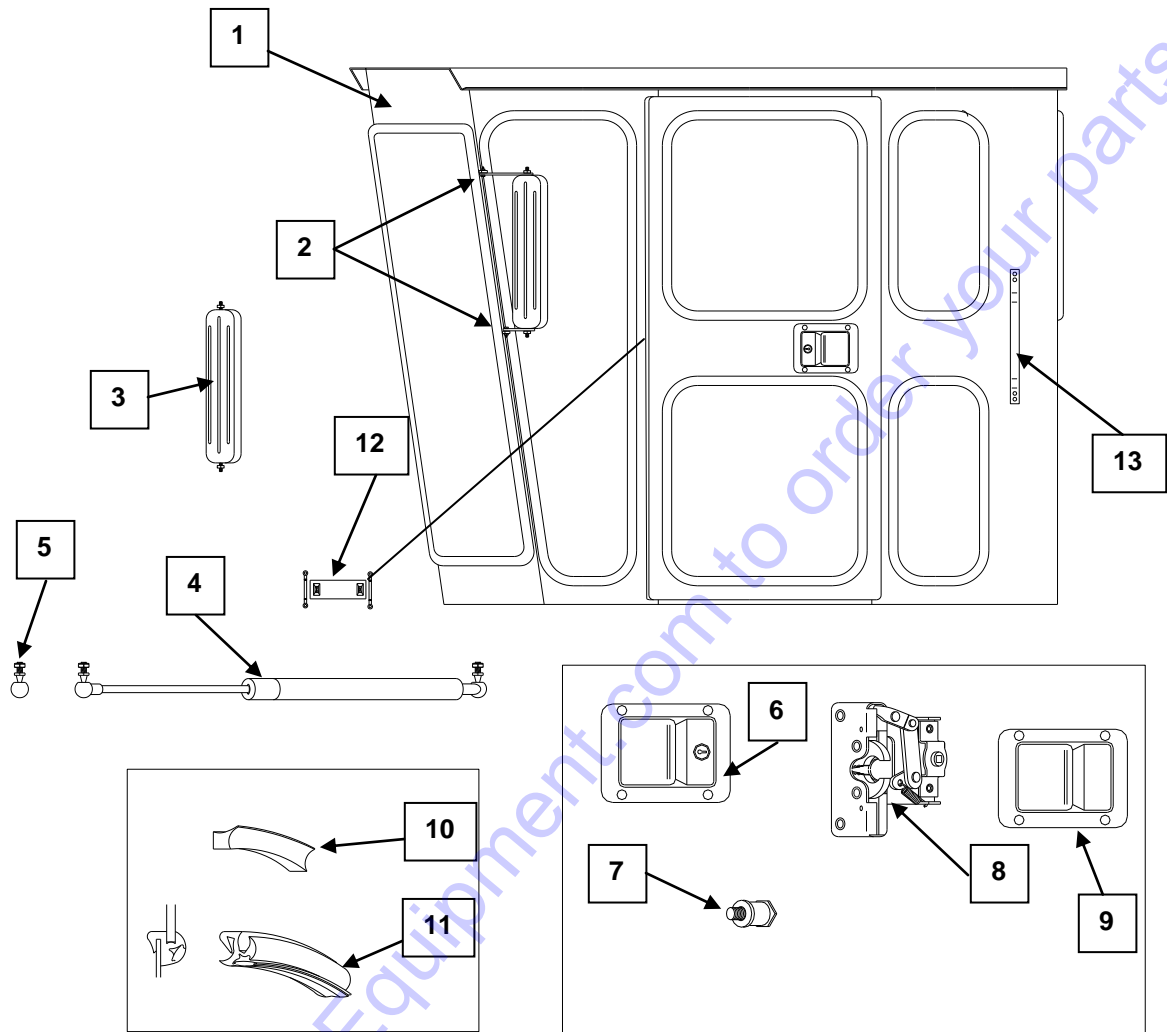
TOW BAR ASSEMBLIES

Reference	Part No.	Description	Qty.
1	4201P	Tow Bar w/ 3" Pintle	1
	4201B	Tow Bar w/ 2 5/16" Receiver	1
2	K00003	Hitch, Shutoff Assembly Kit (Valve, Hoses, and Fittings)	1
3	305025	Tow Valve	1

Note: Tow bars come as complete kit. Kit includes Mounts, Chains, and Pin. Hitch Shutoff Assembly is separate. The Hitch Shutoff is for a safer and easier way of towing the broom. All Broce Brooms are towable as long as the Gearbox is in neutral, the Parking Brake is released, and the Shutoff Valve is engaged.

Go to Discount-Equipment.com to order your parts

CAB ASSEMBLY

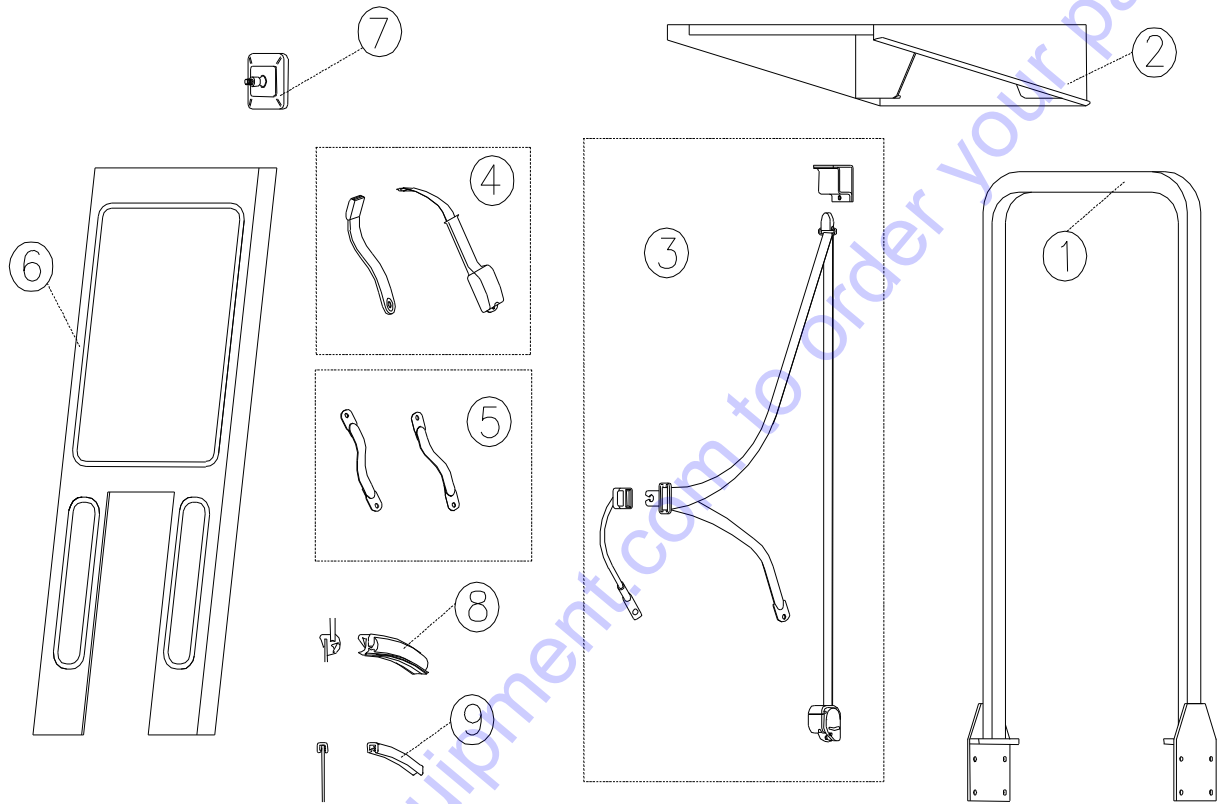


CAB ASSEMBLY

Reference	Part No.	Description	Qty.
1	P-315-B	Cab Assembly, Complete	1
	345055	Cab Keys, (Sold as a Pair)	1
2	202116	Mirror Bracket, (2 per Side)	4
3	P-353-R	West Coast Style Mirror (1 per Side)	2
4	P-352-B	Strut, (1 per Side)	2
5	309406	Ball for Strut	2
6	345051	Outside Door Handle (Paddle Style)	2
7	P-320-B	Striker Assembly	2
8	345053	Latch Assembly	2
9	345050	Inside Door Handle (Paddle Style)	2
10	304089	Door Seal, 14' per door	1
11	P-325-R	Window Rubber Molding, (As Required)	1
	P-316-R	Floor Mat, 5' x 4' Blank	1
12	K00002	Door Tether Strap, Inside (1 per Side)	2
13	B239920C	Outside Grab Handle	1
Not Shown	345052	Inside Grab Handle	2
Not Shown	344075	Cab Mounting Springs	4
Not Shown	AC-708-R	Air Cleaner Assembly	1
Not Shown	AC-785-R	Air Cleaner Bonnet (Top Cap)	1
Not Shown	P10-3113	Air Cleaner End Cap	1
Not Shown	P00-3951	Air Cleaner Clamp	2
Not Shown	110-20027	Air Cleaner Flex Hose	1
Not Shown	P10-2114	Air Cleaner Vent	1
Not Shown	AC-709-R	Air Cleaner Filter	1

Note: Items 10 & 11 are sold by the foot. Floor mat is a "Cut to Fit" item.

ROLL OVER PROTECTION STRUCTURE & RELATED PARTS



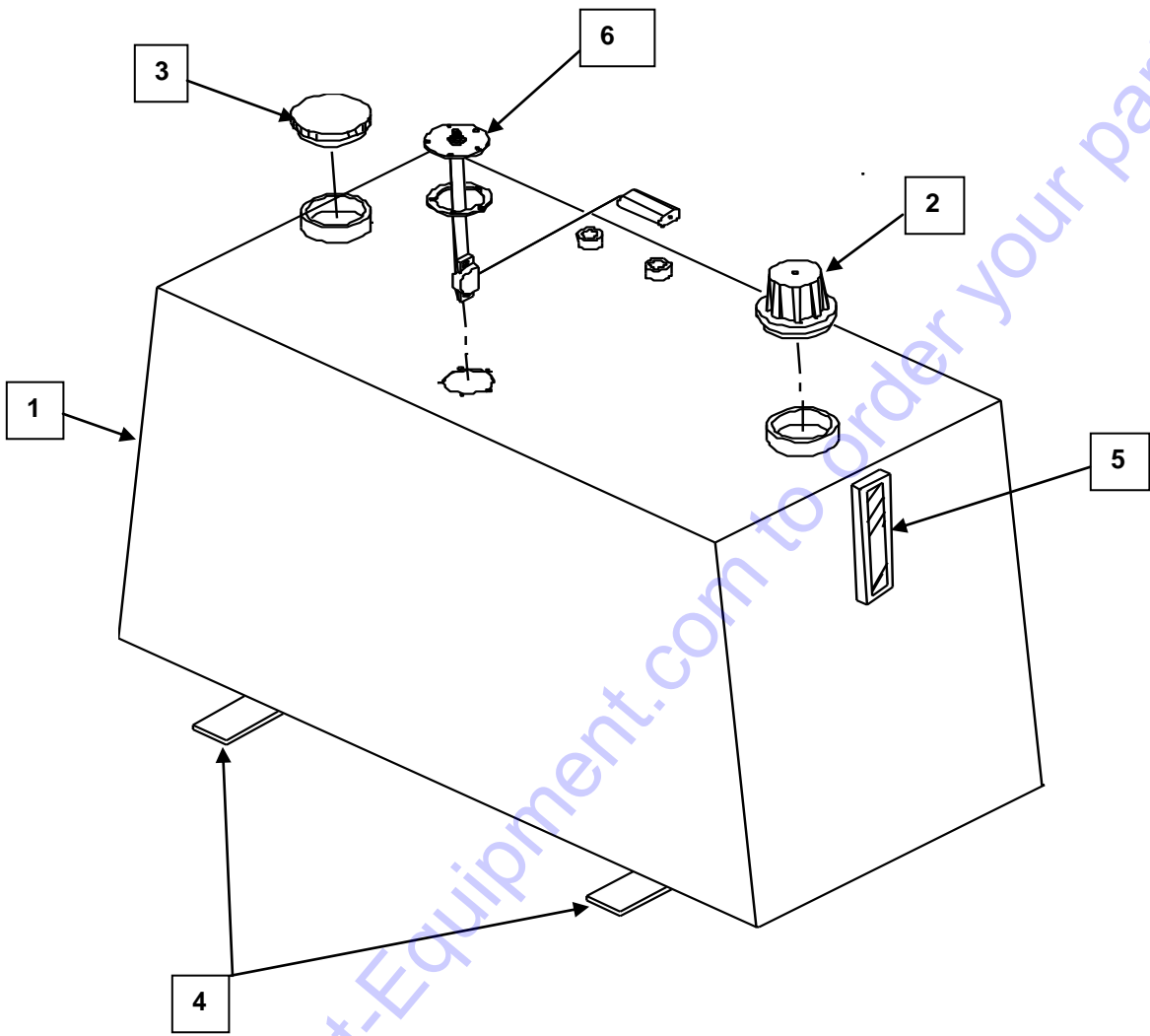
ROLL OVER PROTECTION STRUCTURE & RELATED PARTS

Reference	Part No.	Description	Qty.
1.....	P-310-R.....	Two-Post Roll Bar.....	1
2.....	852057.....	Canopy.....	1
3.....	See Seat & Suspension	Seat Belt w/ Shoulder Harness (Optional).....	1
4.....	See Seat & Suspension	Retractable Seat Belt (Standard).....	1
5.....	C-211-RT.....	Tether Strap Set (For use w/ Suspension Seat).....	1
6.....	P-312-R.....	Windshield Frame w/ Molding (Safety Glass Not Included. See Note).....	1
7.....	P-356-R.....	Rear View Mirror.....	1
8.....	P-325-R.....	Offset Rubber Molding.....	1
9.....	P-355-R.....	Rubber Trim.....	1

Note:

1. Due to the abundant availability of automotive safety glass from local vendors and the likelihood of breakage during shipment, the windshield frame is sold w/o glass.
2. Seat belt tether straps **MUST** be used on suspension seats.
3. Items 8 & 9 are sold by the foot.

FUEL TANK ASSEMBLY



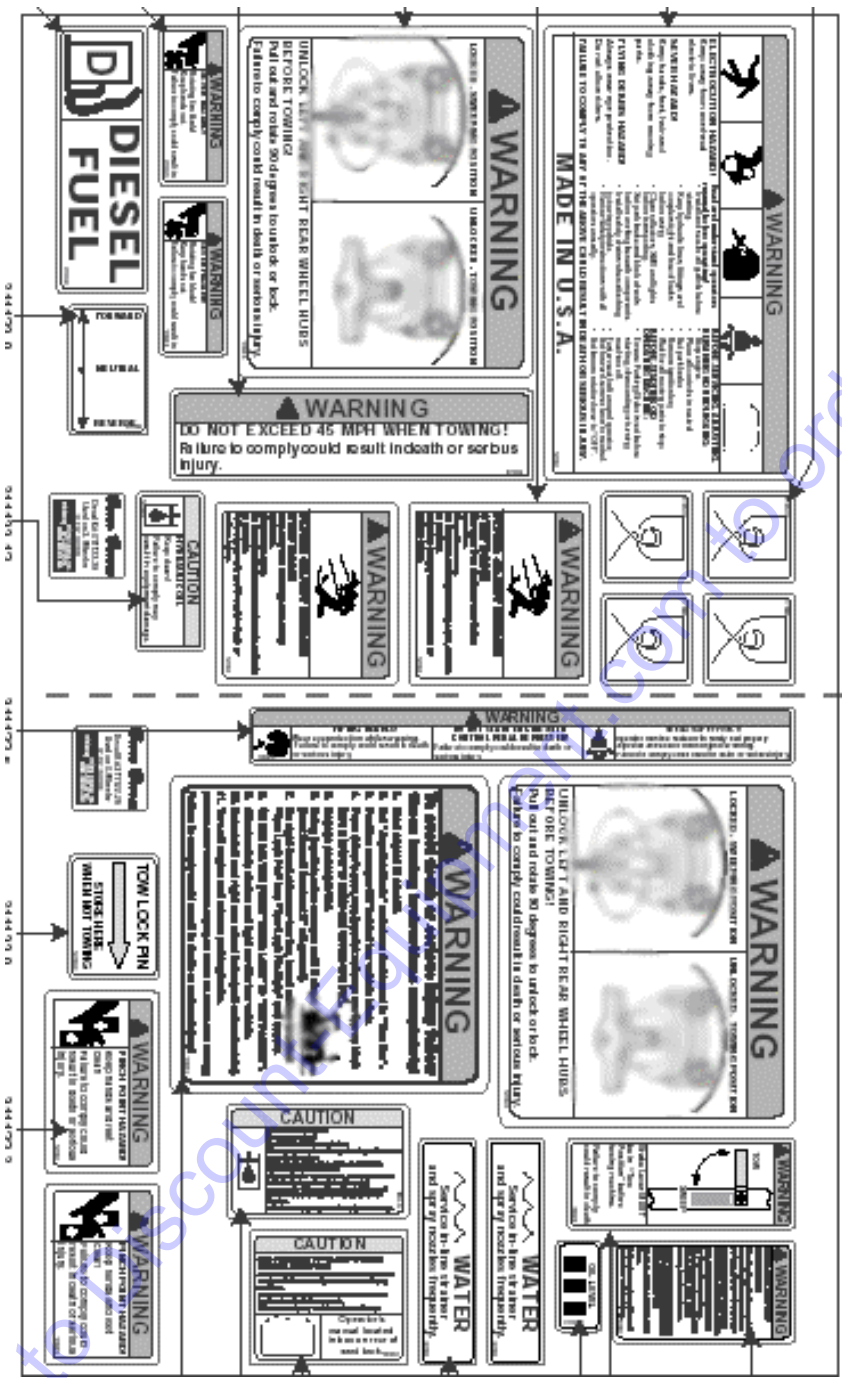
Go to Discount-Equipment.com to order your parts

FUEL TANK ASSEMBLY

Reference	Part No.	Description	Qty.
1.....	852454	Fuel & Hydraulic Tank.....	1
2.....	T-703-BA	Hydraulic Cap	1
3.....	T-702-B	Fuel Cap	1
4.....	T-805-R	Rubber Tank Pad	2
5.....	550-5	Sight Glass	1
6.....	344175	Fuel Gauge Assembly.....	1

Go to Discount-Equipment.com to order your parts

DECAL KIT



Go to www.goiparts.com

Broce Broam
Broce Broam

Reference	Part No.	Description	Qty.
1.....	VL-833-R.....	Decal Kit w/ Stripes and Broce Logos*	1

4W BROOM HYDRAULIC SYSTEM DETAILS

Go to Discount-Equipment.com to order your parts

4W BROOM HYDRAULIC SYSTEM COMPONENTS

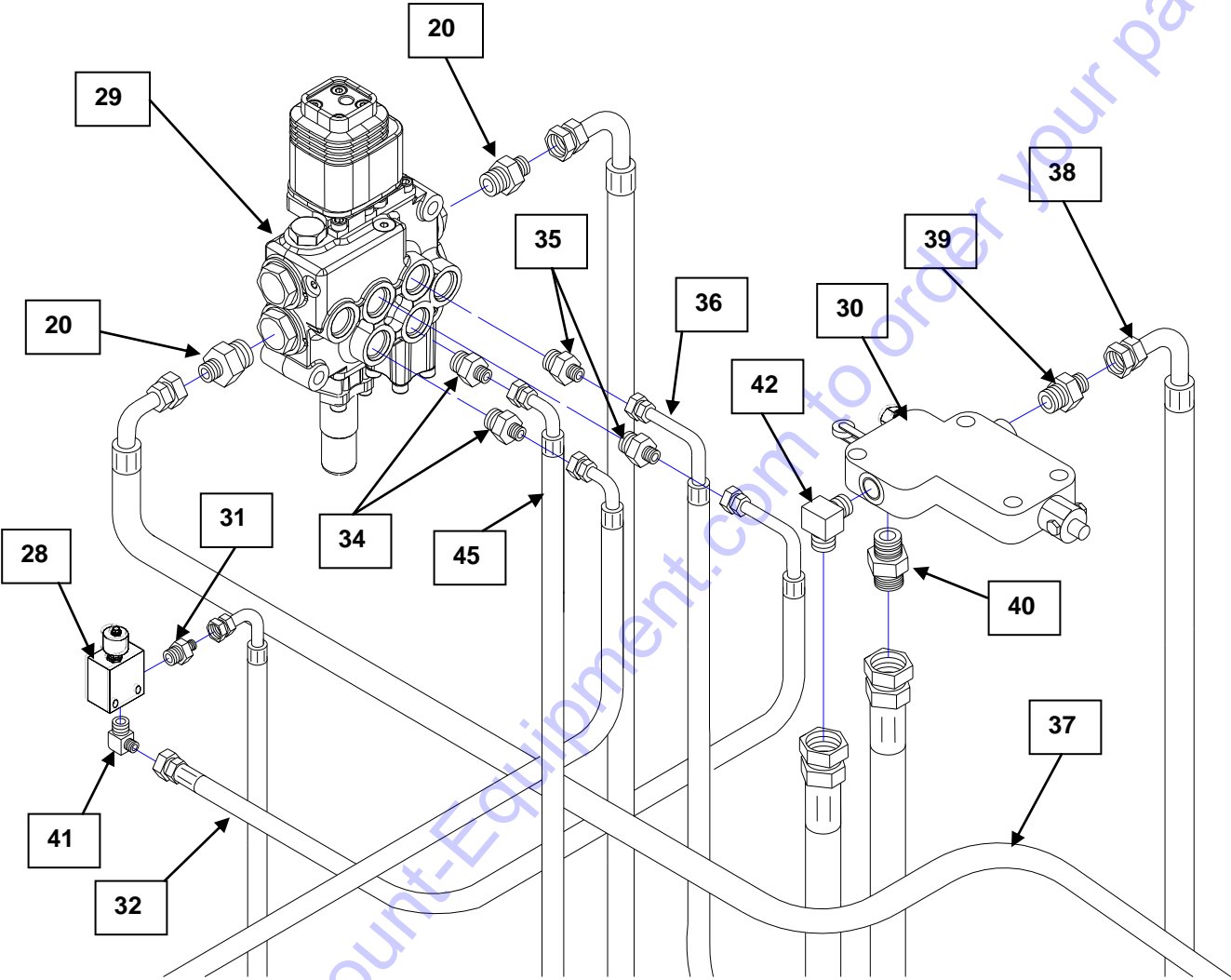
(Front Section)

Reference	Part No.	Description	Qty.
1	203526	Steering Cylinder, 10"	1
2	208	Lift Cylinder	1
3	305943	Core Motor, Direct Drive	1
	305972	Seal Kit for Direct Drive Core Motor	1
	MAB-16-B	Core Motor, Chain Drive	1
	SK000092	Seal Kit, Chain Drive Motor	1
4	305944	Steering unit	1
5	305525	Hydraulic Manifold	1
6	HF-278-R	Filter Element	1
	HF-278-RAF25	Filter Assembly	1
7	216	Shift Cylinder	1
	216A	Shift Cylinder for Curb & Gutter Models	1
8	305829	Hydraulic Fitting, FF1852T06-06	1
9	N/A	Hydraulic Hose Assembly, 30"-1AA6FR6 & 1AAGFRB6	1
10	N/A	Hydraulic Hose Assembly, 30"-1AA6FR6 & 1AA6FRCG	1
11	N/A	Hydraulic Hose Assembly, 35"-1AA6FRB6 & 1AA6FRA6	1
12	N/A	Hydraulic Hose Assembly, 76"-1AA6FR64 & 1AA6FRB6	1
13	N/A	Hydraulic Hose Assembly, 40"-1AA4FRB4 (2)	1
14	N/A	Hydraulic Hose Assembly, 32"-1AA4FRB4 & 1AA4FRC4	1
15	305818	Hydraulic Fitting, FF1852T04-06	4
16	305871	Hydraulic Fitting, FF1852T12-10	1
17	N/A	Hydraulic Hose Assembly, 94.5"-1AA12FR12 (2)	1
18	N/A	Hydraulic Hose Assembly, 94.5"-1AA12FR12 (2)	1
19	305841	Hydraulic Fitting, Caterpillar 3E-7420	1
20	305827	Hydraulic Fitting, FF1852T06-08	6
21	305824	Hydraulic Fitting, FF1852T12-12	2
22	305837	Hydraulic Fitting, FF1868T06-08	2
23	N/A	Hydraulic Fitting, FF1852T16-20	2
24	305198	Hydraulic Fitting, 3474-20-20	1
25	305177	Hydraulic Fitting, 900598-12	1
25a	305177	Hydraulic Fitting, 900598-8	1
26	N/A	Hydraulic Hose Assembly, 56"-1AA6FRB6 (2)	1
27	305864	Hydraulic Fitting, FF2068T06-06	2
Not Shown	RC-19	Clevis Pin (Shift Cylinder)	2
Not Shown	D-21-R	Shock Pin (Lift Cylinder)	2
Not Shown	IC-4244	Seal Kit, Replaces P/N RC-20	1
Not Shown	203553	Seal Kit – Steering Cylinder	1

Note: If Steering Cylinder Rod becomes damaged or broken, it is not economically feasible to replace. Therefore the entire cylinder must be replaced.

4W BROOM HYDRAULIC SYSTEM COMPONENTS

(Cab-Valve Section)



Go to Discount-Equipment.com to order your parts

4W BROOM HYDRAULIC SYSTEM COMPONENTS

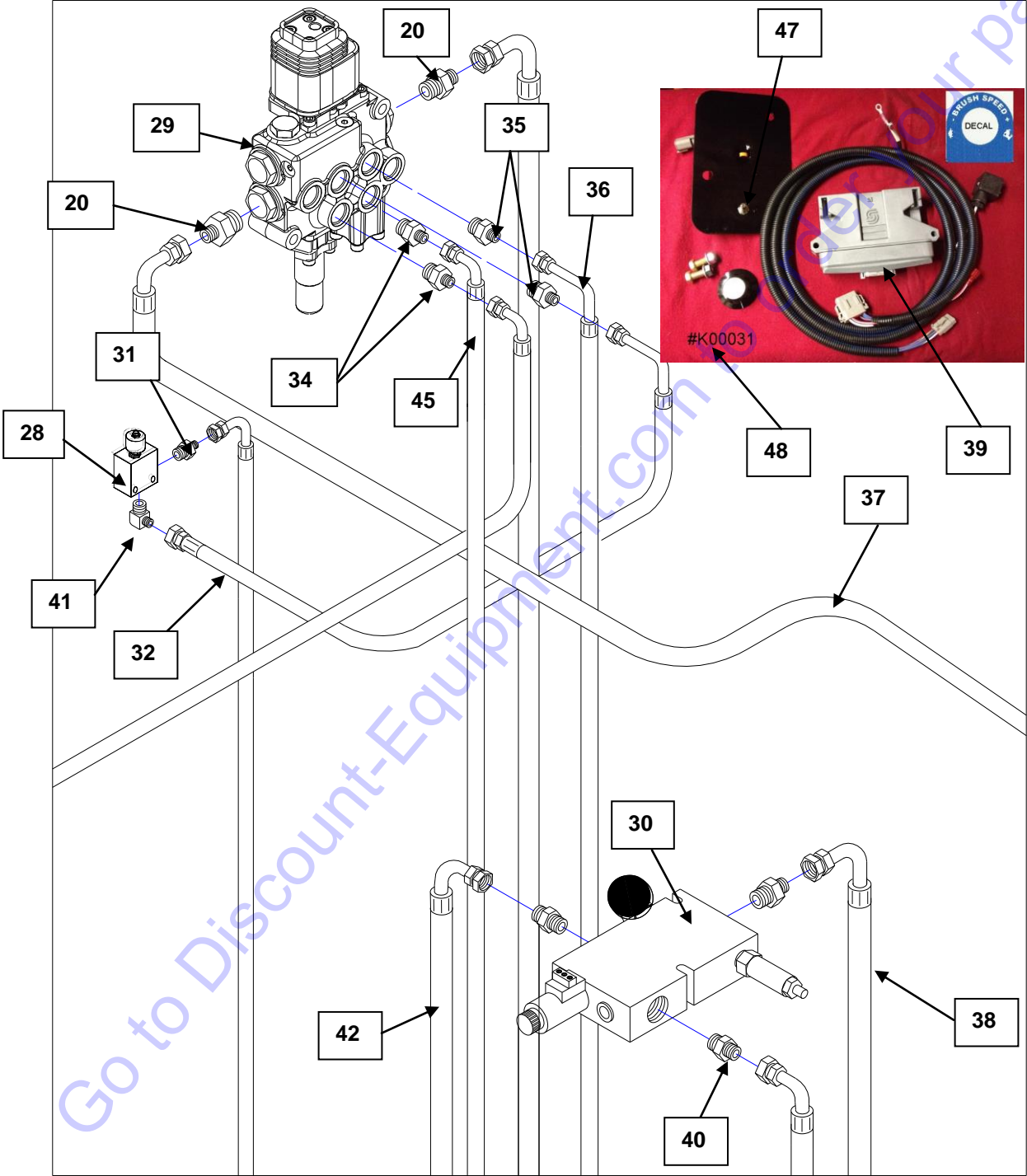
(Cab-Valve Section)

Reference	Part No.	Description	Qty.
20	305827	Hydraulic Fitting, FF1852T06-08	6
28	305763	Core Lock Solenoid	1
29	See Valve Section	Control Valve	1
30	See Valve Section	Rotation Valve	1
31	305818	Hydraulic Fitting, FF1852T04-06	1
32	N/A	Hydraulic Hose Assembly, 8"-1AA4FR4 & 1AA4FRC4	1
34	305827	Hydraulic Fitting, FF1852T0408S	2
35	305827A	Hydraulic Fitting, FF1852T0408S with 0.05 orifice	2
36	N/A	Hydraulic Hose Assembly, 50"-1AA4FRB4 & 1AA4FRC4	1
37	N/A	Hydraulic Hose Assembly, 27"-1AA6FRB6 & 1AA6FRA6	1
38	N/A	Hydraulic Hose Assembly, 20"-1AA12FR12 & 1AA12FRB12	1
39	305871	Hydraulic Fitting, FF1852T12-10	1
40	305840	Hydraulic Fitting, FF1852T12-08	1
41	305836	Hydraulic Fitting, FF1868T04-06	1
42	305872	Hydraulic Fitting, FF1868T12-10	1
45	N/A	Hydraulic Hose Assembly, 54"-1AA4FRB44 (2)	1

Go to Discount-Equipment.com to order your parts

4W BROOM HYDRAULIC SYSTEM COMPONENTS

VARIABLE SPEED OPTION (Cab-Valve Section)



4W BROOM HYDRAULIC SYSTEM COMPONENTS

VARIABLE SPEED OPTION

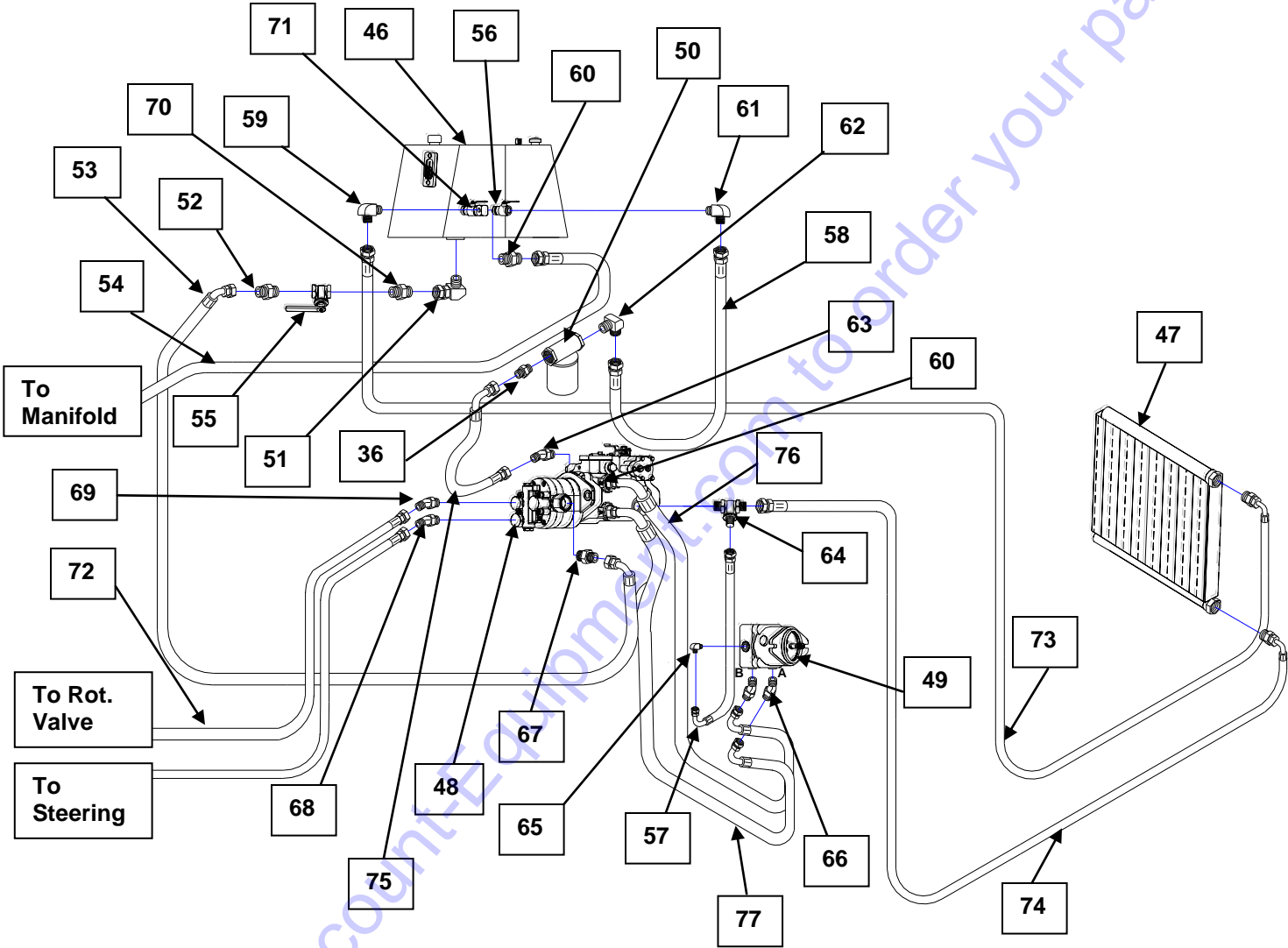
(Cab-Valve Section)

Reference	Part No.	Description	Qty.
20	305827	Hydraulic Fitting, FF1852T06-08	6
28	305763	Core Lock Solenoid	1
29	See Valve Section	Control Valve	1
30	305981	Rotation Valve, Variable Speed	1
31	305818	Hydraulic Fitting, FF1852T04-06	1
32	N/A	Hydraulic Hose Assembly, 8"-1AA4FR4 & 1AA4FRB4	1
34	305827	Hydraulic Fitting, FF1852T0408S	2
35	305827A	Hydraulic Fitting, FF1852T0408S with 0.05 orifice	2
36	N/A	Hydraulic Hose Assembly, 50"-1AA4FRB4 & 1AA4FRB4	1
37	N/A	Hydraulic Hose Assembly, 27"-1AA6FRB6 & 1AA6FRA6	1
38	N/A	Hydraulic Hose Assembly, 28"-1AA12FRB12 (2)	1
39	307525	Variable Speed Controller	1
40	305840	Hydraulic Fitting, FF1852T12-10	3
41	305836	Hydraulic Fitting, FF1868T04-06	1
42	N/A	Hydraulic Hose Assembly, 80"-1AA12FRB12	1
45	N/A	Hydraulic Hose Assembly, 54"-1AA4FRB44 (2)	1
46	N/A	Hydraulic Hose Assembly, 36"-1AA12FRB12	1
47	307450	Potentiometer	1
48	K00031	Variable Speed Kit	1

Note: Item #30 Replaces Rotation Valve on standard broom and is located under cab. Hydraulic Hose Items #38, #42, and #46 replace Items #19, #38, and #72 of standard broom hydraulic illustrations shown in this section.

4W BROOM HYDRAULIC SYSTEM COMPONENTS

(Rear Section)

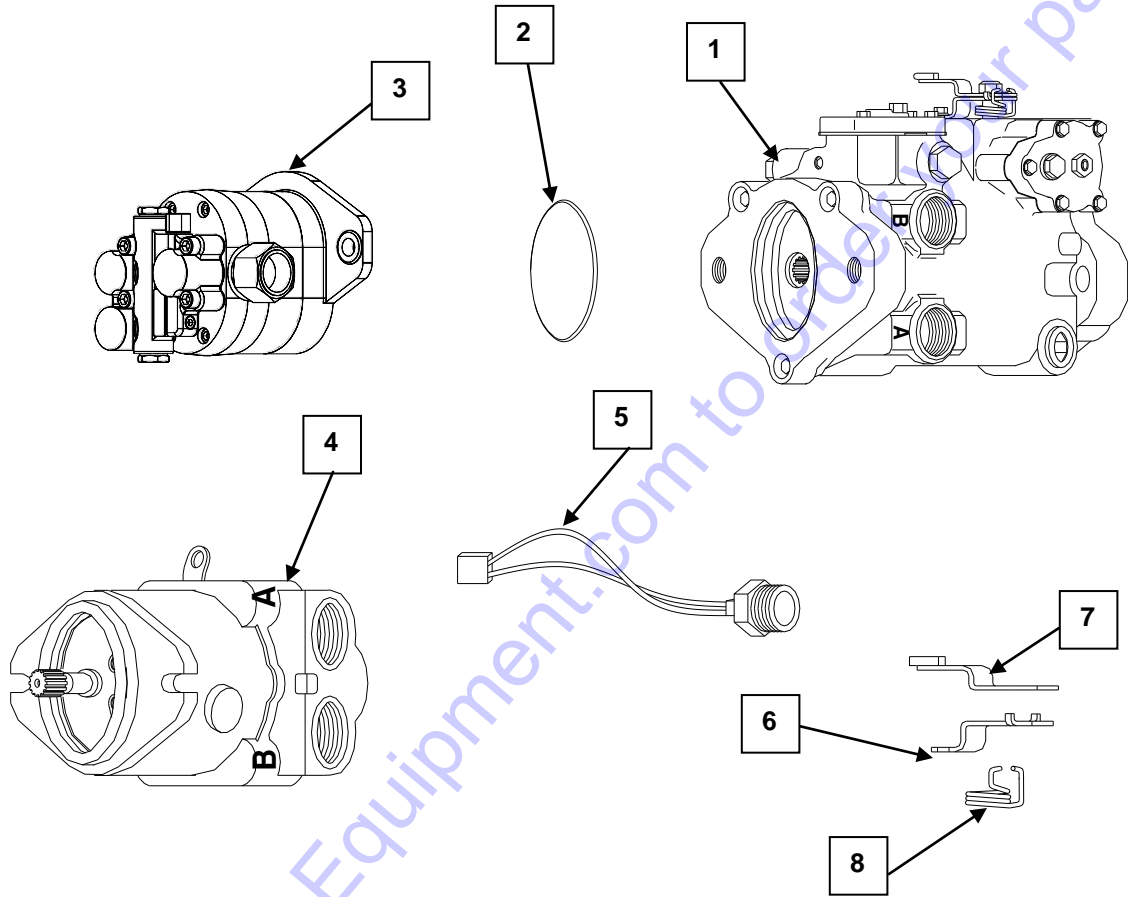


4W BROOM HYDRAULIC SYSTEM COMPONENTS

(Rear Section)

Reference	Part No.	Description	Qty.
46	See Fuel Tank Assembly	Fuel Tank & Hydraulic Tank	1
47	305767	Oil Cooler, RJ & RCT	1
	305766	Oil Cooler, CR	
	305768	Oil Cooler, RC	
48	See Next Section	Hydraulic Pump	1
49	See Next Section	Fix Motor	1
50	HF-278-R	Filter Element	2
	HF-278-RAF03	Filter Assembly, 3 psi.	1
51	305680	Hydraulic Fitting, 6805-20-20	1
52	305843	Hydraulic Fitting, FF2031T20-20	1
53	N/A	Hydraulic Hose Assembly, 24"-1GA20FRA20 (2)	1
54	N/A	Hydraulic Hose Assembly, 27"-1GA16FR16	1
55	306538	1 1/4" Ball Valve	1
56	H-227-R	1" Ball Valve	2
57	N/A	Hydraulic Hose Assembly, 21"-1AA12FR8 & 1AA8FRB8	1
58	N/A	Hydraulic Hose Assembly, 16.5"-1GA16FR16 (2)	1
59	305869	Hydraulic Fitting, FF1868T12-16	1
60	305825	Hydraulic Fitting, FF1852T16-16	3
61	N/A	Hydraulic Fitting, FF2032T16-16	1
62	305849	Hydraulic Fitting, FF1868T16-20	1
63	305806	Hydraulic Fitting, FF2068T16-16	1
64	N/A	Hydraulic Fitting, FF1865T12-12	1
65	N/A	Hydraulic Fitting, FF1868T8-10	1
66	305880	Hydraulic Fitting, FF2068T16-12	2
67	N/A	Hydraulic Fitting, FF1852T20-16	1
68	N/A	Hydraulic Fitting, FF2068T06-08	1
69	305840	Hydraulic Fitting, FF1852T12-08S	1
70	N/A	Hydraulic Fitting, 2083-20-20	1
71	305199	Hydraulic Fitting, 6401-16-16	1
72	N/A	Hydraulic Hose Assembly, 30.5"-1AA12FR12 & 1AA12FRB12	1
73	N/A	Hydraulic Hose Assembly, 52"-1AA12FR12 & 1AA12FRB12	1
74	N/A	Hydraulic Hose Assembly, 70"-1AA12FR12 & 1AA12FRB12	1
75	N/A	Hydraulic Hose Assembly, 12"-1GA16FR16 & 1GA16FRB16	1
76	N/A	Hydraulic Hose (JD/CAT), 20"-1BA16FRA16 & 1BA16FRB16	1
		Hydraulic Hose (CUM.), 25"-1BA16FRA16 & 1BA16FRB16	1
77	N/A	Hydraulic Hose (JD/CAT), 19"-1BA16FRA16 & 1BA16FRB16	1
		Hydraulic Hose (CUM.), 24"-1BA16FRA16 & 1BA16FRB16	1

HYDROSTATIC DRIVE SYSTEM



Go to Discount-Equipment.com to order your parts

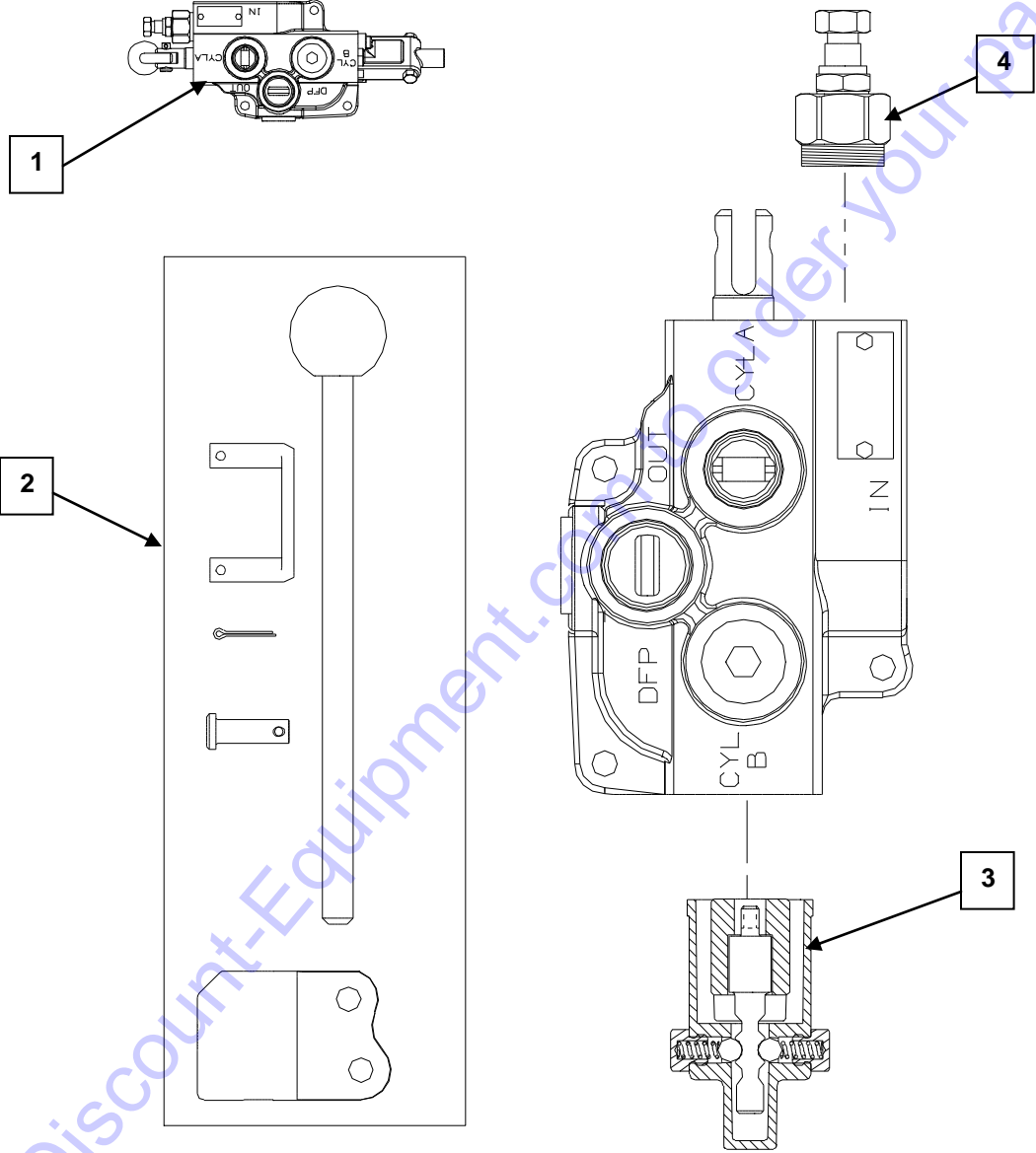
HYDROSTATIC DRIVE SYSTEM

Reference	Part No.	Description	Qty.
1.....	305997	Variable Displacement Pump	1
2.....	1508	O-Ring.....	1
3.....	355011	Hydraulic Pump	1
	355025.....	Hydraulic Pump for Machines with Curb Brooms	1
4.....	305975	Fixed Displacement Motor.....	1
5.....	305957	Neutral Safety Switch.....	1
6.....	1216	Bracket	1
7.....	1215	Lever	1
8.....	1214	Centering Spring	1
Not Shown.....	0301	Front Seal (Same for Item 1 or 4).....	1
Not Shown.....	4510017	Seal Kit for 305997.....	1

Note: Rebuilt Components Subject to Availability.

Go to Discount-Equipment.com to order your parts

CORE ROTATION VALVE ASSEMBLY

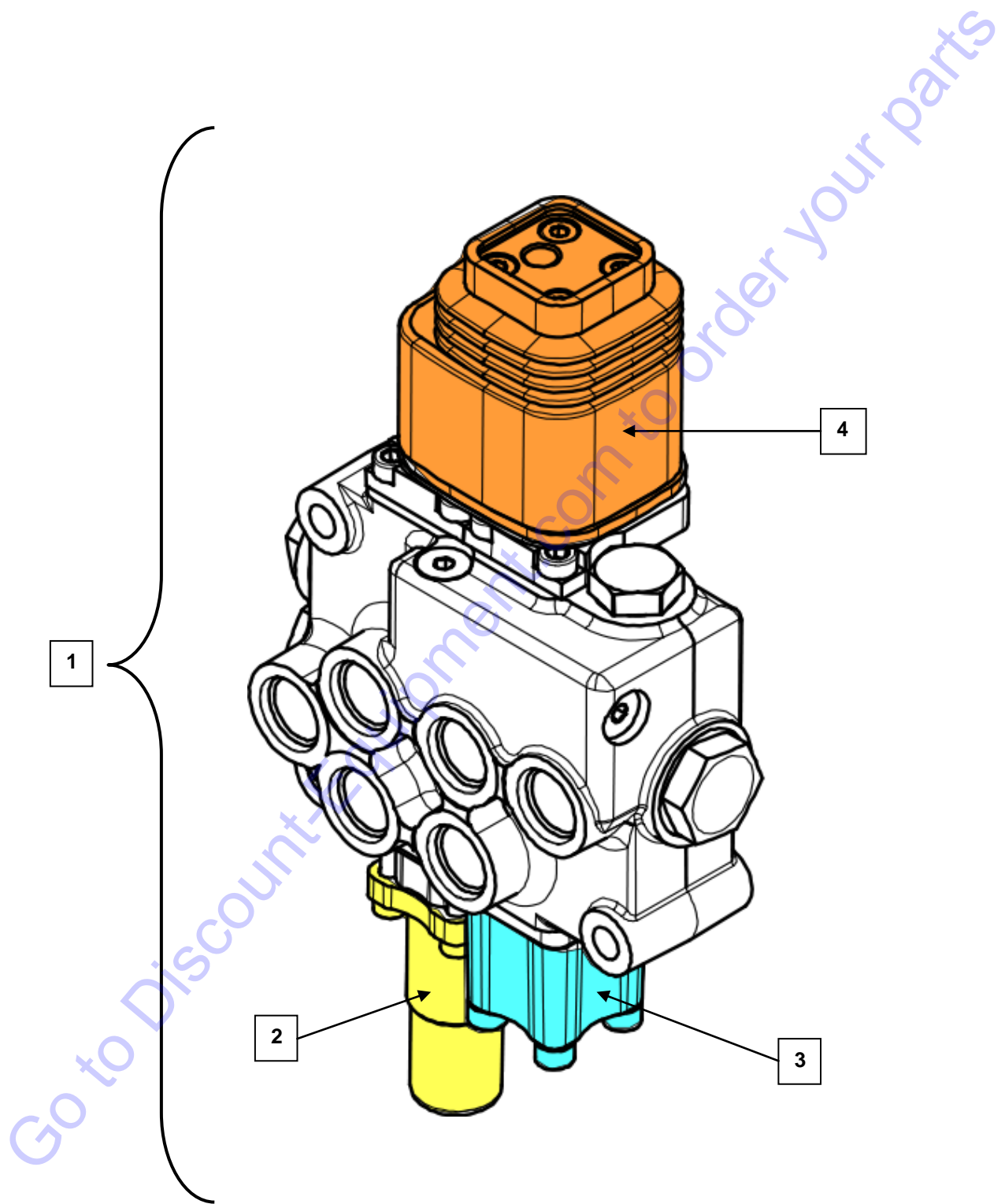


CORE ROTATION VALVE ASSEMBLY

Reference	Part No.	Description	Qty.
1.....	355012	Complete Valve Assembly.....	1
2.....	355014	Handle Kit.....	1
3.....	355026	Detent (Standard)	1
3.....	355022	Detent (Forward and Reverse)	1
4.....	355024	Relief Cartridge.....	1
Not Shown	355017	Seal Kit	1

Go to Discount-Equipment.com to order your parts

JOYSTICK VALVE ASSEMBLY



JOYSTICK VALVE ASSEMBLY

Reference	Part No.	Description	Qty.
1.....	355030	Complete Valve Assembly.....	1
2.....	355040	Float Detent.....	1
3.....	355036	Spring Center Detent.....	1
4.....	355037	Joystick Kit	1
Not Shown	355033	Joystick Handle/Lever.....	1
Not Shown	355039	Seal Kit	1

Go to Discount-Equipment.com to order your parts

OPTIONAL DOWN PRESSURE LIMIT

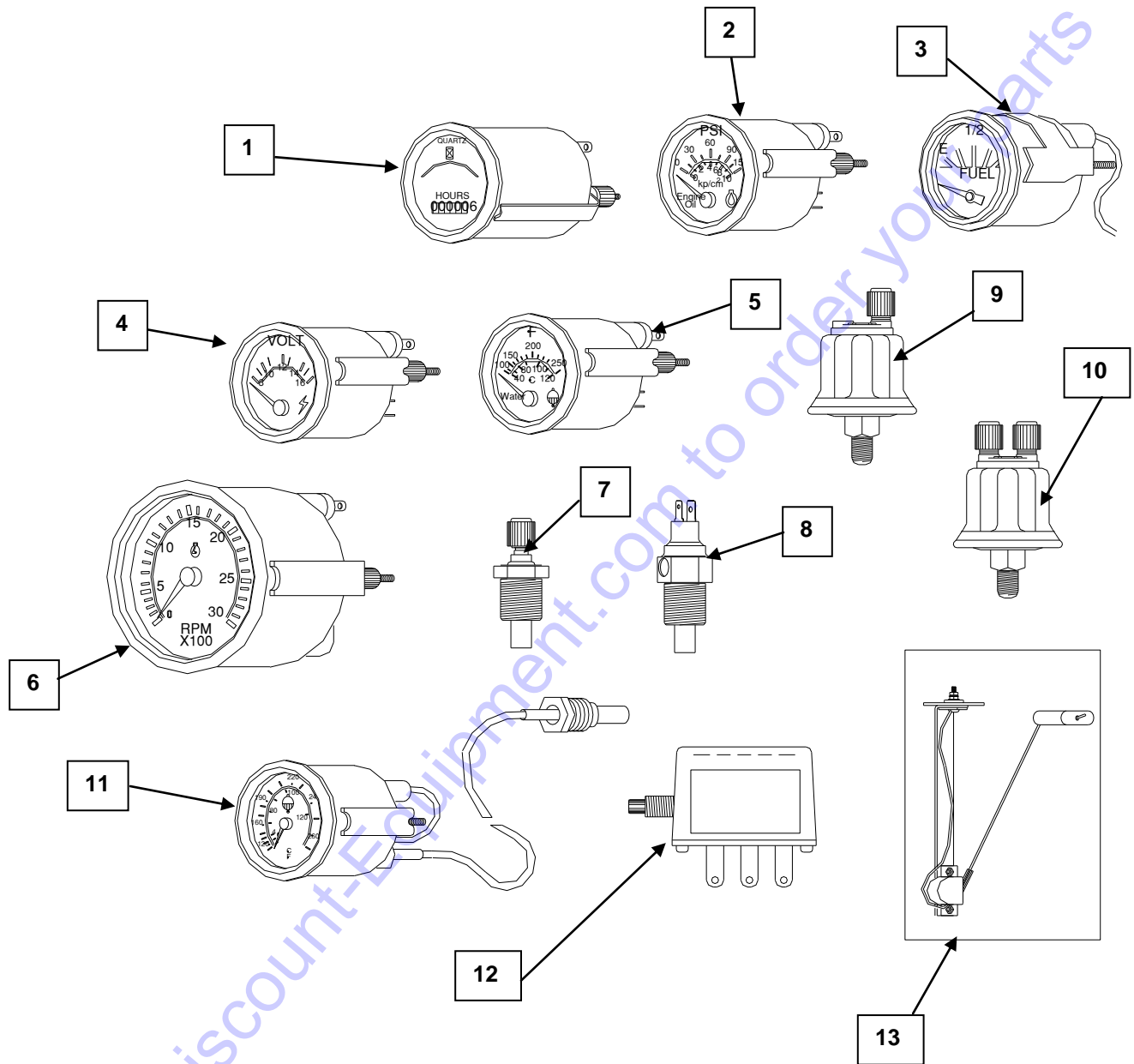
Reference	Part No.	Description	Qty.
1.....	305771	Down Pressure Limit Valve	1
1A	305772	Cartridge.....	1
2.....	305763	Core Lock Solenoid.....	1
3.....	355030	Control Valve	1
4.....	305525	Hydraulic Manifold	1
5.....	208	Lift Cylinder.....	1
6.....	305817	Hydraulic Fitting, FF1852T04-04	1
7.....	305835	Hydraulic Fitting, FF1868T04-04	1
8.....	305835	Hydraulic Fitting, FF1868T04-04	1
9.....	305818	Hydraulic Fitting, FF1852T04-06	1
10.....	305836	Hydraulic Fitting, FF1868T04-06	1
11.....	305818	Hydraulic Fitting, FF1852T04-06	1
12.....	305818	Hydraulic Fitting, FF1852T04-06	1
13.....	305827A.....	Hydraulic Fitting, FF1852T04-08	1
14.....	305827A.....	Hydraulic Fitting, FF1852T04-08 w/orifice.....	1
15.....	305869	Hydraulic Fitting, FF1868T06-12	1
16.....	N/A	Hydraulic Hose, 42"-1AA4FRB4 & 1AA6FR4 .	1
17.....	N/A	Hydraulic Hose, 36"-1AA4FRB4 & 1AA4FRA4	1
18.....	N/A	Hydraulic Hose, 8"-1AA4FR4 & 1AA4FRC4 ...	1
19.....	N/A	Hydraulic Hose, 40"-1AA4FRB4 & 1AA4FRB4	1
20.....	N/A	Hydraulic Hose, 11"-1AA4FRB4 & 1AA4FRB4	1

Go to DiscountEquipment.com to order your parts

ELECTRICAL SYSTEM AND ACCESSORIES

Go to Discount-Equipment.com to order your parts

GAUGES AND SENDERS



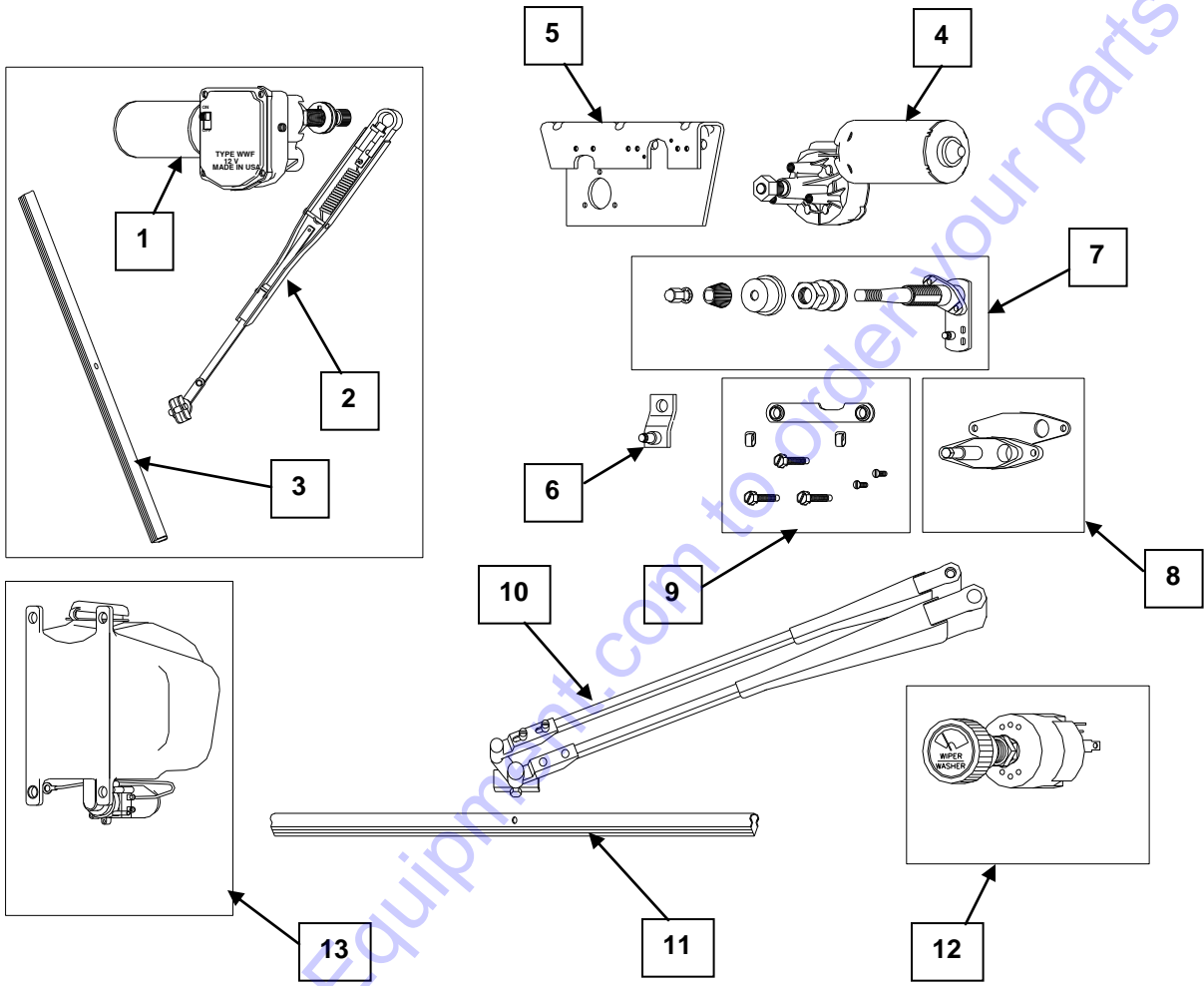
Go to Discount-Equipment.com to order your parts

GAUGES AND SENDERS

Reference	Part No.	Description	Qty.
1.....	I-222-HO	Hour Meter.....	1
2.....	I-221-R	Oil Pressure Gauge	1
3.....	I-223-R	Fuel Gauge	1
4.....	I-220-V.....	Voltmeter	1
5.....	I-219-R	Temperature Gauge (Engine).....	1
6.....	I-222-B	Tachometer	1
	307097.....	Tachometer (RCT-350 Model Only).....	1
7.....	IS-219-R.....	Temperature Sender.....	1
8.....	IS-219-WC	Temperature Sender w/ Contact	1
		Note: Use w/ warning or shutdown system	
9.....	IS-221-R.....	Oil Pressure Sender	1
10.....	IS-221-WC	Pressure Sender w/ Contact.....	1
		Note: Use w/ warning or shutdown system	
11.....	I-228-R	Hydraulic Temperature Gauge	1
		Note: Mechanical 12' Capillary	
12.....	344257	Murphy Shutdown Unit	1
		Note: Engine Safety Shutdown	
13.....	344175	Fuel Sender	1
Items Not Shown.....	1-220-A	Ammeter	1
	307255.....	Buzz Light Assembly	1
	I-224-R35.....	Fuel Sender (35 gal. Tank).....	1

Go to DiscountEquipment.com to order your parts

WINDSHIELD WIPERS & WASHER



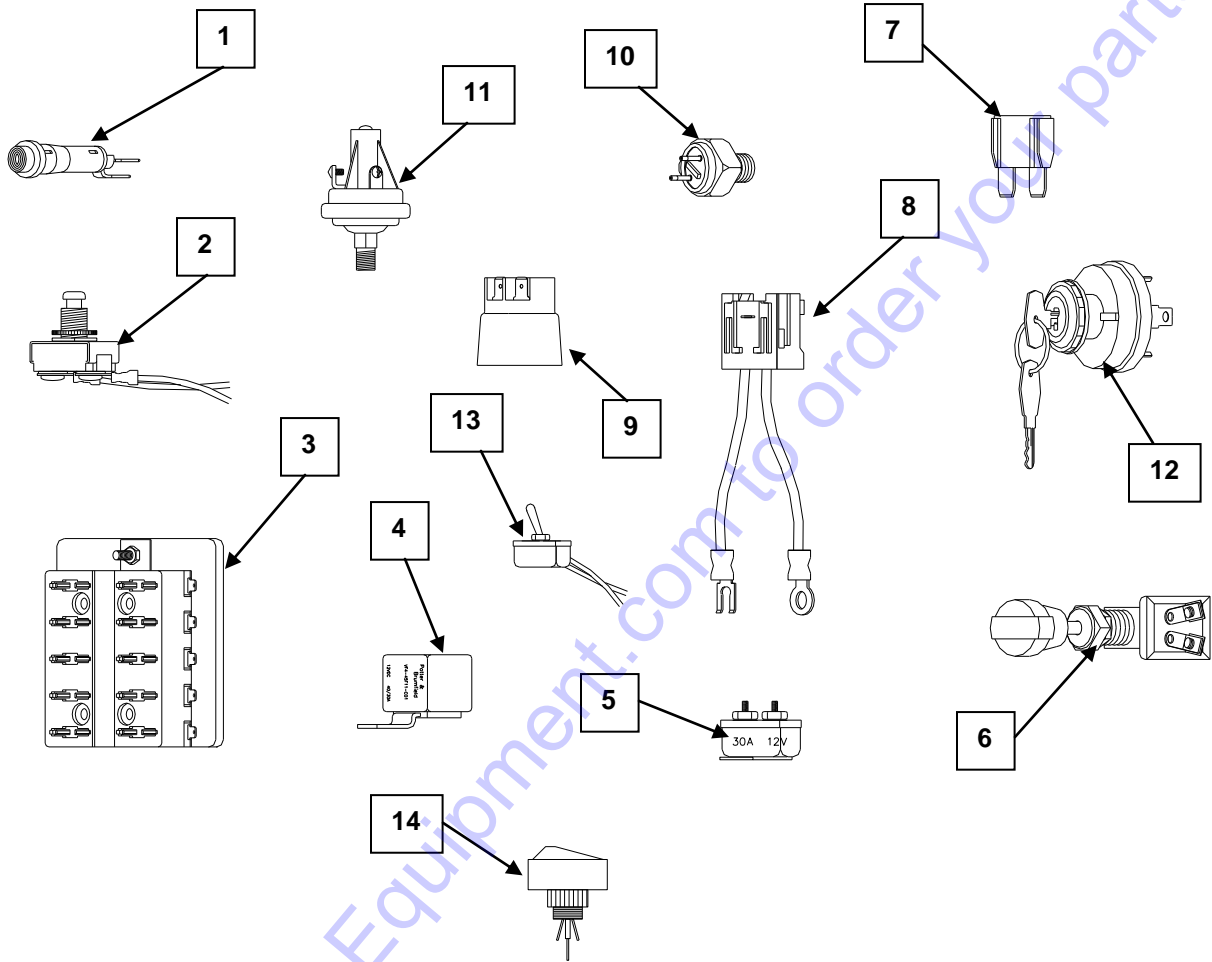
Go to Discount-Equipment.com to order your parts

WINDSHIELD WIPERS & WASHER

Reference	Part No.	Description	Qty.
1.....	1-182-54MO	Wiper Motor.....	1
2.....	LE581022-1	Drive Arm	1
3.....	2-615-2218	18" Blade (Canopy Windshield)	1
	2-615-2214	14" Blade (Rear).....	1
	1-182-54	Wiper Kit – Canopy Windshield (Includes Motor, Blade, and Arm)	1
	1-182-54R.....	Rear Wiper Kit (Includes Motor, Blade, and Arm).....	1
4.....	2-615-15	Wiper Motor.....	1
5.....	BK721005	Wiper Motor Mount.....	1
6.....	2-615-19	Wiper Drive Arm (Tapered Motor Shaft).....	1
7.....	2-615-60	Wiper Shaft & Arm Assembly.....	1
8.....	2-615-17	Pantograph Adapter & Gasket	1
9.....	721014	Link & Bolt Kit (Includes Bolts, Washers, & Clips to Mount Motor)	1
10.....	2-615-24	Pantograph Drive Arm	1
11.....	2-615-2226	26" Blade	1
12.....	2-686-67	Two Speed Wiper Switch	1
13.....	66-01	Washer Pump & Reservoir	1
	66-01A.....	Washer Kit (Includes Tubing & Hardware for New Installation).....	1

Go to Discount-Equipment.com to order your parts

MISC. SWITCHES, FUSES, ETC.



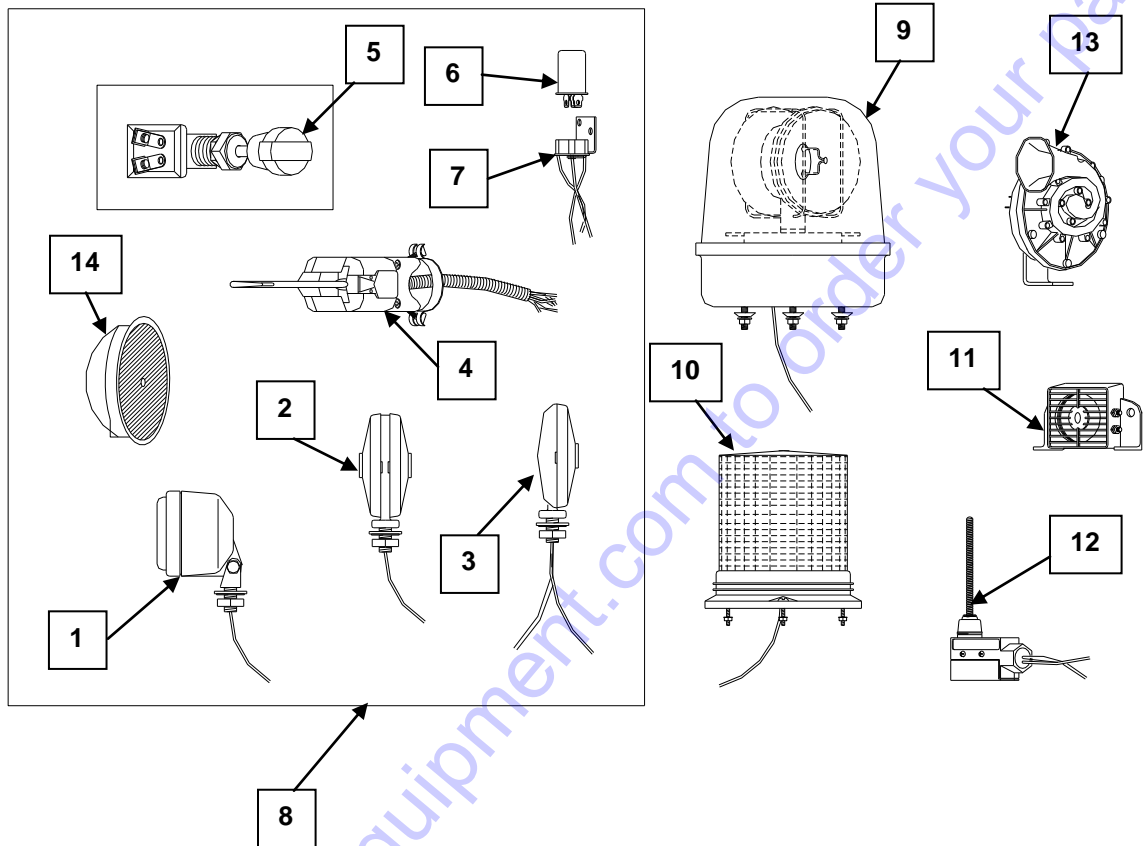
Go to Discount-Equipment.com to order your parts

MISC. SWITCHES, FUSES, ETC.

Reference	Part No.	Description	Qty.
1.....	PBL-12.....	Warning Light	1
2.....	307098	Parking Brake Switch.....	1
3.....	46050-12	Fuse Block (12 Fuse Capacity)	1
	46050-10	Fuse Block (10 Fuse Capacity)	1
	46050-8	Fuse Block (8 Fuse Capacity)	1
	46050-6	Fuse Block (6 Fuse Capacity)	1
4.....	307902	Relay – Air Conditioning Shutoff.....	1
5.....	46330	30 Amp Breaker	1
6.....	23836	Universal Accessory Switch	1
7.....	WH46242	40 Amp Maxi Fuse	1
	46243.....	50 Amp Maxi Fuse	1
8.....	WH-767-FH	Maxi Fuse Holder.....	1
9.....	X770050.....	Air Restrictor Sender (Air Cleaner Ind.)	1
10.....	BLS-15	Stop Light Switch	1
11.....	76052	Pressure Switch (Air Conditioner Shutoff)	1
12.....	307044	Ignition Switch	1
	307045.....	Key (pair)	1
13.....	307071	Core Lock Switch	1
14.....	307042	Switch, Lighted, Rocker for Beacon.....	1
Not Shown.....	307235	Push Button Switch for Preheat (All Same)...	1

Go to Discount-Equipment.com to order your parts

LIGHTS – HORNS



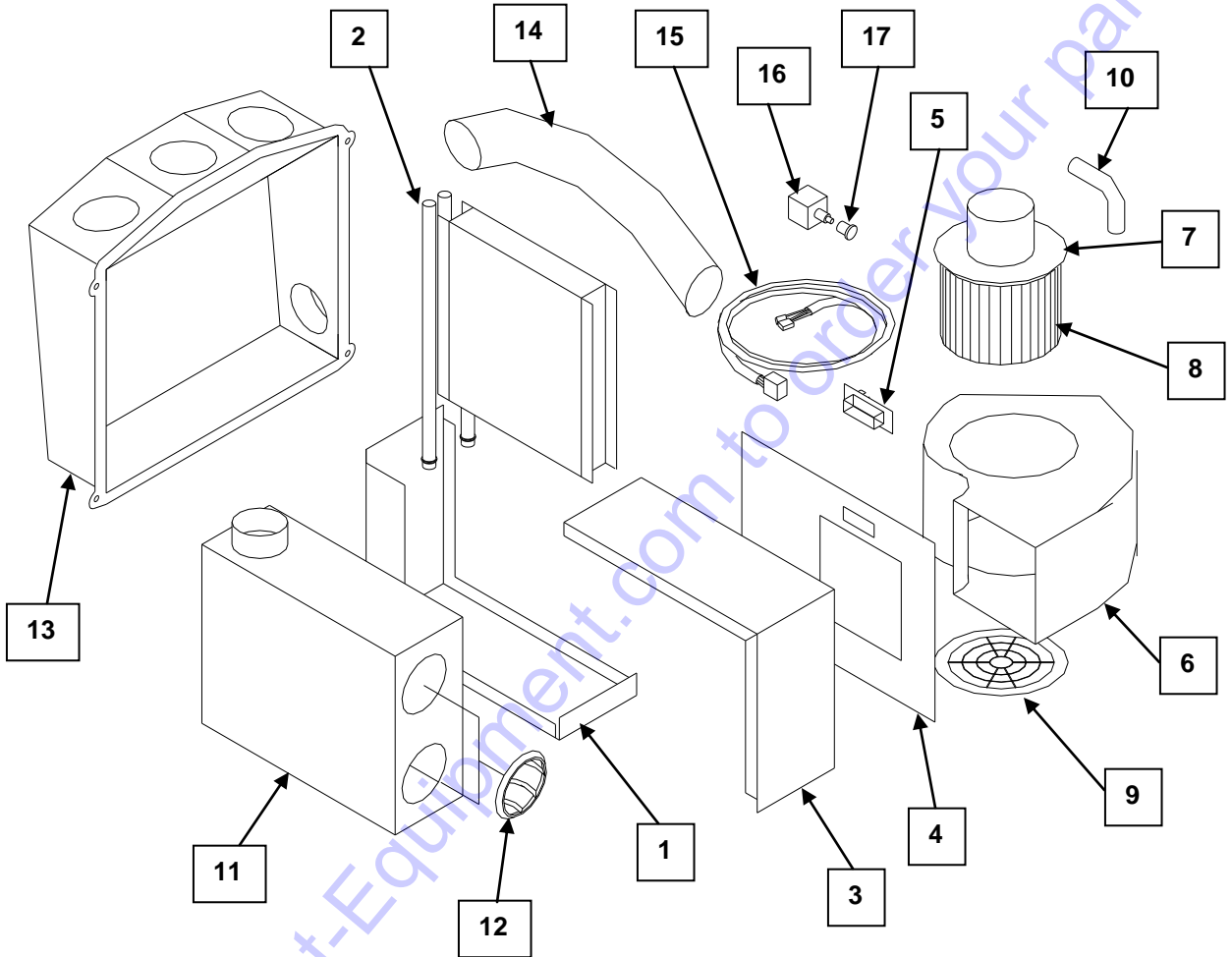
Go to Discount-Equipment.com to order your parts

LIGHTS - HORNS

Reference	Part No.	Description	Qty.
1.....	9-50004-SBA	Driving Light	A/R
2.....	4-75001	Turn Signal.....	2
3.....	6-70001	Stop/Turn Signal.....	2
4.....	16-35800	Turn Signal Switch	1
5.....	23836	Universal Accessory Switch	1
6.....	550	Flasher	1
7.....	550FH.....	Flasher Socket	1
8.....	LG-100-SBA	Light Group Kit w/950004-SBA Driving Lights	See Note
9.....	7-40004	Amber Beacon	A/R
10.....	3614A.....	Amber Strobe Light.....	A/R
11.....	RH-250	Reverse Alarm	1
12.....	LDA-50-1R.....	Reverse Alarm Switch.....	1
13.....	4-302	Traffic Horn	1
14.....	307031	Flush Mount Tail/Brake Lights (Starting w/ Serial Number 90044).....	2

<p>Note: Light Group Kit, Part Number LG-100-SBA, contains all signals, switches, lights, and wiring harness required for field installation.</p>
--

4W BROOM HEATER/DEFROSTER



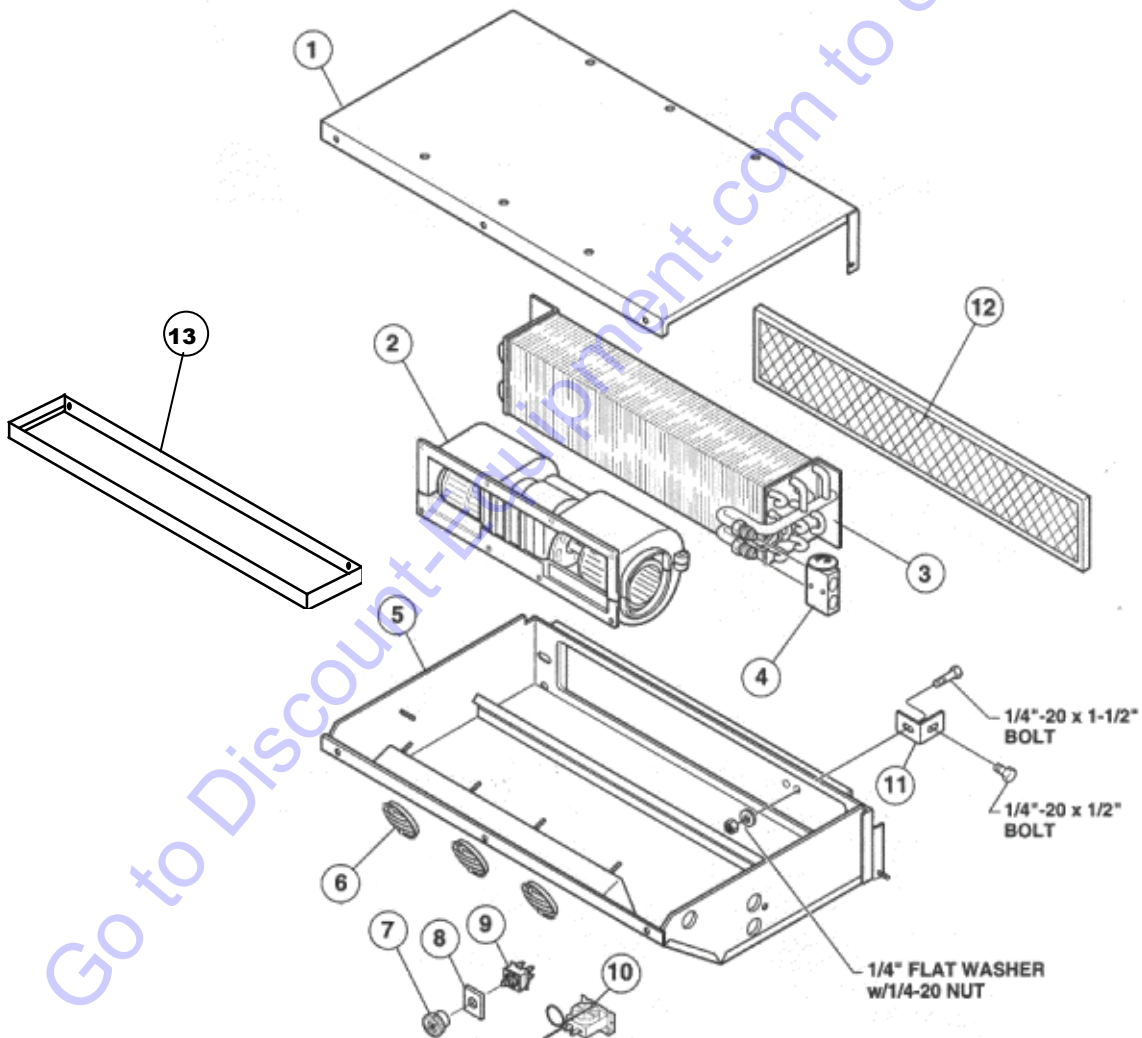
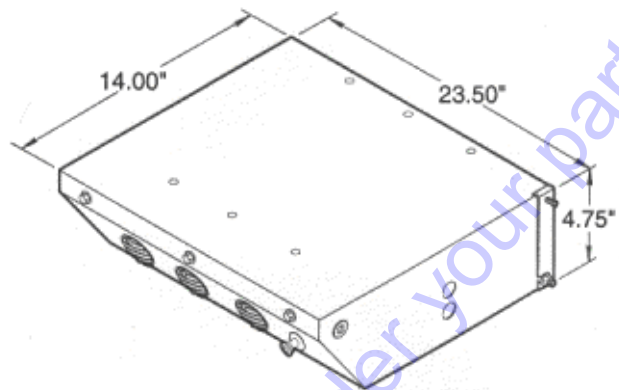
4W BROOM HEATER/DEFROSTER

Reference	Part No.	Description	Qty.
1.....	403153	Case, Bottom/Side.....	1
2.....	403154	Coil.....	1
3.....	403155	Case, Top/Side.....	1
4.....	403156	Panel, Blower	1
5.....	403157	Resistor, 3 – Speed	1
6.....	403158	Housing, Blower	1
7.....	403159	Motor, CCW	1
8.....	403160	Wheel, Blower	1
9.....	403161	Ring, Venturi	1
10.....	403162	Hose, Vent Motor Blower	1
11.....	403163	Plenum, Heater	1
12.....	403164	Louver, 3” Round	2
13.....	403165	Plenum, Defrost	1
14.....	403166	Hose, Flex, Wire, Metal, 2.5” Dia.	1
15.....	403167	Harness, Wire, Heater	1
16.....	403168	Switch, Rot 4 Position.....	1
17.....	403169	Knob, Switch, Rotary	1
KIT	K00016.....	Heater/Defroster Kit (JD RJ-350).....	1
KIT	K00017.....	Heater/Defroster Kit (Cummins RC-350)	1
KIT	K00018.....	Heater/Defroster Kit (CAT CR-350)	1
KIT	K00019.....	Heater/Defroster Kit (Cummins Turbo RCT-350)	1
KIT	K00020.....	Heater/Defroster Kit (Kubota KR-350)	1

4W BROOM AIR CONDITIONING SYSTEM

Features:

- 255 CFM
- Heavy Duty Powder Coated Finish all steel case.
- Low Profile for maximum headroom.
- Filtered, recirculated air.

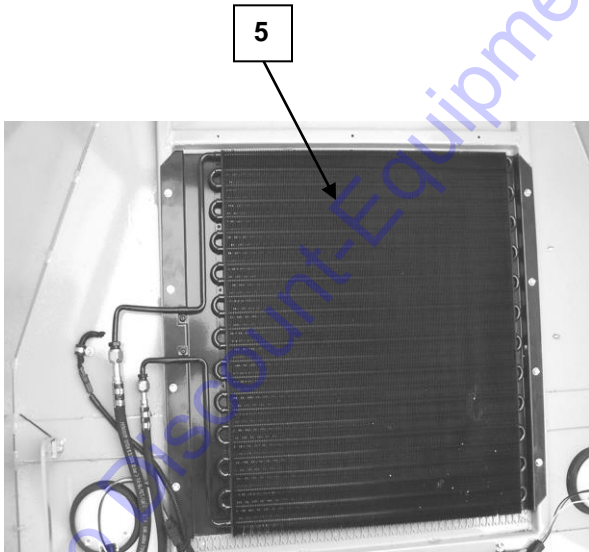
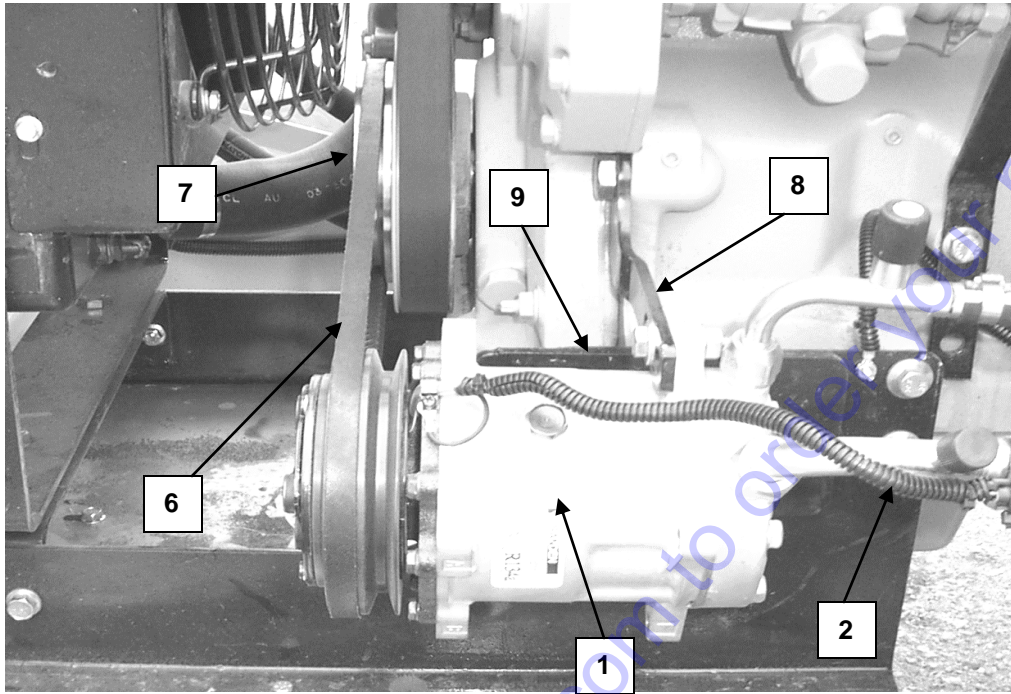


4W BROOM AIR CONDITIONING SYSTEM

Reference	Part No.	Description	Qty.
1.....	403184	Cover, Evaporator	1
2.....	403180	Blower Assembly.....	1
3.....	403175	Coil, Evaporator	1
4.....	403174	Valve, Exp., Block, R134a	1
5.....	403183	Housing, Evaporator	1
6.....	403164	Louver, 3" Round	3
7.....	403177	Knob, Fan	1
8.....	403181	Decal, Fan.....	1
9.....	403173	Switch, Rotary.....	1
10.....	403176	Thermostat	1
11.....	403187	Bracket, Mounting, Exp. Valve	1
12.....	403178	Filter.....	1
13.....	403192	Drain Pan (Evaporator)	1
Not Shown	403182	TSTAT Knob.....	1
Not Shown	403185	Binary Switch.....	1

Go to Discount-Equipment.com to order your parts

4W BROOM AIR CONDITIONING SYSTEM



4W BROOM AIR CONDITIONING SYSTEM

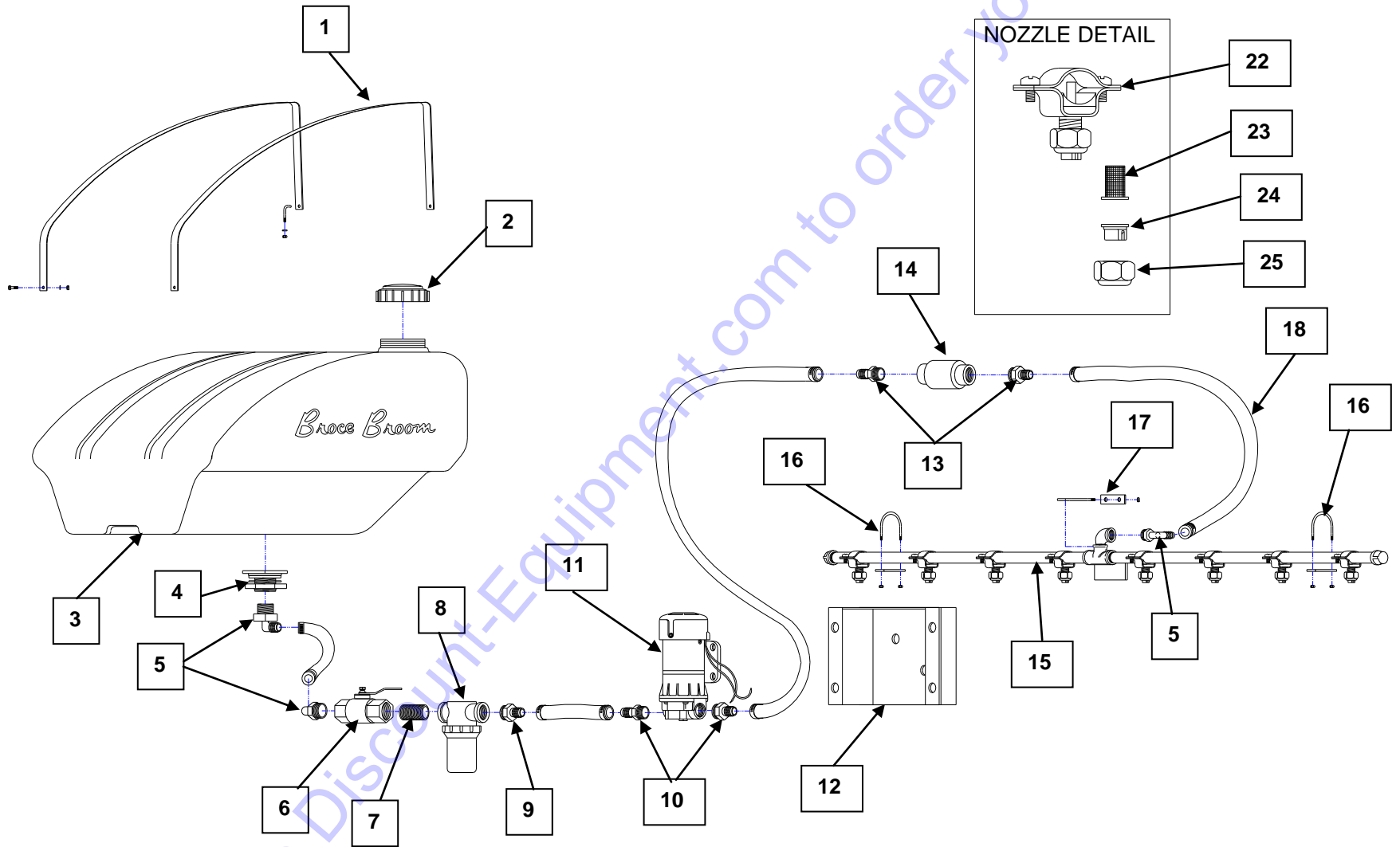
Reference	Part No.	Description	Qty.
1.....	403170	Compressor (Fits all Engine Models).....	1
2.....	403179	Wiring Harness	1
3.....	403186	Dryer Clamp	1
4.....	403171	Receiver Dryer	1
5.....	403150	Condenser	1
6.....	304028	A/C Belt, RJ-350 (Shown)	1
	BL-0660.....	A/C Belt, RC-350	1
	304027.....	A/C Belt, CR-350	1
	304014.....	A/C Belt, KR-350	1
	304015.....	A/C Belt, RCT-350	1
7.....	403019	Pulley, RJ-350 (Shown).....	1
	3919624.....	Pulley, RC-350.....	1
	203341	Pulley, KR-350.....	1
8.....	203131	Adjustment Arm, RJ-350 (Shown)	1
	203261.....	Adjustment Arm, CR-350 & KR-350	1
	203655.....	Adjustment Arm, RCT-350.....	1
9.....	852127	Compressor Mount, RJ-350 (Shown)	1
	403021.....	Compressor Mount, RC-350	1
	853610.....	Compressor Mount, CR-350	1
	852259.....	Compressor Mount, RCT-350.....	1
	852808.....	Compressor Mount, KR-350	1

Go to Discount-Equipment.com to order your parts

BROOM ACCESSORIES SYSTEMS

Go to Discount-Equipment.com to order your parts

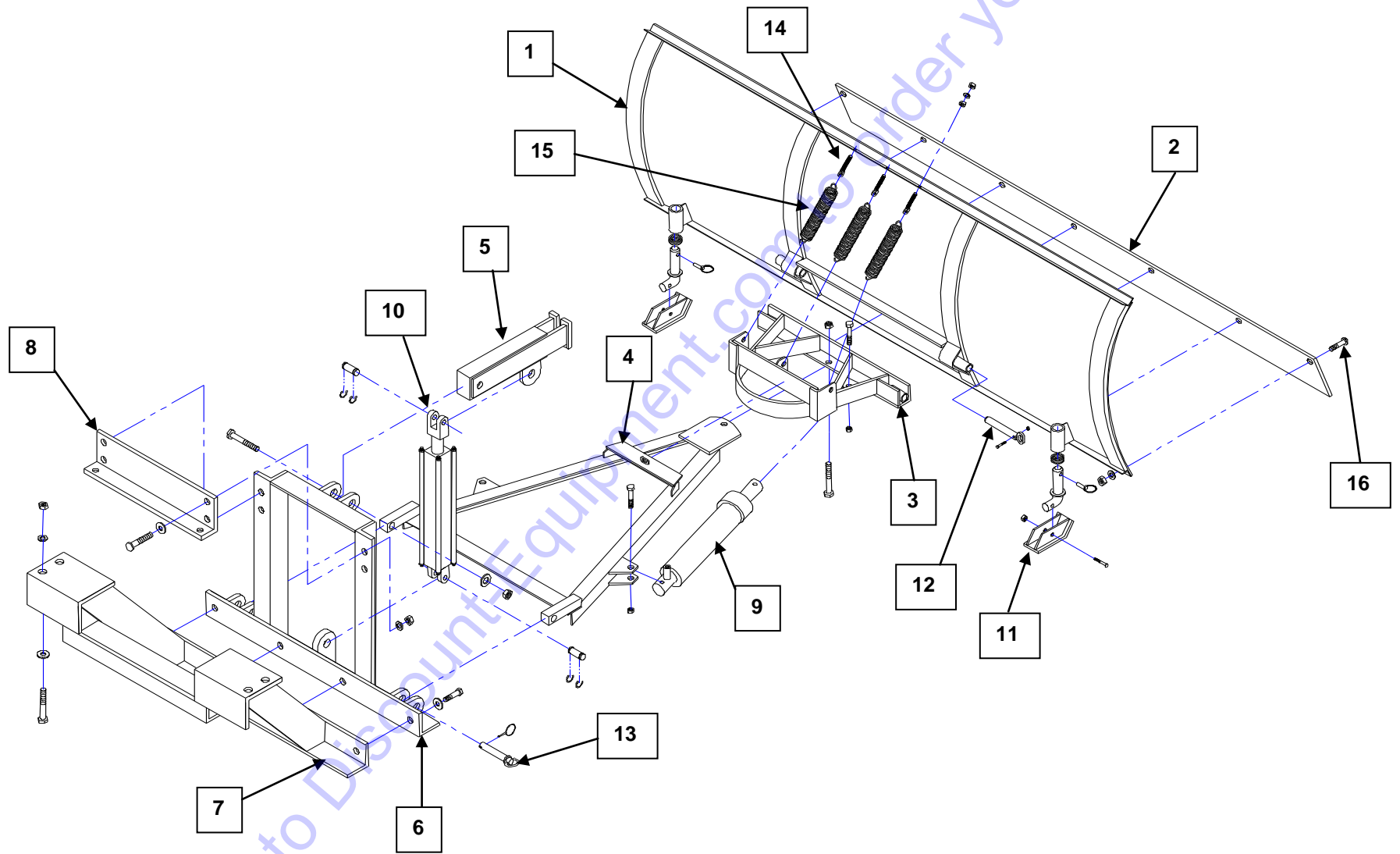
4W BROOM WATER SYSTEM



4W BROOM WATER SYSTEM

Reference	Part No.	Description	Qty.
1	201761	Strap	2
2	WS-145-D	Filler Cap, Plastic, 6" Dia.	1
3	WS-143-D	Low Profile Plastic Tank	1
4	WS-176-E	Tank Adapter (1 1/4" Dia.)	1
5	345012	Plastic Pipe Fitting, 90°	3
6	306535	3/4" Ball Valve	1
7	306120	Pipe Nipple	1
8	WS-148	Inline Strainer, Complete	1
9	345011	Plastic Pipe Fitting, Straight	1
10	345010	Plastic Pipe Fitting, Straight	2
11	WS-146	Pump	1
12	850025	Pump Mount	1
13	345009	Plastic Pipe Fitting, Straight	2
14	306950	Check Valve	1
15	WS-154	Spray Bar Assembly	1
16	202101	Brace w/ U Bolt	2
17	001716	Brace w/ U Bolt	1
18	344999	Hose (sold by foot)	n/a
22	WS-155	Nozzle Assembly, Complete	8
23	WS-158	Nozzle Screen	8
24	TP8002	Spray Tip	8
25	1458	Cap	8

SCRAPER BLADE ASSEMBLY

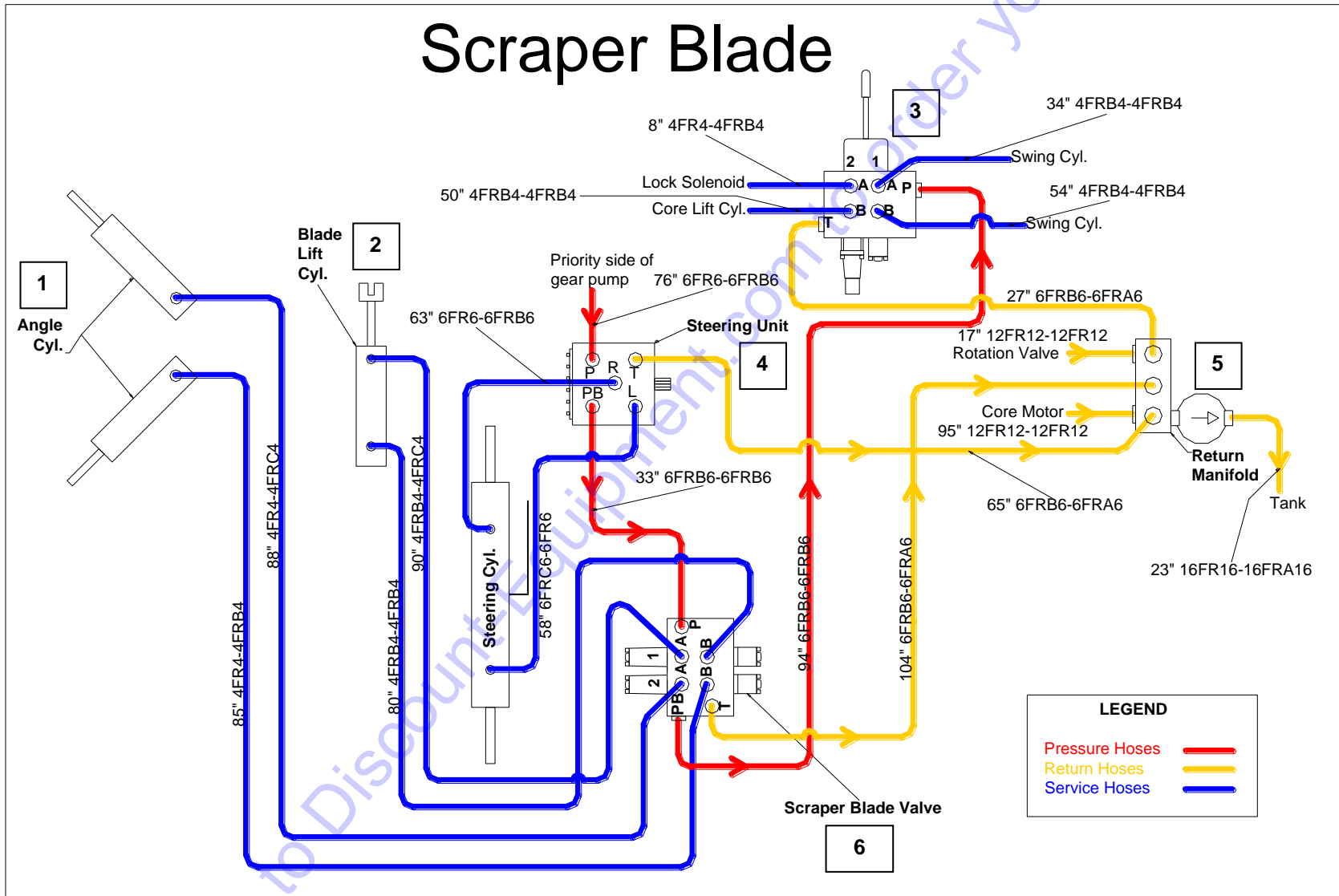


SCRAPER BLADE ASSEMBLY

Reference	Part No.	Description	Qty.
1	850022	Blade WA (7 1/2" scraper)	1
2	SBA09796	Cutting Edge (High Carbon Steel)	1
3	850024	Blade Pivot WA	1
4	850023	Blade A-Frame WA	1
5	850026	Blade Lift Arm WA	1
6	850017	Lift Frame	1
7	850016	Frame Mount	1
8	201956	Frame Brace	1
9	SBA05437	Shift Cylinder	2
10	208	Lift Cylinder	1
11	SBA09126	Shoe Assembly	2
12	SBA08541	Pivot Pin Set (2 Pins)	1
13	SBA08562	Hinge Pin Set (2 Pins)	1
14	SBA09124	Eye Bolts (for springs)	3
15	SBA07017	Tip Spring	3
16	SBA08184	Cutting Edge Bolt Set	1
17	SBA02020	Marker Kit (not shown)	1

Go to DiscountEquipment.com to order your parts

SCRAPER BLADE HYDRAULICS ASSEMBLY



SCRAPER BLADE HYDRAULICS ASSEMBLY

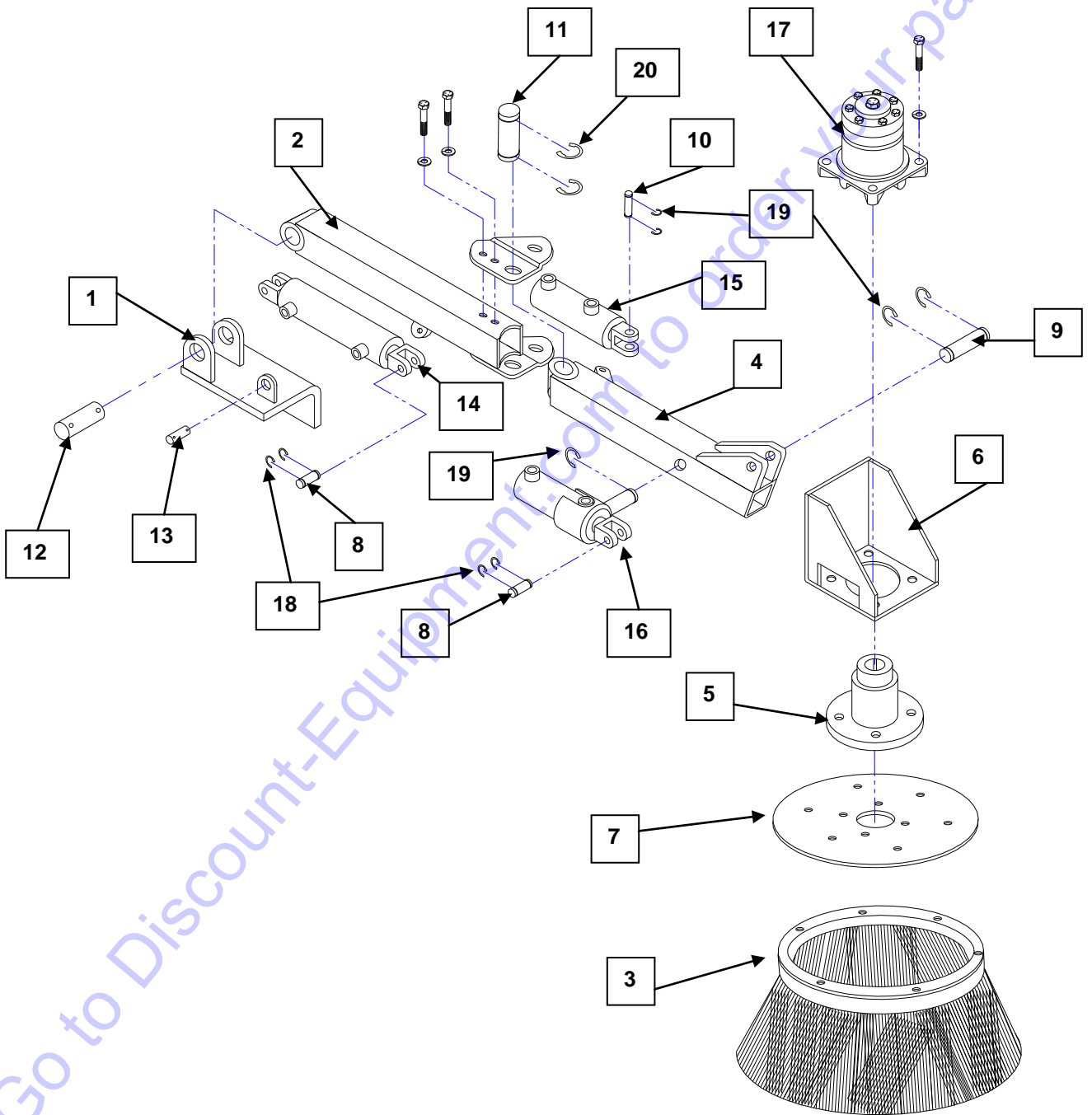
Reference	Part No.	Description	Qty.
1.....	SBA05437.....	Angle Cylinder	2
2.....	208	Lift Cylinder (208-R)	1
3.....	355030	Joystick Control Valve	1
4.....	305944	Steering Unit	1
5.....	305525	Hydraulic Manifold	1
6.....	355031	Scraper Control Valve.....	1
Not Shown.....	852443	RH Foot Control Pedal	1
Not Shown.....	852439	LH Foot Control Pedal.....	1

* Note: Hydraulic Hoses and Aeroquip fittings not available through Broce Mfg. Parts Dept. – Please Source Locally

Go to Discount-Equipment.com to order your parts

CURB SWEEPER ASSEMBLY

(Sweeper and Components)

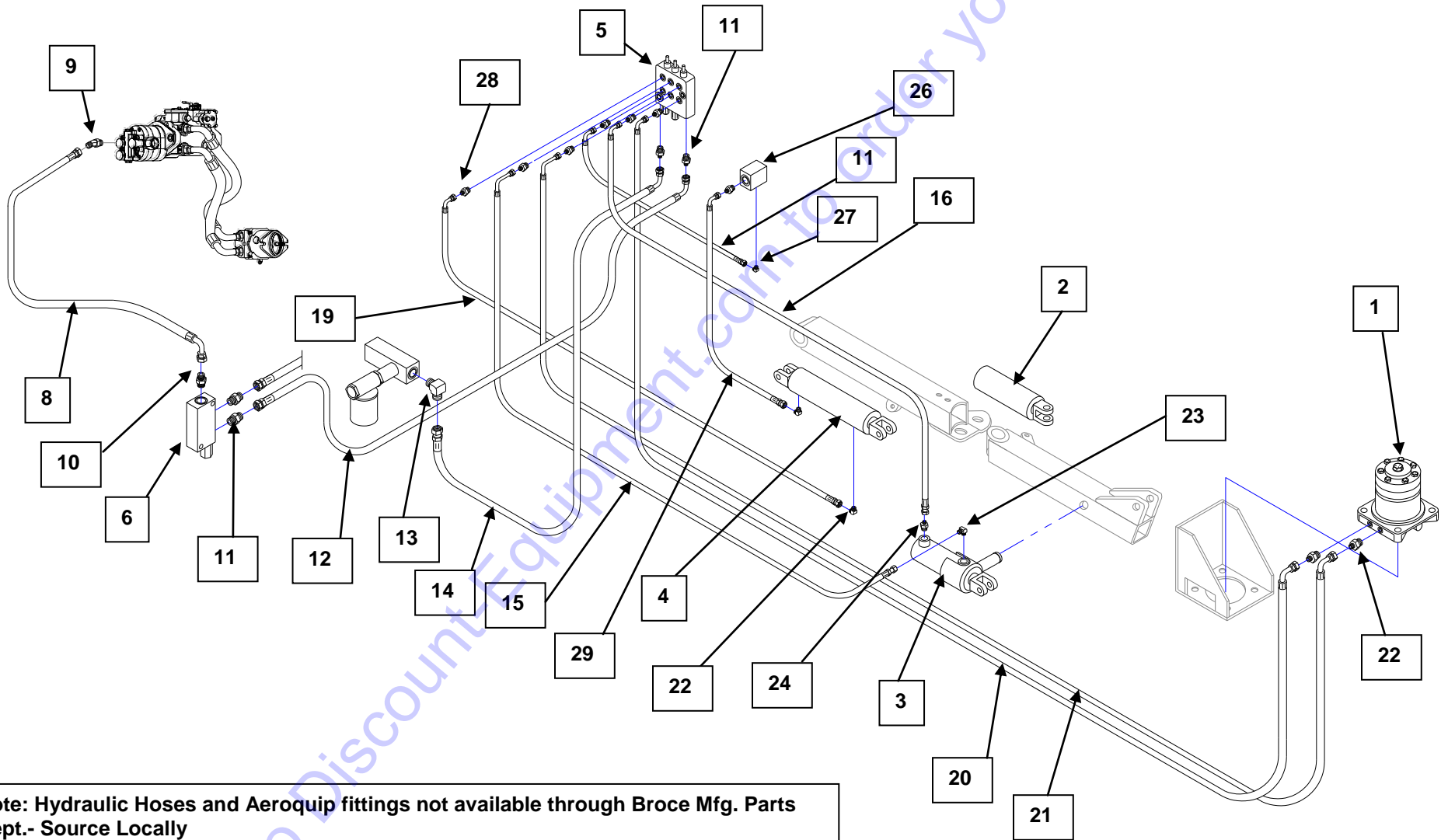


CURB SWEEPER ASSEMBLY

(Sweeper and Components)

Reference	Part No.	Description	Qty.
1.....	854005	Mounting Bracket	1
2.....	854001	Main Lift Arm.....	1
3.....	304299	Curb Brush (Wire).....	1
	304296	Curb Brush (Poly).....	1
4.....	854004	Tilt Arm	1
5.....	854006	Hub Ext.	1
6.....	854003	Motor Mount Bracket.....	1
7.....	204027	Broom Mounting Plate	1
8.....	204017	Lift and Tilt Cylinder Pin	2
9.....	204019	Motor Bracket Pin	1
10.....	204018	Accumulator Pin	1
11.....	204016	Pivot Pin	1
12.....	204005	Mounting Bracket Arm Pin	1
13.....	204008	Lift Cylinder Lower Pin	1
14.....	See Hydraulic Section	Lift Cylinder.....	1
15.....	See Hydraulic Section	Spring Cylinder.....	1
16.....	See Hydraulic Section	Tilt Cylinder.....	1
17.....	See Hydraulic Section	Hydraulic Motor	1
18.....	400910	C-Clip	4
19.....	400911	C-Clip	5
20.....	400912	C-Clip	2

CURB BROOM HYDRAULICS ASSEMBLY



Note: Hydraulic Hoses and Aeroquip fittings not available through Broce Mfg. Parts Dept.- Source Locally

CURB BROOM HYDRAULICS ASSEMBLY

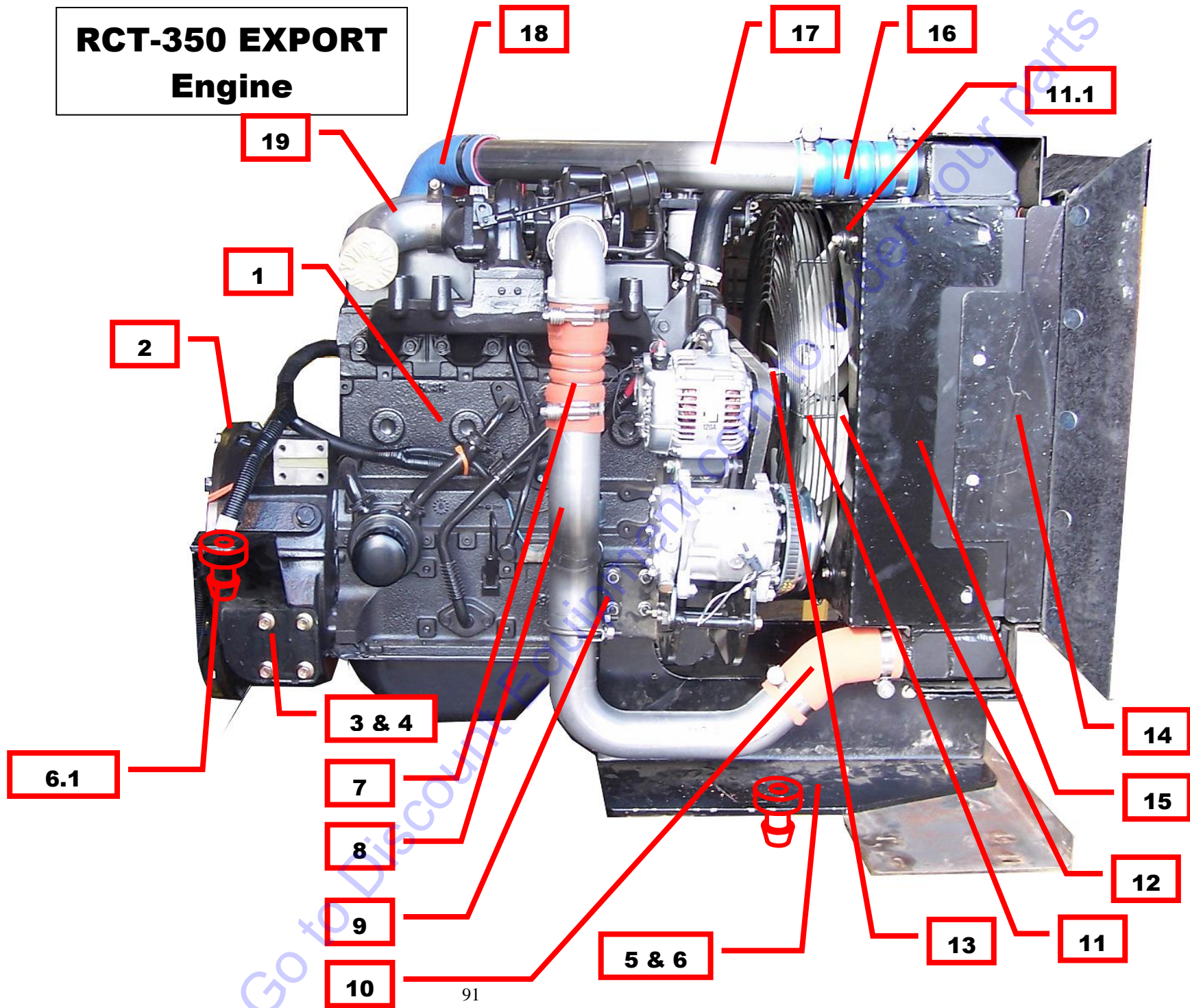
Reference	Part No.	Description	Qty.
1.....	305916	Broom Motor	1
2.....	325037	Spring Cylinder	1
3.....	305913	Tilt Cylinder	1
4.....	305914	Lift Cylinder	1
5.....	355032	Control Valve	1
6.....	305917	Flow Divider	1
8*	Hydraulic Hose Assembly, 16"HL-1AA12FR12 & 1AA12FRB12 ..		1
9*	Hydraulic Fitting, FF1868T12-10.....		1
10*	Hydraulic Fitting, FF1852T12-08.....		2
11*	Hydraulic Fitting, FF1852T06-08.....		3
12*	Hydraulic Hose Assembly, 52.5"HL-1AA6FR6 & 1AA6FRB6.....		1
13*	Hydraulic Fitting, FF1868T06-125.....		1
14*	Hydraulic Hose Assembly, 32"HL-1AA6FR6 & 1AA6FRB6.....		1
15*	Hydraulic Hose Assembly, 81"HL-1AA4FRC4 & 1AA4FR4.....		1
16*	Hydraulic Hose Assembly, 75.5"HL-1AAFR4 & 1AA6FRB4.....		1
19*	Hydraulic Hose Assembly, 68"HL-1AA4FR4 & 1AA4FRB4.....		1
20*	Hydraulic Hose Assembly, 89"HL-1AA6FRB6 (2).....		1
21*	Hydraulic Hose Assembly, 91"HL-1AA6FRC6 & 1AA6FRB6.....		1
23*	Hydraulic Fitting, FF1868T04-04.....		4
24*	Hydraulic Fitting, FF1852T04-04.....		1
26.....	305763	Solenoid Valve	1
27*	Hydraulic Fitting, FF1868T04-06.....		1
28*	Hydraulic Fitting, FF185204-08		5
29*	Hydraulic Hose Assembly, 59"HL-1AA4FR4 & 1AA4FRB4.....		1

<p>*Note: Hydraulic Hoses and Aeroquip fittings not available through Broce Mfg. Parts Dept.- Source Locally</p>

ENGINES AND RELATED PARTS

Go to Discount-Equipment.com to order your parts

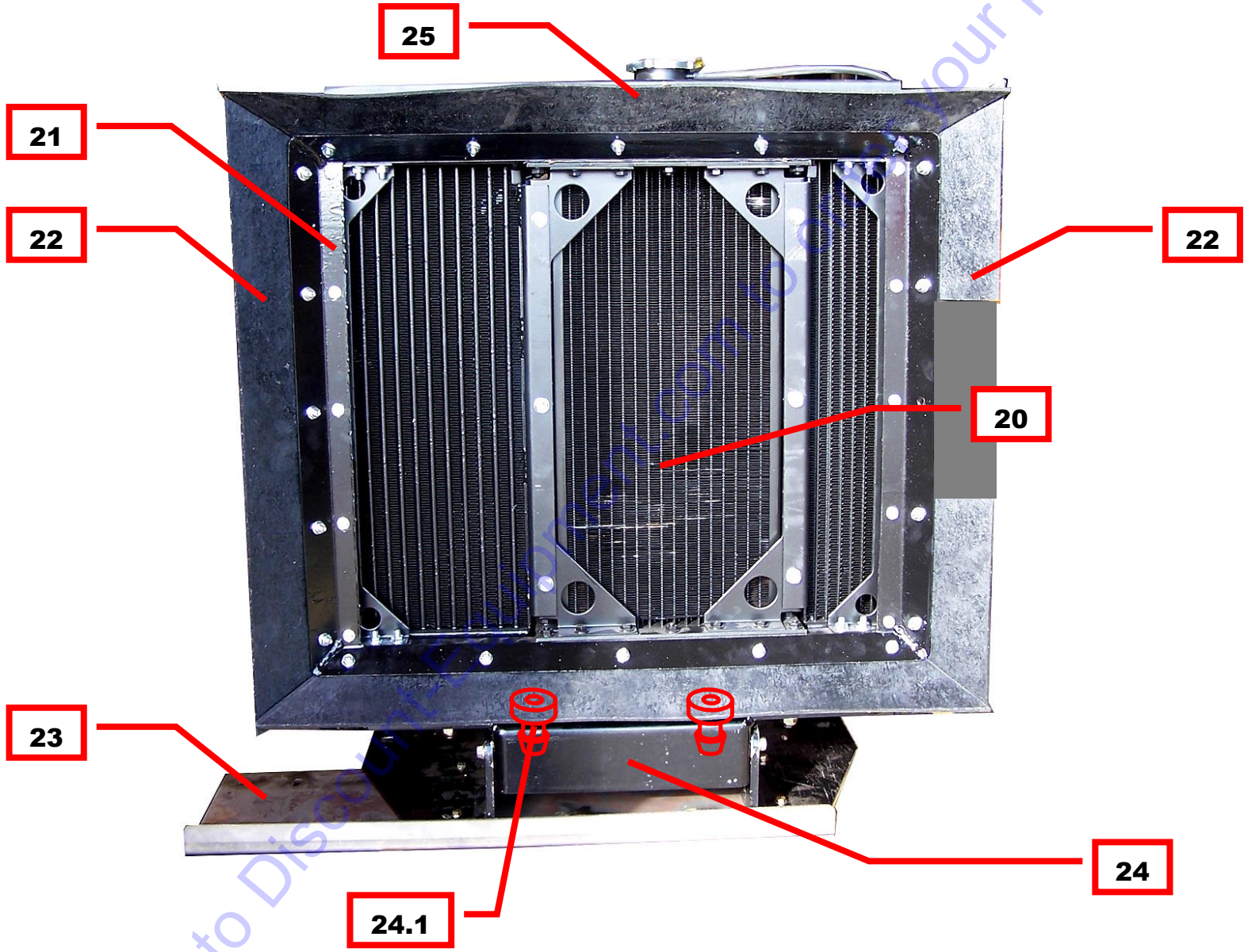
RCT-350 EXPORT Engine



RCT-350 EXPORT ENGINE AND RELATED PARTS

Reference	Part No.	Description	Qty.
1	344054	Cummins Diesel Engine	1
2	344053	Pump Drive (Complete)	1
3	203643	Right Rear Motor Mount	1
4	203644	Left Rear Motor Mount	1
5	203641	Right Front Motor Mount	1
6	203642	Left Front Motor Mount	1
6.1	CM-714-B	Motor Mount Rubber Isolators	4
7	203656	Silicone Hose Air-to-Air	1
8	203661	Charge Air Tube	1
9	203671	Support for Pressure Tube	1
10	203657	Silicone Hose w/Bend Air-to-Air	1
11	203665	Fan Guard	1
11.1	304097	Fan Guard Rubber Isolators	4
12	203650	Cummins Fan	1
13	203649	Fan Spacer	1
14	203653	Supports for Air Duct Frame	1
15	203651	Radiator Shroud	1
16	203658	Silicone Hose Air-to-Air	1
17	203662	Charge Air Return Tube	1
18	203659	Air-to-Air 45 degree Hose	1
19	344405	Exhaust Elbow	1

RCT-350 EXPORT Engine, cont'd

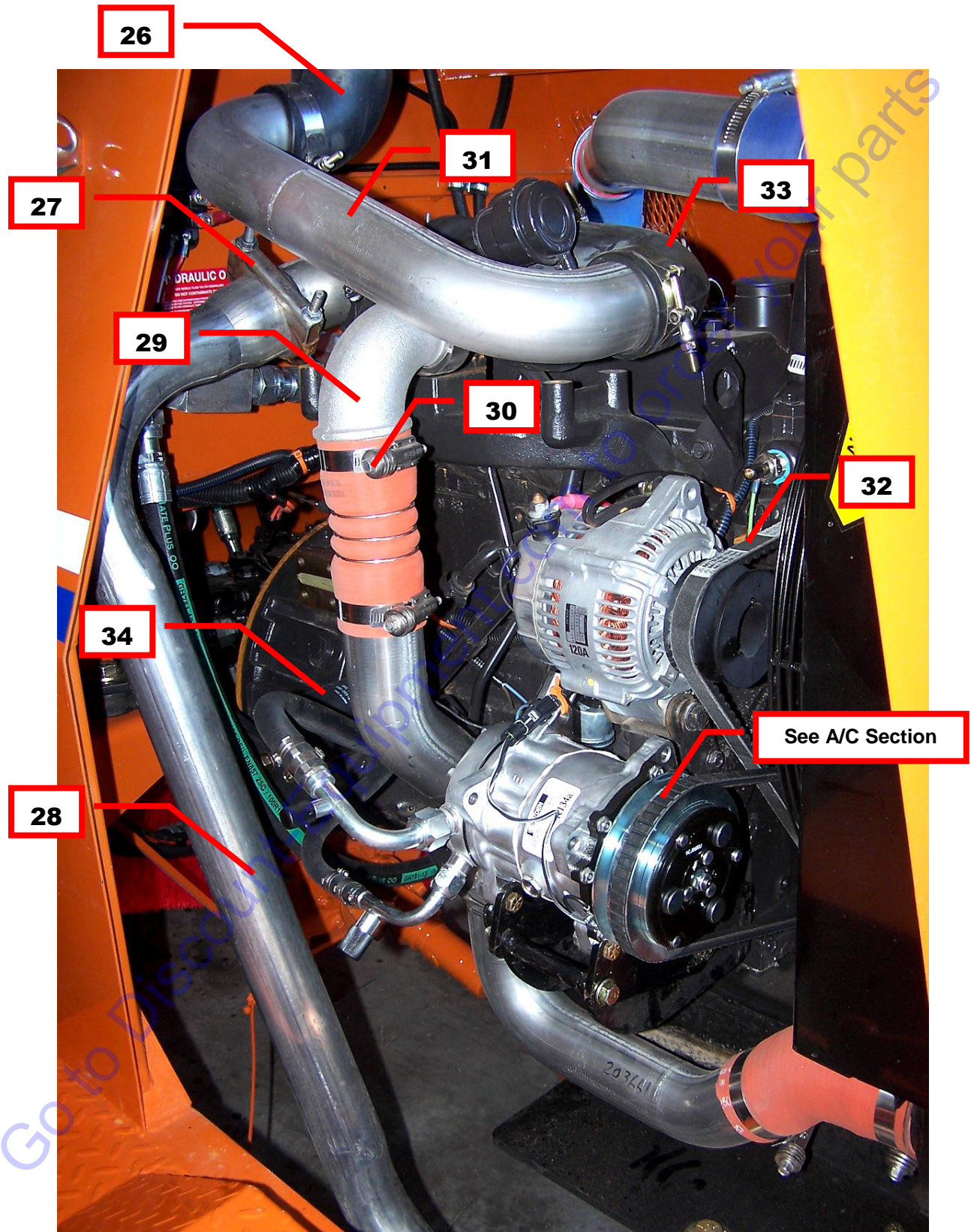


Go to Disc... our parts

RCT-350 EXPORT ENGINE AND RELATED PARTS

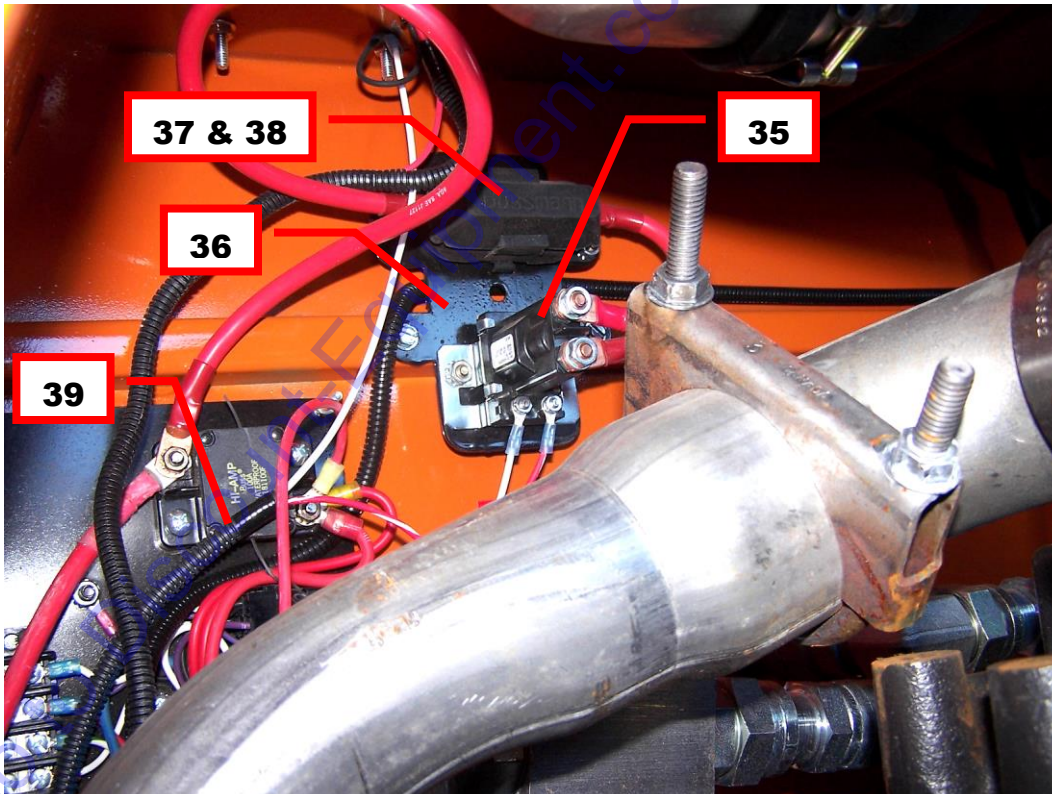
<u>Reference</u>	<u>Part No.</u>	<u>Description</u>	<u>Qty.</u>
20	344054	Radiator/Oil/Charge Air Cooler Assembly.....	1
21	203652.....	Air Duct Frame	1
22	203185.....	Left & Right Air Duct Seals	2
23	203105.....	Exhaust Heat Shield	1
24	203645.....	Bottom Radiator Support	1
24.1	344121.....	Bottom Radiator Rubber Isolators	2
25	203190.....	Upper & Lower Air Duct Seals	2

RCT-350 EXPORT Engine, cont'd

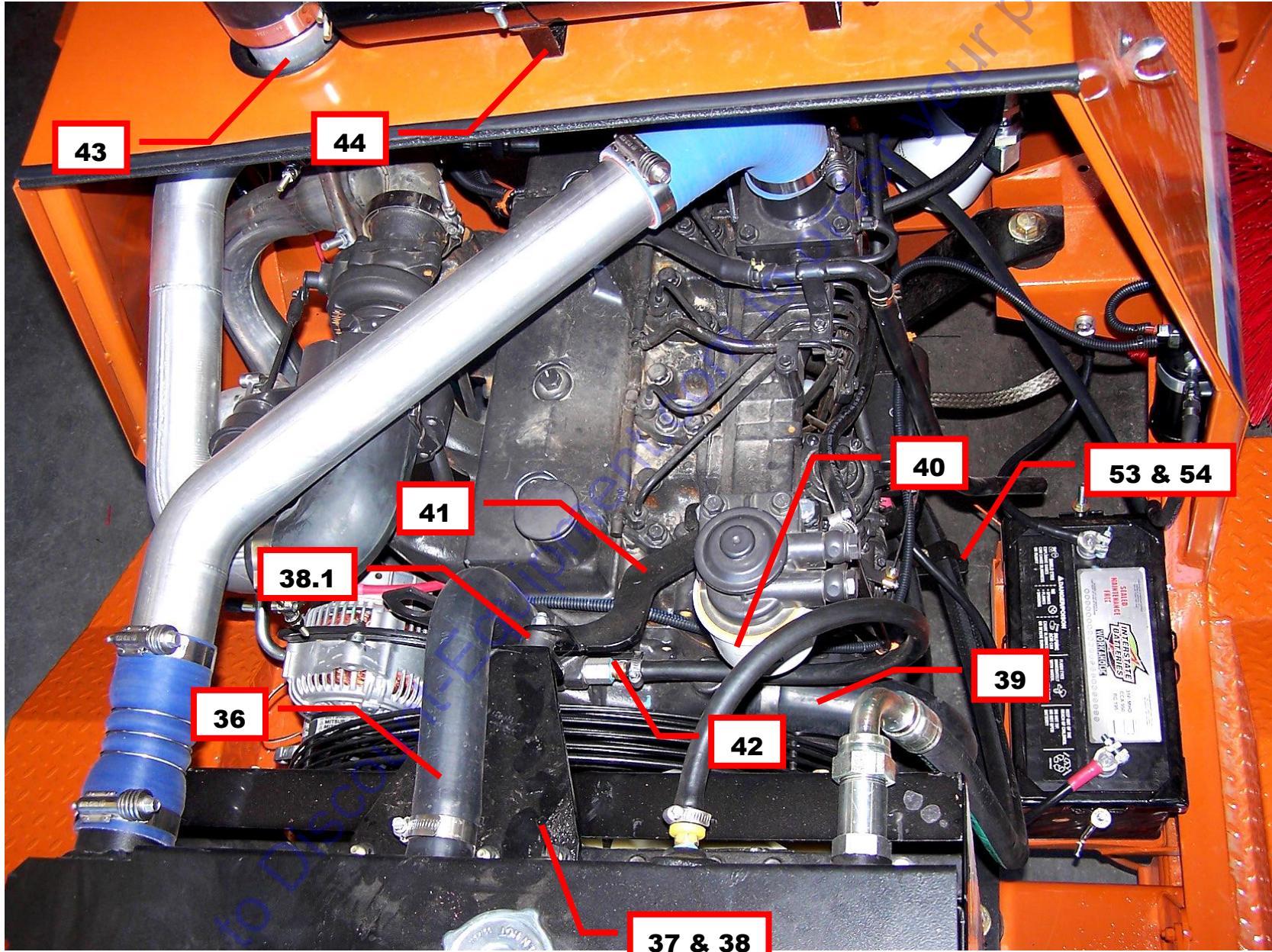


RCT-350 EXPORT ENGINE cont'd

Reference	Part No.	Description	Qty.
26	304106	Rubber Elbow (3 x 2.5")	1
27	JE-758-B	Head Pipe Clamp	1
28	203663	Exhaust Pipe	1
Not Shown	344040	Tail Pipe	1
Not Shown	JE-705-B	Muffler	1
Not Shown	852110	Muffler Clamp	2
29	203622	Elbow, Steel 3"	1
30	203673	Air-to-Air Hose Clamps	8
31	203660	Connecting Tube	1
32	344407	Fan Belt	1
33	304070	Rubber Elbow (3" x 2.5"L)	1
34	344408	Oil Filter	1
35	203670	Solenoid	1
36	203666	Air Heat Plate	1
37	203668	Fuse	1
38	203669	Fuse Holder	1
39	203667	Air Heat Wiring Harness	1



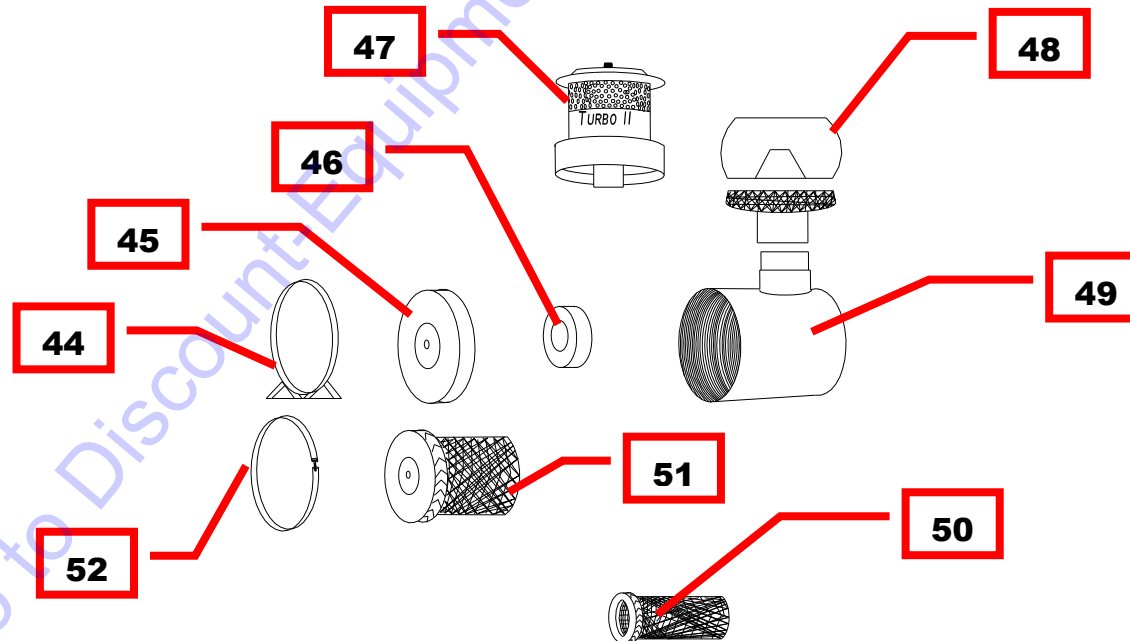
RCT-350 EXPORT Engine, cont'd



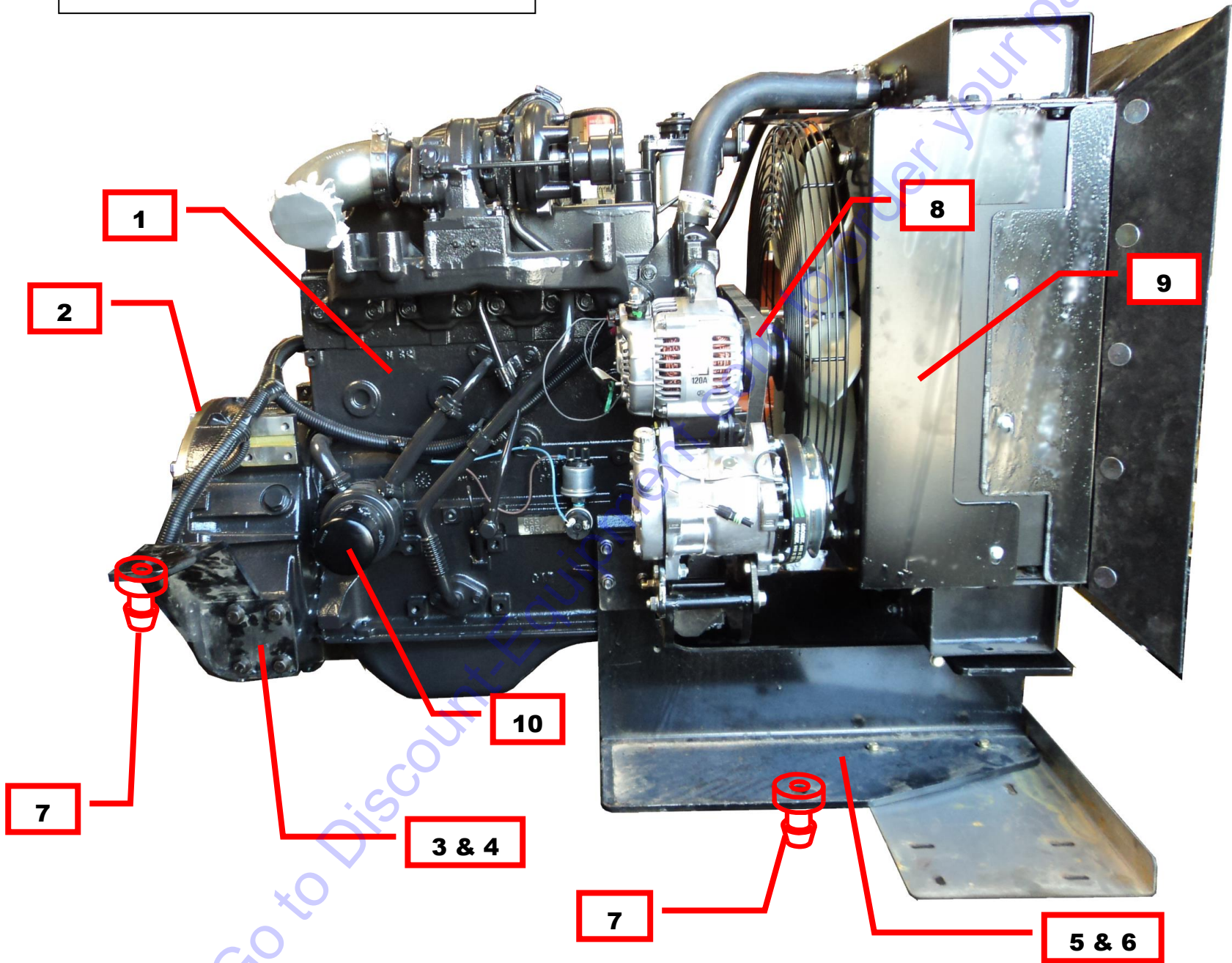
Go to Disc

RCT-350 EXPORT ENGINE cont'd

Reference	Part No.	Description	Qty.
36.....	203654.....	Upper Radiator Hose	1
37.....	203647.....	Upper Radiator Support	1
38.....	203664.....	Upper Radiator Support Spacer.....	1
38.1.....	304096.....	Upper Radiator Rubber Isolator.....	1
39.....	203309.....	Lower Radiator Hose	1
40.....	344406.....	Fuel Filter	1
41.....	203648.....	Radiator to Engine Support.....	1
42.....	203678.....	Vent Line Fitting.....	1
43.....	AC-763-R.....	Connecting Tube (short)	1
44.....	AC-764-R.....	Strap.....	2
45.....	P103113.....	Cup.....	1
46.....	P102980.....	Air Cleaner Baffle.....	1
47.....	TT-771-R.....	Turbo II Precleaner.....	1
48.....	304059.....	Enginair Precleaner	1
	304063.....	Sy-Klone Precleaner	1
49.....	DE-770-R.....	Air Cleaner (Dual Element).....	1
50.....	P119410.....	Safety Element	1
51.....	P182059.....	Service Element	1
52.....	P003951.....	Clamp.....	1
53.....	203676.....	Hose Guide	1
54.....	P003951.....	Hose guide Spacer.....	1



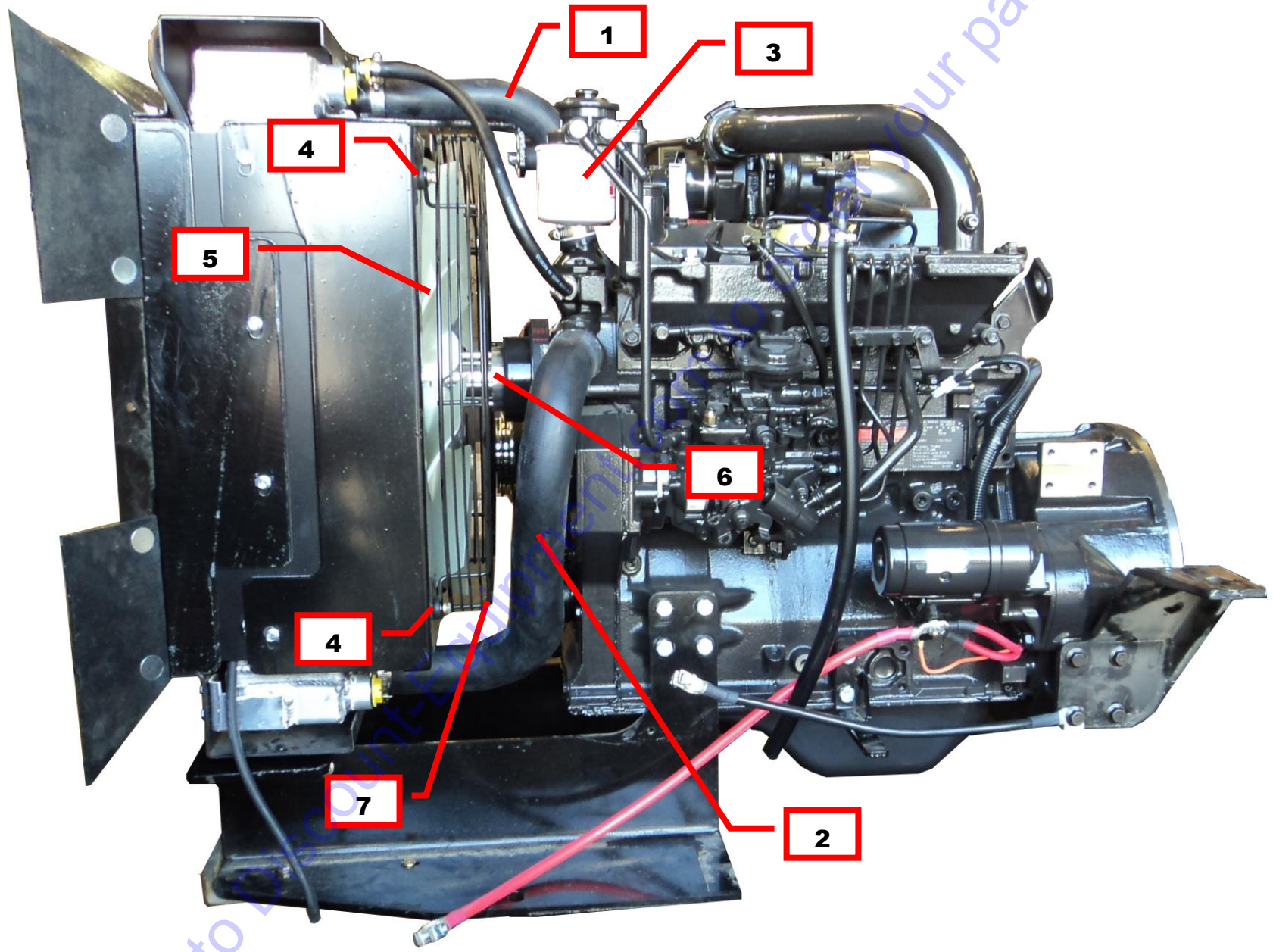
RCT-350 Tier 4i Engine



RCT-350 TIER 4i ENGINE AND RELATED PARTS

Reference	Part No.	Description	Qty.
1	344059	Cummins Diesel Engine	1
2	344053	Pump Drive (Complete)	1
3	203643	Right Rear Motor Mount	1
4	203644	Left Rear Motor Mount	1
5	203641	Right Front Motor Mount	1
6	203642	Left Front Motor Mount	1
7	CM-714-B	Motor Mount Rubber Isolators	4
8	344407	Fan Belt	1
9	203681	Radiator Shroud	1
10	344408	Oil Filter	1

RCT-350 Tier4i Engine

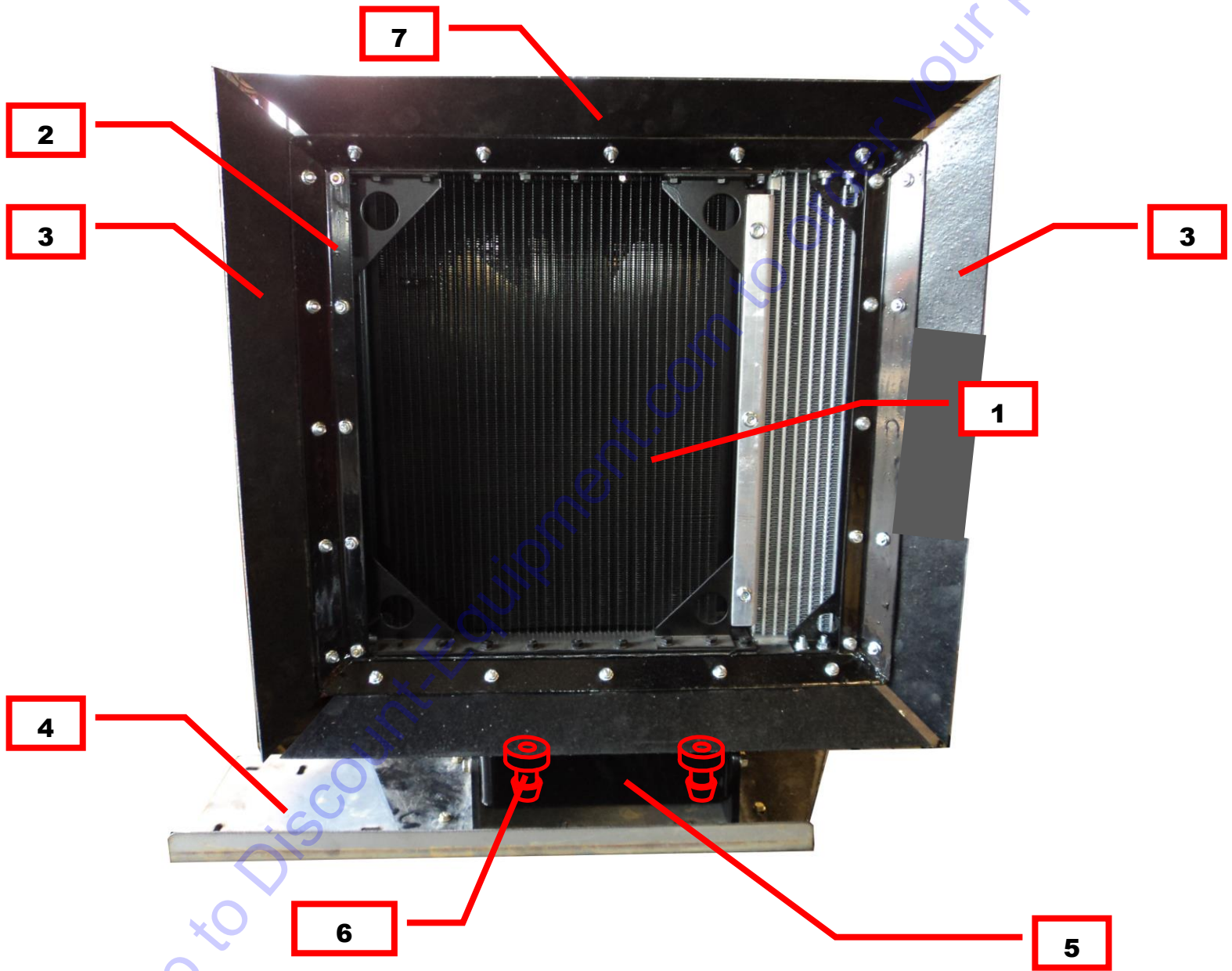


RCT-350 TIER 4i

<u>Reference</u>	<u>Part No.</u>	<u>Description</u>	<u>Qty.</u>
1	203654	Upper Radiator Hose	1
2	203309	Lower Radiator Hose	1
3	344406	Fuel Filter	1
4	304097	Fan Guard Rubber Isolators	4
5	203650	Cummins Fan	1
6	203649	Fan Spacer	1
7	203665	Fan Guard	1

Go to Discount-Equipment.com to order your parts

RCT-350 Tier4i Engine, cont'd



Go to DiscountEquipment.com to buy your parts

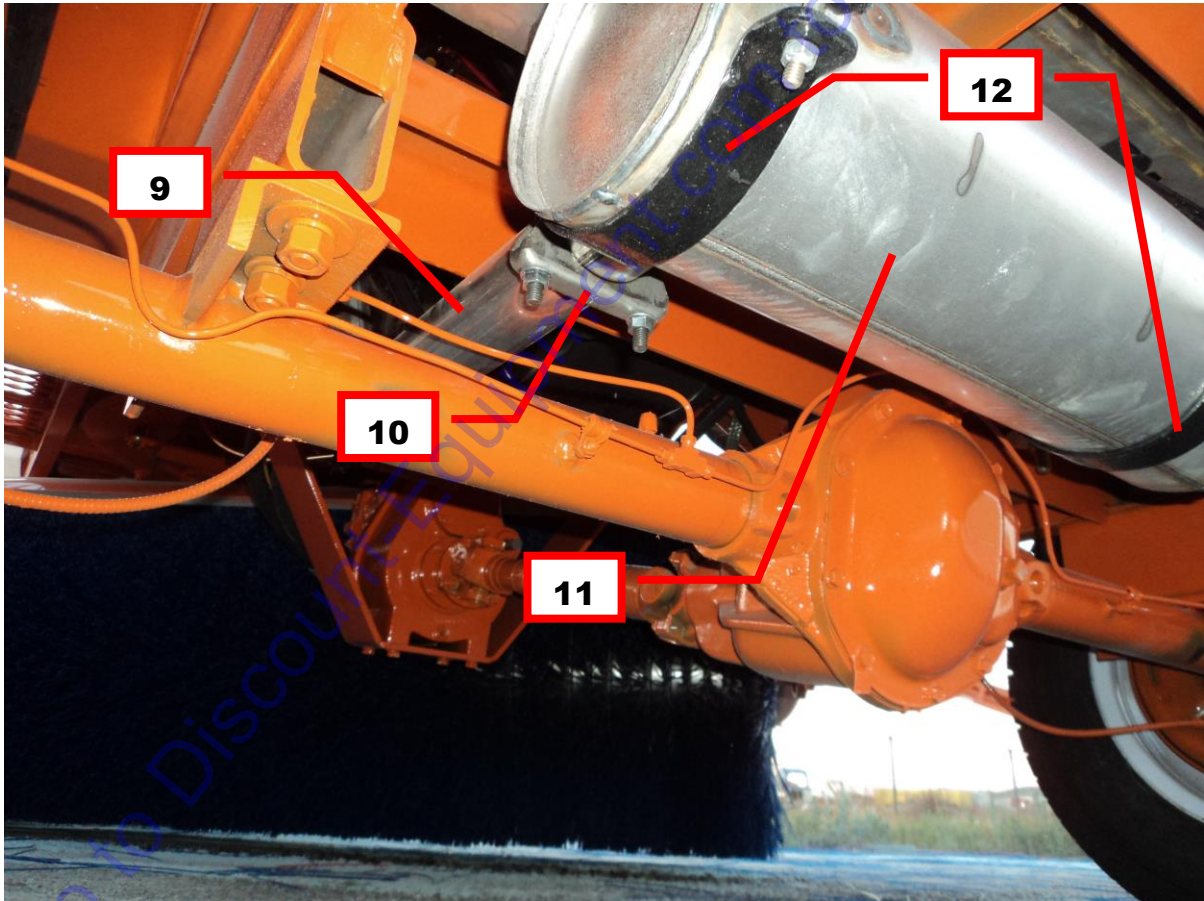
RCT-350 TIER 4i

<u>Reference</u>	<u>Part No.</u>	<u>Description</u>	<u>Qty.</u>
1	203683.....	Radiator/Oil Cooler Assembly	1
2	203682.....	Air Duct Frame	1
3	203478.....	Left & Right Air Duct Seals	2
4	203105.....	Exhaust Heat Shield	1
5	203645.....	Bottom Radiator Support	1
6	344121.....	Bottom Radiator Rubber Isolators	2
7	203686.....	Upper & Lower Air Duct Seals	2

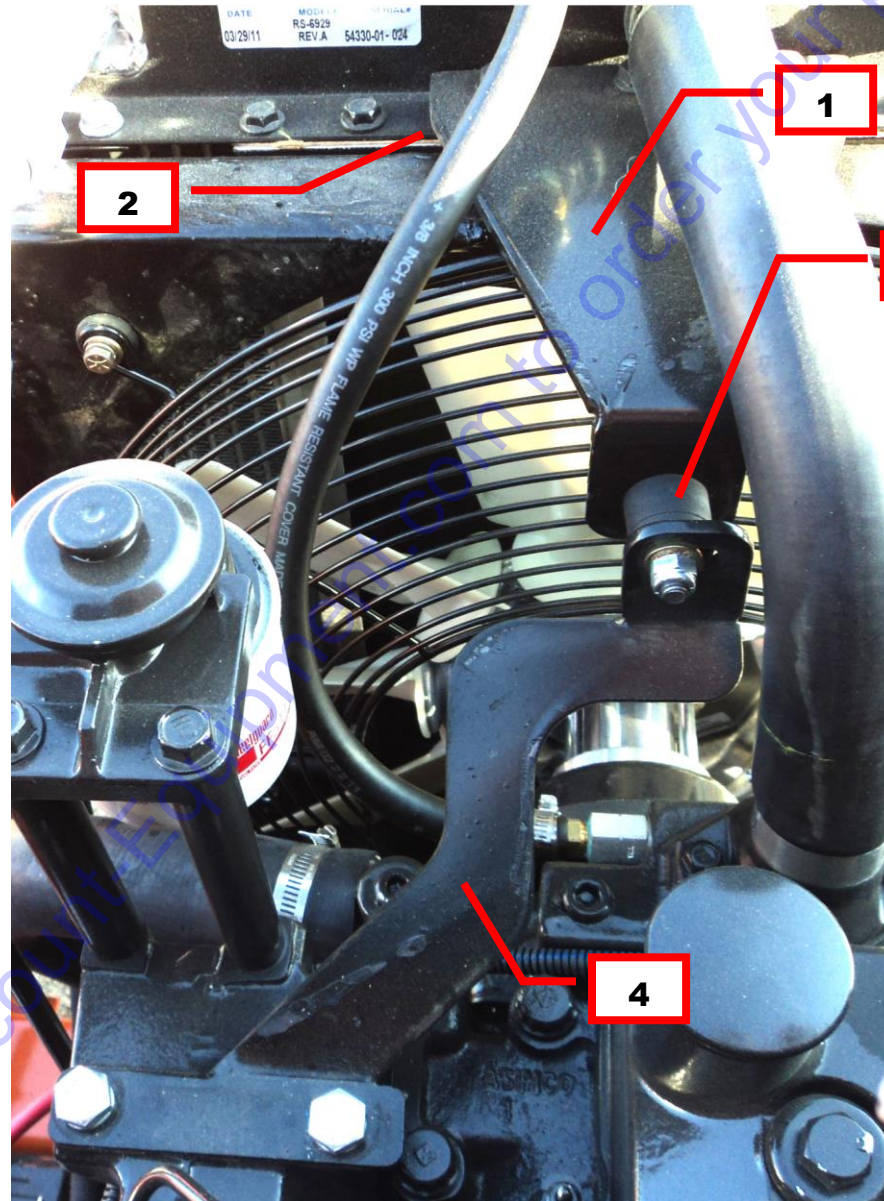
Go to Discount-Equipment.com to order your parts

RCT-350 TIER 4i ENGINE

Reference	Part No.	Description	Qty.
1	AC-760B	Rubber Elbow	1
2	AC-763-R	Connecting Tube	1
3	304070	Rubber Elbow	1
4	203680	Connecting Tube	1
5	304108	Rubber Elbow	1
6	344404	Clamp	1
7	203689	Exhaust Pipe Support	1
8	JE-758-B	Clamp	1
9	203688	Exhaust Pipe	1
10	JE-758-B	Clamp	1
11	JE-705-B	Muffler	1
12	852110	Muffler Clamp	2
Not Shown	344040	Tail Pipe	1

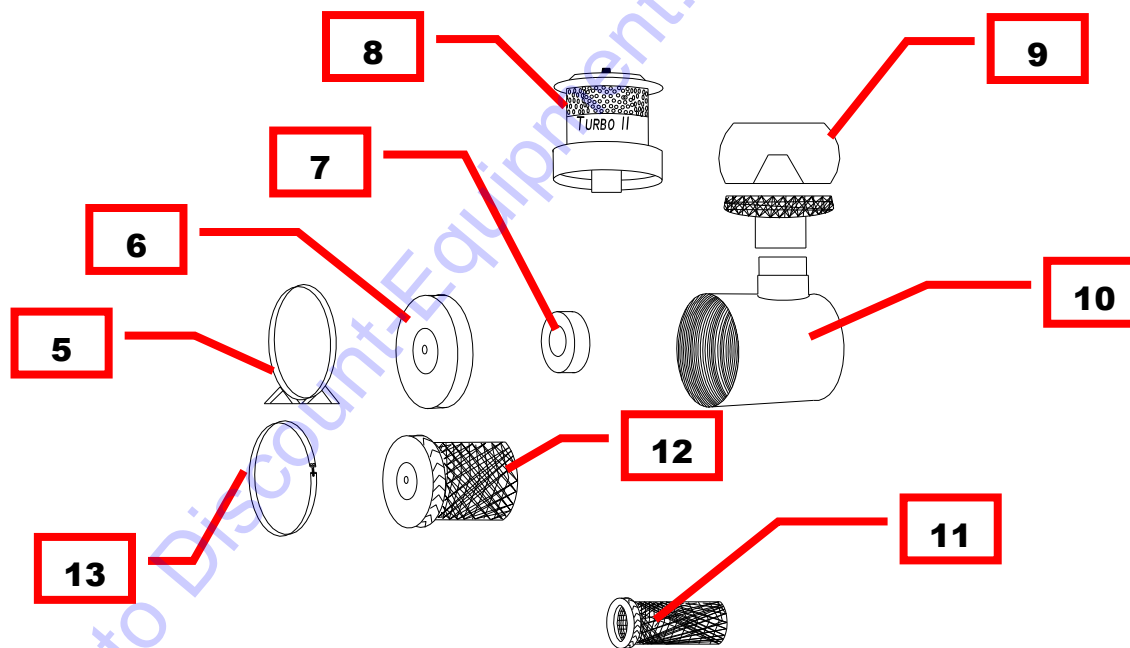


RCT-350 Tier 4i Engine, cont'd



RCT-350 TIER 4i ENGINE

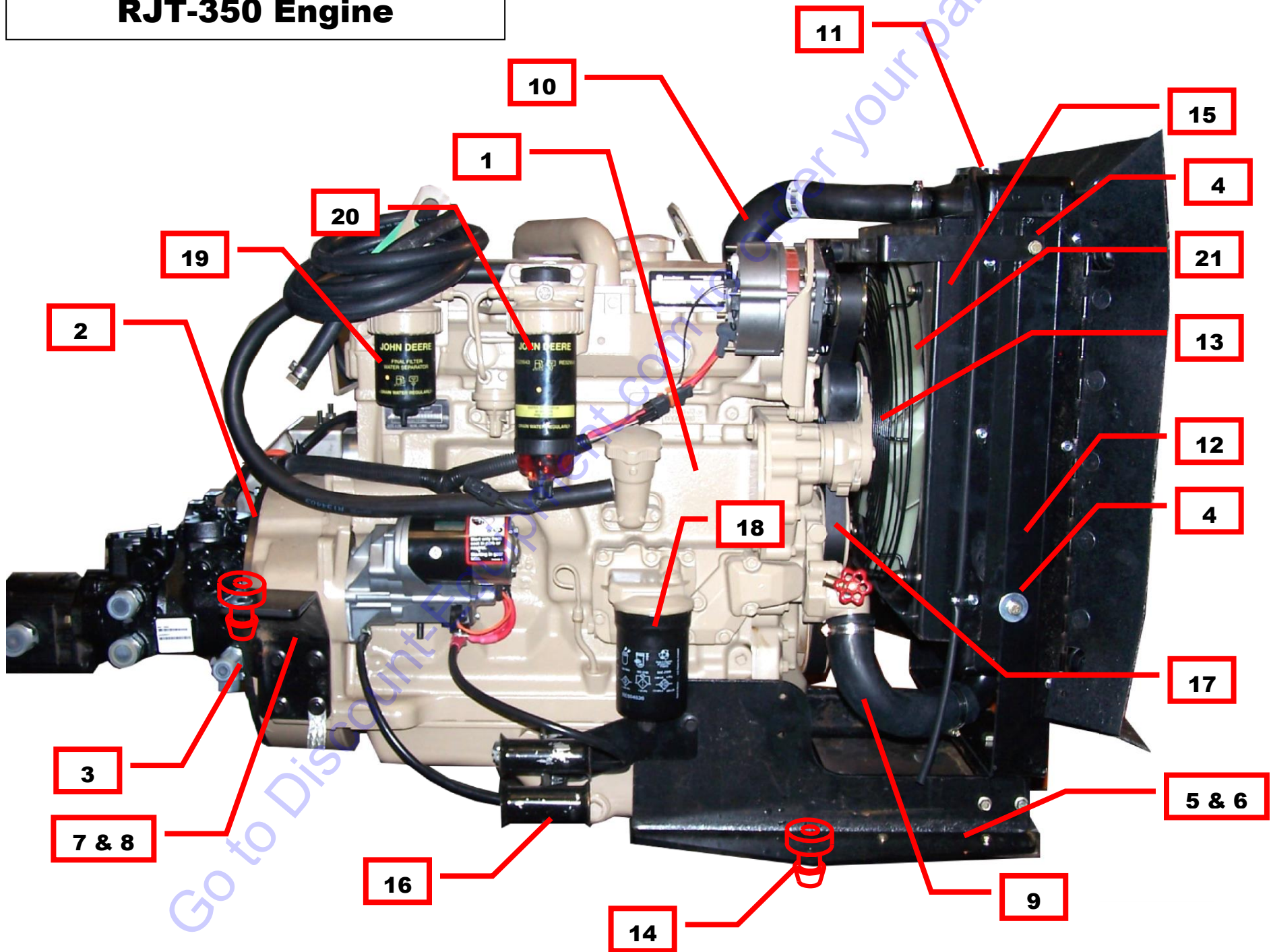
Reference	Part No.	Description	Qty.
1.....	203684.....	Upper Radiator Support	1
2.....	203685.....	Upper Radiator Support Spacer.....	1
3.....	304096.....	Upper Radiator Rubber Isolator.....	1
4.....	203648.....	Radiator to Engine Support.....	1
5.....	AC-764-R.....	Strap.....	1
6.....	P103113	Cup	1
7.....	P102980	Air Cleaner Baffle	1
8.....	TT-771-R	Turbo II Precleaner.....	1
9.....	304059	Enginair Precleaner	1
10.....	304063	Sy-Klone Precleaner	1
10.....	DE-770-R.....	Air Cleaner (Dual Element).....	1
11.....	P119410	Safety Element	1
12.....	P182059	Service Element	1
13.....	P003951	Clamp	1



RJT-350 ENGINE AND RELATED PARTS

Reference	Part No.	Description	Qty.
1.....	344050.....	John Deere Diesel Engine	1
2.....	N/A	Drive Plate	1
3.....	344053.....	Pump Drive, Complete.....	1
4.....	304097.....	Isolator Kit (Radiator Sides).....	4
5.....	203125.....	Right Front Motor Mount (LR of vehicle) 1	1
6.....	203126.....	Left Front Motor Mount (RR of vehicle)..	1
7.....	203128.....	Right Rear Motor Mount (LF of vehicle) .	1
8.....	203129.....	Left Rear Motor Mount (RF of vehicle)....	1
9.....	JR-722-BB	Lower Radiator Hose	1
10.....	JR-721-BB	Upper Radiator Hose	1
11.....	JR-723-B	Radiator Cap.....	1
12.....	203633.....	Radiator Saddle.....	1
13.....	203638.....	Fan Guard.....	1
14.....	CM-714-B	Engine Isolator Kit	4
15.....	203615.....	Radiator Shroud.....	1
16.....	852083.....	Oil Cooler Hose Sleeve.....	1
17.....	344560.....	Belt.....	1
18.....	RE504836.....	Oil Filter	1
19.....	344561.....	Fuel Filter (Primary)	1
20.....	344562.....	Fuel Filter (Secondary)	1
21.....	311468.....	John Deere Fan	1

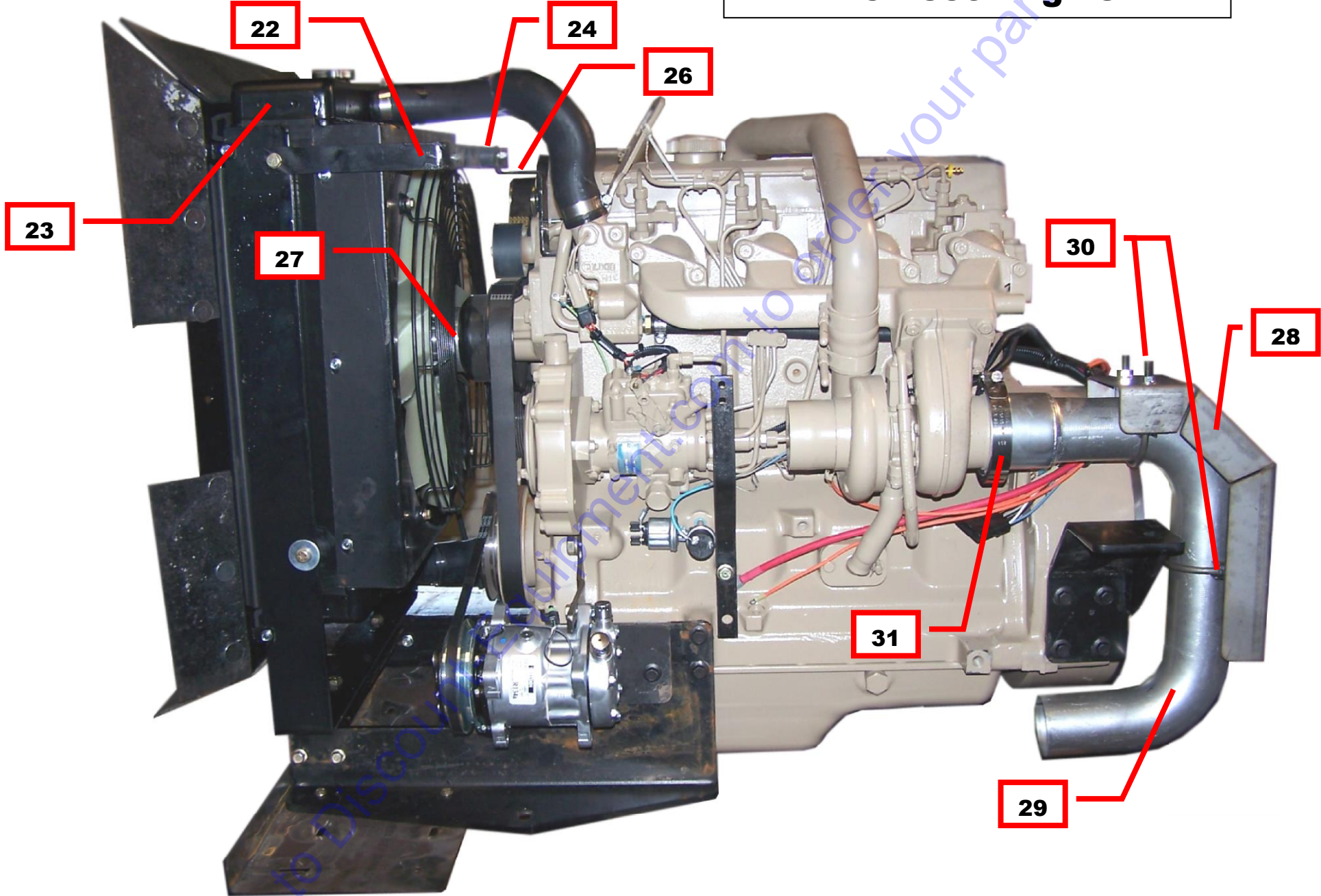
RJT-350 Engine



RJT-350 ENGINE AND RELATED PARTS

Reference	Part No.	Description	Qty.
22.....	203634.....	Upper Radiator Support.....	1
23.....	203617.....	Radiator Assembly.....	1
24.....	304096.....	Top Radiator Isolator.....	1
26.....	203133.....	Radiator to Mount Support.....	1
27.....	203618.....	Fan Spacer.....	1
28.....	203624.....	Exhaust Pipe Heat Shield.....	1
29.....	203620.....	Exhaust Pipe 180 degree.....	1
30.....	302109.....	3" Muffler Clamp.....	2
31.....	203619.....	Exhaust Clamp.....	1

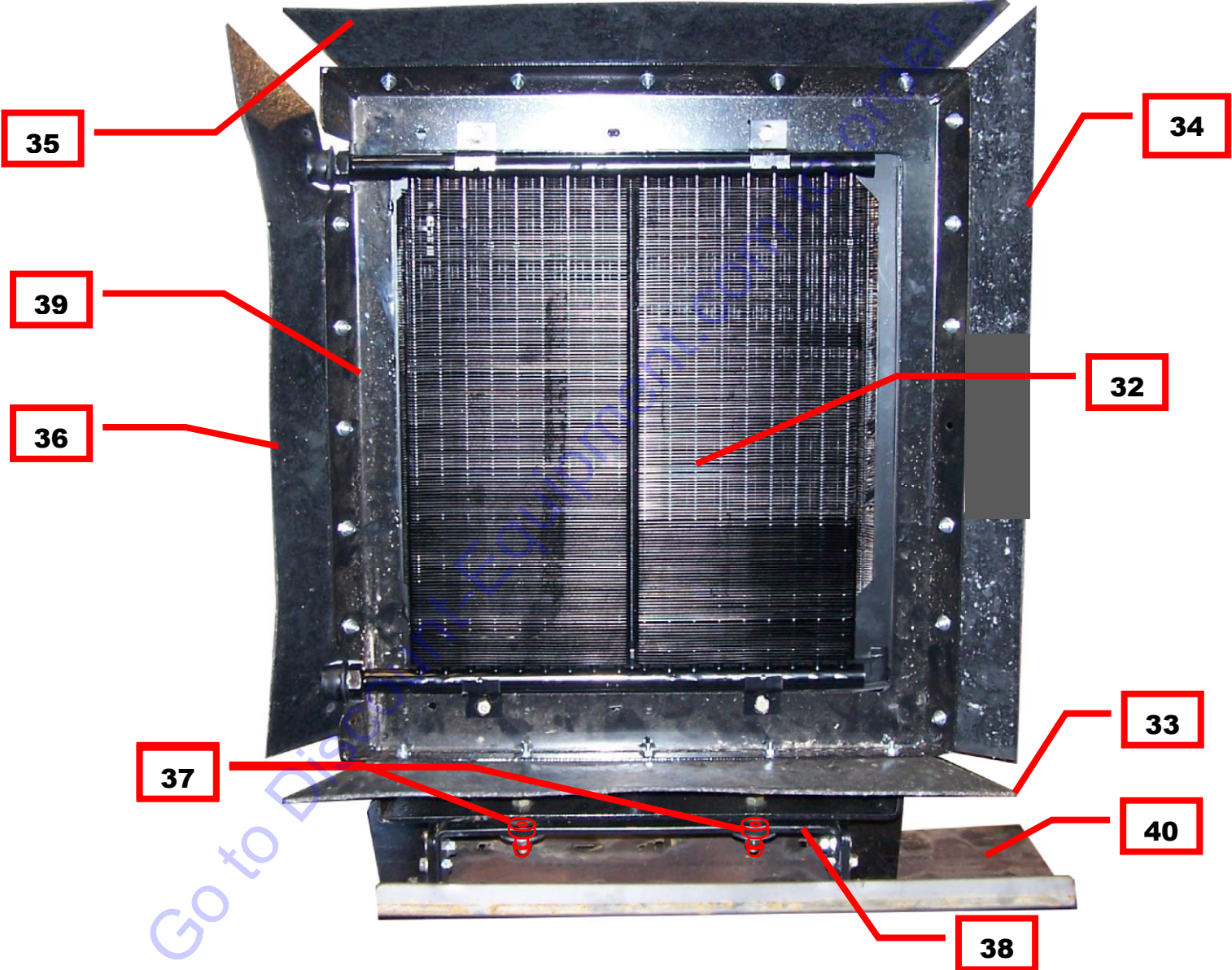
RJT-350 Engine



RJT-350 ENGINE AND RELATED PARTS

<u>Reference</u>	<u>Part No.</u>	<u>Description</u>	<u>Qty.</u>
32.....	305768.....	Oil Cooler.....	1
33.....	203475.....	Lower Seal (Rubber).....	1
34.....	203186.....	Right Side Oil Cooler Seal.....	1
35.....	203477.....	Upper Seal (Rubber).....	1
36.....	203187.....	Left Side Oil Cooler Seal.....	1
37.....	344121.....	Bottom Radiator Isolator.....	2
38.....	852079.....	Bottom Radiator Support.....	1
39.....	852635.....	Oil Cooler Mount Frame.....	1
40.....	203105.....	Exhaust Heat Shield Plate.....	1

RJT-350 Engine



RJT-350 ENGINE AND RELATED PARTS

Reference	Part No.	Description	Qty.
41.....	AC-760-B.....	Rubber Elbow (3.5" x 3")	1
42.....	203628.....	Air Inlet Tube	1
43.....	202152.....	Connecting Tube (6").....	1
44.....	AC-760-R.....	Rubber Elbow (3" x 3")	1
45.....	203630.....	Rubber Elbow (3" x 2.5")	1
50.....	203625.....	Exhaust Pipe.....	1

Go to Discount-Equipment.com to order your parts

RJT-350 Engine

41

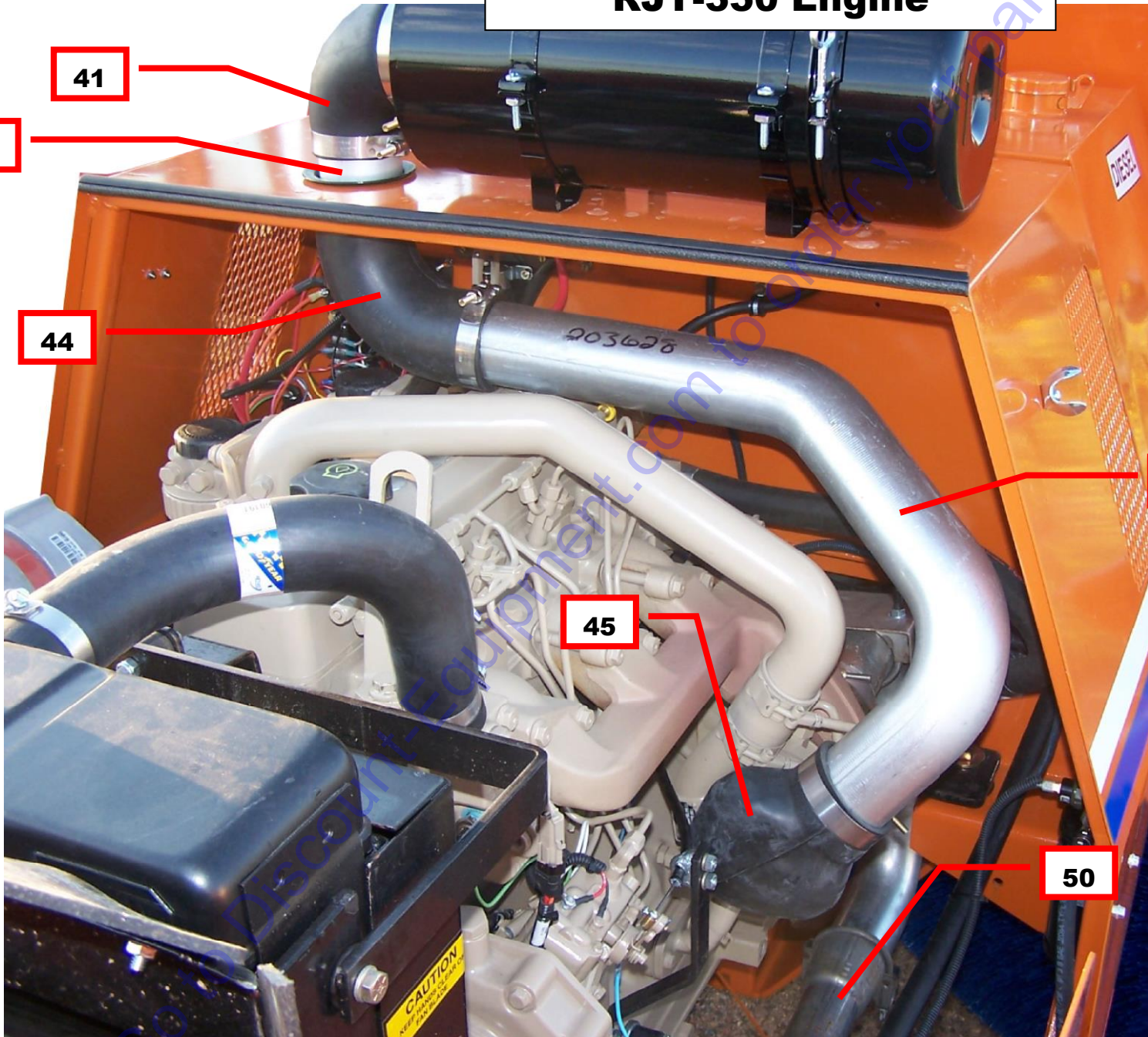
43

44

42

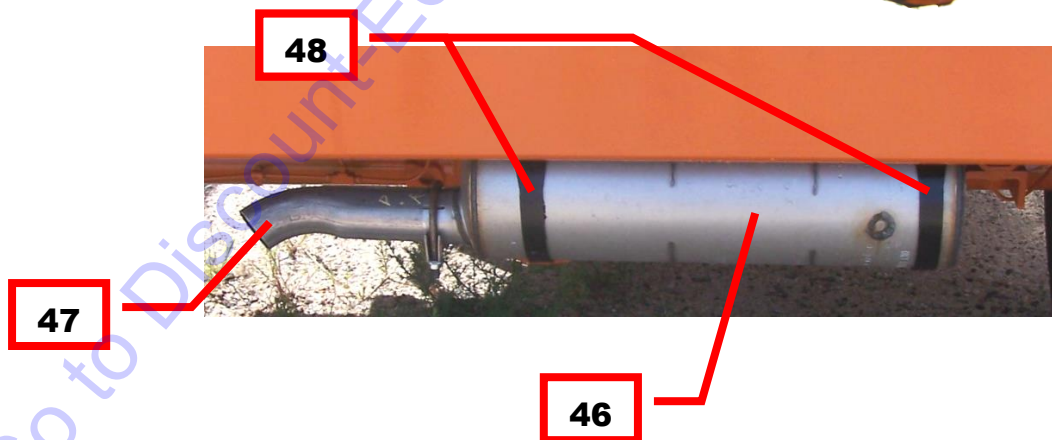
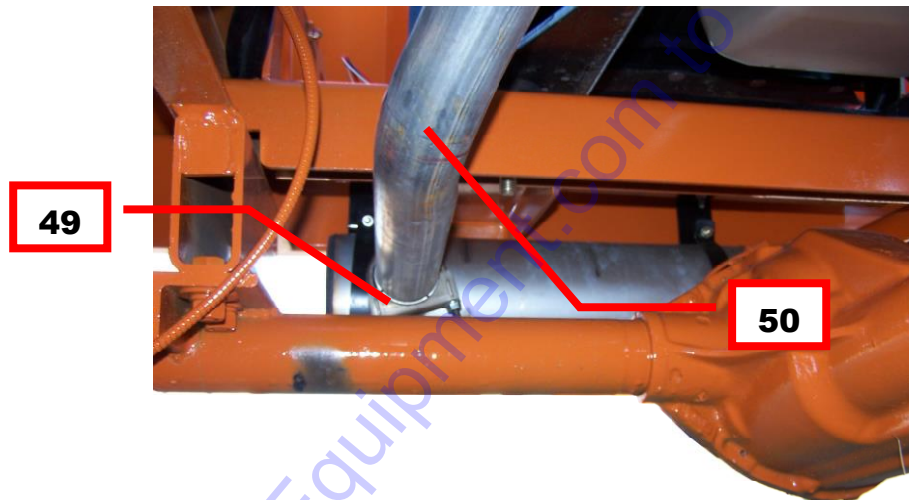
45

50



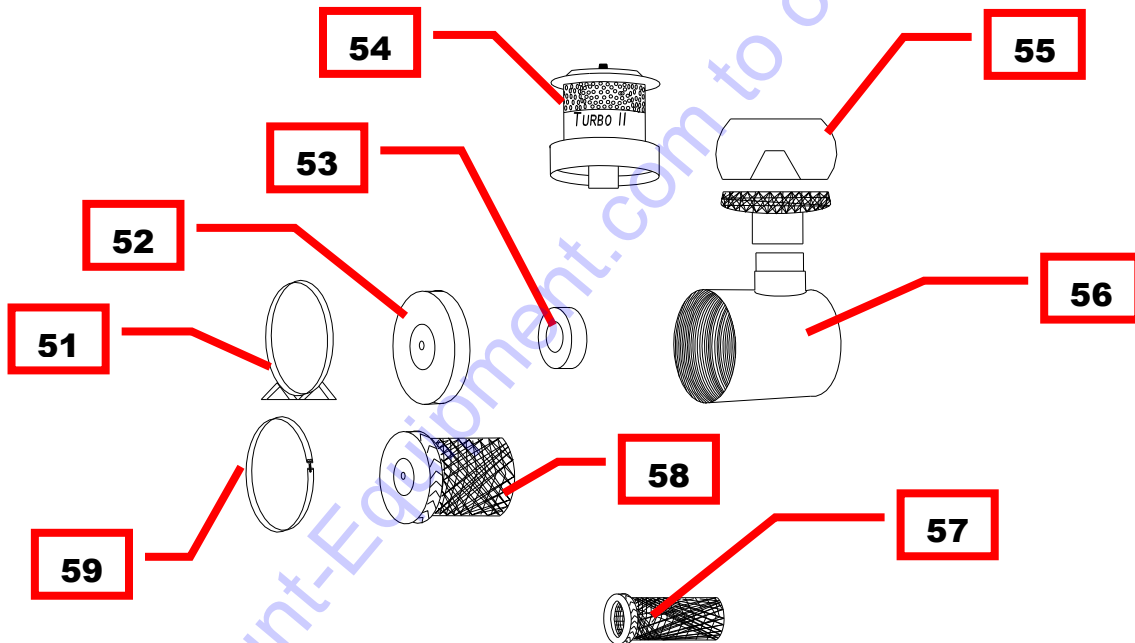
RJT-350 ENGINE AND RELATED PARTS

Reference	Part No.	Description	Qty.
46	JE-705-B	Muffler	1
47	344040	Tail Pipe	1
48	852110	Muffler Clamp	2
49	JE-758-B	Head Pipe Clamp	1
50	203625	Exhaust Pipe	1

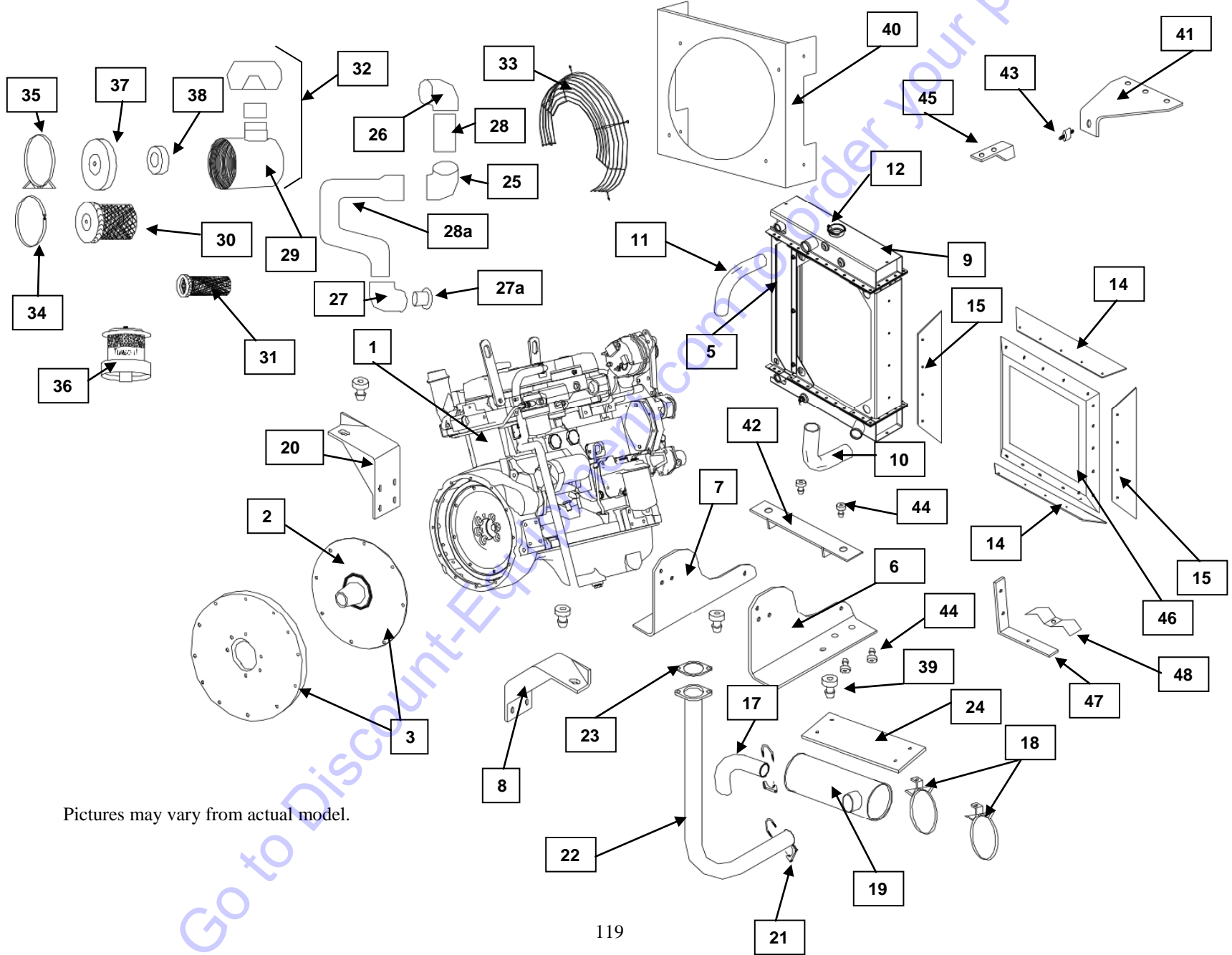


RJT-350 ENGINE AND RELATED PARTS

Reference	Part No.	Description	Qty.
51	AC-764-R	Strap	2
52	P103113	Cup	1
53	P102980	Air Cleaner Baffle	1
54	TT-771-R	Turbo II Precleaner	1
55	304059	Enginair Precleaner	1
	304063	Sy-Klone Precleaner	1
56	DE-770-R	Air Cleaner (Dual Element)	1
57	P119410	Safety Element	1
58	P182059	Service Element	1
59	P003951	Clamp	1



KR-350 ENGINE AND RELATED PARTS

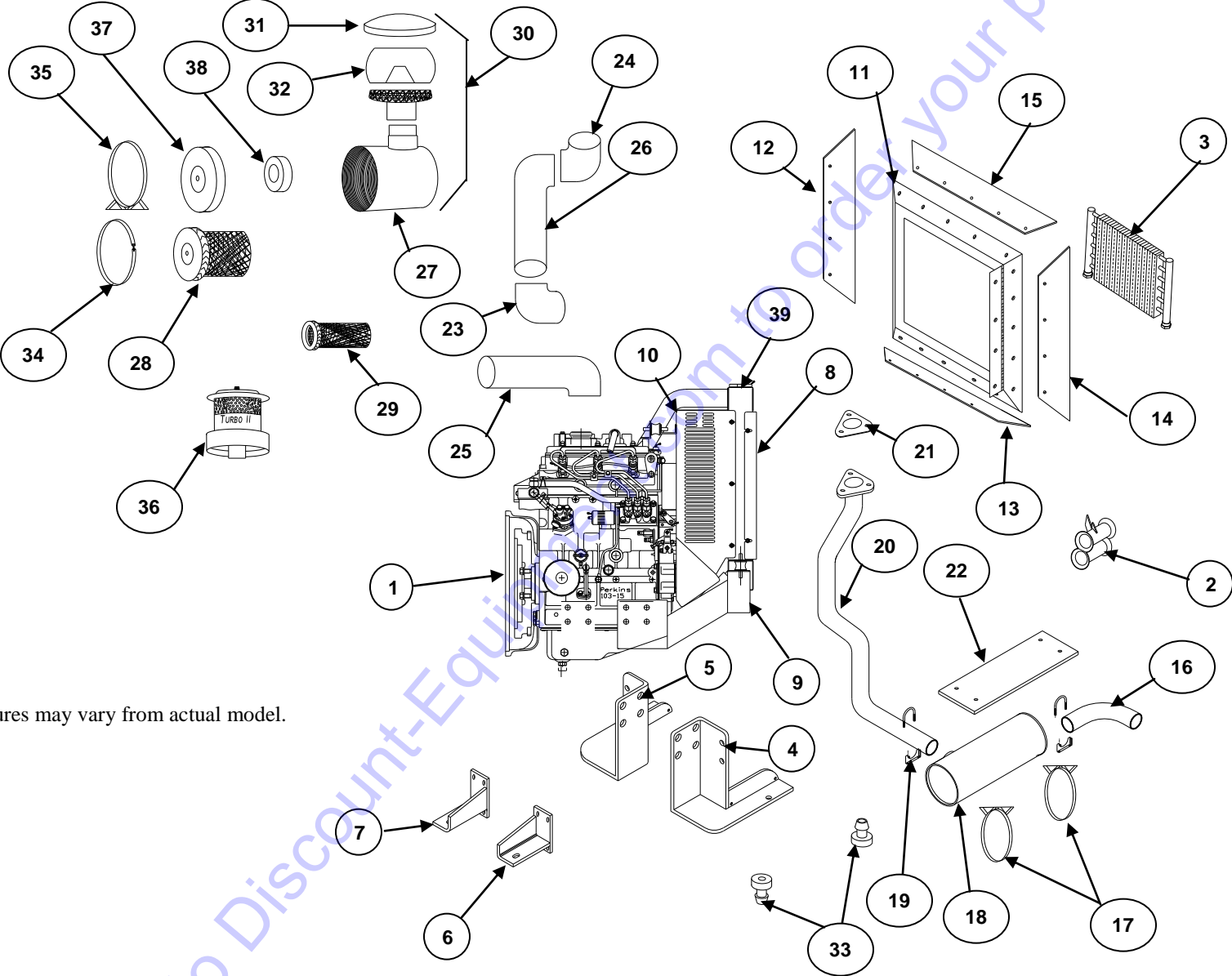


Pictures may vary from actual model.

KR-350 ENGINE AND RELATED PARTS

Reference	Part No.	Description	Qty.
1.....	344064.....	Kubota Diesel Engine	1
2.....	N/A.....	Drive Plate.....	1
3.....	344052.....	Pump Drive, Complete.....	1
5.....	203794.....	Oil Cooler Asm/ Radiator Asm.....	1
6.....	203330.....	Right Front Motor Mount.....	1
7.....	203331.....	Left Front Motor Mount.....	1
8.....	203780.....	Right Rear Motor Mount.....	1
9.....	203794.....	Radiator Assembly / Oil Cooler Asm.....	1
10.....	CR-721-B.....	Lower Radiator Hose	1
11.....	304099.....	Upper Radiator Hose	1
12.....	CALL	Radiator Cap.....	1
14.....	203800.....	Top and Bottom Seal	2
15.....	203799.....	Left and Right Seal.....	2
17.....	344040.....	Tail Pipe	1
18.....	852110.....	Muffler Clamp	2
19.....	JE-705-B	Muffler	1
20.....	203781.....	Left Rear Motor Mount.....	1
21.....	JE-758-B	Head Pipe Clamp.....	2
22.....	852337.....	Exhaust Pipe.....	1
23.....	19258-12230.....	Exhaust Gasket	1
24.....	203105.....	Exhaust Heat Shield.....	1
25.....	304106.....	Rubber Elbow (3" x 2.5").....	1
26.....	AC-760-B.....	Rubber Elbow (3.5" x 3").....	1
27.....	304110.....	Rubber Elbow (1.75" x 2").....	1
28.....	202152.....	Connecting Tube.....	1
28a.....	203345.....	Connecting Tube.....	1
29.....	DE-770-R.....	Air Cleaner (Dual Element).....	1
30.....	P182059	Service Element	1
31.....	P119410	Safety Element	1
32.....	304059.....	Enginair Precleaner	1
	304063.....	Sy-Klone Precleaner	1
33.....	203806.....	Fan Guard	1
34.....	P003951	Clamp	1
35.....	AC-764-R.....	Strap.....	2
36.....	TT-771-R	Turbo II Precleaner.....	1
37.....	P103113	Cup	1
38.....	P102980	Air Cleaner Baffle.....	1
39.....	CM-714-B.....	Engine Isolator Kit	4
40.....	203797.....	Radiator Shroud	1
41.....	203801.....	Upper Radiator Support.....	1
42.....	852802.....	Bottom Radiator Support	1
43.....	304096.....	Top Radiator Isolator	1
44.....	344121.....	Bottom Radiator Isolator & Heat Shield Isolator ...	6
45.....	203334.....	Radiator to Mount Support.....	1
46.....	203798.....	Air Guide Frame	1
47.....	203804.....	Hose Guide	1
48.....	001397.....	Hump Clamp.....	1
Not Shown	203795.....	Kubota Fan	1
Not Shown	203805.....	Fan Spacer.....	1
Not Shown	344550.....	Oil Filter.....	1
Not Shown	16631-43560.....	Fuel Filter	1
Not Shown	304015.....	Alternator/Engine Belt	1
Not Shown	203346.....	Alternator Support Bracket	1
Not Shown	203347.....	Alternator Adjustment Bracket	1
Not Shown	203348.....	Alternator Bushing.....	1

CAT C4.4 ENGINE AND RELATED PARTS



Pictures may vary from actual model.

CAT C4.4 ENGINE AND RELATED PARTS

ITEM	PART NUMBER	DESCRIPTION	QUANTITY
1	344023	CAT C4.4 Diesel Engine	1
2	852045	Oil Cooler Hose Guide Sleeve	1
3	325027	Oil Cooler - Aluminum	1
4	203600	Right Front Motor Mount	1
5	203601	Left Front Motor Mount	1
6	852042	Right Rear Motor Mount	1
7	852043	Left Rear Motor Mount	1
8	344508	Radiator Assembly	1
9	344511	Lower Radiator Hose	1
10	344510	Upper Radiator Hose	1
11	853606	Oil Cooler Mount	1
12	203480	Right Side Oil Cooler Seal	1
13	203481	Lower Seal (Rubber)	1
14	203479	Left Side Oil Cooler Seal	1
15	203482	Upper Seal (Rubber)	1
16	344040	Tail Pipe	1
17	852110	Muffler Clamp	2
18	JE-705-B	Muffler	1
19	JE-758-B	Head Pipe Clamp	2
20	855612	Exhaust Pipe	1
21	344031	Exhaust Gasket	1
22	203105	Exhaust Heat Shield	1
23	304106	Rubber Elbow	2
24	304119	Rubber Elbow	1
25	304195	Heater Hose	1
26	203614	Connecting Tube	1
27	DE-770-R	Air Cleaner (Dual Element)	1
28	P182059	Service Element	1
29	P119410	Safety Element	1
30	PC-710-B	Precleaner, 4"	1
31	PC-765-R	Precleaner, Top	1
32	PC-711-R	Precleaner Bowl	1
33	304095	Engine Isolator Kit	4
34	P003951	Clamp	1
35	AC-764-R	Strap	2
36	TT-771-R	Turbo II Precleaner	1
37	P103113	Cup	1
38	P102980	Air Cleaner Baffle	1
39	344509	Radiator Cap	1
NS	101-3770	CAT Fan	1
NS	5M8155	Fan Belt	1
NS	304196	Compressor Belt, A/C Only	1
NS	344079	Fuel Filter	1
NS	344078	Oil Filter	1

**PREVENTIVE MAINTENANCE
BROOM SPECIFICATIONS
& SCHEMATICS**

Go to Discount-Equipment.com to order your parts

Preventative Maintenance

A well maintained A/C system would save on downtime and premature component failures.

Weekly inspections or every 2 days in severe environments should include:

1. Inspect compressor clutch drive belts (tightness, wear).
2. Inspect compressor-mounting brackets (bolts, alignment).
3. Inspect mounting hardware on evaporator unit and condensers.
4. Inspect air intake filter. Clean or replace filter.
5. Inspect evaporator and condenser coils. Clean using air pressure. (DO NOT USE WATER OR PRESSURE WASHERS).
6. Inspect hose and wire harness for proper routing. Leaks and wear.

Helpful Hints

Make sure the evaporator air intake area is not obstructed (i.e. toolboxes, clothing, lunch box, etc.)

Manual thermostats on our systems, when rotated clockwise to the stop position will not allow the A/C compressor clutch to cycle. The compressor will run continuously and the evaporator coil will not defrost. REMEDY: Turn the manual thermostat knob clockwise to the stop position, and then turn the thermostat knob back counter clockwise $\frac{1}{4}$ turn.

Broce thanks you for purchasing our units. It is our endeavor to provide you with a quality A/C unit with trouble free service.

HYDRAULIC COMPONENT SPECIFICATIONS

Propel Pump

Displacement at MAX Angle:	46 cc (2.8 CU IN)
Rated Speed:	4000 RPM
MAX Speed:	4100 RPM
MIN Speed:	500 RPM
Case Pressure – Continuous:	1.7 BAR (25 PSI)
Case Pressure – MAX:	5.2 BAR (75 PSI)
System Pressure – Continuous:	210 BAR (3000 PSI)
System Pressure – MAX:	345 BAR (5000 PSI)
Inlet Vacuum – Continuous:	.8 BAR Absolute (5 IN Hg)
Inlet Vacuum – MAX:	.7 BAR Absolute (10 IN Hg)
Charge Pressure Setting:	19.5 BAR (283 PSI)
System Pressure Setting:	280 BAR (4060 PSI)
Approximate Flow at 2400 RPM	26 GPM

Propel Motor

Displacement:	46 cc (2.8 CU IN)
Rated Speed:	3600 RPM
MAX Speed:	3600 RPM
Case Pressure – Continuous	1.7 BAR (25 PSI)
Case Pressure – MAX:	5.2 BAR (75 PSI)
System Pressure – Continuous:	210 BAR (3000 PSI)
System Pressure – MAX:	345 BAR (5000 PSI)

Auxiliary Pump

Displacement:	38 cc (2.32 CU IN)
MAX Speed:	2500 RPM
MAX Continuous Pressure:	3000 PSI
Approximate Flow at 2400 RPM	
Priority (Steering and Broom)	3 GPM
Secondary (Broom Rotation)	18 GPM
MAX Pressure Setting (Priority):	1600 PSI
MAX Pressure Setting * (Secondary)	3000 PSI

*Relief Valve in the Broom Rotation Valve

FLUID CAPACITIES

<i>Component</i>	<i>Fluid Type</i>	<i>Quantity</i>
Hydraulic Tank	DYNA-PLEX 21C CURSA HYDRAULIC OIL Must meet Caterpillar spec. T02 or Allison C3	27 Gal.
Fuel	#2 DIESEL	27 Gal.
Radiator	ETHYLENE GLYCOL 50/50 MIX	2.5 Gal
Engine Crankcase	API Classification CE or CD CCMC Specification D4 or D5	10 Qts
Rear Axle	EP-90 GEAR LUBE	2 Qts*
2-Speed G-Box	EP-90 GEAR LUBE	2 Qts*

* 2 Quarts is approximate. Fill to the level of the filler plug.

Go to Discount-Equipment.com to order your parts

Broce Brooms

DYNA-PLEX 21C CURSA HYDRAULIC OIL

Dyna-Plex 21C Cursa Hydraulic Oils are high quality; extra-inhibited oils designed with hydrocrack Group II base oils, for use in multi-functional applications where long oil life is required. These oils will give you steady, reliable performance as a hydraulic medium.

Dyna-Plex 21C Cursa Hydraulic Oils have been finely filtered to remove external contamination and contain special O-Ring conditioners to prolong hydraulic component life. Seal swell agents have been added to prevent leaks and Cursa's demulsability characteristics enhance separation and removal of water. These oils will supply 5000 hours of service before extreme oxidation problems occur and also provide excellent resistance to foaming, rust and wear.

<u>PROPERTY</u>	<u>ASTM TEST METHOD</u>	<u>MULTI-FUNCTION</u>
Viscosity @ 40°C,CST	D445	46.00
Viscosity @ 100°C,CST	D445	9.75
Viscosity Index	D2270	200
Flash Point, COC, °C	D92	200
Flash Point, COC, °F	D92	392
Pour Point, °C (°F)	D97	-36 (-33)
Color	D1500	Orange
Gravity, °API	D287	32.0
Turbine Oil Oxidation	D943	5000+
Copper Strip	D130	LB
Rust Test	D665	Pass
Vane Pump, Mgs. Wt. Loss	D2882	12
Usable Temperature Range, °F		-10-110
Maximum Hydra. Temperature, °F		205
Dielectric Strength, kv		35
RBOT, Minutes	D2272	950
Demulsibility	D1401	40-40-0 (5)

Meets or exceeds the following tests and requirements:

AFNOR E 48-603
B.F. Goodrich – 0152
Cincinnati Milacron – P-68 (light hydraulic oils), P-69, P-70
Denison – HF-0, HF-1, HF-2
DIN – 51524, Part 2
FMC – High-Performance Hydraulic Oil
Ford – M-6C32
General Motors – LH-04-1, LH-06-1, LH-15-1
Jeffrey - #87
Lee Norse 100-1
Racine – Model S, variable volume vane pump
U.S. Steel – 136, 127
Vickers – I-286-S, M-2950-S, 35VQ25

HO-11/4-14-00

DYNA-PLEX 21C EXTENDED DRAIN ANTI-FREEZE/ENGINE COOLANT

Dyna-Plex 21C Extended Drain Anti-Freeze/Engine Coolant is a premium quality ethylene glycol based product. It is pre-diluted to a 50/50 mixture with de-ionized water to provide excellent corrosion control and a deduction of scale buildup. The corrosion inhibitor package eliminates the need for an initial charge of supplemental coolant additive (SCA). The 50/50 dilution with de-ionized water insures high water quality and eliminates the chance for error when mixing anti-freeze with water in the field.

Dyna-Plex 21C Extended Drain Anti-Freeze gives the maximum protection and performance available for heavy-duty diesel applications, while eliminating potential water related problems. Advantages of this product include the highest quality inhibitor package available and its ready to use convenience.

Universal recommends good maintenance practices to monitor inhibitor levels on a regular basis by utilizing coolant analysis, which is an important aspect of extending the life of this coolant/anti-freeze. This product meets or exceeds manufacturer specifications for use in both heavy-duty diesel and automotive applications.

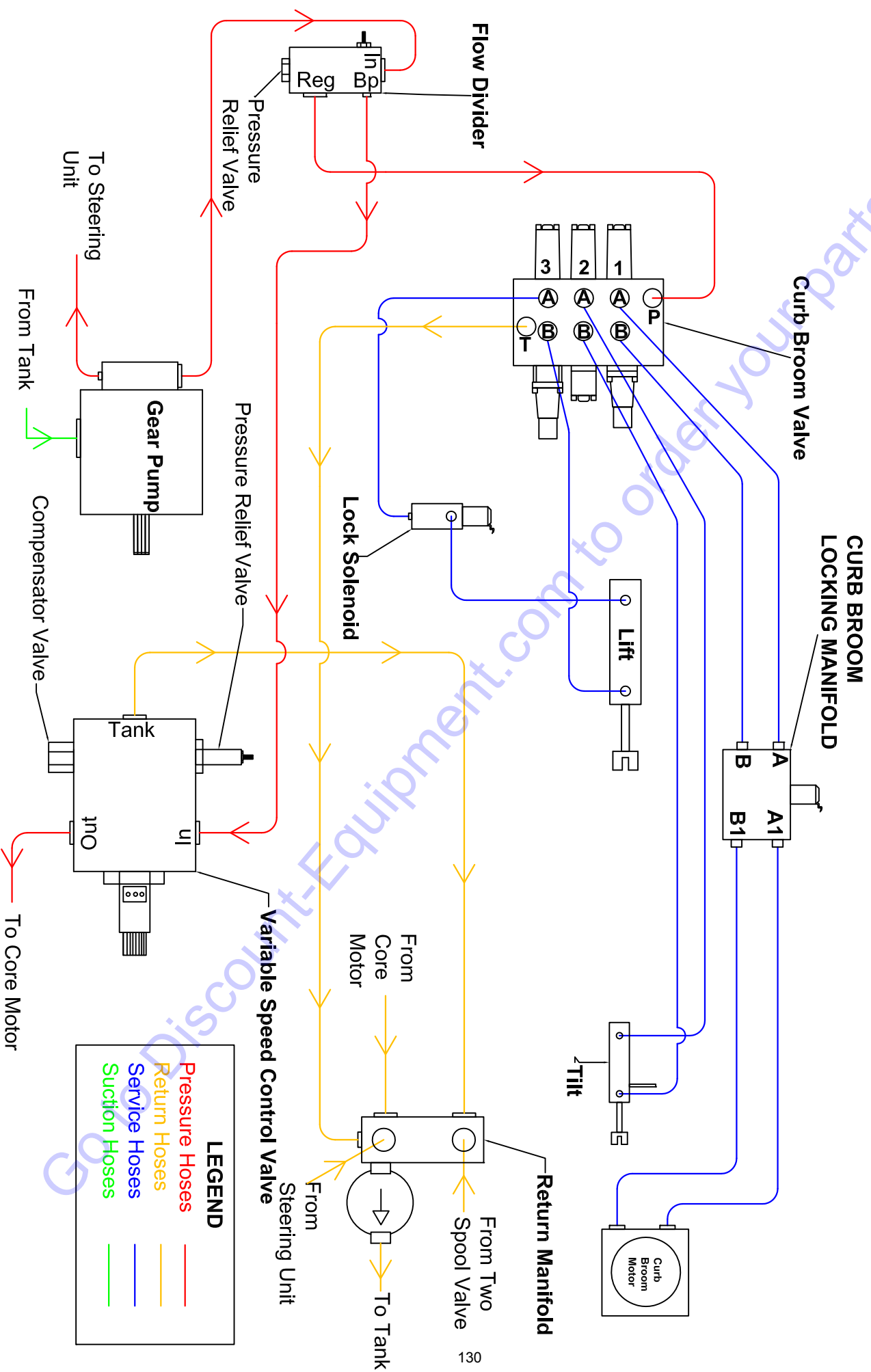
<u>Physical and Chemical Properties</u>	<u>ASTM Test Method</u>	<u>Test Specifications</u>
Specific Gravity @ 60°F	D-1122	1.110 – 1.145
pH 50% Dilution	D-1287	10.0 – 10.4
Reserve Alkalinity	D-1121	5.0 ml min.
Boiling Point	D-1120	320°F min.
Flash Point	D-92	240°F min.
Freeze Point	D-1177	-34°F max.
Color		OEM Standard Green
Foaming – Foam Volume, ml	D-1881	50 max.
Break Time, sec.	D-1881	5 max.
Composition (% by weight)		
Total Glycols		45.0% min.
Total De-ionized Water		53.0% max.
Inhibitors and Dye		2.0% min.

Dyna-Plex 21C Extended Drain Anti-Freeze/Engine Coolant meets or exceeds the following specifications:

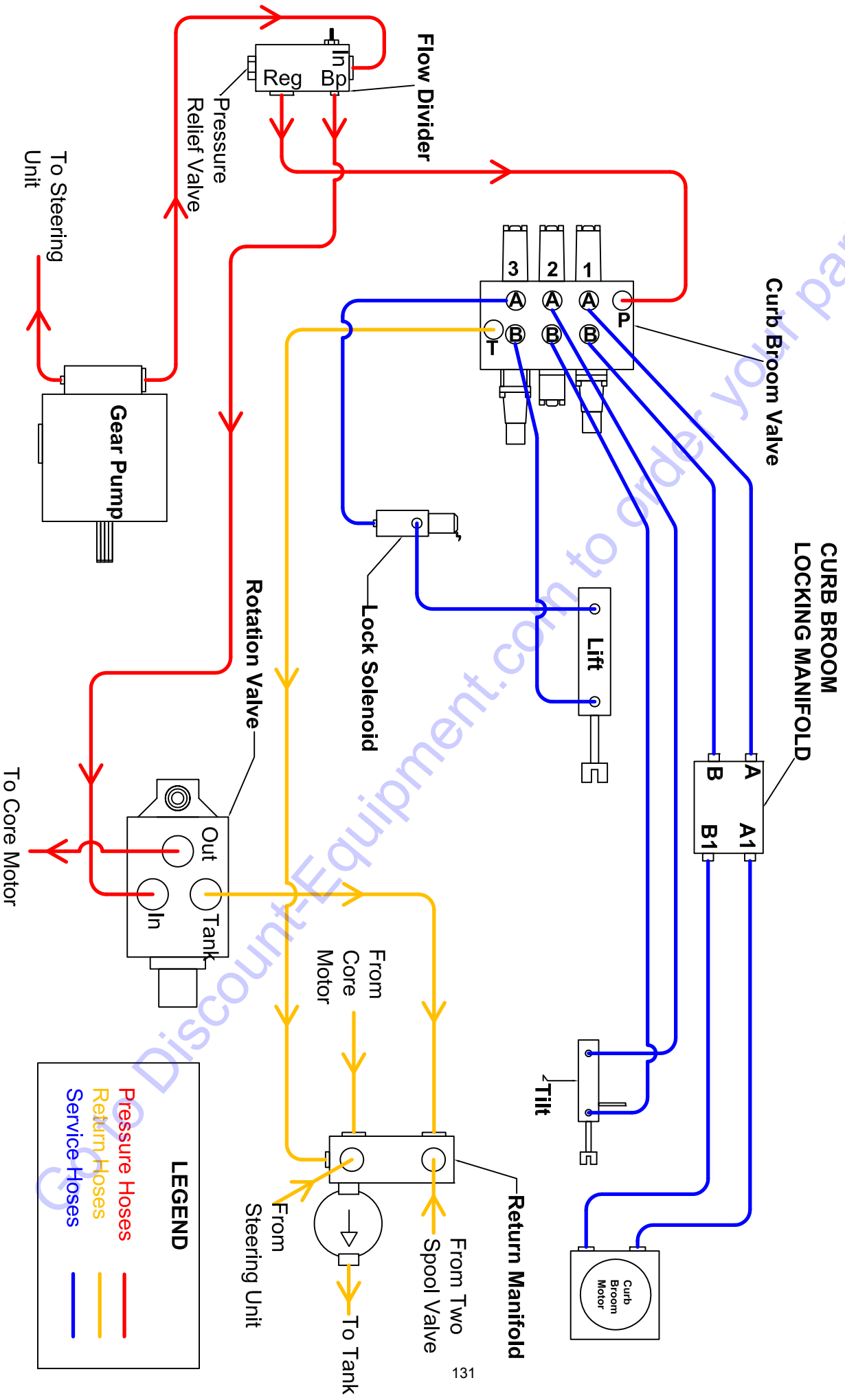
American Society for Testing and Materials (ASTM)- D-33-6; D-4985; D-4656
 General Motors – GM 1899M; GM 1825M
 Society for Automotive Engineers – SAE J1941, J1034
 Cummins – 85T8-2; 90T8-4; Bulletin #3666132
 Ford Motor Corporation – ESE M97B44A; ESE-M97B18-C
 Chrysler Motors - MS7170
 Detroit Diesel 7SE298
 John Deere H24A2; H24C2
 ATA Maintenance Council – RP-329

AF-1/9-12-01

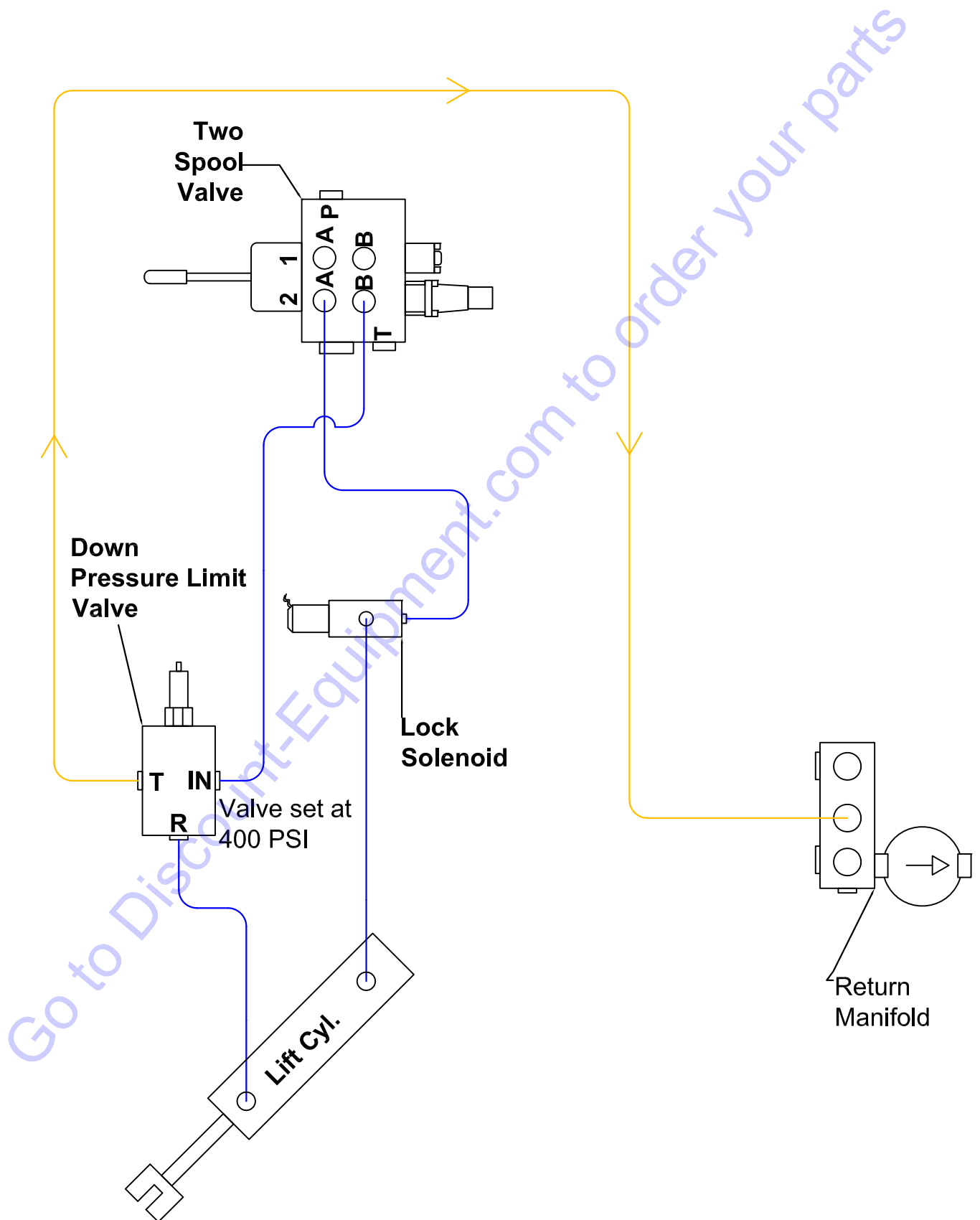
Curb Broom With Variable Speed Brush



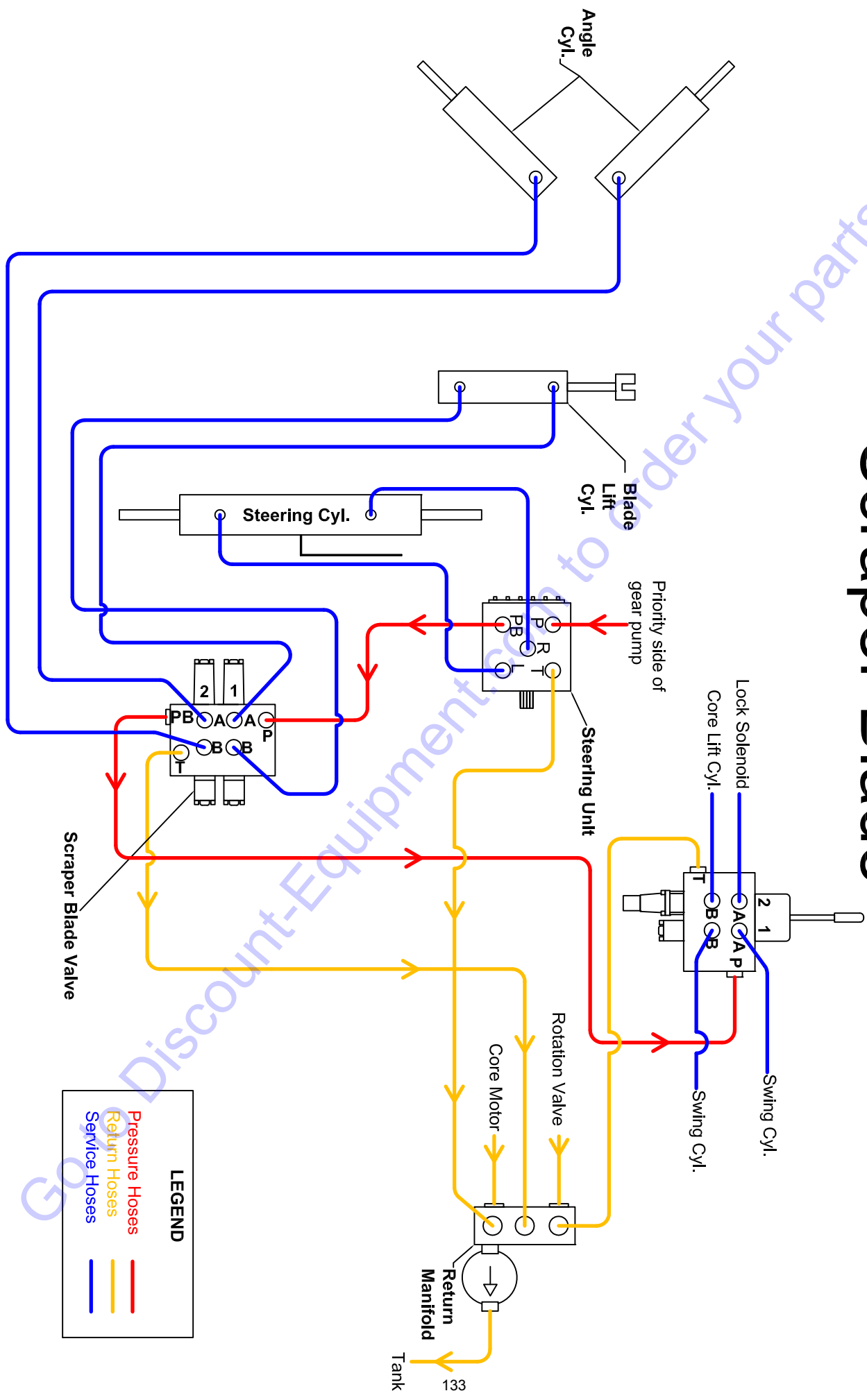
Curb Broom Hyd.



Down Pressure Limit



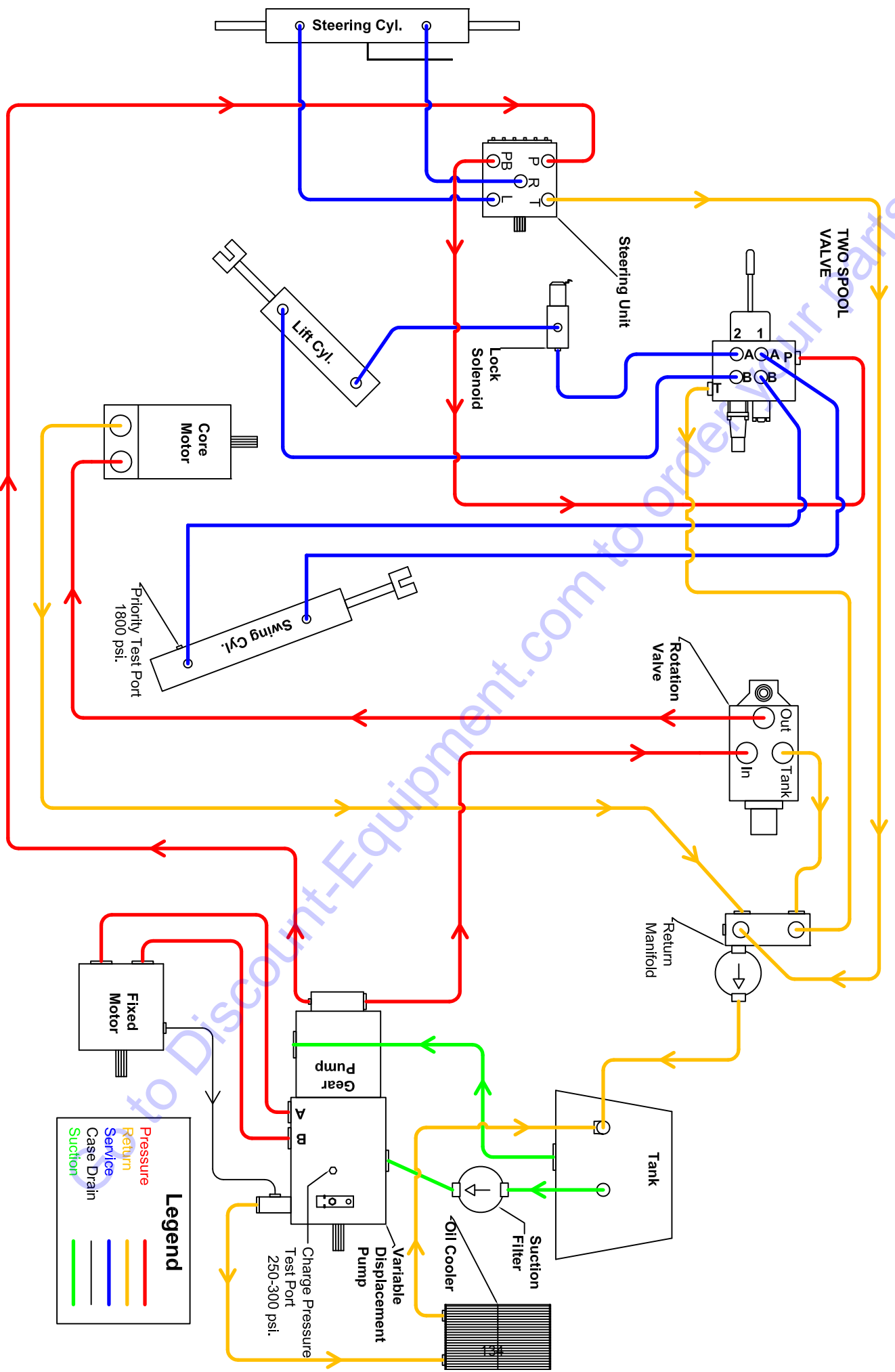
Scraper Blade



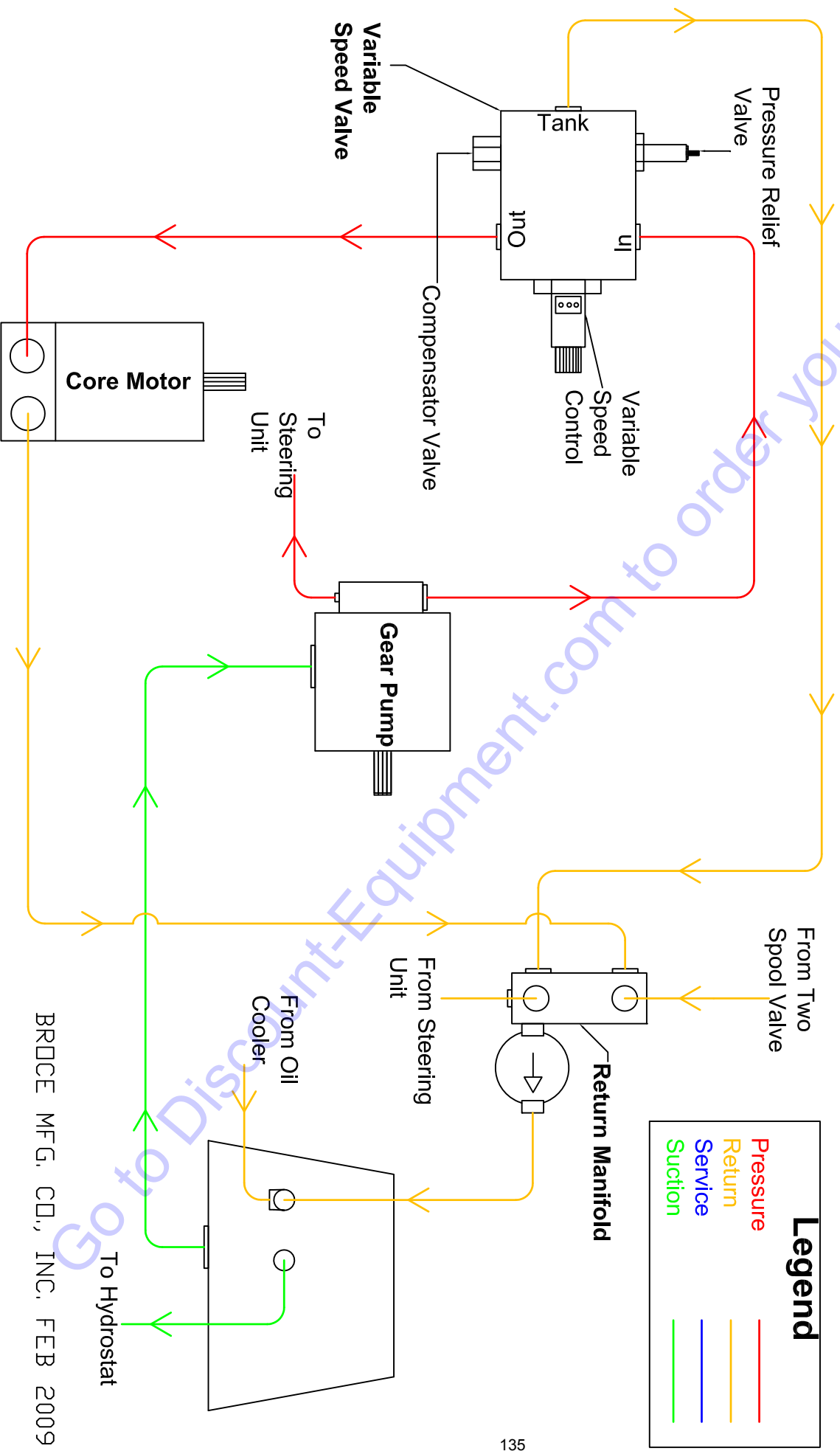
LEGEND	
—	Pressure Hoses
—	Return Hoses
—	Service Hoses

[www.Discount-Equipment.com](http://www.discount-equipment.com) to order your parts

Standard 4whl Hyd.



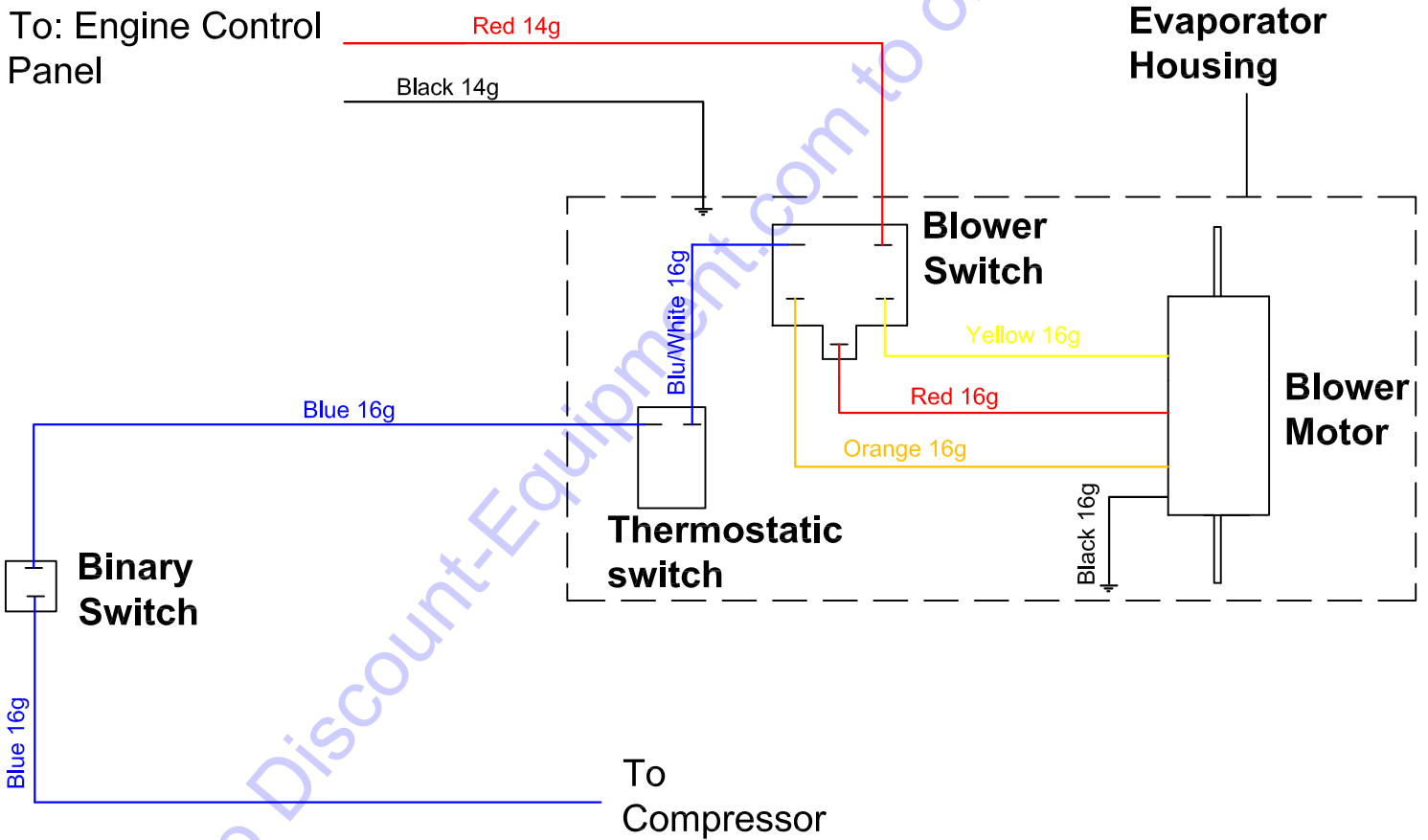
350 Series Hydraulics with optional Variable Brush Speed



BRDCE MFG. CO., INC. FEB 2009

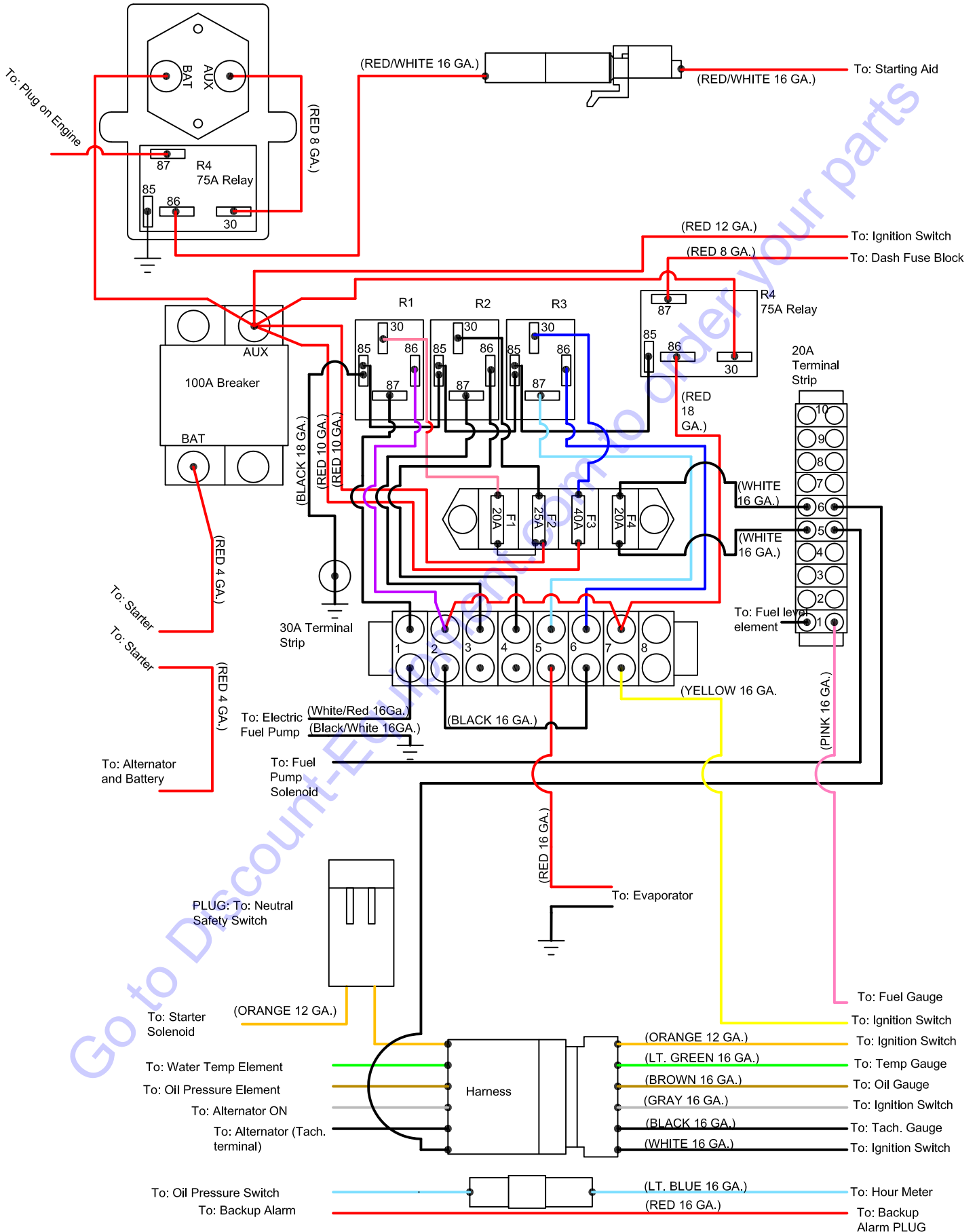
Broce Broom Wiring Diagram

Air Conditioner Wiring



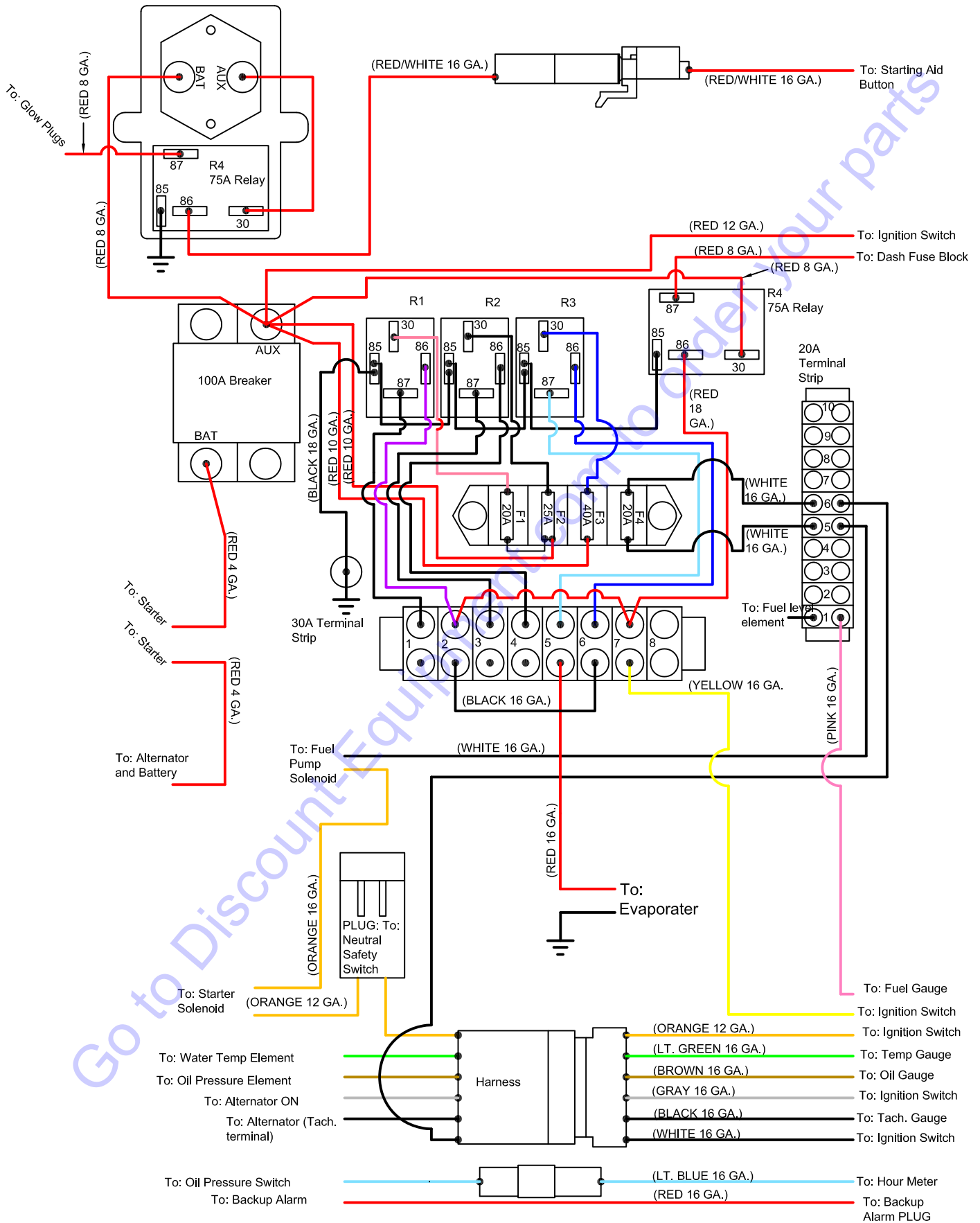
Broce Broom Wiring Diagram

Engine Control Panel - CR Model With Cab



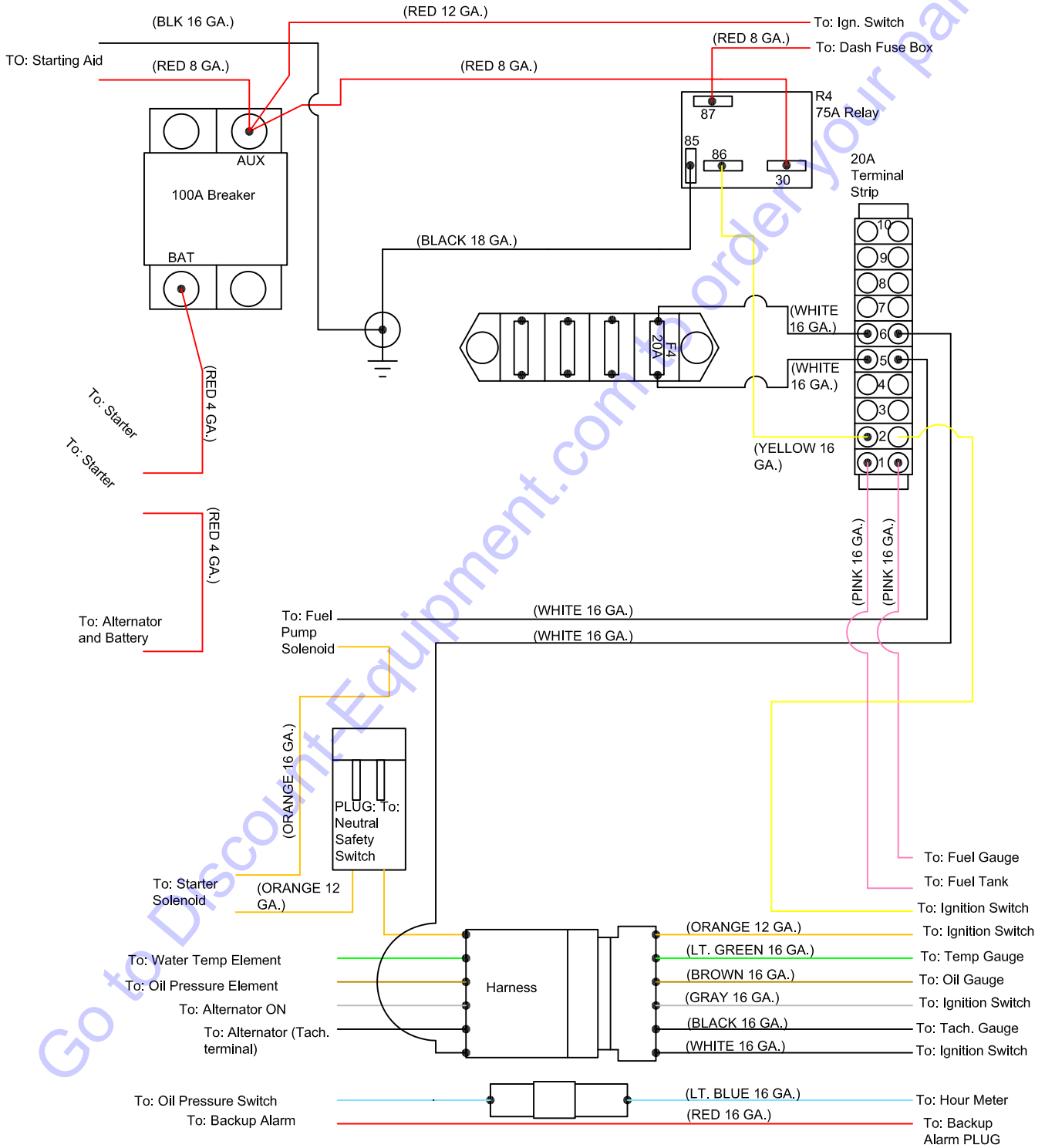
Broce Broom Wiring Diagram

Engine Control Panel - KR Model With Cab



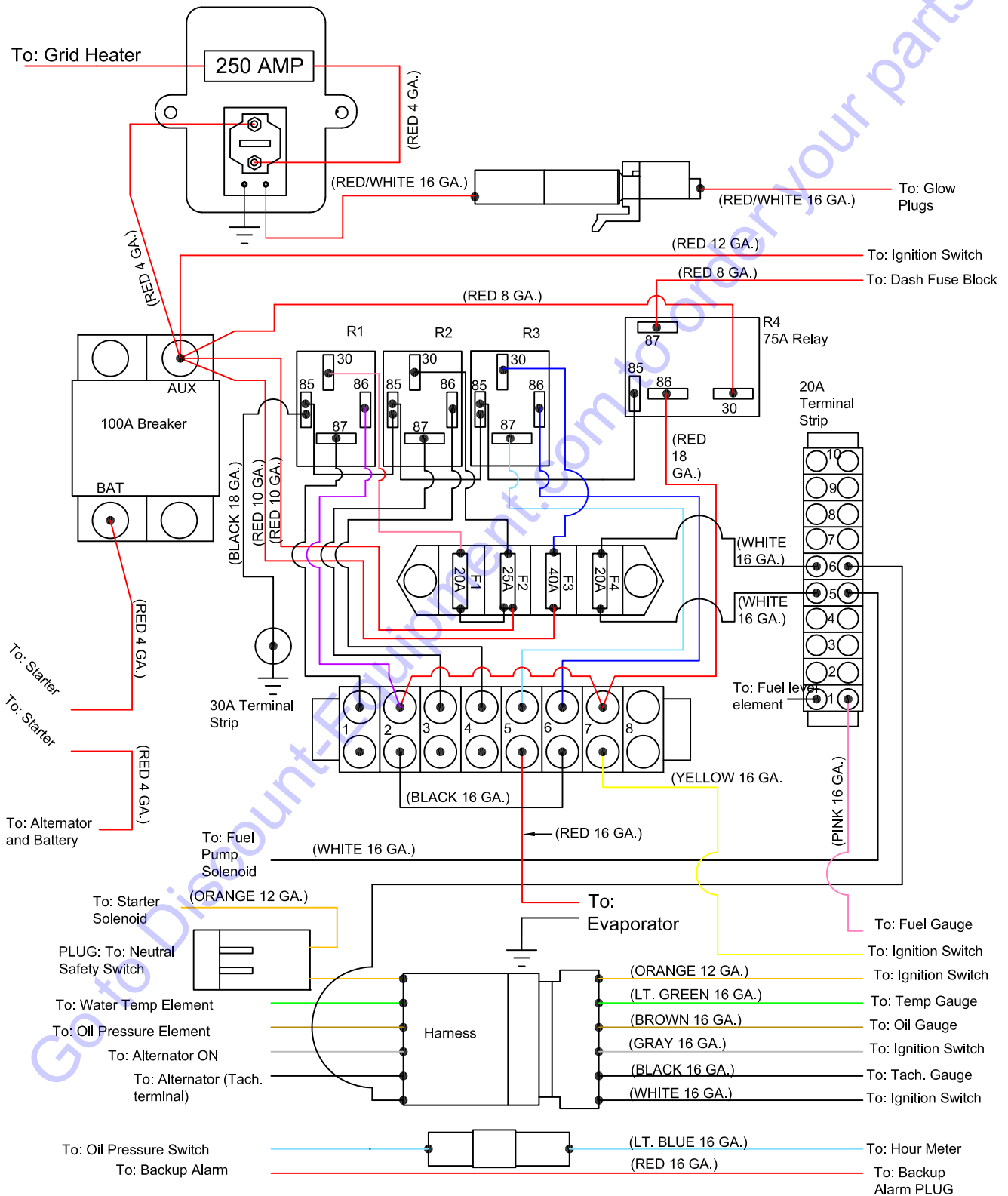
Broce Broom Wiring Diagram

Engine Control Panel - KR Model With Canopy



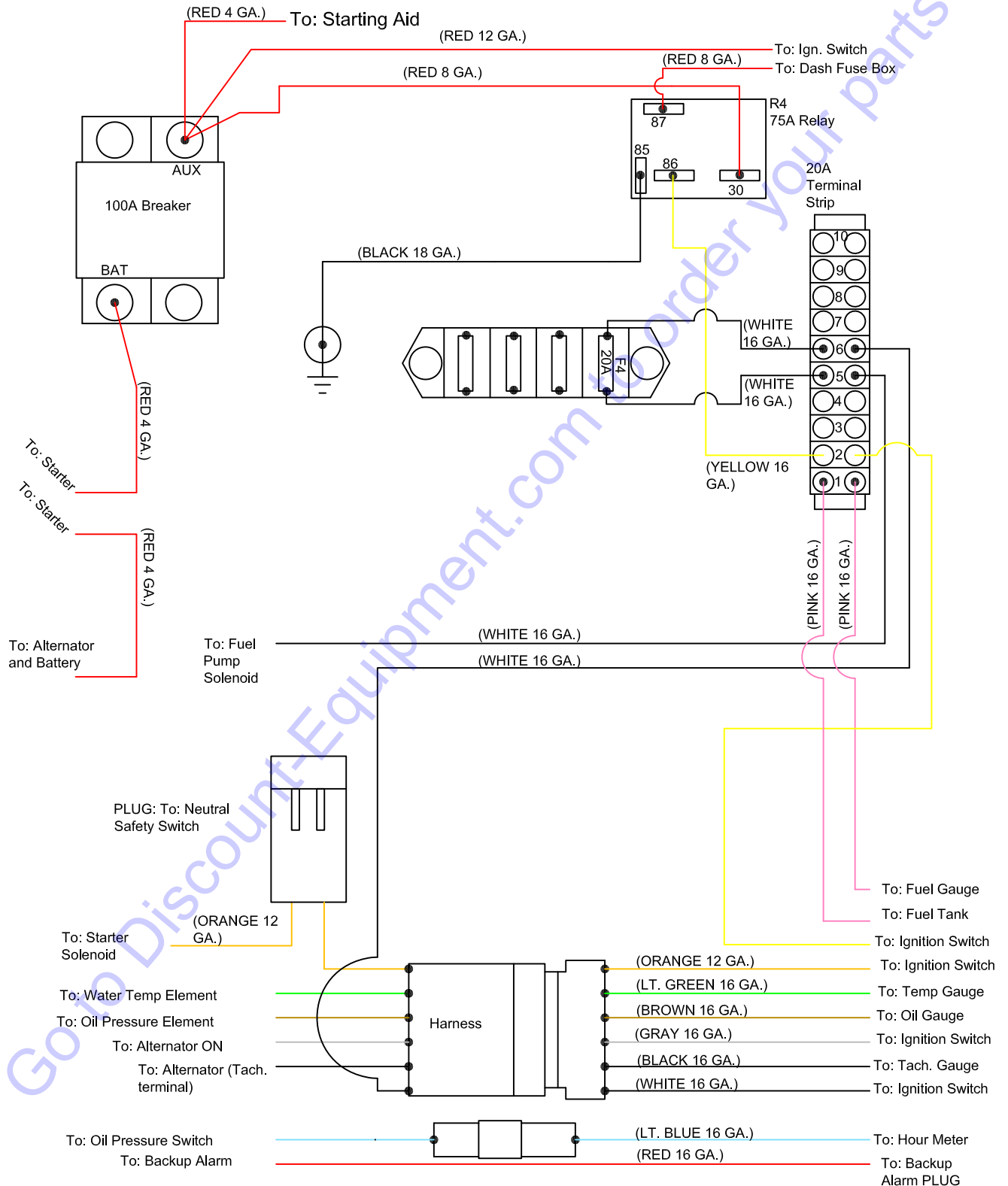
Broce Broom Wiring Diagram

Engine Control Panel - RCT Model With Cab



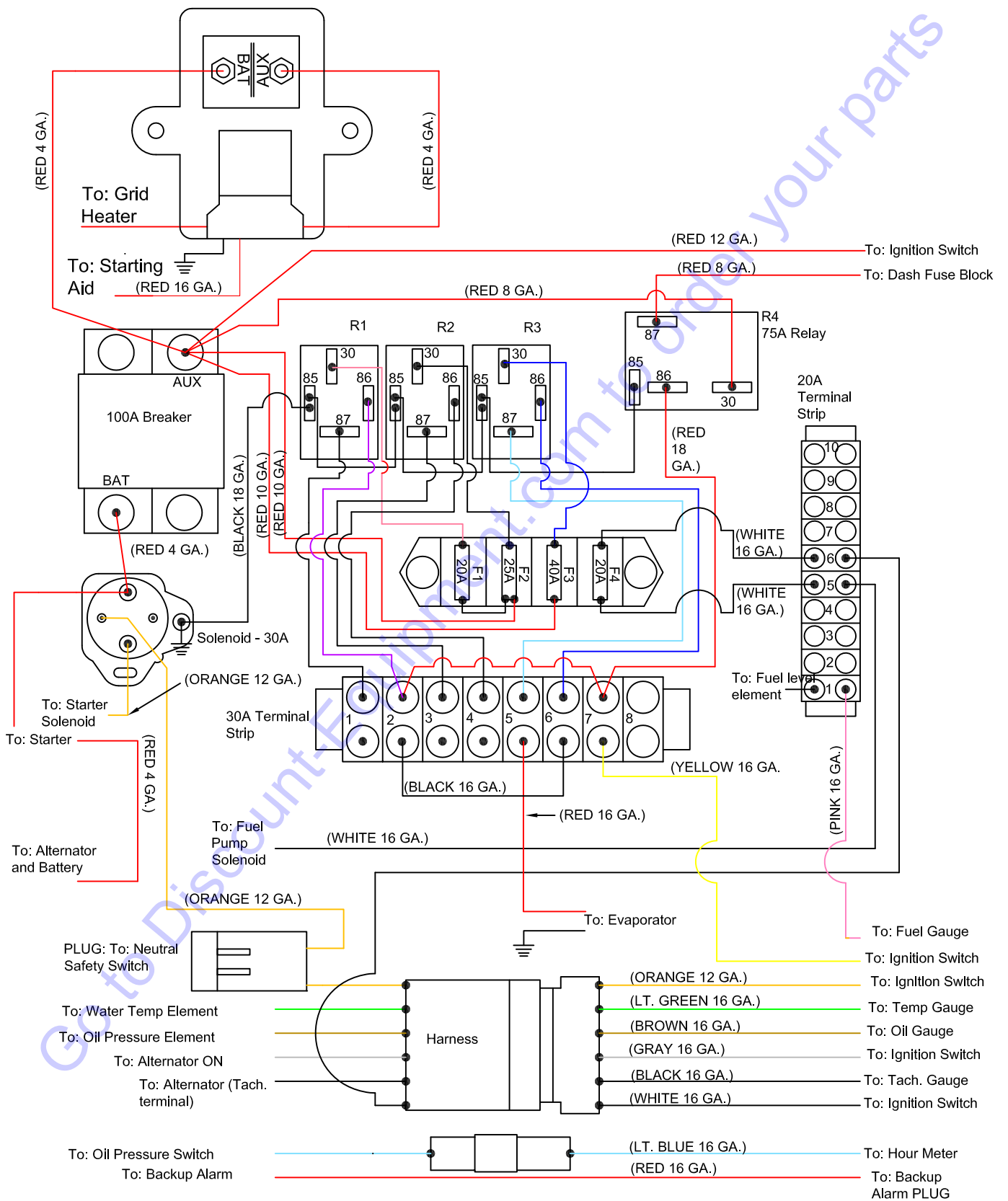
Broce Broom Wiring Diagram

Engine Control Panel - RCT Model With Canopy



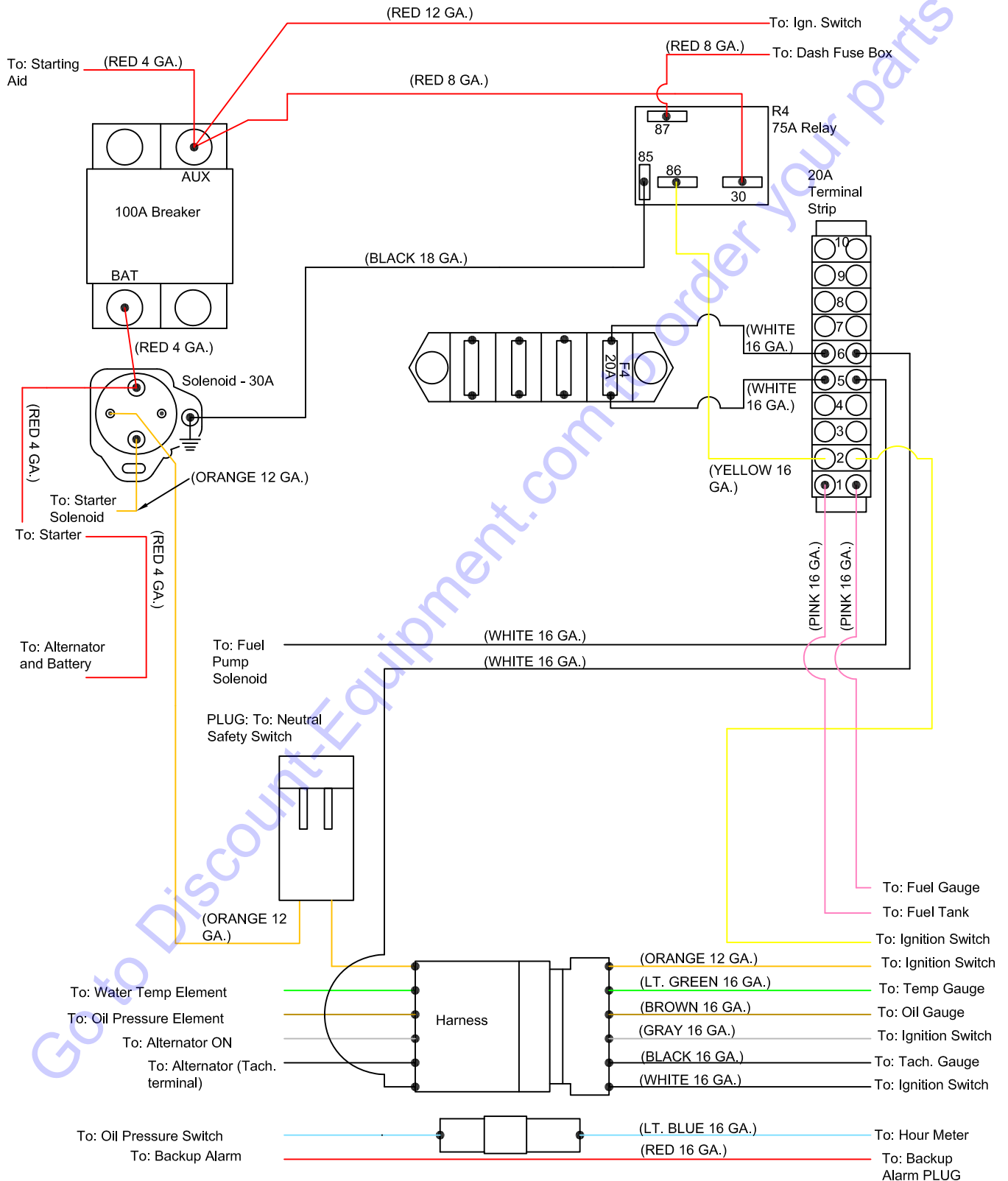
Broce Broom Wiring Diagram

Engine Control Panel - RJT Model With Cab



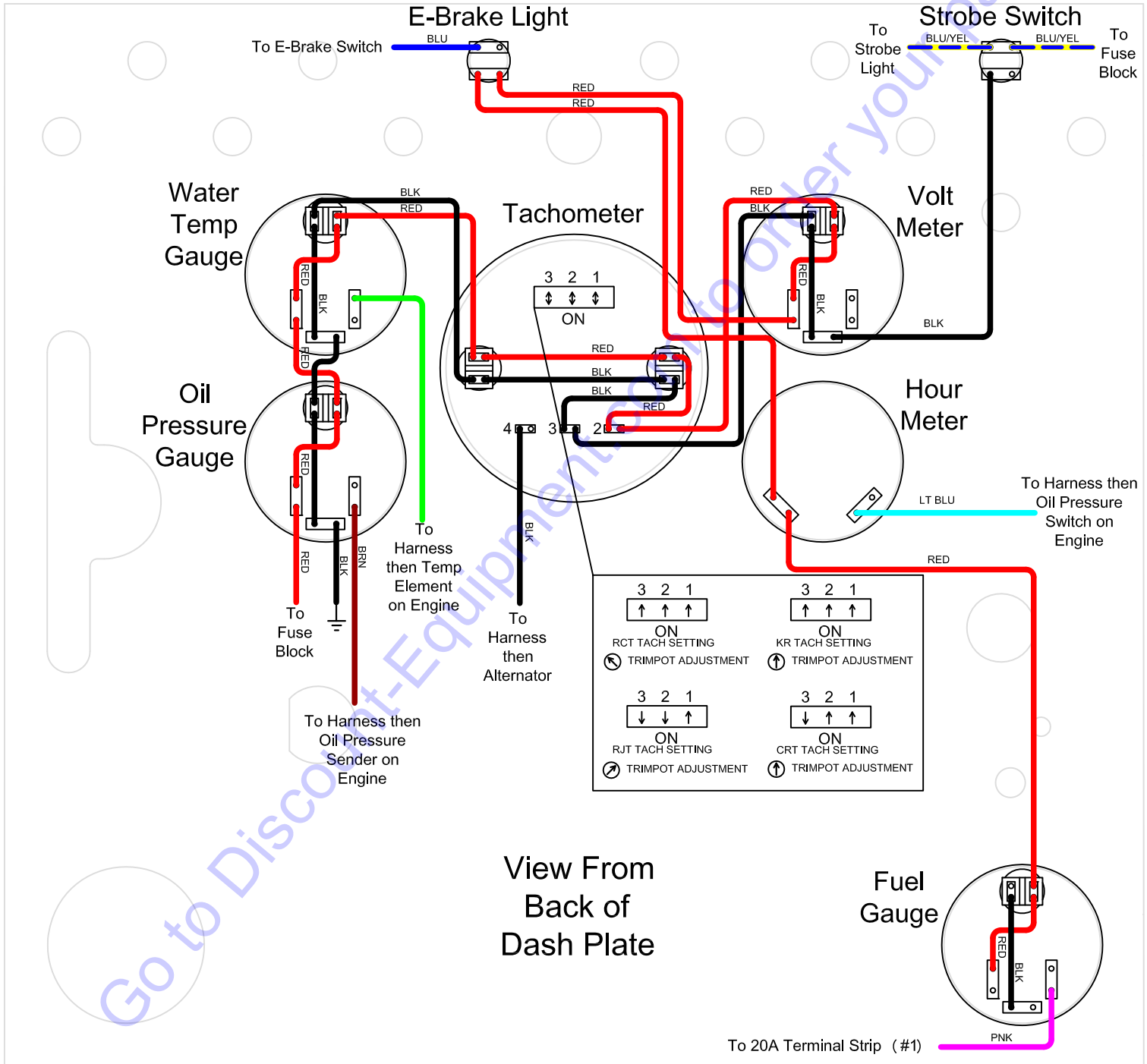
Broce Broom Wiring Diagram

Engine Control Panel - RJT Model With Canopy



350 Series Dashboard Gauges Wiring Diagram

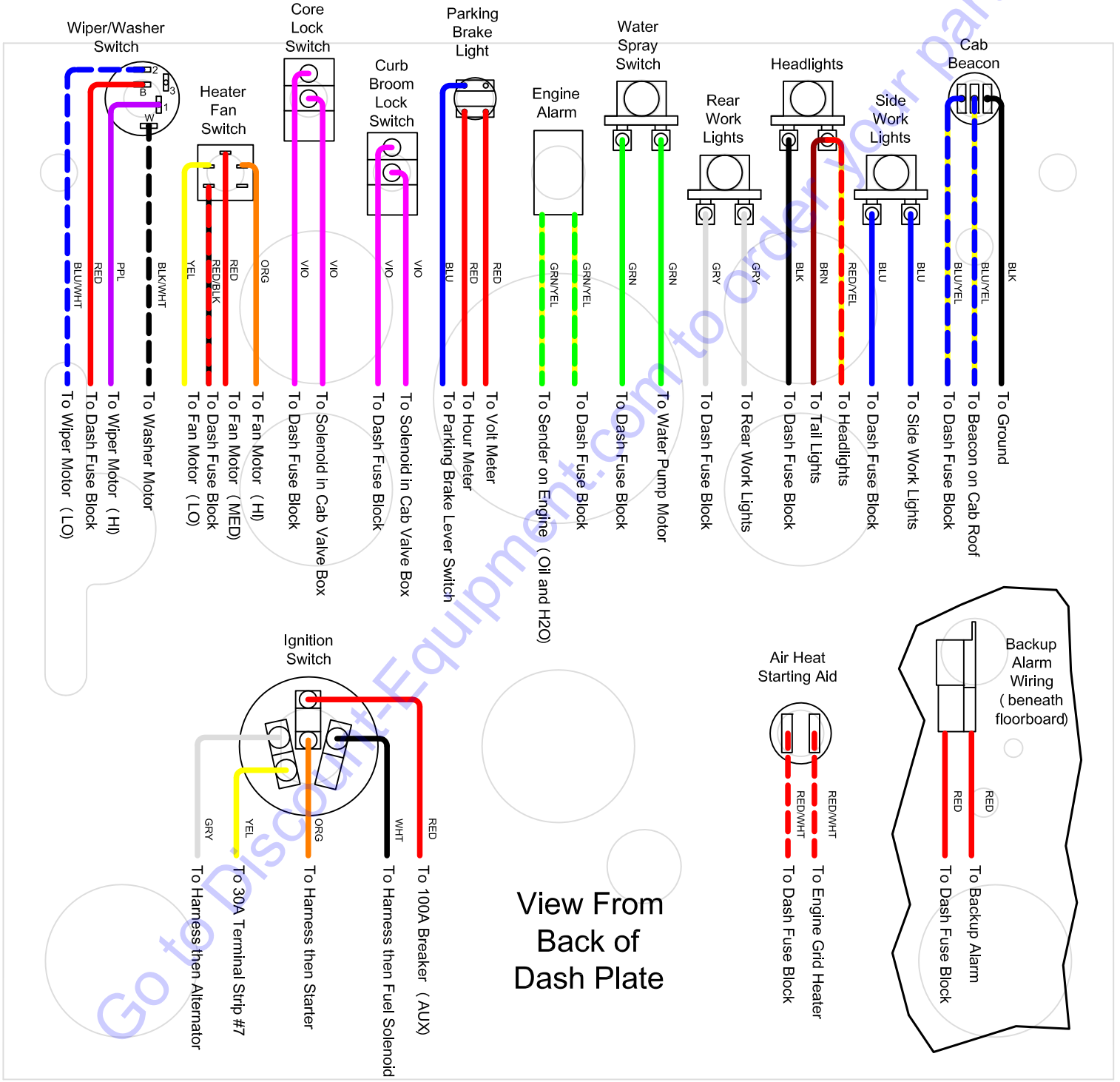
Broce Manufacturing Co., Inc.



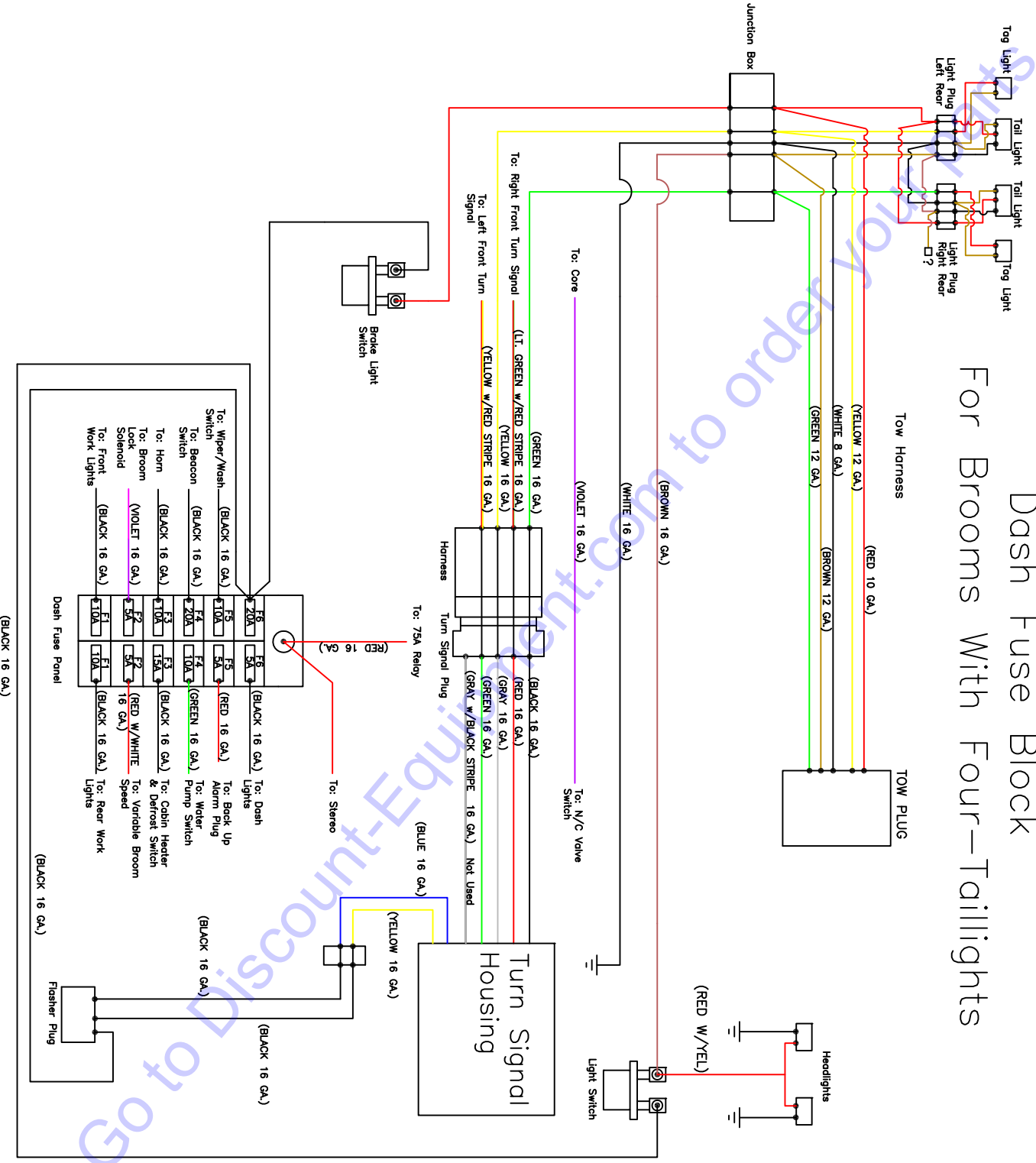
View From
Back of
Dash Plate

350 Series Dashboard Switches Wiring Diagram

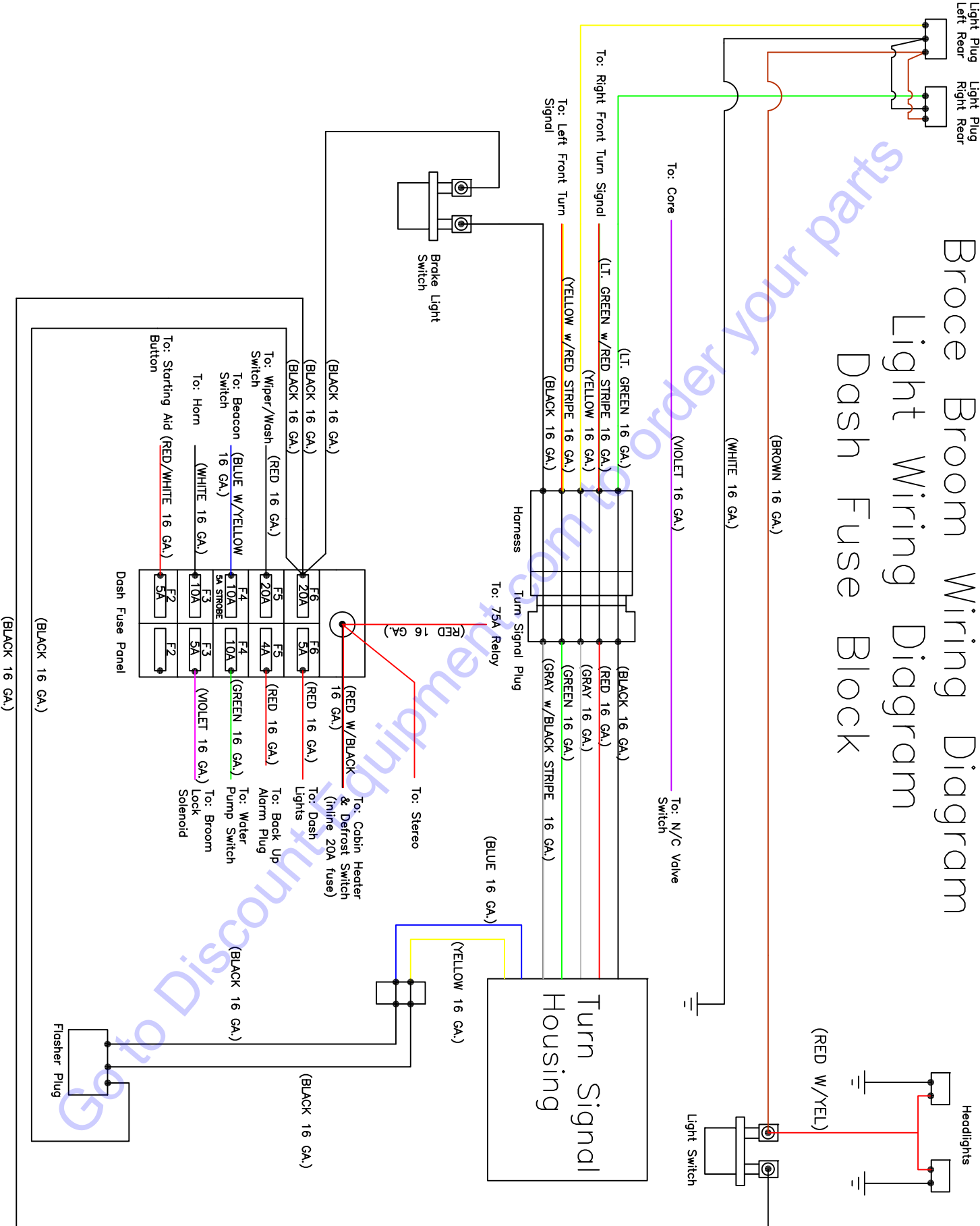
Broce Manufacturing Co., Inc., April 2007



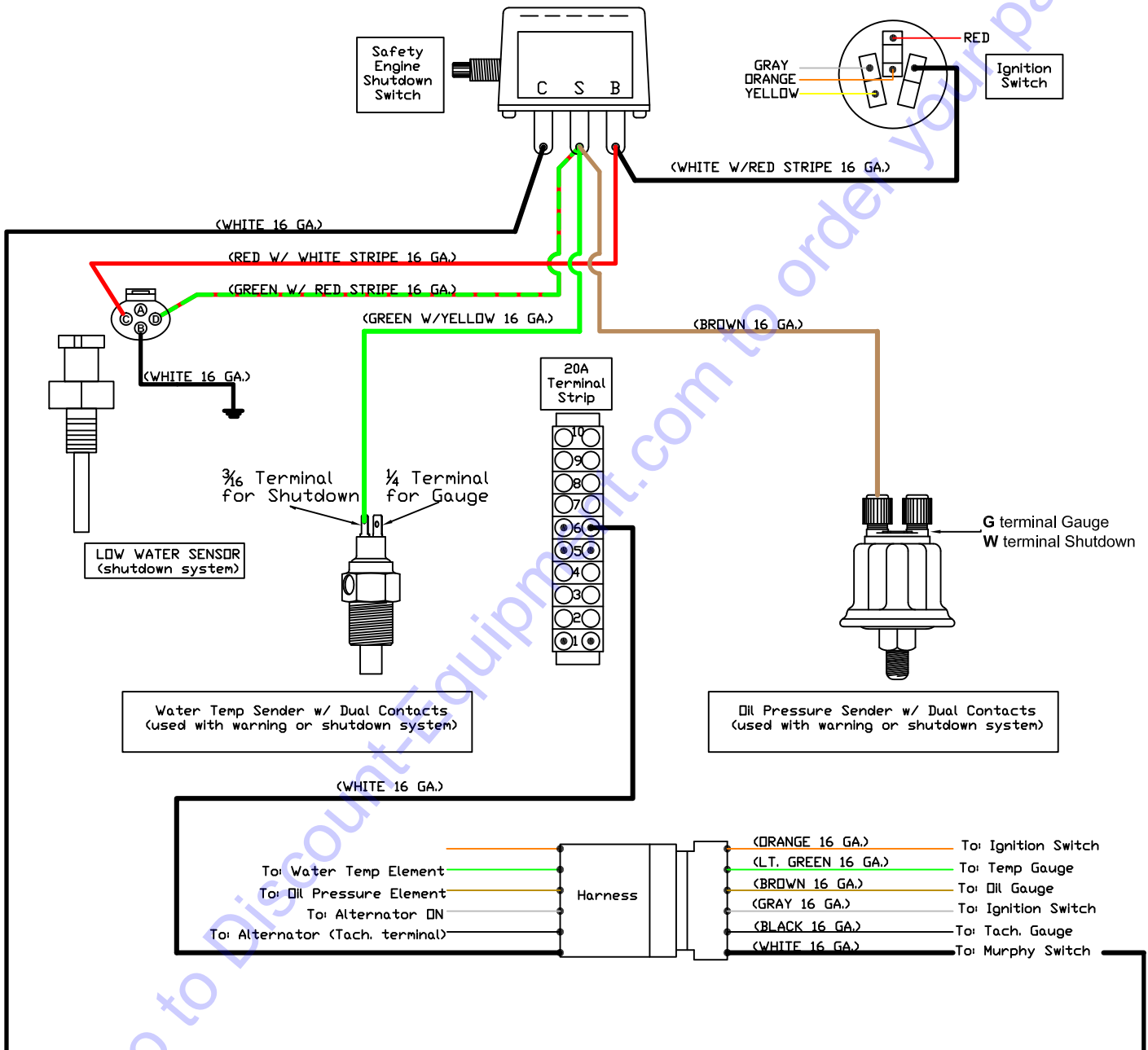
Broce Broom Wiring Diagram Light Wiring Diagram Dash Fuse Block For Brooms With Four-Tailights



Broce Broom Wiring Diagram Light Wiring Diagram Dash Fuse Block

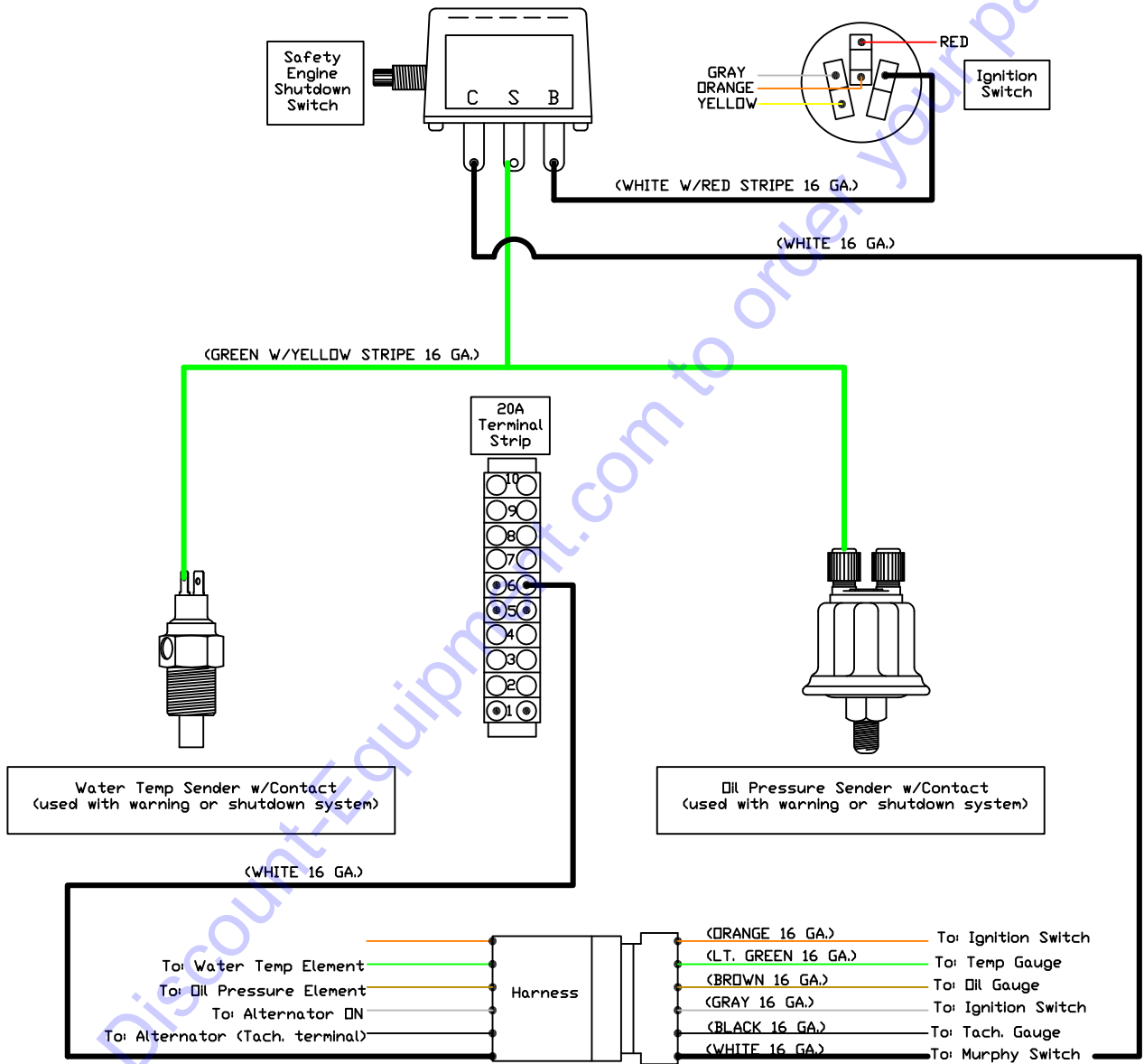


4-Wheel Broce Broom Wiring Diagram Optional Safety Engine Shutdown System with Low Water Shutdown



4-Wheel Broce Broom Wiring Diagram

Optional Safety Engine Shutdown System



VARIABLE SPEED W / SAUER CONTROLLER

