

Parts Catalog

Broce Broom



350 Series Model Broce Brooms
Serial Numbers: 409429 +

www.discount-equipment.com



PARTS FINDER

**Search Website
by Part Number**



**Search Manual
Library For Parts
Manual & Lookup Part
Numbers – Purchase
or Request Quote**

Search Manuals

Enter your information to help us find the right parts manual for your machine.

* Brand:

* Model:

* Serial:

* Part Number:

SEARCH

**Can't Find Part or
Manual? Request Help
by Manufacturer,
Model & Description**

Parts Order Form

Please fill in the following information to help us find the right part for your machine.

Manufacturer:	<input type="text"/>
Model:	<input type="text"/>
Description:	<input type="text"/>
Part Number:	<input type="text"/>
Quantity:	<input type="text"/>
Notes:	<input type="text"/>

Submit

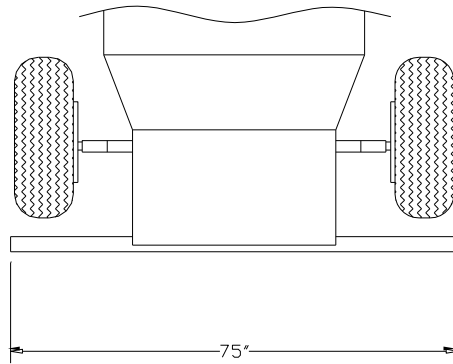
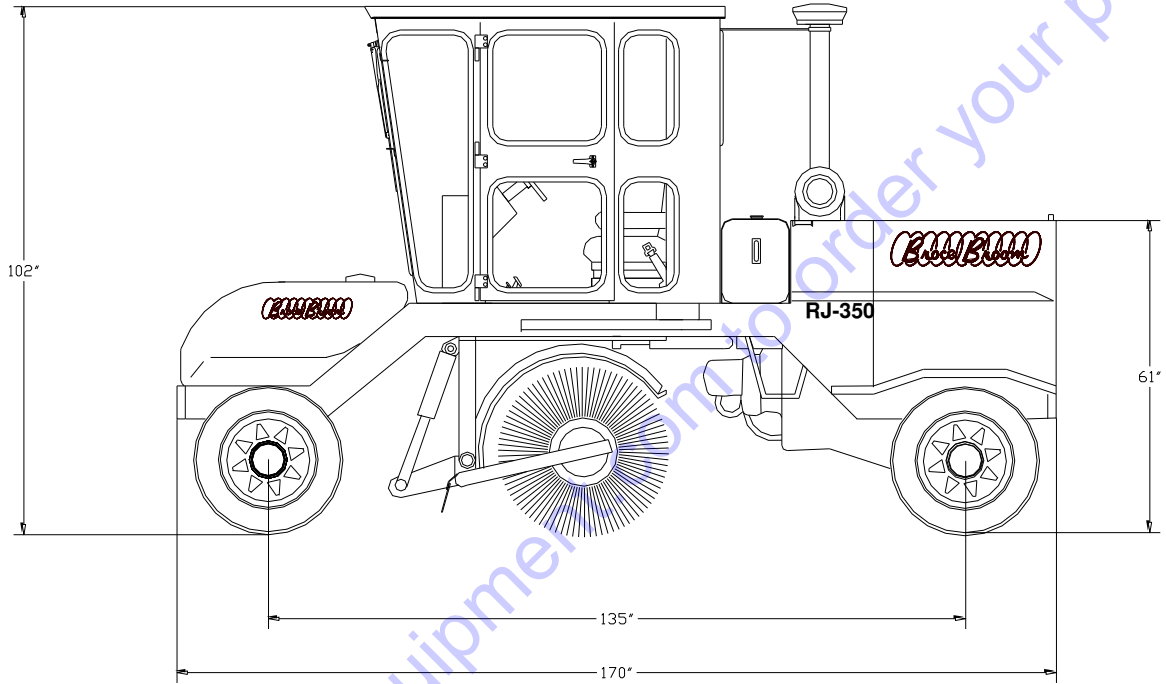
Discount-Equipment.com is your online resource for quality parts & equipment.

Florida: **561-964-4949** Outside Florida TOLL FREE: **877-690-3101**

Need parts?

Click on this link: <http://www.discount-equipment.com/category/5443-parts/> and choose one of the options to help get the right parts and equipment you are looking for. Please have the machine model and serial number available in order to help us get you the correct parts. If you don't find the part on the website or on one of the online manuals, please fill out the request form and one of our experienced staff members will get back to you with a quote for the right part that your machine needs.

We sell worldwide for the brands: Genie, Terex, JLG, MultiQuip, Mikasa, Essick, Whiteman, Mayco, Toro Stone, Diamond Products, Generac Magnum, Airman, Haulotte, Barreto, Power Blanket, Nifty Lift, Atlas Copco, Chicago Pneumatic, Allmand, Miller Curber, Skyjack, Lull, Skytrak, Tsurumi, Husquvarna Target, Stow, Wacker, Sakai, Mi-T-M, Sullair, Basic, Dynapac, MBW, Weber, Bartell, Bennar Newman, Haulotte, Ditch Runner, Menegotti, Morrison, Contec, Buddy, Crown, Edco, Wyco, Bomag, Laymor, EZ Trench, Bil-Jax, F.S. Curtis, Gehl Pavers, Heli, Honda, ICS/PowerGrit, IHI, Partner, Imer, Clipper, MMD, Koshin, Rice, CH&E, General Equipment, Amida, Coleman, NAC, Gradall, Square Shooter, Kent, Stanley, Tamco, Toku, Hatz, Kohler, Robin, Wisconsin, Northrock, Oztec, Toker TK, Rol-Air, APT, Wylie, Ingersoll Rand / Doosan, Innovatech, Con X, Ammann, Mecalac, Makinex, Smith Surface Prep, Small Line, Wanco, Yanmar



Go to Discount-Equipment.com to order your parts

TABLE OF CONTENTS

Main Frame Component Parts.....	1-2
Instrument Panel & Components.....	3-4
Seat and Suspension	5-6
Brake Control Assemblies.....	7-8
Hydrostatic Control Assemblies.....	9-10
Circle Frame and Components	11-12
Direct Drive Core Assembly	13-14
Chain Drive Core Assembly	15-16
Broom Core Wafers and Spacers	17-18
Bolster Assembly	19-20
Front Axle Parts and Steering.....	21-22
Front Brake Assembly	23-24
Rear Axle & Drive Assembly	25-26
Rear Brake Assembly.....	27-28
Two Speed Gear Box.....	29-30
Model 44 Industrial Axle	31-32
Tow Bar Assembly	33-34
Cab Assembly.....	35-36
Roll Over Protection Structure & Related Parts.....	37-38
Fuel Tank Assembly.....	39-40
Decal Kit	42
HYDRAULIC SYSTEM DETAILS.....	44-54
Hydraulic System Components – Front Section.....	45-46
Hydraulic System Components – Cab/Valve Section.....	47-48
Hydraulic System Components – Variable Speed Option.....	49-50
Hydraulic System Components – Rear Section	51-52
Hydrostatic Drive System	53-54

TABLE OF CONTENTS (Cont.)

HYDRAULIC SYSTEM DETAILS (Cont.)

Core Rotation Valve Assembly	55-56
Joystick Valve Assembly	57-58
Optional Down Pressure Limiter	59-60

ELECTRICAL SYSTEM & ACCESSORIES

62-76

Gauges & Senders	63-64
Windshield Wipers & Washer	65-66
Misc. Switches, Fuses, Etc.	67-68
Lights & Horns	69-70
Heater/Defroster	71-72
Air Conditioning System	73-76

BROOM ACCESSORY SYSTEMS

77-89

Water System Illustrations	79-80
Scraper Blade Illustrations	81-82
Scraper Blade Hydraulics	83-84
Curb Sweeper Illustrations	85-86
Curb Broom Hydraulics	87-88

ENGINES AND RELATED PARTS

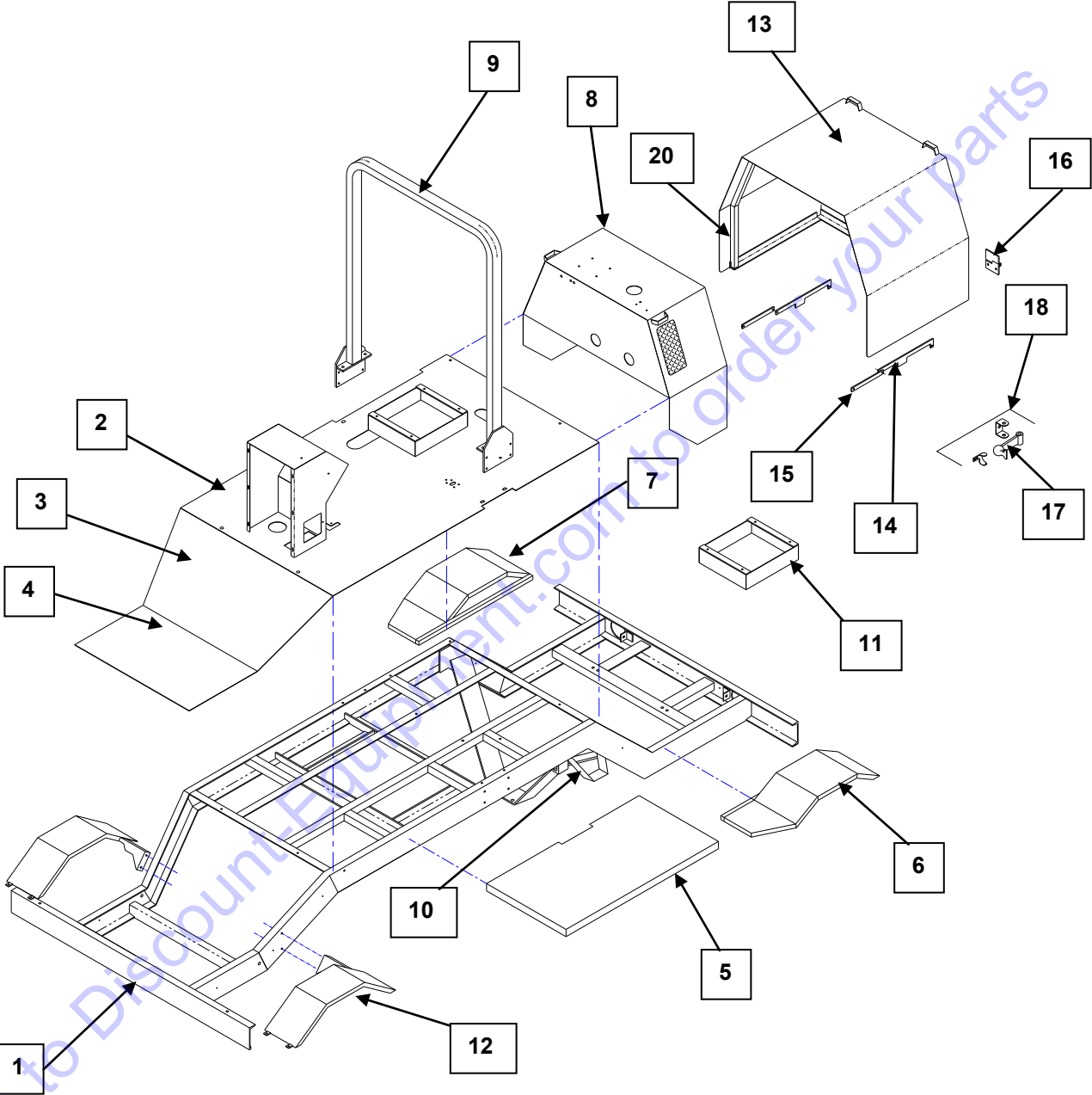
89-121

RCT-350 EXPORT Engine	91-98
RJT-350 Tier 4 Final (US) John Deere Engine	98-103
RCT-350 Tier 4 Final (US) Cummins Engine	104-111
KR-350 Engine	112-113
CR-350	114-115

MAINTENANCE, SPECIFICATIONS AND SCHEMATICS

116+

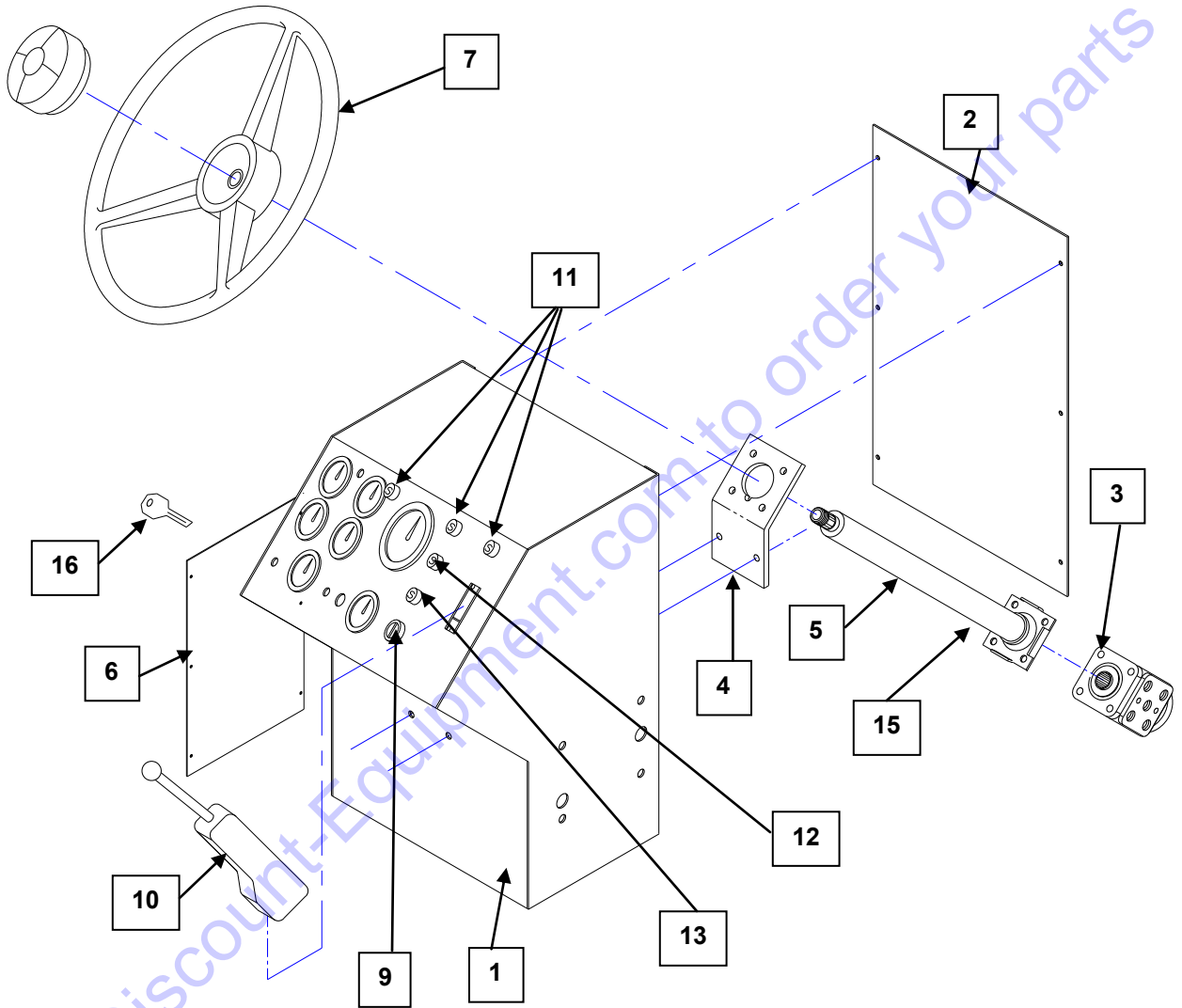
MAIN FRAME COMPONENT PARTS



MAIN FRAME COMPONENT PARTS

Reference	Part No.	Description	Qty.
1.....	F-201-R	Main Frame w/ Decking.....	1
2.....	F-206-RS.....	Main Deck (Smooth)	1
	F-206-R	Main Deck (Diamond Tread)	1
3.....	F-205-R	Diagonal Deck (w/o Water System)	1
	F-205-RW	Diagonal Deck (w/ Water System).....	1
4.....	F-204-R	Front Deck (w/o Water System)	1
	F-204-RW	Front Deck (w/ Water System).....	1
5.....	F-209-EX.....	Deck Step (Expanded Metal)	1
	F-209-R	Deck Step (Diamond Tread)	1
6.....	850073	Rear Fender, LH.....	1
7.....	850072	Rear Fender, RH	1
8.....	852049-C	Fire Wall.....	1
9.....	See Roll Over Protection	Roll Bar (2 Post).....	1
10.....	F-202	Frame Step	1
11.....	203138	Seat Support Base (Non-suspension).....	1
12.....	F-826	Front Fenders (pair)	1
13.....	VF-208-C.....	Hood Assembly	1
14.....	203274	Hood Support Linkage	1
15.....	001687	Hood Support Linkage	1
16.....	VF-317-B.....	Hinge, (Set of 2)	1
17.....	VF-803-R.....	Hood Catch (Rubber Strap only).....	2
18.....	VF-319-RA	Catch Assembly (Complete).....	2
19.....	F-811-R	Rock Guard	1
20.....	304009	Rubber Hood Molding	1

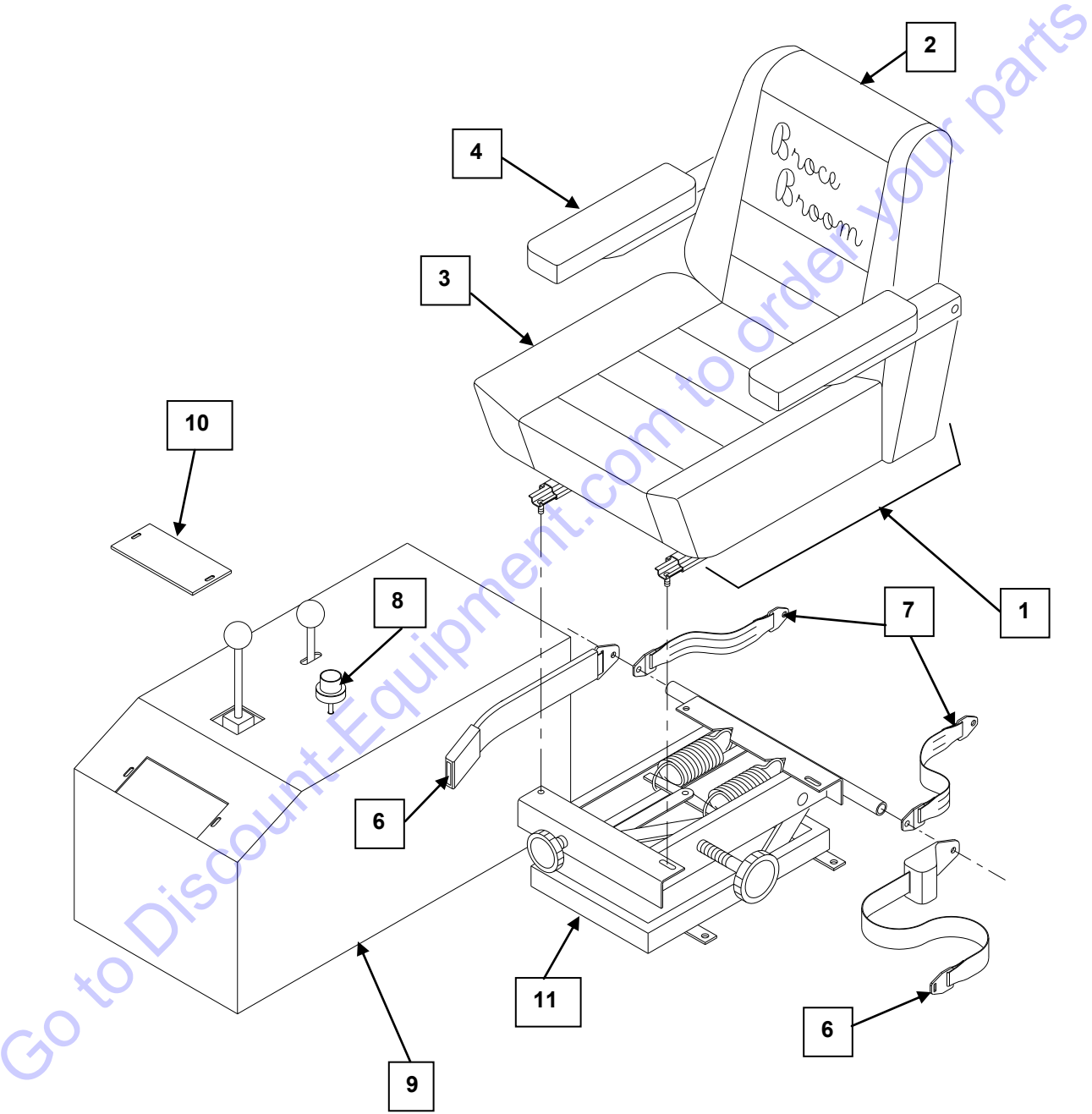
INSTRUMENT PANEL AND COMPONENTS



INSTRUMENT PANEL AND COMPONENTS

Reference	Part No.	Description	Qty.
1.....	I-217-AR.....	Dash Housing	1
2.....	I-218-R	Dash Back Cover	1
3.....	See Hydraulic System – Front Section	Power Steering Unit	1
4.....	SM-249-D.....	Power Steering Unit Mount	1
5.....	305945	Steering Column.....	1
	305950.....	Tilt Steering Column (No Conversion)	1
6.....	205169	Access Cover.....	1
7.....	S-253-R.....	Steering Wheel/Horn Assembly	1
9.....	See Electrical Section	Ignition Switch	1
10.....	HS-230-A	Shifter Assembly (2 Speed).....	1
	HS-231-A.....	Shifter Cable (Not Shown)	1
11.....	See Electrical Section	Universal Accessory Switch	3
	See Electrical Section	Lighted Rocker Switch (Not Shown)	1
12.....	See Electrical Section	Wiper Switch	1
13.....	See Heater/ Defroster	Heater Switch (2 Speed).....	1
15.....	N/A	Horn Sender (Replace Column)	1
16.....	See Electrical Section	Spare Key (pair)	1

SEAT AND SUSPENSION COMPONENTS

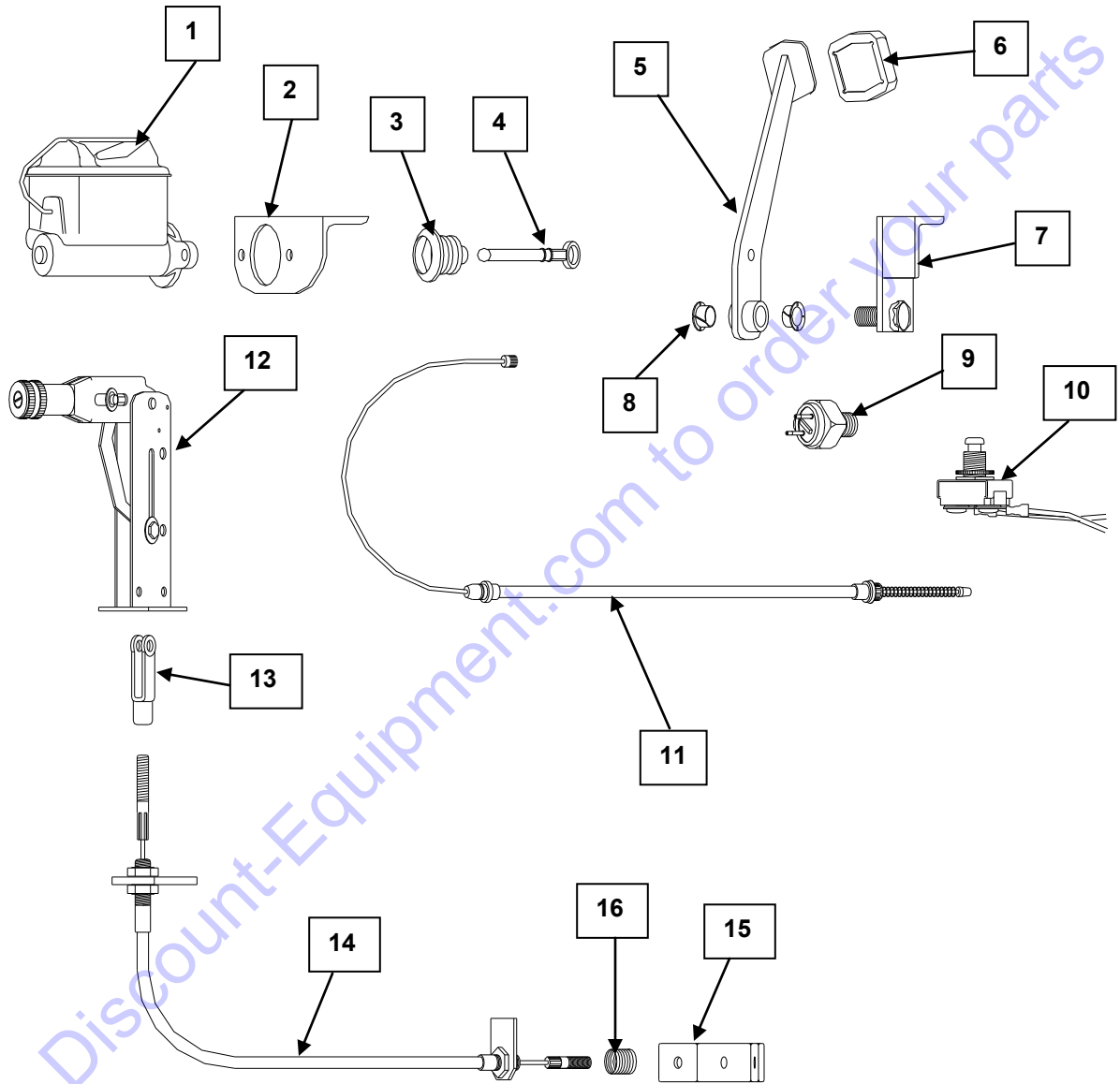


SEAT AND SUSPENSION COMPONENTS

Reference	Part No.	Description	Qty.
1.....	BS-1050.....	Seat Assembly.....	1
2.....	BS-1051.....	Back Rest.....	1
3.....	BS-1052.....	Seat Cushion.....	1
4.....	BS-1053L+R.....	Arm Rest Pad.....	2
6.....	C-211.....	Retractable Seat Belt (Shown).....	1
	C-211-SH.....	Retractable Seat Belt w/ Shoulder Harness (Not Shown).....	1
7.....	C-211-RT.....	Tether Strap Set (for use w/ Suspension Seat).....	1
8.....	T-213-R.....	Throttle Cable.....	1
9.....	203436.....	Hydraulic Control Cabinet.....	1
10.....	203183.....	Valve Box Cover.....	1
11.....	BS-1054.....	Suspension Assembly.....	1
Not Shown.....	203181.....	Hydraulic Control Cover Back.....	1
Not Shown.....	309456.....	Throttle Cable (Cat Engine).....	1

Go to Discount-Equipment.com to order your parts

BRAKE CONTROL ASSEMBLIES

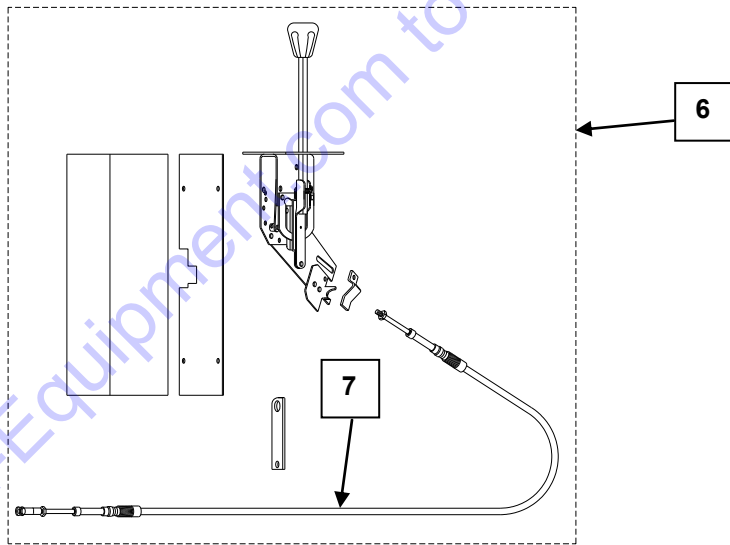
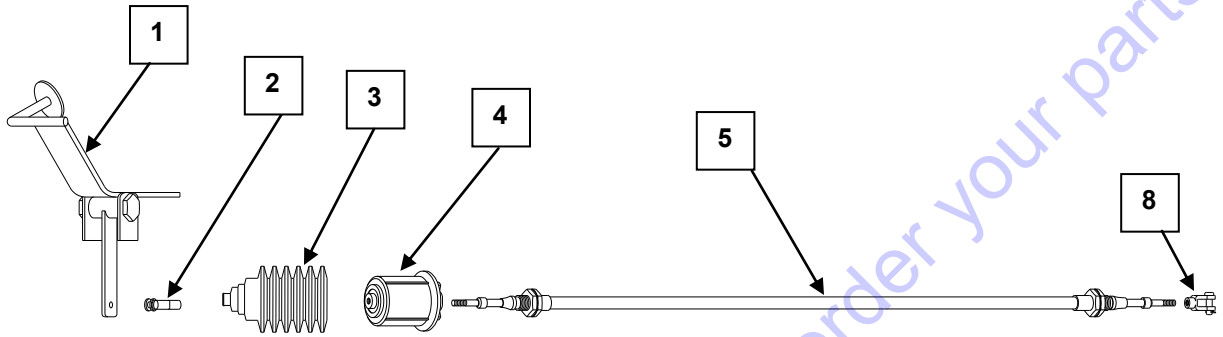


BRAKE CONTROL ASSEMBLIES

Reference	Part No.	Description	Qty.
1.....	B-240-B.....	Dual Master Cylinder.....	1
2.....	BM-245-R.....	Master Cylinder Mount.....	1
3.....	B-284.....	Rubber Boot.....	1
4.....	K00001.....	Push Rod.....	1
5.....	B-238-R.....	Brake Pedal.....	1
6.....	B-241-R.....	Brake Pedal Pad.....	1
7.....	BM-244-R.....	Pedal Mount.....	1
8.....	B-242-R.....	Pedal Bushing.....	2
9.....	BLS-15.....	Brake Light Switch.....	1
10.....	PBS-13.....	Parking Brake Switch.....	1
11.....	PB-237.....	Parking Brake Cable.....	2
12.....	PB-233-C.....	Brake Lever Assembly.....	1
13.....	PB-229-C.....	Clevis (3/8" Fine Thread).....	1
14.....	PB-235-C.....	Primary Parking Brake Cable.....	1
15.....	202091.....	Parking Brake Adjuster.....	1
16.....	344105.....	Tension Spring.....	1
Not Shown.....	F97935.....	Master Cylinder Repair Kit.....	1

Go to Discount-Equipment.com to order your parts

HYDROSTATIC CONTROL ASSEMBLIES



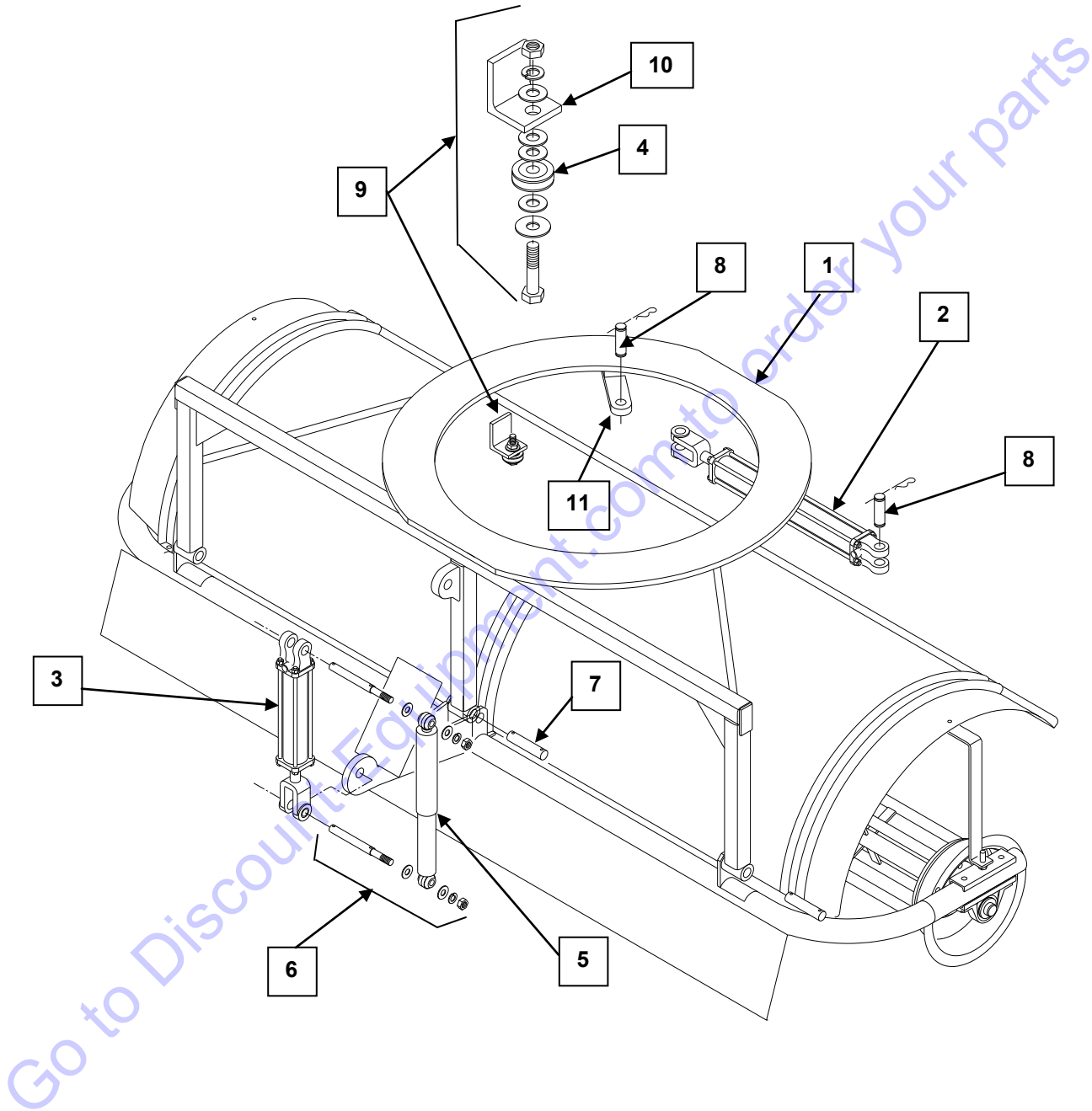
Go to Discount-Equipment.com to order your parts

HYDROSTATIC CONTROL ASSEMBLIES

Reference	Part No.	Description	Qty.
1.....	HC-226-R.....	Control Pedal Assembly	1
2.....	HC-229-B	1/4" Clevis w/ Pin (Note: Control Cable)	1
3.....	HC-228-B	Hydro-Back Boot	1
4.....	HC-228-HB	Hydro-Back Device.....	1
5.....	HC-228-E	Hydro-Back Cable.....	1
6.....	HC-226-HA	Hand Control Kit (Note: Converts Foot Control to Hand Control)	1
7.....	HC-228-OH	Hand Control Cable.....	1
8.....	309466	Heims End	1

Go to Discount-Equipment.com to order your parts

CIRCLE FRAME & COMPONENTS

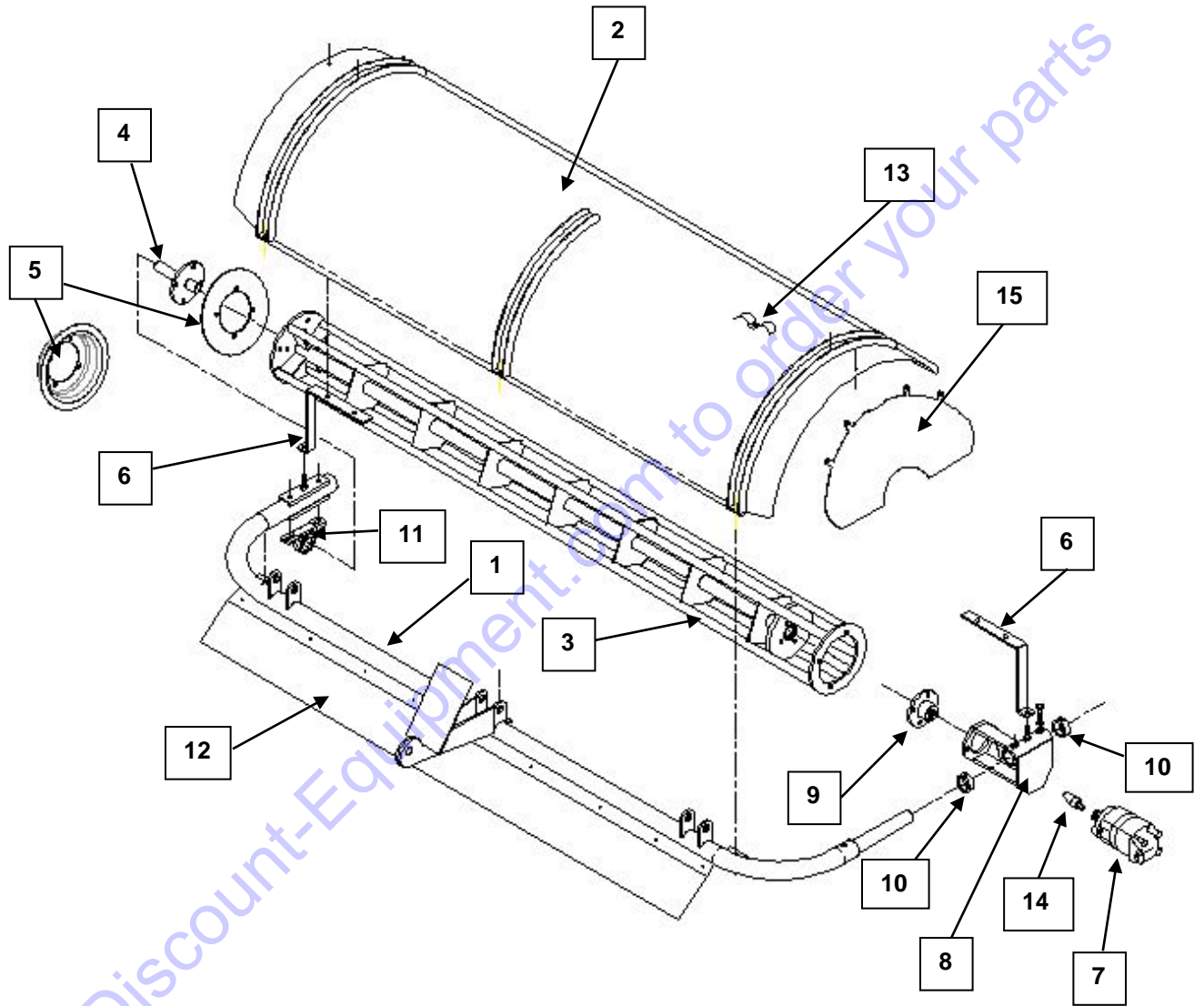


CIRCLE FRAME & COMPONENTS

Reference	Part No.	Description	Qty.
1.....	C-102.....	Circle Frame	1
1a.....	C-102A.....	Circle Frame w/Curb Broom Mount Bracket..	1
2.....	See Hydraulic Section	Shift Cylinder	1
3.....	See Hydraulic Section	Lift Cylinder.....	1
4.....	B-103.....	Circle Bearing	9
5.....	D-20-R.....	Shock Absorber	1
6.....	D-21-R.....	Shock Pin	2
7.....	C-109.....	Hinge Pin	3
8.....	RC-19	Cylinder Pin.....	2
9.....	B-105.....	Bearing Bracket Assembly (qty as required)	
10.....	B-104.....	Bearing Bracket	5
11.....	850006	Circle Cylinder Lug.....	1

Go to Discount-Equipment.com to order your parts

DIRECT DRIVE CORE ASSEMBLY

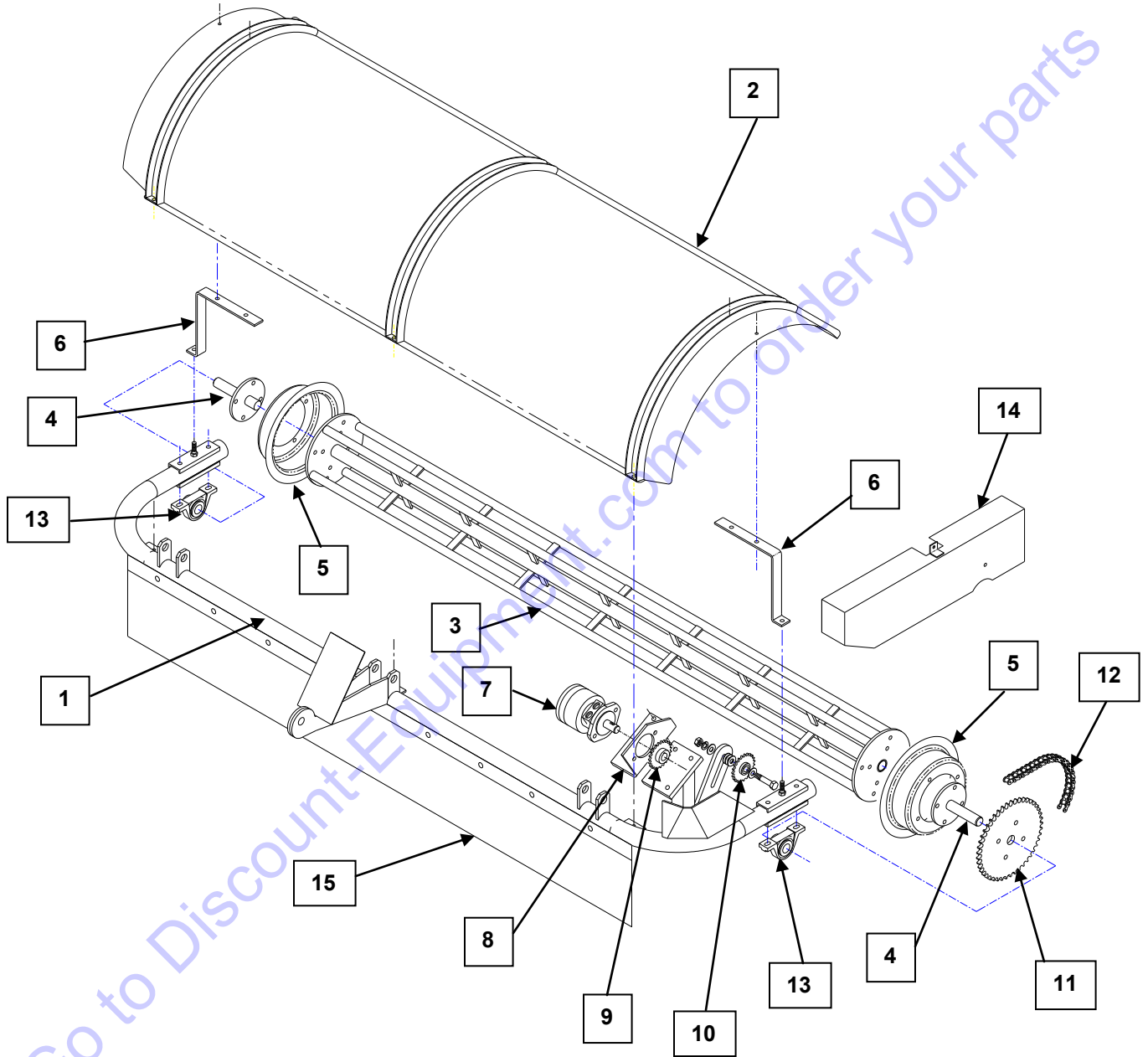


DIRECT DRIVE CORE ASSEMBLY

Reference	Part No.	Description	Qty.
1	C-108-SPC	Core Support	1
2	D-12-8	Core Cover	1
3	D-15-SPCA	Core w/ Flat End Caps	1
	D-15-SPC	Core w/ Formed End Caps	1
4	D-17	Spindle	1
5	203010	End Cap (Flat)	2
	202144	End Cap (Formed – Bell)	2
6	202145	Support Bracket	2
7	305943	Hydraulic Motor (Core)	1
8	MR-16-SPC	Hydraulic Motor Mount (Core)	1
9	DD-257-R	Splined Hub	1
10	MR-16-LR	Lock Ring	2
11	D-13	Pillow Block Bearing	1
12	304129	Core Rock Guard	1
13	001397	Double Hose Clamp	2
14	K00041	Rod Guide Cone	1
15	203167	Core Cover End Plate Set	1

Go to Discount-Equipment.com to order your parts

CHAIN DRIVE CORE ASSEMBLY

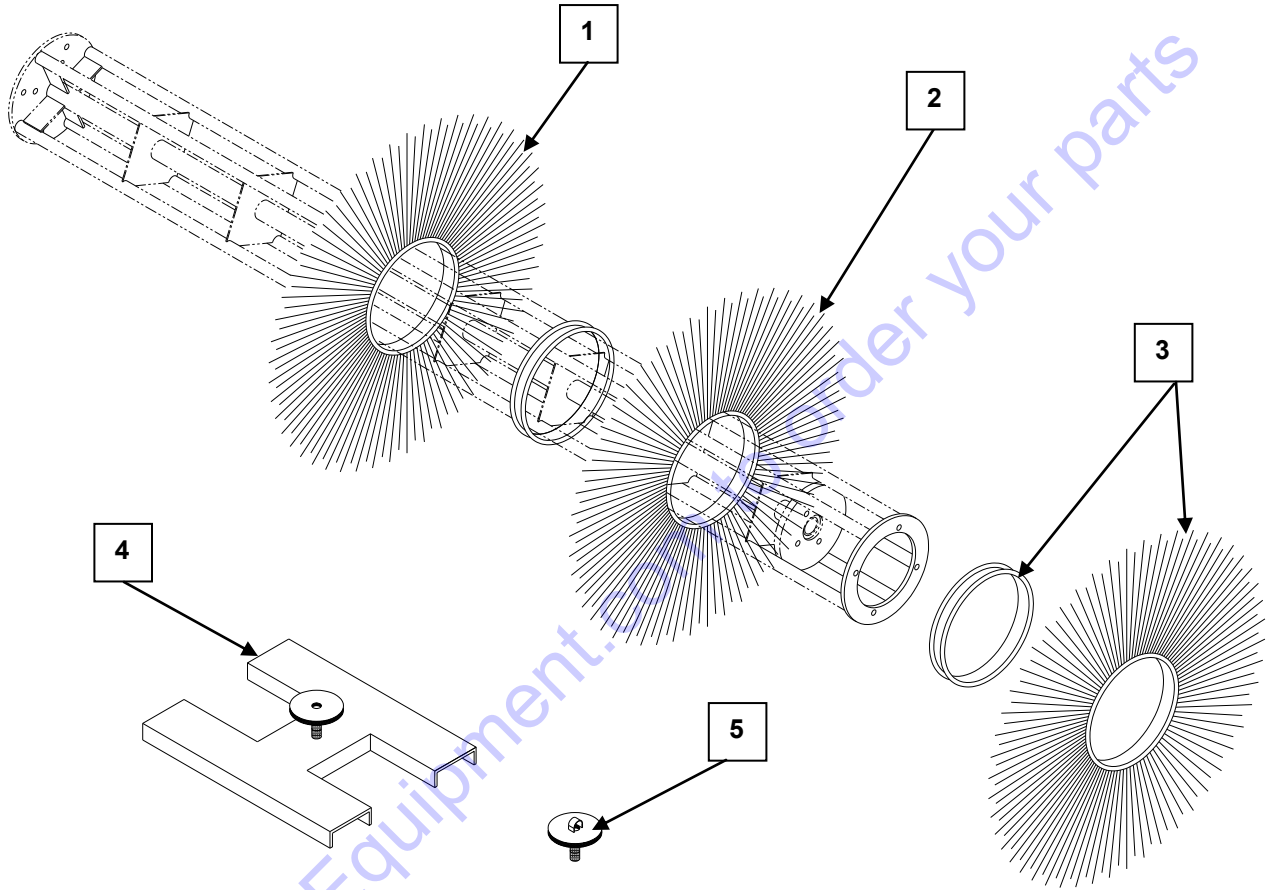


CHAIN DRIVE CORE ASSEMBLY

Reference	Part No.	Description	Qty.
1.....	C-108-R.....	Core Support.....	1
2.....	D-12-8	Core Cover	1
3.....	D-15-8	Core.....	1
4.....	D-17.....	Spindle.....	2
5.....	D-16.....	End Cap	2
6.....	D-11.....	Support Bracket.....	2
7.....	MAB-16-B	Hydraulic Motor (Core).....	1
8.....	MR-16-AR	Hydraulic Motor Mount (Core).....	1
9.....	C-111.....	Sprocket (Drive).....	1
10.....	C-109-AR	Sprocket (Idler)	1
11.....	C-110.....	Sprocket (Driven).....	1
12.....	D-14-R.....	Roller Chain	1
13.....	D-13.....	Pillow Block Bearing.....	2
14.....	D-18-R.....	Chain Guard	1
15.....	304129	Core Rock Guard	1

Go to Discount-Equipment.com to order your parts

BROOM CORE WAFER & SPACERS



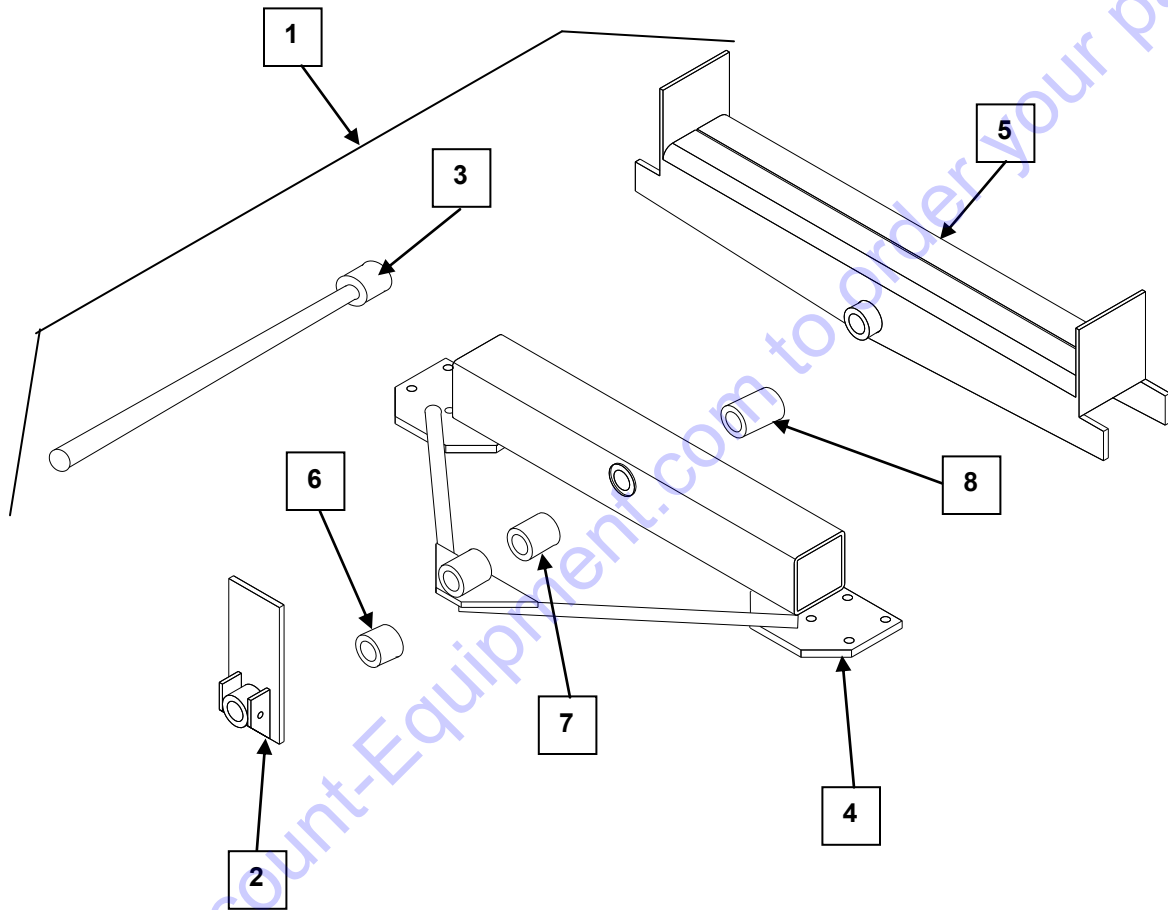
Go to Discount-Equipment.com to order your parts

BROOM CORE WAFER & SPACERS

Reference	Part No.	Description	Qty.
1.....	RW-503	10" x 32" Poly Wafer	1
2.....	RW-504	10" x 32" Wire Wafer	1
3.....	RW-500	8' Set, Poly Wafers w/Spacers	1
	RW-502	8' Set, 1/2 Poly, 1/2 Wire w/Spacers.....	1
4.....	CS-01	Core Service Stand.....	1
5.....	CS-02	Core Service Ring.....	1
Not Shown	304290	Tube Brush Poly Brush.....	1
	304289	Tube Brush 1/2 Poly, 1/2 Wire Brush.....	1
Not Shown	852427	Strip Brush Mandrel	1
	304298	Strip Brush Poly Brush (8' Set – 2 req'd).....	1

Go to Discount-Equipment.com to order your parts

BOLSTER ASSEMBLY

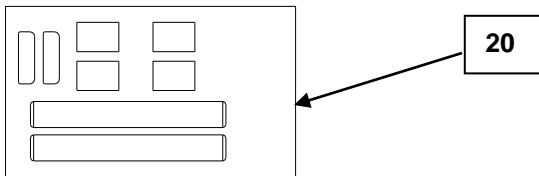
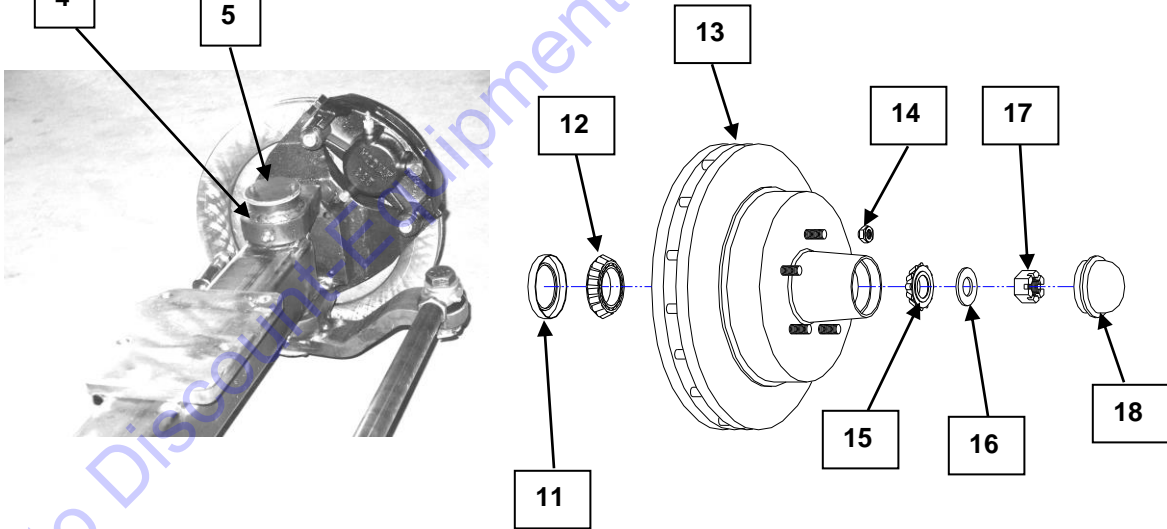
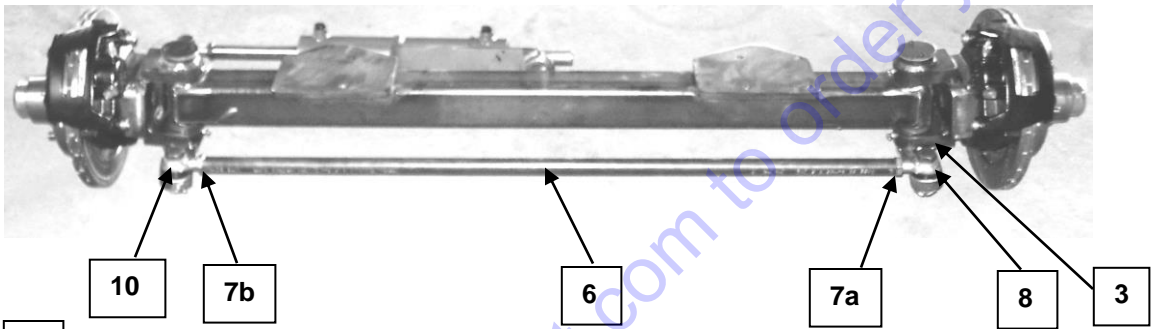
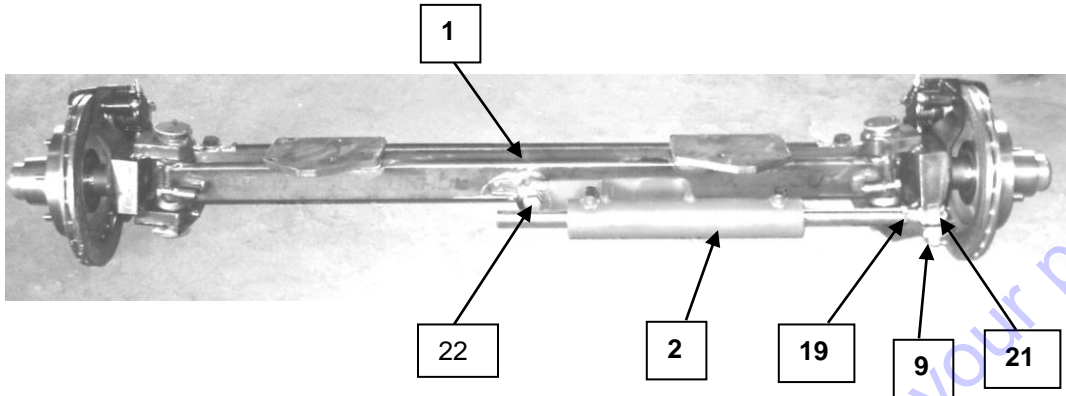


BOLSTER ASSEMBLY

Reference	Part No.	Description	Qty.
1.....	752002	Bolster Assembly, Complete..... Serial Number 402415 and Higher	1
2.....	852001	Bolster Brace	1
3.....	203002	Bolster Pin.....	1
4.....	852002	Bolster A-Frame Assembly	1
5.....	852003	Bolster Support	1
6.....	309507	Oil Light Bushing (1 1/4" x 1 1/2" x 1 1/2").....	1
7.....	309505	Oil Light Bushing (1 1/4" x 1 1/2" x 2").....	1
8.....	309506	Oil Light Bushing (1 1/4" x 1 1/2" x 2 1/4").....	1

Go to Discount-Equipment.com to order your parts

FRONT AXLE ASSEMBLY

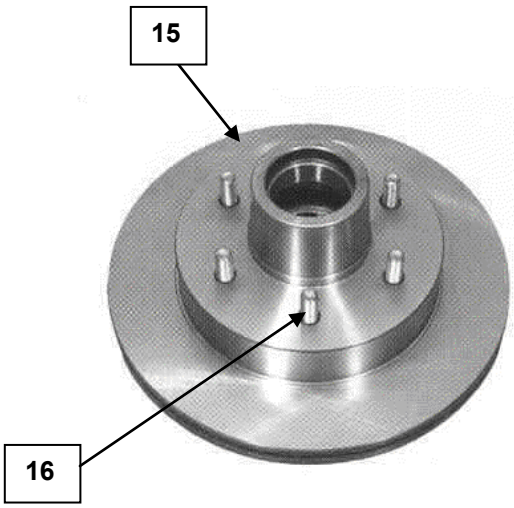
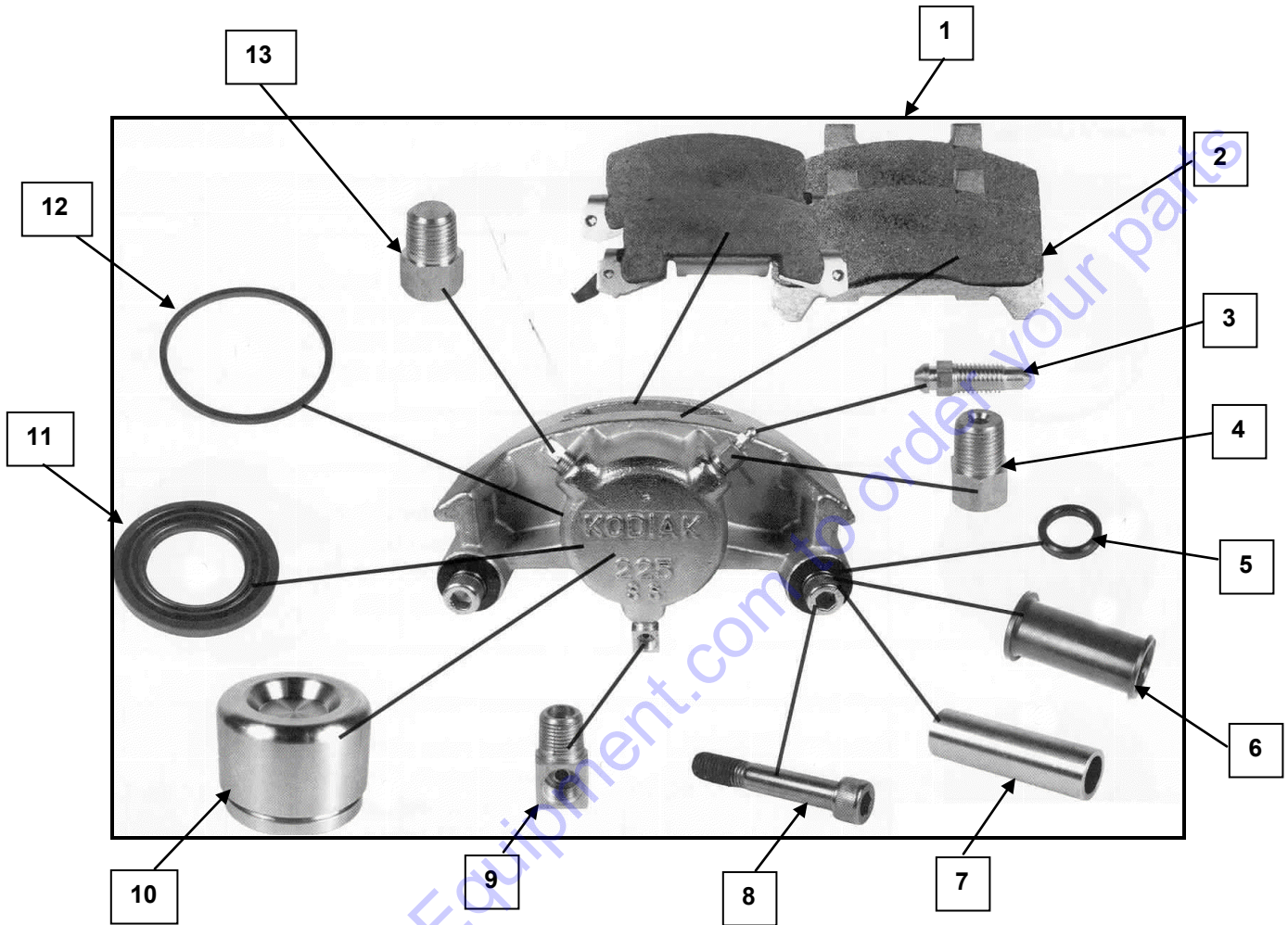


Go to Discount Equipment.com to order your parts

FRONT AXLE ASSEMBLY

Reference	Part No.	Description	Qty.
1.....	403090	Front Axle Assembly (6 Lug x 5 1/2).....	1
2.....	203526	Steering Cylinder Assembly.....	1
4.....	403091	Knuckle w/Spindle, LH	1
	403092	Knuckle w/ Spindle, RH.....	1
5.....	BF4454.....	King Pin Cap	2
6.....	403093	Tie Rod Tube.....	1
7a.....	BF4470.....	Jam Nut, RH Thread	1
7b.....	BF4471.....	Jam Nut, LH Thread.....	1
8.....	BF4465R.....	Tie Rod End, LH Thread.....	1
9.....	203523	Lock Nut	1
10.....	BF4465L	Tie Rod End, RH Thread	1
11.....	BF4460.....	Seal	2
12.....	BF4461X	Inner Bearing Kit (w/Race).....	2
13.....	203544	Hub Assembly, (6 Lug x 5 1/2)	2
14.....	69957B.....	Lug Nut	10
15.....	752547	Outer Bearing Kit (w/Race).....	2
16.....	400195	Washer	2
17.....	203549	Lock Nut	2
18.....	203550	Hub Cap.....	2
19.....	BF4470.....	Jam Nut, RH Thread	1
20.....	BF4455.....	King Pin Kit	1
21.....	203520	Steering Cylinder Heims End	1
22	203556.....	Bolt (3/4-16 UNF-2A) Grade 8 (2-1/2" x 3/4).....	1
Not Shown	203553	Steering Cylinder Seal Kit	1
Not Shown	304039	Wheel – 6 Lug	1

5200-6000 LB FRONT BRAKE ASSEMBLY

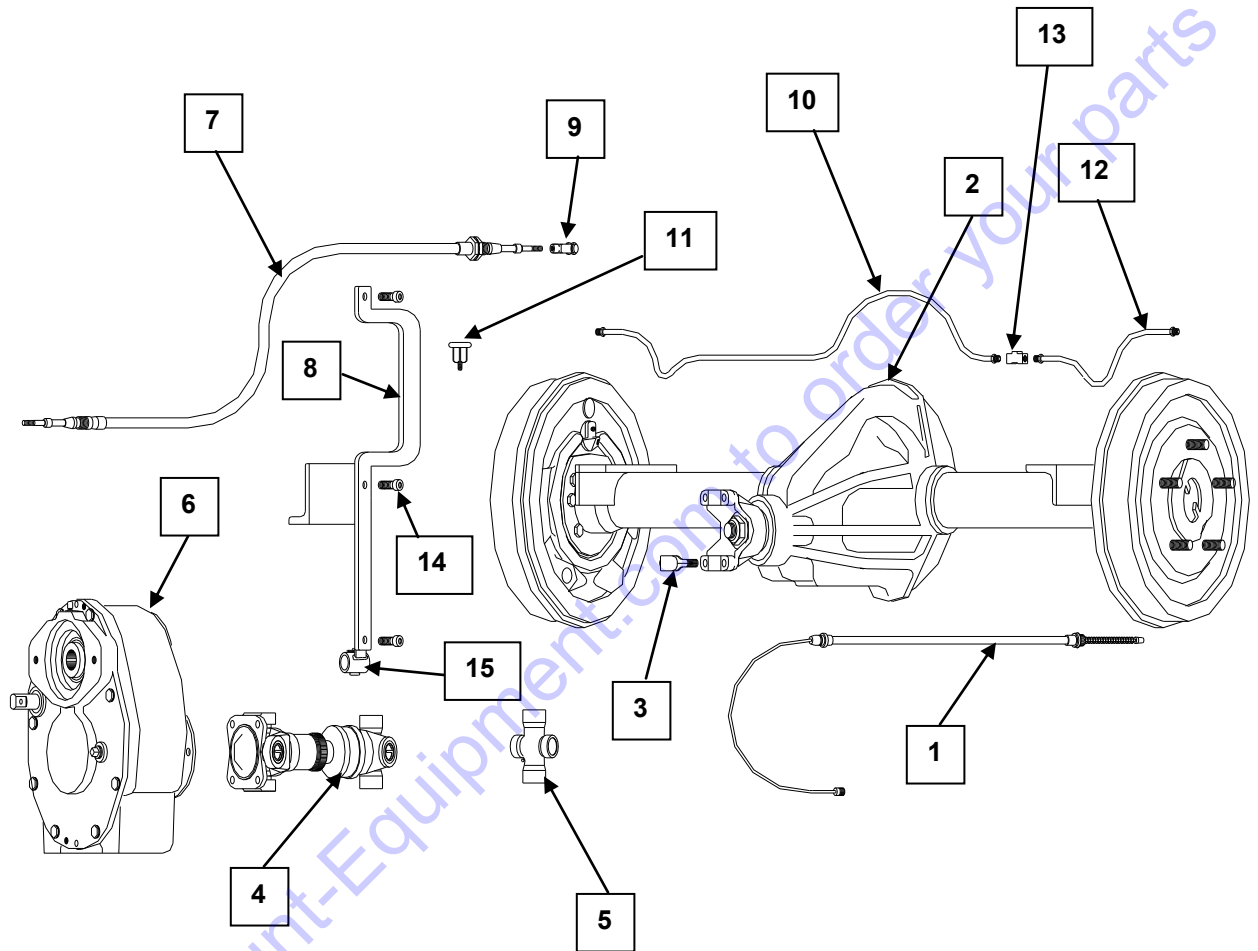


5200-6000 LB FRONT BRAKE ASSEMBLY

Reference	Part No.	Description	Qty.
1.....	203554	Complete Caliper Assembly w/ Pads	1
2.....	203530	Friction Pads (Organic).....	1
3.....	203531	1/4" – 28 Brass Bleed Screw	1
4.....	203532	1/8" Brass Bleed Screw Adapter.....	1
5.....	203533	Guide Bolt Sleeve O-ring	1
6.....	203534	Guide Bolt Rubber Sleeve	1
7.....	203535	Guide Bolt Stainless Steel Sleeve	1
8.....	203536	Guide Bolt (M11 x 1.5) w/ Thread Locker	1
9.....	203537	90° 1/8" NPT to 3/16" F.I.F.	1
10.....	203538	Caliper Piston 2 1/4" Stainless Steel	1
11.....	203539	Rubber Dust Boot.....	1
12.....	203540	Piston Rubber Seal.....	1
13.....	203541	1/8" NPT Brass Plug.....	1
15.....	203543	12" Integral Rotor w/ Hub (5 Lug x 5 1/2)	1
	203544.....	12" Integral Rotor w/ Hub (6 Lug x 5 1/2)	1
16.....	203555	Wheel Stud	5 or 6
Not Shown.....	FA-306-R	Brake Hose.....	2

Go to Discount Equipment.com to order your parts

REAR AXLE & DRIVE ASSEMBLIES



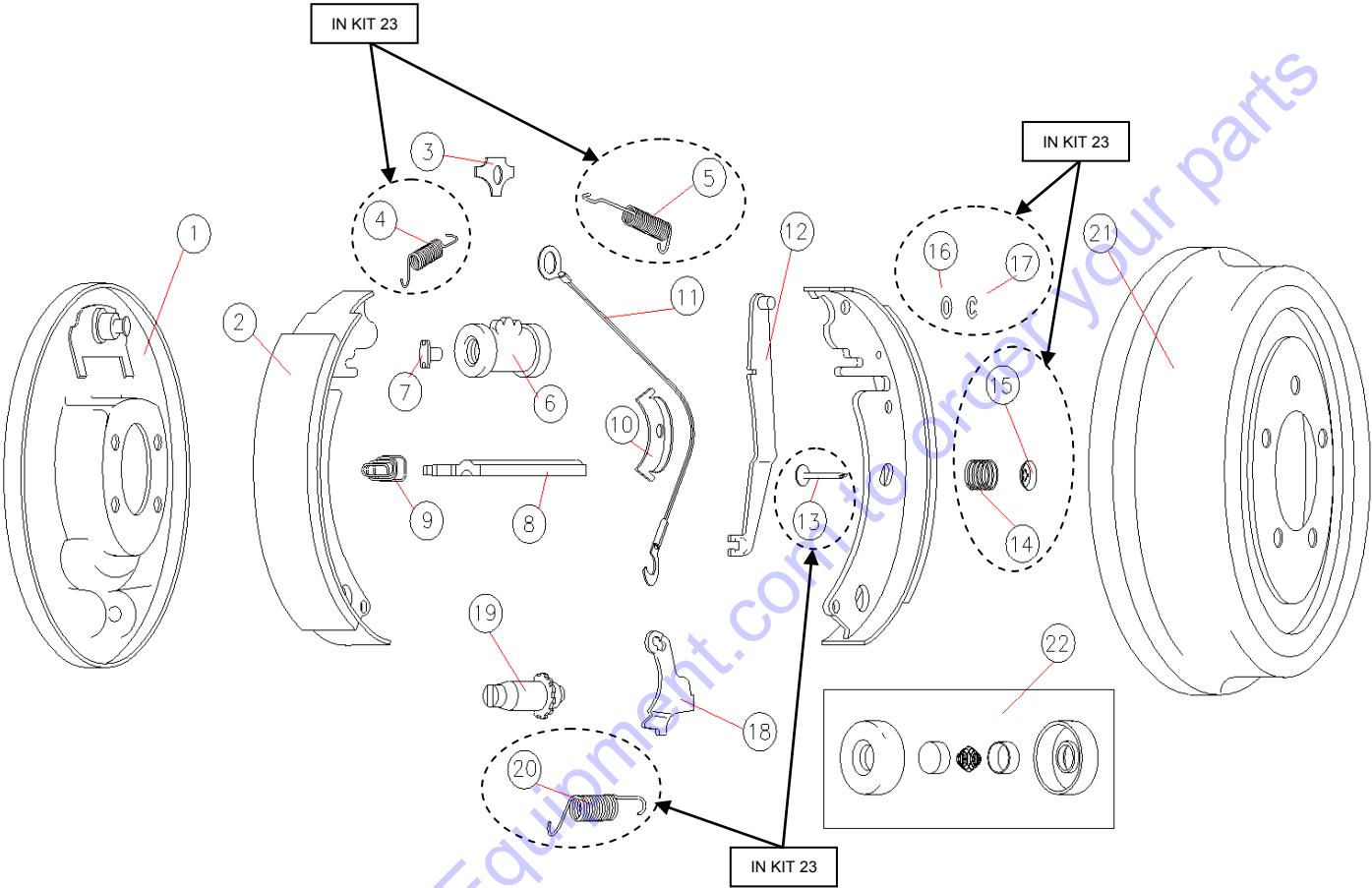
Go to Discount-Equipment.com to order your parts

REAR AXLE & DRIVE ASSEMBLIES

Reference	Part No.	Description	Qty.
1.....	PB-237	Parking Brake Cable.....	2
2.....	RA-293-R	Rear Axle Assembly Dana 44 (5 Lug)	1
	RA-293-RA.....	Rear Axle Assembly Dana 44 (6 Lug)	1
	RA-293-60	XHD Rear Axle Assembly (Optional – 5 Lug) Dana Model 60	1
	RA-293-60A	XHD Rear Axle Assembly (Optional – 6 Lug) Dana Model 60	1
3.....	403083	Cap U-Joint Dura-Axles	2
4.....	DS-299-C	Drive Line Assembly (Complete)	1
5.....	DS-298-R	Universal Joint Assembly.....	2
6.....	TS-302-C.....	2-Speed Gearbox	1
	TS-302-CR	2-Speed Gearbox (Reconditioned) Subject to Availability	1
7.....	HS-231-A	Shift Cable	1
8.....	203109	Hydraulic Shift Linkage.....	1
9.....	HC-229-R	3/8" Clevis Assembly w/ Pin.....	1
10.....	BL-296-R	Brake Line Assembly	1
11.....	RA-294-R	Breather	1
12.....	BL-297-R	Brake Line Assembly	1
13.....	RA-295-C	Union Tee	1
14.....	???????	Shoulder Bolt	3
15.....	850013	Shift Linkage Couple W/A.....	1

Go to DiscountEquipment.com to order your parts

REAR BRAKE ASSEMBLY

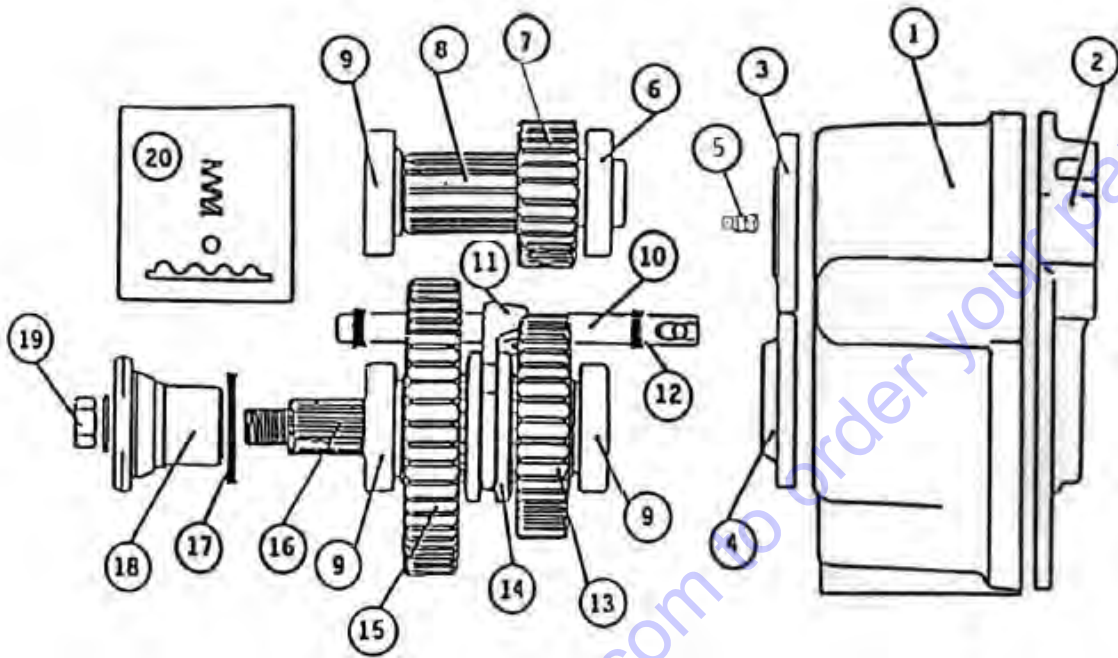


Go to Discount-Equipment.com to order your parts

REAR BRAKE ASSEMBLY

Reference	Part No.	Description	Qty.
1	4402AL	Backing Plate Assembly (Left)	1
	4402AR	Backing Plate Assembly (Right)	1
2	4414A	Shoe Set (Set of 4)	1
3	4408A	Anchor	1
4	See Ref 23	Return Spring (Front)	1
5	See Ref 23	Return Spring (Rear)	1
6	4406L	Wheel Cylinder (Left)	1
	4406R	Wheel Cylinder (Right)	1
7	4407A	Push Rod	2
8	4411A	Strut (Left)	1
	4411AR	Strut (Right)	1
9	4410	Spring	1
10	4418	Guide	1
11	4415	Cable	1
12	4413AL	Parking Brake Lever (Left)	1
	4413AR	Parking Brake Lever (Right)	1
13	See Ref 23	Pin, Shoe Hold Down	2
14	See Ref 23	Hold Down Spring	2
15	See Ref 23	Cup, Hold Down	2
16	See Ref 23	Spacer	1
17	See Ref 23	Retainer	1
18	4419L	Adjusting Lever, (Left)	1
	4419R	Adjusting Lever, (Right)	1
19	4423L	Adjusting Screw Assembly, (Left)	1
	4423R	Adjusting Screw Assembly, (Right)	1
20	See Ref 23	Spring	1
21	4404A	Brake Drum (5 Lug)	1
	403082	Brake Drum (6 Lug)	1
22	4427	Wheel Cylinder Repair Kit	A/R
23	4409	Kit (Contains Ref 4, 5, 13, 14, 15, 16, 17, 20)	1
Not Shown	4400AL	Complete Assembly, (Left)	1
Not Shown	4400AR	Complete Assembly, (Right)	1

TS-302-C TWO SPEED GEARBOX



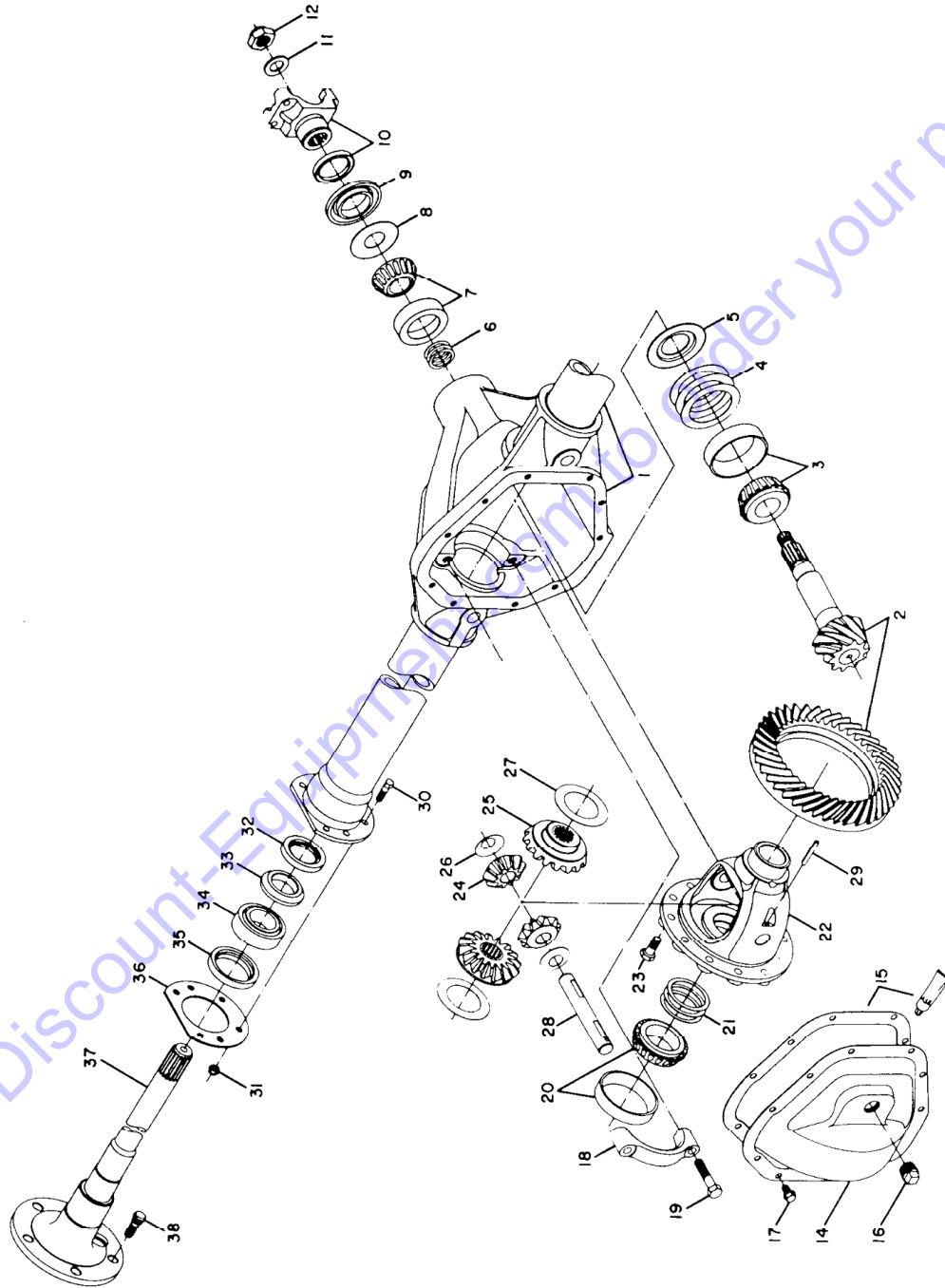
Go to Discount-Equipment.com to order your parts

TS-302-C TWO SPEED GEARBOX

Reference	Part No.	Description	Qty.
1.....	2S-11A.....	Main Housing.....	1
2.....	2S-12.....	Housing Cover.....	1
3.....	2S-13.....	Bearing Cap.....	1
4.....	2S-14.....	Bearing & Seal Cap.....	1
5.....	2S-15.....	Vent Plug.....	1
6.....	2S-16.....	Bearing Assembly.....	1
7.....	2S-17.....	Pinion Gear w/ Key.....	1
8.....	2S-18.....	Input Shaft.....	1
9.....	2S-19.....	Bearing Assembly.....	3
10.....	2S-20.....	Shift Rail.....	1
11.....	2S-21.....	Shift Fork.....	1
12.....	2S-22.....	Seal, Shift Rail.....	2
13.....	2S-23.....	Gear, High Range.....	1
14.....	2S-24.....	Sliding Collar.....	1
15.....	2S-25.....	Gear, Low Range.....	1
16.....	2S-26.....	Output Shaft.....	1
17.....	2S-27.....	Seal, Output Shaft.....	1
18.....	2S-28.....	Output Flange.....	1
19.....	2S-29.....	Jam Nut.....	1
20.....	2S-30.....	Detent Kit.....	1
Not Shown.....	2S-31.....	Shim Kit.....	1

Go to Discount-Equipment.com to order your parts

Model 44



MODEL 44 INDUSTRIAL AXLE

Reference	Part No.	Description	Qty.
1	459109 C94	Axle Housing	1
2*	NSS	Gear & Pinion Set	1
3*	706031X	Inner Pinion Bearing	1
4*	NSS	Shim – Drive Pinion	1
5*	30765	Baffle – Pinion Bearing	1
6*	NSS	Shim – Pinion Bearing	1
7*	706030X	Outer Pinion Bearing	1
8	30784	Slinger	1
9*	35723	Pinion Seal	1
10	3-4-5761X	End Yoke Assembly	1
11*	30186	Washer – Pinion Nut	1
12*	30185	Pinion Nut	1
14	343825	Cover – Carrier	1
15**	34685	Gasket – Carrier Cover	1
16	36472	Plug – Cover	1
17	34279	Bolt – Cover (source locally)	
18	NSS	Cap – Differ Bearing	1
19	NSS	Bolt – Differ Bearing Cap	4
20	706032XA	Differ Bearing Kit	1
21	NSS	Shim – Differ Bearing	1
22	32684	Differ Case	1
23**	30187	Bolt – Drive Gear	10
24**	NSS	Pinion – Differ	1
25**	NSS	Differ – Gear	1
26**	NSS	Thrust Washer – Differ Pinion	1
27**	NSS	Thrust Washer – Differ Gear	1
28**	NSS	Differ Shaft	1
29**	13449	Lock – Differ Shaft	1
30	34616-1	Bolt – Brake Mounting	8
31	35704	Nut – Brake Mounting	8
32	34419	Seal – Shaft Inboard	2
33***	36797	Retaining Ring – Wheel Bearing	2
34***	565903	Bearing Assembly	2
35***	35239	Seal – Shaft Outboard	2
36***	35490A	Retainer – Oil Seal	2
37***	26726A	Shaft – Axle Flange (5 Lug)	2
	403081	Shaft – Axle Flange (6 Lug)	2
38	35491A	Bolt – Wheel	5 or 6

* Included in Kit Number 7066139X

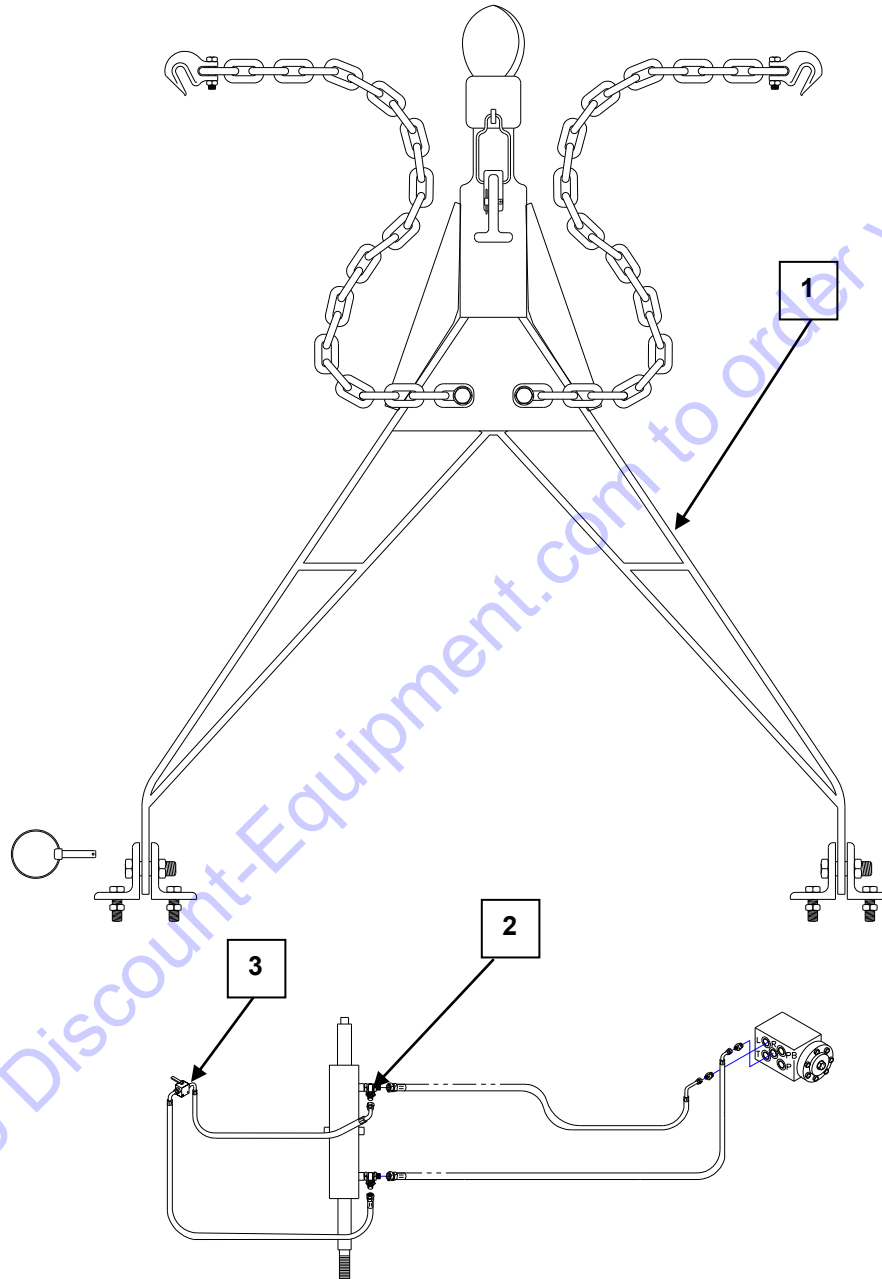
** Included in Kit Number 706027X

*** Included in Kit Number 26726A

*** Included in Kit Number 403081

NSS – Not Sold Separately

TOW BAR ASSEMBLIES



Go to Discount-Equipment.com to order your parts

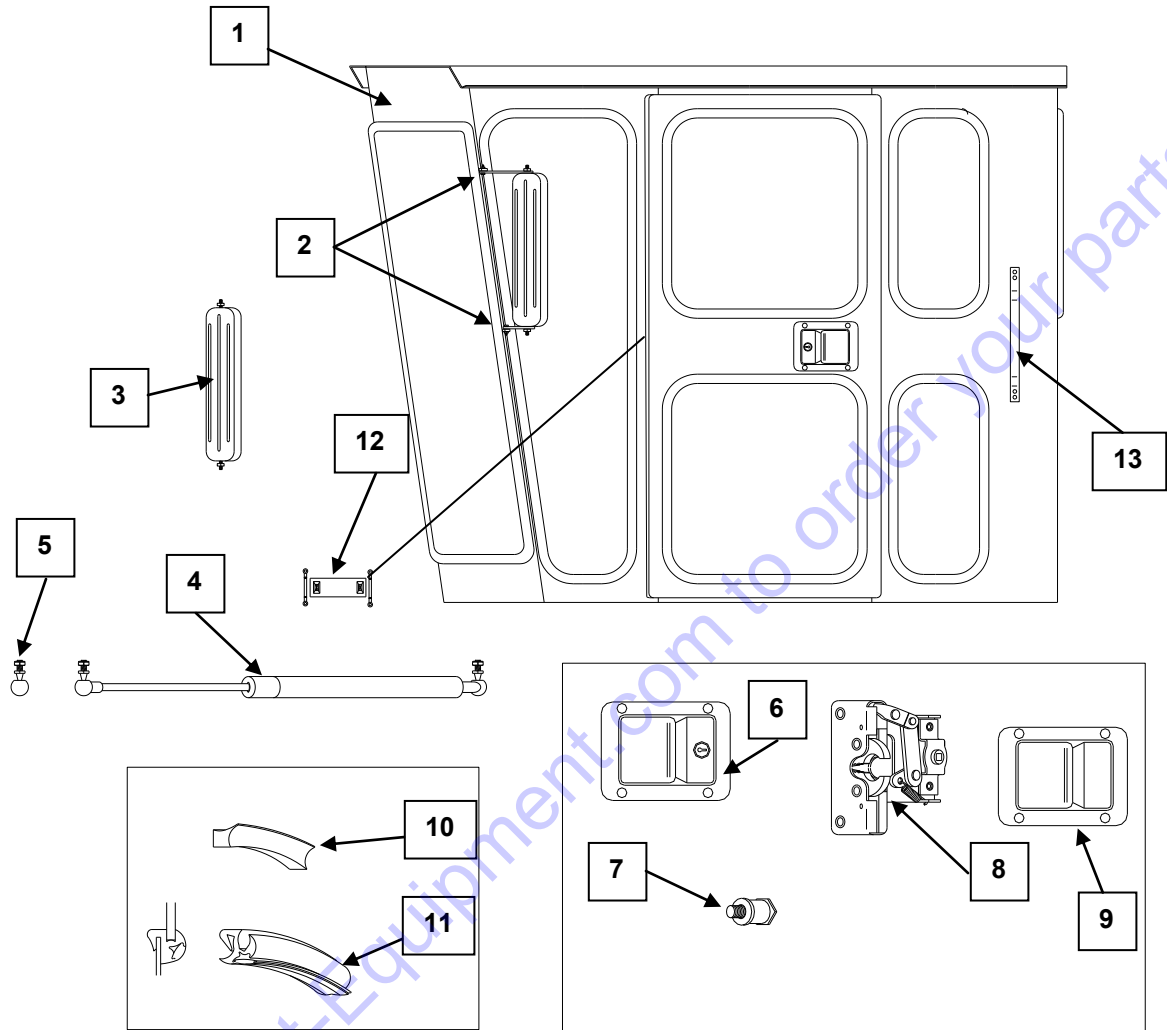
TOW BAR ASSEMBLIES

Reference	Part No.	Description	Qty.
1	4201P	Tow Bar w/ 3" Pintle	1
	4201B	Tow Bar w/ 2 5/16" Receiver	1
2	K00003	Hitch, Shutoff Assembly Kit (Valve, Hoses, and Fittings)	1
3	305025	Tow Valve	1

Note: Tow bars come as complete kit. Kit includes Mounts, Chains, and Pin. Hitch Shutoff Assembly is separate. The Hitch Shutoff is for a safer and easier way of towing the broom. All Broce Brooms are towable as long as the Gearbox is in neutral, the Parking Brake is released, and the Shutoff Valve is engaged.

Go to Discount-Equipment.com to order your parts

CAB ASSEMBLY



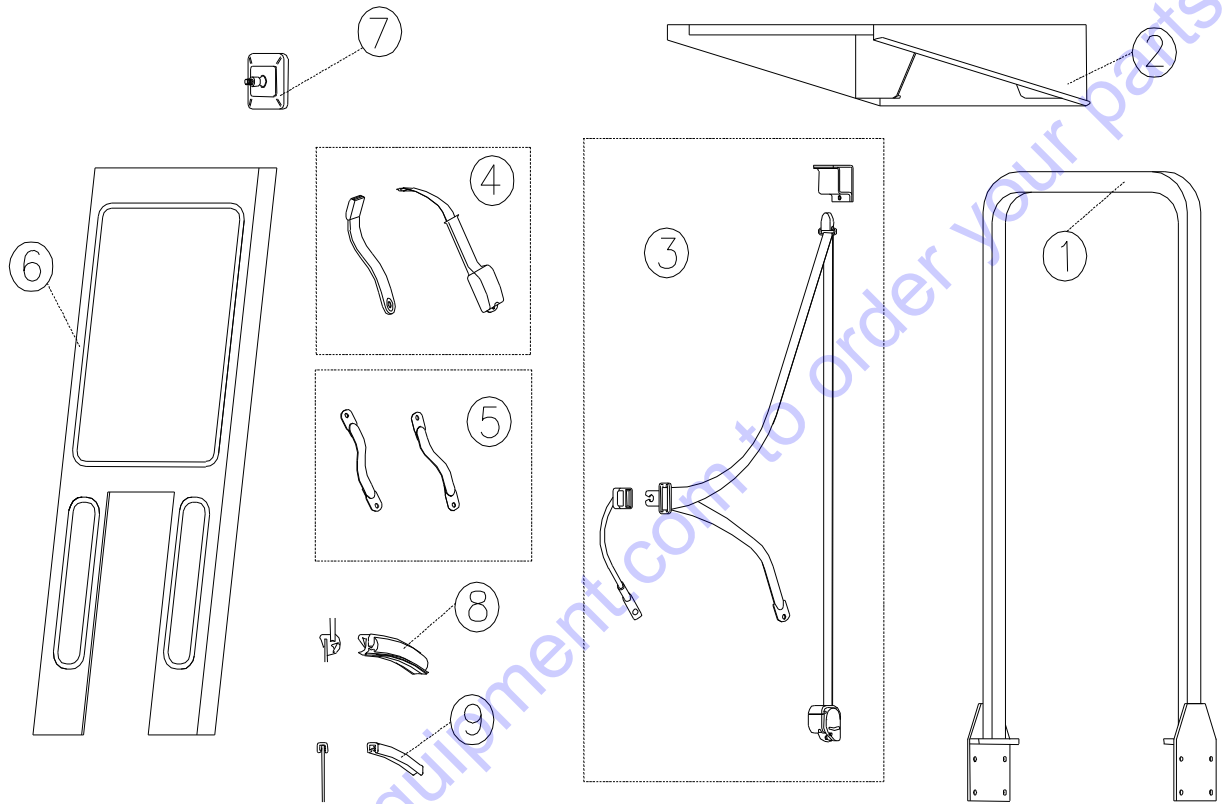
Go to Discount Equipment.com to order your parts

CAB ASSEMBLY

Reference	Part No.	Description	Qty.
1	P-315-B 345055	Cab Assembly, Complete Cab Keys, (Sold as a Pair)	1 1
2	202116	Mirror Bracket, (2 per Side)	4
3	P-353-R	West Coast Style Mirror (1 per Side)	2
4	P-352-B	Strut, (1 per Side)	2
5	309406	Ball for Strut	2
6	345051	Outside Door Handle (Paddle Style)	2
7	P-320-B	Striker Assembly	2
8	345053	Latch Assembly	2
9	345050	Inside Door Handle (Paddle Style)	2
10	304089	Door Seal, 14' per door	1
11	P-325-R P-316-R	Window Rubber Molding, (As Required) Floor Mat, 5' x 4' Blank	1 1
12	K00002	Door Tether Strap, Inside (1 per Side)	2
13	B239920C	Outside Grab Handle	1
Not Shown	345052	Inside Grab Handle	2
Not Shown	344075	Cab Mounting Springs	4
Not Shown	AC-708-R	Air Cleaner Assembly	1
Not Shown	AC-785-R	Air Cleaner Bonnet (Top Cap)	1
Not Shown	P10-3113	Air Cleaner End Cap	1
Not Shown	P00-3951	Air Cleaner Clamp	2
Not Shown	110-20027	Air Cleaner Flex Hose	1
Not Shown	P10-2114	Air Cleaner Vent	1
Not Shown	AC-709-R	Air Cleaner Filter	1

Note: Items 10 & 11 are sold by the foot. Floor mat is a "Cut to Fit" item.

ROLL OVER PROTECTION STRUCTURE & RELATED PARTS



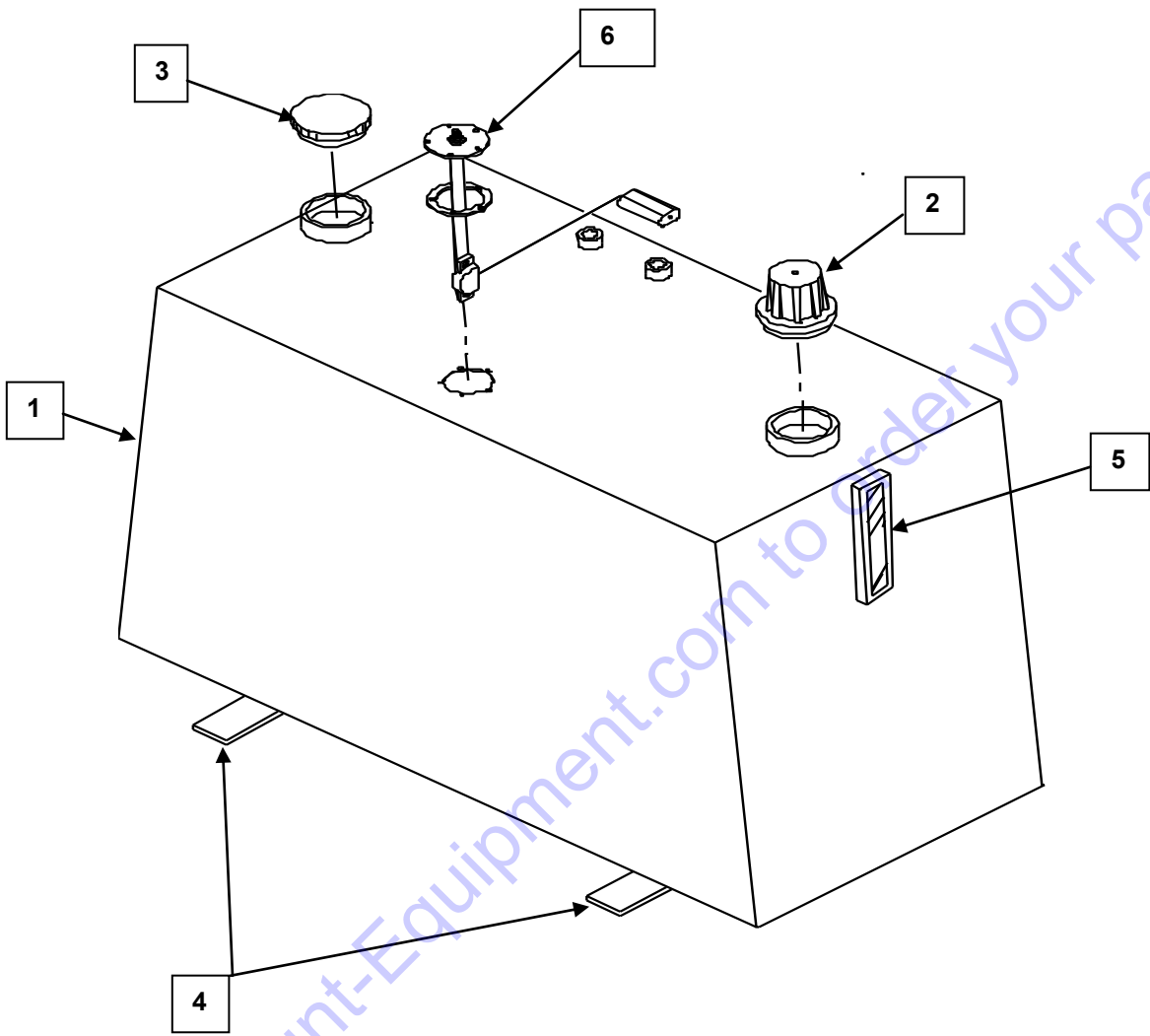
ROLL OVER PROTECTION STRUCTURE & RELATED PARTS

Reference	Part No.	Description	Qty.
1.....	P-310-R.....	Two-Post Roll Bar.....	1
2.....	852057.....	Canopy.....	1
3.....	See Seat & Suspension	Seat Belt w/ Shoulder Harness (Optional).....	1
4.....	See Seat & Suspension	Retractable Seat Belt (Standard).....	1
5.....	C-211-RT.....	Tether Strap Set (For use w/ Suspension Seat).....	1
6.....	P-312-R.....	Windshield Frame w/ Molding (Safety Glass Not Included. See Note).....	1
7.....	P-356-R.....	Rear View Mirror.....	1
8.....	P-325-R.....	Offset Rubber Molding.....	1
9.....	P-355-R.....	Rubber Trim.....	1

Note:

1. Due to the abundant availability of automotive safety glass from local vendors and the likelihood of breakage during shipment, the windshield frame is sold w/o glass.
2. Seat belt tether straps **MUST** be used on suspension seats.
3. Items 8 & 9 are sold by the foot.

FUEL TANK ASSEMBLY



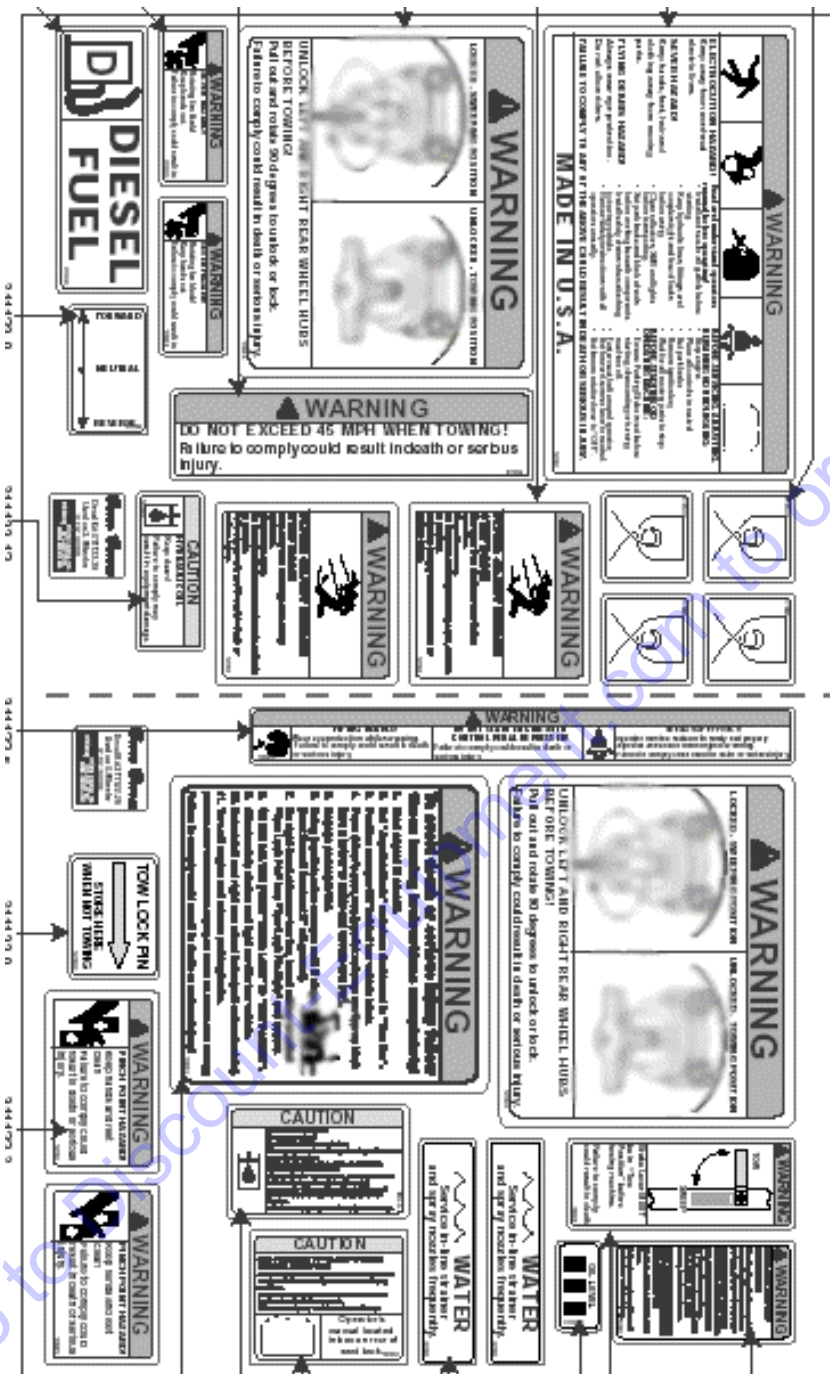
Go to Discount-Equipment.com to Order your parts

FUEL TANK ASSEMBLY

Reference	Part No.	Description	Qty.
1.....	852454	Fuel & Hydraulic Tank.....	1
2.....	T-703-BA	Hydraulic Cap	1
3.....	T-702-B	Fuel Cap	1
4.....	T-805-R	Rubber Tank Pad	2
5.....	550-5	Sight Glass	1
6.....	344175	Fuel Gauge Assembly.....	1

Go to Discount-Equipment.com to order your parts

DECAL KIT



Broce
Broce
Broce
Broce

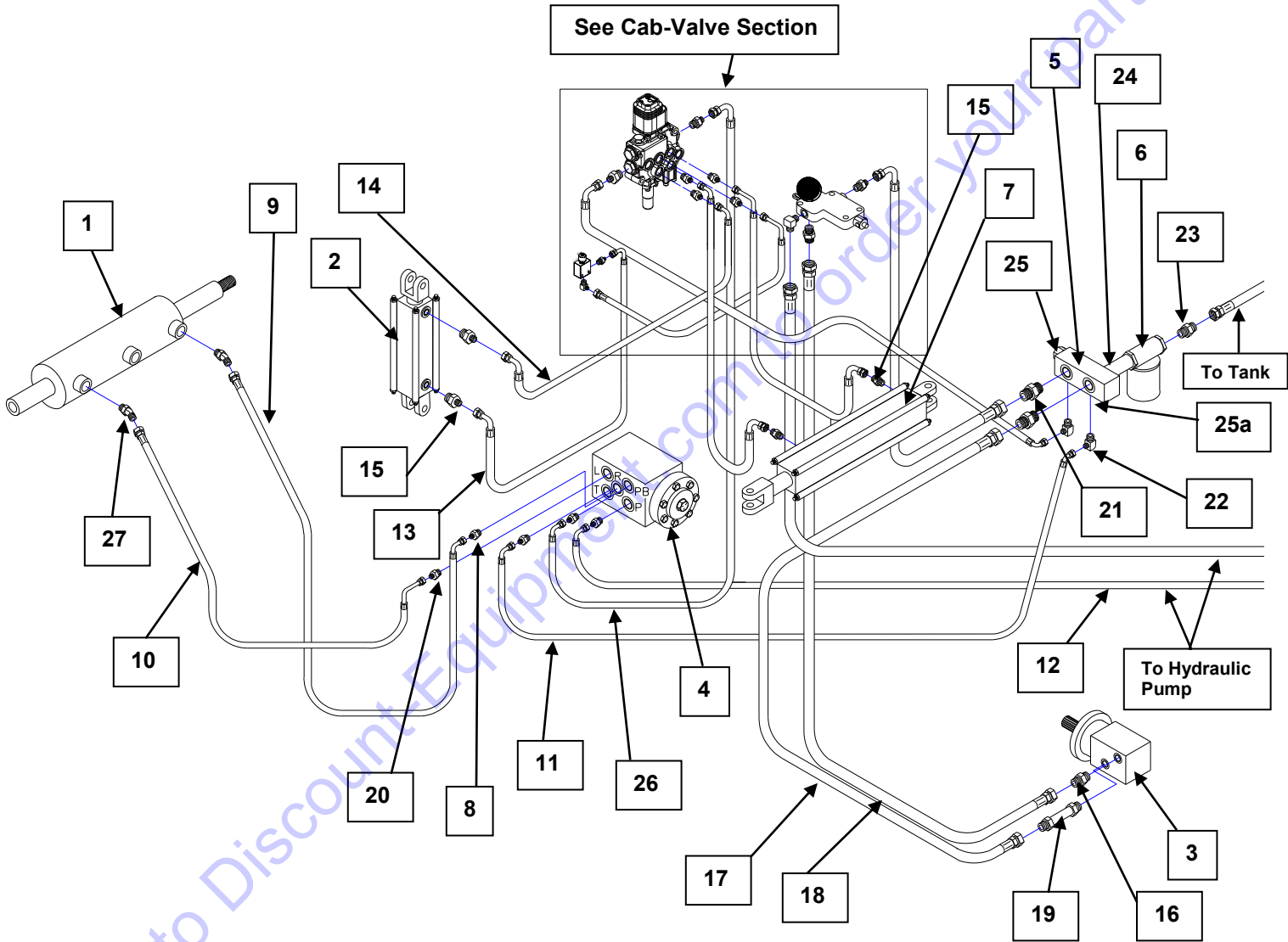
Reference	Part No.	Description	Qty.
1	VL-833-R	Decal Kit w/ Stripes and Broce Logos*	1

4W BROOM HYDRAULIC SYSTEM DETAILS

Go to Discount-Equipment.com to order your parts

4W BROOM HYDRAULIC SYSTEM COMPONENTS

(Front Section)



4W BROOM HYDRAULIC SYSTEM COMPONENTS

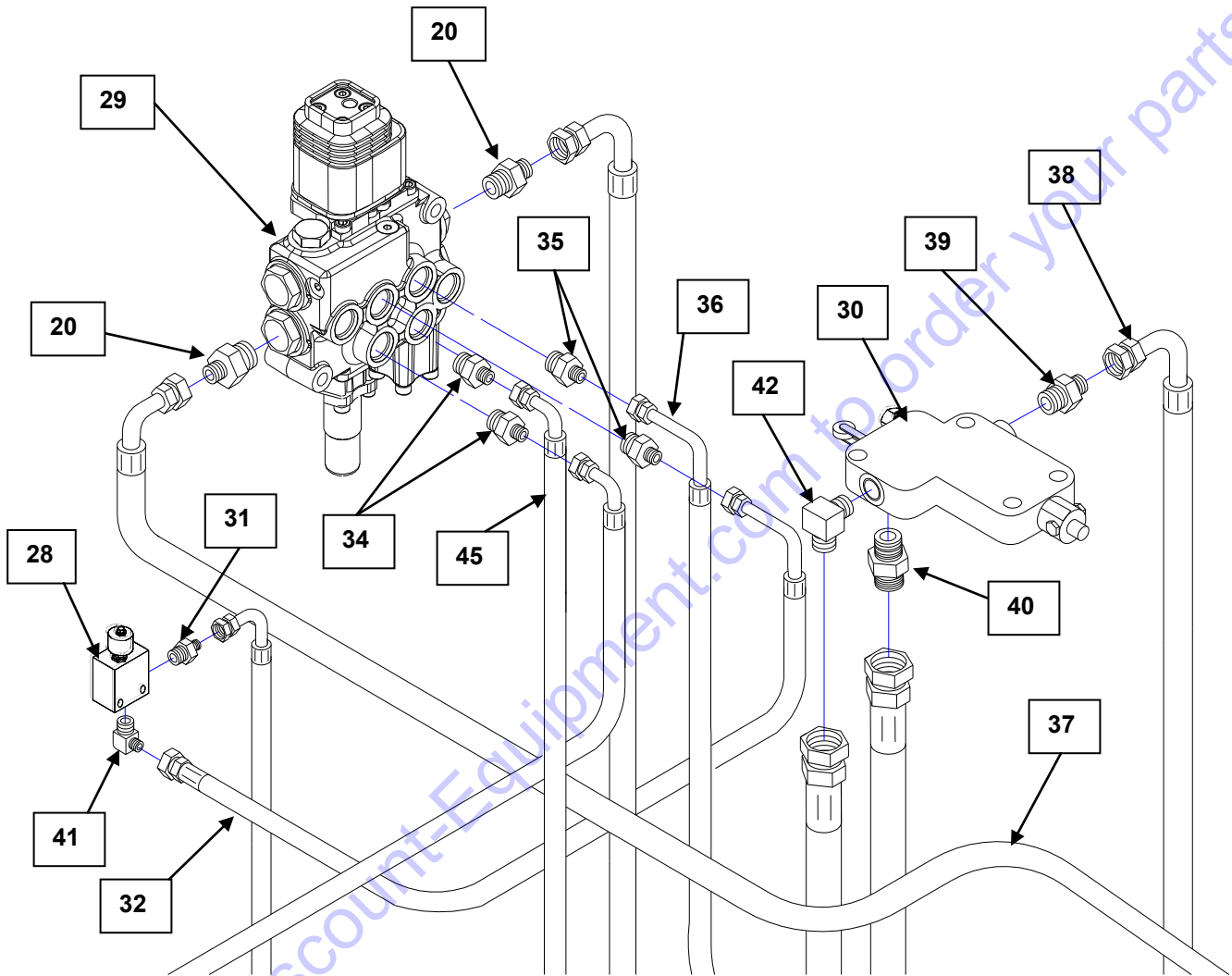
(Front Section)

Reference	Part No.	Description	Qty.
1	203526	Steering Cylinder, 10"	1
2	208	Lift Cylinder	1
3	305943	Core Motor, Direct Drive	1
	305972	Seal Kit for Direct Drive Core Motor	1
	MAB-16-B	Core Motor, Chain Drive	1
	SK000092	Seal Kit, Chain Drive Motor	1
4	305944	Steering unit	1
5	305525	Hydraulic Manifold	1
6	HF-278-R	Filter Element	1
	HF-278-RAF25	Filter Assembly	1
7	216	Shift Cylinder	1
	216A	Shift Cylinder for Curb & Gutter Models	1
8	305829	Hydraulic Fitting, FF1852T06-06	1
9	N/A	Hydraulic Hose Assembly, 30"-1AA6FR6 & 1AAGFRB6	1
10	N/A	Hydraulic Hose Assembly, 30"-1AA6FR6 & 1AA6FRCG	1
11	N/A	Hydraulic Hose Assembly, 35"-1AA6FRB6 & 1AA6FRA6	1
12	N/A	Hydraulic Hose Assembly, 76"-1AA6FR64 & 1AA6FRB6	1
13	N/A	Hydraulic Hose Assembly, 40"-1AA4FRB4 (2)	1
14	N/A	Hydraulic Hose Assembly, 32"-1AA4FRB4 & 1AA4FRC4	1
15	305818	Hydraulic Fitting, FF1852T04-06	4
16	305871	Hydraulic Fitting, FF1852T12-10	1
17	N/A	Hydraulic Hose Assembly, 94.5"-1AA12FR12 (2)	1
18	N/A	Hydraulic Hose Assembly, 94.5"-1AA12FR12 (2)	1
19	305841	Hydraulic Fitting, Caterpillar 3E-7420	1
20	305827	Hydraulic Fitting, FF1852T06-08	6
21	305824	Hydraulic Fitting, FF1852T12-12	2
22	305837	Hydraulic Fitting, FF1868T06-08	2
23	N/A	Hydraulic Fitting, FF1852T16-20	2
24	305198	Hydraulic Fitting, 3474-20-20	1
25	305177	Hydraulic Fitting, 900598-12	1
25a	305177	Hydraulic Fitting, 900598-8	1
26	N/A	Hydraulic Hose Assembly, 56"-1AA6FRB6 (2)	1
27	305864	Hydraulic Fitting, FF2068T06-06	2
Not Shown	RC-19	Clevis Pin (Shift Cylinder)	2
Not Shown	D-21-R	Shock Pin (Lift Cylinder)	2
Not Shown	IC-4244	Seal Kit, Replaces P/N RC-20	1
Not Shown	203553	Seal Kit – Steering Cylinder	1

Note: If Steering Cylinder Rod becomes damaged or broken, it is not economically feasible to replace. Therefore the entire cylinder must be replaced.

4W BROOM HYDRAULIC SYSTEM COMPONENTS

(Cab-Valve Section)



4W BROOM HYDRAULIC SYSTEM COMPONENTS

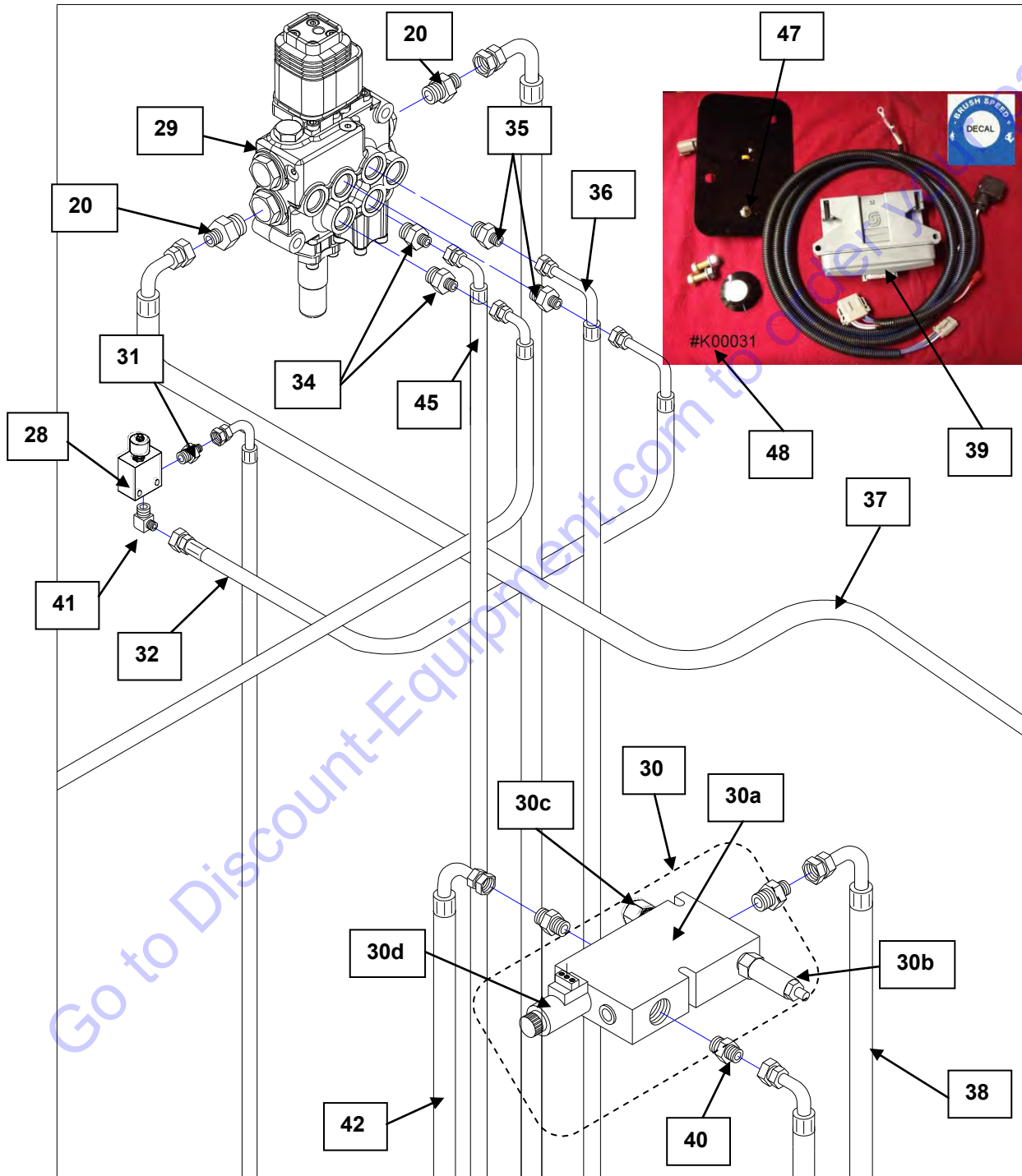
(Cab-Valve Section)

Reference	Part No.	Description	Qty.
20	305827	Hydraulic Fitting, FF1852T06-08	6
28	305763	Core Lock Solenoid	1
29	See Valve Section	Control Valve	1
30	See Valve Section	Rotation Valve	1
31	305818	Hydraulic Fitting, FF1852T04-06	1
32	N/A	Hydraulic Hose Assembly, 8"-1AA4FR4 & 1AA4FRC4	1
34	305827	Hydraulic Fitting, FF1852T0408S	2
35	305827A	Hydraulic Fitting, FF1852T0408S with 0.05 orifice	2
36	N/A	Hydraulic Hose Assembly, 50"-1AA4FRB4 & 1AA4FRC4	1
37	N/A	Hydraulic Hose Assembly, 27"-1AA6FRB6 & 1AA6FRA6	1
38	N/A	Hydraulic Hose Assembly, 20"-1AA12FR12 & 1AA12FRB12	1
39	305871	Hydraulic Fitting, FF1852T12-10	1
40	305840	Hydraulic Fitting, FF1852T12-08	1
41	305836	Hydraulic Fitting, FF1868T04-06	1
42	305872	Hydraulic Fitting, FF1868T12-10	1
45	N/A	Hydraulic Hose Assembly, 54"-1AA4FRB44 (2)	1

4W BROOM HYDRAULIC SYSTEM COMPONENTS

VARIABLE SPEED OPTION

(Cab-Valve Section)



4W BROOM HYDRAULIC SYSTEM COMPONENTS

VARIABLE SPEED OPTION

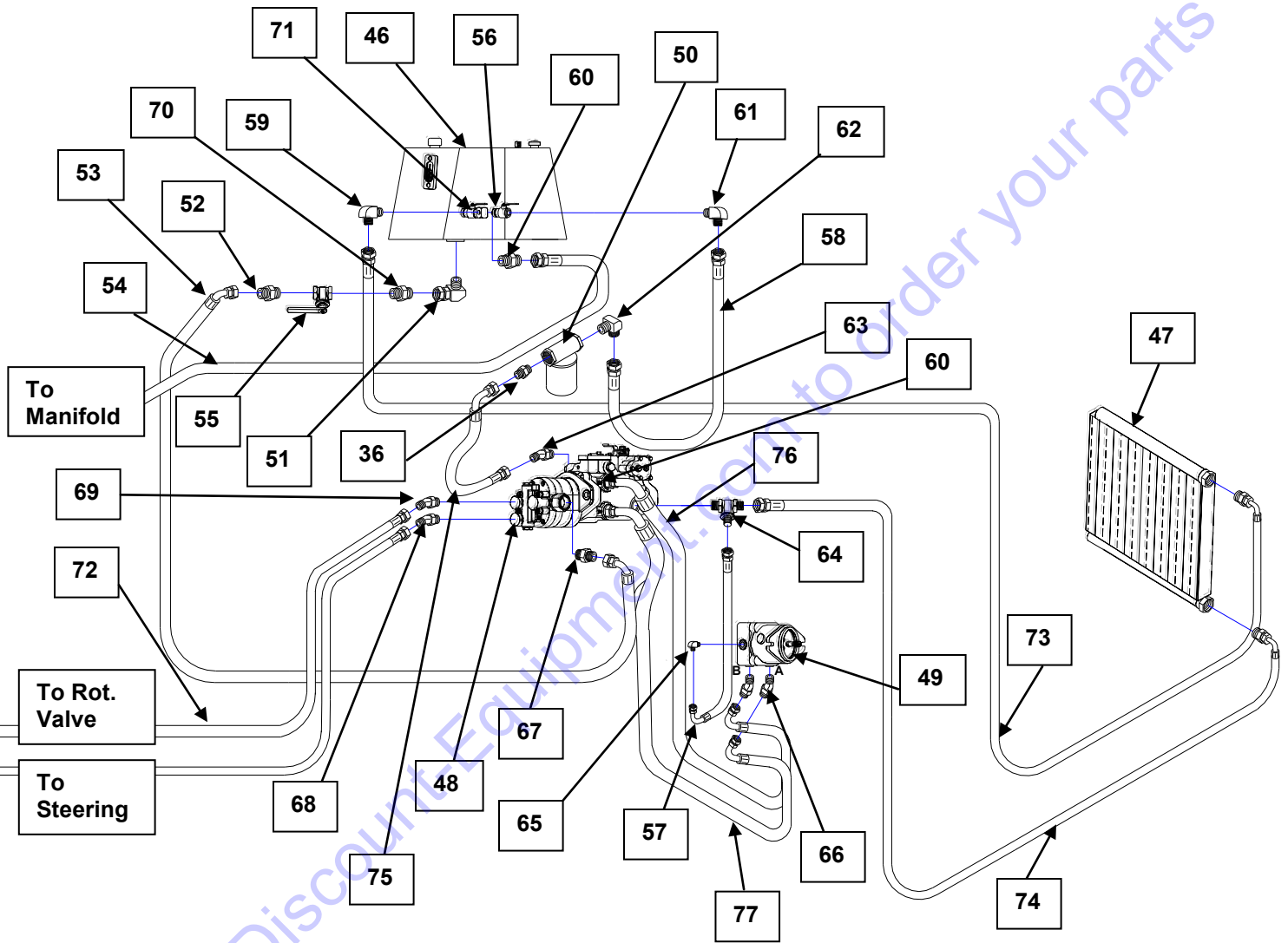
(Cab-Valve Section)

Reference	Part No.	Description	Qty.
20	305827	Hydraulic Fitting, FF1852T06-08	6
28	305763	Core Lock Solenoid	1
29	See Valve Section	Control Valve	1
30	305981	Rotation Valve, Variable Speed, Complete	1
30a	355003	Rotation Valve, Variable Speed, Block Only	1
30b	305986	Rotation Valve, Variable Speed, Cartridge	1
30c	305002	Rotation Valve, Variable Speed, Cartridge	1
30d	305976	Rotation Valve, Variable Speed, Cartridge	1
31	305818	Hydraulic Fitting, FF1852T04-06	1
32	N/A	Hydraulic Hose Assembly, 8" 1AA4FR4 & 1AA4FRB4	1
34	305827	Hydraulic Fitting, FF1852T0408S	2
35	305827A	Hydraulic Fitting, FF1852T0408S with 0.05 orifice	2
36	N/A	Hydraulic Hose Assembly, 50"-1AA4FRB4 & 1AA4FRB4	1
37	N/A	Hydraulic Hose Assembly, 27"-1AA6FRB6 & 1AA6FRA6	1
38	N/A	Hydraulic Hose Assembly, 28"-1AA12FRB12 (2)	1
39	307525	Variable Speed Controller	1
40	305840	Hydraulic Fitting, FF1852T12-10	3
41	305836	Hydraulic Fitting, FF1868T04-06	1
42	N/A	Hydraulic Hose Assembly, 80"-1AA12FRB12	1
45	N/A	Hydraulic Hose Assembly, 54"-1AA4FRB44 (2)	1
46	N/A	Hydraulic Hose Assembly, 36"-1AA12FRB12	1
47	307450	Potentiometer	1
48	K00031	Variable Speed Kit	1

Note: Item #30 Replaces Rotation Valve on standard broom and is located under cab. Hydraulic Hose Items #38, #42, and #46 replace Items #19, #38, and #72 of standard broom hydraulic illustrations shown in this section.

4W BROOM HYDRAULIC SYSTEM COMPONENTS

(Rear Section)

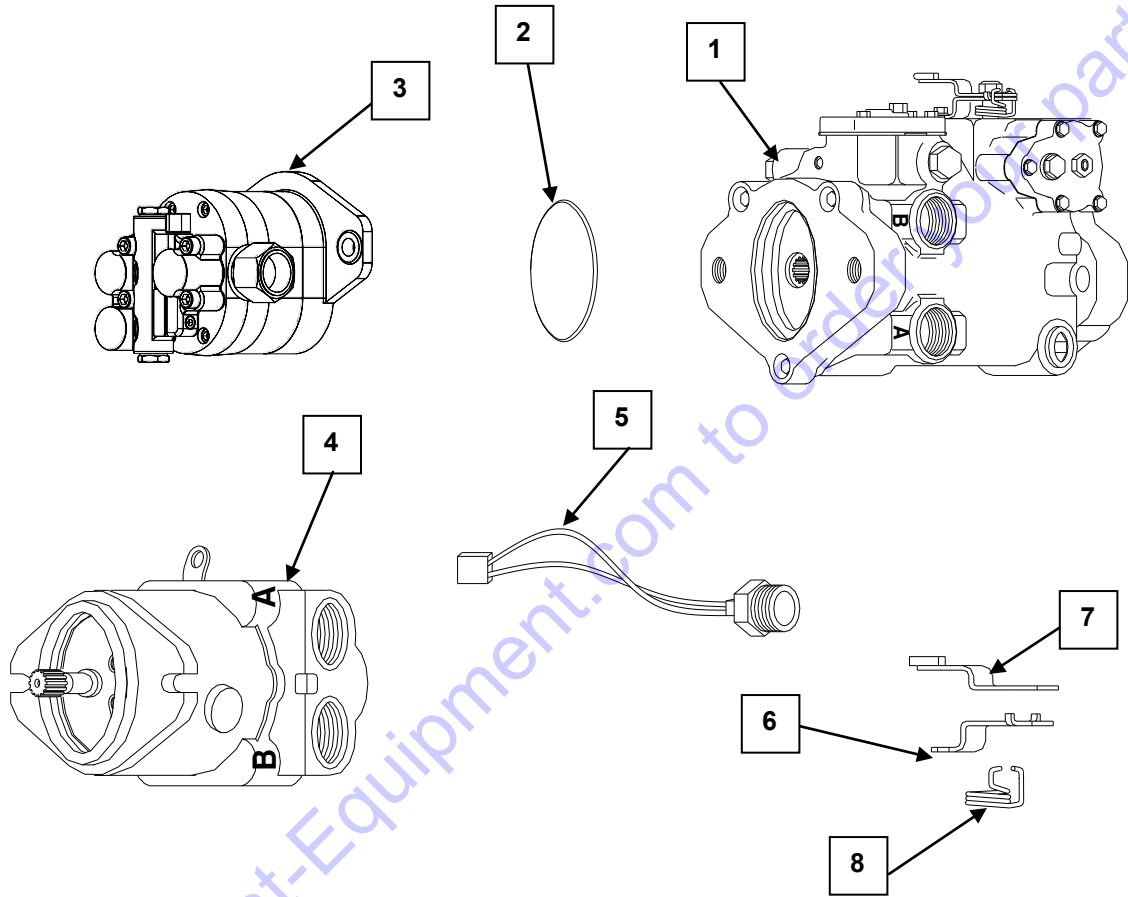


4W BROOM HYDRAULIC SYSTEM COMPONENTS

(Rear Section)

Reference	Part No.	Description	Qty.
46	See Fuel Tank Assembly	Fuel Tank & Hydraulic Tank	1
47	305767	Oil Cooler, RJ & RCT	1
	305766	Oil Cooler, CR	
	305768	Oil Cooler, RC	
48	See Next Section	Hydraulic Pump	1
49	See Next Section	Fix Motor	1
50	HF-278-R	Filter Element	2
	HF-278-RAF03	Filter Assembly, 3 psi.	1
51	305680	Hydraulic Fitting, 6805-20-20	1
52	305843	Hydraulic Fitting, FF2031T20-20	1
53	N/A	Hydraulic Hose Assembly, 24"-1GA20FRA20 (2)	1
54	N/A	Hydraulic Hose Assembly, 27"-1GA16FR16	1
55	306538	1 1/4" Ball Valve	1
56	H-227-R	1" Ball Valve	2
57	N/A	Hydraulic Hose Assembly, 21"-1AA12FR8 & 1AA8FRB8	1
58	N/A	Hydraulic Hose Assembly, 16.5"-1GA16FR16 (2)	1
59	305869	Hydraulic Fitting, FF1868T12-16	1
60	305825	Hydraulic Fitting, FF1852T16-16	3
61	N/A	Hydraulic Fitting, FF2032T16-16	1
62	305849	Hydraulic Fitting, FF1868T16-20	1
63	305806	Hydraulic Fitting, FF2068T16-16	1
64	N/A	Hydraulic Fitting, FF1865T12-12	1
65	N/A	Hydraulic Fitting, FF1868T8-10	1
66	305880	Hydraulic Fitting, FF2068T16-12	2
67	N/A	Hydraulic Fitting, FF1852T20-16	1
68	N/A	Hydraulic Fitting, FF2068T06-08	1
69	305840	Hydraulic Fitting, FF1852T12-08S	1
70	N/A	Hydraulic Fitting, 2083-20-20	1
71	305199	Hydraulic Fitting, 6401-16-16	1
72	N/A	Hydraulic Hose Assembly, 30.5"-1AA12FR12 & 1AA12FRB12	1
73	N/A	Hydraulic Hose Assembly, 52"-1AA12FR12 & 1AA12FRB12	1
74	N/A	Hydraulic Hose Assembly, 70"-1AA12FR12 & 1AA12FRB12	1
75	N/A	Hydraulic Hose Assembly, 12"-1GA16FR16 & 1GA16FRB16	1
76	N/A	Hydraulic Hose (JD/CAT), 20"-1BA16FRA16 & 1BA16FRB16	1
		Hydraulic Hose (CUM.), 25"-1BA16FRA16 & 1BA16FRB16	1
77	N/A	Hydraulic Hose (JD/CAT), 19"-1BA16FRA16 & 1BA16FRB16	1
		Hydraulic Hose (CUM.), 24"-1BA16FRA16 & 1BA16FRB16	1

HYDROSTATIC DRIVE SYSTEM



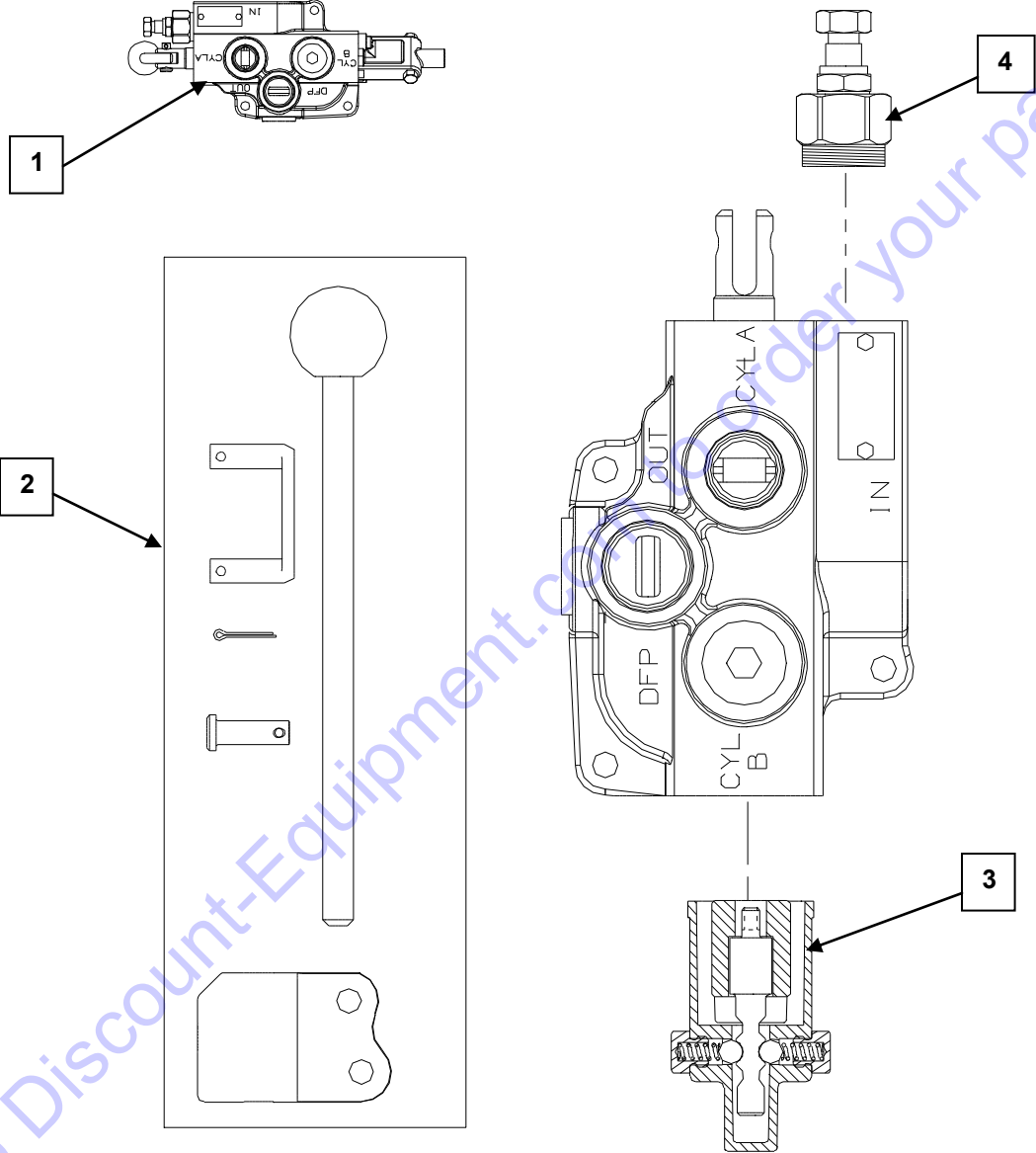
HYDROSTATIC DRIVE SYSTEM

Reference	Part No.	Description	Qty.
1.....	305997	Variable Displacement Pump	1
2.....	1508	O-Ring.....	1
3.....	355011	Hydraulic Pump	1
	355025.....	Hydraulic Pump for Machines with Curb Brooms	1
4.....	305975	Fixed Displacement Motor.....	1
5.....	305957	Neutral Safety Switch.....	1
6.....	1216	Bracket	1
7.....	1215	Lever	1
8.....	1214	Centering Spring	1
Not Shown.....	0301	Front Seal (Same for Item 1 or 4).....	1
Not Shown.....	4510017	Seal Kit for 305997.....	1

Note: Rebuilt Components Subject to Availability.

Go to Discount-Equipment.com to order your parts

CORE ROTATION VALVE ASSEMBLY



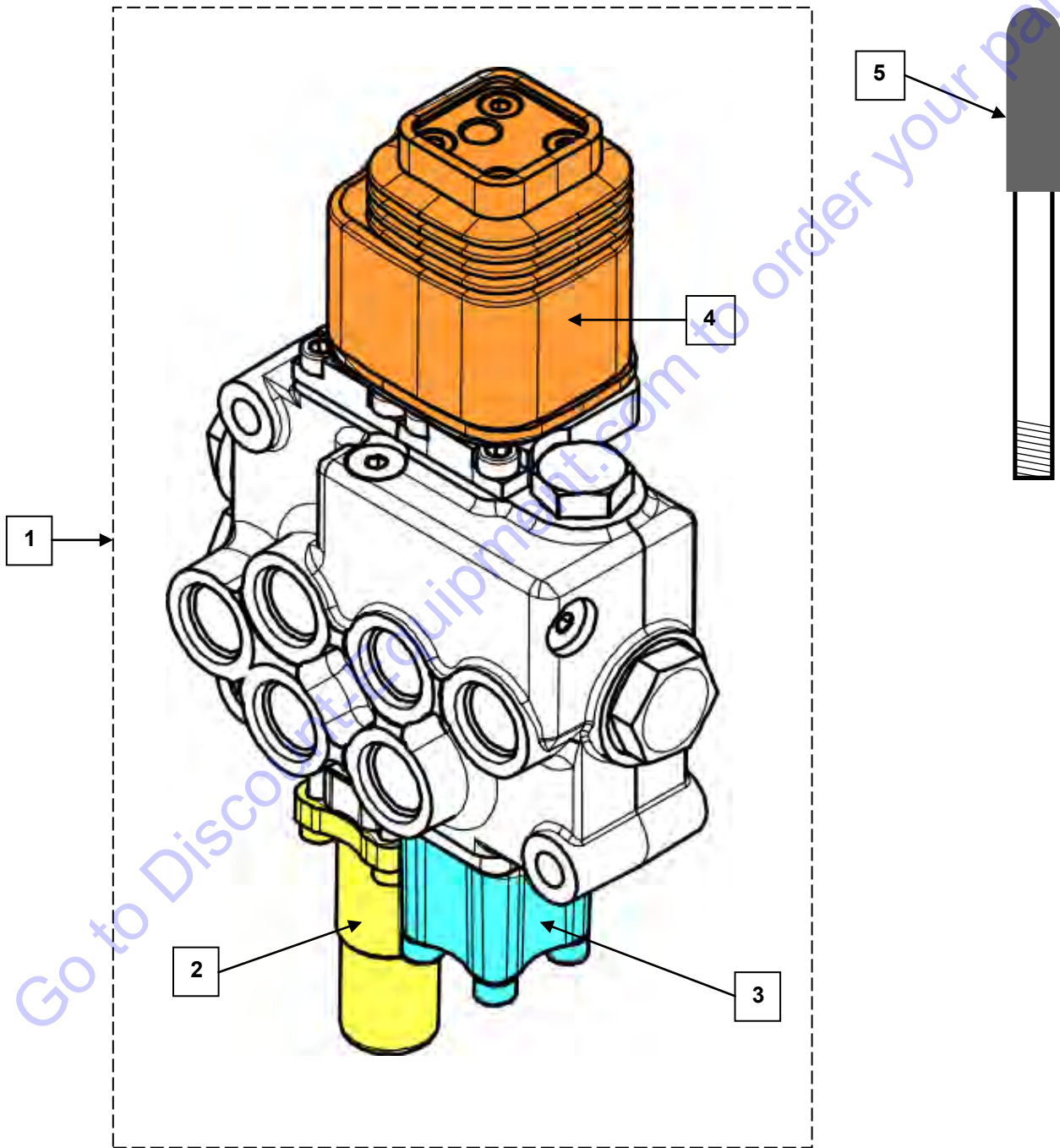
Go to Discount-Equipment.com to order your parts

CORE ROTATION VALVE ASSEMBLY

Reference	Part No.	Description	Qty.
1.....	355012	Complete Valve Assembly.....	1
2.....	355014	Handle Kit.....	1
3.....	355026	Detent (Standard)	1
3.....	355022	Detent (Forward and Reverse)	1
4.....	355024	Relief Cartridge.....	1
Not Shown	355017	Seal Kit	1

Go to Discount-Equipment.com to order your parts

JOYSTICK VALVE ASSEMBLY

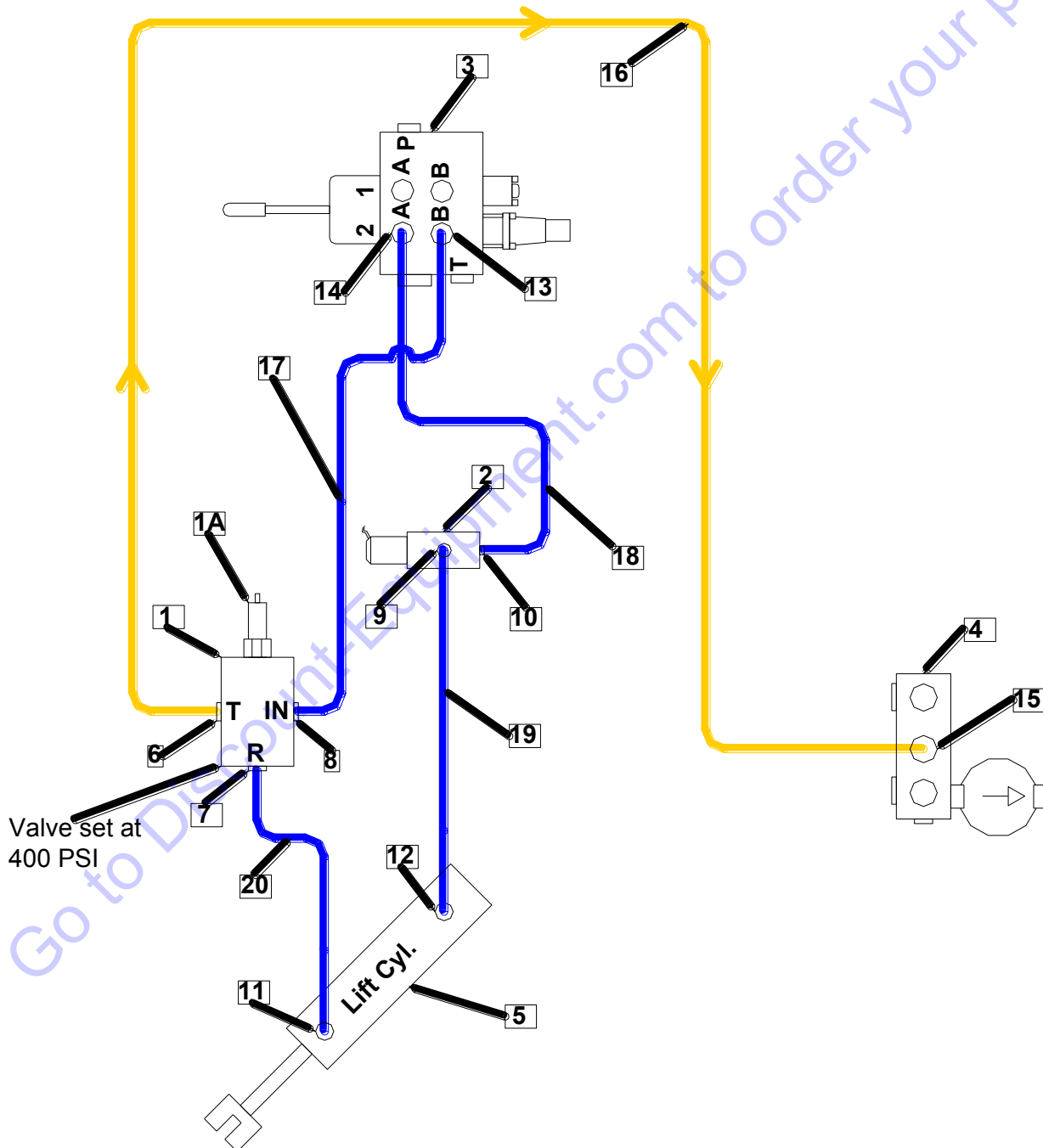


JOYSTICK VALVE ASSEMBLY

Reference	Part No.	Description	Qty.
1.....	355030	Complete Valve Assembly.....	1
2.....	355040	Float Detent.....	1
3.....	355036	Spring Center Detent.....	1
4.....	355037	Joystick Kit	1
5.....	355033	Joystick Handle/Lever.....	1
Not Shown	355039	Seal Kit	1

Go to Discount-Equipment.com to order your parts

Down Pressure Limit

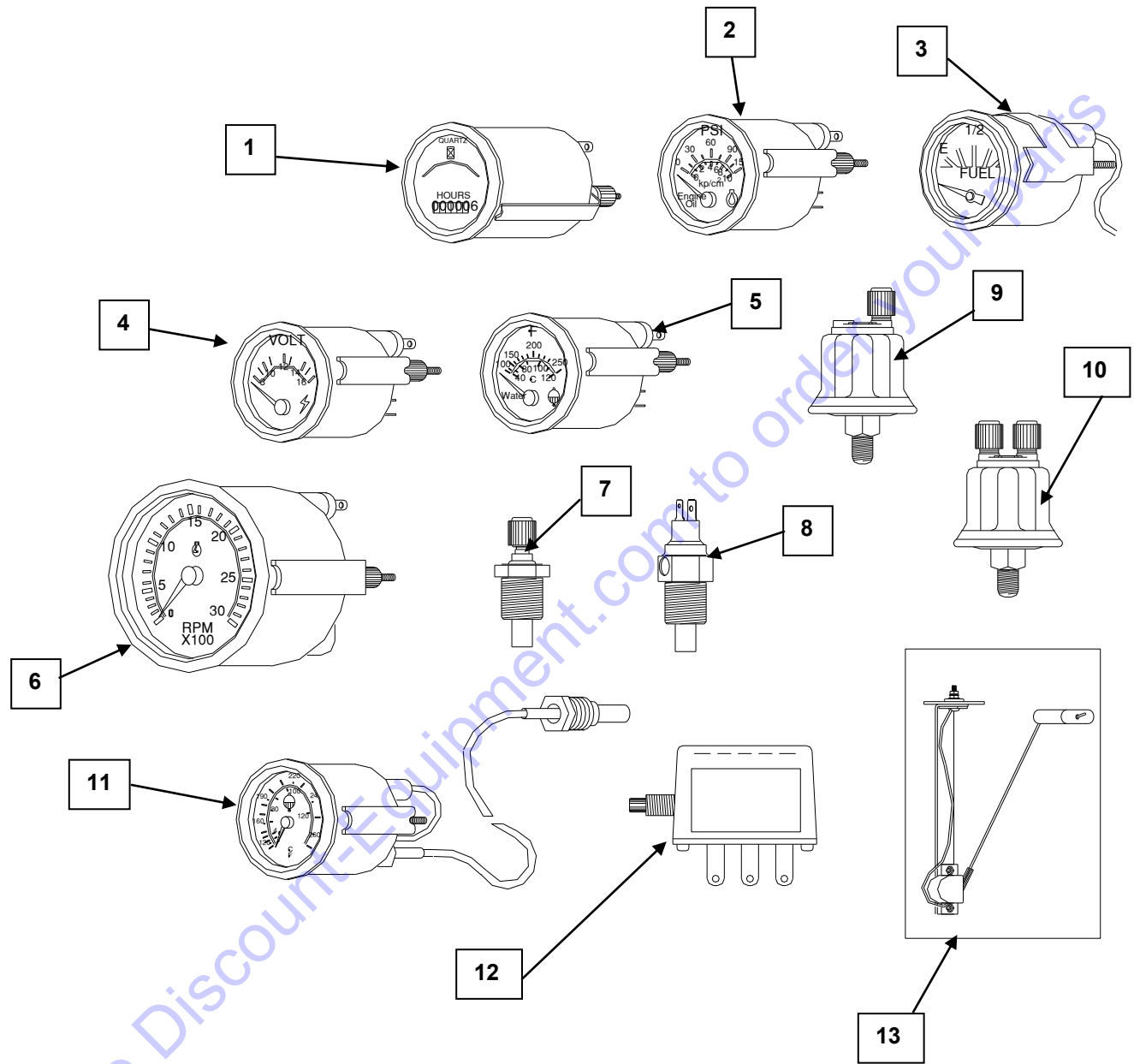


OPTIONAL DOWN PRESSURE LIMIT

Reference	Part No.	Description	Qty.
1.....	305771	Down Pressure Limit Valve	1
1A	305772	Cartridge.....	1
2.....	305763	Core Lock Solenoid.....	1
3.....	355030	Control Valve	1
4.....	305525	Hydraulic Manifold	1
5.....	208	Lift Cylinder.....	1
6.....	305817	Hydraulic Fitting, FF1852T04-04	1
7.....	305835	Hydraulic Fitting, FF1868T04-04	1
8.....	305835	Hydraulic Fitting, FF1868T04-04	1
9.....	305818	Hydraulic Fitting, FF1852T04-06	1
10.....	305836	Hydraulic Fitting, FF1868T04-06	1
11.....	305818	Hydraulic Fitting, FF1852T04-06	1
12.....	305818	Hydraulic Fitting, FF1852T04-06	1
13.....	305827A.....	Hydraulic Fitting, FF1852T04-08	1
14.....	305827A.....	Hydraulic Fitting, FF1852T04-08 w/orifice.....	1
15.....	305869	Hydraulic Fitting, FF1868T06-12	1
16.....	N/A	Hydraulic Hose, 42"-1AA4FRB4 & 1AA6FR4 ..	1
17.....	N/A	Hydraulic Hose, 36"-1AA4FRB4 & 1AA4FRA4	1
18.....	N/A	Hydraulic Hose, 8"-1AA4FR4 & 1AA4FRC4 ...	1
19.....	N/A	Hydraulic Hose, 40"-1AA4FRB4 & 1AA4FRB4	1
20.....	N/A	Hydraulic Hose, 11"-1AA4FRB4 & 1AA4FRB4	1

ELECTRICAL SYSTEM AND ACCESSORIES

Go to Discount-Equipment.com to order your parts

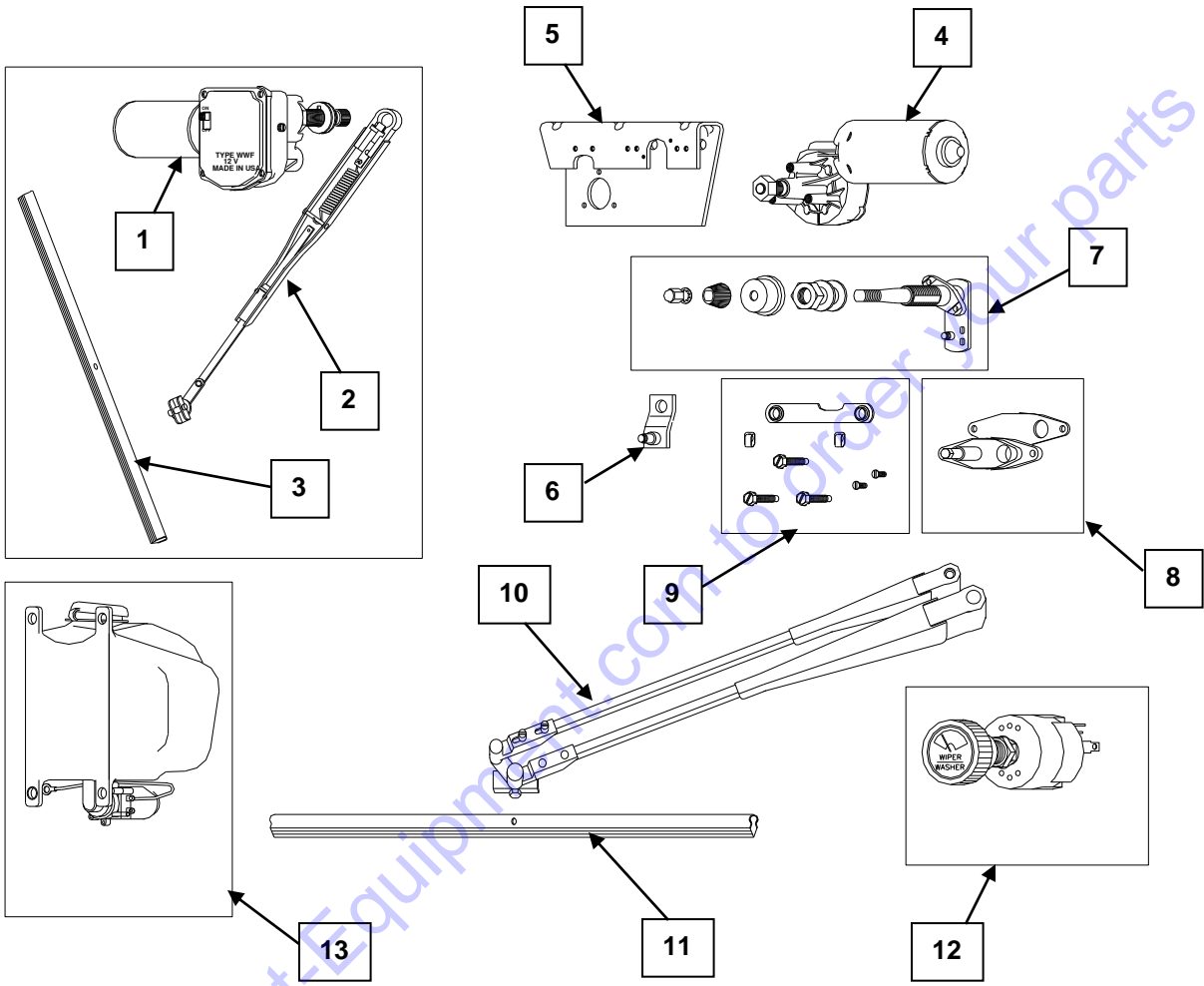


GAUGES AND SENDERS

Reference	Part No.	Description	Qty.
1.....	I-222-HO	Hour Meter.....	1
2.....	I-221-R	Oil Pressure Gauge	1
3.....	I-223-R	Fuel Gauge	1
4.....	I-220-V.....	Voltmeter	1
5.....	I-219-R	Temperature Gauge (Engine)	1
6.....	I-222-B	Tachometer	1
	307097.....	Tachometer (RCT-350 Model Only).....	1
7.....	IS-219-R.....	Temperature Sender.....	1
8.....	IS-219-WC	Temperature Sender w/ Contact	1
		Note: Use w/ warning or shutdown system	
9.....	IS-221-R.....	Oil Pressure Sender	1
10.....	IS-221-WC	Pressure Sender w/ Contact.....	1
		Note: Use w/ warning or shutdown system	
11.....	I-228-R	Hydraulic Temperature Gauge	1
		Note: Mechanical 12' Capillary	
12.....	344257	Murphy Shutdown Unit	1
		Note: Engine Safety Shutdown	
13.....	344175	Fuel Sender	1
Items Not Shown.....	1-220-A	Ammeter	1
	307255.....	Buzz Light Assembly	1
	I-224-R35.....	Fuel Sender (35 gal. Tank).....	1

Go to Discount Equipment.com to order your parts

WINDSHIELD WIPERS & WASHER



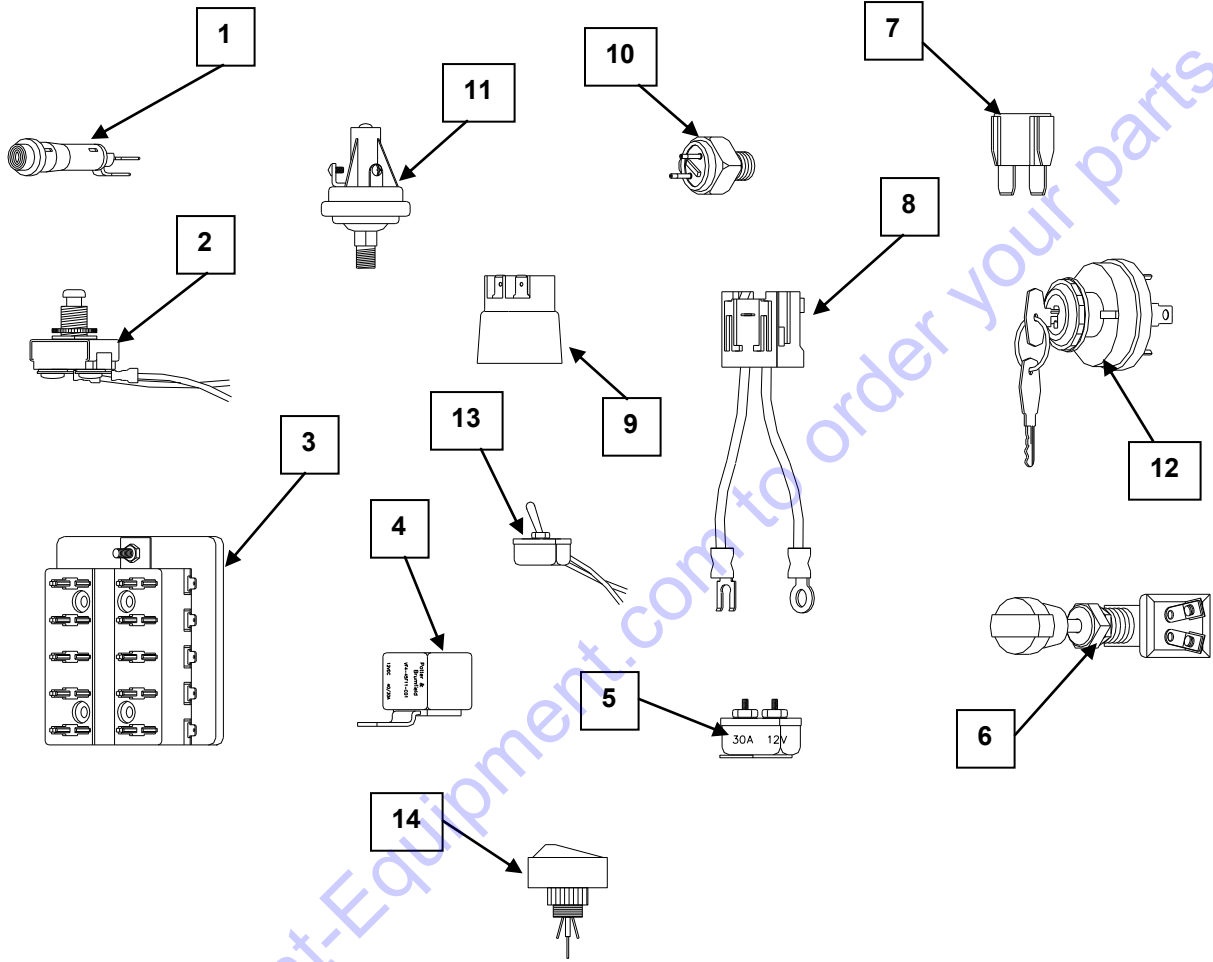
Go to DiscountEquipment.com to order your parts

WINDSHIELD WIPERS & WASHER

Reference	Part No.	Description	Qty.
1.....	1-182-54MO	Wiper Motor.....	1
2.....	LE581022-1	Drive Arm	1
3.....	2-615-2218	18" Blade (Canopy Windshield)	1
	2-615-2214	14" Blade (Rear).....	1
	1-182-54	Wiper Kit – Canopy Windshield (Includes Motor, Blade, and Arm)	1
	1-182-54R.....	Rear Wiper Kit (Includes Motor, Blade, and Arm).....	1
4.....	2-615-15	Wiper Motor.....	1
5.....	BK721005	Wiper Motor Mount.....	1
6.....	2-615-19	Wiper Drive Arm (Tapered Motor Shaft).....	1
7.....	2-615-60	Wiper Shaft & Arm Assembly.....	1
8.....	2-615-17	Pantograph Adapter & Gasket	1
9.....	721014	Link & Bolt Kit (Includes Bolts, Washers, & Clips to Mount Motor)	1
10.....	2-615-24	Pantograph Drive Arm	1
11.....	2-615-2226	26" Blade	1
12.....	2-686-67	Two Speed Wiper Switch	1
13.....	66-01	Washer Pump & Reservoir	1
	66-01A.....	Washer Kit (Includes Tubing & Hardware for New Installation).....	1

Go to DiscountEquipment.com to order your parts

MISC. SWITCHES, FUSES, ETC.



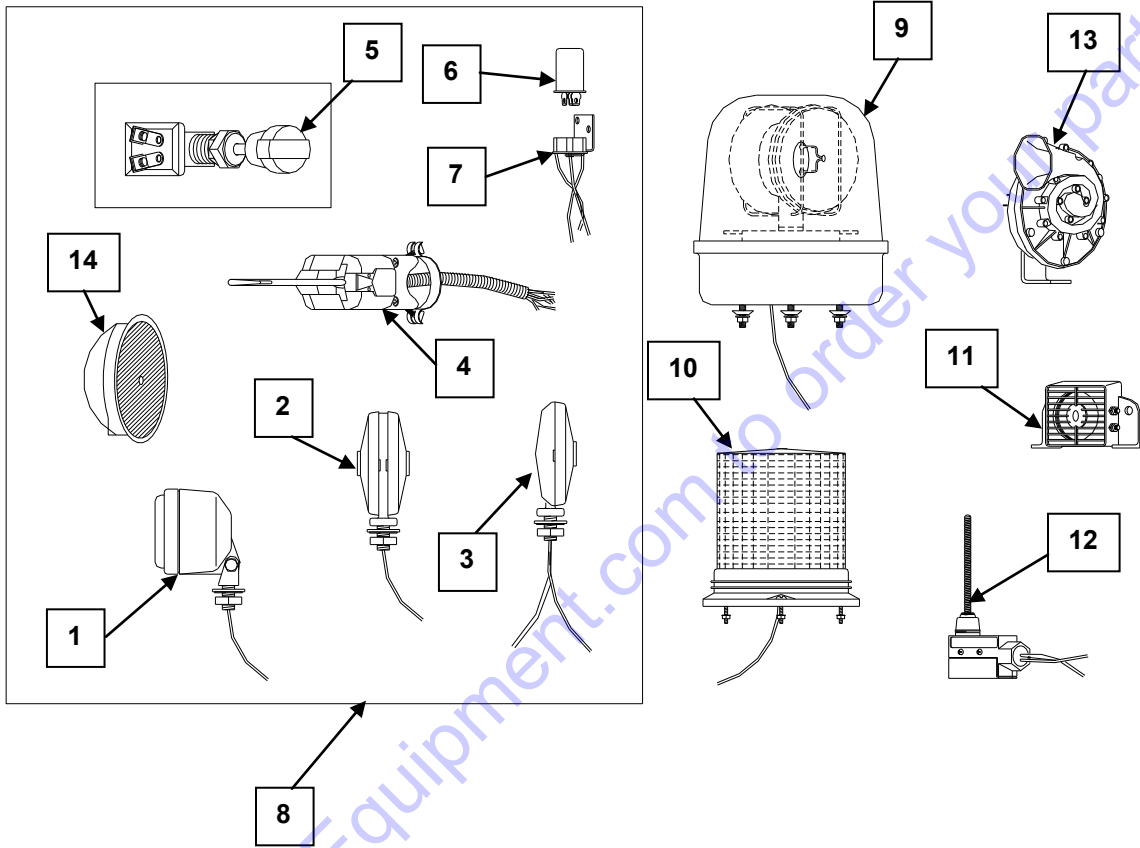
Go to Discount-Equipment.com to order your parts

MISC. SWITCHES, FUSES, ETC.

Reference	Part No.	Description	Qty.
1.....	PBL-12.....	Warning Light	1
2.....	307098	Parking Brake Switch.....	1
3.....	46050-12	Fuse Block (12 Fuse Capacity)	1
	46050-10	Fuse Block (10 Fuse Capacity)	1
	46050-8	Fuse Block (8 Fuse Capacity)	1
	46050-6	Fuse Block (6 Fuse Capacity)	1
4.....	307902	Relay – Air Conditioning Shutoff	1
5.....	46330	30 Amp Breaker	1
6.....	23836	Universal Accessory Switch	1
7.....	WH46242	40 Amp Maxi Fuse	1
	46243.....	50 Amp Maxi Fuse	1
8.....	WH-767-FH	Maxi Fuse Holder.....	1
9.....	X770050.....	Air Restrictor Sender (Air Cleaner Ind.)	1
10.....	BLS-15	Stop Light Switch	1
11.....	76052	Pressure Switch (Air Conditioner Shutoff)	1
12.....	307044	Ignition Switch	1
	307045.....	Key (pair)	1
13.....	307071	Core Lock Switch	1
14.....	307042	Switch, Lighted, Rocker for Beacon.....	1
Not Shown.....	307235	Push Button Switch for Preheat (All Same)...	1

Go to DiscountEquipment.com to order your parts

LIGHTS – HORNS

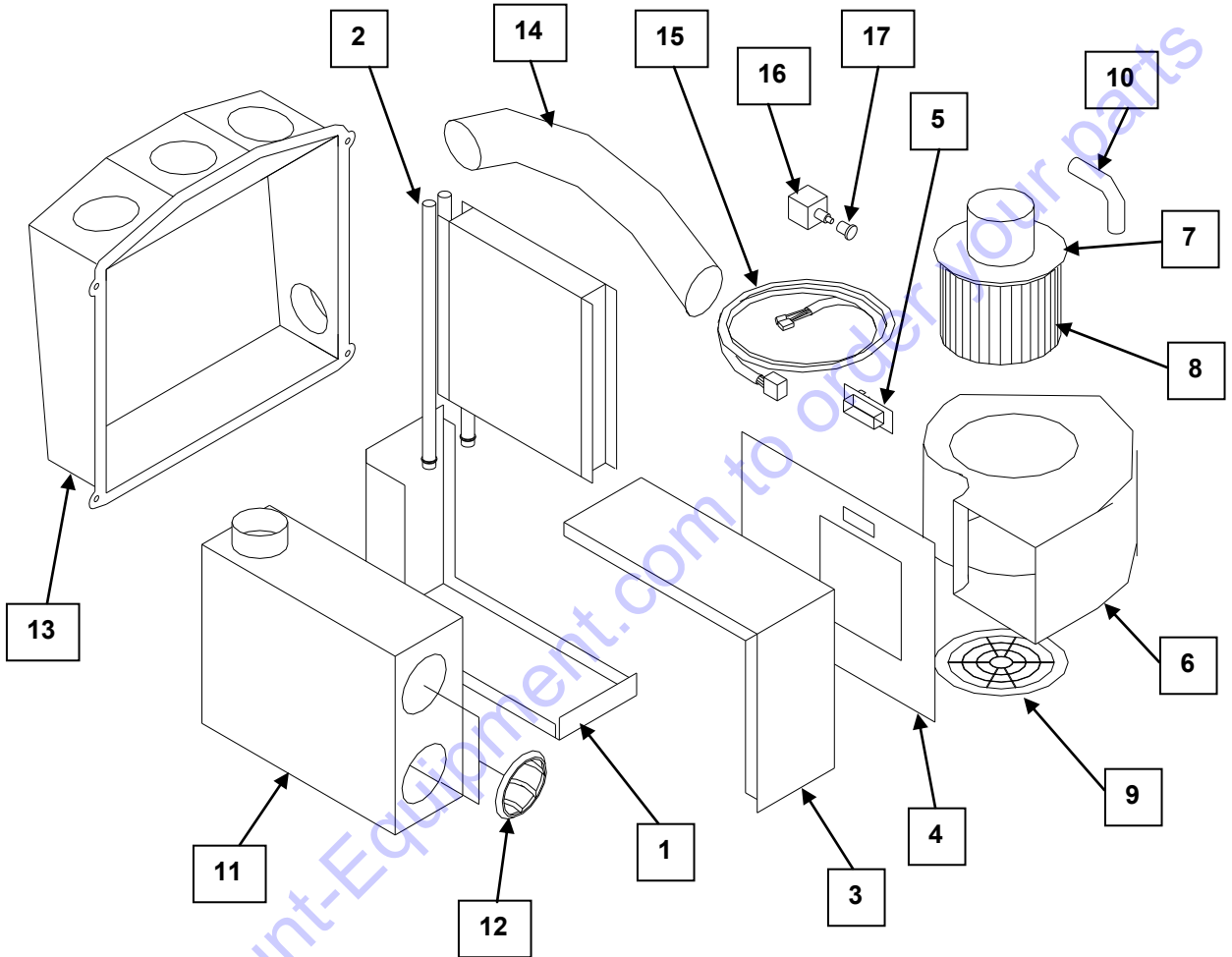


LIGHTS - HORNS

Reference	Part No.	Description	Qty.
1.....	9-50004-SBA	Driving Light	A/R
2.....	4-75001	Turn Signal.....	2
3.....	6-70001	Stop/Turn Signal.....	2
4.....	16-35800	Turn Signal Switch	1
5.....	23836	Universal Accessory Switch	1
6.....	550	Flasher	1
7.....	550FH.....	Flasher Socket	1
8.....	LG-100-SBA	Light Group Kit w/950004-SBA Driving Lights	See Note
9.....	7-40004	Amber Beacon	A/R
10.....	3614A.....	Amber Strobe Light.....	A/R
11.....	RH-250	Reverse Alarm	1
12.....	LDA-50-1R.....	Reverse Alarm Switch.....	1
13.....	4-302	Traffic Horn	1
14.....	307031	Flush Mount Tail/Brake Lights (Starting w/ Serial Number 90044)	2

<p>Note: Light Group Kit, Part Number LG-100-SBA, contains all signals, switches, lights, and wiring harness required for field installation.</p>
--

4W BROOM HEATER/DEFROSTER



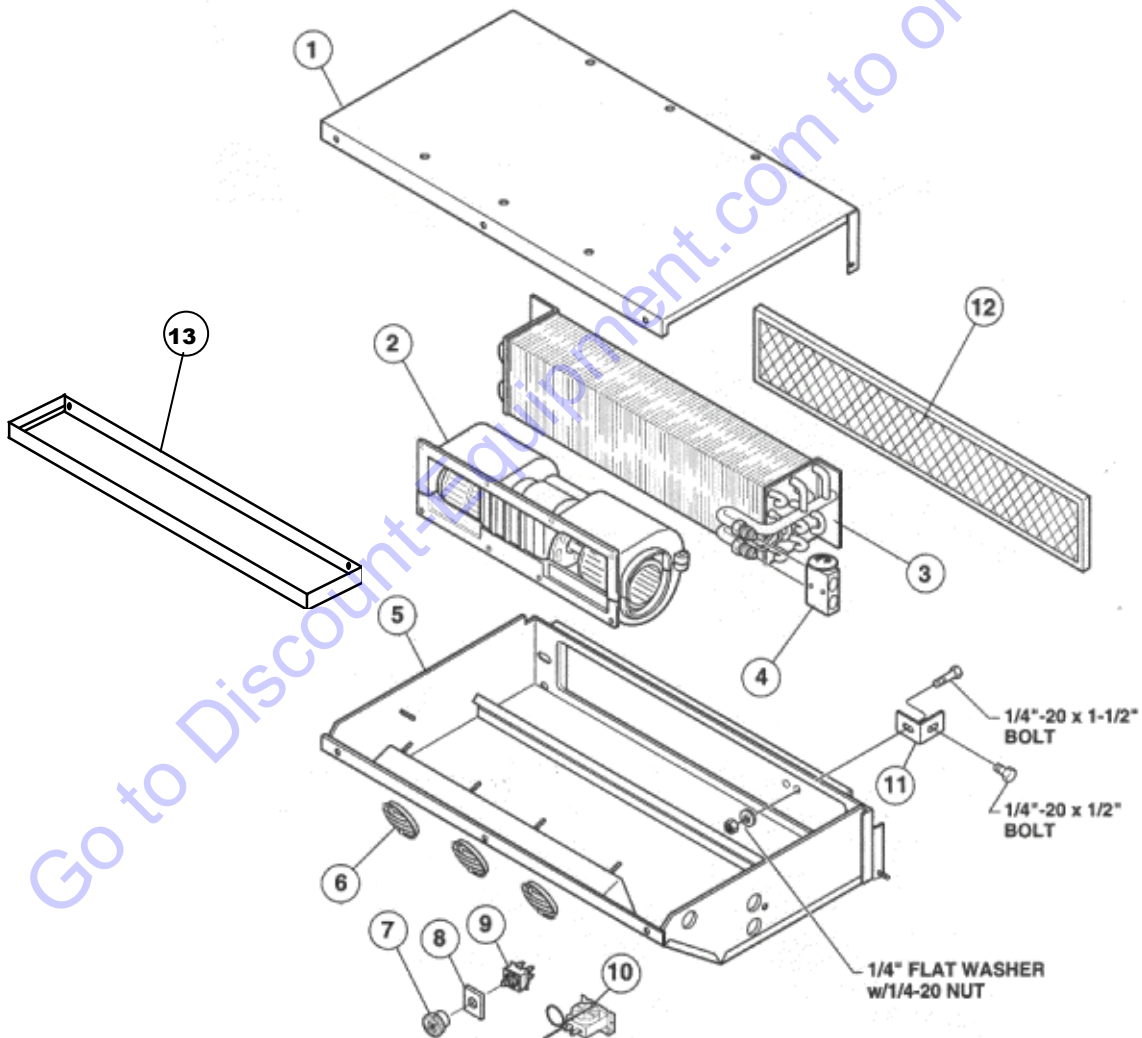
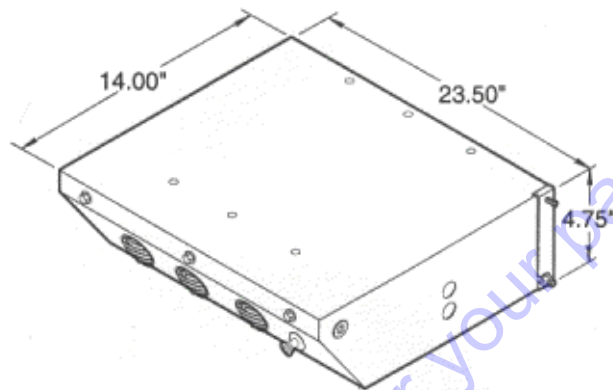
4W BROOM HEATER/DEFROSTER

Reference	Part No.	Description	Qty.
1.....	403153	Case, Bottom/Side.....	1
2.....	403154	Coil.....	1
3.....	403155	Case, Top/Side.....	1
4.....	403156	Panel, Blower.....	1
5.....	403157	Resistor, 3 – Speed	1
6.....	403158	Housing, Blower	1
7.....	403159	Motor, CCW.....	1
8.....	403160	Wheel, Blower.....	1
9.....	403161	Ring, Venturi.....	1
10.....	403162	Hose, Vent Motor Blower.....	1
11.....	403163	Plenum, Heater	1
12.....	403164	Louver, 3” Round	2
13.....	403165	Plenum, Defrost.....	1
14.....	403166	Hose, Flex, Wire, Metal, 2.5” Dia.....	1
15.....	403167	Harness, Wire, Heater	1
16.....	403168	Switch, Rot 4 Position.....	1
17.....	403169	Knob, Switch, Rotary	1
KIT	K00016.....	Heater/Defroster Kit (JD RJ-350).....	1
KIT	K00017.....	Heater/Defroster Kit (Cummins RC-350)	1
KIT	K00018.....	Heater/Defroster Kit (CAT CR-350)	1
KIT	K00019.....	Heater/Defroster Kit (Cummins Turbo RCT-350)	1
KIT	K00020.....	Heater/Defroster Kit (Kubota KR-350)	1

4W BROOM AIR CONDITIONING SYSTEM

Features:

- 255 CFM
- Heavy Duty Powder Coated Finish all steel case.
- Low Profile for maximum headroom.
- Filtered, recirculated air.

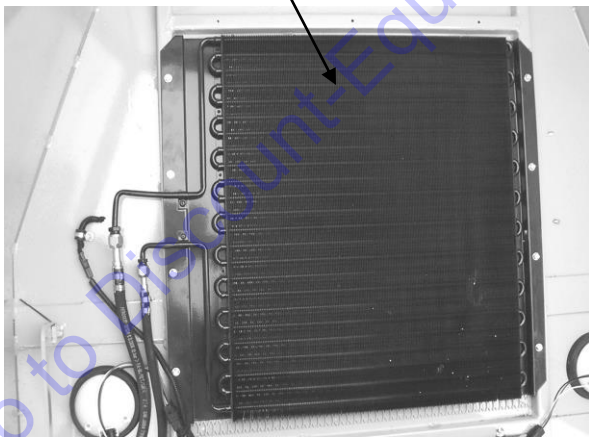
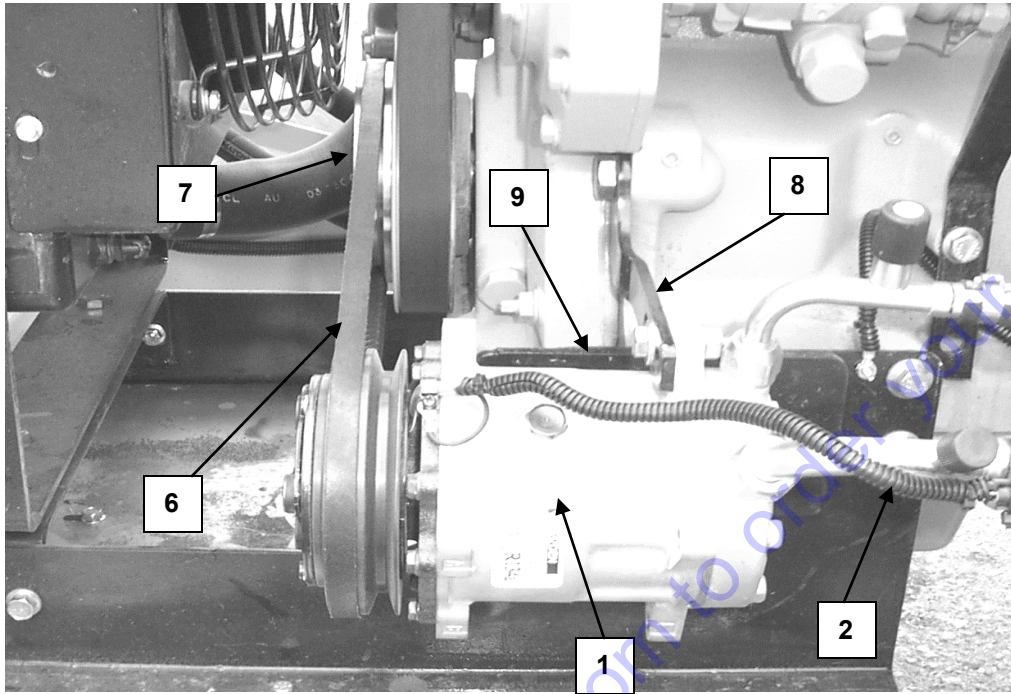


4W BROOM AIR CONDITIONING SYSTEM

Reference	Part No.	Description	Qty.
1.....	403184	Cover, Evaporator	1
2.....	403180	Blower Assembly.....	1
3.....	403175	Coil, Evaporator	1
4.....	403174	Valve, Exp., Block, R134a	1
5.....	403183	Housing, Evaporator	1
6.....	403164	Louver, 3" Round	3
7.....	403177	Knob, Fan	1
8.....	403181	Decal, Fan.....	1
9.....	403173	Switch, Rotary.....	1
10.....	403176	Thermostat	1
11.....	403187	Bracket, Mounting, Exp. Valve	1
12.....	403178	Filter.....	1
13.....	403192	Drain Pan (Evaporator)	1
Not Shown	403182	TSTAT Knob.....	1
Not Shown	403185	Binary Switch.....	1

Go to Discount-Equipment.com to order your parts

4W BROOM AIR CONDITIONING SYSTEM



4W BROOM AIR CONDITIONING SYSTEM

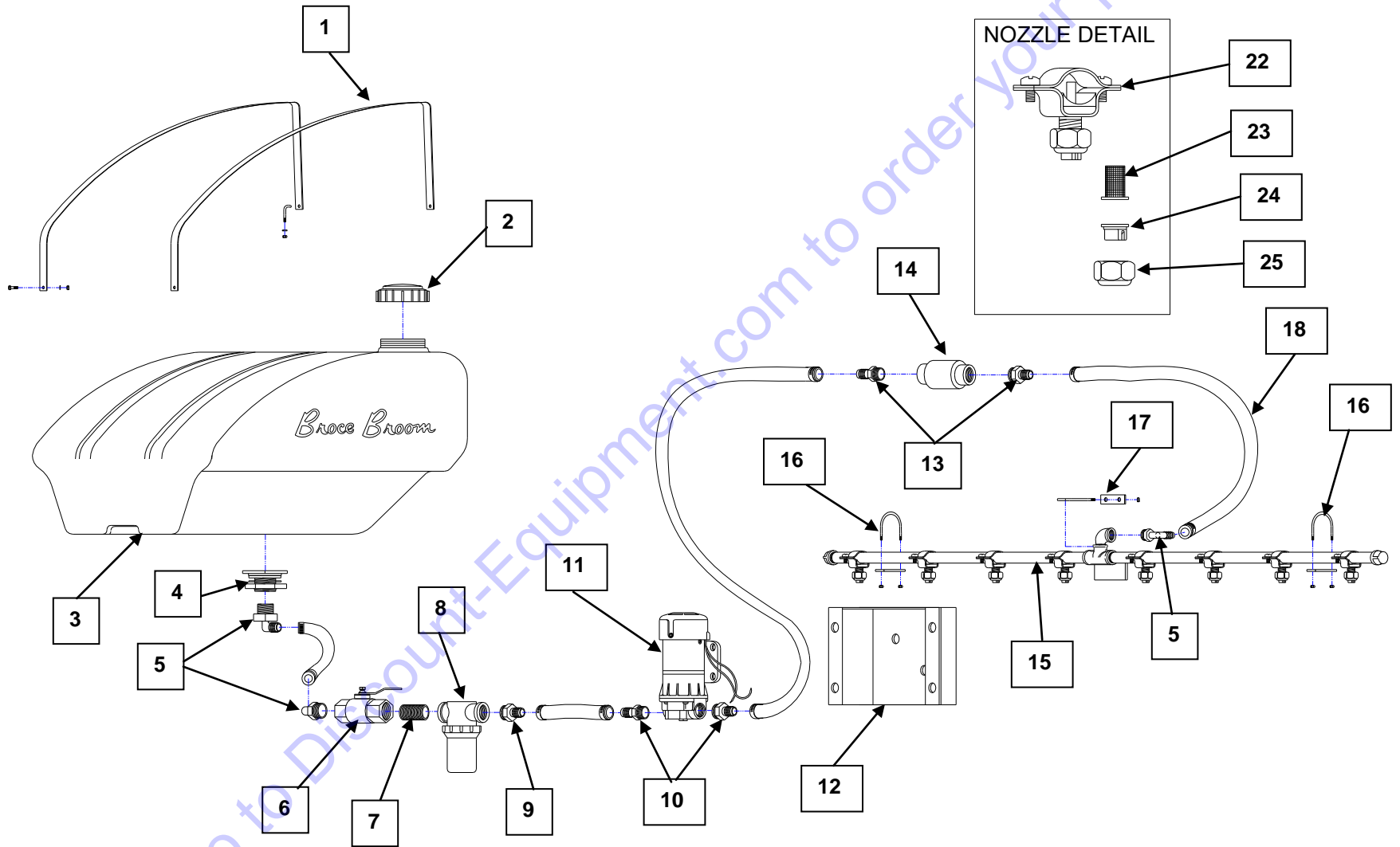
Reference	Part No.	Description	Qty.
1.....	509-5406	Compressor (RCT-350)	1
	403170	Compressor (CR-350 & KR-350)	1
2.....	403179	Wiring Harness	1
3.....	403186	Dryer Clamp	1
4.....	403171	Receiver Dryer	1
5.....	403150	Condenser	1
6.....	304027	Belt, CR-350	1
	304014.....	Belt, KR-350	1
	5254354.....	Belt, RCT-350	1
7.....	203341	Pulley, KR-350.....	1
8.....	203261	Adjustment Arm, CR-350 & KR-350	1
9.....	853610	Compressor Mount, CR-350	1
	852808.....	Compressor Mount, KR-350	1

Go to Discount-Equipment.com to order your parts

BROOM ACCESSORIES SYSTEMS

Go to Discount-Equipment.com to order your parts

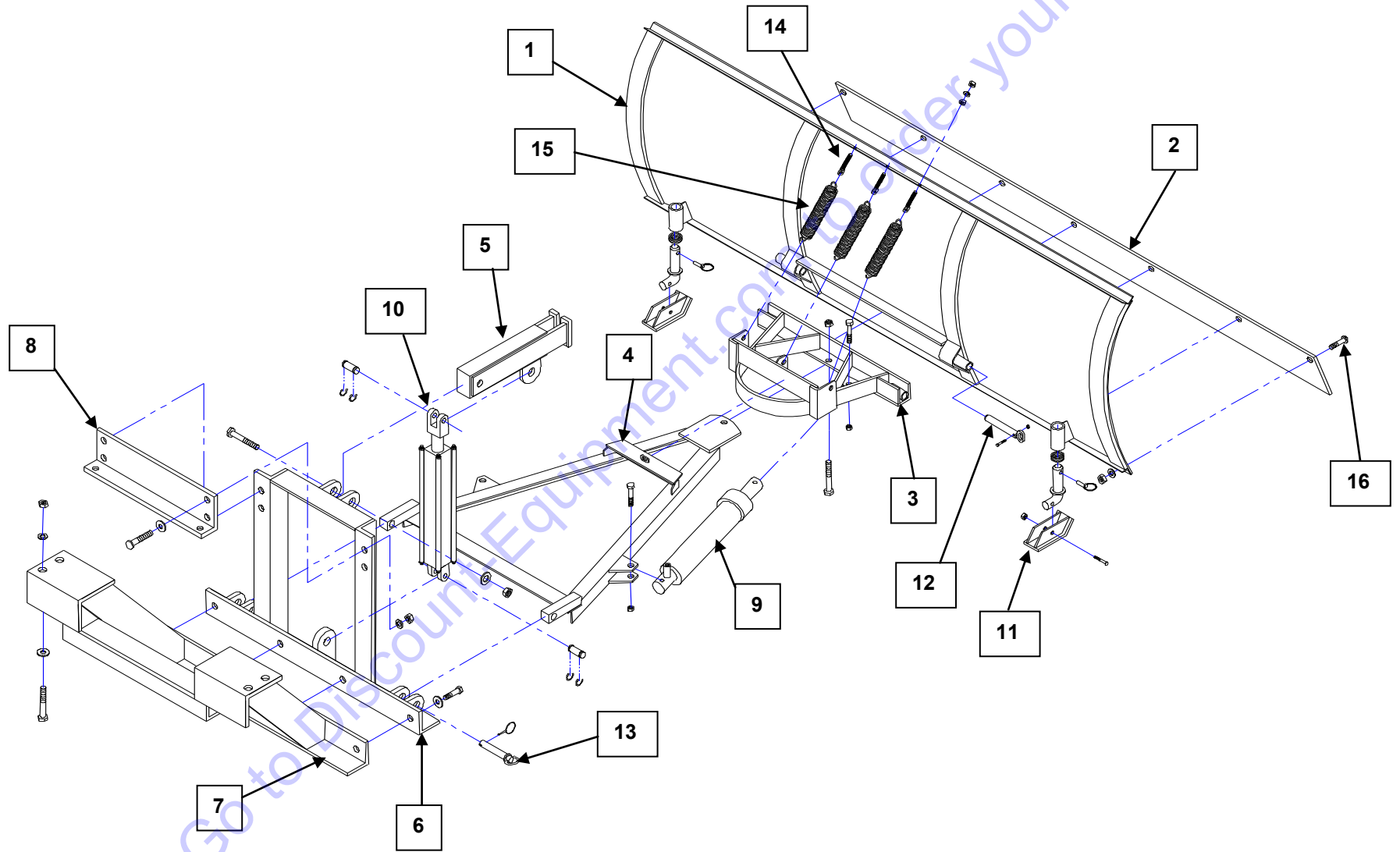
4W BROOM WATER SYSTEM



4W BROOM WATER SYSTEM

Reference	Part No.	Description	Qty.
1	201761	Strap	2
2	WS-145-D	Filler Cap, Plastic, 6" Dia.	1
3	WS-143-D	Low Profile Plastic Tank	1
4	WS-176-E	Tank Adapter (1 1/4" Dia.)	1
5	345012	Plastic Pipe Fitting, 90°	3
6	306535	3/4" Ball Valve	1
7	306120	Pipe Nipple	1
8	WS-148	Inline Strainer, Complete	1
9	345011	Plastic Pipe Fitting, Straight	1
10	345010	Plastic Pipe Fitting, Straight	2
11	WS-146	Pump	1
12	850025	Pump Mount	1
13	345009	Plastic Pipe Fitting, Straight	2
14	306950	Check Valve	1
15	WS-154	Spray Bar Assembly	1
16	202101	Brace w/ U Bolt	2
17	001716	Brace w/ U Bolt	1
18	344999	Hose (sold by foot)	n/a
22	WS-155	Nozzle Assembly, Complete	8
23	WS-158	Nozzle Screen	8
24	TP8002	Spray Tip	8
25	1458	Cap	8

SCRAPER BLADE ASSEMBLY



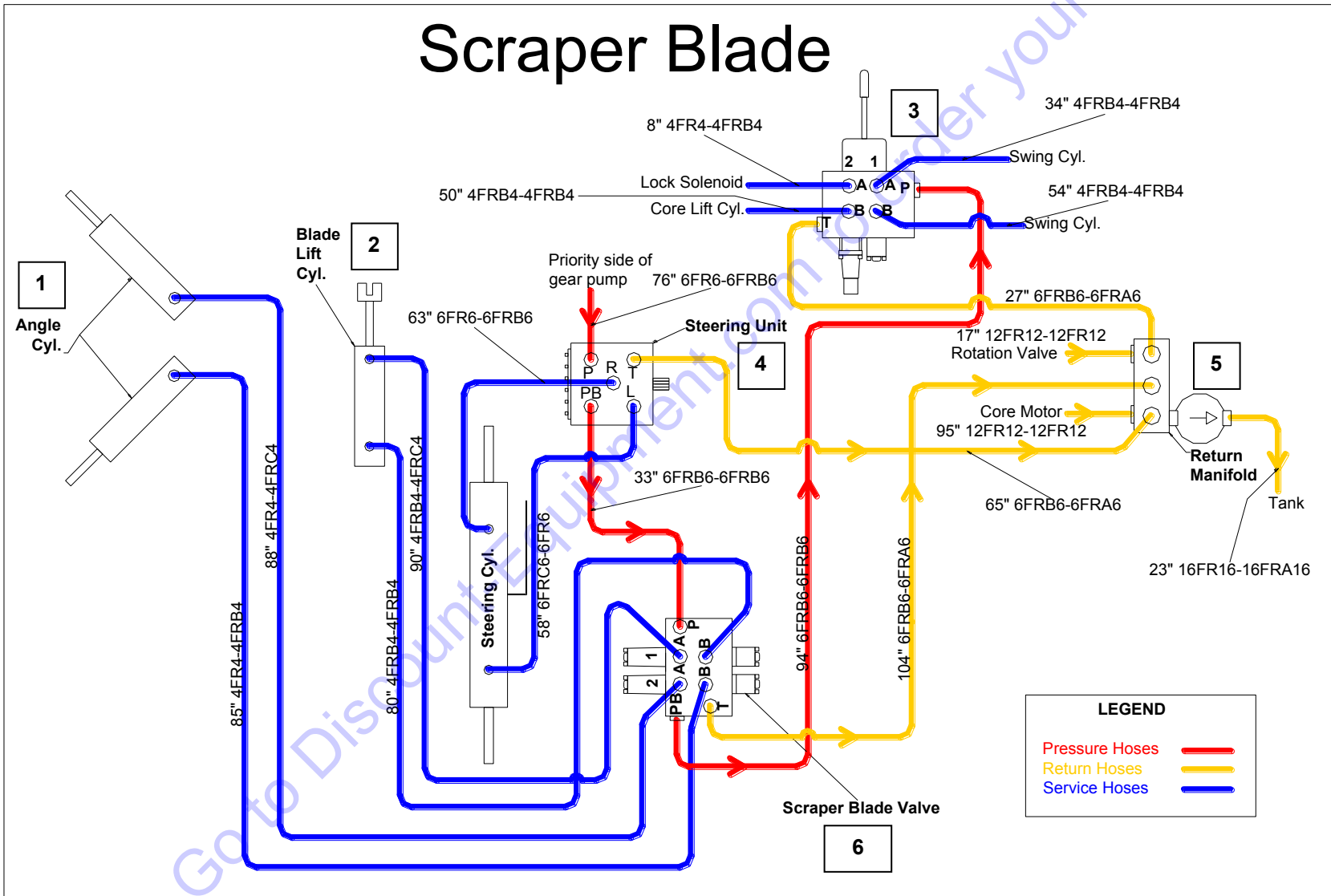
SCRAPER BLADE ASSEMBLY

Reference	Part No.	Description	Qty.
1	850022	Blade WA (7 1/2" scraper)	1
2	SBA09796	Cutting Edge (High Carbon Steel)	1
3	850024	Blade Pivot WA	1
4	850023	Blade A-Frame WA	1
5	850026	Blade Lift Arm WA	1
6	850017	Lift Frame	1
7	850016	Frame Mount	1
8	201956	Frame Brace	1
9	SBA05437	Shift Cylinder	2
10	208	Lift Cylinder	1
11	SBA09126	Shoe Assembly	2
12	SBA08541	Pivot Pin Set (2 Pins)	1
13	SBA08562	Hinge Pin Set (2 Pins)	1
14	SBA09124	Eye Bolts (for springs)	3
15	SBA07017	Tip Spring	3
16	SBA08184	Cutting Edge Bolt Set	1
17	SBA02020	Marker Kit (not shown)	1

Go to Discount-Equipment.com to order your parts

SCRAPER BLADE HYDRAULICS ASSEMBLY

Scraper Blade



SCRAPER BLADE HYDRAULICS ASSEMBLY

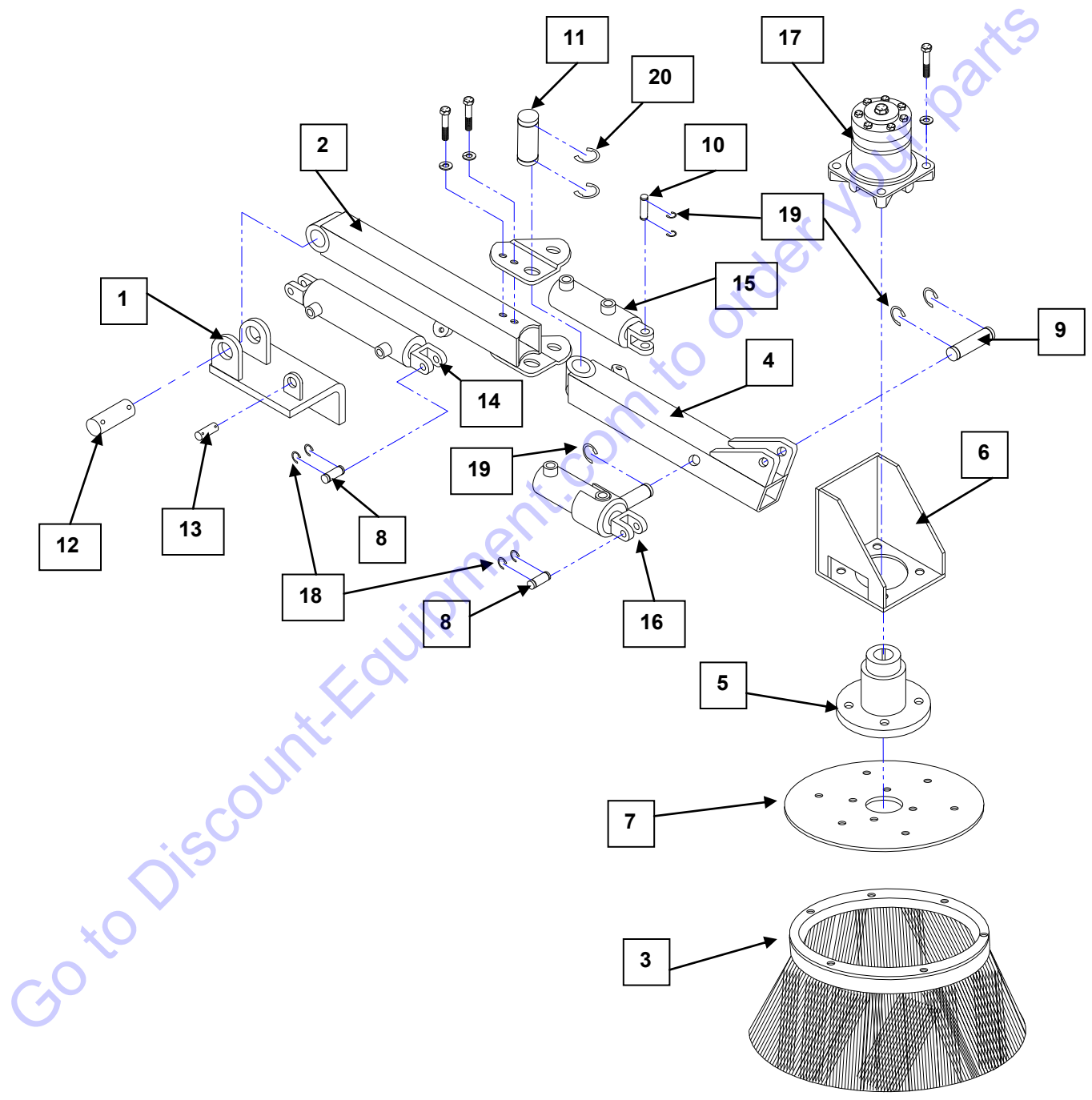
Reference	Part No.	Description	Qty.
1.....	SBA05437.....	Angle Cylinder	2
2.....	208	Lift Cylinder (208-R)	1
3.....	355035	Joystick Control Valve	1
4.....	305944	Steering Unit	1
5.....	305525	Hydraulic Manifold	1
6.....	355031	Foot Pedal Scraper Control Valve	1
Not Shown	852443	RH Foot Control Pedal	1
Not Shown	852439	LH Foot Control Pedal.....	1

* Note: Hydraulic Hoses and Aeroquip fittings not available through Broce Mfg. Parts Dept. – Please Source Locally

Go to Discount-Equipment.com to order your parts

CURB SWEEPER ASSEMBLY

(Sweeper and Components)

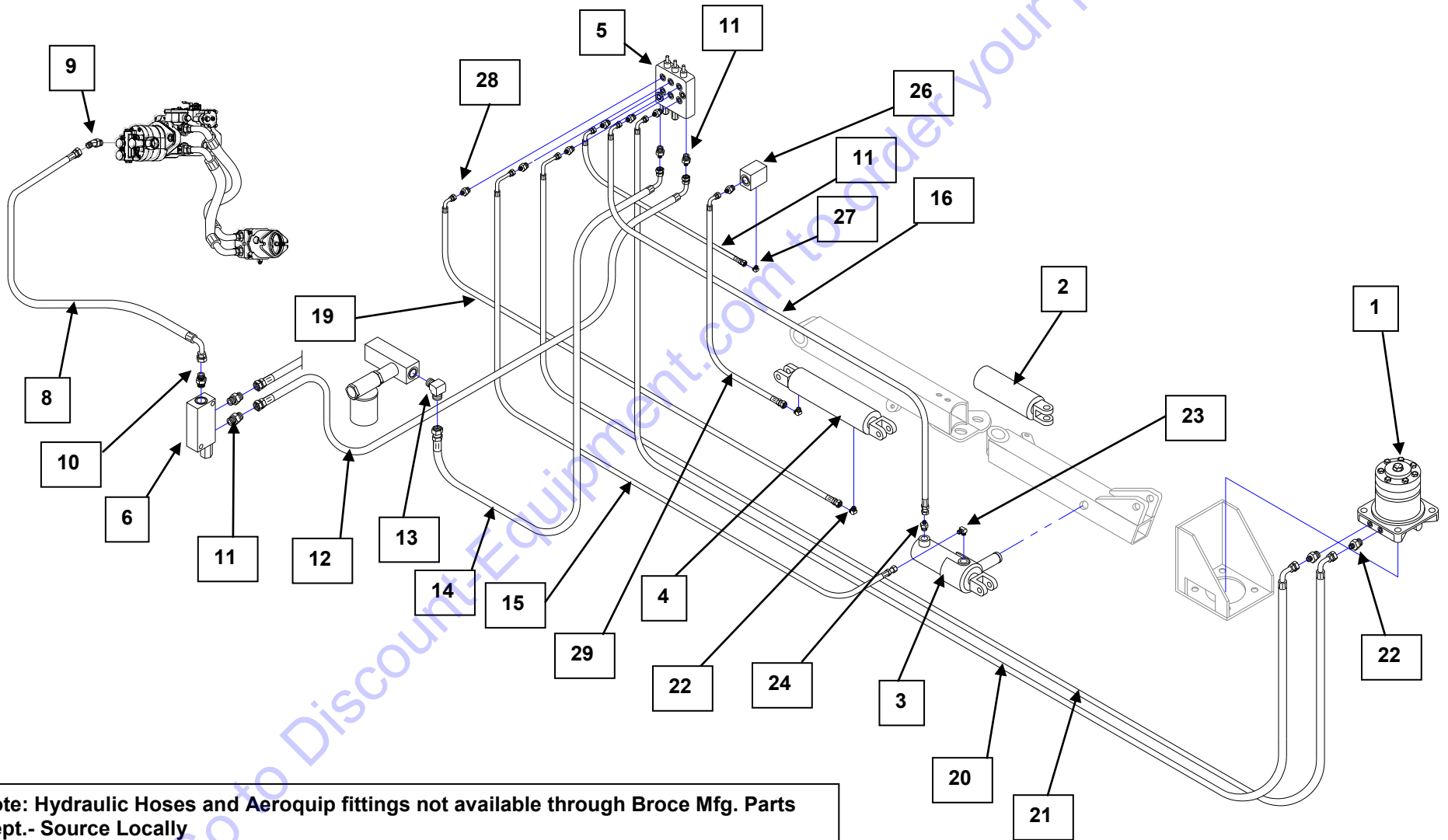


CURB SWEEPER ASSEMBLY

(Sweeper and Components)

Reference	Part No.	Description	Qty.
1.....	854005	Mounting Bracket	1
2.....	854001	Main Lift Arm.....	1
3.....	304299	Curb Brush (Wire).....	1
	304296	Curb Brush (Poly).....	1
4.....	854004	Tilt Arm	1
5.....	854006	Hub Ext.	1
6.....	854003	Motor Mount Bracket.....	1
7.....	204027	Broom Mounting Plate	1
8.....	204017	Lift and Tilt Cylinder Pin	2
9.....	204019	Motor Bracket Pin	1
10.....	204018	Accumulator Pin	1
11.....	204016	Pivot Pin	1
12.....	204005	Mounting Bracket Arm Pin	1
13.....	204008	Lift Cylinder Lower Pin	1
14.....	See Hydraulic Section	Lift Cylinder.....	1
15.....	See Hydraulic Section	Spring Cylinder.....	1
16.....	See Hydraulic Section	Tilt Cylinder.....	1
17.....	See Hydraulic Section	Hydraulic Motor	1
18.....	400910	C-Clip	4
19.....	400911	C-Clip	5
20.....	400912	C-Clip	2

CURB BROOM HYDRAULICS ASSEMBLY



Note: Hydraulic Hoses and Aeroquip fittings not available through Broce Mfg. Parts Dept.- Source Locally

CURB BROOM HYDRAULICS ASSEMBLY

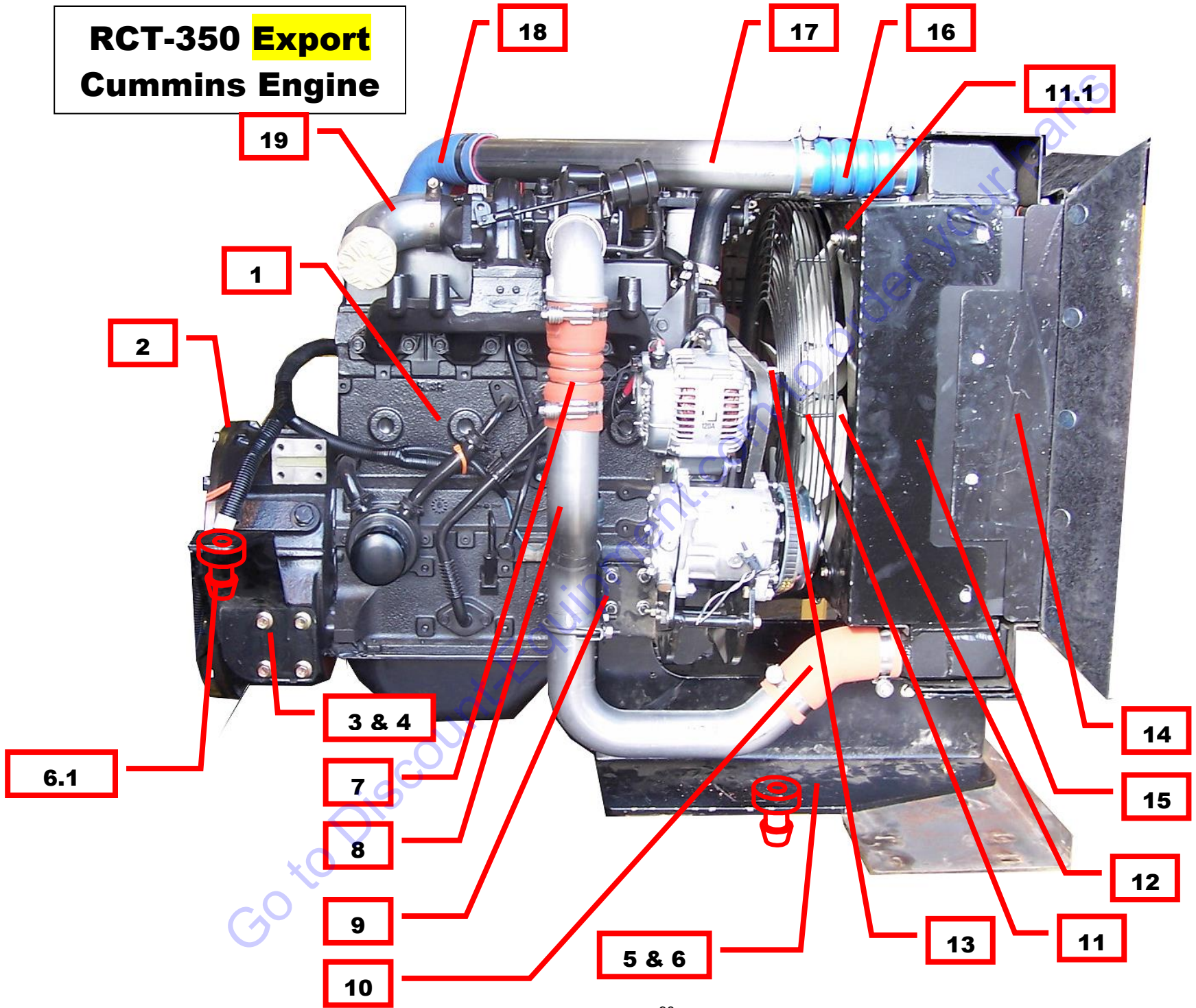
Reference	Part No.	Description	Qty.
1.....	305916	Broom Motor	1
2.....	325037	Spring Cylinder	1
3.....	305913	Tilt Cylinder	1
4.....	305914	Lift Cylinder	1
5.....	355032	Control Valve	1
6.....	305917	Flow Divider	1
8*	Hydraulic Hose Assembly, 16"HL-1AA12FR12 & 1AA12FRB12 ..		1
9*	Hydraulic Fitting, FF1868T12-10		1
10*	Hydraulic Fitting, FF1852T12-08		2
11*	Hydraulic Fitting, FF1852T06-08		3
12*	Hydraulic Hose Assembly, 52.5"HL-1AA6FR6 & 1AA6FRB6		1
13*	Hydraulic Fitting, FF1868T06-125		1
14*	Hydraulic Hose Assembly, 32"HL-1AA6FR6 & 1AA6FRB6		1
15*	Hydraulic Hose Assembly, 81"HL-1AA4FRC4 & 1AA4FR4		1
16*	Hydraulic Hose Assembly, 75.5"HL-1AAFR4 & 1AA6FRB4		1
19*	Hydraulic Hose Assembly, 68"HL-1AA4FR4 & 1AA4FRB4		1
20*	Hydraulic Hose Assembly, 89"HL-1AA6FRB6 (2)		1
21*	Hydraulic Hose Assembly, 91"HL-1AA6FRC6 & 1AA6FRB6		1
23*	Hydraulic Fitting, FF1868T04-04		4
24*	Hydraulic Fitting, FF1852T04-04		1
26.....	305763	Solenoid Valve	1
27*	Hydraulic Fitting, FF1868T04-06		1
28*	Hydraulic Fitting, FF185204-08		5
29*	Hydraulic Hose Assembly, 59"HL-1AA4FR4 & 1AA4FRB4		1

<p>*Note: Hydraulic Hoses and Aeroquip fittings not available through Broce Mfg. Parts Dept.- Source Locally</p>

ENGINES AND RELATED PARTS

Go to Discount-Equipment.com to order your parts

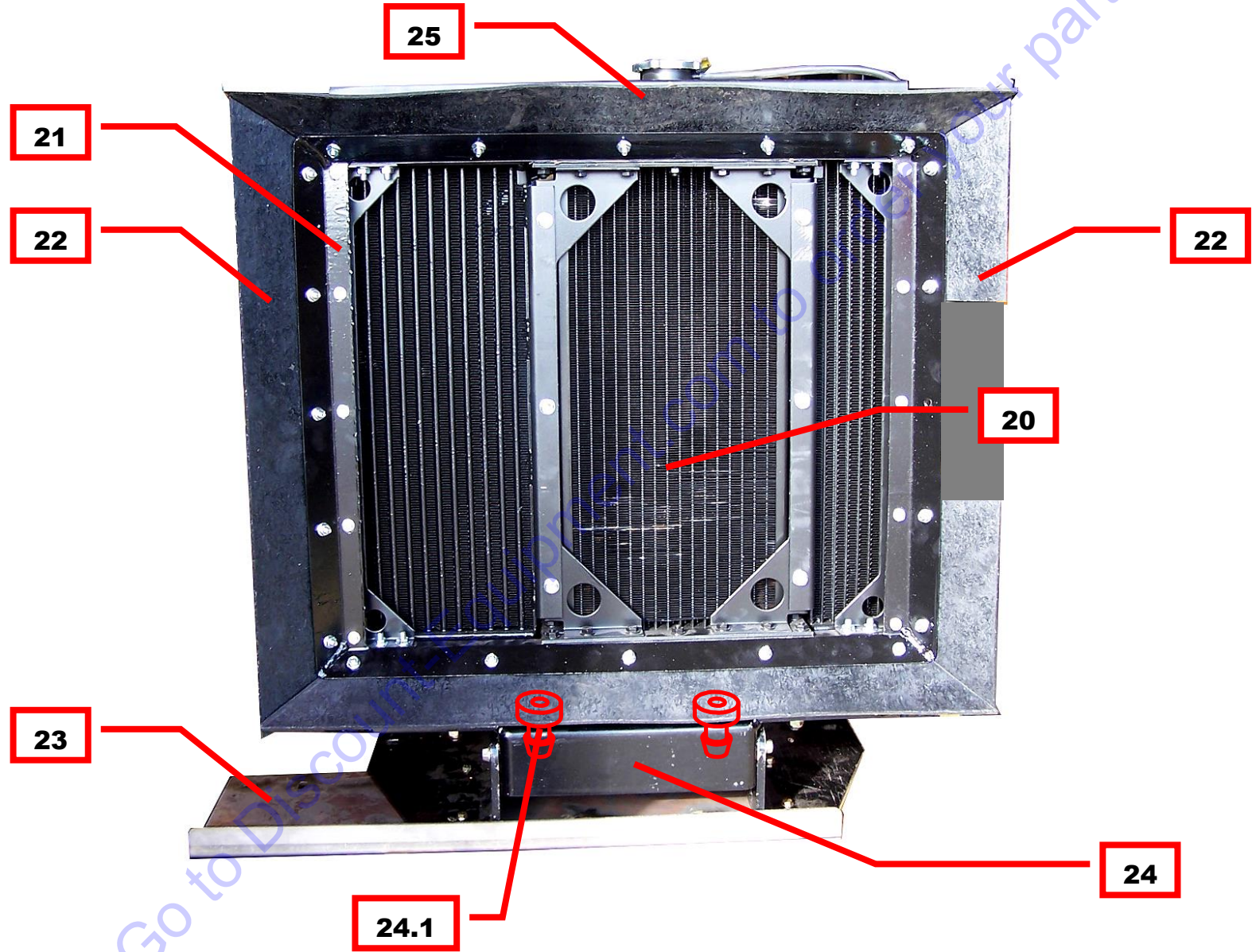
**RCT-350 Export
Cummins Engine**



RCT-350 **Export** Cummins Engine

Reference	Part No.	Description	Qty.
1	344054	Cummins Diesel Engine	1
2	344053	Pump Drive (Complete)	1
3	203643	Right Rear Motor Mount	1
4	203644	Left Rear Motor Mount	1
5	203641	Right Front Motor Mount	1
6	203642	Left Front Motor Mount	1
6.1	CM-714-B	Motor Mount Rubber Isolators	4
7	203656	Silicone Hose Air-to-Air	1
8	203661	Charge Air Tube	1
9	203671	Support for Pressure Tube	1
10	203657	Silicone Hose w/Bend Air-to-Air	1
11	203665	Fan Guard	1
11.1	304097	Fan Guard Rubber Isolators	4
12	203650	Cummins Fan	1
13	203649	Fan Spacer	1
14	203653	Supports for Air Duct Frame	1
15	203651	Radiator Shroud	1
16	203658	Silicone Hose Air-to-Air	1
17	203662	Charge Air Return Tube	1
18	203659	Air-to-Air 45 degree Hose	1
19	344405	Exhaust Elbow	1

RCT-350 Export Cummins Engine

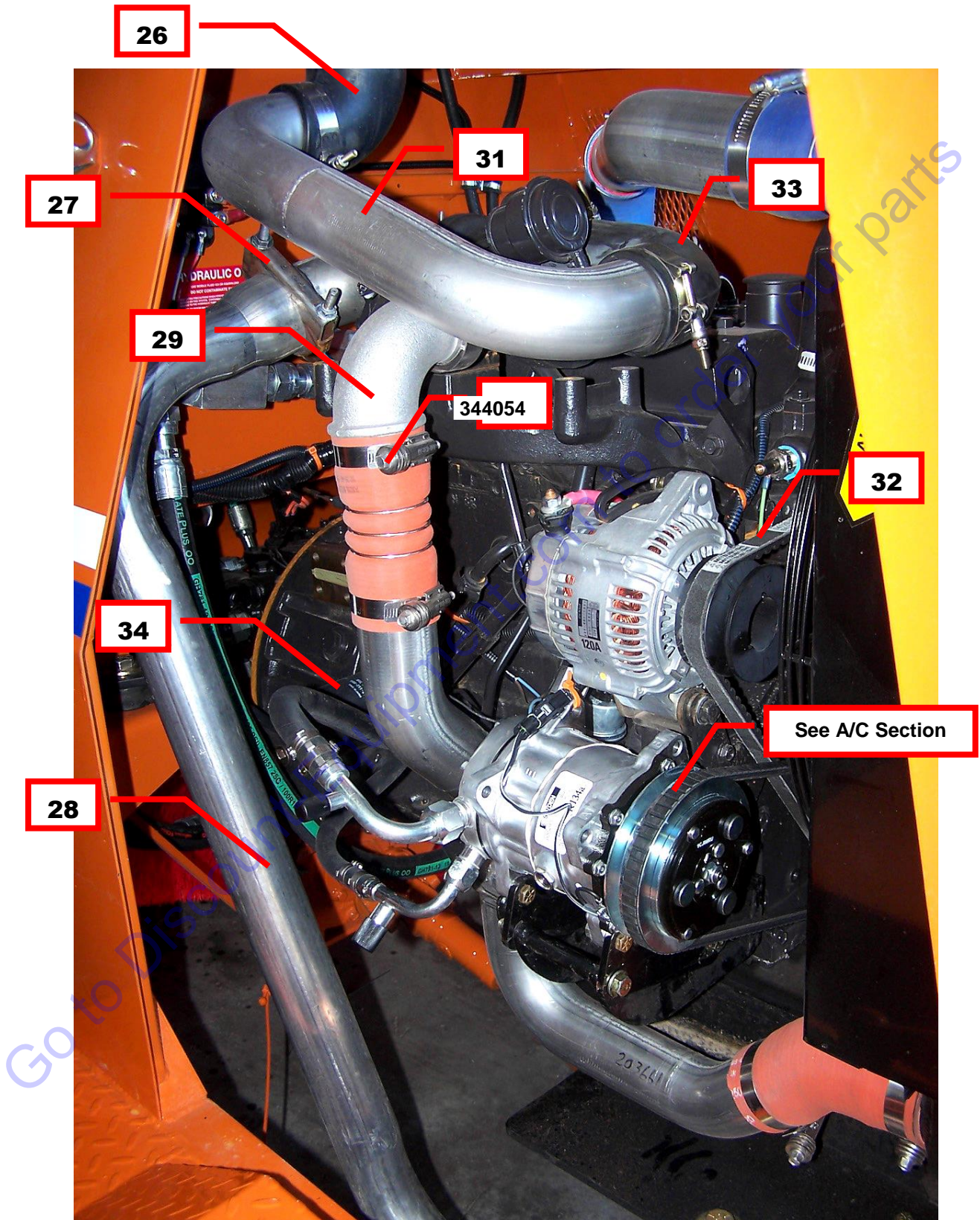


RCT-350 **Export** Cummins Engine

<u>Reference</u>	<u>Part No.</u>	<u>Description</u>	<u>Qty.</u>
20	203646.....	Radiator/Oil/Charge Air Cooler Assembly.....	1
21	203652.....	Air Duct Frame	1
22	203185.....	Left & Right Air Duct Seals	2
23	203105.....	Exhaust Heat Shield	1
24	203645.....	Bottom Radiator Support.....	1
24.1	344121.....	Bottom Radiator Rubber Isolators	2
25	203190.....	Upper & Lower Air Duct Seals	2

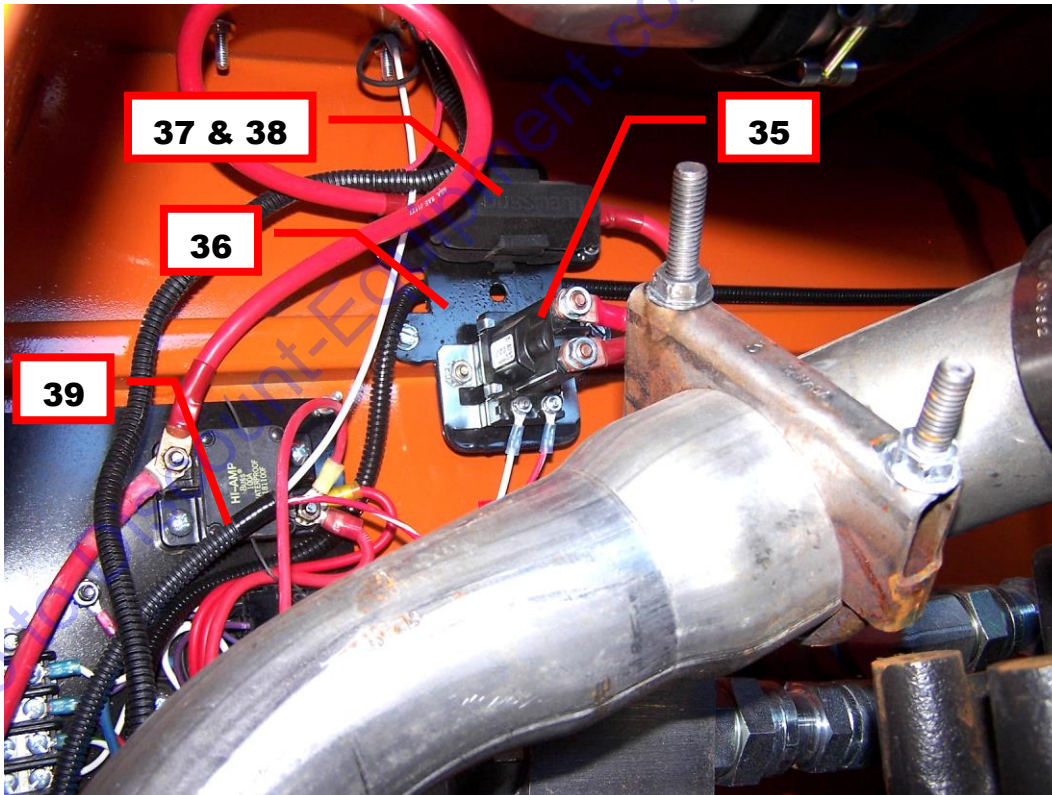
Go to Discount-Equipment.com to order your parts

RCT-350 Export Cummins Engine

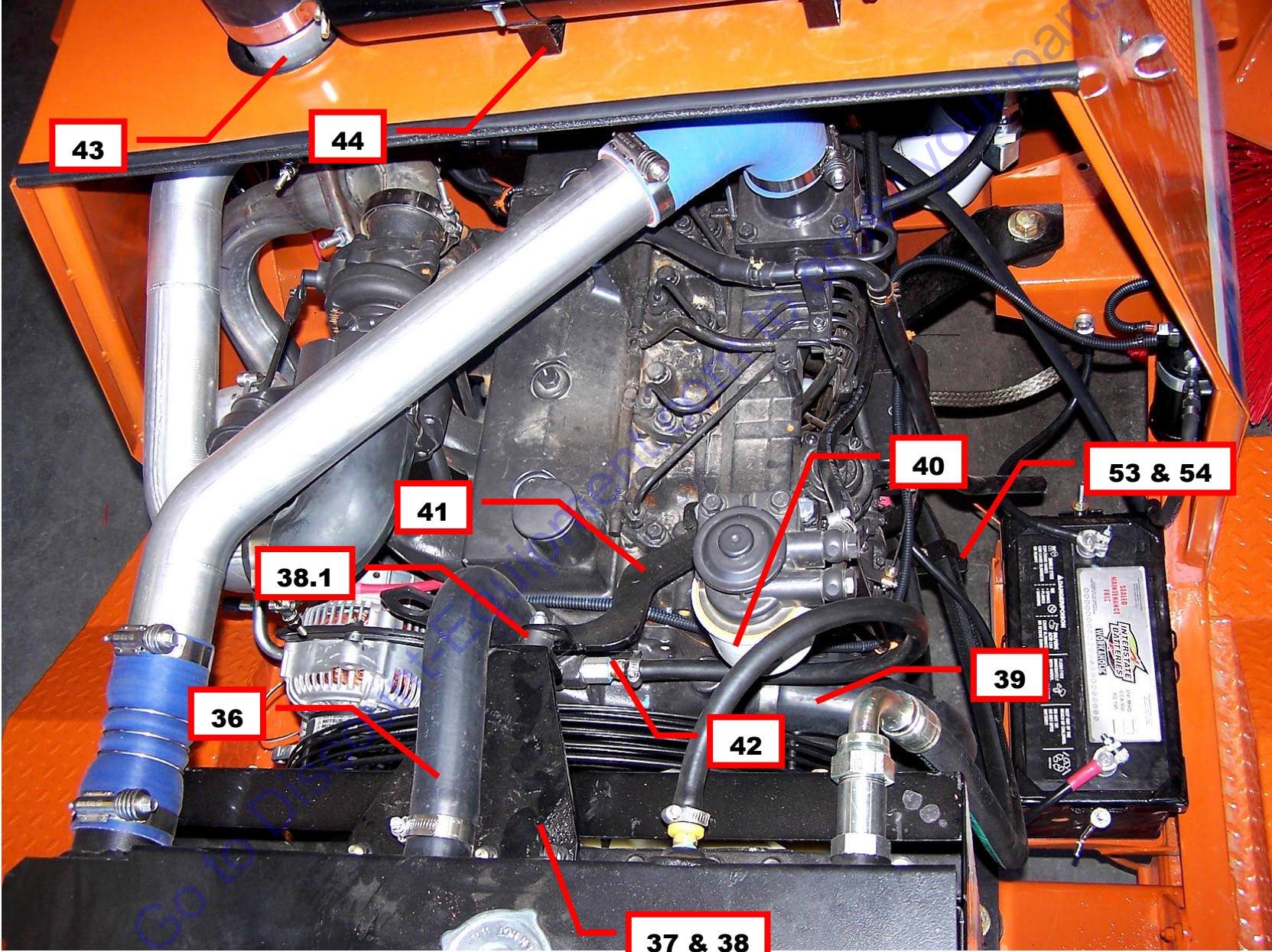


RCT-350 Export Cummins Engine

Reference	Part No.	Description	Qty.
26	304106	Rubber Elbow (3 x 2.5")	1
27	JE-758-B	Head Pipe Clamp	1
28	203663	Exhaust Pipe	1
Not Shown	344040	Tail Pipe	1
Not Shown	JE-705-B	Muffler	1
Not Shown	852110	Muffler Clamp	2
29	203622	Elbow, Steel 3"	1
30	203673	Air-to-Air Hose Clamps	8
31	203660	Connecting Tube	1
32	344407	Fan Belt	1
33	304070	Rubber Elbow (3" x 2.5"L)	1
34	344408	Oil Filter	1
35	203670	Solenoid	1
36	203666	Air Heat Plate	1
37	203668	Fuse	1
38	203669	Fuse Holder	1
39	203667	Air Heat Wiring Harness	1

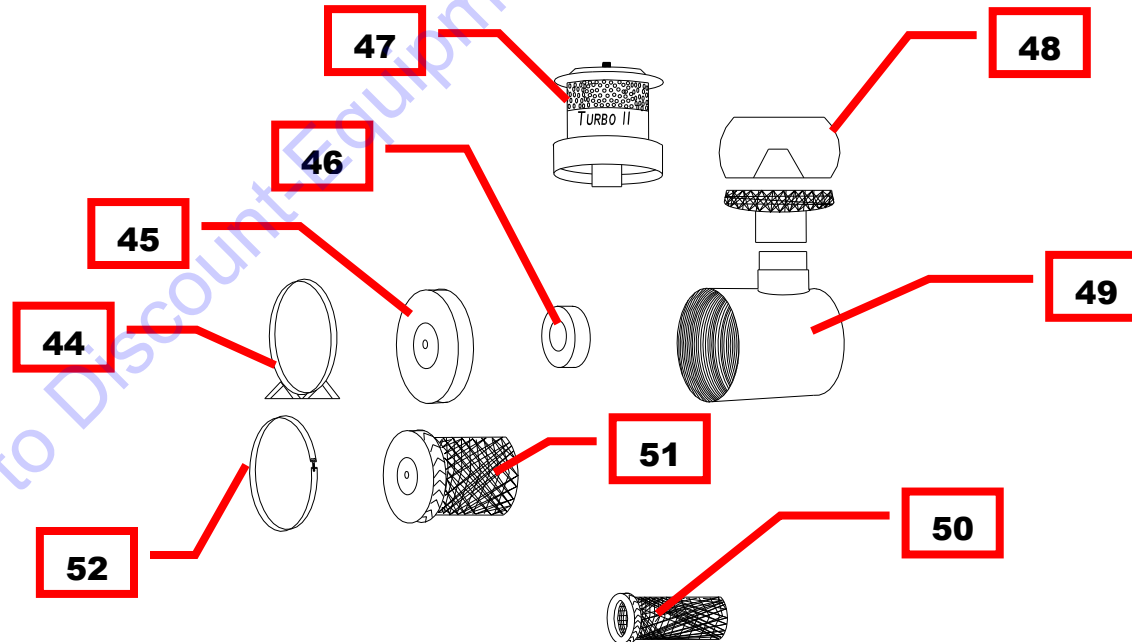


RCT-350 Export Cummins Engine

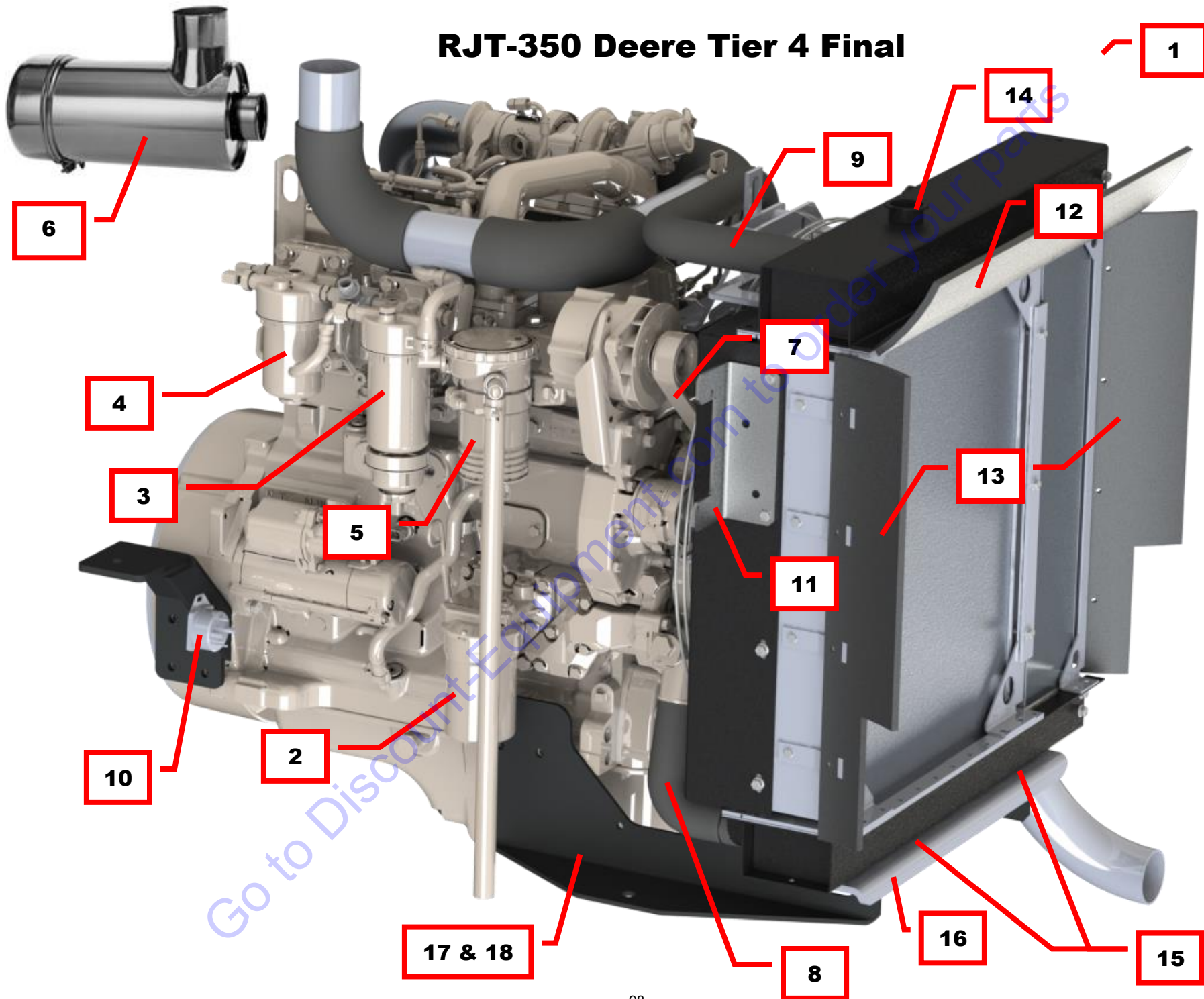


RCT-350 Export Cummins Engine

Reference	Part No.	Description	Qty.
36.....	203654.....	Upper Radiator Hose	1
37.....	203647.....	Upper Radiator Support	1
38.....	203664.....	Upper Radiator Support Spacer.....	1
38.1.....	304096.....	Upper Radiator Rubber Isolator.....	1
39.....	203309.....	Lower Radiator Hose	1
40.....	344406.....	Fuel Filter	1
41.....	203648.....	Radiator to Engine Support.....	1
42.....	203678.....	Vent Line Fitting	1
43.....	AC-763-R.....	Connecting Tube (short).....	1
44.....	AC-764-R.....	Strap.....	2
45.....	P103113	Cup	1
46.....	P102980	Air Cleaner Baffle	1
47.....	TT-771-R	Turbo II Precleaner.....	1
48.....	304059.....	Enginair Precleaner	1
	304063.....	Sy-Klone Precleaner	1
49.....	DE-770-R.....	Air Cleaner (Dual Element).....	1
50.....	P11-9410	Safety Element	1
51.....	P18-2059	Service Element	1
52.....	P003951	Clamp	1
53.....	203676	Hose Guide	1
54.....	P003951	Hose Guide Spacer	1

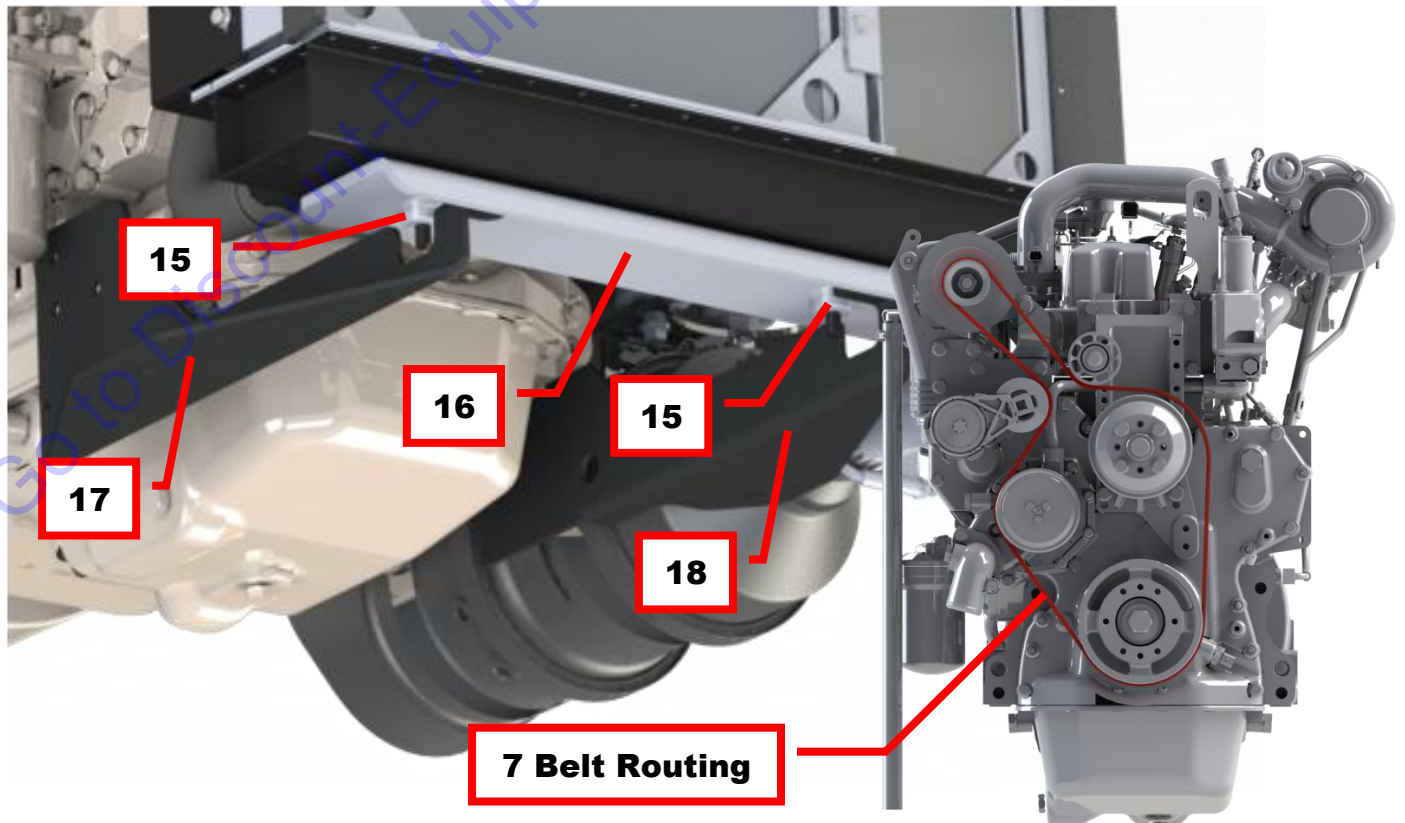


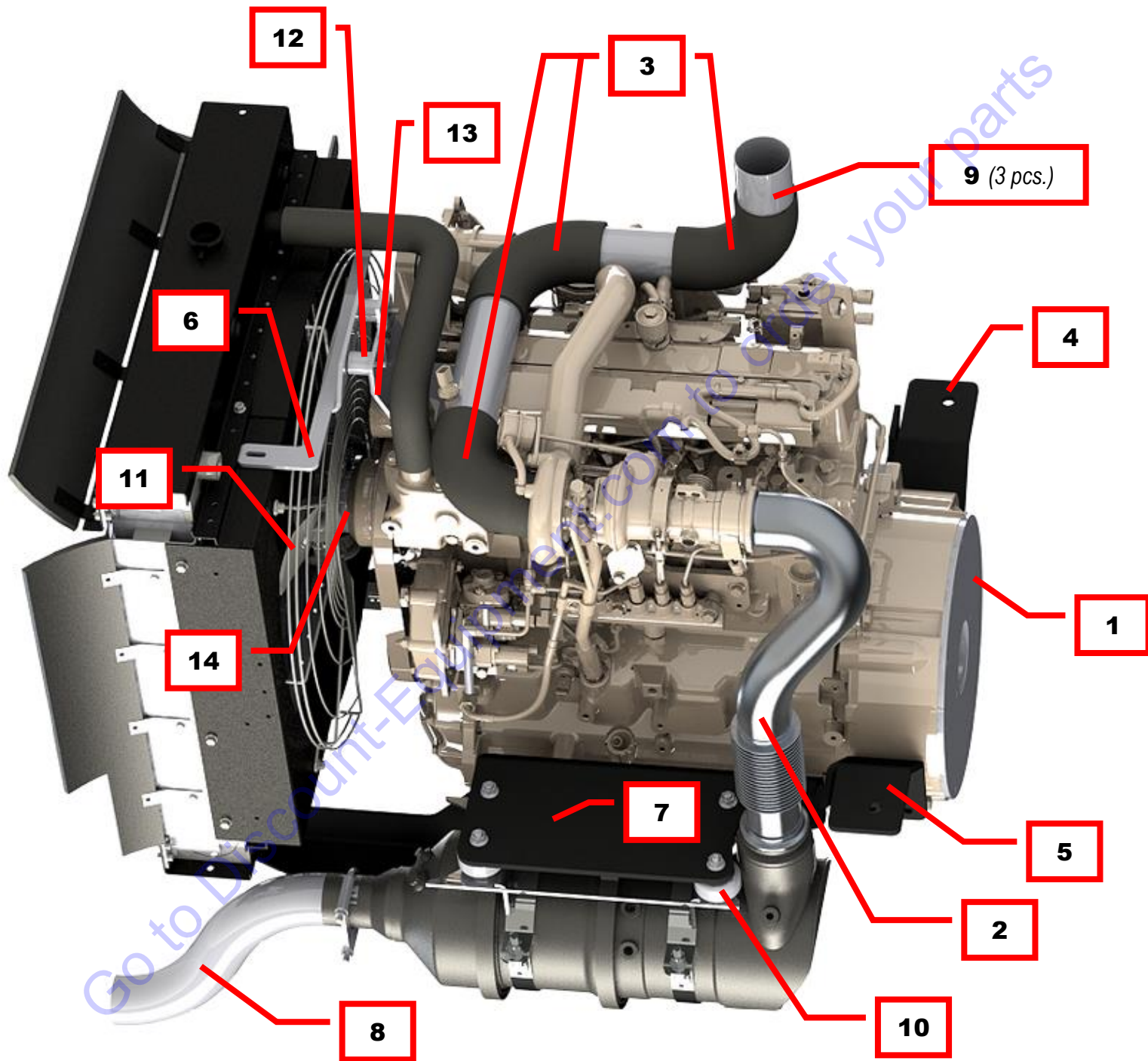
RJT-350 Deere Tier 4 Final



RJT-350 DEERE TIER 4 FINAL ENGINE

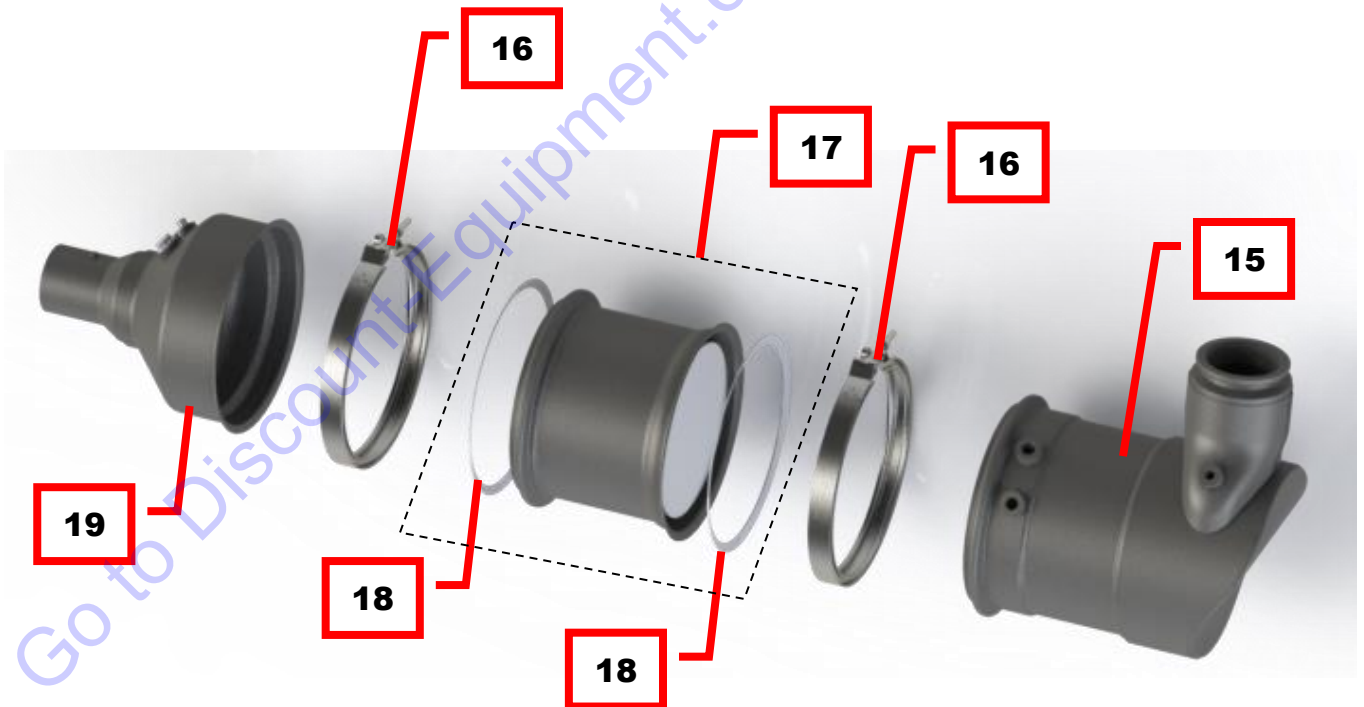
Reference	Part No.	Description	Qty.
1	344019	Engine, Complete Package	1
2	RE504836	Filter, Engine Oil	1
3	JDA05RE551507	Filter, Fuel Primary	1
4	JDA05RE551508	Filter, Fuel Secondary	1
5	JDA05DZ105796	Filter Element, Open Crankcase Ventilation	1
6	DE-770-R	Air Cleaner Kit	1
	P18-2059	Filter Element, Outer	1
	P11-9410	Filter Element, Inner	1
	TT-771-R	Turbo II Precleaner	1
	ESA55BRO8767	Extension Tube, PVC	1
	AC-760-B	Air Cleaner Elbow	1
	HDA55X220027	Air Filter Minder	1
7	JDA55R523153	Belt, JD 96.85" x 1.097 x 8 Rib	1
8	GYA5562280	Hose, Lower Radiator	1
9	GYA5560914	Hose, Upper Radiator	1
10	JDA55RE170320	Relay, Starter Circuit	1
11	HIA55II1398	Mount, Fuse Block	1
12	IIS2003	Rubber, Top Radiator Flap 5"x25"	1
13	IIS2002	Rubber, Side Radiator Flap 5"x29.75"	2
14	RSA55RS8191	Radiator	1
	FLA55S85	Coolant Level Switch	1
	CAPPRE10710	Radiator Cap	1
15	JDA55AT139776	Isolator, Cooling IT-4	2
16	HIA55II1427	Cantilever Mount, Radiator	1
17	HIA55II1428	Cantilever Mount, Right Front	1
18	HIA55II1429	Cantilever Mount, Left Front	1
Not Shown	EIA559146034	Wire Harness, Broce 4045TFC03	1
Not Shown	976-145-P204	Analog Throttle W/Jumper	1
Not Shown	CTA55TA0442A	Battery Cables, JD 36 Long, 2/0	1





RJT-350 DEERE TIER 4 FINAL ENGINE

Reference	Part No.	Description	Qty.
1	GIA553210015K42EC	Pump Mount, #4, 10"SAE"BB"SPLINE 2	1
2	IIS5015	Exhaust Pipe	1
	GTA55WS31030	Blanket Wrap, Exhaust Pipe (not shown)	1
3	HDA55P105532	3" Rubber 90 Degree Elbow	3
4	HIA55II1425	Mount, Engine Right Rear	1
5	HIA55II1426	Mount, Engine Left Rear	1
6	HIA55II1431	Mount, Top Radiator	1
7	HIA55II1430	Mount, Exhaust Front	1
8	IIS5017	Tail Pipe	1
9	IIS9044	Air Cleaner Pipe Kit (3 pcs.)	1
10	JDA55AT375421	Isolator, Exhaust	4
11	MWA552536215	Fan, Plastic 3-Blade Suction	1
12	SRA5565500001	Isolator, Top Radiator	2
13	IIS9045	Bracket, Radiator Isolator & Lift	1
14	SMA552962	Fan Spacer, 1 1/2"	1
15	RE566836	Diesel Oxidation Catalyst (DOC)	1
16	RE545865	Clamp	2
17	RE567056	Diesel Particulate Filter (includes gaskets)	1
18	R532139	Gasket	2
19	RE549532	Exhaust Pipe	1



RJT-350 DEERE TIER 4 FINAL ENGINE PV380 Display

Reference	Part No.	Description	Qty.
1.	MUA5578350774	...PV380-R2, BROCE BROOM - JD.....	1

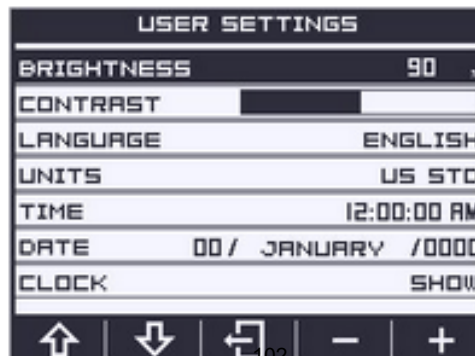


User Settings

Brightness and Contrast

Follow these steps to adjust the Brightness and Contrast:

1. Press to display the Menu.
2. Arrow to **USER SETTINGS**. Press and arrow to the desired selection.
3. Press and to adjust the selection.
4. Press to save and exit the menu.











RJT-350 DEERE TIER 4 FINAL ENGINE

PV380 Display

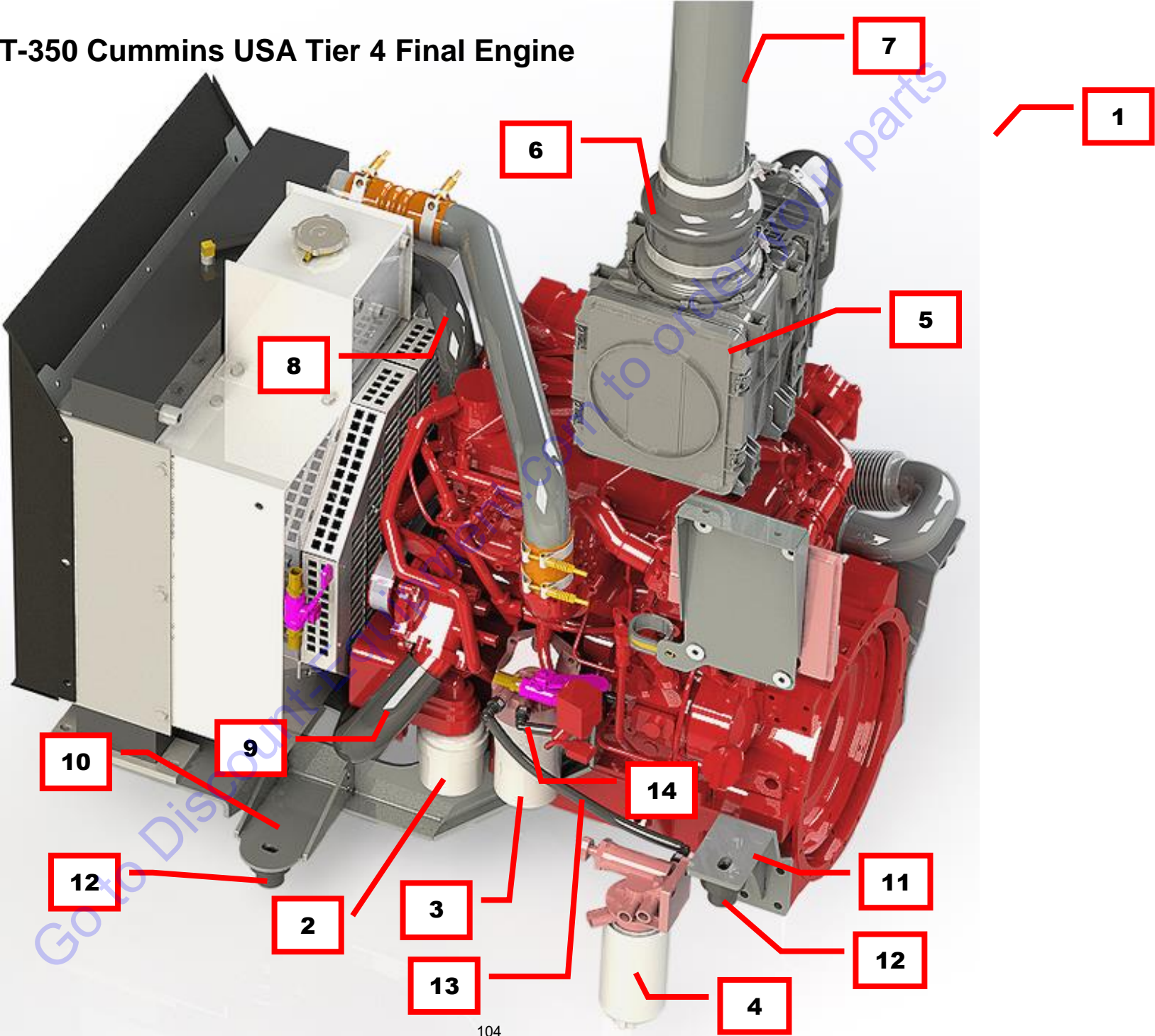
Tachometer Area: The tachometer is the most important reading and is shown in the largest gauge form that will fit the screen. This represents the Engine speed with an option to choose a 3000, 4000 or 6000 RPM dial

Parameter Area: The following parameters are the electronic engine defaults until other parameters are selected from the menu. Only the second screen, areas 3 through 6 may be changed:

- Engine Oil Pressure (numeric)
- Engine Temperature (numeric)
- Battery Voltage (numeric)
- Fuel Level (numeric)
- 2 – DEF Level (Tier 4 only) or target speed when DPF/SCR is disabled
- Target Speed – appears on screen for 5 seconds when the user throttles the engine

Icon(s)	Function(s)
 	Shutdown (electronic or by mechanical set point) Warning
	HEST
	Regen Inhibit (Regen Inhibit is restricted when a HEST alarm is present)
	Diesel Particulate Filter (DPF)
	DEF level (electronic only)
	Service indicator
	Engine Emissions System Failure

RCT-350 Cummins USA Tier 4 Final Engine

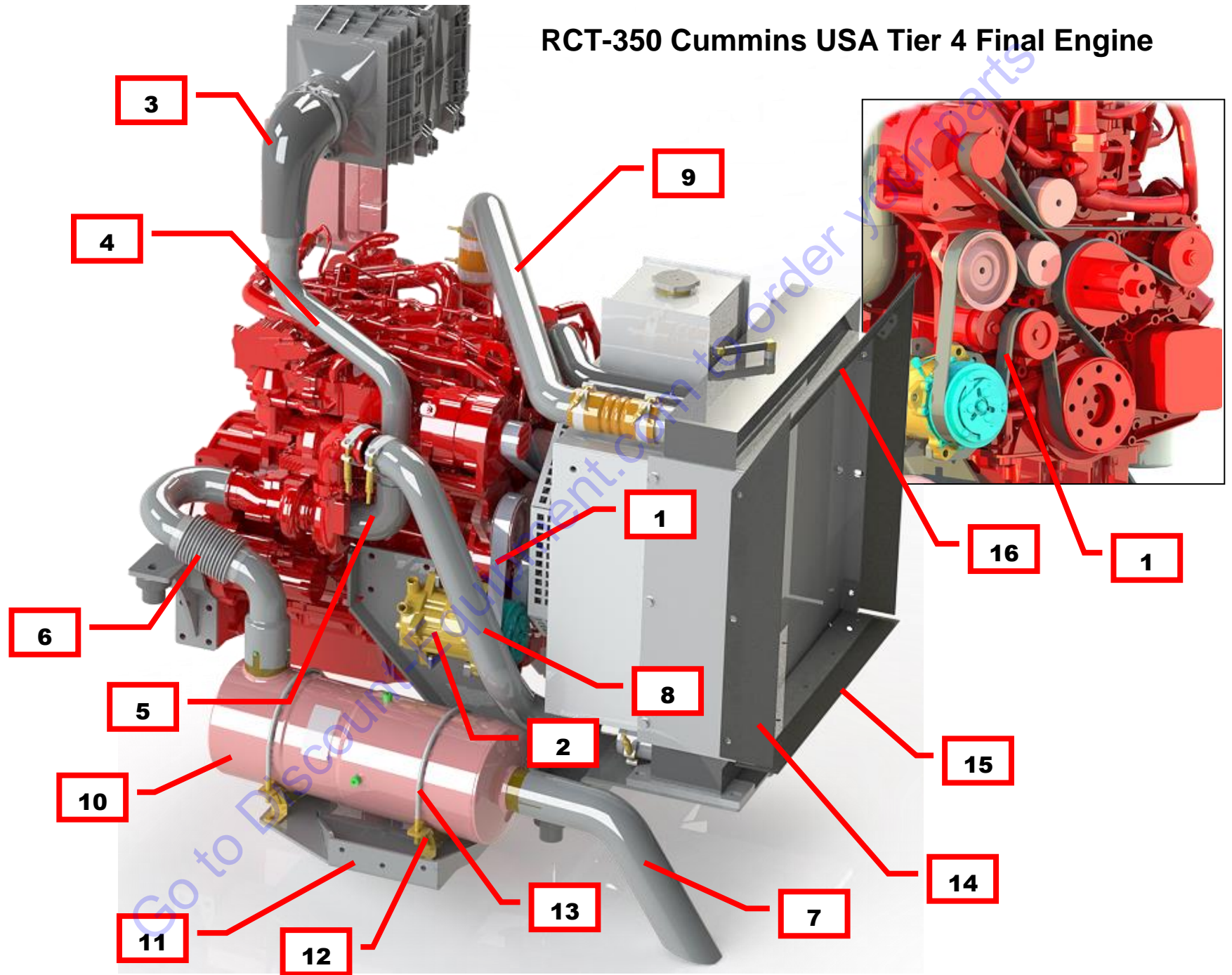


RCT-350 CUMMINS USA TIER 4 FINAL ENGINE AND RELATED PARTS

Reference	Part No.	Description	Qty.
1	344022	Engine, Complete Package	1
2	LF9230	Filter, Engine Oil	1
3	FF90567-01	Filter, Fuel Primary Cartridge	1
4	FS19732	Filter, Fuel Secondary	1
5	AH55642VEJX	Air Cleaner, Dual Element	1
	AF55020	Primary Air Cleaner Filter Element	1
	AF55320	Secondary Air Cleaner Filter Element	1
	135501-00825	Filter Minder	1
6	5H4	Hose, Reducing Hump	1
	210-102	Clamp, Upper	1
	210-118	Clamp, Lower	1
7	MAI675-B	Tube, Extension Air Intake	1
8	MCA374-A	Hose, Upper Radiator	1
9	MCA375-A	Hose, Lower Radiator	1
10	MFM111-A	Mount, Motor Left Front	1
	MFM110-A	Mount, Motor Right Front	1
11	MRM125-A	Mount, Motor Left Rear	1
	MRM124-A	Mount, Motor Right Rear	1
12	CB-1180-1	Isolator, Engine Mount	4
13	MFC131-A	Fuel Hose, Quick-Connect	1
14	MFC131-B	Fuel Hose, Quick-Connect	1
Not Shown	MWH369-B	Cable, Battery Power	1

Go to Discount-Equipment.com to order your parts

RCT-350 Cummins USA Tier 4 Final Engine

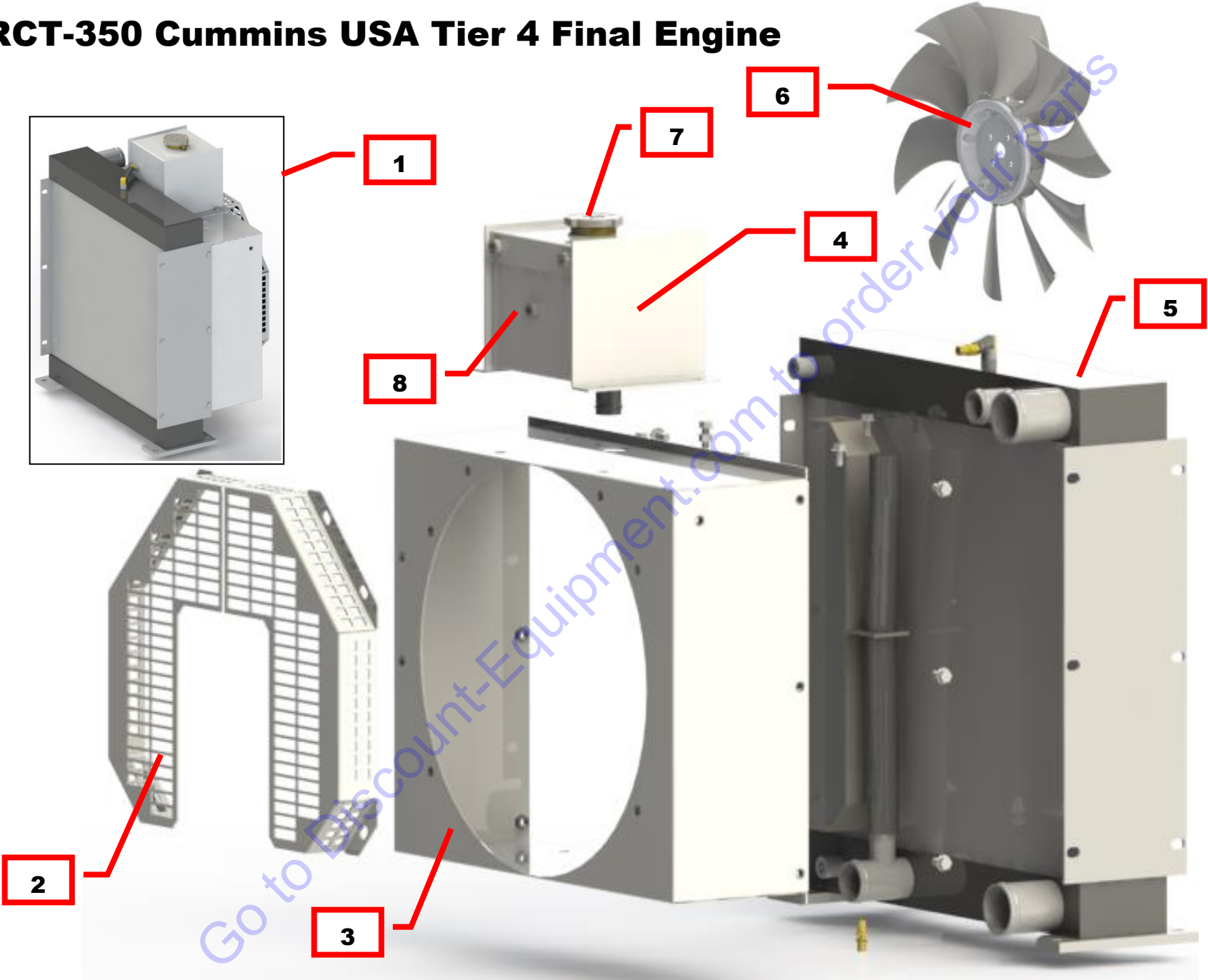


RCT-350 Cummins USA TIER 4 Final Engine

Reference	Part No.	Description	Qty.
1.....	5254354.....	Belt, Serpentine.....	1
2.....	509-5406.....	Compressor, A/C.....	1
3.....	90HL40R25.....	Hose, 90 Degree Reducing 4-2.5".....	1
	210-102.....	Clamp.....	1
4.....	MAI584-B.....	Tube, Air Intake.....	4
5.....	304110.....	Hose, 90 Degree 2".....	1
6.....	MXS410-A.....	Downpipe, Exhaust.....	1
7.....	MXS411-A.....	Tailpipe, Exhaust.....	1
8.....	MAI582-A.....	Tube, Hot CAC.....	1
	250-73B.....	Clamp.....	1
9.....	MAI583-A.....	Tube, Cold CAC.....	1
10.....	A048Y154.....	DOC, Exhaust.....	1
11.....	MXS428-A.....	DOC Mounting Bracket.....	1
12.....	MXS265-B.....	Base, CCC Mounting.....	2
13.....	MXS258-B.....	U-Bolt.....	2
14.....	203485.....	Anti-Recirculation Flap, Left/Right.....	2
15.....	203484.....	Anti-Recirculation Flap, Lower.....	1
16.....	203483.....	Anti-Recirculation Flap, Upper.....	1

Go to Discount-Equipment.com to order your parts

RCT-350 Cummins USA Tier 4 Final Engine



RCT-350 Cummins USA TIER 4 Final Engine

Reference	Part No.	Description	Qty.
1.....	01-41129.....	Cooling Package (HOC, CAC, Rad)	1
2.....	34-41317-01	Guard, Fan, Left.....	1
	34-41317-02.....	Guard, Fan, Right	1
3.....	33-41316.....	Shroud, Fan	1
4.....	14-41318-9	Reservoir, Coolant	1
5.....	24-41319-9	Radiator, CAC, HOC	1
6.....	344001	Fan, Engine Cooling	1
7.....	11-01534.....	Cap, Radiator	1
8.....	1035100002-001.....	Low Water Probe.....	1

Go to Discount-Equipment.com to order your parts

RCT-350 Cummins USA TIER 4 Final Engine

Reference	Part No.	Description	Qty.
1	976-145-P204	Throttle, Cummins	1

Full **Idle**

45°

44,1

168,8

43

16

40

Ø 6,61(2)

Sensor output signals:

Analogue Voltage [V]

4,20V +/- 50mV

APS1

2,10V +/- 50mV

APS2

1,10V +/- 50mV

0,55V +/- 50mV

idle full Travel Angle [°]

Wire Side View

	FUNCTION	PIN N°
APS 1	Supply + 5V	1
	Return	2
APS 2	Signal 1,10V - 4,20V	4
	Supply + 5V	6
	Return	5
	Signal 0,55V - 2,10V	3

INCLUDED

COUNTER CONNECTOR KIT PN : **KTCN 0962 001**

Connector : AMP Nr. 1-967616-1 (x1)

Terminals : AMP Nr. 0-0963727-1 (x7)

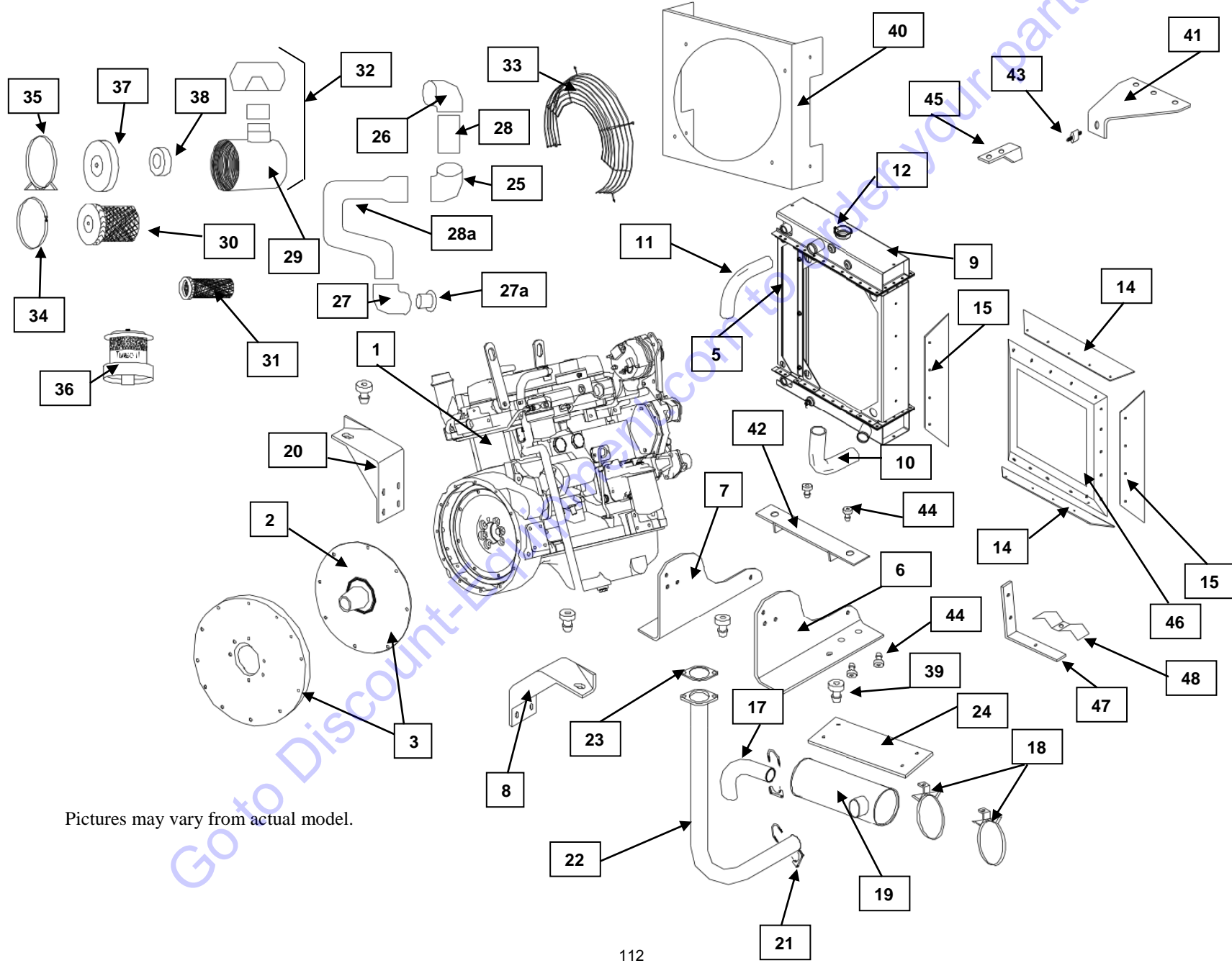
Wire seal : AMP Nr. 0-0967067-1 (x6)

!!! WARNING !!!

Connect throttle sensor ground to engine ECU ground terminals only.
DO NOT CONNECT TO CHASSIS GROUND

UNLESS OTHERWISE SPECIFIED: DIMENSIONS ARE IN MILLIMETERS SURFACE FINISH TOLERANCES: LINEAR: +/- 0.1 ANGULAR: +/- 0.5		FINISH: See exploded view	DRILL AND BREAK SHARP EDGES	DO NOT SCALE DRAWING	SIZE: A3
DRAWN: LJY 13/11/2008			PART NR: 976 145 P204		
CHECKED: SB 13/11/2008			TITLE: Side Mounted Direct Drive Hand Throttle Dual analog for Cummins		
MATERIAL: See exploded view			DWG NO.:		
WEIGHT: 246gr without frames			SCALE: 1:2.5		
			REV:		
			SHEET 1 OF 1		

KR-350 KUBOTA ENGINE AND RELATED PARTS

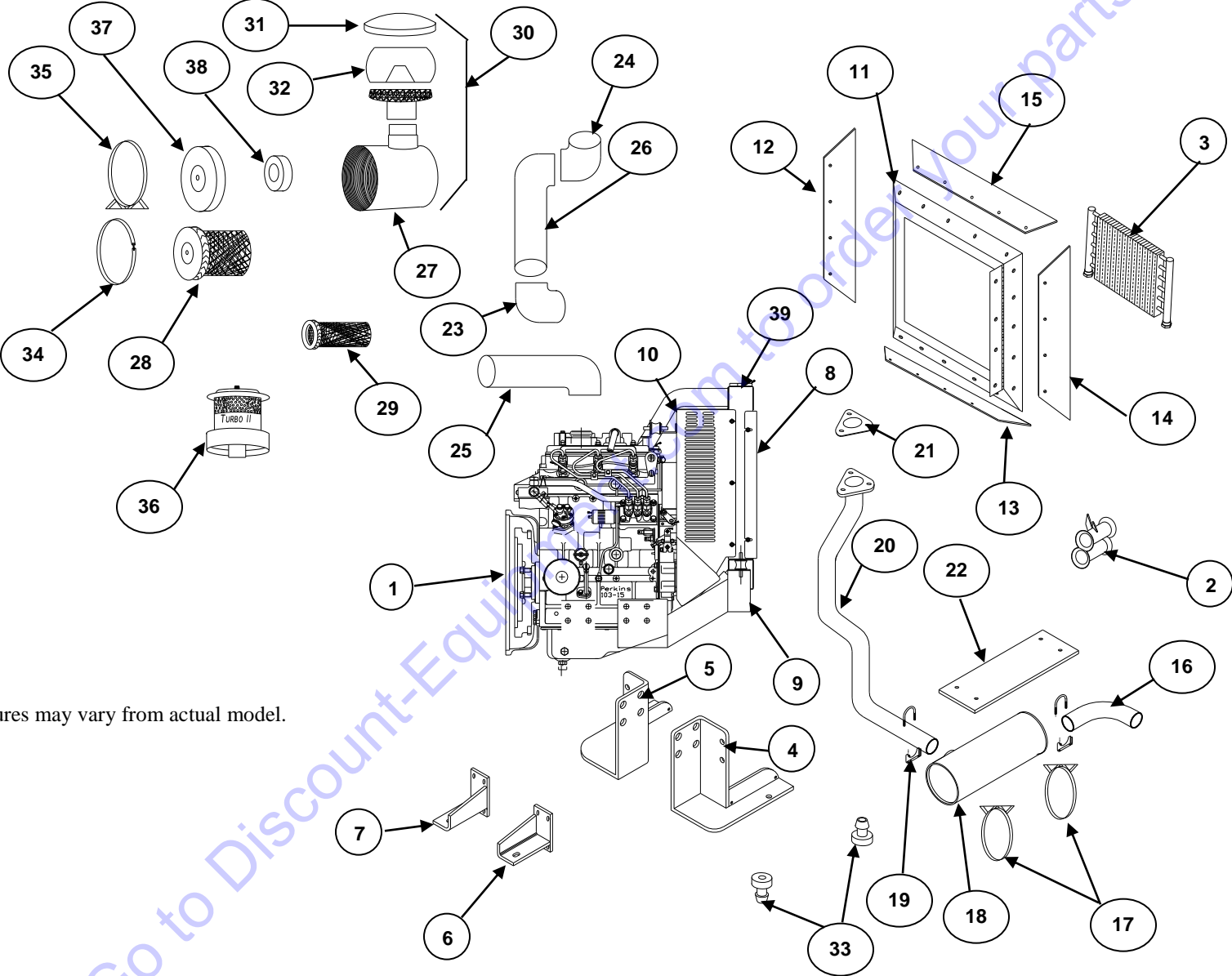


Pictures may vary from actual model.

KR-350 KUBOTA ENGINE AND RELATED PARTS

Reference	Part No.	Description	Qty.
1	344064	Kubota Diesel Engine	1
2	N/A	Drive Plate	1
3	344052	Pump Drive, Complete	1
5	203794	Oil Cooler Asm/ Radiator Asm.	1
6	203330	Right Front Motor Mount	1
7	203331	Left Front Motor Mount	1
8	203780	Right Rear Motor Mount	1
9	203794	Radiator Assembly / Oil Cooler Asm.	1
10	CR-721-B	Lower Radiator Hose	1
11	304099	Upper Radiator Hose	1
12	CALL	Radiator Cap	1
14	203800	Top and Bottom Seal	2
15	203799	Left and Right Seal	2
17	344040	Tail Pipe	1
18	852110	Muffler Clamp	2
19	JE-705-B	Muffler	1
20	203781	Left Rear Motor Mount	1
21	JE-758-B	Head Pipe Clamp	2
22	852337	Exhaust Pipe	1
23	19258-12230	Exhaust Gasket	1
24	203105	Exhaust Heat Shield	1
25	304106	Rubber Elbow (3" x 2.5")	1
26	AC-760-B	Rubber Elbow (3.5" x 3")	1
27	304110	Rubber Elbow (1.75" x 2")	1
28	202152	Connecting Tube	1
28a	203345	Connecting Tube	1
29	DE-770-R	Air Cleaner (Dual Element)	1
30	P182059	Service Element	1
31	P119410	Safety Element	1
32	304059	Enginair Precleaner	1
	304063	Sy-Klone Precleaner	1
33	203806	Fan Guard	1
34	P003951	Clamp	1
35	AC-764-R	Strap	2
36	TT-771-R	Turbo II Precleaner	1
37	P103113	Cup	1
38	P102980	Air Cleaner Baffle	1
39	CM-714-B	Engine Isolator Kit	4
40	203797	Radiator Shroud	1
41	203801	Upper Radiator Support	1
42	852802	Bottom Radiator Support	1
43	304096	Top Radiator Isolator	1
44	344121	Bottom Radiator Isolator & Heat Shield Isolator	6
45	203334	Radiator to Mount Support	1
46	203798	Air Guide Frame	1
47	203804	Hose Guide	1
48	001397	Hump Clamp	1
Not Shown	203795	Kubota Fan	1
Not Shown	203805	Fan Spacer	1
Not Shown	344550	Oil Filter	1
Not Shown	16631-43560	Fuel Filter	1
Not Shown	304015	Alternator/Engine Belt	1
Not Shown	203346	Alternator Support Bracket	1
Not Shown	203347	Alternator Adjustment Bracket	1
Not Shown	203348	Alternator Bushing	1

CAT C4.4 ENGINE AND RELATED PARTS



Pictures may vary from actual model.

CAT C4.4 ENGINE AND RELATED PARTS

ITEM	PART NUMBER	DESCRIPTION	QUANTITY
1	344023	CAT C4.4 Diesel Engine	1
2	852045	Oil Cooler Hose Guide Sleeve	1
3	325027	Oil Cooler - Aluminum	1
4	203600	Right Front Motor Mount	1
5	203601	Left Front Motor Mount	1
6	852042	Right Rear Motor Mount	1
7	852043	Left Rear Motor Mount	1
8	344508	Radiator Assembly	1
9	344511	Lower Radiator Hose	1
10	344510	Upper Radiator Hose	1
11	853606	Oil Cooler Mount	1
12	203480	Right Side Oil Cooler Seal	1
13	203481	Lower Seal (Rubber)	1
14	203479	Left Side Oil Cooler Seal	1
15	203482	Upper Seal (Rubber)	1
16	344040	Tail Pipe	1
17	852110	Muffler Clamp	2
18	JE-705-B	Muffler	1
19	JE-758-B	Head Pipe Clamp	2
20	855612	Exhaust Pipe	1
21	344031	Exhaust Gasket	1
22	203105	Exhaust Heat Shield	1
23	304106	Rubber Elbow	2
24	304119	Rubber Elbow	1
25	304195	Heater Hose	1
26	203614	Connecting Tube	1
27	DE-770-R	Air Cleaner (Dual Element)	1
28	P182059	Service Element	1
29	P119410	Safety Element	1
30	PC-710-B	Precleaner, 4"	1
31	PC-765-R	Precleaner, Top	1
32	PC-711-R	Precleaner Bowl	1
33	304095	Engine Isolator Kit	4
34	P003951	Clamp	1
35	AC-764-R	Strap	2
36	TT-771-R	Turbo II Precleaner	1
37	P103113	Cup	1
38	P102980	Air Cleaner Baffle	1
39	344509	Radiator Cap	1
NS	101-3770	CAT Fan	1
NS	5M8155	Fan Belt	1
NS	304196	Compressor Belt, A/C Only	1
NS	344079	Fuel Filter	1
NS	344078	Oil Filter	1

**PREVENTIVE MAINTENANCE
BROOM SPECIFICATIONS
& SCHEMATICS**

Go to Discount-Equipment.com to order your parts

Preventative Maintenance

A well maintained A/C system would save on downtime and premature component failures.

Weekly inspections or every 2 days in severe environments should include:

1. Inspect compressor clutch drive belts (tightness, wear).
2. Inspect compressor-mounting brackets (bolts, alignment).
3. Inspect mounting hardware on evaporator unit and condensers.
4. Inspect air intake filter. Clean or replace filter.
5. Inspect evaporator and condenser coils. Clean using air pressure. (DO NOT USE WATER OR PRESSURE WASHERS).
6. Inspect hose and wire harness for proper routing. Leaks and wear.

Helpful Hints

Make sure the evaporator air intake area is not obstructed (i.e. toolboxes, clothing, lunch box, etc.)

Manual thermostats on our systems, when rotated clockwise to the stop position will not allow the A/C compressor clutch to cycle. The compressor will run continuously and the evaporator coil will not defrost. REMEDY: Turn the manual thermostat knob clockwise to the stop position, and then turn the thermostat knob back counter clockwise $\frac{1}{4}$ turn.

Broce thanks you for purchasing our units. It is our endeavor to provide you with a quality A/C unit with trouble free service.

HYDRAULIC COMPONENT SPECIFICATIONS

Propel Pump

Displacement at MAX Angle:	46 cc (2.8 CU IN)
Rated Speed:	4000 RPM
MAX Speed:	4100 RPM
MIN Speed:	500 RPM
Case Pressure – Continuous:	1.7 BAR (25 PSI)
Case Pressure – MAX:	5.2 BAR (75 PSI)
System Pressure – Continuous:	210 BAR (3000 PSI)
System Pressure – MAX:	345 BAR (5000 PSI)
Inlet Vacuum – Continuous:	.8 BAR Absolute (5 IN Hg)
Inlet Vacuum – MAX:	.7 BAR Absolute (10 IN Hg)
Charge Pressure Setting:	19.5 BAR (283 PSI)
System Pressure Setting:	280 BAR (4060 PSI)
Approximate Flow at 2400 RPM	26 GPM

Propel Motor

Displacement:	46 cc (2.8 CU IN)
Rated Speed:	3600 RPM
MAX Speed:	3600 RPM
Case Pressure – Continuous	1.7 BAR (25 PSI)
Case Pressure – MAX:	5.2 BAR (75 PSI)
System Pressure – Continuous:	210 BAR (3000 PSI)
System Pressure – MAX:	345 BAR (5000 PSI)

Auxiliary Pump

Displacement:	38 cc (2.32 CU IN)
MAX Speed:	2500 RPM
MAX Continuous Pressure:	3000 PSI
Approximate Flow at 2400 RPM	
Priority (Steering and Broom)	3 GPM
Secondary (Broom Rotation)	18 GPM
MAX Pressure Setting (Priority):	1600 PSI
MAX Pressure Setting * (Secondary)	3000 PSI

*Relief Valve in the Broom Rotation Valve

FLUID CAPACITIES

<i>Component</i>	<i>Fluid Type</i>	<i>Quantity</i>
Hydraulic Tank	DYNA-PLEX 21C CURSA HYDRAULIC OIL Must meet Caterpillar spec. T02 or Allison C3	27 Gal.
Fuel	#2 DIESEL	27 Gal.
Radiator	ETHYLENE GLYCOL 50/50 MIX	2.5 Gal
Engine Crankcase	API Classification CE or CD CCMC Specification D4 or D5	10 Qts
Rear Axle	EP-90 GEAR LUBE	2 Qts*
2-Speed G-Box	EP-90 GEAR LUBE	2 Qts*

* 2 Quarts is approximate. Fill to the level of the filler plug.

Go to Discount-Equipment.com to order your parts

Broce Brooms

DYNA-PLEX 21C CURSA HYDRAULIC OIL

Dyna-Plex 21C Cursa Hydraulic Oils are high quality; extra-inhibited oils designed with hydrocrack Group II base oils, for use in multi-functional applications where long oil life is required. These oils will give you steady, reliable performance as a hydraulic medium.

Dyna-Plex 21C Cursa Hydraulic Oils have been finely filtered to remove external contamination and contain special O-Ring conditioners to prolong hydraulic component life. Seal swell agents have been added to prevent leaks and Cursa's demulsability characteristics enhance separation and removal of water. These oils will supply 5000 hours of service before extreme oxidation problems occur and also provide excellent resistance to foaming, rust and wear.

<u>PROPERTY</u>	<u>ASTM TEST METHOD</u>	<u>MULTI-FUNCTION</u>
Viscosity @ 40°C,CST	D445	46.00
Viscosity @ 100°C,CST	D445	9.75
Viscosity Index	D2270	200
Flash Point, COC, °C	D92	200
Flash Point, COC, °F	D92	392
Pour Point, °C (°F)	D97	-36 (-33)
Color	D1500	Orange
Gravity, °API	D287	32.0
Turbine Oil Oxidation	D943	5000+
Copper Strip	D130	LB
Rust Test	D665	Pass
Vane Pump, Mgs. Wt. Loss	D2882	12
Usable Temperature Range, °F		-10-110
Maximum Hydra. Temperature, °F		205
Dielectric Strength, kv		35
RBOT, Minutes	D2272	950
Demulsibility	D1401	40-40-0 (5)

Meets or exceeds the following tests and requirements:

AFNOR E 48-603
 B.F. Goodrich – 0152
 Cincinnati Milacron – P-68 (light hydraulic oils), P-69, P-70
 Denison – HF-0, HF-1, HF-2
 DIN – 51524, Part 2
 FMC – High-Performance Hydraulic Oil
 Ford – M-6C32
 General Motors – LH-04-1, LH-06-1, LH-15-1
 Jeffrey - #87
 Lee Norse 100-1
 Racine – Model S, variable volume vane pump
 U.S. Steel – 136, 127
 Vickers – I-286-S, M-2950-S, 35VQ25

HO-11/4-14-00

DYNA-PLEX 21C EXTENDED DRAIN ANTI-FREEZE/ENGINE COOLANT

Dyna-Plex 21C Extended Drain Anti-Freeze/Engine Coolant is a premium quality ethylene glycol based product. It is pre-diluted to a 50/50 mixture with de-ionized water to provide excellent corrosion control and a deduction of scale buildup. The corrosion inhibitor package eliminates the need for an initial charge of supplemental coolant additive (SCA). The 50/50 dilution with de-ionized water insures high water quality and eliminates the chance for error when mixing anti-freeze with water in the field.

Dyna-Plex 21C Extended Drain Anti-Freeze gives the maximum protection and performance available for heavy-duty diesel applications, while eliminating potential water related problems. Advantages of this product include the highest quality inhibitor package available and its ready to use convenience.

Universal recommends good maintenance practices to monitor inhibitor levels on a regular basis by utilizing coolant analysis, which is an important aspect of extending the life of this coolant/anti-freeze. This product meets or exceeds manufacturer specifications for use in both heavy-duty diesel and automotive applications.

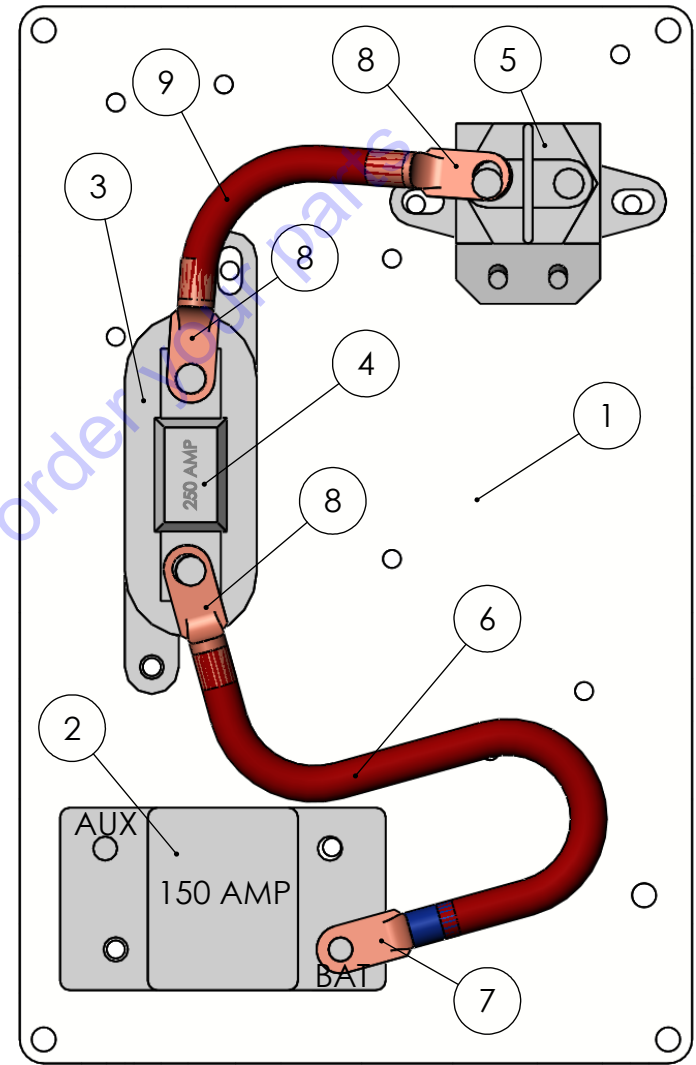
<u>Physical and Chemical Properties</u>	<u>ASTM Test Method</u>	<u>Test Specifications</u>
Specific Gravity @ 60°F	D-1122	1.110 – 1.145
pH 50% Dilution	D-1287	10.0 – 10.4
Reserve Alkalinity	D-1121	5.0 ml min.
Boiling Point	D-1120	320°F min.
Flash Point	D-92	240°F min.
Freeze Point	D-1177	-34°F max.
Color		OEM Standard Green
Foaming – Foam Volume, ml	D-1881	50 max.
Break Time, sec.	D-1881	5 max.
Composition (% by weight)		
Total Glycols		45.0% min.
Total De-ionized Water		53.0% max.
Inhibitors and Dye		2.0% min.

Dyna-Plex 21C Extended Drain Anti-Freeze/Engine Coolant meets or exceeds the following specifications:

American Society for Testing and Materials (ASTM)- D-33-6; D-4985; D-4656
 General Motors – GM 1899M; GM 1825M
 Society for Automotive Engineers – SAE J1941, J1034
 Cummins – 85T8-2; 90T8-4; Bulletin #3666132
 Ford Motor Corporation – ESE M97B44A; ESE-M97B18-C
 Chrysler Motors - MS7170
 Detroit Diesel 7SE298
 John Deere H24A2; H24C2
 ATA Maintenance Council – RP-329

AF-1/9-12-01

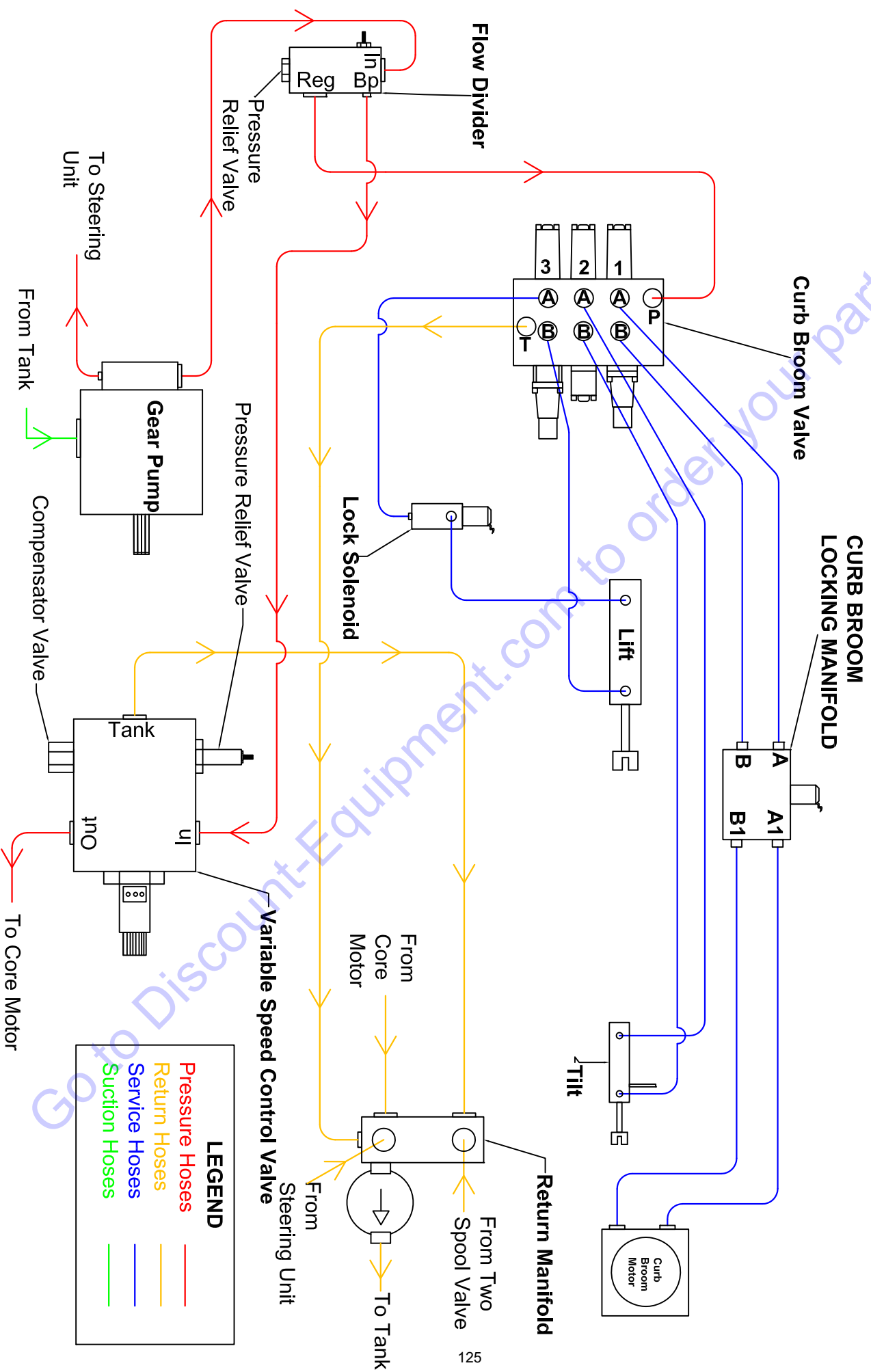
ITEM NO.	PART NUMBER	DESCRIPTION	QTY.
1	203150	PANEL ELECTRIC	1
2	307900	BREAKER 150 AMP	1
3	203669	FUSE HOLDER	1
4	203668	250 AMP FUSE	1
5	203670	SOLENOID CONTROL	1
6	307804	5" 4G WIRE	5
7	307353	4 g 1/4" Eyelet	1
8	307352	4 g 5/16" Eyelet	3
9	307804	4" 4G WIRE	4



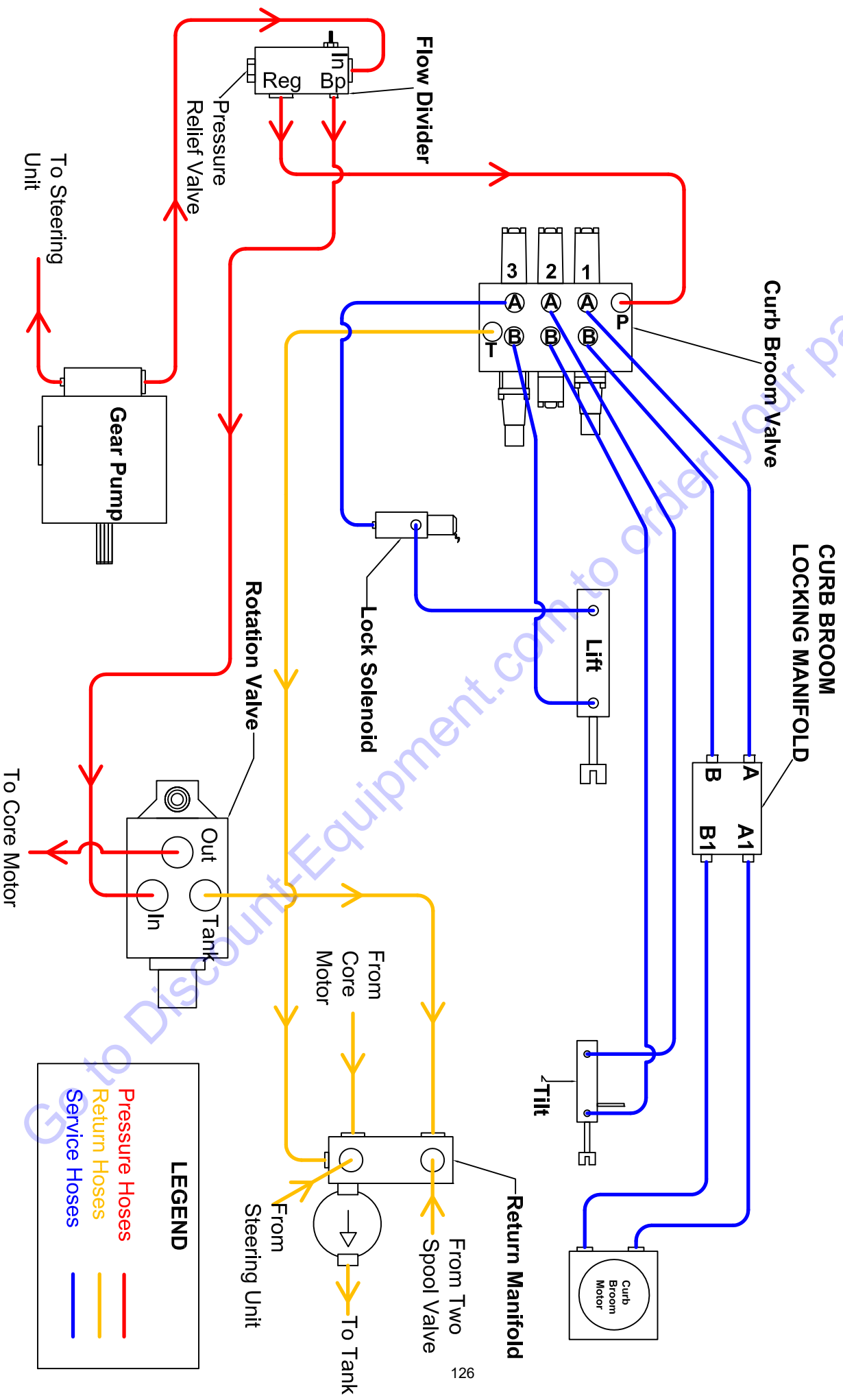
		UNLESS OTHERWISE SPECIFIED:	NAME	DATE	BROCE MANUFACTURING 1460 S 2ND AVE DODGE CITY KS, 67801	
		DIMENSIONS ARE IN INCHES	DRAWN	CG	7/7/16	TITLE:
		TOLERANCES:	CHECKED			ELECTRICAL PANEL TIER 4F
		FRACTIONAL ±	ENG APPR.			
		ANGULAR: MACH ± BEND ±	MFG APPR.			
		TWO PLACE DECIMAL ±	Q.A.			
		THREE PLACE DECIMAL ±	COMMENTS:			SIZE
NEXT ASSY	USED ON	INTERPRET GEOMETRIC TOLERANCING PER:				DWG. NO.
		MATERIAL				A
		FINISH				752407
APPLICATION		DO NOT SCALE DRAWING				REV
						SCALE: 1:4
						SHEET 1 OF 1

PROPRIETARY AND CONFIDENTIAL
 THE INFORMATION CONTAINED IN THIS DRAWING IS THE SOLE PROPERTY OF <INSERT COMPANY NAME HERE>. ANY REPRODUCTION IN PART OR AS A WHOLE WITHOUT THE WRITTEN PERMISSION OF <INSERT COMPANY NAME HERE> IS PROHIBITED.

Curb Broom With Variable Speed Brush



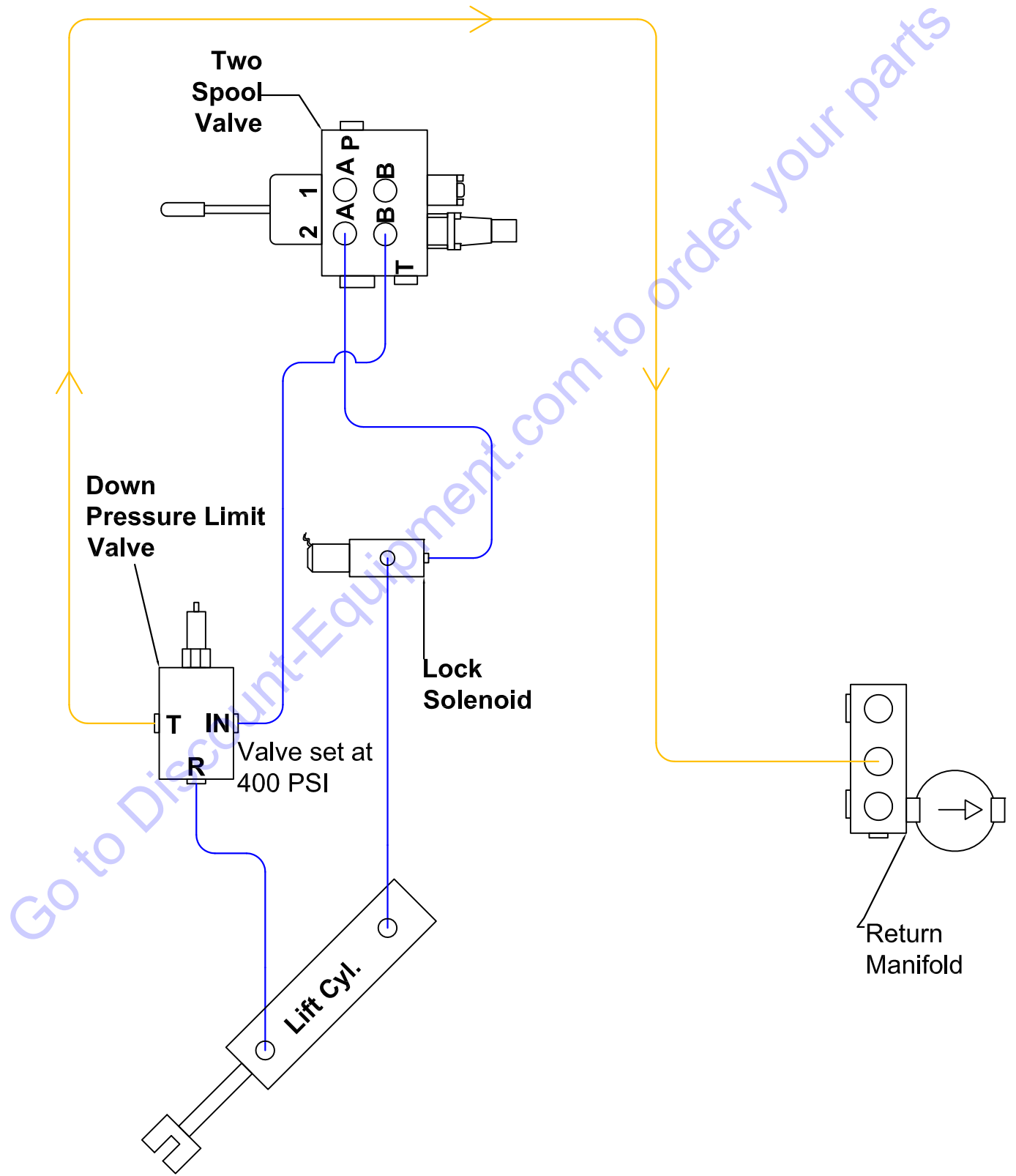
Curb Broom Hyd.



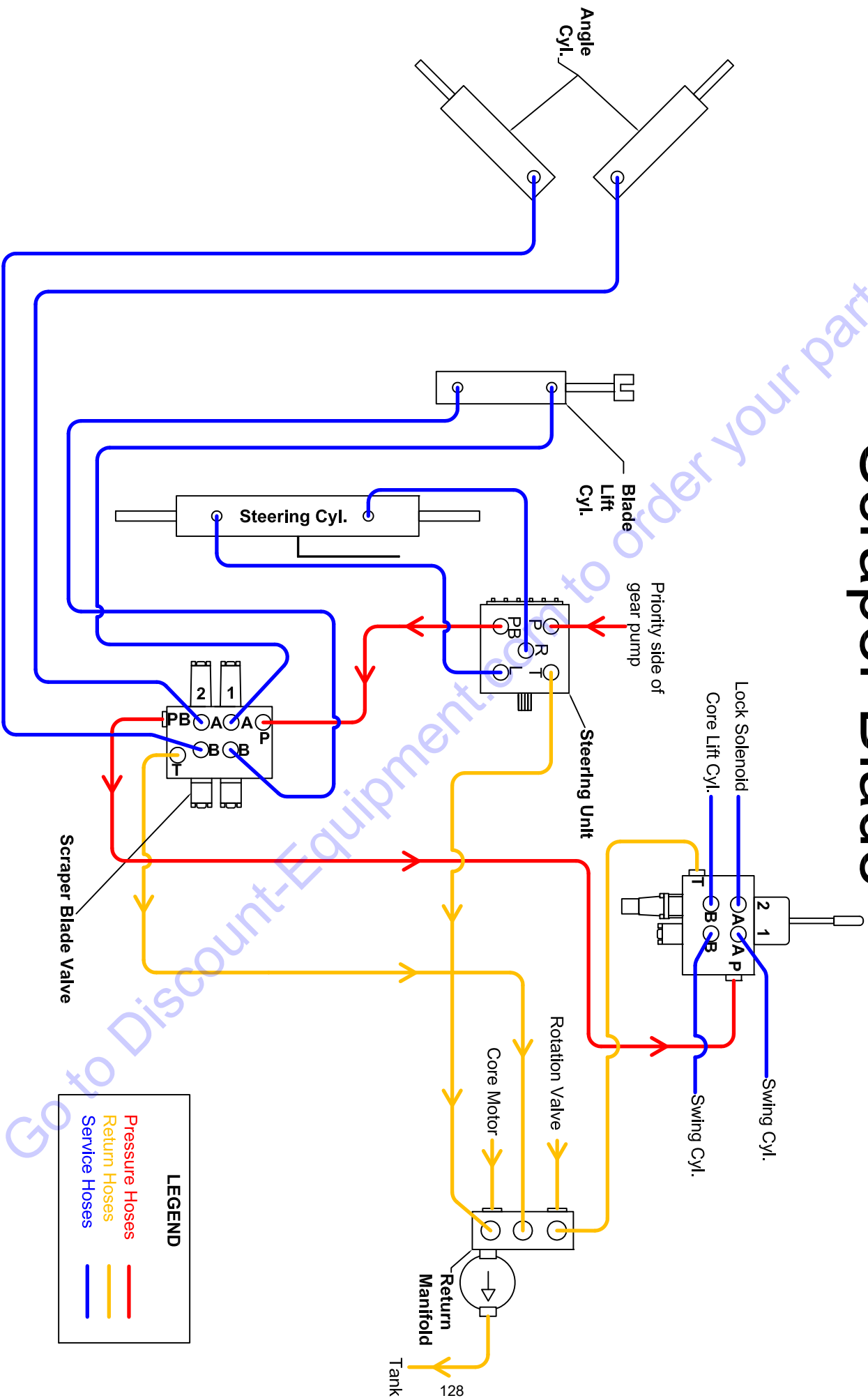
LEGEND

Pressure Hoses	Red line
Return Hoses	Yellow line
Service Hoses	Blue line

Down Pressure Limit

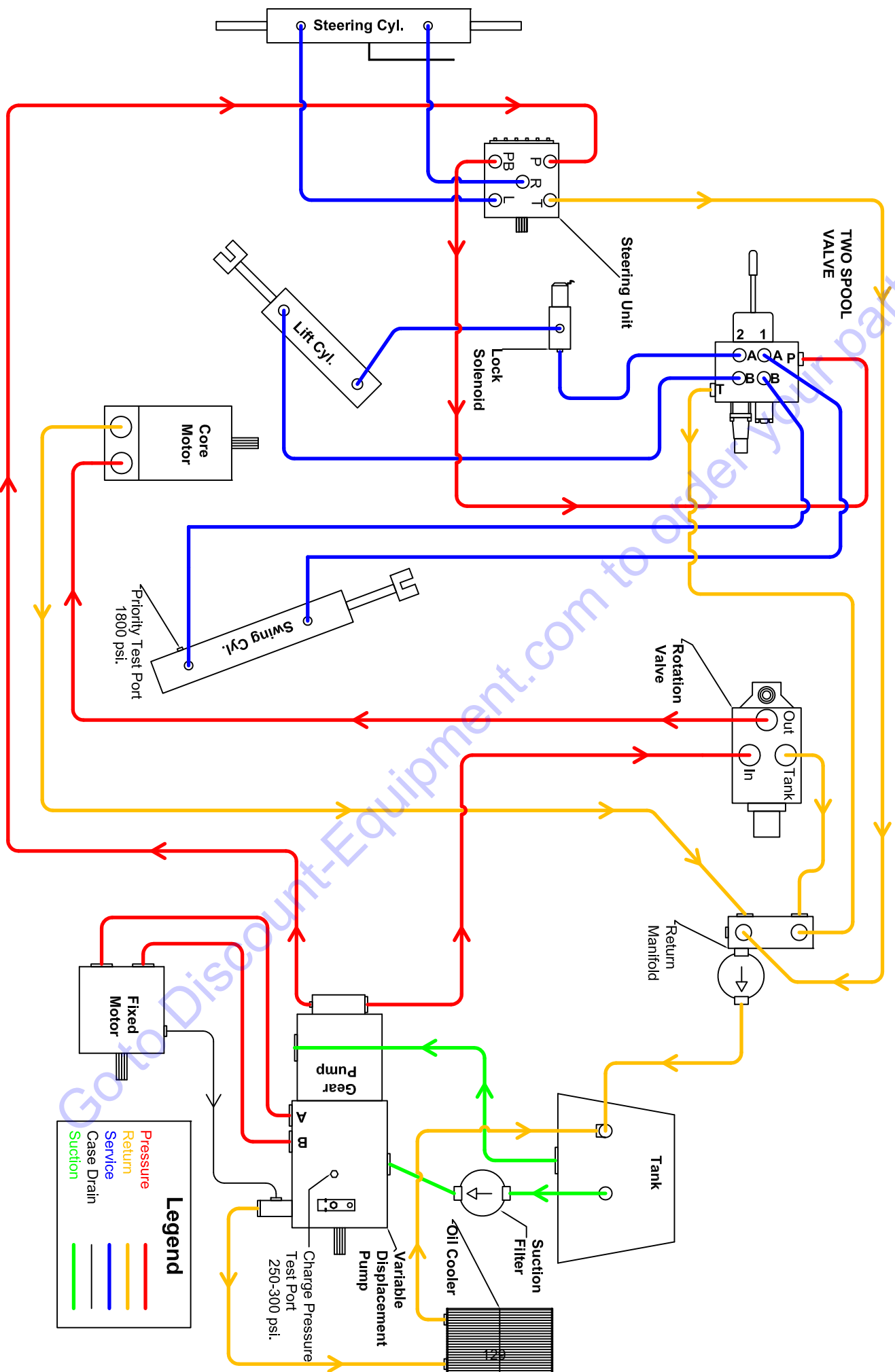


Scraper Blade

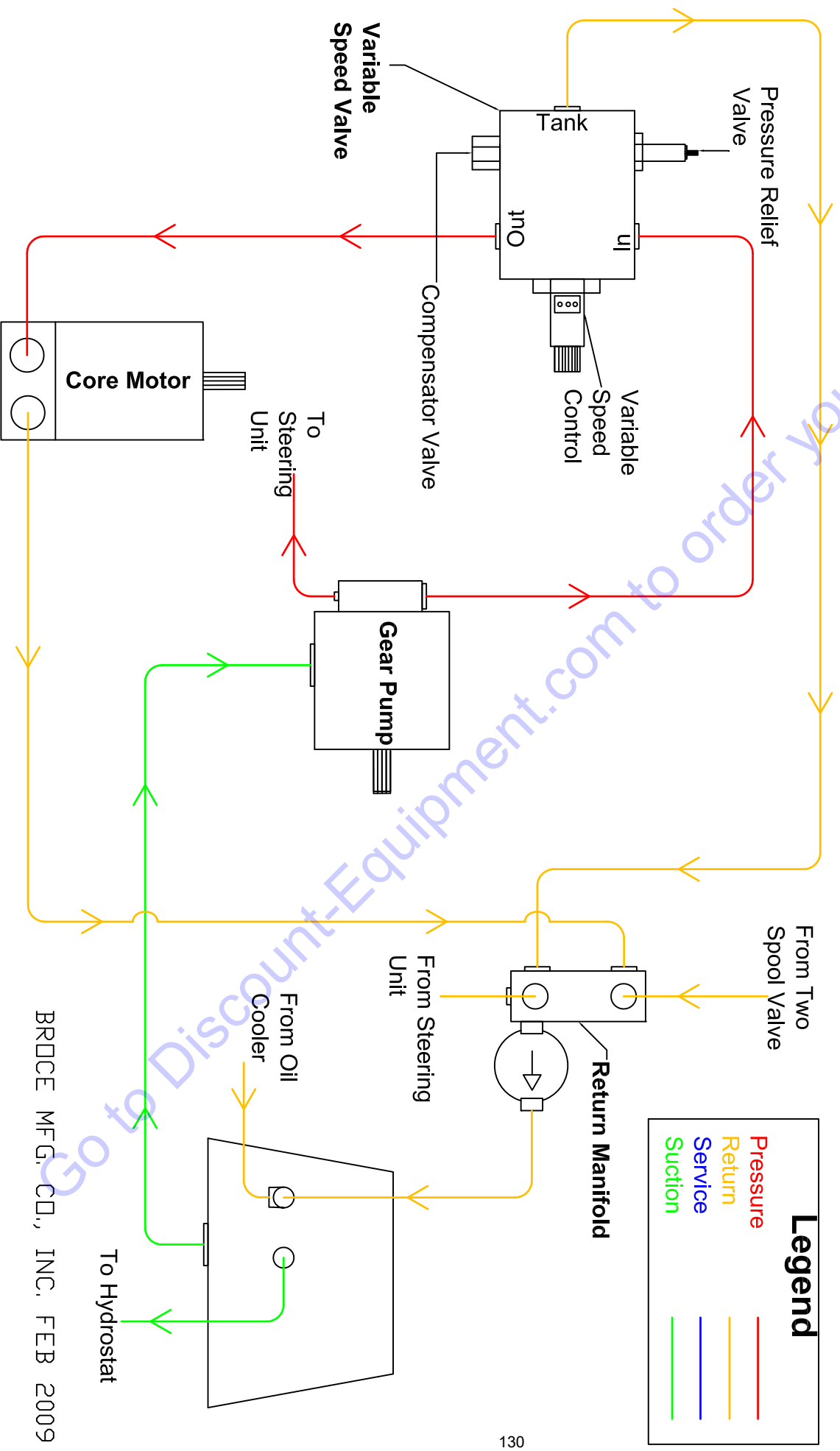


Go to Discount-Equipment.com to order your parts

Standard 4whl Hyd.

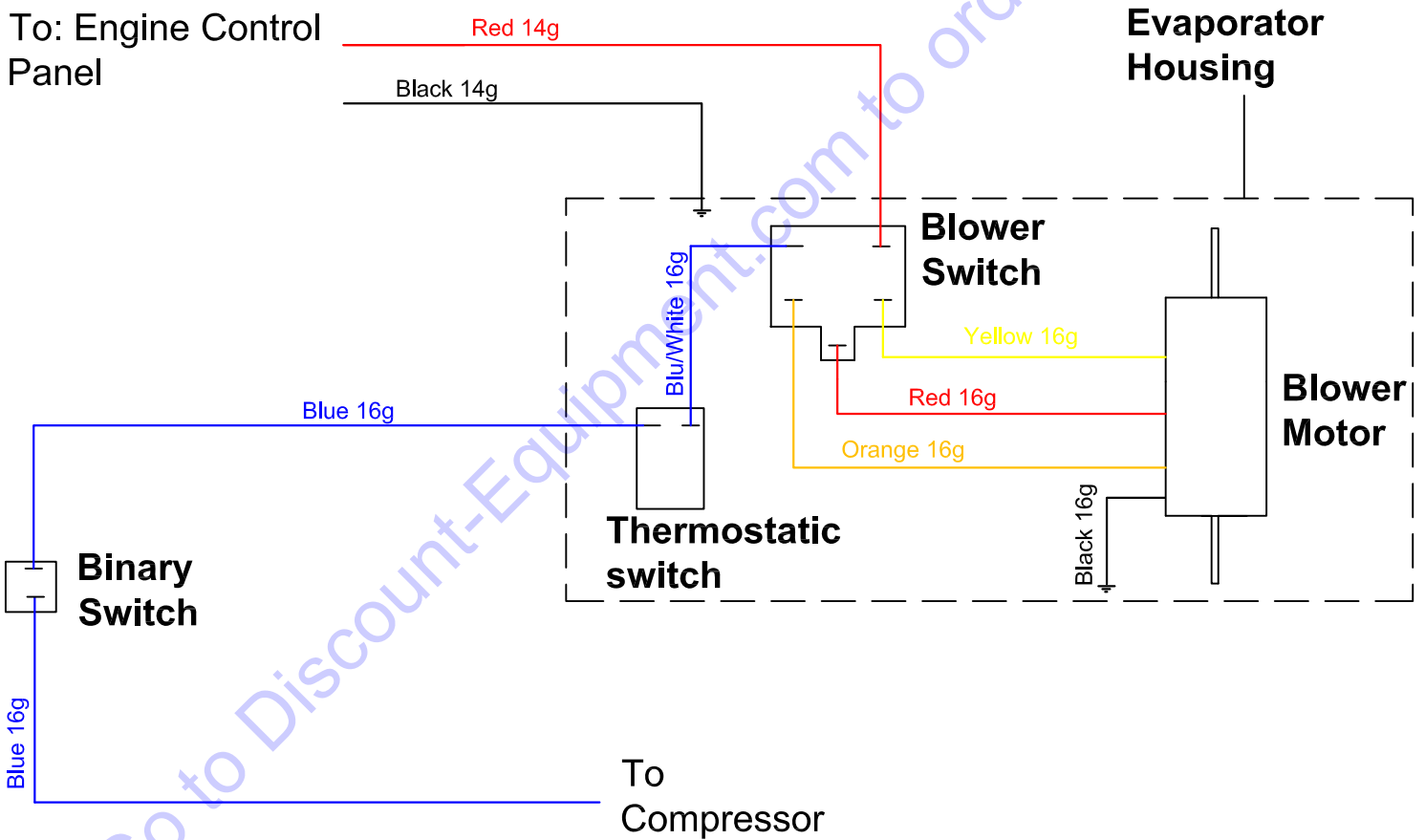


350 Series Hydraulics with optional Variable Brush Speed



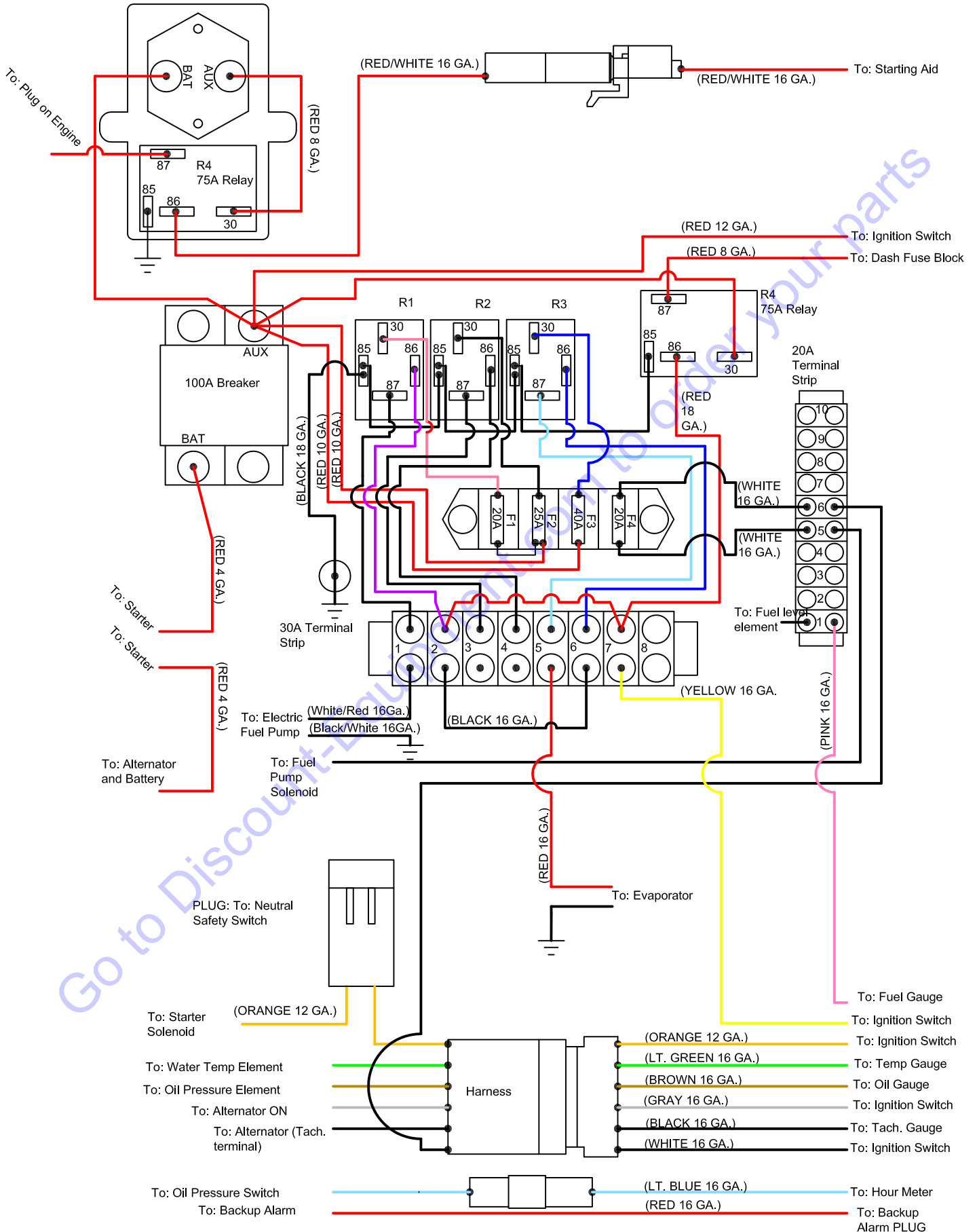
Broce Broom Wiring Diagram

Air Conditioner Wiring



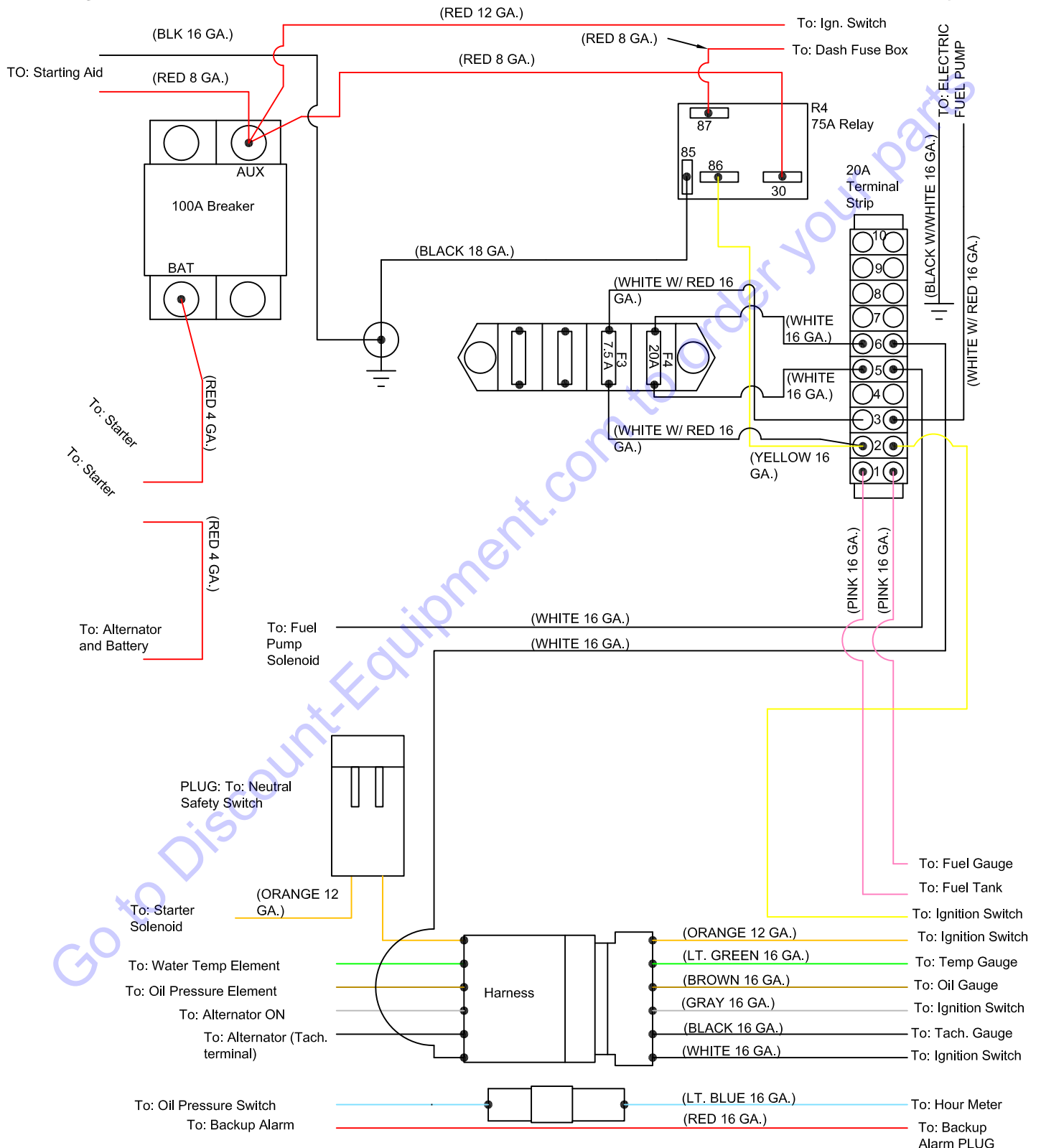
Broce Broom Wiring Diagram

Engine Control Panel - CR Model With Cab



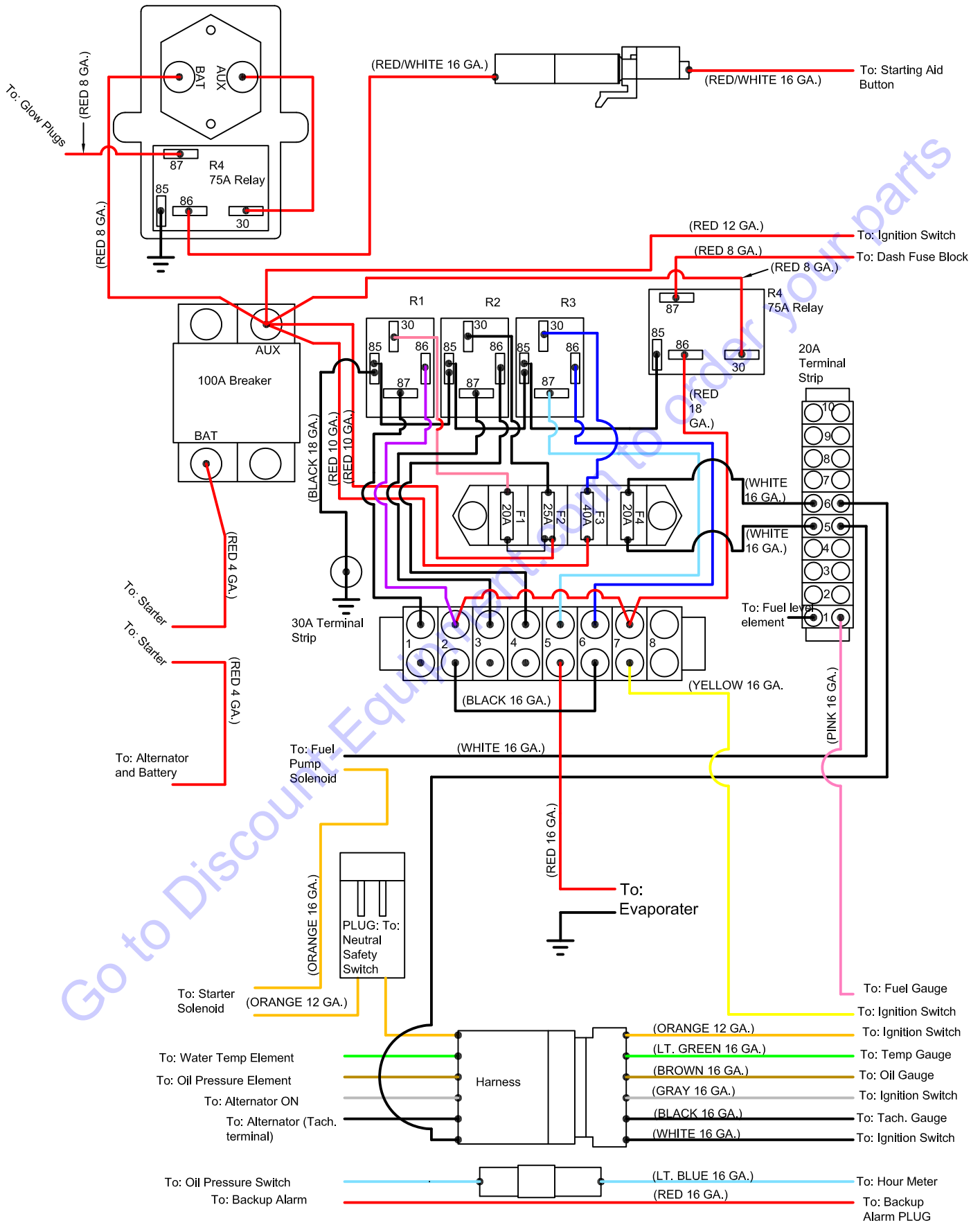
Broce Broom Wiring Diagram

Engine Control Panel - CR Model With Canopy



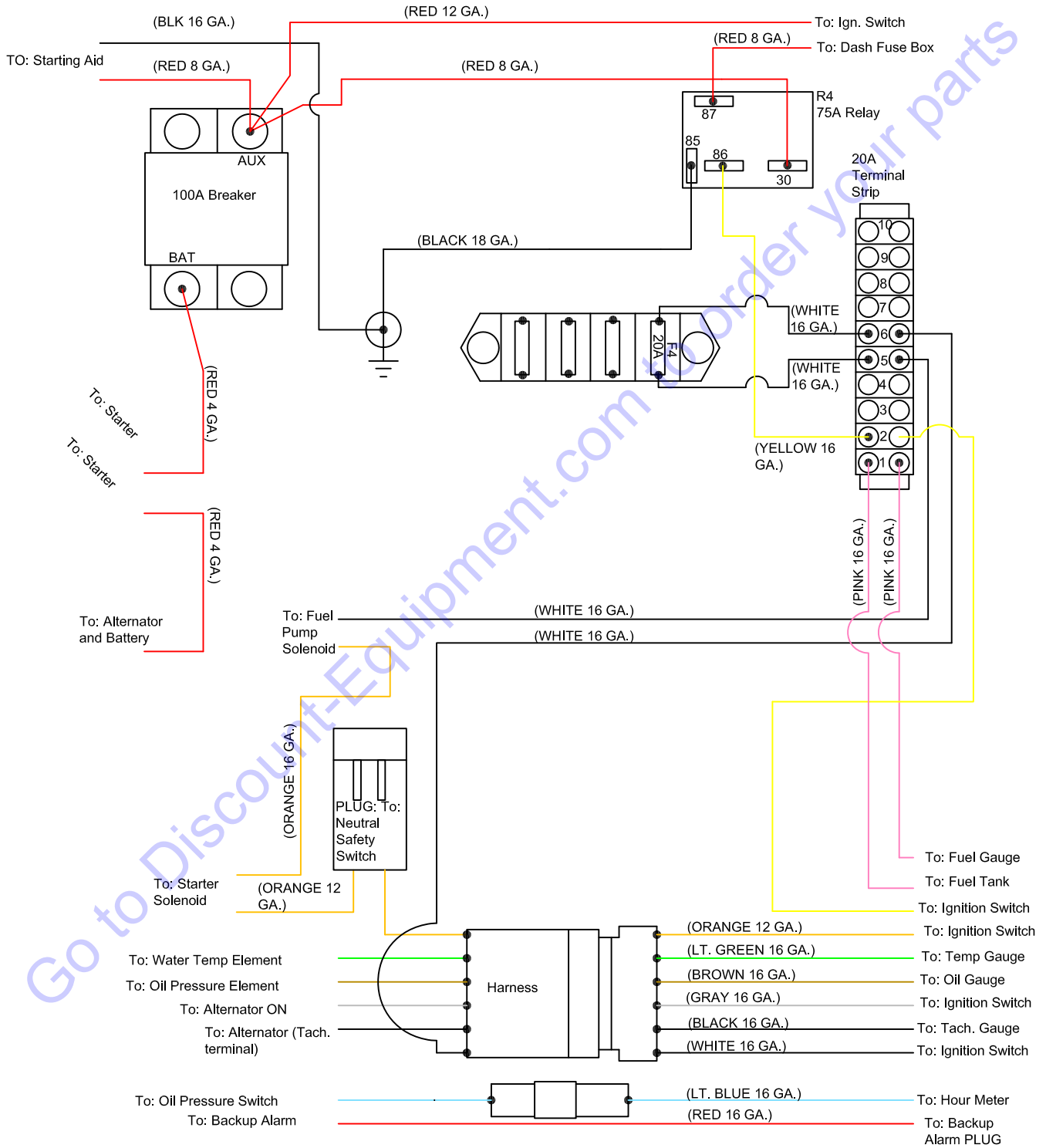
Broce Broom Wiring Diagram

Engine Control Panel - KR Model With Cab



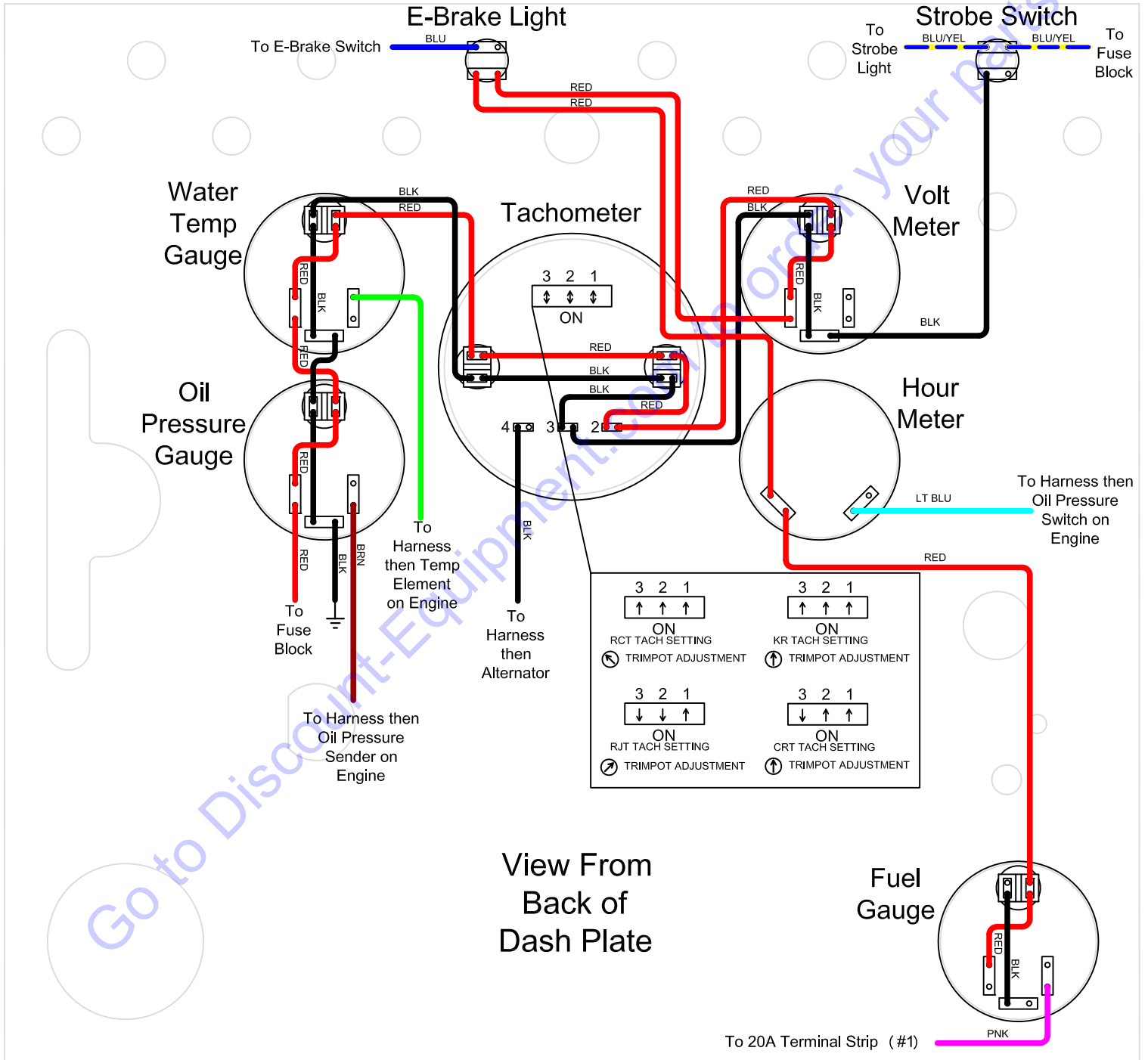
Broce Broom Wiring Diagram

Engine Control Panel - KR Model With Canopy



350 Series Dashboard Gauges Wiring Diagram

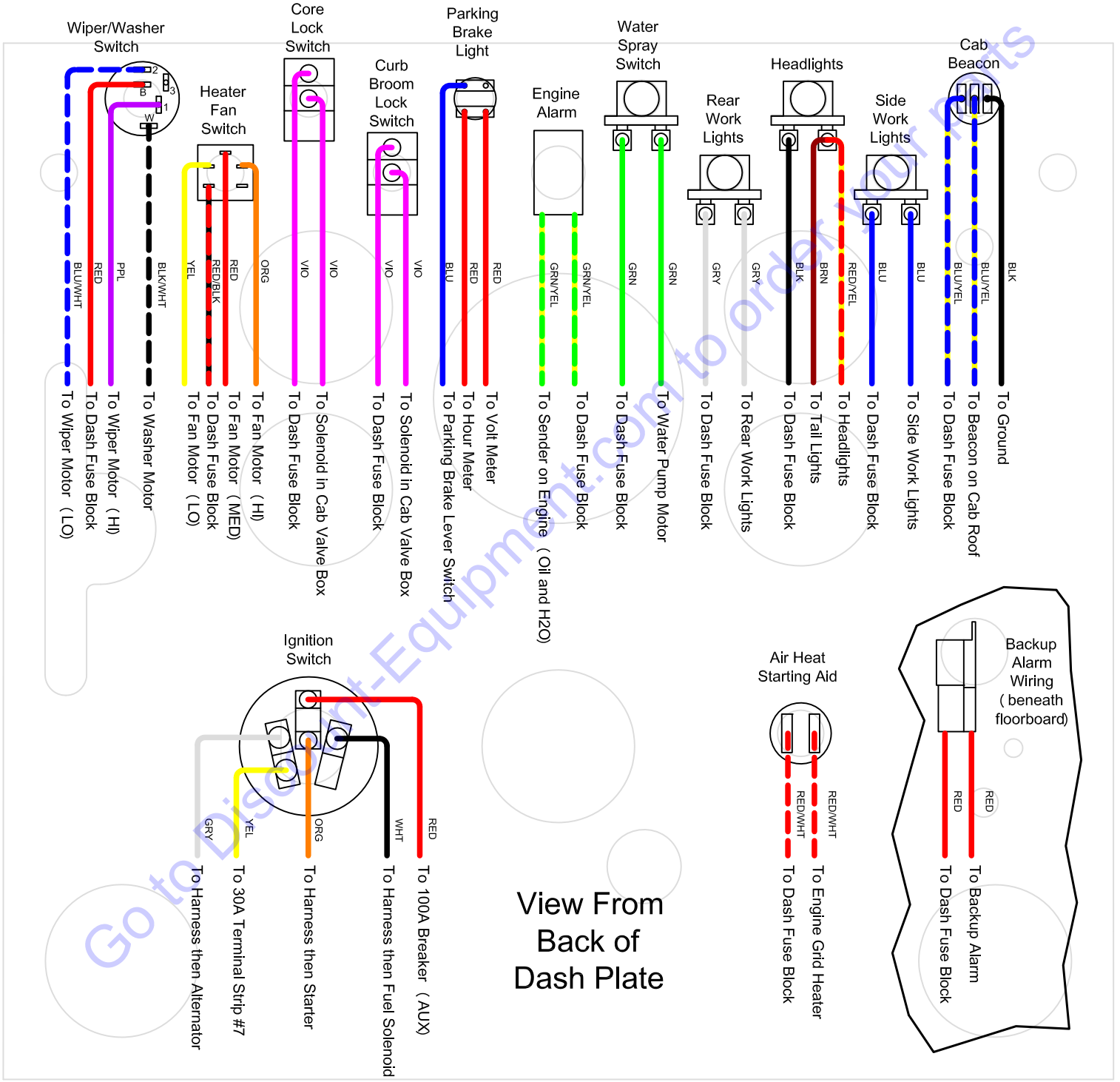
Broce Manufacturing Co., Inc.



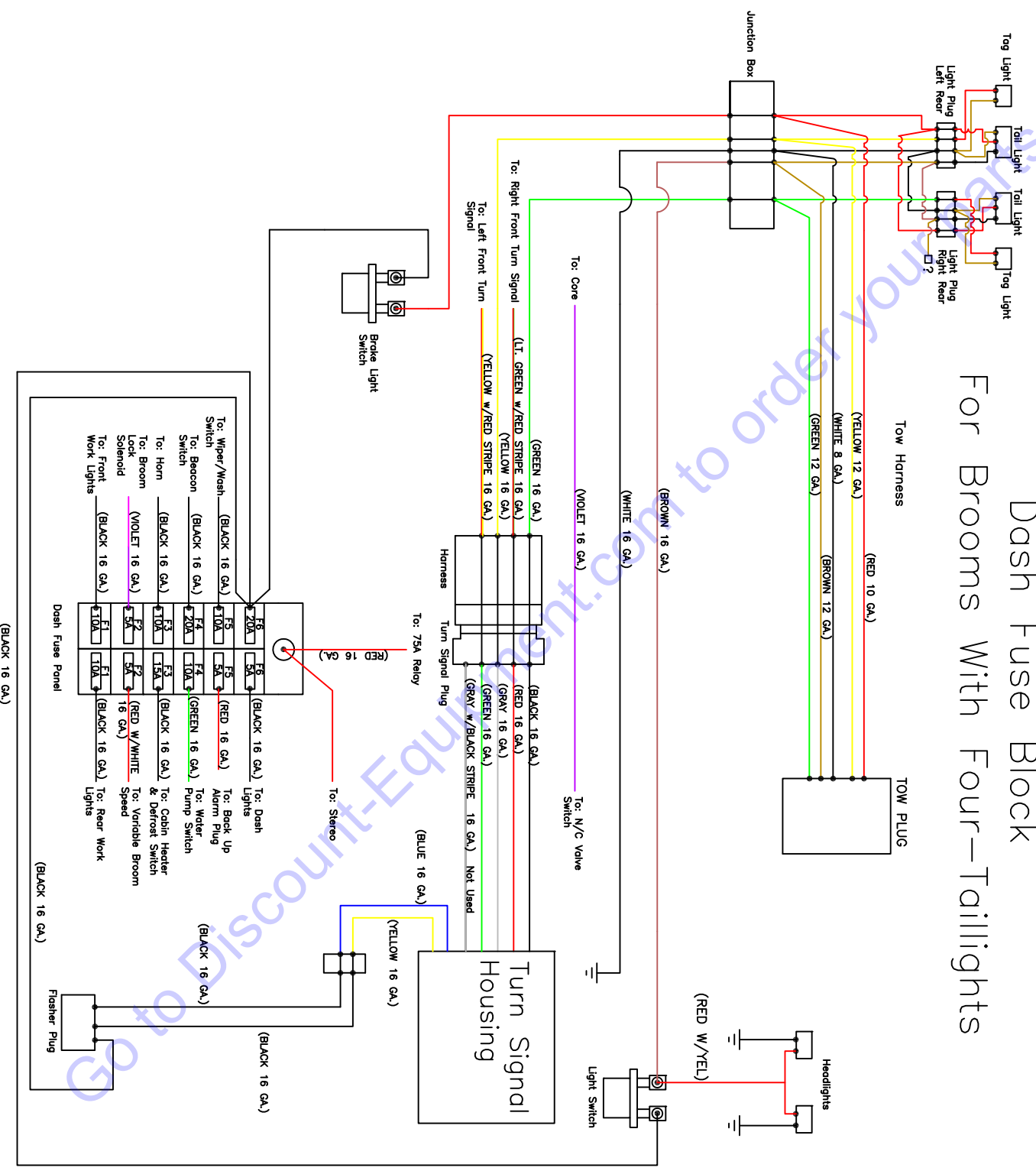
View From
Back of
Dash Plate

350 Series Dashboard Switches Wiring Diagram

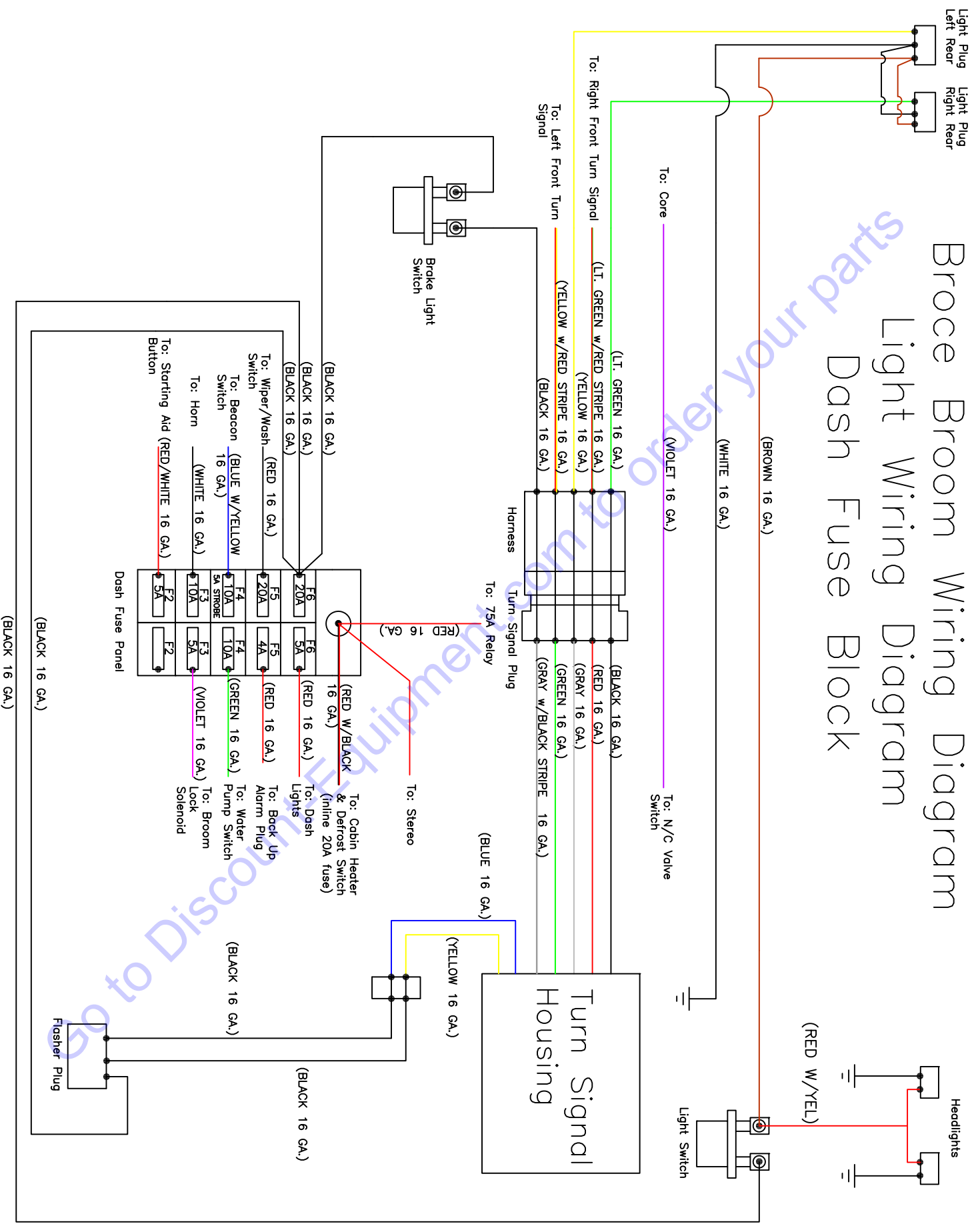
Broce Manufacturing Co., Inc., April 2007



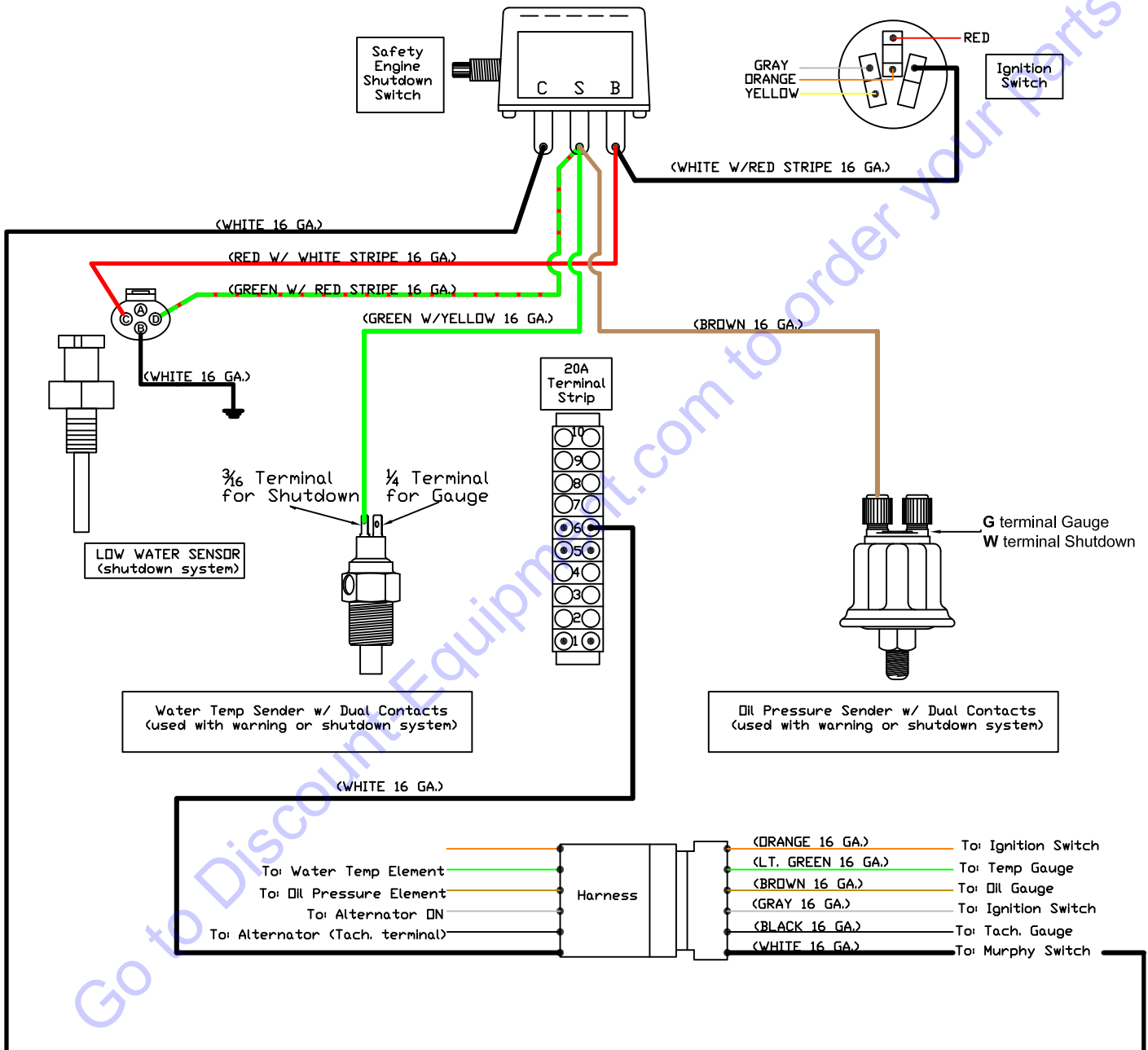
Broce Broom Wiring Diagram Light Wiring Diagram Dash Fuse Block For Brooms With Four-Tailights



Broce Broom Wiring Diagram Light Wiring Diagram Dash Fuse Block

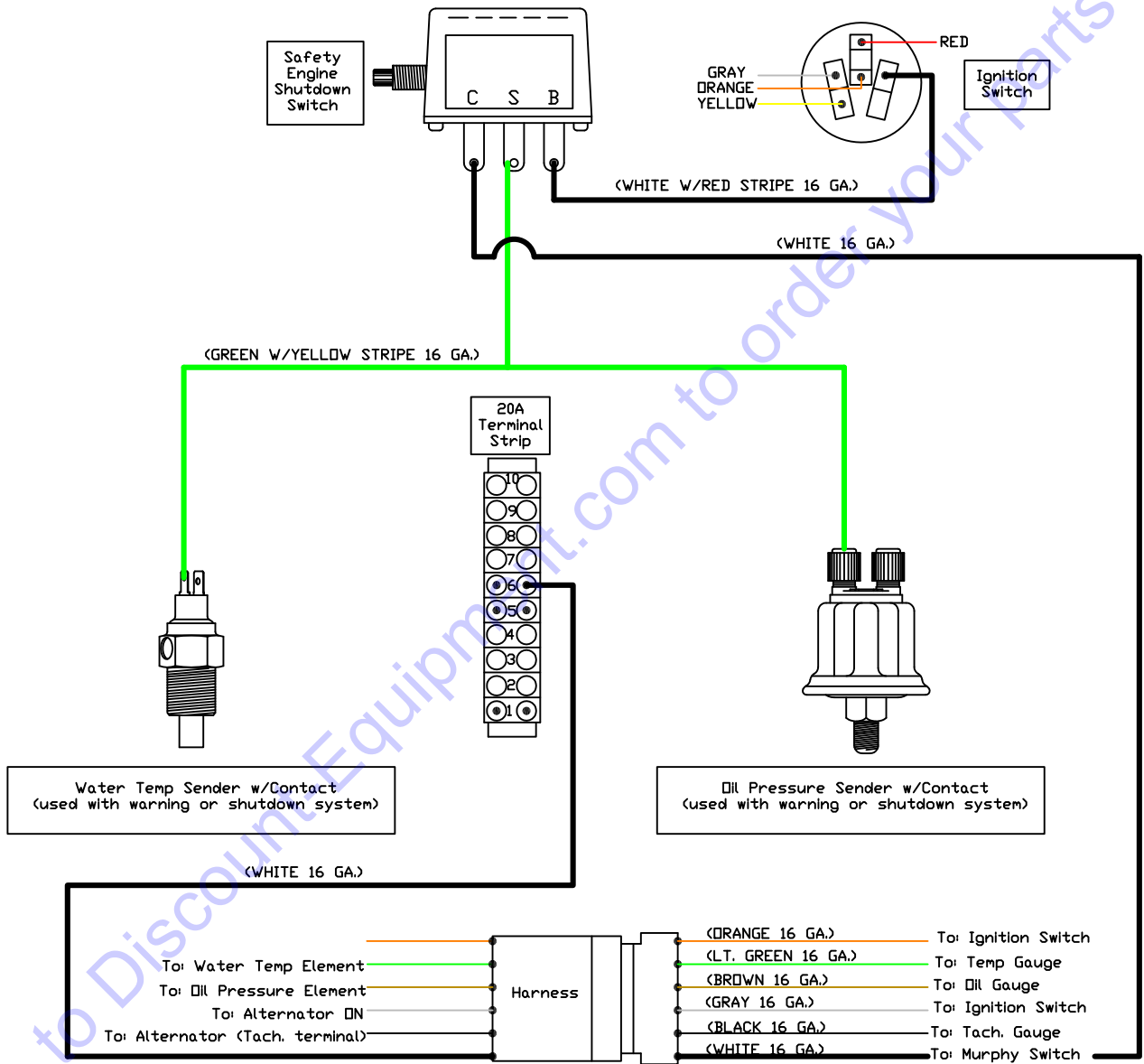


4-Wheel Broce Broom Wiring Diagram Optional Safety Engine Shutdown System with Low Water Shutdown

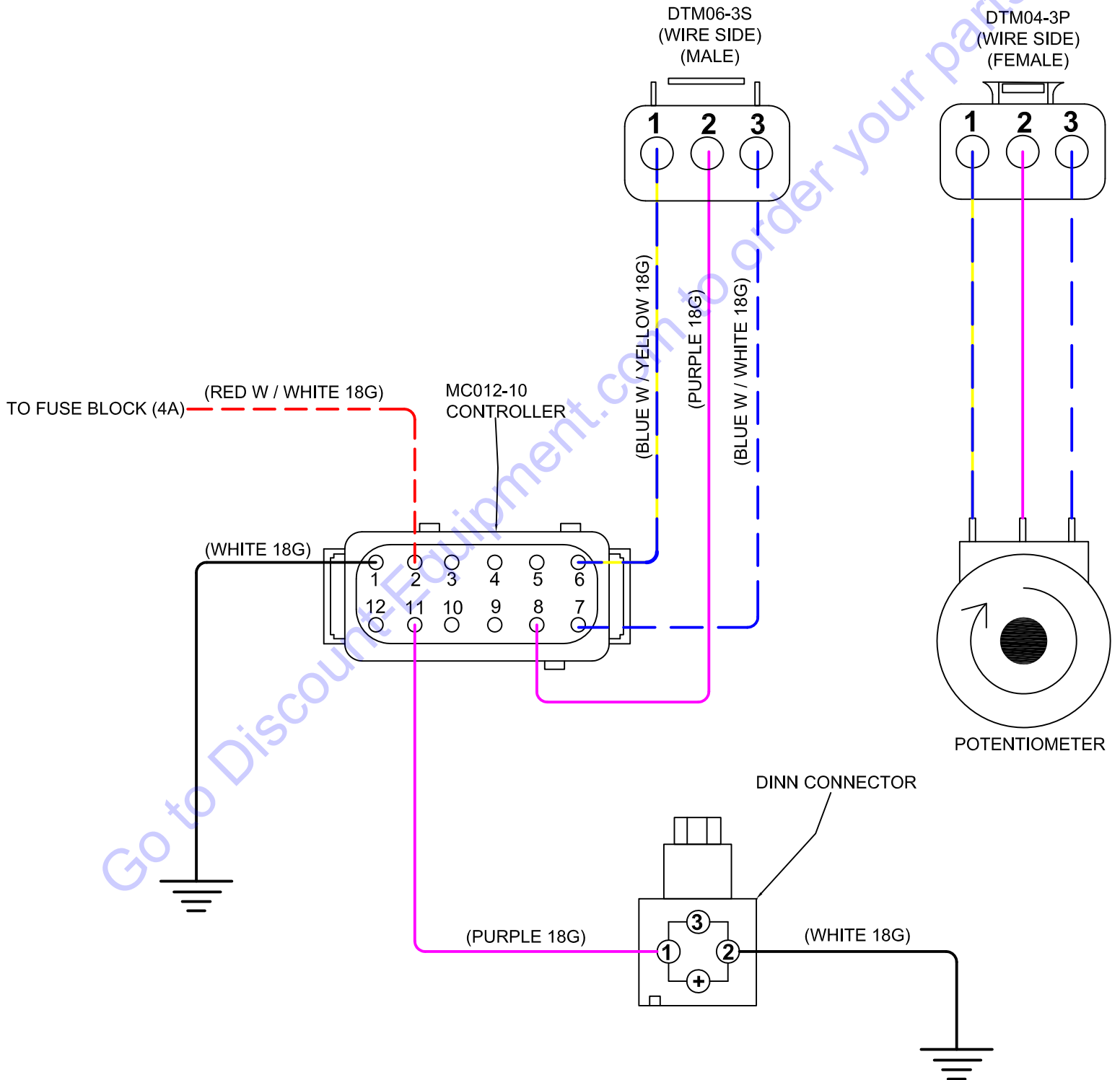


4-Wheel Broce Broom Wiring Diagram

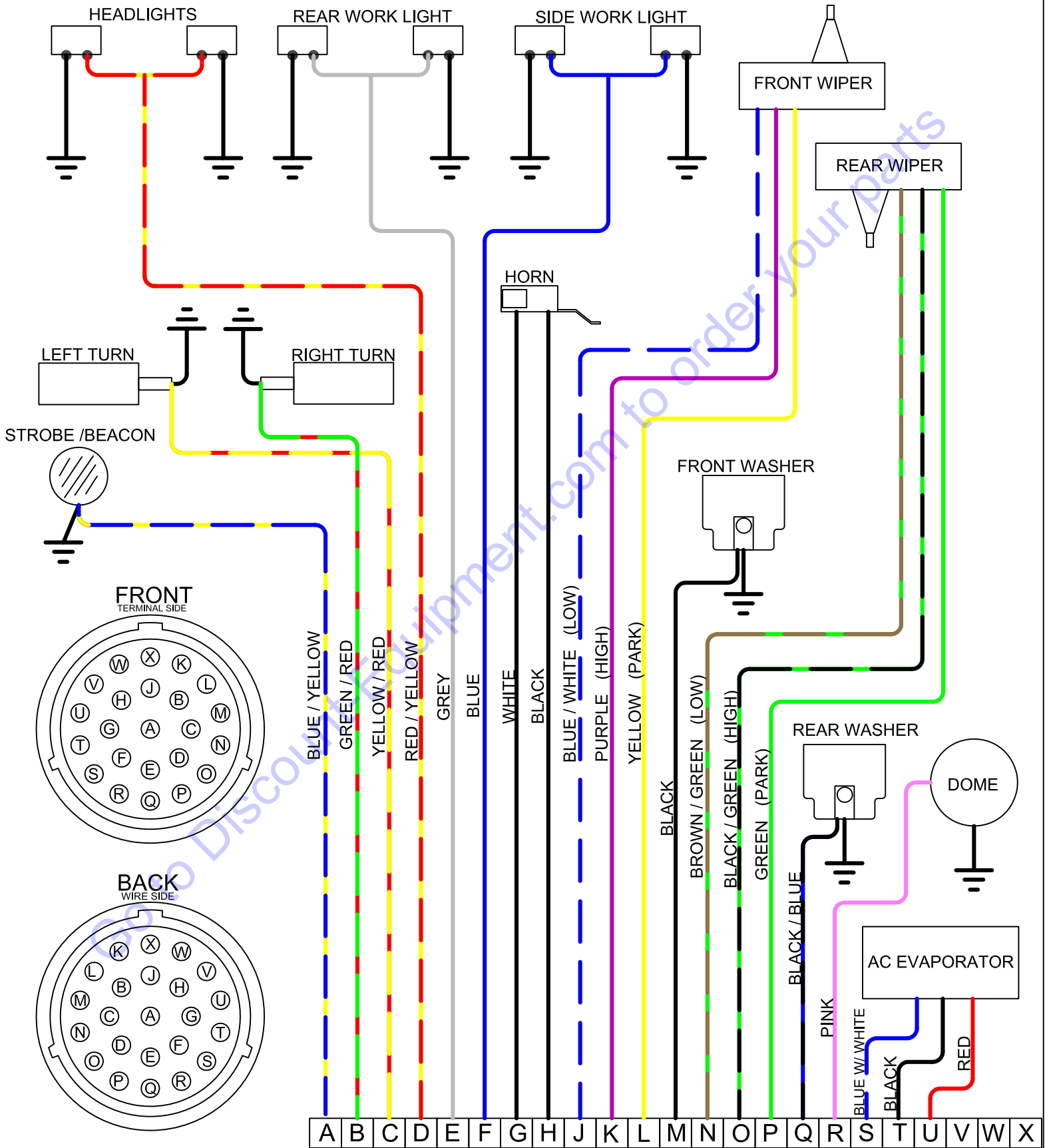
Optional Safety Engine Shutdown System



VARIABLE SPEED W / SAUER CONTROLLER

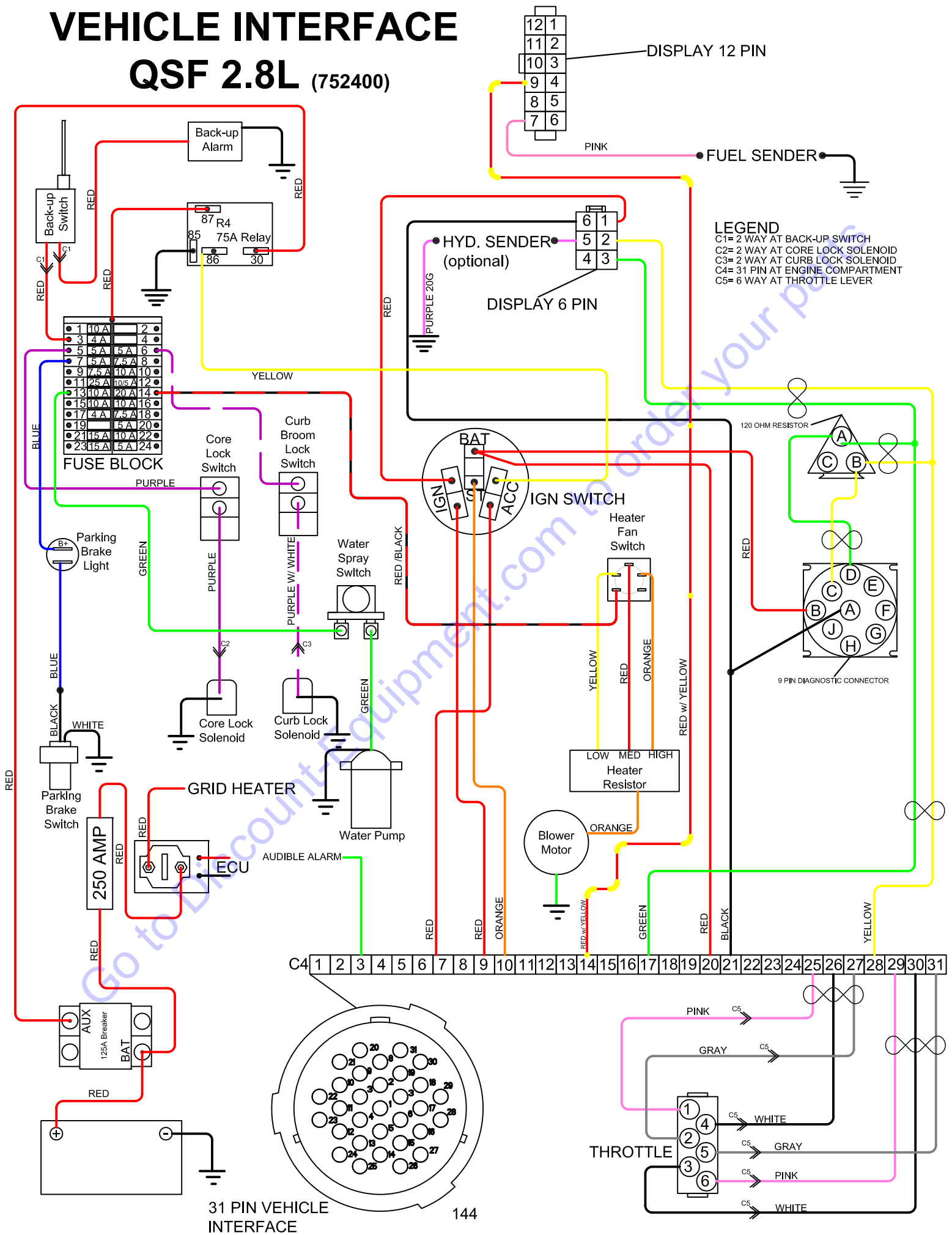


BROCE BROOM CAB WIRING DIAGRAM TIER 4 FINAL



VEHICLE INTERFACE

QSF 2.8L (752400)



BACK OF FUSE PANEL

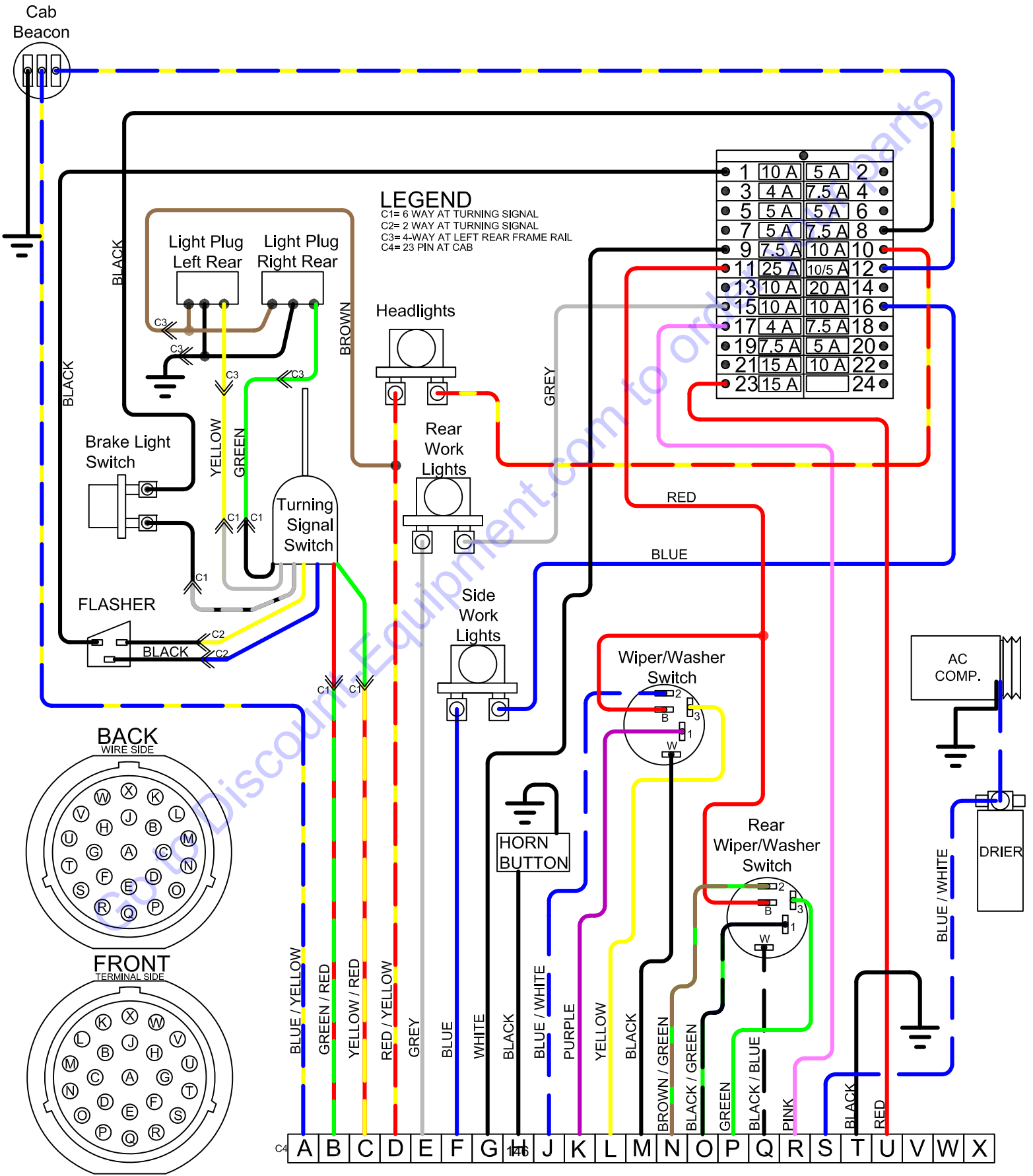
● 2	5 A	10 A	1 ●	FLASHER (BLACK)
● 4	7.5 A	4 A	3 ●	BACK UP (RED)
● 6	5 A	5 A	5 ●	CORE LOCK (PURPLE)
● 8	7.5 A	5 A	7 ●	E-BRAKE LIGHT (BLUE / WHITE)
● 10	10 A	7.5 A	9 ●	HORN (WHITE)
● 12	10/5 A	25 A	11 ●	WIPER WASHER (RED)
● 14	20 A	10 A	13 ●	WATER PUMP (GREEN)
● 16	10 A	10 A	15 ●	REAR WORK LIGHTS (GRAY)
● 18	7.5 A	4 A	17 ●	DOME LIGHT (PINK)
● 20	5 A	7.5 A	19 ●	STEREO (RED)
● 22	10 A	15 A	21 ●	AC EVAPARATOR (RED)
● 24		15 A	23 ●	

CURB LOCK (PURPLE / WHITE)
 BRAKE LIGHT SWITCH (BLACK)
 HEAD LIGHT SWITCH (RED W/ YELLOW)
 STROBE/BEACON (BLUE / YELLOW)
 HEATER (RED / BLACK)
 SIDE WORK LIGHTS (BLUE)
 VARIABLE SPEED (RED)
 RESTRICTION LIGHTS (RED/BLACK)
 12 VOLT SUPPLY (RED)

MAIN	FUSE BLOCK POWER	RED	RED	
1	FLASHER	BLACK		10
2	BLANK			
3	BACK UP	RED		4
4	BLANK			
5	CORE LOCK	PURPLE		5
6	CURB LOCK	VIOLET		5
7	E-BRAKE LIGHT	RED		5
8	BRAKE LIGHT SWITCH	BLACK		7.5
9	HORN	WHITE		7.5
9	HORN W/ TILT WHEEL	WHITE		7.5
10	HEAD LIGHT SWITCH	RED / YELLOW		10
11	WIPER / WASHER	RED		25
11	REAR WIPER W/ WASHER	RED		25
11	REAR WIPER WO/ WASHER	BROWN / YELLOW		25
12	BEACON	BLUE / YELLOW		10
12	STROBE	BLUE / YELLOW		5
13	WATER PUMP	GREEN		10
14	HEATER	RED		20
OPTIONS				
15	REAR WORK LIGHTS	GRAY		10
16	SIDE WORK LIGHTS	BLUE		10
17	DOME LIGHT	PINK		4
18	VARIABLE SPEED	RED		7.5
19	BLANK			
20	AIR RESTRICTION LIGHT	RED / BLACK		5
20	HYD RESTRICTION LIGHT	RED / BLACK		5
21	STEREO (SWITCHED BAT+)	RED		15
22	12 VOLT POWER SOURCE (CIG LTR)	RED		10
23	AC EVAPARATOR	RED		15
24	BLANK			

BROCE DASH WIRING DIAGRAM

TIER 4 FINAL (752401)



PARTS FINDER

**Search Website
by Part Number**



**Search Manual
Library For Parts
Manual & Lookup Part
Numbers – Purchase
or Request Quote**

Search Manuals

Enter your information to help us find the right parts manual for your machine.

* Brand:

* Model:

* Serial:

* Part Number:

SEARCH

**Can't Find Part or
Manual? Request Help
by Manufacturer,
Model & Description**

Parts Order Form

Please fill in the following information to help us find the right part for your machine.

Manufacturer:	<input type="text"/>
Model:	<input type="text"/>
Description:	<input type="text"/>
Part Number:	<input type="text"/>
Quantity:	<input type="text"/>
Notes:	<input type="text"/>

Submit

Discount-Equipment.com is your online resource for quality parts & equipment.

Florida: **561-964-4949** Outside Florida TOLL FREE: **877-690-3101**

Need parts?

Click on this link: <http://www.discount-equipment.com/category/5443-parts/> and choose one of the options to help get the right parts and equipment you are looking for. Please have the machine model and serial number available in order to help us get you the correct parts. If you don't find the part on the website or on one of the online manuals, please fill out the request form and one of our experienced staff members will get back to you with a quote for the right part that your machine needs.

We sell worldwide for the brands: Genie, Terex, JLG, MultiQuip, Mikasa, Essick, Whiteman, Mayco, Toro Stone, Diamond Products, Generac Magnum, Airman, Haulotte, Barreto, Power Blanket, Nifty Lift, Atlas Copco, Chicago Pneumatic, Allmand, Miller Curber, Skyjack, Lull, Skytrak, Tsurumi, Husquvarna Target, Stow, Wacker, Sakai, Mi-T-M, Sullair, Basic, Dynapac, MBW, Weber, Bartell, Bennar Newman, Haulotte, Ditch Runner, Menegotti, Morrison, Contec, Buddy, Crown, Edco, Wyco, Bomag, Laymor, EZ Trench, Bil-Jax, F.S. Curtis, Gehl Pavers, Heli, Honda, ICS/PowerGrit, IHI, Partner, Imer, Clipper, MMD, Koshin, Rice, CH&E, General Equipment, Amida, Coleman, NAC, Gradall, Square Shooter, Kent, Stanley, Tamco, Toku, Hatz, Kohler, Robin, Wisconsin, Northrock, Oztec, Toker TK, Rol-Air, APT, Wylie, Ingersoll Rand / Doosan, Innovatech, Con X, Ammann, Mecalac, Makinex, Smith Surface Prep, Small Line, Wanco, Yanmar