



---

# Illustrated Parts Manual

## **Triple-L™ Trailers**

P/N  
3121226

March 29, 2018

**ANSI**



---

An Oshkosh Corporation Company

# PARTS FINDER

**Search Website  
by Part Number**



**Search Manual  
Library For Parts  
Manual & Lookup Part  
Numbers – Purchase  
or Request Quote**

**Search Manuals**

Enter your information to help us find the right parts manual for your machine.

\* Brand:

\* Model:

\* Serial:

\* Part Number:

SEARCH

**Can't Find Part or  
Manual? Request Help  
by Manufacturer,  
Model & Description**

**Parts Order Form**

Please fill in the following information to help us find the right part for your machine.

Manufacturer:	<input type="text"/>
Model:	<input type="text"/>
Description:	<input type="text"/>
Part Number:	<input type="text"/>
Quantity:	<input type="text"/>
Notes:	<input type="text"/>

Submit

Discount-Equipment.com is your online resource for quality parts & equipment.

Florida: **561-964-4949** Outside Florida TOLL FREE: **877-690-3101**

**Need parts?**

Click on this link: <http://www.discount-equipment.com/category/5443-parts/> and choose one of the options to help get the right parts and equipment you are looking for. Please have the machine model and serial number available in order to help us get you the correct parts. If you don't find the part on the website or on one of the online manuals, please fill out the request form and one of our experienced staff members will get back to you with a quote for the right part that your machine needs.

We sell worldwide for the brands: Genie, Terex, JLG, MultiQuip, Mikasa, Essick, Whiteman, Mayco, Toro Stone, Diamond Products, Generac Magnum, Airman, Haulotte, Barreto, Power Blanket, Nifty Lift, Atlas Copco, Chicago Pneumatic, Allmand, Miller Curber, Skyjack, Lull, Skytrak, Tsurumi, Husquvarna Target, Stow, Wacker, Sakai, Mi-T-M, Sullair, Basic, Dynapac, MBW, Weber, Bartell, Bennar Newman, Haulotte, Ditch Runner, Menegotti, Morrison, Contec, Buddy, Crown, Edco, Wyco, Bomag, Laymor, EZ Trench, Bil-Jax, F.S. Curtis, Gehl Pavers, Heli, Honda, ICS/PowerGrit, IHI, Partner, Imer, Clipper, MMD, Koshin, Rice, CH&E, General Equipment, Amida, Coleman, NAC, Gradall, Square Shooter, Kent, Stanley, Tamco, Toku, Hatz, Kohler, Robin, Wisconsin, Northrock, Oztec, Toker TK, Rol-Air, APT, Wylie, Ingersoll Rand / Doosan, Innovatech, Con X, Ammann, Mecalac, Makinex, Smith Surface Prep, Small Line, Wanco, Yanmar



## REVISION LOG

Note: Replacement parts information prior to JLG's acquisition of Premco Triple-L Trailer is limited. If the unit being serviced has a Premco serial number nameplate, it is recommended that the complete worn or damaged component (if it cannot be identified) be upgraded to the current JLG component rather than repaired.

August 26, 2005 - Original Issue Of Manual (Manual edited to B/M 0010598 Revision 8 - Model 248)

(Manual edited to B/M 0010599 Revision 11 - Model 449)

(Manual edited to B/M 0010600 Revision 8 - Model 4610)

(Manual edited to B/M 0010601 Revision 12 - Model 7610-7616)

(Manual edited to B/M 0010602 Revision 13 - Model 1012 & 1014)

July 31, 2006 - Revised Manual (Manual edited to B/M 0010598 Revision 11 - Model 248)

(Manual edited to B/M 0010599 Revision 15 - Model 449)

(Manual edited to B/M 0010600 Revision 11 - Model 4610)

(Manual edited to B/M 0010601 Revision 17 - Model 7610-7616)

(Manual edited to B/M 0010602 Revision 18 - Model 1012 & 1014)

May 1, 2007 - Revised Manual (Manual edited to B/M 0010598 Revision 12 - Model 248)

(Manual edited to B/M 0010599 Revision 18 - Model 449)

(Manual edited to B/M 0010600 Revision 13 - Model 4610)

(Manual edited to B/M 0010601 Revision 18 - Model 7610-7616)

(Manual edited to B/M 0010602 Revision 19 - Model 1012 & 1014)

September 26, 2008 - Revised Manual (Manual edited to B/M 0010598 Revision 15 - Model 248)

(Manual edited to B/M 0010599 Revision 21 - Model 449)

(Manual edited to B/M 0010600 Revision 17 - Model 4610)

(Manual edited to B/M 0010601 Revision 23 - Model 7610-7616)

(Manual edited to B/M 0010602 Revision 22 - Model 1012 & 1014)

November 30, 2009 - Revised Manual (Manual edited to B/M 0010598 Revision 15 - Model 248)

(Manual edited to B/M 0010599 Revision 21 - Model 449)

(Manual edited to B/M 0010600 Revision 17 - Model 4610)

(Manual edited to B/M 0010601 Revision 23 - Model 7610-7616)

(Manual edited to B/M 0010602 Revision 22 - Model 1012 & 1014)

December 31, 2010 - Revised Manual (Manual edited to B/M 0010598 Revision 15 - Model 248)

(Manual edited to B/M 0010599 Revision 21 - Model 449)

(Manual edited to B/M 0010600 Revision 17 - Model 4610)

(Manual edited to B/M 0010601 Revision 23 - Model 7610-7616)

(Manual edited to B/M 0010602 Revision 22 - Model 1012 & 1014)

April 27, 2011 - Revised Manual (Manual edited to B/M 0010598 Revision 15 - Model 248)

(Manual edited to B/M 0010599 Revision 21 - Model 449)

(Manual edited to B/M 0010600 Revision 17 - Model 4610)

(Manual edited to B/M 0010601 Revision 23 - Model 7610-7616)

(Manual edited to B/M 0010602 Revision 22 - Model 1012 & 1014)

## REVISION LOG

September 23, 2011 - Revised Manual (Manual edited to B/M 0010598 Revision 15 - Model 248)  
(Manual edited to B/M 0010599 Revision 21 - Model 449)  
(Manual edited to B/M 0010600 Revision 17 - Model 4610)  
(Manual edited to B/M 0010601 Revision 23 - Model 7610-7616)  
(Manual edited to B/M 0010602 Revision 22 - Model 1012 & 1014)

March 7, 2012 - Revised Manual (Manual edited to B/M 0010598 Revision 15 - Model 248)  
(Manual edited to B/M 0010599 Revision 21 - Model 449)  
(Manual edited to B/M 0010600 Revision 17 - Model 4610)  
(Manual edited to B/M 0010601 Revision 23 - Model 7610-7616)  
(Manual edited to B/M 0010602 Revision 22 - Model 1012 & 1014)

July 6, 2012 - Revised Manual (Manual edited to B/M 0010598 Revision 15 - Model 248)  
(Manual edited to B/M 0010599 Revision 21 - Model 449)  
(Manual edited to B/M 0010600 Revision 17 - Model 4610)  
(Manual edited to B/M 0010601 Revision 23 - Model 7610-7616)  
(Manual edited to B/M 0010602 Revision 22 - Model 1012 & 1014)

October 3, 2012 - Revised Manual (Manual edited to B/M 0010598 Revision 15 - Model 248)  
(Manual edited to B/M 0010599 Revision 21 - Model 449)  
(Manual edited to B/M 0010600 Revision 17 - Model 4610)  
(Manual edited to B/M 0010601 Revision 23 - Model 7610-7616)  
(Manual edited to B/M 0010602 Revision 22 - Model 1012 & 1014)

February 8, 2013 - Revised Manual (Manual edited to B/M 0010598 Revision 15 - Model 248)  
(Manual edited to B/M 0010599 Revision 21 - Model 449)  
(Manual edited to B/M 0010600 Revision 17 - Model 4610)  
(Manual edited to B/M 0010601 Revision 23 - Model 7610-7616)  
(Manual edited to B/M 0010602 Revision 22 - Model 1012 & 1014)

June 1, 2013 - Revised Manual (Manual edited to B/M 0010598 Revision 15 - Model 248)  
(Manual edited to B/M 0010599 Revision 21 - Model 449)  
(Manual edited to B/M 0010600 Revision 17 - Model 4610)  
(Manual edited to B/M 0010601 Revision 23 - Model 7610-7616)  
(Manual edited to B/M 0010602 Revision 22 - Model 1012 & 1014)

September 1, 2013 - Revised Manual (Manual edited to B/M 0010598 Revision 15 - Model 248)  
(Manual edited to B/M 0010599 Revision 21 - Model 449)  
(Manual edited to B/M 0010600 Revision 17 - Model 4610)  
(Manual edited to B/M 0010601 Revision 23 - Model 7610-7616)  
(Manual edited to B/M 0010602 Revision 22 - Model 1012 & 1014)

## REVISION LOG

December 30, 2013 - Revised Manual (Manual edited to BM 0010598 Revision 15 - Model 248)  
(Manual edited to BM 0010599 Revision 21 - Model 449)  
(Manual edited to BM 0010600 Revision 17 - Model 4610)  
(Manual edited to BM 0010601 Revision 23 - Model 7610-7616)  
(Manual edited to BM 0010602 Revision 22 - Model 1012 & 1014)

September 23, 2016 - Revised Manual (Manual edited to BM 0010598 Revision C - Model 248)  
(Manual edited to BM 0010599 Revision D - Model 449)  
(Manual edited to BM 0010600 Revision D - Model 4610)  
(Manual edited to BM 0010601 Revision D - Model 7610-7616)  
(Manual edited to BM 0010602 Revision C - Model 1012 & 1014)

December 20, 2016 - Revised Manual (Manual edited to BM 0010598 Revision C - Model 248)  
(Manual edited to BM 0010599 Revision D - Model 449)  
(Manual edited to BM 0010600 Revision D - Model 4610)  
(Manual edited to BM 0010601 Revision D - Model 7610-7616)  
(Manual edited to BM 0010602 Revision C - Model 1012 & 1014)

March 27, 2017- Revised Manual (Manual edited to BM 0010598 Revision C - Model 248)  
(Manual edited to BM 0010599 Revision D - Model 449)  
(Manual edited to BM 0010600 Revision D - Model 4610)  
(Manual edited to BM 0010601 Revision D - Model 7610-7616)  
(Manual edited to BM 0010602 Revision C - Model 1012 & 1014)

June 21, 2017- Revised Manual (Manual edited to BM 0010598 Revision C - Model 248)  
(Manual edited to BM 0010599 Revision D - Model 449)  
(Manual edited to BM 0010600 Revision D - Model 4610)  
(Manual edited to BM 0010601 Revision D - Model 7610-7616)  
(Manual edited to BM 0010602 Revision C - Model 1012 & 1014)

March 29, 2018- Revised Manual (Manual edited to BM 0010598 Revision C - Model 248)  
(Manual edited to BM 0010599 Revision D - Model 449)  
(Manual edited to BM 0010600 Revision D - Model 4610)  
(Manual edited to BM 0010601 Revision D - Model 7610-7616)  
(Manual edited to BM 0010602 Revision C - Model 1012 & 1014)



# TABLE OF CONTENTS

SECTION 1 - PARTS .....	9
FIGURE 1-1. TONGUE COMPONENT INSTALLATIONS.....	10
FIGURE 1-2. HITCH INSTALLATIONS .....	14
FIGURE 1-3. BRAKE ACTUATOR ASSEMBLIES.....	18
FIGURE 1-4. JACK INSTALLATIONS.....	22
FIGURE 1-5. POWER COMPONENTS INSTALLATIONS.....	26
FIGURE 1-6. MOTOR/PUMP/TANK ASSEMBLY.....	30
FIGURE 1-7. CYLINDER ASSEMBLY.....	32
FIGURE 1-8. CYLINDER ASSEMBLY.....	34
FIGURE 1-9. DECK LATCH INSTALLATION.....	36
FIGURE 1-10. BEARING, FRAME AND DECK INSTALLATIONS .....	38
FIGURE 1-11. RAIL AND TAILGATE INSTALLATIONS (OPTIONAL) (UT MODELS ONLY) .....	44
FIGURE 1-12. ENCLOSURE INSTALLATIONS - MODELS EC10, EC12 & EC14 ONLY (Prior to SN 0050002838) .....	48
FIGURE 1-13. ENCLOSURE INSTALLATIONS - MODELS EC10, EC12 & EC14 ONLY (SN 0050002838 to Present) .....	52
FIGURE 1-14. LIGHTS INSTALLATION.....	56
FIGURE 1-15. SUSPENSION INSTALLATIONS (Prior to SN 0050003895).....	60
FIGURE 1-16. SUSPENSION INSTALLATIONS (SN 0050003895 to Present) .....	64
FIGURE 1-17. HUBS WITHOUT BRAKES AND TIRES AND WHEELS INSTALLATIONS .....	68
FIGURE 1-18. ELECTRIC BRAKE INSTALLATIONS .....	72
FIGURE 1-19. HYDRAULIC SURGE BRAKE INSTALLATIONS (OPTIONAL) .....	76
FIGURE 1-20. OPTIONAL ACCESSORY INSTALLATIONS.....	82
FIGURE 1-21. ELECTRICAL COMPONENTS INSTALLATION.....	86
FIGURE 1-22. ELECTRICAL SCHEMATIC.....	92
FIGURE 1-23. DECAL INSTALLATION.....	94
PART NUMBER INDEX .....	99



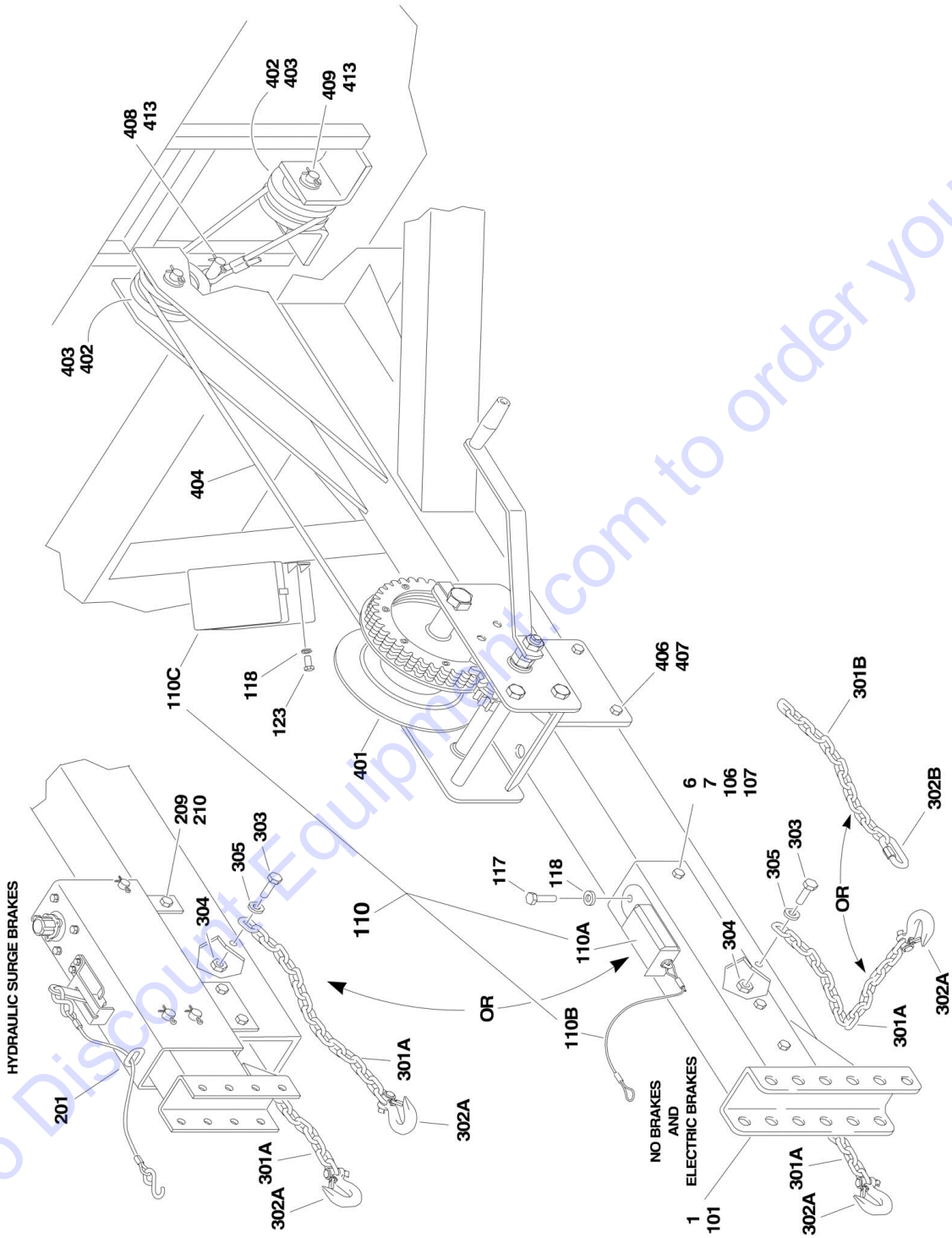


SECTION 1 - PARTS

Go to Discount-Equipment.com to order your parts

# SECTION 1 - PARTS

## FIGURE 1-1. TONGUE COMPONENT INSTALLATIONS



**SECTION 1 - PARTS**

**FIGURE 1-1. TONGUE COMPONENT INSTALLATIONS**

ITEM	PART NUMBER	QTY	DESCRIPTION	REV
		Ref	<b>COUPLER INSTALLATION (MODELS WITHOUT BRAKES)</b>	
	0273334	Ref	<b>Model 248 (Without Brakes)</b>	B
	0273334	Ref	<b>Model UT28 (Without Brakes)</b>	B
1	27422	1	Channel, Coupler	
6	80065	3	Bolt 1/2in-13NC x 4-1/2in	
7	80151	3	Locknut 1/2in-13NC	
		Ref	<b>COUPLER AND BREAKAWAY SWITCH INSTALLATION (MODELS WITH ELECTRIC BRAKES)</b>	
		Ref	<b>Enclosed Models:</b>	
	0273132	Ref	<b>Models EC10-EC14 (Single Electric Axle Brakes)</b>	C
	0273024	Ref	<b>Models EC10-EC14 (Tandem Electric Axle Brakes)</b>	C
		Ref	<b>Flatbed Models:</b>	
	0273338	Ref	<b>Model 248 (Electric Axle Brakes)</b>	D
	0273340	Ref	<b>Model 449 (Electric Axle Brakes)</b>	C
	0273290	Ref	<b>Models 1012-1014 (Electric Axle Brakes)</b>	C
	0273342	Ref	<b>Model 4610 (Electric Axle Brakes)</b>	C
	0273132	Ref	<b>Models 7610-7616 (Single Electric Axle Brakes)</b>	C
	0273024	Ref	<b>Models 7610-7616 (Tandem Electric Axle Brakes)</b>	C
		Ref	<b>Utility Models:</b>	
	0273338	Ref	<b>Model UT28 (Electric Axle Brakes)</b>	D
	0273340	Ref	<b>Model UT49 (Electric Axle Brakes)</b>	C
	0273342	Ref	<b>Model UT410 (Electric Axle Brakes)</b>	C
	0273132	Ref	<b>Models UT610-UT614 (Single Electric Axle Brakes)</b>	C
	0273024	Ref	<b>Models UT610-UT614 (Tandem Electric Axle Brakes)</b>	C
	0273290	Ref	<b>Models UT912-UT914 (Electric Axle Brakes)</b>	C
101		Ref	Channel, Coupler	
101	27422	1	Single Axle Models	
101		Ref	Tandem Axle Models:	
101	30408	1	Models EC10-EC14/7610-7616/UT610-UT614	
101	36413	1	Models UT912-UT914/1012-1014	
106		Ref	<b>Bolt Options:</b>	
106	80065	3	Bolt 1/2in-13NC x 4-1/2in (All Models Except 1012-1014 & UT912-UT914)	
106	80076	3	Bolt 5/8in-11NC x 4-1/2in (Models 1012-1014 & UT912-914 Only)	
107		Ref	<b>Locknut Options:</b>	
107	80151	3	Locknut 1/2in-13NC (All Models Except 1012-1014 & UT912-UT914)	
107	80161	3	Locknut 5/8in-11NC (Models 1012-1014 & UT912-914 Only)	
110		Ref	<b>Switch, Breakaway Components:</b>	
110A		Ref	<b>Switch Only Options:</b>	
110A	71820	1	Switch Only for All Models Except Model 248 & UT28	
110A	71820	1	Switch Only for Models 248 & UT28 ( <b>Prior to SN 0050004430</b> )	
110A	See Note	1	Switch Only for Models 248 & UT28 (Note: Use p/n 1001111481) ( <b>SN 0050004430 to Present</b> )	
110B		Ref	<b>Replacement Pin and Cable Options:</b>	
110B	71820-1	1	Replacement Pin and Cable for P/N 71820 Switch	
110B	See Note	NSS	Replacement Pin and Cable for P/N 1001111481 Switch (Note: Use p/n 1001111481)	
110C	See Note	NSS	Battery for p/n 1001111481 Switch Assembly (Note: Use p/n	

# SECTION 1 - PARTS

ITEM	PART NUMBER	QTY	DESCRIPTION	REV
110C	See Note	NSS	1001111481) Box, Battery for p/n 1001111481 Switch Assembly (Note: Use p/n 1001111481)	
117	80000	1	Bolt 1/4in-20NC x 3/8in	
118	80210	AR	Lockwasher 1/4in ( <b>SN 0050001206 to Present</b> )	
123	80002	AR	Bolt 1/4in-20NC x 3/4in	
150	1001111481	1	Battery Breakaway System Kit for Models 248 & UT28 (Not Shown) ( <b>SN 0050004430 to Present</b> )	
		Ref	<b>COUPLER INSTALLATION (MODELS WITH HYDRAULIC SURGE BRAKES)</b>	
		Ref	<b>Enclosed Models:</b>	
	0273022	Ref	<b>Models EC10-EC14 (Single Axle Brakes - Optional)</b>	B
	0273023	Ref	<b>Models EC10-EC14 (Tandem Axle Brakes - Standard)</b>	B
		Ref	<b>Flatbed Models:</b>	
	0273337	Ref	<b>Model 248 (Brakes are Optional)</b>	B
	0273339	Ref	<b>Model 449</b>	B
	0273289	Ref	<b>Models 1012-1014</b>	B
	0273341	Ref	<b>Model 4610</b>	B
	0273022	Ref	<b>Models 7610-7616 (Single Axle Brakes - Standard)</b>	B
	0273023	Ref	<b>Models 7610-7616 (Tandem Axle Brakes - Optional)</b>	B
		Ref	<b>Utility Models:</b>	
	0273337	Ref	<b>Model UT28 (Brakes are Optional)</b>	B
	0273339	Ref	<b>Model UT49</b>	B
	0273341	Ref	<b>Model UT410</b>	B
	0273022	Ref	<b>Models UT610-UT614 (Single Axle Brakes - Standard)</b>	B
	0273023	Ref	<b>Models UT610-UT614 (Tandem Axle Brakes - Optional)</b>	B
	0273289	Ref	<b>Models UT912-UT914</b>	B
201		Ref	Brake Actuator Assembly Options (See BRAKE ACTUATOR ASSEMBLIES for Breakdown)	
201	19601	1	Single Axle Models	
201		Ref	Tandem Axle Models Options:	
201	27611	1	Models EC10-EC14, 7610-7616 & UT610-UT614	
201	36601	1	Models 1012-1014 & UT912-UT914	
209		Ref	Bolt Options:	
209	80065	3	Bolt 1/2in-13NC x 4-1/2in	
209	80076	3	Bolt 5/8in-11NC x 4-1/2in (Models UT912-914 & 1012-1014)	
210		Ref	Nut Options:	
210	80151	3	Locknut 1/2in-13NC	
210	80161	3	Locknut 5/8in-11NC (Models UT912-914 & 1012-1014)	
		Ref	<b>SAFETY CHAINS INSTALLATION</b>	
	28104	Ref	<b>All Models Except Models 248 &amp; UT 28</b>	C
	2902293	Ref	<b>Models 248 &amp; UT 28 Only</b>	C
301		Ref	Chain Assembly Options:	
301A	70212	2	All Models Except Models 248 & UT 28 (Includes #502A Hook)	
301B	29309	2	Models 248 & UT 28 Only	
302		Ref	Chain End Options:	
302A	See Note	NSS	Hook (All Models Except Models 248 & UT 28) (Part of Item 301) (Note: Use p/n 28104)	
302B	71601	2	Link (Models 248 & UT 28 Only)	
303		Ref	Bolt Options:	
303	80043	2	Bolt ( <b>Prior to SN 0050003196</b> )	
303	80065	1	Bolt ( <b>SN 0050003196 to Present</b> )	

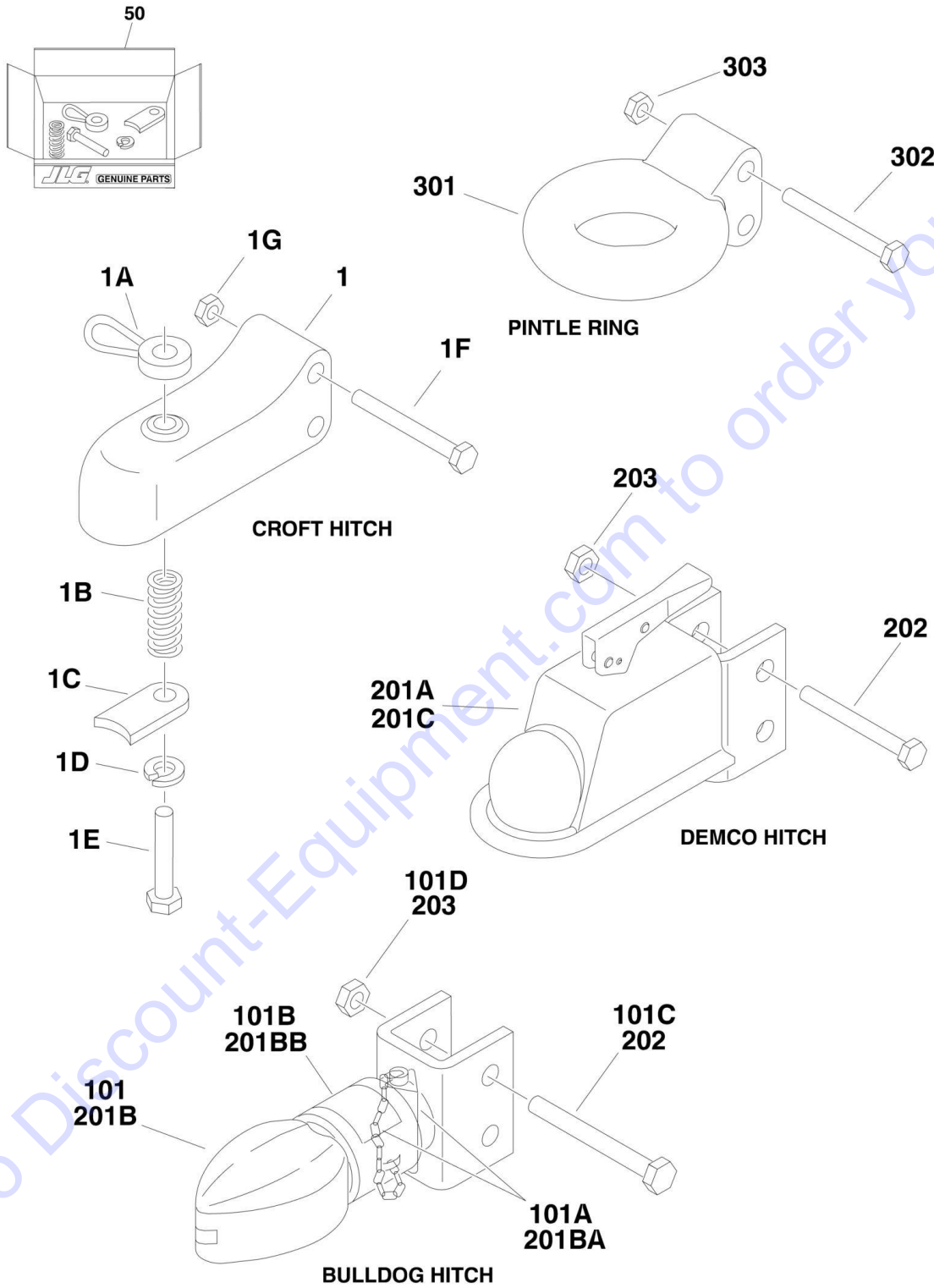
## SECTION 1 - PARTS

ITEM	PART NUMBER	QTY	DESCRIPTION	REV
304		Ref	Nut Options:	
304	80142	2	Nut <b>(Prior to SN 0050003196)</b>	
304	80151	1	Nut <b>(SN 0050003196 to Present)</b>	
305		Ref	Flatwasher Options:	
305	80230	2	Flatwasher <b>(Prior to SN 0050003196)</b>	
305	4711800	2	Flatwasher (1/2in Thin) <b>(SN 0050003196 to Present)</b>	
	0273333	Ref	<b>WINCH INSTALLATION - DECK ELEVATING (MODELS 248 &amp; UT28 ONLY)</b>	C
401	29403	1	Winch Assembly	
401	72216	1	Winch Less Mounting Plates	
401	29311	2	Plate, Mounting	
402	18215	2	Pulley	
403	29313	2	Bushing, Pulley	
404	34312	1	Cable w/Eyelet	
406	80028	2	Bolt 3/8in-16NC x 4in	
407	80131	2	Locknut 3/8in-16NC	
408	80311	1	Pin, Clevis	
409	80313	2	Pin, Clevis	
413	80326	3	Pin, Cotter <b>(SN 0050001331 to Present)</b>	

Go to Discount-Equipment.com to order your parts

# SECTION 1 - PARTS

## FIGURE 1-2. HITCH INSTALLATIONS



Go to [Discount-Equipment.com](http://Discount-Equipment.com) to order your parts

# SECTION 1 - PARTS

## FIGURE 1-2. HITCH INSTALLATIONS

ITEM	PART NUMBER	QTY	DESCRIPTION	REV
		Ref	<b>BALL HITCH INSTALLATIONS (EARLY PREMCO MODELS)</b>	
1		Ref	Croft Brand Hitch Assembly:	
1	70106	1	Hitch for 2in Ball (Single Axle Models)	
1	70107	1	Hitch for 2-5/16in Ball (Tandem Axle Models)	
1A	See Note	NSS	Loop-Nut (Note: Use Item 50)	
1B	See Note	NSS	Spring (Note: Use Item 50)	
1C	See Note	NSS	Lip, Clamping (Note: Use Item 50)	
1D	4762000	1	Lockwasher	
1E	See Note	NSS	Bolt 5/8 x 4-1/2 (Note: Use Item 50)	
1F	0642044	2	Bolt 5/8in-11NC x 4-1/2in	
1G	3312005	2	Locknut 5/8in-11NC	
50	70142	1	Croft Hitch Repair Kit (Includes Items 1A-1E)	
		Ref	<b>BALL HITCH INSTALLATIONS (LATE PREMCO MODELS AND JLG MODELS) (Prior to SN 0050002147)</b>	
		Ref	<b>Enclosed Models:</b>	
	70108	Ref	<b>Models EC10-EC14 (2 5/16 inch) (Prior to SN 0050002147)</b>	B
		Ref	<b>Flatbed Models:</b>	
	70103	Ref	<b>Models 248, 449 &amp; 4610 (2 inch) (Prior to SN 0050002147)</b>	C
	70108	Ref	<b>Models 7610-7616 (2 5/16 inch) (Prior to SN 0050002147)</b>	B
		Ref	<b>Models 1012-1014</b>	
	70108	Ref	<b>Ball Hitch Installations (2 5/16 inch) (Prior to SN 0050001793)</b>	B
	2620053	Ref	<b>Ball Hitch Installations (2 5/16 inch) (SN 0050001793 through 0050002147)</b>	B
		Ref	<b>Utility Models:</b>	
	70103	Ref	<b>Models UT28, UT49 &amp; UT410 (2 inch) (Prior to SN 0050002147)</b>	C
	70108	Ref	<b>Models UT610-UT614 &amp; UT912-UT914 (2 5/16 inch) (Prior to SN 0050002147)</b>	B
101		Ref	Bulldog Brand Hitch Assembly:	
101	70103	1	Hitch for 2in Ball (Single Axle Models)	
101		Ref	Hitch for 2 5/16in Ball (Tandem Axle Models) Options:	
101	2620058	1	Hitch for All Except Models 1012-1014 (use p/n 2620058)	
101	70108	NLA	Hitch for All Except Models 1012-1014 (use p/n 2620058)	
101		Ref	Hitch Options for Models 1012-1014:	
101	70108	NLA	Hitch for 1012-1014 (Use p/n 2620058) <b>(Prior to SN 0050001793)</b>	
101	2620053	1	Hitch for Models 1012-1014 <b>(SN 0050001793 through 0050002147)</b>	
101A	7026324	1	Snap Pin and Chain	
101B		Ref	Decal Options:	
101B	7026325	1	2in Ball	
101B	7026327	1	2 5/16in Ball	
101C	0642044	2	Bolt 5/8in-11NC x 4-1/2in	
101D	80161	2	Locknut 5/8in-11NC	
		Ref	<b>BALL HITCH INSTALLATIONS (JLG MODELS) (SN 0050002147 to Present)</b>	
		Ref	<b>Enclosed Models:</b>	
	0275052	Ref	<b>Models EC10-EC14 (2 5/16 inch) (SN 0050002147 to Present)</b>	D
		Ref	<b>Flatbed Models:</b>	
	0275051	Ref	<b>Model 248 (2 inch) (SN 0050002147 to Present)</b>	D



## SECTION 1 - PARTS

ITEM	PART NUMBER	QTY	DESCRIPTION	REV
		Ref	<b>Model 449</b>	
	0275051	Ref	<b>Ball Hitch Installations (2 inch) (SN 0050002147 through 0050002402)</b>	D
	70103	Ref	<b>Ball Hitch Installations (2 inch) (SN 0050002403 through 0050002837)</b>	C
	0275891	Ref	<b>Ball Hitch Installations (2 inch) (SN 0050002838 to Present)</b>	B
	0275052	Ref	<b>Ball Hitch Installations (2 5/16 inch) (SN 0050002147 to Present)</b>	D
	0275052	Ref	<b>Models 4610, 7610-7616 &amp; 1012-1014 (2 5/16 inch) (SN 0050002147 to Present)</b>	D
		Ref	<b>Utility Models:</b>	
	0275051	Ref	<b>Model UT28 (2 inch) (SN 0050002147 to Present)</b>	D
		Ref	<b>Model UT49</b>	
	0275051	Ref	<b>Ball Hitch Installations (2 inch) (SN 0050002147 through 0050002402)</b>	D
	70103	Ref	<b>Ball Hitch Installations (2 inch) (SN 0050002403 through 0050002837)</b>	C
	0275891	Ref	<b>Ball Hitch Installations (2 inch) (SN 0050002838 to Present)</b>	B
	0275052	Ref	<b>Ball Hitch Installations (2 5/16 inch) (SN 0050002147 to Present)</b>	D
	0275052	Ref	<b>Model UT410, UT610-UT614 &amp; UT912-UT914 (2 5/16 inch) (SN 0050002147 to Present)</b>	D
201		Ref	Hitch Assembly:	
201		Ref	Hitch for 2in Ball	
201A	2620054	1	All Models except 449 & UT49	
201A		Ref	Models 449 & UT49 Only	
201A	2620054	1	Hitch Assembly <b>(SN 0050002147 through 0050002402)</b>	
201B	70103	1	Hitch Assembly <b>(SN 0050002403 to Present)</b>	
201BA	7026324	1	Snap Pin and Chain	
201BB	7026325	1	Decal	
201C	2620058	1	Hitch for 2-5/16in Ball	
202		Ref	Bolt Options:	
202	0642044	2	Bolt <b>(Prior to SN 0050003099)</b>	
202	0642012	4	Bolt <b>(SN 0050003099 to Present)</b>	
203	80161	AR	Locknut 5/8in-11NC	
	0273011	Ref	<b>PINTLE HITCH INSTALLATION (OPTIONAL)</b>	E
301		Ref	Ring, Pintle Options:	
301	71503	1	Ring, Pintle <b>(Prior to SN 0050002147)</b>	
301	2620059	1	Ring, Pintle <b>(SN 0050002147 to Present)</b>	
302		Ref	Bolt Options:	
302	0642044	2	Bolt <b>(Prior to SN 0050003099)</b>	
302	0642012	4	Bolt <b>(SN 0050003099 to Present)</b>	
303	80161	AR	Locknut 5/8in-11NC	



# SECTION 1 - PARTS

## FIGURE 1-3. BRAKE ACTUATOR ASSEMBLIES

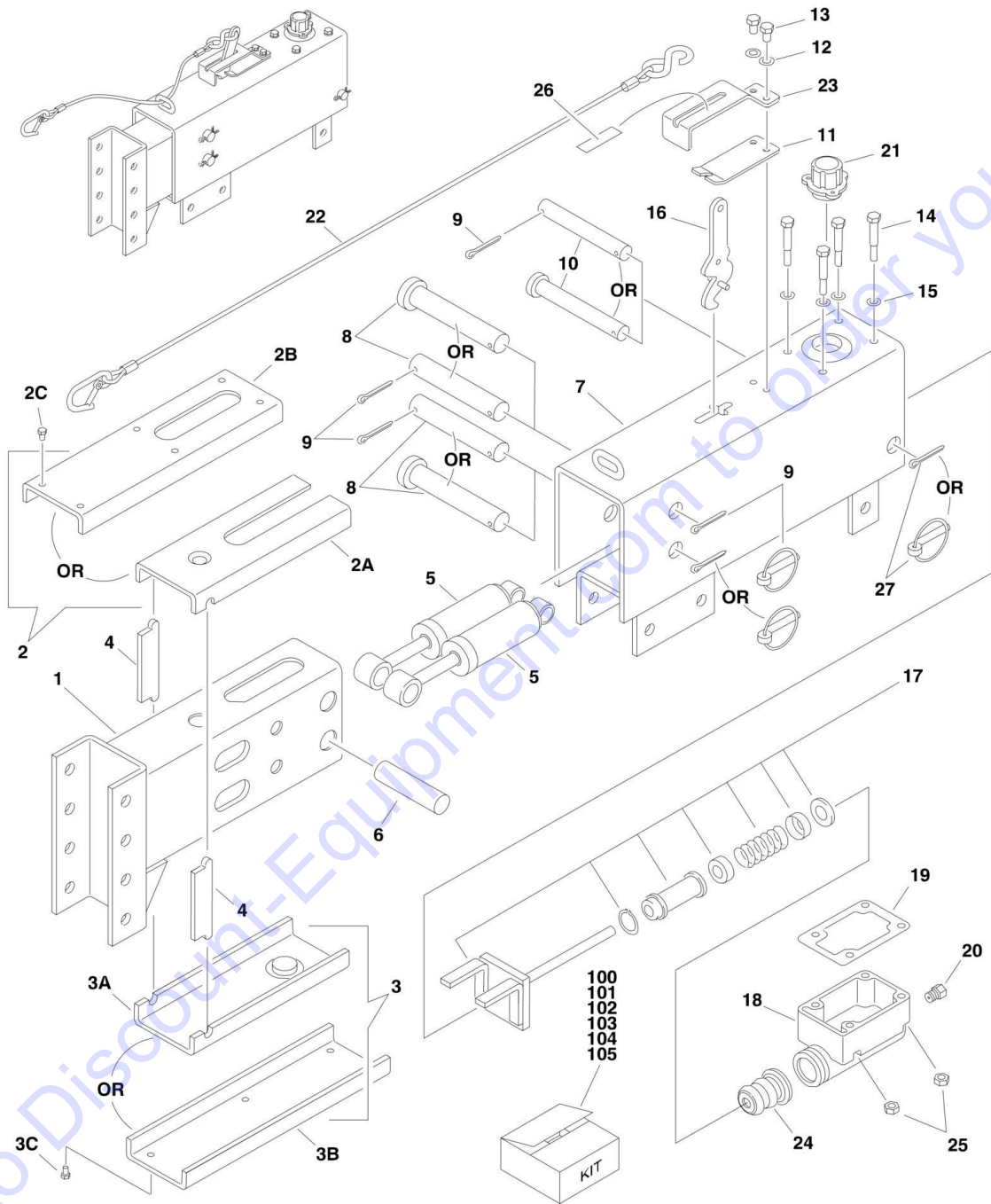


FIGURE 1-3. BRAKE ACTUATOR ASSEMBLIES

ITEM	PART NUMBER	QTY	DESCRIPTION	REV
		Ref	<b>BRAKE ACTUATOR ASSEMBLIES</b>	
		Ref	<b>Enclosed Models:</b>	
	27611	Ref	<b>Models EC10-EC14 (Actuator Model DA10)</b>	A
		Ref	<b>Flatbed Models:</b>	
	19601	Ref	<b>Model 248, 449 &amp; 4610 (Actuator Model 91)</b>	A
	36601	Ref	<b>Models 1012-1014 (Actuator Model DA20)</b>	B
	27611	Ref	<b>Models 7610-7616 (Actuator Model DA10)</b>	A
		Ref	<b>Utility Models:</b>	
	19601	Ref	<b>Model UT28, UT49 &amp; UT410 (Actuator Model 91)</b>	A
	27611	Ref	<b>Models UT610-UT614 (Actuator Model DA10)</b>	A
	36601	Ref	<b>Models UT912-UT914 (Actuator Model DA20)</b>	B
1		Ref	Channel, Coupler Options:	
1	7026363	1	Actuator Model 91	
1	7026364	1	Actuator Model DA10	
1	7026376	1	Actuator Model DA20	
2		Ref	Pad, Wear (Top) Options:	
2A	70002722	1	Actuator Model 91 (was p/n 7026358)	
2A	70002723	1	Actuator Model DA10 (was p/n 7026358)	
2B	70002719	1	Actuator Model DA20 (was p/n 7026377)	
2C	See Note	6	Screw, Flathead 1/4in-20NC x 1/2in (Note: Supply Locally)	
3		Ref	Pad, Wear (Bottom) Options:	
3A	70002722	1	Actuator Model 91 (was p/n 7026359)	
3A	70002723	1	Actuator Model DA10 (was p/n 7026359)	
3B	70002719	1	Actuator Model DA20 (was p/n 7026378)	
3C	Not Available	6	Screw, Flathead 1/4in-20NC x 1/2in (Note: Supply Locally)	
4		Ref	Spacer, Block Options:	
4	70002722	AR	Actuator Model 91 (was p/n 7026360)	
4	70002723	AR	Actuator Model DA10 (was p/n 7026365)	
4	Not Required	0	Actuator Model DA20	
5	7026353	Ref	Shock, Dampener Options:	
5	7026353	1	Actuator Model 91	
5	7026353	2	Actuator Model DA10	
5	7026353	2	Actuator Model DA20	
6		Ref	Pin, Shock (Front) Options:	
6	7026352	1	Actuator Model 91	
6	7026366	1	Actuator Model DA10	
6	7026379	1	Actuator Model DA20	
7		Ref	Case, Outer Options:	
7	7026354	1	Actuator Model 91	
7	7026375	1	Actuator Model DA10	
7	7026380	1	Actuator Model DA20	
8		Ref	Pin, Coupler to Case Connector	
8	7026357	1	Actuator Model 91	
8	7026367	2	Actuator Model DA10	
8	7026381	2	Actuator Model DA20	
9		Ref	Pin Options:	
9	See Note	4	Pin, Cotter (Note: Supply Locally)	
9	70002638	2	Pin, Clip	
10		Ref	Pin, Shock (Rear) Options:	
10	Not Required	0	Actuator Model 91	

## SECTION 1 - PARTS

ITEM	PART NUMBER	QTY	DESCRIPTION	REV
10	7026368	1	Actuator Model DA10	
10	7026382	1	Actuator Model DA20	
11	7026361	1	Spring, Emergency Lever	
12	See Note	2	Starwasher 5/16in External Tooth (Note: Supply Locally)	
13	0641505	2	Bolt 5/16in-18NC x 5/8in	
14		Ref	Bolt 1/4in-20NC Options:	
14	0641416	4	Bolt 1/4in-20NC x 2in	
14	0641406	4	Bolt 1/4in-20NC x 3/4in	
15	4761400	4	Lockwasher 1/4in	
16	7026361	1	Lever, Emergency	
17	See Note	NSS	Rod and Piston Assembly (Master Cylinder) (Note: Use item 102)	
18	See Note	NSS	Reservoir (Master Cylinder) (Note: Use item 102)	
19	See Note	1	Gasket (Master Cylinder) (Note: Use Items 101 & 102)	
20	7026355	1	Fitting with Orifice	
21	19616	1	Cap, Fill with Diaphragm and O-Ring (Master Cylinder)	
22	19613	1	Cable with S-Hooks	
23		Ref	Guide, Lever Options:	
23	7026356	1	Actuator Model 91	
23	7026372	1	Actuator Model DA10	
23	7026372	1	Actuator Model DA20	
24	7026374	1	Boot	
25	3311401	4	Nut 1/4in-20NC	
26	7026373	1	Decal - Towable/Not Towable	
27		Ref	Pin Options:	
27	See Note	2	Pin, Cotter (Note: Supply Locally)	
27	70002637	1	Pin, Clip	
		Ref	<b>Repair Kit Options:</b>	
100	7026361	1	Emergency Lever Replacement Kit (Includes Items 11, 16 & 22)	
101	7026362	1	Master Cylinder Repair Kit (Includes Items 19, 24 and Parts to Rebuilt #17)	
102	19615	1	Master Cylinder Replacement Kit (Includes Items 14, 15, 18, 19 & 25)	
103	70002722	1	Slide Kit - Model 91 (Includes Items 2A, 3A & 4)	
104	70002723	1	Slide Kit - Model DA10 (Includes Items 2A, 3A & 4)	
105	70002719	1	Slide Kit - Model DA20 (Includes Items 2A & 3A)	



# SECTION 1 - PARTS

## FIGURE 1-4. JACK INSTALLATIONS

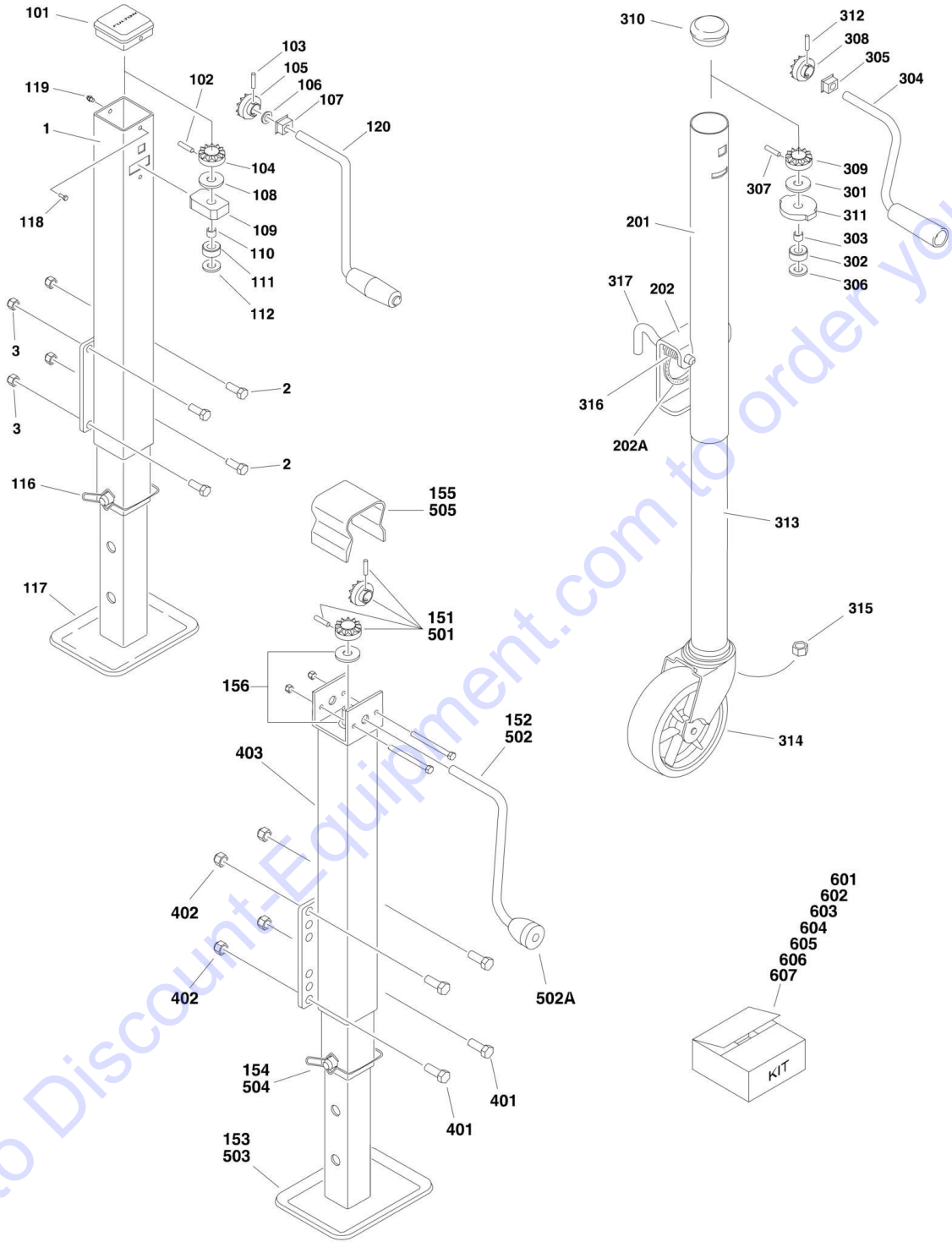


FIGURE 1-4. JACK INSTALLATIONS

ITEM	PART NUMBER	QTY	DESCRIPTION	REV
		Ref	<b>JACK INSTALLATIONS</b>	
	0273012	Ref	<b>Cequent/Fulton Jack Installation (Available on Models EC10-EC14, Heavy Duty 449, 7610-7616, Heavy Duty UT49, UT610-UT614 Prior to JLG SN 0050001119)</b>	A
	0273283	Ref	<b>Cequent/Fulton Jack Installation (Available on Models 1012-1014 &amp; UT912-UT914 Prior to JLG SN 0050001119)</b>	A
	0274184	Ref	<b>Bulldog Jack Installation (Available on Models EC10-EC14, Heavy Duty 449, 7610-7616, 1012-1014, Heavy Duty UT49, UT610-UT614 &amp; UT912-UT914 JLG SN 0050001119 to Present)</b>	C
	0273344	Ref	<b>Atwood Jack Installation (Available on Models 248, Std 449, 4610, UT28, Std UT49 &amp; UT410)</b>	A
		Ref	<b>Cequent/Fulton Jack Installations (Prior to JLG SN 0050001119)</b>	
	0273012	Ref	<b>Models EC10-EC14, Heavy Duty 449, 7610-7616, Heavy Duty UT49, UT610-UT614</b>	A
	0273283	Ref	<b>Models 1012-1014 &amp; UT912-UT914</b>	A
1		Ref	Jack Assembly Options:	
1	28408	1	Jack for Models EC10-14, 7610-7616, UT610-UT614 (use p/n 2840028)	
1	28408	1	Jack for Models 449 & UT49 with Heavy Duty Jack (use p/n 2840028)	
1	36412	1	Jack for Models 1012-1014 & UT912-UT914 (was p/n 2840028)	
1	70907	1	Jack without Welded-on Bracket (Use p/n 2840028)	
1	1001149969	1	Jack without Welded-on Bracket (Use p/n 2840028)	
2	80022	4	Bolt 3/8in-16NC x 1in	
3	80131	4	Locknut 3/8in-16NC	
	28408	Ref	<b>Cequent/Fulton Jack Assembly (Original Equipment) (Use p/n 2840028 as Replacement)</b>	
	36412	Ref	<b>Cequent/Fulton Jack Assembly (Original Equipment) (Use p/n 2840028 as Replacement)</b>	
	70907	Ref	<b>Cequent/Fulton Jack Assembly (Original Equipment) (Use p/n 2840028 as Replacement)</b>	
		Ref	<b>Note: Original Equipment Cequent/Fulton Jack p/n 70907 may have been replaced with Service Replacement Jack p/n 1001149969 Pro Series Jack. Identify brand before ordering parts. See Items 101-120 for Cequent/Fulton Jack or items 151-156 for Pro Series Jack.</b>	
101		Ref	Cap Options:	
101	7026338	1	Black Plastic (was p/n 70908)	
101	7026338	1	Steel	
102	70912	1	Pin, Straight	
103	70912	1	Pin, Groove	
104	70912	1	Gear, Horizontal	
105	70912	1	Gear, Vertical	
106	70912	1	Thrustwasher	
107	70912	1	Bushing	
108	70912	1	Flatwasher	
109	7026339	1	Plate, Support	
110	2840028	NLA	Spacer (Note: No Longer Available)	
111	2840028	NLA	Bearing (Note: No Longer Available)	
112	2840028	NLA	Flatwasher (Note: No Longer Available)	
116	7026606	NLA	Pin, Lynch (Note: Per vendor, pin was 5/8in dia. but is no longer available. Replacement pin is 9/16in dia.)	



## SECTION 1 - PARTS

ITEM	PART NUMBER	QTY	DESCRIPTION	REV
117	7026344	1	Foot and Lower Tube Weldment	
118	See Note	1	Screw (Note: Not Available - Supply Locally)	
119	See Note	1	Fitting, Grease (Note: Not Available - Supply Locally)	
120	See Note	NLA	Handle Assembly (Note: Use p/n 2840028)	
	1001149969	Ref	<b>Pro Series Jack Assembly (Service Replacement) (Use p/n 2840028 as Replacement)</b>	
		Ref	<b>Note: Original Equipment Cequent/Fulton Jack p/n 70907 may have been replaced with Service Replacement Jack p/n 1001149969 Pro Series Jack. Identify brand before ordering parts. See Items 101-120 for Cequent/Fulton Jack or items 151-156 for Pro Series Jack.</b>	
151	7027516	1	Gear Kit (Includes 2 Gears and 2 Pins)	
152	70004176	1	Crank Kit (Includes Crank Handle, Knob, Flatwashers and Pin)	
153	See Note	1	Drop Leg, Replacement (Note: Use p/n 2840028)	
154	7027518	1	Pin Kit - Drop Leg	
155	See Note	1	Cap, Replacement (Note: Use p/n 2840028)	
156	70004175	1	Bearing Kit (Includes Bearing and Flatwasher)	
	0273344	Ref	<b>Atwood Jack Installation</b>	A
201	70905	1	Jack Assembly (See Items 301-317 for Breakdown)	
202	70902	1	Bracket with Ring, Retaining (Welded on Part)	
202A	70906	1	Ring, Retaining	
	70905	Ref	<b>Atwood Jack Assembly</b>	A
301	See Note	NSS	Thrustwasher (Note: Use Item 607)	
302	See Note	NSS	Sleeve, Felt (Note: Use Item 607)	
303	See Note	NSS	Bearing (Note: Use Item 607)	
304	See Note	NSS	Handle Assembly (Note: Use Item 607)	
305	See Note	NSS	Sleeve (Note: Use Item 607)	
306	See Note	NSS	Washer (Note: Use Item 607)	
307	See Note	NSS	Rollpin (Note: Use Item 607)	
308	See Note	NSS	Gear, Vertical (Note: Use Item 607)	
309	See Note	NSS	Gear, Horizontal (Note: Use Item 607)	
310	70910	1	Cap	
311	See Note	NSS	Plate, Support (Note: Use Item 607)	
312	See Note	NSS	Pin, Grooved (Note: Use Item 607)	
313	See Note	NSS	Tube, Lower (Note: use p/n 70905)	
314	See Note	NSS	Wheel & Caster Assembly (Note: use p/n 70905)	
315	See Note	NSS	Nut (Note: use p/n 70905)	
316	See Note	NSS	Spring (Note: use p/n 70905)	
317	See Note	NSS	Latch, Pin (Note: use p/n 70905)	
	0274184	Ref	<b>Bulldog Jack Installation (JLG) (SN 0050001119 to Present)</b>	C
401	80043	4	Bolt 7/16in-14NC x 1-1/2in	
402	80141	4	Locknut 7/16in-14NC	
403	2840025	1	Jack Assembly	
	2840025	Ref	<b>Bulldog Jack Assembly</b>	D
501	7027516	1	Gear Kit (Includes 2 Gears and 2 Pins)	
502	7027517	1	Crank Kit (Includes Crank Handle and Knob)	
502A	7027520	1	Knob, Black	
503	7027519	1	Drop Leg, Replacement	
504	7027518	1	Pin Kit - Drop Leg	
505	7027521	1	Cap, Replacement	
		Ref	<b>Repair Kit Options:</b>	
601	70004175	1	Bearing Kit (Pro Series Jack) (Includes Item #156 - Bearing and	

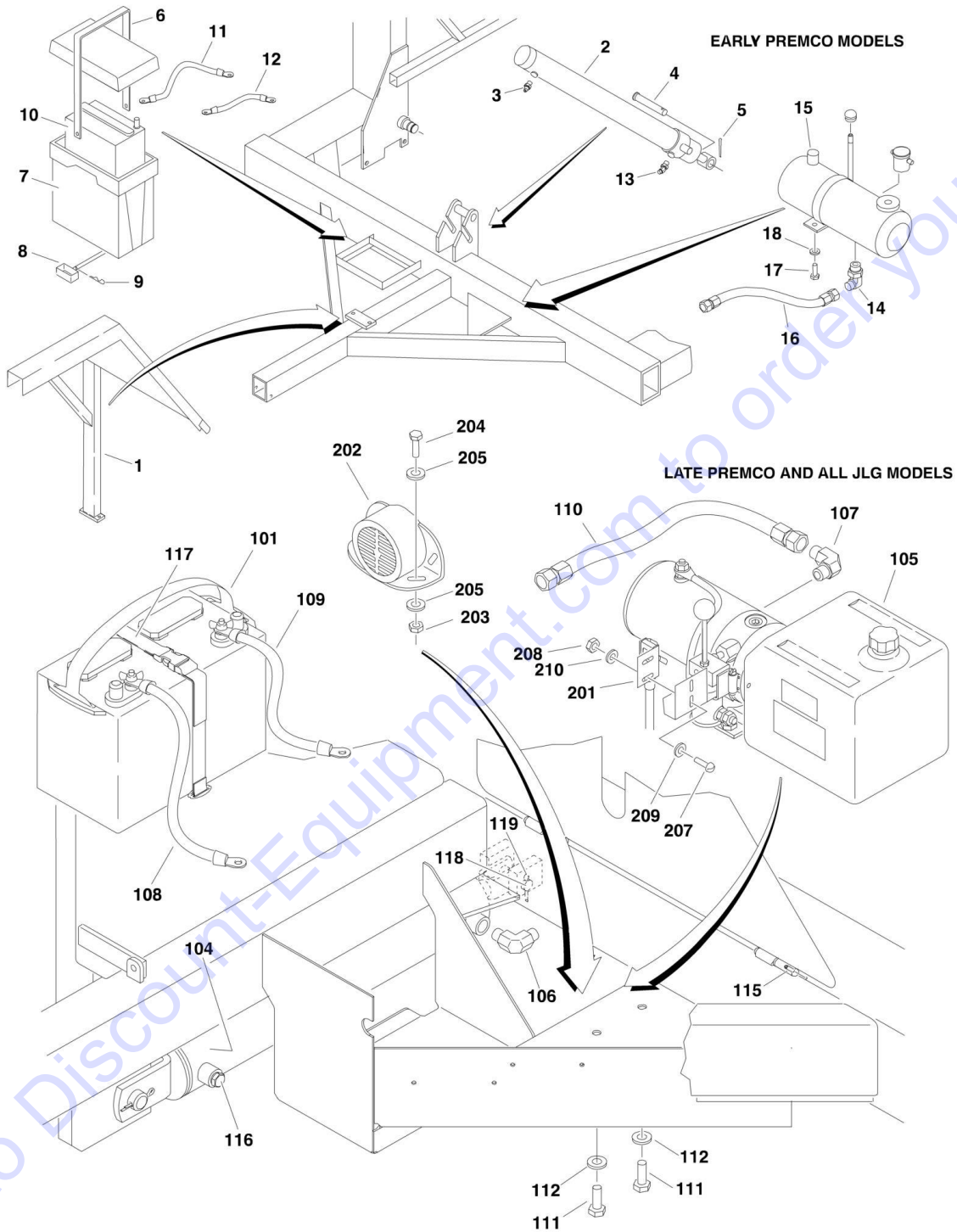
## SECTION 1 - PARTS

ITEM	PART NUMBER	QTY	DESCRIPTION	REV
602	7027517	1	Flatwasher) Crank Kit (Bulldog Jack) (Includes #502 - Crank Handle, Knob, Flatwashers and Pin)	
603	70004176	1	Crank Kit (Pro Series Jack) (Includes Items #152 - Crank Handle, Knob, Flatwashers and Pin)	
604	7027516	1	Gear Kit (Bulldog Jack) (Includes Item # 501 - 2 Gears and 2 Pins)	
605	70912	1	Gear Kit (Cequent/Fulton Jack) (Includes Items 102-108)	
606	7027516	1	Gear Kit (Pro Series Jack) (Includes Item # 151 - 2 Gears and 2 Pins)	
607	7026619	1	Repair Kit (Atwood Jack) (Includes Items 301-312)	

Go to Discount-Equipment.com to order your parts

# SECTION 1 - PARTS

## FIGURE 1-5. POWER COMPONENTS INSTALLATIONS



**SECTION 1 - PARTS**

**FIGURE 1-5. POWER COMPONENTS INSTALLATIONS**

ITEM	PART NUMBER	QTY	DESCRIPTION	REV
		Ref	<b>POWER COMPONENTS INSTALLATION (EARLY PREMCO MODELS)</b>	
1	26404	1	Shield, Cylinder	
2	19600	1	Cylinder Assembly (No Internal Serviceable Parts Available)	
3	70122	1	Breather, Air	
4	80315	1	Pin, Clevis	
5	80322	1	Pin, Cotter	
6	19325	1	Strap, Battery	
7	70123	1	Box, Battery	
8	19409	1	Pin, Battery Box	
9	80326	1	Hairpin	
10	70124	1	Battery	
11	70206	1	Cable, Red Battery	
12	70207	1	Cable, Black Battery	
13	70514	1	Fitting, 45	
14	70518	1	Fitting, 90	
15	71201	1	Motor/Pump/Tank Assembly (See MOTOR/PUMP/TANK ASSEMBLY for Breakdown)	
16	70707	1	Hose	
17	80022	2	Bolt 3/8in-16NC x 1in	
18	80231	2	Lockwasher 3/8in	
		Ref	<b>POWER COMPONENTS INSTALLATION (LATE PREMCO AND ALL JLG MODELS)</b>	
		Ref	<b>Enclosed Models:</b>	
	0273015	Ref	<b>Models EC10-EC14</b>	E
		Ref	<b>Flatbed Models:</b>	
		Ref	<b>Model 449</b>	
	0273345	Ref	<b>Power Components Installation (Prior to SN 0050003037)</b>	D
	0273015	Ref	<b>Power Components Installation (SN 0050003037 to Present)</b>	E
	0273285	Ref	<b>Models 1012-1014</b>	E
		Ref	<b>Model 4610</b>	
	0273352	Ref	<b>Power Components Installation (Prior to SN 0050003037)</b>	C
	0273015	Ref	<b>Power Components Installation (SN 0050003037 to Present)</b>	E
	0273015	Ref	<b>Models 7610-7616</b>	E
		Ref	<b>Utility Models:</b>	
		Ref	<b>Model UT49</b>	
	0273345	Ref	<b>Power Components Installation (Prior to SN 0050003037)</b>	D
	0273015	Ref	<b>Power Components Installation (SN 0050003037 to Present)</b>	E
		Ref	<b>Model UT410</b>	
	0273352	Ref	<b>Power Components Installation (Prior to SN 0050003037)</b>	C
	0273015	Ref	<b>Power Components Installation (SN 0050003037 to Present)</b>	E
	0273015	Ref	<b>Models UT610-UT614</b>	E
	0273285	Ref	<b>Models UT912-UT914</b>	E
101	70124	1	Battery	
104		Ref	Cylinder Assembly Options (See CYLINDER ASSEMBLY for Breakdown):	
104	27601	NLA	Cylinder Assembly for All Models except 1012-1014 & UT912-UT914 (Use p/n 1001092096) <b>(Prior to SN 0050003037)</b>	
104	1001092096	1	Cylinder Assembly for All Models except 1012-1014 & UT912-UT914 <b>(SN 0050003037 to Present)</b>	
104	36600	NLA	Cylinder Assembly for Models 1012-1014 & UT912-UT914	

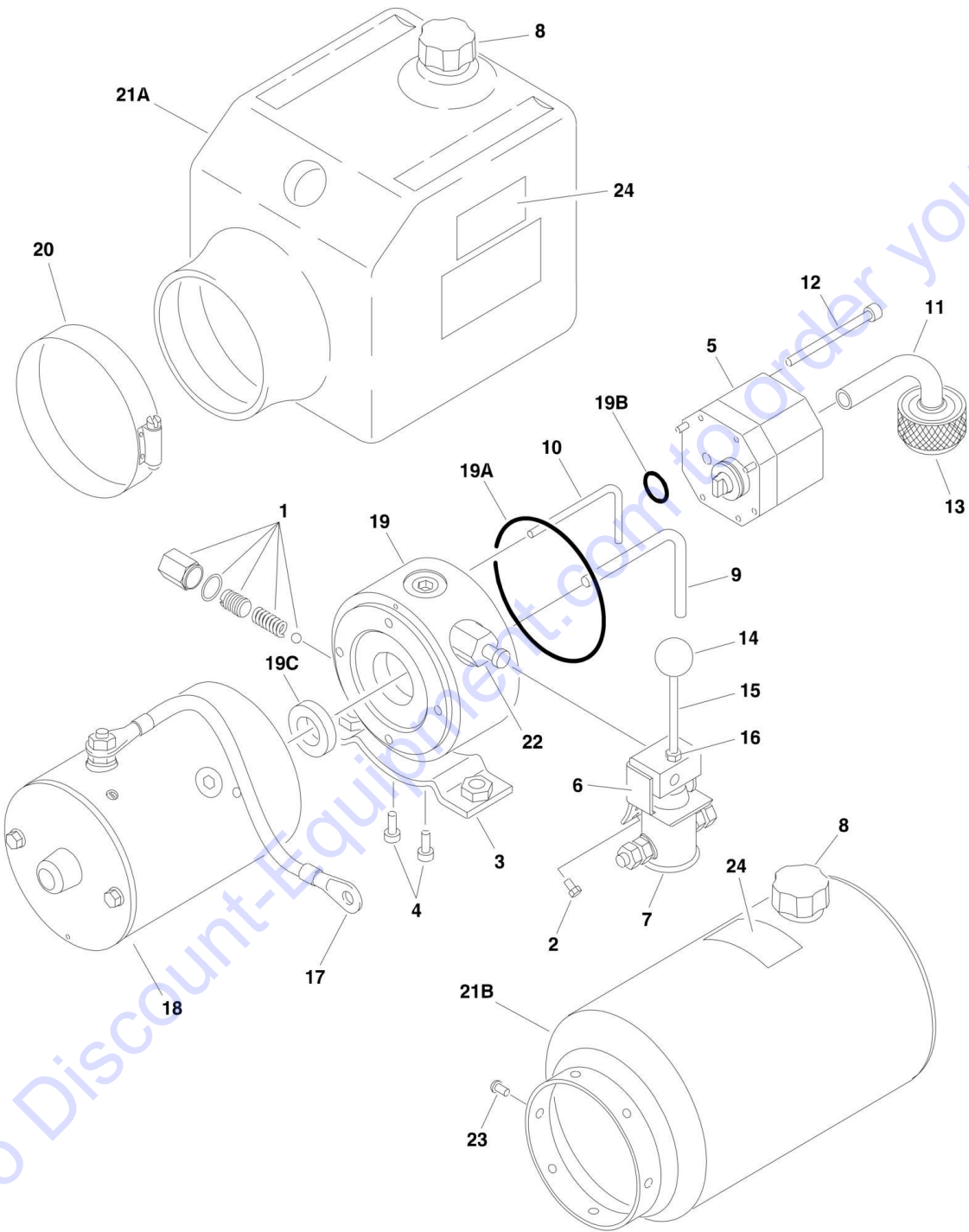
## SECTION 1 - PARTS

ITEM	PART NUMBER	QTY	DESCRIPTION	REV
104	1001091848	1	Only (Use p/n 1001091848) <b>(Prior to SN 0050003037)</b> Cylinder Assembly for Models 1012-1014 & UT912-UT914 Only <b>(SN 0050003037 to Present)</b>	
105	71201	1	Motor/Pump/Tank Assembly (See MOTOR/PUMP/TANK ASSEMBLY for Breakdown)	
106	70515	1	Fitting, 90	
107	70518	1	Fitting, 90	
108	70215	1	Cable, Red Battery	
109	70216	1	Cable, Black Battery	
110	70707	1	Hose	
111	80022	2	Bolt 3/8in-16NC x 1in	
112	80231	2	Lockwasher 3/8in	
115	80332	2	Pin, Roll <b>(SN 0050001617 to Present)</b>	
116	1001092070	1	Vent <b>(SN 0050003037 to Present)</b>	
117	4240177	1	Strap, Battery <b>(SN 0050004224 to Present)</b>	
118	36315	1	Pin, Cylinder	
119	3450808	2	Pin, Cotter	
	0273025	Ref	<b>MOTION ALARM INSTALLATION</b>	F
201	71821	1	Microswitch with Bracket	
202		Ref	Alarm Options:	
202	70040	NLA	Alarm (Use p/n 0140016)	
202	0140016	1	Alarm <b>(SN 0050001788 to Present)</b>	
203	3311408	2	Locknut 1/4in-20NC	
204	0791406	2	Bolt 1/4in-20NC x 3/4in	
205	80209	AR	Flatwasher 1/4in <b>(Prior to SN 0050004224)</b>	
206	70161	1	Bracket, Mounting	
207	80010	2	Screw, Machine #10-24NC x 1/2in	
208	80103	2	Nut #10-24NC	
209	80202	2	Flatwasher #10	
210	80201	2	Starwasher	



# SECTION 1 - PARTS

## FIGURE 1-6. MOTOR/PUMP/TANK ASSEMBLY



## SECTION 1 - PARTS

### FIGURE 1-6. MOTOR/PUMP/TANK ASSEMBLY

ITEM	PART NUMBER	QTY	DESCRIPTION	REV
	71201	Ref	<b>MOTOR/PUMP/TANK ASSEMBLY</b>	A
1	7026328	1	Valve, Adjustable Relief (Includes Spring, Ball, Setscrew and Plug)	
2	See Note	NSS	Screw (Note: Not Available - Purchase Locally)	
3	7026329	1	Bracket	
4	See Note	NSS	Screw (Note: Not Available - Purchase Locally)	
5	7026166	1	Pump Assembly	
5	See Note	NSS	Seal Kit - 7026166 Pump (Note: Not Available for Purchase)	
6	71207	1	Switch Bracket Assembly	
7	71205	1	Solenoid	
8	7026160	1	Cap, Reservoir (Was p/n 71206)	
9	7026161	1	Tube, Return	
10	7026162	1	Tube, Return (Relief Valve)	
11	7026163	1	Tube, Supply	
12	7026164	4	Screw (Fastens Pump to Base)	
13	7026165	1	Filter	
14	7026167	1	Knob, Ball (Was p/n 71203)	
15	7026168	1	Rod, Actuator (Was p/n 71204)	
16	7026169	1	Nut, Jam	
17	7026158	1	Cable, Electrical	
18	7026157	1	Motor Assembly	
18	7026331	1	Brush Kit - 7026157 Motor (Includes Springs, Holder and Brushes)	
19		Ref	Base Assembly Options:	
19	7026334	1	Base Used White Square Tank (Clamped on)	
19	7026334	1	Base Used Black Cylindrical Tank (Fastened with 6 Screws)	
19A	70003613	1	O-Ring, Tank	
19B	70003612	1	O-Ring	
19C	7026330	1	Seal, Shaft	
20	7026335	1	Clamp	
21		Ref	Tank Options:	
21A	2910961	1	White Square Tank (Clamped on) (Was p/n 7026159)	
21B	7026336	1	Black Cylindrical Tank (Fastened with 6 Screws)	
22	7026337	1	Plunger Valve	
23	See Note	NSS	Screw (Note: Not Available - Purchase Locally)	
24	70226312	1	Decal - Fill Instructions	



# SECTION 1 - PARTS

## FIGURE 1-7. CYLINDER ASSEMBLY

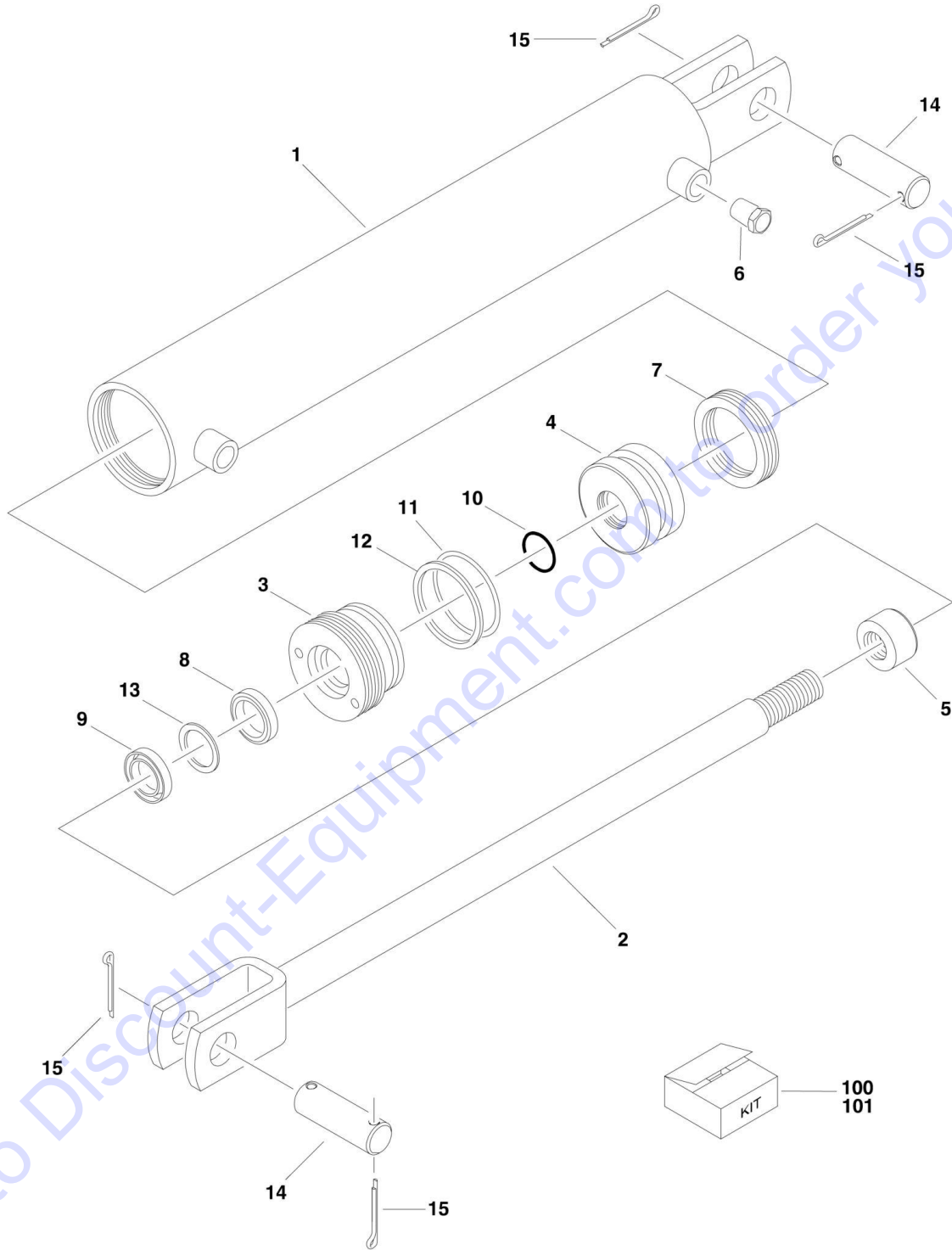


FIGURE 1-7. CYLINDER ASSEMBLY

ITEM	PART NUMBER	QTY	DESCRIPTION	REV
		Ref	<b>Note: Original Equipment Cylinder may have been replaced with p/n 1001092096 for All Models Except 1012-1014 &amp; UT912-UT914 and p/n 1001091848 for Models 1012-1014 &amp; UT912-UT914 - See next figure. Identify p/n stamped on cylinder before ordering parts.</b>	
		Ref	<b>CYLINDER ASSEMBLY</b>	
	27601	Ref	<b>All Models Except 1012-1014 &amp; UT912-UT914</b>	A
	36600	Ref	<b>Models 1012-1014 &amp; UT912-UT914 Only</b>	S
1		Ref	Barrel Options:	
1	7026320	1	27601 Cylinder	
1	7026314	1	36600 Cylinder	
2		Ref	Rod Options:	
2	7026321	1	27601 Cylinder	
2	7026315	1	36600 Cylinder	
3		Ref	Gland Options:	
3	See Note	NSS	27601 Cylinder (Note: Use p/n1001092096)	
3	7026316	1	36600 Cylinder	
4		Ref	Piston Options:	
4	7026322	1	27601 Cylinder	
4	7026317	1	36600 Cylinder	
5	7026318	1	Nut, Grade 8	
6	70122	1	Breather	
7	See Note	NSS	Seal (Note: Use Items 100 & 101)	
8	See Note	NSS	Seal (Note: Use Items 100 & 101)	
9	See Note	NSS	Wiper, Rod (Note: Use Items 100 & 101)	
10	See Note	NSS	O-Ring (Note: Use Items 100 & 101)	
11	See Note	NSS	O-Ring (Note: Use Items 100 & 101)	
12	See Note	NSS	Ring, Back-up (Note: Use Items 100 & 101)	
13	See Note	NSS	Ring, Back-up (Note: Use Items 100 & 101)	
14	80315	2	Pin, Clevis	
15	80322	4	Pin, Cotter	
15		Ref	Seal Kit Options (Includes Item 7-13):	
100	27607	1	27601 Cylinder	
101	7026319	1	36600 Cylinder	

# SECTION 1 - PARTS

## FIGURE 1-8. CYLINDER ASSEMBLY

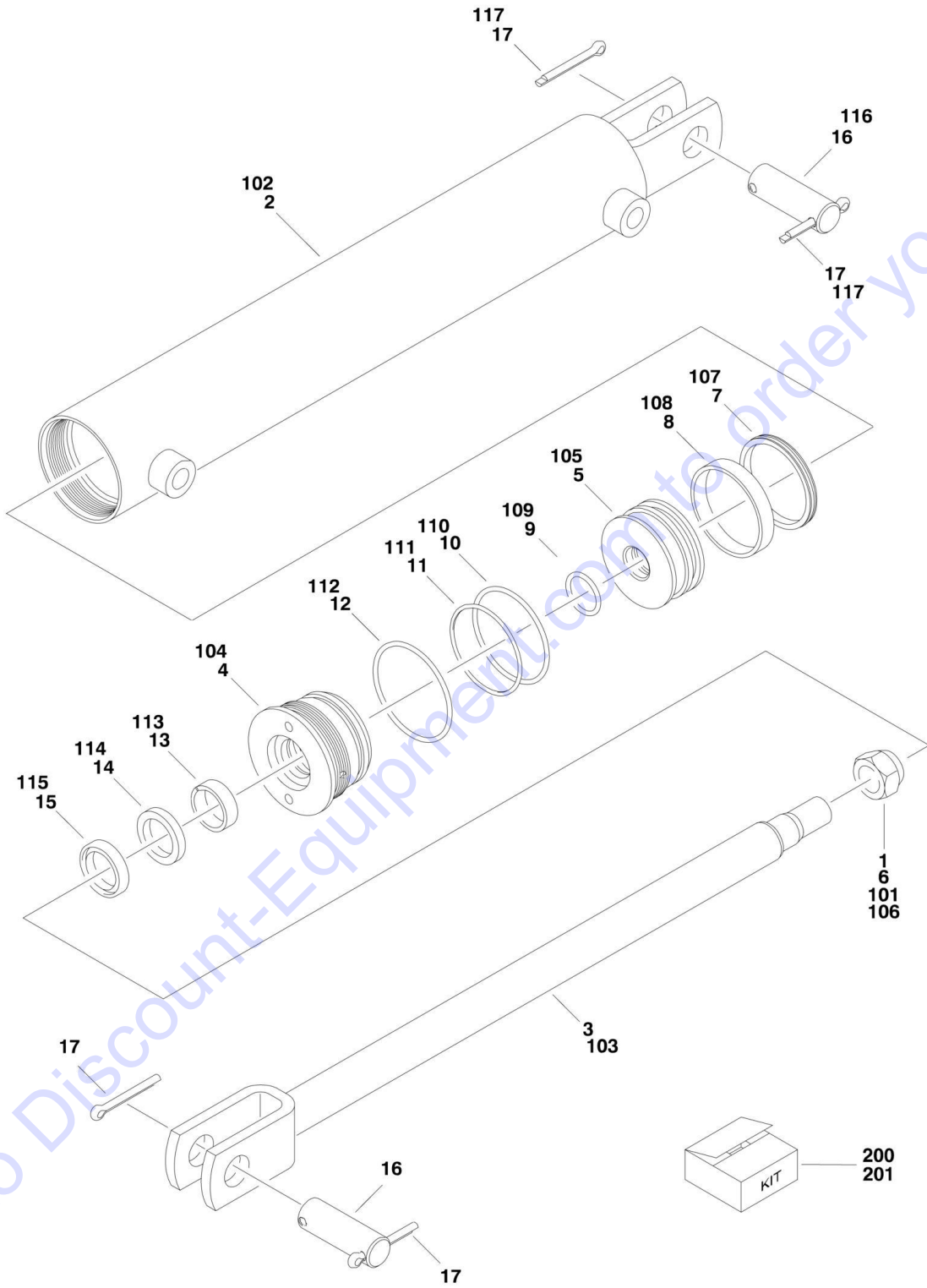
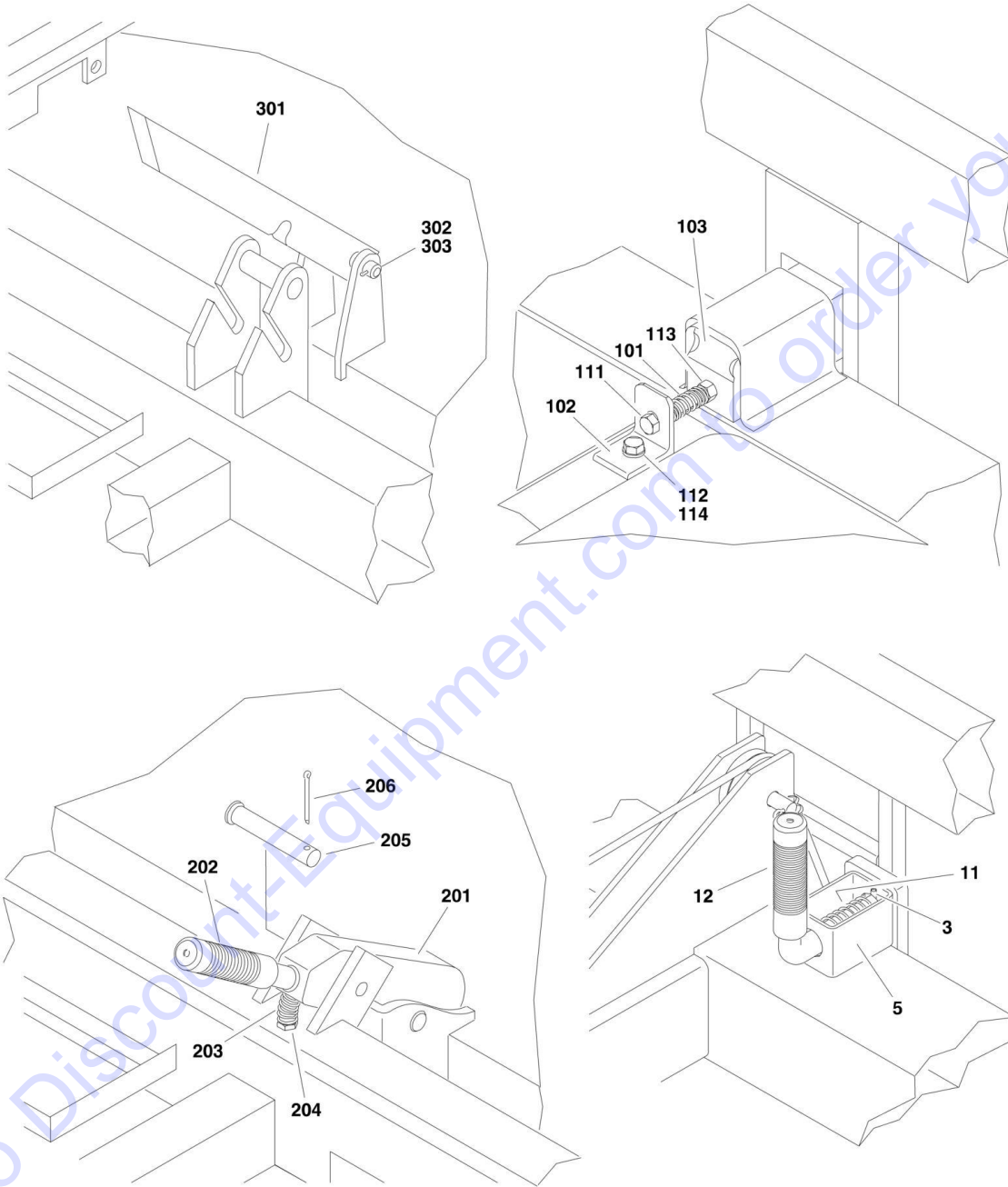


FIGURE 1-8. CYLINDER ASSEMBLY

ITEM	PART NUMBER	QTY	DESCRIPTION	REV
		Ref	<b>CYLINDER ASSEMBLIES (SERVICE REPLACEMENT)</b>	
	1001092096	Ref	<b>All Models Except 1012-1014 &amp; UT912-UT914</b>	C
1	0100019	AR	Compound, Locking	
2	1001092097	1	Barrel	
3	1001092099	1	Rod	
4	1001092102	1	Gland	
5	1001092101	1	Piston	
6	1001093276	1	Nut	
7	See Note	NSS	Seal, Piston (Note: Use Item 200)	
8	See Note	NSS	Ring, Wear (Note: Use Item 200)	
9	See Note	NSS	O-Ring (Note: Use Item 200)	
10	See Note	NSS	O-Ring (Note: Use Item 200)	
11	See Note	NSS	Ring, Back-up (Note: Use Item 200)	
12	See Note	NSS	O-Ring (Note: Use Item 200)	
13	See Note	NSS	Ring, Wear (Note: Use Item 200)	
14	See Note	NSS	Seal, Rod (Note: Use Item 200)	
15	See Note	NSS	Wiper, Rod (Note: Use Item 200)	
16	80315	2	Pin, Clevis	
17	3450808	4	Pin, Cotter	
	1001091848	Ref	<b>Models 1012-1014 &amp; UT912-UT914 Only</b>	C
101	0100019	AR	Compound, Locking	
102	1001091849	1	Barrel	
103	1001091851	1	Rod	
104	1001091855	1	Gland	
105	1001091853	1	Piston	
106	1001093189	1	Nut	
107	See Note	NSS	Seal, Piston (Note: Use Item 201)	
108	See Note	NSS	Ring, Wear (Note: Use Item 201)	
109	See Note	NSS	O-Ring (Note: Use Item 201)	
110	See Note	NSS	O-Ring (Note: Use Item 201)	
111	See Note	NSS	Ring, Back-up (Note: Use Item 201)	
112	See Note	NSS	O-Ring (Note: Use Item 201)	
113	See Note	NSS	Ring, Wear (Note: Use Item 201)	
114	See Note	NSS	Seal, Rod (Note: Use Item 201)	
115	See Note	NSS	Wiper, Rod (Note: Use Item 201)	
116	80315	1	Pin, Clevis	
117	3450808	2	Pin, Cotter	
		Ref	<b>Kit Options:</b>	
200	1001092050	1	Seal Kit (Includes Item 7-15)	
201	1001092049	1	Seal Kit (Includes Item 107-115)	

# SECTION 1 - PARTS

## FIGURE 1-9. DECK LATCH INSTALLATION



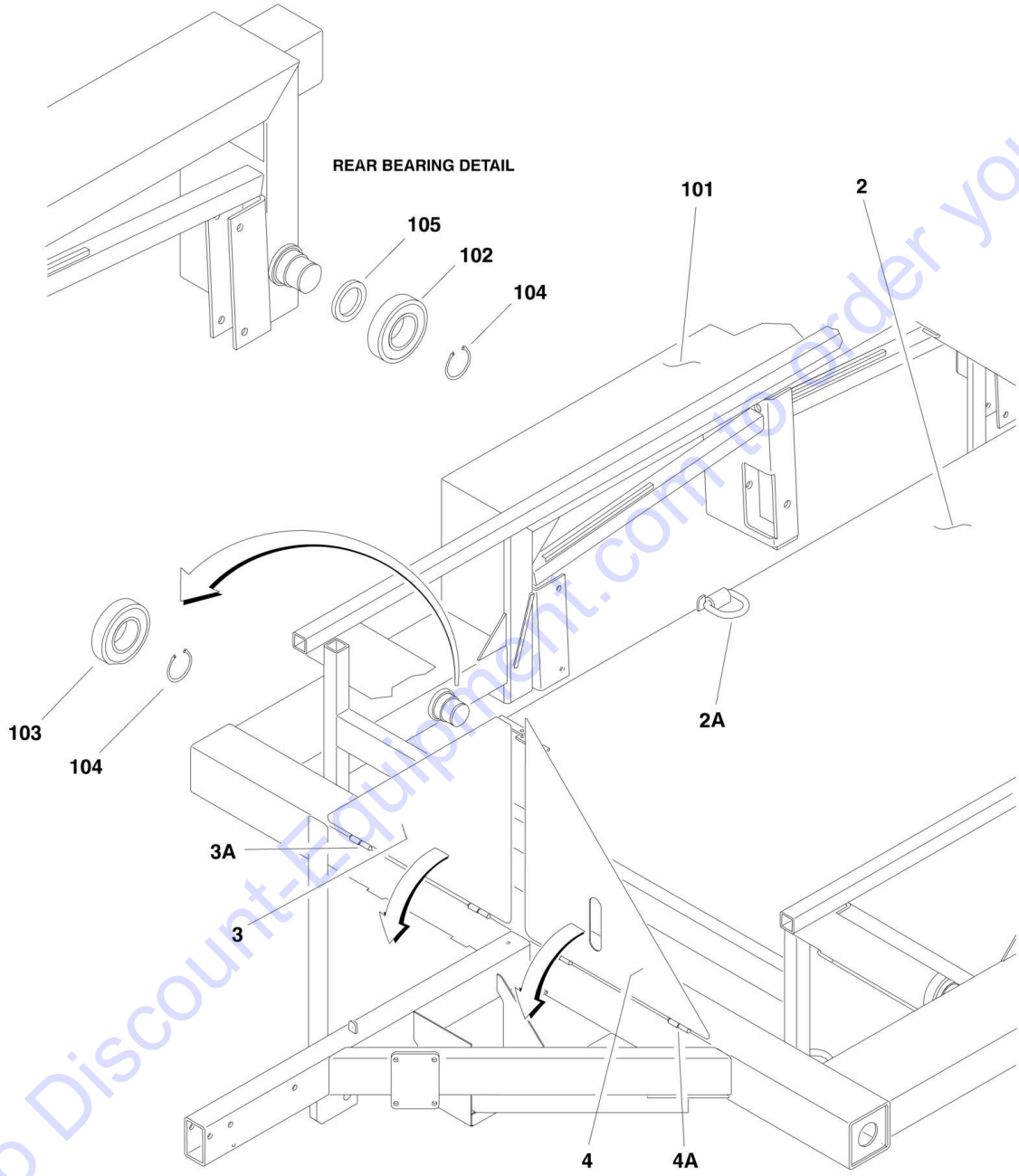
**SECTION 1 - PARTS**

**FIGURE 1-9. DECK LATCH INSTALLATION**

ITEM	PART NUMBER	QTY	DESCRIPTION	REV
		Ref	<b>DECK LATCH INSTALLATION (JLG AND PREMCO BUILT MODELS)</b>	
	0273228	Ref	<b>Model 248</b>	C
	0273682	Ref	<b>Model 248 Gate Ready</b>	B
	0273233	Ref	<b>Model UT28</b>	B
3	80330	1	Pin, Roll	
5	2940156	1	Latch with Handle	
11		Ref	Spring, Latch Options:	
11	71807	1	Spring, Latch (Prior to SN 0050001331)	
11	80510	1	Spring, Latch (SN 0050001331 to Present)	
12	71701	1	Grip, Handle	
		Ref	<b>DECK LATCH INSTALLATION (JLG AND PREMCO BUILT MODELS)</b>	
	0273015	Ref	<b>Models EC10-EC14, 7610-7616 &amp; UT610-UT614</b>	E
		Ref	<b>Models 449 &amp; UT49</b>	
	0273345	Ref	<b>Deck Latch Installation (JLG and Premco Built Models) (Prior to SN 0050003037)</b>	D
	0273015	Ref	<b>Deck Latch Installation (JLG and Premco Built Models) (SN 0050003037 to Present)</b>	E
		Ref	<b>Models 4610 &amp; UT410</b>	
	0273352	Ref	<b>Deck Latch Installation (JLG and Premco Built Models) (Prior to SN 0050003037)</b>	C
	0273015	Ref	<b>Deck Latch Installation (JLG and Premco Built Models) (SN 0050003037 to Present)</b>	E
	0273285	Ref	<b>Models 1012-1014 &amp; UT912-UT914</b>	E
101	71807	1	Spring	
102	27363	1	Angle	
103	27418	1	Latch	
111	0641626	1	Bolt 3/8in-16NCx 3 1/4in	
112	80022	1	Bolt 3/8in-16NCx 1in	
113	80130	1	Nut 3/8in-16NC	
114	80231	1	Lockwasher 3/8in	
		Ref	<b>DECK LATCH INSTALLATION (PREMCO BUILT MODELS)</b>	
201	27406	1	Latch	
202	71701	1	Grip, Handle	
203	80510	1	Spring	
204	80022	1	Bolt	
205	25406	1	Pin, Clevis	
206	80322	1	Pin, Cotter	
		Ref	<b>DECK LATCH INSTALLATION (PREMCO BUILT MODELS)</b>	
301	25313	1	Latch	
302	25406	1	Pin, Clevis	
303	80322	1	Pin, Cotter	

# SECTION 1 - PARTS

## FIGURE 1-10. BEARING, FRAME AND DECK INSTALLATIONS



**SECTION 1 - PARTS**

**FIGURE 1-10. BEARING, FRAME AND DECK INSTALLATIONS**

ITEM	PART NUMBER	QTY	DESCRIPTION	REV
		Ref	<b>FRAME AND DECK ASSEMBLIES</b>	
		Ref	<b>Enclosed Models:</b>	
	0273167	Ref	<b>Model EC10</b>	C
	0273168	Ref	<b>Model EC12</b>	
	0273169	Ref	<b>Model EC14</b>	
	1001116301	Ref	<b>Model EC14 (SN 0050004524 through 0050004526)</b>	A
		Ref	<b>Flatbed Models:</b>	
	0273228	Ref	<b>Model 248</b>	A
	0273682	Ref	<b>Model 248 Gate Ready</b>	
	0273229	Ref	<b>Model 449</b>	B
	0273231	Ref	<b>Model 1012</b>	B
	0273481	Ref	<b>Model 1012 with Heavy Duty Deck</b>	B
	0273514	Ref	<b>Model 1012 Gate Ready</b>	B
	0273232	Ref	<b>Model 1014</b>	B
	0275089	Ref	<b>Model 1014 with Heavy Duty Deck and Long Ramp</b>	B
	0273230	Ref	<b>Model 4610</b>	B
	0273163	Ref	<b>Model 7610</b>	C
	0273164	Ref	<b>Model 7612</b>	B
	0273165	Ref	<b>Model 7614</b>	B
	0273166	Ref	<b>Model 7616</b>	B
		Ref	<b>Utility Models:</b>	
	0273233	Ref	<b>Model UT28</b>	
	0273234	Ref	<b>Model UT49</b>	
	0273235	Ref	<b>Model UT410</b>	A
	0273167	Ref	<b>Model UT610</b>	C
	0273168	Ref	<b>Model UT612</b>	
	0273169	Ref	<b>Model UT614</b>	
	0273236	Ref	<b>Model UT912</b>	
	0273237	Ref	<b>Model UT914</b>	
	0273694	Ref	<b>Model UT914 with Long Ramp</b>	
	0275089	Ref	<b>Model UT914 with Heavy Duty Deck and Long Ramp</b>	B
2		Ref	<b>Deck Options:</b>	
2		Ref	<b>Enclosed Models:</b>	
2	4846887	Ref	<b>Model EC10 (Prior to SN 0050003492)</b>	
2	1001094142	Ref	<b>Model EC10 (SN 0050003492 to Present)</b>	
2	4846888	Ref	<b>Model EC12</b>	
2	4846889	Ref	<b>Model EC14</b>	
2		Ref	<b>Flatbed Models:</b>	
2	34401	Ref	<b>Model 248</b>	
2	1730006	Ref	<b>Model 248 Gate Ready</b>	
2	35400	Ref	<b>Model 449</b>	
2	36404	Ref	<b>Model 1012</b>	
2	1730002	Ref	<b>Model 1012 with Heavy Duty Deck</b>	
2	1730004	Ref	<b>Model 1012 Gate Ready</b>	
2	37401	Ref	<b>Model 1014</b>	
2	1730009	Ref	<b>Model 1014 with Heavy Duty Deck and Long Ramp</b>	
2	27402	Ref	<b>Model 4610</b>	
2	28402	Ref	<b>Model 7610 (Prior to SN 0050003492)</b>	
2	1001094141	Ref	<b>Model 7610 (SN 0050003492 to Present)</b>	
2	30401	Ref	<b>Model 7612</b>	



# PARTS FINDER

**Search Website  
by Part Number**



**Search Manual  
Library For Parts  
Manual & Lookup Part  
Numbers – Purchase  
or Request Quote**

A screenshot of the "Search Manuals" form. It includes a title "Search Manuals" and a subtitle "Please provide information to help us locate the manual you are looking for." The form has several input fields: "Brand" (a dropdown menu), "Serial Number" (a text field), "Model" (a dropdown menu), "Serial" (a text field), "Part Number" (a text field), and "Comments" (a text area). A "Search" button is located at the bottom of the form.

**Can't Find Part or  
Manual? Request Help  
by Manufacturer,  
Model & Description**

A screenshot of the "Parts Order Form". It has a title "Parts Order Form" and a subtitle "Please fill in as much information as possible." The form is a table with several rows and columns. The columns are labeled: "Quantity", "Part Number", "Description", "Manufacturer", "Model", "Serial", "Comments", and "Part Name". The rows are currently empty, ready for user input.

Discount-Equipment.com is your online resource for quality parts & equipment.

Florida: [561-964-4949](tel:561-964-4949) Outside Florida TOLL FREE: [877-690-3101](tel:877-690-3101)

**Need parts?**

Click on this link: <http://www.discount-equipment.com/category/5443-parts/> and choose one of the options to help get the right parts and equipment you are looking for. Please have the machine model and serial number available in order to help us get you the correct parts. If you don't find the part on the website or on one of the online manuals, please fill out the request form and one of our experienced staff members will get back to you with a quote for the right part that your machine needs.

We sell worldwide for the brands: Genie, Terex, JLG, MultiQuip, Mikasa, Essick, Whiteman, Mayco, Toro Stone, Diamond Products, Generac Magnum, Airman, Haulotte, Barreto, Power Blanket, Nifty Lift, Atlas Copco, Chicago Pneumatic, Allmand, Miller Curber, Skyjack, Lull, Skytrak, Tsurumi, Husquvarna Target, Stow, Wacker, Sakai, Mi-T-M, Sullair, Basic, Dynapac, MBW, Weber, Bartell, Bennar Newman, Haulotte, Ditch Runner, Menegotti, Morrison, Contec, Buddy, Crown, Edco, Wyco, Bomag, Laymor, EZ Trench, Bil-Jax, F.S. Curtis, Gehl Pavers, Heli, Honda, ICS/PowerGrit, IHI, Partner, Imer, Clipper, MMD, Koshin, Rice, CH&E, General Equipment, Amida, Coleman, NAC, Gradall, Square Shooter, Kent, Stanley, Tamco, Toku, Hatz, Kohler, Robin, Wisconsin, Northrock, Oztec, Toker TK, Rol-Air, APT, Wylie, Ingersoll Rand / Doosan, Innovatech, Con X, Ammann, Mecalac, Makinex, Smith Surface Prep, Small Line, Wanco, Yanmar

# SECTION 1 - PARTS

ITEM	PART NUMBER	QTY	DESCRIPTION	REV
2	33403	Ref	Model 7614	
2	38403	Ref	Model 7616	
2		Ref	Utility Models:	
2	4846903	Ref	Model UT28	
2	4846902	Ref	Model UT49	
2	4846904	Ref	Model UT410	
2	4846887	Ref	Model UT610 (Prior to SN 0050003492)	
2	1001094142	Ref	Model UT610 (SN 0050003492 to Present)	
2	4846888	Ref	Model UT612	
2	4846889	Ref	Model UT614	
2	4846898	Ref	Model UT912	
2	4846899	Ref	Model UT914	
2	1730007	Ref	Model UT914 with Long Ramp	
2	1730008	Ref	Model UT914 with Heavy Duty Deck and Long Ramp	
2A	70301	6	D-Ring	
3	27403	1	Lid (Right Side/Without Slot) (Note: Not Required on Models 248 & UT28)	
3A	70715	2	Hinge (Includes Both Halves) (Welded on Part)	
4	27404	1	Lid (Left Side/With Slot) (Note: Not Required on Models 248 & UT28)	
4A	70715	2	Hinge (Includes Both Halves) (Welded on Part)	
		Ref	<b>FRAME AND BEARING ASSEMBLY</b>	
		Ref	<b>Enclosed Models:</b>	
	0273140	Ref	<b>Model EC10</b>	B
	0273141	Ref	<b>Model EC12</b>	B
	0273142	Ref	<b>Model EC14</b>	B
	1001116300	Ref	<b>Model EC14 (SN 0050004524 through 0050004526)</b>	A
		Ref	<b>Flatbed Models:</b>	
	0273326	Ref	<b>Model 248</b>	A
	0273327	Ref	<b>Model 449</b>	B
	0273294	Ref	<b>Model 1012</b>	B
	0273295	Ref	<b>Model 1014</b>	B
	0273328	Ref	<b>Model 4610</b>	B
	0273140	Ref	<b>Model 7610</b>	B
	0273141	Ref	<b>Model 7612</b>	B
	0273142	Ref	<b>Model 7614</b>	B
	0273143	Ref	<b>Model 7616</b>	B
		Ref	<b>Utility Models:</b>	
	0273326	Ref	<b>Model UT28</b>	A
	0273327	Ref	<b>Model UT49</b>	B
	0273328	Ref	<b>Model UT410</b>	B
	0273140	Ref	<b>Models UT610-UT614</b>	B
	0273294	Ref	<b>Model UT912</b>	B
	0273295	Ref	<b>Model UT914</b>	B
101		Ref	Frame Options:	
101		Ref	Enclosed Models:	
101	28401	1	Model EC10 (Prior to SN 0050003492)	
101	1001094149	1	Model EC10 (SN 0050003492 to Present)	
101	4846856	1	Model EC12	
101	4846857	1	Model EC14	
101	1001116299	1	Model EC14 (SN 0050004524 through 0050004526)	
101		Ref	Flatbed Models:	

SECTION 1 - PARTS

ITEM	PART NUMBER	QTY	DESCRIPTION	REV
101	34405	1	Model 248	
101	35401	1	Model 449	
101	36407	1	Model 1012	
101	37404	1	Model 1014	
101	27401	1	Model 4610	
101	28401	1	Model 7610 (Prior to SN 0050003492)	
101	1001094149	1	Model 7610 (SN 0050003492 to Present)	
101	4846856	1	Model 7612	
101	4846857	1	Model 7614	
101	38400	1	Model 7616	
101		Ref	Utility Models:	
101	34405	1	Model UT28	
101	35401	1	Model UT49	
101	27401	1	Model UT410	
101	28401	1	Model UT610-UT614 (Prior to SN 0050003492)	
101	1001094149	1	Model UT610-UT614 (SN 0050003492 to Present)	
101	36407	1	Model UT912	
101	37404	1	Model UT914	
102		Ref	Bearing (Rear) Options:	
102		Ref	Enclosed Models:	
102	28502	2	Model EC10-EC14	
102		Ref	Flatbed Models:	
102	70114	2	Model 248	
102	28502	2	Model 449	
102	36500	2	Model 1012-1014	
102	28502	2	Model 4610	
102	28502	2	Model 7610-7616	
102		Ref	Utility Models:	
102	70114	2	Model UT28	
102	28502	2	Model UT49	
102	28502	2	Model UT410	
102	28502	2	Models UT610-UT614	
102	36500	2	Model UT912-UT914	
103		Ref	Bearing (Front) Options:	
103		Ref	Enclosed Models:	
103	70114	2	Model EC10-EC14	
103		Ref	Flatbed Models:	
103	70114	2	Model 248	
103	70114	2	Model 449	
103	70117	2	Model 1012-1014	
103	70114	2	Model 4610	
103	70114	2	Model 7610-7616	
103		Ref	Utility Models:	
103	70114	2	Model UT28	
103	70114	2	Model UT49	
103	70114	2	Model UT410	
103	70114	2	Models UT610-UT614	
103	70117	2	Model UT912-UT914	
104	71806	1	Ring, Retaining	
104	71809	1	Ring, Retaining	
105		Ref	Spacer, Bearing	

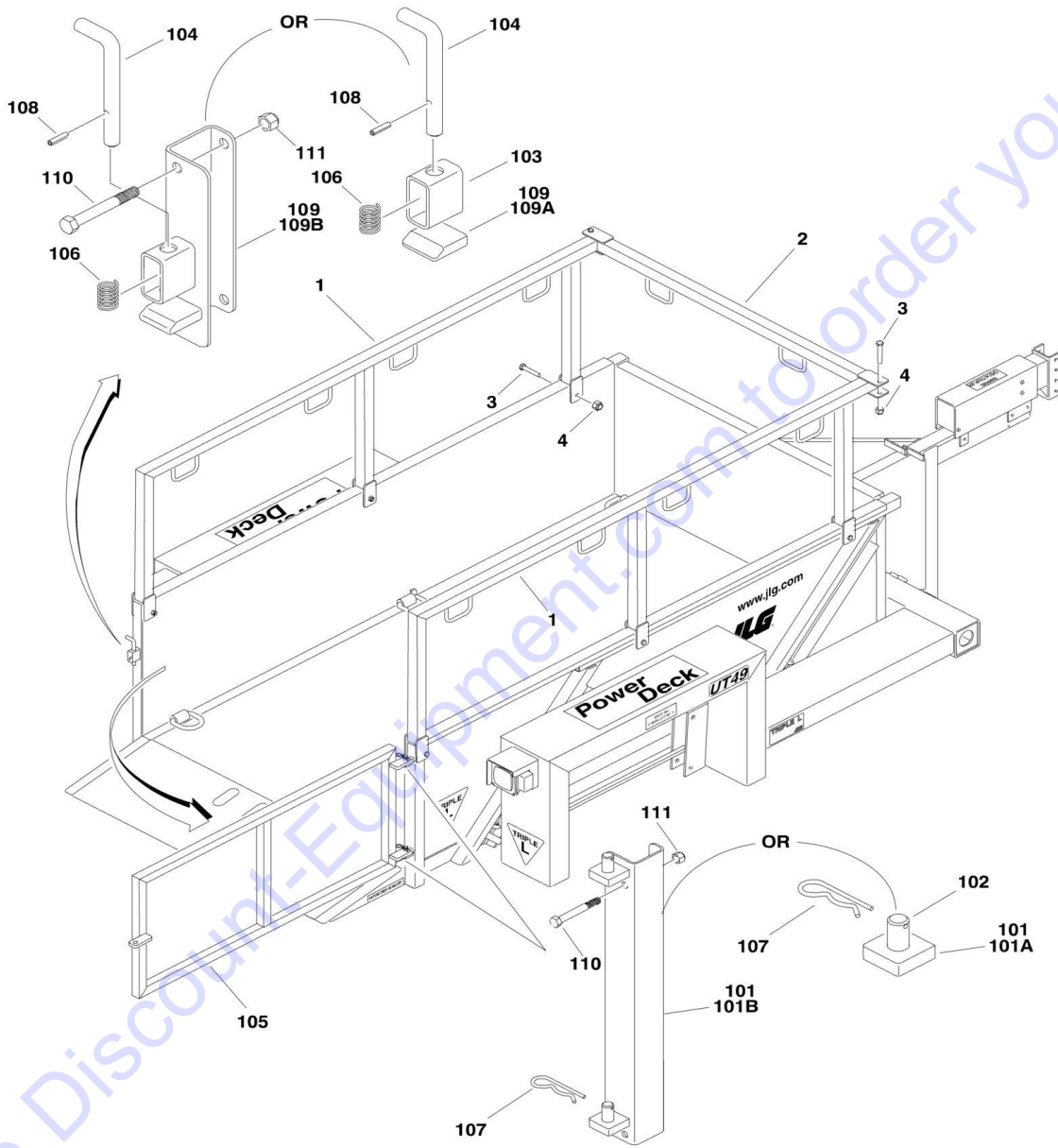
## SECTION 1 - PARTS

ITEM	PART NUMBER	QTY	DESCRIPTION	REV
105		Ref	Enclosed Models:	
105	28207	AR	Model EC10-EC14 <b>(Prior to SN 0050003492)</b>	
105	Not Required	0	Model EC10-EC14 <b>(SN 0050003492 to Present)</b>	
105		Ref	Flatbed Models:	
105	Not Required	0	Model 248	
105	28207	AR	Model 449 <b>(Prior to SN 0050003492)</b>	
105	36208	AR	Model 1012-1014 <b>(Prior to SN 0050003492)</b>	
105	28207	AR	Model 4610 <b>(Prior to SN 0050003492)</b>	
105	28207	AR	Model 7610-7616 <b>(Prior to SN 0050003492)</b>	
105		Ref	Utility Models:	
105	Not Required	0	Model UT28	
105	28207	AR	Model UT49 <b>(Prior to SN 0050003492)</b>	
105	28207	AR	Model UT410 <b>(Prior to SN 0050003492)</b>	
105	28207	AR	Models UT610-UT614 <b>(Prior to SN 0050003492)</b>	
105	36208	AR	Model UT912-UT914 <b>(Prior to SN 0050003492)</b>	



# SECTION 1 - PARTS

## FIGURE 1-11. RAIL AND TAILGATE INSTALLATIONS (OPTIONAL) (UT MODELS ONLY)



**SECTION 1 - PARTS**

**FIGURE 1-11. RAIL AND TAILGATE INSTALLATIONS (OPTIONAL) (UT MODELS ONLY)**

ITEM	PART NUMBER	QTY	DESCRIPTION	REV
		Ref	<b>RAIL INSTALLATIONS (OPTIONAL)</b>	
		Ref	<b>12in Height Rails:</b>	
	41112	Ref	<b>Model UT28</b>	B
	41112	Ref	<b>Model UT49</b>	B
	43112	Ref	<b>Model UT410</b>	B
	43112	Ref	<b>Model UT610</b>	B
	44111	Ref	<b>Model UT612</b>	B
	45112	Ref	<b>Model UT614</b>	B
	46112	Ref	<b>Model UT912</b>	B
	47111	Ref	<b>Model UT914</b>	B
		Ref	<b>24in Height Rails:</b>	
	41111	Ref	<b>Model UT28</b>	B
	41111	Ref	<b>Model UT49</b>	B
	43111	Ref	<b>Model UT410</b>	B
	43111	Ref	<b>Model UT610</b>	B
	44112	Ref	<b>Model UT612</b>	B
	45111	Ref	<b>Model UT614</b>	B
	46111	Ref	<b>Model UT912</b>	B
	47112	Ref	<b>Model UT914</b>	B
1		Ref	Side Rail Weldment Options:	
1		Ref	12in Height Rails:	
1	41405	2	Model UT28	
1	41405	2	Model UT49	
1	43404	2	Model UT410	
1	43404	2	Model UT610	
1	44407	2	Model UT612	
1	45407	2	Model UT614	
1	44407	2	Model UT912	
1	45407	2	Model UT914	
1		Ref	24in Height Rails:	
1	41403	2	Model UT28	
1	41403	2	Model UT49	
1	43403	2	Model UT410	
1	43403	2	Model UT610	
1	44406	2	Model UT612	
1	45406	2	Model UT614	
1	44406	2	Model UT912	
1	45406	2	Model UT914	
2		Ref	Front Rail Weldment Options:	
2	41404	1	Model UT28	
2	41404	1	Model UT49	
2	27413	1	Model UT410	
2	27413	1	Models UT610	
2	27413	1	Models UT612	
2	27413	1	Model UT614	
2	46403	1	Model UT912	
2	46403	1	Model UT914	
3	0641626	8	Bolt 3/8in-16NC x 3 1/4in	
4	80131	8	Locknut 3/8in-16NC	
		Ref	<b>TAILGATE INSTALLATION</b>	

## SECTION 1 - PARTS

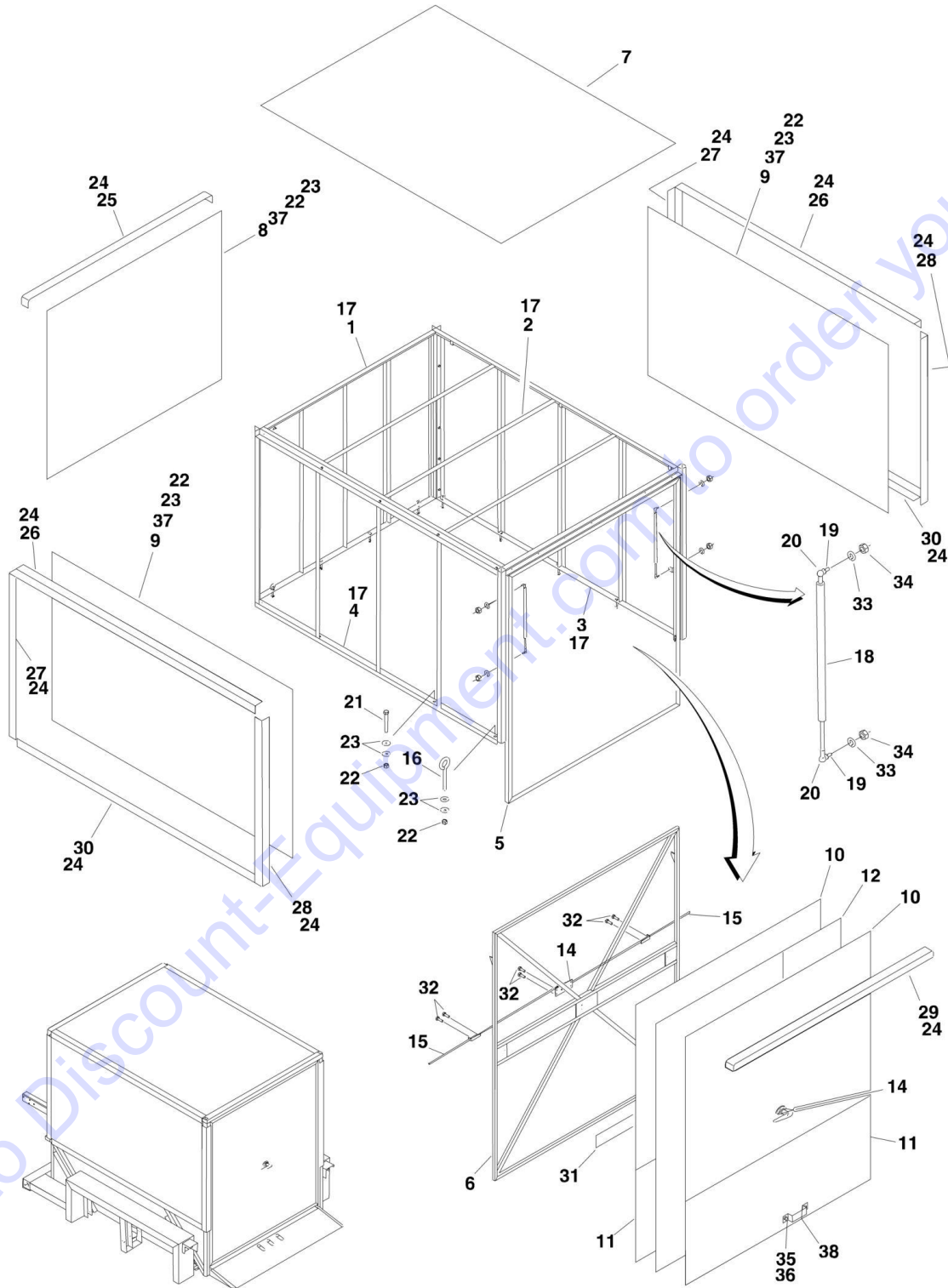
ITEM	PART NUMBER	QTY	DESCRIPTION	REV
	0240056	Ref	<b>Models UT28 &amp; UT49 (Prior to SN 0050003388)</b>	B
	1001094360	Ref	<b>Models UT28 &amp; UT49 (SN 0050003388 to Present)</b>	A
	0273017	Ref	<b>Models UT410, UT610-UT614 (Prior to SN 0050003388)</b>	B
	1001094267	Ref	<b>Models UT410, UT610-UT614 (SN 0050003388 to Present)</b>	A
	0273016	Ref	<b>Models UT912-UT914 (Prior to SN 0050003388)</b>	B
	1001094266	Ref	<b>Models UT912-UT914 (SN 0050003388 to Present)</b>	A
101		Ref	Hinge Options:	
101A	27334	2	Tab, Hinge (Welded on Part) <b>(Prior to SN 0050003388)</b>	
101B	1001094221	1	Hinge <b>(SN 0050003388 to Present)</b>	
102	27335	2	Pin, Hinge <b>(Prior to SN 0050003388)</b>	
103	27374	1	Tube, Latch (Welded on Part) <b>(Prior to SN 0050003388)</b>	
104	27375	1	Pin, Latch	
105		Ref	Gate Options:	
105	3380500		Models UT28 & UT49	
105	27414		Models UT410, UT610-UT614	
105	36402		Models UT912-UT914	
106	71805	1	Spring	
107	80325	2	Hairpin	
108	80332	1	Rollpin	
109		Ref	Guide, Latch Options:	
109A	2940154	1	Guide, Latch (Welded on Part) <b>(Prior to SN 0050003388)</b>	
109B	1001094220	1	Guide, Latch <b>(SN 0050003388 to Present)</b>	
110	80038	4	Bolt 3/8in-16NC x 1in <b>(SN 0050003388 to Present)</b>	
111	80131	4	Locknut, Nylon 3/8in-16NC <b>(SN 0050003388 to Present)</b>	





# SECTION 1 - PARTS

FIGURE 1-12. ENCLOSURE INSTALLATIONS - MODELS EC10, EC12 & EC14 ONLY (Prior to SN 0050002838)



## SECTION 1 - PARTS

**FIGURE 1-12. ENCLOSURE INSTALLATIONS - MODELS EC10, EC12 & EC14 ONLY (Prior to SN 0050002838)**

ITEM	PART NUMBER	QTY	DESCRIPTION	REV
		Ref	<b>ENCLOSURE INSTALLATION</b>	
	48100	Ref	<b>EC10</b>	
	51100	Ref	<b>EC12</b>	
	52100	Ref	<b>EC14</b>	
1	51400	1	Panel, Front	
2		Ref	Panel, Roof Options:	
2	48401	1	EC10	
2	51401	1	EC12	
2	52401	1	EC14	
3		Ref	Panel, Right Side Options:	
3	48402	1	EC10	
3	51402	1	EC12	
3	52402	1	EC14	
4		Ref	Panel, Left Side Options:	
4	48403	1	EC10	
4	51403	1	EC12	
4	52403	1	EC14	
5	51404	1	Outer Door Weldment	
5	51601	1	Hinge	
6	51405	1	Inner Door Weldment	
6	4240179	1	Pull Down Strap	
7		Ref	Skin, Roof Options:	
7	48316	1	EC10	
7	51316	1	EC12	
7	52316	1	EC14	
8	51317	1	Skin, Front Panel	
9		Ref	Skin, Side Options:	
9	48318	2	EC10	
9	51318	2	EC12	
9	52318	2	EC14	
10	51319	2	Skin, Upper Door	
11	51320	1	Skin, Lower Door	
12	51600	AR	Insulation	
14	51602	1	Handle, Latch	
15	51603	1	Rod, Lock	
15	4071130	2	Shim, Latch	
16	51604	8	Eyebolt	
17	51605	AR	Tape	
18	51606	2	Gas Spring	
19	51607	4	Stud, Ball	
20	51608	4	Fitting, Gas Spring End	
21	80038	Ref	Bolt 3/8in-16NC x 3in	
21	80038	6	EC10	
21	80038	8	EC12	
21	80038	8	EC14	
22	80131	Ref	Locknut 3/8in-16NC	
22	80131	41	EC10	
22	80131	45	EC12	
22	80131	49	EC14	

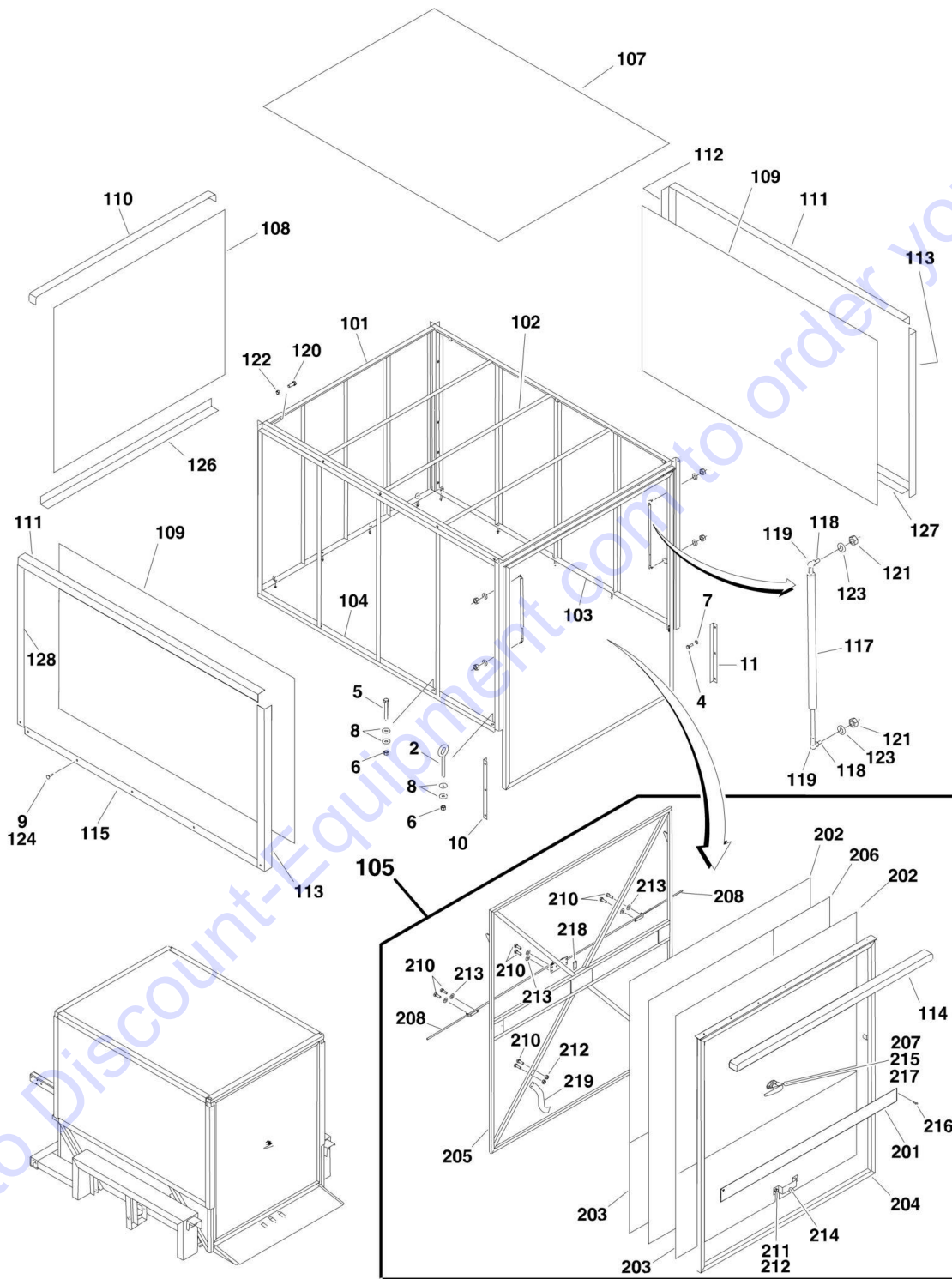
## SECTION 1 - PARTS

ITEM	PART NUMBER	QTY	DESCRIPTION	REV
23	80230	Ref	Flatwasher 3/8in	
23	80230	32	EC10	
23	80230	36	EC12	
23	80230	40	EC14	
24	80413	Ref	Screw, Self Tapping	
24	80413	48	EC10	
24	80413	52	EC12	
24	80413	52	EC14	
25	51200	1	Trim, Front Cap	
26		Ref	Trim, Side Top Options:	
26	48201	2	EC10	
26	51201	2	EC12	
26	52201	2	EC14	
27	51202	2	Trim, Front Vertical	
28	51203	2	Trim, Rear Vertical	
29	51204	1	Trim, Rear Cap	
30	51205	2	Trim, Side Bottom	
31	51206	1	Trim, Door Center	
32	80002	14	Bolt 1/4in-20NC x 3/4in	
33	80221	4	Lockwasher 5/16in	
34	80120	4	Nut 5/16in-18NC	
35	80006	2	1/4in-20NC x 2in	
36	80110	2	Nut 1/4in-20NC	
37	80022	Ref	Bolt 3/8in-16NC x 1in	
37	80022	27	EC10	
37	80022	29	EC12	
37	80022	31	EC14	
38	2560207	1	Handle	
	2410025	1	Door Assembly (Includes Items 5, 6, 10, 11, 12, 14, 15, 17, 31, 32, 35, 36 & 38)	



# SECTION 1 - PARTS

FIGURE 1-13. ENCLOSURE INSTALLATIONS - MODELS EC10, EC12 & EC14 ONLY (SN 0050002838 to Present)



**SECTION 1 - PARTS**

**FIGURE 1-13. ENCLOSURE INSTALLATIONS - MODELS EC10, EC12 & EC14 ONLY (SN 0050002838 to Present)**

ITEM	PART NUMBER	QTY	DESCRIPTION	REV
		Ref	<b>ENCLOSURE INSTALLATION</b>	
	0275756	Ref	<b>EC10</b>	A
	0275757	Ref	<b>EC12</b>	A
	0275758	Ref	<b>EC14</b>	A
2	51604	Ref	Eyebolt	
2	51604	8	EC10 & EC12	
2	51604	10	EC14	
3	71954	2	Connector, Butt (Not Shown)	
4	80002	6	Bolt 1/4in-20NC x 3/4in	
5	80038	Ref	Bolt 3/8in-16NC x 3in	
5	80038	6	EC10	
5	80038	8	EC12 & EC14	
6	80131	Ref	Locknut 3/8in-16NC	
6	80131	14	EC10	
6	80131	16	EC12	
6	80131	18	EC14	
7	80210	6	Lockwasher 1/4in	
8	80230	Ref	Washer 3/8in	
8	80230	28	EC10	
8	80230	32	EC12	
8	80230	36	EC14	
9	80413	17	Screw, Self-Tapping	
10	4220311	1	Stop, LH Door	
11	4220312	1	Stop, RH Door	
12	0100092	AR	Adhesive, Black Silicone (Not Shown - Use to seal inside corners of deck)	
		Ref	<b>ENCLOSURE ASSEMBLY</b>	
	0275759	Ref	<b>EC10</b>	C
	0275760	Ref	<b>EC12</b>	C
	0275761	Ref	<b>EC14</b>	D
101	51400	1	Frame, Front	
102		Ref	Frame, Roof Options:	
102	48401	1	EC10	
102	51401	1	EC12	
102	52401	1	EC14	
103		Ref	Frame, Right Side Options:	
103	48402	1	EC10	
103	51402	1	EC12	
103	52402	1	EC14	
104		Ref	Frame, Left Side Options:	
104	48403	1	EC10	
104	51403	1	EC12	
104	52403	1	EC14	
105	2410025	1	Door Assembly, Rear (see Items 201 - 219 for Breakdown)	
107		Ref	Skin, Roof Options:	
107	48316	1	EC10	
107	51316	1	EC12	
107	52316	1	EC14	
108	51317	1	Skin, Front Panel	

## SECTION 1 - PARTS

ITEM	PART NUMBER	QTY	DESCRIPTION	REV
109		Ref	Skin, Side Options:	
109	48318	2	EC10	
109	51318	2	EC12	
109	52318	2	EC14	
110	51200	1	Trim, Front Cap	
111		Ref	Trim, Side Top Options:	
111	48201	2	EC10	
111	51201	2	EC12	
111	52201	2	EC14	
112	51202	1	Trim, LF Vertical	
113	51203	2	Trim, Rear Vertical	
114	51204	1	Trim, Rear Cap	
115		Ref	Trim, LH Bottom Options:	
115	48205	1	EC10	
115	51205	1	EC12	
115	52205	1	EC14	
116	51605	AR	Tape, Double-Sided (Not Shown - Use to attach panels and trim)	
117	51606	2	Gas Spring	
118	51607	4	Stud, Ball	
119	51608	4	Fitting, Gas Spring End	
120	80022	Ref	Bolt 3/8in-16NC x 1in	
120	80022	36	EC10	
120	80022	38	EC12	
120	80022	40	EC14	
121	80120	4	Nut 5/16in-18NC	
122	80131	Ref	Locknut 3/8in-16NC	
122	80131	41	EC10	
122	80131	45	EC12	
122	80131	49	EC14	
123	80221	4	Lockwasher 5/16in	
124	80413	26	Screw, Self Tapping	
126	3577090	1	Trim, Front Bottom	
127		Ref	Trim, RH Bottom Options:	
127	3577097	1	EC10	
127	3577122	1	EC12	
127	3577127	1	EC14	
128	3577098	1	Trim, RF Vertical	
139	0100091	AR	Adhesive, Silver Silicone (Not Shown - Use around all trim pieces)	
140	3380760	1	Skin, Roof Rear (EC14 Only - Not Shown) <b>(Prior to SN 0050004062)</b>	
141	3380761	2	Skin, Side Rear (EC14 Only - Not Shown) <b>(Prior to SN 0050004062)</b>	
	2410025	Ref	<b>REAR DOOR ASSEMBLY</b>	C
201	51206	1	Trim, Door Center	
202	51319	2	Skin, Upper Door	
203	51320	2	Skin, Lower Door	
204	51404	1	Outer Door Weldment	
204	51601	1	Hinge	
205	51405	1	Inner Door Weldment	
206	51600	AR	Insulation (4ft x 8ft)	



**SECTION 1 - PARTS**

<b>ITEM</b>	<b>PART NUMBER</b>	<b>QTY</b>	<b>DESCRIPTION</b>	<b>REV</b>
207	51602	1	Handle, Latch	
208	51603	1	Rod Assembly, Lock	
209	51605	AR	Tape, Double-Sided	
210	80002	10	Bolt 1/4in-20NC x 3/4in	
211	80006	2	Bolt 1/4in-20NC x 2in	
212	80110	4	Locknut 1/4in-20NC	
213	80210	8	Lockwasher 1/4in	
214	2560207	1	Handle	
215	8310085	2	Locknut #10-24NC	
216	3900390	4	Screw, Self-Tapping	
217	3900391	2	Screw, Countersunk	
218	4071130	2	Shim, Latch	
219	4240179	1	Pull Down Strap	

Go to Discount-Equipment.com to order your parts

# SECTION 1 - PARTS

## FIGURE 1-14. LIGHTS INSTALLATION

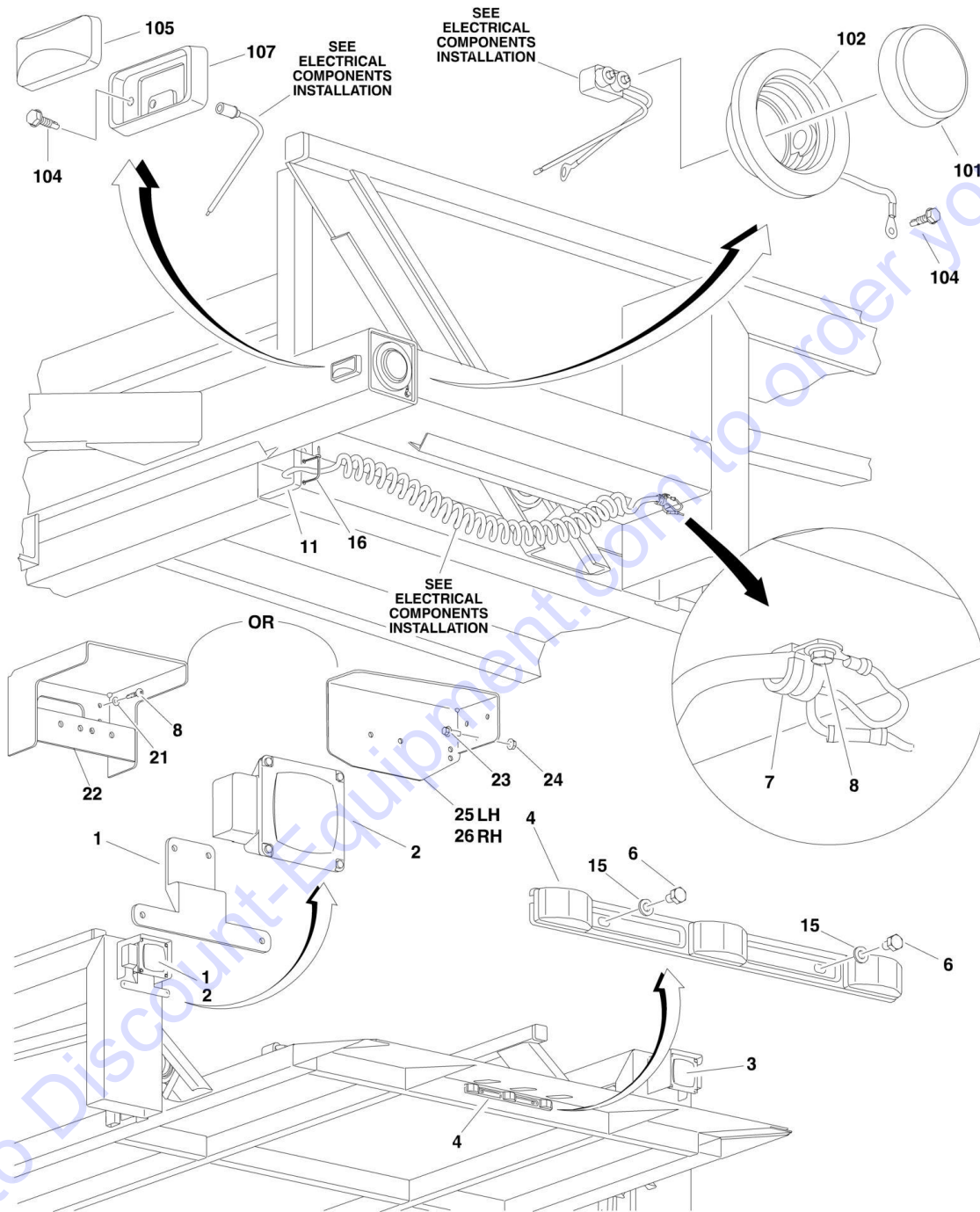


FIGURE 1-14. LIGHTS INSTALLATION

ITEM	PART NUMBER	QTY	DESCRIPTION	REV
		Ref	<b>TAILLIGHTS AND LICENSE PLATE BRACKET INSTALLATION</b>	
		Ref	<b>Flatbed Models:</b>	
		Ref	<b>All Models Except 248 &amp; 449</b>	
	0273013	Ref	Taillights and License Plate Bracket Installation (Prior to SN 050002112)	C
	0274795	Ref	Taillights and License Plate Bracket Installation (SN 050002112 to Present)	D
		Ref	<b>Models 248 &amp; 449 Only</b>	
	0273284	Ref	Taillights and License Plate Bracket Installation (Prior to SN 050000873)	A
	0273013	Ref	Taillights and License Plate Bracket Installation (SN 050000873 through 0050002111)	C
	0274795	Ref	Taillights and License Plate Bracket Installation (SN 050002112 to Present)	D
		Ref	<b>Utility Models:</b>	
		Ref	<b>All Models Except UT28 &amp; UT49</b>	
	0273013	Ref	Taillights and License Plate Bracket Installation (Prior to SN 050002112)	C
	0274795	Ref	Taillights and License Plate Bracket Installation (SN 050002112 through 050003924)	D
	1001100889	Ref	Taillights and License Plate Bracket Installation (SN 050003925 to Present)	A
		Ref	<b>Models UT28 &amp; UT49 Only</b>	
	0273284	Ref	Taillights and License Plate Bracket Installation (Prior to SN 050000873)	A
	0273013	Ref	Taillights and License Plate Bracket Installation (SN 050000873 through 0050002111)	C
	0274795	Ref	Taillights and License Plate Bracket Installation (SN 050002112 to Present)	D
		Ref	<b>Enclosed Models:</b>	
	0274771	Ref	Taillights and License Plate Bracket Installation (SN 050001864 through 0050002111)	A
	0274797	Ref	Taillights and License Plate Bracket Installation (SN 050002112 through 050003924)	F
	1001100890	Ref	Taillights and License Plate Bracket Installation (SN 050003925 to Present)	A
1	71101	1	Bracket, License Plate	
2		Ref	Taillight Assembly with License Plate Light (Left Side) Options:	
2	71906	1	Taillight ( <b>Prior to SN 0050002112</b> )	
2	7026341	1	Bulb, Stop/Turn/Tail Light	
2	7026342	1	Bulb, Side Marker Light	
2	7026343	1	Lens, Red Taillight	
2	7026340	1	Lens, Red Side Marker	
2	See Note	NSS	Lens, Clear License Plate (Not Replaceable) (Note: Use p/n 71906)	
2	2920200	1	Taillight ( <b>SN 0050002112 to Present</b> )	
2	See Note	NSS	Bulb, Stop/Turn/Tail Light (Note: Use p/n 2920200)	
2	See Note	NSS	Bulb, Side Marker Light (Note: Use p/n 2920200)	
2	70002301	1	Lens, Red Taillight	
2	70002302	1	Lens, Red Side Marker	
2	See Note	NSS	Lens, Clear License Plate (Not Replaceable) (Note: Use p/n 2920200)	
3		Ref	Taillight Assembly without License Plate Light (Right Side)	

# SECTION 1 - PARTS

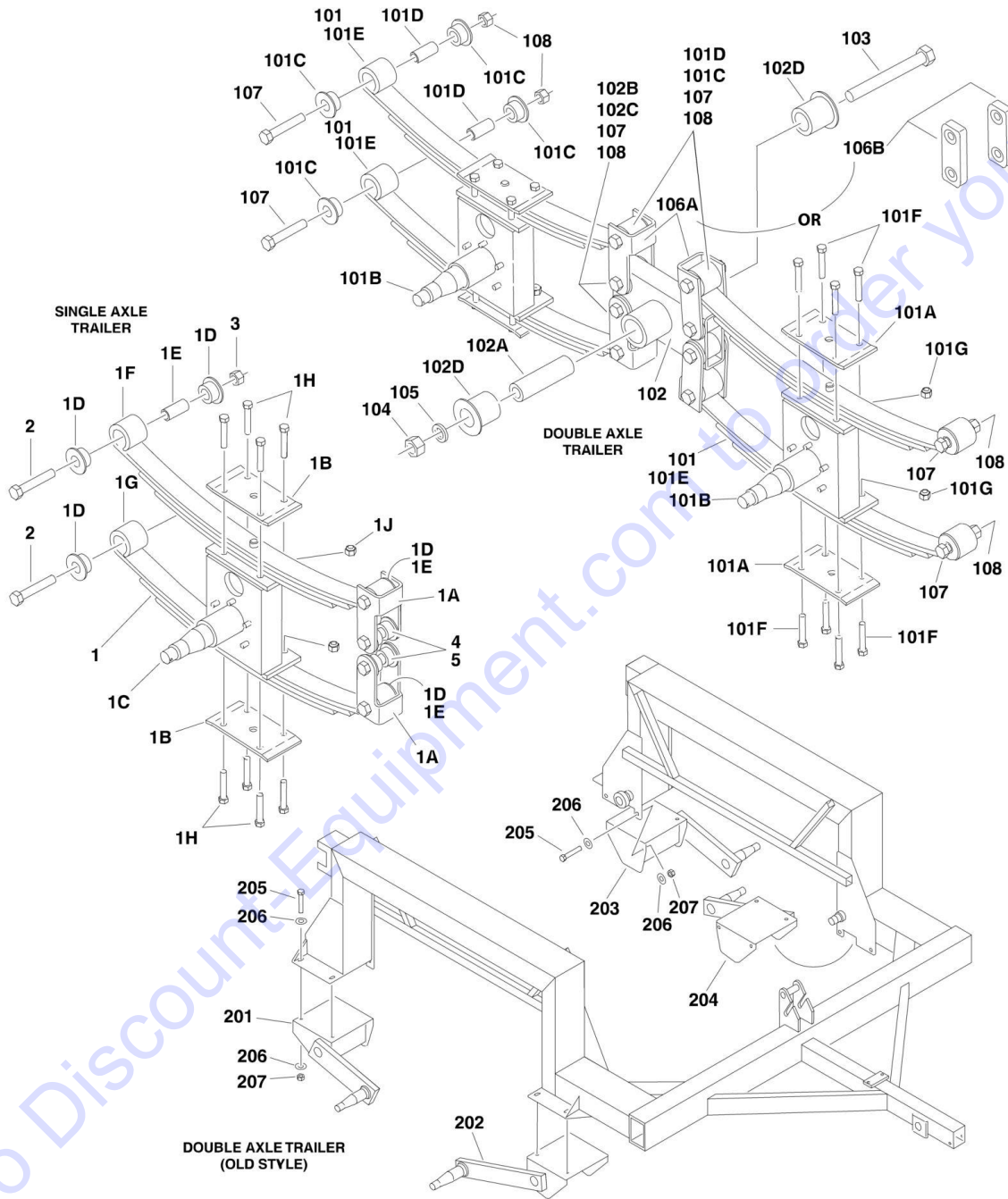
ITEM	PART NUMBER	QTY	DESCRIPTION	REV
3	71907	1	Options: Taillight <b>(Prior to SN 0050002112)</b>	
3	7026341	1	Bulb, Stop/Turn/Tail Light	
3	7026342	1	Bulb, Side Marker Light	
3	7026343	1	Lens, Red Taillight	
3	7026340	1	Lens, Red Side Marker	
3	2920199	1	Taillight <b>(SN 0050002112 to Present)</b>	
3	See Note	NSS	Bulb, Stop/Turn/Tail Light (Note: Use p/n 2920199)	
3	See Note	NSS	Bulb, Side Marker Light (Note: Use p/n 2920199)	
3	70002301	1	Lens, Red Taillight	
3	70002302	1	Lens, Red Side Marker	
4		Ref	Clearance Light Assembly Options:	
4	Not Required	0	Models 248, 449, UT28 & UT49 <b>(Prior to SN 050000873)</b>	
4	71110	1	Models 248, 449, UT28 & UT49 <b>(SN 050000873 through 050002111)</b>	
4	71110	1	All Models Except 248, 449, UT28 & UT49 <b>(Prior to SN 050002112)</b>	
4	7026345	3	Contact, Wire	
4	7026346	3	Contact, Ground	
4	7026347	3	Len, Red	
4	7026348	3	Base, Housing	
4	7026342	3	Bulb	
4	2920196	1	All Models Except EC10-EC14 <b>(SN 050002112 to Present)</b>	
4	2920196	1	Models EC10-EC14 Only <b>(SN 050002112 through 0050002838)</b>	
6	80000	AR	Bolt 1/4in-20NC x 3/8in	
7	80630	1	Clamp, Cushioned	
8	80413	AR	Screw, Self-Tapping	
11	3180014	2.5 in/8cm	Flex-Trim	
15	80210	AR	Lockwasher 1/4in <b>(SN 0050001911 to Present)</b>	
16	71921	1	Tie Strap <b>(SN 0050001911 to Present)</b>	
17	70231	6	Base, Clearance Lamp (Not Shown - Enclosed Models Only) <b>(Prior to SN 0050002838)</b>	
18	2920197	4	Lamp, Amber Clearance (Not Shown - Enclosed Models Only) <b>(Prior to SN 0050002838)</b>	
19	2920212	2	Lamp, Red Clearance (Not Shown - Enclosed Models Only) <b>(Prior to SN 0050002838)</b>	
20	2820019	2 ft/0.6m	Heat Shrink (Not Shown) <b>(SN 0050003925 to Present)</b>	
21	4771000	8	Starwasher #10 (All Flatbed Models Only) <b>(SN 0050003925 through 0050004102)</b>	
22	1001100833	2	Plate, Tail Light Mount (All Flatbed Models Only) <b>(SN 0050003925 through 0050004102)</b>	
23	0791406	6	Screw 1/4in-20NC x 3/4in (All Utility and Enclosed Models Only) <b>(SN 0050003925 to Present)</b>	
24	3311408	6	Nut 1/4in-20NC (All Utility and Enclosed Models Only) <b>(SN 0050003925 to Present)</b>	
25	1001092253	1	Plate, Light Mount (Left Side) (All Utility and Enclosed Models Only) <b>(SN 0050003925 to Present)</b>	
26	1001092254	1	Plate, Light Mount (Right Side) (All Utility and Enclosed Models Only) <b>(SN 0050003925 to Present)</b>	
		Ref	<b>CLEARANCE LIGHTS INSTALLATION</b>	
	0273014	Ref	<b>Clearance Lights Installation (Prior to SN 0050002112)</b>	B
	0274796	Ref	<b>Clearance Lights Installation (SN 0050002112 to Present)</b>	B
101		Ref	Light, Round Amber Options:	

## SECTION 1 - PARTS

ITEM	PART NUMBER	QTY	DESCRIPTION	REV
101	70227	2	Light, Round Amber (Prior to SN 0050002112)	
101	2920198	2	Light, Round Amber (SN 0050002112 to Present)	
102	70228	2	Grommet	
104	80413	6	Screw, Self-Tapping	
105		Ref	Light, Amber Clearance Options:	
105	70320	2	Light, Amber Clearance (Prior to SN 0050002112)	
105	2920197	2	Light, Amber Clearance (SN 0050002112 to Present)	
107	70231	2	Base, Clearance Light	
		Ref	<b>ENCLOSED TRAILER UPPER CLEARANCE LIGHTS INSTALLATION - NOT SHOWN (SN 0050002838 to Present)</b>	
	0275759	Ref	<b>EC10</b>	C
	0275760	Ref	<b>EC12</b>	C
	0275761	Ref	<b>EC14</b>	D
201	70231	6	Base, Clearance Light	
202	80413	12	Screw, Self-Tapping	
203	80000	2	Bolt 1/4in-20NC x 3/8in	
204	80210	2	Lockwasher 1/4in	
205	2920196	1	Bar, Red Clearance Lamp	
206	2920197	4	Lamp, Amber Clearance	
207	2920212	2	Lamp, Red Clearance	

# SECTION 1 - PARTS

FIGURE 1-15. SUSPENSION INSTALLATIONS (Prior to SN 0050003895)



# SECTION 1 - PARTS

**FIGURE 1-15. SUSPENSION INSTALLATIONS (Prior to SN 0050003895)**

ITEM	PART NUMBER	QTY	DESCRIPTION	REV
		Ref	<b>SUSPENSION INSTALLATION - SINGLE AXLE LEAF SPRING</b>	
		Ref	<b>Flatbed Models:</b>	
	0273329	Ref	<b>Model 248</b>	C
	0273343	Ref	<b>Model 449</b>	E
	0273343	Ref	<b>Model 4610 (Prior to SN 0050001158)</b>	E
	0274228	Ref	<b>Model 4610 (SN 0050001158 through 0050003895)</b>	B
		Ref	<b>Utility Models:</b>	
	0273329	Ref	<b>Model UT28</b>	C
	0273343	Ref	<b>Model UT49</b>	E
	0273343	Ref	<b>Model UT410 (Prior to SN 0050001158)</b>	E
	0274228	Ref	<b>Model UT410 (SN 0050001158 through 0050003895)</b>	B
1		Ref	Spring Assembly Options:	
1		Ref	Flatbed Models:	
1		Ref	Model 248 Options:	
1	27102	2	Spring Assembly ( <b>Prior to SN 0050001158</b> )	B
1	0280180	2	Spring Assembly ( <b>SN 0050001158 through 0050003895</b> )	C
1	0280179	2	Model 449	D
1		Ref	Model 4610 Options:	
1	0280179	2	Spring Assembly ( <b>Prior to SN 0050001158</b> )	D
1	0280182	2	Spring Assembly ( <b>SN 0050001158 through 0050003895</b> )	C
1		Ref	Utility Models:	
1	27102	2	Spring Assembly ( <b>Prior to SN 0050001158</b> )	B
1	0280180	2	Spring Assembly ( <b>SN 0050001158 through 0050003895</b> )	C
1	0280179	2	Model UT49	D
1		Ref	Model UT410 Options:	
1	0280179	2	Spring Assembly ( <b>Prior to SN 0050001158</b> )	D
1	0280182	2	Spring Assembly ( <b>SN 0050001158 through 0050003895</b> )	C
1A	27231	NLA	Shackle (Use p/n 1001092526)	
1A	3010126	NLA	Shackle (Use p/n 1001092526)	
1B	27324	4	Plate	
1C		Ref	Axle Weldment Options:	
1C	27409	2	For 0273329 & 27102 Spring Assembly	
1C	27421	2	For 0273343 Spring Assembly ( <b>Prior to SN 0050001158</b> )	
1C	27409	2	For 0274228 Spring Assembly ( <b>SN 0050001158 through 0050003895</b> )	
1D	27604	16	Bushing, Flanged	
1E	27605	16	Sleeve	
1F	71813	NLA	Spring, 3 Leaf (Top) (Use p/n1001098040)	
1G		Ref	Spring, Leaf (Bottom) Options:	
1G	71813	NLA	Spring, Leaf (Bottom) (3 Leaf For 0273329 & 27102 Spring Assembly) (Use p/n 1001098040)	
1G	71814	NLA	Spring, Leaf (Bottom) (4 Leaf For 0273343 Spring Assembly) (Use p/n 1001098040)	
1H	80042	16	Bolt 7/16in-14NC x 2-1/2in	
1J	80141	16	Locknut 7/16in-14NC	
2	80074	12	Bolt 5/8in-11NC x 3-1/2in	
3	80164	12	Locknut 5/8in-11NC	
4	27604	8	Bushing, Flanged	
5	27605	4	Sleeve	
		Ref	<b>SUSPENSION INSTALLATION - TANDEM AXLE LEAF SPRING</b>	

# SECTION 1 - PARTS

ITEM	PART NUMBER	QTY	DESCRIPTION	REV
		Ref	<b>Enclosed Models:</b>	
	0273009	Ref	<b>Models EC10-EC14</b>	D
		Ref	<b>Flatbed Models:</b>	
	0273281	Ref	<b>Models 1012-1014</b>	E
		Ref	<b>Model 7610:</b>	
	0273009	Ref	<b>Suspension Installation - Tandem Axle Leaf Spring (Prior to SN 0050002707)</b>	D
	0275687	Ref	<b>Suspension Installation - Tandem Axle Leaf Spring (SN 0050002707 through 0050003491)</b>	B
	0273009	Ref	<b>Suspension Installation - Tandem Axle Leaf Spring (SN 0050003492 through 0050003895)</b>	D
	0273009	Ref	<b>Models 7612-7616</b>	D
		Ref	<b>Utility Models:</b>	
	0273009	Ref	<b>Models UT610-UT614</b>	D
	0273281	Ref	<b>Models UT912-UT914</b>	E
101		Ref	Spring Assembly Options:	
101		Ref	Enclosed Models:	
101		Ref	Models EC10-EC14 Options:	
101	27103	4	Spring Assembly ( <b>Prior to SN 0050001158</b> )	B
101	0280180	4	Spring Assembly ( <b>SN 0050001158 through 0050003895</b> )	C
101		Ref	Flatbed Models:	
101		Ref	Models 1012-1014 Options:	
101	0273286	4	Spring Assembly ( <b>Prior to SN 0050001158</b> )	A
101	0280181	4	Spring Assembly ( <b>SN 0050001158 through 0050002921</b> )	C
101	0280179	4	Spring Assembly ( <b>SN 0050002922 through 0050003895</b> )	D
101		Ref	Models 7610-7616 Options:	
101	27103	4	Spring Assembly ( <b>Prior to SN 0050001158</b> )	B
101	0280180	4	Spring Assembly ( <b>SN 0050001158 through 0050003895</b> )	C
101		Ref	Utility Models:	
101		Ref	Models UT610-UT614 Options:	
101	27103	4	Spring Assembly ( <b>Prior to SN 0050001158</b> )	B
101	0280180	4	Spring Assembly ( <b>SN 0050001158 through 0050003895</b> )	C
101		Ref	Models UT912-UT914 Options:	
101	0273286	4	Spring Assembly ( <b>Prior to SN 0050001158</b> )	A
101	0280181	4	Spring Assembly ( <b>SN 0050001158 through 0050002921</b> )	C
101	0280179	4	Spring Assembly ( <b>SN 0050002922 through 0050003895</b> )	D
101A	27324	8	Plate (2 Per Assembly)	
101B		Ref	Axle Weldment Options (1 Per Assembly):	
101B	27409	4	For 27103/0280180 Spring Assembly	
101B	27421	4	For 0273286/0280181 Spring Assembly	
101C	27604	32	Bushing, Flanged	
101D	27605	16	Sleeve	
101E	71813	NLA	Spring, 3 Leaf (Use p/n 1001098040)	
101F	80042	32	Bolt 7/16in-14NC x 2-1/2in	
101G	80141	32	Locknut 7/16in-14NC	
102	28501	NLA	Pivot Arm Assembly (Use p/n 1001091156)	
102A	28307	2	Sleeve	
102B	27604	16	Bushing, Flanged	
102C	27605	8	Sleeve	
102D	27606	4	Bushing, Flanged	
103	80089	2	Bolt 7/8in-9NC x 7-1/2in	
104	80175	2	Nut 7/8in-9NC	

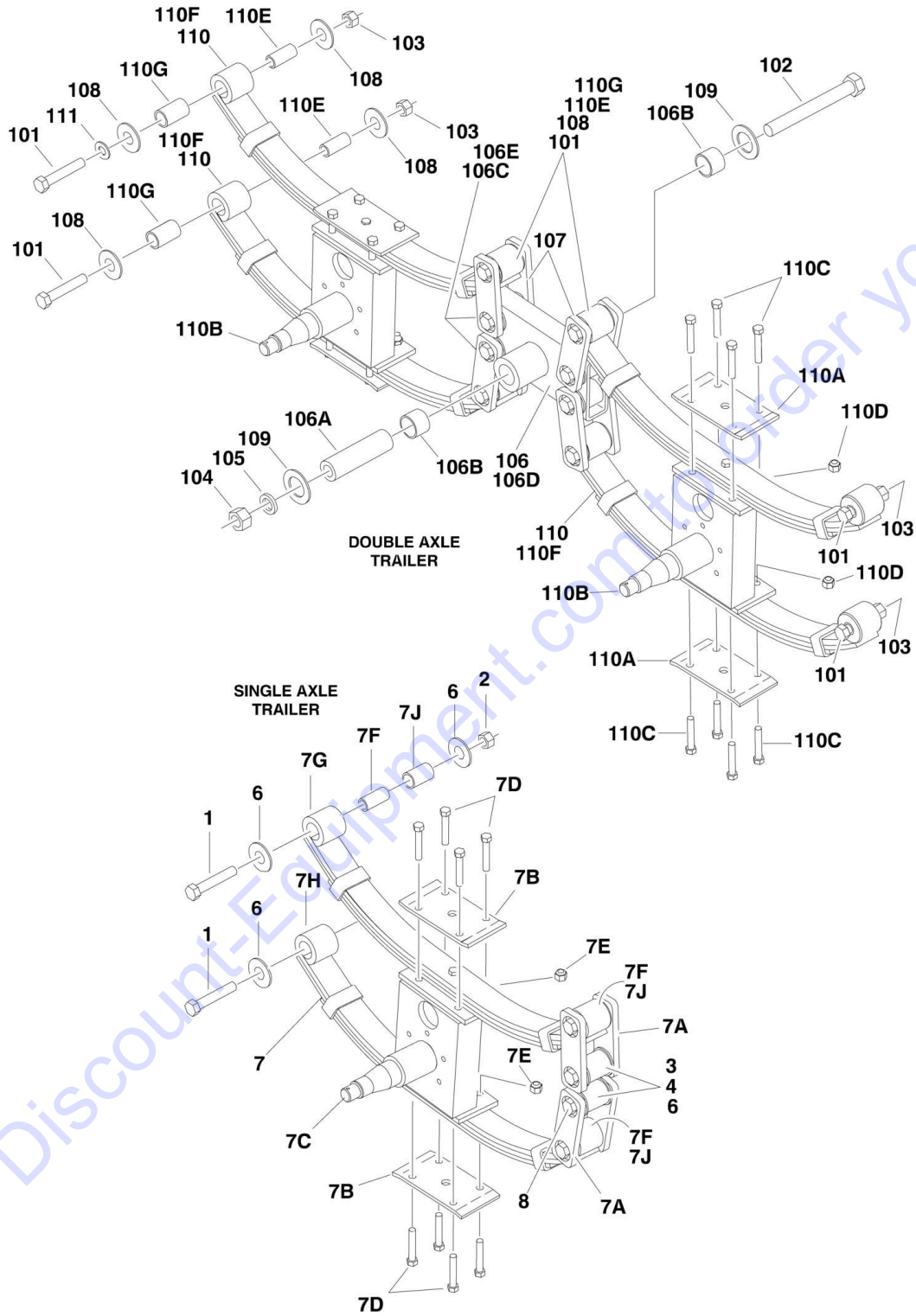


## SECTION 1 - PARTS

ITEM	PART NUMBER	QTY	DESCRIPTION	REV
105	80276	2	Lockwasher 7/8in	
106A	27231	8	Shackle (Use p/n 1001092526) (1 Required per location)	
106A	3010126	8	Shackle (Use p/n 1001092526) (1 Required per location)	
106B	1001092526	16	Plate, Shackle (2 Required per location)	
107		Ref	Bolt Options:	
107	80074	AR	Bolt 5/8in-11NC x 3-1/2in (Hex Head)	
107	3900396	2	Bolt 5/8in-11NC x 3-1/2in (Button Head) (Front Lower on 7610 Only) <b>(SN 050002707 through 0050003895)</b>	
108	80164	24	Locknut 5/8in-11NC	
		Ref	<b>SUSPENSION INSTALLATION - PREMCO SWING ARM (TANDEM AXLE MODELS WITH SINGLE AXLE BRAKES ONLY)</b>	
		Ref	<b>Note: No Information available on Single Axle Models or Tandem Axles with Tandem Brakes.</b>	
201	70023	1	Axle - Right Side Rear (Used with Idler Hub)	
202	70021	1	Axle - Right Side Front (Used with e Brake)	
203	70024	1	Axle - Left Side Rear (Used with Idler Hub)	
204	70022	1	Axle - Left Side Front (Used with e Brake)	
205	See Note	16	Bolt (Note: Not Available - Purchase Locally)	
206	See Note	32	Flatwasher (Note: Not Available - Purchase Locally)	
207	See Note	16	Locknut (Note: Not Available - Purchase Locally)	

# SECTION 1 - PARTS

## FIGURE 1-16. SUSPENSION INSTALLATIONS (SN 0050003895 to Present)



**SECTION 1 - PARTS**

**FIGURE 1-16. SUSPENSION INSTALLATIONS (SN 0050003895 to Present)**

ITEM	PART NUMBER	QTY	DESCRIPTION	REV
		Ref	<b>SUSPENSION INSTALLATION - SINGLE AXLE LEAF SPRING</b>	
		Ref	<b>Flatbed Models:</b>	
	1001098214	Ref	<b>Flatbed Model 248</b>	C
	1001098215	Ref	<b>Flatbed Model 449</b>	A
	1001098214	Ref	<b>Flatbed Model 4610</b>	C
		Ref	<b>Utility Models:</b>	
	1001098214	Ref	<b>Utility Model UT28</b>	C
	1001098215	Ref	<b>Utility Model UT49</b>	A
	1001098214	Ref	<b>Utility Model UT410</b>	C
1	80074	12	Bolt 5/8in-11NC x 3-1/2in	
2	80164	12	Locknut 5/8in-11NC	
3	0962292	8	Bearing, Garmax	
4	1001091346	4	Sleeve	
6	1001092864	24	Washer, Thrust	
7		Ref	<b>Spring Assembly Options:</b>	
7		Ref	<b>Flatbed Models:</b>	
7	1001098212	2	Flatbed Model 248	A
7	1001098213	2	Flatbed Model 449	A
7	1001098212	2	Flatbed Model 4610	A
7		Ref	<b>Utility Models:</b>	
7	1001098212	2	Utility Model UT28	A
7	1001098213	2	Utility Model UT49	A
7	1001098212	2	Utility Model UT410	A
7A	1001092526	4	Shackle	
7B	27324	4	Plate	
7C		Ref	<b>Axle Weldment Options:</b>	
7C	27409	2	For 1001098212 Spring Assembly	
7C	27421	2	For 1001098213 Spring Assembly	
7D	80042	16	Bolt 7/16in-14NC x 2-1/2in	
7E	80141	16	Locknut 7/16in-14NC	
7F	1001091346	16	Sleeve	
7G	1001098040	2	Spring, 3 Leaf (Top)	
7H	1001098040	2	Spring, 3 Leaf (Bottom)	
7J	1001098226	8	Tube, Spring Bushing	
8	4712000	2	Flatwasher 5/8in Narrow (P/N 1001098214 Suspension Only) <b>(SN 0050003895 through 0050004411)</b>	
		Ref	<b>SUSPENSION INSTALLATION - TANDEM AXLE LEAF SPRING</b>	
		Ref	<b>Enclosed Models:</b>	
	1001098216	Ref	<b>Enclosed Models EC10-EC14</b>	B
		Ref	<b>Flatbed Models:</b>	
	1001098217	Ref	<b>Flatbed Models 1012-1014</b>	A
	1001098216	Ref	<b>Flatbed Model 7610-7616</b>	B
		Ref	<b>Utility Models:</b>	
	1001098216	Ref	<b>Utility Models UT610-UT614</b>	B
	1001098217	Ref	<b>Utility Models UT912-UT914</b>	A
101	80074	24	Bolt 5/8in-11NC x 3-1/2in	
102	80089	2	Bolt 7/8in-9NC x 7-1/2in	
103	80164	24	Locknut 5/8in-11NC	
104	80175	2	Nut 7/8in-9NC	
105	80276	2	Lockwasher 7/8in	

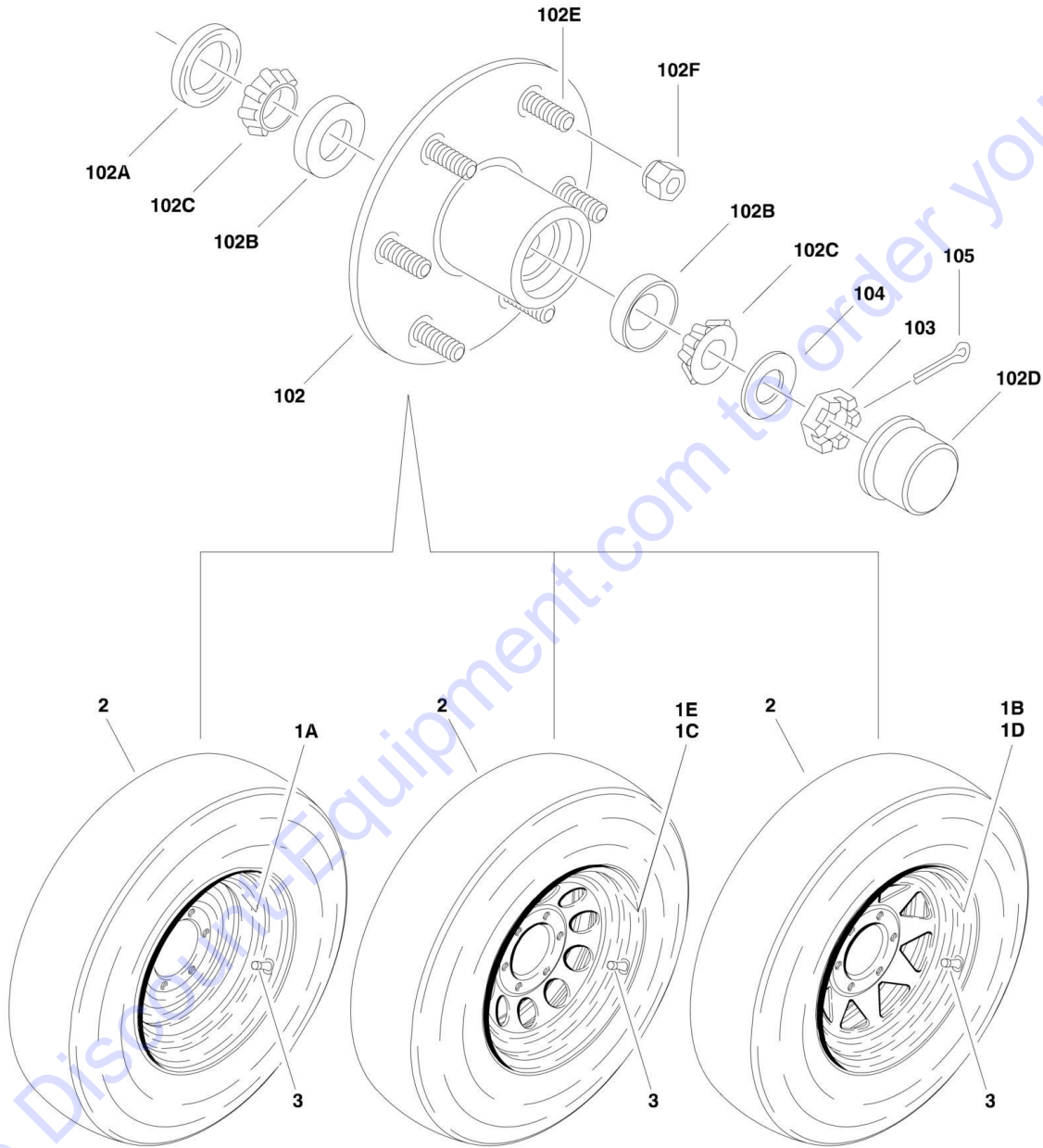
## SECTION 1 - PARTS

ITEM	PART NUMBER	QTY	DESCRIPTION	REV
106	1001091156	2	Pivot Arm Assembly	
106A	28307	2	Sleeve (1 Per Assembly)	
106B	0961948	4	Bearing, Composite	
106C	0962292	16	Bearing, Garmax	
106D	1001091149	1	Coupling, Spring Shackles	
106E	1001091346	8	Sleeve	
107	1001092526	16	Shackle	
108	1001092864	48	Washer, Thrust	
109	1001092865	4	Washer, Thrust	
110		Ref	Spring Assembly Options:	
110		Ref	Enclosed Models:	
110	1001098212	4	Enclosed Models EC10-EC14	A
110		Ref	Flatbed Models:	
110	1001098213	4	Flatbed Models 1012-1014	A
110	1001098212	4	Flatbed Models 7610-7616	A
110		Ref	Utility Models:	
110	1001098212	4	Utility Models UT610-UT614	A
110	1001098213	4	Utility Models UT912-UT914	A
110A	27324	8	Plate	
110B		Ref	Axle Weldment Options:	
110B	27409	4	For 1001098212 Spring Assembly	
110B	27421	4	For 1001098213 Spring Assembly	
110C	80042	32	Bolt 7/16in-14NC x 2-1/2in	
110D	80141	32	Locknut 7/16in-14NC	
110E	1001091346	16	Sleeve	
110F	1001098040	8	Spring, 3 Leaf	
110G	1001098226	32	Tube, Spring Bushing	
111	4712000	2	Flatwasher 5/8in (narrow) (For 1001098216 Suspension Installation Only)	



# SECTION 1 - PARTS

## FIGURE 1-17. HUBS WITHOUT BRAKES AND TIRES AND WHEELS INSTALLATIONS



# SECTION 1 - PARTS

**FIGURE 1-17. HUBS WITHOUT BRAKES AND TIRES AND WHEELS INSTALLATIONS**

ITEM	PART NUMBER	QTY	DESCRIPTION	REV
		Ref	<b>TIRES AND WHEEL INSTALLATION</b>	
		Ref	<b>Enclosed Models:</b>	
	0273021	Ref	<b>15in x 6in (6 Lug) (Models EC10-EC14 with Spoke Wheels)</b>	2
	0273403	Ref	<b>15in x 6in (6 Lug) (Models EC10-EC14 with Modular Wheels)</b>	2
		Ref	<b>Flatbed Models:</b>	
	0273021	Ref	<b>15in x 6in (6 Lug) (Model 248)</b>	2
	0273346	Ref	<b>16in x 6in (8 Lug) (Model 449)</b>	2
	0273287	Ref	<b>16in x 6in (8 Lug) (Models 1012-1014)</b>	2
	0273355	Ref	<b>14.5in x 6in (6 Lug) (Model 4610)</b>	B
	0273021	Ref	<b>15in x 6in (6 Lug) (Models 7610-7616 with Spoke Wheels)</b>	2
	0273403	Ref	<b>15in x 6in (6 Lug) (Models 7610-7616 with Modular Wheels)</b>	2
		Ref	<b>Utility Models:</b>	
	0273021	Ref	<b>15in x 6in (6 Lug) (Model UT28)</b>	2
	0273346	Ref	<b>16in x 6in (8 Lug) (Model UT49)</b>	2
	0273355	Ref	<b>14.5in x 6in (6 Lug) (Model UT410)</b>	B
	0273021	Ref	<b>15in x 6in (6 Lug) (Models UT610-UT614 with Spoke Wheels)</b>	2
	0273403	Ref	<b>15in x 6in (6 Lug) (Model UT610-UT614 with Modular Wheels)</b>	2
	0273287	Ref	<b>16in x 6in (8 Lug) (Models UT912-UT914)</b>	2
		Ref	Tire and Wheel Assemblies:	
		Ref	Enclosed Models:	
	72211	NLA	15in x 6in (6 Lug) Spoke Wheel (Models EC10-EC14) (Use p/n 4520385 Modular Wheel)	
	72212	NLA	15in x 6in (6 Lug) Modular Wheel (Models EC10-EC14) (Use p/n 4520385)	
		Ref	Flatbed Models:	
	72211	NLA	15in x 6in (6 Lug) Spoke Wheel (Model 248) (Note: Use p/n 4520385 Modular Wheel)	
	72212	NLA	15in x 6in (6 Lug) (Model 248) Modular Wheel (Use p/n 4520385)	
	72200	NLA	16in x 6in (8 Lug) Modular Wheel (Model 449) (Use p/n 4520363)	
	72200	NLA	16in x 6in (8 Lug) Modular Wheel (Models 1012-1014) (Use p/n 4520363)	
	72213	NLA	14.5in x 6in (6 Lug) Black Steel (Model 4610) (Use p/n 1001091708)	
	72211	NLA	15in x 6in (6 Lug) Spoke Wheel (Models 7610-7616) (Use p/n 4520385 Modular Wheel)	
	72212	NLA	15in x 6in (6 Lug) Modular Wheel (Models 7610-7616) (Use p/n 4520385)	
		Ref	Utility Series Models:	
	72211	NLA	15in x 6in (6 Lug) Spoke Wheel (Model UT28) (Use p/n 4520385 Modular Wheel)	
	72212	NLA	15in x 6in (6 Lug) Modular Wheel (Model UT28) (Use p/n 4520385)	
	72200	NLA	16in x 6in (8 Lug) Modular Wheel (Model UT49) (Use p/n 4520363)	
	72213	NLA	14.5in x 6in (6 Lug) Black Steel (Model UT410) (Use p/n 1001091708)	
	72211	NLA	15in x 6in (6 Lug) Spoke Wheel (Models UT610-UT614) (Use p/n 4520385 Modular Wheel)	
	72212	NLA	15in x 6in (6 Lug) Modular Wheel (Model UT610-UT614) (Use p/n 4520385)	
	72200	NLA	16in x 6in (8 Lug) Modular Wheel (Models UT912-UT914)	

## SECTION 1 - PARTS

ITEM	PART NUMBER	QTY	DESCRIPTION	REV
1		Ref	(Use p/n 4520363)	
1A	71718	NLA	Wheel Options: 14.5in x 6in (6 Lug Black Steel) (Use p/n 1001091707)	
1B	71717	AR	15in x 6in (6 Lug White Spoke)	
1C	71720	AR	15in x 6in (6 Lug White Modular)	
1D	See Note	AR	16in x 6in (8 Lug White Spoke) (Not Shown) (Note: Was Spoke Wheel - Use 71723 Modular Wheel as Replacement)	
1E	71723	AR	16in x 6in (8 Lug White Modular) (Not Shown)	
2		Ref	Tire Options:	
2	71939	AR	14.5in x 6in	
2	71937	NLA	15in x 6in (Use p/n 4520384)	
	71940	NLA	16in x 6in (Use p/n 4520361)	
3		Ref	Valve, Air Options:	
3	See Note	NSS	Valve, Air for All Wheel Assemblies except p/n 1001091708 (Note: Not Available - Purchase Locally)	
3	4640112	AR	Valve, Air for Wheel Assembly p/n 1001091708 ( <b>Prior to SN 0050006307</b> )	
3	4640392	AR	Valve, Air for Wheel Assembly p/n 1001091708 ( <b>SN 0050006307 to Present</b> )	
		Ref	<b>HUB INSTALLATION (WITHOUT BRAKES)</b>	
		Ref	<b>Flatbed Models:</b>	
	0273334	Ref	<b>Flatbed Model 248 (Brakes are Optional)</b>	B
	0273132	Ref	<b>Flatbed Models 7610-7616 (Single Axle Brakes are Standard Equipment - Dual Brakes Optional)</b>	C
		Ref	<b>Utility Models:</b>	
	0273334	Ref	<b>Utility Model UT28 (Brakes are Optional)</b>	B
	0273132	Ref	<b>Utility Models UT610-UT614 (Single Axle Brakes are Standard Equipment - Dual Brakes Optional)</b>	C
102	70702	2	Idler Hub Assembly	B
102A	71825	2	Seal (1 Per Hub)	
102B	7027513	2	Cup Kit (1 Per Hub) (Includes Inner and Over Cups)	
102C	7027514	2	Cone Kit (1 Per Hub) (Includes Inner and Over Cones)	
102D	7027515	2	Cap (1Per Hub)	
102E	7027512	12	Bolt, Wheel (6 Per Hub)	
102F	7026313	12	Lugnut (6 Per Hub)	
103	80180	2	Nut, Spindle	
104	80285	2	Washer, Spindle	
105	80317	2	Pin, Cotter 5/32in x 2in Plated	





# SECTION 1 - PARTS

## FIGURE 1-18. ELECTRIC BRAKE INSTALLATIONS

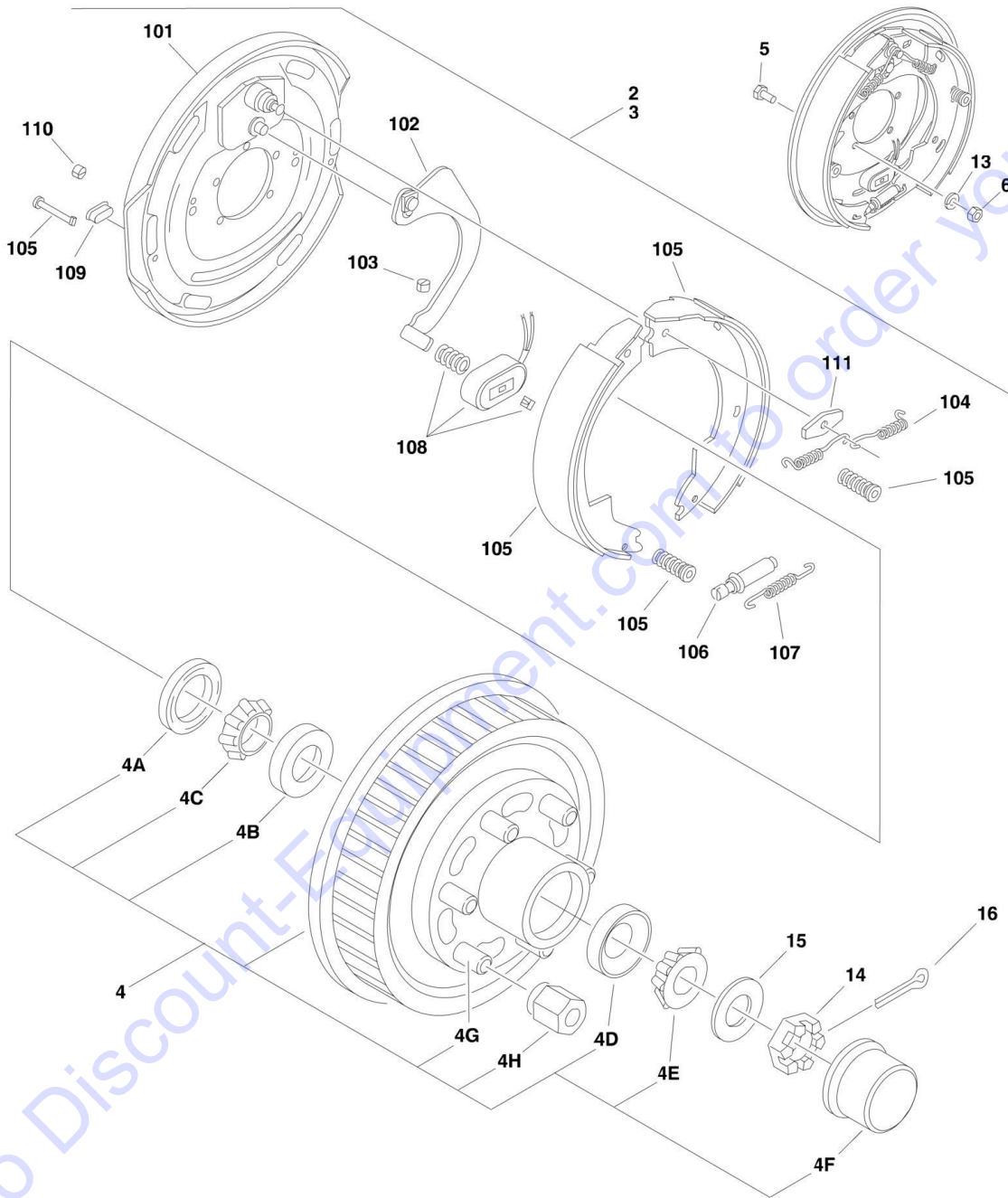


FIGURE 1-18. ELECTRIC BRAKE INSTALLATIONS

ITEM	PART NUMBER	QTY	DESCRIPTION	REV
		Ref	<b>ELECTRIC BRAKE INSTALLATIONS</b>	
		Ref	<b>Enclosed Models:</b>	
	0273132	Ref	<b>Enclosed Models EC10-EC14 (Single Axle Brakes - Optional)</b>	C
	0273024	Ref	<b>Enclosed Models EC10-EC14 (Tandem Axle Brakes - Standard)</b>	C
		Ref	<b>Flatbed Models:</b>	
	0273338	Ref	<b>Flatbed Model 248 (Brakes are Optional)</b>	D
	0273340	Ref	<b>Flatbed Model 449</b>	C
	0273290	Ref	<b>Flatbed Models 1012-1014</b>	C
	0273342	Ref	<b>Flatbed Model 4610</b>	C
	0273132	Ref	<b>Flatbed Models 7610-7616 (Single Axle Brakes - Standard)</b>	C
	0273024	Ref	<b>Flatbed Models 7610-7616 (Tandem Axle Brakes - Optional)</b>	C
		Ref	<b>Utility Models:</b>	
	0273338	Ref	<b>Utility Model UT28 (Brakes are Optional)</b>	D
	0273340	Ref	<b>Utility Model UT49</b>	C
	0273342	Ref	<b>Utility Model UT410</b>	C
	0273132	Ref	<b>Utility Models UT610-UT614 (Single Axle Brakes - Standard)</b>	C
	0273024	Ref	<b>Utility Models UT610-UT614 (Tandem Axle Brakes - Optional)</b>	C
	0273290	Ref	<b>Utility Models UT912-UT914</b>	C
2	70118	Ref	Electric Brake Assembly (Right Side) Options (See Items 101-111 for Breakdown):	
2	70118	1	Single Axle Brakes	
2	70118	2	Tandem Axle Brakes	
3	70119	Ref	Electric Brake Assembly (Left Side) Options: (See Items 101-111 for Breakdown)	
3	70119	1	Single Axle Brakes	
3	70119	2	Tandem Axle Brakes	
4		Ref	<b>Drum Assembly - Brake Options:</b>	
4	70703	2	6 Lug Drum (Single Axle Brakes)	B
4	70703	4	6 Lug Drum (Tandem Axle Brakes)	B
4	70705	2	8 Lug Drum (Single Axle Brakes)	B
4	70705	4	8 Lug Drum (Tandem Axle Brakes)	B
4A	71825	AR	Seal (1 Per Hub)	
4B	7026385	AR	Cup, Inner (1 Per Hub)	
4C	7026384	AR	Cone, Inner (1 Per Hub)	
4D		Ref	Cup, Outer Options (1 Per Hub):	
4D	7027509	AR	6 Lug Drum	
4D	7026386	AR	8 Lug Drum	
4E		Ref	Cone, Outer Options (1 Per Hub):	
4E	7027510	AR	6 Lug Drum	
4E	7026387	AR	8 Lug Drum	
4F		Ref	Cap Options (1Per Hub):	
4F	7027511	AR	6 Lug Drum	
4F	7026383	AR	8 Lug Drum	
4F	7026389	AR	O-Ring (When Equipped)	
4G		Ref	Bolt, Wheel Options (6 or 8 Per Hub):	
4G	7026390	AR	2in Length	
4G	70003756	AR	2.65in Length	
4H	7026313	AR	Lugnut (6 or 8 Per Hub)	
5		Ref	Bolt Options:	

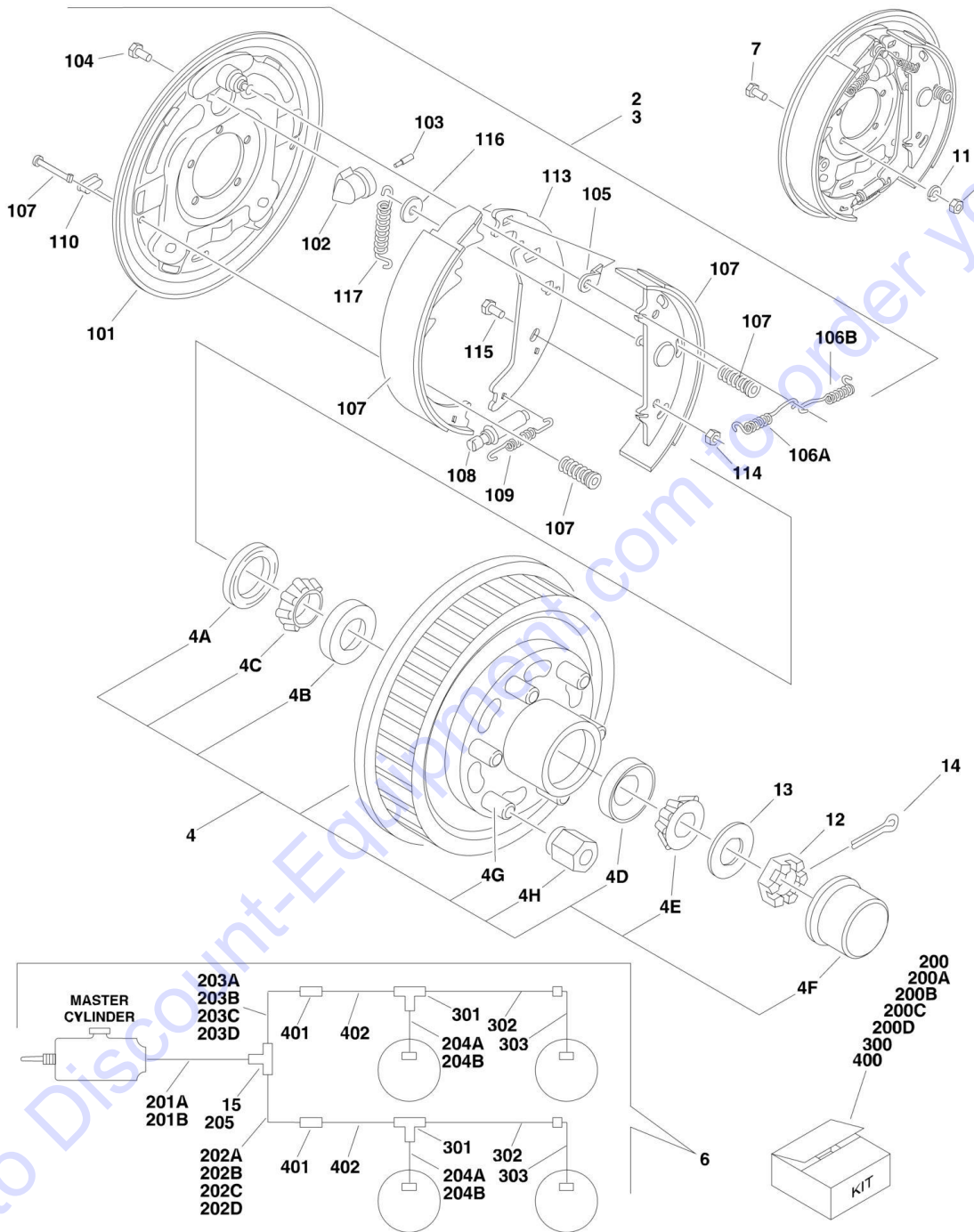
## SECTION 1 - PARTS

ITEM	PART NUMBER	QTY	DESCRIPTION	REV
5	80036	AR	Bolt 3/8in-24NF x 1in <b>(Prior to SN 0050001206)</b>	
5	0651610	Ref	Bolt 3/8in-24NF x 1-1/4in <b>(SN 0050001206 to Present)</b>	
5	0651610	10	Single Axle Brakes	
5	0651610	20	Tandem Axle Brakes	
6	80134	Ref	Nut 3/8in-24NF	
6	80134	10	Single Axle Brakes	
6	80134	20	Tandem Axle Brakes	
13	80232	Ref	Flatwasher 3/8in Options:	
13	80232	10	Single Axle Brakes	
13	80232	20	Tandem Axle Brakes	
14	80180	2	Nut, Spindle	
15	80285	2	Washer, Spindle	
16	80317	2	Pin, Cotter 5/32in x 2in Plated	
		Ref	<b>ELECTRIC BRAKE ASSEMBLIES</b>	
	70118	Ref	<b>Right Side</b>	C
	70119	Ref	<b>Left Side</b>	C
101	See Note	NSS	Plate, Backing (Note: Not Available - Purchase Complete Assy)	
102		Ref	Lever, Actuating Options:	
102	7026392	1	Right Side	
102	7026391	1	Left Side	
103	7026393	2	Clip, Wire	
104	7026394	2	Spring, Retractor	
105	70132	1	Brake Shoe Assembly (Includes 1 Primary and 1 Secondary Brake Shoe with Lining, 2 Pins, 2 Springs and 2 Cups)	
106	7026395	1	Adjuster Assembly	
107	7026396	1	Spring, Adjuster	
108	7026397	1	Magnet Assembly (Includes 1 each of Magnet, Spring and Clip)	
109	See Note	1	Plug, Adjuster Slot (Note: Not Available for Purchase)	
110	See Note	1	Grommet (Note: Not Available for Purchase)	
111	7026398	1	Washer, Anchor	



# SECTION 1 - PARTS

## FIGURE 1-19. HYDRAULIC SURGE BRAKE INSTALLATIONS (OPTIONAL)



Go to Discount-Equipment.com to order your parts

# SECTION 1 - PARTS

**FIGURE 1-19. HYDRAULIC SURGE BRAKE INSTALLATIONS (OPTIONAL)**

ITEM	PART NUMBER	QTY	DESCRIPTION	REV
		Ref	<b>HYDRAULIC SURGE BRAKES INSTALLATION</b>	
		Ref	<b>Enclosed Models:</b>	
	0273022	Ref	<b>Enclosed Models EC10-EC14 (Single Axle Brakes)</b>	B
	0273023	Ref	<b>Enclosed Models EC10-EC14 (Tandem Axle Brakes)</b>	B
		Ref	<b>Flatbed Models:</b>	
	0273337	Ref	<b>Flatbed Model 248 (Brakes are Optional)</b>	B
	0273339	Ref	<b>Flatbed Model 449</b>	B
	0273289	Ref	<b>Flatbed Models 1012-1014</b>	B
	0273341	Ref	<b>Flatbed Model 4610</b>	B
	0273022	Ref	<b>Flatbed Models 7610-7616 (Single Axle Brakes)</b>	B
	0273023	Ref	<b>Flatbed Models 7610-7616 (Tandem Axle Brakes)</b>	B
		Ref	<b>Utility Models:</b>	
	0273337	Ref	<b>Utility Model UT28 (Brakes are Optional)</b>	B
	0273339	Ref	<b>Utility Model UT49</b>	B
	0273341	Ref	<b>Utility Model UT410</b>	B
	0273022	Ref	<b>Utility Models UT610-UT614 (Single Axle Brakes)</b>	B
	0273023	Ref	<b>Utility Models UT610-UT614 (Tandem Axle Brakes)</b>	B
	0273289	Ref	<b>Utility Models UT912-UT914</b>	B
2	70121	Ref	Hydraulic Surge Brake Assembly (Left Side) Options (Includes Items 101-117):	
2	70121	1	Single Axle Brakes	
2	70121	2	Tandem Axle Brakes	
3	70120	Ref	Hydraulic Surge Brake Assembly (Right Side) Options (Includes Items 101-117):	
3	70120	1	Single Axle Brakes	
3	70120	2	Tandem Axle Brakes	
4		Ref	<b>Drum Assembly - Brake Options:</b>	
4	70703	2	6 Lug Drum (Single Axle Brakes)	
4	70703	4	6 Lug Drum (Tandem Axle Brakes)	
4	70705	2	8 Lug Drum (Single Axle Brakes)	
4	70705	4	8 Lug Drum (Tandem Axle Brakes)	
4A	71825	AR	Seal (1 Per Hub)	
4B	7026384	AR	Cone, Inner (1 Per Hub)	
4C	7026385	AR	Cup, Inner (1 Per Hub)	
4D		Ref	Cup, Outer Options (1 Per Hub):	
4D	7027509	AR	6 Lug Drum	
4D	7026386	AR	8 Lug Drum	
4E		Ref	Cone, Outer Options (1 Per Hub):	
4E	7027510	AR	6 Lug Drum	
4E	7026387	AR	8 Lug Drum	
4F		Ref	Cap Options (1Per Hub):	
4F	7027511	AR	6 Lug Drum	
4F	7026383	AR	8 Lug Drum	
4F	7026389	AR	O-Ring (When Equipped)	
4G		Ref	Bolt, Wheel Options (6 or 8 Per Hub):	
4G	7026390	AR	2in Length	
4G	70003756	AR	2.65in Length	
4H	7026313	AR	Lugnut (6 or 8 Per Hub)	
6		Ref	Brake Line Kit Options (See Items 200-402 for Breakdown):	
6		Ref	Enclosed Models:	

# SECTION 1 - PARTS

ITEM	PART NUMBER	QTY	DESCRIPTION	REV
6		Ref	Enclosed Models EC10 (Single Axle Brakes)	
6	28603	1	Standard Brake Line Kit	
6	27610	1	Brake Line Extension Kit	
6		Ref	Enclosed Models EC10 (Tandem Axle Brakes)	
6	28603	1	Standard Brake Line Kit	
6	27610	1	Brake Line Extension Kit	
6	28604	1	Tandem Add-On Brake Line Kit	
6		Ref	Enclosed Models EC12 (Single Axle Brakes)	
6	30600	1	Standard Brake Line Kit	
6	27610	1	Brake Line Extension Kit	
6		Ref	Enclosed Models EC12 (Tandem Axle Brakes)	
6	30600	1	Standard Brake Line Kit	
6	27610	1	Brake Line Extension Kit	
6	28604	1	Tandem Add-On Brake Line Kit	
6		Ref	Enclosed Models EC14 (Single Axle Brakes)	
6	27603	1	Standard Brake Line Kit	
6	27610	1	Brake Line Extension Kit	
6		Ref	Enclosed Models EC14 (Tandem Axle Brakes)	
6	27603	1	Standard Brake Line Kit	
6	27610	1	Brake Line Extension Kit	
6	28604	1	Tandem Add-On Brake Line Kit	
6		Ref	Flatbed Models:	
6	27603	1	Flatbed Model 248 (Standard Brake Line Kit) (Brakes - Optional)	
6	35600	1	Flatbed Model 449 (Standard Brake Line Kit)	
6		Ref	Flatbed Models 1012	
6	27603	1	Standard Brake Line Kit	
6	27610	1	Brake Line Extension Kit	
6	28604	1	Tandem Add-On Brake Line Kit	
6		Ref	Flatbed Models 1014	
6	30600	1	Standard Brake Line Kit	
6	27610	1	Brake Line Extension Kit	
6	28604	1	Tandem Add-On Brake Line Kit	
6	27603	1	Flatbed Model 4610 (Standard Brake Line Kit)	
6		Ref	Flatbed Models 7610 (Single Axle Brakes)	
6	28603	1	Standard Brake Line Kit	
6	27610	1	Brake Line Extension Kit	
6		Ref	Flatbed Models 7610 (Tandem Axle Brakes)	
6	28603	1	Standard Brake Line Kit	
6	27610	1	Brake Line Extension Kit	
6	28604	1	Tandem Add-On Brake Line Kit	
6		Ref	Flatbed Models 7612 (Single Axle Brakes)	
6	30600	1	Standard Brake Line Kit	
6	27610	1	Brake Line Extension Kit	
6		Ref	Flatbed Models 7612 (Tandem Axle Brakes)	
6	30600	1	Standard Brake Line Kit	
6	27610	1	Brake Line Extension Kit	
6	28604	1	Tandem Add-On Brake Line Kit	
6		Ref	Brake Line Kit Options (See Items 200-402 for Breakdown):	
6		Ref	Flatbed Models 7614 (Single Axle Brakes)	
6	27603	1	Standard Brake Line Kit <b>(Prior to SN 005001143)</b>	
6	33600	1	Standard Brake Line Kit <b>(SN 005001143 to Present)</b>	



# PARTS FINDER

**Search Website  
by Part Number**



**Search Manual  
Library For Parts  
Manual & Lookup Part  
Numbers – Purchase  
or Request Quote**

**Search Manuals**

Enter your information to help us find the right parts manual for your machine.

\* Brand:

\* Model:

\* Serial:

\* Part Number:

SEARCH

**Can't Find Part or  
Manual? Request Help  
by Manufacturer,  
Model & Description**

**Parts Order Form**

Please fill in the following information to help us find the right part for your machine.

Manufacturer:	<input type="text"/>
Model:	<input type="text"/>
Description:	<input type="text"/>
Part Number:	<input type="text"/>
Quantity:	<input type="text"/>
Notes:	<input type="text"/>

REQUEST HELP

Discount-Equipment.com is your online resource for quality parts & equipment.

Florida: **561-964-4949** Outside Florida TOLL FREE: **877-690-3101**

**Need parts?**

Click on this link: <http://www.discount-equipment.com/category/5443-parts/> and choose one of the options to help get the right parts and equipment you are looking for. Please have the machine model and serial number available in order to help us get you the correct parts. If you don't find the part on the website or on one of the online manuals, please fill out the request form and one of our experienced staff members will get back to you with a quote for the right part that your machine needs.

We sell worldwide for the brands: Genie, Terex, JLG, MultiQuip, Mikasa, Essick, Whiteman, Mayco, Toro Stone, Diamond Products, Generac Magnum, Airman, Haulotte, Barreto, Power Blanket, Nifty Lift, Atlas Copco, Chicago Pneumatic, Allmand, Miller Curber, Skyjack, Lull, Skytrak, Tsurumi, Husquvarna Target, Stow, Wacker, Sakai, Mi-T-M, Sullair, Basic, Dynapac, MBW, Weber, Bartell, Bennar Newman, Haulotte, Ditch Runner, Menegotti, Morrison, Contec, Buddy, Crown, Edco, Wyco, Bomag, Laymor, EZ Trench, Bil-Jax, F.S. Curtis, Gehl Pavers, Heli, Honda, ICS/PowerGrit, IHI, Partner, Imer, Clipper, MMD, Koshin, Rice, CH&E, General Equipment, Amida, Coleman, NAC, Gradall, Square Shooter, Kent, Stanley, Tamco, Toku, Hatz, Kohler, Robin, Wisconsin, Northrock, Oztec, Toker TK, Rol-Air, APT, Wylie, Ingersoll Rand / Doosan, Innovatech, Con X, Ammann, Mecalac, Makinex, Smith Surface Prep, Small Line, Wanco, Yanmar

## SECTION 1 - PARTS

ITEM	PART NUMBER	QTY	DESCRIPTION	REV
6	27610	1	Brake Line Extension Kit	
6		Ref	Flatbed Models 7614 (Tandem Axle Brakes)	
6	27603	1	Standard Brake Line Kit <b>(Prior to SN 005001143)</b>	
6	33600	1	Standard Brake Line Kit <b>(SN 005001143 to Present)</b>	
6	27610	1	Brake Line Extension Kit	
6	28604	1	Tandem Add-On Brake Line Kit	
6		Ref	Flatbed Models 7616 (Single Axle Brakes)	
6	38600	1	Standard Brake Line Kit	
6	28604	1	Brake Line Extension Kit (Note: 36in Steel Line from Kit is use as Extension. Discard Other Parts.)	
6		Ref	Flatbed Models 7616 (Tandem Axle Brakes)	
6	38600	1	Standard Brake Line Kit	
6	28604	1	Brake Line Extension Kit (Note: 36in Steel Line from Kit is use as Extension. Discard Other Parts.)	
6	28604	1	Tandem Add-On Brake Line Kit	
6		Ref	Utility Models:	
6	27603	1	Utility Model UT28 (Standard Brake Line Kit) (Brakes - Optional)	
6	35600	1	Utility Model UT49 (Standard Brake Line Kit)	
6	27603	1	Utility Model UT410 (Standard Brake Line Kit)	
6		Ref	Utility Models UT610 (Single Axle Brakes)	
6	28603	1	Standard Brake Line Kit	
6	27610	1	Brake Line Extension Kit	
6		Ref	Utility Models UT610 (Tandem Axle Brakes)	
6	28603	1	Standard Brake Line Kit	
6	27610	1	Brake Line Extension Kit	
6	28604	1	Tandem Add-On Brake Line Kit	
6		Ref	Utility Models UT612 (Single Axle Brakes)	
6	30600	1	Standard Brake Line Kit	
6	27610	1	Brake Line Extension Kit	
6		Ref	Utility Models UT612 (Tandem Axle Brakes)	
6	30600	1	Standard Brake Line Kit	
6	27610	1	Brake Line Extension Kit	
6	28604	1	Tandem Add-On Brake Line Kit	
6		Ref	Utility Models UT614 (Single Axle Brakes)	
6	27603	1	Standard Brake Line Kit	
6	27610	1	Brake Line Extension Kit	
6		Ref	Utility Models UT614 (Tandem Axle Brakes)	
6	27603	1	Standard Brake Line Kit	
6	27610	1	Brake Line Extension Kit	
6	28604	1	Tandem Add-On Brake Line Kit	
6		Ref	Utility Models UT912	
6	27603	1	Standard Brake Line Kit	
6	27610	1	Brake Line Extension Kit	
6	28604	1	Tandem Add-On Brake Line Kit	
6		Ref	Brake Line Kit Options (See Items 200-402 for Breakdown):	
6		Ref	Models UT914	
6	30600	1	Standard Brake Line Kit	
6	27610	1	Brake Line Extension Kit	
6	28604	1	Tandem Add-On Brake Line Kit	
7		Ref	Bolt Options:	
7	80036	AR	Bolt 3/8in-24NF x 1in <b>(Prior to SN 0050001206)</b>	

# SECTION 1 - PARTS

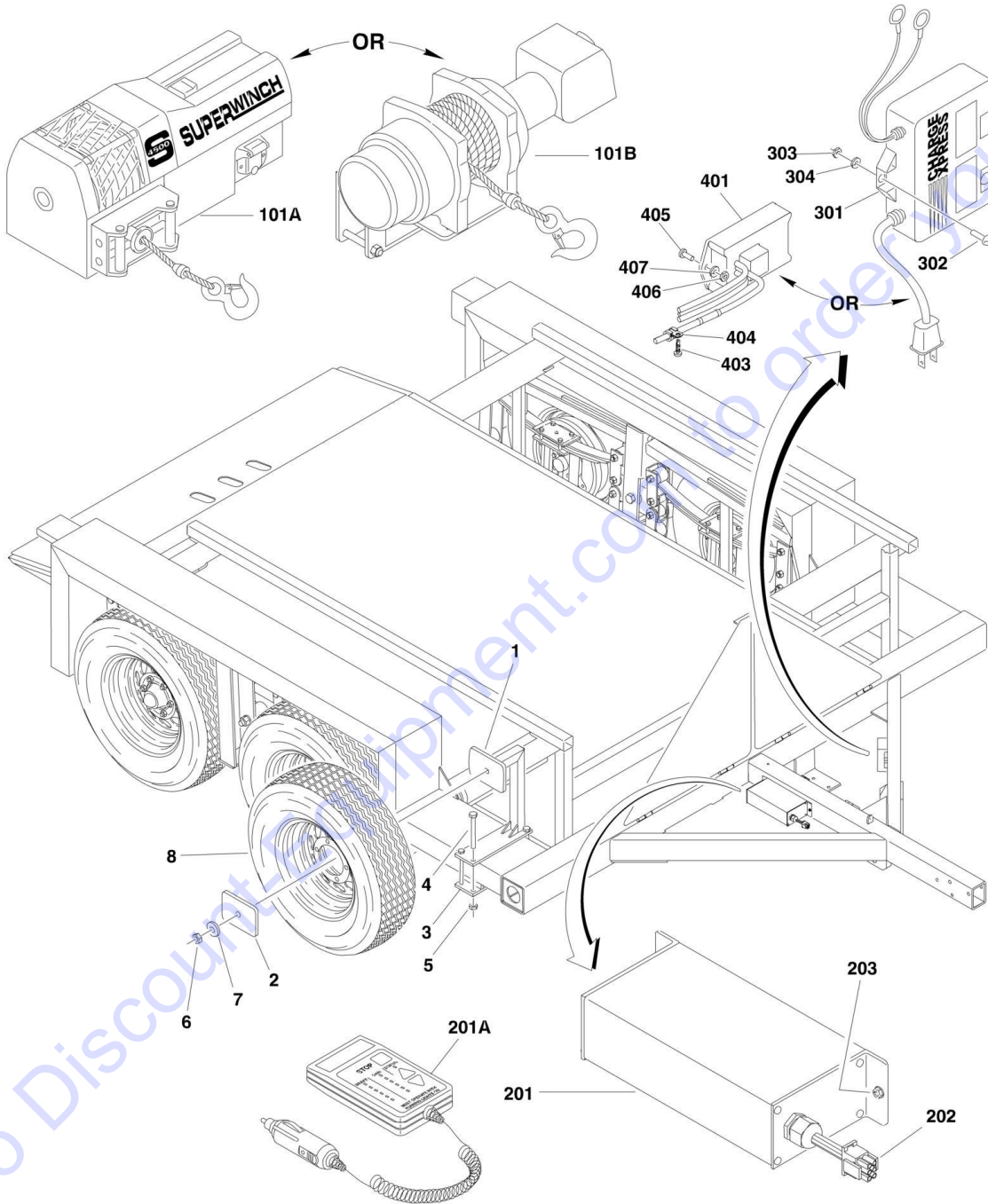
ITEM	PART NUMBER	QTY	DESCRIPTION	REV
7	0651610	Ref	Bolt 3/8in-24NF x 1-1/4in (SN 0050001206 to Present)	
7	0651610	10	Single Axle Brakes	
7	0651610	20	Tandem Axle Brakes	
8	80134	Ref	Nut 3/8in-24NF	
8	80134	10	Single Axle Brakes	
8	80134	20	Tandem Axle Brakes	
11	80232	Ref	Flatwasher 3/8in Options:	
11	80232	10	Single Axle Brakes	
11	80232	20	Tandem Axle Brakes	
12	80180	4	Nut, Spindle	
13	80285	4	Washer, Spindle	
14	80317	4	Pin, Cotter 5/32in x 2in Plated	
15	80413	1	Screw, Self-Tapping #10-16 x 3/4in	
		Ref	<b>HYDRAULIC SURGE BRAKES ASSEMBLIES</b>	
	70121	Ref	<b>Left Side</b>	B
	70120	Ref	<b>Right Side</b>	B
101	See Note	1	Plate, Backing (Note: Not Available - Purchase Complete Assembly)	
102		Ref	Cylinder, Uni-Servo Wheel Options:	
102	70145	1	Left Side	
102	70144	1	Right Side	
103	7026399	1	Pin, Push	
104	See Note	1	Screw and Washer (Note: Not Available - Purchase Locally)	
105	7027500	1	Link, Travel	
106		Ref	Spring Options:	
106A	7027501	1	Spring, Retractor	
106B	7027502	1	Spring, Shoe Lever Return	
107		Ref	Brake Shoe Assembly Options (Includes 1 Primary and 1 Secondary Brake Shoe with Lining, 2 Pins, 2 Springs and 2 Cups):	
107	7027503	1	Left Side	
107	7027504	1	Right Side	
108	7027505	1	Adjuster Assembly	
109	7027506	1	Spring, Adjuster	
110	See Note	1	Plug, Slot (Note: Not Available for Purchase)	
113	7027507	1	Lever, Shoe	
115	See Note	1	Screw (Note: Not Available - Purchase Locally)	
116	See Note	1	Washer (Note: Not Available - Purchase Locally)	
117	7027508	1	Spring, Primary Shoe Return	
		Ref	<b>BRAKE LINE KITS</b>	
		Ref	<b>Note: Refer to Item 6 for Usage as some Models use more than 1 Kit.</b>	
200		Ref	<b>Standard Brake Line Kit Options:</b>	
200A	35600	Ref	<b>Brake Line (Standard Brake Line Kit) (Includes Items 201A, 202A, 203A, 204A &amp; 205)</b>	
200B	27603	Ref	<b>Brake Line (Standard Brake Line Kit) (Includes Items 201A, 202B, 203B, 204A &amp; 205)</b>	
200C	28603	Ref	<b>Brake Line (Standard Brake Line Kit) (Includes Items 201B, 202C, 203C, 204B, 205 &amp; 206)</b>	
200D	30600	Ref	<b>Brake Line (Standard Brake Line Kit) (Includes Items 201B, 202D, 203D, 204B &amp; 205)</b>	
201		Ref	Brake Line - Tongue Options:	
201A	70002556	1	38in Length	

## SECTION 1 - PARTS

ITEM	PART NUMBER	QTY	DESCRIPTION	REV
201B	7002563	1	42in Length	
202		Ref	Brake Line - Left Side Options:	
202A	70002560	1	88in Length	
202B	70002554	1	98in Length	
202C	70002566	1	104in Length	
202D	70002561	1	111in Length	
203		Ref	Brake Line - Right Side Options:	
203A	70002559	1	82in Length	
203B	70002555	1	92in Length	
203C	70002554	1	98in Length	
203D	70002562	1	105in Length	
204		Ref	Flexible Hose	
204A	70002557	2	13in Length	
204B	70002551	2	18in Length	
205	70002558	1	Tee, Brass with Mounting Bracket	
206	70002564	2	Bracket, Frame Mounting (Not Shown)	
206	70002565	2	Clip, Hose (Not Shown)	
300	28604	Ref	<b>Brake Line (Second Tandem Brake Add-On Kit) (Includes Items 301, 302 &amp; 303) (One Kit does both sides)</b>	
301	70002549	2	Tee, Brass	
302	70002547	2	Brake Line - 36in Length	
303	70002548	2	Flexible Hose - 18in Length	
400	27610	Ref	<b>Brake Line (Brake Line Extension Kit) (Includes Items 401 &amp; 402) (One Kit does both sides)</b>	
401	70002553	2	Fitting, 90	
402	70002550	2	Brake Line - 22in Length	

# SECTION 1 - PARTS

## FIGURE 1-20. OPTIONAL ACCESSORY INSTALLATIONS



SECTION 1 - PARTS

FIGURE 1-20. OPTIONAL ACCESSORY INSTALLATIONS

ITEM	PART NUMBER	QTY	DESCRIPTION	REV
		Ref	<b>SPARE TIRE BRACKET INSTALLATION</b>	
	0273133	Ref	<b>Bracket Installation for All Models except 1012-1014 &amp; UT912-UT914</b>	
	No P	Ref	<b>Hardware Kit for All Models except 1012-1014 &amp; UT912-UT914</b>	
	0273354	Ref	<b>Bracket and Hardware Installation for Models 1012-1014 &amp; UT912-UT914</b>	A
1	27425	1	Bracket, Spare Tire	
2	27381	1	Plate, Clamp (Front)	
3	27426	1	Plate, Clamp (Bottom)	
4		Ref	Bolt 3/8in-16NC Options:	
4	0641652	4	6-1/2in Length (All Models except 1012-1014 & UT912-UT914)	
4	80033	4	7-1/2in Length (Models 1012-1014 & UT912-UT914)	
5	80131	4	Locknut 3/8in-16NC	
6	80150	1	Nut 1/2in-13NC	
7	80251	1	Lockwasher 1/2in Wide	
8	See Note	1	Spare Tire and Wheel Assembly (Note: Determine Tire and Wheel Assembly Required by Referring to Tire and Wheel Installation for Replacement)	
10	71816	1	Bracket Kit (Includes Items 1, 2 & 3) (Not Shown)	
	0273037	Ref	<b>ELECTRIC WINCH W/REMOTE INSTALLATION Note (Not Available on Models 248 &amp; UT28)</b>	C
101		Ref	Winch Assembly Options:	
101A	72217	1	Superwinch	
101B	4880048	1	Warn Works Winch	
101B		Ref	Mount Options (Not Shown):	
101B	30411	1	Mount Used with Superwinch	
101B	0903166	1	Mount Used with Warn Works Winch	
101B	80131	2	Locknut 3/8in-16NC (Not Shown)	
101B	80038	2	Bolt 3/8in-16NC x 3in(Not Shown)	
101B	70601	2	Grommet (Not Shown - Protects Wiring Passing through Frame)	
	0274076	Ref	<b>ELECTRIC BRAKE CONTROLLER INSTALLATION Note (Available on All Models except Models 248 &amp; UT28) (Prior to SN 0050006703)</b>	B
	1001143778	Ref	<b>ELECTRIC BRAKE CONTROLLER INSTALLATION Note (Available on All Models except Models 248 &amp; UT28) (SN 0050006703 to Present)</b>	A
201	1600395	NLA	Controller Assembly (Includes qty 1 Remote Controller) (Use p/n 1001148341) <b>(Prior to SN 0050006703)</b>	
201	1001143668	1	Controller Assembly (Includes qty 1 Remote Controller) <b>(SN 0050006703 to Present)</b>	
201	7026349	1	Gasket <b>(Including 0050006703)</b>	
201	7026350	1	Connector, Strain Relief <b>(Prior to SN 0050006703)</b>	
201A	7026351	1	Replacement Remote Controller <b>(Prior to SN 0050006703)</b>	
201A	70006085	1	Replacement Remote Controller	
202	4923139	1	Harness, Electric Brake Control <b>(Prior to SN 0050006703)</b>	
202	See Note	NR	Harness, Electric Brake Control (Note: Part of Brake Controller) <b>(SN 0050006703 to Present)</b>	
203	80413	2	Screw, Self-Tapping	
250	1001148341	1	Electric Brake Controller Add-on Kit (Not Shown)	
	0273040	Ref	<b>120V DC POWERED BATTERY CHARGER INSTALLATION Note (Not Available on Models 248 &amp; UT28)</b>	C
301	70126	1	Battery Charger Assembly	

## SECTION 1 - PARTS

ITEM	PART NUMBER	QTY	DESCRIPTION	REV
302		Ref	Screw Options:	
302	80413	2	Screw, Self Drilling (Prior to SN 0050004224)	
302	80010	2	Screw, Pan Head #10-24NC (SN 0050004224 to Present)	
303	80103	2	Nut #10-24NC (SN 0050004224 to Present)	
304	80201	2	Lockwasher #10 (SN 0050004224 to Present)	
	0275859	Ref	<b>12V DC TOW VEHICLE POWERED BATTERY CHARGER INSTALLATION Note (Not Available on Models 248 &amp; UT28)</b>	C
401	0400244	1	Battery Charger Assembly	
403	80413	1	Screw, Self Drilling (SN 0050003342 to Present)	
404	80630	1	Clamp (SN 0050003342 to Present)	
405	80010	2	Screw, Pan Head #10-24NC (SN 0050004224 to Present)	
406	80103	2	Nut #10-24NC (SN 0050004224 to Present)	
407	80201	2	Lockwasher #10 (SN 0050004224 to Present)	
	2902375	Ref	<b>TRAILER SECURITY KIT (NOT SHOWN)</b>	A
501	2940169	1	Latch, Ball Hitch Lock	
502	2940170	1	Latch, Wheel Lock	
		Ref	<b>SCISSOR LIFT TIE-DOWN SETS (NOT SHOWN)</b>	
	0273802	Ref	<b>Use on Models 449 &amp; UT49 to transport JLG ES Series Scissor Lifts.</b>	B
	0273440	Ref	<b>Use on Models 449 &amp; UT49 when equipped with wheel locators to transport JLG Model 1932E2 Scissor Lifts.</b>	C
	0274098	Ref	<b>Use on Models UT612 to transport JLG ES Series Scissor Lifts.</b>	A
601		Ref	Tie-Down Chain Assembly Options:	
601	1260385	2	0273802 Installation (48in)	
601	1260386	2	0273802 Installation (23.5in)	
601	1260377	2	0273440 Installation (15in)	
601	1260400	2	0274098 Installation (35in)	
601	1260401	2	0274098 Installation (91in)	
603		Ref	Ratchet Binder Assembly Options:	
603	1260390	2	Ratchet Binder with out chain	
603	2902410	1	Ratchet Binder with chain (Includes qty 2 of p/n 1260404)	
603	1260404	2	Ratchet Binder with chain	
604		Ref	Double Clevis Link Assembly	
604	3010132	2	0273802 Installation	
604	3010132	1	0273440 Installation	
604	3010131	1	0273440 Installation	
604	3010132	2	0274098 Installation	
605	4240166	NLA	Straps (Note: Used on 0273440 Installation) (Use p/n 2902410 Kit - Includes qty 2 p/n 1260404 Straps)	
606	4846951	2	Bracket, Wheel Locator (0273440 Installation Only)	
	0274717	Ref	<b>MINI TRACK ACCESSORY MOUNT (NOT SHOWN)</b>	B
701	80151	10	Locknut 1/2in-13NC	
702	80250	20	Flatwasher 1/2in (Wide)	
703	0182058	2	Bracket, Mount	
704	0641814	4	Bolt 1/2in-13NC x 1-3/4in	
705	0641828	6	Bolt 1/2in-13NC x 3-1/2in	
706	1060329	3	Cable, Lanyard	
707	1705807	1	Decal - Secure Auger	
708	1705808	2	Decal - Transporting	
709	3423070	3	Pin, Hitch	
710	3760170	3	Ring, Split	

**SECTION 1 - PARTS**

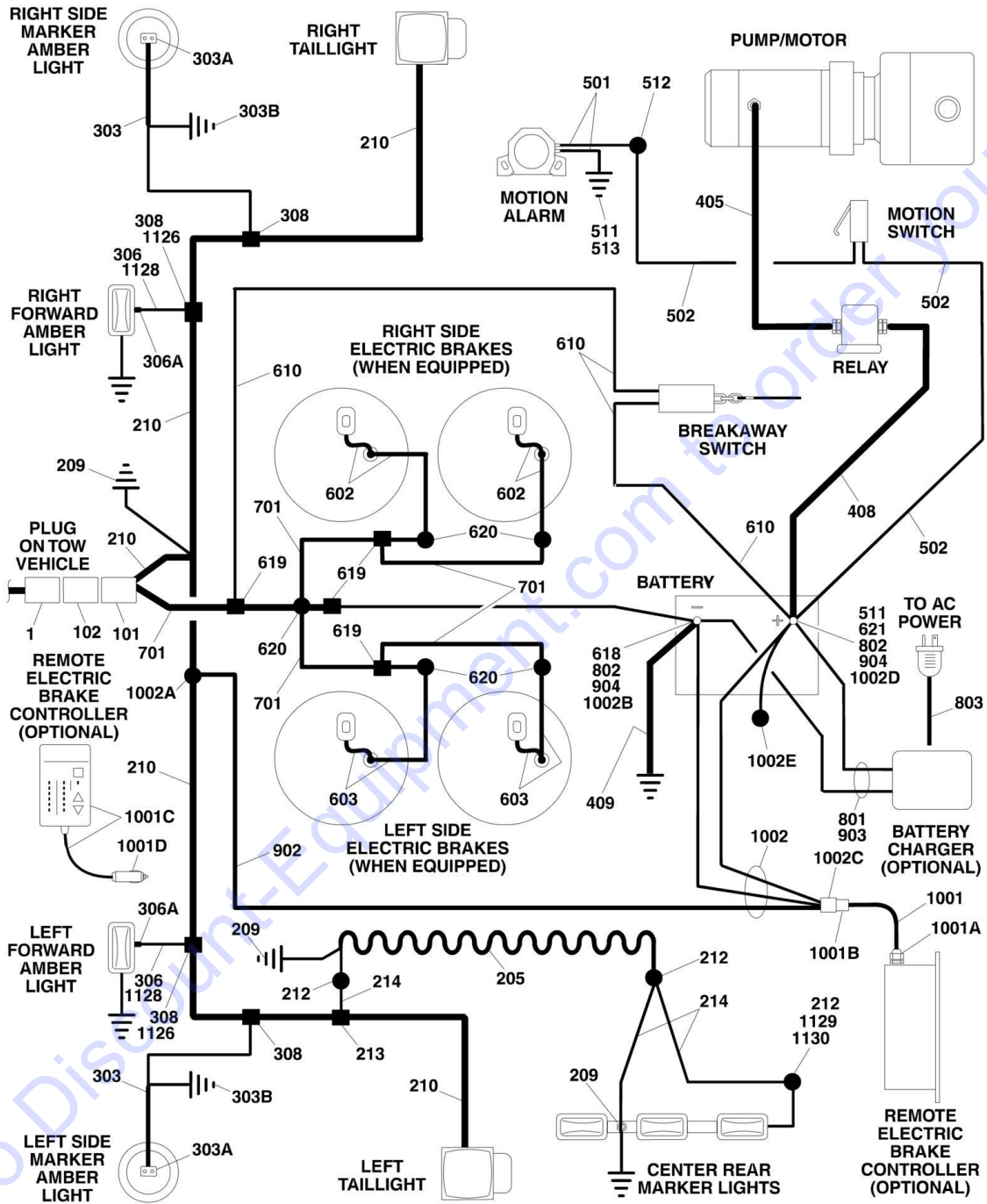
<b>ITEM</b>	<b>PART NUMBER</b>	<b>QTY</b>	<b>DESCRIPTION</b>	<b>REV</b>
711	3941406	3	Screw Self Tapper	
712	4240002	1	Tie, Strap	
713	4846948	1	Tray	
714	4846949	1	Auger Bracket (Vertical)	
715	4846950	1	Auger Bracket (Horizontal)	
716	70212	1	Chain, Safety W/Hook	
717	80131	1	Locknut 3/8in-16NC	
718	80230	2	Flatwasher 3/8in	
719	0630578	1	Eye-Bolt 3/8in-16NC x 6in (1in Eye)	

Go to Discount-Equipment.com to order your parts



# SECTION 1 - PARTS

## FIGURE 1-21. ELECTRICAL COMPONENTS INSTALLATION



**SECTION 1 - PARTS**

**FIGURE 1-21. ELECTRICAL COMPONENTS INSTALLATION**

ITEM	PART NUMBER	QTY	DESCRIPTION	REV
		Ref	<b>TOW VEHICLE PLUG END INSTALLATIONS</b>	
	No P	Ref	<b>7 Pole Plug Installation</b>	
	No P	Ref	<b>6 Pole Plug Installation</b>	
	72203	Ref	<b>Flat 4 Pole Plug Installation</b>	A
1		Ref	Plug Options:	
1	See Note	1	7 Pole Plug (Note: Not Available - Purchase Locally)	
1	See Note	1	6 Pole Plug (Note: Not Available - Purchase Locally)	
1	72203	1	Flat 4 Pole Plug	
		Ref	<b>TRAILER PLUG END INSTALLATIONS</b>	
	70236	Ref	<b>7 Pole Plug Installation</b>	A
	70235	Ref	<b>6 Pole Plug Installation</b>	A
	No P	Ref	<b>Flat 4 Pole Plug Installation</b>	
101		Ref	Plug Options:	
101	70236	1	7 Pole Plug	
101	70235	1	6 Pole Plug	
101	See Note	1	Flat 4 Pole Plug (Note: Plug Not Available Separately. Purchase Item 210)	
102	7027854	1	Plug, Adapter	
		Ref	<b>TAILLIGHTS AND REAR MARKER LIGHTS HARNESS INSTALLATIONS</b>	
		Ref	<b>Flatbed Models:</b>	
		Ref	<b>All Models Except 248 &amp; 449</b>	
	0273013	Ref	<b>Taillights and Rear Marker Lights Harness Installations (Prior to SN 0050002112)</b>	C
	0274795	Ref	<b>Taillights and Rear Marker Lights Harness Installations (SN 0050002112 to Present)</b>	D
		Ref	<b>Models 248 &amp; 449 Only</b>	
	0273284	Ref	<b>Taillights and Rear Marker Lights Harness Installations (Prior to SN 0050000873)</b>	A
	0273013	Ref	<b>Taillights and Rear Marker Lights Harness Installations (SN 0050000873 through 0050002111)</b>	C
	0274795	Ref	<b>Taillights and Rear Marker Lights Harness Installations (SN 0050002112 to Present)</b>	D
		Ref	<b>Utility Models:</b>	
		Ref	<b>All Models Except UT28 &amp; UT49</b>	
	0273013	Ref	<b>Taillights and Rear Marker Lights Harness Installations (Prior to SN 0050002112)</b>	C
	0274795	Ref	<b>Taillights and Rear Marker Lights Harness Installations (SN 0050002112 through 050003924)</b>	D
	1001100889	Ref	<b>Taillights and Rear Marker Lights Harness Installations (SN 0050003925 to Present)</b>	A
		Ref	<b>Models UT28 &amp; UT49 Only</b>	
	0273284	Ref	<b>Taillights and Rear Marker Lights Harness Installations (Prior to SN 0050000873)</b>	A
	0273013	Ref	<b>Taillights and Rear Marker Lights Harness Installations (SN 0050000873 through 0050002111)</b>	C
	0274795	Ref	<b>Taillights and Rear Marker Lights Harness Installations (SN 0050002112 to Present)</b>	D
		Ref	<b>Enclosed Models EC10-EC14:</b>	
	0274771	Ref	<b>Taillights and Rear Marker Lights Harness Installations (SN 0050001864 through 0050002111)</b>	A
	0274797	Ref	<b>Taillights and Rear Marker Lights Harness Installations (SN 0050002112 through 0050003924)</b>	F

# SECTION 1 - PARTS

ITEM	PART NUMBER	QTY	DESCRIPTION	REV
	1001100890	Ref	<b>Taillights and Rear Marker Lights Harness Installations (SN 0050003925 to Present)</b>	A
205		Ref	Cord, Retractable Options:	
205	72234	1	All Models Except 248,449, UT28 & UT49	
205	Not Required	0	Models 248, 449, UT28 & UT49 Only	
209	71957	3	Terminal, Ring	
210		Ref	Wiring Harness Options:	
210	72202	1	All Models Except Utility and Enclosed Models (Includes Flat 4 Pole Plug, 25ft Trailer Harness with 18in White Ground Lead)	
210	72202	1	All Utility and Enclosed Models Only <b>(Prior to SN 0050003925)</b>	
210	1001100607	1	All Utility and Enclosed Models Only <b>(SN 0050003925 to Present)</b>	
212	71954	4	Connector, Butt (Blue)	
213	71956	1	Connector, Skotch	
214	See Note	AR	Wire, Single Strain (Note: Not Available - Purchase Locally)	
	0273014	Ref	<b>AMBER FRONT AND SIDE MARKER LIGHTS HARNESS INSTALLATIONS</b>	B
303	70229	2	Harness, Side Marker (1 Per Side)	
303A	70229	2	Connector, 2 Position (1 Per Harness)	
303B	71957	2	Terminal, Ring (1 Per Harness)	
306	70232	2	Harness, Side Marker (1 Per Side)	
306A	70232	2	Connector, 1 Position (1 Per Harness)	
308	71956	4	Connector, Scotch-Lok	
		Ref	<b>POWER COMPONENTS INSTALLATION</b>	
		Ref	<b>Enclosed Models:</b>	
	0273015	Ref	<b>Models EC10-EC14</b>	E
		Ref	<b>Flatbed Models:</b>	
		Ref	<b>Model 449</b>	
	0273345	Ref	<b>Power Components Installation (Prior to SN 0050003037)</b>	D
	0273015	Ref	<b>Power Components Installation (SN 0050003037 to Present)</b>	E
	0273285	Ref	<b>Models 1012-1014</b>	E
		Ref	<b>Model 4610</b>	
	0273352	Ref	<b>Power Components Installation (Prior to SN 0050003037)</b>	C
	0273015	Ref	<b>Power Components Installation (SN 0050003037 to Present)</b>	E
	0273015	Ref	<b>Models 7610-7616</b>	E
		Ref	<b>Utility Models:</b>	
		Ref	<b>Model UT49</b>	
	0273345	Ref	<b>Power Components Installation (Prior to SN 0050003037)</b>	D
	0273015	Ref	<b>Power Components Installation (SN 0050003037 to Present)</b>	E
		Ref	<b>Model UT410</b>	
	0273352	Ref	<b>Power Components Installation (Prior to SN 0050003037)</b>	C
	0273015	Ref	<b>Power Components Installation (SN 0050003037 to Present)</b>	E
	0273015	Ref	<b>Models UT610-UT614</b>	E
	0273285	Ref	<b>Models UT912-UT914</b>	E
405	7026158	1	Cable, Black Battery	
408		Ref	Cable, Red Battery Options:	
408	70206	1	Early Premco Models	
408	70215	1	Late Premco Models	
408	70215	1	All JLG Models	
409		Ref	Cable, Black Battery Options:	
409	70207	1	Early Premco Models	
409	70216	1	Late Premco Models	

## SECTION 1 - PARTS

ITEM	PART NUMBER	QTY	DESCRIPTION	REV
409	70216	1	All JLG Models	
	0273025	Ref	<b>MOTION ALARM INSTALLATION</b>	F
501	70040	1	Alarm Harness (Includes Alarm)	
502	71821	1	Microswitch Harness (Includes Microswitch and Bracket)	
511	71957	AR	Terminal, Ring	
512	71954	1	Connector, Butt (Blue)	
513	71958	1	Terminal, Ring	
		Ref	<b>ELECTRIC BRAKES INSTALLATION (WHEN EQUIPPED)</b>	
		Ref	<b>Enclosed Models:</b>	
	0273132	Ref	<b>Models EC10-EC14 (Single Axle Brakes - Optional)</b>	C
	0273024	Ref	<b>Models EC10-EC14 (Tandem Axle Brakes - Standard)</b>	C
		Ref	<b>Flatbed Models:</b>	
	0273338	Ref	<b>Model 248 (Brakes are Optional)</b>	D
	0273340	Ref	<b>Model 449</b>	C
	0273290	Ref	<b>Models 1012-1014</b>	C
	0273342	Ref	<b>Model 4610</b>	C
	0273132	Ref	<b>Models 7610-7616 (Single Axle Brakes - Standard)</b>	C
	0273024	Ref	<b>Models 7610-7616 (Tandem Axle Brakes - Optional)</b>	C
		Ref	<b>Utility Models:</b>	
	0273338	Ref	<b>Model UT28 (Brakes are Optional)</b>	D
	0273340	Ref	<b>Model UT49</b>	C
	0273342	Ref	<b>Model UT410</b>	C
	0273132	Ref	<b>Models UT610-UT614 (Single Axle Brakes - Standard)</b>	C
	0273024	Ref	<b>Models UT610-UT614 (Tandem Axle Brakes - Optional)</b>	C
	0273290	Ref	<b>Models UT912-UT914</b>	C
602	7026397	1	Magnet Harness (Includes 1 each of Magnet, Spring and Clip)	
603	7026397	1	Magnet Harness (Includes 1 each of Magnet, Spring and Clip)	
610		Ref	Breakaway Switch Harness (Includes Switch)	
610	71820	1	All Models Except Model 248 & UT28	
610	71820	1	Models 248 & UT28 <b>(Prior to SN 0050004430)</b>	
610	1001111481	1	Models 248 & UT28 <b>(SN 0050004430 to Present)</b>	
618	71957	AR	Terminal, Ring	
619	71956	Ref	Connector, Skotch	
619	71956	5	Single Axle Brakes	
619	71956	8	Tandem Axle Brakes	
620	71954	Ref	Connector, Butt	
620	71954	8	Single Axle Brakes	
620	71954	8	Tandem Axle Brakes	
621		Ref	Terminal, Ring Options:	
621	71957	AR	Terminal, Ring 5/16in <b>(Prior to SN 0050003685)</b>	
621	4460256	AR	Terminal, Ring 3/8in <b>(SN 0050003685 to Present)</b>	
	0273041	Ref	<b>ELECTRIC BRAKES HARNESS INSTALLATION (WHEN EQUIPPED)</b>	A
701	72204	1	Electrical Brakes Harness	
701	72229	40	Cable, Electrical 14/2	
		ft/12.2m		
	0273040	Ref	<b>120V DC POWERED BATTERY CHARGER INSTALLATION (Note: Not Available on Models 248 &amp; UT28)</b>	C
801	See Note	NSS	Battery Charger DC Harness Assembly (Note: Not Available - Purchase Charger p/n 70126)	
802	70957	2	Terminal, Ring	
803	See Note	NSS	Battery Charger AC Harness Assembly (Note: Not Available -	

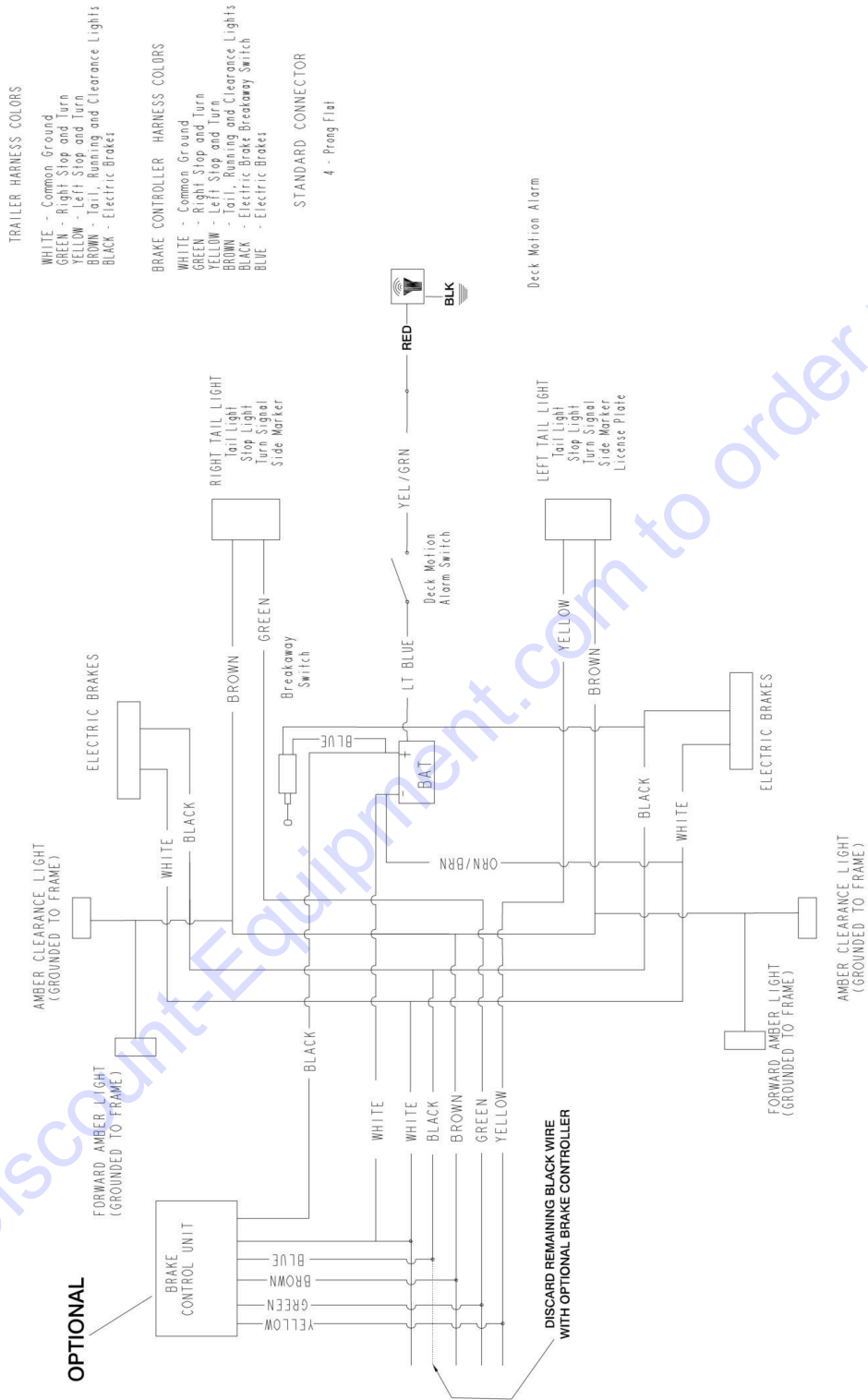
## SECTION 1 - PARTS

ITEM	PART NUMBER	QTY	DESCRIPTION	REV
			Purchase Charger p/n 70126)	
	0275859	Ref	<b>12V DC TOW VEHICLE POWERED BATTERY CHARGER INSTALLATION (Note: Not Available on Models 248 &amp; UT28)</b>	A
903	See Note	NSS	Battery Charger DC Harness Assembly (Note: Not Available - Purchase Charger p/n 0400244)	
904	70957	2	Terminal, Ring	
	0274076	Ref	<b>ELECTRIC BRAKE CONTROLLER INSTALLATION (Note: Not Available on Models 248 &amp; UT28) (Prior to SN 0050006703)</b>	B
	1001143778	Ref	<b>ELECTRIC BRAKE CONTROLLER INSTALLATION (Note: Not Available on Models 248 &amp; UT28) (SN 0050006703 to Present)</b>	A
1001	See Note	NSS	Controller Harness Assembly (Note: Not Available – Purchase Controller p/n 1001148341)	
1001A	7026350	1	Connector, Strain Relief	
1001B	4460225	1	Receptacle, Female - 6 Position	
1001C	7026351	1	Controller Remote and Harness ( <b>Prior to SN 0050006703</b> )	
1001C	See Note	1	Controller Remote and Harness (Note: Not Available at Time of Printing - Use p/n 1001143668) ( <b>SN 0050006703 to Present</b> )	
1001D	See Note	NSS	Plug, Cigarette Lighter (Note: Not Available - Purchase Locally)	
1002	4923139	1	Harness, Electric Brake Control ( <b>Prior to SN 0050006703</b> )	B
1002A	71954	3	Connector, Butt	
1002B	4460256	1	Terminal, Ring	
1002C	4460224	1	Plug, Male - 6 Position	
1002D	4460256	1	Terminal, Ring	
1002E	4460256	1	Connector, Butt	
		Ref	<b>ENCLOSED TRAILER UPPER CLEARANCE LIGHTS INSTALLATION (SN 0050002838 to Present)</b>	
	0275759	Ref	<b>EC10</b>	C
	0275760	Ref	<b>EC12</b>	C
	0275761	Ref	<b>EC14</b>	D
1125	71954	3	Connector, Butt (Not Shown)	
1126	71956	6	Connector, Skotch	
1127	71957	1	Terminal, Ring (Not Shown)	
1128	70232	6	Harness, Side Marker	
1129	4460821	1	Terminal, Bullet (Female) ( <b>SN 0050003691 to Present</b> )	
1130	1001101155	1	Terminal, Bullet (Male) ( <b>SN 0050003691 to Present</b> )	



# SECTION 1 - PARTS

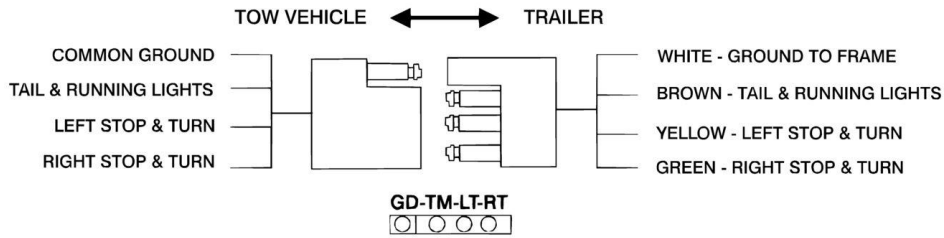
## FIGURE 1-22. ELECTRICAL SCHEMATIC



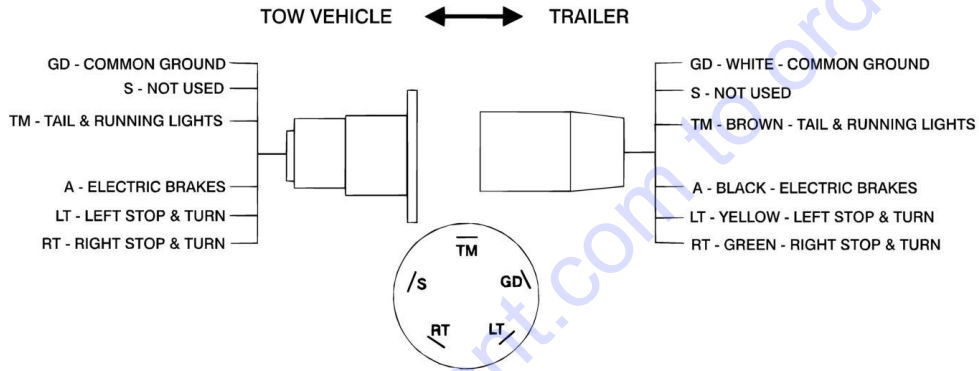
Go to Discount-Equipment.com to order your parts

# SECTION 1 - PARTS

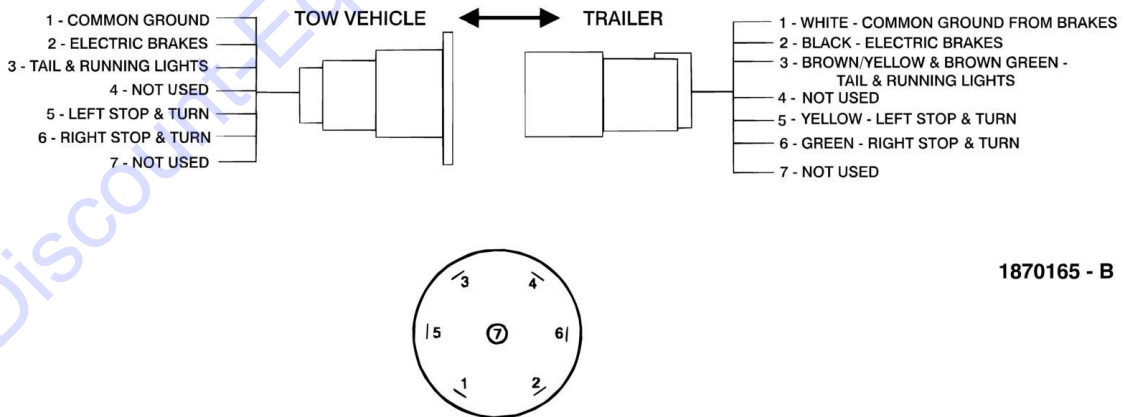
## 4 TERMINAL CONNECTOR (STANDARD CONNECTOR WITH SURGE BRAKES)



## 6 TERMINAL CONNECTOR (STANDARD CONNECTOR WITH ELECTRIC BRAKES)



## 7 TERMINAL CONNECTOR (SPECIAL REQUESTED CONNECTOR)



1870165 - B



SECTION 1 - PARTS

FIGURE 1-23. DECAL INSTALLATION

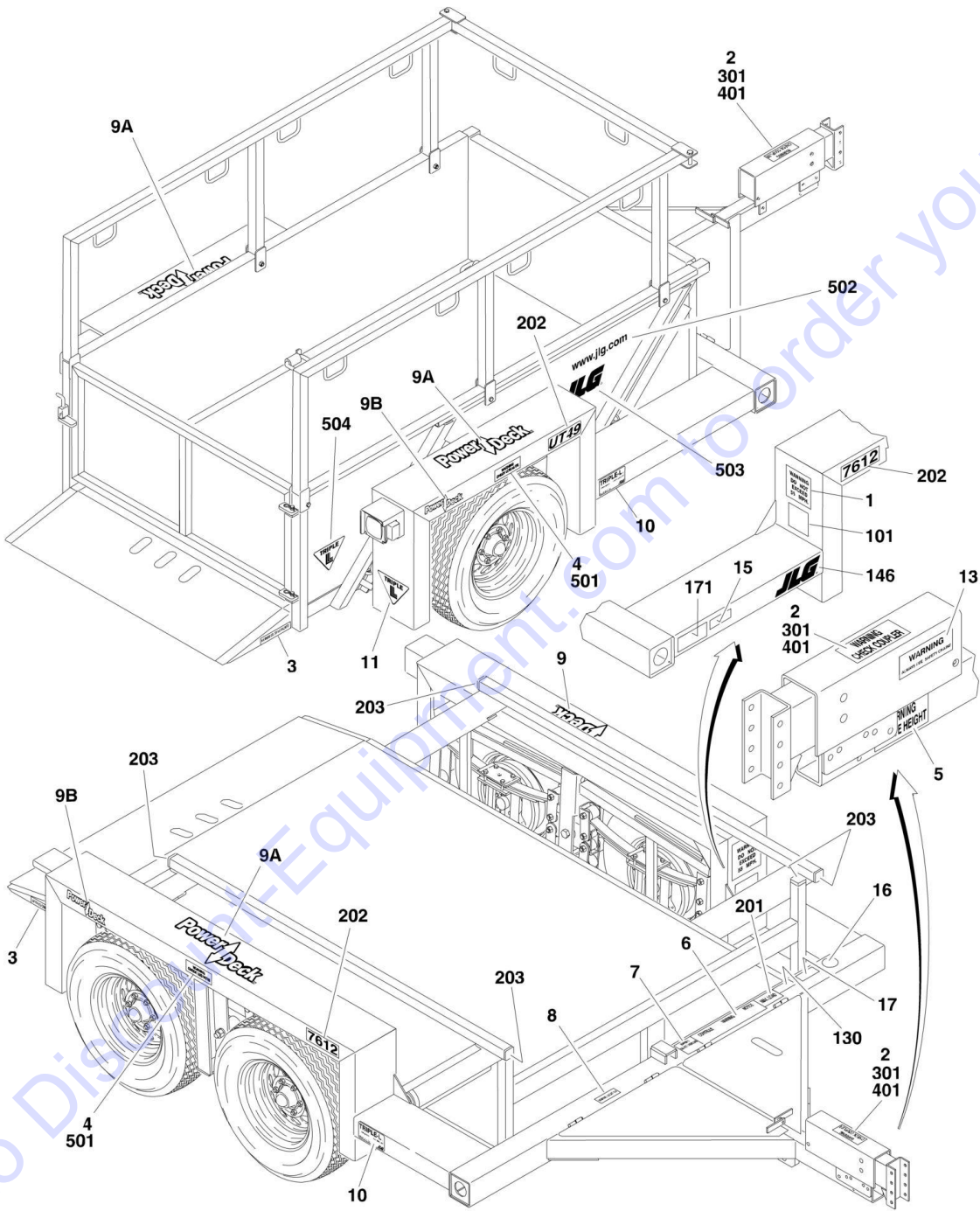


FIGURE 1-23. DECAL INSTALLATION

ITEM	PART NUMBER	QTY	DESCRIPTION	REV
		Ref	<b>STANDARD DECALS INSTALLATION</b>	
		Ref	<b>Enclosed Models:</b>	
	0273038	Ref	<b>Models EC10-EC14</b>	K
		Ref	<b>Flatbed Models:</b>	
	0273316	Ref	<b>Model 248</b>	I
	0273318	Ref	<b>Model 449</b>	J
	0273292	Ref	<b>Models 1012-1014</b>	G
	0273320	Ref	<b>Model 4610</b>	I
	0273038	Ref	<b>Models 7610-7616</b>	J
		Ref	<b>Utility Models:</b>	
	0273316	Ref	<b>Model UT28</b>	I
	0273318	Ref	<b>Model UT49</b>	J
	0273320	Ref	<b>Model UT410</b>	I
	0273038	Ref	<b>Models UT610-UT614</b>	K
	0273292	Ref	<b>Models UT912-UT914</b>	G
1	70230	1	Decal - Do Not Exceed 55MPH	
2	70332	1	Decal - Check Coupler <b>(Prior to SN 0050002838)</b>	
3	70317	2	Decal - Caution Stand Clear	
4	70319	2	Decal - Check Lugnuts	
5		Ref	Decal - Underside of Tongue Height Options:	
5	70322	1	Decal - Underside of Tongue Height <b>(Prior to SN 0050004145)</b>	
5	1001105881	1	Decal - Underside of Tongue Height <b>(SN 0050004145 to Present)</b>	
6	70323	1	Decal - Combination	
7	70325	1	Decal - Warning Overload	
8		Ref	Decal - Handbook Options:	
8	70327	1	All Models except Models 248 & UT248	
8	Not Required	0	Models 248 & UT248 Only	
9		Ref	Decal - Power Deck Options:	
9A	1705782	2	Decal - Power Deck <b>(Prior to SN 0050001931)</b>	
9B	1706654	2	Decal - Power Deck <b>(SN 0050001931 to Present)</b>	
13	70333	1	Decal - Warning UT0036	
14		Ref	Tape, Red/White Reflective Options - Not Shown: <b>(Prior to SN 0050002838)</b>	
14	Not Required	0	All Models except Models EC10-EC14	
14	1705817	31 ft/9.3m	Models EC10-EC14 Only	
15	1706499	1	Decal - Compliance <b>(SN 0050001945 to Present)</b>	
16	See Note	NSS	Decal - NATM (Note: Not Available for Purchase) <b>(SN 0050001931 to Present)</b>	
17		Ref	Decal - Tire Load Options:	
17	1706687	1	All Models except Models 1012-1014, UT912-UT914 & EC10-EC14 <b>(Prior to SN 0050007278)</b>	
17	1001184102	1	Model 248 <b>(SN 0050007278 to Present)</b>	
17	1001184104	1	Model 449 <b>(SN 0050007278 to Present)</b>	
17	1001184103	1	Model 4610 <b>(SN 0050007278 to Present)</b>	
17	1001184106	1	Model 7610 <b>(SN 0050007278 to Present)</b>	
17	1001184106	1	Model 7612 <b>(SN 0050007278 to Present)</b>	
17	1001184106	1	Model 7614 <b>(SN 0050007278 to Present)</b>	
17	1001184107	1	Model 7616 <b>(SN 0050007278 to Present)</b>	
17	1001184102	1	Model UT28 <b>(SN 0050007278 to Present)</b>	

# SECTION 1 - PARTS

ITEM	PART NUMBER	QTY	DESCRIPTION	REV
17	1001184105	1	Model UT49 (SN 0050007278 to Present)	
17	1001184103	1	Model UT410 (SN 0050007278 to Present)	
17	1001184106	1	Model UT610 (SN 0050007278 to Present)	
17	1001184106	1	Model UT612 (SN 0050007278 to Present)	
17	1001184107	1	Model UT614 (SN 0050007278 to Present)	
17	Not Required	0	Models 1012-1014, UT912-UT914 & EC10-EC14 Only	
		Ref	<b>COMMON DECALS INSTALLATION</b>	
101	See Note	NSS	Decal - Bar Code (Note: Not Available for Purchase)	
130		Ref	Decal - Service Support Options:	
130	1705304	1	Standard	
130	1706922	1	Home Depot Spec	
146	1705781	1	Decal - JLG	
171	See Note	NSS	Decal - Serial Number (Note: Not Available for Purchase)	
		Ref	<b>MODEL SPECIFIC DECALS INSTALLATION</b>	
		Ref	<b>Enclosed Models:</b>	
	0273030	Ref	<b>Models EC10</b>	4
	0273031	Ref	<b>Models EC12</b>	4
	0273032	Ref	<b>Models EC14</b>	5
		Ref	<b>Flatbed Models:</b>	
	0273310	Ref	<b>Model 248</b>	3
	0273312	Ref	<b>Model 449</b>	3
	0273299	Ref	<b>Model 1012</b>	3
	0273300	Ref	<b>Model 1014</b>	3
	0273314	Ref	<b>Model 4610</b>	3
	0273033	Ref	<b>Model 7610</b>	3
	0273034	Ref	<b>Model 7612</b>	3
	0273035	Ref	<b>Model 7614</b>	3
	0273036	Ref	<b>Model 7616</b>	3
		Ref	<b>Utility Models:</b>	
	0273311	Ref	<b>Model UT28</b>	4
	0273313	Ref	<b>Model UT49</b>	B
	0273315	Ref	<b>Model UT410</b>	B
	0273026	Ref	<b>Model UT610</b>	4
	0273027	Ref	<b>Model UT612</b>	4
	0273028	Ref	<b>Model UT614</b>	4
	0273297	Ref	<b>Model UT912 (Standard Deck)</b>	4
	0273522	Ref	<b>Model UT912 (Heavy Duty Deck)</b>	3
	0273298	Ref	<b>Model UT914</b>	4
201		Ref	Decal - Maximum Load	
201		Ref	Enclosed Models:	
201	70314	1	Models EC10-EC14	
201		Ref	Flatbed Models:	
201	70335	1	Model 248	
201	35601	1	Model 449	
201	36602	1	Models 1012 & 1014	
201	27609	1	Model 4610	
201	28610	1	Models 7610, 7612 & 7614	
201	70336	1	Model 7616	
201		Ref	Utility Models:	
201		Ref	Model UT28 Options:	
201	18616	1	Model UT28 (Prior to SN 0050001945)	

## SECTION 1 - PARTS

ITEM	PART NUMBER	QTY	DESCRIPTION	REV
201	70335	1	Model UT28 (SN 0050001945 to Present)	
201	27609	1	Model UT49	
201		Ref	Model UT410 Options:	
201	18620	1	Model UT410 (Prior to SN 0050001945)	
201	27609	1	Model UT410 (SN 0050001945 to Present)	
201		Ref	Models UT610 & UT612 Options:	
201	70314	1	Models UT610 & UT612 (Prior to SN 0050001945)	
201	28610	1	Models UT610 & UT612 (SN 0050001945 to Present)	
201		Ref	Model UT614 Options:	
201	70314	1	Model UT614 (Prior to SN 0050001945)	
201	70336	1	Model UT614 (SN 0050001945 to Present)	
201		Ref	Model UT912 (Standard Deck) Options:	
201	70337	1	Model UT912 (Standard Deck) (Prior to SN 0050001945)	
201	36602	1	Model UT912 (Standard Deck) (SN 0050001945 to Present)	
201	1705829	1	Model UT912 (Heavy Duty Deck)	
201		Ref	Model UT914 Options:	
201	70337	1	Model UT914 (Prior to SN 0050001945)	
201	36602	1	Model UT914 (SN 0050001945 to Present)	
202		Ref	Decal - Model	
202		Ref	Enclosed Models:	
202	1705764	2	Model EC10	
202	1705765	2	Model EC12	
202	1705766	2	Model EC14	
202		Ref	Flatbed Models:	
202	1705767	2	Model 248	
202	1705769	2	Model 449	
202	1705773	2	Model 1012	
202	1705774	2	Model 1014	
202	1705771	2	Model 4610	
202	1705777	2	Model 7610	
202	1705778	2	Model 7612	
202	1705779	2	Model 7614	
202	1705780	2	Model 7616	
202		Ref	Utility Models:	
202	1705768	2	Model UT28	
202	1705770	2	Model UT49	
202	1705772	2	Model UT410	
202	1705761	2	Model UT610	
202	1705762	2	Model UT612	
202	1705763	2	Model UT614	
202	1705775	2	Model UT912	
202	1705776	2	Model UT914	
203		Ref	Plug, Plastic Options:	
203	71520	AR	Plug, Plastic (Prior to SN 0050001394)	
203	3520071	AR	Plug, Plastic (SN 0050001394 to Present)	
203	3520071	2	Enclosed Models	
203	3520071	6	Flatbed Models	
203	3520071	2	Utility Model	
205		Ref	Tape, Red/White Reflective Options - Not Shown: (Prior to SN 0050002838)	
205	Not Required	0	All Models except Model EC14	

## SECTION 1 - PARTS

ITEM	PART NUMBER	QTY	DESCRIPTION	REV
205	1705817	30 ft/9m	Model EC14 Only	
206		Ref	Tape, White Reflective Options - Not Shown: <b>(Prior to SN 0050002838)</b>	
206	Not Required	0	All Models except Model EC14	
206	1705818	4 ft/1.3m	Model EC14 Only	
		Ref	<b>BALL HITCH DECALS INSTALLATION (SN 0050002838 to Present)</b>	
		Ref	<b>Enclosed Models:</b>	
	0275052	Ref	<b>Models EC10-EC14</b>	D
		Ref	<b>Flatbed Models:</b>	
	0275051	Ref	<b>Model 248</b>	D
		Ref	<b>Model 449</b>	
	0275891	Ref	<b>With 2 Inch Hitch</b>	B
	0275052	Ref	<b>With 2 5/16 Inch Hitch</b>	D
	0275052	Ref	<b>Models 4610, 7610-7616 &amp; 1012-1014</b>	D
		Ref	<b>Utility Models:</b>	
	0275051	Ref	<b>Model UT28</b>	D
		Ref	<b>Model UT49</b>	
	0275891	Ref	<b>With 2 Inch Hitch</b>	B
	0275052	Ref	<b>With 2 5/16 Inch Hitch</b>	D
	0275052	Ref	<b>Model UT410, UT610-UT614 &amp; UT912-UT914</b>	D
301		Ref	Decal - Check Coupler Options:	
301	70332	1	Models 449 & UT49 Only	
301	1707075	1	All except Models 449 & UT49	
	0273011	Ref	<b>PINTLE HITCH DECALS INSTALLATION (SN 0050002838 to Present)</b>	E
401	1707076	1	Decal - Check Coupler	
		Ref	<b>HOME DEPOT DECALS INSTALLATION</b>	
	0274077	Ref	<b>Models EC10-EC14, 7610-7616 &amp; UT614</b>	A
	0273390	Ref	<b>Models 449 &amp; UT49</b>	B
501	1705535	3	Decal - Home Depot	
502	1704885	2	Decal - Website	
503		Ref	Decal - JLG Options:	
503	Not Required	0	Models EC10-EC14, 7610-7616 & UT614	
503	1705754	1	Models 449 & UT49	
		Ref	<b>ENCLOSED TRAILER DECALS INSTALLATION</b>	
	0275759	Ref	<b>Model EC10</b>	C
	0275760	Ref	<b>Model EC12</b>	C
	0275761	Ref	<b>Model EC14</b>	D
601	1702773	3	Decal - JLG (Not Shown)	
602	1706764	3	Decal - Website (Not Shown)	
603	1705817	30 ft/9m	Tape, Red/White Reflective (EC14 Only) (Not Shown) <b>(SN 0050002838 to Present)</b>	
604	1705818	4 ft/1.3m	Tape, White Reflective (EC14 Only) (Not Shown) <b>(SN 0050002838 to Present)</b>	

**PART NUMBER INDEX**

Go to [Discount-Equipment.com](http://Discount-Equipment.com) to order your parts

# PART NUMBER INDEX

0100019.....	35	0273295.....	40	0280181.....	62	1001116301.....	39
0100091.....	54	0273297.....	96	0280182.....	61	1001143668.....	83
0100092.....	53	0273298.....	96	0400244.....	84	1001143778.....	83, 90
0140016.....	28	0273299.....	96	0630578.....	85	1001148341.....	83
0182058.....	84	0273300.....	96	0641406.....	20	1001149969.....	23, 24
0240056.....	46	0273310.....	96	0641416.....	20	1001184102.....	95
0273009.....	62	0273311.....	96	0641505.....	20	1001184103.....	95, 96
0273011.....	16, 98	0273312.....	96	0641626.....	37, 45	1001184104.....	95
0273012.....	23	0273313.....	96	0641652.....	83	1001184105.....	96
0273013.....	57, 87	0273314.....	96	0641814.....	84	1001184106.....	95, 96
0273014.....	58, 88	0273315.....	96	0641828.....	84	1001184107.....	95, 96
0273015.....	27, 37, 88	0273316.....	95	0642012.....	16	1060329.....	84
0273016.....	46	0273318.....	95	0642044.....	15, 16	1260377.....	84
0273017.....	46	0273320.....	95	0651610.....	74, 80	1260385.....	84
0273021.....	69	0273326.....	40	0791406.....	28, 58	1260386.....	84
0273022.....	12, 77	0273327.....	40	0903166.....	83	1260390.....	84
0273023.....	12, 77	0273328.....	40	0961948.....	66	1260400.....	84
0273024.....	11, 73, 89	0273329.....	61	0962292.....	65, 66	1260401.....	84
0273025.....	28, 89	0273333.....	13	1001091149.....	66	1260404.....	84
0273026.....	96	0273334.....	11, 70	1001091156.....	66	1600395.....	83
0273027.....	96	0273337.....	12, 77	1001091346.....	65, 66	1702773.....	98
0273028.....	96	0273338.....	11, 73, 89	1001091848.....	28, 35	1704885.....	98
0273030.....	96	0273339.....	12, 77	1001091849.....	35	1705304.....	96
0273031.....	96	0273340.....	11, 73, 89	1001091851.....	35	1705535.....	98
0273032.....	96	0273341.....	12, 77	1001091853.....	35	1705754.....	98
0273033.....	96	0273342.....	11, 73, 89	1001091855.....	35	1705761.....	97
0273034.....	96	0273343.....	61	1001092049.....	35	1705762.....	97
0273035.....	96	0273344.....	23, 24	1001092050.....	35	1705763.....	97
0273036.....	96	0273345.....	27, 37, 88	1001092070.....	28	1705764.....	97
0273037.....	83	0273346.....	69	1001092096.....	27, 35	1705765.....	97
0273038.....	95	0273352.....	27, 37, 88	1001092097.....	35	1705766.....	97
0273040.....	83, 89	0273354.....	83	1001092099.....	35	1705767.....	97
0273041.....	89	0273355.....	69	1001092101.....	35	1705768.....	97
0273132.....	11, 70, 73, 89	0273390.....	98	1001092102.....	35	1705769.....	97
0273133.....	83	0273403.....	69	1001092253.....	58	1705770.....	97
0273140.....	40	0273440.....	84	1001092254.....	58	1705771.....	97
0273141.....	40	0273481.....	39	1001092526.....	63, 65, 66	1705772.....	97
0273142.....	40	0273514.....	39	1001092864.....	65, 66	1705773.....	97
0273143.....	40	0273522.....	96	1001092865.....	66	1705774.....	97
0273163.....	39	0273682.....	37, 39	1001093189.....	35	1705775.....	97
0273164.....	39	0273694.....	39	1001093276.....	35	1705776.....	97
0273165.....	39	0273802.....	84	1001094141.....	39	1705777.....	97
0273166.....	39	0274076.....	83, 90	1001094142.....	39, 40	1705778.....	97
0273167.....	39	0274077.....	98	1001094149.....	40, 41	1705779.....	97
0273168.....	39	0274098.....	84	1001094220.....	46	1705780.....	97
0273169.....	39	0274184.....	23, 24	1001094221.....	46	1705781.....	96
0273228.....	37, 39	0274228.....	61	1001094266.....	46	1705782.....	95
0273229.....	39	0274717.....	84	1001094267.....	46	1705807.....	84
0273230.....	39	0274771.....	57, 87	1001094360.....	46	1705808.....	84
0273231.....	39	0274795.....	57, 87	1001098040.....	65, 66	1705817.....	95, 98
0273232.....	39	0274796.....	58	1001098212.....	65, 66	1705818.....	98
0273233.....	37, 39	0274797.....	57, 87	1001098213.....	65, 66	1705829.....	97
0273234.....	39	0275051.....	15, 16, 98	1001098214.....	65	1706499.....	95
0273235.....	39	0275052.....	15, 16, 98	1001098215.....	65	1706654.....	95
0273236.....	39	0275089.....	39	1001098216.....	65	1706687.....	95
0273237.....	39	0275687.....	62	1001098217.....	65	1706764.....	98
0273281.....	62	0275756.....	53	1001098226.....	65, 66	1706922.....	96
0273283.....	23	0275757.....	53	1001100607.....	88	1707075.....	98
0273284.....	57, 87	0275758.....	53	1001100833.....	58	1707076.....	98
0273285.....	27, 37, 88	0275759.....	53, 59, 90, 98	1001100889.....	57, 87	1730002.....	39
0273286.....	62	0275760.....	53, 59, 90, 98	1001100890.....	57, 88	1730004.....	39
0273287.....	69	0275761.....	53, 59, 90, 98	1001101155.....	90	1730006.....	39
0273289.....	12, 77	0275859.....	84, 90	1001105881.....	95	1730007.....	40
0273290.....	11, 73, 89	0275891.....	16, 98	1001111481.....	12, 89	1730008.....	40
0273292.....	95	0280179.....	61, 62	1001116299.....	40	1730009.....	39
0273294.....	40	0280180.....	61, 62	1001116300.....	40	18215.....	13

## PART NUMBER INDEX

18616	96	2910961	31	4071130	49, 55	51202	50, 54
18620	97	2920196	58, 59	41111	45	51203	50, 54
19325	27	2920197	58, 59	41112	45	51204	50, 54
19409	27	2920198	59	41403	45	51205	50, 54
19600	27	2920199	58	41404	45	51206	50, 54
19601	12, 19	2920200	57	41405	45	51316	49, 53
19613	20	2920212	58, 59	4220311	53	51317	49, 53
19615	20	29309	12	4220312	53	51318	49, 54
19616	20	29311	13	4240002	85	51319	49, 54
2410025	50, 53, 54	29313	13	4240166	84	51320	49, 54
25313	37	2940154	46	4240177	28	51400	49, 53
25406	37	2940156	37	4240179	49, 55	51401	49, 53
2560207	50, 55	2940169	84	43111	45	51402	49, 53
2620053	15	2940170	84	43112	45	51403	49, 53
2620054	16	29403	13	43403	45	51404	49, 54
2620058	15, 16	3010126	61, 63	43404	45	51405	49, 54
2620059	16	3010131	84	44111	45	51600	49, 54
26404	27	3010132	84	44112	45	51601	49, 54
27102	61	30401	39	44406	45	51602	49, 55
27103	62	30408	11	44407	45	51603	49, 55
27231	61, 63	30411	83	4460224	90	51604	49, 53
27324	61, 62, 65, 66	30600	78, 79, 80	4460225	90	51605	49, 54, 55
27334	46	3180014	58	4460256	89, 90	51606	49, 54
27335	46	3311401	20	4460821	90	51607	49, 54
27363	37	3311408	28, 58	45111	45	51608	49, 54
27374	46	3312005	15	45112	45	52100	49
27375	46	33403	40	45406	45	52201	50, 54
27381	83	33600	78, 79	45407	45	52205	54
27401	41	3380500	46	46111	45	52316	49, 53
27402	39	3380760	54	46112	45	52318	49, 54
27403	40	3380761	54	4640112	70	52401	49, 53
27404	40	3423070	84	46403	45	52402	49, 53
27406	37	34312	13	4640392	70	52403	49, 53
27409	61, 62, 65, 66	34401	39	47111	45	70002301	57, 58
27413	45	34405	41	47112	45	70002302	57, 58
27414	46	3450808	28, 35	4711800	13	70002547	81
27418	37	3520071	97	4712000	65, 66	70002548	81
27421	61, 62, 65, 66	35400	39	4761400	20	70002549	81
27422	11	35401	41	4762000	15	70002550	81
27425	83	35600	78, 79, 80	4771000	58	70002551	81
27426	83	35601	96	48100	49	70002553	81
27601	27, 33	3577090	54	48201	50, 54	70002554	81
27603	78, 79, 80	3577097	54	48205	54	70002555	81
27604	61, 62	3577098	54	48316	49, 53	70002556	80
27605	61, 62	3577122	54	48318	49, 54	70002557	81
27606	62	3577127	54	48401	49, 53	70002558	81
27607	33	36208	42	48402	49, 53	70002559	81
27609	96, 97	36315	28	48403	49, 53	70002560	81
27610	78, 79, 81	36402	46	4846856	40, 41	70002561	81
27611	12, 19	36404	39	4846857	40, 41	70002562	81
28104	12	36407	41	4846887	39, 40	70002564	81
2820019	58	36412	23	4846888	39, 40	70002565	81
28207	42	36413	11	4846889	39, 40	70002566	81
28307	62, 66	36500	41	4846898	40	70002637	20
2840025	24	36600	27, 33	4846899	40	70002638	19
2840028	23	36601	12, 19	4846902	40	70002719	19, 20
28401	40, 41	36602	96, 97	4846903	40	70002722	19, 20
28402	39	37401	39	4846904	40	70002723	19, 20
28408	23	37404	41	4846948	85	70003612	31
28501	62	3760170	84	4846949	85	70003613	31
28502	41	38400	41	4846950	85	70003756	73, 77
28603	78, 79, 80	38403	40	4846951	84	70004175	24
28604	78, 79, 81	38600	79	4880048	83	70004176	24, 25
28610	96, 97	3900390	55	4923139	83, 90	70006085	83
2902293	12	3900391	55	51100	49	70021	63
2902375	84	3900396	63	51200	50, 54	70022	63
2902410	84	3941406	85	51201	50, 54	70023	63



## PART NUMBER INDEX

70024.....	63	7026336.....	31	7027511.....	73, 77	71907.....	58
7002563.....	81	7026337.....	31	7027512.....	70	71921.....	58
70040.....	28, 89	7026338.....	23	7027513.....	70	71937.....	70
70103.....	15, 16	7026339.....	23	7027514.....	70	71939.....	70
70106.....	15	7026340.....	57, 58	7027515.....	70	71940.....	70
70107.....	15	7026341.....	57, 58	7027516.....	24, 25	71954.....	53, 88, 89, 90
70108.....	15	7026342.....	57, 58	7027517.....	24, 25	71956.....	88, 89, 90
70114.....	41	7026343.....	57, 58	7027518.....	24	71957.....	88, 89, 90
70117.....	41	7026344.....	24	7027519.....	24	71958.....	89
70118.....	73, 74	7026345.....	58	7027520.....	24	72200.....	69
70119.....	73, 74	7026346.....	58	7027521.....	24	72202.....	88
70120.....	77, 80	7026347.....	58	7027854.....	87	72203.....	87
70121.....	77, 80	7026348.....	58	70301.....	40	72204.....	89
70122.....	27, 33	7026349.....	83	70314.....	96, 97	72211.....	69
70123.....	27	7026350.....	83, 90	70317.....	95	72212.....	69
70124.....	27	7026351.....	83, 90	70319.....	95	72213.....	69
70126.....	83	7026352.....	19	70320.....	59	72216.....	13
70132.....	74	7026353.....	19	70322.....	95	72217.....	83
70142.....	15	7026354.....	19	70323.....	95	72229.....	89
70144.....	80	7026355.....	20	70325.....	95	72234.....	88
70145.....	80	7026356.....	20	70327.....	95	80000.....	12, 58, 59
70161.....	28	7026357.....	19	70332.....	95, 98	80002.....	12, 50, 53, 55
70206.....	27, 88	7026361.....	20	70333.....	95	80006.....	50, 55
70207.....	27, 88	7026362.....	20	70335.....	96, 97	80010.....	28, 84
70212.....	12, 85	7026363.....	19	70336.....	96, 97	80022..	23, 27, 28, 37, 50, 54
70215.....	28, 88	7026364.....	19	70337.....	97	80028.....	13
70216.....	28, 88, 89	7026366.....	19	70514.....	27	80033.....	83
70226312.....	31	7026367.....	19	70515.....	28	80036.....	74, 79
70227.....	59	7026368.....	20	70518.....	27, 28	80038.....	46, 49, 53, 83
70228.....	59	7026372.....	20	70601.....	83	80042.....	61, 62, 65, 66
70229.....	88	7026373.....	20	70702.....	70	80043.....	12, 24
70230.....	95	7026374.....	20	70703.....	73, 77	80065.....	11, 12
70231.....	58, 59	7026375.....	19	70705.....	73, 77	80074.....	61, 63, 65
70232.....	88, 90	7026376.....	19	70707.....	27, 28	80076.....	11, 12
70235.....	87	7026379.....	19	70715.....	40	80089.....	62, 65
70236.....	87	7026380.....	19	70902.....	24	80103.....	28, 84
7026157.....	31	7026381.....	19	70905.....	24	80110.....	50, 55
7026158.....	31, 88	7026382.....	20	70906.....	24	80120.....	50, 54
7026160.....	31	7026383.....	73, 77	70907.....	23	80130.....	37
7026161.....	31	7026384.....	73, 77	70910.....	24	80131..	13, 23, 45, 46, 49, 53, 54, 83, 85
7026162.....	31	7026385.....	73, 77	70912.....	23, 25	80134.....	74, 80
7026163.....	31	7026386.....	73, 77	70957.....	89, 90	80141..	24, 61, 62, 65, 66
7026164.....	31	7026387.....	73, 77	71101.....	57	80142.....	13
7026165.....	31	7026389.....	73, 77	71110.....	58	80150.....	83
7026166.....	31	7026390.....	73, 77	71201.....	27, 28, 31	80151.....	11, 12, 13, 84
7026167.....	31	7026391.....	74	71205.....	31	80161.....	11, 12, 15, 16
7026168.....	31	7026392.....	74	71207.....	31	80164.....	61, 63, 65
7026169.....	31	7026393.....	74	71503.....	16	80175.....	62, 65
7026313.....	70, 73, 77	7026394.....	74	71520.....	97	80180.....	70, 74, 80
7026314.....	33	7026395.....	74	71601.....	12	80201.....	28, 84
7026315.....	33	7026396.....	74	71701.....	37	80202.....	28
7026316.....	33	7026397.....	74, 89	71717.....	70	80209.....	28
7026317.....	33	7026398.....	74	71718.....	70	80210..	12, 53, 55, 58, 59
7026318.....	33	7026399.....	80	71720.....	70	80221.....	50, 54
7026319.....	33	7026606.....	23	71723.....	70	80230.....	13, 50, 53, 85
7026320.....	33	7026619.....	25	71805.....	46	80231.....	27, 28, 37
7026321.....	33	7027500.....	80	71806.....	41	80232.....	74, 80
7026322.....	33	7027501.....	80	71807.....	37	80250.....	84
7026324.....	15, 16	7027502.....	80	71809.....	41	80251.....	83
7026325.....	15, 16	7027503.....	80	71813.....	61, 62	80276.....	63, 65
7026327.....	15	7027504.....	80	71814.....	61	80285.....	70, 74, 80
7026328.....	31	7027505.....	80	71816.....	83	80311.....	13
7026329.....	31	7027506.....	80	71820.....	11, 89	80313.....	13
7026330.....	31	7027507.....	80	71820-1.....	11	80315.....	27, 33, 35
7026331.....	31	7027508.....	80	71821.....	28, 89	80317.....	70, 74, 80
7026334.....	31	7027509.....	73, 77	71825.....	70, 73, 77		
7026335.....	31	7027510.....	73, 77	71906.....	57		

## PART NUMBER INDEX

80322 .....	27, 33, 37	80330 .....	37	80413..	50, 53, 54, 58, 59,	80630 .....	58, 84
80325 .....	46	80332 .....	28, 46	80	83, 84	8310085 .....	55
80326 .....	13, 27			80510.....	37		

Go to [Discount-Equipment.com](http://Discount-Equipment.com) to order your parts

# PARTS FINDER

**Search Website  
by Part Number**



**Search Manual  
Library For Parts  
Manual & Lookup Part  
Numbers – Purchase  
or Request Quote**

**Search Manuals**

Enter your information to help us find the right parts manual for your machine.

\* Brand:

\* Model:

\* Serial:

\* Part Number:

SEARCH

**Can't Find Part or  
Manual? Request Help  
by Manufacturer,  
Model & Description**

**Parts Order Form**

Please fill in the following information to help us find the right part for your machine.

Manufacturer:

Model:

Description:

Quantity:

Part Number:

Part Name:

Part Description:

Part Category:

Part Location:

Part Status:

Part Condition:

Part Material:

Part Color:

Part Weight:

Part Dimensions:

Part Notes:

Submit

Discount-Equipment.com is your online resource for quality parts & equipment.

Florida: **561-964-4949** Outside Florida TOLL FREE: **877-690-3101**

**Need parts?**

Click on this link: <http://www.discount-equipment.com/category/5443-parts/> and choose one of the options to help get the right parts and equipment you are looking for. Please have the machine model and serial number available in order to help us get you the correct parts. If you don't find the part on the website or on one of the online manuals, please fill out the request form and one of our experienced staff members will get back to you with a quote for the right part that your machine needs.

We sell worldwide for the brands: Genie, Terex, JLG, MultiQuip, Mikasa, Essick, Whiteman, Mayco, Toro Stone, Diamond Products, Generac Magnum, Airman, Haulotte, Barreto, Power Blanket, Nifty Lift, Atlas Copco, Chicago Pneumatic, Allmand, Miller Curber, Skyjack, Lull, Skytrak, Tsurumi, Husquvarna Target, Stow, Wacker, Sakai, Mi-T-M, Sullair, Basic, Dynapac, MBW, Weber, Bartell, Bennar Newman, Haulotte, Ditch Runner, Menegotti, Morrison, Contec, Buddy, Crown, Edco, Wyco, Bomag, Laymor, EZ Trench, Bil-Jax, F.S. Curtis, Gehl Pavers, Heli, Honda, ICS/PowerGrit, IHI, Partner, Imer, Clipper, MMD, Koshin, Rice, CH&E, General Equipment, Amida, Coleman, NAC, Gradall, Square Shooter, Kent, Stanley, Tamco, Toku, Hatz, Kohler, Robin, Wisconsin, Northrock, Oztec, Toker TK, Rol-Air, APT, Wylie, Ingersoll Rand / Doosan, Innovatech, Con X, Ammann, Mecalac, Makinex, Smith Surface Prep, Small Line, Wanco, Yanmar