

TABLE OF CONTENTS

SECTION 11 - DECALS	409
FIGURE 11-1. DECAL GROUP	410
SECTION 12 - OPTIONS.....	415
FIGURE 12-1. WORKLIGHT OPTION INSTALLATION (SN 0160009654 through 0160019928, Including 0160008714)	416
FIGURE 12-2. WORKLIGHT OPTION INSTALLATION (SN 0160019929 through 0160030844).....	418
FIGURE 12-3. WORKLIGHT OPTION INSTALLATION (SN 0160030845 to Present)	420
FIGURE 12-4. ROADWAY LIGHT OPTION INSTALLATION (SN 0160009654 through 0160032760, Including 0160008714) ...	422
FIGURE 12-5. ROADWAY LIGHT OPTION INSTALLATION (SN 0160032761 through 0160051139, Excluding 0160050734 and 0160050735).....	426
FIGURE 12-6. ROADWAY LIGHT OPTION INSTALLATION (SN 0160051140 to Present, Including 0160050734 and 0160050735).....	430
FIGURE 12-7. STROBE/ROTATING BEACON LIGHT OPTION INSTALLATION (SN 0160009654 through 0160032760, Including 0160008714).....	434
FIGURE 12-8. STROBE/ROTATING BEACON LIGHT OPTION INSTALLATION (SN 0160032761 to Present)	436
FIGURE 12-9. TILTING CARRIAGE CYLINDER.....	438
FIGURE 12-10. TOWER CYLINDER	440
FIGURE 12-11. FORK POSITIONING CYLINDER	442
FIGURE 12-12. LOCKABLE ENGINE SIDE PANELS INSTALLATION	444
FIGURE 12-13. BATTERY COLD START INSTALLATION	446
FIGURE 12-14. FRAME LEVEL AND OUTRIGGER JOYSTICK REPAIR KIT (Prior to SN 0160048698).....	448
SECTION 13 - RECOMMENDED SPARE PARTS.....	451
FIGURE 13-1. RECOMMENDED SPARE PARTS.....	452
PART NUMBER INDEX.....	455

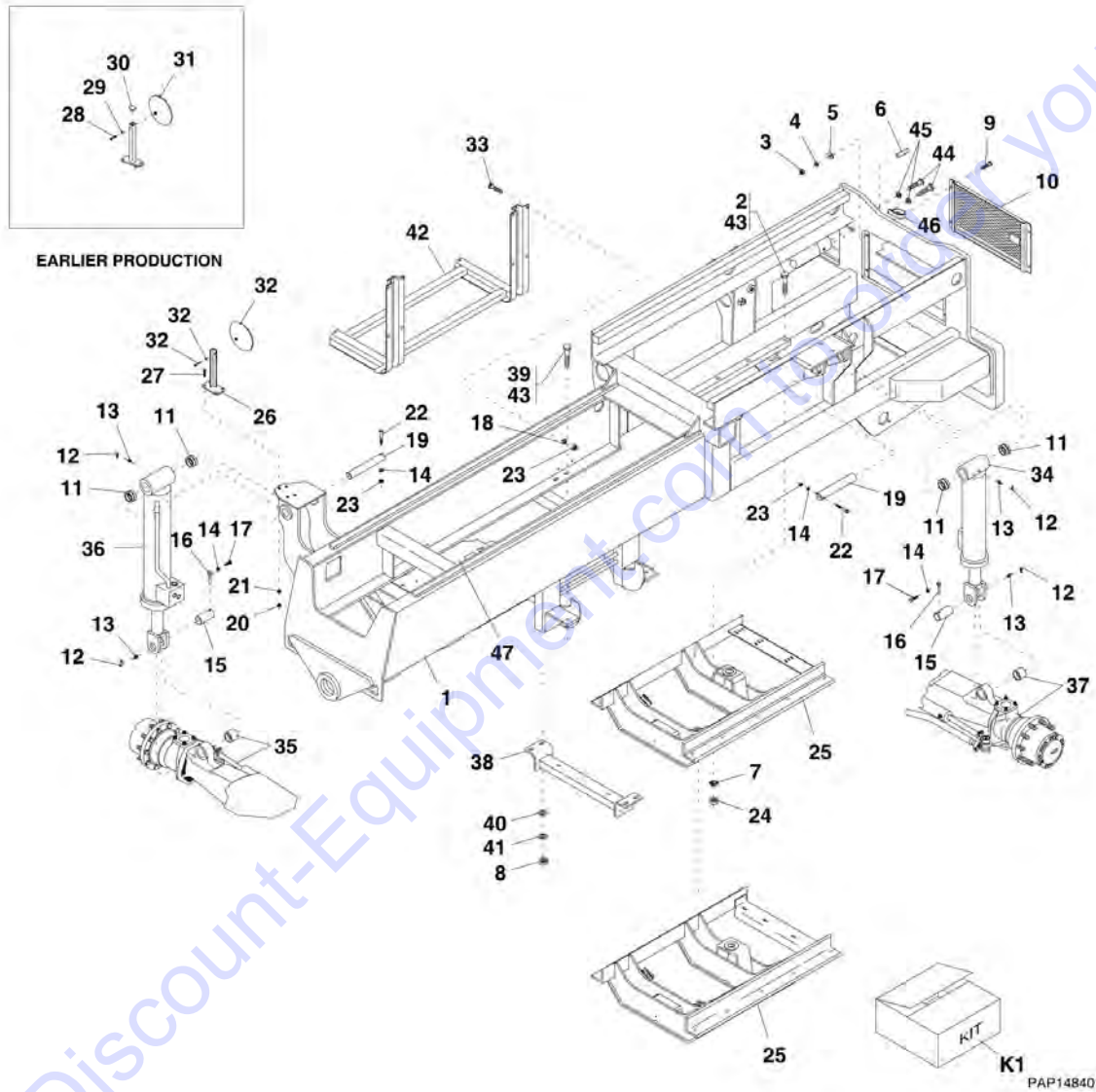
SECTION 1 - FRAME AND ATTACHING PARTS

SECTION 1 - FRAME AND ATTACHING PARTS

Go to Discount-Equipment.com to order your parts

SECTION 1 - FRAME AND ATTACHING PARTS

FIGURE 1-1. MAIN FRAME ASSEMBLY



SECTION 1 - FRAME AND ATTACHING PARTS

FIGURE 1-1. MAIN FRAME ASSEMBLY

ITEM	PART NUMBER	QTY	DESCRIPTION	REV
1	1001096074	1	MAIN FRAME (SN 0160040413 through 0160051139, Including 0160037824 and 0160038521, Excluding 0160050734 and 0160050735)	E
1	1001145161	1	MAIN FRAME (SN 0160051140 to Present, Including 0160050734 and 0160050735)	D
2	10700784	10	HEX HD CAPSCREW, 3/4-16X3-3/4, GR8, (loctite and torque to 465 lb-ft)	
3	3271501	4	HEX NUT, 5/16-18, GR8	
4	10701309	4	LOCKWASHER, 5/16 (Prior to SN 0160040413, Excluding 0160037824 and 0160038521)	
5	4711500	4	WASHER, 5/16	
6		Ref	DOWEL PIN, 3/4X2, (See HYDRAULIC COMPONENTS SECTION for Breakdown)	
7	90027473	20	HARDWASHER, 3/4	
8	10701512	4	HEX NUT, 5/8-11	
9	10700104	4	HEX HD CAPSCREW, 5/16-18X1 (Prior to SN 0160040413, Excluding 0160037824 and 0160038521)	
9	0641507	4	HEX HD CAPSCREW, 5/16-18X7/8, GR4 (SN 0160040413 to Present, Including 0160037824 and 0160038521)	
10	10236818	1	GRILLE , (with latch) (SN 0160009654 through 0160040407, Excluding 0160037824 and 0160038521)	
10	1001113283	1	GRILLE , (without latch) (SN 0160040413 to Present, Including 0160037824 and 0160038521)	
11	10116228	4	CYLINDER BUSHING	
12	10732689	4	GREASE FITTING COVER	
13	10716611	4	GREASE FITTING	
14	4761800	4	WASHER, 1/2	
15	3423197	2	FRAME TILT AND OSCILLATION LOCK CYLINDER PIN, (lower)	
16	3841709	2	LOCK PIN	
17	0641810	2	HEX HD CAPSCREW, 1/2-13X1-1/4	
18	10701312	8	LOCKWASHER, 1/2	
19	10124732	2	FRAME TILT AND OSCILLATION LOCK CYLINDER PIN, (upper)	
20	10701508	4	HEX NUT, 3/8-16	
21	10701310	4	LOCKWASHER, 3/8	
22	0641832	2	HEX HD CAPSCREW, 1/2-13X4	
23	10701510	10	HEX NUT, 1/2-13	
24	3282201	10	HEX NUT, 3/4-16, GR8	
25	4341026	1	SUBFRAME - 4 CYLINDER ENGINE (SN 0160009654 through 0160040407)	
25	1001096419	1	SUBFRAME - 4 CYLINDER ENGINE (SN 0160040413 to Present, Including 0160037824 and 0160038521)	
26	10338513	1	MIRROR BRACKET	
27	10700205	4	HEX HD CAPSCREW, 3/8-16X1-1/4	
28	10700107	1	HEX HD CAPSCREW, 5/16-16X1-3/4 (SN 0160009654 through 0160011418, Including 0160008714)	
29	10701309	1	LOCKWASHER, 5/16 (SN 0160009654 through 0160011418, Including 0160008714)	
30	10837299	1	END CAP PLUG (SN 0160009654 through 0160011418, Including 0160008714)	
31	N.S.S.	NLA	CONVEX MIRROR , (no longer available, use Kit K1 for replacement) (SN 0160009654 through 0160011418, Including 0160008714)	
32	8866348	1	CONVEX MIRROR, (includes mounting hardware) (SN 0160011439)	

SECTION 1 - FRAME AND ATTACHING PARTS

ITEM	PART NUMBER	QTY	DESCRIPTION	REV
			to Present)	
32	88521005	1	LOCKNUT, 5/16	
32	88551010	2	LOCKWASHER, 5/16	
33	10700404	8	HEX HD CAPSCREW, 1/2-13X1-1/2	
34		Ref	REAR STABILIZER CYLINDER, (See HYDRAULIC COMPONENTS SECTION for Breakdown)	
35		Ref	FRONT AXLE ASSY, (See DRIVE TRAIN SECTION for Breakdown)	
36		Ref	FRAME TILT CYLINDER, (See HYDRAULIC COMPONENTS SECTION for Breakdown)	
37		Ref	REAR AXLE ASSY, (See DRIVE TRAIN SECTION for Breakdown)	
38	4341020	1	TRANSMISSION MOUNT WELDMENT	
39	0642018	4	HEX HD CAPSCREW, 5/8-11X2-1/4, GR5 (Prior to SN 0160051140)	
39	10700605	4	HEX HD CAPSCREW, 5/8-11X2-1/4, GR5 (SN 0160051140 to Present, Including 0160050734 and 0160050735)	
40	4752000	8	PLAIN WASHER, 5/8 (Prior to SN 0160051140)	
40	10701408	6	PLAIN WASHER, 5/8 (SN 0160051140 to Present, Including 0160050734 and 0160050735)	
41	4762000	6	LOCKWASHER, 5/8 (Prior to SN 0160051140)	
41	10701314	6	PLAIN WASHER, 5/8 (SN 0160051140 to Present, Including 0160050734 and 0160050735)	
42		Ref	TANK SUPPORT MOUNT, (See HYDRAULIC COMPONENTS SECTION for Breakdown)	
43	0100071	AR	LOCTITE 262, (apply to item 2 & 39) (SN 0160009654 through 0160040407, Excluding 0160037824 and 0160038521)	
43	0100011	AR	LOCTITE 242, (apply to item 2 & 39) (SN 0160040413 to Present, Including 0160037824 and 0160038521)	
44	10700703	2	HEX HD CAPSCREW, 3/4-10X2-1/4, GR5	
45	10701315	2	LOCKWASHER, 3/4	
46	10717809	2	CLAMP	
47		Ref	VALVE PLATE, (See HYDRAULIC COMPONENTS SECTION for Breakdown)	
K1	10732579	1	CONVEX MIRROR SERVICE KIT, (includes item 32)	

SECTION 1 - FRAME AND ATTACHING PARTS

FIGURE 1-2. OUTRIGGER ASSEMBLY

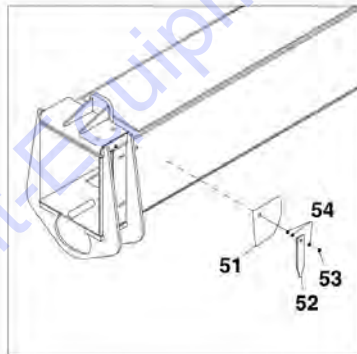
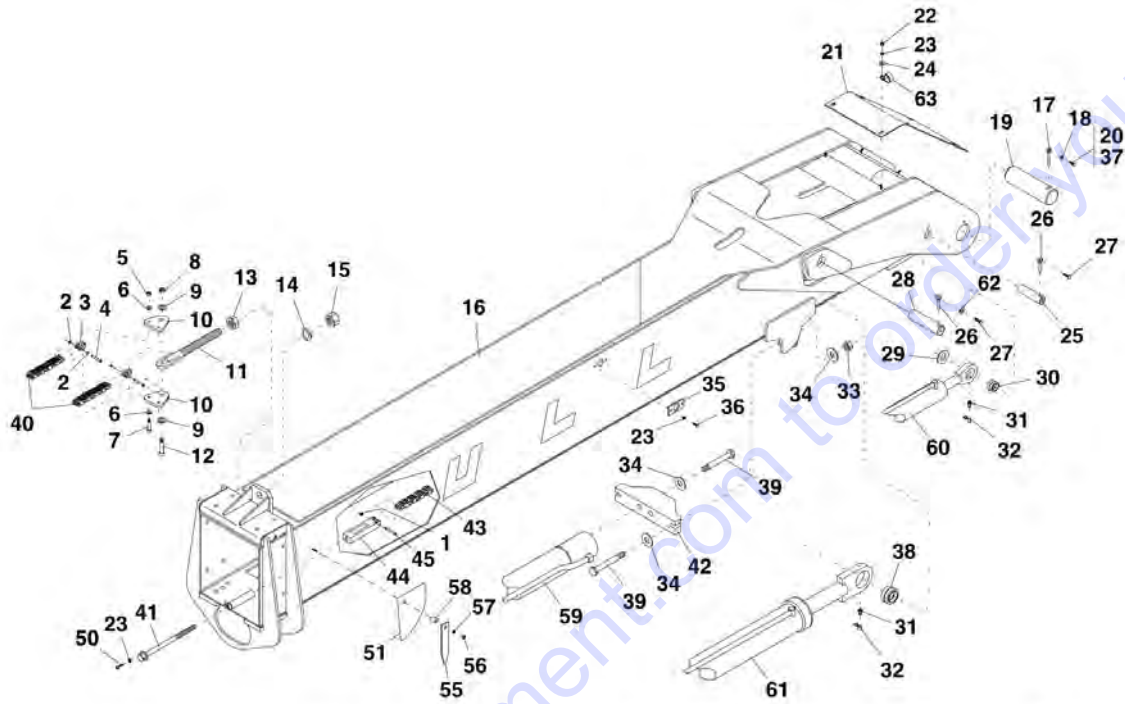
ITEM	PART NUMBER	QTY	DESCRIPTION	REV
1	3312201	1	HEX NUT, 3/4-10	
2	4762200	1	WASHER, 3/4	
3	3423213	1	CENTER SHAFT	
4	0642256	1	HEX HD CAPSCREW, 3/4-10X7	
5	10732689	1	GREASE FITTING COVER	
6	10715272	1	GREASE FITTING, 1/8	
7	10167750	1	BUSHING RETAINER	
8	10139945	AR	SHIM, 16 GA	
8	10139946	AR	SHIM, 20 GA	
8	10139947	AR	SHIM, 24 GA	
9	8310475	12	HEX HD CAPSCREW, 3/4-10X10, GR8	
10	0641608	2	HEX HD CAPSCREW, 3/8-16X3/4	
11	4761600	2	WASHER, 3/8	
12	3575851	2	MOUNTING PLATE	
13	3272205	12	HEX NUT, 3/4-10, GR8	
14	8307703	12	PLAIN WASHER, 3/4	
15	0100011	AR	LOCTITE 242, (apply to item 2, 9 & 10)	
	4210021	Ref	OUTRIGGER ASSY, (includes items 101 thru 116 & items 3, 4 & 24 on HYDRAULIC CIRCUITS)	E
101	4210020	1	OUTRIGGER FRAME	
102	10116228	8	BUSHING	
103	10239253	2	OUTRIGGER LEG ASSY, (includes qty 4 of item 102 & qty 2 of item 114)	AE
104	10266234	2	FOOT PAD	
105		Ref	OUTRIGGER CYLINDER, (See HYDRAULIC COMPONENTS SECTION for Breakdown)	
106	10165360	2	OUTRIGGER CYLINDER PIN	
107	10165359	6	OUTRIGGER LEG AND CYLINDER PIN	
108	10232432	8	LOCK PIN	
109	0642014	18	HEX HD CAPSCREW, 5/8-11X1-3/4, (torque to 140-145 lb-ft)	
110	0642012	2	HEX HD CAPSCREW, 5/8-11X1-1/2	
111	4762000	20	WASHER, 5/8	
112	0100011	AR	LOCTITE 242, (apply to item 109)	
114	10716611	2	GREASE FITTING	
115	1101704	AR	SHIM, 14 GA	
116	0903209	2	OUTRIGGER STOP BRACKET ASSY, (includes items 201 thru 207)	A
201	4220249	2	STOP WELDMENT	
202	4220248	2	RUBBER PAD	
203	0642019	4	HEX HD CAPSCREW, 5/8-11X2-3/8, (torque to 10-20 lb-ft)	
204	4752000	4	PLAIN WASHER, 5/8	
205	8305643	4	HEX LOCKNUT, 5/8-11	
206	4712000	4	PLAIN WASHER, 5/8	
207	0100011	AR	LOCTITE 242, (apply to item 205)	

SECTION 2 - BOOM

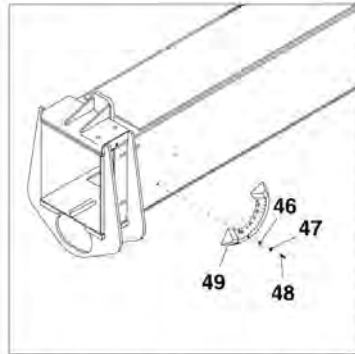
Go to Discount-Equipment.com to order your parts

SECTION 2 - BOOM

FIGURE 2-1. FIRST BOOM SECTION (Prior to SN 0160037900, Excluding 0160037855)



SN 0160014713 THROUGH 0160033170



SN 0160009654 THROUGH 0160014712
INCLUDING 0160008714

PAP14860

SECTION 2 - BOOM

FIGURE 2-1. FIRST BOOM SECTION (Prior to SN 0160037900, Excluding 0160037855)

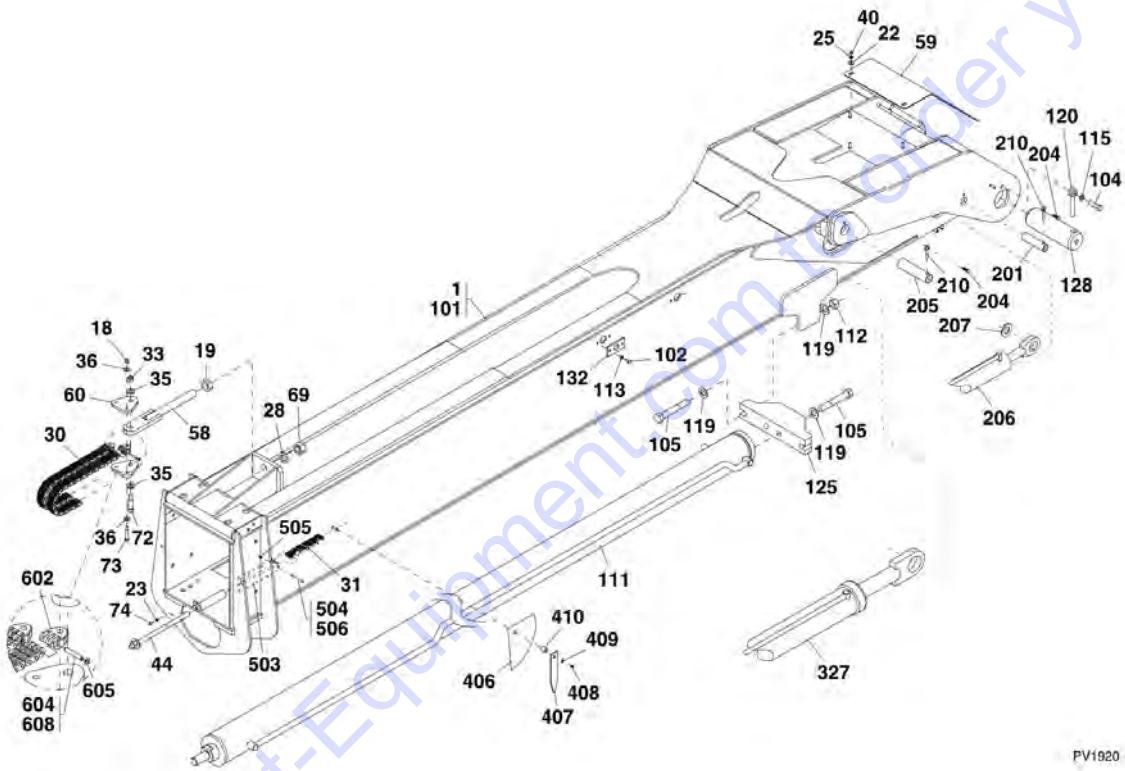
ITEM	PART NUMBER	QTY	DESCRIPTION	REV
1	10705000	1	HEX LOCKNUT, 1/4-20	
2	8642237	4	RETAINING RING	
3	7139416	2	ANCHOR CLEVIS	
4	8124138	2	CHAIN CLEVIS PIN	
5	10701658	2	HEX LOCKNUT, 3/8-16	
6	10701254	4	FLAT WASHER, 1/2	
7	10837753	2	SHOULDER BOLT, 1/2X1-3/4	
8	10701662	1	HEX LOCKNUT, 5/8-11	
9	10701257	2	FLAT WASHER, 3/4	
10	10265729	2	CHAIN EQUALIZER	
11	10238726	1	CHAIN ADJUSTMENT ANCHOR	
12	10721439	1	SHOULDER BOLT, 3/4X2	
13	10701567	1	HEX JAM NUT, 1-1/4-7	
14	10701319	1	LOCKWASHER, 1-1/4	
15	10701517	1	HEX NUT, 1-1/4-7	
16	10438566	1	FIRST BOOM SECTION	
17	10138806	2	LOCK PIN	
18	10701314	2	LOCKWASHER, 5/8	
19	10267799	2	BOOM PIVOT PIN	
20	10700605	2	HEX CAPSCREW, 5/8-11X2-1/4	
21	10239098	1	BOOM COVER	
22	10701508	6	HEX NUT, 3/8-16	
23	10701310	8	LOCKWASHER, 3/8	
24	10701404	6	FLAT WASHER, 3/8	
25	10136240	2	REAR CARRIAGE TILT CYLINDER PIN, (rod end)	
26	3841203	4	LOCK PIN	
27	10700403	4	HEX CAPSCREW, 1/2-13X1-1/4	
28	10136907	2	HOIST CYLINDER PIN, (rod end)	
29	10701446	AR	FLAT WASHER	
30	8050001	2	REAR CARRIAGE TILT CYLINDER BUSHING, (rod end)	
31	10716611	4	GREASE FITTING	
32	10732689	4	GREASE FITTING COVER	
33	10701209	2	HEX NUT, 1-8, GR8	
34	10701259	4	FLAT WASHER, 1	
35	10139068	1	PROXIMITY MOUNTING PLATE (SN 0160009654 through 0160032405, Including 0160008714)	
35	1001091370	1	PROXIMITY MOUNTING PLATE (SN 0160032406 to Present)	
36	10700202	2	HEX HD CAPSCREW, 3/8-16X3/4	
37	0100011	AR	LOCTITE 242, (apply to item 20)	
38	10718830	4	HOIST CYLINDER BUSHING, (rod end)	
39	10700940	2	HEX HD CAPSCREW, 1-8X6-1/2, GR8	
40	8127030	2	UPPER CHAIN, (197.25in long)	
41	10138374	1	ROD TENSIONER	
42	10238512	1	EXTENSION CYLINDER BASE MOUNT	
43	10138745	1	LOWER CHAIN, (167.25in long)	
44	10238723	1	ADJUSTMENT BLOCK CHAIN	
45	10727310	1	SHOULDER BOLT, 1/2 DIA X2	
46	10701430	2	FLAT WASHER, #8 (SN 0160009654 through 0160014712, Including 0160008714)	
47	10701354	2	STAR WASHER, #8 (SN 0160009654 through 0160014712,	

SECTION 2 - BOOM

ITEM	PART NUMBER	QTY	DESCRIPTION	REV
48	10702034	2	Including 0160008714) ROUND HD SLOTTED SCREW, #8-32X1/2 (SN 0160009654 through 0160014712, Including 0160008714)	
49	10238252	1	BOOM ANGLE INCLINOMETER (SN 0160009654 through 0160014712, Including 0160008714)	
50	10703194	1	BUTTON HD SOCKET CAPSCREW, 1/4-20X1/2	
51	4105262	1	BOOM ANGLE INDICATOR DECAL (SN 0160014713 to Present)	
52	7075611	1	BOOM ANGLE INDICATOR POINTER (SN 0160014713 through 0160033170)	
53	8305647	1	HEX LOCK NUT, 7/16-14 (SN 0160014713 through 0160033170)	
54	8307113	3	PLAIN WASHER, 7/16 (SN 0160014713 through 0160033170)	
55	1001098769	1	BOOM ANGLE INDICATOR POINTER (SN 0160033171 to Present)	
56	8305645	1	HEX LOCK NUT, 3/8-16 (SN 0160033171 to Present)	
57	4711600	1	PLAIN WASHER, 3/8 (SN 0160033171 to Present)	
58	1001096404	1	ANGLE INDICATOR SPACER (SN 0160033171 to Present)	
59		Ref	BOOM EXTENSION CYLINDER, (See HYDRAULIC COMPONENTS SECTION for Breakdown)	
60		Ref	REAR CARRIAGE TILT CYLINDER, (See HYDRAULIC COMPONENTS SECTION for Breakdown)	
61		Ref	HOIST CYLINDER, (See HYDRAULIC COMPONENTS SECTION for Breakdown)	
62	10701312	4	LOCKWASHER, 1/2	
63	10717554	4	CLAMP, 3/8	

SECTION 2 - BOOM

FIGURE 2-2. FIRST BOOM SECTION (SN 0160037900 to Present, Including 0160037855)



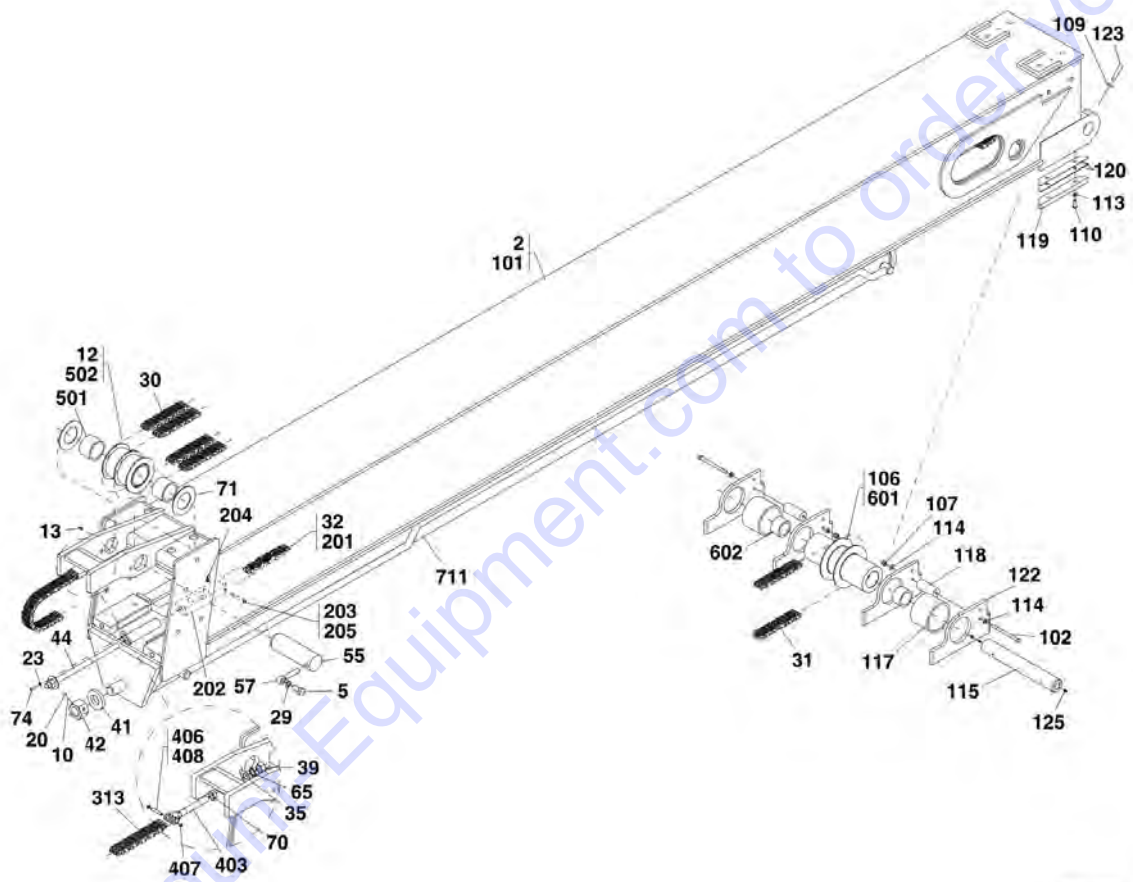
SECTION 2 - BOOM

FIGURE 2-2. FIRST BOOM SECTION (SN 0160037900 to Present, Including 0160037855)

ITEM	PART NUMBER	QTY	DESCRIPTION	REV
1	1001103578	Ref	FIRST BOOM SECTION SUB ASSY, (Single Aux), (not available to order, see items 101 thru 132 for service)	C
1	1001103583	Ref	FIRST BOOM SECTION SUB ASSY, (Dual Aux), (not available to order, see items 101 thru 132 for service)	C
18	3300143	2	WHEEL NUT	
19	3313002	1	HEX JAM NUT, 1-1/4-7	
22	4751600	6	FLAT WASHER, 3/8	
23	4761400	1	LOCKWASHER, 5/16	
25	4761600	6	LOCKWASHER, 3/8	
28	4763000	1	LOCKWASHER, 1-1/4	
30		Ref	CHAIN AND CLEVIS ASSY, (See THIRD BOOM SECTION for Breakdown)	
31		Ref	CHAIN AND CLEVIS ASSY, (See THIRD BOOM SECTION for Breakdown)	
33	8305643	1	LOCKNUT, 5/8-11	
35	8307703	2	FLAT WASHER, 3/4	
36	8310056	4	FLAT WASHER, 1/2	
40	8310454	6	HEX NUT, 3/8-16	
44	10138374	1	TENSIONER ASSY	
58	10238726	1	EQUALIZER CHAIN ANCHOR	
59	10239098	1	BOOM COVER	
60	10265729	2	EQUALIZER BAR	
69	10701517	1	HEX NUT, 1-1/4-7	
72	10721439	1	SHOULDER BOLT, 3/4X2	
73	10837753	2	SHOULDER BOLT, 1/2X2	
74	88261014	1	BUTTON HD CAPSCREW, 1/4-20X1/2	
101	10438566	1	FIRST BOOM SECTION WELDMENT	
102	0641606	2	HEX HD CAPSCREW, 3/8-16X3/4, GR5	
104	0642018	2	HEX HD CAPSCREW, 5/8-11X2-1/4, GR5	
105	0682652	4	HEX HD CAPSCREW, 1/8X6-1/2, GR5	
111		Ref	BOOM EXTENSION CYLINDER, (See HYDRAULIC COMPONENTS SECTION for Breakdown)	
112	3272601	2	HEX NUT, 1-8	
113	4761600	2	LOCKWASHER, 3/8	
115	4762000	2	LOCKWASHER, 5/8	
119	8310061	6	FLAT WASHER, 1	
120	10138806	2	LOCK PIN, 3/4	
125	10238512	1	CYLINDER SUPPORT LUG	
128	10267799	2	FRONT SHEAVE CHAIN PIN	
132	1001091370	1	PROXIMITY SWITCH MOUNT PLATE	
201	10136240	2	TILT CYLINDER PIN	
204	0641810	4	HEX HD CAPSCREW, 1/2-13X1-1/4, GR5	
205	10136907	2	HOIST CYLINDER PIN	
206		Ref	HOIST CYLINDER, (See HYDRAULIC COMPONENTS SECTION for Breakdown)	
207	4713400	AR	FLAT WASHER, 1-1/2	
210	3841203	4	ROD WIPER	
327		Ref	TILT CYLINDER, (See HYDRAULIC COMPONENTS SECTION for Breakdown)	
406	4105262	1	BOOM ANGLE INDICATOR DECAL	
407	1001098769	1	BOOM ANGLE INDICATOR PLATE	

SECTION 2 - BOOM

FIGURE 2-6. SECOND BOOM SECTION (SN 0160037900 to Present, Including 0160037855)



PAP14710

SECTION 2 - BOOM

FIGURE 2-6. SECOND BOOM SECTION (SN 0160037900 to Present, Including 0160037855)

ITEM	PART NUMBER	QTY	DESCRIPTION	REV
2	1001103579	Ref	SECOND BOOM SECTION SUB ASSY, (Single Aux), (not available to order, see items 101 thru 125 for service)	C
2	1001103584	Ref	SECOND BOOM SECTION SUB ASSY, (Dual Aux), (not available to order, see items 101 thru 125 for service)	C
5	0642010	1	HEX HD CAPSCREW, 5/8-11X1-1/4, GR5	
10	1100417	2	LEAD BALL	
12	1101672	1	CHAIN SHEAVE SUB ASSY, (includes items 501 & 502)	B
13	2160002	1	GREASE FITTING, 1/8, (straight)	
20	3951603	2	SET SCREW, 3/8X3/8	
23	4761400	1	LOCKWASHER, 1/4	
29	4792000	1	STAR WASHER, 5/8	
30		Ref	CHAIN AND CLEVIS ASSY, (See THIRD BOOM SECTION for Breakdown)	
31		Ref	CHAIN AND CLEVIS ASSY, (See THIRD BOOM SECTION for Breakdown)	
32	7139775	1	CHAIN AND CLEVIS ASSY, (includes items 201 thru 205)	B
35	8307703	1	FLAT WASHER, 3/4	
39	8310450	1	HEX NUT, 3/4-16	
41	10113599	1	TOGGLE PLATE	
42	10116369	1	SPECIAL HEX NUT	
44	10138374	1	TENSIONER ASSY	
55	10165263	1	CHAIN SHEAVE PIN	
57	10232432	1	PIN LOCK	
65	10701364	1	HEX NUT, 3/4-16	
70	10701586	1	HEX JAM NUT, 3/4-16	
71	10720431	AR	SHIM WASHER	
74	88261014	1	BUTTON HD CAPSCREW, 1/4-20X1/2	
101	10438565	1	SECOND BOOM SECTION WELDMENT	
102	0641640	2	HEX HD CAPSCREW, 3/8-16X5, GR5	
106	1101674	1	CHAIN/HOSE ROLLER ASSY, (includes items 601 & 602)	AA
107	3300143	2	WHEEL NUT	
109	3311802	1	HEX JAM NUT, 1/2-13	
110	3900316	4	SOCKET BUTTON HD CAPSCREW, 3-8-161	
113	4791600	4	STAR WASHER, 3/8	
114	8310054	4	FLAT WASHER, 3/8	
115	10136174	1	PIN	
117	10139838	2	PLASTIC BUSHING	
118	10139849	2	HOSE SPACER	
122	10239832	4	HOSE GUIDE	
123	3951820	1	SET SCREW, 1/2X2X1/2	
125	10716611	2	GREASE FITTING, 1/4-28, (straight)	
201	8127023	1	RETRACT CHAIN, BL666	
202	10238723	1	CHAIN ANCHOR	
203	10727310	1	BOLT, 5/16X2	
204	10705000	1	LOCKNUT, 1/4-20	
205	8522012	AR	ANTI-SEIZE LUBE	
313		Ref	CHAIN AND CLEVIS ASSY, (See FOURTH BOOM SECTION for Breakdown)	
403	7139032	1	CHAIN ANCHOR	
406	8124138	1	CHAIN CLEVIS PIN	
407	8642237	2	RETAINING RING	

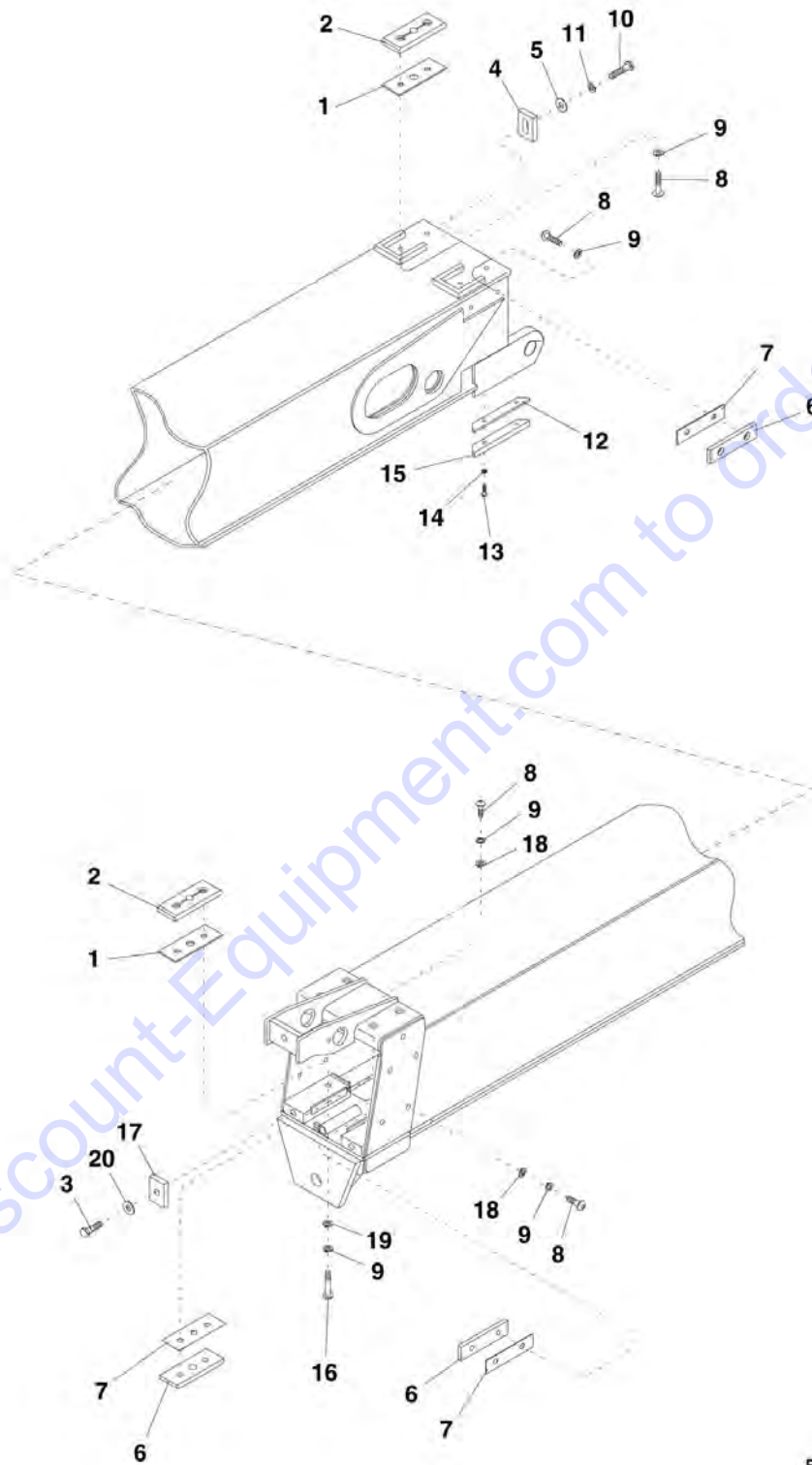
SECTION 2 - BOOM

ITEM	PART NUMBER	QTY	DESCRIPTION	REV
408	8522012	AR	ANTI-SEIZE LUBE	
501	10165692	2	BUSHING	
502	10265755	1	CHAIN SHEAVE	
601	10265837	1	CHAIN/HOSE ROLLER	
602	10165723	2	BUSHING	
711		Ref	BOOM EXTENSION CYLINDER, (See HYDRAULIC COMPONENTS SECTION for Breakdown)	

Go to Discount-Equipment.com to order your parts

SECTION 2 - BOOM

FIGURE 2-7. BEARING PADS, SPACERS AND SHIMS, (SECOND BOOM SECTION) (Prior to SN 0160037900, Excluding 0160037855)



PV0570

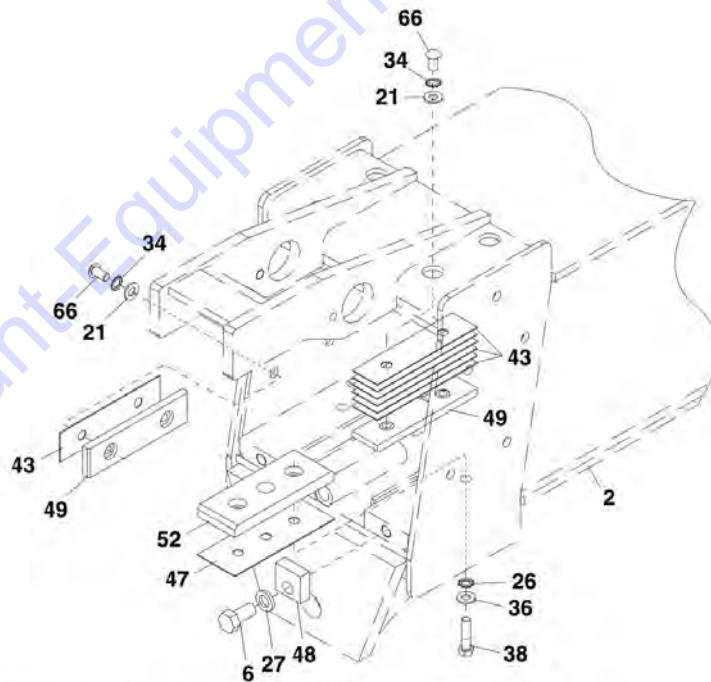
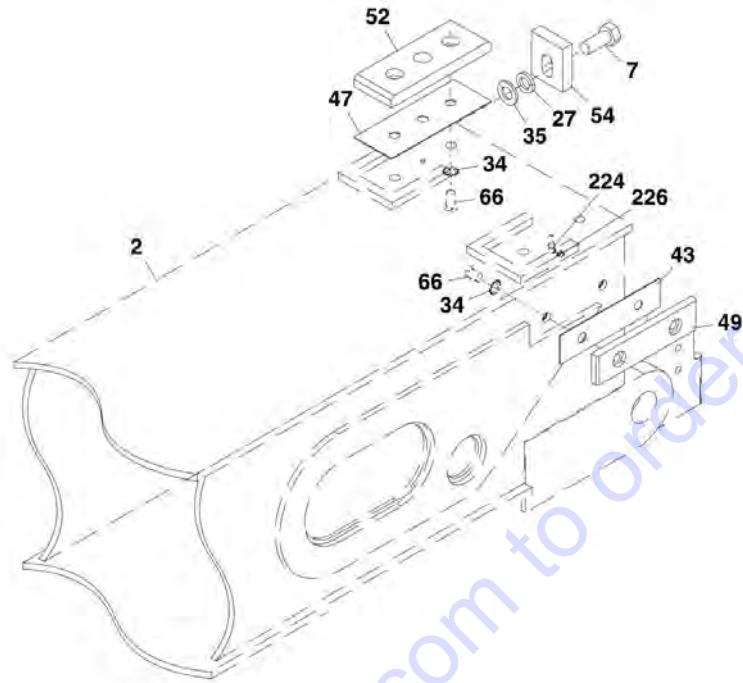
SECTION 2 - BOOM

FIGURE 2-7. BEARING PADS, SPACERS AND SHIMS, (SECOND BOOM SECTION) (Prior to SN 0160037900, Excluding 0160037855)

ITEM	PART NUMBER	QTY	DESCRIPTION	REV
1	10138770	AR	SHIM, 16 GA, (.060X3 wide)	
2	10139594	2	BOOM SLIDE PAD, (3/4X3 wide)	
3	10700700	2	HEX HD CAPSCREW, 3/4-10X1-1/2, GR5	
4	10139809	2	PAD RETAINER, ALUMINUM	
5	10701257	3	FLAT WASHER, 3/4	
6	10139023	8	BOOM SLIDE PAD, (9/16X2 wide)	
7	10136329	AR	SHIM, 16 GA, (.060X2 wide)	
8	10703236	AR	SOCKET BUTTON HD CAPSCREW, 1/2-20X3/4	
8	10703237	AR	SOCKET BUTTON HD CAPSCREW, 1/2-20X1	
8	10703242	AR	SOCKET BUTTON HD CAPSCREW, 1/2-20X1-1/4	
9	10701361	23	STAR WASHER, 1/2	
10	10700701	2	HEX HD CAPSCREW, 3/4-10X1-3/4	
11	10701315	4	LOCKWASHER, 3/4	
12	10165243	AR	SLIDE SHIM	
13	10703227	4	SOCKET BUTTON HD CAPSCREW, 3/8-161	
14	10701359	4	STAR WASHER, 3/8	
15	10139863	2	BOTTOM SLIDE PAD	
16	10700489	2	HEX HD CAPSCREW, 1/2-20X2, GR8	
17	10138773	2	PAD RETAINER	
18	10701437	8	FLAT WASHER, 1/2	
19	10701254	2	FLAT WASHER, 1/2	
20	10701308	1	LOCKWASHER, 1/4	

SECTION 2 - BOOM

FIGURE 2-8. BEARING PADS, SPACERS AND SHIMS, (SECOND BOOM SECTION) (SN 0160037900 to Present, Including 0160037855)



NOTE: USE LOCTITE® 242TM (0100011) ON ALL BOLT THREADS.

PV1890

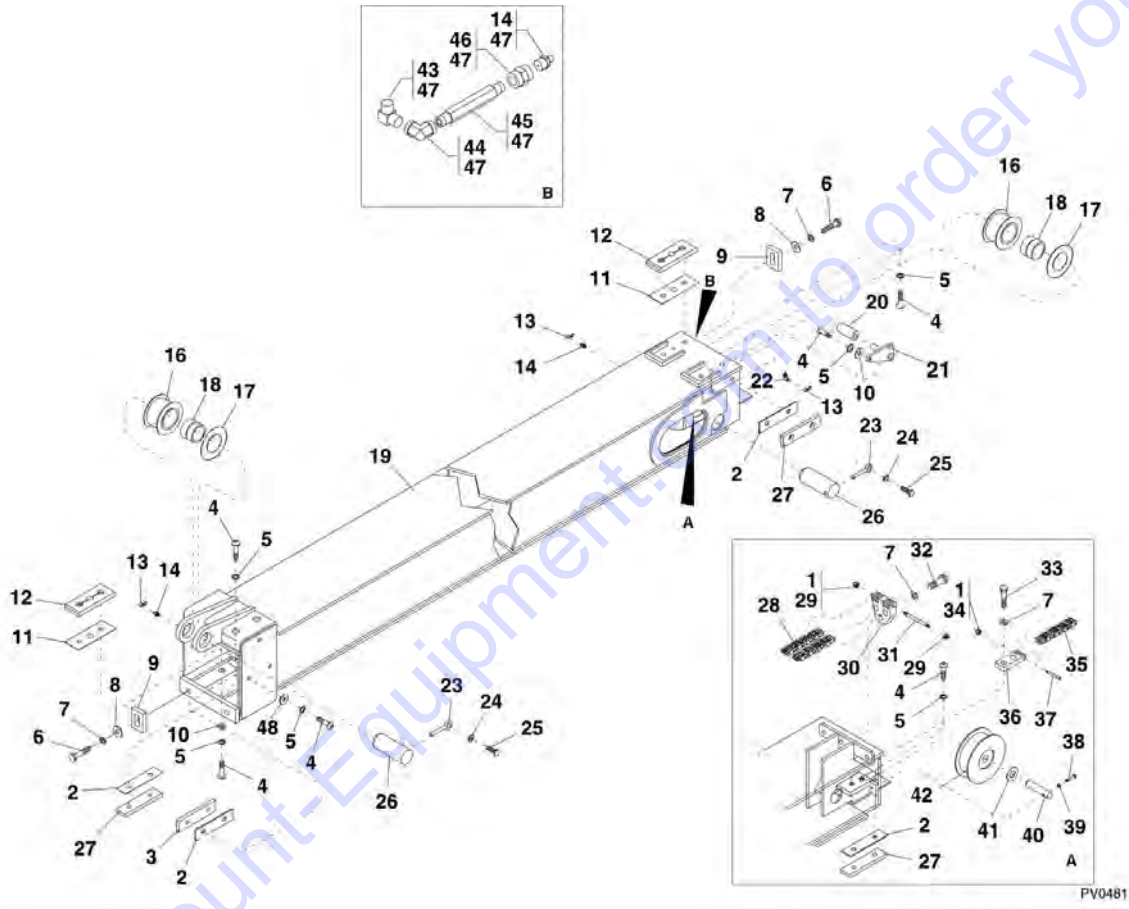
SECTION 2 - BOOM

FIGURE 2-8. BEARING PADS, SPACERS AND SHIMS, (SECOND BOOM SECTION) (SN 0160037900 to Present, Including 0160037855)

ITEM	PART NUMBER	QTY	DESCRIPTION	REV
2		Ref	SECOND BOOM SECTION WELDMENT, (See SECOND BOOM SECTION for Breakdown)	
6	0642212	2	HEX HD CAPSCREW, 3/4-10X1-1/2, GR5	
7	0642214	2	HEX HD CAPSCREW, 3/4-10X1-3/4, GR5	
21	4711800	12	FLAT WASHER, 1/2	
26	4761800	2	LOCKWASHER, 1/2	
27	4762200	4	LOCKWASHER, 3/4	
34	8307028	20	LOCKWASHER, 1/2, (external tooth)	
35	8307703	2	FLAT WASHER, 3/4	
36	8310056	2	FLAT WASHER, 1/2	
38	8310084	2	HEX HD CAPSCREW, 1/2-20X2, GR8	
43	10136329	AR	SHIM, (.06)	
47	10138770	AR	SHIM, (.06)	
48	10138773	2	RETAINER PAD	
49	10139023	8	BOOM PAD	
52	10139594	4	BOOM PAD	
54	10139809	2	RETAINER PAD	
66	10703236	20	BUTTON HD CAPSCREW, 1/2-20X3/4	
66	10703237	20	BUTTON HD CAPSCREW, 1/2-20X1	
66	10703242	20	BUTTON HD CAPSCREW, 1/2-20X1-1/4	
101	0100011	AR	LOCTITE 242	
224	10715367	2	GREASE FITTING, 45	
226	10732689	2	GREASE COVER	

SECTION 2 - BOOM

FIGURE 2-9. THIRD BOOM SECTION (Prior to SN 0160037900, Excluding 0160037855)



PV0481

Go to Discount-Equipment.com to order your parts

SECTION 2 - BOOM

FIGURE 2-9. THIRD BOOM SECTION (Prior to SN 0160037900, Excluding 0160037855)

ITEM	PART NUMBER	QTY	DESCRIPTION	REV
1	8522012	AR	ANTI-SEIZE LUBE, (apply to items 29 & 34)	
2	10136329	AR	SHIM, 16 GA, (.060X2 wide)	
3	10139604	2	BOOM SLIDE PAD, (7/16X2 wide)	
4	10703236	AR	SOCKET BUTTON HD CAPSCREW, 1/2-20X3/4	
4	10703237	AR	SOCKET BUTTON HD CAPSCREW, 1/2-20X1	
4	10703242	AR	SOCKET BUTTON HD CAPSCREW, 1/2-20X1-1/4	
5	10701361	22	STAR WASHER, 1/2	
6	10700701	4	HEX HD CAPSCREW, 3/4-10X1-3/4	
7	10701315	9	LOCKWASHER, 3/4	
8	10701257	4	FLAT WASHER, 3/4	
9	10139809	4	PAD RETAINER, ALUMINUM	
10	10701254	6	FLAT WASHER, 1/2	
11	10138770	AR	SHIM, 16 GA, (.060X3 wide)	
12	10139530	4	BOOM SLIDE PAD, (1X3 wide)	
13	10732689	4	GREASE FITTING COVER	
14	10715272	4	GREASE FITTING, 1/8 N.P.T.	
16	10265833	2	CHAIN ROLLER	
17	10720431	AR	CHAIN ROLLER SHIM	
18	10165715	2	CHAIN ROLLER BUSHING	
19	10438564	1	MIDDLE BOOM, (forward)	
20	10167073	2	HOSE FOLLOWER ROLLER	
21	10267068	1	LH HOSE ROLLER WELDMENT	
21	10267069	1	RH HOSE ROLLER WELDMENT	
22	10715367	2	GREASE FITTING, 45, 1/4	
23	10232432	2	LOCK PIN, 5/8	
24	10701363	2	LOCKWASHER, 5/8	
25	10700601	2	HEX HD CAPSCREW, 5/8-13X1-1/4	
26	10165735	2	CHAIN ROLLER PIN	
27	10139023	4	BOOM SLIDE PAD, (9/16X2 wide)	
28	8127030	2	UPPER CHAIN, (197.25in long)	
29	10705001	2	HEX LOCKNUT, 5/16-18	
30	10238661	1	UPPER CHAIN ANCHOR	
31	10139379	1	CHAIN ANCHOR ROD	
32	10700730	3	HEX HD CAPSCREW, 3/4-10X2-3/4, GR8	
33	10700726	2	HEX HD CAPSCREW, 3/4-10X1-3/4, GR8	
34	10705000	1	HEX LOCKNUT, 1/4-20	
35	10138745	1	LOWER CHAIN, (167.25in long)	
36	10238724	1	LOWER CHAIN ANCHOR	
37	10727310	1	SHOULDER BOLT, 5/16 DIA X2	
38	10700133	2	HEX HD CAPSCREW, 5/16-18X1-1/2, GR8	
39	10701309	2	LOCKWASHER, 5/16	
40	10139287	2	HOSE REEL PIN	
41	10701259	2	FLAT WASHER, 1	
42	1101522	2	HOSE REEL	
43	2220855	2	PIPE NIPPLE, 90 (SN 0160032947 to Present)	
44	2221301	2	ADAPTER, 90 (SN 0160032947 to Present)	
45	2221302	2	STRAIGHT ADAPTER (SN 0160032947 to Present)	
46	2200261	2	COUPLING (SN 0160032947 to Present)	
47	0100011	AR	LOCTITE 242, (apply to items 14, 43 thru 46) (SN 0160032947 to Present)	

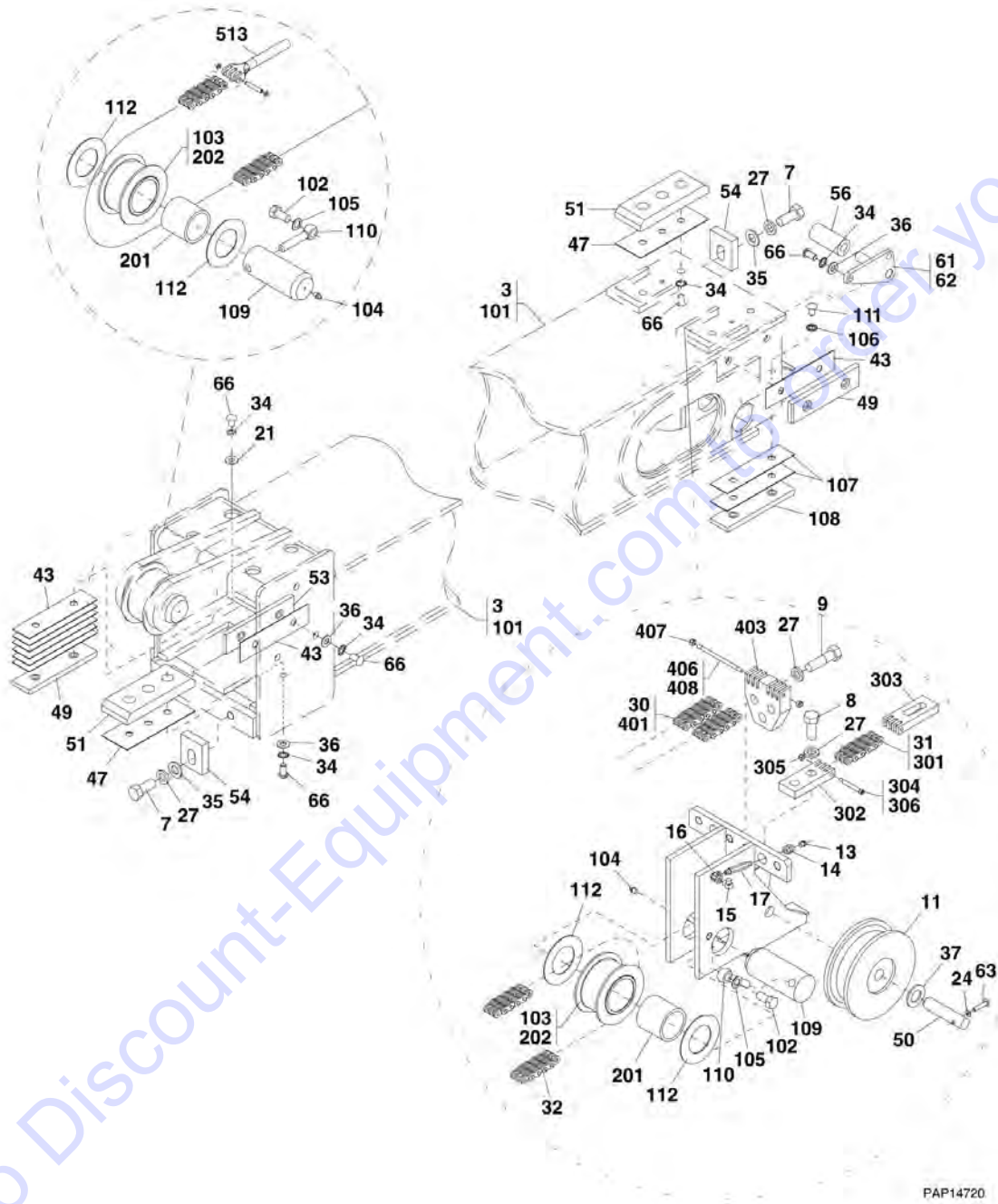
SECTION 2 - BOOM

ITEM	PART NUMBER	QTY	DESCRIPTION	REV
48	10701437	8	FLAT WASHER, 1/2 (SN 0160032947 to Present)	

Go to Discount-Equipment.com to order your parts

SECTION 2 - BOOM

FIGURE 2-10. THIRD BOOM SECTION (SN 0160037900 to Present, Including 0160037855)



PAP14720

SECTION 2 - BOOM

FIGURE 2-10. THIRD BOOM SECTION (SN 0160037900 to Present, Including 0160037855)

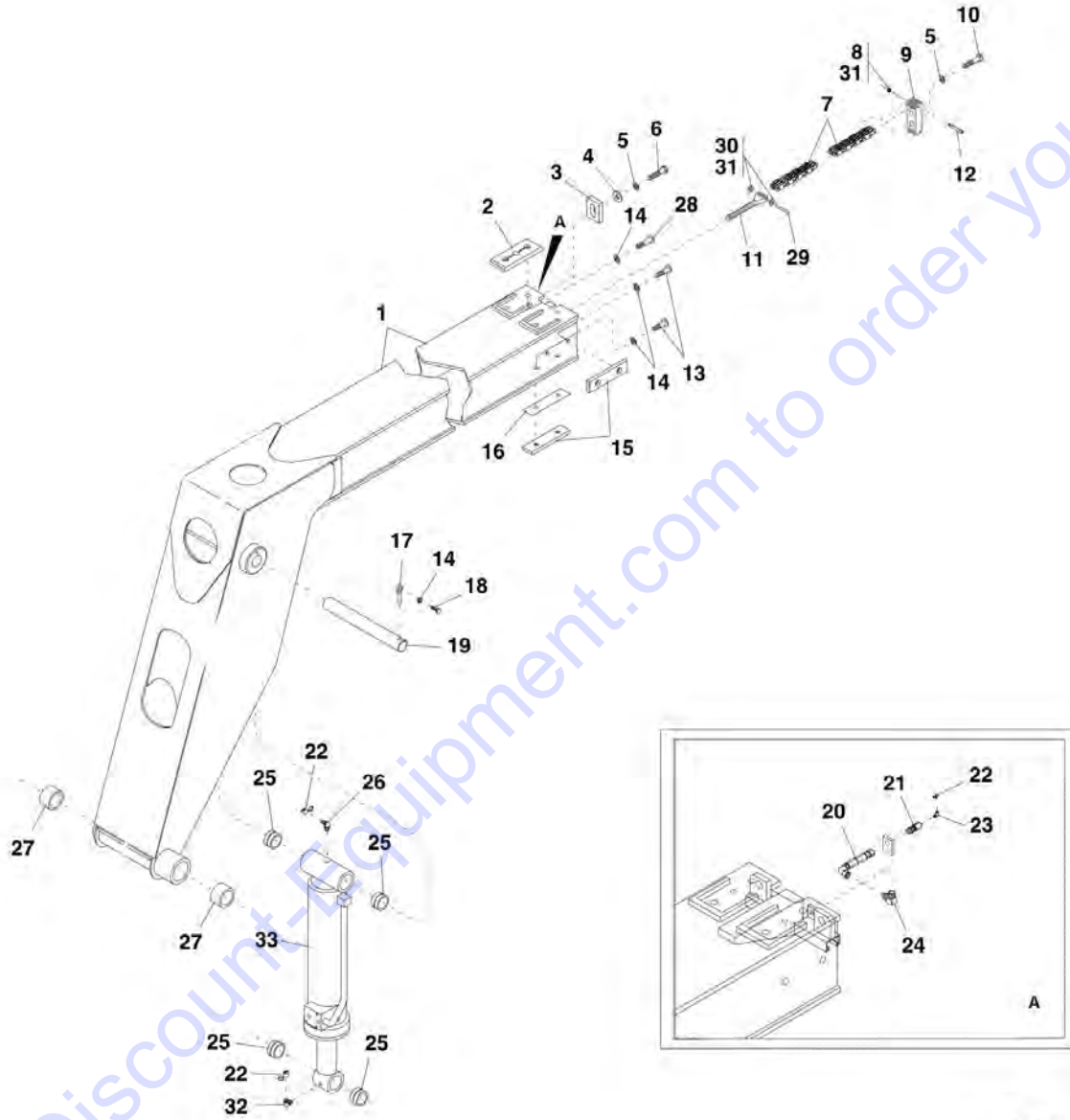
ITEM	PART NUMBER	QTY	DESCRIPTION	REV
3	1001103580	Ref	THIRD BOOM SECTION SUB ASSY, (Single Aux), (Dual Aux), (not available to order, see items 101 thru 112 for service)	A
7	0642214	4	HEX HD CAPSCREW, 3/4-10X1-3/4, GR5	
8	0682214	2	HEX HD CAPSCREW, 3/4-10X1-3/4, GR8	
9	0682222	3	HEX HD CAPSCREW, 3/4-10X2-3/4, GR8	
11	1101522	1	HOSE SHEAVE, (Single Aux)	
11	1101525	1	HOSE SHEAVE, (Dual Aux)	
13	2160002	2	GREASE FITTING, 1/8, (straight)	
14	2200261	2	COUPLING	
15	2220855	2	ELBOW, 90	
16	2221301	2	ELBOW, 90	
17	2221302	2	CONNECTOR	
21	4711800	4	FLAT WASHER, 1/2	
24	4761500	2	LOCKWASHER, 5/16	
27	4762200	9	LOCKWASHER, 3/4	
30	7139773	1	CHAIN AND CLEVIS ASSY, (includes items 401, 403 & 406 thru 408)	C
31	7139774	1	CHAIN AND CLEVIS ASSY, (includes items 301 thru 306)	B
32		Ref	CHAIN AND CLEVIS ASSY, (See SECOND BOOM SECTION for Breakdown)	
34	8307028	18	LOCKWASHER, 1/2, (external tooth)	
35	8307703	4	FLAT WASHER, 3/4	
36	8310056	6	FLAT WASHER, 1/2	
37	8310061	2	FLAT WASHER, 1	
43	10136329	AR	SHIM, (.06)	
47	10138770	AR	SHIM, (.06)	
49	10139023	4	BOOM PAD	
50	10139287	2	CHAIN SHEAVE PIN	
51	10139530	4	BOOM PAD	
53	10139604	2	BOOM PAD	
54	10139809	4	RETAINER PAD	
56	10167073	2	HOSE ROLLER	
61	10267068	1	LH HOSE ROLLER WELDMENT	
62	10267069	1	RH HOSE ROLLER WELDMENT	
63	10700133	2	BUTTON HD CAPSCREW, 1/2-20X1	
66	10703236	18	HEX HD CAPSCREW, 1/2-20X3/4	
66	10703237	18	HEX HD CAPSCREW, 1/2-20X1	
66	10703242	18	HEX HD CAPSCREW, 1/2-20X1-1/4	
101	10438564	1	THIRD BOOM SECTION WELDMENT	
102	0642010	2	HEX HD CAPSCREW, 5/8-11X1-1/4, GR5	
103	1101673	2	CHAIN SHEAVE SUB ASSY, (includes items 201 & 202)	B
104	2160002	2	GREASE FITTING, 1/8, (straight)	
105	4792000	2	STAR WASHER, 5/8	
106	8307028	2	LOCKWASHER, 1/2, (external tooth)	
107	10136329	2	SHIM, (.06)	
108	10139023	1	BOOM PAD	
109	10165735	2	CHAIN SHEAVE PIN	
110	10232432	2	LOCK PIN	
111	10703236	2	BUTTON HD CAPSCREW, 1/2-20X3/4	
112	10720431	AR	SHIM WASHER	

SECTION 2 - BOOM

ITEM	PART NUMBER	QTY	DESCRIPTION	REV
201	10165715	2	BUSHING	
202	10265833	2	CHAIN SHEAVE	
301	10138745	1	RETRACTION CHAIN, BL666	
302	10238724	1	CHAIN ANCHOR	
303	10238723	1	CHAIN ANCHOR	
304	10727310	2	BOLT, 5/16X2	
305	10705000	2	LOCKNUT, 1/4-20	
306	8522012	AR	ANTI-SEIZE LUBE	
401	8127030	2	EXTEND CHAIN, BL666	
403	10238661	1	ANCHOR CHAIN	
406	10139379	1	CHAIN ANCHOR ROD	
407	10705001	2	LOCKNUT, 5/16-18	
408	8522012	AR	ANTI-SEIZE LUBE	
513		Ref	EXTEND CHAIN, (See SECOND BOOM SECTION for Breakdown)	

SECTION 2 - BOOM

FIGURE 2-11. FOURTH BOOM SECTION (Prior to SN 0160037900, Excluding 0160037855)



PV0490

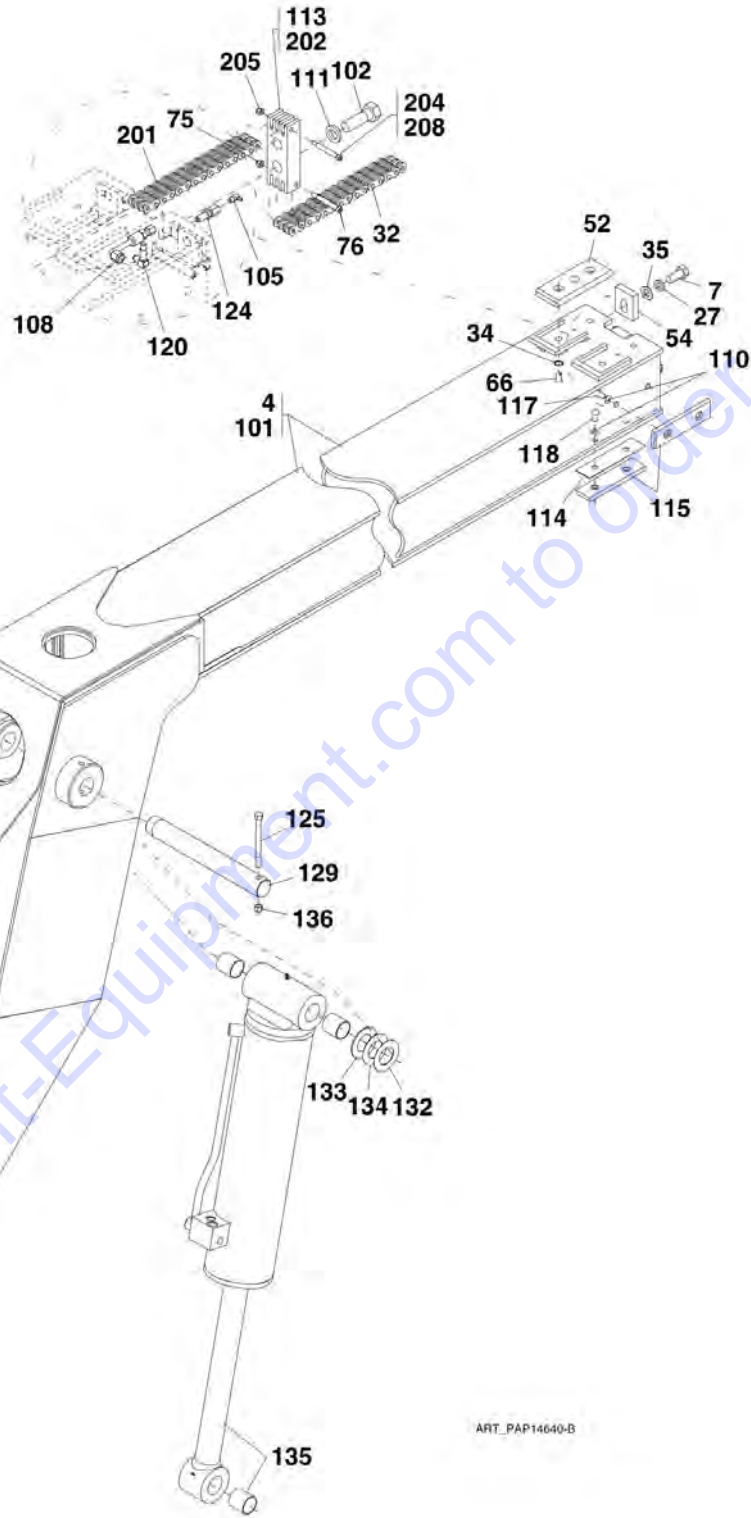
SECTION 2 - BOOM

FIGURE 2-11. FOURTH BOOM SECTION (Prior to SN 0160037900, Excluding 0160037855)

ITEM	PART NUMBER	QTY	DESCRIPTION	REV
1	10438563	1	FOURTH BOOM SECTION	
2	10139594	2	BOOM SLIDE PAD, (3/4X3 wide)	
3	10139809	2	PAD RETAINER, ALUMINUM	
4	10701257	2	FLAT WASHER, 3/4	
5	10701315	4	LOCKWASHER, 3/4	
6	10700701	2	HEX HD CAPSCREW, 3/4-10X1-3/4	
7	8127029	1	LEAF CHAIN, (195.75in long)	
8	10705000	1	HEX LOCKNUT, 1/4-20	
9	10238628	1	CHAIN ANCHOR, (rear)	
10	10700728	2	HEX HD CAPSCREW, 3/4-10X2-1/4, GR8	
11	7139032	1	ANCHOR CLEVIS	
12	10727310	2	SHOULDER BOLT, 5/16 DIA X2	
13	10703236	8	SOCKET BUTTON HD CAPSCREW, 1/2-20X3/4, (torque to 85 lb-ft)	
14	10701312	13	LOCKWASHER, 1/2	
15	10139023	4	BOOM SLIDE PAD, (9/16X2 wide)	
16	10136329	2	SLIDE PAD SHIM	
17	3841709	1	LOCK PIN	
18	10700403	1	HEX HD CAPSCREW, 1/2-13X1-1/4	
19	10136541	1	FRONT CARRIAGE TILT CYLINDER PIN, (base end)	
20	2754547	2	GREASE HOSE	
21	80623016	2	BULKHEAD ADAPTER	
22	10732689	5	GREASE FITTING COVER	
23	10715277	2	GREASE FITTING, 90, 1/8	
24	10726600	2	ELBOW, 90	
25	10116228	4	FRONT CARRIAGE TILT CYLINDER BUSHING	
26	10716611	2	GREASE FITTING	
27	10124257	2	QUICK ATTACH PIVOT BOOM BUSHING	
28	10703237	4	SOCKET BUTTON HD CAPSCREW, 1/2-20X1	
29	8124138	1	CHAIN CLEVIS PIN	
30	8642237	2	RETAINING RING	
31	8522012	AR	ANTI-SEIZE LUBE, (apply to items 8 & 30)	
32	10716611	1	GREASE FITTING	
33		Ref	FRONT CARRIAGE TILT CYLINDER, (See HYDRAULIC COMPONENTS SECTION for Breakdown)	

SECTION 2 - BOOM

FIGURE 2-12. FOURTH BOOM SECTION (SN 0160037900 to Present, Including 0160037855)



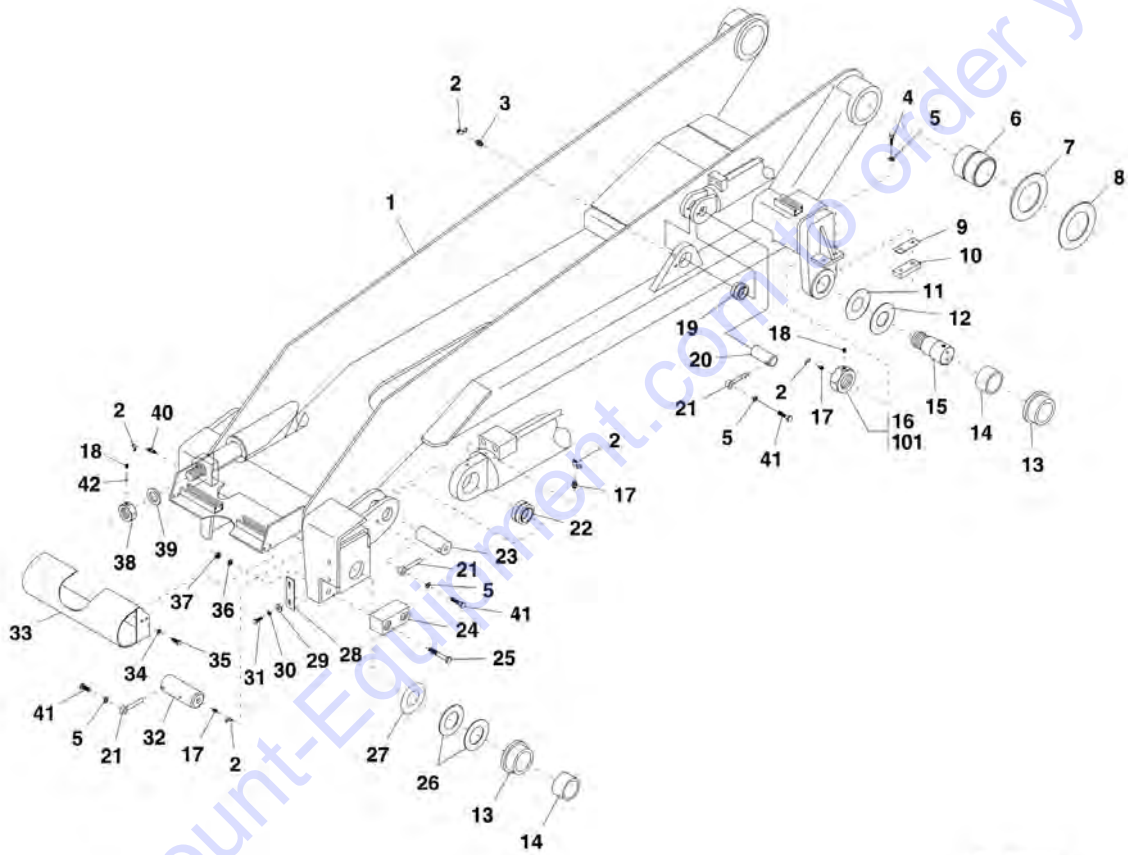
SECTION 2 - BOOM

FIGURE 2-12. FOURTH BOOM SECTION (SN 0160037900 to Present, Including 0160037855)

ITEM	PART NUMBER	QTY	DESCRIPTION	REV
4	1001103581	Ref	FOURTH BOOM SECTION WELDMENT, (Single Aux), (not available to order, see items 101 thru 136 for service)	G
4	1001103585	Ref	FOURTH BOOM SECTION WELDMENT, (Dual Aux), (not available to order, see items 101 thru 136 for service)	H
7	0642214	2	HEX HD CAPSCREW, 3/4-10X1-3/4, GR5	
27	4762200	2	LOCKWASHER, 3/4	
32		Ref	CHAIN AND CLEVIS ASSY, (See SECOND BOOM SECTION for Breakdown)	
34	8307028	4	LOCKWASHER, 1/2, (external tooth)	
35	8307703	2	FLAT WASHER, 3/4	
52	10139594	2	BOOM PAD	
54	10139809	2	RETAINER PAD	
66	10703236	4	BUTTON HD CAPSCREW, 1/2-20X3/4	
66	10703237	4	BUTTON HD CAPSCREW, 1/2-20X1	
66	10703242	4	BUTTON HD CAPSCREW, 1/2-20X1-1/4	
75	8305624	1	HEX LOCKNUT, 5/16-20	
76	10727310	1	SHOULDER BOLT, 5/16-20	
101	1001098665	1	FOURTH BOOM SECTION WELDMENT	
102	0682218	2	HEX HD CAPSCREW, 3/4-10X2-1/4, GR8, (torque to 420 lb-ft)	
105	10715277	2	90, GREASE FITTING, 1/8	
108	2754547	2	GREASE HOSE	
110	4761800	8	LOCKWASHER, 1/2, (Single Aux)	
110	4761800	6	LOCKWASHER, 1/2, (Dual Aux)	
111	4762200	2	LOCKWASHER, 3/4	
113	7139772	1	CHAIN AND CLEVIS ASSY, (includes items 201 thru 208)	C
114	10136329	2	SHIM, (.06)	
115	10139023	4	BOOM PAD	
117	10703236	4	BUTTON HD CAPSCREW, 1/2-20X3/4, (torque to 64 lb-ft lubricated, 85 lb-ft dry)	
118	10703237	4	BUTTON HD CAPSCREW, 1/2-20X1	
120	10726600	2	ELBOW, 90	
124	80623016	2	BULKHEAD ADAPTER	
125	0641848	1	HEX HD CAPSCREW, 1/2-13X6, GR5	
129	1001109548	1	CYLINDER PIN	
132	8307904	AR	SHIM WASHER, (.042-.054)	
133	8307918	AR	SHIM WASHER, (.142-.126)	
134	8310093	AR	SHIM WASHER, (.082-.068)	
135		Ref	TILT CYLINDER, (See HYDRAULIC COMPONENTS SECTION for Breakdown)	
136	8305644	1	HEX LOCKNUT, 1/2-13	
201	8127029	1	EXTEND CHAIN, BL666	
202	10238628	1	ANCHOR CHAIN	
204	10727310	1	BOLT, 5/16X2	
205	10705000	1	LOCKNUT, 1/4-20	
208	8522012	AR	ANTI-SEIZE LUBE	

SECTION 2 - BOOM

FIGURE 2-13. TRANSFER CARRIAGE/BOOM CRADLE ASSEMBLY



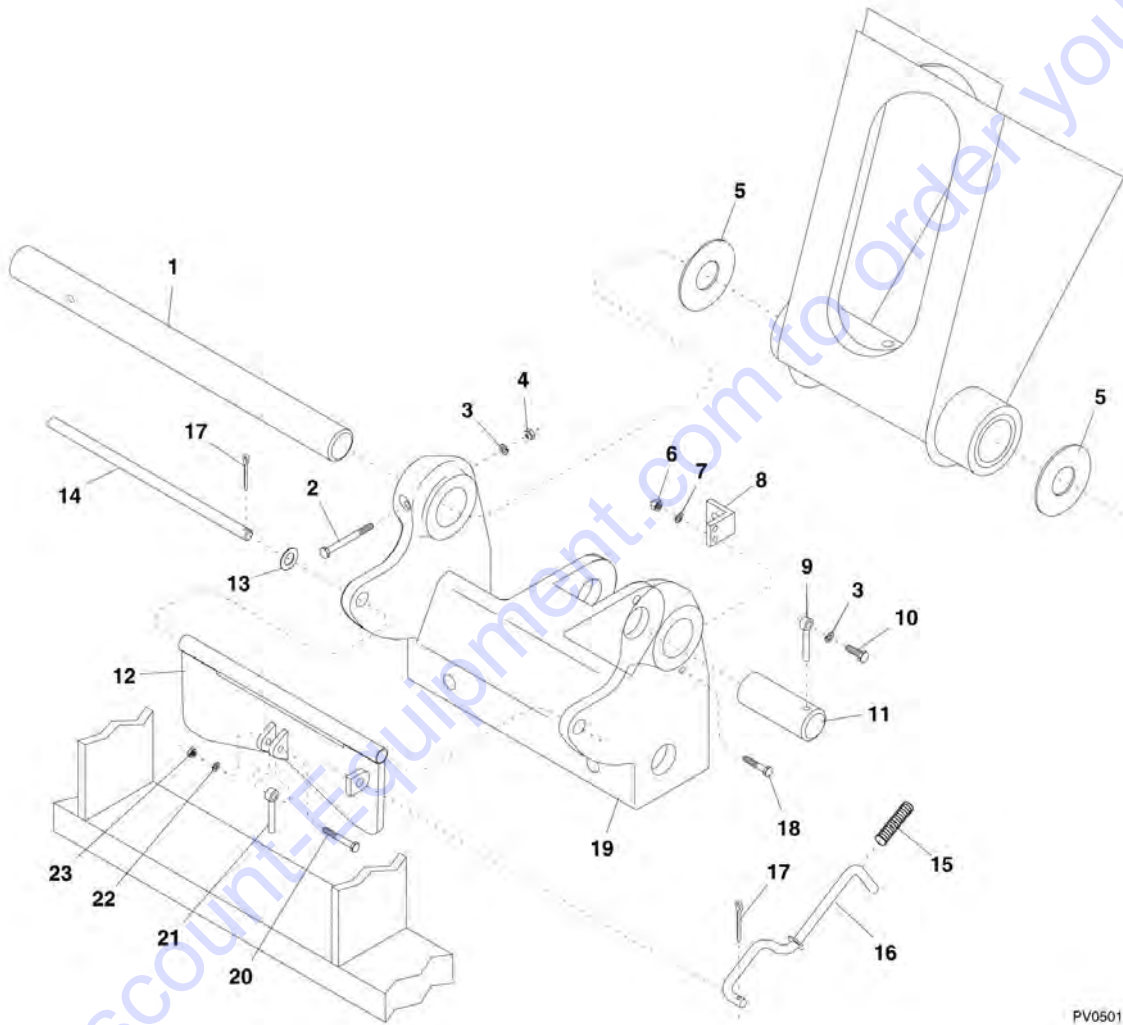
ART_PV0451-B

FIGURE 2-13. TRANSFER CARRIAGE/BOOM CRADLE ASSEMBLY

ITEM	PART NUMBER	QTY	DESCRIPTION	REV
1	10338244	1	TRANSFER CARRIAGE	
2	10732689	8	GREASE FITTING COVER	
3	10715272	2	GREASE FITTING, 1/8 N.P.T.	
4	10700453	4	HEX HD CAPSCREW, 1/2-20X1-1/4	
5	10701312	10	LOCKWASHER, 1/2	
6	1101132	2	BOOM PIVOT BUSHING	
7	10138394	AR	SHIM, 0.06, (1.52mm)	
8	10138395	AR	SHIM, 0.12, (3.05mm)	
9	10165110	AR	SLIDE BLOCK SHIM, 11 GA, (.1196in)	
9	10118167	AR	SLIDE BLOCK SHIM, 22 GA, (.0299in)	
10	10165950	2	SLIDE BLOCK, (rear)	
11	10118329	AR	SPACER WASHER	
12	10118328	2	THRUST WASHER	
13	10230339	4	TRANSFER ROLLER	
14	10124257	4	ROLLER BUSHING	
15	10265716	2	REAR ROLLER SPINDLE	
16	10119920	2	REAR ROLLER SPINDLE NUT	
17	10716611	5	GREASE FITTING	
18	10702612	3	SOCKET HD SETSCREW, 3/8-16X1/2	
19	8050001	2	REAR CARRIAGE TILT CYLINDER MOUNT BUSHING	
20	10136464	2	REAR CARRIAGE TILT CYLINDER PIN, (lower)	
21	3841709	6	LOCK PIN	
22	10718830	2	HOIST CYLINDER BUSHING, (base end)	
23	10136487	2	HOIST CYLINDER PIN, (base end)	
24	10115972	2	SLIDE BLOCK, (front)	
25	10700708	4	HEX HD CAPSCREW, 3/4-10X3-1/2	
26	10117012	AR	ROLLER SHIM	
27	10117180	2	ROLLER SPACER	
28	10116309	2	SCRAPER PLATE	
29	10701403	4	FLAT WASHER, 5/16	
30	10701309	4	LOCKWASHER, 5/16	
31	10700102	4	HEX HD CAPSCREW, 5/16-183/4	
32	10138090	2	FRONT ROLLER PIN	
33	10265025	1	PLASTIC HOSE COVER	
34	10701308	4	LOCKWASHER, 1/4	
35	10700004	4	HEX HD CAPSCREW, 1/4-20X3/4	
36	10701315	4	LOCKWASHER, 3/4	
37	10701513	4	HEX NUT, 3/4-10	
38	10116369	1	TRANSFER CYLINDER NUT	
39	10115976	1	CYLINDER ROD BOSS	
40	10715367	1	GREASE FITTING, 45, 1/4	
41	10700403	10	HEX HD CAPSCREW, 1/2-13X1-1/4	
42	1100417	1	LEAD BALL	
101	0100011	AR	LOCTITE 242, (apply to item 16)	

SECTION 2 - BOOM

FIGURE 2-14. QUICK ATTACH GROUP INSTALLATION (Prior to SN 0160037900, Excluding 0160037855)



PV0501

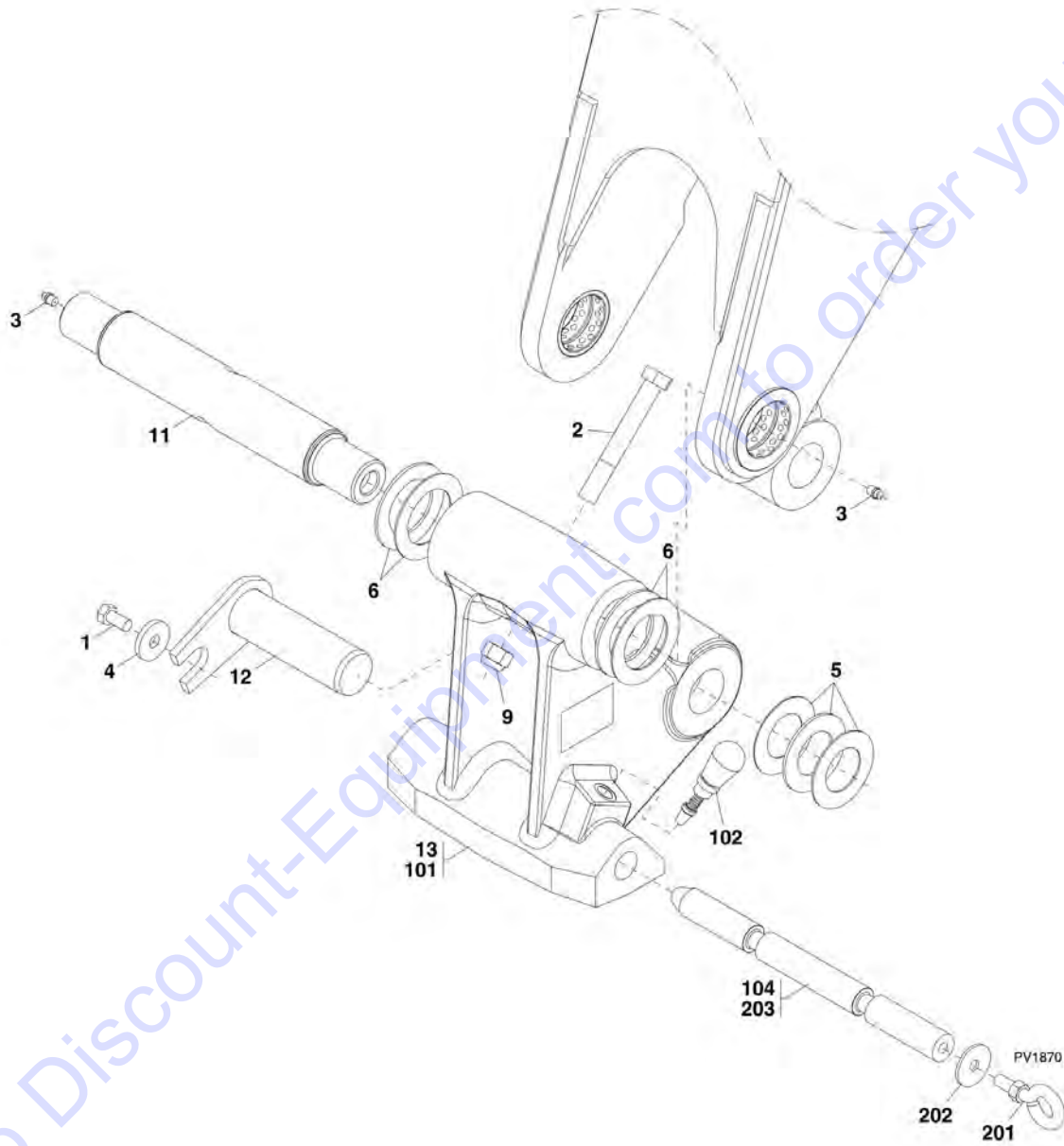
SECTION 2 - BOOM

FIGURE 2-14. QUICK ATTACH GROUP INSTALLATION (Prior to SN 0160037900, Excluding 0160037855)

ITEM	PART NUMBER	QTY	DESCRIPTION	REV
	10465744	Ref	QUICK ATTACH INSTALLATION, (not available to order, see items 1 thru 23 for service)	J
1	10136863	1	QUICK ATTACH PIVOT PIN	
2	10700420	1	HEX HD CAPSCREW, 1/2-13X7	
3	10701312	2	LOCKWASHER, 1/2	
4	10701510	1	HEX NUT, 1/2-13	
5	10136013	AR	SHIM, 0.036, (.91mm)	
5	10117012	AR	SHIM, 0.075, (1.90mm)	
6	10701200	2	HEX NUT, 1/4-20	
7	10701308	2	LOCKWASHER, 1/4	
8	10167213	1	ROD SUPPORT BRACKET	
9	3841203	1	LOCK PIN	
10	10700403	1	HEX HD CAPSCREW, 1/2-13X1-1/4	
11	10165667	1	FRONT CARRIAGE TILT PIN, (rod end)	
12	10265671	1	LOCK PLATE	
13	10701411	2	FLAT WASHER, 1	
14	10165668	1	LOCK PIVOT PLATE PIN	
15	10866835	1	RELEASE SPRING	
16	10167059	1	QUICK ATTACH RELEASE ROD	
17	10703865	3	COTTER PIN, 3/16X1-1/2	
18	10700008	2	HEX HD CAPSCREW, 1/4-20X1-3/4	
19	10438176	1	QUICK ATTACH CASTING	
20	10700209	1	HEX HD CAPSCREW, 3/8-16X2-1/4	
21	3841708	1	LOCK PIN	
22	10701310	1	LOCKWASHER, 3/8	
23	10701508	1	HEX NUT, 3/8-16	

SECTION 2 - BOOM

FIGURE 2-15. QUICK ATTACH GROUP INSTALLATION (SN 0160037900 to Present, Including 0160037855)



SECTION 2 - BOOM

FIGURE 2-15. QUICK ATTACH GROUP INSTALLATION (SN 0160037900 to Present, Including 0160037855)

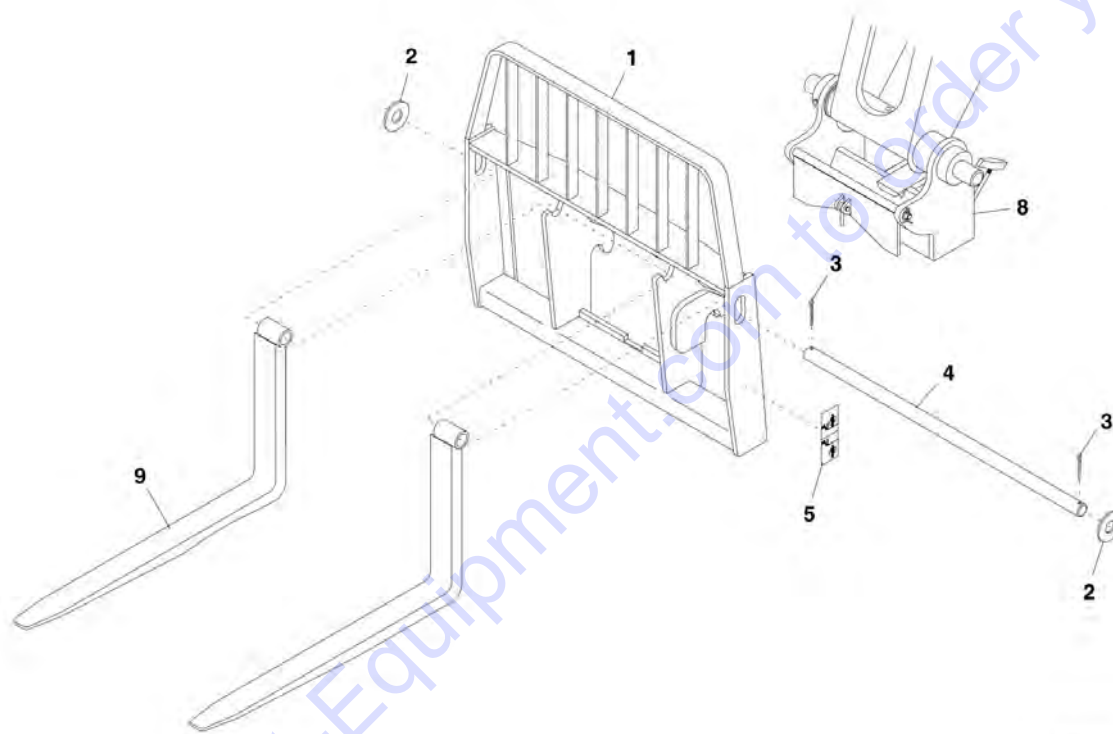
ITEM	PART NUMBER	QTY	DESCRIPTION	REV
	1001108582	1	QUICK ATTACH INSTALLATION, (not available to order, see items 1 thru 13 for service)	A
1	0641808	1	HEX HD CAPSCREW, 1/2-13X1, GR5	
2	0682244	1	HEX HD CAPSCREW, 3/4-10X5-1/2, GR8	
3	2160002	2	GREASE FITTING, (straight)	
4	4740003	1	FLAT WASHER	
5	8307904	AR	SHIM WASHER, (.048)	
5	8310093	AR	SHIM WASHER, (.075)	
5	8307918	AR	SHIM WASHER, (.134)	
6	8307916	AR	SHIM WASHER, (.075)	
6	8307917	AR	SHIM WASHER, (.134)	
9	8310067	1	HEX LOCKNUT, 3/4-10	
11	1001098233	1	QUICK ATTACH CARRIAGE PIVOT PIN	
12	1001098492	1	QUICK ATTACH CYLINDER PIN WELDMENT	
13	1001098770	1	QUICK ATTACH COUPLING ASSY, (includes items 101 thru 104)	D
101	1001100756	1	QUICK ATTACH COUPLING	
102	1001143692	1	POPPIN PIN	
104	1001105441	1	QUICK ATTACH PIVOT LOCK PIN, (includes items 201 thru 203)	B
201	8310266	1	HEX NUT, 1/2-13	
202	8310276	1	WASHER	
203	1001105440	1	QUICK ATTACH LOCK PIN	

SECTION 3 - ATTACHMENTS

Go to Discount-Equipment.com to order your parts

SECTION 3 - ATTACHMENTS

FIGURE 3-1. CARRIAGE ASSEMBLY (Prior to SN 0160037900, Excluding 0160037855)



PV1171

SECTION 3 - ATTACHMENTS

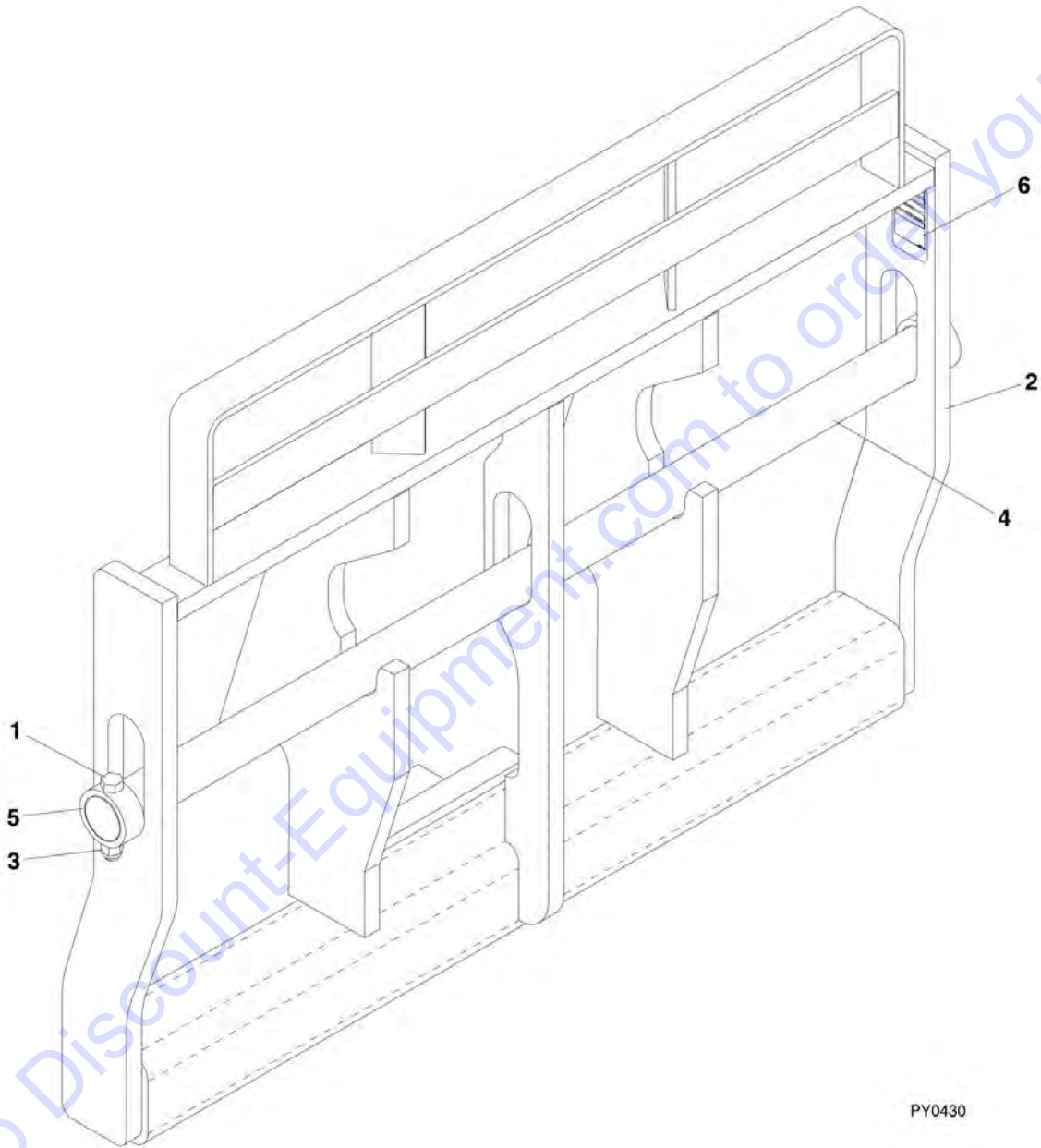
FIGURE 3-1. CARRIAGE ASSEMBLY (Prior to SN 0160037900, Excluding 0160037855)

ITEM	PART NUMBER	QTY	DESCRIPTION	REV
	48040	1	50IN STANDARD CARRIAGE ASSY, (includes items 1 thru 5 & item 10)	3
	48042	1	74IN FRAMERS CARRIAGE ASSY, (includes items 1 thru 5 & item 10)	3
1	N.S.S.	1	CARRIAGE WELDMENT, (50in)	
1	N.S.S.	1	CARRIAGE WELDMENT, (74in)	
2	10138066	2	FORK SHAFT WASHER	
3	10703906	2	COTTER PIN, 3/8X3	
4	10223049	1	FORK SHAFT, (50in)	
4	10124495	1	FORK SHAFT, (74in)	
5	10224752	2	CARRIAGE SAFETY DECAL	
8		Ref	QUICK ATTACH GROUP, (See BOOM SECTION for Breakdown)	
9		Ref	FORK, (See FORKS for Breakdown)	
10	N.S.S.	1	SN PLATE, (not shown)	

Go to Discount-Equipment.com to order your parts

SECTION 3 - ATTACHMENTS

FIGURE 3-2. CARRIAGE ASSEMBLY (SN 0160037900 through 0160051920, Including 0160037855)



PY0430

SECTION 3 - ATTACHMENTS

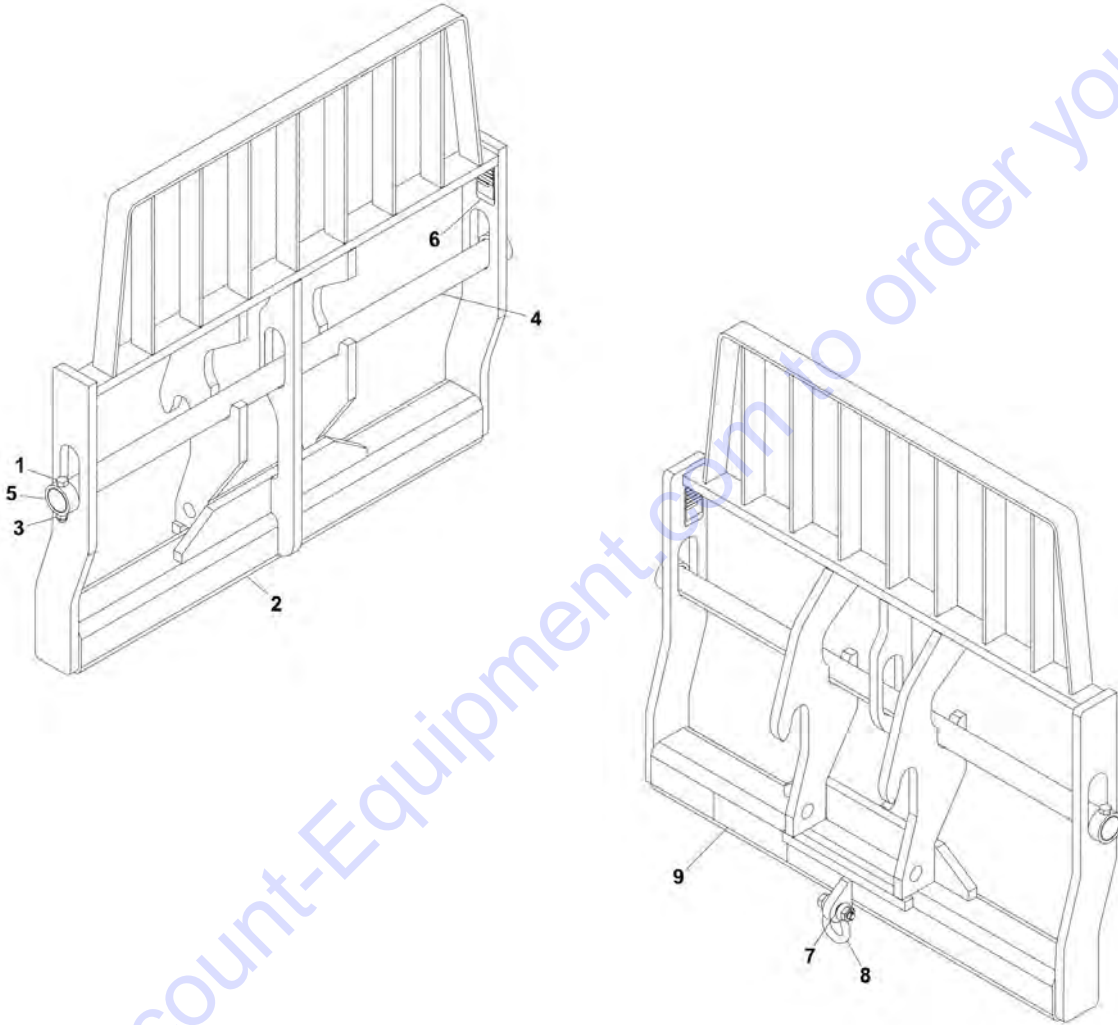
FIGURE 3-2. CARRIAGE ASSEMBLY (SN 0160037900 through 0160051920, Including 0160037855)

ITEM	PART NUMBER	QTY	DESCRIPTION	REV
	1170021	1	50IN TILT CARRIAGE, (includes all items)	E
	1170024	1	60IN TILT CARRIAGE, (includes all items)	E
	1170027	1	72IN TILT CARRIAGE, (includes items 1 thru 6) (Prior to SN 0160042910)	E
	1001132514	1	72IN TILT CARRIAGE, (includes items 1 thru 6) (SN 0160042910 through 0160051920)	B
1	0642032	2	HEX HD CAPSCREW, 5/8-11X4, GR5	
2	N.S.S.	1	TILT CARRIAGE	
3	3300240	2	LOCKNUT, 5/8-11	
4	3423275	1	50IN FORK PIN	
4	3423242	1	60IN FORK PIN	
4	3423276	1	72IN FORK PIN	
5	90200003	2	COLLAR	
6	N.S.S.	1	SN PLATE	

Go to Discount-Equipment.com to order your parts

SECTION 3 - ATTACHMENTS

FIGURE 3-3. CARRIAGE ASSEMBLY (SN 0160051921 to Present)



ART_31200069-3-3

SECTION 3 - ATTACHMENTS

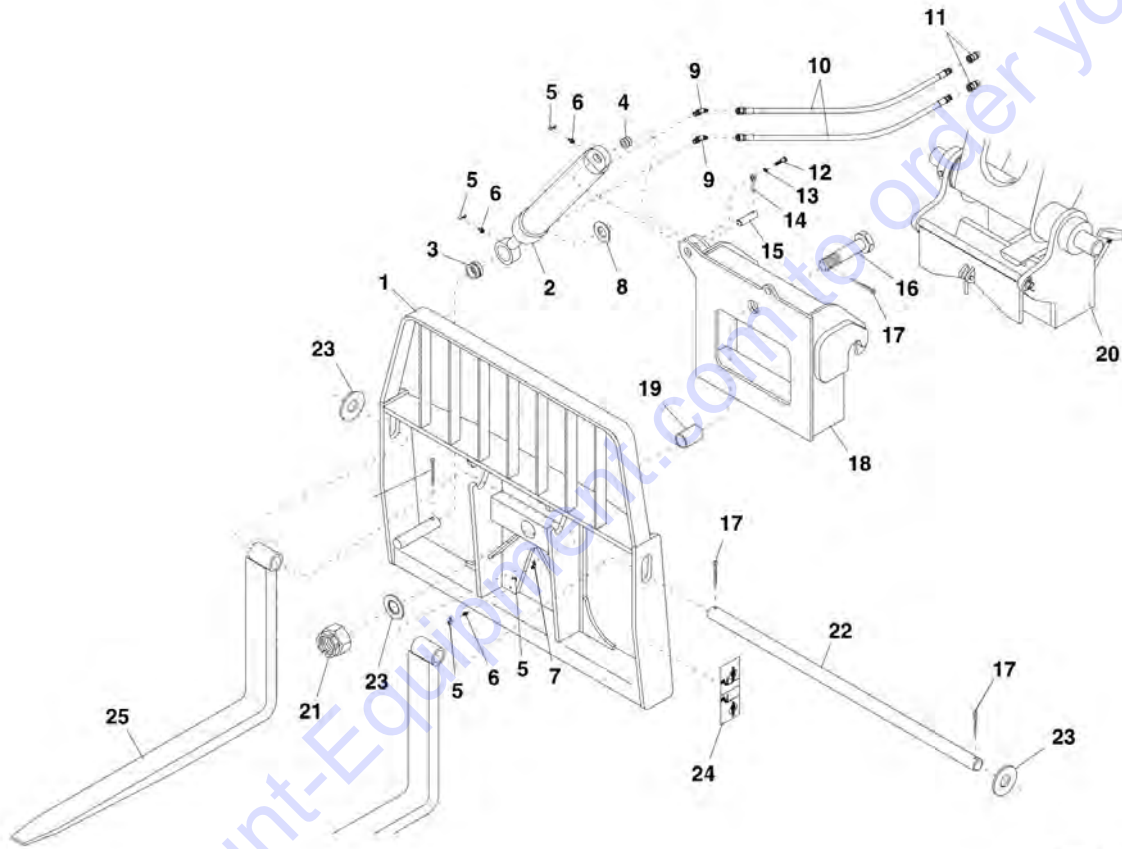
FIGURE 3-3. CARRIAGE ASSEMBLY (SN 0160051921 to Present)

ITEM	PART NUMBER	QTY	DESCRIPTION	REV
	1001146084	1	50IN TILT CARRIAGE, (includes items 1 thru 10)	C
	1001146086	1	60IN TILT CARRIAGE, (includes items 1 thru10)	C
	1001146088	1	72IN TILT CARRIAGE, (includes items 1 thru 10)	C
1	0642032	2	HEX HD CAPSCREW, 5/8-11X4, GR5	
2	N.S.S.	1	TILT CARRIAGE	
3	3300240	2	LOCKNUT, 5/8-11	
4	3423275	1	50IN FORK PIN	
4	3423242	1	60IN FORK PIN	
4	3423276	1	72IN FORK PIN	
5	90200003	2	COLLAR	
6	N.S.S.	1	SN PLATE	
7	1001146159	1	SLEEVE	
8	1001146160	1	SHACKLE	
9	1001151561	1	DANGER SWING LOADS DECAL	

Go to Discount-Equipment.com to order your parts

SECTION 3 - ATTACHMENTS

FIGURE 3-4. TILT CARRIAGE ASSEMBLY (Prior to SN 0160037900, Excluding 0160037855)



PV1190

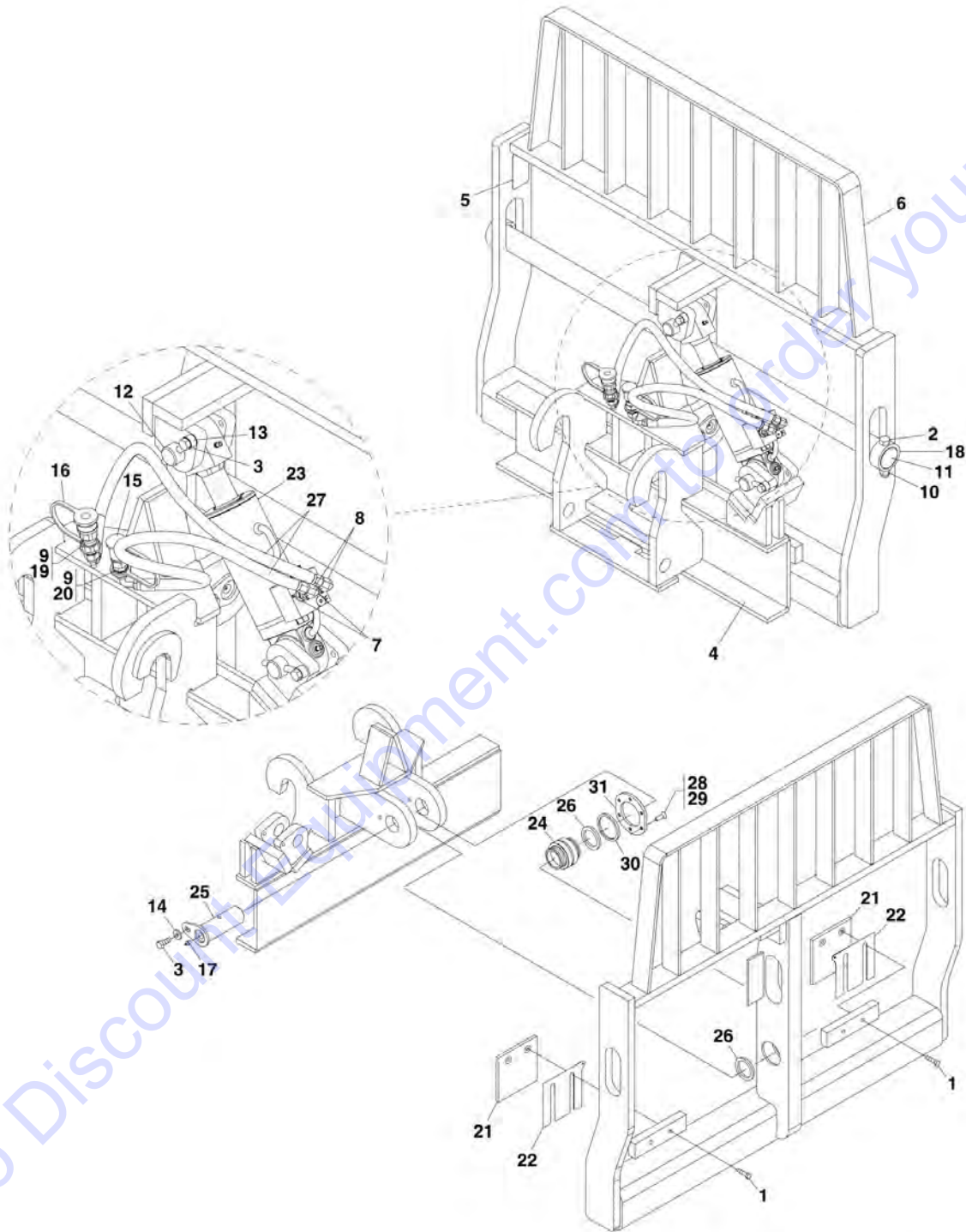
SECTION 3 - ATTACHMENTS

FIGURE 3-4. TILT CARRIAGE ASSEMBLY (Prior to SN 0160037900, Excluding 0160037855)

ITEM	PART NUMBER	QTY	DESCRIPTION	REV
	48041	1	50IN TILT CARRIAGE ASSY, (includes items 1 thru 19, 21 thru 24 & 26)	4
	48043	1	74IN FRAME TILT CARRIAGE ASSY, (includes items 1 thru 19, 21 thru 24 & 26)	5
1	N.S.S.	1	TILT CARRIAGE WELDMENT, (50in)	
1	N.S.S.	1	TILT CARRIAGE WELDMENT, (74in)	
2		Ref	TILT CARRIAGE CYLINDER, (includes items 3 & 4), (See OPTIONS SECTION for Breakdown)	
3	10116228	1	CYLINDER BUSHING, (rod end)	
4	10116227	1	CYLINDER BUSHING, (base end)	
5	10732689	5	GREASE FITTING COVER	
6	11160110	4	GREASE FITTING	
7	11160140	1	GREASE FITTING, 90	
8	10116323	1	SPECIAL WASHER	
9	2220501	2	ELBOW, 45, (includes o-ring)	
10	10837863	2	HOSE ASSY, (o-rings ends)	
11	10866136	2	MALE QUICK COUPLER, (includes o-ring)	
11	10730518	AR	DUST CAP	
12	14994050	1	HEX HD CAPSCREW, 1/2-13X1-1/4	
13	11009080	1	LOCKWASHER, 1/2	
14	10135707	1	LOCK PIN	
15	10138014	1	TILT CYLINDER PIN	
16	10138065	1	CARRIAGE BOLT	
17	10703906	4	COTTER PIN, 3/8X3	
18	10338004	1	INNER CARRIAGE	
19	10138013	1	PIVOT SLEEVE	
20		Ref	QUICK ATTACH GROUP ASSY, (See BOOM SECTION for Breakdown)	
21	10837794	1	CASTLE HEX NUT, 2-12	
22	10223049	1	FORK SHAFT, (50in)	
22	10124495	1	FORK SHAFT, (74in)	
23	10138066	3	FORK SHAFT WASHER	
24	10224752	2	CARRIAGE SAFETY DECAL	
25		Ref	FORKS, (See FORKS for Breakdown)	
26	N.S.S.	1	SN PLATE, (not shown)	

SECTION 3 - ATTACHMENTS

FIGURE 3-5. TILT CARRIAGE ASSEMBLY (SN 0160037900 to Present, Including 0160037855)



ART_31200069-3-5

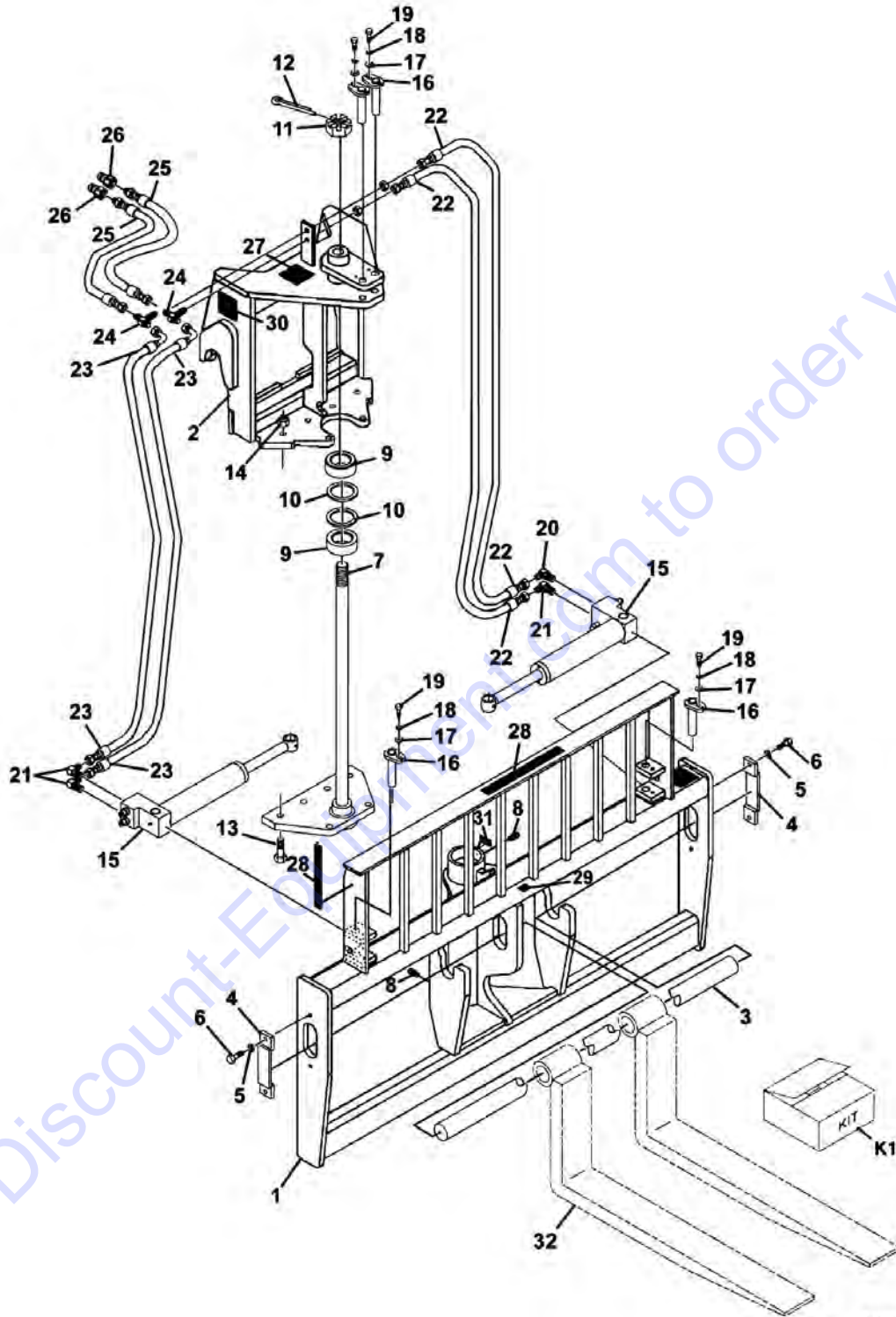
SECTION 3 - ATTACHMENTS

FIGURE 3-5. TILT CARRIAGE ASSEMBLY (SN 0160037900 to Present, Including 0160037855)

ITEM	PART NUMBER	QTY	DESCRIPTION	REV
	1170054	1	50IN SIDE TILT CARRIAGE, (includes all items)	J
	1001101956	1	60IN SIDE TILT CARRIAGE, (includes all items)	J
	1170057	1	72IN SIDE TILT CARRIAGE, (includes all items)	J
1	0641612	4	HEX HD CAPSCREW, 3/8-16X1-1/2	
2	0642032	2	HEX HD CAPSCREW, 5/8-11X4	
3	0681810	3	HEX HD CAPSCREW, 1/2-13X1-1/4	
4	1001133072	1	CARRIAGE BASE	
5	N.S.S.	1	SN PLATE	
6	N.S.S.	1	CARRIAGE, SIDE TILT	
7	2110606	2	CONNECTOR	
8	2172106	2	CONNECTOR, 90	
9	2110808	2	CONNECTOR	
10	3300240	2	LOCK NUT, 5/8-11	
11	3423275	1	FORK PIN, (50in)	
11	3423242	1	FORK PIN, (60in)	
11	3423276	1	FORK PIN, (72in)	
12	3423307	2	PIN	
13	3841203	2	KEEPER	
14	4891800	1	WASHER, 1/2	
15	8420053	1	DUST CAP	
16	8420055	1	DUST PLUG	
17	88671001	1	GREASE FITTING	
18	90200003	2	COLLAR	
19	91403413	1	CONNECTOR	
20	91403414	1	CONNECTOR	
21	1001090063	2	WEAR PAD	
22	1001090064	AR	SHIM	
23		Ref	SIDE TILT CARRIAGE CYLINDER, (See HYDRAULIC COMPONENTS SECTION for Breakdown)	
24	1001090140	1	BEARING	
25	1001099113	1	PIN	
26	1001099115	2	SLEEVE	
27	1001102378	2	HOSE ASSY, 3/8X39	
28	0100011	AR	LOCTITE 242, (apply to item 29)	
29	0741610	6	FLAT HEAD SOCKET SCREW, 3/8-16	
30	1001120914	1	BEARING RETAINER SHIM	
31	1001120915	1	BEARING RETAINER PLATE	

SECTION 3 - ATTACHMENTS

FIGURE 3-6. SWING CARRIAGE ASSEMBLY (Prior to SN 0160037900, Excluding 0160037855)



PV1721

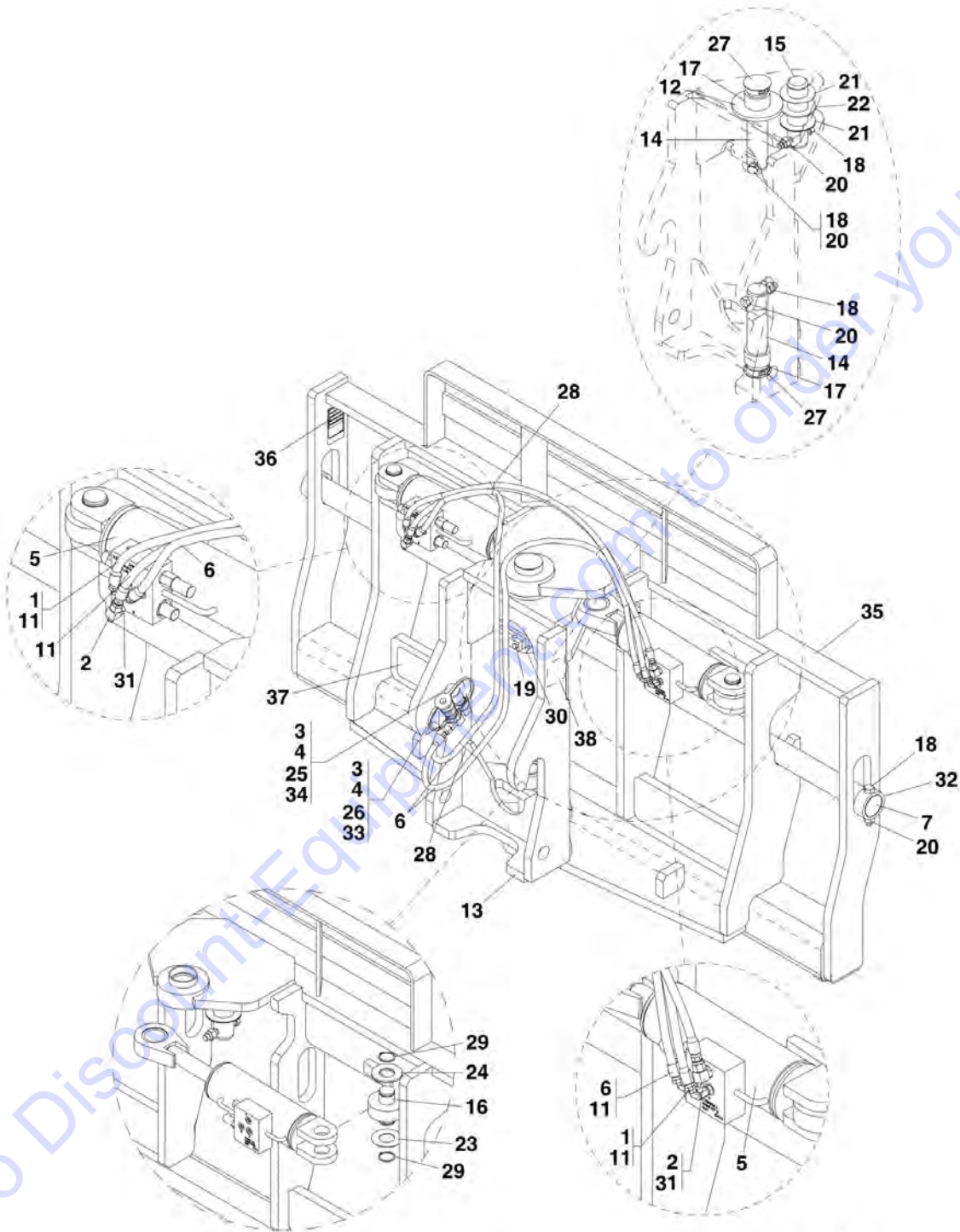
SECTION 3 - ATTACHMENTS

FIGURE 3-6. SWING CARRIAGE ASSEMBLY (Prior to SN 0160037900, Excluding 0160037855)

ITEM	PART NUMBER	QTY	DESCRIPTION	REV
	1100532	1	72IN WIDE SWING CARRIAGE ASSY, (includes items 1 thru 31)	D
1	N.S.S.	1	SWING CARRIAGE	
2	N.S.S.	1	SWING FRAME	
3	7029710	1	FORK PIN	
4	7029690	2	FORK PIN RETAINER WELDMENT	
5	90554020	4	LOCKWASHER, 1/2	
6	7029691	4	HEX HD CAPSCREW, 1/2-20X1-1/4	
7	7029693	1	SWING POST WELDMENT	
8	7029714	4	LUBE FITTING, 1/8	
9	7029694	2	BEARING	
10	7029695	2	THRUST WASHER	
11	7029713	1	CASTLE NUT, 1-1/2	
12	7029700	1	COTTER PIN, 1/4X2-1/2	
13	7029697	6	HEX HD CAPSCREW, 3/4-16X3	
14	7029698	6	LOCKNUT, 3/4-16	
15	7029590	2	CYLINDER ASSY	
16	7029702	4	LOCKING PIN	
17	7029703	4	FLAT WASHER, 3/8	
18	90554042	4	LOCKWASHER, 3/8	
19	7029704	4	HEX HD CAPSCREW, 3/8-24X1	
20	7029705	1	ELBOW, 90	
21	90554065	3	ELBOW, 90	
22	7029706	2	HOSE ASSY	
23	7029707	2	HOSE ASSY	
24	7029708	2	TEE, (includes nut)	
25	7029709	2	HOSE ASSY	
26	7029692	2	MALE QUICK COUPLER	
27	7029711	1	HIGH PRESSURE WARNING DECAL	
28	7029699	2	MAJOR DECAL, (small)	
28	7029701	1	MAJOR DECAL, (large)	
29	90554016	1	USA DECAL	
30	90554018	2	PINCH POINT DANGER DECAL	
31	7029712	6	GREASE DECAL	
32		Ref	FORKS, (See FORKS for Breakdown)	
33		Ref	LOAD CHART, (not shown), (See DECALS SECTION for Breakdown)	
34	N.S.S.	1	SN PLATE, (not shown)	
K1	70021452	1	CYLINDER SEAL KIT	

SECTION 3 - ATTACHMENTS

FIGURE 3-7. SWING CARRIAGE ASSEMBLY (SN 0160037900 to Present, Including 0160037855)



PAP3360

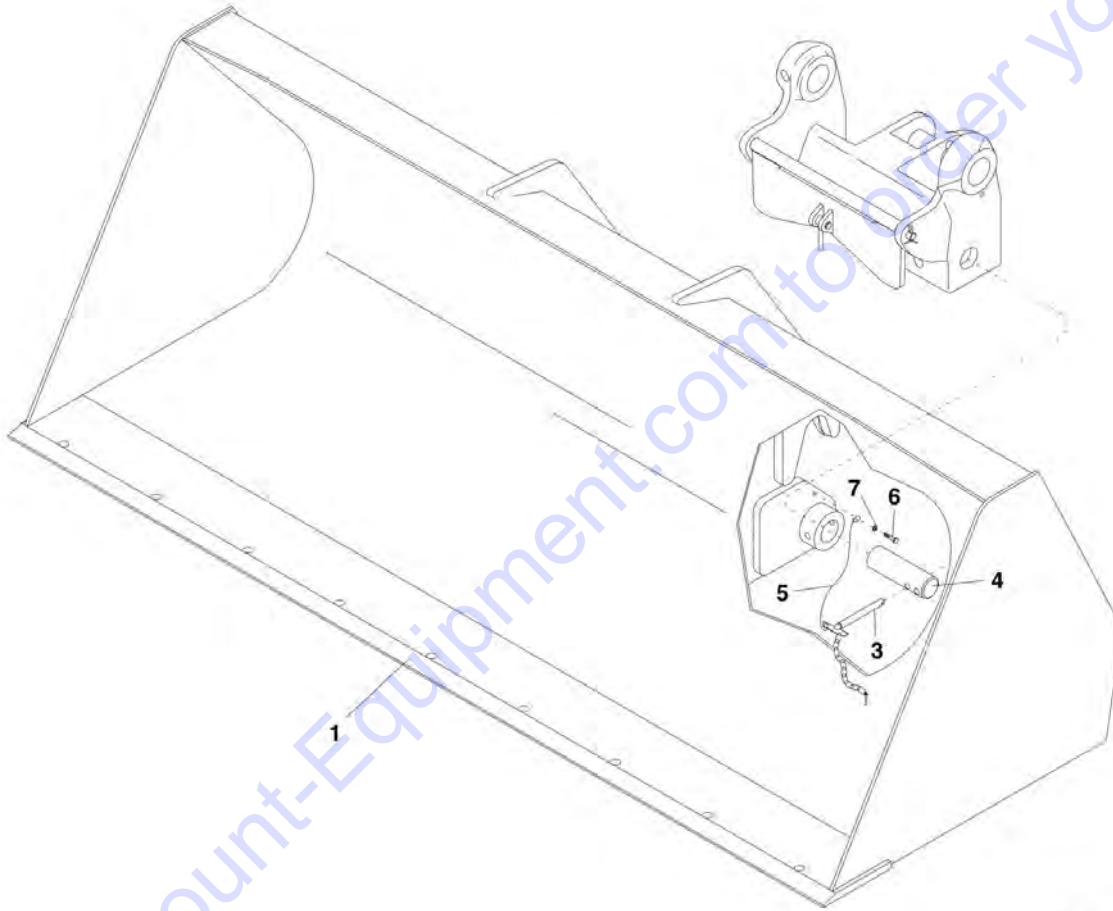
SECTION 3 - ATTACHMENTS

FIGURE 3-7. SWING CARRIAGE ASSEMBLY (SN 0160037900 to Present, Including 0160037855)

ITEM	PART NUMBER	QTY	DESCRIPTION	REV
	1001095418	1	72IN 90, SWING CARRIAGE, (includes all items)	K
1	2220415	4	CONNECTOR	
2	2220473	2	CONNECTOR, 90	
3	2220609	2	CONNECTOR	
4	2220628	2	CONNECTOR, 90	
5		Ref	72IN 90, SWING CARRIAGE CYLINDER, (See HYDRAULIC COMPONENTS SECTION for Breakdown)	
6	2717287	2	HOSE ASSY, 1/4X58	
7	3423276	1	PIN	
11	6604662	2	HOSE ASSY, 1/4X40.5	
12	7062922	1	WASHER	
13	N.S.S.	1	PIVOT WELDMENT	
14	7110702	2	PIVOT PIN	
15	7110712	1	PIN	
16	7110722	2	PIN	
17	8065062	2	BUSHING	
18	8303634	5	HEX HD CAPSCREW, 5/8-11X4, GR5	
19	8303715	3	HEX HD CAPSCREW, 5/16-18X1.5, GR5	
20	8305643	5	HEX NUT, 5/8-11	
21	8307904	AR	SHIM	
22	8307918	AR	SHIM	
23	8310160	AR	SHIM	
24	8310161	AR	SHIM	
25	8420053	1	DUST CAP	
26	8420055	1	DUST PLUG	
27	8580315	2	PLUG	
28	8584001	5	TIE WRAP	
29	8642207	4	RETAINING RING	
30	8769132	2	CLAMP	
31	8770016	2	CONNECTOR	
32	90200003	2	COLLAR	
33	91403413	1	CONNECTOR	
34	91403414	1	CONNECTOR	
35	N.S.S.	1	CARRIAGE FRAME	
36	N.S.S.	1	SN PLATE	
37	1001110704	1	WARNING CRUSH HAZARD DECAL	
38	1001111190	2	WARNING DECAL	

SECTION 3 - ATTACHMENTS

FIGURE 3-8. UTILITY BUCKET (Prior to SN 0160037900, Excluding 0160037855)



PV1311

SECTION 3 - ATTACHMENTS

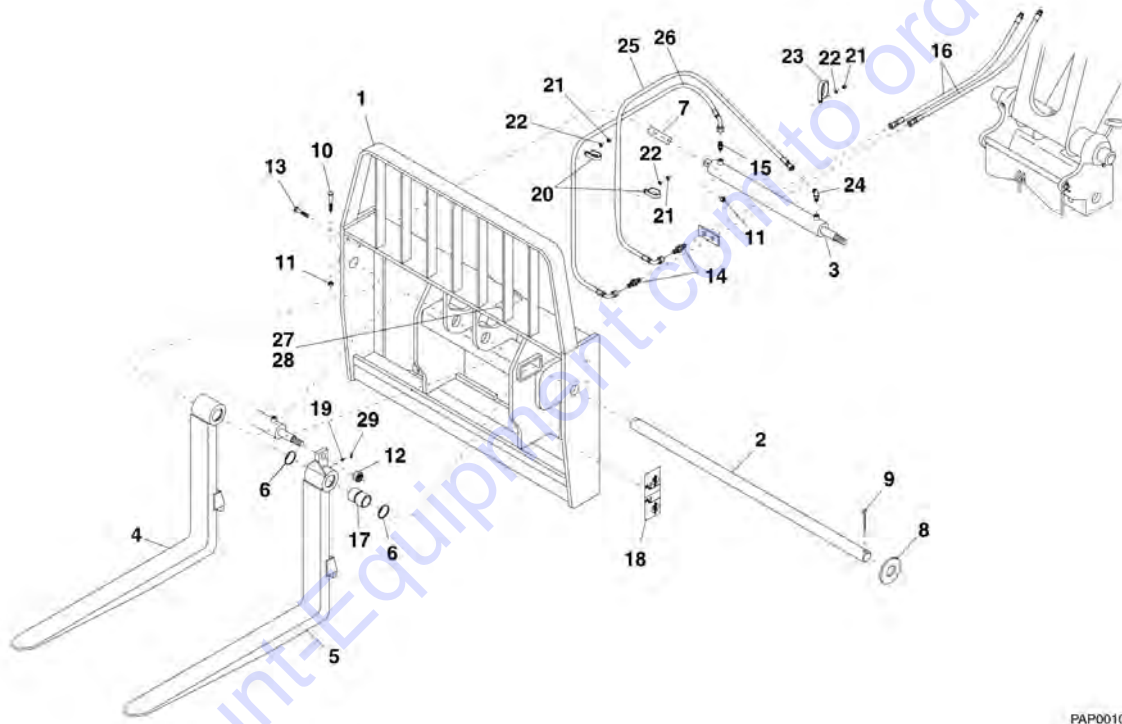
FIGURE 3-8. UTILITY BUCKET (Prior to SN 0160037900, Excluding 0160037855)

ITEM	PART NUMBER	QTY	DESCRIPTION	REV
	1101435	1	UTILITY BUCKET ASSY 1.25 CU YD, (includes all items)	C
1	10439995	1	UTILITY BUCKET WELDMENT	
2	10239973	1	CAUTION DECAL, (not shown), (apply to inside back cover of operators manual)	
3	10867583	2	HITCH PIN	
4	10168505	2	PIN	
5	10867584	2	PIN ATTACHMENT CABLE	
6	10700202	2	HEX HD CAPSCREW, 3/8-16X3/4	
7	10701404	2	FLAT WASHER, 3/8	

Go to Discount-Equipment.com to order your parts

SECTION 3 - ATTACHMENTS

FIGURE 3-9. 50IN SINGLE FORK POSITIONING CARRIAGE ASSEMBLY (Prior to SN 0160037900, Excluding 0160037855)



PAP0010

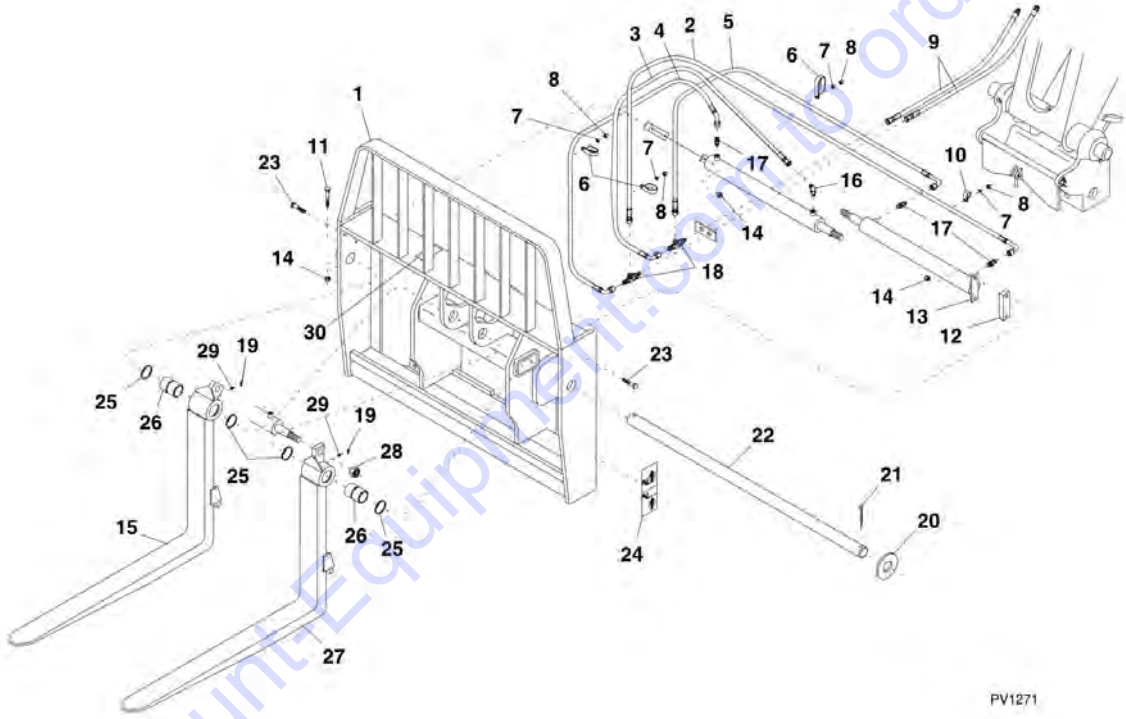
SECTION 3 - ATTACHMENTS

**FIGURE 3-9. 50IN SINGLE FORK POSITIONING CARRIAGE ASSEMBLY (Prior to SN 0160037900,
Excluding 0160037855)**

ITEM	PART NUMBER	QTY	DESCRIPTION	REV
	1100469	1	50IN DUAL FORK POSITIONING CARRIAGE ASSEMBLY, (includes all items)	C
1	10465660	1	CARRIAGE ASSY	
2	10165685	1	FORK SHAFT	
3		Ref	FORK POSITIONING CYLINDER, (See OPTIONS SECTION for Breakdown)	
4	10238569	1	RH 48IN PALLET FORK	
5	1100439	1	LH 48IN PALLET FORK	
6	10727322	2	INTERNAL SNAP RING	
7	10138493	1	SPACER	
8	10701419	1	FORK SHAFT WASHER	
9	10703906	1	COTTER PIN, 3/8X3	
10	10700411	1	HEX HD CAPSCREW, 1/2-13X3-1/4	
11	10705004	3	HEX LOCKNUT, 1/2-13, GRC	
12	10705034	1	HEX LOCKNUT, 1-1/4, GRC	
13	10700409	2	HEX HD CAPSCREW, 1/2-13X2-3/4	
14	2230024	2	BULKHEAD UNION	
15	2220371	1	CONNECTOR, (includes o-ring)	
16	10837863	2	HOSE ASSY	
17	10165693	1	BUSHING	
18	10224752	2	CARRIAGE SAFETY DECAL	
19	10716611	1	GREASE FITTING	
20	10717810	2	HOSE CLAMP	
21	10701201	3	HEX NUT, 5/16-18, GR8	
22	10701309	3	LOCKWASHER, 5/16	
23	10717553	1	HOSE CLAMP	
24	2220501	1	ELBOW, 45, (includes o-ring)	
25	10719736	1	HOSE ASSY	
26	10837523	1	HOSE ASSY	
27	N.S.S.	1	SN PLATE	
28	10837315	4	METAL TACK	
29	10732689	1	GREASE FITTING COVER	

SECTION 3 - ATTACHMENTS

FIGURE 3-10. 50IN DUAL FORK POSITIONING CARRIAGE ASSEMBLY (Prior to SN 0160037900, Excluding 0160037855)



PV1271

Go to DiscountEquip.net to order your parts

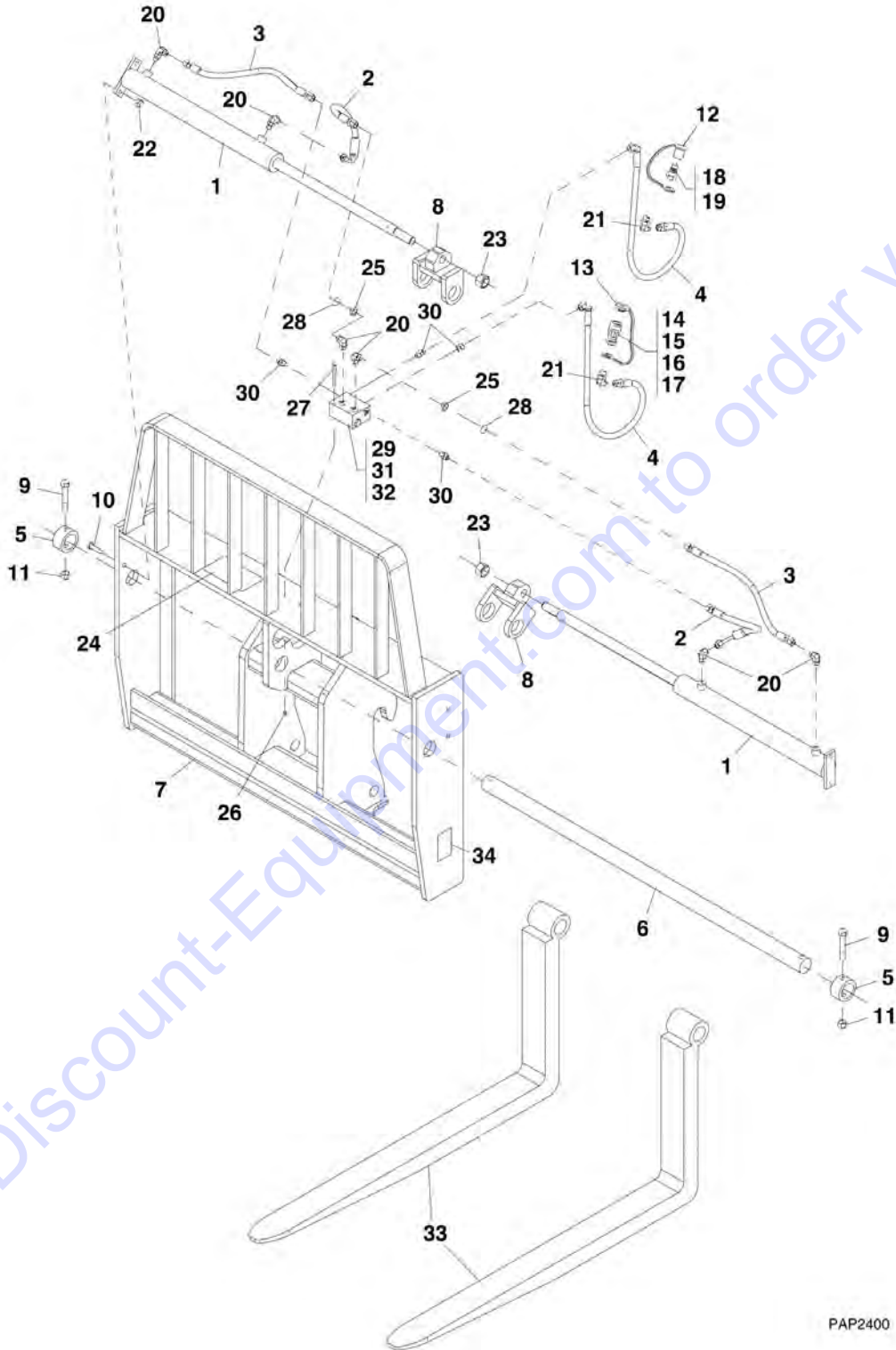
SECTION 3 - ATTACHMENTS

**FIGURE 3-10. 50IN DUAL FORK POSITIONING CARRIAGE ASSEMBLY (Prior to SN 0160037900,
Excluding 0160037855)**

ITEM	PART NUMBER	QTY	DESCRIPTION	REV
	10448045	1	50IN DUAL FORK POSITIONING CARRIAGE ASSEMBLY, (includes all items)	G
1	10465660	1	CARRIAGE ASSY	
2	10837517	1	HOSE ASSY	
3	10719736	1	HOSE ASSY	
4	10837523	1	HOSE ASSY	
5	10837519	1	HOSE ASSY	
6	10717810	3	HOSE CLAMP	
7	10701309	4	LOCKWASHER, 5/16	
8	10701201	4	HEX NUT, 5/16-18, GR8	
9	10837863	2	HOSE ASSY	
10	10717553	1	HOSE CLAMP	
11	10700411	4	HEX HD CAPSCREW, 1/2-13X3-1/4	
12	10138493	2	SPACER	
13		Ref	FORK POSITIONING CYLINDER, (See OPTIONS SECTION for Breakdown)	
14	10705004	5	HEX LOCKNUT, 1/2-13, GRC	
15	10365686	1	RH 42IN PALLET FORK	
16	2220501	1	ELBOW, 45, (includes o-ring)	
17	2220371	3	CONNECTOR, (includes o-ring)	
18	10725302	2	BULKHEAD TEE	
19	10732689	2	GREASE FITTING COVER	
20	10701419	2	FORK SHAFT WASHER	
21	10703906	2	COTTER PIN, 3/8X3	
22	10165685	1	FORK SHAFT	
23	10700409	4	HEX HD CAPSCREW, 1/2-13X2-3/4	
24	10224752	2	CARRIAGE SAFETY DECAL	
25	10727322	4	INTERNAL SNAP RING	
26	10165693	2	BUSHING	
27	10365687	1	LH 42IN PALLET FORK	
28	10705034	2	HEX LOCKNUT, 1-1/4, GRC	
29	10716611	2	GREASE FITTING	
30	N.S.S.	1	SN PLATE	

SECTION 3 - ATTACHMENTS

FIGURE 3-11. 50IN DUAL FORK POSITIONING CARRIAGE ASSEMBLY (SN 0160037900 to Present, Including 0160037855)



PAP2400

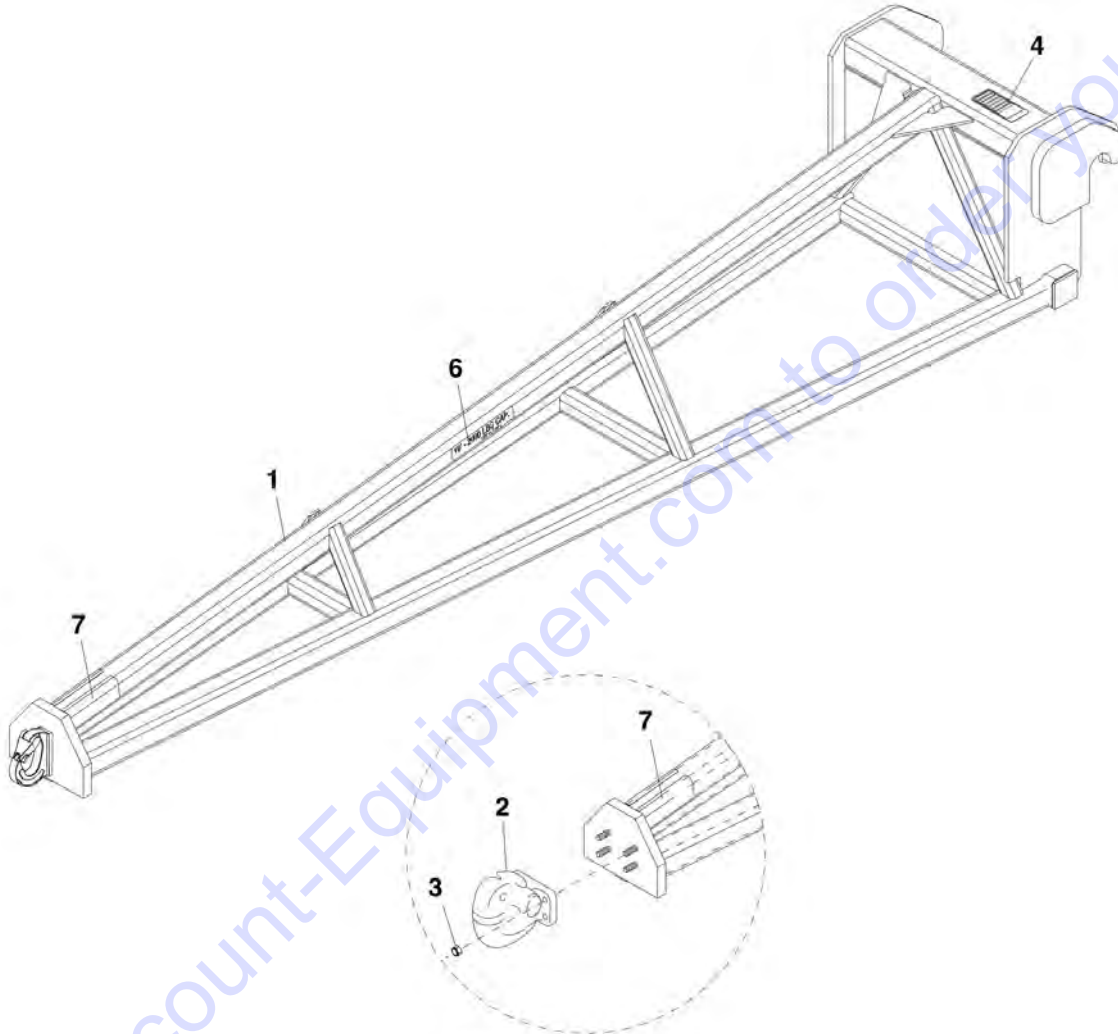
SECTION 3 - ATTACHMENTS

FIGURE 3-11. 50IN DUAL FORK POSITIONING CARRIAGE ASSEMBLY (SN 0160037900 to Present, Including 0160037855)

ITEM	PART NUMBER	QTY	DESCRIPTION	REV
	7301568	1	50IN DUAL FORK POSITIONING CARRIAGE ASSY, (includes items 1 thru 32)	H
1	2717283	2	FORK POSITIONING CYLINDER	
1	8036733	1	SEAL KIT	
2	2717160	2	HOSE ASSY	
3	2717161	2	HOSE ASSY	
4	2717162	2	HOSE ASSY	
5	90200003	2	LOCKING HUB	
6	90451058	1	FORK SHAFT	
7	7301569	1	50IN CARRIAGE WELDMENT	
8	7301579	2	FORK ADAPTER WELDMENT	
9	8303634	2	HEX HD CAPSCREW, 5/8-11X4, GR5	
10	8303658	4	HEX HD CAPSCREW, 1/2-13X2, GR5	
11	8305643	2	HEX LOCKNUT, 5/8-11	
12	8420053	1	DUST CAP	
13	8420055	1	DUST PLUG	
14	91403413	1	FEMALE QUICK DISCONNECT, (includes items 15 thru 17)	
15	8640029	1	NOSE SEAL	
16	8640028	1	COUPLER BODY SEAL	
17	8640032	1	COUPLER BODY SEAL BACK-UP RING	
18	91403414	1	MALE QUICK DISCONNECT, (includes item 19)	
19	8640029	1	NOSE SEAL	
20	2130606	6	ELBOW, 90	
21	2130608	2	ELBOW, 90	
22	8310302	4	HEX LOCKNUT, 1/2-13	
23	10705034	2	HEX LOCKNUT	
24	4110473	1	HOSE ROUTE WARNING DECAL	
25	7139918	2	DISC ORIFICE	
26	8305624	2	HEX LOCKNUT, 1/4-20	
27	8310435	2	HEX HD CAPSCREW, 1/4-20X3-1/4, GR5	
28	8630003	2	O-RING	
29	4641502	1	VALVE ASSY, (Includes items 30 thru 32)	
30	2110606	4	ADAPTER	
31	4641501	1	VALVE BODY	
32	2130606	2	CONNECTOR	
33	7301408	2	PALLET FORK, 60X100X1220mm	
34	N.S.S.	1	SN PLATE	

SECTION 3 - ATTACHMENTS

FIGURE 3-12. TRUSS BOOM ASSEMBLY (Prior to SN 0160037900, Excluding 0160037855)



PRIOR TO SN 0160032406

PV1291

SECTION 3 - ATTACHMENTS

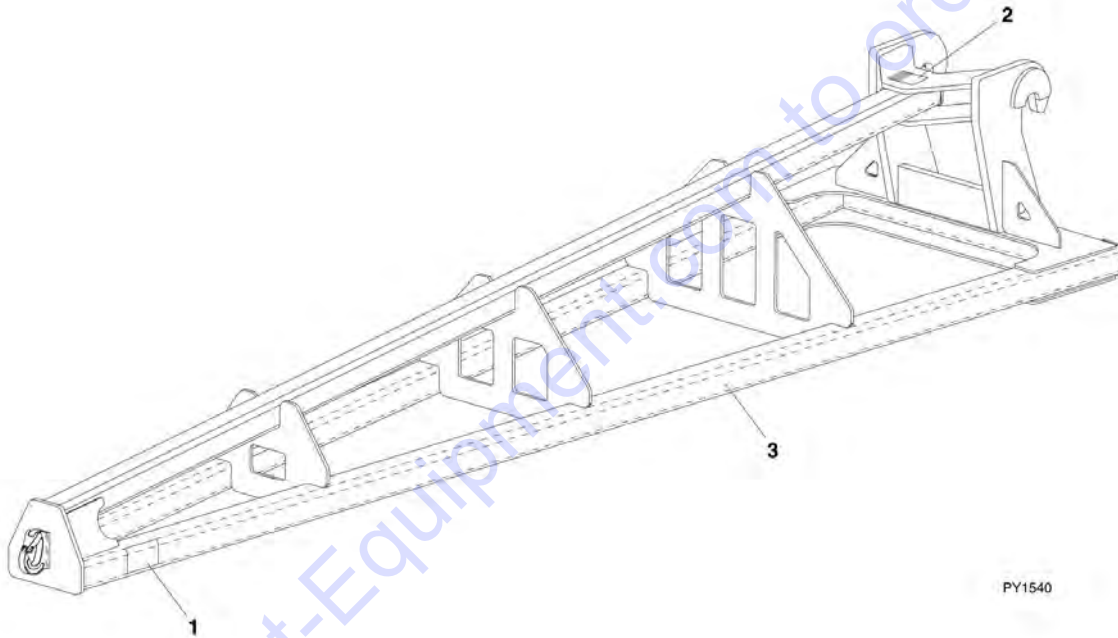
FIGURE 3-12. TRUSS BOOM ASSEMBLY (Prior to SN 0160037900, Excluding 0160037855)

ITEM	PART NUMBER	QTY	DESCRIPTION	REV
	10338932	1	10FT TRUSS BOOM ASSY, (includes all items)	F
1	N.S.S.	1	TRUSS BOOM WELDMENT	
2	8382017	1	PINTLE HOOK (Prior to SN 0160032406)	
3	10705029	4	HEX LOCKNUT, 1/2-20, (torque to 90 lb-ft) (Prior to SN 0160032406)	
4	N.S.S.	1	SN PLATE	
6	4110412	2	LENGTH AND CAPACITY DECAL	
7	4110422	2	SWING LOAD DANGER DECAL	

Go to Discount-Equipment.com to order your parts

SECTION 3 - ATTACHMENTS

FIGURE 3-13. TRUSS BOOM ASSEMBLY (SN 0160037900 to Present, Including 0160037855)



PY1540

SECTION 3 - ATTACHMENTS

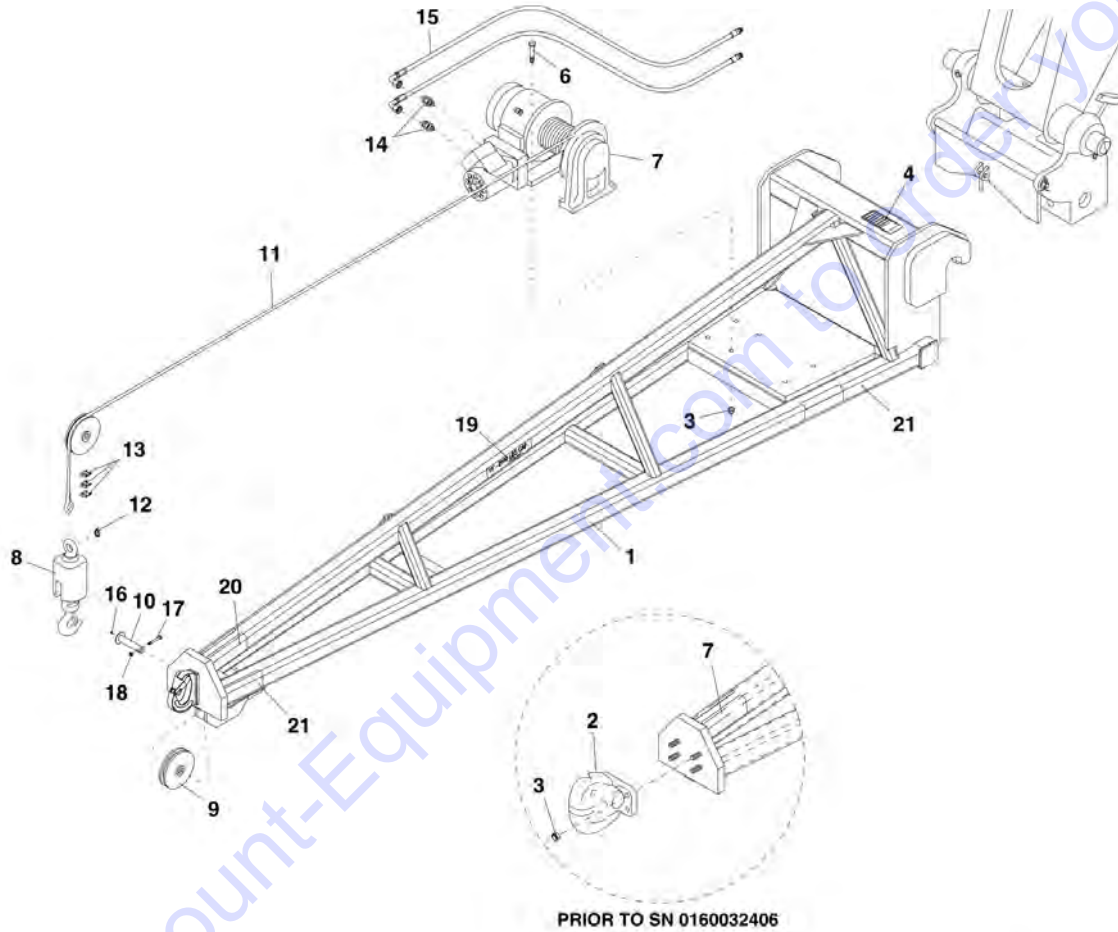
FIGURE 3-13. TRUSS BOOM ASSEMBLY (SN 0160037900 to Present, Including 0160037855)

ITEM	PART NUMBER	QTY	DESCRIPTION	REV
	1001099902	1	12FT TRUSS BOOM, (includes all items)	A
	1001099901	1	15FT TRUSS BOOM, (includes all items)	A
1	4110422	2	DANGER SWINGING LOADS DECAL	
2	N.S.S.	1	SN PLATE	
3	N.S.S.	1	TRUSS BOOM	

Go to Discount-Equipment.com to order your parts

SECTION 3 - ATTACHMENTS

FIGURE 3-14. 12FT TRUSS BOOM WITH WINCH (Prior to SN 0160037900, Excluding 0160037855)



PV1301

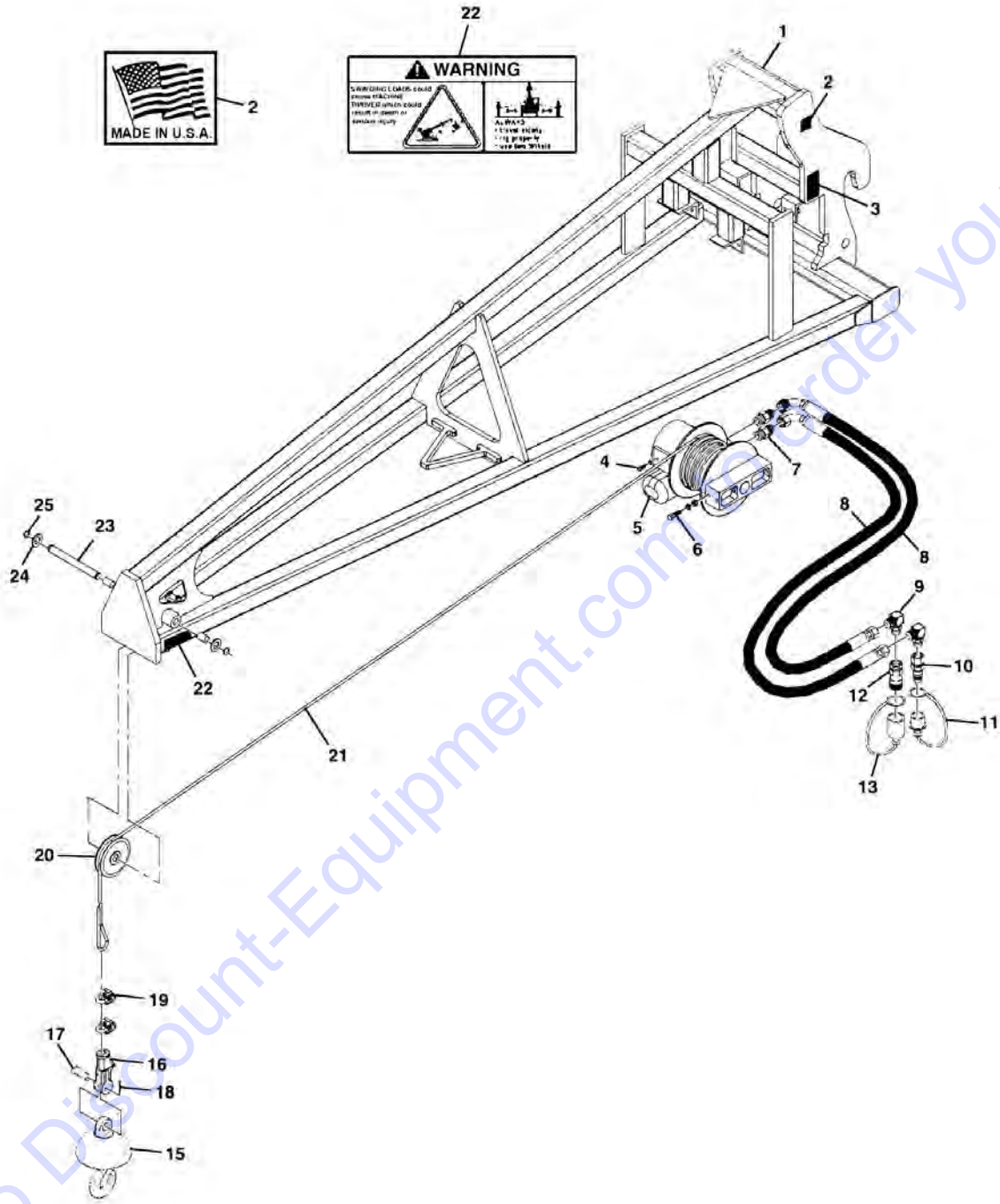
SECTION 3 - ATTACHMENTS

FIGURE 3-14. 12FT TRUSS BOOM WITH WINCH (Prior to SN 0160037900, Excluding 0160037855)

ITEM	PART NUMBER	QTY	DESCRIPTION	REV
	10338933	1	10FT TRUSS BOOM ASSEMBLY WITH WINCH, (includes all items)	H
1	N.S.S.	1	TRUSS BOOM WELDMENT	
2	8382017	1	PINTLE HOOK (Prior to SN 0160032406)	
3	10705029	10	HEX LOCKNUT, 1/2-20, (torque to 90 lb-ft) (Prior to SN 0160032406)	
3	10705029	6	HEX LOCKNUT, 1/2-20 (SN 0160032406 to Present)	
4	N.S.S.	1	SN PLATE	
6	10700484	6	HEX HD CAPSCREW, 1/2-20X2-1/4, GR8	
7	10727770	1	TRUSS BOOM WINCH	
7	70021573	1	WINCH MOTOR	
8	10267585	1	HOOK ASSY	
9	10727327	1	CABLE SHEAVE	
10	10125085	1	PIN	
11	1012355	1	WIRE ROPE	
12	10721556	1	THIMBLE, 3/8IN	
13	10721557	3	WIRE CLIP, 3/8	
14	2220374	2	STRAIGHT ADAPTER	
15	10837865	2	HYDRAULIC HOSE, 1/2X60IN	
16	10716611	1	GREASE FITTING, 1/4-28	
17	10700009	1	HEX HD CAPSCREW, 1/4-20X2	
18	10705000	1	HEX NUT, 1/4-20	
19	4110412	2	LENGTH AND CAPACITY DECAL	
20	4110422	2	DANGER SWINGING LOADS DECAL	
21	4110252	4	PINCH POINT DECAL	

SECTION 3 - ATTACHMENTS

FIGURE 3-15. 12FT TRUSS BOOM WITH WINCH (SN 0160037900 to Present, Including 0160037855)



PAP3440

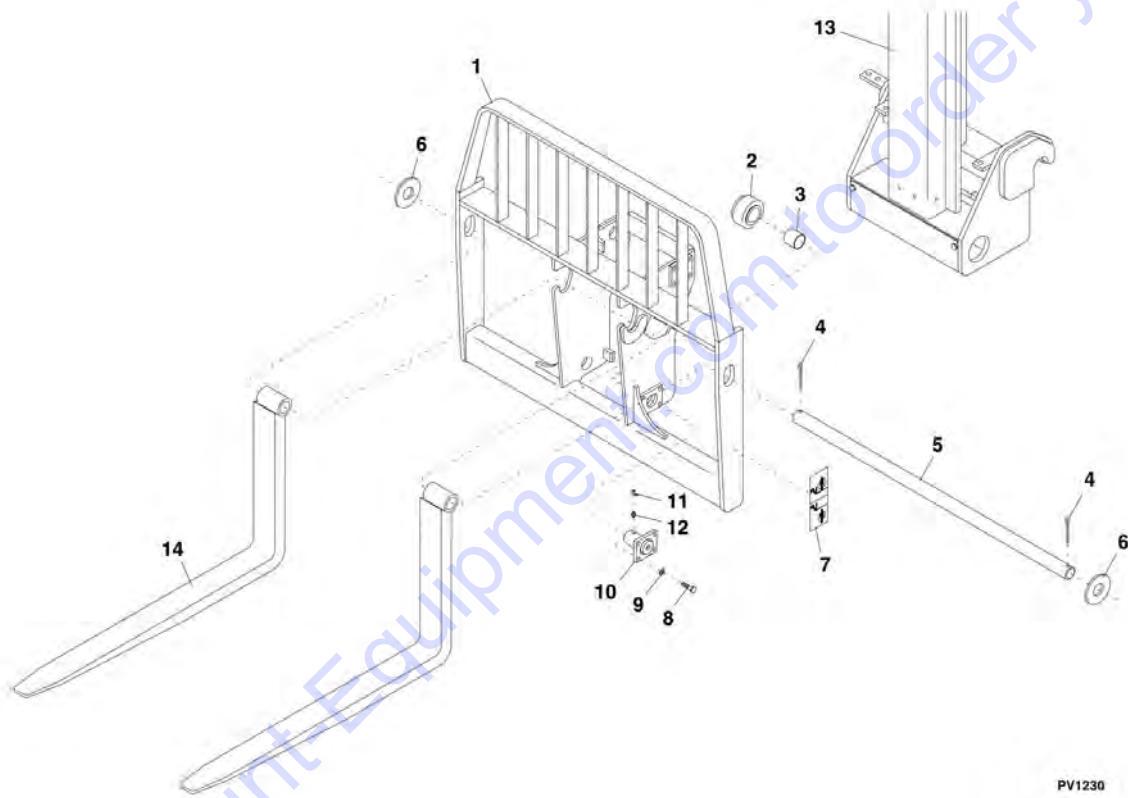
SECTION 3 - ATTACHMENTS

FIGURE 3-15. 12FT TRUSS BOOM WITH WINCH (SN 0160037900 to Present, Including 0160037855)

ITEM	PART NUMBER	QTY	DESCRIPTION	REV
	1001099351	1	12FT TRUSS BOOM WITH WINCH, (includes all items)	F
1	N.S.S.	1	TRUSS BOOM FRAME	
2	90554016	1	USA DECAL	
3	N.S.S.	1	SN PLATE	
4	70021349	4	HEX HD CAPSCREW, 3/8X1	
4	90554042	4	LOCK WASHER, 3/8	
5	70021921	1	TRUSS BOOM WINCH MOTOR	
6	N.S.S.	2	HEX HD CAPSCREW, 1/2X1.75	
6	90554020	2	LOCK WASHER, 1/2	
6	90554054	2	HEX NUT, 1/2	
7	70021415	2	CONNECTOR	
8	70021977	2	HOSE ASSY, 3/8X32	
9	N.S.S.	1	ELBOW, 90	
10	7029692	1	MALE QUICK COUPLER	
11	90554062	1	DUST CAP	
12	70021342	1	FEMALE QUICK COUPLER	
13	90554076	1	DUST COVER	
15	70021978	1	BALL SWIVEL WITH SAFETY HOOK	
16	70021979	1	SOCKET ASSY, (includes items 17 & 18)	
17	N.S.S.	1	PIN	
18	N.S.S.	1	COTTER PIN	
19	N.S.S.	2	CLAMP	
20	70021935	1	PULLEY	
21	70022028	1	CABLE	
22	4110422	2	WARNING SWINGING LOADS DECAL	
23	N.S.S.	1	PIN	
24	N.S.S.	2	FLAT WASHER, 1	
25	N.S.S.	2	SNAP RING	

SECTION 3 - ATTACHMENTS

FIGURE 3-16. CARRIAGE ASSEMBLY WITH 8FT VERTICAL MAST (NON-TILT) (Prior to SN 0160037900, Excluding 0160037855)



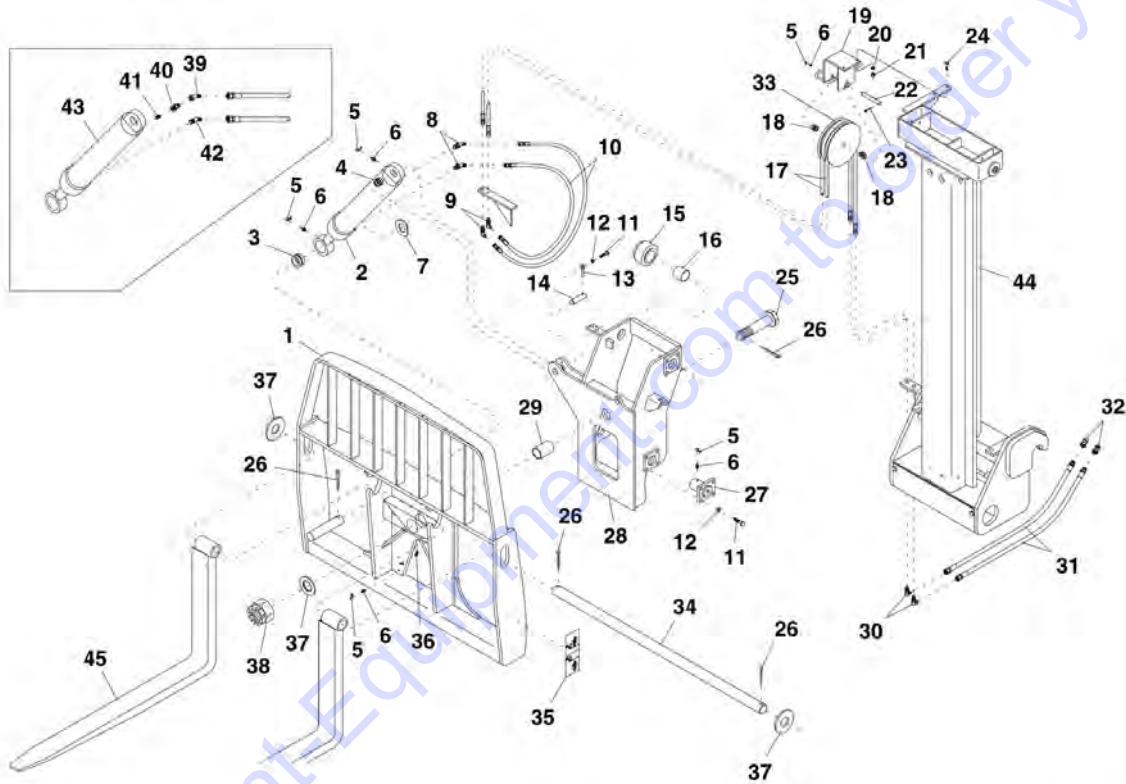
SECTION 3 - ATTACHMENTS

FIGURE 3-16. CARRIAGE ASSEMBLY WITH 8FT VERTICAL MAST (NON-TILT) (Prior to SN 0160037900, Excluding 0160037855)

ITEM	PART NUMBER	QTY	DESCRIPTION	REV
	48056	1	CARRIAGE ASSY WITH 8FT VERTICAL MAST, (non-tilt), (includes items 1 thru 14)	3
1	N.S.S.	1	TOWER CARRIAGE	
2	10226150	4	TOWER ROLLER	
3	10719110	4	TOWER ROLLER BUSHING	
4	10703906	2	COTTER PIN, 3/8X3	
5	10138064	1	FORK SHAFT	
6	10138066	2	FORK SHAFT WASHER	
7	10224752	1	CARRIAGE SAFETY DECAL	
8	14994040	16	HEX HD CAPSCREW, 1/2X1	
9	11009080	16	LOCKWASHER, 1/2	
10	10226146	4	TOWER ROLLER PIN	
11	10732689	4	GREASE FITTING COVER	
12	11160110	4	GREASE FITTING	
13		Ref	VERTICAL MAST ASSY, (See 8FT VERTICAL MAST ASSEMBLY for Breakdown)	
14		Ref	FORKS, (See FORKS for Breakdown)	

SECTION 3 - ATTACHMENTS

FIGURE 3-17. CARRIAGE ASSEMBLY WITH 8FT VERTICAL MAST (TILT) (Prior to SN 0160037900, Excluding 0160037855)



PAP14870

SECTION 3 - ATTACHMENTS

FIGURE 3-17. CARRIAGE ASSEMBLY WITH 8FT VERTICAL MAST (TILT) (Prior to SN 0160037900, Excluding 0160037855)

ITEM	PART NUMBER	QTY	DESCRIPTION	REV
	48057	1	CARRIAGE ASSY WITH 8FT VERTICAL MAST, (tilt), (includes items 1 thru 38)	4
1	N.S.S.	1	TOWER CARRIAGE	
2		Ref	TILT CARRIAGE CYLINDER, (includes items 3 & 4), (See OPTIONS SECTION for Breakdown)	
3	10116228	1	CYLINDER BUSHING, ROD END	
4	10116227	1	CYLINDER BUSHING, BASE END	
5	10732689	8	GREASE FITTING COVER	
6	11160110	8	GREASE FITTING	
7	10116323	1	SPECIAL WASHER	
8	2220501	2	ELBOW, 45, (includes o-ring)	
9	8770189	2	BULKHEAD ELBOW, 45	
10	10836590	2	HYDRAULIC HOSE ASSY	
11	14994040	16	HEX HD CAPSCREW, 1/2X1	
12	11009080	16	LOCKWASHER, 1/2	
13	10135707	1	LOCK PIN	
14	10138014	1	TILT CYLINDER PIN	
15	10226150	4	TOWER ROLLER	
16	10719110	4	TOWER ROLLER BUSHING	
17	10837535	2	HYDRAULIC HOSE ASSY	
18	11016150	6	FLAT WASHER, 5/8	
19	10216114	1	SHEAVE SUPPORT	
20	11009060	2	LOCKWASHER, 3/8	
21	11261060	2	HEX NUT, 3/8-16	
22	10116117	1	SHEAVE SHAFT	
23	11133050	1	COTTER PIN, 1/8X1-1/4	
24	11143040	2	HEX HD CAPSCREW, 3/8-16X1	
25	10138065	1	CARRIAGE PIVOT BOLT	
26	10703906	4	COTTER PIN, 3/8X3	
27	10226146	4	TOWER ROLLER PIN	
28	10438873	1	INNER CARRIAGE	
29	10138013	1	PIVOT SLEEVE	
30	2230043	2	BULKHEAD ELBOW, 90	
31	10837864	2	HYDRAULIC HOSE ASSY	
32	10866136	2	MALE QUICK COUPLER, (includes o-ring)	
32	10730518	2	DUST CAP	
33	10216115	1	TOWER SHEAVE	
34	10138064	1	FORK SHAFT	
35	10224752	1	CARRIAGE SAFETY DECAL	
36	11160140	1	GREASE FITTING, 90	
37	10138066	4	PIVOT WASHER	
38	10837794	1	HEX CASTLE NUT, 2-12	
39	2220657	1	SWIVEL ELBOW, 45	
40	10135420	1	SPECIAL ADAPTER	
41	10138114	1	ORIFICE	
42	10718943	1	PIPE ELBOW, 45	
43	10266336	1	CYLINDER REPLACEMENT KIT, (includes items 2, 3, 4 & 9)	
44		Ref	VERTICAL MAST ASSY, (See 8FT VERTICAL MAST ASSEMBLY for Breakdown)	

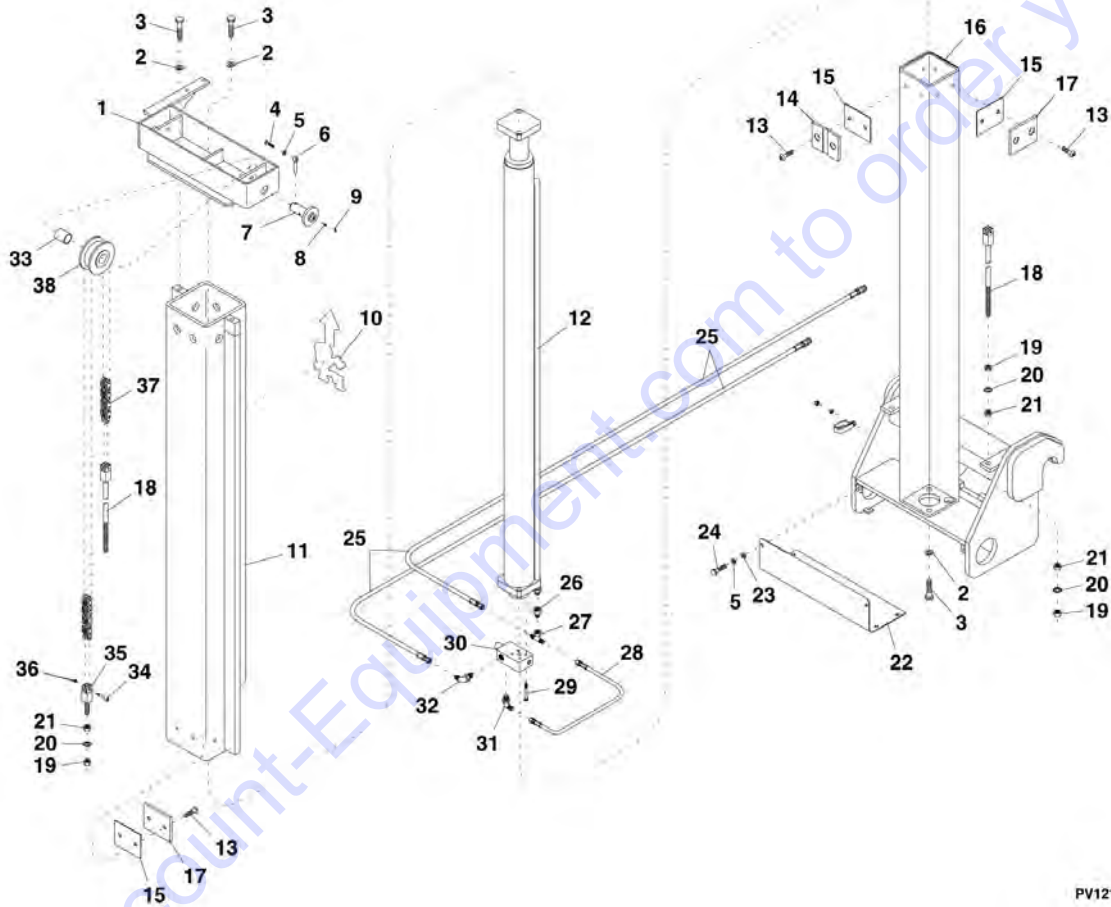
SECTION 3 - ATTACHMENTS

ITEM	PART NUMBER	QTY	DESCRIPTION	REV
45		Ref	FORK, (See FORKS for Breakdown)	

Go to Discount-Equipment.com to order your parts

SECTION 3 - ATTACHMENTS

FIGURE 3-18. 8FT VERTICAL MAST ASSEMBLY (Prior to SN 0160037900, Excluding 0160037855)



PV1210

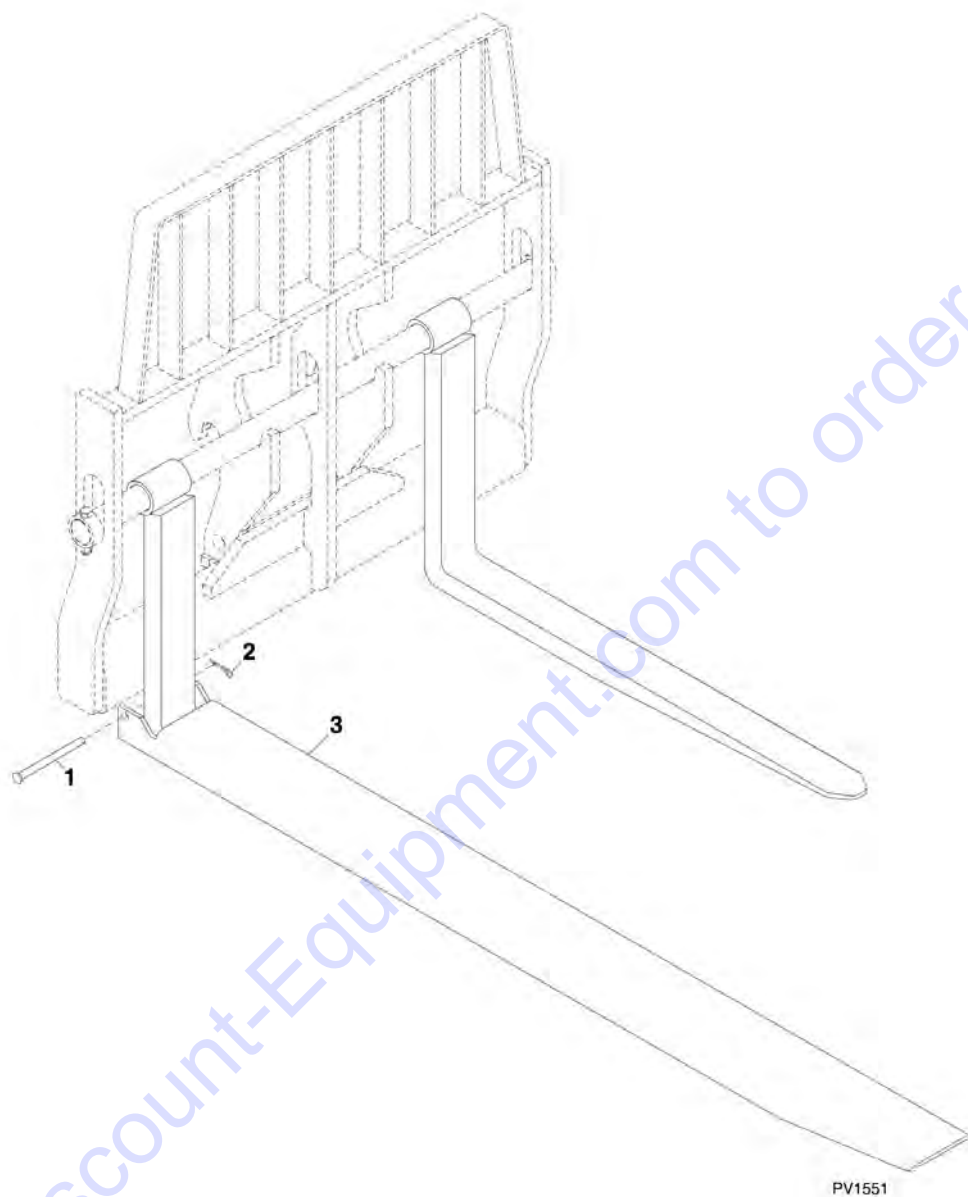
SECTION 3 - ATTACHMENTS

FIGURE 3-18. 8FT VERTICAL MAST ASSEMBLY (Prior to SN 0160037900, Excluding 0160037855)

ITEM	PART NUMBER	QTY	DESCRIPTION	REV
	48060	1	VERTICAL MAST ASSY, (includes all items)	3
1	10326137	1	PULLEY HOUSING	
2	11009100	6	LOCKWASHER, 5/8	
3	11894070	6	HEX HD CAPSCREW, 5/8-11X1-3/4	
4	10700203	2	HEX HD CAPSCREW, 3/8-16X7/8	
5	11009060	8	LOCKWASHER, 3/8	
6	10126161	2	LOCK PIN	
7	10126143	2	CHAIN PULLEY WELDMENT PIN	
8	11160110	2	GREASE FITTING	
9	10732689	2	GREASE FITTING COVER	
10	10239382	1	8FT TOWER DECAL	
11	10438860	1	OUTER TUBE WELDMENT	
12		Ref	TOWER CYLINDER, (See OPTIONS SECTION for Breakdown)	
13	10703115	16	FLAT SOCKET HD CAPSCREW, 1/2-13X1	
14	10728504	1	GROOVED TOWER SLIDE PAD	
15	101261521	AR	TOWER SHIM, 11 GA	
15	101261522	AR	TOWER SHIM, 14 GA	
15	101261523	AR	TOWER SHIM, 20 GA	
16	10438852	1	UPRIGHT ASSEMBLY FRAME	
17	10728503	7	TOWER SLIDE PAD	
18	10226141	2	CHAIN ANCHOR	
19	11486100	6	HEX JAM NUT, 5/8-18	
20	10701363	6	STAR WASHER, 5/8	
21	11129100	6	HEX NUT, 5/8-18	
22	10239047	1	COVER PLATE	
23	11016130	6	FLAT WASHER, 3/8	
24	11143030	6	HEX HD CAPSCREW, 3/8-16X1	
25	10837866	2	HYDRAULIC HOSE ASSY	
26	2220619	1	SWIVEL REDUCER	
27	2220579	1	BRANCH SWIVEL TEE	
28	10721617	1	HYDRAULIC HOSE ASSY	
29	11047270	4	HEX HD CAPSCREW, 5/16-18X2	
30	10726324	1	COUNTERBALANCE VALVE	
31	2220628	1	ELBOW, 90	
32	2220775	1	ELBOW, 90	
33	10720365	2	BUSHING	
34	10727971	4	SHOULDER BOLT, 5/16-20X1	
35	10215055	2	ANCHOR CHAIN	
36	11170040	4	HEX LOCKNUT, 1/4-20	
37	10138898	2	8FT TOWER LIFT CHAIN	
38	10214979	2	PULLEY	

SECTION 3 - ATTACHMENTS

FIGURE 3-19. FORKS



NOTE:
FORKS RATED LESS THAN THE ATTACHMENT OR MACHINE'S CAPACITY DECREASES CAPACITY OF THE ATTACHMENT OR MACHINE TO THAT OF THE FORKS.
FORKS RATED MORE THAN THE ATTACHMENT OR MACHINE'S CAPACITY DO NOT INCREASE ATTACHMENT OR MACHINE'S CAPACITY.
PLEASE CONSULT JLG PARTS DEPARTMENT TO DETERMINE THE CORRECT FORKS APPLICABLE TO YOUR SPECIFIC CARRIAGE ASSEMBLY AND APPLICATION.

SECTION 3 - ATTACHMENTS

FIGURE 3-19. FORKS

ITEM	PART NUMBER	QTY	DESCRIPTION	REV
	10238118	2	48IN CUBING FORK, 2X2, 4,000LB (SN 0160009654 through 0160035580, Including 0160008714)	E
	1001099845	2	48IN CUBING FORK, 2X2, 4,000LB (SN 0160035581 through 0160037899, Excluding 0160037855)	B
	2340037	2	48IN CUBING FORK, 2X2, 3,880LB (SN 0160037900 to Present, Including 0160037855)	A
	10239894	NLA	48IN PALLET FORK, 4X2.25, 10,000LB , (no longer available, use a set of 1001099847 for replacement) (SN 0160009654 through 0160035580, Including 0160008714)	B
	1001099847	2	48IN PALLET FORK, 4X2.25, 10,000LB (SN 0160035581 through 0160037899, Excluding 0160037855)	A
	2340045	2	48IN PALLET FORK, 4X2.36, 10,950LB (SN 0160037900 to Present, Including 0160037855)	A
	10238569	NLA	48IN PALLET FORK, 5X2, 10,000LB , (no longer available, use a set of 1001099846 for replacement) (SN 0160009654 through 0160035580, Including 0160008714)	C
	1001099846	2	48IN PALLET FORK, 5X2, 10,000LB (SN 0160035581 through 0160037899, Excluding 0160037855)	A
	2340038	2	48IN PALLET FORK, 5X2.36, 13,700LB (SN 0160037900 to Present, Including 0160037855)	A
	10238570	NLA	60IN PALLET FORK, 5X2, 10,000LB , (no longer available, use a set of 1001099848 for replacement) (SN 0160009654 through 0160035580, Including 0160008714)	B
	1001099848	2	60IN PALLET FORK, 5X2, 10,000LB (SN 0160035581 through 0160037899, Excluding 0160037855)	A
	10239095	NLA	60IN PALLET FORK, 7X1-3/4, 10,000LB , (no longer available, use a set of 1001099849 for replacement) (SN 0160009654 through 0160035580, Including 0160008714)	B
	1001099849	2	60IN PALLET FORK, 7X1-3/4, 10,000LB (SN 0160035581 through 0160037899, Excluding 0160037855)	A
	10239969	2	60IN LUMBER FORK, 1-3/4X7 , (use with swing carriage only) (Prior to SN 0160037900, Excluding 0160037855)	AA
	10238025	NLA	48IN PALLET FORK, 2X4, 8,000LB , (use with tower only), (no longer available, use a set of 1001099850 for replacement) (SN 0160009654 through 0160035580, Including 0160008714)	C
	1001099850	2	48IN PALLET FORK, 2X4, 8,000LB , (use with tower only) (SN 0160035581 through 0160037899, Excluding 0160037855)	A
	10239970	2	60IN PALLET FORK, 2X5 , (use with swing carriage only) (Prior to SN 0160037900, Excluding 0160037855)	AA
	2340046	2	60IN DUAL TAPER FORK, 1-3/4X7, 10,800LB (SN 0160037900 to Present, Including 0160037855)	A
	2340039	2	60IN DUAL TAPER FORK, 2-23/64X6, 16,300LB (SN 0160037900 to Present, Including 0160037855)	A
	1001092391	2	72IN DUAL TAPER FORK, 2X6, 11,300LB (SN 0160037900 to Present, Including 0160037855)	A
	1001137512	2	90IN FORK EXTENSION, (includes items 1 thru 3)	D
1	70024306	1	PIN	
2	70024307	1	CLIP	
3	N.S.S.	1	WELDMENT	

PARTS FINDER

**Search Website
by Part Number**



**Search Manual
Library For Parts
Manual & Lookup Part
Numbers – Purchase
or Request Quote**

**Can't Find Part or
Manual? Request Help
by Manufacturer,
Model & Description**

Discount-Equipment.com is your online resource for quality parts & equipment.

Florida: **561-964-4949** Outside Florida TOLL FREE: **877-690-3101**

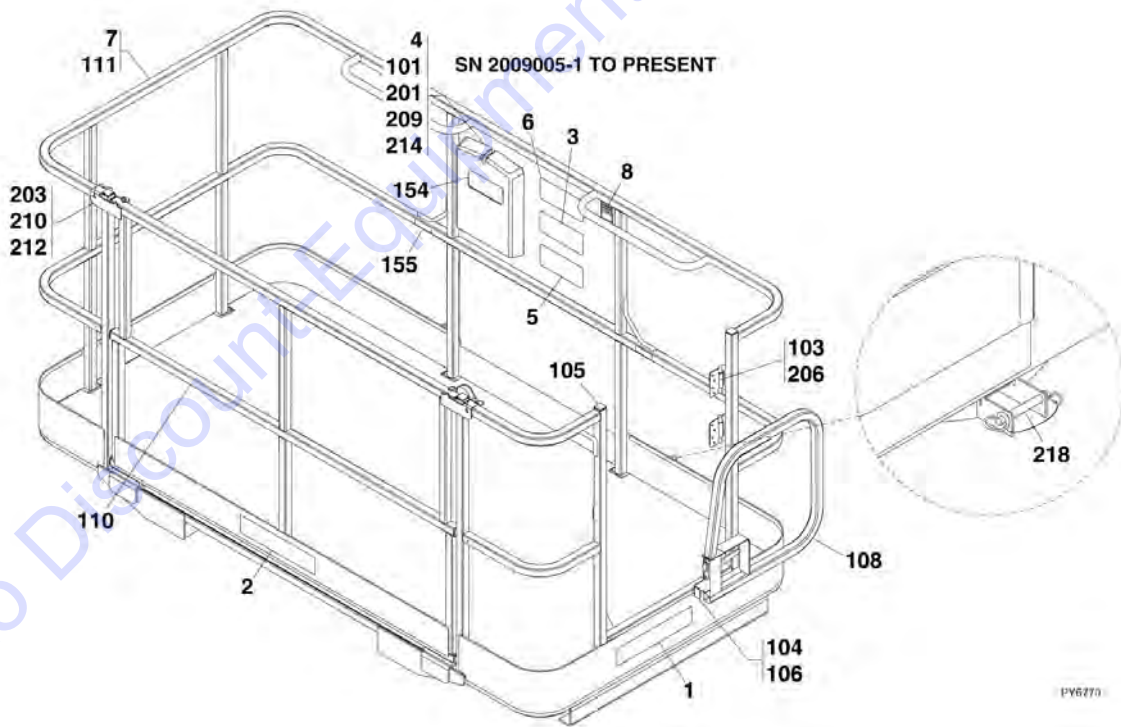
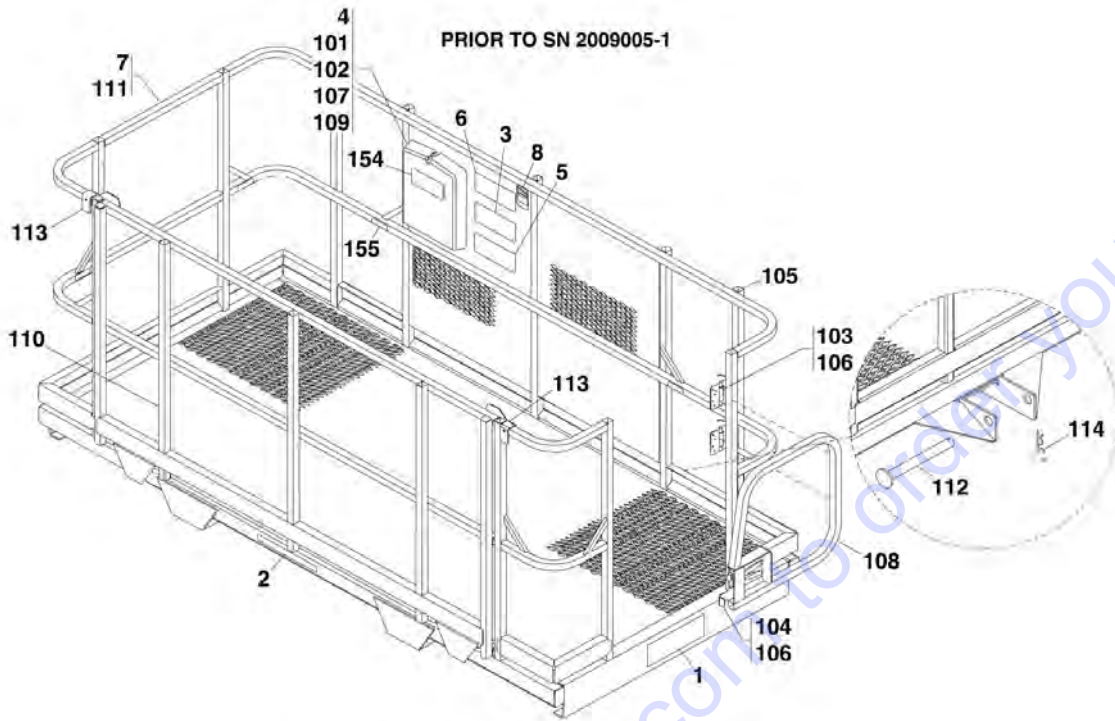
Need parts?

Click on this link: <http://www.discount-equipment.com/category/5443-parts/> and choose one of the options to help get the right parts and equipment you are looking for. Please have the machine model and serial number available in order to help us get you the correct parts. If you don't find the part on the website or on one of the online manuals, please fill out the request form and one of our experienced staff members will get back to you with a quote for the right part that your machine needs.

We sell worldwide for the brands: Genie, Terex, JLG, MultiQuip, Mikasa, Essick, Whiteman, Mayco, Toro Stone, Diamond Products, Generac Magnum, Airman, Haulotte, Barreto, Power Blanket, Nifty Lift, Atlas Copco, Chicago Pneumatic, Allmand, Miller Curber, Skyjack, Lull, Skytrak, Tsurumi, Husquvarna Target, Stow, Wacker, Sakai, Mi-T-M, Sullair, Basic, Dynapac, MBW, Weber, Bartell, Bennar Newman, Haulotte, Ditch Runner, Menegotti, Morrison, Contec, Buddy, Crown, Edco, Wyco, Bomag, Laymor, EZ Trench, Bil-Jax, F.S. Curtis, Gehl Pavers, Heli, Honda, ICS/PowerGrit, IHI, Partner, Imer, Clipper, MMD, Koshin, Rice, CH&E, General Equipment, Amida, Coleman, NAC, Gradall, Square Shooter, Kent, Stanley, Tamco, Toku, Hatz, Kohler, Robin, Wisconsin, Northrock, Oztec, Toker TK, Rol-Air, APT, Wylie, Ingersoll Rand / Doosan, Innovatech, Con X, Ammann, Mecalac, Makinex, Smith Surface Prep, Small Line, Wanco, Yanmar

SECTION 3 - ATTACHMENTS

FIGURE 3-20. FORK MOUNTED PLATFORM



PV6270

SECTION 3 - ATTACHMENTS

FIGURE 3-20. FORK MOUNTED PLATFORM

ITEM	PART NUMBER	QTY	DESCRIPTION	REV
	1001092280	NLA	FORK MOUNTED PLATFORM, (Prior to SN 2009005-1), (ASME), (no longer available, order 1001103637 for replacement or items 1 thru 8 for service)	E
	1001103637	1	FORK MOUNTED PLATFORM, (SN 2009005-1 to Present), (ASME), (includes items 1 thru 8)	D
	1001096306	NLA	FORK MOUNTED PLATFORM, (Prior to SN 2009005-1), (ISO), (no longer available, order 1001103730 for replacement or items 1 thru 8 for service)	C
	1001103730	1	FORK MOUNTED PLATFORM, (SN 2009005-1 to Present), (ISO), (includes items 1 thru 8)	D
	1001097072	NLA	FORK MOUNTED PLATFORM, (Prior to SN 2009005-1), (ASME - FRENCH), (no longer available, order 1001103736 for replacement or items 1 thru 8 for service)	C
	1001103736	1	FORK MOUNTED PLATFORM, (SN 2009005-1 to Present), (ASME - FRENCH), (includes 1 thru 8)	D
1	1702773	2	JLG DECAL	
2	1704885	1	WEBSITE DECAL	
3	1706892	1	PLATFORM WARNING DECAL, (ASME)	
3	1001096025	1	PLATFORM WARNING DECAL, (ISO)	
3	1001096024	1	PLATFORM WARNING DECAL, (ASME - FRENCH)	
4	31200160	1	OPERATION AND SAFETY MANUAL, (ASME)	
4	31200387	1	OPERATION AND SAFETY MANUAL, (ISO - SPANISH)	
4	31200388	1	OPERATION AND SAFETY MANUAL, (ISO - PORTUGUESE)	
4	31200386	1	OPERATION AND SAFETY MANUAL, (ASME - FRENCH)	
5	1001092481	1	WARNING DECAL, (ASME)	
5	1001096021	1	WARNING DECAL, (ISO)	
5	1001096019	1	WARNING DECAL, (ASME - FRENCH)	
6	1001092482	1	CAPACITY DECAL, (ASME)	
6	1001096023	1	CAPACITY DECAL, (ISO)	
6	1001096020	1	CAPACITY DECAL, (ASME - FRENCH)	
7	N.S.S.	1	FORK MOUNTED PLATFORM, (Prior to SN 2009005-1), (includes items 101 thru 114)	B
7	N.S.S.	1	FORK MOUNTED PLATFORM, (SN 2009005-1 to Present), (includes items 101, 103 thru 106, 108, 110, 111, 154, 155 & 201 thru 218)	J
8	N.S.S.	1	SN PLATE	
101	0860520	1	MANUAL STORAGE BOX	
102	2080044	4	RIVNUT FASTENER, 1/4-20	
103	2600281	2	HINGE	
104	2940074	1	LATCH	
105	3520198	21	PLUG, (Prior to SN 2009005-1)	
105	3520072	10	PLUG, (SN 2009005-1 to Present)	
106	3820020	20	POP RIVET, (Prior to SN 2009005-1)	
106	3820020	4	POP RIVET, (SN 2009005-1 to Present)	
107	4751400	4	WASHER, 1/4	
108	4846452	1	GATE WELDMENT	
109	80263012	4	SCREW WHIZ-LOCK, 1/4-20X1/2	
110	1001093140	1	GATE WELDMENT, (Prior to SN 2009005-1)	
110	1001095810	1	GATE WELDMENT, (SN 2009005-1 to Present)	
111	N.S.S.	1	PLATFORM WELDMENT	
112	1001093171	2	PIN	
113	1001097168	2	SAFETY SNAP PIN WITH LANYARD	

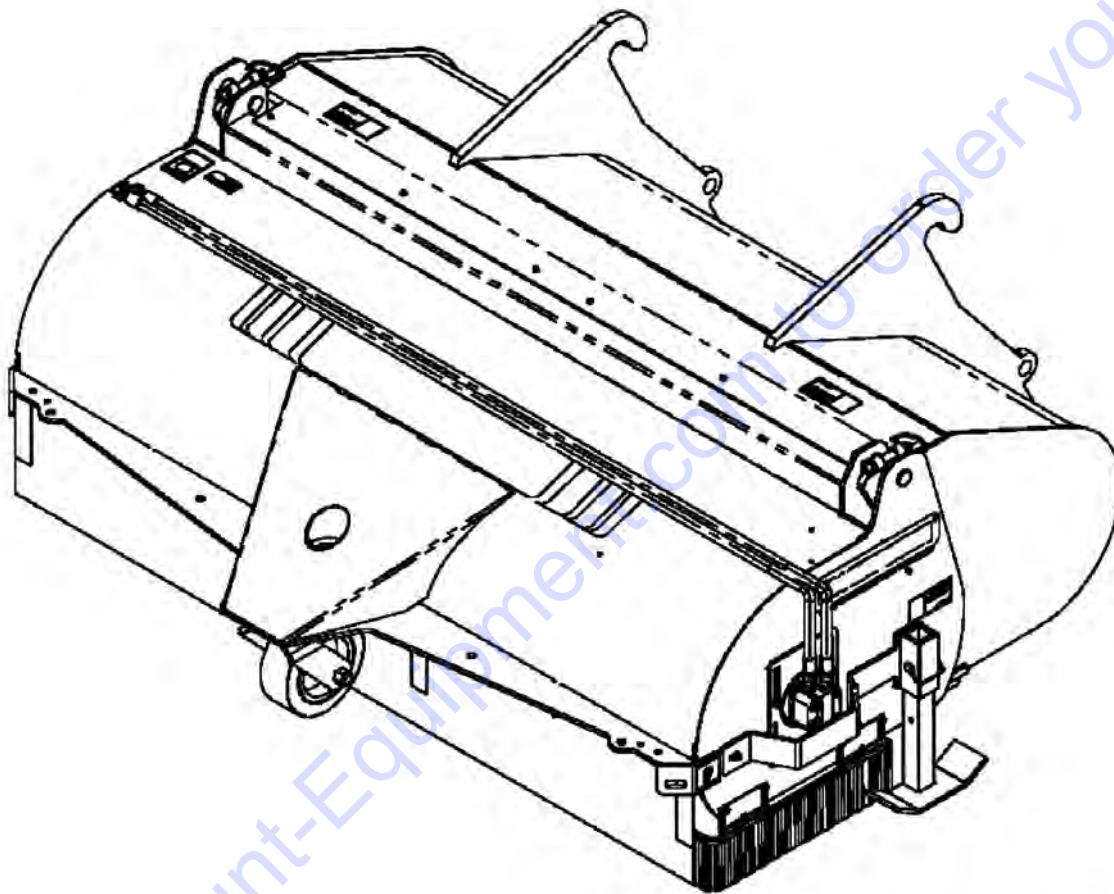
SECTION 3 - ATTACHMENTS

ITEM	PART NUMBER	QTY	DESCRIPTION	REV
114	1001098582	2	LYNCH PIN 3/16 WITH LANYARD	
154	1701509	1	MANUAL DECAL	
155	1704277	8	LANYARD ATTACH DECAL, (Prior to SN 2009005-1)	
155	1704277	3	LANYARD ATTACH DECAL, (SN 2009005-1 to Present)	
201	0641405	4	HEX HD CAPSCREW, 1/4-20X5/8	
203	1060379	2	6IN LANYARD CABLE	
206	2080040	16	FASTENER	
209	3311405	4	HEX NUT, 1/4-20	
210	3421453	2	PIN	
212	3760170	4	RING	
214	4711400	8	WASHER, 1/4	
218	1001102813	2	HITCH PIN	

Go to Discount-Equipment.com to order your parts

SECTION 3 - ATTACHMENTS

FIGURE 3-21. SWEEPER ASSEMBLY (SN 0160037900 to Present, Including 0160037855)



PV1740

SECTION 3 - ATTACHMENTS

FIGURE 3-21. SWEEPER ASSEMBLY (SN 0160037900 to Present, Including 0160037855)

ITEM	PART NUMBER	QTY	DESCRIPTION	REV
	0274719	1	SWEEPER ASSY	C
	10266970	1	SWEEPER WITH BUCKET	

Go to Discount-Equipment.com to order your parts

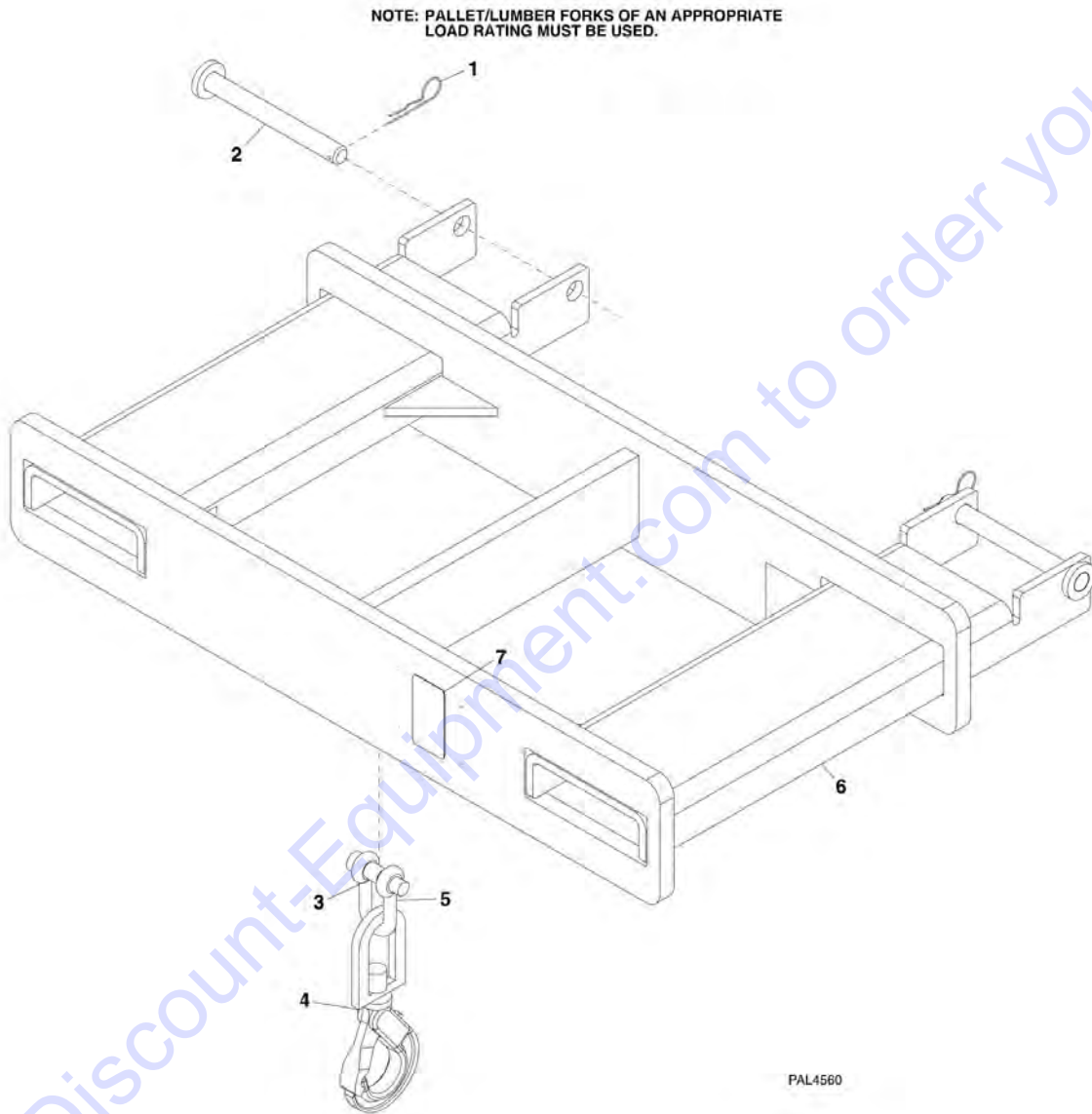
SECTION 3 - ATTACHMENTS

FIGURE 3-22. GRAPPLE BUCKET (SN 0160037900 to Present, Including 0160037855)

ITEM	PART NUMBER	QTY	DESCRIPTION	REV
	0930020	1	GRAPPLE BUCKET, (includes all items)	G
1	N.S.S.	1	BUCKET	
1	70021387	4	HOSE CLAMP	
2	70021391	1	RIGHT GRAPPLE HOOK	
3	70021392	1	LEFT GRAPPLE HOOK	
4	70021358	4	BUSHING	
5	70021359	2	SPACER	
6	70021360	4	BUSHING	
7	7029714	4	GREASE FITTING	
8	70021361	2	OUTER PIVOT PIN	
9	70021362	2	INNER PIVOT PIN	
10		Ref	GRAPPLE BUCKET CYLINDER, (See HYDRAULIC COMPONENTS SECTION for Breakdown)	
11	70021364	2	PIN	
12	70021365	2	PIN	
13	70021366	4	HEX HD CAPSCREW, 3/8X2.75	
13	70021367	4	LOCK NUT, 3/8	
14	70021399	4	HEX HD CAPSCREW, 3/8X2.25	
14	70021367	4	LOCK NUT, 3/8	
15	90554065	4	ELBOW, 90	
16	70021980	2	HOSE ASSY, 3/8X73IN	
17	70020562	2	TEE FITTING	
18	70021981	2	HOSE ASSY, 3/8X46IN	
19	70021982	2	HOSE ASSY, 3/8X34IN	
20	70022527	2	ELBOW, 90	
21	7029692	1	MALE QUICK COUPLER	
22	90554062	1	DUST COVER	
23	70021342	1	FEMALE QUICK COUPLER	
24	90554076	1	DUST COVER	
25	90554016	1	USA DECAL	
26	N.S.S.	1	SN PLATE	
27	90554017	2	DANGER PINCH POINT DECAL	
28	90554018	1	HIGH PRESSURE WARNING DECAL	

SECTION 3 - ATTACHMENTS

FIGURE 3-23. FORK MOUNTED LIFTING HOOK (SN 0160037900 to Present, Including 0160037855)



SECTION 3 - ATTACHMENTS

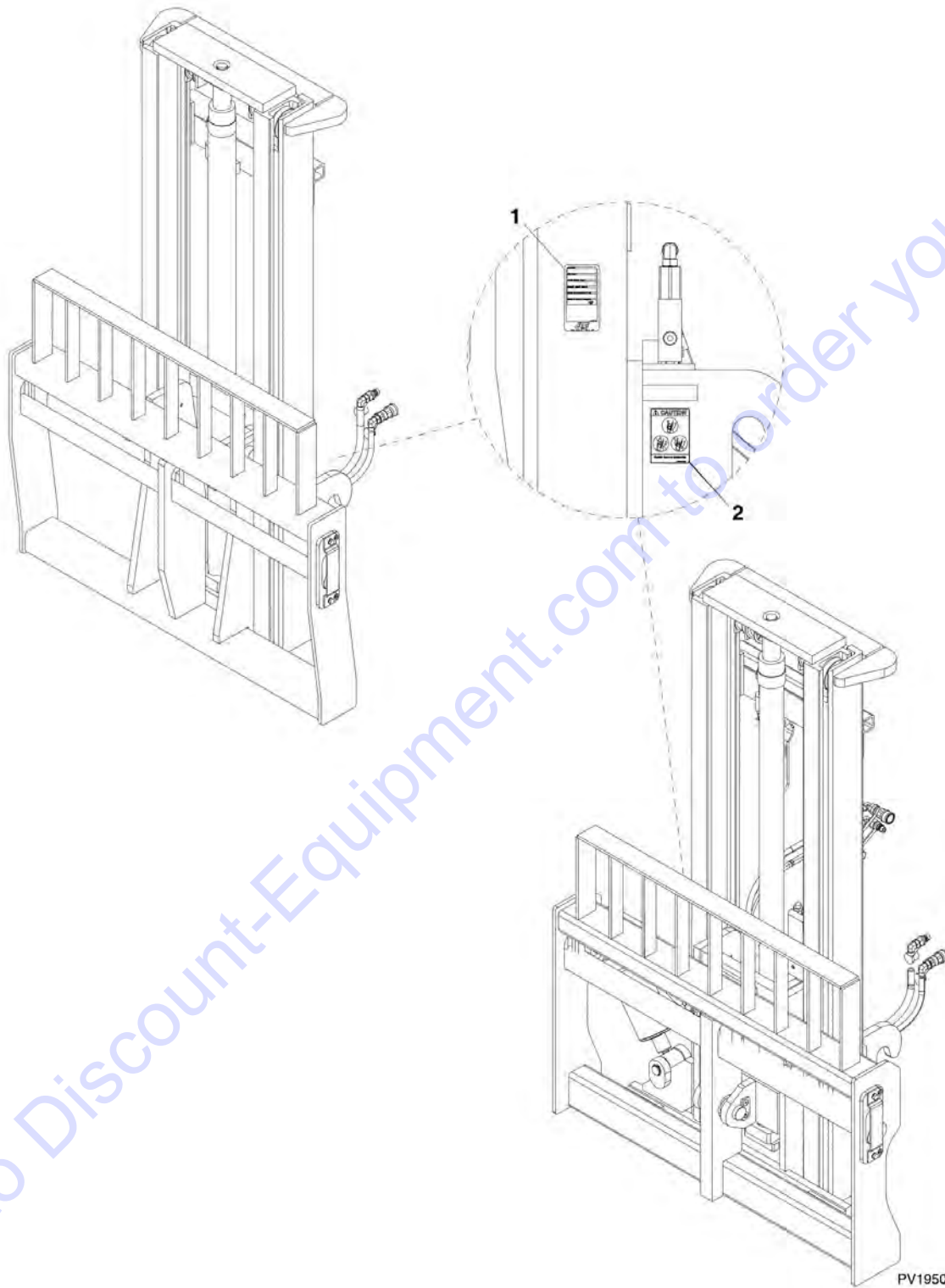
FIGURE 3-23. FORK MOUNTED LIFTING HOOK (SN 0160037900 to Present, Including 0160037855)

ITEM	PART NUMBER	QTY	DESCRIPTION	REV
	91565094	1	FORK MOUNTED LIFTING HOOK, (includes all items)	F
1	7029520	2	HAIRPIN CLIP	
2	1001093171	2	PIN	
3	70020555	1	SPRING BUSHING	
4	90554080	1	SLING HOOK	
5	7029521	1	CHAIN SHACKLE, 12,000LB	
6	N.S.S.	1	LIFTING HOOK	
7	N.S.S.	1	SN PLATE	

Go to Discount-Equipment.com to order your parts

SECTION 3 - ATTACHMENTS

FIGURE 3-24. 8FT MAST ASSEMBLY (SN 0160037900 to Present, Including 0160037855)



SECTION 3 - ATTACHMENTS

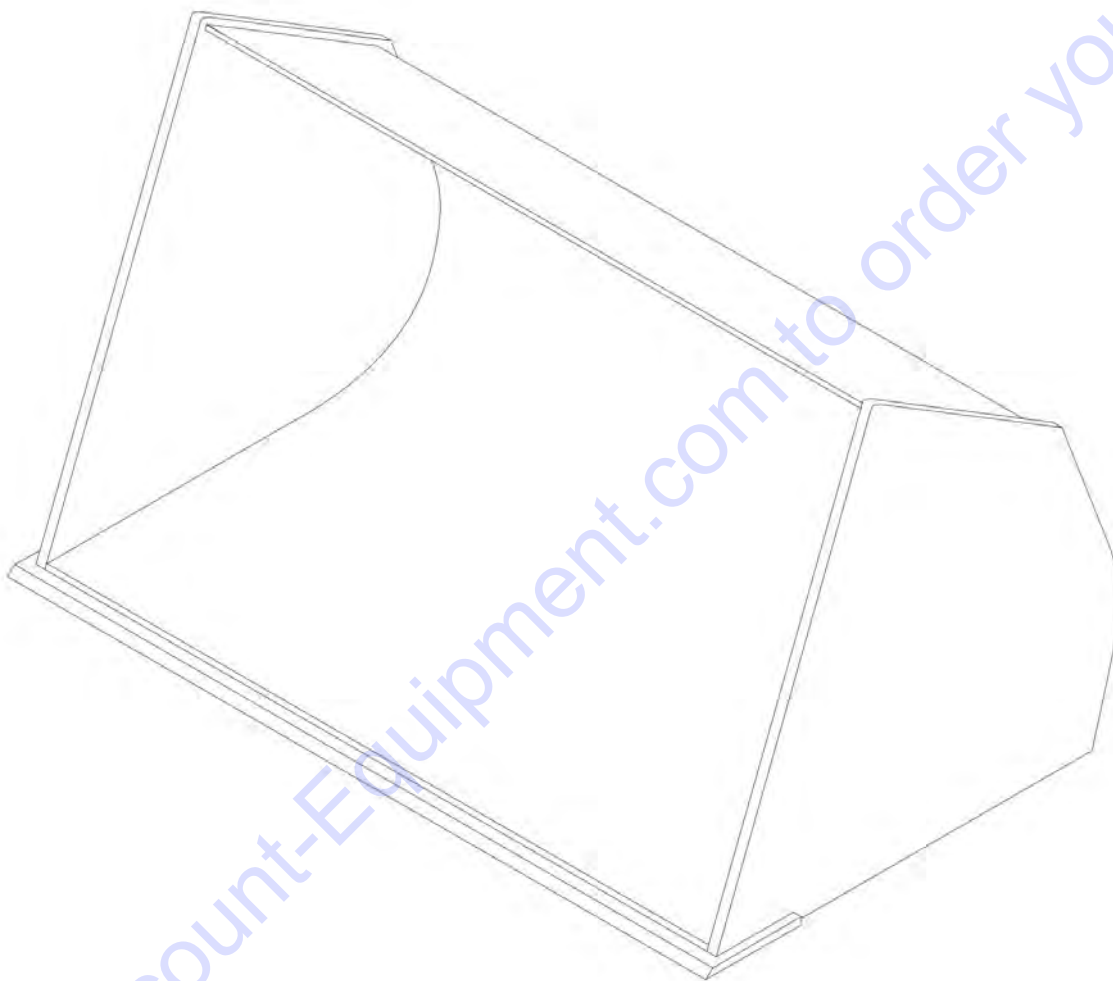
FIGURE 3-24. 8FT MAST ASSEMBLY (SN 0160037900 to Present, Including 0160037855)

ITEM	PART NUMBER	QTY	DESCRIPTION	REV
	1001108668	1	8FT MAST ASSY, (4500LB), (includes items 1 & 2)	B
	1001108670	1	8FT MAST ASSY WITH SIDE TILT, (4500LB), (includes items 1 & 2)	B
1	N.S.S.	1	SN PLATE	
2	1001111190	2	WARNING DECAL	

Go to Discount-Equipment.com to order your parts

SECTION 3 - ATTACHMENTS

FIGURE 3-25. BUCKETS (SN 0160037900 to Present, Including 0160037855)



Go to Discount-Equipment.com to order your parts

SECTION 3 - ATTACHMENTS

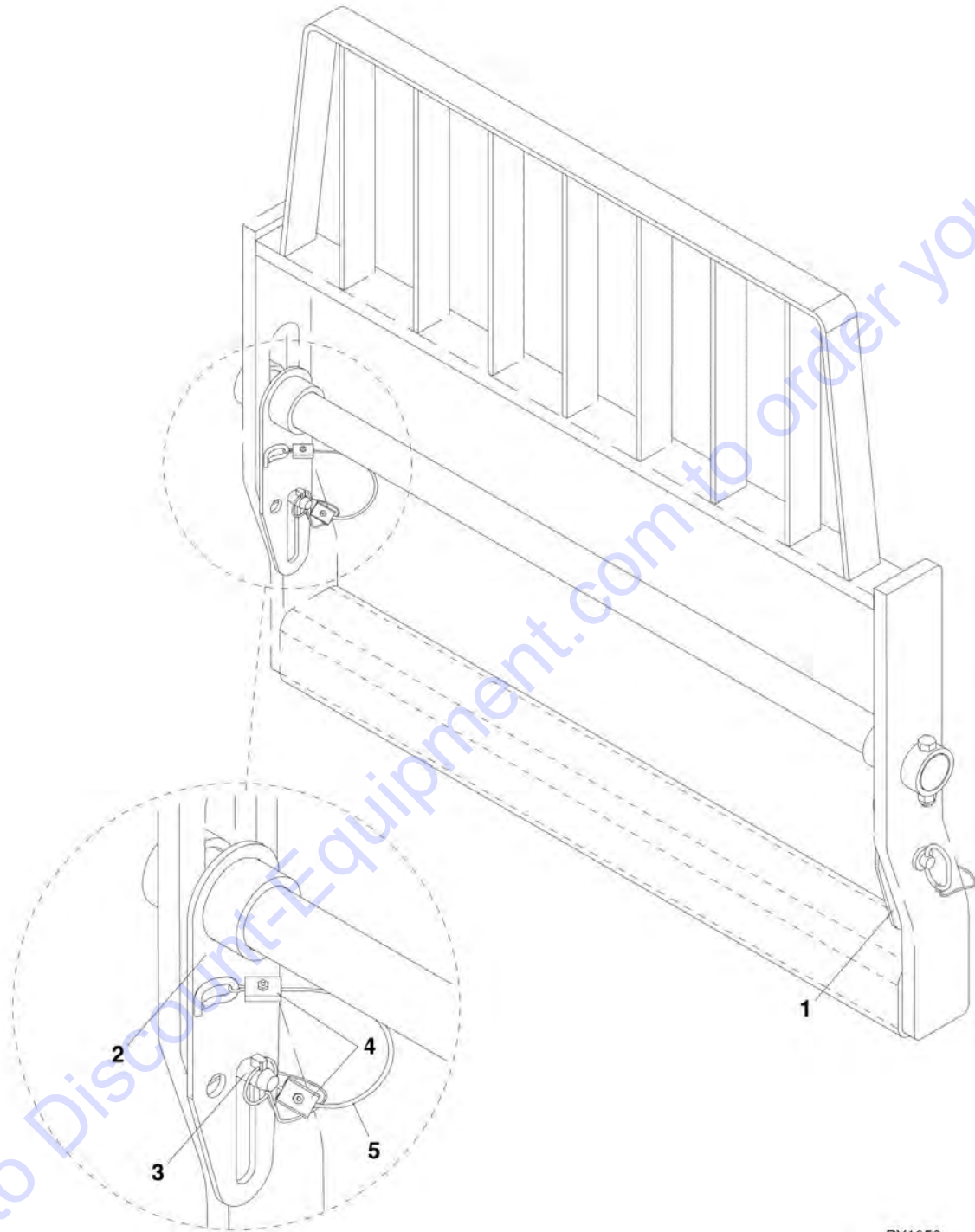
FIGURE 3-25. BUCKETS (SN 0160037900 to Present, Including 0160037855)

ITEM	PART NUMBER	QTY	DESCRIPTION	REV
	1001100822	1	72IN BUCKET, 1.0 ³ YARD	B
	1001100823	1	96IN BUCKET, 1.5 ³ YARD	B
	1001100824	1	102IN BUCKET, 2.0 ³ YARD	B

Go to Discount-Equipment.com to order your parts

SECTION 3 - ATTACHMENTS

FIGURE 3-26. FORK PIN LOCK INSTALLATION (SN 0160037900 to Present, Including 0160037855)



SECTION 3 - ATTACHMENTS

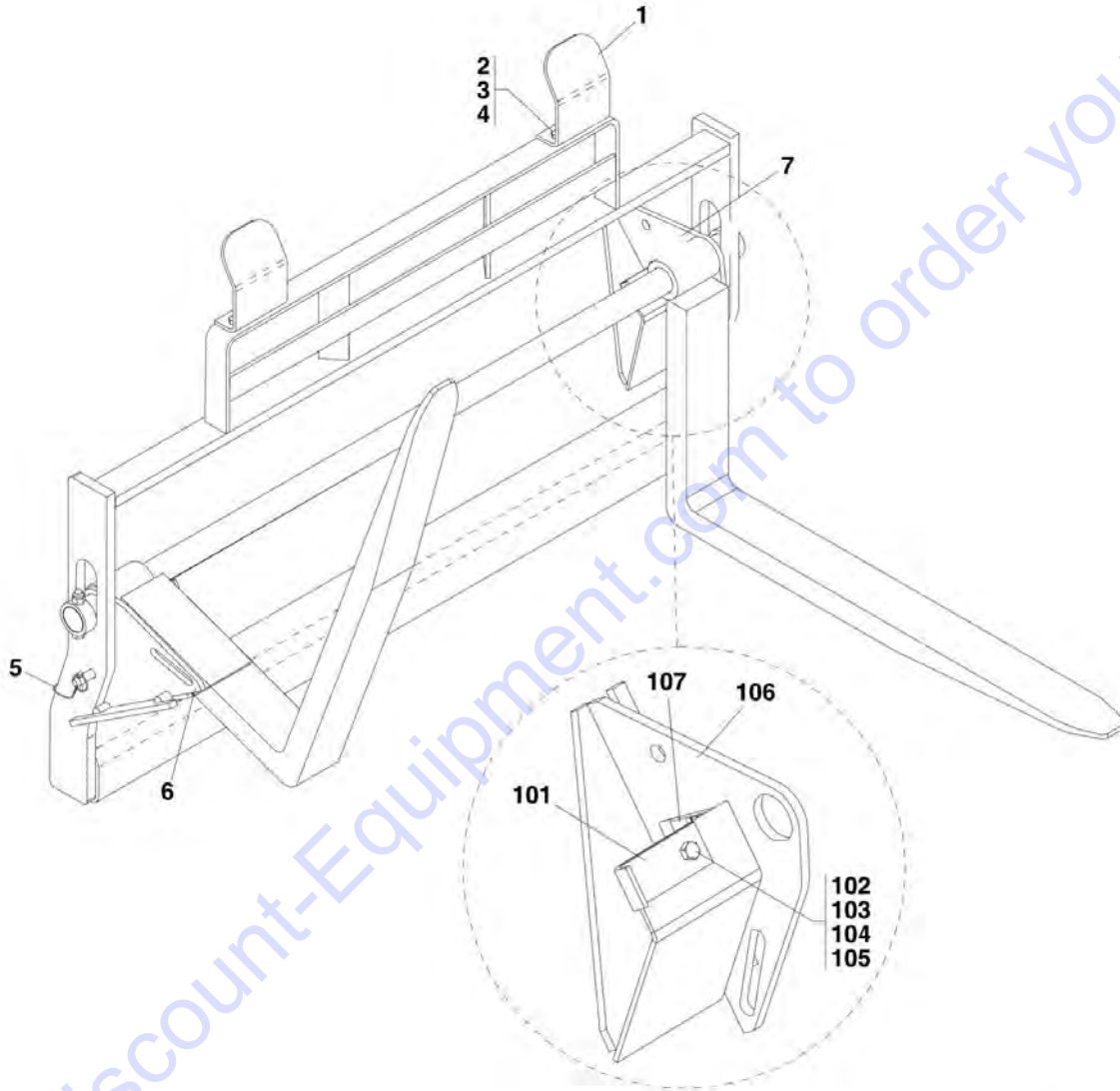
FIGURE 3-26. FORK PIN LOCK INSTALLATION (SN 0160037900 to Present, Including 0160037855)

ITEM	PART NUMBER	QTY	DESCRIPTION	REV
	1001093465	1	FORK PIN LOCK INSTALLATION (not available to order, see items 1 thru 5 for service)	B
1	0240156	1	LH FORK PIN LOCK	
2	1001093273	1	RH FORK PIN LOCK	
3	1001093377	2	HITCH PIN	
4	1001094830	4	CLAMP	
5	1001094330	2	LANYARD	

Go to Discount-Equipment.com to order your parts

SECTION 3 - ATTACHMENTS

FIGURE 3-27. SHEET MATERIAL HANDLER



PY1510

SECTION 3 - ATTACHMENTS

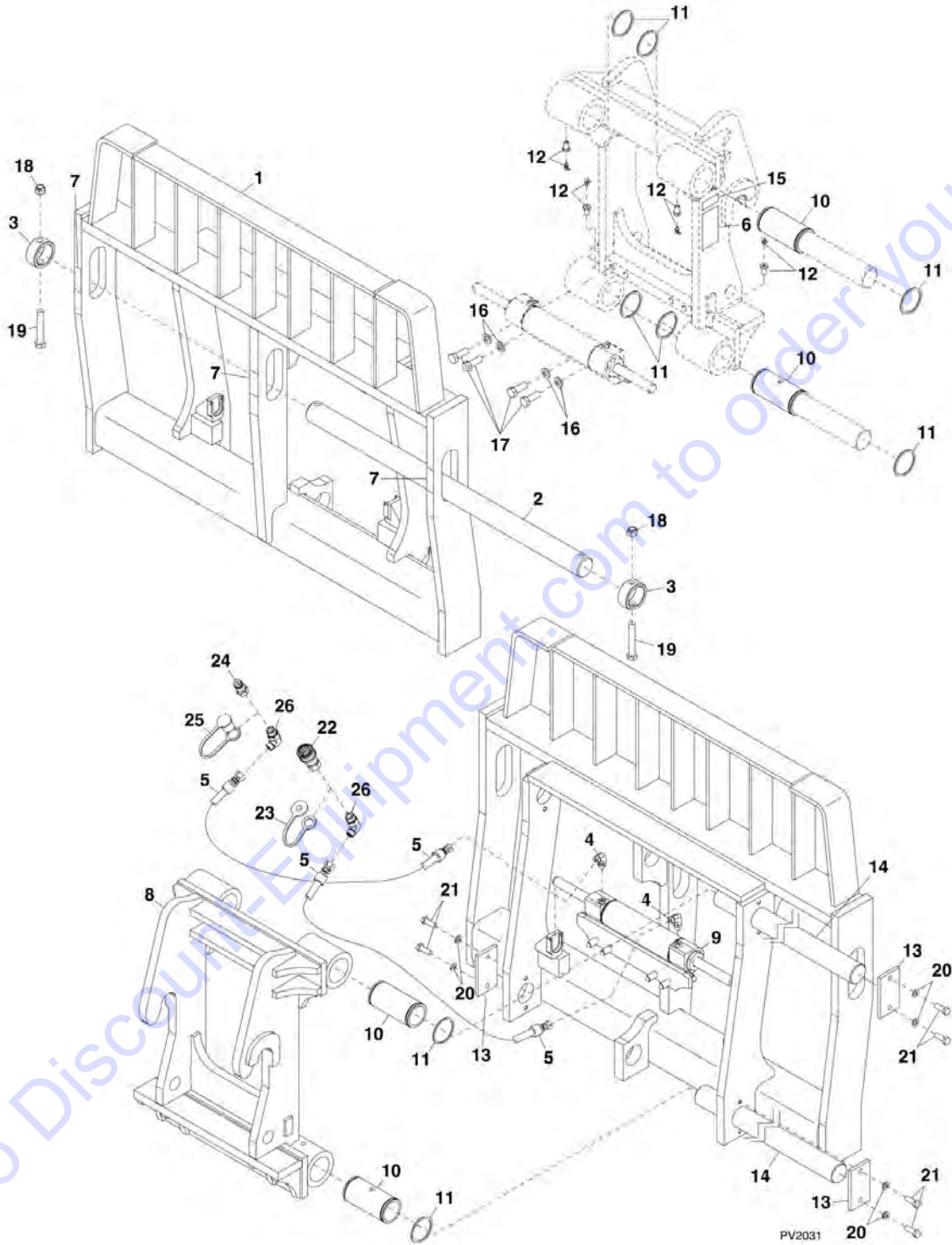
FIGURE 3-27. SHEET MATERIAL HANDLER

ITEM	PART NUMBER	QTY	DESCRIPTION	REV
	1001100227	1	SHEET MATERIAL HANDLER ASSY, (includes items 1 thru 7)	A
1	7112642	2	BACKREST EXTENSION	
2	8303626	4	HEX HD CAPSCREW, 1/2-13X1-1/2, GR5	
3	8305012	4	HEX NUT, 1/2-13	
4	8307007	4	LOCK WASHER, 1/2	
5	1001093377	2	HITCH PIN	
6	1001101115	1	RH FORK SUPPORT ASSY, (includes items 101 thru 107)	A
7	1001101116	1	LH FORK SUPPORT ASSY, (includes items 101 thru 107)	B
101	7114941	1	LOCK BAR	
102	8303626	1	HEX HD CAPSCREW, 1/2-13X1-1/2, GR5	
103	8305644	1	HEX LOCK NUT, 1/2-13	
104	8307007	1	LOCK WASHER, 1/2	
105	8307112	1	WASHER, 1/2	
106	N.S.S.	1	FORK SUPPORT RH, (not shown)	
106	N.S.S.	1	FORK SUPPORT LH, (shown)	
107	N.S.S.	1	SN PLATE	

Go to Discount-Equipment.com to order your parts

SECTION 3 - ATTACHMENTS

FIGURE 3-28. 50IN SIDE SHIFT CARRIAGE (SN 0160037900 to Present, Including 0160037855)



SECTION 3 - ATTACHMENTS

FIGURE 3-28. 50IN SIDE SHIFT CARRIAGE (SN 0160037900 to Present, Including 0160037855)

ITEM	PART NUMBER	QTY	DESCRIPTION	REV
	1001142790	1	50IN SIDE SHIFT CARRIAGE, (includes all items)	B
1	N.S.S.	1	WELDMENT	
2	70024535	1	SHAFT	
3	70024536	2	COLLAR	
4	70024123	2	ADAPTER, 90, (includes o-ring)	
5	70024537	2	HOSE ASSEMBLY	
6	N.S.S.	1	SN PLATE	
7	70024538	3	WARNING DECAL	
8	N.S.S.	1	WELDMENT	
9		Ref	50IN SIDE SHIFT CYLINDER, (See HYDRAULIC COMPONENTS SECTION for Breakdown)	
10	70024540	4	BUSHING	
11	70024541	8	CIRCLIP	
12	70024542	4	GREASE FITTING	
13	70024543	4	RETAINER	
14	70024544	2	SHAFT	
15	N.S.S.	1	SN PLATE	
16	70024551	4	LOCKWASHER, 16mm	
17	70024552	4	HEX HD CAPSCREW, M16X45, GR10.9	
18	70024553	2	HEX NUT, M16, GR8	
19	70024554	2	HEX HD CAPSCREW, M16X100, GR10.9	
20	70022997	8	LOCKWASHER, 12mm	
21	70024555	8	HEX HD CAPSCREW, M12X35, GR10.9	
22	91403413	1	FEMALE QUICK DISCONNECT	
23	8420055	1	DUST PLUG	
24	91403414	1	MALE QUICK DISCONNECT	
25	8420053	1	DUST CAP	
26	70024550	2	ADAPTER, 90, (includes o-ring)	
K1	70024545	1	HYDRAULIC REPAIR KIT, (includes items 5, 22 thru 26)	B
K2	70024546	1	RETAINER KIT, (includes items 13, 20 & 21)	B

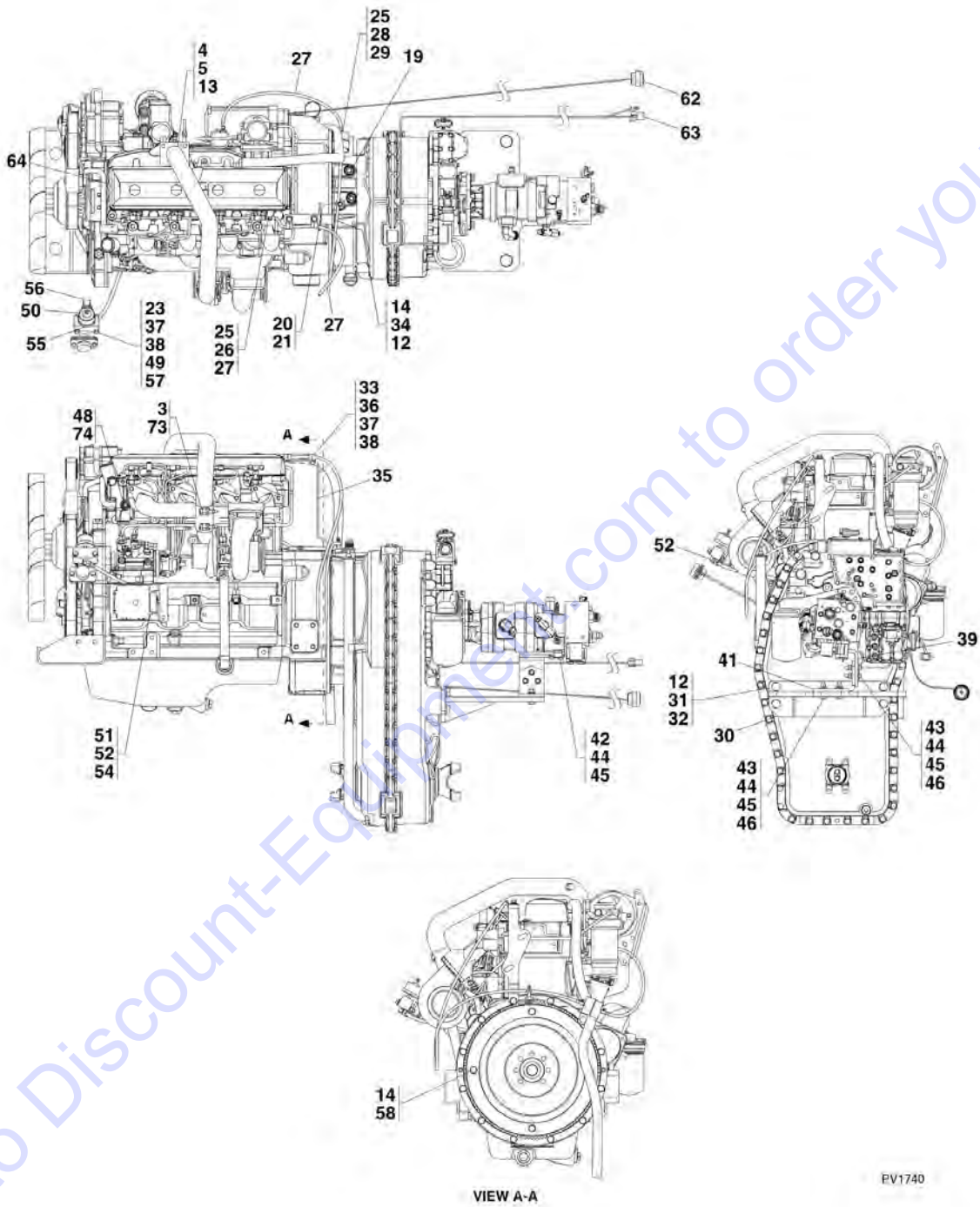
SECTION 4 - ENGINE AND ATTACHING PARTS

SECTION 4 - ENGINE AND ATTACHING PARTS

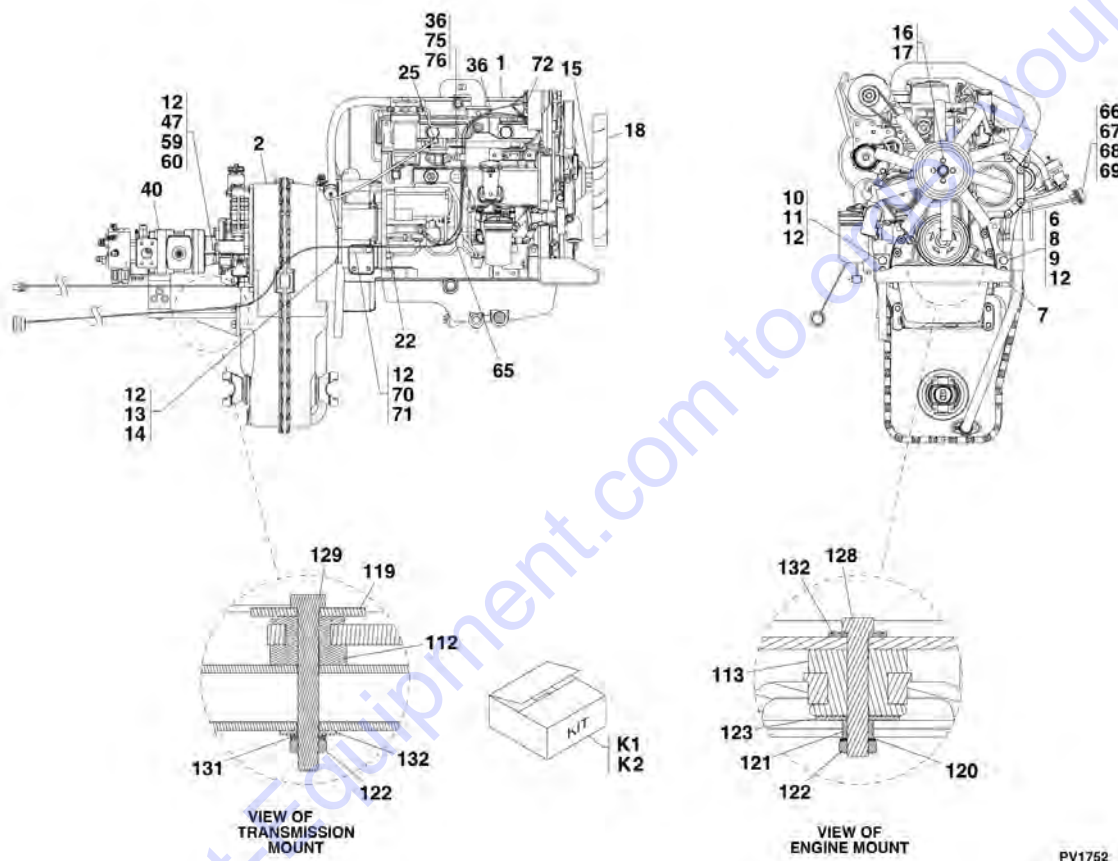
Go to Discount-Equipment.com to order your parts

SECTION 4 - ENGINE AND ATTACHING PARTS

FIGURE 4-1. ENGINE INSTALLATION (SN 0160009654 through 0160018506, Including 0160008714)



SECTION 4 - ENGINE AND ATTACHING PARTS



SECTION 4 - ENGINE AND ATTACHING PARTS

FIGURE 4-1. ENGINE INSTALLATION (SN 0160009654 through 0160018506, Including 0160008714)

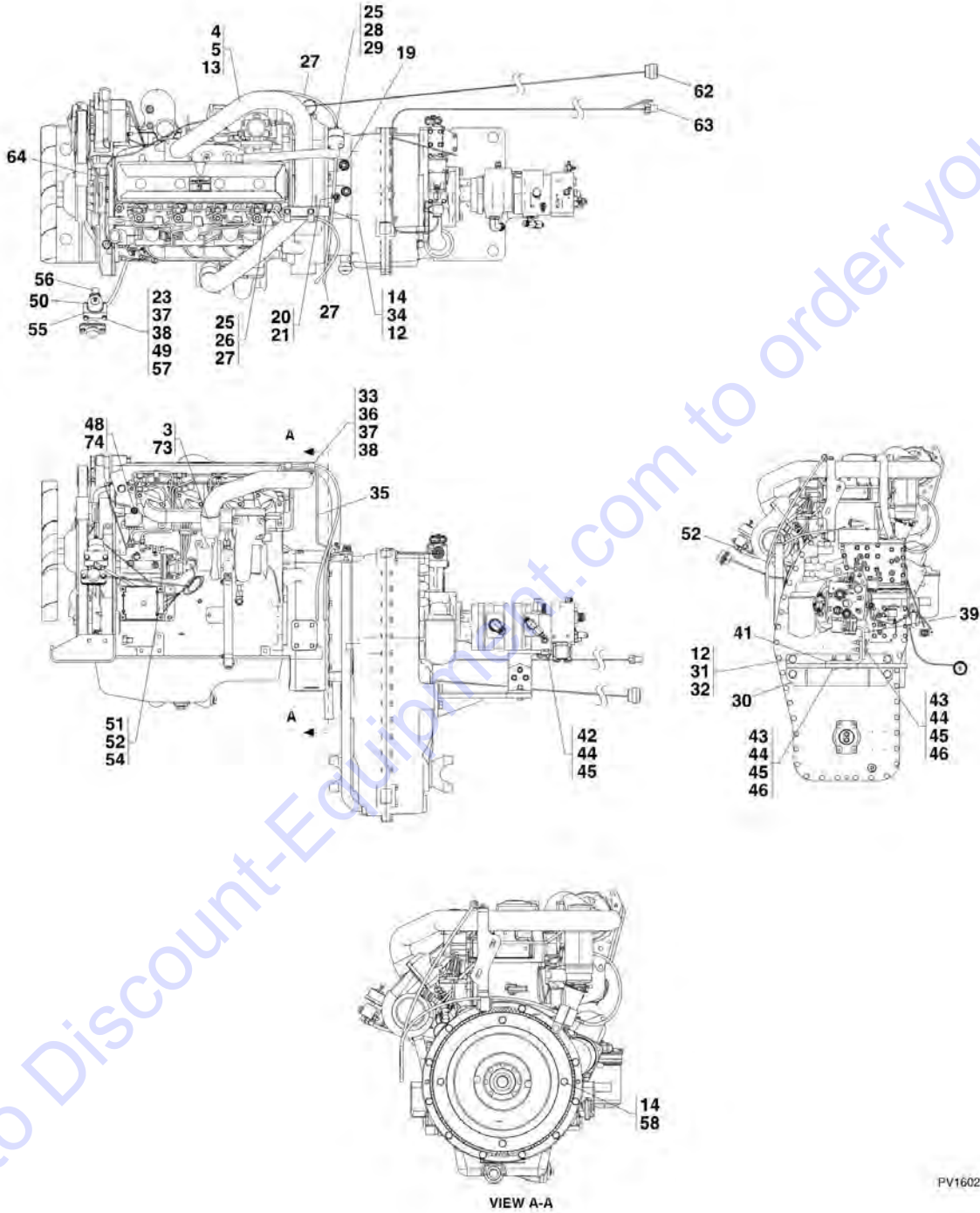
ITEM	PART NUMBER	QTY	DESCRIPTION	REV
	0274396	Ref	ENGINE INSTALLATION, (not available to order, see items 1 thru 71 & 73 thru 76 for service)	I
1		Ref	JOHN DEERE ENGINE, (See ENGINE for Breakdown)	
2		Ref	ZF TRANSMISSION, (See DRIVE TRAIN SECTION for Breakdown)	
3	2720550	1	AIR INTAKE HOSE COUPLING	
4	3460480	1	AIR INTAKE HOSE	
5	91553057	1	INTAKE GASKET	
6	0642022	2	HEX HD CAPSCREW, 5/8-11X2-3/4	
7	10265156	1	ENGINE MOUNT	
8	10701314	4	LOCKWASHER, 5/8	
9	10701512	2	HEX NUT, 5/8-11	
10	10704303	2	SOCKET HD CAPSCREW, M16X2.0X40, GR8.8	
11	10704611	2	LOCKWASHER, M16	
12	0100011	AR	LOCTITE 242	
13	0711014	13	HEX HD CAPSCREW, M10X30, (torque to 53-58 lb-ft)	
14	4812000	16	WASHER, 10mm	
15	0080270	1	FAN SPACER	
16	0700822	4	HEX HD CAPSCREW, M8X70	
17	4811900	4	WASHER, 8mm	
18	10728734	1	FAN	
19	2220408	2	CONNECTOR, (includes o-ring)	
19	88591206	2	O-RING	
20	2180858	1	CONNECTOR, 1/8 NPT TO 3/4 ORB	
21	10719472	1	OIL TEMP SENDER	
22	5251016	1	HEX HD CAPSCREW, M10X40, FLNG	
23	8130647	2	LOCKWASHER, M8	
25	8405009	4	HOSE CLAMP	
26	80373025	1	PUSH-LOCK FITTING	
27	82092118	17 ft	HOSE, 5/16IN	
28	90028660	1	LOOP CLAMP	
29	91083218	1	FUEL STRAINER	
30	4341019	1	TRANSMISSION MOUNT WELDMENT	
31	8307049	4	LOCKWASHER, M16	
32	0701617	4	HEX HD CAPSCREW, M16X45	
33	0641506	2	HEX HD CAPSCREW, 5/16-18X3/4	
34	0711015	1	HEX HD CAPSCREW, M10X35, (torque to 53-58 lb-ft)	
35	0903245	1	INTAKE TUBE SUPPORT BRACKET	
36	8406101	4	HOSE CLAMP	
37	3271501	4	HEX NUT, 5/16	
38	4711500	8	WASHER, 5/16	
39	0903213	1	UPPER PUMP SUPPORT BRACKET	
40	N.S.S.	1	VALVE AND PUMP ASSY	
40		Ref	ACCUMULATOR CHARGE VALVE, (See HYDRAULIC COMPONENTS SECTION for Breakdown)	
40	3931648	4	SOCKET HD CAPSCREW, 3/8-16X3, (Accum Charge Valve to Pump)	
40		Ref	TANDEM PUMP, (See HYDRAULIC COMPONENTS SECTION for Breakdown)	
41	10239839	1	LOWER PUMP SUPPORT BRACKET	
42	10700205	2	HEX HD CAPSCREW, 3/8-16X1-1/4	

SECTION 4 - ENGINE AND ATTACHING PARTS

ITEM	PART NUMBER	QTY	DESCRIPTION	REV
43	10700207	5	HEX HD CAPSCREW, 3/8-16X1-3/4	
44	10701277	7	HARDENED FLAT WASHER, 3/8IN	
45	10701310	7	LOCKWASHER, 3/8	
46	10701508	5	HEX NUT, 3/8-16	
47	10718602	1	O-RING	
48	10723222	1	WATER TEMP SENDER	
49	4761500	2	LOCKWASHER, 5/16	
50	10723217	1	OIL PRESSURE SENDER	
51	72071980	1.5 ft	NYLON HOSE, 3/8IN	
52	86883074	2	ELBOW, 90, 1/8 NPT TO 3/8 TUBE	
54	88711570	1	PIPE ADAPTER	
55	91081388	1	TAPPED BAR	
56	91563122	1	OIL PRESSURE SWITCH	
57	0641518	2	HEX HD CAPSCREW, 5/16-18X2-1/4	
58	0761012	4	HEX HD CAPSCREW, M10X25	
59	0701216	2	HEX HD CAPSCREW, M12X40	
60	4832100	2	SPRING LOCKWASHER, M12	
62		Ref	ENGINE ECU HARNESS, (See ELECTRICAL SECTION for Breakdown)	
63		Ref	TRANSMISSION SOLENOID HARNESS, (See ELECTRICAL SECTION for Breakdown)	
64	10720496	2	TIE WRAP	
65	1033820006	1	JUMPER WIRE, 26IN	
66	0641408	2	HEX HD CAPSCREW, 1/4-20X1	
67	3311405	2	HEX LOCKNUT, 1/4-20	
68	4711400	4	WASHER, 1/4	
69	91561291	2	MOUNT PLATE	
70	1320239	1	CLAMP, 1-3/4	
71	0701210	1	HEX HD CAPSCREW, M12X20	
72		Ref	DIODE HARNESS, (supplied with engine), (See ELECTRICAL SECTION for Breakdown)	
73	8405209	1	T-BOLT CLAMP	
74	91403265	1	REDUCER, 14mm	
75	8303784	1	HEX HD CAPSCREW, M10X1.5X20mm, PC8.8	
76	8307221	1	PLAIN WASHER, M10	
77	10837776	1	BLOCK HEATER, 120V, (not shown)	
112	10732961	2	CENTER BONDED MOUNT	
113	10718181	1	CENTER BONDED ISOLATOR	
119	10115616	2	MOUNT WASHER	
120	4792000	1	STAR WASHER, 5/8	
121	10701535	1	HEX NUT, 5/8-18	
122	10701585	3	JAM NUT, 5/8-18	
123	10115618	1	SNUBBING WASHER	
128	10700690	1	HEX HD CAPSCREW, 5/8-18X3-3/4, GR8	
129	10700693	2	HEX HD CAPSCREW, 5/8-18X5, GR8	
131	10701314	2	LOCKWASHER, 5/8	
132	10701408	3	WASHER, 5/8	
K1	2915065	1	250 HOUR FILTER KIT, (includes engine oil filter, primary fuel filter, in-line fuel filter, primary air filter and safety air filter)	
K2	2915066	1	1000 HOUR FILTER KIT, (includes engine oil filter, primary fuel filter, in-line fuel filter, primary air filter, safety air filter, transmission oil filter, hydraulic oil filter and breather filter)	

SECTION 4 - ENGINE AND ATTACHING PARTS

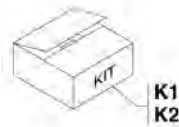
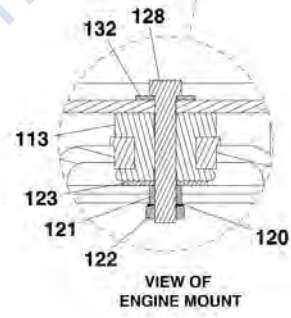
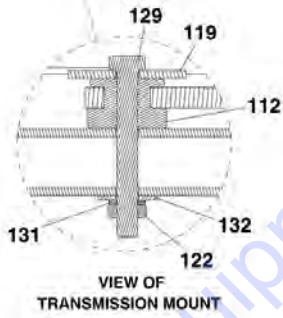
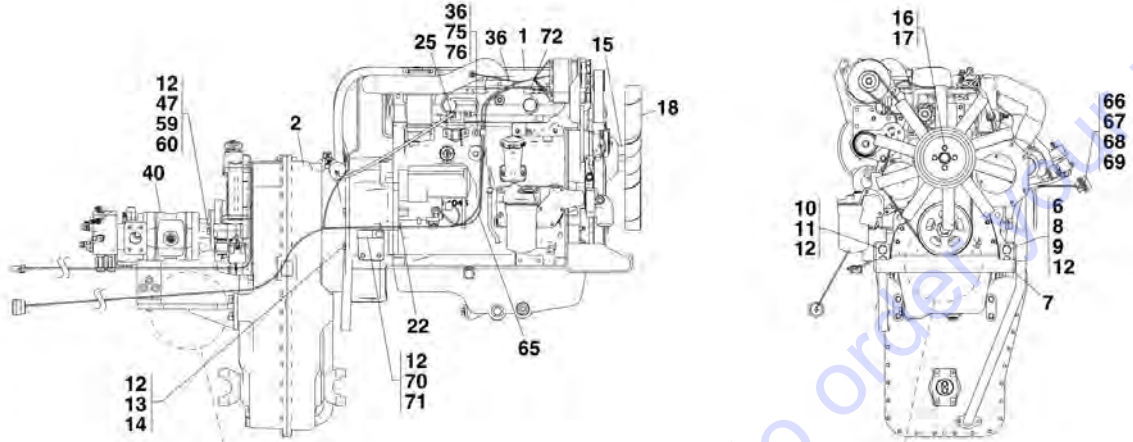
FIGURE 4-2. ENGINE INSTALLATION (SN 0160018507 through 0160040407, Excluding 0160037824 and 0160038521)



PV1602

Go to Discount-Equipment.com to order your parts

SECTION 4 - ENGINE AND ATTACHING PARTS



PAP14910

SECTION 4 - ENGINE AND ATTACHING PARTS

FIGURE 4-2. ENGINE INSTALLATION (SN 0160018507 through 0160040407, Excluding 0160037824 and 0160038521)

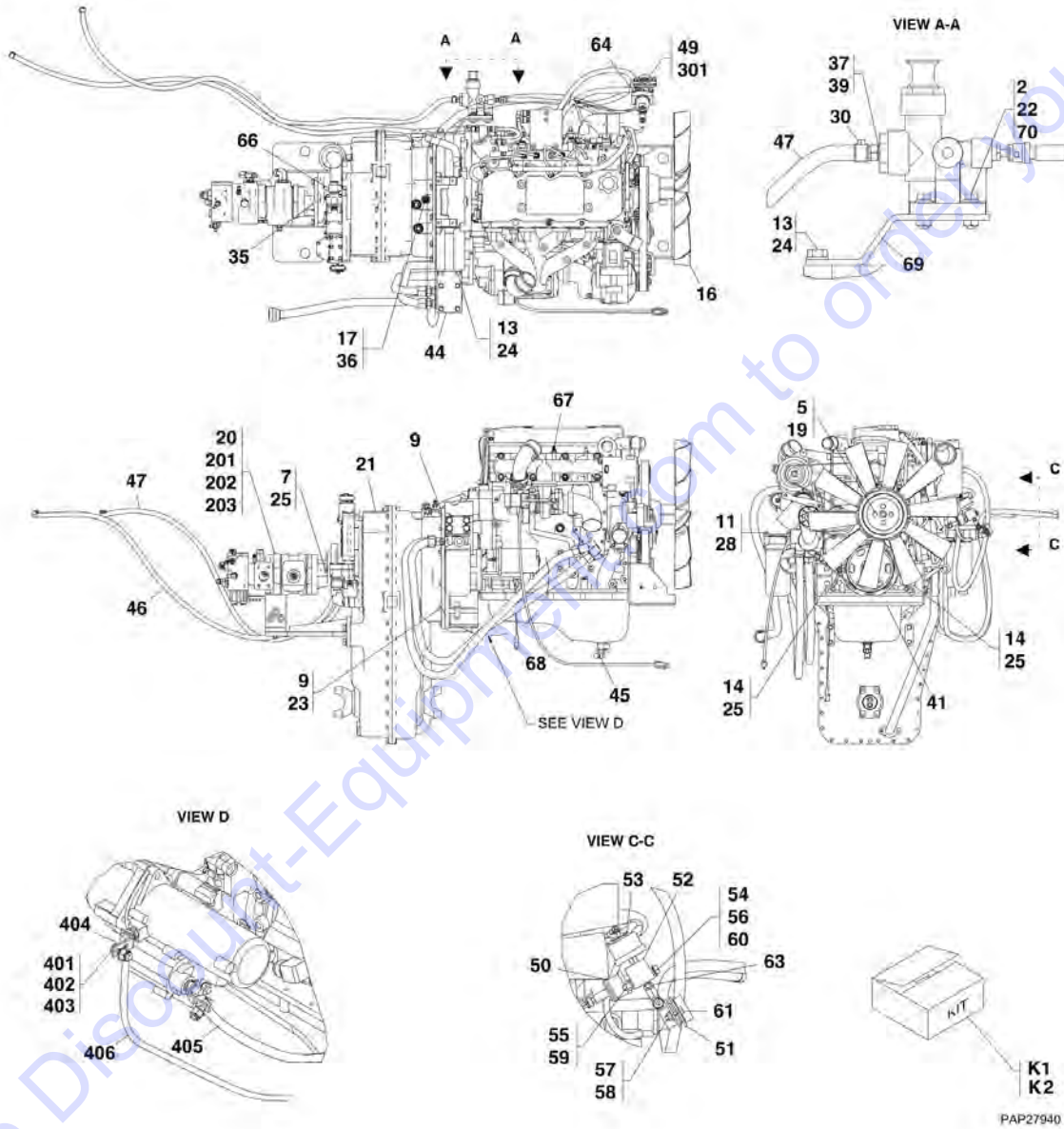
ITEM	PART NUMBER	QTY	DESCRIPTION	REV
	0274396	Ref	ENGINE INSTALLATION, (not available to order, see items 1 thru 71 & 73 thru 76 for service)	M
1		Ref	JOHN DEERE ENGINE, (See ENGINE for Breakdown)	
2		Ref	ZF TRANSMISSION, (See DRIVE TRAIN SECTION for Breakdown)	
3	2720550	1	AIR INTAKE HOSE COUPLING	
4	3460480	1	AIR INTAKE HOSE	
5	91553057	1	INTAKE GASKET	
6	0642022	2	HEX HD CAPSCREW, 5/8-11X2-3/4	
7	10265156	1	ENGINE MOUNT	
8	10701314	4	LOCKWASHER, 5/8	
9	10701512	2	HEX NUT, 5/8-11	
10	10704303	2	SOCKET HD CAPSCREW, M16X2.0X40, GR8.8	
11	10704611	2	LOCKWASHER, M16	
12	0100011	AR	LOCTITE 242	
13	0711014	13	HEX HD CAPSCREW, M10X30, (torque to 53-58 lb-ft)	
14	4812000	16	WASHER, 10mm	
15	0080270	1	FAN SPACER	
16	0700822	4	HEX HD CAPSCREW, M8X70	
17	4811900	4	WASHER, 8mm	
18	10728734	1	FAN	
19	2220408	2	CONNECTOR, (includes o-ring)	
19	88591206	2	O-RING	
20	2180858	1	CONNECTOR, 1/8 NPT TO 3/4 ORB	
21	10719472	1	OIL TEMP SENDER	
22	5251016	1	HEX HD CAPSCREW, M10X40, FLNG	
23	8310647	2	LOCKWASHER, M8	
25	8405009	4	HOSE CLAMP	
26	80373025	1	PUSH-LOCK FITTING	
27	82092118	17 ft	HOSE, 5/16IN	
28	90028660	1	LOOP CLAMP	
29	91083218	1	FUEL STRAINER	
30	4341019	1	TRANSMISSION MOUNT WELDMENT	
31	8307049	4	LOCKWASHER, M16	
32	0701617	4	HEX HD CAPSCREW, M16X45	
33	0641506	2	HEX HD CAPSCREW, 5/16-18X3/4	
34	0711015	1	HEX HD CAPSCREW, M10X35, (torque to 53-58 lb-ft)	
35	0903245	1	INTAKE TUBE SUPPORT BRACKET	
36	8406101	4	HOSE CLAMP	
37	3271501	4	HEX NUT, 5/16	
38	4711500	8	WASHER, 5/16	
39	0903213	1	UPPER PUMP SUPPORT BRACKET	
40	N.S.S.	1	VALVE AND PUMP ASSY	
40		Ref	ACCUMULATOR CHARGE VALVE, (See HYDRAULIC COMPONENTS SECTION for Breakdown)	
40	3931648	4	SOCKET HD CAPSCREW, 3/8-16X3, (Accum Charge Valve to Pump)	
40		Ref	TANDEM PUMP, (See HYDRAULIC COMPONENTS SECTION for Breakdown)	
41	10239839	1	LOWER PUMP SUPPORT BRACKET	

SECTION 4 - ENGINE AND ATTACHING PARTS

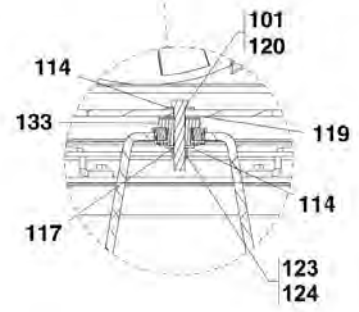
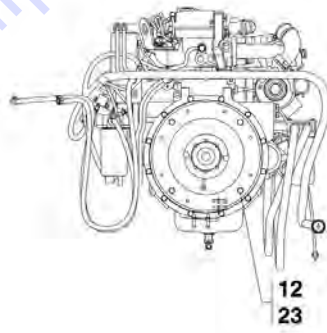
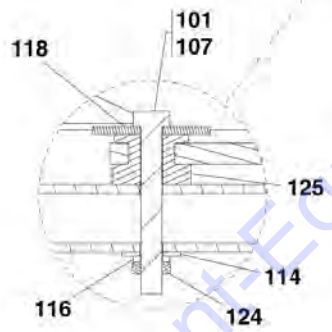
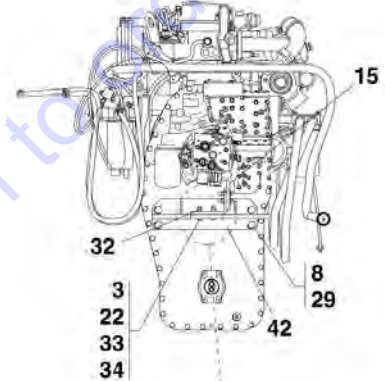
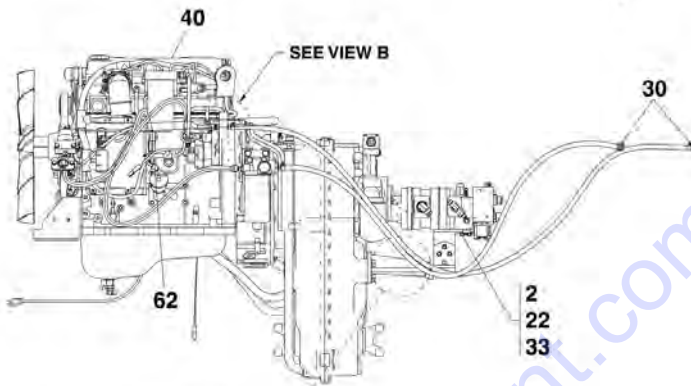
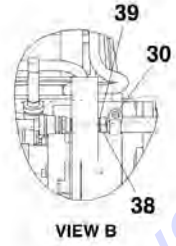
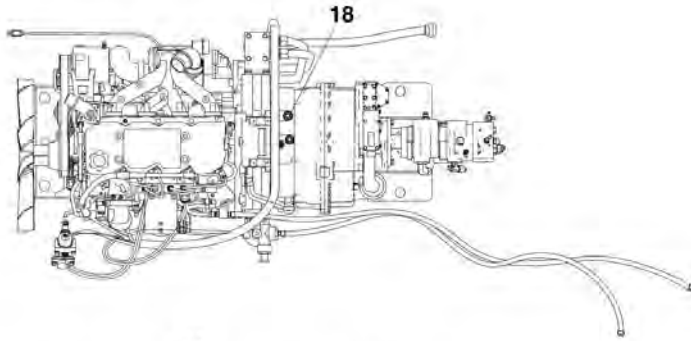
ITEM	PART NUMBER	QTY	DESCRIPTION	REV
42	10700205	2	HEX HD CAPSCREW, 3/8-16X1-1/4	
43	10700207	5	HEX HD CAPSCREW, 3/8-16X1-3/4	
44	10701277	7	HARDENED FLAT WASHER, 3/8IN	
45	10701310	7	LOCKWASHER, 3/8	
46	10701508	5	HEX NUT, 3/8-16	
47	10718602	1	O-RING	
48	10723222	1	WATER TEMP SENDER	
49	4761500	2	LOCKWASHER, 5/16	
50	10723217	1	OIL PRESSURE SENDER	
51	72071980	1.5 ft	NYLON HOSE, 3/8IN	
52	86883074	2	ELBOW, 90, 1/8 NPT TO 3/8 TUBE	
54	88711570	1	PIPE ADAPTER	
55	91081388	1	TAPPED BAR	
56	91563122	1	OIL PRESSURE SWITCH	
57	0641518	2	HEX HD CAPSCREW, 5/16-18X2-1/4	
58	0761012	4	HEX HD CAPSCREW, M10X25	
59	0701216	2	HEX HD CAPSCREW, M12X40	
60	4832100	2	SPRING LOCKWASHER, M12	
62		Ref	ENGINE ECU HARNESS, (See ELECTRICAL SECTION for Breakdown)	
63		Ref	TRANSMISSION SOLENOID HARNESS, (See ELECTRICAL SECTION for Breakdown)	
64	10720496	2	TIE WRAP	
65	1033820006	1	JUMPER WIRE, 26IN	
66	0641408	2	HEX HD CAPSCREW, 1/4-20X1	
67	3311405	2	HEX LOCKNUT, 1/4-20	
68	4711400	4	WASHER, 1/4	
69	91561291	2	MOUNT PLATE	
70	80673023	1	SUPPORT CLAMP	
71	0701210	1	HEX HD CAPSCREW, M12X20	
72		Ref	DIODE HARNESS, (supplied with engine), (See ELECTRICAL SECTION for Breakdown)	
73	8405209	1	T-BOLT CLAMP	
74	91403265	1	REDUCER, 14mm	
75	8303784	1	HEX HD CAPSCREW, M10X1.5X20mm, PC8.8	
76	8307221	1	PLAIN WASHER, M10	
77	10837776	1	BLOCK HEATER, 120V, (not shown)	
112	10732961	2	CENTER BONDED MOUNT	
113	10718181	1	CENTER BONDED ISOLATOR	
119	10115616	2	MOUNT WASHER	
120	4792000	1	STAR WASHER, 5/8	
121	10701535	1	HEX NUT, 5/8-18	
122	10701585	3	JAM NUT, 5/8-18	
123	10115618	1	SNUBBING WASHER	
128	10700690	1	HEX HD CAPSCREW, 5/8-18X3-3/4, GR8	
129	10700693	2	HEX HD CAPSCREW, 5/8-18X5, GR8	
131	10701314	2	LOCKWASHER, 5/8	
132	10701408	3	WASHER, 5/8	
K1	2915065	1	250 HOUR FILTER KIT, (includes engine oil filter, primary fuel filter, in-line fuel filter, primary air filter and safety air filter)	
K2	2915066	1	1000 HOUR FILTER KIT, (includes engine oil filter, primary fuel filter, in-line fuel filter, primary air filter, safety air filter, transmission oil filter, hydraulic oil filter and breather filter)	

SECTION 4 - ENGINE AND ATTACHING PARTS

FIGURE 4-3. ENGINE INSTALLATION (SN 0160040413 to Present, Including 0160037824 and 0160038521)



SECTION 4 - ENGINE AND ATTACHING PARTS



PAP27950

SECTION 4 - ENGINE AND ATTACHING PARTS

FIGURE 4-3. ENGINE INSTALLATION (SN 0160040413 to Present, Including 0160037824 and 0160038521)

ITEM	PART NUMBER	QTY	DESCRIPTION	REV
	1001096071	Ref	ENGINE INSTALLATION, (not available to order, see items 1 thru 70 for service) (Prior to SN 0160051140, Excluding 0160050734 and 0160050735)	L
	1001115056	Ref	ENGINE INSTALLATION, (not available to order, see items 1 thru 70 for service) (SN 0160051140 to Present, Including 0160050734 and 0160050735)	A
1	0100011	AR	LOCTITE 242	
2	0641610	4	HEX HD CAPSCREW, 3/8-16X1-1/4, GR5	
3	0641614	5	HEX HD CAPSCREW, 3/8-16X1-3/4, GR5	
5	8310645	4	HEX HD CAPSCREW, M10X100, GR8.8, (torque to 34-61 lb-ft)	
7	0701216	2	HEX HD CAPSCREW, M12X40, GR8.8	
8	0701617	4	HEX HD CAPSCREW, M16X45, GR8.8	
9	0711014	12	HEX HD CAPSCREW, M10X30, GR10.9	
11	0760810	4	HEX HD CAPSCREW, M8X20, GR8.8	
12	0761012	4	HEX HD CAPSCREW, M10X25, GR8.8	
13	0761214	6	HEX HD CAPSCREW, M12X30, GR8.8	
14	0761215	4	HEX HD CAPSCREW, M12X35, GR8.8	
15	0903213	1	PUMP UPPER SUPPORT BRACKET	
16	2060045	1	FAN	
17	2180858	1	CONNECTOR	
18	2220408	2	CONNECTOR	
19	3575947	2	FAN HUB PLATE	
20	3600427	1	VALVE AND PUMP ASSEMBLY, (includes items 201 thru 203) (Prior to SN 0160051140, Excluding 0160050734 and 0160050735)	B
20	1001115055	1	VALVE AND PUMP ASSEMBLY, (includes items 201 thru 203) (SN 0160051140 to Present, Including 0160050734 and 0160050735)	A
21		Ref	TRANSMISSION ASSEMBLY, (See DRIVE TRAIN SECTION for Breakdown)	
22	4761600	9	LOCKWASHER, 3/8	
23	4812000	16	FLAT WASHER, 10mm	
24	4812100	6	FLAT WASHER, 12mm	
25	4832100	6	SPRING LOCKWASHER, 12mm	
28	5240800	4	HARDENED WASHER, 8mm	
29	8307049	4	LOCKWASHER, 16mm	
30	8410013	4	GEAR CLAMP, (torque to 16-20 lb-ft)	
32	10239839	1	PUMP LOWER SUPPORT BRACKET	
33	10701277	7	FLAT WASHER, 3/8	
34	10701508	5	HEX NUT, 3/8-16	
35	10718602	1	O-RING	
36	10719472	1	OIL TEMPERATURE SENDER	
37	1001093891	1	HOSE COUPLING	
38	1001093892	1	HOSE COUPLING	
39	1001093944	2	SEALING WASHER	
40		Ref	CUMMINS ENGINE, (See ENGINE for Breakdown)	
41	1001096073	1	ENGINE MOUNT WELDMENT	
42	1001096412	1	TRANSMISSION MOUNT WELDMENT	
44	1001097579	1	OIL FILTER BRACKET MOUNT	
45	1001099493	1	OIL CHANGER PLUG	
46	1001103406	1	FUEL RETURN HOSE	

SECTION 4 - ENGINE AND ATTACHING PARTS

ITEM	PART NUMBER	QTY	DESCRIPTION	REV
47	1001103407	1	FUEL SUPPLY HOSE	
49		Ref	ECU ENGINE HARNESS, (See ELECTRICAL SECTION for Breakdown)	
50	91563122	1	OIL PRESSURE SWITCH	
51	91561291	2	MOUNT PLATE	
52	91081388	1	TAPPED BAR	
53	10723217	1	ENGINE OIL PRESSURE SENDER	
54	8310647	2	LOCKWASHER, 8mm	
55	4761500	2	LOCKWASHER, 5/16	
56	4711500	4	FLAT WASHER, 5/16	
57	4711400	4	FLAT WASHER, 1/4	
58	3311405	2	HEX LOCKNUT, 5/16-18, GR8	
59	3271501	2	HEX NUT, 5/16-18, GR8	
60	0641518	2	HEX HD CAPSCREW, 5/16-18X2-1/4, GR5	
61	0641408	2	HEX HD CAPSCREW, 1/4-20X1, GR5	
62	8770064	1	CONNECTOR	
63	2220574	1	CONNECTOR	
64	1001113262	1	HOSE ASSY	
66		Ref	TRANSMISSION SOLENOID HARNESS, (See ELECTRICAL SECTION for Breakdown)	
67	10723222	1	WATER TEMPERATURE SENDER	
68	1001114191	1	STARTER EXTENSION HARNESS	
69	1001118512	1	FUEL FILTER BRACKET	
70	4711600	2	FLAT WASHER, 3/8	
101	0100011	AR	LOCTITE 242	
107	0692040	2	HEX HD CAPSCREW, 5/8-18X5, GR8 (Prior to SN 0160051140, Excluding 0160050734 and 0160050735)	
107	10700693	2	HEX HD CAPSCREW, 5/8-18X5, GR8 (SN 0160051140 to Present, Including 0160050734 and 0160050735)	
114	4752000	4	FLAT WASHER, 5/8 (Prior to SN 0160051140, Excluding 0160050734 and 0160050735)	
114	10701408	2	FLAT WASHER, 5/8 (SN 0160051140 to Present, Including 0160050734 and 0160050735)	
116	4762000	2	LOCKWASHER, 5/8	
117	4792000	1	STAR WASHER, 5/8	
118	10115616	2	LORD MOUNT WASHER	
119	10115618	1	SNUBBING WASHER	
120	10700690	1	HEX HD CAPSCREW, 5/8-18X3-3/4, GR8	
123	10701535	1	HEX NUT, 5/8-18	
124	10701585	3	JAM NUT, 5/8-18 (Prior to SN 0160051140, Excluding 0160050734 and 0160050735)	
124	10701585	2	JAM NUT, 5/8-18 (SN 0160051140 to Present, Including 0160050734 and 0160050735)	
125	10732961	2	CENTER BONDED MOUNT	
133	1001096418	1	ENGINE CENTER BONDED MOUNT	
201		Ref	ACCUMULATOR VALVE ASSEMBLY, (See HYDRAULIC COMPONENTS SECTION for Breakdown)	
202	3931648	4	SOCKET HD CAPSCREW, 3/8-16X3, (torque to 35 lb-ft)	
203		Ref	TANDEM PUMP ASSEMBLY, (See HYDRAULIC COMPONENTS SECTION for Breakdown)	
301		Ref	DASH HARNESS, (See ELECTRICAL SECTION for Breakdown)	
401	0641610	2	HEX HD CAPSCREW 3/8-16X1-1/4	
402	4711600	2	FLAT WASHER, 3/8	
403	88521206	2	LOCKNUT, 3/8-16	

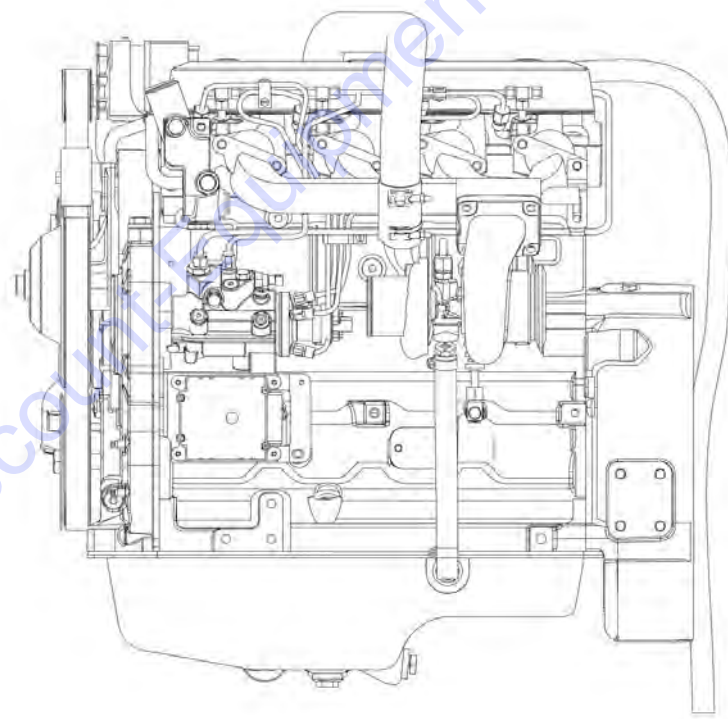
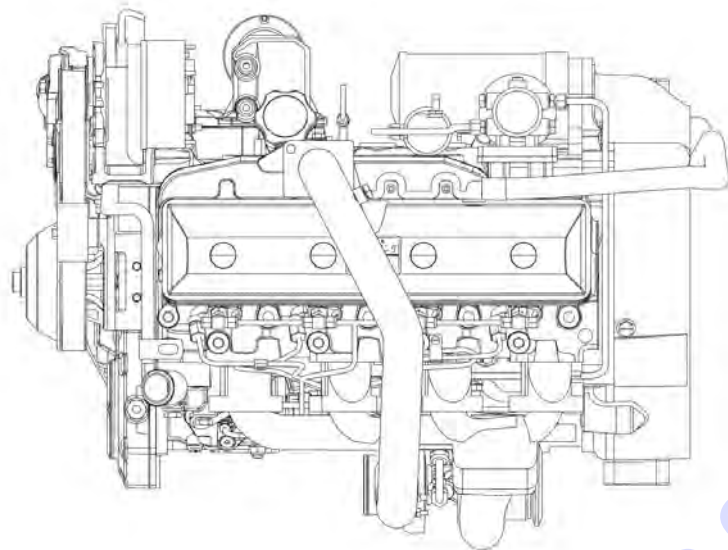
SECTION 4 - ENGINE AND ATTACHING PARTS

ITEM	PART NUMBER	QTY	DESCRIPTION	REV
404	7300344	2	STARTER NEGATIVE BAR	
405		Ref	POSITIVE BATTERY CABLE, (See ELECTRICAL SECTION for Breakdown)	
406		Ref	NEGATIVE BATTERY CABLE, (See ELECTRICAL SECTION for Breakdown)	
K1	1001128966	1	250 HOUR FILTER KIT, (includes engine oil filter, primary fuel filter, secondary fuel filter, primary air filter and safety air filter)	
K2	1001128965	1	1000 HOUR FILTER KIT, (includes engine oil filter, primary fuel filter, secondary fuel filter, primary air filter, safety air filter, transmission oil filter, hydraulic oil filter, hydraulic pressure filter, hydraulic in-line filter and breather filter)	

Go to Discount-Equipment.com to order your parts

SECTION 4 - ENGINE AND ATTACHING PARTS

FIGURE 4-4. ENGINE (SN 0160009654 through 0160018506, Including 0160008714)



PV1621

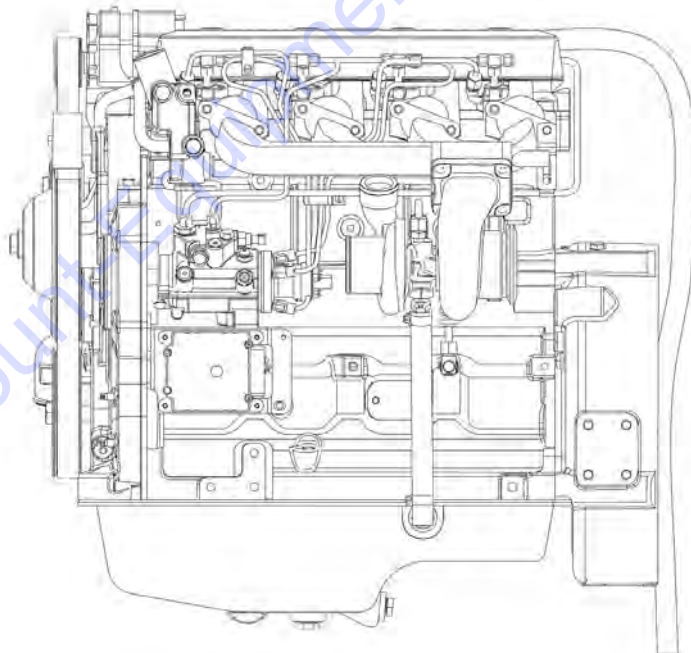
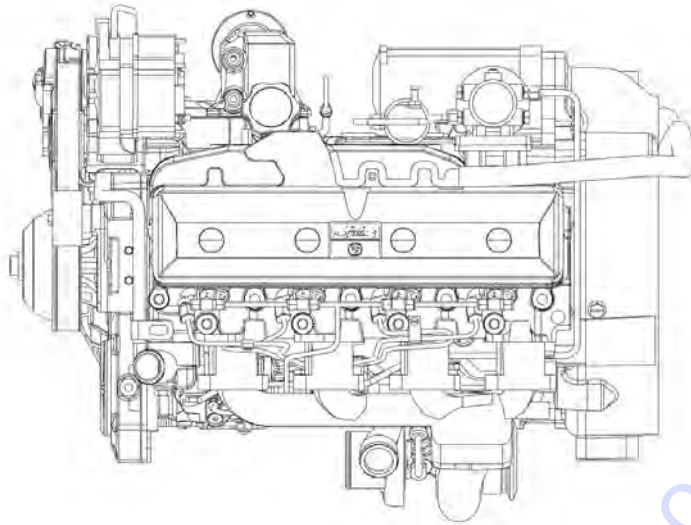
SECTION 4 - ENGINE AND ATTACHING PARTS

FIGURE 4-4. ENGINE (SN 0160009654 through 0160018506, Including 0160008714)

ITEM	PART NUMBER	QTY	DESCRIPTION	REV
	2000294	1	JOHN DEERE ENGINE, 115 HP, (includes all items)	C
	91404257	1	GASKET, VALVE COVER	
	91404256	4	PLUG, VALVE COVER	
	91404259	4	O-RING, VALVE COVER PLUG	
	91404258	1	FILLER CAP, (includes packing)	
	91404255	1	PACKING, FILLER CAP	
	91404253	2	GASKET, OIL FILLER	
	91404251	1	SEAL, FLYWHEEL HOUSING	
	7029210	1	FLYWHEEL, (includes ring gear)	
	80374031	1	RING GEAR	
	7029211	1	FUEL INJECTION PUMP	
	7026918	1	AIR INLET GASKET	
	91553057	1	AIR INLET GASKET	
	7026927	1	THERMOSTAT COVER GASKET	
	91404242	1	OIL PAN GASKET	
	7026920	1	THERMOSTAT	
	91404086	1	BELT	
	80374047	1	IDLER	
	91404237	1	SPACER, IDLER	
	91404238	1	SLEEVE, IDLER	
	91404236	1	SCREW, IDLER	
	91404234	4	GASKET, EXHAUST MANIFOLD	
	7026921	1	STARTER MOTOR	
	7026922	1	ALTERNATOR	
	80474020	1	PULLEY, ALTERNATOR	
	91474631	1	STRAP, ALTERNATOR	
	91534004	1	FUEL FILTER ELEMENT	
	80374050	1	FUEL FILTER KIT	
	80374054	1	FUEL FILTER KIT	
	80374154	1	SEAL KIT, FUEL FILTER	
	91404262	1	FUEL PUMP, (includes o-ring)	
	7026923	1	O-RING, FUEL PUMP	
	91404085	1	DIPSTICK	
	91554032	1	DIPSTICK TUBE	
	80374126	1	WATER PUMP, (includes seal)	
	91404264	1	SEAL, WATER PUMP	
	91404232	1	GASKET, WATER PUMP	
	91404229	1	O-RING, WATER PUMP INLET	
	7029212	1	TURBOCHARGER	
	91404267	1	GASKET, TURBOCHARGER	
	91404268	1	HOSE ASSY	
	91404223	1	PULLEY, BELT TENSIONER, (includes bolt)	
	91404221	1	BOLT, BELT TENSIONER PULLEY	
	91404222	1	SCREW, BELT TENSIONER PULLEY	
	91534005	1	OIL FILTER	
	80374036	1	GASKET, OIL FILTER HEAD	
	91474506	1	DRAIN PLUG, OIL FILTER, (includes o-ring)	
	80374020	1	O-RING, DRAIN PLUG	

SECTION 4 - ENGINE AND ATTACHING PARTS

FIGURE 4-5. ENGINE (SN 0160018507 through 0160040407, Excluding 0160037824 and 0160038521)



PV1620

SECTION 4 - ENGINE AND ATTACHING PARTS

FIGURE 4-5. ENGINE (SN 0160018507 through 0160040407, Excluding 0160037824 and 0160038521)

ITEM	PART NUMBER	QTY	DESCRIPTION	REV
	2000381	1	JOHN DEERE ENGINE, 115 HP, (includes all items)	A
	91404257	1	GASKET, VALVE COVER	
	91404256	4	PLUG, VALVE COVER	
	91404259	4	O-RING, VALVE COVER PLUG	
	91404258	1	FILLER CAP, (includes packing)	
	91404255	1	PACKING, FILLER CAP	
	91404253	2	GASKET, OIL FILLER	
	91404251	1	SEAL, FLYWHEEL HOUSING	
	7026915	1	FLYWHEEL, (includes ring gear)	
	80374031	1	RING GEAR	
	7029211	1	FUEL INJECTION PUMP	
	70022289	4	INJECTION NOZZLE	
	7026918	1	GASKET, AIR INLET	
	91553057	1	GASKET, AIR INLET	
	7026927	1	GASKET, THERMOSTAT COVER	
	70023458	1	OIL PAN	
	91404242	1	GASKET, OIL PAN	
	7026920	1	THERMOSTAT	
	70021491	1	BELT	
	80374047	1	IDLER	
	91404237	1	SPACER, IDLER	
	91404238	1	SLEEVE, IDLER	
	91404236	1	SCREW, IDLER	
	91404234	4	GASKET, EXHAUST MANIFOLD	
	7026921	1	STARTER MOTOR	
	7026922	1	ALTERNATOR	
	80474020	1	PULLEY, ALTERNATOR	
	91474631	1	STRAP, ALTERNATOR	
	91534004	1	FUEL FILTER ELEMENT	
	80374050	1	FUEL FILTER KIT	
	80374054	1	FUEL FILTER KIT	
	80374154	1	FUEL FILTER SEAL KIT	
	91404262	1	FUEL PUMP, (includes o-ring)	
	7026923	1	O-RING, FUEL PUMP	
	91404085	1	DIPSTICK	
	91554032	1	DIPSTICK TUBE	
	80374126	1	WATER PUMP, (includes seal)	
	91404264	1	SEAL, WATER PUMP	
	91404232	1	GASKET, WATER PUMP	
	91404229	1	O-RING, WATER PUMP INLET	
	70021492	1	TURBOCHARGER	
	91404267	1	GASKET, TURBOCHARGER	
	70021493	1	HOSE ASSY, TURBOCHARGER, (requires turbocharger hose o-ring)	
	91404266	2	O-RING, TURBOCHARGER HOSE	
	80374051	1	OIL LINE, TURBOCHARGER	
	91404265	1	GASKET, TURBOCHARGER OIL LINE	
	70023461	4	SCREW, M10X25, (turbocharger)	
	91404223	1	PULLEY, BELT TENSIONER, (includes bolt)	
	91404221	1	BOLT, BELT TENSIONER PULLEY	

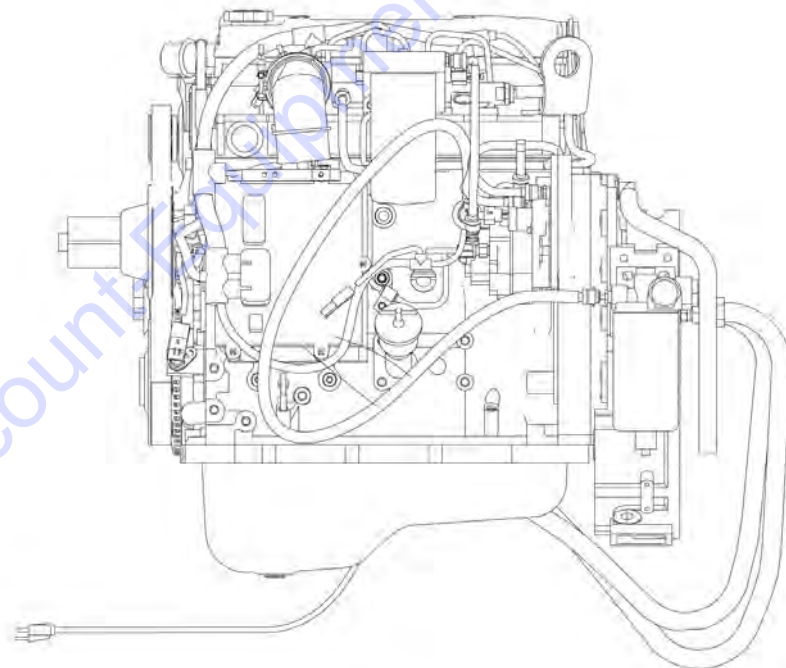
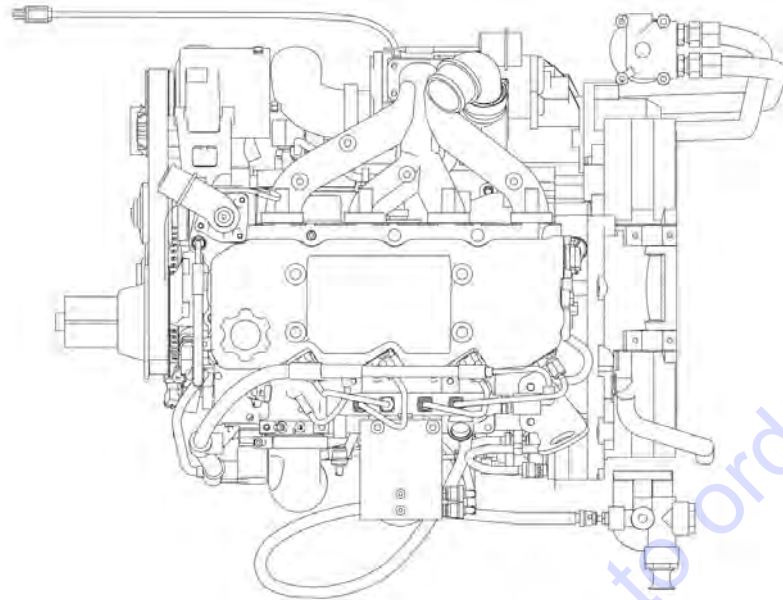
SECTION 4 - ENGINE AND ATTACHING PARTS

ITEM	PART NUMBER	QTY	DESCRIPTION	REV
	91404222	1	SCREW, BELT TENSIONER PULLEY	
	91534005	1	OIL FILTER	
	80374036	1	GASKET, OIL FILTER HEAD	
	91474506	1	DRAIN PLUG, OIL FILTER, (includes o-ring)	
	80374020	1	O-RING, DRAIN PLUG	
	70021899	1	PULLEY, FAN	
	70021897	1	AIR INTAKE SENSOR	
	80374019	1	O-RING, (use with air intake sensor)	

Go to Discount-Equipment.com to order your parts

SECTION 4 - ENGINE AND ATTACHING PARTS

FIGURE 4-6. ENGINE (SN 0160040413 to Present, Including 0160037824 and 0160038521)



PV1790

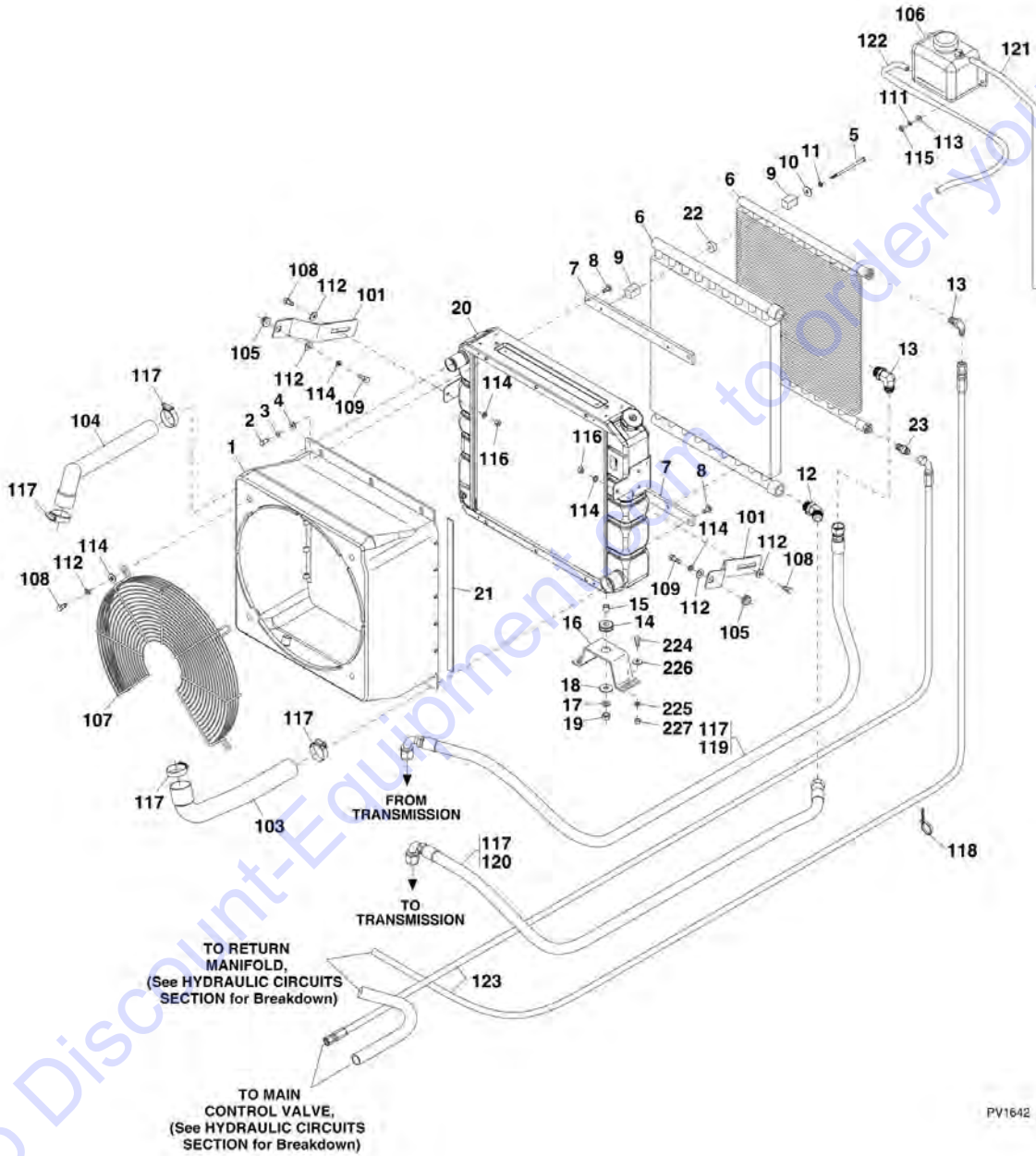
SECTION 4 - ENGINE AND ATTACHING PARTS

FIGURE 4-6. ENGINE (SN 0160040413 to Present, Including 0160037824 and 0160038521)

ITEM	PART NUMBER	QTY	DESCRIPTION	REV
	1001095708	1	CUMMINS ENGINE, 110 HP QSB4.5, (includes all items) (SN 0160040413 through 0160044029, Including 0160044121, Excluding 0160043949, 0160044016 and 0160044029)	E
	1001137645	1	CUMMINS ENGINE, 110 HP QSB4.5, (includes all items) (SN 0160044054 through 0160050734, Including 0160043949, 0160044016 and 160044029, Excluding 0160044121)	B
	1001147575	1	CUMMINS ENGINE, 110 HP QSB4.5, (includes all items) (SN 0160050882 to Present)	B
	70021793	1	VALVE COVER GASKET	
	70022633	1	FUEL PUMP	
	70022634	1	FLYWHEEL	
	70023736	1	RING GEAR, FLYWHEEL	
	70021796	1	ENGINE OIL COOLER	
	70022635	1	ENGINE OIL COOLER GASKET	
	70021798	1	OIL LEVEL DIPSTICK	
	70021799	1	DIPSTICK TUBE	
	70021800	1	LUBRICATION OIL PUMP	
	70021801	1	OIL PAN	
	70022636	1	OIL PAN GASKET	
	70021803	1	OIL PAN PLUG	
	70022637	1	OIL PAN PLUG GASKET	
	70021805	1	WATER PUMP	
	70021806	1	WATER PUMP GASKET	
	70021807	1	FAN BELT	
	70022638	1	INJECTOR	
	70021809	1	BELT TENSIONER	
	70022639	1	OIL FILLER CAP	
	70023287	1	ALTERNATOR	
	1322158	1	PULLEY, ALTERNATOR	
	70023289	1	ALTERNATOR SUPPORT	
	70023288	1	ALTERNATOR BRACE	
	70023286	1	MOUNTING SPACER	
	70022640	1	STARTER (Prior to SN 0160050882)	
	1001128594	1	STARTER (SN 0160050882 to Present)	
	70020356	1	THEMOSTAT	
	70020349	1	PRIMARY FUEL FILTER	
	70020348	1	SECONDARY FUEL FILTER	
	70022641	1	FUEL FILTER HEAD WITH FITTINGS	
	70020358	1	OIL FILTER	
	77384830	1	BAND CLAMP	
	91044340	1	EXHAUST OUTLET	
	70023443	1	ENGINE HEATER, (includes o-ring)	
	70023444	1	ENGINE HEATER CABLE	

SECTION 4 - ENGINE AND ATTACHING PARTS

FIGURE 4-7. RADIATOR ASSEMBLY (SN 0160018507 through 0160040407, Excluding 0160037824 and 0160038521)



PV1642

SECTION 4 - ENGINE AND ATTACHING PARTS

FIGURE 4-7. RADIATOR ASSEMBLY (SN 0160018507 through 0160040407, Excluding 0160037824 and 0160038521)

ITEM	PART NUMBER	QTY	DESCRIPTION	REV
	63231	1	RADIATOR ASSY, (includes items 1 thru 23)	G
1	10465024	1	FAN SHROUD	
2	10700102	6	HEX HD CAPSCREW, 5/16-18X3/4, GR5	
3	10701358	6	STAR WASHER, 5/16	
4	10701403	6	FLAT WASHER, 5/16	
5	0641544	4	HEX HD CAPSCREW, 5/16-18X5-1/2	
6	8180315	2	TRANSMISSION OIL COOLER	
7	10136429	2	MOUNTING STRAP	
8	10705322	4	FLAT HD CAPSCREW, 5/16-18X3/4, GR5	
9	10726312	8	RUBBER MOUNTING BLOCK	
10	10701453	4	FENDER WASHER, 5/16	
11	10701309	4	LOCK WASHER, 5/16	
12	2220498	1	ELBOW, 45	
13	2220578	2	ELBOW, 90	
14	10724306	2	RUBBER GROMMET, 3/8	
15	10724305	2	BUSHING	
16	10265701	2	RADIATOR SUPPORT	
17	10701312	2	LOCKWASHER, 1/2	
18	10701279	2	FLAT WASHER, 1/2	
19	10701510	2	HEX NUT, 1/2-13	
20	1101083	1	RADIATOR	
20	8180318	1	RADIATOR CAP, 10PSI	
20	7029214	1	DRAIN COCK	
21	80383368	4 ft	GASKET TAPE	
22	10133344	4	SPACER	
23	2220451	1	ADAPTER, (includes o-ring)	
	0274432	Ref	RADIATOR INSTALLATION, (not available to order, see items 101 thru 123 for service)	D
101	0903204	2	RADIATOR SUPPORT, (tank side)	
103	2720546	1	LOWER RADIATOR HOSE	
104	2720547	1	UPPER RADIATOR HOSE	
105	10215845	2	RUBBER GROMMET	
106	10236491	1	COOLANT RECOVERY TANK	
106	7026726	1	TANK CAP	
107	10238470	1	FAN GUARD	
108	10700202	6	HEX HD CAPSCREW, 3/8-16X3/4, GR5	
109	10700204	2	HEX HD CAPSCREW, 3/8-16X1, GR5	
111	10701308	2	LOCKWASHER, 1/4	
112	10701310	8	LOCKWASHER, 3/8	
113	10701402	2	FLAT WASHER, 1/4	
114	10701404	8	FLAT WASHER, 3/8	
115	10701506	2	HEX NUT, 1/4-20	
116	10701508	2	HEX NUT, 3/8-16	
117	10710601	4	HOSE CLAMP, 1-3/4X2	
118	10720496	3	TIE CLAMP	
119	10732420	1	HOSE ASSY	
120	10837604	1	HOSE ASSY	
121	1016712935	1	HOSE, 5/16X35	
122	1016712947	1	HOSE, 5/16X47	

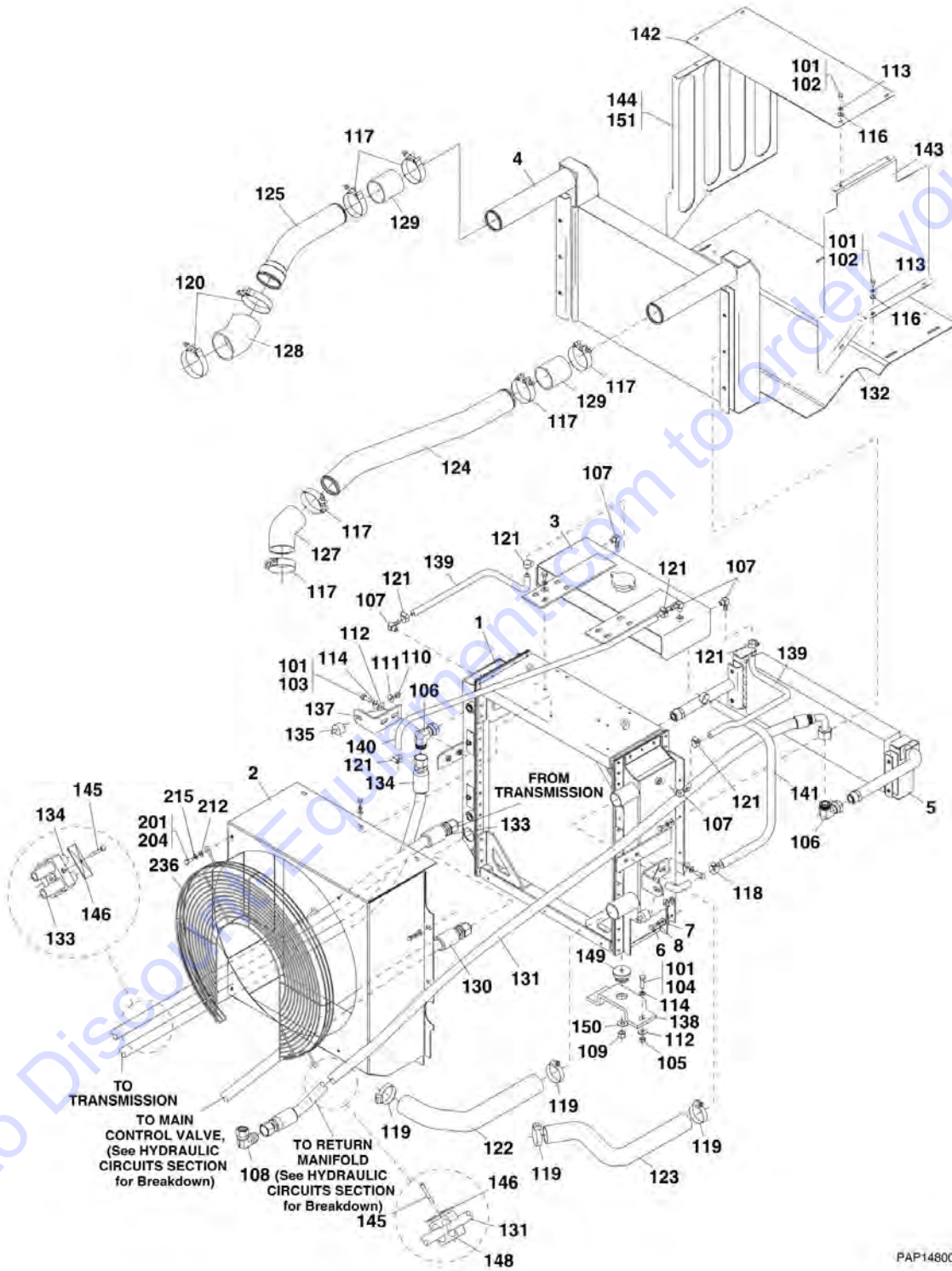
SECTION 4 - ENGINE AND ATTACHING PARTS

ITEM	PART NUMBER	QTY	DESCRIPTION	REV
123	10837649	2	OIL COOLER HOSE	
224	10700205	4	HEX HD CAPSCREW, 3/8-16X1-1/4, GR5	
225	10701310	4	LOCKWASHER, 3/8	
226	10701404	8	FLAT WASHER, 3/8	
227	10701508	4	HEX NUT, 3/8-16	

Go to Discount-Equipment.com to order your parts

SECTION 4 - ENGINE AND ATTACHING PARTS

FIGURE 4-8. RADIATOR ASSEMBLY (SN 0160040413 to Present, Including 0160037824 and 0160038521)



PAP14800

SECTION 4 - ENGINE AND ATTACHING PARTS

FIGURE 4-8. RADIATOR ASSEMBLY (SN 0160040413 to Present, Including 0160037824 and 0160038521)

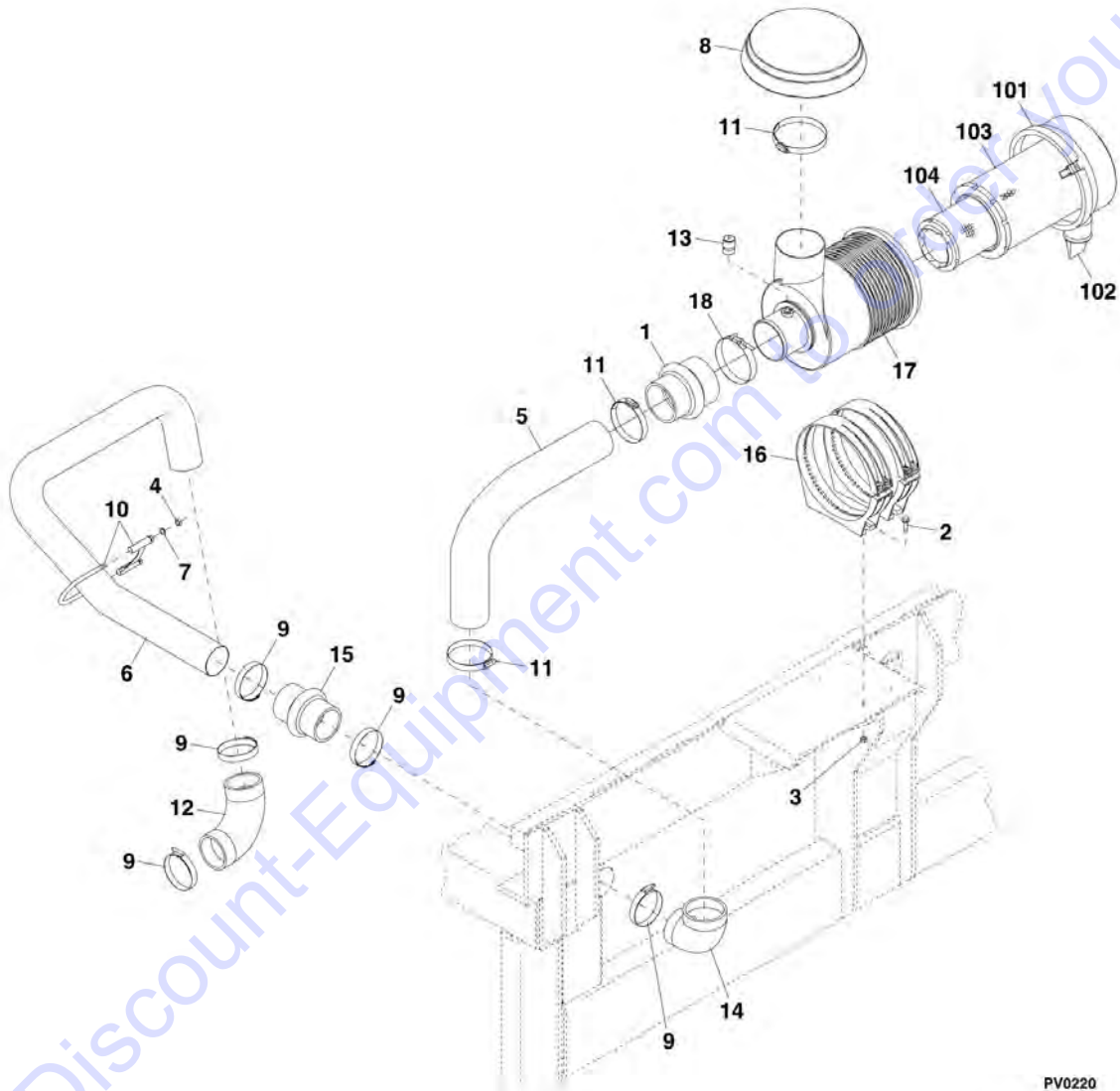
ITEM	PART NUMBER	QTY	DESCRIPTION	REV
	1001098968	1	RADIATOR ASSEMBLY, (includes items 1 thru 8)	C
1	70022539	1	RADIATOR	
1	70022544	1	RADIATOR CAP, 15PSI	
2	70022540	1	SHROUD ASSEMBLY	
3	70022541	1	SURGE TANK ASSEMBLY	
4	70022542	1	CHARGE AIR COOLER	
5	70022543	1	HOT OIL COOLER	
6	N.S.S.	10	HEX HD BOLT, 5/16-18X3/4, GR5	
7	N.S.S.	10	FLAT WASHER, 5/16	
8	N.S.S.	10	LOCKWASHER, 5/16	
	1001098955	Ref	RADIATOR INSTALLATION, (not available to order, see items 101 thru 151 for service)	H
101	0100011	AR	LOCTITE 242	
102	0641406	15	HEX HD CAPSCREW, 1/4-20X3/4, GR5	
103	0641608	4	HEX HD CAPSCREW, 3/8-16X1, GR5	
104	0641610	4	HEX HD CAPSCREW, 3/8-16X1-1/4, GR5	
105	10701508	4	HEX NUT, 3/8-16	
106	2172112	2	ELBOW, 90, (includes o-ring)	
107	2180467	5	FITTING, 90	
108	2220655	1	ELBOW, 90	
109	3271805	2	HEX NUT, 1/2-13, GR8	
110	3311508	2	HEX NUT, 5/16-18	
111	4751500	2	FLAT WASHER, 5/16	
112	4751600	12	FLAT WASHER, 3/8	
113	4761400	15	LOCKWASHER, 1/4	
114	4761600	8	LOCKWASHER, 3/8	
116	4891400	15	WASHER, 1/4	
117	8405212	6	HEAVY DUTY BAND CLAMP	
118	8405007	2	GEAR CLAMP	
119	8405104	4	GEAR CLAMP	
120	8405306	2	T-BOLT CLAMP	
121	8410013	6	GEAR CLAMP	
122	1001098958	1	LOWER RADIATOR HOSE	
123	1001098959	1	UPPER RADIATOR HOSE	
124	1001098960	1	TUBE	
125	1001098961	1	TUBE	
127	1001098971	1	ELBOW, 45	
128	1001098973	1	ELBOW, 30	
129	1001099251	2	HOSE	
130	1001103383	1	HOSE ASSY	
131	1001103384	1	HOSE ASSY	
132	1001131588	1	INTAKE WELDMENT	
133	1001103393	1	HOSE ASSY	
134	1001103394	1	HOSE ASSY	
135	1001103961	2	ISOLATOR, UPPER	
137	1001103991	2	STABILIZER BRACKET	
138	1001103992	2	RADIATOR MOUNTING BRACKET	
139	1001105000	2	RADIATOR HOSE	
140	1001105001	1	RADIATOR HOSE	

SECTION 4 - ENGINE AND ATTACHING PARTS

ITEM	PART NUMBER	QTY	DESCRIPTION	REV
141	1001105002	1	RADIATOR HOSE	
142	1001113176	1	AIR BAFFLE TOP	
143	1001131582	1	LEFT BAFFLE PLATE	
144	1001131585	1	RIGHT BAFFLE PLATE	
145	8303757	2	HEX HD CAPSCREW, 5/16-18X2-1/2, GR5	
146	8750025	2	COVER PLATE	
148	8750040	2	CLAMP SET	
149	1001114803	2	ISOLATER MOUNT	
150	4740274	4	WASHER	
151	90206196	AR	PVC VINYL EDGE TRIM	
201	0100011	AR	LOCTITE 242	
204	0641506	4	HEX HD CAPSCREW, 5/16-18X3/4, GR5	
212	4711500	4	FLAT WASHER, 5/16	
215	4761500	4	LOCKWASHER, 5/16	
236	1001098963	1	FAN GUARD	

SECTION 4 - ENGINE AND ATTACHING PARTS

FIGURE 4-9. AIR CLEANER INSTALLATION (SN 0160018507 through 0160040407, Excluding 0160037824 and 0160038521)



PV0220

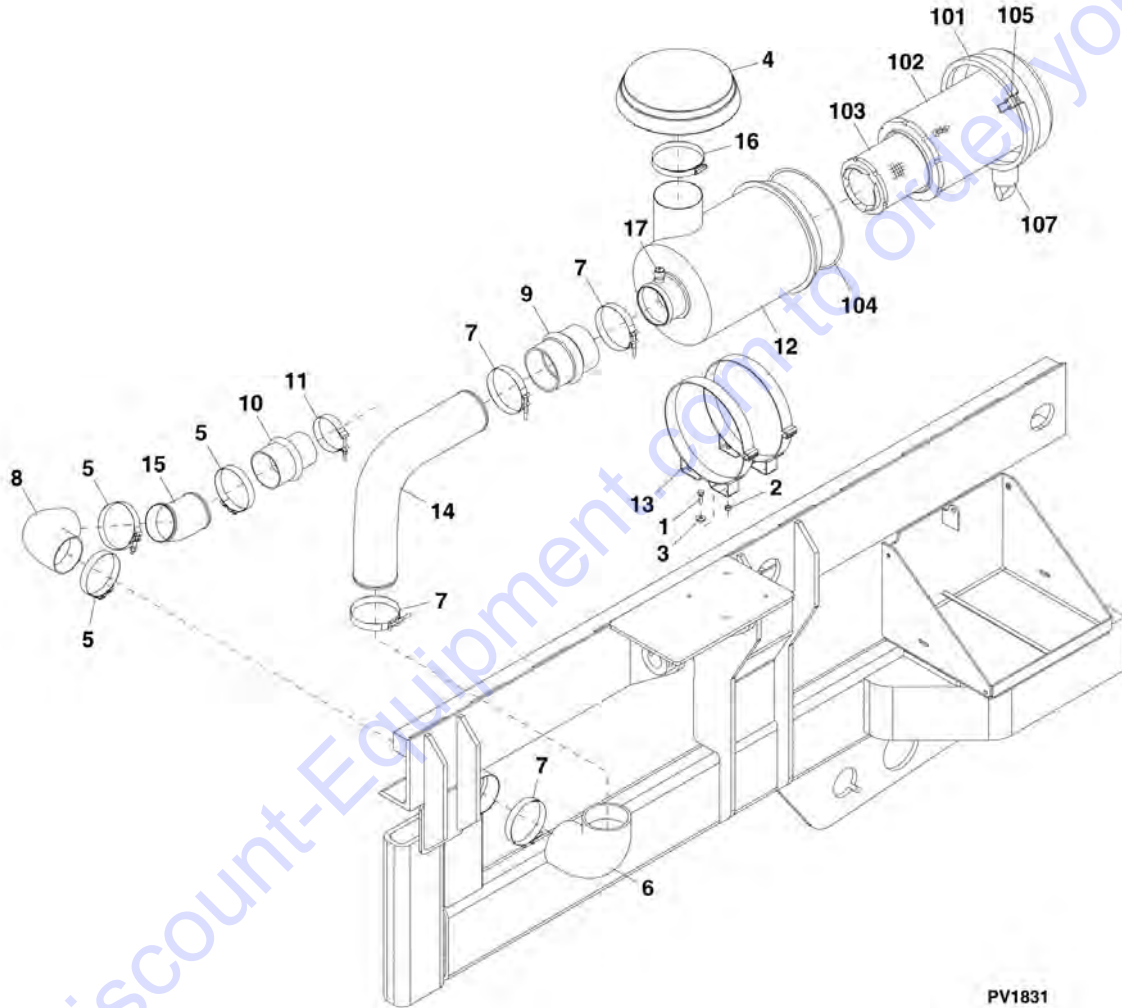
SECTION 4 - ENGINE AND ATTACHING PARTS

FIGURE 4-9. AIR CLEANER INSTALLATION (SN 0160018507 through 0160040407, Excluding 0160037824 and 0160038521)

ITEM	PART NUMBER	QTY	DESCRIPTION	REV
	0274409	Ref	AIR CLEANER INSTALLATION, (not available to order, see items 1 thru 18 for service)	E
1	0080269	1	RUBBER REDUCER HUMP	
2	0811510	4	SCREW, 5/16-18X1-1/4	
3	3271505	4	HEX LOCKNUT, 5/16-18	
4	3311602	2	HEX JAM NUT, 3/8-16	
5	4569244	1	INTAKE TUBE, (air cleaner to bulkhead)	
6	4569245	1	INTAKE TUBE, (bulkhead to engine)	
7	4791600	2	STAR WASHER, 3/8	
8	8273257	1	AIR INLET HOOD	
9	10710553	5	HOSE CLAMP	
10	10717169	1	MUFFLER CLAMP, 3IN	
11	10719267	3	HOSE CLAMP	
12	91083128	1	RUBBER ELBOW, 90	
13	77383154	1	SERVICE INDICATOR	
14	91083129	1	REDUCER ELBOW	
15	91403244	1	RUBBER HUMP, STRAIGHT	
16	10268516	2	AIR CLEANER MOUNTING BAND	
17	8273029	1	AIR CLEANER, 9IN, (includes items 101 thru 104)	B
18	77383790	1	BAND CLAMP	
101	91364023	1	COVER ASSY	
102	80373094	1	VACTUATOR	
103	1101312	1	MAIN ELEMENT, (outer)	
104	1101313	1	SAFETY ELEMENT, (inner)	

SECTION 4 - ENGINE AND ATTACHING PARTS

FIGURE 4-10. AIR CLEANER INSTALLATION (SN 0160040413 to Present, Including 0160037824 and 0160038521)



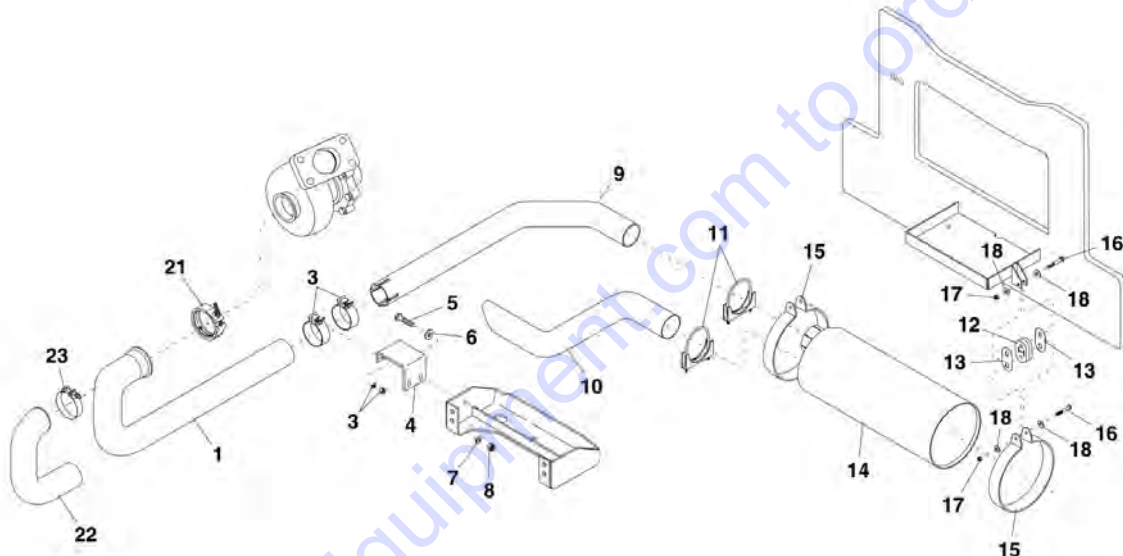
SECTION 4 - ENGINE AND ATTACHING PARTS

FIGURE 4-10. AIR CLEANER INSTALLATION (SN 0160040413 to Present, Including 0160037824 and 0160038521)

ITEM	PART NUMBER	QTY	DESCRIPTION	REV
	1001096080	Ref	10IN AIR CLEANER INSTALLATION, (not available to order, see items 1 thru 17 for service)	D
1	0641508	4	HEX HD CAPSCREW, 5/16-18X1, GR5	
2	3271505	4	HEX LOCKNUT, 5/16-18	
3	4751500	4	WIDE WASHER, 5/16	
4	8273257	1	AIR INLET HOOD	
5	8405307	3	T-BOLT CLAMP	
6	09523572	1	AIR INTAKE FITTING, 90	
7	77383790	4	HEAVY DUTY BAND CLAMP	
8	80293007	1	ELBOW, 90	
9	80973107	1	STRAIGHT HUMP COUPLING	
10	91403239	1	HOSE HUMP REDUCER	
11	8405305	1	BAND CLAMP	
12	1001091068	1	AIR CLEANER ASSY, 10IN, (includes items 101 thru 107)	A
13	1001091069	2	AIR CLEANER MOUNTING BAND	
14	1001096081	1	AIR INTAKE PIPE	
15	1001096082	1	AIR INTAKE PIPE	
16	10719267	1	HOSE CLAMP	
17	77383154	1	INDICATOR SERVICE	
101	80373090	1	DUST CUP COVER	
102	80373091	1	PRIMARY FILTER	
103	80373092	1	SAFETY FILTER	
104	80373093	1	GASKET COVER	
105	80373095	1	LATCH	
107	80373094	1	VACUATOR VALVE	

SECTION 4 - ENGINE AND ATTACHING PARTS

FIGURE 4-11. EXHAUST INSTALLATION (SN 0160009654 through 0160040407, Excluding 0160037824 and 0160038521)



PV1662

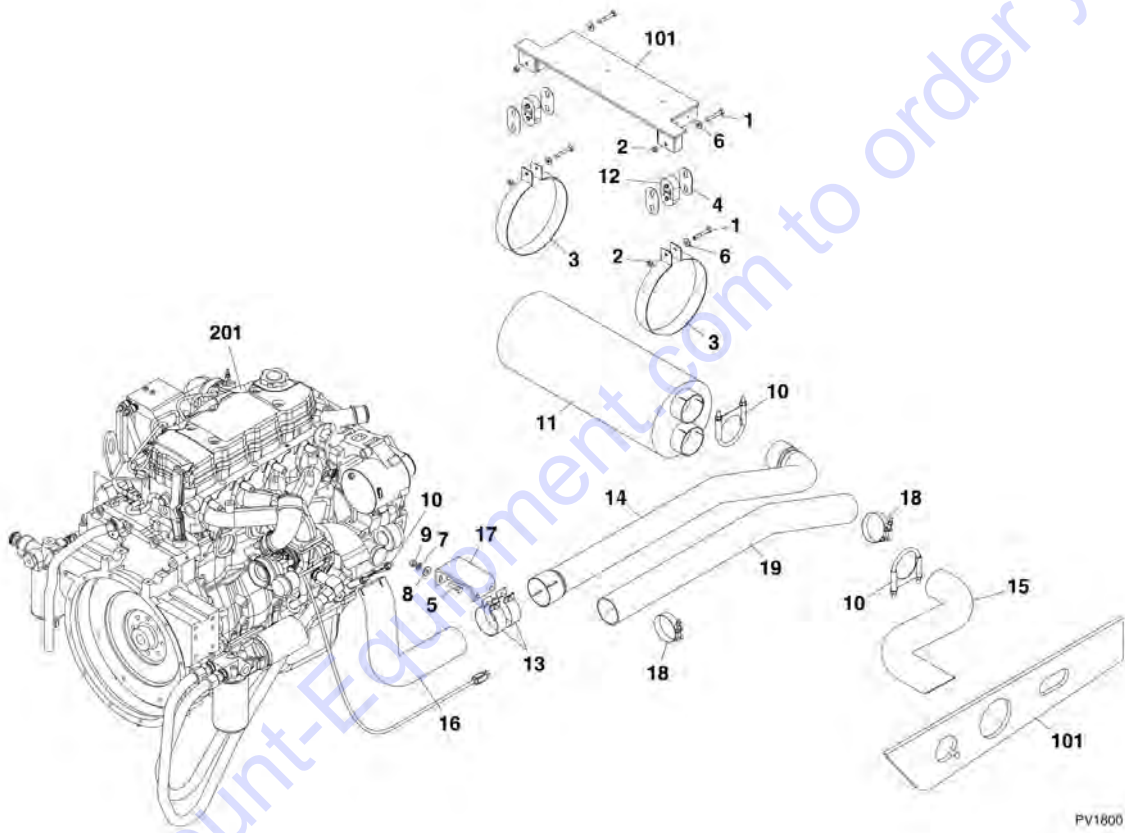
SECTION 4 - ENGINE AND ATTACHING PARTS

FIGURE 4-11. EXHAUST INSTALLATION (SN 0160009654 through 0160040407, Excluding 0160037824 and 0160038521)

ITEM	PART NUMBER	QTY	DESCRIPTION	REV
	10041066	Ref	EXHAUST INSTALLATION, (not available to order, see items 1 thru 23 for service)	AA
1	10165161	1	EXHAUST MANIFOLD PIPE	
3	10837475	2	EXHAUST SEAL CLAMP	
4	10136405	1	EXHAUST CLAMP BRACKET	
5	10700205	2	HEX HD CAPSCREW, 3/8-16X1-1/4	
6	10701404	2	FLAT WASHER, 3/8	
7	10701310	2	LOCKWASHER, 3/8	
8	10701508	2	HEX NUT, 3/8-16	
9	10136402	1	EXHAUST PIPE	
10	10136412	1	TAIL PIPE	
11	10717169	2	MUFFLER CLAMP	
12	10732982	2	RUBBER EXHAUST HANGER	
13	10139922	4	HANGER SUPPORT LINK	
14	10732697	1	MUFFLER	
15	10139876	2	MUFFLER MOUNTING RING, (includes one each of items 16 & 17)	
16	10700158	4	HEX HD CAPSCREW, 5/16-24X2	
17	10701680	4	HEX LOCKNUT, 5/16-24	
18	10701276	8	FLAT WASHER, 5/16	
21	10837750	1	EXHAUST PIPE CLAMP	
22	4100109	2	FIBER GLASS SLEEVE	
23	90028488	2	T-BOLT CLAMP	

SECTION 4 - ENGINE AND ATTACHING PARTS

FIGURE 4-12. EXHAUST INSTALLATION (SN 0160040413 to Present, Including 0160037824 and 0160038521)



SECTION 4 - ENGINE AND ATTACHING PARTS

FIGURE 4-12. EXHAUST INSTALLATION (SN 0160040413 to Present, Including 0160037824 and 0160038521)

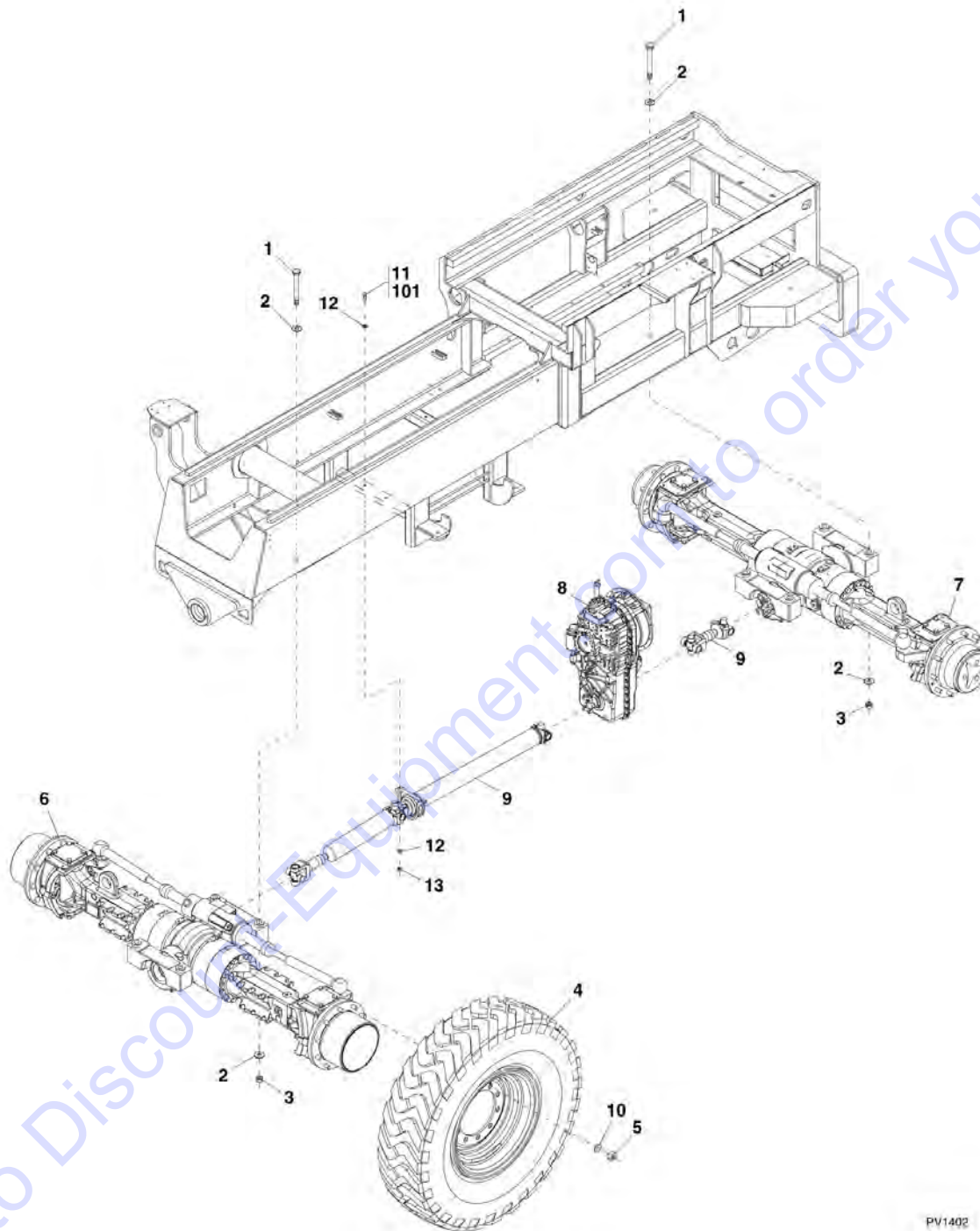
ITEM	PART NUMBER	QTY	DESCRIPTION	REV
	1001097143	Ref	EXHAUST INSTALLATION, (not available to order, order items 1 thru 19 for service)	D
1	0651516	4	HEX HD CAPSCREW, 5/16-24X2, GR5	
2	3281505	4	HEX LOCKNUT, 5/16-24	
3	10139876	2	MOUNTING RING	
4	10139922	4	EXHAUST HANGER LINK	
5	0641610	2	HEX HD CAPSCREW, 3/8-16X1-1/4, GR5	
6	10701276	4	HARDENED WASHER, 5/16	
7	4761600	2	LOCK WASHER, 3/8	
8	4751600	2	FLAT WASHER, 3/8	
9	10701508	2	HEX NUT, 3/8-16	
10	10717169	3	MUFFLER CLAMP	
11	10732697	1	MUFFLER ASSY	
12	10732982	2	RUBBER EXHAUST HANGER	
13	10837475	2	EXHAUST CLAMP	
14	1001097145	1	EXHAUST PIPE	
15	1001097146	1	TAIL PIPE	
16	1001097148	1	EXHAUST MANIFOLD PIPE	
17	1001097573	1	EXHAUST CLAMP BRACKET	
18	8405203	2	HEAVY DUTY BAND CLAMP	
19	1001101193	34 in	FIBER GLASS SLEEVE, (sold by the foot)	
101		Ref	MAIN FRAME, (See FRAME AND ATTACHING PARTS SECTION for Breakdown)	
201		Ref	ENGINE ASSEMBLY, (See ENGINE AND ATTACHING PARTS SECTION for Breakdown)	

SECTION 5 - DRIVE TRAIN

Go to Discount-Equipment.com to order your parts

SECTION 5 - DRIVE TRAIN

FIGURE 5-1. DRIVE TRAIN COMPONENTS



PV1402

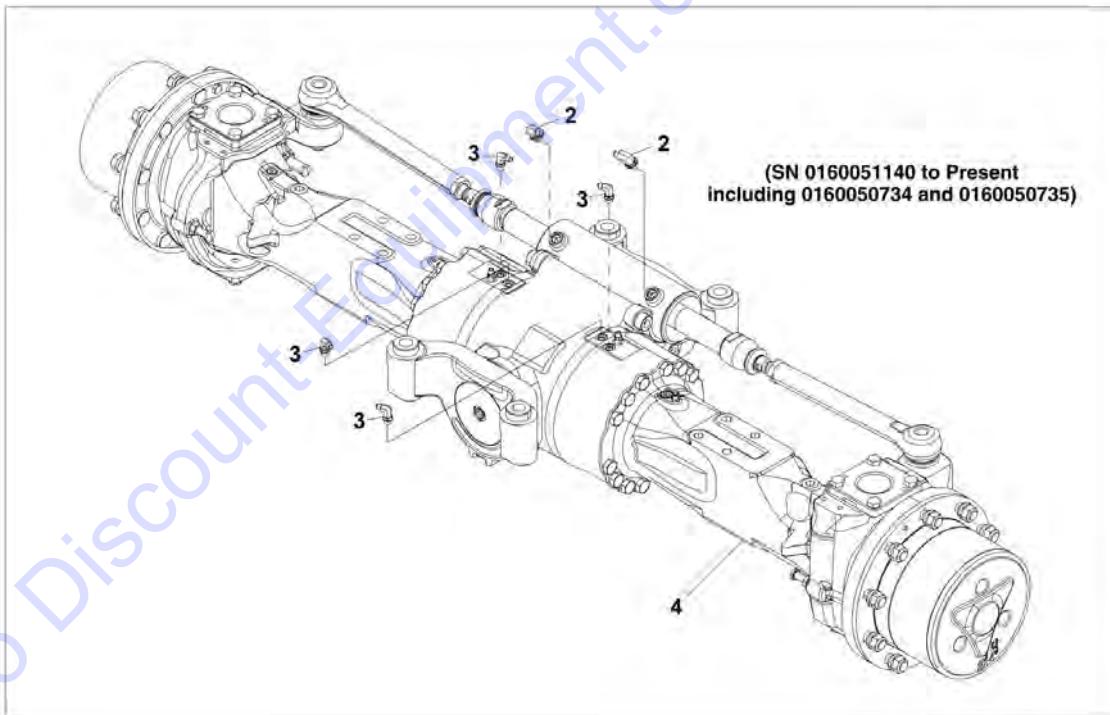
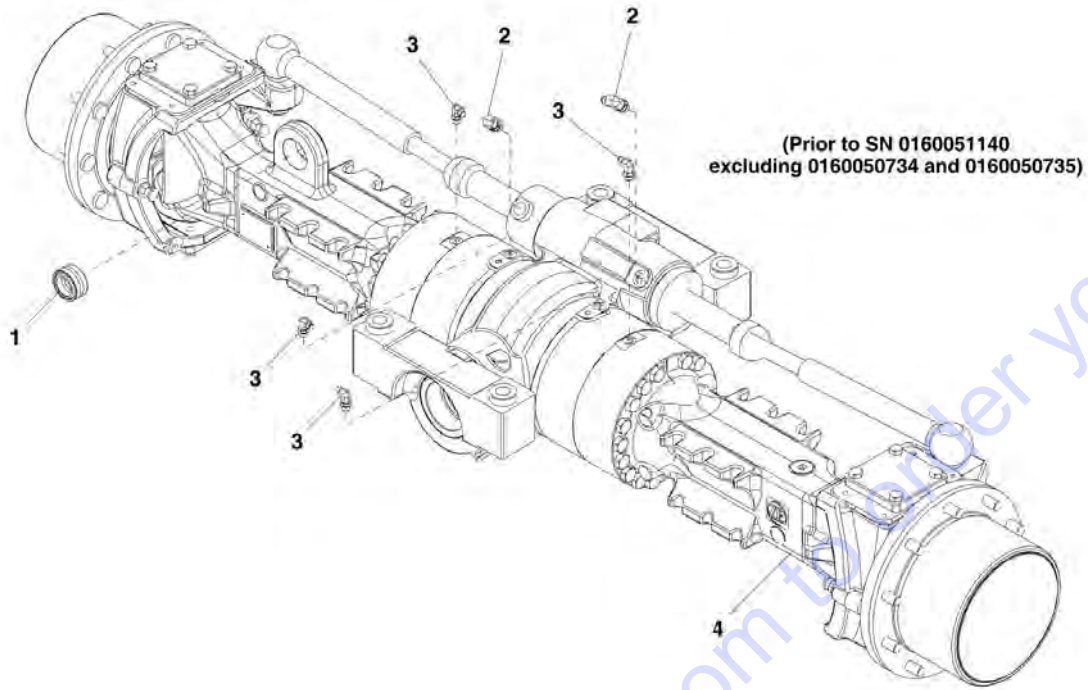
SECTION 5 - DRIVE TRAIN

FIGURE 5-1. DRIVE TRAIN COMPONENTS

ITEM	PART NUMBER	QTY	DESCRIPTION	REV
1	10700941	8	HEX HD CAPSCREW, 1-8X7, GR8, (torque to 680 lb-ft)	
2	10701259	16	FLAT WASHER, 1	
3	3272601	8	HEX NUT, 1-8	
4		Ref	TIRE AND RIM ASSY, (See TIRES AND RIMS for Breakdown)	
5	8786572	40	LUG NUT, (torque to 450-470 lb-ft), (not required with Firestone 400/75-28)	
5	91403193	40	WHEEL NUT, (torque to 430-470 lb-ft), (if equipped with Firestone 400/75-28)	
6		Ref	FRONT AXLE ASSY, (See FRONT AXLE ASSEMBLY for Breakdown)	
7		Ref	REAR AXLE ASSY, (See REAR AXLE ASSEMBLY for Breakdown)	
8		Ref	ZF TRANSMISSION, (See REAR AXLE ASSEMBLY for Breakdown)	
9		Ref	DRIVE SHAFTS, (See DRIVE SHAFT for Breakdown)	
10	8786573	40	WASHER, (not required with Firestone 400/75-28)	
11	0641710	2	HEX HD CAPSCREW, 7/16-14X2, GR5	
12	4711700	4	FLAT WASHER, 7/16	
13	3311705	2	LOCKNUT, 7/16-14	
101	0100011	AR	LOCTITE 242	

SECTION 5 - DRIVE TRAIN

FIGURE 5-2. FRONT AXLE ASSEMBLY



PAP27920

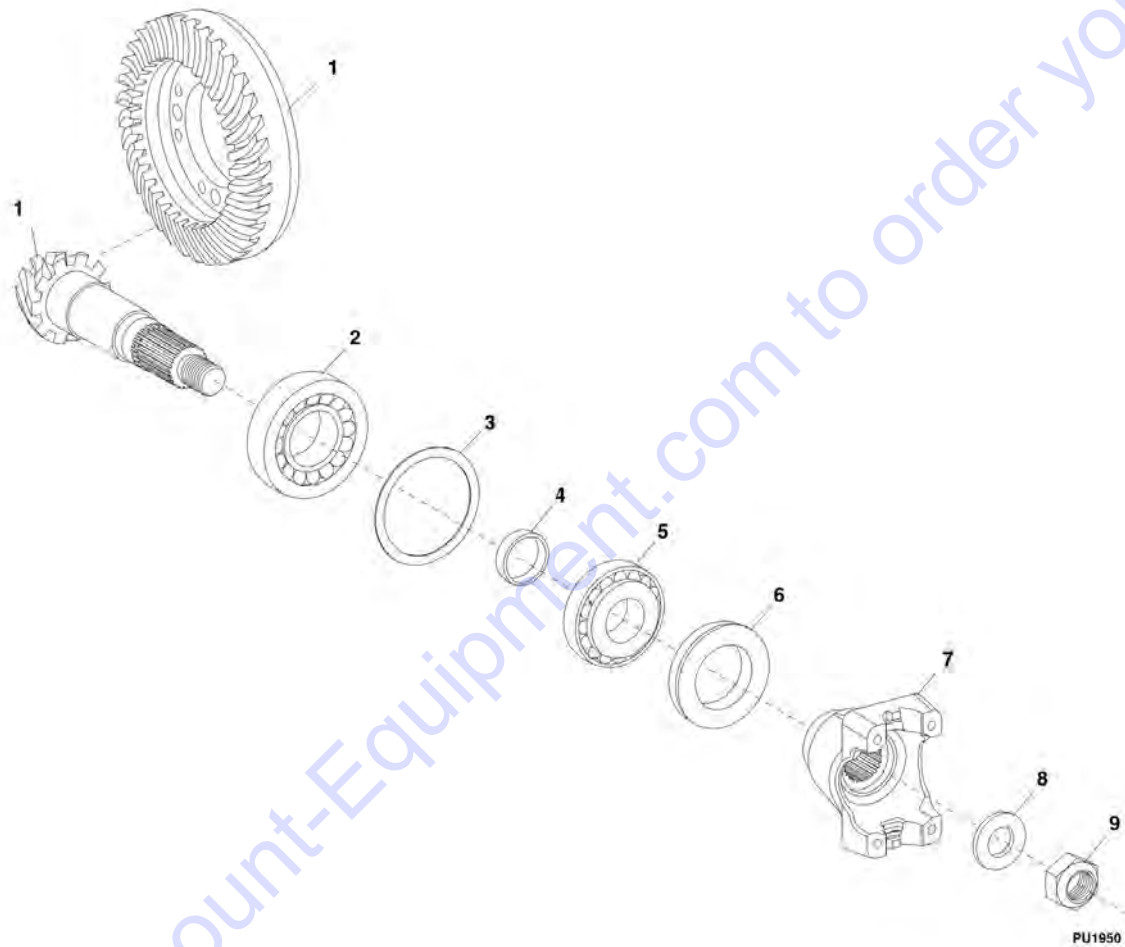
SECTION 5 - DRIVE TRAIN

FIGURE 5-2. FRONT AXLE ASSEMBLY

ITEM	PART NUMBER	QTY	DESCRIPTION	REV
	0280191	1	FRONT AXLE ASSY, (includes all items) (Prior to SN 0160051140, Excluding 0160050734 and 0160050735)	D
	1001107570	1	FRONT AXLE ASSY, (includes all items) (SN 0160051140 to Present, Including 0160050734 and 0160050735)	A
1	8050001	1	SELF ALIGN BEARING	
2	2220628	2	ELBOW, 90	
3	2220472	4	ELBOW, 90	
4	0280189	1	FRONT AXLE (Prior to SN 0160051140, Excluding 0160050734 and 0160050735)	F
4	1001107080	1	FRONT AXLE (SN 0160051140 to Present, Including 0160050734 and 0160050735)	C
4		Ref	FRONT AXLE - INPUT, (See FRONT AXLE – INPUT for Breakdown)	E
4		Ref	FRONT AXLE - LIMITED SLIP DIFFERENTIAL, (See FRONT AXLE - LIMITED SLIP DIFFERENTIAL for Breakdown)	
4		Ref	FRONT AXLE - AXLE CASING, (See FRONT AXLE – CASING for Breakdown)	
4		Ref	FRONT AXLE - M-DISC BRAKE, (See FRONT AXLE - M-DISC BRAKE for Breakdown)	
4		Ref	FRONT AXLE - BRAKE, (See FRONT AXLE – BRAKE for Breakdown)	
4		Ref	FRONT AXLE - JOINT HOUSING, (See FRONT AXLE - JOINT HOUSING for Breakdown)	
4		Ref	FRONT AXLE - PLANETARY DRIVE, (See FRONT AXLE - PLANETARY DRIVE for Breakdown)	

SECTION 5 - DRIVE TRAIN

FIGURE 5-3. FRONT AXLE - INPUT



SECTION 5 - DRIVE TRAIN

FIGURE 5-3. FRONT AXLE - INPUT

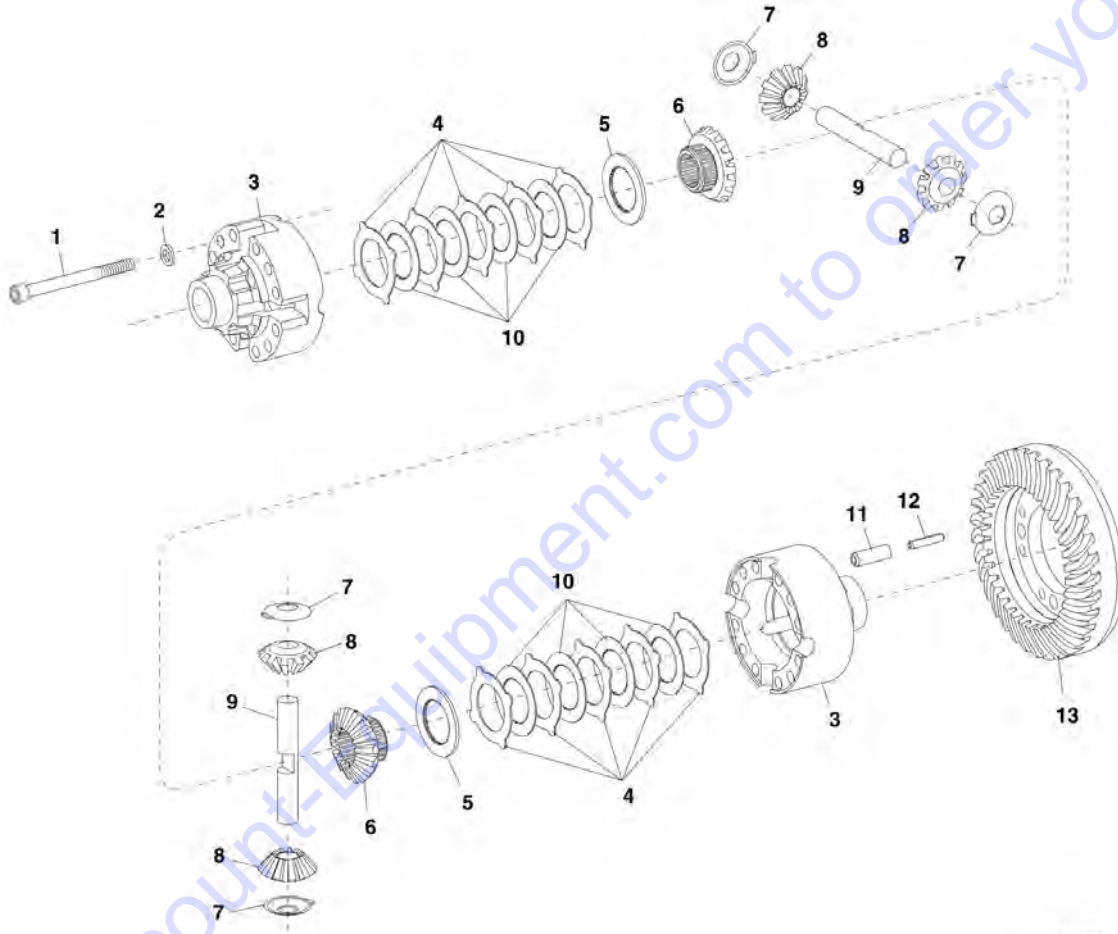
ITEM	PART NUMBER	QTY	DESCRIPTION	REV
1	7028967	1	GEAR SET BEVEL	
2	1321213	1	ROLLER BEARING	
3	1321187	AR	SHIM, 1.5mm	
3	8035871	AR	SHIM, 0.9mm	
3	8035872	AR	SHIM, 0.95mm	
3	8035873	AR	SHIM, 1.0mm	
3	1321186	AR	SHIM, 1.05mm	
3	8035874	AR	SHIM, 1.1mm	
3	8035875	AR	SHIM, 1.15mm	
3	1321185	AR	SHIM, 1.2mm	
3	8035876	AR	SHIM, 1.25mm	
3	8035877	AR	SHIM, 1.3mm	
3	1321189	AR	SHIM, 0.7mm	
3	8035878	AR	SHIM, 0.75mm	
3	8035879	AR	SHIM, 0.8mm	
3	1321190	AR	SHIM, 0.85mm	
4	8035881	AR	RING, 11.30mm	
4	8035882	AR	RING, 11.33mm	
4	8035883	AR	RING, 11.36mm	
4	8035884	AR	RING, 11.39mm	
4	8035885	AR	RING, 11.42mm	
4	8035886	AR	RING, 11.45mm	
4	1321196	AR	RING, 11.48mm	
4	8035887	AR	RING, 11.51mm	
4	8035888	AR	RING, 11.54mm	
4	8035889	AR	RING, 11.57mm	
4	8035890	AR	RING, 11.60mm	
4	8035891	AR	RING, 11.63mm	
4	1321197	AR	RING, 11.66mm	
4	8035892	AR	RING, 11.69mm	
4	8035893	AR	RING, 11.72mm	
4	8035894	AR	RING, 11.75mm	
4	8035895	AR	RING, 11.78mm	
4	8035896	AR	RING, 11.81mm	
4	1321198	AR	RING, 11.84mm	
4	8035897	AR	RING, 11.87mm	
4	8035898	AR	RING, 11.90mm	
4	8035899	AR	RING, 11.93mm	
4	8035900	AR	RING, 11.96mm	
4	8035901	AR	RING, 11.99mm	
4	8035902	AR	RING, 12.02mm	
4	1321199	AR	RING, 12.05mm	
4	8035903	AR	RING, 12.08mm	
4	8035904	AR	RING, 12.11mm	
4	8035905	AR	RING, 12.14mm	
4	8035906	AR	RING, 12.17mm	
4	8036841	AR	RING, 12.20mm	
4	8035907	AR	RING, 12.23mm	
4	8035908	AR	RING, 12.26mm	
4	8035909	AR	RING, 12.29mm	

SECTION 5 - DRIVE TRAIN

ITEM	PART NUMBER	QTY	DESCRIPTION	REV
4	8035910	AR	RING, 12.32mm	
4	8035911	AR	RING, 12.35mm	
4	1321201	AR	RING, 12.38mm	
4	8035912	AR	RING, 11.27mm	
4	1321204	AR	RING, 11.24mm	
4	8035913	AR	RING, 11.21mm	
4	8035914	AR	RING, 11.18mm	
4	8035915	AR	RING, 11.15mm	
4	8035916	AR	RING, 11.12mm	
4	1321203	AR	RING, 11.09mm	
4	8035917	AR	RING, 11.06mm	
4	8035918	AR	RING, 11.03mm	
4	8035919	AR	RING, 11.00mm	
4	8035920	AR	RING, 10.97mm	
4	1321202	AR	RING, 10.94mm	
5	1321212	1	ROLLER BEARING	
6	1321210	1	COMBINATION RING	
7	1321248	1	END YOKE	
8	1321194	1	WASHER	
9	8035921	1	HEXAGON NUT	

SECTION 5 - DRIVE TRAIN

FIGURE 5-4. FRONT AXLE - LIMITED SLIP DIFFERENTIAL



PU1970

SECTION 5 - DRIVE TRAIN

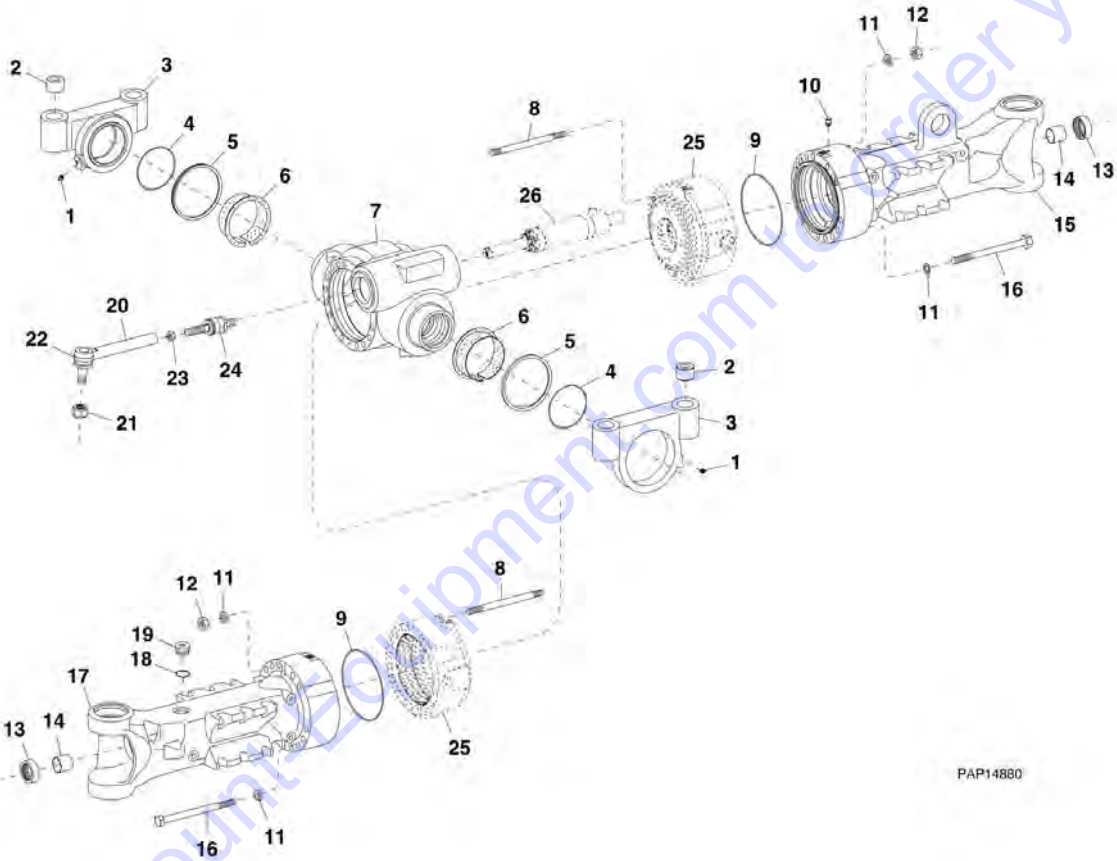
FIGURE 5-4. FRONT AXLE - LIMITED SLIP DIFFERENTIAL

ITEM	PART NUMBER	QTY	DESCRIPTION	REV
	7027230	1	LIMITED SLIP DIFFERENTIAL ASSY, (includes items 1 thru 12)	
1	8035923	12	CAPSCREW	
2	1321184	12	WASHER	
3	1321215	1	DIFFERENTIAL CASE	
4	1321219	10	O. CLUTCH DISC, 1.2mm	
4	1321220	10	O. CLUTCH DISC, 1.3mm	
4	1321221	10	O. CLUTCH DISC, 1.4mm	
5	1321217	2	PRESSURE DISC	
6	7027225	2	AXLE BEVEL GEAR	
7	1319415	4	THRUST WASHER	
8	8036753	4	DIFFERENTIAL BEVEL GEAR	
9	1321225	2	DIFFERENTIAL AXLE	
10	1321218	8	I. CLUTCH DISC	
11	1321153	4	SLOTTED PIN	
12	1321154	4	SLOTTED PIN	
13		Ref	GEAR SET BEVEL, (See FRONT AXLE – INPUT for Breakdown)	

Go to Discount-Equipment.com to order your parts

SECTION 5 - DRIVE TRAIN

FIGURE 5-5. FRONT AXLE - AXLE CASING



PAP14880

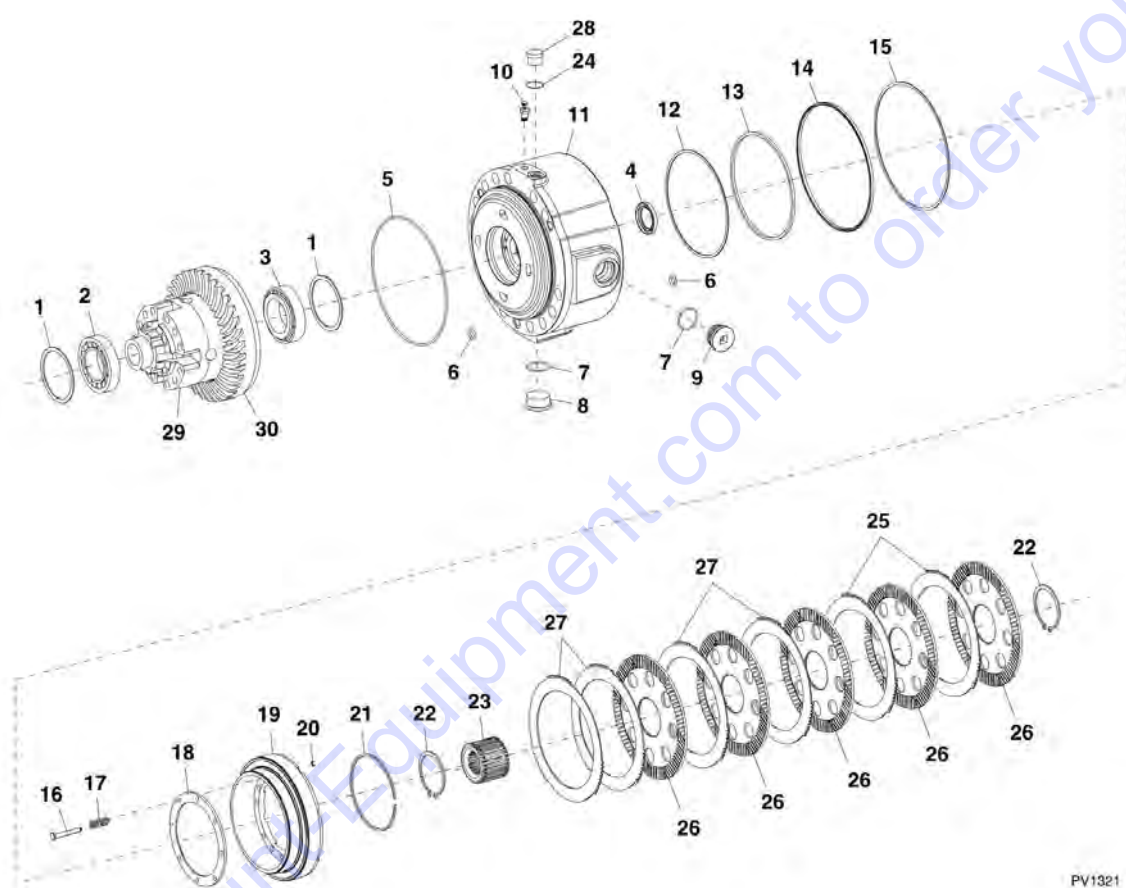
SECTION 5 - DRIVE TRAIN

FIGURE 5-5. FRONT AXLE - AXLE CASING

ITEM	PART NUMBER	QTY	DESCRIPTION	REV
1	1319423	2	GREASE FITTING	
2	1319441	4	CENTERING BUSHING	
3	8035933	2	BRACKET	
4	1319439	2	O-RING	
5	1319440	2	V-RING	
6	8036419	2	FLANGE BUSHING	
7	7027227	NLA	AXLE DRIVE HOUSING, (no longer available, order 70021111 for replacement)	
7	70021111	1	AXLE DRIVE HOUSING	
8	8036313	6	STUD	
9	1319425	2	O-RING	
10	1319436	1	VENT VALVE	
11	8036312	30	WASHER, (only used with 7027227 axle drive housing)	
12	1319429	8	HEX NUT	
13	7027211	2	SHAFT SEAL	
14	1319433	2	BUSHING	
15	8035924	1	RIGHT FRONT AXLE CASING	
16	8035927	30	HEX SCREW, (used with 7027227 axle drive housing)	
16	8035927	28	HEX SCREW, (used with 70021111 axle drive housing)	
17	8035925	1	LEFT FRONT AXLE CASING	
18	8036331	1	O-RING	
19	1319506	1	SCREW PLUG	
20	1321148	2	TRACK ROD, (includes items 21 thru 24)	
21	8036758	1	LOCKING NUT	
22	8036756	1	BALL JOINT W/PIPE COUPLING	
23	8036759	1	HEX NUT	
24	8036757	1	AXIAL JOINT COUPLING	
25		Ref	BRAKE HOUSING, (See FRONT AXLE - M-DISC BRAKE for Breakdown)	
26		Ref	STEERING CYLINDER, (See FRONT AXLE - PLANETARY DRIVE for Breakdown)	

SECTION 5 - DRIVE TRAIN

FIGURE 5-6. FRONT AXLE - M-DISC BRAKE



PV1321

SECTION 5 - DRIVE TRAIN

FIGURE 5-6. FRONT AXLE - M-DISC BRAKE

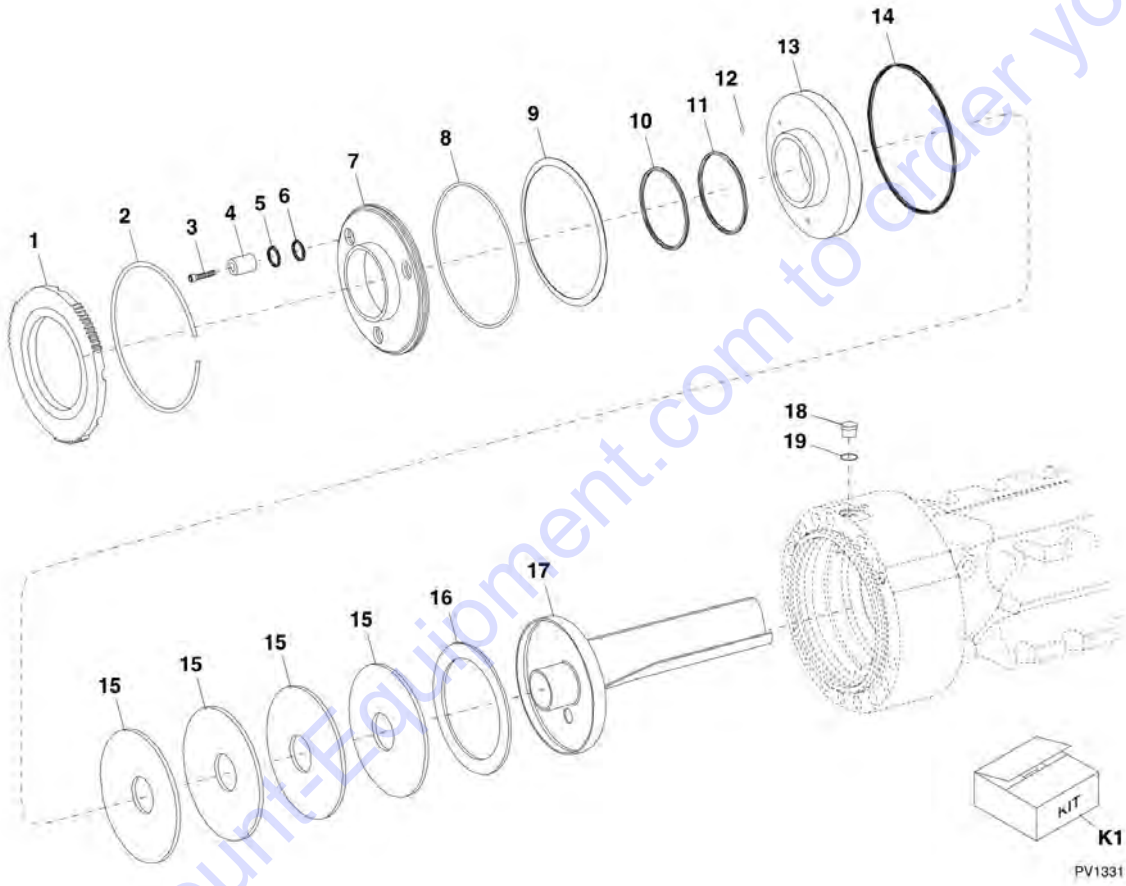
ITEM	PART NUMBER	QTY	DESCRIPTION	REV
1	1319531	AR	SHIM, 0.1mm	
1	8035945	AR	SHIM, 0.15mm	
1	1319530	AR	SHIM, 0.2mm	
1	8035946	AR	SHIM, 0.25mm	
1	1319529	AR	SHIM, 0.3mm	
1	8035947	AR	SHIM, 0.35mm	
1	8035951	AR	SHIM, 0.4mm	
1	1319543	AR	SHIM, 0.45mm	
1	1319527	AR	SHIM, 0.5mm	
1	1321158	AR	SHIM, 0.55mm	
1	1319526	AR	SHIM, 0.6mm	
1	1319532	AR	SHIM, 0.65mm	
1	1319533	AR	SHIM, 0.7mm	
1	1319534	AR	SHIM, 0.75mm	
1	1319525	AR	SHIM, 0.8mm	
1	1319535	AR	SHIM, 0.85mm	
1	1319536	AR	SHIM, 0.9mm	
1	1319537	AR	SHIM, 0.95mm	
1	1319524	AR	SHIM, 1.0mm	
1	1319545	AR	SHIM, 1.05mm	
1	1319538	AR	SHIM, 1.10mm	
1	1319539	AR	SHIM, 1.15mm	
1	1319523	AR	SHIM, 1.20mm	
1	1319540	AR	SHIM, 1.25mm	
1	1319541	AR	SHIM, 1.30mm	
1	1319542	AR	SHIM, 1.35mm	
1	1319522	AR	SHIM, 1.40mm	
1	1319521	AR	SHIM, 1.45mm	
1	1319520	AR	SHIM, 1.50mm	
1	1319519	AR	SHIM, 1.55mm	
1	1319518	AR	SHIM, 1.60mm	
1	1319517	AR	SHIM, 1.65mm	
1	1319510	AR	SHIM, 2.0mm	
1	1321159	AR	SHIM, 1.47mm	
1	8035948	AR	SHIM, 1.63mm	
1	1319515	AR	SHIM, 1.75mm	
1	1319516	AR	SHIM, 1.70mm	
1	1319514	AR	SHIM, 1.80mm	
1	1319513	AR	SHIM, 1.85mm	
1	1319512	AR	SHIM, 1.90mm	
1	1319511	AR	SHIM, 1.95mm	
2	8036445	2	ROLLER BEARING	
3	8036447	2	ROLLER BEARING	
4	8036444	2	SHAFT SEAL	
5	1319425	2	O-RING	
6	1319491	12	O-RING	
7	8036331	4	O-RING	
8	1319431	2	SCREW PLUG	
9	1319506	2	SCREW PLUG	
10	1319505	2	VENT VALVE	

SECTION 5 - DRIVE TRAIN

ITEM	PART NUMBER	QTY	DESCRIPTION	REV
11	8035936	NLA	BRAKE HOUSING, (right side), (Prior to Axle SN 679304), (no longer available, see note, order 70020483 for replacement)	
11	70020483	1	BRAKE HOUSING, (right side), (Axle SN 679304 to Present)	
11	8035939	NLA	BRAKE HOUSING, (left side), (Prior to Axle SN 679304), (no longer available, see note, order 70020484 for replacement)	
11	70020484	1	BRAKE HOUSING, (left side), (Axle SN 679304 to Present)	
12	1321151	2	SUPPORT RING	
13	1321162	2	U-RING	
14	1321163	2	U-RING	
15	1321152	2	SUPPORT RING	
16	1319496	16	PIN	
17	1319497	16	COMPRESSION SPRING	
18	8036305	2	WASHER	
19	8036304	2	PISTON	
20	1319499	16	CRESCENT RING	
21	1319504	2	SNAP RING	
22	10731949	4	RETAINING RING	
23	1321174	2	DISC CARRIER, (Prior to Axle SN 823786)	
23	70020409	1	DISC CARRIER, (Axle SN 823786 to Present)	
24	7027217	2	O-RING	
25	1319500	4	O. CLUTCH DISC, 2.0mm, (Prior to Axle SN 679304)	
25	70020485	4	O. CLUTCH DISC, 2.0mm, (Axle SN 679304 to present)	
25	1319501	4	O. CLUTCH DISC, 2.5mm, (Prior to Axle SN 679304)	
25	70020486	4	O. CLUTCH DISC, 2.5mm, (Axle SN 679304 to Present)	
25	1319502	4	O. CLUTCH DISC, 3.0mm, (Prior to Axle SN 679304)	
25	70020487	4	O. CLUTCH DISC, 3.0mm, (Axle SN 679304 to Present)	
26	1321150	10	I. CLUTCH DISC, (Prior to Axle SN 823786)	
26	70020408	5	I. CLUTCH DISC, (Axle SN 823786 to Present)	
27	1319502	8	O. CLUTCH DISC, 3.0mm, (Prior to Axle SN 679304)	
27	70020487	8	O. CLUTCH DISC, 3.0mm, (Axle SN 679304 to Present)	
28	1319666	2	SCREW PLUG	
29		Ref	LIMITED SLIP DIFFERENTIAL, (See FRONT AXLE - LIMITED SLIP DIFFERENTIAL for Breakdown)	
30		Ref	GEAR SET BEVEL, (See FRONT AXLE – INPUT for Breakdown)	
N1	Note	Ref	PARTS ARE NO LONGER AVAILABLE; ORDER BRAKE HOUSINGS 70020483 & 70020484, QUANTITY REQUIRED OF OUTER DISCS 70020485, 70020486 & 70020487, QUANTITY 2 OF 70020413 END PLATES.	

SECTION 5 - DRIVE TRAIN

FIGURE 5-7. FRONT AXLE - BRAKE



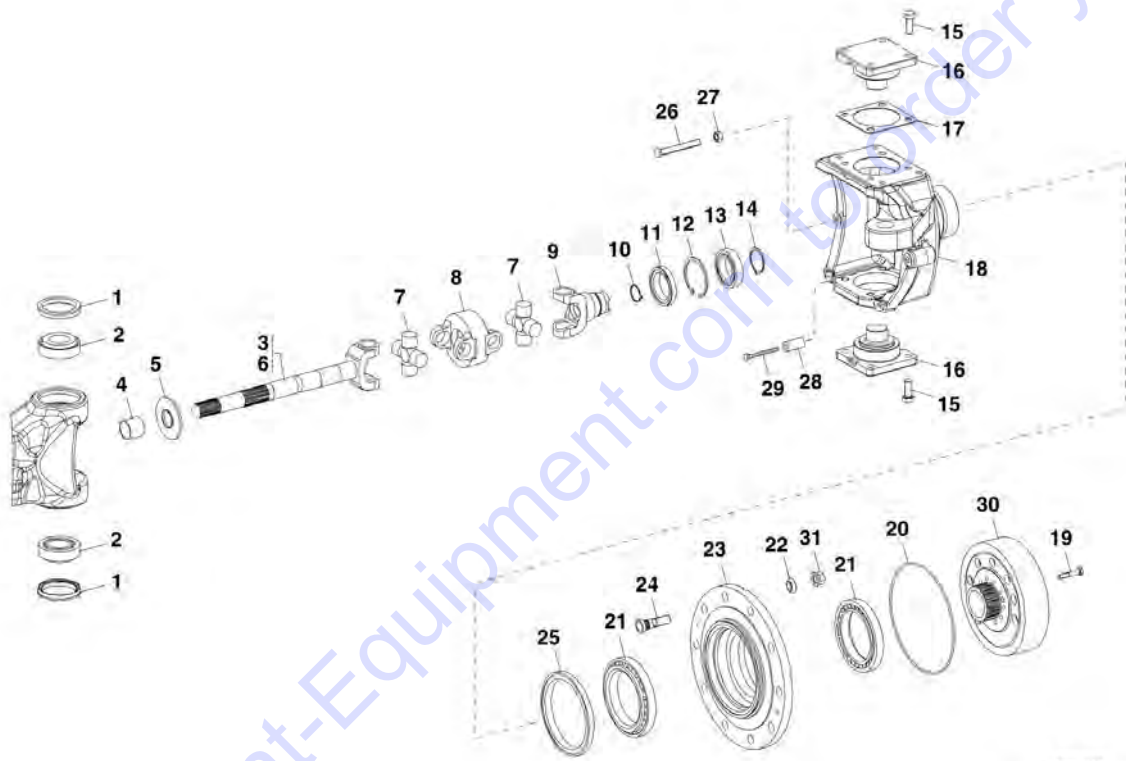
SECTION 5 - DRIVE TRAIN

FIGURE 5-7. FRONT AXLE - BRAKE

ITEM	PART NUMBER	QTY	DESCRIPTION	REV
1	8036848	2	END SHIM, (Prior to Axle SN 679304)	
1	70020413	2	END SHIM, (Axle SN 679304 to Present)	
2	1321206	2	SNAP RING	
3	8036321	6	CAP SCREW	
4	1321244	6	PRESSURE PIN	
5	8036862	6	O-RING	
6	8036861	6	U-RING	
7	8036849	2	SEALING WASHER	
8	8036320	2	O-RING	
9	1321208	2	CUP SPRING	
10	8036855	2	BACK-UP RING	
11	8036854	2	U-RING	
12	8036859	6	BACK-UP RING	
13	7027212	2	PISTON	
14	8036852	2	U-RING	
15	1321207	8	CUP SPRING	
16	8035958	2	SPACING WASHER	
17	8036856	2	OIL DAM	
18	1319666	2	SCREW PLUG	
19	7027217	2	O-RING	
K1	7029104	AR	BRAKE UPGRADE KIT, (Prior to Axle SN 679304), (contains quantity of 1 each of items 1, 2, 7 thru 11, 13, 14, 17; quantity of 3 each of items 3 thru 6, 12 and quantity of 1 of 1319425 o-ring)	

SECTION 5 - DRIVE TRAIN

FIGURE 5-8. FRONT AXLE - JOINT HOUSING



PV1340

Go to Discount-Equipment.com to order your parts

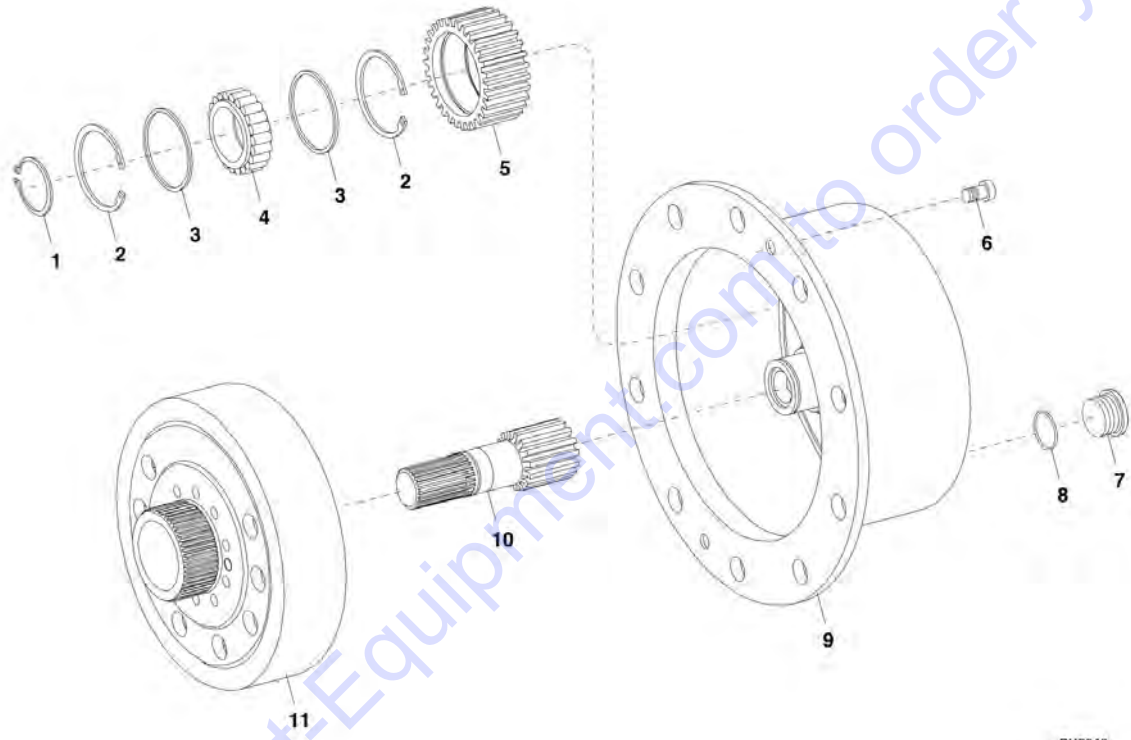
SECTION 5 - DRIVE TRAIN

FIGURE 5-8. FRONT AXLE - JOINT HOUSING

ITEM	PART NUMBER	QTY	DESCRIPTION	REV
1	1319447	4	SHAFT SEAL	
2	1319445	4	ROLLER BEARING	
3	1321175	2	DRIVESHAFT UNIVERSAL COUPLING, (includes items 4 thru 9)	
4	8035973	1	BUSHING	
5	8035974	1	SCREENSHEET	
6	8035972	1	JOINT COUPLING FORK	
7	8035970	1	JOINT FORK, (Prior to Axle SN 755298)	
7	70021790	1	JOINT FORK, (Axle SN 755298 to Present)	
8	8035969	1	CENTRAL PIECE, (Prior to Axle SN 755298)	
8	70021789	1	CENTRAL PIECE, (Axle SN 755298 to Present)	
9	8035971	1	JOINT FORK	
10	1321228	2	RETAINING RING	
11	7028977	2	SHAFT SEAL	
12	1319210	2	RETAINING RING	
13	1321157	2	BALL BEARING	
14	80304405	2	RETAINING RING	
15	1319464	16	HEX SCREW	
16	1319462	4	BEARING PIN	
17	1321249	AR	SHIM, 0.2mm	
17	8035959	AR	SHIM, 0.3mm	
17	8035960	AR	SHIM, 0.4mm	
17	8035961	AR	SHIM, 0.5mm	
17	8035962	AR	SHIM, 0.6mm	
17	1321250	AR	SHIM, 0.7mm	
17	8035963	AR	SHIM, 0.8mm	
17	8035964	AR	SHIM, 1.0mm	
17	8035965	AR	SHIM, 1.2mm	
17	8035966	AR	SHIM, 1.4mm	
17	1321251	AR	SHIM, 1.6mm	
17	8035967	AR	SHIM, 1.8mm	
17	8035968	AR	SHIM, 2.0mm	
18	1321256	1	JOINT HOUSING, (right side)	
18	1321257	1	JOINT HOUSING, (left side)	
19	8036866	20	HEX SCREW	
20	1321155	2	O-RING	
21	1319472	4	ROLLER BEARING	
22		Ref	WASHER, (See DRIVE TRAIN COMPONENTS for Breakdown)	
23	1321254	2	HUB	
24	8036434	20	WHEEL BOLT	
25	80304173	2	SHAFT SEAL	
26	1319475	2	STOP SCREW	
27	1319477	2	NUT	
28	7026664	2	SPACER TUBE	
29	8036330	2	STOP SCREW	
30		Ref	RING GEAR, (See FRONT AXLE - PLANETARY DRIVE for Breakdown)	
31		Ref	LUG NUT, (See DRIVE TRAIN COMPONENTS for Breakdown)	

SECTION 5 - DRIVE TRAIN

FIGURE 5-9. FRONT AXLE - PLANETARY DRIVE



PU2040

SECTION 5 - DRIVE TRAIN

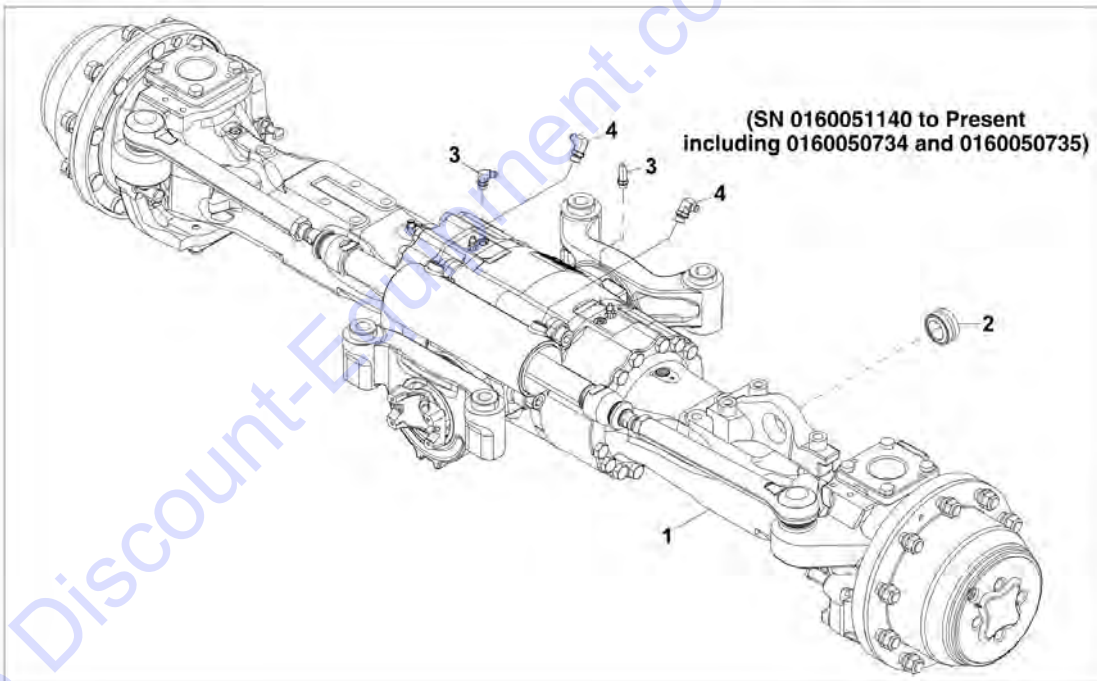
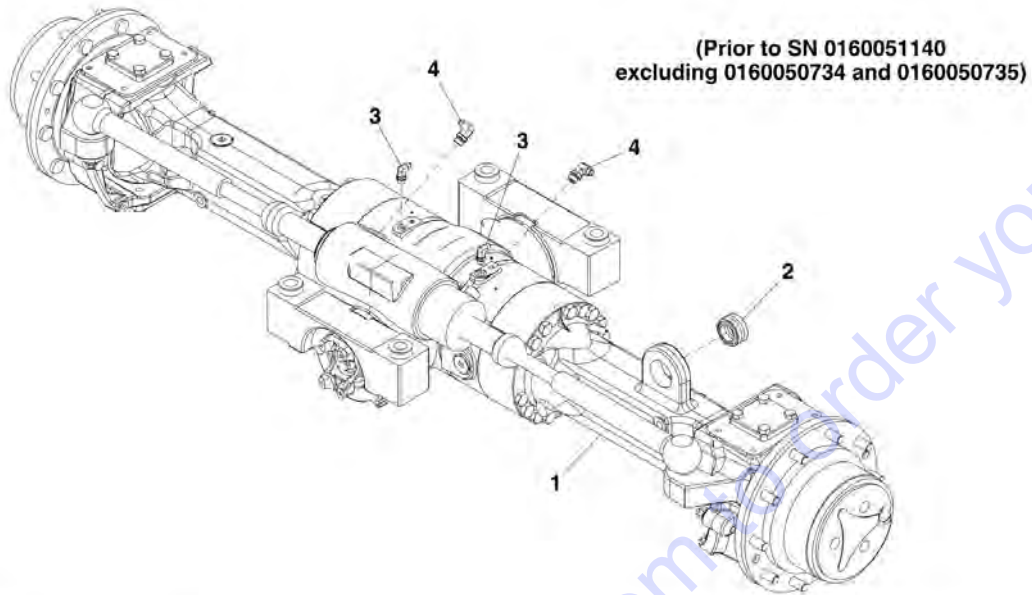
FIGURE 5-9. FRONT AXLE - PLANETARY DRIVE

ITEM	PART NUMBER	QTY	DESCRIPTION	REV
1	80304227	3	RETAINING RING	
2	1321205	6	SNAP RING	
3	1321191	6	WASHER	
4	1321214	3	ROLLER BEARING	
5	1321233	3	PLANETARY GEAR	
6	8035977	2	CAP SCREW	
7	1319506	1	SCREW PLUG	
8	8036331	1	O-RING	
9	1321232	1	PLANETARY CARRIER	
10	1321255	1	SUN GEAR SHAFT	
11	1321258	1	RING GEAR	

Go to Discount-Equipment.com to order your parts

SECTION 5 - DRIVE TRAIN

FIGURE 5-10. REAR AXLE ASSEMBLY



PAP27930

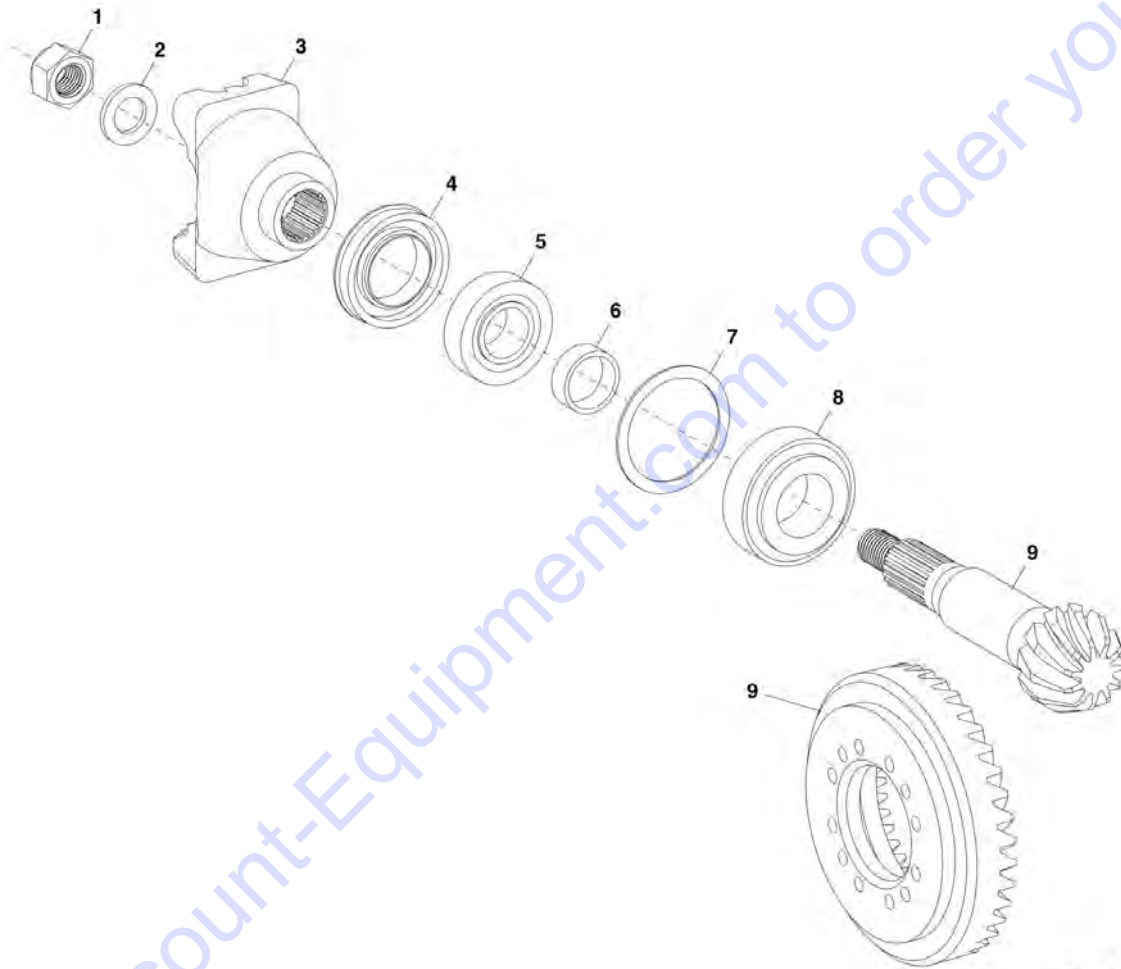
SECTION 5 - DRIVE TRAIN

FIGURE 5-10. REAR AXLE ASSEMBLY

ITEM	PART NUMBER	QTY	DESCRIPTION	REV
	0280190	1	REAR AXLE ASSY, (includes all items) (Prior to SN 0160051140, Excluding 0160050734 and 0160050735)	D
	1001107571	1	REAR AXLE ASSY, (includes all items) (SN 0160051140 to Present, Including 0160050734 and 01600507350)	A
1	0280188	1	REAR AXLE (Prior to SN 0160051140, Excluding 0160050734 and 0160050735)	F
1	1001107081	1	REAR AXLE (SN 0160051140 to Present, Including 0160050734 and 0160050735)	C
1		Ref	REAR AXLE - INPUT, (See REAR AXLE - INPUT for Breakdown)	
1		Ref	REAR AXLE - DIFFERENTIAL, (See REAR AXLE - DIFFERENTIAL for Breakdown)	
1		Ref	REAR AXLE - AXLE CASING, (See REAR AXLE - CASING for Breakdown)	
1		Ref	REAR AXLE - M-DISC BRAKE, (See REAR AXLE - M-DISC BRAKE for Breakdown)	
1		Ref	REAR AXLE - BRAKE, (See REAR AXLE - BRAKE for Breakdown)	
1		Ref	REAR AXLE - JOINT HOUSING, (See REAR AXLE - JOINT HOUSING for Breakdown)	
1		Ref	REAR AXLE - PLANETARY DRIVE, (See REAR AXLE - PLANETARY DRIVE for Breakdown)	
2	8050001	1	SELF ALIGN BEARING	
3	2220472	2	ELBOW, 90	
4	2220628	2	ELBOW, 90	

SECTION 5 - DRIVE TRAIN

FIGURE 5-11. REAR AXLE - INPUT



PU2050

Go to Discount-Equipment.com to order your parts

SECTION 5 - DRIVE TRAIN

FIGURE 5-11. REAR AXLE - INPUT

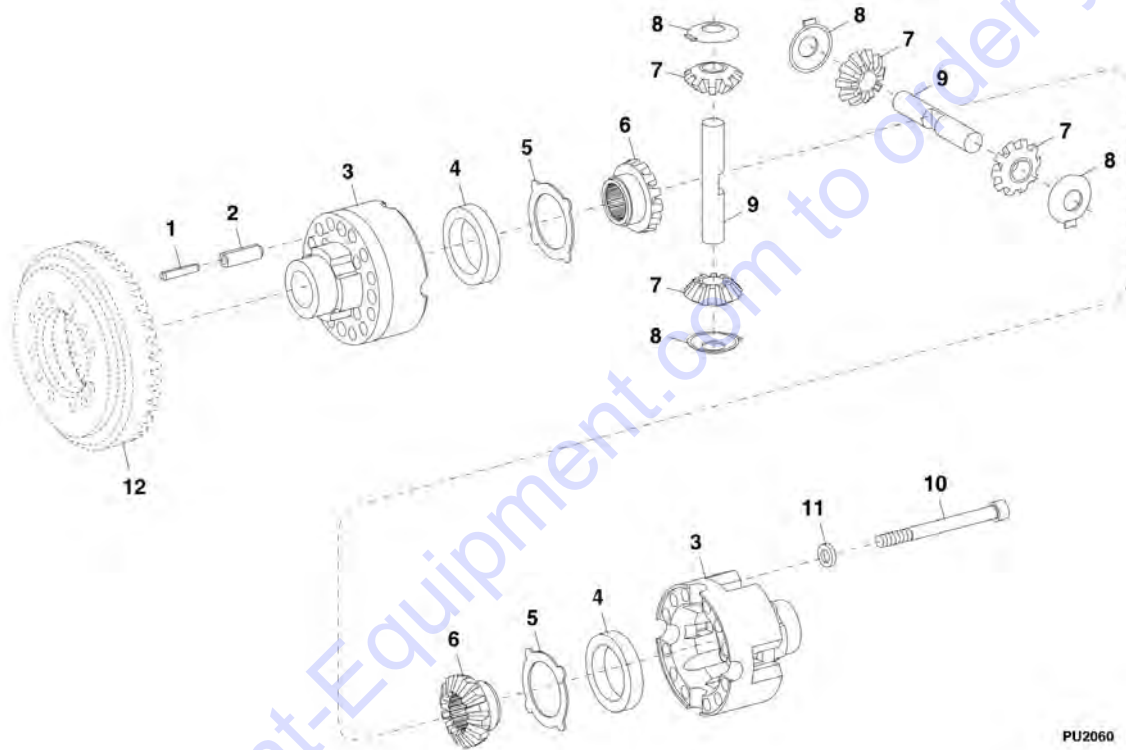
ITEM	PART NUMBER	QTY	DESCRIPTION	REV
1	8035983	1	HEX NUT	
2	1319406	1	WASHER	
3	1321237	1	END YOKE	
4	1321211	1	COMBINATION RING	
5	1319444	1	ROLLER BEARING	
6	1319354	1	RING, 15.1mm	
6	1319355	1	RING, 15.2mm	
6	1319356	1	RING, 15.3mm	
6	1319357	1	RING, 15.4mm	
6	1319358	1	RING, 15.5mm	
6	1319359	1	RING, 15.6mm	
6	1319360	1	RING, 15.7mm	
6	1319361	1	RING, 15.8mm	
6	1319362	1	RING, 15.9mm	
6	1319363	1	RING, 16.0mm	
6	1319364	1	RING, 16.1mm	
6	1319365	1	RING, 16.2mm	
6	1319366	1	RING, 16.3mm	
6	1319367	1	RING, 16.4mm	
6	8035982	1	RING, 16.26mm	
6	1319369	1	RING, 16.23mm	
6	1319370	1	RING, 16.16mm	
6	1319371	1	RING, 16.13mm	
6	1319372	1	RING, 16.06mm	
6	1319373	1	RING, 16.03mm	
6	1319374	1	RING, 15.96mm	
6	1319375	1	RING, 15.93mm	
6	1319376	1	RING, 15.86mm	
6	1319377	1	RING, 15.83mm	
6	1319378	1	RING, 15.76mm	
6	1319379	1	RING, 15.73mm	
6	1319380	1	RING, 15.66mm	
6	1319381	1	RING, 15.63mm	
6	1319382	1	RING, 15.56mm	
6	1319383	1	RING, 15.53mm	
6	1319384	1	RING, 15.46mm	
6	1319385	1	RING, 15.43mm	
6	1319386	1	RING, 15.36mm	
6	1319387	1	RING, 15.33mm	
6	1319388	1	RING, 15.26mm	
6	1319389	1	RING, 15.38mm	
6	1319390	1	RING, 15.48mm	
6	1319391	1	RING, 15.58mm	
6	1319392	1	RING, 15.68mm	
6	1319393	1	RING, 15.69mm	
6	1319394	1	RING, 15.72mm	
6	1319395	1	RING, 15.78mm	
6	1319396	1	RING, 15.81mm	
6	1319397	1	RING, 15.84mm	
6	1319398	1	RING, 15.88mm	

SECTION 5 - DRIVE TRAIN

ITEM	PART NUMBER	QTY	DESCRIPTION	REV
6	1319399	1	RING, 15.89mm	
6	1319400	1	RING, 15.91mm	
6	1319401	1	RING, 15.94mm	
6	1319402	1	RING, 15.97mm	
7	1319333	AR	WASHER, 1.0mm	
7	1319334	AR	WASHER, 1.05mm	
7	1319335	AR	WASHER, 1.1mm	
7	1319336	AR	WASHER, 1.15mm	
7	1319337	AR	WASHER, 1.2mm	
7	1319338	AR	WASHER, 1.25mm	
7	1319339	AR	WASHER, 1.3mm	
7	1319340	AR	WASHER, 1.35mm	
7	1319341	AR	WASHER, 1.4mm	
7	1319342	AR	WASHER, 1.45mm	
7	1319343	AR	WASHER, 1.5mm	
7	1319344	AR	WASHER, 1.55mm	
7	1319345	AR	WASHER, 1.6mm	
7	1319346	AR	WASHER, 0.9mm	
7	1319347	AR	WASHER, 0.95mm	
7	1319348	AR	WASHER, 0.65mm	
7	1319349	AR	WASHER, 0.70mm	
7	1319350	AR	WASHER, 0.75mm	
7	1319351	AR	WASHER, 0.85mm	
7	1319352	AR	WASHER, 0.80mm	
8	1319353	1	ROLLER BEARING	
9	7028974	1	GEAR SET BEVEL	

SECTION 5 - DRIVE TRAIN

FIGURE 5-12. REAR AXLE - DIFFERENTIAL



PU2060

SECTION 5 - DRIVE TRAIN

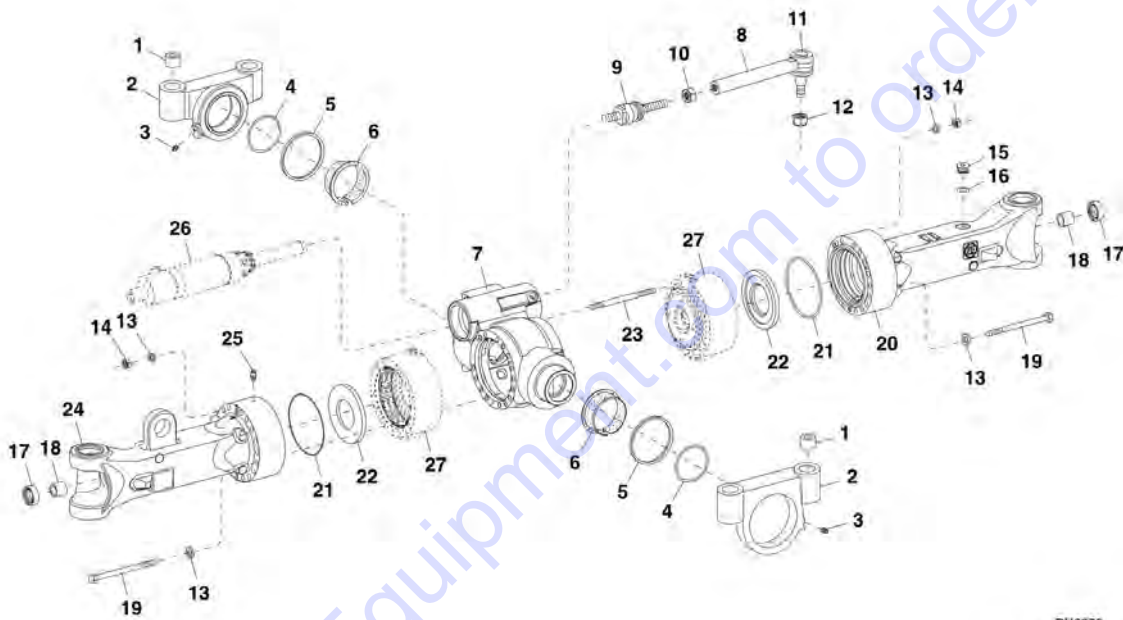
FIGURE 5-12. REAR AXLE - DIFFERENTIAL

ITEM	PART NUMBER	QTY	DESCRIPTION	REV
	7028976	1	DIFFERENTIAL ASSY, (includes items 1 thru 11)	
1	1321154	4	SLOT PIN	
2	1321153	4	SLOT PIN	
3	1321215	1	DIFFERENTIAL CASE	
4	1321260	2	DIFFERENTIAL RING, 13.7mm, (Prior to Axle SN 708692)	
4	8035984	2	DIFFERENTIAL RING, 13.6mm, (Prior to Axle SN 708692)	
4	1321259	2	DIFFERENTIAL RING, 13.5mm, (Prior to Axle SN 708692)	
5	1319412	2	THRUST WASHER	
6	8036752	2	AXLE BEVEL GEAR	
7	8036753	4	DIFFERENTIAL BEVEL GEAR, (Prior to Axle SN 708692)	
7	1319414	4	DIFFERENTIAL BEVEL GEAR, (Axle SN 708692 to Present)	
8	1319415	4	THRUST WASHER	
9	1321225	2	DIFFERENTIAL AXLE	
10	8035923	12	CAPSCREW	
11	1321184	12	WASHER	
12		Ref	GEAR SET BEVEL, (See REAR AXLE - INPUT for Breakdown)	

Go to Discount-Equipment.com to order your parts

SECTION 5 - DRIVE TRAIN

FIGURE 5-13. REAR AXLE - AXLE CASING



PU2070

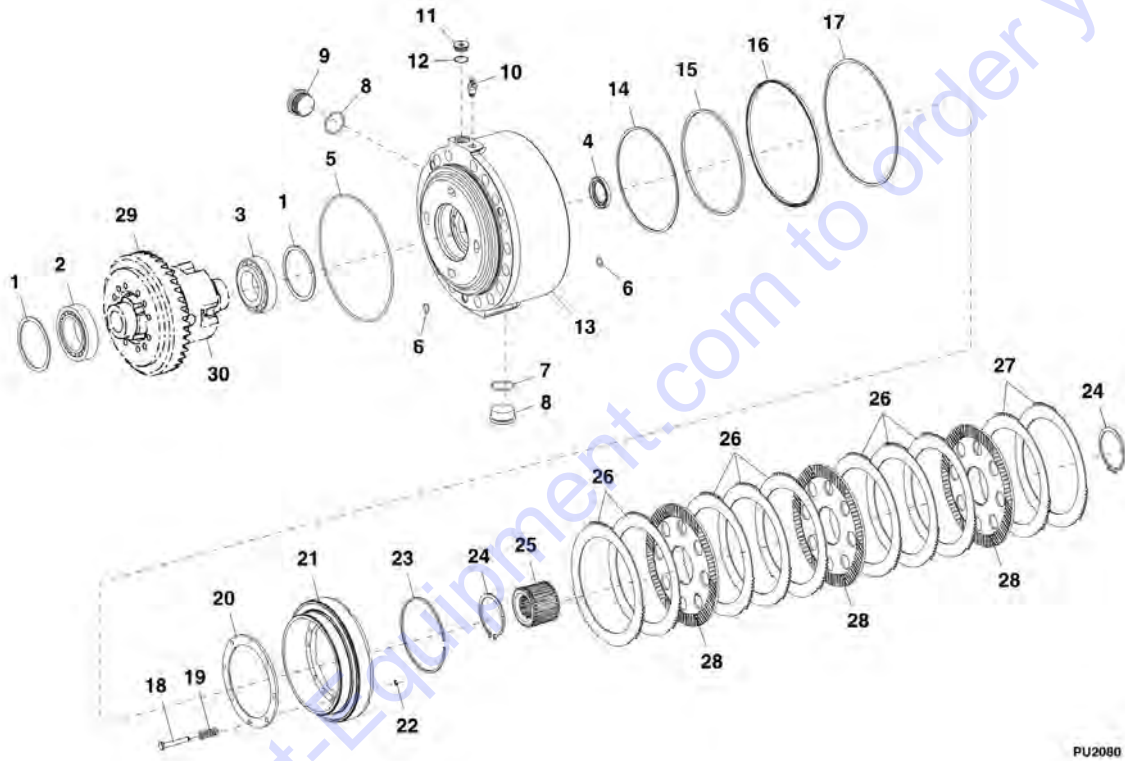
SECTION 5 - DRIVE TRAIN

FIGURE 5-13. REAR AXLE - AXLE CASING

ITEM	PART NUMBER	QTY	DESCRIPTION	REV
1	1319441	4	CENTERING BUSHING	
2	8035933	2	BRACKET	
3	1319423	2	GREASE FITTING	
4	1319439	2	O-RING	
5	1319440	2	V-RING	
6	8036419	2	FLANGE BUSHING	
7	7027227	NLA	AXLE DRIVE HOUSING, (no longer available, order 70021111 for replacement)	
7	70021111	1	AXLE DRIVE HOUSING	
8	1321148	2	TRACK ROD, (includes items 9 thru 12)	
9	8036757	2	AXIAL JOINT COUPLING	
10	8036759	2	HEX NUT	
11	8036756	2	BALL JOINT w/PIPE COUPLING	
12	8036758	2	LOCKING NUT	
13	8036312	30	WASHER, (if required), (only used with 7027227 axle drive housing)	
14	1319429	8	HEX NUT	
15	1319506	1	SCREW PLUG	
16	8036331	1	O-RING	
17	7027211	2	SHAFT SEAL	
18	1319433	2	BUSHING	
19	8035927	30	HEX SCREW, (used with 7027227 axle drive housing)	
19	8035927	28	HEX SCREW, (used with 70021111 axle drive housing)	
20	8035987	1	AXLE CASING, (right rear)	
21	1319425	2	O-RING	
22	8036606	2	END SHIM, (Prior to Axle SN 679469)	
22	70020413	2	END SHIM, (Axle SN 679469 to Present)	
23	8036313	8	STUD	
24	8035986	1	AXLE CASING, (left rear)	
25	1319436	1	VENT VALVE	
26		Ref	STEERING CYLINDER, (See HYDRAULIC COMPONENTS SECTION for Breakdown)	
27		Ref	BRAKE HOUSING, (See REAR AXLE - M-DISC BRAKE for Breakdown)	

SECTION 5 - DRIVE TRAIN

FIGURE 5-14. REAR AXLE - M-DISC BRAKE



PU2080

SECTION 5 - DRIVE TRAIN

FIGURE 5-14. REAR AXLE - M-DISC BRAKE

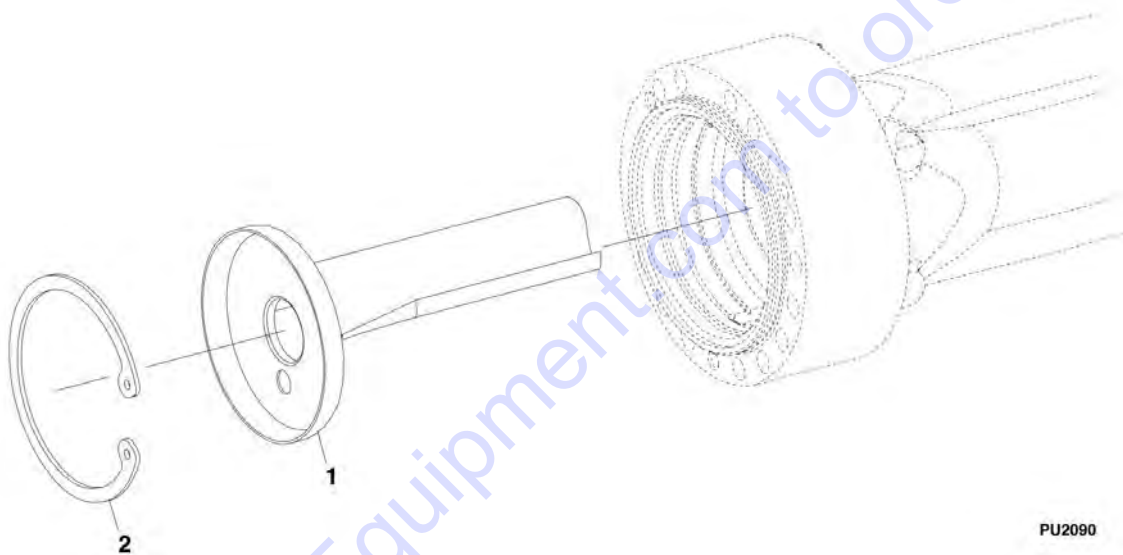
ITEM	PART NUMBER	QTY	DESCRIPTION	REV
1	1319531	AR	SHIM, 0.1mm	
1	8035945	AR	SHIM, 0.15mm	
1	1319530	AR	SHIM, 0.2mm	
1	8035946	AR	SHIM, 0.25mm	
1	1319529	AR	SHIM, 0.3mm	
1	8035947	AR	SHIM, 0.35mm	
1	8035951	AR	SHIM, 0.4mm	
1	1319543	AR	SHIM, 0.45mm	
1	1319527	AR	SHIM, 0.5mm	
1	1321158	AR	SHIM, 0.55mm	
1	1319526	AR	SHIM, 0.6mm	
1	1319532	AR	SHIM, 0.65mm	
1	1319533	AR	SHIM, 0.7mm	
1	1319534	AR	SHIM, 0.75mm	
1	1319525	AR	SHIM, 0.8mm	
1	1319535	AR	SHIM, 0.85mm	
1	1319536	AR	SHIM, 0.9mm	
1	1319537	AR	SHIM, 0.95mm	
1	1319524	AR	SHIM, 1.0mm	
1	1319545	AR	SHIM, 1.05mm	
1	1319538	AR	SHIM, 1.10mm	
1	1319539	AR	SHIM, 1.15mm	
1	1319523	AR	SHIM, 1.20mm	
1	1319540	AR	SHIM, 1.25mm	
1	1319541	AR	SHIM, 1.30mm	
1	1319542	AR	SHIM, 1.35mm	
1	1319522	AR	SHIM, 1.40mm	
1	1319521	AR	SHIM, 1.45mm	
1	1319520	AR	SHIM, 1.50mm	
1	1319519	AR	SHIM, 1.55mm	
1	1319518	AR	SHIM, 1.60mm	
1	8035948	AR	SHIM, 1.63mm	
1	1319517	AR	SHIM, 1.65mm	
1	1319510	AR	SHIM, 2.0mm	
1	1321159	AR	SHIM, 1.47mm	
1	1319516	AR	SHIM, 1.70mm	
1	1319515	AR	SHIM, 1.75mm	
1	1319514	AR	SHIM, 1.80mm	
1	1319513	AR	SHIM, 1.85mm	
1	1319512	AR	SHIM, 1.90mm	
1	1319511	AR	SHIM, 1.95mm	
2	8036447	2	ROLLER BEARING	
3	8036445	2	ROLLER BEARING	
4	8036444	2	SHAFT SEAL	
5	1319425	2	O-RING	
6	1319491	12	O-RING	
7	8036331	4	O-RING	
8	1319431	2	SCREW PLUG	
9	1319506	2	SCREW PLUG	
10	1319505	2	VENT VALVE	

SECTION 5 - DRIVE TRAIN

ITEM	PART NUMBER	QTY	DESCRIPTION	REV
11	1319666	2	SCREW PLUG	
12	7027217	2	O-RING	
13	8035936	NLA	BRAKE HOUSING, (right side), (Prior to Axle SN 679469), (no longer available, see note, order 70020483 for replacement)	
13	70020483	1	BRAKE HOUSING, (right side), (Axle SN 679469 to Present)	
13	8035939	NLA	BRAKE HOUSING, (left side), (Prior to Axle SN 679469), (no longer available, see note, order 70020484 for replacement)	
13	70020484	1	BRAKE HOUSING, (left side), (Axle SN 679469 to Present)	
14	1321151	2	SUPPORT RING	
15	1321162	2	U-RING	
16	1321163	2	U-RING	
17	1321152	2	SUPPORT RING	
18	1319496	16	PIN	
19	1319497	16	COMPRESSION SPRING	
20	8036305	2	WASHER	
21	8036304	2	PISTON	
22	1319499	16	CRESCENT RING	
23	1319504	4	SNAP RING	
24	10731949	2	RETAINING RING	
25	1321174	2	DISC CARRIER, (Prior to Axle SN 824742)	
25	70020409	1	DISC CARRIER, (Axle SN 824742 to Present)	
26	1319502	16	O. CLUTCH DISC, 3.0mm, (Prior to Axle SN 679469)	
26	70020486	8	O. CLUTCH DISC, 2.5mm, (Axle SN 679469 to Present)	
26	70020487	8	O. CLUTCH DISC, 3.0mm, (Axle SN 679469 to Present)	
27	1319500	4	O. CLUTCH DISC, 2.0mm, (Prior to Axle SN 679469)	
27	70020485	4	O. CLUTCH DISC, 2.0mm, (Axle SN 679469 to Present)	
27	1319501	4	O. CLUTCH DISC, 2.5mm, (Prior to Axle SN 679469)	
27	70020486	4	O. CLUTCH DISC, 2.5mm, (Axle SN 679469 to Present)	
27	1319502	4	O. CLUTCH DISC, 3.0mm, (Prior to Axle SN 679469)	
27	70020487	4	O. CLUTCH DISC, 3.0mm, (Axle SN 679469 to Present)	
28	1321150	6	I. CLUTCH DISC, (Prior to Axle SN 824742)	
28	70020408	3	I. CLUTCH DISC, (Axle SN 824742 to present)	
29		Ref	GEAR SET BEVEL, (See REAR AXLE - INPUT for Breakdown)	
30		Ref	DIFFERENTIAL ASSY, (See REAR AXLE - DIFFERENTIAL for Breakdown)	
N1	Note	Ref	PARTS ARE NO LONGER AVAILABLE; ORDER BRAKE HOUSINGS 70020483 & 70020484, QUANTITY REQUIRED OF OUTER DISCS 70020485, 70020486 & 70020487, QUANTITY 2 OF 70020413 END PLATES.	

SECTION 5 - DRIVE TRAIN

FIGURE 5-15. REAR AXLE - BRAKE



PU2090

PARTS FINDER

**Search Website
by Part Number**



**Search Manual
Library For Parts
Manual & Lookup Part
Numbers – Purchase
or Request Quote**

**Can't Find Part or
Manual? Request Help
by Manufacturer,
Model & Description**

Discount-Equipment.com is your online resource for quality parts & equipment.

Florida: **561-964-4949** Outside Florida TOLL FREE: **877-690-3101**

Need parts?

Click on this link: <http://www.discount-equipment.com/category/5443-parts/> and choose one of the options to help get the right parts and equipment you are looking for. Please have the machine model and serial number available in order to help us get you the correct parts. If you don't find the part on the website or on one of the online manuals, please fill out the request form and one of our experienced staff members will get back to you with a quote for the right part that your machine needs.

We sell worldwide for the brands: Genie, Terex, JLG, MultiQuip, Mikasa, Essick, Whiteman, Mayco, Toro Stone, Diamond Products, Generac Magnum, Airman, Haulotte, Barreto, Power Blanket, Nifty Lift, Atlas Copco, Chicago Pneumatic, Allmand, Miller Curber, Skyjack, Lull, Skytrak, Tsurumi, Husquvarna Target, Stow, Wacker, Sakai, Mi-T-M, Sullair, Basic, Dynapac, MBW, Weber, Bartell, Bennar Newman, Haulotte, Ditch Runner, Menegotti, Morrison, Contec, Buddy, Crown, Edco, Wyco, Bomag, Laymor, EZ Trench, Bil-Jax, F.S. Curtis, Gehl Pavers, Heli, Honda, ICS/PowerGrit, IHI, Partner, Imer, Clipper, MMD, Koshin, Rice, CH&E, General Equipment, Amida, Coleman, NAC, Gradall, Square Shooter, Kent, Stanley, Tamco, Toku, Hatz, Kohler, Robin, Wisconsin, Northrock, Oztec, Toker TK, Rol-Air, APT, Wylie, Ingersoll Rand / Doosan, Innovatech, Con X, Ammann, Mecalac, Makinex, Smith Surface Prep, Small Line, Wanco, Yanmar

SECTION 5 - DRIVE TRAIN

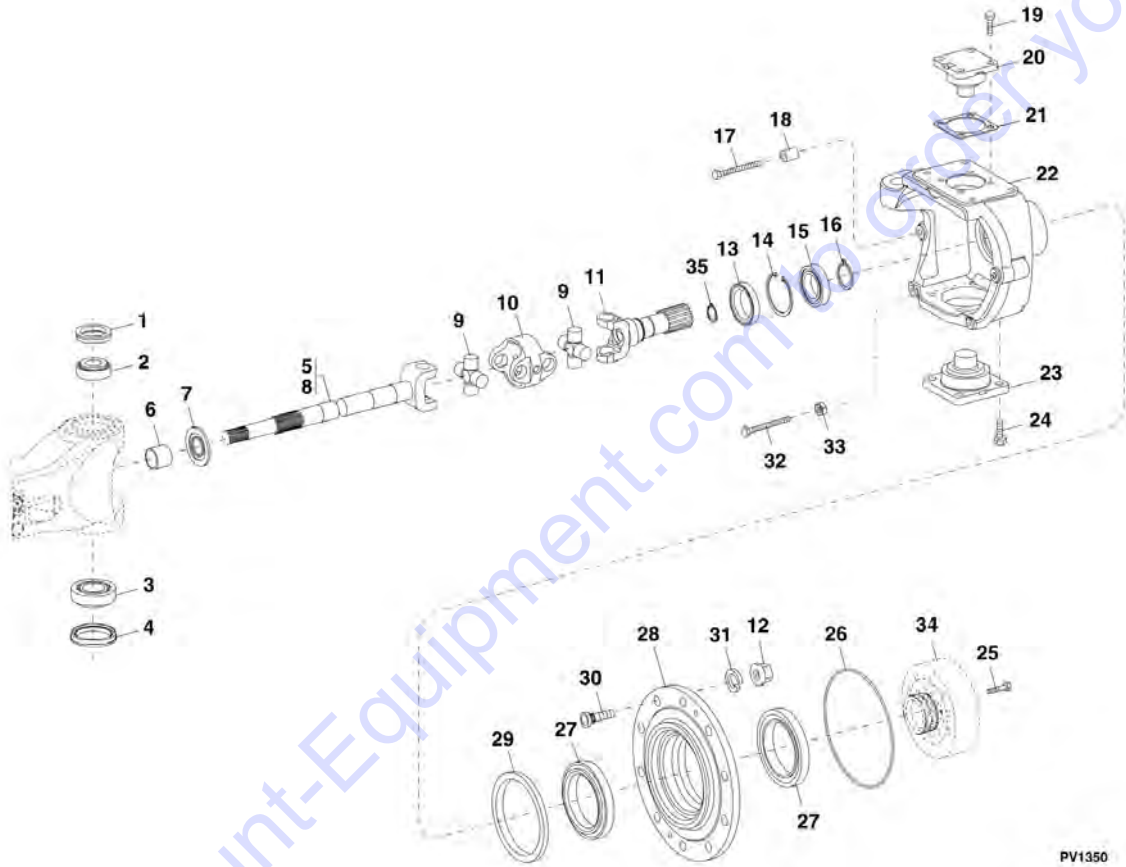
FIGURE 5-15. REAR AXLE - BRAKE

ITEM	PART NUMBER	QTY	DESCRIPTION	REV
1	1321172	2	OIL DAM	
2	1321178	2	RETAINING RING	

Go to Discount-Equipment.com to order your parts

SECTION 5 - DRIVE TRAIN

FIGURE 5-16. REAR AXLE - JOINT HOUSING



PV1350

SECTION 5 - DRIVE TRAIN

FIGURE 5-16. REAR AXLE - JOINT HOUSING

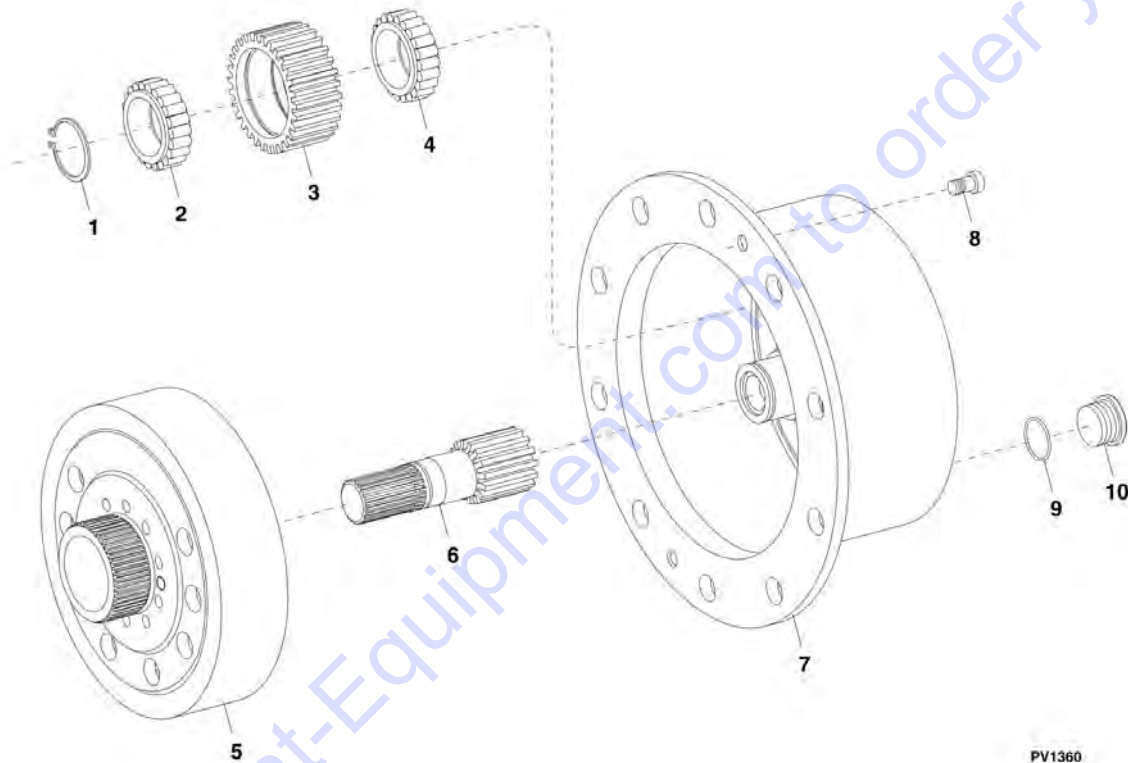
ITEM	PART NUMBER	QTY	DESCRIPTION	REV
1	8036338	2	MULTI SEAL RING	
2	1319444	2	ROLLER BEARING	
3	1319445	2	ROLLER BEARING	
4	1319447	2	SHAFT SEAL	
5	7028979	NLA	DRIVE SHAFT UNIVERSAL COUPLING, (Prior to Axle SN 720124), (not maintenance free), (no longer available, use 70022052 for replacement), (includes items 6 thru 11)	
5	70022052	2	DRIVE SHAFT UNIVERSAL COUPLING, (Axle SN 720125 to Present), (maintenance free), (includes items 6 thru 11)	
6	8035973	2	BUSHING	
7	8035996	2	SCREEN SHEET	
8	8035995	2	JOINT COUPLING FORK	
9	8035993	2	JOINT CROSS, (Prior to Axle SN 720124)	
9	70021554	2	JOINT CROSS, (Axle SN 720125 to Present)	
10	8035992	2	CENTRAL PIECE, (Prior to Axle SN 720124)	
10	70021553	2	CENTRAL PIECE, (Axle SN 720125 to Present)	
11	8035994	2	JOINT FORK, (Prior to Axle SN 720124)	
11	8035994	2	JOINT FORK, (Axle SN 720125 to Present)	
12		Ref	LUG NUT, (See DRIVE TRAIN COMPONENTS for Breakdown)	
13	7028977	2	SHAFT SEAL, (when installing item 13 it is recommended by vendor to use Driver Handle 7029740 and Seal Driver 7029738)	
14	1319210	2	RETAINING RING	
15	1321157	2	BALL BEARING	
16	80304405	2	RETAINING RING	
17	1319476	2	STOP SCREW	
18	7026664	2	SPACER TUBE	
19	1319463	8	HEX SCREW	
20	1319461	2	BEARING PIN	
21	1319448	AR	SHIM, 0.2mm	
21	1319449	AR	SHIM, 0.3mm	
21	1319450	AR	SHIM, 0.4mm	
21	1319451	AR	SHIM, 0.6mm	
21	1319452	AR	SHIM, 0.8mm	
21	1319453	AR	SHIM, 1.0mm	
21	1319454	AR	SHIM, 1.2mm	
21	1319455	AR	SHIM, 1.4mm	
21	1319456	AR	SHIM, 1.6mm	
21	1319457	AR	SHIM, 1.8mm	
21	1319458	AR	SHIM, 2.0mm	
21	1319459	AR	SHIM, 0.7mm	
21	1319460	AR	SHIM, 0.5mm	
22	1321245	1	JOINT HOUSING, (left side)	
22	1321246	1	JOINT HOUSING, (right side)	
23	1319462	2	BEARING PIN	
24	1319464	8	HEX SCREW	
25	8035997	20	HEX SCREW	
26	1321155	2	O-RING	
27	1319472	4	ROLLER BEARING	
28	1321239	2	HUB	
29	80304173	2	CASSETTE RING	

SECTION 5 - DRIVE TRAIN

ITEM	PART NUMBER	QTY	DESCRIPTION	REV
30	8036434	20	WHEEL BOLT	
31		Ref	WASHER, (See DRIVE TRAIN COMPONENTS for Breakdown)	
32	1319475	2	STOP SCREW	
33	1319477	2	HEX NUT	
34		Ref	RING GEAR, (See REAR AXLE - PLANETARY DRIVE for Breakdown)	
35	1321226	2	RETAINING RING	
N1	Note	Ref	NOTE: IF REPLACING BOTH 8035992 CENTRAL PIECE 8035993 JOINT CROSS (NOT MAINTENANCE FREE) CAN REPLACE WITH 70021553 CENTRAL PIECE AND 70021554 JOINT CROSS (MAINTENANCE FREE)	

SECTION 5 - DRIVE TRAIN

FIGURE 5-17. REAR AXLE - PLANETARY DRIVE



SECTION 5 - DRIVE TRAIN

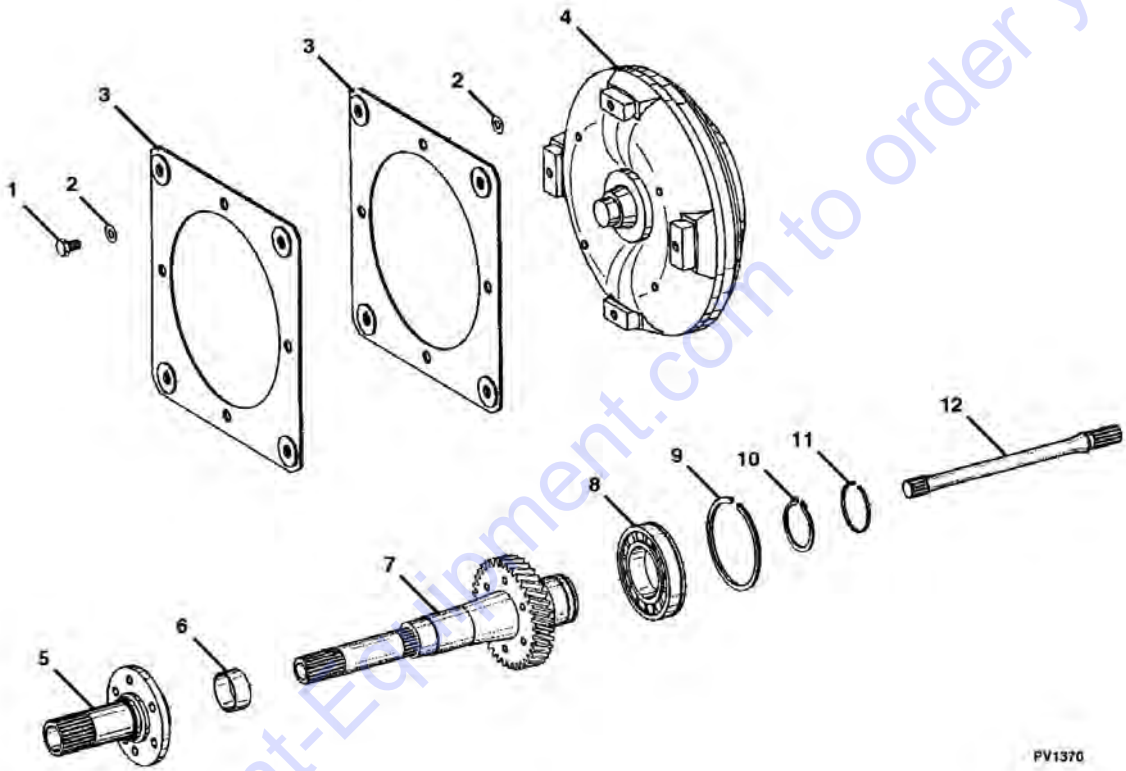
FIGURE 5-17. REAR AXLE - PLANETARY DRIVE

ITEM	PART NUMBER	QTY	DESCRIPTION	REV
1	1319485	8	SNAP RING	
2	1319484	8	INNER RING BEARING	
3	1321231	8	PLANETARY GEAR	
4	1319483	8	INNER RING BEARING	
5	1321247	2	RING GEAR	
6	1321242	2	SUN GEAR SHAFT	
7	8036414	2	PLANETARY CARRIER	
8	8035977	4	CAPSCREW	
9	8036331	2	O-RING	
10	1319506	2	SCREW PLUG	

Go to Discount-Equipment.com to order your parts

SECTION 5 - DRIVE TRAIN

FIGURE 5-18. ZF TRANSMISSION - CONVERTER AND INPUT



PV1370

SECTION 5 - DRIVE TRAIN

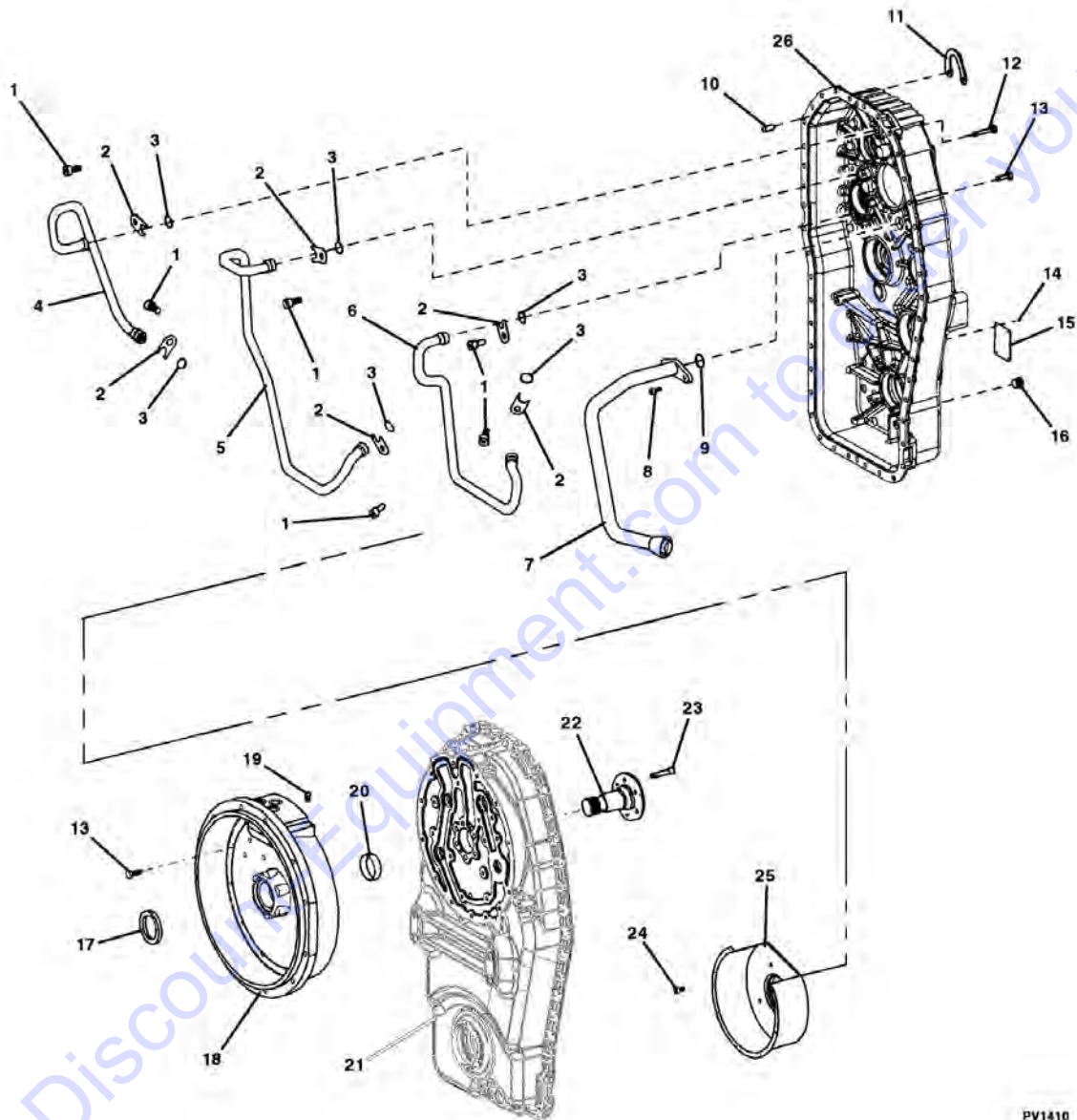
FIGURE 5-18. ZF TRANSMISSION - CONVERTER AND INPUT

ITEM	PART NUMBER	QTY	DESCRIPTION	REV
	4540013	Ref	ZF TRANSMISSION, (See ZF TRANSMISSION - CONVERTER AND INPUT thru ZF TRANSMISSION - OIL PUMP, FILTER AND DIPSTICK for Breakdown)	C
1	7026744	4	HEX SCREW	
2	7026745	8	WASHER	
3	1319229	2	DIAPHRAGM	
4	8036022	1	CONVERTER	
5	1319557	1	STATOR SHAFT	
6	1319558	1	BEARING BUSH	
7	8036023	1	TURBINE SHAFT	
8	1319563	1	BALL BEARING	
9	80304405	1	RETAINING RING	
10	10731913	1	SNAP RING	
11	7026749	1	PISTON RING	
12	1319566	1	CENTRAL SHAFT	

Go to Discount-Equipment.com to order your parts

SECTION 5 - DRIVE TRAIN

FIGURE 5-19. ZF TRANSMISSION - GEARBOX HOUSING



PV1410

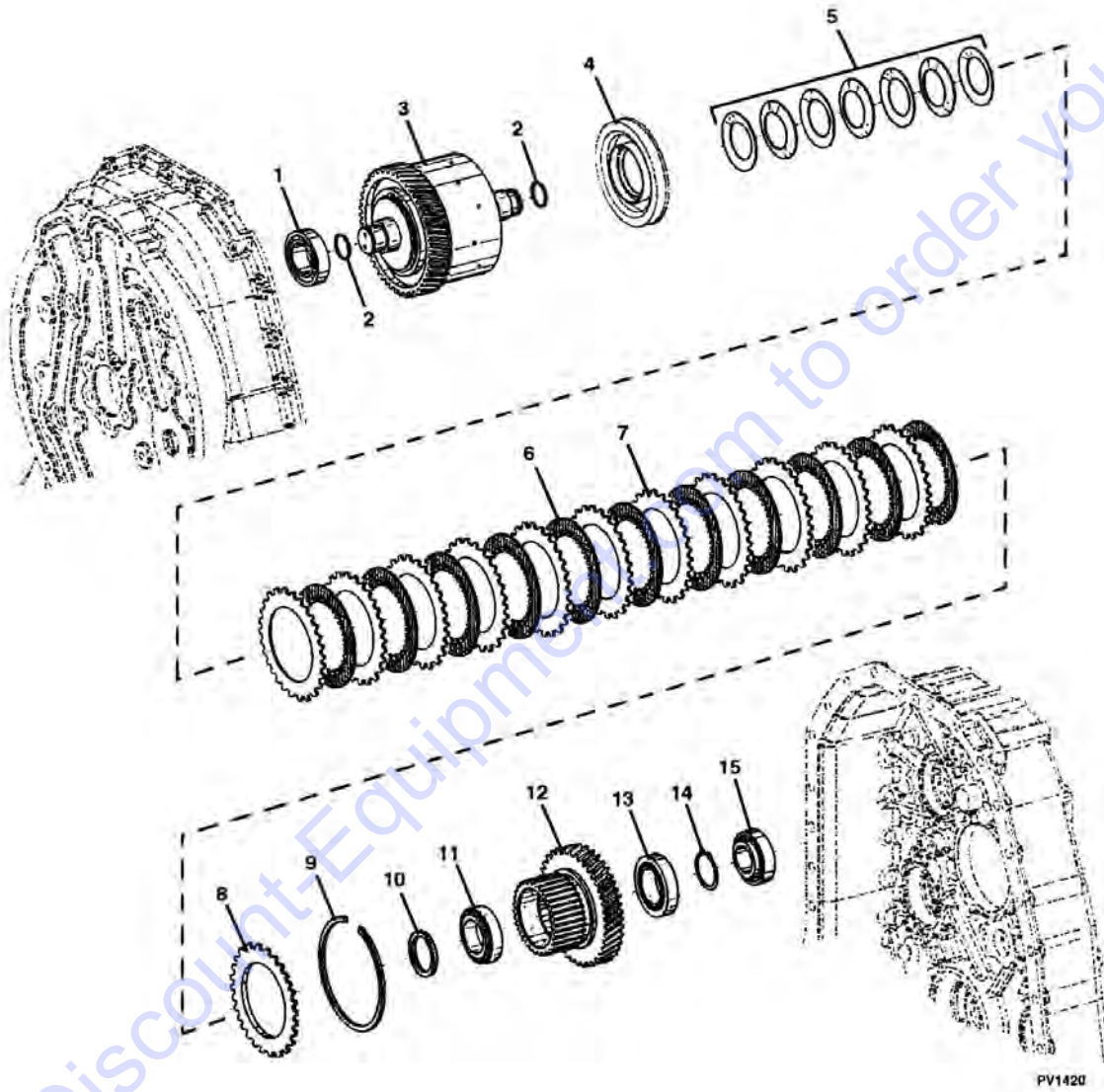
SECTION 5 - DRIVE TRAIN

FIGURE 5-19. ZF TRANSMISSION - GEARBOX HOUSING

ITEM	PART NUMBER	QTY	DESCRIPTION	REV
1	1319585	11	CAPSCREW	
2	1319584	6	FIXING PLATE	
3	1319583	6	O-RING	
4	1319586	1	PIPE	
5	1319587	1	PIPE	
6	8036027	1	PIPE	
7	8036026	1	SUCTION TUBE	
8	1319582	2	CAPSCREW	
9	1319581	1	O-RING	
10	1319571	2	CYLINDRICAL PIN	
11	1319590	1	BRACKET	
12	7026794	6	HEX SCREW	
13	80304394	59	HEX SCREW	
14	1319573	1	SCREW PLUG	
15	N.S.S.	1	TYPE PLATE	
16	1319578	1	SCREW PLUG	
17	1319576	1	SHAFT SEAL	
18	1319574	1	CONVERTER BELL	
19	10731744	1	BREATHER	
20	1319575	1	BEARING BUSH	
21	8036024	1	HOUSING	
22		Ref	STATOR SHAFT, (See ZF TRANSMISSION - CONVERTER AND INPUT for Breakdown)	
23	1319577	6	CAPSCREW	
24	1319585	11	CAPSCREW	
25	8036028	1	SCREEN SHAFT	
26	8036025	1	HOUSING	

SECTION 5 - DRIVE TRAIN

FIGURE 5-20. ZF TRANSMISSION - REVERSING GEAR KV



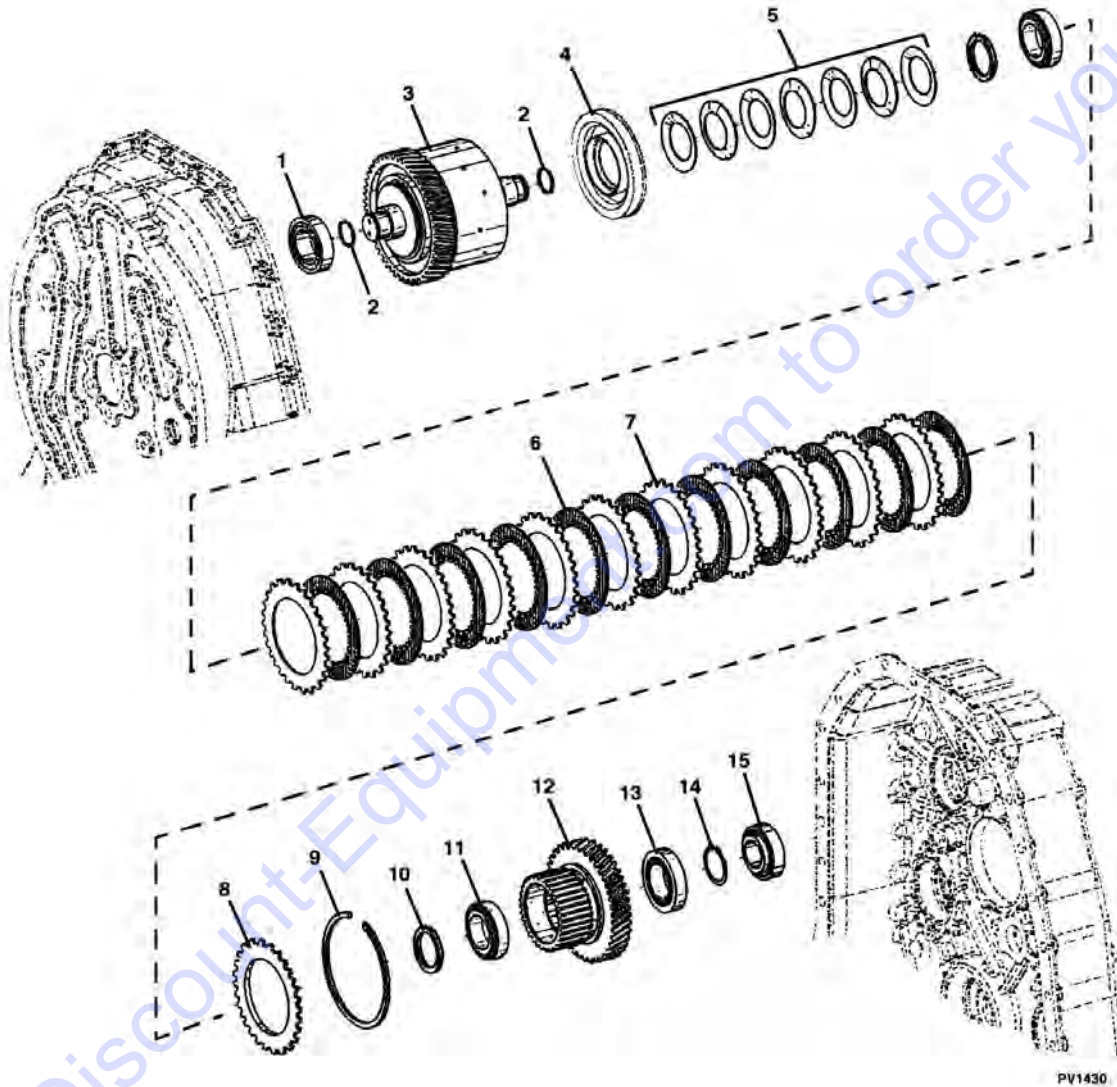
SECTION 5 - DRIVE TRAIN

FIGURE 5-20. ZF TRANSMISSION - REVERSING GEAR KV

ITEM	PART NUMBER	QTY	DESCRIPTION	REV
1	1319615	1	ROLLER BEARING	
2	7026761	2	PISTON RING	
3	1319637	1	COUPLING	
4	8036575	1	PISTON	
5	1319595	7	CUP SPRING	
6	7026758	11	LIN. CLUTCH DISC	
7	7026759	11	O. CLUTCH DISC	
8	7026760	1	END SHIM	
9	1319600	AR	SNAP RING, 3.5	
9	1319601	AR	SNAP RING, 3.5	
9	1319602	AR	SNAP RING, 3.0	
9	1319603	AR	SNAP RING, 2.5	
9	1319604	AR	SNAP RING, 2.0	
10	1319617	1	SUPPORT SHIM	
11	1319618	1	ROLLER BEARING	
12	1319638	1	DISC CARRIER	
13	1319620	1	ROLLER BEARING	
14	1319621	AR	RETAINING RING, 3.20	
14	1319622	AR	RETAINING RING, 3.10	
14	1319623	AR	RETAINING RING, 3.00	
14	1319624	AR	RETAINING RING, 2.90	
14	1319625	AR	RETAINING RING, 2.80	
14	1319626	AR	RETAINING RING, 2.70	
14	1319627	AR	RETAINING RING, 2.60	
15	1319636	1	ROLLER BEARING	

SECTION 5 - DRIVE TRAIN

FIGURE 5-21. ZF TRANSMISSION - REVERSING GEAR KR



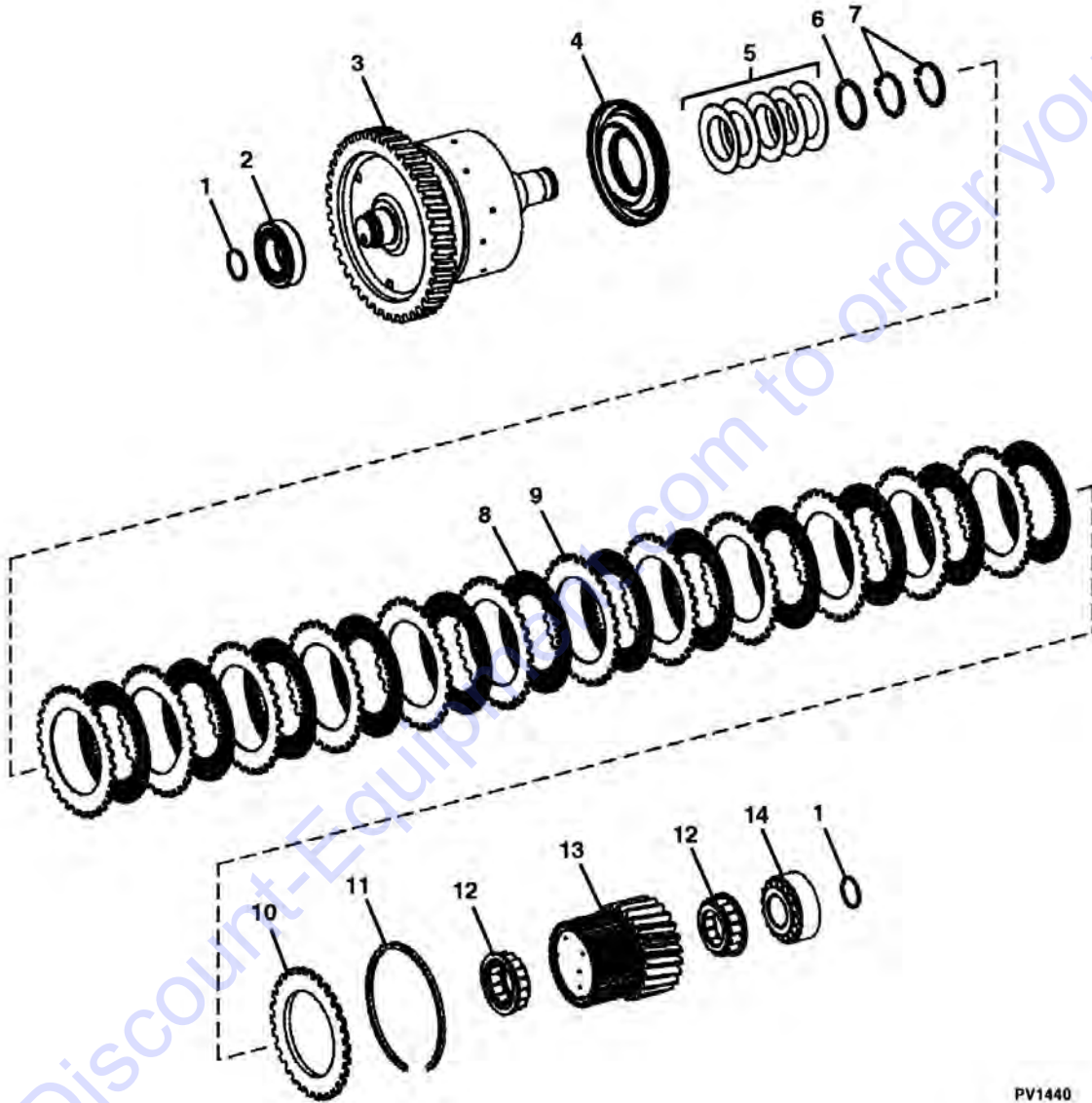
SECTION 5 - DRIVE TRAIN

FIGURE 5-21. ZF TRANSMISSION - REVERSING GEAR KR

ITEM	PART NUMBER	QTY	DESCRIPTION	REV
1	1319608	1	ROLLER BEARING	
2	7026761	2	PISTON RING	
3	1319639	1	COUPLING	
4	8036575	1	PISTON	
5	1319595	7	CUP SPRING	
6	7026758	11	LIN. CLUTCH DISC	
7	7026759	11	O. CLUTCH DISC	
8	7026760	1	END SHIM	
9	1319600	AR	SNAP RING, 3.5	
9	1319601	AR	SNAP RING, 3.5	
9	1319602	AR	SNAP RING, 3.0	
9	1319603	AR	SNAP RING, 2.5	
9	1319604	AR	SNAP RING, 2.0	
10	1319617	1	SUPPORT SHIM	
11	1319618	1	ROLLER BEARING	
12	1319638	1	DISC CARRIER	
13	1319620	1	ROLLER BEARING	
14	1319621	AR	RETAINING RING, 3.20	
14	1319622	AR	RETAINING RING, 3.10	
14	1319623	AR	RETAINING RING, 3.00	
14	1319624	AR	RETAINING RING, 2.90	
14	1319625	AR	RETAINING RING, 2.80	
14	1319626	AR	RETAINING RING, 2.70	
14	1319627	AR	RETAINING RING, 2.60	
15	1319636	1	ROLLER BEARING	

SECTION 5 - DRIVE TRAIN

FIGURE 5-22. ZF TRANSMISSION - COUPLING GROUP K1



PV1440

SECTION 5 - DRIVE TRAIN

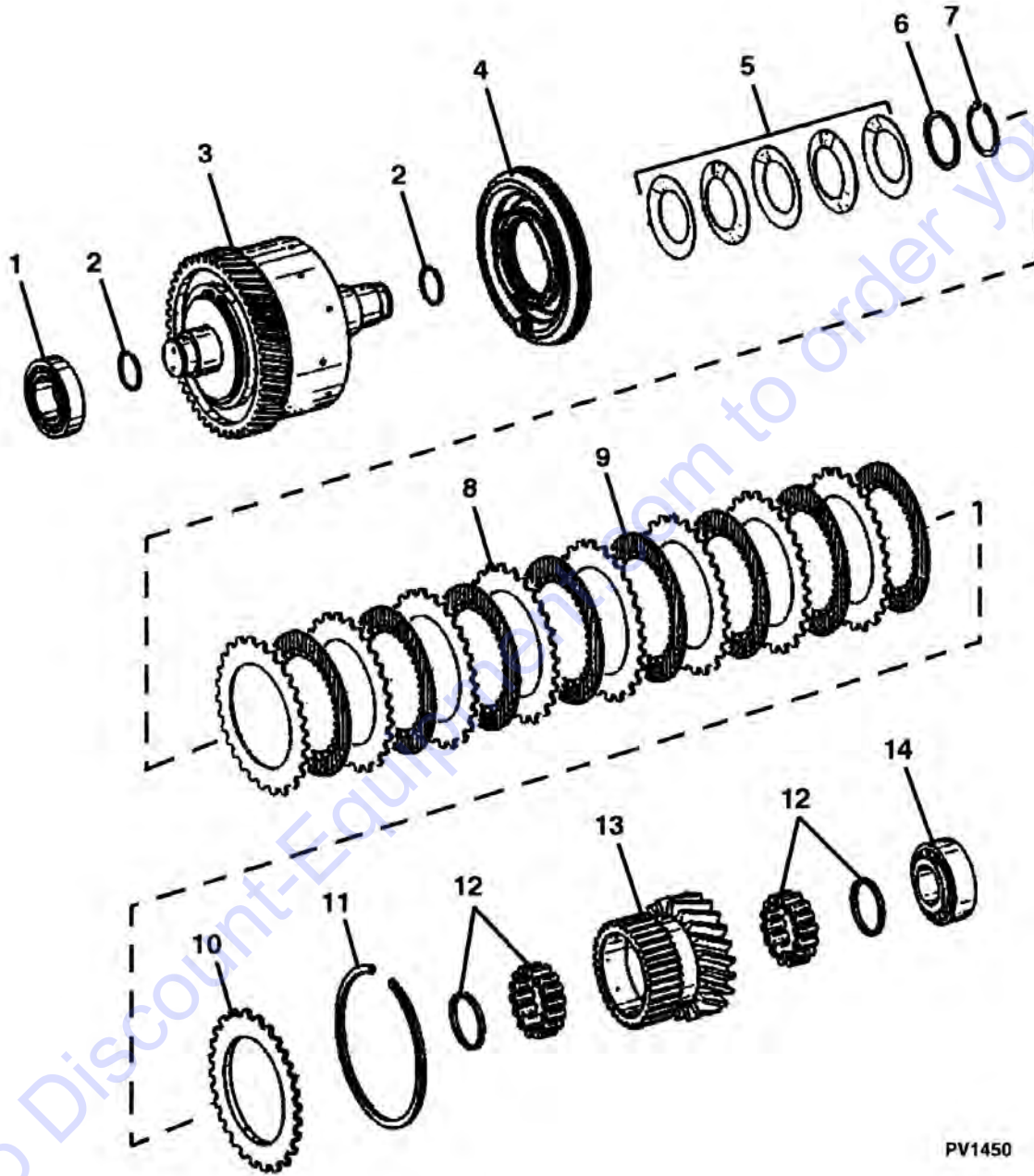
FIGURE 5-22. ZF TRANSMISSION - COUPLING GROUP K1

ITEM	PART NUMBER	QTY	DESCRIPTION	REV
1	7026761	2	PISTON RING	
2	1319608	1	ROLLER BEARING	
3	1319591	1	COUPLING	
4	8036575	1	PISTON	
5	1319595	5	CUP SPRING	
6	1319596	1	SHIM	
7	10731845	2	RETAINING RING	
8	7026758	12	LIN. CLUTCH DISC	
9	7026759	12	O. CLUTCH DISC	
10	7026760	1	END SHIM	
11	1319600	AR	SNAP RING, 3.5	
11	1319601	AR	SNAP RING, 3.5	
11	1319602	AR	SNAP RING, 3.0	
11	1319603	AR	SNAP RING, 2.5	
11	1319604	AR	SNAP RING, 2.0	
12	1319606	2	ROLLER CAGE	
13	1319607	1	DISC CARRIER	
14	7029532	1	OUTER RING	
14	7029533	1	INNER RING	

Go to Discount-Equipment.com to order your parts

SECTION 5 - DRIVE TRAIN

FIGURE 5-23. ZF TRANSMISSION - COUPLING GROUP K2



PV1450

SECTION 5 - DRIVE TRAIN

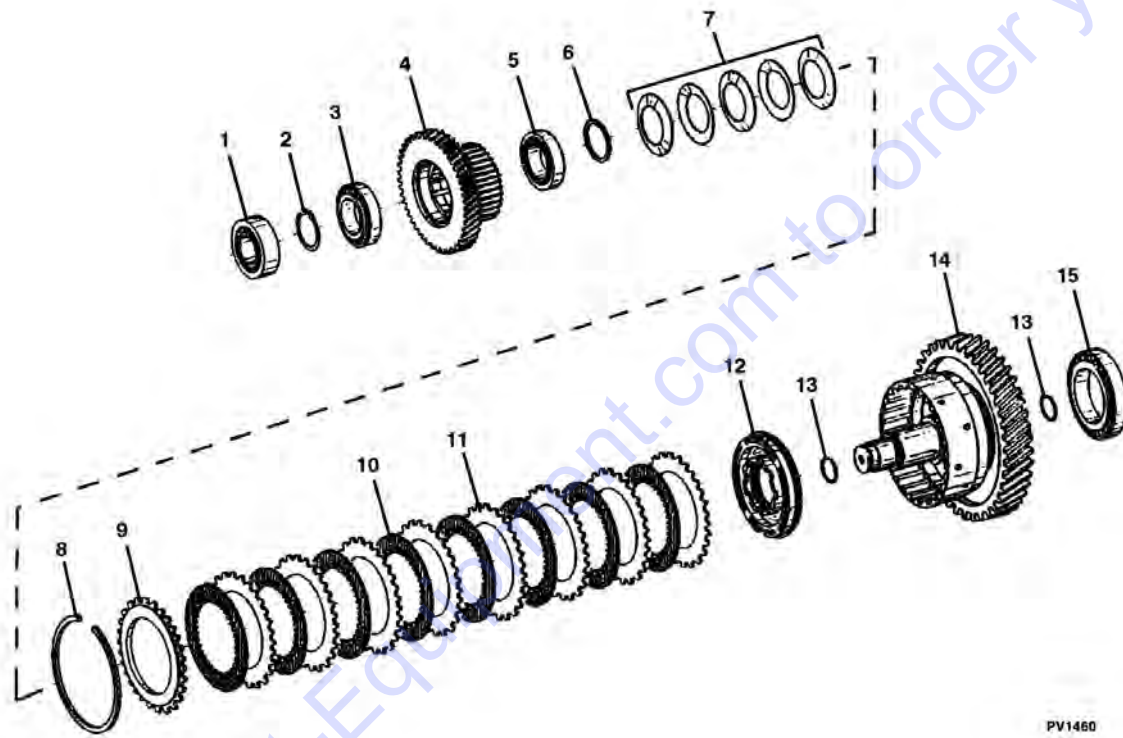
FIGURE 5-23. ZF TRANSMISSION - COUPLING GROUP K2

ITEM	PART NUMBER	QTY	DESCRIPTION	REV
1	1319615	1	ROLLER BEARING	
2	7026761	2	PISTON RING	
3	1319613	1	COUPLING	
4	8036575	1	PISTON	
5	1319595	5	CUP SPRING	
6	1319596	1	SHIM	
7	10731845	2	RETAINING RING	
8	7026759	8	O. CLUTCH DISC	
9	7026758	8	LIN. CLUTCH DISC	
10	7026760	1	END SHIM	
11	1319600	AR	SNAP RING, 3.5	
11	1319601	AR	SNAP RING, 3.5	
11	1319602	AR	SNAP RING, 3.0	
11	1319603	AR	SNAP RING, 2.5	
11	1319604	AR	SNAP RING, 2.0	
12	1319606	2	ROLLER CAGE	
13	1319614	1	DISC CARRIER	
14	7029532	1	OUTER RING	
14	7029533	1	INNER RING	

Go to Discount-Equipment.com to order your parts

SECTION 5 - DRIVE TRAIN

FIGURE 5-24. ZF TRANSMISSION - COUPLING GROUP K3



PV1460

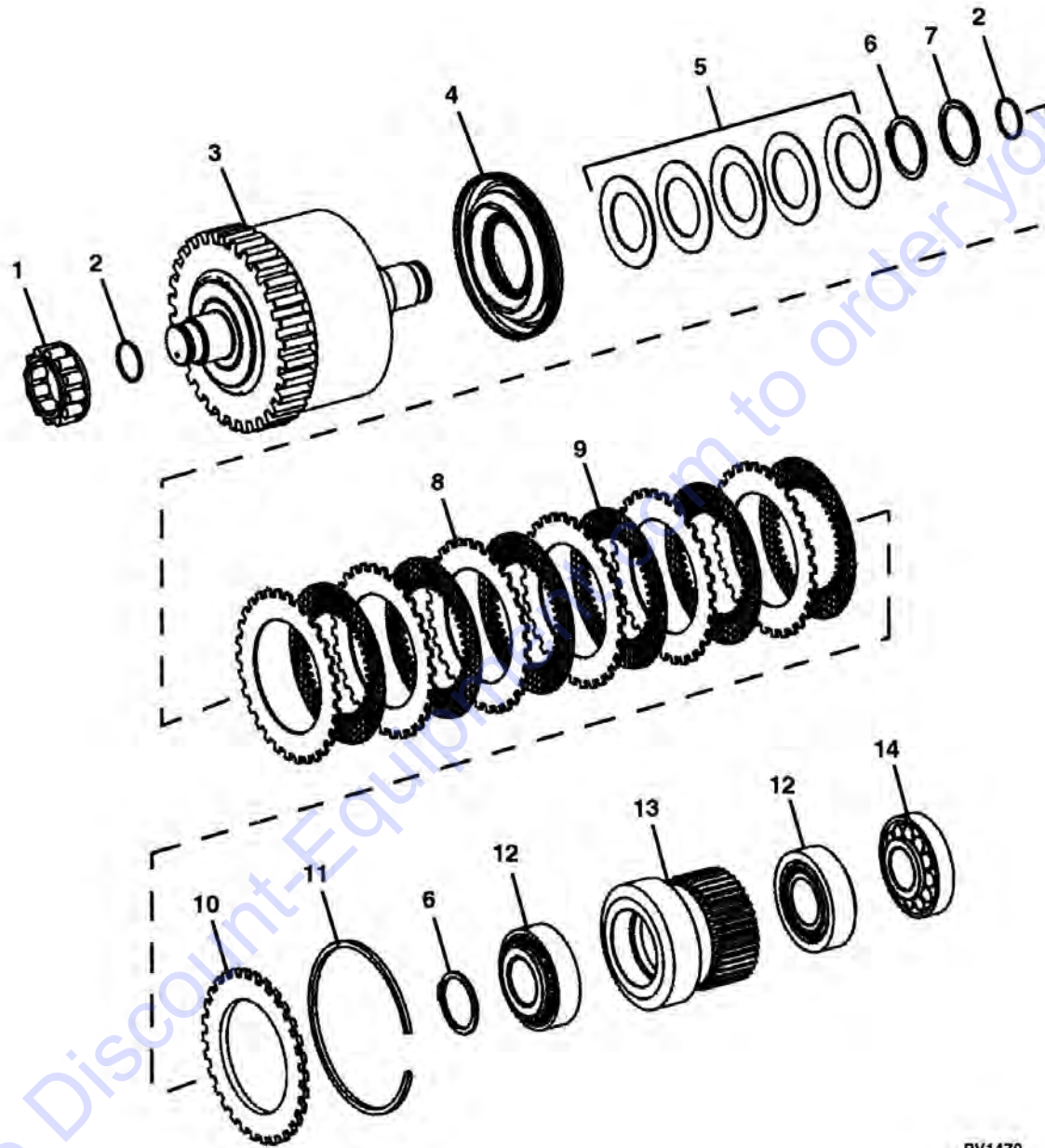
SECTION 5 - DRIVE TRAIN

FIGURE 5-24. ZF TRANSMISSION - COUPLING GROUP K3

ITEM	PART NUMBER	QTY	DESCRIPTION	REV
1	7029532	1	OUTER RING	
1	7029533	1	INNER RING	
2	1319621	AR	RETAINING RING, 3.20	
2	1319622	AR	RETAINING RING, 3.10	
2	1319623	AR	RETAINING RING, 3.00	
2	1319624	AR	RETAINING RING, 2.90	
2	1319625	AR	RETAINING RING, 2.80	
2	1319626	AR	RETAINING RING, 2.70	
2	1319627	AR	RETAINING RING, 2.60	
3	1319620	1	ROLLER BEARING	
4	1319619	1	DISC CARRIER	
5	1319618	1	ROLLER BEARING	
6	1319617	1	SUPPORT SHIM	
7	1319595	5	CUP SPRING	
8	1319600	AR	SNAP RING, 3.5	
8	1319601	AR	SNAP RING, 3.5	
8	1319602	AR	SNAP RING, 3.0	
8	1319603	AR	SNAP RING, 2.5	
8	1319604	AR	SNAP RING, 2.0	
9	7026760	1	END SHIM	
10	7026758	8	LIN. CLUTCH DISC	
11	7026759	8	O. CLUTCH DISC	
12	8036575	1	PISTON	
13	7026761	2	PISTON RING	
14	1319616	1	COUPLING	
15	1319633	1	ROLLER BEARING	

SECTION 5 - DRIVE TRAIN

FIGURE 5-25. ZF TRANSMISSION - COUPLING GROUP K4



PV1470

SECTION 5 - DRIVE TRAIN

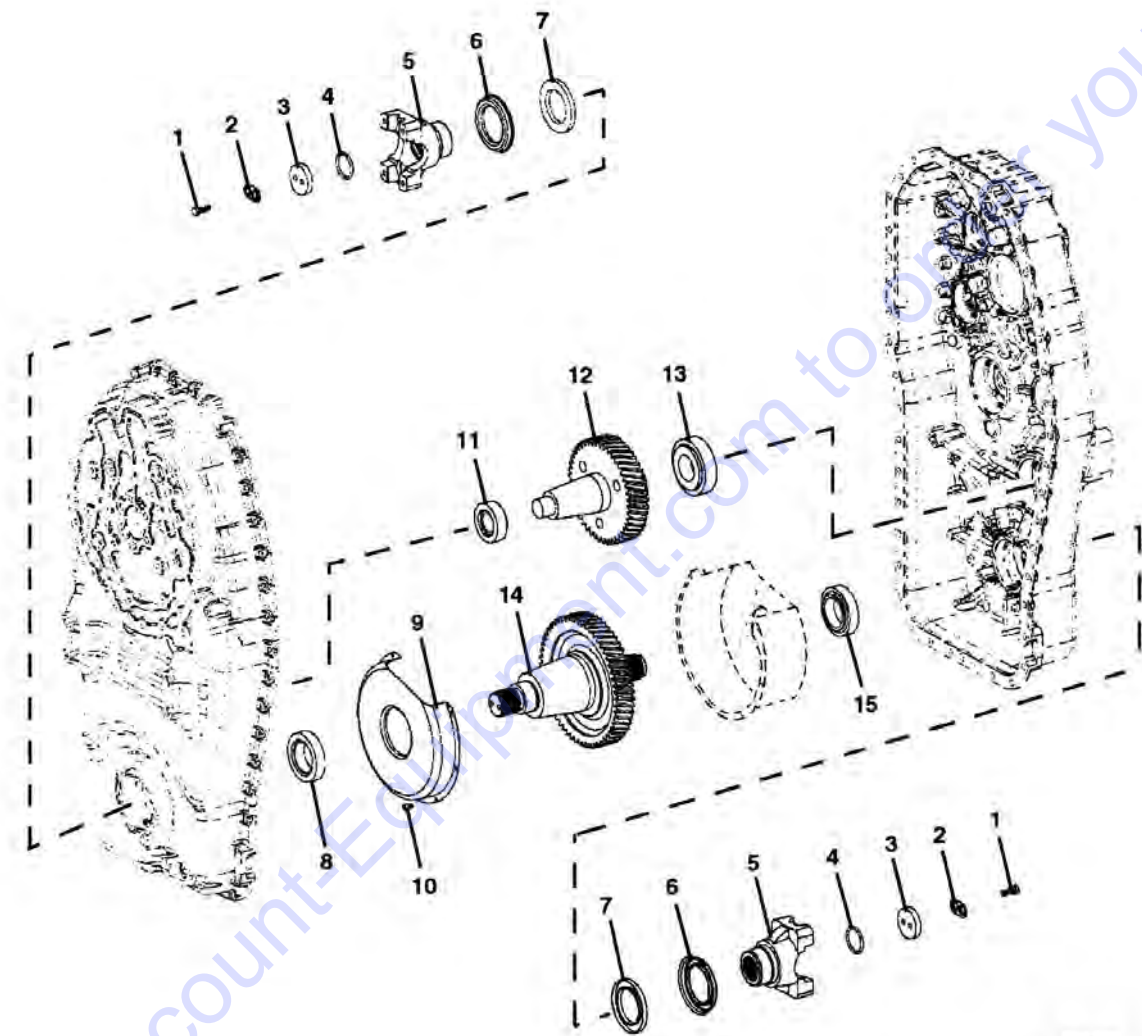
FIGURE 5-25. ZF TRANSMISSION - COUPLING GROUP K4

ITEM	PART NUMBER	QTY	DESCRIPTION	REV
1	1319615	1	ROLLER BEARING	
2	7026761	2	PISTON RING	
3	1319634	1	COUPLING	
4	8036575	1	PISTON	
5	1319595	5	CUP SPRING	
6	10731845	2	RETAINING RING	
7	1319596	1	SHIM	
8	7026759	8	O. CLUTCH DISC	
9	7026758	8	LIN. CLUTCH DISC	
10	7026760	1	END SHIM	
11	1319600	AR	SNAP RING, 3.5	
11	1319601	AR	SNAP RING, 3.5	
11	1319602	AR	SNAP RING, 3.0	
11	1319603	AR	SNAP RING, 2.5	
11	1319604	AR	SNAP RING, 2.0	
12	1319606	2	ROLLER CAGE	
13	1319635	1	DISC CARRIER	
14	1319636	1	ROLLER BEARING	

Go to Discount-Equipment.com to order your parts

SECTION 5 - DRIVE TRAIN

FIGURE 5-26. ZF TRANSMISSION - OUTPUT



PV1480

SECTION 5 - DRIVE TRAIN

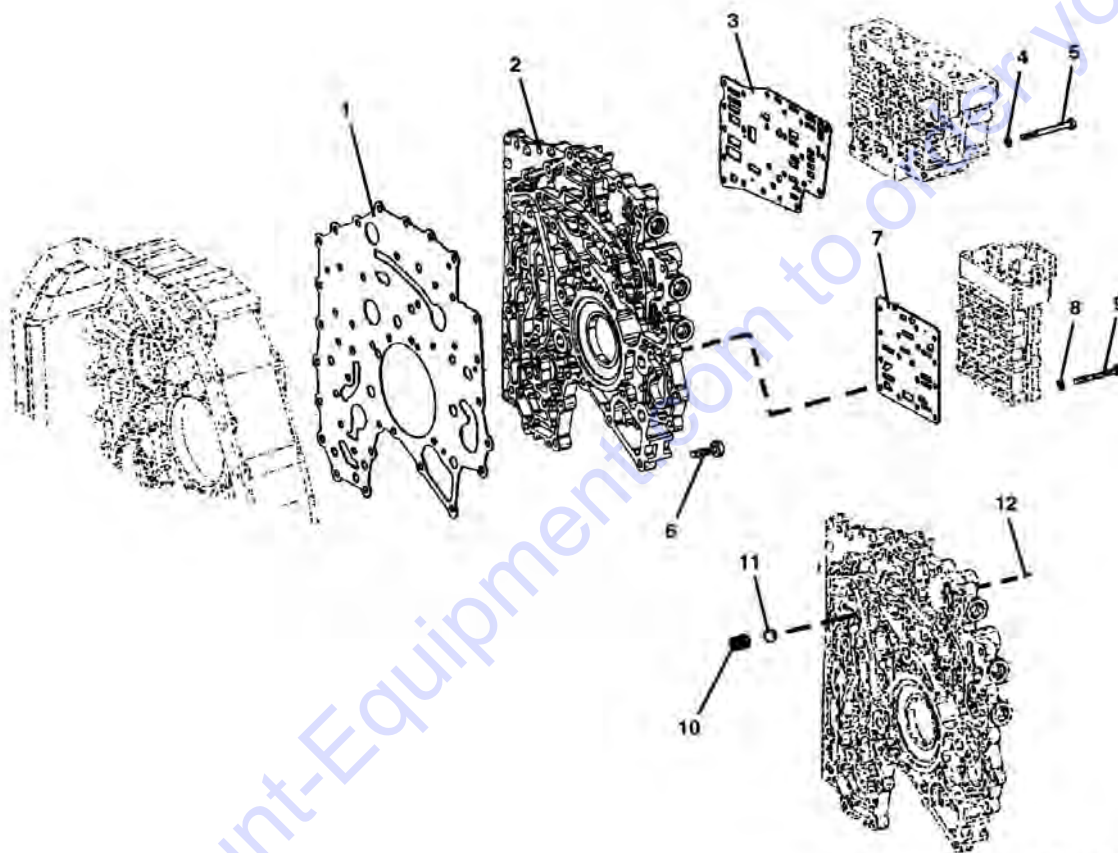
FIGURE 5-26. ZF TRANSMISSION - OUTPUT

ITEM	PART NUMBER	QTY	DESCRIPTION	REV
1	10731959	4	HEX SCREW	
2	1319649	2	TAB WASHER	
3	1319648	2	WASHER	
4	10839156	2	O-RING	
5	1319642	2	OUTPUT FLANGE	
6	1319647	2	SCREEN SHEET	
7	1319641	2	SHAFT SEAL	
8	N.S.S.	1	ROLLER BEARING ASSY	
8	70020430	1	CUP	
8	70020431	1	CONE	
9	8036031	1	SCREEN SHEET	
10	1319646	7	CAPSCREW	
11	7029532	1	OUTER RING	
11	7029533	1	INNER RING	
12	8036032	1	INTERM. SHAFT	
13	1319633	1	ROLLER BEARING	
14	7029029	1	OUTPUT SHAFT	
15	N.S.S.	1	ROLLER BEARING ASSY	
15	70020430	1	CUP	
15	70020431	1	CONE	

Go to Discount-Equipment.com to order your parts

SECTION 5 - DRIVE TRAIN

FIGURE 5-27. ZF TRANSMISSION - CONTROL UNIT



PV1490

SECTION 5 - DRIVE TRAIN

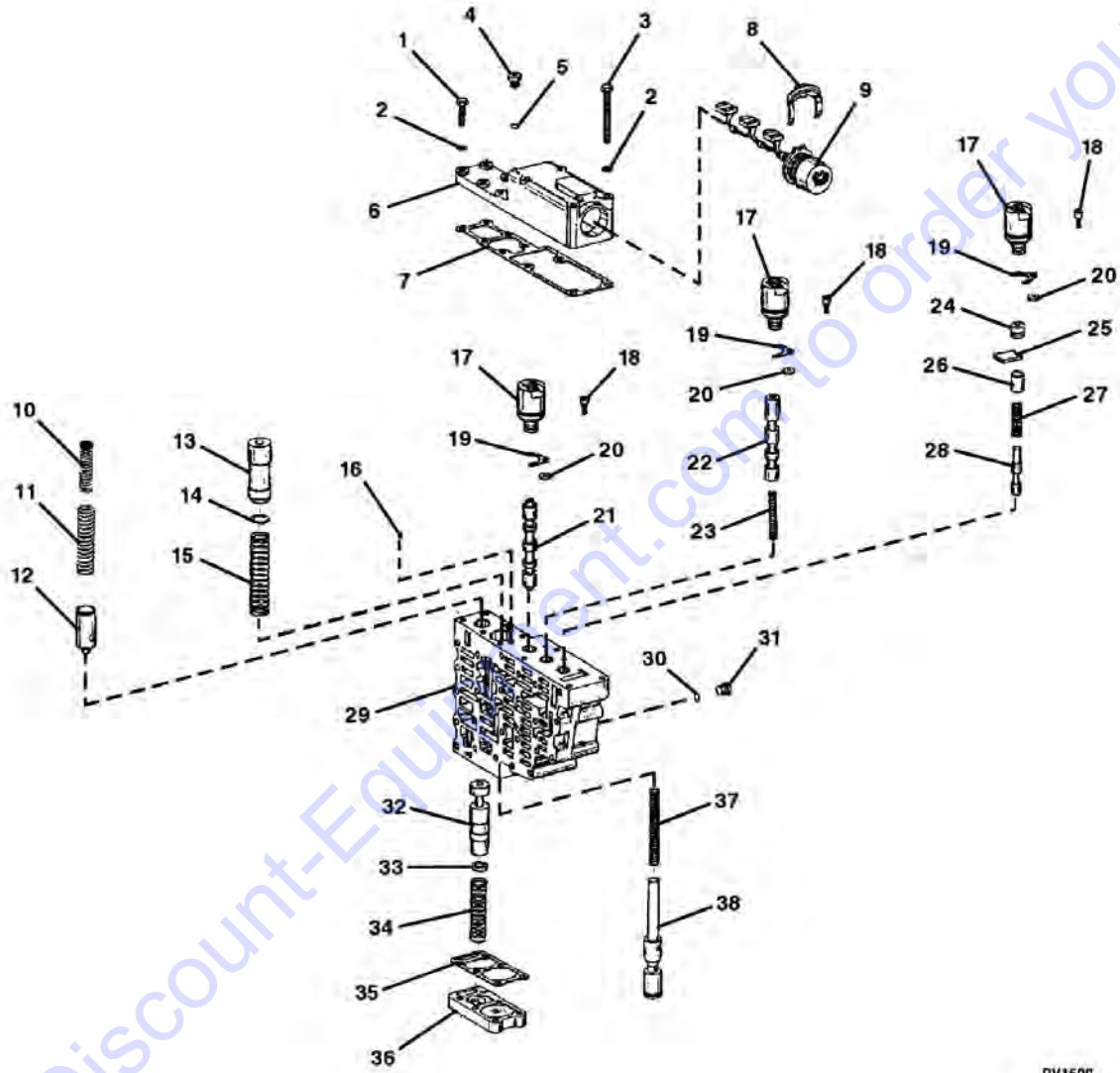
FIGURE 5-27. ZF TRANSMISSION - CONTROL UNIT

ITEM	PART NUMBER	QTY	DESCRIPTION	REV
1	1319650	1	GASKET	
2	7029035	1	DUCT PLATE	
3	8036034	1	INTERM. SHEET, (previous design)	
3	70020425	1	INTERM. SHEET, (current design)	
4	1319661	19	WASHER	
5	7029037	19	HEX SCREW	
6	7029036	43	TORX SCREW	
7	8036035	1	INTERM. SHEET, (previous design)	
7	70020426	1	INTERM. SHEET, (current design)	
8	1319661	15	WASHER	
9	1321265	15	HEX SCREW	
10	10732072	1	COMPRESSION SPRING	
11	10732071	1	BALL	
12	1319652	1	ORIFICE	

Go to Discount-Equipment.com to order your parts

SECTION 5 - DRIVE TRAIN

FIGURE 5-28. ZF TRANSMISSION - GEARSHIFT SYSTEM



PV1500

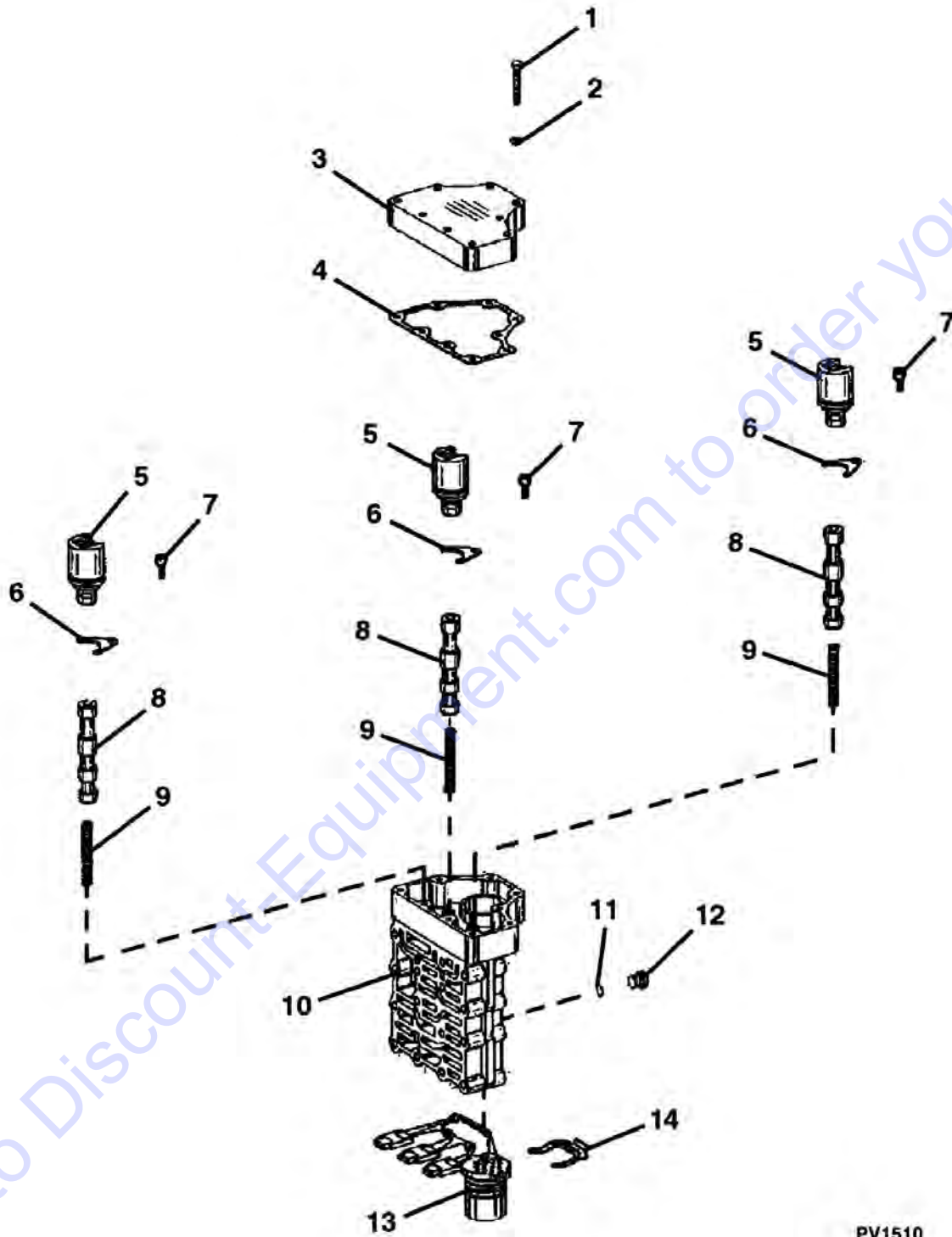
SECTION 5 - DRIVE TRAIN

FIGURE 5-28. ZF TRANSMISSION - GEARSHIFT SYSTEM

ITEM	PART NUMBER	QTY	DESCRIPTION	REV
1	1319693	6	HEX SCREW	
2	1319661	10	WASHER	
3	7029037	4	HEX SCREW	
4	1319670	1	SCREW PLUG	
5	10731709	1	O-RING	
6	8036039	1	COVER	
7	1319705	1	GASKET	
8	1319707	1	RETAINING CLAMP	
9	1319704	1	WIRING HARNESS	
10	8036038	1	COMPRESSION SPRING	
11	1319673	1	COMPRESSION SPRING	
12	7029039	1	PISTON	
13	1319690	1	PISTON	
14	1319685	AR	WASHER, 2.0	
	1319686	AR	WASHER, 1.0	
	1319687	AR	WASHER, 0.5	
	1319688	AR	WASHER, 0.3	
	1319689	AR	WASHER, 0.2	
15	1319683	1	COMPRESSION SPRING	
16	7029052	1	ORIFICE	
17	1319702	3	SOLENOID VALVE	
18	1319703	3	CAPSCREW	
19	10732063	3	FIXING PLATE	
20	10732064	3	WASHER	
21	1319694	1	VALVE	
22	1319695	1	PISTON	
23	1319696	1	COMPRESSION SPRING	
24	1319700	1	PLUG	
25	1319701	1	FIXING PLATE	
26	1319699	1	SPACER SLEEVE	
27	1319698	1	COMPRESSION SPRING	
28	1319697	1	PISTON	
29	1319671	1	VALVE HOUSING	
30	10731709	7	O-RING	
31	1319670	7	SCREW PLUG	
32	1319674	1	PISTON	
33	1319675	AR	SPACER RING, 3.6	
	1319676	AR	SPACER RING, 3.2	
	1319677	AR	SPACER RING, 2.8	
	1319678	AR	SPACER RING, 2.4	
	1319679	AR	SPACER RING, 2.0	
34	1319680	1	COMPRESSION SPRING	
35	1319691	1	GASKET	
36	1319692	1	COVER	
37	1319684	1	COMPRESSION SPRING	
38	1319681	1	CONTROL PISTON	

SECTION 5 - DRIVE TRAIN

FIGURE 5-29. ZF TRANSMISSION - GEARSHIFT SYSTEM



PV1510

SECTION 5 - DRIVE TRAIN

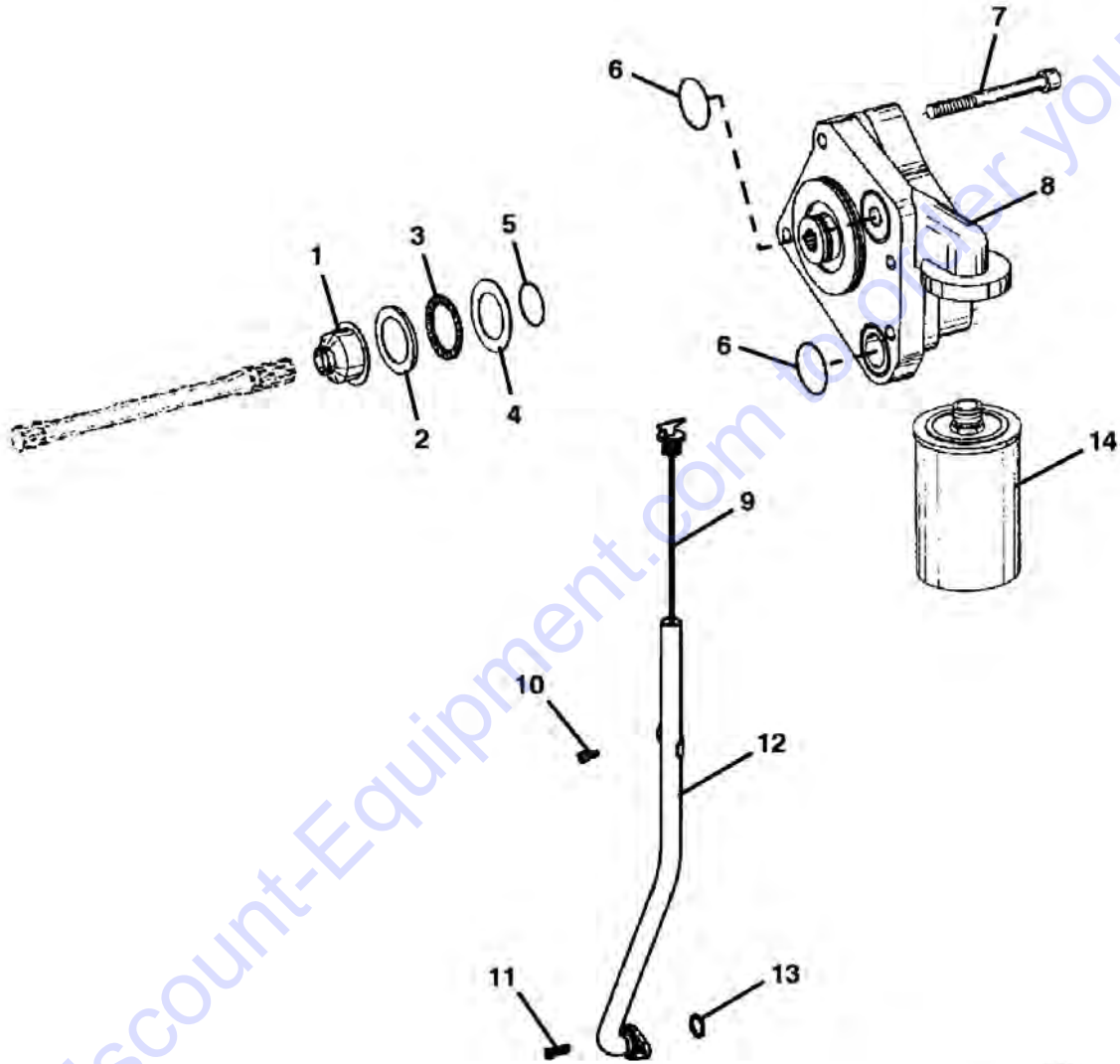
FIGURE 5-29. ZF TRANSMISSION - GEARSHIFT SYSTEM

ITEM	PART NUMBER	QTY	DESCRIPTION	REV
1	1319714	9	HEX SCREW	
2	1319715	9	WASHER	
3	1319713	1	COVER	
4	1319712	1	GASKET	
5	1319702	3	SOLENOID VALVE	
6	10732063	3	FIXING PLATE	
7	1319703	3	CAPSCREW	
8	1319710	3	PISTON	
9	1319696	3	COMPRESSION SPRING	
10	70020427	1	VALVE BLOCK	
11	10731709	3	O-RING	
12	1319670	3	SCREW PLUG	
13	1319711	1	WIRING HARNESS	
14	1319707	1	RETAINING	

Go to Discount-Equipment.com to order your parts

SECTION 5 - DRIVE TRAIN

FIGURE 5-30. ZF TRANSMISSION - OIL PUMP, FILTER AND DIPSTICK



PV1520

SECTION 5 - DRIVE TRAIN

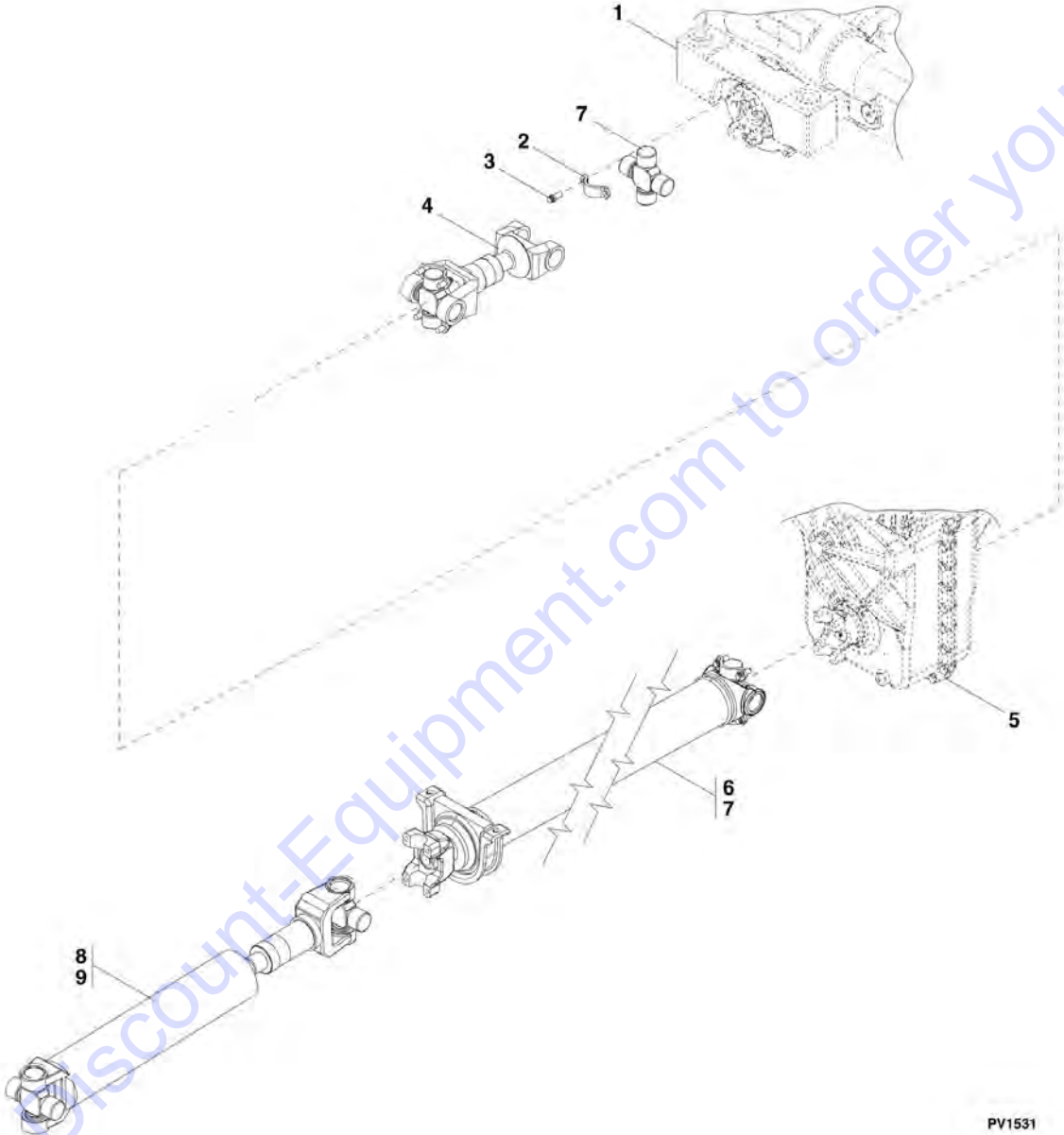
FIGURE 5-30. ZF TRANSMISSION - OIL PUMP, FILTER AND DIPSTICK

ITEM	PART NUMBER	QTY	DESCRIPTION	REV
1	1319723	1	STOP SLEEVE	
2	1319722	1	ANGLE DISC	
3	1319721	1	AX. NEEDLE CAGE	
4	1319720	1	AXIAL WASHER	
5	1319724	1	O-RING	
6	1319719	2	O-RING	
7	80304214	4	CAPSCREW	
8	7029074	1	PUMP	
9	7029914	1	OIL DIPSTICK	
10	1319585	1	CAPSCREW	
11	1319582	2	CAPSCREW	
12	7029913	1	OIL TUBE	
13	1319581	1	O-RING	
14	1319726	1	FILTER	

Go to Discount-Equipment.com to order your parts

SECTION 5 - DRIVE TRAIN

FIGURE 5-31. DRIVE SHAFT



PV1531

SECTION 5 - DRIVE TRAIN

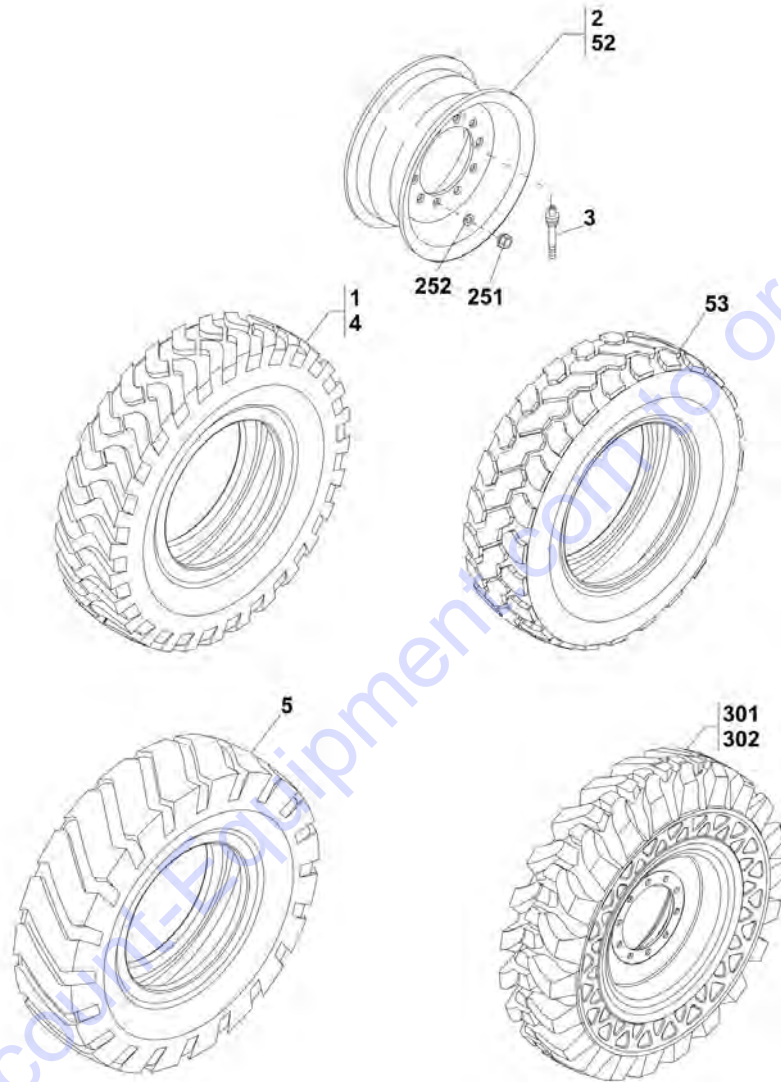
FIGURE 5-31. DRIVE SHAFT

ITEM	PART NUMBER	QTY	DESCRIPTION	REV
1		Ref	REAR AXLE ASSEMBLY, (See REAR AXLE ASSEMBLY for Breakdown)	
2	91473027	10	BEARING STRAP	
3	91473028	20	STRAP BOLT, (torque to 55-60 lb-ft), (must replace when removed, do not re-torque)	
4	4040282	1	DRIVESHAFT, (includes item 7)	
5		Ref	TRANSMISSION, (See ZF TRANSMISSION - CONVERTER AND INPUT for Breakdown)	
6	91563209	1	REAR DRIVESHAFT, (includes item 7)	
7	7026911	2	UNIVERSAL JOINT KIT	
8	91473151	1	FRONT DRIVESHAFT, (includes item 9)	
9	91474035	1	UNIVERSAL JOINT KIT	

Go to Discount-Equipment.com to order your parts

SECTION 5 - DRIVE TRAIN

FIGURE 5-32. TIRES AND RIMS



ART_PAP27900-B

SECTION 5 - DRIVE TRAIN

FIGURE 5-32. TIRES AND RIMS

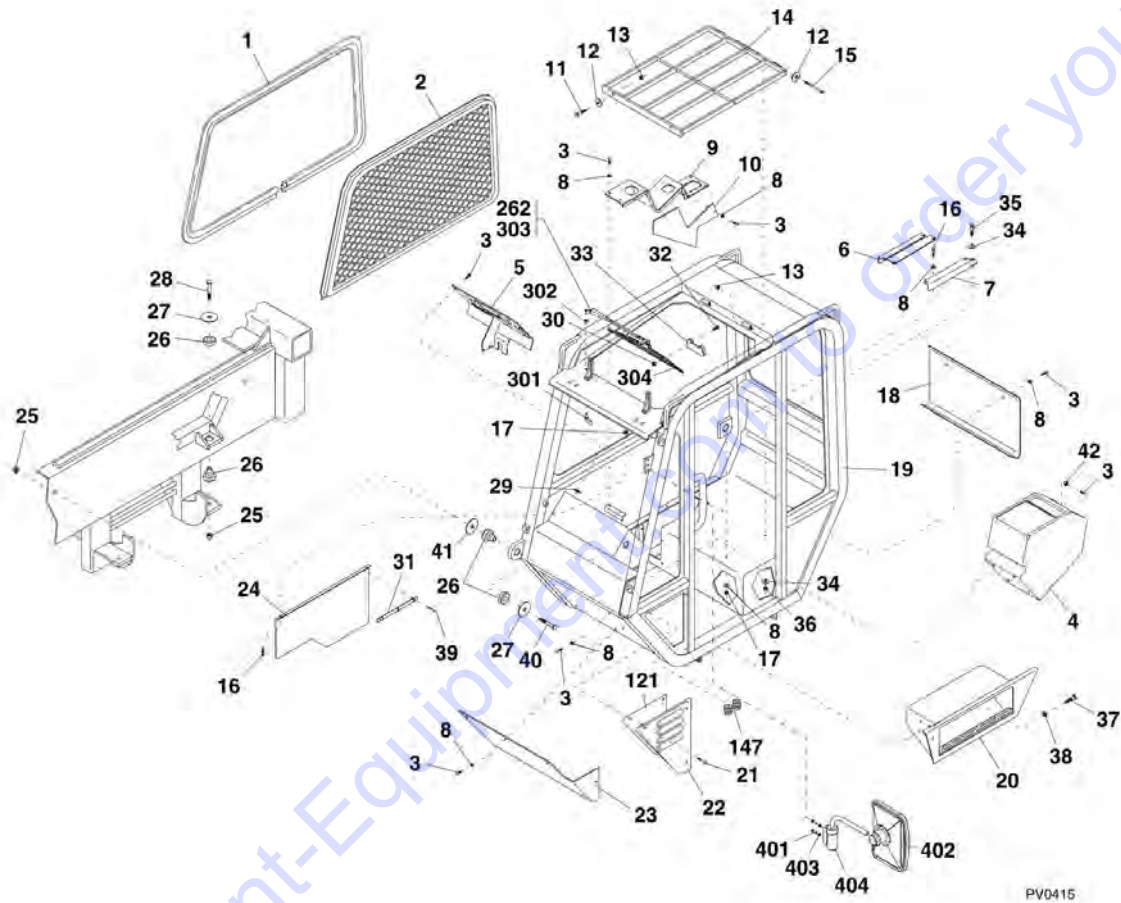
ITEM	PART NUMBER	QTY	DESCRIPTION	REV
	4520400	2	LH TIRE ASSY, HYDRO FILLED, 14x24 12 PLY, (includes items 2 thru 4)	B
	4520401	2	RH TIRE ASSY, HYDRO FILLED, 14X24 12 PLY, (includes items 2 thru 4)	B
	4520398	2	LH TIRE ASSY, FOAM FILLED, 14x24 12 PLY, (includes items 2 thru 4)	B
	4520399	2	RH TIRE ASSY, FOAM FILLED, 14x24 12 PLY, (includes items 2 thru 4)	B
	4520396	4	TIRE ASSY, FOAM FILLED, 14X24 RADIAL, (includes items 1 thru 3)	B
	4520397	4	TIRE ASSY, FOAM FILLED, 14X24 RADIAL, (includes items 1 thru 3)	B
	4520500	4	TIRE ASSY, HYDRO FILLED, 14X24 RADIAL, (includes items 2, 3 & 5)	A
	4520502	4	TIRE ASSY, FOAM FILLED, 14X24 RADIAL, (includes items 2, 3 & 5)	A
	1001126344	1	TIRE AND RIM ASSY, 400/75-28, 16PLY, (includes items 3, 52 & 53)	A
	1001121104	1	TIRE AND RIM ASSY, 400/75-28, 16PLY, FOAM FILLED, 570LB, (includes items 3, 52 & 53)	A
1	91363215	1	TIRE, 14X24 RADIAL, BRIDGESTONE	
2	7301054	1	RIM, 9x24x9mm, 1.06 OFFSET	
3	8786514	1	VALVE	
4	91043084	1	TIRE, 14x24, FIRESTONE	
5	91543002	1	GRADER TIRE, 14X24	
52	1001100009	1	RIM, 28X12, 1.18 OFFSET	
53	1001120179	1	TIRE, 400/75-28, 16PLY	
251		Ref	WHEEL NUT, (See DRIVE TRAIN COMPONENT for Breakdown)	
252		Ref	LOCK WASHER, (See DRIVE TRAIN COMPONENT for Breakdown)	
301	1001151103	2	LH SOLIDEAL TIRE, 14.00-24	
302	1001151104	2	RH SOLIDEAL TIRE, 14.00-24	
N1	Note	Ref	QUANTITIES SHOWN ARE FOR ONE TIRE ONLY.	
N2	Note	Ref	ITEM NUMBERS NOT LISTED ARE NOT USED ON THIS FIGURE.	

SECTION 6 - CAB

Go to Discount-Equipment.com to order your parts

SECTION 6 - CAB

FIGURE 6-1. OPERATORS COMPARTMENT ASSEMBLY



PV0415

SECTION 6 - CAB

FIGURE 6-1. OPERATORS COMPARTMENT ASSEMBLY

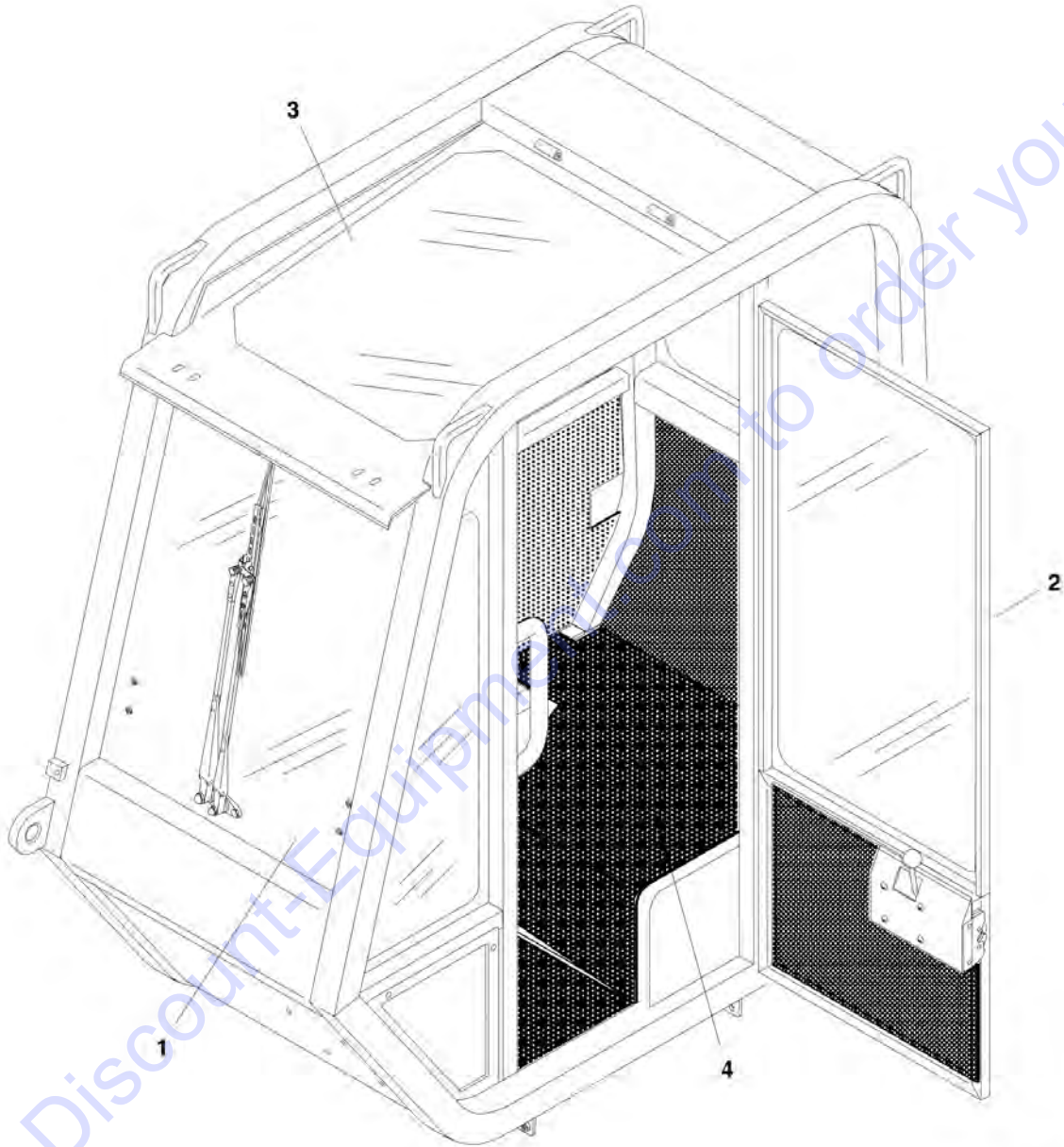
ITEM	PART NUMBER	QTY	DESCRIPTION	REV
	10467146	Ref	OPEN CAB ASSY, (includes items 1 thru 23 & item 42)	I
	10467361	Ref	ENCLOSED CAB ASSY, (includes items 3, 5 thru 24, 262, 301 thru 304 and all items on CAB ENCLOSURE KIT)	K
1	1012354	1	RUBBER LOCKING CHANNEL	
2	10339390	1	SLIDE SCREEN	
3	10727829	24	PHILLIPS TRUSS HD SCREW, 5/16-18X3/4	
4	10267147	1	STORAGE BOX	
5		Ref	INSTRUMENT PANEL, (See INSTRUMENT PANEL ASSEMBLY for Breakdown)	
6	10265863	1	RIGHT SEAT MOUNT	
7	10265862	1	LEFT SEAT MOUNT	
8	10701403	20	FLAT WASHER, 5/16	
9	10336383	1	WELDMENT (Prior to SN 0160048698)	
9	1001143667	1	WELDMENT (SN 0160048698 to Present)	
10	10236436	1	CONTROL PANEL SIDE COVER	
11	10700234	2	HEX HD CAPSCREW, 3/8-16X1-3/4, GR8	
12	10701404	4	FLAT WASHER, 3/8	
13	10701658	4	HEX LOCKNUT, 3/8-16	
14	10336887	1	OVERHEAD GUARD	
15	10700245	2	HEX HD CAPSCREW, 3/8-16X5, GR8	
16	10700102	7	HEX HD CAPSCREW, 5/16-18X3/4	
17	10701507	6	HEX NUT, 5/16-18	
18	10236381	1	REAR COVER	
19	10439443	1	CAB WELDMENT, (open cab)	
19	10467366	1	CAB WELDMENT, (enclosed cab)	
20	10236955	1	OPERATORS STEP	
21	10837113	3	PHILLIPS TRUSS HD SCREW, 5/16-18X1-1/2, (open cab)	
21	10337113	3	PHILLIPS TRUSS HD SCREW, 5/16-18X1-3/4, (enclosed cab)	
22	10236849	1	SIDE COVER	
23	10236958	1	FRONT COVER	
24	10236542	1	MOUNTING PLATE DECAL	
25	10705006	4	HEX LOCKNUT, 5/8-11	
26	10733152	4	TWO PIECE RUBBER MOUNT	
27	10136262	4	SNUBBING WASHER	
28	10700642	2	HEX HD CAPSCREW, 5/8-1X4-1/2, GR8	
29	8305906	4	NUT	
30	10705103	2	FLANGE NUT (SN 0160009654 through 0160014307, Including 0160008714)	
31	10138718	1	3-RING HANGER FLIP CARD	
32	10702034	2	ROUND HD SLOTTED SCREW, #8-32X1/2 (SN 0160009654 through 0160014307, Including 0160008714)	
33	N.S.S.	NLA	LEVEL INDICATOR, (no longer available, use 8466306 for replacement) (SN 0160009654 through 0160014307, Including 0160008714)	
33	8466306	1	LEVEL INDICATOR, (with adhesive) (SN 0160014308 to Present)	
34	107012533	4	FLAT WASHER, 7/16	
35	10700303	2	HEX HD CAPSCREW, 7/16-14X1-1/4	
36	10705003	2	HEX LOCKNUT, 7/16-14	
37	10700202	4	HEX HD CAPSCREW, 3/8-16X3/4	
38	10701310	4	LOCKWASHER, 3/8	
39	10732958	4	ALUMINUM POP-RIVET, 1/8X.33 LONG	

SECTION 6 - CAB

ITEM	PART NUMBER	QTY	DESCRIPTION	REV
40	10700641	2	HEX HD CAPSCREW, 5/8-11X4, GR8	
41	10115616	2	WASHER	
42	10705107	1	HEX NUT, 5/16-18	
121	10236427	1	FRESH AIR FILTER	
147	10867157	2	RUBBER GROMMET	
262	1100139-OM	1	Manual Wiper Assy	AA
301	1100140-OM	1	Wiper Handle	
302	1100141-OM	1	Hex Nut	
303	8035500	1	Wiper Arm, Adjustable	
304	1100143-OM	1	Wiper Blade	
	1001115153	Ref	LH CAB MIRROR INSTALLATION, (not available to order, see items 401 thru 404 for service)	C
401	0700610	2	HEX HD CAPSCREW, 6X20mm, GR8.8	
402	1001148177	1	MIRROR	
403	8307024	2	LOCKWASHER, 6mm	
404	1001114675	1	MIRROR ARM	

SECTION 6 - CAB

FIGURE 6-2. CAB ENCLOSURE KIT



PV1090

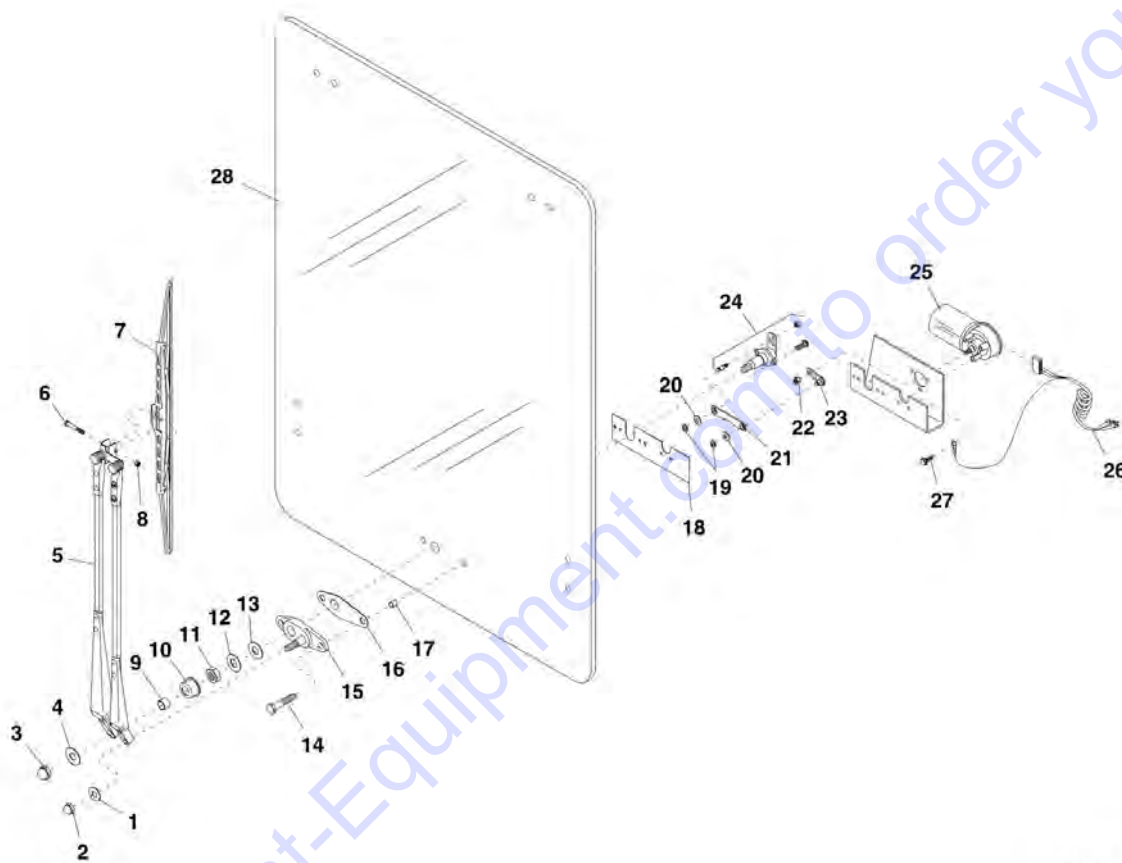
FIGURE 6-2. CAB ENCLOSURE KIT

ITEM	PART NUMBER	QTY	DESCRIPTION	REV
1	10436476	1	CAB ENCLOSURE KIT, (includes all items)	B
		Ref	WINDSHIELD W/WIPER, MOLDING AND HARDWARE, (See WINDSHIELD WIPER ASSEMBLY for Breakdown)	
2		Ref	DOOR ASSY, (See DOOR ASSEMBLY for Breakdown)	
3		Ref	CAB WINDOWS, (See WINDOW ASSEMBLY for Breakdown)	
4		Ref	CAB INSULATION, (See INSULATION INSTALLATION for Breakdown)	

Go to Discount-Equipment.com to order your parts

SECTION 6 - CAB

FIGURE 6-3. WINDSHIELD WIPER ASSEMBLY



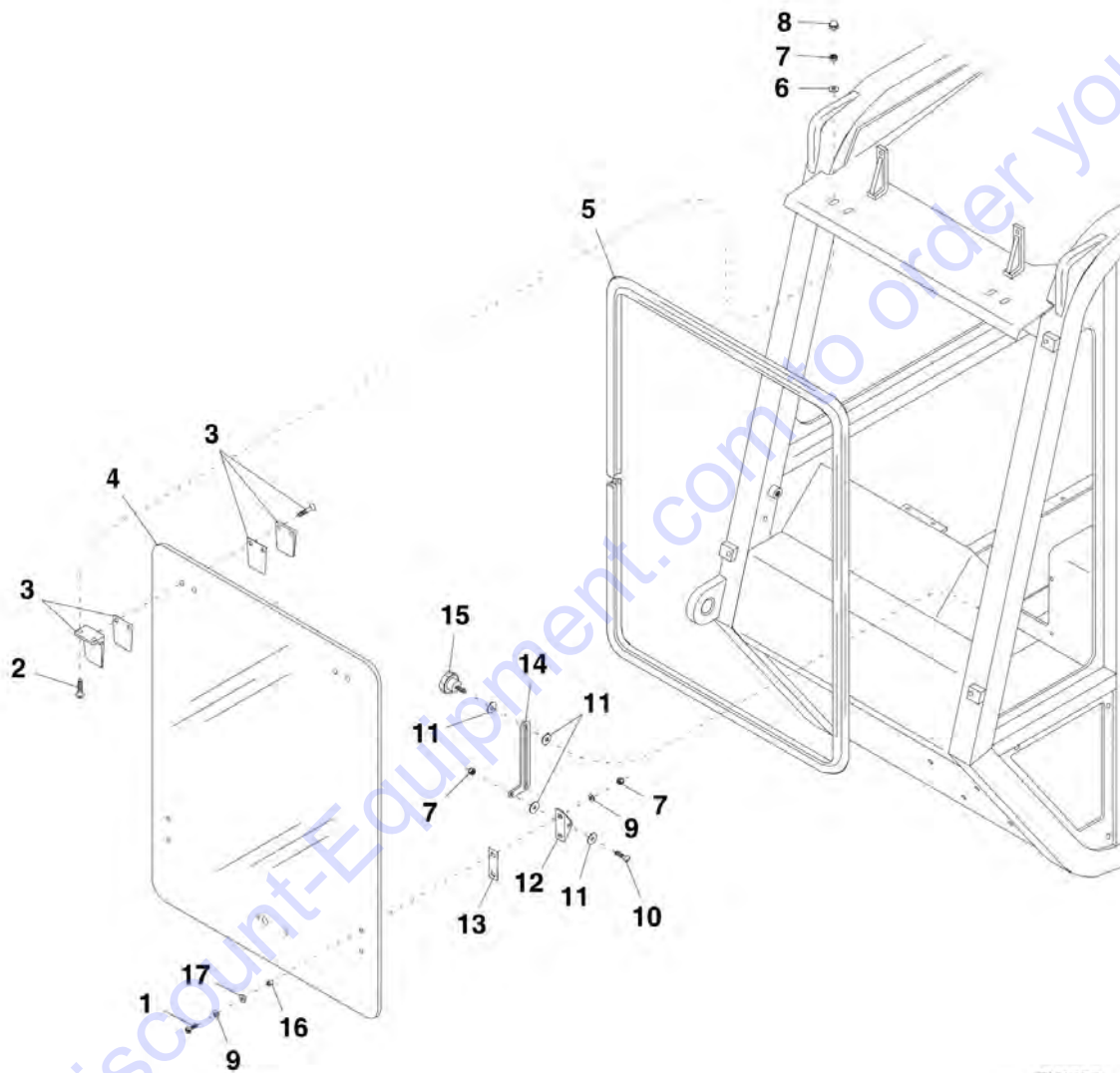
PV1070

FIGURE 6-3. WINDSHIELD WIPER ASSEMBLY

ITEM	PART NUMBER	QTY	DESCRIPTION	REV
	10337401	1	WINDSHIELD WIPER ASSY, (includes items 1 thru 28 and all items on WINDSHIELD ASSEMBLY)	
1	10701400	1	FLAT WASHER	
2	10791581	1	ACORN NUT, #10-24	
3	10791583	1	ACORN NUT	
4	10791584	1	FLAT WASHER	
5	10837390	1	DUAL WIPER ARM	
6	10791577	1	SLOTTED SCREW, #4-40X7/8	
7	10732558	1	WIPER BLADE	
8	10701650	1	HEX LOCKNUT, #4-40	
9	10791585	1	DRIVER	
10	10791586	1	RUBBER CAP	
11	10791581	1	HEX NUT	
12	10791588	1	STEEL WASHER	
13	10791589	1	PLASTIC WASHER	
14	10837399	2	HEX HD CAPSCREW, 1/4-28X3/4	
15	10732556	1	PANTOGRAPHIC ADAPTER	
16	10791579	1	GASKET	
17	10139222	2	PLASTIC SLEEVE	
18	10139223	1	WIPER MOTOR GASKET	
19	10791601	2	SPRING CLIP	
20	10791600	2	FLAT WASHER	
21	10791599	1	LINK	
22	10701531	1	HEX NUT, 3/8-24	
23	10732555	1	DRIVER ARM	
24	10732554	1	PIVOT SHAFT	
25	10732551	1	WIPER MOTOR, (includes bracket)	
26	10238366	1	WIPER MOTOR CABLE	
27	10791598	3	SCREW	
28		Ref	WINDSHIELD ASSY, (See WINDSHIELD ASSEMBLY for Breakdown)	

SECTION 6 - CAB

FIGURE 6-4. WINDSHIELD ASSEMBLY



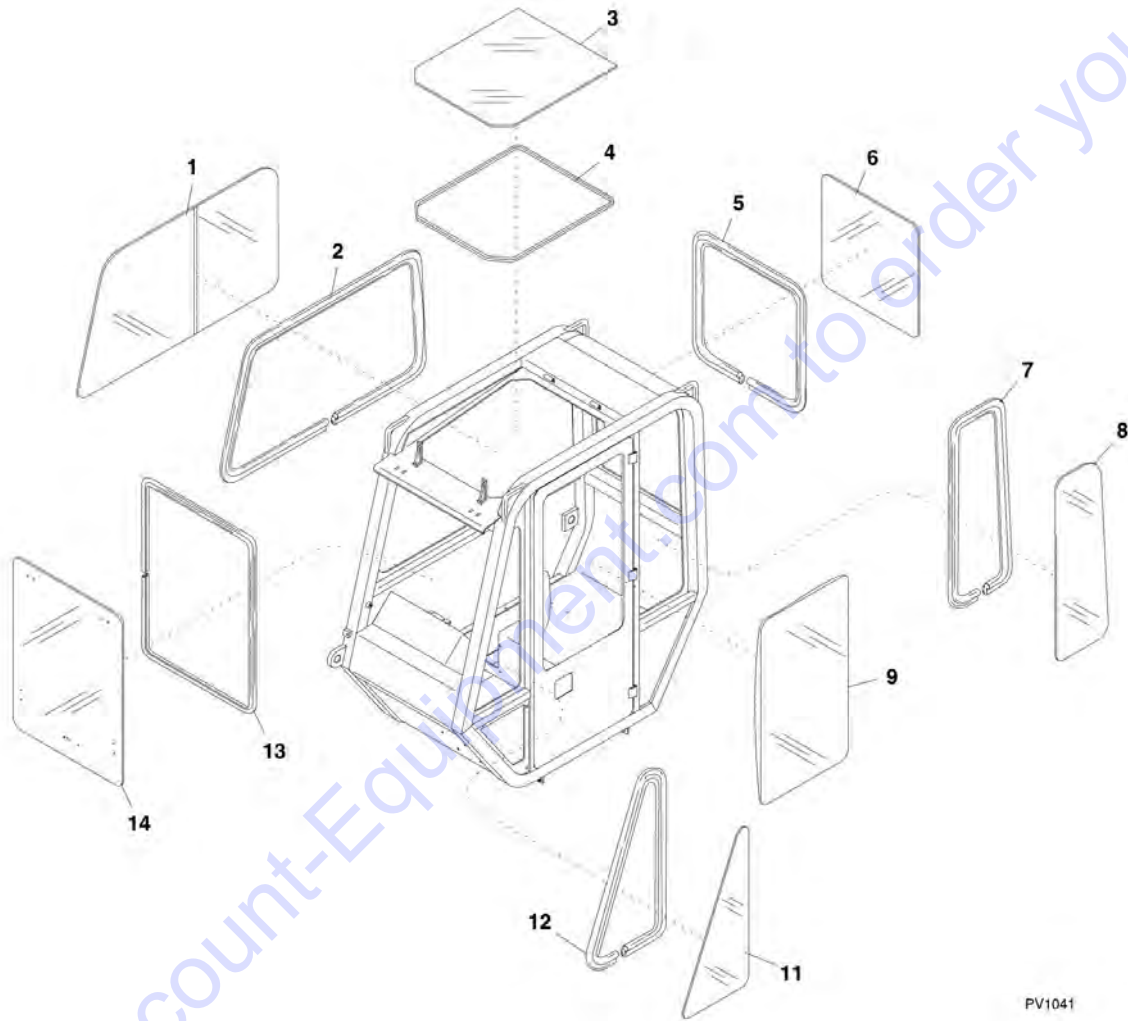
PV1060

FIGURE 6-4. WINDSHIELD ASSEMBLY

ITEM	PART NUMBER	QTY	DESCRIPTION	REV
1	10837393	4	ROUND HD SLOTTED SCREW, 1/4-20X1	
2	10837397	4	ROUND HD SLOTTED SCREW, 1/4-20X1	
3	10837389	2	FLAT HINGE	
4	10336317	1	HINGED GLASS WINDSHIELD	
5	91344031	1	WINDSHIELD SEAL	
6	10837398	4	FLAT WASHER, 1/4	
7	70021038	4	HEX LOCKNUT, 1/4-20	
8	10136480	4	ACORN CAP	
9	10837395	5	FLAT WASHER, 3/16	
10	10837391	2	ROUND HD SLOTTED SCREW, 1/4-20X3/4	
11	10837392	2	FIBER FLAT WASHER	
12	10238848	2	WINDOW STAY BRACKET	
13	10139225	2	RUBBER GASKET	
14	10238849	2	WINDOW STAY	
15	10837396	2	KNOB	
16	10139222	4	WINDOW SLEEVE	
17	10139224	4	RUBBER WASHER	

SECTION 6 - CAB

FIGURE 6-5. WINDOW ASSEMBLY



PV1041

FIGURE 6-5. WINDOW ASSEMBLY

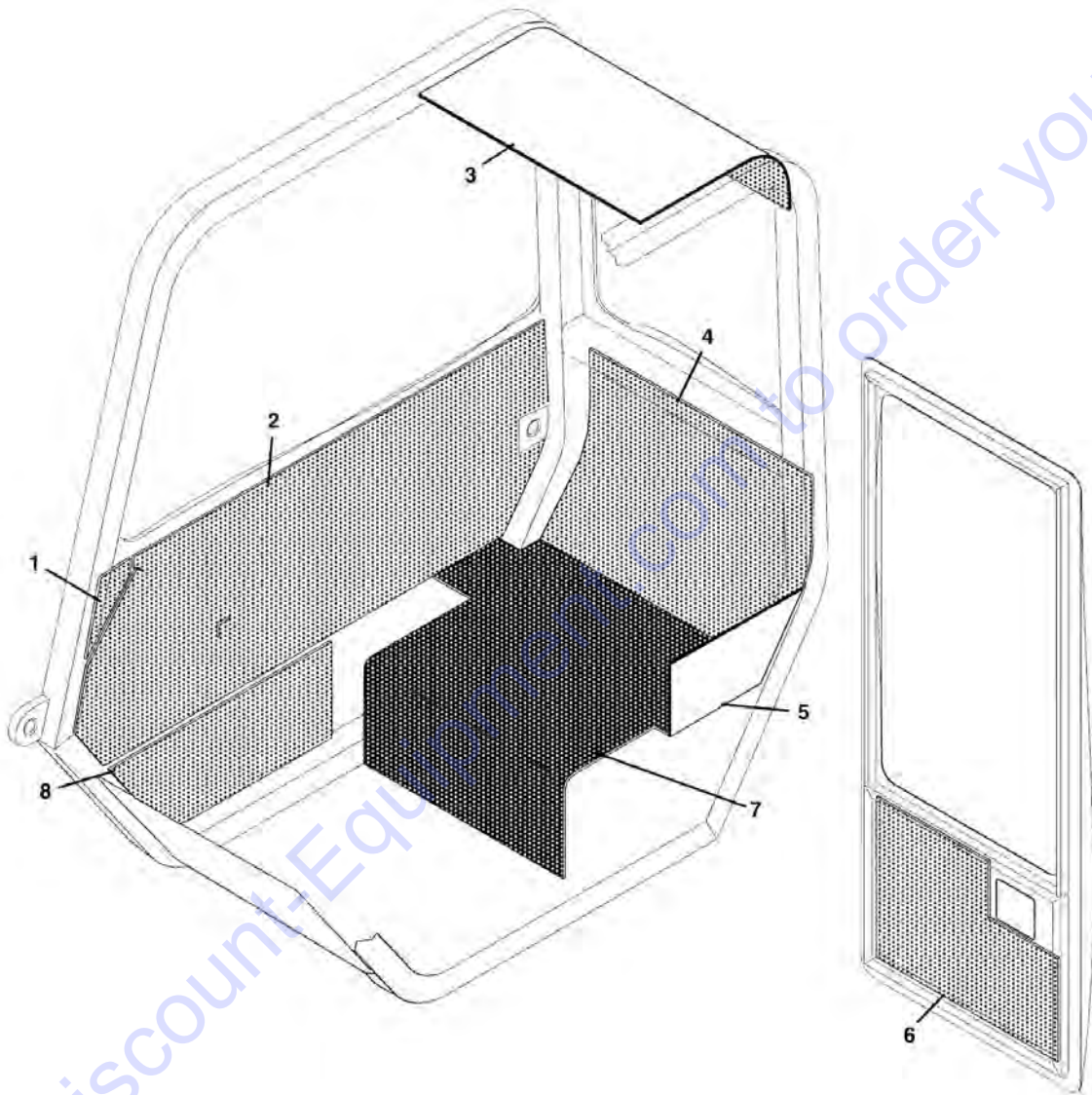
ITEM	PART NUMBER	QTY	DESCRIPTION	REV
1	10867540	1	RIGHT SIDE GLASS, SLIDING	
2	1012354	1	RIGHT SIDE SEAL	
3	10236318	1	SKYLIGHT GLASS	
4	10867150	1	ROOF SEAL, (self stick)	
5	1012362	1	REAR SEAL	
6	10239478	1	REAR GLASS, (fixed)	
7	1012361	1	LEFT SIDE SEAL, (rear)	
8	10236500	1	LEFT SIDE GLASS, (rear)	
9	10339176	1	GLASS DOOR	
11	10236499	1	LEFT SIDE GLASS, (front)	
12	1012360	1	LEFT SIDE SEAL, (front)	
13	91344031	1	WINDSHIELD SEAL	
14		Ref	HINGED GLASS WINDSHIELD, (See WINDSHIELD ASSEMBLY for Breakdown)	

FIGURE 6-6. DOOR ASSEMBLY

ITEM	PART NUMBER	QTY	DESCRIPTION	REV
	10466041	1	DOOR ASSY, (includes items 2, 11 thru 18, 20, 23, 26 thru 28 & item 40)	AA
1	10837413	1	STRIKER MOUNT	
2	10701402	6	FLAT WASHER, 1/4	
4	10700005	2	HEX HD CAPSCREW, 1/4- 20X1	
11	1012365	1	DOOR SEAL	
12	10702057	4	ROUND HD SLOTTED SCREW, #10-24X3/4	
13	10701400	4	FLAT WASHER, #10	
14	10837414	1	LATCH COVER	
15		Ref	DOOR INSULATION, (See INSULATION INSTALLATION for Breakdown)	
16	10837412	1	ROTARY LATCH	
17	10701656	2	HEX LOCKNUT, 1/4-20	
18	10700007	2	HEX HD CAPSCREW, 1/4- 20X1-1/2	
20	10338913	1	DOOR	
23	10837241	1	STRAP	
24	10700212	2	HEX HD CAPSCREW, 3/8-16X3, GR5	
25	10701658	2	HEX LOCKNUT, 3/8-16	
26	10837411	1	LATCH SEAL	
27	10791534	1	CONNECTING LINK	
28	10791533	2	SPRING PIN	
29	91484028	1	PADDLE HANDLE ASSY	
29	8342813	1	KEY	
40		Ref	GLASS DOOR, (See WINDOW ASSEMBLY for Breakdown)	
154	10167749	1	DOOR HOLDER	
155	10137410	1	DOOR HOLDER GLASS MOUNT	
156	10704057	1	CAPSCREW, 6-1x35mm, GR8.8	
157	10704606	1	LOCKWASHER, 6mm	
158	10704706	1	NUT, 6-1mm	
159	10701308	1	LOCKWASHER, 1/4	
160	10867541	1	SCREW, 1/4-20X1/2	
161	10701506	1	HEX NUT, 1/4-20	

SECTION 6 - CAB

FIGURE 6-7. INSULATION INSTALLATION



PV1080

FIGURE 6-7. INSULATION INSTALLATION

ITEM	PART NUMBER	QTY	DESCRIPTION	REV
1	10238766	1	RIGHT FRONT INSULATION	
2	10238767	1	RIGHT SIDE INSULATION	
3	10238764	1	ROOF INSULATION (SN 0160009654 through 0160016827, Including 0160008714)	
4	10238771	1	REAR INSULATION	
5	10236765	1	LOWER LEFT REAR INSULATION	
6	10238870	1	LOWER DOOR INSULATION	
7	10238772	1	SEAT DECK INSULATION	
8	10238768	1	LOWER RIGHT FRONT INSULATION	

Go to Discount-Equipment.com to order your parts

SECTION 6 - CAB

FIGURE 6-8. INSTRUMENT PANEL ASSEMBLY

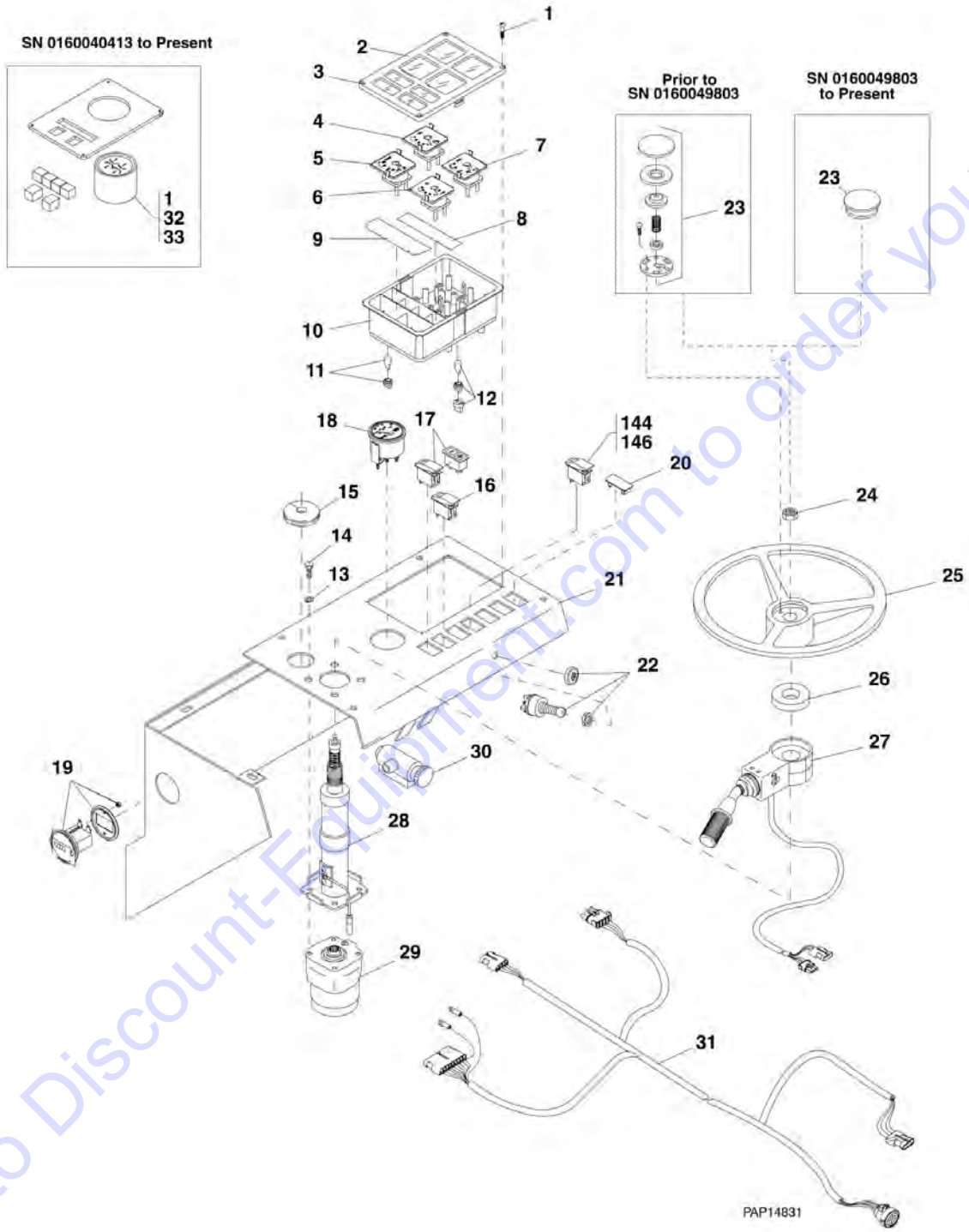
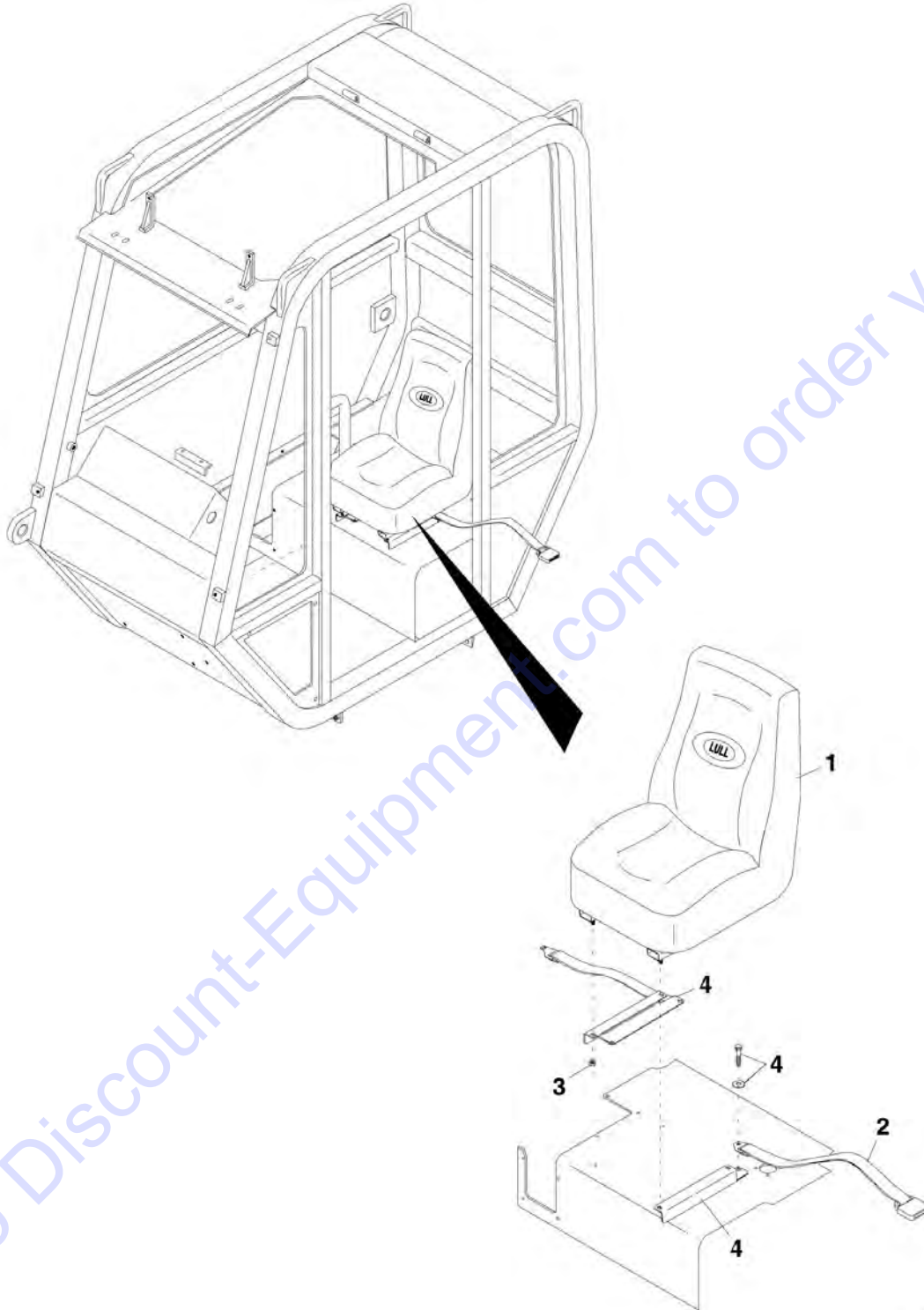


FIGURE 6-8. INSTRUMENT PANEL ASSEMBLY

ITEM	PART NUMBER	QTY	DESCRIPTION	REV
1	3911012	4	ROUND HD MACHINE SCREW, #10-24X3/4	
1	1810003	1	CLUSTER GAUGE, (includes items 2 thru 12) (SN 0160009654 through 0160040407, Excluding 0160038521)	A
1	1001113368	1	CLUSTER GAUGE, (includes items 2 thru 12), (Including 0160038521)	D
1	1001118559	1	CLUSTER GAUGE, (includes items 32 & 33) (SN 0160040413 to Present)	A
2	10236830	1	Cluster Gauge Panel	
3	N.S.S.	1	BEZEL	
4	10837331	1	FUEL GAUGE	
5	10837332	1	WATER TEMPERATURE GAUGE	
6	10837333	1	OIL PRESSURE GAUGE	
7	10837334	1	VOLTMETER GAUGE	
8	2120185	1	INDICATOR LIGHT LENS (SN 0160009654 through 0160040407, Excluding 0160038521)	
8	1001113367	1	INDICATOR LIGHT LENS, (Including 0160038521)	
9	10238221	1	INDICATOR LIGHT LENS	
10	N.S.S.	1	CLUSTER GAUGE BODY	
11	N.S.S.	6	LIGHT SOCKET	
12	N.S.S.	2	LIGHT SOCKET	
13	10701310	4	LOCKWASHER, 3/8	
14	8303621	4	HEX HD CAPSCREW, 3/8-16X1-1/2	
15	10732575	4	GROMMET	
16	10138094	1	ROCKER SWITCH, (transmission declutch)	
17	4360608	1	ROCKER SWITCH, (engine fault reset) (SN 0160009654 through 0160040407, Excluding 0160038521)	
17	1001114082	1	INDICATOR, (Including 0160038521)	
18	10166982	1	TRANSMISSION OIL TEMP GAUGE	
19	10836804	1	HOURMETER GAUGE	
20	10836512	5	HOLE PLUG	
21	3380579	1	INSTRUMENT PANEL	
22	1101202	1	IGNITION SWITCH, (includes 2 keys)	
22	1101203	2	KEY	
23	10718141	1	HORN BUTTON (Prior to SN 0160049803)	
23	7138878	1	HORN BUTTON (SN 0160049803 to Present)	
24	10713009	1	STEERING NUT (Prior to SN 0160049803)	
24	8305916	1	STEERING NUT (SN 0160049803 to Present)	
25	10728704	1	STEERING WHEEL (Prior to SN 0160049803)	
25	7138836	1	STEERING WHEEL (SN 0160049803 to Present)	
26	10134667	1	RUBBER MOUNTING PAD	
27	8223049	1	ELECTRIC SHIFT CONTROL	
28		Ref	STEERING COLUMN, (See CONTROLS SECTION for Breakdown)	
29		Ref	STEER MOTOR, (See HYDRAULIC CIRCUITS SECTION for Breakdown)	
30		Ref	PARK BRAKE VALVE, (See HYDRAULIC CIRCUITS SECTION for Breakdown)	
31	4923242	1	CIRCUIT BOARD AND SHIFTER HARNESS	
32	91404335	6	BULB	
33	70021231	1	4-IN-1 GAUGE	
144	10836511	1	ROCKER SWITCH, (windshield washer), (enclosed cab)	
146	10837308	1	SWITCH, (enclosed cab)	

SECTION 6 - CAB

FIGURE 6-9. OPERATOR'S SEAT (SN 0160009654 through 0160013146, Including 0160008714)



PV1700

SECTION 6 - CAB

FIGURE 6-9. OPERATOR'S SEAT (SN 0160009654 through 0160013146, Including 0160008714)

ITEM	PART NUMBER	QTY	DESCRIPTION	REV
1	N.S.S.	NLA	OPERATORS SEAT, (no longer available, use seat Kit 2915171 for replacement See OPERATOR'S SEAT) (SN 0160013147 to Present)	
1	N.S.S.	NLA	OPERATORS SUSPENSION SEAT, (if equipped), (no longer available, use seat Kit 2915171 for replacement See OPERATOR'S SEAT) (SN 0160013147 to Present)	
2	10239367	1	2IN SEAT BELT	
2	10725464	1	3IN SEAT BELT	
3	10705107	4	HEX LOCKNUT, 5/16-18	
4		Ref	BRACKETS AND MOUNTING HARDWARE, (See OPERATORS COMPARTMENT ASSEMBLY for Breakdown)	

Go to Discount-Equipment.com to order your parts

SECTION 6 - CAB

FIGURE 6-10. OPERATOR'S SEAT (SN 0160013147 to Present)

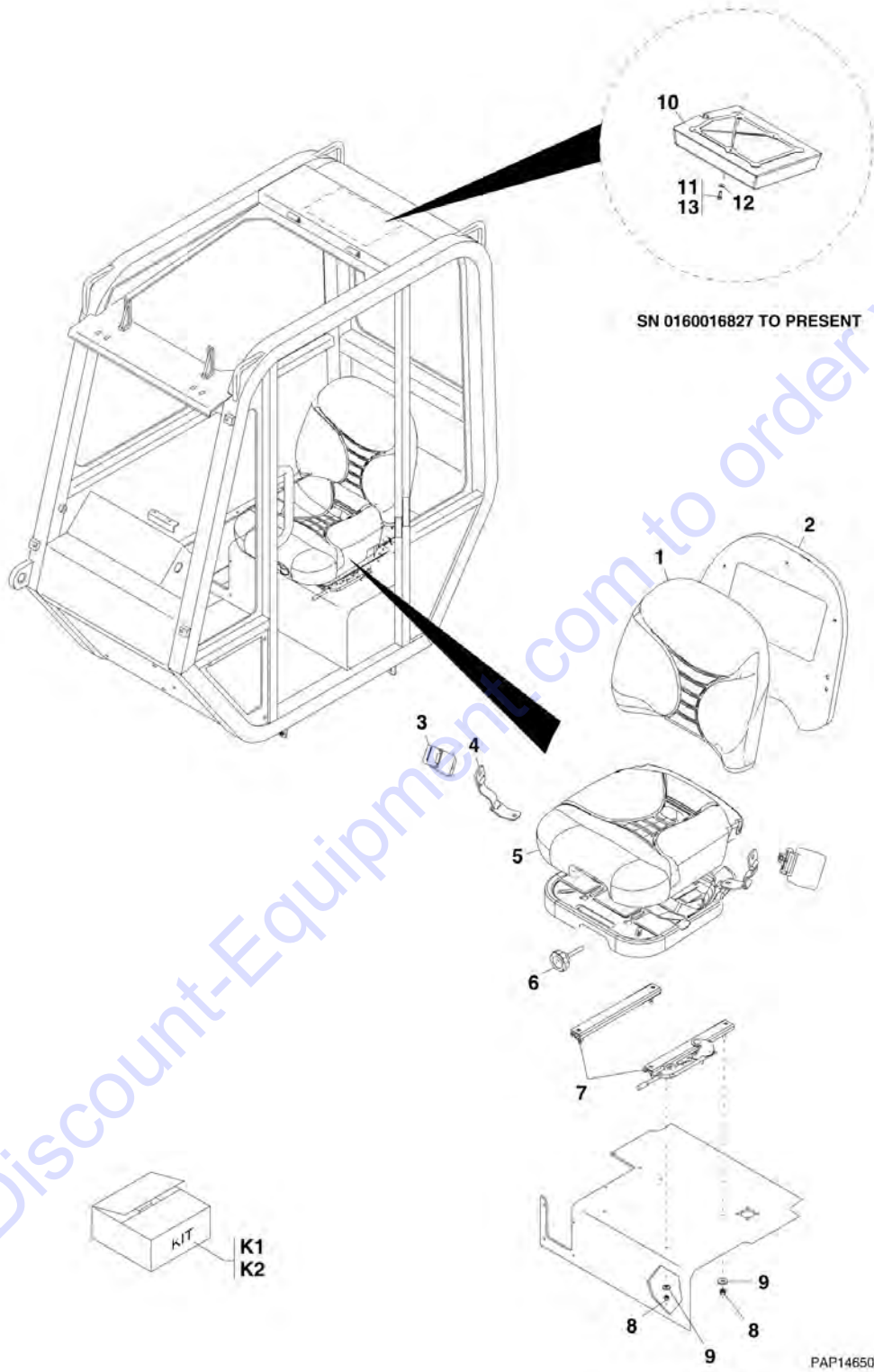


FIGURE 6-10. OPERATOR'S SEAT (SN 0160013147 to Present)

ITEM	PART NUMBER	QTY	DESCRIPTION	REV
	3980039	1	SUSPENSION SEAT , (includes items 1 thru 7) (SN 0160009654 through 0160034246, Including 0160008714)	C
	1001101085	1	SUSPENSION SEAT, (includes items 1 thru 7) (SN 0160034247 to Present)	D
1	7026900	1	BACK CUSHION KIT	
2	7026902	1	BACK PANEL KIT	
3	7026905	1	SEAT BELT KIT	
3	91563164	1	SEAT BELT, 3IN, (California Only), (not included with seat)	
4	7026906	1	TETHER KIT	
5	7026901	1	SEAT CUSHION KIT	
6	7026799	1	KNOB KIT	
7	7026798	1	SLIDE KIT	
8	8305626	4	HEX LOCKNUT, 5/16-18	
9	8307106	4	PLAIN WASHER, 5/16	
10	0860520	1	MANUAL STORAGE BOX (SN 0160016827 to Present)	
11	0641406	4	HEX HD CAPSCREW, 1/4-20X3/4 (SN 0160016827 to Present)	
12	4751400	4	PLAIN WASHER, 1/4 (SN 0160016827 to Present)	
13	0100011	AR	LOCTITE 242, (apply to item 11) (SN 0160016827 to Present)	
K1	2915171	1	SUSPENSION SEAT REPLACEMENT KIT, (includes seat p/n 3980039 & items 8 & 9)	
K2	70023139	1	SEAT BELT KIT, 3IN, (California Only), (includes retractor and female ends)	

SECTION 6 - CAB

FIGURE 6-11. HEATER AND AIR CONDITIONING SYSTEM (Prior to SN 0160040413, Excluding 0160037824 and 0160038521)

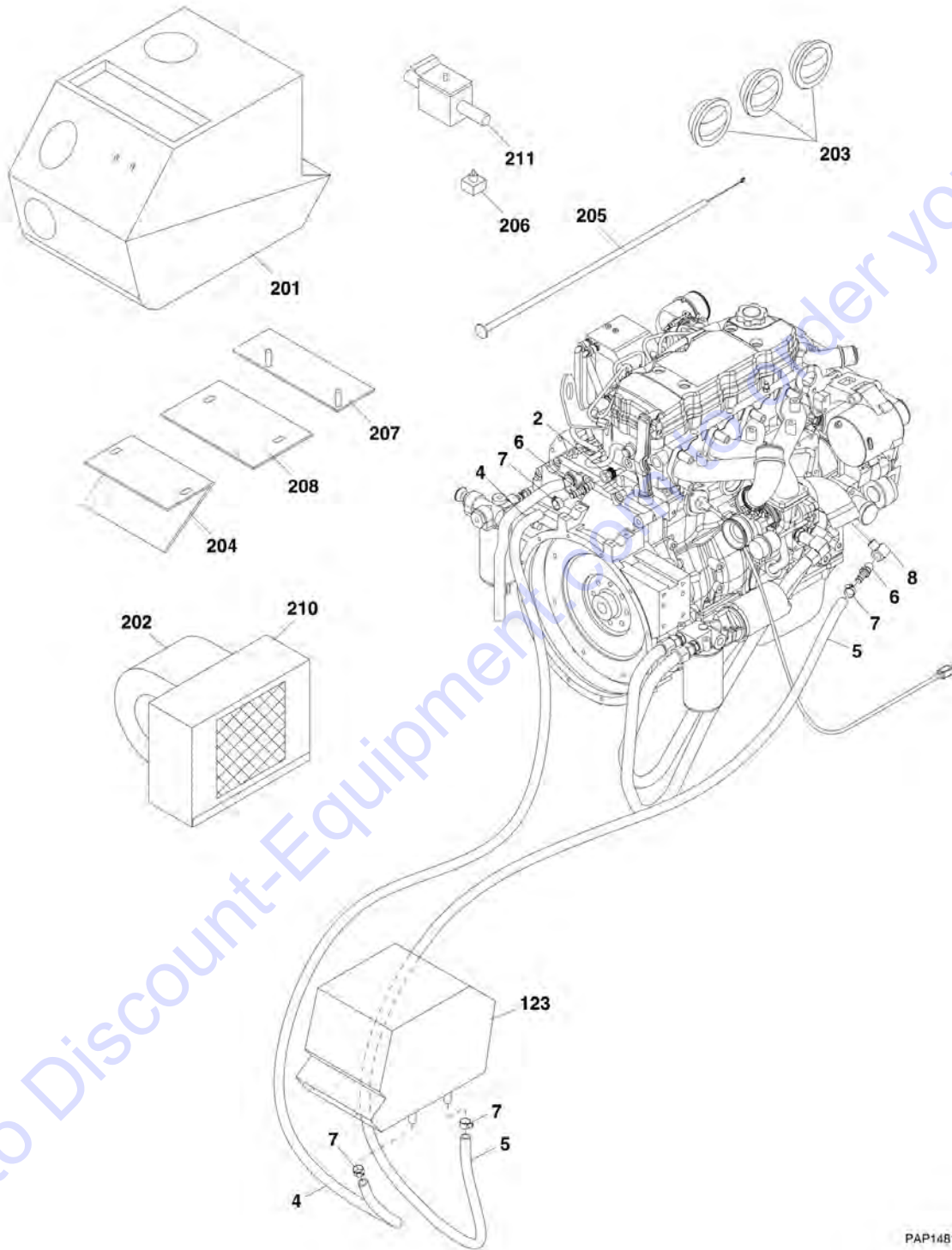
ITEM	PART NUMBER	QTY	DESCRIPTION	REV
	2902501	1	HEATER/AIR CONDITIONING KIT , (includes all items excluding items 8 & 31 thru 36) (SN 0160009654 through 0160033762, Including 0160008714)	C
	1001096356	1	HEATER/AIR CONDITIONING KIT , (includes items 1 thru 36) (SN 0160033763 through 0160040407, Excluding 0160037824 and 0160038521)	A
1	70020177	1	CONDENSER GUARD	
2	7029793	1	HEATER AND A/C UNIT, (includes items 101 thru 117)	
3	70020178	1	CONDENSER ASSY, (includes items 201 thru 203)	
4	70020179	1	COMPRESSOR , (not shown) (SN 0160033763 through 0160040407, Excluding 0160037824 and 0160038521)	
5	70020180	1	DRIER, (not shown)	
6	70023165	1	PRESSURE SWITCH, (not shown)	
7	70020181	1	WIRE HARNESS	
8	1001099112	1	COMPRESSOR MOUNT (SN 0160033763 through 0160040407, Excluding 0160037824 and 0160038521)	
9	N.S.S.	1	DRIER BRACKET, (not shown)	
10	N.S.S.	1	CONDENSER MOUNT, (not shown)	
11	N.S.S.	1	CONDENSER MOUNT, (not shown)	
12	70023161	1	HOSE ASSY, EVAP/DRIER, (not shown)	
13	70023162	1	HOSE ASSY, COND/DRIER, (not shown)	
14	70023163	1	HOSE ASSY, COND/COMP, (not shown)	
15	70023164	1	HOSE ASSY, EVAP/COMP, (not shown)	
16	N.S.S.	22 ft	HEATER HOSE, 5/8, (not shown)	
17	N.S.S.	2 ft	DRAIN TUBE, (not shown)	
18	N.S.S.	4	HOSE CLAMP, (not shown)	
19	N.S.S.	1	BARBED TEE FITTING, (not shown)	
20	N.S.S.	1	ELBOW, 90, (not shown)	
21	N.S.S.	4	CONDENSER FAN GUARD SPACER, (not shown)	
22	N.S.S.	8	TIE WRAP, (not shown)	
23	N.S.S.	35	TIE WRAP, (not shown)	
24	70020182	1	BELT, (not shown)	
25	N.S.S.	3	HEX HD CAPSCREW, 3/8-16X1-1/2, (not shown)	
26	N.S.S.	3	LOCKWASHER, 3/8, (not shown)	
27	N.S.S.	3	HEX NUT, 3/8-16, (not shown)	
28	N.S.S.	4	HEX HD CAPSCREW, 1/4-20X1-3/4, (not shown)	
29	N.S.S.	4	LOCKWASHER, 7/16, (not shown)	
30	N.S.S.	4	HEX NUT, 1/4-20, (not shown)	
31	1001098038	1	ALTERNATOR BRACKET , (not shown) (SN 0160033763 through 0160040407, Excluding 0160037824 and 0160038521)	
32	N.S.S.	1	HEX HD CAPSCREW, 10X90mm, GR8.8 , (not shown) (SN 0160033763 through 0160040407, Excluding 0160037824 and 0160038521)	
33	70023167	1	IDLER PULLEY, (not shown) (SN 0160033763 through 0160040407)	
34	91404238	1	SLEEVE, (not shown) (SN 0160033763 through 0160040407)	
35	70023166	1	PULLEY SPACER, (not shown) (SN 0160033763 through 0160040407)	
36	1001097697	1	COMPRESSOR MOUNTING PLATE , (not shown) (SN 0160033763 through 0160040407, Excluding 0160037824 and 0160038521)	

SECTION 6 - CAB

ITEM	PART NUMBER	QTY	DESCRIPTION	REV
101	7029794	1	HOUSING	
102	7029795	1	HEATER COIL	
103	7029796	1	FITTING, 90	
104	7029797	3	DIFFUSER	
105	7029798	2	BULK HEAD	
106	7029799	1	CONTROL CABLE	
107	7029800	2	CONTROL KNOB	
108	7029801	2	HEATER HOSE	
109	7029802	1	THERMOSTAT	
110	7029803	1	WATER VALVE	
111	7029804	1	HEATER/COOL SWITCH	
112	7029805	1	FAN SWITCH	
113	7029806	1	MINI BLOWER	
114	7029807	1	A/C COIL	
115	7029808	1	EXPANSION VALVE	
116	7029809	1	HOSE ASSY	
117	7029810	1	HOSE ASSY	
201	70020183	1	PULLER FAN	
202	70020184	1	CONDENSER COIL	
203	70020185	1	FAN/COIL SHROUD	

SECTION 6 - CAB

FIGURE 6-12. HEATER AND AIR CONDITIONING SYSTEM (SN 0160040413 to Present, Including 0160037824 and 0160038521)



PAP14810

SECTION 6 - CAB

FIGURE 6-12. HEATER AND AIR CONDITIONING SYSTEM (SN 0160040413 to Present, Including 0160037824 and 0160038521)

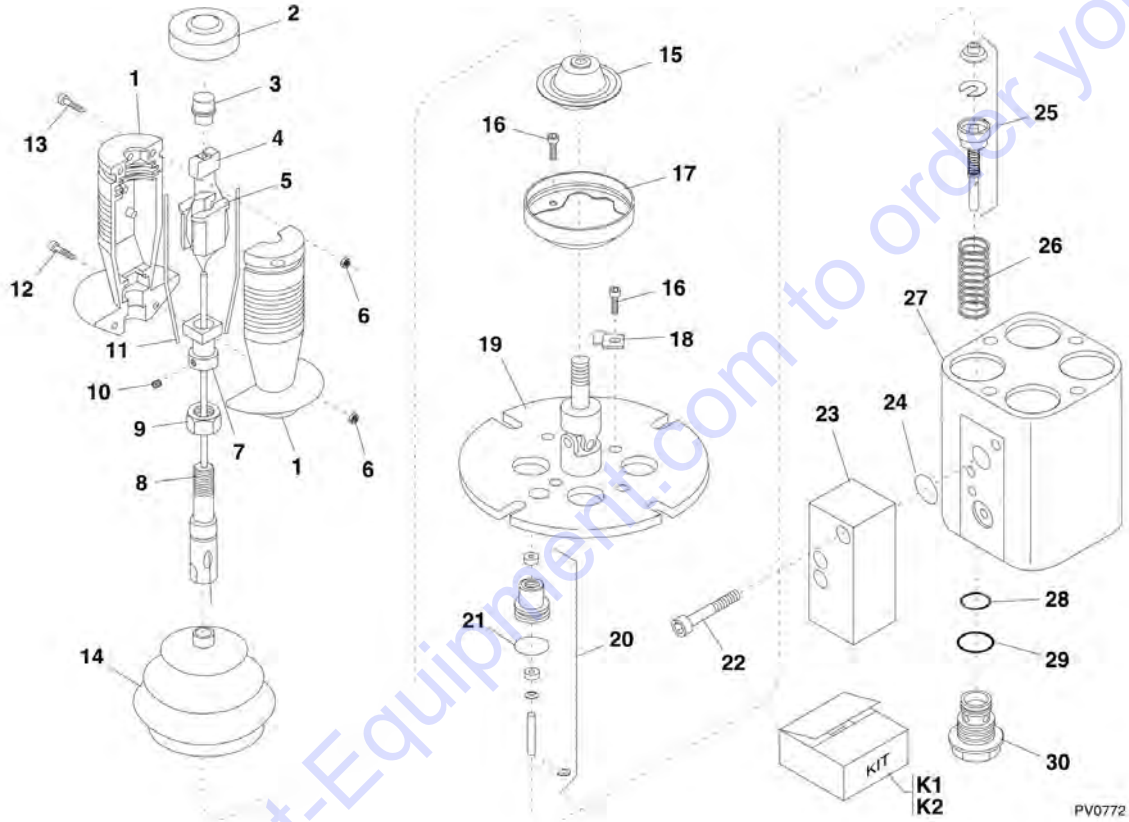
ITEM	PART NUMBER	QTY	DESCRIPTION	REV
	1001104456	Ref	CAB HEATER INSTALLATION, (not available to order, see items 1 thru 8 for service)	C
2	2220282	1	REDUCER	
4	1001103995	1	SUPPLY HOSE	
5	1001103996	1	RETURN HOSE	
6	1001104685	2	BARBED FITTING	
7	8405007	4	GEAR CLAMP	
8	1001117214	1	ADAPTER	
123	10268997	1	HEATER ASSY, (includes items 201 thru 211)	AA
201	1100790	1	HOUSING	
202	7029806	1	BLOWER	
203	7029797	3	LOUVERS	
204	1100794	1	ANGLE MOUNT	
205	1100792	1	CONTROL CABLE	
206	70023117	1	SWITCH	
207	1100796	1	STUD MOUNT	
208	1100795	1	HEATER BOX PAD	
209	1100797	1	WIRE HARNESS, (not shown)	
210	1100793	1	HEAT CORE	
211	7029803	1	WATER VALVE	

SECTION 7 - CONTROLS

Go to Discount-Equipment.com to order your parts

SECTION 7 - CONTROLS

FIGURE 7-1. JOYSTICK (Prior to SN 0160048698)



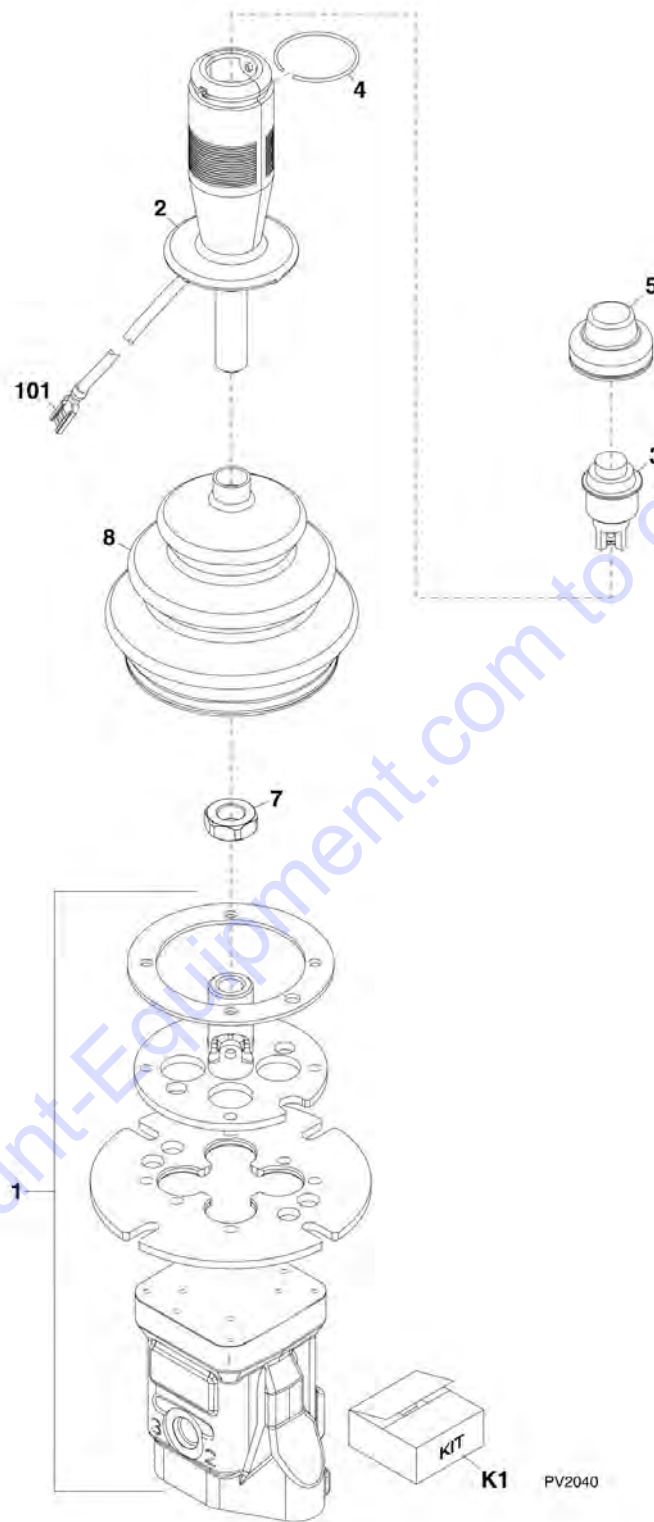
SECTION 7 - CONTROLS

FIGURE 7-1. JOYSTICK (Prior to SN 0160048698)

ITEM	PART NUMBER	QTY	DESCRIPTION	REV
	10239817	NLA	JOYSTICK, (no longer available, use 1001141420 for replacement or items 1 thru 30 for service)	
	10732693	1	HANDLE ASSEMBLY, (includes items 1 thru 13)	
1	10733095	2	HALF HANDLE	
2	10731489	1	CAP	
3	10732206	1	PUSH BUTTON	
4	10731598	1	SWITCH	
5	N.S.S.	2	GUIDE	
6	10731481	4	HEX NUT, M3	
7	N.S.S.	1	LEVER JOINT	
8	N.S.S.	1	STEM	
9	10731483	1	HEX JAM NUT, M10X1.0	
10	10731482	1	SETSCREW, M4X4	
11	N.S.S.	2	SEAL	
12	10731488	2	SOCKET HD CAPSCREW, M3X10	
13	10731486	2	SOCKET HD CAPSCREW, M3X16	
14	10731477	1	BOOT	
15	10733094	1	CAM	
16	10731472	6	SOCKET HD CAPSCREW	
17	10732204	1	RETAINER	
18	10732205	4	CLIP	
19	10731473	1	FLANGE	
20	10731462	4	GUIDE ASSEMBLY	
21	Kit	1	O-RING	
22	10731475	3	SOCKET HD CAPSCREW	
23	10732203	1	MANIFOLD	
24	Kit	1	O-RING	
25	10732201	4	SPRING PACK	
26	10731474	4	SPRING	
27	N.S.S.	1	BODY	
28	Kit	4	O-RING	
29	Kit	4	O-RING	
30	10732202	4	PORTED GUIDE	
K1	10166255	1	JOYSTICK HANDLE HARDWARE KIT, (includes items 6, 9, 10, 12 & 13)	
K2	10732578	1	SEAL KIT, (includes items 21, 24, 28 & 29)	
N1	Note	Ref	QUANTITIES SHOWN ARE FOR ONE JOYSTICK ONLY.	

SECTION 7 - CONTROLS

FIGURE 7-2. JOYSTICK (SN 0160048698 to Present)



SECTION 7 - CONTROLS

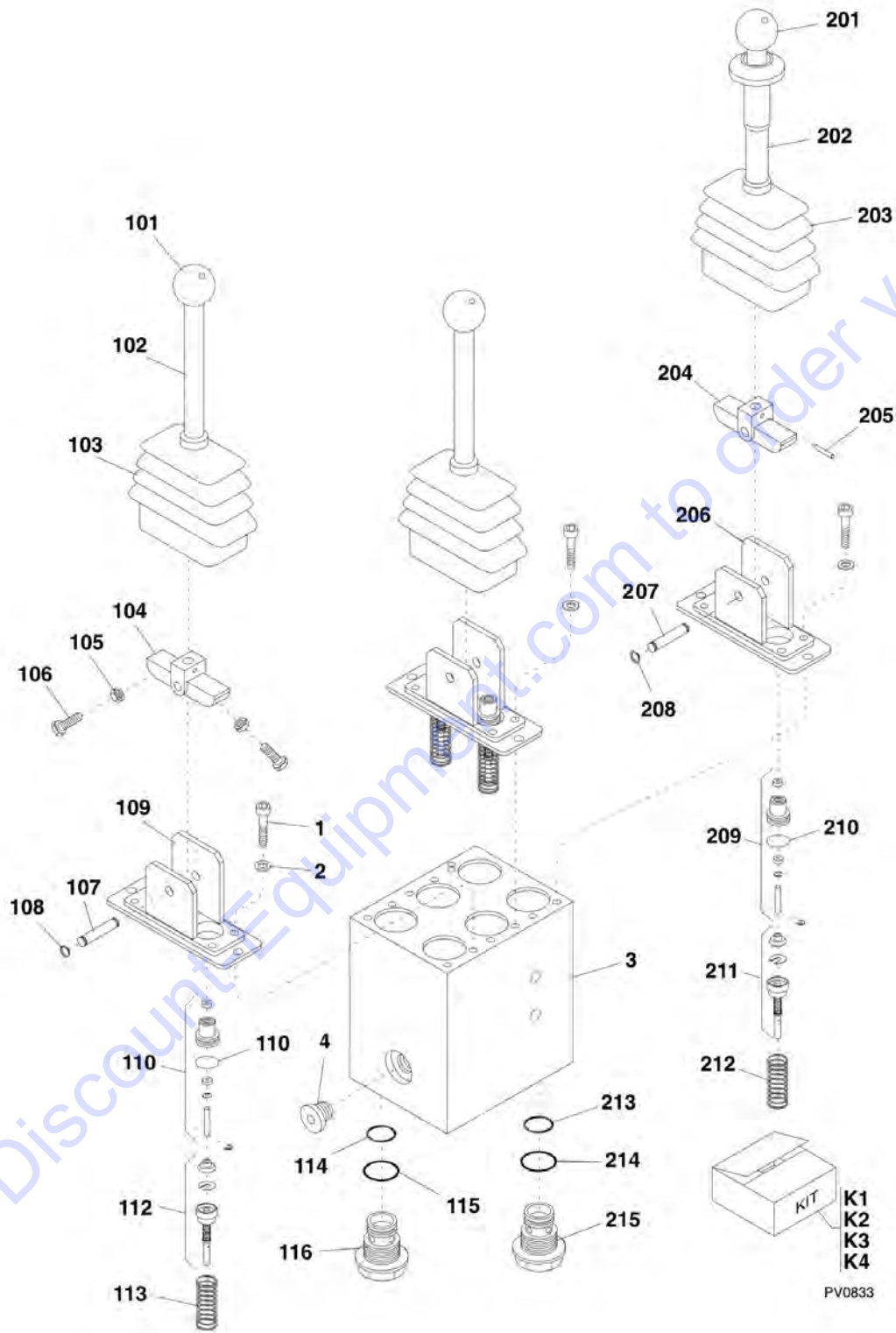
FIGURE 7-2. JOYSTICK (SN 0160048698 to Present)

ITEM	PART NUMBER	QTY	DESCRIPTION	REV
	1001141420	1	JOYSTICK, (includes items 1 thru 8)	A
1	83664129	1	MOUNTING PLATE ASSEMBLY, (includes valve, mounting plates and hardware)	
2	Kit	1	HANDLE ASSEMBLY, (includes hardware)	
3	Kit	1	SWITCH ASSEMBLY	
4	Kit	1	CIRCLIP	
5	Kit	1	CAP	
6	Kit	1	TIE-STRAP, (not shown)	
7	Kit	1	NUT	
8	Kit	1	BELLOW	
101	10721702	2	FEMALE TERMINAL	
K1	70024557	1	HANDLE REPAIR KIT, (includes 2 thru 8)	

Go to Discount-Equipment.com to order your parts

SECTION 7 - CONTROLS

FIGURE 7-3. FRAME LEVEL AND OUTRIGGER JOYSTICK ASSEMBLY (Prior to SN 0160048698)



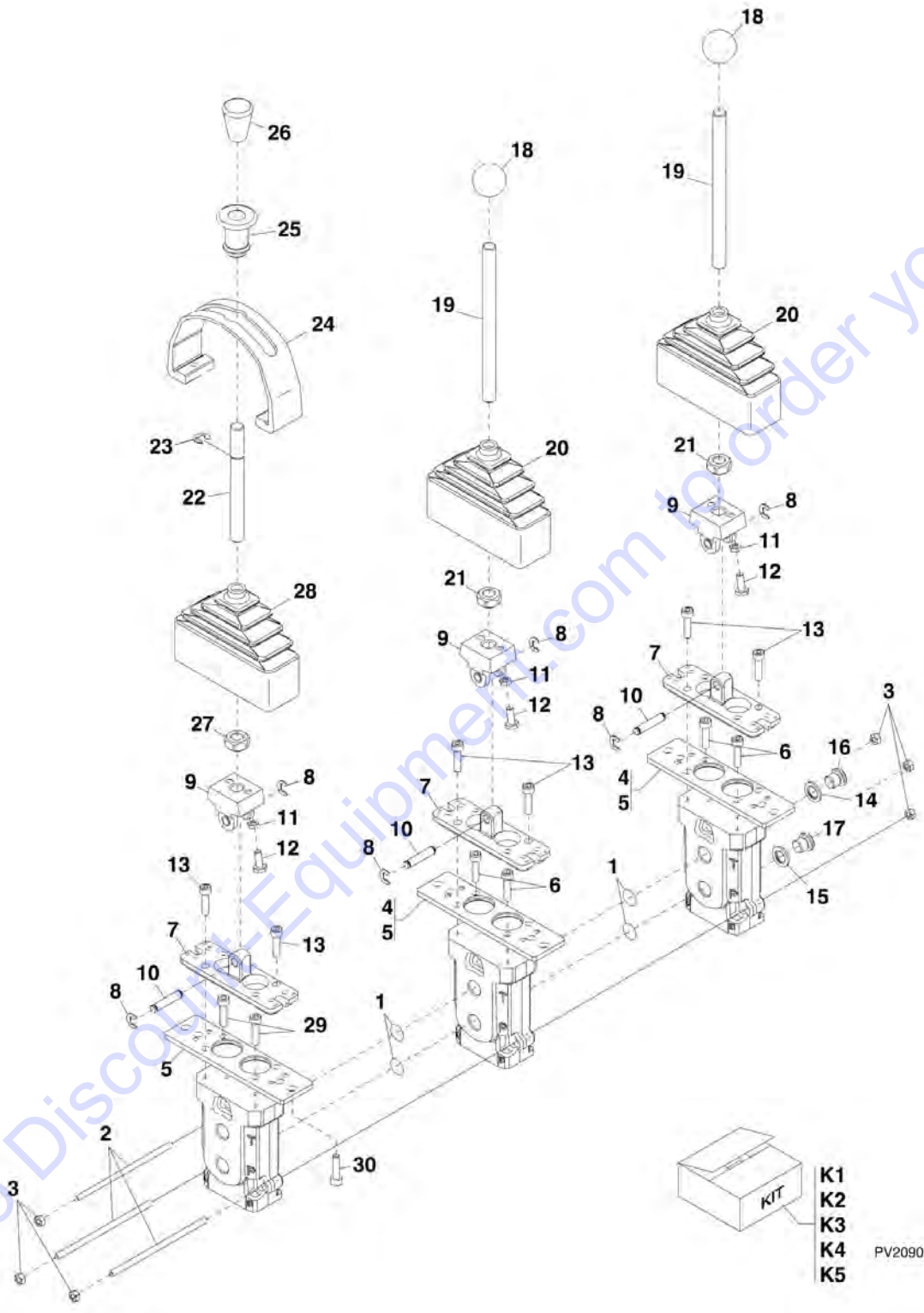
SECTION 7 - CONTROLS

FIGURE 7-3. FRAME LEVEL AND OUTRIGGER JOYSTICK ASSEMBLY (Prior to SN 0160048698)

ITEM	PART NUMBER	QTY	DESCRIPTION	REV
	10266929	NLA	3 HANDLE SINGLE AXIS CONTROL VALVE, (no longer available, use Kit K4 for replacement or items 1 thru 4 for service)	C
1	10732548	12	CAPSCREW	
2	10732549	12	WASHER	
3	N.S.S.	1	BODY	
4	10725691	1	PLUG	
	10731444	NLA	OUTRIGGER CONTROL VALVE ASSEMBLY, (no longer available, use Kit K4 for replacement or items 101 thru 116 for service)	
101	10732543	1	KNOB	
102	10732211	1	LEVER, (includes nut)	
102	10732212	1	METRIC NUT	
103	10732544	1	RUBBER BOOT	
104	10732208	1	CAM	
105	10732213	2	METRIC JAM NUT	
106	10732214	2	CAPSCREW	
107	10731463	1	PIVOT PIN, (includes item 108)	
108	10731464	2	CIRCLIP	
109	10732210	1	FLANGE	
110	10731462	1	GUIDE ASSEMBLY	
111	Kit	1	O-RING	
112	10732201	1	SPRING PACK	
113	10732215	1	SPRING	
114	Kit	1	O-RING	
115	Kit	1	O-RING	
116	10732202	1	PORTED GUIDE	
	10731407	NLA	FRAME TILT CONTROL VALVE ASSEMBLY, (no longer available, use Kit K4 for replacement or items 201 thru 215 for service)	
201	10732543	1	KNOB	
202	10732545	1	LEVER ASSEMBLY	
203	10732544	1	RUBBER BOOT	
204	10732546	1	CAM, (includes item 205)	
205	10732547	1	PIN	
206	10731463	1	PIVOT PIN, (includes item 207)	
207	10731464	2	CIRCLIP	
208	N.S.S.	1	FLANGE	
209	10731462	2	GUIDE ASSEMBLY	
210	Kit	1	O-RING	
211	10732201	2	SPRING PACK	
212	10732215	1	SPRING	
213	Kit	2	O-RING	
214	Kit	2	O-RING	
215	10732202	2	PORTED GUIDE	
K1	10732207	1	OUTRIGGER LEVER KIT, (includes items 102 thru 106)	
K2	10733168	1	OUTRIGGER SEAL KIT, (includes items 111, 114 & 115)	
K3	10733168	1	FRAME TILT SEAL KIT, (includes items 210, 213 & 214)	
K4		Ref	OUTRIGGER AND FRAME LEVEL REPLACEMENT KIT, (See OPTIONS SECTION for Breakdown)	

SECTION 7 - CONTROLS

FIGURE 7-4. FRAME LEVEL AND OUTRIGGER JOYSTICK ASSEMBLY (SN 0160048698 to Present)



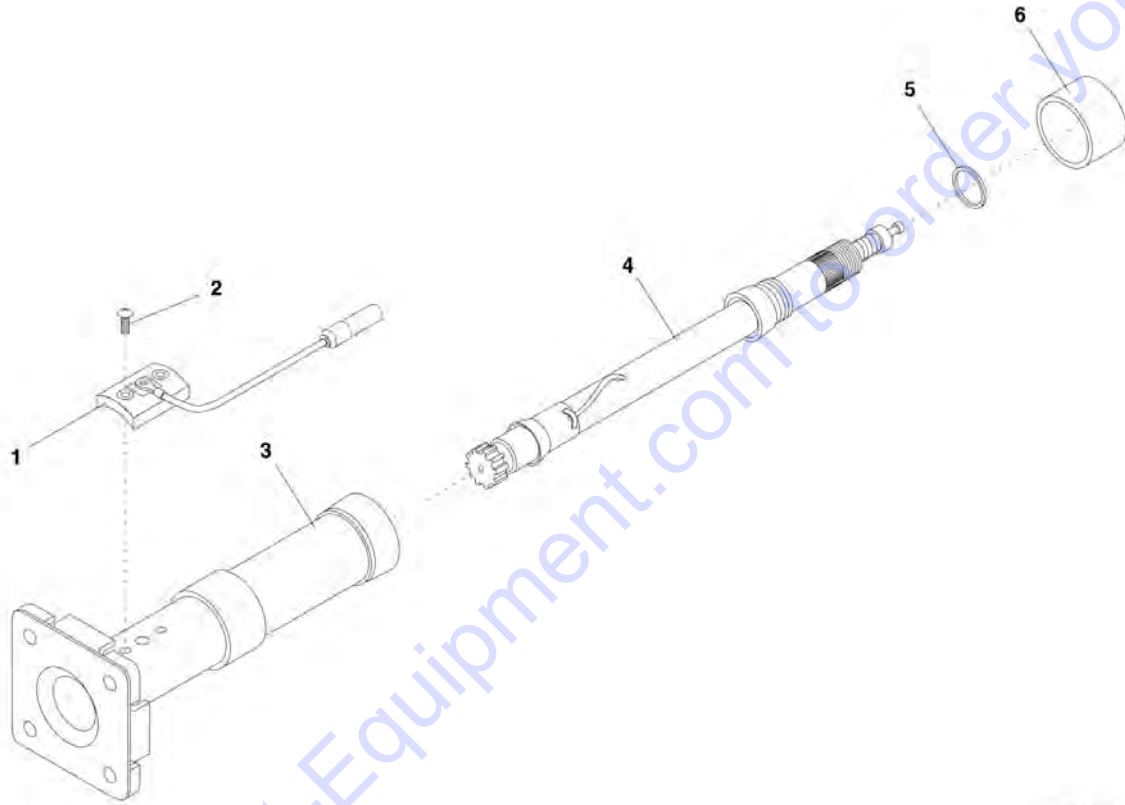
SECTION 7 - CONTROLS

FIGURE 7-4. FRAME LEVEL AND OUTRIGGER JOYSTICK ASSEMBLY (SN 0160048698 to Present)

ITEM	PART NUMBER	QTY	DESCRIPTION	REV
	1001142352	1	FRAME LEVEL AND OUTRIGGER JOYSTICK ASSEMBLY, (includes all items)	A
1	70024560	4	O-RING	
2	Kit	3	TIE-ROD	
3	70024559	6	NUT	
4	70024570	2	MOUNTING PLATE ASSEMBLY, (includes items 5 & 6)	A
5	N.S.S.	1	MOUNTING PLATE	
6	70024561	2	SCREW	
7	70024562	3	LEVER ASSEMBLY, (includes items 8 thru 13)	A
8	70024563	2	CIRCLIP	
9	N.S.S.	1	AXLE PIVOT	
10	N.S.S.	1	PIN	
11	N.S.S.	2	NUT	
12	N.S.S.	2	SCREW	
13	70024564	2	SCREW	
14	Kit	1	O-RING	
15	Kit	1	O-RING	
16	Kit	1	PLUG	
17	Kit	1	PLUG	
18	70024565	2	BALL HANDLE	
19	Kit	2	LEVER HANDLE	
20	70024568	2	BELLOW	
21	70024569	2	NUT	
22	Kit	1	LEVER HANDLE	
23	Kit	1	CLIP	
24	Kit	1	BRACKET	
25	Kit	1	LEVER RELEASE	
26	Kit	1	CAP	
27	Kit	1	HEX NUT	
28	70024626	1	BELLOW	
29	Kit	2	SCREW	
30	Kit	2	SCREW	
K1	70024571	1	PLUG KIT, (includes items 14 thru 17)	
K2	70024558	1	TIE-ROD KIT, (includes items 2 & 3)	
K3	70024566	1	LEVER HANDLE KIT, (includes items 18 thru 21)	
K4	70024624	1	LEVER HANDLE REPLACEMENT KIT, (includes items 22, 23 & 25 thru 27)	
K5	70024625	1	HANDLE HARDWARE KIT, (includes items 24, 29 & 30)	

SECTION 7 - CONTROLS

FIGURE 7-5. STEER COLUMN ASSEMBLY (Prior to SN 0160049803)



PV0430

SECTION 7 - CONTROLS

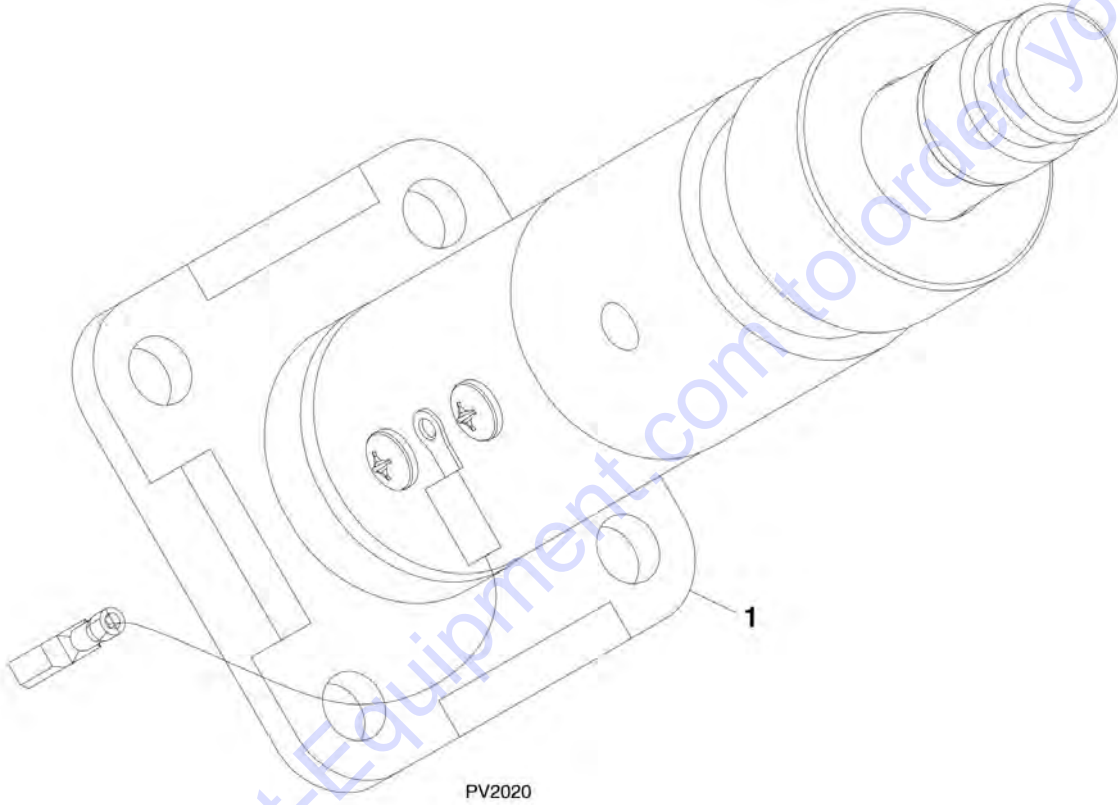
FIGURE 7-5. STEER COLUMN ASSEMBLY (Prior to SN 0160049803)

ITEM	PART NUMBER	QTY	DESCRIPTION	REV
	10239045	1	STEER COLUMN ASSEMBLY, (includes all items)	
1	10718740	1	BRUSH ASSEMBLY, (includes item 3)	
2	N.S.S.	2	SCREW	
3	N.S.S.	1	TUBE ASSEMBLY	
4	N.S.S.	1	SHAFT ASSEMBLY	
5	N.S.S.	1	SHAFT RETAINER	
6	10718738	1	TUBE CAP	

Go to Discount-Equipment.com to order your parts

SECTION 7 - CONTROLS

FIGURE 7-6. STEER COLUMN ASSEMBLY (SN 0160049803 to Present)



PV2020

1

SECTION 7 - CONTROLS

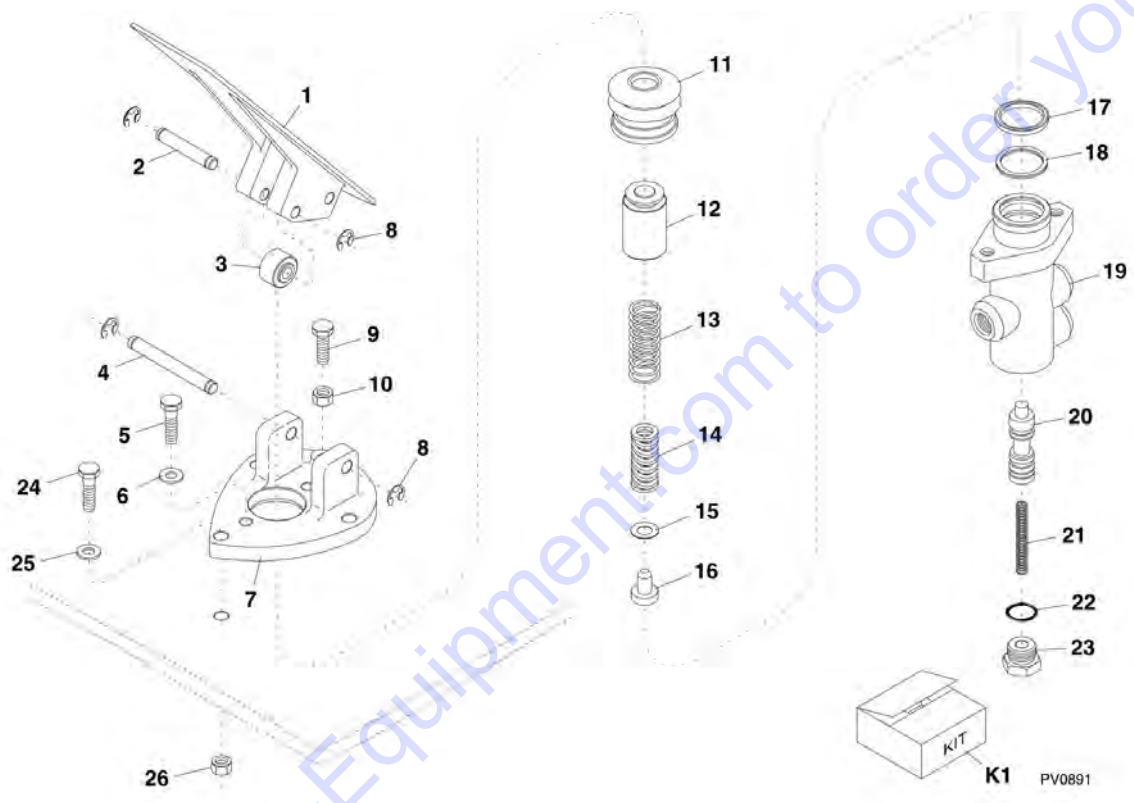
FIGURE 7-6. STEER COLUMN ASSEMBLY (SN 0160049803 to Present)

ITEM	PART NUMBER	QTY	DESCRIPTION	REV
1	7138833	1	STEER COLUMN ASSEMBLY	

Go to Discount-Equipment.com to order your parts

SECTION 7 - CONTROLS

FIGURE 7-7. BRAKE VALVE ASSEMBLY



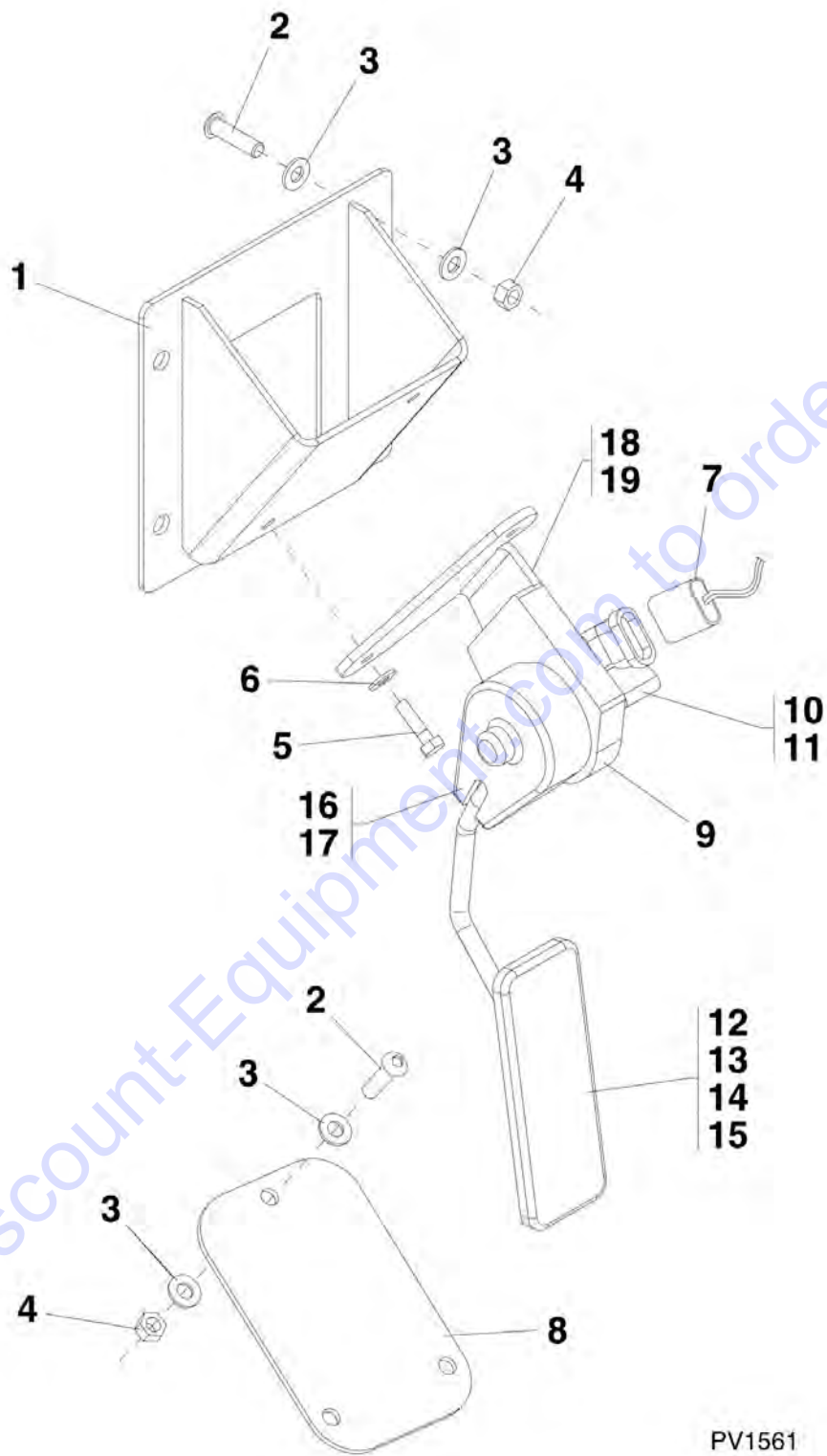
SECTION 7 - CONTROLS

FIGURE 7-7. BRAKE VALVE ASSEMBLY

ITEM	PART NUMBER	QTY	DESCRIPTION	REV
	10266988	1	BRAKE VALVE ASSEMBLY, (includes items 1 thru 23)	A
	7029130	1	VALVE ASSEMBLY, (includes items 11 thru 23)	
1	N.S.S.	1	BRAKE PEDAL	
2	N.S.S.	1	CAM PIN	
3	N.S.S.	1	CAM	
4	N.S.S.	1	PEDAL MOUNTING PIN	
5	Kit	2	HEX HD CAPSCREW	
6	N.S.S.	2	FLAT WASHER	
7	N.S.S.	1	ACTUATOR BASE	
8	N.S.S.	4	C-CLIP	
9	N.S.S.	1	HEX HD CAPSCREW	
10	N.S.S.	1	HEX NUT	
11	Kit	1	RUBBER BOOT	
12	N.S.S.	1	PISTON	
13	N.S.S.	1	SPRING	
14	N.S.S.	1	SPRING	
15	N.S.S.	1	SHIM	
16	N.S.S.	1	SPRING SEAT	
17	Kit	1	CUP	
18	Kit	1	SEAL	
19	N.S.S.	1	BODY	
20	N.S.S.	1	SPOOL	
21	N.S.S.	1	SPOOL RETURN SPRING	
22	Kit	1	O-RING	
23	N.S.S.	1	PLUG	
24	8303534	3	HEX HD CAPSCREW, 3/8-16X1-3/4, GR5	
25	10701310	3	LOCKWASHER, 3/8	
26	10701508	3	HEX NUT, 3/8-16	
K1	10837080		REPAIR KIT, (includes items 5, 11, 17, 18 & 22)	

SECTION 7 - CONTROLS

FIGURE 7-8. ACCELERATOR PEDAL



PV1561

SECTION 7 - CONTROLS

FIGURE 7-8. ACCELERATOR PEDAL

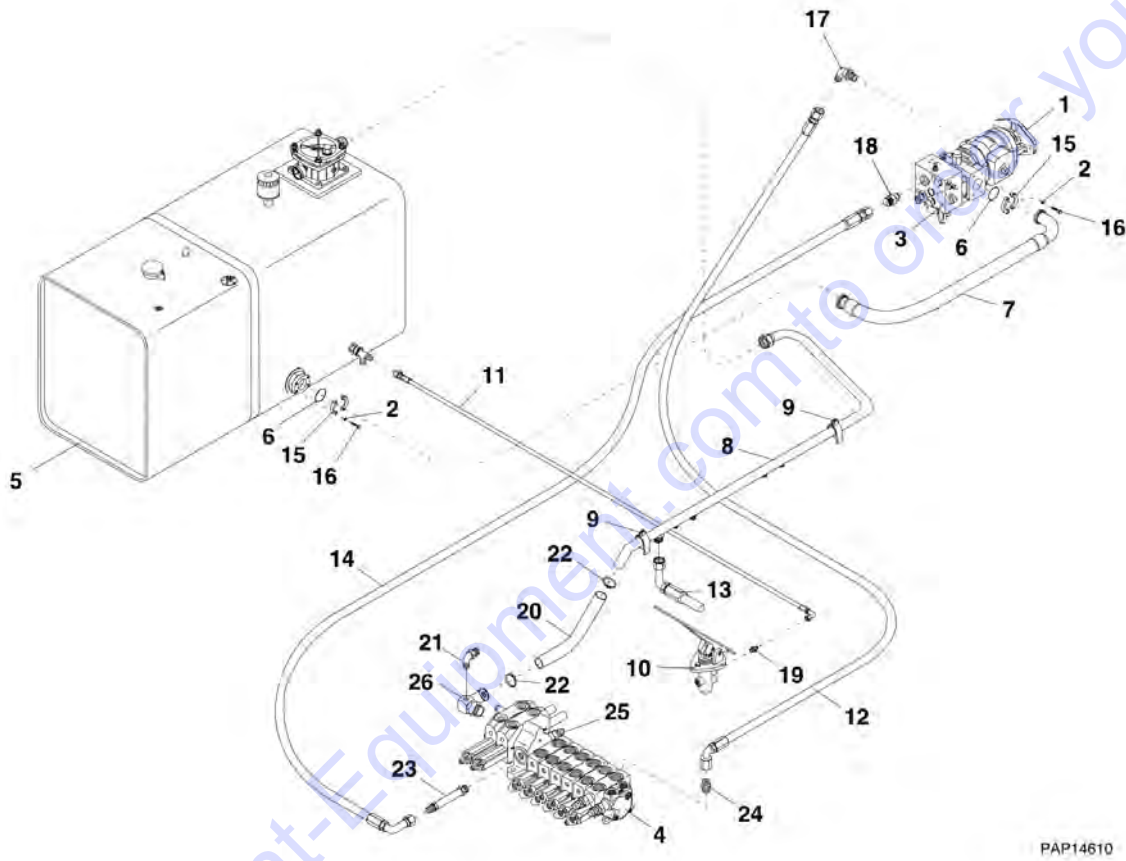
ITEM	PART NUMBER	QTY	DESCRIPTION	REV
1	0903201	1	ACCELERATOR BRACKET	
2	3900370	7	BUTTON HD SCREW, 5/16-18X1-1/4	
3	4711500	14	PLAIN WASHER, 5/16	
4	3271505	7	HEX LOCKNUT, 5/16-18	
5	0641408	2	HEX HD CAPSCREW, 1/4-20X1, GR5	
6	4711400	2	PLAIN WASHER, 1/4	
7		Ref	ENGINE ECU HARNESS, (See ELECTRICAL SECTION for Breakdown)	
8	3380581	1	COVER PLATE	
9	91563044	1	ACCELERATOR PEDAL, (includes items 10 thru 17) (Prior to SN 0160040407, Excluding 0160037824 and 0160038521)	B
9	7026485	1	SENSOR KIT, (includes items 10 & 11) (Prior to SN 0160040407, Excluding 0160037824 and 0160038521)	
9	80383410	1	ACCELERATOR PEDAL, (includes items 10 thru 19) (SN 0160040413 to Present, Including 0160037824 and 0160038521)	1
9	70020551	1	SENSOR KIT, (includes items 10 & 11) (SN 0160040413 to Present, Including 0160037824 and 0160038521)	
10	N.S.S.	2	SCREW	
11	N.S.S.	1	SENSOR	
12	70023325	1	PEDAL KIT, (includes items 13 & 15)	
13	N.S.S.	1	PEDAL SPRING	
14	7026481	1	PEDAL ARM	
15	N.S.S.	1	PEDAL PIN	
16	N.S.S.	1	CLAMP	
17	N.S.S.	2	SCREW	
18	N.S.S.	2	SCREW	
19	N.S.S.	1	BRACKET	

SECTION 8 - HYDRAULIC CIRCUITS

Go to Discount-Equipment.com to order your parts

SECTION 8 - HYDRAULIC CIRCUITS

FIGURE 8-1. PUMP, SUCTION - RETURN



PAP14610

Go to Discount-Equipment.com to order your parts

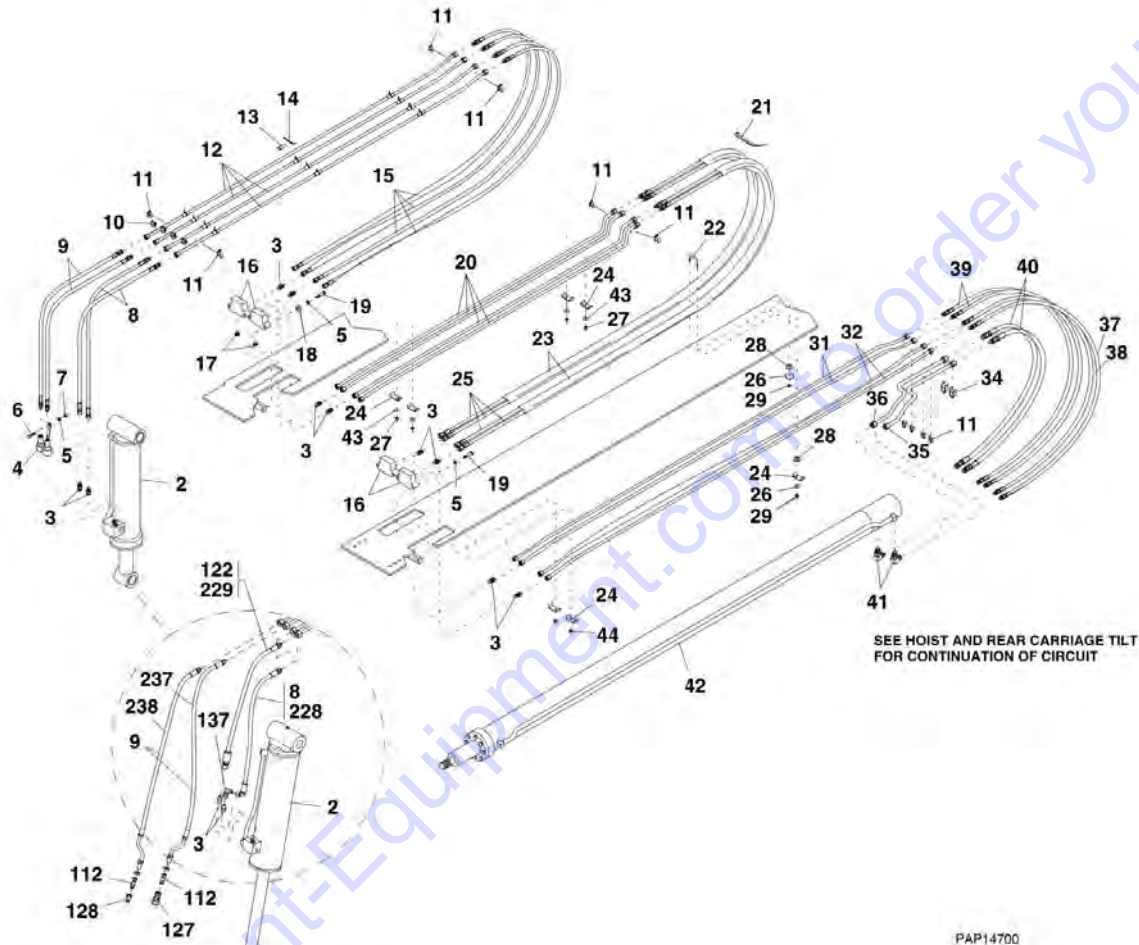
SECTION 8 - HYDRAULIC CIRCUITS

FIGURE 8-1. PUMP, SUCTION - RETURN

ITEM	PART NUMBER	QTY	DESCRIPTION	REV
1		Ref	TANDEM PUMP, (See HYDRAULIC COMPONENTS SECTION for Breakdown)	
2	10701312	8	LOCKWASHER, 1/2	
3		Ref	ACCUMULATOR CHARGE VALVE, (See HYDRAULIC COMPONENTS SECTION for Breakdown)	
4		Ref	HYDRAULIC CONTROL VALVE ASSY, (See HYDRAULIC COMPONENTS SECTION for Breakdown)	
5		Ref	FUEL/HYDRAULIC TANK ASSY, (See HYDRAULIC COMPONENTS SECTION for Breakdown)	
6	10712971	2	O-RING	
7	2754331	1	SUCTION HOSE	
8	10265485	1	RETURN MANIFOLD	
9	10720485	2	CUSHION CLAMP	
10		Ref	BRAKE VALVE ASSY, (See CONTROLS SECTION for Breakdown)	
11	10730177	1	HOSE ASSY	
12	10837605	1	HOSE ASSY	
13		Ref	OIL COOLER HOSE, (See ENGINE AND ATTACHING PARTS SECTION for Breakdown)	
14	10837606	1	HOSE ASSY	
15	8546407	4	FLANGE HALF	
16	10700404	8	HEX HD CAPSCREW, 1/2-13X1-1/2	
17	2220578	1	ELBOW, 90, (includes o-ring)	
18	2220451	1	REDUCER	
19	2220999	1	TEE	
20	1012358	1	RETURN HOSE	
21	2220493	1	ELBOW, 90	
22	8405102	2	HOSE CLAMP	
23	10139537	1	ADAPTER TUBE, (includes o-ring)	
24	2220408	1	STRAIGHT ADAPTER	
25	2220371	1	CONNECTOR, (includes o-ring)	
26	10265275	1	MODIFIED ADAPTER	

SECTION 8 - HYDRAULIC CIRCUITS

FIGURE 8-2. BOOM HYDRAULIC CYLINDER



SN 0160037900 TO PRESENT
INCLUDING 0160037855

PAP14700

Go to Discount-Equipment.com to order your parts

SECTION 8 - HYDRAULIC CIRCUITS

FIGURE 8-2. BOOM HYDRAULIC CYLINDER

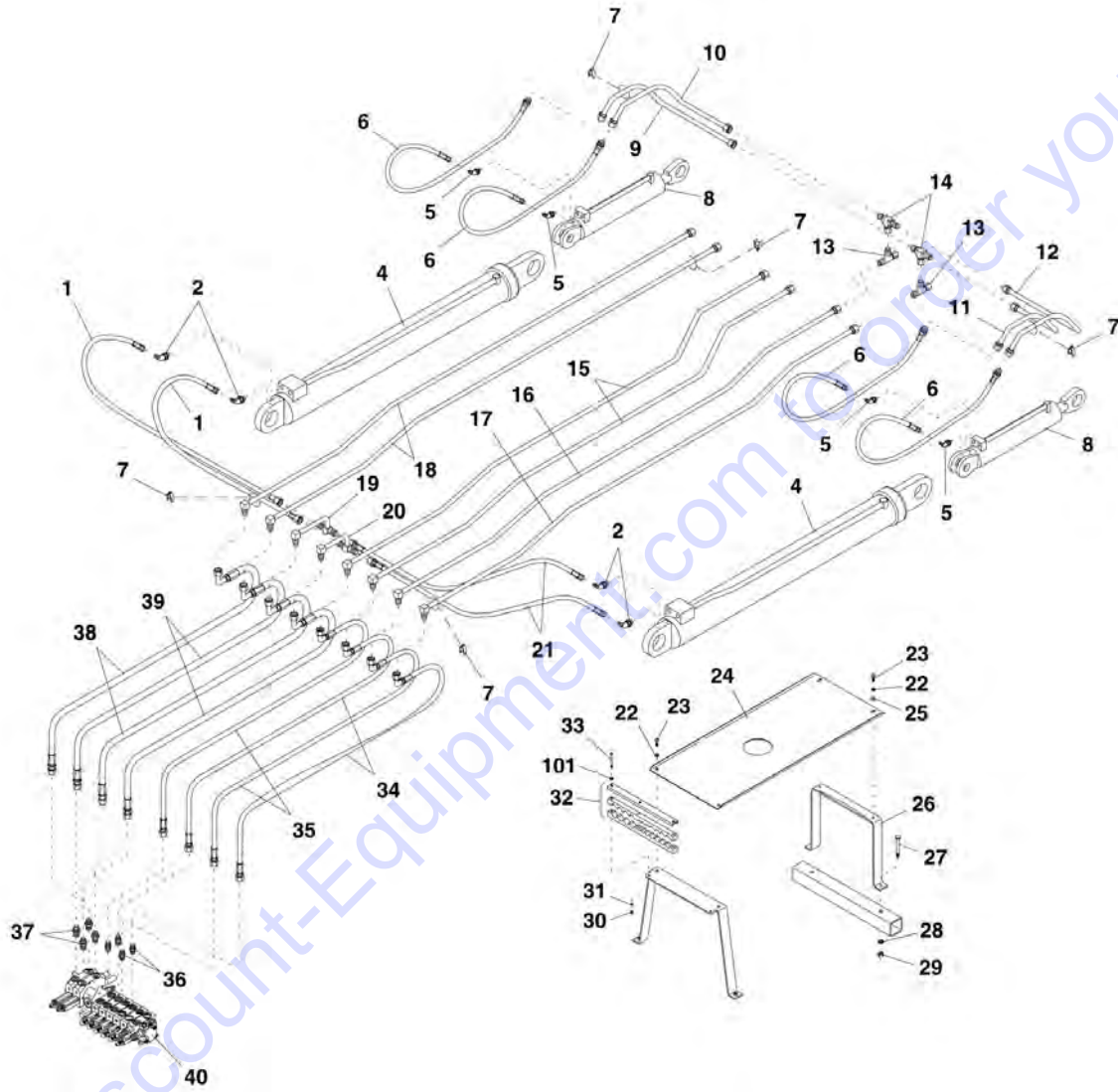
ITEM	PART NUMBER	QTY	DESCRIPTION	REV
2		Ref	FRONT CARRIAGE TILT CYLINDER, (See HYDRAULIC COMPONENTS SECTION for Breakdown)	
3	2220947	18	CONNECTOR, (includes o-ring)	
4	1102074	1	QUICK COUPLER , (includes dust cap and o-ring) (Prior to SN 0160037900, Excluding 0160037855)	
5	4761800	9	LOCKWASHER, 1/2	
6	10700404	1	HEX HD CAPSCREW, 1/2-13X1-1/2	
7	10701510	1	HEX NUT, 1/2-13	
8	10837289	2	HOSE ASSEMBLY (Prior to SN 0160037900, Excluding 0160037855)	
8	10837289	1	HOSE ASSEMBLY (SN 0160037900 to Present, Including 0160037855)	
9	10868104	2	HOSE ASSEMBLY (Prior to SN 0160037900, Excluding 0160037855)	
9	1001099891	2	HOSE ASSEMBLY (SN 0160037900 to Present, Including 0160037855)	
10	1101513	4	SPLIT SHAFT COLLAR	
11	1001131575	12	CUSHION CLAMP	
12	10238747	4	TUBE ASSEMBLY	
13	1100379	12	HEATER HOSE	
14	10717989	12	TIE WRAP	
15	1101505	4	HOSE ASSEMBLY	
16	10165944	4	HYD MANIFOLD	
17	2220887	8	PLUG, (includes o-ring)	
18	4711800	4	FLAT WASHER, 1/2	
19	0641818	8	HEX HD CAPSCREW, 1/2-13X2-1/4	
20	10238757	4	TUBE ASSEMBLY	
21	10720496	AR	TIE WRAP	
22	10167485	2	HOSE HOLD DOWN	
23	1101511	2	NYLON SLEEVE, (2 hose)	
24	10138930	8	TUBE CLAMP	
25	1100990	4	HOSE ASSEMBLY	
26	10701452	4	FENDER WASHER, 1/4X1-1/4	
27	3311602	4	LOCKNUT, 3/8-16	
28	1101518	4	HOSE CLAMP SPACER	
29	8305624	4	HEX NUT, 1/4-20	
31	10265086	2	TUBE ASSEMBLY	
32	10265087	2	TUBE ASSEMBLY	
34	90207463	2	CUSHION CLAMP	
35	10238133	1	TUBE ASSEMBLY	
36	10238132	1	TUBE ASSEMBLY	
37	10837522	1	HOSE ASSEMBLY	
38	10837521	1	HOSE ASSEMBLY	
39	10837186	2	HOSE ASSEMBLY	
40	10837189	2	HOSE ASSEMBLY	
41	2220578	2	ELBOW, 90, (includes o-ring)	
42		Ref	BOOM EXTENSION CYLINDER, (See HYDRAULIC COMPONENTS SECTION for Breakdown)	
43	4791600	8	STAR WASHER, 3/8	
44	8305645	2	HEX LOCKNUT, 3/8-16	
112	2180849	2	ADAPTER (SN 0160037900 to Present, Including 0160037855)	

SECTION 8 - HYDRAULIC CIRCUITS

ITEM	PART NUMBER	QTY	DESCRIPTION	REV
122	1001112955	1	HOSE ASSY (SN 0160037900 to Present, Including 0160037855)	
127	91403413	1	QUICK DISCONNECT, (female) (SN 0160037900 to Present, Including 0160037855)	
128	91403414	1	QUICK DISCONNECT, (male) (SN 0160037900 to Present, Including 0160037855)	
137	2220973	1	ELBOW, 90 (SN 0160037900 to Present, Including 0160037855)	
228	1001112953	1	HOSE ASSEMBLY, (Second Aux) (SN 0160037900 to Present, Including 0160037855)	
229	10837289	1	HOSE ASSEMBLY, (Second Aux) (SN 0160037900 to Present, Including 0160037855)	
237	1001099891	1	HOSE ASSEMBLY, (Second Aux) (SN 0160037900 to Present, Including 0160037855)	
238	1001112699	1	HOSE ASSEMBLY, (Second Aux) (SN 0160037900 to Present, Including 0160037855)	

SECTION 8 - HYDRAULIC CIRCUITS

FIGURE 8-3. HOIST AND REAR CARRIAGE TILT



ART_PV0511-B

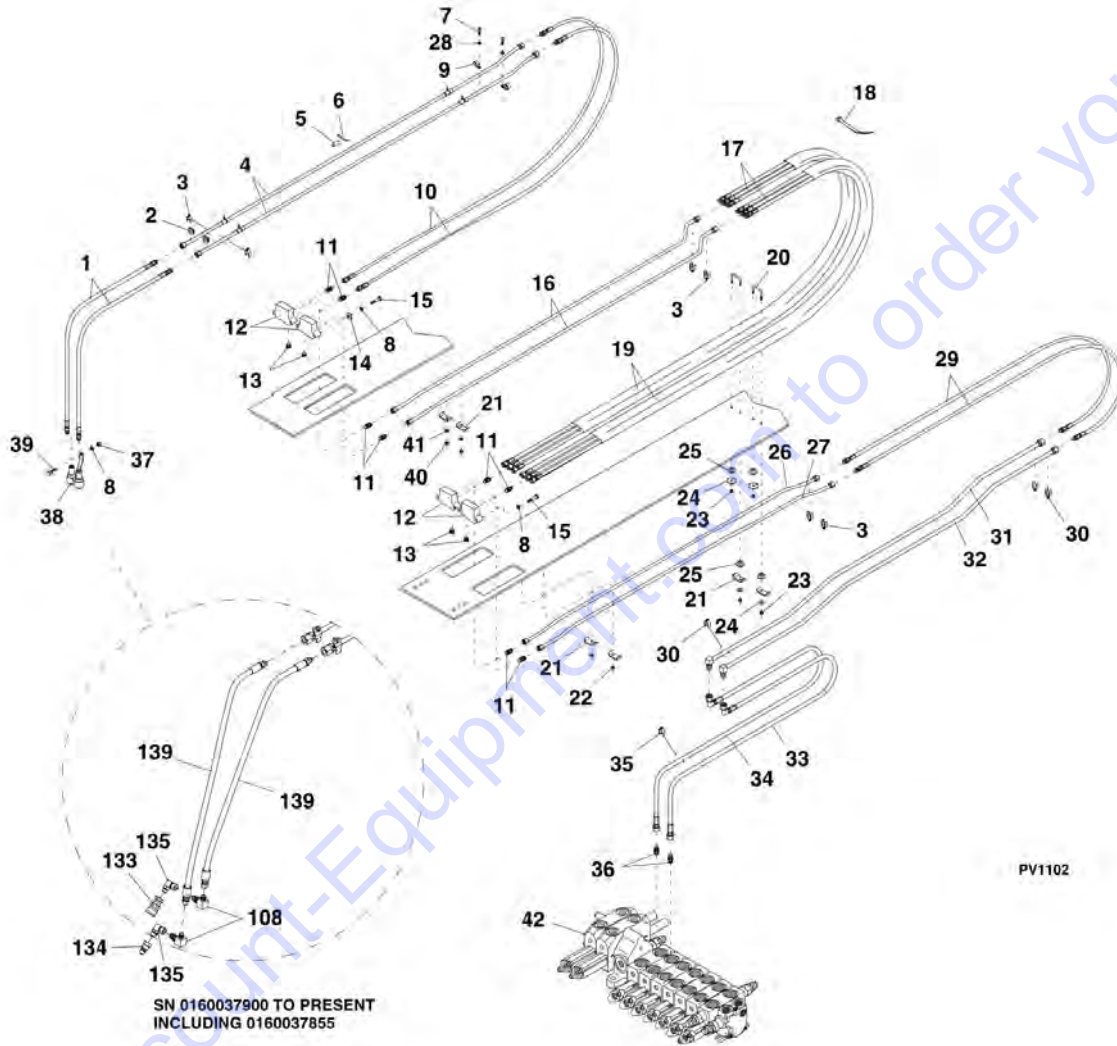
SECTION 8 - HYDRAULIC CIRCUITS

FIGURE 8-3. HOIST AND REAR CARRIAGE TILT

ITEM	PART NUMBER	QTY	DESCRIPTION	REV
1	10723866	2	HOSE ASSEMBLY	
2	2221050	4	ELBOW, 45, (includes o-ring)	
4		Ref	HOIST CYLINDER, (See HYDRAULIC COMPONENTS SECTION for Breakdown)	
5	2220500	4	ELBOW, 45, (includes o-ring)	
6	10837151	4	HOSE ASSEMBLY	
7	90207463	16	CUSHION CLAMP	
8		Ref	REAR CARRIAGE TILT CYLINDER, (See HYDRAULIC COMPONENTS SECTION for Breakdown)	
9	10236295	1	TUBE ASSEMBLY	
10	10236294	1	TUBE ASSEMBLY	
11	10236293	1	TUBE ASSEMBLY	
12	10236292	1	TUBE ASSEMBLY	
13	2220700	2	SWIVEL TEE	
14	2220682	2	SWIVEL BRANCH TEE	
15	10239736	2	TUBE ASSEMBLY	
16	10239734	1	TUBE ASSEMBLY	
17	10239735	1	TUBE ASSEMBLY	
18	10239733	2	TUBE ASSEMBLY	
19	10139731	1	TUBE ASSEMBLY	
20	10139732	1	TUBE ASSEMBLY	
21	10837150	2	HOSE ASSEMBLY	
22	10701310	4	LOCKWASHER, 3/8	
23	10703227	4	SOCKET BUTTON HD CAPSCREW, 3/8-16X1	
24	10138559	1	ROLL-BACK HOSE TRAY	
25	10701404	2	FLAT WASHER, 3/8	
26	4341059	1	HOSE TRAY SUPPORT BRACKET	
27	10700414	2	HEX HD CAPSCREW, 1/2-13X4	
28	10701312	2	LOCKWASHER, 1/2	
29	10701510	2	HEX NUT, 1/2-13	
30	10701506	3	HEX NUT, 1/4-20	
31	10701308	3	LOCKWASHER, 1/4	
32	10238560	1	HOSE MOUNT	
33	10837574	3	SOCKET BUTTON HD CAPSCREW, 1/4-20X3	
34	10837194	2	HOSE ASSEMBLY	
35	10837195	2	HOSE ASSEMBLY	
36	88662037	4	CONNECTOR, (includes o-ring), (Long)	
37	2220451	4	CONNECTOR, (includes o-ring)	
38	10837513	2	HOSE ASSEMBLY	
39	10731059	2	HOSE ASSEMBLY	
40		Ref	HYDRAULIC CONTROL VALVE ASSY, (See HYDRAULIC COMPONENTS SECTION for Breakdown)	
101	8307109	3	PLAIN WASHER	

SECTION 8 - HYDRAULIC CIRCUITS

FIGURE 8-4. SECOND AUXILIARY CIRCUIT



PV1102

SECTION 8 - HYDRAULIC CIRCUITS

FIGURE 8-4. SECOND AUXILIARY CIRCUIT

ITEM	PART NUMBER	QTY	DESCRIPTION	REV
1	10868104	2	HOSE ASSEMBLY (Prior to SN 0160037900, Excluding 0160037855)	
2	1101513	2	SPLIT SHAFT COLLAR	
3	1001131575	6	CUSHION CLAMP	
4	10238747	2	TUBE ASSEMBLY	
5	1100379	6	HEATER HOSE	
6	10717989	6	TIE WRAP	
7	10703237	2	SOCKET BUTTON HD CAPSCREW, 1/2-20X1	
8	4761800	9	LOCK WASHER, 1/2	
9	8406105	2	CLAMP, 5/8	
10	1101505	2	HOSE ASSEMBLY	
11	2220947	8	CONNECTOR, (includes o-ring)	
12	10165945	4	HYD MANIFOLD, (six port)	
13	2220887	4	PLUG, (includes o-ring)	
14	4711800	4	FLAT WASHER, 1/2	
15	0641818	8	HEX HD CAPSCREW, 1/2-13X2-14	
16	10238757	2	TUBE ASSEMBLY	
17	1100990	2	HOSE ASSEMBLY	
18	10720469	AR	TIE WRAP	
19	1101510	2	NYLON SLEEVE, (3 hose)	
20	10167485	2	HOSE HOLD DOWN ROD	
21	10138930	8	TUBE CLAMP	
22	8305645	2	LOCKNUT, 3/8-16	
23	8305624	4	HEX LOCKNUT	
24	10701452	4	FENDER WASHER, 1/4X1-1/2	
25	1101518	4	HOSE CLAMP SPACER	
26	10265086	1	TUBE ASSEMBLY	
27	10265087	1	TUBE ASSEMBLY	
28	8307028	2	STAR WASHER, 1/2	
29	10866717	2	HOSE ASSEMBLY	
30	10720467	4	CUSHION CLAMP, 1/2	
31	10239738	1	TUBE ASSEMBLY	
32	10239739	1	TUBE ASSEMBLY	
33	10727404	1	HOSE ASSEMBLY	
34	10721981	1	HOSE ASSEMBLY	
35	10728200	2	CUSHION CLAMP	
36	2220374	2	CONNECTOR, (includes o-ring)	
37	10701510	1	HEX NUT, 1/2-13 (Prior to SN 0160037900, Excluding 0160037855)	
38	1102074	2	QUICK COUPLER , (includes dust cap and o-ring) (Prior to SN 0160037900, Excluding 0160037855)	
39	10700404	2	HEX HD CAPSCREW, 1/2-13X1-1/2, GR5 (Prior to SN 0160037900, Excluding 0160037855)	
40	3311602	4	HEX NUT, 3/8-16	
41	4791600	8	STAR WASHER, 3/8	
42		Ref	HYDRAULIC CONTROL VALVE ASSY, (See HYDRAULIC COMPONENTS SECTION for Breakdown)	
108	2230044	2	BULKHEAD ADAPTER (SN 0160037900 to Present, Including 0160037855)	
133	91403413	1	QUICK DISCONNECT , (female) (SN 0160037900 to Present, Including 0160037855)	

SECTION 8 - HYDRAULIC CIRCUITS

ITEM	PART NUMBER	QTY	DESCRIPTION	REV
134	91403414	1	QUICK DISCONNECT , (male) (SN 0160037900 to Present, Including 0160037855)	
135	91513106	2	SWIVEL ELBOW (SN 0160037900 to Present, Including 0160037855)	
139	1001102994	2	HOSE ASSEMBLY (SN 0160037900 to Present, Including 0160037855)	

Go to Discount-Equipment.com to order your parts

PARTS FINDER

**Search Website
by Part Number**



**Search Manual
Library For Parts
Manual & Lookup Part
Numbers – Purchase
or Request Quote**

**Can't Find Part or
Manual? Request Help
by Manufacturer,
Model & Description**

Discount-Equipment.com is your online resource for quality parts & equipment.

Florida: **561-964-4949** Outside Florida TOLL FREE: **877-690-3101**

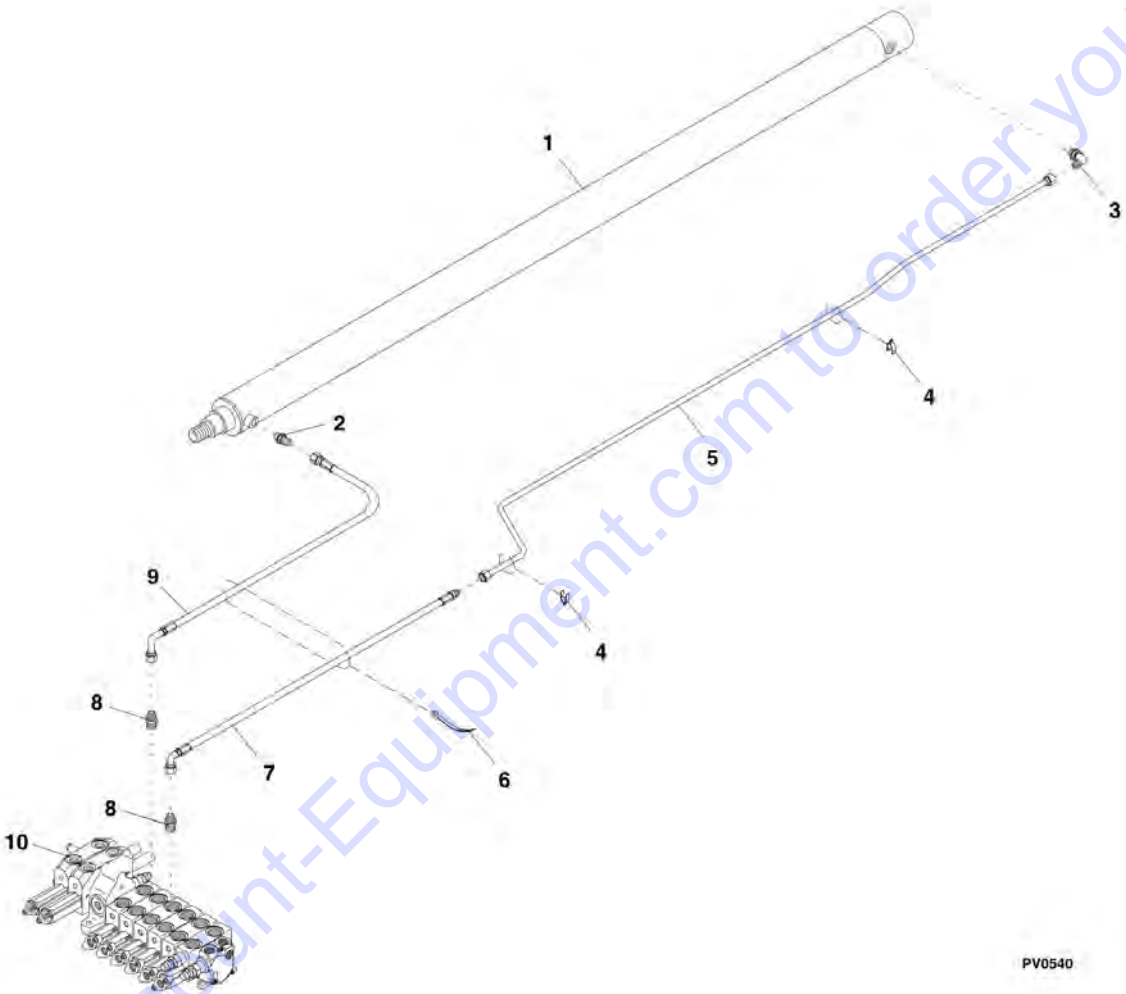
Need parts?

Click on this link: <http://www.discount-equipment.com/category/5443-parts/> and choose one of the options to help get the right parts and equipment you are looking for. Please have the machine model and serial number available in order to help us get you the correct parts. If you don't find the part on the website or on one of the online manuals, please fill out the request form and one of our experienced staff members will get back to you with a quote for the right part that your machine needs.

We sell worldwide for the brands: Genie, Terex, JLG, MultiQuip, Mikasa, Essick, Whiteman, Mayco, Toro Stone, Diamond Products, Generac Magnum, Airman, Haulotte, Barreto, Power Blanket, Nifty Lift, Atlas Copco, Chicago Pneumatic, Allmand, Miller Curber, Skyjack, Lull, Skytrak, Tsurumi, Husquvarna Target, Stow, Wacker, Sakai, Mi-T-M, Sullair, Basic, Dynapac, MBW, Weber, Bartell, Bennar Newman, Haulotte, Ditch Runner, Menegotti, Morrison, Contec, Buddy, Crown, Edco, Wyco, Bomag, Laymor, EZ Trench, Bil-Jax, F.S. Curtis, Gehl Pavers, Heli, Honda, ICS/PowerGrit, IHI, Partner, Imer, Clipper, MMD, Koshin, Rice, CH&E, General Equipment, Amida, Coleman, NAC, Gradall, Square Shooter, Kent, Stanley, Tamco, Toku, Hatz, Kohler, Robin, Wisconsin, Northrock, Oztec, Toker TK, Rol-Air, APT, Wylie, Ingersoll Rand / Doosan, Innovatech, Con X, Ammann, Mecalac, Makinex, Smith Surface Prep, Small Line, Wanco, Yanmar

SECTION 8 - HYDRAULIC CIRCUITS

FIGURE 8-5. TRANSFER CYLINDER



PV0540

SECTION 8 - HYDRAULIC CIRCUITS

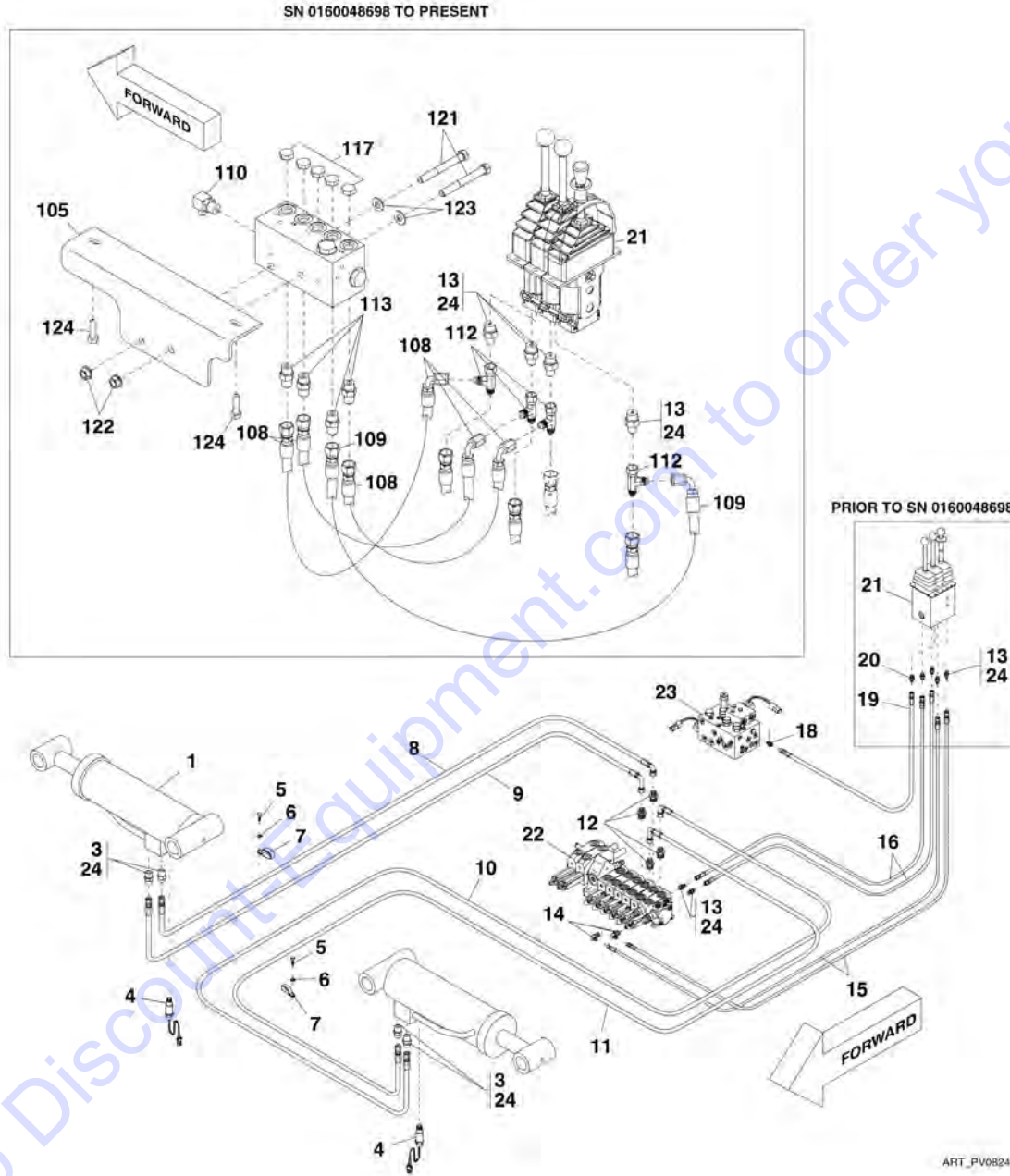
FIGURE 8-5. TRANSFER CYLINDER

ITEM	PART NUMBER	QTY	DESCRIPTION	REV
1		Ref	TRANSFER CYLINDER, (See HYDRAULIC COMPONENTS SECTION for Breakdown)	
2	2220373	1	CONNECTOR, (includes o-ring)	
3	2220596	1	ELBOW, 90, (includes o-ring)	
4	10720467	2	CUSHION CLAMP	
5	10236322	1	TUBE ASSEMBLY	
6	10720496	AR	TIE WRAP	
7	10837264	1	HOSE ASSEMBLY	
8	2220374	2	CONNECTOR, (includes o-ring)	
9	10837629	1	HOSE ASSEMBLY	
10		Ref	HYDRAULIC CONTROL VALVE ASSY, (See HYDRAULIC COMPONENTS SECTION for Breakdown)	

Go to Discount-Equipment.com to order your parts

SECTION 8 - HYDRAULIC CIRCUITS

FIGURE 8-6. OUTRIGGER CYLINDER AND JOYSTICK



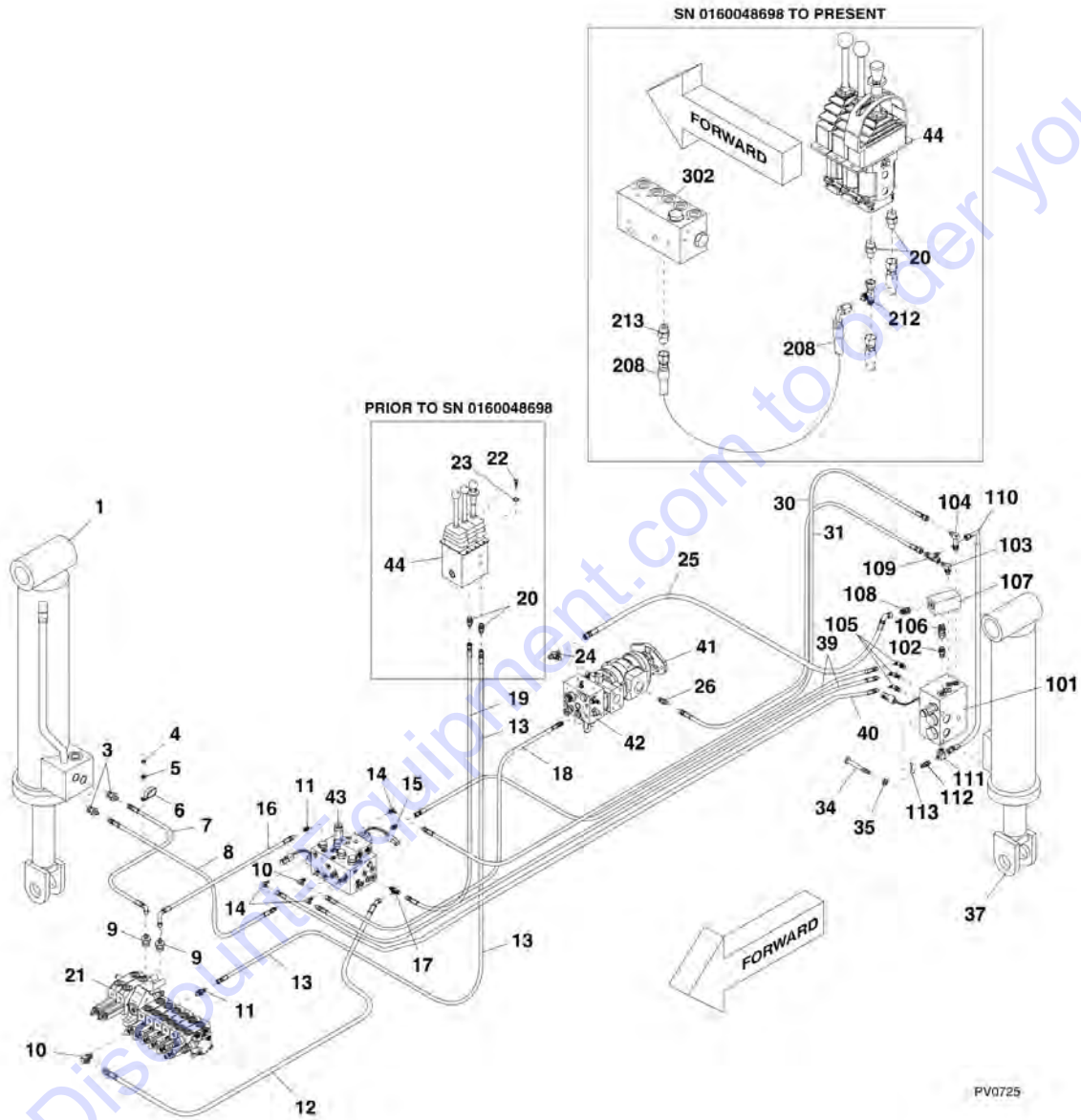
SECTION 8 - HYDRAULIC CIRCUITS

FIGURE 8-6. OUTRIGGER CYLINDER AND JOYSTICK

ITEM	PART NUMBER	QTY	DESCRIPTION	REV
1		Ref	OUTRIGGER CYLINDER, (See HYDRAULIC COMPONENTS SECTION for Breakdown)	
3	2220373	4	ADAPTER, STRAIGHT THREAD (includes o-ring)	
4	10168441	2	DIFFERENTIAL PRESSURE SWITCH	
5	0641606	2	HEX HD CAPSCREW, 3/8-16X3/4	
6	4761600	2	LOCKWASHER, 3/8	
7	10837368	2	HOSE CLAMP	
8	2754414	1	HOSE ASSEMBLY	
9	2754413	1	HOSE ASSEMBLY	
10	2754412	1	HOSE ASSEMBLY	
11	2754411	1	HOSE ASSEMBLY	
12	2220374	4	STRAIGHT FITTING, (includes o-ring)	
13	2220582	6	STRAIGHT FITTING, (includes o-ring)	
14	2220472	2	ADAPTER, 90, (includes o-ring)	
15	10837646	2	HOSE ASSEMBLY	
16	10837645	2	HOSE ASSEMBLY	
18	10701404	1	STRAIGHT FITTING, (includes o-ring)	
19	10837610	1	HOSE ASSEMBLY	
20	2220582	1	STRAIGHT FITTING, (includes o-ring)	
21		Ref	3 HANDLE SINGLE AXIS CONTROL VALVE ASSEMBLY, (See CONTROLS SECTION for Breakdown)	
22		Ref	HYDRAULIC CONTROL VALVE ASSEMBLY, (See HYDRAULIC COMPONENTS SECTION for Breakdown)	
23		Ref	REAR AXLE STABILIZER CONTROL VALVE, (under cab), (See HYDRAULIC COMPONENTS SECTION for Breakdown)	
24	0100027	AR	LOCTITE 542	
25	10837115	1	PROXIMITY SWITCH, (not shown)	
104		Ref	SHUTTLE VALVE, (See HYDRAULIC COMPONENTS SECTION for Breakdown)	
105	1001142245	1	BRACKET (SN 0160048698 to Present)	
108	1001143709	3	HOSE ASSEMBLY (SN 0160048698 to Present)	
109	1001143710	1	HOSE ASSEMBLY (SN 0160048698 to Present)	
110	2220472	1	ADAPTER, 90, (includes o-ring) (SN 0160048698 to Present)	
112	2220605	4	TEE FITTING, (includes o-ring) (SN 0160048698 to Present)	
113	2220371	5	STRAIGHT FITTING, (includes o-ring) (SN 0160048698 to Present)	
117	2220237	5	PLUG, (includes o-ring) (SN 0160048698 to Present)	
121	8303107	2	HEX HD CAPSCREW, 3/8-16X3-1/4, GR5 (SN 0160048698 to Present)	
122	8310522	2	HEX LOCKNUT, 3/8-16 (SN 0160048698 to Present)	
123	8307110	2	WASHER, 3/8 (SN 0160048698 to Present)	
124	0641509	2	HEX HD CAPSCRW, 5/16-18X1.13, GR5 (SN 0160048698 to Present)	

SECTION 8 - HYDRAULIC CIRCUITS

FIGURE 8-7. FRAME LEVEL AND REAR AXLE STABILIZER



PV0725

SECTION 8 - HYDRAULIC CIRCUITS

FIGURE 8-7. FRAME LEVEL AND REAR AXLE STABILIZER

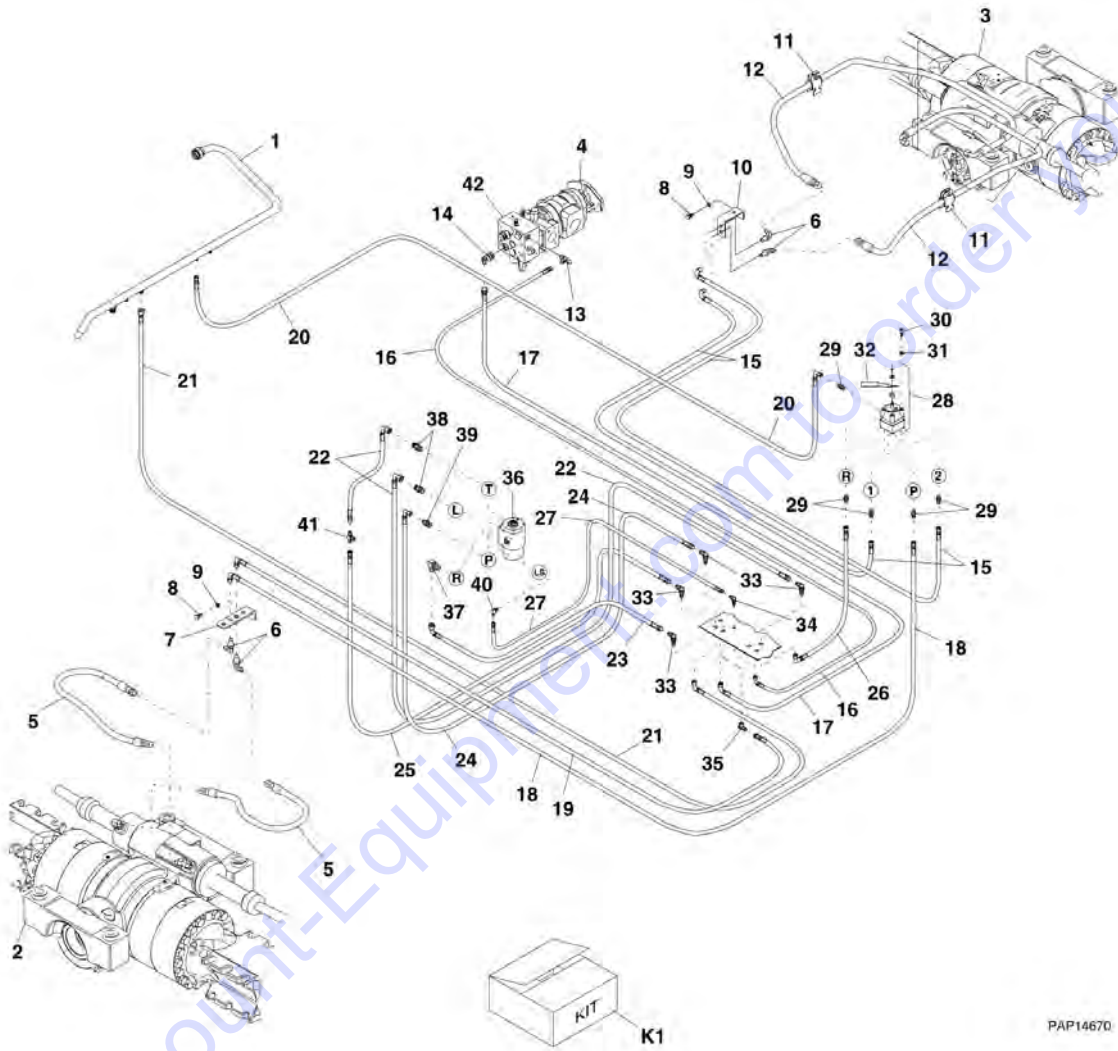
ITEM	PART NUMBER	QTY	DESCRIPTION	REV
1		Ref	FRAME TILT CYLINDER, (See HYDRAULIC COMPONENTS SECTION for Breakdown)	
3	2220375	2	CONNECTOR, (includes o-ring)	
4	10701508	1	HEX NUT, 3/8-16	
5	10701310	1	LOCKWASHER, 3/8	
6	10837368	1	HOSE CLAMP	
7	10837516	1	HOSE ASSEMBLY	
8	10866706	1	HOSE ASSEMBLY	
9	2221033	2	CONNECTOR, (includes o-ring)	
10	2220473	2	ADAPTER, 90, (includes o-ring)	
11	2220371	2	CONNECTOR, (includes o-ring)	
12	10837537	1	HOSE ASSEMBLY	
13	10729156	1	HOSE ASSEMBLY	
14	2220466	3	ADAPTER, 90, (includes o-ring)	
15	2220415	2	STRAIGHT FITTING, (includes o-ring)	
16	10866716	1	HOSE ASSEMBLY	
17	2221034	1	TEE FITTING, (includes o-ring)	
18	10866708	1	HOSE ASSEMBLY	
19	10837610	1	HOSE ASSEMBLY	
20	2220582	2	STRAIGHT FITTING, (includes o-ring)	
21		Ref	HYDRAULIC CONTROL VALVE ASSEMBLY, (See HYDRAULIC COMPONENTS SECTION for Breakdown)	
22	10703196	6	SOCKET BUTTON HD CAPSCREW, 1/4-20X3/4	
23	10701357	6	STAR WASHER, 1/4	
24	2220999	1	TEE FITTING, (includes o-ring)	
25	10837613	1	HOSE ASSEMBLY	
26	10723848	1	CHECK VALVE	
30	10837615	1	HOSE ASSEMBLY	
31	10837614	1	HOSE ASSEMBLY	
34	10700442	3	HEX HD CAPSCREW, 1/2-13X4-1/2, GR8	
35	10701254	3	WASHER, 1/2	
37		Ref	REAR STABILIZER CYLINDER, (See HYDRAULIC COMPONENTS SECTION for Breakdown)	
39	10729956	2	HOSE ASSEMBLY	
40	10730584	1	HOSE ASSEMBLY	
41		Ref	TANDEM PUMP, (See HYDRAULIC COMPONENTS SECTION for Breakdown)	
42		Ref	ACCUMULATOR CHARGE VALVE, (See HYDRAULIC COMPONENTS SECTION for Breakdown)	
43		Ref	REAR AXLE STABILIZER CONTROL VALVE, (under cab), (See HYDRAULIC COMPONENTS SECTION for Breakdown)	
44		Ref	3 HANDLE SINGLE AXIS CONTROL VALVE ASSEMBLY, (See CONTROLS SECTION for Breakdown)	
45	10701404	1	WASHER, 3/8	
	10265859	Ref	STABILIZER VALVE INSTALLATION, (not available to order, see items 101 thru 113 for service)	F
101		Ref	REAR AXLE STABILIZER VALVE, (on rear axle), (See HYDRAULIC COMPONENTS SECTION for Breakdown)	
102	10723848	1	CHECK VALVE	
103	2220473	1	ADAPTER, 90, (includes o-ring)	
104	2220819	1	ADAPTER, 90, (includes o-ring), (Long)	
105	2220502	3	ADAPTER, 45, (includes o-ring)	

SECTION 8 - HYDRAULIC CIRCUITS

ITEM	PART NUMBER	QTY	DESCRIPTION	REV
106	2220651	1	SWIVEL CONNECTOR	
107		Ref	IN-LINE FILTER, (See HYDRAULIC COMPONENTS SECTION for Breakdown)	
108	2220373	1	ADAPTER	
109	2220635	1	TEE FITTING	
110	1102026	1	HOSE ASSEMBLY	
111	1102023	1	RELIEF VALVE	
112	8430036	1	DIAGNOSTIC NIPPLE	
113	8430032	1	DUST PLUG	
208	1001143709	1	HOSE ASSEMBLY (SN 0160048698 to Present)	
212	2220605	1	STRAIGHT FITTING, (includes o-ring) (SN 0160048698 to Present)	
213	2220371	1	STRAIGHT FITTING, (includes o-ring) (SN 0160048698 to Present)	
302		Ref	SHUTTLE VALVE, (See HYDRAULIC COMPONENTS SECTION for Breakdown)	

SECTION 8 - HYDRAULIC CIRCUITS

FIGURE 8-8. STEERING CYLINDER



PAP14670

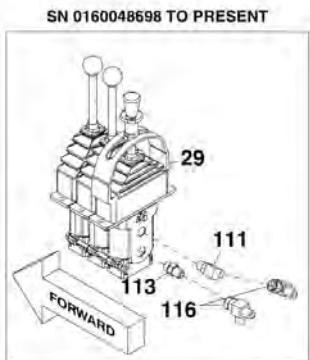
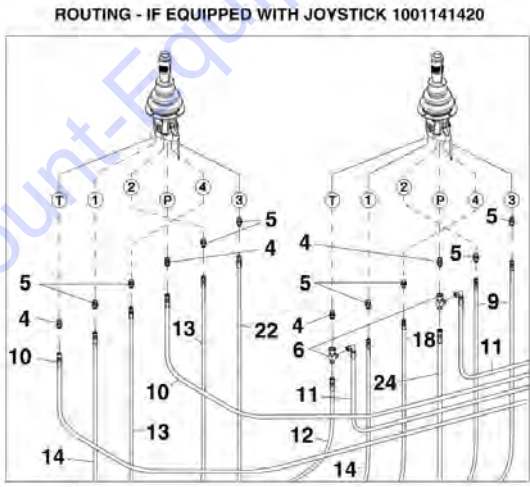
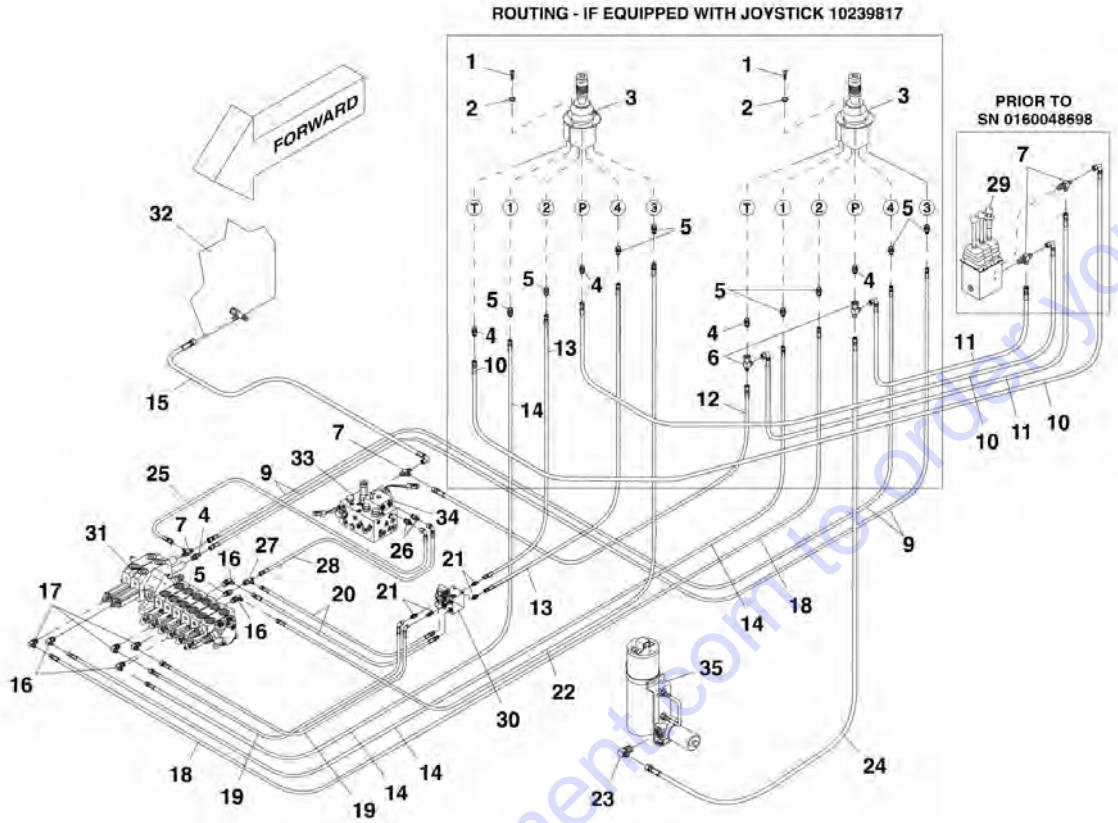
SECTION 8 - HYDRAULIC CIRCUITS

FIGURE 8-8. STEERING CYLINDER

ITEM	PART NUMBER	QTY	DESCRIPTION	REV
1		Ref	RETURN MANIFOLD, (See PUMP, SUCTION - RETURN for Breakdown)	
2		Ref	FRONT AXLE ASSEMBLY, (See DRIVE TRAIN SECTION for Breakdown)	
3		Ref	REAR AXLE ASSEMBLY, (See DRIVE TRAIN SECTION for Breakdown)	
4		Ref	TANDEM PUMP, (See HYDRAULIC COMPONENTS SECTION for Breakdown)	
5	2753315	2	HOSE ASSEMBLY	
6	2230043	4	ELBOW, 90	
7	0903187	1	FRONT HOSE SUPPORT BRACKET	
8	0641606	2	HEX HD CAPSCREW, 3/8-16X1/4	
9	4761600	2	FLAT WASHER, 3/8	
10	10124186	1	REAR HOSE SUPPORT BRACKET	
11	91083217	2	CUSHION CLAMP, 5/8	
12	2753476	2	HOSE ASSEMBLY	
13	2221034	1	RUN TEE, (includes o-ring)	
14	2220500	1	ELBOW, 45	
15	10836591	2	HOSE ASSEMBLY	
16	10837622	1	HOSE ASSEMBLY	
17	10837623	1	HOSE ASSEMBLY	
18	10837175	1	HOSE ASSEMBLY	
19	10724624	1	HOSE ASSEMBLY	
20	10837621	1	HOSE ASSEMBLY	
21	10837507	1	HOSE ASSEMBLY	
22	10728616	2	HOSE ASSEMBLY	
23	2754321	1	HOSE ASSEMBLY	
24	2752474	1	HOSE ASSEMBLY	
25	10719473	1	HOSE ASSEMBLY	
26	10727123	1	HOSE ASSEMBLY	
27	2750790	1	HOSE ASSEMBLY	
28	10729100	1	STEER SELECTOR VALVE	
29	2220371	5	CONNECTOR, (includes o-ring)	
30	3931612	4	SOCKET HD CAPSCREW, 3/8-16X3/4	
31	10701310	4	LOCKWASHER, 3/8	
32	10718085	1	STEER SELECTOR HANDLE	
33	8770189	4	BULKHEAD ELBOW, 45	
34	2230031	1	BULKHEAD ELBOW, 45	
35	2220657	1	ELBOW, 45, (swivel nut)	
36	10239751	1	STEER MOTOR	
37	2220596	1	ELBOW, 90, (includes o-ring)	
38	10837053	2	CONNECTOR, (includes o-ring)	
39	10719414	1	CHECK VALVE	
40	2220466	1	ELBOW, 90, (includes o-ring)	
41	2220490	1	UNION TEE	
42		Ref	ACCUMULATOR CHARGE VALVE, (See HYDRAULIC COMPONENTS SECTION for Breakdown)	
K1	2902422	1	HYDRAULIC HOSE 4D COMMON KIT	

SECTION 8 - HYDRAULIC CIRCUITS

FIGURE 8-9. JOYSTICK CONTROL CIRCUIT

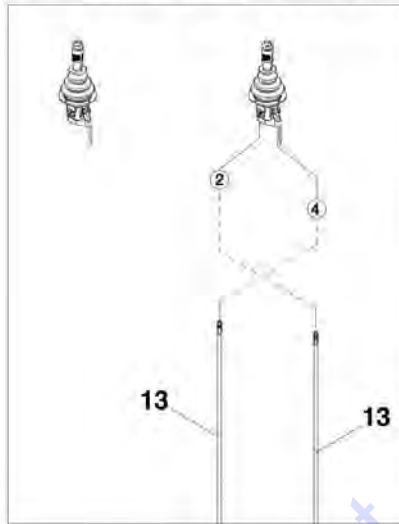


PV2062

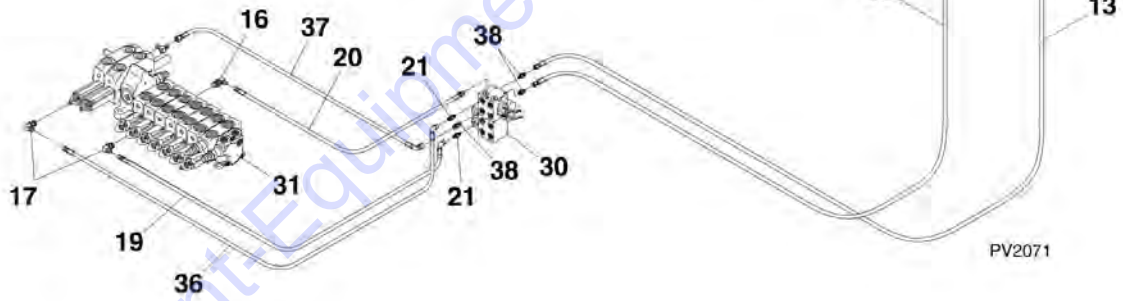
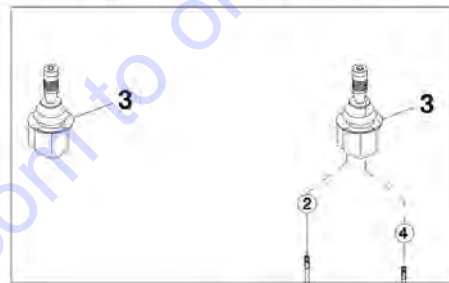
SECTION 8 - HYDRAULIC CIRCUITS

2 AUX OPTION

ROUTING - IF EQUIPPED WITH JOYSTICK 1001141420



ROUTING - IF EQUIPPED WITH JOYSTICK 10239817



SECTION 8 - HYDRAULIC CIRCUITS

FIGURE 8-9. JOYSTICK CONTROL CIRCUIT

ITEM	PART NUMBER	QTY	DESCRIPTION	REV
1	10703196	8	SOCKET BUTTON HD CAPSCREW, 1/4-20X3/4	
2	10701357	8	STAR WASHER, 1/4	
3		Ref	JOYSTICK, (See CONTROLS SECTION for Breakdown)	
4	2220371	5	STRAIGHT FITTING, (includes o-ring)	
5	2220582	9	STRAIGHT FITTING, (includes o-ring)	
6	2220635	2	TEE FITTING, (includes o-ring)	
7	2220606	4	TEE FITTING, (includes o-ring)	
9	10729155	2	HOSE ASSEMBLY	
10	10724641	2	HOSE ASSEMBLY	
11	10720460	2	HOSE ASSEMBLY	
12	10718856	1	HOSE ASSEMBLY	
13	10837505	2	HOSE ASSEMBLY	
14	10733052	2	HOSE ASSEMBLY	
15	10719890	1	HOSE ASSEMBLY	
16	2220472	4	ADAPTER, 90, (includes o-ring), (Single Aux)	
16	2220472	1	ADAPTER, 90, (includes o-ring), (Dual Aux)	
17	2220473	3	ADAPTER, 90, (includes o-ring), (Single Aux)	
17	2220473	2	ADAPTER, 90, (includes o-ring), (Dual Aux)	
18	10837607	1	HOSE ASSEMBLY, (Single Aux)	
19	10837536	2	HOSE ASSEMBLY, (Single Aux)	
19	10837536	1	HOSE ASSEMBLY, (Dual Aux)	
20	10837295	2	HOSE ASSEMBLY, (Single Aux)	
20	10837295	1	HOSE ASSEMBLY, (Dual Aux)	
21	2220415	4	STRAIGHT FITTING, (includes o-ring), (Single Aux)	
21	2220415	2	STRAIGHT FITTING, (includes o-ring), (Dual Aux)	
22	10732416	1	HOSE ASSEMBLY	
23	2220366	1	ADAPTER, 90, (includes o-ring)	
24	10723862	1	HOSE ASSEMBLY	
25	10866709	1	HOSE ASSEMBLY	
26		Ref	CHECK VALVE, (See HYDRAULIC COMPONENTS SECTION for Breakdown)	
27	2220605	1	TEE FITTING, (includes o-ring)	
28	10837524	1	HOSE ASSEMBLY	
29		Ref	3 HANDLE SINGLE AXIS CONTROL VALVE, (See CONTROLS SECTION for Breakdown)	
30		Ref	6 PORT CIRCUIT SELECTOR VALVE, (See HYDRAULIC COMPONENTS SECTION for Breakdown)	
31		Ref	HYDRAULIC CONTROL VALVE ASSEMBLY, (See HYDRAULIC COMPONENTS SECTION for Breakdown)	
32		Ref	FUEL/HYDRAULIC TANK ASSEMBLY, (See HYDRAULIC COMPONENTS SECTION for Breakdown)	
33		Ref	REAR AXLE STABILIZER CONTROL VALVE, (under cab), (See HYDRAULIC COMPONENTS SECTION for Breakdown)	
34		Ref	BOOM EXTEND LOCKOUT VALVE, (See HYDRAULIC COMPONENTS SECTION for Breakdown)	
35		Ref	PRESSURE FILTER/ACCUMULATOR, (See HYDRAULIC COMPONENTS SECTION for Breakdown)	
36	10837537	1	HOSE ASSEMBLY, (Dual Aux)	
37	10837639	1	HOSE ASSEMBLY, (Dual Aux)	
38	2220603	3	STRAIGHT FITTING, (Dual Aux)	
111	2220472	1	ADAPTER, 90, (includes o-ring) (SN 0160048698 to Present)	

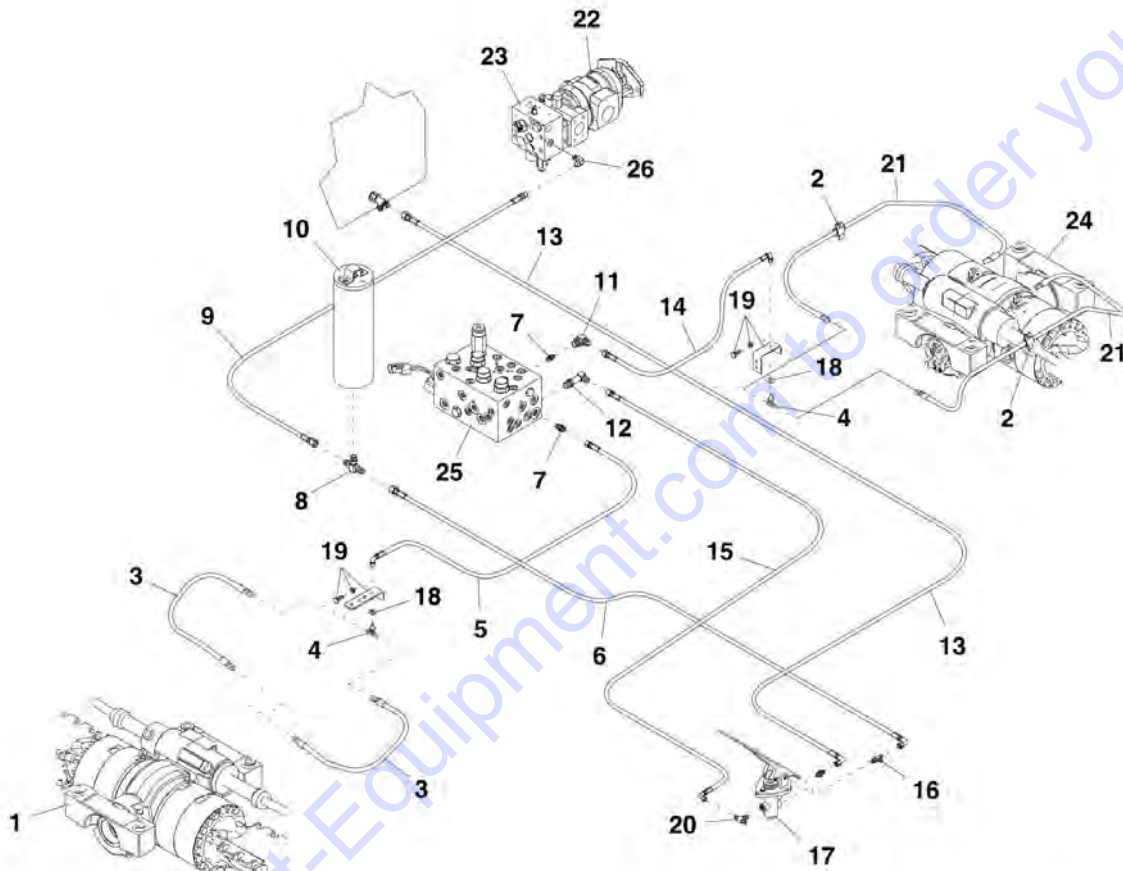
SECTION 8 - HYDRAULIC CIRCUITS

ITEM	PART NUMBER	QTY	DESCRIPTION	REV
113	2220371	1	STRAIGHT FITTING, (includes o-ring) (SN 0160048698 to Present)	
116	2220635	2	ADAPTER, 90, (includes o-ring) (SN 0160048698 to Present)	

Go to Discount-Equipment.com to order your parts

SECTION 8 - HYDRAULIC CIRCUITS

FIGURE 8-10. SERVICE BRAKE CIRCUIT



PV0880

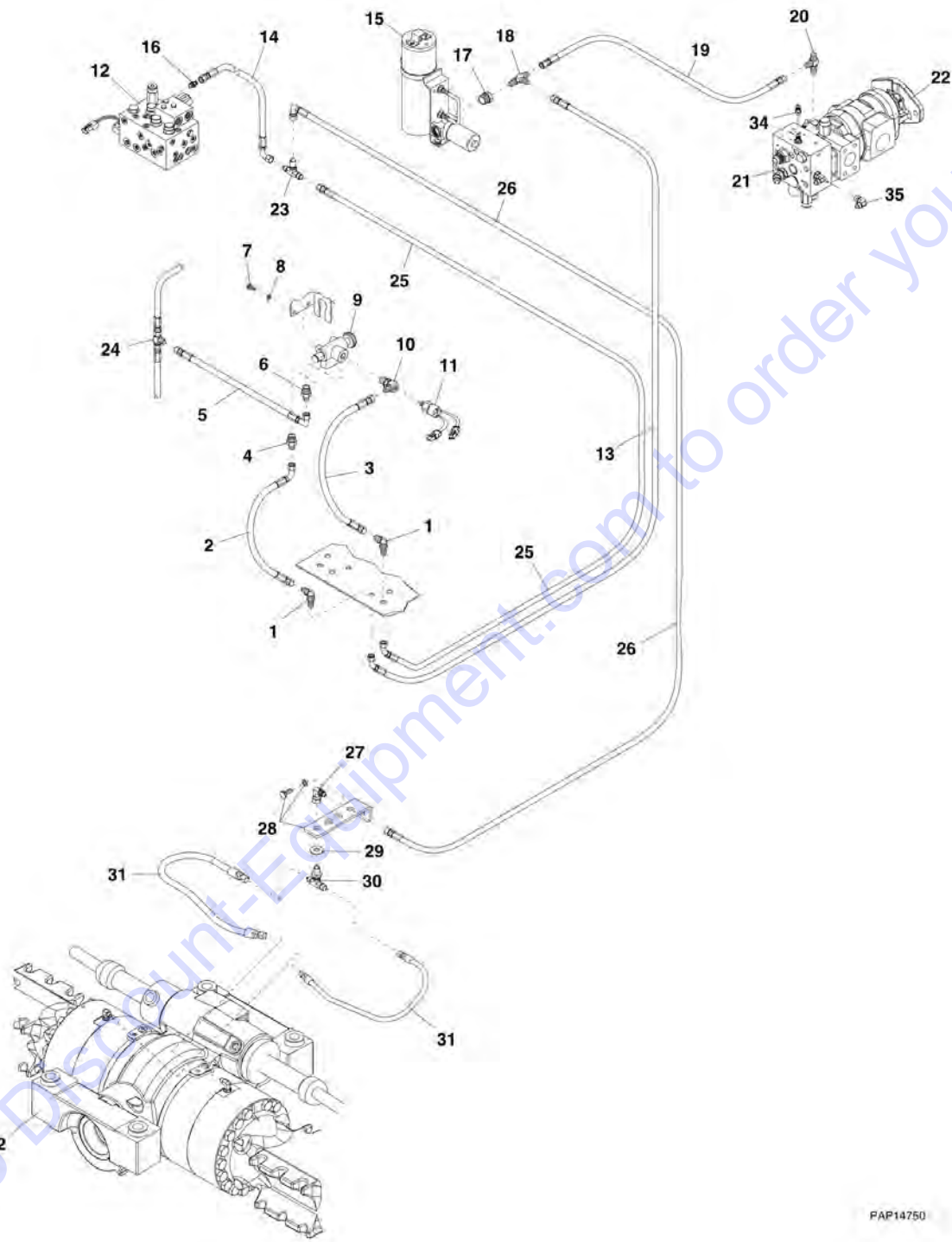
SECTION 8 - HYDRAULIC CIRCUITS

FIGURE 8-10. SERVICE BRAKE CIRCUIT

ITEM	PART NUMBER	QTY	DESCRIPTION	REV
1		Ref	FRONT AXLE ASSEMBLY, (See DRIVE TRAIN SECTION for Breakdown)	
2	91083216	2	CUSHION CLAMP, 1/2	
3	2752908	2	HOSE ASSEMBLY	
4	10726099	2	BULKHEAD TEE	
5	10837261	1	HOSE ASSEMBLY	
6	10837515	1	HOSE ASSEMBLY	
7	2220371	2	CONNECTOR, (includes o-ring)	
8	10165644	1	TEE, (includes o-ring)	
9	10728616	1	HOSE ASSEMBLY	
10		Ref	ACCUMULATOR, (See HYDRAULIC COMPONENTS SECTION for Breakdown)	
11	8760268	1	ELBOW, 90, (includes o-ring)	
12	2220819	1	ELBOW, 90, (includes o-ring), (long)	
13		Ref	PUMP, SUCTION - RETURN CIRCUIT, (See PUMP, SUCTION - RETURN for Breakdown)	
14	10837252	1	HOSE ASSEMBLY	
15	10727667	1	HOSE ASSEMBLY	
16	2220606	1	TEE, (includes o-ring)	
17		Ref	BRAKE VALVE ASSEMBLY, (See CONTROLS SECTION for Breakdown)	
18	10701404	2	FLAT WASHER, 3/8	
19		Ref	BRACKET AND MOUNTING HARDWARE, (See STEERING CYLINDER for Breakdown)	
20	2220899	1	BRANCH TEE, (includes o-ring)	
21	2752983	2	HOSE ASSEMBLY	
22		Ref	TANDEM PUMP, (See HYDRAULIC COMPONENTS SECTION for Breakdown)	
23		Ref	ACCUMULATOR CHARGE VALVE, (See HYDRAULIC COMPONENTS SECTION for Breakdown)	
24		Ref	REAR AXLE ASSEMBLY, (See DRIVE TRAIN SECTION for Breakdown)	
25		Ref	REAR AXLE STABILIZER CONTROL VALVE, (under cab), (See HYDRAULIC COMPONENTS SECTION for Breakdown)	
26	2220473	1	ELBOW, 90	

SECTION 8 - HYDRAULIC CIRCUITS

FIGURE 8-11. PARK BRAKE CIRCUIT



FAP14750

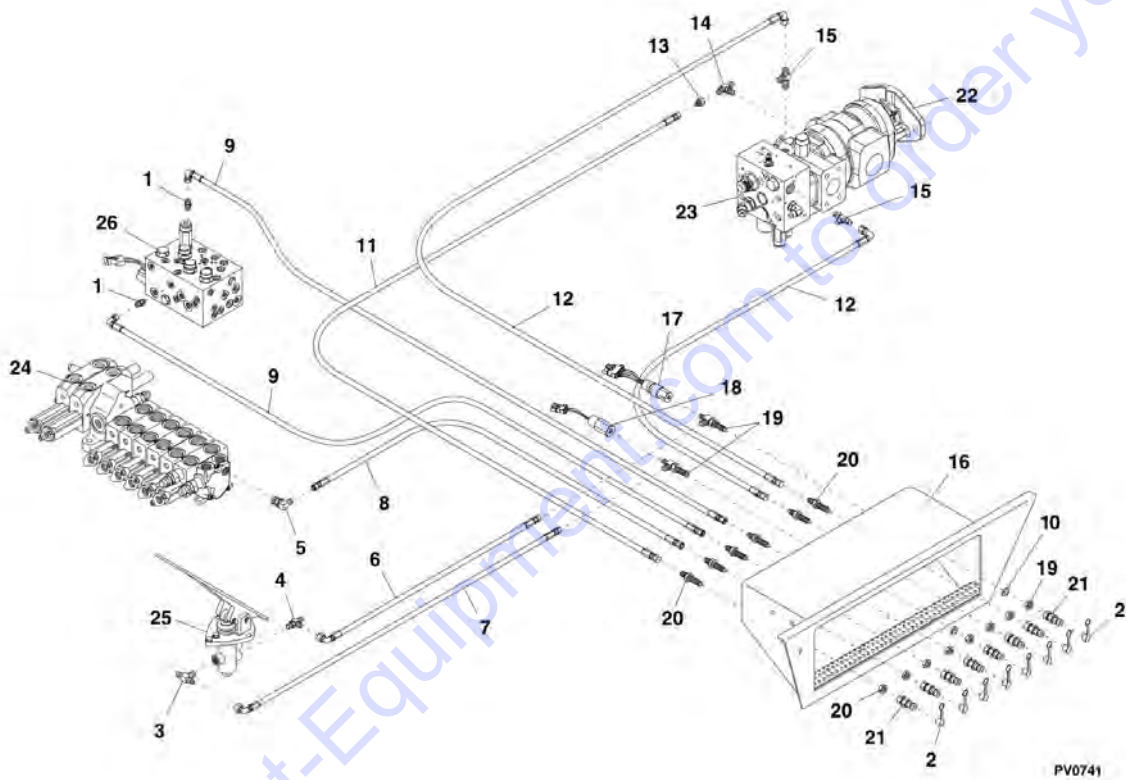
SECTION 8 - HYDRAULIC CIRCUITS

FIGURE 8-11. PARK BRAKE CIRCUIT

ITEM	PART NUMBER	QTY	DESCRIPTION	REV
1	8770189	2	BULKHEAD ELBOW, 45	
2	10727185	1	HOSE ASSEMBLY	
3	10719891	1	HOSE ASSEMBLY	
4	10719414	1	CHECK VALVE	
5	10720857	1	HOSE ASSEMBLY	
6	10165649	1	CHECK VALVE	
7	10700102	2	HEX HD CAPSCREW, 5/16-18X3/4	
8	10701309	2	LOCKWASHER, 5/16	
9		Ref	PARKING BRAKE VALVE, (See HYDRAULIC COMPONENTS SECTION for Breakdown)	
10	10166940	1	ELBOW, 90, (includes o-ring)	
11	10166941	1	PRESSURE SWITCH	
12		Ref	REAR AXLE STABILIZER CONTROL VALVE, (under cab), (See HYDRAULIC COMPONENTS SECTION for Breakdown)	
13	10837508	1	HOSE ASSEMBLY	
14	2754334	1	HOSE ASSEMBLY	
15		Ref	PRESSURE FILTER/ACCUMULATOR, (See HYDRAULIC COMPONENTS SECTION for Breakdown)	
16	2220415	1	ADAPTOR, (includes o-ring)	
17	2220221	1	ADAPTOR, (includes o-ring)	
18	2220606	1	SWIVEL TEE	
19	10729167	1	HOSE ASSEMBLY	
20	2221034	1	TEE, (includes o-ring)	
21		Ref	ACCUMULATOR CHARGE VALVE, (See HYDRAULIC COMPONENTS SECTION for Breakdown)	
22		Ref	TANDEM PUMP, (See HYDRAULIC COMPONENTS SECTION for Breakdown)	
23	10718942	1	BULKHEAD UNION TEE	
24		Ref	STEERING HYDRAULIC CIRCUIT, (See STEERING CYLINDER for Breakdown)	
25	2754335	1	HOSE ASSEMBLY	
26	2754333	1	HOSE ASSEMBLY	
27	2220654	1	ELBOW, 90, (swivel nut)	
28		Ref	BRACKET AND MOUNTING HARDWARE, (See STEERING CYLINDER for Breakdown)	
29	10701404	1	FLAT WASHER, 3/8	
30	10726099	1	BRANCH TEE	
31	2752908	2	HOSE ASSEMBLY, (not shown)	
32		Ref	FRONT AXLE ASSEMBLY, (See DRIVE TRAIN SECTION for Breakdown)	
33	10724679	1	HOSE ASSEMBLY, (not shown)	
34	2220473	1	ELBOW, 90, (includes o-ring), (not shown)	
35	2220466	1	ELBOW, 90, (includes o-ring), (not shown)	

SECTION 8 - HYDRAULIC CIRCUITS

FIGURE 8-12. TEST PORT HYDRAULIC ASSEMBLY



PV0741

SECTION 8 - HYDRAULIC CIRCUITS

FIGURE 8-12. TEST PORT HYDRAULIC ASSEMBLY

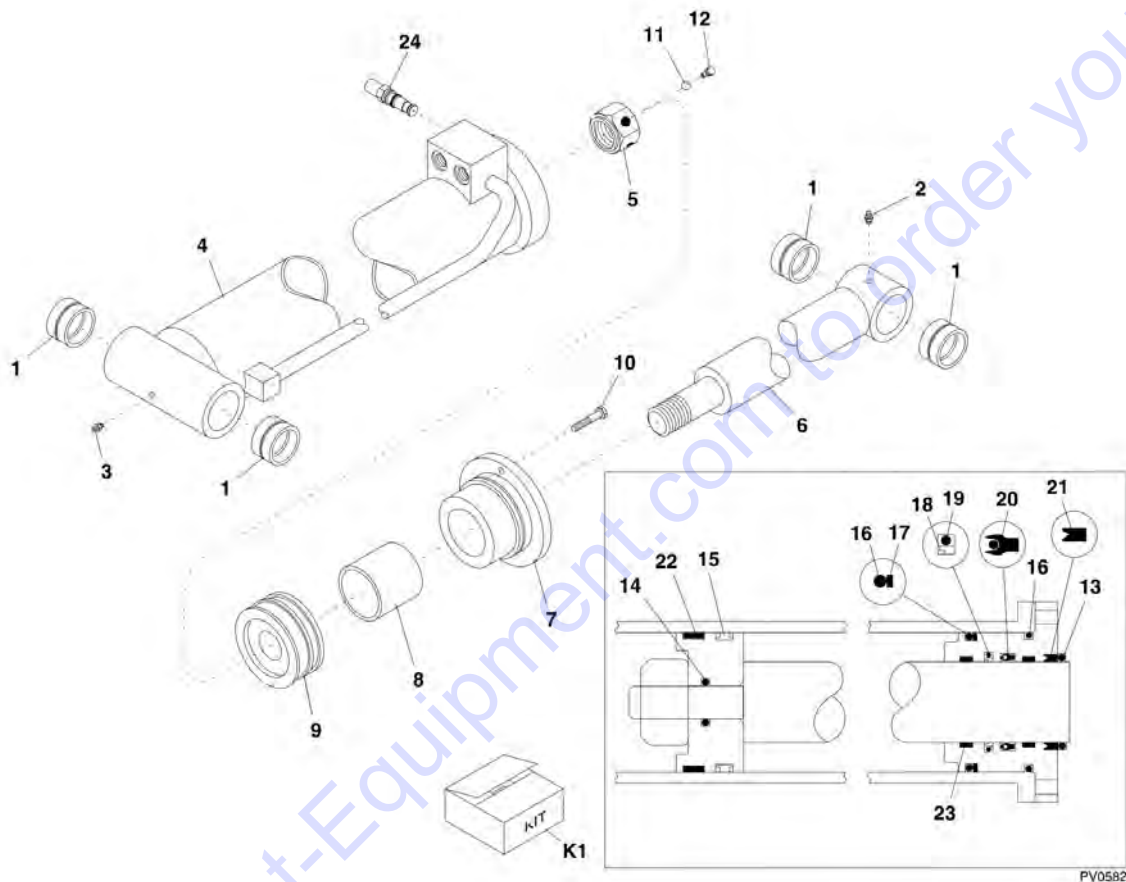
ITEM	PART NUMBER	QTY	DESCRIPTION	REV
1	2220415	2	CONNECTOR, (includes o-ring)	
2	8430032	8	DUST CAP	
3	2220899	1	BRANCH TEE, (includes o-ring)	
4	2220606	1	RUN TEE, (includes o-ring)	
5	2220472	1	ELBOW, 90, (includes o-ring)	
6	10837821	1	HOSE ASSEMBLY	
7	10837173	1	HOSE ASSEMBLY	
8	10725239	1	HOSE ASSEMBLY	
9	10727151	2	HOSE ASSEMBLY	
10	10701253	2	FLAT WASHER, 7/16	
11	10837166	1	HOSE ASSEMBLY	
12	10837619	2	HOSE ASSEMBLY	
13	2220619	1	REDUCER ADAPTER	
14	2220999	1	BRANCH TEE, (includes o-ring)	
15	2221034	2	RUN TEE, (includes o-ring)	
16		Ref	OPERATORS STEP, (See CAB SECTION for Breakdown)	
17	10166680	1	PRESSURE SWITCH - D.P.S.T NORMALLY CLOSED, LOW BRAKE PRESSURE, (850psi)	
18	10166679	1	PRESSURE SWITCH - S.P.S.T NORMALLY OPEN, SERVICE BRAKE, (250psi)	
19	10728823	2	BULKHEAD CONNECTOR TEE	
20	2230021	6	BULKHEAD CONNECTOR	
21	8430036	8	NIPPLE END TUBE	
22		Ref	TANDEM PUMP ASSEMBLY, (See HYDRAULIC COMPONENTS SECTION for Breakdown)	
23		Ref	ACCUMULATOR CHARGE VALVE, (See HYDRAULIC COMPONENTS SECTION for Breakdown)	
24		Ref	HYDRAULIC CONTROL VALVE ASSEMBLY, (See HYDRAULIC COMPONENTS SECTION for Breakdown)	
25		Ref	BRAKE VALVE ASSEMBLY, (See CONTROLS SECTION for Breakdown)	
26		Ref	REAR AXLE STABILIZER CONTROL VALVE, (under cab), (See HYDRAULIC COMPONENTS SECTION for Breakdown)	

SECTION 9 - HYDRAULIC COMPONENTS

Go to Discount-Equipment.com to order your parts

SECTION 9 - HYDRAULIC COMPONENTS

FIGURE 9-1. FRONT CARRIAGE TILT CYLINDER (Prior to SN 0160037900, Excluding 0160037855)



PV0582

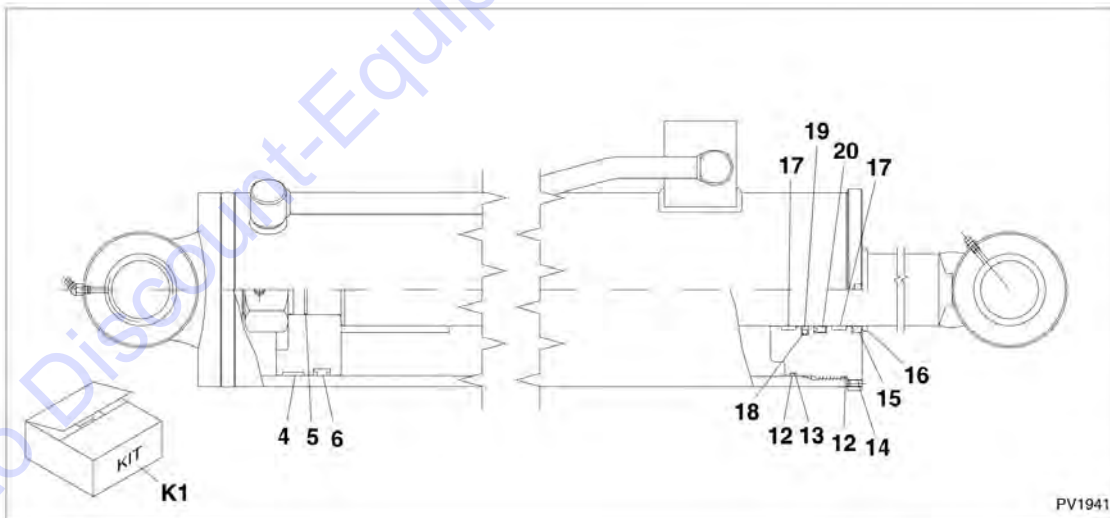
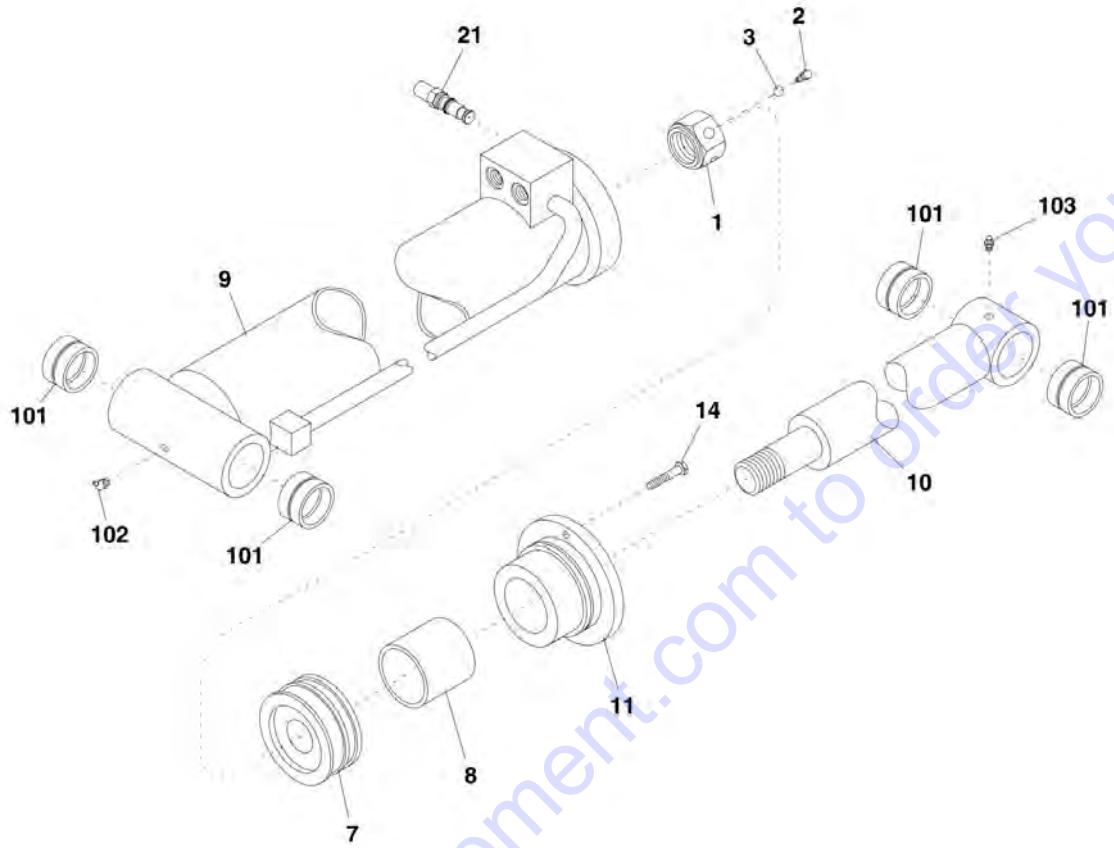
SECTION 9 - HYDRAULIC COMPONENTS

FIGURE 9-1. FRONT CARRIAGE TILT CYLINDER (Prior to SN 0160037900, Excluding 0160037855)

ITEM	PART NUMBER	QTY	DESCRIPTION	REV
	2717046	1	FRONT CARRIAGE TILT CYLINDER, (includes all items)	D
1	10719106	4	BUSHING	
2	10716611	1	GREASE FITTING	
3	10715367	1	GREASE FITTING, 45	
4	7029132	1	BARREL WELDMENT	
5	8036536	1	SPECIAL NUT, (torque to 2600-2800 lb-ft)	
6	8036539	1	ROD WELDMENT	
7	7029133	1	GUIDE	
8	7029134	1	TUBE	
9	7029135	1	PISTON	
10	8036811	1	SET SCREW, 1/4-20X3/8	
11	8036538	2	NYLON BALL	
12	8036537	2	SET SCREW, 3/8-16X3/8	
13	7029136	1	O-RING	
14	Kit	1	O-RING	
15	Kit	1	PISTON SEAL	
16	Kit	2	O-RING	
17	Kit	1	BACK-UP RING	
18	Kit	1	ROD BUFFER	
19	Kit	1	O-RING	
20	Kit	1	SEAL	
21	Kit	1	ROD WIPER	
22	Kit	1	WEAR RING	
23	Kit	2	WEAR RING	
24	10729947	1	CARTRIDGE, COUNTERBALANCE VALVE	
24	2900770	1	SEAL KIT	
K1	8036562	1	SEAL KIT, (includes items 14 thru 23)	

SECTION 9 - HYDRAULIC COMPONENTS

FIGURE 9-2. FRONT CARRIAGE TILT CYLINDER (SN 0160037900 to Present, Including 0160037855)



PV1941

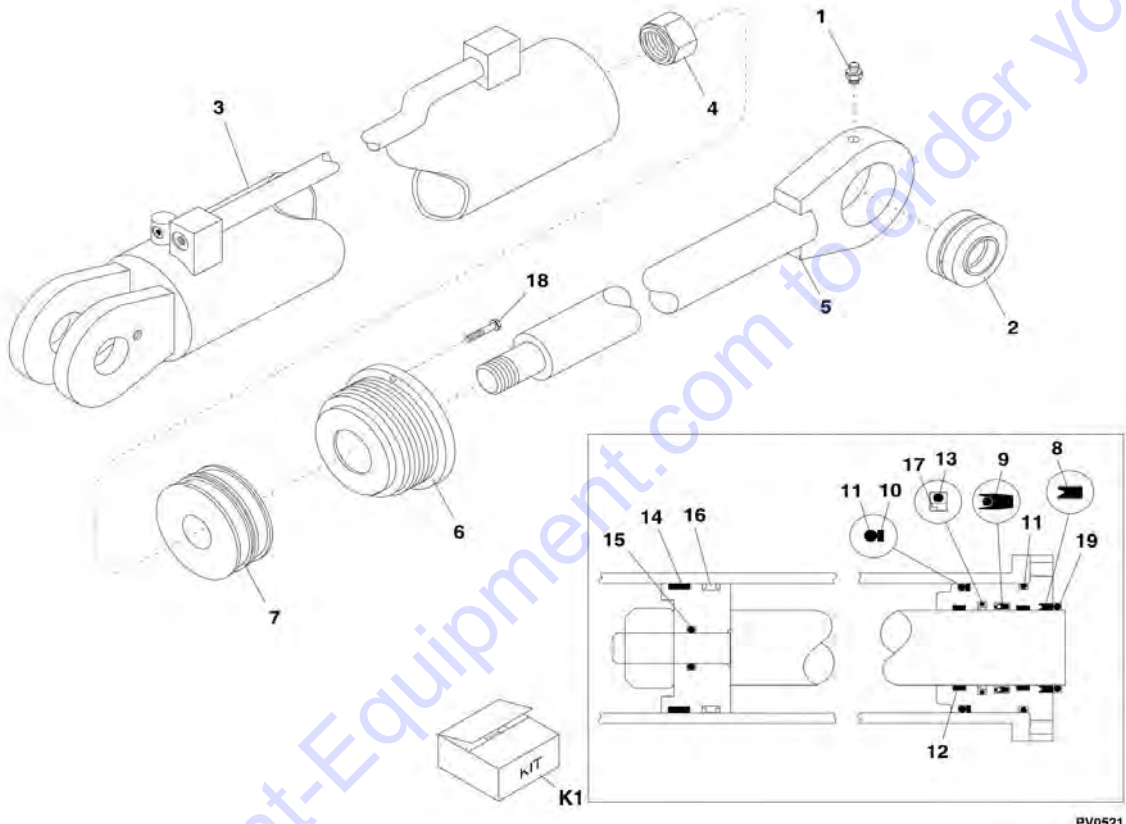
SECTION 9 - HYDRAULIC COMPONENTS

FIGURE 9-2. FRONT CARRIAGE TILT CYLINDER (SN 0160037900 to Present, Including 0160037855)

ITEM	PART NUMBER	QTY	DESCRIPTION	REV
	1001103643	1	FRONT CARRIAGE TILT CYLINDER, (includes all items)	C
1	8036536	1	SPECIAL NUT, 1-3/4-12	
2	8036537	1	HEX SOCKET SCREW, 3/8-16X3/8	
3	8036538	1	NYLON BALL	
4	Kit	1	WEAR RING	
5	Kit	1	O-RING	
6	Kit	1	T-SEAL PISTON	
7	7029135	1	PISTON	
8	70022749	1	TUBE	
9	70022750	1	CYLINDER BODY	
10	70022751	1	ROD	
11	7029133	1	GUIDE	
12	Kit	2	O-RING	
13	Kit	1	BACK-UP RING	
14	8036811	1	HEX SOCKET SCREW, 1/4-20X3/8	
15	Kit	1	WIPER	
16	7029136	1	O-RING	
17	Kit	2	WEAR RING	
18	Kit	1	O-RING	
19	Kit	1	ROD BUFFER	
20	Kit	1	Z-SEAL	
21	10729947	1	COUNTERBALANCE VALVE	
101	70022763	4	BUSHING	
102	70022764	1	GREASE FITTING, 45	
103	8036823	1	GREASE FITTING, STRAIGHT	
K1	8036562	1	SEAL KIT, (includes items 4 thru 6, 12, 13, 15 & 17 thru 20)	

SECTION 9 - HYDRAULIC COMPONENTS

FIGURE 9-3. REAR CARRIAGE TILT CYLINDER



PV0521

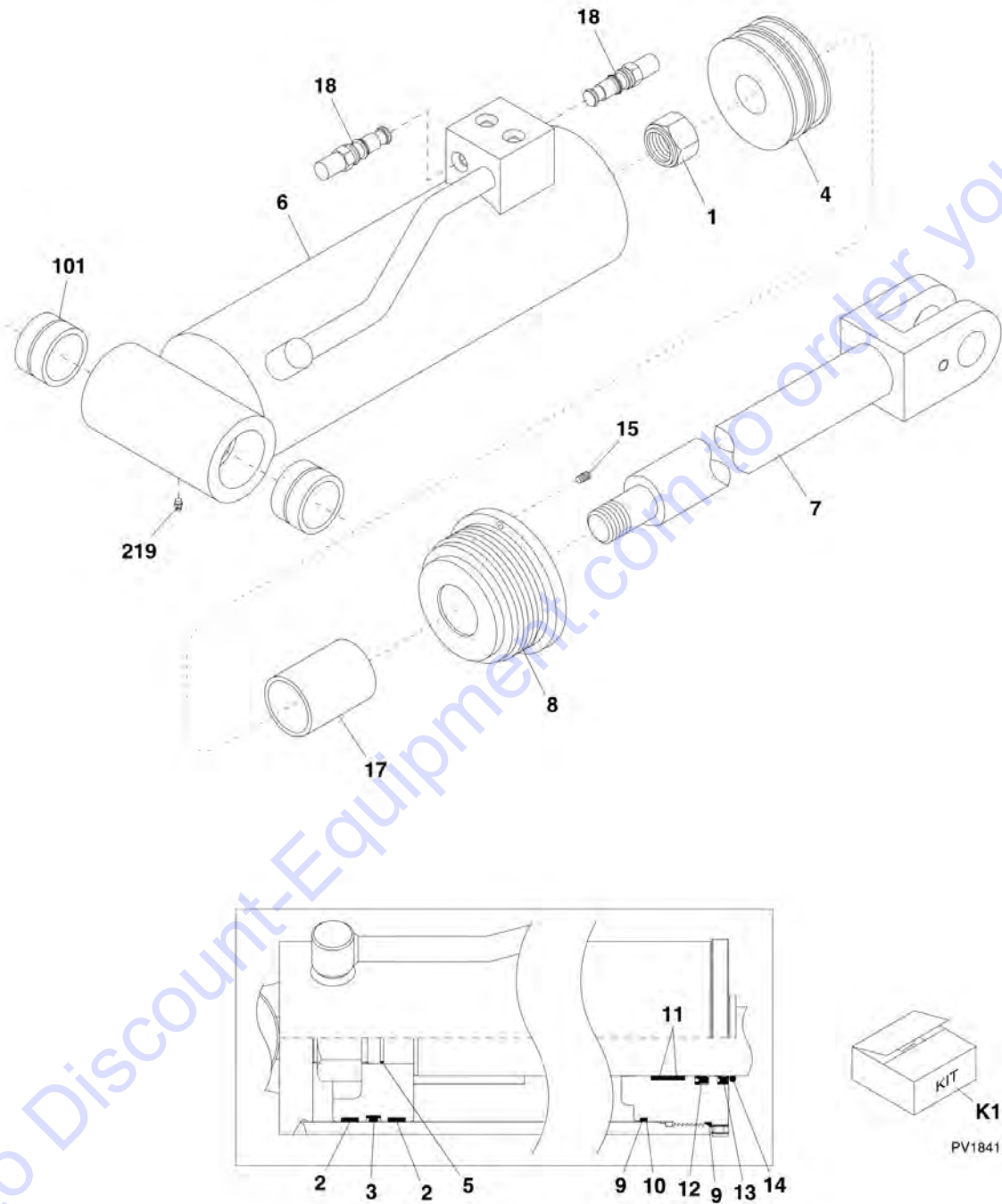
SECTION 9 - HYDRAULIC COMPONENTS

FIGURE 9-3. REAR CARRIAGE TILT CYLINDER

ITEM	PART NUMBER	QTY	DESCRIPTION	REV
	2717045	2	REAR CARRIAGE TILT CYLINDER, (includes all items)	AB
1	88671025	1	GREASE FITTING	
2	8050001	1	SELF-ALIGNED BUSHING	
3	7029142	1	BARREL WELDMENT	
4	7029140	1	SPECIAL NUT, (torque to 930-1000 lb-ft)	
5	7029143	1	ROD WELDMENT	
6	7029144	1	GUIDE	
7	7029141	1	PISTON	
8	Kit	1	WIPER	
9	Kit	1	SEAL	
10	Kit	1	BACK-UP RING	
11	Kit	2	O-RING	
12	Kit	2	WEAR RING	
13	Kit	1	O-RING	
14	Kit	1	WEAR RING	
15	Kit	1	O-RING	
16	Kit	1	PISTON SEAL	
17	Kit	1	ROD BUFFER	
18	7017283	1	SET SCREW, 1/4-20X3/8	
19	7029145	1	O-RING	
K1	8036561	1	SEAL KIT, (includes items 8 thru 17)	
N1	Note	Ref	QUANTITIES SHOWN ARE FOR ONE CYLINDER ONLY.	

SECTION 9 - HYDRAULIC COMPONENTS

FIGURE 9-4. FRAME TILT CYLINDER



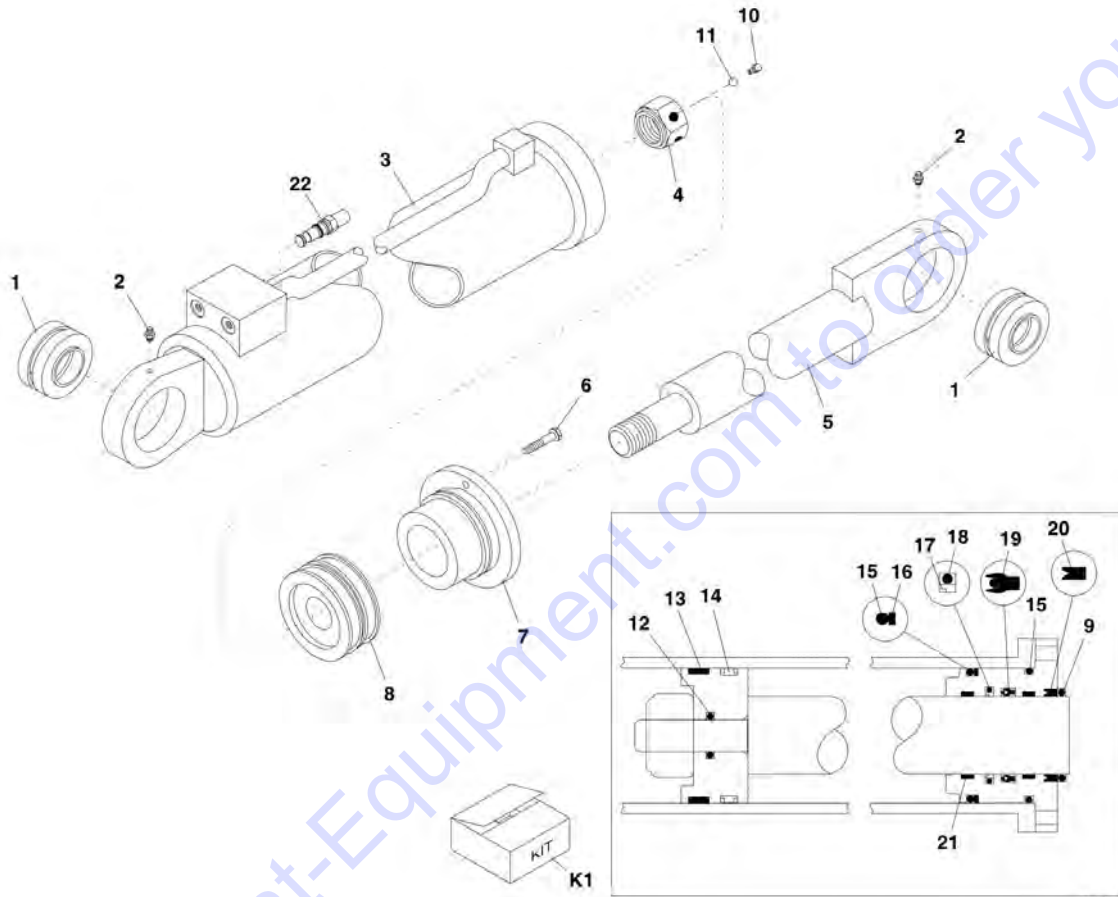
SECTION 9 - HYDRAULIC COMPONENTS

FIGURE 9-4. FRAME TILT CYLINDER

ITEM	PART NUMBER	QTY	DESCRIPTION	REV
	1684460	1	FRAME TILT CYLINDER, (includes items 1 thru 18)	D
1	8036825	1	LOCKNUT, 1-1/2-12	
2	Kit	2	WEAR RING	
3	Kit	1	PISTON T-SEAL	
4	7029149	1	PISTON	
5	Kit	1	O-RING	
6	7029150	1	BARREL WELDMENT	
7	70022612	1	ROD WELDMENT	
8	7029152	1	ROD GUIDE	
9	Kit	2	O-RING	
10	Kit	1	BACK-UP RING	
11	Kit	2	WEAR RING	
12	Kit	1	Z-SEAL	
13	Kit	1	CANNED WIPER	
14	7029153	1	O-RING	
15	7017283	1	SET SCREW, 1/4-20	
17	7029154	1	TUBE	
18	10729947	2	COUNTERBALANCE VALVE	
18	2900770	1	SEAL KIT	
101	10116228	2	BUSHING	
219	10715367	1	GREASE FITTING	
K1	8036557	1	SEAL KIT, (includes items 2, 3, 5 & 9 thru 13)	

SECTION 9 - HYDRAULIC COMPONENTS

FIGURE 9-5. HOIST CYLINDER



PV0532

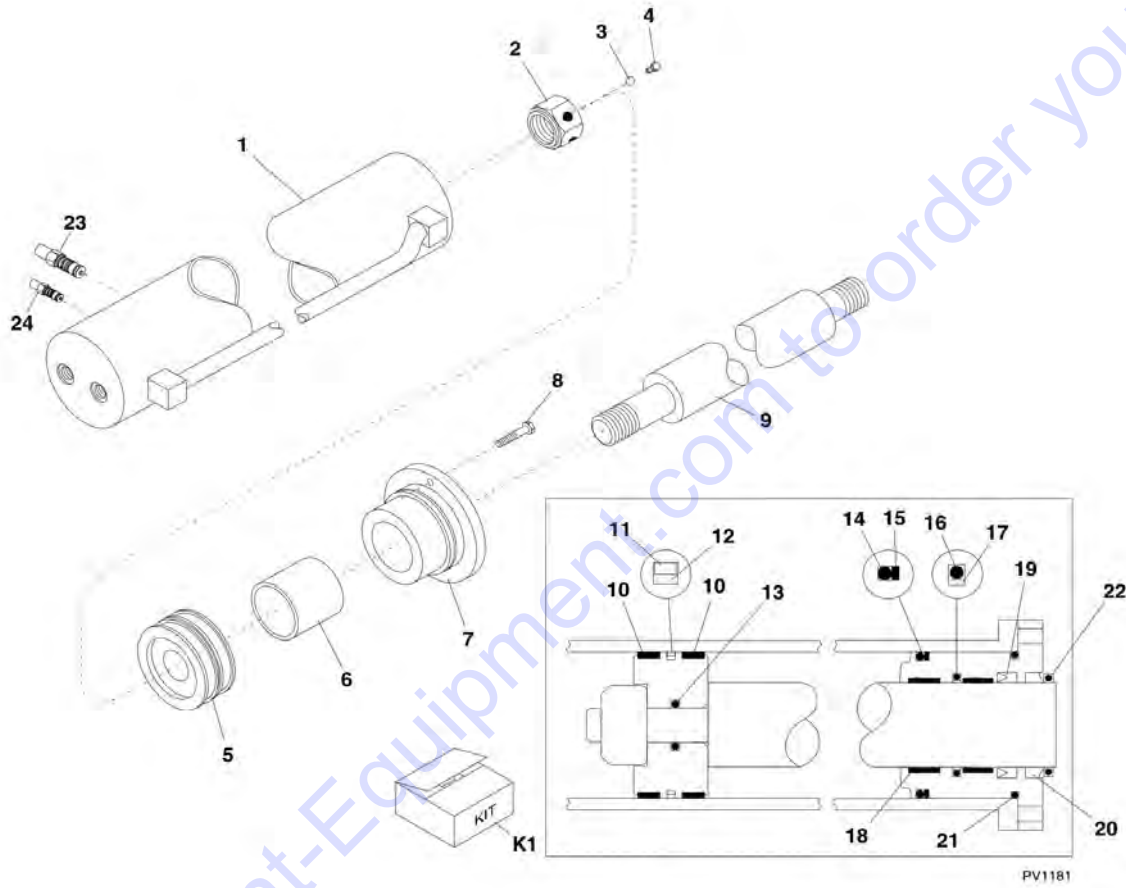
SECTION 9 - HYDRAULIC COMPONENTS

FIGURE 9-5. HOIST CYLINDER

ITEM	PART NUMBER	QTY	DESCRIPTION	REV
	2717042	2	HOIST CYLINDER, (includes all items)	D
1	10718830	2	SELF-ALIGNED BUSHING	
2	10716611	2	GREASE FITTING	
3	7029146	1	BARREL WELDMENT	
4	8036536	1	SPECIAL NUT, (torque to 2600-2800 lb-ft)	
5	8036540	1	ROD WELDMENT	
6	7017283	1	SET SCREW, 1/4-20X3/8	
7	7029147	1	GUIDE	
8	7029135	1	PISTON	
9	7029148	1	O-RING	
10	8036537	1	SET SCREW, 3/8-16X3/8	
11	8036538	1	NYLON BALL	
12	Kit	1	O-RING	
13	Kit	1	WEAR RING	
14	Kit	1	PISTON SEAL	
15	Kit	2	O-RING	
16	Kit	1	BACK-UP RING	
17	Kit	1	ROD BUFFER	
18	Kit	1	O-RING	
19	Kit	1	SEAL	
20	Kit	1	ROD WIPER	
21	Kit	2	WEAR RING	
22	10729947	1	CARTRIDGE, COUNTERBALANCE VALVE	
22	2900770	1	SEAL KIT	
K1	7028622	1	SEAL KIT, (includes items 11 thru 21)	
N1	Note	Ref	QUANTITIES SHOWN ARE FOR ONE CYLINDER ONLY	

SECTION 9 - HYDRAULIC COMPONENTS

FIGURE 9-6. BOOM EXTENSION CYLINDER



Go to Discount-Equipment.com to order your parts

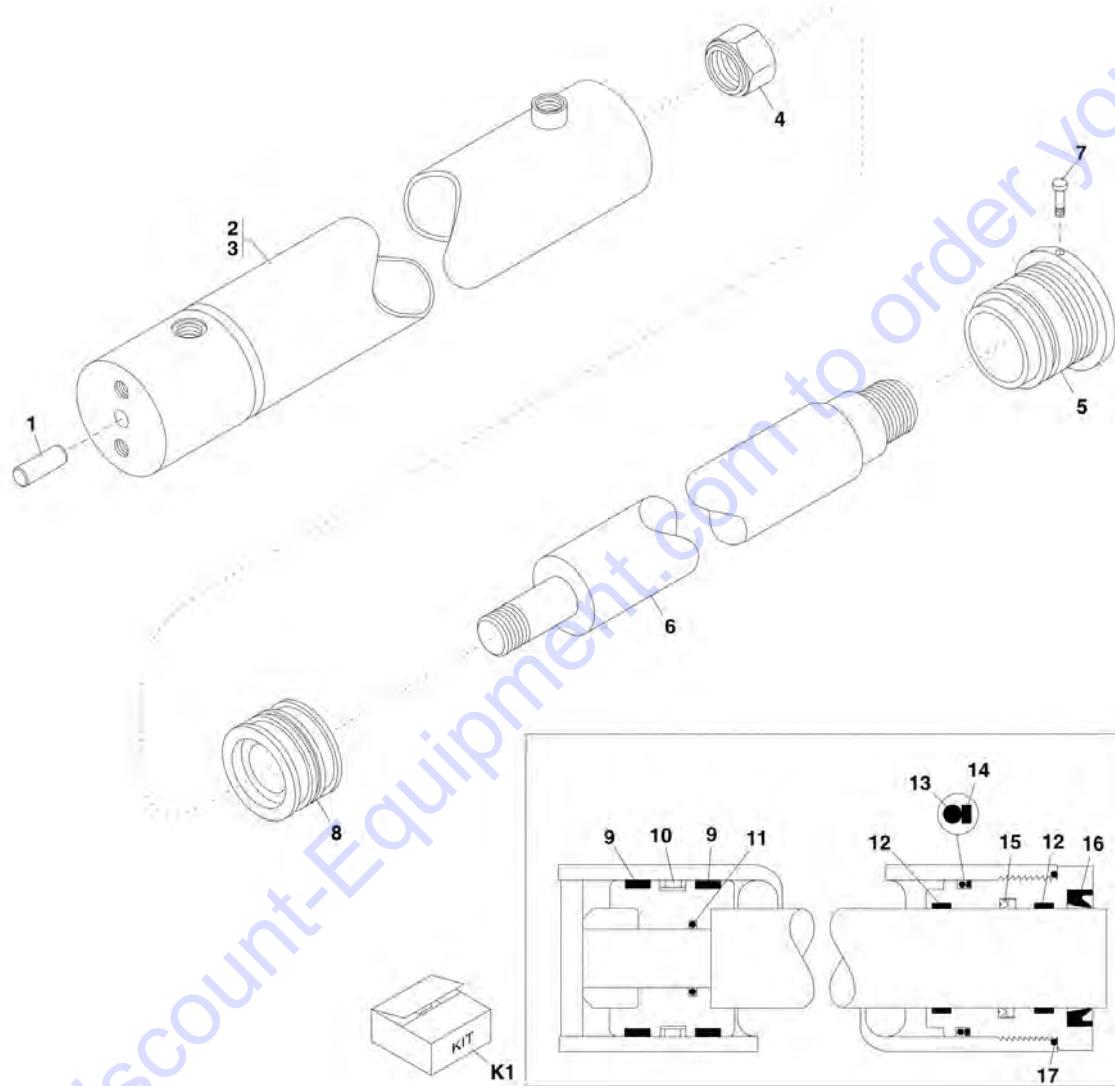
SECTION 9 - HYDRAULIC COMPONENTS

FIGURE 9-6. BOOM EXTENSION CYLINDER

ITEM	PART NUMBER	QTY	DESCRIPTION	REV
	2717047	1	BOOM EXTENSION CYLINDER, (includes all items)	D
1	7029157	1	BARREL WELDMENT	
2	8036536	1	SPECIAL NUT, (torque to 1735-1885 lb-ft)	
3	8036538	2	NYLON BALL	
4	8036537	2	SET SCREW, 3/8-16X3/8	
5	7029155	1	PISTON	
6	7029156	1	TUBE	
7	7029160	1	GUIDE	
8	7017283	1	SET SCREW, 1/4-20X3/8	
9	7029158	1	ROD WELDMENT	
10	Kit	2	WEAR RING	
11	Kit	1	PISTON SEAL	
12	Kit	1	EXP SQUARE	
13	Kit	1	O-RING	
14	Kit	1	O-RING	
15	Kit	1	BACK-UP RING	
16	Kit	1	O-RING	
17	Kit	1	ROD BUFFER	
18	Kit	2	WEAR RING	
19	Kit	1	U CUP LIP	
20	Kit	1	WIPER RING	
21	Kit	1	O-RING	
22	7029159	1	O-RING	
23	10730444	1	COUNTERBALANCE VALVE CARTRIDGE	
23	10740491	1	SEAL KIT	
24	10727827	1	COUNTERBALANCE VALVE CARTRIDGE	
24	10730927	1	SEAL KIT	
K1	8036563	1	SEAL KIT, (includes items 10 thru 21)	

SECTION 9 - HYDRAULIC COMPONENTS

FIGURE 9-7. TRANSFER CYLINDER



PV0552

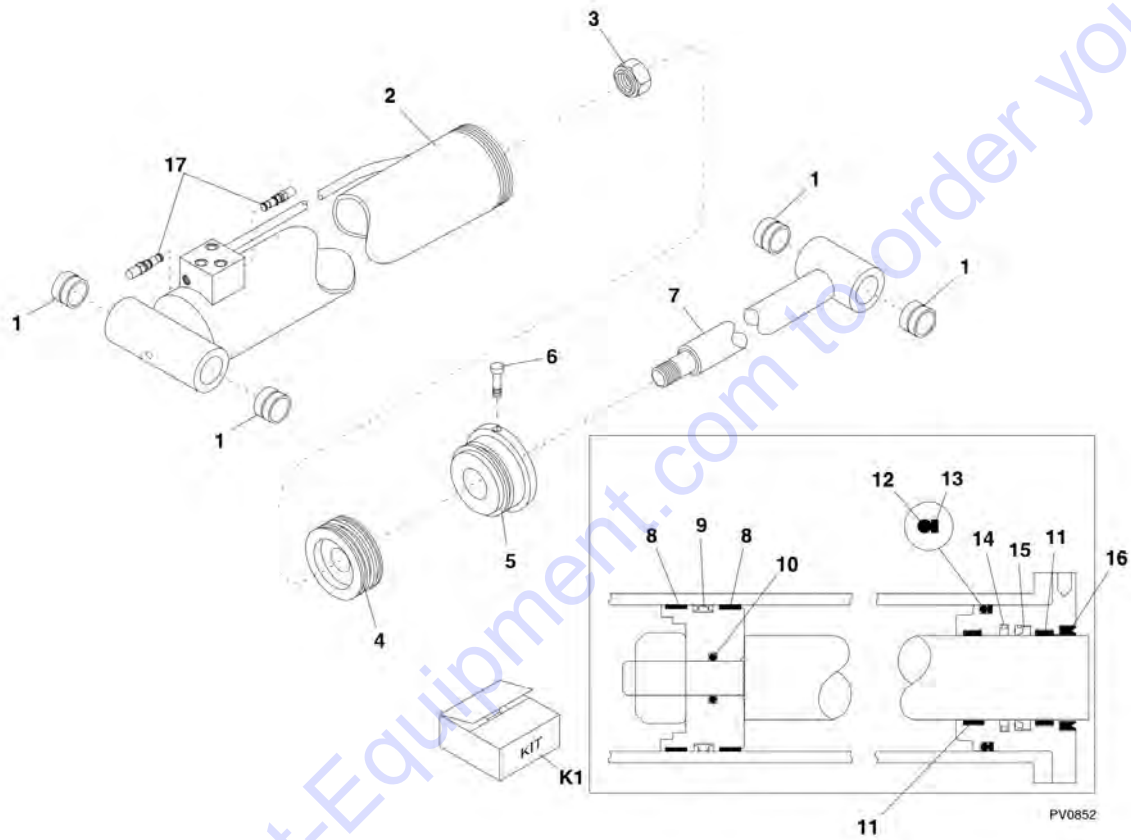
SECTION 9 - HYDRAULIC COMPONENTS

FIGURE 9-7. TRANSFER CYLINDER

ITEM	PART NUMBER	QTY	DESCRIPTION	REV
	1102018	1	TRANSFER CYLINDER ASSY, (includes all items)	AA
1	10837143	1	DOWEL PIN, .75X2	
2	1102022	NLA	TRANSFER CYLINDER, (no longer available, use 1102018 for replacement or items 3 thru 17 for service)	
3	7029167	1	BARREL WELDMENT	
4	7029168	1	SPECIAL NUT	
5	7029169	1	HEAD	
6	7029170	1	ROD WELDMENT	
7	7029171	1	SELF TAPPING SET SCREW	
8	7029172	1	PISTON	
9	Kit	2	WEAR RING	
10	Kit	1	PISTON SEAL	
11	Kit	1	O-RING	
12	Kit	2	WEAR RING	
13	Kit	1	O-RING	
14	Kit	1	BACK-UP RING	
15	Kit	1	ROD SEAL	
16	Kit	1	CANNED WIPER	
17	Kit	1	O-RING	
K1	1102019	1	SEAL KIT, (includes items 9 thru 17)	

SECTION 9 - HYDRAULIC COMPONENTS

FIGURE 9-8. OUTRIGGER CYLINDER (Prior to SN 0160058596)



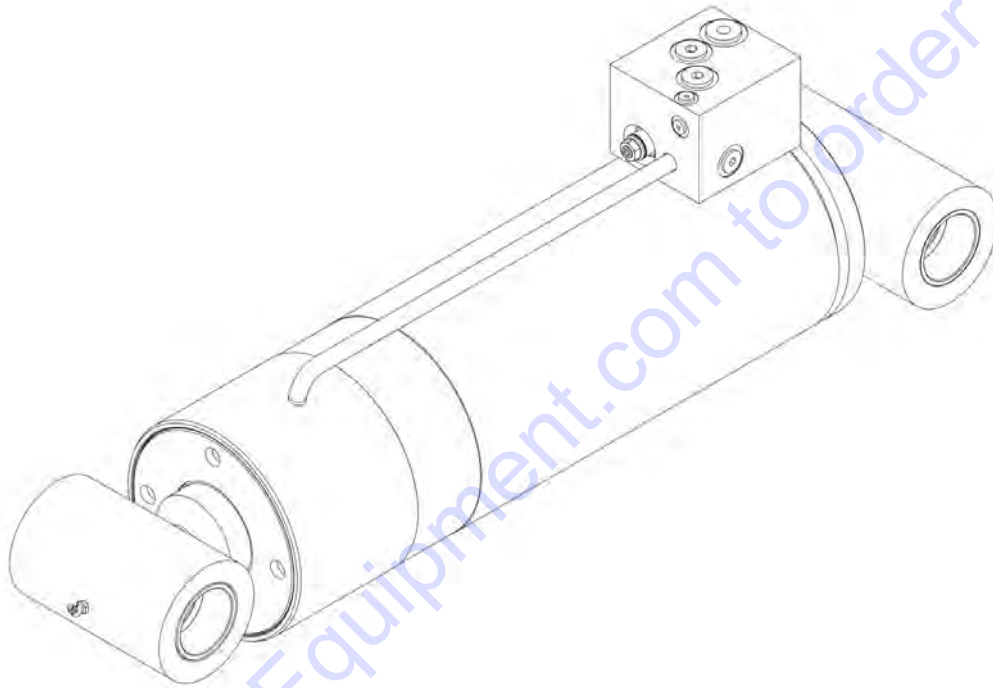
SECTION 9 - HYDRAULIC COMPONENTS

FIGURE 9-8. OUTRIGGER CYLINDER (Prior to SN 0160058596)

ITEM	PART NUMBER	QTY	DESCRIPTION	REV
	1102015	2	OUTRIGGER CYLINDER, (includes all items)	D
1	10116228	4	BUSHING	
2	7029175	1	BARREL WELDMENT	
3	7029176	1	SPECIAL NUT	
4	7029177	1	PISTON	
5	7029178	1	HEAD	
6	7029171	1	SELF TAPPING SET SCREW	
7	7029179	1	ROD WELDMENT	
8	Kit	2	WEAR RING	
9	Kit	1	PISTON SEAL	
10	Kit	1	O-RING	
11	Kit	2	WEAR RING	
12	Kit	1	O-RING	
13	Kit	1	BACK-UP RING	
14	Kit	1	BUFFER SEAL	
15	Kit	1	ROD SEAL	
16	Kit	1	WIPER	
17	10837450	2	COUNTERBALANCE VALVE CARTRIDGE	
17	2900770	1	SEAL KIT	
K1	1102016	1	SEAL KIT, (includes items 8 thru 16)	
N1	Note	Ref	QUANTITIES SHOWN ARE FOR ONE CYLINDER ONLY	

SECTION 9 - HYDRAULIC COMPONENTS

FIGURE 9-9. OUTRIGGER CYLINDER (SN 0160058596 to Present)



ART_1001140447-B

SECTION 9 - HYDRAULIC COMPONENTS

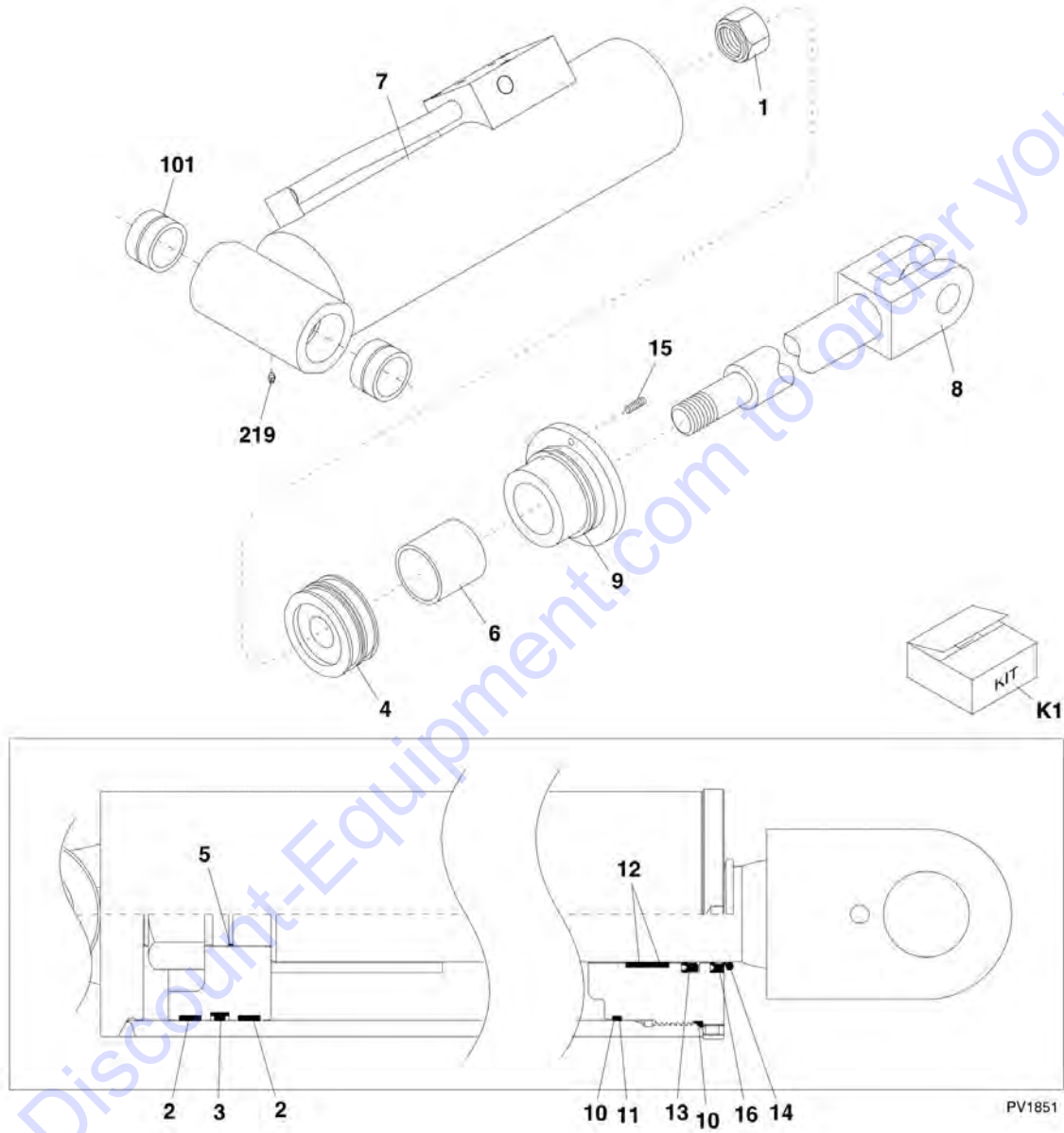
FIGURE 9-9. OUTRIGGER CYLINDER (SN 0160058596 to Present)

ITEM	PART NUMBER	QTY	DESCRIPTION	REV
	1001140447	2	OUTRIGGER CYLINDER	B

Go to Discount-Equipment.com to order your parts

SECTION 9 - HYDRAULIC COMPONENTS

FIGURE 9-10. REAR STABILIZER CYLINDER (Including 1001140447)



SECTION 9 - HYDRAULIC COMPONENTS

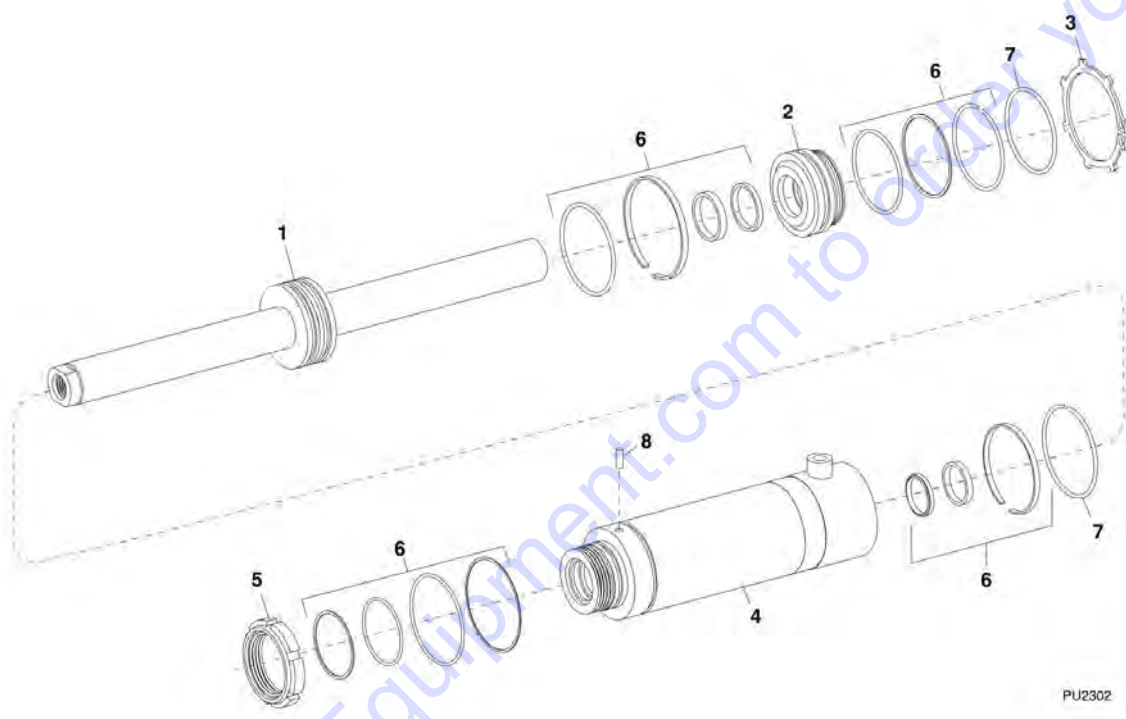
FIGURE 9-10. REAR STABILIZER CYLINDER (Including 1001140447)

ITEM	PART NUMBER	QTY	DESCRIPTION	REV
	1684461	1	REAR STABILIZER CYLINDER, (includes items 1 thru 16)	C
1	8036825	1	HEX LOCKNUT, 1-1/2-12	
2	Kit	2	WEAR RING	
3	Kit	1	PISTON T-SEAL	
4	7029149	1	PISTON	
5	Kit	1	O-RING	
6	N.S.S.	1	TUBE	
7	7029162	1	BARREL WELDMENT	
8	70022612	1	ROD WELDMENT	
9	7029152	1	GUIDE	
10	Kit	2	O-RING	
11	Kit	1	BACK-UP RING	
12	Kit	2	WEAR RING	
13	Kit	1	Z-SEAL	
14	7029153	1	O-RING	
15	7017283	1	SET SCREW	
16	Kit	1	CANNED WIPER	
101	10116228	2	BUSHING	
219	10715367	1	GREASE FITTING	
K1	8036557	1	SEAL KIT, (includes items 2, 3, 5, 10 thru 13, 14 & 16)	

Go to Discount-Equipment.com to order your parts

SECTION 9 - HYDRAULIC COMPONENTS

FIGURE 9-11. STEERING CYLINDER



PU2302

Go to Discount-Equipment.com to order your parts

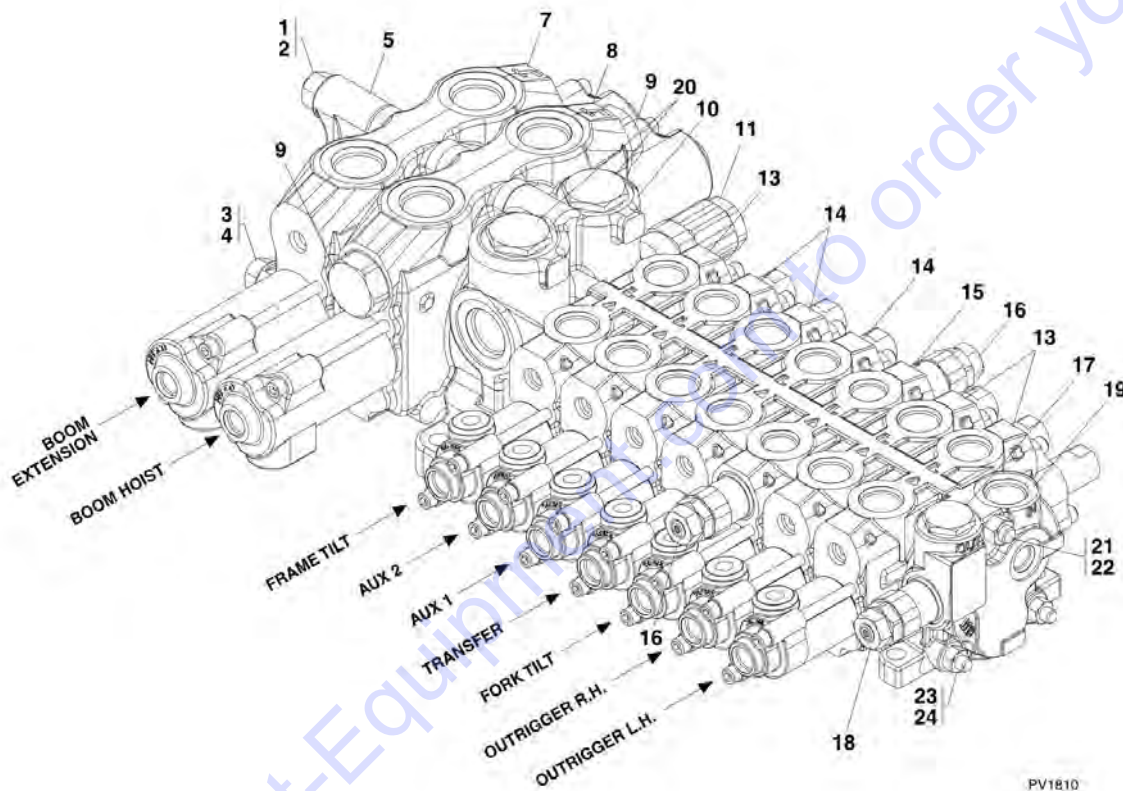
SECTION 9 - HYDRAULIC COMPONENTS

FIGURE 9-11. STEERING CYLINDER

ITEM	PART NUMBER	QTY	DESCRIPTION	REV
	1321149	NLA	STEERING CYLINDER, (Prior to Front Axle SN 958841 and Rear Axle SN 955235), (no longer available, use 70021617 for replacement), (includes items 1 thru 6)	
	70021617	1	STEERING CYLINDER, (Front Axle SN 958841 to Present and Rear Axle SN 955235 to Present), (includes items 1 thru 8)	
1	N.S.S.	1	PISTON ROD, (Prior to Front Axle SN 958841 and Rear Axle SN 955235)	
1	70021568	1	PISTON ROD, (Front Axle SN 958841 to Present and Rear Axle SN 955235 to Present)	
2	N.S.S.	1	GUIDE PIECE, (Prior to Front Axle SN 958841 and Rear Axle SN 955235)	
2	70021569	1	GUIDE PIECE, (Front Axle SN 958841 to Present and Rear Axle SN 955235 to Present)	
3	N.S.S.	1	L-RING, (Prior to Front Axle SN 958841 and Rear Axle SN 955235)	
3	70021571	1	L-RING, (Front Axle SN 958841 to Present and Rear Axle SN 955235 to Present)	
4	N.S.S.	1	CYLINDER TUBE	
5	8035998	1	SLOTTED NUT, (Prior to Front Axle SN 958841 and Rear Axle SN 955235)	
5	70021570	1	SLOTTED NUT, (Front Axle SN 958841 to Present and Rear Axle SN 955235 to Present)	
6	8035981	1	SEAL KIT, (Prior to Front Axle SN 958841 and Rear Axle SN 955235)	
6	70021495	1	SEAL KIT, (Front Axle SN 958841 to Present and Rear Axle SN 955235 to Present)	
7	70021726	2	RETAINING RING, (Front Axle SN 958841 to Present and Rear Axle SN 955235 to Present)	
8	70022610	1	SLOTTED PIN, (Front Axle SN 958841 to Present and Rear Axle SN 955235 to Present)	

SECTION 9 - HYDRAULIC COMPONENTS

FIGURE 9-12. HYDRAULIC CONTROL VALVE ASSEMBLY



PV1810

SECTION 9 - HYDRAULIC COMPONENTS

FIGURE 9-12. HYDRAULIC CONTROL VALVE ASSEMBLY

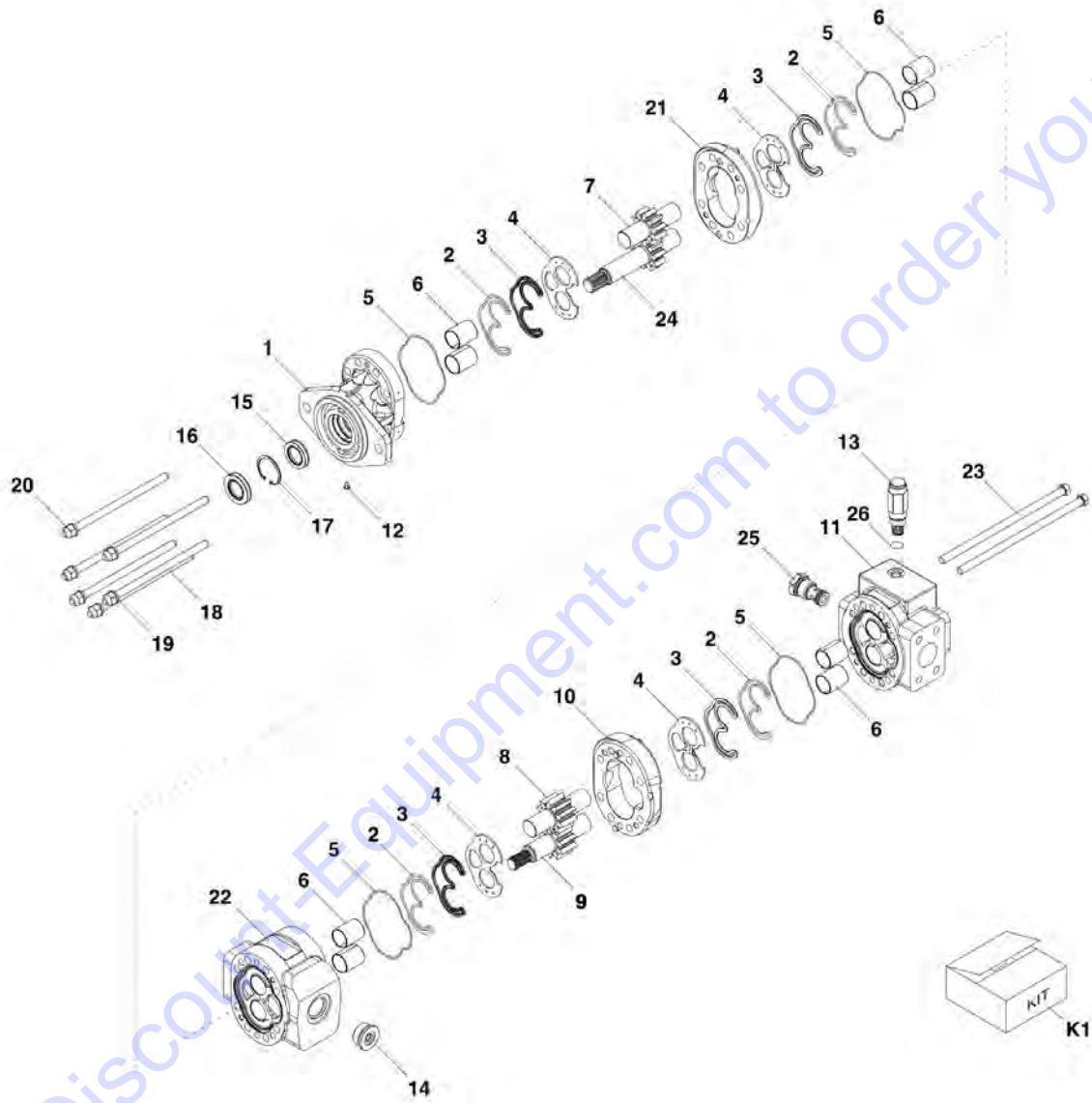
ITEM	PART NUMBER	QTY	DESCRIPTION	REV
	10239053	NLA	8 SECTION MID-INLET VALVE ASSY, (Single Aux), (no longer available, use 1001104020 for replacement), (includes items 1 thru 11, 6 of 12, 13, 2 of item 14 & 15 thru 24)	B
	1001104020	1	8 SECTION MID-INLET VALVE ASSY, (Single Aux), (includes items 1 thru 11, 6 of 12, 13, 2 of item 14 & 15 thru 24)	A
	10239054	NLA	9 SECTION MID-INLET VALVE ASSY, (Dual Aux), (no longer available, use 1001104021 for replacement), (includes all items)	B
	1001104021	1	9 SECTION MID-INLET VALVE ASSY, (Dual Aux), (includes all items)	A
1	8035347	1	SPECIAL NUT	
2	70022614	1	TIE ROD	
3	8035381	2	SPECIAL NUT	
4	70022615	2	TIE ROD	
5	10837902	1	OUTLET SECTION	
6	8034697	3	O-RING, (located between Hoist and Extension valve sections), (not shown)	
7	70022616	1	BOOM EXTENSION VALVE SECTION ASSY	
7	70022617	2	SOCKET HD CAPSCREW	
7	70022618	1	SPOOL CAP	
7	8035362	1	SOCKET HD SHOULDER BOLT	
7	70022619	2	SPRING SEAT	
7	8035355	1	SPRING	
7	70022620	1	O-RING	
7	8903014	1	SPOOL CAP RETAINER	
7	10791781	2	O-RING	
7	70022621	1	SPOOL CAP	
7	70022622	2	SOCKET HD CAPSCREW	
7	10791783	1	SPRING	
7	10791784	1	POPPET	
8	70022623	1	BOOM HOIST VALVE SECTION ASSY	
8	70022617	2	SOCKET HD CAPSCREW	
8	70022618	1	SPOOL CAP	
8	8035362	1	SOCKET HD SHOULDER BOLT	
8	70022619	2	SPRING SEAT	
8	8035355	1	SPRING	
8	70022620	1	O-RING	
8	8903014	1	SPOOL CAP RETAINER	
8	10791781	2	O-RING	
8	70022621	1	SPOOL CAP	
8	70022622	2	SOCKET HD CAPSCREW	
8	10791783	1	SPRING	
8	10791784	1	POPPET	
9	10837953	2	SHUT-OFF PLUG	
10	70022624	1	MID-INLET SECTION	
11	70022625	1	RELIEF VALVE ASSY, (3100-3000psi)	
12	10837923	8	O-RING, (located between Frame Tilt/Outrigger/Aux/Transfer/Fork Tilt valve sections), (not shown)	
13	10837904	3	FRAME TILT/OUTRIGGER VALVE SECTION ASSY	
13	8035359	6	SOCKET HD CAPSCREW	
13	8036286	3	SPOOL CAP	
13	10837964	3	SPOOL END	

SECTION 9 - HYDRAULIC COMPONENTS

ITEM	PART NUMBER	QTY	DESCRIPTION	REV
13	70022626	6	SPRING SEAT	
13	8035356	3	SPRING	
13	8035374	3	SPOOL CAP RETAINER, (includes back-up ring)	
13	70022627	3	SPOOL CAP	
13	8035373	3	SEAL PLATE	
13	8037088	6	SOCKET HD CAPSCREW	
13	10837937	3	POPPET	
13	10837927	3	SPRING	
14	10837905	3	AUX/TRANSFER VALVE SECTION ASSY	
14	8035359	6	SOCKET HD CAPSCREW	
14	8036286	3	SPOOL CAP	
14	10837964	3	SPOOL END	
14	70022626	6	SPRING SEAT	
14	8035356	3	SPRING	
14	8035374	3	SPOOL CAP RETAINER, (includes back-up ring)	
14	70022627	3	SPOOL CAP	
14	8035373	3	SEAL PLATE	
14	8037088	6	SOCKET HD CAPSCREW	
14	10837937	3	POPPET	
14	10837927	3	SPRING	
15	10837906	1	FORK TILT VALVE SECTION ASSY	
15	8035359	2	SOCKET HD CAPSCREW	
15	8036286	1	SPOOL CAP	
15	10837964	1	SPOOL END	
15	70022626	2	SPRING SEAT	
15	8035356	1	SPRING	
15	8035374	1	SPOOL CAP RETAINER, (includes back-up ring)	
15	70022627	1	SPOOL CAP	
15	8035373	1	SEAL PLATE	
15	8037088	2	SOCKET HD CAPSCREW	
15	10837937	1	POPPET	
15	10837927	1	SPRING	
16	8033412	2	RELIEF VALVE ASSY, (2900-2800psi)	
17	70022628	1	PLUG	
18	70022629	1	RELIEF VALVE ASSY, (3225-3125psi)	
19	10837900	1	INLET SECTION	
20	70022630	2	PLUG	
21	70022631	1	TIE ROD, (Single Aux)	
21	7029205	1	TIE ROD, (Dual Aux)	
22	8035346	1	SPECIAL NUT	
23	70022632	2	TIE ROD, (Single Aux)	
23	7029206	2	TIE ROD, (Dual Aux)	
24	8035348	2	SPECIAL NUT	

SECTION 9 - HYDRAULIC COMPONENTS

FIGURE 9-13. TANDEM PUMP



PAP14760

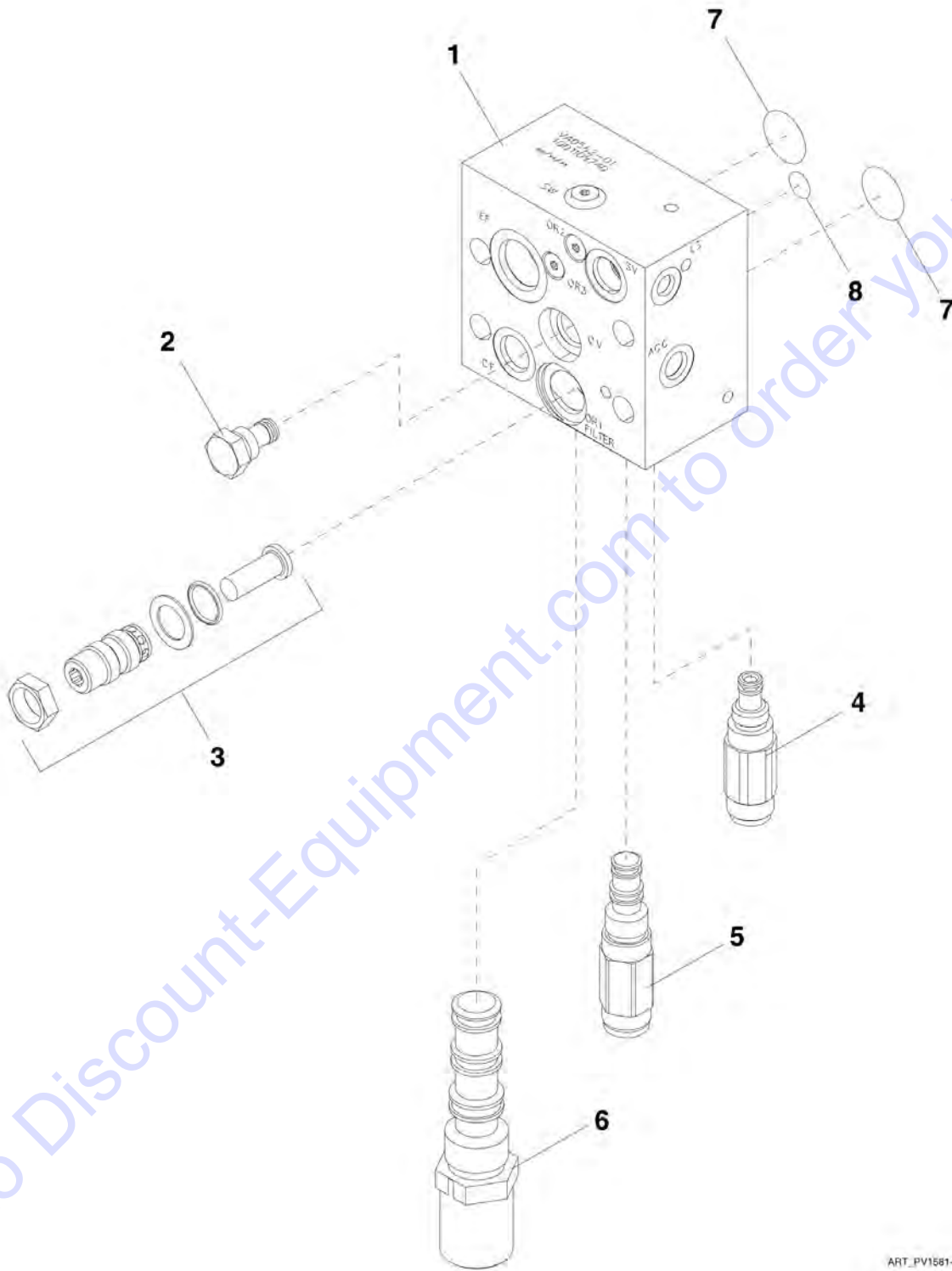
SECTION 9 - HYDRAULIC COMPONENTS

FIGURE 9-13. TANDEM PUMP

ITEM	PART NUMBER	QTY	DESCRIPTION	REV
	10439693	1	TANDEM PUMP, (includes all items)	E
1	7029185	1	FRONT COVER	
2	Kit	4	E-RING SEAL	
3	Kit	4	E-RING RETAINER	
4	7029186	4	WEAR PLATE	
5	Kit	4	O-RING	
6	7029187	8	BUSHING	
7	7029188	1	DRIVEN GEAR	
8	7029189	1	DRIVEN GEAR, 13 GPM	
9	7029190	1	REAR DRIVE GEAR, 13 GPM	
10	7029191	1	CENTER SECTION	
11	7029192	1	REAR COVER	
12	Kit	1	PLUG	
13	7029202	1	RELIEF VALVE CARTRIDGE	
14	7029204	1	PLUG	
15	Kit	1	INNER SEAL SHAFT	
16	Kit	1	OUTER SEAL SHAFT	
17	7029193	1	SNAP RING	
18	7029194	6	STUD, 7/16-14X8-1/4	
19	7029195	6	LOCKWASHER, 7/16	
20	7029196	6	NUT, 7/16-20, GR8	
21	7029197	1	CENTER SECTION	
22	7029198	1	PORT SECTION	
23	7029199	2	HEX HD CAPSCREW, 7/16-14X9-3/4	
24	7029200	1	DRIVE GEAR	
25	7029201	1	CHECK VALVE CARTRIDGE	
26	7029203	1	ORIFICE DISC	
K1	8036481	1	SEAL KIT, (includes items 2, 3, 5, 12, 15 & 16)	

SECTION 9 - HYDRAULIC COMPONENTS

FIGURE 9-14. ACCUMULATOR CHARGE VALVE



ART_PV1581-B

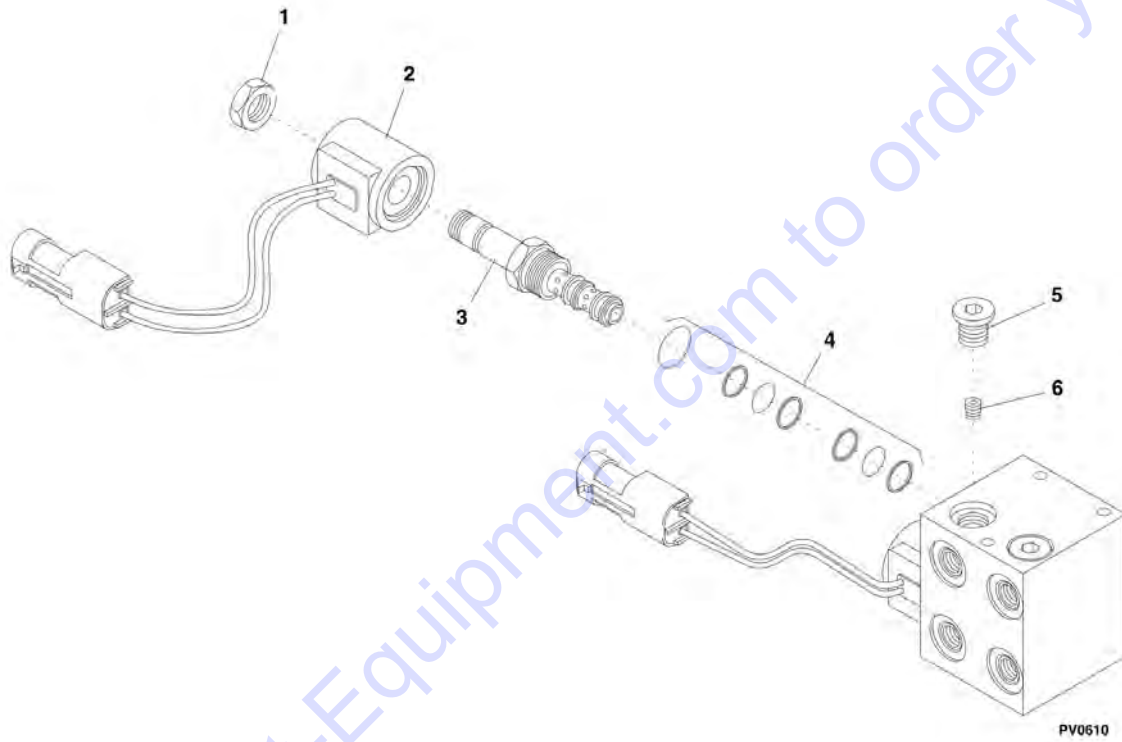
SECTION 9 - HYDRAULIC COMPONENTS

FIGURE 9-14. ACCUMULATOR CHARGE VALVE

ITEM	PART NUMBER	QTY	DESCRIPTION	REV
	1102027	1	ACCUMULATOR CHARGE VALVE, (includes items 1 thru 6) (Prior to SN 0160051140, Excluding 0160050734 and 0160050735)	B
	1001109740	1	ACCUMULATOR CHARGE VALVE, (includes items 1 thru 6 and 9) (SN 0160051140 to Present, Including 0160050734 and 0160050735)	B
1	N.S.S.	1	VALVE BODY	
2	7022391	1	CHECK VALVE	
2	7012998	1	SEAL KIT	
3	8036564	1	FILTER ASSY	
4	8036566	1	VALVE CARTRIDGE, (UP) (Prior to SN 0160051140, Excluding 0160050734 and 0160050735)	
4	70027321	1	VALVE CARTRIDGE, (UP) (SN 0160051140 to Present, Including 0160050734 and 0160050735)	
5	8036455	1	RELIEF CARTRIDGE, (RV) (Prior to SN 0160051140, Excluding 0160050734 and 0160050735)	
4	7012518	1	SEAL KIT	
5	70027322	1	RELIEF CARTRIDGE, (RV) (SN 0160051140 to Present, Including 0160050734 and 0160050735)	
5	7012998	1	SEAL KIT	
6	8036460	1	COMPENSATOR, (EC)	
6	8036493	1	SEAL KIT	
7	8630008	2	O-RING	
8	8640017	1	O-RING	
9	10837580	1	LOAD SHUFFLE VALVE (SN 0160051140 to Present, Including 0160050734 and 0160050735)	
9	7010543	1	SEAL KIT (SN 0160051140 to Present, Including 0160050734 and 0160050735)	

SECTION 9 - HYDRAULIC COMPONENTS

FIGURE 9-15. 6-PORT CIRCUIT SELECTOR VALVE ASSEMBLY



Go to Discount-Equipment.com to order your parts

SECTION 9 - HYDRAULIC COMPONENTS

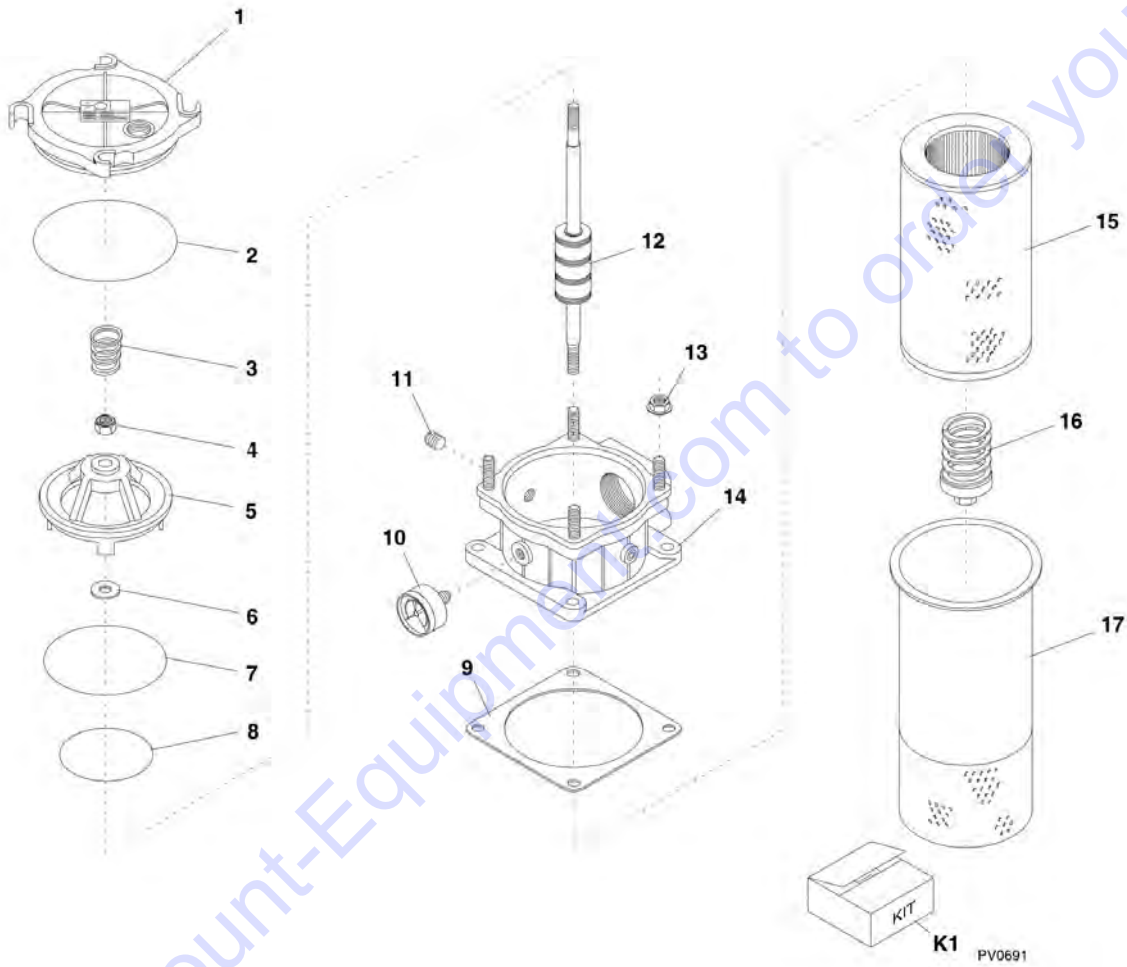
FIGURE 9-15. 6-PORT CIRCUIT SELECTOR VALVE ASSEMBLY

ITEM	PART NUMBER	QTY	DESCRIPTION	REV
	10339076	1	6-PORT CIRCUIT SELECTOR VALVE ASSY, (includes all items)	AA
1	10740662	1	NUT	
2	10138329	1	COIL	
3	10837352	1	SOLENOID VALVE	
4	10837355	1	SEAL KIT	
5	10727933	2	HOLLOW HEX O-RING PLUG	
6	10837571	2	ORIFICE PLUG	

Go to Discount-Equipment.com to order your parts

SECTION 9 - HYDRAULIC COMPONENTS

FIGURE 9-16. HYDRAULIC RETURN LINE FILTER ASSEMBLY



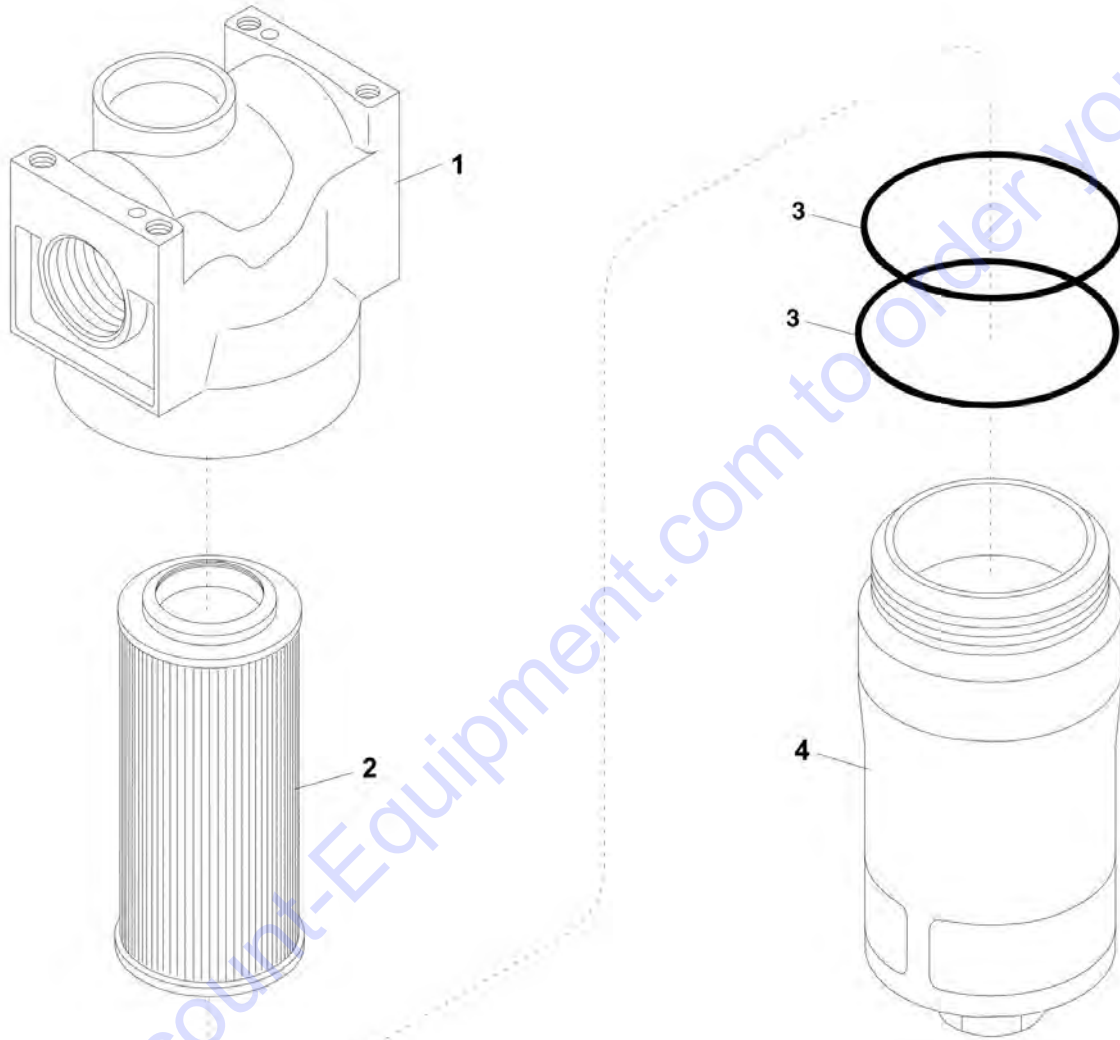
SECTION 9 - HYDRAULIC COMPONENTS

FIGURE 9-16. HYDRAULIC RETURN LINE FILTER ASSEMBLY

ITEM	PART NUMBER	QTY	DESCRIPTION	REV
	10265514	1	RETURN FILTER ASSY, (includes all items)	C
1	N.S.S.	1	COVER	
2	10837117	1	O-RING	
3	N.S.S.	1	SPRING	
4	10704773	1	HEX LOCKNUT, M8-1.25	
5	N.S.S.	1	TRESTLE	
6	10704630	1	FLAT WASHER, M8	
7	10837118	1	O-RING	
8	1100778	1	O-RING	
9	Kit	1	RUBBER GASKET	
10	10724981	1	INDICATOR GAUGE	
11	2200221	2	HEX SOCKET PLUG	
12	N.S.S.	1	TIE ROD	
13	N.S.S.	4	FLANGE HEX NUT, M8-1.25	
14	N.S.S.	1	HEAD	
15	10727810	1	FILTER ELEMENT	
16	N.S.S.	1	BYPASS SPRING	
17	N.S.S.	1	DIFFUSER	
K1	10837120	1	GASKET AND O-RING KIT, (includes items 2, 7 & 9)	

SECTION 9 - HYDRAULIC COMPONENTS

FIGURE 9-17. PRESSURE FILTER ASSEMBLY



PV0701

SECTION 9 - HYDRAULIC COMPONENTS

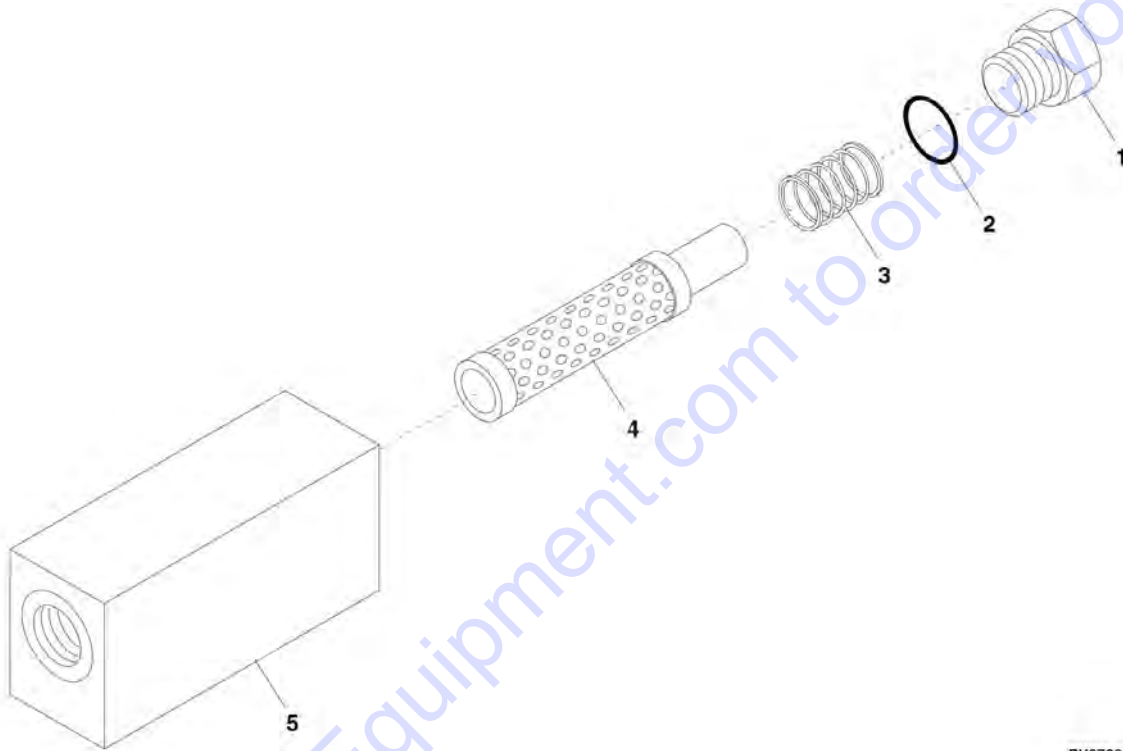
FIGURE 9-17. PRESSURE FILTER ASSEMBLY

ITEM	PART NUMBER	QTY	DESCRIPTION	REV
	10266450	1	PRESSURE FILTER ASSY, (includes all items)	A
1	1100341	1	FILTER HEAD, 12 PITCH THREAD, NO BYPASS	
2	10866416	1	FILTER	
3	1100343	2	BOWL SEAL	
4	N.S.S.	1	BOWL, 12 PITCH THREAD	

Go to Discount-Equipment.com to order your parts

SECTION 9 - HYDRAULIC COMPONENTS

FIGURE 9-18. INLINE FILTER ASSEMBLY



PV0760

SECTION 9 - HYDRAULIC COMPONENTS

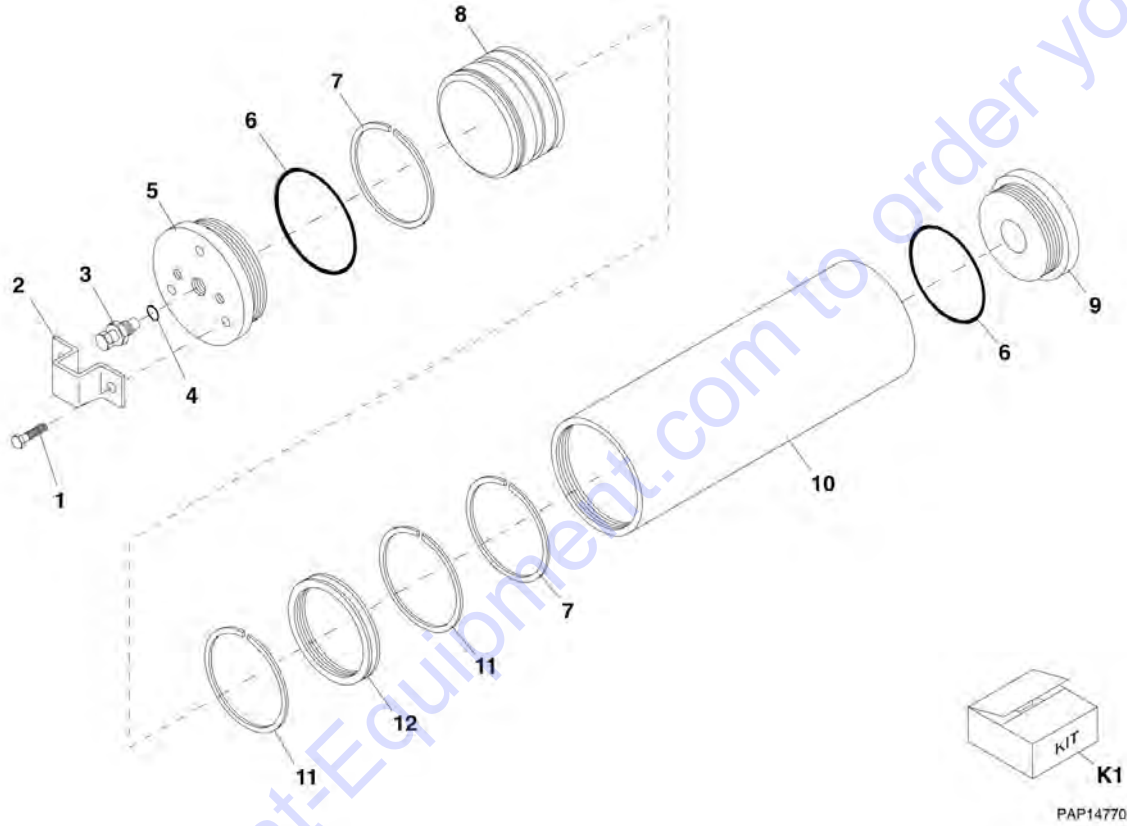
FIGURE 9-18. INLINE FILTER ASSEMBLY

ITEM	PART NUMBER	QTY	DESCRIPTION	REV
	1100963	1	INLINE FILTER ASSY, (includes all items)	AA
1	1100988	1	SPRING GUIDE HEX PLUG	
2	10728957	1	O-RING, #12	
3	1100989	1	BYPASS SPRING, 50 P.S.I.	
4	1100987	1	FILTER ELEMENT	
5	N.S.S.	1	FILTER BODY	

Go to Discount-Equipment.com to order your parts

SECTION 9 - HYDRAULIC COMPONENTS

FIGURE 9-19. ACCUMULATOR ASSEMBLY



SECTION 9 - HYDRAULIC COMPONENTS

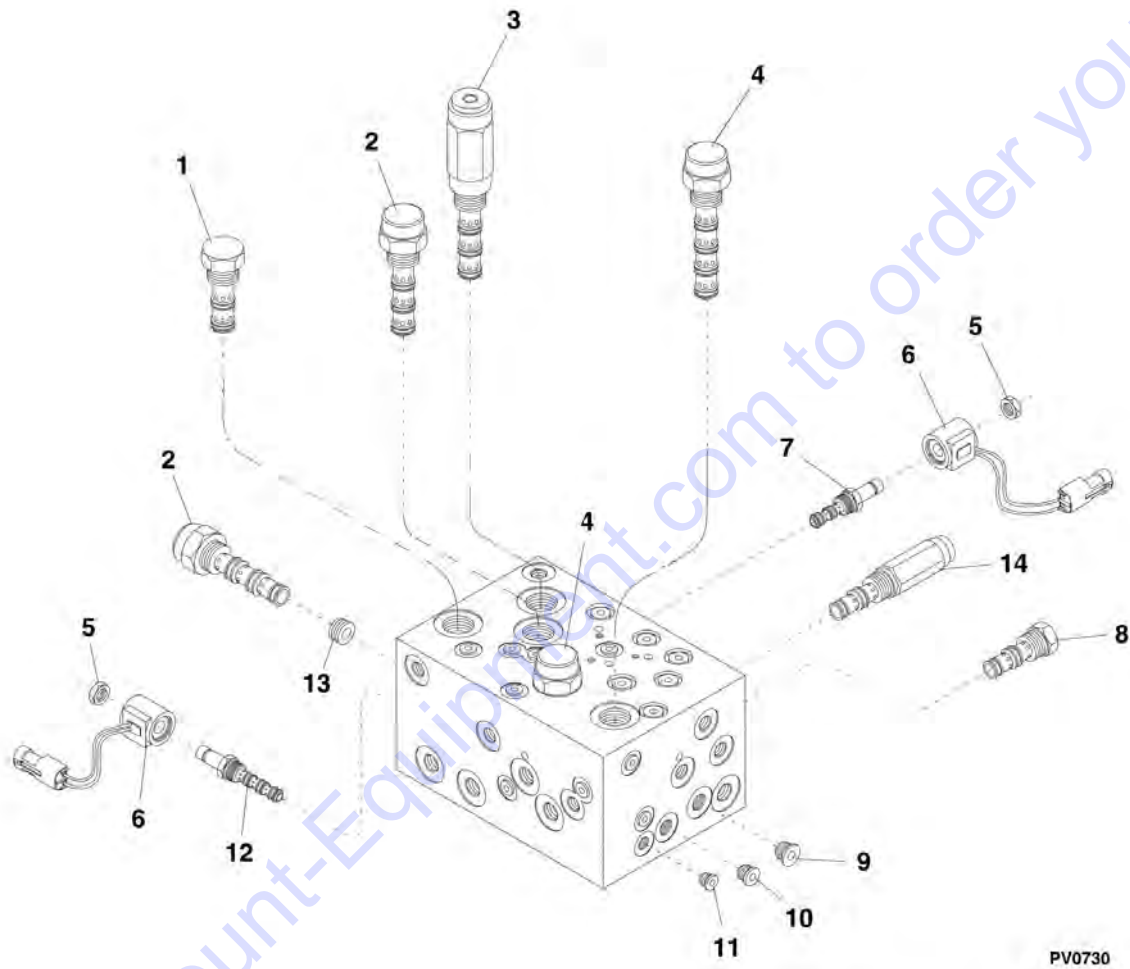
FIGURE 9-19. ACCUMULATOR ASSEMBLY

ITEM	PART NUMBER	QTY	DESCRIPTION	REV
	10731556	1	ACCUMULATOR ASSY, (includes all items)	A
1	10700229	2	HEX HD CAPSCREW, 3/8-16X3/4, GR8	
2	10791946	1	VALVE GUARD	
3	10791947	1	GAS VALVE	
4	Kit	1	O-RING	
5	N.S.S.	1	GAS END CAP	
6	Kit	2	O-RING	
7	Kit	2	TEFLON RING	
8	10791952	1	PISTON	
9	N.S.S.	1	END CAP	
10	N.S.S.	1	ACCUMULATOR BODY	
11	Kit	2	BACK-UP WASHER	
12	Kit	1	O-RING	
K1	10729122	1	ACCUMULATOR SEAL KIT, (includes items 4, 6, 7, 11 & 12)	

Go to Discount-Equipment.com to order your parts

SECTION 9 - HYDRAULIC COMPONENTS

FIGURE 9-20. REAR AXLE STABILIZER CONTROL VALVE, (UNDER CAB)



PV0730

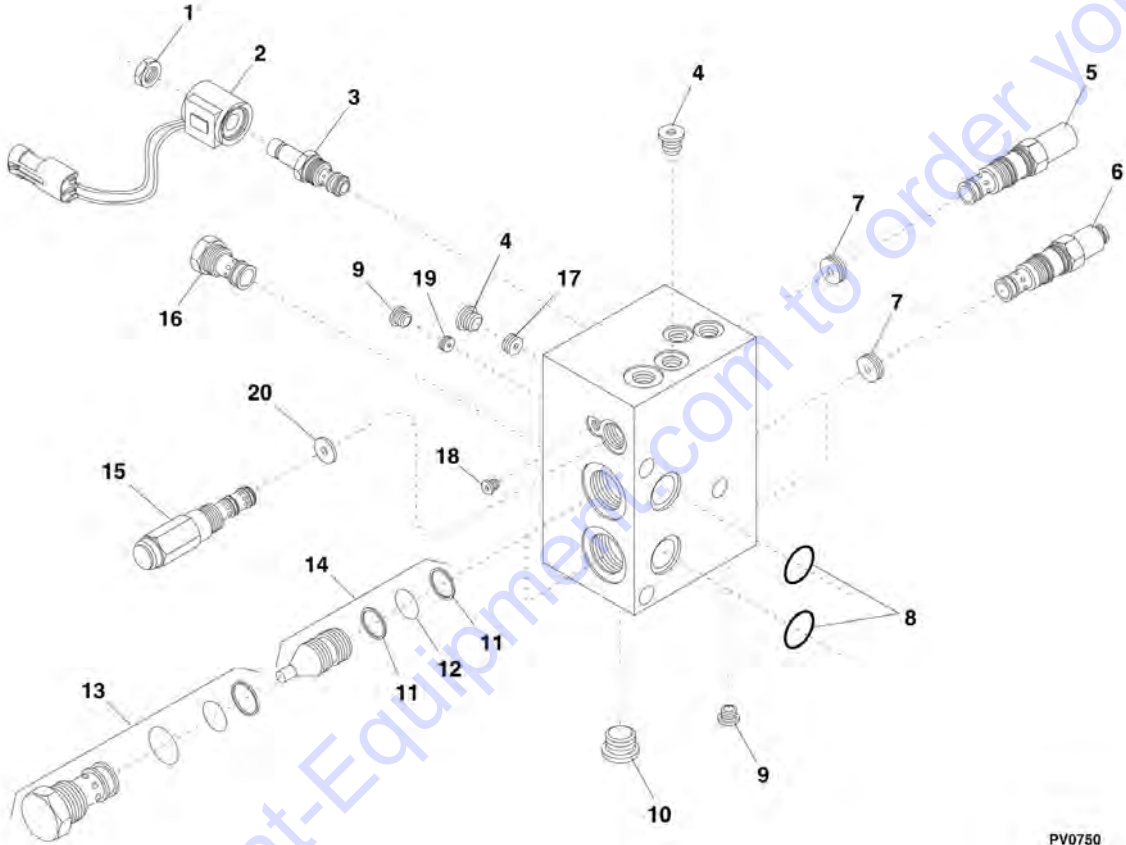
SECTION 9 - HYDRAULIC COMPONENTS

FIGURE 9-20. REAR AXLE STABILIZER CONTROL VALVE, (UNDER CAB)

ITEM	PART NUMBER	QTY	DESCRIPTION	REV
	1102050	1	REAR AXLE STABILIZER CONTROL VALVE, (includes all items)	AA
1	10867163	1	CARTRIDGE VALVE, (PC3)	
1	1100034	1	SEAL KIT	
2	10867164	2	PILOTED CARTRIDGE VALVE, (3-way), (PD1 & PD4)	
2	10837005	2	SEAL KIT	
3	10837575	1	SEQUENCE VALVE, (PS1)	
3	10837011	1	SEAL KIT	
4	10867162	2	PILOTED CARTRIDGE VALVE, (2-way), (PD2 & PD3)	
4	1100035	2	SEAL KIT	
5	10740662	2	NUT	
6	10138329	2	COIL	
7	10837352	1	SOLENOID VALVE, (2 position 3-way), (SV2)	
7	10837355	1	SEAL KIT	
8	10837580	1	SHUTTLE CARTRIDGE VALVE, (S1)	
8	10837014	1	SEAL KIT	
9	2220885	1	HEX PLUG, #6	
10	10727933	3	HEX PLUG, #4	
11	80384373	34	HEX PLUG, #2	
12	10867165	1	SOLENOID VALVE, (2 position 4-way), (SV1)	
12	10868902	1	SEAL KIT	
13	10837010	1	ORIFICE KIT, .040, (PD1)	
14	1102051	1	SEQUENCE VALVE, (PS2)	
14	8036572	1	SEAL KIT	

SECTION 9 - HYDRAULIC COMPONENTS

FIGURE 9-21. REAR AXLE STABILIZER VALVE, (ON REAR AXLE)



PV0750

Go to Discount-Equipment.com to order your parts

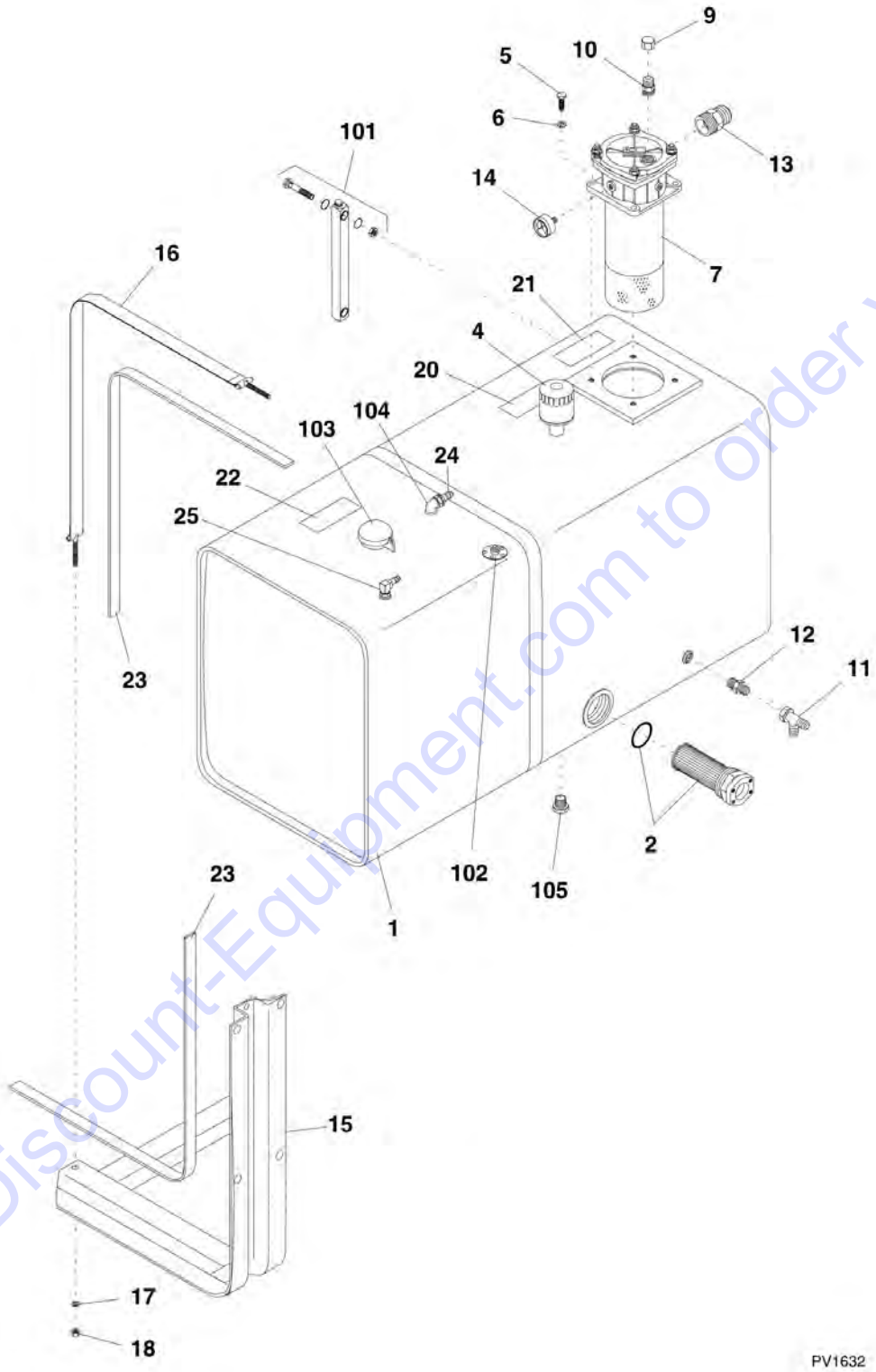
SECTION 9 - HYDRAULIC COMPONENTS

FIGURE 9-21. REAR AXLE STABILIZER VALVE, (ON REAR AXLE)

ITEM	PART NUMBER	QTY	DESCRIPTION	REV
	10366194	1	REAR AXLE STABILIZER VALVE, (includes all items)	D
1	7022390	1	NUT	
2	10138329	1	COIL	
3	10867167	1	SOLENOID VALVE, (SV3)	
3	10868086	1	SEAL KIT	
4	2220885	2	HOLLOW HEX O-RING PLUG, #6	
5	10867168	1	COUNTER BALANCE VALVE CARTRIDGE, (CB)	
5	2900770	1	SEAL KIT	
6	10867169	2	PO CHECK VALVE, (PC1 & PC2)	
6	2900770	2	SEAL KIT	
7	10867170	3	ORIFICE PLUG, 0.040	
8	10710547	2	O-RING	
9	2220883	3	HOLLOW HEX O-RING PLUG, #4	
10	2220867	1	HOLLOW HEX O-RING PLUG, #10	
11	N.S.S.	2	BACK-UP RING	
12	N.S.S.	1	O-RING	
13	10837354	2	CHECK VALVE CARTRIDGE, (CV3 & CV4)	
14	10837360	2	PISTON ASSY, (includes items 11 & 12), (CV3 & CV4)	
14	7029791	1	SEAL KIT, (includes items 11 & 12)	
15	10837353	1	PRESSURE REDUCING VALVE CARTRIDGE, (PR)	
15	7021632	1	SEAL KIT	
16	10867166	2	CHECK VALVE, (CV1 & CV2)	
16	10868086	2	SEAL KIT	
17	10837361	1	ORIFICE PLUG, 0.030	
18	2220881	1	HOLLOW HEX O-RING PLUG, #2	
19	10867171	1	ORIFICE PLUG, 0.080	
20	1102025	1	ORIFICE DISC, 0.130	

SECTION 9 - HYDRAULIC COMPONENTS

FIGURE 9-22. FUEL/HYDRAULIC TANK ASSY



PV1632

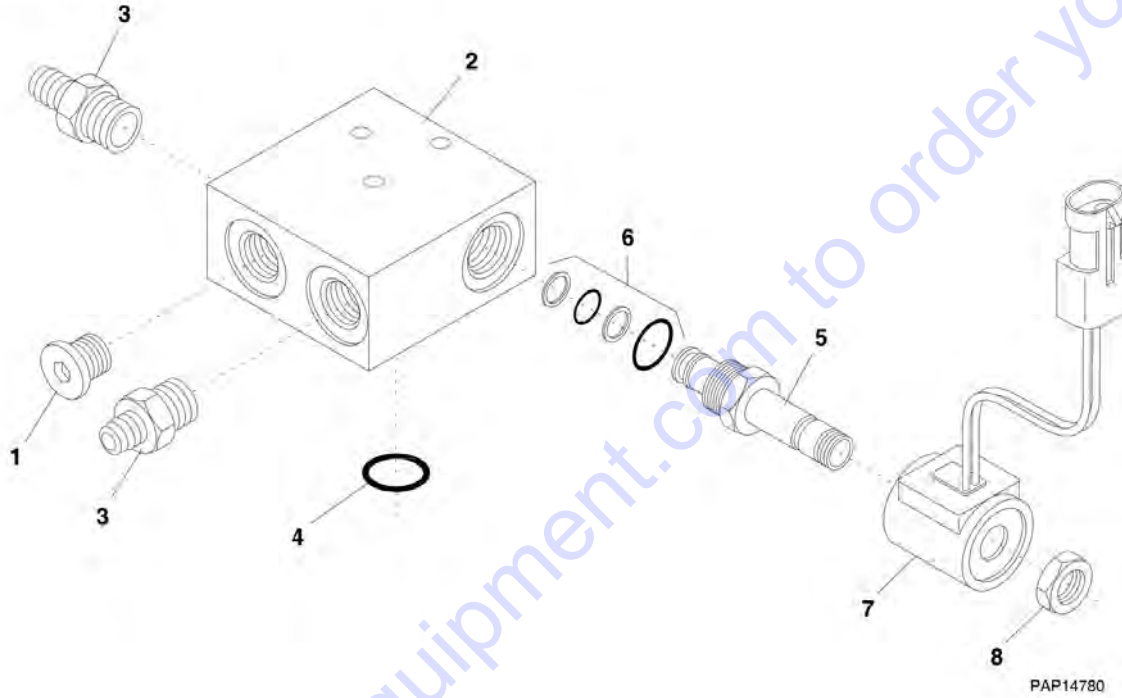
SECTION 9 - HYDRAULIC COMPONENTS

FIGURE 9-22. FUEL/HYDRAULIC TANK ASSY

ITEM	PART NUMBER	QTY	DESCRIPTION	REV
	10439785	1	FUEL/HYDRAULIC TANK ASSY, (includes items 1 thru 25)	K
1	10438944	1	FUEL/HYDRAULIC TANK, (includes items 101 thru 105)	AB
2	10238912	1	HYDRAULIC OIL STRAINER, (includes o-ring)	AB
2	1101888	1	O-RING	
4	10139022	1	BREATHER FILTER	
5	10700204	4	HEX HD CAPSCREW, 3/8-16X1, (torque to 7.2 lb-ft)	
6	10701310	4	LOCKWASHER, 3/8	
7		Ref	HYDRAULIC RETURN LINE FILTER ASSY, (See HYDRAULIC RETURN LINE FILTER ASSEMBLY for Breakdown)	
9	2220518	1	HEX CAP	
10	2220451	1	CONNECTOR, (includes o-ring)	
11	2220385	1	SWIVEL TEE	
12	10723848	1	CHECK VALVE	
13	10728819	1	CONNECTOR, (includes o-ring)	
14		Ref	PRESSURE GAUGE, (See HYDRAULIC RETURN LINE FILTER ASSEMBLY for Breakdown)	
15	10267141	1	TANK SUPPORT BRACKET	
16	10236181	2	TANK STRAP	
17	10701312	4	LOCKWASHER, 1/2	
18	10701510	4	HEX NUT, 1/2-13	
20	10139619	1	HYDRAULIC BREATHER DECAL	
21	10120988	1	HYDRAULIC OIL ONLY DECAL	
22	10120989	1	DIESEL FUEL ONLY DECAL	
23	10167139	2	FUEL/HYDRAULIC TANK BELTING	
24	10716673	1	STRAIGHT FITTING (Prior to SN 0160040407, Excluding 0160037824 and 0160038521)	
24	2220767	1	STRAIGHT FITTING (SN 0160040413 to Present, Including 0160037824 and 0160038521)	
25	10728873	1	ADAPTER, 90	
101	10727809	1	SIGHT GAUGE	
102	10729317	1	FUEL SENDER	
103	10712182	1	FUEL CAP	
104	10730418	1	WITHDRAWAL TUBE	
105	10715446	2	HEX PLUG, (includes o-ring)	

SECTION 9 - HYDRAULIC COMPONENTS

FIGURE 9-23. BOOM EXTEND LOCKOUT VALVE ASSEMBLY



PAP14780

SECTION 9 - HYDRAULIC COMPONENTS

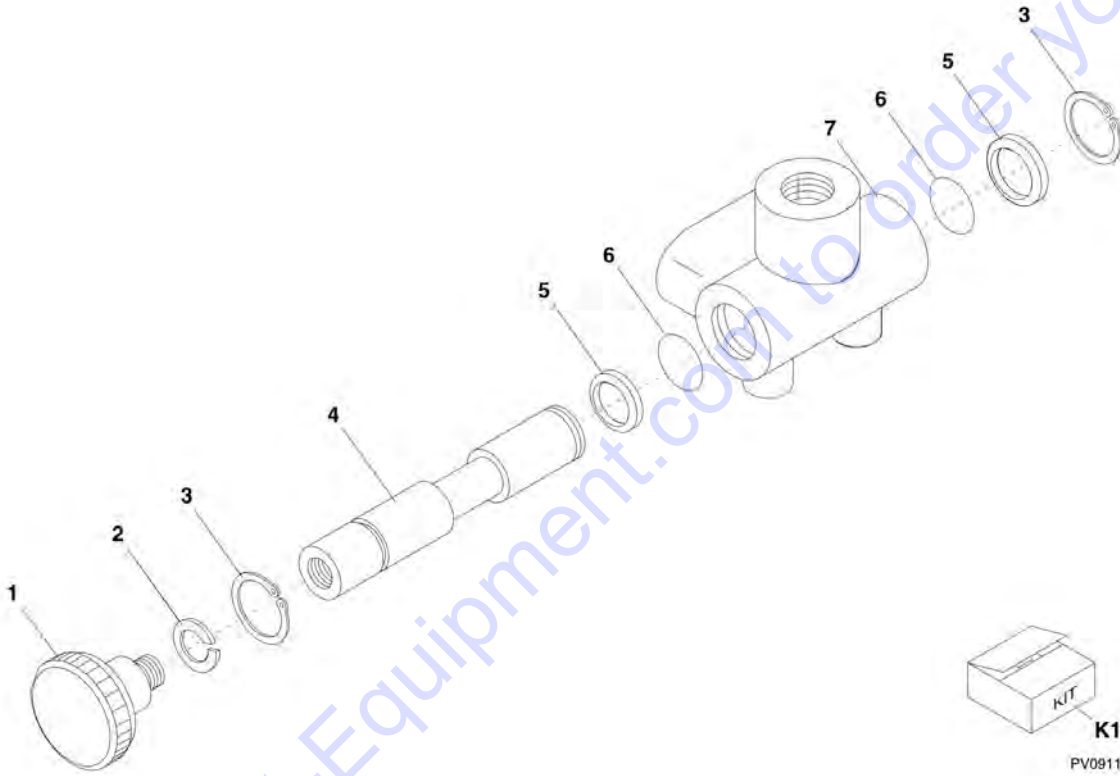
FIGURE 9-23. BOOM EXTEND LOCKOUT VALVE ASSEMBLY

ITEM	PART NUMBER	QTY	DESCRIPTION	REV
	10139949	1	BOOM EXTEND LOCKOUT VALVE ASSY, (includes all items)	AA
1	10727936	1	HOLLOW HEX O-RING PLUG	
2		Ref	BODY	
3	10719414	2	CHECK VALVE	
4	10837684	1	O-RING	
5	70002955	1	SOLENOID VALVE	
6	10837246	1	SEAL KIT	
7	10138329	1	COIL	
8	10740662	1	NUT	

Go to Discount-Equipment.com to order your parts

SECTION 9 - HYDRAULIC COMPONENTS

FIGURE 9-24. PARK BRAKE VALVE ASSEMBLY



Go to Discount-Equipment.com to order your parts

SECTION 9 - HYDRAULIC COMPONENTS

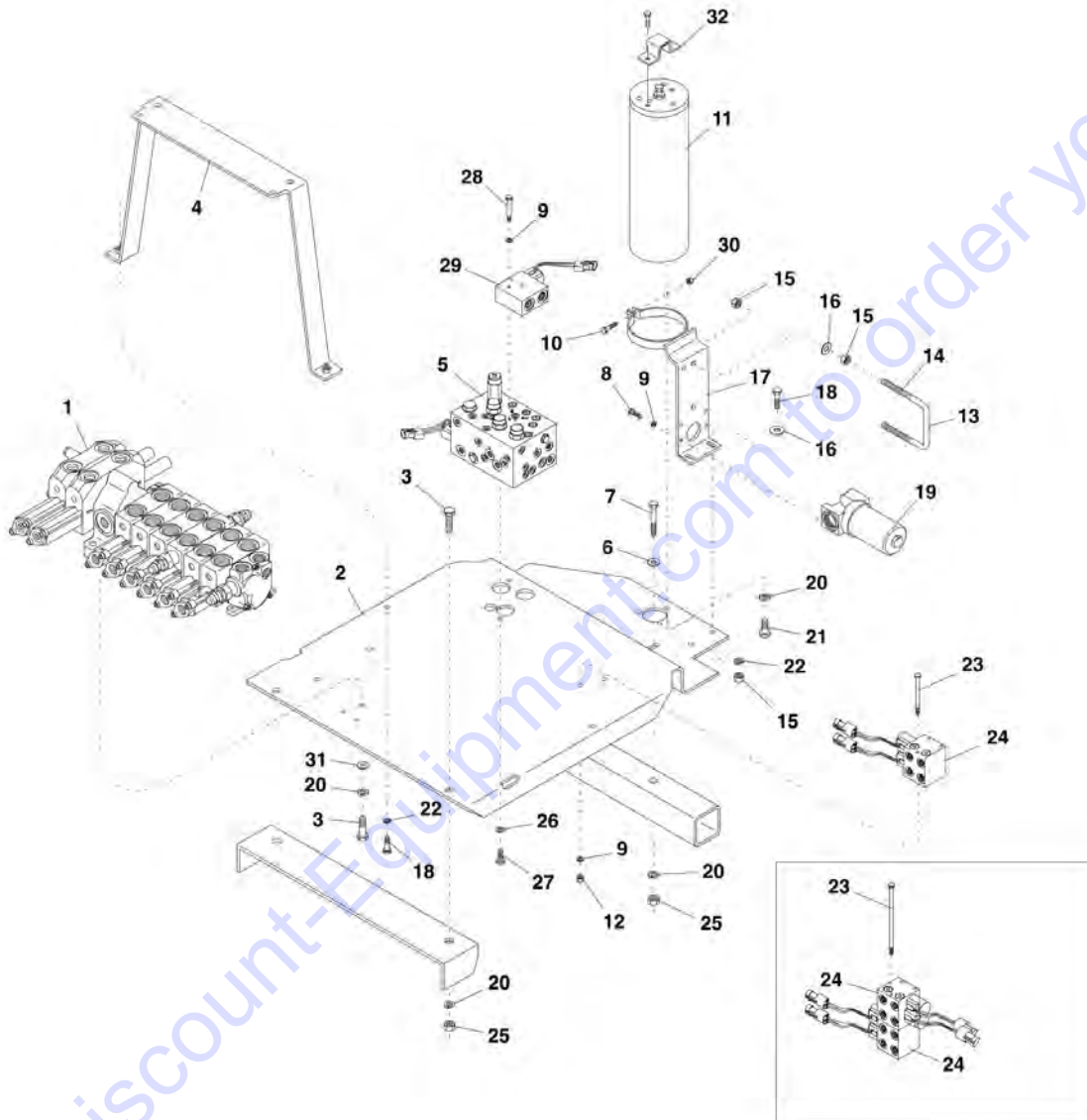
FIGURE 9-24. PARK BRAKE VALVE ASSEMBLY

ITEM	PART NUMBER	QTY	DESCRIPTION	REV
	10740135	1	PARK BRAKE VALVE ASSY, (includes all items)	
1	10791764	1	CONTROL KNOB	
2	10701310	1	LOCKWASHER, 3/8	
3	10727980	2	SNAP RING	
4	N.S.S.	1	VALVE SPOOL	
5	10791765	2	BACK-UP RING, (teflon)	
6	Kit	2	O-RING	
7		Ref	VALVE HOUSING	
K1	10740467	1	SEAL KIT, (includes items 3, 5 & 6)	

Go to Discount-Equipment.com to order your parts

SECTION 9 - HYDRAULIC COMPONENTS

FIGURE 9-25. VALVE PLATE COMPONENTS ASSEMBLY



PAP14790

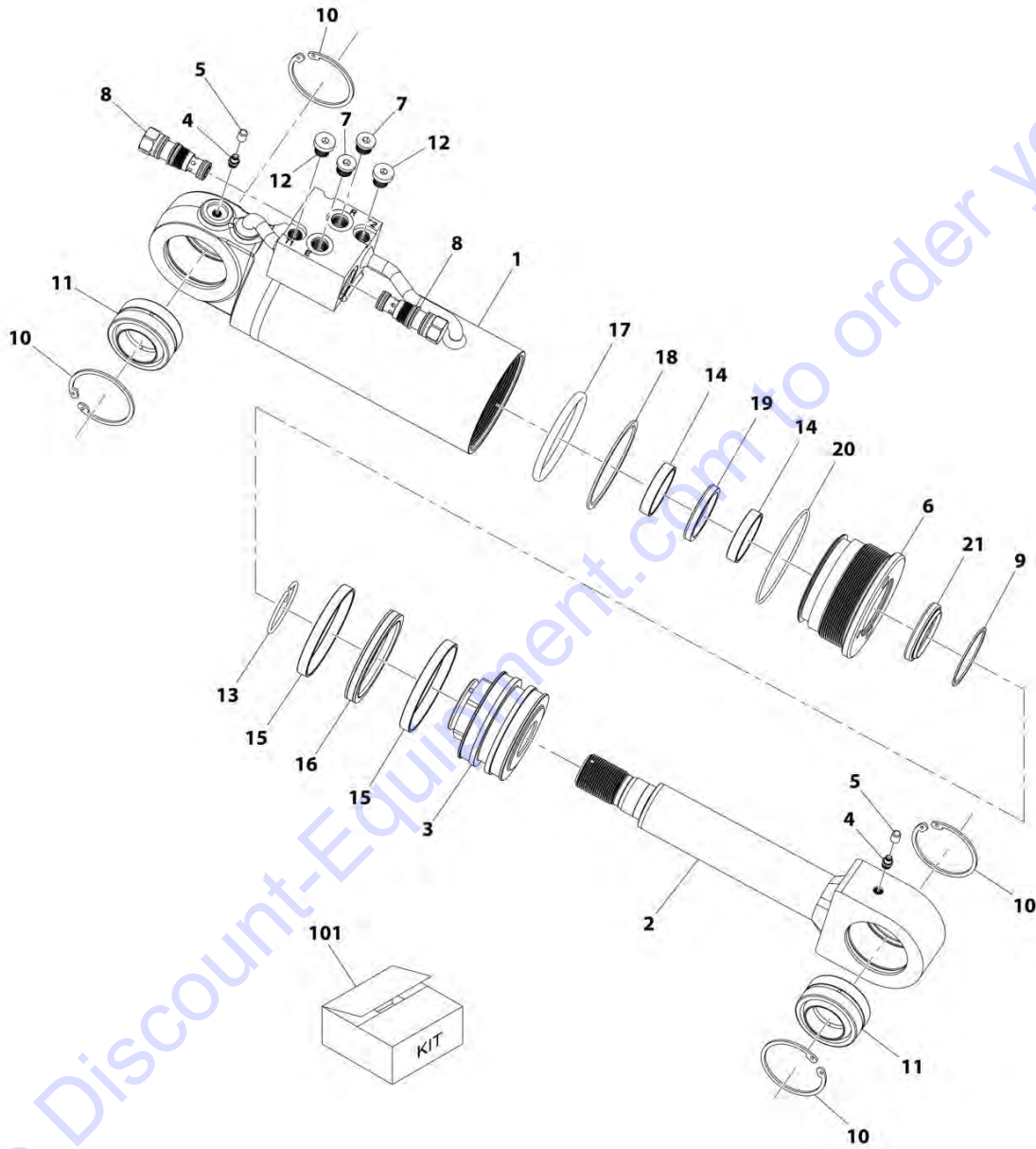
SECTION 9 - HYDRAULIC COMPONENTS

FIGURE 9-25. VALVE PLATE COMPONENTS ASSEMBLY

ITEM	PART NUMBER	QTY	DESCRIPTION	REV
1		Ref	8 SECTION HYDRAULIC CONTROL VALVE ASSY, (Single Aux), (See HYDRAULIC CONTROL VALVE ASSEMBLY for Breakdown)	
1		Ref	9 SECTION HYDRAULIC CONTROL VALVE ASSY, (Dual Aux), (See HYDRAULIC CONTROL VALVE ASSEMBLY for Breakdown)	
2	10438545	1	VALVE PLATE	
3	10700403	5	HEX HD CAPSCREW, 1/2-13X1-1/4, GR5, (torque to 52-58 lb-ft)	
4	10238557	1	FRONT HOSE TRAY SUPPORT BRACKET	
5		Ref	REAR AXLE STABILIZER CONTROL VALVE, (under cab), (See REAR AXLE STABILIZER CONTROL VALVE, (UNDER CAB) for Breakdown)	
6	10701279	1	FLAT WASHER, 1/2	
7	10700411	1	HEX HD CAPSCREW, 1/2-13X3-1/4, GR5	
8	10700001	4	HEX HD CAPSCREW, 1/4-20X1/2, GR5	
9	10701308	9	LOCKWASHER, 1/4	
10	10700006	1	HEX HD CAPSCREW, 1/4-20X1-1/4, GR5	
11		Ref	ACCUMULATOR, (See ACCUMULATOR ASSEMBLY for Breakdown)	
12	10701506	2	HEX NUT, 1/4-20	
13	10720902	AR	LOOM, 3/8x1	
14	10139360	1	HOSE GUIDE, (includes 1 each items 15 & 16)	
15	10701508	4	HEX NUT, 3/8-16	
16	10701404	2	FLAT WASHER, 3/8	
17	10238549	1	ACCUMULATOR AND PRESSURE FILTER MOUNTING BRACKET	
18	10700204	4	HEX HD CAPSCREW, 3/8-16X1, GR5	
19		Ref	PRESSURE FILTER, (See PRESSURE FILTER ASSEMBLY for Breakdown)	
20	10701312	9	LOCKWASHER, 1/2	
21	10700452	3	HEX HD CAPSCREW, 1/2-20X1, GR5	
22	10701310	4	LOCKWASHER, 3/8	
23	10700015	2	HEX HD CAPSCREW, 1/4-20X3-1/2, GR5, (Single Aux)	
23	10700023	2	HEX HD CAPSCREW, 1/4-20X7, GR5, (Dual Aux)	
24		Ref	CIRCUIT SELECTOR VALVE, (See 6-PORT CIRCUIT SELECTOR VALVE ASSEMBLY for Breakdown)	
25	10701510	3	HEX NUT, 1/2-13	
26	10701309	2	LOCKWASHER, 5/16	
27	10700103	2	HEX HD CAPSCREW, 5/16-18X7/8, GR5	
28	10700009	3	HEX HD CAPSCREW, 1/4-20X2, GR5	
29		Ref	BOOM EXTEND LOCKOUT VALVE, (See BOOM EXTEND LOCKOUT VALVE ASSEMBLY for Breakdown)	
30	10705000	1	HEX LOCKNUT, 1/4-20	
31	10701406	3	FLAT WASHER, 1/2	
32	10717593	2	HOSE CLAMP	

SECTION 9 - HYDRAULIC COMPONENTS

FIGURE 9-26. SIDE TILT CARRIAGE CYLINDER



ART_1001163414-A

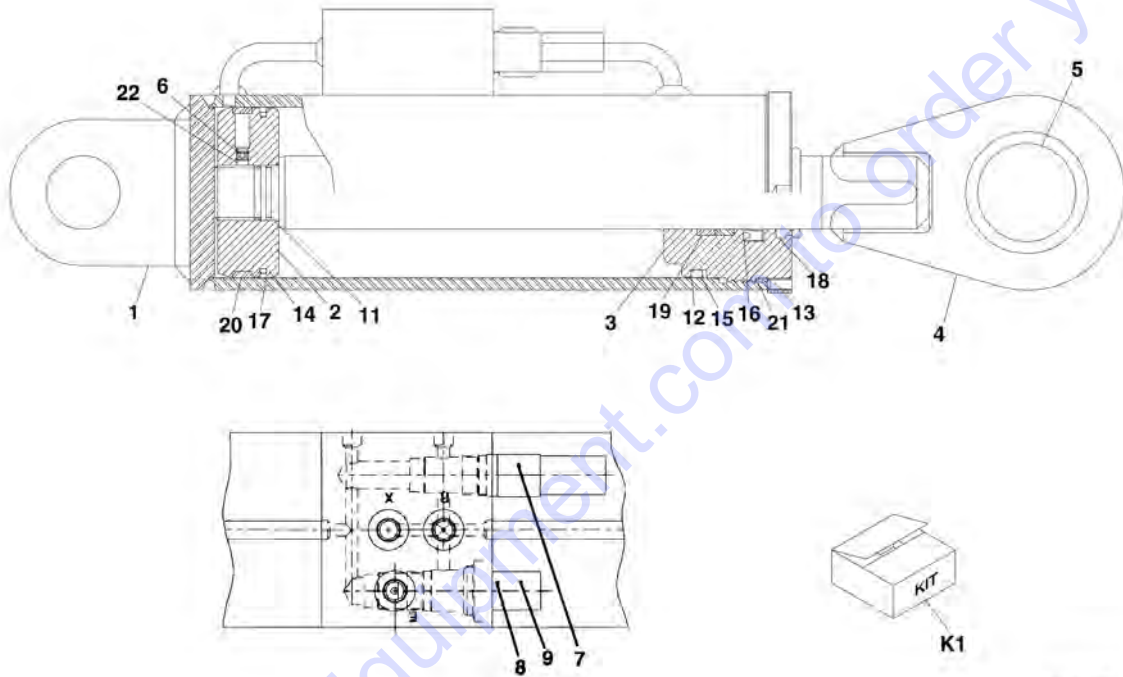
SECTION 9 - HYDRAULIC COMPONENTS

FIGURE 9-26. SIDE TILT CARRIAGE CYLINDER

ITEM	PART NUMBER	QTY	DESCRIPTION	REV
	1001090134	Ref	SIDE TILT CARRIAGE CYLINDER, (no longer available, use 1001163414 for replacement or items below for service)	C
	1001163414	Ref	SIDE TILT CARRIAGE CYLINDER, (includes all items)	A
1	70026056	1	BARREL	
2	70026057	1	ROD	
3	70026058	1	SCREWED PISTON HEAD, 90MM	
4	70025606	2	GREASE NIPPLE	
5	70024020	2	GREASER PROTECTOR	
6	70003849	1	GLAND	
7	70025959	2	BLANKING SCREW	
8	70026059	2	P/O CHECK VALVE	
9	70002219	1	INTERNAL SNAP RING	
10	70026060	4	INTERNAL SNAP RING	
11	70026061	2	SPHERICAL BEARING	
12	70024262	2	BLANKING SCREW	
13	70002224	1	LOCKING RING	
14	Kit	2	ROD BEARING RING	
15	Kit	2	PISTON BEARING RING	
16	Kit	1	PISTON SEAL	
17	Kit	1	O-RING	
18	Kit	1	BACK UP RING	
19	Kit	1	ROD SEAL	
20	Kit	1	O-RING	
21	Kit	1	WIPER SEAL	
101	70026062	1	SEAL KIT, (includes items 14 thru 21)	

SECTION 9 - HYDRAULIC COMPONENTS

FIGURE 9-27. 72IN 90, SWING CARRIAGE CYLINDER



PAP11180

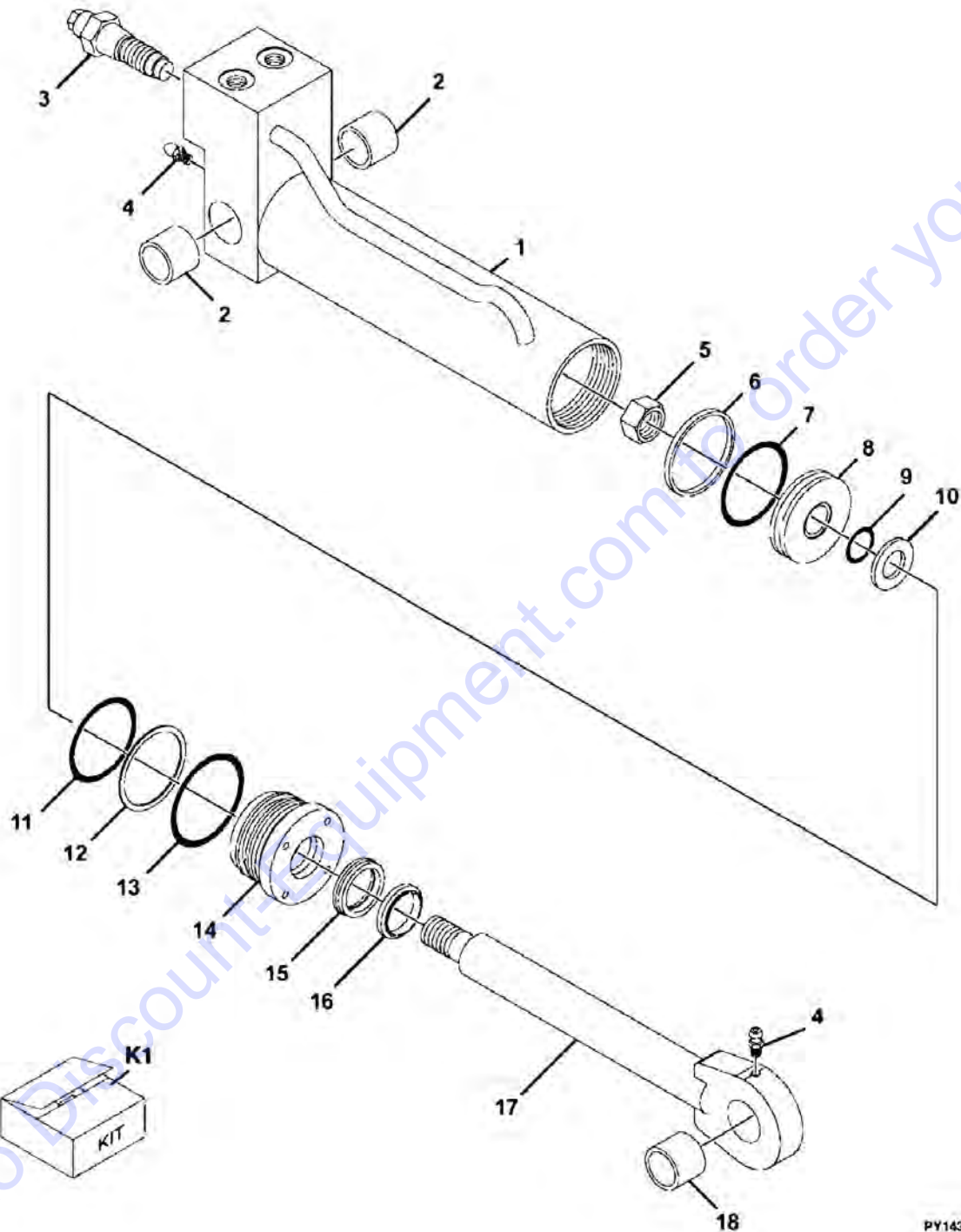
SECTION 9 - HYDRAULIC COMPONENTS

FIGURE 9-27. 72IN 90, SWING CARRIAGE CYLINDER

ITEM	PART NUMBER	QTY	DESCRIPTION	REV
	1001103182	1	SWING CARRIAGE CYLINDER, (includes items 1 thru 22)	B
1	70022044	1	TUBE ASSY	
2	8035863	1	PISTON	
3	8035862	1	HEAD GLAND	
4	70022045	1	ROD ASSY	
5	70022046	1	BEARING	
6	8035536	2	SET SCREW, 5/16-18X1/2	
7	70020428	1	RELIEF VALVE, (preset to 2000psi)	
7	7024574	1	SEAL KIT	
8	8033786	1	COUNTER BALANCE VALVE, (preset to 3000psi)	
8	8205655	1	SEAL KIT	
9	70021812	1	TAMPERPROOF CAP	
11	Kit	1	O-RING	
12	Kit	1	O-RING	
13	Kit	1	O-RING	
14	Kit	1	SQUARE RING	
15	Kit	1	BACKUP RING	
16	Kit	1	SEAL	
17	Kit	1	PISTON SEAL	
18	Kit	1	ROD WIPER	
19	Kit	2	WEARBAND	
20	Kit	1	WEARBAND	
21	Kit	2	INSERT	
22	Kit	2	INSERT	
K1	2915023	1	SEAL KIT, (includes items 11 thru 22)	

SECTION 9 - HYDRAULIC COMPONENTS

FIGURE 9-28. GRAPPLE BUCKET CYLINDER



PV1431

SECTION 9 - HYDRAULIC COMPONENTS

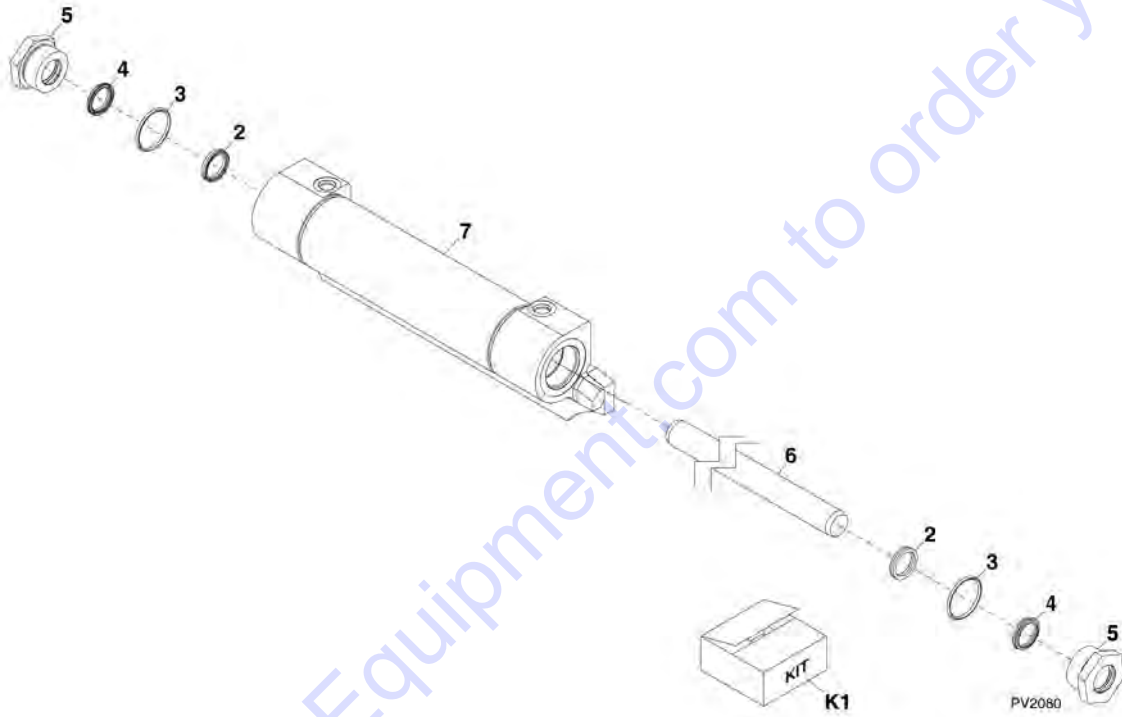
FIGURE 9-28. GRAPPLE BUCKET CYLINDER

ITEM	PART NUMBER	QTY	DESCRIPTION	REV
	70021393	1	GRAPPLE BUCKET CYLINDER, (includes all items)	
1	70021465	1	CYLINDER TUBE	
2	70021448	2	BUSHING	
3	70021464	2	VALVE CARTRIDGE	
4	90554045	2	GREASE FITTING	
5	70021440	1	HEX NUT	
6	Kit	1	PISTON RING	
7	Kit	1	O-RING	
8	70021451	1	PISTON	
9	Kit	1	O-RING	
10	70021444	1	WASHER	
11	Kit	1	O-RING	
12	Kit	1	BACK-UP WASHER	
13	Kit	1	O-RING	
14	70021446	1	CYLINDER GLAND	
15	Kit	1	POLY-PAK SEAL	
16	Kit	1	ROD WIPER	
17	70021466	1	PISTON ROD	
18	70021447	1	BUSHING	
K1	70021452	1	SEAL KIT, (includes items 6, 7, 9, 11 thru 13, 15 & 16)	

Go to Discount-Equipment.com to order your parts

SECTION 9 - HYDRAULIC COMPONENTS

FIGURE 9-29. 50IN SIDE SHIFT CARRIAGE CYLINDER (SN 0160037900 to Present, Including 0160037855)



SECTION 9 - HYDRAULIC COMPONENTS

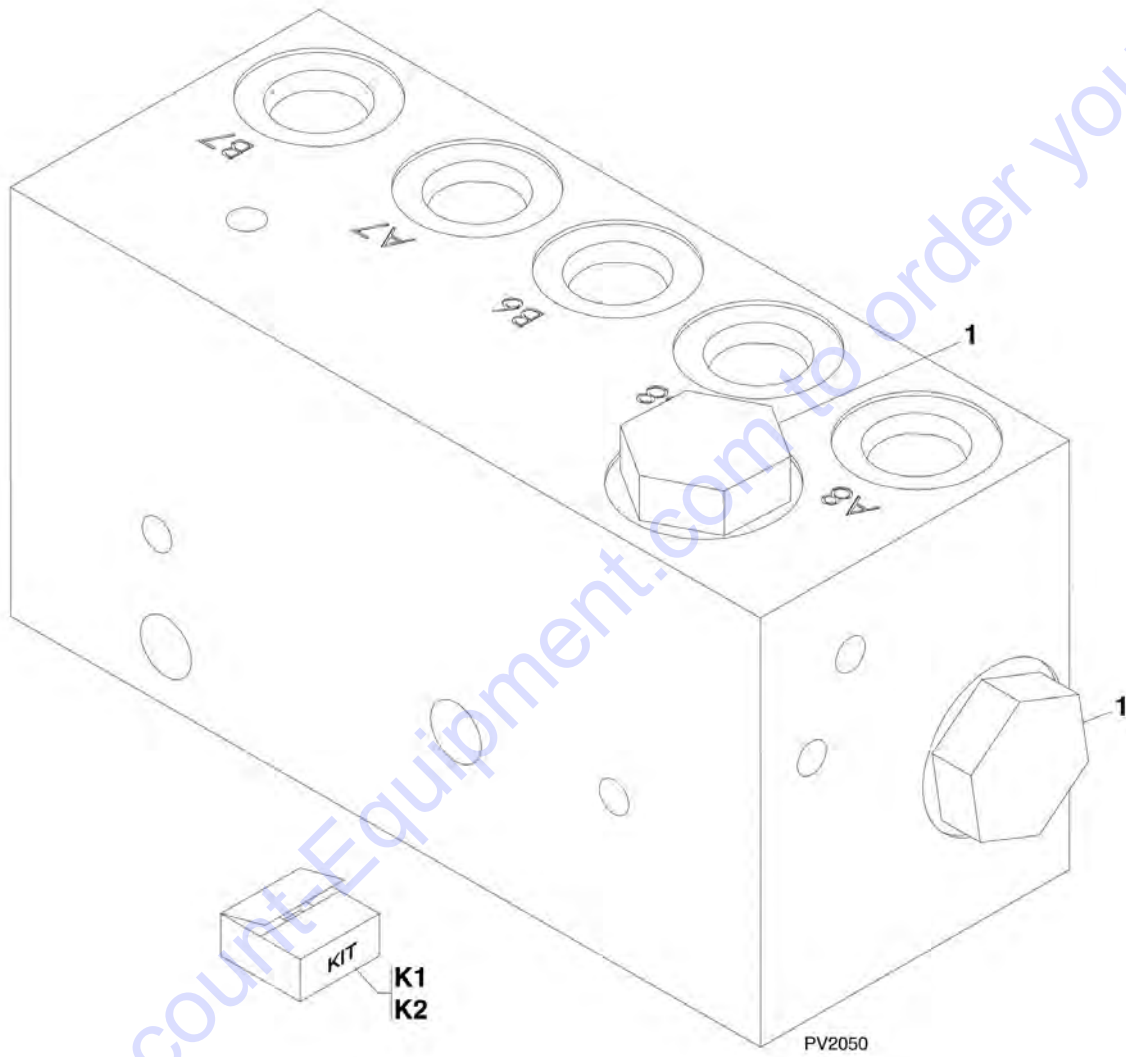
FIGURE 9-29. 50IN SIDE SHIFT CARRIAGE CYLINDER (SN 0160037900 to Present, Including 0160037855)

ITEM	PART NUMBER	QTY	DESCRIPTION	REV
	70024539	1	50 IN SIDE SHIFT CARRIAGE CYLINDER, (includes all items)	B
2	Kit	2	ROD SEAL	
3	70024547	2	O-RING	
4	Kit	2	ROD WIPER SEAL	
5	70024548	2	RETAINER SEAL	
6	N.S.S.	1	ROD	
7	N.S.S.	1	BARREL	
K1	70024549	1	SEAL KIT, (includes items 2 & 4)	

Go to Discount-Equipment.com to order your parts

SECTION 9 - HYDRAULIC COMPONENTS

FIGURE 9-30. SHUTTLE VALVE (SN 0160048698 to Present)



SECTION 9 - HYDRAULIC COMPONENTS

FIGURE 9-30. SHUTTLE VALVE (SN 0160048698 to Present)

ITEM	PART NUMBER	QTY	DESCRIPTION	REV
	1001142244	1	SHUTTLE VALVE, (includes items 1)	B
1	N.S.S.	3	PLUG	
K1	10837580	1	CARTRIDGE KIT	
K2	10837580	1	SEAL KIT	

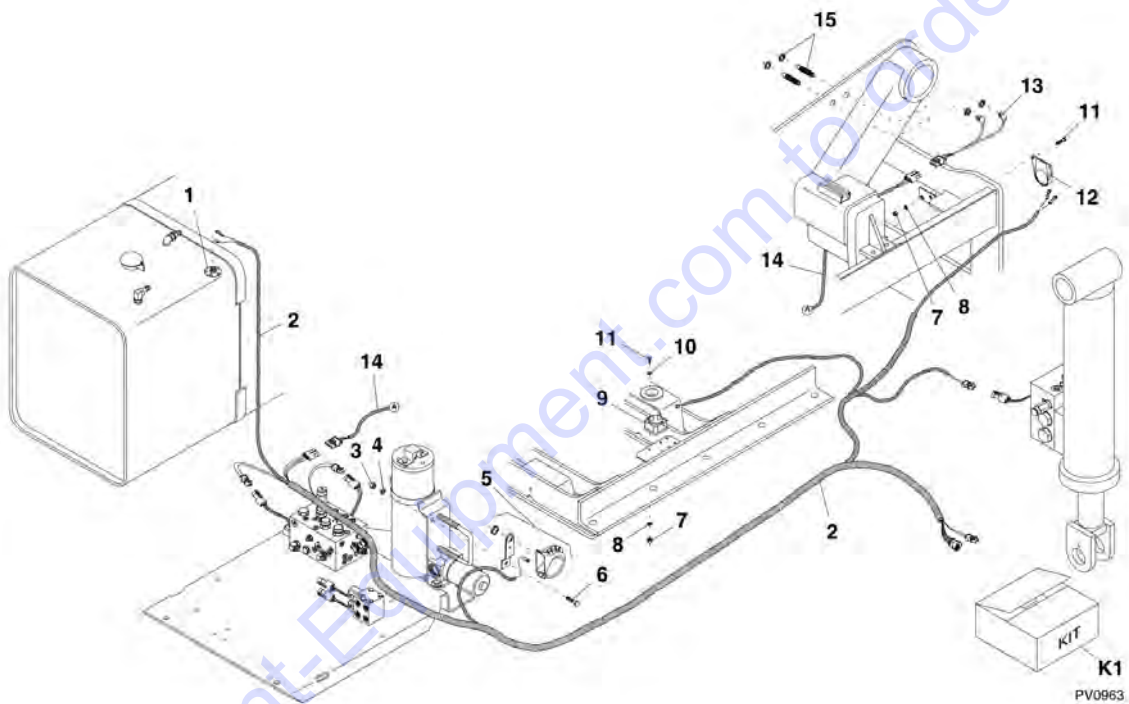
Go to Discount-Equipment.com to order your parts

SECTION 10 - ELECTRICAL

Go to Discount-Equipment.com to order your parts

SECTION 10 - ELECTRICAL

FIGURE 10-1. FRAME HARNESS INSTALLATION (SN 0160009654 through 0160017144, Including 0160008714)



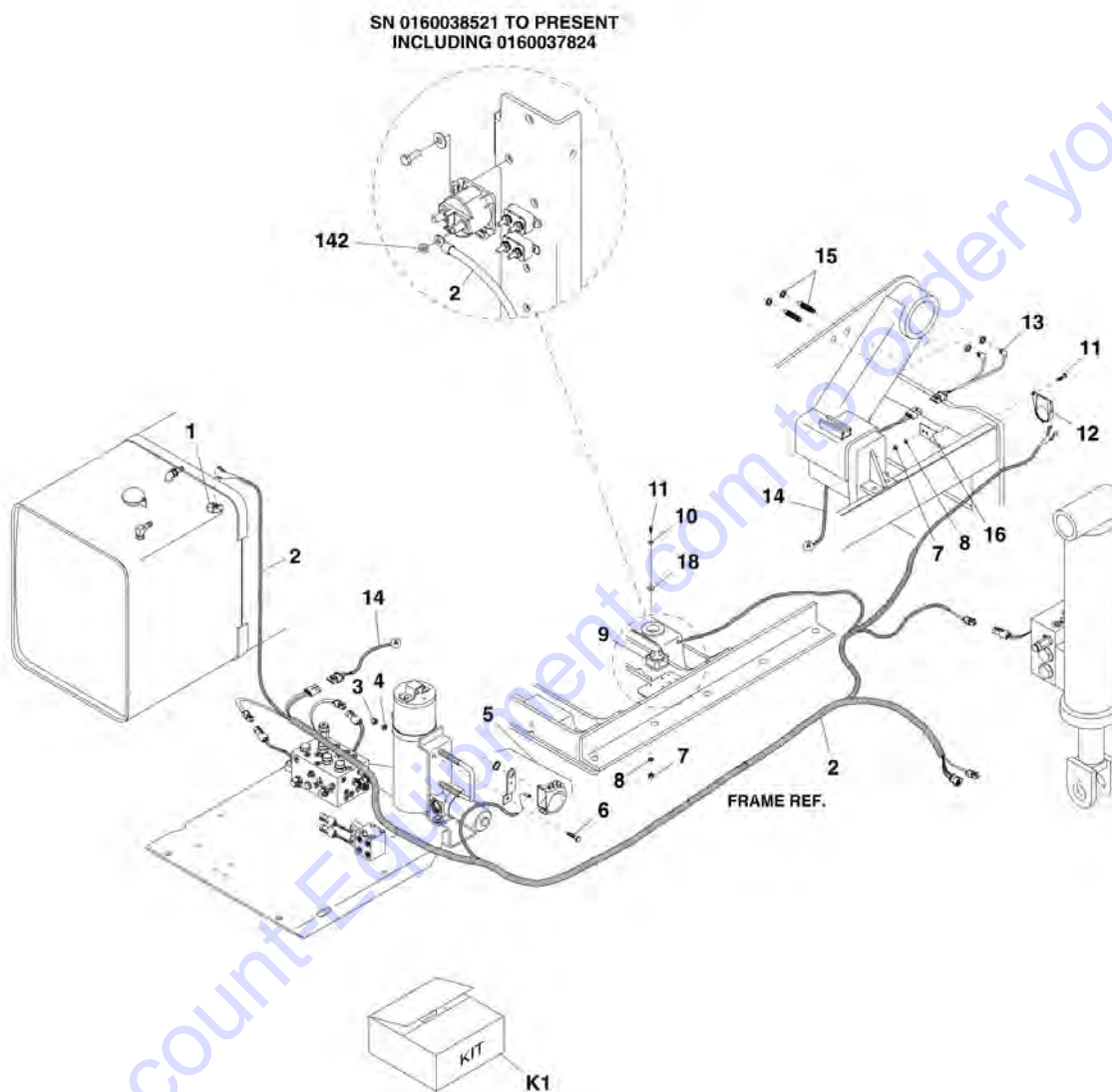
SECTION 10 - ELECTRICAL

FIGURE 10-1. FRAME HARNESS INSTALLATION (SN 0160009654 through 0160017144, Including 0160008714)

ITEM	PART NUMBER	QTY	DESCRIPTION	REV
1		Ref	FUEL/HYDRAULIC TANK ASSY, (See HYDRAULIC COMPONENTS SECTION for Breakdown)	
2	10468666	1	INTERMEDIATE CIRCUIT BOARD WIRE HARNESS	
3	10701507	1	HEX NUT, 5/16-18	
4	10701309	1	LOCKWASHER, 5/16	
5	10268663	1	HORN	
6	10700102	1	HEX HD CAPSCREW, 5/16-18X3/4	
7	10701506	4	HEX NUT, 1/4-20	
8	10701308	4	LOCKWASHER, 1/4	
9	10167789	1	STARTER RELAY	
10	10701275	2	HARD WASHER	
11	10700003	4	HEX HD CAPSCREW, 1/4-20X3/4	
12	N.S.S.	NLA	BACK-UP ALARM, (no longer available, use Kit K1 for replacement)	
13	1101857	1	PROXIMITY SWITCH HARNESS	
14	10165923	1	PROXIMITY SWITCH WIRE HARNESS	
15	1101780	2	PROXIMITY SWITCH	
K1	2915184	1	BACK-UP ALARM SERVICE KIT	

SECTION 10 - ELECTRICAL

FIGURE 10-2. FRAME HARNESS INSTALLATION (SN 0160017145 to Present)



PAP14860

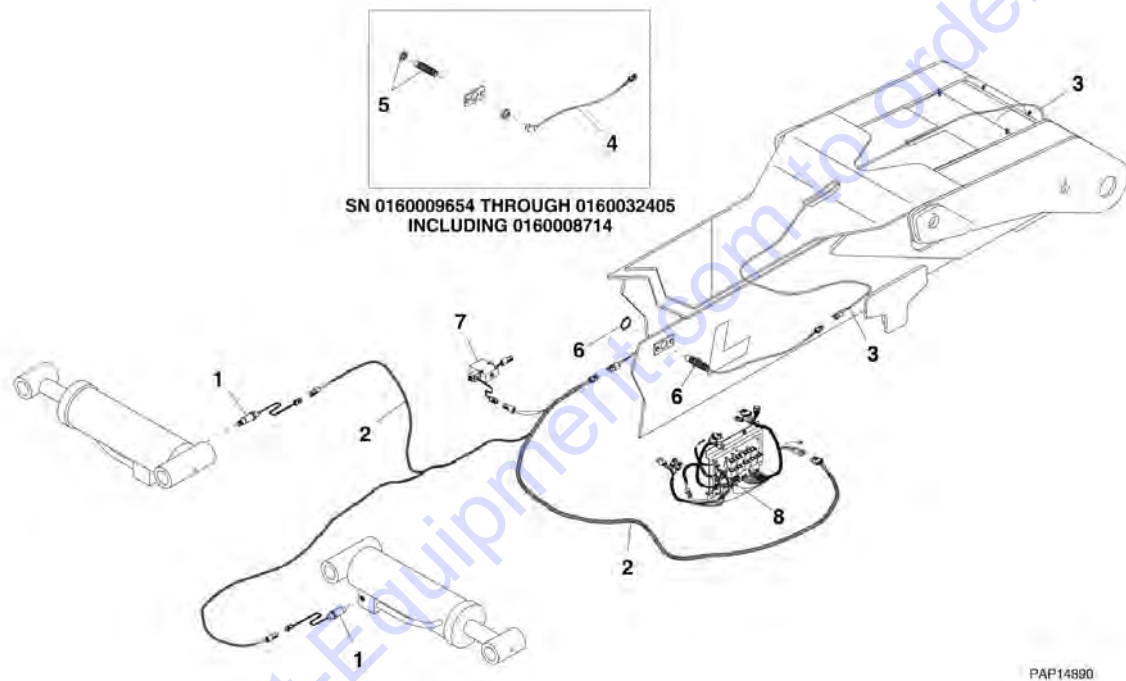
SECTION 10 - ELECTRICAL

FIGURE 10-2. FRAME HARNESS INSTALLATION (SN 0160017145 to Present)

ITEM	PART NUMBER	QTY	DESCRIPTION	REV
1		Ref	FUEL/HYDRAULIC TANK ASSY, (See HYDRAULIC COMPONENTS SECTION for Breakdown)	
2	4923407	1	INTERMEDIATE CIRCUIT BOARD WIRE HARNESS (Prior to SN 0160040407, Excluding 0160037824 and 0160038521)	C
2	1001114326	1	INTERMEDIATE CIRCUIT BOARD WIRE HARNESS (SN 0160040413 to Present, Including 0160037824 and 0160038521)	B
3	10701507	1	HEX NUT, 5/16-18	
4	10701309	1	LOCKWASHER, 5/16	
5	10268663	1	HORN	
6	10700102	1	HEX HD CAPSCREW, 5/16-18X3/4	
7	8305624	4	HEX NUT, 1/4-20	
8	4711400	4	WASHER, 1/4	
9	10167789	1	STARTER RELAY	
10	10701275	2	HARD WASHER	
11	0641406	4	HEX HD CAPSCREW, 1/4-20X3/4, GR5	
12	8270621	1	BACK-UP ALARM	
13	1101857	1	PROXIMITY SWITCH HARNESS (SN 0160017145 through 0160032363)	B
13	1001091643	1	PROXIMITY SWITCH HARNESS (SN 0160032364 to Present)	A
14	10165923	1	PROXIMITY SWITCH WIRE HARNESS	
15	1101780	2	PROXIMITY SWITCH (SN 0160017145 through 0160032363)	
16	3576433	1	MOUNTING BAR	
18	4791400	2	STAR WASHER, 1/4	
19	103382003	1	GROUND CABLE, (cab to frame ground), (not shown)	
20	10701310	2	LOCKWASHER, 3/8, (not shown)	
21	10701558	2	JAM NUT, 3/8-16, (not shown)	
22	10701402	4	WASHER, 1/4, (not shown)	
142		Ref	HEX NUT, #10-24, GR5, (See ENGINE ELECTRICAL GROUP for Breakdown)	
K1	2902550	1	CONNECTOR REPLACEMENT KIT	

SECTION 10 - ELECTRICAL

FIGURE 10-3. OUTRIGGER/BOOM EXTEND LOCKOUT HARNESS INSTALLATION



SECTION 10 - ELECTRICAL

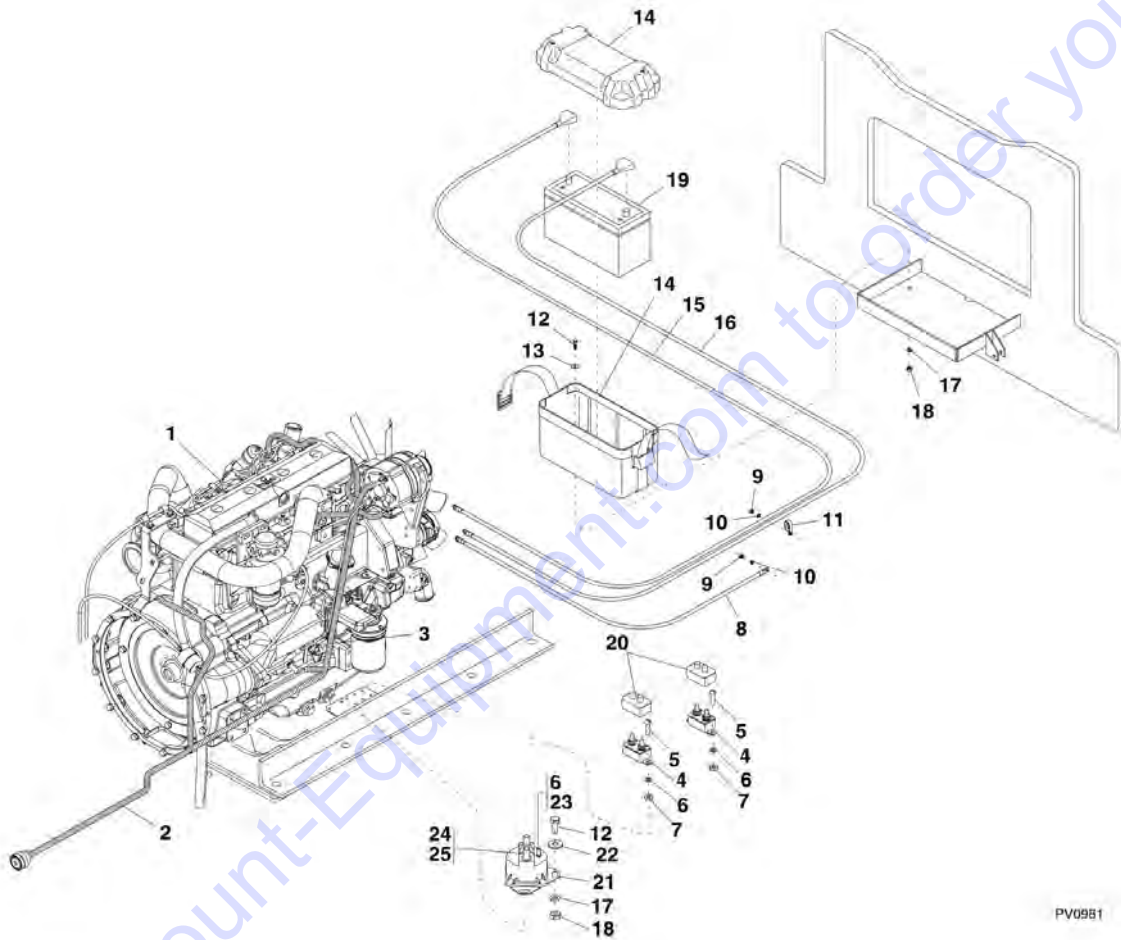
FIGURE 10-3. OUTRIGGER/BOOM EXTEND LOCKOUT HARNESS INSTALLATION

ITEM	PART NUMBER	QTY	DESCRIPTION	REV
1	10168441	2	DIFFERENTIAL PRESSURE SWITCH	
2	10366809	1	LOWER BOOM EXTEND WIRE HARNESS	
3	10139351	1	PROXIMITY SWITCH BOOM EXTEND WIRE HARNESS	
4	10138231	1	PROXIMITY SWITCH CONNECTION WIRE (SN 0160009654 through 0160032405, Including 0160008714)	
5	1101780	1	PROXIMITY SWITCH (SN 0160009654 through 0160032405, Including 0160008714)	
6	1001091371	1	PROXIMITY SWITCH HARNESS (SN 0160032406 to Present)	
7		Ref	BOOM EXTEND LOCKOUT VALVE, (See HYDRAULIC COMPONENTS SECTION for Breakdown)	
8		Ref	ELECTRICAL MOUNTING PANEL, (See FUSES, RELAYS AND BUZZER MOUNTING PANEL for Breakdown)	

Go to Discount-Equipment.com to order your parts

SECTION 10 - ELECTRICAL

FIGURE 10-4. ENGINE ELECTRICAL GROUP (Prior to SN 0160040407, Excluding 0160037824 and 0160038521)



PV0981

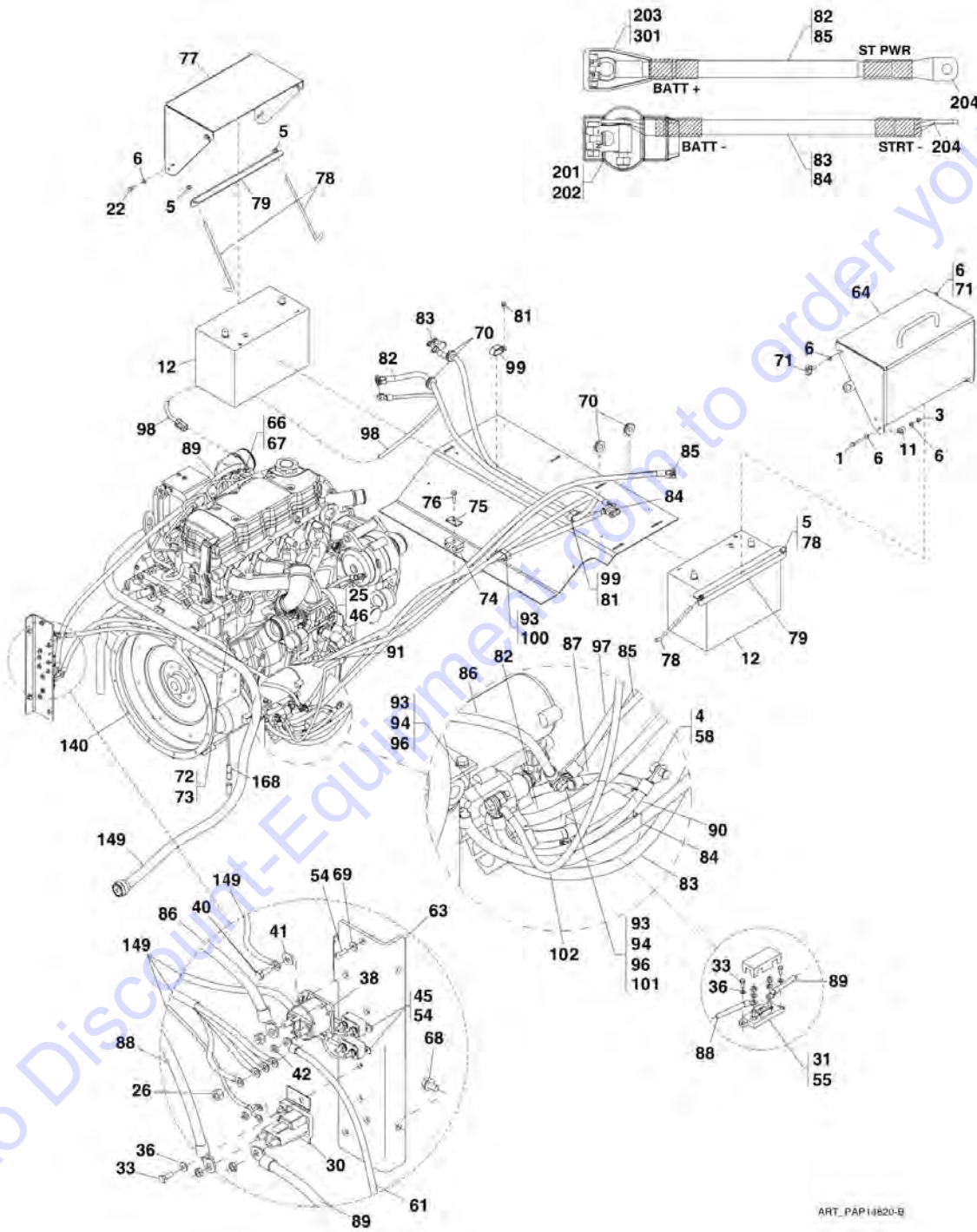
SECTION 10 - ELECTRICAL

FIGURE 10-4. ENGINE ELECTRICAL GROUP (Prior to SN 0160040407, Excluding 0160037824 and 0160038521)

ITEM	PART NUMBER	QTY	DESCRIPTION	REV
1		Ref	JOHN DEERE ENGINE, 115HP, (See ENGINE AND ATTACHING PARTS SECTION for Breakdown)	
2	4923232	1	ENGINE ECU HARNESS	
3	4923247	1	DIODE HARNESS	
4	10729694	2	CIRCUIT BREAKER	
5	10702057	4	RD HD MACHINE SCREW, #10-24X3/4, GR5	
6	4761000	5	WASHER, #10	
7	10701504	4	HEX NUT, #10-24	
8	103382004	1	BATTERY GROUND CABLE	
9	10701508	3	HEX NUT, 3/8-16	
10	10701310	3	LOCKWASHER, 3/8	
11	10837368	2	BATTERY CABLE CLAMP	
12	10700003	8	HEX HD CAPSCREW, 1/4-20X3/4	
13	10701402	6	FLAT WASHER, 1/4	
14	10266935	1	BATTERY BOX, (includes cover and strap)	
15	10135646	1	POSITIVE BATTERY CABLE	
16	10165724	1	NEGATIVE BATTERY CABLE	
17	10701308	8	LOCKWASHER, 1/4	
18	10701506	8	HEX NUT, 1/4-20	
19	10740075	1	BATTERY, 12 VOLT, BCI GROUP 31, 925 CCA	
20	10867571	2	CIRCUIT BREAKER COVER	
21	10167789	1	STARTER RELAY	
22	10701275	2	HARD WASHER	
23	10701528	1	HEX NUT, #10-32	
24	10701309	2	LOCKWASHER, 5/16	
25	10701507	2	HEX NUT, 5/16-18	

SECTION 10 - ELECTRICAL

FIGURE 10-5. ENGINE ELECTRICAL GROUP (SN 0160040413 to Present, Including 0160037824 and 0160038521)



SECTION 10 - ELECTRICAL

FIGURE 10-5. ENGINE ELECTRICAL GROUP (SN 0160040413 to Present, Including 0160037824 and 0160038521)

ITEM	PART NUMBER	QTY	DESCRIPTION	REV
1	0641410	2	HEX HD CAPSCREW, 1/4-20X1-1/4, GR5	
3	3271405	2	HEX LOCKNUT, 1/4-20, GR8	
4	3271601	1	HEX NUT, 3/8-16	
5	3311508	4	HEX NUT, 5/16-18	
6	4711400	12	FLAT WASHER, 1/4	
11	1001096404	2	ANGLE INDICATOR SPACER	
12	1001155219	2	BATTERY, 12 VOLT, BCI GROUP 31, 750 CCA	
25	0761212	1	HEX HD CAPSCREW, 12X25mm, GR8.8, (fully threaded)	
26	3271501	2	HEX NUT, 5/16-18, GR8	
30	8225122	1	RELAY	
31	8229260	1	FUSE HOLDER	
33	8303545	4	HEX HD CAPSCREW, 6X1X14mm	
36	8307219	4	WASHER, 6mm	
38	10167789	1	STARTER RELAY	
40	10700003	2	HEX HD CAPSCREW, 1/4-20X3/4, GR5	
41	10701275	2	WASHER, 5/16X47/64X1/16	
42	10701504	1	HEX NUT, #10-24, GR5	
45	10729694	2	CIRCUIT BREAKER (Prior to SN 0160044252)	
46	83191010	1	LOCKWASHER, 12mm	
54	3911010	5	ROUND HD CAPSCREW, 10-24X5/8 (Prior to SN 0160044252)	
54	3911010	1	ROUND HD CAPSCREW, 10-24X5/8 (SN 0160044252 to Present)	
55	1001095336	1	FUSE, 150 A, 32 VDC, MGEA BOLT	
58	4761600	1	LOCKWASHER, 3/8	
61		Ref	INTERMEDIATE CIRCUIT BOARD HARNESS, (See FRAME HARNESS INSTALLATION for Breakdown)	
63	1001115107	1	ELECTRIC PANEL PLATE	
64	1001119682	1	BATTERY COVER WELD	
66	8305047	1	HEX NUT, 6X1.0mm	
67	8310687	1	TOOTHED LOCKWASHER, 6mm	
68	0791504	2	SCREW, 5/16-18X1/2	
69	4711000	1	WASHER, 10mm	
70	2540020	5	INSULATION GROMMET	
71	2560141	2	THUMB SCREW	
72	0761012	1	HEX HD CAPSCREW, M10X25, GR 8.8	
73	83191013	1	WASHER, 10mm	
74	8769122	1	TWIN CLAMP SET	
75	8769123	1	TWIN COVER PLATE	
76	0641511	1	HEX HD CAPSCREW, 5/16-18X1-3/8, GR 5	
77	1001119681	1	BATTERY COVER	
78	1001118480	4	BATTERY HOLD DOWN STUD	
79	91401281	2	BATTERY HOLD DOWN BRACKET	
81	0791404	2	SCREW, 1/4-20X1/2	
82	1001127038	1	POSITIVE BATTERY CABLE, (includes items 201 & 203)	C
83	1001127039	1	NEGATIVE JUMPER BATTERY CABLE, (includes items 201 & 202)	C
84	1001147885	1	NEGATIVE BATTERY CABLE, (includes items 201, 202 & 204)	A
85	1001147884	1	POSITIVE BATTERY CABLE, (includes items 201, 203 & 204)	A
86	1001128164	1	STARTER RELAY CABLE	
86	8220114	2	TERMINAL RING, 5/16, 6 AWG	
87	1001128165	1	FUSE POWER CABLE	

SECTION 10 - ELECTRICAL

ITEM	PART NUMBER	QTY	DESCRIPTION	REV
87	8220114	2	TERMINAL RING, 5/16, 6 AWG	
88	1001128166	1	FUSE SOLENOID POWER CABLE	
88	8220114	2	TERMINAL RING, 5/16, 6 AWG	
89	1001128167	1	SOLENOID POWER CABLE	
90	1001128200	1	FRAME GROUND CABLE	
90	1001117116	2	TERMINAL RING, 3/8, 2 AWG	
91	1001128201	1	ENGINE GROUND CABLE	
91	1001117116	2	TERMINAL RING, 3/8, 2 AWG	
93	0641610	3	HEX HD CAPSCREW, 3/8-16X1-1/4, GR 5	
94	4711600	2	WASHER, 3/8	
96	88521206	2	LOCKNUT, 3/8-16	
97	7310012	1	FUSEABLE LINK, 150 AMP	
98		Ref	ECM POWER HARNESS, (See ECM POWER HARNESS for Breakdown)	
99	8406112	4	CLIP	
100	10837368	1	DOUBLE TUBE CLAMP	
101	7300344	1	BUS BAR, STARTER NEGATIVE	
102	1001119904	1	ALTERNATOR CABLE, NEGATIVE	
140		Ref	ENGINE ASSY, (See ENGINE AND ATTACHING PARTS SECTION for Breakdown)	
149		Ref	ECU ENGINE HARNESS, (See ENGINE ECU HARNESS for Breakdown)	
168	1001114191	1	STARTER EXTENSION HARNESS	
201	4461270	4	TERMINAL RING, 3/8, 2 AWG	
202	8270147	2	NEGATIVE BATTERY CLAMP ASSY, (includes hardware and cover)	
203	4461265	2	POSITIVE BATTERY TERMINAL ASSY, (includes item 301 and hardware)	
204	1001117118	4	TERMINAL RING, 3/8, 2 AWG	
301	4461233	2	POSITIVE BATTERY COVER	

PARTS FINDER

**Search Website
by Part Number**



**Search Manual
Library For Parts
Manual & Lookup Part
Numbers – Purchase
or Request Quote**

**Can't Find Part or
Manual? Request Help
by Manufacturer,
Model & Description**

Discount-Equipment.com is your online resource for quality parts & equipment.

Florida: **561-964-4949** Outside Florida TOLL FREE: **877-690-3101**

Need parts?

Click on this link: <http://www.discount-equipment.com/category/5443-parts/> and choose one of the options to help get the right parts and equipment you are looking for. Please have the machine model and serial number available in order to help us get you the correct parts. If you don't find the part on the website or on one of the online manuals, please fill out the request form and one of our experienced staff members will get back to you with a quote for the right part that your machine needs.

We sell worldwide for the brands: Genie, Terex, JLG, MultiQuip, Mikasa, Essick, Whiteman, Mayco, Toro Stone, Diamond Products, Generac Magnum, Airman, Haulotte, Barreto, Power Blanket, Nifty Lift, Atlas Copco, Chicago Pneumatic, Allmand, Miller Curber, Skyjack, Lull, Skytrak, Tsurumi, Husquvarna Target, Stow, Wacker, Sakai, Mi-T-M, Sullair, Basic, Dynapac, MBW, Weber, Bartell, Bennar Newman, Haulotte, Ditch Runner, Menegotti, Morrison, Contec, Buddy, Crown, Edco, Wyco, Bomag, Laymor, EZ Trench, Bil-Jax, F.S. Curtis, Gehl Pavers, Heli, Honda, ICS/PowerGrit, IHI, Partner, Imer, Clipper, MMD, Koshin, Rice, CH&E, General Equipment, Amida, Coleman, NAC, Gradall, Square Shooter, Kent, Stanley, Tamco, Toku, Hatz, Kohler, Robin, Wisconsin, Northrock, Oztec, Toker TK, Rol-Air, APT, Wylie, Ingersoll Rand / Doosan, Innovatech, Con X, Ammann, Mecalac, Makinex, Smith Surface Prep, Small Line, Wanco, Yanmar

SECTION 10 - ELECTRICAL

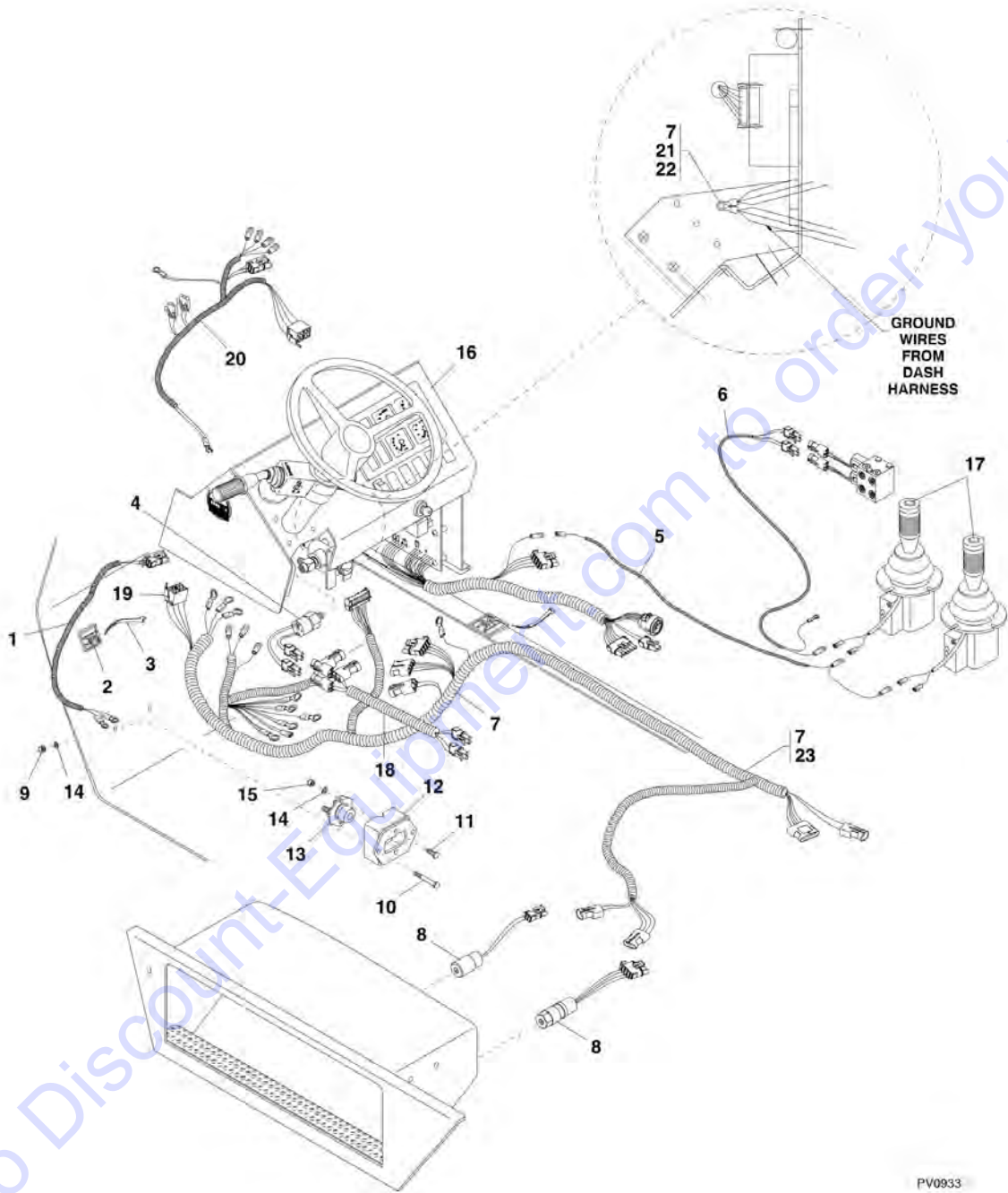
FIGURE 10-6. TRANSMISSION HARNESS INSTALLATION

ITEM	PART NUMBER	QTY	DESCRIPTION	REV
1	0641406	4	HEX HD CAPSCREW, 1/4-20X3/4	
2	2540048	1	RUBBER GROMMET	
3	2540049	1	RUBBER GROMMET	
4	3311001	4	HEX NUT, #10-24	
5	3311401	4	HEX NUT, 1/4-20	
6	3380583	1	MODULE COVER	
7	3931012	4	SOCKET HD CAPSCREW, #10-24X3/4	
8	4711000	8	PLAIN WASHER, #10	
9	4751400	8	PLAIN WASHER, 1/4	
10	4923246	1	TRANSMISSION RELAY HARNESS	
11	4923243	1	TRANSMISSION SOLENOID HARNESS	
12		Ref	ZF TRANSMISSION, (See DRIVE TRAIN SECTION for Breakdown)	

Go to Discount-Equipment.com to order your parts

SECTION 10 - ELECTRICAL

FIGURE 10-7. OPERATOR'S COMPARTMENT ELECTRICAL GROUP INSTALLATION



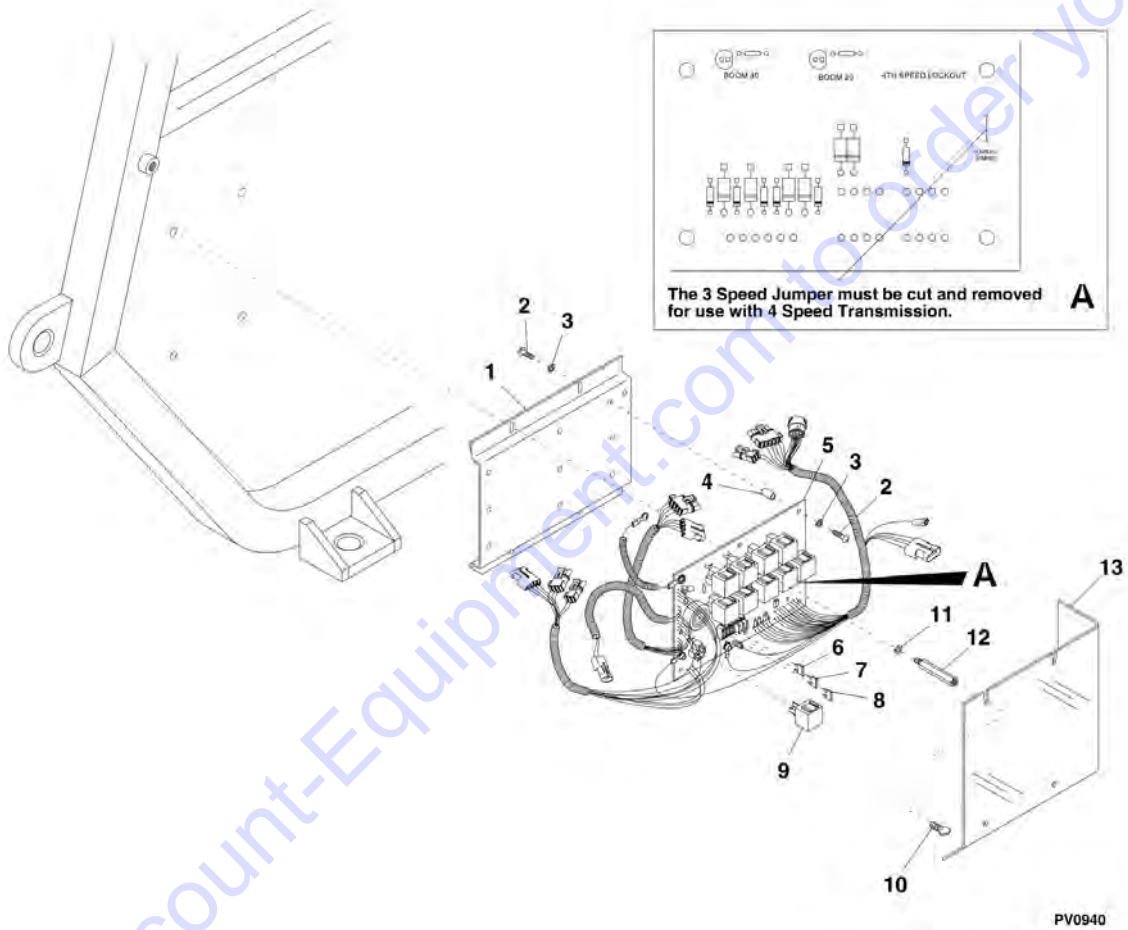
SECTION 10 - ELECTRICAL

FIGURE 10-7. OPERATOR'S COMPARTMENT ELECTRICAL GROUP INSTALLATION

ITEM	PART NUMBER	QTY	DESCRIPTION	REV
1	10166906	1	FOOT SWITCH HARNESS, DLO	
2	10727600	3	TIE WRAP MOUNT	
3	10727600	3	TIE WRAP	
4	10166941	1	PRESSURE SWITCH - D.P.S.T NORMALLY CLOSED, PARK BRAKE	
5	10138471	1	JOYSTICK POWER WIRE HARNESS	
6	10239510	1	JOYSTICK SOLENOID WIRE HARNESS	
7	4923233	1	DASH HARNESS (SN 0160009654 through 0160040407, Excluding 0160037824 and 0160038521)	
7	1001114170	1	DASH HARNESS (SN 0160040413 to Present, Including 0160037824 and 0160038521)	
8		Ref	TEST PORT HYDRAULIC CIRCUIT, (See HYDRAULIC CIRCUITS SECTION for Breakdown)	
9	10866830	2	HEX NUT, 1/4-20	
10	10700010	2	HEX HD CAPSCREW, 1/4-20X2-1/4	
11	10700003	2	HEX HD CAPSCREW, 1/4-20X3/4	
12	10266453	1	FOOT SWITCH WELDMENT	
13	10866446	1	FOOT SWITCH, DLO	
14	10701308	4	LOCKWASHER, 1/4	
15	10701506	2	HEX NUT, 1/4-20	
16		Ref	INSTRUMENT PANEL ASSY, (See CAB SECTION for Breakdown)	
17		Ref	JOYSTICK CONTROL HYDRAULIC CIRCUIT, (See HYDRAULIC CIRCUITS SECTION for Breakdown)	
18	4923253	1	JUMPER WIRE	
19	3740149	1	PARK BRAKE RELAY	
20	10367788	1	FRONT WIPER AND HEATER HARNESS	C
21	3911008	1	ROUND HD MACHINE SCREW, #10-24X1/2	
22	10705104	1	NUT, #10-24	
23	10720496	5	TIE WRAP	

SECTION 10 - ELECTRICAL

FIGURE 10-8. FUSES, RELAYS AND BUZZER MOUNTING PANEL



Go to Discount-Equipment.com to order your parts

SECTION 10 - ELECTRICAL

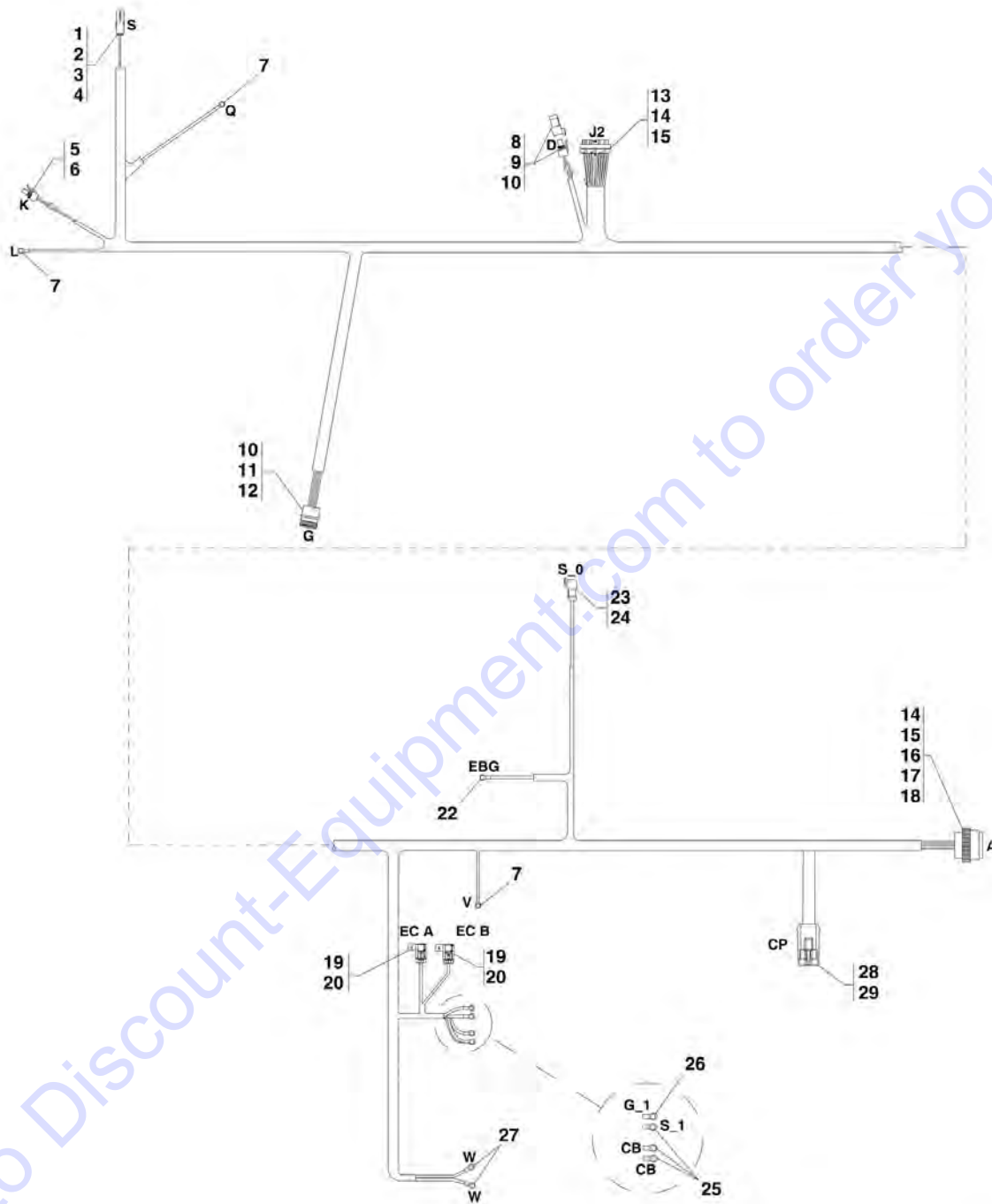
FIGURE 10-8. FUSES, RELAYS AND BUZZER MOUNTING PANEL

ITEM	PART NUMBER	QTY	DESCRIPTION	REV
	10367205	1	CIRCUIT BOARD ASSY, (includes items 1 thru 9)	AB
1	10266950	1	CIRCUIT BOARD MOUNTING PANEL	
2	10867173	18	ROUND HD SLOTTED SCREW, #8-32X1/4	
3	10701305	18	LOCKWASHER, #8	
4	10867159	9	STAND-OFF, FEMALE RD., #8-32X1/2	
5	10366891	1	CIRCUIT BOARD	
6	10866827	1	FUSE, BLADE TYPE - 7.5 AMP, (Brown)	
7	10866828	3	FUSE, BLADE TYPE - 10 AMP, (Red)	
8	10866829	2	FUSE, BLADE TYPE - 15 AMP, (Blue)	
9	8225119	10	SEALED RELAY,HIGH INRUSH W/ RESISTOR	
10	10138251	3	THUMB SCREW, 1/4-20	
11	10701402	4	FLAT WASHER, 1/4	
12	10138327	4	STAND-OFF, 3 1/4 LONG HEX	
13	10238319	1	ELECTRICAL PANEL COVER, PLASTIC	

Go to Discount-Equipment.com to order your parts

SECTION 10 - ELECTRICAL

FIGURE 10-9. ENGINE ECU HARNESS (SN 0160040413 to Present, Including 0160037824 and 0160038521)



PAP14690

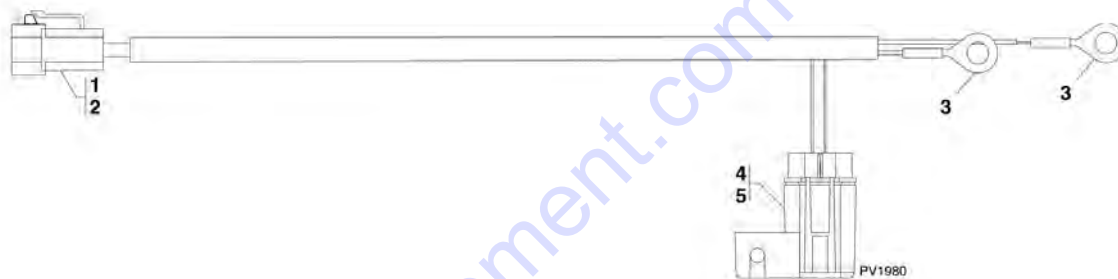
SECTION 10 - ELECTRICAL

FIGURE 10-9. ENGINE ECU HARNESS (SN 0160040413 to Present, Including 0160037824 and 0160038521)

ITEM	PART NUMBER	QTY	DESCRIPTION	REV
	1001127037	1	ENGINE ECU HARNESS, (includes all items)	D
1	4460590	1	CONNECTOR	
2	8220124	1	TERMINAL	
3	4460608	1	TERMINAL SEAL	
4	1001116727	1	PLUG	
5	1001117021	1	CONNECTOR	
6	4460746	1	TERMINAL	
6	4460458	1	TERMINAL SEAL	
7	4460042	3	TERMINAL RING	
8	4460539	1	CONNECTOR	
8	77363244	1	WEDGE LOCK	
9	4460944	1	CONTACT	
10	4460466	2	PLUG	
11	1001116975	1	HOUSING	
12	4460943	1	CONTACT	
13	1001116821	1	CONNECTOR	
14	1001116694	3	TERMINAL	
15	4460518	3	PLUG	
16	1001116962	2	CONNECTOR	
17	4460465	2	TERMINAL	
18	4460509	2	CONTACT	
19	1001117018	2	CONNECTOR, (includes 25 amp fuse)	
20	1001116735	2	FEMALE TERMINAL	
22	4460256	1	TERMINAL RING	
23	1001116966	1	CONNECTOR	
24	91143340	1	TERMINAL	
25	8220045	3	TERMINAL RING	
26	4460043	1	TERMINAL RING	
27	4460247	1	TERMINAL RING	
28	1001117060	1	CONNECTOR	
29	1001116738	1	TERMINAL	

SECTION 10 - ELECTRICAL

FIGURE 10-10. ECM POWER HARNESS (SN 0160040413 to Present, Including 0160037824 and 0160038521)



SECTION 10 - ELECTRICAL

FIGURE 10-10. ECM POWER HARNESS (SN 0160040413 to Present, Including 0160037824 and 0160038521)

ITEM	PART NUMBER	QTY	DESCRIPTION	REV
	1001127042	1	ECM POWER HARNESS, (includes all items)	C
1	1001116810	1	PLUG	
2	4460509	1	CONTACT	
3	4460142	2	TERMINAL RING, #10	
4	1001117070	1	SEALED CONNECTOR, (includes fuse cap and 30 amp fuse)	
5	1001116735	1	CONNECTOR	

Go to Discount-Equipment.com to order your parts

SECTION 10 - ELECTRICAL

FIGURE 10-11. ELECTRICAL OPTIONS HARNESS (SN 0160032761 to Present)

B				
CONN POS	DESIGNATION	COLOR	WIRE GA & TYPE	TO
1	STARTER RELAY GND	GRN	12 GA	M (1)

A				
CONN POS	DESIGNATION	COLOR	WIRE GA & TYPE	TO
1	J7 PWR	RED	12 GA	N (1)

C				
CONN POS	DESIGNATION	COLOR	WIRE GA & TYPE	TO
1	WIPER/WASHER	WHT	12 GA	SPLICE A (2)

F				
CONN POS	DESIGNATION	COLOR	WIRE GA & TYPE	TO
1	BEACON	ORG	12 GA	SPLICE A (2)

M				
CONN POS	DESIGNATION	COLOR	WIRE GA & TYPE	TO
1	STARTER RELAY GND	GRN	12 GA	B (1)

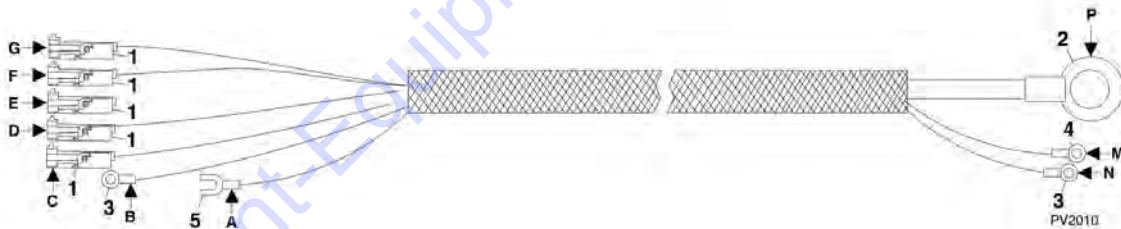
E				
CONN POS	DESIGNATION	COLOR	WIRE GA & TYPE	TO
1	ROAD LIGHT	BRN	12 GA	SPLICE A (2)

G				
CONN POS	DESIGNATION	COLOR	WIRE GA & TYPE	TO
1	HEAT AIR	BLK	12 GA	SPLICE A (2)

N				
CONN POS	DESIGNATION	COLOR	WIRE GA & TYPE	TO
1	J7 PWR	RED	12 GA	A (1)

D				
CONN POS	DESIGNATION	COLOR	WIRE GA & TYPE	TO
1	WORK LIGHT	BLU	12 GA	SPLICE A (2)

P				
CONN POS	DESIGNATION	COLOR	WIRE GA & TYPE	TO
1	OPTIONAL PWR	RED	4 GA	SPLICE A (2)



SECTION 10 - ELECTRICAL

FIGURE 10-11. ELECTRICAL OPTIONS HARNESS (SN 0160032761 to Present)

ITEM	PART NUMBER	QTY	DESCRIPTION	REV
	1001097109	1	ELECTRICAL OPTIONS HARNESS, (includes all items)	E
1	80963056	5	CONNECTOR	
1	80963069	1	TERMINAL	
1	80963067	1	SEAL	
2	4460443	1	TERMINAL RING	
3	4460312	2	TERMINAL RING	
4	4460142	1	TERMINAL RING	
5	4460315	1	TERMINAL RING	

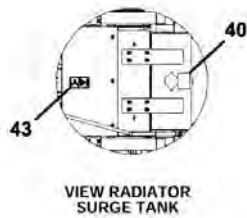
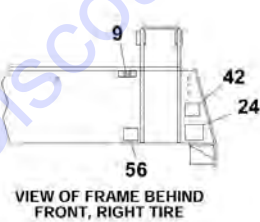
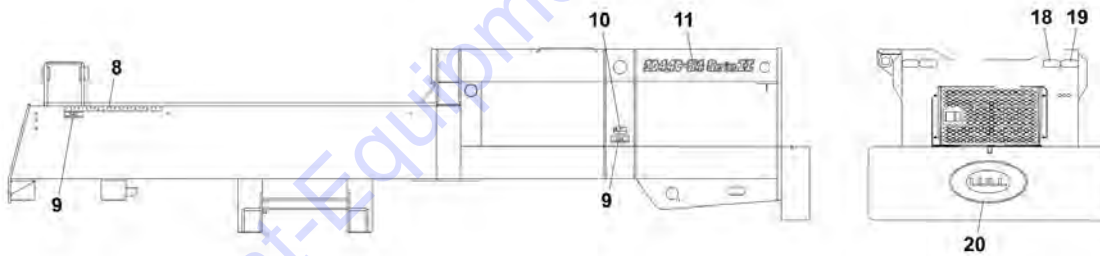
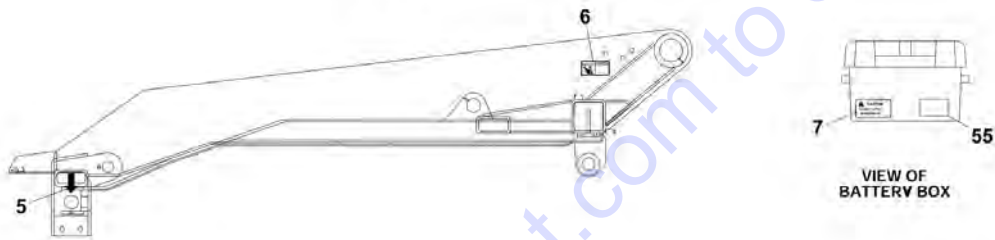
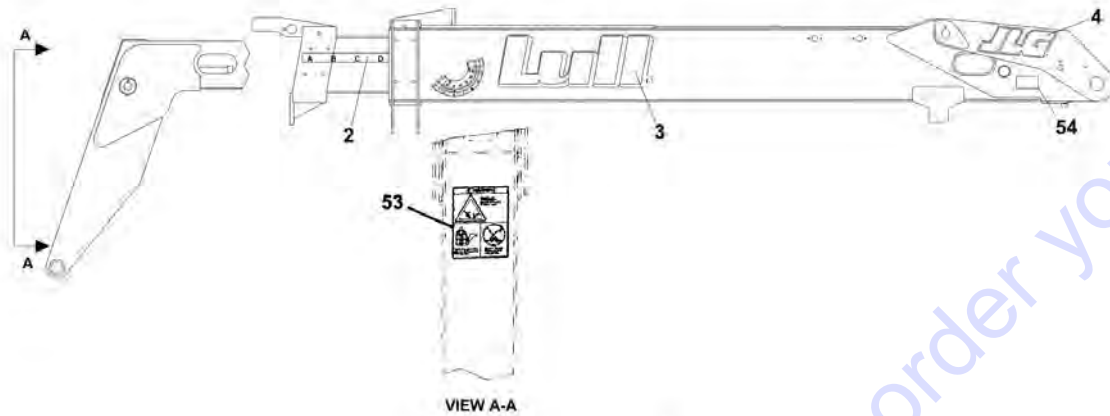
Go to Discount-Equipment.com to order your parts

SECTION 11 - DECALS

Go to Discount-Equipment.com to order your parts

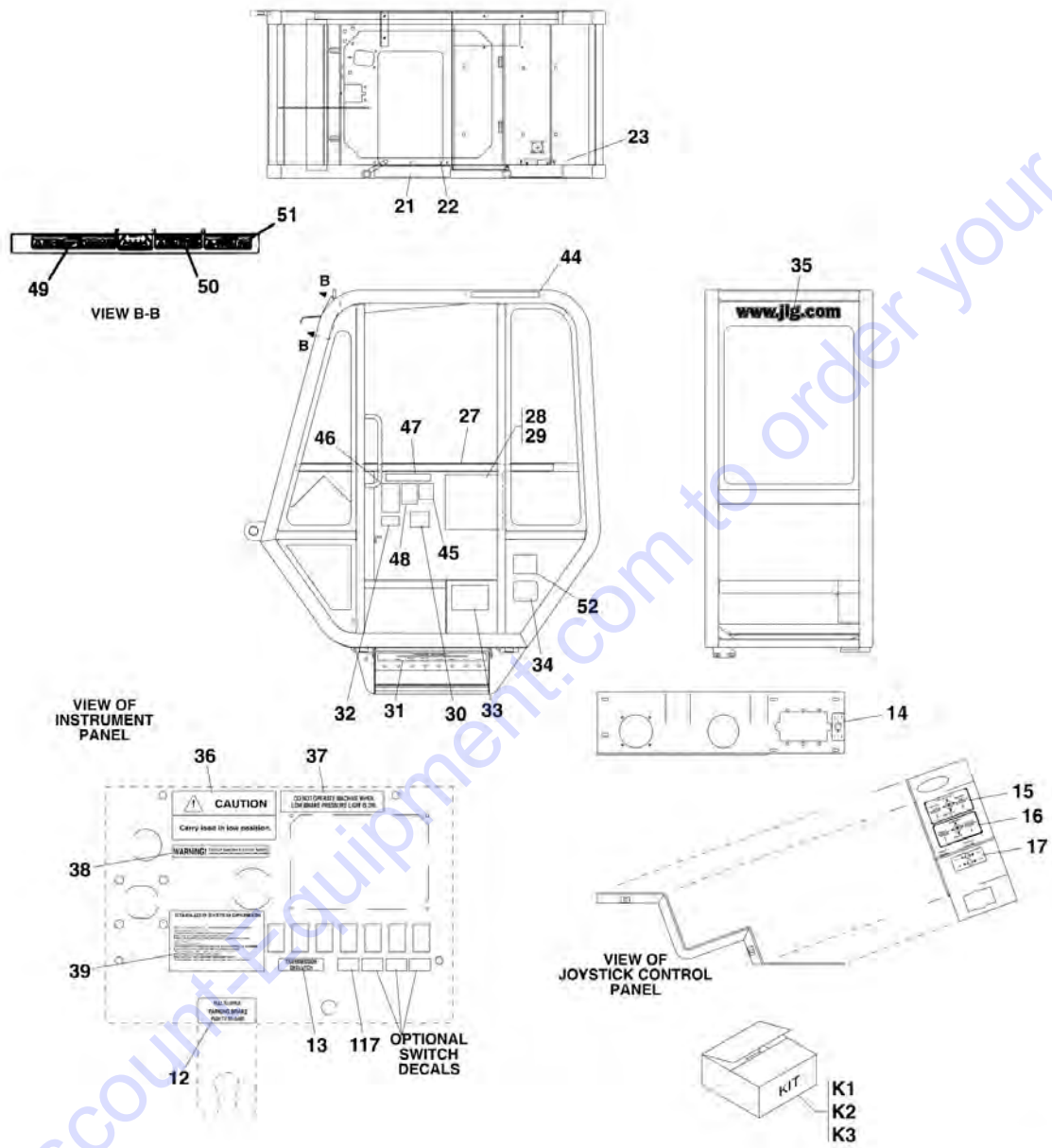
SECTION 11 - DECALS

FIGURE 11-1. DECAL GROUP



ART. PAP14631-B

SECTION 11 - DECALS



PAP14681

SECTION 11 - DECALS

FIGURE 11-1. DECAL GROUP

ITEM	PART NUMBER	QTY	DESCRIPTION	REV
2	10239784	1	BOOM EXTENSION DECAL	
3	1706103	2	LULL BOOM DECAL	
4	1706101	2	JLG DECAL	
5	10116346	2	SMALL ARROW DECAL	
6	10267807	1	PROXIMITY SWITCHES WARNING DECAL	
7	10135092	2	DISCONNECT BATTERY DECAL	
8	10438305	1	FRAME TRANSFER SCALE DECAL	
9	10124751	4	TIRE BALLAST REQUIRED DECAL	
10	10121319	2	DON'T BE CARELESS DECAL	
11	1706400	2	DECAL 1044C-54 SERIES II	
12	10135193	1	PARKING BRAKE DECAL	
13	10135082	1	TRANSMISSION DE-CLUTCH DECAL	
14	10130487	1	FRAME TILT DECAL	
15	10135091	1	FORK TILT, TRANSFER AND AUX DECAL	
16	10135090	1	BOOM HOIST/EXTEND AND AUX DECAL	
17	10138929	1	OUTRIGGER CONTROL DECAL	
18	10718992	2	YELLOW REFLECTOR (SN 0160009654 through 0160028941, Including 0160008714)	
18	7301380	2	ORANGE REFLECTOR (SN 0160028942 to Present)	
19	10718991	2	RED REFLECTOR (SN 0160009654 through 0160028941, Including 0160008714)	
19	7301379	2	RED REFLECTOR (SN 0160028942 to Present)	
20	1706511	1	LULL LOGO DECAL	
21	1012350	1	NON-SKID SURFACE STRIP	
22	10139087	1	SAFETY TREAD	
23	10112750	1	STEER SELECT PLATE	
24	N.S.S.	Ref	SN PLATE	
27	10438304	1	CAB TRANSFER SCALE DECAL	
28	1706502	1	SERVICE/LUBRICATION FLIP CARD (Prior to SN 0160037787)	
28	1001103932	1	SERVICE/LUBRICATION FLIP CARD (SN 0160037787 to Present)	
29	1001105327	1	CAPACITY CHART (Prior to SN 0160037900)	2
29	10239982	1	SWING CARRIAGE CAPACITY CHART (Prior to SN 0160037900)	
29	1001106009	1	CAPACITY CHART (SN 0160037900 to Present)	B
29	1001110409	1	SUPPLEMENTAL CAPACITY CHART BOOKLET (SN 0160037900 to Present)	B
30	10139033	1	OUTRIGGER CAUTION DECAL	
31	10339962	1	DIAGNOSTIC PORTS DECAL	
32	1702962	1	CALIFORNIA PROPOSITION 65 WARNING DECAL	
33	10220964	1	CAUTION DECAL	
34	3251813	1	USA DECAL	
35	1705687	1	JLG WEBSITE DECAL	
36	10167809	1	LOW LOAD DECAL	
37	10124906	1	LOW BRAKE PRESSURE WARNING DECAL	
38	10167810	1	WARNING CONSULT MANUAL DECAL	
39	10167808	1	STABILIZER SYSTEM OPERATION DECAL	
40	1001109053	1	SLOW FILL DECAL (SN 0160040413 to Present, Including 0160037824 and 0160038521)	
41	1706300	1	NO ETHER DECAL (SN 0160040413 to Present, Including 0160037824 and 0160038521)	
42	1001131271	1	PATENT TELEHANDLERS DECAL	
43	1706301	1	MOVING PARTS DECAL	

SECTION 11 - DECALS

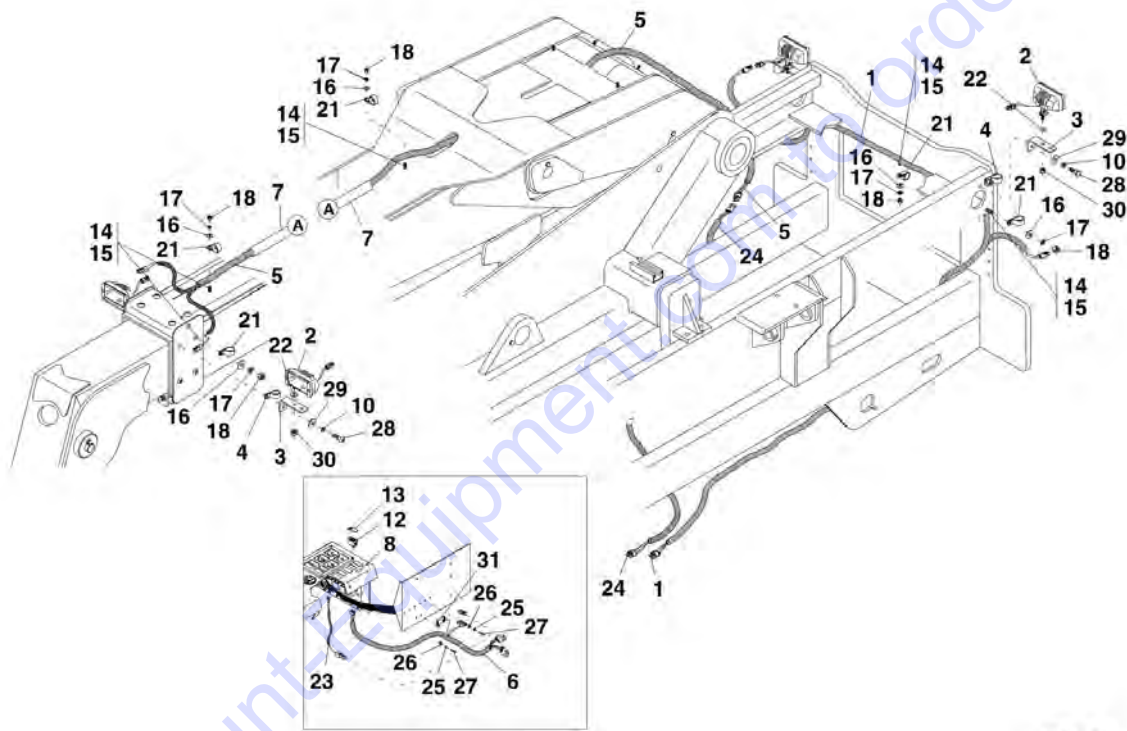
ITEM	PART NUMBER	QTY	DESCRIPTION	REV
44	1701640	1	MANUAL DECAL	
45	1706851	1	WARNING DO NOT JUMP DECAL, (ANSI)	
46	1706304	1	RUN OVER DECAL, (ANSI)	
47	1706303	1	READ MANUAL DECAL, (ANSI)	
48	1706767	1	MACHINE ROLL DECAL, (ANSI)	
49	1706306	1	TIP OVER DECAL	
50	1706299	1	ELECTROCUTION HAZARD DECAL	
51	1706850	1	CRUSH HAZARD WARNING DECAL	
52	1706768	1	NO RIDERS DECAL	
53	1706298	1	CARRY PERSONNEL DECAL	
54	1706302	2	PINCH POINT DECAL	
55	1706296	2	BATTERY WARNING DECAL	
56	1702631	1	DECAL, BAR CODE	
117	10138410	1	WINDSHIELD WASHER DECAL, (enclosed cab)	
K1	2915193	1	DECAL KIT, (includes items 1 thru 17, 20 thru 23, 27, 30 thru 55 & items 51 & 55 thru 58 on BOOM SECTION)	
K2	1001115205	1	RIGHT SIDE DASH DECAL KIT, (includes items 45 thru 48)	
K3	1001115208	1	DECALS CAB KIT, (ANSI), (includes items 34 & 49 thru 52)	

SECTION 12 - OPTIONS

Go to Discount-Equipment.com to order your parts

SECTION 12 - OPTIONS

FIGURE 12-1. WORKLIGHT OPTION INSTALLATION (SN 0160009654 through 0160019928, Including 0160008714)



PV1130

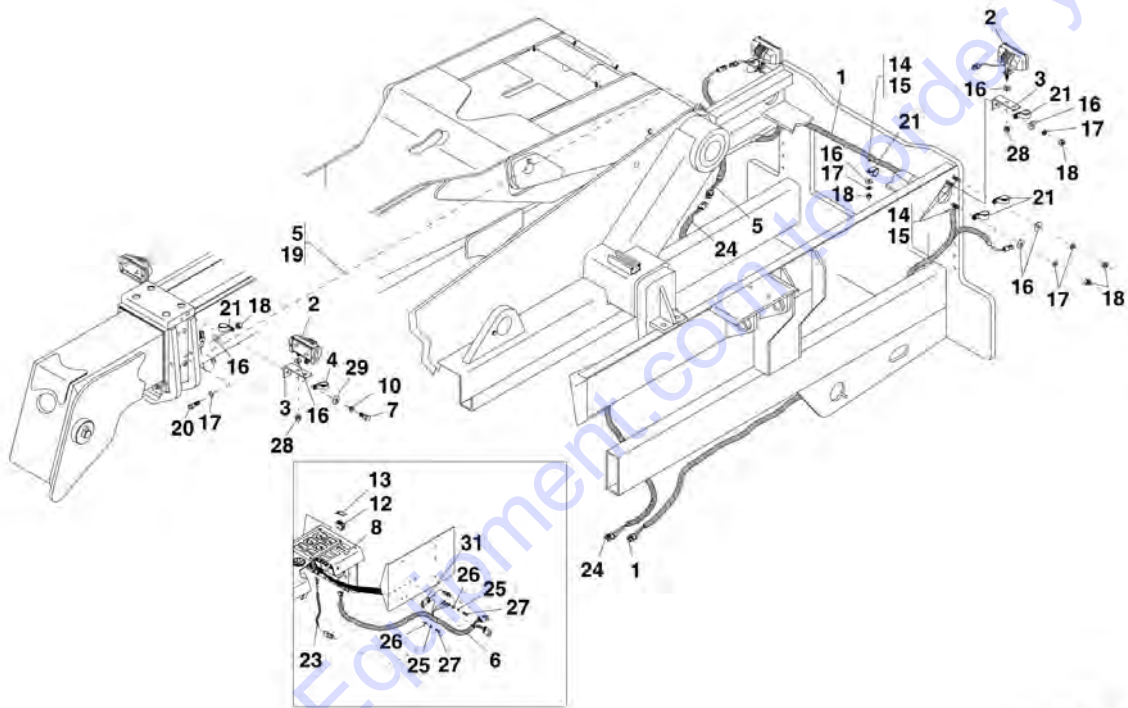
SECTION 12 - OPTIONS

FIGURE 12-1. WORKLIGHT OPTION INSTALLATION (SN 0160009654 through 0160019928, Including 0160008714)

ITEM	PART NUMBER	QTY	DESCRIPTION	REV
	10567238	Ref	WORKLIGHT OPTION INSTALLATION, (not available to order, see items 1 thru 31 for service)	AC
1	10265501	1	REAR WIRE HARNESS	
2	10165536	4	FLOOD LIGHT	
3	10236518	4	LIGHT MOUNT	
4	10837318	4	CLAMP, 3/8	
5	10265500	1	BOOM WIRE HARNESS	
6	10367239	1	UNDER DASH WIRE HARNESS	
7	10138431	1	ELECTRIC WIRING TUBE	
8	10138409	1	WORK LIGHTS DECAL	
10	10701312	4	FLAT WASHER, 1/2	
12	10837308	1	OFF-ON-ON SWITCH, (work lights)	
13	10837309	1	ACTUATOR SWITCH	
14	10837141	15	STUD, 3/8-16X1	
15	10837142	15	FERRULE, 3/8-16	
16	10701404	15	FLAT WASHER, 3/8	
17	10701310	15	LOCKWASHER, 3/8	
18	10701508	15	HEX NUT, 3/8-16	
21	10717554	15	CLAMP, 3/8	
22	10701403	4	FLAT WASHER, 5/16	
23	10167013	1	AUX WIRE HARNESS	
24	10165550	1	TRANSFER CARRIAGE WIRE HARNESS	
25	10701306	6	LOCKWASHER, #10	
26	10701400	6	FLAT WASHER, #10	
27	10702054	6	MS SCREW, #10	
28	8310474	4	WELD STUD, 1/2-13X1-1/2	
29	8307007	4	LOCKWASHER, 1/2	
30	8305012	4	HEX NUT, 1/2-13	
31	10167871	4	FUSE HOLDER ASSY	

SECTION 12 - OPTIONS

FIGURE 12-2. WORKLIGHT OPTION INSTALLATION (SN 0160019929 through 0160030844)



PV1131

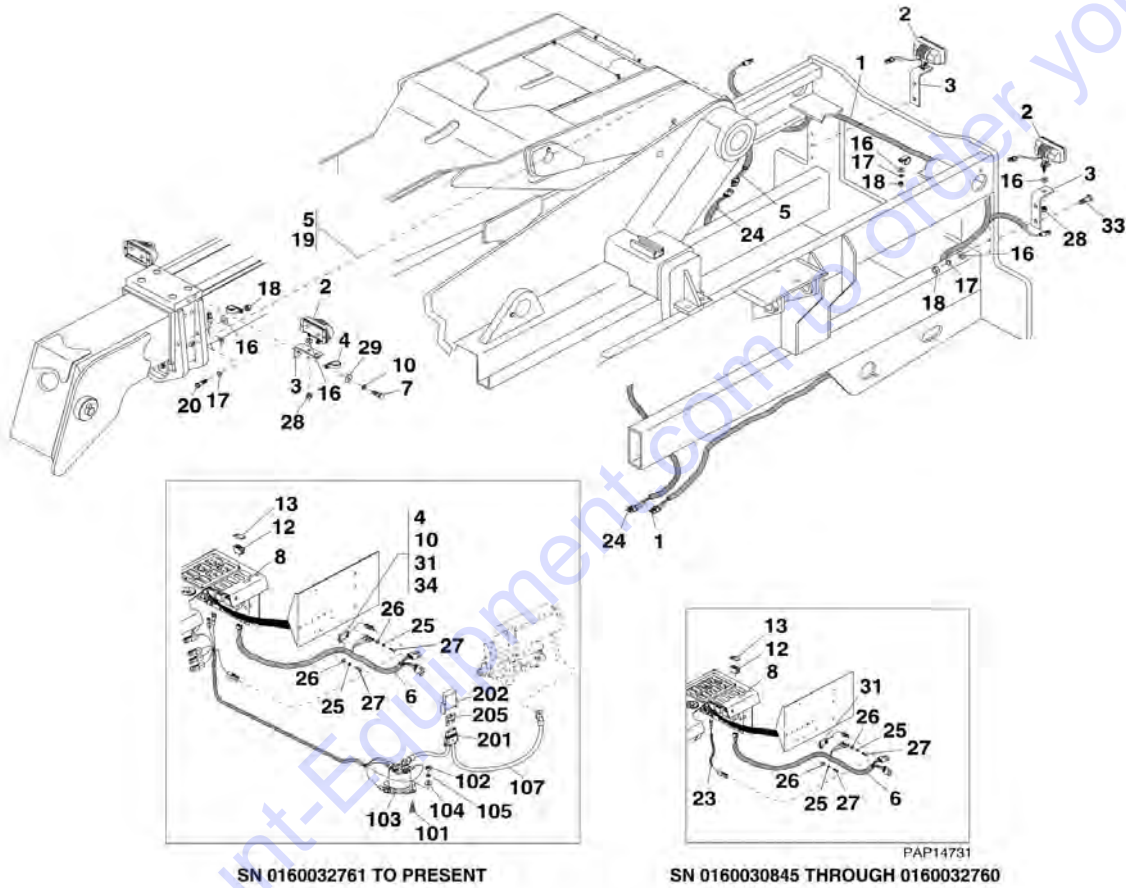
SECTION 12 - OPTIONS

FIGURE 12-2. WORKLIGHT OPTION INSTALLATION (SN 0160019929 through 0160030844)

ITEM	PART NUMBER	QTY	DESCRIPTION	REV
	10567238	Ref	WORKLIGHT OPTION INSTALLATION, (not available to order, see items 1 thru 31 for service)	D
1	10265501	1	REAR WIRE HARNESS	
2	10165536	4	FLOOD LIGHT	
3	10236518	4	LIGHT MOUNT	
4	10837318	4	CLAMP, 3/8	
5	10265500	1	BOOM WIRE HARNESS	
6	10367239	1	UNDER DASH WIRE HARNESS	
7	0641806	2	HEX HD CAPSCREW, 1/2-13X3/4	
8	10138409	1	WORK LIGHTS DECAL	
10	10701312	2	FLAT WASHER, 1/2	
12	10837308	1	OFF-ON-ON SWITCH, (work lights)	
13	10837309	1	ACTUATOR SWITCH	
14	10837141	6	STUD, 3/8-16X1	
15	10837142	6	FERRULE, 3/8-16	
16	10701404	9	FLAT WASHER, 3/8	
17	10701310	5	LOCKWASHER, 3/8	
18	10701508	5	HEX NUT, 3/8-16	
19	10720496	10	TIE WRAP	
20	0641608	3	HEX HD CAPSCREW, 3/8-16X1	
21	10717554	9	CLAMP, 3/8	
23	10167013	1	AUX WIRE HARNESS	
24	10165550	1	TRANSFER CARRIAGE WIRE HARNESS	
25	10701306	6	LOCKWASHER, #10	
26	10701400	6	FLAT WASHER, #10	
27	10702054	6	MS SCREW, #10	
28	8305630	4	HEX LOCK NUT, M10X1.5	
29	8307007	2	LOCKWASHER, 1/2	
31	10167871	1	FUSE HOLDER ASSY	

SECTION 12 - OPTIONS

FIGURE 12-3. WORKLIGHT OPTION INSTALLATION (SN 0160030845 to Present)



SN 0160032761 TO PRESENT

SN 0160030845 THROUGH 0160032760

PAP14731

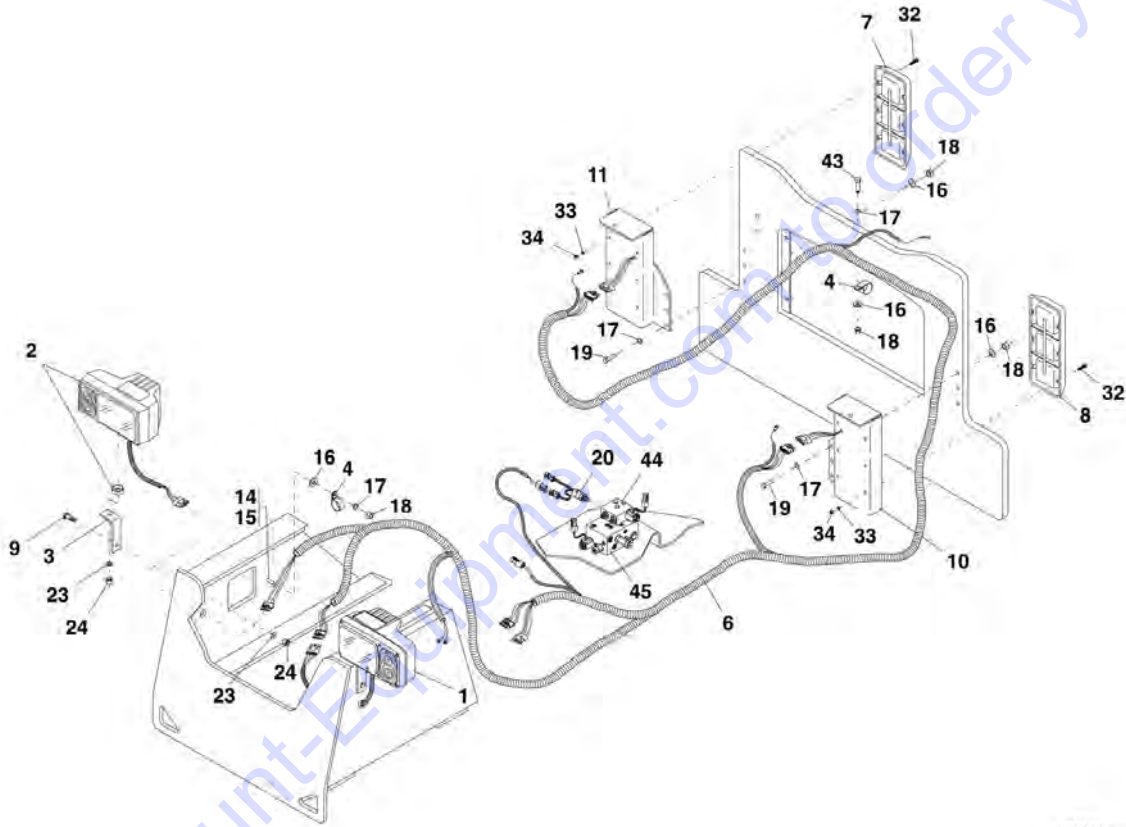
SECTION 12 - OPTIONS

FIGURE 12-3. WORKLIGHT OPTION INSTALLATION (SN 0160030845 to Present)

ITEM	PART NUMBER	QTY	DESCRIPTION	REV
	10567238	Ref	WORKLIGHT OPTION INSTALLATION, (not available to order, see items 1 thru 34 for service)	I
1	10265501	1	REAR WIRE HARNESS	
2	10165536	4	FLOOD LIGHT	
3	10236518	4	LIGHT MOUNT	
4	10837318	4	CLAMP, 3/8	
5	10265500	1	BOOM WIRE HARNESS	
6	10367239	1	UNDER DASH WIRE HARNESS	
7	0641806	2	HEX HD CAPSCREW, 1/2-13X3/4	
8	10138409	1	WORK LIGHTS DECAL	
10	10701312	2	FLAT WASHER, 1/2	
12	10837308	1	ON-OFF SWITCH, (work lights)	
13	10837309	1	ACTUATOR SWITCH	
16	10701404	13	FLAT WASHER, 3/8	
17	10701310	5	LOCKWASHER, 3/8	
18	10701508	5	HEX NUT, 3/8-16	
19	10720496	18	TIE WRAP	
20	0641608	3	HEX HD CAPSCREW, 3/8-16X1	
23	10167013	1	AUX WIRE HARNESS (SN 0160030845 through 0160032760)	
24	10165550	1	TRANSFER CARRIAGE WIRE HARNESS	
25	10701306	2	LOCKWASHER, #10	
26	10701400	2	FLAT WASHER, #10	
27	10702054	2	MS SCREW, #10	
28	8305630	4	HEX LOCK NUT, M10X1.5	
29	8307007	2	LOCKWASHER, 1/2	
31	10167871	1	FUSE HOLDER ASSY	
33	0641616	4	HEX HD CAPSCREW, 3/8-16X2	
34	8229235	1	FUSE, 20 AMP, (yellow) (SN 0160032761 to Present)	
	1001097106	Ref	ELECTRICAL HARNESS ASSY, (not available to order, see items 101 thru 107 for service) (SN 0160032761 to Present)	A
101	0641406	2	HEX HD CAPSCREW, 1/4-20X3/4	
102	3271405	2	HEX LOCKNUT, 1/4-20, GR8	
103	3740067	1	RELAY, SOLENOID	
104	4711400	2	WASHER, 1/4	
105	4791400	2	STAR WASHER, 1/4	
106		Ref	ELECTRICAL OPTIONS HARNESS, (See ELECTRICAL SECTION for Breakdown)	
107	1001097134	1	FUSED HARNESS, (includes items 201 thru 205)	B
201	4461034	1	TERMINAL, 2 POSITION, CONNECTOR	
202	4461035	1	TERMINAL, 2 POSITION, HOUSING	
203	4461037	2	WIRE SEAL, (not shown)	
204	4461038	2	SPADE, (not shown)	
205	1001097129	1	60 AMP FUSE	

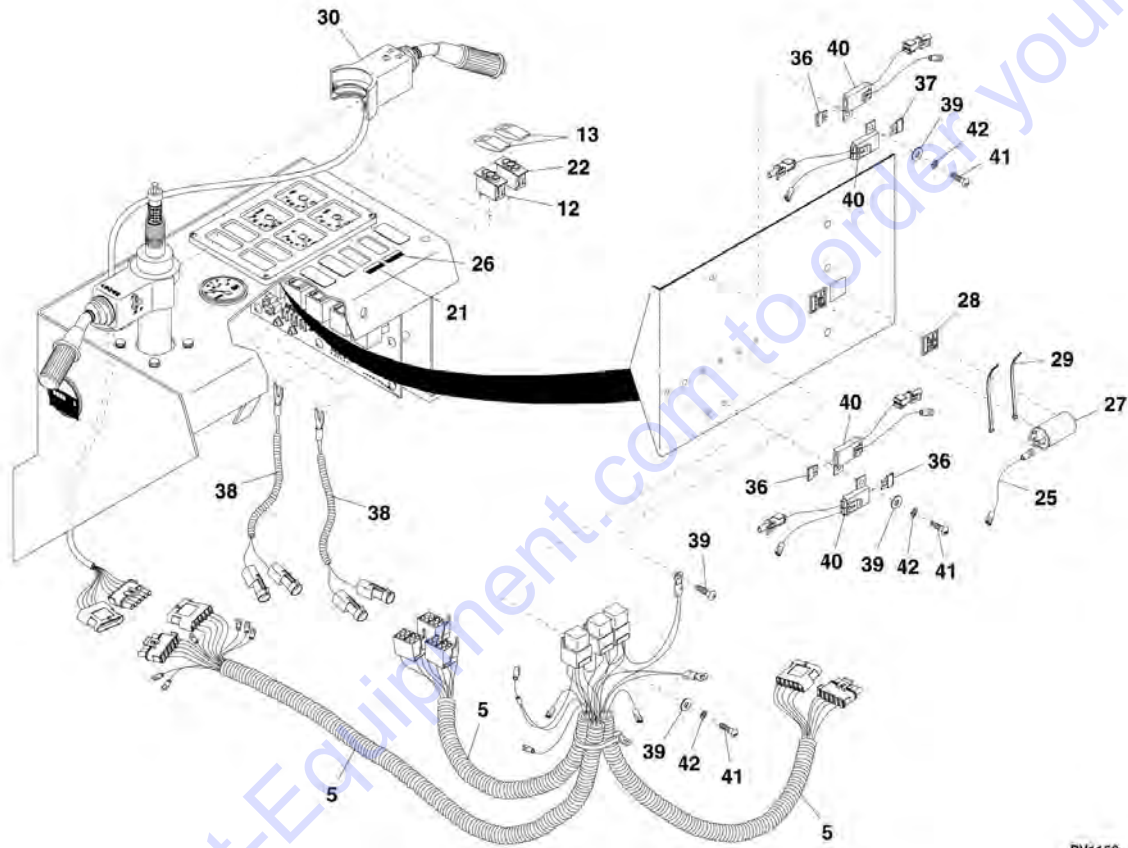
SECTION 12 - OPTIONS

FIGURE 12-4. ROADWAY LIGHT OPTION INSTALLATION (SN 0160009654 through 0160032760, Including 0160008714)



PV1141

SECTION 12 - OPTIONS



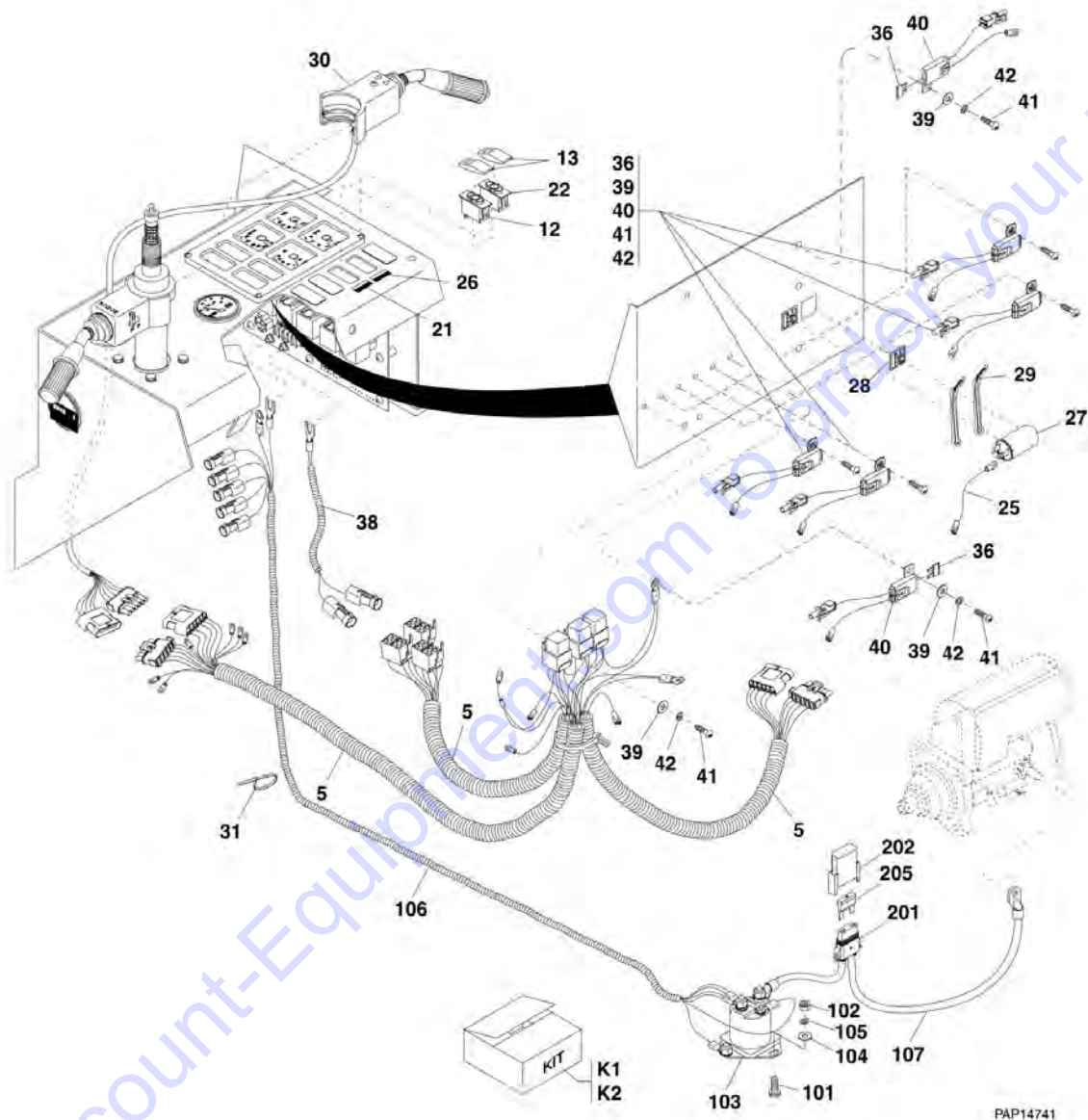
PV1150

SECTION 12 - OPTIONS

FIGURE 12-4. ROADWAY LIGHT OPTION INSTALLATION (SN 0160009654 through 0160032760, Including 0160008714)

ITEM	PART NUMBER	QTY	DESCRIPTION	REV
	1101844	Ref	ROADWAY LIGHT OPTION INSTALLATION, (not available to order, see items 1 thru 43 for service)	AC
1	1001141639	1	LH HEAD LIGHT/TURN SIGNAL	
2	1001141640	1	RH HEAD LIGHT/TURN SIGNAL	
3	10236518	2	LIGHT MOUNT	
4	10717554	7	CLAMP, 3/8 (SN 0160009654 through 0160030559, Including 0160008714)	
4	10837465	4	CLAMP, 5/8 (SN 0160030560 to Present)	
5	1101845	1	UNDER DASH WIRE HARNESS	
6	1101853	1	LIGHTS WIRE HARNESS	
7	10338454	1	RH BRAKE LIGHT/TURN SIGNAL	
8	10338456	1	LH BRAKE LIGHT/TURN SIGNAL	
9	10700404	2	HEX HD CAPSCREW, 1/2-13X1-1/2	
10	10239083	1	LH TAIL LIGHT MOUNT	
11	10239088	1	RH TAIL LIGHT MOUNT	
12	10837308	1	OFF-ON-ON SWITCH, (roadway lights)	
13	10837309	2	SWITCH ACTUATOR	
14	10837141	3	STUD, 3/8-16X1	
15	10837142	3	FERRULE, 3/8-16	
16	10701404	10	FLAT WASHER, 3/8	
17	10701310	10	LOCKWASHER, 3/8	
18	10701508	10	HEX NUT, 3/8-16	
19	0641616	6	HEX HD CAPSCREW, 3/8-16X1-7/8	
20	10167062	1	BRAKE LIGHT SWITCH	
21	10138459	1	ROADWAY LIGHT DECAL	
22	10836509	1	ON-OFF SWITCH, (hazard lights)	
23	10701312	2	LOCKWASHER, 1/2	
24	10701510	2	HEX NUT, 1/2-13	
25	103382001	1	JUMPER WIRE	
26	10138460	1	HAZARD LIGHTS DECAL	
27	10719190	1	FLASHER, 12V	
28	10727600	2	TIE WRAP MOUNT	
29	10717989	2	TIE WRAP	
30	1101846	1	MODIFIED TURN SIGNAL SWITCH	
32	10702130	12	ROUND HD SLOTTED SCREW, 1/4-20X3/4	
33	10701308	12	LOCKWASHER, 1/4	
34	10701506	12	HEX NUT, 1/4-20	
36	10730799	3	FUSE, 20 AMP, (yellow)	
37	10730800	1	FUSE, 30 AMP, (green)	
38	10167870	2	DUAL AUXILIARY POWER WIRE HARNESS	
39	10701400	6	FLAT WASHER, #10	
40	10167871	4	FUSE HOLDER ASSY	
41	10702054	6	SCREW	
42	10701306	6	LOCKWASHER, #10	
43	0641612	1	HEX HD CAPSCREW, 3/8-16X1-1/2	
44		Ref	BOOM EXTEND LOCKOUT VALVE, (See HYDRAULIC COMPONENTS SECTION for Breakdown)	
45		Ref	REAR AXLE STABILIZER CONTROL VALVE, (under cab), (See HYDRAULIC COMPONENTS SECTION for Breakdown)	

SECTION 12 - OPTIONS



PAP14741

SECTION 12 - OPTIONS

FIGURE 12-5. ROADWAY LIGHT OPTION INSTALLATION (SN 0160032761 through 0160051139, Excluding 0160050734 and 0160050735)

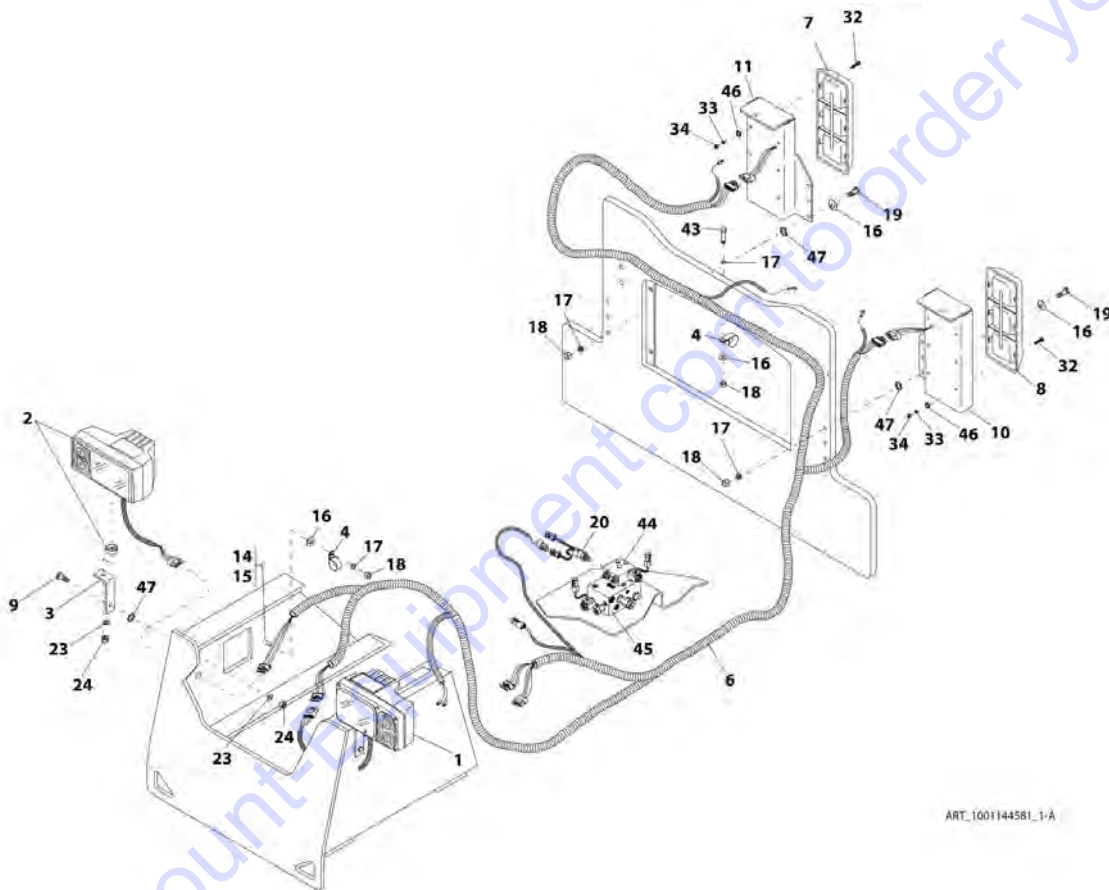
ITEM	PART NUMBER	QTY	DESCRIPTION	REV
	1101844	Ref	ROADWAY LIGHT OPTION INSTALLATION, (not available to order, see items 1 thru 43 for service)	J
1	1001141597	1	LH HEAD LIGHT/TURN SIGNAL	
2	1001141598	1	RH HEAD LIGHT/TURN SIGNAL	
3	10236518	2	LIGHT MOUNT	
4	10837465	4	CLAMP, 5/8	
5	1001097169	1	UNDER DASH WIRE HARNESS	
6	1001097385	1	LIGHTS WIRE HARNESS	
7	10338454	1	RH BRAKE LIGHT/TURN SIGNAL	
8	10338456	1	LH BRAKE LIGHT/TURN SIGNAL	
9	10700404	2	HEX HD CAPSCREW, 1/2-13X1-1/2	
10	10239083	1	LH TAIL LIGHT MOUNT	
11	10239088	1	RH TAIL LIGHT MOUNT	
12	10837308	1	ON-OFF SWITCH, (roadway lights)	
13	10837309	2	SWITCH ACTUATOR	
14	10837141	3	STUD, 3/8-16X1	
15	10837142	3	FERRULE, 3/8-16	
16	10701404	10	FLAT WASHER, 3/8	
17	10701310	10	LOCKWASHER, 3/8	
18	10701508	10	HEX NUT, 3/8-16	
19	0641616	6	HEX HD CAPSCREW, 3/8-16X1-7/8	
20	10167062	1	BRAKE LIGHT SWITCH	
21	10138459	1	ROADWAY LIGHT DECAL	
22	10836509	1	ON-OFF SWITCH, (hazard lights)	
23	10701312	2	LOCKWASHER, 1/2	
24	10701510	2	HEX NUT, 1/2-13	
25	103382001	1	JUMPER WIRE	
26	10138460	1	HAZARD LIGHTS DECAL	
27	10719190	1	FLASHER, 12V	
28	10727600	2	TIE WRAP MOUNT	
29	10717989	2	TIE WRAP	
30	1101846	1	MODIFIED TURN SIGNAL SWITCH	
31	10720496	30	TIE WRAP	
32	10702130	12	ROUND HD SLOTTED SCREW, 1/4-20X3/4	
33	10701308	12	LOCKWASHER, 1/4	
34	10701506	12	HEX NUT, 1/4-20	
36	10730799	6	FUSE, 20 AMP, (yellow)	
38	10167870	1	DUAL AUXILIARY POWER WIRE HARNESS	
39	10701400	6	FLAT WASHER, #10	
40	10167871	6	FUSE HOLDER ASSY	
41	10702054	6	SCREW	
42	10701306	6	LOCKWASHER, #10	
43	0641612	1	HEX HD CAPSCREW, 3/8-16X1-1/2	
44		Ref	BOOM EXTEND LOCKOUT VALVE, (See HYDRAULIC COMPONENTS SECTION for Breakdown)	
45		Ref	REAR AXLE STABILIZER CONTROL VALVE, (under cab), (See HYDRAULIC COMPONENTS SECTION for Breakdown)	
46	8310002	4	STAR WASHER, 1/4	
47	10701361	8	STAR WASHER, 1/2	

SECTION 12 - OPTIONS

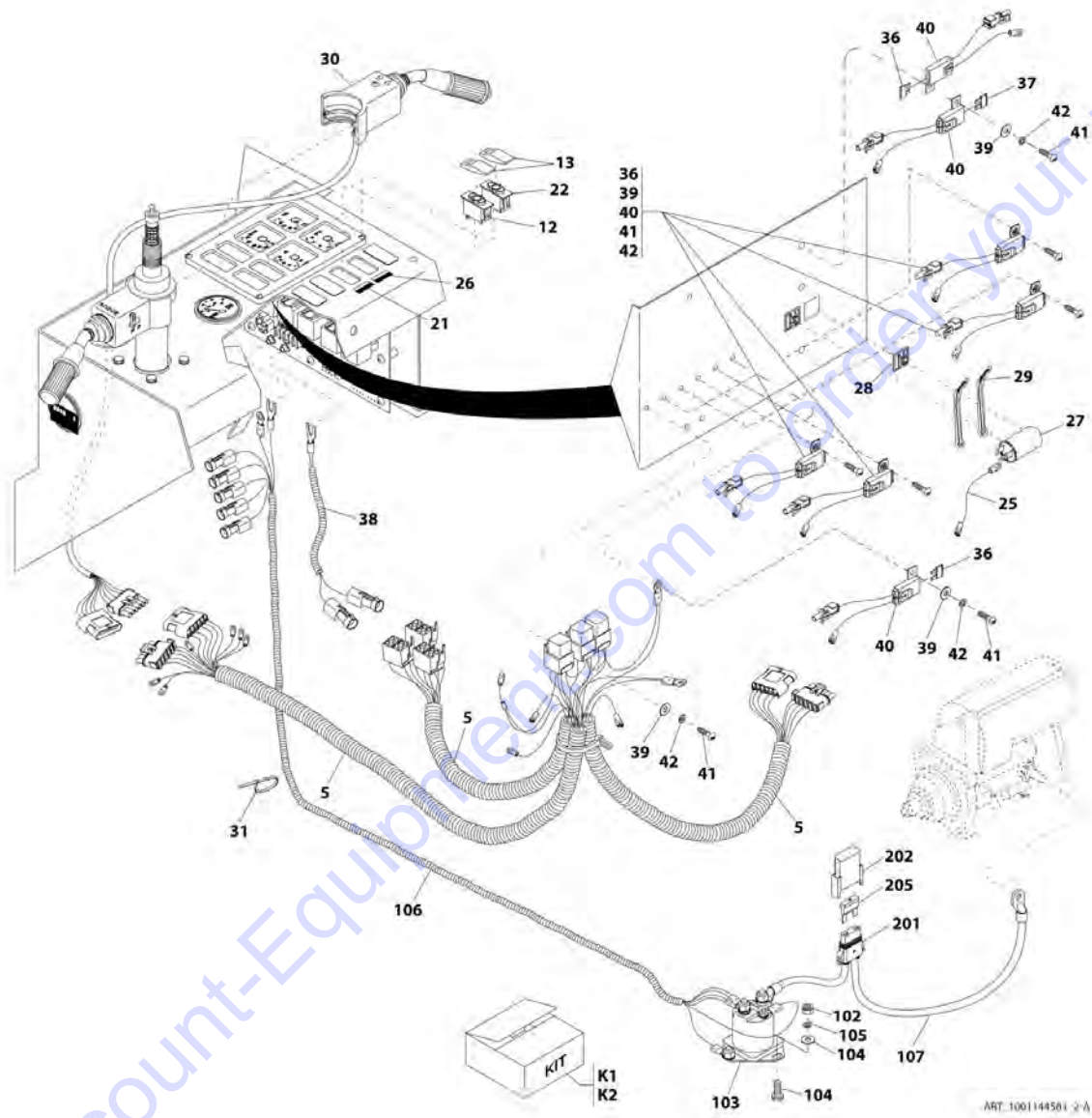
ITEM	PART NUMBER	QTY	DESCRIPTION	REV
	1001097106	Ref	ELECTRICAL HARNESS INSTALLATION, (not available to order, see items 101 thru 107 for service)	A
101	0641406	2	HEX HD CAPSCREW, 1/4-20X3/4	
102	3271405	2	HEX LOCKNUT, 1/4-20, GR8	
103	3740067	1	RELAY, SOLENOID	
104	4711400	2	WASHER, 1/4	
105	4791400	2	STAR WASHER, 1/4	
106		Ref	ELECTRICAL OPTIONS HARNESS, (See ELECTRICAL SECTION for Breakdown)	
107	1001097134	1	FUSED HARNESS, (includes items 201 thru 205)	B
201	4461034	1	TERMINAL, 2 POSITION, CONNECTOR	
202	4461035	1	TERMINAL, 2 POSITION, HOUSING	
203	4461037	2	WIRE SEAL, (not shown)	
204	4461038	2	SPADE, (not shown)	
205	1001097129	1	60 AMP FUSE	
K1	1001141639	1	LH ROADLIGHT REPLACEMENT KIT, (includes item 1, plug, terminal ring and replacement instructions)	A
K2	1001141640	1	RH ROADLIGHT REPLACEMENT KIT, (includes item 2, plug, terminal ring and replacement instructions)	A

SECTION 12 - OPTIONS

FIGURE 12-6. ROADWAY LIGHT OPTION INSTALLATION (SN 0160051140 to Present, Including 0160050734 and 0160050735)



SECTION 12 - OPTIONS



ART. 1001144501 2/A

SECTION 12 - OPTIONS

FIGURE 12-6. ROADWAY LIGHT OPTION INSTALLATION (SN 0160051140 to Present, Including 0160050734 and 0160050735)

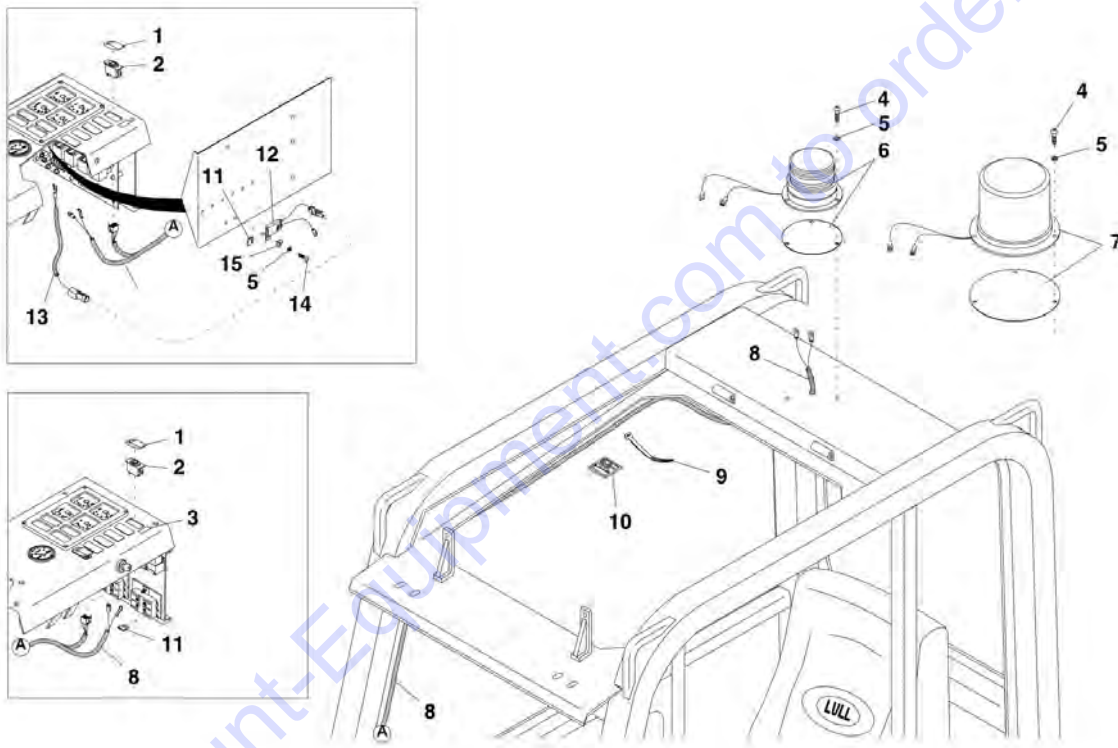
ITEM	PART NUMBER	QTY	DESCRIPTION	REV
	1001144581	Ref	ROADWAY LIGHT OPTION INSTALLATION, (not available to order, see items 1 thru 43 for service)	B
1	1001141597	1	LH HEAD LIGHT/TURN SIGNAL	
2	1001141598	1	RH HEAD LIGHT/TURN SIGNAL	
3	10236518	2	LIGHT MOUNT	
4	10837465	4	CLAMP, 5/8	
5	1001097169	1	UNDER DASH WIRE HARNESS	
6	1001097385	1	LIGHTS WIRE HARNESS	
7	10338454	1	RH BRAKE LIGHT/TURN SIGNAL	
8	10338456	1	LH BRAKE LIGHT/TURN SIGNAL	
9	10700404	2	HEX HD CAPSCREW, 1/2-13X1-1/2	
10	10239083	1	LH TAIL LIGHT MOUNT	
11	10239088	1	RH TAIL LIGHT MOUNT	
12	10837308	1	ON-OFF SWITCH, (roadway lights)	
13	10837309	2	SWITCH ACTUATOR	
14	10837141	3	STUD, 3/8-16X1	
15	10837142	3	FERRULE, 3/8-16	
16	10701404	10	FLAT WASHER, 3/8	
17	10701310	10	LOCKWASHER, 3/8	
18	10701508	10	HEX NUT, 3/8-16	
19	0641616	6	HEX HD CAPSCREW, 3/8-16X1-7/8	
20	1001114966	1	BRAKE LIGHT SWITCH	
21	10138459	1	ROADWAY LIGHT DECAL	
22	10836509	1	ON-OFF SWITCH, (hazard lights)	
23	10701312	2	LOCKWASHER, 1/2	
24	10701510	2	HEX NUT, 1/2-13	
25	103382001	1	JUMPER WIRE	
26	10138460	1	HAZARD LIGHTS DECAL	
27	10719190	1	FLASHER, 12V	
28	10727600	2	TIE WRAP MOUNT	
29	10717989	2	TIE WRAP	
30	1101846	1	MODIFIED TURN SIGNAL SWITCH	
31	10720496	30	TIE WRAP	
32	10702130	12	ROUND HD SLOTTED SCREW, 1/4-20X3/4	
33	10701308	12	LOCKWASHER, 1/4	
34	10701506	12	HEX NUT, 1/4-20	
36	10730799	6	FUSE, 20 AMP, (yellow)	
37	10730800	1	FUSE, 30 AMP, (Green)	
38	10167870	1	DUAL AUXILIARY POWER WIRE HARNESS	
39	10701400	6	FLAT WASHER, #10	
40	10167871	6	FUSE HOLDER ASSY	
41	10702054	6	SCREW	
42	10701306	6	LOCKWASHER, #10	
43	0641612	1	HEX HD CAPSCREW, 3/8-16X1-1/2	
44		Ref	BOOM EXTEND LOCKOUT VALVE, (See HYDRAULIC COMPONENTS SECTION for Breakdown)	
45		Ref	REAR AXLE STABILIZER CONTROL VALVE, (under cab), (See HYDRAULIC COMPONENTS SECTION for Breakdown)	
46	8310002	4	STAR WASHER, 1/4	

SECTION 12 - OPTIONS

ITEM	PART NUMBER	QTY	DESCRIPTION	REV
47	10701361	8	STAR WASHER, 1/2	
	1001097106	Ref	ELECTRICAL HARNESS INSTALLATION, (not available to order, see items 101 thru 107 for service)	A
101	0641406	2	HEX HD CAPSCREW, 1/4-20X3/4	
102	3271405	2	HEX LOCKNUT, 1/4-20, GR8	
103	3740067	1	RELAY, SOLENOID	
104	4711400	2	WASHER, 1/4	
105	4791400	2	STAR WASHER, 1/4	
106		Ref	ELECTRICAL OPTIONS HARNESS, (See ELECTRICAL SECTION for Breakdown)	
107	1001097134	1	FUSED HARNESS, (includes items 201 thru 205)	B
201	4461034	1	TERMINAL, 2 POSITION, CONNECTOR	
202	4461035	1	TERMINAL, 2 POSITION, HOUSING	
203	4461037	2	WIRE SEAL, (not shown)	
204	4461038	2	SPADE, (not shown)	
205	1001097129	1	60 AMP FUSE	
K1	1001141639	1	LH ROADLIGHT REPLACEMENT KIT, (includes item 1, plug, terminal ring and replacement instructions)	A
K2	1001141640	1	RH ROADLIGHT REPLACEMENT KIT, (includes item 2, plug, terminal ring and replacement instructions)	A

SECTION 12 - OPTIONS

FIGURE 12-7. STROBE/ROTATING BEACON LIGHT OPTION INSTALLATION (SN 0160009654 through 0160032760, Including 0160008714)



PV1160

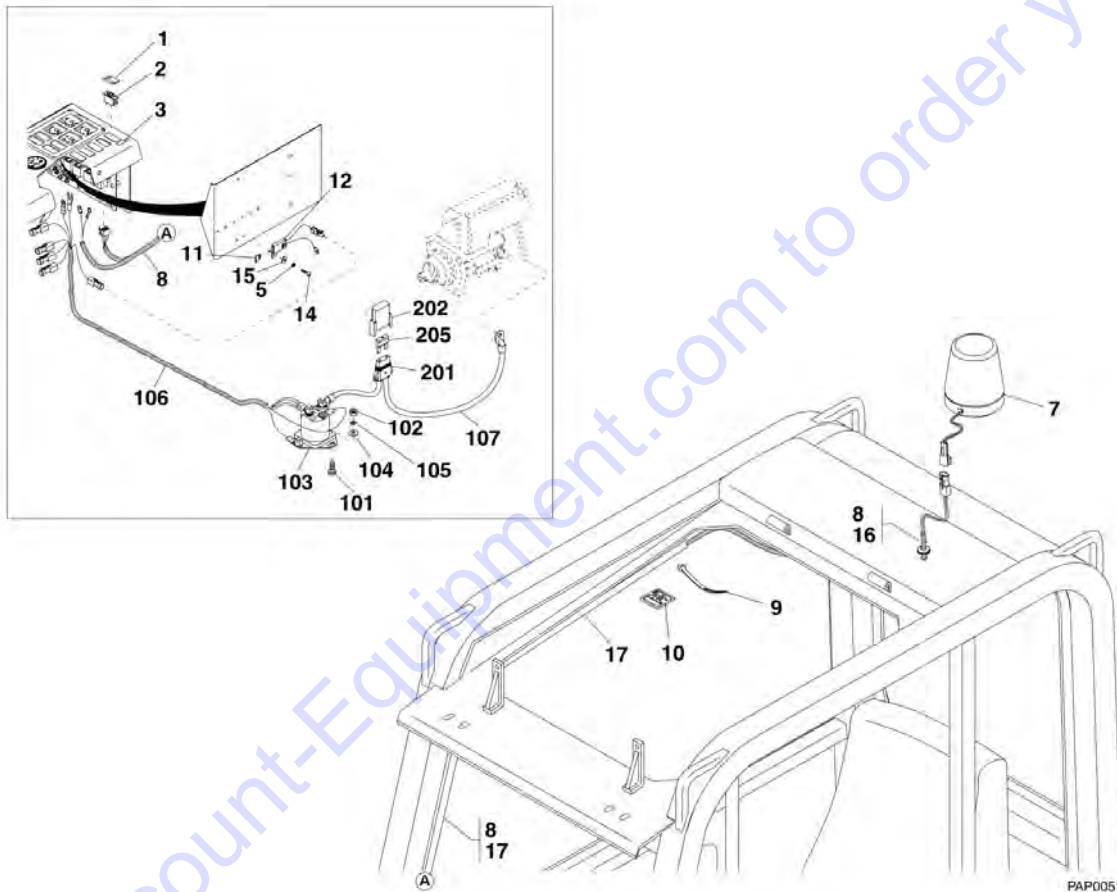
SECTION 12 - OPTIONS

FIGURE 12-7. STROBE/ROTATING BEACON LIGHT OPTION INSTALLATION (SN 0160009654 through 0160032760, Including 0160008714)

ITEM	PART NUMBER	QTY	DESCRIPTION	REV
	10268727	Ref	STROBE LIGHT OPTION INSTALLATION, (not available to order, see items 1 thru 15 for service)	AA
	10268728	Ref	ROTATING BEACON LIGHT OPTION INSTALLATION, (not available to order, see items 1 thru 15 for service)	AA
1	10837309	1	SWITCH ACTUATOR	
2	10836509	1	ON-OFF SWITCH, (beacon/strobe light)	
3	10139648	1	BEACON LIGHT DECAL, (10268728 only)	
3	10138377	1	STROBE LIGHT DECAL, (10268727 only)	
4	10702082	3	ROUND HD SLOTTED SCREW, #10-32X3/4	
5	10701306	7	LOCKWASHER, #10	
6	10238353	1	LIGHT STROBE, AMBER	
7	10239647	1	ROTATING BEACON LIGHT, AMBER	
8	10238356	1	WIRE HARNESS	
9	10717989	4	TIE WRAP	
10	10727600	4	TIE WRAP MOUNT	
11	10730797	1	FUSE, 10 AMP, (red), (10268727 only)	
11	10730798	1	FUSE, 15 AMP, (blue), (10268728 only)	
12	10167871	1	FUSE HOLDER ASSY	
13	10167013	1	AUXILIARY POWER WIRE HARNESS	
14	10702054	2	ROUND HD SLOTTED SCREW, #10-24X1/2	
15	10701400	2	FLAT WASHER, #10	

SECTION 12 - OPTIONS

FIGURE 12-8. STROBE/ROTATING BEACON LIGHT OPTION INSTALLATION (SN 0160032761 to Present)



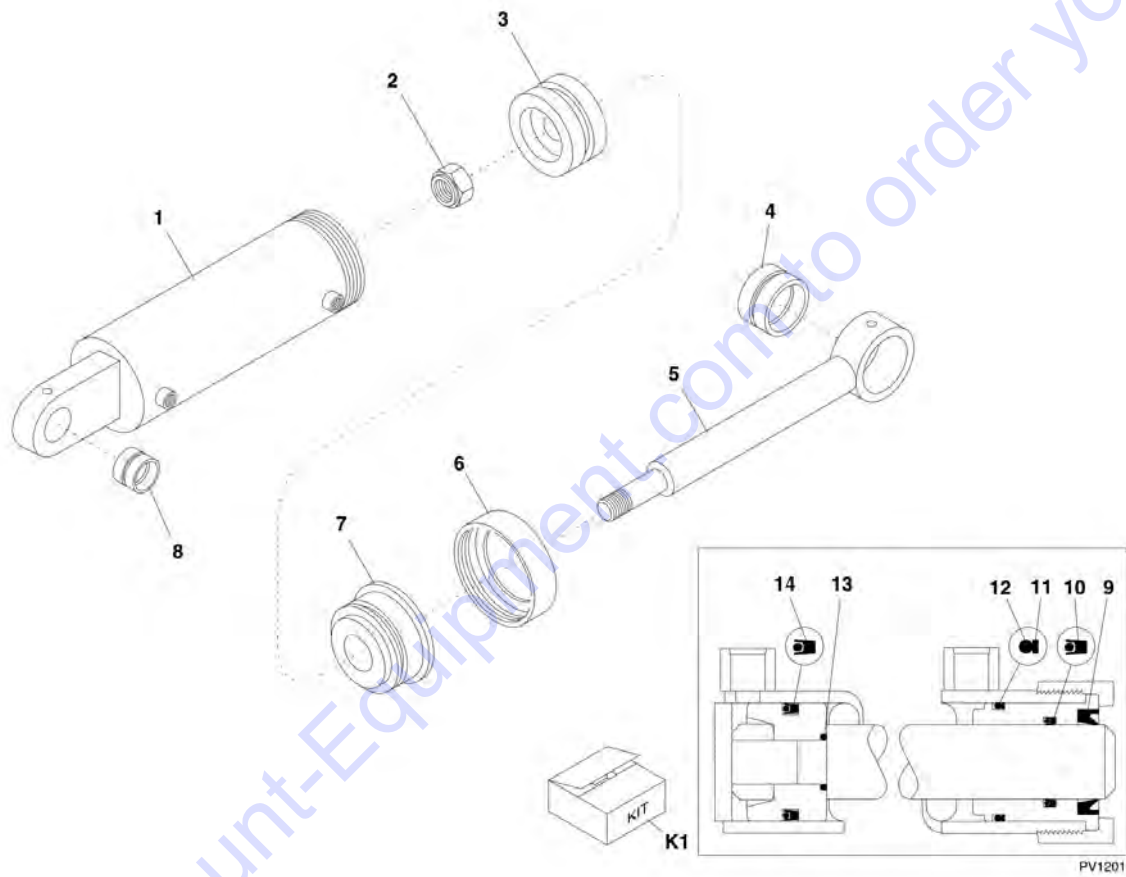
SECTION 12 - OPTIONS

FIGURE 12-8. STROBE/ROTATING BEACON LIGHT OPTION INSTALLATION (SN 0160032761 to Present)

ITEM	PART NUMBER	QTY	DESCRIPTION	REV
	10268727	Ref	STROBE LIGHT OPTION INSTALLATION, (not available to order, see items 1 thru 17 for service)	AA
	10268728	Ref	ROTATING BEACON LIGHT OPTION INSTALLATION, (not available to order, see items 1 thru 17 for service)	D
1	10837309	1	SWITCH ACTUATOR	
2	10836509	1	ON-OFF SWITCH, (beacon/strobe light)	
3	10139648	1	BEACON LIGHT DECAL, (10268728 only)	
3	10138377	1	STROBE LIGHT DECAL, (10268727 only)	
5	10701306	2	LOCKWASHER, #10	
7	8500066	1	ROTATING BEACON LIGHT, AMBER	
8	1001097623	1	WIRE HARNESS	
9	10717989	10	TIE WRAP	
10	10727600	4	TIE WRAP MOUNT	
11	10730797	1	FUSE, 10 AMP, (red), (10268727 only)	
11	10730798	1	FUSE, 15 AMP, (blue), (10268728 only)	
12	10167871	1	FUSE HOLDER ASSY	
14	10702054	2	ROUND HD SLOTTED SCREW, #10-24X1/2	
15	10701400	2	FLAT WASHER, #10	
16	8526035	AR	SEALANT	
17	8096D097	4.6 ft	DUCT, WIRING	
	1001097106	Ref	ELECTRICAL HARNESS INSTALLATION, (not available to order, see items 101 thru 107 for service)	A
101	0641406	2	HEX HD CAPSCREW, 1/4-20X3/4	
102	3271405	2	HEX LOCKNUT, 1/4-20, GR8	
103	3740067	1	RELAY, SOLENOID	
104	4711400	2	WASHER, 1/4	
105	4791400	2	STAR WASHER, 1/4	
106		Ref	ELECTRICAL OPTIONS HARNESS, (See ELECTRICAL SECTION for Breakdown)	
107	1001097134	1	FUSED HARNESS, (includes items 201 thru 205)	
201	4461034	1	TERMINAL, 2 POSITION, CONNECTOR	
202	4461035	1	TERMINAL, 2 POSITION, HOUSING	
203	4461037	2	WIRE SEAL, (not shown)	
204	4461038	2	SPADE, (not shown)	
205	1001097129	1	60 AMP FUSE	

SECTION 12 - OPTIONS

FIGURE 12-9. TILTING CARRIAGE CYLINDER



SECTION 12 - OPTIONS

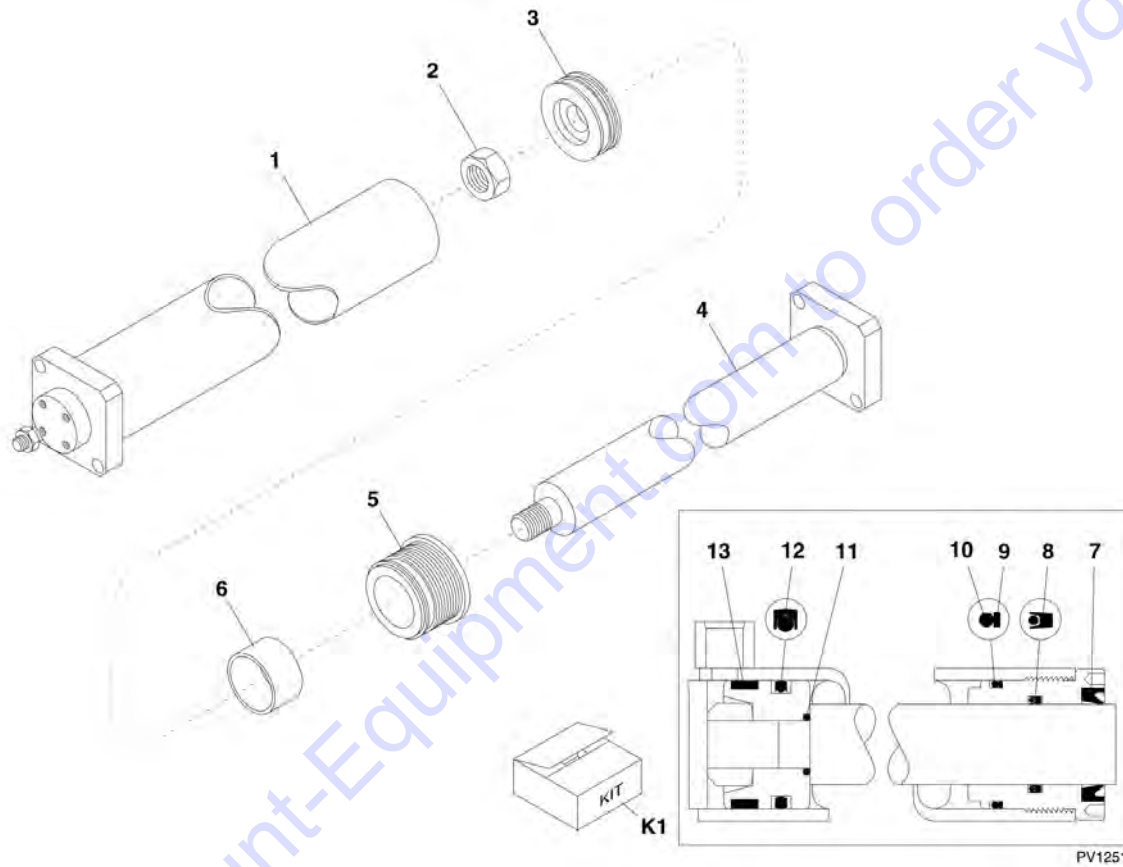
FIGURE 12-9. TILTING CARRIAGE CYLINDER

ITEM	PART NUMBER	QTY	DESCRIPTION	REV
	10266218	1	TILTING CARRIAGE CYLINDER, (includes all items)	AB
1	10836752	1	BARREL WELDMENT	
2	10719217	1	LOCKNUT	
3	10837051	1	PISTON	
4	10116228	1	BUSHING	
5	10725297	1	ROD WELDMENT	
6	10723778	1	RETAINER, ROD BEARING	
7	10723788	1	ROD BEARING	
8	10116227	1	BUSHING	
9	Kit	1	WIPER	
10	Kit	1	SEAL	
11	Kit	1	BACK UP RING	
12	Kit	1	O-RING	
13	Kit	1	O-RING	
14	Kit	1	PISTON SEAL	
K1	10837050	1	SEAL KIT, (includes items 9 thru 14)	

Go to Discount-Equipment.com to order your parts

SECTION 12 - OPTIONS

FIGURE 12-10. TOWER CYLINDER



SECTION 12 - OPTIONS

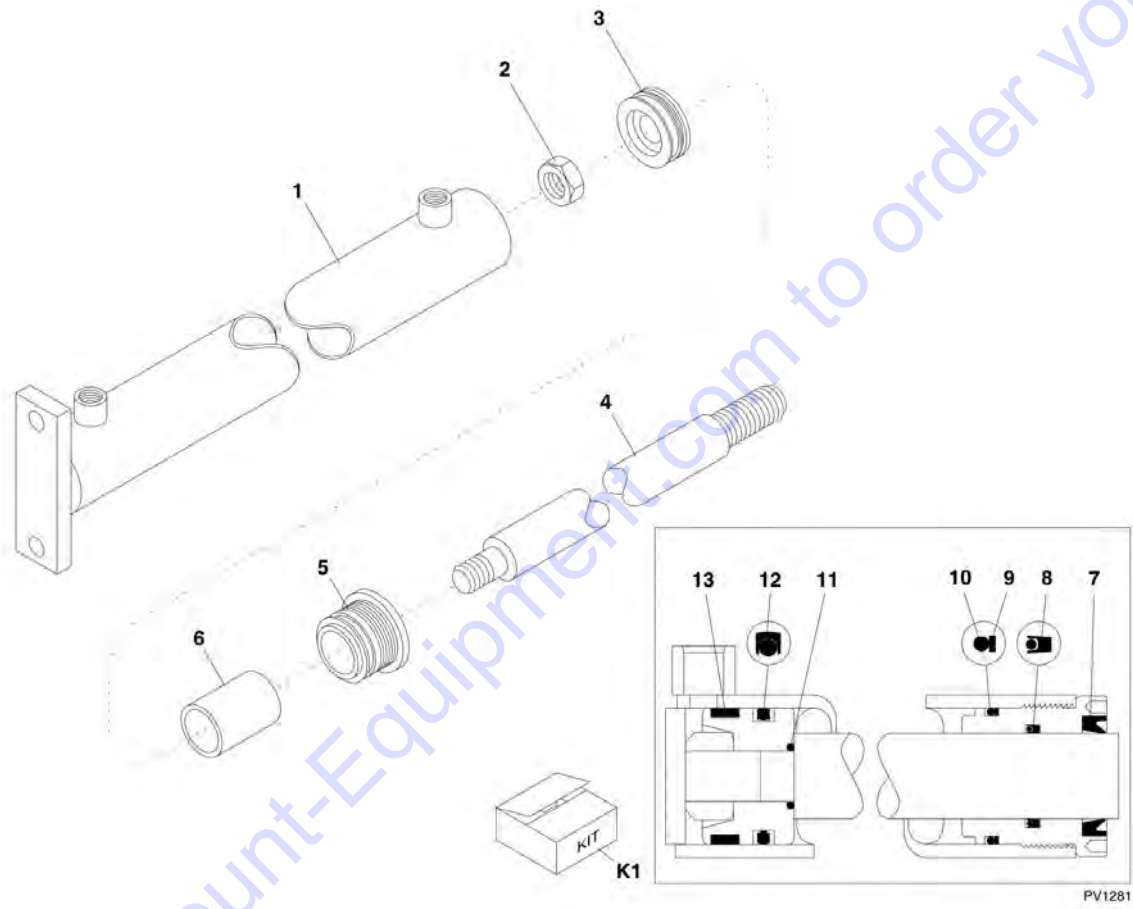
FIGURE 12-10. TOWER CYLINDER

ITEM	PART NUMBER	QTY	DESCRIPTION	REV
	10234833	1	TOWER CYLINDER, (includes all items)	B
1	10732242	1	BARREL WELDMENT	
2	10719217	1	LOCKNUT	
3	10733799	1	PISTON	
4	10732321	1	ROD WELDMENT	
5	10732332	1	END GLAND	
6	10732343	1	STROKE BLOCK	
7	Kit	1	WIPER	
8	Kit	1	SEAL	
9	Kit	1	BACK-UP RING	
10	Kit	1	O-RING	
11	Kit	1	O-RING	
12	Kit	1	PISTON SEAL	
13	Kit	1	WEAR RING	
K1	10732311	1	SEAL KIT, (includes items 7 thru 13)	

Go to Discount-Equipment.com to order your parts

SECTION 12 - OPTIONS

FIGURE 12-11. FORK POSITIONING CYLINDER



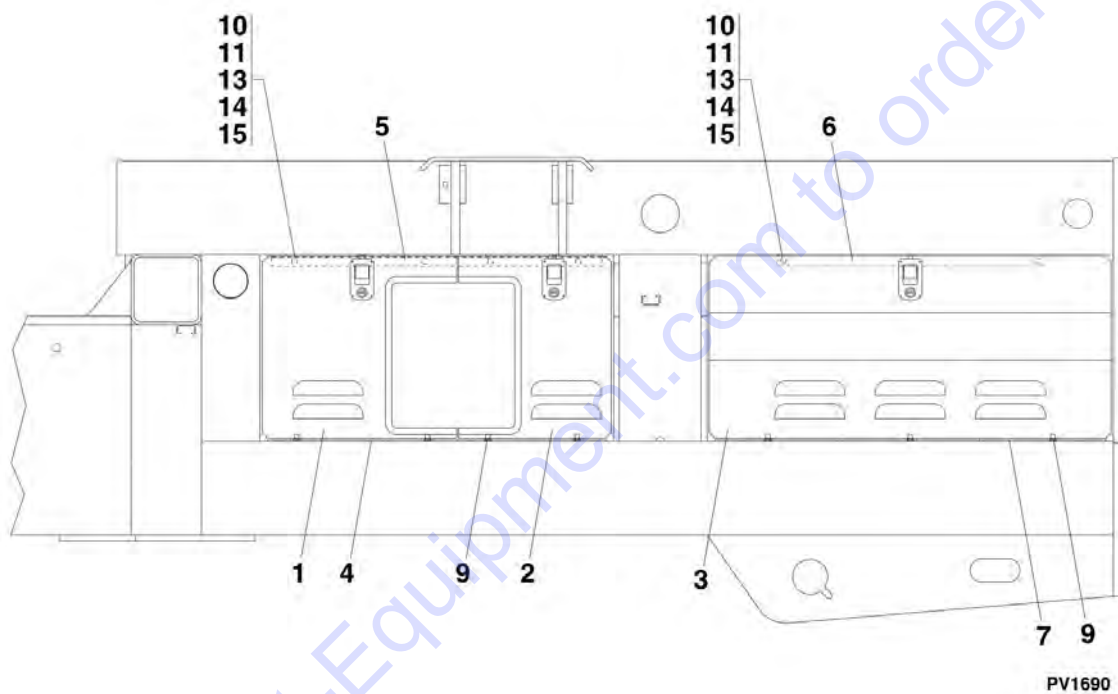
SECTION 12 - OPTIONS

FIGURE 12-11. FORK POSITIONING CYLINDER

ITEM	PART NUMBER	QTY	DESCRIPTION	REV
	10238500	2	FORK POSITIONING CYLINDER, (includes all items)	AA
1	10732238	1	BARREL WELDMENT	
2	10725290	1	LOCKNUT	
3	10732360	1	PISTON	
4	10732355	1	ROD WELDMENT	
5	10732356	1	END GLAND	
6	10732340	1	STROKE BLOCK	
7	Kit	1	WIPER	
8	Kit	1	SEAL	
9	Kit	1	BACK-UP RING	
10	Kit	1	O-RING	
11	Kit	1	O-RING	
12	Kit	1	PISTON SEAL	
13	Kit	1	WEAR RING	
K1	10732371	1	SEAL KIT, (includes items 7 thru 13)	
N1	Note	Ref	NOTE: QUANTITIES SHOWN ARE FOR ONE CYLINDER ONLY	

SECTION 12 - OPTIONS

FIGURE 12-12. LOCKABLE ENGINE SIDE PANELS INSTALLATION



SECTION 12 - OPTIONS

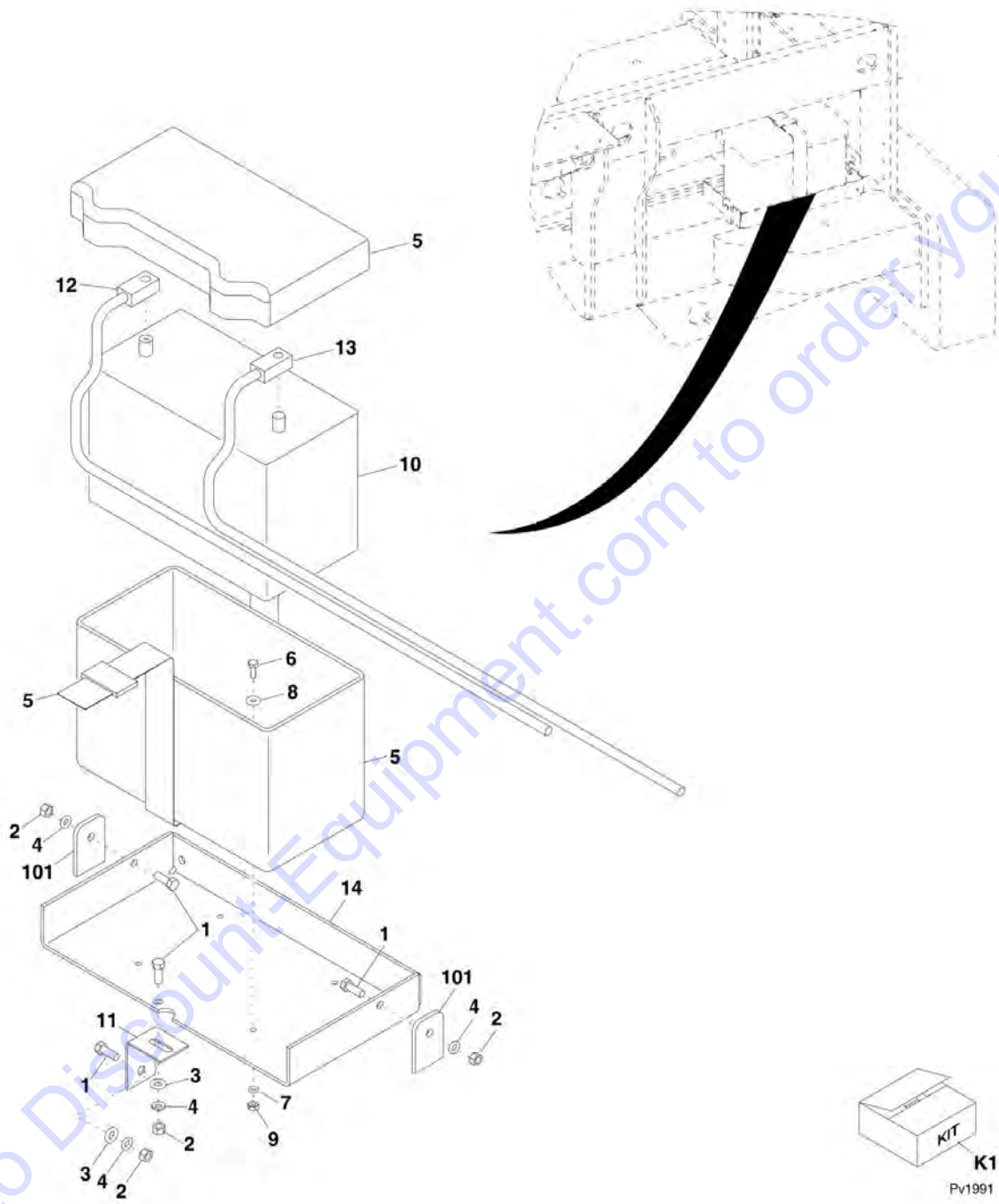
FIGURE 12-12. LOCKABLE ENGINE SIDE PANELS INSTALLATION

ITEM	PART NUMBER	QTY	DESCRIPTION	REV
	10467043	Ref	LOCKABLE ENGINE PANELS INSTALLATION, (not available to order, see items 1 thru 15 for service)	AB
1	10267044	1	SIDE COVER, (front side of cylinder)	
2	10267049	1	SIDE COVER, (rear end of cylinder)	
3	10338951	3	SIDE COVER, (left rear and right side)	
4	10267051	1	PIN WELDMENT PLATE, (front left)	
5	10267053	1	UPPER MOUNTING STRIP, (front left)	
6	10239714	3	UPPER MOUNTING STRIP	
7	10239113	3	PIN WELDMENT PLATE	
9	10837386	13	RUBBER CUSHION AND SEALING WASHER	
10	10837553	10	RUBBER BUMPERS	
11	10837552	10	DRILL JIG BUSHINGS	
13	10702003	10	SLOTTED ROUND HD MACHINE SCREW	
14	10701500	10	NUT	
15	10701302	10	LOCKWASHER	

Go to Discount-Equipment.com to order your parts

SECTION 12 - OPTIONS

FIGURE 12-13. BATTERY COLD START INSTALLATION



Go to Discount-Equipment.com to order your parts

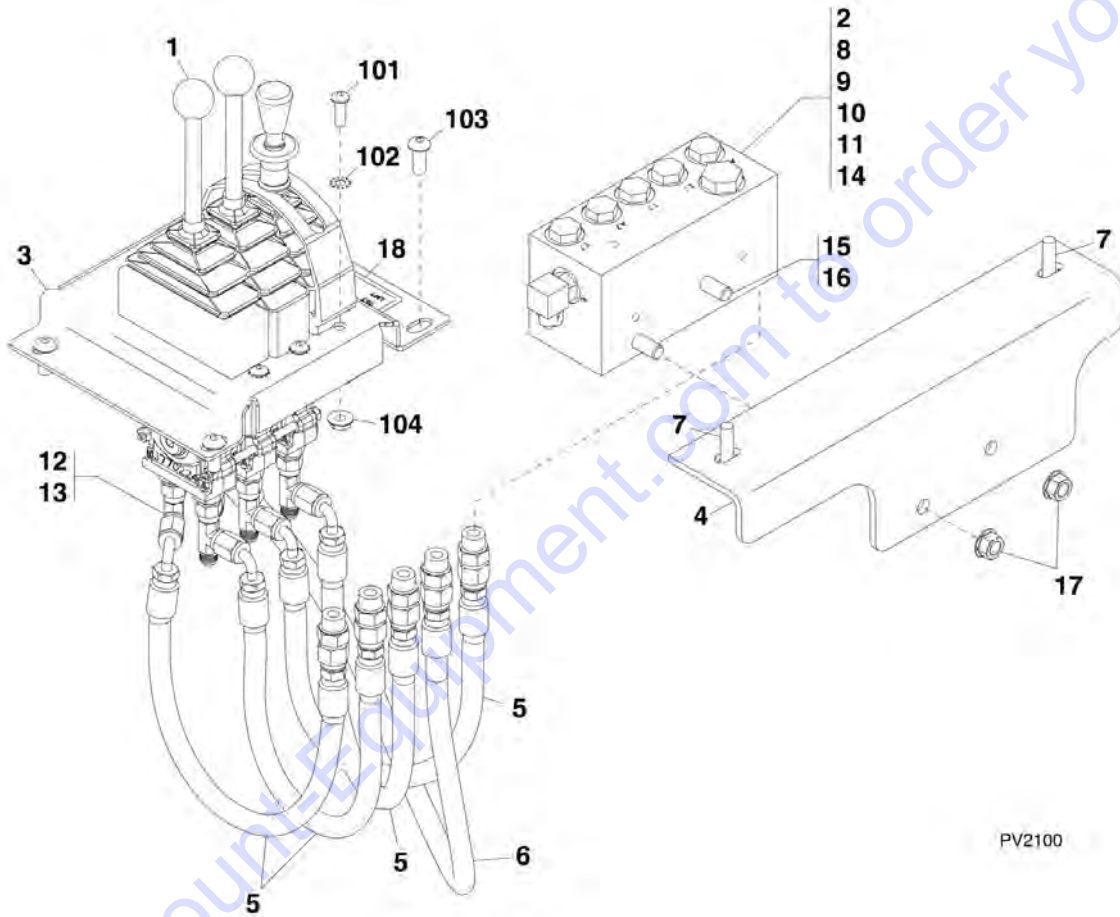
SECTION 12 - OPTIONS

FIGURE 12-13. BATTERY COLD START INSTALLATION

ITEM	PART NUMBER	QTY	DESCRIPTION	REV
	1001094494	Ref	BATTERY COLD START INSTALLATION, (not available to order, see items 1 thru 15 for service)	B
1	0681608	4	HEX HD CAPSCREW, 3/8-16X1	
2	3271601	4	HEX NUT, 3/8-16	
3	4711600	2	WASHER, 3/8	
4	4761600	4	LOCKWASHER, 3/8	
5	10266935	1	BATTERY BOX, (includes cover and strap)	
6	10700003	4	HEX HD CAPSCREW, 1/4-20X3/4	
7	10701308	4	LOCKWASHER, 1/4	
8	10701402	4	FLAT WASHER, 1/4	
9	10701506	4	HEX NUT, 1/4-20	
10	10740075	1	12V BATTERY	
11	1001094493	1	ANGLE, BATTERY TRAY SUPPORT	
12	10135646	1	POSITIVE BATTERY CABLE	
13	10165724	1	NEGATIVE BATTERY CABLE	
14	1001094682	1	TRAY, BATTERY BOX	
15	1001116024	1	ECU JUMPER HARNESS, (not shown)	
101	1001094492	2	TAB, BATTERY TRAP MOUNT	
K1	1001094491	Ref	BATTERY COLD START KIT, (includes items 1 thru 15 & 101)	B

SECTION 12 - OPTIONS

FIGURE 12-14. FRAME LEVEL AND OUTRIGGER JOYSTICK REPAIR KIT (Prior to SN 0160048698)



PV2100

SECTION 12 - OPTIONS

FIGURE 12-14. FRAME LEVEL AND OUTRIGGER JOYSTICK REPAIR KIT (Prior to SN 0160048698)

ITEM	PART NUMBER	QTY	DESCRIPTION	REV
	1001144067	1	FRAME LEVEL AND OUTRIGGER JOYSTICK REPAIR KIT, (includes items 1 thru 19)	A
1		Ref	FRAME LEVEL AND OUTRIGGER JOYSTICK ASSEMBLY, (See CONTROLS SECTION for Breakdown)	
2		Ref	SHUTTLE VALVE, (See HYDRAULIC COMPONENTS SECTION for Breakdown)	
3	1001142506	1	BRACKET	
4		Ref	BRACKET, (See HYDRAULIC CIRCUITS SECTION for Breakdown)	
5		Ref	HOSE ASSEMBLY, (See HYDRAULIC CIRCUITS SECTION for Breakdown)	
6		Ref	HOSE ASSEMBLY, (See HYDRAULIC CIRCUITS SECTION for Breakdown)	
7		Ref	HEX HD CAPSCREW, 5/16-18X1-1/8, (See HYDRAULIC CIRCUITS SECTION for Breakdown)	
8		Ref	PLUG, (See HYDRAULIC CIRCUITS SECTION for Breakdown)	
9		Ref	STRAIGHT FITTING, (See HYDRAULIC CIRCUITS SECTION for Breakdown)	
10		Ref	ADAPTER, 90, (See HYDRAULIC CIRCUITS SECTION for Breakdown)	
11		Ref	ADAPTER, 90, (See HYDRAULIC CIRCUITS SECTION for Breakdown)	
12		Ref	STRAIGHT FITTING, (See HYDRAULIC CIRCUITS SECTION for Breakdown)	
13		Ref	TEE FITTING, (See HYDRAULIC CIRCUITS SECTION for Breakdown)	
14		Ref	STRAIGHT FITTING, (See HYDRAULIC CIRCUITS SECTION for Breakdown)	
15		Ref	HEX HD CAPSCREW, 3/8-16X3-1/4, (See HYDRAULIC CIRCUITS SECTION for Breakdown)	
16		Ref	WASHER, 3/8, (See HYDRAULIC CIRCUITS SECTION for Breakdown)	
17		Ref	FLANGE HEX NUT, 3/8-16, (See HYDRAULIC CIRCUITS SECTION for Breakdown)	
18		Ref	FRAME TILT DECAL, (See DECALS SECTION for Breakdown)	
19	31200826	1	KIT INSTRUCTIONS, (not shown)	
101	10703196	6	BUTTON HD CAPSCREW, 1/4-20X3/4	
102	10701357	6	STAR WASHER, 1/4	
103	3900210	4	BUTTON HD CAPSCREW, 5/16-18X3/4	
104	8310382	6	NUT, 1/4	

SECTION 13 - RECOMMENDED SPARE PARTS

SECTION 13 - RECOMMENDED SPARE PARTS

Go to Discount-Equipment.com to order your parts

SECTION 13 - RECOMMENDED SPARE PARTS

FIGURE 13-1. RECOMMENDED SPARE PARTS

ITEM	PART NUMBER	QTY	DESCRIPTION	REV
	Note	Ref	Note: The following list will service fleets of machines (built to current production per date on the front cover) with repair parts which can be installed in the field. Parts from the list should be replaced when inventory is depleted to keep service parts stock supplied. For further information, go to Discount-equipment.com	
		Ref	Boom	
	10837289	2	Tilt Cylinder Hose (Prior to SN 0160037900, Excluding 0160037855)	
	10837289	1	Tilt Cylinder Hose (SN 0160037900 to Present, Including 0160037855)	
	10837289	1	Tilt Cylinder Hose, (Second Aux) (SN 0160037900 to Present, Including 0160037855)	
	10868104	2	Auxiliary Hose (Prior to SN 0160037900, Excluding 0160037855)	
	1001099891	2	Auxiliary Hose (SN 0160037900 to Present, Including 0160037855)	
	1001099891	1	Auxiliary Hose , (Second Aux) (SN 0160037900 to Present, Including 0160037855)	
	10139023	22	Boom Slide Pad, 9/16X2	
	10139530	4	Boom Slide Pad, 1X3	
	10139594	6	Boom Slide Pad, 3/4X3	
	10139604	2	Boom Slide Pad, 7/16X2	
	10139863	2	Bottom Slide Pad	
	10136329	AR	Shim, 0.060X2	
	10138770	AR	Shim, 0.060X3	
	10167059	1	Quick Attach Release Rod (Prior to SN 0160037900, Excluding 0160037855)	
	1001105440	1	Quick Attach Lock Pin (SN 0160037900 to Present, Including 0160037855)	
		Ref	Engine	
	2915065	1	Engine Filter Kit, 250 Hour (SN 0160009654 through 0160040407)	
	1001128966	1	Engine Filter Kit, 250 Hour (SN 0160040413 to Present, Including 0160037824 and 0160038521)	
	2915066	1	Engine Filter Kit, 1000 Hour (SN 0160009654 through 0160040407)	
	1001128965	1	Engine Filter Kit, 1000 Hour (SN 0160040413 to Present, Including 0160037824 and 0160038521)	
	10712182	1	Fuel Cap	
	10728734	1	Fan (SN 0160009654 through 0160040407)	
	2060045	1	Fan (SN 0160040413 to Present, Including 0160037824 and 0160038521)	
	10700207	1	Fan Spacer (SN 0160009654 through 0160040407)	
	70021491	1	Fan Belt (SN 0160018507 through 0160040407, Excluding 0160037824 and 0160038521)	
	70021807	1	Fan Belt (SN 0160040413 to Present, Including 0160037824 and 0160038521)	
		Ref	Drive Train	
	8223049	1	Selector Transmission Control	
	1319726	1	Transmission Filter	
	1319433	4	Wheel End Bushing	
	7027211	4	Wheel End Seal	

SECTION 13 - RECOMMENDED SPARE PARTS

ITEM	PART NUMBER	QTY	DESCRIPTION	REV
	80304173	4	Wheel Hub Seal	
	1319472	8	Wheel Hub Bearing	
	1321155	2	Front Axle Wheel Hub O-Ring	
	1321155	2	Rear Axle Wheel Hub O-Ring	
	8035981	2	Steer Cylinder Seal Kit, (Prior to Front Axle SN 958841 and Rear Axle SN 955235)	
	70021495	2	Steer Cylinder Seal Kit, (Front Axle SN 958841 to Present and Rear Axle SN 955235 to Present)	
	7026911	2	Universal Joint Kit	
	91474035	1	Universal Joint Kit	
		Ref	Hydraulic System	
	10239817	2	Joystick (Prior to SN 0160048698)	
	1001141420	2	Joystick (SN 0160048698 to Present)	
	10732693	2	Joystick Handle Assy (Prior to SN 0160048698)	
	70024556	2	Base Assembly (SN 0160048698 to Present)	
	8036562	1	Front Carriage Tilt Cylinder Seal Kit	
	8036561	2	Rear Carriage Tilt Cylinder Seal Kit	
	8036557	1	Frame Tilt Cylinder Seal Kit	
	7028622	2	Hoist Cylinder Seal Kit	
	8036563	1	Boom Extension Cylinder Seal Kit	
	1102019	1	Transfer Cylinder Seal Kit	
	1102016	2	Outrigger Cylinder Seal Kit	
	8036557	1	Rear Stabilizer Cylinder Seal Kit	
	10266450	1	Pressure Filter Element	
	1100987	1	Inline Filter Element	
	10727810	1	Hydraulic Filter Element	
	10238912	1	Tank Strainer	
	10139022	1	Filler/Breather Cap	
	10727809	1	Fluid Level Sight Gauge	
		Ref	Electrical	
	10723222	1	Engine Water Temp Sender	
	10719472	1	Engine Oil Temp Sender	
	91563122	1	Engine Oil Pressure Switch	
	10723217	1	Engine Oil Pressure Sender	
	10729317	1	Fuel Level Sender	
	8270621	1	Backup Alarm	
	1101202	1	Ignition Switch	
	7026922	1	Alternator (SN 0160009654 through 0160040407)	
	70023287	1	Alternator (SN 0160040413 to Present, Including 0160037824 and 0160038521)	
	7026921	1	Starter (SN 0160009654 through 0160040407)	
	70022640	1	Starter (Prior to SN 0160050882)	
	1001128594	1	Starter (SN 0160050882 to Present)	
	10268663	1	Horn	
		Ref	Miscellaneous	
	1101203	1	Ignition Key	
	8342813	1	Door Key	
	80904003	1	Hydraulic Test Kit	
	31200070	1	Operator and Safety Manual (Prior to SN 0160037900)	
	31200608	1	Operation and Safety Manual (SN 0160037900 to Present)	
	31200079	1	Service Manual	

PART NUMBER INDEX

Go to Discount-Equipment.com to order your parts

PART NUMBER INDEX

0080269.....153	0692040.....133	1001096073.....132	1001100823.....113
0080270.....124, 128	0700610.....240	1001096074.....11	1001100824.....113
0100011....12, 15, 19, 29, 39, 41, 53, 69, 124, 128, 132, 133, 149, 150, 163, 259	0700822.....124, 128	1001096080.....155	1001101085.....259
0100027.....301	0701210.....125, 129	1001096081.....155	1001101115.....117
0100071.....12	0701216....125, 129, 132	1001096082.....155	1001101116.....117
0240156.....115	0701617....124, 128, 132	1001096306.....101	1001101193.....159
0274396.....124, 128	0711014....124, 128, 132	1001096356.....261	1001101956.....69
0274409.....153	0711015.....124, 128	1001096404..20, 24, 393	1001102378.....69
0274432.....145	0741610.....69	1001096412.....132	1001102813.....102
0274719.....105	0760810.....132	1001096418.....133	1001102994.....296
0280188.....185	0761012...125, 129, 132, 393	1001096419.....11	1001103182.....375
0280189.....165	0761212.....393	1001097072.....101	1001103383.....149
0280190.....185	0761214.....132	1001097106....421, 429, 433, 437	1001103384.....149
0280191.....165	0761215.....132	1001097109.....407	1001103393.....149
0641405.....102	0791404.....393	1001097129....421, 429, 433, 437	1001103394.....149
0641406....149, 259, 387, 397, 421, 429, 433, 437	0791504.....393	1001097134....421, 429, 433, 437	1001103406.....132
0641408....125, 129, 133, 283	0811510.....153	1001097143.....159	1001103407.....133
0641410.....393	0860520.....101, 259	1001097145.....159	1001103578.....23
0641506....124, 128, 150	0903187.....307	1001097146.....159	1001103579.....33
0641507.....11	0903201.....283	1001097148.....159	1001103580.....45
0641508.....155	0903204.....145	1001097168.....101	1001103581.....51
0641509.....301	0903209.....15	1001097169....428, 432	1001103583.....23
0641511.....393	0903213....124, 128, 132	1001097385....428, 432	1001103584.....33
0641518....125, 129, 133	0903245.....124, 128	1001097573.....159	1001103585.....51
0641544.....145	0930020.....107	1001097579.....132	1001103637.....101
0641606.....23, 301, 307	09523572.....155	1001097623.....437	1001103643.....323
0641608....15, 149, 419, 421	1001090063.....69	1001097697.....261	1001103730.....101
0641610....132, 133, 149, 159, 394	1001090064.....69	1001098038.....261	1001103736.....101
0641612....69, 424, 428, 432	1001090134.....373	1001098233.....57	1001103932.....412
0641614.....132	1001090140.....69	1001098492.....57	1001103961.....149
0641616....421, 424, 428, 432	1001091068.....155	1001098582.....102	1001103991.....149
0641640.....33	1001091069.....155	1001098665.....51	1001103992.....149
0641710.....163	1001091370.....19, 23	1001098769.....20, 23	1001103995.....265
0641806.....419, 421	1001091371.....389	1001098770.....57	1001104020.....343
0641808.....57	1001091643.....387	1001098955.....149	1001104021.....343
0641810.....11, 23	1001092280.....101	1001098958.....149	1001104456.....265
0641818.....289, 295	1001092391.....99	1001098959.....149	1001104685.....265
0641832.....11	1001092481.....101	1001098960.....149	1001105000.....149
0641848.....51	1001092482.....101	1001098961.....149	1001105001.....149
0642010.....33, 45	1001093140.....101	1001098963.....150	1001105002.....150
0642012.....15	1001093171....101, 109	1001098968.....149	1001105327.....412
0642014.....15	1001093273.....115	1001098971.....149	1001105440.....57, 452
0642018.....12, 23	1001093377....115, 117	1001098973.....149	1001105441.....57
0642019.....15	1001093465.....115	1001099112.....261	1001106009.....412
0642022.....124, 128	1001093891.....132	1001099113.....69	1001107080.....165
0642032.....63, 65, 69	1001093892.....132	1001099115.....69	1001107081.....185
0642212.....29, 39	1001093944.....132	1001099251.....149	1001107570.....165
0642214.....39, 45, 51	1001094330.....115	1001099351.....89	1001107571.....185
0642256.....15	1001094491.....447	1001099493.....132	1001108582.....57
0651516.....159	1001094492.....447	1001099845.....99	1001108668.....111
0681608.....447	1001094493.....447	1001099846.....99	1001108670.....111
0681810.....69	1001094682.....447	1001099847.....99	1001109053.....412
0682214.....45	1001094830.....115	1001099848.....99	1001109548.....51
0682218.....51	1001095336.....393	1001099849.....99	1001109740.....349
0682222.....29, 45	1001095418.....73	1001099850.....99	1001110409.....412
0682244.....57	1001095708.....143	1001099891....289, 290, 452	1001110704.....73
0682652.....23	1001096019.....101	1001099901.....85	1001111190.....73, 111
	1001096020.....101	1001099902.....85	1001112699.....290
	1001096021.....101	1001100009.....235	1001112953.....290
	1001096023.....101	1001100227.....117	1001112955.....290
	1001096024.....101	1001100756.....57	1001113176.....150
	1001096025.....101	1001100822.....113	1001113262.....133
	1001096071.....132		1001113283.....11
			1001113367.....255
			1001113368.....255

PART NUMBER INDEX

1001114082.....	255	1001141639.....	424, 429, 433	10124751.....	412	10138773..	27, 29, 37, 39
1001114170.....	399	1001141640.....	424, 429, 433	10124906.....	412	10138806.....	19, 23
1001114191.....	133, 394	1001142244.....	381	10125085.....	87	10138898.....	97
1001114326.....	387	1001142245.....	301	10126143.....	97	10138929.....	412
1001114675.....	240	1001142352.....	275	101261521.....	97	10138930.....	289, 295
1001114803.....	150	1001142506.....	449	101261522.....	97	10139022.....	365, 453
1001114966.....	432	1001142790.....	119	101261523.....	97	10139023..	27, 29, 37, 39, 41, 45, 49, 51, 452
1001115055.....	132	1001143667.....	239	10126161.....	97	10139033.....	412
1001115056.....	132	1001143692.....	57	10130487.....	412	10139068.....	19
1001115107.....	393	1001143709.....	301, 304	10133344.....	145	10139087.....	412
1001115153.....	240	1001143710.....	301	10134667.....	255	10139222.....	245, 247
1001115205.....	413	1001144067.....	449	10135082.....	412	10139223.....	245
1001115208.....	413	1001144581.....	432	10135090.....	412	10139224.....	247
1001116024.....	447	1001145161.....	11	10135091.....	412	10139225.....	247
1001116694.....	403	1001146084.....	65	10135092.....	412	10139287.....	41, 45
1001116727.....	403	1001146086.....	65	10135193.....	412	10139351.....	389
1001116735.....	403, 405	1001146088.....	65	10135420.....	93	10139360.....	371
1001116738.....	403	1001146159.....	65	10135646.....	391, 447	10139379.....	41, 46
1001116810.....	405	1001146160.....	65	10135707.....	67, 93	10139530..	27, 29, 41, 45, 452
1001116821.....	403	1001147575.....	143	10136013.....	55	10139537.....	287
1001116962.....	403	1001147884.....	393	10136174.....	31, 33	10139594..	37, 39, 49, 51, 452
1001116966.....	403	1001147885.....	393	10136240.....	19, 23	10139604.....	41, 45, 452
1001116975.....	403	1001148177.....	240	10136262.....	239	10139619.....	365
1001117018.....	403	1001151103.....	235	10136329..	27, 29, 37, 39, 41, 45, 49, 51, 452	10139648.....	435, 437
1001117021.....	403	1001151104.....	235	10136402.....	157	10139731.....	293
1001117060.....	403	1001151561.....	65	10136405.....	157	10139732.....	293
1001117070.....	405	1001155219.....	393	10136412.....	157	10139809..	37, 39, 41, 45, 49, 51
1001117116.....	394	1001163414.....	373	10136429.....	145	10139838.....	31, 33
1001117118.....	394	10041066.....	157	10136464.....	53	10139849.....	31, 33
1001117214.....	265	10112750.....	412	10136480.....	247	10139863.....	37, 452
1001118480.....	393	10113599.....	31, 33	10136487.....	53	10139876.....	157, 159
1001118512.....	133	10115616..	125, 129, 133, 240	10136541.....	49	10139922.....	157, 159
1001118559.....	255	10115618..	125, 129, 133	10136863.....	55	10139945.....	15
1001119681.....	393	10115972.....	53	10136907.....	19, 23	10139946.....	15
1001119682.....	393	10115976.....	53	10137410.....	251	10139947.....	15
1001119904.....	394	10116117.....	93	10138013.....	67, 93	10139949.....	367
1001120179.....	235	10116227.....	67, 93, 439	10138014.....	67, 93	10165110.....	53
1001120914.....	69	10116228..	11, 15, 49, 67, 93, 327, 335, 339, 439	10138064.....	91, 93	10165161.....	157
1001120915.....	69	10116309.....	53	10138065.....	67, 93	10165243.....	37
1001121104.....	235	10116323.....	67, 93	10138066...61, 67, 91, 93	61, 67, 91, 93	10165263.....	31, 33
1001126344.....	235	10116346.....	412	10138090.....	53	10165359.....	15
1001127037.....	403	10116369.....	31, 33, 53	10138094.....	255	10165360.....	15
1001127038.....	393	10117012.....	53, 55	10138114.....	93	10165536..	417, 419, 421
1001127039.....	393	10117180.....	53	10138231.....	389	10165550..	417, 419, 421
1001127042.....	405	10118167.....	53	10138251.....	401	10165644.....	313
1001128164.....	393	10118328.....	53	10138327.....	401	10165649.....	315
1001128165.....	393	10118329.....	53	10138329..	351, 361, 363, 367	10165667.....	55
1001128166.....	394	10119920.....	53	10138374...19, 23, 31, 33	19, 23, 31, 33	10165668.....	55
1001128167.....	394	10120988.....	365	10138377.....	435, 437	10165685.....	77, 79
1001128200.....	394	10120989.....	365	10138394.....	53	10165692.....	31, 34
1001128201.....	394	10121319.....	412	10138395.....	53	10165693.....	77, 79
1001128594.....	143, 453	1012350.....	412	10138409...417, 419, 421	417, 419, 421	10165712.....	31
1001128965.....	134, 452	1012354.....	239, 249	10138410.....	413	10165715.....	41, 46
1001128966.....	134, 452	1012355.....	87	10138431.....	417	10165723.....	31, 34
1001131271.....	412	1012358.....	287	10138459...424, 428, 432	424, 428, 432	10165724.....	391, 447
1001131575.....	289, 295	1012360.....	249	10138471.....	399	10165735.....	41, 45
1001131582.....	150	1012361.....	249	10138493.....	77, 79	10165923.....	385, 387
1001131585.....	150	1012362.....	249	10138559.....	293	10165944.....	289
1001131588.....	149	1012365.....	251	10138615.....	27, 29	10165945.....	295
1001132514.....	63	10124186.....	307	10138718.....	239	10165950.....	53
1001133072.....	69	10124257.....	49, 53	10138721.....	27, 29	10166255.....	269
1001137512.....	99	10124495.....	61, 67	10138745.....	19, 41, 46	10166679.....	317
1001137645.....	143	10124732.....	11	10138770..	37, 39, 41, 45, 452	10166680.....	317
1001140447.....	337						
1001141420.....	271, 453						
1001141597.....	428, 432						
1001141598.....	428, 432						

PART NUMBER INDEX

10166906.....399	10238133.....289	10265087.....289, 295	10365687.....79
10166940.....315	10238221.....255	10265156.....124, 128	10366194.....363
10166941.....315, 399	10238252.....20	10265275.....287	10366809.....389
10166982.....255	10238319.....401	10265485.....287	10366891.....401
10167013..417, 419, 421, 435	10238353.....435	10265500..417, 419, 421	10367205.....401
10167059.....55, 452	10238356.....435	10265501..417, 419, 421	10367239...417, 419, 421
10167062.....424, 428	10238366.....245	10265514.....353	10367788.....399
10167073.....41, 45	10238470.....145	10265671.....55	10436476.....243
1016712935.....145	10238500.....443	10265701.....145	10438176.....55
1016712947.....145	10238512.....19, 23	10265716.....53	10438304.....412
10167139.....365	10238549.....371	10265729.....19, 23	10438305.....412
10167213.....55	10238557.....371	10265755.....31, 34	10438545.....371
10167485.....289, 295	10238560.....293	10265833.....41, 46	10438563.....49
10167749.....251	10238569.....77, 99	10265837.....34	10438564.....41, 45
10167750.....15	10238570.....99	10265859.....303	10438565.....31, 33
10167789..385, 387, 391, 393	10238628.....49, 51	10265862.....239	10438566.....19, 23
10167808.....412	10238661.....41, 46	10265863.....239	10438852.....97
10167809.....412	10238723..19, 24, 31, 33, 46	10266218.....439	10438860.....97
10167810.....412	10238724.....41, 46	10266234.....15	10438873.....93
10167870..424, 428, 432	10238726.....19, 23	10266336.....93	10438944.....365
10167871..417, 419, 421, 424, 428, 432, 435, 437	10238747.....289, 295	10266450.....355, 453	10439443.....239
10168441.....301, 389	10238757.....289, 295	10266453.....399	10439693.....347
10168505.....75	10238764.....253	10266929.....273	10439785.....365
10214979.....97	10238766.....253	10266935.....391, 447	10439995.....75
10215055.....97	10238767.....253	10266950.....401	10448045.....79
10215845.....145	10238768.....253	10266970.....105	10465024.....145
10216114.....93	10238768.....253	10266988.....281	10465660.....77, 79
10216115.....93	10238771.....253	10267044.....445	10465744.....55
10220964.....412	10238772.....253	10267049.....445	10466041.....251
10223049.....61, 67	10238848.....247	10267051.....445	10467043.....445
10224752..61, 67, 77, 79, 91, 93	10238849.....247	10267053.....445	10467146.....239
10226141.....97	10238870.....253	10267068.....41, 45	10467361.....239
10226146.....91, 93	10238912.....365, 453	10267069.....41, 45	10467366.....239
10226150.....91, 93	10239045.....277	10267141.....365	10468666.....385
10230339.....53	10239047.....97	10267147.....239	10567238...417, 419, 421
10232432..15, 31, 33, 41, 45	10239053.....343	10267585.....87	1060379.....102
10234833.....441	10239054.....343	10267799.....19, 23	10700001.....371
10236181.....365	10239083..424, 428, 432	10267807.....412	10700003..385, 391, 393, 399, 447
10236292.....293	10239088..424, 428, 432	10268516.....153	10700004.....53
10236293.....293	10239095.....99	10268663..385, 387, 453	10700005.....251
10236294.....293	10239098.....19, 23	10268727.....435, 437	10700006.....371
10236295.....293	10239098.....19, 23	10268728.....435, 437	10700007.....251
10236318.....249	10239113.....445	10268997.....265	10700008.....55
10236322.....299	10239253.....15	10326137.....97	10700009.....87, 371
10236381.....239	10239367.....257	10336317.....247	10700010.....399
10236427.....240	10239382.....97	10336383.....239	10700015.....371
10236436.....239	10239478.....249	10336887.....239	10700023.....371
10236491.....145	10239510.....399	10337113.....239	10700102...53, 145, 239, 315, 385, 387
10236499.....249	10239647.....435	10337401.....245	10700103.....371
10236500.....249	10239714.....445	10338004.....67	10700104.....11
10236518..417, 419, 421, 424, 428, 432	10239733.....293	1033820006.....125, 129	10700107.....11
10236542.....239	10239734.....293	103382001..424, 428, 432	10700133.....41, 45
10236765.....253	10239735.....293	103382003.....387	10700158.....157
10236818.....11	10239736.....293	103382004.....391	10700202.....19, 75, 145, 239
10236830.....255	10239738.....295	10338244.....53	10700203.....97
10236849.....239	10239739.....295	10338454..424, 428, 432	10700204...145, 365, 371
10236955.....239	10239739.....295	10338456..424, 428, 432	10700205...11, 124, 129, 146, 157
10236958.....239	10239751.....307	10338513.....11	10700207...125, 129, 452
10238025.....99	10239784.....412	10338913.....251	10700209.....55
10238118.....99	10239817.....269, 453	10338932.....83	10700212.....251
10238132.....289	10239832.....31, 33	10338933.....87	10700218.....31
	10239839..124, 128, 132	10338951.....445	10700229.....359
	10239894.....99	10339076.....351	10700234.....239
	10239969.....99	10339176.....249	
	10239970.....99	10339390.....239	
	10239973.....75	10339962.....412	
	10239982.....412	10365686.....79	
	10265025.....53		
	10265086.....289, 295		

PART NUMBER INDEX

10700245	239	365, 371, 417, 419,	10701680.....	157	10718085.....	307
10700303	239	421, 424, 428, 432	10702003.....	445	10718141.....	255
10700403 .. 19, 49, 53, 55,		10701314 12, 19, 124,	10702034.....	20, 239	10718181.....	125, 129
371		125, 128, 129	10702054..417, 419, 421,		10718602.. 125, 129, 132	
10700404 ... 12, 287, 289,		10701315 . 12, 27, 37, 41,	424, 428, 432, 435, 437		10718738.....	277
295, 424, 428, 432		49, 53	10702057.....	251, 391	10718740.....	277
10700409	77, 79	10701319	10702082.....	435	10718830.....	19, 53, 329
10700411	77, 79, 371	10701354	10702130...424, 428, 432		10718856.....	310
10700414	293	10701357 .. 303, 310, 449	10702612.....	31, 53	10718942.....	315
10700420	55	10701358	10702757.....	31	10718943.....	93
10700442	303	10701359	10703115.....	97	10718991.....	412
10700452	371	10701361 27, 37, 41, 428,	10703194.....	20, 31	10718992.....	412
10700453	53	433	10703196...303, 310, 449		10719106.....	321
10700484	87	10701363	10703227.....	37, 293	10719110.....	91, 93
10700489	27, 29, 37	31, 41, 97	10703236..27, 29, 37, 39,		10719190.. 424, 428, 432	
10700601	31, 41	10701364	41, 45, 49, 51		10719217.....	439, 441
10700605	12, 19	10701400 . 245, 251, 417,	10703237..27, 29, 37, 39,		10719267.....	153, 155
10700641	240	419, 421, 424, 428,	41, 45, 49, 51, 295		10719414.. 307, 315, 367	
10700642	239	432, 435, 437	10703242..27, 29, 37, 39,		10719472. 124, 128, 132,	
10700690 .. 125, 129, 133		10701402 . 145, 251, 387,	41, 45, 51		453	
10700693 .. 125, 129, 133		391, 401, 447	10703865.....	55	10719473.....	307
10700700	27, 37	10701403 ... 53, 145, 239,	10703906..61, 67, 77, 79,		10719736.....	77, 79
10700701	37, 41, 49	417	91, 93		10719890.....	310
10700703	12	10701404 19, 75, 145,	10704057.....	251	10719891.....	315
10700708	53	146, 157, 239, 293,	10704303.....	124, 128	10720365.....	97
10700726	41	301, 303, 313, 315,	10704606.....	251	10720431.. 31, 33, 41, 45	
10700728	49	371, 417, 419, 421,	10704611.....	124, 128	10720460.....	310
10700730	27, 41	424, 428, 432	10704630.....	353	10720467.....	295, 299
10700784	11	10701406	10704706.....	251	10720469.....	295
10700940	19	10701408 ... 12, 125, 129,	10704773.....	353	10720485.....	287
10700941	163	133	10705000..19, 24, 31, 33,		10720496. 125, 129, 145,	
10701200	55	10701411	41, 46, 49, 51, 87, 371		289, 299, 399, 419,	
10701201	77, 79	55	10705001.....	41, 46	421, 428, 432	
10701209	19	10701419	10705002.....	31	10720857.....	315
10701232	31	77, 79	10705003.....	239	10720902.....	371
10701253	317	10701430	10705004.....	77, 79	10721439.....	19, 23
107012533	239	19	10705006.....	239	10721556.....	87
10701254 19, 37, 41, 303		10701437	10705029.....	83, 87	10721557.....	87
10701257 . 19, 31, 37, 41,		37, 42	10705034.....	77, 79, 81	10721617.....	97
49		10701446	10705103.....	239	10721702.....	271
10701259	19, 41, 163	19	10705104.....	399	10721981.....	295
10701275 . 385, 387, 391,		10701452	10705107.....	240, 257	10723217. 125, 129, 133,	
393		289, 295	10705322.....	145	453	
10701276	157, 159	10701453	10710547.....	363	10723222. 125, 129, 133,	
10701277 ... 31, 125, 129,		145	10710553.....	153	453	
132		10701500	10710601.....	145	10723778.....	439
10701279	145, 371	445	10712182.....	365, 452	10723788.....	439
10701302	445	10701504	10712971.....	287	10723848.....	303, 365
10701305	401	391, 393	10713009.....	255	10723862.....	310
10701306 . 417, 419, 421,		10701506 . 145, 251, 293,	10715272...15, 31, 41, 53		10723866.....	293
424, 428, 432, 435, 437		371, 385, 391, 399,	10715277.....	49, 51	10724305.....	145
10701308 . 31, 37, 53, 55,		424, 428, 432, 447	10715367..31, 39, 41, 53,		10724306.....	145
145, 251, 293, 371,		10701507 . 239, 385, 387,	321, 327, 339		10724624.....	307
385, 391, 399, 424,		391	10715446.....	365	10724641.....	310
428, 432, 447		10701508 11, 19, 55, 125,	10716611..11, 15, 19, 31,		10724679.....	315
10701309 . 11, 41, 53, 77,		129, 132, 145, 146,	33, 49, 53, 77, 79, 87,		10724981.....	353
79, 145, 315, 371, 385,		149, 157, 159, 281,	321, 329		10725239.....	317
387, 391		303, 371, 391, 417,	10716673.....	365	10725290.....	443
10701310 11, 19, 55, 125,		419, 421, 424, 428, 432	10717169...153, 157, 159		10725297.....	439
129, 145, 146, 157,		10701510 11, 55, 145,	10717553.....	77, 79	10725302.....	79
239, 255, 281, 293,		289, 293, 295, 365,	10717554....20, 417, 419,		10725464.....	257
303, 307, 365, 369,		371, 424, 428, 432	424		10725691.....	273
371, 387, 391, 417,		10701512 11, 124, 128	10717593.....	371	10726099.....	313, 315
419, 421, 424, 428, 432		10701513	10717809.....	12	10726312.....	145
10701312 . 11, 20, 27, 49,		53	10717810.....	77, 79	10726324.....	97
53, 55, 145, 287, 293,		10701517	10717989..289, 295, 424,		10727123.....	307
		19, 23	428, 432, 435, 437			
		10701528				
		391				
		10701531				
		245				
		10701535 .. 125, 129, 133				
		10701558				
		387				
		10701560				
		31				
		10701567				
		19				
		10701585 .. 125, 129, 133				
		10701586				
		31, 33				
		10701650				
		245				
		10701656				
		251				
		10701658 19, 239, 251				
		10701662				
		19				

PART NUMBER INDEX

10727151.....	317	10731598.....	269	10740075.....	391, 447	10837264.....	299
10727185.....	315	10731709.....	227, 229	10740135.....	369	10837289... 289, 290, 452	
10727310.. 19, 24, 31, 33, 41, 46, 49, 51		10731744.....	209	10740467.....	369	10837295.....	310
10727322.....	77, 79	10731845.. 215, 217, 221		10740491.....	331	10837299.....	11
10727327.....	87	10731913.....	207	10740662.. 351, 361, 367		10837308.. 255, 417, 419, 421, 424, 428, 432	
10727404.....	295	10731949.....	176, 196	10791533.....	251	10837309.. 417, 419, 421, 424, 428, 432, 435, 437	
10727600.. 399, 424, 428, 432, 435, 437		10731959.....	223	10791534.....	251	10837315.....	77
10727667.....	313	10732063.....	227, 229	10791577.....	245	10837318... 417, 419, 421	
10727770.....	87	10732064.....	227	10791579.....	245	10837331.....	255
10727809.....	365, 453	10732071.....	225	10791581.....	245	10837332.....	255
10727810.....	353, 453	10732072.....	225	10791583.....	245	10837333.....	255
10727827.....	331	10732201.....	269, 273	10791584.....	245	10837334.....	255
10727829.....	239	10732202.....	269, 273	10791585.....	245	10837352.....	351, 361
10727933.....	351, 361	10732203.....	269	10791586.....	245	10837353.....	363
10727936.....	367	10732204.....	269	10791588.....	245	10837354.....	363
10727971.....	97	10732205.....	269	10791589.....	245	10837355.....	351, 361
10727980.....	369	10732206.....	269	10791598.....	245	10837360.....	363
10728200.....	295	10732207.....	273	10791599.....	245	10837361.....	363
10728503.....	97	10732208.....	273	10791600.....	245	10837368.. 301, 303, 391, 394	
10728504.....	97	10732210.....	273	10791601.....	245	10837386.....	445
10728616.....	307, 313	10732211.....	273	10791764.....	369	10837389.....	247
10728704.....	255	10732212.....	273	10791765.....	369	10837390.....	245
10728734... 124, 128, 452		10732213.....	273	10791781.....	343	10837391.....	247
10728819.....	365	10732214.....	273	10791783.....	343	10837392.....	247
10728823.....	317	10732215.....	273	10791784.....	343	10837393.....	247
10728873.....	365	10732238.....	443	10791946.....	359	10837395.....	247
10728957.....	357	10732242.....	441	10791947.....	359	10837396.....	247
10729100.....	307	10732244.....	441	10791952.....	359	10837397.....	247
10729122.....	359	10732311.....	441	10836509.. 424, 428, 432, 435, 437		10837398.....	247
10729155.....	310	10732321.....	441	10836511.....	255	10837399.....	245
10729156.....	303	10732332.....	441	10836512.....	255	10837411.....	251
10729167.....	315	10732340.....	443	10836590.....	93	10837412.....	251
10729317.....	365, 453	10732343.....	441	10836591.....	307	10837413.....	251
10729694.....	391, 393	10732355.....	443	10836592.....	307	10837414.....	251
10729947.. 321, 323, 327, 329		10732356.....	443	10836752.....	439	10837450.....	335
10729956.....	303	10732360.....	443	10836804.....	255	10837465... 424, 428, 432	
10730177.....	287	10732371.....	443	10837005.....	361	10837475.....	157, 159
10730418.....	365	10732416.....	310	10837010.....	361	10837505.....	310
10730444.....	331	10732420.....	145	10837011.....	361	10837507.....	307
10730518.....	67, 93	10732543.....	273	10837014.....	361	10837508.....	315
10730584.....	303	10732544.....	273	10837050.....	439	10837513.....	293
10730797.....	435, 437	10732545.....	273	10837051.....	439	10837515.....	313
10730798.....	435, 437	10732546.....	273	10837053.....	307	10837516.....	303
10730799... 424, 428, 432		10732547.....	273	10837080.....	281	10837517.....	79
10730800.....	424, 432	10732548.....	273	10837113.....	239	10837519.....	79
10730927.....	331	10732549.....	273	10837115.....	301	10837521.....	289
10731059.....	293	10732551.....	245	10837117.....	353	10837522.....	289
10731407.....	273	10732554.....	245	10837118.....	353	10837523.....	77, 79
10731444.....	273	10732555.....	245	10837118.....	353	10837524.....	310
10731462.....	269, 273	10732556.....	245	10837120.....	353	10837535.....	93
10731463.....	273	10732558.....	245	10837141.. 417, 419, 424, 428, 432		10837536.....	310
10731464.....	273	10732575.....	255	10837142.. 417, 419, 424, 428, 432		10837537.....	303, 310
10731472.....	269	10732578.....	269	10837143.....	333	10837552.....	445
10731473.....	269	10732579.....	12	10837150.....	293	10837553.....	445
10731474.....	269	10732689.. 11, 15, 19, 31, 39, 41, 49, 53, 67, 77, 79, 91, 93, 97		10837151.....	293	10837571.....	351
10731475.....	269	10732693.....	269, 453	10837166.....	317	10837574.....	293
10731477.....	269	10732697.....	157, 159	10837173.....	317	10837575.....	361
10731481.....	269	10732698.....	157, 159	10837175.....	307	10837580... 349, 361, 381	
10731482.....	269	10732958.....	239	10837186.....	289	10837604.....	145
10731483.....	269	10732961.. 125, 129, 133		10837189.....	289	10837605.....	287
10731486.....	269	10732982.....	157, 159	10837194.....	293	10837606.....	287
10731488.....	269	10733052.....	310	10837195.....	293	10837607.....	310
10731489.....	269	10733094.....	269	10837241.....	251	10837610.....	301, 303
10731556.....	359	10733095.....	269	10837246.....	367	10837613.....	303
		10733152.....	239	10837252.....	313		
		10733168.....	273	10837261.....	313		
		10733799.....	441				

PART NUMBER INDEX

10837614	303	1100034	361	1102074	289, 295	1319382	187
10837615	303	1100035	361	11047270	97	1319383	187
10837619	317	1100139-OM	240	11129100	97	1319384	187
10837621	307	1100140-OM	240	11133050	93	1319385	187
10837622	307	1100141-OM	240	11143030	97	1319386	187
10837623	307	1100143-OM	240	11143040	93	1319387	187
10837629	299	1100341	355	11160110	67, 91, 93, 97	1319388	187
10837639	310	1100343	355	11160140	67, 93	1319389	187
10837645	301	1100379	289, 295	11170040	97	1319390	187
10837646	301	1100417	31, 33, 53	11261060	93	1319391	187
10837649	146	1100439	77	11486100	97	1319392	187
10837684	367	1100469	77	1170021	63	1319393	187
10837750	157	1100532	71	1170024	63	1319394	187
10837753	19, 23	1100778	353	1170027	63	1319395	187
10837776	125, 129	1100790	265	1170054	69	1319396	187
10837794	67, 93	1100792	265	1170057	69	1319397	187
10837821	317	1100793	265	11894070	97	1319398	187
10837863	67, 77, 79	1100794	265	1319210	181, 201	1319399	188
10837864	93	1100795	265	1319229	207	1319400	188
10837865	87	1100796	265	1319333	188	1319401	188
10837866	97	1100797	265	1319334	188	1319402	188
10837900	344	11009060	93, 97	1319335	188	1319406	187
10837902	343	11009080	67, 91, 93	1319336	188	1319412	191
10837904	343	11009100	97	1319337	188	1319414	191
10837905	344	1100963	357	1319338	188	1319415	171, 191
10837906	344	1100987	357, 453	1319339	188	1319423	173, 193
10837923	343	1100988	357	1319340	188	1319425	173, 175, 193, 195
10837927	344	1100989	357	1319341	188	1319429	173, 193
10837937	344	1100990	289, 295	1319342	188	1319431	175, 195
10837953	343	1101083	145	1319343	188	1319433	173, 193, 452
10837964	343, 344	1101132	53	1319344	188	1319436	173, 193
10839156	223	1101202	255, 453	1319345	188	1319439	173, 193
10866136	67, 93	1101203	255, 453	1319346	188	1319440	173, 193
10866416	355	1101312	153	1319347	188	1319441	173, 193
10866446	399	1101313	153	1319348	188	1319444	187, 201
10866706	303	1101435	75	1319349	188	1319445	181, 201
10866708	303	1101505	289, 295	1319350	188	1319447	181, 201
10866709	310	1101510	295	1319351	188	1319448	201
10866716	303	1101511	289	1319352	188	1319449	201
10866717	295	1101513	289, 295	1319353	188	1319450	201
10866827	401	1101518	289, 295	1319354	187	1319451	201
10866828	401	1101522	41, 45	1319355	187	1319452	201
10866829	401	1101525	45	1319356	187	1319453	201
10866830	399	11016130	97	1319357	187	1319454	201
10866835	55	11016150	93	1319358	187	1319455	201
10867150	249	1101672	33	1319359	187	1319456	201
10867157	240	1101673	45	1319360	187	1319457	201
10867159	401	1101674	31, 33	1319361	187	1319458	201
10867162	361	1101704	15	1319362	187	1319459	201
10867163	361	1101780	385, 387, 389	1319363	187	1319460	201
10867164	361	1101844	424, 428	1319364	187	1319461	201
10867165	361	1101845	424	1319365	187	1319462	181, 201
10867166	363	1101846	424, 428, 432	1319366	187	1319463	201
10867167	363	1101853	424	1319367	187	1319464	181, 201
10867168	363	1101857	385, 387	1319369	187	1319472	181, 201, 453
10867169	363	1101888	365	1319370	187	1319475	181, 202
10867170	363	1102015	335	1319371	187	1319476	201
10867171	363	1102016	335, 453	1319372	187	1319477	181, 202
10867173	401	1102018	333	1319373	187	1319483	205
10867540	249	1102019	333, 453	1319374	187	1319484	205
10867541	251	1102022	333	1319375	187	1319485	205
10867571	391	1102023	304	1319376	187	1319491	175, 195
10867583	75	1102025	363	1319377	187	1319496	176, 196
10867584	75	1102026	304	1319378	187	1319497	176, 196
10868086	363	1102027	349	1319379	187	1319499	176, 196
10868104	289, 295, 452	1102050	361	1319380	187	1319500	176, 196
10868902	361	1102051	361	1319381	187		

PART NUMBER INDEX

1319501.....	176, 196	1319602 ...	211, 213, 215, 217, 219, 221	1319698	227	1321218.....	171
1319502.....	176, 196	1319603 ...	211, 213, 215, 217, 219, 221	1319699	227	1321219.....	171
1319504.....	176, 196	1319604 ...	211, 213, 215, 217, 219, 221	1319700	227	1321220.....	171
1319505.....	175, 195	1319606 ...	215, 217, 221	1319701	227	1321221.....	171
1319506....	173, 175, 183, 193, 195, 205	1319607	215	1319702	227, 229	1321225.....	171, 191
1319510.....	175, 195	1319608	213, 215	1319703	227, 229	1321226.....	202
1319511.....	175, 195	1319613	217	1319704	227	1321228.....	181
1319512.....	175, 195	1319614	217	1319705	227	1321231.....	205
1319513.....	175, 195	1319615 ...	211, 217, 221	1319707	227, 229	1321232.....	183
1319514.....	175, 195	1319616	219	1319710	229	1321233.....	183
1319515.....	175, 195	1319617 ...	211, 213, 219	1319711	229	1321237.....	187
1319516.....	175, 195	1319618 ...	211, 213, 219	1319712	229	1321239.....	201
1319517.....	175, 195	1319619	219	1319713	229	1321242.....	205
1319518.....	175, 195	1319620 ...	211, 213, 219	1319714	229	1321244.....	179
1319519.....	175, 195	1319621 ...	211, 213, 219	1319715	229	1321245.....	201
1319520.....	175, 195	1319622 ...	211, 213, 219	1319719	231	1321246.....	201
1319521.....	175, 195	1319623 ...	211, 213, 219	1319720	231	1321247.....	205
1319522.....	175, 195	1319624 ...	211, 213, 219	1319721	231	1321248.....	168
1319523.....	175, 195	1319625 ...	211, 213, 219	1319722	231	1321249.....	181
1319524.....	175, 195	1319626 ...	211, 213, 219	1319723	231	1321250.....	181
1319525.....	175, 195	1319627 ...	211, 213, 219	1319724	231	1321251.....	181
1319526.....	175, 195	1319633	219, 223	1319726	231, 452	1321255.....	183
1319527.....	175, 195	1319634	221	1320239	125	1321256.....	181
1319529.....	175, 195	1319635	221	1321148	173, 193	1321257.....	181
1319530.....	175, 195	1319636....	211, 213, 221	1321149	341	1321258.....	183
1319531.....	175, 195	1319637	211	1321150	176, 196	1321259.....	191
1319532.....	175, 195	1319638	211, 213	1321151	176, 196	1321260.....	191
1319533.....	175, 195	1319639	213	1321152	176, 196	1321265.....	225
1319534.....	175, 195	1319641	223	1321153	171, 191	1322158.....	143
1319535.....	175, 195	1319642	223	1321154	171, 191	14994040.....	91, 93
1319536.....	175, 195	1319646	223	1321155 ...	181, 201, 453	14994050.....	67
1319537.....	175, 195	1319647	223	1321157	181, 201	1684460.....	327
1319538.....	175, 195	1319648	223	1321158	175, 195	1684461.....	339
1319539.....	175, 195	1319649	223	1321159	175, 195	1701509.....	102
1319540.....	175, 195	1319650	225	1321162	176, 196	1701640.....	413
1319541.....	175, 195	1319652	225	1321163	176, 196	1702631.....	413
1319542.....	175, 195	1319661	225, 227	1321172	199	1702773.....	101
1319543.....	175, 195	1319666 ...	176, 179, 196	1321174	176, 196	1702962.....	412
1319544.....	175, 195	1319670	227, 229	1321175	181	1704277.....	102
1319557.....	207	1319671	227	1321178	199	1704885.....	101
1319558.....	207	1319673	227	1321184	171, 191	1705687.....	412
1319563.....	207	1319674	227	1321185	167	1706101.....	412
1319566.....	207	1319675	227	1321186	167	1706103.....	412
1319571.....	209	1319676	227	1321187	167	1706296.....	413
1319573.....	209	1319677	227	1321189	167	1706298.....	413
1319574.....	209	1319678	227	1321190	167	1706299.....	413
1319575.....	209	1319679	227	1321191	183	1706300.....	412
1319576.....	209	1319680	227	1321194	168	1706301.....	412
1319577.....	209	1319681	227	1321196	167	1706302.....	413
1319578.....	209	1319683	227	1321197	167	1706303.....	413
1319581.....	209, 231	1319684	227	1321198	167	1706304.....	413
1319582.....	209, 231	1319685	227	1321199	167	1706306.....	413
1319583.....	209	1319686	227	1321201	168	1706400.....	412
1319584.....	209	1319687	227	1321202	168	1706502.....	412
1319585.....	209, 231	1319688	227	1321203	168	1706511.....	412
1319586.....	209	1319689	227	1321204	168	1706511.....	412
1319587.....	209	1319690	227	1321205	183	1706767.....	413
1319590.....	209	1319691	227	1321206	179	1706768.....	413
1319591.....	215	1319692	227	1321207	179	1706850.....	413
1319595....	211, 213, 215, 217, 219, 221	1319693	227	1321208	179	1706851.....	413
1319596....	215, 217, 221	1319694	227	1321210	168	1706892.....	101
1319600....	211, 213, 215, 217, 219, 221	1319695	227	1321211	187	1810003.....	255
1319601....	211, 213, 215, 217, 219, 221	1319696	227, 229	1321212	168	2000294.....	137
		1319697	227	1321213	167	2000381.....	139
				1321214	183	2060045.....	132, 452
				1321215	171, 191	2080040.....	102
				1321217	171	2080044.....	101

PART NUMBER INDEX

2110606 69, 81	2220881 363	2915193 413	3931648 124, 128, 133
2110808 69	2220883 363	2940074 101	3951603 33
2120185 255	2220885 361, 363	31200070 453	3951820 33
2130606 81	2220887 289, 295	31200079 453	3980039 259
2130608 81	2220899 313, 317	31200160 101	4040282 233
2160002 33, 45, 57	2220947 289, 295	31200386 101	4100109 157
2172106 69	2220973 290	31200387 101	4105262 20, 23
2172112 149	2220999 ... 287, 303, 317	31200388 101	4110252 87
2180467 149	2221033 303	31200608 453	4110412 83, 87
2180849 289	2221034 ... 303, 307, 315, 317	31200826 449	4110422 ... 83, 85, 87, 89
2180858 ... 124, 128, 132	2221050 293	3251813 412	4110473 81
2200221 353	2221301 41, 45	3271405 ... 393, 421, 429, 433, 437	4210020 15
2200261 41, 45	2221302 41, 45	3271501 11, 124, 128, 133, 393	4210021 15
2220221 315	2230021 317	3271505 ... 153, 155, 283	4220248 15
2220237 301	2230024 77	3271601 393, 447	4220249 15
2220282 265	2230031 307	3271805 149	4341019 124, 128
2220366 310	2230043 93, 307	3272205 15	4341020 12
2220371 77, 79, 287, 301, 303, 304, 307, 310, 311, 313	2230044 295	3272601 23, 163	4341026 11
2220373 ... 299, 301, 304	2340037 99	3281505 159	4341059 293
2220374 ... 87, 295, 299, 301	2340038 99	3282201 11	4360608 255
2220375 303	2340039 99	3300143 23, 33	4460042 403
2220385 365	2340045 99	3300240 63, 65, 69	4460043 403
2220408 ... 124, 128, 132, 287	2340046 99	3311001 397	4460142 405, 407
2220415 73, 303, 310, 315, 317	2540020 393	3311401 397	4460247 403
2220451 ... 145, 287, 293, 365	2540048 397	3311405 ... 102, 125, 129, 133	4460256 403
2220466 ... 303, 307, 315	2540049 397	3311508 149, 393	4460312 407
2220472 ... 165, 185, 301, 310, 317	2560141 393	3311602 ... 153, 289, 295	4460315 407
2220473 73, 303, 310, 313, 315	2600281 101	3311705 163	4460443 407
2220490 307	2717042 329	3311802 33	4460458 403
2220493 287	2717045 325	3312201 15	4460465 403
2220498 145	2717046 321	3313002 23	4460466 403
2220500 293, 307	2717047 331	3380579 255	4460509 403, 405
2220501 ... 67, 77, 79, 93	2717160 81	3380581 283	4460518 403
2220502 303	2717161 81	3380583 397	4460539 403
2220518 365	2717162 81	3421453 102	4460590 403
2220574 133	2717283 81	3423197 11	4460608 403
2220578 ... 145, 287, 289	2717287 73	3423213 15	4460746 403
2220579 97	2720546 145	3423242 63, 65, 69	4460943 403
2220582 ... 301, 303, 310	2720547 145	3423275 63, 65, 69	4460944 403
2220596 299, 307	2720550 124, 128	3423276 ... 63, 65, 69, 73	4461034 ... 421, 429, 433, 437
2220603 310	2750790 307	3423307 69	4461035 ... 421, 429, 433, 437
2220605 ... 301, 304, 310	2752474 307	3460480 124, 128	4461037 ... 421, 429, 433, 437
2220606 ... 310, 313, 315, 317	2752908 313, 315	3520072 101	4461038 ... 421, 429, 433, 437
2220609 73	2752983 313	3520198 101	4461233 394
2220619 97, 317	2753315 307	3575851 15	4461265 394
2220628 73, 97, 165, 185	2753476 307	3575947 132	4461270 394
2220635 ... 304, 310, 311	2754321 307	3576433 387	4520396 235
2220651 304	2754331 287	3600427 132	4520397 235
2220654 315	2754333 315	3740067 ... 421, 429, 433, 437	4520398 235
2220655 149	2754334 315	3740149 399	4520399 235
2220657 93, 307	2754335 315	3760170 102	4520400 235
2220682 293	2754411 301	3820020 101	4520401 235
2220700 293	2754412 301	3841203 ... 19, 23, 55, 69	4520500 235
2220767 365	2754413 301	3841708 55	4520502 235
2220775 97	2754414 301	3841709 11, 49, 53	4540013 207
2220819 303, 313	2754547 49, 51	3900210 449	4569244 153
2220855 41, 45	2900770 ... 321, 327, 329, 335, 363	3900316 33	4569245 153
2220867 363	2902422 307	3900370 283	4641501 81
	2902501 261	3911008 399	4641502 81
	2902550 387	3911010 393	4711000 393, 397
	2915023 375	3911012 255	4711400 ... 102, 125, 129, 133, 283, 387, 393, 421, 429, 433, 437
	2915065 ... 125, 129, 452	3931012 397	
	2915066 ... 125, 129, 452	3931612 307	
	2915171 259		
	2915184 385		

PART NUMBER INDEX

4711500..... 11, 124, 128, 133, 150, 283	70020181 261	70021617 341	70022640..... 143, 453
4711600 20, 24, 133, 394, 447	70020182 261	70021726 341	70022641..... 143
4711700..... 163	70020183 262	70021789 181	70022749..... 323
4711800... 29, 39, 45, 289, 295	70020184 262	70021790 181	70022750..... 323
4712000..... 15	70020185 262	70021793 143	70022751..... 323
4713400..... 23	70020348 143	70021796 143	70022763..... 323
4740003..... 57	70020349 143	70021798 143	70022764..... 323
4740274..... 150	70020356 143	70021799 143	70022997..... 119
4751400..... 101, 259, 397	70020358 143	70021800 143	70023117..... 265
4751500..... 149, 155	70020408 176, 196	70021801 143	70023139..... 259
4751600..... 23, 149, 159	70020409 176, 196	70021803 143	70023161..... 261
4752000..... 12, 15, 133	70020413 179, 193	70021805 143	70023162..... 261
4761000..... 391	70020425 225	70021806 143	70023163..... 261
4761400..... 23, 33, 149	70020426 225	70021807 143, 452	70023164..... 261
4761500..... 45, 125, 129, 133, 150	70020427 229	70021809 143	70023165..... 261
4761600 15, 23, 132, 149, 159, 301, 307, 393, 447	70020428 375	70021812 375	70023166..... 261
4761800.... 11, 29, 39, 51, 289, 295	70020430 223	70021897 140	70023167..... 261
4762000... 12, 15, 23, 133	70020431 223	70021899 140	70023286..... 143
4762200.... 15, 29, 39, 45, 51	70020483 176, 196	70021921 89	70023287..... 143, 453
4763000..... 23	70020484 176, 196	70021935 89	70023288..... 143
4791400.... 387, 421, 429, 433, 437	70020485 176, 196	70021977 89	70023289..... 143
4791600..... 33, 153, 289, 295	70020486 176, 196	70021978 89	70023325..... 283
4792000 33, 45, 125, 129, 133	70020487 176, 196	70021979 89	70023443..... 143
48040..... 61	70020551 283	70021980 107	70023444..... 143
48041..... 67	70020555 109	70021981 107	70023458..... 139
48042..... 61	70020562 107	70021982 107	70023461..... 139
48043..... 67	70021038 247	70022028 89	70023736..... 143
48056..... 91	70021111 173, 193	70022044 375	70024020..... 373
48057..... 93	70021231 255	70022045 375	70024123..... 119
48060..... 97	70021342 89, 107	70022046 375	70024262..... 373
4811900..... 124, 128	70021349 89	70022052 201	70024306..... 99
4812000.... 124, 128, 132	70021358 107	70022289 139	70024307..... 99
4812100..... 132	70021359 107	70022527 107	70024535..... 119
4832100.... 125, 129, 132	70021360 107	70022539 149	70024536..... 119
4846452..... 101	70021361 107	70022540 149	70024537..... 119
4891400..... 149	70021362 107	70022541 149	70024538..... 119
4891800..... 69	70021364 107	70022542 149	70024539..... 379
4923232..... 391	70021365 107	70022543 149	70024540..... 119
4923233..... 399	70021366 107	70022544 149	70024541..... 119
4923242..... 255	70021367 107	70022610 341	70024542..... 119
4923243..... 397	70021387 107	70022612 327, 339	70024543..... 119
4923246..... 397	70021391 107	70022614 343	70024544..... 119
4923247..... 391	70021392 107	70022615 343	70024545..... 119
4923253..... 399	70021393 377	70022616 343	70024546..... 119
4923407..... 387	70021399 107	70022617 343	70024547..... 379
5240800..... 132	70021415 89	70022618 343	70024548..... 379
5251016..... 124, 128	70021440 377	70022619 343	70024549..... 379
63231..... 145	70021444 377	70022620 343	70024550..... 119
6604662..... 73	70021446 377	70022621 343	70024551..... 119
70002219..... 373	70021447 377	70022622 343	70024552..... 119
70002224..... 373	70021448 377	70022623 343	70024553..... 119
70002955..... 367	70021451 377	70022624 343	70024554..... 119
70003849..... 373	70021452 71, 377	70022625 343	70024555..... 119
70020177..... 261	70021464 377	70022626 344	70024556..... 453
70020178..... 261	70021465 377	70022627 344	70024557..... 271
70020179..... 261	70021466 377	70022628 344	70024558..... 275
70020180..... 261	70021491 139, 452	70022629 344	70024559..... 275
	70021492 139	70022630 344	70024560..... 275
	70021493 139	70022631 344	70024561..... 275
	70021495 341, 453	70022632 344	70024562..... 275
	70021553 201	70022633 143	70024563..... 275
	70021554 201	70022634 143	70024564..... 275
	70021568 341	70022635 143	70024565..... 275
	70021569 341	70022636 143	70024566..... 275
	70021570 341	70022637 143	70024568..... 275
	70021571 341	70022638 143	70024569..... 275
	70021573 87	70022639 143	70024570..... 275

PART NUMBER INDEX

70024571	275	7029029	223	7029206	344	7139032	31, 33, 49
70024624	275	7029035	225	7029210	137	7139416	19, 24
70024625	275	7029036	225	7029211	137, 139	7139772	51
70024626	275	7029037	225, 227	7029212	137	7139773	45
70025606	373	7029039	227	7029214	145	7139774	45
70025959	373	7029052	227	7029520	109	7139775	33
70026056	373	7029074	231	7029521	109	7139918	81
70026057	373	7029104	179	7029532	215, 217, 219, 223	72071980	125, 129
70026058	373	7029130	281	7029533	215, 217, 219, 223	7300344	134, 394
70026059	373	7029132	321	7029590	71	7301054	235
70026060	373	7029133	321, 323	7029690	71	7301379	412
70026061	373	7029134	321	7029691	71	7301380	412
70026062	373	7029135	321, 323, 329	7029692	71, 89, 107	7301408	81
70027321	349	7029136	321, 323	7029693	71	7301568	81
70027322	349	7029140	325	7029694	71	7301569	81
7010543	349	7029141	325	7029695	71	7301579	81
7012518	349	7029142	325	7029697	71	7310012	394
7012998	349	7029143	325	7029698	71	77363244	403
7017283 ...	325, 327, 329, 331, 339	7029144	325	7029699	71	77383154	153, 155
7021632	363	7029145	325	7029700	71	77383790	153, 155
7022390	363	7029146	329	7029701	71	77384830	143
7022391	349	7029147	329	7029702	71	80263012	101
7024574	375	7029148	329	7029703	71	80293007	155
7026481	283	7029149	327, 339	7029704	71	80304173	181, 201, 453
7026485	283	7029150	327	7029705	71	80304214	231
7026664	181, 201	7029152	327, 339	7029706	71	80304227	183
7026726	145	7029153	327, 339	7029707	71	80304394	209
7026744	207	7029154	327	7029708	71	80304405	181, 201, 207
7026745	207	7029155	331	7029709	71	8033412	344
7026749	207	7029156	331	7029710	71	8033786	375
7026758 ...	211, 213, 215, 217, 219, 221	7029157	331	7029711	71	8034697	343
7026759 ...	211, 213, 215, 217, 219, 221	7029158	331	7029712	71	8035346	344
7026760 ...	211, 213, 215, 217, 219, 221	7029159	331	7029713	71	8035347	343
7026761 ...	211, 213, 215, 217, 219, 221	7029160	331	7029714	71, 107	8035348	344
7026794	209	7029162	339	7029715	71	8035355	343
7026798	259	7029167	333	7029716	71, 107	8035356	344
7026799	259	7029168	333	7029717	71, 107	8035359	343, 344
7026900	259	7029169	333	7029718	71, 107	8035362	343
7026901	259	7029170	333	7029719	71, 107	8035373	344
7026902	259	7029171	333, 335	7029720	71, 107	8035374	344
7026905	259	7029172	333	7029721	71, 107	8035381	343
7026906	259	7029175	335	7029722	71, 107	8035387	343
7026911	233, 453	7029176	335	7029723	71, 107	8035500	240
7026915	139	7029177	335	7029724	71, 107	8035536	375
7026918	137, 139	7029178	335	7029725	71, 107	8035862	375
7026920	137, 139	7029179	335	7029726	71, 107	8035871	167
7026921 ...	137, 139, 453	7029185	347	7029727	71, 107	8035872	167
7026922 ...	137, 139, 453	7029186	347	7029728	71, 107	8035873	167
7026923	137, 139	7029187	347	7029729	71, 107	8035874	167
7026927	137, 139	7029188	347	7029730	71, 107	8035875	167
7027211 ...	173, 193, 452	7029189	347	7029731	71, 107	8035876	167
7027212	179	7029190	347	7029732	71, 107	8035877	167
7027217 ...	176, 179, 196	7029191	347	7029733	71, 107	8035878	167
7027225	171	7029192	347	7029734	71, 107	8035879	167
7027227	173, 193	7029193	347	7029735	71, 107	8035881	167
7027230	171	7029194	347	7029736	71, 107	8035882	167
7028622	329, 453	7029195	347	7029737	71, 107	8035883	167
7028967	167	7029196	347	7029738	71, 107	8035884	167
7028974	188	7029197	347	7029739	71, 107	8035885	167
7028976	191	7029198	347	7029740	71, 107	8035886	167
7028977	181, 201	7029199	347	7029741	71, 107	8035887	167
7028979	201	7029200	347	7029742	71, 107	8035888	167
		7029201	347	7029743	71, 107	8035889	167
		7029202	347	7029744	71, 107	8035890	167
		7029203	347	7029745	71, 107	8035891	167
		7029204	347	7029746	71, 107	8035892	167
		7029205	344	7029747	71, 107	8035893	167
				7062922	73		
				7075611	20		
				7110702	73		
				7110712	73		
				7110722	73		
				7112642	117		
				7114941	117		
				7138833	279		
				7138836	255		
				7138878	255		

PART NUMBER INDEX

8035894.....	167	8035995.....	201	8036848.....	179	8303545.....	393
8035895.....	167	8035996.....	201	8036849.....	179	8303621.....	255
8035896.....	167	8035997.....	201	8036852.....	179	8303626.....	117
8035897.....	167	8035998.....	341	8036854.....	179	8303634.....	73, 81
8035898.....	167	8036022.....	207	8036855.....	179	8303658.....	81
8035899.....	167	8036023.....	207	8036856.....	179	8303715.....	73
8035900.....	167	8036024.....	209	8036859.....	179	8303757.....	150
8035901.....	167	8036025.....	209	8036861.....	179	8303784.....	125, 129
8035902.....	167	8036026.....	209	8036862.....	179	8305012.....	117, 417
8035903.....	167	8036027.....	209	8036866.....	181	8305047.....	393
8035904.....	167	8036028.....	209	8037088.....	344	8305624 51, 81, 289, 295,	
8035905.....	167	8036031.....	223	80373025.....	124, 128	387	
8035906.....	167	8036032.....	223	80373090.....	155	8305626.....	259
8035907.....	167	8036034.....	225	80373091.....	155	8305630.....	419, 421
8035908.....	167	8036035.....	225	80373092.....	155	8305643.....	15, 23, 73, 81
8035909.....	167	8036038.....	227	80373093.....	155	8305644.....	51, 117
8035910.....	168	8036039.....	227	80373094.....	153, 155	8305645 20, 24, 289, 295	
8035911.....	168	8036286.....	343, 344	80373095.....	155	8305647.....	20
8035912.....	168	8036304.....	176, 196	80374019.....	140	8305906.....	239
8035913.....	168	8036305.....	176, 196	80374020.....	137, 140	8305916.....	255
8035914.....	168	8036312.....	173, 193	80374031.....	137, 139	8307007....	117, 417, 419,
8035915.....	168	8036313.....	173, 193	80374036.....	137, 140	421	
8035916.....	168	8036320.....	179	80374047.....	137, 139	8307024.....	240
8035917.....	168	8036321.....	179	80374050.....	137, 139	8307028....	29, 39, 45, 51,
8035918.....	168	8036330.....	181	80374051.....	139	295	
8035919.....	168	8036331 ...	173, 175, 183,	80374054.....	137, 139	8307049....	124, 128, 132
8035920.....	168	193, 195, 205		80374126.....	137, 139	8307106.....	259
8035921.....	168	8036338.....	201	80374154.....	137, 139	8307109.....	293
8035923.....	171, 191	8036414.....	205	80383368.....	145	8307110.....	301
8035924.....	173	8036419.....	173, 193	80383410.....	283	8307112.....	117
8035925.....	173	8036434.....	181, 202	80384373.....	361	8307113.....	20
8035927.....	173, 193	8036444.....	175, 195	80474020.....	137, 139	8307219.....	393
8035933.....	173, 193	8036445.....	175, 195	8050001 19, 53, 165, 185,		8307221.....	125, 129
8035936.....	176, 196	8036447.....	175, 195	325		8307703....	15, 23, 33, 39,
8035939.....	176, 196	8036455.....	349	80623016.....	49, 51	45, 51	
8035945.....	175, 195	8036460.....	349	8065062.....	73	8307904.....	51, 57, 73
8035946.....	175, 195	8036481.....	347	80673023.....	129	8307916.....	57
8035947.....	175, 195	8036493.....	349	80904003.....	453	8307917.....	57
8035948.....	175, 195	8036536 ...	321, 323, 329,	80963056.....	407	8307918.....	51, 57, 73
8035951.....	175, 195	331		80963067.....	407	8310002.....	428, 432
8035958.....	179	8036537 ...	321, 323, 329,	80963069.....	407	8310054.....	33
8035959.....	181	331		8096D097.....	437	8310056....	23, 29, 39, 45
8035960.....	181	8036538 ...	321, 323, 329,	80973107.....	155	8310061.....	23, 45
8035961.....	181	331		8124138 ...	19, 24, 31, 33,	8310067.....	57
8035962.....	181	8036539.....	321	49		8310084.....	39
8035963.....	181	8036540.....	329	8127023.....	31, 33	8310093.....	51, 57
8035964.....	181	8036557 ...	327, 339, 453	8127029.....	49, 51	8310160.....	73
8035965.....	181	8036561.....	325, 453	8127030.....	19, 41, 46	8310161.....	73
8035966.....	181	8036562 ...	321, 323, 453	8130647.....	124	8310266.....	57
8035967.....	181	8036563.....	331, 453	8180315.....	145	8310276.....	57
8035968.....	181	8036564.....	349	8180318.....	145	8310302.....	81
8035969.....	181	8036566.....	349	8205655.....	375	8310382.....	449
8035970.....	181	8036572.....	361	82092118.....	124, 128	8310435.....	81
8035971.....	181	8036575 ...	211, 213, 215,	8220045.....	403	8310450.....	33
8035972.....	181	217, 219, 221		8220114.....	393, 394	8310454.....	23
8035973.....	181, 201	8036606.....	193	8220124.....	403	8310474.....	417
8035974.....	181	8036733.....	81	8223049.....	255, 452	8310475.....	15
8035977.....	183, 205	8036752.....	191	8225119.....	401	8310522.....	301
8035981.....	341, 453	8036753.....	171, 191	8225122.....	393	8310645.....	132
8035982.....	187	8036756.....	173, 193	8229235.....	421	8310647.....	128, 133
8035983.....	187	8036757.....	173, 193	8229260.....	393	8310687.....	393
8035984.....	191	8036758.....	173, 193	8270147.....	394	83191010.....	393
8035986.....	193	8036759.....	173, 193	8270621.....	387, 453	83191013.....	393
8035987.....	193	8036811.....	321, 323	8273029.....	153	8342813.....	251, 453
8035992.....	201	8036823.....	323	8273257.....	153, 155	83664129.....	271
8035993.....	201	8036825.....	327, 339	8303107.....	301	8382017.....	83, 87
8035994.....	201	8036841.....	167	8303534.....	281	8405007.....	149, 265

PART NUMBER INDEX

8405009	124, 128	8760268	313	90554065.....	71, 107	91404253	137, 139
8405102	287	8769122	393	90554076.....	89, 107	91404255	137, 139
8405104	149	8769123	393	90554080.....	109	91404256	137, 139
8405203	159	8769132	73	91043084.....	235	91404257	137, 139
8405209	125, 129	8770016	73	91044340.....	143	91404258	137, 139
8405212	149	8770064	133	91081388... ..	125, 129, 133	91404259	137, 139
8405305	155	8770189	93, 307, 315	91083128.....	153	91404262	137, 139
8405306	149	8786514	235	91083129.....	153	91404264	137, 139
8405307	155	8786572	163	91083216.....	313	91404265	139
8406101	124, 128	8786573	163	91083217.....	307	91404266	139
8406105	295	88261014	23, 33	91083218.....	124, 128	91404267	137, 139
8406112	394	88521005	12	91143340.....	403	91404268	137
8410013	132, 149	88521206	133, 394	91344031.....	247, 249	91404335	255
8420053	69, 73, 81, 119	88551010	12	91363215.....	235	91473027	233
8420055	69, 73, 81, 119	88591206	124, 128	91364023.....	153	91473028	233
8430032	304, 317	88662037	293	91401281.....	393	91473151	233
8430036	304, 317	8866348	11	91403193.....	163	91474035	233, 453
8466306	239	88671001	69	91403239.....	155	91474506	137, 140
8500066	437	88671025	325	91403244.....	153	91474631	137, 139
8522012	24, 31, 33, 34, 41, 46, 49, 51	88711570	125, 129	91403265.....	125, 129	91484028	251
8526035	437	8903014	343	91403413	69, 73, 81, 119, 290, 295	91513106	296
8546407	287	90027473	11	91403414	69, 73, 81, 119, 290, 296	91534004	137, 139
8580315	73	90028488	157	91404085.....	137, 139	91534005	137, 140
8584001	73	90028660	124, 128	91404086.....	137	91543002	235
8630003	81	90200003	63, 65, 69, 73, 81	91404221.....	137, 139	91553057	124, 128, 137, 139
8630008	349	90206196	150	91404222.....	137, 140	91554032	137, 139
8640017	349	90207463	289, 293	91404223.....	137, 139	91561291	125, 129, 133
8640028	81	90451058	81	91404229.....	137, 139	91563044	283
8640029	81	90554016	71, 89, 107	91404232.....	137, 139	91563122	125, 129, 133, 453
8640032	81	90554017	107	91404234.....	137, 139	91563164	259
8642207	73	90554018	71, 107	91404236.....	137, 139	91563209	233
8642237	19, 24, 31, 33, 49	90554020	71, 89	91404237.....	137, 139	91565094	109
86883074	125, 129	90554042	71, 89	91404238... ..	137, 139, 261		
8750025	150	90554045	377	91404242.....	137, 139		
8750040	150	90554054	89	91404251.....	137, 139		
		90554062	89, 107				

PARTS FINDER

**Search Website
by Part Number**



**Search Manual
Library For Parts
Manual & Lookup Part
Numbers – Purchase
or Request Quote**

**Can't Find Part or
Manual? Request Help
by Manufacturer,
Model & Description**

Discount-Equipment.com is your online resource for quality parts & equipment.

Florida: **561-964-4949** Outside Florida TOLL FREE: **877-690-3101**

Need parts?

Click on this link: <http://www.discount-equipment.com/category/5443-parts/> and choose one of the options to help get the right parts and equipment you are looking for. Please have the machine model and serial number available in order to help us get you the correct parts. If you don't find the part on the website or on one of the online manuals, please fill out the request form and one of our experienced staff members will get back to you with a quote for the right part that your machine needs.

We sell worldwide for the brands: Genie, Terex, JLG, MultiQuip, Mikasa, Essick, Whiteman, Mayco, Toro Stone, Diamond Products, Generac Magnum, Airman, Haulotte, Barreto, Power Blanket, Nifty Lift, Atlas Copco, Chicago Pneumatic, Allmand, Miller Curber, Skyjack, Lull, Skytrak, Tsurumi, Husquvarna Target, Stow, Wacker, Sakai, Mi-T-M, Sullair, Basic, Dynapac, MBW, Weber, Bartell, Bennar Newman, Haulotte, Ditch Runner, Menegotti, Morrison, Contec, Buddy, Crown, Edco, Wyco, Bomag, Laymor, EZ Trench, Bil-Jax, F.S. Curtis, Gehl Pavers, Heli, Honda, ICS/PowerGrit, IHI, Partner, Imer, Clipper, MMD, Koshin, Rice, CH&E, General Equipment, Amida, Coleman, NAC, Gradall, Square Shooter, Kent, Stanley, Tamco, Toku, Hatz, Kohler, Robin, Wisconsin, Northrock, Oztec, Toker TK, Rol-Air, APT, Wylie, Ingersoll Rand / Doosan, Innovatech, Con X, Ammann, Mecalac, Makinex, Smith Surface Prep, Small Line, Wanco, Yanmar