



---

# ***Illustrated Parts Manual***

***Models***  
***644E-42***  
***944E-42***

SN 17569 thru 20123  
& 0160002514 To Present

8990462

*Revised*  
June 2, 2017



# PARTS FINDER

**Search Website  
by Part Number**



**Search Manual  
Library For Parts  
Manual & Lookup Part  
Numbers – Purchase  
or Request Quote**

**Can't Find Part or  
Manual? Request Help  
by Manufacturer,  
Model & Description**

Discount-Equipment.com is your online resource for quality parts & equipment.

Florida: **561-964-4949** Outside Florida TOLL FREE: **877-690-3101**

## Need parts?

Click on this link: <http://www.discount-equipment.com/category/5443-parts/> and choose one of the options to help get the right parts and equipment you are looking for. Please have the machine model and serial number available in order to help us get you the correct parts. If you don't find the part on the website or on one of the online manuals, please fill out the request form and one of our experienced staff members will get back to you with a quote for the right part that your machine needs.

We sell worldwide for the brands: Genie, Terex, JLG, MultiQuip, Mikasa, Essick, Whiteman, Mayco, Toro Stone, Diamond Products, Generac Magnum, Airman, Haulotte, Barreto, Power Blanket, Nifty Lift, Atlas Copco, Chicago Pneumatic, Allmand, Miller Curber, Skyjack, Lull, Skytrak, Tsurumi, Husquvarna Target, Stow, Wacker, Sakai, Mi-T-M, Sullair, Basic, Dynapac, MBW, Weber, Bartell, Bennar Newman, Haulotte, Ditch Runner, Menegotti, Morrison, Contec, Buddy, Crown, Edco, Wyco, Bomag, Laymor, EZ Trench, Bil-Jax, F.S. Curtis, Gehl Pavers, Heli, Honda, ICS/PowerGrit, IHI, Partner, Imer, Clipper, MMD, Koshin, Rice, CH&E, General Equipment, Amida, Coleman, NAC, Gradall, Square Shooter, Kent, Stanley, Tamco, Toku, Hatz, Kohler, Robin, Wisconsin, Northrock, Oztec, Toker TK, Rol-Air, APT, Wylie, Ingersoll Rand / Doosan, Innovatech, Con X, Ammann, Mecalac, Makinex, Smith Surface Prep, Small Line, Wanco, Yanmar



## EFFECTIVITY PAGE

February 4, 2005 - D - Revised Manual

November 10, 2005 - E - Revised Manual

October 9, 2007 - F - Revised Manual

July 2, 2008 - G - Revised Manual (Edited to B/M 644E - 0010626 Revision 28)

(Edited to B/M 944E - 0010627 Revision 26)

January 16, 2009 - H - Revised Manual

August 6, 2009 - I - Revised Manual

September 19, 2011 - J - Revised Manual, added Tier III information

February 2, 2012 - K - Revised Manual

April 26, 2012 - L - Revised Manual

December 21, 2012 - M - Revised Manual

July 30, 2013 - N - Revised Manual

January 30, 2014 - O - Revised Manual

October 29, 2014 - P - Revised Manual

April 23, 2015 - Q - Revised Manual

October 24, 2016 - R - Revised Manual

June 02, 2017 - S - Revised Manual

Go to [Discount-Equipment.com](http://Discount-Equipment.com) to order your parts



# TABLE OF CONTENTS

SECTION 1 - FRAME AND ATTACHING PARTS.....	11
FIGURE 1-1. MAIN FRAME COMPONENTS - 644E-42 (644E-42 Prior to SN 0160048717, Excluding 0160045421).....	12
FIGURE 1-2. MAIN FRAME COMPONENTS - 944E-42 (944E-42 Prior to SN 0160041827).....	14
FIGURE 1-3. MAIN FRAME COMPONENTS (644E-42 SN 160048717 to Present, Including 0160045421; 944E-42 SN 160041827 to Present).....	18
FIGURE 1-4. ENGINE POD INSTALLATION (644E-42 Prior to SN 0160048717, Excluding 0160045421; 944E-42 Prior to SN 0160041827).....	22
FIGURE 1-5. ENGINE POD INSTALLATION (644E-42 SN 1600408717 to Present, Including 0160045421; 944E-42 SN 160041827 to Present).....	24
FIGURE 1-6. FENDER ASSEMBLY.....	28
SECTION 2 - BOOM.....	31
FIGURE 2-1. FIRST BOOM SECTION.....	32
FIGURE 2-2. FIRST BOOM SECTION.....	36
FIGURE 2-3. SECOND BOOM SECTION.....	38
FIGURE 2-4. SECOND BOOM SECTION.....	40
FIGURE 2-5. THIRD BOOM SECTION.....	42
FIGURE 2-6. THIRD BOOM SECTION.....	44
FIGURE 2-7. QUICK ATTACH.....	46
FIGURE 2-8. BOOM EXTEND CHAIN.....	48
FIGURE 2-9. BOOM RETRACT CHAIN.....	50
FIGURE 2-10. TRANSFER CARRIAGE INSTALLATION (644E-42 Prior to SN 0160048717, Excluding 0160045421; 944E-42 Prior to SN 0160041827).....	52
FIGURE 2-11. TRANSFER CARRIAGE INSTALLATION (644E-42 SN 0160048717 to Present, Including 0160045421; 944E-42 SN 0160041827 to Present).....	54
SECTION 3 - ATTACHMENTS.....	57
FIGURE 3-1. BUCKETS.....	58
FIGURE 3-2. TILT CARRIAGE (644E-42 Prior to SN 0160034164; 944E-42 Prior to SN 0160034158).....	60
FIGURE 3-3. TILT CARRIAGE (644E-42 SN 0160034164 through 0160051823; 944E-42 SN 0160034158 through 0160051823).....	62
FIGURE 3-4. TILT CARRIAGE (644E-42 SN 0160051824 to Present; 944E-42 SN 0160051824 to Present).....	64
FIGURE 3-5. SIDE TILT CARRIAGE (Prior to SN 0160037794).....	66
FIGURE 3-6. SIDE TILT CARRIAGE (SN 0160037794 to Present).....	68
FIGURE 3-7. SWING CARRIAGE (Prior to SN 0160037794).....	70
FIGURE 3-8. SWING CARRIAGE (SN 0160037794 to Present).....	72
FIGURE 3-9. SHEET MATERIAL HANDLER (Prior to SN 0160037794).....	74
FIGURE 3-10. SHEET MATERIAL HANDLER (SN 0160037794 to Present).....	76
FIGURE 3-11. 3 FT TRUSS BOOM WITH WINCH.....	78
FIGURE 3-12. 10 FT TRUSS BOOM WITH WINCH (Prior to SN 0160037794).....	80
FIGURE 3-13. 12 FT TRUSS BOOM WITH WINCH (SN 0160037794 to Present).....	82
FIGURE 3-14. 10 FT TRUSS BOOM (Prior to SN 0160037794).....	84
FIGURE 3-15. 12 & 15 FT TRUSS BOOM (Prior to SN 0160037794).....	86
FIGURE 3-16. 50 IN SINGLE FORK POSITIONING CARRIAGE ASSEMBLY.....	88
FIGURE 3-17. 50 IN DUAL FORK POSITIONING CARRIAGE ASSEMBLY.....	90
FIGURE 3-18. FORK MOUNTED LIFTING HOOK.....	92
FIGURE 3-19. FORKS.....	94
FIGURE 3-20. FORK MOUNTED PLATFORM.....	96
FIGURE 3-21. CONCRETE BUCKET.....	100
FIGURE 3-22. SWEEPER ASSEMBLY.....	102
FIGURE 3-23. GRAPPLE BUCKET.....	104
FIGURE 3-24. FORK PIN LOCK INSTALLATION.....	106
FIGURE 3-25. 8 FT STANDARD MAST.....	108
FIGURE 3-26. 50 IN SIDE SHIFT CARRIAGE (644E-42 SN 0160034164 to Present; 944E-42 SN 0160034158 to Present).....	112
SECTION 4 - ENGINE AND ATTACHING PARTS.....	115
FIGURE 4-1. ENGINE INSTALLATION (644E-42 Prior to SN 0160048717, Excluding 01600045421; 944E-42 Prior to SN 0160041827, Including 0160041849).....	116
FIGURE 4-2. ENGINE INSTALLATION (644E-42 SN 0160048717 to Present, Including 0160045421; 944E-42 SN 0160041827 to Present).....	120
FIGURE 4-3. ENGINE (SN 0160041827 through 0160044164).....	124
FIGURE 4-4. ENGINE (SN 0160044254 through 0160049550).....	126

# TABLE OF CONTENTS

FIGURE 4-5. ENGINE (644E-42 SN 0160048717 to Present, Including 0160045421; 944E-42 SN 0160049678 to Present) .....	128
FIGURE 4-6. FUEL SYSTEM (644E-42 Prior to SN 0160048717, Excluding 0160045421; 944E-42 Prior to SN 0160041827) ..	130
FIGURE 4-7. FUEL SYSTEM (644E-42 SN 0160048717 to Present, Including 0160045421; 944E-42 SN 0160041827 to Present) .....	134
FIGURE 4-8. RADIATOR AND OIL COOLER MOUNTING (644E-42 SN 17569 through 20123, SN 0160002514 through 0160009050; 944E-42 SN 17569 through 20123, SN 0160002514 through 0160009044) .....	136
FIGURE 4-9. RADIATOR AND OIL COOLER MOUNTING (644E-42 SN 0160009073 through 0160043356; 944E-42 SN 0160009075 through 0160041823) .....	138
FIGURE 4-10. RADIATOR AND OIL COOLER MOUNTING (644E-42 SN 0160048717 to Present, Including 0160045421; 944E-42 SN 0160041827 to Present) .....	140
FIGURE 4-11. AIR CLEANER INSTALLATION (644E-42 SN 17569 through 20123, SN 0160002514 through 0160011781; 944E-42 SN 17569 through 20123, SN 0160002514 through 0160011778) .....	144
FIGURE 4-12. AIR CLEANER INSTALLATION (644E-42 SN 0160011807 through 0160043356; 944E-42 SN 0160011804 through 0160041823) .....	146
FIGURE 4-13. AIR CLEANER INSTALLATION (644E-42 SN 0160048717 to Present, Including 0160045421; 944E-42 SN 0160041827 to Present) .....	148
FIGURE 4-14. EXHAUST INSTALLATION (644E-42 SN 17569 through 20123, SN 0160002514 through 0160009050; 944E-42 SN 17569 through 20123, SN 0160002514 through 0160009044) .....	150
FIGURE 4-15. EXHAUST INSTALLATION (644E-42 SN 0160009073 through 0160043356; 944E-42 SN 0160009075 through 0160041823) .....	152
FIGURE 4-16. EXHAUST INSTALLATION (644E-42 SN 0160048717 to Present, Including 01600405421; 944E-42 SN 0160041827 to Present) .....	154
SECTION 5 - DRIVE TRAIN .....	157
FIGURE 5-1. DRIVE TRAIN COMPONENTS .....	158
FIGURE 5-2. FRONT AXLE .....	160
FIGURE 5-3. FRONT AXLE - INPUT (Prior to SN 0160039830, Excluding 0160036724, 0160036811, 0160036907 and 0160037012) .....	162
FIGURE 5-4. FRONT AXLE - INPUT (SN 0160039830 to Present, Including 0160036724, 0160036811, 0160036907 and 0160037012) .....	166
FIGURE 5-5. FRONT AXLE - INPUT (Prior to SN 0160040124, Excluding 0160034634, 0160036710, 0160036722, 0160036735 and 0160036738) .....	170
FIGURE 5-6. FRONT AXLE - INPUT (SN 0160040124 to Present, Including 0160034634, 0160036710, 0160036722, 0160036735 and 0160036738) .....	174
FIGURE 5-7. FRONT AXLE - LIMITED SLIP DIFFERENTIAL (644E-42 Prior to SN 0160039830, Excluding 0160036724, 0160036811, 0160036907 and 0160037012; 944E-42 Prior to SN 0160040124, Excluding 0160034634, 0160036710, 0160036722, 0160036735 and 0160036738) .....	178
FIGURE 5-8. FRONT AXLE - LIMITED SLIP DIFFERENTIAL (644E-42 SN 0160039830 to Present, Including 0160036724, 0160036811, 0160036907 and 0160037012; 944E-42 SN 0160040124 to Present, Including 0160034634, 0160036710, 0160036722, 0160036735 and 0160036738) .....	180
FIGURE 5-9. FRONT AXLE - AXLE CASING (644E-42 Prior to SN 0160039830, Excluding 0160036724, 0160036811, 0160036907 and 0160037012; 944E-42 Prior to SN 0160040124, Excluding 0160034634, 0160036710, 0160036722, 0160036735 and 0160036738) .....	182
FIGURE 5-10. FRONT AXLE - AXLE CASING (644E-42 SN 0160039830 to Present, Including 0160036724, 0160036811, 0160036907 and 0160037012; 944E-42 SN 0160040124 to Present, Including 0160034634, 0160036710, 0160036722, 0160036735 and 0160036738) .....	186
FIGURE 5-11. FRONT AXLE - M-DISC BRAKE (644E-42 Prior to SN 0160039830, Excluding 0160036724, 0160036811, 0160036907 and 0160037012; 944E-42 Prior to SN 0160040124, Excluding 0160034634, 0160036710, 0160036722, 0160036735 and 0160036738) .....	188
FIGURE 5-12. FRONT AXLE - M-DISC BRAKE (644E-42 SN 0160039830 to Present, Including 0160036724, 0160036811, 0160036907 and 0160037012; 944E-42 SN 0160040124 to Present, Including 0160034634, 0160036710, 0160036722, 0160036735 and 0160036738) .....	192
FIGURE 5-13. FRONT AXLE - BRAKE (644E-42 Prior to SN 0160039830, Excluding 0160036724, 0160036811, 0160036907 and 0160037012; 944E-42 Prior to SN 0160040124, Excluding 0160034634, 0160036710, 0160036722, 0160036735 and 0160036738) .....	194
FIGURE 5-14. FRONT AXLE - BRAKE (644E-42 SN 0160039830 to Present, Including 0160036724, 0160036811, 0160036907 and 0160037012; 944E-42 SN 0160040124 to Present, Including 0160034634, 0160036710, 0160036722, 0160036735 and 0160036738) .....	198
FIGURE 5-15. FRONT AXLE - JOINT HOUSING (644E-42 Prior to SN 0160039830, Excluding 0160036724, 0160036811, 0160036907 and 0160037012) .....	200
FIGURE 5-16. FRONT AXLE - JOINT HOUSING (944E-42 Prior to SN 0160040124, Excluding 0160034634, 0160036710, 0160036722, 0160036735 and 0160036738) .....	204
FIGURE 5-17. FRONT AXLE - JOINT HOUSING (644E-42 SN 0160039830 to Present, Including 0160036724, 0160036811, 0160036907 and 0160037012; 944E-42 SN 0160040124 to Present, Including 0160034634, 0160036710, 0160036722, 0160036735 and 0160036738) .....	206

# TABLE OF CONTENTS

FIGURE 5-18. FRONT AXLE - PLANETARY DRIVE (Prior to SN 0160039830, Excluding 0160036724, 0160036811, 0160036907 and 0160037012).....	208
FIGURE 5-19. FRONT AXLE - PLANETARY DRIVE (Prior to SN 0160040124, Excluding 0160034634, 0160036710, 0160036722, 0160036735 and 0160036738).....	210
FIGURE 5-20. FRONT AXLE - PLANETARY DRIVE (644E-42 SN 0160039830 to Present, Including 0160036724, 0160036811, 0160036907 and 0160037012; 944E-42 SN 0160040124 to Present, Including 0160034634, 0160036710, 0160036722, 0160036735 and 0160036738).....	212
FIGURE 5-21. REAR AXLE.....	214
FIGURE 5-22. REAR AXLE - INPUT (644E-42 Prior to SN 0160039830, Excluding 0160036724, 0160036811, 0160036907 and 0160037012; 944E-42 Prior to SN 0160040124, Excluding 0160034634, 0160036710, 0160036722, 0160036735 and 0160036738).....	216
FIGURE 5-23. REAR AXLE - INPUT (644E-42 SN 0160039830 to Present, Including 0160036724, 0160036811, 0160036907 and 0160037012; 944E-42 SN 0160040124 through 0160041823, Including 0160034634, 0160036710, 0160036722, 0160036735 and 0160036738).....	220
FIGURE 5-24. REAR AXLE - INPUT (944E-42 SN 0160041827 to Present).....	224
FIGURE 5-25. REAR AXLE - DIFFERENTIAL (644E-42 Prior to SN 0160039830, Excluding 0160036724, 0160036811, 0160036907 and 0160037012; 944E-42 Prior to SN 0160040124, Excluding 0160034634, 0160036710, 0160036722, 0160036735 and 0160036738).....	228
FIGURE 5-26. REAR AXLE - DIFFERENTIAL (644E-42 SN 0160039830 to Present, Including 0160036724, 0160036811, 0160036907 and 0160037012; 944E-42 SN 0160040124 to Present, Including 0160034634, 0160036710, 0160036722, 0160036735 and 0160036738).....	230
FIGURE 5-27. REAR AXLE - AXLE CASING (644E-42 Prior to SN 0160039830, Excluding 0160036724, 0160036811, 0160036907 and 0160037012; 944E-42 Prior to SN 0160040124, Excluding 0160034634, 0160036710, 0160036722, 0160036735 and 0160036738).....	232
FIGURE 5-28. REAR AXLE - AXLE CASING (644E-42 SN 0160039830 to Present, Including 0160036724, 0160036811, 0160036907 and 0160037012; 944E-42 SN 0160040124 to Present, Including 0160034634, 0160036710, 0160036722, 0160036735 and 0160036738).....	234
FIGURE 5-29. REAR AXLE - M-DISC BRAKE (644E-42 Prior to SN 0160039830, Excluding 0160036724, 0160036811, 0160036907 and 0160037012; 944E-42 Prior to SN 0160040124, Excluding 0160034634, 0160036710, 0160036722, 0160036735 and 0160036738).....	236
FIGURE 5-30. REAR AXLE - M-DISC BRAKE (644E-42 SN 0160039830 to Present, Including 0160036724, 0160036811, 0160036907 and 0160037012; 944E-42 SN 0160040124 to Present, Including 0160034634, 0160036710, 0160036722, 0160036735 and 0160036738).....	240
FIGURE 5-31. REAR AXLE - BRAKE (644E-42 Prior to SN 0160039830, Excluding 0160036724, 0160036811, 0160036907 and 0160037012; 944E-42 Prior to SN 0160040124, Excluding 0160034634, 0160036710, 0160036722, 0160036735 and 0160036738).....	242
FIGURE 5-32. REAR AXLE - JOINT HOUSING (644E-42 Prior to SN 0160039830, Excluding 0160036724, 0160036811, 0160036907 and 0160037012; 944E-42 Prior to SN 0160040124, Excluding 0160034634, 0160036710, 0160036722, 0160036735 and 0160036738).....	244
FIGURE 5-33. REAR AXLE - JOINT HOUSING (644E-42 SN 0160039830 to Present, Including 0160036724, 0160036811, 0160036907 and 0160037012; 944E-42 SN 0160040124 to Present, Including 0160034634, 0160036710, 0160036722, 0160036735 and 0160036738).....	248
FIGURE 5-34. REAR AXLE - PLANETARY DRIVE (644E-42 Prior to SN 0160039830, Excluding 0160036724, 0160036811, 0160036907 and 0160037012; 944E-42 Prior to SN 0160040124, Excluding 0160034634, 0160036710, 0160036722, 0160036735 and 0160036738).....	250
FIGURE 5-35. REAR AXLE - PLANETARY DRIVE (644E-42 SN 0160039830 to Present, Including 0160036724, 0160036811, 0160036907 and 0160037012; 944E-42 SN 0160040124 to Present, Including 0160034634, 0160036710, 0160036722, 0160036735 and 0160036738).....	252
FIGURE 5-36. ZF TRANSMISSION.....	254
FIGURE 5-37. ZF TRANSMISSION - ENGINE CONNECTION AND INPUT SHAFTS.....	256
FIGURE 5-38. ZF TRANSMISSION - GEARBOX HOUSING AND COUPLING LOCATION.....	258
FIGURE 5-39. ZF TRANSMISSION - COUPLING GROUP 1.....	260
FIGURE 5-40. ZF TRANSMISSION - COUPLING GROUP 1.....	262
FIGURE 5-41. ZF TRANSMISSION - COUPLING GROUP 2.....	264
FIGURE 5-42. ZF TRANSMISSION - COUPLING GROUP 2.....	266
FIGURE 5-43. ZF TRANSMISSION - COUPLING GROUP 3.....	268
FIGURE 5-44. ZF TRANSMISSION - COUPLING GROUP 3.....	270
FIGURE 5-45. ZF TRANSMISSION - COUPLING GROUP 4.....	272
FIGURE 5-46. ZF TRANSMISSION - COUPLING GROUP 4.....	274
FIGURE 5-47. ZF TRANSMISSION - REVERSING GEAR GROUP CV.....	276
FIGURE 5-48. ZF TRANSMISSION - REVERSING GEAR GROUP CV.....	278
FIGURE 5-49. ZF TRANSMISSION - REVERSING GEAR GROUP CR.....	280
FIGURE 5-50. ZF TRANSMISSION - REVERSING GEAR GROUP CR.....	282
FIGURE 5-51. ZF TRANSMISSION - OIL PUMP.....	284
FIGURE 5-52. ZF TRANSMISSION - CONTROL UNIT.....	286
FIGURE 5-53. ZF TRANSMISSION - GEARSHIFT SYSTEM.....	288
FIGURE 5-54. ZF TRANSMISSION - TRANSFER BOX.....	290



# TABLE OF CONTENTS

FIGURE 5-55. DRIVE SHAFTS .....	292
FIGURE 5-56. TIRE AND RIMS (644E-42 Prior to SN 0160039830, Excluding 0160036724, 0160036811, 0160036907 and 0160037012) .....	294
FIGURE 5-57. TIRE AND RIMS (644E-42 SN 0160039830 to Present, Including 0160036724, 0160036811, 0160036907 and 0160037012) .....	296
FIGURE 5-58. TIRE AND RIMS .....	298
SECTION 6 - CAB .....	301
FIGURE 6-1. CAB ASSEMBLY .....	302
FIGURE 6-2. SOFT CAB ENCLOSURE .....	304
FIGURE 6-3. CAB GLASS .....	306
FIGURE 6-4. DOOR ASSEMBLY .....	308
FIGURE 6-5. OPERATOR'S COMPARTMENT - INNER PANELS .....	312
FIGURE 6-6. OPERATOR'S SEAT (644E-42 SN 17569 through 20123, SN 0160002514 through 0160013109; 944E-42 SN 17569 through 20123, SN 0160002514 through 0160013106) .....	316
FIGURE 6-7. OPERATOR'S SEAT (644E-42 SN 0160013127 to Present; 944E-42 SN 0160013131 to Present) .....	318
FIGURE 6-8. REAR WINDOW (644E-42 SN 17569 through 20123, SN 0160002514 through 0160009816; 944E-42 SN 17569 through 20123, SN 0160002514 through 0160009818) .....	320
FIGURE 6-9. REAR WINDOW (644E-42 SN 0160009474 to Present; 944E-42 SN 0160009839 to Present) .....	322
FIGURE 6-10. FRONT WINDSHIELD WIPER ASSEMBLY .....	324
FIGURE 6-11. SKYLIGHT WIPER ASSEMBLY .....	326
FIGURE 6-12. WINDSHIELD GUARD .....	328
FIGURE 6-13. MIRRORS .....	330
FIGURE 6-14. HEATER SYSTEM .....	332
FIGURE 6-15. AIR CONDITIONING SYSTEM .....	334
FIGURE 6-16. VENTILATION HOSES AND VENTS .....	338
SECTION 7 - CONTROLS .....	341
FIGURE 7-1. SERVICE BRAKE AND PEDAL ASSEMBLY .....	342
FIGURE 7-2. THROTTLE GROUP INSTALLATION (644E-42 SN 17569 through 20115, SN 0160002519 through 0160003672, Excluding 19557 and 0160003489) .....	344
FIGURE 7-3. THROTTLE GROUP INSTALLATION (644E-42 SN 0160003690 through 0160043356, Including 19557, 20118 and 0160003489) .....	346
FIGURE 7-4. THROTTLE GROUP INSTALLATION (944E-42 SN 17569 through 20123, SN 0160002514 through 0160016057) .....	348
FIGURE 7-5. THROTTLE GROUP INSTALLATION (944E-42 SN 0160016083 through 0160041849, Excluding 0160041827) .....	350
FIGURE 7-6. THROTTLE GROUP INSTALLATION (644E-42 SN 0160048717 to Present, Including 0160045421; 944E-42 SN 0160041827 to Present, Excluding 0160041849) .....	352
FIGURE 7-7. STEERING COLUMN .....	354
FIGURE 7-8. FRAME LEVEL CONTROL VALVE ASSEMBLY .....	356
FIGURE 7-9. JOYSTICK CONTROL VALVE ASSEMBLY .....	358
FIGURE 7-10. JOYSTICK CONTROL VALVE ASSEMBLY, (SINGLE) .....	360
SECTION 8 - HYDRAULIC CIRCUITS .....	363
FIGURE 8-1. PUMP, SUCTION AND RETURN (644E-42 SN 17569 through 20123, SN 0160002514 through 0160003108; 944E-42 SN 17569 through 20123, SN 0160002514 through 0160003140) .....	364
FIGURE 8-2. PUMP, SUCTION AND RETURN (644E-42 SN 0160003109 to Present, Including 0160043356; 944E-42 SN 0160003141 to Present, Including 0160041823) .....	368
FIGURE 8-3. PUMP, SUCTION AND RETURN (644E-42 SN 0160048717 to Present, Including 0160045421; 944-42E SN 0160041827 to Present) .....	372
FIGURE 8-4. SERVICE AND PARKING BRAKE .....	376
FIGURE 8-5. EXTEND/RETRACT AND LIFT/LOWER (644E-42 SN 17569 through 20118, SN 0160002519 to Present, Including 0160003583; 944E-42 SN 18554 through 20123, SN 0160002514 to Present, Including 0160003587) .....	380
FIGURE 8-6. EXTEND/RETRACT AND LIFT/LOWER (644E-42 SN 0160003604 to Present; 944E-42 SN 0160003602 to Present) .....	384
FIGURE 8-7. ATTACHMENT TILT AND AUXILIARY (644E-42 SN 17569 through 19385; 944E-42 SN 17569 through 19385) .....	388
FIGURE 8-8. ATTACHMENT TILT AND AUXILIARY (644E-42 SN 19386 through 20118, SN 0160002519 through 0160003108; 944E-42 SN 19386 through 20123, SN 0160002514 through 0160003140) .....	392
FIGURE 8-9. ATTACHMENT TILT AND AUXILIARY (644E-42 SN 0160003109 to Present; 944E-42 SN 0160003141 to Present) .....	396
FIGURE 8-10. FRAME LEVEL/STABIL-TRAK (SN 17569 through 18460) .....	400
FIGURE 8-11. FRAME LEVEL/STABIL-TRAK (SN 18461 through 20118, SN 0160002519 to Present) .....	402
FIGURE 8-12. TILT COMPENSATION CYLINDER (644E-42 SN 17569 through 20118, SN 0160002519 through 0160003583, SN 0160002514 through 0160003587; 944E-42 SN 18554 through 20123) .....	404

# TABLE OF CONTENTS

FIGURE 8-13. TILT COMPENSATION CYLINDER (644E-42 SN 0160003604 to Present; 944E-42 SN 0160003602 to Present)	406
FIGURE 8-14. TRANSFER CARRIAGE	408
FIGURE 8-15. STEERING CYLINDER	410
FIGURE 8-16. FRONT JOYSTICK	414
FIGURE 8-17. REAR JOYSTICK (SN 17569 through 18460)	416
FIGURE 8-18. REAR JOYSTICK (644E-42 SN 18461 through 20123, SN 0160002514 to Present; 944E-42 SN 18554 through 20123, SN 0160002514 to Present)	418
FIGURE 8-19. SINGLE JOYSTICK	420
FIGURE 8-20. TRANSMISSION OIL COOLER ASSEMBLY (644E-42 Prior to SN 0160048717, Excluding 01600045421; 944E-42 Prior to SN 0160041827)	422
FIGURE 8-21. TRANSMISSION OIL COOLER ASSEMBLY (644E-42 SN 0160048717 to Present, Including 0160045421; 944E-42 SN 0160041827 to Present)	424
FIGURE 8-22. OIL COOLER (644E-42 Prior to SN 0160048717, Excluding 0160045421; 944E-42 Prior to SN 0160041827)	426
FIGURE 8-23. OIL COOLER (644E-42 SN 0160048717 to Present, Including 0160045421; 944E-42 SN 0160041827 to Present)	428
SECTION 9 - HYDRAULIC COMPONENTS	431
FIGURE 9-1. EXTEND/RETRACT CYLINDER (644E-42 SN 17569 through 20123, SN 0160002514 through 0160005325, Excluding 0160004236 and 0160004237)	432
FIGURE 9-2. EXTEND/RETRACT CYLINDER (644E-42 SN 0160005784 to Present, Including 0160004236 and 0160004237)	434
FIGURE 9-3. EXTEND/RETRACT CYLINDER (944E-42 SN 18554 through 20123, SN 0160002514 through 0160005729)	436
FIGURE 9-4. EXTEND/RETRACT CYLINDER (SN 0160005814 to Present)	438
FIGURE 9-5. LIFT CYLINDER	440
FIGURE 9-6. LIFT CYLINDER (944E-42 SN 18554 through 20123, SN 0160002514 through 0160005729)	442
FIGURE 9-7. LIFT CYLINDER (944E-42 SN 0160005814 to Present)	444
FIGURE 9-8. ATTACHMENT TILT CYLINDER	446
FIGURE 9-9. ATTACHMENT TILT CYLINDER	448
FIGURE 9-10. FRAME LEVEL CYLINDER	450
FIGURE 9-11. FRAME LEVEL CYLINDER (944E-42 SN 17569 through 20123, SN 0160002514 through 0160004849, Excluding 0160004238 and 0160004239)	452
FIGURE 9-12. FRAME LEVEL CYLINDER (944E-42 SN 0160004927 to Present, Including 0160004238 and 0160004239)	454
FIGURE 9-13. STABIL-TRAK CYLINDER	456
FIGURE 9-14. STABIL-TRAK CYLINDER (944E-42 SN 17569 through 20123, SN 0160002514 through 0160004849, Excluding 0160004238 and 0160004239)	458
FIGURE 9-15. STABIL-TRAK CYLINDER (944E-42 SN 0160004927 to Present, Including 0160004238 and 0160004239)	460
FIGURE 9-16. TILT COMPENSATION CYLINDER	462
FIGURE 9-17. TILT COMPENSATION CYLINDER	464
FIGURE 9-18. TRANSFER CYLINDER	466
FIGURE 9-19. GEAR PUMP (644E-42 Prior to SN 0160048717, Excluding 0160045421)	468
FIGURE 9-20. GEAR PUMP (Prior to SN 0160041827)	470
FIGURE 9-21. GEAR PUMP (SN 0160041827 through 0160046530)	472
FIGURE 9-22. GEAR PUMP (644E-42 SN 0160048717 to Present, Including 0160045421; 944E-42 SN 0160046623 to Present)	474
FIGURE 9-23. MAIN CONTROL VALVE (644E-42 SN 17569 through 20123, SN 0160002514 through 0160003074; 944E-42 SN 17569 through 20123, SN 0160002514 through 0160003090)	476
FIGURE 9-24. MAIN CONTROL VALVE (644E-42 SN 0160003088 to Present; 944E-42 SN 0160003092 to Present)	480
FIGURE 9-25. PILOT SELECT VALVE ASSEMBLY, (DUAL JOYSTICK)	482
FIGURE 9-26. PILOT SELECT VALVE ASSEMBLY, (SINGLE JOYSTICK)	484
FIGURE 9-27. ACCUMULATOR CHARGE VALVE ASSEMBLY	486
FIGURE 9-28. STABIL-TRAK CYLINDER VALVES	490
FIGURE 9-29. AUXILIARY DUMP VALVE ASSEMBLIES (644E-42 SN 19402 through 20118, SN 0160002519 through 0160003074; 944E-42 SN 19402 through 20123, SN 0160002514 through 0160003072)	492
FIGURE 9-30. VALVE TRAY ASSEMBLY, (DUAL JOYSTICK) (SN 17569 through 19401)	494
FIGURE 9-31. VALVE TRAY ASSEMBLY, (DUAL JOYSTICK) (644E-42 SN 18065 through 20123, SN 0160002514 through 0160003074; 944E-42 SN 18065 through 20123, SN 0160002514 through 0160003072)	496
FIGURE 9-32. VALVE TRAY ASSEMBLY, (DUAL JOYSTICK) (644E-42 SN 0160003088 to Present; 944E-42 SN 0160003086 to Present)	498
FIGURE 9-33. VALVE TRAY ASSEMBLY, (SINGLE JOYSTICK) (644E-42 SN 18065 through 20123, SN 0160002514 through 0160003074; 944E-42 SN 18065 through 20123, SN 0160002514 through 0160003072)	500
FIGURE 9-34. VALVE TRAY ASSEMBLY, (SINGLE JOYSTICK) (644E-42 SN 0160003088 to Present; 944E-42 SN 0160003086 to Present)	502
FIGURE 9-35. HYDRAULIC TANK ASSEMBLY (644E-42 Prior to SN 0160048717, Excluding 0160045421; 944E-42 SN 0160041827 to Present)	504
FIGURE 9-36. HYDRAULIC TANK ASSEMBLY (644E-42 SN 0160048717 to Present, Including 0160045421; 944E-42 SN 0160041827 to Present)	508

# TABLE OF CONTENTS

FIGURE 9-37. ACCUMULATORS ASSEMBLY .....	510
FIGURE 9-38. DIAGNOSTIC PRESSURE TAPS .....	512
FIGURE 9-39. SIDE TILT CARRIAGE CYLINDER .....	514
FIGURE 9-40. 72IN 90 SWING CARRIAGE CYLINDER .....	516
FIGURE 9-41. GRAPPLE BUCKET CYLINDER .....	518
FIGURE 9-42. 50 IN SIDE SHIFT CARRIAGE CYLINDER (644E-42 SN 0160034164 to Present; 944E-42 SN 0160034158 to Present).....	520
SECTION 10 - ELECTRICAL.....	523
FIGURE 10-1. BATTERY AND VEHICLE GROUND CABLES (Prior to SN 01600487817, Excluding 0160045421) .....	524
FIGURE 10-2. BATTERY AND VEHICLE GROUND CABLES (Prior to SN 0160041827).....	526
FIGURE 10-3. BATTERY AND VEHICLE GROUND CABLES (644E-42 SN 0160048717 to Present, Including 0160045421; 944E-42 SN 0160041827 to Present) .....	528
FIGURE 10-4. POWER COMPONENTS (644E-42 SN 17569 through 20115, SN 0160002519 through 0160003672, Excluding 19557 and 0160003489) .....	532
FIGURE 10-5. POWER COMPONENTS (644E-42 SN 0160003690 through 0160043356, Including 19557, 20118 and 0160003489).....	534
FIGURE 10-6. POWER COMPONENTS (944E-42 Prior to SN 0160041827) .....	536
FIGURE 10-7. POWER COMPONENTS (644E-42 SN 0160048717 to Present, Including 0160045421; 944E-42 SN 0160041827 to Present).....	540
FIGURE 10-8. OPEN CAB ELECTRICAL COMPONENTS (SN 17569 through 19041) .....	542
FIGURE 10-9. OPEN CAB ELECTRICAL COMPONENTS (644E-42 SN 19042 through 20123, SN 0160002514 through 0160034284; 944E-42 SN 19042 through 20123, SN 0160002514 through 0160034278).....	544
FIGURE 10-10. OPEN CAB ELECTRICAL COMPONENTS (644E-42 SN 0160034285 to Present; 944E-42 SN 0160034279 to Present).....	548
FIGURE 10-11. CLOSED CAB ELECTRICAL COMPONENTS .....	550
FIGURE 10-12. FUSES, RELAYS AND FLASHER BOX (644E-42 SN 19042 through 20123, SN 0160002514 through 0160034284; 944E-42 SN 19042 through 20123, SN 0160002514 through 0160034278).....	552
FIGURE 10-13. FUSES, RELAYS AND FLASHER BOX (644E-42 SN 0160034285 to Present; 944E-42 SN 0160034279 to Present).....	556
FIGURE 10-14. SENSOR COMPONENTS .....	560
FIGURE 10-15. CONTROL COMPONENTS .....	564
FIGURE 10-16. TRANSMISSION COMPONENTS.....	566
FIGURE 10-17. TRANSMISSION HARNESS .....	568
FIGURE 10-18. ENGINE HARNESS (644E-42 SN 0160048717 to Present, Including 0160045421; 944E-42 SN 0160041827 to Present).....	570
FIGURE 10-19. ECM CAB HARNESS (644E-42 SN 0160048717 to Present, Including 0160045421; 944E-42 SN 0160041827 to Present).....	572
FIGURE 10-20. FAN RELAY HARNESS .....	574
FIGURE 10-21. JUMPER HARNESS.....	576
SECTION 11 - DECALS .....	579
FIGURE 11-1. DECALS (644E-42 Prior to SN 0160048717, Excluding 0160045421; 944E-42 Prior to SN 0160041827).....	580
FIGURE 11-2. DECALS (644E-42 SN 0160048717 to Present, Including 0160045421; 944E-42 SN 0160041827 to Present).....	584
SECTION 12 - OPTIONS.....	589
FIGURE 12-1. ROADLIGHT INSTALLATION .....	590
FIGURE 12-2. WORKLIGHT INSTALLATION .....	596
FIGURE 12-3. BEACON AND STROBE LIGHT.....	600
FIGURE 12-4. SWING CARRIAGE CYLINDER ASSEMBLY ROSENBOOM.....	602
FIGURE 12-5. SWING CARRIAGE CYLINDER ASSEMBLY ENERGY .....	604
FIGURE 12-6. 48IN, 50IN, 60IN & 72IN SIDE TILT CARRIAGE CYLINDER.....	606
FIGURE 12-7. COLD START OPTION .....	608
SECTION 13 - RECOMMENDED SPARE PARTS.....	611
FIGURE 13-1. RECOMMENDED SPARE PARTS.....	612
PART NUMBER INDEX.....	617

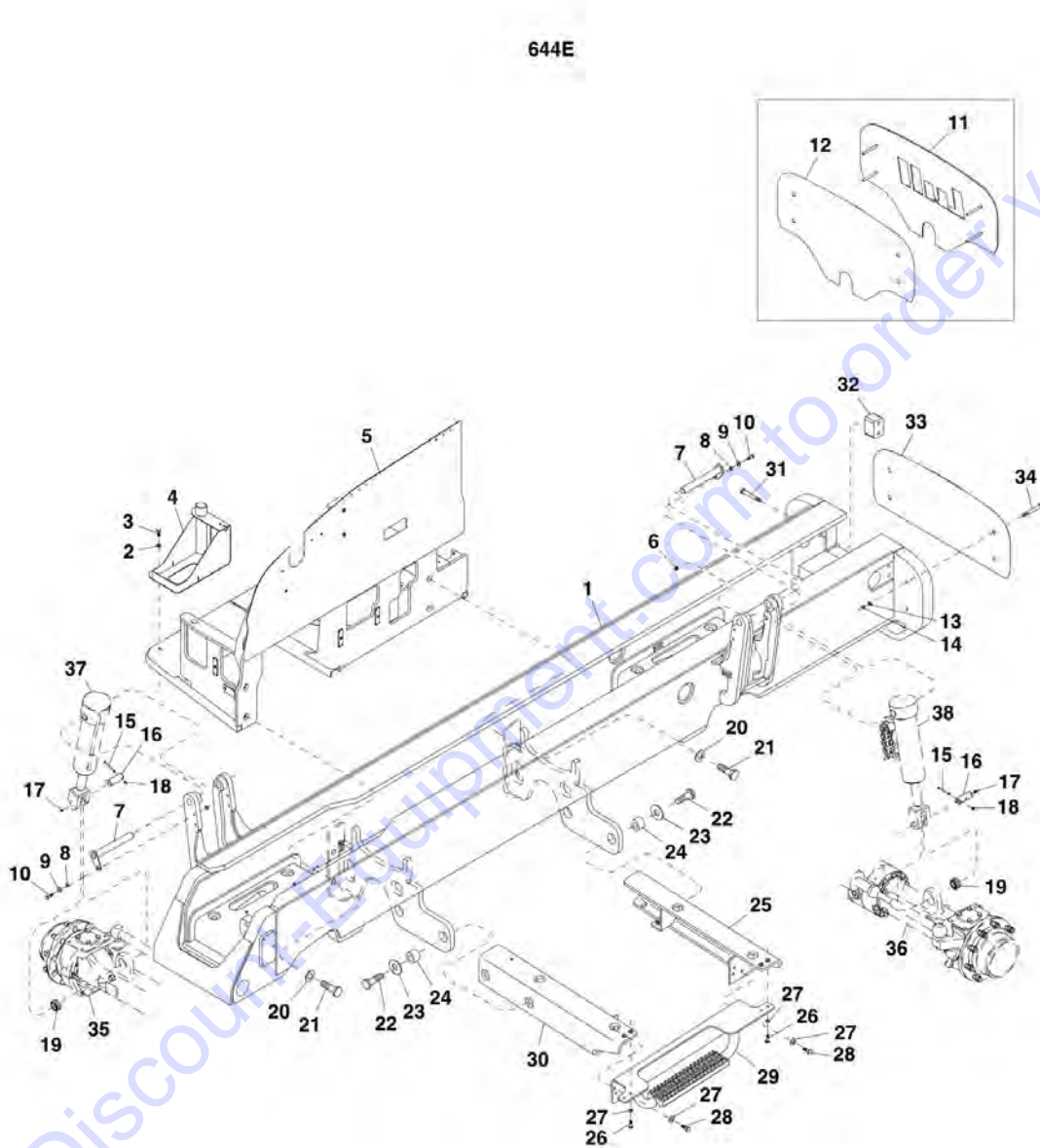
## SECTION 1 - FRAME AND ATTACHING PARTS

## SECTION 1 - FRAME AND ATTACHING PARTS

Go to Discount-Equipment.com to order your parts

# SECTION 1 - FRAME AND ATTACHING PARTS

FIGURE 1-1. MAIN FRAME COMPONENTS - 644E-42 (644E-42 Prior to SN 0160048717, Excluding 0160045421)



PU1603

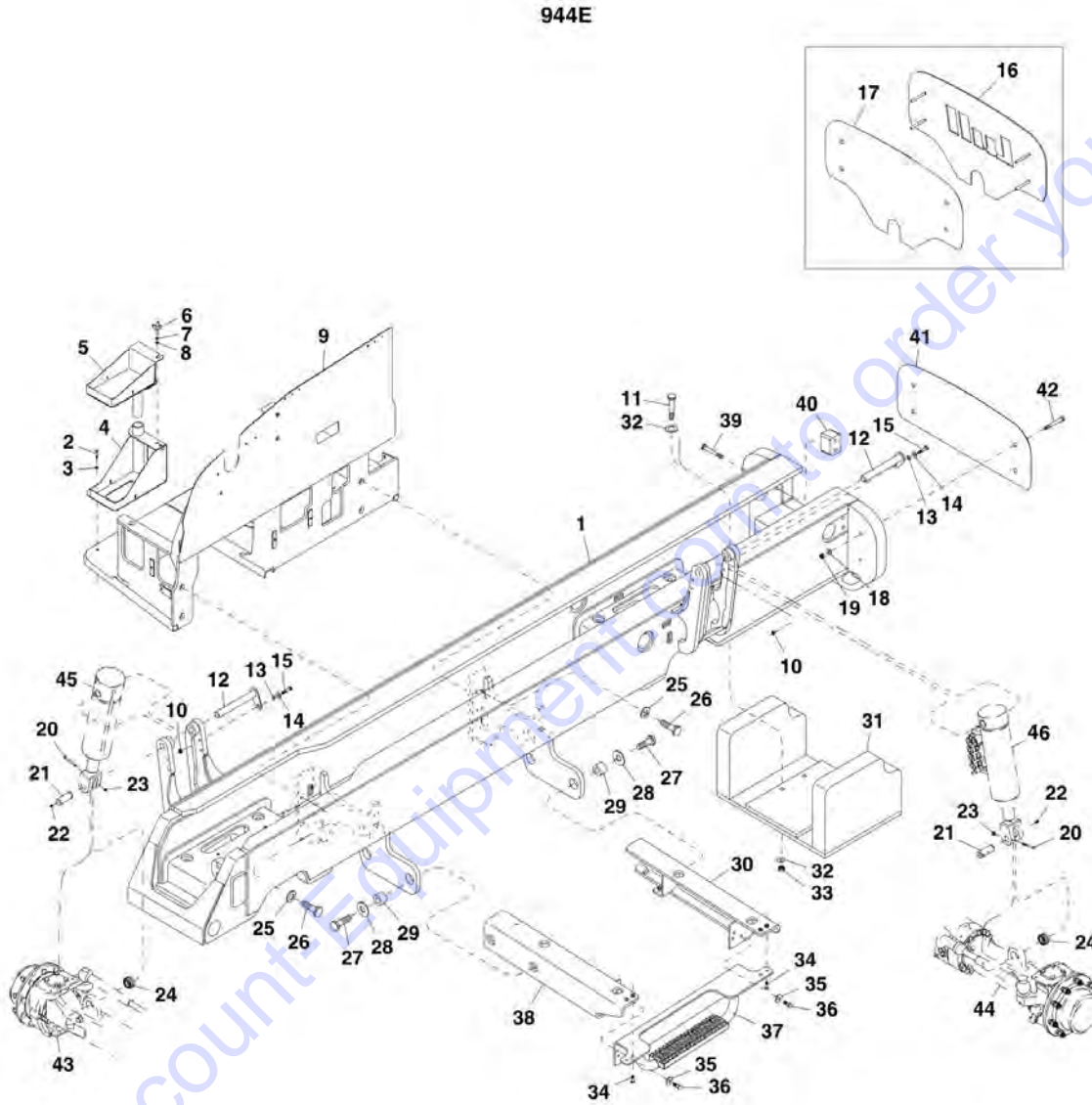
## SECTION 1 - FRAME AND ATTACHING PARTS

**FIGURE 1-1. MAIN FRAME COMPONENTS - 644E-42 (644E-42 Prior to SN 0160048717, Excluding 0160045421)**

ITEM	PART NUMBER	QTY	DESCRIPTION	REV
1	N.S.S.	1	MAIN FRAME	
2	8307221	3	PLAIN WASHER, 10mm	
3	8303755	3	HEX HD CAPSCREW, 10X1.5X30mm, GR8.8	
4	7300534	1	LOWER BATTERY SUPPORT	
5	7300260	1	ENGINE MOUNT FRAME	
6	8310625	2	HEX LOCKNUT, 12-1.75mm	
7	7301149	2	CYLINDER MOUNTING PIN	
8	7139886	2	PIN RETAINER SPACER	
9	8310657	2	PLAIN WASHER, 12 mm	
10	8310656	2	HEX HD CAPSCREW, 12-1.75X60mm, GR8.8	
11	7301096	NLA	LULL LOGO PLATE, (no longer available, use items 33 & 34 for replacement)	
12	7301098	NLA	LOGO BACKUP PLATE, (no longer available, use items 33 & 34 for replacement)	
13	8307220	4	FLAT WASHER, 12mm	
14	8310625	4	HEX LOCKNUT, 12-1.75mm	
15	8310424	2	HEX HD CAPSCREW, 8-1.25X90mm, GR8.8	
16	7137142	2	CYLINDER PIN	
17	8520001	2	LUBE FITTING, 1/8	
18	8305654	2	HEX LOCKNUT, M8-1.25	
19	8050001	2	SELF ALIGN BEARING, 1.4995X1.307	
20	8310539	4	PLAIN WASHER, 1.25-1.375-2.5	
21	0683020	4	HEX HD CAPSCREW, 1.25-7-2.5, GR8	
22		Ref	HEX HD CAPSCREW, 1.25-7-4, GR8, (See CAB SECTION for Breakdown)	
23		Ref	CAB SUPPORT WASHER, (See CAB SECTION for Breakdown)	
24		Ref	CAB MOUNT SHEER PIN, (See CAB SECTION for Breakdown)	
25		Ref	CAB REAR SUPPORT, (See CAB SECTION for Breakdown)	
26		Ref	HEX HD CAPSCREW, 12-1.75X40mm, GR8.8, (See CAB SECTION for Breakdown)	
27		Ref	PLAIN WASHER, 0.5, (See CAB SECTION for Breakdown)	
28		Ref	HEX HD CAPSCREW, 12-1.75X40mm, GR8.8, (See CAB SECTION for Breakdown)	
29		Ref	CAB MOUNT STEP, (See CAB SECTION for Breakdown)	
30		Ref	CAB FRONT SUPPORT, (See CAB SECTION for Breakdown)	
31	8321701	4	HEX HD CAPSCREW, 20-2.5X150mm, GR8.8	
32	7300754	2	TC STOP BLOCK	
33	3575924	1	FRAME COVER PLATE	
34	10704216	4	HEX HD CAPSCREW, 12-1.75X110mm, GR8.8	
35		Ref	FRONT AXLE, (See DRIVE TRAIN SECTION for Breakdown)	
36		Ref	REAR AXLE, (See DRIVE TRAIN SECTION for Breakdown)	
37		Ref	FRAME SWAY CYLINDER, (See HYDRAULIC COMPONENTS SECTION for Breakdown)	
38		Ref	STABIL-TRAK CYLINDER, (See HYDRAULIC COMPONENTS SECTION for Breakdown)	

# SECTION 1 - FRAME AND ATTACHING PARTS

FIGURE 1-2. MAIN FRAME COMPONENTS - 944E-42 (944E-42 Prior to SN 0160041827)



PU1613

## SECTION 1 - FRAME AND ATTACHING PARTS

**FIGURE 1-2. MAIN FRAME COMPONENTS - 944E-42 (944E-42 Prior to SN 0160041827)**

ITEM	PART NUMBER	QTY	DESCRIPTION	REV
1	N.S.S.	1	MAIN FRAME	
2	8303755	3	HEX HD CAPSCREW, 10X1.5X30mm, GR8.8	
3	8307221	3	PLAIN WASHER, M10	
4	7300534	1	LOWER BATTERY SUPPORT	
5	7300535	1	UPPER BATTERY SUPPORT	
6	8310709	1	CLAMP KNOB STUD, 10-1.5X40mm	
7	8307221	1	PLAIN WASHER, 10mm	
8	8310070	1	PUSH NUT, 3/8X13/16	
9	7300448	1	ENGINE MOUNT FRAME	
10	8310625	2	HEX LOCKNUT, 12-1.75mm	
11	8310713	4	HEX HD CAPSCREW, 20-2.5X130mm, GR8.8	
12	7301149	2	CYLINDER MOUNTING PIN	
13	7139886	2	PIN RETAINER SPACER	
14	8310657	2	PLAIN WASHER, 12mm	
15	8310656	2	HEX HD CAPSCREW, 12-1.75X60mm, GR8.8	
16	7301096	NLA	LULL LOGO PLATE, (no longer available, use items 41 & 42 for replacement)	
17	7301098	NLA	LOGO BACKUP PLATE, (no longer available, use items 41 & 42 for replacement)	
18	8307220	4	FLAT WASHER, 12mm	
19	8310625	4	HEX LOCKNUT, 12-1.75mm	
20	8310424	2	HEX HD CAPSCREW, 8-1.25X90mm, GR8.8	
21	7137142	2	CYLINDER PIN	
22	8520001	2	LUBE FITTING, 1/8	
23	8305654	2	HEX LOCKNUT, 8-1.25mm	
24	8050001	2	SELF ALIGN BEARING, 1.4995X1.307	
25	8310539	4	PLAIN HARDENED WASHER, 1.25-1.375-2.5	
26	0683020	4	HEX HD CAPSCREW, 1.25-7-2.5, GR8	
27		Ref	HEX HD CAPSCREW, 1.25-7- 4, GR8, (See CAB SECTION for Breakdown)	
28		Ref	CAB SUPPORT WASHER, (See CAB SECTION for Breakdown)	
29		Ref	CAB MOUNT SHEER PIN, (See CAB SECTION for Breakdown)	
30		Ref	CAB REAR SUPPORT, (See CAB SECTION for Breakdown)	
31	7301516	1	COUNTERWEIGHT	
32	8310426	8	PLAIN WASHER, 20mm	
33	8305655	4	HEX LOCKNUT, 20-2.5mm	
34		Ref	HEX HD CAPSCREW, 12-1.75X35mm, GR8.8, (See CAB SECTION for Breakdown)	
35		Ref	PLAIN WASHER, 0.500, (See CAB SECTION for Breakdown)	
36		Ref	HEX HD CAPSCREW, 12-1.75X40mm, GR8.8, (See CAB SECTION for Breakdown)	
37		Ref	CAB MOUNT STEP, (See CAB SECTION for Breakdown)	
38		Ref	CAB FRONT SUPPORT, (See CAB SECTION for Breakdown)	
39	8321701	4	HEX HD CAPSCREW, 20-2.50X150mm, GR8.8	
40	7300754	2	TC STOP BLOCK	
41	3575924	1	FRAME COVER PLATE	
42	10704216	4	HEX HD CAPSCREW, 12-1.75X110mm, GR8.8	
43		Ref	FRONT AXLE, (See DRIVE TRAIN SECTION for Breakdown)	
44		Ref	REAR AXLE, (See DRIVE TRAIN SECTION for Breakdown)	
45		Ref	FRAME SWAY CYLINDER, (See HYDRAULIC COMPONENTS SECTION for Breakdown)	



## SECTION 1 - FRAME AND ATTACHING PARTS

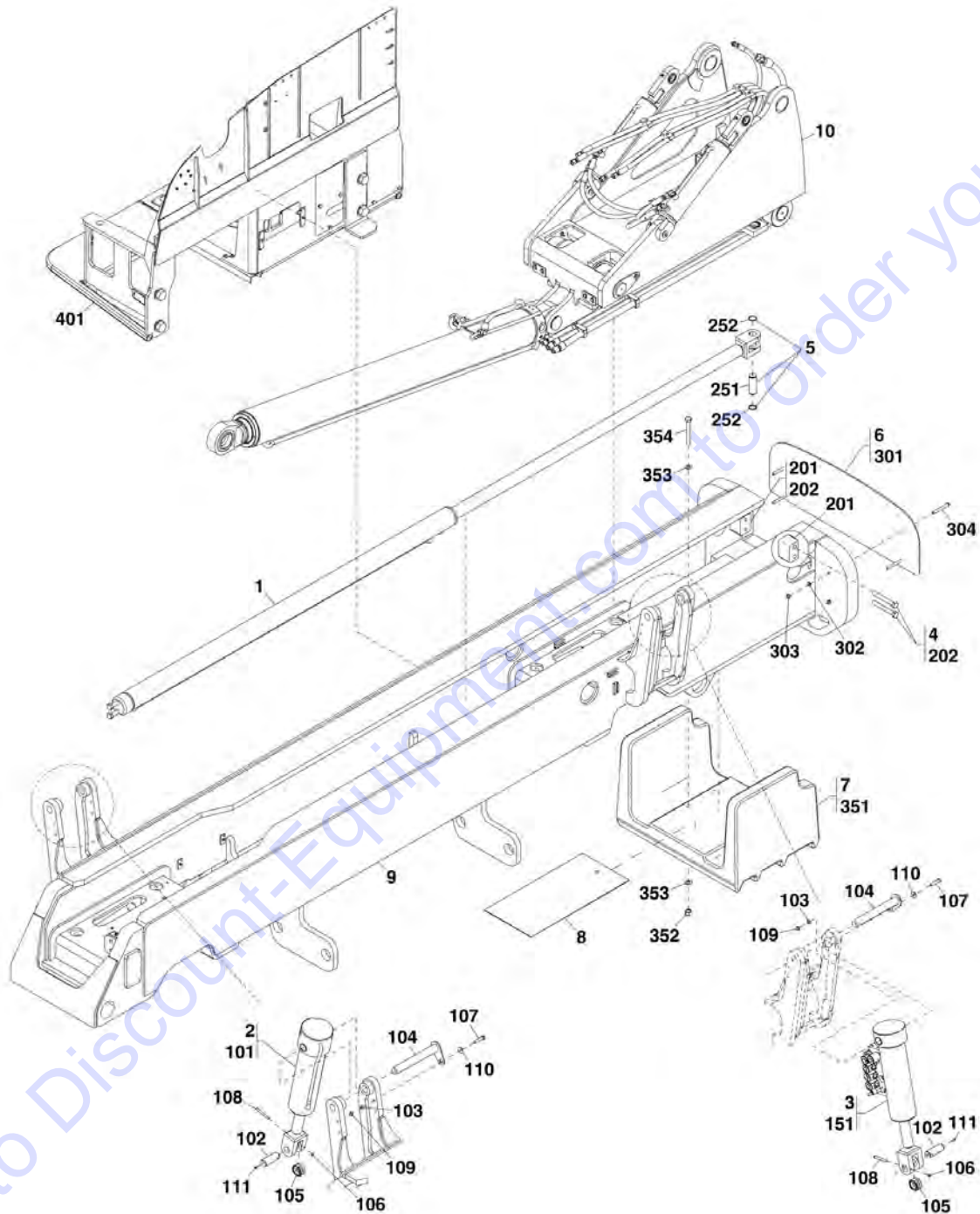
ITEM	PART NUMBER	QTY	DESCRIPTION	REV
46		Ref	STABIL-TRAK CYLINDER, (See HYDRAULIC COMPONENTS SECTION for Breakdown)	

Go to Discount-Equipment.com to order your parts



# SECTION 1 - FRAME AND ATTACHING PARTS

FIGURE 1-3. MAIN FRAME COMPONENTS (644E-42 SN 160048717 to Present, Including 0160045421; 944E-42 SN 160041827 to Present)



PAP12320

## SECTION 1 - FRAME AND ATTACHING PARTS

**FIGURE 1-3. MAIN FRAME COMPONENTS (644E-42 SN 160048717 to Present, Including 0160045421;  
944E-42 SN 160041827 to Present)**

ITEM	PART NUMBER	QTY	DESCRIPTION	REV
	1001143083	Ref	FRAME INSTALLATION, (644E-42), (not available to order, see items 1 thru 6 & 8 thru 10 for service)	A
	1001120707	Ref	FRAME INSTALLATION, (944E-42), (not available to order, see items 1 thru 10 for service)	A
1		Ref	TRANSFER CYLINDER, (See HYDRAULIC COMPONENTS SECTION for Breakdown)	
2	7300726	Ref	FRAME LEVEL INSTALLATION, (not available to order, see items 101 thru 111 for service)	E
3	7300727	Ref	STABIL-TRAK CYLINDER INSTALLATION, (not available to order, see items 102 thru 111 & 151 for service)	D
4	7300753	Ref	TRANSFER CYLINDER STOP INSTALLATION, (not available to order, see items 201 & 202 for service)	AD
5	7300859	Ref	TRANSFER CYLINDER MOUNTING INSTALLATION, (not available to order, see items 251 & 252 for service)	AD
6	7301097	Ref	FRAME COVER INSTALLATION, (not available to order, see items 301 thru 304 for service)	D
7	7301146	Ref	COUNTERWEIGHT INSTALLATION, (944E-42), (not available to order, see items 351 thru 354 for service)	B
8	7301222	1	HOSE TRAY ASSEMBLY	E
8	7301868	AR	1IN ADHESIVE TAPE	
9	N.S.S.	1	WELDMENT	
10		Ref	TRANSFER CARRIAGE INSTALLATION, (See BOOM SECTION for Breakdown )	
101		Ref	FRAME LEVEL CYLINDER, (See HYDRAULIC COMPONENTS SECTION for Breakdown)	
102	7137142	2	PIN	
103	7139886	2	PIN SPACER	
104	7301149	2	PIN	
105	8050001	2	BEARING	
106	8305654	2	HEX NUT, M8X1.25	
107	8310656	2	HEX HD CAPSCREW, M12X60, GR8.8, (torque to 59-106 Nm/44-78 lb-ft)	
108	8310424	2	HEX HD CAPSCREW, M8X90, GR8.8, (torque to 17-31 Nm/13-23 lb-ft)	
109	8310625	2	HEX NUT, M12X1.75	
110	8310657	2	WASHER, 12mm	
111	8520001	2	GREASE FITTING	
151		Ref	STABIL-TRAK CYLINDER, (See HYDRAULIC COMPONENTS SECTION for Breakdown)	
201	7300754	2	TC STOP BLOCK	
202	8321701	4	HEX HD CAPSCREW, M20X150, GR8.8	
251	7300503	1	PIN	
252	8630026	2	RETAINING RING	
301	3575924	1	FRAME COVER PLATE	
302	8307220	4	WASHER, 12mm	
303	8310625	4	HEX NUT, M12X1.75	
304	10704216	4	HEX HD CAPSCREW, M12X110, GR8.8	
351	1001094782	1	COUNTERWEIGHT, (944E-42)	
352	8305655	4	HEX NUT, M20X2.5, (torque to 295-530 Nm/218-391 lb-ft), (944E-42)	
353	8310426	8	WASHER, 20mm, (944E-42)	
354	8321701	4	HEX HD CAPSCREW, M20X150, GR8.8, (944E-42)	

## SECTION 1 - FRAME AND ATTACHING PARTS

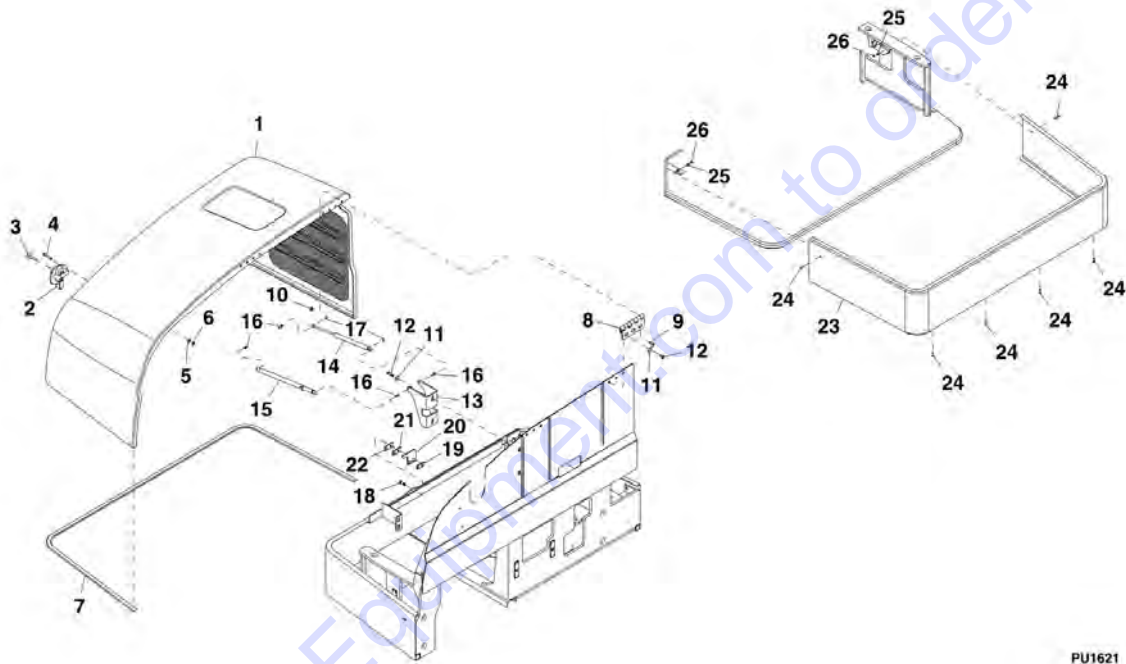
ITEM	PART NUMBER	QTY	DESCRIPTION	REV
401		Ref	ENGINE POD INSTALLATION, (See ENGINE POD INSTALLATION for Breakdown )	

Go to Discount-Equipment.com to order your parts



# SECTION 1 - FRAME AND ATTACHING PARTS

FIGURE 1-4. ENGINE POD INSTALLATION (644E-42 Prior to SN 0160048717, Excluding 0160045421; 944E-42 Prior to SN 0160041827)



PU1621

## SECTION 1 - FRAME AND ATTACHING PARTS

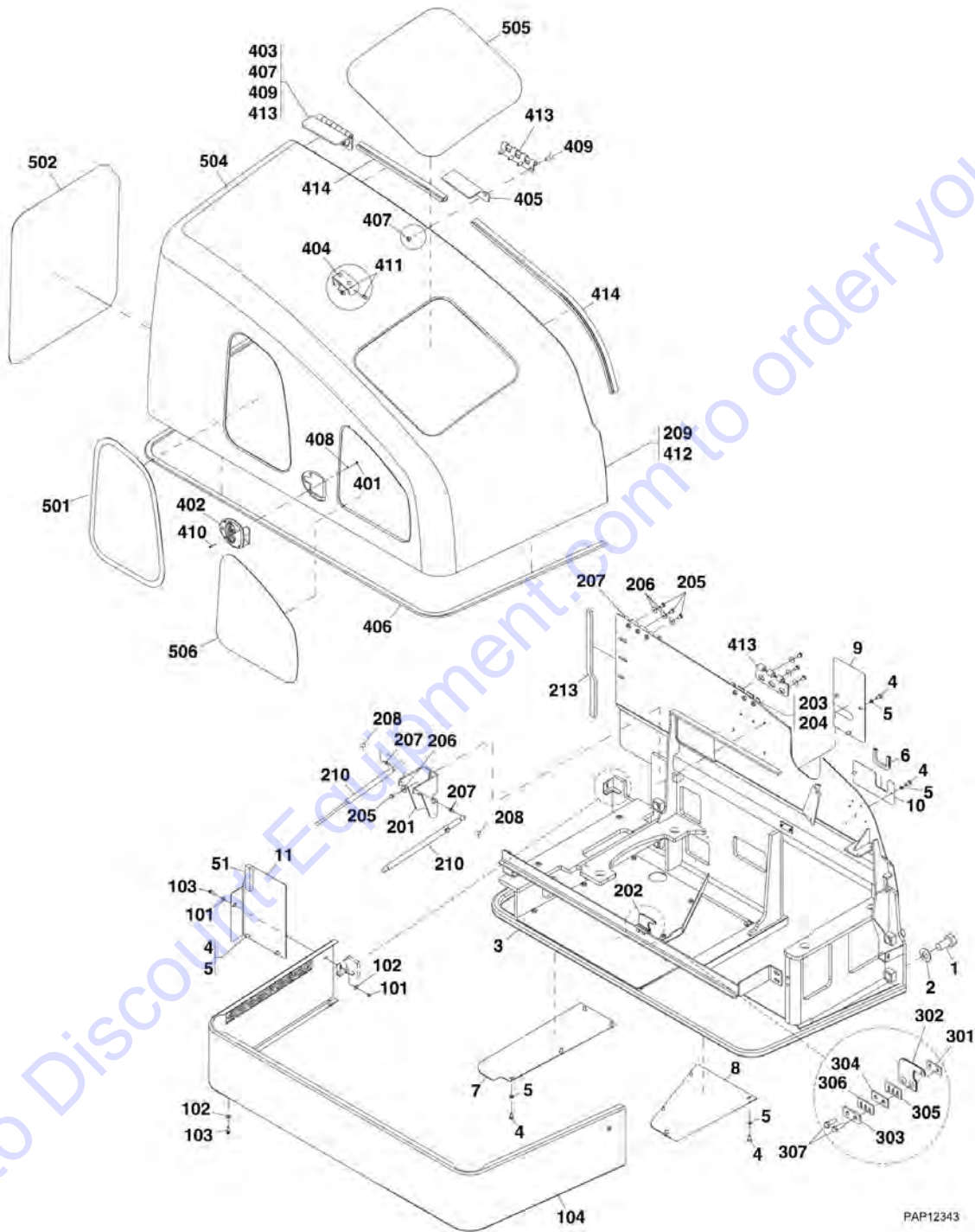
**FIGURE 1-4. ENGINE POD INSTALLATION (644E-42 Prior to SN 0160048717, Excluding 0160045421;  
944E-42 Prior to SN 0160041827)**

ITEM	PART NUMBER	QTY	DESCRIPTION	REV
1	7300609	1	HOOD ASSEMBLY	
2	7300364	1	HOOD LATCH ASSEMBLY, (includes item 3)	
3	8342813	1	HOOD LATCH KEY	
4	8310664	4	SOCKET HD CAPSCREW, M4X25, GR12.9	
5	8310491	4	PLAIN WASHER, 4mm	
6	3290405	4	TORX HEX NUT, M4-0.7	
7	8277172	1	TRIM SEAL	
8	7300630	2	HOOD HINGE	
9	8310614	8	FLANGE SOCKET HEX HD CAPSCREW, M10X30	
10	8305038	8	HEX NUT, M10X1.5	
11	8310621	8	FEND WASHER, 10-5/16-18mm, THD	
12	8303784	8	HEX HD CAPSCREW, M10X20, GR8.8	
13	7300687	1	GAS STRUT BRACKET	
14	8702162	1	GAS STRUT SPRING, 10X22, 550N	
15	8702163	1	LOCKING GAS STRUT SPRING, 10X22, 550N	
16	8340038	4	BALL STUD, 10mm, 5/16-18	
17	8702164	2	SPRING CLIP RETAINER	
18	8303777	2	HEX HD CAPSCREW, M10X35, GR8.8	
19	7301312	1	HOOD LATCH NUT PLATE	
20	7301371	1	LATCH CATCH PLATE	
21	7301373	1	LATCH CATCH PLATE, 7 GA SPACER	
22	7301372	1	HOOD LATCH NUT PLATE	
23	7300370	1	ENGINE MOUNT SKIRT	
24	8310693	6	HEX FLANGE SCREW, M8X25, GR8.8	
25	8307203	2	WASHER	
26	8305654	2	HEX LOCKNUT, M8X1.25	



# SECTION 1 - FRAME AND ATTACHING PARTS

FIGURE 1-5. ENGINE POD INSTALLATION (644E-42 SN 1600408717 to Present, Including 0160045421; 944E-42 SN 160041827 to Present)



## SECTION 1 - FRAME AND ATTACHING PARTS

**FIGURE 1-5. ENGINE POD INSTALLATION (644E-42 SN 1600408717 to Present, Including 0160045421; 944E-42 SN 160041827 to Present)**

ITEM	PART NUMBER	QTY	DESCRIPTION	REV
	1001112264	Ref	ENGINE POD INSTALLATION, (not available to order, see items 1 thru 11 for service)	C
1	0683020	4	HEX HD CAPSCREW, 1-1/4X2-1/2, GR8, (torque to 1213 to 2183 lb-ft/1645-2960 Nm)	
2	8310539	4	WASHER, 1-1/4	
3	1001112271	1	WELDMENT	
4	0761010	15	HEX HD CAPSCREW, M10X20, GR8.8, (torque to 50 Nm/37 lb-ft)	
5	4832000	15	LOCKWASHER, 10mm	
6	90206196	7.5 in	TRIM	
7	1001125456	1	COOLER COVER PLATE	
8	1001125457	1	ENGINE COVER PLATE	
9	1001125458	1	ENGINE POD COVER PLATE	
10	1001125459	1	ENGINE POD COVER PLATE	
11	1001125720	1	ENGINE POD COVER PLATE, (includes item 51)	B
51	1001125721	1	FOAM SEAL	
	1001125402	Ref	ENGINE POD COVER INSTALLATION, (not available to order, see items 101 thru 104 for service)	A
101	8305654	2	HEX NUT, M8X1.25	
102	8307203	12	WASHER, 5/16	
103	8310693	10	HEX FLANGE SCREW, M8X25, GR8.8, (torque to 13-23 lb-ft/18-31 Nm)	
104	1001125401	1	ENGINE POD COVER ASSEMBLY	
	1001112381	Ref	HOOD INSTALLATION, (not available to order, see items 201 thru 213 for service)	C
201	7300687	1	GAS STRUT BRACKET	
202	7301370	1	LATCH ASSEMBLY, (includes items 301 thru 307)	AB
203	7301526	AR	10 GAUGE SHIM	
204	7301527	AR	16 GAUGE SHIM	
205	8303784	8	HEX HD CAPSCREW, M10X20, GR8.8, (torque to 25-44 lb-ft/34-60 Nm)	
206	8310621	8	WASHER, 10mm	
207	8340038	2	BALL STUD, 10mm, (torque to 12-21 lb-ft)	
208	8702164	4	SPRING RETAINER CLIP	
209	1001112382	1	HOOD ASSEMBLY, (includes items 401 thru 414)	D
210	8702162	2	GAS SPRING	
213	1001125463	1	FOAM SEAL	
301	7301312	1	HOOD LATCH PLATE	
302	7301371	1	LATCH CATCH PLATE	
303	7301372	AR	HOOD LATCH PLATE	
304	7301373	AR	LATCH CATCH PLATE, 7 GA SPACER	
305	7301526	AR	20 GAUGE SHIM	
306	7301527	AR	16 GAUGE SHIM	
307	8303777	2	HEX HD CAPSCREW, M10X35, GR8.8, (torque to 34-61 Nm/25-45 Nm)	
401	3290405	4	HEX LOCKNUT, M4X0.7	
402	7300364	1	HOOD LATCH ASSEMBLY	
402	8342813	1	HOOD LATCH KEY	
403	7300634	1	REAR HINGE BRACKET	
404	7300645	1	GAS SPRING BRACKET	
405	7300943	1	FRONT HINGE BRACKET	

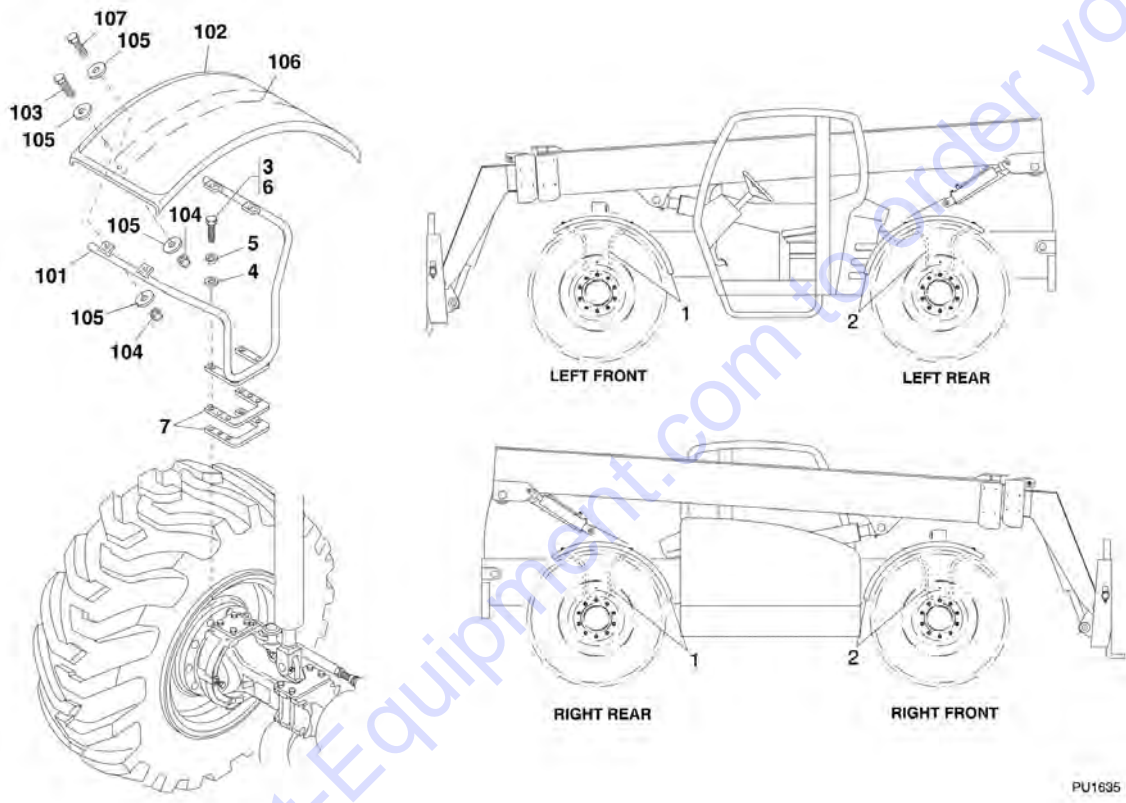
## SECTION 1 - FRAME AND ATTACHING PARTS

ITEM	PART NUMBER	QTY	DESCRIPTION	REV
406	8277172	1	SEAL	
407	8305038	8	HEX NUT, M10X1.5	
408	8310491	4	WASHER, 4mm	
409	8310614	8	FLANGE SOCKET HEX HD CAPSCREW, M10X30	
410	8310664	4	SOCKET HD CAPSCREW, M4X25, GR12.9, (torque to 2-4 lb-ft/3-5 Nm)	
411	8340038	2	BALL STUD, 10mm	
412	1001112383	1	HOOD ASSEMBLY, (includes items 501 thru 506)	D
413	7300630	2	REAR HINGE	
414	1001131991	56.3 in	BULB SEAL	
501	1001125299	1	SIDE MESH	
502	1001125301	1	REAR MESH	
504	1001112384	1	BASE MOLD HOOD	
505	1001112386	1	TOP MESH	
506	1001112387	1	SIDE MESH	



# SECTION 1 - FRAME AND ATTACHING PARTS

## FIGURE 1-6. FENDER ASSEMBLY



# SECTION 1 - FRAME AND ATTACHING PARTS

## FIGURE 1-6. FENDER ASSEMBLY

ITEM	PART NUMBER	QTY	DESCRIPTION	REV
	7301311	Ref	FENDER INSTALLATION, (644E-42), (944E-42, if equipped), (not available to order, see items 1 thru 5 for service)	AB
	1001109604	Ref	FENDER INSTALLATION, (944E-42, if equipped with Solid Tire 1001105703, 1001105703 & 01151109), (not available to order, see items 1 thru 7 for service) <b>(SN 160037902 to Present)</b>	A
1	7150695	2	LEFT FRONT/RIGHT REAR FENDER ASSEMBLY, (includes items 101 thru 107)	G
2	7150696	2	RIGHT FRONT/LEFT REAR FENDER ASSEMBLY, (includes items 101 thru 107)	G
3	8310164	16	HEX HD CAPSCREW, M12X40, GR8.8	
3	0701221	16	HEX HD CAPSCREW, M12X65, GR8.8, (944E-42, if equipped with Solid Tire 1001105703), (torque to 43-78 lb-ft/58-106 Nm) <b>(SN 160037902 to Present)</b>	
4	8310308	16	WASHER, 1/2	
5	8307025	16	LOCKWASHER, 12mm	
5	4832100	16	SPRING LOCKWASHER, 12 mm, (944E-42, if equipped with Solid Tire 1001105703) <b>(SN 160037902 to Present)</b>	
6	8526007	AR	LOCTITE 242, (apply to item 3)	
7	1001109573	8	SHIM, (944E-42, if equipped with Solid Tire 1001105703) <b>(SN 160037902 to Present)</b>	
101	7150668	1	FENDER MOUNT <b>(SN 17569 through 20123, SN 0160002514 through 0160025339)</b>	
101	0903609	1	FENDER MOUNT <b>(SN 0160025381 to Present)</b>	
102	7150706	1	FENDER	
103	8303626	4	HEX HD CAPSCREW, 1/2-13X1-1/2, GR5	
104	8305644	6	HEX LOCKNUT, 1/2-13 <b>(SN 17569 through 20123, SN 0160002514 through 0160025339)</b>	
104	8305644	4	HEX LOCKNUT, 1/2-13 <b>(SN 0160025381 to Present)</b>	
105	8307206	12	PLAIN WIDE WASHER, 1/2 <b>(SN 17569 through 20123, SN 0160002514 through 0160025339)</b>	
105	8307206	8	PLAIN WIDE WASHER, 1/2 <b>(SN 0160025381 to Present)</b>	
106	6623576	1	FENDER SUPPORT <b>(SN 17569 through 20123, SN 0160002514 through 0160025339)</b>	
107	8303625	2	HEX HD CAPSCREW, 1-1/2-13X1-1/2, GR5 <b>(SN 17569 through 20123, SN 0160002514 through 0160025339)</b>	



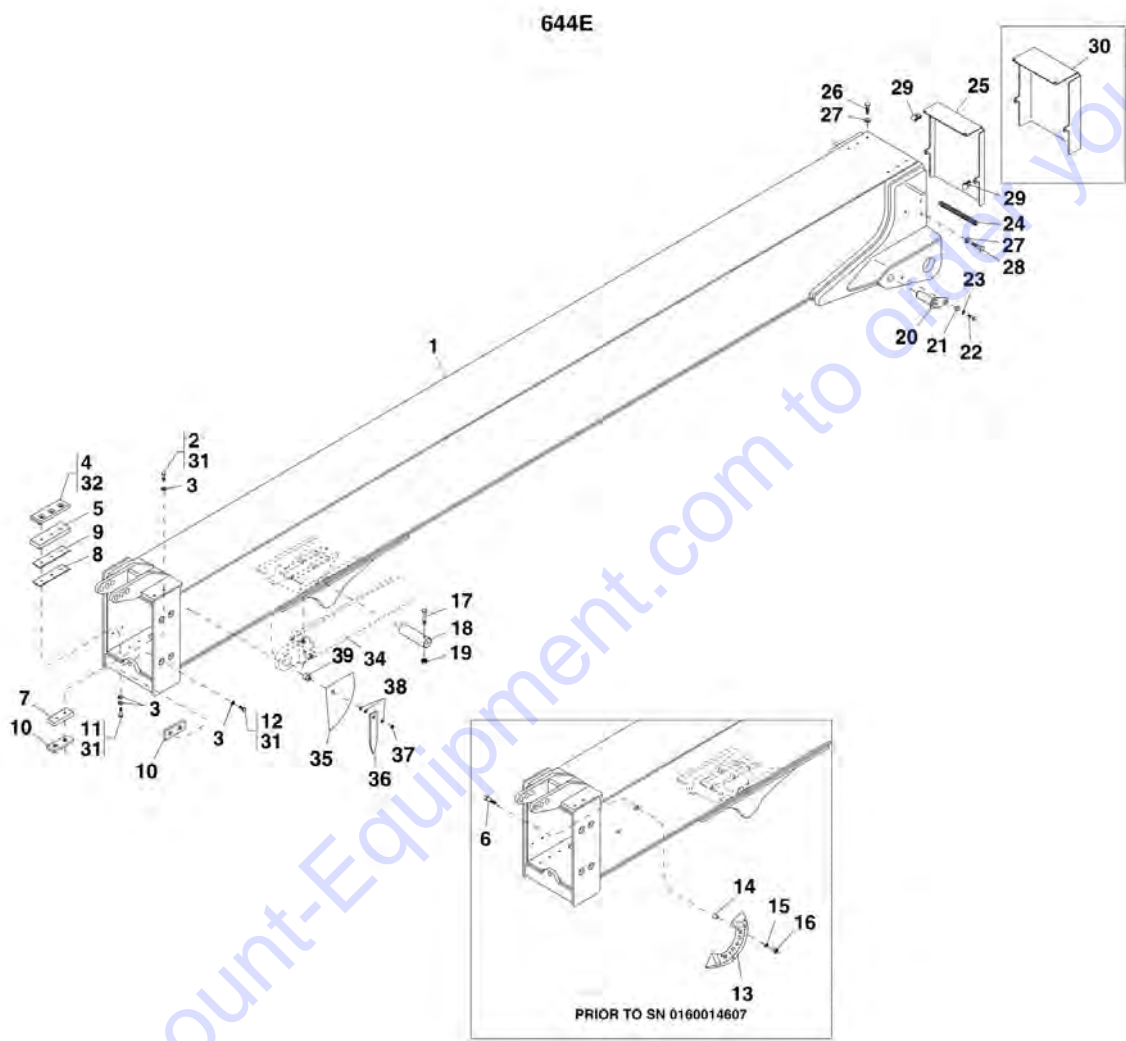
**SECTION 2 - BOOM**

Go to Discount-Equipment.com to order your parts



# SECTION 2 - BOOM

## FIGURE 2-1. FIRST BOOM SECTION



PAP12220

FIGURE 2-1. FIRST BOOM SECTION

ITEM	PART NUMBER	QTY	DESCRIPTION	REV
1	7300950	1	FIRST BOOM SECTION	
2	8310125	4	HEX HD CAPSCREW, 10-1.5X55mm, PC8.8	
3	8307221	24	PLAIN WASHER, 10mm	
4	7300034	2	WEAR PAD, (includes inserts)	
5	7300064	2	WEAR PAD SPACER	
6	8310630	2	CARRIAGE BOLT, 6-1.0X40mm, PC8.8 <b>(SN 17569 through 20123, SN 0160002514 through 160014607)</b>	
7	7300516	2	WEAR PAD SPACER	
8	7126172	2	SHIM, WEAR PAD, 3.42mm, (10 GA)	
9	7126182	2	SHIM, WEAR PAD, 1.90mm, (14 GA)	
10	7300032	6	WEAR PAD, (includes inserts)	
11	8310748	6	HEX HD CAPSCREW, 10-1.5X50mm, PC8.8	
12	8303551	8	HEX HD CAPSCREW, 10-1.5X16mm, PC8.8	
13	10238252	1	BOOM ANGLE INDICATOR <b>(SN 17569 through 20123, SN 0160002514 through 160014607)</b>	
14	8310629	2	SPACER <b>(SN 17569 through 20123, SN 0160002514 through 160014607)</b>	
15	8307219	2	PLAIN WASHER, 6mm <b>(SN 17569 through 20123, SN 0160002514 through 160014607)</b>	
16	8305652	2	HEX LOCKNUT, 6-1.0mm <b>(SN 17569 through 20123, SN 0160002514 through 160014607)</b>	
17	8310627	1	HEX HD CAPSCREW, 20-2.5X140mm, PC8.8	
18	7139325	1	LIFT/LOWER CYLINDER PIN	
19	8305655	1	HEX LOCKNUT, 20-2.5mm	
20	7300723	2	TILT COMPENSATION CYLINDER PIN, (rod end)	
21	7139886	2	PIN RETENTION SPACER	
22	8310164	2	HEX HD CAPSCREW, 12-1.75X40mm, PC8.8	
23	8310657	2	PLAIN WASHER, 12mm	
24	6620731	1	MOULDING	
25	7301175	1	REAR BOOM COVER <b>(SN 17569 through 20118, SN 0160002519 through 0160005949, Excluding 0160004236, 0160004237 and 0160005773)</b>	
26	8303611	2	HEX HD CAPSCREW, 8-1.25X30mm, PC8.8	
27	8307222	4	FLAT WASHER, 8mm	
28	8310030	2	HEX HD CAPSCREW, 8-1.25X80mm, PC8.8	
29	8310686	4	RETAINER NUT, 8-1.25mm	
30	7302064	1	REAR BOOM COVER, <b>(SN 0160006093 to Present, Including 0160004236, 0160004237 and 0160005773)</b>	
31	8526007	AR	LOCTITE 242, (apply to items 2, 11 & 12)	
32	8522050	AR	LUBRIPLATE GREASE, #5555, (apply to item 4)	
33	8522051	AR	RUST INHIBITOR, HEAVY DUTY, (not shown)	
34		Ref	BOOM EXTEND/RETRACT CYLINDER, (See HYDRAULIC COMPONENTS SECTION for Breakdown)	
35	4105262	1	BOOM ANGLE INDICATOR DECAL <b>(SN 0160014607 to Present)</b>	
36	7075611	1	BOOM ANGLE INDICATOR POINTER <b>(SN 0160014607 through 0160033138)</b>	
36	1001098769	1	BOOM ANGLE INDICATOR POINTER <b>(SN 0160033139 to Present)</b>	
37	8305647	1	HEX LOCK NUT, 7/16-14 <b>(SN 0160014607 through 0160033138)</b>	
37	8305645	1	HEX LOCK NUT, 3/8-16 <b>(SN 0160033139 to Present)</b>	
38	8307113	3	PLAIN WASHER, 7/16 <b>(SN 0160014607 through 0160033138)</b>	
38	4711600	1	WASHER, 3/8 <b>(SN 0160033139 to Present)</b>	

## SECTION 2 - BOOM

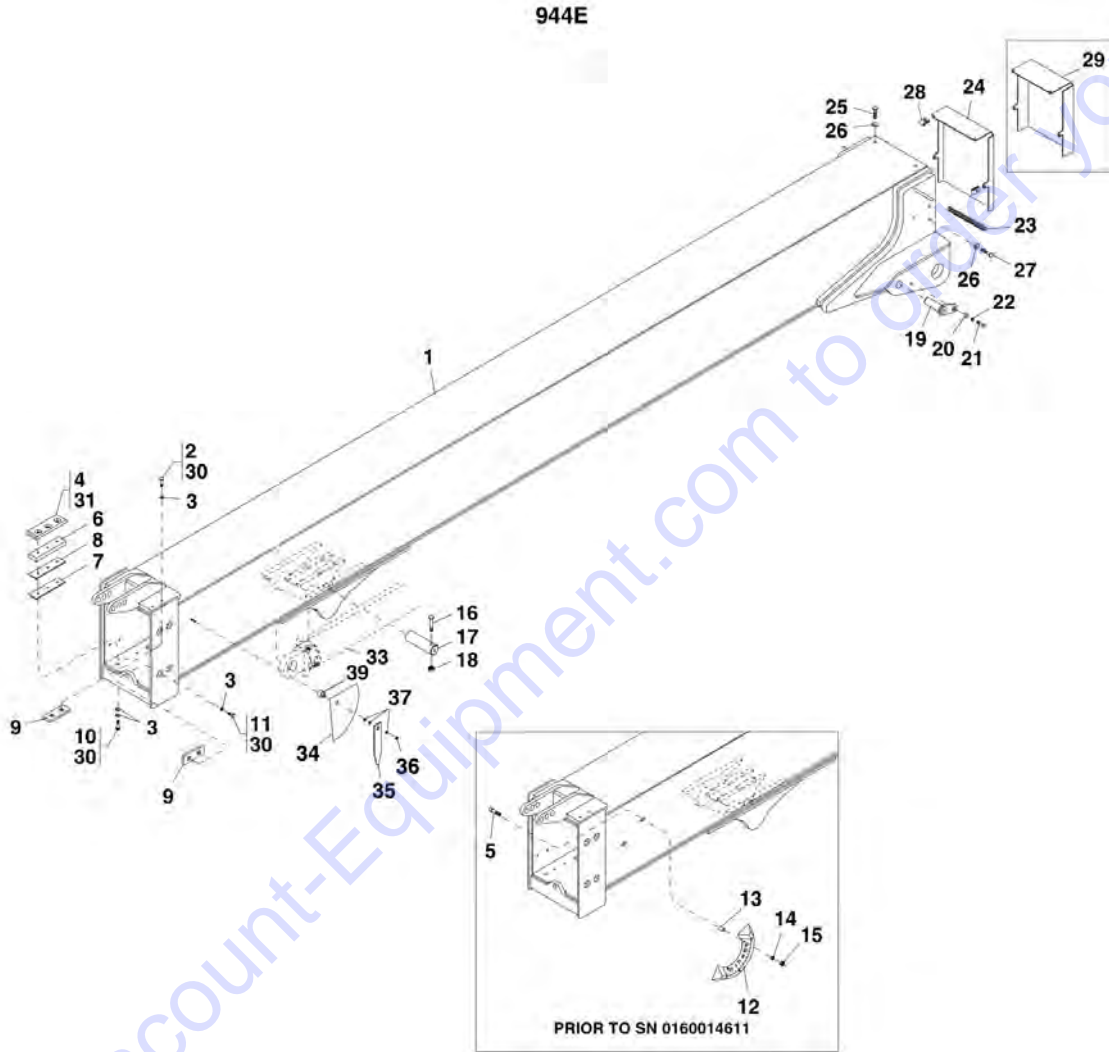
ITEM	PART NUMBER	QTY	DESCRIPTION	REV
39	1001096404	1	ANGLE INDICATOR SPACER (SN 0160033139 to Present)	

Go to Discount-Equipment.com to order your parts



# SECTION 2 - BOOM

## FIGURE 2-2. FIRST BOOM SECTION



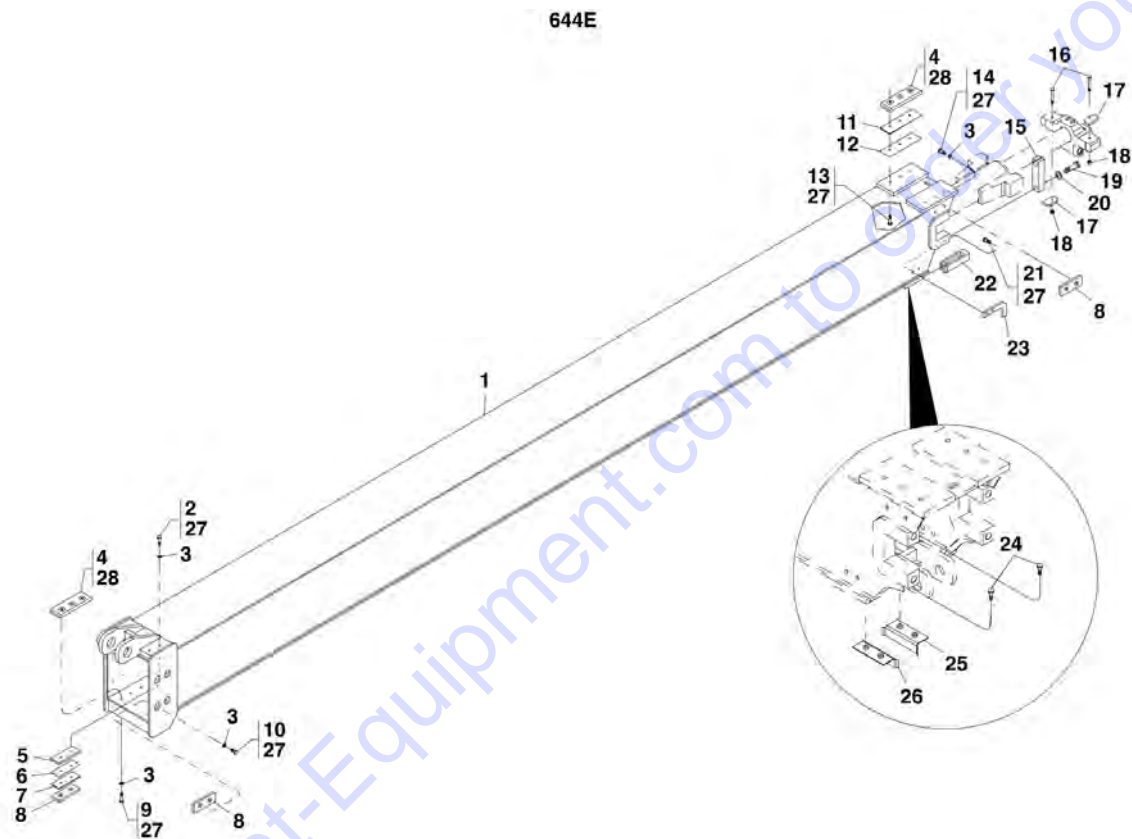
PAP12230

FIGURE 2-2. FIRST BOOM SECTION

ITEM	PART NUMBER	QTY	DESCRIPTION	REV
1	7300966	1	FIRST BOOM SECTION	
2	8303097	4	HEX HD CAPSCREW, 10-1.5X65mm, PC8.8	
3	8307221	24	PLAIN WASHER, 10mm	
4	7300034	2	WEAR PAD, (includes inserts)	
5	8310630	2	CARRIAGE BOLT, 6-1.0X40mm, PC8.8 (SN 17569 through 20123, SN 0160002514 through 160014607)	
6	7300064	2	WEAR PAD	
7	7126172	2	SHIM, WEAR PAD, 3.42mm, (10 GA)	
8	7126182	2	SHIM, WEAR PAD, 1.90mm, (14 GA)	
9	7300032	6	WEAR PAD, (includes inserts)	
10	8310748	6	HEX HD CAPSCREW, 10-1.5X50mm, PC8.8	
11	8303551	8	HEX HD CAPSCREW, 10-1.5X16mm, PC8.8	
12	10238252	1	BOOM ANGLE INDICATOR (SN 17569 through 20123, SN 0160002514 through 160014607)	
13	8310629	2	SPACER (SN 17569 through 20123, SN 0160002514 through 160014607)	
14	8307219	2	PLAIN WASHER, 6mm (SN 17569 through 20123, SN 0160002514 through 160014607)	
15	8305652	2	HEX LOCKNUT, 6-1.0mm (SN 17569 through 20123, SN 0160002514 through 160014607)	
16	8310627	1	HEX HD CAPSCREW, 20-2.5X140mm, PC8.8	
17	7139325	1	LIFT/LOWER CYLINDER PIN	
18	8305655	1	HEX LOCKNUT, 20-2.5mm	
19	7300723	2	TILT COMPENSATION CYLINDER PIN, (rod end)	
20	7139886	2	PIN RETENTION SPACER	
21	8310164	2	HEX HD CAPSCREW, 12-1.75X40mm, PC8.8	
22	8310657	2	PLAIN WASHER, 12mm	
23	6620731	1	MOULDING	
24	7301183	1	REAR BOOM COVER (SN 18554 through 20123, SN 0160002514 through 0160006008, Including 0160006152, Excluding 0160006007)	
25	8303611	2	HEX HD CAPSCREW, 8-1.25X30mm, PC8.8	
26	8307222	4	FLAT WASHER, 8mm	
27	8310293	2	HEX HD CAPSCREW, 8-1.25X50mm, PC8.8	
28	8310686	4	RETAINER NUT, 8-125mm	
29	7302065	1	REAR BOOM COVER, (SN 0160006007 to Present, Excluding 0160006008 and 0160006152)	
30	8526007	AR	LOCTITE 242, (apply to items 2, 10 & 11)	
31	8522050	AR	LUBRIPLATE GREASE, #5555, (apply to item 4)	
32	8522051	AR	RUST INHIBITOR, HEAVY DUTY, (not shown)	
33		Ref	BOOM EXTEND/RETRACT CYLINDER, (See HYDRAULIC COMPONENTS SECTION for Breakdown)	
34	4105262	1	BOOM ANGLE INDICATOR DECAL (SN 0160014607 to Present)	
35	7075611	1	BOOM ANGLE INDICATOR POINTER (SN 0160014607 through 0160033138)	
35	1001098769	1	BOOM ANGLE INDICATOR POINTER (SN 0160033139 to Present)	
36	8305647	1	HEX LOCK NUT, 7/16-14 (SN 0160014607 through 0160033138)	
36	8305645	1	HEX LOCK NUT, 3/8-16 (SN 0160033139 to Present)	
37	8307113	3	PLAIN WASHER, 7/16 (SN 0160014607 through 0160033138)	
37	4711600	1	WASHER, 3/8 (SN 0160033139 to Present)	
39	1001096404	1	ANGLE INDICATOR SPACER (SN 0160033139 to Present)	

# SECTION 2 - BOOM

## FIGURE 2-3. SECOND BOOM SECTION



PAP12350

## SECTION 2 - BOOM

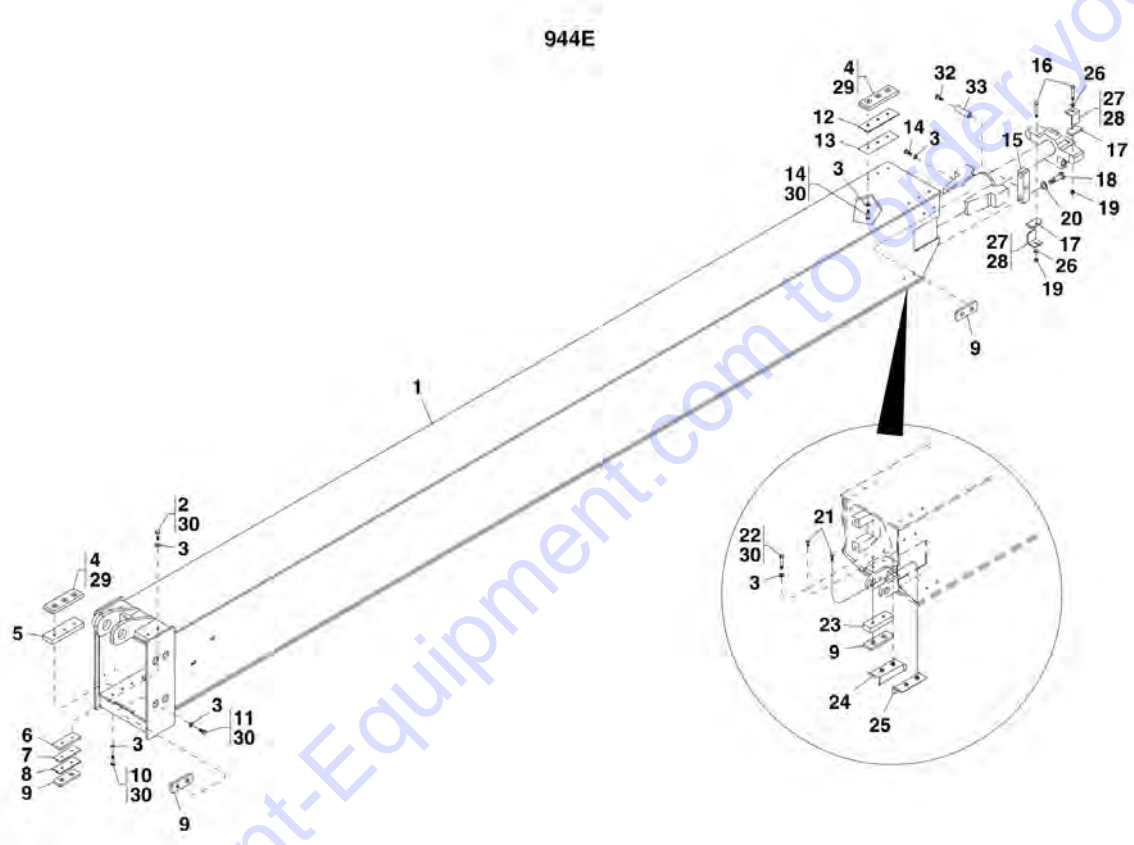
**FIGURE 2-3. SECOND BOOM SECTION**

ITEM	PART NUMBER	QTY	DESCRIPTION	REV
1	7300098	1	SECOND BOOM SECTION	
2	8303097	4	HEX HD CAPSCREW, 10-1.5X65mm, PC8.8	
3	8307221	22	PLAIN WASHER, 10mm	
4	7300034	4	WEAR PAD, (includes inserts)	
5	7300516	2	SPACER	
6	7300517	AR	SHIM, 3.42mm, (10 GA)	
7	7300518	AR	SHIM, 1.90mm, (14 GA)	
8	7300032	8	WEAR PAD, (includes inserts)	
9	8303784	6	HEX HD CAPSCREW, 10-1.5X20mm, PC8.8	
10	8303551	8	HEX HD CAPSCREW, 10-1.5X16mm, PC8.8, (torque to 46-52 Nm)	
11	7126172	AR	SHIM, 3.42mm, (10 GA)	
12	7126182	AR	SHIM, 1.90mm, (14 GA)	
13	8310600	6	HEX HD CAPSCREW, 10-1.5X20mm, PC12.9	
14	8303755	4	HEX HD CAPSCREW, 10-1.5X30mm, PC8.8, (torque to 29-52 Nm)	
15	4220238	2	EXTEND CYLINDER ANCHOR PLATE	
16	8310705	2	HEX HD CAPSCREW, 10-1.5X75mm, PC8.8, (torque to 46-52 Nm)	
17	7300522	2	EXTEND CYLINDER ROD MOUNT PLATE	
18	8305630	2	HEX LOCKNUT, 10-1.5mm	
19	8310598	4	HEX HD CAPSCREW, 20-2.5X80mm, PC10.9	
20	8310620	4	PLAIN WASHER, 20mm	
21	8303798	4	HEX HD CAPSCREW, 10-1.5X25mm, PC8.8	
22	7120182	2	WEAR PAD CHANNEL	
23	7300579	2	WEAR PAD STOP PLATE	
24	8303783	4	HEX HD CAPSCREW, 8-1.25X25mm, PC8.8, (torque to 14-26 Nm)	
25	7301533	1	RH HOSE GUIDE	
26	7301535	1	LH HOSE GUIDE	
27	8526007	AR	LOCTITE 242, (apply to items 2, 9, 10, 13, 14 & 21)	
28	8522050	AR	LUBRIPLATE GREASE, #5555, (apply to item 4)	
29	8522051	AR	RUST INHIBITOR, HEAVY DUTY, (not shown)	



# SECTION 2 - BOOM

## FIGURE 2-4. SECOND BOOM SECTION



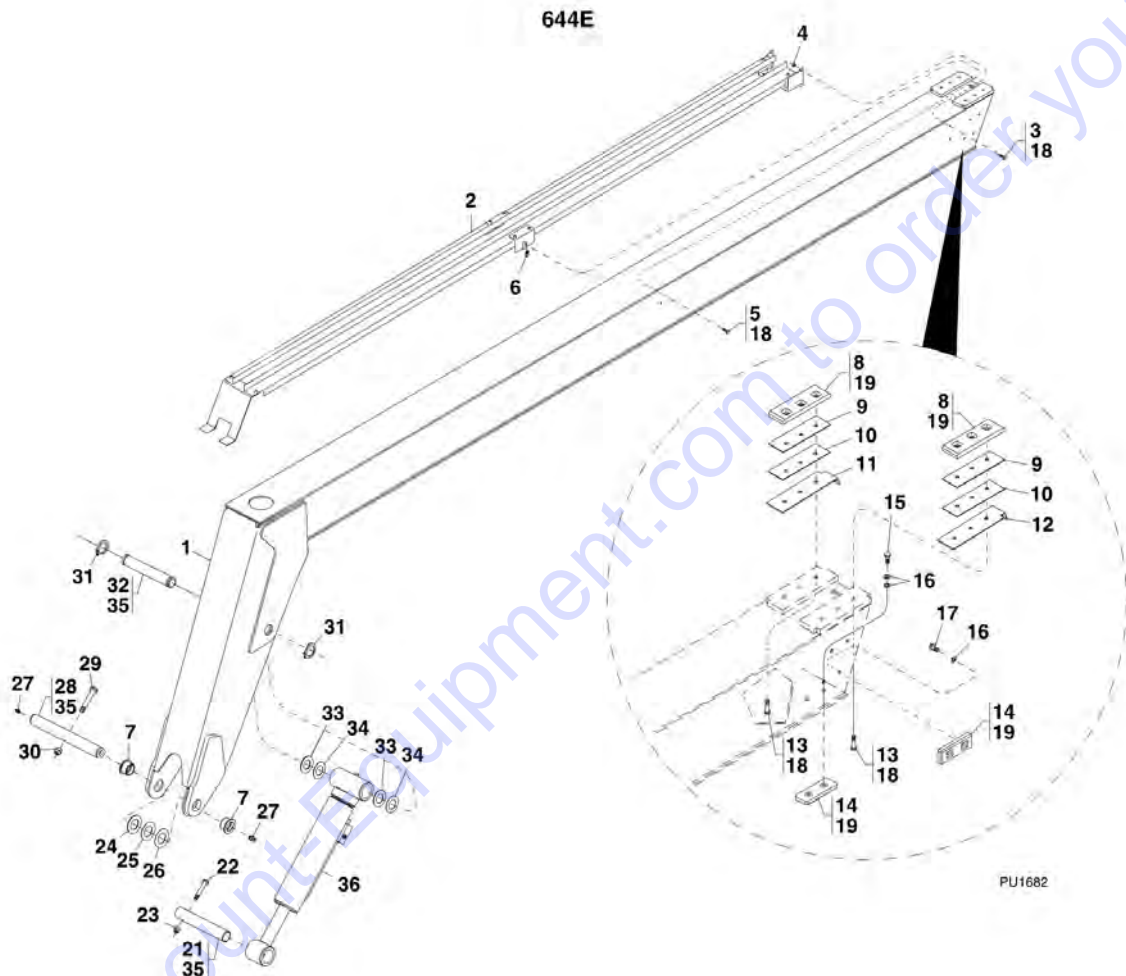
PU1670

FIGURE 2-4. SECOND BOOM SECTION

ITEM	PART NUMBER	QTY	DESCRIPTION	REV
1	7300805	1	SECOND BOOM SECTION	
2	8303097	4	HEX HD CAPSCREW, 10-1.5X65mm, PC8.8	
3	8307221	36	PLAIN WASHER, 10mm	
4	7300034	4	WEAR PAD, (includes inserts)	
5	7300064	2	SPACER	
6	7300516	2	SPACER	
7	7300517	AR	SHIM, 3.42mm, (10 GA)	
8	7300518	AR	SHIM, 1.90mm, (14 GA)	
9	7300032	12	WEAR PAD, (includes inserts)	
10	8303769	6	HEX HD CAPSCREW, 10-1.5X45mm, PC8.8	
11	8303551	8	HEX HD CAPSCREW, 10-1.5X16mm, PC8.8	
12	7126172	AR	SHIM, 3.42mm, (10 GA)	
13	7126182	AR	SHIM, 1.90mm, (14 GA)	
14	8303798	14	HEX HD CAPSCREW, 10-1.5X25mm, PC8.8	
15	4220238	2	EXTEND CYLINDER ANCHOR PLATE	
16	8310354	2	HEX HD CAPSCREW, 10-1.5X80mm, PC8.8	
17	7300522	2	EXTEND CYLINDER ROD MOUNT	
18	8310598	4	HEX HD CAPSCREW, 20-2.5X80mm, PC10.9	
19	8305630	2	HEX LOCKNUT, 10X1.5mm	
20	8310620	4	PLAIN WASHER, 20mm	
21	8303783	4	HEX HD CAPSCREW, 8-1.25X25mm, PC8.8	
22	8303753	4	HEX HD CAPSCREW, 10-1.5X60mm, PC8.8	
23	7300973	2	SPACER	
24	7301535	1	LH HOSE GUIDE	
25	7301533	1	RH HOSE GUIDE	
26	8307220	2	PLAIN WASHER, 12mm	
27	7301756	AR	EXTEND CYLINDER, THICK SHIM	
28	7301757	AR	EXTEND CYLINDER, THIN SHIM	
29	8522050	AR	LUBRIPLATE GREASE #5555, (apply to item 4)	
30	8526007	AR	LOCTITE 242, (apply to items 2, 10, 11, 14, & 22)	
31	8522007	AR	RUST INHIBITOR, HEAVY DUTY, (not shown)	
32	8310514	2	SOCKET HD SHOULDER SCREW, 1/2X1-3/4X3/8-16	
33	3860123	2	BOOM HOSE ROLLER	

# SECTION 2 - BOOM

## FIGURE 2-5. THIRD BOOM SECTION



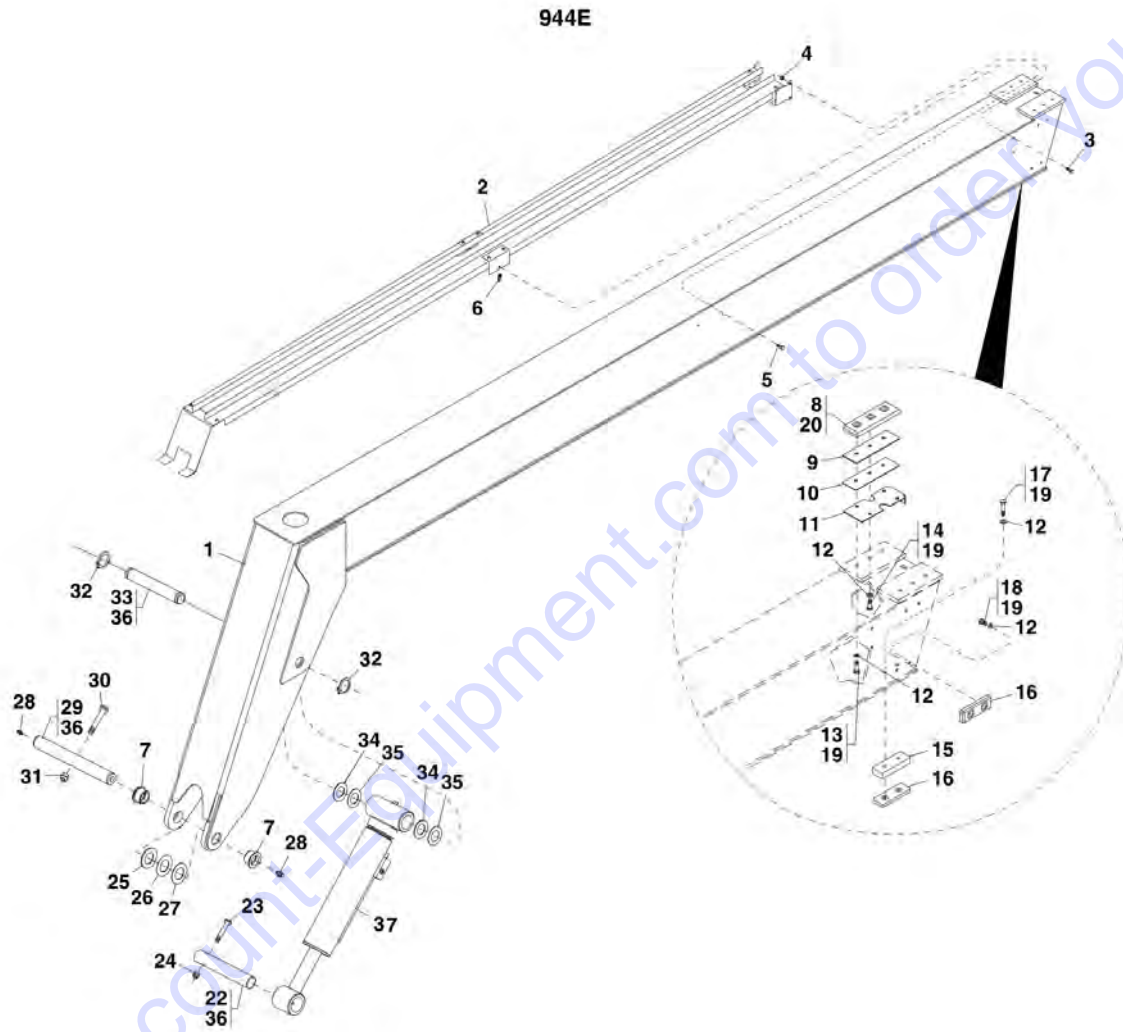
PU1682

FIGURE 2-5. THIRD BOOM SECTION

ITEM	PART NUMBER	QTY	DESCRIPTION	REV
1	7300099	1	THIRD BOOM SECTION	
2	7301253	1	BOOM HOSE GUIDE	
3	8303784	4	HEX HD CAPSCREW, 10-1.5X20mm, PC8.8	
4	8305630	4	HEX LOCKNUT, 10-1.5mm	
5	8303606	2	HEX HD CAPSCREW, 8-1.25X20mm, PC8.8	
6	8310686	2	RETAINER NUT, 8-1.25X25.4mm	
7	7300620	2	QUICK ATTACH PIVOT FLANGE BUSHING	
8	7300034	2	WEAR PAD, (includes inserts)	
9	7126172	AR	SHIM, 3.42mm, (10 GA)	
10	7126182	AR	SHIM, 1.90mm, (14 GA)	
11	7300512	1	LEFT CLAMP MOUNT BRACKET ASSY	
12	7300511	1	RIGHT CLAMP MOUNT BRACKET ASSY	
13	8310600	6	HEX HD CAPSCREW, 10-1.5X20mm, PC12.9	
14	7300032	6	WEAR PAD, (includes inserts)	
15	8303777	4	HEX HD CAPSCREW, 10-1.5X35mm, PC8.8	
16	8307221	AR	PLAIN WASHER, 10mm	
17	8303551	8	HEX HD CAPSCREW, 10-1.5X16mm, PC8.8	
18	8526007	AR	LOCTITE 242, (apply to items 3, 5 & 13)	
19	8522050	AR	LUBRIPLATE GREASE, (apply to items 8 & 14)	
20	8522051	AR	RUST INHIBITOR, HEAVY DUTY, (not shown)	
21	7300112-OM	1	PIN, FORK TILT QUICK ATTACH	
22	8303265	1	HEX HD CAPSCREW, 12-1.75X130mm, PC8.8	
23	8310625	1	HEX LOCKNUT, 12-1.75mm	
24	8307904	AR	SHIM WASHER, 2X.048X3	
25	8310093	AR	SHIM WASHER, 2X.075X3.5	
26	8307918	AR	SHIM WASHER, 2X.134X3.5	
27	8520001	2	LUBE FITTING, 1/8	
28	7083922	1	CARRIAGE PIVOT PIN	
29	8310606	1	HEX HD CAPSCREW, 16-2.0X130mm, PC8.8	
30	8310217	1	HEX LOCKNUT, 16-2.0mm	
31	8630022	2	SHAFT RETAINING RING	
32	7300111	1	ATTACHMENT TILT CYLINDER BOOM PIN, (644E-42)	
32	7300829	1	ATTACHMENT TILT CYLINDER BOOM PIN, (944E-42)	
33	8310706	AR	SHIM WASHER, 2.25X.048X3.75	
34	8310707	AR	SHIM WASHER, 2.25X.075X3.75	
35	8522012	AR	ANTI-SIEZE LUBE, (apply to items 21, 28 & 32)	
36		Ref	ATTACHMENT TILT CYLINDER, (See HYDRAULIC COMPONENTS SECTION for Breakdown)	

# SECTION 2 - BOOM

## FIGURE 2-6. THIRD BOOM SECTION



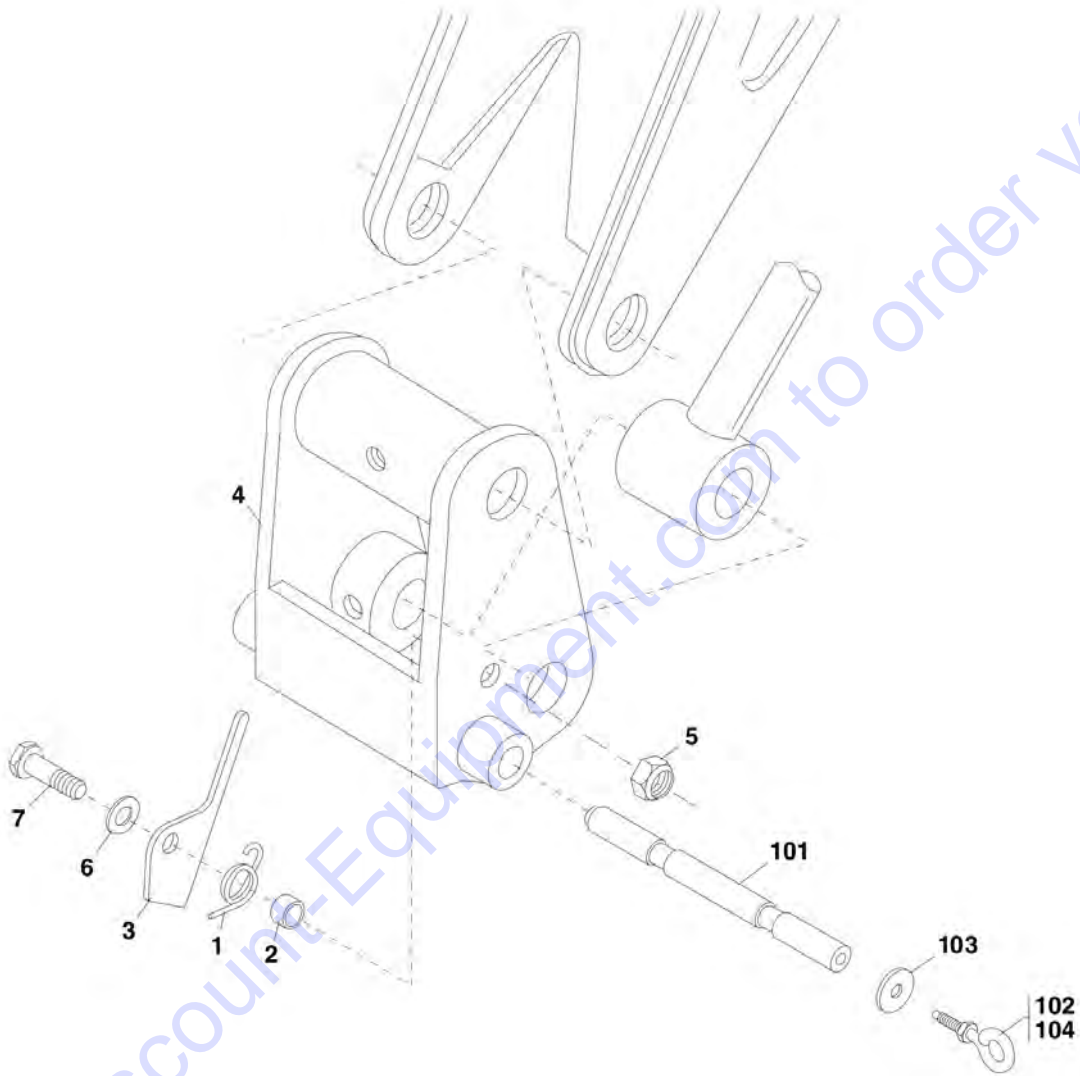
PU1691

FIGURE 2-6. THIRD BOOM SECTION

ITEM	PART NUMBER	QTY	DESCRIPTION	REV
1	7300816	1	THIRD BOOM SECTION	
2	7301257	1	BOOM HOSE GUIDE	
3	8303784	4	HEX HD CAPSCREW, 10-1.5X20mm, PC8.8	
4	8305630	4	HEX LOCKNUT, 10-1.5mm	
5	8303606	2	HEX HD CAPSCREW, 8-1.25X20mm, PC8.8	
6	8310686	2	RETAINER NUT, 8-1.25X25.4mm	
7	7300620	2	QUICK ATTACH PIVOT FLANGE BUSHING	
8	7300034	2	WEAR PAD, (includes inserts)	
9	7126172	AR	SHIM, 3.42mm, (10 GA)	
10	7126182	AR	SHIM, 1.90mm, (14 GA)	
11	7300899	2	CLAMP MOUNT BRACKET ASSY	
12	8307221	18	PLAIN WASHER, 10mm	
13	8303778	4	HEX HD CAPSCREW, 10-1.5X40mm, PC8.8	
14	8303777	2	HEX HD CAPSCREW, 10-1.5X35mm, PC8.8	
15	7300973	2	SPACER	
16	7300032	6	WEAR PAD, (includes inserts)	
17	8310125	4	HEX HD CAPSCREW, 10-1.5X55mm, PC8.8	
18	8303551	8	HEX HD CAPSCREW, 10-1.5X16mm, PC8.8	
19	8526007	AR	LOCTITE 242, (apply to items 13, 14 & 17)	
20	8522050	AR	LUBRIPLATE GREASE, (apply to item 8)	
21	8522051	AR	RUST INHIBITOR, HEAVY DUTY, (not shown)	
22	7300112-OM	1	PIN, FORK TILT QUICK ATTACH	
23	8303265	1	HEX HD CAPSCREW, 12-1.75X130mm, PC8.8	
24	8310625	1	HEX LOCKNUT, 12-1.75mm	
25	8307904	AR	SHIM WASHER, 2X.048X3	
26	8310093	AR	SHIM WASHER, 2X.075X3.5	
27	8307918	AR	SHIM WASHER, 2X.134X3.5	
28	8520001	2	LUBE FITTING, 1/8	
29	7083922	1	CARRIAGE PIVOT PIN	
30	8310606	1	HEX HD CAPSCREW, 16-2.0X130mm, PC8.8	
31	8310217	1	HEX LOCKNUT, 16-2.0mm	
32	8630022	2	SHAFT RETAINING RING	
33	7300111	1	ATTACHMENT TILT CYLINDER BOOM PIN, (644E-42)	
33	7300829	1	ATTACHMENT TILT CYLINDER BOOM PIN, (944E-42)	
34	8310706	AR	SHIM WASHER, 2.25X.048X3.75	
35	8310707	AR	SHIM WASHER, 2.25X.075X3.75	
36	8522012	AR	ANTI-SIEZE LUBE, (apply to items 22, 29 & 33)	
37		Ref	ATTACHMENT TILT CYLINDER, (See HYDRAULIC COMPONENTS SECTION for Breakdown)	

SECTION 2 - BOOM

FIGURE 2-7. QUICK ATTACH



PU1721

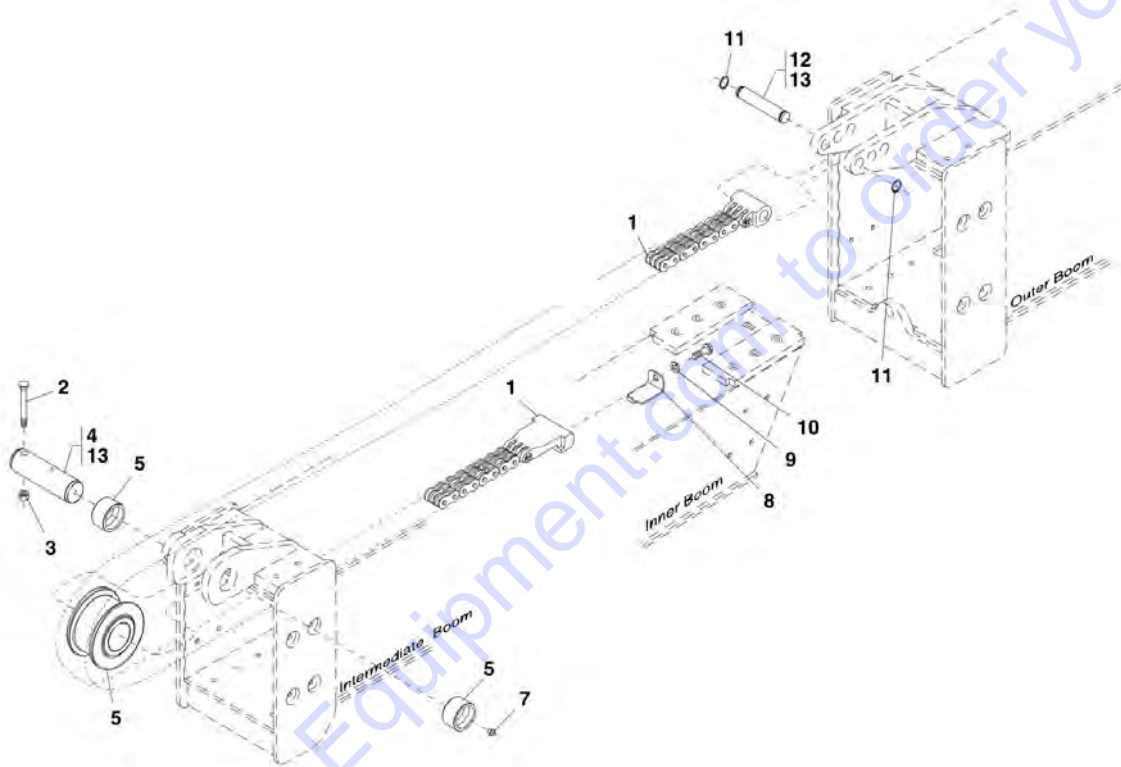
FIGURE 2-7. QUICK ATTACH

ITEM	PART NUMBER	QTY	DESCRIPTION	REV
	7300094	1	QUICK ATTACH ASSY, (includes items 1 thru 7)	AB
1	7085552	1	TORSION SPRING	
2	7085571	1	QUICK ATTACH SPACER	
3	7121422	1	QUICK ATTACH LATCH	
4	7300095	1	QUICK ATTACH	
5	8305655	1	HEX LOCKNUT, 20-2.5mm	
6	8310426	1	PLAIN WASHER, 20mm	
7	8310700	1	HEX HD CAPSCREW, 20-2.5X70mm, PC8.8	
	7118892	1	LOCK PIN, (includes items 101 thru 104)	B
101	7118882	1	PIN	
102	8310266	1	EYE WITH NUT BOLT	
103	8310276	1	WASHER	
104	8526007	AR	LOCTITE 242, (apply to item 102)	



## SECTION 2 - BOOM

FIGURE 2-8. BOOM EXTEND CHAIN



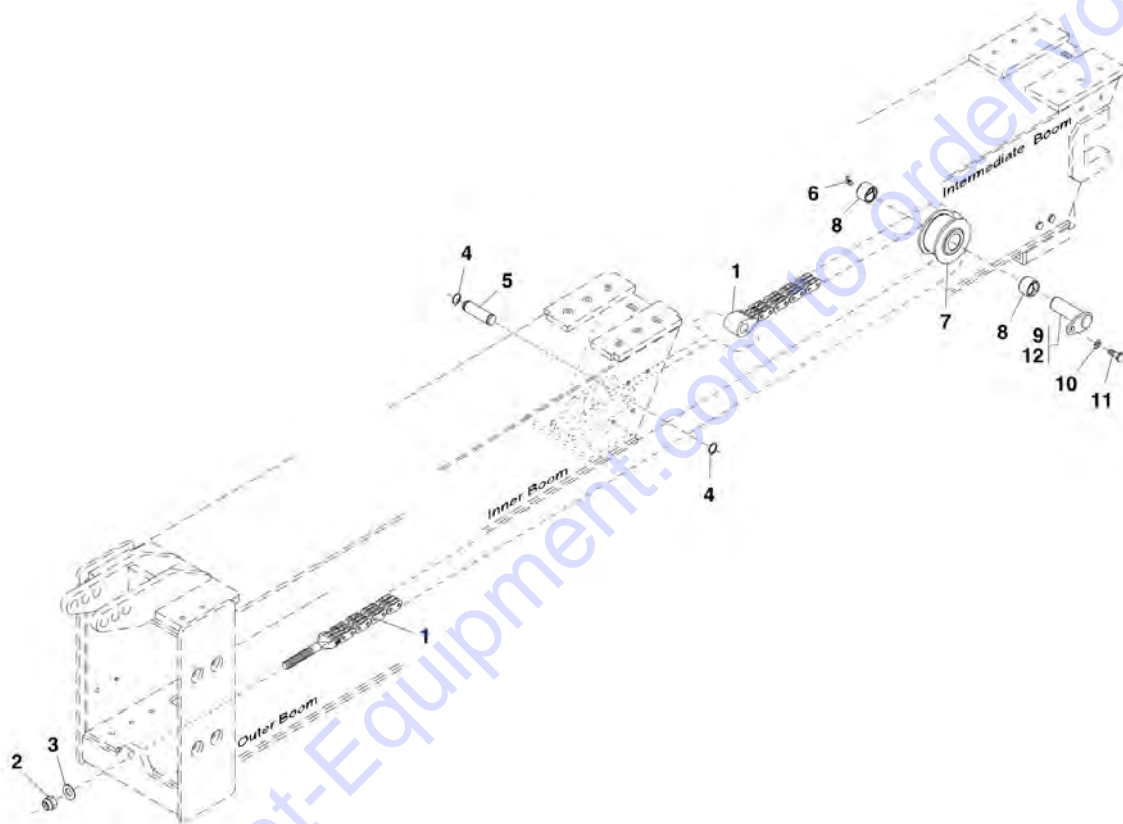
PU1701

FIGURE 2-8. BOOM EXTEND CHAIN

ITEM	PART NUMBER	QTY	DESCRIPTION	REV
	7300076	Ref	EXTEND CHAIN ASSY, (includes all items)	D
1	7300911	1	EXTEND CHAIN AND CLEVIS ASSY	
2	8310651	1	HEX HD CAPSCREW, 16-2.0X100mm, PC8.8	
3	8310217	1	HEX LOCKNUT, 16-2.0mm	
4	7117582	1	EXTEND CHAIN SHEAVE PIN	
5	1001101867	1	BUSHING SHEAVE ASSY	A
5	7117502	2	CHAIN SHEAVE BUSHING	
5	7114032	1	EXTEND CHAIN SHEAVE	
7	8520001	1	GREASE FITTING, 1/8	
8	7300078	1	CLEVIS RETAINER BRACKET	
9	8307025	1	LOCKWASHER, 12mm	
10	8303790	1	HEX HD CAPSCREW, 12-1.75X30mm, PC8.8	
11	8642236	2	RETAINING RING	
12	7300613	1	CLEVIS PIN	
13	8522012	AR	ANTI-SEIZE LUBE, (apply to items 4 & 12)	

# SECTION 2 - BOOM

## FIGURE 2-9. BOOM RETRACT CHAIN



PU1710

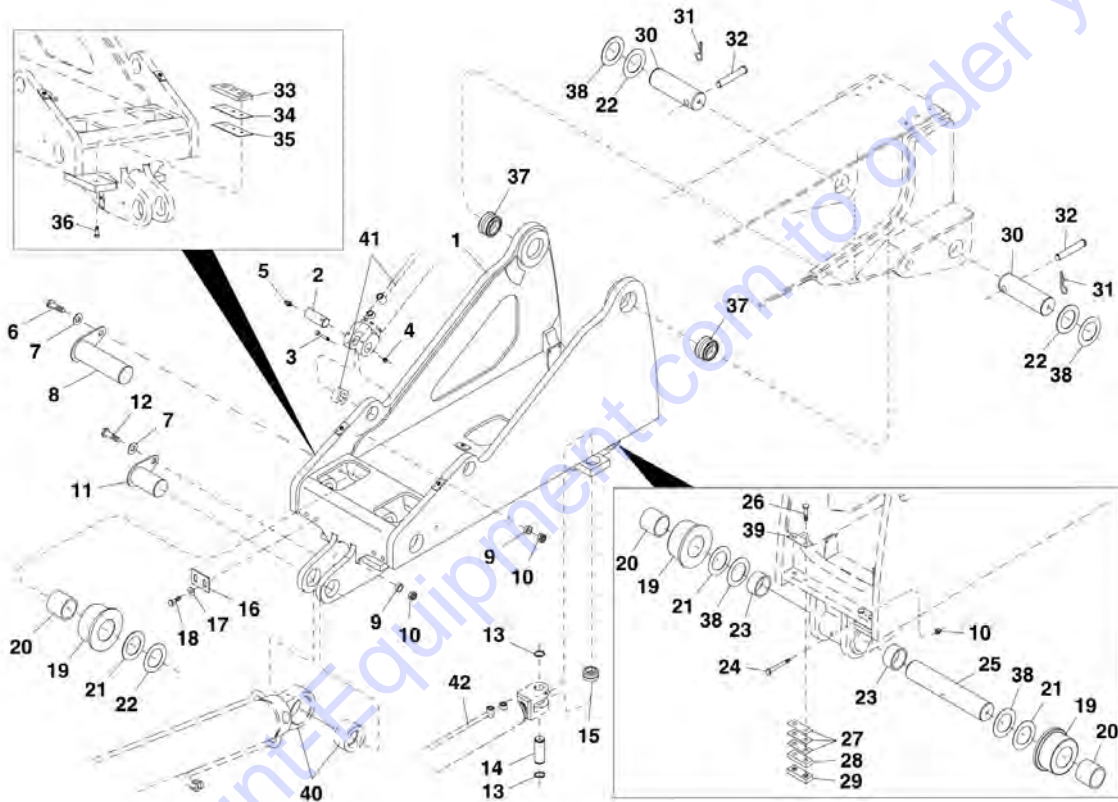
FIGURE 2-9. BOOM RETRACT CHAIN

ITEM	PART NUMBER	QTY	DESCRIPTION	REV
1	7300912	1	RETRACT CHAIN AND CLEVIS ASSY, (644E-42)	
1	7300970	1	RETRACT CHAIN AND CLEVIS ASSY, (944E-42)	
2	8305646	1	HEX LOCKNUT, 3/4-16	
3	8307703	1	PLAIN WASHER, 3/4	
4	8642236	2	RETAINING RING	
5	8124138	1	PIN, CLEVIS	
6	8520003	1	GREASE FITTING	
7	7138986	1	RETRACT CHAIN SHEAVE ASSY, (includes item 8)	
8	7138979	2	CHAIN SHEAVE BUSHING	
9	7300080	1	RETRACT CHAIN SHEAVE PIN	
10	8307025	1	LOCKWASHER, M12	
11	8303618	1	HEX HD CAPSCREW, M12-1.75X25mm, PC8.8	
12	8522012	AR	ANTI-SIEZE LUBE, (apply to item 9)	

Go to Discount-Equipment.com to order your parts

## SECTION 2 - BOOM

FIGURE 2-10. TRANSFER CARRIAGE INSTALLATION (644E-42 Prior to SN 0160048717, Excluding 0160045421; 944E-42 Prior to SN 0160041827)



PU1731

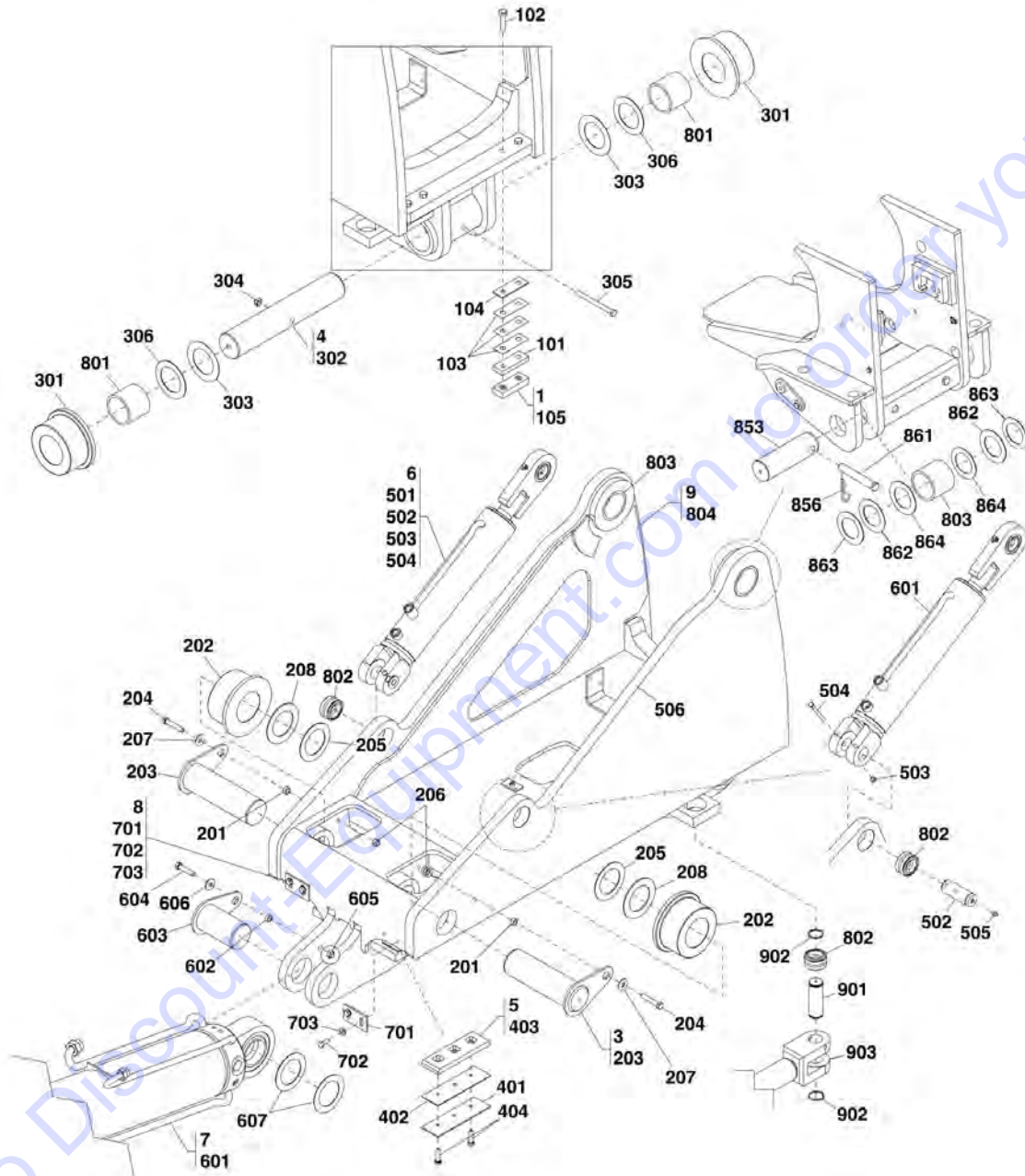
## SECTION 2 - BOOM

**FIGURE 2-10. TRANSFER CARRIAGE INSTALLATION (644E-42 Prior to SN 0160048717, Excluding 0160045421; 944E-42 Prior to SN 0160041827)**

ITEM	PART NUMBER	QTY	DESCRIPTION	REV
1	7301102	1	TRANSFER CARRIAGE	
2	7137142	2	CYLINDER PIN	
3	8310424	2	HEX HD CAPSCREW, M8X90, GR8.8	
4	8305654	2	HEX LOCKNUT, M8X1.25mm	
5	8520001	2	LUBE FITTING, 1/8	
6	8303531	2	HEX HD CAPSCREW, M12X65, GR8.8	
7	8310657	3	PLAIN WIDE WASHER, 12mm	
8	7139915	2	RETENTION PIN	
9	7139886	3	RETENTION PIN SPACER	
10	8310625	4	HEX LOCKNUT, M12X1.75	
11	7300580	1	HOIST CYLINDER BASE PIN	
12	8310218	1	HEX HD CAPSCREW, M12X55, GR8.8	
13	8630026	2	EXTERNAL SNAP RING, 38mm	
14	7300503	1	TRANSFER CYLINDER PIN	
15	8050001	1	SELF ALIGN BEARING	
16	7301308	2	SCRAPER PLATE	
17	8307221	4	PLAIN WASHER, 10mm	
18	8303798	4	HEX HD CAPSCREW, M10X25, GR8.8	
19	7139911	4	ROLLER ASSY, (includes item 20)	
20	8050086	4	BEARING	
21	8310689	AR	SHIM WASHER, SELF LUBE, 3.00X4.50X0.08	
22	8307913	AR	SHIM WASHER, SELF LUBE, 3.060X.120X4.750	
23	7300716	2	BUSHING, 3X3.75X2.50	
24	8310655	1	HEX HD CAPSCREW, M12X140, GR8.8	
25	7300566	1	REAR TRANSFER ROLLER PIN	
26	8310220	4	HEX HD CAPSCREW, 1/2-20X2-1/4, GR5	
27	10118167	AR	REAR ROLLER SUPPORT SHIM, (11 GA)	
28	7301033	2	REAR RETAINER SPACER	
29	10165950	2	REAR ROLLER RETAINER SLIDE BLOCK	
30	7300572	2	BOOM PIVOT PIN	
31	8302446	2	BOOM PIVOT CLEVIS COTTER PIN	
32	8310662	2	BOOM PIVOT PIN CLEVIS	
33	7300034	2	WEAR PAD, (includes inserts)	
34	7126182	AR	SHIM, 3.42mm, (10 GA)	
35	7126172	AR	SHIM, 1.90mm, (14 GA)	
36	8303778	4	HEX HD CAPSCREW, M10X40, GR8.8	
37	8050085	2	BEARING	
38	8307912	AR	SHIM WASHER, 3.060X.060X4.750	
39	10165110	AR	REAR ROLLER SUPPORT SHIM, (II GA)	
40		Ref	LIFT CYLINDER, (See HYDRAULIC COMPONENTS SECTION for Breakdown)	
41		Ref	TILT COMPENSATION CYLINDER, (See HYDRAULIC COMPONENTS SECTION for Breakdown)	
42		Ref	TRANSFER CYLINDER, (See HYDRAULIC COMPONENTS SECTION for Breakdown)	

## SECTION 2 - BOOM

FIGURE 2-11. TRANSFER CARRIAGE INSTALLATION (644E-42 SN 0160048717 to Present, Including 0160045421; 944E-42 SN 0160041827 to Present)



PAP12330

## SECTION 2 - BOOM

**FIGURE 2-11. TRANSFER CARRIAGE INSTALLATION (644E-42 SN 0160048717 to Present, Including 0160045421; 944E-42 SN 0160041827 to Present)**

ITEM	PART NUMBER	QTY	DESCRIPTION	REV
	1001143084	Ref	TRANSFER CARRIAGE INSTALLATION, (644E-42), (not available to order, see items 1 thru 9 for service)	A
	1001125709	Ref	TRANSFER CARRIAGE INSTALLATION, (944E-42), (not available to order, see items 1 thru 9 for service)	B
1	7139956	Ref	REAR PAD INSTALLATION, (not available to order, see items 101 thru 105 for service)	F
2		Ref	HYDRAULIC COMPONENTS, (not shown), (See HYDRAULIC CIRCUITS SECTION for Breakdown)	
3	7300565	Ref	FRONT ROLLER INSTALLATION, (not available to order see items 201 thru 208 for service)	E
4	7300622	Ref	REAR ROLLER INSTALLATION, (not available to order, see items 301 thru 306 for service)	E
5	7300955	Ref	FRONT RETAINER INSTALLATION, (not available to order, see items 401 thru 404 for service)	AA
6	7139951	Ref	TILT COMPENSATION CYLINDER INSTALLATION, (644E-42), (not available to order, see items 501 thru 506 for service)	D
6	7301198	Ref	TILT COMPENSATION CYLINDER INSTALLATION, (944E-42), (not available to order, see items 501 thru 506 for service)	B
7	7139952	Ref	LIFT CYLINDER INSTALLATION, (644E-42), (not available to order, see items 601 thru 607 for service)	E
7	7301199	Ref	LIFT CYLINDER INSTALLATION, (944E-42), (not available to order, see items 601 thru 607 for service)	D
8	7301313	Ref	SCRAPER PLATE INSTALLATION, (not available to order, see items 701 thru 703 for service)	C
9	1001125710	Ref	BUSHING INSTALLATION, (not available to order, see items 801 thru 804 for service)	A
101	7301033	2	SPACER	
102	8310220	4	HEX HD CAPSCREW, 1/2-20X2-1/4, GR5, (torque to 51-90 lb-ft/69-122 Nm)	
103	10118167	6	SHIM, 22 GA	
104	1065110	2	SHIM, 11 GA	
105	10165950	2	SLIDE BLOCK	
201	7139886	2	SPACER	
202	7139911	2	ROLLER ASSEMBLY	
202	7139912	1	ROLLER	
202	8050086	1	BEARING	
203	7139915	2	PIN	
204	8303531	2	HEX HD CAPSCREW, M12X65, GR8.8	
205	8307913	2	SHIM	
206	8310625	2	HEX LOCKNUT, M12X1.75, (torque to 44-81 lb-ft/59-106 Nm)	
207	8310657	2	WASHER, 12mm	
208	8310689	1	SELF-LUBE SHIM	
301	7139911	2	ROLLER	
301	7139912	1	ROLLER	
301	8050086	1	BEARING	
302	7300566	1	PIN	
303	8307912	2	SHIM	
304	8310625	1	HEX LOCKNUT, M12X1.75	
305	8310655	1	HEX HD CAPSCREW, M12X140, GR8.8	
306	8310689	2	SELF-LUBE SHIM	
401	7126172	1	SHIM	
402	7126182	1	SHIM	



## SECTION 2 - BOOM

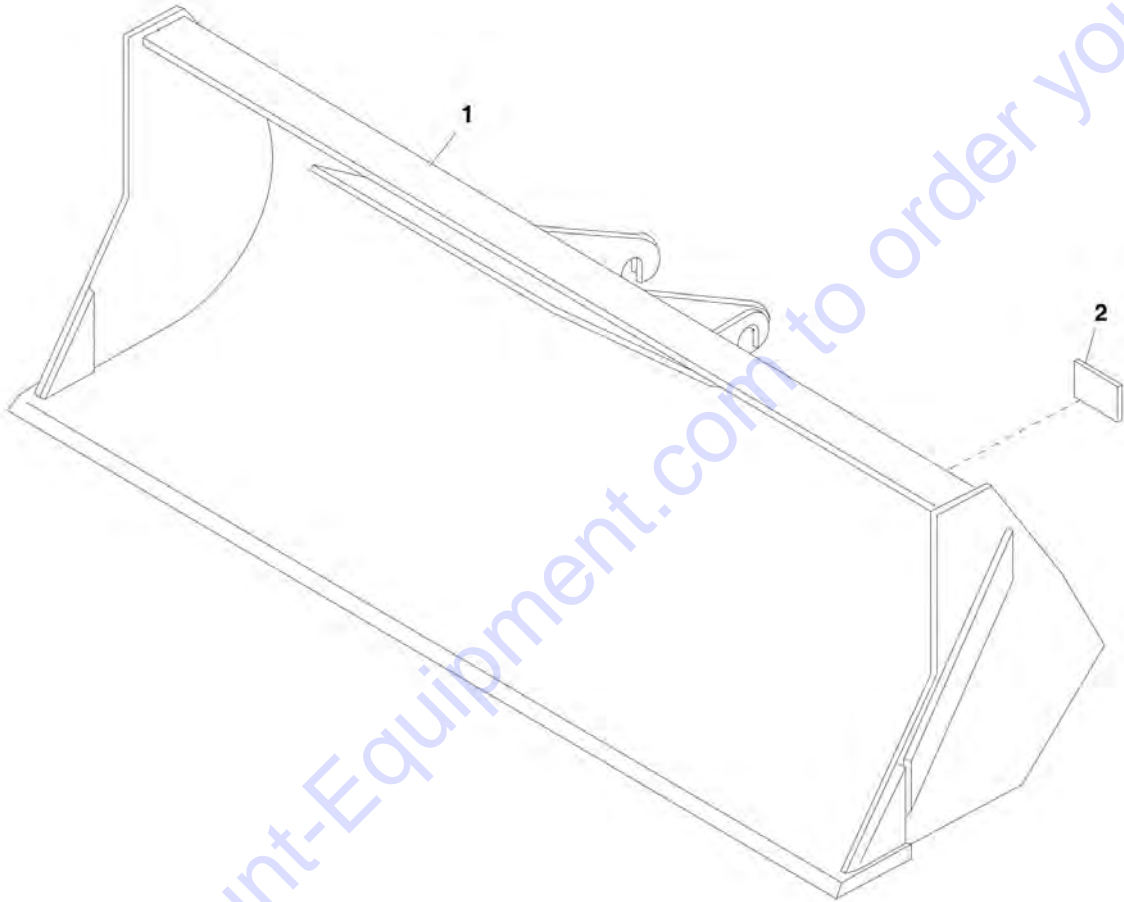
ITEM	PART NUMBER	QTY	DESCRIPTION	REV
403	7300034	1	WEAR PAD	
404	8303778	2	HEX HD CAPSCREW, M10X40, GR8.8, (torque to 34-61 Nm)	
501		Ref	TILT COMPENSATION CYLINDER, (See HYDRAULIC COMPONENTS SECTION for Breakdown)	
502	7137142	2	PIN	
503	8305654	2	HEX LOCKNUT, M8X90, (torque to 17-31 Nm/13-23 lb-ft)	
504	8310424	2	HEX HD CAPSCREW, M8X90, GR 8.8	
505	8520001	2	GREASE FITTING	
506	91143220	7 in	TRIM LOCK	
601		Ref	LIFT CYLINDER, (See HYDRAULIC COMPONENTS SECTION for Breakdown)	
602	7139886	1	SPACER	
603	7300580	1	PIN	
604	8310218	1	HEX HD CAPSCREW, M12X55, GR8.8	
605	8310625	1	HEX NUT, M12X1.75, (torque to 59-106 Nm/43-106 lb-ft)	
606	8310657	1	WASHER, 12mm	
607	8310691	2	SELF-LUBE SHIM	
701	7301309	2	SCRAPER PLATE	
702	8303798	4	HEX HD CAPSCREW, M10X25, GR8.8	
703	8307221	4	WASHER, 10mm	
801	7300716	2	BUSHING	
802	805001	3	BEARING	
802	8050001	3	BEARING, SELF ALIGN	
803	8050085	2	BEARING	
804	1001125711	1	TRANSFER CARRIAGE WELDMENT	
804	7301102	1	TRANSFER CARRIAGE WELDMENT	
853	7300572	2	BOOM PIVOT PIN	
856	8302446	2	COTTER PIN	
861	8310662	2	CLEVIS PIN	
862	8310689	2	SELF-LUBE SHIM	
863	8307912	2	SHIM	
864	8307913	4	SHIM	
901		Ref	PIN, (See FRAME AND ATTACHING PARTS SECTION for Breakdown)	
902		Ref	RETAINING RING, (See FRAME AND ATTACHING PARTS SECTION for Breakdown)	
903		Ref	TRANSFER CYLINDER, (See HYDRAULIC COMPONENTS SECTION for Breakdown)	

SECTION 3 - ATTACHMENTS

Go to Discount-Equipment.com to order your parts

**SECTION 3 - ATTACHMENTS**

**FIGURE 3-1. BUCKETS**



PU1740

## SECTION 3 - ATTACHMENTS

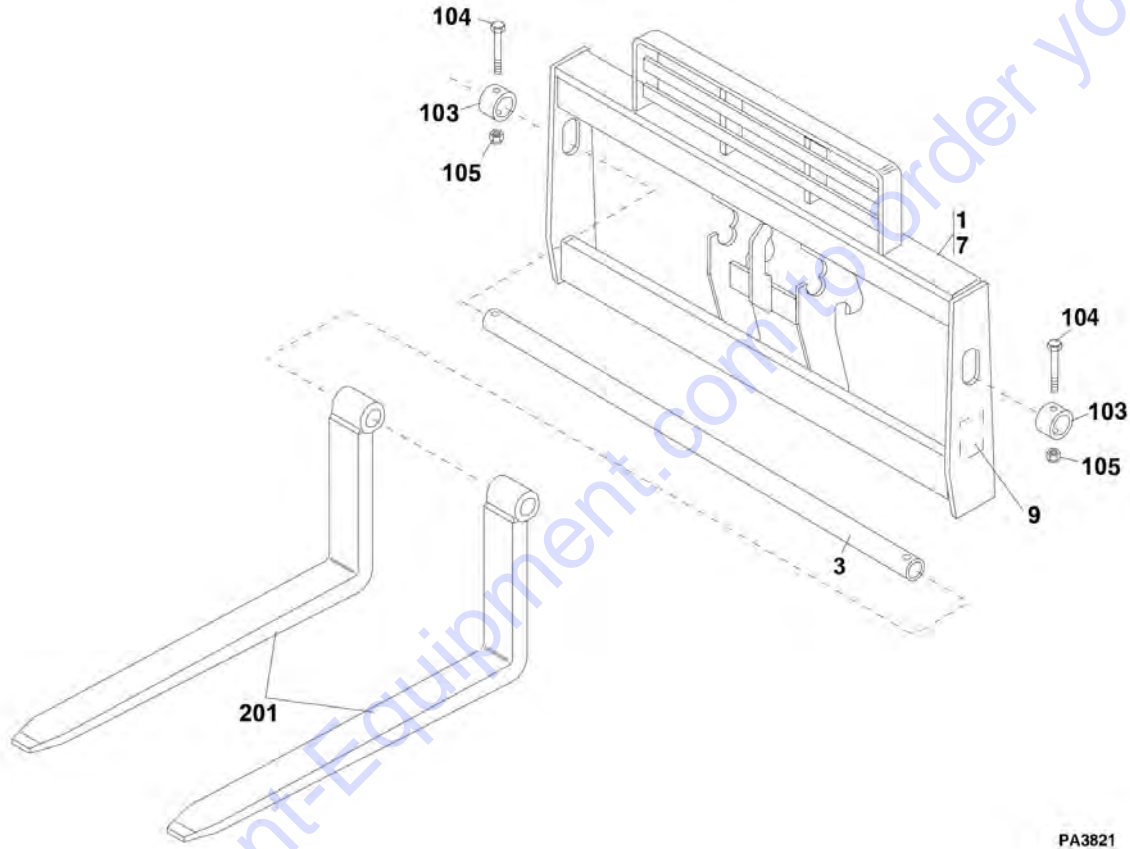
### FIGURE 3-1. BUCKETS

ITEM	PART NUMBER	QTY	DESCRIPTION	REV
1	7110744	1	UTILITY BUCKET, 1-1/4 <sup>3</sup> YD, (includes item 2)	D
1	1001100822	1	72 IN BUCKET, 1.0 <sup>3</sup> YARD	C
1	1001100823	1	96 IN BUCKET, 1.5 <sup>3</sup> YARD	C
1	1001100824	1	102 IN BUCKET, 2.0 <sup>3</sup> YARD	C
2	N.S.S.	1	SN PLATE	

Go to Discount-Equipment.com to order your parts

# SECTION 3 - ATTACHMENTS

FIGURE 3-2. TILT CARRIAGE (644E-42 Prior to SN 0160034164; 944E-42 Prior to SN 0160034158)



PA3821

## SECTION 3 - ATTACHMENTS

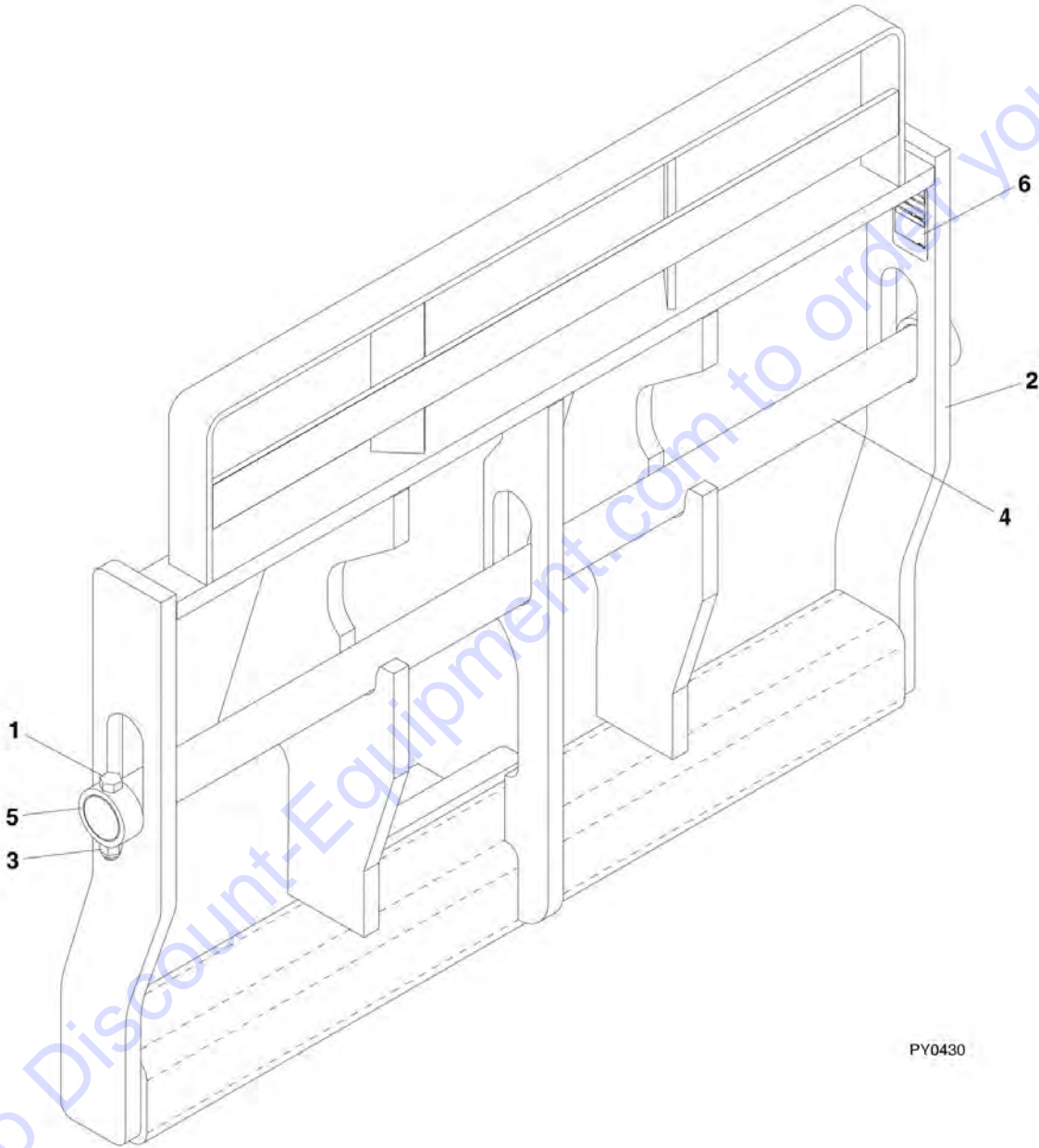
**FIGURE 3-2. TILT CARRIAGE (644E-42 Prior to SN 0160034164; 944E-42 Prior to SN 0160034158)**

ITEM	PART NUMBER	QTY	DESCRIPTION	REV
	6040500	1	48 IN CARRIAGE, (includes items 1 thru 9)	6
	7161200	1	50 IN CARRIAGE, (includes items 1 thru 9)	6
	6040600	1	60 IN CARRIAGE, (includes items 1 thru 9)	4
	6040700	1	72 IN CARRIAGE, (includes items 1 thru 9)	5
1	N.S.S.	1	CARRIAGE	
3	7128772	1	48 IN FORK PIVOT SHAFT	
3	90451058	1	50 IN FORK PIVOT SHAFT	
3	7128792	1	60 IN FORK PIVOT SHAFT	
3	90551013	1	72 IN FORK PIVOT SHAFT	
7	7118993	NLA	STANDARD CARRIAGE ASSY, (no longer available, use items 103 thru 105 for service)	G
9	N.S.S.	1	SN PLATE	
103	90200003	2	COLLAR	
104	8303634	2	HEX HD CAPSCREW, 5/8-11X4	
105	8305643	2	HEX LOCKNUT, 5/8-11	
201		Ref	FORKS, (See FORKS for Breakdown)	

Go to Discount-Equipment.com to order your parts

## SECTION 3 - ATTACHMENTS

FIGURE 3-3. TILT CARRIAGE (644E-42 SN 0160034164 through 0160051823; 944E-42 SN 0160034158 through 0160051823)



PY0430

## SECTION 3 - ATTACHMENTS

**FIGURE 3-3. TILT CARRIAGE (644E-42 SN 0160034164 through 0160051823; 944E-42 SN 0160034158 through 0160051823)**

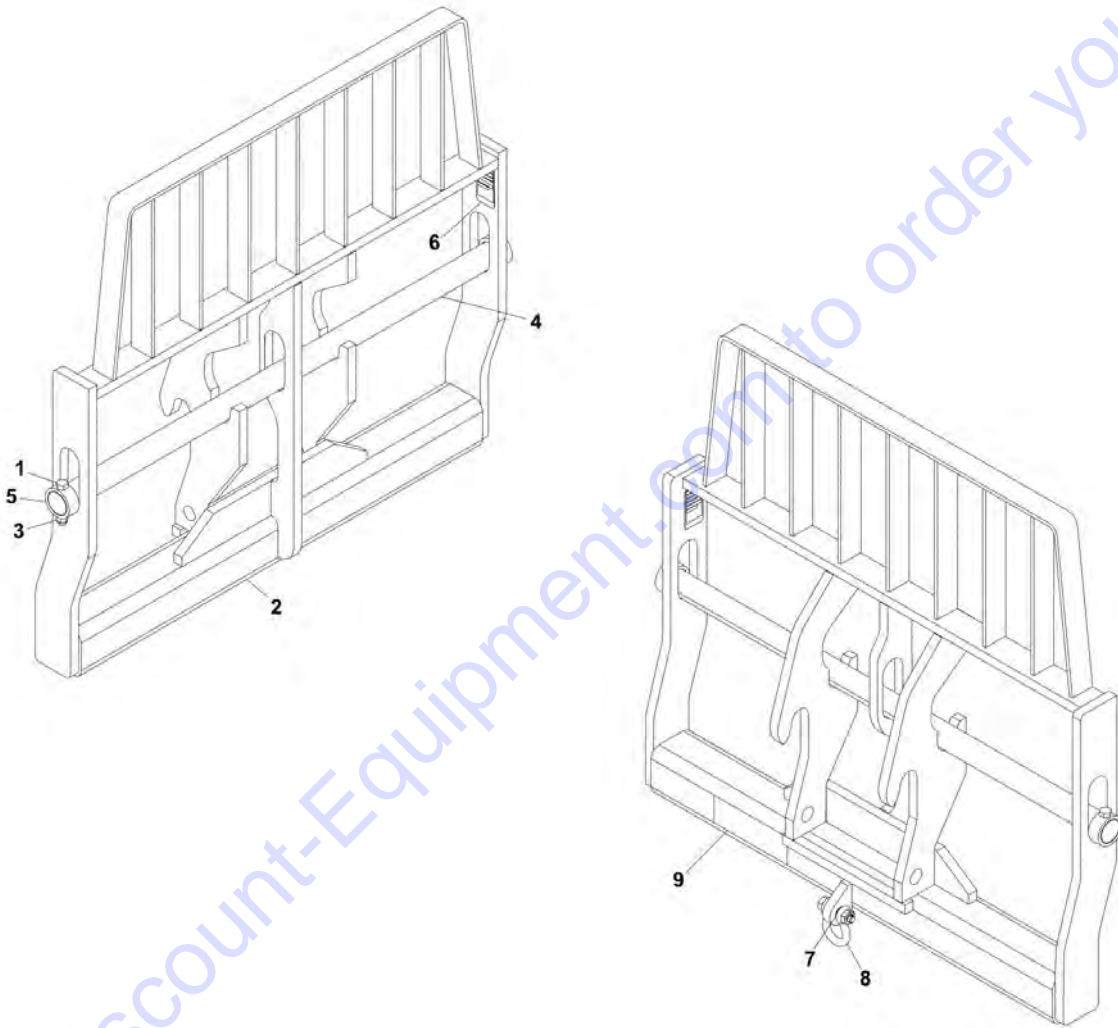
ITEM	PART NUMBER	QTY	DESCRIPTION	REV
	1170021	1	50 IN TILT CARRIAGE, (includes items 1 thru 6)	E
	1170024	1	60 IN TILT CARRIAGE, (includes items 1 thru 6)	E
	1170027	1	72 IN TILT CARRIAGE, (includes items 1 thru 6 ) <b>(Prior to SN 0160042912, Excluding 0160025782, 0160025783 and 0160025827)</b>	E
	1001132514	1	72 IN TILT CARRIAGE, (includes items 1 thru 6) <b>(SN 0160042912 through 0160051823)</b>	B
1	0642032	2	HEX HD CAPSCREW, 5/8-11X4, GR5	
2	N.S.S.	1	TILT CARRIAGE	
3	3300240	2	LOCKNUT, 5/8-11	
4	3423275	1	50 IN FORK PIN	
4	3423242	1	60 IN FORK PIN	
4	3423276	1	72 IN FORK PIN	
5	90200003	2	COLLAR	
6	N.S.S.	1	SN PLATE	

Go to Discount-Equipment.com to order your parts



# SECTION 3 - ATTACHMENTS

FIGURE 3-4. TILT CARRIAGE (644E-42 SN 0160051824 to Present; 944E-42 SN 0160051824 to Present)



ART\_8990462-3-4

## SECTION 3 - ATTACHMENTS

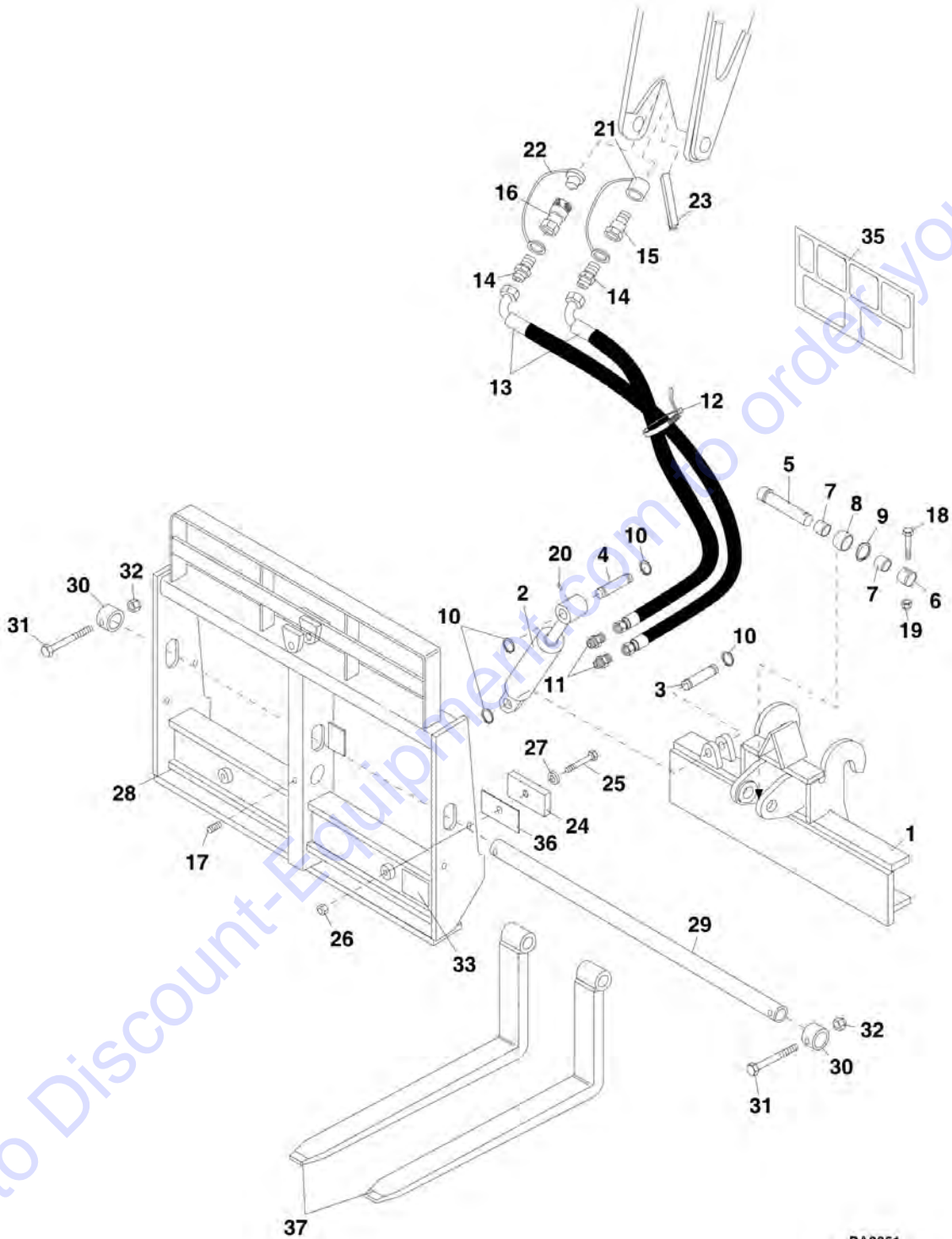
**FIGURE 3-4. TILT CARRIAGE (644E-42 SN 0160051824 to Present; 944E-42 SN 0160051824 to Present)**

ITEM	PART NUMBER	QTY	DESCRIPTION	REV
	1001146084	1	50 IN TILT CARRIAGE WITH LIFT LUG, (includes all items)	C
	1001146086	1	60 IN TILT CARRIAGE WITH LIFT LUG, (includes all items)	C
	1001146088	1	72 IN TILT CARRIAGE WITH LIFT LUG, (includes all items)	C
1	0642032	2	HEX HD CAPSCREW, 5/8-11X4, GR5	
2	N.S.S.	1	TILT CARRIAGE	
3	3300240	2	LOCKNUT, 5/8-11	
4	3423275	1	50 IN FORK PIN	
4	3423242	1	60 IN FORK PIN	
4	3423276	1	72 IN FORK PIN	
5	90200003	2	COLLAR	
6	N.S.S.	1	SN PLATE	
7	1001146159	1	SLEEVE	
8	1001146160	1	SHACKLE	
9	1001151561	1	DANGER SWINGING LOADS DECAL	

Go to Discount-Equipment.com to order your parts

# SECTION 3 - ATTACHMENTS

## FIGURE 3-5. SIDE TILT CARRIAGE (Prior to SN 0160037794)



PA3851

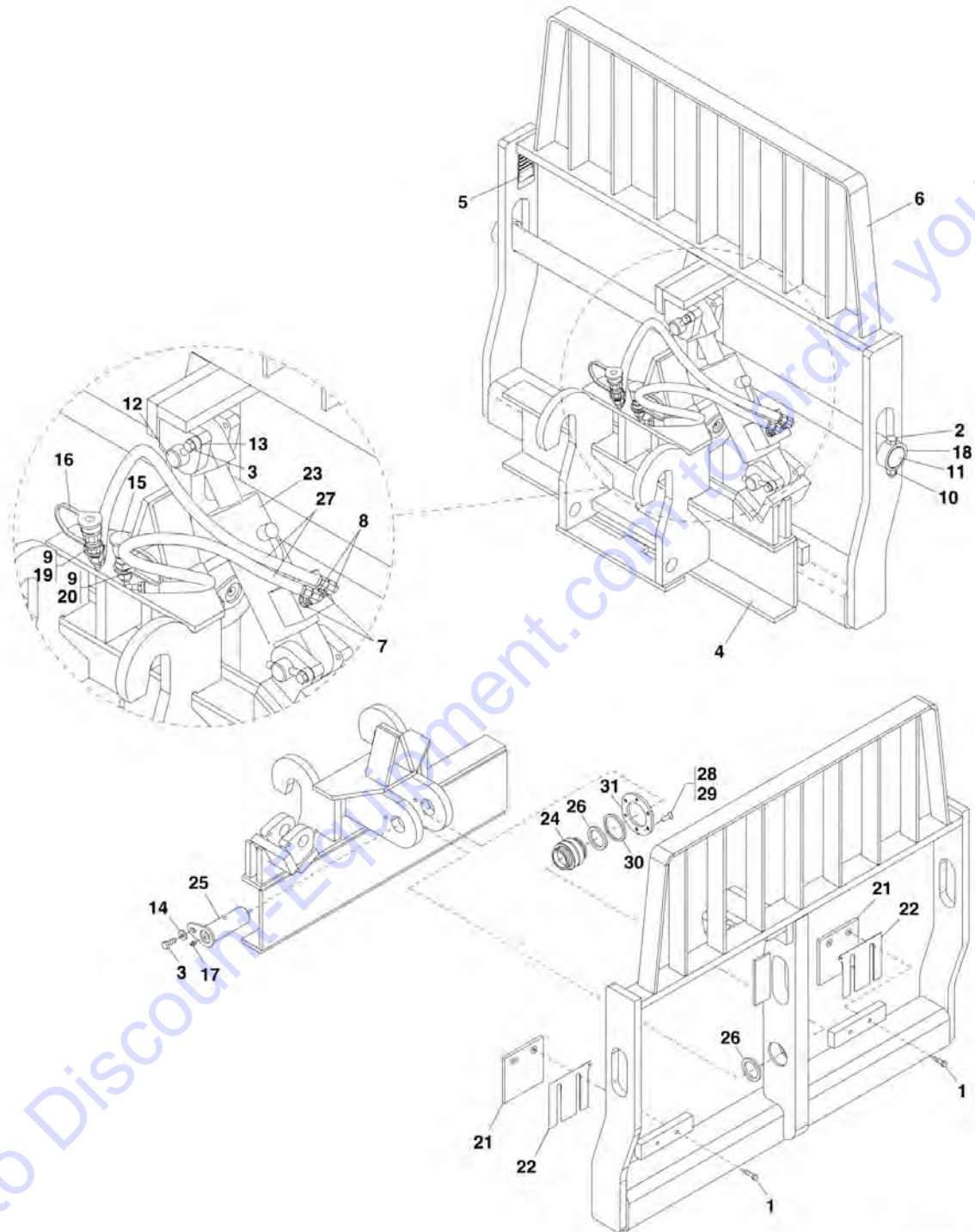
## SECTION 3 - ATTACHMENTS

**FIGURE 3-5. SIDE TILT CARRIAGE (Prior to SN 0160037794)**

ITEM	PART NUMBER	QTY	DESCRIPTION	REV
	7117214	1	SIDE TILT CARRIAGE ASSY, (includes items 1 thru 36)	N
1	7117204	1	PIVOT BASE	
2		Ref	SIDE TILT CYLINDER, (See OPTIONS SECTION for Breakdown)	
3	7077501	1	CYLINDER BASE PIN	
4	7077511	1	CYLINDER ROD PIN	
5	7085411	1	PIVOT PIN	
6	7085501	1	PIN LOCKING COLLAR	
7	7077481	2	SPACER	
8	8065634	1	SELF ALIGN BUSHING	
9	8642001	1	SNAP RING	
10	8642235	4	SNAP RING	
11	2220371	2	STRAIGHT CONNECTOR	
12	8584001	1	TIE WRAP	
13	2711992	2	HOSE ASSY	
14	2220372	2	STRAIGHT CONNECTOR	
15	91403414	1	MALE QUICK DISCONNECT	
15	8640029	1	NOSE SEAL, (not shown)	
16	91403413	1	FEMALE QUICK DISCONNECT	
16	8640029	1	NOSE SEAL, (not shown)	
16	8640028	1	COUPLER BODY SEAL, (not shown)	
16	8640032	1	COUPLER BODY SEAL BACK-UP RING, (not shown)	
17	88671001	1	GREASE FITTING	
18	8303770	1	HEX HD CAPSCREW, 3/8-16X2-3/4	
19	8305645	1	HEX LOCKNUT, 3/8-16	
20	8520013	2	LUBE FITTING	
21	8420053	1	DUST CAP, #8	
22	8420055	1	DUST PLUG, #8	
23	7125741	1	MOULDING	
24	7065482	2	WEAR PAD	
25	8303739	2	HEX HD CAPSCREW, 5/16-18X1-1/4	
26	8305626	2	HEX LOCKNUT, 5/16-18	
27	8307203	2	FLAT HEAVY WASHER	
28	7117244	1	48 IN SIDE TILT CARRIAGE	
28	7300983	1	50 IN SIDE TILT CARRIAGE	
28	7117254	1	60 IN SIDE TILT CARRIAGE	
28	7117264	1	72 IN SIDE TILT CARRIAGE	
29	7128772	1	FORK PIVOT SHAFT, (48 IN carriage)	
29	90451058	1	FORK PIVOT SHAFT, (50 IN carriage)	
29	7128792	1	FORK PIVOT SHAFT, (60 IN carriage)	
29	90551013	1	FORK PIVOT SHAFT, (72 IN carriage)	
30	90200003	2	COLLAR	
31	8303634	2	HEX HD CAPSCREW, 5/8-11X4	
32	8305643	2	HEX LOCKNUT, 5/8-11	
33	N.S.S.	1	SN PLATE	
35	4108232	1	CAPACITY CHART DECAL	
36	7070191	AR	SHIM	
37		Ref	FORKS, (See FORKS for Breakdown)	

# SECTION 3 - ATTACHMENTS

## FIGURE 3-6. SIDE TILT CARRIAGE (SN 0160037794 to Present)



PAP2970

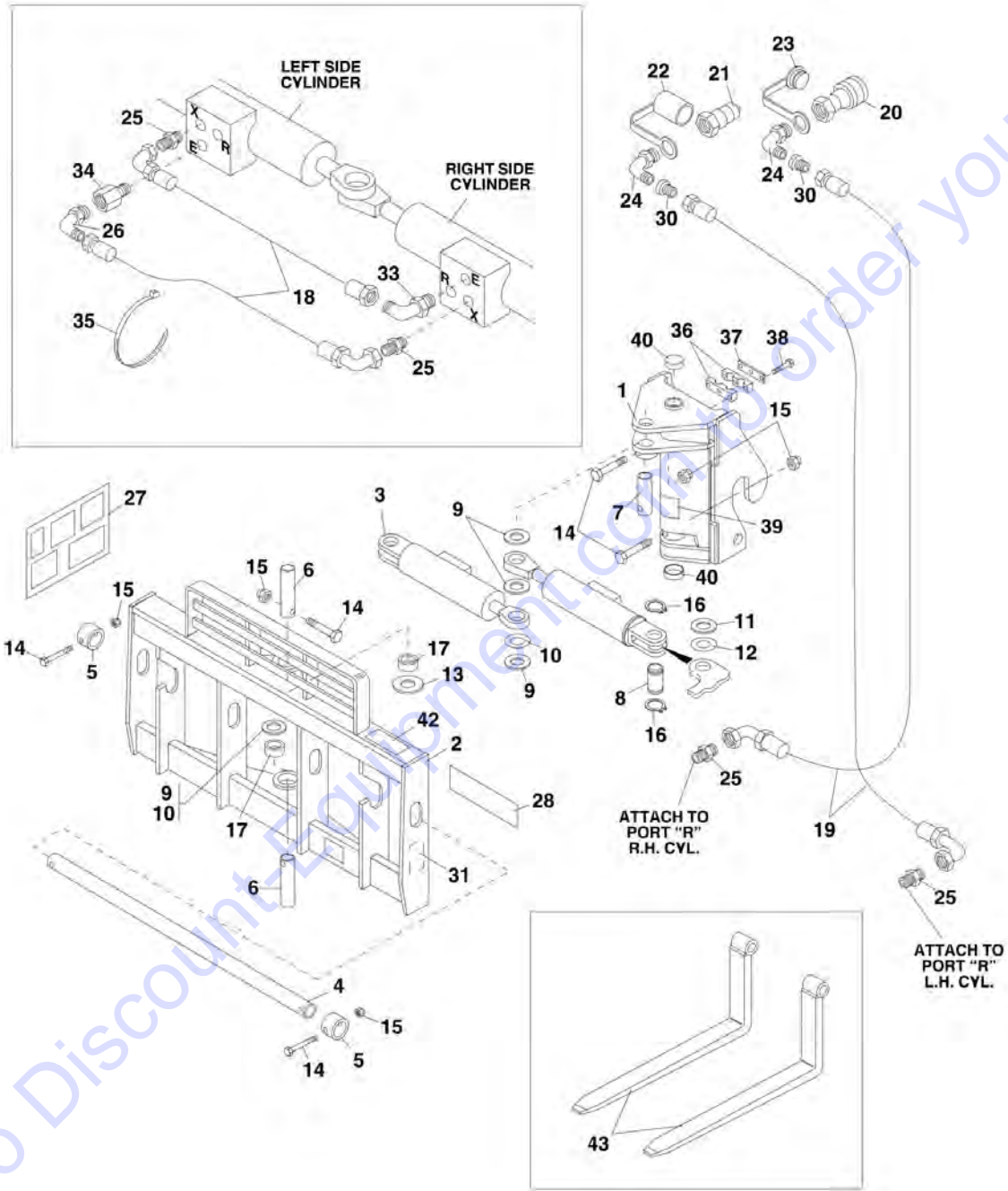
## SECTION 3 - ATTACHMENTS

**FIGURE 3-6. SIDE TILT CARRIAGE (SN 0160037794 to Present)**

ITEM	PART NUMBER	QTY	DESCRIPTION	REV
	1170054	1	50 IN SIDE TILT CARRIAGE, (includes all items)	J
	1001101956	1	60 IN SIDE TILT CARRIAGE, (includes all items)	K
	1170057	1	72 IN SIDE TILT CARRIAGE, (includes all items)	J
1	0641612	4	HEX HD CAPSCREW, 3/8-16X1-1/2	
2	0642032	2	HEX HD CAPSCREW, 5/8-11X4	
3	0681810	3	HEX HD CAPSCREW, 1/2-13X1-1/4	
4	1001133072	1	CARRIAGE BASE	
5	N.S.S.	1	SN PLATE	
6	N.S.S.	1	SIDE TILT CARRIAGE	
7	2110606	2	CONNECTOR	
8	2172106	2	ADAPTER, 90	
9	2110808	2	CONNECTOR	
10	3300240	2	LOCK NUT, 5/8-11	
11	3423275	1	50 IN FORK PIN	
11	3423242	1	60 IN FORK PIN	
11	3423276	1	72 IN FORK PIN	
12	3423307	2	PIN	
13	3841203	2	KEEPER	
14	4891800	1	WASHER, 1/2	
15	8420053	1	DUST CAP	
16	8420055	1	DUST PLUG	
17	88671001	1	GREASE FITTING	
18	90200003	2	COLLAR	
19	91403413	1	CONNECTOR	
20	91403414	1	CONNECTOR	
21	1001090063	2	WEAR PAD	
22	1001090064	AR	SHIM	
23		Ref	HYDRAULIC CYLINDER, (See HYDRAULIC COMPONENTS SECTION for Breakdown)	
24	1001090140	1	BEARING	
25	1001099113	1	PIN	
26	1001099115	2	SLEEVE	
27	1001102378	2	HOSE ASSY, 3/8X39	
28	0100011	AR	LOCTITE 242	
29	0741610	6	FLAT HEAD SOCKET SCREW, 3/8-16	
30	1001120914	1	BEARING RETAINER SHIM	
31	1001120915	1	BEARING RETAINER PLATE	

# SECTION 3 - ATTACHMENTS

## FIGURE 3-7. SWING CARRIAGE (Prior to SN 0160037794)



PH4760

## SECTION 3 - ATTACHMENTS

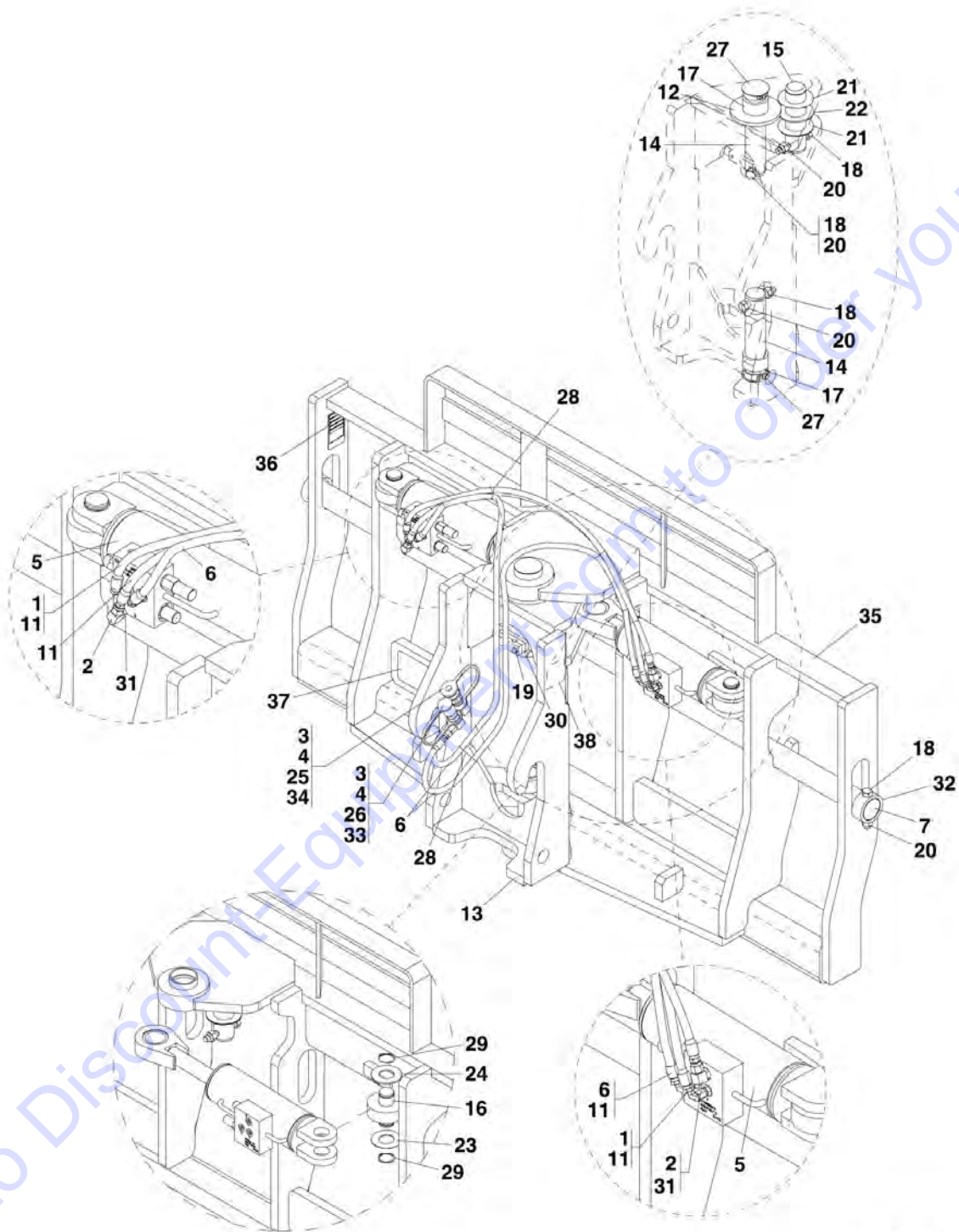
**FIGURE 3-7. SWING CARRIAGE (Prior to SN 0160037794)**

ITEM	PART NUMBER	QTY	DESCRIPTION	REV
	7125800	1	72 IN SWING CARRIAGE ASSY, (includes items 1 thru 42)	
1	7110494	1	PIVOT BASE	
2	7110694	1	72 IN CARRIAGE	
3		Ref	SWING CARRIAGE CYLINDER, (See OPTIONS SECTION for Breakdown)	
4	90551013	1	FORK PIVOT SHAFT	
5	90200003	2	COLLAR	
6	7110702	2	CARRIAGE PIVOT PIN	
7	7110712	1	CYLINDER PIVOT PIN, (rod end)	
8	7110722	2	CYLINDER PIVOT PIN, (base end)	
9	8307918	AR	SHIM, 2 IDX10 GA	
10	8307904	AR	SHIM, 2 IDX18 GA	
11	8310161	AR	SHIM, 1-1/2 IDX10 GA	
12	8310160	AR	SHIM, 1-1/2 IDX18 GA	
13	7062922	1	THRUST BEARING	
14	8303634	5	HEX HD CAPSCREW, 5/8-11X4	
15	8305643	5	HEX LOCKNUT, 5/8-11	
16	8642207	4	RETAINING RING	
17	8065062	2	SELF LUBE BEARING	
18	6604662	2	HOSE ASSY	
19	2717287	2	HOSE ASSY	
20	91403413	1	FEMALE QUICK DISCONNECT	
20	8640029	1	SEAL NOSE, (not shown)	
20	8640028	1	COUPLER BODY SEAL, (not shown)	
20	8640032	1	COUPLER BODY SEAL BACK-UP RING, (not shown)	
21	91403414	1	MALE QUICK DISCONNECT	
21	8640029	1	NOSE SEAL, (not shown)	
22	8420053	1	DUST CAP, #8	
23	8420055	1	DUST PLUG, #8	
24	2220628	2	ELBOW, 90	
25	2220415	4	STRAIGHT CONNECTOR	
26	2220473	1	ELBOW, 90	
27	4107692	2	CAPACITY CHART DECAL	
28	4107702	1	TIP OVER HAZARD DANGER DECAL	
30	2220609	2	TUBE END REDUCER, 6-4	
31	N.S.S.	1	SN PLATE	
33	2220775	1	ELBOW, 90	
34	8770016	1	REDUCER	
35	8584001	5	Tie Wrap	
36	8769132	2	CLAMP HALF	
37	6608621	1	CLAMP COVER	
38	8303715	3	HEX HD CAPSCREW, 5/16-18X1-1/2	
39	4107712	1	NO TRUSS BOOM DANGER DECAL	
40	8580315	2	TRIM PLUG, 2-1/2 DIA	
42	4110473	1	HOSE ROUTING DECAL	
43		Ref	FORKS, (See FORKS for Breakdown)	



# SECTION 3 - ATTACHMENTS

## FIGURE 3-8. SWING CARRIAGE (SN 0160037794 to Present)



PAP3360

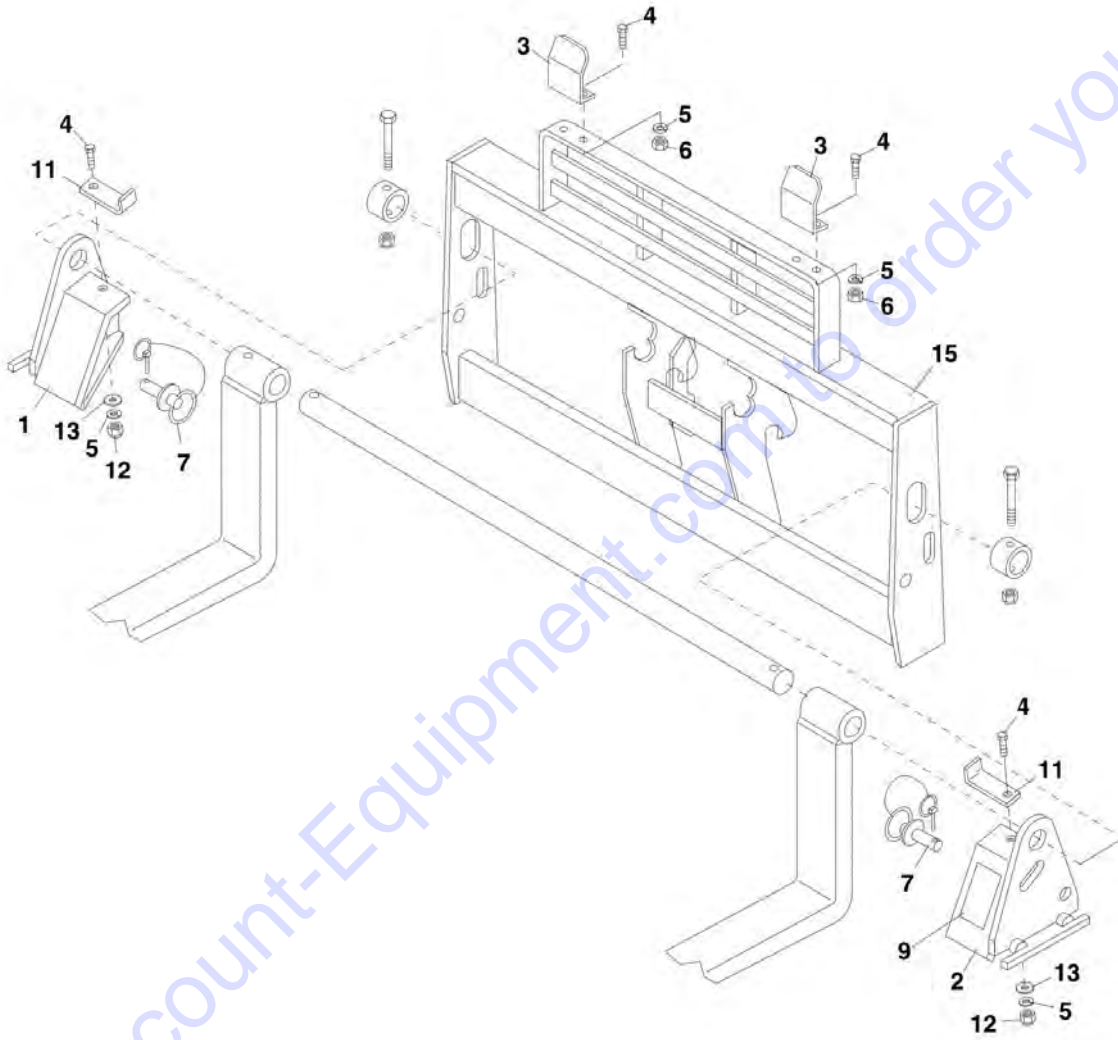
## SECTION 3 - ATTACHMENTS

**FIGURE 3-8. SWING CARRIAGE (SN 0160037794 to Present)**

ITEM	PART NUMBER	QTY	DESCRIPTION	REV
	1001095418	1	72 IN 90, SWING CARRIAGE, (includes all items)	L
1	2220415	4	CONNECTOR	
2	2220473	2	CONNECTOR, 90	
3	2220609	2	CONNECTOR	
4	2220628	2	CONNECTOR, 90	
5		Ref	SWING CYLINDER, (See HYDRAULIC COMPONENTS SECTION for Breakdown)	
6	2717287	2	HOSE ASSY, 1/4X58	
7	3423276	1	PIN	
11	6604662	2	HOSE ASSY, 1/4X40.5	
12	7062922	1	WASHER	
13	N.S.S.	1	PIVOT WELDMENT	
14	7110702	2	PIVOT PIN	
15	7110712	1	PIN	
16	7110722	2	PIN	
17	8065062	2	BUSHING	
18	8303634	5	HEX HD CAPSCREW, 5/8-11X4, GR5	
19	8303715	3	HEX HD CAPSCREW, 5/16-18X1.5, GR5	
20	8305643	5	HEX NUT, 5/8-11	
21	8307904	AR	SHIM	
22	8307918	AR	SHIM	
23	8310160	AR	SHIM	
24	8310161	AR	SHIM	
25	8420053	1	DUST CAP	
26	8420055	1	DUST PLUG	
27	8580315	2	PLUG	
28	8584001	5	TIE WRAP	
29	8642207	4	RETAINING RING	
30	8769132	2	CLAMP	
31	8770016	2	CONNECTOR	
32	90200003	2	COLLAR	
33	91403413	1	CONNECTOR	
34	91403414	1	CONNECTOR	
35	N.S.S.	1	CARRIAGE FRAME	
36	N.S.S.	1	SN PLATE	
37	1001110704	1	WARNING CRUSH HAZARD DECAL	
38	1001111190	2	WARNING DECAL	

# SECTION 3 - ATTACHMENTS

FIGURE 3-9. SHEET MATERIAL HANDLER (Prior to SN 0160037794)



PU3390

## SECTION 3 - ATTACHMENTS

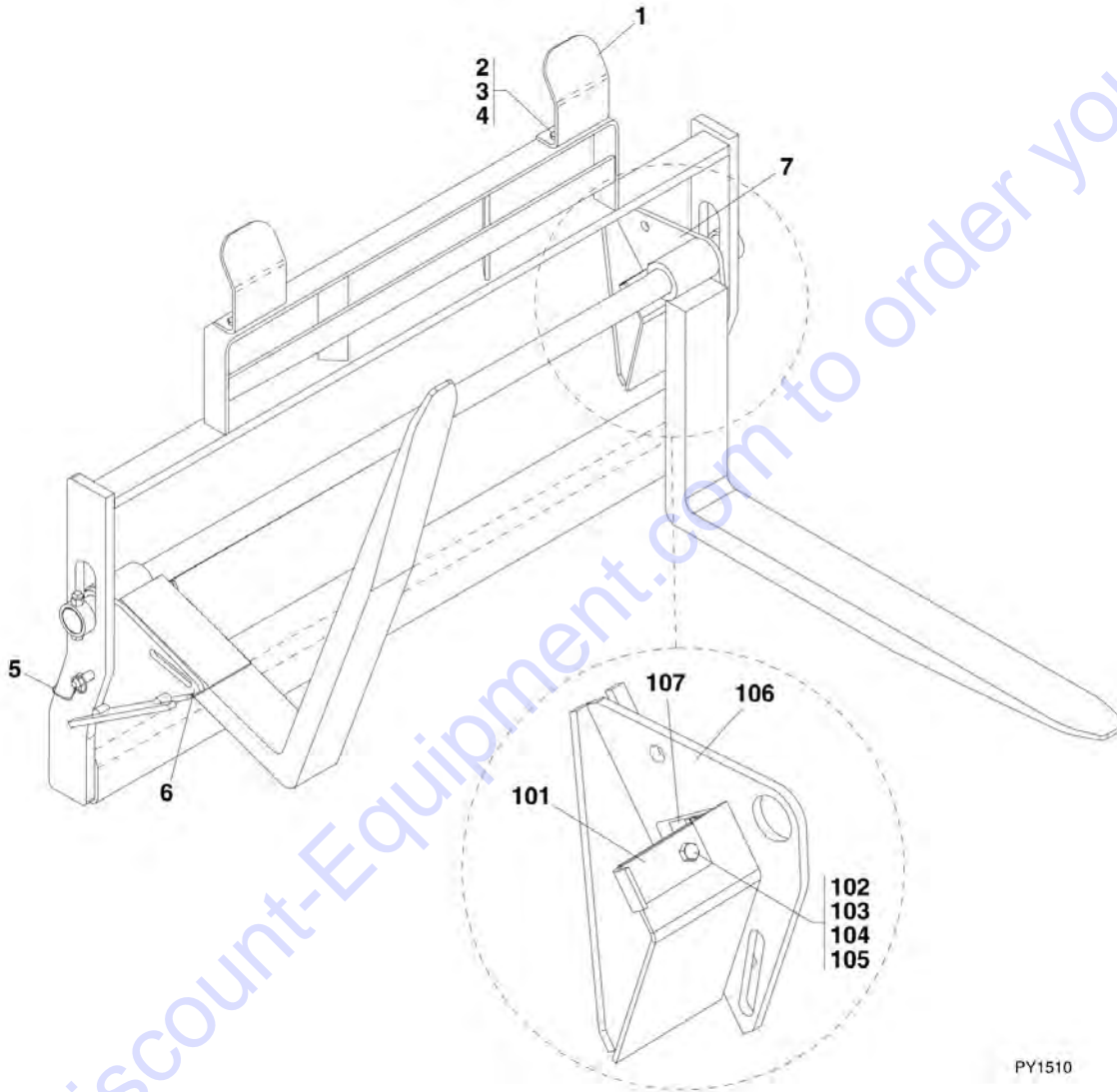
**FIGURE 3-9. SHEET MATERIAL HANDLER (Prior to SN 0160037794)**

ITEM	PART NUMBER	QTY	DESCRIPTION	REV
	7129300	1	SHEET MATERIAL HANDLER WITH 72 IN SWING CARRIAGE ASSY, (includes items 1 thru 13)	
	7112704	1	SHEET MATERIAL HANDLER WITH 72 IN SWING CARRIAGE ASSY, (includes items 1 thru 13)	E
1	7112533	1	RIGHT SIDE FORK SUPPORT	
2	7112523	1	LEFT SIDE FORK SUPPORT	
3	7112642	2	BACKREST EXTENSION	
4	8303626	6	HEX HD CAPSCREW, 1/2-13X1-1/2	
5	8307007	6	LOCKWASHER, 1/2	
6	8305012	4	HEX NUT, 1/2-13	
7	8301456	2	HITCH PIN	
9	N.S.S.	2	SN PLATE	
11	7114941	2	Lock Bar	
12	8305644	2	HEX LOCKNUT, 1/2-13	
13	8307112	2	FLAT WASHER, 1/2	
15		Ref	72 IN SWING CARRIAGE, (See SWING CARRIAGE for Breakdown)	

Go to Discount-Equipment.com to order your parts

# SECTION 3 - ATTACHMENTS

FIGURE 3-10. SHEET MATERIAL HANDLER (SN 0160037794 to Present)



## SECTION 3 - ATTACHMENTS

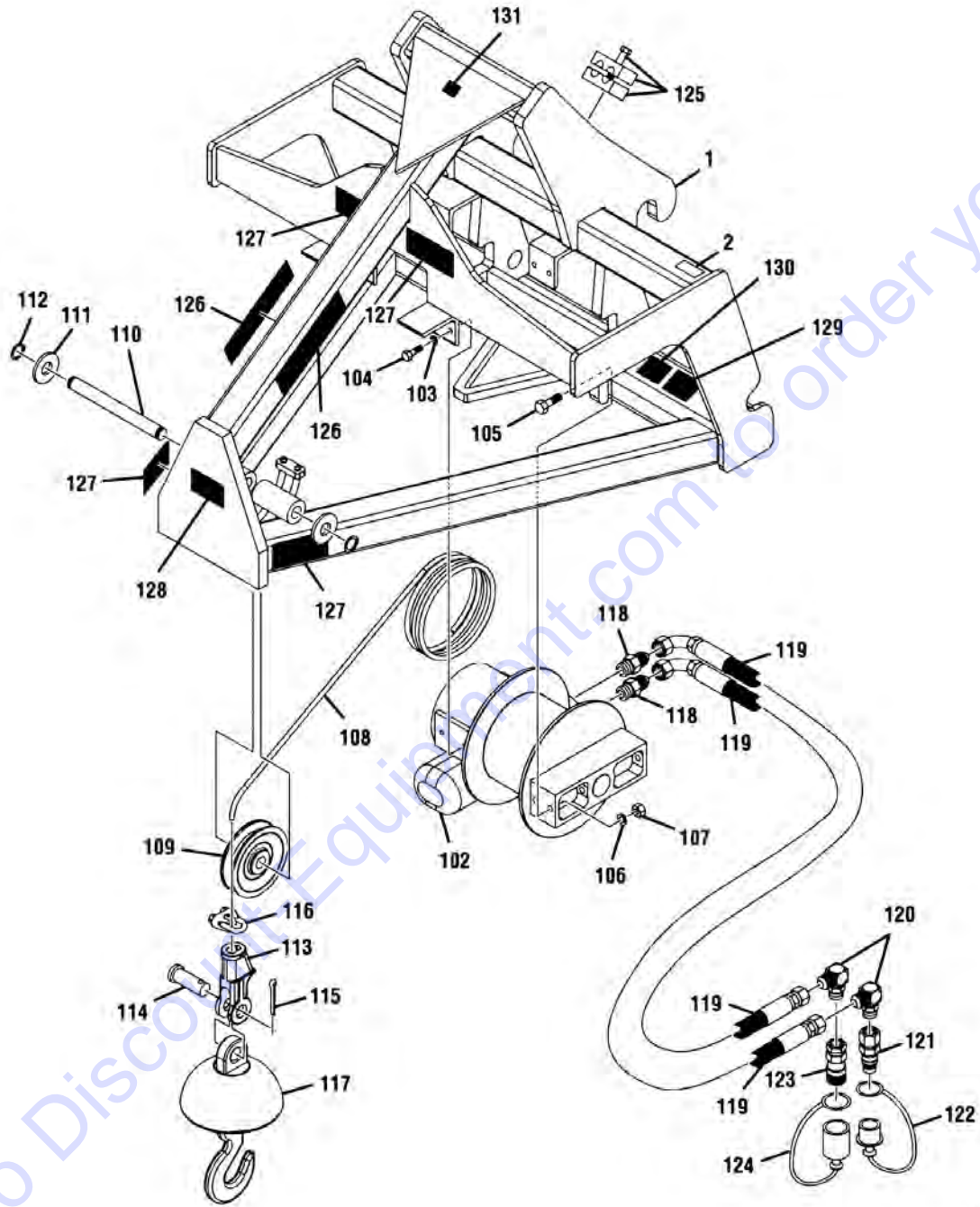
**FIGURE 3-10. SHEET MATERIAL HANDLER (SN 0160037794 to Present)**

ITEM	PART NUMBER	QTY	DESCRIPTION	REV
	1001100227	1	SHEET MATERIAL HANDLER ASSY, (includes all items)	A
1	7112642	2	BACKREST EXTENSION	
2	8303626	4	HEX HD CAPSCREW, 1/2-13X1-1/2 GR5	
3	8305012	4	HEX NUT, 1/2-13	
4	8307007	4	LOCKWASHER, 1/2	
5	1001093377	2	HITCH PIN	
6	1001101115	1	FORK SUPPORT ASSY, RH, (includes items 101 thru 107)	B
7	1001101116	1	FORK SUPPORT ASSY, LH, (includes items 101 thru 107)	C
101	7114941	1	LOCK BAR	
102	8303626	1	HEX HD CAPSCREW, 1/2-13X1-1/2 GR5	
103	8305644	1	HEX LOCK NUT, 1/2-13	
104	8307007	1	LOCKWASHER, 1/2	
105	8307112	1	WASHER, 1/2	
106	1001100228	1	FORK SUPPORT, RH (not shown)	
106	1001100229	1	FORK SUPPORT, LH (shown)	
107	N.S.S.	1	SN PLATE	

Go to Discount-Equipment.com to order your parts

# SECTION 3 - ATTACHMENTS

## FIGURE 3-11. 3 FT TRUSS BOOM WITH WINCH



PU1811

## SECTION 3 - ATTACHMENTS

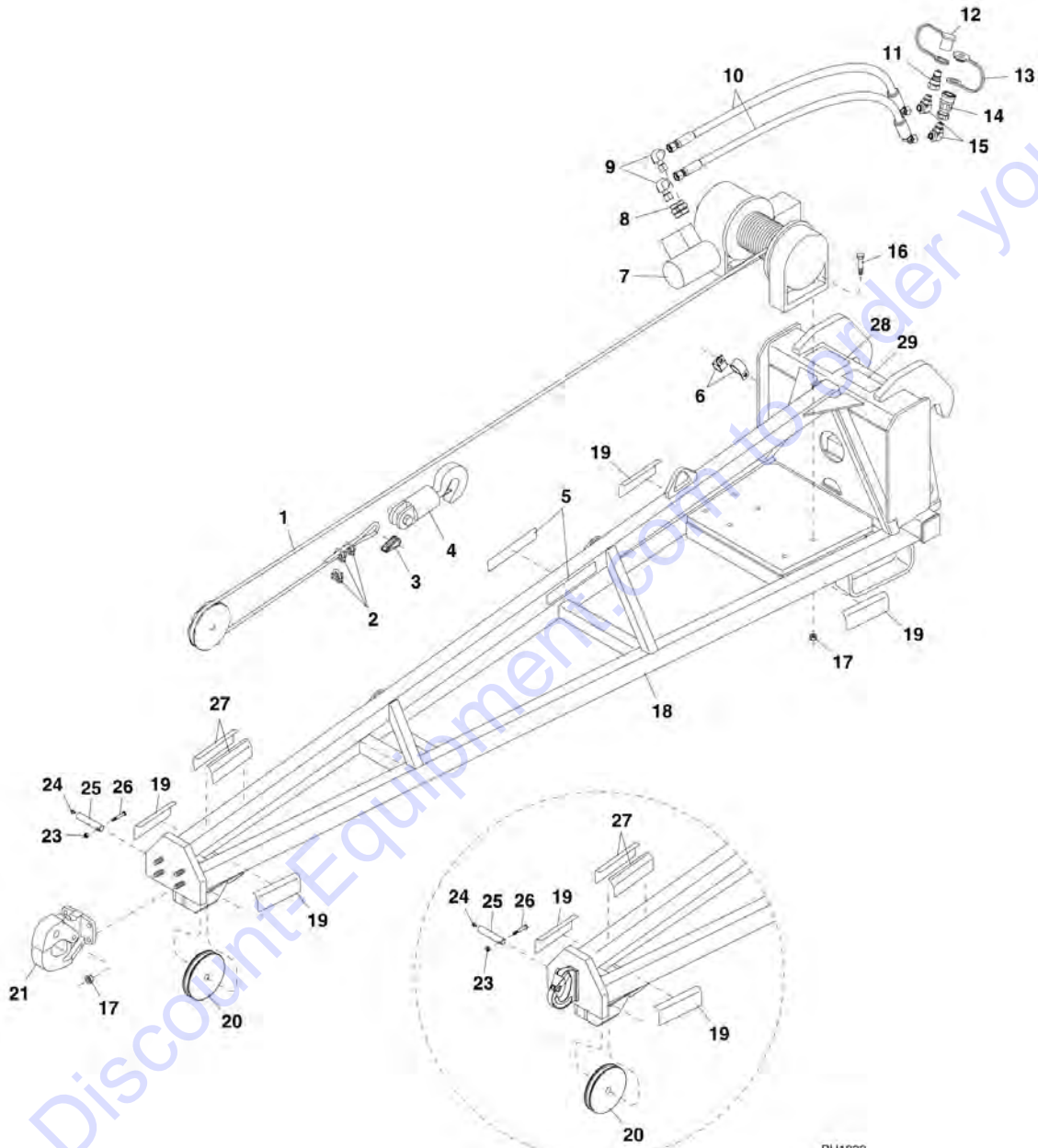
**FIGURE 3-11. 3 FT TRUSS BOOM WITH WINCH**

ITEM	PART NUMBER	QTY	DESCRIPTION	REV
	7139608	1	3 FT TRUSS BOOM WITH WINCH, (includes all items) <b>(644E-42 SN 17569 through 20123, SN 0160002514 through 0160034057; 944E-42 SN 17569 through 20123, SN 0160002514 through 0160033846)</b>	
	1001100967	1	3 FT TRUSS BOOM WITH WINCH, (includes items 1 & 2) <b>(644E-42 SN 0160034058 to Present; 944E-42 SN 0160033847 to Present)</b>	A
1	8380008	1	3 FT TRUSS BOOM WITH WINCH, (includes items 102 thru 131)	
2	N.S.S.	1	SN PLATE	
3	7301040	1	LOAD CHART BOOKLET, (not shown)	
102	70021921	1	WINCH	
103	90554042	4	LOCKWASHER, 3/8	
104	70021349	4	HEX HD CAPSCREW, 3/8X1	
105	70024059	2	HEX HD CAPSCREW, 1/2X1-3/4	
106	90554020	2	LOCKWASHER, 1/2	
107	90554054	2	HEX NUT, 1/2	
108	70022028	1	CABLE	
109	70021935	1	PULLEY	
110	70022529	1	PIN	
111	70024060	2	HARDENED FLAT WASHER	
112	70024061	2	SNAP RING	
113	70021979	1	SOCKET ASSY, (includes items 114 & 115)	
114	N.S.S.	1	PIN	
115	N.S.S.	1	COTTER PIN	
116	70022528	1	CLAMP	
117	70021978	1	BALL SWIVEL WITH SAFETY HOOK	
118	2220371	2	CONNECTOR	
119	70021977	2	HOSE ASSY, 3/8X32	
120	2220628	2	ELBOW, 90	
121	91403413	1	QUICK DISCONNECT COUPLER	
122	91043126	1	DUST CAP	
123	91403414	1	QUICK DISCONNECT NIPPLE	
124	91043125	1	DUST PLUG	
125	70021387	1	CLAMP	
126	70024062	2	CAPACITY DECAL	
127	70024063	4	ROTATING PART DECAL	
128	70024064	1	DO NOT TOW DECAL	
129	N.S.S.	1	SN PLATE	
130	90554018	1	WARNING HIGH PRESSURE DECAL	
131	90554016	1	MADE IN USA DECAL	



# SECTION 3 - ATTACHMENTS

## FIGURE 3-12. 10 FT TRUSS BOOM WITH WINCH (Prior to SN 0160037794)



PU1832

644E - SN 0160032221 TO PRESENT  
944E - SN 0160032117 TO PRESENT

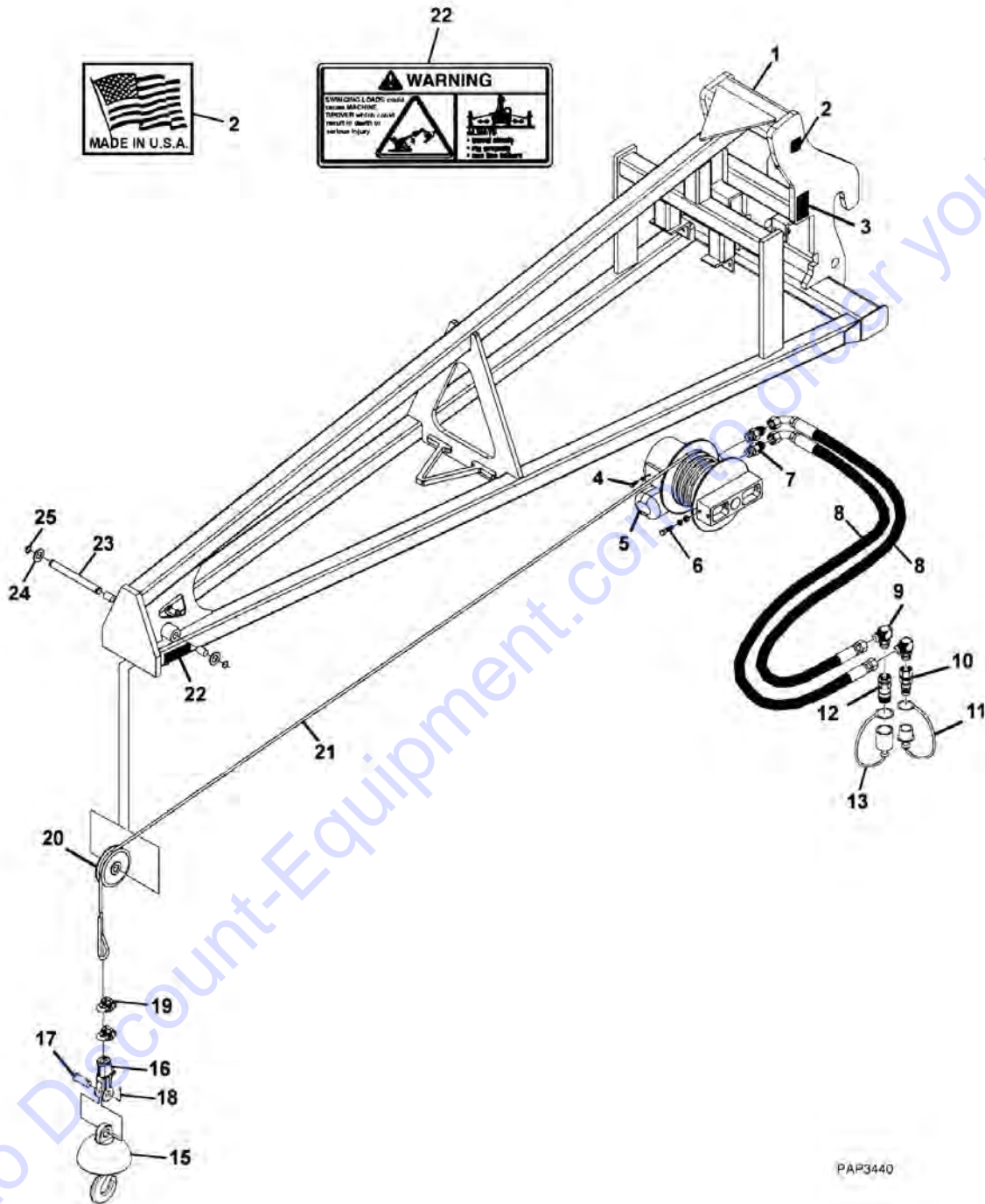
## SECTION 3 - ATTACHMENTS

**FIGURE 3-12. 10 FT TRUSS BOOM WITH WINCH (Prior to SN 0160037794)**

ITEM	PART NUMBER	QTY	DESCRIPTION	REV
	7301179	1	10 FT TRUSS BOOM WITH WINCH ASSY, (includes all items)	F
1	1012355	1	WIRE ROPE ASSY, 3/8X75	
2	10721557	3	WIRE CLIP, 3/8	
3	10721556	1	THIMBLE, 3/8	
4	10267585	1	HOOK ASSY	
5	4110412	2	CAPACITY DECAL	
6	8406302	2	HOSE CLAMP	
7	10727770	1	HYDRAULIC WINCH WITH BRAKE	
7	70021573	1	WINCH MOTOR	
8	2110810	2	CONNECTOR	
9	2172108	2	ELBOW, 90, (swivel nut)	
10	2717093	2	HOSE ASSY	
11	91403414	1	QUICK DISCONNECT NIPPLE	
12	8420053	1	DUST CAP, #8	
13	8420055	1	DUST PLUG, #8	
14	91403413	1	QUICK DISCONNECT COUPLER	
15	2130808	2	ELBOW, 90	
16	10700484	6	HEX HD CAPSCREW, 1/2-20X2-1/4, GR8	
17	11419080	10	HEX LOCKNUT, 1/2-20 <b>(644E-42 Prior to SN 0160032221; 944E-42 Prior to SN 0160032117)</b>	
17	11419080	6	HEX LOCKNUT, 1/2-20 <b>(644E-42 SN 0160032221 to Present; 944E-42 SN 0160032117 to Present)</b>	
18	7301191	1	10 FT TRUSS BOOM	
19	4110252	4	PINCH POINT/ENTANGLEMENT HAZARD DECAL	
20	10727327	1	Sheave	
21	8382017	1	PINTLE HOOK <b>(644E-42 Prior to SN 0160032221; 944E-42 Prior to SN 0160032221)</b>	
23	11170040	1	LOCKNUT, 1/4-28	
24	11160110	1	STRAIGHT GREASE FITTING, 1/4-28	
25	10125085	1	PIN	
26	11045080	1	HEX HD CAPSCREW, 1/4-28X2, GR5	
27	4110422	2	DANGER SWINGING LOADS DECAL	
28	4110424	1	HOSE ROUTE WARNING DECAL	
29	N.S.S.	1	SN PLATE	

# SECTION 3 - ATTACHMENTS

FIGURE 3-13. 12 FT TRUSS BOOM WITH WINCH (SN 0160037794 to Present)



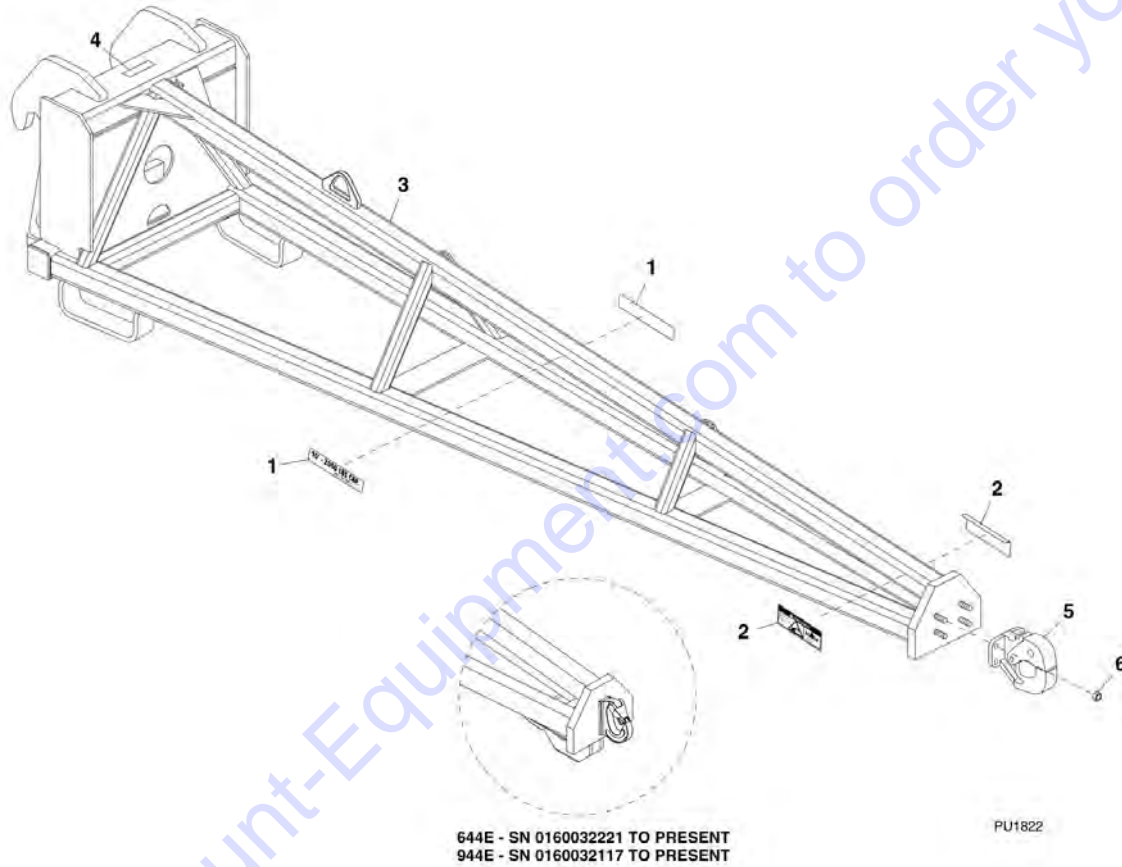
## SECTION 3 - ATTACHMENTS

**FIGURE 3-13. 12 FT TRUSS BOOM WITH WINCH (SN 0160037794 to Present)**

ITEM	PART NUMBER	QTY	DESCRIPTION	REV
	1001099351	1	12 FT TRUSS BOOM WITH WINCH, (includes all items)	G
1	N.S.S.	1	TRUSS BOOM FRAME	
2	90554016	1	MADE IN USA DECAL	
3	N.S.S.	1	SN PLATE	
4	70021349	4	HEX HD CAPSCREW, 3/8X1	
4	90554042	4	LOCK WASHER, 3/8	
5	70021921	1	TRUSS BOOM WINCH MOTOR	
6	N.S.S.	2	HEX HD CAPSCREW, 1/2X1.75	
6	90554020	2	LOCK WASHER, 1/2	
6	90554054	2	HEX NUT, 1/2	
7	70021415	2	CONNECTOR	
8	70021977	2	HOSE ASSY, 3/8X32	
9	N.S.S.	1	ELBOW, 90	
10	7029692	1	MALE QUICK COUPLER	
11	90554062	1	DUST CAP	
12	70021342	1	FEMALE QUICK COUPLER	
13	90554076	1	DUST COVER	
15	70021978	1	BALL SWIVEL WITH SAFETY HOOK	
16	70021979	1	SOCKET ASSY, (includes items 17 & 18)	
17	N.S.S.	1	PIN	
18	N.S.S.	1	COTTER PIN	
19	N.S.S.	2	CLAMP	
20	70021935	1	PULLEY	
21	70022028	1	CABLE	
22	4110422	2	WARNING SWINGING LOADS DECAL	
23	N.S.S.	1	PIN	
24	N.S.S.	1	FLAT WASHER, 1	
25	N.S.S.	2	SNAP RING	

# SECTION 3 - ATTACHMENTS

FIGURE 3-14. 10 FT TRUSS BOOM (Prior to SN 0160037794)



Go to Discount-Equipment.com to order your parts

## SECTION 3 - ATTACHMENTS

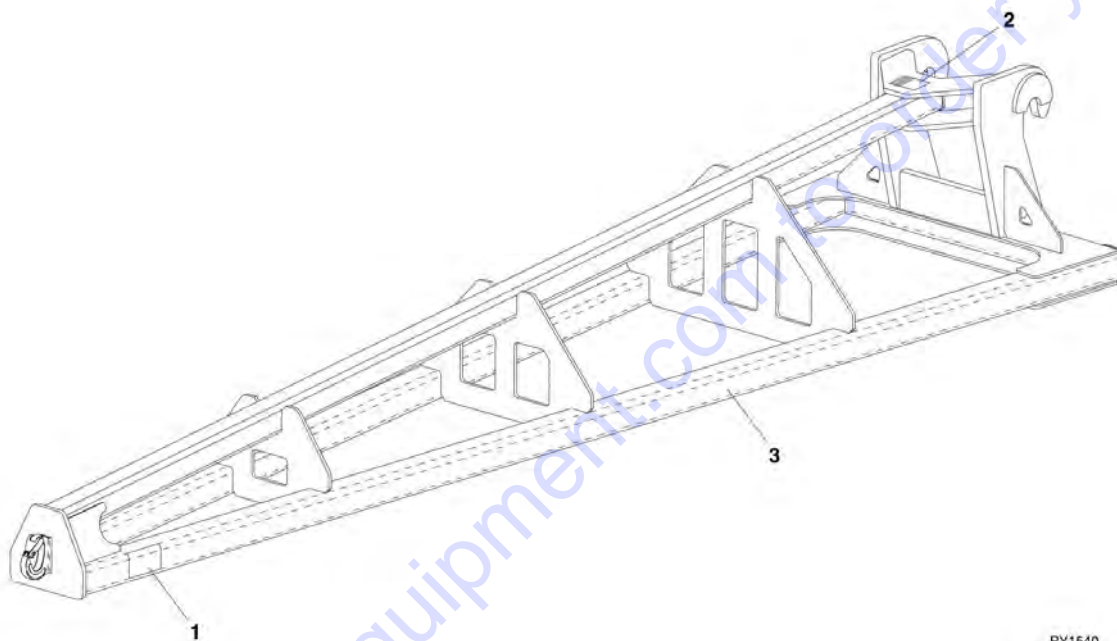
**FIGURE 3-14. 10 FT TRUSS BOOM (Prior to SN 0160037794)**

ITEM	PART NUMBER	QTY	DESCRIPTION	REV
	7301178	NLA	10 FT TRUSS BOOM ASSY, (includes items 1 thru 4), (no longer available, order 1001099359 for replacement or items 1 thru 6 for service)	D
1	4110412	2	CAPACITY DECAL	
2	4110422	2	DANGER DECAL	
3	7301289	1	10 FT TRUSS BOOM	
4	N.S.S.	1	SN PLATE	
5	8382017	1	PINTLE HOOK (644E-42 Prior to SN 0160032221; 944E-42 Prior to SN 0160032221)	
6	11419080	10	HEX LOCKNUT, 1/2-20 (644E-42 Prior to SN 0160032221; 944E-42 Prior to SN 0160032117)	
6	11419080	6	HEX LOCKNUT, 1/2-20 (644E-42 SN 0160032221 to Present; 944E-42 SN 0160032117 to Present)	

Go to Discount-Equipment.com to order your parts

## SECTION 3 - ATTACHMENTS

FIGURE 3-15. 12 & 15 FT TRUSS BOOM (Prior to SN 0160037794)



PY1540

### SECTION 3 - ATTACHMENTS

**FIGURE 3-15. 12 & 15 FT TRUSS BOOM (Prior to SN 0160037794)**

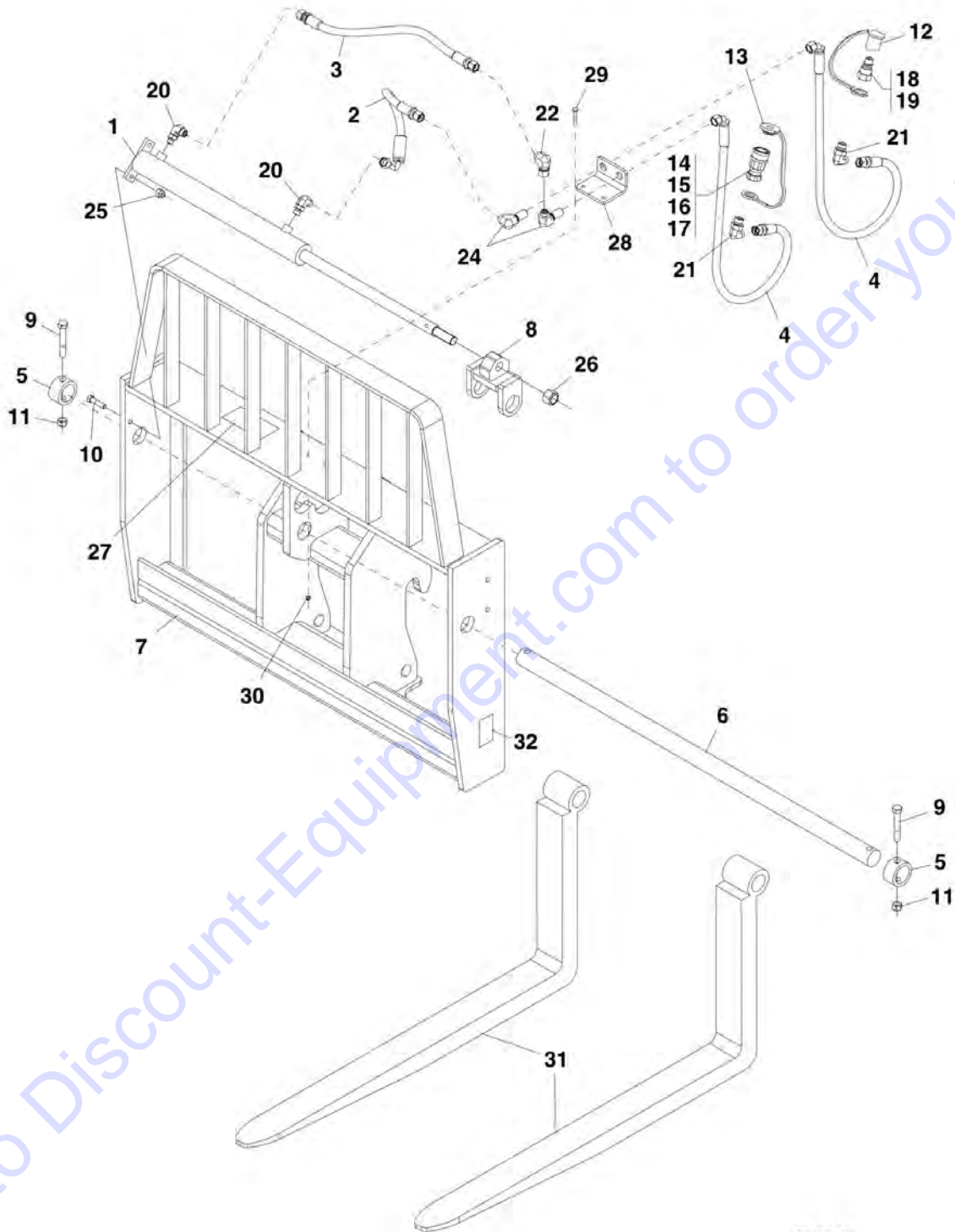
ITEM	PART NUMBER	QTY	DESCRIPTION	REV
	1001099902	1	12 FT TRUSS BOOM, (includes all items)	B
	1001099901	1	15 FT TRUSS BOOM, (includes all items)	B
1	4110422	2	WARNING SWINGING LOADS DECAL	
2	N.S.S.	1	SN PLATE	
3	N.S.S.	1	TRUSS BOOM	

Go to Discount-Equipment.com to order your parts



# SECTION 3 - ATTACHMENTS

## FIGURE 3-16. 50 IN SINGLE FORK POSITIONING CARRIAGE ASSEMBLY



PU1842

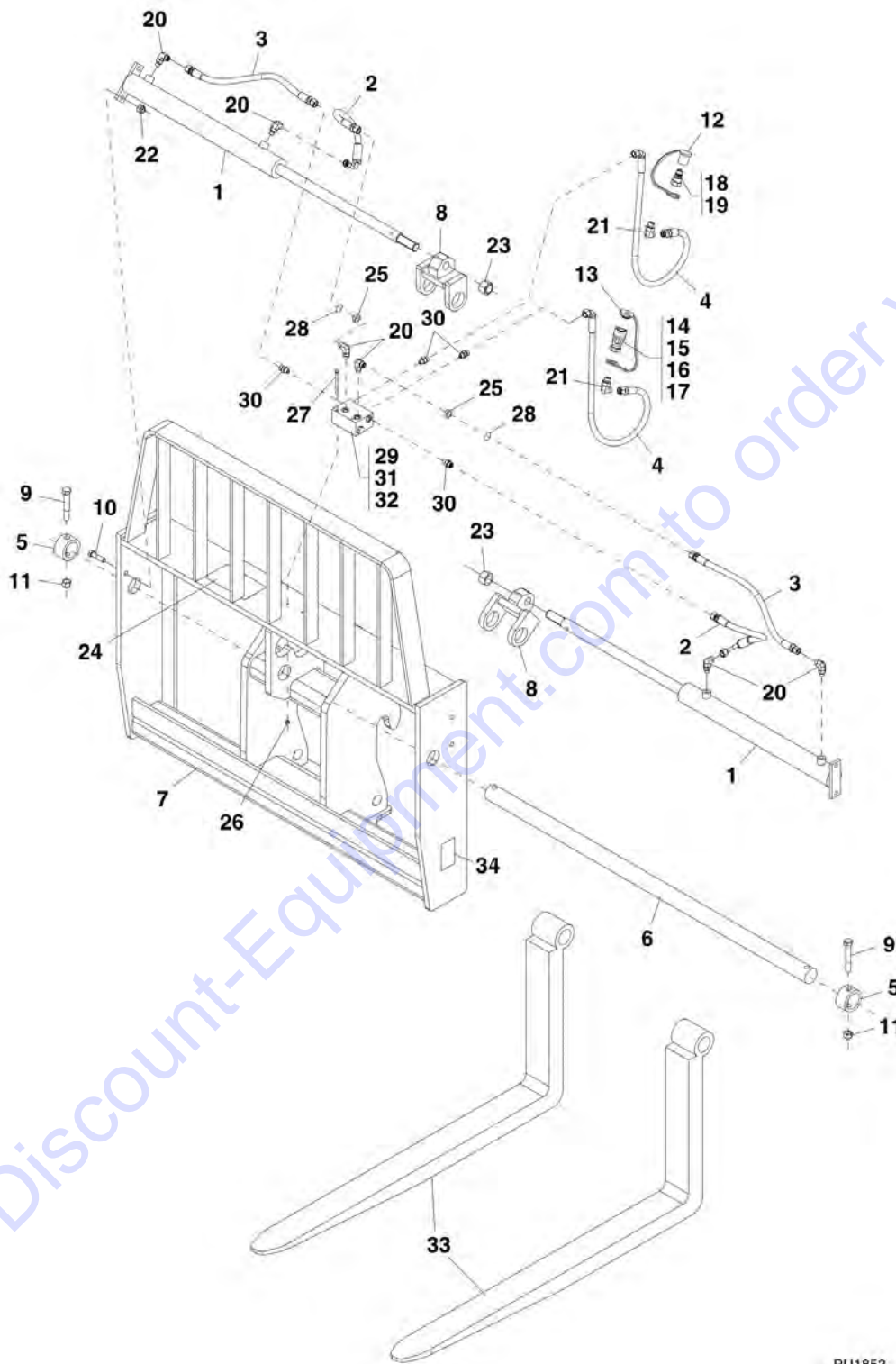
## SECTION 3 - ATTACHMENTS

**FIGURE 3-16. 50 IN SINGLE FORK POSITIONING CARRIAGE ASSEMBLY**

ITEM	PART NUMBER	QTY	DESCRIPTION	REV
	7301294	1	50 IN CARRIAGE FORK POSITIONING, (includes all items)	D
	7301726	1	50 IN CARRIAGE FORK POSITIONING ASSY, (includes items 1 thru 30)	F
1	2717283	1	50 IN CARRIAGE FORK POSITIONING CYLINDER	
1	8036733	1	SEAL KIT	
2	2717160	1	HOSE ASSY	
3	2717161	1	HOSE ASSY	
4	2717162	2	HOSE ASSY	
5	90200003	2	LOCKING HUB	
6	90451058	1	FORK SHAFT	
7	7301569	1	50 IN CARRIAGE WELDMENT	
8	7301579	1	FORK ADAPTER WELDMENT	
9	8303634	2	HEX HD CAPSCREW, 5/8-11X4, GR5	
10	8303658	2	HEX HD CAPSCREW, 1/2-13X2, GR5	
11	8305643	2	HEX NUT, 5/8-11	
12	8420053	1	DUST CAP	
13	8420055	1	DUST PLUG	
14	91403413	1	FEMALE QUICK DISCONNECT, (includes items 15 thru 17)	
15	8640029	1	NOSE SEAL	
16	8640028	1	COUPLER BODY SEAL	
17	8640032	1	COUPLER BODY SEAL BACK UP RING	
18	91403414	1	MALE QUICK DISCONNECT, (includes item 19)	
19	8640029	1	NOSE SEAL	
20	2130606	2	ELBOW, 90	
21	2130608	2	ELBOW, 90	
22	2172106	1	ELBOW, 90, (swivel nut)	
24	2171206	2	ELBOW, 90	
25	8310302	2	HEX LOCKNUT	
26	10705034	1	HEX LOCKNUT	
27	4110473	1	ROUTE HOSE WARNING DECAL	
28	7301578	1	BULKHEAD PLATE	
29	8303743	2	HEX HD CAPSCREW, 1/4-20X1.5, GR5	
30	8305624	2	HEX LOCKNUT, 1/4-20	
31	7301408	2	PALLET FORK, 60X100X1220mm	
32	N.S.S.	1	SN PLATE	

# SECTION 3 - ATTACHMENTS

## FIGURE 3-17. 50 IN DUAL FORK POSITIONING CARRIAGE ASSEMBLY



PU1852

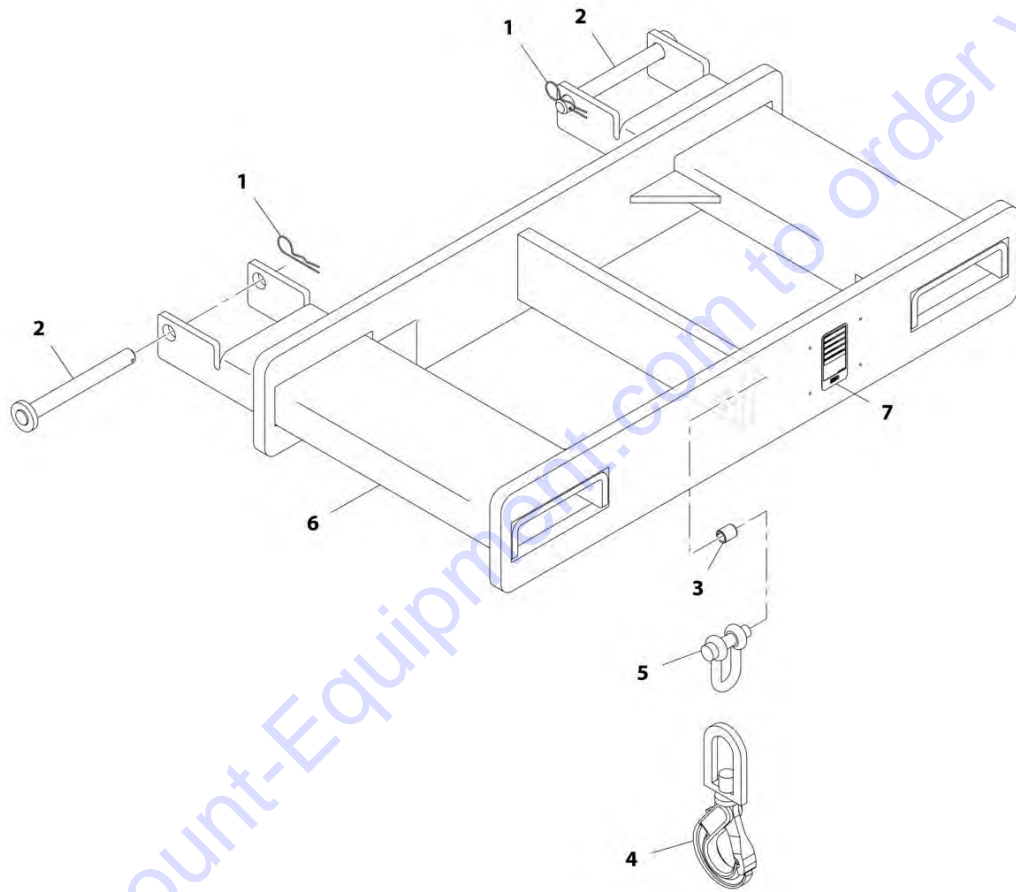
## SECTION 3 - ATTACHMENTS

**FIGURE 3-17. 50 IN DUAL FORK POSITIONING CARRIAGE ASSEMBLY**

ITEM	PART NUMBER	QTY	DESCRIPTION	REV
	7301295	1	50 IN DUAL FORK POSITIONING CARRIAGE ASSY, (includes all items)	F
	7301568	1	50 IN DUAL FORK POSITIONING CARRIAGE ASSY, (includes items 1 thru 32)	I
1	2717283	2	FORK POSITIONING CYLINDER	
1	8036733	1	SEAL KIT	
2	2717160	2	HOSE ASSY	
3	2717161	2	HOSE ASSY	
4	2717162	2	HOSE ASSY	
5	90200003	2	LOCKING HUB	
6	90451058	1	FORK SHAFT	
7	7301569	1	50 IN CARRIAGE WELDMENT	
8	7301579	2	FORK ADAPTER WELDMENT	
9	8303634	2	HEX HD CAPSCREW, 5/8-11X4, GR5	
10	8303658	4	HEX HD CAPSCREW, 1/2-13X2, GR5	
11	8305643	2	HEX LOCKNUT, 5/8-11	
12	8420053	1	DUST CAP	
13	8420055	1	DUST PLUG	
14	91403413	1	FEMALE QUICK DISCONNECT, (includes items 15 thru 17)	
15	8640029	1	NOSE SEAL	
16	8640028	1	COUPLER BODY SEAL	
17	8640032	1	COUPLER BODY SEAL BACK UP RING	
18	91403414	1	MALE QUICK DISCONNECT, (includes item 19)	
19	8640029	1	NOSE SEAL	
20	2130606	4	ELBOW, 90	
21	2130608	2	ELBOW, 90	
22	8310302	4	HEX LOCKNUT, 1/2-13	
23	10705034	2	HEX LOCKNUT	
24	4110473	1	HOSE ROUTE WARNING DECAL	
25	7139918	2	DISC ORIFICE	
26	8305624	2	HEX LOCKNUT, 1/4-20	
27	8310435	2	HEX HD CAPSCREW, 1/4-20X3-1/4, GR5	
28	8630003	2	O-RING	
29	4641502	1	VALVE ASSY, (Includes items 30 thru 32)	
30	2110606	4	ADAPTER	
31	4641501	1	VALVE BODY	
32	2130606	2	CONNECTOR	
33	7301408	2	PALLET FORK, 60X100X1220mm	
34	N.S.S.	1	SN PLATE	

# SECTION 3 - ATTACHMENTS

## FIGURE 3-18. FORK MOUNTED LIFTING HOOK



ART\_1001097205-G

## SECTION 3 - ATTACHMENTS

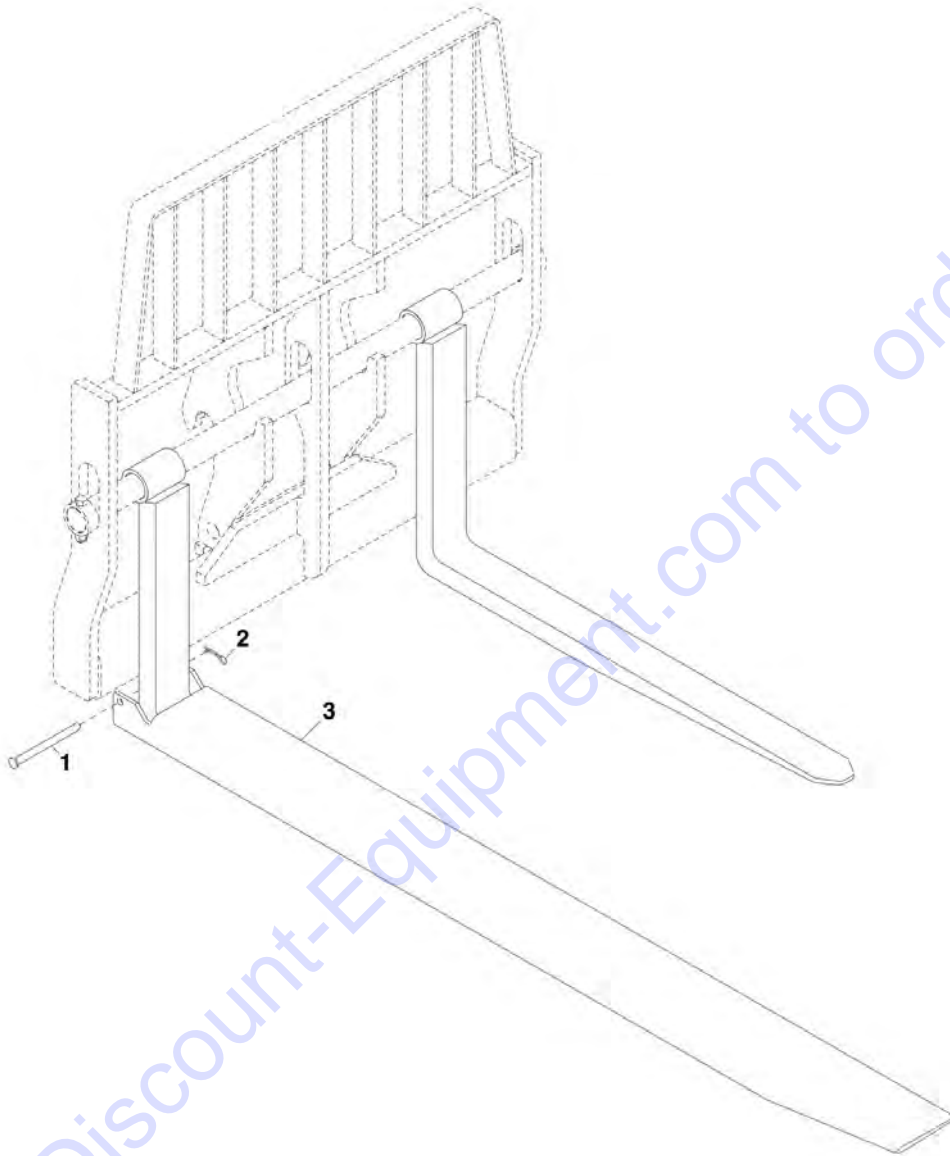
**FIGURE 3-18. FORK MOUNTED LIFTING HOOK**

ITEM	PART NUMBER	QTY	DESCRIPTION	REV
	91565094	NLA	LIFTING HOOK, (no longer available, use 1001097205 for replacement or items 1 through 7 for service)	G
	1001097205	1	FORK MOUNTED HOOK, (includes all items)	G
1	7029520	2	PIN, COTTER	
2	1001093171	2	PIN	
3	70020555	1	BUSHING	
4	90554080	1	HOOK	
5	7029521	1	SHACKLE	
6	N.S.S.	1	WELDMENT, HOOK	
7	N.S.S.	1	SN PLATE	

Go to Discount-Equipment.com to order your parts

# SECTION 3 - ATTACHMENTS

## FIGURE 3-19. FORKS



ART\_8990462-3-19

## SECTION 3 - ATTACHMENTS

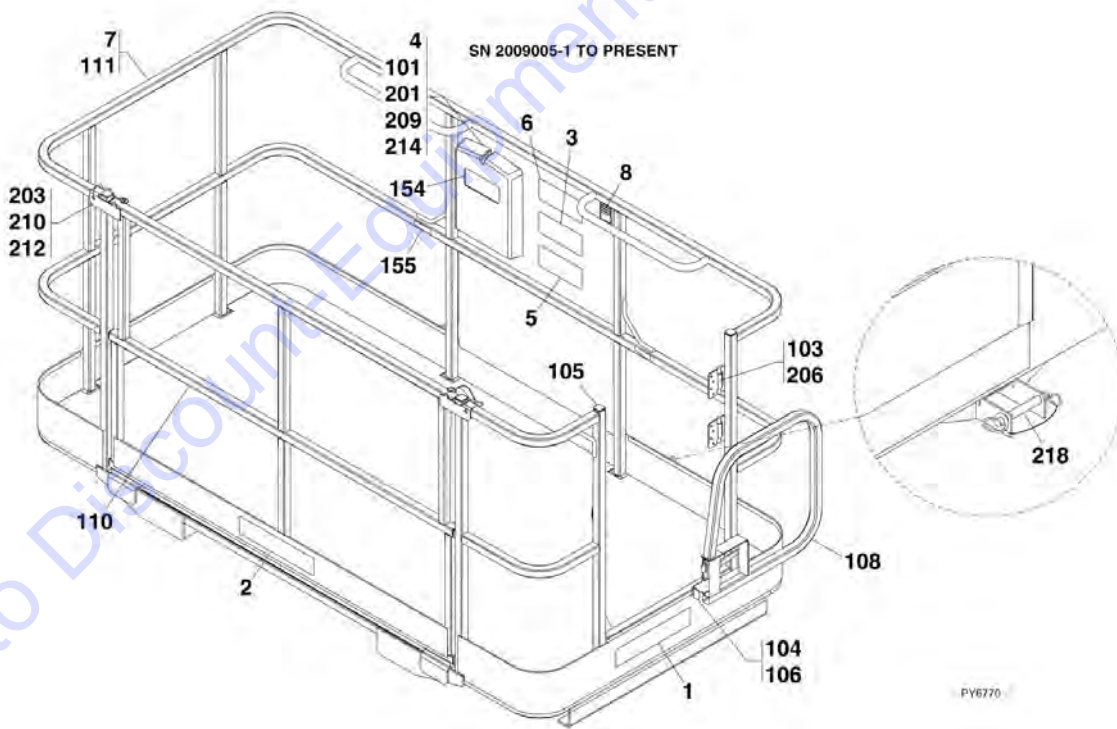
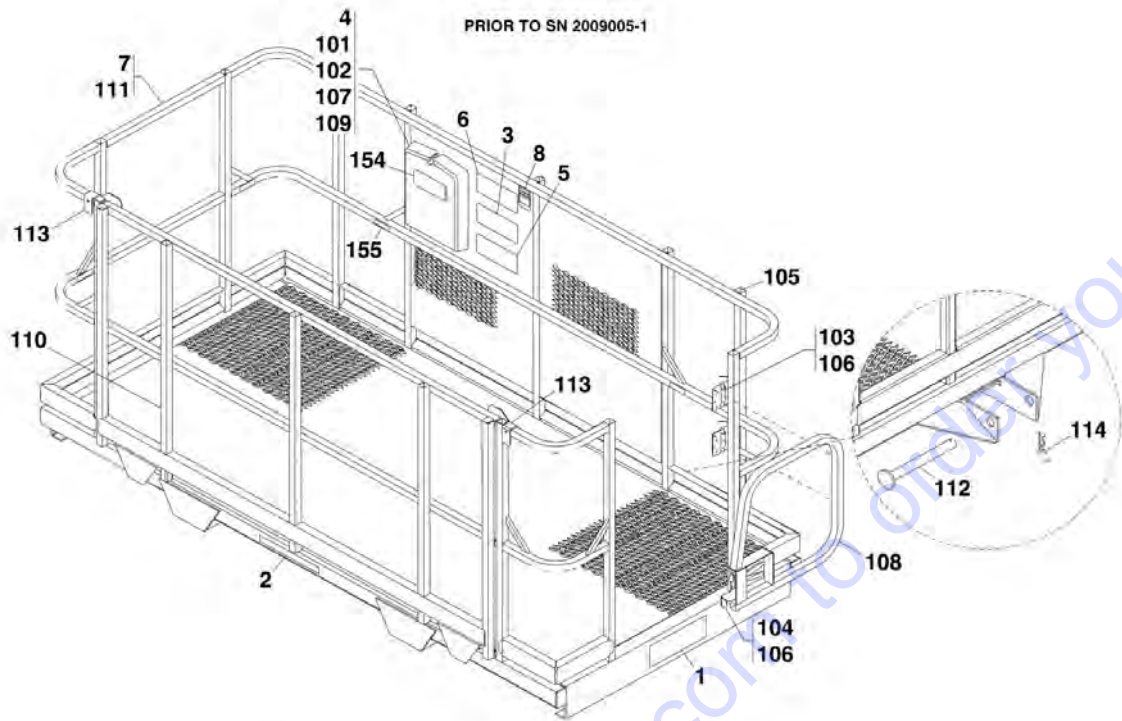
### FIGURE 3-19. FORKS

ITEM	PART NUMBER	QTY	DESCRIPTION	REV
	7097523	2	PALLET FORK, 48X4X2, (4,000 lb rating each fork)	
	7301408	2	PALLET FORK, 48X4X2.36, (5,000 lb rating each fork)	
	7139746	2	LUMBER FORK, 60X 7X1.75, (5,000 lb rating each fork)	
	7139747	6	CUBING FORK, 48X2X2, (2,000 lb rating each fork)	
	2340037	6	CUBING FORK, 48X2X2, (1,940 lb rating each fork)	
	2340045	2	PALLET FORK, 48X4X2.36, (5,475 lb rating each fork)	
	2340038	2	PALLET FORK, 48X5X2.36, (6,850 lb rating each fork)	
	2340039	2	DUAL TAPER FORK, 60X6X2.36, (8,150 lb rating each fork)	
	2340046	2	DUAL TAPER FORK, 60X7X1.75, (5,400 lb rating each fork)	
	1001092391	2	DUAL TAPER FORK, 72X6X2, (5,650 lb rating each fork)	
	1001137512	2	90 IN FORK EXTENSION, (includes items 1 thru 3)	
1	70024306	1	PIN	
2	70024307	1	CLIP	
3	N.S.S.	1	WELDMENT	
N1	Note	Ref	<b>FORKS RATED LESS THAN THE ATTACHMENT OR MACHINE'S CAPACITY DECREASES CAPACITY OF THE ATTACHMENT OR MACHINE TO THAT OF THE FORKS. FORKS RATED MORE THAN THE ATTACHMENT OR MACHINE'S CAPACITY DO NOT INCREASE ATTACHMENT OR MACHINE'S CAPACITY.</b>	
N2	Note	Ref	<b>PLEASE CONSULT DISCOUNT-EQUIPMENT TO DETERMINE THE CORRECT FORKS APPLICABLE TO YOUR SPECIFIC CARRIAGE ASSY AND APPLICATION.</b>	



# SECTION 3 - ATTACHMENTS

## FIGURE 3-20. FORK MOUNTED PLATFORM



PV6770

## SECTION 3 - ATTACHMENTS

**FIGURE 3-20. FORK MOUNTED PLATFORM**

ITEM	PART NUMBER	QTY	DESCRIPTION	REV
	1001092280	NLA	FORK MOUNTED PLATFORM-1, (Prior to SN 2009005-1), (ASME), (no longer available, order 1001103637 for replacement or items 1 thru 8 for service)	E
	1001103637	1	FORK MOUNTED PLATFORM, (SN 2009005-1 to Present), (ASME), (includes items 1 thru 8)	E
	1001096306	NLA	FORK MOUNTED PLATFORM-1, (Prior to SN 2009005-1), (ISO), (no longer available, order 1001103730 for replacement or items 1 thru 8 for service)	C
	1001103730	1	FORK MOUNTED PLATFORM, (SN 2009005-1 to Present), (ISO), (includes items 1 thru 8)	E
	1001097072	NLA	FORK MOUNTED PLATFORM-1, (Prior to SN 2009005-1), (ASME - FRENCH), (no longer available, order 1001103736 for replacement or items 1 thru 8 for service)	C
	1001103736	1	FORK MOUNTED PLATFORM, (SN 2009005-1 to Present), (ASME - FRENCH), (includes 1 thru 8)	E
1	1702773	2	JLG DECAL	
2	1704885	1	WEBSITE DECAL	
3	1706892	1	PLATFORM WARNING DECAL, (ASME)	
3	1001096025	1	PLATFORM WARNING DECAL, (ISO)	
3	1001096024	1	PLATFORM WARNING DECAL, (ASME - FRENCH)	
4	31200160	1	OPERATION AND SAFETY MANUAL, (ASME)	
4	31200387	1	OPERATION AND SAFETY MANUAL, (ISO - SPANISH)	
4	31200388	1	OPERATION AND SAFETY MANUAL, (ISO - PORTUGUESE)	
4	31200336	1	OPERATION AND SAFETY MANUAL, (ASME - FRENCH)	
5	1001092481	1	WARNING DECAL, (ASME)	
5	1001096021	1	WARNING DECAL, (ISO)	
5	1001096019	1	WARNING DECAL, (ASME - FRENCH)	
6	1001092482	1	CAPACITY DECAL, (ASME)	
6	1001096023	1	CAPACITY DECAL, (ISO)	
6	1001096020	1	CAPACITY DECAL, (ASME - FRENCH)	
7	N.S.S.	1	FORK MOUNTED PLATFORM, (Prior to SN 2009005-1), (includes items 101 thru 114)	B
7	N.S.S.	1	FORK MOUNTED PLATFORM, (SN 2009005-1 to Present), (includes items 101, 103 thru 106, 108, 110, 111, 154, 155, 201 thru 218)	H
8	N.S.S.	1	SN PLATE	
101	0860520	1	MANUAL STORAGE BOX	
102	2080044	4	RIVNUT FASTENER, 1/4-20	
103	2600281	2	HINGE	
104	2940074	1	LATCH	
105	3520198	21	PLUG-1 (Prior to SN 2009005-1)	
105	3520072	10	PLUG, (SN 2009005-1 to Present)	
106	3820020	20	POP RIVET-1 (Prior to SN 2009005-1)	
106	3820020	4	POP RIVET, (SN 2009005-1 to Present)	
107	4751400	4	WASHER, 1/4	
108	4846452	1	GATE WELDMENT	
109	80263012	4	SCREW WHIZ LOCK, 1/4-20 X 1/2	
110	1001093140	1	GATE WELDMENT-1 (Prior to SN 2009005-1)	
110	1001095810	1	GATE WELDMENT, (SN 2009005-1 to Present)	
111	N.S.S.	1	PLATFORM WELDMENT	
112	1001093171	2	PIN	
113	1001097168	2	SAFETY SNAP PIN WITH LANYARD	

## SECTION 3 - ATTACHMENTS

ITEM	PART NUMBER	QTY	DESCRIPTION	REV
114	1001098582	2	LYNCH PIN 3/16 WITH LANYARD	
154	1701509	1	MANUAL DECAL	
155	1704277	8	LANYARD ATTACH DECAL-1 (Prior to SN 2009005-1)	
155	1704277	3	LANYARD ATTACH DECAL, (SN 2009005-1 to Present)	
201	0641405	4	HEX HD CAPSCREW, 1/4-20X5/8	
203	1060379	2	6 IN LANYARD CABLE	
206	2080040	16	FASTENER	
209	3311405	4	HEX NUT, 1/4-20	
210	3421453	2	PIN	
212	3760170	4	RING	
214	4711400	8	WASHER, 1/4	
218	1001102813	2	HITCH PIN	

Go to Discount-Equipment.com to order your parts



# PARTS FINDER

**Search Website  
by Part Number**



**Search Manual  
Library For Parts  
Manual & Lookup Part  
Numbers – Purchase  
or Request Quote**

**Can't Find Part or  
Manual? Request Help  
by Manufacturer,  
Model & Description**

Discount-Equipment.com is your online resource for quality parts & equipment.

Florida: **561-964-4949** Outside Florida TOLL FREE: **877-690-3101**

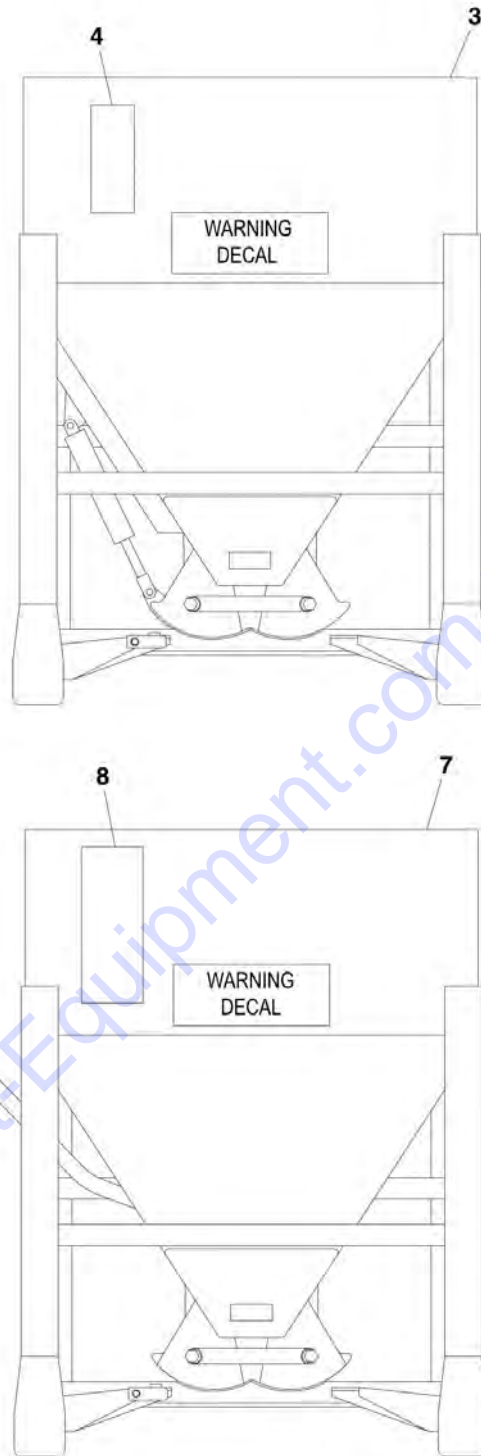
## Need parts?

Click on this link: <http://www.discount-equipment.com/category/5443-parts/> and choose one of the options to help get the right parts and equipment you are looking for. Please have the machine model and serial number available in order to help us get you the correct parts. If you don't find the part on the website or on one of the online manuals, please fill out the request form and one of our experienced staff members will get back to you with a quote for the right part that your machine needs.

We sell worldwide for the brands: Genie, Terex, JLG, MultiQuip, Mikasa, Essick, Whiteman, Mayco, Toro Stone, Diamond Products, Generac Magnum, Airman, Haulotte, Barreto, Power Blanket, Nifty Lift, Atlas Copco, Chicago Pneumatic, Allmand, Miller Curber, Skyjack, Lull, Skytrak, Tsurumi, Husquvarna Target, Stow, Wacker, Sakai, Mi-T-M, Sullair, Basic, Dynapac, MBW, Weber, Bartell, Bennar Newman, Haulotte, Ditch Runner, Menegotti, Morrison, Contec, Buddy, Crown, Edco, Wyco, Bomag, Laymor, EZ Trench, Bil-Jax, F.S. Curtis, Gehl Pavers, Heli, Honda, ICS/PowerGrit, IHI, Partner, Imer, Clipper, MMD, Koshin, Rice, CH&E, General Equipment, Amida, Coleman, NAC, Gradall, Square Shooter, Kent, Stanley, Tamco, Toku, Hatz, Kohler, Robin, Wisconsin, Northrock, Oztec, Toker TK, Rol-Air, APT, Wylie, Ingersoll Rand / Doosan, Innovatech, Con X, Ammann, Mecalac, Makinex, Smith Surface Prep, Small Line, Wanco, Yanmar

# SECTION 3 - ATTACHMENTS

## FIGURE 3-21. CONCRETE BUCKET



PAP12470

## SECTION 3 - ATTACHMENTS

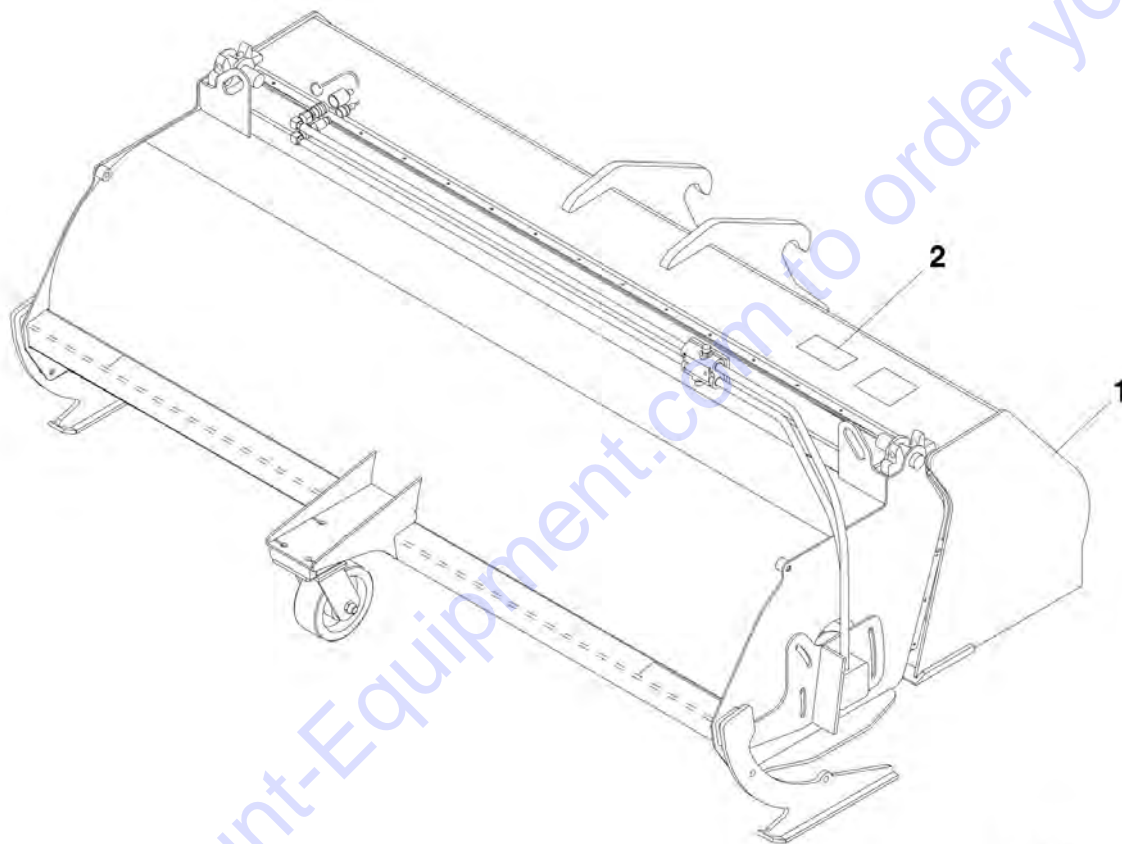
**FIGURE 3-21. CONCRETE BUCKET**

ITEM	PART NUMBER	QTY	DESCRIPTION	REV
3	8866442	1	CONCRETE BUCKET, 1/2 CU YD, HYDRAULIC, (includes item 4)	B
4	N.S.S.	1	SN PLATE	
7	8866444	1	CONCRETE BUCKET, 1/2 CU YD, MANUAL, (includes item 8)	B
8	N.S.S.	1	SN PLATE	
	8866446	1	4 IN DISCHARGE HOSE, (not shown)	
	8866561	1	4 IN DISCHARGE HOSE WITH GATE, (not shown)	
	8866464	1	6 IN DISCHARGE HOSE, (not shown)	
	8866560	1	8 IN DISCHARGE HOSE, (not shown)	
	8866445	1	RUBBER SIDE DISCHARGE CHUTE, (not shown)	

Go to Discount-Equipment.com to order your parts

## SECTION 3 - ATTACHMENTS

FIGURE 3-22. SWEEPER ASSEMBLY



PH4770



## SECTION 3 - ATTACHMENTS

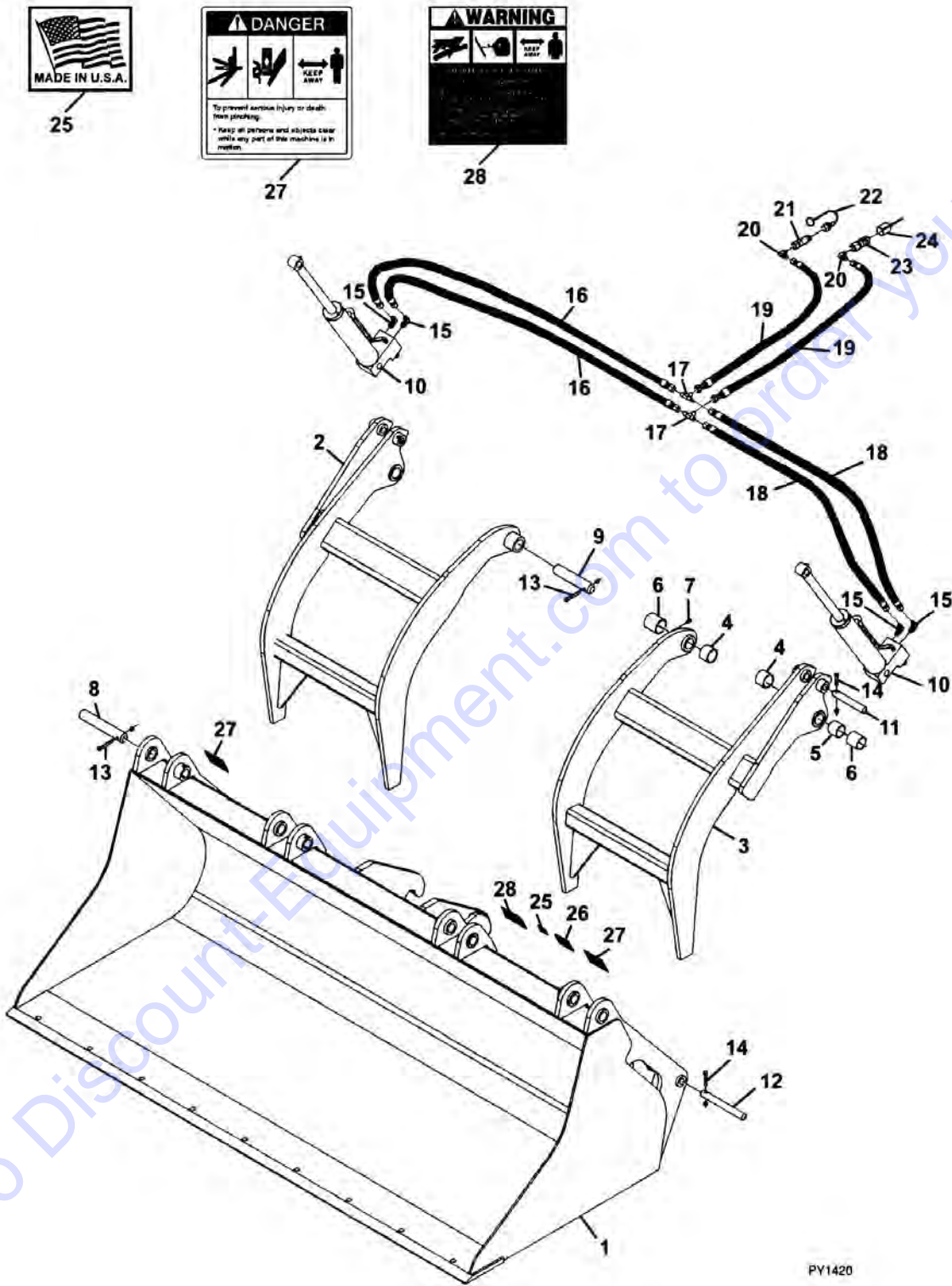
### FIGURE 3-22. SWEEPER ASSEMBLY

ITEM	PART NUMBER	QTY	DESCRIPTION	REV
	7301180	1	SWEEPER ASSY, (includes all items)	B
1	7301718	1	24 IN SWEEPER WITH BUCKET	
2	N.S.S.	1	SN PLATE	
4	4110461	1	WARNING DECAL, (Not shown)	

Go to Discount-Equipment.com to order your parts

# SECTION 3 - ATTACHMENTS

## FIGURE 3-23. GRAPPLE BUCKET



PY1420

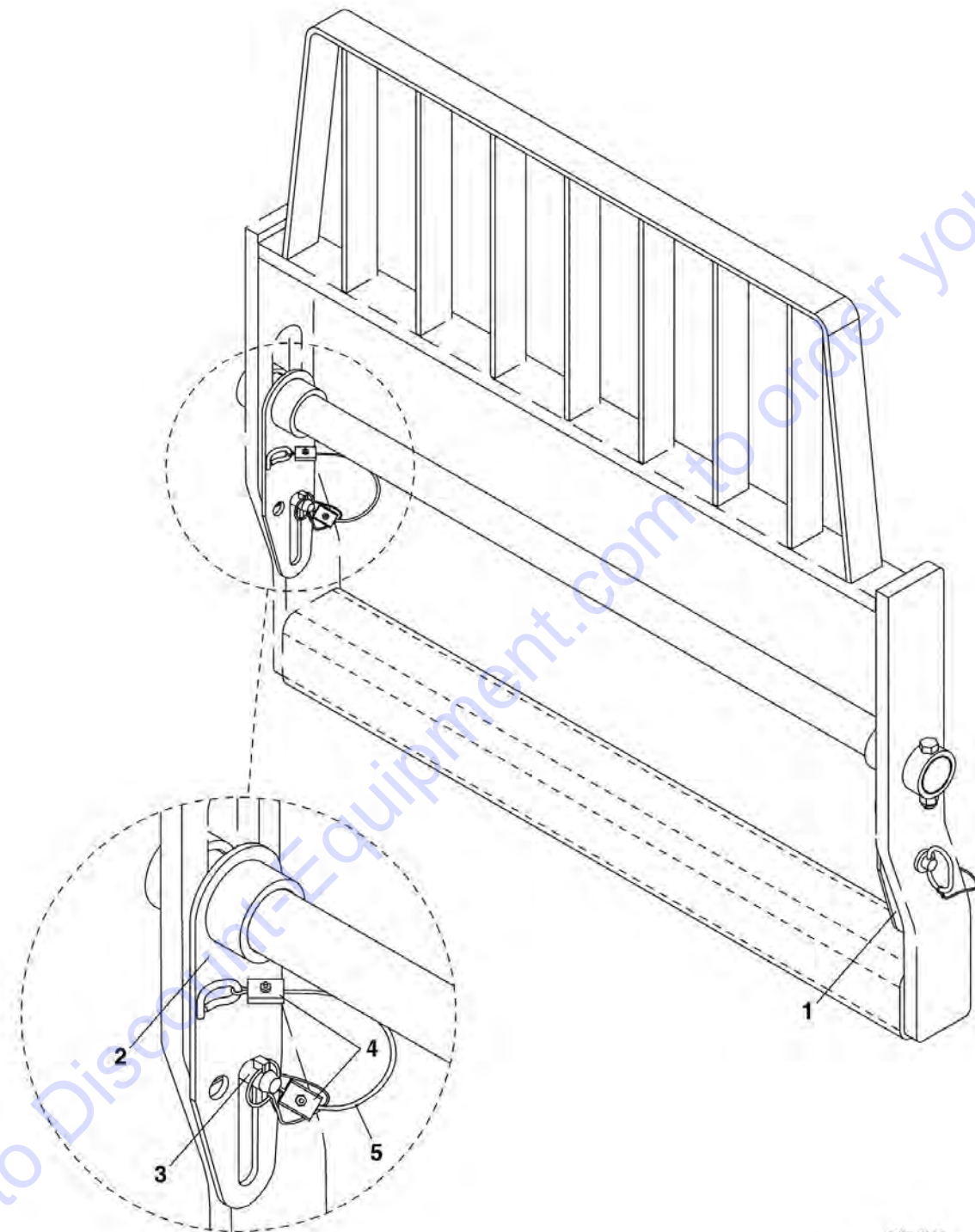
## SECTION 3 - ATTACHMENTS

### FIGURE 3-23. GRAPPLE BUCKET

ITEM	PART NUMBER	QTY	DESCRIPTION	REV
	0930020	1	GRAPPLE BUCKET, (includes all items)	H
1	N.S.S.	1	BUCKET	
1	70021387	4	HOSE CLAMP	
2	70021391	1	RIGHT GRAPPLE HOOK	
3	70021392	1	LEFT GRAPPLE HOOK	
4	70021358	4	BUSHING	
5	70021359	2	SPACER	
6	70021360	4	BUSHING	
7	7029714	4	GREASE FITTING	
8	70021361	2	OUTER PIVOT PIN	
9	70021362	2	INNER PIVOT PIN	
10		Ref	CYLINDER ASSY, (See HYDRAULIC COMPONENTS SECTION for Breakdown)	
11	70021364	2	PIN	
12	70021365	2	PIN	
13	70021366	4	HEX HD CAPSCREW, 3/8X2.75	
13	70021367	4	LOCK NUT, 3/8	
14	70021399	4	HEX HD CAPSCREW, 3/8X2.25	
14	70021367	4	LOCK NUT, 3/8	
15	90554065	4	ELBOW, 90	
16	70021980	2	HOSE ASSY, 3/8X73 IN	
17	70020562	2	TEE FITTING	
18	70021981	2	HOSE ASSY, 3/8X46 IN	
19	70021982	2	HOSE ASSY, 3/8X34 IN	
20	70022527	2	ELBOW, 90	
21	7029692	1	MALE QUICK COUPLER	
22	90554062	1	DUST COVER	
23	70021342	1	FEMALE QUICK COUPLER	
24	90554076	1	DUST COVER	
25	90554016	1	MADE IN USA DECAL	
26	N.S.S.	1	SN PLATE	
27	90554017	2	DANGER PINCH POINT DECAL	
28	90554018	1	WARNING HIGH PRESSURE DECAL	

# SECTION 3 - ATTACHMENTS

## FIGURE 3-24. FORK PIN LOCK INSTALLATION



PY1650

## SECTION 3 - ATTACHMENTS

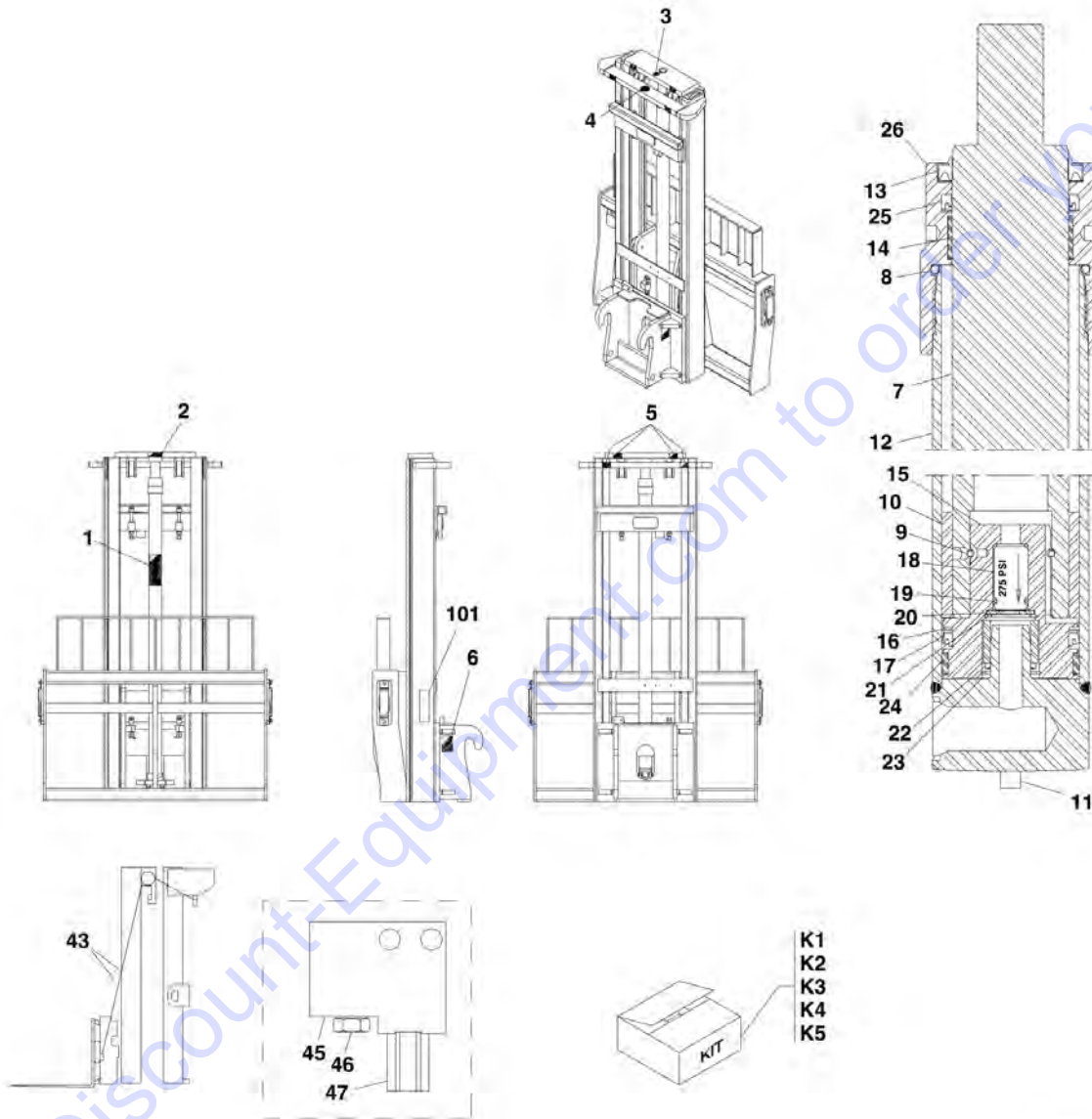
### FIGURE 3-24. FORK PIN LOCK INSTALLATION

ITEM	PART NUMBER	QTY	DESCRIPTION	REV
	1001093465	1	FORK PIN LOCK INSTALLATION (includes all items)	B
1	0240156	1	LH FORK PIN LOCK	
2	1001093273	1	RH FORK PIN LOCK	
3	1001093377	2	HITCH PIN	
4	1001094830	4	CLAMP	
5	1001094330	2	LANYARD	

Go to Discount-Equipment.com to order your parts

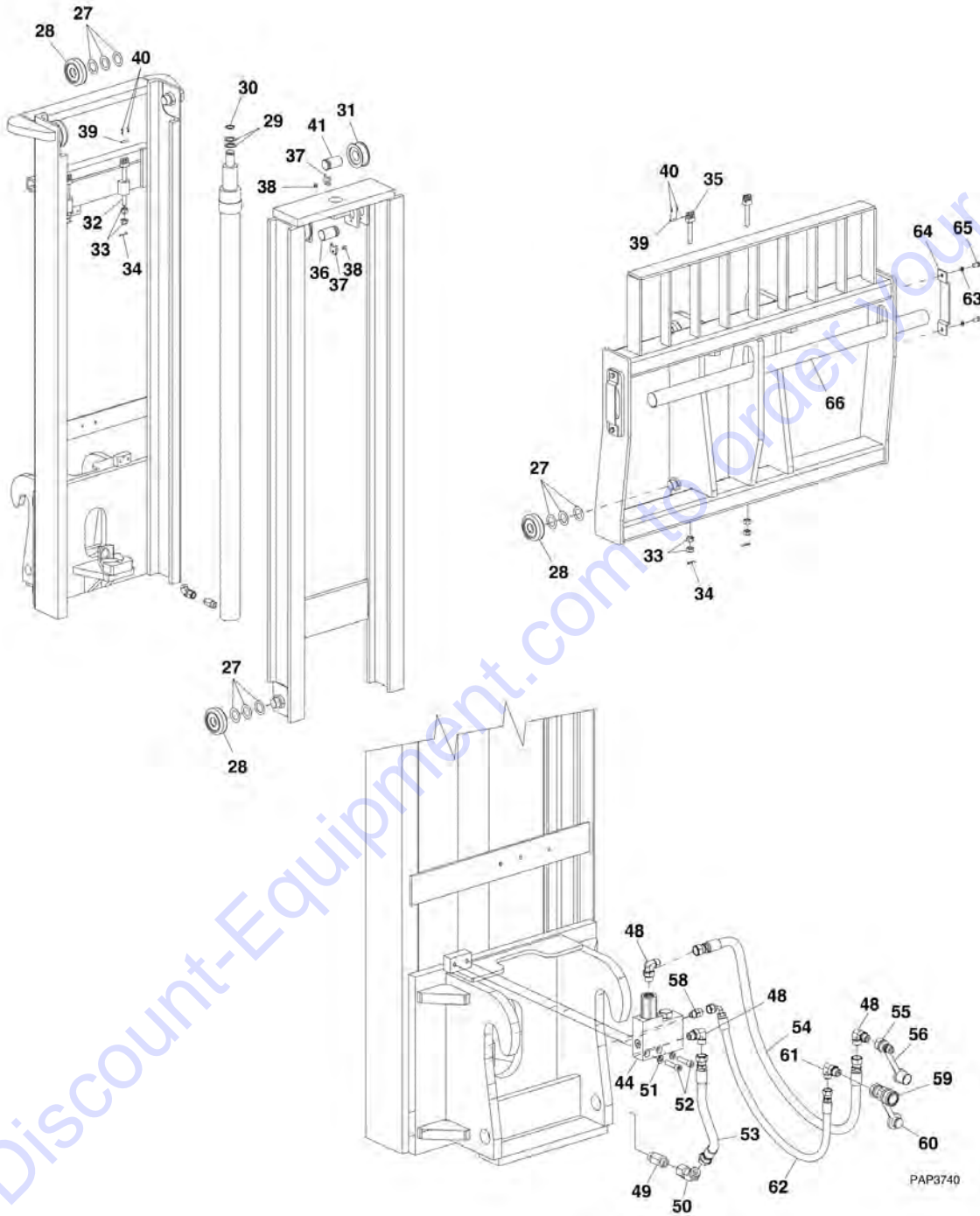
# SECTION 3 - ATTACHMENTS

## FIGURE 3-25. 8 FT STANDARD MAST



PAP4080

# SECTION 3 - ATTACHMENTS



## SECTION 3 - ATTACHMENTS

**FIGURE 3-25. 8 FT STANDARD MAST**

ITEM	PART NUMBER	QTY	DESCRIPTION	REV
	1001108668	1	8 FT STANDARD MAST, (includes all items)	C
1	Kit	1	WARNING DECAL	
2	Kit	1	WARNING DECAL	
3	Kit	1	NO STEP DECAL	
4	Kit	1	NO STEP DECAL	
5	Kit	4	HANDS OFF DECAL	
6	Kit	2	HOSE ROUTING DECAL	
6	70023008	1	MAIN LIFT CYLINDER, (includes items 7 thru 26)	
7	N.S.S.	1	ROD/PLUNGER	
8	Kit	1	O-RING	
9	Kit	1	PULL WIRE	
10	N.S.S.	1	SPACER	
11	N.S.S.	2	ROLL PIN	
12	N.S.S.	1	BARREL	
13	Kit	1	WIPER	
14	Kit	1	BUSHING	
15	N.S.S.	1	PISTON	
16	Kit	1	NYLON RING	
17	Kit	1	PISTON SEAL	
18	Kit	1	CHECK VALVE	
19	Kit	1	O-RING	
20	Kit	1	WASHER	
21	Kit	1	CIRCLIP	
22	N.S.S.	1	SLEEVE	
23	Kit	1	RETAINING RING	
24	Kit	1	WEAR RING	
25	Kit	1	ROD SEAL	
26	70023004	1	RETAINER/GLAND	
27	70023014	24	SHIM	
28	70022987	8	BALL BEARING	
29	Kit	2	WASHER SHIM	
30	70023016	1	SNAP RING	
31	70022969	2	SHEAVE ASSY	
32	70022960	2	CHAIN ANCHOR	
33	70022957	8	NUT, 0.625-18UNF	
34	70022993	4	COTTER PIN	
35	70022995	2	CHAIN ANCHOR	
36	70022984	1	SHEAVE SHAFT	
37	70022970	2	RETAINER BAR	
38	70023003	2	FLAT HD CAPSCREW	
39	70022994	4	CHAIN ANCHOR PIN	
40	70022992	8	COTTER PIN	
41	70022985	1	SHEAVE SHAFT	
43	70023009	2	LIFT CHAIN	
44	70022932	1	PO CHECK VALVE ASSY, (includes items 45, 46 & 47)	
45	N.S.S.	1	MANIFOLD	
46	70022931	1	PO CHECK VALVE CARTRIDGE	
47	70023010	1	PO CHECK	
48	70022934	3	FITTING, 90	
49	70022936	1	FLOW LIMITER	

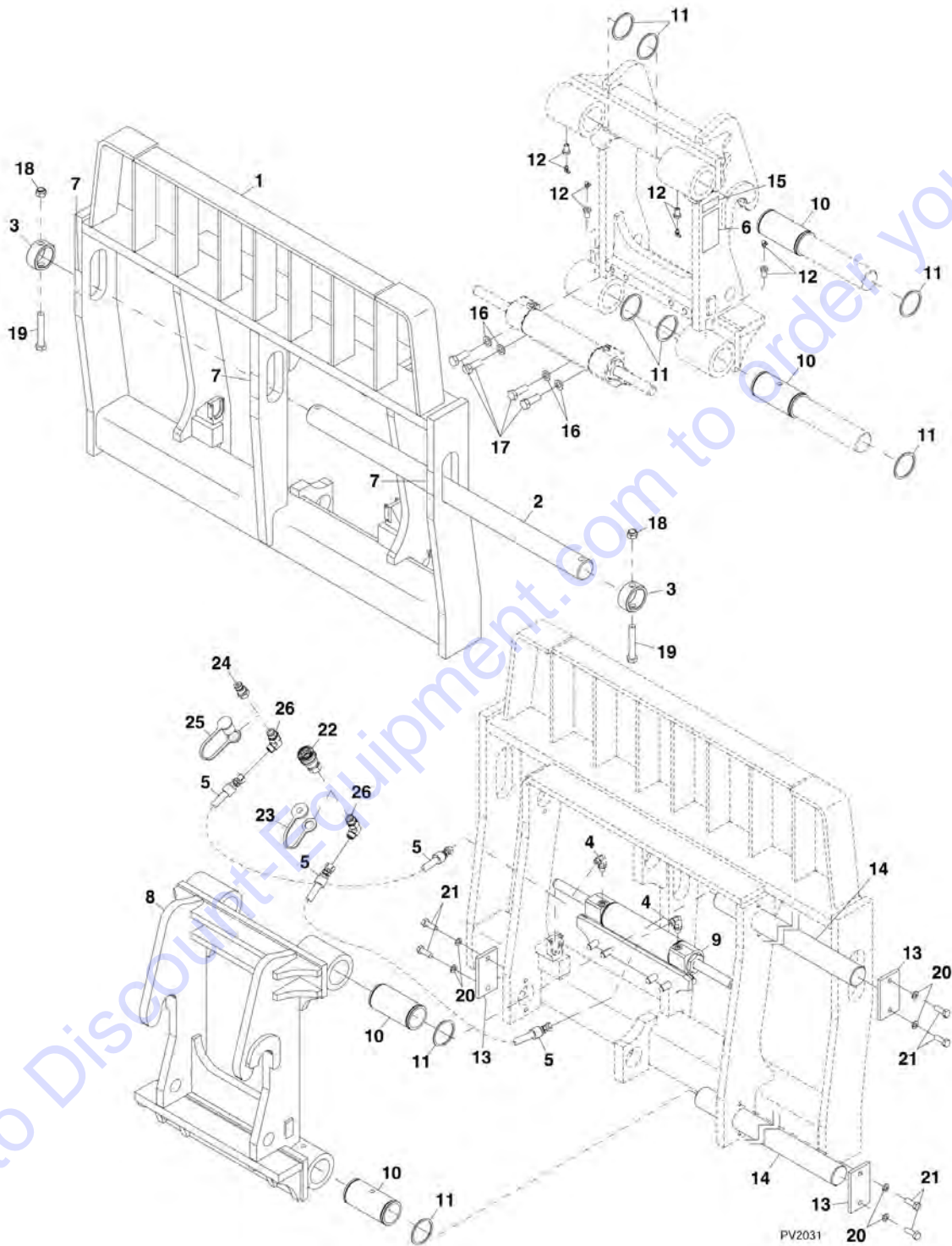


## SECTION 3 - ATTACHMENTS

ITEM	PART NUMBER	QTY	DESCRIPTION	REV
50	70022937	1	FITTING, 45	
51	70022949	2	LOCKWASHER, M10	
52	70022950	2	HEX SOCKET CAPSCREW	
53	70022942	1	HOSE ASSY	
54	70022952	1	HOSE ASSY	
55	91403414	1	MALE QUICK DISCONNECT COUPLING	
56	91043126	1	DUST CAP	
58	70022939	1	STRAIGHT FITTING, #6	
59	91403413	1	FEMALE QUICK DISCONNECT COUPLING	
60	91043125	1	DUST PLUG	
61	70022935	1	ELBOW, STRAIGHT THREAD	
62	70022946	1	HOSE ASSY	
63	70022949	4	LOCKWASHER, M10	
64	70022980	2	FORK PIN KEEPER	
65	70022998	4	CAPSCREW, M10X20 LG	
66	70022990	1	FORK PIN	
101	N.S.S.	1	SN PLATE	
K1	70023925	1	DECAL KIT, (includes items 1 thru 6)	
K2	70023005	1	SEAL KIT, MAIN LIFT CYLINDER, (includes items 8, 9, 13, 14, 16, 17, 19, 21, 23, 24 & 25)	
K3	70023006	1	CHECK VALVE KIT, (includes items 18, 19, 20, 21 & 23)	
K4	70023007	1	SHIM KIT	
K5	70023015	1	MAST COMMON PARTS KIT, (includes items 27 thru 43)	

# SECTION 3 - ATTACHMENTS

FIGURE 3-26. 50 IN SIDE SHIFT CARRIAGE (644E-42 SN 0160034164 to Present; 944E-42 SN 0160034158 to Present)



## SECTION 3 - ATTACHMENTS

**FIGURE 3-26. 50 IN SIDE SHIFT CARRIAGE (644E-42 SN 0160034164 to Present; 944E-42 SN 0160034158 to Present)**

ITEM	PART NUMBER	QTY	DESCRIPTION	REV
	1001142790	1	50 IN SIDE SHIFT CARRIAGE, (includes all items)	C
1	N.S.S.	1	WELDMENT	
2	70024535	1	SHAFT	
3	70024536	2	COLLAR	
4	70024123	2	ADAPTER, 90, (includes o-ring)	
5	70024537	2	HOSE ASSEMBLY	
6	N.S.S.	1	SN PLATE	
7	70024538	3	WARNING DECAL	
8	N.S.S.	1	WELDMENT	
9		Ref	50 IN SIDE SHIFT CYLINDER, (See HYDRAULIC COMPONENTS SECTION for Breakdown)	
10	70024540	4	BUSHING	
11	70024541	8	CIRCLIP	
12	70024542	4	GREASE FITTING	
13	70024543	4	RETAINER	
14	70024544	2	SHAFT	
15	N.S.S.	1	SN PLATE	
16	70024551	4	LOCKWASHER, 16mm	
17	70024552	4	HEX HD CAPSCREW, M16X45, GR10.9	
18	70024553	2	HEX NUT, M16, GR8	
19	70024554	2	HEX HD CAPSCREW, M16X100, GR10.9	
20	70022997	8	LOCKWASHER, 12mm	
21	70024555	8	HEX HD CAPSCREW, M12X35, GR10.9	
22	91403413	1	FEMALE QUICK DISCONNECT	
23	8420055	1	DUST PLUG	
24	91403414	1	MALE QUICK DISCONNECT	
25	8420053	1	DUST CAP	
26	70024550	2	ADAPTER, 90, (includes o-ring)	
K1	70024545	1	HYDRAULIC REPAIR KIT, (includes items 5, 22 thru 26)	B
K2	70024546	1	RETAINER KIT, (includes items 13, 20 & 21)	B



## SECTION 4 - ENGINE AND ATTACHING PARTS

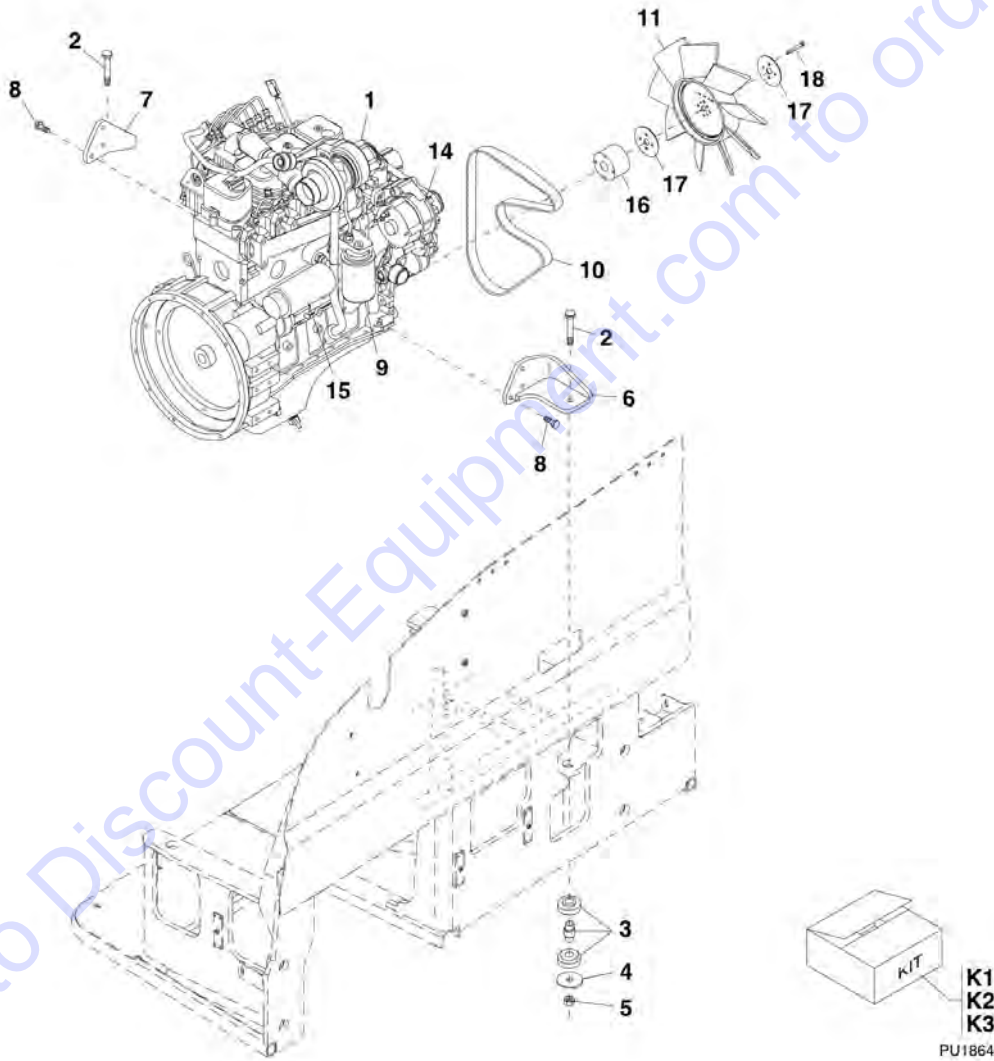
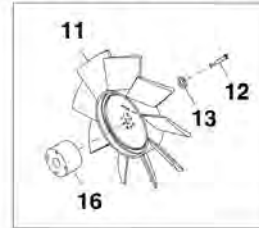
## SECTION 4 - ENGINE AND ATTACHING PARTS

Go to Discount-Equipment.com to order your parts

# SECTION 4 - ENGINE AND ATTACHING PARTS

FIGURE 4-1. ENGINE INSTALLATION (644E-42 Prior to SN 0160048717, Excluding 01600045421; 944E-42 Prior to SN 0160041827, Including 0160041849)

644E SN 17569 THRU 20115 & 0160002519 THRU 0160012085  
944E SN 17569 THRU 20123 & 0160002514 THRU 0160011950



## SECTION 4 - ENGINE AND ATTACHING PARTS

**FIGURE 4-1. ENGINE INSTALLATION (644E-42 Prior to SN 0160048717, Excluding 01600045421;  
944E-42 Prior to SN 0160041827, Including 0160041849)**

ITEM	PART NUMBER	QTY	DESCRIPTION	REV
1	8262161	1	CUMMINS ENGINE ASSEMBLY, 4BT 3.9 EPA, (644E-42, TIER I, ) <b>(SN 17569 through 20115, SN 0160002519 through 0160003672, Excluding 19557 and 0160003489)</b>	F
1	8262167	1	CUMMINS ENGINE ASSEMBLY, B4.5T EPA, (644E-42, TIER II ) <b>(SN 0160003690 through 0160043356, Including 0160003489, 19557 and 20118)</b>	J
1	8262162	1	CUMMINS ENGINE ASSEMBLY, QSB4.5T EPA, (944E-42, TIER II)	L
1	70020367	1	12V RELAY	
1	7029829	1	ENGINE HEATER CABLE	
1	7029830	1	ENGINE HEATER	
1	7029831	1	TEMPERATURE SENDER	
1	7029991	1	TRANSFER FUEL PUMP	
1	1321797	1	TRANSFER FUEL PUMP GASKET	
1	70023795	1	FUEL INJECTION PUMP, (644E-42, TIER I AND II)	
1	70023790	1	FUEL INJECTION PUMP, (944E-42, TIER II)	
2	8310288	4	HEX HD CAPSCREW, 5/8-11X3-3/4, GR8	
3	8278040	4	ENGINE ISOLATOR	
4	7300435	4	REBOUND WASHER	
5	8305643	4	HEX LOCKNUT, 3/4-11	
6	7300447	1	ENGINE MOUNTING INSIDE REAR BRACKET	
7	7300446	1	ENGINE MOUNTING OUTSIDE REAR BRACKET	
8	8303790	6	HEX HD CAPSCREW, M12-X30, GR8.8	
9	8320275	1	ENGINE OIL FILTER	
10	8036605	1	FAN BELT	
11	8272031	1	21 IN FAN, (must be used with item 16)	
12	8310705	NLA	HEX HD CAPSCREW, M10X75, GR8.8, (no longer available, use items 17 & 18 for replacement) <b>(644E-42 SN 17569 through 20115, SN 0160002519 through 016001208; 944E-42 SN 517569 through 20123, SN 0160002514 through 0160011950)</b>	
13	8307022	NLA	LOCKWASHER, 8mm, (no longer available, use items 17 & 18 for replacement) <b>(644E-42 SN 17569 through 20115, SN 0160002519 through 0160012085; 944E-42 SN 17569 through 20123, SN 0160002514 through 0160011950)</b>	
14	8270224	NLA	ALTERNATOR, (no longer available, order Alternator Service Kit 2915170 and Alternator 7029525 for replacement, 944E-42 machines require additional Cable ASSEMBLY 7310012) <b>(644E-42 SN 17569 through 20115, SN 0160002519 through 0160014863; 944E-42 SN 17569 through 20123, SN 0160002514 through 0160041823)</b>	
14	2915170	1	ALTERNATOR SERVICE KIT	
14	7310012	1	CABLE ASSEMBLY, (944E-42)	
14	7029525	1	ALTERNATOR, (internal fan), (torque both positive and negative alternator terminal nuts to 15 Nm) <b>(644E-42 SN 0160014889 through 0160043356; 944E-42 SN 0160014891 through 0160041823)</b>	
15	7026666	1	STARTER	
16	7028783	1	2IN FAN SPACER, (must be used with item 11)	
17	3575947	2	FAN HUB PLATE <b>(644E-42 SN 0160012140 through 0160043356; 944E-42 SN 0160011951 through 0160041823)</b>	
18	8310354	4	HEX HD CAPSCREW, M10X80, GR8.8, (torque to 34-61 Nm) <b>(644E-42 SN 0160012140 through 0160043356; 944E-42 SN 0160011951 through 0160041823)</b>	
K1	8024038	1	250 HOUR FILTER KIT, (644E-42, TIER I), (includes 5 filters:	

## SECTION 4 - ENGINE AND ATTACHING PARTS

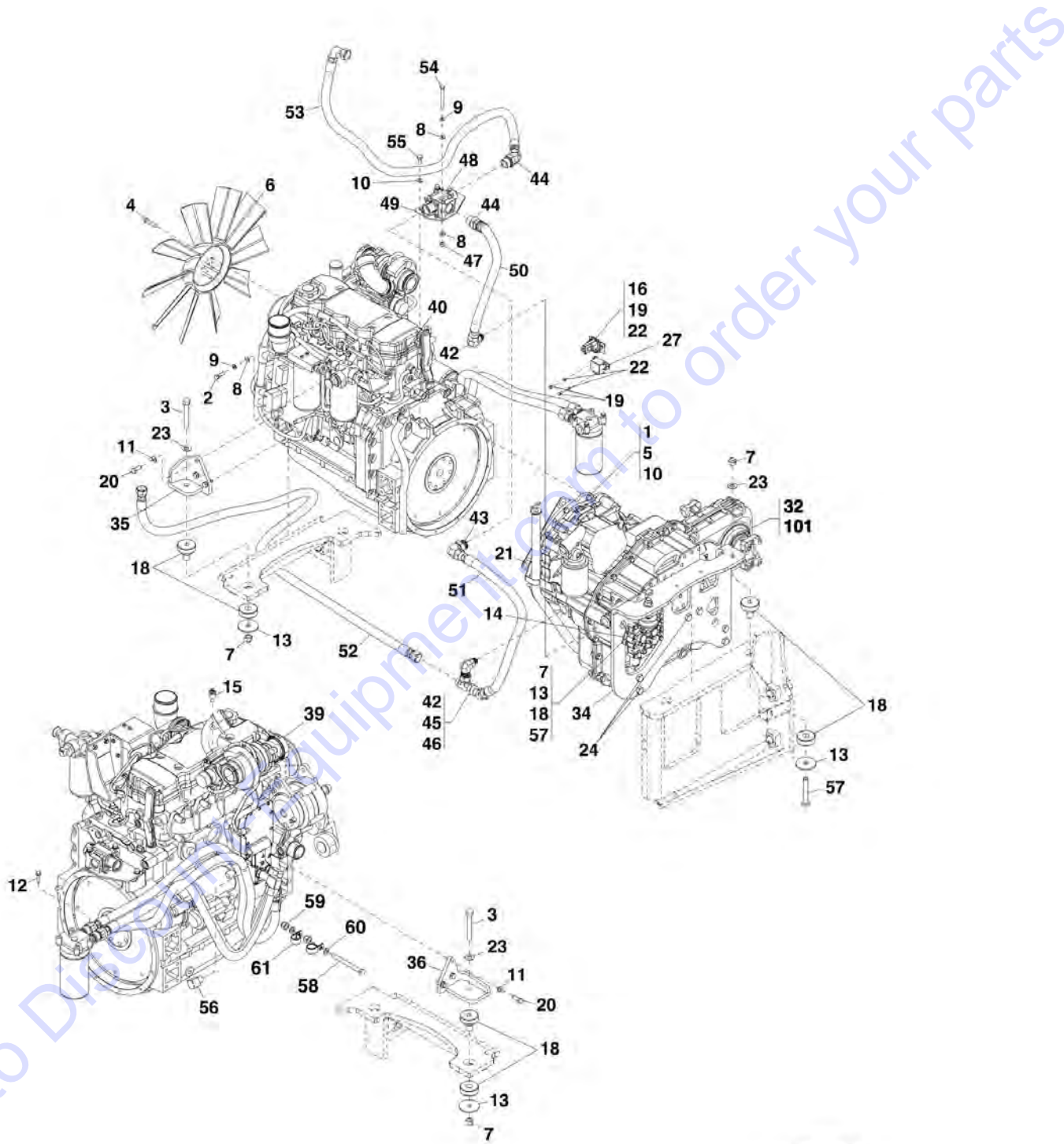
ITEM	PART NUMBER	QTY	DESCRIPTION	REV
K1	2915034	1	engine oil, primary fuel, inline fuel, primary air filter and safety air filter) 250 HOUR FILTER KIT, (644E-42, TIER II), (includes 5 filters: engine oil, primary fuel, inline fuel, primary air filter and safety air filter)	
K1	8024049	1	250 HOUR FILTER KIT, (944E-42), (includes 5 filters: engine oil, primary fuel, inline fuel, primary air filter and safety air filter)	
K2	8024037	1	1000 HOUR FILTER KIT, (644E-42, Tier I), (includes 8 filters: engine oil, primary fuel, inline fuel, primary air filter, safety air filter, transmission oil, hydraulic oil and filler cap)	
K2	2915035	1	1000 HOUR FILTER KIT, (644E-42, TIER II), (includes 8 filters: engine oil, primary fuel, inline fuel, primary air filter, safety air filter, transmission oil, hydraulic oil and filler cap)	
K3	8024044	1	1000 HOUR FILTER KIT, (944E-42), (includes 8 filters: engine oil, primary fuel, inline fuel, primary air filter, safety air filter, transmission oil, hydraulic oil and filler cap)	





# SECTION 4 - ENGINE AND ATTACHING PARTS

FIGURE 4-2. ENGINE INSTALLATION (644E-42 SN 0160048717 to Present, Including 0160045421; 944E-42 SN 0160041827 to Present)



ART\_PU3870-B

## SECTION 4 - ENGINE AND ATTACHING PARTS

**FIGURE 4-2. ENGINE INSTALLATION (644E-42 SN 0160048717 to Present, Including 0160045421;  
944E-42 SN 0160041827 to Present)**

ITEM	PART NUMBER	QTY	DESCRIPTION	REV
	1001112302	Ref	ENGINE INSTALLATION, (not available to order, see items 1 thru 61 for service)	I
1	0100011	AR	LOCTITE 242	
2	0641610	2	HEX HD CAPSCREW, 3/8-16X1-1/4, GR5, (torque to 35 lb-ft/48 Nm)	
3	0682034	2	HEX HD CAPSCREW, 5/8-11X4-1/4, GR8, (torque to 165 lb-ft/224 Nm)	
4	0701017	4	HEX HD CAPSCREW, M10X45, GR8.8, (torque to 25-45 lb-ft)	
5	0711015	12	HEX HD CAPSCREW, M10X35, GR10.9, (torque to 63 lb-ft/85 Nm)	
6	1001122234	1	23IN FAN	
7	8305643	4	HEX LOCKNUT, 5/8-11, (torque to 106-191 lb-ft/148-259 Nm)	
8	4711600	6	WASHER, 3/8	
9	4761600	4	LOCKWASHER, 3/8	
10	4812000	14	WASHER, 10mm	
11	4832100	7	LOCKWASHER, 12mm	
12	5200810	4	RIPP BOLT, M8X20	
13	7300435	4	WASHER	
14		Ref	TRANSMISSION TEMPERATURE SWITCH, (See ELECTRICAL SECTION for Breakdown)	
15	8223246	1	WATER TEMPERATURE SENDER	
16		Ref	100 AMP RELAY, (See ELECTRICAL SECTION for Breakdown)	
18	1001121309	4	MOUNT	
19		Ref	HEX HD CAPSCREW, M6X14, GR8.8, (See ELECTRICAL SECTION for Breakdown)	
20	8303790	6	HEX HD CAPSCREW, M12X30, GR8.8, (torque to 44-78 lb-ft)	
21		Ref	HEX HD CAPSCREW, M10X25, GR8.8, (See DRIVE TRAIN SECTION for Breakdown)	
22		Ref	WASHER, 6mm, (See ELECTRICAL SECTION for Breakdown)	
23	4712000	4	WASHER, 5/8	
24	8310379	6	HEX HD CAPSCREW, M16X45, GR10.9, (torque to 106-191 lb-ft/148-259 Nm)	
25		Ref	GEAR CLAMP, (not shown), (See FUEL SYSTEM for Breakdown)	
26		Ref	GEAR CLAMP, (not shown), (See FUEL SYSTEM for Breakdown)	
27		Ref	STARTER RELAY, (See ELECTRICAL SECTION for Breakdown)	
28		Ref	COUPLING, (not shown), (See FUEL SYSTEM for Breakdown)	
29		Ref	COUPLING, (not shown), (See FUEL SYSTEM for Breakdown)	
30		Ref	SEALING WASHER, (not shown), (See FUEL SYSTEM for Breakdown)	
32		Ref	ZF TRANSMISSION, (See DRIVE TRAIN SECTION for Breakdown)	
34	1001112241	1	TRANSMISSION MOUNTING PLATE	
35	1001112303	1	ENGINE MOUNT, (outside)	
36	1001112306	1	ENGINE MOUNT, (inside)	
37		Ref	HOSE, (not shown), (See FUEL SYSTEM for Breakdown)	
38		Ref	HOSE, (not shown), (See FUEL SYSTEM for Breakdown)	
39		Ref	ENGINE ASSEMBLY, (See ENGINE for Breakdown)	
40	1001119339	1	BRACKET	
42		Ref	ADAPTER, 90, (See HYDRAULIC CIRCUITS SECTION for Breakdown)	
43		Ref	ADAPTER, 90, (See HYDRAULIC CIRCUITS SECTION for	

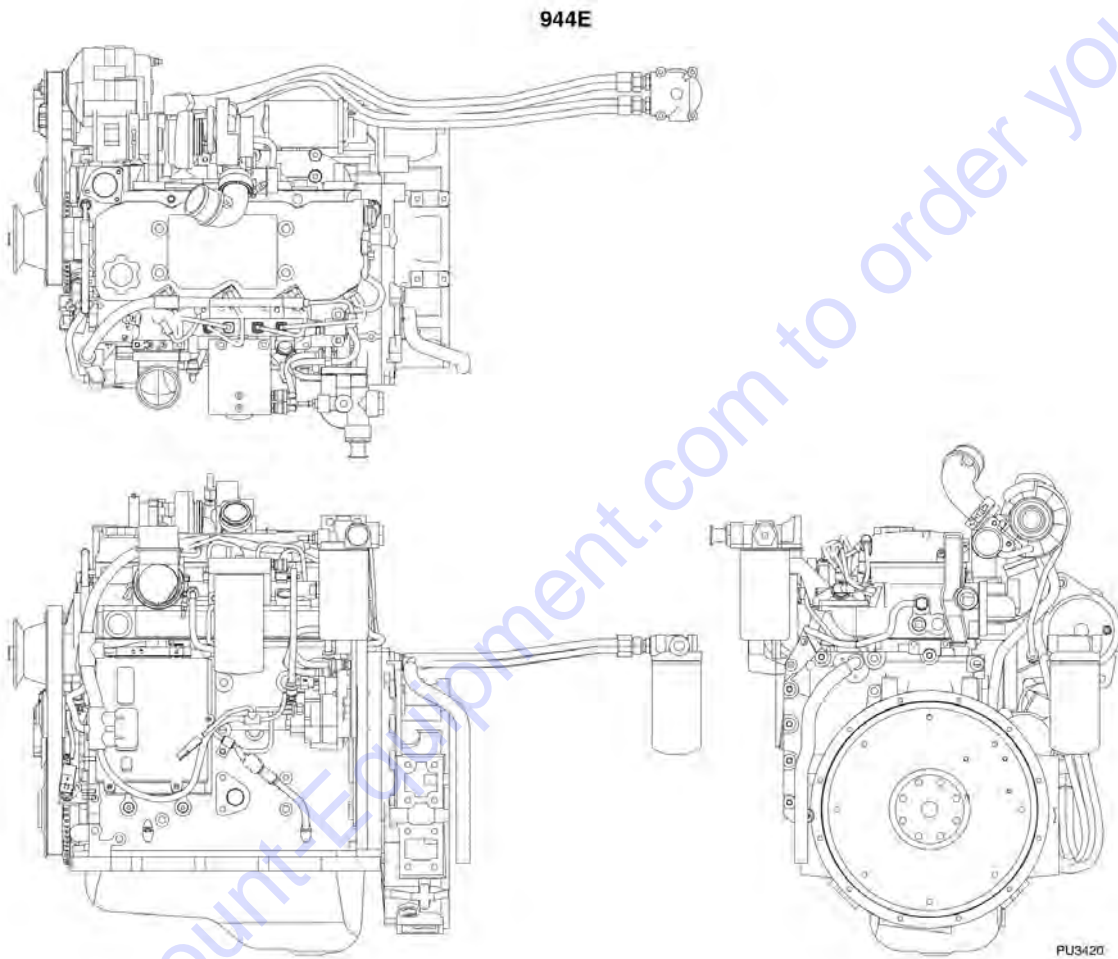
## SECTION 4 - ENGINE AND ATTACHING PARTS

ITEM	PART NUMBER	QTY	DESCRIPTION	REV
44		Ref	Breakdown) ADAPTER, 45, (See HYDRAULIC CIRCUITS SECTION for Breakdown)	
45		Ref	ADAPTER, (includes o-ring), (See HYDRAULIC CIRCUITS SECTION for Breakdown)	
46		Ref	SWIVEL NUT ADAPTER, 45	
47	3271601	2	HEX NUT, 3/8-16, GR8	
48		Ref	THERMAL BYPASS VALVE, (See HYDRAULIC CIRCUITS SECTION for Breakdown)	
49	1001120839	1	PLATE	
50		Ref	HOSE ASSEMBLY, (See HYDRAULIC CIRCUITS SECTION for Breakdown)	
51		Ref	HOSE ASSEMBLY, (See HYDRAULIC CIRCUITS SECTION for Breakdown)	
52		Ref	HOSE ASSEMBLY, (See HYDRAULIC CIRCUITS SECTION for Breakdown)	
53		Ref	HOSE ASSEMBLY, (See HYDRAULIC CIRCUITS SECTION for Breakdown)	
54	0641628	2	HEX HD CAPSCREW, 3/8-16X3-1/2, GR5	
55	0761012	2	HEX HD CAPSCREW, M10X25, GR8.8	
56	1001117214	1	ADAPTER, 90	
57	0682032	2	HEX HD CAPSCREW, 5/8-11X4, GR8	
58	0761230	1	HEX HD CAPSCREW, M12x130, GR8.8	
59	8305044	2	HEXNUT	
60	8307220	2	WASHER, 12mm	
61	80673023	2	CLAMP	
101		Ref	GEAR PUMP, (See HYDRAULIC COMPONENTS SECTION for Breakdown)	



## SECTION 4 - ENGINE AND ATTACHING PARTS

FIGURE 4-3. ENGINE (SN 0160041827 through 0160044164)



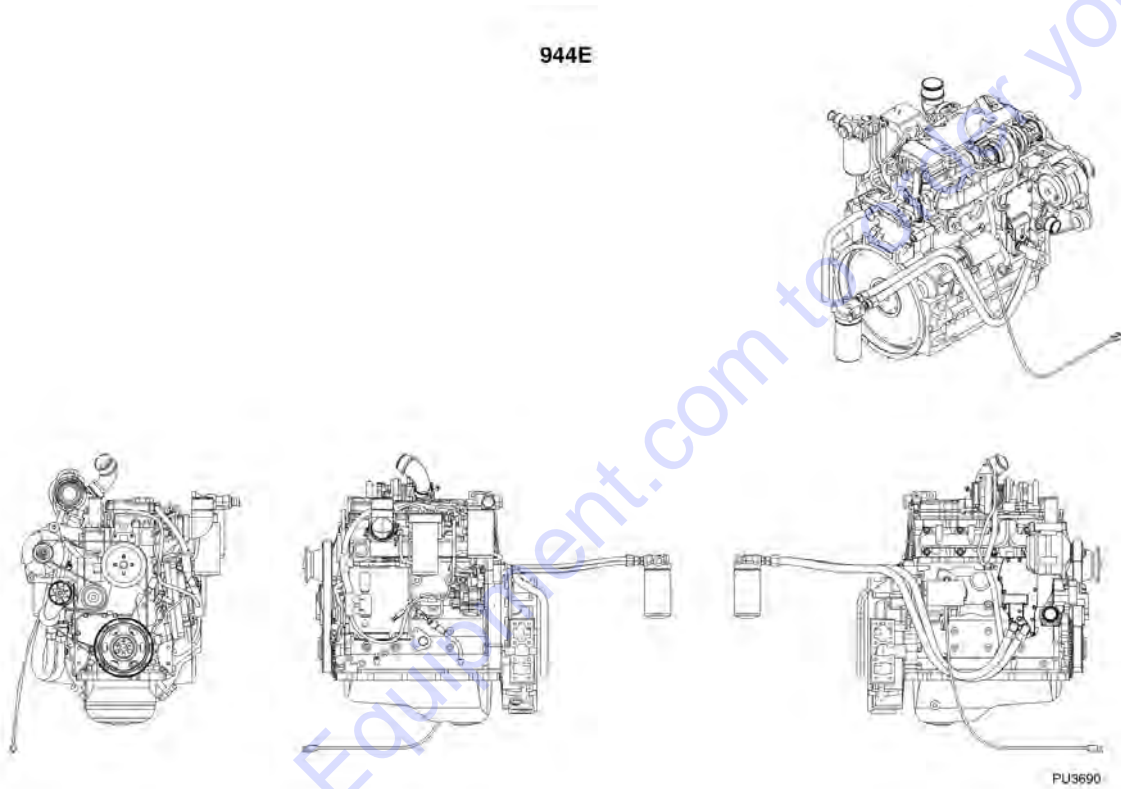
## SECTION 4 - ENGINE AND ATTACHING PARTS

**FIGURE 4-3. ENGINE (SN 0160041827 through 0160044164)**

ITEM	PART NUMBER	QTY	DESCRIPTION	REV
	1001114945	1	ENGINE, 110 HP, TIER III, (includes all items)	C
	70023444	1	BLOCK HEATER	
	70023287	1	ALTERNATOR	
		Ref	ALTERNATOR MOUNTING	
	1321814	1	HEX HD CAPSCREW, 1/2-13X1	
	1321918	4	HEX HD CAPSCREW, M8X35	
	1321951	1	HEX HD CAPSCREW, M10X25	
	1321955	1	HEX HD CAPSCREW, M12X150	
	80384398	1	HEX NUT, M12X1.75	
	70023288	1	BRACKET	
	70023289	1	SUPPORT BRACKET	
	70022634	1	FLYWHEEL WITH RING GEAR	
	70020350	1	DIPSTICK	
	70020351	1	DIPSTICK TUBE	
	70020352	1	STARTER	
	70020358	1	OIL FILTER	
	70023932	1	ENGINE OIL PRESSURE SWITCH	
	70023933	1	ENGINE OIL PRESSURE SWITCH O-RING	
	70020349	1	PRIMARY FUEL FILTER	
	70020348	1	SECONDARY FUEL FILTER	

## SECTION 4 - ENGINE AND ATTACHING PARTS

FIGURE 4-4. ENGINE (SN 0160044254 through 0160049550)





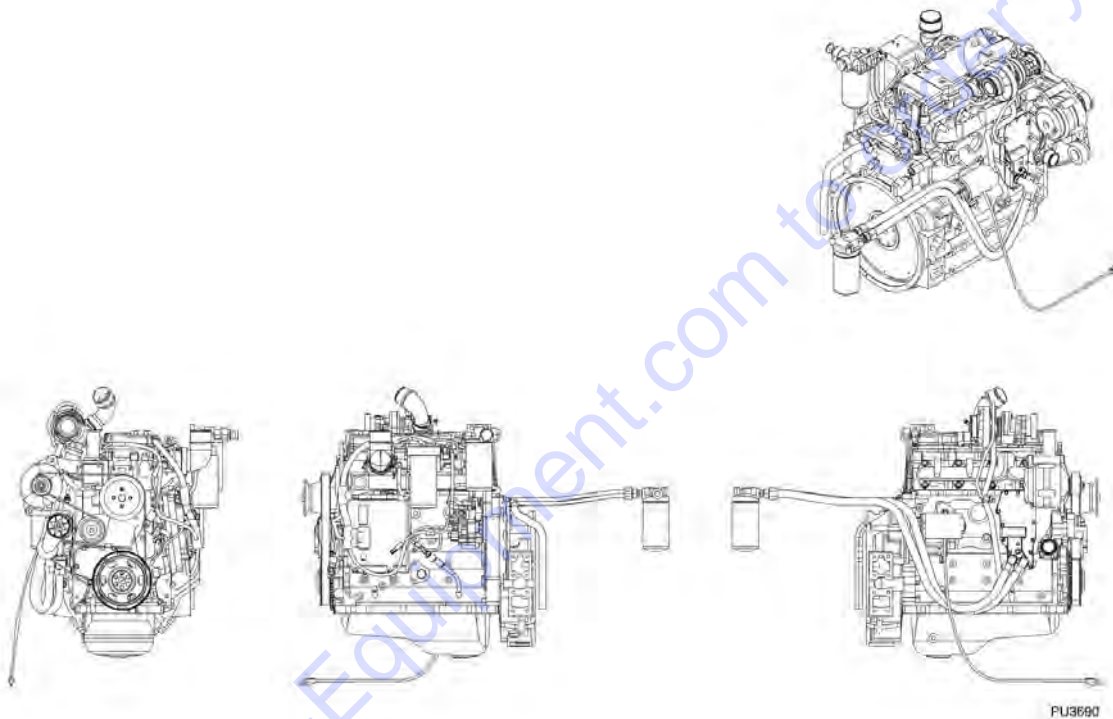
## SECTION 4 - ENGINE AND ATTACHING PARTS

FIGURE 4-4. ENGINE (SN 0160044254 through 0160049550)

ITEM	PART NUMBER	QTY	DESCRIPTION	REV
	1001137644	1	ENGINE, 110 HP, TIER III	B
	70023443	1	BLOCK HEATER	
	70023444	1	BLOCK HEATER CABLE	
	70024463	1	FLYWHEEL	
	70023736	1	FLYWHEEL RING	
	70024464	1	12V ALTERNATOR	
	7029947	1	OIL PRESSURE SWITCH, (includes o-ring)	
	70020351	1	DIPSTICK TUBE	
	70020350	1	DIPSTICK	
	70020352	1	STARTER	
	70020349	1	PRIMARY FUEL FILTER	
	70020348	1	SECONDARY FUEL FILTER	
	70024465	1	OIL FILTER	

## SECTION 4 - ENGINE AND ATTACHING PARTS

FIGURE 4-5. ENGINE (644E-42 SN 0160048717 to Present, Including 0160045421; 944E-42 SN 0160049678 to Present)



## SECTION 4 - ENGINE AND ATTACHING PARTS

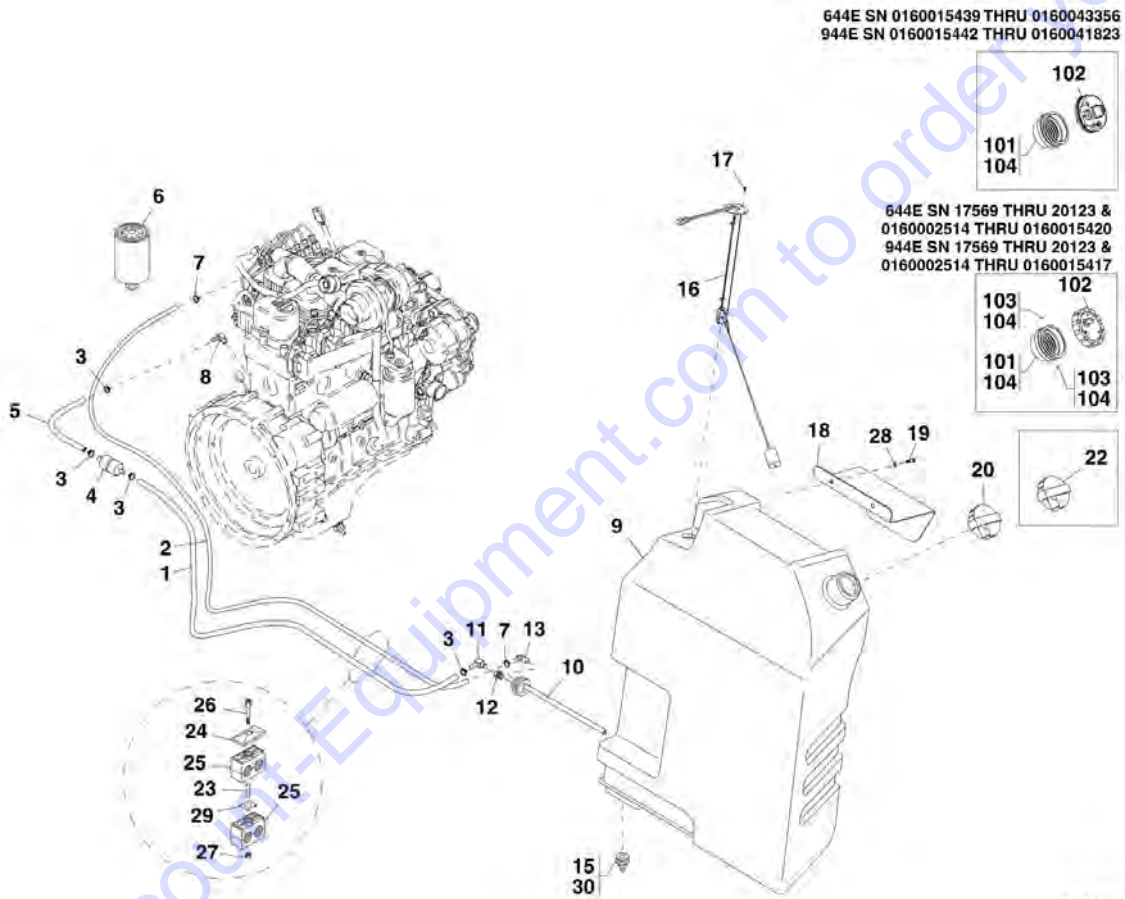
**FIGURE 4-5. ENGINE (644E-42 SN 0160048717 to Present, Including 0160045421; 944E-42 SN 0160049678 to Present)**

ITEM	PART NUMBER	QTY	DESCRIPTION	REV
	1001147574	1	ENGINE, 110 HP, TIER III, (includes all items)	C
	70023443	1	BLOCK HEATER	
	70023444	1	BLOCK HEATER CABLE	
	70024464	1	12V ALTERNATOR	
	70024463	1	FLYWHEEL	
	70023736	1	FLYWHEEL RING	
	70020348	1	SECONDARY FUEL FILTER	
	70024465	1	OIL FILTER	
	70020351	1	DIPSTICK TUBE	
	70020350	1	DIPSTICK	
	1001128594	1	STARTER	
	70020349	1	PRIMARY FUEL FILTER	

Go to Discount-Equipment.com to order your parts

# SECTION 4 - ENGINE AND ATTACHING PARTS

FIGURE 4-6. FUEL SYSTEM (644E-42 Prior to SN 0160048717, Excluding 0160045421; 944E-42 Prior to SN 0160041827)



PAP12281

## SECTION 4 - ENGINE AND ATTACHING PARTS

**FIGURE 4-6. FUEL SYSTEM (644E-42 Prior to SN 0160048717, Excluding 0160045421; 944E-42 Prior to SN 0160041827)**

ITEM	PART NUMBER	QTY	DESCRIPTION	REV
1	7300379	1	FUEL SUPPLY HOSE ASSEMBLY	
2	7300378	1	FUEL RETURN HOSE ASSEMBLY	
3	8410013	4	HOSE CLAMP, #6	
4	8274022	1	INLINE FUEL FILTER	
5	7300377	1	FUEL SUPPLY HOSE ASSEMBLY	
6	8320270	1	PRIMARY FUEL FILTER, (644E-42, Tier I)	
6	7028838	1	PRIMARY FUEL FILTER, (644E-42, Tier II)	
6	8320278	1	PRIMARY FUEL FILTER, (944E-42, Tier II)	
7	8405009	2	HOSE CLAMP, 7/32 DIA	
8	8420229	1	ELBOW, 3/8 HOSE	
9	7151246	1	FUEL TANK, (includes items 10, 15 & 30) <b>(644E-42 SN 17569 through 20123, SN 0160002514 through 0160015420; 944E-42 SN 17569 through 20123, SN 0160002514 through 0160015417)</b>	E
9	4400473	1	FUEL TANK, (includes items 10, 15 & 30) <b>(644E-42 SN 0160015439 through 0160043356; 944E-42 SN 0160015442 through 0160041823)</b>	D
10	NSS	1	BULKHEAD FITTING ASSEMBLY, PICK-UP-TUBES, (includes items 11 thru 14)	
11	8420229	1	ELBOW, 90, HOSE BARB #6-4P	
12	8530041	1	PIPE ADAPTER, FEMALE TO MALE, 0.250 TO 0.250	
13	10728873	1	ADAPTER, 90, 5/16 HOSE TO 1/4	
14	NSS	1	BULKHEAD FITTING, PICK-UP-TUBES, (not shown)	
15	8036601	1	FUEL DRAIN, 3/8	
16	7301076	1	FUEL SENDER ASSEMBLY WITH GASKET	
17	8303515	5	HEX HD CAPSCREW, M4X10, GR8.8	
18	7300510	1	TOP FUEL TANK SUPPORT	
19	8303618	2	HEX HD CAPSCREW, M12X25, GR8.8	
20	2915155	1	KEYED FUEL CAP KIT, (includes items 103 & 104) <b>(644E-42 SN 17569 through 20123, SN 0160002514 through 0160015420; 944E-42 SN 17569 through 20123, SN 0160002514 through 0160015417)</b>	
20	1001102657	1	LOCKABLE FUEL CAP KIT, (if equipped), (not shown), (includes items 101, 102 & 104) <b>(644E-42 SN 0160015439 through 0160043356; 944E-42 SN 0160015442 through 0160041823)</b>	
22	6623749	1	NON-LOCKING FUEL CAP <b>(644E-42 SN 17569 through 20123, SN 0160002514 through 0160015420; 944E-42 SN 17569 through 20123, SN 0160002514 through 0160015417)</b>	
22	1001093641	1	NON-LOCKING FUEL CAP <b>(644E-42 SN 0160015439 through 0160043356; 944E-42 SN 0160015442 through 0160041823)</b>	
23	8303550	1	HEX HD CAPSCREW, M8X60, GR8.8	
24	8750025	1	TWIN CLAMP COVER	
25	8750022	1	CLAMP	
26	8303528	1	HEX HD CAPSCREW, M8X65, GR8.8	
27	8750043	1	RAIL NUT	
28	8307220	2	PLAIN WASHER, 12mm	
29	8750017	1	LOCKING PLATE	
30	70021599	1	BULKHEAD FITTING, 1/4IN NPT BRASS, LEFT HAND THREAD	
101	0080271	1	FILLER NECK ADAPTER <b>(644E-42 SN 17569 through 20123, SN 0160002514 through 0160015420; 944E-42 SN 17569 through 20123, SN 0160002514 through 0160015417)</b>	
101	1001001422	1	FILLER NECK ADAPTER <b>(644E-42 SN 0160015439 through 0160043356; 944E-42 SN 0160015442 through 0160041823)</b>	

## SECTION 4 - ENGINE AND ATTACHING PARTS

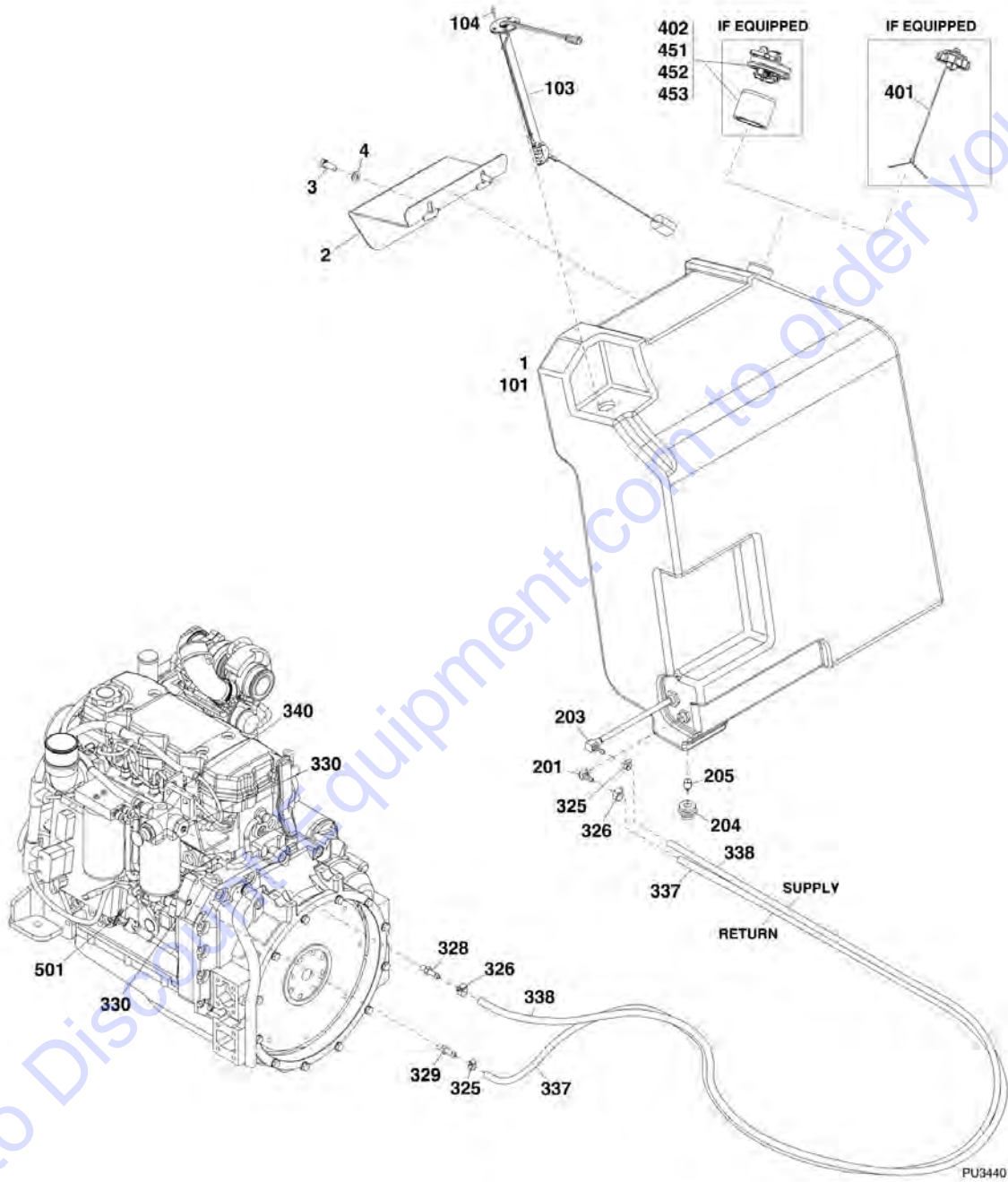
ITEM	PART NUMBER	QTY	DESCRIPTION	REV
102	1120591	1	KEYED FUEL CAP, (comes with 2 keys; replacement keys not available) (644E-42 SN 17569 through 20123, SN 0160002514 through 0160015420; 944E-42 SN 17569 through 20123, SN 0160002514 through 0160015417)	
102	1001080707	1	LOCKABLE FUEL CAP (644E-42 SN 0160015439 through 0160043356; 944E-42 SN 0160015442 through 0160041823)	
103	3900140	2	SET SCREW, 1/4-20X3/8	
104	14404978	AR	LOCTITE 641 (apply to item 101 & 103) (644E-42 SN 17569 through 20123, SN 0160002514 through 0160015420; 944E-42 SN 17569 through 20123, SN 0160002514 through 0160015417)	
104	0100093	AR	LOCTITE 30512 (apply to item 101) (644E-42 SN 0160015439 through 0160043356; 944E-42 SN 0160015442 through 0160041823)	

Go to Discount-Equipment.com to order your parts



# SECTION 4 - ENGINE AND ATTACHING PARTS

FIGURE 4-7. FUEL SYSTEM (644E-42 SN 0160048717 to Present, Including 0160045421; 944E-42 SN 0160041827 to Present)





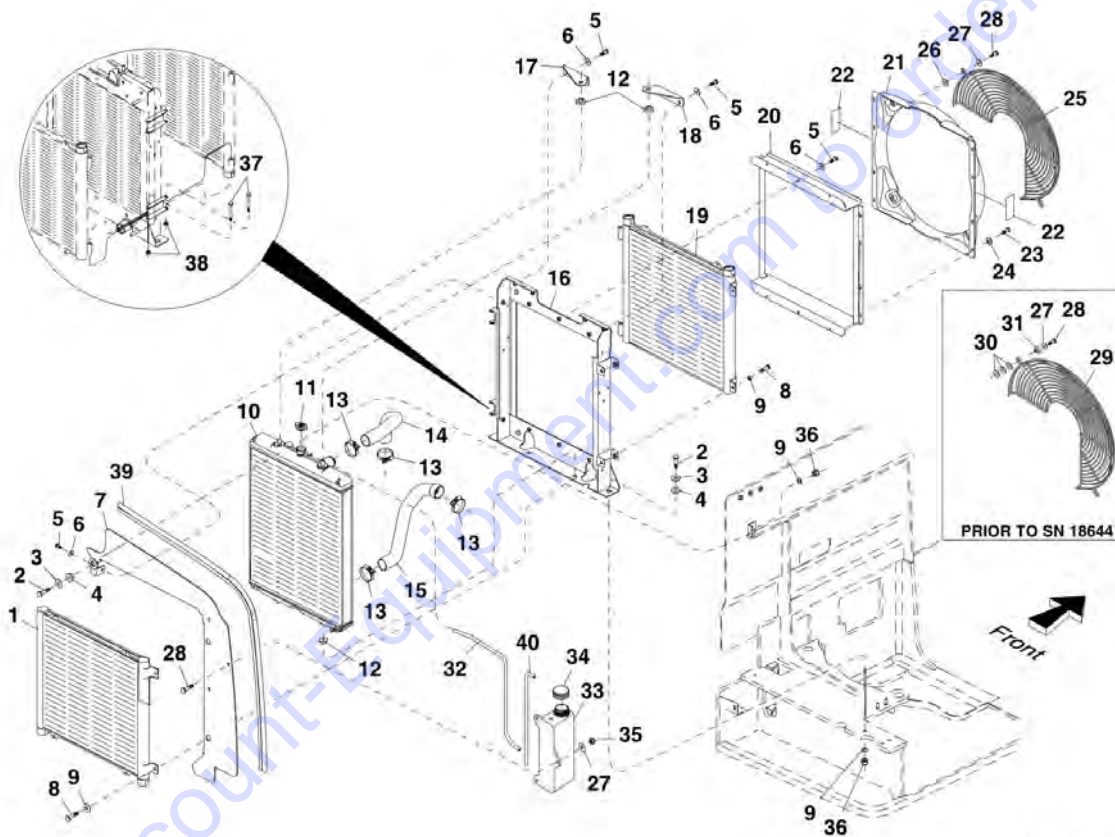
## SECTION 4 - ENGINE AND ATTACHING PARTS

**FIGURE 4-7. FUEL SYSTEM (644E-42 SN 0160048717 to Present, Including 0160045421; 944E-42 SN 0160041827 to Present)**

ITEM	PART NUMBER	QTY	DESCRIPTION	REV
	7300275	Ref	FUEL TANK INSTALLATION, (not available to order, see items 1 thru 4 for service)	C
1	7151245	1	FUEL TANK ASSEMBLY, (includes items 101 thru 104)	F
2	7300510	1	TOP FUEL TANK SUPPORT	
3	8303519	2	HEX HD CAPSCREW, M12X35, GR8.8	
4	8307220	2	WASHER, 12mm	
101	4400473	1	FUEL TANK, (includes items 201 thru 205)	D
103	7301076	1	FUEL SENDER ASSEMBLY WITH GASKET	
104	8303515	5	HEX HD CAPSCREW, M4X10, GR8.8	
201	8420229	1	ELBOW, 90, HOSE BARB #6-4P	
203	10728873	1	ADAPTER, 90, 5/16 HOSE TO 1/4	
204	8036601	1	FUEL DRAIN, 3/8	
205	70021599	1	BULKHEAD FITTING, 1/4IN NPT BRASS, LEFT HAND THREAD	
325	8405009	2	GEAR CLAMP, (torque to 12-15 lb-ft)	
326	8410013	2	GEAR CLAMP, (torque to 40 lb-ft)	
328	1001093891	1	HOSE COUPLING	
329	1001093892	1	HOSE COUPLING	
330	1001093944	2	SPECIAL SEALING WASHER	
337	1001114943	1	HOSE, (fuel return)	
338	1001114944	1	HOSE, (fuel supply)	
340		Ref	FUEL FILTER BRACKET, (See ENGINE INSTALLATION for Breakdown)	
401	1001093641	1	NON-LOCKING FUEL TANK CAP, (if equipped)	
402	1001102657	1	LOCKING FUEL TANK CAP, (includes items 451 thru 453), (if equipped)	A
451	1001001422	1	FILLER NECK ADAPTOR	
452	1001080707	1	CAP	
453	0100093	AR	LOCTITE 30512	
501		Ref	PRIMARY FUEL FILTER, (See ENGINE for Breakdown)	

## SECTION 4 - ENGINE AND ATTACHING PARTS

FIGURE 4-8. RADIATOR AND OIL COOLER MOUNTING (644E-42 SN 17569 through 20123, SN 0160002514 through 0160009050; 944E-42 SN 17569 through 20123, SN 0160002514 through 0160009044)



PAP12370

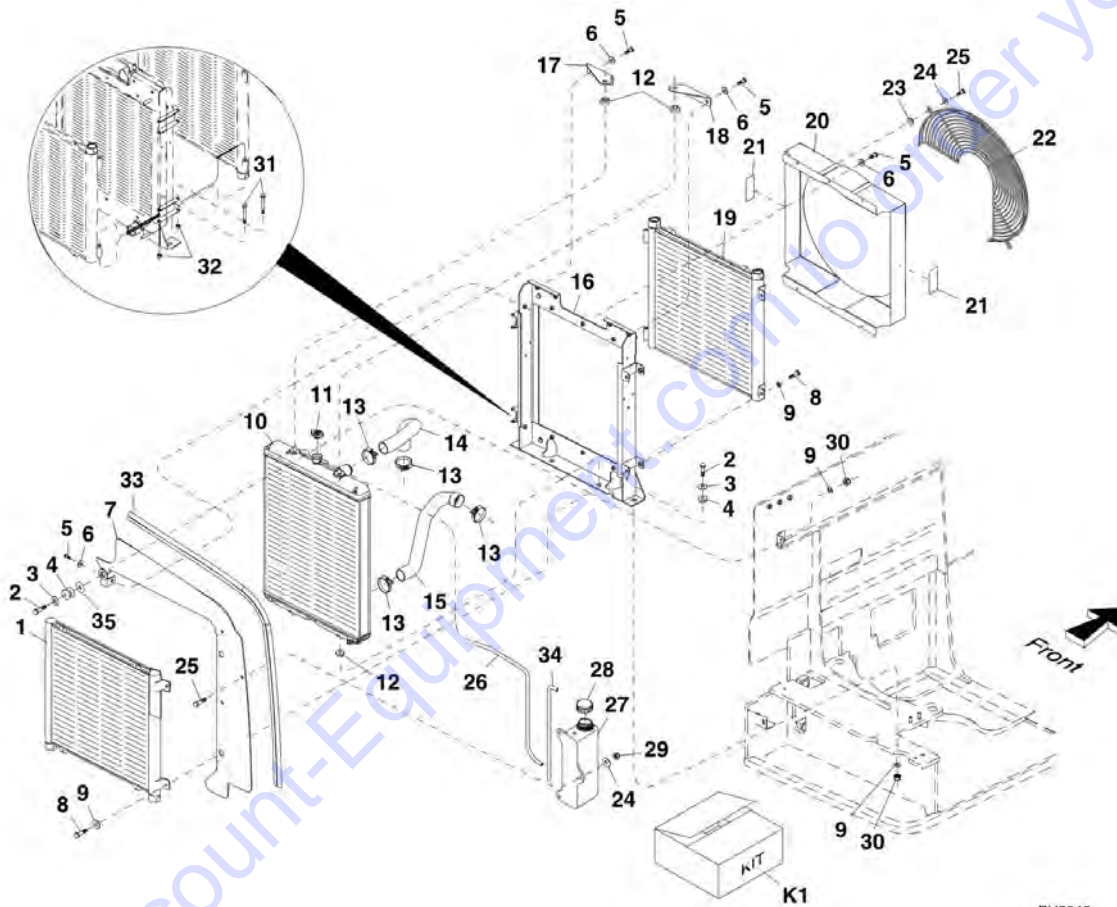
## SECTION 4 - ENGINE AND ATTACHING PARTS

**FIGURE 4-8. RADIATOR AND OIL COOLER MOUNTING (644E-42 SN 17569 through 20123, SN 0160002514 through 0160009050; 944E-42 SN 17569 through 20123, SN 0160002514 through 0160009044)**

ITEM	PART NUMBER	QTY	DESCRIPTION	REV
	8180219	Ref	RADIATOR ASSEMBLY, (includes items 1, 5 thru 12, 16 thru 20, 23 thru 28, 32 thru 35, 37, 38 & 40)	B
1	8180216	1	TRANSMISSION OIL COOLER ASSEMBLY	
2	8303097	3	HEX HD CAPSCREW, M10X65, GR8.8	
3	7057141	3	REBOUND WASHER	
4	8278020	3	RUBBER MOUNT	
5	8303606	11	HEX HD CAPSCREW, M8X22, GR8.8	
6	8307222	11	PLAIN WASHER, 8mm	
7	7300374	1	COWLING PLATE	
8	8303798	4	HEX HD CAPSCREW, M10X25, GR8.8	
9	8307221	7	PLAIN WASHER, 10mm	
10	8180210	1	RADIATOR ASSEMBLY	
11	8180311	1	RADIATOR PRESSURE CAP, 13PSI	
12	8180324	4	RUBBER CUSHION	
13	8405104	4	HOSE CLAMP, #28	
14	7300287	1	UPPER RADIATOR HOSE	
15	7300288	1	LOWER RADIATOR HOSE	
16	8180327	1	FRAME ASSEMBLY	
17	8180326	1	LEFT FRAME BRACKET	
18	8180325	1	RIGHT FRAME BRACKET	
19	8180215	1	HYDRAULIC OIL COOLER ASSEMBLY	
20		Ref	SHROUD SPACER ASSEMBLY, (no longer available, order Kit 2915055 on RADIATOR AND OIL COOLER MOUNTING for replacement) <b>(644E-42 SN 0160012140 through 0160009050; 944E-42 SN 0160012143 through 01600418223)</b>	
21		Ref	FAN SHROUD KIT, (includes item 22),(no longer available, order Kit 2915055 on RADIATOR AND OIL COOLER MOUNTING for replacement) <b>(644E-42 SN 0160012140 through 0160009050; 944E-42 SN 0160012143 through 01600418223)</b>	
22	4110184	2	DECAL	
23	8303656	8	HEX HD CAPSCREW, 5/16-18X7/8	
24	8307106	8	PLAIN NARROW WASHER, .312X.344X.688X.065	
25	8180332	1	FAN GUARD	
26	8307203	3	PLAIN WASHER	
27	8307222	6	PLAIN WASHER, 8-8.4-17, 1.6mm	
28	8303611	6	HEX HD CAPSCREW, M8X30, GR8.8	
29		Ref	FAN GUARD, (replace with items 25, 26 & 27)	
30		Ref	PLAIN WASHER, 8.4 ID X 21 OD 4mm, (replace with items 25, 26 & 27)	
31		Ref	SPACER, (replace with items 25, 26 & 27)	
32	8180330	1	OVERFLOW HOSE, 700 LG	
33	8180320	1	OVERFLOW BOTTLE	
34	8866341	1	OVERFLOW BOTTLE CAP	
35	8305043	3	HEX NUT, M8X1.25, GR8.8	
36	8305630	3	HEX LOCKNUT, M10X1.5	
37	8303107	4	HEX HD CAPSCREW, 3/8-16X3-1/4	
38	8305645	4	HEX NUT, 3/8-16	
39	7300375	1	SEAL BULB	
40	8180329	1	OVERFLOW HOSE, 500 LG	

# SECTION 4 - ENGINE AND ATTACHING PARTS

FIGURE 4-9. RADIATOR AND OIL COOLER MOUNTING (644E-42 SN 0160009073 through 0160043356; 944E-42 SN 0160009075 through 0160041823)



PU3343

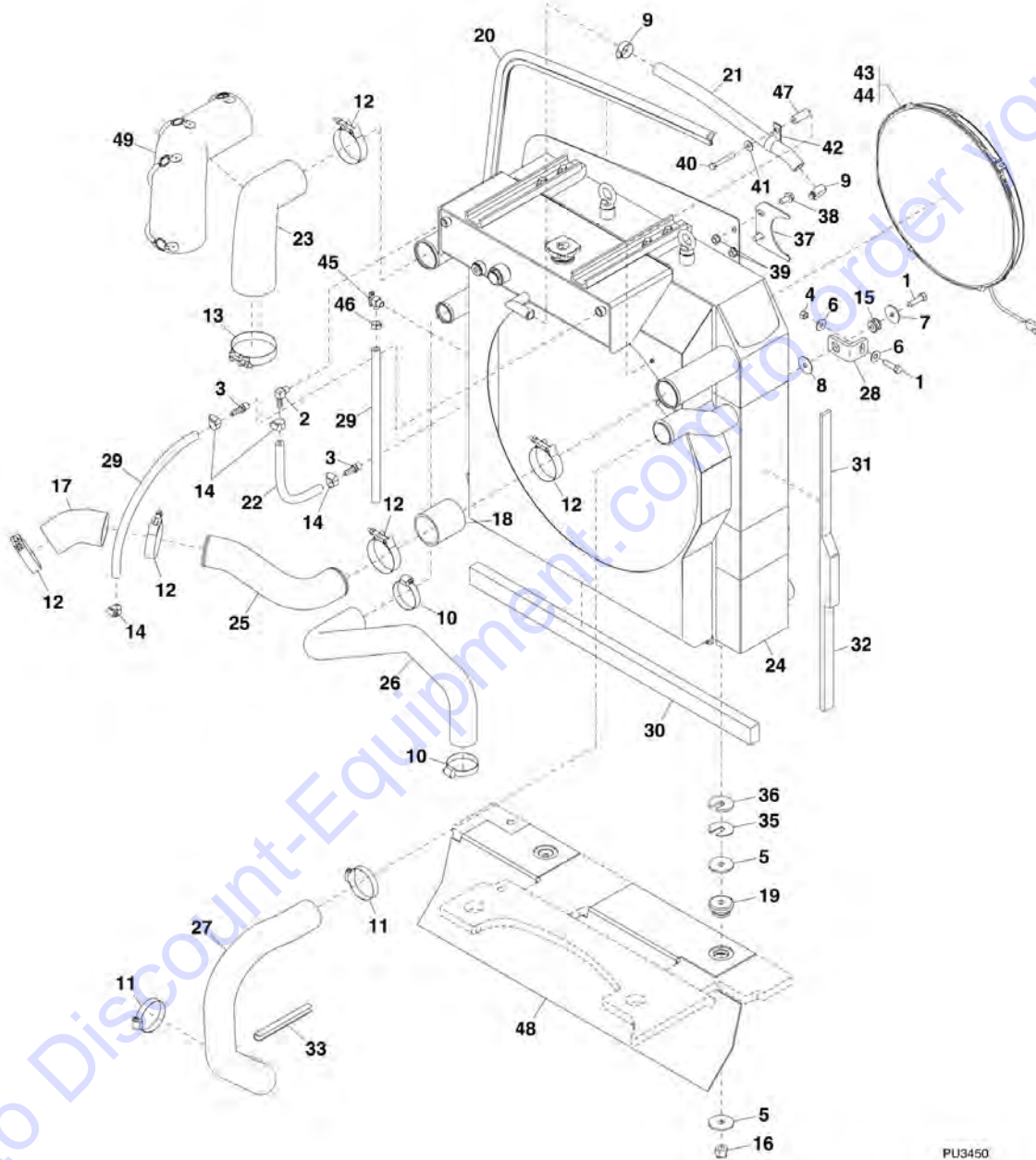
## SECTION 4 - ENGINE AND ATTACHING PARTS

**FIGURE 4-9. RADIATOR AND OIL COOLER MOUNTING (644E-42 SN 0160009073 through 0160043356; 944E-42 SN 0160009075 through 0160041823)**

ITEM	PART NUMBER	QTY	DESCRIPTION	REV
	3620060	Ref	RADIATOR INSTALLATION, (includes items 1, 5 thru 12, 16 thru 20, 22 thru 29, 31, 32 & 34)	
	7300272	Ref	REAR COOLING SUPPORT ASSEMBLY, (includes items 2 thru 4, 9, 30 & 35)	D
1	8180216	1	TRANSMISSION OIL COOLER ASSEMBLY	
2	8303097	3	HEX HD CAPSCREW, M10X65, GR8.8	
3	7057141	3	REBOUND WASHER	
4	8278020	3	RUBBER MOUNT	
5	8303606	11	HEX HD CAPSCREW, M8X22, GR8.8	
6	8307222	11	PLAIN WASHER, 8mm	
7	7300374	1	COWLING PLATE	
8	8303798	4	HEX HD CAPSCREW, M10X25, GR8.8	
9	8307221	7	PLAIN WASHER, 10mm	
10	8180210	1	RADIATOR ASSEMBLY	
11	8180311	1	RADIATOR PRESSURE CAP, 13PSI	
12	8180324	4	RUBBER CUSHION	
13	8405104	4	HOSE CLAMP, #28	
14	7300287	1	UPPER RADIATOR HOSE	
15	2720557	1	LOWER RADIATOR HOSE	
16	8180327	1	FRAME ASSEMBLY	
17	8180326	1	LEFT FRAME BRACKET	
18	8180325	1	RIGHT FRAME BRACKET	
19	8180215	1	HYDRAULIC OIL COOLER ASSEMBLY	
20	7029081	1	SHROUD ASSEMBLY	
21	4110184	2	DECAL	
22	8180332	1	FAN GUARD	
23	8307203	3	PLAIN WASHER	
24	8307222	6	PLAIN WASHER, 8-8.4-17, 1.6mm	
25	8303611	6	HEX HD CAPSCREW, M8X30, GR8.8	
26	8180330	1	OVERFLOW HOSE, 700 LG	
27	8180320	1	OVERFLOW BOTTLE	
28	8866341	1	OVERFLOW BOTTLE CAP	
29	8305043	3	HEX NUT, M8X1.25, GR8.8	
30	8305630	3	HEX LOCKNUT, M10X1.5	
31	8303107	4	HEX HD CAPSCREW, 3/8-16X3-1/4	
32	8305645	4	HEX NUT, 3/8-16	
33	7300375	1	SEAL BULB	
34	8180329	1	OVERFLOW HOSE, 500 LG	
35	8310621	AR	FEND WASHER, 10M-5/16-18 THD	
K1	2915055	1	FAN SHROUD KIT, (includes items 5, 13, 15, 20, 21 & 24)	

# SECTION 4 - ENGINE AND ATTACHING PARTS

FIGURE 4-10. RADIATOR AND OIL COOLER MOUNTING (644E-42 SN 0160048717 to Present, Including 0160045421; 944E-42 SN 0160041827 to Present)



PU3450

## SECTION 4 - ENGINE AND ATTACHING PARTS

**FIGURE 4-10. RADIATOR AND OIL COOLER MOUNTING (644E-42 SN 0160048717 to Present,  
Including 0160045421; 944E-42 SN 0160041827 to Present)**

ITEM	PART NUMBER	QTY	DESCRIPTION	REV
	1001121911	Ref	RADIATOR INSTALLATION, (not available to order, see items 1 thru 49 for service)	B
1	0641611	2	HEX HD CAPSCREW, 3/8-16X1-3/8, GR5	
2	2180467	1	BARBED ELBOW, 90	
3	2220767	2	BARBED STRAIGHT FITTING	
4	3271601	1	HEX NUT, 3/8-16, GR8	
5	4740274	4	SPECIAL WASHER	
6	4751600	2	WASHER, 3/8	
7	7057141	1	FLAT WASHER	
8	8310246	1	WASHER, 3/8	
9	8405007	2	GEAR CLAMP, 1.25 DIA, (torque to 40 lb-in)	
10	8405201	2	GEAR CLAMP, 2.5 DIA, (torque to 40 lb-in)	
11	8405202	2	GEAR CLAMP, 2.75 DIA, (torque to 40 lb-in)	
12	8405212	5	HEAVY DUTY T-BOLT CLAMP, (torque to 50 lb-in)	
13	8405306	1	T-BOLT CLAMP, (torque to 50 lb-in)	
14	8410013	4	GEAR CLAMP, 0.78 DIA	
15	83683308	1	MOUNTING PAD	
16	88521208	2	LOCKNUT, 1/2-13	
17	1001098971	1	TUBE	
18	1001099251	1	HOSE	
19	1001114803	2	ISOLATOR MOUNT	
20	1001116122	59 in	BULB SEAL	
21	1001116177	1	HOSE	
22	1001121341	1	HOSE	
23	1001121568	1	HOSE	
24	1001121579	1	RADIATOR ASSEMBLY	B
24	70023926	1	RADIATOR CAP	
24	70023927	1	SURGE TANK	
25	1001121586	1	TUBE	
26	1001121599	1	HOSE	
27	1001121600	1	HOSE	
28	1001121843	1	BRACKET	
29	1001122286	2	HOSE	
30	1001122313	1	FOAM SEAL	
31	1001122314	1	FOAM SEAL	
32	1001122315	1	FOAM SEAL	
33	90206202	6 in	TRIM LOCK	
34		Ref	COOLANT FILL DECAL, (not shown), (See DECAL SECTION for Breakdown)	
35	1001120376	2	SHIM	
36	1001120377	2	SHIM	
37	1001131727	1	BRACKET	
38	5201010	2	RIPP BOLT, M10X20	
39	5221000	2	RIPP NUT, 10mm	
40	0641518	1	HEX HD CAPSCREW, 5/16-18X2-1/4, GR5	
41	4751500	1	WASHER, 5/16	
42	80673023	1	SUPPORT CLAMP	
43	1001131527	1	16IN ELECTRIC FAN	
44	1001131528	1	FAN BRACKET	

## SECTION 4 - ENGINE AND ATTACHING PARTS

ITEM	PART NUMBER	QTY	DESCRIPTION	REV
45	1001132178	1	DRAIN VALVE	
46	1001132205	1	HOSE CLAMP	
47	1001132276	1	SPACER	
48	1001132301	1	SEAL	
49	1001131631	1	HOSE INSULATION	

Go to Discount-Equipment.com to order your parts







## SECTION 4 - ENGINE AND ATTACHING PARTS

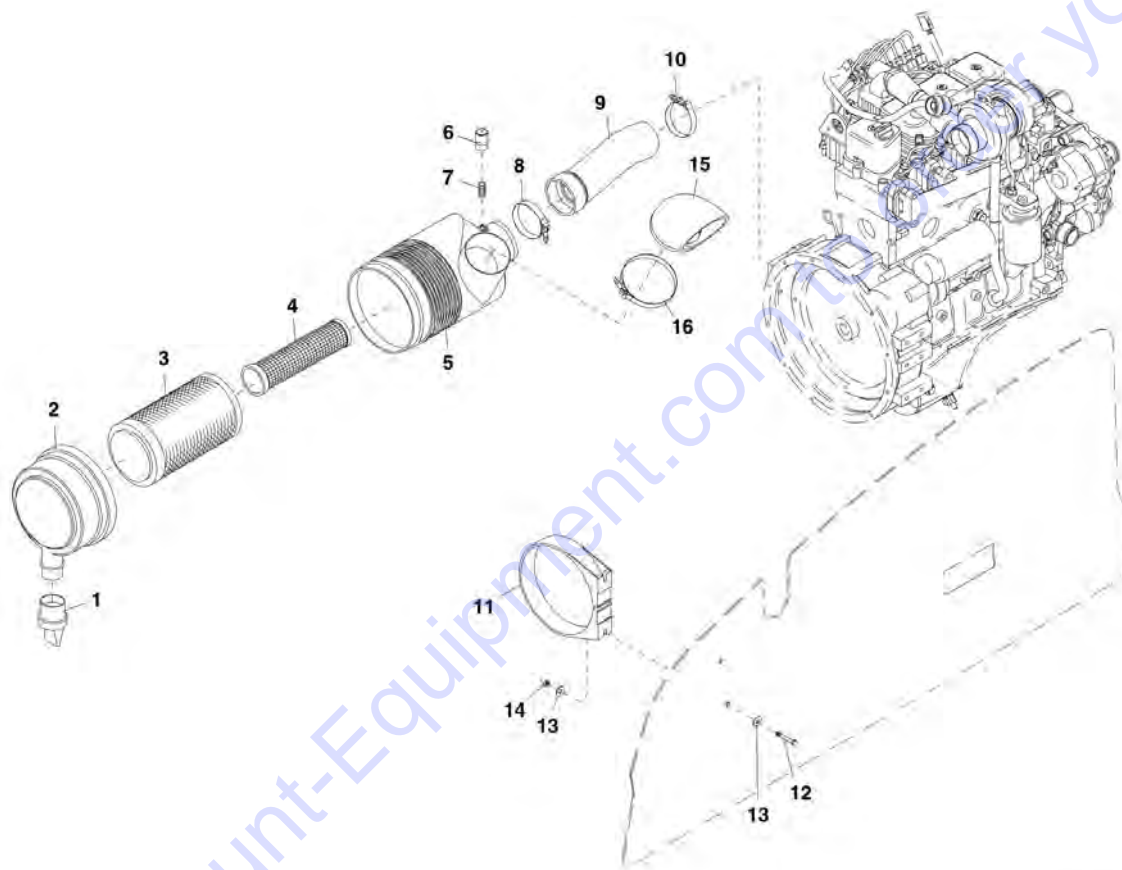
**FIGURE 4-11. AIR CLEANER INSTALLATION (644E-42 SN 17569 through 20123, SN 0160002514 through 0160011781; 944E-42 SN 17569 through 20123, SN 0160002514 through 0160011778)**

ITEM	PART NUMBER	QTY	DESCRIPTION	REV
	8273029	1	AIR CLEANER ASSEMBLY, (includes items 1 thru 5)	
1	8036869	1	VACUATOR VALVE	
2	8036868	1	COVER ASSEMBLY	
3	1101312	1	PRIMARY FILTER	
4	1101313	1	SAFETY FILTER	
5	N.S.S.	1	BODY ASSEMBLY	
6	8223527	1	VACUUM SWITCH	
7	8551001	1	NIPPLE CLOSE, #2 DIA X 0.75 LG	
8	8405404	1	T-BOLT CLAMP	
9	7300285	1	AIR INTAKE HOSE	
10	8410007	1	T-BOLT CLAMP	
11	10268516	1	AIR CLEANER MOUNTING BAND	
12	8303528	2	HEX HD CAPSCREW, M8X65, GR8.8	
13	8310617	4	PLAIN WASHER, 8mm	
14	8305654	2	HEX LOCKNUT, M8X1.25	

Go to Discount-Equipment.com to order your parts

## SECTION 4 - ENGINE AND ATTACHING PARTS

FIGURE 4-12. AIR CLEANER INSTALLATION (644E-42 SN 0160011807 through 0160043356; 944E-42 SN 0160011804 through 0160041823)



PU3310

## SECTION 4 - ENGINE AND ATTACHING PARTS

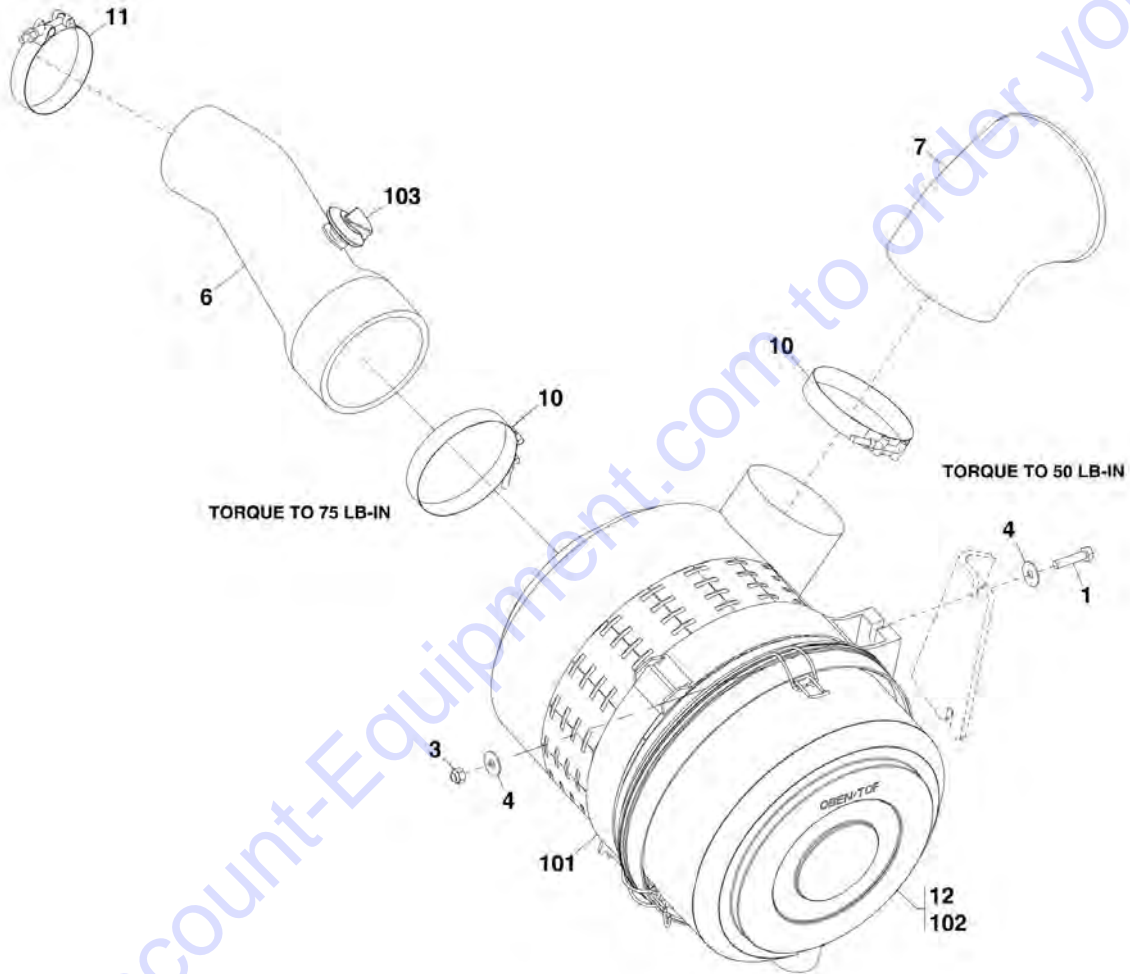
**FIGURE 4-12. AIR CLEANER INSTALLATION (644E-42 SN 0160011807 through 0160043356; 944E-42 SN 0160011804 through 0160041823)**

ITEM	PART NUMBER	QTY	DESCRIPTION	REV
	8273029	1	AIR CLEANER ASSEMBLY, (includes items 1 thru 5)	
1	8036869	1	VACUATOR VALVE	
2	8036868	1	COVER ASSEMBLY	
3	1101312	1	PRIMARY FILTER	
4	1101313	1	SAFETY FILTER	
5	N.S.S.	1	BODY ASSEMBLY	
6	8223527	1	VACUUM SWITCH	
7	8551001	1	NIPPLE CLOSE, #2 DIA X .75 LG	
8	8405404	1	T-BOLT CLAMP	
9	7300285	1	AIR INTAKE HOSE	
10	8410007	1	T-BOLT CLAMP	
11	10268516	1	AIR CLEANER MOUNTING BAND	
12	8303528	2	HEX HD CAPSCREW, M8X65, GR8.8	
13	8310617	4	PLAIN WASHER, 8mm	
14	8305654	2	HEX LOCKNUT, M8X1.25	
15	1560023	1	AIR INTAKE SCOOP	
16	8410021	1	T-BOLT CLAMP, 5	

Go to Discount-Equipment.com to order your parts

## SECTION 4 - ENGINE AND ATTACHING PARTS

FIGURE 4-13. AIR CLEANER INSTALLATION (644E-42 SN 0160048717 to Present, Including 0160045421; 944E-42 SN 0160041827 to Present)



PAP27350

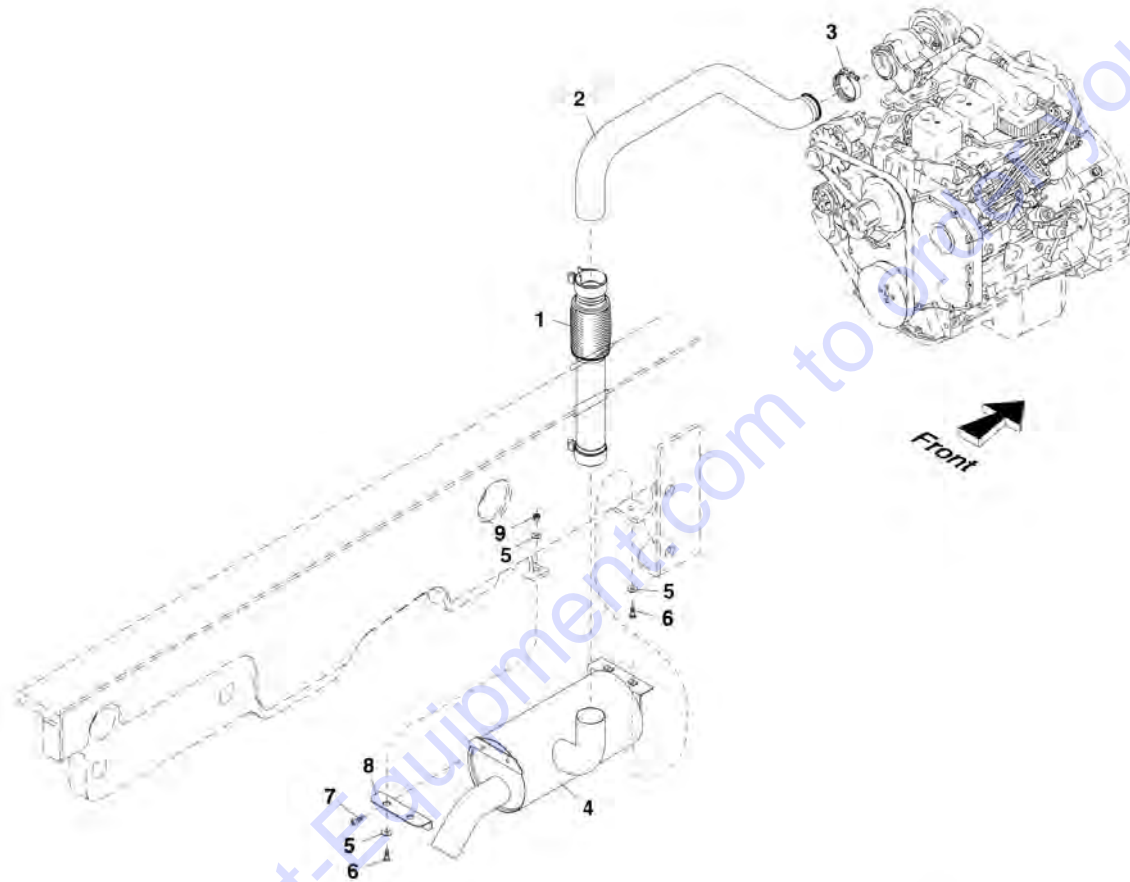
## SECTION 4 - ENGINE AND ATTACHING PARTS

**FIGURE 4-13. AIR CLEANER INSTALLATION (644E-42 SN 0160048717 to Present, Including 0160045421; 944E-42 SN 0160041827 to Present)**

ITEM	PART NUMBER	QTY	DESCRIPTION	REV
	1001112310	Ref	AIR CLEANER INSTALLATION, (not available to order, see items 1 thru 12 for service)	C
1	0760815	2	HEX HD CAPSCREW, M8X35, GR8.8, (torque to 26 Nm/20 lb-ft)	
3	8305654	2	HEX LOCKNUT, M8X1.25	
4	8310617	4	WASHER, 8mm	
6	1001130369	1	HOSE	
7	1001112312	1	INTAKE DUCT	
10	8410021	2	T-BOLT CLAMP, 5IN	
11	8410007	1	T-BOLT CLAMP, (torque to 75 lb-in)	
12	1001130445	1	AIR CLEANER ASSEMBLY, (includes items 101 thru 103)	A
101	1001130443	1	AIR CLEANER CLAMP	
102	1001130444	1	AIR CLEANER	
102	70023878	1	AIR CLEANER PRIMARY ELEMENT	
102	70023879	1	AIR CLEANER SECONDARY ELEMENT	
103	1001130452	1	INTAKE VACUUM SWITCH	

## SECTION 4 - ENGINE AND ATTACHING PARTS

FIGURE 4-14. EXHAUST INSTALLATION (644E-42 SN 17569 through 20123, SN 0160002514 through 0160009050; 944E-42 SN 17569 through 20123, SN 0160002514 through 0160009044)



NOTE: IF YOUR 644E/944E MACHINE IS EQUIPPED WITH EXHAUST SYSTEM SHOWN ON THIS PAGE, IT IS RECOMMENDED TO REPLACE IT WITH RETRO FIT KIT, 2915032, SHOWN ON FIGURE 4-6, 644E SN 0160009073 thru 0160009050; 944E SN 0160009075 THRU 0160009044.

PU1910



## SECTION 4 - ENGINE AND ATTACHING PARTS

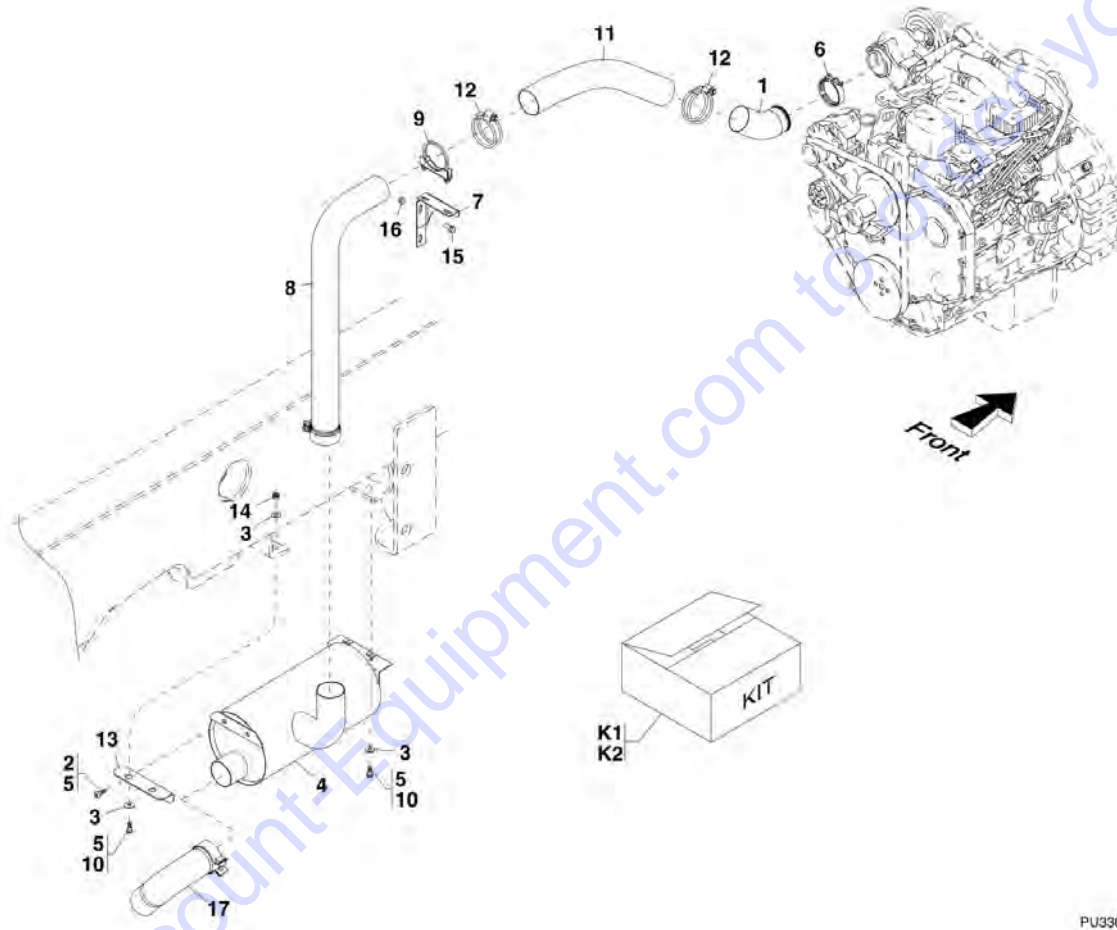
**FIGURE 4-14. EXHAUST INSTALLATION (644E-42 SN 17569 through 20123, SN 0160002514 through 0160009050; 944E-42 SN 17569 through 20123, SN 0160002514 through 0160009044)**

ITEM	PART NUMBER	QTY	DESCRIPTION	REV
1	8275044	1	BELLOWS PIPE	
2	7139919	1	EXHAUST PIPE	
3	8275240	1	V BAND CLAMP	
4	8275042	1	ROUND MUFFLER	
5	8310621	6	FENDER WASHER, 10X30mm	
6	8303798	4	HEX HD CAPSCREW, M10X25, GR8.8	
7	8303551	2	HEX HD CAPSCREW, M10X16, GR8.8	
8	7301165	1	MUFFLER BRACKET	
9	8305038	2	HEX NUT, 10mm	

Go to Discount-Equipment.com to order your parts

## SECTION 4 - ENGINE AND ATTACHING PARTS

FIGURE 4-15. EXHAUST INSTALLATION (644E-42 SN 0160009073 through 0160043356; 944E-42 SN 0160009075 through 0160041823)



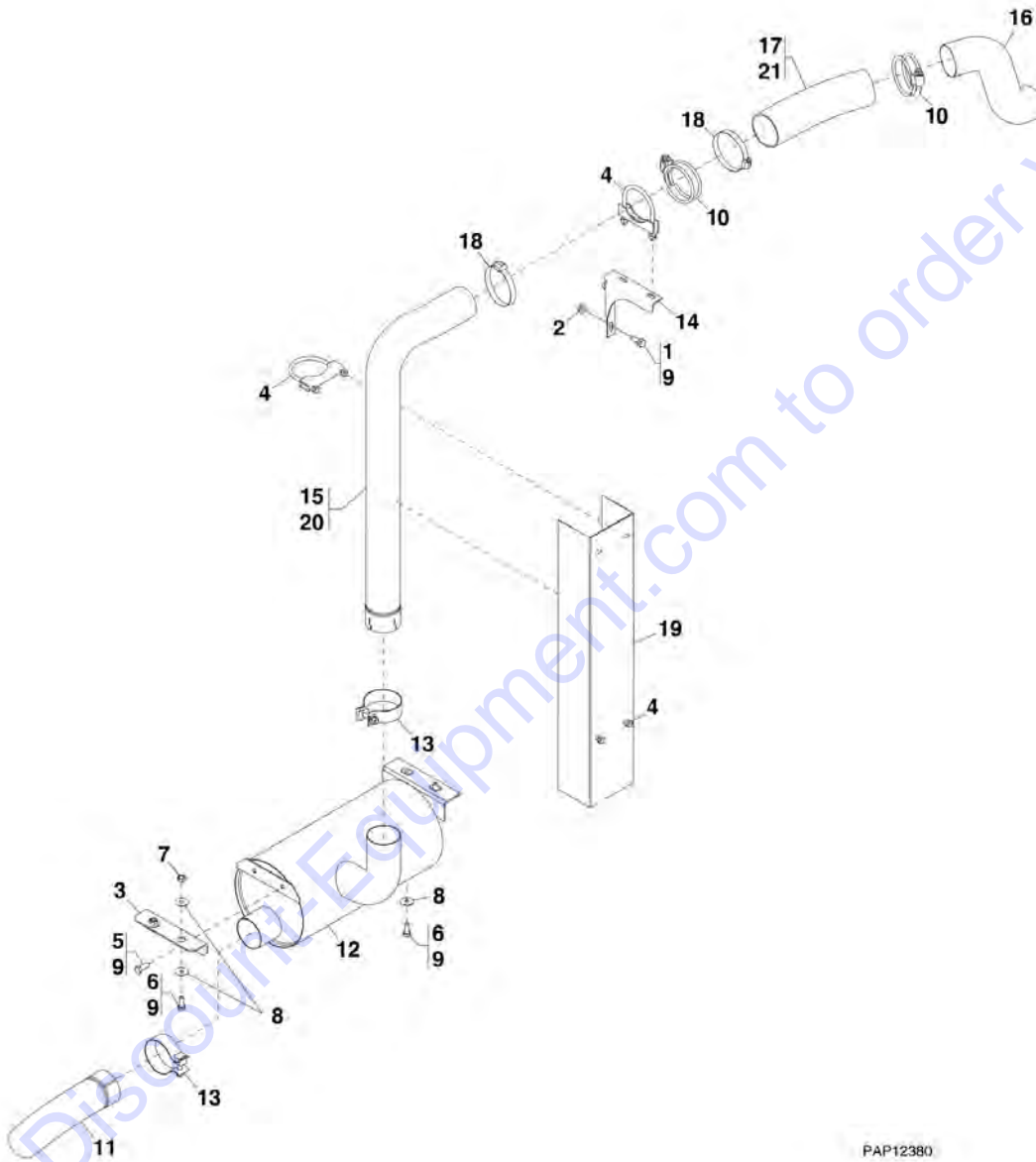
## SECTION 4 - ENGINE AND ATTACHING PARTS

**FIGURE 4-15. EXHAUST INSTALLATION (644E-42 SN 0160009073 through 0160043356; 944E-42 SN 0160009075 through 0160041823)**

ITEM	PART NUMBER	QTY	DESCRIPTION	REV
1	3460408	1	TURBO EXHAUST PIPE	
2	8303551	2	HEX HD CAPSCREW, M10X16, GR8.8	
3	8310621	6	FENDER WASHER, 10X30mm	
4	1001100849	1	ROUND MUFFLER	
5	8526007	AR	LOCTITE 242, (apply to items 2 & 10)	
6	8275240	1	V BAND CLAMP	
7	4340962	1	EXHAUST SUPPORT	
8	3460407	1	EXHAUST PIPE	
9	8275247	1	3IN MUFFLER CLAMP	
10	8303798	4	HEX HD CAPSCREW, M10X25, GR8.8	
11	83681331	1	FLEX TUBING	
12	91403601	2	PIPE CLAMP	
13	7301165	1	MUFFLER BRACKET	
14	8305038	2	HEX NUT, M10X1.5	
15	5201012	2	RIPP BOLT, M10X25	
16	5221000	2	RIPP NUT, 10mm	
17	1001100044	1	EXHAUST TAILPIPE	
K1	2915032	1	RETRO FIT KIT, (includes items 1, 7, 8, 9, 11, 12, 15 & 16)	
K2	1001100045	1	EXHAUST TAILPIPE KIT, (includes item 17)	

## SECTION 4 - ENGINE AND ATTACHING PARTS

FIGURE 4-16. EXHAUST INSTALLATION (644E-42 SN 0160048717 to Present, Including 01600405421; 944E-42 SN 0160041827 to Present)



PAP12380

## SECTION 4 - ENGINE AND ATTACHING PARTS

**FIGURE 4-16. EXHAUST INSTALLATION (644E-42 SN 0160048717 to Present, Including 01600405421; 944E-42 SN 0160041827 to Present)**

ITEM	PART NUMBER	QTY	DESCRIPTION	REV
	1001112327	Ref	EXHAUST INSTALLATION, (not available to order, see items 1 thru 21 for service)	C
1	5201012	2	RIPP BOLT, M10X25, (torque to 45-60 lb-ft/61-81 lb-ft)	
2	5221000	2	RIPP NUT, 10mm	
3	7301165	1	MUFFLER BRACKET	
4	8275247	3	3IN HEAVY DUTY CLAMP	
5	8303551	2	HEX HD CAPSCREW, M10X16, GR8.8, (torque to 45-60 lb-ft/61-81 lb-ft)	
6	8303798	4	HEX HD CAPSCREW, M10X25, GR8.8, (torque to 45-60 lb-ft/61-81 lb-ft)	
7	8305038	2	HEX NUT, M10X1.5	
8	8310621	6	WASHER, 10mm	
9	8526007	AR	LOCTITE 242	
10	91403601	2	PIPE CLAMP	
11	1001100044	1	EXHAUST TAILPIPE	
12	1001100849	1	ROUND MUFFLER	
13	1001107559	2	MUFFLER CLAMP	
14	1001112328	1	EXHAUST SUPPORT	
15	1001112329	1	EXHAUST PIPE	
16	1001112330	1	EXHAUST PIPE	
17	1001114940	1	EXHAUST TUBE	
18	8410011	4	GEAR CLAMP, 3.25IN	
19	1001120988	1	EXHAUST COVER	
20	1001132367	1	THERMAL INSULATION	
21	1001132368	1	THERMAL INSULATION	

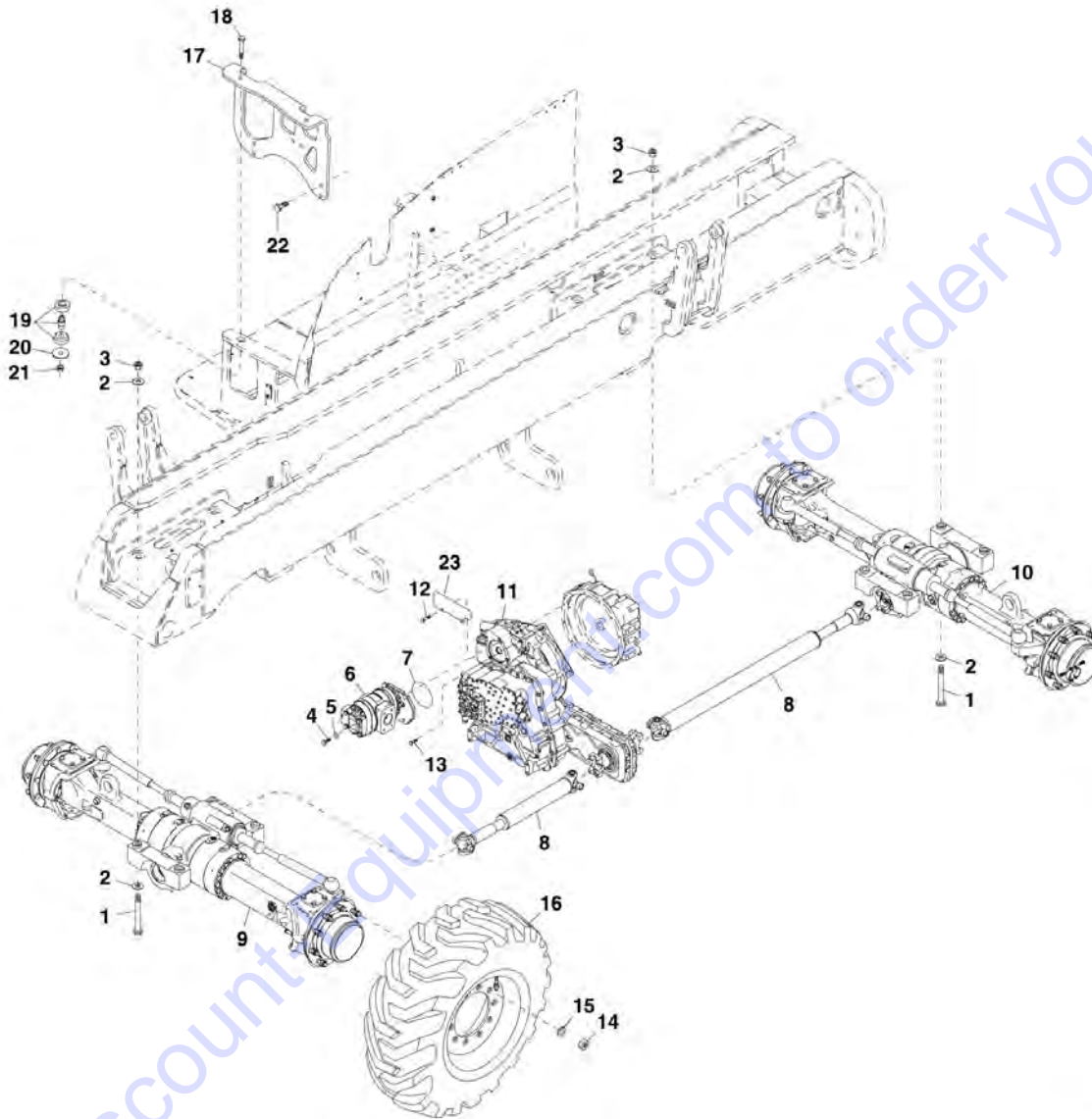


**SECTION 5 - DRIVE TRAIN**

Go to [Discount-Equipment.com](http://Discount-Equipment.com) to order your parts

# SECTION 5 - DRIVE TRAIN

## FIGURE 5-1. DRIVE TRAIN COMPONENTS



PU1922



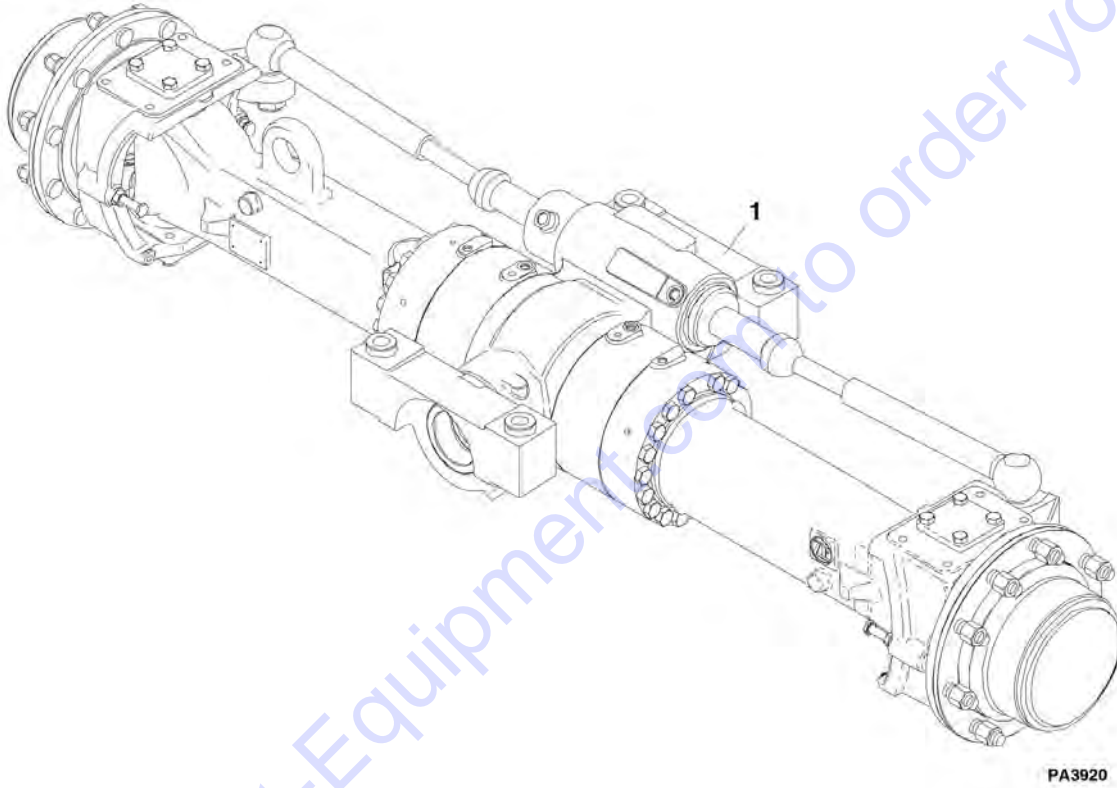
## SECTION 5 - DRIVE TRAIN

### FIGURE 5-1. DRIVE TRAIN COMPONENTS

ITEM	PART NUMBER	QTY	DESCRIPTION	REV
1	8310671	8	HEX HD CAPSCREW, M24X340, GR10.9, (torque to 500-575 lb-ft/677-780 Nm)	
2	8310061	16	WASHER, 1	
3	8310672	8	HEX LOCKNUT, M24X3	
4	8303790	4	HEX HD CAPSCREW, M12x30, GR8.8, (torque to 69-78 lb-ft/94-105 Nm)	
5	8307220	4	WASHER, 12mm	
6		Ref	GEAR PUMP, (See HYDRAULIC COMPONENTS SECTION for Breakdown)	
7	8630019	1	O-RING	
8		Ref	DRIVESHAFTS, (See DRIVE SHAFTS for Breakdown )	
9		Ref	FRONT AXLE, (See FRONT AXLE for Breakdown)	
10		Ref	REAR AXLE, (See REAR AXLE for Breakdown)	
11		Ref	ZF TRANSMISSION, (See ZF TRANSMISSION for Breakdown)	
12	8303769	12	HEX HD CAPSCREW, M10X45mm, GR8.8	
13	8303798	4	HEX HD CAPSCREW, M10X25mm, GR8.8	
14	8786572	32	WHEEL NUT, (torque to 425-450 lb-ft/576-610 Nm) <b>(644E-42 Prior to SN 0160039830, Excluding 0160036724, 0160036811, 0160036907 and 0160037012; 944E-42 Prior to SN 0160040124, Excluding 0160034634, 0160036710, 0160036722, 0160036735 and 0160036738)</b>	
14	8786572	40	WHEEL NUT, (torque to 425-450 lb-ft/576-610 Nm) <b>(644E-42 SN 0160039830 to Present, Including 0160036724, 0160036811, 0160036907 and 0160037012; 944E-42 SN 0160040124 to Present, Including 0160034634, 0160036710, 0160036722, 0160036735 and 0160036738)</b>	
14	91403193	40	WHEEL NUT, (if equipped with Firestone 370/75-28), (torque to 430-470 lb-ft/583-637 Nm) <b>(644E-42 SN 0160039830 to Present, Including 0160036724, 0160036811, 0160036907 and 0160037012; 944E-42 SN 0160040124 to Present, Including 0160034634, 0160036710, 0160036722, 0160036735 and 0160036738)</b>	
15	8786573	32	SPRING WASHER <b>(644E-42 Prior to SN 0160039830, Excluding 0160036724, 0160036811, 0160036907 and 0160037012; 944E-42 Prior to SN 0160040124, Excluding 0160034634, 0160036710, 0160036722, 0160036735 and 0160036738)</b>	
15	8786573	40	SPRING WASHER, (not required with Firestone 370/75-28) <b>(644E-42 SN 0160039830 to Present, Including 0160036724, 0160036811, 0160036907 and 0160037012; 944E-42 SN 0160040124 to Present, Including 0160034634, 0160036710, 0160036722, 0160036735 and 0160036738)</b>	
16		Ref	TIRE AND RIM ASSY, (See TIRE AND RIMS for Breakdown)	
17	7300445	1	TRANSMISSION MOUNTING PLATE	
18	8310288	2	HEX HD CAPSCREW, 5/8-11X3-3/4, GR8	
19	8278040	2	ENGINE ISOLATOR	
20	7300435	2	REBOUND WASHER	
21	8305643	2	HEX LOCKNUT, 3/4-11	
22	8310379	6	HEX HD CAPSCREW, M16X45, GR10.9	
23	3576011	1	MOUNTING PLATE <b>(644E-42 SN 0160012410 to Present; 944E-42 SN 0160012745 to Present)</b>	

## SECTION 5 - DRIVE TRAIN

FIGURE 5-2. FRONT AXLE



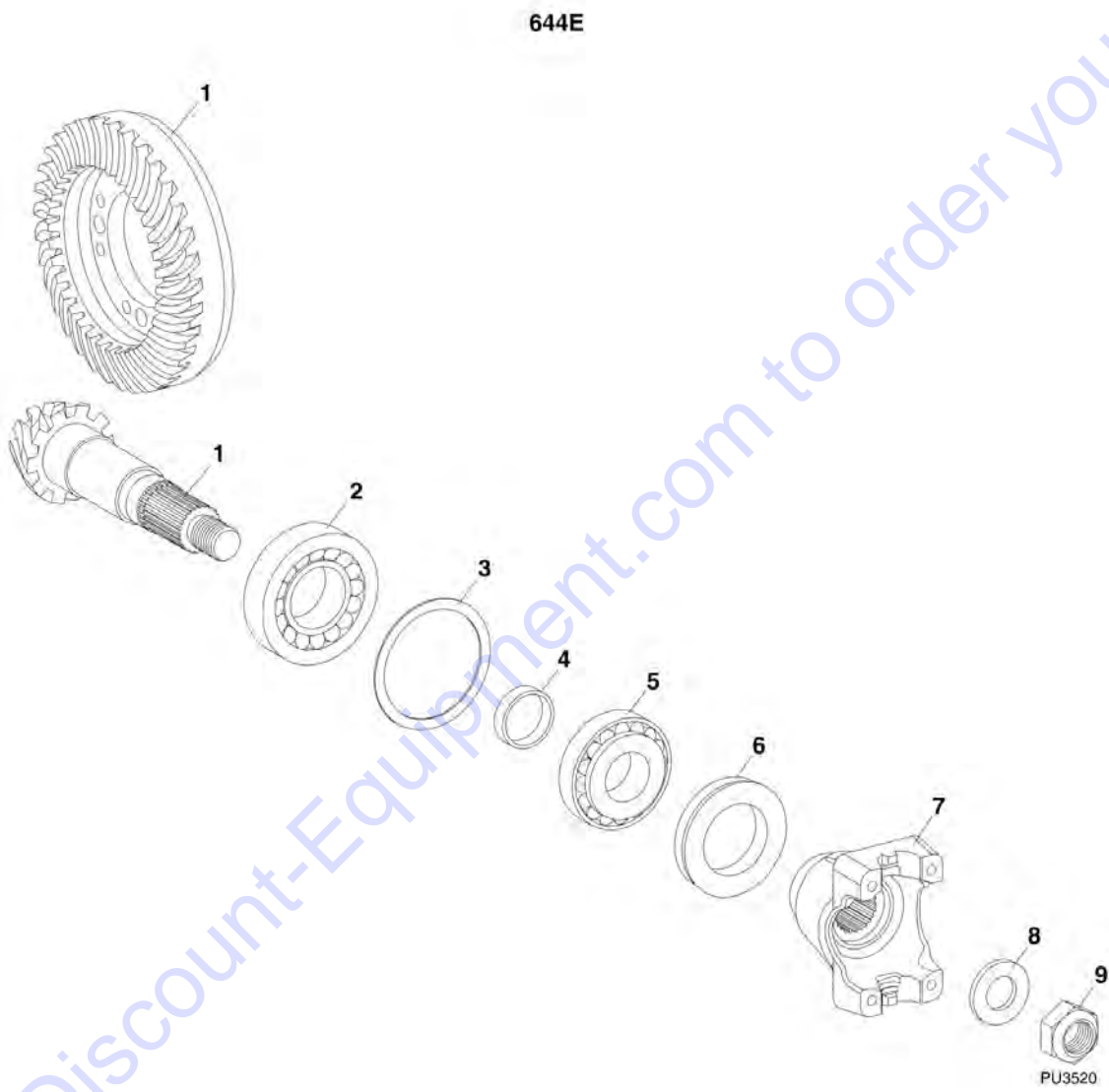
## SECTION 5 - DRIVE TRAIN

### FIGURE 5-2. FRONT AXLE

ITEM	PART NUMBER	QTY	DESCRIPTION	REV
1	8040283	1	FRONT AXLE, (644E-42 Prior to SN 0160039830, Excluding 0160036724, 0160036811, 0160036907 and 0160037012)	B
1	1001103626	1	FRONT AXLE, (644E-42 SN 0160039830 to Present, Including 0160036724, 0160036811, 0160036907 and 0160037012)	D
1	8040286	1	FRONT AXLE, (944E-42 Prior to SN 0160040124, Excluding 0160034634, 0160036710, 0160036722, 0160036735 and 0160036738)	B
1	1001103627	1	FRONT AXLE, (944E-42 SN 0160040124 to Present, Including 0160034634, 0160036710, 0160036722, 0160036735 and 0160036738)	D
1		Ref	INPUT, (See FRONT AXLE – INPUT for Breakdown)	
1		Ref	LIMITED SLIP DIFFERENTIAL, (See FRONT AXLE - LIMITED SLIP DIFFERENTIAL for Breakdown)	
1		Ref	AXLE CASING, (See FRONT AXLE – CASING for Breakdown)	
1		Ref	M-DISC BRAKE, (See FRONT AXLE - M-DISC BRAKE for Breakdown)	
1		Ref	BRAKE, (See FRONT AXLE – BRAKE for Breakdown)	
1		Ref	JOINT HOUSING, (See FRONT AXLE - JOINT HOUSING for Breakdown)	
1		Ref	PLANETARY DRIVE, (See FRONT AXLE - PLANETARY DRIVE for Breakdown )	

## SECTION 5 - DRIVE TRAIN

FIGURE 5-3. FRONT AXLE - INPUT (Prior to SN 0160039830, Excluding 0160036724, 0160036811, 0160036907 and 0160037012)



Go to Discount-Equipment.com to order your parts

## SECTION 5 - DRIVE TRAIN

**FIGURE 5-3. FRONT AXLE - INPUT (Prior to SN 0160039830, Excluding 0160036724, 0160036811, 0160036907 and 0160037012)**

ITEM	PART NUMBER	QTY	DESCRIPTION	REV
1	7027229	1	BEVEL GEAR SET	
2	1319353	1	ROLLER BEARING	
3	1319333	AR	SHIM, 1.0mm	
3	1319334	AR	SHIM, 1.05mm	
3	1319335	AR	SHIM, 1.1mm	
3	1319336	AR	SHIM, 1.15mm	
3	1319337	AR	SHIM, 1.2mm	
3	1319338	AR	SHIM, 1.25mm	
3	1319339	AR	SHIM, 1.3mm	
3	1319340	AR	SHIM, 1.35mm	
3	1319341	AR	SHIM, 1.4mm	
3	1319342	AR	SHIM, 1.45mm	
3	1319343	AR	SHIM, 1.5mm	
3	1319344	AR	SHIM, 1.55mm	
3	1319345	AR	SHIM, 1.6mm	
3	1319346	AR	SHIM, 0.9mm	
3	1319347	AR	SHIM, 0.95mm	
3	1319348	AR	SHIM, 0.65mm	
3	1319349	AR	SHIM, 0.70mm	
3	1319350	AR	SHIM, 0.75mm	
3	1319351	AR	SHIM, 0.85mm	
3	1319352	AR	SHIM, 0.80mm	
4	1319354	AR	RING, 15.1mm	
4	1319355	AR	RING, 15.2mm	
4	1319356	AR	RING, 15.3mm	
4	1319357	AR	RING, 15.4mm	
4	1319358	AR	RING, 15.5mm	
4	1319359	AR	RING, 15.6mm	
4	1319360	AR	RING, 15.7mm	
4	1319361	AR	RING, 15.8mm	
4	1319362	AR	RING, 15.9mm	
4	1319363	AR	RING, 16.0mm	
4	1319364	AR	RING, 16.1mm	
4	1319365	AR	RING, 16.2mm	
4	1319366	AR	RING, 16.3mm	
4	1319367	AR	RING, 16.4mm	
4	8035982	AR	RING, 16.26mm	
4	1319369	AR	RING, 16.23mm	
4	1319370	AR	RING, 16.16mm	
4	1319371	AR	RING, 16.13mm	
4	1319372	AR	RING, 16.06mm	
4	1319373	AR	RING, 16.03mm	
4	1319374	AR	RING, 15.96mm	
4	1319375	AR	RING, 15.93mm	
4	1319376	AR	RING, 15.86mm	
4	1319377	AR	RING, 15.83mm	
4	1319378	AR	RING, 15.76mm	
4	1319379	AR	RING, 15.73mm	
4	1319380	AR	RING, 15.66mm	

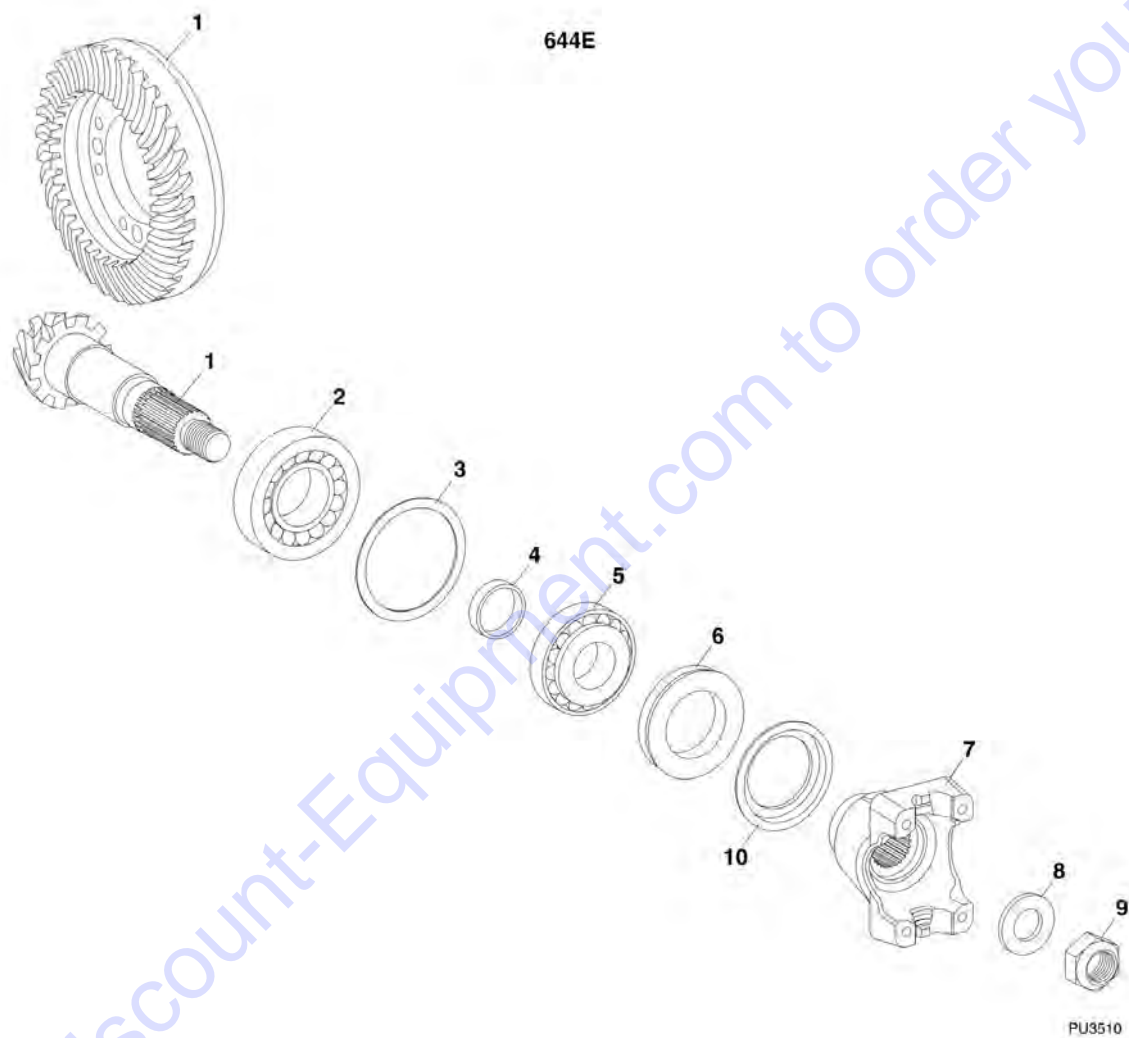
## SECTION 5 - DRIVE TRAIN

ITEM	PART NUMBER	QTY	DESCRIPTION	REV
4	1319381	AR	RING, 15.63mm	
4	1319382	AR	RING, 15.56mm	
4	1319383	AR	RING, 15.53mm	
4	1319384	AR	RING, 15.46mm	
4	1319385	AR	RING, 15.43mm	
4	1319386	AR	RING, 15.36mm	
4	1319388	AR	RING, 15.26mm	
4	1319389	AR	RING, 15.38mm	
4	1319390	AR	RING, 15.48mm	
4	1319391	AR	RING, 15.58mm	
4	1319392	AR	RING, 15.68mm	
4	1319393	AR	RING, 15.69mm	
4	1319394	AR	RING, 15.72mm	
4	1319395	AR	RING, 15.78mm	
4	1319396	AR	RING, 15.81mm	
4	1319397	AR	RING, 15.84mm	
4	1319398	AR	RING, 15.88mm	
4	1319399	AR	RING, 15.89mm	
4	1319400	AR	RING, 15.91mm	
4	1319401	AR	RING, 15.94mm	
4	1319402	AR	RING, 15.97mm	
5	1319444	1	ROLLER BEARING	
6	1321211	1	MULTI SEAL RING	
7	1321237	1	END YOKE	
8	1319406	1	WASHER	
9	8035983	1	HEX NUT	



## SECTION 5 - DRIVE TRAIN

FIGURE 5-4. FRONT AXLE - INPUT (SN 0160039830 to Present, Including 0160036724, 0160036811, 0160036907 and 0160037012)





## SECTION 5 - DRIVE TRAIN

**FIGURE 5-4. FRONT AXLE - INPUT (SN 0160039830 to Present, Including 0160036724, 0160036811, 0160036907 and 0160037012)**

ITEM	PART NUMBER	QTY	DESCRIPTION	REV
1	70022232	1	BEVEL GEAR SET	
2	70023400	1	ROLLER BEARING	
3	80304160	1	SHIM, 0.1mm	
3	80304159	1	SHIM, 0.2mm	
3	80304158	1	SHIM, 0.3mm	
3	80304157	1	SHIM, 0.5mm	
3	80304156	1	SHIM, 0.6mm	
3	80304162	1	SHIM, 0.65mm	
3	80304155	1	SHIM, 0.7mm	
3	80304161	1	SHIM, 0.75mm	
3	80304154	1	SHIM, 0.8mm	
3	80304153	1	SHIM, 0.9mm	
3	80304152	1	SHIM, 1.0mm	
3	80304146	1	SHIM, 1.2mm	
3	80304163	1	SHIM, 1.25mm	
3	80304151	1	SHIM, 1.3mm	
3	80304164	1	SHIM, 1.35mm	
3	80304150	1	SHIM, 1.4mm	
3	80304165	1	SHIM, 1.45mm	
3	80304145	1	SHIM, 1.5mm	
3	80304166	1	SHIM, 1.55mm	
3	80304149	1	SHIM, 1.6mm	
3	80304167	1	SHIM, 1.65mm	
3	80304148	1	SHIM, 1.7mm	
3	80304168	1	SHIM, 1.75mm	
3	80304144	1	SHIM, 1.8mm	
3	80304169	1	SHIM, 1.85mm	
3	80304147	1	SHIM, 1.9mm	
3	80304143	1	SHIM, 2.0mm	
4	80304088	1	RING, 16.0mm	
4	80304089	1	RING, 16.1mm	
4	80304090	1	RING, 16.2mm	
4	80304091	1	RING, 16.3mm	
4	80304092	1	RING, 16.4mm	
4	80304093	1	RING, 16.5mm	
4	80304110	1	RING, 16.56mm	
4	80304094	1	RING, 16.6mm	
4	80304111	1	RING, 16.62mm	
4	80304112	1	RING, 16.64mm	
4	80304124	1	RING, 16.66mm	
4	80304113	1	RING, 16.68mm	
4	80304095	1	RING, 16.7mm	
4	70022216	1	RING, 16.72mm	
4	80304115	1	RING, 16.74mm	
4	80304117	1	RING, 16.76mm	
4	80304118	1	RING, 16.78mm	
4	80304096	1	RING, 16.8mm	
4	80304119	1	RING, 16.82mm	
4	80304120	1	RING, 16.84mm	

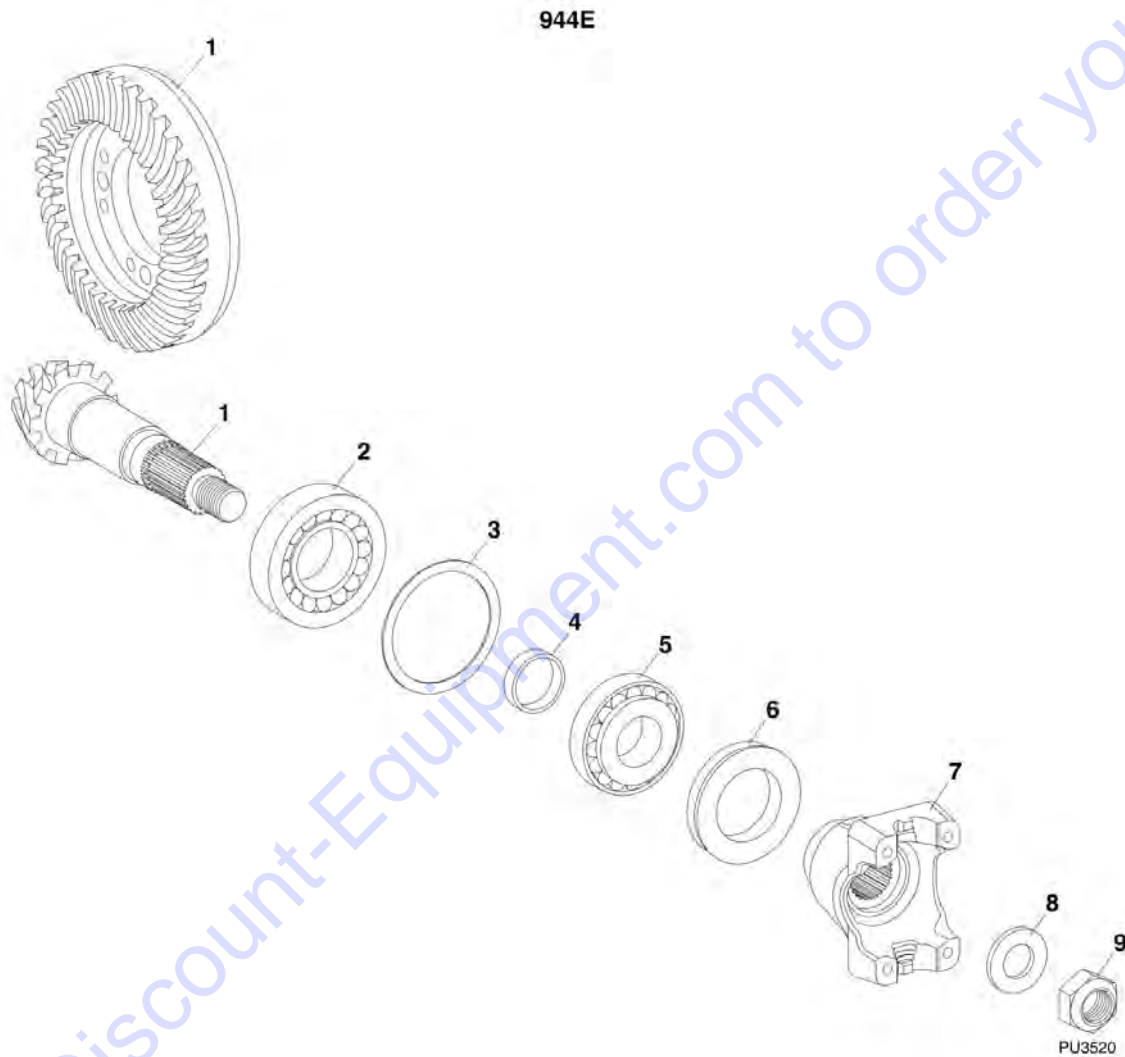
## SECTION 5 - DRIVE TRAIN

ITEM	PART NUMBER	QTY	DESCRIPTION	REV
4	80304104	1	RING, 16.86mm	
4	80304121	1	RING, 16.88mm	
4	80304122	1	RING, 16.9mm	
4	80304097	1	RING, 16.92mm	
4	80304123	1	RING, 16.94mm	
4	80304125	1	RING, 16.96mm	
4	80304107	1	RING, 16.98mm	
4	80304126	1	RING, 17.0mm	
4	80304127	1	RING, 17.02mm	
4	80304108	1	RING, 17.04mm	
4	80304128	1	RING, 17.06mm	
4	80304129	1	RING, 17.08mm	
4	80304099	1	RING, 17.10mm	
4	80304130	1	RING, 17.12mm	
4	80304131	1	RING, 17.14mm	
4	80304132	1	RING, 17.16mm	
4	80304133	1	RING, 17.18mm	
4	80304100	1	RING, 17.2mm	
4	80304134	1	RING, 17.22mm	
4	80304135	1	RING, 17.24mm	
4	80304136	1	RING, 17.26mm	
4	80304137	1	RING, 17.28mm	
4	80304101	1	RING, 17.3mm	
4	80304102	1	RING, 17.4mm	
5	1319353	1	ROLLER BEARING	
6	70022220	1	SHAFT SEAL	
7	70022245	1	END YOKE	
8	80304082	1	WASHER	
9	70022213	1	HEX NUT	
10	70022244	1	SCREEN SHEET	



## SECTION 5 - DRIVE TRAIN

FIGURE 5-5. FRONT AXLE - INPUT (Prior to SN 0160040124, Excluding 0160034634, 0160036710, 0160036722, 0160036735 and 0160036738)



## SECTION 5 - DRIVE TRAIN

**FIGURE 5-5. FRONT AXLE - INPUT (Prior to SN 0160040124, Excluding 0160034634, 0160036710, 0160036722, 0160036735 and 0160036738)**

ITEM	PART NUMBER	QTY	DESCRIPTION	REV
1	1321230	1	BEVEL GEAR SET	
2	1321213	1	ROLLER BEARING	
3	1321187	AR	SHIM, 1.5mm	
3	8035871	AR	SHIM, 0.9mm	
3	8035872	AR	SHIM, 0.95mm	
3	8035873	AR	SHIM, 1.0mm	
3	1321186	AR	SHIM, 1.05mm	
3	8035874	AR	SHIM, 1.1mm	
3	8035875	AR	SHIM, 1.15mm	
3	1321185	AR	SHIM, 1.2mm	
3	8035876	AR	SHIM, 1.25mm	
3	8035877	AR	SHIM, 1.3mm	
3	1321189	AR	SHIM, 0.7mm	
3	8035878	AR	SHIM, 1.75mm	
3	8035879	AR	SHIM, 0.8mm	
3	1321190	AR	SHIM, 0.85mm	
4	8035881	1	RING, 11.30mm	
4	8035882	1	RING, 11.33mm	
4	8035883	1	RING, 11.36mm	
4	8035884	1	RING, 11.39mm	
4	8035885	1	RING, 11.42mm	
4	8035886	1	RING, 11.45mm	
4	1321196	1	RING, 11.48mm	
4	8035887	1	RING, 11.51mm	
4	8035888	1	RING, 11.54mm	
4	8035889	1	RING, 11.57mm	
4	8035890	1	RING, 11.60mm	
4	8035891	1	RING, 11.63mm	
4	1321197	1	RING, 11.66mm	
4	8035892	1	RING, 11.69mm	
4	8035893	1	RING, 11.72mm	
4	8035894	1	RING, 11.75mm	
4	8035895	1	RING, 11.78mm	
4	8035896	1	RING, 11.81mm	
4	1321198	1	RING, 11.84mm	
4	8035897	1	RING, 11.87mm	
4	8035898	1	RING, 11.90mm	
4	8035899	1	RING, 11.93mm	
4	8035900	1	RING, 11.96mm	
4	8035901	1	RING, 11.99mm	
4	8035902	1	RING, 12.02mm	
4	1321199	1	RING, 12.05mm	
4	8035903	1	RING, 12.08mm	
4	8035904	1	RING, 12.11mm	
4	8035905	1	RING, 12.14mm	
4	8035906	1	RING, 12.17mm	
4	8036841	1	RING, 12.20mm	
4	8035907	1	RING, 12.23mm	
4	8035908	1	RING, 12.26mm	

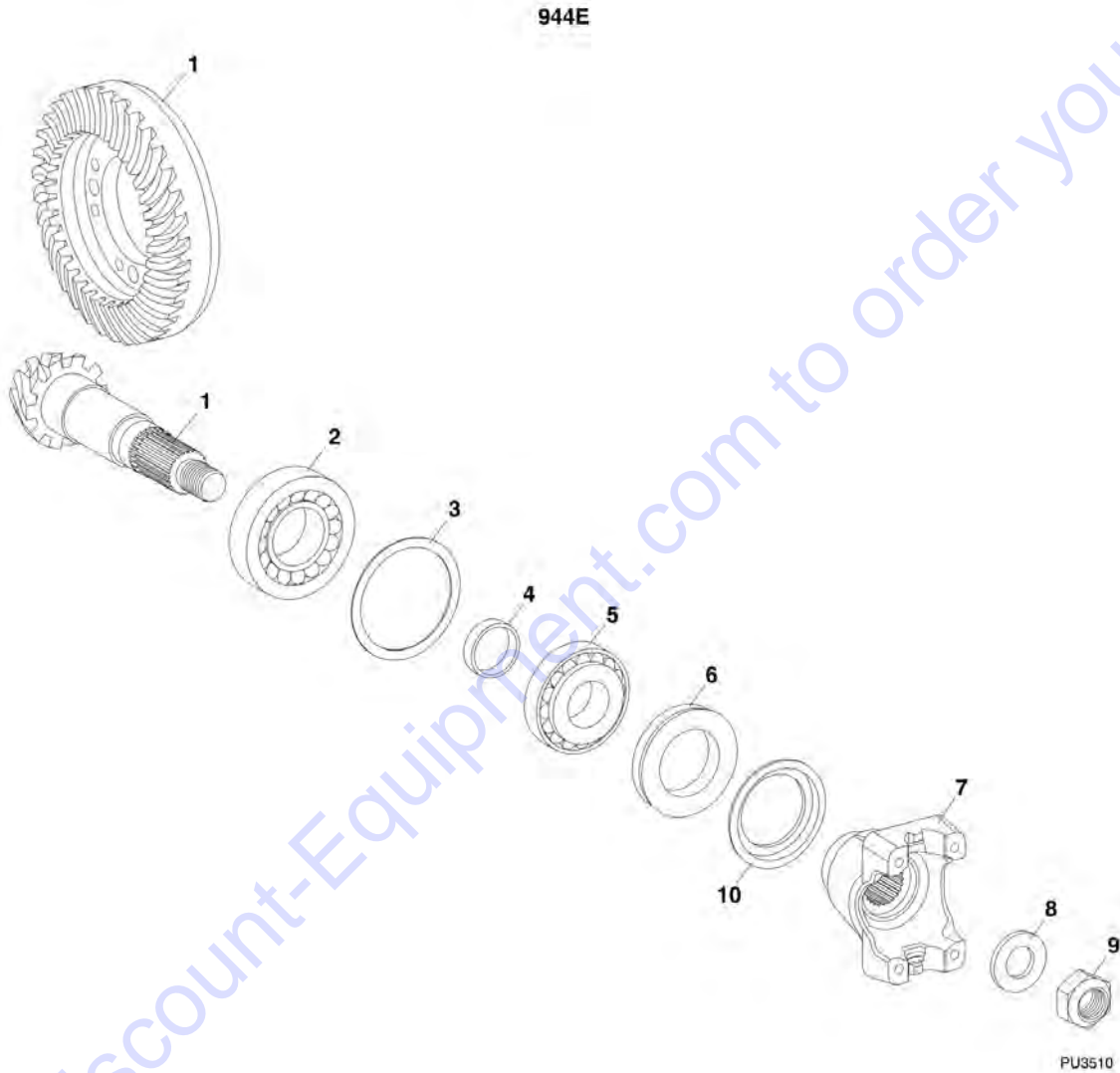
## SECTION 5 - DRIVE TRAIN

ITEM	PART NUMBER	QTY	DESCRIPTION	REV
4	8035909	1	RING, 12.29mm	
4	8035910	1	RING, 12.32mm	
4	8035911	1	RING, 12.35mm	
4	1321201	1	RING, 12.38mm	
4	8035912	1	RING, 11.27mm	
4	1321204	1	RING, 11.24mm	
4	8035913	1	RING, 11.21mm	
4	8035914	1	RING, 11.18mm	
4	8035915	1	RING, 11.15mm	
4	8035916	1	RING, 11.12mm	
4	1321203	1	RING, 11.09mm	
4	8035917	1	RING, 11.06mm	
4	8035918	1	RING, 11.03mm	
4	8035919	1	RING, 11.00mm	
4	8035920	1	RING, 10.97mm	
4	1321202	1	RING, 10.94mm	
5	1321212	1	ROLLER BEARING	
6	1321210	1	COMBINATION RING	
7	1321248	1	END YOKE	
8	1321194	1	WASHER	
9	8035921	1	HEX NUT	



## SECTION 5 - DRIVE TRAIN

FIGURE 5-6. FRONT AXLE - INPUT (SN 0160040124 to Present, Including 0160034634, 0160036710, 0160036722, 0160036735 and 0160036738)





## SECTION 5 - DRIVE TRAIN

**FIGURE 5-6. FRONT AXLE - INPUT (SN 0160040124 to Present, Including 0160034634, 0160036710, 0160036722, 0160036735 and 0160036738)**

ITEM	PART NUMBER	QTY	DESCRIPTION	REV
1	70022272	1	BEVEL GEAR SET	
2	170023400	1	ROLLER BEARING	
3	80304160	1	SHIM, S=0.1	
3	80304159	1	SHIM, S=0.2	
3	80304158	1	SHIM, S=0.3	
3	80304157	1	SHIM, S=0.5	
3	80304156	1	SHIM, S=0.6	
3	80304162	1	SHIM, S=0.65	
3	80304155	1	SHIM, S=0.7	
3	80304161	1	SHIM, S=0.75	
3	80304154	1	SHIM, S=0.8	
3	80304153	1	SHIM, S=0.9	
3	80304152	1	SHIM, S=1.0	
3	80304146	1	SHIM, S=1.2	
3	80304163	1	SHIM, S=1.25	
3	80304151	1	SHIM, S=1.3	
3	80304164	1	SHIM, S=1.35	
3	80304150	1	SHIM, S=1.4	
3	80304165	1	SHIM, S=1.45	
3	80304145	1	SHIM, S=1.5	
3	80304166	1	SHIM, S=1.55	
3	80304149	1	SHIM, S=1.6	
3	80304167	1	SHIM, S=1.65	
3	80304148	1	SHIM, S=1.7	
3	80304168	1	SHIM, S=1.75	
3	80304144	1	SHIM, S=1.8	
3	80304169	1	SHIM, S=1.85	
3	80304147	1	SHIM, S=1.9	
3	80304143	1	SHIM, S=2.0	
4	80304088	1	RING, S=16.0	
4	80304089	1	RING, S=16.1	
4	80304090	1	RING, S=16.2	
4	80304091	1	RING, S=16.3	
4	80304092	1	RING, S=16.4	
4	80304093	1	RING, S=16.5	
4	80304110	1	RING, S=16.56	
4	80304094	1	RING, S=16.6	
4	80304111	1	RING, S=16.62	
4	80304112	1	RING, S=16.64	
4	80304124	1	RING, S=16.66	
4	80304113	1	RING, S=16.68	
4	80304095	1	RING, S=16.7	
4	70022216	1	RING, S=16.72	
4	80304115	1	RING, S=16.74	
4	80304117	1	RING, S=16.76	
4	80304118	1	RING, S=16.78	
4	80304096	1	RING, S=16.8	
4	80304119	1	RING, S=16.82	
4	80304120	1	RING, S=16.84	

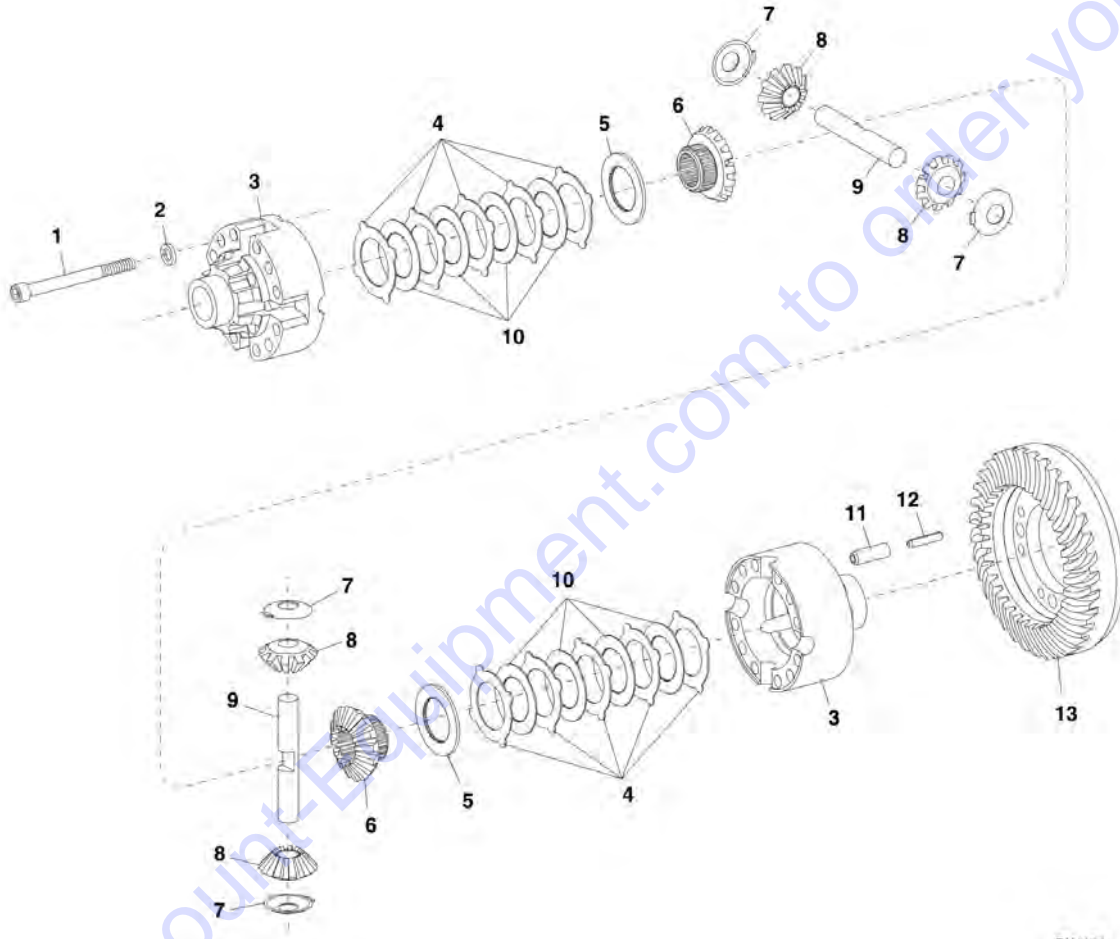
## SECTION 5 - DRIVE TRAIN

ITEM	PART NUMBER	QTY	DESCRIPTION	REV
4	80304104	1	RING, S=16.86	
4	80304121	1	RING, S=16.88	
4	80304122	1	RING, S=16.9	
4	80304097	1	RING, S=16.92	
4	80304123	1	RING, S=16.94	
4	80304125	1	RING, S=16.96	
4	80304107	1	RING, S=16.98	
4	80304126	1	RING, S=17.0	
4	80304127	1	RING, S=17.02	
4	80304108	1	RING, S=17.04	
4	80304128	1	RING, S=17.06	
4	80304129	1	RING, S=17.08	
4	80304099	1	RING, S=17.10	
4	80304130	1	RING, S=17.12	
4	80304131	1	RING, S=17.14	
4	80304132	1	RING, S=17.16	
4	80304133	1	RING, S=17.18	
4	80304100	1	RING, S=17.2	
4	80304134	1	RING, S=17.22	
4	80304135	1	RING, S=17.24	
4	80304136	1	RING, S=17.26	
4	80304137	1	RING, S=17.28	
4	80304101	1	RING, S=17.3	
4	80304102	1	RING, S=17.4	
5	1319353	1	ROLLER BEARING	
6	70022220	1	SHAFT SEAL	
7	70022245	1	END YOKE	
8	80304082	1	WASHER	
9	70022213	1	HEX NUT	
10	70022244	1	SCREEN SHEET	



## SECTION 5 - DRIVE TRAIN

**FIGURE 5-7. FRONT AXLE - LIMITED SLIP DIFFERENTIAL (644E-42 Prior to SN 0160039830, Excluding 0160036724, 0160036811, 0160036907 and 0160037012; 944E-42 Prior to SN 0160040124, Excluding 0160034634, 0160036710, 0160036722, 0160036735 and 0160036738)**



PU1970

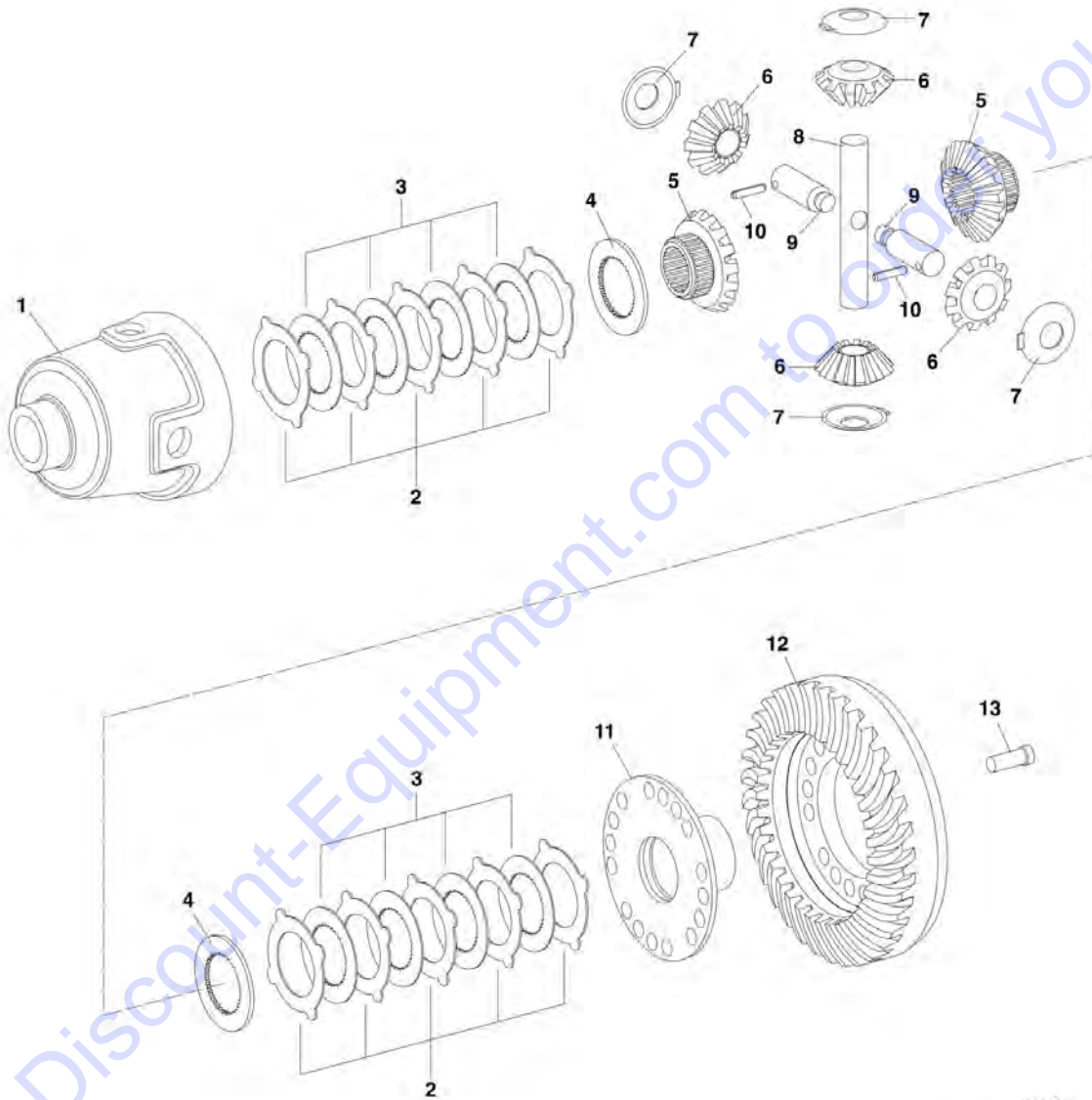
## SECTION 5 - DRIVE TRAIN

**FIGURE 5-7. FRONT AXLE - LIMITED SLIP DIFFERENTIAL (644E-42 Prior to SN 0160039830, Excluding 0160036724, 0160036811, 0160036907 and 0160037012; 944E-42 Prior to SN 0160040124, Excluding 0160034634, 0160036710, 0160036722, 0160036735 and 0160036738)**

ITEM	PART NUMBER	QTY	DESCRIPTION	REV
	7027230	1	LIMITED SLIP DIFFERENTIAL ASSY, (includes items 1 thru 12)	
1	8035923	12	CAPSCREW	
2	1321184	12	WASHER	
3	1321215	1	DIFFERENTIAL CASE	
4	1321219	10	O. CLUTCH DISC, 1.2mm	
4	1321220	10	O. CLUTCH DISC, 1.3mm	
4	1321221	10	O. CLUTCH DISC, 1.4mm	
5	1321217	2	PRESSURE DISC	
6	7027225	2	AXLE BEVEL GEAR	
7	1319415	4	THRUST WASHER	
8	8036753	4	DIFFERENTIAL BEVEL GEAR	
9	1321225	2	DIFFERENTIAL AXLE	
10	1321218	8	I. CLUTCH DISC	
11	1321153	4	SLOTTED PIN	
12	1321154	4	SLOTTED PIN	
13		Ref	GEAR SET BEVEL, (See FRONT AXLE – INPUT for Breakdown)	

## SECTION 5 - DRIVE TRAIN

**FIGURE 5-8. FRONT AXLE - LIMITED SLIP DIFFERENTIAL (644E-42 SN 0160039830 to Present, Including 0160036724, 0160036811, 0160036907 and 0160037012; 944E-42 SN 0160040124 to Present, Including 0160034634, 0160036710, 0160036722, 0160036735 and 0160036738)**



PA3301

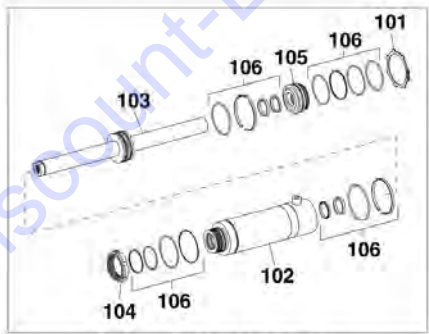
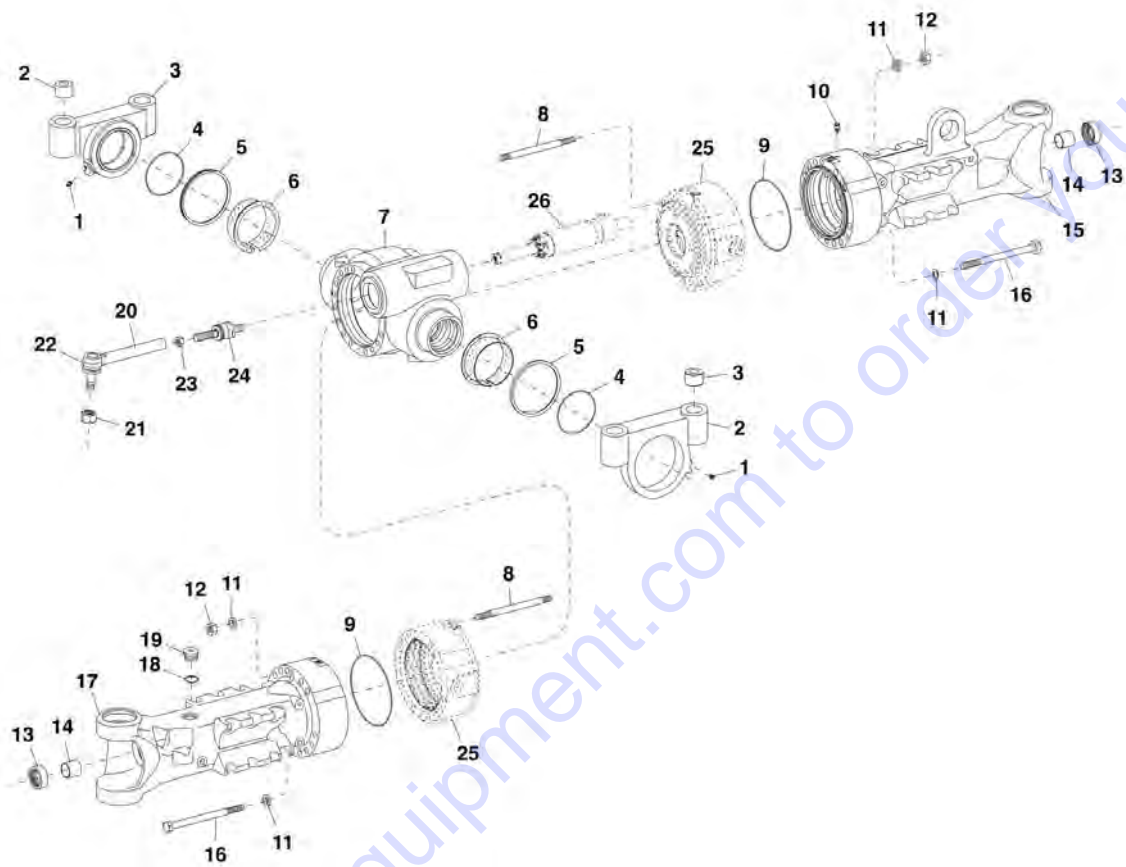
## SECTION 5 - DRIVE TRAIN

**FIGURE 5-8. FRONT AXLE - LIMITED SLIP DIFFERENTIAL (644E-42 SN 0160039830 to Present, Including 0160036724, 0160036811, 0160036907 and 0160037012; 944E-42 SN 0160040124 to Present, Including 0160034634, 0160036710, 0160036722, 0160036735 and 0160036738)**

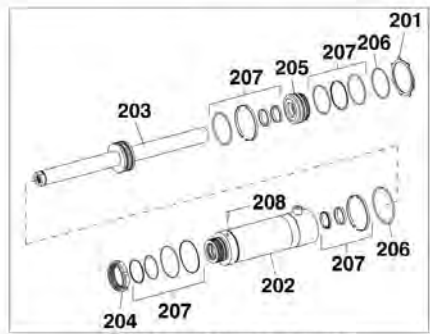
ITEM	PART NUMBER	QTY	DESCRIPTION	REV
1	70022226	1	DIFFERENTIAL CASE	
2	70022263	AR	O.CLUTCH DISC, A=1.2	
2	70022264	AR	O.CLUTCH DISC, A=1.3	
3	70022260	8	I.CLUTCH DISC	
4	70022261	2	PRESSURE DISC	
5	70022225	2	AXLE BEVEL GEAR	
6	70022185	4	DIFFERENTIAL BEVEL GEAR	
7	70022262	4	THRUST WASHER	
8	70022227	1	DIFFERENTIAL AXLE	
9	70022228	2	DIFFERENTIAL AXLE	
10	70022200	2	SLOTTED PIN	
11	70022229	1	COVER	
12		Ref	CROWN WHEEL, (See FRONT AXLE - INPUT for Breakdown)	
13	70022211	16	CAP SCREW, M12X1.5X35	

# SECTION 5 - DRIVE TRAIN

**FIGURE 5-9. FRONT AXLE - AXLE CASING (644E-42 Prior to SN 0160039830, Excluding 0160036724, 0160036811, 0160036907 and 0160037012; 944E-42 Prior to SN 0160040124, Excluding 0160034634, 0160036710, 0160036722, 0160036735 and 0160036738)**



644E PRIOR TO AXLE SN 1277813  
944E PRIOR TO AXLE SN 974122



644E AXLE SN 1277813 TO PRESENT  
944E AXLE SN 974122 TO PRESENT

PU1963



## SECTION 5 - DRIVE TRAIN

**FIGURE 5-9. FRONT AXLE - AXLE CASING (644E-42 Prior to SN 0160039830, Excluding 0160036724, 0160036811, 0160036907 and 0160037012; 944E-42 Prior to SN 0160040124, Excluding 0160034634, 0160036710, 0160036722, 0160036735 and 0160036738)**

ITEM	PART NUMBER	QTY	DESCRIPTION	REV
1	1319423	2	GREASE FITTING	
2	1319441	4	CENTERING BUSHING	
3	8035933	2	BRACKET	
4	1319439	2	O-RING	
5	1319440	2	V-RING	
6	8036419	2	FLANGE BUSHING	
7	7027227	1	AXLE DRIVE HOUSING, (644E-42)	
7	8036417	1	AXLE DRIVE HOUSING, (944E-42)	
8	8036313	8	STUD	
9	1319425	2	O-RING	
10	1319436	1	BREATHER	
11	8036312	30	WASHER	
12	1319429	8	HEX NUT	
13	7027211	2	SHAFT SEAL	
14	1319433	2	BUSHING	
15	8036430	1	RIGHT FRONT AXLE CASING, (644E-42)	
15	8035924	1	RIGHT FRONT AXLE CASING, (944E-42)	
16	8035927	22	HEX SCREW	
17	8036431	1	LEFT FRONT AXLE CASING, (644E-42)	
17	8035925	1	LEFT FRONT AXLE CASING, (944E-42)	
18	8036331	1	O-RING	
19	1319506	1	SCREW PLUG	
20	1321148	2	TRACK ROD, (includes items 21 thru 24)	
21	8036758	1	LOCKING NUT	
22	8036756	1	BALL JOINT WITH PIPE COUPLING	
23	8036759	1	HEX NUT	
24	8036757	1	AXIAL JOINT COUPLING	
25		Ref	BRAKE HOUSING, (See FRONT AXLE - M-DISC BRAKE for Breakdown)	
26	1321149	NLA	STEERING CYLINDER, (no longer available, use items 101 thru 106 for service or 70021617 for replacement) (644E-42 Axle and 944E-42 Axle) <b>(644E-42 Prior to SN 1277813; 944E-42 Prior to SN 974122)</b>	
101	N.S.S.	NLA	L-RING, (no longer available, use 70021617 for replacement)	
102	N.S.S.	1	TUBE WELDMENT	
103	N.S.S.	1	PISTON ROD	
104	8035998	1	SLOTTED NUT	
105	N.S.S.	NLA	GUIDE PIECE, (no longer available, use 70021617 for replacement)	
106	8035981	1	SEAL KIT	
	70021617	1	STEERING CYLINDER, (includes items 201 thru 208), (644E-42 Axle and 944E-42 Axle) <b>(644E-42 SN 1277813 to Present; 944E-42 SN 974122 to Present)</b>	
201	70021571	1	L-RING	
202		Ref	CYLINDER TUBE	
203	70021568	1	PISTON ROD	
204	70021570	1	SLOTTED NUT	
205	70021569	1	GUIDE PIECE	
206	70021726	2	RETAINING RING	

## SECTION 5 - DRIVE TRAIN

ITEM	PART NUMBER	QTY	DESCRIPTION	REV
207	70021495	1	SEAL KIT	
208	70022610	1	SLOTTED PIN	

Go to [Discount-Equipment.com](http://Discount-Equipment.com) to order your parts





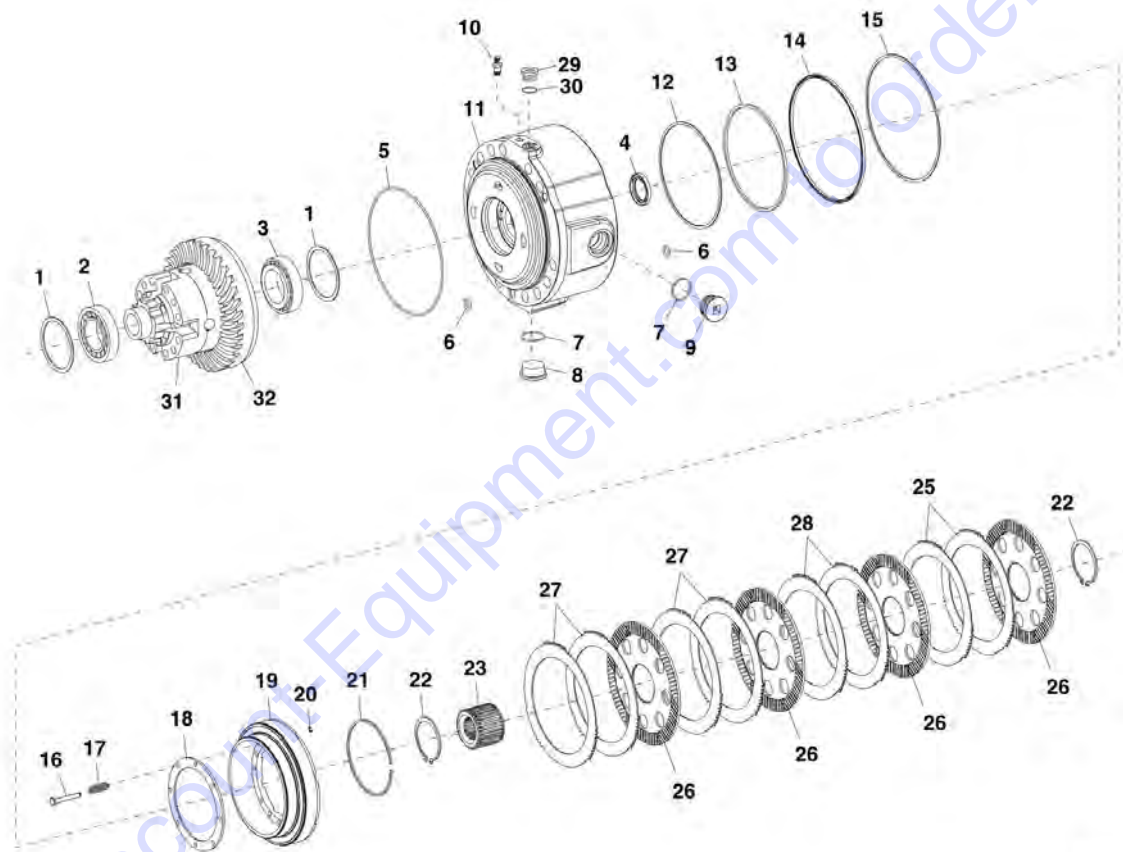
## SECTION 5 - DRIVE TRAIN

**FIGURE 5-10. FRONT AXLE - AXLE CASING (644E-42 SN 0160039830 to Present, Including 0160036724, 0160036811, 0160036907 and 0160037012; 944E-42 SN 0160040124 to Present, Including 0160034634, 0160036710, 0160036722, 0160036735 and 0160036738)**

ITEM	PART NUMBER	QTY	DESCRIPTION	REV
1	70022255	2	AXLE CASING	
2	70022259	1	AXLE DRIVE HOUSING	
3	70022206	28	HEX HD CAPSCREW, M18X180	
4	1319578	4	SCREW PLUG	
5	70022241	2	BUSHING	
6	70022204	2	O-RING	
7	70022217	2	RING	
8	10731790	2	BEARING	
9	70022201	2	SET SCREW, M10X1X16	
10	1319666	2	SCREW PLUG	
10	7027217	2	O-RING	
12	70022174	2	TIE ROD, (includes items 13 thru 16)	
13	70022175	1	BALL JOINT	
14	70022172	1	AXIAL JOINT	
15	8036758	1	LOCKNUT	
16	8036759	1	HEX NUT	
17	1319436	1	BREATHER	
18	8036418	1	SCREW PLUG	
19	70022246	1	BRACKET	
20	70022247	1	BRACKET	
21	1319423	2	GREASE FITTING	
22	70022182	2	FLANGE BUSHING	
23	70022205	2	O-RING	
24	70022219	2	V-RING	
25	1319441	4	BUSHING	
26	70022254	1	BRACKET	
27	1001103619	3	HEX HD CAPSCREW, M22X1.5X80	
101	70022173	1	STEERING CYLINDER, (includes items 102 thru 106)	
102	70022177	1	PISTON ROD	
103	70022184	2	BREAK HEAD	
104	70022181	2	RETAINING RING	
105	70022180	2	RETAINING RING	
106	70022178	1	SEAL KIT	
107	70022210	4	CAPSCREW, M22X1.5X55	

## SECTION 5 - DRIVE TRAIN

**FIGURE 5-11. FRONT AXLE - M-DISC BRAKE (644E-42 Prior to SN 0160039830, Excluding 0160036724, 0160036811, 0160036907 and 0160037012; 944E-42 Prior to SN 0160040124, Excluding 0160034634, 0160036710, 0160036722, 0160036735 and 0160036738)**



PU1991

## SECTION 5 - DRIVE TRAIN

**FIGURE 5-11. FRONT AXLE - M-DISC BRAKE (644E-42 Prior to SN 0160039830, Excluding 0160036724, 0160036811, 0160036907 and 0160037012; 944E-42 Prior to SN 0160040124, Excluding 0160034634, 0160036710, 0160036722, 0160036735 and 0160036738)**

ITEM	PART NUMBER	QTY	DESCRIPTION	REV
1	1319531	AR	SHIM, 0.1mm	
1	8035945	AR	SHIM, 0.15mm	
1	1319530	AR	SHIM, 0.2mm	
1	8035946	AR	SHIM, 0.25mm	
1	1319529	AR	SHIM, 0.3mm	
1	8035947	AR	SHIM, 0.35mm	
1	8035951	AR	SHIM, 0.4mm	
1	1319543	AR	SHIM, 0.45mm	
1	1319527	AR	SHIM, 0.5mm	
1	1321158	AR	SHIM, 0.55mm	
1	1319526	AR	SHIM, 0.6mm	
1	1319532	AR	SHIM, 0.65mm	
1	1319533	AR	SHIM, 0.7mm	
1	1319534	AR	SHIM, 0.75mm	
1	1319525	AR	SHIM, 0.8mm	
1	1319535	AR	SHIM, 0.85mm	
1	1319536	AR	SHIM, 0.9mm	
1	1319537	AR	SHIM, 0.95mm	
1	1319524	AR	SHIM, 1.0mm	
1	1319545	AR	SHIM, 1.05mm	
1	1319538	AR	SHIM, 1.10mm	
1	1319539	AR	SHIM, 1.15mm	
1	1319523	AR	SHIM, 1.20mm	
1	1319540	AR	SHIM, 1.25mm	
1	1319541	AR	SHIM, 1.30mm	
1	1319542	AR	SHIM, 1.35mm	
1	1319522	AR	SHIM, 1.40mm	
1	1319521	AR	SHIM, 1.45mm	
1	1319520	AR	SHIM, 1.50mm	
1	1319519	AR	SHIM, 1.55mm	
1	1319518	AR	SHIM, 1.60mm	
1	1319517	AR	SHIM, 1.65mm	
1	1319510	AR	SHIM, 2.0mm	
1	1321159	AR	SHIM, 1.47mm	
1	8035948	AR	SHIM, 1.63mm	
1	1319516	AR	SHIM, 1.70mm	
1	1319515	AR	SHIM, 1.75mm	
1	1319514	AR	SHIM, 1.80mm	
1	1319513	AR	SHIM, 1.85mm	
1	1319512	AR	SHIM, 1.90mm	
1	1319511	AR	SHIM, 1.95mm	
2	8036445	2	ROLLER BEARING	
3	8036447	2	ROLLER BEARING	
4	8036444	2	SHAFT SEAL	
5	1319425	2	O-RING	
6	1319491	12	O-RING	
7	8036331	4	O-RING	
8	8036846	2	SCREW PLUG	

## SECTION 5 - DRIVE TRAIN

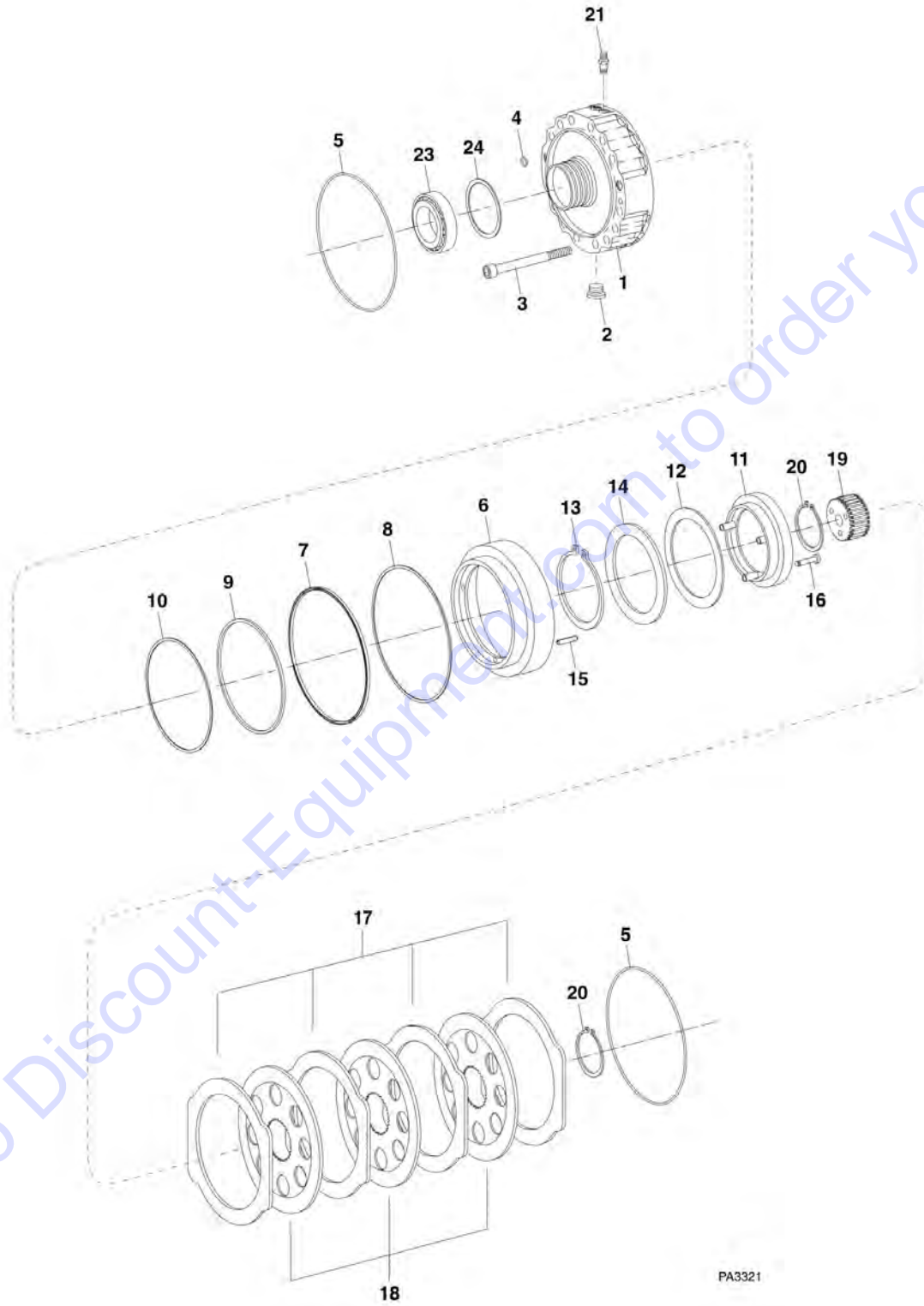
ITEM	PART NUMBER	QTY	DESCRIPTION	REV
9	1319506	2	SCREW PLUG	
10	1319505	2	BREATHER	
11	8035936	Ref	BRAKE HOUSING, (right side), (Axle), (see note) <b>(Prior to SN 675668)</b>	
11	70020483	1	BRAKE HOUSING, (right side), (Axle) <b>(SN 675668 to Present)</b>	
11	8035939	Ref	BRAKE HOUSING, (left side), (Axle), (see note) <b>(Prior to SN 675668)</b>	
11	70020484	1	BRAKE HOUSING, (left side), (Axle) <b>(SN 675668 to Present)</b>	
12	1321151	2	SUPPORT RING	
13	1321162	2	U-RING	
14	1321163	2	U-RING	
15	1321152	2	SUPPORT RING	
16	1319496	16	PIN	
17	1319497	16	COMPRESSION SPRING	
18	8036305	2	WASHER	
19	8036304	2	PISTON	
20	1319499	16	CRESCENT RING	
21	1319504	2	SNAP RING	
22	10731949	4	RETAINING RING	
23	1321174	2	DISC CARRIER, (Axle) <b>(Prior to SN 823842)</b>	
23	70020409	1	DISC CARRIER, (Axle) <b>(SN 823842 to Present)</b>	
25	1319500	4	O. CLUTCH DISC, 2.0mm, (Axle) <b>(Prior to SN 675668)</b>	
25	70020485	4	O. CLUTCH DISC, 2.0mm, (Axle) <b>(SN 675668 to Present)</b>	
25	1319501	4	O. CLUTCH DISC, 2.5mm, (Axle) <b>(Prior to SN 675668)</b>	
25	70020486	4	O. CLUTCH DISC, 2.5mm, (Axle) <b>(SN 675668 to Present)</b>	
25	1319502	4	O. CLUTCH DISC, 3.0mm, (Axle) <b>(Prior to SN 675668)</b>	
25	70020487	4	O. CLUTCH DISC, 3.0mm, (Axle) <b>(SN 675668 to Present)</b>	
26	1321150	10	I. CLUTCH DISC, (Axle) <b>(Prior to SN 823842)</b>	
26	70020408	4	I. CLUTCH DISC, (Axle) <b>(SN 823842 to Present)</b>	
27	1319502	8	O. CLUTCH DISC, 3.0mm, (Axle) <b>(Prior to SN 675668)</b>	
27	70020487	8	O. CLUTCH DISC, 3.0mm, (Axle) <b>(SN 675668 to Present)</b>	
28	1319501	4	O. CLUTCH DISC, 2.5mm, (Axle) <b>(Prior to SN 675668)</b>	
28	70020486	4	O. CLUTCH DISC, 2.5mm, (Axle) <b>(SN 675668 to Present)</b>	
29	1319666	2	SCREW PLUG	
30	7027217	2	O-RING	
31		Ref	LIMITED SLIP DIFFERENTIAL, (See FRONT AXLE - LIMITED SLIP DIFFERENTIAL for Breakdown)	
32		Ref	GEAR SET BEVEL, (See FRONT AXLE – INPUT for Breakdown)	
N1	Note	Ref	<b>PARTS ARE NO LONGER AVAILABLE, ORDER BRAKE HOUSINGS 70020483 &amp; 70020484, QUANTITY REQUIRED OF OUTER DISCS 70020485, 70020486 &amp; 70020487, QUANTITY 2 OF 70020413 END PLATES</b>	





## SECTION 5 - DRIVE TRAIN

**FIGURE 5-12. FRONT AXLE - M-DISC BRAKE (644E-42 SN 0160039830 to Present, Including 0160036724, 0160036811, 0160036907 and 0160037012; 944E-42 SN 0160040124 to Present, Including 0160034634, 0160036710, 0160036722, 0160036735 and 0160036738)**



PA3321

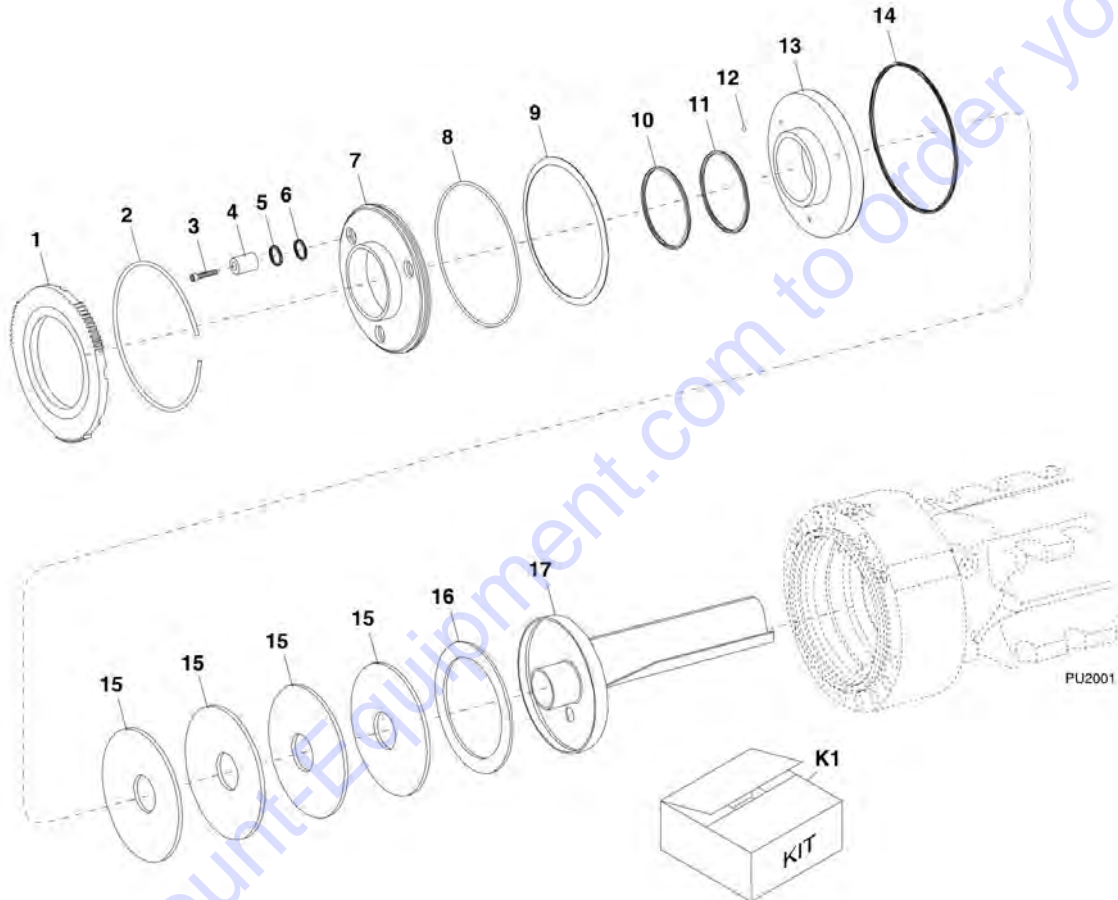
## SECTION 5 - DRIVE TRAIN

**FIGURE 5-12. FRONT AXLE - M-DISC BRAKE (644E-42 SN 0160039830 to Present, Including 0160036724, 0160036811, 0160036907 and 0160037012; 944E-42 SN 0160040124 to Present, Including 0160034634, 0160036710, 0160036722, 0160036735 and 0160036738)**

ITEM	PART NUMBER	QTY	DESCRIPTION	REV
1	70022258	2	BRAKE HOUSING	
2	1319578	2	SCREW PLUG	
3	70022209	6	CAP SCREW, M12X105	
4	8036847	10	O-RING	
5	80304462	4	O-RING	
6	70022250	2	PISTON	
7	70022190	2	PISTON PACKING	
8	70022193	2	BACKUP RING	
9	70022189	2	PISTON PACKING	
10	70022194	2	BACKUP RING	
11	70022236	2	RING	
12	70022183	2	CUP SPRING	
13	70022198	2	RETAINING RING	
14	70022235	2	WASHER	
15	70022186	8	SLOT PIN	
16	1319214	6	CAP SCREW, M8X40	
17	70022196	8	O.CLUTCH DISC	
18	70022176	6	I.CLUTCH DISC	
19	70022253	2	DISC CARRIER	
20	10731949	4	RETAINING RING	
21	70022171	2	BREATHER	
22	70022215	2	SCREW PLUG, (not shown)	
23	8036447	2	BEARING	
24	1319537	AR	SHIM, A=0.95	
24	1319545	AR	SHIM, A=1.05	
24	1319539	AR	SHIM, A=1.15	
24	1319540	AR	SHIM, A=1.25	
24	1319542	AR	SHIM, A=1.35	

## SECTION 5 - DRIVE TRAIN

**FIGURE 5-13. FRONT AXLE - BRAKE (644E-42 Prior to SN 0160039830, Excluding 0160036724, 0160036811, 0160036907 and 0160037012; 944E-42 Prior to SN 0160040124, Excluding 0160034634, 0160036710, 0160036722, 0160036735 and 0160036738)**



## SECTION 5 - DRIVE TRAIN

**FIGURE 5-13. FRONT AXLE - BRAKE (644E-42 Prior to SN 0160039830, Excluding 0160036724, 0160036811, 0160036907 and 0160037012; 944E-42 Prior to SN 0160040124, Excluding 0160034634, 0160036710, 0160036722, 0160036735 and 0160036738)**

ITEM	PART NUMBER	QTY	DESCRIPTION	REV
1	Not Available	NLA	END SHIM, (no longer available, use Kit K1 for replacement), (644E-42 Axle and 944E-42 Axle) <b>(644E-42 Prior to SN 332590; 944E-42 Prior to SN 336083)</b>	
1	8036848	2	END SHIM, (644E-42 Axle and 944E-42 Axle) <b>(644E-42 SN 332590 through 675667; 944E-42 SN 336083 through 675667)</b>	
1	70020413	2	END SHIM, (Axle) <b>(SN 675668 to Present)</b>	
2	1321206	2	SNAP RING	
3	8036321	6	CAP SCREW	
4	Not Available	NLA	PRESSURE PIN, (no longer available, use Kit K1 for replacement), (644E-42 Axle and 944E-42 Axle) <b>(644E-42 Prior to SN 332590; 944E-42 Prior to SN 336083)</b>	
4	1321244	6	PRESSURE PIN, (644E-42 Axle and 944E-42 Axle) <b>(644E-42 SN 332590 to Present; 944E-42 SN 336083 to Present)</b>	
5	8036859	6	O-RING	
6	Not Available	NLA	FOUR-LIP RING, (no longer available, use Kit K1 for replacement), (644E-42 Axle and 944E-42 Axle) <b>(644E-42 Prior to SN 332590; 944E-42 Prior to SN 336083)</b>	
6	8036861	6	U-RING, (644E-42 Axle and 944E-42 Axle) <b>(644E-42 SN 332590 to Present; 944E-42 SN 336083 to Present)</b>	
7	Not Available	NLA	SEALING WASHER, (no longer available, use Kit K1 for replacement), (644E-42 Axle and 944E-42 Axle) <b>(644E-42 Prior to SN 332590; 944E-42 Prior to SN 336083)</b>	
7	8036849	2	SEALING WASHER, (644E-42 Axle and 944E-42 Axle) <b>(644E-42 SN 332590 to Present; 944E-42 SN 336083 to Present)</b>	
8	8036320	2	O-RING	
9	1321208	2	CUP SPRING	
10	Not Available	NLA	SUPPORT RING, (no longer available, use Kit K1 for replacement), (644E-42 Axle and 944E-42 Axle) <b>(644E-42 Prior to SN 332590; 944E-42 Prior to SN 336083)</b>	
10	8036855	2	BACKUP RING, (644E-42 Axle and 944E-42 Axle) <b>(644E-42 SN 332590 to Present; 944E-42 SN 336083 to Present)</b>	
11	Not Available	NLA	FOUR-LIP RING, (no longer available, use Kit K1 for replacement), (644E-42 Axle and 944E-42 Axle) <b>(644E-42 Prior to SN 332590; 944E-42 Prior to SN 336083)</b>	
11	8036854	2	U-RING, (644E-42 Axle and 944E-42 Axle) <b>(644E-42 SN 332590 to Present; 944E-42 SN 336083 to Present)</b>	
12	Not Available	NLA	SUPPORT RING, (no longer available, use Kit K1 for replacement), (644E-42 Axle and 944E-42 Axle) <b>( 644E-42 Prior to SN 332590; 944E-42 Prior to SN 336083)</b>	
12	8036862	6	BACKUP RING, (644E-42 Axle and 944E-42 Axle) <b>(644E-42 SN 332590 to Present; 944E-42 SN 336083 to Present)</b>	
13	Not Available	NLA	PISTON, (no longer available, use Kit K1 for replacement), (644E-42 Axle and 944E-42 Axle) <b>( 644E-42 Prior to SN 332590; 944E-42 Prior to SN 336083)</b>	
13	7027212	2	PISTON, (644E-42 Axle and 944E-42 Axle) <b>(644E-42 SN 332590 to Present; 944-42 SN 336083 to Present)</b>	
14	Not Available	NLA	FOUR-LIP RING, (no longer available, use Kit K1 for replacement), (644E-42 Axle and 944E-42 Axle) <b>( 644E-42 Prior to SN 332590; 944E-42 Prior to SN 336083)</b>	
14	8036852	2	U-RING, (644E-42 Axle and 944E-42 Axle) <b>(644E-42 SN 332590 to Present; 944E-42 SN 336083 to Present)</b>	
15	1321207	8	CUP SPRING	
16	8035958	2	SPACING WASHER	
17	Not Available	NLA	OIL DAM, (no longer available, use Kit K1 for replacement), (644E-	

## SECTION 5 - DRIVE TRAIN

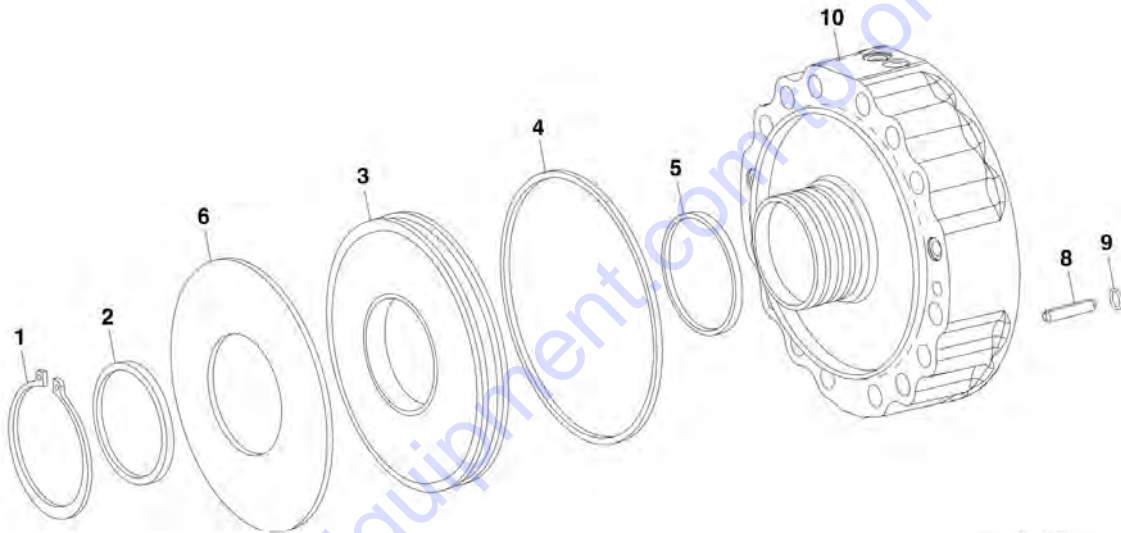
ITEM	PART NUMBER	QTY	DESCRIPTION	REV
17	8036856	2	42 Axle and 944E-42 Axle) <b>(644E-42 Prior to SN 332590; 944E-42 Prior to SN 336083)</b>	
			OIL DAM, (644E-42 Axle and 944E-42 Axle) <b>(644E-42 SN 332590 to Present; 944E-42 SN 336083 to Present)</b>	
K1	7029104	AR	BRAKE SEAL KIT, (Axle), (contains quantity of 1 each of items 1, 2, 7 thru 11, 13, 14, 17; quantity of 3 each of items 3 thru 6, 12 and quantity of 1 of 1319425 o-ring) <b>(Prior to SN 675668)</b>	

Go to Discount-Equipment.com to order your parts



## SECTION 5 - DRIVE TRAIN

FIGURE 5-14. FRONT AXLE - BRAKE (644E-42 SN 0160039830 to Present, Including 0160036724, 0160036811, 0160036907 and 0160037012; 944E-42 SN 0160040124 to Present, Including 0160034634, 0160036710, 0160036722, 0160036735 and 0160036738)



PA3331



# PARTS FINDER

**Search Website  
by Part Number**



**Search Manual  
Library For Parts  
Manual & Lookup Part  
Numbers – Purchase  
or Request Quote**

**Can't Find Part or  
Manual? Request Help  
by Manufacturer,  
Model & Description**

Discount-Equipment.com is your online resource for quality parts & equipment.

Florida: **561-964-4949** Outside Florida TOLL FREE: **877-690-3101**

## Need parts?

Click on this link: <http://www.discount-equipment.com/category/5443-parts/> and choose one of the options to help get the right parts and equipment you are looking for. Please have the machine model and serial number available in order to help us get you the correct parts. If you don't find the part on the website or on one of the online manuals, please fill out the request form and one of our experienced staff members will get back to you with a quote for the right part that your machine needs.

We sell worldwide for the brands: Genie, Terex, JLG, MultiQuip, Mikasa, Essick, Whiteman, Mayco, Toro Stone, Diamond Products, Generac Magnum, Airman, Haulotte, Barreto, Power Blanket, Nifty Lift, Atlas Copco, Chicago Pneumatic, Allmand, Miller Curber, Skyjack, Lull, Skytrak, Tsurumi, Husquvarna Target, Stow, Wacker, Sakai, Mi-T-M, Sullair, Basic, Dynapac, MBW, Weber, Bartell, Bennar Newman, Haulotte, Ditch Runner, Menegotti, Morrison, Contec, Buddy, Crown, Edco, Wyco, Bomag, Laymor, EZ Trench, Bil-Jax, F.S. Curtis, Gehl Pavers, Heli, Honda, ICS/PowerGrit, IHI, Partner, Imer, Clipper, MMD, Koshin, Rice, CH&E, General Equipment, Amida, Coleman, NAC, Gradall, Square Shooter, Kent, Stanley, Tamco, Toku, Hatz, Kohler, Robin, Wisconsin, Northrock, Oztec, Toker TK, Rol-Air, APT, Wylie, Ingersoll Rand / Doosan, Innovatech, Con X, Ammann, Mecalac, Makinex, Smith Surface Prep, Small Line, Wanco, Yanmar

## SECTION 5 - DRIVE TRAIN

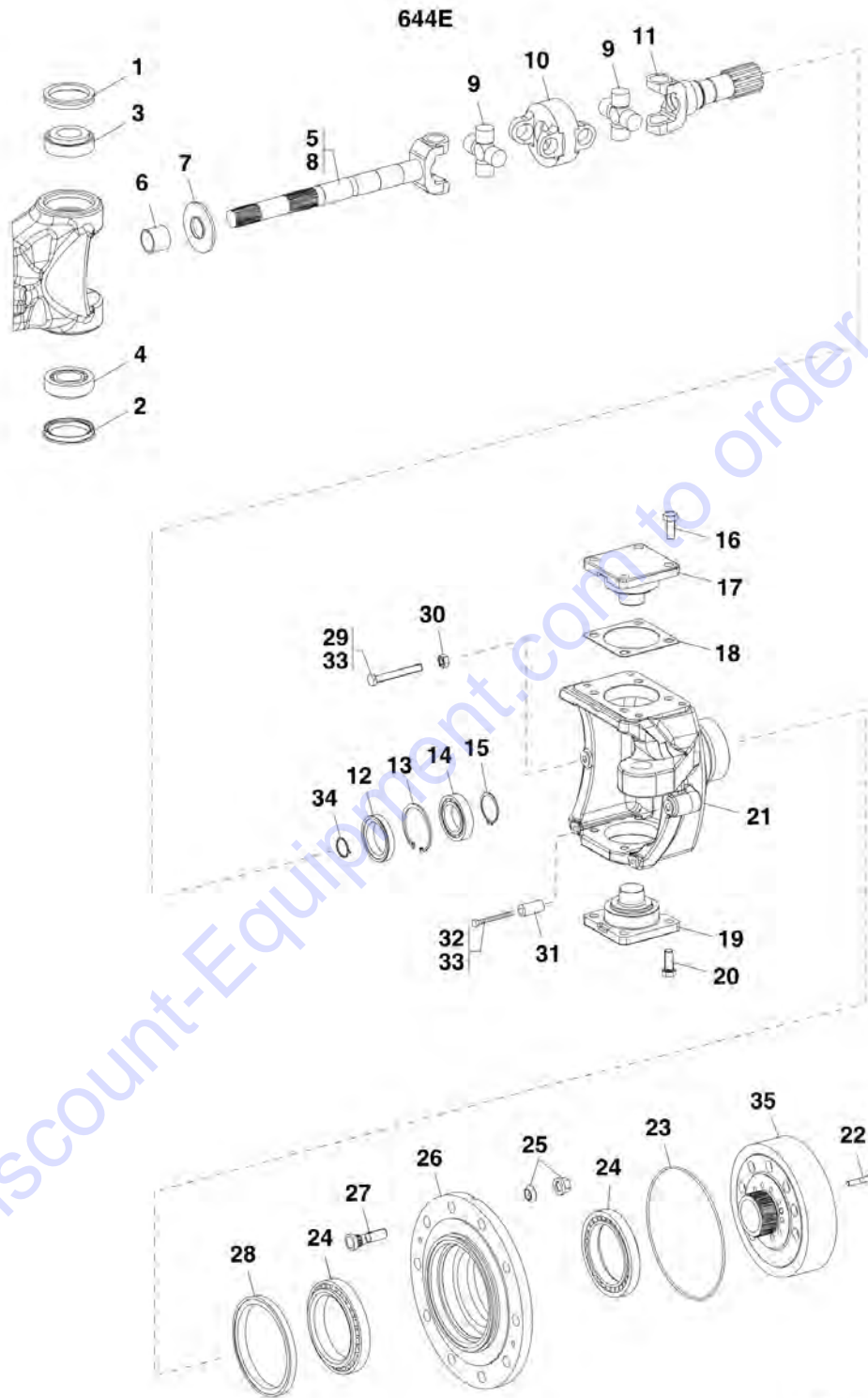
**FIGURE 5-14. FRONT AXLE - BRAKE (644E-42 SN 0160039830 to Present, Including 0160036724, 0160036811, 0160036907 and 0160037012; 944E-42 SN 0160040124 to Present, Including 0160034634, 0160036710, 0160036722, 0160036735 and 0160036738)**

ITEM	PART NUMBER	QTY	DESCRIPTION	REV
1	70022199	2	SNAP RING	
2	70022252	2	WASHER	
3	70022251	2	PISTON	
4	70022191	2	PISTON PACKING	
5	70022192	2	ROD SEAL	
6	70022195	2	CUP SPRING	
7	70022215	2	SCREW PLUG, (not shown)	
8	70022248	14	PRESSURE PIN	
9	70022202	14	O-RING	
10		Ref	BRAKE HOUSING, (See FRONT AXLE - M-DISC BRAKE for Breakdown)	

Go to Discount-Equipment.com to order your parts

# SECTION 5 - DRIVE TRAIN

FIGURE 5-15. FRONT AXLE - JOINT HOUSING (644E-42 Prior to SN 0160039830, Excluding 0160036724, 0160036811, 0160036907 and 0160037012)



PU2011

## SECTION 5 - DRIVE TRAIN

**FIGURE 5-15. FRONT AXLE - JOINT HOUSING (644E-42 Prior to SN 0160039830, Excluding 0160036724, 0160036811, 0160036907 and 0160037012)**

ITEM	PART NUMBER	QTY	DESCRIPTION	REV
1	8036338	2	MULTI SEAL RING	
2	1319447	2	SHAFT SEAL	
3	1319444	2	ROLLER BEARING	
4	1319445	2	ROLLER BEARING	
5	7027218	2	DRIVESHAFT UNIVERSAL COUPLING, (not maintenance free), (includes items 6 thru 11), (Axle) <b>(Prior to SN 720124)</b>	
5	70022052	2	DRIVESHAFT UNIVERSAL COUPLING, (maintenance free), (7028979 is no longer available, use 70022052 for replacement or items 6 thru 11 for service), (Axle) <b>(SN 720125 to Present)</b>	
6	8035973	1	BUSHING	
7	8035996	1	SCREEN SHEET	
8	7027221	1	JOINT FORK, (Axle) <b>(Prior to SN 720124)</b>	
8	8035995	1	JOINT FORK, (Axle) <b>(SN 720125 to Present)</b>	
9	7027222	2	JOINT CROSS, (Axle) <b>(Prior to SN 720124)</b>	
9	70021554	2	JOINT CROSS, (Axle) <b>(SN 720125 to Present)</b>	
10	7027219	1	CENTRAL PIECE, (Axle) <b>(Prior to SN 720124)</b>	
10	70021553	1	CENTRAL PIECE, (Axle) <b>(SN 720125 to Present)</b>	
11	7027220	1	JOINT FORK, (Axle) <b>(Prior to SN 720124)</b>	
11	8035994	1	JOINT FORK, (Axle) <b>(SN 720125 to Present)</b>	
12	7028977	2	CASSETTE RING	
13	1319210	2	RETAINING RING	
14	1321157	2	BALL BEARING	
15	80304405	2	RETAINING RING	
16	1319463	8	HEX SCREW	
17	1319461	2	BEARING PIN	
18	1319448	AR	SHIM, 0.2mm	
18	1319449	AR	SHIM, 0.3mm	
18	1319450	AR	SHIM, 0.4mm	
18	1319460	AR	SHIM, 0.5mm	
18	1319451	AR	SHIM, 0.6mm	
18	1319459	AR	SHIM, 0.7mm	
18	1319452	AR	SHIM, 0.8mm	
18	1319453	AR	SHIM, 1.0mm	
18	1319454	AR	SHIM, 1.2mm	
18	1319455	AR	SHIM, 1.4mm	
18	1319456	AR	SHIM, 1.6mm	
18	1319457	AR	SHIM, 1.8mm	
18	1319458	AR	SHIM, 2.0mm	
19	1319462	2	BEARING PIN	
20	1319464	8	HEX SCREW	
21	1321245	1	JOINT HOUSING, (right side)	
21	1321246	1	JOINT HOUSING, (left side)	
22	8035997	20	HEX SCREW	
23	1319470	2	O-RING	
24	1319472	4	ROLLER BEARING	
25	8024036	16	WHEEL NUT AND SPERICAL WASHER SERVICE KIT	
26	8036435	2	HUB	
27	8036434	16	WHEEL BOLT, (stud)	
28	80304173	2	SHAFT SEAL	

## SECTION 5 - DRIVE TRAIN

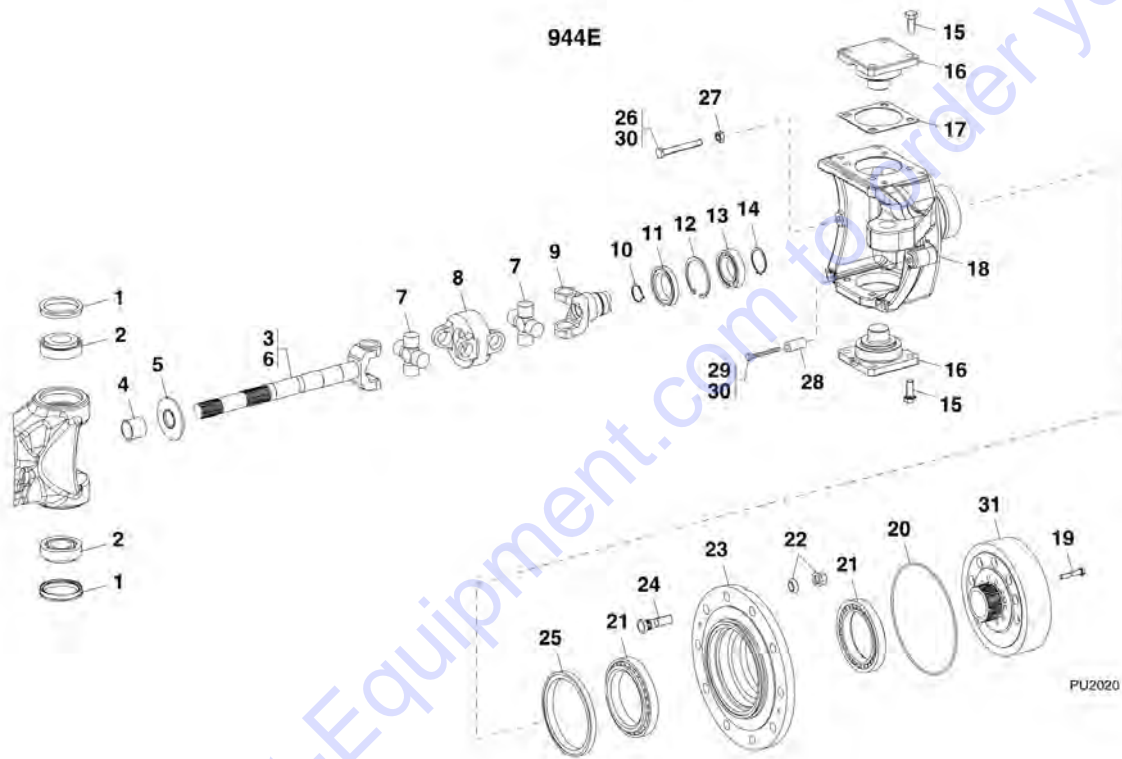
ITEM	PART NUMBER	QTY	DESCRIPTION	REV
29	8036610	2	STOP SCREW	
30	1319477	2	NUT	
31	8036413	2	SPACER TUBE, (used with rock tires only)	
32	8036330	2	STOP SCREW	
33	8526007	AR	LOCTITE 242, (apply to items 29 & 32)	
34	1321226	2	RETAINING RING	
35		Ref	RING GEAR, (See FRONT AXLE - PLANETARY DRIVE for Breakdown)	

Go to Discount-Equipment.com to order your parts



## SECTION 5 - DRIVE TRAIN

FIGURE 5-16. FRONT AXLE - JOINT HOUSING (944E-42 Prior to SN 0160040124, Excluding 0160034634, 0160036710, 0160036722, 0160036735 and 0160036738)



## SECTION 5 - DRIVE TRAIN

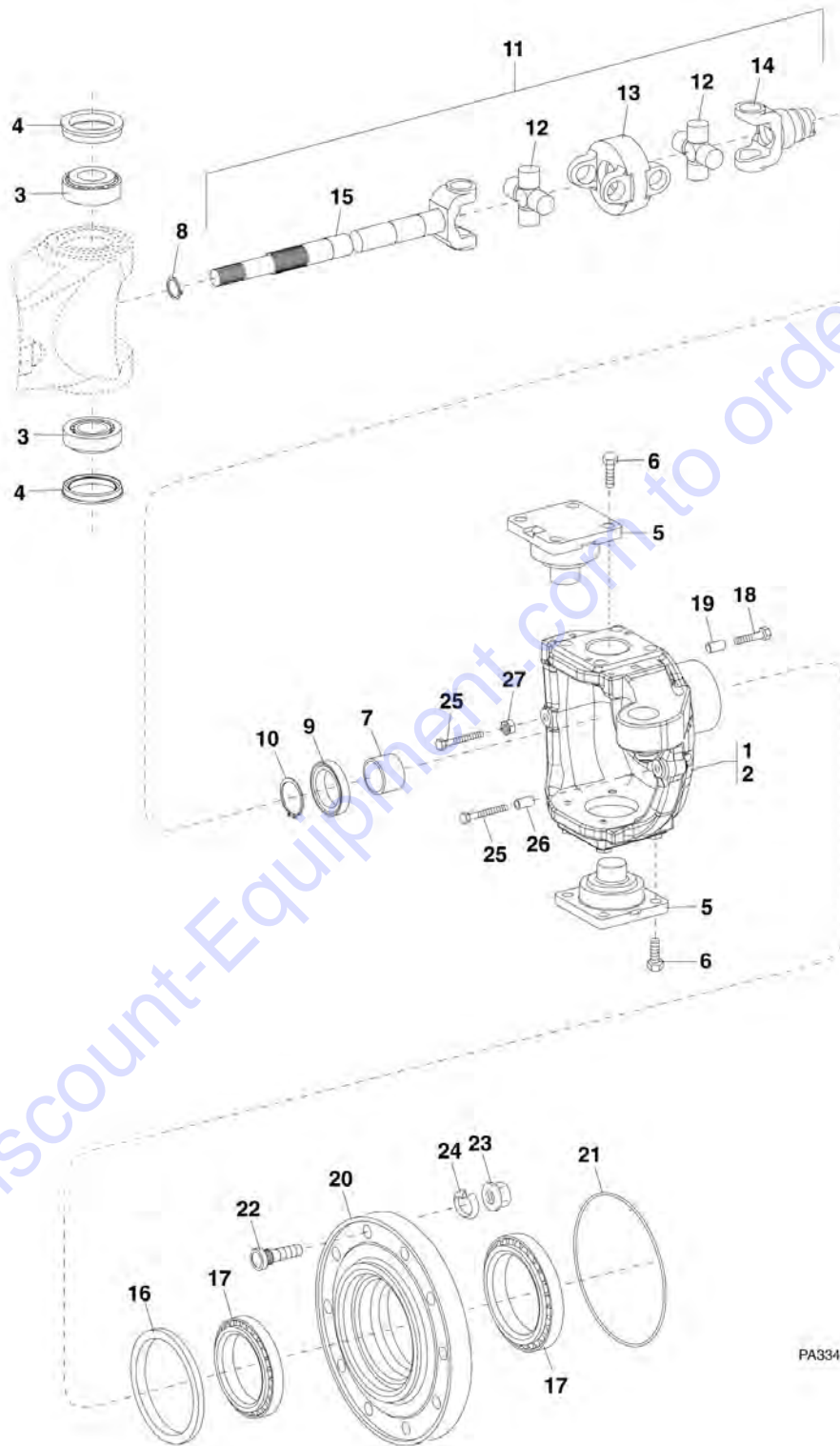
**FIGURE 5-16. FRONT AXLE - JOINT HOUSING (944E-42 Prior to SN 0160040124, Excluding 0160034634, 0160036710, 0160036722, 0160036735 and 0160036738)**

ITEM	PART NUMBER	QTY	DESCRIPTION	REV
1	1319447	4	SHAFT SEAL	
2	1319445	4	ROLLER BEARING	
3	1321175	2	DRIVESHAFT UNIVERSAL COUPLING, (includes items 4 thru 9)	
4	8035973	1	BUSHING	
5	8035974	1	SCREENSHEET	
6	8035972	1	JOINT COUPLING FORK	
7	8035970	2	JOINT CROSS, (Axle) <b>(Prior to SN 755242)</b>	
7	70021790	2	JOINT CROSS, (Axle) <b>(SN 755242 to Present)</b>	
8	8035969	1	CENTRAL PIECE, (Axle) <b>(Prior to SN 755242)</b>	
8	70021789	1	CENTRAL PIECE, (Axle) <b>(SN 755242 to Present)</b>	
9	8035971	1	JOINT FORK	
10	1321228	2	RETAINING RING	
11	7028977	2	CASSETTE RING	
12	1319210	2	RETAINING RING	
13	1321157	2	BALL BEARING	
14	80304405	2	RETAINING RING	
15	1319464	16	HEX SCREW	
16	1319462	4	BEARING PIN	
17	1321249	AR	SHIM, 0.2mm	
17	8035959	AR	SHIM, 0.3mm	
17	8035960	AR	SHIM, 0.4mm	
17	8035961	AR	SHIM, 0.5mm	
17	8035962	AR	SHIM, 0.6mm	
17	1321250	AR	SHIM, 0.7mm	
17	8035963	AR	SHIM, 0.8mm	
17	8035964	AR	SHIM, 1.0mm	
17	8035965	AR	SHIM, 1.2mm	
17	8035966	AR	SHIM, 1.4mm	
17	1321251	AR	SHIM, 1.6mm	
17	8035967	AR	SHIM, 1.8mm	
17	8035968	AR	SHIM, 2.0mm	
18	1321256	1	JOINT HOUSING, (right side)	
18	1321257	1	JOINT HOUSING, (left side)	
19	8036866	20	HEX SCREW	
20	1321155	2	O-RING	
21	1319472	4	ROLLER BEARING	
22	8024036	20	WHEEL NUT AND SPERICAL WASHER SERVICE KIT	
23	1321254	2	HUB	
24	8036434	20	WHEEL BOLT, (stud)	
25	80304173	2	SHAFT SEAL	
26	1319476	2	STOP SCREW	
27	1319477	2	NUT	
28	8036413	2	SPACER TUBE, (if equipped with rock tires)	
29	8036330	2	STOP SCREW	
30	8526007	AR	LOCTITE 242, (apply to items 26 & 29)	
31		Ref	RING GEAR, (See FRONT AXLE - PLANETARY DRIVE for Breakdown)	



## SECTION 5 - DRIVE TRAIN

**FIGURE 5-17. FRONT AXLE - JOINT HOUSING (644E-42 SN 0160039830 to Present, Including 0160036724, 0160036811, 0160036907 and 0160037012; 944E-42 SN 0160040124 to Present, Including 0160034634, 0160036710, 0160036722, 0160036735 and 0160036738)**



PA3341

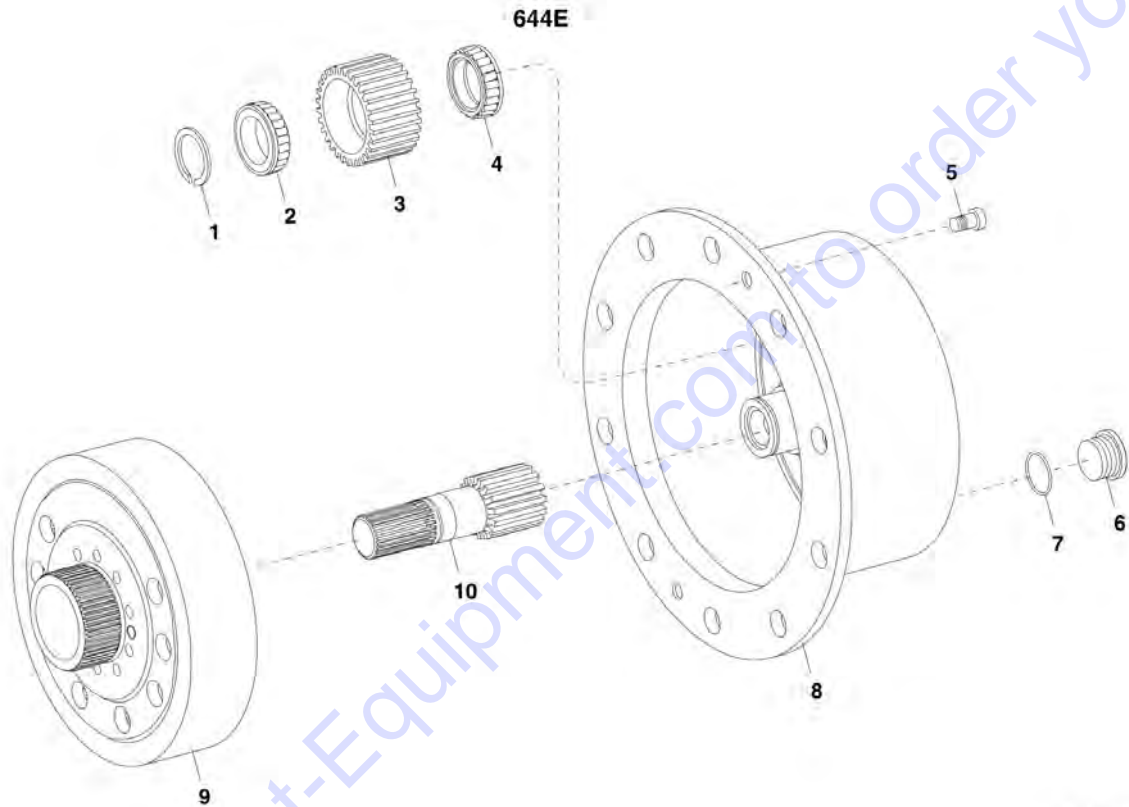
## SECTION 5 - DRIVE TRAIN

**FIGURE 5-17. FRONT AXLE - JOINT HOUSING (644E-42 SN 0160039830 to Present, Including 0160036724, 0160036811, 0160036907 and 0160037012; 944E-42 SN 0160040124 to Present, Including 0160034634, 0160036710, 0160036722, 0160036735 and 0160036738)**

ITEM	PART NUMBER	QTY	DESCRIPTION	REV
1	70022237	1	JOINT HOUSING, (left side)	
2	70022238	1	JOINT HOUSING, (right side)	
3	70022223	4	ROLLER BEARING	
4	1319447	4	SHAFT SEAL	
5	70022240	4	BEARING PIN	
6	1319464	16	HEX SCREW, M16X40	
7	70022179	2	BUSHING	
8	10731789	2	RETAINING RING	
9	70022218	2	SHAFT SEAL	
10	1321226	2	RETAINING RING	
11	70022170	2	UNIVERSAL COUPLING DRIVE SHAFT ASSY, (644E-42), (includes items 12 thru 15)	
11	70022265	2	UNIVERSAL COUPLING DRIVE SHAFT ASSY, (944E-42), (includes items 12 thru 15)	
12	70021554	2	JOINT CROSS, (644E-42)	
12	70021790	2	JOINT CROSS, (944E-42)	
13	70021553	1	CENTRAL PIECE, (644E-42)	
13	70021789	1	CENTRAL PIECE, (944E-42)	
14	70022187	1	FORK SHAFT, (644E-42)	
14	70022266	1	FORK SHAFT, (944E-42)	
15	70022188	1	FORK SHAFT, (644E-42)	
15	70022267	1	FORK SHAFT, (944E-42)	
16	80304173	2	SHAFT SEAL	
17	1319472	4	ROLLER BEARING	
18	70022208	16	HEX SCREW, M14X70	
19	70022234	16	CENTERING BUSHING	
20	70022249	2	HUB	
21	70022203	2	O-RING	
22	70022230	20	WHEEL BOLT	
23		Ref	WHEEL NUT, (See DRIVE TRAIN COMPONENTS for Breakdown)	
24		Ref	SPRING WASHER, (See DRIVE TRAIN COMPONENTS for Breakdown)	
25	8036330	4	STOP SCREW, M14X1.5	
26	70022257	2	SPACER TUBE	
27	1319477	2	HEX NUT, M14X1.5	

## SECTION 5 - DRIVE TRAIN

FIGURE 5-18. FRONT AXLE - PLANETARY DRIVE (Prior to SN 0160039830, Excluding 0160036724, 0160036811, 0160036907 and 0160037012)



PU2031

## SECTION 5 - DRIVE TRAIN

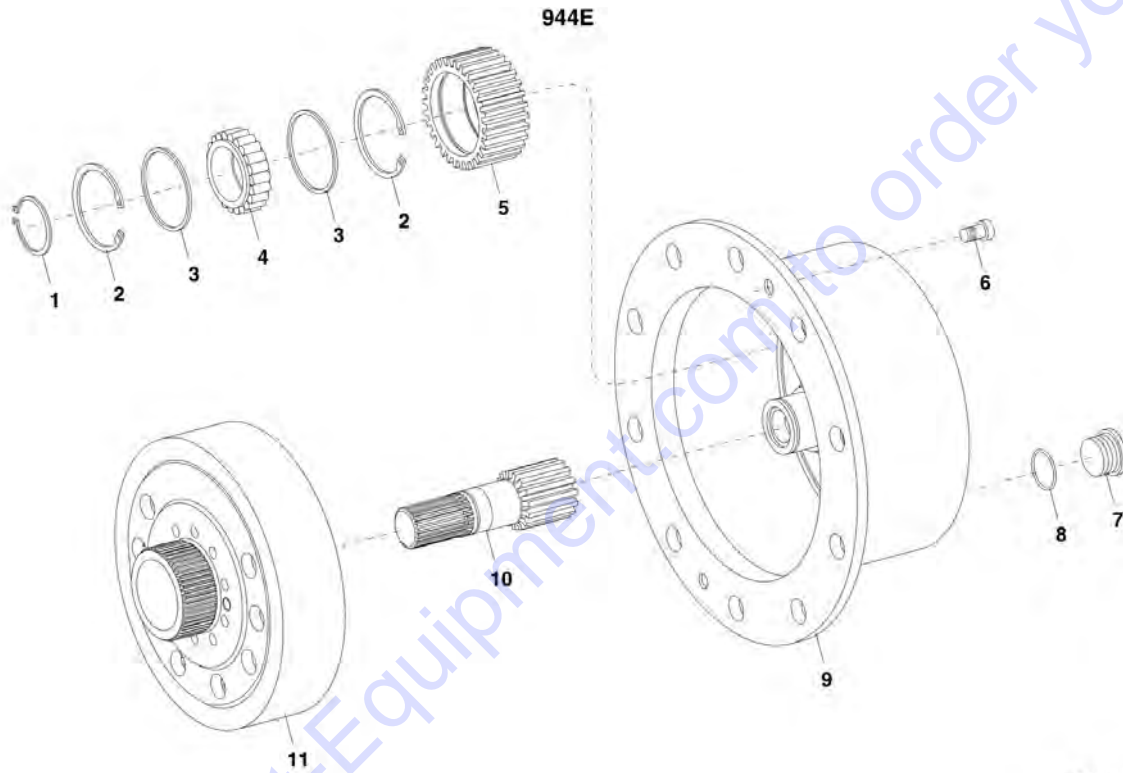
**FIGURE 5-18. FRONT AXLE - PLANETARY DRIVE (Prior to SN 0160039830, Excluding 0160036724, 0160036811, 0160036907 and 0160037012)**

ITEM	PART NUMBER	QTY	DESCRIPTION	REV
1	1319485	6	SNAP RING	
2	1319484	6	INNER RING BEARING	
3	1321231	6	PLANET GEAR	
4	1319483	6	INNER RING BEARING	
5	1319488	4	CAP SCREW	
6	1319506	2	SCREW PLUG	
7	8036331	2	O-RING	
8	8036436	2	PLANET CARRIER	
9	1321247	2	RING GEAR	
10	1321242	2	SUN GEAR SHAFT	
	70021555	1	PLANET CARRIES ASSY (includes items 3, 4, 5 & 8)	

Go to Discount-Equipment.com to order your parts

## SECTION 5 - DRIVE TRAIN

FIGURE 5-19. FRONT AXLE - PLANETARY DRIVE (Prior to SN 0160040124, Excluding 0160034634, 0160036710, 0160036722, 0160036735 and 0160036738)



PU2040

## SECTION 5 - DRIVE TRAIN

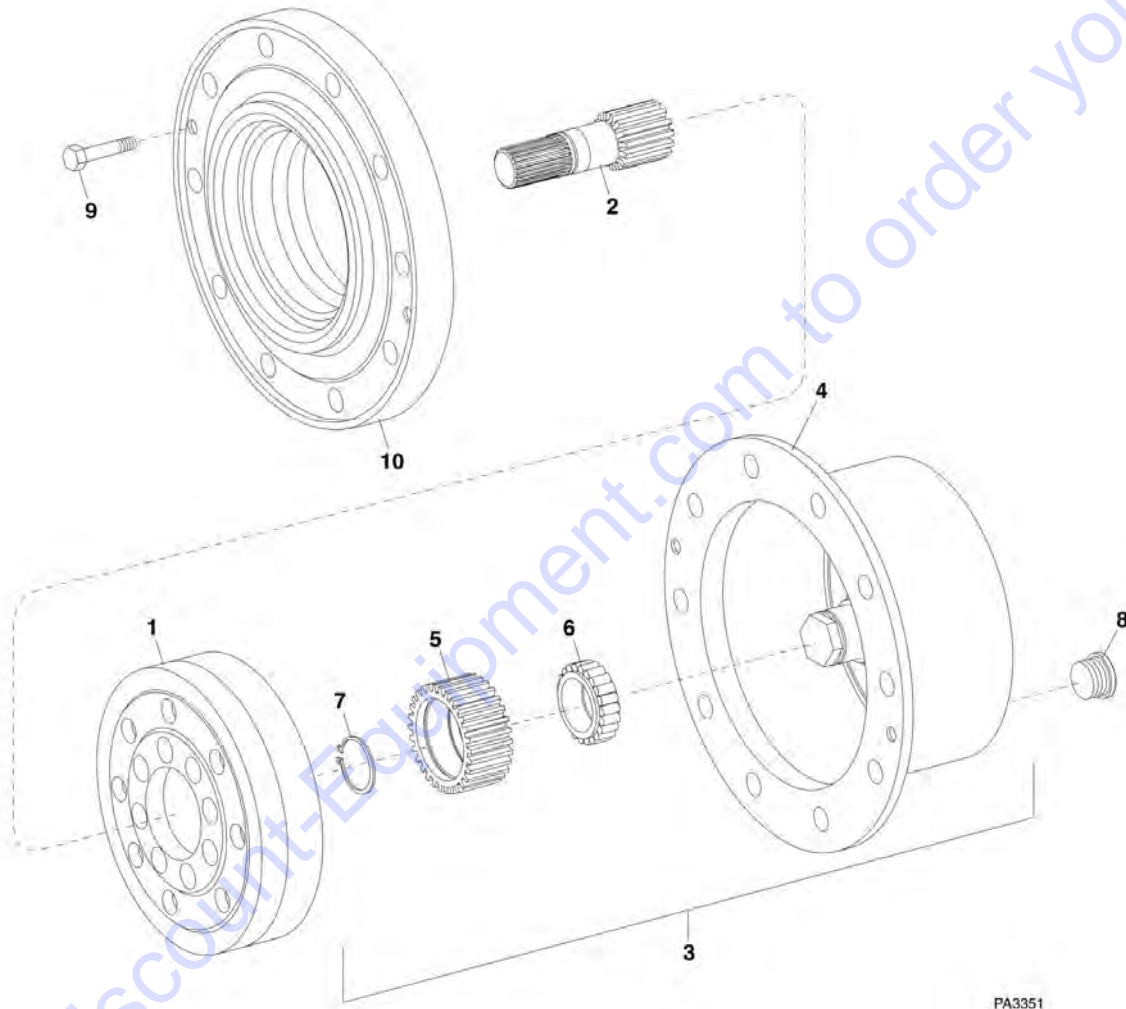
**FIGURE 5-19. FRONT AXLE - PLANETARY DRIVE (Prior to SN 0160040124, Excluding 0160034634, 0160036710, 0160036722, 0160036735 and 0160036738)**

ITEM	PART NUMBER	QTY	DESCRIPTION	REV
1	80304227	3	RETAINING RING	
2	1321205	6	SNAP RING	
3	1321191	6	WASHER	
4	1321214	3	ROLLER BEARING	
5	1321233	3	PLANET GEAR	
6	8035977	2	CAP SCREW	
7	1319506	1	SCREW PLUG	
8	8036331	1	O-RING	
9	1321232	1	PLANET CARRIER	
10	1321255	1	SUN GEAR SHAFT	
11	1321258	1	RING GEAR	

Go to Discount-Equipment.com to order your parts

## SECTION 5 - DRIVE TRAIN

**FIGURE 5-20. FRONT AXLE - PLANETARY DRIVE (644E-42 SN 0160039830 to Present, Including 0160036724, 0160036811, 0160036907 and 0160037012; 944E-42 SN 0160040124 to Present, Including 0160034634, 0160036710, 0160036722, 0160036735 and 0160036738)**



PA3351

## SECTION 5 - DRIVE TRAIN

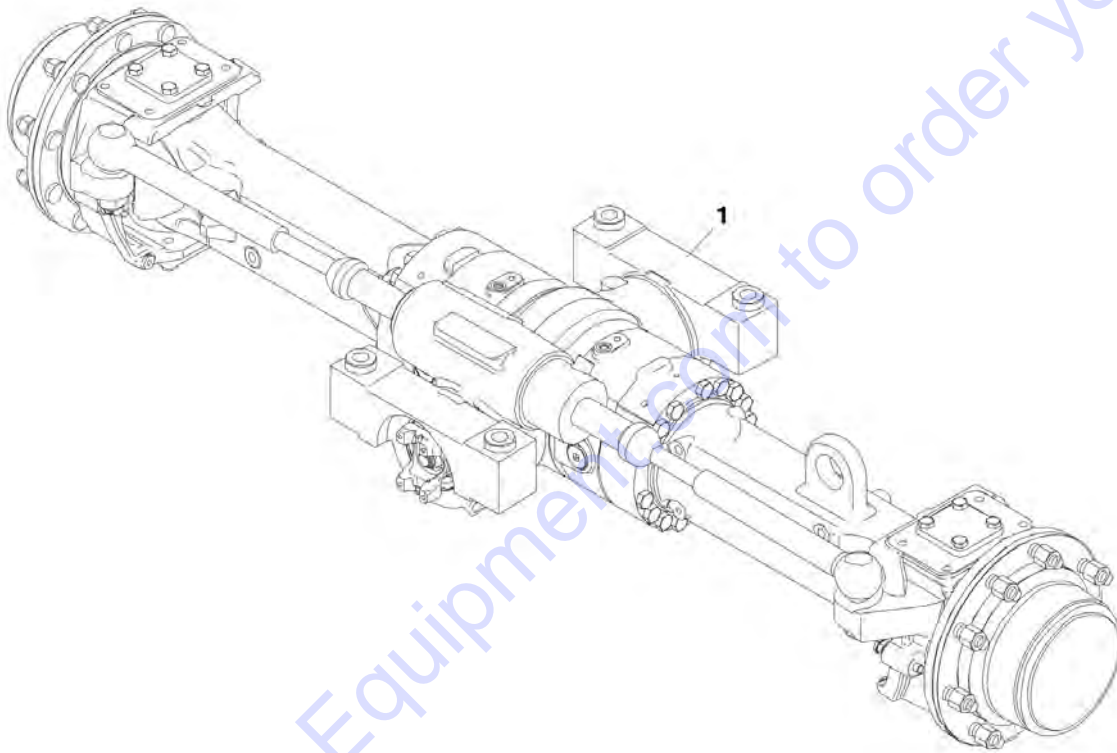
**FIGURE 5-20. FRONT AXLE - PLANETARY DRIVE (644E-42 SN 0160039830 to Present, Including 0160036724, 0160036811, 0160036907 and 0160037012; 944E-42 SN 0160040124 to Present, Including 0160034634, 0160036710, 0160036722, 0160036735 and 0160036738)**

ITEM	PART NUMBER	QTY	DESCRIPTION	REV
1	70022242	1	RING GEAR, (644E-42)	
1	70022274	1	RING GEAR, (944E-42)	
2	70022239	2	SUN GEAR SHAFT, (644E-42)	
2	70022278	2	SUN GEAR SHAFT, (944E-42)	
3	70022233	2	PLANETARY CARRIER ASSY, (644E-42), (includes items 4 thru 7)	
3	70022273	2	PLANETARY CARRIER ASSY, (944E-42), (includes items 4 thru 7)	
4	70022256	1	PLANETARY CARRIER, (644E-42)	
4	70022279	1	PLANETARY CARRIER, (944E-42)	
5	70022243	3	PLANETARY GEAR, (644E-42)	
5	70022271	3	PLANETARY GEAR, (944E-42)	
6	70022221	3	CYL. ROLLER BEARING, (644E-42)	
6	70022270	3	CYL. ROLLER BEARING, (944E-42)	
7	70022197	3	RETAINING RING	
8	1319578	2	SCREW PLUG	
9	70022207	4	HEX SCREW, M12X30	
10		Ref	HUB, (See FRONT AXLE - JOINT HOUSING for Breakdown)	



## SECTION 5 - DRIVE TRAIN

FIGURE 5-21. REAR AXLE



PA3930

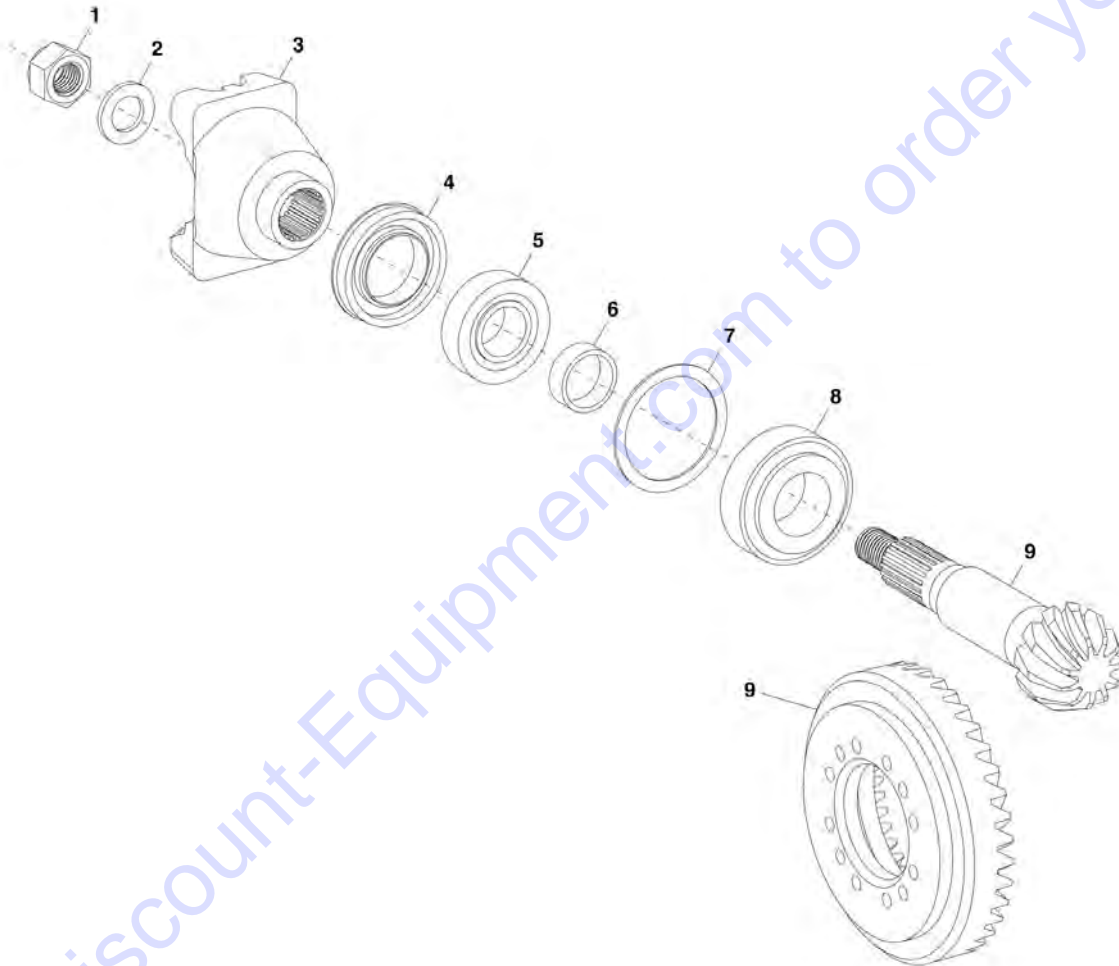
## SECTION 5 - DRIVE TRAIN

### FIGURE 5-21. REAR AXLE

ITEM	PART NUMBER	QTY	DESCRIPTION	REV
1	8040284	1	REAR AXLE, (644E-42 Prior to SN 0160039830, Excluding 0160036724, 0160036811, 0160036907 and 0160037012)	B
1	8040287	1	REAR AXLE, (944E-42 Prior to SN 0160040124, Excluding 0160034634, 0160036710, 0160036722, 0160036735 and 0160036738)	B
1	1001103631	1	REAR AXLE (644E-42 SN 0160039830 to Present, Including 0160036724, 0160036811, 0160036907 and 0160037012; 944E-42 SN 0160040124 through 0160041823, Including 0160034634, 0160036710, 0160036722, 0160036735 and 0160036738)	D
1	1001132240	1	REAR AXLE, (944E-42 SN 0160041827 to Present)	A
1		Ref	INPUT, (See REAR AXLE – INPUT for Breakdown)	
1		Ref	DIFFERENTIAL, (See REAR AXLE – DIFFERENTIAL for Breakdown)	
1		Ref	AXLE CASING, (See REAR AXLE – CASING for Breakdown)	
1		Ref	M-DISC BRAKE, (See REAR AXLE - M-DISC BRAKE for Breakdown)	
1		Ref	BRAKE, (See REAR AXLE – BRAKE for Breakdown)	
1		Ref	JOINT HOUSING, (See REAR AXLE - JOINT HOUSING for Breakdown)	
1		Ref	PLANETARY DRIVE, (See REAR AXLE - PLANETARY DRIVE for Breakdown)	

## SECTION 5 - DRIVE TRAIN

FIGURE 5-22. REAR AXLE - INPUT (644E-42 Prior to SN 0160039830, Excluding 0160036724, 0160036811, 0160036907 and 0160037012; 944E-42 Prior to SN 0160040124, Excluding 0160034634, 0160036710, 0160036722, 0160036735 and 0160036738)



ART 8990462-5-22

## SECTION 5 - DRIVE TRAIN

**FIGURE 5-22. REAR AXLE - INPUT (644E-42 Prior to SN 0160039830, Excluding 0160036724, 0160036811, 0160036907 and 0160037012; 944E-42 Prior to SN 0160040124, Excluding 0160034634, 0160036710, 0160036722, 0160036735 and 0160036738)**

ITEM	PART NUMBER	QTY	DESCRIPTION	REV
1	8035983	1	HEX NUT	
2	1319406	1	WASHER	
3	1321237	1	END YOKE	
4	1321211	1	SEAL SHAFT	
5	1319444	1	ROLLER BEARING	
6	1319354	1	RING, 15.1mm	
6	1319355	1	RING, 15.2mm	
6	1319356	1	RING, 15.3mm	
6	1319357	1	RING, 15.4mm	
6	1319358	1	RING, 15.5mm	
6	1319359	1	RING, 15.6mm	
6	1319360	1	RING, 15.7mm	
6	1319361	1	RING, 15.8mm	
6	1319362	1	RING, 15.9mm	
6	1319363	1	RING, 16.0mm	
6	1319364	1	RING, 16.1mm	
6	1319365	1	RING, 16.2mm	
6	1319366	1	RING, 16.3mm	
6	1319367	1	RING, 16.4mm	
6	8035982	1	RING, 16.26mm	
6	1319369	1	RING, 16.23mm	
6	1319370	1	RING, 16.16mm	
6	1319371	1	RING, 16.13mm	
6	1319372	1	RING, 16.06mm	
6	1319373	1	RING, 16.03mm	
6	1319374	1	RING, 15.96mm	
6	1319375	1	RING, 15.93mm	
6	1319376	1	RING, 15.86mm	
6	1319377	1	RING, 15.83mm	
6	1319378	1	RING, 15.76mm	
6	1319379	1	RING, 15.73mm	
6	1319380	1	RING, 15.66mm	
6	1319381	1	RING, 15.63mm	
6	1319382	1	RING, 15.56mm	
6	1319383	1	RING, 15.53mm	
6	1319384	1	RING, 15.46mm	
6	1319385	1	RING, 15.43mm	
6	1319386	1	RING, 15.36mm	
6	1319387	1	RING, 15.33mm	
6	1319388	1	RING, 15.26mm	
6	1319389	1	RING, 15.38mm	
6	1319390	1	RING, 15.48mm	
6	1319391	1	RING, 15.58mm	
6	1319392	1	RING, 15.68mm	
6	1319393	1	RING, 15.69mm	
6	1319394	1	RING, 15.72mm	
6	1319395	1	RING, 15.78mm	
6	1319396	1	RING, 15.81mm	

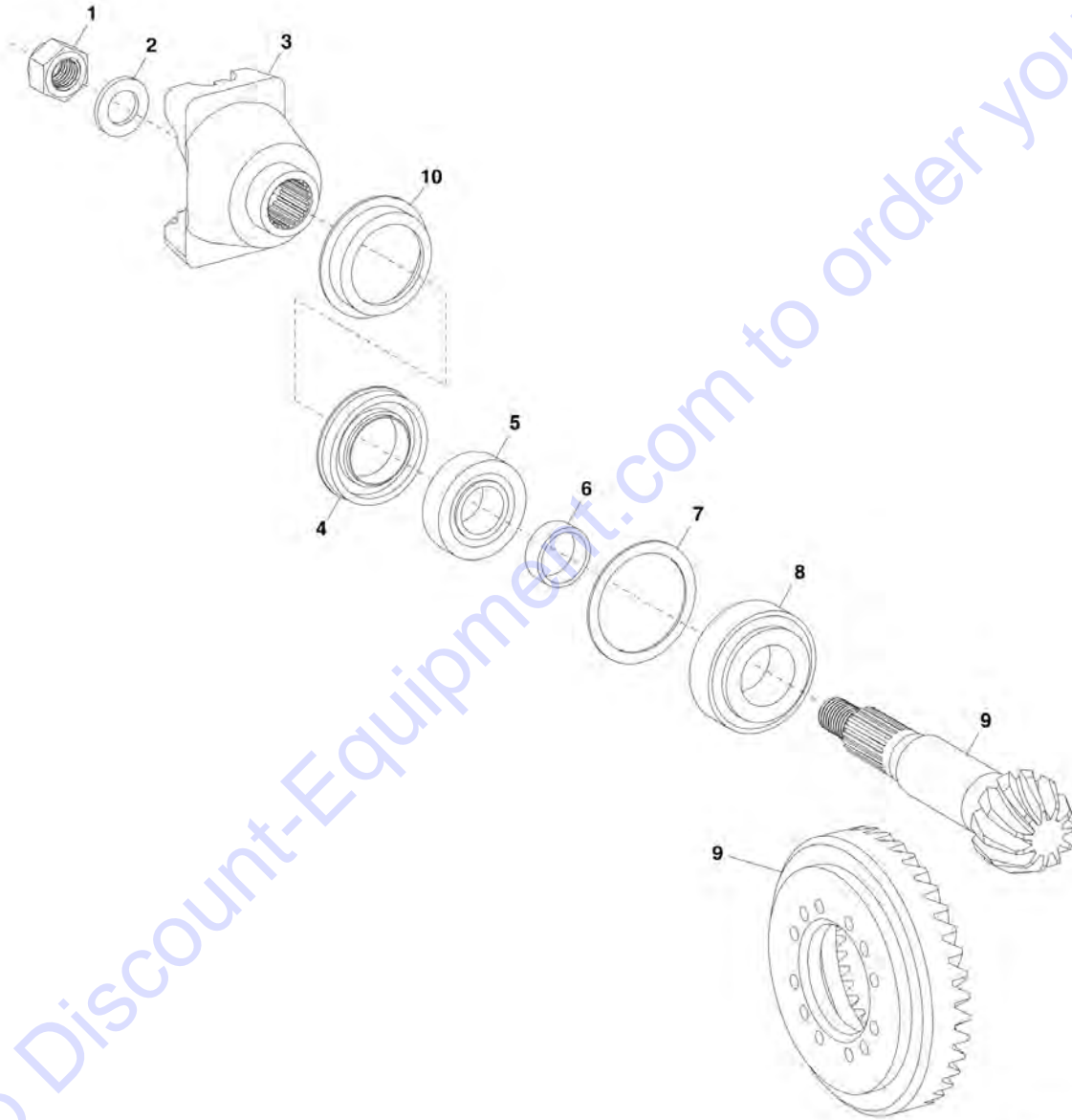
## SECTION 5 - DRIVE TRAIN

ITEM	PART NUMBER	QTY	DESCRIPTION	REV
6	1319397	1	RING, 15.84mm	
6	1319398	1	RING, 15.88mm	
6	1319399	1	RING, 15.89mm	
6	1319400	1	RING, 15.91mm	
6	1319401	1	RING, 15.94mm	
6	1319402	1	RING, 15.97mm	
7	1319333	AR	SHIM, 1.0mm	
7	1319334	AR	SHIM, 1.05mm	
7	1319335	AR	SHIM, 1.1mm	
7	1319336	AR	SHIM, 1.15mm	
7	1319337	AR	SHIM, 1.2mm	
7	1319338	AR	SHIM, 1.25mm	
7	1319339	AR	SHIM, 1.3mm	
7	1319340	AR	SHIM, 1.35mm	
7	1319341	AR	SHIM, 1.4mm	
7	1319342	AR	SHIM, 1.45mm	
7	1319343	AR	SHIM, 1.5mm	
7	1319344	AR	SHIM, 1.55mm	
7	1319345	AR	SHIM, 1.6mm	
7	1319346	AR	SHIM, 0.9mm	
7	1319347	AR	SHIM, 0.95mm	
7	1319348	AR	SHIM, 0.65mm	
7	1319349	AR	SHIM, 0.70mm	
7	1319350	AR	SHIM, 0.75mm	
7	1319351	AR	SHIM, 0.85mm	
7	1319352	AR	SHIM, 0.80mm	
8	1319353	1	ROLLER BEARING	
9	8036751	1	BEVEL GEAR SET	



## SECTION 5 - DRIVE TRAIN

**FIGURE 5-23. REAR AXLE - INPUT (644E-42 SN 0160039830 to Present, Including 0160036724, 0160036811, 0160036907 and 0160037012; 944E-42 SN 0160040124 through 0160041823, Including 0160034634, 0160036710, 0160036722, 0160036735 and 0160036738)**



PU3530

## SECTION 5 - DRIVE TRAIN

**FIGURE 5-23. REAR AXLE - INPUT (644E-42 SN 0160039830 to Present, Including 0160036724, 0160036811, 0160036907 and 0160037012; 944E-42 SN 0160040124 through 0160041823, Including 0160034634, 0160036710, 0160036722, 0160036735 and 0160036738)**

ITEM	PART NUMBER	QTY	DESCRIPTION	REV
1	70022213	1	HEX NUT	
2	80304082	1	WASHER	
3	70022245	1	END YOKE	
4	70022220	1	SEAL SHAFT	
5	1319353	1	ROLLER BEARING	
6	80304088	1	RING, S=16.0	
6	80304089	1	RING, S=16.1	
6	80304090	1	RING, S=16.2	
6	80304091	1	RING, S=16.3	
6	80304092	1	RING, S=16.4	
6	80304093	1	RING, S=16.5	
6	80304110	1	RING, S=16.56	
6	80304094	1	RING, S=16.6	
6	80304111	1	RING, S=16.62	
6	80304112	1	RING, S=16.64	
6	80304124	1	RING, S=16.66	
6	80304113	1	RING, S=16.68	
6	80304095	1	RING, S=16.7	
6	70022216	1	RING, S=16.72	
6	80304115	1	RING, S=16.74	
6	80304117	1	RING, S=16.76	
6	80304118	1	RING, S=16.78	
6	80304096	1	RING, S=16.8	
6	80304119	1	RING, S=16.82	
6	80304120	1	RING, S=16.84	
6	80304104	1	RING, S=16.86	
6	80304121	1	RING, S=16.88	
6	80304122	1	RING, S=16.9	
6	80304097	1	RING, S=16.92	
6	80304123	1	RING, S=16.94	
6	80304125	1	RING, S=16.96	
6	80304107	1	RING, S=16.98	
6	80304126	1	RING, S=17.0	
6	80304127	1	RING, S=17.02	
6	80304108	1	RING, S=17.04	
6	80304128	1	RING, S=17.06	
6	80304129	1	RING, S=17.08	
6	80304099	1	RING, S=17.10	
6	80304130	1	RING, S=17.12	
6	80304131	1	RING, S=17.14	
6	80304132	1	RING, S=17.16	
6	80304133	1	RING, S=17.18	
6	80304100	1	RING, S=17.2	
6	80304134	1	RING, S=17.22	
6	80304135	1	RING, S=17.24	
6	80304136	1	RING, S=17.26	
6	80304137	1	RING, S=17.28	
6	80304101	1	RING, S=17.3	



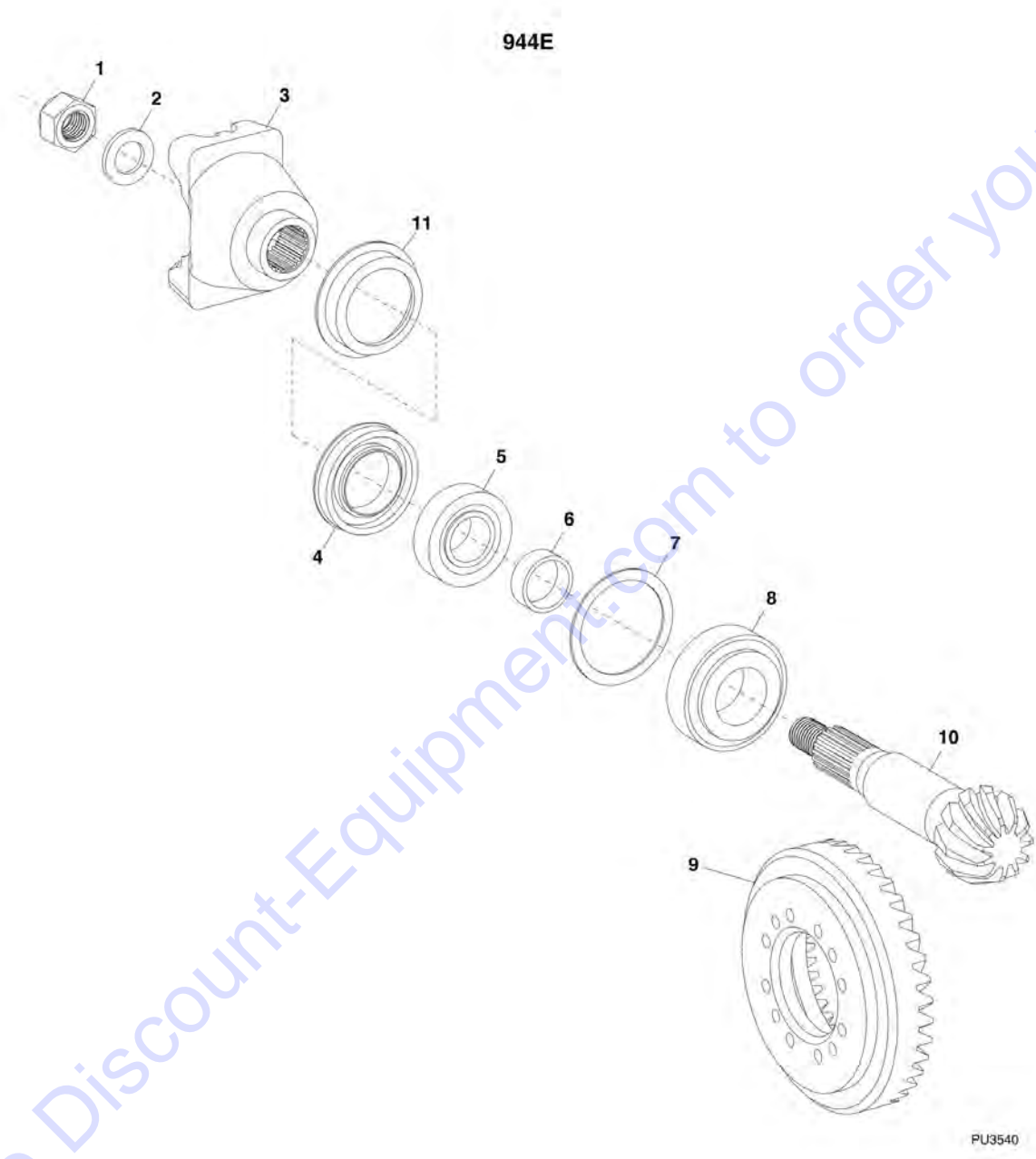
## SECTION 5 - DRIVE TRAIN

ITEM	PART NUMBER	QTY	DESCRIPTION	REV
6	80304102	1	RING, S=17.4	
7	80304160	1	SHIM, S=0.1	
7	80304159	1	SHIM, S=0.2	
7	80304158	1	SHIM, S=0.3	
7	80304157	1	SHIM, S=0.5	
7	80304156	1	SHIM, S=0.6	
7	80304162	1	SHIM, S=0.65	
7	80304155	1	SHIM, S=0.7	
7	80304161	1	SHIM, S=0.75	
7	80304154	1	SHIM, S=0.8	
7	80304153	1	SHIM, S=0.9	
7	80304152	1	SHIM, S=1.0	
7	80304146	1	SHIM, S=1.2	
7	80304163	1	SHIM, S=1.25	
7	80304151	1	SHIM, S=1.3	
7	80304164	1	SHIM, S=1.35	
7	80304150	1	SHIM, S=1.4	
7	80304165	1	SHIM, S=1.45	
7	80304145	1	SHIM, S=1.5	
7	80304166	1	SHIM, S=1.55	
7	80304149	1	SHIM, S=1.6	
7	80304167	1	SHIM, S=1.65	
7	80304148	1	SHIM, S=1.7	
7	80304168	1	SHIM, S=1.75	
7	80304144	1	SHIM, S=1.8	
7	80304169	1	SHIM, S=1.85	
7	80304147	1	SHIM, S=1.9	
7	80304143	1	SHIM, S=2.0	
8	70023400	1	ROLLER BEARING	
9	70022280	1	BEVEL GEAR SET	
10	70022244	1	SCREEN SHEET	



# SECTION 5 - DRIVE TRAIN

FIGURE 5-24. REAR AXLE - INPUT (944E-42 SN 0160041827 to Present)



## SECTION 5 - DRIVE TRAIN

**FIGURE 5-24. REAR AXLE - INPUT (944E-42 SN 0160041827 to Present)**

ITEM	PART NUMBER	QTY	DESCRIPTION	REV
1	70022213	1	HEX NUT	
2	80304082	1	WASHER	
3	70022245	1	END YOKE	
4	70022220	1	SEAL SHAFT	
5	1319353	1	ROLLER BEARING	
6	80304088	AR	RING, S=16	
6	80304089	AR	RING, S=16.1	
6	80304090	AR	RING, S=16.2	
6	80304091	AR	RING, S=16.3	
6	80304092	AR	RING, S=16.4	
6	80304093	AR	RING, S=16.5	
6	80304110	AR	RING, S=16.56	
6	80304094	AR	RING, S=16.6	
6	80304111	AR	RING, S=16.62	
6	80304112	AR	RING, S=16.64	
6	80304124	AR	RING, S=16.66	
6	80304113	AR	RING, S=16.68	
6	80304095	AR	RING, S=16.7	
6	70022216	AR	RING, S=16.72	
6	80304115	AR	RING, S=16.74	
6	80304117	AR	RING, S=16.76	
6	80304118	AR	RING, S=16.78	
6	80304096	AR	RING, S=16.8	
6	80304119	AR	RING, S=16.82	
6	80304120	AR	RING, S=16.84	
6	80304104	AR	RING, S=16.86	
6	80304121	AR	RING, S=16.88	
6	80304122	AR	RING, S=16.9	
6	80304097	AR	RING, S=16.92	
6	80304123	AR	RING, S=16.94	
6	80304125	AR	RING, S=16.96	
6	80304107	AR	RING, S=16.98	
6	80304126	AR	RING, S=17.0	
6	80304127	AR	RING, S=17.02	
6	80304108	AR	RING, S=17.04	
6	80304128	AR	RING, S=17.06	
6	80304129	AR	RING, S=17.08	
6	80304099	AR	RING, S=17.1	
6	80304130	AR	RING, S=17.12	
6	80304131	AR	RING, S=17.14	
6	80304132	AR	RING, S=17.16	
6	80304133	AR	RING, S=17.18	
6	80304100	AR	RING, S=17.2	
6	80304134	AR	RING, S=17.22	
6	80304135	AR	RING, S=17.24	
6	80304136	AR	RING, S=17.26	
6	80304137	AR	RING, S=17.28	
6	80304101	AR	RING, S=17.3	
6	80304102	AR	RING, S=17.4	
7	80304160	1	SHIM, S=0.1	

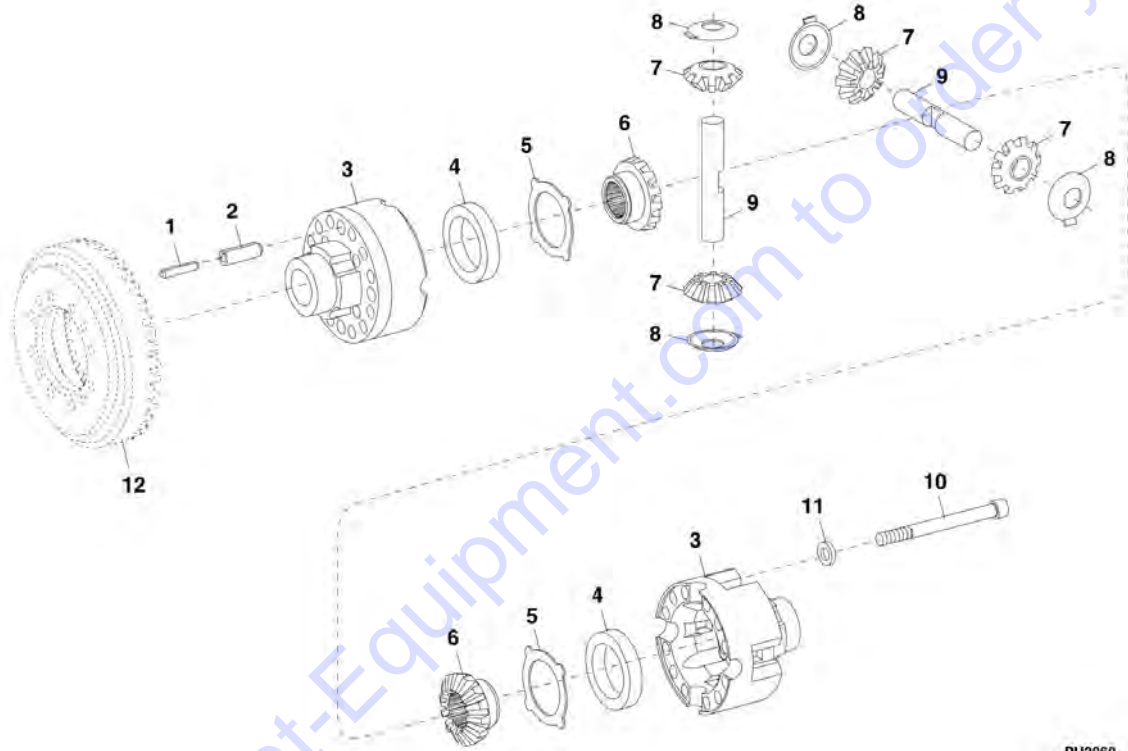
## SECTION 5 - DRIVE TRAIN

ITEM	PART NUMBER	QTY	DESCRIPTION	REV
7	80304159	1	SHIM, S=0.2	
7	80304158	1	SHIM, S=0.3	
7	80304157	1	SHIM, S=0.5	
7	80304156	1	SHIM, S=0.6	
7	80304162	1	SHIM, S=0.65	
7	80304155	1	SHIM, S=0.7	
7	80304161	1	SHIM, S=0.75	
7	80304154	1	SHIM, S=0.8	
7	80304153	1	SHIM, S=0.9	
7	80304152	1	SHIM, S=1.0	
7	80304146	1	SHIM, S=1.2	
7	80304163	1	SHIM, S=1.25	
7	80304151	1	SHIM, S=1.3	
7	80304164	1	SHIM, S=1.35	
7	80304150	1	SHIM, S=1.4	
7	80304165	1	SHIM, S=1.45	
7	80304145	1	SHIM, S=1.5	
7	80304166	1	SHIM, S=1.55	
7	80304149	1	SHIM, S=1.6	
7	80304167	1	SHIM, S=1.65	
7	80304148	1	SHIM, S=1.7	
7	80304168	1	SHIM, S=1.75	
7	80304144	1	SHIM, S=1.8	
7	80304169	1	SHIM, S=1.85	
7	80304147	1	SHIM, S=1.9	
7	80304143	1	SHIM, S=2.0	
8	70023400	1	ROLLER BEARING	
9	70022786	1	BEVEL GEAR WHEEL	
10	70022787	1	BEVEL GEAR PINION	
11	70022244	1	SCREEN SHEET	



## SECTION 5 - DRIVE TRAIN

FIGURE 5-25. REAR AXLE - DIFFERENTIAL (644E-42 Prior to SN 0160039830, Excluding 0160036724, 0160036811, 0160036907 and 0160037012; 944E-42 Prior to SN 0160040124, Excluding 0160034634, 0160036710, 0160036722, 0160036735 and 0160036738)



PU2060

## SECTION 5 - DRIVE TRAIN

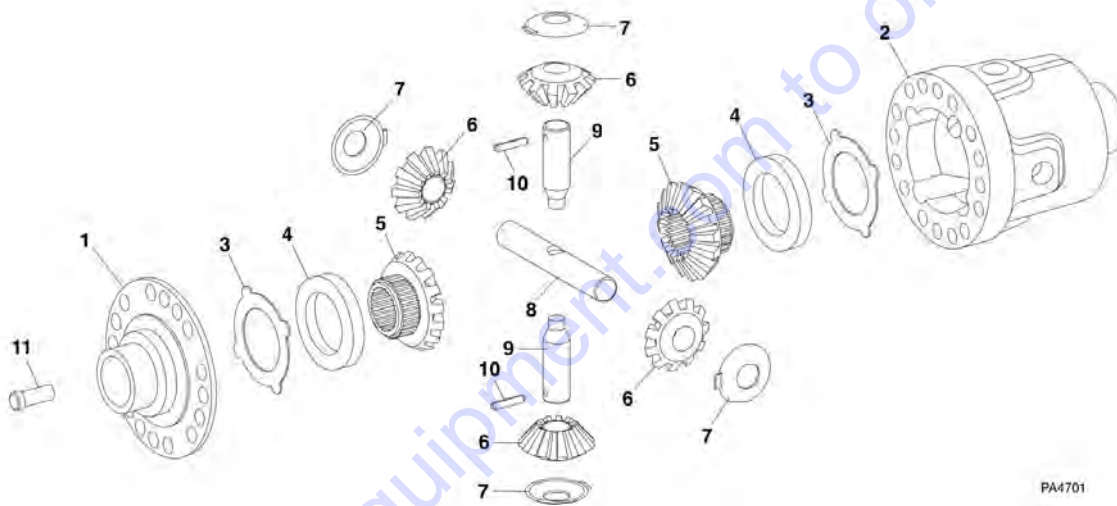
**FIGURE 5-25. REAR AXLE - DIFFERENTIAL (644E-42 Prior to SN 0160039830, Excluding 0160036724, 0160036811, 0160036907 and 0160037012; 944E-42 Prior to SN 0160040124, Excluding 0160034634, 0160036710, 0160036722, 0160036735 and 0160036738)**

ITEM	PART NUMBER	QTY	DESCRIPTION	REV
	7028976	1	DIFFERENTIAL ASSY, (includes items 1 thru 11)	
1	1321154	4	SLOT PIN	
2	1321153	4	SLOT PIN	
3	1321215	1	DIFFERENTIAL CASE	
4	1321260	2	DIFFERENTIAL RING, 13.7mm, (Axle) <b>(Prior to SN 708692)</b>	
4	8035984	2	DIFFERENTIAL RING, 13.6mm, (Axle) <b>(Prior to SN 708692)</b>	
4	1321259	2	DIFFERENTIAL RING, 13.5mm, (Axle) <b>(Prior to SN 708692)</b>	
5	1319412	2	THRUST WASHER	
6	8036752	2	AXLE BEVEL GEAR	
7	8036753	4	DIFFERENTIAL BEVEL GEAR, (Axle) <b>(Prior to SN 708692)</b>	
7	1319414	4	DIFFERENTIAL BEVEL GEAR, (Axle) <b>(SN 708692 to Present)</b>	
8	1319415	4	THRUST WASHER	
9	1321225	2	DIFFERENTIAL AXLE	
10	8035923	12	CAPSCREW	
11	1321184	12	WASHER	
12		Ref	BEVEL GEAR SET, (See REAR AXLE – INPUT for Breakdown)	



## SECTION 5 - DRIVE TRAIN

FIGURE 5-26. REAR AXLE - DIFFERENTIAL (644E-42 SN 0160039830 to Present, Including 0160036724, 0160036811, 0160036907 and 0160037012; 944E-42 SN 0160040124 to Present, Including 0160034634, 0160036710, 0160036722, 0160036735 and 0160036738)



PA4701

## SECTION 5 - DRIVE TRAIN

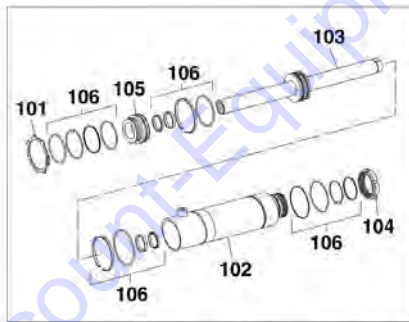
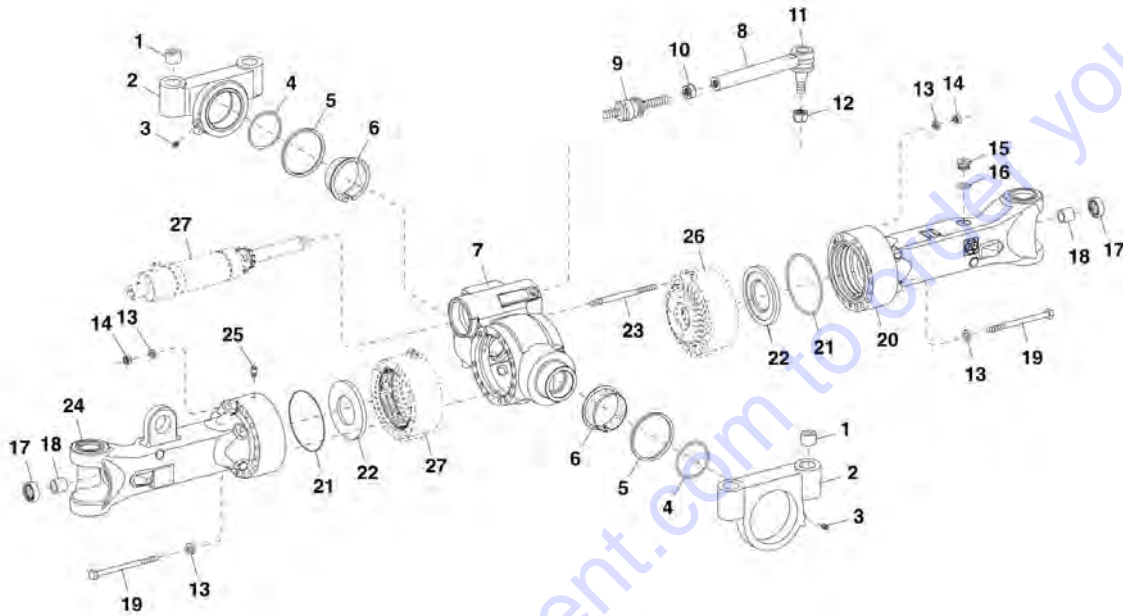
**FIGURE 5-26. REAR AXLE - DIFFERENTIAL (644E-42 SN 0160039830 to Present, Including 0160036724, 0160036811, 0160036907 and 0160037012; 944E-42 SN 0160040124 to Present, Including 0160034634, 0160036710, 0160036722, 0160036735 and 0160036738)**

ITEM	PART NUMBER	QTY	DESCRIPTION	REV
1	70022229	1	COVER	
2	70022226	1	DIFFERENTIAL CASE (Prior to SN 0160041827)	
2	70023910	1	DIFFERENTIAL CASE (SN 0160041827 to Present)	
3	70022284	2	THRUST WASHER	
4	70022285	2	DIFFERENTIAL RING, A=15.0	
5	70022225	2	AXLE BEVEL GEAR	
6	70022185	4	DIFFERENTIAL BEVEL GEAR	
7	70022262	4	THRUST WASHER	
8	70022227	1	DIFFERENTIAL AXLE	
9	70022228	2	DIFFERENTIAL AXLE	
10	70022200	2	SLOT PIN (Prior to SN 0160041827)	
10	70023904	2	SLOT PIN (SN 0160041827 to Present)	
11	70022211	16	CAPSCREW	

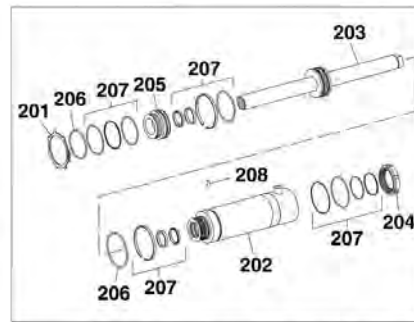
Go to Discount-Equipment.com to order your parts

# SECTION 5 - DRIVE TRAIN

**FIGURE 5-27. REAR AXLE - AXLE CASING (644E-42 Prior to SN 0160039830, Excluding 0160036724, 0160036811, 0160036907 and 0160037012; 944E-42 Prior to SN 0160040124, Excluding 0160034634, 0160036710, 0160036722, 0160036735 and 0160036738)**



644E PRIOR TO AXLE SN 949464  
944E PRIOR TO AXLE SN 958546



644E AXLE SN 949464 TO PRESENT  
944E AXLE SN 958546 TO PRESENT

PU2072

## SECTION 5 - DRIVE TRAIN

**FIGURE 5-27. REAR AXLE - AXLE CASING (644E-42 Prior to SN 0160039830, Excluding 0160036724, 0160036811, 0160036907 and 0160037012; 944E-42 Prior to SN 0160040124, Excluding 0160034634, 0160036710, 0160036722, 0160036735 and 0160036738)**

ITEM	PART NUMBER	QTY	DESCRIPTION	REV
1	1319441	4	CENTERING BUSHING	
2	8035933	2	BRACKET	
3	1319423	2	GREASE FITTING	
4	1319439	2	O-RING	
5	1319440	2	V-RING	
6	8036419	2	FLANGE BUSHING	
7	70021111	1	AXLE DRIVE HOUSING	
8	1321148	2	TRACK ROD, (includes items 9 thru 12)	
9	8036757	2	AXIAL JOINT COUPLING	
10	8036759	2	HEX NUT	
11	8036756	2	BALL JOINT WITH PIPE COUPLING	
12	8036758	2	LOCKING NUT	
13	8036312	30	WASHER	
14	1319429	8	HEX NUT	
15	1319506	1	SCREW PLUG	
16	8036331	1	O-RING	
17	7027211	2	SHAFT SEAL	
18	1319433	2	BUSHING	
19	8035927	22	HEX SCREW	
20	8035987	1	AXLE CASING, (right rear)	
21	1319425	2	O-RING	
22	8036606	2	END SHIM, (Axle) <b>(Prior to SN 679469)</b>	
22	70020413	2	END SHIM, (Axle) <b>(SN 679469 to Present)</b>	
23	8036313	8	STUD	
24	8035986	1	AXLE CASING, (left rear)	
25	1319436	1	BREATHER	
26		Ref	BRAKE HOUSING, (See REAR AXLE - M-DISC BRAKE for Breakdown)	
27		Ref	STEERING CYLINDER, (no longer available, use 70021617 for replacement or items 101 thru 106 for service), (644E-42 Axle and 944E-42 Axle) <b>(644E-42 Prior to SN 1277813; 944E-42 Prior to SN 974122)</b>	
101	N.S.S.	1	L-RING	
102	N.S.S.	1	TUBE WELDMENT	
103	N.S.S.	1	PISTON ROD	
104	8035998	1	SLOTTED NUT	
105	N.S.S.	1	GUIDE PIECE	
106	8035981	1	SEAL KIT	
	70021617	1	STEERING CYLINDER, (includes items 201 thru 208), (644E-42 Axle and 944E-42 Axle) <b>(644E-42 SN 1277813 to Present; 944E-42 SN 974122 to Present)</b>	
201	70021571	1	L-RING	
202	N.S.S.	1	CYLINDER TUBE	
203	70021568	1	PISTON ROD	
204	70021570	1	SLOTTED NUT	
205	70021569	1	GUIDE PIECE	
206	70021726	2	RETAINING RING	
207	70021495	1	SEAL KIT	
208	70022610	1	SLOTTED PIN	



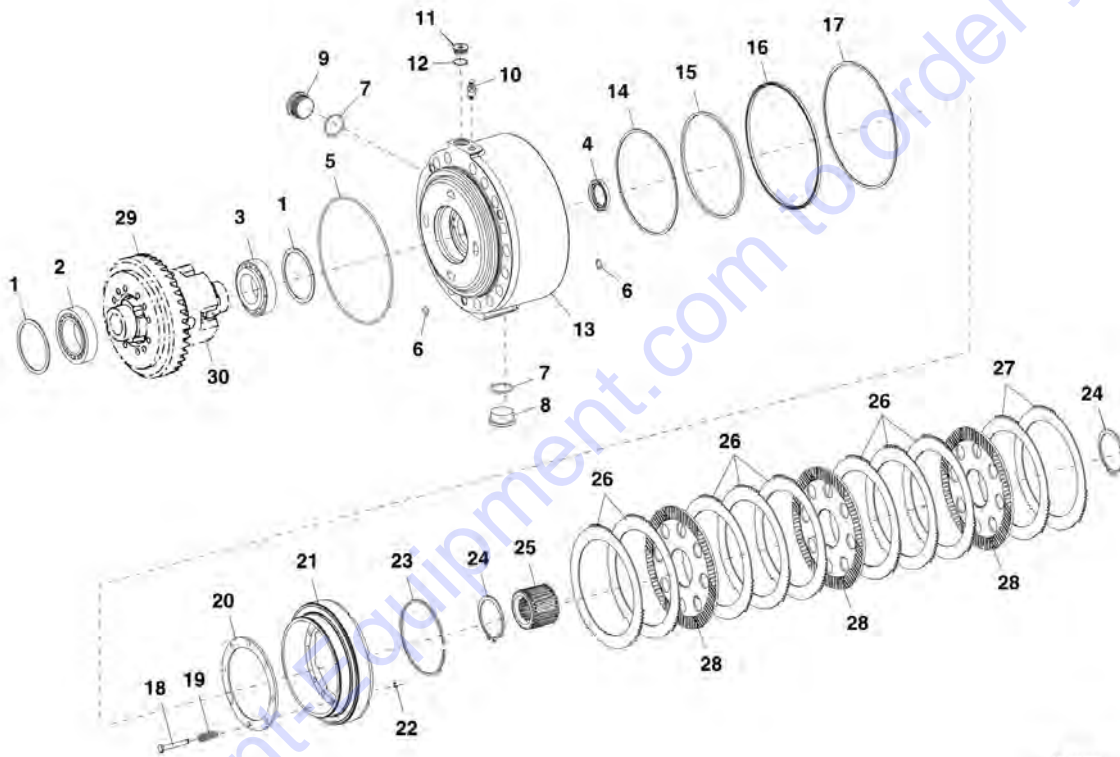
## SECTION 5 - DRIVE TRAIN

**FIGURE 5-28. REAR AXLE - AXLE CASING (644E-42 SN 0160039830 to Present, Including 0160036724, 0160036811, 0160036907 and 0160037012; 944E-42 SN 0160040124 to Present, Including 0160034634, 0160036710, 0160036722, 0160036735 and 0160036738)**

ITEM	PART NUMBER	QTY	DESCRIPTION	REV
1	70022255	2	AXLE CASING	
2	70022259	1	AXLE DRIVE HOUSING	
3	70022206	28	HEX HD CAPSCREW, M18X180	
4	1319578	4	SCREW PLUG (Prior to SN 0160041827)	
4	70023404	4	SCREW PLUG (SN 0160041827 to Present)	
5	70022241	2	BUSHING	
6	70022204	2	O-RING	
7	70022217	2	RING	
8	10731790	2	BEARING	
9	70022201	2	SET SCREW, M10X1X16 (Prior to SN 0160041827)	
9	70023905	2	SET SCREW (SN 0160041827 to Present)	
10	1319666	2	SCREW PLUG (Prior to SN 0160041827)	
10	70023906	2	WASHER (SN 0160041827 to Present)	
10	70023907	2	HEX NUT (SN 0160041827 to Present)	
12	70022174	2	TIE ROD, (includes items 13 thru 16)	
13	70022175	1	BALL JOINT	
14	70022172	1	AXIAL JOINT	
15	8036758	1	LOCKNUT	
16	8036759	1	HEX NUT	
17	1319436	1	BREATHER	
18	8036418	1	SCREW PLUG	
19	70022246	1	BRACKET	
20	70022247	1	BRACKET	
21	1319423	2	GREASE FITTING	
22	70022182	2	FLANGE BUSHING	
23	70022205	2	O-RING	
24	70022219	2	V-RING	
25	1319441	4	BUSHING	
26	70022254	1	BRACKET	
27	1001103619	3	HEX HD CAPSCREW, M22X80	
101	70022173	1	STEERING CYLINDER, (includes items 102 thru 106)	
102	70022177	1	PISTON ROD	
103	70022184	2	BREAK HEAD	
104	70022181	2	RETAINING RING	
105	70022180	2	RETAINING RING	
106	70022178	1	SEAL KIT	
107	70022789	4	CAPSCREW, M22X55	

## SECTION 5 - DRIVE TRAIN

**FIGURE 5-29. REAR AXLE - M-DISC BRAKE (644E-42 Prior to SN 0160039830, Excluding 0160036724, 0160036811, 0160036907 and 0160037012; 944E-42 Prior to SN 0160040124, Excluding 0160034634, 0160036710, 0160036722, 0160036735 and 0160036738)**



PU2080

## SECTION 5 - DRIVE TRAIN

**FIGURE 5-29. REAR AXLE - M-DISC BRAKE (644E-42 Prior to SN 0160039830, Excluding 0160036724, 0160036811, 0160036907 and 0160037012; 944E-42 Prior to SN 0160040124, Excluding 0160034634, 0160036710, 0160036722, 0160036735 and 0160036738)**

ITEM	PART NUMBER	QTY	DESCRIPTION	REV
1	1319531	AR	SHIM, 0.1mm	
1	8035945	AR	SHIM, 0.15mm	
1	1319530	AR	SHIM, 0.2mm	
1	8035946	AR	SHIM, 0.25	
1	1319529	AR	SHIM, 0.3mm	
1	8035947	AR	SHIM, 0.35mm	
1	8035951	AR	SHIM, 0.4mm	
1	1319543	AR	SHIM, 0.45mm	
1	1319527	AR	SHIM, 0.5mm	
1	1321158	AR	SHIM, 0.55mm	
1	1319526	AR	SHIM, 0.6mm	
1	1319532	AR	SHIM, 0.65mm	
1	1319533	AR	SHIM, 0.7mm	
1	1319534	AR	SHIM, 0.75mm	
1	1319525	AR	SHIM, 0.8mm	
1	1319535	AR	SHIM, 0.85mm	
1	1319536	AR	SHIM, 0.9mm	
1	1319537	AR	SHIM, 0.95mm	
1	1319524	AR	SHIM, 1.0mm	
1	1319545	AR	SHIM, 1.05mm	
1	1319538	AR	SHIM, 1.10mm	
1	1319539	AR	SHIM, 1.15mm	
1	1319523	AR	SHIM, 1.20mm	
1	1319540	AR	SHIM, 1.25mm	
1	1319541	AR	SHIM, 1.30mm	
1	1319542	AR	SHIM, 1.35mm	
1	1319522	AR	SHIM, 1.40mm	
1	1319521	AR	SHIM, 1.45mm	
1	1319520	AR	SHIM, 1.50mm	
1	1319519	AR	SHIM, 1.55mm	
1	1319518	AR	SHIM, 1.60mm	
1	8035948	AR	SHIM, 1.63mm	
1	1319517	AR	SHIM, 1.65mm	
1	1319510	AR	SHIM, 2.0mm	
1	1321159	AR	SHIM, 1.47mm	
1	1319516	AR	SHIM, 1.70mm	
1	1319515	AR	SHIM, 1.75mm	
1	1319514	AR	SHIM, 1.80mm	
1	1319513	AR	SHIM, 1.85mm	
1	1319512	AR	SHIM, 1.90mm	
1	1319511	AR	SHIM, 1.95mm	
2	8036447	2	ROLLER BEARING	
3	8036445	2	ROLLER BEARING	
4	8036444	2	SHAFT SEAL	
5	1319425	2	O-RING	
6	1319491	12	O-RING	
7	8036331	4	O-RING	
8	8036846	2	SCREW PLUG	



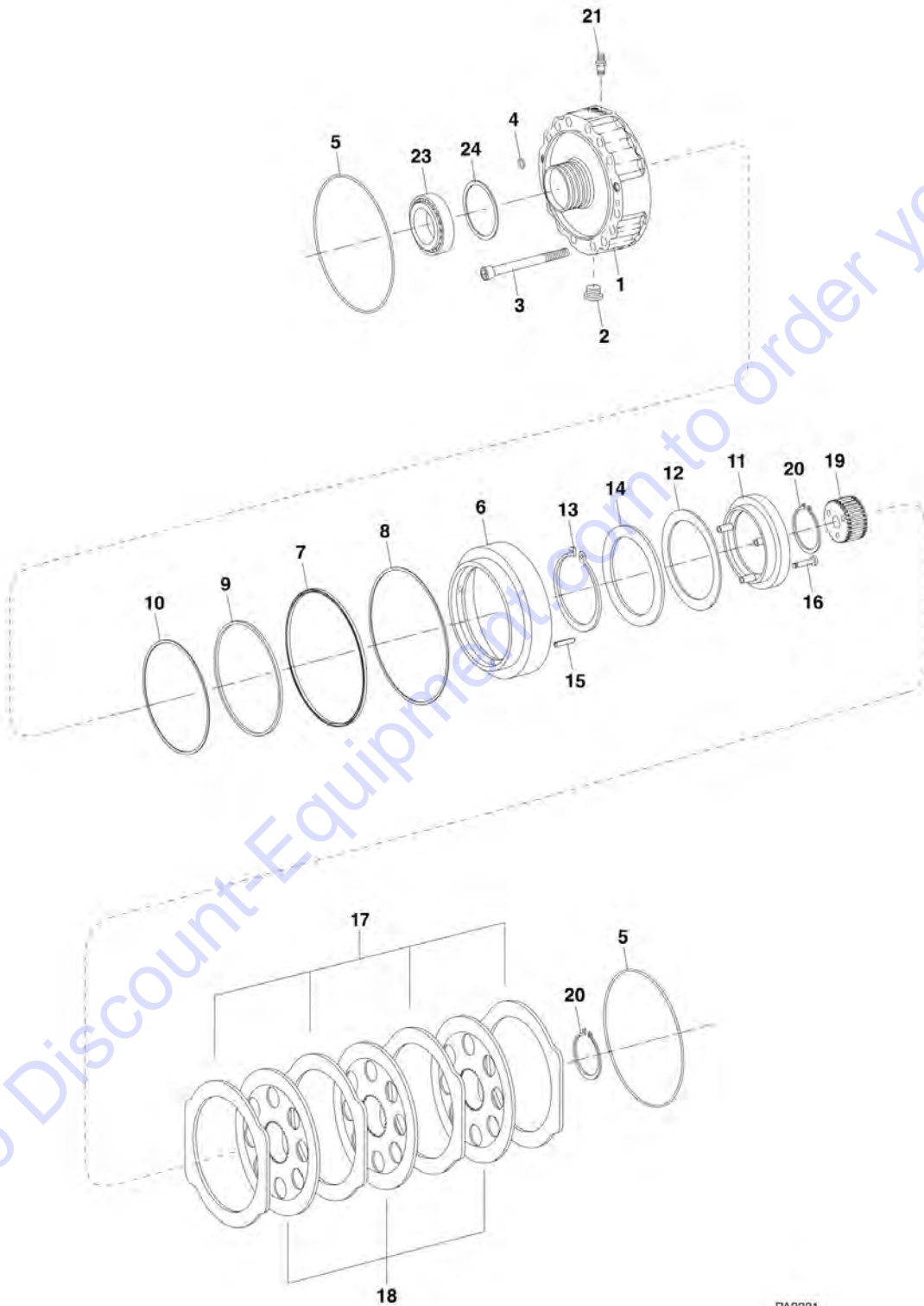
## SECTION 5 - DRIVE TRAIN

ITEM	PART NUMBER	QTY	DESCRIPTION	REV
9	1319506	2	SCREW PLUG	
10	1319505	2	BREATHER	
11	1319666	2	SCREW PLUG	
12	7027217	2	O-RING	
13	8035936	Ref	BRAKE HOUSING, (left side), (see note), (Axle) <b>(Prior to SN 679469)</b>	
13	70020483	1	BRAKE HOUSING, (left side), (Axle) <b>(SN 679469 to Present)</b>	
13	8035939	Ref	BRAKE HOUSING, (right side), (see note), (Axle) <b>(Prior to SN 679469)</b>	
13	70020484	1	BRAKE HOUSING, (right side), (Axle) <b>(SN 679469 to Present)</b>	
14	1321151	2	SUPPORT RING	
15	1321162	2	U-RING	
16	1321163	2	U-RING	
17	1321152	2	SUPPORT RING	
18	1319496	16	PIN	
19	1319497	16	COMPRESSION SPRING	
20	8036305	2	WASHER	
21	8036304	2	PISTON	
22	1319499	16	CRESCENT RING	
23	1319504	4	SNAP RING	
24	10731949	2	RETAINING RING	
25	1321174	2	DISC CARRIER, (Axle) <b>(Prior to SN 824742)</b>	
25	70020409	1	DISC CARRIER, (Axle) <b>(SN 824742 to Present)</b>	
26	1319502	16	O. CLUTCH DISC, 3.0mm, (Axle) <b>(Prior to SN 679469)</b>	
26	70020486	8	O. CLUTCH DISC, 2.5mm, (Axle) <b>(SN 679469 to Present)</b>	
26	70020487	8	O. CLUTCH DISC, 3.0mm, (Axle) <b>(SN 679469 to Present)</b>	
27	1319500	4	O. CLUTCH DISC, 2.0mm, (Axle) <b>(Prior to SN 679469)</b>	
27	70020485	4	O. CLUTCH DISC, 2.0mm, (Axle) <b>(SN 679469 to Present)</b>	
27	1319501	4	O. CLUTCH DISC, 2.5mm, (Axle) <b>(Prior to SN 679469)</b>	
27	70020486	4	O. CLUTCH DISC, 2.5mm, (Axle) <b>(SN 679469 to Present)</b>	
27	1319502	4	O. CLUTCH DISC, 3.0mm, (Axle) <b>(Prior to SN 679469)</b>	
27	70020487	4	O. CLUTCH DISC, 3.0mm, (Axle) <b>(SN 679469 to Present)</b>	
28	1321150	6	I. CLUTCH DISC, (Axle) <b>(Prior to SN 824742)</b>	
28	70020408	3	I. CLUTCH DISC, (Axle) <b>(SN 824742 to Present)</b>	
29		Ref	BEVEL GEAR SET, (See REAR AXLE – INPUT for Breakdown)	
30		Ref	DIFFERENTIAL ASSY, (See REAR AXLE – DIFFERENTIAL for Breakdown)	
N1	Note	Ref	<b>PARTS ARE NO LONGER AVAILABLE; ORDER BRAKE HOUSINGS 70020483 &amp; 70020484, QUANTITY REQUIRED OF OUTER DISCS 70020485, 70020486 &amp; 70020487, QUANTITY 2 OF 70020413 END PLATES.</b>	



## SECTION 5 - DRIVE TRAIN

**FIGURE 5-30. REAR AXLE - M-DISC BRAKE (644E-42 SN 0160039830 to Present, Including 0160036724, 0160036811, 0160036907 and 0160037012; 944E-42 SN 0160040124 to Present, Including 0160034634, 0160036710, 0160036722, 0160036735 and 0160036738)**



PA3321

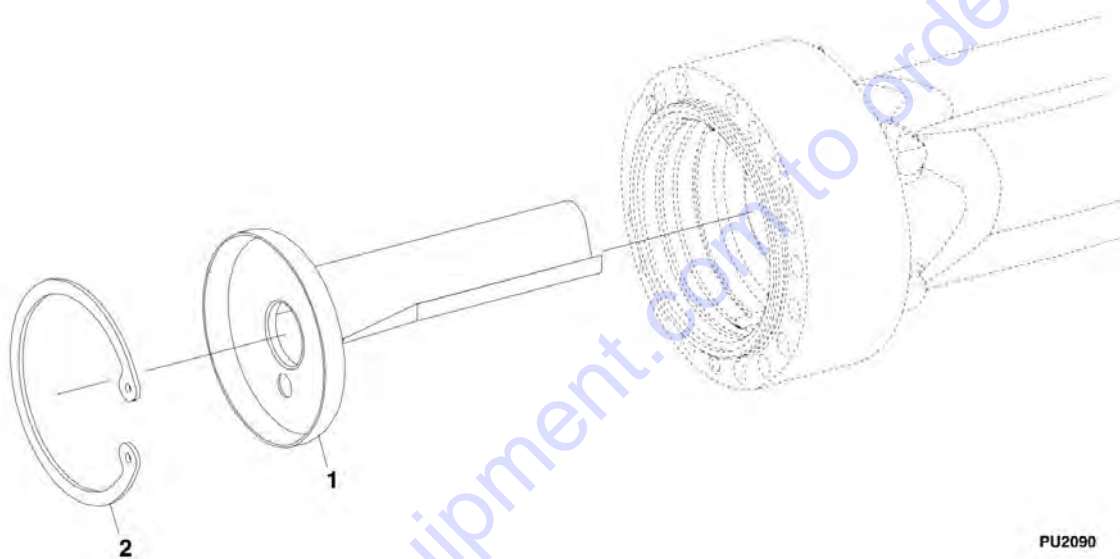
## SECTION 5 - DRIVE TRAIN

**FIGURE 5-30. REAR AXLE - M-DISC BRAKE (644E-42 SN 0160039830 to Present, Including 0160036724, 0160036811, 0160036907 and 0160037012; 944E-42 SN 0160040124 to Present, Including 0160034634, 0160036710, 0160036722, 0160036735 and 0160036738)**

ITEM	PART NUMBER	QTY	DESCRIPTION	REV
1	70022282	2	BRAKE HOUSING (Prior to SN 0160041827)	
1	70022788	2	BRAKE HOUSING (SN 0160041827 to Present)	
2	1319578	2	SCREW PLUG (Prior to SN 0160041827)	
2	70023404	2	SCREW PLUG (SN 0160041827 to Present)	
3	70022209	6	CAP SCREW, M12X105	
4	8036847	10	O-RING	
5	80304462	4	O-RING	
6	70022250	2	PISTON	
7	70022190	2	PISTON PACKING	
8	70022193	2	BACKUP RING	
9	70022189	2	PISTON PACKING	
10	70022194	2	BACKUP RING	
11	70022236	2	RING (Prior to SN 0160041827)	
11	70023908	2	RING (SN 0160041827 to Present)	
12	70022183	2	CUP SPRING	
13	70022198	2	RETAINING RING	
14	70022235	2	WASHER	
15	70022186	8	SLOT PIN	
16	1319214	6	CAP SCREW, M8X40	
17	70022196	8	O.CLUTCH DISC	
18	70022176	6	I.CLUTCH DISC	
19	70022253	2	DISC CARRIER	
20	10731949	4	RETAINING RING	
21	70022171	2	BREATHER	
22	70022215	2	SCREW PLUG, (not shown) (Prior to SN 0160041827)	
23	8036447	2	BEARING	
24	1319537	AR	SHIM, A=0.95	
24	1319545	AR	SHIM, A=1.05	
24	1319539	AR	SHIM, A=1.15	
24	1319540	AR	SHIM, A=1.25	
24	1319542	AR	SHIM, A=1.35	

## SECTION 5 - DRIVE TRAIN

**FIGURE 5-31. REAR AXLE - BRAKE (644E-42 Prior to SN 0160039830, Excluding 0160036724, 0160036811, 0160036907 and 0160037012; 944E-42 Prior to SN 0160040124, Excluding 0160034634, 0160036710, 0160036722, 0160036735 and 0160036738)**



## SECTION 5 - DRIVE TRAIN

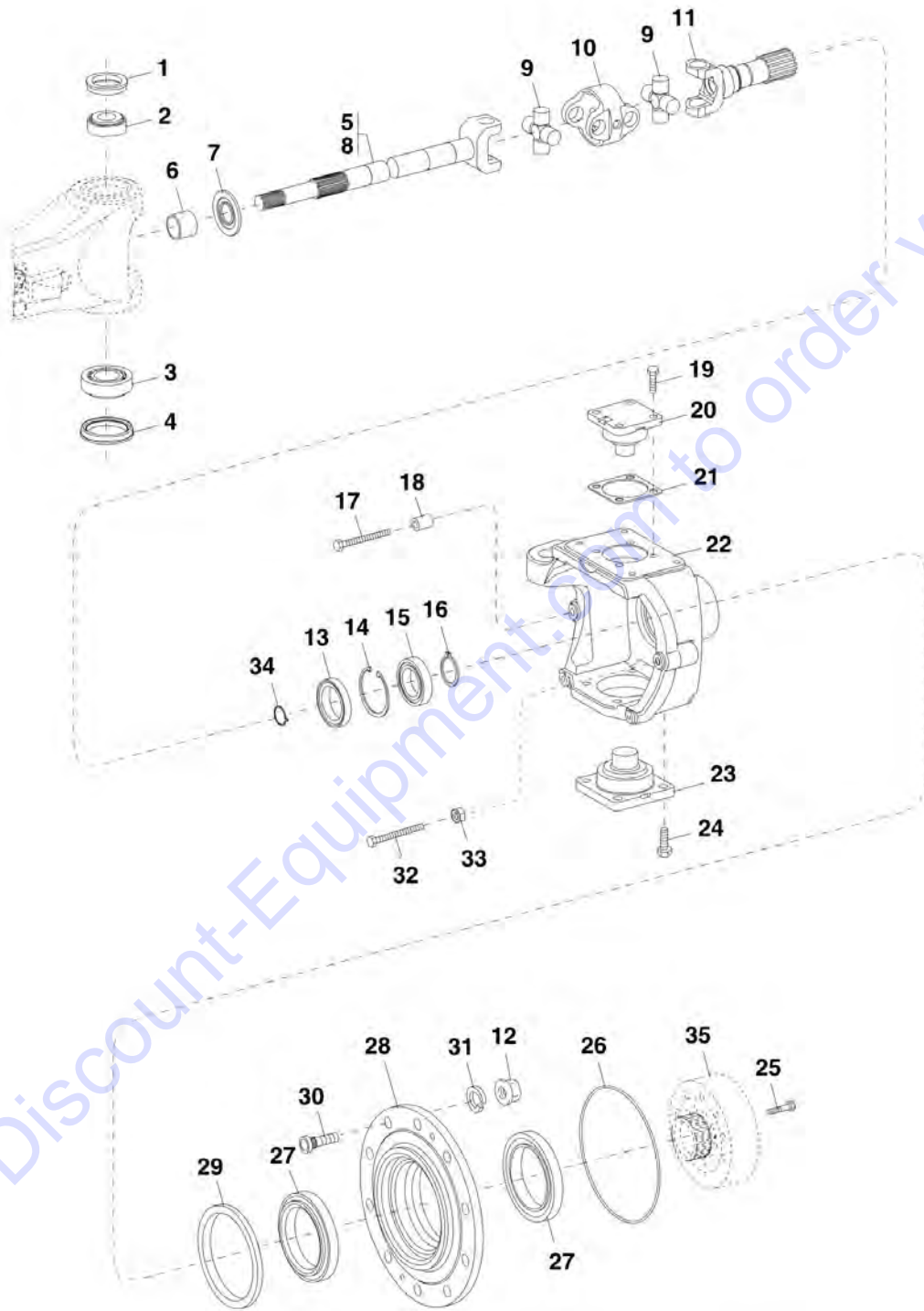
**FIGURE 5-31. REAR AXLE - BRAKE (644E-42 Prior to SN 0160039830, Excluding 0160036724, 0160036811, 0160036907 and 0160037012; 944E-42 Prior to SN 0160040124, Excluding 0160034634, 0160036710, 0160036722, 0160036735 and 0160036738)**

ITEM	PART NUMBER	QTY	DESCRIPTION	REV
1	1321172	2	OIL DAM	
2	1321178	2	RETAINING RING	

Go to Discount-Equipment.com to order your parts

## SECTION 5 - DRIVE TRAIN

**FIGURE 5-32. REAR AXLE - JOINT HOUSING (644E-42 Prior to SN 0160039830, Excluding 0160036724, 0160036811, 0160036907 and 0160037012; 944E-42 Prior to SN 0160040124, Excluding 0160034634, 0160036710, 0160036722, 0160036735 and 0160036738)**



PU2101

## SECTION 5 - DRIVE TRAIN

**FIGURE 5-32. REAR AXLE - JOINT HOUSING (644E-42 Prior to SN 0160039830, Excluding 0160036724, 0160036811, 0160036907 and 0160037012; 944E-42 Prior to SN 0160040124, Excluding 0160034634, 0160036710, 0160036722, 0160036735 and 0160036738)**

ITEM	PART NUMBER	QTY	DESCRIPTION	REV
1	8036338	2	MULTI SEAL RING	
2	1319444	2	ROLLER BEARING	
3	1319445	2	ROLLER BEARING	
4	1319447	2	SHAFT SEAL	
5	7027218	2	DRIVE SHAFT UNIVERSAL COUPLING, (not maintenance free), (includes items 6 thru 11), (Axle) <b>(Prior to SN 720124)</b>	
5	70022052	2	DRIVE SHAFT UNIVERSAL COUPLING, (maintenance free), (7028979 is no longer available, use 70022052 for replacement or items 6 thru 11 for service), (Axle) <b>(SN 720125 to Present)</b>	
6	8035973	2	BUSHING	
7	8035996	2	SCREEN SHEET	
8	7027221	2	JOINT COUPLING FORK, (Axle) <b>(Prior to SN 720124)</b>	
8	8035995	2	JOINT COUPLING FORK, (Axle) <b>(SN 720125 to Present)</b>	
9	7027222	2	JOINT CROSS, (Axle) <b>(Prior to SN 720124)</b>	
9	70021554	2	JOINT CROSS, (Axle) <b>(SN 720125 to Present)</b>	
10	7027219	2	CENTRAL PIECE, (Axle) <b>(Prior to SN 720124)</b>	
10	70021553	2	CENTRAL PIECE, (Axle) <b>(SN 720125 to Present)</b>	
11	7027220	2	JOINT FORK, (Axle) <b>(Prior to SN 720124)</b>	
11	8035994	2	JOINT FORK, (Axle) <b>(SN 720125 to Present)</b>	
12		Ref	WHEEL NUT, (See DRIVE TRAIN COMPONENTS for Breakdown)	
13	7028977	2	SHAFT SEAL	
14	1319210	2	RETAINING RING	
15	1321157	2	BALL BEARING	
16	80304405	2	RETAINING RING	
17	8036330	2	STOP SCREW	
18	8036413	2	SPACER TUBE	
19	1319463	8	HEX SCREW	
20	1319461	2	BEARING PIN	
21	1319448	AR	SHIM, 0.2mm	
21	1319449	AR	SHIM, 0.3mm	
21	1319450	AR	SHIM, 0.4mm	
21	1319451	AR	SHIM, 0.6mm	
21	1319452	AR	SHIM, 0.8mm	
21	1319453	AR	SHIM, 1.0mm	
21	1319454	AR	SHIM, 1.2mm	
21	1319455	AR	SHIM, 1.4mm	
21	1319456	AR	SHIM, 1.6mm	
21	1319457	AR	SHIM, 1.8mm	
21	1319458	AR	SHIM, 2.0mm	
21	1319459	AR	SHIM, 0.7mm	
21	1319460	AR	SHIM, 0.5mm	
22	1321245	1	JOINT HOUSING, (left side)	
22	1321246	1	JOINT HOUSING, (right side)	
23	1319462	2	BEARING PIN	
24	1319464	8	HEX SCREW	
25	8035997	20	HEX SCREW	
26	1319470	2	O-RING, (644E-42)	
26	1321155	2	O-RING, (944E-42)	



## SECTION 5 - DRIVE TRAIN

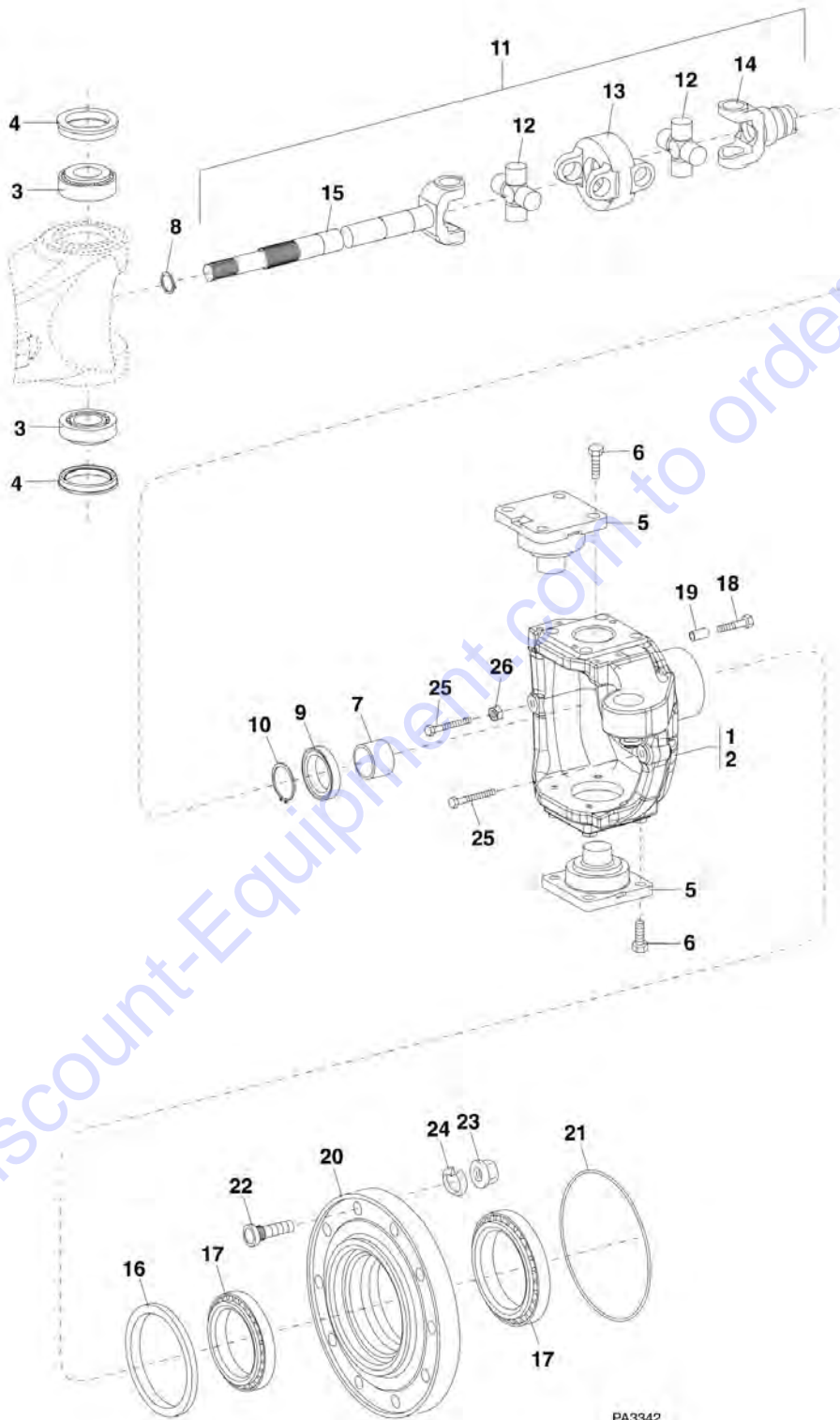
ITEM	PART NUMBER	QTY	DESCRIPTION	REV
27	1319472	4	ROLLER BEARING	
28	8036435	2	HUB, (644E-42)	
28	1321239	2	HUB, (944E-42)	
29	80304173	2	CASSETTE RING	
30	8036434	20	WHEEL BOLT	
31		Ref	SPRING WASHER, (See DRIVE TRAIN COMPONENTS for Breakdown)	
32	8036610	2	STOP SCREW	
33	1319477	2	HEX NUT	
34	1321226	2	RETAINING RING	
35		Ref	RING GEAR, (See REAR AXLE - PLANETARY DRIVE for Breakdown)	

Go to Discount-Equipment.com to order your parts



## SECTION 5 - DRIVE TRAIN

**FIGURE 5-33. REAR AXLE - JOINT HOUSING (644E-42 SN 0160039830 to Present, Including 0160036724, 0160036811, 0160036907 and 0160037012; 944E-42 SN 0160040124 to Present, Including 0160034634, 0160036710, 0160036722, 0160036735 and 0160036738)**



PA3342

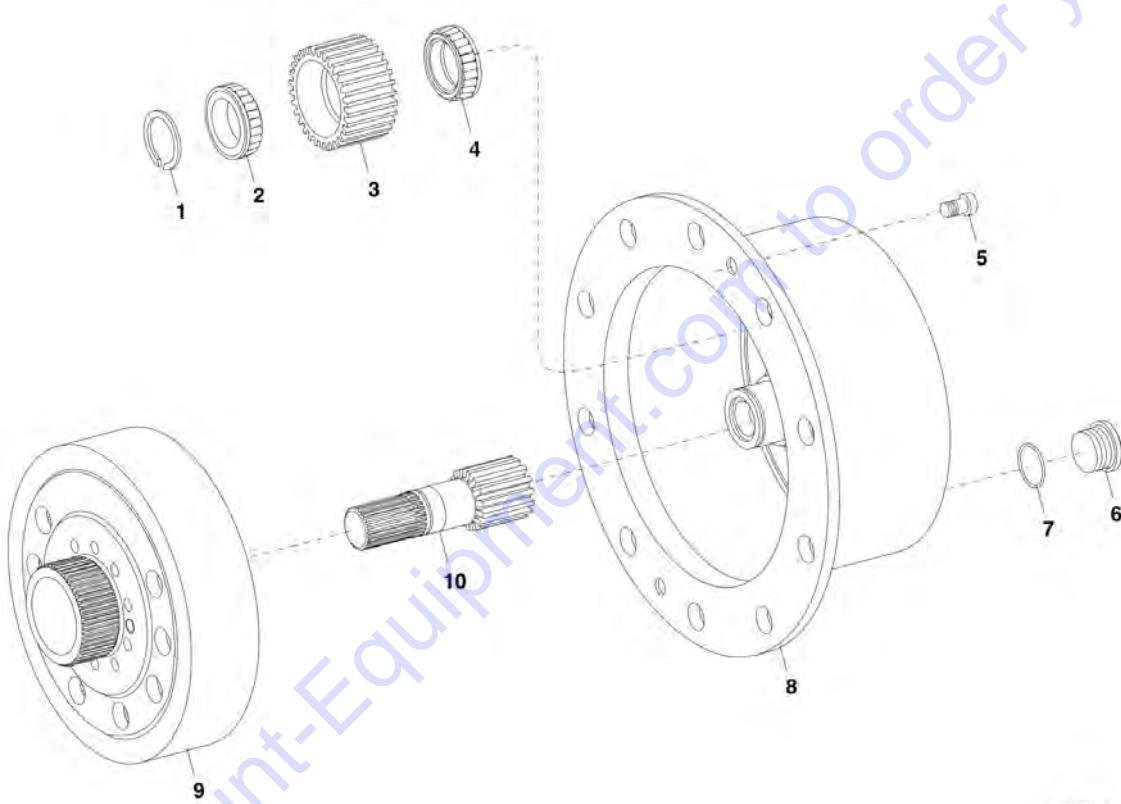
## SECTION 5 - DRIVE TRAIN

**FIGURE 5-33. REAR AXLE - JOINT HOUSING (644E-42 SN 0160039830 to Present, Including 0160036724, 0160036811, 0160036907 and 0160037012; 944E-42 SN 0160040124 to Present, Including 0160034634, 0160036710, 0160036722, 0160036735 and 0160036738)**

ITEM	PART NUMBER	QTY	DESCRIPTION	REV
1	70022237	1	JOINT HOUSING, (right side)	
2	70022238	1	JOINT HOUSING, (left side)	
3	70022223	4	ROLLER BEARING	
4	1319447	4	SHAFT SEAL	
5	70022240	4	BEARING PIN	
6	1319464	16	HEX SCREW, M16X40	
7	70022179	2	BUSHING	
8	10731789	2	RETAINING RING	
9	70022218	2	SHAFT SEAL	
10	1321226	2	RETAINING RING	
11	70022170	2	UNIVERSAL COUPLING DRIVE SHAFT ASSY, (includes items 12 thru 15) <b>(Prior to SN 0160041827)</b>	
11	70022781	2	UNIVERSAL COUPLING DRIVE SHAFT ASSY, (includes items 12 thru 15) <b>(SN 0160041827 to Present)</b>	
12	70021554	2	JOINT CROSS	
13	70021553	1	CENTRAL PIECE <b>(Prior to SN 0160041827)</b>	
13	70022782	1	CENTRAL PIECE <b>(SN 0160041827 to Present)</b>	
14	70022187	1	FORK SHAFT	
15	70022188	1	FORK SHAFT	
16	80304173	2	SHAFT SEAL	
17	1319472	4	ROLLER BEARING	
18	70022208	16	HEX HD CAPSCREW, M14X70 <b>(Prior to SN 0160041827)</b>	
18	70023405	16	HEX HD CAPSCREW <b>(SN 0160041827 to Present)</b>	
19	70022234	16	CENTERING BUSHING	
20	70022249	2	HUB	
21	70022203	2	O-RING	
22	70022230	20	WHEEL BOLT <b>(Prior to SN 0160041827)</b>	
22	70023909	20	WHEEL BOLT <b>(SN 0160041827 to Present)</b>	
23		Ref	WHEEL NUT, (See DRIVE TRAIN COMPONENTS for Breakdown)	
24		Ref	SPRING WASHER, (See DRIVE TRAIN COMPONENTS for Breakdown)	
25	8036330	4	STOP SCREW, M14X1.5	
26	1319477	2	HEX NUT, M14X1.5	

## SECTION 5 - DRIVE TRAIN

**FIGURE 5-34. REAR AXLE - PLANETARY DRIVE (644E-42 Prior to SN 0160039830, Excluding 0160036724, 0160036811, 0160036907 and 0160037012; 944E-42 Prior to SN 0160040124, Excluding 0160034634, 0160036710, 0160036722, 0160036735 and 0160036738)**



PU2111

## SECTION 5 - DRIVE TRAIN

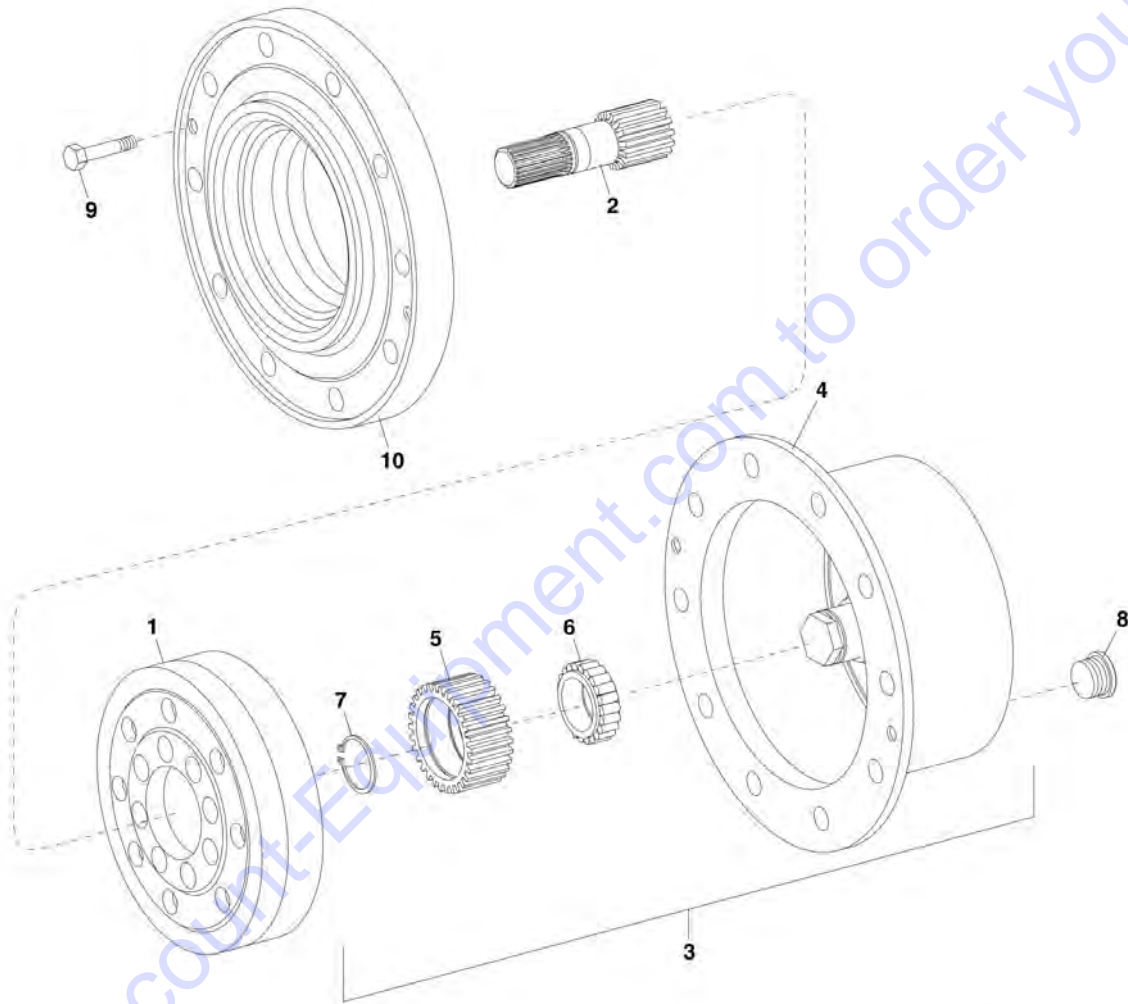
**FIGURE 5-34. REAR AXLE - PLANETARY DRIVE (644E-42 Prior to SN 0160039830, Excluding 0160036724, 0160036811, 0160036907 and 0160037012; 944E-42 Prior to SN 0160040124, Excluding 0160034634, 0160036710, 0160036722, 0160036735 and 0160036738)**

ITEM	PART NUMBER	QTY	DESCRIPTION	REV
1	1319485	6	SNAP RING	
2	1319484	6	INNER RING BEARING	
3	1321231	6	PLANET GEAR	
4	1319483	6	INNER RING BEARING	
5	1319488	4	CAPSCREW, (644E-42)	
5	8035977	4	CAPSCREW, (944E-42)	
6	1319506	2	SCREW PLUG	
7	8036331	2	O-RING	
8	8036436	2	PLANET CARRIER, (644E-42)	
8	1321238	2	PLANET CARRIER, (944E-42)	
9	1321247	2	RING GEAR	
10	1321242	1	SUN GEAR SHAFT	

Go to Discount-Equipment.com to order your parts

## SECTION 5 - DRIVE TRAIN

**FIGURE 5-35. REAR AXLE - PLANETARY DRIVE (644E-42 SN 0160039830 to Present, Including 0160036724, 0160036811, 0160036907 and 0160037012; 944E-42 SN 0160040124 to Present, Including 0160034634, 0160036710, 0160036722, 0160036735 and 0160036738)**



PA3351

## SECTION 5 - DRIVE TRAIN

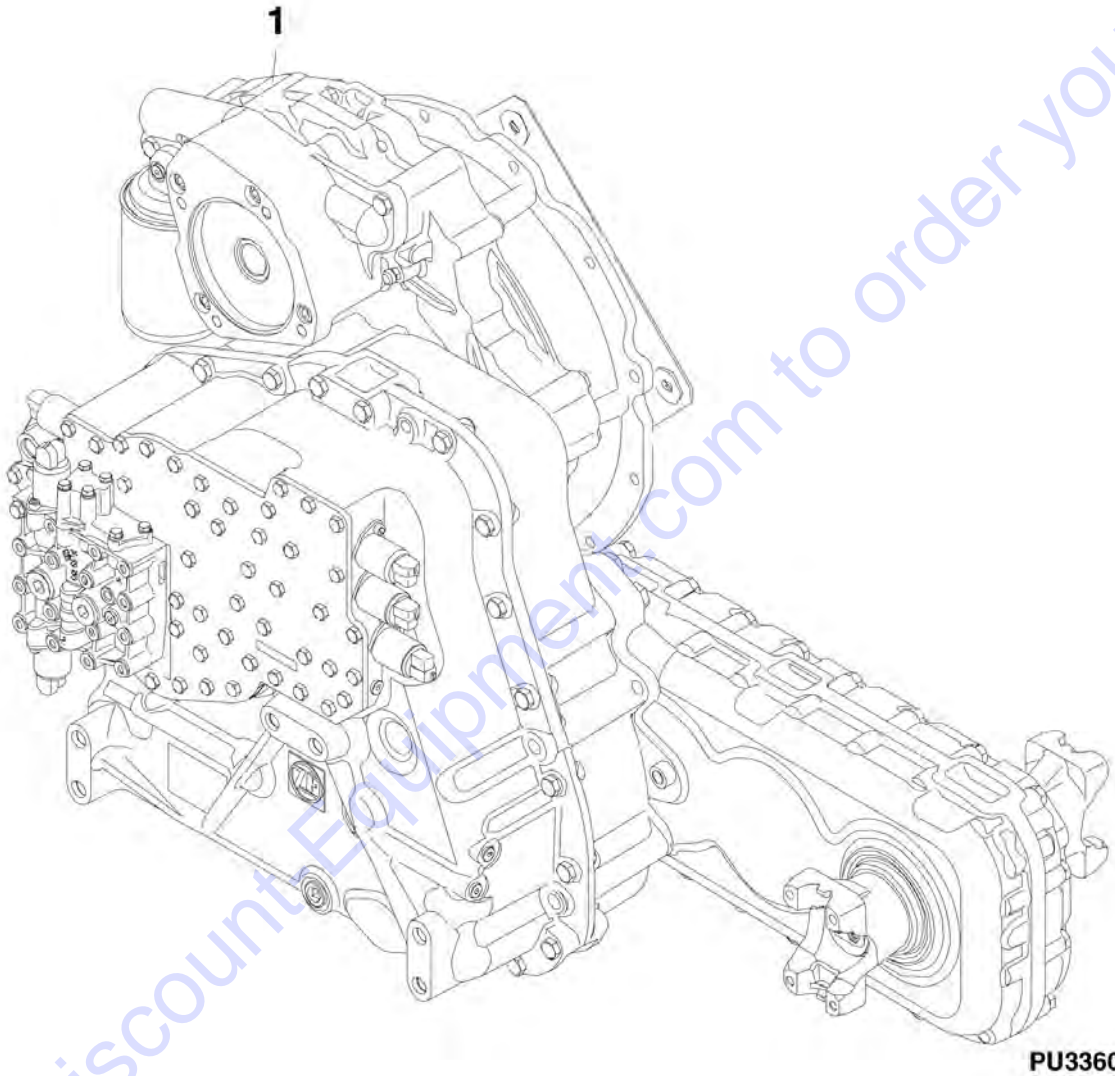
**FIGURE 5-35. REAR AXLE - PLANETARY DRIVE (644E-42 SN 0160039830 to Present, Including 0160036724, 0160036811, 0160036907 and 0160037012; 944E-42 SN 0160040124 to Present, Including 0160034634, 0160036710, 0160036722, 0160036735 and 0160036738)**

ITEM	PART NUMBER	QTY	DESCRIPTION	REV
1	70022242	1	RING GEAR	
2	70022239	2	SUN GEAR SHAFT <b>(Prior to SN 0160041827)</b>	
2	70022784	2	SUN GEAR SHAFT <b>(SN 0160041827 to Present)</b>	
3	70022233	2	PLANETARY CARRIER ASSY, (includes items 4 thru 7) <b>(Prior to SN 0160041827)</b>	
3	70022281	2	PLANETARY CARRIER ASSY, (includes items 4 thru 7) <b>(SN 0160041827 to Present)</b>	
4	70022256	1	PLANETARY CARRIER <b>(Prior to SN 0160041827)</b>	
4	70022283	1	PLANETARY CARRIER <b>(SN 0160041827 to Present)</b>	
5	70022243	3	PLANETARY GEAR <b>(Prior to SN 0160041827)</b>	
5	70022243	4	PLANETARY GEAR <b>(SN 0160041827 to Present)</b>	
6	70022221	3	CYL ROLLER BEARING <b>(Prior to SN 0160041827)</b>	
7	70022197	3	RETAINING RING	
8	1319578	2	SCREW PLUG <b>(Prior to SN 0160041827)</b>	
8	70023404	2	SCREW PLUG <b>(SN 0160041827 to Present)</b>	
9	70022207	4	HEX SCREW, M12X30	
10		Ref	HUB, (See REAR AXLE - JOINT HOUSING for Breakdown)	



## SECTION 5 - DRIVE TRAIN

FIGURE 5-36. ZF TRANSMISSION



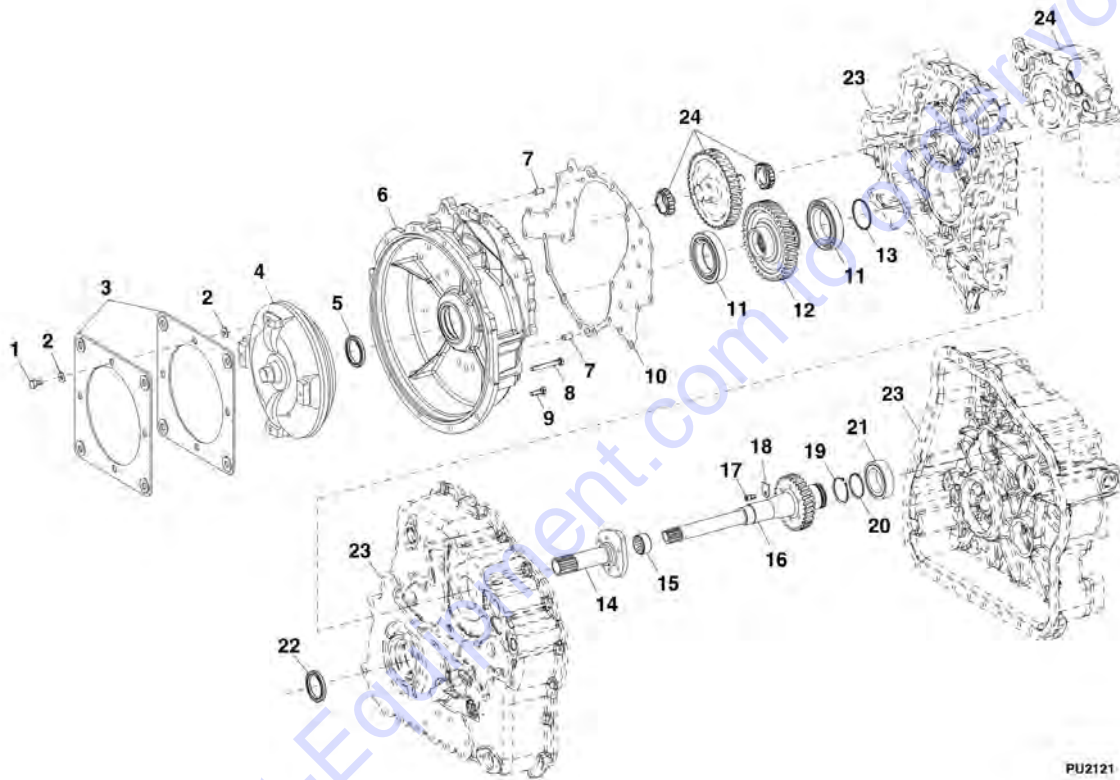
## SECTION 5 - DRIVE TRAIN

### FIGURE 5-36. ZF TRANSMISSION

ITEM	PART NUMBER	QTY	DESCRIPTION	REV
	1001095739	1	TRANSMISSION KIT, (644E-42 - p/n 8841046 & 944E-42 - p/n 8841047 no longer available, order 1001095739 for replacement), (includes item 1 and items 17 & 22 on DRIVE TRAIN COMPONENTS)	C
1	1001095741	NLA	TRANSMISSION ASSY - 4 SPEED, (no longer available, use 1001125968 for replacement or the following items for service) <b>(644E-42 Prior to SN 0160048717; 944E-42 Prior to SN 0160041827)</b>	C
1	1001125968	1	TRANSMISSION ASSY - 4 SPEED, (includes the following items) <b>(644E-42 SN 0160048717 to Present, Including 0160045421; 944E-42 SN 0160041827 to Present)</b>	B
1		Ref	ENGINE CONNECTION AND INPUT SHAFTS, (See ZF TRANSMISSION - ENGINE CONNECTION AND INPUT SHAFTS for Breakdown)	
1		Ref	GEARBOX HOUSING AND COUPLING LOCATION, (See ZF TRANSMISSION - GEARBOX HOUSING AND COUPLING LOCATION for Breakdown)	
1		Ref	COUPLING GROUP 1, (See ZF TRANSMISSION - COUPLING GROUP 1 for Breakdown)	
1		Ref	COUPLING GROUP 2, (See ZF TRANSMISSION - COUPLING GROUP 2 for Breakdown)	
1		Ref	COUPLING GROUP 3, (See ZF TRANSMISSION - COUPLING GROUP 3 for Breakdown)	
1		Ref	COUPLING GROUP 4, (See ZF TRANSMISSION - COUPLING GROUP 4 for Breakdown)	
1		Ref	REVERSING GEAR GROUP CV, (See ZF TRANSMISSION - REVERSING GEAR GROUP CV for Breakdown)	
1		Ref	REVERSING GEAR GROUP CR, (See ZF TRANSMISSION - REVERSING GEAR GROUP CR for Breakdown)	
1		Ref	OIL PUMP, (See ZF TRANSMISSION - OIL PUMP for Breakdown)	
1		Ref	CONTROL UNIT, (See ZF TRANSMISSION - CONTROL UNIT for Breakdown)	
1		Ref	GEARSHIFT SYSTEM, (See ZF TRANSMISSION - GEARSHIFT SYSTEM for Breakdown)	
1		Ref	TRANSFER BOX, (See ZF TRANSMISSION - TRANSFER BOX for Breakdown)	

# SECTION 5 - DRIVE TRAIN

FIGURE 5-37. ZF TRANSMISSION - ENGINE CONNECTION AND INPUT SHAFTS



PU2121

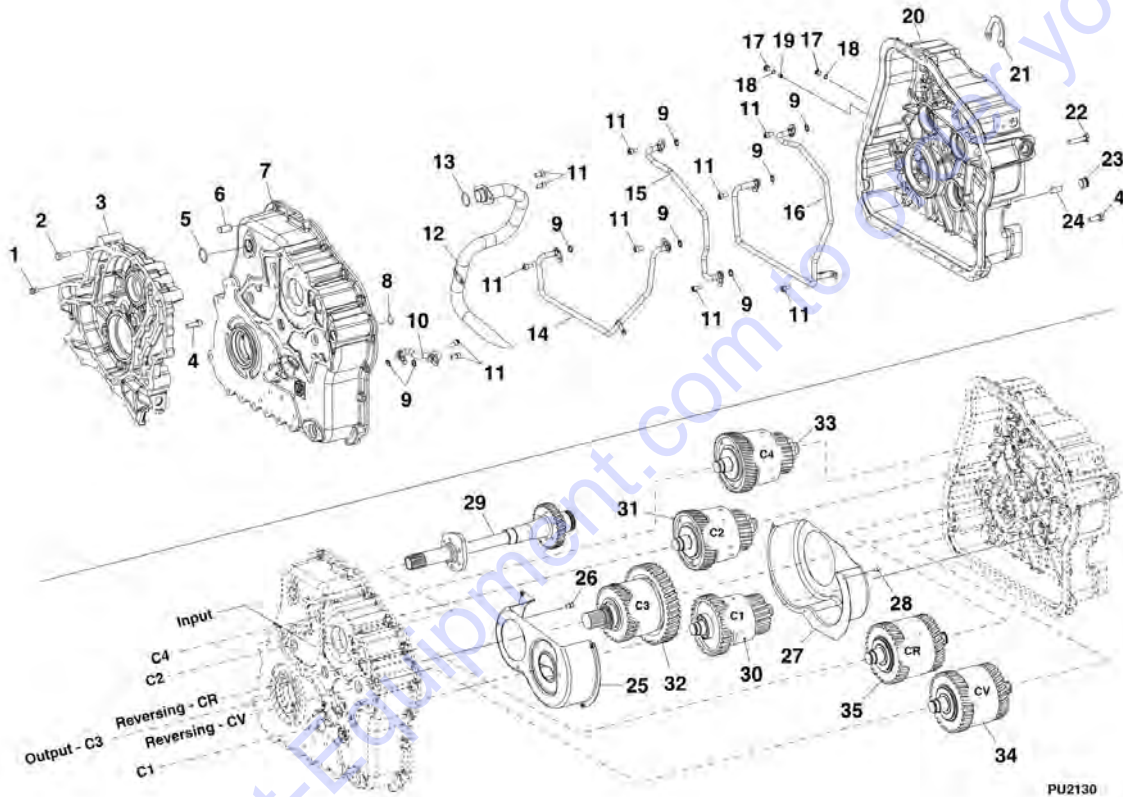
## SECTION 5 - DRIVE TRAIN

**FIGURE 5-37. ZF TRANSMISSION - ENGINE CONNECTION AND INPUT SHAFTS**

ITEM	PART NUMBER	QTY	DESCRIPTION	REV
1	7026744	4	HEX HD CAPSCREW, M10X16	
2	7026745	8	THRUST WASHER, 1	
3	1319229	2	DIAPHRAGM	
4	7027256	1	CONVERTER	
5	1319576	1	SHAFT SEAL	
6	70021526	1	CONVERTER BELL	
7	1319571	2	CYLINDRICAL PIN	
8	7026775	15	HEX HD CAPSCREW, M10X80	
9	80304394	21	HEX HD CAPSCREW, M10X30	
10	7026774	1	GASKET	
11	7026769	2	ROLLER BEARING	
12	7026771	1	SHAFT	
13	7026772	1	PISTON RING, 67X3.00	
14	7026748	1	STATOR SHAFT	
15	1319558	1	BEARING BUSHING	
16	7026747	1	TURBINE SHAFT	
17	1319585	2	CAPSCREW, M8X16	
18	N.S.S.	2	SHACKLE	
19	80304405	1	RETAINING RING, 55X2.00	
20	7026749	1	PISTON RING	
21	1319563	1	BEARING BUSHING	
22	1319641	1	SHAFT SEAL	
23		Ref	GEARBOX HOUSING, (See ZF TRANSMISSION - GEARBOX HOUSING AND COUPLING LOCATION for Breakdown)	
24		Ref	OIL PUMP, (See ZF TRANSMISSION - OIL PUMP for Breakdown)	

# SECTION 5 - DRIVE TRAIN

## FIGURE 5-38. ZF TRANSMISSION - GEARBOX HOUSING AND COUPLING LOCATION



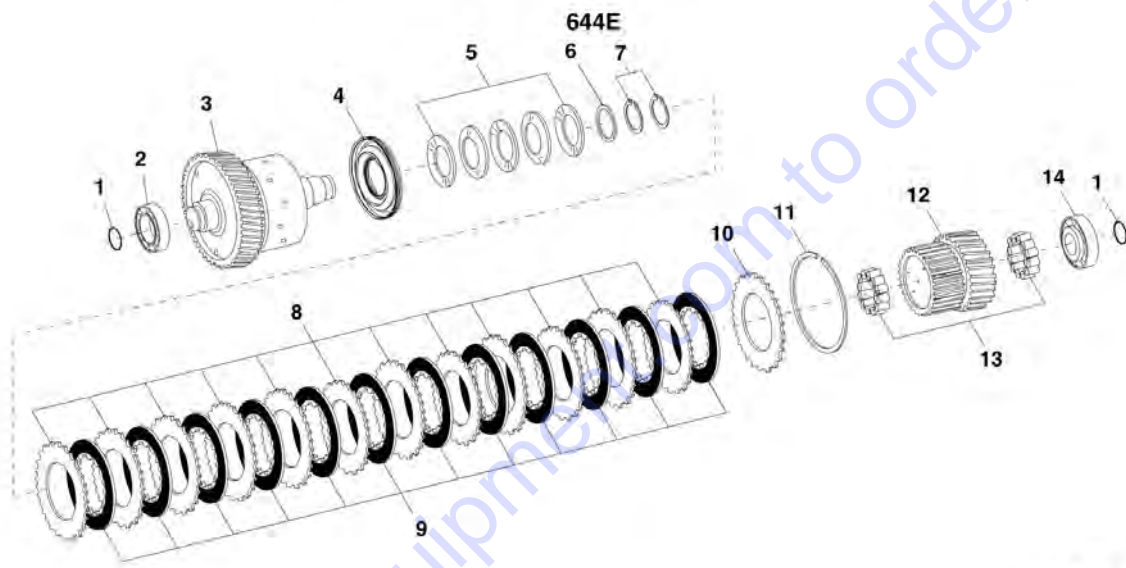
## SECTION 5 - DRIVE TRAIN

**FIGURE 5-38. ZF TRANSMISSION - GEARBOX HOUSING AND COUPLING LOCATION**

ITEM	PART NUMBER	QTY	DESCRIPTION	REV
1	10731744	1	BREATHER	
2	N.S.S.	6	HEX HD CAPSCREW, M10X30	
3	70021920	1	HOUSING	
4	80304394	31	HEX HD CAPSCREW, M10X30	
5	70023885	1	O-RING	
6	1319571	2	CYLINDRICAL PIN	
7	7029972	1	HOUSING I	
8	1319581	1	O-RING	
9	8036847	8	O-RING	
10	7026754	1	PIPE	
11	1319585	11	HEX HD CAPSCREW, M8X16	
12	7026753	1	SUCTION TUBE	
13	70023885	1	O-RING	
14	7026751	1	PIPE	
15	7026750	1	PIPE	
16	7026752	1	PIPE	
17	1319670	7	SCREW PLUG	
18	10731709	7	O-RING	
19	N.S.S.	1	ORIFICE	
20	7029973	1	HOUSING II	
21	1319590	1	BRACKET	
22	7026794	6	HEX HD CAPSCREW, M10X50	
23	1319578	1	SCREW PLUG	
24	1319571	2	CYLINDRICAL PIN	
25	7026755	1	SCREEN SHEET	
26	N.S.S.	5	SOCKET HD CAPSCREW, M8X12	
27	7026756	1	SCREEN SHEET	
28	1319646	5	CAPSCREW	
29		Ref	TURBINE SHAFT, (See ZF TRANSMISSION - ENGINE CONNECTION AND INPUT SHAFTS for Breakdown)	
30		Ref	COUPLING GROUP 1, (See ZF TRANSMISSION - COUPLING GROUP 1 for Breakdown)	
31		Ref	COUPLING GROUP 2, (See ZF TRANSMISSION - COUPLING GROUP 2 for Breakdown)	
32		Ref	COUPLING GROUP 3, (See ZF TRANSMISSION - COUPLING GROUP 3 for Breakdown)	
33		Ref	COUPLING GROUP 4, (See ZF TRANSMISSION - COUPLING GROUP 4 for Breakdown)	
34		Ref	REVERSING GEAR GROUP CV, (See ZF TRANSMISSION - REVERSING GEAR GROUP CV for Breakdown)	
35		Ref	REVERSING GEAR GROUP CR, (See ZF TRANSMISSION - REVERSING GEAR GROUP CR for Breakdown)	

# SECTION 5 - DRIVE TRAIN

FIGURE 5-39. ZF TRANSMISSION - COUPLING GROUP 1



PU2140

## SECTION 5 - DRIVE TRAIN

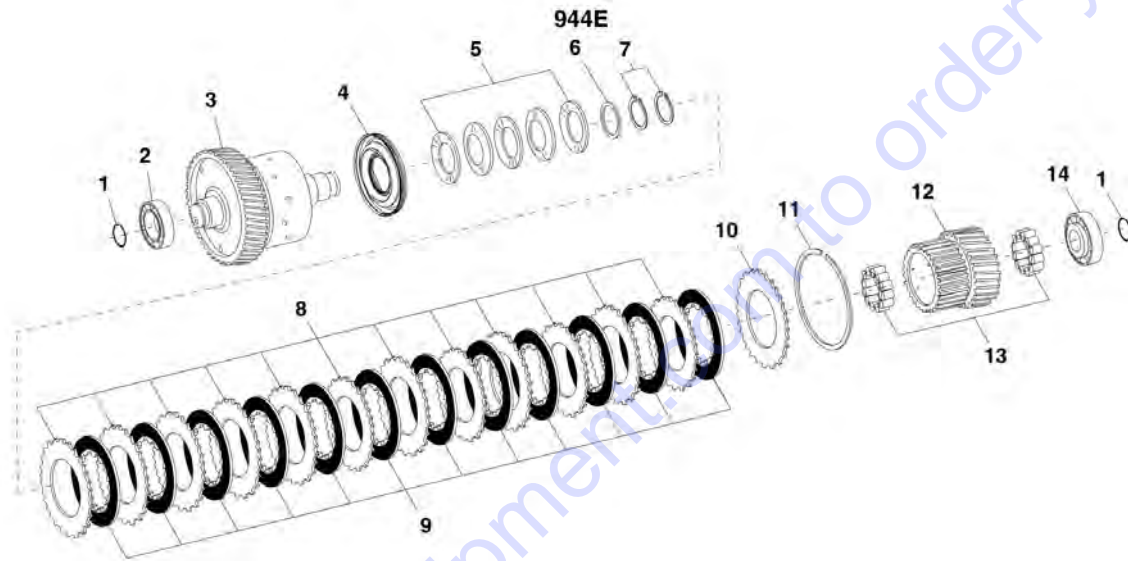
**FIGURE 5-39. ZF TRANSMISSION - COUPLING GROUP 1**

ITEM	PART NUMBER	QTY	DESCRIPTION	REV
1	7026761	2	PISTON RING	
2	1319608	1	ROLLER BEARING	
3	7027261	1	COUPLING, (used with transmission - 4WG92 TSC)	
3	1319591	1	COUPLING, (used with transmission - 4WG98 TSC)	
4	8036575	1	PISTON	
5	1319595	5	CUP SPRING	
6	1319596	1	SHIM	
7	10731845	2	RETAINING RING	
8	7026759	AR	O. CLUTCH DISC, (transmission - 4WG92 TSC qty 10, 4WG98 TSC qty 12)	
9	7026758	AR	LIN. CLUTCH DISC, (transmission - 4WG92 TSC qty 10, 4WG98 TSC qty 12)	
10	7026760	1	END SHIM	
11	1319600	1	SNAP RING, 3.5mm	
11	1319601	1	SNAP RING, 3.5mm	
11	1319602	1	SNAP RING, 3.0mm	
11	1319603	1	SNAP RING, 2.5mm	
11	1319604	1	SNAP RING, 2.0mm	
11	7029849	1	SNAP RING, 3.25mm	
11	7029850	1	SNAP RING, 3.75mm	
11	7029851	1	SNAP RING, 2.25mm	
11	7029852	1	SNAP RING, 2.75mm	
12	1319607	1	DISC CARRIER	
13	1319606	2	ROLLER CAGE	
14	7029532	1	OUTER RING	
14	7029533	1	INNER RING	



# SECTION 5 - DRIVE TRAIN

FIGURE 5-40. ZF TRANSMISSION - COUPLING GROUP 1



PU2150

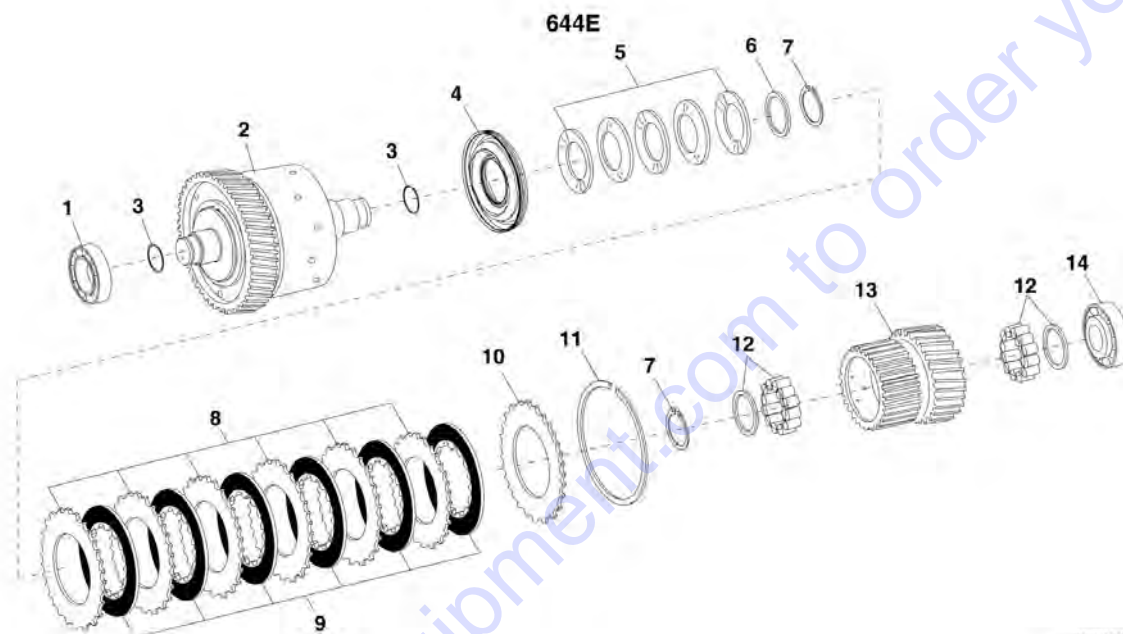
## SECTION 5 - DRIVE TRAIN

**FIGURE 5-40. ZF TRANSMISSION - COUPLING GROUP 1**

ITEM	PART NUMBER	QTY	DESCRIPTION	REV
1	7026761	2	PISTON RING	
2	1319608	1	ROLLER BEARING	
3	1319591	1	COUPLING	
4	8036575	1	PISTON	
5	1319595	5	CUP SPRING	
6	1319596	1	SHIM	
7	10731845	2	RETAINING RING	
8	7026759	12	O. CLUTCH DISC	
9	7026758	12	LIN. CLUTCH DISC	
10	7026760	1	END SHIM	
11	1319600	1	SNAP RING, 3.5mm	
11	1319601	1	SNAP RING, 3.5mm	
11	1319602	1	SNAP RING, 3.0mm	
11	1319603	1	SNAP RING, 2.5mm	
11	1319604	1	SNAP RING, 2.0mm	
11	7029849	1	SNAP RING, 3.25mm	
11	7029850	1	SNAP RING, 3.75mm	
11	7029851	1	SNAP RING, 2.25mm	
11	7029852	1	SNAP RING, 2.75mm	
12	1319607	1	DISC CARRIER	
13	1319606	2	ROLLER CAGE	
14	7029532	1	OUTER RING	
14	7029533	1	INNER RING	

# SECTION 5 - DRIVE TRAIN

## FIGURE 5-41. ZF TRANSMISSION - COUPLING GROUP 2



PU2160

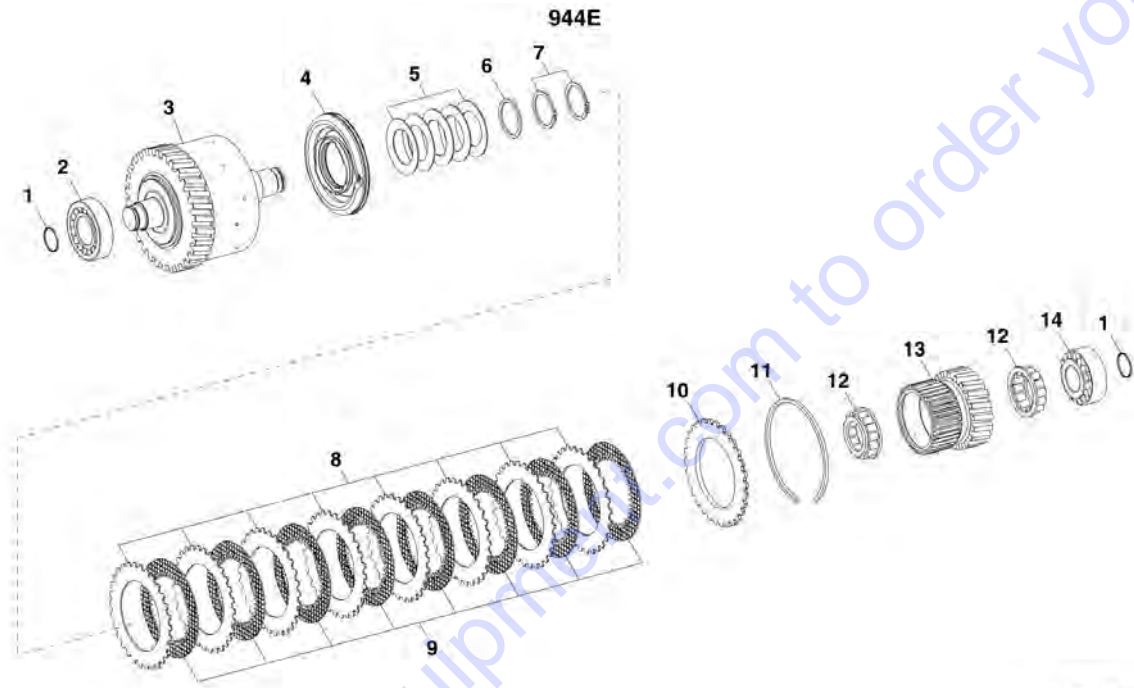
## SECTION 5 - DRIVE TRAIN

**FIGURE 5-41. ZF TRANSMISSION - COUPLING GROUP 2**

ITEM	PART NUMBER	QTY	DESCRIPTION	REV
1	1319615	1	ROLLER BEARING	
2	7027264	1	COUPLING, (used with transmission - 4WG92 TSC)	
2	7026763	1	COUPLING, (used with transmission - 4WG98 TSC)	
3	7026761	2	PISTON RING	
4	8036575	1	PISTON	
5	1319595	5	CUP SPRING	
6	1319596	1	SHIM	
7	10731845	2	RETAINING RING	
8	7026759	AR	O. CLUTCH DISC, (transmission - 4WG92 TSC qty 6, 4WG98 TSC qty 8)	
9	7026758	AR	LIN. CLUTCH DISC, (transmission - 4WG92 TSC qty 6, 4WG98 TSC qty 8)	
10	7026760	1	END SHIM	
11	1319600	1	SNAP RING, 3.5mm	
11	1319601	1	SNAP RING, 3.5mm	
11	1319602	1	SNAP RING, 3.0mm	
11	1319603	1	SNAP RING, 2.5mm	
11	1319604	1	SNAP RING, 2.0mm	
11	7029849	1	SNAP RING, 3.25mm	
11	7029850	1	SNAP RING, 3.75mm	
11	7029851	1	SNAP RING, 2.25mm	
11	7029852	1	SNAP RING, 2.75mm	
12	1319606	2	ROLLER CAGE	
13	1319614	1	DISC CARRIER	
14	7029532	1	OUTER RING	
14	7029533	1	INNER RING	

# SECTION 5 - DRIVE TRAIN

## FIGURE 5-42. ZF TRANSMISSION - COUPLING GROUP 2



PU2170

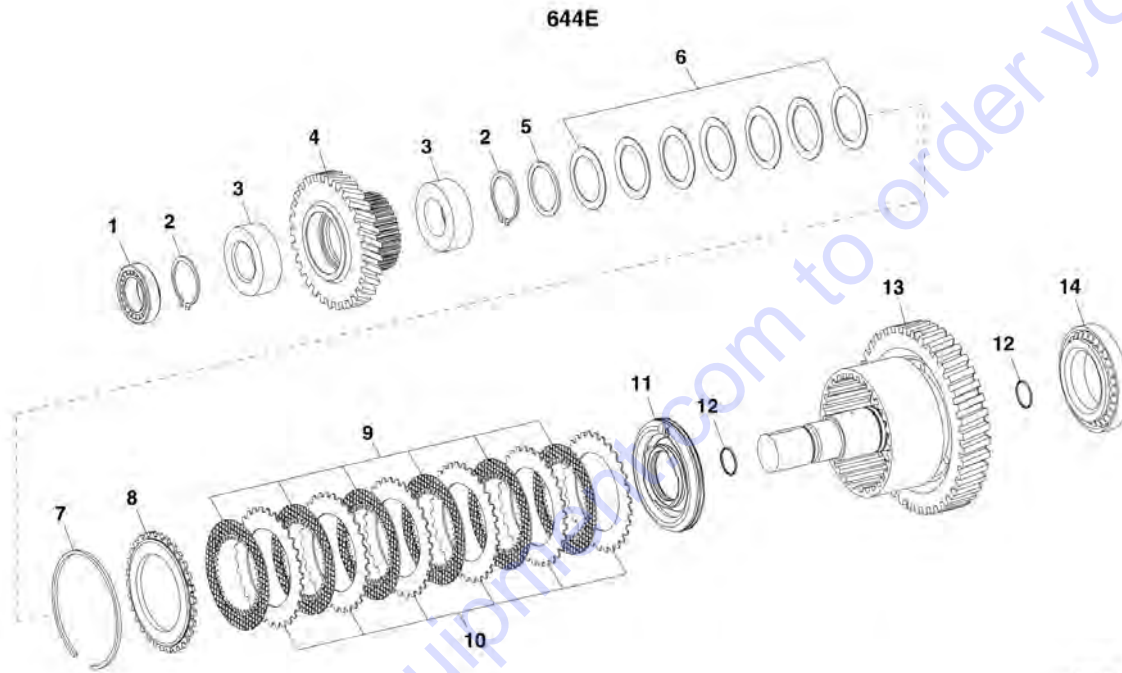
## SECTION 5 - DRIVE TRAIN

**FIGURE 5-42. ZF TRANSMISSION - COUPLING GROUP 2**

ITEM	PART NUMBER	QTY	DESCRIPTION	REV
1	7026761	2	PISTON RING	
2	1319615	1	ROLLER BEARING	
3	7026763	1	COUPLING	
4	8036575	1	PISTON	
5	1319595	5	CUP SPRING	
6	1319596	1	SHIM	
7	10731845	2	RETAINING RING	
8	7026759	8	O. CLUTCH DISC	
9	7026758	8	LIN. CLUTCH DISC	
10	7026760	1	END SHIM	
11	1319600	1	SNAP RING, 3.5mm	
11	1319601	1	SNAP RING, 3.5mm	
11	1319602	1	SNAP RING, 3.0mm	
11	1319603	1	SNAP RING, 2.5mm	
11	1319604	1	SNAP RING, 2.0mm	
11	7029849	1	SNAP RING, 3.25mm	
11	7029850	1	SNAP RING, 3.75mm	
11	7029851	1	SNAP RING, 2.25mm	
11	7029852	1	SNAP RING, 2.75mm	
12	1319606	2	ROLLER CAGE	
13	1319614	1	DISC CARRIER	
14	7029532	1	OUTER RING	
14	7029533	1	INNER RING	

# SECTION 5 - DRIVE TRAIN

## FIGURE 5-43. ZF TRANSMISSION - COUPLING GROUP 3



## SECTION 5 - DRIVE TRAIN

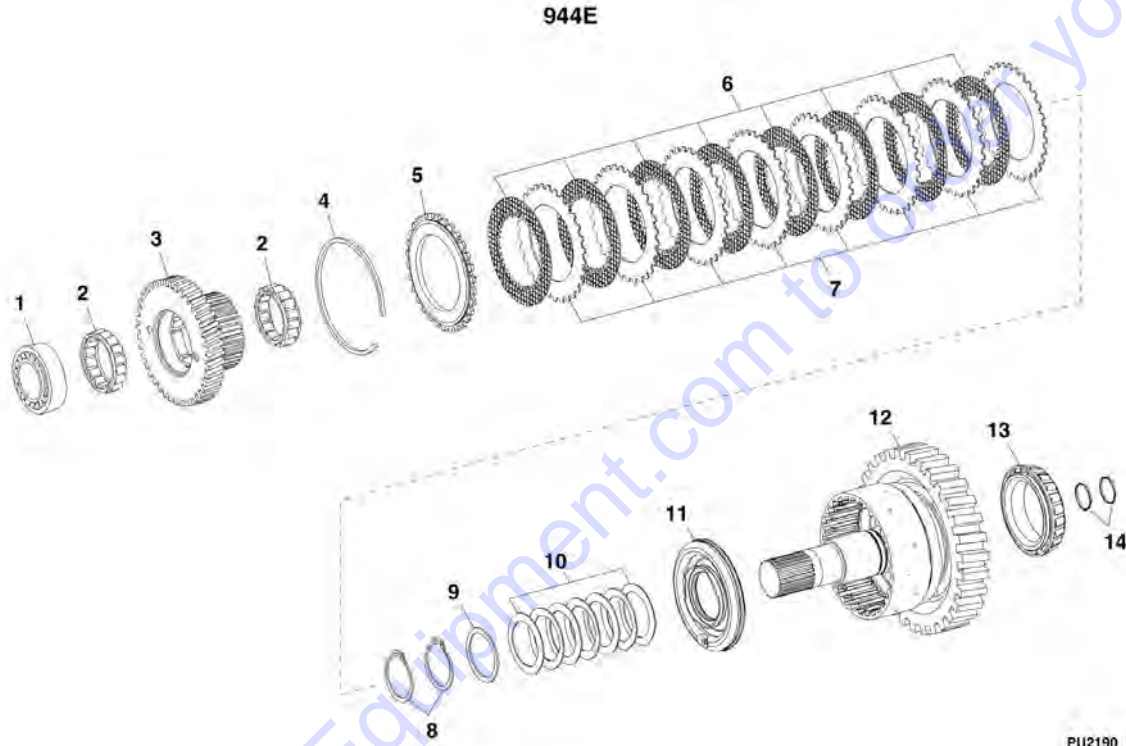
**FIGURE 5-43. ZF TRANSMISSION - COUPLING GROUP 3**

ITEM	PART NUMBER	QTY	DESCRIPTION	REV
1	N.S.S.	1	ROLLER BEARING ASSY	
1	70021268	1	BEARING OUTER RING	
1	70021269	1	BEARING INNER RING	
2	1321177	2	RETAINING RING, (used with transmission - 4WG92 TSC)	
2	80304227	2	RETAINING RING, (used with transmission - 4WG98 TSC)	
3	N.S.S.	2	ROLLER BEARING ASSY	
3	70021227	1	RING	
3	70021228	1	ROLLER CAGE	
4	7027267	1	DISC CARRIER, (used with transmission - 4WG92 TSC)	
4	1319619	1	DISC CARRIER, (used with transmission - 4WG98 TSC)	
5	7026766	1	WASHER	
6	7026765	7	CUP SPRING	
7	1319600	1	SNAP RING, 3.5mm	
7	1319601	1	SNAP RING, 3.5mm	
7	1319602	1	SNAP RING, 3.0mm	
7	1319603	1	SNAP RING, 2.5mm	
7	1319604	1	SNAP RING, 2.0mm	
7	7029849	1	SNAP RING, 3.25mm	
7	7029850	1	SNAP RING, 3.75mm	
7	7029851	1	SNAP RING, 2.25mm	
7	7029852	1	SNAP RING, 2.75mm	
8	7026760	1	END SHIM	
9	7026758	AR	LIN. CLUTCH DISC, (transmission - 4WG92 TSC qty 6, 4WG98 TSC qty 8)	
10	7026759	AR	O. CLUTCH DISC, (transmission - 4WG92 TSC qty 6, 4WG98 TSC qty 8)	
11	8036575	1	PISTON	
12	7026761	2	PISTON RING	
13	7027266	1	COUPLING, (used with transmission - 4WG92 TSC)	
13	7026764	1	COUPLING, (used with transmission - 4WG98 TSC)	
14	7026769	1	ROLLER BEARING	



# SECTION 5 - DRIVE TRAIN

## FIGURE 5-44. ZF TRANSMISSION - COUPLING GROUP 3



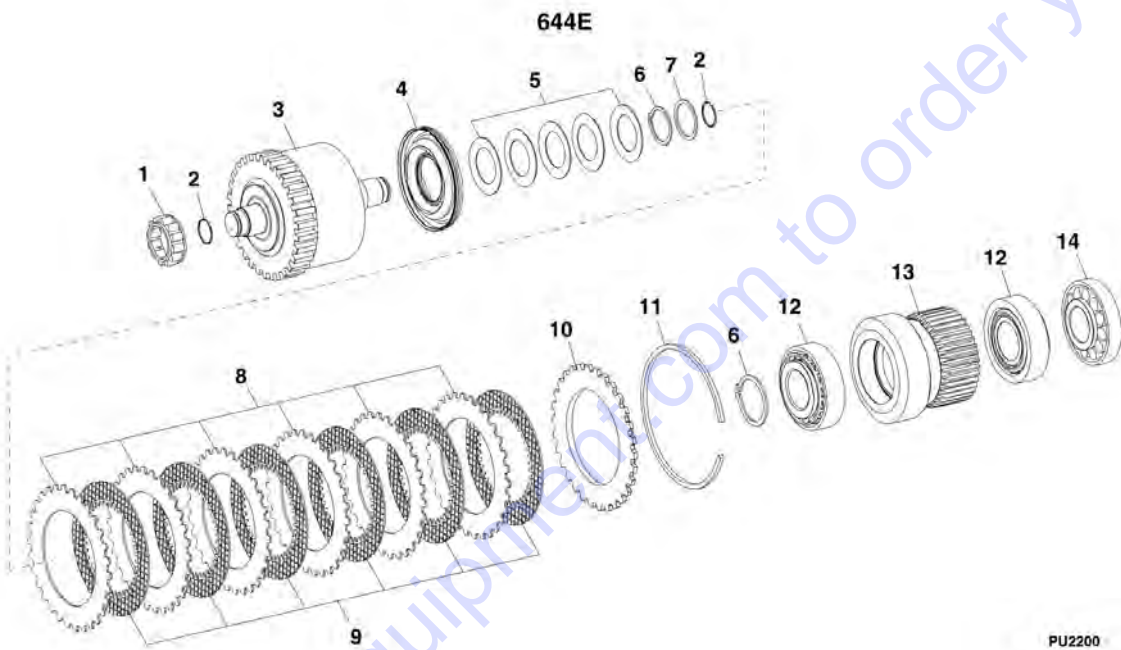
## SECTION 5 - DRIVE TRAIN

**FIGURE 5-44. ZF TRANSMISSION - COUPLING GROUP 3**

ITEM	PART NUMBER	QTY	DESCRIPTION	REV
1	7026768	1	ROLLER BEARING	
2	7026767	2	ROLLER BEARING	
3	1319619	1	DISC CARRIER	
4	1319600	1	SNAP RING, 3.5mm	
4	1319601	1	SNAP RING, 3.5mm	
4	1319602	1	SNAP RING, 3.0mm	
4	1319603	1	SNAP RING, 2.5mm	
4	1319604	1	SNAP RING, 2.0mm	
4	7029849	1	SNAP RING, 3.25mm	
4	7029850	1	SNAP RING, 3.75mm	
4	7029851	1	SNAP RING, 2.25mm	
4	7029852	1	SNAP RING, 2.75mm	
5	7026760	1	END SHIM	
6	7026758	8	LIN. CLUTCH DISC	
7	7026759	8	O. CLUTCH DISC	
8	80304227	2	RETAINING RING	
9	7026766	1	WASHER	
10	7026765	7	CUP SPRING	
11	8036575	1	PISTON	
12	7026764	1	COUPLING	
13	7026769	1	ROLLER BEARING	
14	7026761	2	PISTON RING	

# SECTION 5 - DRIVE TRAIN

## FIGURE 5-45. ZF TRANSMISSION - COUPLING GROUP 4



PU2200

## SECTION 5 - DRIVE TRAIN

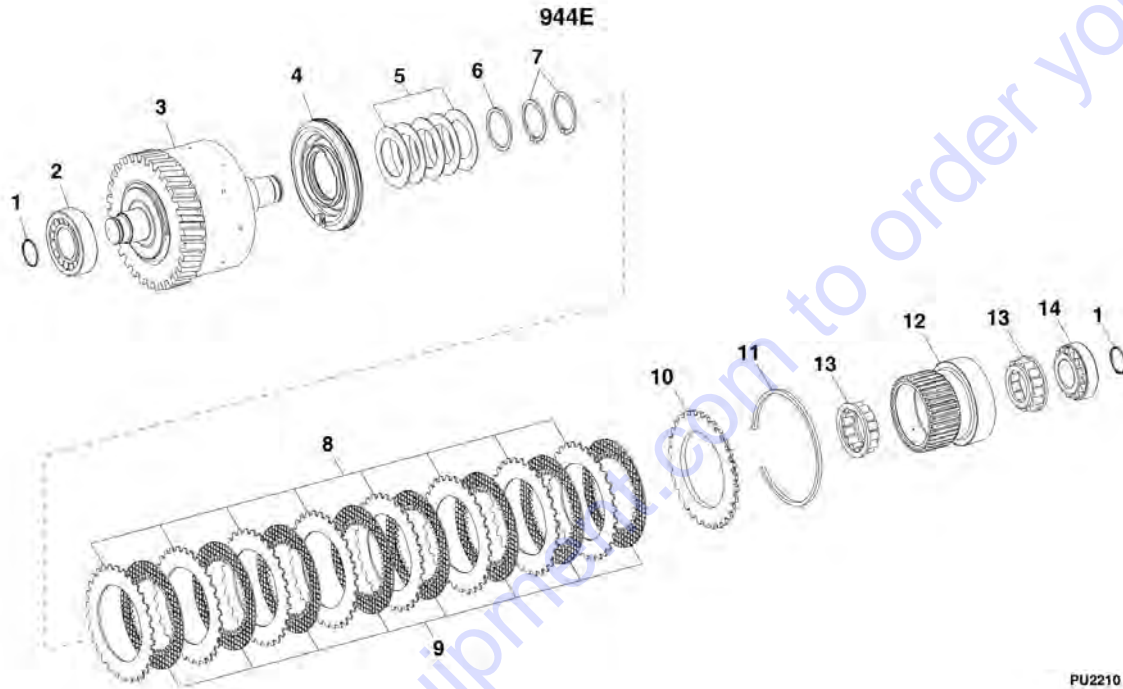
**FIGURE 5-45. ZF TRANSMISSION - COUPLING GROUP 4**

ITEM	PART NUMBER	QTY	DESCRIPTION	REV
1	1319615	1	ROLLER BEARING	
2	7026761	2	PISTON RING	
3	7027268	1	COUPLING, (used with transmission - 4WG92 TSC)	
3	7026770	1	COUPLING, (used with transmission - 4WG98 TSC)	
4	8036575	1	PISTON	
5	1319595	5	CUP SPRING	
6	10731845	2	RETAINING RING	
7	1319596	1	SHIM, 2.0mm	
8	7026759	AR	O. CLUTCH DISC, (transmission - 4WG92 TSC qty 6, 4WG98 TSC qty 8)	
9	7026758	AR	LIN. CLUTCH DISC, (transmission - 4WG92 TSC qty 6, 4WG98 TSC qty 8)	
10	7026760	1	END SHIM	
11	1319600	1	SNAP RING, 3.5mm	
11	1319601	1	SNAP RING, 3.5mm	
11	1319602	1	SNAP RING, 3.0mm	
11	1319603	1	SNAP RING, 2.5mm	
11	1319604	1	SNAP RING, 2.0mm	
12	1319606	2	ROLLER CAGE	
13	1319635	1	DISC CARRIER	
14	1319636	1	ROLLER BEARING	

Go to Discount-Equipment.com to order your parts

# SECTION 5 - DRIVE TRAIN

## FIGURE 5-46. ZF TRANSMISSION - COUPLING GROUP 4



Go to Discount-Equipment.com to order your parts

## SECTION 5 - DRIVE TRAIN

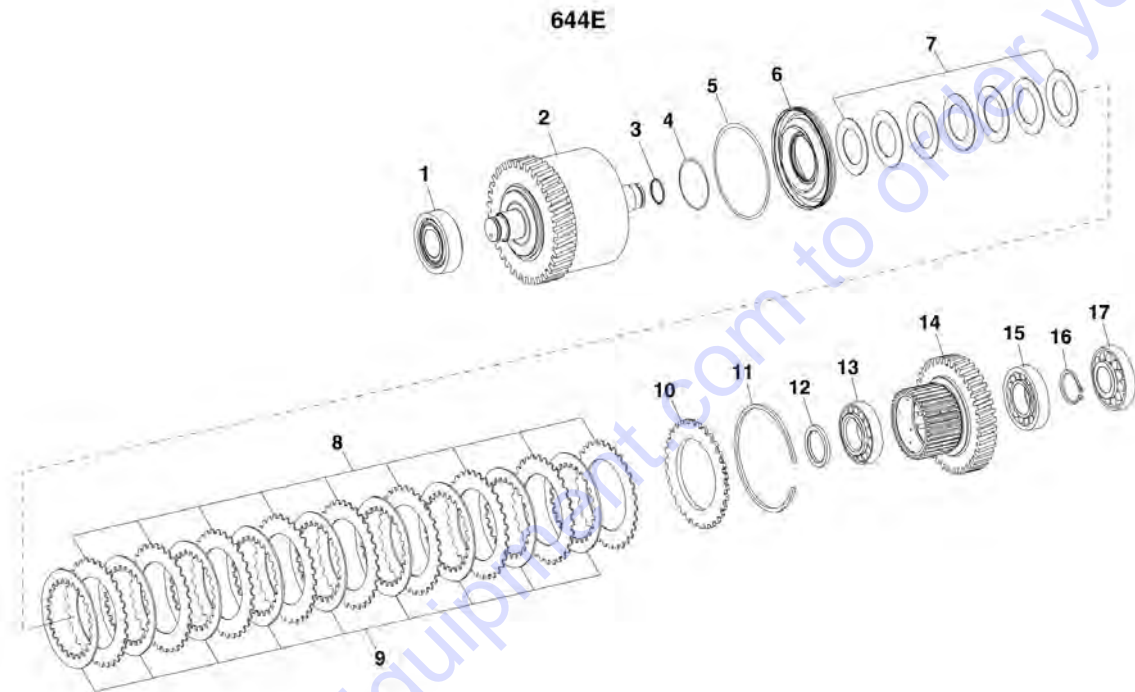
**FIGURE 5-46. ZF TRANSMISSION - COUPLING GROUP 4**

ITEM	PART NUMBER	QTY	DESCRIPTION	REV
1	7026761	2	PISTON RING	
2	1319615	1	ROLLER BEARING	
3	7026770	1	COUPLING	
4	8036575	1	PISTON	
5	1319595	5	CUP SPRING	
6	1319596	1	SHIM, 2.0mm	
7	10731845	2	RETAINING RING	
8	7026759	8	O. CLUTCH DISC	
9	7026758	8	LIN. CLUTCH DISC	
10	7026760	1	END SHIM	
11	1319600	1	SNAP RING, 3.5mm	
11	1319601	1	SNAP RING, 3.5mm	
11	1319602	1	SNAP RING, 3.0mm	
11	1319603	1	SNAP RING, 2.5mm	
11	1319604	1	SNAP RING, 2.0mm	
12	1319635	1	DISC CARRIER	
13	1319606	2	ROLLER CAGE	
14	1319636	1	ROLLER BEARING	

Go to Discount-Equipment.com to order your parts

# SECTION 5 - DRIVE TRAIN

## FIGURE 5-47. ZF TRANSMISSION - REVERSING GEAR GROUP CV



ART\_PU2220-B

## SECTION 5 - DRIVE TRAIN

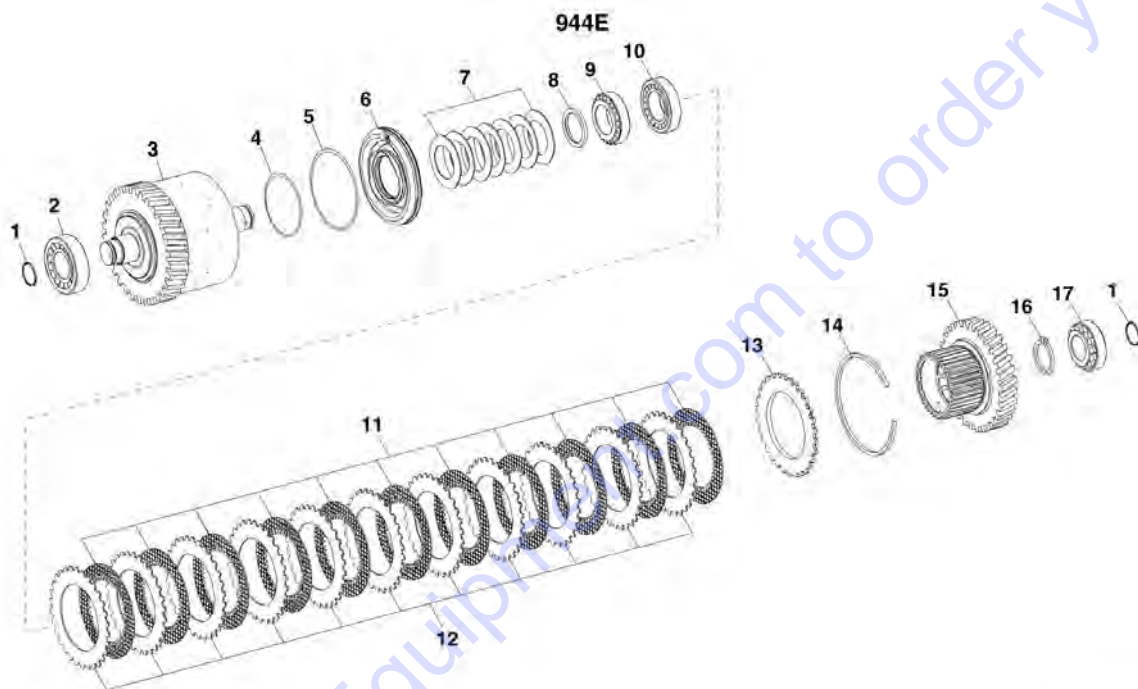
**FIGURE 5-47. ZF TRANSMISSION - REVERSING GEAR GROUP CV**

ITEM	PART NUMBER	QTY	DESCRIPTION	REV
1	1319615	1	ROLLER BEARING	
2	7027258	1	COUPLING, (used with transmission - 4WG92 TSC)	
2	7026757	1	COUPLING, (used with transmission - 4WG98 TSC)	
3	7026761	1	PISTON RING	
4	1319593	1	O-RING	
5	1319594	1	O-RING	
6	8036575	1	PISTON	
7	1319595	7	CUP SPRING	
8	7026759	AR	O. CLUTCH DISC, (transmission - 4WG92 TSC qty 9, 4WG98 TSC qty 11)	
9	7027259	9	LIN. CLUTCH DISC, (used with transmission - 4WG92 TSC)	
9	7026758	11	LIN. CLUTCH DISC, (used with transmission - 4WG98 TSC)	
10	7026760	1	END SHIM	
11	1319600	1	SNAP RING, 3.5mm	
11	1319601	1	SNAP RING, 3.5mm	
11	1319602	1	SNAP RING, 3.0mm	
11	1319603	1	SNAP RING, 2.5mm	
11	1319604	1	SNAP RING, 2.0mm	
11	7029849	1	SNAP RING, 3.25mm	
11	7029850	1	SNAP RING, 3.75mm	
11	7029851	1	SNAP RING, 2.25mm	
11	7029852	1	SNAP RING, 2.75mm	
12	1319617	1	SUPPORT SHIM	
13	1319618	1	ROLLER BEARING	
14	1319638	1	DISC CARRIER	
15	1319620	1	ROLLER BEARING	
16	1319621	1	RETAINING RING, 3.20mm	
16	1319622	1	RETAINING RING, 3.10mm	
16	1319623	1	RETAINING RING, 3.00mm	
16	1319624	1	RETAINING RING, 2.90mm	
16	1319625	1	RETAINING RING, 2.80mm	
16	1319626	1	RETAINING RING, 2.70mm	
16	1319627	1	RETAINING RING, 2.60mm	
16	1319628	1	RETAINING RING, 2.50mm	
16	1319629	1	RETAINING RING, 2.40mm	
16	1319630	1	RETAINING RING, 2.30mm	
16	1319631	1	RETAINING RING, 2.20mm	
16	1319632	1	RETAINING RING, 2.10mm	
17	1319636	1	ROLLER BEARING	



# SECTION 5 - DRIVE TRAIN

## FIGURE 5-48. ZF TRANSMISSION - REVERSING GEAR GROUP CV



ART\_PU2230-B

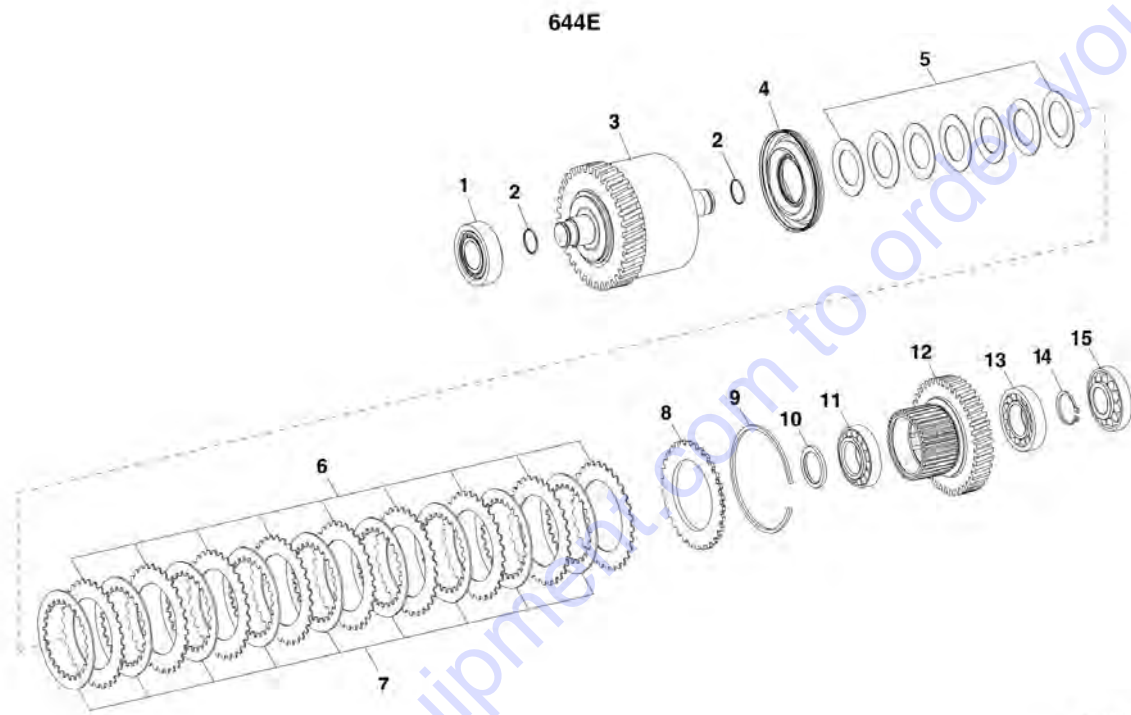
## SECTION 5 - DRIVE TRAIN

**FIGURE 5-48. ZF TRANSMISSION - REVERSING GEAR GROUP CV**

ITEM	PART NUMBER	QTY	DESCRIPTION	REV
1	7026761	2	PISTON RING	
2	1319615	1	ROLLER BEARING	
3	7026757	1	COUPLING	
4	1319593	1	O-RING	
5	1319594	1	O-RING	
6	8036575	1	PISTON	
7	1319595	7	CUP SPRING	
8	1319617	1	SUPPORT SHIM	
9	1319618	1	ROLLER BEARING	
10	1319620	1	ROLLER BEARING	
11	7026758	11	LIN. CLUTCH DISC	
12	7026759	11	O. CLUTCH DISC	
13	7026760	1	END SHIM	
14	1319600	1	SNAP RING, 3.5mm	
14	1319601	1	SNAP RING, 3.5mm	
14	1319602	1	SNAP RING, 3.0mm	
14	1319603	1	SNAP RING, 2.5mm	
14	1319604	1	SNAP RING, 2.0mm	
14	7029849	1	SNAP RING, 3.25mm	
14	7029850	1	SNAP RING, 3.75mm	
14	7029851	1	SNAP RING, 2.25mm	
14	7029852	1	SNAP RING, 2.75mm	
15	1319638	1	DISC CARRIER	
16	1319621	1	RETAINING RING, 3.20mm	
16	1319622	1	RETAINING RING, 3.10mm	
16	1319623	1	RETAINING RING, 3.00mm	
16	1319624	1	RETAINING RING, 2.90mm	
16	1319625	1	RETAINING RING, 2.80mm	
16	1319626	1	RETAINING RING, 2.70mm	
16	1319627	1	RETAINING RING, 2.60mm	
16	1319628	1	RETAINING RING, 2.50mm	
16	1319629	1	RETAINING RING, 2.40mm	
16	1319630	1	RETAINING RING, 2.30mm	
16	1319631	1	RETAINING RING, 2.20mm	
16	1319632	1	RETAINING RING, 2.10mm	
17	1319636	1	ROLLER BEARING	

# SECTION 5 - DRIVE TRAIN

## FIGURE 5-49. ZF TRANSMISSION - REVERSING GEAR GROUP CR



PU2240

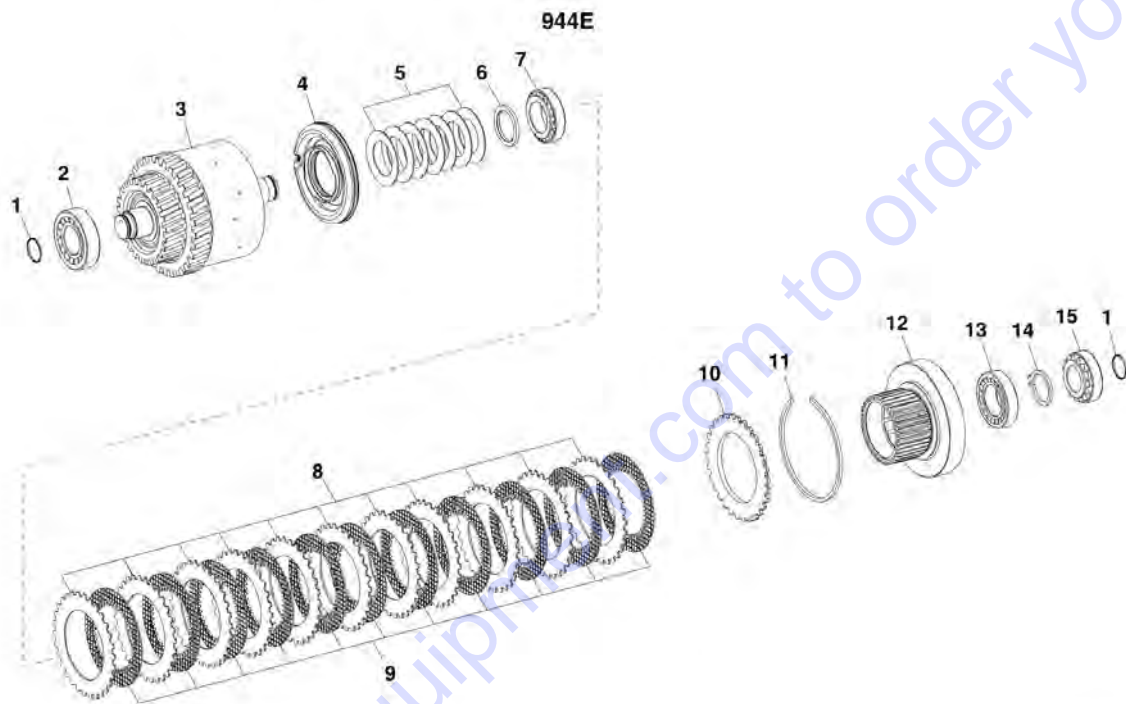
## SECTION 5 - DRIVE TRAIN

**FIGURE 5-49. ZF TRANSMISSION - REVERSING GEAR GROUP CR**

ITEM	PART NUMBER	QTY	DESCRIPTION	REV
1	1319615	1	ROLLER BEARING	
2	7026761	2	PISTON RING	
3	7027260	1	COUPLING, (used with transmission - 4WG92 TSC)	
3	7026762	1	COUPLING, (used with transmission - 4WG98 TSC)	
4	8036575	1	PISTON	
5	1319595	7	CUP SPRING	
6	7026759	AR	O. CLUTCH DISC, (transmission - 4WG92 TSC qty 9, 4WG98 TSC qty 11)	
7	7027259	9	LIN. CLUTCH DISC, (used with transmission - 4WG92 TSC)	
7	7026758	11	LIN. CLUTCH DISC, (used with transmission - 4WG98 TSC)	
8	7026760	1	END SHIM	
9	1319600	1	SNAP RING, 3.5mm	
9	1319601	1	SNAP RING, 3.5mm	
9	1319602	1	SNAP RING, 3.0mm	
9	1319603	1	SNAP RING, 2.5mm	
9	1319604	1	SNAP RING, 2.0mm	
9	7029849	1	SNAP RING, 3.25mm	
9	7029850	1	SNAP RING, 3.75mm	
9	7029851	1	SNAP RING, 2.25mm	
9	7029852	1	SNAP RING, 2.75mm	
10	1319617	1	SUPPORT SHIM	
11	1319618	1	ROLLER BEARING	
12	1319638	1	DISC CARRIER	
13	1319620	1	ROLLER BEARING	
14	1319621	1	RETAINING RING, 3.20mm	
14	1319622	1	RETAINING RING, 3.10mm	
14	1319623	1	RETAINING RING, 3.00mm	
14	1319624	1	RETAINING RING, 2.90mm	
14	1319625	1	RETAINING RING, 2.80mm	
14	1319626	1	RETAINING RING, 2.70mm	
14	1319627	1	RETAINING RING, 2.60mm	
14	1319628	1	RETAINING RING, 2.50mm	
14	1319629	1	RETAINING RING, 2.40mm	
14	1319630	1	RETAINING RING, 2.30mm	
14	1319631	1	RETAINING RING, 2.20mm	
14	1319632	1	RETAINING RING, 2.10mm	
15	1319636	1	ROLLER BEARING	

# SECTION 5 - DRIVE TRAIN

## FIGURE 5-50. ZF TRANSMISSION - REVERSING GEAR GROUP CR



PU2250

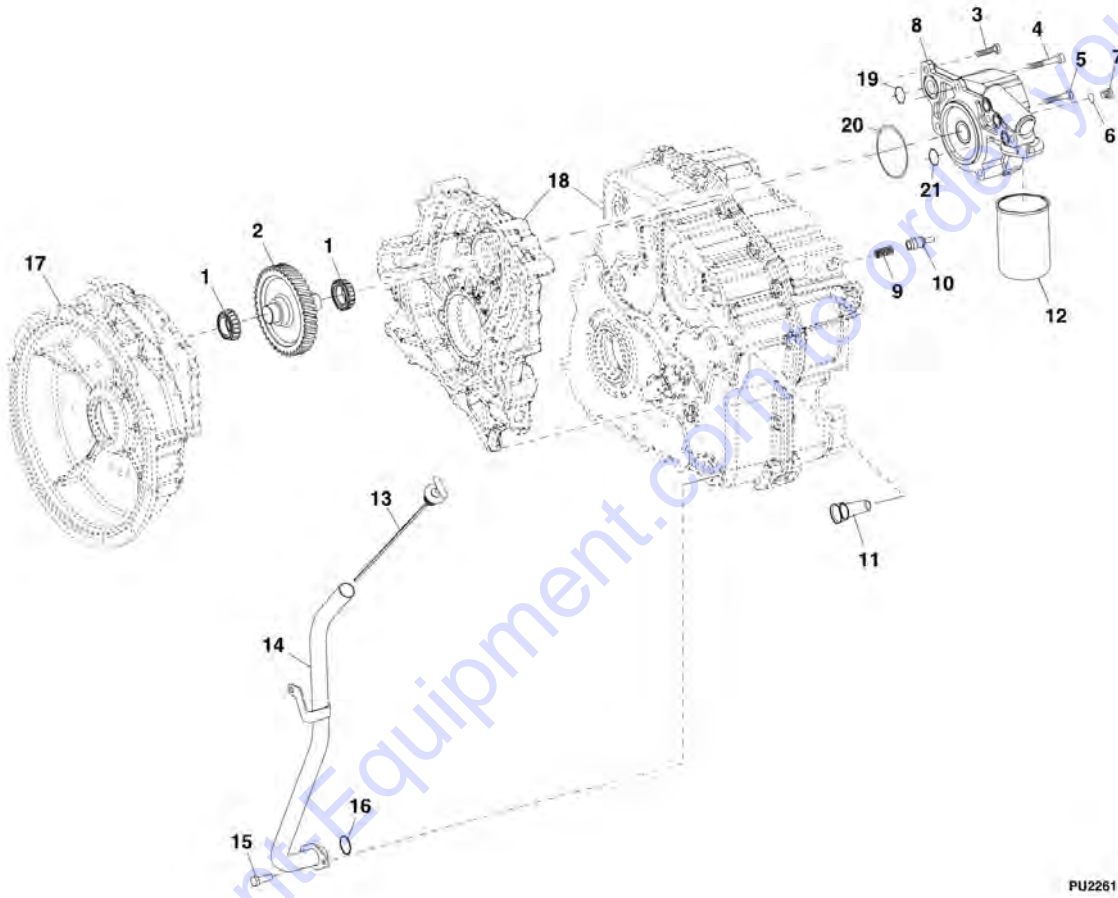
## SECTION 5 - DRIVE TRAIN

**FIGURE 5-50. ZF TRANSMISSION - REVERSING GEAR GROUP CR**

ITEM	PART NUMBER	QTY	DESCRIPTION	REV
1	7026761	2	PISTON RING	
2	1319615	1	ROLLER BEARING	
3	7026762	1	COUPLING	
4	8036575	1	PISTON	
5	1319595	7	CUP SPRING	
6	1319617	1	SUPPORT SHIM	
7	1319618	1	ROLLER BEARING	
8	7026759	11	O. CLUTCH DISC	
9	7026758	11	LIN. CLUTCH DISC	
10	7026760	1	END SHIM	
11	1319600	1	SNAP RING, 3.5mm	
11	1319601	1	SNAP RING, 3.5mm	
11	1319602	1	SNAP RING, 3.0mm	
11	1319603	1	SNAP RING, 2.5mm	
11	1319604	1	SNAP RING, 2.0mm	
11	7029849	1	SNAP RING, 3.25mm	
11	7029850	1	SNAP RING, 3.75mm	
11	7029851	1	SNAP RING, 2.25mm	
11	7029852	1	SNAP RING, 2.75mm	
12	1319638	1	DISC CARRIER	
13	1319620	1	ROLLER BEARING	
14	1319621	1	RETAINING RING, 3.20mm	
14	1319622	1	RETAINING RING, 3.10mm	
14	1319623	1	RETAINING RING, 3.00mm	
14	1319624	1	RETAINING RING, 2.90mm	
14	1319625	1	RETAINING RING, 2.80mm	
14	1319626	1	RETAINING RING, 2.70mm	
14	1319627	1	RETAINING RING, 2.60mm	
14	1319628	1	RETAINING RING, 2.50mm	
14	1319629	1	RETAINING RING, 2.40mm	
14	1319630	1	RETAINING RING, 2.30mm	
14	1319631	1	RETAINING RING, 2.20mm	
14	1319632	1	RETAINING RING, 2.10mm	
15	1319636	1	ROLLER BEARING	

# SECTION 5 - DRIVE TRAIN

## FIGURE 5-51. ZF TRANSMISSION - OIL PUMP



PU2261

## SECTION 5 - DRIVE TRAIN

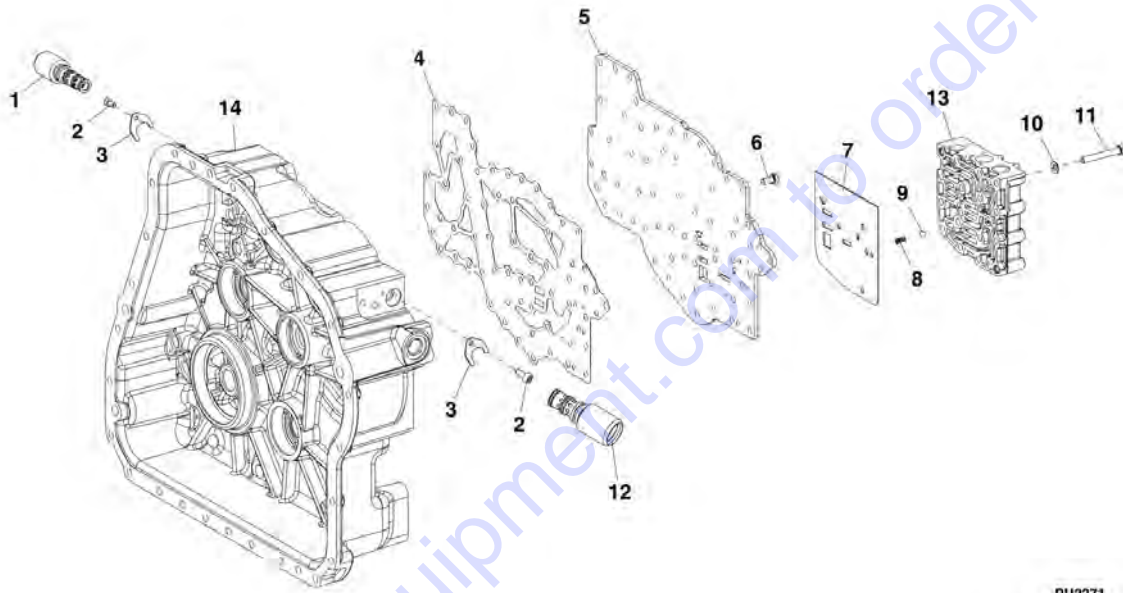
**FIGURE 5-51. ZF TRANSMISSION - OIL PUMP**

ITEM	PART NUMBER	QTY	DESCRIPTION	REV
1	1319608	2	ROLLER BEARING	
2	7026773	1	SHAFT	
3	80304394	1	HEX SCREW, M10X30	
4	7026793	4	CAPSCREW, M12X80	
5	7026794	1	HEX SCREW, M10X50	
6	10731709	2	O-RING	
7	1319670	2	SCREW PLUG, M10X1	
8	7026791	1	PUMP	
9	7026784	1	COMPRESSION SPRING	
10	7026783	1	PISTON	
11	7026782	1	VALVE	
12	1319726	1	FILTER	
13	8841322	1	OIL DIPSTICK	
14	1001095744	1	DIPSTICK TUBE	
15	1319585	2	CAPSCREW, M8X16	
16	1319581	1	O-RING	
17		Ref	BELL CONVERTER, (See ZF TRANSMISSION - ENGINE CONNECTION AND INPUT SHAFTS for Breakdown)	
18		Ref	GEARBOX HOUSING, (See ZF TRANSMISSION - GEARBOX HOUSING AND COUPLING LOCATION for Breakdown)	
19	1319719	1	O-RING	
20	7029417	1	O-RING	
21	7026792	3	O-RING	



# SECTION 5 - DRIVE TRAIN

## FIGURE 5-52. ZF TRANSMISSION - CONTROL UNIT



PU2271

## SECTION 5 - DRIVE TRAIN

**FIGURE 5-52. ZF TRANSMISSION - CONTROL UNIT**

ITEM	PART NUMBER	QTY	DESCRIPTION	REV
1	8036529	3	SOLENOID VALVE	
2	7029715	4	CAPSCREW	
3	7029267	4	BRACKET	
4	7026776	1	GASKET	
5	7026777	1	PLATE	
6	7026780	46	HEX SCREW, M8X16	
7	7026779	1	INTERM. SHEET	
8	7026778	1	COMPRESSION SPRING	
9	10731761	1	BALL	
10	10732095	16	WASHER	
11	7026781	16	HEX SCREW	
12	8036528	1	SOLENOID VALVE	
13		Ref	GEARSHIFT SYSTEM, (See ZF TRANSMISSION - GEARSHIFT SYSTEM for Breakdown)	
14		Ref	GEARBOX HOUSING, (See ZF TRANSMISSION - GEARBOX HOUSING AND COUPLING LOCATION for Breakdown)	

Go to Discount-Equipment.com to order your parts



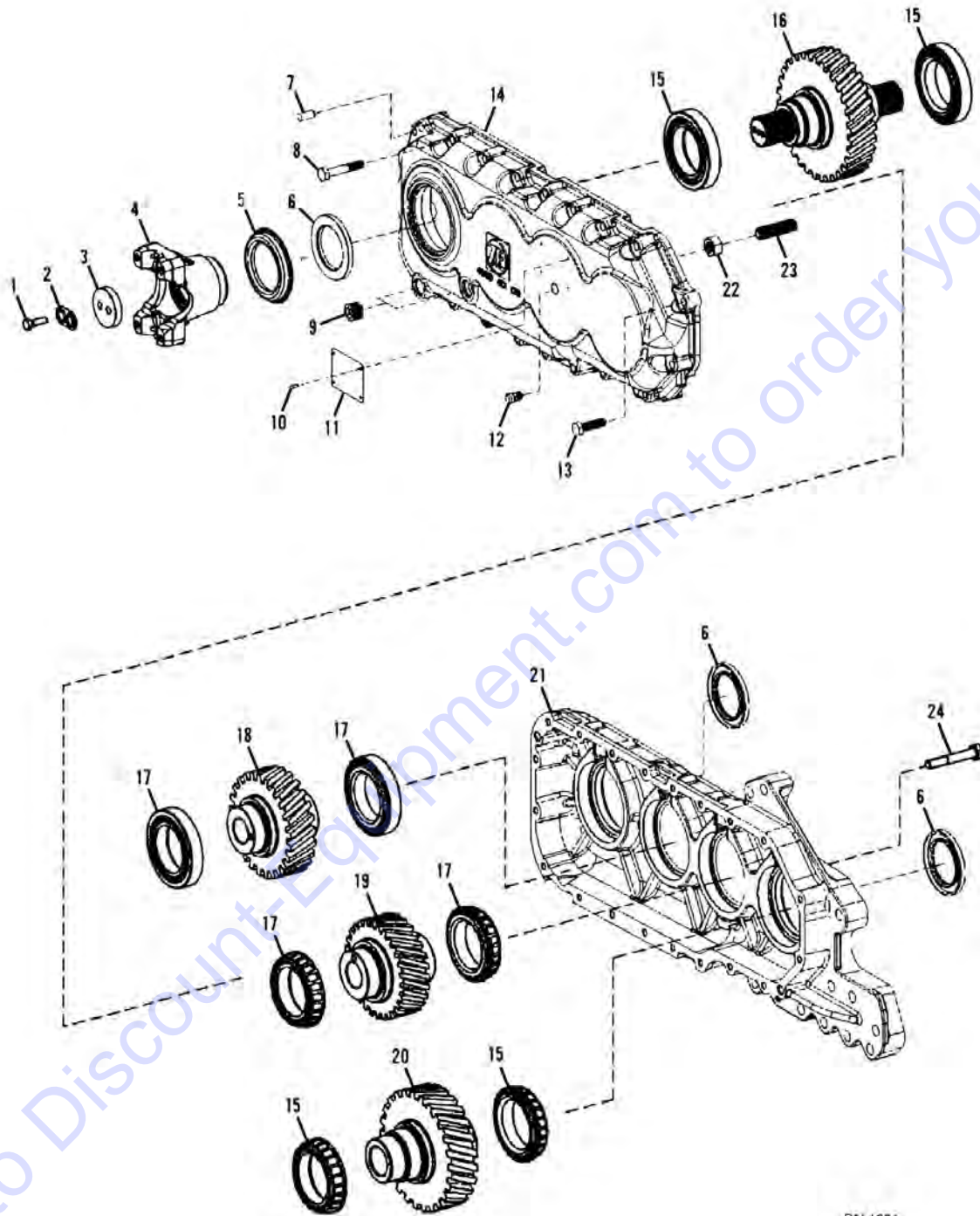
## SECTION 5 - DRIVE TRAIN

**FIGURE 5-53. ZF TRANSMISSION - GEARSHIFT SYSTEM**

ITEM	PART NUMBER	QTY	DESCRIPTION	REV
1	1319693	2	HEX SCREW, M6X25	
2	1319661	2	WASHER	
3	1321265	4	HEX SCREW, M6X55	
4	7026789	1	COVER	
5	1319661	4	WASHER	
6	7026788	1	GASKET	
7	7026787	1	SPACER	
8	1319694	1	VALVE	
9	7026790	1	PISTON	
10	1319685	1	WASHER, 2.0mm	
10	1319686	1	WASHER, 1.0mm	
10	1319687	1	WASHER, 0.5mm	
10	1319688	1	WASHER, 0.3mm	
10	1319689	1	WASHER, 0.2mm	
11	1319684	1	COMPRESSION SPRING	
12	1319683	1	COMPRESSION SPRING	
13	7026786	1	SLEEVE	
14	7026785	1	CONTROL PISTON	
15	8036528	2	SOLENOID VALVE	
16	7029715	2	CAPSCREW, M6X12	
17	7029267	2	BRACKET	
18	10731709	2	O-RING	
19	1319670	2	SCREW PLUG	
20	1319652	1	ORIFICE	
21	10732071	2	BALL	
22	10732072	2	COMPRESSION SPRING	
23	70000656	2	O-RING	
24	N.S.S.	2	SCREW PLUG, M24X1.5	
25		Ref	GEARBOX HOUSING, (See ZF TRANSMISSION - GEARBOX HOUSING AND COUPLING LOCATION for Breakdown)	
26	70022790	1	VALVE HOUSING	

# SECTION 5 - DRIVE TRAIN

## FIGURE 5-54. ZF TRANSMISSION - TRANSFER BOX



PAL1681

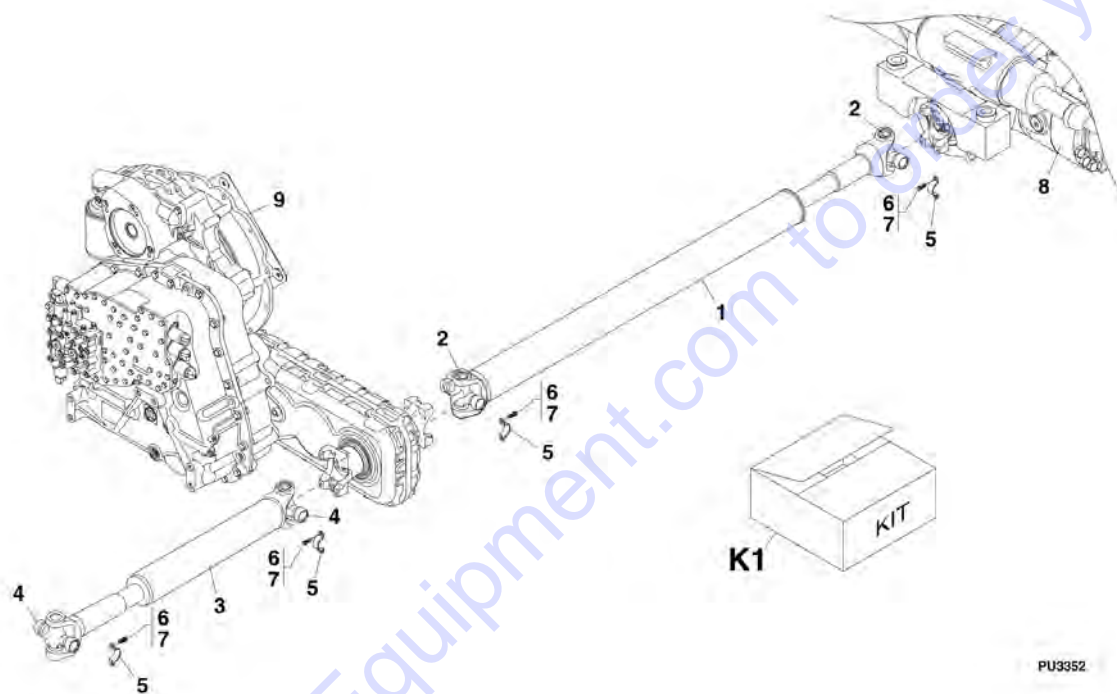
## SECTION 5 - DRIVE TRAIN

**FIGURE 5-54. ZF TRANSMISSION - TRANSFER BOX**

ITEM	PART NUMBER	QTY	DESCRIPTION	REV
	7026618	NLA	TRANSFER BOX, (no longer available, order 1001125962 for service), (includes items 1 thru 23) <b>(Prior to SN 0160041827)</b>	
	70028162	1	TRANSFER BOX, (includes all items) <b>(SN 0160041827 to Present)</b>	
1	10731959	4	HEX HD CAPSCREW, (two per side)	
2	1319649	2	TAB WASHER, (one per side)	
3	1319648	2	WASHER, (one per side)	
4	7027273	2	FLANGE, (one per side)	
5	1319647	2	SCREEN SHEET, (one per side)	
6	1320755	3	SHAFT SEAL	
7	1319571	2	CYLINDRICAL PIN	
8	70023801	19	HEX HD CAPSCREW, M10X50 <b>(Prior to SN 0160041827)</b>	
8	70023801	22	HEX HD CAPSCREW, M10X50 <b>(SN 0160041827 to Present)</b>	
9	70023404	2	PLUG	
10	1319573	4	STUD, 3X5	
11	N.S.S.	1	PLATE	
12	1319436	1	BREATHER	
13	70023800	1	HEX HD CAPSCREW, M10X30	
14	70020355	1	HOUSING <b>(Prior to SN 0160041827)</b>	
14	70023475	1	HOUSING <b>(SN 0160041827 to Present)</b>	
15	7026769	4	ROLLER BEARING	
16	7027271	1	OUTPUT SHAFT	
17		Ref	TAPERED ROLLER BEARING	
17	1320748	1	CUP	
17	1320754	1	CONE	
18	7027272	1	IDLER GEAR	
19	7027270	1	IDLER GEAR	
20		Ref	INPUT SHAFT	
20	70020493	1	INPUT GEAR	
20	70020036	1	SEAL	
21	70020354	1	HOUSING <b>(Prior to SN 0160041827)</b>	
21	70023474	1	HOUSING <b>(SN 0160041827 to Present)</b>	
22	7026578	1	HEX NUT, M16	
23	7026577	1	SLEEVE	
24	70023476	1	HEX BOLT, M10X65 <b>(SN 0160041827 to Present)</b>	
101	8526056	AR	GASKET ELIMINATOR LOCTITE 518, (not shown)	
102	8526052	AR	LOCTITE 277, (not shown)	

# SECTION 5 - DRIVE TRAIN

## FIGURE 5-55. DRIVE SHAFTS



PU3352

## SECTION 5 - DRIVE TRAIN

**FIGURE 5-55. DRIVE SHAFTS**

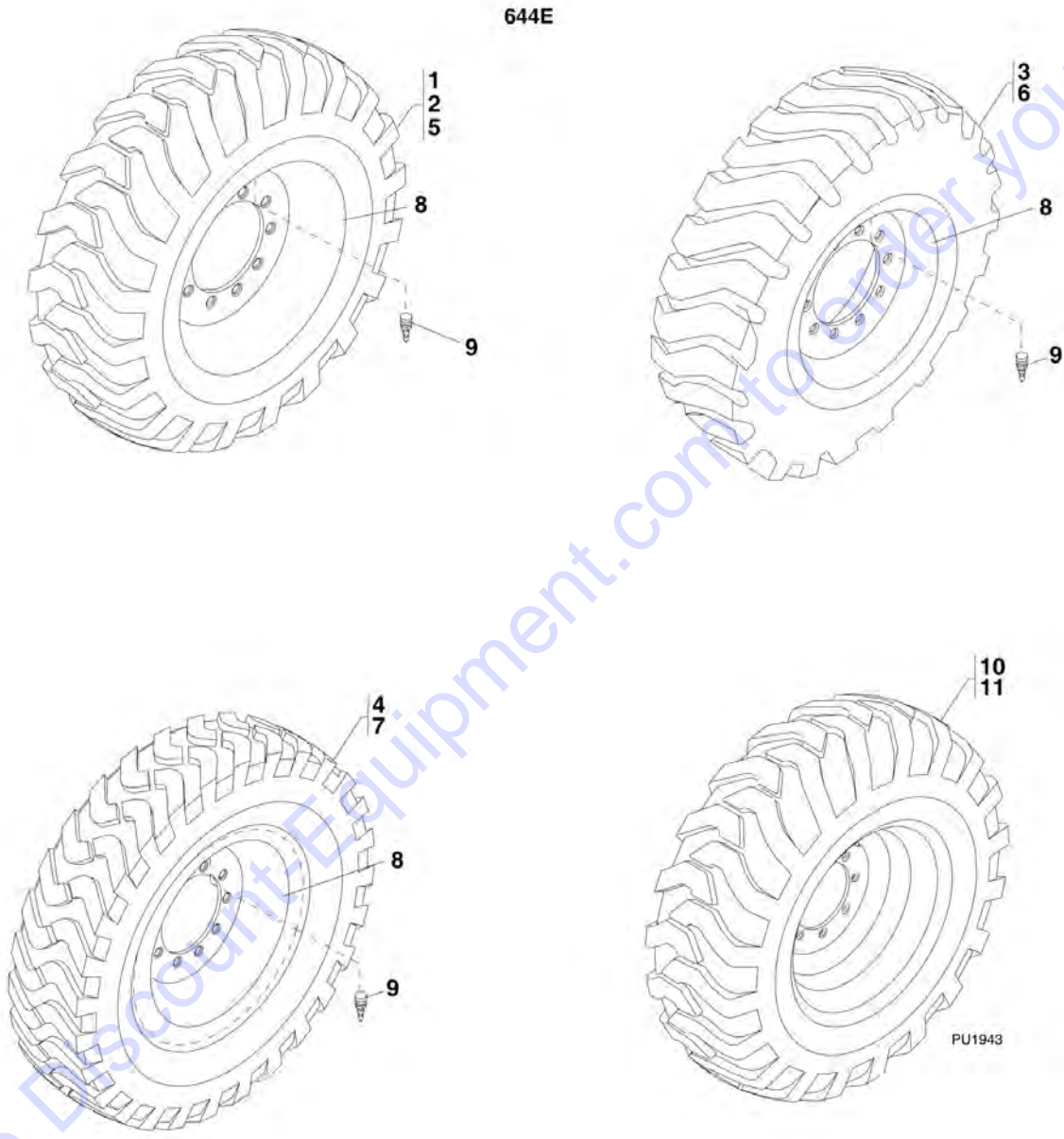
ITEM	PART NUMBER	QTY	DESCRIPTION	REV
1	7139913	1	REAR DRIVESHAFT, (includes item 2)	
2	8036433	2	CROSS AND BEARING KIT	
3	7139914	1	FRONT DRIVESHAFT, (includes item 4)	
4	8036433	2	CROSS AND BEARING KIT	
5		Ref	STRAP, (order kit 8880218-OM for replacement)	
6		Ref	SCREW, (torque to 32-42 lb-ft), (must replace when removed, do not re-torque), (use kit 880218 for replacement)	
7	8526007	AR	LOCTITE 242, (apply to item 6)	
8		Ref	REAR AXLE, (See REAR AXLE for Breakdown)	
9		Ref	TRANSMISSION, (See ZF TRANSMISSION for Breakdown)	
K1	8880218-OM	4	STRAP KIT, (includes qty 2 of item 5 and qty 4 of item 6)	

Go to Discount-Equipment.com to order your parts



## SECTION 5 - DRIVE TRAIN

FIGURE 5-56. TIRE AND RIMS (644E-42 Prior to SN 0160039830, Excluding 0160036724, 0160036811, 0160036907 and 0160037012)



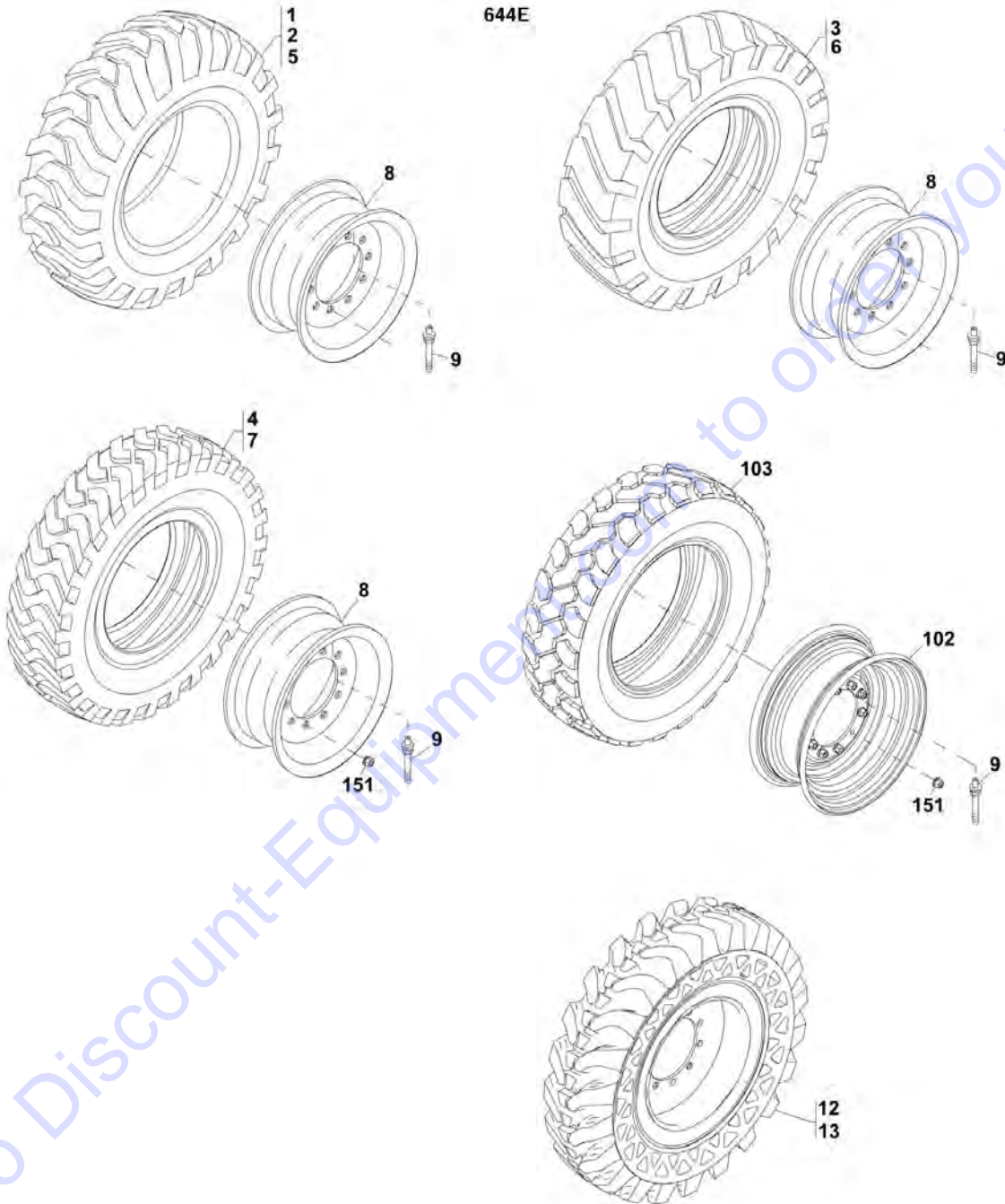
## SECTION 5 - DRIVE TRAIN

**FIGURE 5-56. TIRE AND RIMS (644E-42 Prior to SN 0160039830, Excluding 0160036724, 0160036811, 0160036907 and 0160037012)**

ITEM	PART NUMBER	QTY	DESCRIPTION	REV
	7139605	2	GRADER PNEUMATIC TIRE AND WHEEL ASSY, (right side) - 13.00-24,12 PLY, G-2, (includes items 5, 8 & 9)	F
	7139606	2	GRADER PNEUMATIC TIRE AND WHEEL ASSY, (left side) - 13.00-24,12 PLY, G-2, (includes items 5, 8 & 9)	F
	4520405	4	ROCK PNEUMATIC TIRE AND WHEEL ASSY, 13.00-24,12 PLY, G-3, (includes items 6, 8 & 9)	B
	7300704	4	RADIAL PNEUMATIC TIRE AND WHEEL ASSY, 13.00-24, 12 PLY, (includes items 7, 8 & 9)	E
1	7139739	2	GRADER FOAM FILLED TIRE AND WHEEL ASSY, (right side) - 13.00-24, 12 PLY, (complete only)	D
2	7139740	2	GRADER FOAM FILLED TIRE AND WHEEL ASSY, (left side) - 13.00-24, 12 PLY, (complete only)	D
3	7301845	4	ROCK FOAM FILLED TIRE AND WHEEL ASSY, 13.00-24, 12 PLY, (complete only), (includes items 6, 8 & 9)	C
4	4520407	4	RADIAL FOAM FILLED TIRE AND WHEEL ASSY, 13.00-24, 12 PLY, (complete only), (includes items 7 thru 9)	B
5	8780031	1	GRADER TIRE, 13.00-24 TG 12 PLY, G-2	
6	8780045	1	ROCK TREAD TIRE, 13.00-24, 12 PLY	
7	8780264	1	STEEL BELTED RADIAL TIRE, 13R24	
8	7301055	1	RIM, 9X24, 1.06 OFFSET, 9mm THICK	
9	8786514	1	VALVE STEM	
10	4520652	1	RH SOLID TIRE AND WHEEL ASSY	C
11	4520653	1	LH SOLID TIRE AND WHEEL ASSY	C
N1	Note	Ref	<b>ASSEMBLIES MAY REQUIRE BALLAST/FOAM FILLING TO MANUFACTURER'S SPECIFICATIONS PRIOR TO INSTALLING ON A MACHINE. REFER TO OPERATION AND SAFETY OR SERVICE MANUALS. PURCHASE INDIVIDUAL TIRE AND/OR RIM ONLY IF ABLE TO FOAM FILL TIRE AND WHEEL ASSEMBLY, OTHERWISE, PURCHASE COMPLETE ASSEMBLY.</b>	

## SECTION 5 - DRIVE TRAIN

FIGURE 5-57. TIRE AND RIMS (644E-42 SN 0160039830 to Present, Including 0160036724, 0160036811, 0160036907 and 0160037012)



ART\_PAP27320-B

## SECTION 5 - DRIVE TRAIN

**FIGURE 5-57. TIRE AND RIMS (644E-42 SN 0160039830 to Present, Including 0160036724, 0160036811, 0160036907 and 0160037012)**

ITEM	PART NUMBER	QTY	DESCRIPTION	REV
	7138658	2	GRADER PNEUMATIC TIRE AND WHEEL ASSY, (right side) - 13.00-24,12 PLY, G-2, (includes items 5, 8 & 9)	D
	7138659	2	GRADER PNEUMATIC TIRE AND WHEEL ASSY, (left side) - 13.00-24,12 PLY, G-2, (includes items 5, 8 & 9)	D
	7139168	4	ROCK PNEUMATIC TIRE AND WHEEL ASSY, 13.00-24,12 PLY, G-3, (includes items 6, 8 & 9)	C
	4520412	4	RADIAL PNEUMATIC TIRE AND WHEEL ASSY, 13.00-24, 12 PLY, (includes items 7, 8 & 9)	A
	1001100324	1	TIRE AND RIM ASSY, 370/75-28, 14 PLY, (includes items 9, 102 & 103)	C
	1001121085	1	TIRE AND RIM ASSY, 370/75-28, 14 PLY, FOAM FILLED, 464 lb, (includes items 9, 102 & 103)	A
	1001151107	4	SOLIDEAL TIRE SET, 13.00-24, (includes items 12, 13, 151 & 152)	A
1	7139159	2	GRADER FOAM FILLED TIRE AND WHEEL ASSY, (right side) - 13.00-24, 12 PLY, (includes items 5, 8 & 9)	D
2	7139160	2	GRADER FOAM FILLED TIRE AND WHEEL ASSY, (left side) - 13.00-24, 12 PLY, (includes items 5, 8 & 9)	D
3	4520319	4	ROCK FOAM FILLED TIRE AND WHEEL ASSY, 13.00-24, 12 PLY, (includes items 6, 8 & 9)	B
4	4520413	4	RADIAL FOAM FILLED TIRE AND WHEEL ASSY, 13.00-24, 12 PLY, (includes items 7, 8 & 9)	A
5	8780031	1	GRADER TIRE, 13.00-24, TG 12 PLY, G-2	
6	8780045	1	ROCK TREAD TIRE, 13.00-24, 12 PLY	
7	8780264	1	STEEL BELTED RADIAL TIRE, 13R24	
8	7301054	1	RIM, 9X24, 1.06 OFFSET, 9mm THICK	
9	8786514	1	VALVE STEM	
12	1001151099	2	LH SOLIDEAL TIRE AND WHEEL ASSY, 13.00-24	A
13	1001151100	2	RH SOLIDEAL TIRE AND WHEEL ASSY, 13.00-24	A
102	1001100005	1	RIM, 28X11, 1.18 OFFSET	
103	1001100284	1	TIRE, 370/75-28, 14 PLY	
151		Ref	WHEEL NUT, (See DRIVE TRAIN COMPONENTS for Breakdown)	
152		Ref	SPRING WASHER, (not shown), (See DRIVE TRAIN COMPONENTS for Breakdown)	
N1	Note	Ref	<b>ASSEMBLIES MAY REQUIRE BALLAST/FOAM FILLING TO MANUFACTURER'S SPECIFICATIONS PRIOR TO INSTALLING ON A MACHINE. REFER TO OPERATION AND SAFETY OR SERVICE MANUALS. PURCHASE INDIVIDUAL TIRE AND/OR RIM ONLY IF ABLE TO FOAM FILL TIRE AND WHEEL ASSEMBLY, OTHERWISE, PURCHASE COMPLETE ASSEMBLY.</b>	

# PARTS FINDER

**Search Website  
by Part Number**



**Search Manual  
Library For Parts  
Manual & Lookup Part  
Numbers – Purchase  
or Request Quote**

**Can't Find Part or  
Manual? Request Help  
by Manufacturer,  
Model & Description**

Discount-Equipment.com is your online resource for quality parts & equipment.

Florida: **561-964-4949** Outside Florida TOLL FREE: **877-690-3101**

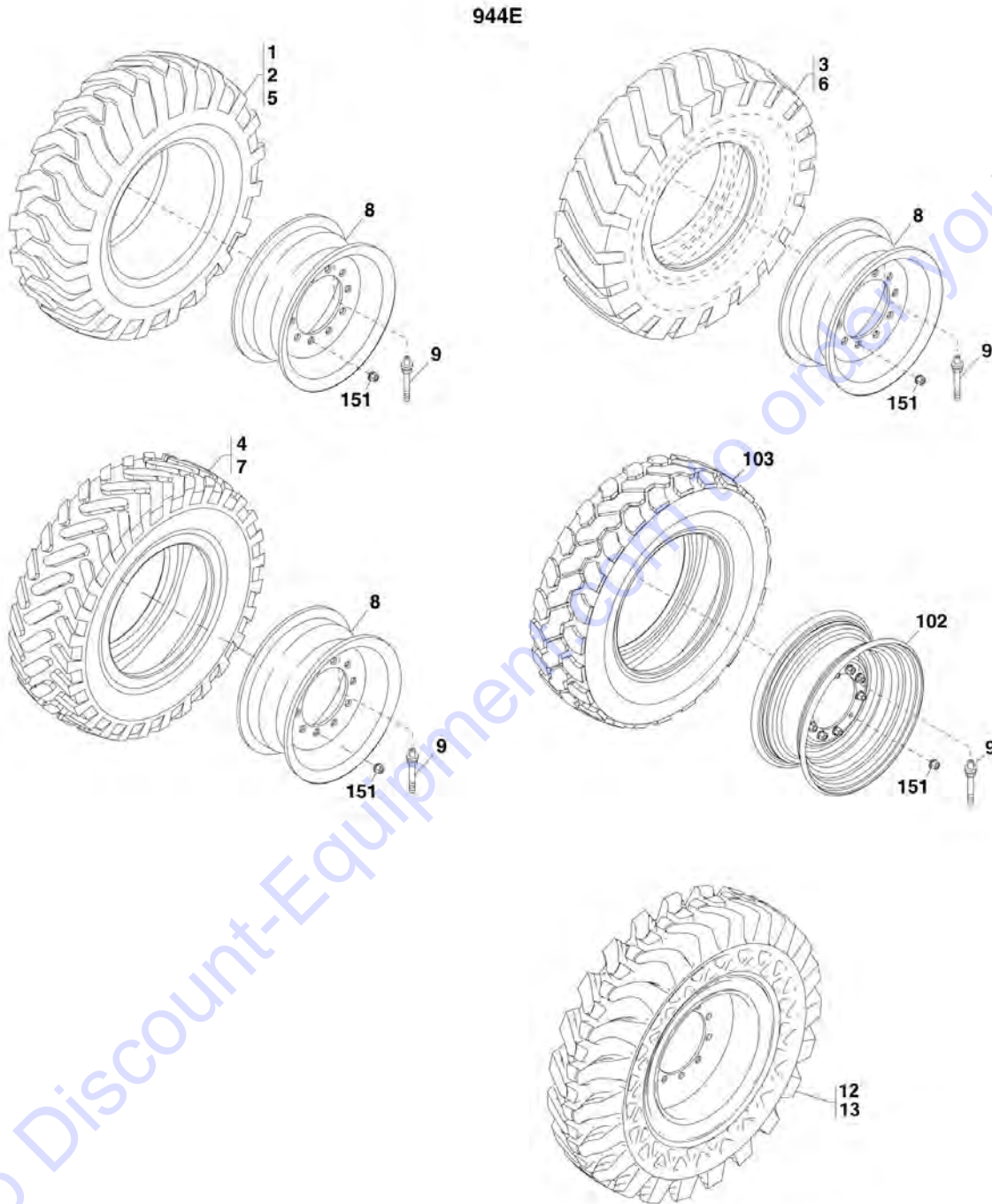
## Need parts?

Click on this link: <http://www.discount-equipment.com/category/5443-parts/> and choose one of the options to help get the right parts and equipment you are looking for. Please have the machine model and serial number available in order to help us get you the correct parts. If you don't find the part on the website or on one of the online manuals, please fill out the request form and one of our experienced staff members will get back to you with a quote for the right part that your machine needs.

We sell worldwide for the brands: Genie, Terex, JLG, MultiQuip, Mikasa, Essick, Whiteman, Mayco, Toro Stone, Diamond Products, Generac Magnum, Airman, Haulotte, Barreto, Power Blanket, Nifty Lift, Atlas Copco, Chicago Pneumatic, Allmand, Miller Curber, Skyjack, Lull, Skytrak, Tsurumi, Husquvarna Target, Stow, Wacker, Sakai, Mi-T-M, Sullair, Basic, Dynapac, MBW, Weber, Bartell, Bennar Newman, Haulotte, Ditch Runner, Menegotti, Morrison, Contec, Buddy, Crown, Edco, Wyco, Bomag, Laymor, EZ Trench, Bil-Jax, F.S. Curtis, Gehl Pavers, Heli, Honda, ICS/PowerGrit, IHI, Partner, Imer, Clipper, MMD, Koshin, Rice, CH&E, General Equipment, Amida, Coleman, NAC, Gradall, Square Shooter, Kent, Stanley, Tamco, Toku, Hatz, Kohler, Robin, Wisconsin, Northrock, Oztec, Toker TK, Rol-Air, APT, Wylie, Ingersoll Rand / Doosan, Innovatech, Con X, Ammann, Mecalac, Makinex, Smith Surface Prep, Small Line, Wanco, Yanmar

# SECTION 5 - DRIVE TRAIN

## FIGURE 5-58. TIRE AND RIMS



ART\_PAP27330-B

## SECTION 5 - DRIVE TRAIN

### FIGURE 5-58. TIRE AND RIMS

ITEM	PART NUMBER	QTY	DESCRIPTION	REV
	7138660	2	GRADER PNEUMATIC TIRE AND WHEEL ASSY, (right side) - 15.5-25, 12 PLY, G-2, (includes items 5, 8 & 9)	
	7138661	2	GRADER PNEUMATIC TIRE AND WHEEL ASSY, (left side) - 15.5-25, 12 PLY, G-2, (includes items 5, 8 & 9)	
	4520466	4	ROCK TREAD PNEUMATIC TIRE AND WHEEL ASSY 15.5-25, 12 PLY, (includes items 6, 8 & 9)	
	7139165	4	RADIAL PNEUMATIC TIRE AND WHEEL ASSY, 15.5R25, VUT 2 STAR, L-2, (includes items 7 thru 9)	
	1001100324	1	TIRE AND RIM ASSY, 370/75-28, 14 PLY, (includes items 9, 102 & 103)	C
	1001121085	1	TIRE AND RIM ASSY, 370/75-28, 14 PLY, FOAM FILLED, 464lb, (includes items 9, 102 & 103)	A
	1001151109	4	SOILDEAL TIRE SET, 13.00-24, (includes items 12, 13, 151 & 152)	A
1	7139161	2	GRADER FOAM FILLED TIRE AND WHEEL ASSY, (right side) - 15.5-25, 12 PLY, (complete only)	
2	7139162	2	GRADER FOAM FILLED TIRE AND WHEEL ASSY, (left side) - 15.5-25, 12 PLY, (complete only)	
3	4520467	4	ROCK FOAM FILLED TIRE AND WHEEL ASSY - 15.5-25, 12 PLY, (complete only)	
4	4520469	4	RADIAL FOAM FILLED TIRE AND WHEEL ASSY - 15.5-25, 12 PLY, (complete only)	
5	8780036	1	GRADER TIRE, 15.5-25 TG 12 PLY, L-2	
6	8780050	1	ROCK TREAD TIRE, 15.5-25, 12 PLY,	
7	8780048	1	RADIAL TIRE, 15.5R25, VUT 2 L-2	
8	7301056	1	RIM, 13X25, 1.18 OFFSET, 5/16 THICK	
9	8786514	1	VALVE STEM	
12	1001151103	2	LH SOLIDEAL TIRE AND WHEEL ASSY, 14.00-24	A
13	1001151104	2	RH SOLIDEAL TIRE AND WHEEL ASSY, 14.00-24	A
102	1001100005	1	RIM, 28X11, 1.18 OFFSET	
103	1001100284	1	TIRE, 370/75-28, 14 PLY	
151		Ref	WHEEL NUT, (See DRIVE TRAIN COMPONENTS for Breakdown)	
152		Ref	SPRING WASHER, (not shown), (See DRIVE TRAIN COMPONENTS for Breakdown)	
N1	Note	Ref	<b>ASSEMBLIES MAY REQUIRE BALLAST/FOAM FILLING TO MANUFACTURER'S SPECIFICATIONS PRIOR TO INSTALLING ON A MACHINE. REFER TO OPERATION AND SAFETY OR SERVICE AND MAINTENANCE MANUALS. PURCHASE INDIVIDUAL TIRE AND/OR RIM ONLY IF ABLE TO FOAM FILL TIRE AND WHEEL ASSEMBLY, OTHERWISE, PURCHASE COMPLETE ASSEMBLY.</b>	



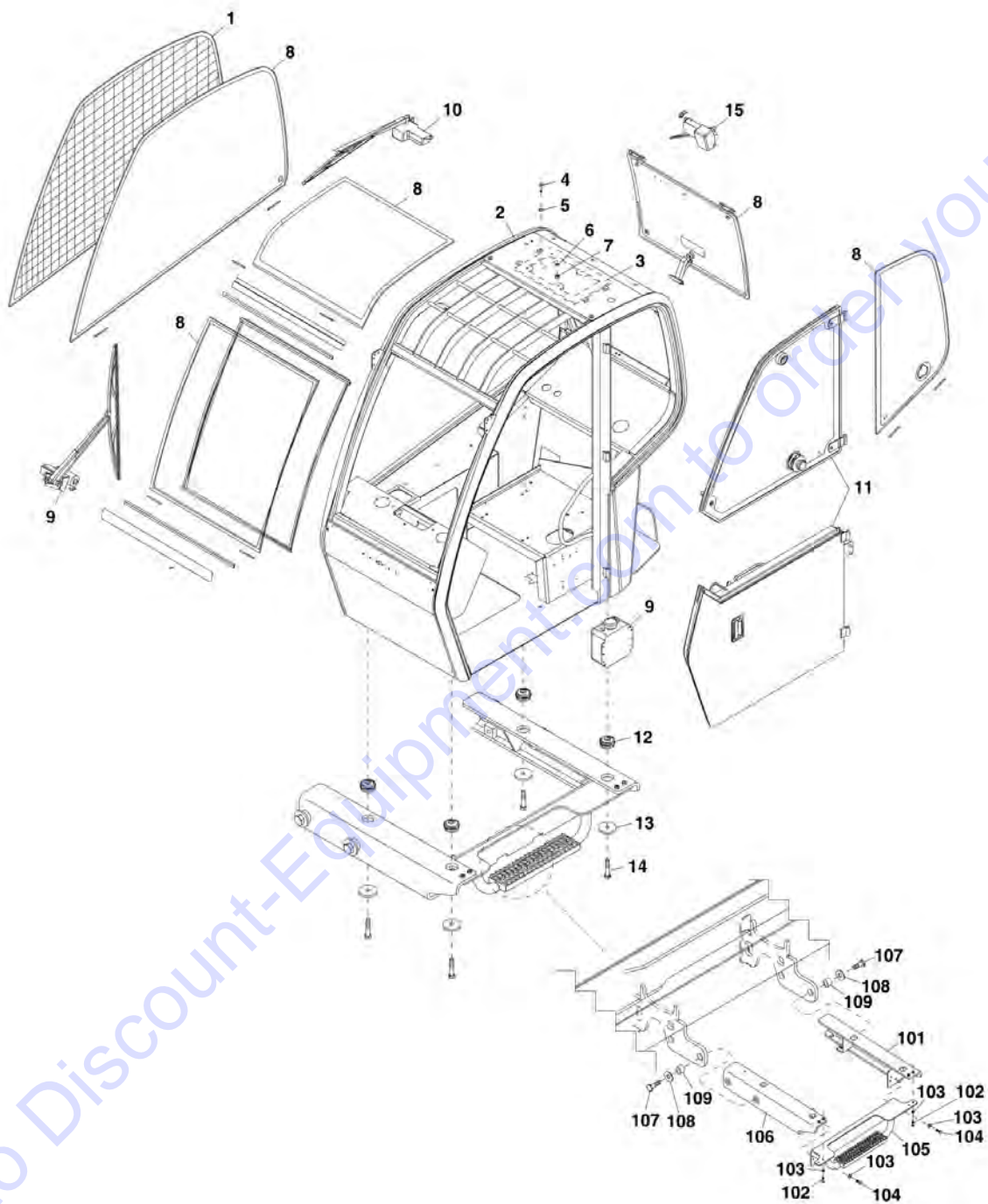


SECTION 6 - CAB

Go to Discount-Equipment.com to order your parts

# SECTION 6 - CAB

## FIGURE 6-1. CAB ASSEMBLY



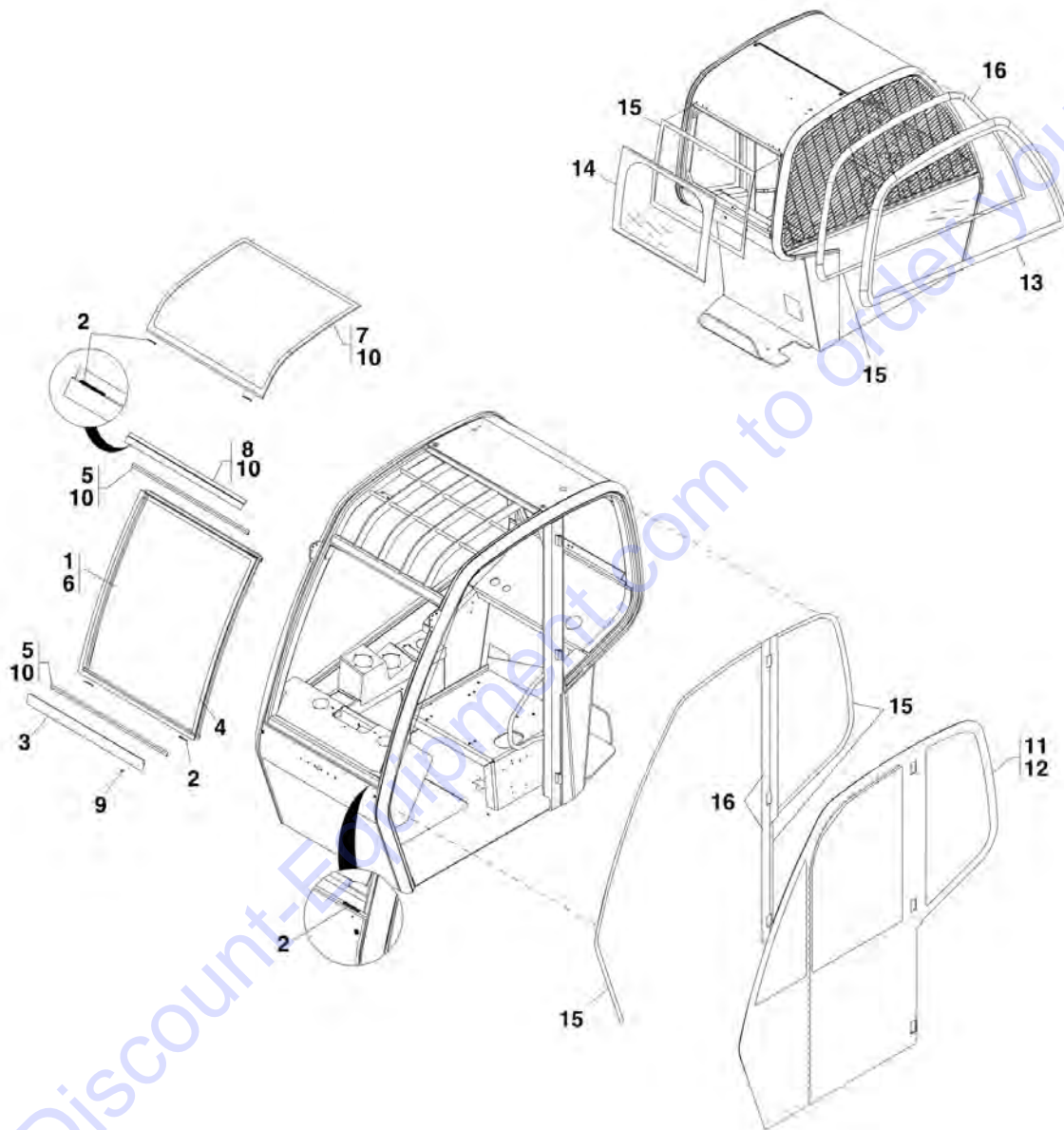
ART\_PAP12391-B

FIGURE 6-1. CAB ASSEMBLY

ITEM	PART NUMBER	QTY	DESCRIPTION	REV
	7151241	1	OPEN CAB ASSY, (includes items 1 & 2)	E
	7151242	1	ENCLOSED CAB ASSY, (includes items 2 & 8 thru 11)	G
1	7151317	1	WINDOW MESH	
2	7151279	1	CAB WELDMENT	
3	4341074	1	MANUAL BOX SUPPORT MOUNT	
4	0641406	4	HEX HD CAPSCREW, 1/4-20X3/4	
5	8866266	4	WEATHER TIGHT WASHER, 1/4	
6	4751400	4	FLAT WASHER, 1/4	
7	8305624	4	HEX LOCKNUT, 1/4-20	
8		Ref	CAB GLASS ASSY, (See CAB GLASS for Breakdown)	
9		Ref	FRONT WINDSHEILD WIPER ASSY, (See FRONT WINDSHIELD WIPER ASSEMBLY for Breakdown)	
10		Ref	SKYLIGHT WIPER ASSY, (See SKYLIGHT WIPER ASSEMBLY for Breakdown)	
11		Ref	DOOR ASSY, (See DOOR ASSEMBLY for Breakdown)	
12	8278041	4	CAB ISOLATOR	
13	7129441	4	REBOUND WASHER	
14	8310375	4	HEX HD CAPSCREW, 3/4-10X3-3/4, GR8	
15		Ref	REAR WINDOW WIPER ASSY, (See REAR WINDOW for Breakdown)	
101	7300327	1	CAB REAR SUPPORT	
102	8310164	4	HEX HD CAPSCREW, M12X35, GR8.8, (torque to 59-106 Nm)	
103	8310308	8	PLAIN WASHER, 1/2	
104	8310652	4	HEX HD CAPSCREW, M12X4, GR10.9, (torque to 59-106 Nm)	
105	7300793	1	CAB MOUNT STEP	
106	7300326	1	CAB FRONT SUPPORT	
107	8310285	4	HEX HD CAPSCREW, 1.25X7- 4, GR8	
108	7300573	4	CAB SUPPORT WASHER	
109	7300439	4	CAB MOUNT SHEER PIN	

# SECTION 6 - CAB

## FIGURE 6-2. SOFT CAB ENCLOSURE



ART\_8990462-6-2

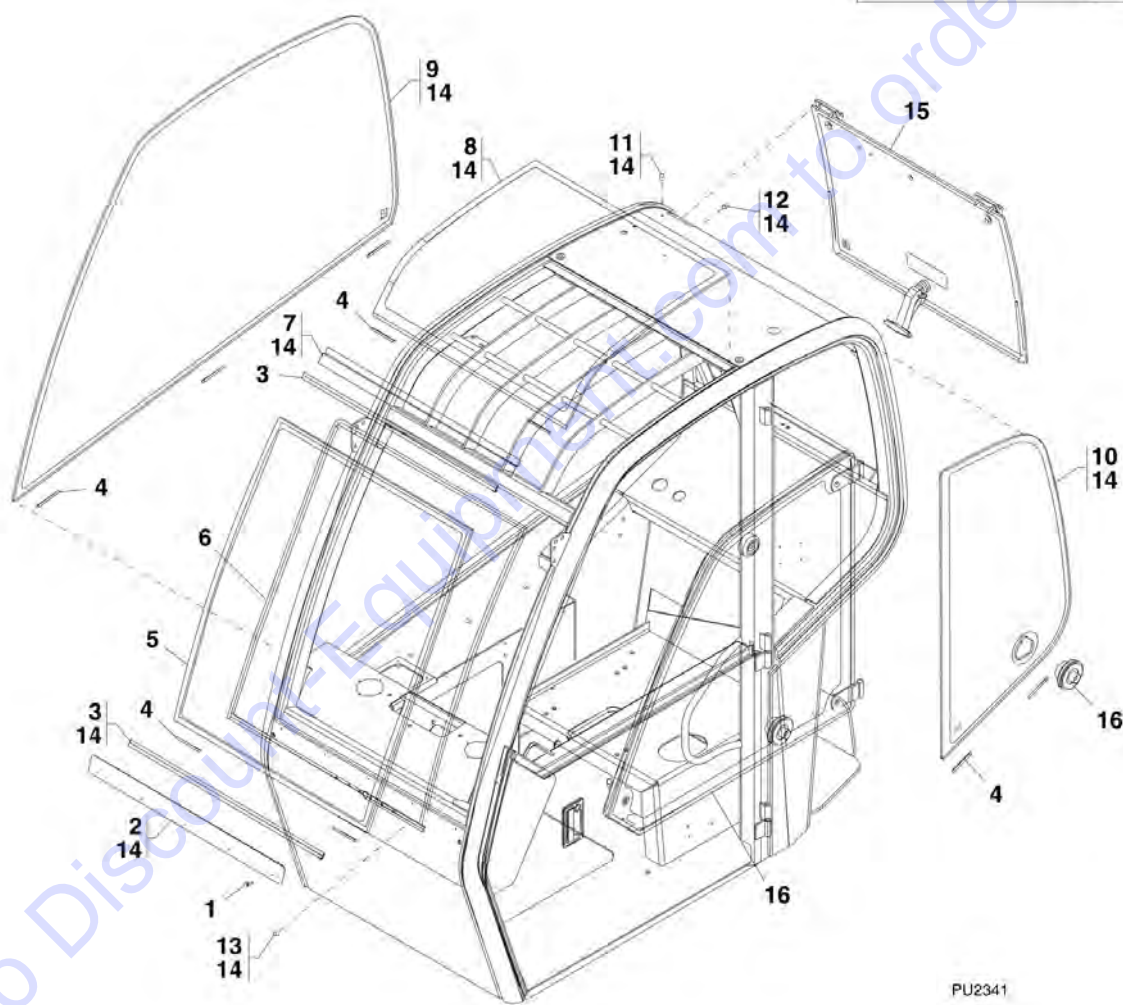
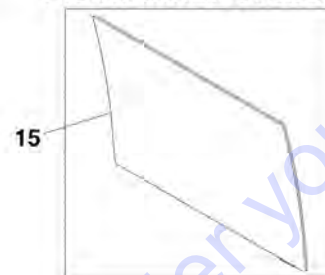
FIGURE 6-2. SOFT CAB ENCLOSURE

ITEM	PART NUMBER	QTY	DESCRIPTION	REV
	7151276	1	SOFT CAB ENCLOSURE KIT, (includes all items)	AA
1	7301730	1	SOFT CAB GLASS KIT, (includes items 2 thru 10)	AB
2	8035490	4	SETTING BLOCK, 1/8X1/4X2	
3	8036658	1	WINDSHIELD RETAINER, (lower)	
4	8036659	1	WINDSHIELD SEAL, DOUBLE D	
5	8036660	2	WINDSHIELD SEAL, COMPRESSION D	
6	8036663	1	WINDSHIELD GLASS	
7	8036666	1	SKYLIGHT GLASS	
8	8036667	1	WINDSHIELD RETAINER, (upper)	
9	8037204	5	SELF TAPPING SCREW, #10-16X3/4	
10	8035523	AR	BLACK URETHANE SEALANT, (apply to items 4, 5, 7 & 8)	
11	7301731	1	SOFT CAB VINYL KIT, (includes items 12 thru 16)	AB
12	8036720	1	LH VINYL ENCLOSURE, (includes items 15 & 16)	
13	8036721	1	RH VINYL ENCLOSURE, (includes items 15 & 16)	
14	8036722	1	REAR VINYL ENCLOSURE, (includes item 15)	
15	8036534	AR	SELF ADHESIVE VELCRO, HOOK STRIP, 1 WIDE, (order by linear foot)	
16	8036535	AR	SELF ADHESIVE VELCRO, HOOK STRIP, 2 WIDE, (order by linear foot)	

# SECTION 6 - CAB

## FIGURE 6-3. CAB GLASS

644E SN 0160009474 TO PRESENT  
944E SN 0160009839 TO PRESENT



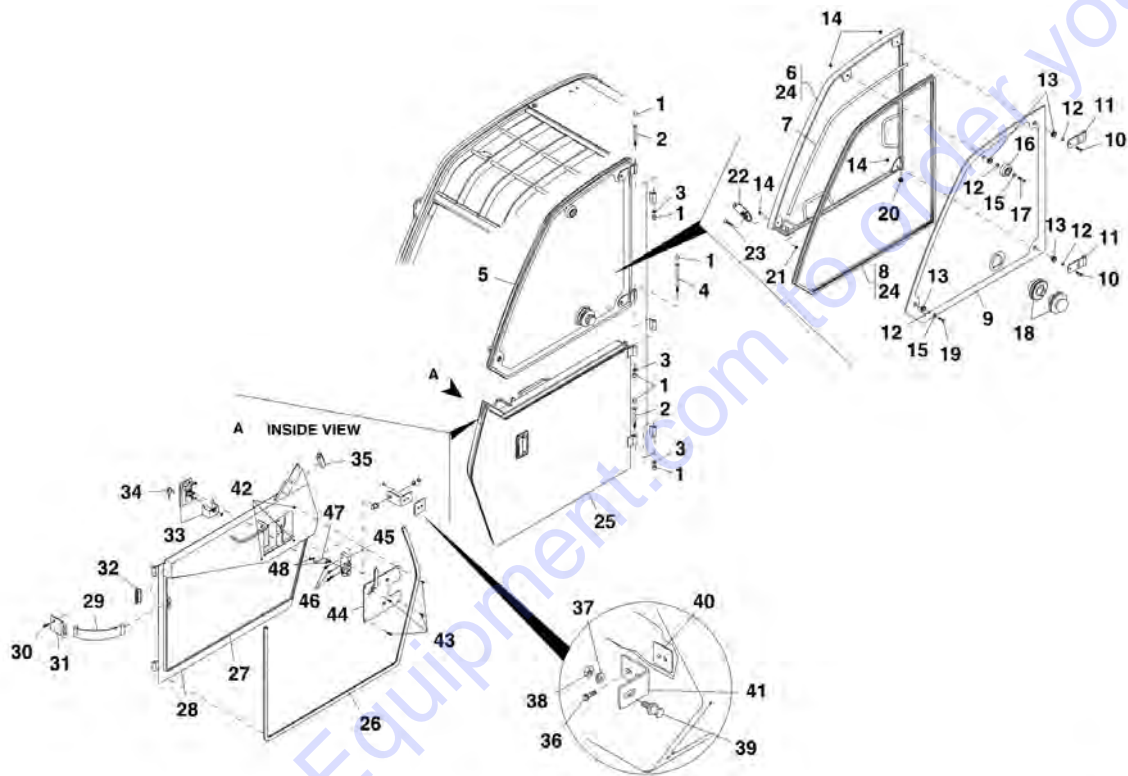
PU2341

FIGURE 6-3. CAB GLASS

ITEM	PART NUMBER	QTY	DESCRIPTION	REV
	7301670	Ref	CAB GLASS ASSY (not available to order, see items 1 thru 15 for service) (644E-42 SN 17569 through 20123, SN 0160002514 through 0160009816; 944E-42 SN 17569 through 20123, SN 0160002514 through 0160009818)	
	0274385	Ref	CAB GLASS INSTALLATION, (not available to order, see items 1 thru 15 for service) (644E-42 SN 0160009474 to Present; 944E-42 SN 0160009839 to Present)	A
1	8037204	5	SELF TAPPING SCREW, #10-16X3/4	
2	8036658	1	LOWER WINDSHIELD RETAINER	
3	8036660	1	COMPRESSION D WINDSHIELD SEAL	
4	8035490	9	SETTING BLOCK, 1/8X1/4X2	
5	8036663	1	WINDSHIELD GLASS	
6	8036659	1	DOUBLE D WINDSHIELD SEAL	
7	8036667	1	UPPER WINDSHIELD RETAINER	
8	8036666	1	SKYLIGHT GLASS	
9	8036665	1	RIGHT SIDE GLASS	
10	8036664	1	LEFT SIDE GLASS	
11	8035640	3	HOLE PLUG, .375 DIA BLACK	
12	8036655	2	CAP PLUG, .236 DIA RED	
13	8036654	2	ROUND PUSH IN PLUG, .315DIA	
14	8035523	AR	BLACK URETHANE SEALANT, (apply to items 2, 3 & 7 thru 13)	
15		Ref	REAR WINDOW ASSY, (See REAR WINDOW for Breakdown)	
16		Ref	DOOR GLASS, (See DOOR ASSEMBLY for Breakdown)	

# SECTION 6 - CAB

## FIGURE 6-4. DOOR ASSEMBLY



PU2351



FIGURE 6-4. DOOR ASSEMBLY

ITEM	PART NUMBER	QTY	DESCRIPTION	REV
	7301671	1	DOOR ASSY, (includes all items)	C
1	8036065	6	HEX DOME CAP, 3/8 BLACK NYLON	
2	8035631	2	HEX HD CAPSCREW, 3/8-16X4-1/2	
3	8035632	3	HEX NUT, 3/8-16	
4	8036064	1	HEX HD CAPSCREW, 3/8-16X6-1/2, GR5	
5	7301811	1	UPPER DOOR ASSY, (includes items 6 thru 24)	
6	N.S.S.	1	UPPER DOOR WELDMENT	
7	8036711	1	DOOR GLASS BULB SEAL	
8	8036707	1	UPPER DOOR BULB SEAL	
9	8036706	1	UPPER DOOR GLASS	
10	8036700	2	HEX HD CAPSCREW, 5/16-18X1-1/4, GR8	
11	8036710	2	HINGE PIN, 3/8	
12	8036709	4	SPACER BUSHING	
13	8035477	4	RUBBER GROMMET, 0.50, 0.812, 1.062, 0.25	
14	8036701	4	HEX NUT, 5/16-18, GR8	
15	8036699	2	FLAT WASHER, 0.375, 0.875, 0.075	
16	8036703	1	RUBBER BUMPER	
17	8303715	1	HEX HD CAPSCREW, 5/16-18X1-1/2, GR5	
18	8036705	1	DOOR HOLD OPEN	
19	8035445	1	HEX HD CAPSCREW, 5/16-18X1, GR8	
20	8036704	1	SQUARE PLUG	
21	8036702	1	HEX NUT, 1/4-20, GR8	
22	8036712	1	UPPER DOOR LATCH ASSY	
23	8310136	1	TRUSS SCREW, 1/4-20X1-1/4	
24	8035523	AR	BLACK URETHANE SEALANT, (apply to items 6 & 8)	
25	7301812	1	LOWER DOOR ASSY, (includes items 26 thru 48)	B
26	8036692	1	LOWER DOOR BULB SEAL	
27	8036690	1	LOWER DOOR FOAM	
28	N.S.S.	1	LOWER DOOR WELDMENT	
29	8036688	1	DOOR RESTRAINT STRAP	
30	8036684	2	FLANGE BOLT, M8-1.25X20mm	
31	8036689	1	DOOR RESTRAINT WELDMENT	
32	8036693	1	LOWER DOOR REAR FILLER BULB SEAL	
33	8035441	NLA	PADDLE LATCH, (uses rectangular-shaped key), (no longer available, use 1001105892 for replacement)	
33	1001105892	1	LATCH ASSY, (uses oval-shaped key), (includes item 34)	
34	8342808	2	KEY, RECTANGULAR-SHAPED	
34	70021948	1	KEY, OVAL-SHAPED	
35	8036691	1	LOWER DOOR FRONT FILLER BULB SEAL	
36	8036696	2	FLANGE BOLT, 1/4-20X3/4	
37	8036061	1	PLAIN WASHER, 0.500 STD WIDE	
38	8035639	1	HEX LOCKNUT, 7/16-14	
39	8035637	1	STRIKER BOLT, 7/16-14X1-1/2	
40	8036059	1	PLATE WELDMENT STRIKER NUT	
41	8036687	1	DOOR STRIKER MOUNT	
42	8036685	4	RIVET NUT, M6X1.0	
43	8036656	4	PHILLIPS PAN HEAD BOLT, M6-1.0X16mm	
44	8036695	1	LOWER DOOR COVER ASSY	
45	8035439	1	DOOR LATCH	
46	8036105	4	TRUSS SCREW, 1/4-20X5/8, GR5	

## SECTION 6 - CAB

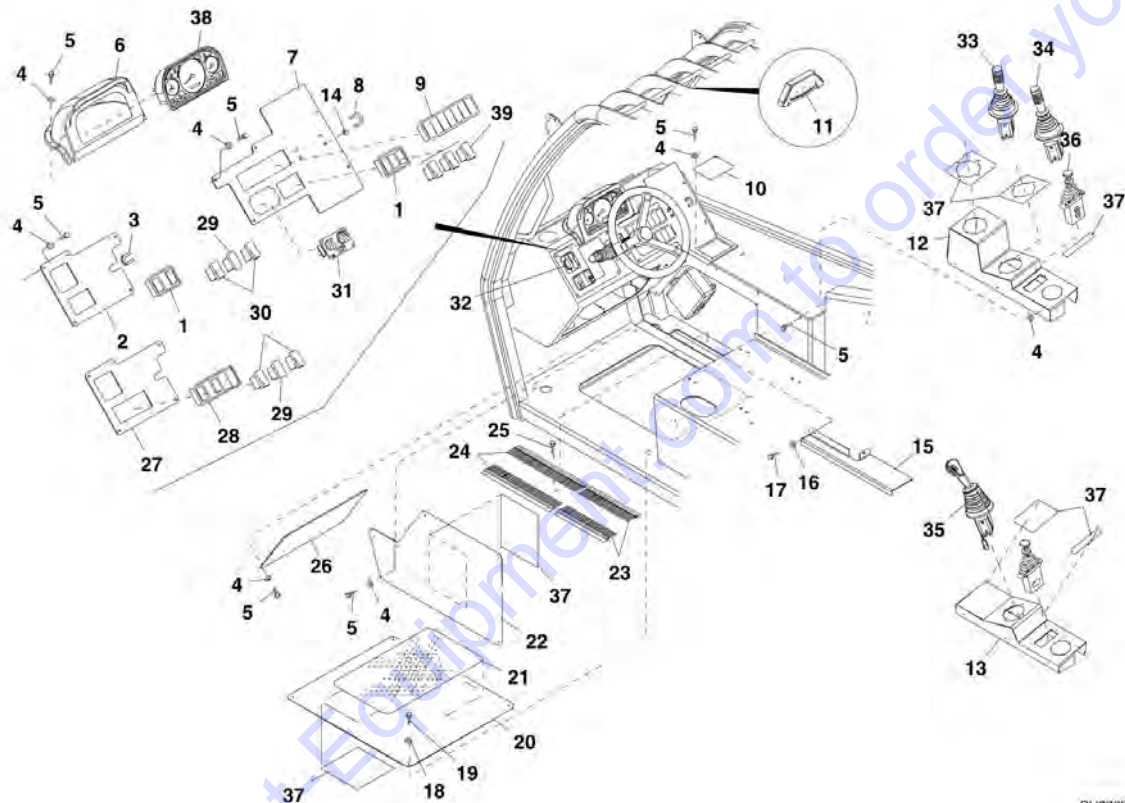
ITEM	PART NUMBER	QTY	DESCRIPTION	REV
47	8036694	1	EXTERIOR LATCH LINKAGE	
48	8035659	2	ROD END RETAINER CLIP	

Go to Discount-Equipment.com to order your parts



# SECTION 6 - CAB

## FIGURE 6-5. OPERATOR'S COMPARTMENT - INNER PANELS



PU2362

FIGURE 6-5. OPERATOR'S COMPARTMENT - INNER PANELS

ITEM	PART NUMBER	QTY	DESCRIPTION	REV
1	8223074	2	3 POSITION SWITCH BEZEL, (644E-42 SN 17569 through 20115, SN 0160002519 through 0160007267, Excluding 0160006857; 944E-42 SN 18554 through 20123, SN 0160002514 through 0160007270, Excluding 0160005664)	
2	7151250	1	LEFT DASH PANEL, (644E-42 SN 17569 through 20115, SN 0160002519 through 0160007267, Excluding 0160006857; 944E-42 SN 18554 through 20123, SN 0160002514 through 0160007270, Excluding 0160005664)	
3	10725268	1	LOOM, 1/4 OD	
4	8307219	31	PLAIN WASHER, M6	
5	8303544	32	HEX HD CAPSCREW, M6-1.0X20mm, PC8.8	
6	7151262	1	DASH COVER MOULDING	
7	7151337	1	RIGHT DASH PANEL	
8	1001102844	2	U-BOLT, 1/4-20 1-1/4	
9	8223075	1	7 POSITION SWITCH BEZEL	
10	7151313	1	BLANKING PLATE, (early production only)	
11	8466306	1	TILT ANGLE GAUGE	
12	7151273	1	MULTIPLE JOYSTICK PANEL	
13	7301762	1	SINGLE JOYSTICK PANEL	
14	8310382	8	FLANGE NUT	
15	7151280	1	SEAT MOUNTING PANEL	
16	8307221	2	PLAIN WASHER, M10	
17	8303798	2	HEX HD CAPSCREW, M10-1.5X25mm, PC8.8	
18	8307222	4	PLAIN WASHER, M8	
19	8303783	4	HEX HD CAPSCREW, M8-1.25X25mm, PC8.8	
20	7151271	1	FLOOR ACCESS PANEL	
21	10139087	1	ANTI-SLIP ADHESIVE MAT	
22	7151272	1	FUSE AND RELAY ACCESS PANEL	
23	7301279	2	SHORT BRUSH STRIP	
24	7138944	2	BRUSH STRIP	
25	8303607	10	HEX HD CAPSCREW, M6-1.0X25mm, PC8.8	
26	7151251	1	LOWER DASH PANEL	
27	3380542	1	LEFT DASH PANEL, (644E-42 SN 0160007291 to Present, Including 0160006857; 944E-42 SN 0160007289 to Present, Including 0160005664)	
28	4360569	1	5 POSITION BEZEL, (644E-42 SN 0160007291 to Present, Including 0160006857; 944E-42 SN 0160007289 to Present, Including 0160005664)	
29		Ref	ECM INDICATOR SWITCH, (See CONTROLS SECTION for Breakdown)	
30		Ref	PARK BRAKE AND TRANSMISSION DISCONNECT, (See ELECTRICAL SECTION for Breakdown)	
31		Ref	HEATER CONTROL PANEL, (See ELECTRICAL SECTION for Breakdown)	
32		Ref	STEER SELECT VALVE, (See HYDRAULIC CIRCUITS SECTION for Breakdown)	
33		Ref	FRONT JOYSTICK CONTROL VALVE, (See CONTROLS SECTION for Breakdown)	
34		Ref	REAR JOYSTICK CONTROL VALVE, (See CONTROLS SECTION for Breakdown)	
35		Ref	SINGLE JOYSTICK CONTROL VALVE, (See CONTROLS SECTION for Breakdown)	
36		Ref	FRAME/SWAY CONTROL VALVE, (See CONTROLS SECTION for Breakdown)	

## SECTION 6 - CAB

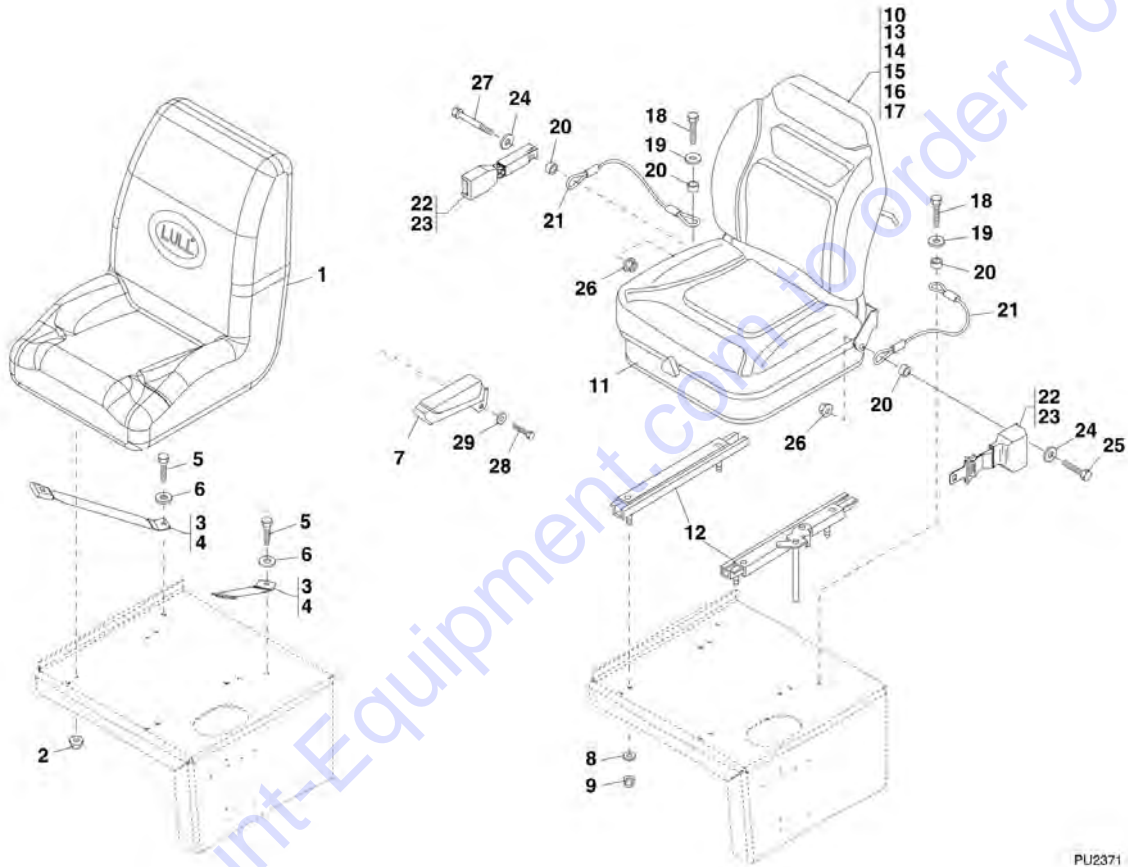
ITEM	PART NUMBER	QTY	DESCRIPTION	REV
37		Ref	Breakdown) JOYSTICK DECALS, (See DECALS SECTION for Breakdown)	
38		Ref	DASH PANEL, (See ELECTRICAL SECTION for Breakdown)	
39		Ref	WIPER SWITCHES, (See ELECTRICAL SECTION for Breakdown)	

Go to Discount-Equipment.com to order your parts



## SECTION 6 - CAB

FIGURE 6-6. OPERATOR'S SEAT (644E-42 SN 17569 through 20123, SN 0160002514 through 0160013109; 944E-42 SN 17569 through 20123, SN 0160002514 through 0160013106)



PU2371



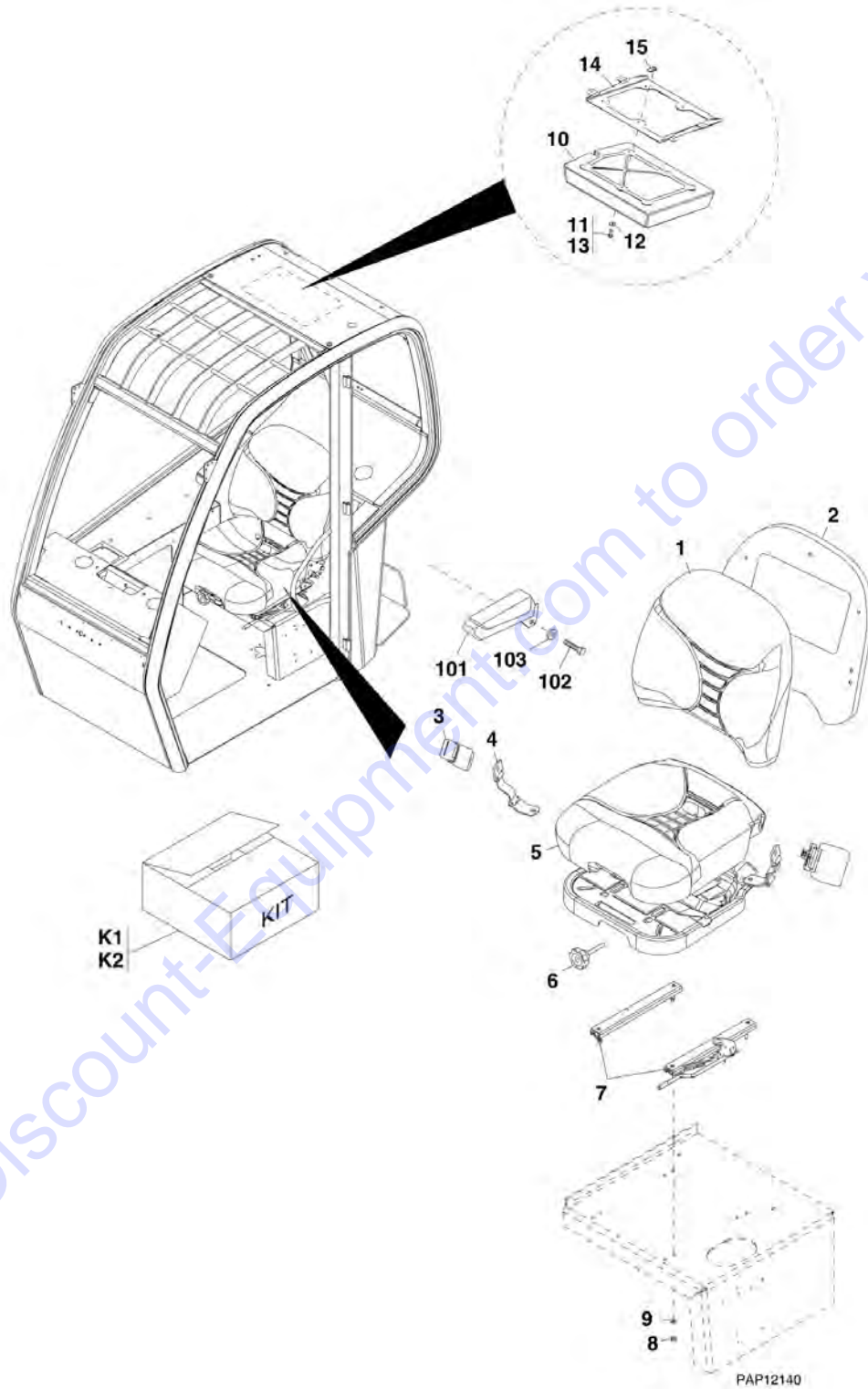
## SECTION 6 - CAB

**FIGURE 6-6. OPERATOR'S SEAT (644E-42 SN 17569 through 20123, SN 0160002514 through 0160013109; 944E-42 SN 17569 through 20123, SN 0160002514 through 0160013106)**

ITEM	PART NUMBER	QTY	DESCRIPTION	REV
1	Not Available	NLA	STANDARD SEAT ASSY, (no longer available, use 2915056 for replacement or Kit K1 for service on OPERATOR'S SEAT), <b>(644E-42 SN 0160013127 to Present; 944E-42 SN 0160013131 to Present)</b>	
2	10705107	4	HEX NUT, FLANGE 5/16-18	
3	10239367	1	SEAT BELT, 2IN	
4	10725464	1	SEAT BELT, 3IN, (if equipped)	
5	10700303	2	HEX HD CAPSCREW, 7/16-14X1-1/4, GR5	
6	10701253	2	FLAT WASHER, 7/16	
7	7138858	1	ARM REST	
8	8307106	4	PLAIN WASHER, 5/16	
9	8305626	4	HEX LOCKNUT, 5/16-18	
10	Not Available	NLA	OPTIONAL SEAT ASSY, (no longer available, use Kit K1 for service on OPERATOR'S SEAT), <b>(644E-42 SN 0160013127 to Present; 944E-42 SN 0160013131 to Present)</b>	
11	8036009	1	BOOT, 60/76mm, (covers adjuster below seat)	
12	8036010	1	ADJUSTER, 6IN	
13	8036626	1	CUSHION/PAN ASSY, (includes both seats and back rests)	
14	8036011	1	DAMPER, (shock absorber)	
15	8036013	4	UP STOP BUMPER/DOWN STOP BUMPER ROLLERS, 7/16 DIA	
16	8036014	1	SPRINGS AND CABLE	
17	8036015	1	HANGER/KNOB/TENSION SHAFT KIT	
18	8303674	2	HEX HD CAPSCREW, 7/16-14X1-1/2, GR5	
19	8307205	2	PLAIN WASHER, 7/16	
20	7096491	4	SPACER	
21	7138883	2	SEAT BELT TETHER	
22	8864057	1	SEAT BELT, 2IN RETRACTABLE, (includes items 24 thru 27)	
23	8864058	1	SEAT BELT, 3IN RETRACTABLE, (if equipped), (includes items 24 thru 27)	
24	N.S.S.	2	PLAIN WASHER, 7/16, (included with seat belt)	
25	N.S.S.	1	HEX HD CAPSCREW, 7/16-20X1-1/2, GR5, (included with seat belt)	
26	N.S.S.	1	FLANGED HEX NUT, 7/16-20, (included with seat belt)	
27	N.S.S.	1	HEX HD CAPSCREW, 7/16-20X2-1/2, GR5, (included with seat belt)	
28	8303783	2	HEX HD CAPSCREW, M8X1.25X25mm, PC8.8	
29	8307203	2	PLAIN WASHER	

## SECTION 6 - CAB

FIGURE 6-7. OPERATOR'S SEAT (644E-42 SN 0160013127 to Present; 944E-42 SN 0160013131 to Present)



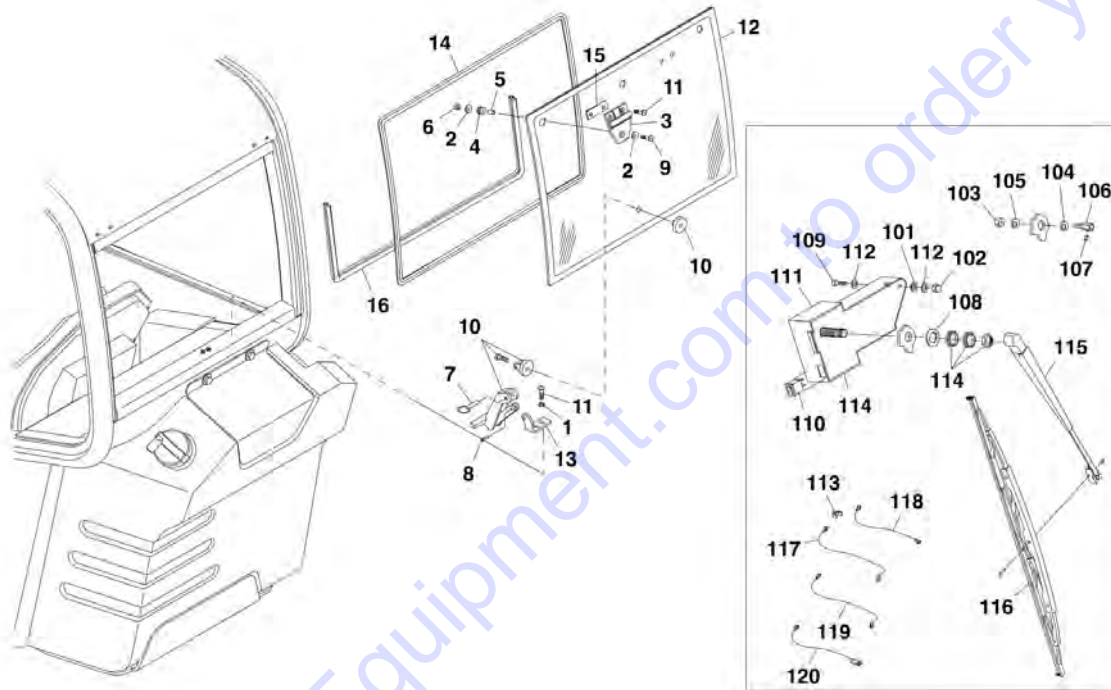
## SECTION 6 - CAB

**FIGURE 6-7. OPERATOR'S SEAT (644E-42 SN 0160013127 to Present; 944E-42 SN 0160013131 to Present)**

ITEM	PART NUMBER	QTY	DESCRIPTION	REV
	3980039	1	SUSPENSION SEAT, (includes items 1 thru 7) <b>(644E-42 SN 0160013127 through 0160034233; 944E-42 SN 0160013131 through 0160034227)</b>	C
	1001101085	1	SUSPENSION SEAT, (includes items 1 thru 7) <b>(644E-42 SN 0160034234 to Present; 944E-42 SN 0160034228 to Present)</b>	D
1	7026900	1	BACK CUSHION KIT	
2	7026902	1	BACK PANEL KIT	
3	7026905	1	SEAT BELT KIT	
3	91563164	1	SEAT BELT, 3IN, (California Only), (not included with seat)	
4	7026906	1	TETHER KIT	
5	7026901	1	SEAT CUSHION KIT	
6	7026799	1	KNOB KIT	
7	7026798	1	SLIDE KIT	
8	8305626	4	HEX LOCKNUT, 5/16-18	
9	8307106	4	PLAIN WASHER, 5/16	
10	0860520	1	MANUAL STORAGE BOX	
11	0641406	4	HEX HD CAPSCREW, 1/4-20X3/4	
12	4751400	4	FLAT WASHER, 1/4	
13	0100011	1	LOCTITE 242	
14		Ref	MANUAL BOX MOUNT AND HARDWARE, (See CAB ASSEMBLY for Breakdown)	
15	8310702	4	NUT RETAINER, 1/4-20	
101	7138858	1	ARM REST	
102	8303783	2	HEX HD CAPSCREW, M8X25, GR8.8	
103	8307203	2	PLAIN WASHER, 5/16	
201	70023040	1	SHOCK ABSORBER KIT, (not shown), (includes one shock absorber, two shock pins and two hex nuts)	
202	70023041	1	SPRING AND SADDLE KIT, (not shown)	
203	70023890	1	BOOT KIT, (not shown)	
K1	2915056	1	SUSPENSION SEAT REPLACEMENT KIT, (includes seat p/n 3980039 and items 8 thru 15)	
K2	70023139	1	SEAT BELT KIT, 3IN, (includes female and retractor ends)	

## SECTION 6 - CAB

FIGURE 6-8. REAR WINDOW (644E-42 SN 17569 through 20123, SN 0160002514 through 0160009816; 944E-42 SN 17569 through 20123, SN 0160002514 through 0160009818)



ART 8990462-6-8

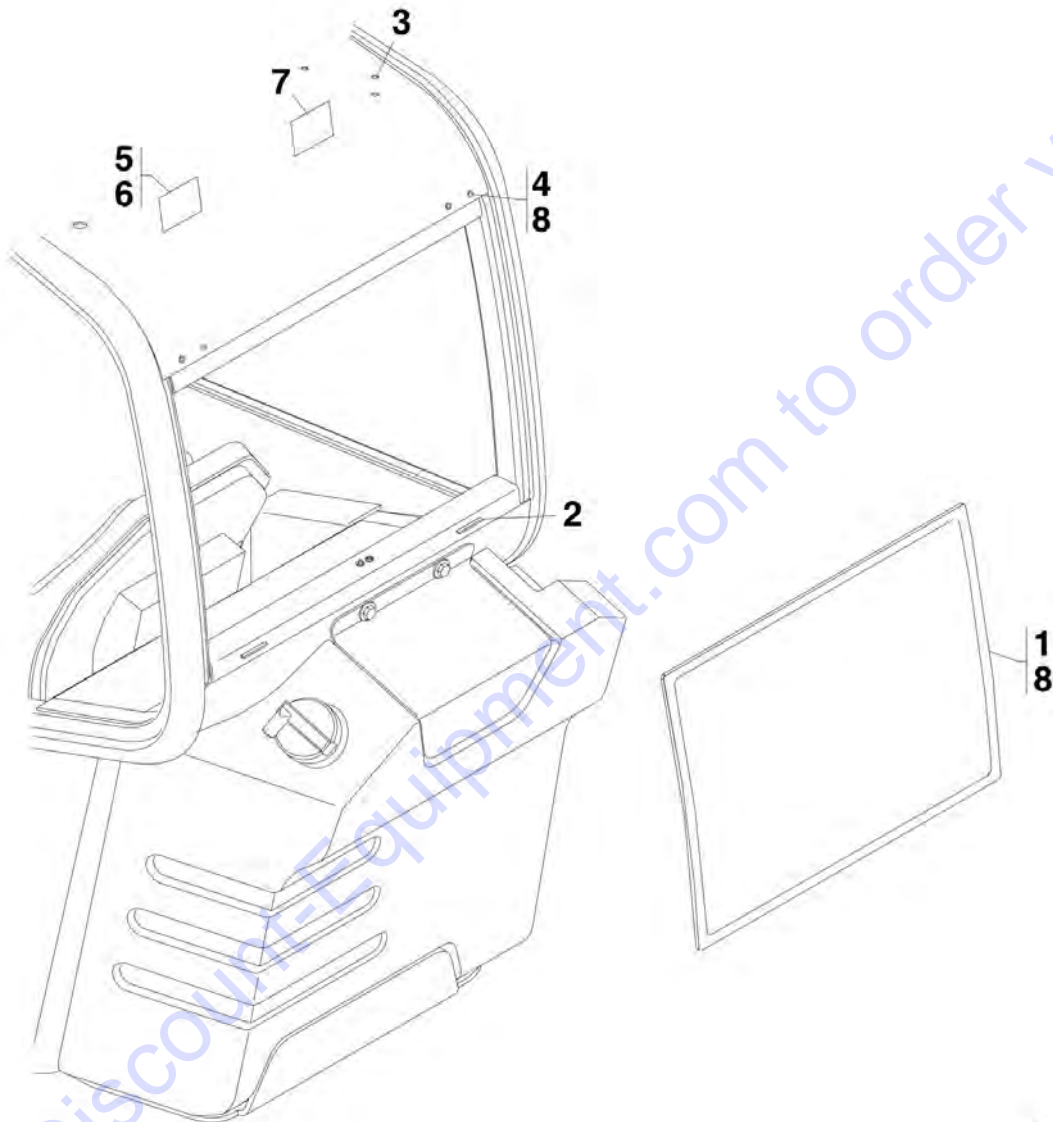
## SECTION 6 - CAB

**FIGURE 6-8. REAR WINDOW (644E-42 SN 17569 through 20123, SN 0160002514 through 0160009816; 944E-42 SN 17569 through 20123, SN 0160002514 through 0160009818)**

ITEM	PART NUMBER	QTY	DESCRIPTION	REV
	7301747	1	REAR WINDOW ASSY, (includes items 1 thru 16)	
1	8035416	2	LOCKWASHER, 1/4	
2	80264082	4	FLAT WASHER, 9/32 IDX1.05 OD	
3	8035475	2	PLASTIC HINGE	
4	8035477	2	RUBBER GROMMET	
5	8035478	2	PLASTIC BUSHING	
6	8035479	2	ACORN NUT, 1/4-20	
7	1001109417	1	DETENT RING PIN	
8	8035486	1	ROLL PIN, 3/16X1/2	
9	8310136	2	TRUSS SCREW, 1/4-20X1-1/4	
10	1001081280	1	WINDOW LATCH	
11	8036673	6	PAN HD BOLT, M6X1X25	
12	8036674	1	REAR WINDOW GLASS	
13	8036675	1	REAR WINDOW LATCH MOUNT	
14	8036676	1	REAR WINDOW BULB SEAL	
15	8036672	1	SPACER,HINGE, REAR WINDOW	
16	8036734	1	REAR WINDOW SEAL, SINGLE "D"	
	6623864	1	REAR WINDOW WIPER ASSY, (includes items 101 thru 120)	
101	8034803	1	RUBBER GROMMET, "T" STYLE	
102	8034805	1	ACORN NUT, #10-24	
103	8034798	1	HEX NUT, 5/16-18	
104	8034804	1	WEATHER TIGHT WASHER	
105	8034800	1	FLAT WASHER, BLACK NYLON	
106	8034801	1	NOZZLE HOLDER	
107	8554008	1	SPRAY NOZZLE	
108	8034808	1	NYLON SPACER	
109	8034811	1	PAN HD BOLT, #10-24X7/8	
110	8035509	1	ROCKER SPST SWITCH	
111	8035511	1	MOTOR COVER	
112	8036678	2	BLACK NYLON WASHER	
113	8036714	1	TERMINAL ADAPTER	
114	8035506	1	WIPER MOTOR	
115	8036716	1	WIPER ARM	
116	8036717	1	12IN WIPER BLADE	
117	8036729	1	REAR WIPER POWER JUMPER WIRE	
118	8036718	1	REAR WIPER POWER JUMPER WIRE	
119	8036719	1	REAR WIPER SWITCH JUMPER WIRE	
120	8036761	1	WIPER GROUND JUMPER WIRE	

## SECTION 6 - CAB

FIGURE 6-9. REAR WINDOW (644E-42 SN 0160009474 to Present; 944E-42 SN 0160009839 to Present)



PU3320

## SECTION 6 - CAB

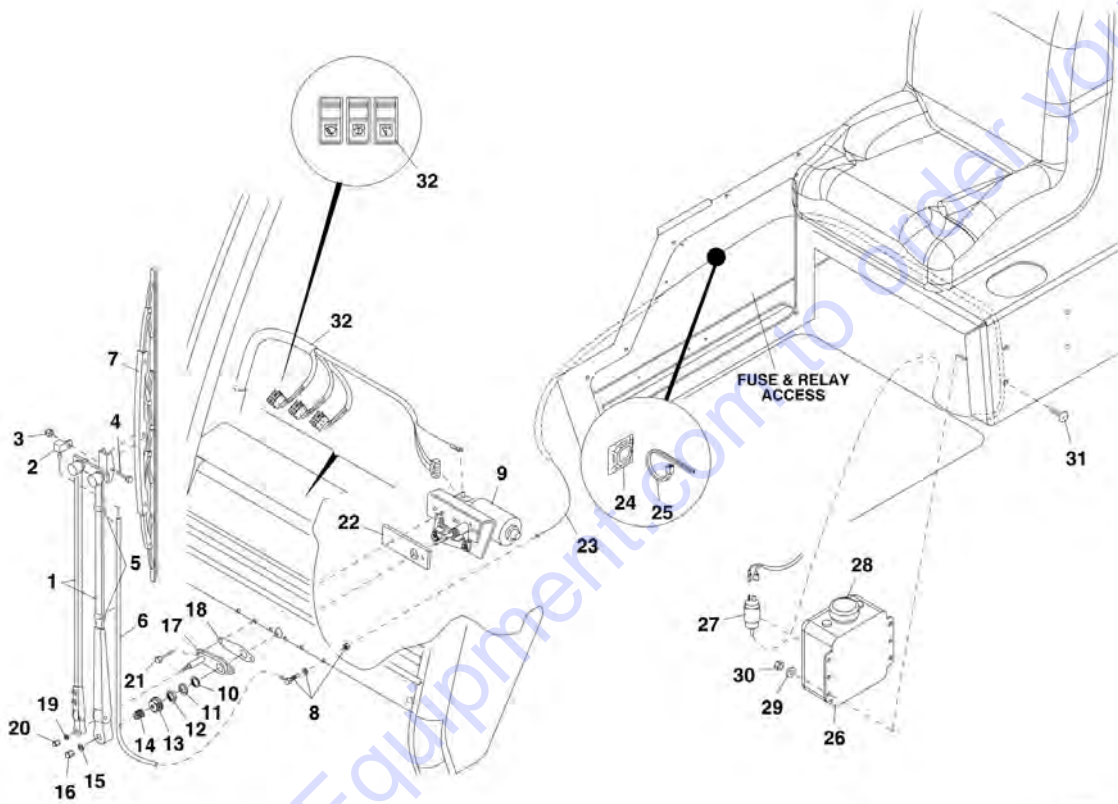
**FIGURE 6-9. REAR WINDOW (644E-42 SN 0160009474 to Present; 944E-42 SN 0160009839 to Present)**

ITEM	PART NUMBER	QTY	DESCRIPTION	REV
1	7028738	1	REAR WINDOW GLASS	
2	8035490	2	SETTING BLOCK	
3	8035640	3	PLUG, 3/8 DIA	
4	8036655	2	CAB PLUG	
5	91404298	3	RIVET	
6	91404301	1	HAMMER	
7		Ref	ESCAPE DECAL, (See DECALS SECTION for Breakdown)	
8	8035523	AR	BLACK URETHANE SEALANT, (apply to items 1 & 4)	

Go to Discount-Equipment.com to order your parts

# SECTION 6 - CAB

## FIGURE 6-10. FRONT WINDSHIELD WIPER ASSEMBLY



PU2390



FIGURE 6-10. FRONT WINDSHIELD WIPER ASSEMBLY

ITEM	PART NUMBER	QTY	DESCRIPTION	REV
	8036668	1	FRONT WINDSHIELD WIPER ASSY, (includes items 1 thru 22)	
1	8035393	1	WIPER ARM, 24IN WET, (includes items 2 thru 6)	
2	N.S.S.	1	SPRAYER NOZZLE	
3	N.S.S.	1	LOCKNUT	
4	N.S.S.	1	BOLT	
5	N.S.S.	2	HOSE CLIPS	
6	N.S.S.	1	HOSE	
7	8035392	1	WIPER FLEX BLADE, 28IN	
8	1001081310	1	WET ARM ADAPTOR	
9	8036670	1	FRONT WIPER MOTOR ASSY, (includes items 10 thru 16)	
10	N.S.S.	1	CARDBOARD WASHER	
11	N.S.S.	1	METAL WASHER	
12	N.S.S.	1	HEX JAM NUT, 11/16-24	
13	N.S.S.	1	RUBBER CAP	
14	N.S.S.	1	KNURLED DRIVER	
15	N.S.S.	1	LOCKWASHER, 3/8, (internal tooth)	
16	N.S.S.	1	ACORN NUT, 1/4-28	
17	8034815	1	PANTO MOUNT PLATE ASSY, (includes items 18 thru 20)	
18	N.S.S.	1	PANTO GASKET	
19	N.S.S.	1	LOCKWASHER, 1/4, (internal tooth)	
20	N.S.S.	1	ACORN NUT, 1/4-28	
21	8036669	2	HEX HD CAPSCREW, 1/4-28X1	
22	1001081306	1	FRONT WIPER MOTOR SPACER	
23	8033075	1	RESERVOIR HOSE, 120IN	
24	8584018	AR	TIE WRAP MOUNT	
25	8584001	AR	TIE WRAP	
26	8035410	1	WASHER RESERVOIR ASSY WITH PUMPS, (includes items 27 & 28)	
27	N.S.S.	1	RESERVOIR PUMP	
28	N.S.S.	1	RESERVOIR CAP	
29	8036657	4	FLAT WASHER, .250, .562, .049	
30	8036662	4	HEX NUT, M6	
31	8036656	4	PHILLIPS PANHEAD BOLT, M6X16	
32		Ref	SWITCHES, (See ELECTRICAL SECTION for Breakdown)	

# SECTION 6 - CAB

## FIGURE 6-11. SKYLIGHT WIPER ASSEMBLY

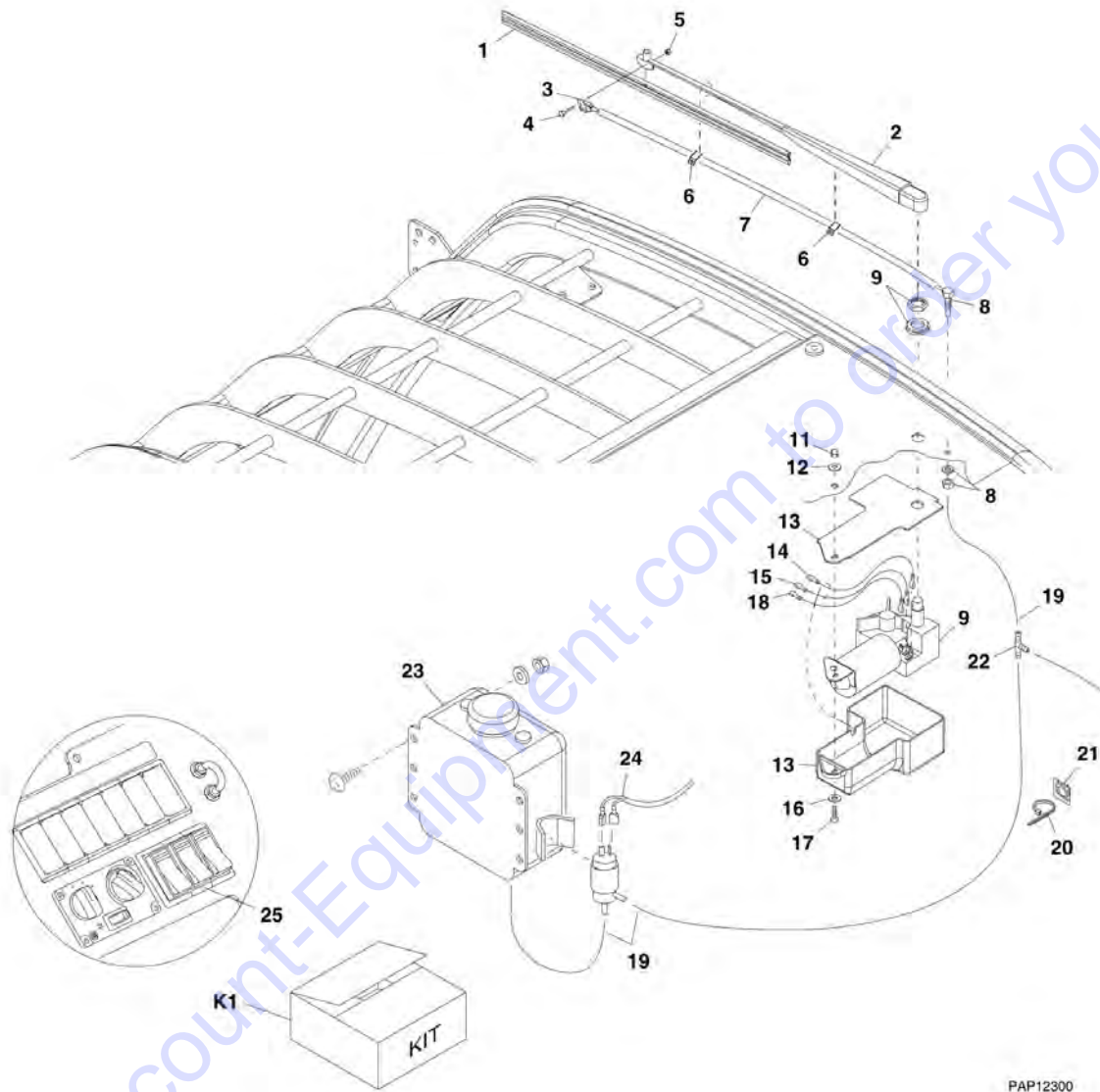
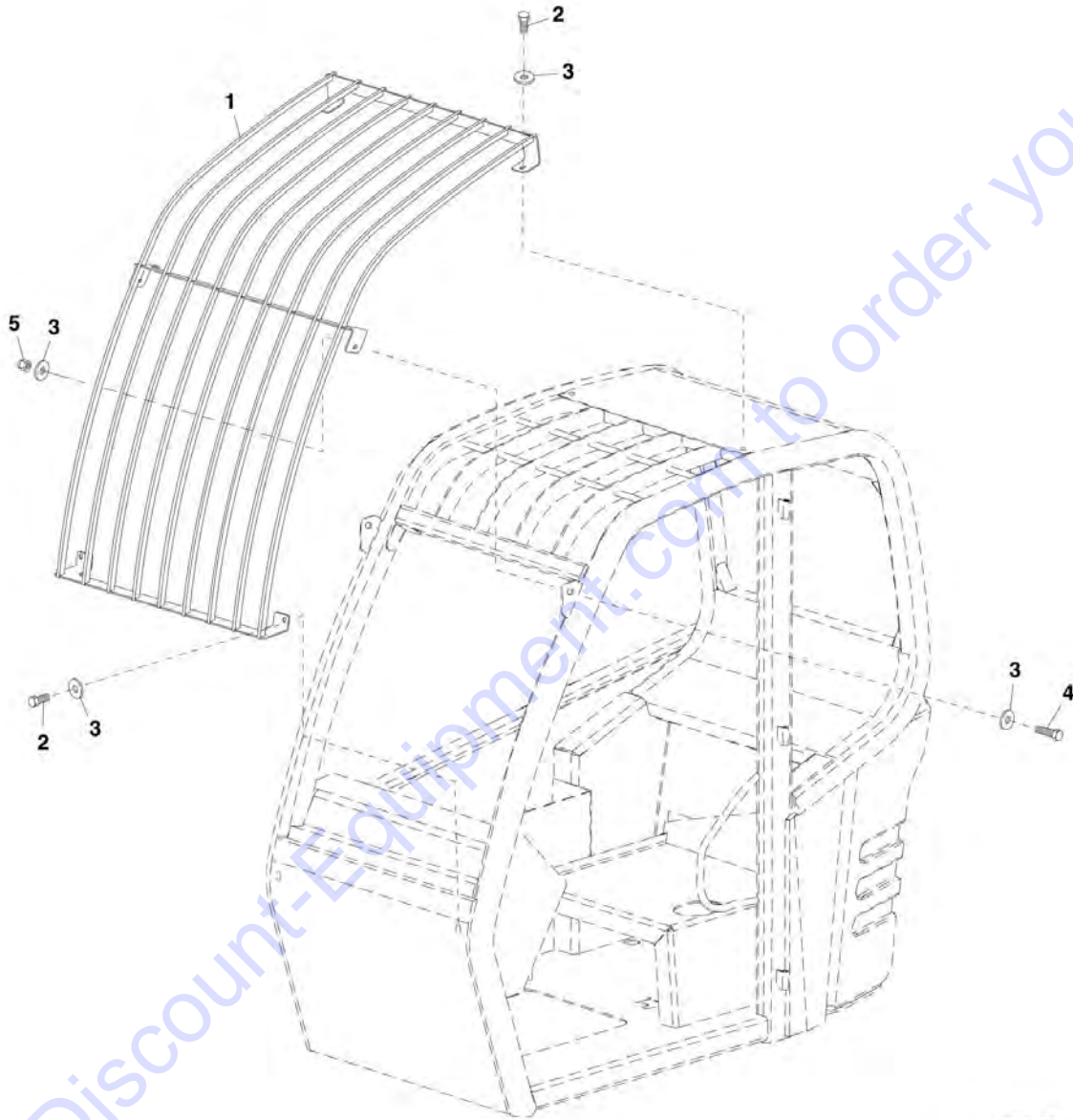


FIGURE 6-11. SKYLIGHT WIPER ASSEMBLY

ITEM	PART NUMBER	QTY	DESCRIPTION	REV
	8036677	1	SKYLIGHT WIPER ASSY, (includes items 1 thru 18)	AB
1	8035498	1	WIPER BLADE, 20IN FLEX	
2	8034807	1	WIPER ARM, 15 TO 19IN ADJUSTABLE	
3	Kit	1	SPRAYER NOZZLE	
4	Kit	1	BOLT	
5	Kit	1	LOCKNUT	
6	Kit	2	HOSE CLIPS	
7	Kit	1	HOSE	
8	1001081310	1	WET ARM ADAPTOR	
9	8036680	1	SKYLIGHT WIPER MOTOR ASSY	
11	8034805	1	ACORN NUT, #10-24	
12	8036679	1	WASHER	
13	8035493	1	MOTOR ASSY COVER	
14	8036681	1	SKYLIGHT PARK JUMPER WIRE	
15	8036682	1	SKYLIGHT RUN JUMPER WIRE	
16	8036678	1	FLAT WASHER, BLACK NYLON	
17	8036088	1	PAN HEAD SCREW, #10-24X3/4	
18	8036761	1	JUMPER WIRE,WIPER GROUND	
19	8033075	1	WASHER HOSE, 120IN	
20	8584001	AR	TIE WRAP	
21	8584018	AR	TIE WRAP MOUNT	
22	8036072	1	TEE CONNECTOR, (if equipped with rear window wiper)	
23		Ref	WASHER RESERVOIR, (See FRONT WINDSHIELD WIPER ASSEMBLY for Breakdown)	
24		Ref	CLOSED CAB HARNESS, (See ELECTRICAL SECTION for Breakdown)	
25		Ref	WIPER SWITCHES, (See ELECTRICAL SECTION for Breakdown)	
K1	8035499	1	WET KIT, (includes items 3 thru 7)	

# SECTION 6 - CAB

## FIGURE 6-12. WINDSHIELD GUARD



PU2410

FIGURE 6-12. WINDSHIELD GUARD

ITEM	PART NUMBER	QTY	DESCRIPTION	REV
1	7301326	1	WINDSHIELD GUARD	
2	8303681	4	HEX HD CAPSCREW, 3/8-16X3/4, GR5	
3	8307110	8	WASHER, 3/8	
4	8303675	2	HEX HD CAPSCREW, 3/8-16X1-1/4, GR5	
5	8305645	2	LOCKNUT, 3/8-16	

Go to Discount-Equipment.com to order your parts

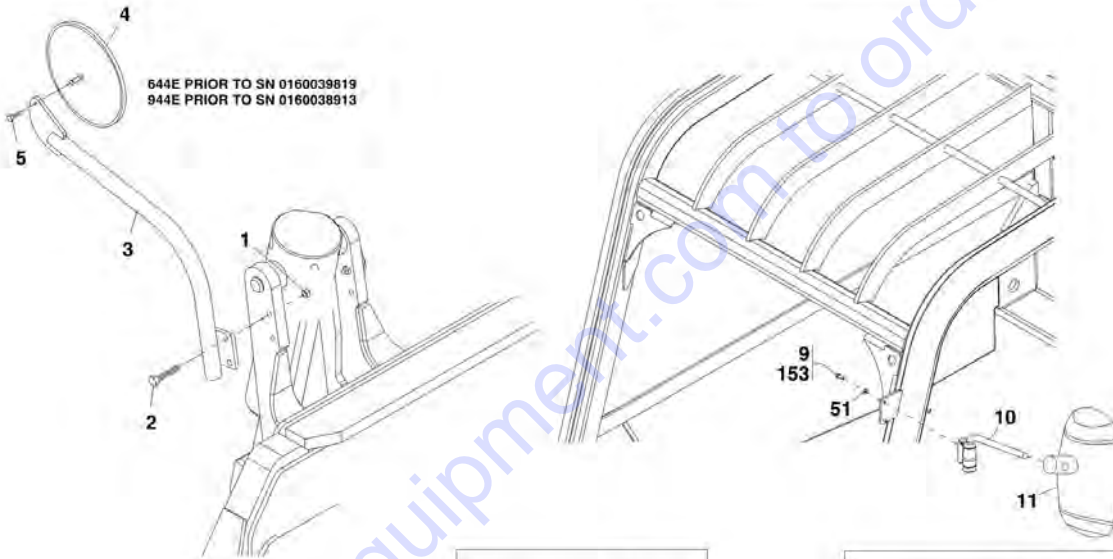
# SECTION 6 - CAB

## FIGURE 6-13. MIRRORS

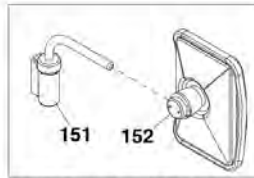
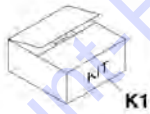
644E SN 0160039819 TO PRESENT  
944E SN 0160038913 TO PRESENT



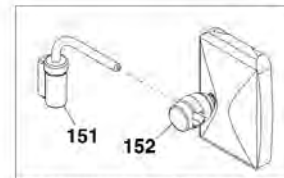
644E PRIOR TO SN 0160039819  
944E PRIOR TO SN 0160038571



644E PRIOR TO SN 0160039819  
944E PRIOR TO SN 0160038913



644E SN 0160049240 TO PRESENT  
944E SN 0160049312 TO PRESENT



644E SN 0160039819 THROUGH 0160049239  
944E SN 0160041827 THROUGH 0160049222

PUJ2422

FIGURE 6-13. MIRRORS

ITEM	PART NUMBER	QTY	DESCRIPTION	REV
1	8310625	2	HEX LOCKNUT, M12X1.75	
2	8310218	2	HEX HD CAPSCREW, M12X55, GR8.8, (torque to 50-90 Nm/50-66 lb-ft)	
3	7301171	1	MIRROR BRACKET	
4	8866625	1	10IN CONVEX MIRROR, (includes item 5) <b>(644E-42 Prior to SN 0160039819; 944E-42 Prior to SN 0160038913)</b>	
5	N.S.S.	1	HEX HD CAPSCREW, 5/16-18	
6	8866516	1	REAR VIEW MIRROR, 7X5.63 <b>(644E-42 Prior to SN 0160039819; 944E-42 Prior to SN 0160038571)</b>	
7	8310390	2	PLAIN WASHER, 5mm <b>(644E-42 Prior to SN 0160039819; 944E-42 Prior to SN 0160038571)</b>	
8	8310690	2	SLOTTED PANHEAD SCREW, M5X20 <b>(644E-42 Prior to SN 0160039819; 944E-42 Prior to SN 0160038571)</b>	
9	8303799	2	HEX HD CAPSCREW, M6X14, GR8.8 <b>(644E-42 Prior to SN 0160039819; 944E-42 Prior to SN 0160041827)</b>	
10	8866530	1	MIRROR ARM ASSY <b>(644E-42 Prior to SN 0160039819; 944E-42 Prior to SN 0160041827)</b>	
11	8866514	1	CONVEX MIRROR, 11X6.85 <b>(644E-42 Prior to SN 0160039819; 944E-42 Prior to SN 0160041827)</b>	
51	8307024	2	LOCKWASHER, 6mm	
101	8866348	1	RECTANGULAR MIRROR ASSY, (includes item 102) <b>(644E-42 SN 0160039819 to Present; 944E-42 SN 0160038913 to Present)</b>	
102	N.S.S.	1	HEX HD CAPSCREW, 5/16-18, (torque to 8-13 lb-ft), (not shown)	
151	1001114675	1	MIRROR ARM ASSY <b>(644E-42 SN 0160039819 to Present; 944E-42 SN 0160041827 to Present)</b>	
152	3140007	1	RECTANGULAR MIRROR <b>(644E-42 SN 0160039819 through 0160049239; 944E-42 SN 0160041827 through 0160049222)</b>	
152	1001148177	1	MIRROR <b>(644E-42 SN 0160049240 to Present; 944E-42 SN 0160049312 to Present)</b>	
153	0700610	2	HEX HD CAPSCREW, M6X20, GR8.8 <b>(644E-42 SN 0160039819 to Present; 944E-42 SN 0160041827 to Present)</b>	
K1	1001125007	1	MIRROR ARM KIT, (includes items 151 & 153)	C

# SECTION 6 - CAB

## FIGURE 6-14. HEATER SYSTEM

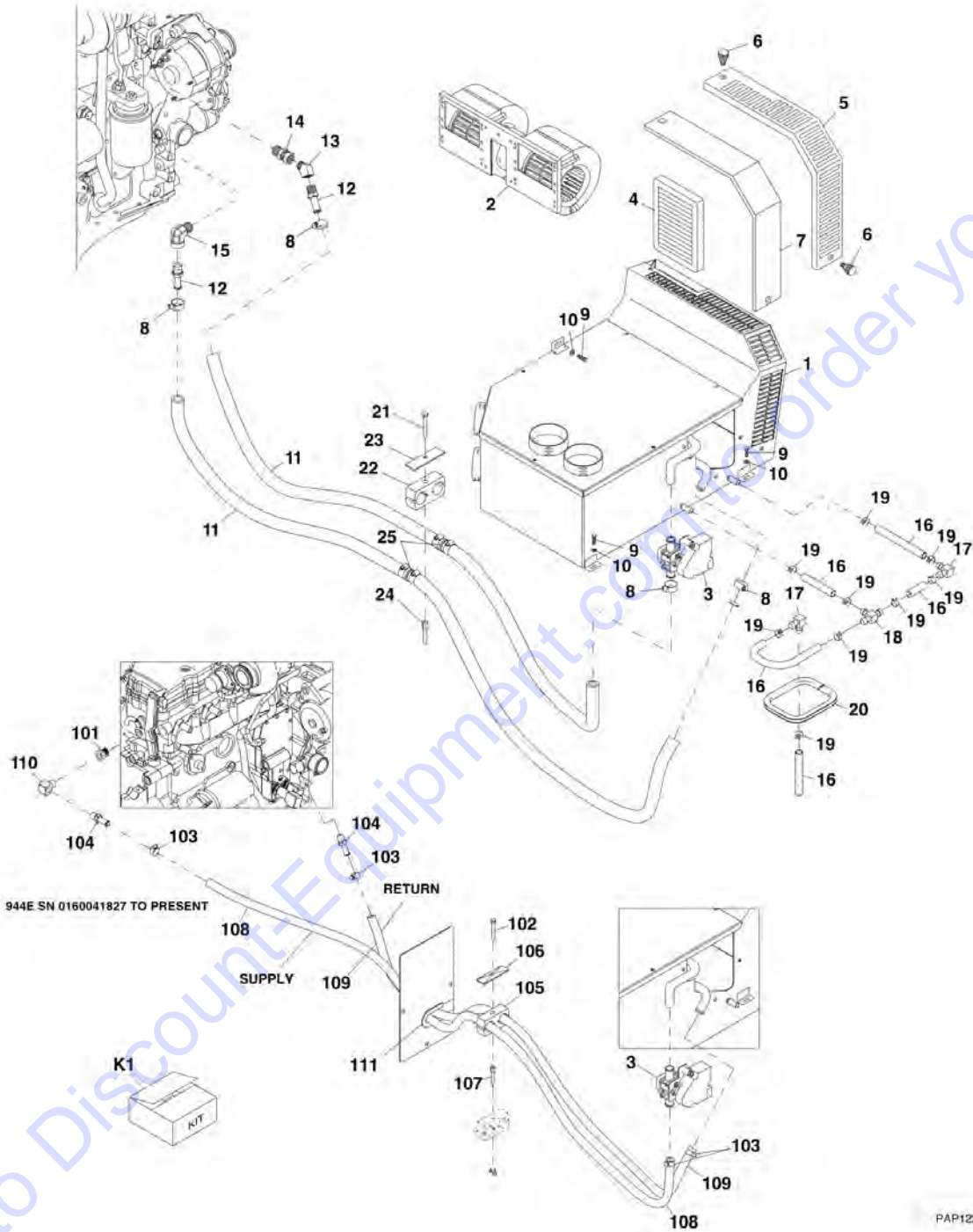


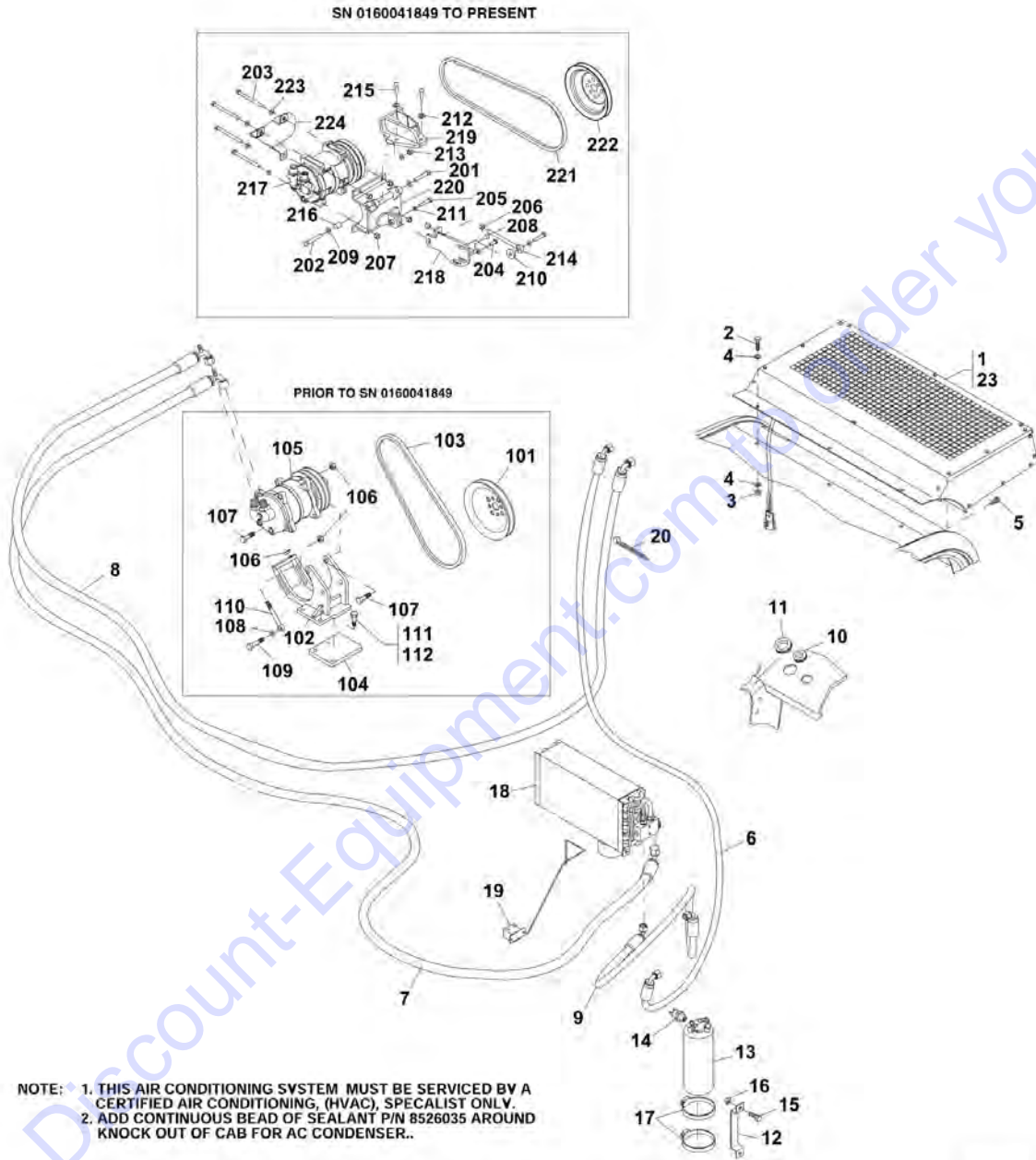


FIGURE 6-14. HEATER SYSTEM

ITEM	PART NUMBER	QTY	DESCRIPTION	REV
1	7301259	1	HEATER/BLOWER ASSY, (includes items 2 thru 7)	G
2	8036727	1	BLOWER MOTOR ASSY	
3	7301261	1	HEAT VALVE ASSY	
4	8036725	1	FRESH AIR INTAKE FILTER	
5	8036724	1	RECIRCULATION FILTER COVER	
6	8036726	2	THUMB SCREW	
7	8036723	1	FOAM FILTER	
8	8410009	8	HOSE CLAMP, 1.06 DIA, (torque to 2.7-4.0 lb-ft/3.6-5.4 Nm) <b>(Prior to SN 0160041827)</b>	
9	8303606	3	HEX HD CAPSCREW, M8X20, GR8.8, (torque to 12-23 lb-ft)	
10	8307222	3	PLAIN WASHER, 8mm	
11	7301434	NLA	HEATER ENGINE RETURN AND SUPPLY HOSE, (no longer available, use 1001110784 for replacement)	
11	1001110784	4	HEATER ENGINE RETURN AND SUPPLY HOSE	
12	8430048	2	HOSE BARB REDUCER, PIPE THREAD 10-8P <b>(Prior to SN 0160041827)</b>	
13	8540231	1	ELBOW, 45, <b>(Prior to SN 0160041827)</b>	
14	8540016	1	SWIVEL ADAPTER, 12-12P <b>(Prior to SN 0160041827)</b>	
15	8540218	1	ELBOW, 90, <b>(Prior to SN 0160041827)</b>	
16	7029412	AR	HOSE ASSY	
17	7029413	2	ELBOW DRAIN, 90	
18	7029414	1	DRAIN TEE, 1/2	
19	7029415	9	DRAIN HOSE CLAMP	
20	4060805	1.4 ft	FLEX TRIM	
21	8303528	1	HEX HD CAPSCREW, M8X65, GR8.8, (torque to 12-23 lb-ft/16.2-31.1 Nm)	
22	8750022	1	TWIN CLAMP SET	
23	8750025	1	TWIN COVER PLATE	
24	8750039	1	STACKING BOLT	
25	80683217	2	HOSE BARB STR 10-10	
	1001114941	Ref	HEATER HOSE INSTALLATION, (not available to order, see items 101 thru 111 for service) <b>(SN 0160041827 to Present)</b>	A
101	2220282	1	REDUCER FITTING	
102	8303528	1	HEX HD CAPSCREW, M8X65, GR8.8, (torque to 12-23 lb-ft)	
103	8410009	4	GEAR CLAMP, (torque to 40 lb-in)	
104	8430048	2	REDUCER FITTING	
105	8750022	1	TWIN CLAMP SET	
106	8750025	1	TWIN COVER PLATE	
107	8750039	1	STACKING BOLT	
108	1001114942	1	HOSE, (supply)	
109	1001115174	1	HOSE, (return)	
110	1001117214	1	ADAPTER, 90	
111	90206196	7.5 in	PVC TRIM	
K1	2915028	1	DRAIN KIT, (includes items 16 thru 19)	

# SECTION 6 - CAB

## FIGURE 6-15. AIR CONDITIONING SYSTEM



PAP27340

FIGURE 6-15. AIR CONDITIONING SYSTEM

ITEM	PART NUMBER	QTY	DESCRIPTION	REV
1	7301264	1	AIR CONDITIONER CONDENSER	
2	8303670	3	HEX HD CAPSCREW, 0.312-18X1.00, GR5	
3	8305626	3	HEX LOCKNUT, 0.312-18	
4	8307203	6	FLAT WASHER, 0.312	
5	8310683	2	WASHER HD SCREW, 0.312-18X.75 SELF DRILLING	
6	7301441	1	HOSE ASSEMBLY	
7	7301442	1	HOSE ASSEMBLY	
8	7301443	1	HOSE ASSEMBLY	
9	7301444	1	HOSE ASSEMBLY	
10	8660016	1	RUBBER GROMMET	
11	8660017	1	RUBBER GROMMET	
12	7138478	1	AIR CONDITIONER DRIER BRACKET	
13	7138483	1	AIR CONDITIONER DRIER RECEIVER	
14	8223531	1	AIR CONDITIONER PRESSURE SWITCH	
15	8303544	2	HEX HD CAPSCREW, M6X20, GR8.8	
16	8305047	2	HEX NUT, M6X1	
17	8405203	2	GEAR CLAMP, 3IN DIA	
18	7301262	1	EVAPORATOR COIL	
19	7301302	1	THERMOSTAT	
20	8584001	3	TIE WRAP	
21	2300037	2.5 lbs	FLUID REFRIGERANT, R-134a, (not shown)	
22	8220888	1	3-WAY SHROUD CONNECTOR, (not shown)	
23	8526035	1	ADHESIVE	
	7301813	1	AC COMPRESSOR INSTALLATION, (not available to order, see items 101 thru 112 for service) <b>(Prior to SN 0160041849)</b>	E
101	7138361	1	ACCESSORY DRIVE SHEAVE	
102	7301783	1	COMPRESSOR MOUNT BRACKET	
103	7301815	1	COMPRESSOR V BELT	
104	7301881	1	SPACER	
105	8276019	1	AC COMPRESSOR, 12V	
106	8305630	5	HEX LOCKNUT, M10X1.5	
107	8310534	3	HEX HD CAPSCREW, M10X40, GR10.9	
108	8307221	5	FLAT WASHER, 10mm	
109	8310736	1	HEX HD CAPSCREW, M10X50, GR10.9	
110	8310737	1	MALE ROD END, M10X100	
111	0711017	3	HEX HD CAPSCREW, M10X45, GR10.9	
112	0100011	AR	LOCTITE 242	
	1001142508	1	AC COMPRESSOR INSTALLATION, (not available to order, see items 201 thru 224 for service) <b>(SN 0160041849 to Present)</b>	
201	0681616	1	HEX HD CAPSCREW, 3/8-16X2	
202	0681618	1	HEX HD CAPSCREW, 3/8-16X2-1/4	
203	0710827	4	HEX HD CAPSCREW, M8X100	
204	0770810	1	HEX HD CAPSCREW, M8X20	
205	0770816	2	HEX HD CAPSCREW, M8X40	
206	3271601	2	HEX NUT, 3/-16	
207	3290805	4	HEX LOCK NUT, M8X1.25	
208	3900382	1	FLAT SOCKET HEAD SCREW	
209	4711600	4	WASHER, 3/8	
210	4740275	1	WASHER	
211	4811900	7	WASHER, 8MM	

## SECTION 6 - CAB

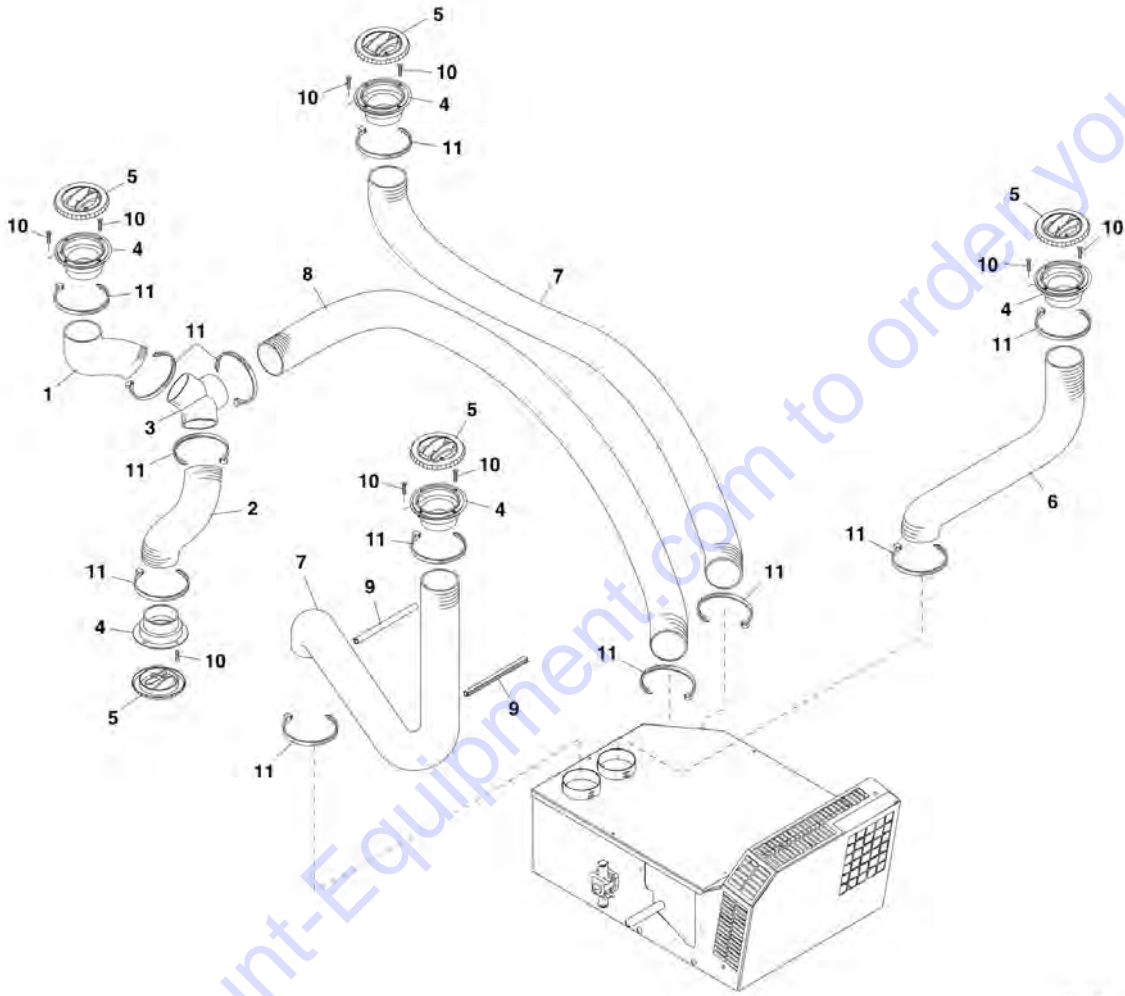
ITEM	PART NUMBER	QTY	DESCRIPTION	REV
212	4832000	3	LOCKWASHER, 10mm	
213	8305645	2	NUT	
214	88681311	1	ROD END	
215	91513234	3	SOCKET CAP SCREW, M10X1.5X30mm	
216	1001131818	1	SLEEVE	
217	1001136877	1	AC COMPRESSOR CLUTCH	
218	1001143475	1	AC COMPRESSOR SUPPORT	
219	1001143521	1	AC COMPRESSOR SUPPORT	
220	1001143522	1	AC COMPRESSOR SUPPORT	
221	1001146644	1	AC COMPRESSOR DRIVE BELT	
222	7138361	1	SHEAVE	
223	8310053	4	PLAIN WASHER, 3/2	
224	1001155287	1	AC BELT SHIELD	

Go to Discount-Equipment.com to order your parts



# SECTION 6 - CAB

## FIGURE 6-16. VENTILATION HOSES AND VENTS



PU2451

FIGURE 6-16. VENTILATION HOSES AND VENTS

ITEM	PART NUMBER	QTY	DESCRIPTION	REV
	7301273	Ref	VENTILATION HOSES AND VENTS INSTALLATION, (not available to order, see items 1 thru 11 for service)	AC
1	7301457	1	AIR DUCT HOSE ASSY	
2	7301458	1	AIR DUCT HOSE ASSY	
3	7301476	1	T-SPLICE ADAPTER	
4	7301478	5	HOSE ADAPTER	
5	7301479	5	ROTATING/CLOSING LOUVER	
6	7301657	1	AIR DUCT HOSE ASSY	
7	7301658	2	AIR DUCT HOSE ASSY	
8	7301659	1	AIR DUCT HOSE ASSY	
9	7301660	2	EDGE MOULDING	
10	8310726	10	SELF TAPPING SCREW, OVAL COUNTERSUNK	
11	10720496	12	TIE WRAP	



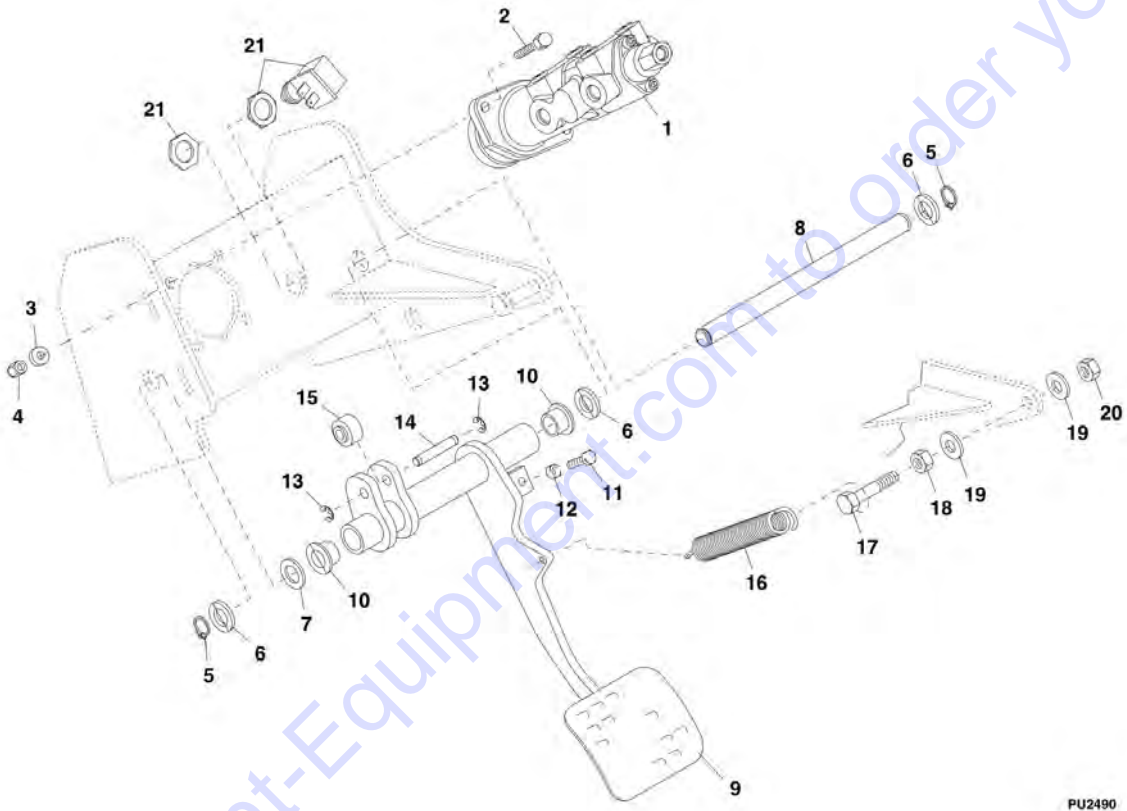


SECTION 7 - CONTROLS

Go to [Discount-Equipment.com](http://Discount-Equipment.com) to order your parts

# SECTION 7 - CONTROLS

## FIGURE 7-1. SERVICE BRAKE AND PEDAL ASSEMBLY



PU2490

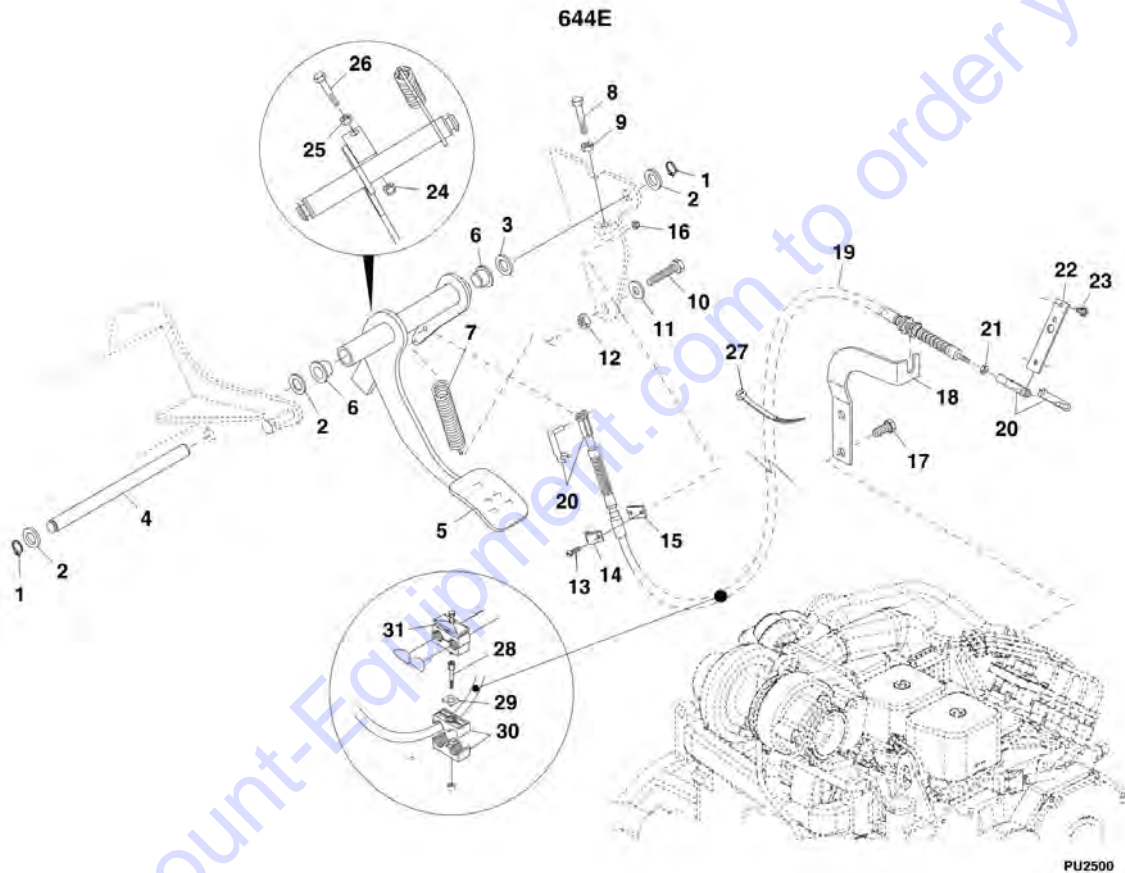
## SECTION 7 - CONTROLS

**FIGURE 7-1. SERVICE BRAKE AND PEDAL ASSEMBLY**

ITEM	PART NUMBER	QTY	DESCRIPTION	REV
1	8902316	1	BRAKE VALVE (644E-42 Prior to SN 0160039830, Excluding 0160036724, 0160036811, 0160036907 and 0160037012; 944E-42 Prior to SN 0160040124, Excluding 0160034634, 40160036710, 0160036722, 0160036735 and 0160036738)	AA
1	1001103493	1	BRAKE VALVE (644E-42 SN 0160039830 to Present, Excluding 0160036724, 0160036811, 40160036907 and 0160037012; 944E-42 SN 0160040124 to Present, Excluding 0160034634, 0160036710, 0160036722, 0160036735 and 0160036738)	
2	8310476	2	HEX HD CAPSCREW, M8X35, GR 8.8	
3	8307222	2	PLAIN WASHER, M8	
4	8305638	2	HEX LOCKNUT, M8X1.25	
5	8630020	2	SNAP RING, .75 INTERNAL HEAVY DUTY	
6	8310508	3	SHIM WASHER, .755X.075X1.25	
7	8310507	1	SHIM WASHER, .755X.048X1.25	
8	7139108	1	BRAKE PEDAL SHAFT	
9	7301066	1	BRAKE PEDAL ASSY, (includes items 10 thru 15)	
10	7300143	2	OILITE FLANGE BUSHING	
11	8303739	1	HEX HD CAPSCREW, 5/16-18X1-1/4, GR 5	
12	8310453	1	HEX NUT, 5/16-18, GR 5	
13	7300135	2	PIN CLIP	
14	7300136	1	SHAFT PIN	
15	7300137	1	ROLLER, 1 DIA	
16	8700125	1	EXTENSION SPRING, 1.00ODX7.12 LG	
17	8303261	1	HEX HD CAPSCREW, M12X100, GR 8.8	
18	8305044	1	HEX NUT, M12	
19	8307220	2	PLAIN WASHER, M12-1.75	
20	8310625	1	HEX LOCKNUT, M12-1.75	
21	8223238	1	STABIL-TRAK SWITCH	

## SECTION 7 - CONTROLS

FIGURE 7-2. THROTTLE GROUP INSTALLATION (644E-42 SN 17569 through 20115, SN 0160002519 through 0160003672, Excluding 19557 and 0160003489)



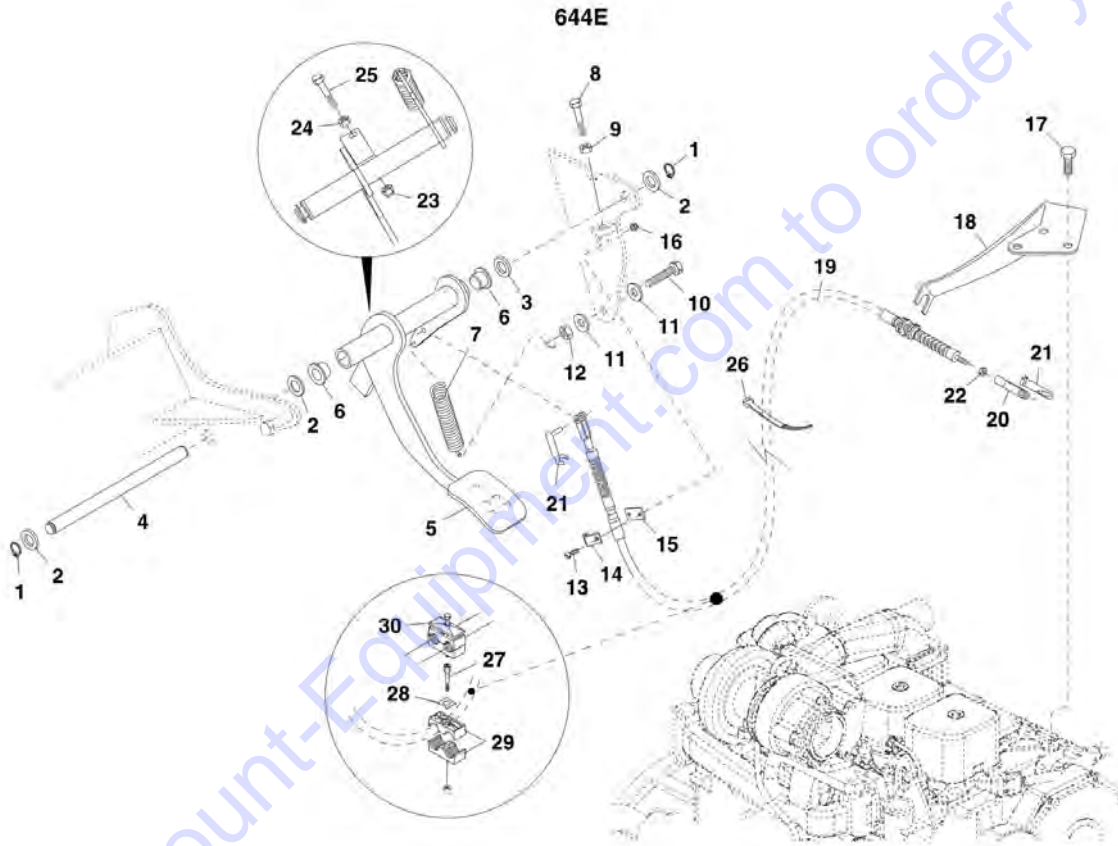
## SECTION 7 - CONTROLS

**FIGURE 7-2. THROTTLE GROUP INSTALLATION (644E-42 SN 17569 through 20115, SN 0160002519 through 0160003672, Excluding 19557 and 0160003489)**

ITEM	PART NUMBER	QTY	DESCRIPTION	REV
1	8630020	2	SNAP RING, 0.75 INTERNAL HEAVY DUTY	
2	8310508	3	SHIM WASHER, .755X.075X1.25	
3	8310507	1	SHIM WASHER, .755X.048X1.25	
4	7139108	1	THROTTLE PEDAL SHAFT	
5	7151285	1	ACCELERATOR PEDAL, (includes item 6)	AB
6	7300143	2	OILITE FLANGE BUSHING	
7	8700126	1	EXTENSION SPRING, 1.00 ODX7.23 LG	
8	8310716	1	HEX HD CAPSCREW, M8X55, GR8.8	
9	8305043	1	HEX NUT, M8-1.25	
10	8303624	1	HEX HD CAPSCREW, 1/2-13X1, GR5	
11	8307112	1	PLAIN WASHER, 1/2	
12	8310746	1	COUPLING NUT, 1/2-13X1.25	
13	8303837	2	PAN HEAD SCREW, #10-24X3/4	
14	10114383	1	CABLE CLAMP	
15	10116401	1	SHIM, CABLE CLAMP SPACER	
16	8310085	2	HEX LOCKNUT, #10-24	
17	8303790	2	HEX HD CAPSCREW, M12X30, GR8.8	
18	7300682	1	THROTTLE CABLE BRACKET	
19	8160102	1	THROTTLE CABLE, (includes 1 of item 20)	
20	10138818	2	YOKE END WITH SPRING PIN	
21	8305402	1	HEX JAM NUT, 1/4	
22	7127091	1	THROTTLE LEVER EXTENSION	
23	8303799	2	HEX HD CAPSCREW, M6X14, GR8.8	
24	8305630	1	HEX LOCKNUT, M10-1.5	
25	8305038	1	HEX NUT, M10-1.5	
26	8310715	1	HEX HD CAPSCREW, M10X55, GR8.8	
27	8584003	AR	TIE WRAP	
28	8750039	1	STACKING BOLT	
29	8750017	1	LOCKING PLATE	
30	8750024	1	CLAMP SET	
31		Ref	HOSE CLAMP, (See HYDRAULIC CIRCUITS SECTION for Breakdown)	

# SECTION 7 - CONTROLS

FIGURE 7-3. THROTTLE GROUP INSTALLATION (644E-42 SN 0160003690 through 0160043356, Including 19557, 20118 and 0160003489)



PAP12210

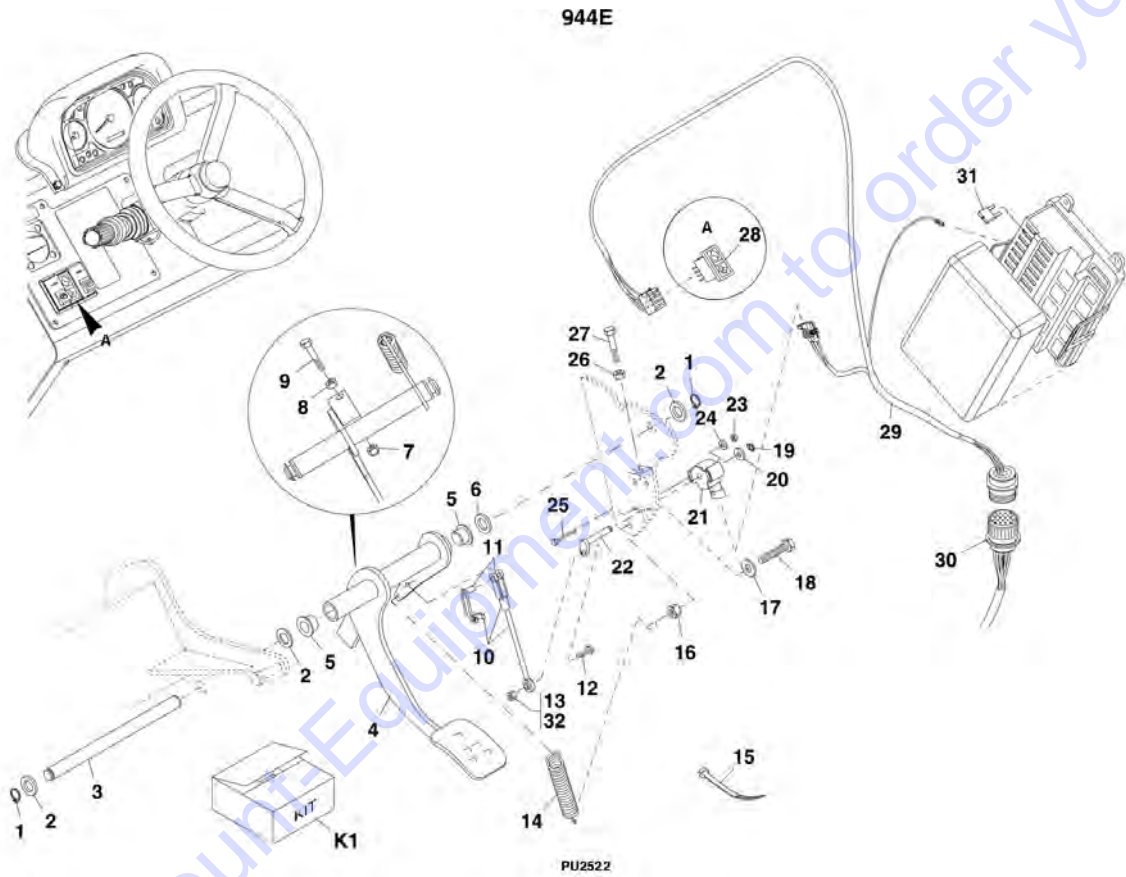
## SECTION 7 - CONTROLS

**FIGURE 7-3. THROTTLE GROUP INSTALLATION (644E-42 SN 0160003690 through 0160043356, Including 19557, 20118 and 0160003489)**

ITEM	PART NUMBER	QTY	DESCRIPTION	REV
1	8630020	2	SNAP RING, 0.75 INTERNAL HEAVY DUTY	
2	8310508	3	SHIM WASHER, 755X0.075X1.25	
3	8310507	1	SHIM WASHER, 755X0.048X1.25	
4	7139108	1	THROTTLE PEDAL SHAFT	
5	7151285	1	ACCELERATOR PEDAL, (includes item 6)	
6	7300143	2	OILITE FLANGE BUSHING	
7	8700126	1	EXTENSION SPRING, 1.00 ODX7.23 LG	
8	8310716	1	HEX HD CAPSCREW, M8X55, GR8.8	
9	8305043	1	HEX NUT, M8X1.25	
10	8303785	1	HEX HD CAPSCREW, M12X45, GR8.8	
11	8307220	2	PLAIN WASHER, 12mm	
12	8305044	1	HEX LOCKNUT, M12X1.75	
13	8303837	2	PAN HEAD SCREW, #10-24X3/4	
14	10114383	1	CABLE CLAMP	
15	10116401	1	SHIM, CABLE CLAMP SPACER	
16	8310085	2	HEX LOCKNUT, #10-24	
17	8310628	3	HEX HD CAPSCREW, M10X14, GR8.8	
18	7302331	Ref	THROTTLE CABLE BRACKET, (not available to order, use 1001127467 for replacement)	
18	1001127467	1	THROTTLE CABLE BRACKET	
19	8160103	1	THROTTLE CABLE, (includes 1 of item 20)	
20	10138818	2	YOKE END WITH SPRING PIN, (includes item 21)	
21	8310695	1	SPRING PIN	
22	8305402	1	HEX JAM NUT, 1/4	
23	8305630	1	HEX LOCKNUT, M10X1.5	
24	8305038	1	HEX NUT, M10X1.5	
25	8310715	1	HEX HD CAPSCREW, M10X55, GR8.8	
26	8584003	AR	TIE WRAP	
27	8750039	1	STACKING BOLT	
28	8750017	1	LOCKING PLATE	
29	8750024	1	CLAMP SET	
30		Ref	HOSE CLAMP, (See HYDRAULIC CIRCUITS SECTION for Breakdown)	

# SECTION 7 - CONTROLS

FIGURE 7-4. THROTTLE GROUP INSTALLATION (944E-42 SN 17569 through 20123, SN 0160002514 through 0160016057)





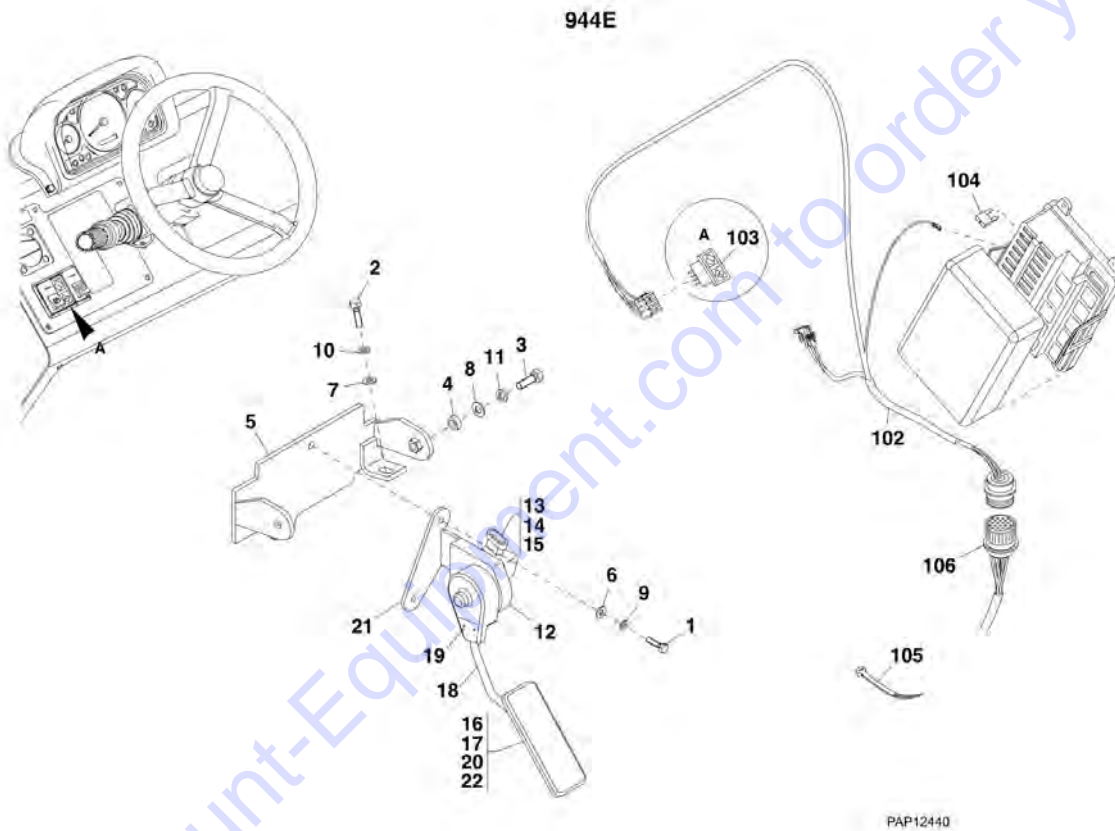
## SECTION 7 - CONTROLS

**FIGURE 7-4. THROTTLE GROUP INSTALLATION (944E-42 SN 17569 through 20123, SN 0160002514 through 0160016057)**

ITEM	PART NUMBER	QTY	DESCRIPTION	REV
		Ref	THROTTLE PEDAL ASSEMBLY, (no longer available, use Kit K1 for replacement or items 1 thru 9, 14, 16, 17, 18, 26 & 27 for service)	
1	8630020	2	HEAVY DUTY SNAP RING, 0.75 INTERNAL	
2	8310508	3	SHIM WASHER, 755X.075X1.25	
3	7139108	1	THROTTLE PEDAL SHAFT	
4	7151285	1	ACCELERATOR PEDAL, (includes item 5)	
5	7300143	2	OILITE FLANGE BUSHING	
6	8310507	1	SHIM WASHER, 0.755X.048X1.25	
7	8305630	1	HEX LOCKNUT, M10X1.5	
8	8305038	1	HEX NUT, M10X1.5	
9	8310715	1	HEX HD CAPSCREW, M10X55, GR8.8	
10	7301394	1	THROTTLE LINKAGE ASSY, (includes item 11)	
11	10138818	1	YOKE END WITH SPRING PIN	
12	8303005	1	HEX HD CAPSCREW, 0.25-20X.875, GR5	
13	8305624	1	HEX LOCKNUT, 0.25-20	
14	8700126	1	EXTENSION SPRING, 1.00 ODX7.23 LG	
15	8584003	AR	TIE WRAP	
16	8310746	1	COUPLING NUT, 1/2-13X1.25	
17	8307112	1	PLAIN WASHER, 12mm	
18	8303624	1	HEX HD CAPSCREW, 1/2-13X1, GR5	
19	8630027	1	EXTERNAL SNAP RING, 5/16	
20	8307202	1	PLAIN WASHER, 0.25	
21	7301392	1	THROTTLE SENSOR, ROTARY POSTION	
22	7301393	1	ROTARY POSITION SENSOR LEVER	
23	8310410	2	HEX LOCKNUT, #8-32	
24	8310732	2	PLAIN WIDE WASHER, 0.188	
25	8310728	2	HEX HD CAPSCREW, #8-32X1.5	
26	8305043	1	HEX NUT, M8X1.25	
27	8310716	1	HEX HD CAPSCREW, M8X55, GR8.8	
28	8223081	1	ECM SWITCH INDICATOR	
29	7301413	1	ECM CAB HARNESS	
30		Ref	ECM POWER HARNESS, (See ELECTRICAL SECTION for Breakdown)	
31		Ref	FUSE, (See ELECTRICAL SECTION for Breakdown)	
32	0100011	AR	LOCTITE 242, (apply to item 13)	
K1	2915158	1	THROTTLE PEDAL FIELD KIT, (includes items 4341154, Throttle Pedal Assy and 4923349, Jumper Harness), (See THROTTLE GROUP INSTALLATION for Breakdown) <b>(SN 0160016083 to Present)</b>	

# SECTION 7 - CONTROLS

FIGURE 7-5. THROTTLE GROUP INSTALLATION (944E-42 SN 0160016083 through 0160041849, Excluding 0160041827)



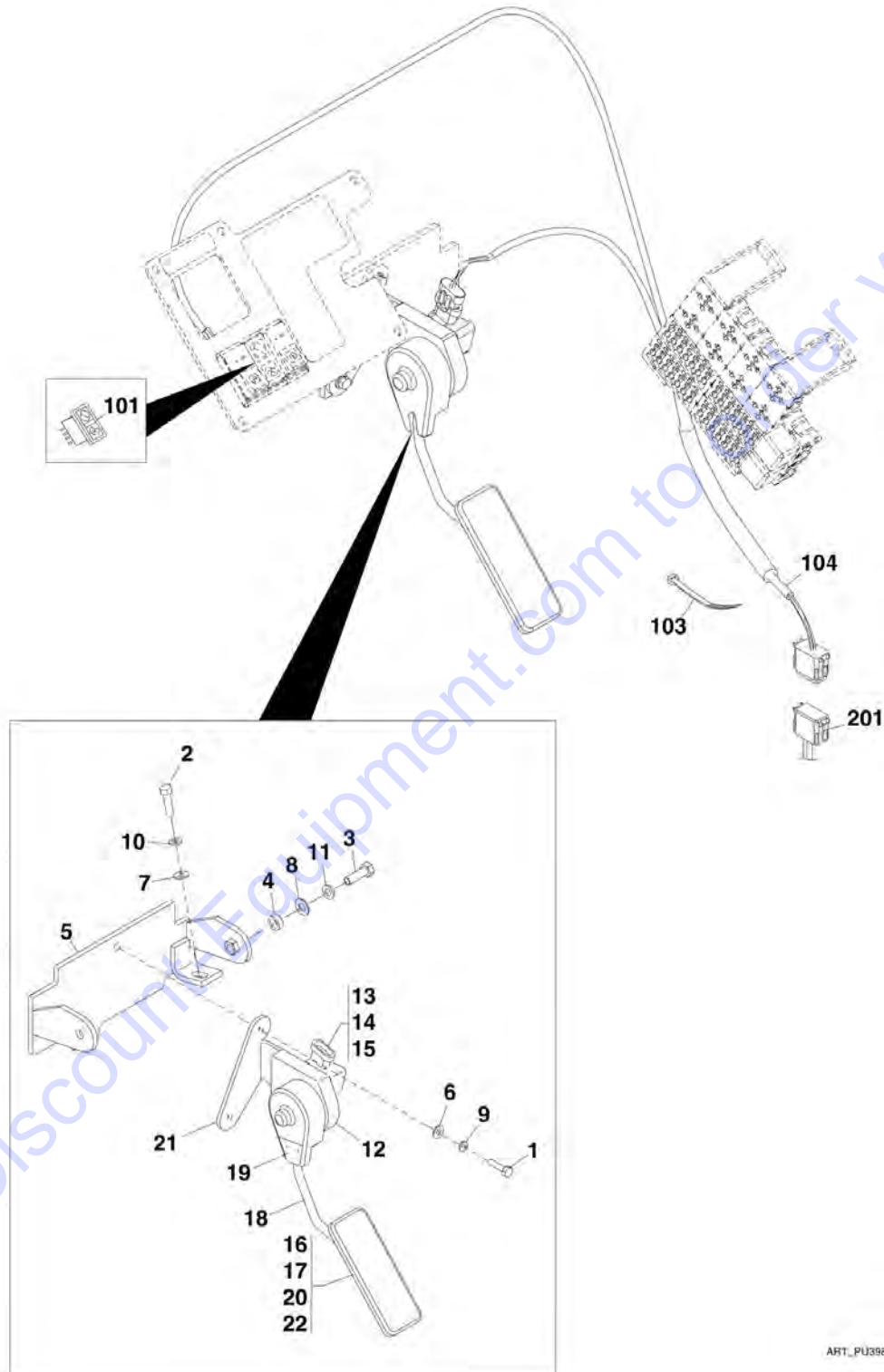
## SECTION 7 - CONTROLS

**FIGURE 7-5. THROTTLE GROUP INSTALLATION (944E-42 SN 0160016083 through 0160041849, Excluding 0160041827)**

ITEM	PART NUMBER	QTY	DESCRIPTION	REV
	4341154	Ref	THROTTLE PEDAL INSTALLATION, (not available to order, see items 1 thru 22 for service)	A
1	0541408	2	HEX HD CAPSCREW, 1/4-20X1	
2	0641509	1	HEX HD CAPSCREW, 5/16-18X1-1/8, GR5	
3	0641609	2	HEX HD CAPSCREW, 3/8-16X1-1/8, GR5	
4	3576286	2	SPACER	
5	4341156	1	WELDMENT	
6	4711400	2	WASHER, 1/4	
7	4711500	1	WASHER, 5/16	
8	4711600	2	WASHER, 3/8	
9	4761400	2	WASHER, 1/4	
10	4761500	1	WASHER, 5/16	
11	4761600	2	WASHER, 3/8	
12	80383410	1	ELECTRIC THROTTLE PEDAL, (includes items 13 thru 22)	
13	70020551	1	SENSOR KIT	
14	N.S.S.	2	SCREW	
15	N.S.S.	1	SENSOR	
16	70023325	1	PEDAL KIT, (includes items 17 thru 22)	
17	N.S.S.	1	SPRING	
18	7026481	1	PEDAL ARM	
19	N.S.S.	1	CLAMP	
20	N.S.S.	1	PEDAL PIN	
21	N.S.S.	1	BRACKET	
22	N.S.S.	2	SCREW	
	7301446	Ref	CAB ELECTRICAL INSTALLATION, (not available to order, see items 102 thru 105 for service)	E
102	4923344	1	ECM CAB HARNESS ( <b>Prior to SN 0160036242</b> )	
102	1001103216	1	ECM CAB HARNESS ( <b>SN 0160036242 through 0160041849, Excluding 0160041827</b> )	
103	8223081	1	ECM INDICATOR	
104		Ref	FUSE, 3 AMP, (See ELECTRICAL SECTION for Breakdown)	
105	8584001	6	TIE WRAP	
106		Ref	ECM POWER HARNESS, (See ELECTRICAL SECTION for Breakdown) ( <b>944E-42 Prior to SN 0160041827</b> )	

# SECTION 7 - CONTROLS

FIGURE 7-6. THROTTLE GROUP INSTALLATION (644E-42 SN 0160048717 to Present, Including 0160045421; 944E-42 SN 0160041827 to Present, Excluding 0160041849)



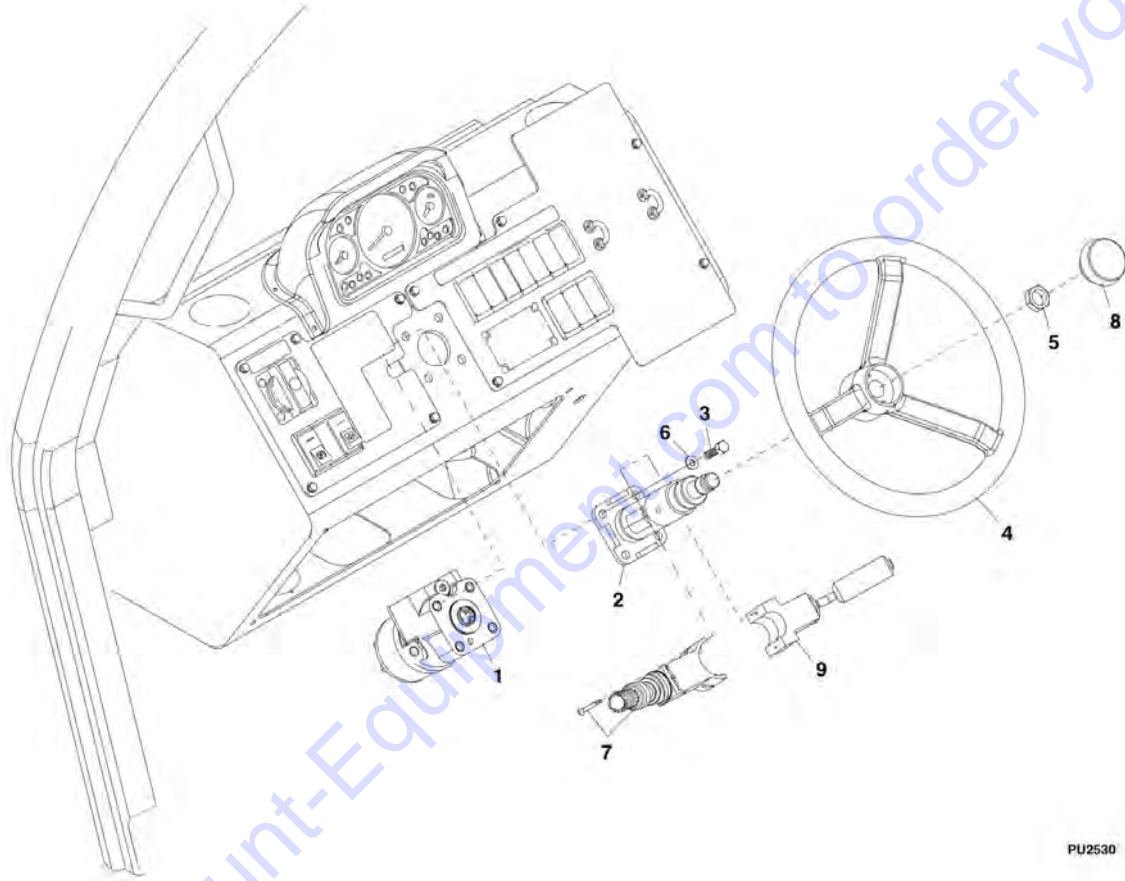
## SECTION 7 - CONTROLS

**FIGURE 7-6. THROTTLE GROUP INSTALLATION (644E-42 SN 0160048717 to Present, Including 0160045421; 944E-42 SN 0160041827 to Present, Excluding 0160041849)**

ITEM	PART NUMBER	QTY	DESCRIPTION	REV
	4341154	Ref	THROTTLE PEDAL INSTALLATION, (not available to order, see items 1 thru 22 for service)	A
1	0541408	2	HEX HD CAPSCREW, 1/4-20X1	
2	0641509	1	HEX HD CAPSCREW, 5/16-18X1-1/8, GR5	
3	0641609	2	HEX HD CAPSCREW, 3/8-16X1-1/8, GR5	
4	3576286	2	SPACER	
5	4341156	1	WELDMENT	
6	4711400	2	WASHER, 1/4	
7	4711500	1	WASHER, 5/16	
8	4711600	2	WASHER, 3/8	
9	4761400	2	WASHER, 1/4	
10	4761500	1	WASHER, 5/16	
11	4761600	2	WASHER, 3/8	
12	80383410	1	ELECTRIC THROTTLE PEDAL, (includes items 13 thru 22)	
13	70020551	1	SENSOR KIT	
14	N.S.S.	2	SCREW	
15	N.S.S.	1	SENSOR	
16	70023325	1	PEDAL KIT, (includes items 17 thru 22)	
17	N.S.S.	1	SPRING	
18	7026481	1	PEDAL ARM	
19	N.S.S.	1	CLAMP	
20	N.S.S.	1	PEDAL PIN	
21	N.S.S.	1	BRACKET	
22	N.S.S.	2	SCREW	
	1001120703	Ref	CAB ELECTRICAL INSTALLATION, (not available to order, see items 101 thru 104 for service)	C
101	8223081	1	ECM INDICATOR	
103	8584001	6	TIE WRAP	
104		Ref	ECM CAB HARNESS, (See ELECTRICAL SECTION for Breakdown)	
201		Ref	ECM POWER HARNESS	

# SECTION 7 - CONTROLS

## FIGURE 7-7. STEERING COLUMN



PU2530

## SECTION 7 - CONTROLS

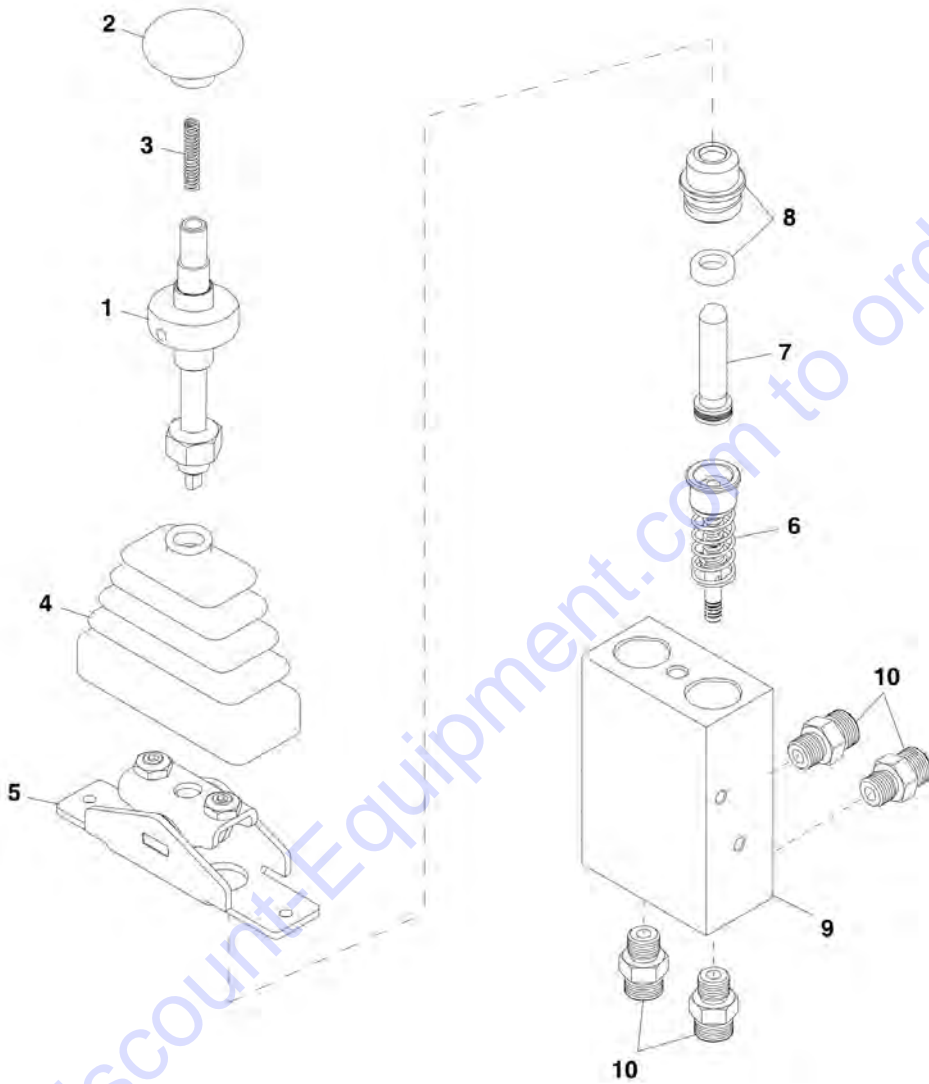
**FIGURE 7-7. STEERING COLUMN**

ITEM	PART NUMBER	QTY	DESCRIPTION	REV
1	7300409	1	STEER ORBITAL VALVE ASSY	
2	7138833	1	STEERING COLUMN	
3	8303621	4	HEX HD CAPSCREW, 3/8-16X1-1/2, GR5	
4	7138836	1	STEERING WHEEL	
4	7029367	1	HORN BRUSH KIT	
5	8305916	1	STEERING WHEEL NUT	
6	8307110	4	WASHER, 3/8	
7		Ref	SELECTOR TRANSMISSION CONTROL, (See ELECTRICAL SECTION for Breakdown)	
8		Ref	HORN BUTTON SWITCH, (See ELECTRICAL SECTION for Breakdown)	
9		Ref	TURN SIGNAL CONTROL SELECTOR, (See OPTIONS SECTION for Breakdown)	

Go to Discount-Equipment.com to order your parts

# SECTION 7 - CONTROLS

## FIGURE 7-8. FRAME LEVEL CONTROL VALVE ASSEMBLY



PU2540



## SECTION 7 - CONTROLS

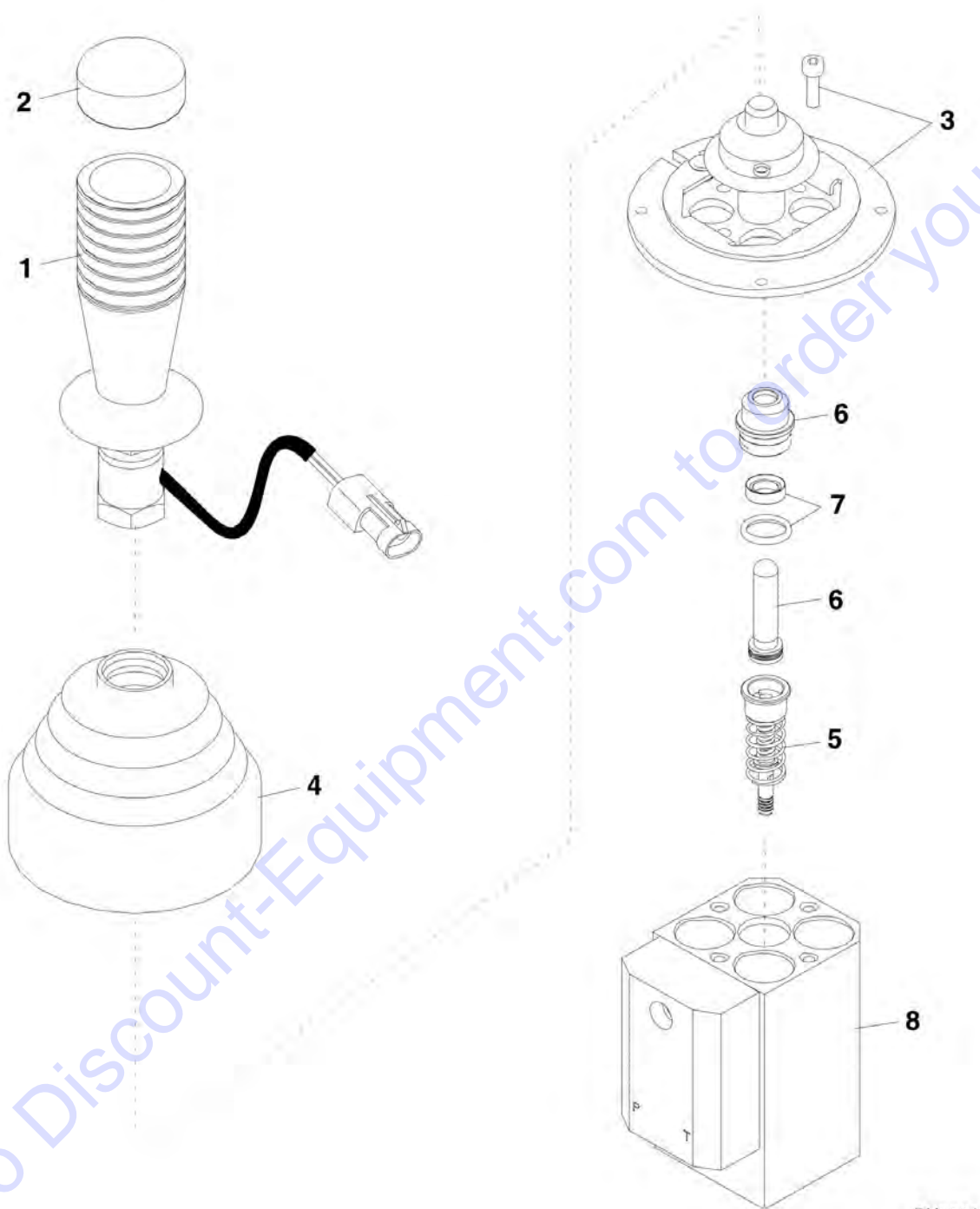
**FIGURE 7-8. FRAME LEVEL CONTROL VALVE ASSEMBLY**

ITEM	PART NUMBER	QTY	DESCRIPTION	REV
	8902309	1	FRAME LEVEL CONTROLLER, (includes all items)	AA
1	8036613	1	HANDLE ASSEMBLY, (includes items 2 thru 4)	
1	8036616	1	SET SCREW	
2	8036614	1	KNOB	
3	8036615	1	SPRING	
4	8036617	1	BOOT	
5	8036618	1	JOINT MECHANISM ASSEMBLY, (includes mounting bolt)	
6	8036619	1	CAPSULE ASSEMBLY, (includes item 7)	
7	7029419	1	PLUNGER ASSEMBLY, (includes item 8)	
8	8036620	1	PLUNGER SEAL KIT	
9	N.S.S.	1	VALVE BODY	
10	2110606	4	CONNECTOR	

Go to Discount-Equipment.com to order your parts

# SECTION 7 - CONTROLS

## FIGURE 7-9. JOYSTICK CONTROL VALVE ASSEMBLY



PU2551

## SECTION 7 - CONTROLS

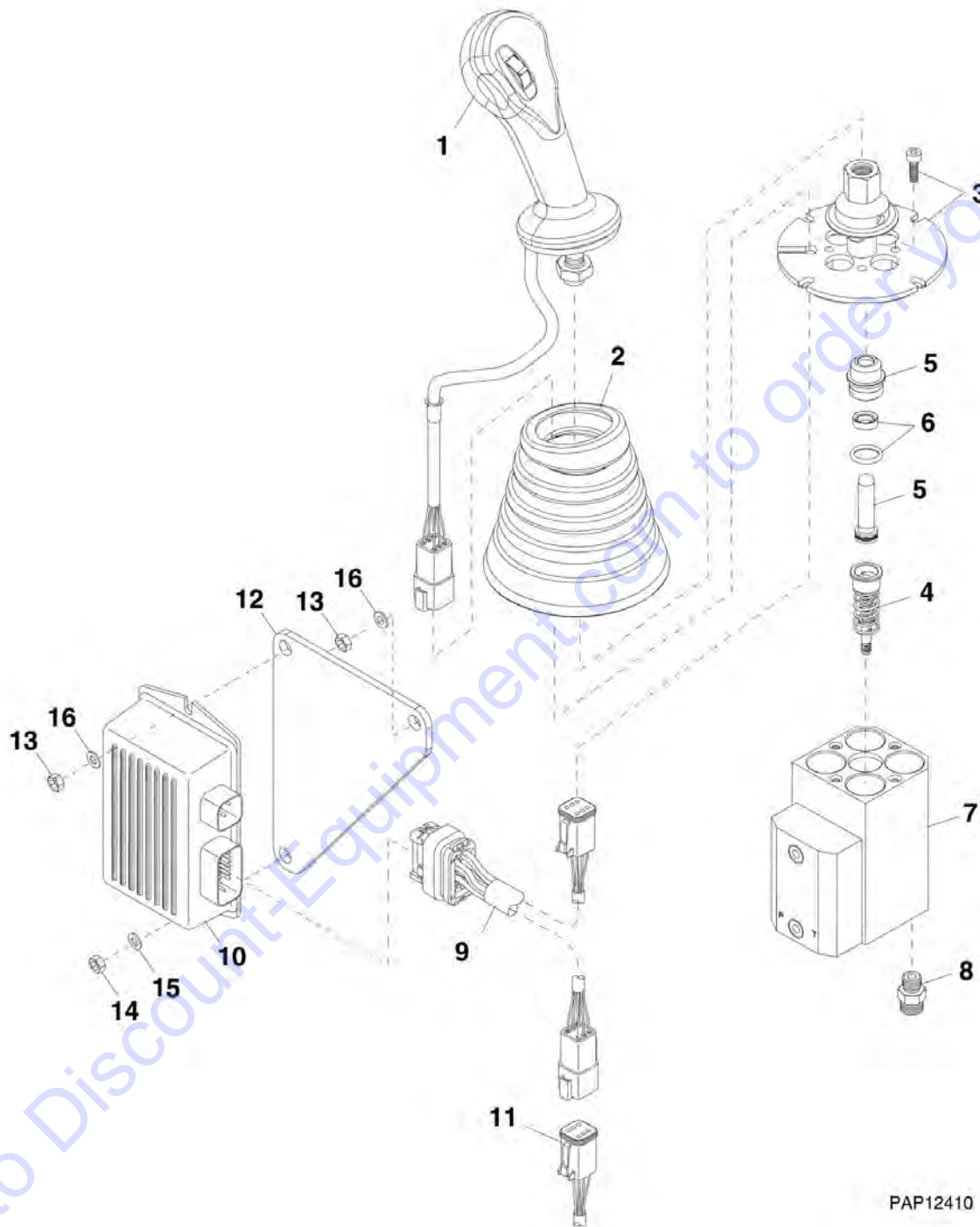
**FIGURE 7-9. JOYSTICK CONTROL VALVE ASSEMBLY**

ITEM	PART NUMBER	QTY	DESCRIPTION	REV
	8902330	1	JOYSTICK CONTROL VALVE ASSY, (includes all items)	B
1	8036621	1	HANDLE ASSY w/SWITCH, (includes item 2)	
2	8036625	1	BUTTON COVER	
3	8036622	1	JOINT ASSY, (includes item 4)	
4	8036623	1	BOOT	
5	8036624	4	CAPSULE ASSY, (includes item 6)	
6	7029419	1	PLUNGER ASSY, (includes item 7)	
7	8036620	1	PLUNGER SEAL KIT	
8		Ref	VALVE BODY	

Go to Discount-Equipment.com to order your parts

# SECTION 7 - CONTROLS

## FIGURE 7-10. JOYSTICK CONTROL VALVE ASSEMBLY, (SINGLE)



## SECTION 7 - CONTROLS

**FIGURE 7-10. JOYSTICK CONTROL VALVE ASSEMBLY, (SINGLE)**

ITEM	PART NUMBER	QTY	DESCRIPTION	REV
	8902335	1	JOYSTICK CONTROL VALVE ASSY, (single), (includes items 1 thru 10)	B
1	N.S.S.	1	HANDLE ASSY WITH SWITCH	
2	8036805	1	BOOT	
3	8036807	1	JOINT ASSY	
4	8036624	4	CAPSULE ASSY, (includes item 5)	
5	7029419	1	PLUNGER ASSY, (includes item 6)	
6	8036620	1	PLUNGER SEAL KIT	
7	N.S.S.	1	VALVE BODY	
8	2110606	6	HOSE CONNECTOR	
9	7301810	1	JUMPER HARNESS	
10	7301809	1	JOYSTICK CONTROLLER	
11		Ref	ELECTRICAL COMPONENTS, (See ELECTRICAL SECTION for Breakdown)	
12	7301808	1	JOYSTICK CONTROLLER BRACKET	
13	8305047	2	HEX NUT, M6X1.0, (torque to 5.2-9.2 lb-ft/7-12.5 Nm)	
14	8310188	1	HEX NUT, M5X0.80, (torque to 3.0-5.5 lb-ft/4.1-7.5 Nm)	
15	8310390	1	PLAIN WASHER, M5	
16	8307219	2	PLAIN WASHER, M6	

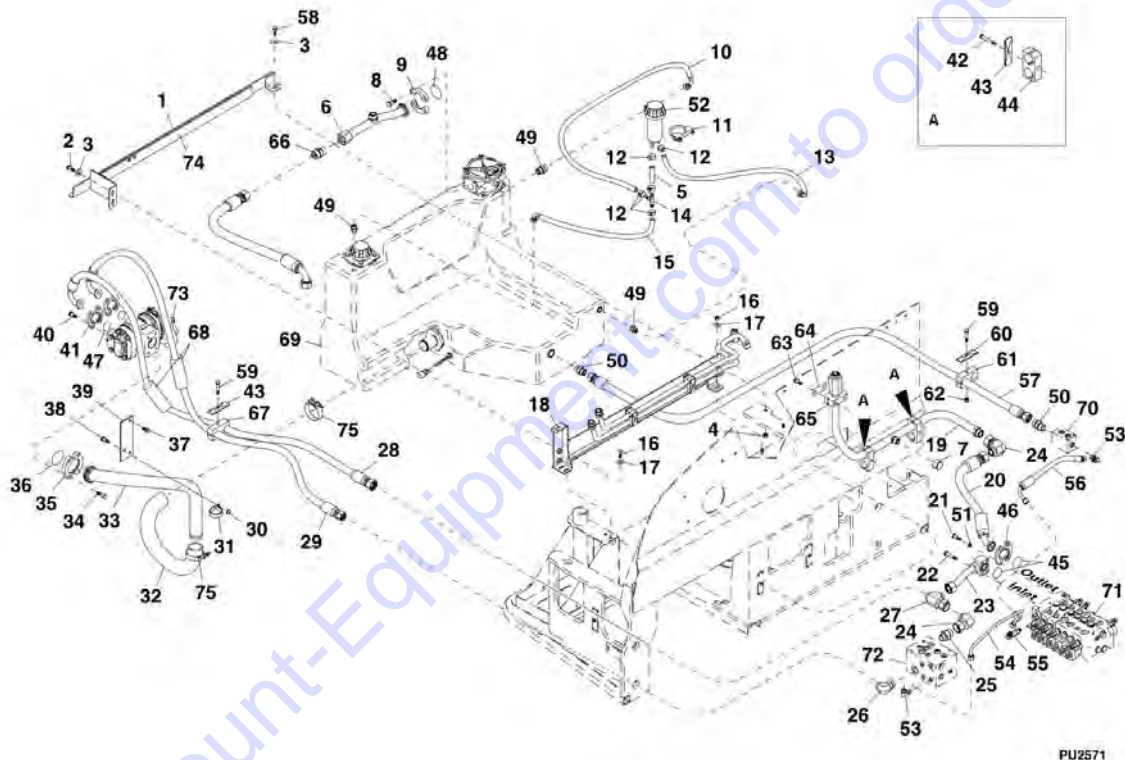


**SECTION 8 - HYDRAULIC CIRCUITS**

Go to [Discount-Equipment.com](http://Discount-Equipment.com) to order your parts

# SECTION 8 - HYDRAULIC CIRCUITS

FIGURE 8-1. PUMP, SUCTION AND RETURN (644E-42 SN 17569 through 20123, SN 0160002514 through 0160003108; 944E-42 SN 17569 through 20123, SN 0160002514 through 0160003140)



PU2571



## SECTION 8 - HYDRAULIC CIRCUITS

**FIGURE 8-1. PUMP, SUCTION AND RETURN (644E-42 SN 17569 through 20123, SN 0160002514 through 0160003108; 944E-42 SN 17569 through 20123, SN 0160002514 through 0160003140)**

ITEM	PART NUMBER	QTY	DESCRIPTION	REV
1	7301772	1	HYDRAULIC TANK SUPPORT BRACKET, (includes item 74)	AA
2	8303790	2	HEX HD CAPSCREW, M12X30, GR8.8	
3	8307220	4	FLAT WASHER, 12mm	
4	8305044	2	HEX NUT, M12X1.75	
5	2717029	1	SPECIAL HOSE	
6	7300484	1	TUBE ASSEMBLY	
7	2170912	1	CAP	
8	8310414	4	HEX HD CAPSCREW, 1/2-13X1-1/2, GR8	
9	8530036	2	FLANGE HALF	
10	2717031	1	SPECIAL HOSE	
11	8275212	1	MUFFLER CLAMP, 2-1/2IN U TYPE	
12	8410009	5	HOSE CLAMP, TYPE F	
13	2717032	1	SPECIAL HOSE	
14	8430099	1	BARBED HOSE TEE, FOR 1/2 ID HOSE	
15	2717030	1	SPECIAL HOSE	
16	8303798	2	HEX HD CAPSCREW, M10X25, GR8.8	
17	8307221	2	FLAT WASHER, 10mm	
18		Ref	HYDRAULIC TANK RETAINER ASSEMBLY, (See TILT COMPENSATION CYLINDER for Breakdown)	
19	7300732	1	TUBE ASSEMBLY	
20	2716934	1	HOSE ASSEMBLY	
21	8303675	4	HEX HD CAPSCREW, 3/8-16X1-1/4	
22	3931632	4	HEX HD CAPSCREW, 3/8-16X2	
23	7300998	1	TUBE ASSEMBLY	
24	2172116	2	ELBOW, 90, (swivel nut)	
25	2111612	1	STRAIGHT FITTING	
26	2131212	1	ELBOW, 90	
27	8770214	1	SWIVEL RUN TEE	
28	2716937	1	HOSE ASSEMBLY	
29	2716936	1	HOSE ASSEMBLY	
30	8305654	1	HEX LOCKNUT, M8X1.25	
31	8410001	1	TUBE CLIP, 2.0	
32	2716911	1	SPECIAL HOSE	
33	7300485	1	TUBE ASSEMBLY	
34	8303626	4	HEX HD CAPSCREW, 1/2-13X1-1/2	
35	8546407	2	FLANGE HALF	
36	8640208	1	O-Ring	
37	8303784	2	HEX HD CAPSCREW, M10X20, GR8.8	
38	8310623	1	CARRIAGE BOLT, M8X25, GR8.8	
39	7300969	1	TUBE CLAMP BRACKET	
40	8303675	8	HEX HD CAPSCREW, 3/8-16X1-1/4	
41	8530035	4	FLANGE HALF	
42	8303550	2	HEX HD CAPSCREW, M8X60, GR8.8	
43	8750025	3	TWIN CLAMP COVER	
44	8750022	2	CLAMP	
45	8640123	2	O-RING	
46	8530030	2	FLANGE HALF	
47	8630008	2	O-RING	
48	8630009	1	O-RING	

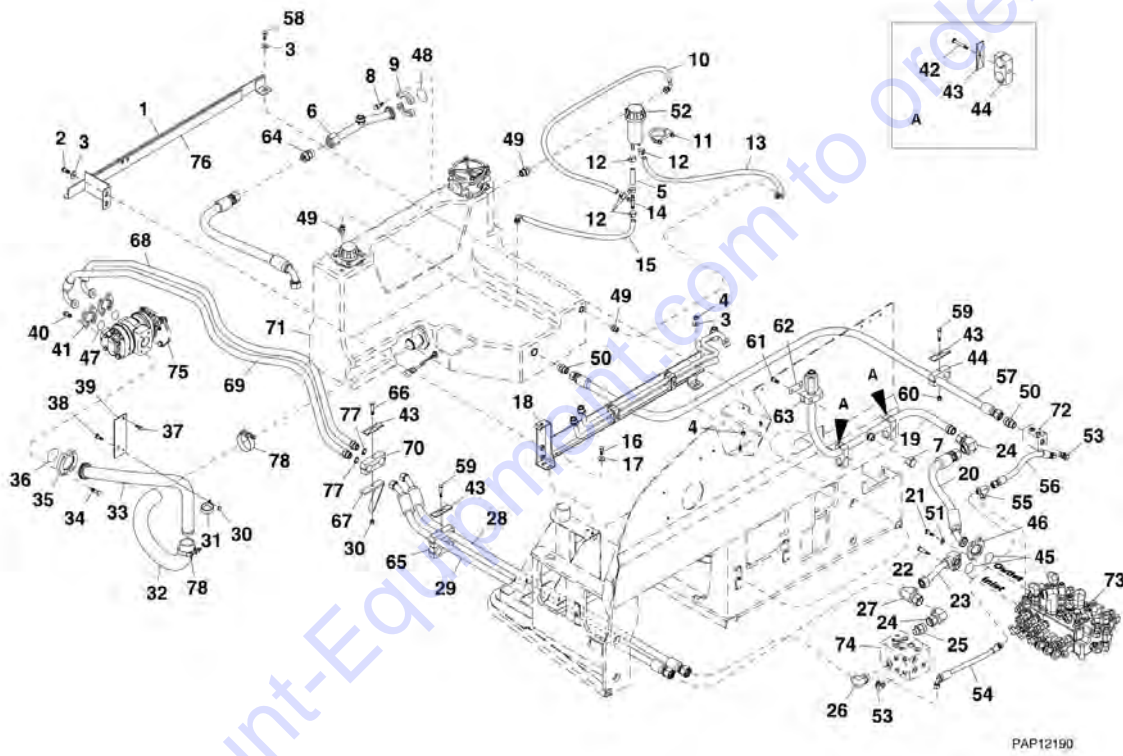
## SECTION 8 - HYDRAULIC CIRCUITS

ITEM	PART NUMBER	QTY	DESCRIPTION	REV
49	2110808	3	CONNECTOR	
50	2111212	2	STRAIGHT FITTING, (torque to 125-135 lb-ft)	
51	8307005	4	LOCKWASHER, 3/8	
52	7139980	1	BREATHER ASSEMBLY	
53	2130606	2	ELBOW, 90	
54	7301030	1	UNFILTERED TEE TUBE ASSEMBLY	
55	8770154	1	ELBOW, 90	
56	2716974	1	HOSE ASSEMBLY	
57	2717204	1	HOSE ASSEMBLY	
58	8310164	1	HEX HD CAPSCREW, M12X40, GR8.8	
59	8303528	2	HEX HD CAPSCREW, M8X65, GR8.8 (644E-42 SN 19483 through 20118; 944E-42 SN 0160002519 through 0160003140)	
60	8750025	1	TWIN CLAMP COVER (644E-42 SN 19483 through 20118; 944E-42 SN 0160002519 through 0160003140)	
61	8750022	1	TWIN CLAMP SET, 1.26 DIA (644E-42 SN 19483 through 20118; 944E-42 SN 0160002519 through 0160003140)	
62	8750043	1	RAIL NUT, M8	
63	8303703	2	HEX HD CAPSCREW, 1/4-20X2-1/2, GR5	
64	8750001	1	SINGLE COVER PLATE	
65	8750005	1	SINGLE CLAMP SET, 1.25 DIA	
66	8902856	1	CHECK VALVE, 1	
67	8750024	1	TWIN CLAMP SET, 1.10 DIA	
69		Ref	HYDRAULIC TANK ASSEMBLY, (See HYDRAULIC COMPONENT SECTION for Breakdown)	
70	7300778	1	MANIFOLD VALVE	
71		Ref	MAIN CONTROL VALVE, (See HYDRAULIC COMPONENT SECTION for Breakdown)	
72		Ref	ACCUMULATOR CHARGE VALVE, (See HYDRAULIC COMPONENT SECTION for Breakdown)	
73		Ref	GEAR PUMP, (See HYDRAULIC COMPONENT SECTION for Breakdown)	
74	8581036	1	FOAM STRIP	
75	8405209	2	T-BOLT CLAMP	



# SECTION 8 - HYDRAULIC CIRCUITS

FIGURE 8-2. PUMP, SUCTION AND RETURN (644E-42 SN 0160003109 to Present, Including 0160043356; 944E-42 SN 0160003141 to Present, Including 0160041823)



## SECTION 8 - HYDRAULIC CIRCUITS

**FIGURE 8-2. PUMP, SUCTION AND RETURN (644E-42 SN 0160003109 to Present, Including 0160043356; 944E-42 SN 0160003141 to Present, Including 0160041823)**

ITEM	PART NUMBER	QTY	DESCRIPTION	REV
1	7301772	1	HYDRAULIC TANK SUPPORT BRACKET, (includes item 76)	AA
2	8303790	2	HEX HD CAPSCREW, M12X30, GR8.8	
3	8307220	4	PLAIN WASHER, 12mm	
4	8305044	2	HEX NUT, M12X1.75	
5	2717029	1	SPECIAL HOSE	
6	3460440	1	TUBE ASSEMBLY	
7	2170912	1	CAP	
8	0681812	4	HEX HD CAPSCREW, 1/2-13X1-1/2	
9	8530036	2	FLANGE HALF	
10	2717031	1	SPECIAL HOSE	
11	8275212	1	MUFFLER CLAMP, 2-1/2 U TYPE	
12	8410009	5	HOSE CLAMP, TYPE F	
13	2717032	1	SPECIAL HOSE	
14	8430099	1	BARBED HOSE TEE, 1/2 ID HOSE	
15	2717030	1	SPECIAL HOSE	
16	8303798	2	HEX HD CAPSCREW, M10X25, GR8.8	
17	8307221	2	FLAT WASHER, M10	
18		Ref	HYDRAULIC TANK RETAINER ASSEMBLY, (See TRANSMISSION OIL COLLER ASSEMBLY for Breakdown)	
19	7300732	1	TUBE ASSEMBLY	
20	2716934	1	HOSE ASSEMBLY	
21	8303675	4	HEX HD CAPSCREW, 3/8-16X1-1/4	
22	3931632	4	HEX HD CAPSCREW, 3/8-16X2	
23	7301843	1	TUBE ASSEMBLY	
24	2172116	2	ELBOW, 90, (swivel nut)	
25	2111612	1	STRAIGHT FITTING	
26	2131212	1	ELBOW, 90	
27	2170716	1	SWIVEL RUN TEE	
28	2717289	1	HOSE ASSEMBLY	
29	2717288	1	HOSE ASSEMBLY	
30	8305654	2	HEX LOCKNUT, M8X1.25	
31	8410001	1	TUBE CLIP, 2.0	
32	2716911	1	SPECIAL HOSE	
33	7300485	1	TUBE ASSEMBLY	
34	8303626	4	HEX HD CAPSCREW, 1/2-13X1-1/2, GR5	
35	10717672	2	FLANGE HALF	
36	8640208	1	O-RING	
37	8303784	2	HEX HD CAPSCREW, M10X20, GR8.8	
38	8310623	1	CARRIAGE BOLT, M8X25, GR8.8	
39	7300969	1	TUBE CLAMP BRACKET	
40	8303675	8	HEX HD CAPSCREW, 3/8-16X1-1/4	
41	8530035	4	FLANGE HALF	
42	8303550	2	HEX HD CAPSCREW, M8X60, GR8.8	
43	8750025	5	TWIN CLAMP COVER	
44	8750022	3	CLAMP	
45	8640123	2	O-RING	
46	8530030	2	FLANGE HALF	
47	8630008	2	O-RING	
48	8630009	1	O-RING	

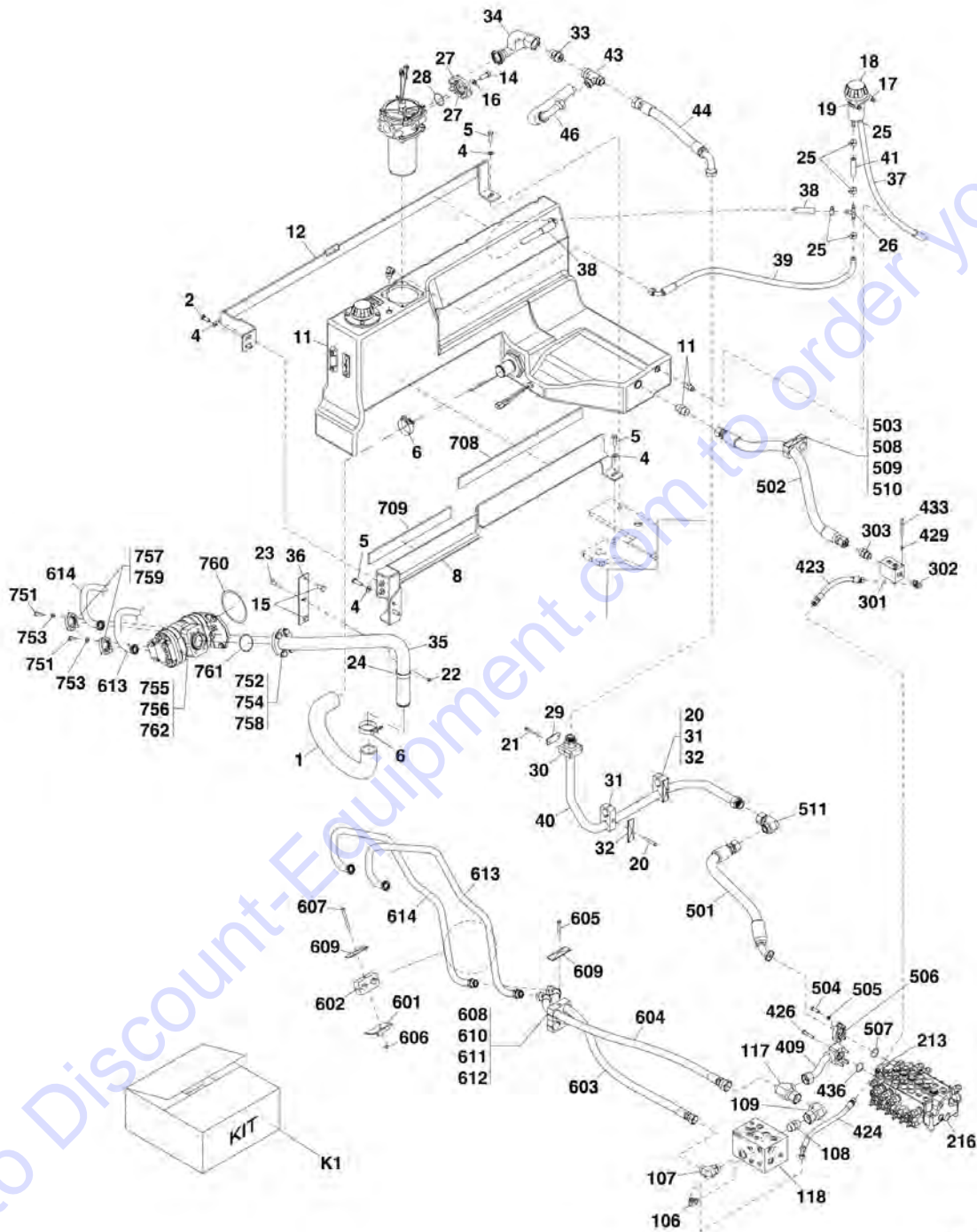
## SECTION 8 - HYDRAULIC CIRCUITS

ITEM	PART NUMBER	QTY	DESCRIPTION	REV
49	2110808	3	CONNECTOR, (torque to 25-40 lb-ft)	
50	2111212	2	STRAIGHT FITTING, (torque to 125-135 lb-ft)	
51	8307005	4	LOCKWASHER, 3/8	
52	7139980	1	BREATHER ASSEMBLY	
53	2130606	2	ELBOW, 90	
54	2717194	1	HOSE ASSEMBLY	
55	2170406	1	BRANCH TEE	
56	2717193	1	HOSE ASSEMBLY	
57	2717204	1	HOSE ASSEMBLY	
58	8310164	1	HEX HD CAPSCREW, M12X40, GR8.8	
59	8303528	2	HEX HD CAPSCREW, M8X65, GR8.8 (644E-42 SN 0160003109 through 0160043356; 944E-42 SN 0160003141 through 0160041823)	
60	8750043	1	RAIL NUT, M8	
61	8303703	2	HEX HD CAPSCREW, 1/4-20X2-1/2, GR5	
62	8750001	1	SINGLE COVER PLATE	
63	8750005	1	SINGLE CLAMP SET, 1.25 DIA	
64	8902856	1	CHECK VALVE, 1	
65	8750024	1	TWIN CLAMP SET, 1.10 DIA	
66	8310030	1	HEX HD CAPSCREW, M8X80, GR8.8	
67	0903071	1	HYDRAULIC TUBE HOLD BRACKET	
68	7301873	1	PUMP TUBE ASSEMBLY, (includes item 77)	
69	7301874	1	PUMP TUBE ASSEMBLY, (includes item 77)	
70	1321136	1	TWIN CLAMP SET	
71		Ref	HYDRAULIC RESERVOIR, (See HYDRAULIC COMPONENTS SECTION for Breakdown)	
72	7300778	1	MANIFOLD VALVE	
73		Ref	MAIN CONTROL VALVE, (See HYDRAULIC COMPONENTS SECTION for Breakdown)	
74		Ref	ACCUMULATOR CHARGE VALVE, (See HYDRAULIC COMPONENTS SECTION for Breakdown)	
75		Ref	GEAR PUMP, (See HYDRAULIC COMPONENTS SECTION for Breakdown)	
76	8581036	1	FOAM STRIP	
77	8630006	2	O-RING	
78	8405209	2	T-BOLT CLAMP	



# SECTION 8 - HYDRAULIC CIRCUITS

FIGURE 8-3. PUMP, SUCTION AND RETURN (644E-42 SN 0160048717 to Present, Including 0160045421; 944-42E SN 0160041827 to Present)



PAP12200



## SECTION 8 - HYDRAULIC CIRCUITS

**FIGURE 8-3. PUMP, SUCTION AND RETURN (644E-42 SN 0160048717 to Present, Including 0160045421; 944-42E SN 0160041827 to Present)**

ITEM	PART NUMBER	QTY	DESCRIPTION	REV
	1001112352	Ref	HYDRAULIC COMPONENT INSTALLATION, (not available to order, see items 1 thru 46 for service) <b>(944E-42 SN 0160041827 through 0160045848)</b>	D
	1001138002	Ref	HYDRAULIC COMPONENT INSTALLATION, (not available to order, see items 1 thru 46 for service) <b>(644E-42 SN 0160048717 to Present, Including 0160045421; 944E-42 SN 0160045879 to Present)</b>	A
1	2716911	1	HOSE	
2	8303790	2	HEX HD CAPSCREW, M12X30, GR8.8, (torque to 33-66 lb-ft/44-90 Nm)	
4	8307220	6	WASHER, 12mm	
5	8310164	4	HEX HD CAPSCREW, M12X40, GR8.8, (torque to 33-66 lb-ft/44-90 Nm)	
6	8405209	2	T-BOLT CLAMP	
8	1001112354	1	HYDRAULIC TANK RETAINER ASSEMBLY, (includes items 708 & 709)	B
11		Ref	HYDRAULIC TANK, (See HYDRAULIC COMPONENTS SECTION for Breakdown)	
12	1001112368	1	HYDRAULIC TANK SUPPORT BRACKET	
12	1001112370	1	FOAM SEAL	
14	0681812	4	HEX HD CAPSCREW, 1/2-13X1-1/2, GR8	
15	0761210	2	HEX HD CAPSCREW, M12X20, GR8.8	
16	4761800	4	LOCKWASHER, 1/2	
17	7130131	2	SPACER	
18	7139980	1	BREATHER ASSEMBLY	
19	8275212	1	MUFFLER CLAMP, 2-1/2 IN, U TYPE, (torque to 25-30 lb-ft/34-41 Nm)	
20	8303550	2	HEX HD CAPSCREW, M8X60, GR8.8	
21	8303703	2	HEX HD CAPSCREW, 1/4-20X2-1/2, GR5	
22	8305654	1	HEX NUT, M8X1.25	
23	8310623	1	CARRIAGE BOLT, M8X25, GR8.8	
24	8410001	1	HOSE CLAMP	
25	8410009	5	GEAR CLAMP, (torque to 0.33 lb-ft/.44 Nm)	
26	8430099	1	BARBED HOSE TEE, FOR 1/2 ID HOSE	
27	8530036	2	FLANGE HALF	
28	8630009	1	O-RING	
29	8750001	1	SINGLE COVER PLATE	
30	8750005	1	SINGLE CLAMP SET	
31	8750022	2	TWIN CLAMP SET	
32	8750025	2	TWIN COVER PLATE	
33	8902856	1	CHECK VALVE	
34	1001121963	1	RETURN TUBE	
35	1001112377	1	SUPPLY TUBE <b>(944E-42 SN 0160041827 through 0160045848)</b>	
35	1001137961	1	SUPPLY TUBE <b>(644E-42 SN 0160048717 to Present, Including 0160045421; 944E-42 SN 0160045879 to Present)</b>	
36	1001112379	1	TUBE MOUNT BRACKET	
37	1001112601	1	HOSE	
38	1001112602	1	HOSE	
39	1001112603	1	HOSE	
40	1001116181	1	RETURN TUBE	
41	2717029	1	HOSE	

## SECTION 8 - HYDRAULIC CIRCUITS

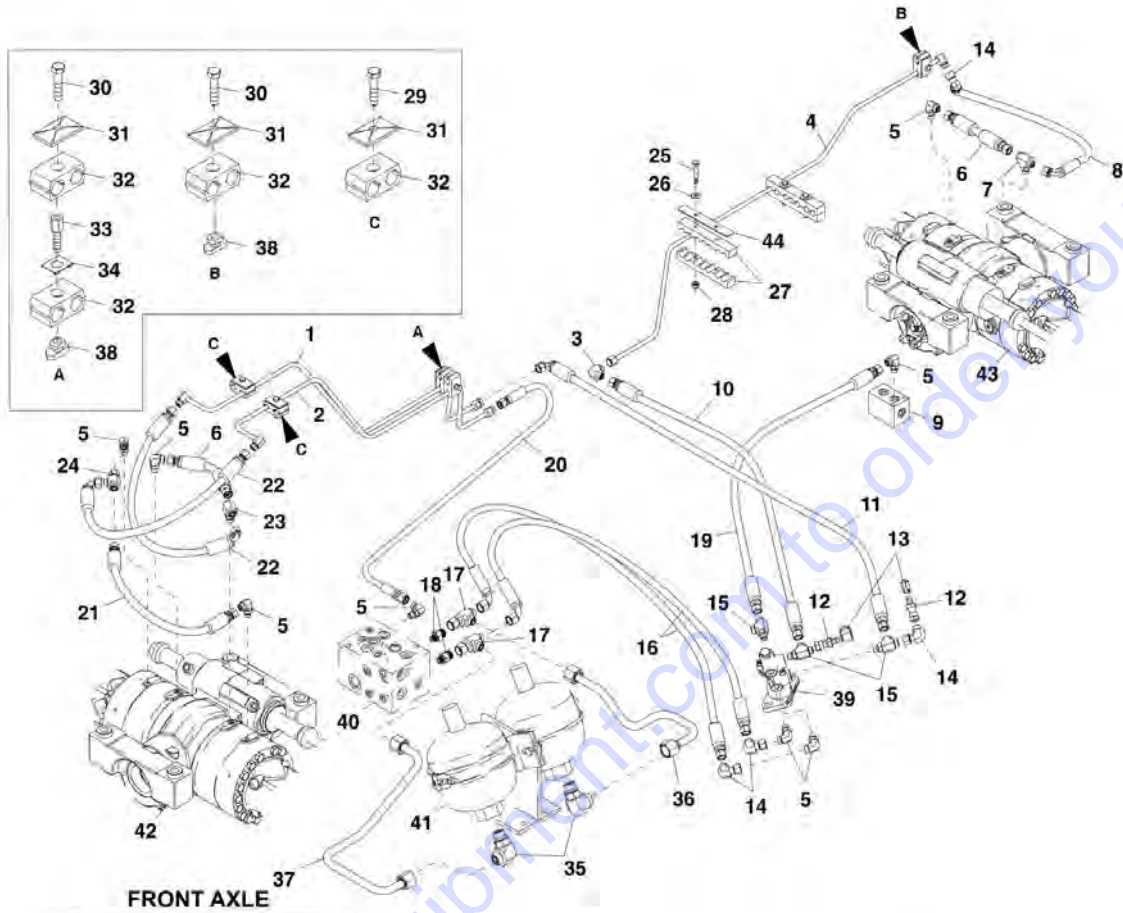
ITEM	PART NUMBER	QTY	DESCRIPTION	REV
42		Ref	ADAPTER, 90, (not shown), (See OIL COOLER for Breakdown)	
43		Ref	SWIVEL RUN TEE, (See OIL COOLER for Breakdown)	
44		Ref	HOSE ASSEMBLY, (See OIL COOLER for Breakdown)	
45		Ref	HOSE ASSEMBLY, (not shown), (See OIL COOLER for Breakdown)	
46		Ref	HOSE ASSEMBLY, (See OIL COOLER for Breakdown)	
106	2130606	1	ADAPTER, 90, (torque to 24-26 lb-ft)	
107	2131212	1	ADAPTER, 90, (torque to 125-135 lb-ft)	
108	2111612	1	STRAIGHT FITTING, (torque to 125-135 lb-ft)	
109	2172116	1	ADAPTER, 90, (torque to 130-200 lb-ft)	
117	2170716	1	SWIVEL RUN TEE, (torque to 130-200 lb-ft)	
118		Ref	ACCUMULATOR CHARGE/SECONDARY FUNCTION VALVE, (See HYDRAULIC COMPONENTS SECTION for Breakdown)	
213	2170406	1	BRANCH TEE	
216		Ref	MAIN CONTROL VALVE, (See HYDRAULIC COMPONENTS SECTION for Breakdown)	
301	7300778	1	MANIFOLD VALVE	
302	2130606	1	ADAPTER, 90, (torque to 24-26 lb-ft)	
303	2111212	1	STRAIGHT FITTING, (torque to 125-135 lb-ft)	
409	7301843	1	TUBE ASSEMBLY	
423	2717193	1	HOSE ASSEMBLY	
424	2717194	1	HOSE ASSEMBLY	
426	3931632	4	HEX HD CAPSCREW, 3/8-16X2	
429	8307219	2	WASHER, 6mm	
433	8310714	2	HEX HD CAPSCREW, M6X80, GR8.8, (torque to 5-9 lb-ft)	
436	8640123	1	O-RING	
	7301382	Ref	MAIN CONTROL VALVE HYDRAULIC INSTALLATION, (not available to order, see items 501 thru 511 for service)	F
501	2716934	1	HOSE ASSEMBLY	
502	2717204	1	HOSE ASSEMBLY	
503	8303528	1	HEX HD CAPSCREW, M8X65, GR8.8, (torque to 13-23 lb-ft)	
504	8303675	4	HEX HD CAPSCREW, 3/8-16X1-1/4, GR5, (torque to 33-37 lb-ft)	
505	8307005	4	LOCKWASHER, 3/8	
506	8530030	2	FLANGE HALF	
507	8640123	1	O-RING	
508	8750022	1	TWIN CLAMP SET	
509	8750025	1	TWIN COVER PLATE	
510	8750043	1	RAIL NUT, M8	
511	2172116	1	ADAPTER, 90	
	1001112199	Ref	GEAR PUMP HYDRAULIC INSTALLATION, (944E-42), (not available to order, see items 601 thru 614 for service) <b>(944E-42 SN 0160041827 through 0160045848)</b>	B
	1001137990	Ref	GEAR PUMP HYDRAULIC INSTALLATION, (644E-42 & 944E-42), (not available to order, see items 601 thru 614 for service) <b>(644E-42 SN 0160048717 to Present, Including 0160045421; 944E-42 SN 0160045879 to Present)</b>	A
601	0903071	1	HYDRAULIC TUBE HOLD BRACKET	
602	1321136	1	TWIN CLAMP SET	
603	2717288	1	HOSE ASSEMBLY	
604	2717289	1	HOSE ASSEMBLY	
605	8303528	1	HEX HD CAPSCREW, M8X65, GR8.8, (torque to 12-22 lb-ft)	
606	8305654	1	HEX LOCKNUT, M8X1.25	
607	8310030	1	HEX HD CAPSCREW, M8X80, GR8.8, (torque to 12-22 lb-ft)	

## SECTION 8 - HYDRAULIC CIRCUITS

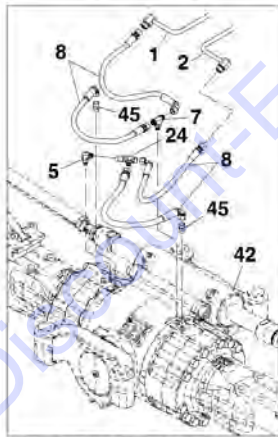
ITEM	PART NUMBER	QTY	DESCRIPTION	REV
608	8750017	1	TWIN CLAMP PLATE	
609	8750025	2	TWIN COVER PLATE	
610	8750039	1	STACKING BOLT	
611	8750040	2	TWIN CLAMP SET	
612	8750043	1	RAIL NUT, M8	
613	1001112200	1	PIPE (944E-42 SN 0160041827 through 0160045848)	
613	1001137959	1	PIPE (644E-42 SN 0160048717 to Present, Including 0160045421; 944E-42 SN 0160045879 to Present)	
614	1001112202	1	PIPE (944E-42 SN 0160041827 through 0160045848)	
614	1001137960	1	PIPE (644E-42 SN 0160048717 to Present, Including 0160045421; 944E-42 SN 0160045879 to Present)	
708	1001112800	1	FOAM STRIP	
709	1001112801	1	FOAM STRIP	
	1001138468	Ref	GEAR PUMP INSTALLATION, (644E-42), (not available to order, see items 751 thru 762 for service)	A
	1001137971	Ref	GEAR PUMP INSTALLATION, (944E-42), (not available to order, see items 751 thru 762 for service)	A
751	0681610	8	HEX HD CAPSCREW, 3/8-16X1-1/4, GR8, (torque to 35-40 lb-ft)	
752	0681812	4	HEX HD CAPSCREW, 1/2-13X1-1/2, GR8, (torque to 70-90 lb-ft)	
753	4761600	8	LOCKWASHER, 3/8	
754	4761800	4	LOCKWASHER, 1/2	
755		Ref	HEX HD CAPSCREW, M12X30, (See ENGINE AND ATTACHING PARTS SECTION for Breakdown)	
756		Ref	WASHER, 12mm, (See ENGINE AND ATTACHING PARTS SECTION for Breakdown)	
757	8530035	4	FLANGE HALF	
758	10717672	2	FLANGE HALF, (644E-42)	
758	8546407	2	FLANGE HALF (944E-42)	
759	8630008	2	O-RING	
760	8630019	1	O-RING	
761	8640208	1	O-RING	
762		Ref	GEAR PUMP, (See HYDRAULIC COMPONENTS SECTION for Breakdown)	
K1	7302197	1	VALVE PLATE HOSE KIT, (includes items 423 & 424)	

# SECTION 8 - HYDRAULIC CIRCUITS

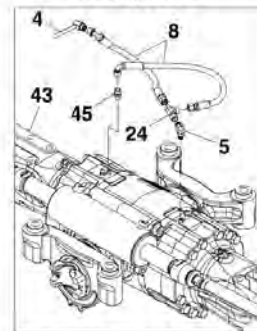
## FIGURE 8-4. SERVICE AND PARKING BRAKE



FRONT AXLE



REAR AXLE



644E SN 0160039830 TO PRESENT INCLUDING 0160036724,  
0160036811, 0160036907 & 0160037012  
944-E SN 0160040124 TO PRESENT INCLUDING 0160034634,  
0160036710, 0160036722, 0160036735 & 0160036738

644E SN 0160039830 TO PRESENT INCLUDING 0160036724,  
0160036811, 0160036907 & 0160037012  
944-E SN 0160040124 TO PRESENT INCLUDING 0160034634,  
0160036710, 0160036722, 0160036735 & 0160036738

PU2594

## SECTION 8 - HYDRAULIC CIRCUITS

### FIGURE 8-4. SERVICE AND PARKING BRAKE

ITEM	PART NUMBER	QTY	DESCRIPTION	REV
1	7300947	1	SERVICE BRAKES TUBE ASSEMBLY (644E-42 Prior to SN 0160048717, Excluding 0160045421; 944E-42 Prior to SN 0160041827)	
1	1001121100	1	SERVICE BRAKES TUBE ASSEMBLY (644E-42 SN 01600408717 to Present, Except Prior to SN 0160045421; 944E-42 SN 0160041827 to Present)	
2	7300945	1	PARK BRAKE TUBE ASSEMBLY (644E-42 Prior to SN 0160048717, Excluding 0160045421; 944E-42 Prior to SN 0160041827)	
2	1001121070	1	PARK BRAKE TUBE ASSEMBLY (644E-42 SN 0160048717 to Present, Including 0160045421; 944E-42 SN 0160041827 to Present)	
3	2172006	1	UNION ELBOW, 90	
4	7300757	1	TUBE ASSEMBLY	
5	2130606	8	ELBOW, 90, (644E-42 Prior to SN 0160039830, Excluding 0160036724, 0160036811, 0160036907 and 0160037012; 944E-42 Prior to SN 0160040124, Excluding 0160034634, 0160036710, 0160036722, 0160036735 and 0160036738)	
5	2130606	6	ELBOW, 90, (644E-42 SN 0160039830 to Present, Including 60160036724, 0160036811, 0160036907 and 0160037012; 944E-42 SN 0160040124 to Present, Including 0160034634, 0160036710, 0160036722, 0160036735 and 0160036738)	
6	2716922	2	HOSE ASSEMBLY	
7	2170406	1	BRANCH TEE (644E-42 Prior to SN 0160039830, Excluding 0160036724, 0160036811, 0160036907 and 0160037012; 944E-42 Prior to SN 0160040124, Excluding 0160034634, 0160036710, 0160036722, 0160036735 and 0160036738)	
7	2170406	2	BRANCH TEE (644E-42 SN 0160039830 to Present, Including 0160036724, 0160036811, 0160036907 and 0160037012; 944E-42 SN 0160040124 to Present, Including 0160034634, 0160036710, 0160036722, 0160036735 and 0160036738)	
8	2717067	1	HOSE ASSEMBLY (644E-42 Prior to SN 0160039830, Excluding 0160036724, 0160036811, 0160036907 and 0160037012; 944E-42 Prior to SN 0160040124, Excluding 0160034634, 0160036710, 0160036722, 0160036735 and 0160036738)	
8	2717067	6	HOSE ASSEMBLY (644E-42 SN 0160039830 to Present, Including 0160040124, 0160036811, 0160036907 and 0160037012; 944E-42 SN 0160036724 to Present, Including 0160034634, 0160036710, 0160036722, 0160036735 and 0160036738)	
9		Ref	MANIFOLD VALVE, (See PUMP SECTION AND RETRUN SECTION for Breakdown)	
10	2717038	1	HOSE ASSEMBLY	
11	2716939	1	HOSE ASSEMBLY	
12	8430081	2	DIAGNOSTIC ADAPTER	
13	8430032	2	DUST PLUG	
14	2172106	4	ELBOW, 90, (swivel nut)	
15	2170306	3	RUN TEE	
16	2716951	2	HOSE ASSEMBLY	
17	2170708	2	SWIVEL RUN TEE	
18	2110806	2	CONNECTOR	
19	2716952	1	HOSE ASSEMBLY	
20	2716938	1	HOSE ASSEMBLY	
21	2716923	1	HOSE ASSEMBLY	
22	2716924	2	HOSE ASSEMBLY	
23	2170406	1	BRANCH TEE	

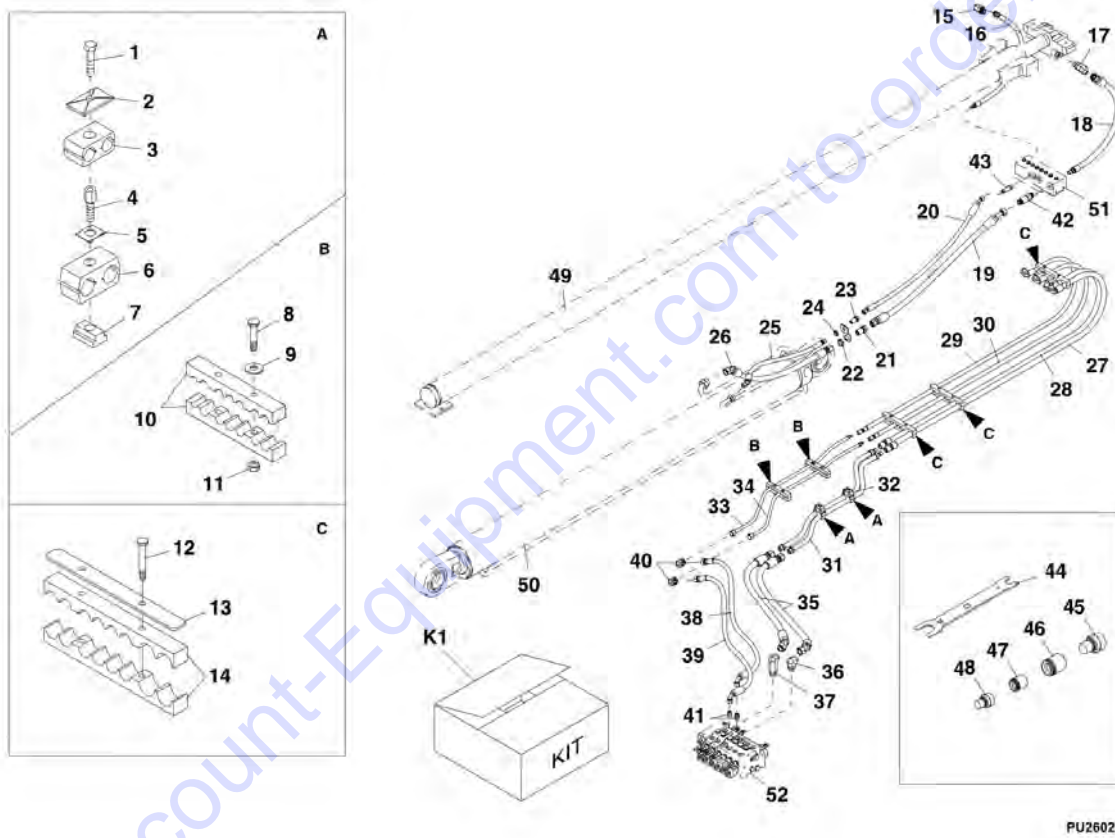
## SECTION 8 - HYDRAULIC CIRCUITS

ITEM	PART NUMBER	QTY	DESCRIPTION	REV
24	2170706	1	SWIVEL RUN TEE (644E-42 Prior to SN 0160039830, Excluding 0160036724, 0160036811, 0160036907 and 0160037012; 944E-42 Prior to SN 0160040124, Excluding 0160034634, 0160036710, 0160036722, 0160036735 and 0160036738)	
24	2170706	3	SWIVEL RUN TEE (644E-42 SN 0160039830 to Present, Including 0160040124, 0160036811, 0160036907 and 0160037012; 944E-42 SN 0160036724 to Present, Including 0160034634, 0160036710, 0160036722, 0160036735 and 0160036738)	
25	8303550	4	HEX HD CAPSCREW, M8X60, GR8.8	
26	8307204	4	PLAIN WIDE WASHER, .375-.438-1.000	
27	7300750	2	CLAMP SET	
28	8305638	4	HEX LOCKNUT, M8-1.25	
29	8310293	2	HEX HD CAPSCREW, M8X50, GR8.8, (single clamp)	
30	8310476	2	HEX HD CAPSCREW, M8X35, GR8.8, (double clamp)	
31	8769123	4	TWIN COVER PLATE	
32	8750042	5	TWIN CLAMP SET	
33	8750037	1	STACKING BOLT	
34	8750017	1	LOCKING PLATE	
35	2130808	2	ELBOW, 90	
36	7300999	1	TUBE ASSEMBLY	
37	7301001-OM	1	TUBE ASSEMBLY	
38	8750043	2	RAIL NUT, M8	
39		Ref	BRAKE VALVE, (See CONTORL SECTION for Breakdown)	
40		Ref	ACCUMULATOR CHARGE VALVE, (See HYDRAULIC COMPONENTS SECTION for Breakdown)	
41		Ref	ACCUMULATORS, (See HYDRAULIC COMPONENTS SECTION for Breakdown)	
42		Ref	FRONT AXLE, (See DRIVE TRAIN SECTION for Breakdown)	
43		Ref	REAR AXLE, (See DRIVE TRAIN SECTION for Breakdown)	
44	1321733	2	CLAMP COVER PLATE (644E-42 SN 0160028387 to Present; 944E-42 SN 0160028385 to Present)	
45	2110806	3	CONNECTOR (644E-42 SN 0160039830 to Present, Including 0160036724, 0160036811, 0160036907 and 0160037012; 944E-42 SN 0160040124 to Present, Including 0160034634, 0160036710, 0160036722, 0160036735 and 0160036738)	



# SECTION 8 - HYDRAULIC CIRCUITS

FIGURE 8-5. EXTEND/RETRACT AND LIFT/LOWER (644E-42 SN 17569 through 20118, SN 0160002519 to Present, Including 0160003583; 944E-42 SN 18554 through 20123, SN 0160002514 to Present, Including 0160003587)





## SECTION 8 - HYDRAULIC CIRCUITS

**FIGURE 8-5. EXTEND/RETRACT AND LIFT/LOWER (644E-42 SN 17569 through 20118, SN 0160002519 to Present, Including 0160003583; 944E-42 SN 18554 through 20123, SN 0160002514 to Present, Including 0160003587)**

ITEM	PART NUMBER	QTY	DESCRIPTION	REV
1	8310476	2	HEX HD CAPSCREW, M8X35, GR8.8	
2	8769123	2	TWIN COVER PLATE	
3	8769126	2	TWIN CLAMP SET, .50 DIA	
4	8750038	2	STACKING BOLT	
5	8750017	2	TWIN CLAMP LOCKING PLATE	
6	8769127	2	TWIN CLAMP SET, 1.00 DIA	
7	8750043	2	RAIL NUT, M8 THREAD	
8	8303550	4	HEX HD CAPSCREW, M8X60, GR8.8	
9	8307204	4	PLAIN WIDE WASHER, 3/8	
10	7300750	2	CLAMP SET	
11	8305638	4	HEX LOCKNUT, M8X1.25	
12	8303550	6	HEX HD CAPSCREW, M8X60, GR8.8	
13	7300927	3	CLAMP COVER	
14	7300618	3	SPECIAL HOSE CLAMP	
15	2130812	1	ELBOW, 90	
16	2716986	1	HOSE ASSEMBLY	
17	2131212	1	ELBOW, 90	
18	2716989	1	HOSE ASSEMBLY	
19	2717146	1	HOSE ASSEMBLY	
20	2717147	1	HOSE ASSEMBLY	
21	8770300	1	BULKHEAD CONNECTOR	
22	8770085	1	BULKHEAD NUT	
23	8770299	1	BULKHEAD CONNECTOR	
24	8770129	1	BULKHEAD NUT	
25	2717144	1	HOSE ASSEMBLY	
26	2717145	1	HOSE ASSEMBLY	
27	2717069	1	SPECIAL HOSE	
28	2716997	1	HOSE ASSEMBLY	
29	2717070	1	SPECIAL HOSE	
30	2716998	1	HOSE ASSEMBLY	
31	7300737	1	TUBE ASSEMBLY	
32	7300738	1	TUBE ASSEMBLY	
33	7300741	1	TUBE ASSEMBLY	
34	7300744	1	TUBE ASSEMBLY	
35	2716940	2	HOSE ASSEMBLY	
36	2131212	1	ELBOW, 90	
37	8770282	1	TUBE ELBOW	
38	2717063	1	HOSE ASSEMBLY	
39	2717064	1	HOSE ASSEMBLY	
40	2172010	2	UNION ELBOW, 90	
41	2110810	2	CONNECTOR	
42	8770163	1	CONNECTOR	
43	8770117	1	CONNECTOR	
44	7301438	2	STC HOSES 8-12 SERVICE TOOL	
45	7301666	2	12 STC MALE PLUG	
46	7301667	2	12 STC FEMALE CAP	
47	7301663	6	8 STC FEMALE CAP	
48	7301662	6	8 STC MALE PLUG	

## SECTION 8 - HYDRAULIC CIRCUITS

ITEM	PART NUMBER	QTY	DESCRIPTION	REV
49		Ref	EXTEND/RETRACT CYLINDER, (See HYDRAULIC COMPONENTS SECTION for Breakdown)	
50		Ref	LIFT CYLINDER, (See HYDRAULIC COMPONENTS SECTION for Breakdown)	
51		Ref	HYDRAULIC JUNCTION MANIFOLD, (See ATTACHMENT TILT AND AUXILIARY for Breakdown)	
52		Ref	MAIN CONTROL VALVE, (See HYDRAULIC COMPONENTS SECTION for Breakdown)	
K1	8024045	1	STC HOSE CONNECTIONS SERVICE KIT, (includes items 44 thru 48)	

Go to Discount-Equipment.com to order your parts





## SECTION 8 - HYDRAULIC CIRCUITS

**FIGURE 8-6. EXTEND/RETRACT AND LIFT/LOWER (644E-42 SN 0160003604 to Present; 944E-42 SN 0160003602 to Present)**

ITEM	PART NUMBER	QTY	DESCRIPTION	REV
1	8310476	2	HEX HD CAPSCREW, M8X35, GR8.8	
2	8769123	2	TWIN COVER PLATE	
3	8769126	2	TWIN CLAMP SET, .50 DIA	
4	8750038	2	STACKING BOLT	
5	8750017	2	TWIN CLAMP LOCKING PLATE	
6	8769127	2	TWIN CLAMP SET, 1.00 DIA	
7	8750043	2	RAIL NUT, M8 THREAD	
8	8303528	4	HEX HD CAPSCREW, M8X65, GR8.8	
9	8307204	4	PLAIN WIDE WASHER, 3/8	
10	7300750	2	CLAMP SET	
11	8305638	4	HEX LOCKNUT, M8X1.25	
12	8303528	4	HEX HD CAPSCREW, M8X65, GR8.8	
13	7300927	2	CLAMP COVER	
14	7300618	2	SPECIAL HOSE CLAMP	
15	2130812	1	ELBOW, 90	
16	2717277	1	HOSE ASSEMBLY	
17	2131212	1	ELBOW, 90	
18	2717278	1	HOSE ASSEMBLY	
19	2717269	1	HOSE ASSEMBLY (644E-42 SN 0160003604 through 0160017700; 944E-42 SN 0160003602 through 0160017948)	
19	2717146	1	HOSE ASSEMBLY (644E-42 SN 0160017701 through 0160018574; 944E-42 SN 0160017949 through 0160018576)	
19	2717269	1	HOSE ASSEMBLY (644E-42 SN 0160018578 to Present; 944E-42 SN 0160018633 to Present)	
20	2717270	1	HOSE ASSEMBLY (644E-42 SN 0160003604 through 0160017700; 944E-42 SN 0160003602 through 0160017948)	
20	2717147	1	HOSE ASSEMBLY (644E-42 SN 0160017701 through 0160018574; 944E-42 SN 0160017949 through 0160018576)	
20	2717270	1	HOSE ASSEMBLY (644E-42 SN 0160018578 to Present; 944E-42 SN 0160018633 to Present)	
21	8770300	1	BULKHEAD CONNECTOR (644E-42 SN 0160003604 through 0160018889; 944E-42 SN 0160003602 through 0160018893)	
21	2171112	1	BULKHEAD CONNECTOR (644E-42 SN 0160018896 through 0160029351; 944E-42 SN 0160018899 through 0160029352)	
22	8770085	1	BULKHEAD NUT (SN 0160003604 through 0160029351, SN 0160003602 through 0160029352)	
23	8770299	1	BULKHEAD CONNECTOR (644E-42 SN 0160003604 through 0160018889; 944E-42 SN 0160003602 through 0160018893)	
23	2171108	1	BULKHEAD CONNECTOR (644E-42 SN 0160018896 through 0160029351; 944E-42 SN 0160018899 through 0160029352)	
24	8770129	1	BULKHEAD NUT (644E-42 SN 0160003604 through 0160029351; 944E-42 SN 0160003602 through 0160029352)	
25	2717271	1	HOSE ASSEMBLY (644E-42 SN 0160003604 through 0160017700; 944E-42 SN 0160003602 through 0160017948)	
25	2717144	1	HOSE ASSEMBLY (644E-42 SN 0160017701 to Present; 944E-42 SN 0160017949 to Present)	
26	2717273	1	HOSE ASSEMBLY (644E-42 SN 0160003604 through 0160017700; 944E-42 SN 0160003602 through 0160017948)	
26	2717145	1	HOSE ASSEMBLY (644E-42 SN 0160017701 to Present; 944E-42 SN 0160017949 to Present)	
27	2717267	1	SPECIAL HOSE	
28	2717268	1	HOSE ASSEMBLY	

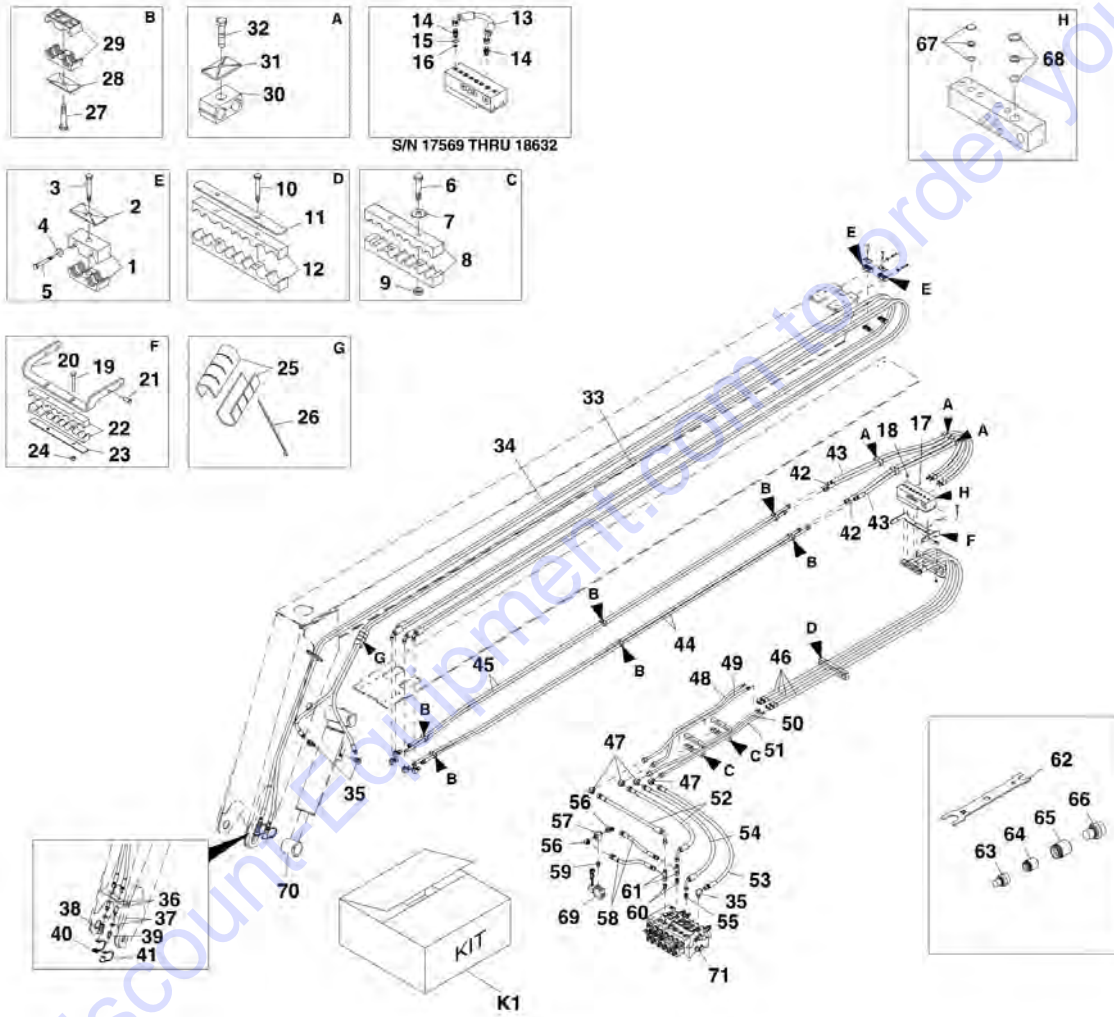
## SECTION 8 - HYDRAULIC CIRCUITS

ITEM	PART NUMBER	QTY	DESCRIPTION	REV
29	2717266	1	SPECIAL HOSE	
30	2717265	1	HOSE ASSEMBLY	
31	7300737	1	TUBE ASSEMBLY	
32	7300738	1	TUBE ASSEMBLY	
33	7300741	1	TUBE ASSEMBLY	
34	7300744	1	TUBE ASSEMBLY	
35	2716940	1	HOSE ASSEMBLY	
36	2131212	1	ELBOW, 90	
37	2170212	1	TUBE ELBOW	
38	2717063	1	HOSE ASSEMBLY	
39	2717064	1	HOSE ASSEMBLY	
40	2172010	2	UNION ELBOW, 90	
41	2110810	2	CONNECTOR	
42	2717384	1	HOSE ASSEMBLY	
43		Ref	EXTEND/RETRACT CYLINDER, (See HYDRAULIC COMPONENT SECTION for Breakdown)	
44		Ref	LIFT CYLINDER, (See HYDRAULIC COMPONENT SECTION for Breakdown)	
45		Ref	HYDRAULIC JUNCTION MANIFOLD, (See ATTACHMENT TILT AND AUXILIARY for Breakdown)	
46		Ref	MAIN CONTROL VALVE, (See HYDRAULIC COMPONENT SECTION for Breakdown)	
47	1321733	2	CLAMP COVER PLATE, (644E-42 & 944E-42) <b>(644E-42 SN 0160028387 to Present; 944E-42 SN 0160028385 to Present)</b>	
K1	7302114	1	HOSE KIT, (includes items 19, 20, 25, 26 and item 2 on TILT COMPENSATION CYLINDER)	



# SECTION 8 - HYDRAULIC CIRCUITS

FIGURE 8-7. ATTACHMENT TILT AND AUXILIARY (644E-42 SN 17569 through 19385; 944E-42 SN 17569 through 19385)



PU2622



## SECTION 8 - HYDRAULIC CIRCUITS

**FIGURE 8-7. ATTACHMENT TILT AND AUXILIARY (644E-42 SN 17569 through 19385; 944E-42 SN 17569 through 19385)**

ITEM	PART NUMBER	QTY	DESCRIPTION	REV
1	7300567	2	HOSE CLAMP	
2	8769123	2	TWIN COVER PLATE	
3	8310028	2	HEX HD CAPSCREW, M8X70, GR8.8	
4	8307109	4	PLAIN NARROW WASHER, .250	
5	8310703	4	HEX HD CAPSCREW, M6X45, GR8.8	
6	8303550	4	HEX HD CAPSCREW, M8X60, GR8.8	
7	8307204	4	PLAIN WIDE WASHER, 3/8	
8	7300750	2	CLAMP SET	
9	8305638	4	HEX LOCKNUT, M8-1.25	
10	8303550	2	HEX HD CAPSCREW, M8X60, GR8.8	
11	7300927	1	CLAMP COVER	
12	7300618	1	HOSE CLAMP	
13	2717115	1	SPECIAL HOSE (SN 17569 through 18632)	
14	2110604	2	CONNECTOR	
15	8630003	1	O-RING, .360ID	
16	7139918	1	ORIFICE DISK, .039 DIA	
17	7301072	1	HYDRAULIC JUNCTION MANIFOLD	
18	7301301	AR	PRESSURE BLEED PLUG, (6 Required) (644E-42 SN 17567 through 18632)	
18	7301301	AR	PRESSURE BLEED PLUG, (8 Required) (944E-42 SN 18633 to Present)	
19	8310028	2	HEX HD CAPSCREW, M8X70, GR8.8	
20	7301154	1	HOSE CLAMP MOUNTING BRACKET	
21	8303783	4	HEX HD CAPSCREW, M8X25, GR8.8	
22	7300618	1	HOSE CLAMP	
23	7300927	1	CLAMP COVER	
24	8305043	2	NUT, M8-1.25	
25	7301536	2	HOSE GUARD	
26	8584003	3	TIE WRAP	
27	8310476	6	HEX HD CAPSCREW, M8X35, GR8.8	
28	8769123	6	TWIN COVER PLATE	
29	8769122	6	TWIN CLAMP SET, .625 DIA	
30	8750027	4	TWIN CLAMP SET, .84 DIA	
31	8769128	4	TWIN COVER PLATE	
32	8310293	4	HEX HD CAPSCREW, M8X50, GR8.8	
33	2717175	1	ATTACHMENT TILT TWINLINE HOSE	
34	2717176	1	AUXILIARY TWINLINE HOSE	
35	2130808	3	ELBOW, 90	
36	8770136	2	BULKHEAD CONNECTOR	
37	8770129	2	BULKHEAD NUT	
38	91403413	1	FEMALE QUICK-DISCONNECT COUPLER	
39	91403414	1	MALE QUICK-DISCONNECT NIPPLE	
40	8420055	1	DUST PLUG, FOR QUICK-DISCONNECT	
41	8420053	1	DUST CAP, FOR QUICK-DISCONNECT	
42	2717192	2	HOSE ASSEMBLY	
43	2717191	2	HOSE ASSEMBLY	
44	7301641	2	COMMON BOOM TUBE ASSEMBLY, (left side)	
45	7301642	2	COMMON BOOM TUBE ASSEMBLY, (right side)	
46	2716998	4	HOSE ASSEMBLY	

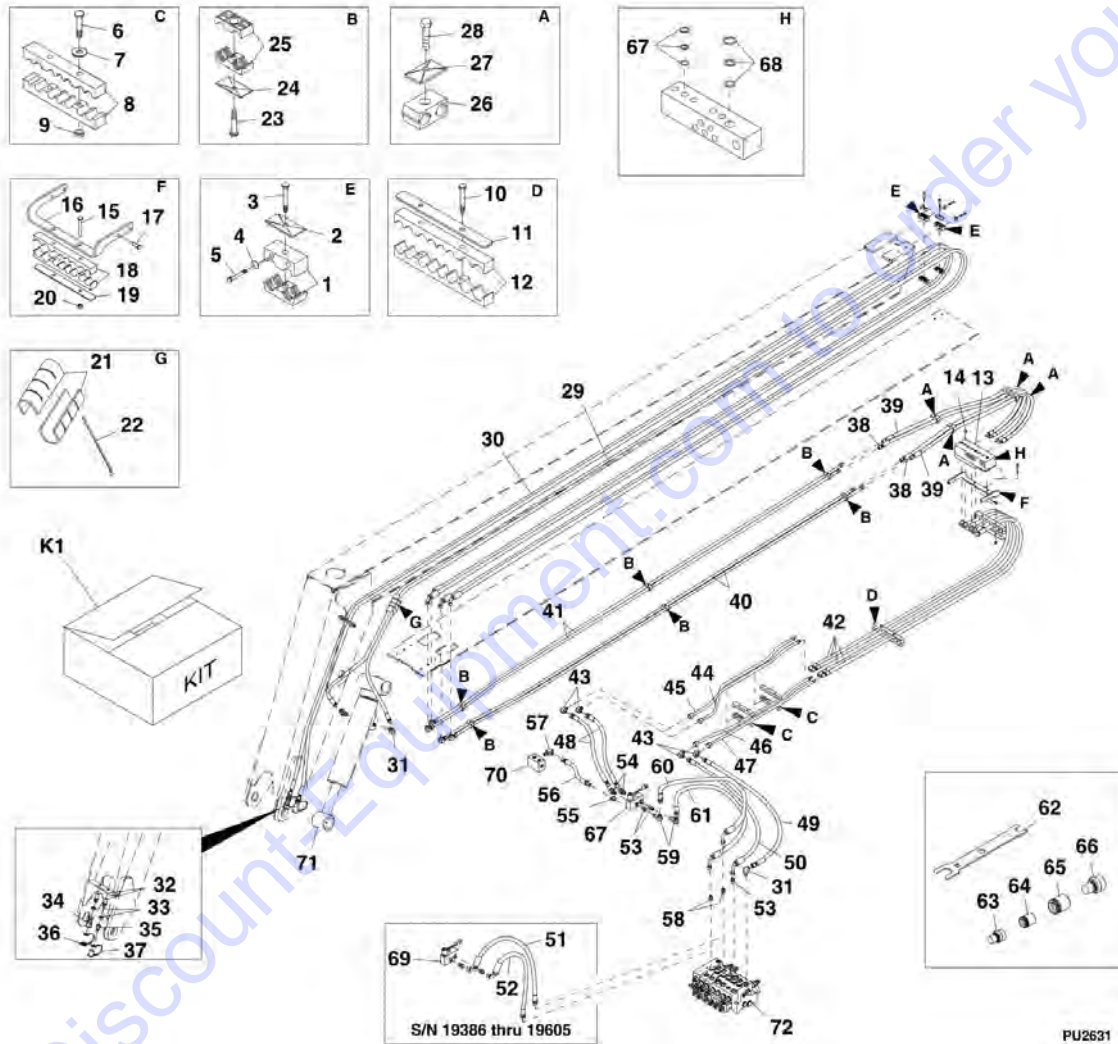
## SECTION 8 - HYDRAULIC CIRCUITS

ITEM	PART NUMBER	QTY	DESCRIPTION	REV
47	2172010	4	UNION ELBOW, 90	
48	7300742	1	TUBE ASSEMBLY	
49	7300743	1	TUBE ASSEMBLY	
50	7300745	1	TUBE ASSEMBLY	
51	7300746	1	TUBE ASSEMBLY	
52	2717062	2	HOSE ASSEMBLY	
53	2717065	1	HOSE ASSEMBLY	
54	2717066	1	HOSE ASSEMBLY	
55	2110808	1	CONNECTOR	
56	2130606	2	ELBOW, 90	
57	8902175	1	VALVE SHUTTLE	
58	2717118	2	HOSE ASSEMBLY	
59	8770152	1	UNION	
60	8770117	2	CONNECTOR	
61	8770125	2	SWIVEL RUN TEE	
62	7301438	2	STC HOSES 8-12 SERVICE TOOL	
63	7301666	2	12 STC MALE PLUG	
64	7301667	2	12 STC FEMALE CAP	
65	7301663	6	8 STC FEMALE CAP	
66	7301662	6	8 STC MALE PLUG	
67	7020368	16	STC PORT REPAIR SERVICE KIT, (port size - 08), (includes retaining ring, back-up ring and o-ring)	
68	7020369	4	STC PORT REPAIR SERVICE KIT, (port size -12), (includes retaining ring, back-up ring and o-ring)	
69		Ref	AUX. PRESS. DUMP VALVE SOLENOID, (See HYDRAULIC COMPONENTS SECTION for Breakdown)	
70		Ref	ATTACHMENT TILT CYLINDER, (See HYDRAULIC COMPONENTS SECTION for Breakdown)	
71		Ref	MAIN CONTROL VALVE, (See HYDRAULIC COMPONENTS SECTION for Breakdown)	
K1	8024045	1	STC HOSE CONNECTIONS SERVICE KIT, (includes items 62 thru 66)	



# SECTION 8 - HYDRAULIC CIRCUITS

FIGURE 8-8. ATTACHMENT TILT AND AUXILIARY (644E-42 SN 19386 through 20118, SN 0160002519 through 0160003108; 944E-42 SN 19386 through 20123, SN 0160002514 through 0160003140)



## SECTION 8 - HYDRAULIC CIRCUITS

**FIGURE 8-8. ATTACHMENT TILT AND AUXILIARY (644E-42 SN 19386 through 20118, SN 0160002519 through 0160003108; 944E-42 SN 19386 through 20123, SN 0160002514 through 0160003140)**

ITEM	PART NUMBER	QTY	DESCRIPTION	REV
1	7300567	2	HOSE CLAMP	
2	8769123	2	TWIN COVER PLATE	
3	8310028	2	HEX HD CAPSCREW, M8X70, GR8.8	
4	8307109	4	PLAIN NARROW WASHER, .250	
5	8310703	4	HEX HD CAPSCREW, M6X45, GR8.8	
6	8303550	4	HEX HD CAPSCREW, M8X60, GR8.8	
7	8307204	4	PLAIN WIDE WASHER, 3/8	
8	7300750	2	CLAMP SET	
9	8305638	4	HEX LOCKNUT, M8-1.25	
10	8303550	2	HEX HD CAPSCREW, M8X60, GR8.8	
11	7300927	1	CLAMP COVER	
12	7300618	1	HOSE CLAMP	
13	7301072	1	HYDRAULIC JUNCTION MANIFOLD	
14	7301301	6	PRESSURE BLEED PLUG (644E-42 SN 17567 through 18632)	
14	7301301	8	PRESSURE BLEED PLUG (944E-42 SN 18633 to Present)	
15	8310028	2	HEX HD CAPSCREW, M8X70, GR8.8	
16	7301154	1	HOSE CLAMP MOUNTING BRACKET	
17	8303783	4	HEX HD CAPSCREW, M8X25, GR8.8	
18	7300618	1	HOSE CLAMP	
19	7300927	1	CLAMP COVER	
20	8305043	2	NUT, M8-1.25	
21	7301536	2	HOSE GUARD	
22	8584003	2	TIE WRAP	
23	8310476	6	HEX HD CAPSCREW, M8X35, GR8.8	
24	8769123	6	TWIN COVER PLATE	
25	8769122	6	TWIN CLAMP SET, .625 DIA	
26	8750027	4	TWIN CLAMP SET, .84 DIA	
27	8769128	4	TWIN COVER PLATE	
28	8310293	4	HEX HD CAPSCREW, M8X50, GR8.8	
29	2717175	1	ATTACHMENT TILT TWINLINE HOSE	
30	2717176	1	AUXILIARY TWINLINE HOSE	
31	2130808	3	ELBOW, 90	
32	8770136	2	BULKHEAD CONNECTOR	
33	8770129	2	BULKHEAD NUT	
34	91403413	1	FEMALE QUICK-DISCONNECT COUPLER	
35	91403414	1	MALE QUICK-DISCONNECT NIPPLE	
36	8420055	1	DUST PLUG, FOR QUICK-DISCONNECT	
37	8420053	1	DUST CAP, FOR QUICK-DISCONNECT	
38	2717192	2	HOSE ASSEMBLY	
39	2717191	2	HOSE ASSEMBLY	
40	7301641	2	COMMON BOOM TUBE ASSEMBLY, (left side)	
41	7301642	2	COMMON BOOM TUBE ASSEMBLY, (right side)	
42	2716998	4	HOSE ASSEMBLY	
43	2172010	4	UNION ELBOW, 90	
44	7300742	1	TUBE ASSEMBLY	
45	7300743	1	TUBE ASSEMBLY	
46	7300745	1	TUBE ASSEMBLY	
47	7300746	1	TUBE ASSEMBLY	
48	2717134	2	HOSE ASSEMBLY	

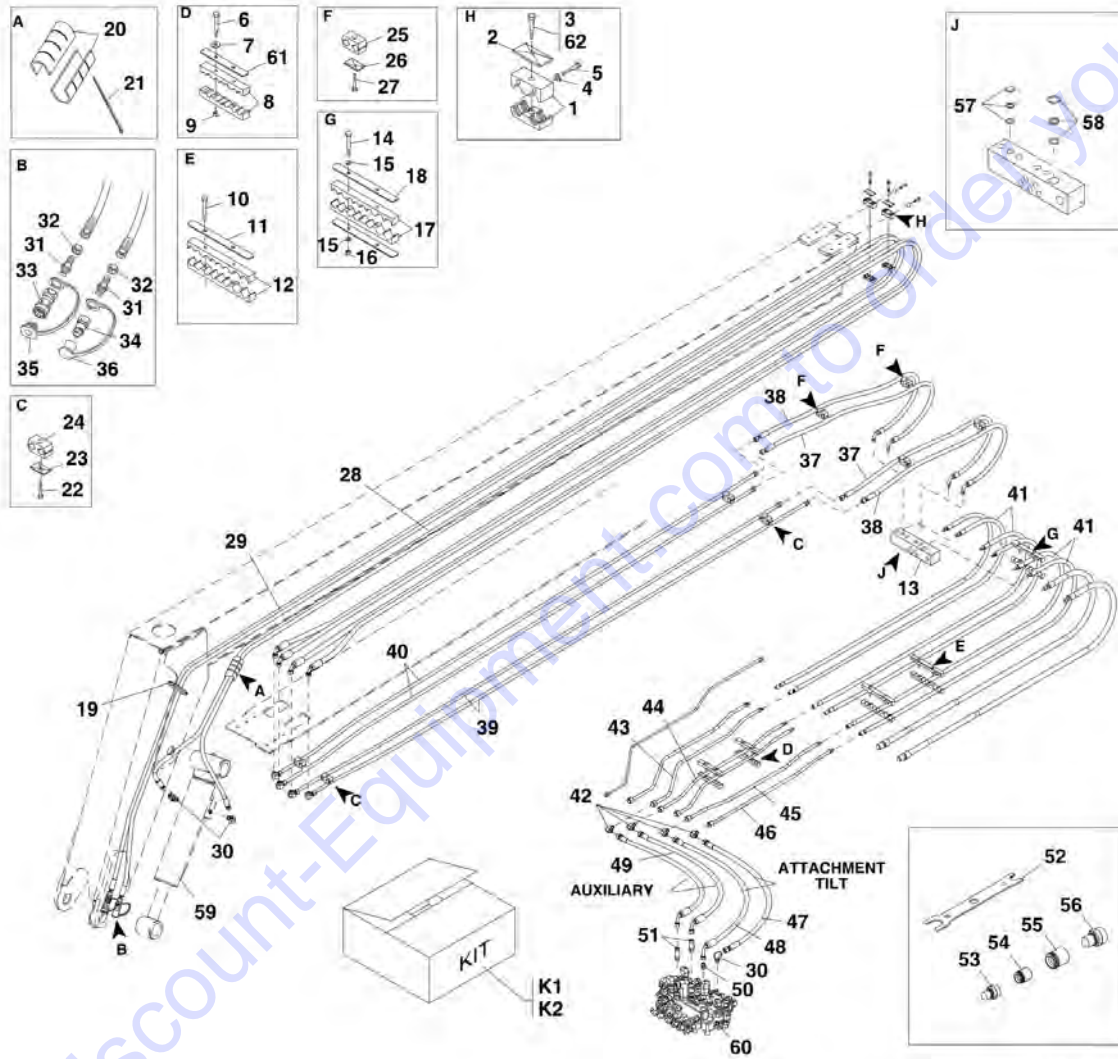
## SECTION 8 - HYDRAULIC CIRCUITS

ITEM	PART NUMBER	QTY	DESCRIPTION	REV
49	2717065	1	HOSE ASSEMBLY	
50	2717066	1	HOSE ASSEMBLY	
51	2717132	1	HOSE ASSEMBLY (SN 19386 through 19605)	
52	2717131	1	HOSE ASSEMBLY (SN 19386 through 19605)	
53	2110808	3	CONNECTOR	
54	8770127	2	ELBOW, 45	
55	2110606	1	ADAPTER	
56	2717133	1	HOSE ASSEMBLY	
57	2170306	1	RUN TEE	
58	8770117	2	CONNECTOR	
59	8770115	2	ELBOW, 90, (swivel nut)	
60	2717253	1	HOSE ASSEMBLY	
61	2717252	1	HOSE ASSEMBLY	
62	7301438	2	STC HOSES SERVICE TOOL, 8-12	
63	7301666	2	12 STC MALE PLUG	
64	7301667	2	12 STC FEMALE CAP	
65	7301663	6	8 STC FEMALE CAP	
66	7301662	6	STC MALE PLUG	
67	7020368	16	STC PORT REPAIR SERVICE KIT, (port size - 08), (includes retaining ring, back-up ring and o-ring)	
68	7020369	4	STC PORT REPAIR SERVICE KIT, (port size -12), (includes retaining ring, back-up ring and o-ring)	
69		Ref	AUX PRESS DUMP VALVE SOLENOID, (See HYDRAULIC COMPONENTS SECTION for Breakdown)	
70		Ref	MANIFOLD, (See SERVICE AND PARKING BRAKE for Breakdown)	
71		Ref	ATTACHMENT TILT CYLINDER, (See HYDRAULIC COMPONENTS SECTION for Breakdown)	
72		Ref	MAIN CONTROL VALVE, (See HYDRAULIC COMPONENTS SECTION for Breakdown)	
K1	8024045	1	STC HOSE CONNECTIONS SERVICE KIT, (includes items 62 thru 66)	



# SECTION 8 - HYDRAULIC CIRCUITS

FIGURE 8-9. ATTACHMENT TILT AND AUXILIARY (644E-42 SN 0160003109 to Present; 944E-42 SN 0160003141 to Present)



PAP12250



# PARTS FINDER

**Search Website  
by Part Number**



**Search Manual  
Library For Parts  
Manual & Lookup Part  
Numbers – Purchase  
or Request Quote**

**Can't Find Part or  
Manual? Request Help  
by Manufacturer,  
Model & Description**

Discount-Equipment.com is your online resource for quality parts & equipment.

Florida: **561-964-4949** Outside Florida TOLL FREE: **877-690-3101**

## Need parts?

Click on this link: <http://www.discount-equipment.com/category/5443-parts/> and choose one of the options to help get the right parts and equipment you are looking for. Please have the machine model and serial number available in order to help us get you the correct parts. If you don't find the part on the website or on one of the online manuals, please fill out the request form and one of our experienced staff members will get back to you with a quote for the right part that your machine needs.

We sell worldwide for the brands: Genie, Terex, JLG, MultiQuip, Mikasa, Essick, Whiteman, Mayco, Toro Stone, Diamond Products, Generac Magnum, Airman, Haulotte, Barreto, Power Blanket, Nifty Lift, Atlas Copco, Chicago Pneumatic, Allmand, Miller Curber, Skyjack, Lull, Skytrak, Tsurumi, Husquvarna Target, Stow, Wacker, Sakai, Mi-T-M, Sullair, Basic, Dynapac, MBW, Weber, Bartell, Bennar Newman, Haulotte, Ditch Runner, Menegotti, Morrison, Contec, Buddy, Crown, Edco, Wyco, Bomag, Laymor, EZ Trench, Bil-Jax, F.S. Curtis, Gehl Pavers, Heli, Honda, ICS/PowerGrit, IHI, Partner, Imer, Clipper, MMD, Koshin, Rice, CH&E, General Equipment, Amida, Coleman, NAC, Gradall, Square Shooter, Kent, Stanley, Tamco, Toku, Hatz, Kohler, Robin, Wisconsin, Northrock, Oztec, Toker TK, Rol-Air, APT, Wylie, Ingersoll Rand / Doosan, Innovatech, Con X, Ammann, Mecalac, Makinex, Smith Surface Prep, Small Line, Wanco, Yanmar

## SECTION 8 - HYDRAULIC CIRCUITS

**FIGURE 8-9. ATTACHMENT TILT AND AUXILIARY (644E-42 SN 0160003109 to Present; 944E-42 SN 0160003141 to Present)**

ITEM	PART NUMBER	QTY	DESCRIPTION	REV
1	7300567	2	HOSE CLAMP	
2	8769123	2	TWIN COVER PLATE	
3	8310028	2	HEX HD CAPSCREW, M8X70, GR8.8	
4	8307109	4	PLAIN NARROW WASHER, .250	
5	8310703	4	HEX HD CAPSCREW, M6X45, GR8.8	
6	8303550	4	HEX HD CAPSCREW, M8X60, GR8.8	
7	8307204	4	PLAIN WIDE WASHER, 3/8	
8	7300750	2	CLAMP SET	
9	8305638	4	HEX LOCKNUT, M8-1.25	
10	8303528	4	HEX HD CAPSCREW, M8X65, GR8.8	
11	7300927	1	CLAMP COVER	
12	7300618	1	HOSE CLAMP	
13	7302032	1	HYDRAULIC JUNCTION MANIFOLD	
14	8310028	2	HEX HD CAPSCREW, M8X70, GR8.8	
15	8307222	4	PLAIN WASHER, 8mm	
16	8305043	2	NUT, M8X1.25	
17	7300618	1	HOSE CLAMP	
18	7300927	1	CLAMP COVER	
19	7125891	1	CONDUIT, .50X12 LG	
20	7301536	2	HOSE GUARD	
21	8584003	3	TIE WRAP	
22	8310476	6	HEX HD CAPSCREW, M8X35, GR8.8	
23	8769123	6	TWIN COVER PLATE	
24	8769122	6	TWIN CLAMP SET, .625 DIA	
25	8750027	4	TWIN CLAMP SET, .84 DIA	
26	8769128	4	TWIN COVER PLATE	
27	8310293	4	HEX HD CAPSCREW, M8X50, GR8.8	
28	2717175	1	ATTACHMENT TILT TWINLINE HOSE	
29	2717176	1	AUXILIARY TWINLINE HOSE	
30	2130808	3	ELBOW, 90	
31	8770136	2	BULKHEAD CONNECTOR	
32	8770129	2	BULKHEAD NUT	
33	91403413	1	FEMALE QUICK-DISCONNECT COUPLER	
34	91403414	1	MALE QUICK-DISCONNECT NIPPLE	
35	8420055	1	DUST PLUG, FOR QUICK-DISCONNECT	
36	8420053	1	DUST CAP, FOR QUICK-DISCONNECT	
37	2717276	2	HOSE ASSEMBLY	
38	2717275	2	HOSE ASSEMBLY	
39	7301641	2	COMMON BOOM TUBE ASSEMBLY, (left side)	
40	7301642	2	COMMON BOOM TUBE ASSEMBLY, (right side)	
41	2717265	4	HOSE ASSEMBLY	
42	2172010	4	UNION ELBOW, 90	
43	7300742	1	TUBE ASSEMBLY	
44	7300743	1	TUBE ASSEMBLY	
45	7300745	1	TUBE ASSEMBLY	
46	7300746	1	TUBE ASSEMBLY	
47	2717065	1	HOSE ASSEMBLY	
48	2717066	1	HOSE ASSEMBLY	
49	2717063	2	HOSE ASSEMBLY	

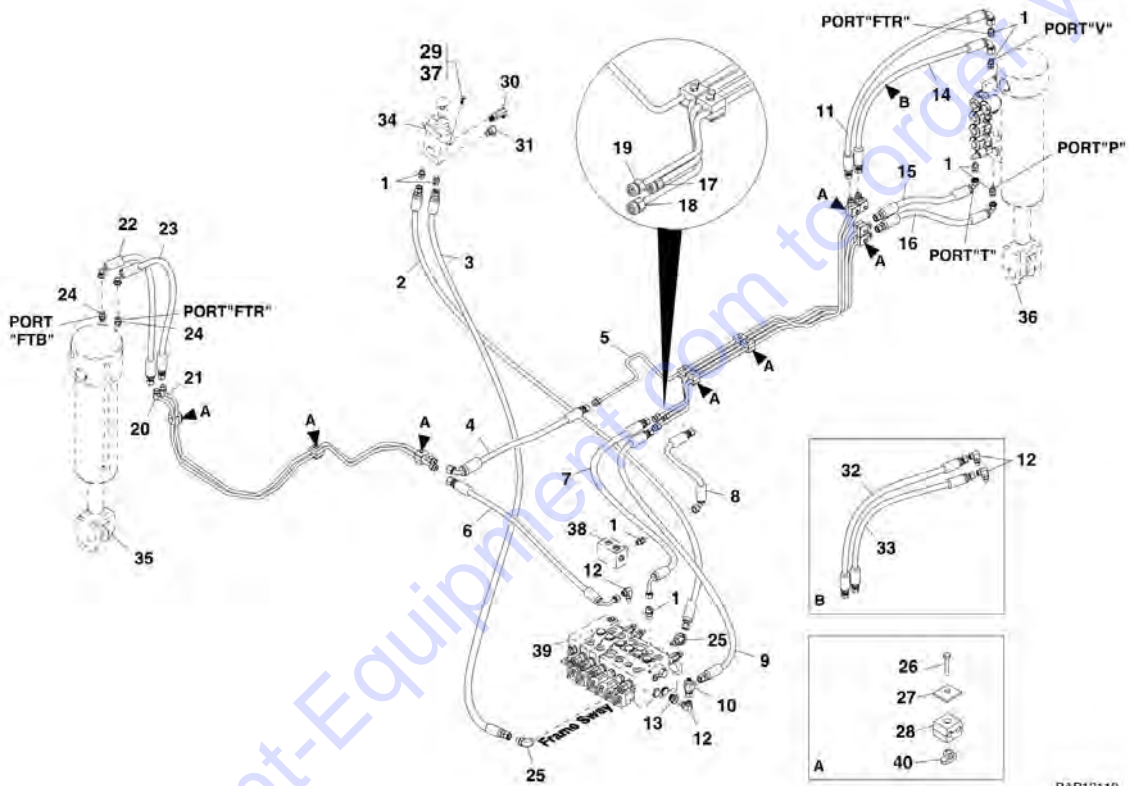
## SECTION 8 - HYDRAULIC CIRCUITS

ITEM	PART NUMBER	QTY	DESCRIPTION	REV
50	2110808	1	CONNECTOR	
51	2170108	2	CONNECTOR	
52	7301438	2	STC HOSES SERVICE TOOL, 8-12	
53	7301666	2	12 STC MALE PLUG	
54	7301667	2	12 STC FEMALE CAP	
55	7301663	6	8 STC FEMALE CAP	
56	7301662	6	8 STC MALE PLUG	
57	7020368	16	STC PORT REPAIR SERVICE KIT, (port size - 08), (includes retaining ring, back-up ring and o-ring)	
58	7020369	4	STC PORT REPAIR SERVICE KIT, (port size -12), (includes retaining ring, back-up ring and o-ring)	
59		Ref	ATTACHMENT TILT CYLINDER, (See HYDRAULIC COMPONENTS SECTION for Breakdown)	
60		Ref	MAIN CONTROL VALVE	
61	1321733	2	CLAMP COVER PLATE, (644E-42 & 944E-42) <b>(SN 0160028387 to Present, SN 0160028385 to Present)</b>	
62	8526007	AR	LOCTITE 242, (apply to item 3)	
K1	8024045	1	STC HOSE CONNECTIONS SERVICE KIT, (includes items 52 thru 56)	
K2	7302113	1	BOOM CONNECT HOSE KIT, (includes items 37, 38 and items 16, 18 on EXTEND/RETRACT AND LIFT LOWER)	



# SECTION 8 - HYDRAULIC CIRCUITS

FIGURE 8-10. FRAME LEVEL/STABIL-TRAK (SN 17569 through 18460)



PAP12110

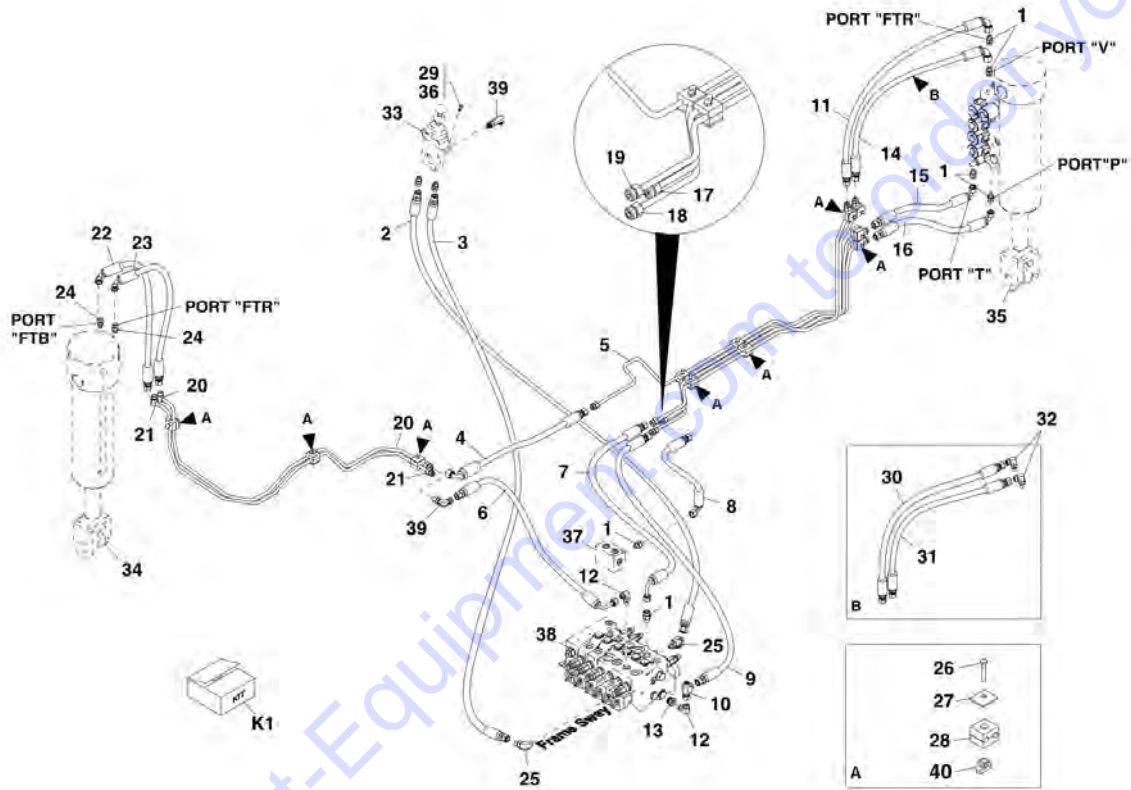
## SECTION 8 - HYDRAULIC CIRCUITS

**FIGURE 8-10. FRAME LEVEL/STABIL-TRAK (SN 17569 through 18460)**

ITEM	PART NUMBER	QTY	DESCRIPTION	REV
1	2110606	8	ADAPTER	
2	2716963	1	HOSE ASSEMBLY	
3	2716966	1	HOSE ASSEMBLY	
4	2717060	1	HOSE ASSEMBLY	
5	7300499	1	HOSE ASSEMBLY	
6	2716950	1	HOSE ASSEMBLY	
7	2717058	1	HOSE ASSEMBLY	
8	2717059	1	HOSE ASSEMBLY	
9	2717057	1	HOSE ASSEMBLY	
10	8770111	1	SWIVEL RUN TEE	
11	2717070	1	HOSE ASSEMBLY	
12	2130606	2	ELBOW, 90	
13	2220218	1	REDUCER/EXPANDER, #10-6	
14	2717169	1	HOSE ASSEMBLY	
15	2717172	1	HOSE ASSEMBLY	
16	2717171	1	HOSE ASSEMBLY	
17	7300467	1	TUBE ASSEMBLY	
18	7300468	1	TUBE ASSEMBLY	
19	7300469	1	TUBE ASSEMBLY	
20	7300949	1	TUBE ASSEMBLY	
21	7300948	1	TUBE ASSEMBLY	
22	2717173	1	HOSE ASSEMBLY	
23	2717000	1	HOSE ASSEMBLY	
24	8902862	2	CHECK VALVE, .054	
25	8770140	2	ELBOW, 45	
26	8303541	11	HEX HD CAPSCREW, M6X35, GR8.8	
27	8750020	11	TWIN COVER PLATE	
28	8750018	11	TWIN CLAMP SET, .375	
29	8303544	2	HEX HD CAPSCREW, M6X20, GR8.8	
30	8770154	1	ELBOW, 90	
31	2130606	1	ELBOW, 90	
32		Ref	HOSE ASSEMBLY, (order items 11 & 1)	
33		Ref	HOSE ASSEMBLY, (order items 14 & 1)	
34		Ref	FRAME LEVEL CONTROLLER, (See CONTROL SECTION for Breakdown)	
35		Ref	FRAME LEVEL CYLINDER, (See HYDRAULIC COMPONENTS SECTION for Breakdown)	
36		Ref	STABIL-TRAK CYLINDER, (See HYDRAULIC COMPONENTS SECTION for Breakdown)	
37	8526007	AR	LOCTITE 242, (apply to item 29)	
38		Ref	MANIFOLD, (See PUMP, SUCTION AND RETURN for Breakdown)	
39		Ref	MAIN CONTROL VALVE, (See HYDRAULIC COMPONENTS SECTION for Breakdown)	
40	8750044	11	RAIL NUT, M6	

# SECTION 8 - HYDRAULIC CIRCUITS

FIGURE 8-11. FRAME LEVEL/STABIL-TRAK (SN 18461 through 20118, SN 016002519 to Present)



PAP12100

## SECTION 8 - HYDRAULIC CIRCUITS

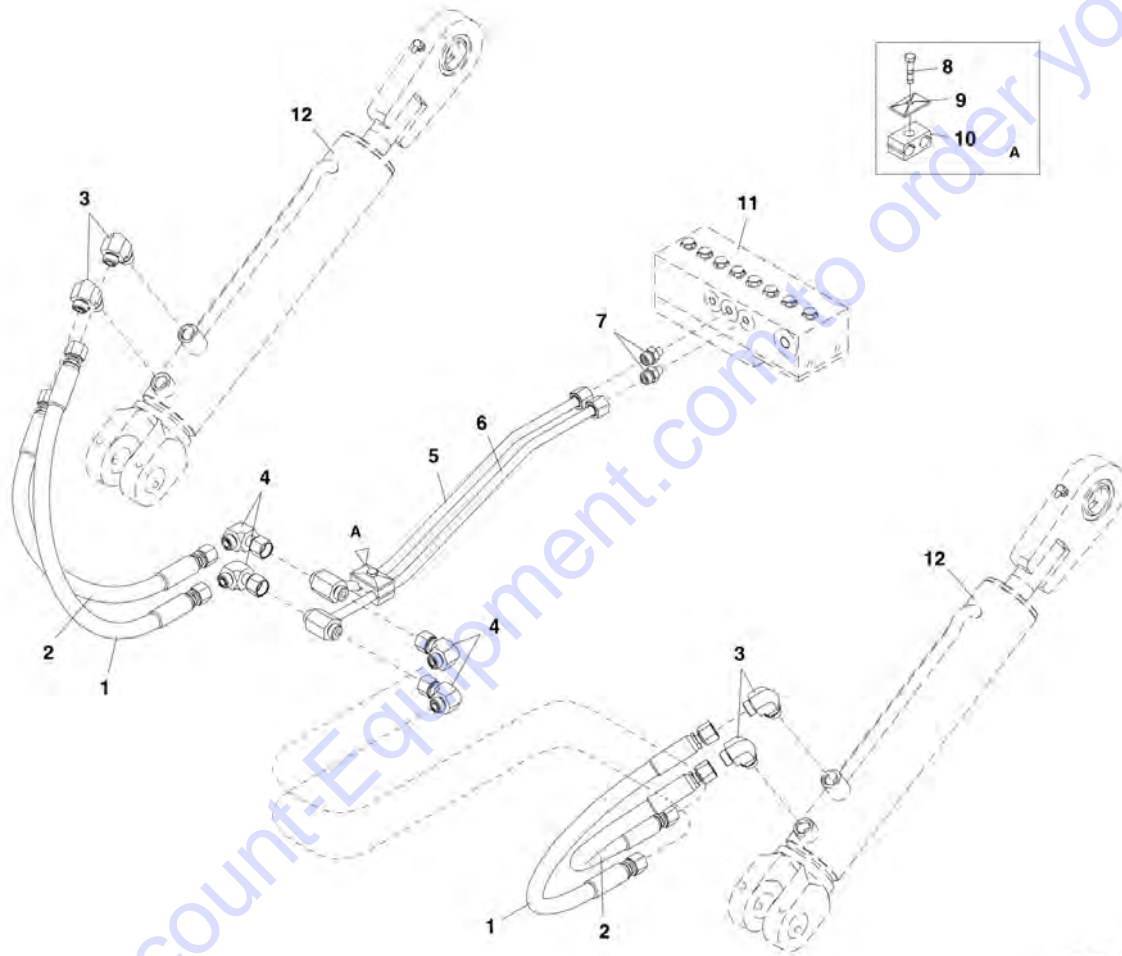
**FIGURE 8-11. FRAME LEVEL/STABIL-TRAK (SN 18461 through 20118, SN 0160002519 to Present)**

ITEM	PART NUMBER	QTY	DESCRIPTION	REV
1	2110606	6	ADAPTER	
2	2716963	1	HOSE ASSEMBLY	
3	2716966	1	HOSE ASSEMBLY	
4	2717060	1	HOSE ASSEMBLY	
5	7300499	1	TUBE ASSEMBLY	
6	2716950	1	HOSE ASSEMBLY	
7	2717058	1	HOSE ASSEMBLY	
8	2717059	1	HOSE ASSEMBLY	
9	2717057	1	HOSE ASSEMBLY	
10	2170706	1	SWIVEL RUN TEE	
11	2717170	1	HOSE ASSEMBLY	
12	2130606	2	ELBOW, 90	
13	2220218	1	REDUCER/EXPANDER, #10-6	
14	2717169	1	HOSE ASSEMBLY	
15	2717172	1	HOSE ASSEMBLY	
16	2717171	1	HOSE ASSEMBLY	
17	7300467	1	TUBE ASSEMBLY	
18	7300468	1	TUBE ASSEMBLY	
19	7300469	1	TUBE ASSEMBLY	
20	7300949	1	TUBE ASSEMBLY	
21	7300948	1	TUBE ASSEMBLY	
22	2717173	1	HOSE ASSEMBLY	
23	2717000	1	HOSE ASSEMBLY	
24	8902862	2	CHECK VALVE, .054	
25	2150606	2	ELBOW, 45	
26	8303541	11	HEX HD CAPSCREW, M6X35, GR8.8	
27	8750020	11	TWIN COVER PLATE	
28	8750018	11	TWIN CLAMP SET, .375	
29	8303544	2	HEX HD CAPSCREW, M6X20, GR8.8	
30		Ref	HOSE ASSEMBLY, (not available to order, use items 1 & 11 for replacement)	
31		Ref	HOSE ASSEMBLY, (not available to order, use items 1 & 14 for replacement)	
32	8770105	2	ELBOW, 90, (swivel nut)	
33		Ref	FRAME LEVEL CONTROLLER, (See CONTROLS SECTION for Breakdown)	
34		Ref	FRAME LEVEL CYLINDER, (See HYDRAULIC COMPONENTS SECTION for Breakdown)	
35		Ref	STABIL-TRAK CYLINDER, (See HYDRAULIC COMPONENTS SECTION for Breakdown)	
36	8526007	AR	LOCTITE 242, (apply to item 29)	
37		Ref	MANIFOLD, (See EXTEND/RETRACT AND LIFT LOWER for Breakdown)	
38		Ref	MAIN CONTROL VALVE, (See HYDRAULIC COMPONENTS SECTION for Breakdown)	
39	2172106	2	ELBOW, 90, (includes o-ring)	
40	8750044	3	RAIL NUT, M6	
K1	7301745	1	FRAME TILT/STABILITY CYLINDER HOSE KIT, (includes items 4, 11, 14, 15, 16, 22 & 23)	



## SECTION 8 - HYDRAULIC CIRCUITS

FIGURE 8-12. TILT COMPENSATION CYLINDER (644E-42 SN 17569 through 20118, SN 0160002519 through 0160003583, SN 0160002514 through 0160003587; 944E-42 SN 18554 through 20123)



PU2670

## SECTION 8 - HYDRAULIC CIRCUITS

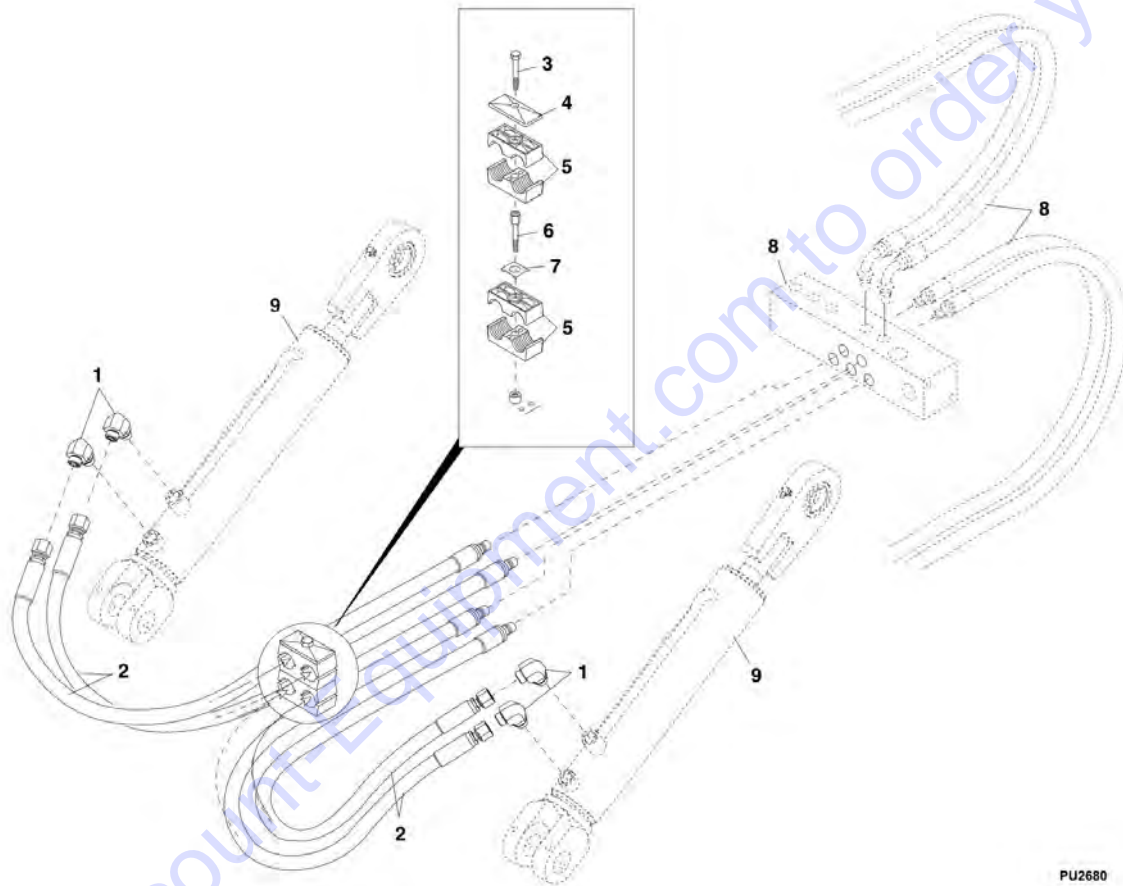
**FIGURE 8-12. TILT COMPENSATION CYLINDER (644E-42 SN 17569 through 20118, SN 0160002519 through 0160003583, SN 0160002514 through 0160003587; 944E-42 SN 18554 through 20123)**

ITEM	PART NUMBER	QTY	DESCRIPTION	REV
1	2716980	2	HYDRAULIC HOSE	
2	2716981	2	HYDRAULIC HOSE	
3	2130808	4	ELBOW, 90	
4	8770115	4	ELBOW, 90, (swivel nut)	
5	7300586	1	HYDRAULIC TUBE	
6	7300587	1	HYDRAULIC TUBE	
7	2110808	2	CONNECTOR	
8	8303611	1	HEX HD CAPSCREW, M8X30, GR8.8	
9	8769128	1	TWIN COVER PLATE	
10	8769126	1	TWIN CLAMP SET, .500 DIA	
11		Ref	HYDRAULIC JUNCTION MANIFOLD, (See ATTACHMENT TILT AND AUXILIARY for Breakdown)	
12		Ref	TILT COMPENSATION CYLINDER, (See HYDRAULIC COMPONENTS SECTION for Breakdown)	

Go to Discount-Equipment.com to order your parts

## SECTION 8 - HYDRAULIC CIRCUITS

FIGURE 8-13. TILT COMPENSATION CYLINDER (644E-42 SN 0160003604 to Present; 944E-42 SN 0160003602 to Present)



PU2680

## SECTION 8 - HYDRAULIC CIRCUITS

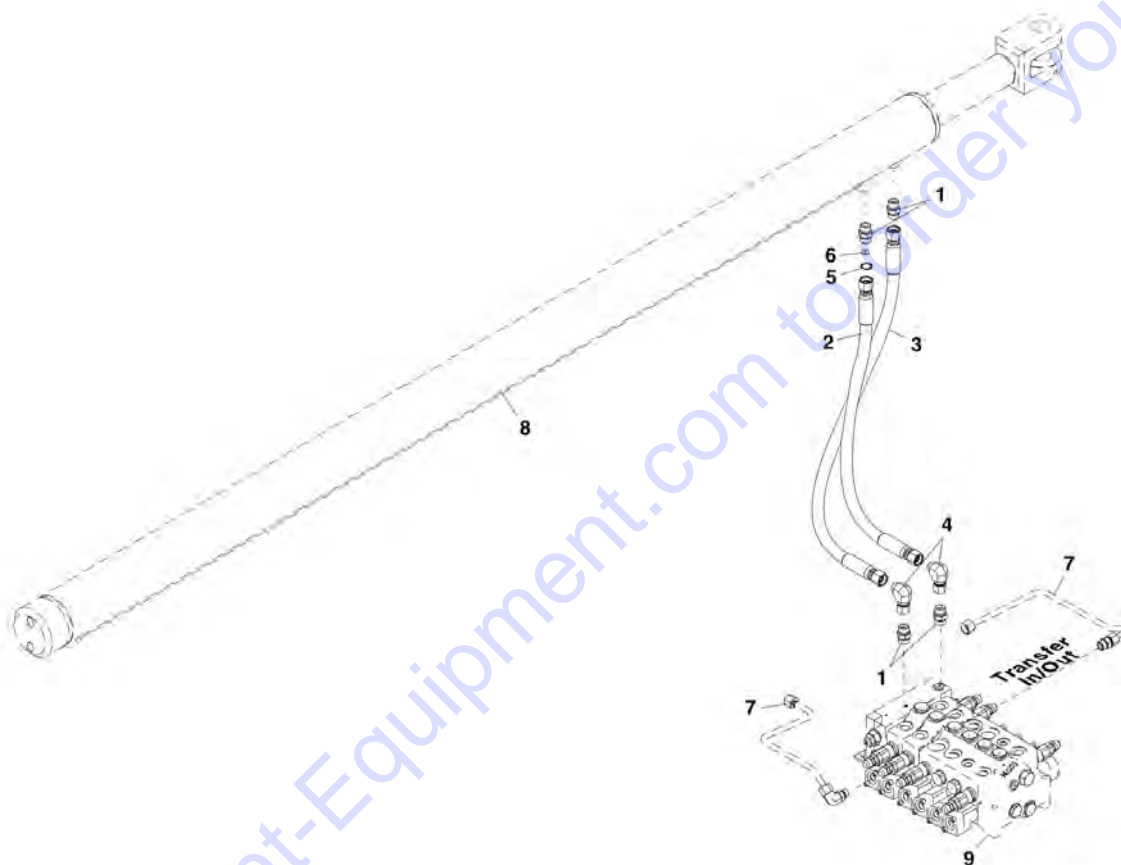
**FIGURE 8-13. TILT COMPENSATION CYLINDER (644E-42 SN 0160003604 to Present; 944E-42 SN 0160003602 to Present)**

ITEM	PART NUMBER	QTY	DESCRIPTION	REV
1	2130808	4	ELBOW, 90	
2	2717272	4	HOSE ASSEMBLY	
3	8310009	1	HEX HD CAPSCREW, .312-18X2.00, GR5	
4	8769128	1	TWIN COVER PLATE	
5	8750027	2	TWIN CLAMP SET, .84 DIA	
6	8750038	1	STACKING BOLT	
7	8750017	1	TWIN CLAMP LOCKING PLATE	
8		Ref	HYDRAULIC JUNCTION MANIFOLD, (See ATTACHMENT TILT AND AUXILIARY for Breakdown)	
9		Ref	TILT COMPENSATION CYLINDER, (See HYDRAULIC COMPONENTS SECTION for Breakdown)	

Go to Discount-Equipment.com to order your parts

# SECTION 8 - HYDRAULIC CIRCUITS

## FIGURE 8-14. TRANSFER CARRIAGE



PU2690

## SECTION 8 - HYDRAULIC CIRCUITS

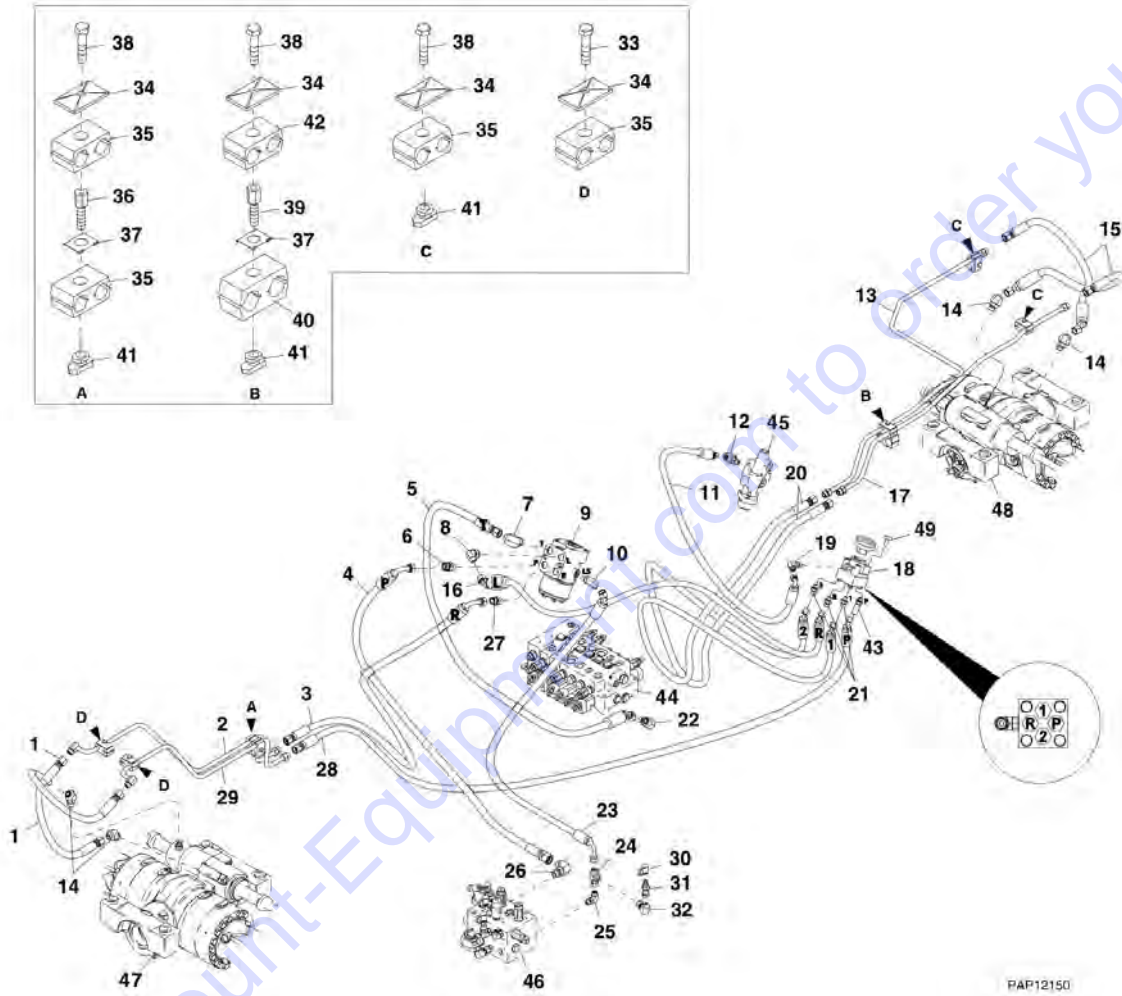
### FIGURE 8-14. TRANSFER CARRIAGE

ITEM	PART NUMBER	QTY	DESCRIPTION	REV
1	2110808	4	CONNECTOR	
2	2716920	1	HOSE ASSEMBLY	
3	2716921	1	HOSE ASSEMBLY	
4	2172108	2	ELBOW, 90, (swivel nut)	
5	8630004	1	FLAT FACE O-RING	
6	7301538	1	ORIFICE DISK	
7		Ref	TUBE ASSEMBLY, (See FRONT JOYSTICK for Breakdown)	
8		Ref	TRANSFER CYLINDER, (See HYDRAULIC COMPONENT SECTION for Breakdown)	
9		Ref	MAIN CONTROL VALVE, (See HYDRAULIC COMPONENT SECTION for Breakdown)	

Go to Discount-Equipment.com to order your parts

# SECTION 8 - HYDRAULIC CIRCUITS

## FIGURE 8-15. STEERING CYLINDER



PAP12150

## SECTION 8 - HYDRAULIC CIRCUITS

### FIGURE 8-15. STEERING CYLINDER

ITEM	PART NUMBER	QTY	DESCRIPTION	REV
1	2716925	2	HOSE ASSEMBLY (644E-42 Prior to SN 0160039830, Excluding 0160036724, 0160036811, 0160036907 and 0160037012; 944E-42 Prior to SN 0160040124, Excluding 0160034634, 0160036710, 0160036722, 0160036735 and 0160036738)	
1	2716629	2	HOSE ASSEMBLY (644E-42 SN 0160039830 to Present, Including 0160040124, 0160036811, 0160036907 and 0160037012; 944E-42 SN 0160036724 to Present, Including 0160034634, 0160036710, 0160036722, 0160036735 and 0160036738)	
2	7300946	1	FRONT AXLE TUBE ASSEMBLY, (left steer) (644E-42 Prior to SN 0160045421, Excluding 0160045421; 944E-42 Prior to SN 0160041827)	
2	1001121113	1	FRONT AXLE TUBE ASSEMBLY, (left steer) (644E-42 SN 0160048717 to Present, Including 0160045421; 944E-42 SN 0160041827 to Present)	
3	2717040	1	HOSE ASSEMBLY	
4	2716954	1	HOSE ASSEMBLY	
5	2716953	1	HOSE ASSEMBLY	
6	8770131	1	CONNECTOR WITH INLET CHECK	
7	2130808	1	ELBOW, 90	
8	2130608	1	ELBOW, 90	
9	8721032	1	STEER ORIBTAL VALVE, SINGLE STAGE 19CIR	
10	2130604	1	ELBOW, 90	
11	2716927	1	HOSE ASSEMBLY	
12	2170306	1	RUN TEE	
13	7300739	1	TUBE ASSEMBLY, (right steer)	
14	2150808	4	ELBOW, 45	
15	2716928	2	HOSE ASSEMBLY	
16	2716956	1	HOSE ASSEMBLY	
17	7300740	1	TUBE ASSEMBLY, (left steer)	
18	8902310	1	STEER SELECT VALVE	
18	70024325	1	KNOB, STEER SELECT VALVE	
19	2130606	1	ELBOW, 90	
20	2716955	2	HOSE ASSEMBLY	
21	2110606	3	ADAPTER	
22	2130808	1	ELBOW, 90	
23	2717039	1	HOSE ASSEMBLY	
24	2170706	1	SWIVEL RUN TEE	
25	2130606	1	ELBOW, 90	
26	2130810	1	ELBOW, 90	
27	2110808	1	CONNECTOR	
28	2716957	1	HOSE ASSEMBLY	
29	7300944	1	FRONT AXLE TUBE ASSEMBLY, (right steer) (644E-42 Prior to SN 0160048747, Excluding 0160045421; 944E-42 SN 0160041827 to Present)	
29	1001121071	1	FRONT AXLE TUBE ASSEMBLY, (right steer) (644E-42 SN 0160048717 to Present, Including 0160045421; 944E-42 SN 0160041827 to Present)	
30	8430098	1	DUST PLUG	
31	8430081	1	DIAGNOSTIC ADAPTER	
32	2172106	1	ELBOW, 90, (swivel nut)	
33	8310293	4	HEX HD CAPSCREW, M8X50, GR8.8	
34	8769123	7	TWIN COVER PLATE	



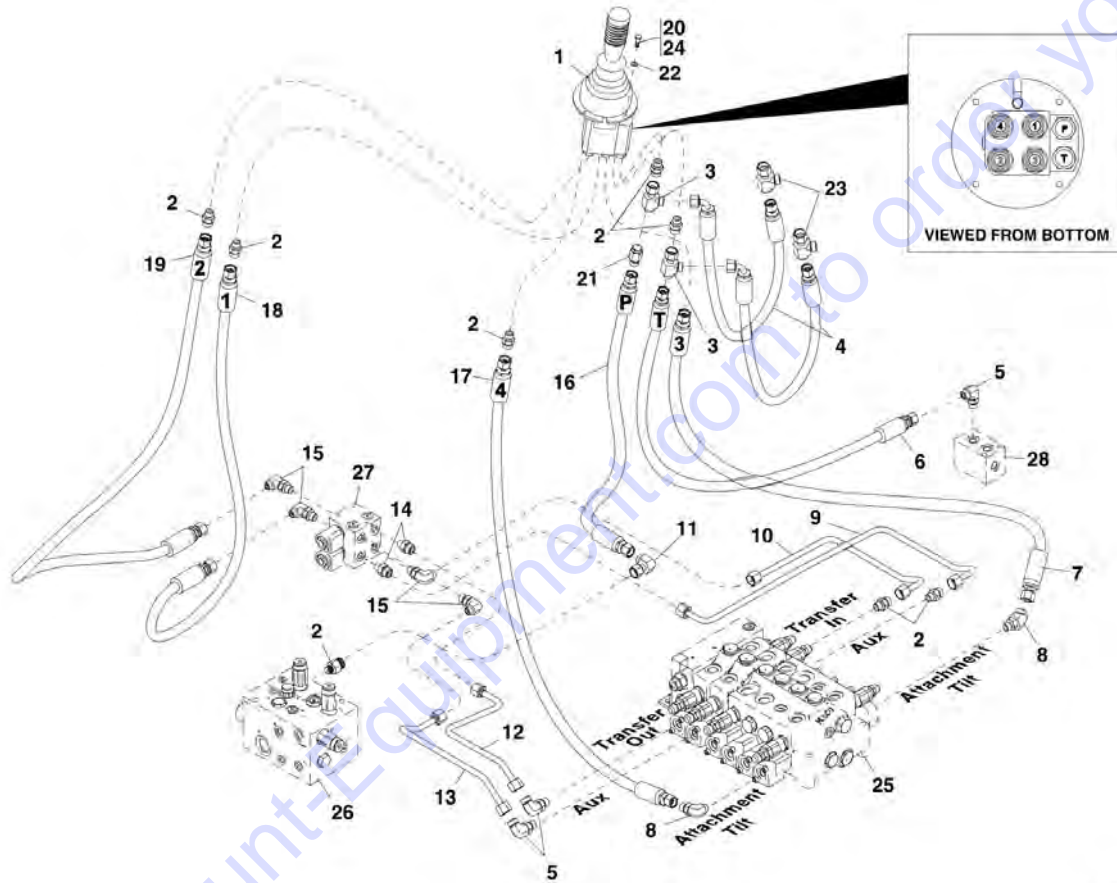
## SECTION 8 - HYDRAULIC CIRCUITS

ITEM	PART NUMBER	QTY	DESCRIPTION	REV
35	8750042	6	TWIN CLAMP SET, 0.50/0.38	
36	8750037	1	STACKING BOLT	
37	8750017	3	LOCKING PLATE	
38	8310476	5	HEX HD CAPSCREW, M8X35, GR8.8	
39	8750038	2	STACKING BOLT	
40	8769127	2	TWIN CLAMP SET, 1.00 DIA	
41	8750043	5	RAIL NUT, M8	
42	8769126	2	TWIN CLAMP SET, 0.50 DIA	
43	2170106	1	CONNECTOR	
44		Ref	MAIN CONTROL VALVE, (See HYDRAULIC COMPONENTS SECTION for Breakdown)	
45		Ref	BRAKE VALVE, (See SERVICE AND PARKING BRAKE for Breakdown)	
46		Ref	ACCUMULATOR CHARGE VALVE, (See HYDRAULIC COMPONENTS SECTION for Breakdown)	
47		Ref	FRONT AXLE, (See DRIVE TRAIN SECTION for Breakdown)	
48		Ref	REAR AXLE, (See DRIVE TRAIN SECTION for Breakdown)	
49	8310518	4	BUTTON HD CAPSCREW, 3/8-16X7/8, GR5	



# SECTION 8 - HYDRAULIC CIRCUITS

## FIGURE 8-16. FRONT JOYSTICK



PU2700

## SECTION 8 - HYDRAULIC CIRCUITS

### FIGURE 8-16. FRONT JOYSTICK

ITEM	PART NUMBER	QTY	DESCRIPTION	REV
1		Ref	JOYSTICK CONTROL VALVE ASSY, (See CONTROLS SECTION for Breakdown)	
2	2110606	9	ADAPTER	
3	8770111	2	SWIVEL RUN TEE	
4	2716967	2	HOSE ASSEMBLY	
5	2130606	3	ELBOW, 90	
6	2716961	1	HOSE ASSEMBLY	
7	2716964	1	HOSE ASSEMBLY	
8	8770140	2	ELBOW, 45	
9	7301005	1	TUBE ASSEMBLY	
10	7301004	1	TUBE ASSEMBLY	
11	2172106	1	ELBOW, 90, (swivel nut)	
12	7301002	1	TUBE ASSEMBLY	
13	7301003	1	TUBE ASSEMBLY	
14	2110604	2	CONNECTOR	
15	2130604	4	ELBOW, 90	
16	2716960	1	HOSE ASSEMBLY	
17	2716965	1	HOSE ASSEMBLY	
18	2716962	1	HOSE ASSEMBLY	
19	2716963	1	HOSE ASSEMBLY	
20	8303544	4	HEX HD CAPSCREW, M6-1.00X20mm, PC8.8	
21	4641316	1	CHECK VALVE	
22	8307219	4	PLAIN WASHER, 6mm	
23		Ref	SWIVEL RUN TEE, (See REAR JOYSTICK for Breakdown)	
24	8526007	AR	LOCTITE 242, (apply to item 20)	
25		Ref	MAIN CONTROL VALVE, (See HYDRAULIC COMPONENTS SECTION for Breakdown)	
26		Ref	ACCUMULATOR CHARGE VALVE, (See HYDRAULIC COMPONENTS SECTION for Breakdown)	
27		Ref	PILOT SELECT VALVE, (See HYDRAULIC COMPONENTS SECTION for Breakdown)	
28		Ref	MANIFOLD, (See SERVICE AND BRAKE for Breakdown)	



## SECTION 8 - HYDRAULIC CIRCUITS

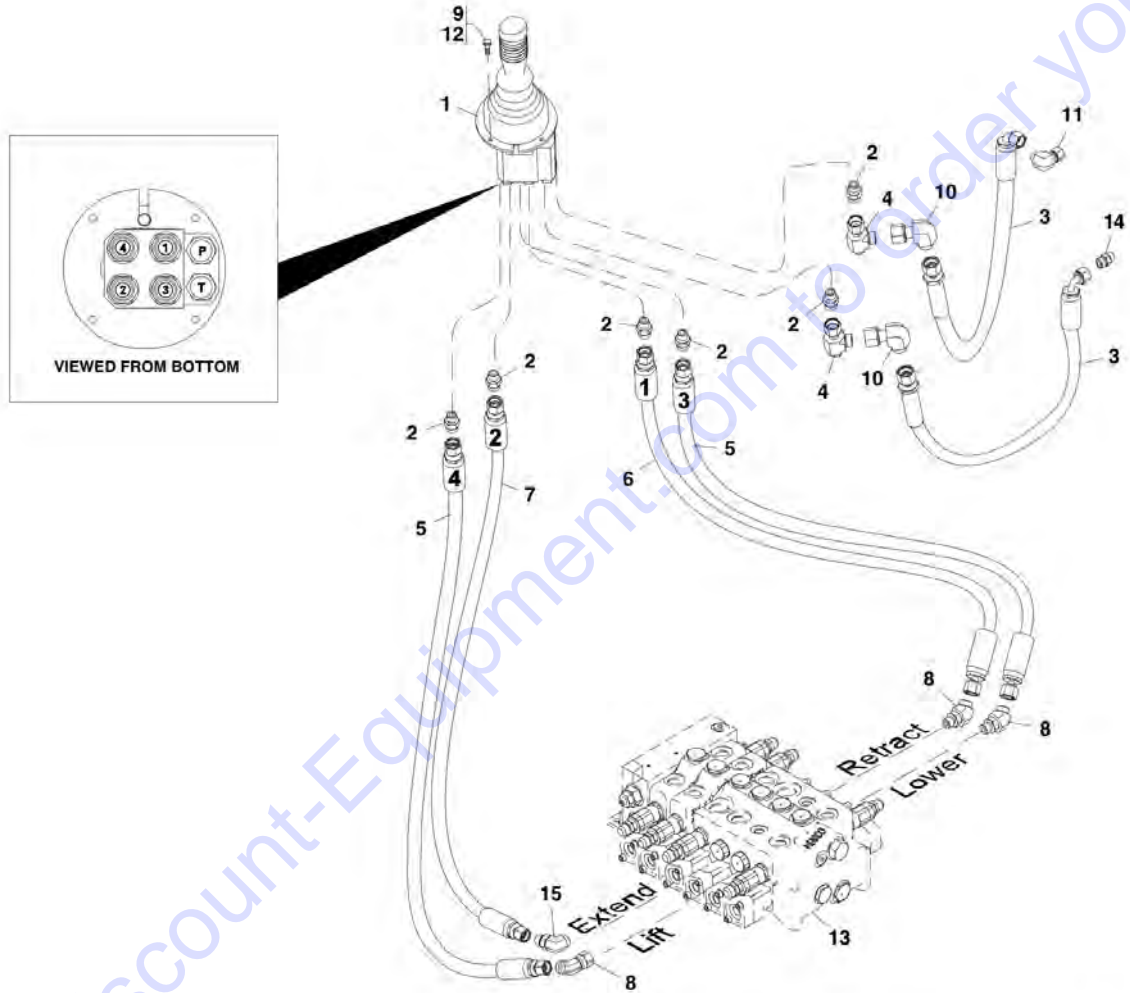
**FIGURE 8-17. REAR JOYSTICK (SN 17569 through 18460)**

ITEM	PART NUMBER	QTY	DESCRIPTION	REV
1		Ref	JOYSTICK CONTROL VALVE ASSEMBLY, (See CONTROLS SECTION for Breakdown)	
2	2110606	6	ADAPTER	
3	2716968	1	HOSE ASSEMBLY	
4	8770111	2	SWIVEL RUN TEE	
5	2716963	2	HOSE ASSEMBLY	
6	2716960	1	HOSE ASSEMBLY	
7	2716962	1	HOSE ASSEMBLY	
8	8770140	4	ELBOW, 45	
9	8303544	4	HEX HD CAPSCREW, M6X20, GR8.8	
10	2716969	1	HOSE ASSEMBLY	
11		Ref	ELBOW, 90, (See FRAME LEVEL/STABIL-TRAK for Breakdown)	
12	8526007	AR	LOCTITE 242, (apply to item 9)	
13		Ref	MAIN CONTROL VALVE, (See HYDRAULIC COMPONENTS SECTION for Breakdown)	

Go to Discount-Equipment.com to order your parts

# SECTION 8 - HYDRAULIC CIRCUITS

FIGURE 8-18. REAR JOYSTICK (644E-42 SN 18461 through 20123, SN 0160002514 to Present; 944E-42 SN 18554 through 20123, SN 0160002514 to Present)



PU2722

Go to Discount-Equipment.com to order your parts

## SECTION 8 - HYDRAULIC CIRCUITS

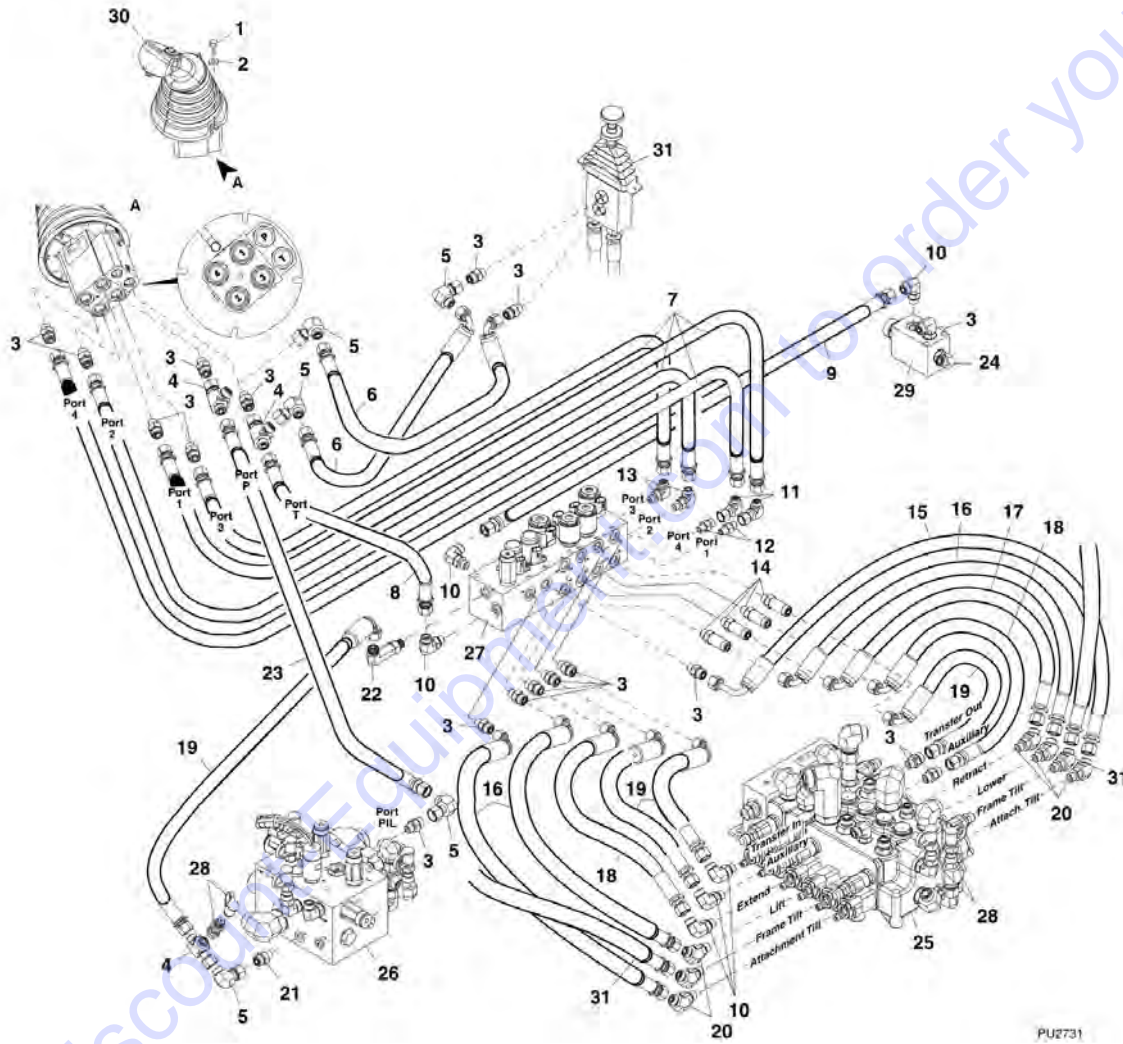
**FIGURE 8-18. REAR JOYSTICK (644E-42 SN 18461 through 20123, SN 0160002514 to Present; 944E-42 SN 18554 through 20123, SN 0160002514 to Present)**

ITEM	PART NUMBER	QTY	DESCRIPTION	REV
1		Ref	JOYSTICK CONTROL VALVE ASSEMBLY, (See CONTROLS SECTION for Breakdown)	
2	2110606	6	ADAPTER	
3	2716968	2	HOSE ASSEMBLY	
4	2170706	2	SWIVEL RUN TEE	
5	2716963	2	HOSE ASSEMBLY	
6	2716960	1	HOSE ASSEMBLY	
7	2716962	1	HOSE ASSEMBLY	
8	2150606	3	ELBOW, 45	
9	8303544	4	HEX HD CAPSCREW, M6X20, GR8.8	
10	2172106	2	ELBOW, 90, (swivel nut)	
11		Ref	ELBOW, 90, (See FRAME LEVEL/STABIL-TRAK for Breakdown)	
12	8526007	AR	LOCTITE 242, (apply to item 9)	
13		Ref	MAIN CONTROL VALVE, (See HYDRAULIC COMPONENTS SECTION for Breakdown)	
14		Ref	CONNECTOR, (See CONTROLS SECTION for Breakdown)	
15	2130606	1	ELBOW, 90	



# SECTION 8 - HYDRAULIC CIRCUITS

## FIGURE 8-19. SINGLE JOYSTICK



PU2731

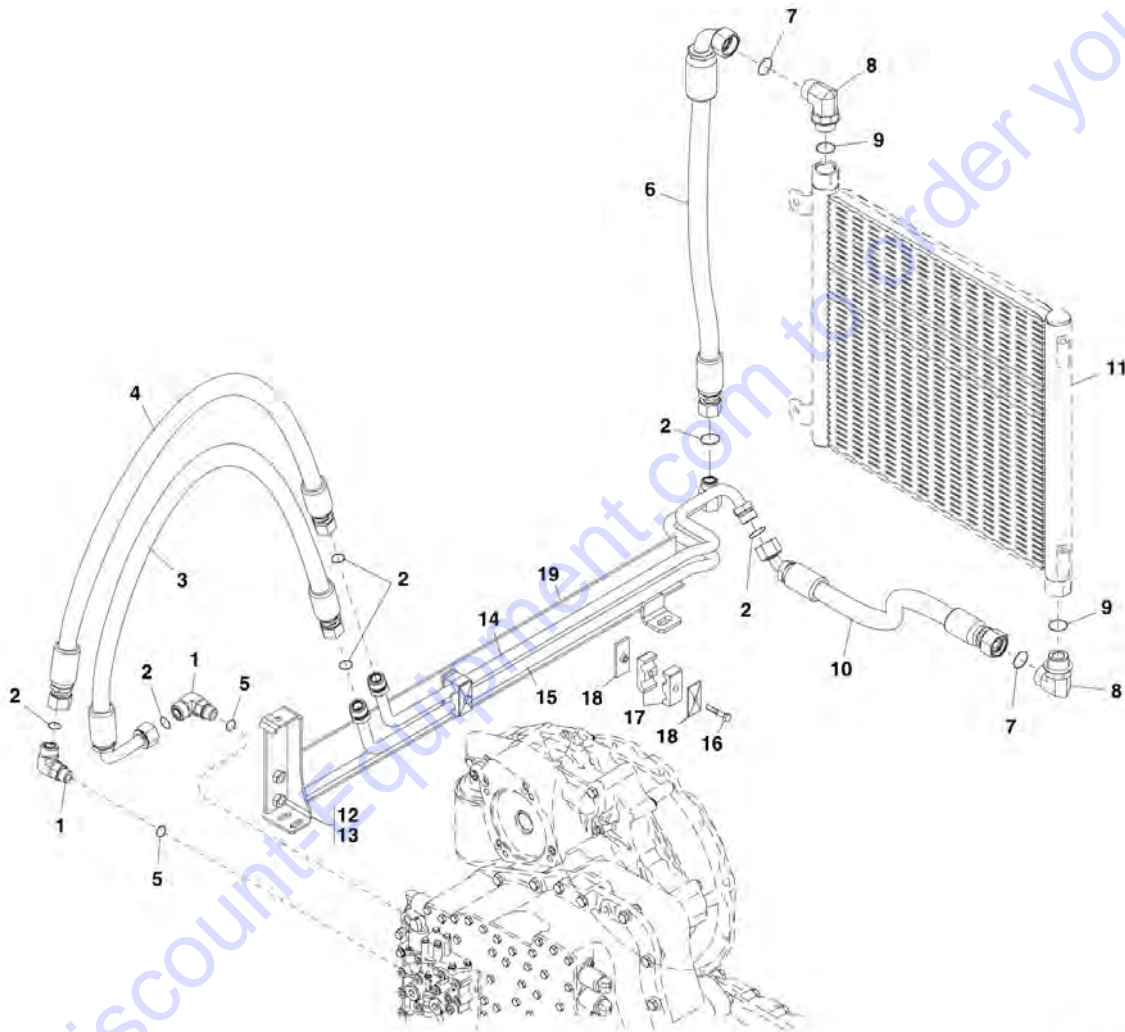
## SECTION 8 - HYDRAULIC CIRCUITS

### FIGURE 8-19. SINGLE JOYSTICK

ITEM	PART NUMBER	QTY	DESCRIPTION	REV
1	8303607	4	HEX HD CAPSCREW, M6X25, GR8.8	
2	8307219	4	PLAIN WASHER, M6	
3	2110606	18	ADAPTER	
4	2170706	3	SWIVEL RUN TEE	
5	2172106	5	ELBOW, 90, (swivel nut)	
6	2717184	2	HOSE ASSEMBLY	
7	2717209	4	HOSE ASSEMBLY	
8	2717180	1	HOSE ASSEMBLY	
9	2717084	1	HOSE ASSEMBLY	
10	2130606	6	ELBOW, 90	
11	2172104	2	ELBOW, 90, (swivel nut)	
12	2110404	2	CONNECTOR	
13	2130404	2	ELBOW, 90	
14	2170106	4	CONNECTOR	
15	2717190	1	HOSE ASSEMBLY	
16	2717189	3	HOSE ASSEMBLY	
17	2717188	1	HOSE ASSEMBLY	
18	2717187	2	HOSE ASSEMBLY	
19	2717186	4	HOSE ASSEMBLY	
20	2150606	6	ELBOW, 45	
21	2110604	1	CONNECTOR	
22	2170206	1	ELBOW, 90	
23	2717178	1	HOSE ASSEMBLY	
24		Ref	ELBOW, 90, (See PUMP SUCTION AND RETURN for Breakdown)	
25		Ref	MAIN CONTROL VALVE, (See HYDRAULIC COMPONENTS SECTION for Breakdown)	
26		Ref	ACCUMULATOR CHARGE VALVE, (See HYDRAULIC COMPONENTS SECTION for Breakdown)	
27		Ref	PILOT SELECT VALVE, (See HYDRAULIC COMPONENTS SECTION for Breakdown)	
28		Ref	DIAGNOSTIC PRESSURE TAP, (See HYDRAULIC COMPONENTS SECTION for Breakdown)	
29		Ref	MANIFOLD, (See SERVICE AND BRAKE for Breakdown)	
30		Ref	JOYSTICK CONTROL, (See CONTROLS SECTION for Breakdown)	
31		Ref	FRAME LEVEL CONTROL VALVE, (See CONTROLS SECTION for Breakdown)	

# SECTION 8 - HYDRAULIC CIRCUITS

FIGURE 8-20. TRANSMISSION OIL COOLER ASSEMBLY (644E-42 Prior to SN 0160048717, Excluding 01600045421; 944E-42 Prior to SN 0160041827)



PU1881

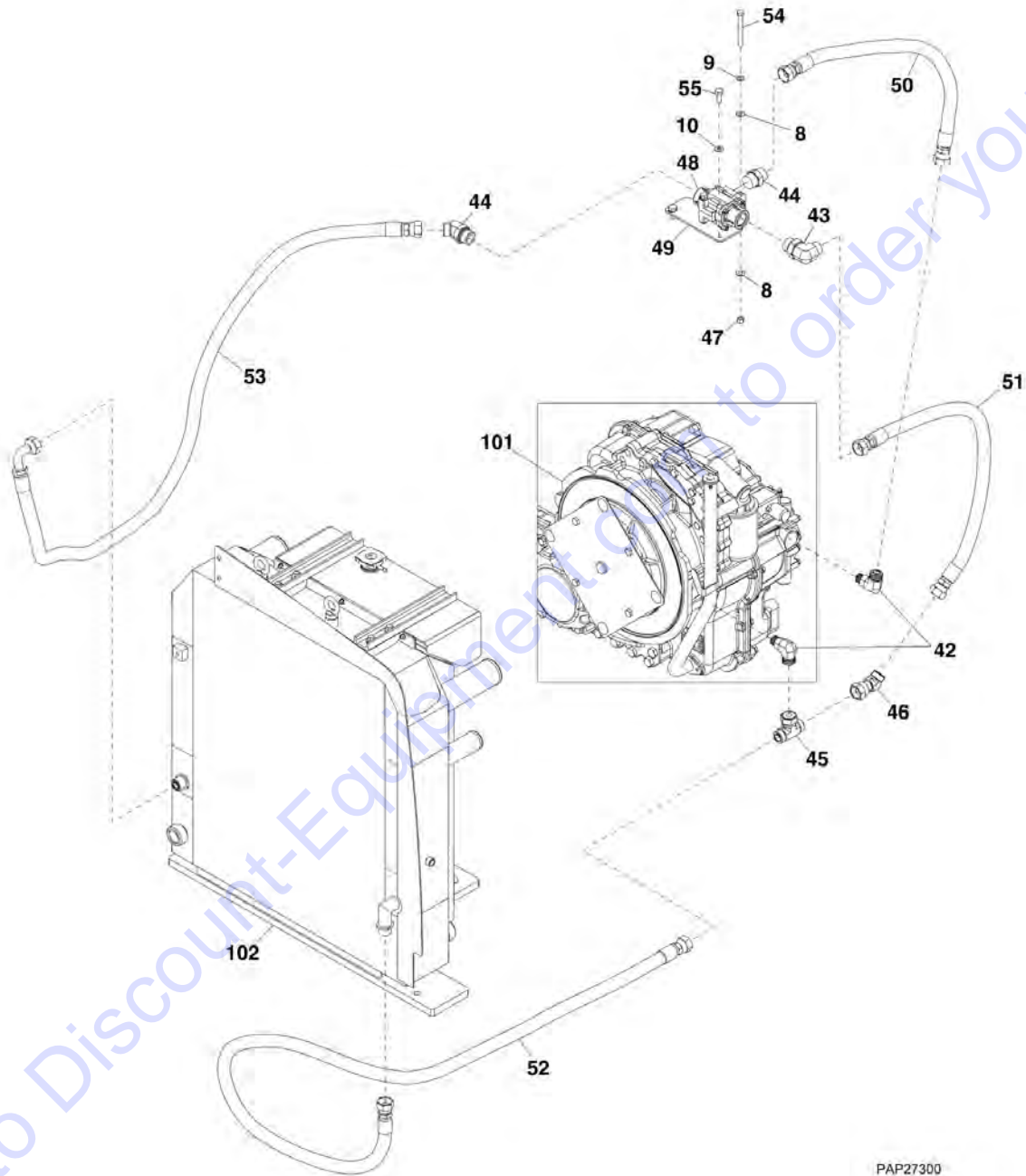
## SECTION 8 - HYDRAULIC CIRCUITS

**FIGURE 8-20. TRANSMISSION OIL COOLER ASSEMBLY (644E-42 Prior to SN 0160048717, Excluding 01600045421; 944E-42 Prior to SN 0160041827)**

ITEM	PART NUMBER	QTY	DESCRIPTION	REV
1	2131210	2	ELBOW, 90	
2	8630006	6	O-RING, #12	
3	2717014	1	HOSE ASSEMBLY	
4	2717015	1	HOSE ASSEMBLY	
5	8630005	2	O-RING, #10	
6	2717051	1	HOSE ASSEMBLY	
7	8630007	2	O-RING, #16	
8	2131616	2	ELBOW, 90	
9	8640903	2	O-RING	
10	2717050	1	HOSE ASSEMBLY	
11		Ref	TRANSMISSION OIL COOLER ASSEMBLY, (See ENGINE AND ATTACHING PART SECTION for Breakdown)	
12	4341041	1	HYDRAULIC TANK RETAINER ASSEMBLY, (includes items 13 thru 19)	
13	0903221	1	TUBE SUPPORT BRACKET WELDMENT	
14	3460446	1	COOLER TUBE ASSEMBLY	
15	3460471	1	COOLER TUBE ASSEMBLY	
16	0641514	2	HEX HD CAPSCREW, 5/16-18X1-3/4, GR5	
17	77133136	2	TWIN CLAMP	
18	77133137	2	TWIN CLAMP COVER PLATE	
19	8581036	1	FOAM STRIP	

## SECTION 8 - HYDRAULIC CIRCUITS

FIGURE 8-21. TRANSMISSION OIL COOLER ASSEMBLY (644E-42 SN 0160048717 to Present, Including 0160045421; 944E-42 SN 0160041827 to Present)



PAP27300

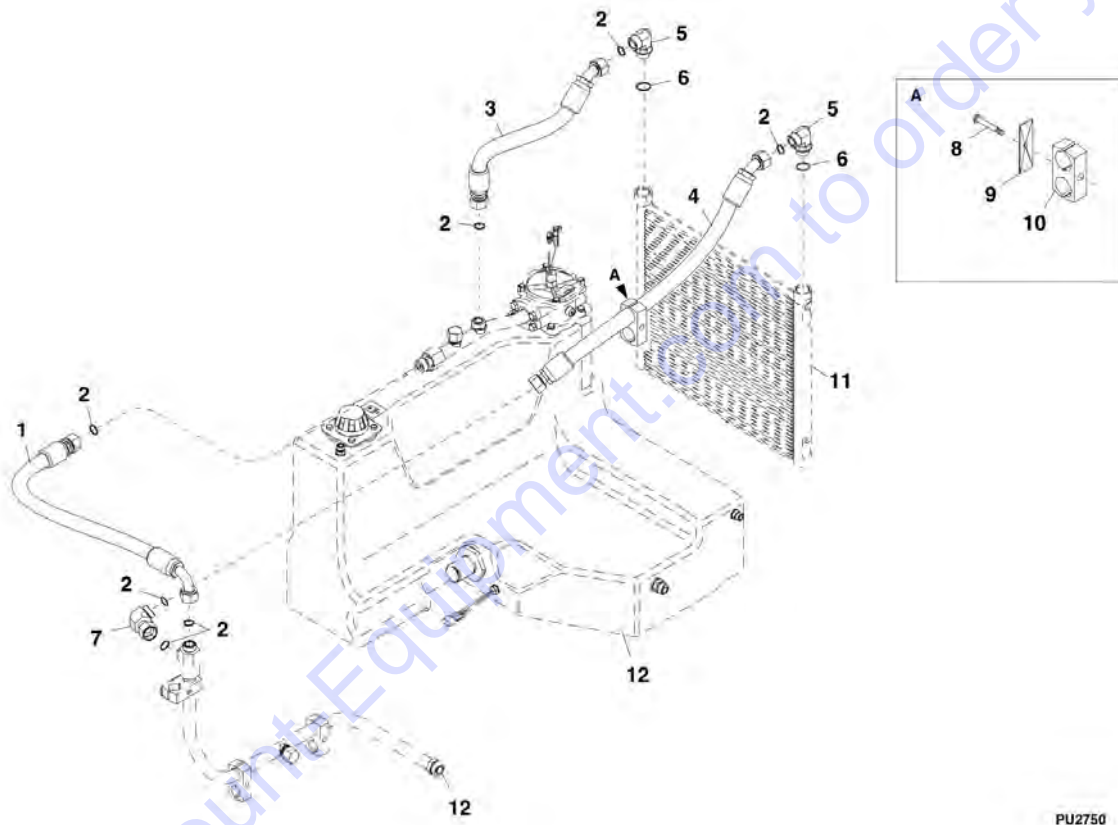
## SECTION 8 - HYDRAULIC CIRCUITS

**FIGURE 8-21. TRANSMISSION OIL COOLER ASSEMBLY (644E-42 SN 0160048717 to Present,  
Including 0160045421; 944E-42 SN 0160041827 to Present)**

ITEM	PART NUMBER	QTY	DESCRIPTION	REV
8	4711600	4	WASHER, 3/8	
9	4761600	2	LOCKWASHER, 3/8	
10	4812000	2	WASHER, 10mm	
42	2131210	2	ADAPTER, 90, (includes o-ring)	
43	2131216	1	ADAPTER, 90, (includes o-ring)	
44	2151216	2	ADAPTER, 45, (includes o-ring)	
45	2170812	1	TEE FITTING, (includes o-ring)	
46	2172312	1	SWIVEL NUT, 45, (includes o-ring)	
47	3271601	2	HEX NUT, 3/8-16, GR8	
48	1001119801	1	THERMAL BYPASS VALVE	
49	1001120839	1	VALVE MOUNTING PLATE	
50	1001120840	1	HOSE ASSEMBLY	
51	1001120842	1	HOSE ASSEMBLY	
52	1001120844	1	HOSE ASSEMBLY	
53	1001120853	1	HOSE ASSEMBLY	
54	0641628	2	HEX HD CAPSCREW, 3/8-16X3-1/2, GR8	
55	0761012	2	HEX HD CAPSCREW, M10X25, GR8.8	
101		Ref	TRANSMISSION, (See DRIVE TRAIN SECTION for Breakdown)	
102		Ref	RADIATOR ASSEMBLY, (See ENGINE AND ATTACHING PARTS SECTION for Breakdown)	

## SECTION 8 - HYDRAULIC CIRCUITS

FIGURE 8-22. OIL COOLER (644E-42 Prior to SN 0160048717, Excluding 0160045421; 944E-42 Prior to SN 0160041827)



PU2750

## SECTION 8 - HYDRAULIC CIRCUITS

**FIGURE 8-22. OIL COOLER (644E-42 Prior to SN 0160048717, Excluding 0160045421; 944E-42 Prior to SN 0160041827)**

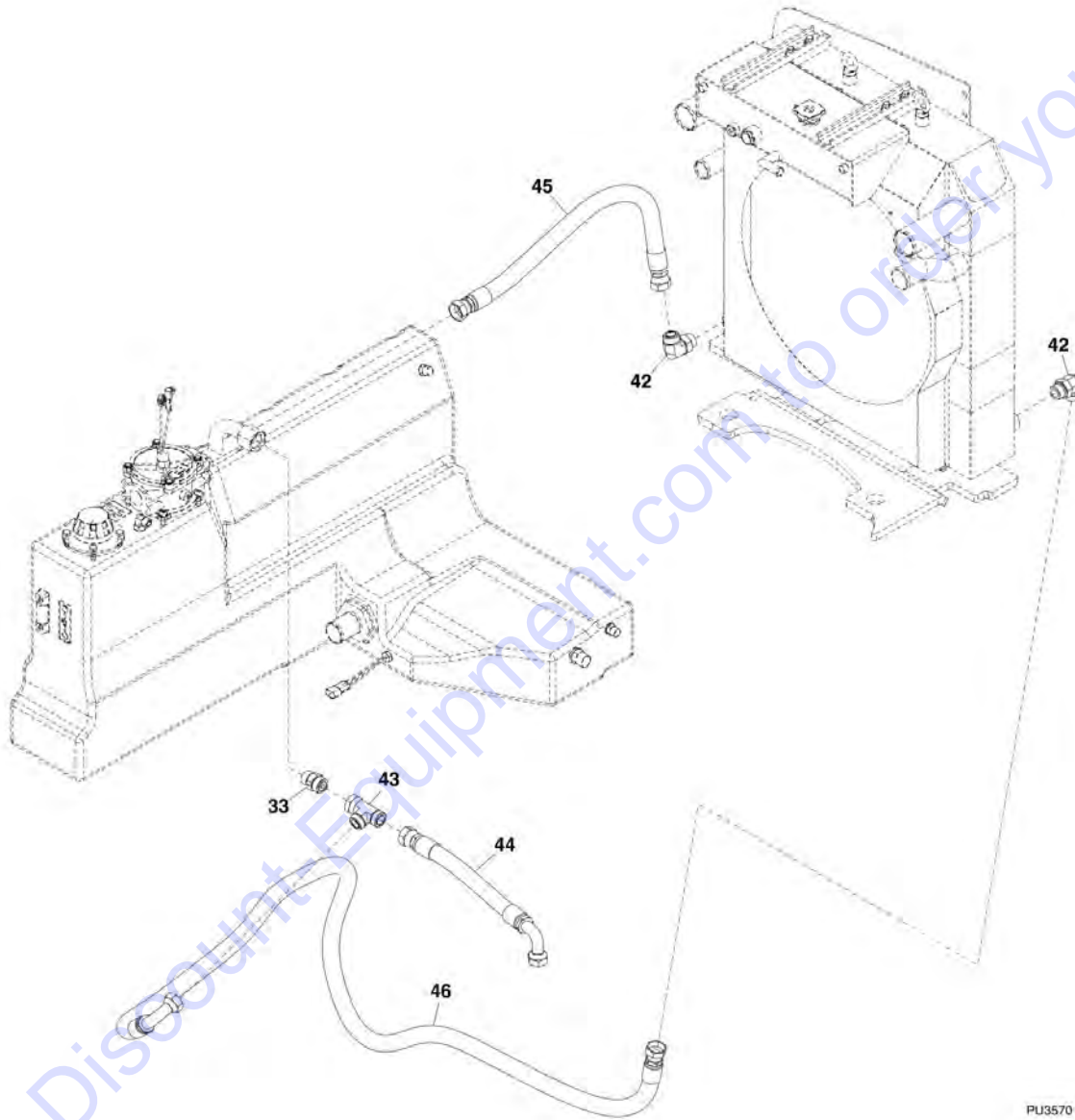
ITEM	PART NUMBER	QTY	DESCRIPTION	REV
1	2717016	1	HOSE ASSEMBLY	
2	8630007	7	O-RING, #16	
3	2716914	1	HOSE ASSEMBLY	
4	2716915	1	HOSE ASSEMBLY	
5	8770196	2	ELBOW, 90	
6	8770091	2	O-RING	
7	2172116	1	ELBOW, 90, (swivel nut)	
8	8303550	1	HEX HD CAPSCREW, M8X60, GR8.8	
9	8750025	1	TWIN COVER PLATE	
10	8750040	1	TWIN CLAMP SET, 1.46 DIA	
11		Ref	HYDRAULIC OIL COOLER ASSEMBLY, (See ENGINE AND ATTACHING PARTS SECTION for Breakdown)	
12		Ref	HYDRAULIC RESERVOIR, (See HYDRAULIC COMPONENTS SECTION for Breakdown)	

Go to Discount-Equipment.com to order your parts



## SECTION 8 - HYDRAULIC CIRCUITS

FIGURE 8-23. OIL COOLER (644E-42 SN 0160048717 to Present, Including 0160045421; 944E-42 SN 0160041827 to Present)



## SECTION 8 - HYDRAULIC CIRCUITS

**FIGURE 8-23. OIL COOLER (644E-42 SN 0160048717 to Present, Including 0160045421; 944E-42 SN 0160041827 to Present)**

ITEM	PART NUMBER	QTY	DESCRIPTION	REV
33		Ref	CHECK VALVE, (See PUMP SUCTION AND RETURN for Breakdown)	
42	2131616	2	ADAPTER, 90, (includes o-ring)	
43	2170716	1	TEE FITTING, (includes o-ring)	
44	1001112594	1	HOSE ASSEMBLY	
45	1001121628	1	HOSE ASSEMBLY	
46	1001121629	1	HOSE ASSEMBLY	

Go to Discount-Equipment.com to order your parts

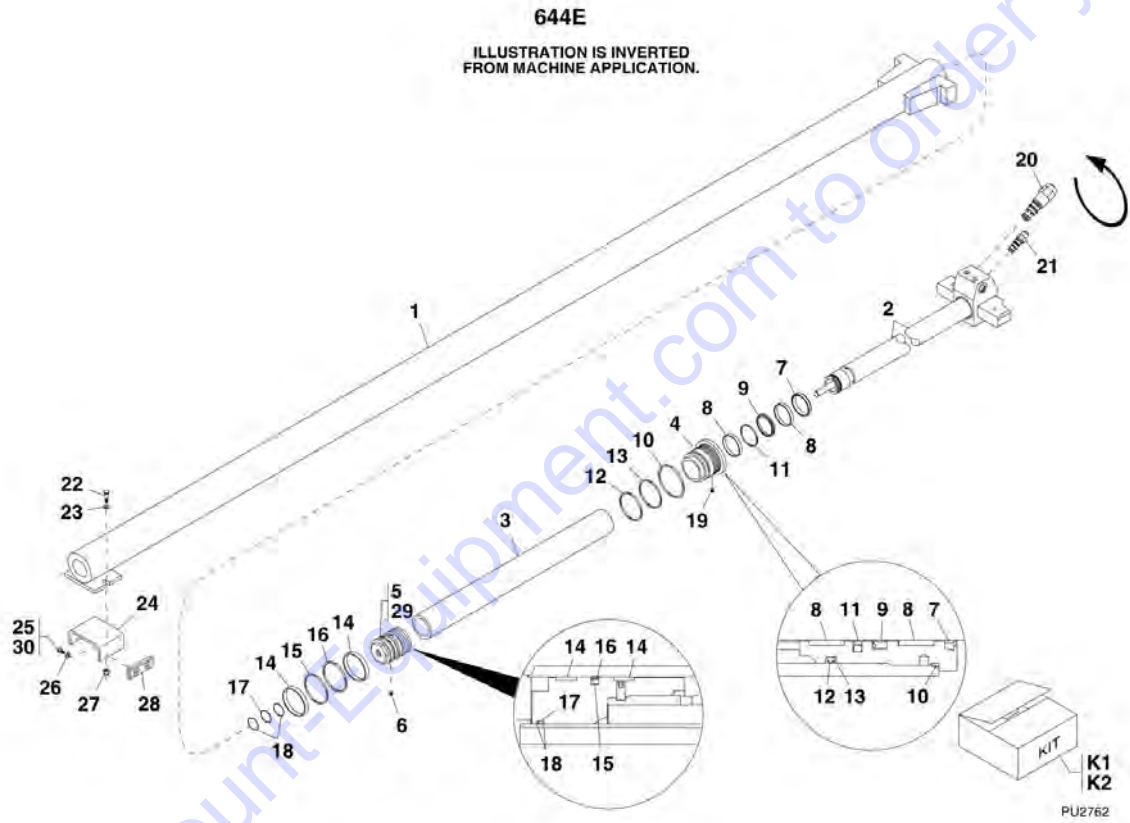


**SECTION 9 - HYDRAULIC COMPONENTS**

Go to [Discount-Equipment.com](http://Discount-Equipment.com) to order your parts

# SECTION 9 - HYDRAULIC COMPONENTS

FIGURE 9-1. EXTEND/RETRACT CYLINDER (644E-42 SN 17569 through 20123, SN 0160002514 through 0160005325, Excluding 0160004236 and 0160004237)



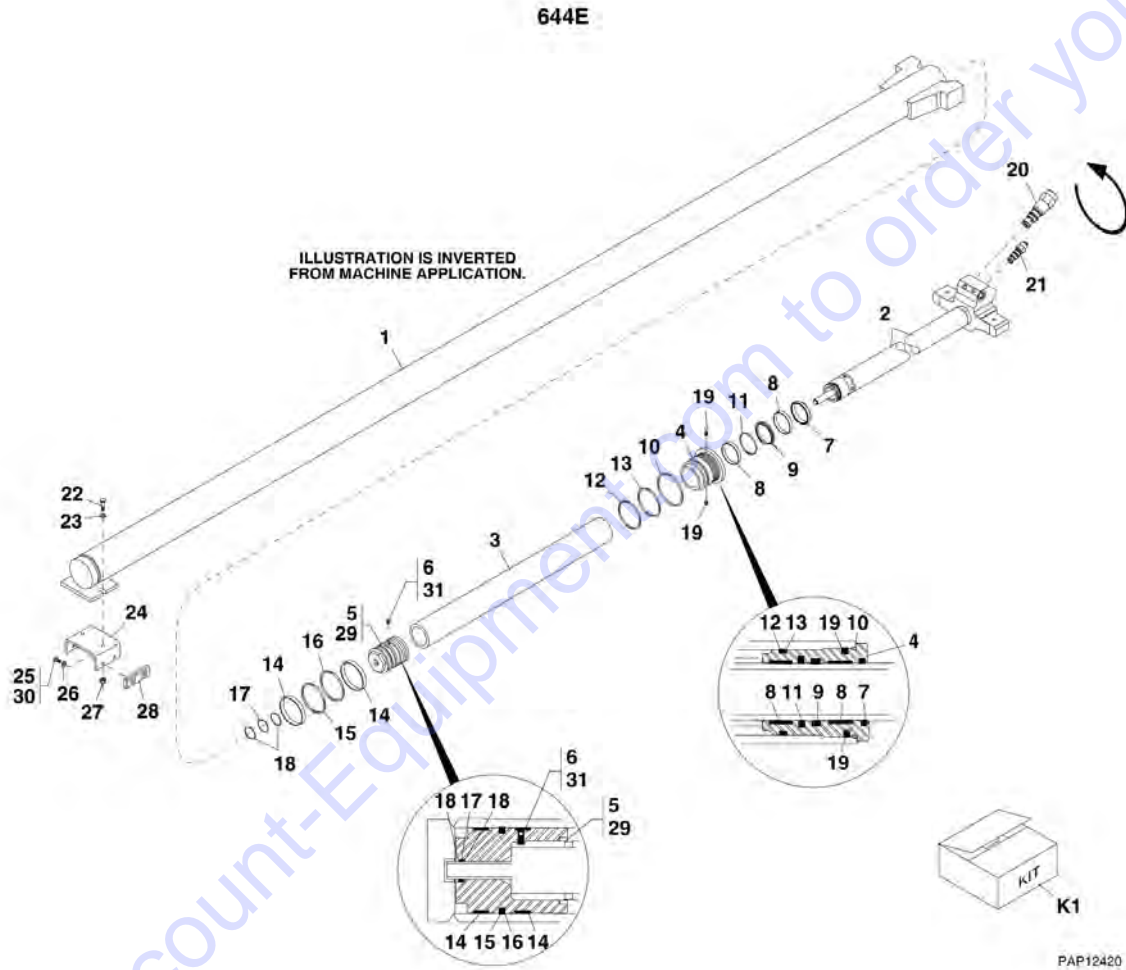
## SECTION 9 - HYDRAULIC COMPONENTS

**FIGURE 9-1. EXTEND/RETRACT CYLINDER (644E-42 SN 17569 through 20123, SN 0160002514 through 0160005325, Excluding 0160004236 and 0160004237)**

ITEM	PART NUMBER	QTY	DESCRIPTION	REV
	2716861	NLA	EXTEND CYLINDER, (no longer available, use Kit K2 for replacement)	
1	N.S.S.	1	WELDMENT TUBE	
2	8036591	1	ROD WELDMENT	
3	8036592	1	ROD SPACER	
4	8036593	1	HEAD GLAND, (torque to 300-400 lb-ft)	
5	8036594	1	PISTON, (torque to 330-390 lb-ft)	
6	8035315	1	SET SCREW, 5/16-18X.63, (loctite 243 and torque to 155-175 lb-in)	
7	Kit	1	WIPER SEAL	
8	Kit	2	PRECISION WEARBAND	
9	Kit	1	BT U-CUP	
10	Kit	1	O-RING	
11	Kit	1	TFE BUFFER SEAL	
12	Kit	1	O-RING	
13	Kit	1	BACKUP RING	
14	Kit	2	PRECISION WEARBAND	
15	Kit	1	RECT SECTION SEAL, TFE PISTON	
16	Kit	1	SQUARE RING	
17	Kit	1	O-RING	
18	Kit	2	DYNAMIC BACKUP RING	
19	Kit	2	LOCKING INSERT	
20	8036590	1	COUNTERBALANCE VALVE, ISEL90 4000 PSI, (275 bar)	
20	8205657	1	SEAL KIT	
21	8036229	1	PO CHECK VALVE, (torque to 45-50 lb-ft)	
21	8205656	1	SEAL KIT	
22	8303785	2	HEX HD CAPSCREW, M2X45, GR8.8	
23	8307220	2	PLAIN WASHER, M12	
24	7300509	1	EXTEND CYLINDER BRACKET PAD MOUNT	
25	8303784	4	HEX HD CAPSCREW, M10X20, GR8.8	
26	8307221	4	PLAIN WASHER, M10	
27	8310625	4	HEX LOCKNUT, M12-1.75	
28	7300032	2	WEAR PAD	
29	8526011	AR	LOCTITE 271, (apply to item 5)	
30	8526007	AR	LOCTITE 242, (apply to item 25)	
K1	8036475	1	SEAL KIT, (includes items 7 thru 19)	
K2	8024061	1	EXTEND CYLINDER SERVICE KIT, (includes Extend Cylinder 2717241 and Rear Boom Cover 7302064)	

# SECTION 9 - HYDRAULIC COMPONENTS

FIGURE 9-2. EXTEND/RETRACT CYLINDER (644E-42 SN 0160005784 to Present, Including 0160004236 and 0160004237)



## SECTION 9 - HYDRAULIC COMPONENTS

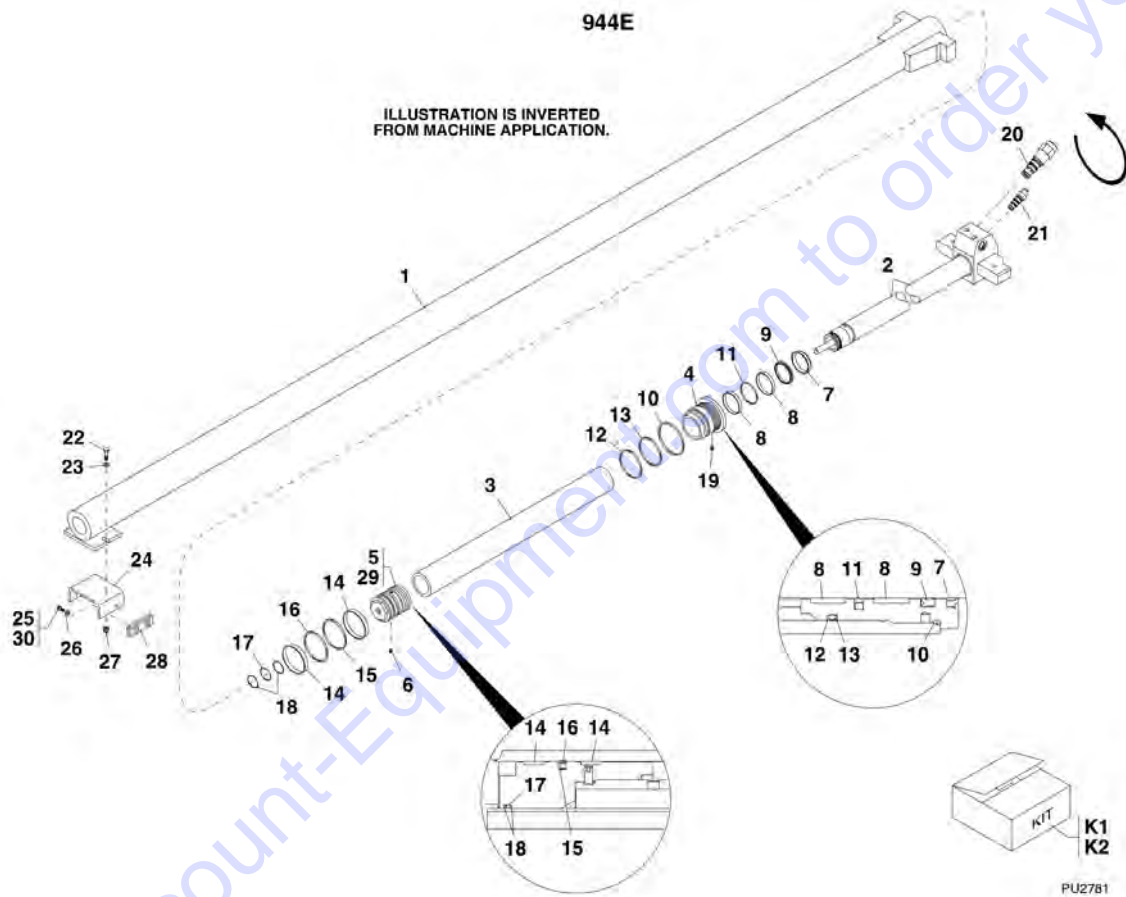
**FIGURE 9-2. EXTEND/RETRACT CYLINDER (644E-42 SN 0160005784 to Present, Including 0160004236 and 0160004237)**

ITEM	PART NUMBER	QTY	DESCRIPTION	REV
	2717241	1	EXTEND CYLINDER, (includes items 1 thru 21)	B, M
1	N.S.S.	1	WELDMENT TUBE	
2	7026629	1	ROD WELDMENT	
3	8036592	1	ROD SPACER	
4	8036593	1	HEAD GLAND, (torque to 300-400 lb-ft)	
5	8036594	1	PISTON, (Loctite and torque to 330-390 lb-ft)	
6	8035315	1	SET SCREW, 5/16-18X.63, (Loctite and torque to 155-175 lb-in)	
7	Kit	1	WIPER SEAL	
8	Kit	2	PRECISION WEARBAND	
9	Kit	1	U-CUP, BT	
10	Kit	1	O-RING	
11	Kit	1	TFE BUFFER SEAL	
12	Kit	1	O-RING	
13	Kit	1	BACK-UP RING	
14	Kit	2	PRECISION WEARBAND	
15	Kit	1	RECT SECTION SEAL, TFE PISTON	
16	Kit	1	SQUARE RING	
17	Kit	1	O-RING	
18	Kit	2	DYNAMIC BACKUP RING	
19	Kit	2	LOCKING INSERT	
20	7026628	1	COUNTERBALANCE VALVE, 4065 PSI, (280 bar), (torque to 150-160 lb-ft)	
20	8205657	1	SEAL KIT	
21	7029513	1	PO CHECK VALVE, (torque to 45-50 lb-ft)	
21	7029518	1	SEAL KIT	
22	8303785	2	HEX HD CAPSCREW, M2X45, GR8.8	
23	8307220	2	PLAIN WASHER, M12	
24	7300509	1	EXTEND CYLINDER BRACKET PAD MOUNT	
25	8303784	4	HEX HD CAPSCREW, M10X20, GR8.8	
26	8307221	4	PLAIN WASHER, M10	
27	8310625	4	HEX LOCKNUT, M12-1.75	
28	7300032	2	WEAR PAD	
29	8526011	AR	LOCTITE 271, (apply to item 5)	
30	8526007	AR	LOCTITE 242, (apply to item 25)	
31	1001095650	AR	LOCTITE 243, (apply to item 6)	
K1	8036475	1	SEAL KIT, (includes items 7 thru 19)	



# SECTION 9 - HYDRAULIC COMPONENTS

FIGURE 9-3. EXTEND/RETRACT CYLINDER (944E-42 SN 18554 through 20123, SN 0160002514 through 0160005729)



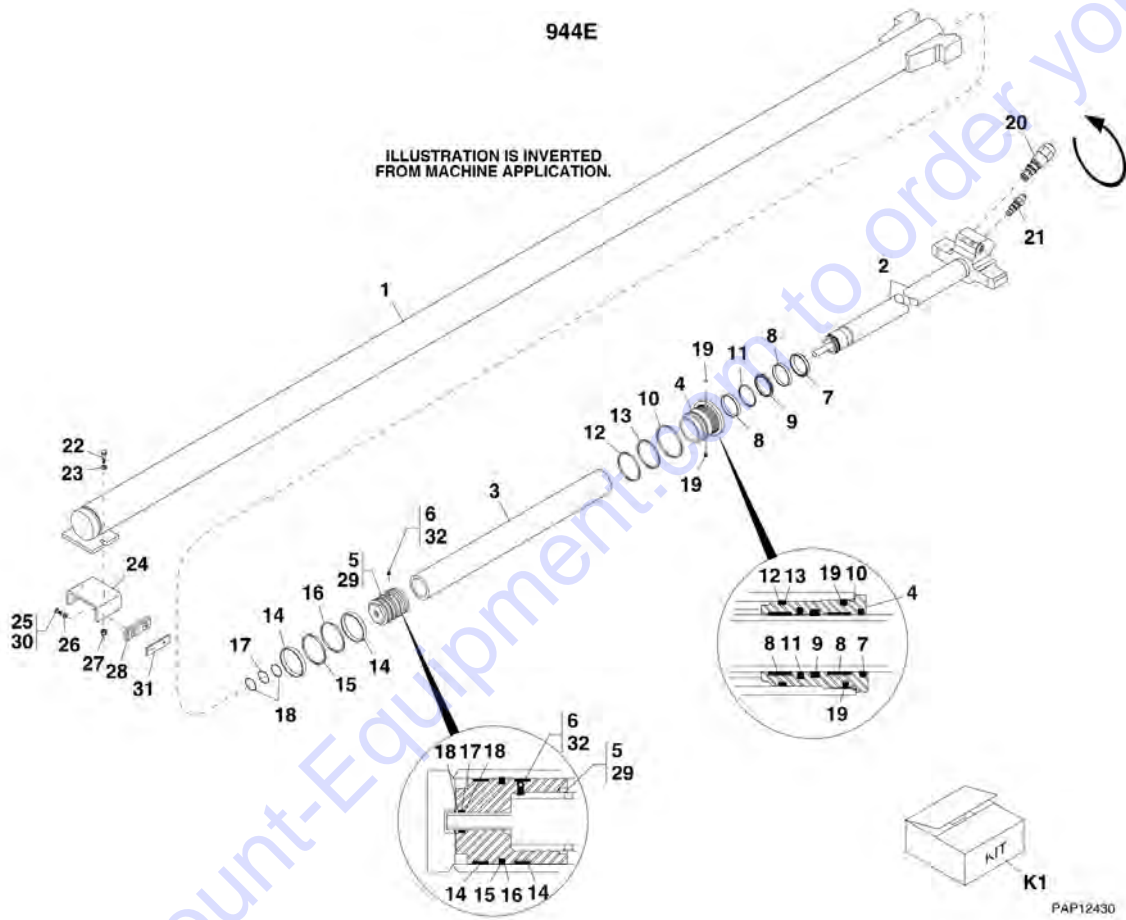
## SECTION 9 - HYDRAULIC COMPONENTS

**FIGURE 9-3. EXTEND/RETRACT CYLINDER (944E-42 SN 18554 through 20123, SN 0160002514 through 0160005729)**

ITEM	PART NUMBER	QTY	DESCRIPTION	REV
	2716897	NLA	EXTEND CYLINDER, (no longer available, use Kit K2 for replacement)	
1	N.S.S.	1	WELDMENT TUBE	
2	7026630	1	ROD WELDMENT	
3	8036638	1	ROD SPACER	
4	8036639	1	HEAD GLAND, (torque to 300-400 lb-ft)	
5	8036233	1	PISTON, (torque to 330-390 lb-ft)	
6	8035315	1	SET SCREW, 5/16-18 X.63, (LOCTITE 243 and torque to 330-390 lb-in)	
7	Kit	1	WIPER SEAL	
8	Kit	2	PRECISION WEARBAND	
9	Kit	1	U-CUP, BS	
10	Kit	1	O-RING	
11	Kit	1	TFE BUFFER SEAL	
12	Kit	1	O-RING	
13	Kit	1	BACK-UP RING	
14	Kit	2	PRECISION WEARBAND	
15	Kit	1	RECT SECTION SEAL, TFE PISTON	
16	Kit	1	SQUARE RING	
17	Kit	1	O-RING	
18	Kit	2	DYNAMIC BACK-UP RING	
19	Kit	2	LOCKING INSERT	
20	8036590	1	COUNTERBALANCE VALVE, 4000 PSI, (275 bar), (torque to 45-50 lb-ft)	
20	8205656	1	SEAL KIT	
21	8036229	1	PO CHECK VALVE, (torque to 45-50 lb-ft)	
21	8205656	1	SEAL KIT	
22	8303785	2	HEX HD CAPSCREW, M2X45, GR8.8	
23	8307220	2	PLAIN WASHER, M12	
24	7300509	1	EXTEND CYLINDER PAD MOUNT BRACKET	
25	8303784	4	HEX HD CAPSCREW, M10X20, GR8.8	
26	8307221	4	PLAIN WASHER, M10	
27	8310625	4	HEX LOCKNUT, M12-1.75	
28	7300032	2	WEAR PAD	
29	8526011	AR	LOCTITE 271, (apply to item 5)	
30	8526007	AR	LOCTITE 242, (apply to item 25)	
K1	8036328	1	SEAL KIT, (includes items 7 thru 19)	
K2	8024062	1	EXTEND CYLINDER SERVICE KIT, (includes Extend Cylinder 2717243 and Rear Boom Cover 7302065)	

# SECTION 9 - HYDRAULIC COMPONENTS

FIGURE 9-4. EXTEND/RETRACT CYLINDER (SN 0160005814 to Present)



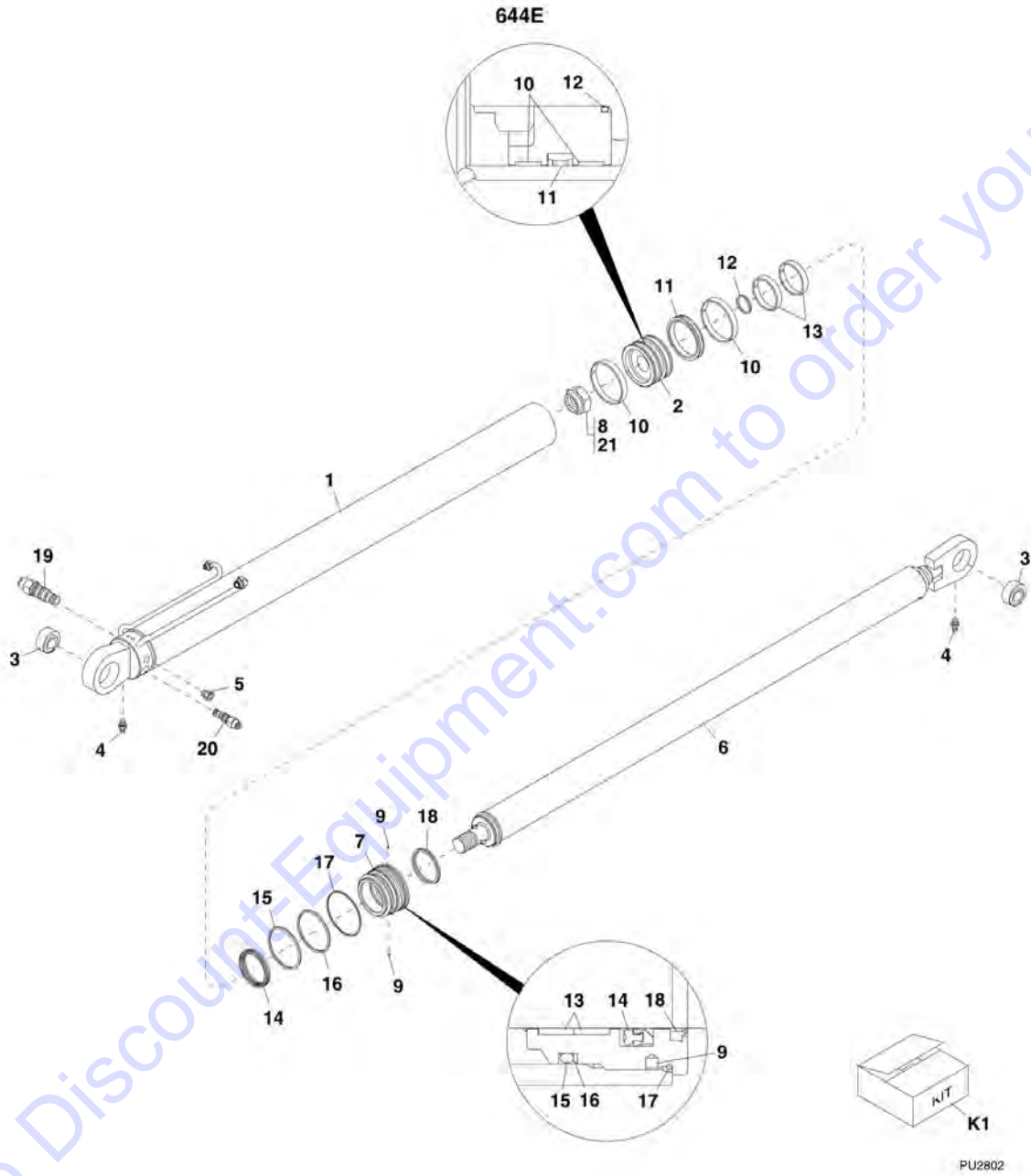
## SECTION 9 - HYDRAULIC COMPONENTS

**FIGURE 9-4. EXTEND/RETRACT CYLINDER (SN 0160005814 to Present)**

ITEM	PART NUMBER	QTY	DESCRIPTION	REV
	2717243	1	EXTEND/RETRACT CYLINDER, (includes items 1 thru 21)	B, N
1	70023503	1	WELDMENT TUBE	
2	7026630	1	ROD WELDMENT	
3	8036638	1	ROD SPACER	
4	8036639	1	HEAD GLAND, (torque to 300-400 lb-ft)	
5	8036233	1	PISTON, (Loctite and torque to 330-390 lb-ft)	
6	8035315	1	SET SCREW, 5/16-18X.63, (Loctite and torque to 155-175 lb-in)	
7	Kit	1	WIPER SEAL	
8	Kit	2	PRECISION WEARBAND	
9	Kit	1	U-CUP, BT	
10	Kit	1	O-RING	
11	Kit	1	TFE BUFFER SEAL	
12	Kit	1	O-RING	
13	Kit	1	BACKUP RING	
14	Kit	2	PRECISION WEARBAND	
15	Kit	1	RECT SECTION TFE PISTON SEAL	
16	Kit	1	SQUARE RING	
17	Kit	1	O-RING	
18	Kit	2	DYNAMIC BACKUP RING	
19	Kit	2	LOCKING INSERT	
20	7026628	1	COUNTERBALANCE VALVE, 4065 PSI, (280 bar), (torque to 150-160 lb-ft)	
20	8205657	1	SEAL KIT	
21	7029513	1	PO CHECK VALVE, (torque to 45-50 lb-ft)	
21	7029518	1	SEAL KIT	
22	8303785	2	HEX HD CAPSCREW, M2X45, GR8.8	
23	8307220	2	Plain Washer, M12	
24	7300886	1	EXTEND CYLINDER PAD MOUNT BRACKET	
25	8303777	1	HEX HD CAPSCREW, M10X1.5X35mm, GR8.8	
26	8307221	4	PLAIN WASHER, M10	
27	8310625	4	HEX LOCKNUT, M12-1.75	
28	7300032	2	WEAR PAD	
29	8526011	AR	LOCTITE 271, (apply to item 5)	
30	8526007	AR	LOCTITE 242, (apply to item 25)	
31	7301099	1	EXTEND CYLINDER PAD MOUNT SPACER	
32	1001095650	AR	LOCTITE 243, (apply to item 6)	
K1	70020310	1	SEAL KIT, (includes items 7 thru 19)	

# SECTION 9 - HYDRAULIC COMPONENTS

## FIGURE 9-5. LIFT CYLINDER



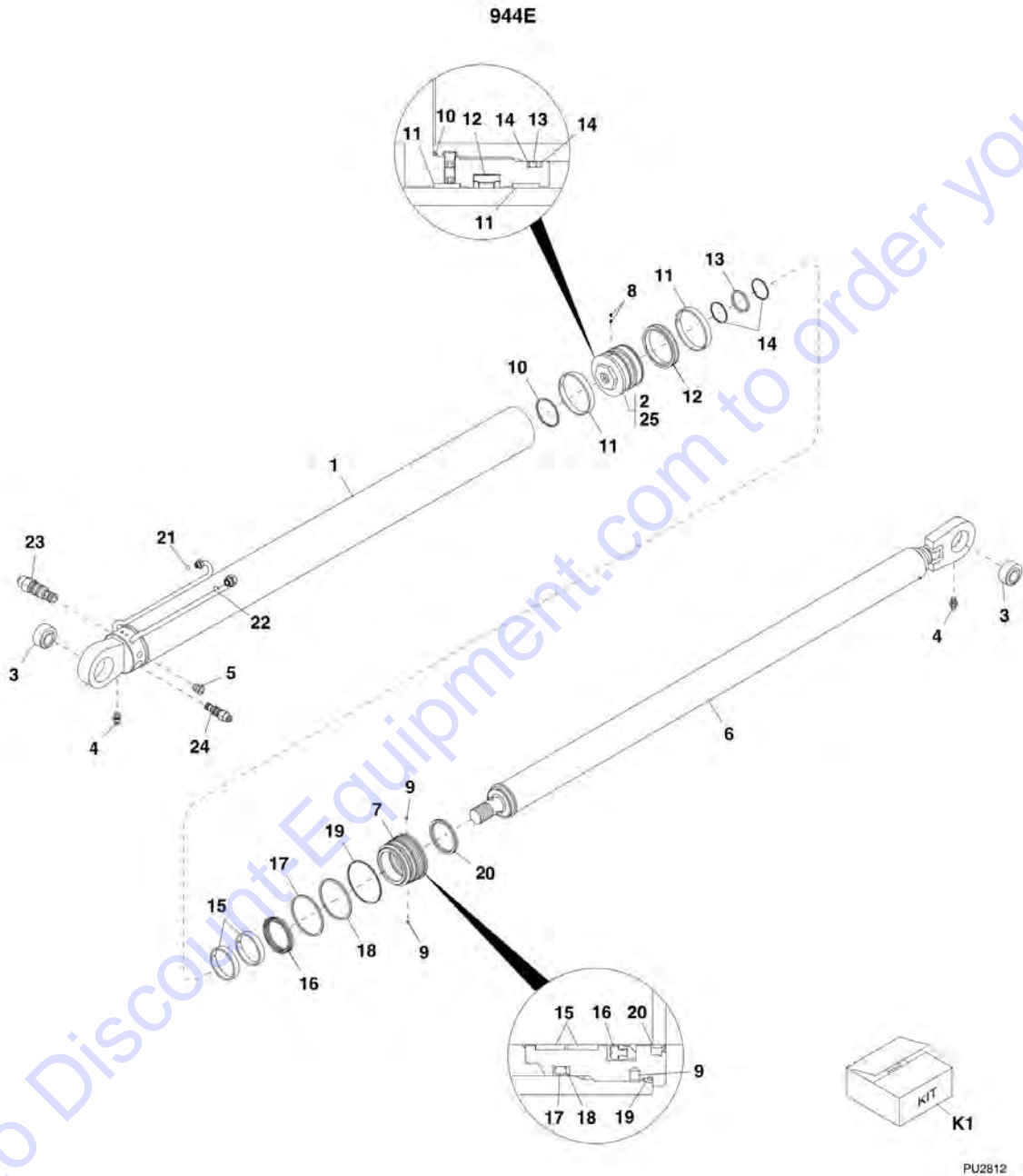
## SECTION 9 - HYDRAULIC COMPONENTS

**FIGURE 9-5. LIFT CYLINDER**

ITEM	PART NUMBER	QTY	DESCRIPTION	REV
	2716904	1	LIFT CYLINDER, (includes items 1 thru 20)	AB
1	N.S.S.	1	WELDMENT TUBE	
2	8035309	1	Piston	
3	8036236	2	SPHERICAL BEARING, WITH SEALS	
4	8520013	2	LUBE FITTING, 1/8-27	
5	8035785	2	HOLLOW HEX PLUG, #4, (torque to 10-12 lb-ft)	
6	8036597	1	WELDMENT ROD	
7	8036598	1	HEAD GLAND, (torque to 10-120 lb-ft)	
8	8035308	1	LOCKNUT, 2-12, (loctite and torque to 2200-2600 lb-ft)	
9	Kit	2	LOCKING INSERT	
10	Kit	2	PRECISION WEARBAND	
11	Kit	1	CAPPED T SEAL	
12	Kit	1	O-RING	
13	Kit	2	PRECISION WEARBAND	
14	Kit	1	DZR SEAL	
15	Kit	1	O-RING	
16	Kit	1	BACKUP RING	
17	Kit	1	O-RING	
18	Kit	1	WIPER SEAL	
19	8036596	1	COUNTERBALANCE VALVE, 4000 PSI, (275 bar), (torque to 40-45 lb-ft)	
19	8205656	1	SEAL KIT	
20	8036229	1	PO CHECK VALVE, (torque to 40-45 lb-ft)	
20	8205656	1	SEAL KIT	
21	8526011	AR	LOCTITE 271, (apply to item 8)	
K1	8036474	1	SEAL KIT, (includes items 9 thru 18)	

# SECTION 9 - HYDRAULIC COMPONENTS

FIGURE 9-6. LIFT CYLINDER (944E-42 SN 18554 through 20123, SN 0160002514 through 0160005729)



Go to DiscountEquipment.com to order your parts

## SECTION 9 - HYDRAULIC COMPONENTS

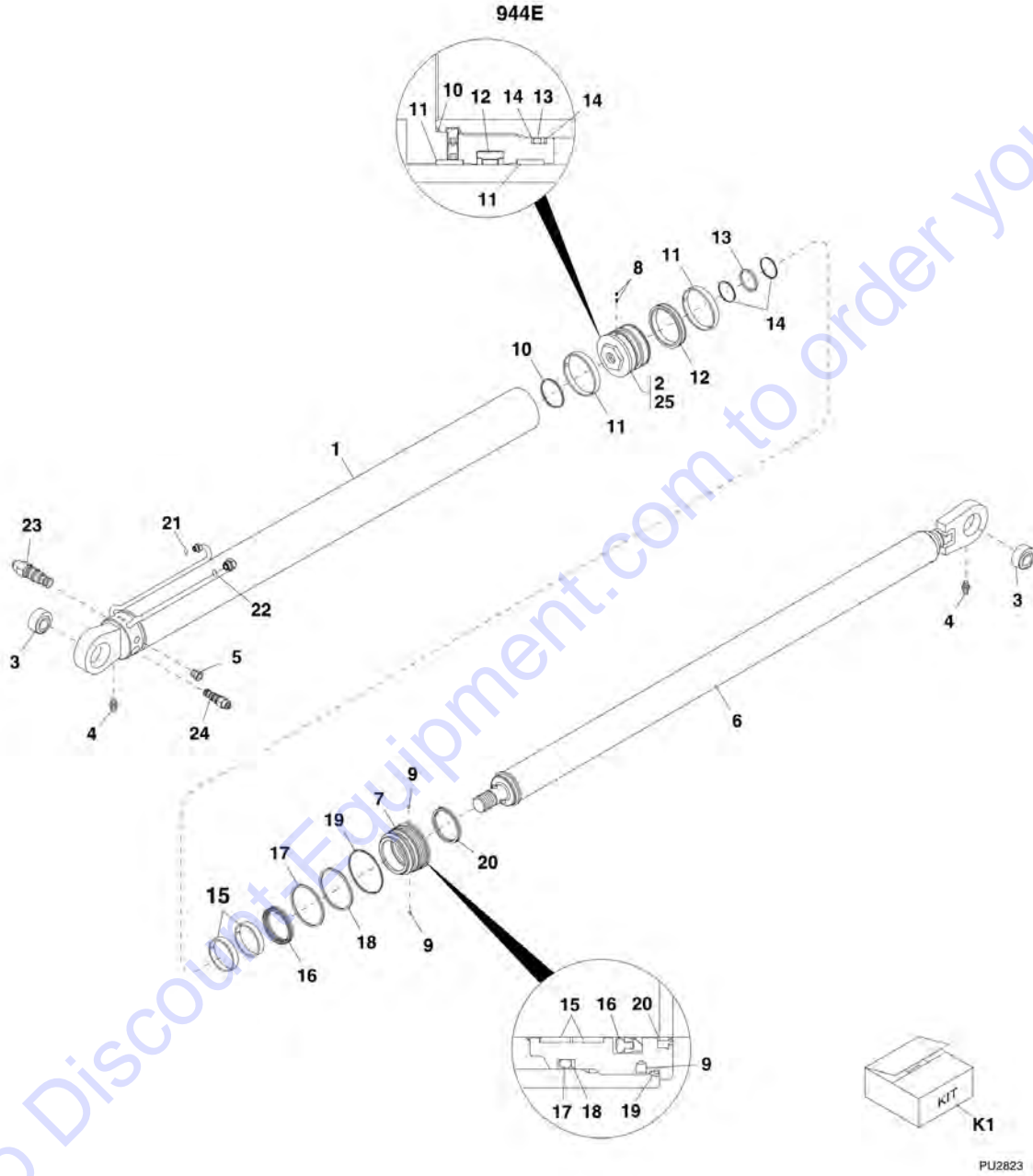
**FIGURE 9-6. LIFT CYLINDER (944E-42 SN 18554 through 20123, SN 0160002514 through 0160005729)**

ITEM	PART NUMBER	QTY	DESCRIPTION	REV
	Not Available	NLA	LIFT CYLINDER, (no longer available, use 2717242 for replacement or items 1 thru 24 for service)	
1	N.S.S.	1	WELDMENT TUBE	
2	8036242	1	PISTON, (torque to 500-600 lb-ft)	
3	8036236	2	SPHERICAL BEARING, WITH SEALS	
4	8520013	2	LUBE FITTING, 1/8-27	
5	8035785	2	HOLLOW HEX PLUG, #4, (torque to 10-12 lb-ft)	
6	8036640	1	WELDMENT ROD	
7	8036241	1	HEAD GLAND, (torque to 500-600 lb-ft)	
8	8036238	2	SET SCREW, .313-18X.44	
9	Kit	1	LOCKING INSERT	
10	Kit	1	O-RING	
11	Kit	2	PRECISION WEARBAND	
12	Kit	1	CAPPED T SEAL	
13	Kit	1	O-RING	
14	Kit	2	DYNAMIC BACKUP RING	
15	Kit	2	PRECISION WEARBAND	
16	Kit	1	DZR SEAL	
17	Kit	1	O-RING	
18	Kit	1	BACKUP RING	
19	Kit	1	O-RING	
20	Kit	1	WIPER SEAL	
21	Kit	1	O-RING	
22	Kit	1	O-RING	
23	8036596	1	COUNTERBALANCE VALVE, 4000 PSI, (275 bar), (torque to 40-45 lb-ft)	
23	8205656	1	SEAL KIT	
24	8036229	1	PO CHECK VALVE, (torque to 40-45 lb-ft)	
24	8205656	1	SEAL KIT	
25	8526011	AR	LOCTITE 271, (apply to item 2)	
K1	8036644	1	SEAL KIT, (includes items 9 thru 22)	



# SECTION 9 - HYDRAULIC COMPONENTS

FIGURE 9-7. LIFT CYLINDER (944E-42 SN 0160005814 to Present)



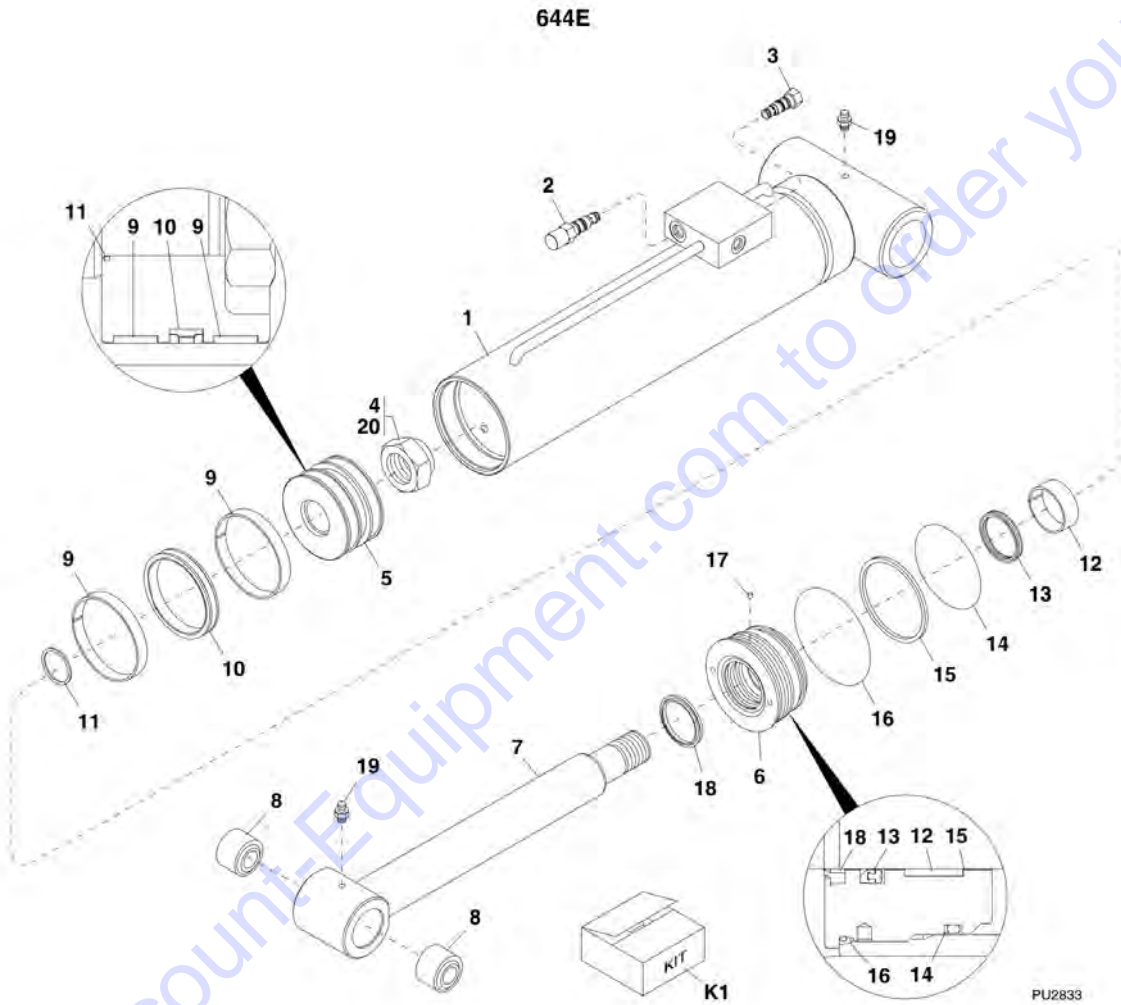
## SECTION 9 - HYDRAULIC COMPONENTS

**FIGURE 9-7. LIFT CYLINDER (944E-42 SN 0160005814 to Present)**

ITEM	PART NUMBER	QTY	DESCRIPTION	REV
	2717242	1	LIFT CYLINDER, (includes items 1 thru 24)	
1	N.S.S.	1	WELDMENT TUBE	
2	8036242	1	PISTON, (torque to 500-600 lb-ft)	
3	8036236	2	SPHERICAL BEARING, WITH SEALS	
4	8520013	2	LUBE FITTING, 1/8-27	
5	8035785	2	HOLLOW HEX PLUG, #4, (torque to 10-12 lb-ft)	
6	8036640	1	WELDMENT ROD	
7	8036241	1	HEAD GLAND, (torque to 500-600 lb-ft)	
8	8036238	2	SCREW SET, .313-18X.44	
9	Kit	2	LOCKING INSERT	
10	Kit	1	O-RING	
11	Kit	2	PRECISION WEARBAND	
12	Kit	1	CAPPED T SEAL	
13	Kit	1	O-RING	
14	Kit	2	DYNAMIC BACKUP RING	
15	Kit	2	PRECISION WEARBAND	
16	Kit	1	DZR SEAL	
17	Kit	1	O-RING	
18	Kit	1	BACKUP RING	
19	Kit	1	O-RING	
20	Kit	1	WIPER SEAL	
21	Kit	1	O-RING	
22	Kit	1	O-RING	
23	7029514	1	COUNTERBALANCE VALVE, 4000 PSI, (275 bar), (torque to 40-45 lb-ft)	
23	7029517	1	SEAL KIT	
24	7029513	1	PO CHECK VALVE, (torque to 40-45 lb-ft)	
24	7029518	1	SEAL KIT	
25	8526011	AR	LOCTITE 271, (apply to item 2)	
K1	8036644	1	SEAL KIT, (includes items 9 thru 22)	

# SECTION 9 - HYDRAULIC COMPONENTS

## FIGURE 9-8. ATTACHMENT TILT CYLINDER



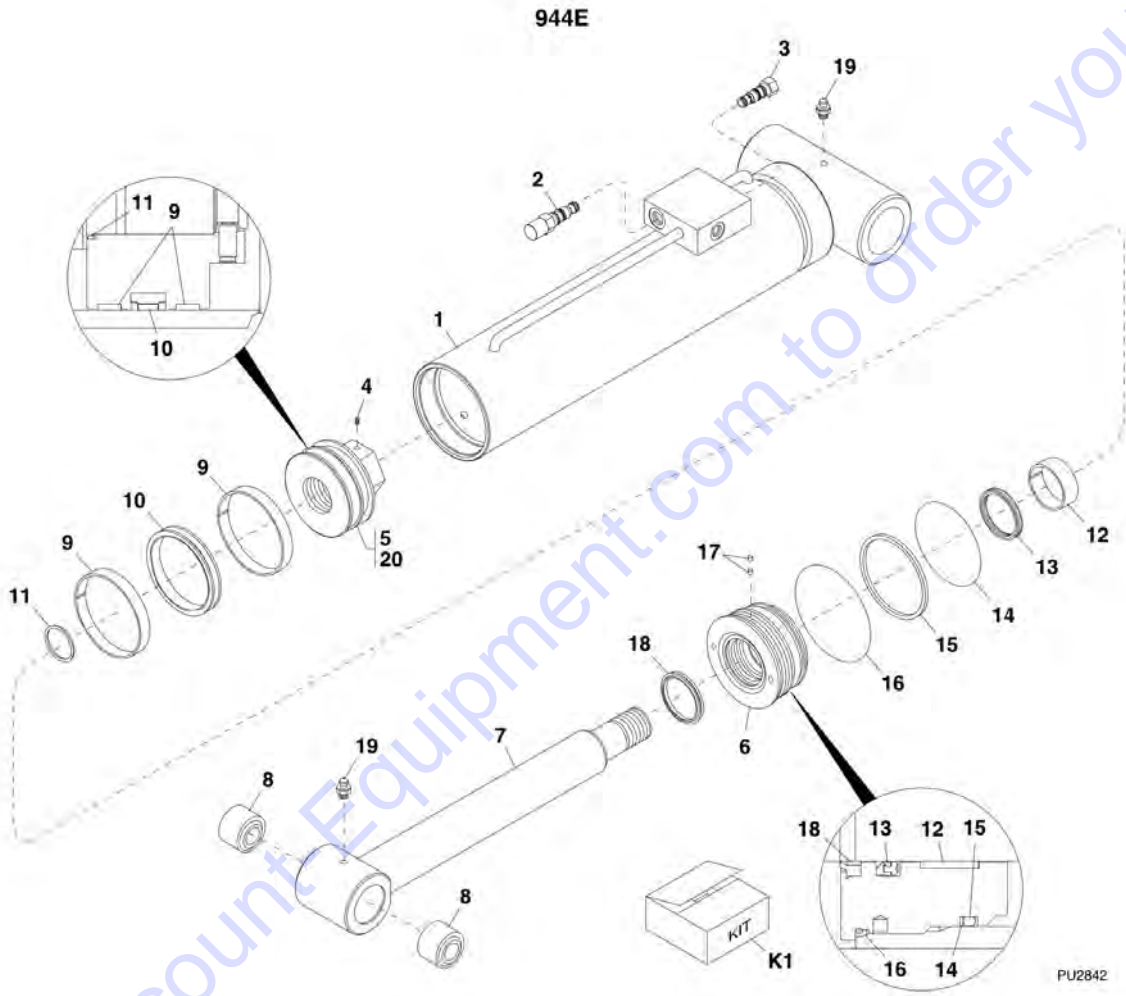
## SECTION 9 - HYDRAULIC COMPONENTS

**FIGURE 9-8. ATTACHMENT TILT CYLINDER**

ITEM	PART NUMBER	QTY	DESCRIPTION	REV
	2716864	1	ATTACHMENT TILT CYLINDER, (includes items 1 thru 19)	
1	70023328	1	TUBE WELDMENT	
2	8036750	1	PO CHECK VALVE, (torque to 30-35 lb-ft)	
2	2900770	1	SEAL KIT	
3	8035321	1	COUNTERBALANCE VALVE - CCC PRESET AT 4000 PSI, (275 bar), (torque to 30-35 lb-ft)	
3	8035327	1	Seal Kit	
4	8035322	1	HEX LOCKNUT, 1.5-12, (torque to 1100-1250 lb-ft)	
5	8035323	1	Piston	
6	8035324	1	HEAD GLAND, (torque to 300-400 lb-ft)	
7	8036577	1	WELDMENT ROD	
8	7300536	2	HARDENED STEEL BEARING	
9	Kit	2	PRECISION WEARBAND	
10	Kit	1	CAPPED T-SEAL	
11	Kit	1	O-RING	
12	Kit	1	PRECISION WEARBAND	
13	Kit	1	DEEP Z-SEAL - WITH ROD BACK-UP	
14	Kit	1	RING, BACK-UP	
15	Kit	1	O-RING	
16	Kit	1	O-RING	
17	Kit	1	LOCKING INSERT	
18	Kit	1	WIPER SEAL	
19	8520013	2	LUBE FITTING, 1/8-27	
20	8526011	AR	LOCTITE 271, (apply to item 4)	
K1	8035326	1	SEAL KIT, (includes items 9 thru 18)	

# SECTION 9 - HYDRAULIC COMPONENTS

## FIGURE 9-9. ATTACHMENT TILT CYLINDER



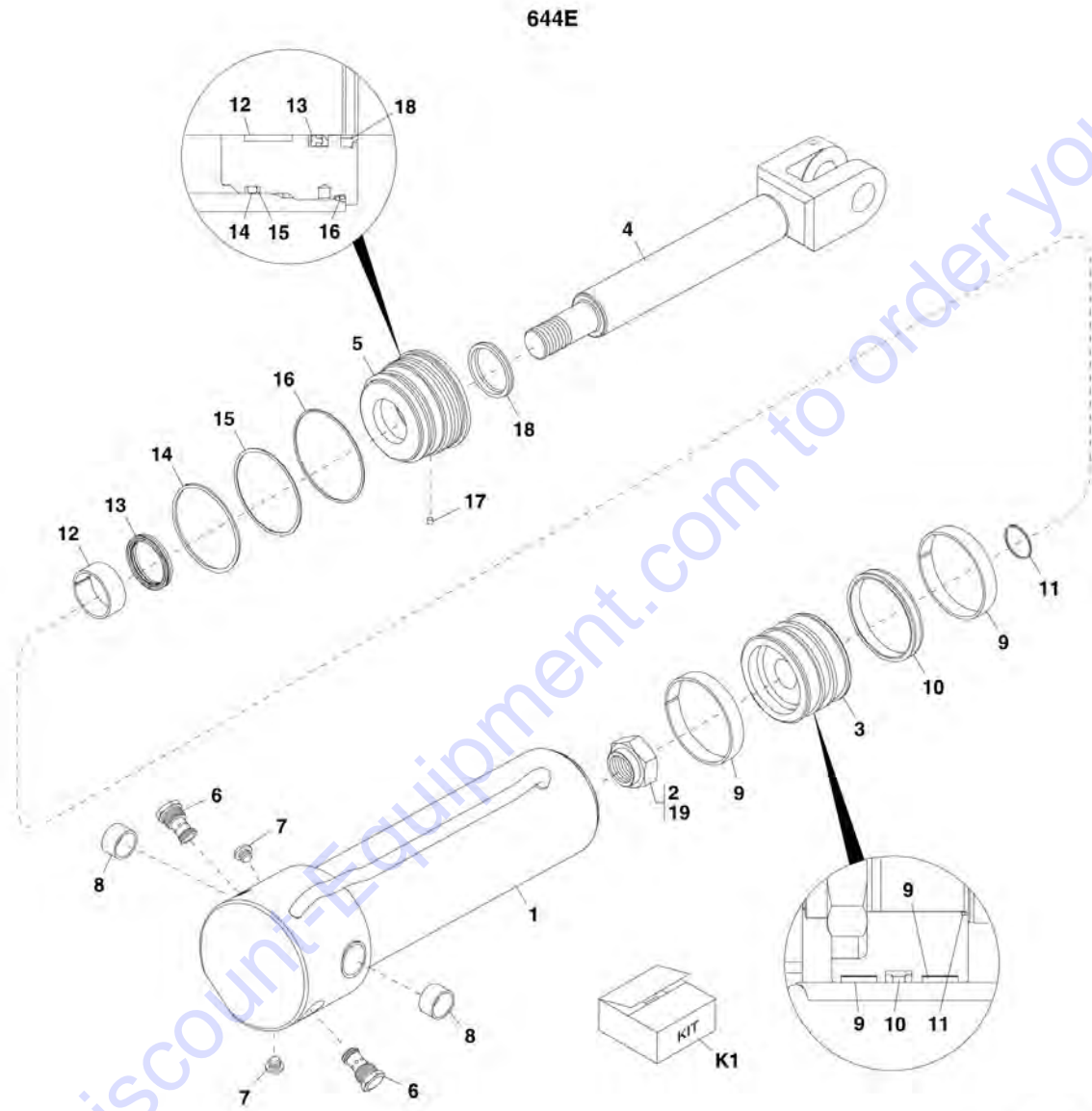
## SECTION 9 - HYDRAULIC COMPONENTS

**FIGURE 9-9. ATTACHMENT TILT CYLINDER**

ITEM	PART NUMBER	QTY	DESCRIPTION	REV
	2716894	1	ATTACHMENT TILT CYLINDER, (includes items 1 thru 19)	F
1	70022384	1	TUBE WELDMENT, (includes item 2)	
2	8036750	1	PO CHECK VALVE, (torque to 30-35 lb-ft)	
2	2900770	1	SEAL KIT	
3	8035321	1	COUNTERBALANCE VALVE - CCC PRESET AT 4000 PSI, (275 bar), (torque to 30-35lb-ft)	
3	8035327	1	Seal Kit	
4	8036629	1	SCREW, SET, 3/8-16X3/4, (loctite and torque to 35-40 lb-ft)	
5	8036632	1	PISTON, (torque to 1800-2000 lb-ft)	
6	8036631	1	HEAD GLAND, (torque to 300-400 lb-ft)	
7	8036630	1	WELDMENT ROD	
8	7300536	2	HARDENED STEEL BEARING	
9	Kit	2	PRECISION WEARBAND	
10	Kit	1	CAPPED T-SEAL	
11	Kit	1	O-RING	
12	Kit	1	PRECISION WEARBAND	
13	Kit	1	DEEP Z-SEAL - WITH ROD BACK-UP	
14	Kit	1	BACK-UP RING	
15	Kit	1	O-RING	
16	Kit	1	O-RING	
17	Kit	2	LOCKING INSERT	
18	Kit	1	WIPER SEAL	
19	8520013	2	LUBE FITTING, 1/8-27	
20	8526011	AR	LOCTITE 271, (apply to item 5)	
K1	8036547	1	SEAL KIT, (includes items 9 thru 18)	

# SECTION 9 - HYDRAULIC COMPONENTS

## FIGURE 9-10. FRAME LEVEL CYLINDER



PU2852

## SECTION 9 - HYDRAULIC COMPONENTS

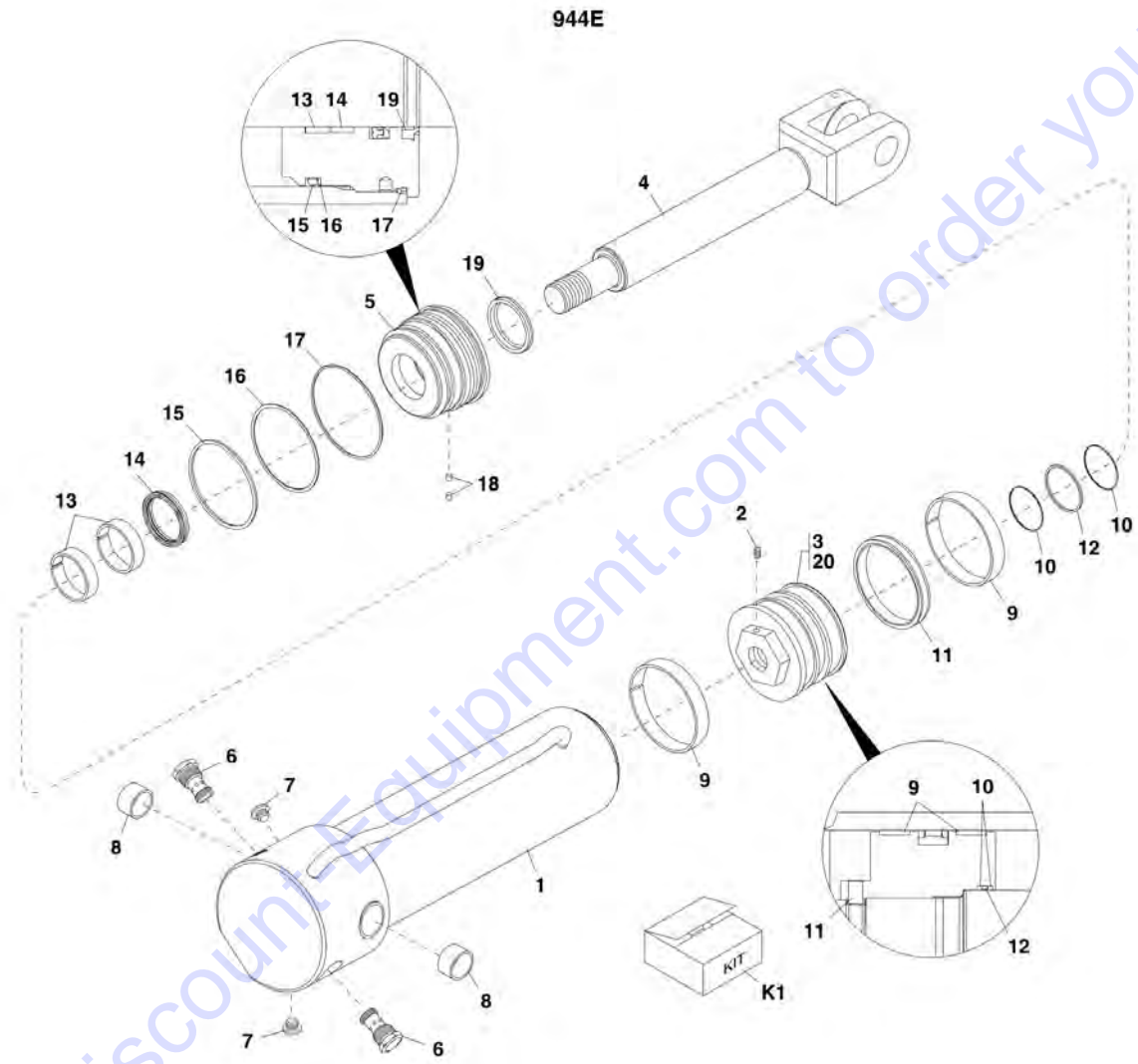
**FIGURE 9-10. FRAME LEVEL CYLINDER**

ITEM	PART NUMBER	QTY	DESCRIPTION	REV
	2717012	1	FRAME LEVEL CYLINDER, (includes items 1 thru 18)	AD
1	N.S.S.	1	WELDMENT TUBE	
2	8035322	1	HEX LOCKNUT, 1-1/2-12, (Loctite and torque to 1840-2025 lb-ft)	
3	8035323	1	PISTON	
4	8036584	1	WELDMENT ROD	
5	8036585	1	HEAD GLAND, (torque to 300-400 lb-ft)	
6	8035757	2	PO CHECK VALVE - SERIES 10, (torque to 30-35 lb-ft)	
6	8036739	1	SEAL KIT	
7	8035785	2	HOLLOW HEX PLUG, #4, (loctite 243 and torque to 10-12 lb-ft)	
8	8036583	2	POLYLUBE JOURNAL BEARING	
9	Kit	2	PRECISION WEARBAND	
10	Kit	1	CAPPED T-SEAL, TYPE 730	
11	Kit	1	O-RING	
12	Kit	1	PRECISION WEARBAND	
13	Kit	1	DEEP Z-SEAL - WITH ROD BACK-UP	
14	Kit	1	O-RING	
15	Kit	1	BACK-UP RING	
16	Kit	1	O-RING	
17	Kit	1	LOCKING INSERT	
18	Kit	1	WIPER SEAL	
19	8526011	AR	LOCTITE 271, (apply to item 2)	
K1	8036477	1	SEAL KIT, (includes items 9 thru 18)	



# SECTION 9 - HYDRAULIC COMPONENTS

FIGURE 9-11. FRAME LEVEL CYLINDER (944E-42 SN 17569 through 20123, SN 0160002514 through 0160004849, Excluding 0160004238 and 0160004239)



PU2862

Go to DiscountEquipment.com to order your parts

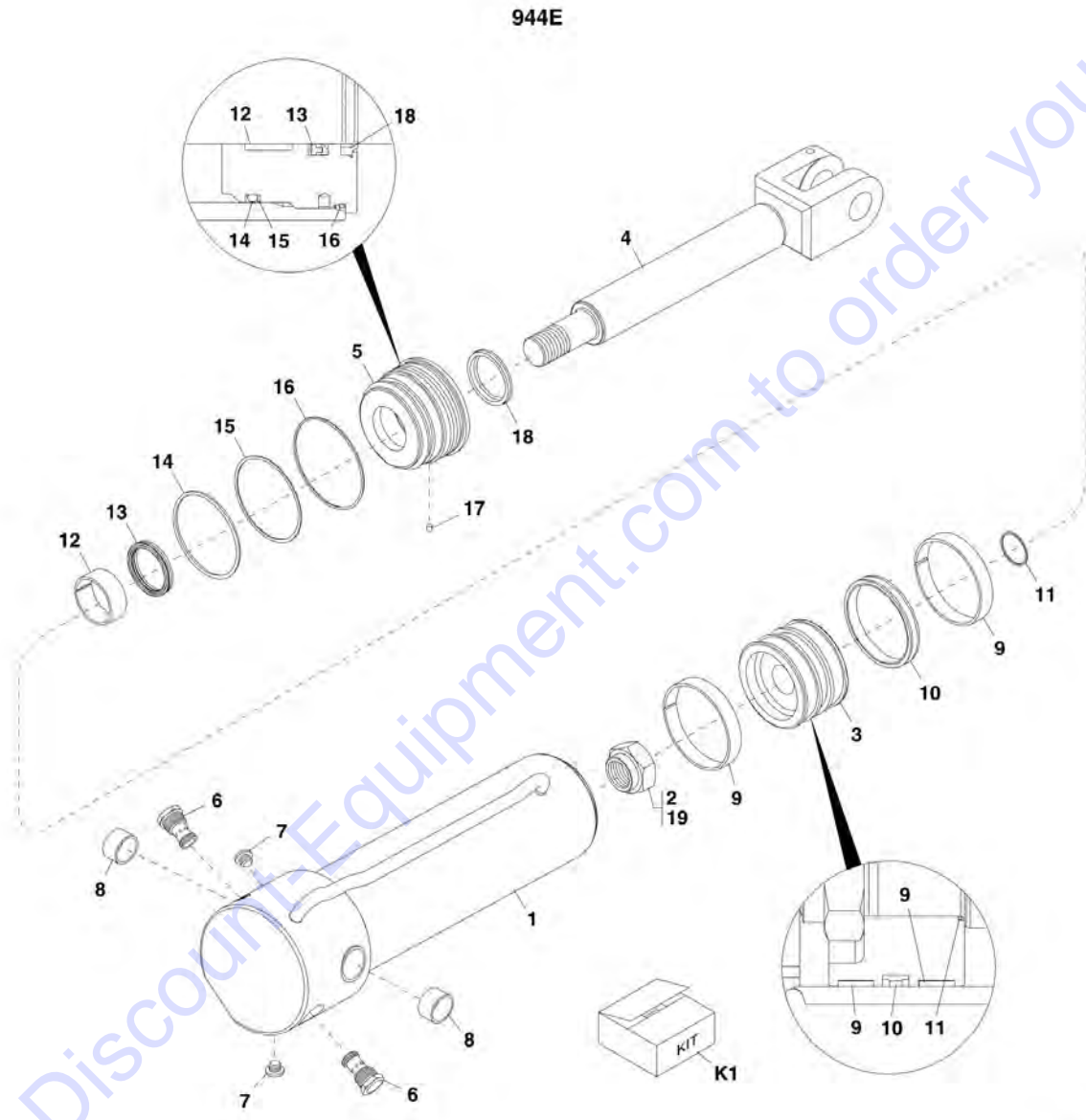
## SECTION 9 - HYDRAULIC COMPONENTS

**FIGURE 9-11. FRAME LEVEL CYLINDER (944E-42 SN 17569 through 20123, SN 0160002514 through 0160004849, Excluding 0160004238 and 0160004239)**

ITEM	PART NUMBER	QTY	DESCRIPTION	REV
	2716906	1	FRAME LEVEL CYLINDER, (includes items 1 thru 19)	
1	N.S.S.	1	WELDMENT TUBE	
2	8036633	1	SET SCREW, 3/8-16X.63	
3	8036636	1	PISTON, (torque to 1840-2025 lb-ft)	
4	8036634	1	WELDMENT ROD	
5	8036635	1	HEAD GLAND, (torque to 300-400 lb-ft)	
6	8035757	2	PO CHECK VALVE - SERIES 10, (torque to 30-35 lb-ft)	
6	8036739	1	SEAL KIT	
7	8035785	2	HOLLOW HEX PLUG, #4, (loctite 243 and torque to 10-12 lb-ft)	
8	8036583	2	POLYLUBE JOURNAL BEARING	
9	Kit	2	PRECISION WEARBAND	
10	Kit	2	DYNAMIC BACKUP RING	
11	Kit	1	CAPPED T-SEAL	
12	Kit	1	O-RING	
13	Kit	2	PRECISION WEARBAND	
14	Kit	1	DEEP Z-SEAL - WITH ROD BACK-UP	
15	Kit	1	O-RING	
16	Kit	1	BACK-UP RING	
17	Kit	1	O-RING	
18	Kit	2	LOCKING INSERT	
19	Kit	1	WIPER SEAL	
20	8526011	AR	LOCTITE 271, (apply to item 3)	
K1	8036543	1	SEAL KIT, (includes items 9 thru 19)	

# SECTION 9 - HYDRAULIC COMPONENTS

FIGURE 9-12. FRAME LEVEL CYLINDER (944E-42 SN 0160004927 to Present, Including 0160004238 and 0160004239)



PU2852

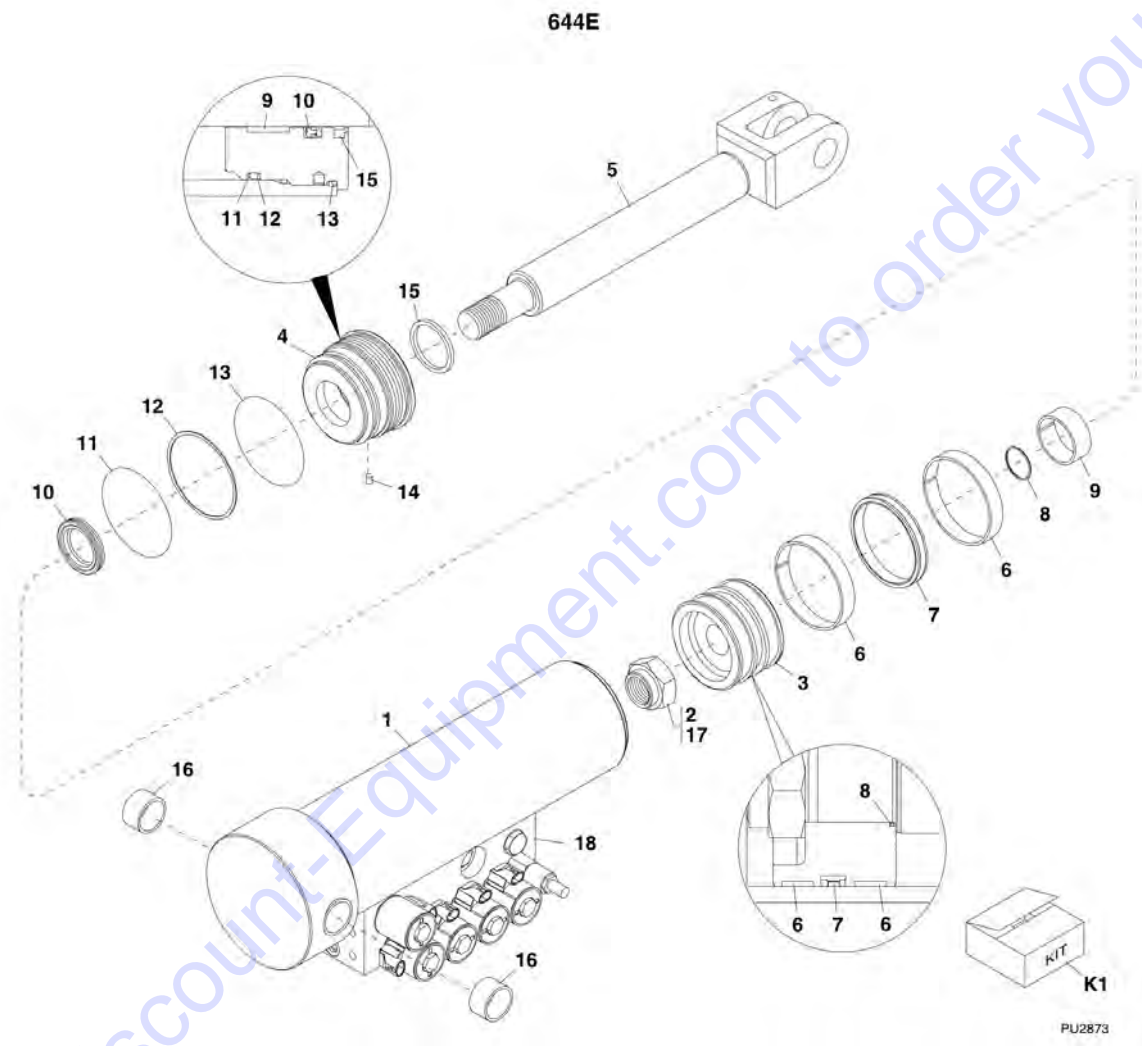
## SECTION 9 - HYDRAULIC COMPONENTS

**FIGURE 9-12. FRAME LEVEL CYLINDER (944E-42 SN 0160004927 to Present, Including 0160004238 and 0160004239)**

ITEM	PART NUMBER	QTY	DESCRIPTION	REV
	2717012	1	FRAME LEVEL CYLINDER, (includes items 1 thru 18)	AD
1	N.S.S.	1	WELDMENT TUBE	
2	8035322	1	HEX LOCKNUT, 1.50-12, (torque to 1840-2025 lb-ft)	
3	8035323	1	PISTON	
4	8036584	1	WELDMENT ROD	
5	8036585	1	HEAD GLAND, (torque to 300-400 lb-ft)	
6	8035757	2	PO CHECK VALVE - SERIES 10, (torque to 30-35 lb-ft)	
6	8036739	1	SEAL KIT	
7	8035785	2	HOLLOW HEX PLUG, #4, (loctite 243 and torque to 10-12 lb-ft)	
8	8036583	2	POLYLUBE JOURNAL BEARING	
9	Kit	2	PRECISION WEARBAND	
10	Kit	1	CAPPED T-SEAL, TYPE 730	
11	Kit	1	O-RING	
12	Kit	1	PRECISION WEARBAND	
13	Kit	1	DEEP Z-SEAL - WITH ROD BACK-UP	
14	Kit	1	O-RING	
15	Kit	1	BACK-UP RING	
16	Kit	1	O-RING	
17	Kit	1	LOCKING INSERT	
18	Kit	1	WIPER SEAL	
19	8526011	AR	LOCTITE 271, (apply to item 3)	
K1	8036477	1	SEAL KIT, (includes items 9 thru 18)	

# SECTION 9 - HYDRAULIC COMPONENTS

## FIGURE 9-13. STABIL-TRAK CYLINDER



Go to Discount-Equipment.com to order your parts

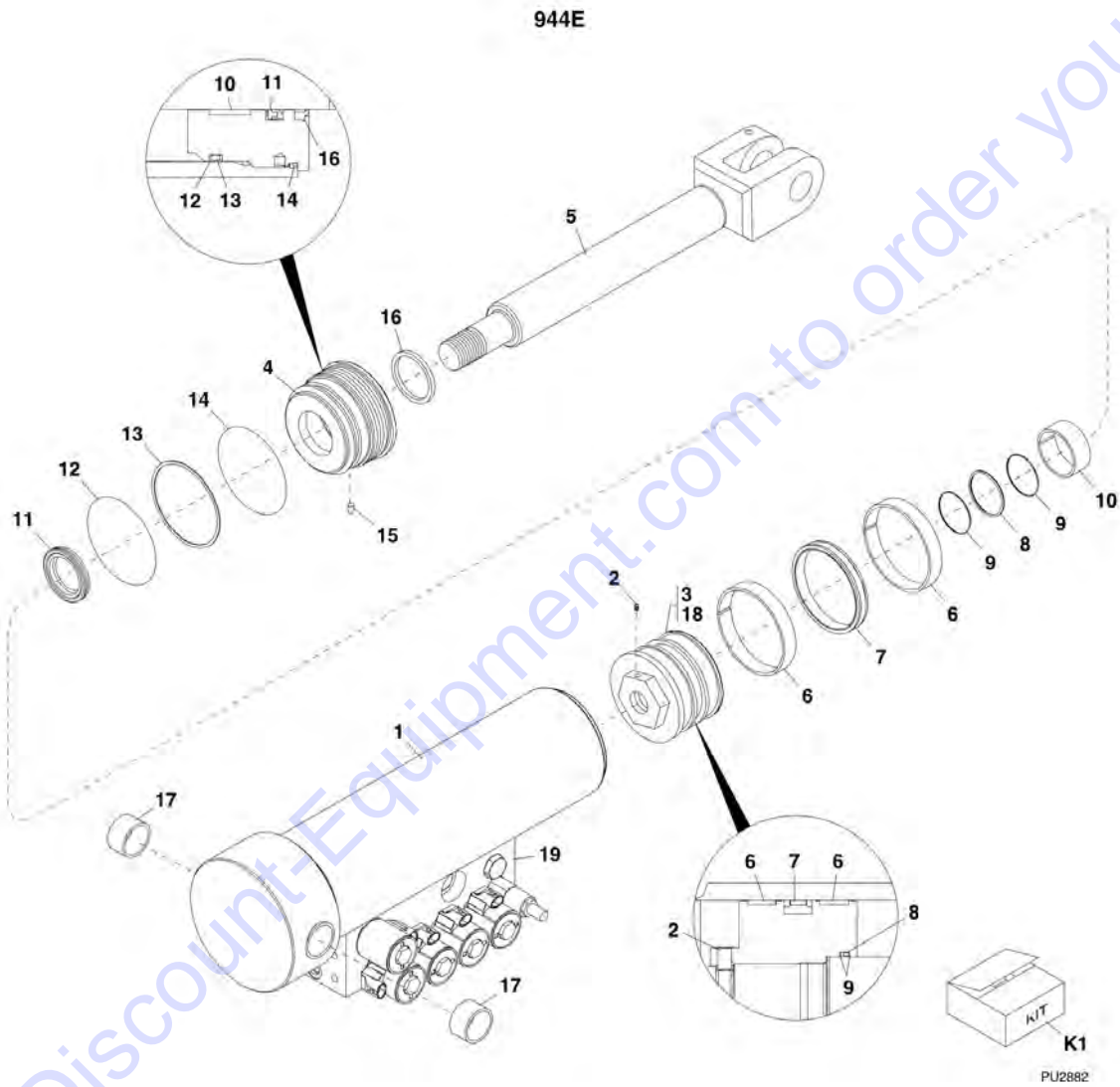
## SECTION 9 - HYDRAULIC COMPONENTS

### FIGURE 9-13. STABIL-TRAK CYLINDER

ITEM	PART NUMBER	QTY	DESCRIPTION	REV
	2717013	1	STABIL-TRAK CYLINDER, (includes items 1 thru 16 on STABIL-TRAK CYLINDER and all items on STABIL-TRAK CYLINDER VALVES)	AD
1	N.S.S.	1	WELDMENT TUBE	
2	8035322	1	LOCKNUT, 1.50-12, (loctite and torque to 1840-2025 lb-ft)	
3	8035323	1	PISTON	
4	8036585	1	HEAD GLAND, (torque to 300-400 lb-ft)	
5	8036584	1	WELDMENT ROD	
6	Kit	2	PRECISION WEARBAND	
7	Kit	1	CAPPED T-SEAL	
8	Kit	1	O-RING	
9	Kit	1	PRECISION WEARBAND	
10	Kit	1	DEEP Z-SEAL - WITH ROD BACK-UP	
11	Kit	1	O-RING	
12	Kit	1	DZR SEAL	
13	Kit	1	BACK-UP RING	
14	Kit	1	LOCKING INSERT	
15	Kit	1	WIPER SEAL	
16	8036583	2	POLYLUBE JOURNAL BEARING	
17	8526011	AR	LOCTITE 271, (apply to item 2)	
18		Ref	STABIL-TRAK CYLINDER VALVE, (See STABIL-TRAK CYLINDER VALVES for Breakdown)	
K1	8036477	1	SEAL KIT, (includes items 6 thru 15)	

# SECTION 9 - HYDRAULIC COMPONENTS

FIGURE 9-14. STABIL-TRAK CYLINDER (944E-42 SN 17569 through 20123, SN 0160002514 through 0160004849, Excluding 0160004238 and 0160004239)



Go to Discount-Equipment.com to order your parts

## SECTION 9 - HYDRAULIC COMPONENTS

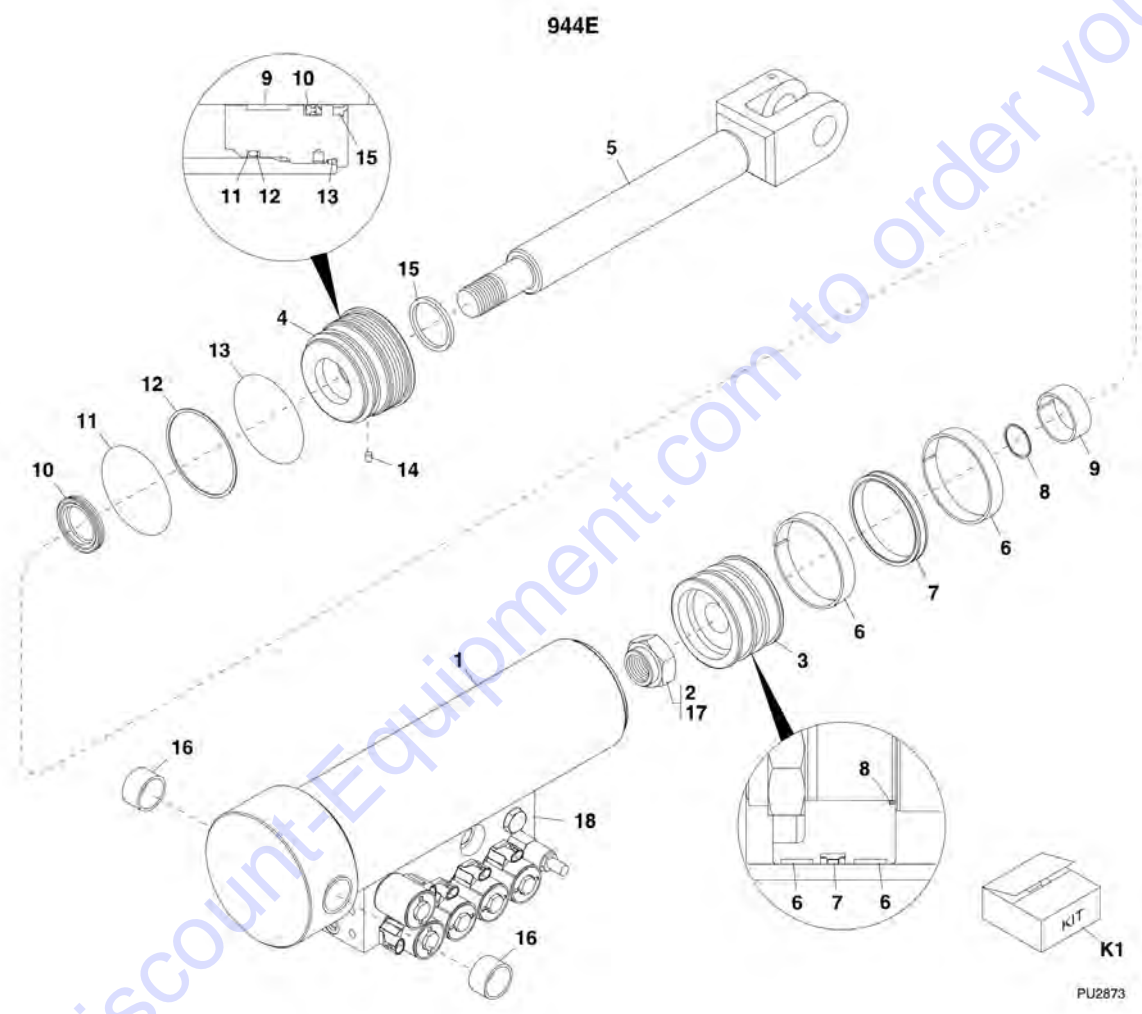
**FIGURE 9-14. STABIL-TRAK CYLINDER (944E-42 SN 17569 through 20123, SN 0160002514 through 0160004849, Excluding 0160004238 and 0160004239)**

ITEM	PART NUMBER	QTY	DESCRIPTION	REV
	2716908	1	STABIL-TRAK CYLINDER, (includes items 1 thru 17 on STABIL-TRAK CYLINDER and all items on STABIL-TRAK CYLINDER VALVES)	AB
1	N.S.S.	1	WELDMENT TUBE	
2	8036633	1	SET SCREW, 3/8-16X.63	
3	8036636	1	PISTON, (loctite and torque to 1840-2025 lb-ft)	
4	8036635	1	HEAD GLAND, (torque to 300-400 lb-ft)	
5	8036634	1	WELDMENT ROD	
6	Kit	2	PRECISION WEARBAND	
7	Kit	1	CAPPED T-SEAL	
8	Kit	1	O-RING	
9	Kit	2	DYNAMIC BACKUP RING	
10	Kit	1	PRECISION WEARBAND	
11	Kit	1	DEEP Z-SEAL - WITH ROD BACK-UP	
12	Kit	1	O-RING	
13	Kit	1	DZR SEAL	
14	Kit	1	BACK-UP RING	
15	Kit	1	LOCKING INSERT	
16	Kit	1	WIPER SEAL	
17	8036583	1	POLYLUBE JOURNAL BEARING	
18	8525011	AR	LOCTITE 271, (apply to item 3)	
19		Ref	STABIL-TRAK CYLINDER VALVE, (See STABIL-TRAK CYLINDER VALVES for Breakdown)	
K1	8036550	1	SEAL KIT, (includes items 6 thru 16)	



# SECTION 9 - HYDRAULIC COMPONENTS

FIGURE 9-15. STABIL-TRAK CYLINDER (944E-42 SN 0160004927 to Present, Including 0160004238 and 0160004239)



Go to Discount-Equipment.com to order your parts

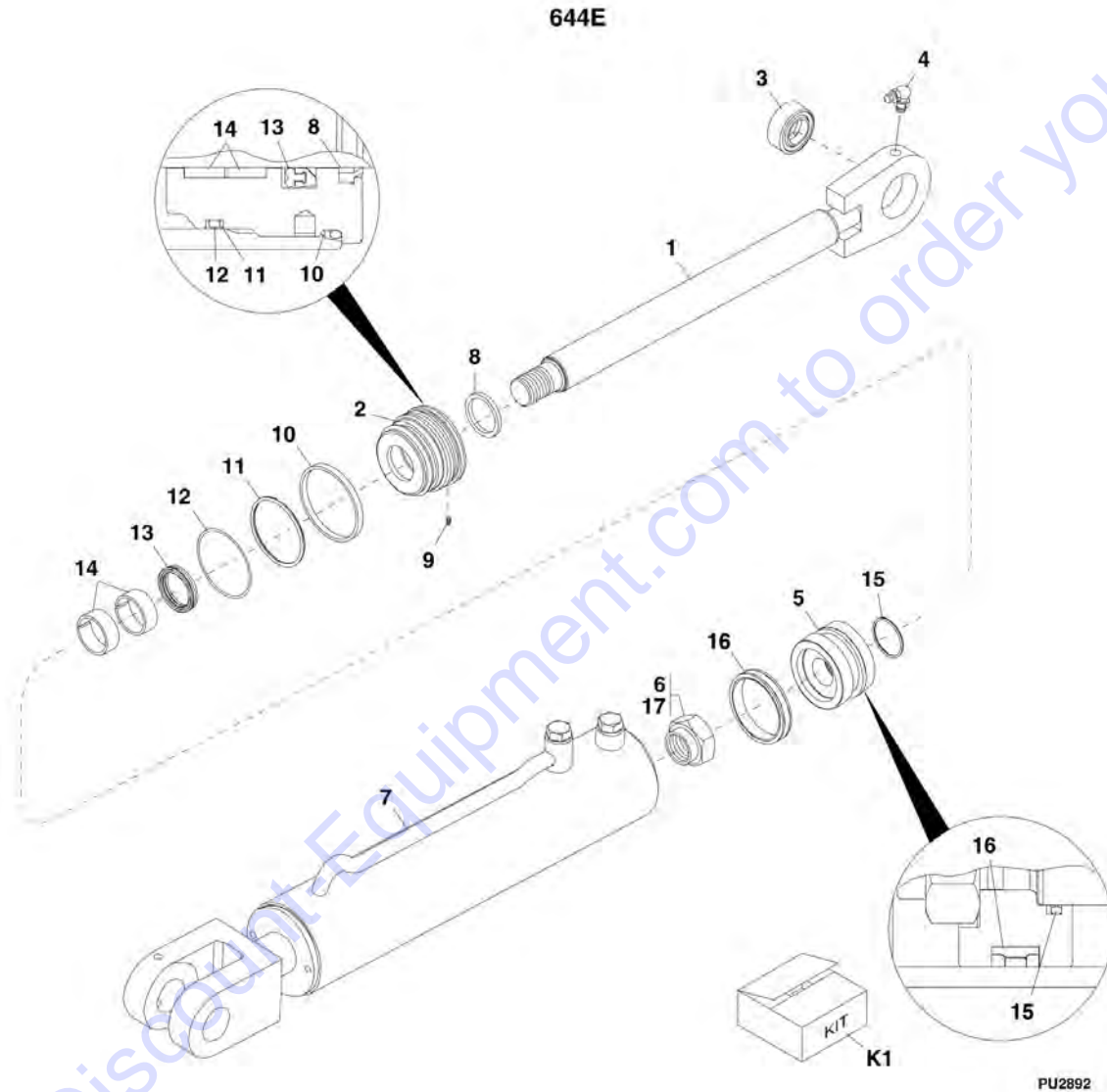
## SECTION 9 - HYDRAULIC COMPONENTS

**FIGURE 9-15. STABIL-TRAK CYLINDER (944E-42 SN 0160004927 to Present, Including 0160004238 and 0160004239)**

ITEM	PART NUMBER	QTY	DESCRIPTION	REV
	2717013	1	STABIL-TRAK CYLINDER, (includes items 1 thru 16 on STABIL-TRAK CYLINDER and all items on STABIL-TRAK CYLINDER VALVES)	AD
1	N.S.S.	1	WELDMENT TUBE	
2	8035322	1	LOCKNUT, 1.50-12, (loctite and torque to 1840-2025 lb-ft)	
3	8035323	1	PISTON	
4	8036585	1	HEAD GLAND, (torque to 300-400 lb-ft)	
5	8036584	1	WELDMENT ROD	
6	Kit	2	PRECISION WEARBAND	
7	Kit	1	CAPPED T-SEAL	
8	Kit	1	O-RING	
9	Kit	1	PRECISION WEARBAND	
10	Kit	1	DEEP Z-SEAL - WITH ROD BACK-UP	
11	Kit	1	O-RING	
12	Kit	1	DZR SEAL	
13	Kit	1	BACK-UP RING	
14	Kit	1	LOCKING INSERT	
15	Kit	1	WIPER SEAL	
16	8036583	2	POLYLUBE JOURNAL BEARING	
17	8526011	AR	LOCTITE 271, (apply to item 2)	
18		Ref	STABIL-TRAK CYLINDER VALVE, (See STABIL-TRAK CYLINDER VALVES for Breakdown)	
K1	8036477	1	SEAL KIT, (includes items 6 thru 15)	

# SECTION 9 - HYDRAULIC COMPONENTS

## FIGURE 9-16. TILT COMPENSATION CYLINDER



PU2892

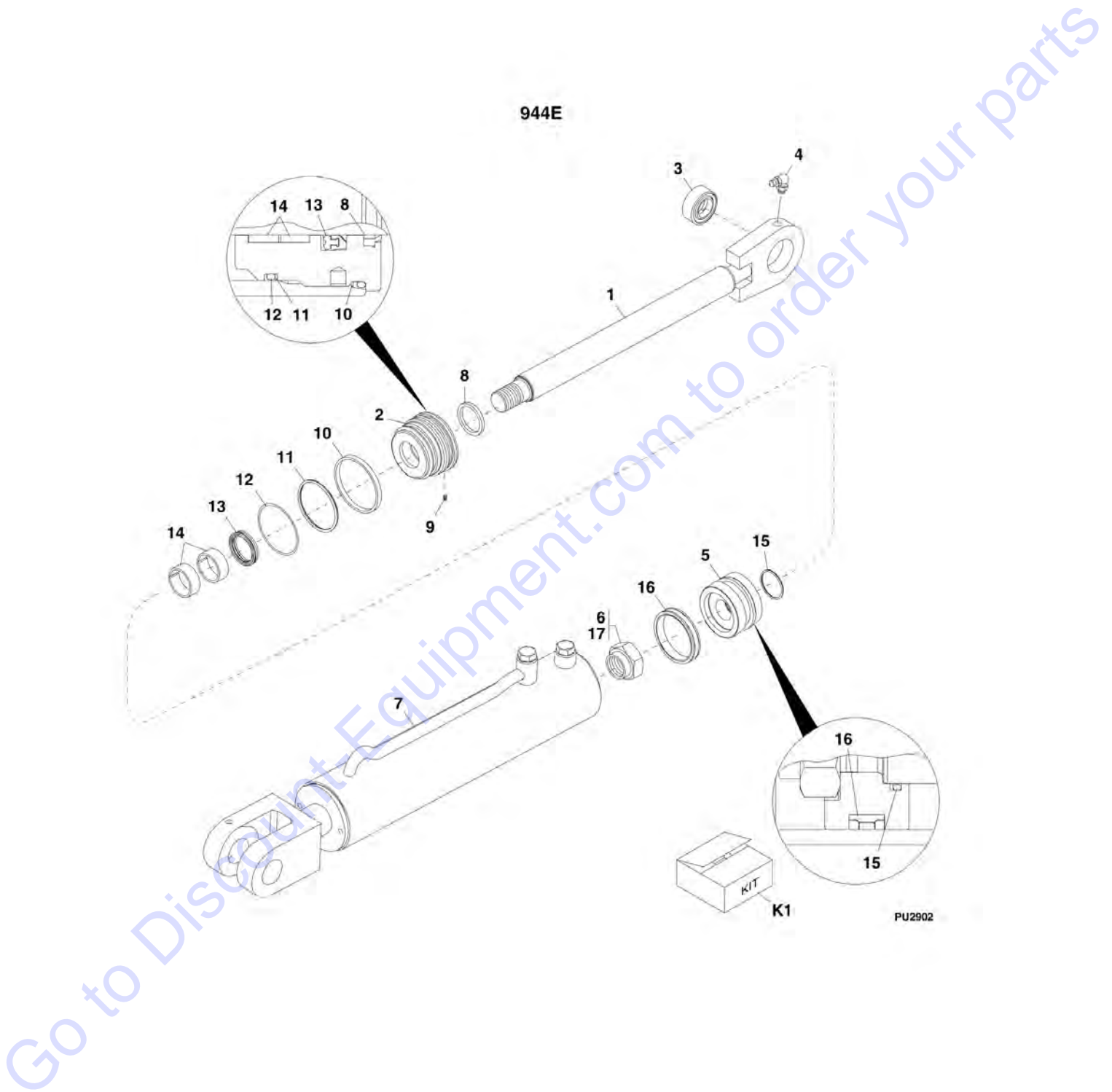
## SECTION 9 - HYDRAULIC COMPONENTS

**FIGURE 9-16. TILT COMPENSATION CYLINDER**

ITEM	PART NUMBER	QTY	DESCRIPTION	REV
	2716900	1	TILT COMPENSATION CYLINDER, (includes items 1 thru 16)	AC
1	8036600	1	WELDMENT ROD	
2	8035330	1	HEAD GLAND, (torque to 250-300 lb-ft)	
3	8036599	1	SPHERICAL BEARING WITH SEALS	
4	8520021	1	LUBE FITTING, 90, 1/8-27	
5	8035329	1	PISTON	
6	8037080	1	HEX LOCKNUT, 1-1/8-12, (loctite and torque to 445-515 lb-ft)	
7	Kit	1	TUBE	
8	Kit	1	WIPER SEAL	
9	Kit	1	LOCKING INSERT	
10	Kit	1	O-RING	
11	Kit	1	BACK-UP RING	
12	Kit	1	O-RING	
13	Kit	1	DEEP Z-SEAL - WITH ROD BACK-UP	
14	Kit	2	PRECISION WEARBAND	
15	Kit	1	O-RING	
16	Kit	1	PRECISION WEARBAND	
17	8526011	AR	LOCTITE 271, (apply to item 6)	
K1	8035332	1	SEAL KIT, (includes items 7 thru 16)	

# SECTION 9 - HYDRAULIC COMPONENTS

## FIGURE 9-17. TILT COMPENSATION CYLINDER



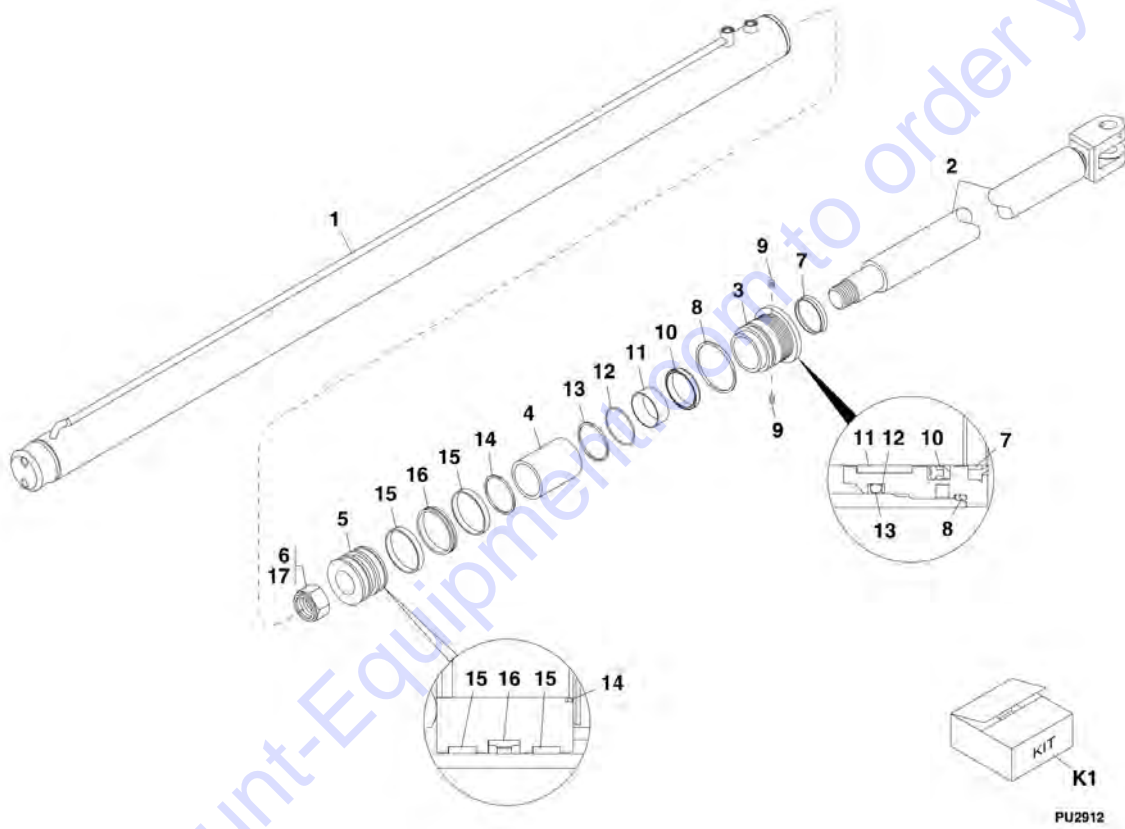
## SECTION 9 - HYDRAULIC COMPONENTS

**FIGURE 9-17. TILT COMPENSATION CYLINDER**

ITEM	PART NUMBER	QTY	DESCRIPTION	REV
	2716901	1	TILT COMPENSATION CYLINDER, (includes items 1 thru 16)	
1	8036641	1	WELDMENT ROD	
2	8036642	1	HEAD GLAND, (torque to 250-300 lb-ft)	
3	8036599	1	SPHERICAL BEARING WITH SEALS	
4	8520021	1	LUBE FITTING, 90, SELF TAP 1/8-27	
5	8036643	1	PISTON	
6	8035547	1	HEX LOCKNUT, 1-1/8-12, (loctite and torque to 590-625 lb-ft)	
7	Kit	1	TUBE	
8	Kit	1	WIPER SEAL	
9	Kit	1	LOCKING INSERT	
10	Kit	1	O-RING	
11	Kit	1	BACK-UP RING	
12	Kit	1	O-RING	
13	Kit	1	DEEP Z-SEAL - WITH ROD BACK-UP	
14	Kit	2	PRECISION WEARBAND	
15	Kit	1	O-RING	
16	Kit	1	PRECISION WEARBAND	
17	8526011	AR	LOCTITE 271, (apply to item 6)	
K1	8036551	1	SEAL KIT, (includes items 7 thru 16)	

# SECTION 9 - HYDRAULIC COMPONENTS

## FIGURE 9-18. TRANSFER CYLINDER



## SECTION 9 - HYDRAULIC COMPONENTS

**FIGURE 9-18. TRANSFER CYLINDER**

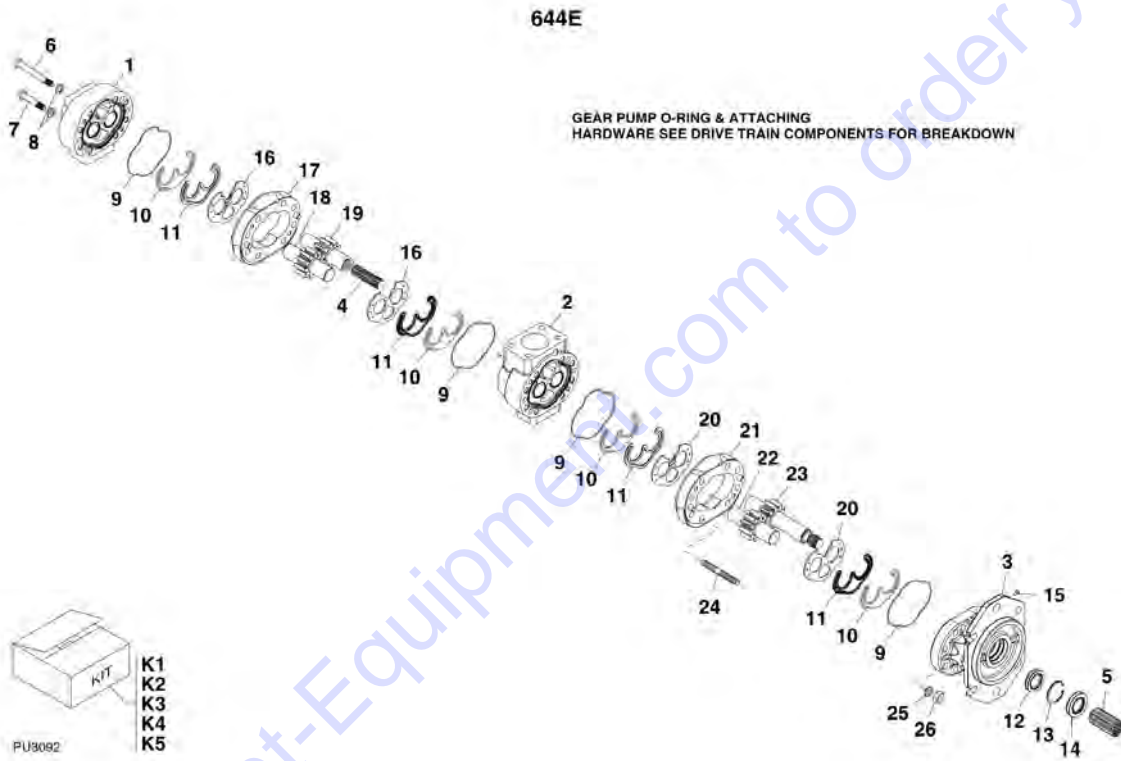
ITEM	PART NUMBER	QTY	DESCRIPTION	REV
	2716850	1	TRANSFER CYLINDER, (includes items 1 thru 16)	AC
1	N.S.S.	1	WELDMENT TUBE	
2	8036586	1	WELDMENT ROD	
3	8036588	1	HEAD GLAND, (torque to 250-300 lb-ft)	
4	8036587	1	ROD SPACER	
5	8036589	1	PISTON	
6	8035322	1	LOCKNUT, 1.50-12, (loctite and torque to 500-550 lb-ft)	
7	Kit	1	WIPER SEAL	
8	Kit	1	O-RING	
9	Kit	2	LOCKING INSERT	
10	Kit	1	DZR SEAL	
11	Kit	1	PRECISION WEARBAND	
12	Kit	1	BACKUP RING	
13	Kit	1	O-RING	
14	Kit	1	O-RING	
15	Kit	2	PRECISION WEARBAND	
16	Kit	1	CAPPED T-SEAL	
17	8526011	AR	LOCTITE 271	
K1	8036476	1	SEAL KIT, (includes items 7 thru 16)	

Go to Discount-Equipment.com to order your parts



# SECTION 9 - HYDRAULIC COMPONENTS

FIGURE 9-19. GEAR PUMP (644E-42 Prior to SN 0160048717, Excluding 0160045421)



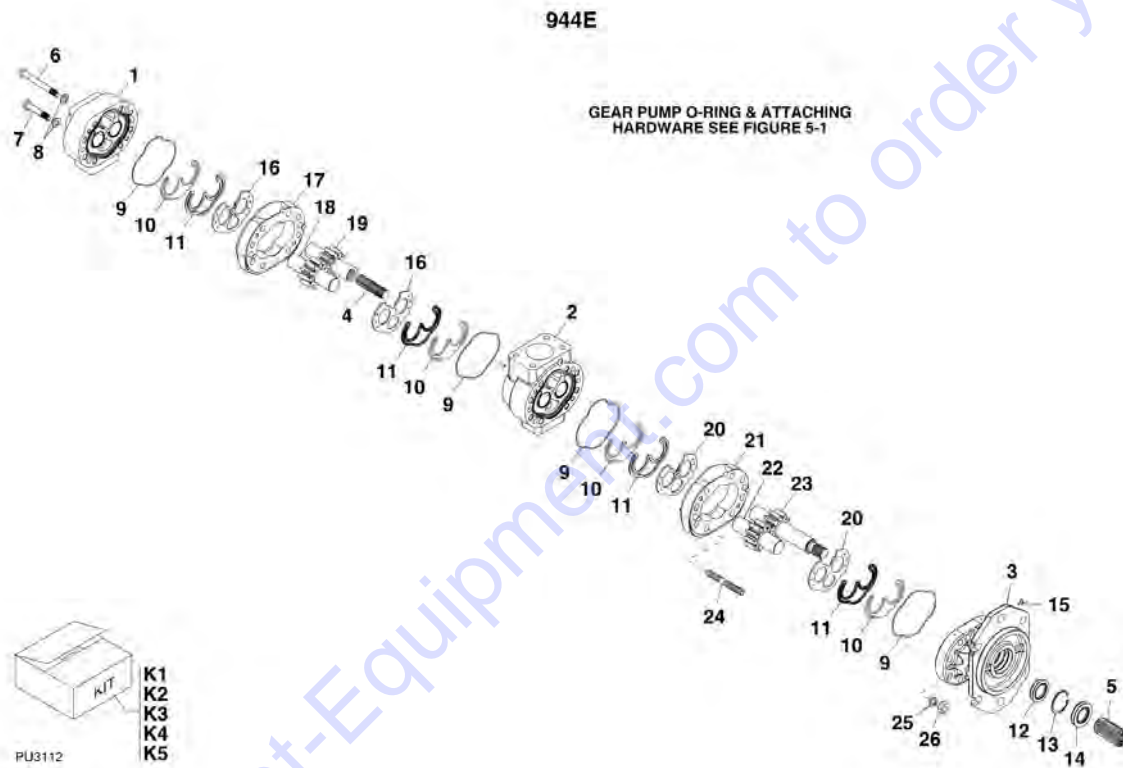
## SECTION 9 - HYDRAULIC COMPONENTS

**FIGURE 9-19. GEAR PUMP (644E-42 Prior to SN 0160048717, Excluding 0160045421)**

ITEM	PART NUMBER	QTY	DESCRIPTION	REV
	8440239	1	GEAR PUMP ASSY-TWO STAGE, (includes all items)	C
1	N.S.S.	1	REAR COVER	
2	N.S.S.	1	PORT SECTION	
3	N.S.S.	1	"C" MOUNT FRONT COVER	
4	8036485	1	COUPLING	
5	8036541	1	"C" SPLINE COUPLING	
6	Kit	4	BOLT, 7/16-14X3.75	
7	Kit	4	BOLT, 7/16-14X2.75	
8	Kit	8	LOCKWASHER, 7/16	
9	Kit	4	O-RING	
10	Kit	4	E-RING	
11	Kit	4	RETAINING RING	
12	Kit	1	INNER SHAFT SEAL	
13	Kit	1	SNAP RING	
14	Kit	1	OUTER SHAFT SEAL	
15	Kit	1	WEEP HOLE PLUG	
16	Kit	2	WEAR PLATE	
17	Kit	1	CENTER SECTION	
18	Kit	1	DRIVEN GEAR	
19	Kit	1	REAR DRIVE GEAR	
20	Kit	2	WEAR PLATE	
21	Kit	1	CENTER SECTION	
22	Kit	1	DRIVEN GEAR	
23	Kit	1	"B" SPLINE DRIVE GEAR	
24	Kit	8	STUD, 7/16X3.51	
25	Kit	8	LOCKWASHER, 7/16	
26	Kit	8	NUT, 7/16-20X3/8	
K1	8036481	1	GEAR PUMP SEAL KIT, (includes items 9 thru 15)	
K2	8036513	1	BOLT KIT, (includes items 6 thru 8)	
K3	8036524	1	REAR SECTION KIT, (includes items 16 thru 19)	
K4	8036483	1	FRONT SECTION KIT, (includes items 20 thru 23)	
K5	8036484	1	FRONT STUD KIT, (includes items 24 thru 26)	

# SECTION 9 - HYDRAULIC COMPONENTS

FIGURE 9-20. GEAR PUMP (Prior to SN 0160041827)



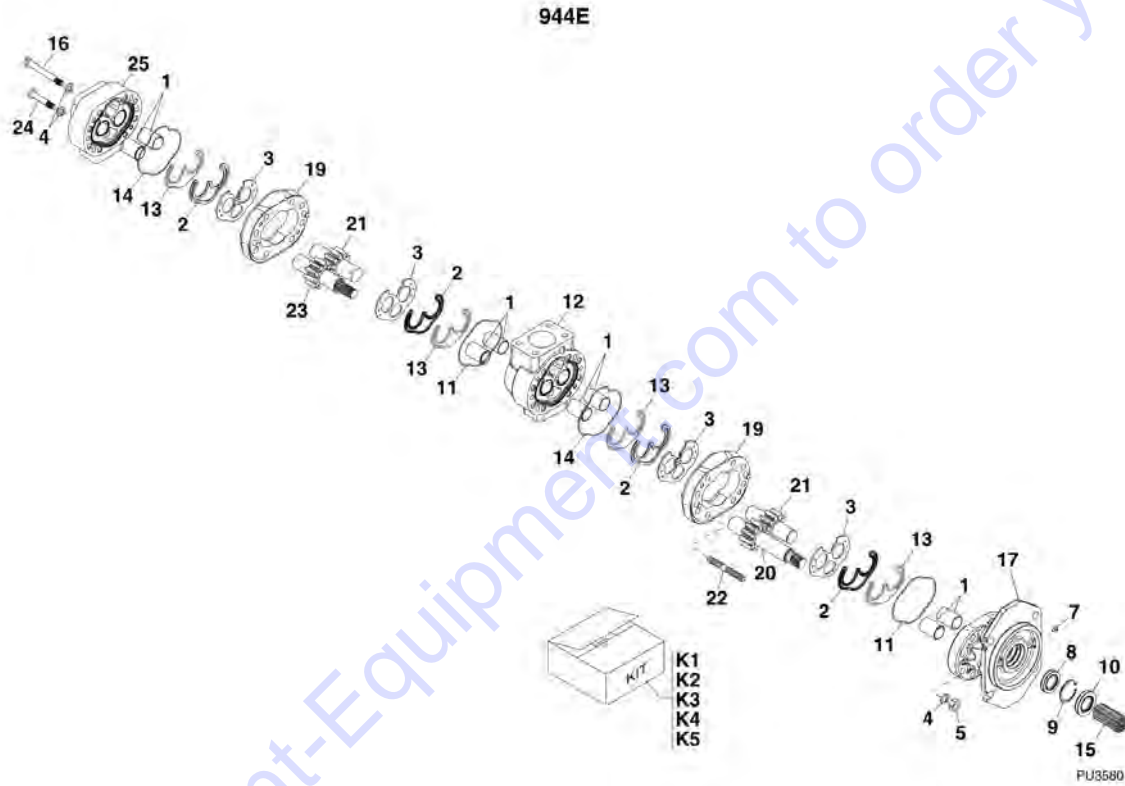
## SECTION 9 - HYDRAULIC COMPONENTS

**FIGURE 9-20. GEAR PUMP (Prior to SN 0160041827)**

ITEM	PART NUMBER	QTY	DESCRIPTION	REV
	8440240	1	GEAR PUMP ASSY-TWO STAGE, (includes all items)	C
1	N.S.S.	1	REAR COVER	
2	N.S.S.	1	PORT SECTION	
3	70023033	1	"C" MOUNT FRONT COVER	
4	8036485	1	COUPLING	
5	8036541	1	"C" SPLINE COUPLING	
6	Kit	4	BOLT, 7/16-14X4.00	
7	Kit	4	BOLT, 7/16-14X2.75	
8	Kit	8	LOCKWASHER, 7/16	
9	Kit	4	O-RING	
10	Kit	4	E-RING	
11	Kit	4	RETAINING RING	
12	Kit	1	INNER SHAFT SEAL	
13	Kit	1	SNAP RING	
14	Kit	1	OUTER SHAFT SEAL	
15	Kit	1	WEEP HOLE PLUG	
16	Kit	2	WEAR PLATE	
17	Kit	1	CENTER SECTION	
18	Kit	1	DRIVEN GEAR	
19	Kit	1	REAR DRIVE GEAR	
20	Kit	2	WEAR PLATE	
21	Kit	1	CENTER SECTION	
22	Kit	1	DRIVEN GEAR	
23	Kit	1	"B" SPLINE DRIVE GEAR	
24	Kit	8	STUD, 7/16X3.51	
25	Kit	8	LOCKWASHER, 7/16	
26	Kit	8	NUT, 7/16-20X3/8	
K1	8036481	1	GEAR PUMP SEAL KIT, (includes items 9 thru 15)	
K2	8036480	1	BOLT KIT, (includes items 6 thru 8)	
K3	8036482	1	REAR SECTION KIT, (includes items 16 thru 19)	
K4	8036483	1	FRONT SECTION KIT, (includes items 20 thru 23)	
K5	8036484	1	FRONT STUD KIT, (includes items 24 thru 26)	

# SECTION 9 - HYDRAULIC COMPONENTS

FIGURE 9-21. GEAR PUMP (SN 0160041827 through 0160046530)



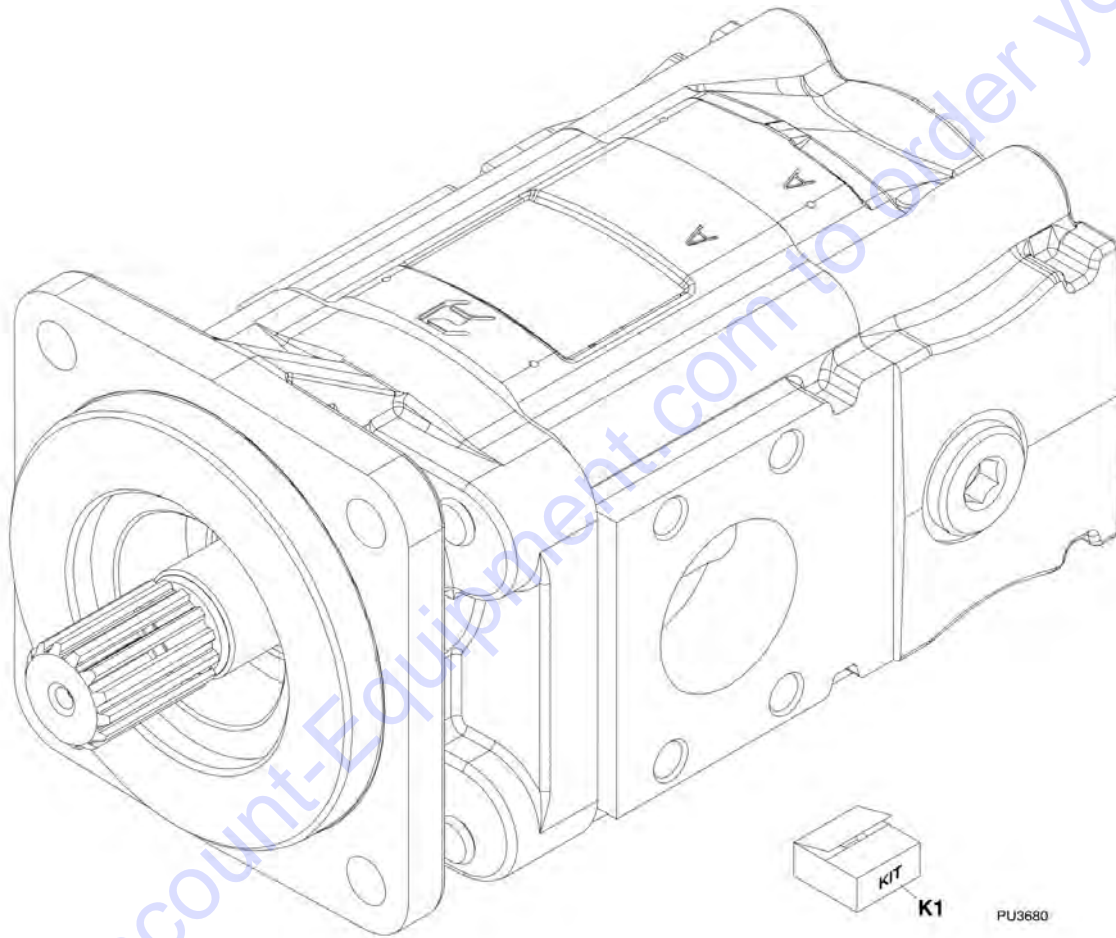
## SECTION 9 - HYDRAULIC COMPONENTS

**FIGURE 9-21. GEAR PUMP (SN 0160041827 through 0160046530)**

ITEM	PART NUMBER	QTY	DESCRIPTION	REV
	1001112244	1	GEAR PUMP, (includes all items)	B
1	N.S.S.	8	BUSHING	
2	Kit	4	RETAINING RING	
3	7029186	4	WEAR PLATE	
4	7029195	16	LOCKWASHER, 7/16	
5	7029196	8	HEX NUT, 7/16, GR8	
6	N.S.S.	2	DRIVESCREW, (not shown)	
7	Kit	1	WEEP HOLE PLUG	
8	Kit	1	INNER SHAFT SEAL	
9	Kit	1	SNAP RING	
10	Kit	1	OUTER SHAFT SEAL	
11	Kit	2	O-RING	
12	N.S.S.	1	PORT SECTION	
13	Kit	4	E-RING	
14	Kit	2	O-RING	
15	8036541	1	"C" SPLINE COUPLING	
16	Kit	4	HEX HD CAPSCREW, 4/16-14X4	
17	70023033	1	"C" MOUNT FRONT COVER	
18	N.S.S.	1	SN PLATE, (not shown)	
19	Kit	2	CENTER SECTION	
20	Kit	1	DRIVE SHAFT	
21	Kit	2	DRIVEN GEAR	
22	Kit	8	DRIVEN GEAR	
23	Kit	1	REAR DRIVE GEAR	
24	Kit	4	HEX HD CAPSCREW, 7/16-14X3	
25	N.S.S.	1	REAR COVER	
K1	8036481	1	GEAR PUMP SEAL KIT, (includes items 2, 7 thru 11 & 13 thru 15)	
K2	8036480	1	BOLT KIT, (includes items 4, 16 & 24)	
K3	8036482	1	REAR SECTION KIT, (includes items 3, 19, 21 & 23)	
K4	8036483	1	FRONT SECTION KIT, (includes items 3, 19, 20 & 21)	
K5	8036484	1	FRONT STUD KIT, (includes items 4, 5 & 22)	

## SECTION 9 - HYDRAULIC COMPONENTS

FIGURE 9-22. GEAR PUMP (644E-42 SN 0160048717 to Present, Including 0160045421; 944E-42 SN 0160046623 to Present)



## SECTION 9 - HYDRAULIC COMPONENTS

**FIGURE 9-22. GEAR PUMP (644E-42 SN 0160048717 to Present, Including 0160045421; 944E-42 SN 0160046623 to Present)**

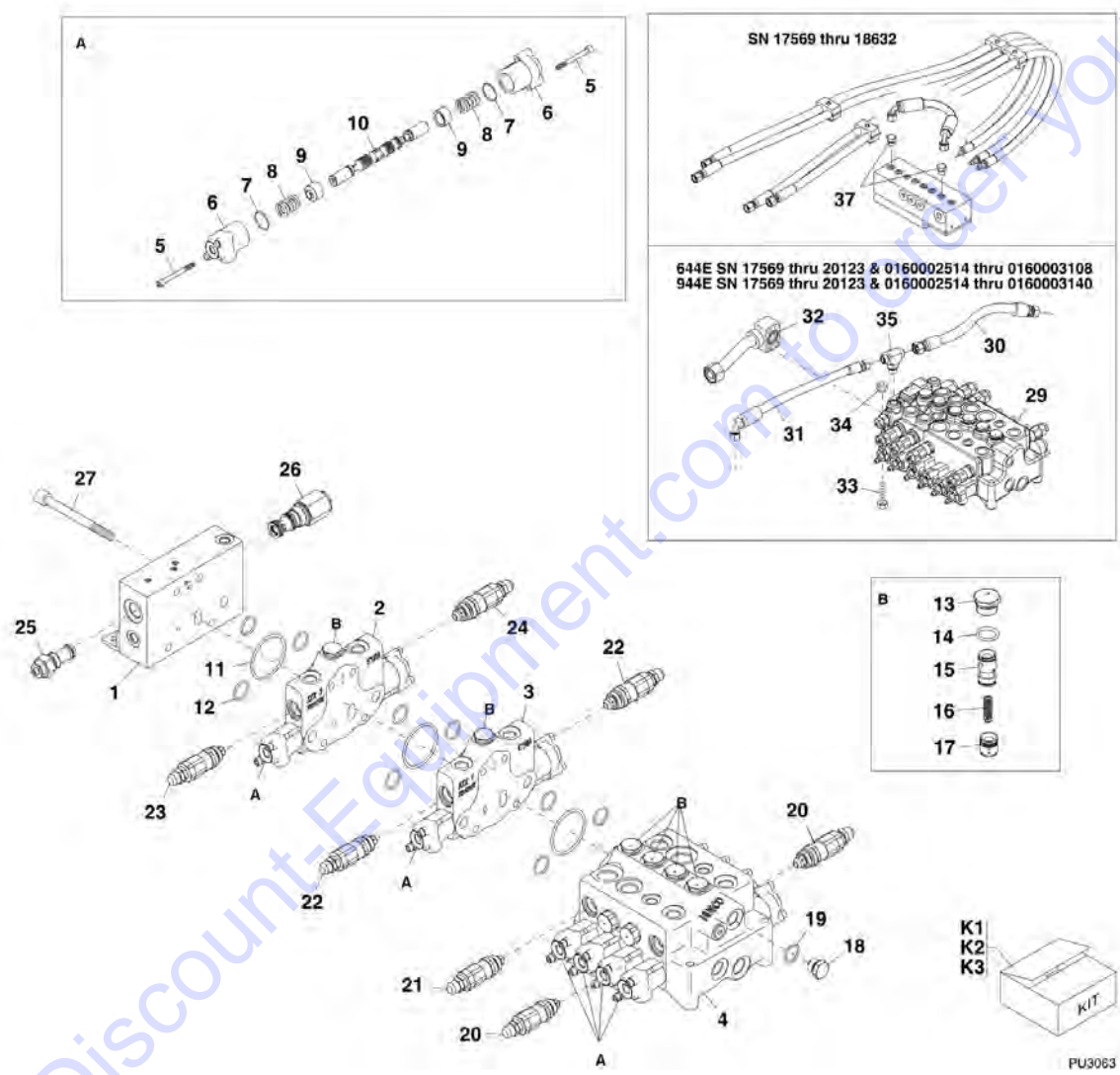
ITEM	PART NUMBER	QTY	DESCRIPTION	REV
K1	1001135555	1	GEAR PUMP, (644E-42)	A
	1001135553	1	GEAR PUMP, (944E-42)	B
	Ref		SEAL KIT	

Go to Discount-Equipment.com to order your parts



# SECTION 9 - HYDRAULIC COMPONENTS

**FIGURE 9-23. MAIN CONTROL VALVE (644E-42 SN 17569 through 20123, SN 0160002514 through 0160003074; 944E-42 SN 17569 through 20123, SN 0160002514 through 0160003090)**



Go to DiscountEquipment.com to get your parts

## SECTION 9 - HYDRAULIC COMPONENTS

**FIGURE 9-23. MAIN CONTROL VALVE (644E-42 SN 17569 through 20123, SN 0160002514 through 0160003074; 944E-42 SN 17569 through 20123, SN 0160002514 through 0160003090)**

ITEM	PART NUMBER	QTY	DESCRIPTION	REV
	8902328	NLA	MAIN CONTROL VALVE ASSY, (no longer available, use Kit K3 for replacement), (includes items 1 thru 27)	
1	N.S.S.	1	INLET SECTION ASSY	
2	8036510	1	TRANSFER CARRIAGE SECTION ASSY, (includes items 5 thru 17)	
3	8036511	1	AUXILIARY SECTION ASSY, (includes items 5 thru 17)	
4	N.S.S.	1	LIFT/LOWER, EXTEND/RETRACT, FRAME SWAY AND ATTACHMENT TILT MONO BLOCK	
5	Kit	2	SOCKET HD CAPSCREW	
6	Kit	1	SPOOL CAP	
7	10837924	1	O-RING	
8	Kit	1	SPRING	
9	Kit	1	SPRING SEAT	
10	N.S.S.	1	SPOOL	
11	Kit	3	O-RING	
12	Kit	9	O-RING	
13	8036512	6	PLUG ASSY, (includes item 14)	
14	8036513	6	O-RING	
15	N.S.S.	6	SPOOL-ISOLATOR	
16	8036514	6	SPRING	
17	N.S.S.	6	SPOOL-COMPENSATOR	
18	8036516	1	PLUG, (includes item 19)	
19	8036517	1	O-RING	
20	8036523	2	RELIEF CARTRIDGE, 4000 PSI, (275 Bar)	
20	8035855	1	SEAL KIT	
21	8036519	1	RELIEF CARTRIDGE, 2400 PSI, (165 Bar)	
21	8036185	1	SEAL KIT	
22	8036520	2	RELIEF CARTRIDGE, 2650 PSI, (182 Bar)	
22	8036185	1	SEAL KIT	
23	8036521	1	RELIEF CARTRIDGE, 3700 PSI, (255 Bar)	
23	8036185	1	SEAL KIT	
24	8036518	1	RELIEF CARTRIDGE, 2180 PSI, (150 Bar)	
24	8036185	1	SEAL KIT	
25	8036507	1	REGULATOR ASSY, 3275 PSI, (226 bar)	
25	8036508	1	SEAL KIT	
26	8036505	1	UNLOADER CARTRIDGE ASSY	
26	8036506	1	SEAL KIT	
27	8036509	4	SOCKET HD CAPSCREW, (metric)	
28	4150512	1	MAIN VALVE SERVICE KIT PROCEDURE, (not shown)	
29	8902329	1	PILOT ACCUATION MAIN CONTROL VALVE ASSY	
30	2717193	1	HOSE ASSY	
31	2717194	1	HOSE ASSY	
32	7301843	1	PUMP TEE TUBE ASSY	
33	8303550	1	HEX HD CAPSCREW, M8X60, GR8.8	
34	8305654	1	HEX LOCKNUT, M8X1.25	
35	8770112	1	BRANCH TEE	
36	7301831	1	INSTRUCTION SHEET FOR REPLACING JUMPER LOOP HOSE WITH PRESSURE BLEED PLUGS, (not shown) <b>(SN 17569 through 18633)</b>	
37	7301301	2	PRESSURE BLEED PLUG <b>(SN 17569 through 18633)</b>	

## SECTION 9 - HYDRAULIC COMPONENTS

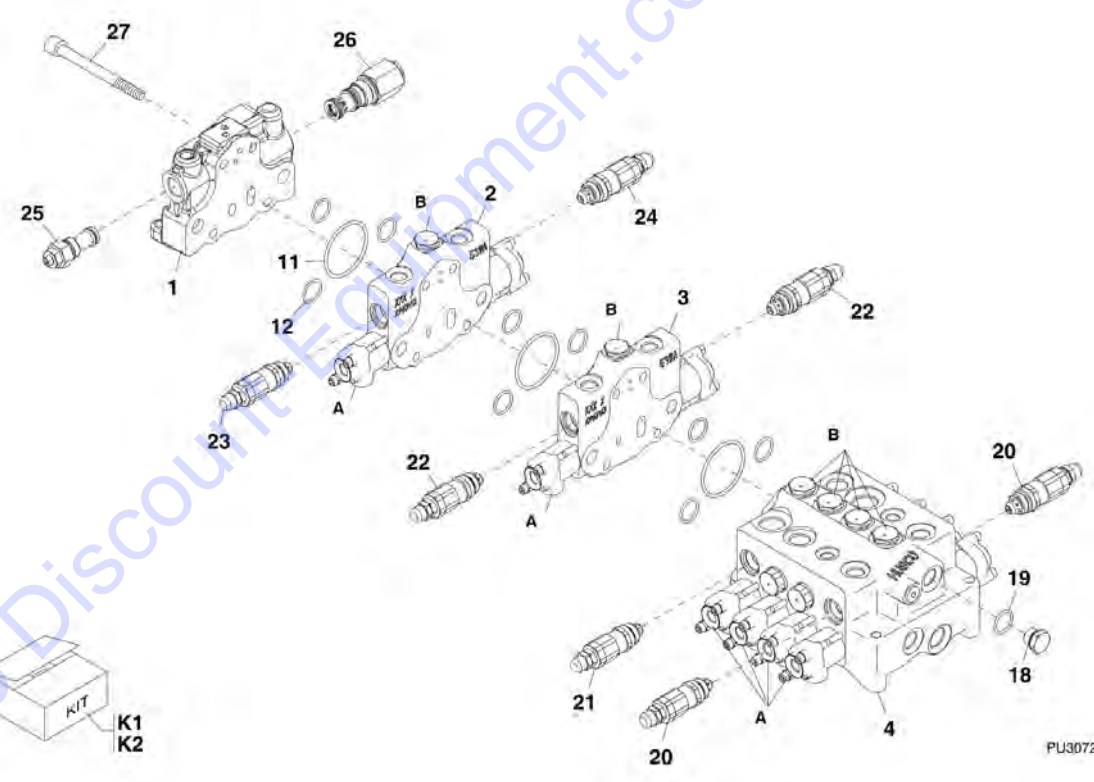
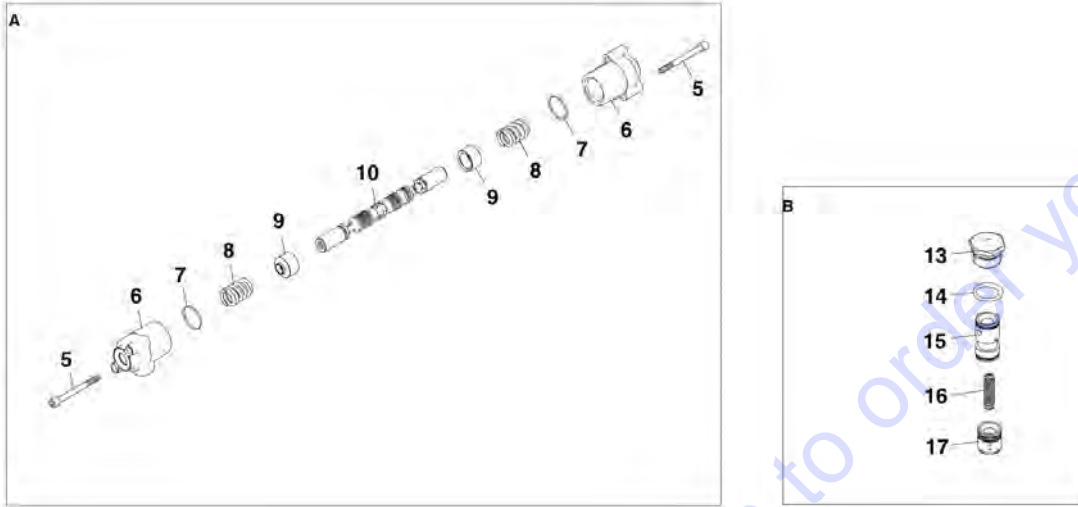
ITEM	PART NUMBER	QTY	DESCRIPTION	REV
K1	8036515	12	SPOOL CAP KIT, (includes items 5 thru 9)	
K2	8036503	1	SECTION ASSEMBLIES SEAL KIT, (includes items 11 & 12)	
K3	2915007	1	MAIN CONTROL VALVE REPLACEMENT KIT, (includes items 28 thru 37), (one time replacement only)	

Go to Discount-Equipment.com to order your parts



# SECTION 9 - HYDRAULIC COMPONENTS

FIGURE 9-24. MAIN CONTROL VALVE (644E-42 SN 0160003088 to Present; 944E-42 SN 0160003092 to Present)



Go to DiscountEquipment.com to order your parts

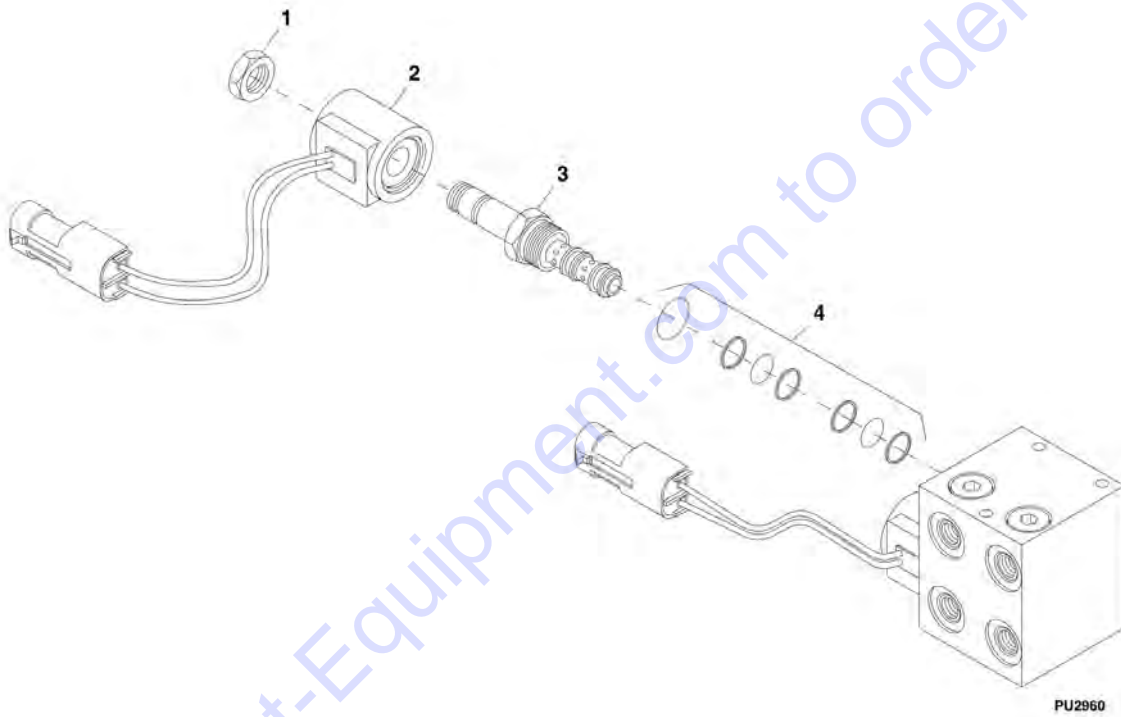
## SECTION 9 - HYDRAULIC COMPONENTS

**FIGURE 9-24. MAIN CONTROL VALVE (644E-42 SN 0160003088 to Present; 944E-42 SN 0160003092 to Present)**

ITEM	PART NUMBER	QTY	DESCRIPTION	REV
	8902329	1	MAIN CONTROL VALVE ASSY, (includes all items)	
1	8036787	1	INLET SECTION ASSY, (includes item 26)	
2	8036510	1	TRANSFER CARRIAGE SECTION ASSY, (includes items 5 thru 17)	
3	8036511	1	AUXILIARY SECTION ASSY, (includes items 5 thru 17)	
4	N.S.S.	1	LIFT/LOWER, EXTEND/RETRACT, FRAME SWAY AND ATTACHMENT TILT MONO BLOCK	
5	Kit	2	SOCKET HD CAPSCREW	
6	Kit	1	SPOOL CAP	
7	10837924	1	O-Ring	
8	Kit	1	SPRING	
9	Kit	1	SPRING SEAT	
10	N.S.S.	1	SPOOL	
11	Kit	3	O-RING	
12	Kit	9	O-RING	
13	8036512	6	PLUG ASSY, (includes item 14)	
14	8036513	6	O-RING	
15	N.S.S.	6	SPOOL-ISOLATOR	
16	8036514	6	SPRING	
17	N.S.S.	6	SPOOL-COMPENSATOR	
18	8036516	1	PLUG, (includes item 19)	
19	8036517	1	O-Ring	
20	8036523	2	RELIEF CARTRIDGE, 4000 PSI, (275 Bar)	
20	8035855	1	SEAL KIT	
21	8036519	1	RELIEF CARTRIDGE, 2400 PSI, (165 Bar)	
21	8036185	1	SEAL KIT	
22	8036520	2	RELIEF CARTRIDGE, 2650 PSI, (182 Bar)	
22	8036185	1	SEAL KIT	
23	8036521	1	RELIEF CARTRIDGE, 3700 PSI, (255 Bar)	
23	8036185	1	SEAL KIT	
24	8036518	1	RELIEF CARTRIDGE, 2180 PSI, (150 Bar)	
24	8036185	1	SEAL KIT	
25	8036507	1	REGULATOR ASSY, 3275 PSI, (226 bar)	
25	8036508	1	SEAL KIT	
26	8036505	1	UNLOADER CARTRIDGE ASSY	
26	8036506	1	SEAL KIT	
27	8036509	4	SOCKET HD CAPSCREW, (metric)	
K1	8036515	12	SPOOL CAP KIT, (includes items 5 thru 9)	
K2	8036503	1	SECTION ASSEMBLIES SEAL KIT, (includes items 11 & 12)	

## SECTION 9 - HYDRAULIC COMPONENTS

FIGURE 9-25. PILOT SELECT VALVE ASSEMBLY, (DUAL JOYSTICK)



## SECTION 9 - HYDRAULIC COMPONENTS

FIGURE 9-25. PILOT SELECT VALVE ASSEMBLY, (DUAL JOYSTICK)

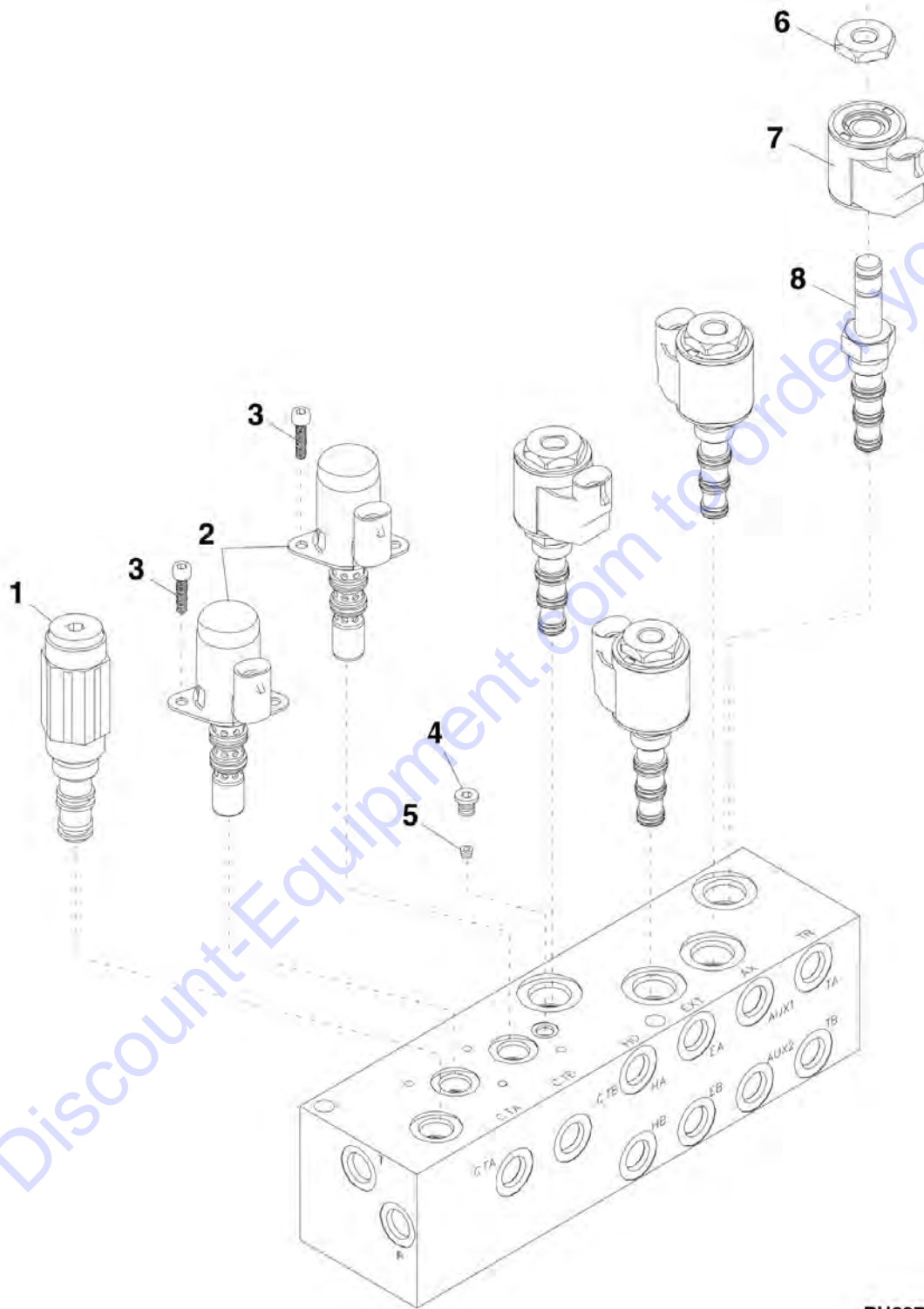
ITEM	PART NUMBER	QTY	DESCRIPTION	REV
	10339076	1	PILOT SELECT VALVE - DUAL JOYSTICK, (includes all items)	AA
1	10740662	2	NUT	
2	10138329	2	COIL	
3	7012941	2	SOLENOID VALVE	
4	7010543	2	SEAL KIT	

Go to Discount-Equipment.com to order your parts



# SECTION 9 - HYDRAULIC COMPONENTS

FIGURE 9-26. PILOT SELECT VALVE ASSEMBLY, (SINGLE JOYSTICK)



PU2970

## SECTION 9 - HYDRAULIC COMPONENTS

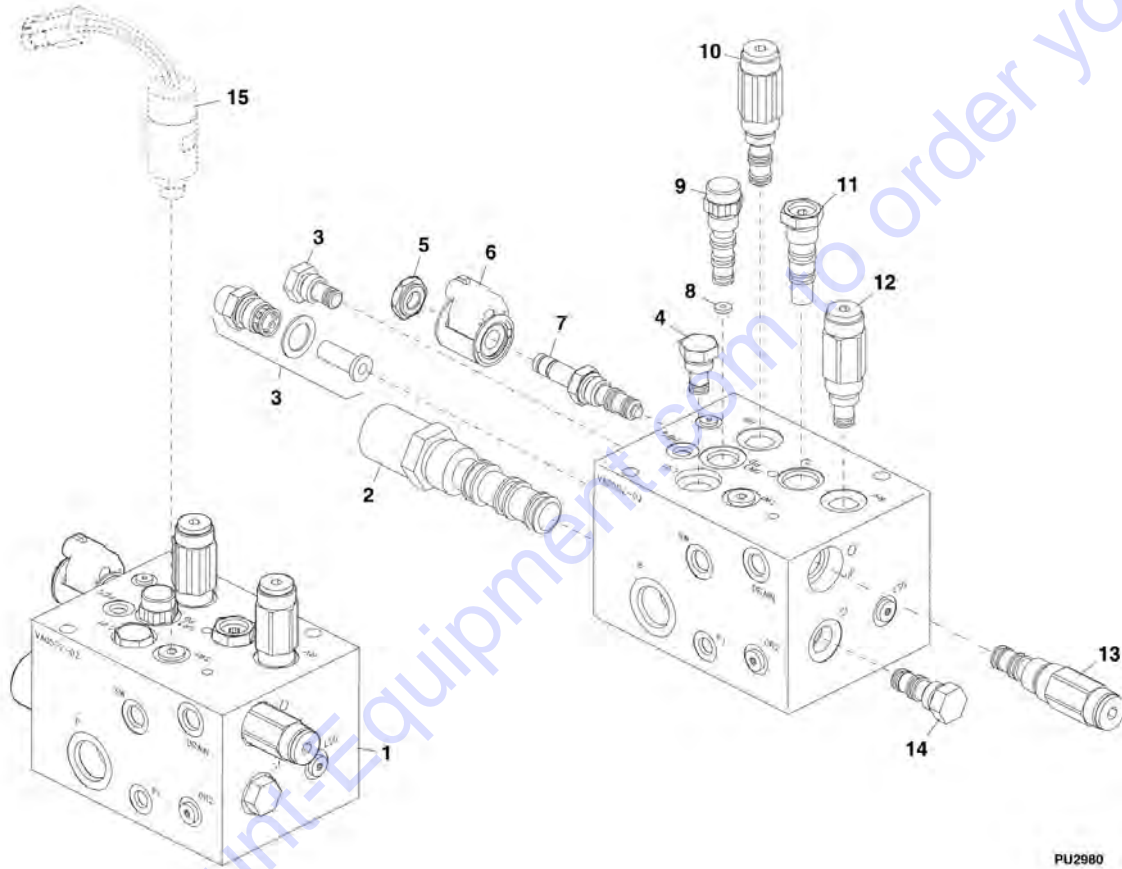
**FIGURE 9-26. PILOT SELECT VALVE ASSEMBLY, (SINGLE JOYSTICK)**

ITEM	PART NUMBER	QTY	DESCRIPTION	REV
	8902317	1	PILOT SELECT VALVE - SINGLE JOYSTICK, (includes all items)	
1	8036647	1	PRESSURE REDUCING/RELIEVING VALVE, 425 PSI, (29.3 bar)	
1	8036648	1	SEAL KIT	
2	8036649	2	PROP PRESSURE REDUCING/RELIEVING VALVE	
2	8036650	1	SEAL KIT	
3	8036651	4	SOCKET HD CAPSCREW, M5X8	
4	7017406	1	HOLLOW HEX PLUG, #4	
5	8036652	1	ORIFICE PLUG, 1/16X.020 DIA	
6	8036574	4	SPECIAL NUT	
7	8036573	4	COIL SOLENOID WITH INTEGRATED DIODE	
8	1101244	4	SOLENOID VALVE, 2 POSITION 4 WAY	
8	7017402	1	SEAL KIT	

Go to Discount-Equipment.com to order your parts

# SECTION 9 - HYDRAULIC COMPONENTS

## FIGURE 9-27. ACCUMULATOR CHARGE VALVE ASSEMBLY



PU2980

## SECTION 9 - HYDRAULIC COMPONENTS

**FIGURE 9-27. ACCUMULATOR CHARGE VALVE ASSEMBLY**

ITEM	PART NUMBER	QTY	DESCRIPTION	REV
1	8902313	1	ACCUMULATOR CHARGE/SECONDARY FUNCTION VALVE	
1	1001103491	1	ACCUMULATOR CHARGE/SECONDARY FUNCTION VALVE <b>(644E-42 SN 0160039830 to Present, Including 0160036724, 0160036811, 0160036907 and 016003701; 944E-42 SN 0160040124 to Present, Including 0160034634, 0160036710, 0160036722, 0160036735 and 0160036738)</b>	
2	8036460	1	LOAD SENSE COMPENSATOR, 150 PSI, (10 bar), (torque to 75-80 lb-ft)	
2	8036493	1	SEAL KIT	
3	8036564	1	FILTER ASSY	
3	8036565	1	SEAL KIT	
4	8033769	2	CHECK VALVE CARTRIDGE, 4 PSI, (0.3 bar)	
4	10868086	1	SEAL KIT	
4	7010543	1	SEAL KIT <b>(644E-42 SN 0160039830 to Present, Including 0160036724, 0160036811, 0160036907 and 0160037012; 944E-42 SN 0160040124 to Present, Including 0160034634, 0160036710, 0160036722, 0160036735 and 0160036738)</b>	
5	8036574	1	SPECIAL NUT	
6	8036573	1	SOLENOID WITH INTERGRATED DIODE COIL, (park brake solenoid)	
7	10837352	1	SOLENOID CARTRIDGE, 2 POSITION, 3 WAY	
7	7012941	1	SOLENOID CARTRIDGE, 2 POSITION, 3 WAY <b>(644E-42 SN 40160039830 to Present, Including 0160036724, 0160036811, 0160036907 and 0160037012; 944E-42 SN 0160040124 to Present, Including 0160034634, 0160036710, 0160036722, 0160036735 and 0160036738)</b>	
7	10868086	1	SOLENOID CARTRIDGE SEAL KIT	
7	7010543	1	SEAL KIT <b>(644E-42 SN 0160039830 to Present, Including 0160036724, 0160036811, 0160036907 and 0160037012; 944E-42 SN 0160040124 to Present, Including 0160034634, 0160036710, 0160036722, 0160036735 and 0160036738)</b>	
8	8036457	1	ORIFICE DISC, 0.032	
9	8036456	1	PILOT DIRECTIONAL CARTRIDGE, 2 POSITION, 3 WAY	
9	10868902	1	SEAL KIT	
9	7017402	1	SEAL KIT <b>(644E-42 SN 0160039830 to Present, Including 0160036724, 0160036811, 0160036907 and 0160037012; 944E-42 SN 0160040124 to Present, Including 0160034634, 0160036710, 0160036722, 0160036735 and 0160036738)</b>	
10	8036571	1	PRESSURE REDUCING CARTRIDGE, 550 PSI, (37 bar)	
10	8036572	1	SEAL KIT	
11	8036568	1	INVERTED SHUTTLE CARTRIDGE	
11	8036569	1	INVERTED SHUTTLE SEAL KIT	
12	8036570	1	DIRECT ACTING RELIEF CARTRIDGE, 2450 PSI, (168 bar)	
12	N.S.S.	1	DIRECT ACTING RELIEF CARTRIDGE, 2700 PSI, (186 bar) <b>(644E-42 SN 0160039830 to Present, Including 0160036724, 0160036811, 0160036907 and 0160037012; 944E-42 SN 0160040124 to Present, Including 0160034634, 0160036710, 0160036722, 0160036735 and 0160036738)</b>	
12	10868086	1	SEAL KIT	
12	7010543	1	SEAL KIT <b>(644E-42 SN 0160039830 to Present, Including 0160036724, 0160036811, 0160036907 and 0160037012; 944E-42 SN 0160040124 to Present, Including 0160034634, 0160036710, 0160036722, 0160036735 and 0160036738)</b>	
13	8036566	1	CHARGE LOGIC CARTRIDGE, 1050-1950 PSI, (72-134 bar)	
13	N.S.S.	1	CHARGE LOGIC CARTRIDGE, 1245-2300 PSI, (86-158 bar)	

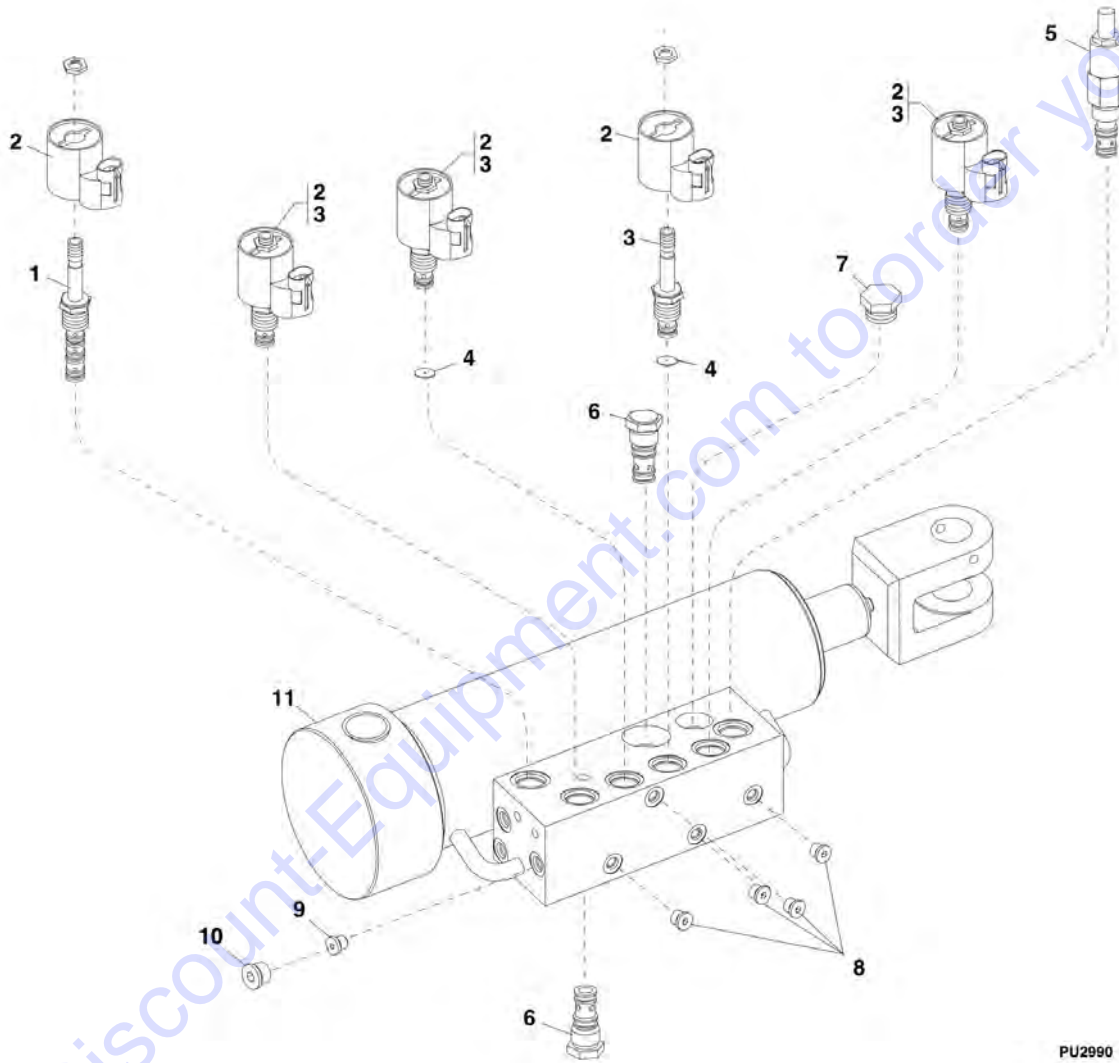
## SECTION 9 - HYDRAULIC COMPONENTS

ITEM	PART NUMBER	QTY	DESCRIPTION	REV
13	8036567	1	SEAL KIT	
13	2900707	1	SEAL KIT (644E-42 SN 0160039830 to Present, Including 0160036724, 0160036811, 0160036907 and 0160037012; 944E-42 SN 0160040124 to Present, Including 0160034634, 0160036710, 0160036722, 0160036735 and 0160036738)	
14	10837580	1	LOAD SHUTTLE CARTRIDGE	
14	7010542	1	LOAD SHUTTLE CARTRIDGE (644E-42 SN 0160039830 to Present, Including 0160036724, 0160036811, 0160036907 and 0160037012; 944E-42 SN 0160040124 to Present, Including 0160034634, 0160036710, 0160036722, 0160036735 and 0160036738)	
14	8036572	1	SEAL KIT	
14	7010543	1	SEAL KIT (644E-42 SN 0160039830 to Present, Including 0160036724, 0160036811, 0160036907 and 0160037012; 944E-42 SN 0160040124 to Present, Including 0160034634, 0160036710, 0160036722, 0160036735 and 0160036738)	
15		Ref	BRAKE PRESSURE SWITCH, (See ELECTRICAL SECTION for Breakdown)	



# SECTION 9 - HYDRAULIC COMPONENTS

## FIGURE 9-28. STABIL-TRAK CYLINDER VALVES



PU2990

## SECTION 9 - HYDRAULIC COMPONENTS

**FIGURE 9-28. STABIL-TRAK CYLINDER VALVES**

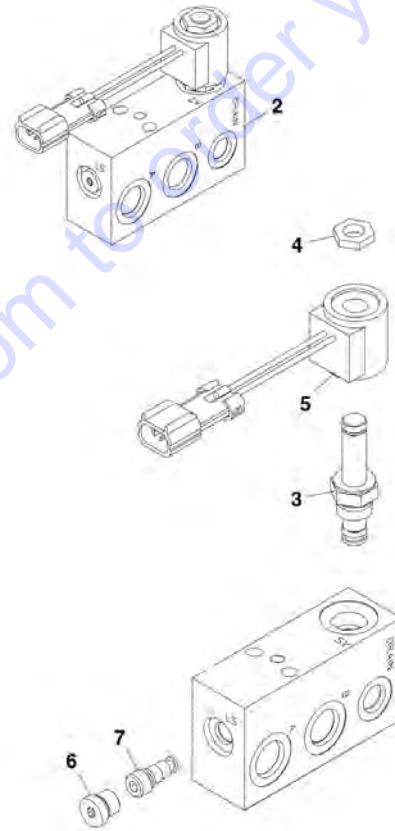
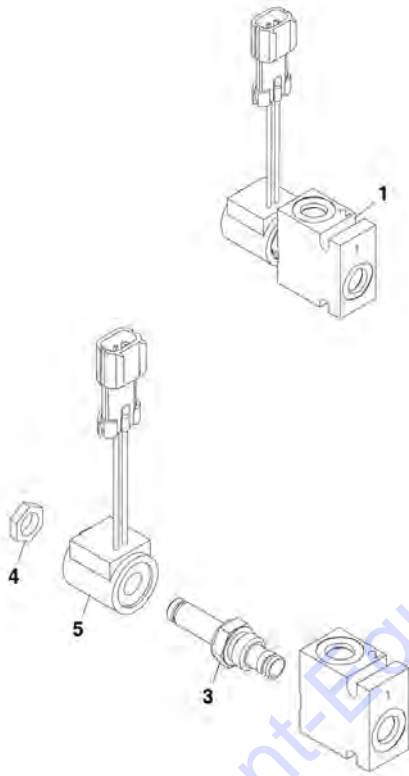
ITEM	PART NUMBER	QTY	DESCRIPTION	REV
	8036831	1	SOLENOID VALVE ASSY - 4 WAY, 12V, (includes items 1 & 2)	
	8036740	1	SEAL KIT	
	8036832	4	SOLENOID VALVE ASSY - 2 WAY, 12V, (includes items 2 & 3)	
	7017496	1	SEAL KIT	
1	8036580	1	SOLENOID VALVE CARTRIDGE, (includes nut)	
2	8036579	5	SOLENOID COIL	
3	8036581	4	SOLENOID VALVE CARTRIDGE, (includes nut)	
4	8035781	2	CONICAL ORIFICE DISK, .060 DIA	
5	8036162	1	PRESSURE REDUCING VALVE, 100 PSI, (7 bar)	
5	8032994	1	SEAL KIT	
6	8035757	2	PO CHECK VALVE - SERIES 10	
6	8036739	1	SEAL KIT	
7	8036582	1	CHECK RELIEF VALVE, 200 PSI, (13 bar)	
7	7017496	1	SEAL KIT	
8	8035785	4	HOLLOW HEX PLUG, #4	
9	8035782	1	ORIFICE PLUG, .030 DIA	
10	8035784	1	HOLLOW HEX PLUG, #6	
11		Ref	STABIL-TRAK CYLINDER, (See STABIL-TRAK CYLINDER for Breakdown)	

Go to Discount-Equipment.com to order your parts



## SECTION 9 - HYDRAULIC COMPONENTS

FIGURE 9-29. AUXILIARY DUMP VALVE ASSEMBLIES (644E-42 SN 19402 through 20118, SN 0160002519 through 0160003074; 944E-42 SN 19402 through 20123, SN 0160002514 through 0160003072)



PU3000

## SECTION 9 - HYDRAULIC COMPONENTS

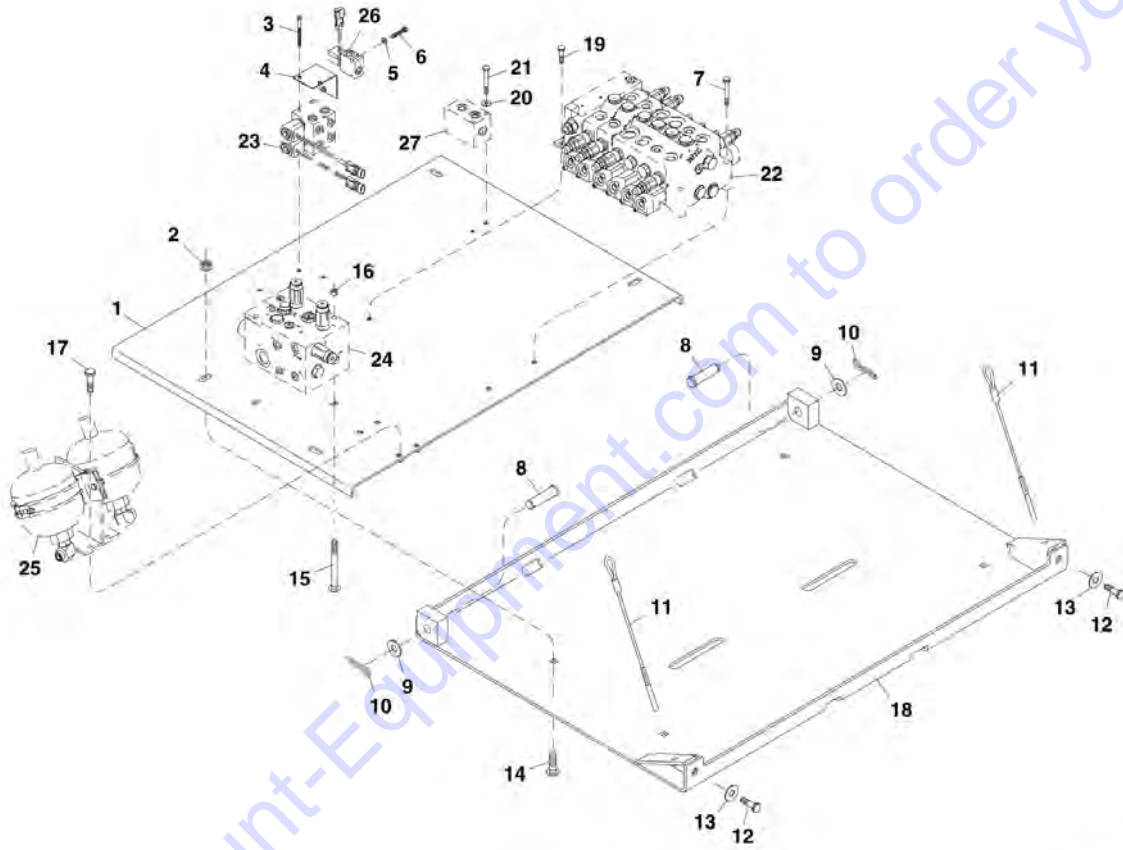
**FIGURE 9-29. AUXILIARY DUMP VALVE ASSEMBLIES (644E-42 SN 19402 through 20118, SN 0160002519 through 0160003074; 944E-42 SN 19402 through 20123, SN 0160002514 through 0160003072)**

ITEM	PART NUMBER	QTY	DESCRIPTION	REV
1	8902321	1	SOLENOID AUX PRESSURE DUMP VALVE, (includes items 3 thru 5), (644E-42 & 944E-42) <b>(SN 17569 through 19041)</b>	
2	8902322	1	SOLENOID AUX PRESSURE DUMP VALVE, (includes items 3 thru 7) <b>(644E-42 SN 19042 through 20123, SN 016002514 through 0160003074; 944E-42 SN 19042 through 20123, SN 016002514 through 0160003072)</b>	
3	10867167	1	SOLENOID CARTRIDGE, 2 WAY, (includes item 4)	
3	8036526	1	SEAL KIT	
4	N.S.S.	1	SPECIAL NUT	
5	8036525	1	SOLENOID w/DIODE COIL	
6	8036527	1	HOLLOW HEX O-RING PLUG	
7	10837247	1	SHUTTLE VALVE	

Go to Discount-Equipment.com to order your parts

# SECTION 9 - HYDRAULIC COMPONENTS

FIGURE 9-30. VALVE TRAY ASSEMBLY, (DUAL JOYSTICK) (SN 17569 through 19401)



PU3010

## SECTION 9 - HYDRAULIC COMPONENTS

**FIGURE 9-30. VALVE TRAY ASSEMBLY, (DUAL JOYSTICK) (SN 17569 through 19401)**

ITEM	PART NUMBER	QTY	DESCRIPTION	REV
1	7300490	1	VALVE MOUNTING PLATE	
2	8310194	4	FLANGE NUT, M12-1.75	
3	8310638	2	HEX HD CAPSCREW, M6X90, GR8.8	
4	7301605	1	AUX DUMP VALVE MOUNTING BRACKET	
5	8307219	2	FLAT WASHER, M6	
6	8303541	2	HEX HD CAPSCREW, M6X35, GR8.8	
7	8310030	2	HEX HD CAPSCREW, M8X80, GR8.8	
8	8301453	2	CLEVIS PIN, 3/4	
9	8307104	2	FLAT WASHER, 3/4	
10	8310211	2	COTTER HAIR PIN	
11	7130412	2	TETHER	
12	8303519	2	HEX HD CAPSCREW, M12X35, GR8.8	
13	8310308	2	FLAT HARDENED WASHER, 1/2	
14	8310604	4	CARRIAGE BOLT, M12X50, GR8.8	
15	8310711	2	CARRIAGE BOLT, M8X140, GR8.8	
16	8305043	2	HEX NUT, M8X1.25	
17	8303783	4	HEX HD CAPSCREW, M8X25, GR8.8	
18	7300218	1	VALVE TRAY MOUNTING PLATE	
19	8303606	1	HEX HD CAPSCREW, M8X20, GR8.8	
20	8307219	2	FLAT WASHER, M6	
21	8310714	2	HEX HD CAPSCREW, M6X80, GR8.8	
22		Ref	MAIN CONTROL VALVE, (See MAIN CONTROL VALVE for Breakdown)	
23		Ref	PILOT SELECT VALVE, (See PILOT SELECT VALVE ASSEMBLY, (DUAL JOYSTICK) for Breakdown)	
24		Ref	ACCUMULATOR CHARGE VALVE, (See ACCUMULATOR CHARGE VALVE ASSEMBLY for Breakdown)	
25		Ref	ACCUMULATORS, (See ACCUMULATORS ASSEMBLY for Breakdown)	
26		Ref	AUXILIARY DUMP VALVE, (See AUXILIARY DUMP VALVE ASSEMBLIES for Breakdown)	
27		Ref	MANIFOLD, (See HYDRAULIC CIRCUITS SECTION for Breakdown)	

# PARTS FINDER

**Search Website  
by Part Number**



**Search Manual  
Library For Parts  
Manual & Lookup Part  
Numbers – Purchase  
or Request Quote**

**Can't Find Part or  
Manual? Request Help  
by Manufacturer,  
Model & Description**

Discount-Equipment.com is your online resource for quality parts & equipment.

Florida: **561-964-4949** Outside Florida TOLL FREE: **877-690-3101**

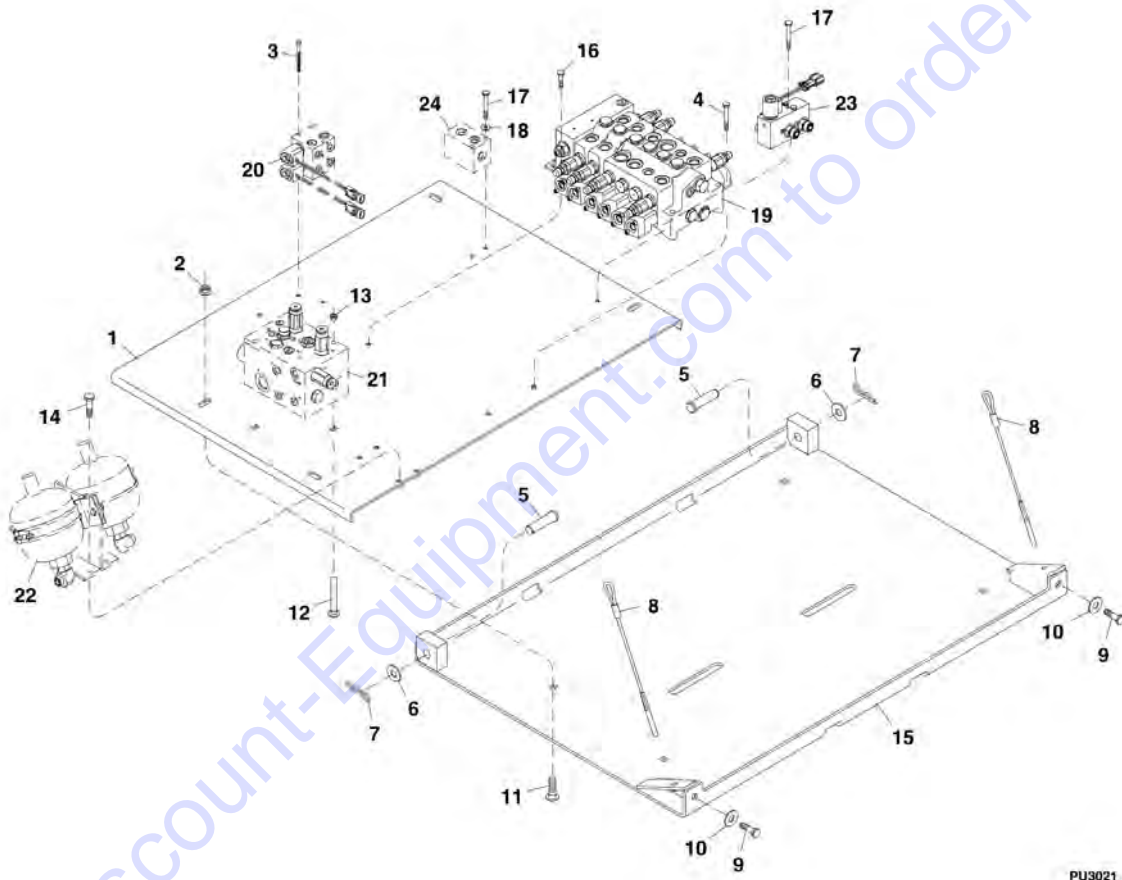
## Need parts?

Click on this link: <http://www.discount-equipment.com/category/5443-parts/> and choose one of the options to help get the right parts and equipment you are looking for. Please have the machine model and serial number available in order to help us get you the correct parts. If you don't find the part on the website or on one of the online manuals, please fill out the request form and one of our experienced staff members will get back to you with a quote for the right part that your machine needs.

We sell worldwide for the brands: Genie, Terex, JLG, MultiQuip, Mikasa, Essick, Whiteman, Mayco, Toro Stone, Diamond Products, Generac Magnum, Airman, Haulotte, Barreto, Power Blanket, Nifty Lift, Atlas Copco, Chicago Pneumatic, Allmand, Miller Curber, Skyjack, Lull, Skytrak, Tsurumi, Husquvarna Target, Stow, Wacker, Sakai, Mi-T-M, Sullair, Basic, Dynapac, MBW, Weber, Bartell, Bennar Newman, Haulotte, Ditch Runner, Menegotti, Morrison, Contec, Buddy, Crown, Edco, Wyco, Bomag, Laymor, EZ Trench, Bil-Jax, F.S. Curtis, Gehl Pavers, Heli, Honda, ICS/PowerGrit, IHI, Partner, Imer, Clipper, MMD, Koshin, Rice, CH&E, General Equipment, Amida, Coleman, NAC, Gradall, Square Shooter, Kent, Stanley, Tamco, Toku, Hatz, Kohler, Robin, Wisconsin, Northrock, Oztec, Toker TK, Rol-Air, APT, Wylie, Ingersoll Rand / Doosan, Innovatech, Con X, Ammann, Mecalac, Makinex, Smith Surface Prep, Small Line, Wanco, Yanmar

## SECTION 9 - HYDRAULIC COMPONENTS

FIGURE 9-31. VALVE TRAY ASSEMBLY, (DUAL JOYSTICK) (644E-42 SN 18065 through 20123, SN 0160002514 through 0160003074; 944E-42 SN 18065 through 20123, SN 0160002514 through 0160003072)



PU3021

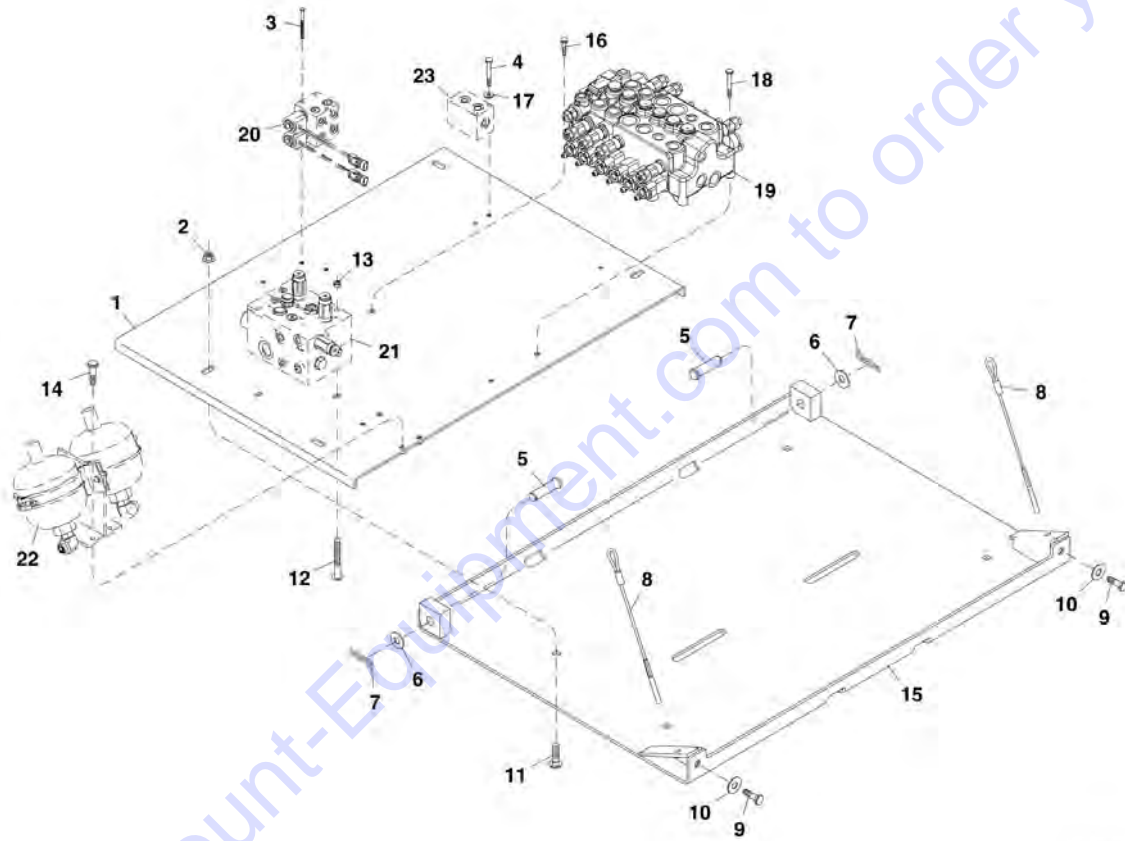
## SECTION 9 - HYDRAULIC COMPONENTS

**FIGURE 9-31. VALVE TRAY ASSEMBLY, (DUAL JOYSTICK) (644E-42 SN 18065 through 20123, SN 0160002514 through 0160003074; 944E-42 SN 18065 through 20123, SN 0160002514 through 0160003072)**

ITEM	PART NUMBER	QTY	DESCRIPTION	REV
1	7300490	1	VALVE MOUNTING PLATE	
2	8310194	4	FLANGE NUT, M12X1.75	
3	8310638	2	HEX HD CAPSCREW, M6X90, GR8.8	
4	8310030	2	HEX HD CAPSCREW, M8X80, GR8.8	
5	8301453	2	CLEVIS PIN, 3/4	
6	8307104	2	FLAT WASHER, 3/4	
7	8310211	2	COTTER HAIR PIN	
8	7130412	2	TETHER	
9	8303519	2	HEX HD CAPSCREW, M12X35, GR8.8	
10	8310308	2	FLAT HARDENED WASHER, 1/2	
11	8310604	4	CARRIAGE BOLT, M12X50, GR8.8	
12	8310711	2	CARRIAGE BOLT, M8X140, GR8.8	
13	8305043	2	HEX NUT, M8-1.25	
14	8303783	4	HEX HD CAPSCREW, M8X25, GR8.8	
15	7300218	1	VALVE TRAY MOUNTING PLATE	
16	8303606	1	HEX HD CAPSCREW, M8X20, GR8.8	
17	8310714	4	HEX HD CAPSCREW, M6X80, GR8.8	
18	8307219	2	FLAT WASHER, M6	
19		Ref	MAIN CONTROL VALVE, (See MAIN CONTROL VALVE for Breakdown)	
20		Ref	PILOT SELECT VALVE, (See PILOT SELECT VALVE ASSEMBLY, (DUAL JOYSTICK) for Breakdown)	
21		Ref	ACCUMULATOR CHARGE VALVE, (See ACCUMULATOR CHARGE VALVE ASSEMBLY for Breakdown)	
22		Ref	ACCUMULATORS, (See ACCUMULATORS ASSEMBLY for Breakdown)	
23		Ref	AUXILIARY DUMP VALVE, (See AUXILIARY DUMP VALVE ASSEMBLIES for Breakdown)	
24		Ref	MANIFOLD, (See HYDRAULIC CIRCUITS SECTION for Breakdown)	

## SECTION 9 - HYDRAULIC COMPONENTS

FIGURE 9-32. VALVE TRAY ASSEMBLY, (DUAL JOYSTICK) (644E-42 SN 0160003088 to Present;  
944E-42 SN 0160003086 to Present)



PU3030



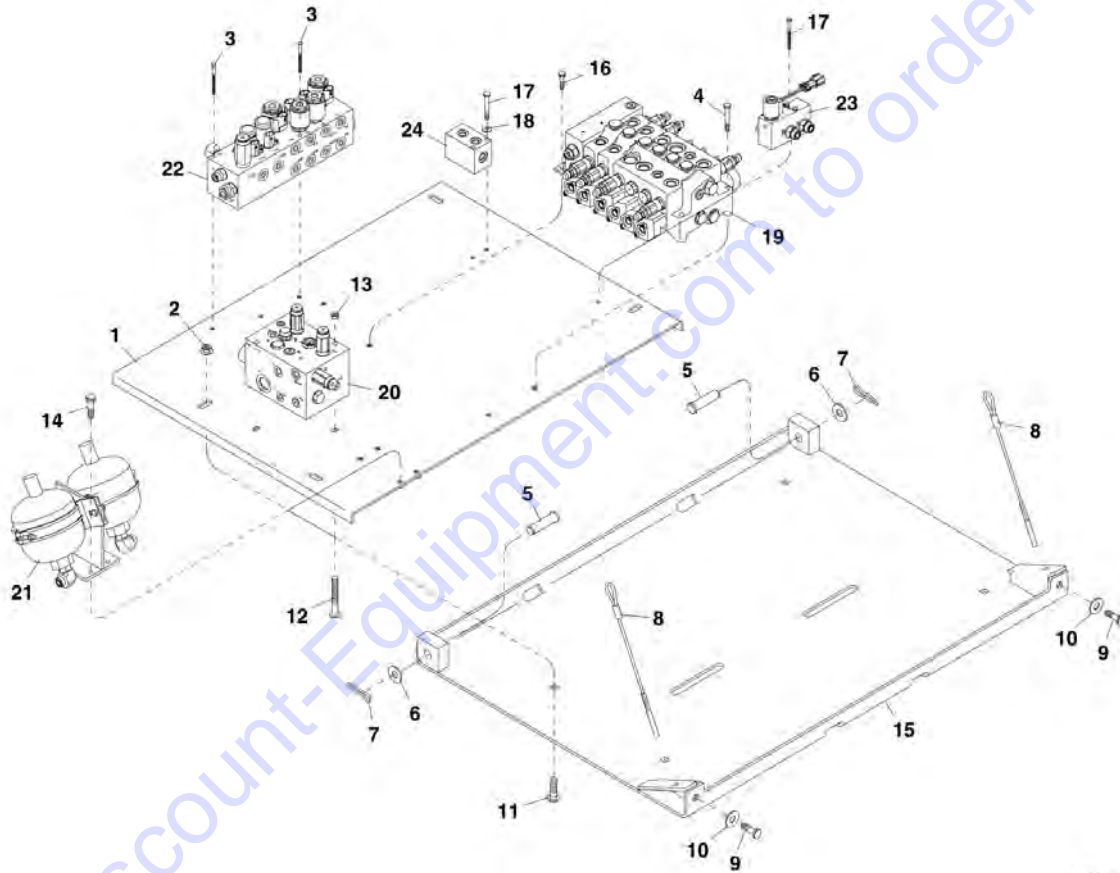
## SECTION 9 - HYDRAULIC COMPONENTS

**FIGURE 9-32. VALVE TRAY ASSEMBLY, (DUAL JOYSTICK) (644E-42 SN 0160003088 to Present;  
944E-42 SN 0160003086 to Present)**

ITEM	PART NUMBER	QTY	DESCRIPTION	REV
1	7300490	1	VALVE MOUNTING PLATE	
2	8310194	4	FLANGE NUT, M12X1.75	
3	8310638	2	HEX HD CAPSCREW, M6X90, GR8.8	
4	8310714	2	HEX HD CAPSCREW, M6X80, GR8.8	
5	8301453	2	CLEVIS PIN, 3/4	
6	8307104	2	FLAT WASHER, 3/4	
7	8310211	2	COTTER HAIR PIN	
8	7130412	2	TETHER	
9	8303519	2	HEX HD CAPSCREW, M12X35, GR8.8	
10	8310308	2	FLAT HARDENED WASHER, 1/2	
11	8310604	4	CARRIAGE BOLT, M12X50, GR8.8	
12	8310711	2	CARRIAGE BOLT, M8X140, GR8.8	
13	8305043	2	HEX NUT, M8X1.25	
14	8303783	4	HEX HD CAPSCREW, M8X25, GR8.8	
15	7300218	1	VALVE TRAY MOUNTING PLATE	
16	8303611	1	HEX HD CAPSCREW, M8X30, GR8.8	
17	8307219	4	FLAT WASHER, M6	
18	8310030	2	HEX HD CAPSCREW, M8X80, GR8.8	
19		Ref	MAIN CONTROL VALVE, (See MAIN CONTROL VALVE for Breakdown)	
20		Ref	PILOT SELECT VALVE, (See PILOT SELECT VALVE ASSEMBLY, (DUAL JOYSTICK) for Breakdown)	
21		Ref	ACCUMULATOR CHARGE VALVE, (See ACCUMULATOR CHARGE VALVE ASSEMBLY for Breakdown)	
22		Ref	ACCUMULATORS, (See ACCUMULATORS ASSEMBLY for Breakdown)	
23		Ref	MANIFOLD, (See HYDRAULIC CIRCUITS SECTION for Breakdown)	

## SECTION 9 - HYDRAULIC COMPONENTS

FIGURE 9-33. VALVE TRAY ASSEMBLY, (SINGLE JOYSTICK) (644E-42 SN 18065 through 20123, SN 0160002514 through 0160003074; 944E-42 SN 18065 through 20123, SN 0160002514 through 0160003072)



PU3041

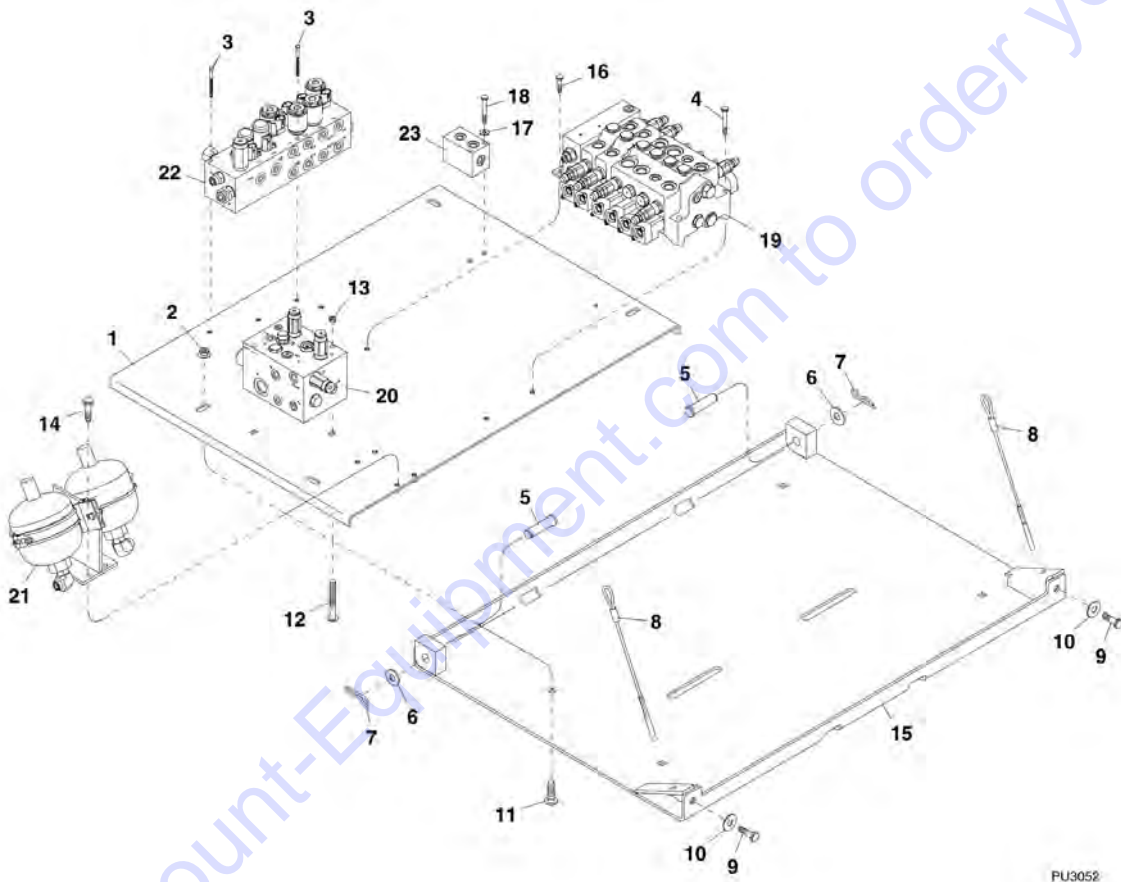
## SECTION 9 - HYDRAULIC COMPONENTS

**FIGURE 9-33. VALVE TRAY ASSEMBLY, (SINGLE JOYSTICK) (644E-42 SN 18065 through 20123, SN 0160002514 through 0160003074; 944E-42 SN 18065 through 20123, SN 0160002514 through 0160003072)**

ITEM	PART NUMBER	QTY	DESCRIPTION	REV
1	7300490	1	VALVE MOUNTING PLATE	
2	8310194	4	FLANGE NUT, M12X1.75	
3	8310638	2	HEX HD CAPSCREW, M6-1.0X90mm, PC8.8	
4	8310030	4	HEX HD CAPSCREW, M8-1.25X80mm, PC8.8	
5	8301453	2	CLEVIS PIN, 3/4	
6	8307104	2	FLAT WASHER, 3/4	
7	8310211	2	COTTER HAIR PIN	
8	7130412	2	TETHER	
9	8303519	2	HEX HD CAPSCREW, M12-1.75X35mm, PC8.8	
10	8310308	2	FLAT HARDENED WASHER, 1/2	
11	8310604	4	CARRIAGE BOLT, M12-1.75X50mm, PC8.8	
12	8310711	2	CARRIAGE BOLT, M8-1.25X140mm, PC8.8	
13	8305043	2	HEX NUT, M8-13.25	
14	8303783	4	HEX HD CAPSCREW, M8-1.25X25mm, PC8.8	
15	7300218	1	VALVE TRAY MOUNTING PLATE	
16	8303606	1	HEX HD CAPSCREW, M8-1.25X20mm, PC8.8	
17	8310714	2	HEX HD CAPSCREW, M6-1.0X80mm, PC8.8	
18	8307219	2	FLAT WASHER, M6	
19		Ref	MAIN CONTROL VALVE, (See MAIN CONTROL VALVE for Breakdown)	
20		Ref	ACCUMULATOR CHARGE VALVE, (See ACCUMULATOR CHARGE VALVE ASSEMBLY for Breakdown)	
21		Ref	ACCUMULATORS, (See ACCUMULATORS ASSEMBLY for Breakdown)	
22		Ref	PILOT SELECT VALVE, (See PILOT SELECT VALVE ASSEMBLY, (DUAL JOYSTICK) for Breakdown)	
23		Ref	AUXILIARY DUMP VALVE, (See AUXILIARY DUMP VALVE ASSEMBLIES for Breakdown)	
24		Ref	MANIFOLD, (See HYDRAULIC CIRCUITS SECTION for Breakdown)	

# SECTION 9 - HYDRAULIC COMPONENTS

FIGURE 9-34. VALVE TRAY ASSEMBLY, (SINGLE JOYSTICK) (644E-42 SN 0160003088 to Present;  
944E-42 SN 0160003086 to Present)



PU3052

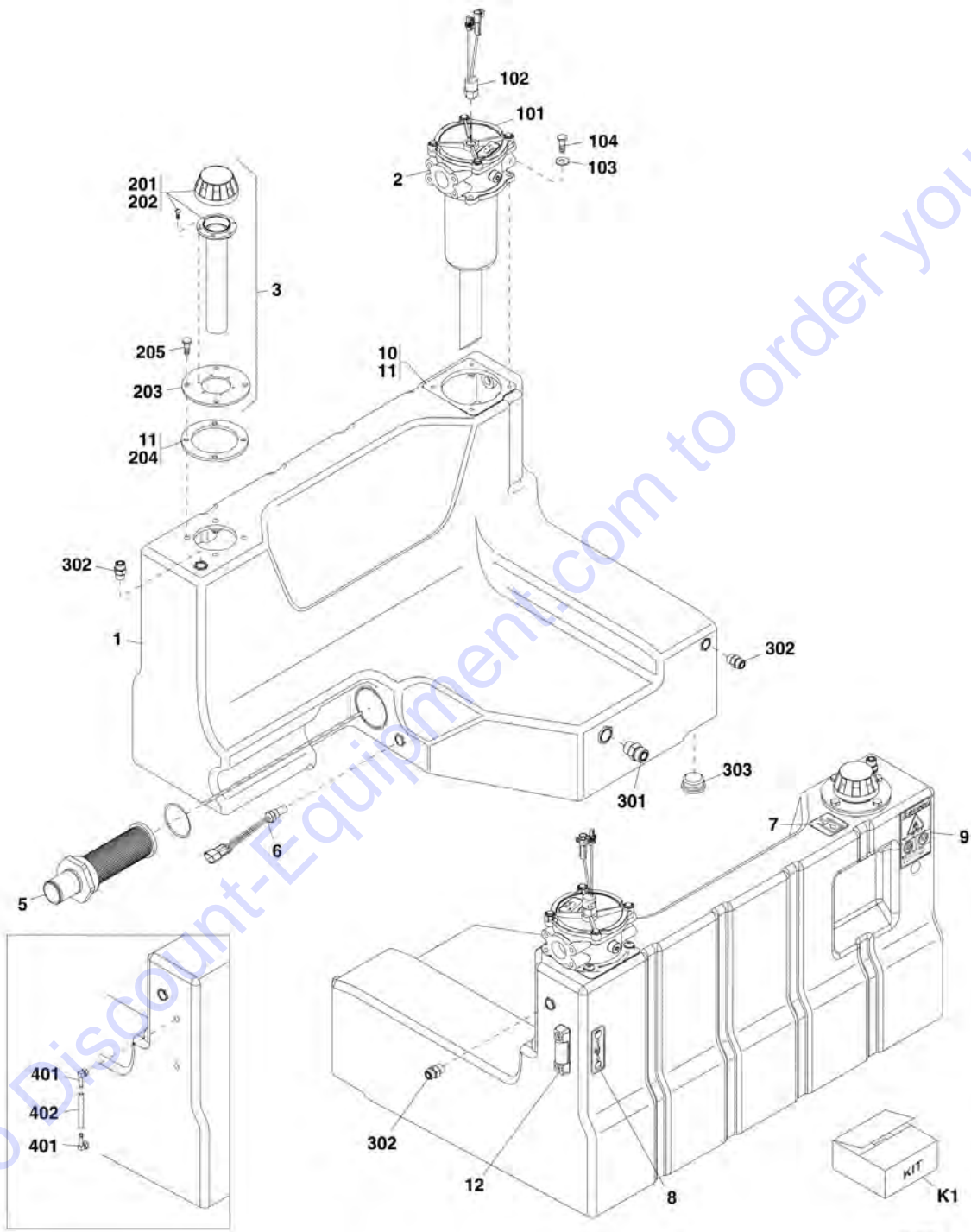
## SECTION 9 - HYDRAULIC COMPONENTS

**FIGURE 9-34. VALVE TRAY ASSEMBLY, (SINGLE JOYSTICK) (644E-42 SN 0160003088 to Present;  
944E-42 SN 0160003086 to Present)**

ITEM	PART NUMBER	QTY	DESCRIPTION	REV
1	7300490	1	VALVE MOUNTING PLATE	
2	8310194	4	FLANGE NUT, M12X1.75	
3	8310638	2	HEX HD CAPSCREW M6-1.0X90mm, PC8.8	
4	8310030	4	HEX HD CAPSCREW, M8-1.25X80mm, PC8.8	
5	8301453	2	CLEVIS PIN, 3/4	
6	8307104	2	FLAT WASHER, 3/4	
7	8310211	2	COTTER HAIR PIN	
8	7130412	2	TETHER	
9	8303519	2	HEX HD CAPSCREW, M12-1.75X35mm, PC8.8	
10	8310308	2	FLAT HARDENED WASHER, 1/2	
11	8310604	4	CARRIAGE BOLT, M12-1.75X50mm, PC8.8	
12	8310711	2	CARRIAGE BOLT, M8-1.25X140mm, PC8.8	
13	8305043	2	HEX NUT, M8-1.25	
14	8303783	4	HEX HD CAPSCREW, M8-1.25X25mm, PC8.8	
15	7301093	1	VALVE TRAY MOUNTING PLATE	
16	8303606	1	HEX HD CAPSCREW, M8-1.25X20mm, PC8.8	
17	8307219	2	FLAT WASHER, M6	
18	8310714	2	HEX HD CAPSCREW, M6-1.0X80mm, PC8.8	
19		Ref	MAIN CONTROL VALVE, (See MAIN CONTROL VALVE for Breakdown)	
20		Ref	ACCUMULATOR CHARGE VALVE, (See ACCUMULATOR CHARGE VALVE ASSEMBLY for Breakdown)	
21		Ref	ACCUMULATORS, (See ACCUMULATORS ASSEMBLY for Breakdown)	
22		Ref	PILOT SELECT VALVE, (See PILOT SELECT VALVE ASSEMBLY, (DUAL JOYSTICK) for Breakdown)	
23		Ref	MANIFOLD, (See HYDRAULIC CIRCUITS SECTION for Breakdown)	

# SECTION 9 - HYDRAULIC COMPONENTS

FIGURE 9-35. HYDRAULIC TANK ASSEMBLY (644E-42 Prior to SN 0160048717, Excluding 0160045421; 944E-42 SN 0160041827 to Present)



## SECTION 9 - HYDRAULIC COMPONENTS

**FIGURE 9-35. HYDRAULIC TANK ASSEMBLY (644E-42 Prior to SN 0160048717, Excluding 0160045421; 944E-42 SN 0160041827 to Present)**

ITEM	PART NUMBER	QTY	DESCRIPTION	REV
	7300226	1	RESERVOIR ASSY, (includes items 1 thru 9, 11 & 12)	H
1	7300229	NLA	HYDRAULIC TANK ASSY, (no longer available, use 1001092281 for replacement) <b>(644E-42 SN 17569 through 20123, SN 0160002514 through 0160029565; 944E-42 SN 17569 through 20123, SN 0160002514 through 0160029564)</b>	
1	1001091304	1	HYDRAULIC TANK ASSY <b>(644E-42 SN 0160029567 through 0160043356; 944E-42 SN 0160029566 through 0160041823)</b>	
2	7300537	1	RETURN FILTER ASSY, (includes items 101 thru 104)	C
3	7300538	1	FILLER CAP WITH STRAINER ASSY, (includes items 201 thru 205)	B
4	7300539	1	HYDRAULIC RESERVOIR FITTING KIT, (includes items 1 & 301 thru 303)	C
5	7138740	1	SUCTION STRAINER, (torque to 65-85 lb-ft/88-115 Nm)	
5	7029716	1	O-RING	
6	8223240	1	DUAL TEMPERATURE SWITCH, (torque to 25-40 lb-ft/34-54 Nm)	
7	4100181	1	HYDRAULIC OIL FILL DECAL <b>(644E-42 SN 17569 through 20123; 644E-42 SN 0160002514 through 0160025030; 944E-42 SN 17569 through 20123, SN 0160002514 through 0160025029)</b>	
7	1707079	1	HYDRAULIC OIL FILL DECAL <b>(644E-42 SN 0160025031 through 0160043356; 944E-42 SN 0160025032 through 0160041823)</b>	
8	4108302	1	HYDRAULIC OIL LEVEL DECAL <b>(644E-42 SN 17569 through 20123, SN 0160002514 through 0160025030; 944E-42 SN 17569 through 20123, SN 0160002514 through 0160025029)</b>	
8	1707114	1	HYDRAULIC OIL LEVEL DECAL <b>(644E-42 SN 0160025031 through 0160043356; 944E-42 SN 0160025032 through 0160041823)</b>	
9	1707077	1	BATTERY EXPLOSION, WARNING DECAL	
10	8320055	1	GASKET	
11	0100087	AR	GASKET SEALANT ADHESIVE	
12	91563136	1	FLUID LEVEL GAUGE <b>(644E-42 SN 0160015631 through 0160043356; 944E-42 SN 0160015628 through 0160041823)</b>	
101	8320053	1	HEAD AND ELEMENT FILTER ASSY	
101	8320054	1	HYDRAULIC OIL FILTER, (not shown)	
101	7028932	1	SEAL KIT	
101	8320055	1	GASKET	
102	8223526	1	HYDRAULIC OIL FILTER PRESSURE SWITCH, (torque to 25-40 lb-ft/34-54 Nm)	
103	8307221	4	PLAIN WASHER, M10	
104	8310668	4	BUTTON HD CAPSCREW, M10X25, GR10.9, (torque to 40-50 lb-in)	
201	7300487	1	FILL NECK ASSY, (includes 202 & 203)	B
202	7300479	1	FILLER CAP, NO BREATHER ASSY	
203	0080268	1	FILL NECK ADAPTER	
204	7138209	1	HYDRAULIC TANK GASKET	
205	8303798	4	HEX HD CAPSCREW, M10x25, GR8.8, (torque to 40-50 lb-in)	
301		Ref	CONNECTOR, (See HYDRAULIC CIRCUITS SECTION for Breakdown)	
302		Ref	CONNECTOR, (See HYDRAULIC CIRCUITS SECTION for Breakdown)	
303	8770223	1	SOCKET PLUG, HD #16, (torque to 25-40 lb-ft/34-54 Nm)	
401	8430034	2	ELBOW, 90, O-RING BEADED #6-6 <b>(644E-42 SN 17569 through 20123, SN 0160002514 through 0160015606; 944E-42 SN 17569 through 20123, SN 0160002514 through 0160015601)</b>	
402	8036627	1	SIGHT GAUGE TUBING <b>(644E-42 SN 17569 through 20123, SN</b>	

## SECTION 9 - HYDRAULIC COMPONENTS

ITEM	PART NUMBER	QTY	DESCRIPTION	REV
K1	1001092281		0160002514 through 0160015606; 944E-42 SN 17569 through 20123, SN 0160002514 through 0160015601) HYDRAULIC TANK ASSEMBLY KIT, (includes items 1 & 12)	

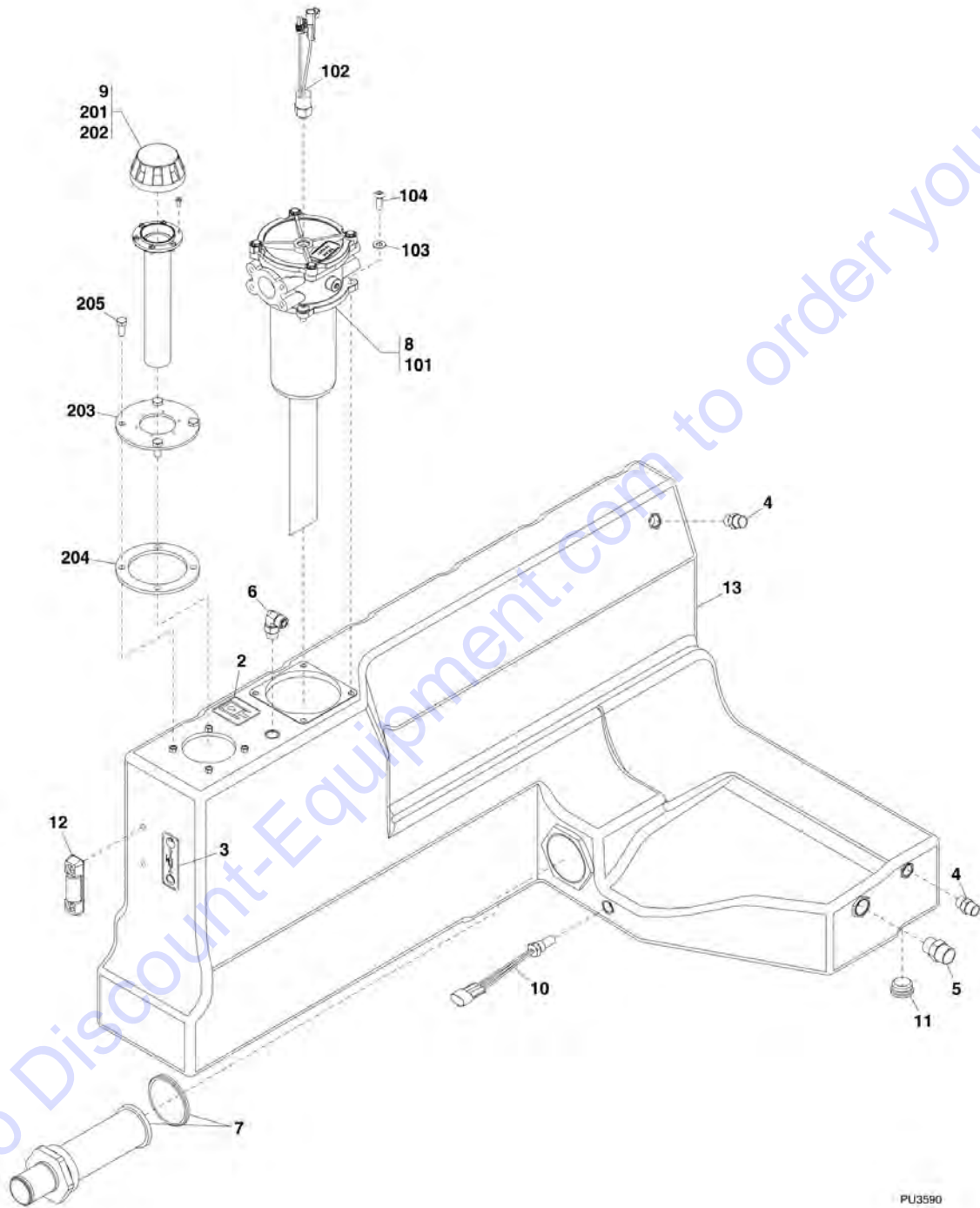
Go to Discount-Equipment.com to order your parts





# SECTION 9 - HYDRAULIC COMPONENTS

FIGURE 9-36. HYDRAULIC TANK ASSEMBLY (644E-42 SN 0160048717 to Present, Including 0160045421; 944E-42 SN 0160041827 to Present)



PU3590

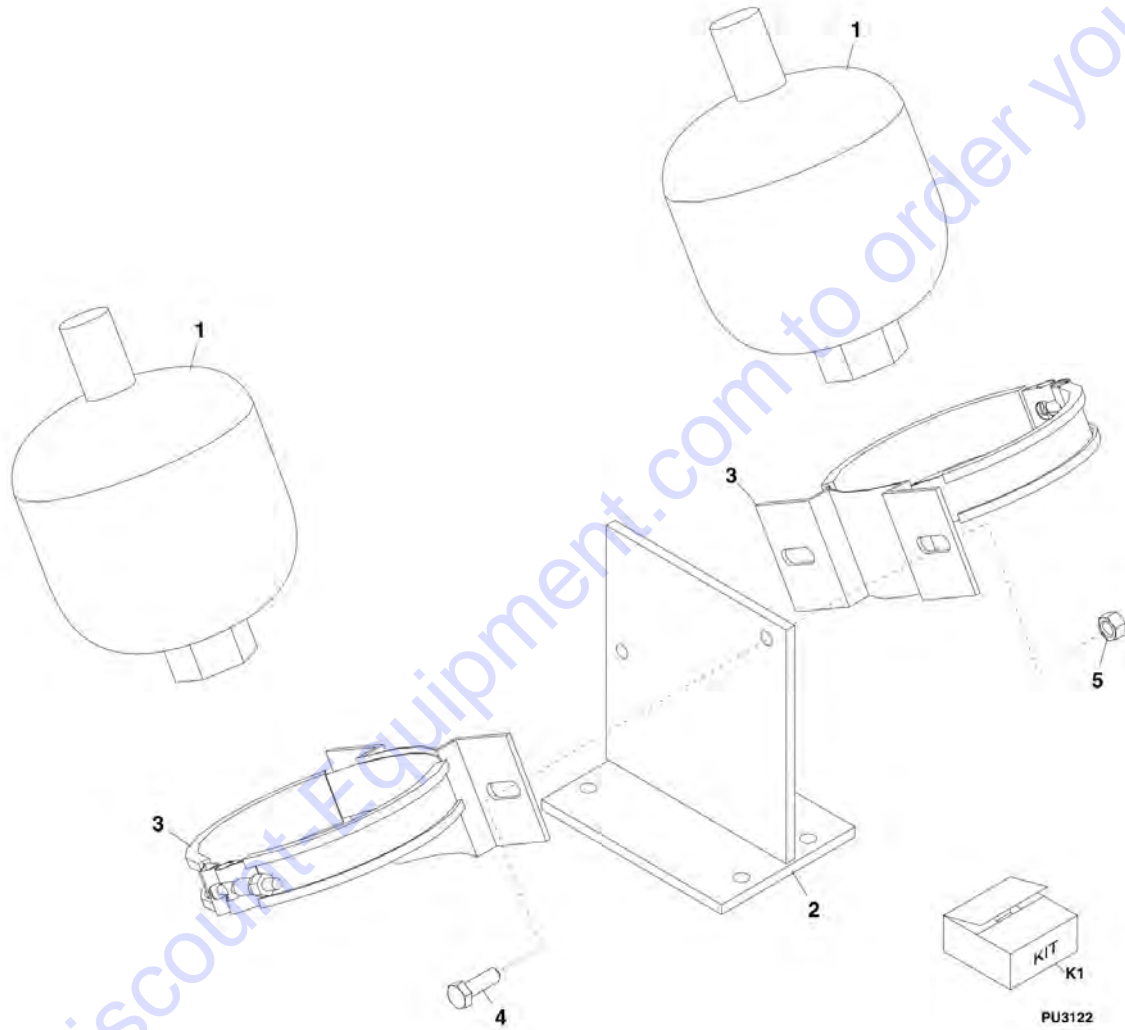
## SECTION 9 - HYDRAULIC COMPONENTS

**FIGURE 9-36. HYDRAULIC TANK ASSEMBLY (644E-42 SN 0160048717 to Present, Including 0160045421; 944E-42 SN 0160041827 to Present)**

ITEM	PART NUMBER	QTY	DESCRIPTION	REV
	1001112366	1	HYDRAULIC TANK ASSEMBLY, (includes items 1 thru 13)	B
1	0100087	AR	GASKET SEALANT ADHESIVE, (not shown)	
2		Ref	HYDRAULIC OIL DECAL, (See DECALS SECTION for Breakdown)	
3		Ref	HYDRAULIC OIL LEVEL DECAL, (See DECALS SECTION for Breakdown)	
4	2110808	2	STRAIGHT FITTING, (includes o-ring), (torque to 25-40 lb-ft/34-54 Nm)	
5	2111212	1	STRAIGHT FITTING, (includes o-ring), (torque to 25-40 lb-ft/34-54 Nm)	
6	2130808	1	ADAPTER, 90, (includes o-ring), (torque to 25-40 lb-ft/34-54 Nm)	
7	7138740	1	SUCTION STRAINER, (torque to 65-85 lb-ft)	
7	7029716	1	O-RING	
8	7300537	1	RETURN FILTER ASSY, (includes items 101 thru 104)	C
9	7300538	1	FILLER CAP WITH STRAINER ASSY, (includes items 201 thru 205)	B
10	8223240	1	DUAL TEMPERATURE SWITCH, (torque to 25-40 lb-ft/34-54 Nm)	
11	8770223	1	PLUG	
12	91563136	1	FLUID LEVEL GAUGE	
13	1001112367	1	HYDRAULIC TANK	
101	8320053	1	HEAD AND ELEMENT FILTER ASSY	
101	8320054	1	HYDRAULIC OIL FILTER, (not shown)	
101	7028932	1	SEAL KIT	
101	8320055	1	GASKET	
102	8223526	1	HYDRAULIC OIL FILTER PRESSURE SWITCH, (torque to 25-40 lb-ft/34-54 Nm)	
103	8307221	4	PLAIN WASHER, M10	
104	8310668	4	BUTTON HD CAPSCREW, M10X25, GR10.9	
201	7300487	1	FILL NECK ASSY, (includes 202, 203 and neck screw)	B
202	7300479	1	FILLER CAP, NO BREATHER ASSEMBLY	
203	0080268	1	FILL NECK ADAPTER	
204	7138209	1	HYDRAULIC TANK GASKET	
205	8303798	4	HEX HD CAPSCREW, M10X25, GR8.8	

# SECTION 9 - HYDRAULIC COMPONENTS

## FIGURE 9-37. ACCUMULATORS ASSEMBLY



## SECTION 9 - HYDRAULIC COMPONENTS

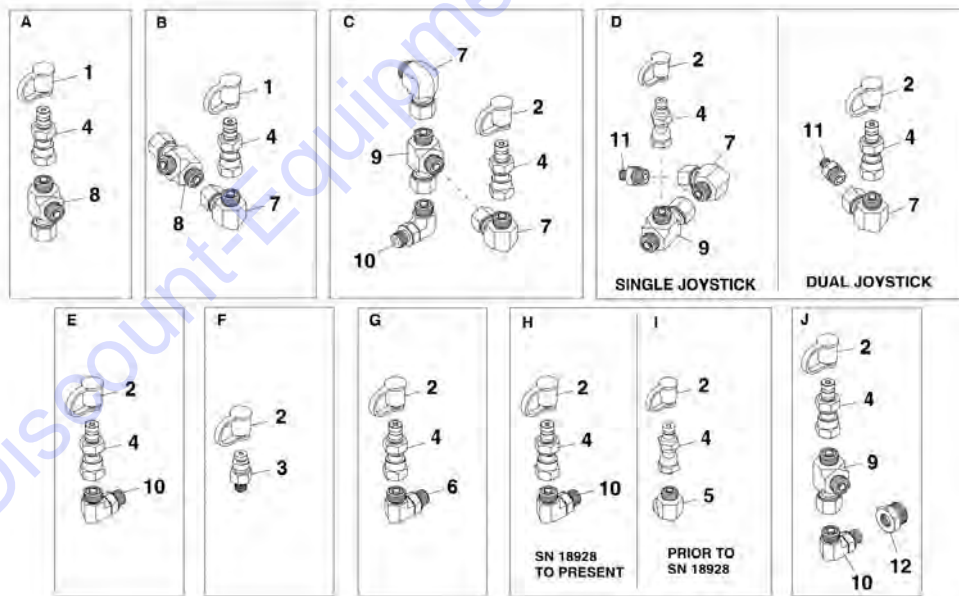
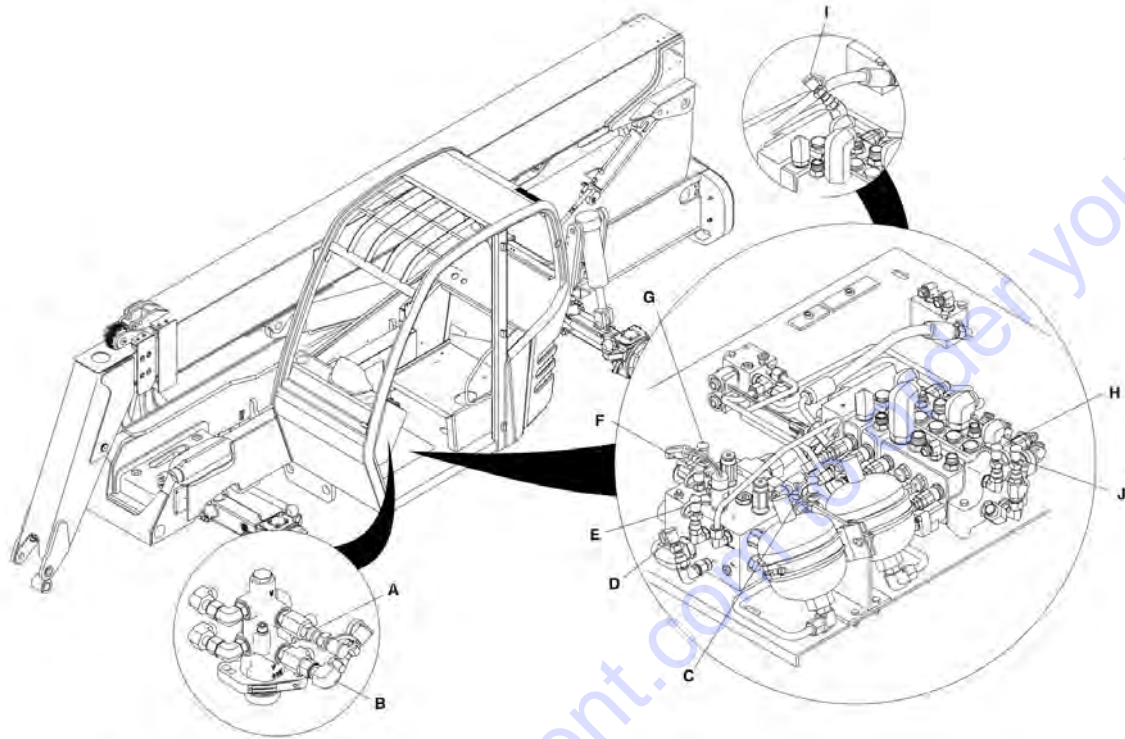
**FIGURE 9-37. ACCUMULATORS ASSEMBLY**

ITEM	PART NUMBER	QTY	DESCRIPTION	REV
1	8742009	2	HYDRAULIC ACCUMULATOR, 1 LITER DIAPHRAGM (644E-42 Prior to SN 0160039830, Excluding 0160036724, 0160036811, 0160036907 and 0160037012; 944E-42 Prior to SN 0160040124, Excluding 0160034634, 0160036710, 0160036722, 0160036735 and 0160036738)	
1	1001103492	2	HYDRAULIC ACCUMULATOR, 1 LITER DIAPHRAGM (644E-42 SN 0160039830 to Present, Including 0160036724, 0160036811, 0160036907 and 0160037012; 944E-42 SN 0160040124 to Present, Including 0160034634, 0160036710, 0160036722, 0160036735 and 0160036738)	
2	7300987	1	ACCUMULATOR MOUNTING BRACKET	
3	7301013	2	ACCUMULATOR MOUNT CLAMP	
4	8303783	2	HEX HD CAPSCREW, M8X25, GR8.8	
5	8305043	2	HEX NUT, M8X1.25	
K1	10268992	1	ACCUMULATOR CHARGE KIT	

Go to Discount-Equipment.com to order your parts

# SECTION 9 - HYDRAULIC COMPONENTS

## FIGURE 9-38. DIAGNOSTIC PRESSURE TAPS



PU3130

## SECTION 9 - HYDRAULIC COMPONENTS

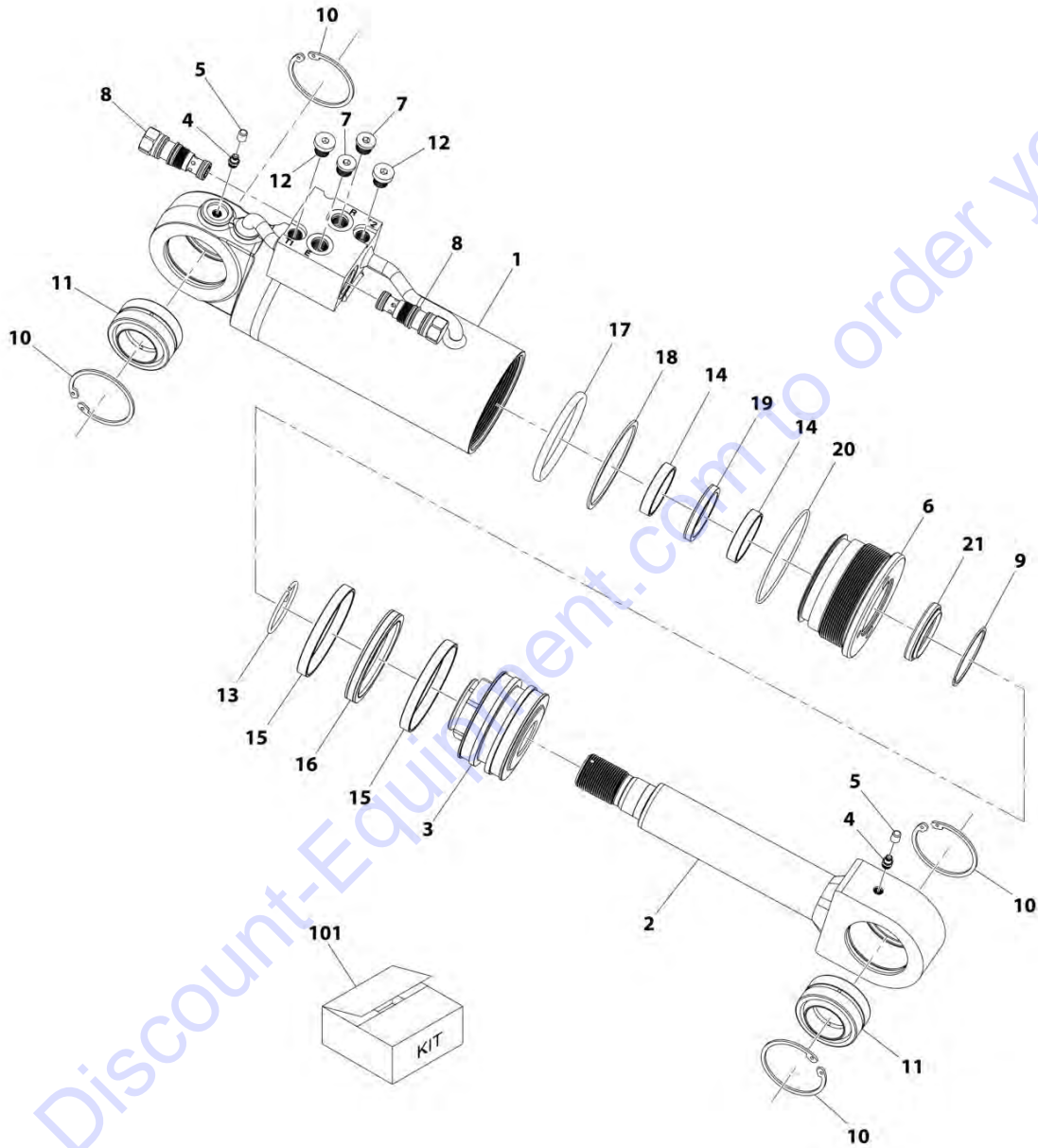
FIGURE 9-38. DIAGNOSTIC PRESSURE TAPS

ITEM	PART NUMBER	QTY	DESCRIPTION	REV
1	8430032	2	BLACK DUST CAP	
2	8430098	7	YELLOW DUST CAP	
3	8430033	1	DIAGNOSTIC ADAPTER, 1/8 BODY, .438-20 MALE OR	
4	8430081	8	DIAGNOSTIC ADAPTER, 1/8 BODY	
5	8770140	1	ELBOW, 45	
6	2130604	1	ELBOW, 90	
7	2172106	4	ELBOW, 90, (swivel nut)	
8	2170306	2	SWIVEL RUN TEE	
9	2170706	3	SWIVEL RUN TEE	
10	2130606	3	ELBOW, 90	
11	2110604	1	CONNECTOR	
12	2220218	1	REDUCER/EXPANDER, #10-6	

Go to Discount-Equipment.com to order your parts

# SECTION 9 - HYDRAULIC COMPONENTS

## FIGURE 9-39. SIDE TILT CARRIAGE CYLINDER



ART\_1001163414-A



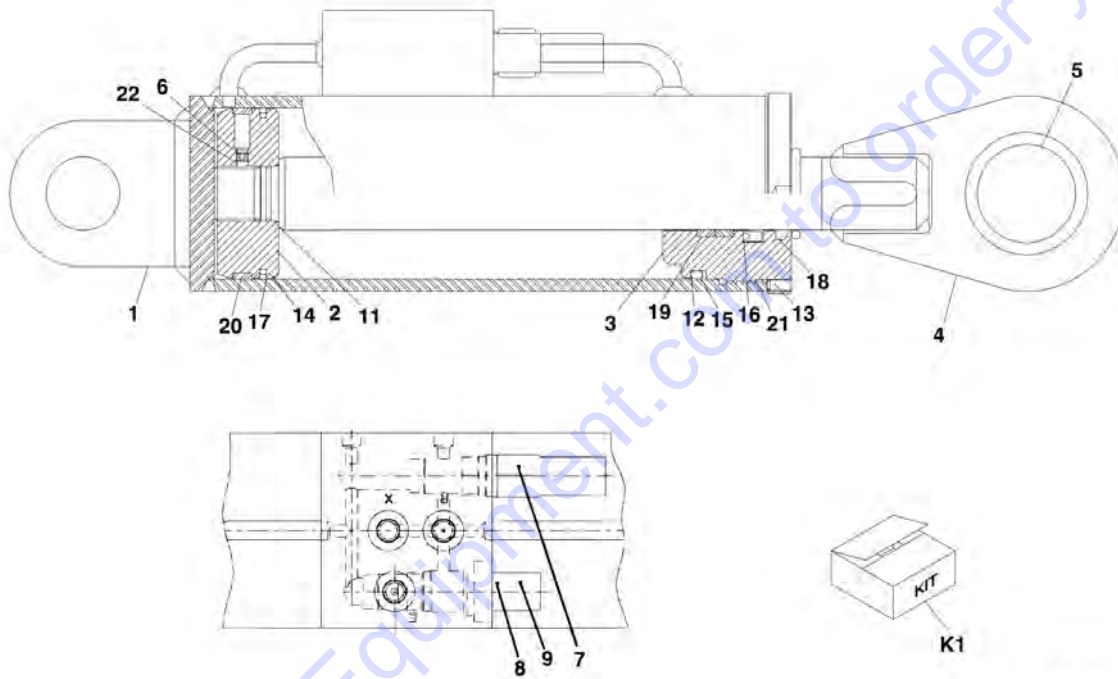
## SECTION 9 - HYDRAULIC COMPONENTS

**FIGURE 9-39. SIDE TILT CARRIAGE CYLINDER**

ITEM	PART NUMBER	QTY	DESCRIPTION	REV
	1001090134	Ref	SIDE TILT CARRIAGE CYLINDER, (no longer available, use 1001163414 for replacement or items below for service)	C
	1001163414	Ref	SIDE TILT CARRIAGE CYLINDER, (includes all items)	A
1	70026056	1	BARREL	
2	70026057	1	ROD	
3	70026058	1	SCREWED PISTON HEAD, 90MM	
4	70025606	2	GREASE NIPPLE	
5	70024020	2	GREASER PROTECTOR	
6	70003849	1	GLAND	
7	70025959	2	BLANKING SCREW	
8	70026059	2	P/O CHECK VALVE	
9	70002219	1	INTERNAL SNAP RING	
10	70026060	4	INTERNAL SNAP RING	
11	70026061	2	SPHERICAL BEARING	
12	70024262	2	BLANKING SCREW	
13	70002224	1	LOCKING RING	
14	Kit	2	ROD BEARING RING	
15	Kit	2	PISTON BEARING RING	
16	Kit	1	PISTON SEAL	
17	Kit	1	O-RING	
18	Kit	1	BACK UP RING	
19	Kit	1	ROD SEAL	
20	Kit	1	O-RING	
21	Kit	1	WIPER SEAL	
101	70026062	1	SEAL KIT, (includes items 14 thru 21)	

# SECTION 9 - HYDRAULIC COMPONENTS

FIGURE 9-40. 72IN 90 SWING CARRIAGE CYLINDER



PAP11180

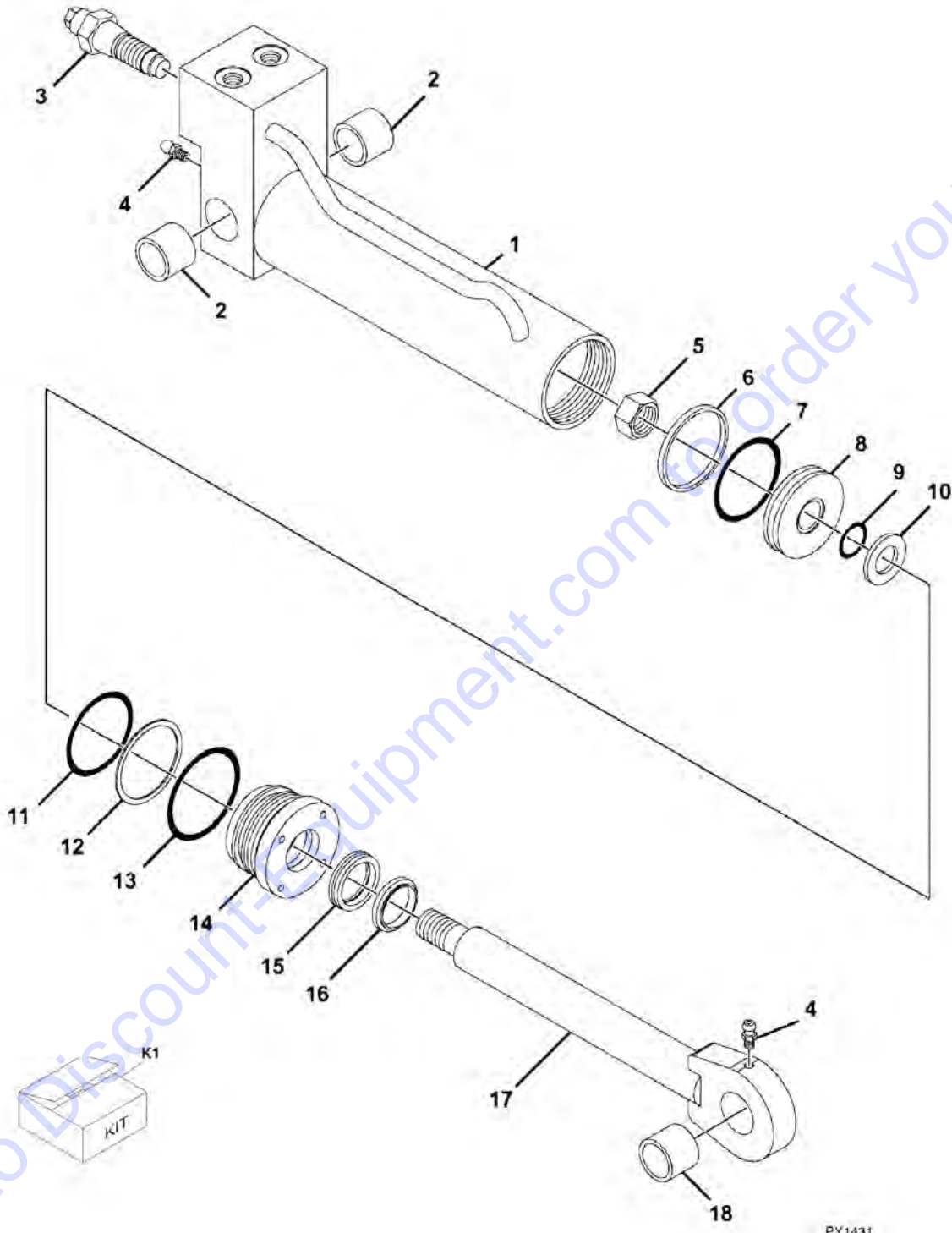
## SECTION 9 - HYDRAULIC COMPONENTS

**FIGURE 9-40. 72IN 90 SWING CARRIAGE CYLINDER**

ITEM	PART NUMBER	QTY	DESCRIPTION	REV
	1001103182	1	SWING CARRIAGE CYLINDER, (includes items 1 thru 22)	B
1	70022044	1	TUBE ASSY	
2	8035863	1	PISTON	
3	8035862	1	HEAD GLAND	
4	70022045	1	ROD ASSY	
5	70022046	1	BEARING	
6	8035536	2	SET SCREW, 5/16-18X1/2	
7	70020428	1	RELIEF VALVE, (preset to 2000 psi)	
7	7024574	1	SEAL KIT	
8	8033786	1	COUNTER BALANCE VALVE, (preset to 3000 psi)	
8	8205655	1	SEAL KIT	
9	70021812	1	TAMPERPROOF CAP	
11	Kit	1	O-RING	
12	Kit	1	O-RING	
13	Kit	1	O-RING	
14	Kit	1	SQUARE RING	
15	Kit	1	BACK-UP RING	
16	Kit	1	SEAL	
17	Kit	1	PISTON SEAL	
18	Kit	1	ROD WIPER	
19	Kit	2	WEARBAND	
20	Kit	1	WEARBAND	
21	Kit	2	INSERT	
22	Kit	2	INSERT	
K1	2915023	1	SEAL KIT, (includes items 11 thru 22)	

# SECTION 9 - HYDRAULIC COMPONENTS

## FIGURE 9-41. GRAPPLE BUCKET CYLINDER



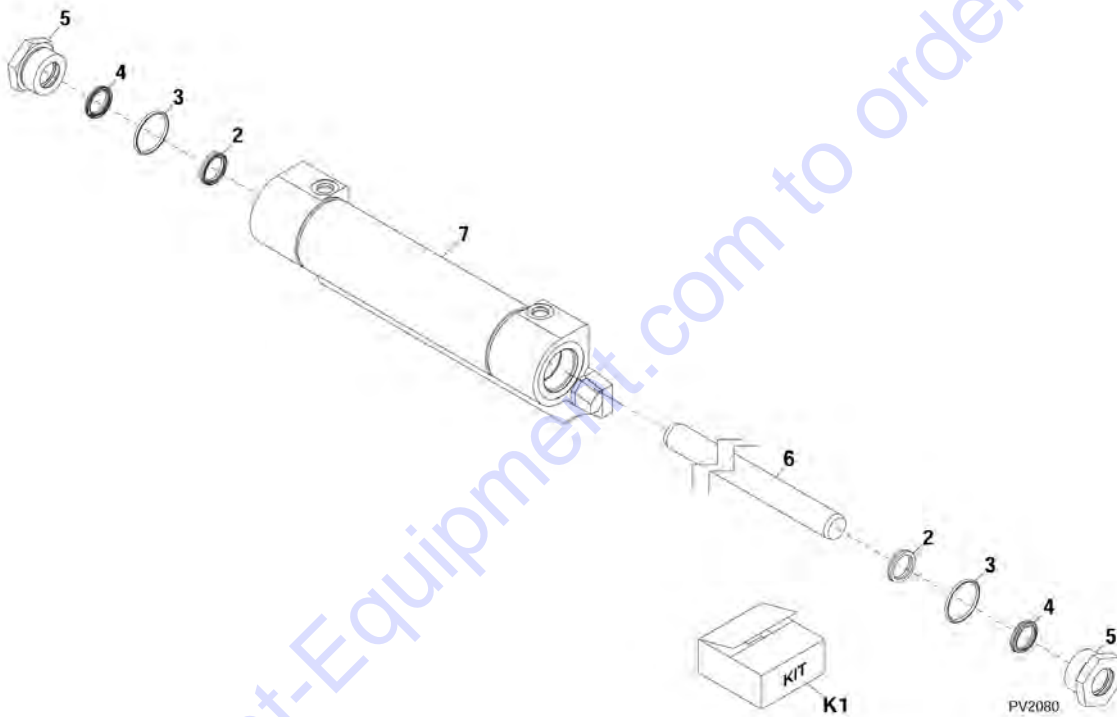
## SECTION 9 - HYDRAULIC COMPONENTS

**FIGURE 9-41. GRAPPLE BUCKET CYLINDER**

ITEM	PART NUMBER	QTY	DESCRIPTION	REV
	70021393	1	GRAPPLE BUCKET CYLINDER, (includes all items)	
1	70021465	1	CYLINDER TUBE	
2	70021448	2	BUSHING	
3	70021464	2	VALVE CARTRIDGE	
4	90554045	2	GREASE FITTING	
5	70021440	1	HEX NUT	
6	Kit	1	PISTON RING	
7	Kit	1	O-RING	
8	70021451	1	PISTON	
9	Kit	1	O-RING	
10	70021444	1	WASHER	
11	Kit	1	O-RING	
12	Kit	1	BACK-UP WASHER	
13	Kit	1	O-RING	
14	70021446	1	CYLINDER GLAND	
15	Kit	1	POLY-PAK SEAL	
16	Kit	1	ROD WIPER	
17	70021466	1	PISTON ROD	
18	70021447	1	BUSHING	
K1	70021452	1	SEAL KIT (includes items 6, 7, 9, 11 thru 13, 15 & 16)	

## SECTION 9 - HYDRAULIC COMPONENTS

FIGURE 9-42. 50 IN SIDE SHIFT CARRIAGE CYLINDER (644E-42 SN 0160034164 to Present; 944E-42 SN 0160034158 to Present)



## SECTION 9 - HYDRAULIC COMPONENTS

**FIGURE 9-42. 50 IN SIDE SHIFT CARRIAGE CYLINDER (644E-42 SN 0160034164 to Present; 944E-42 SN 0160034158 to Present)**

ITEM	PART NUMBER	QTY	DESCRIPTION	REV
	70024539	1	50 IN SIDE SHIFT CARRIAGE CYLINDER, (includes all items)	B
2	Kit	2	ROD SEAL	
3	70024547	2	O-RING	
4	Kit	2	ROD WIPER SEAL	
5	70024548	2	RETAINER SEAL	
6	N.S.S.	1	ROD	
7	N.S.S.	1	BARREL	
K1	70024549	1	SEAL KIT, (includes items 2 & 4)	

Go to Discount-Equipment.com to order your parts



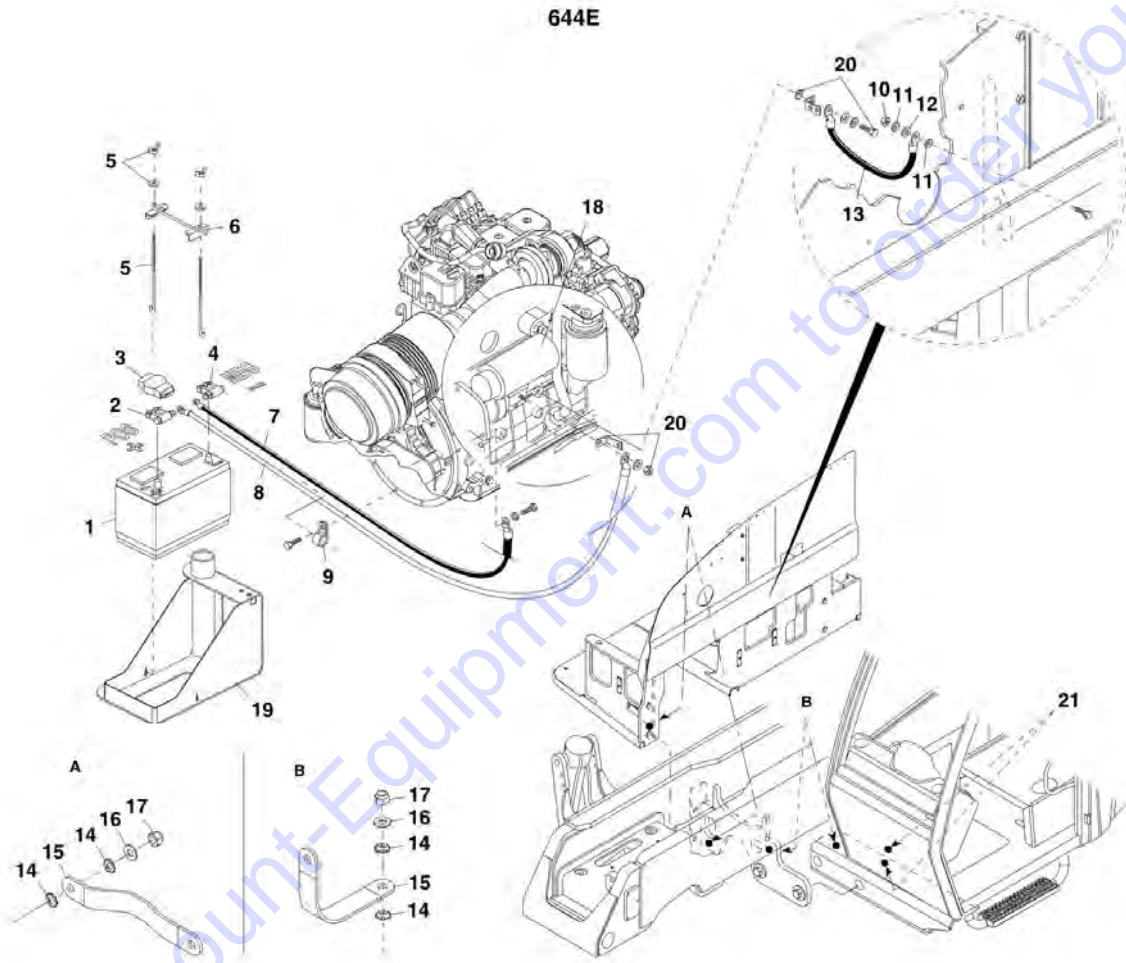


**SECTION 10 - ELECTRICAL**

Go to [Discount-Equipment.com](http://Discount-Equipment.com) to order your parts

# SECTION 10 - ELECTRICAL

FIGURE 10-1. BATTERY AND VEHICLE GROUND CABLES (Prior to SN 01600487817, Excluding 0160045421)



PU3140

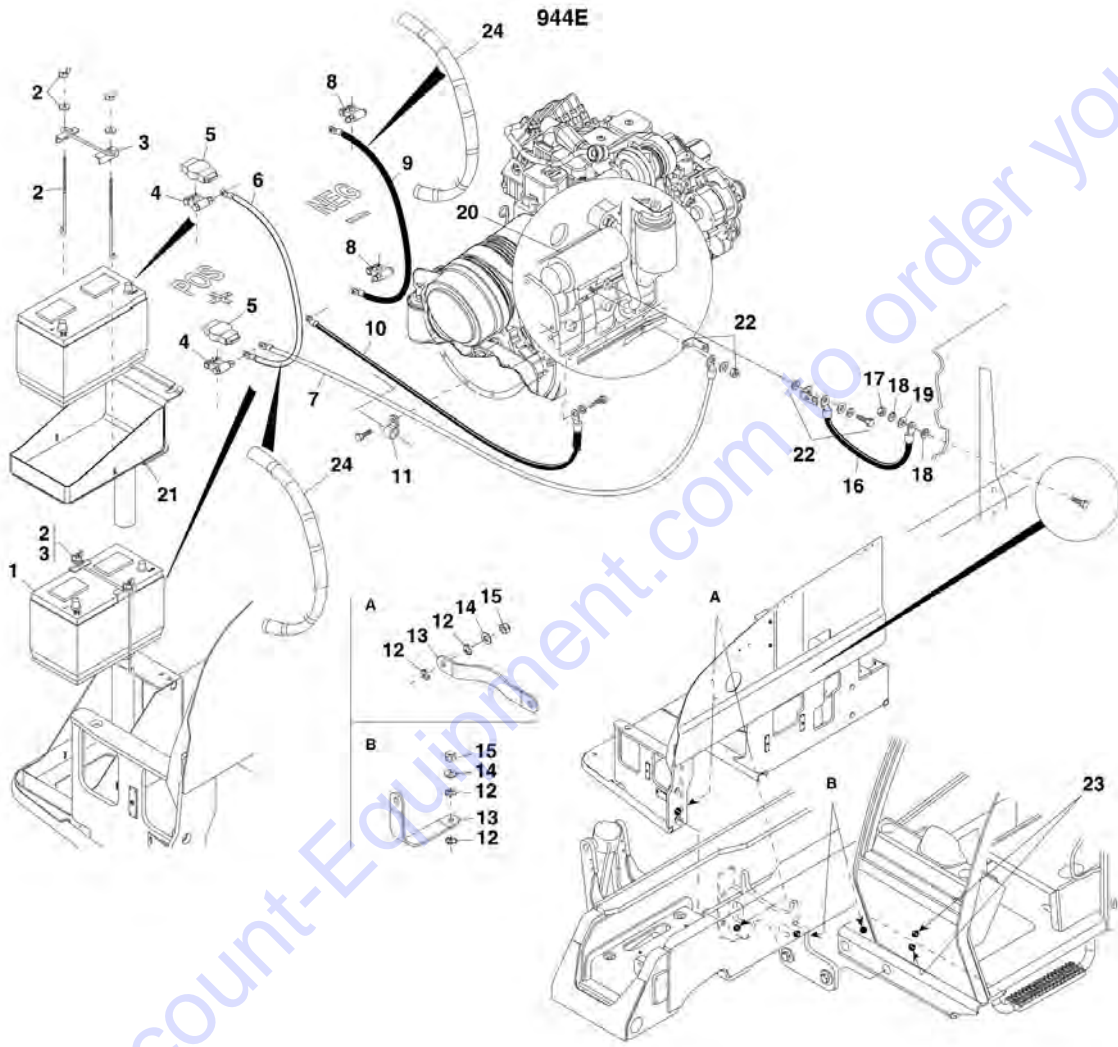
## SECTION 10 - ELECTRICAL

**FIGURE 10-1. BATTERY AND VEHICLE GROUND CABLES (Prior to SN 01600487817, Excluding 0160045421)**

ITEM	PART NUMBER	QTY	DESCRIPTION	REV
1	8270144	1	12V BATTERY	
2	8270148	1	POSITIVE POLARITY BATTERY CLAMP	
3	7301893	1	BATTERY TERMINAL INSULATOR	
4	8270147	1	NEGATIVE POLARITY BATTERY CLAMP	
5	8270146	2	BATTERY HOLD DOWN BOLT ASSEMBLY	
6	8270145	1	BATTERY HOLD DOWN BRACKET ASSEMBLY	
7	7300342	1	NEGATIVE BATTERY CABLE	
8	7300341	1	POSITIVE BATTERY CABLE	
9	8406201	1	TUBE CLIP, 1-1/2	
10	8305038	1	HEX LOCKNUT, M10X1.5	
11	8310046	2	LOCKWASHER, 10mm, (external tooth)	
12	8307221	1	PLAIN WASHER, 10mm	
13	7300343	1	FRAME GROUNDING CABLE	
14	8310647	4	LOCKWASHER, 8mm, (external tooth)	
15	6611172	2	GROUND STRAP	
16	8307222	2	WASHER, 8mm	
17	8305654	2	HEX LOCKNUT, M8X1.25	
18		Ref	STARTER, (See ENGINE AND ATTACHING PARTS SECTION for Breakdown)	
19		Ref	LOWER BATTERY SUPPORT, (See FRAME AND ATTACHING PARTS SECTION for Breakdown)	
20		Ref	GROUNDING HARDWARE, (See POWER COMPONENTS for breakdown)	
21		Ref	GROUND CABLE, (See OPEN CAB ELECTRICAL COMPONENTS for Breakdown)	

# SECTION 10 - ELECTRICAL

## FIGURE 10-2. BATTERY AND VEHICLE GROUND CABLES (Prior to SN 0160041827)



PAP12240

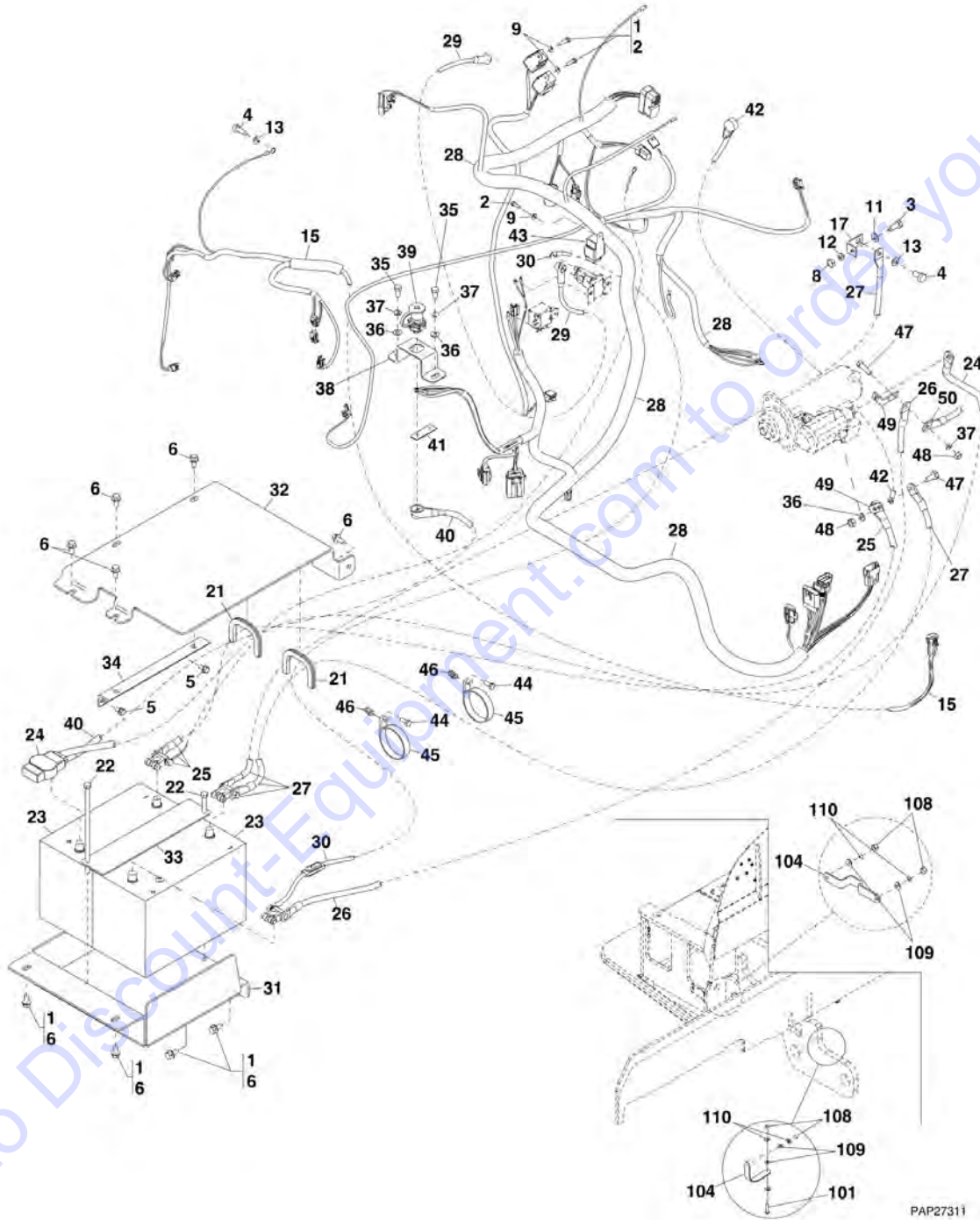
## SECTION 10 - ELECTRICAL

**FIGURE 10-2. BATTERY AND VEHICLE GROUND CABLES (Prior to SN 0160041827)**

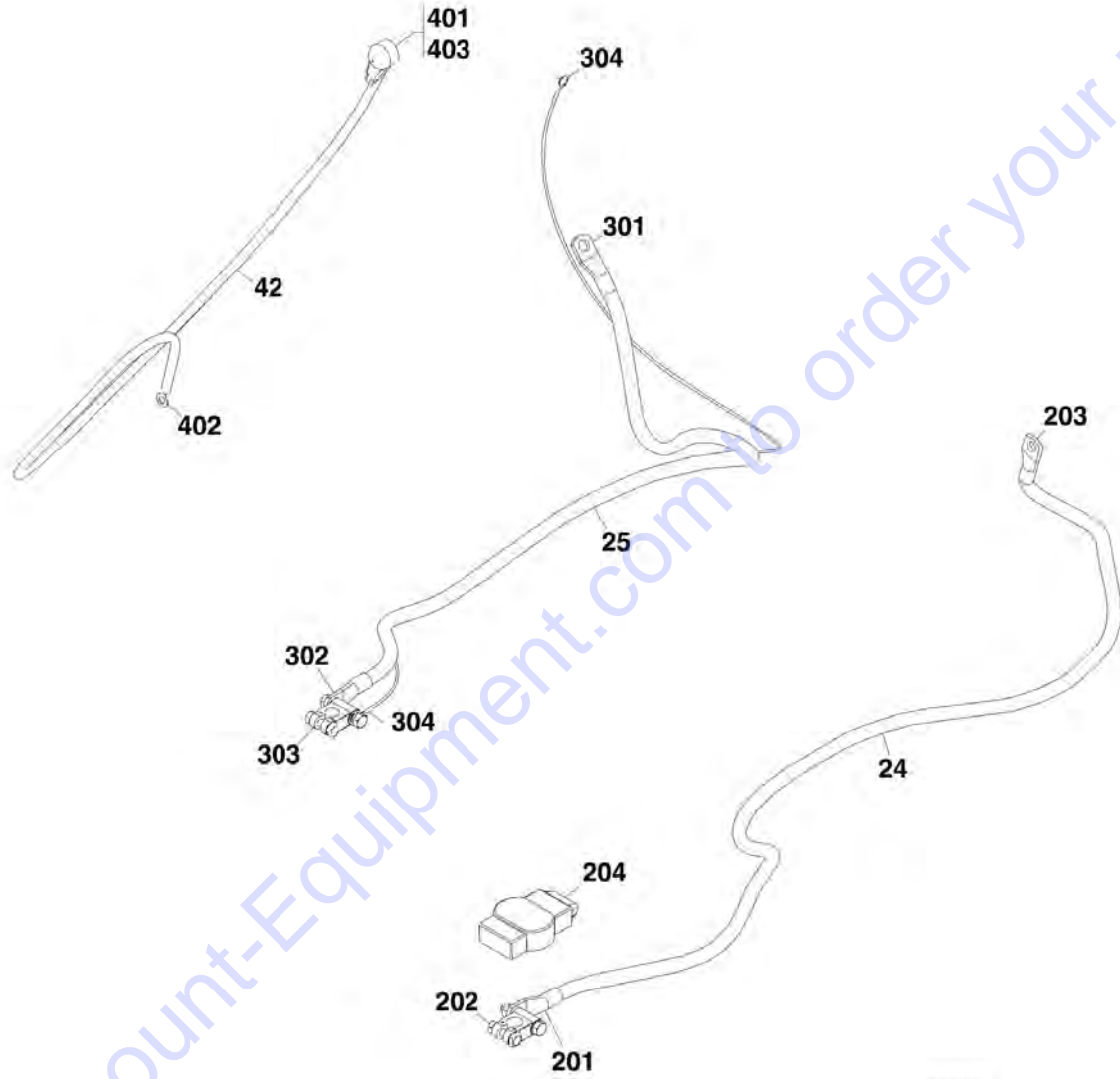
ITEM	PART NUMBER	QTY	DESCRIPTION	REV
1	8270144	2	12V BATTERY	
2	8270146	4	BATTERY HOLD DOWN BOLT ASSEMBLY	
3	8270145	2	BATTERY HOLD DOWN BRACKET ASSEMBLY	
4	8270148	2	POSITIVE POLARITY BATTERY CLAMP	
5	7301893	2	BATTERY TERMINAL INSULATOR	
6	4923214	1	POSITIVE BATTERY CABLE, (dual)	
7	7300341	1	POSITIVE BATTERY CABLE	
8	8270147	2	NEGATIVE POLARITY BATTERY CLAMP	
9	4923215	1	NEGATIVE BATTERY CABLE, (dual)	
10	7300342	1	NEGATIVE BATTERY CABLE	
11	8406201	1	TUBE CLIP, 1-1/2	
12	8310647	4	LOCKWASHER, 8mm, (external tooth)	
13	6611172	2	GROUND STRAP	
14	8307222	2	WASHER, 8mm	
15	8305654	2	HEX LOCKNUT, M8X1.25	
16	7300343	1	FRAME GROUNDING CABLE	
17	8305038	1	HEX LOCKNUT, M10X1.5	
18	8310046	2	LOCKWASHER, 10mm, (external tooth)	
19	8307221	1	WASHER, 10mm	
20		Ref	STARTER, (See ENGINE AND ATTACHING PARTS SECTION for Breakdown)	
21		Ref	LOWER BATTERY SUPPORT, (See FRAME AND ATTACHING PARTS SECTION for Breakdown)	
22		Ref	GROUNDING HARDWARE, (See POWER COMPONENTS for Breakdown)	
23		Ref	GROUND CABLE, (See OPEN CAB ELECTRICAL COMPONENTS for Breakdown)	
24	1560020	2	SPLIT CORRUGATED CONDUIT	

# SECTION 10 - ELECTRICAL

FIGURE 10-3. BATTERY AND VEHICLE GROUND CABLES (644E-42 SN 0160048717 to Present, Including 0160045421; 944E-42 SN 0160041827 to Present)



SECTION 10 - ELECTRICAL



PU3990

## SECTION 10 - ELECTRICAL

**FIGURE 10-3. BATTERY AND VEHICLE GROUND CABLES (644E-42 SN 0160048717 to Present, Including 0160045421; 944E-42 SN 0160041827 to Present)**

ITEM	PART NUMBER	QTY	DESCRIPTION	REV
	1001120740	Ref	ENGINE ELECTRICAL INSTALLATION, (not available to order, see items 1 thru 50 for service)	G
1	0100011	AR	LOCTITE 242	
2	0641405	3	HEX HD CAPSCREW, 1/4-20X5/8	
3	0761012	1	HEX HD CAPSCREW, M10X25, GR8.8, (torque to 32 lb-ft)	
4	0761210	2	HEX HD CAPSCREW, M12X20, GR8.8	
5	0791505	2	SCREW, 5/16-18X5/8	
6	0791606	9	SCREW, 3/8-16X3/4, (torque to 35 lb-ft)	
8	3291001	2	HEX NUT, M10X1.5	
9	4711400	3	WASHER, 1/4	
11	4812000	1	WASHER, 10mm	
12	4832000	2	LOCKWASHER, 10mm	
13	4832100	2	LOCKWASHER, 12mm	
15		Ref	TRANSMISSION HARNESS, (See TRANSMISSION HARNESS for Breakdown)	
17	7301529	1	BUSS BAR, 90	
20	8584001	AR	TIE WRAP, (not shown)	
21	90206196	12 in	TRIM-LOK	
22	0641676	2	HEX HD CAPSCREW, 3/8-16X9-1/2, GR5	
23	1001155219	2	12V BATTERY	
24	1001114822	1	POSITIVE BATTERY CABLE, <b>(944E-42 SN 0160041827 through 0160049550)</b>	
24	8270148	1	BATTERY CLAMP ASSY, (includes hardware), <b>(944E-42 SN 0160041827 through 0160049550)</b>	
24	1001147881	1	POSITIVE BATTERY CABLE, (includes items 201 thru 204) <b>(644E-42 SN 0160048717 to Present, Including 0160045421; 944E-42 SN 0160049678 to Present)</b>	A
25	1001114823	1	NEGATIVE BATTERY CABLE, <b>(944E-42 SN 0160041827 through 0160049550)</b>	
25	8270147	1	BATTERY CLAMP ASSY, (includes hardware), <b>(944E-42 SN 0160041827 through 0160049550)</b>	
25	1001147882	1	NEGATIVE BATTERY CABLE, (includes items 301 thru 304) <b>(644E-42 SN 01648717 to Present, Including 0160045421; 944E-42 SN 0160049678 to Present)</b>	A
26	1001114824	1	POSITIVE BATTERY JUMPER CABLE	
26	8270148	1	BATTERY CLAMP ASSY, (includes hardware)	
27	1001114825	1	NEGATIVE BATTERY JUMPER CABLE	
27	8270147	1	BATTERY CLAMP ASSY, (includes hardware)	
28		Ref	ENGINE HARNESS, (See ENGINE HARNESS for Breakdown)	
29		Ref	GRID HEATER CABLE, (See POWER COMPONENTS for Breakdown)	
30		Ref	BATTERY CABLE, (battery to fuse), (See POWER COMPONENTS for Breakdown)	
31	1001121022	1	BATTERY TRAY	
32	1001120883	1	BATTERY COVER	
33	1001120884	1	BATTERY HOLD DOWN PLATE	
34	1001121062	1	BATTERY COVER SUPPORT	
35	0641606	2	HEX HD CAPSCREW, 3/8-16X3/4, GR5	
36	4711600	2	WASHER, 3/8	
37	4761600	4	LOCKWASHER, 3/8	
38	1001122417	1	BATTERY JUMPER POST MOUNT	

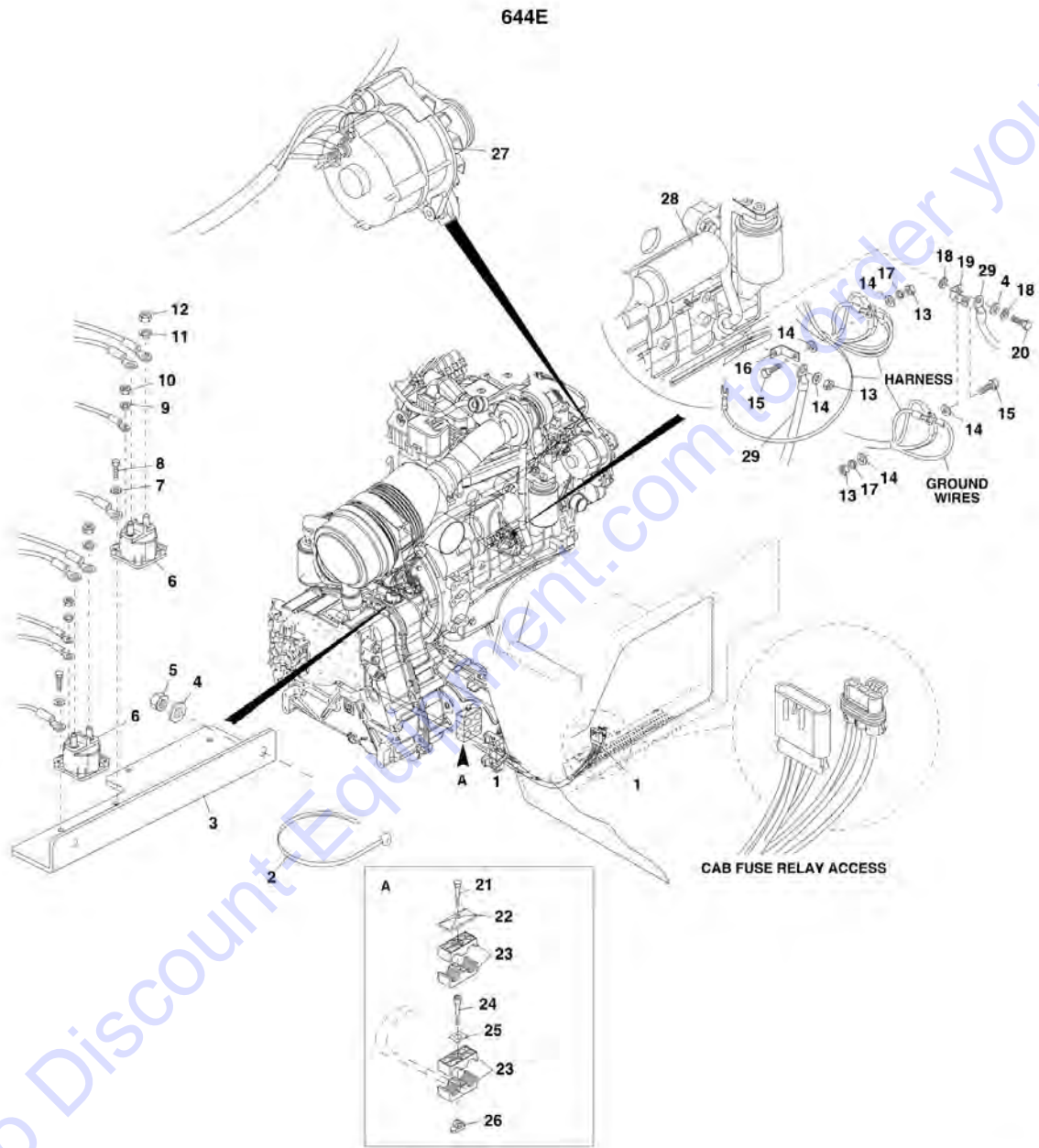


## SECTION 10 - ELECTRICAL

ITEM	PART NUMBER	QTY	DESCRIPTION	REV
39	1001122421	1	BATTERY JUMPER POST TERMINAL, (includes hardware and cap)	A
40	1001122480	1	POSITIVE JUMP START CABLE	
41	1001131761	1	TWO POSITION BUSS BAR	
42	1001119904	1	GROUND BATTERY CABLE, (alternator to starter), (includes items 401 thru 403)	
43		Ref	FAN RELAY HARNESS, (See FAN RELAY HARNESS for Breakdown)	
44	0760810	2	HEX HD CAPSCREW, M8X20, GR8.8, (torque to 28 Nm/21 lb-ft)	
45	1321339	2	3IN CLAMP	
46	8750043	2	NUT, M8	
47	0681610	2	HEX HD CAPSCREW, 3/8-16X1-1/4, GR8, (torque to 40 lb-ft/55 Nm)	
48	3271601	2	HEX NUT, 3/8-16, GR8	
49	7300344	2	NEGATIVE BUS BAR	
50	7310012	1	CABLE ASSEMBLY	
101	0700815	1	HEX HD CAPSCREW, M8X35, GR8.8	
104	6611172	2	GROUND STRAP	
108	8305654	4	HEX LOCKNUT, M8X1.25	
109	8307222	4	WASHER, 8mm	
110	8310647	8	LOCKWASHER, 8mm, (external tooth)	
201	4461270	1	3/8IN TERMINAL RING	
202	8270148	1	TERMINAL	
203	1001117118	1	1/2IN TERMINAL RING	
204	N.S.S.	1	BOOT	
301	1001117118	1	1/2IN TERMINAL RING	
302	4461270	1	3/8IN TERMINAL RING	
303	8270147	1	BATTERY CLAMP	
304	8220164	2	3/8IN TERMINAL RING	
401	8220116	1	1/4IN TERMINAL RING	
402	8220115	1	3/8IN TERMINAL RING	
403	N.S.S.	1	BOOT	

# SECTION 10 - ELECTRICAL

FIGURE 10-4. POWER COMPONENTS (644E-42 SN 17569 through 20115, SN 0160002519 through 0160003672, Excluding 19557 and 0160003489)



PU3160

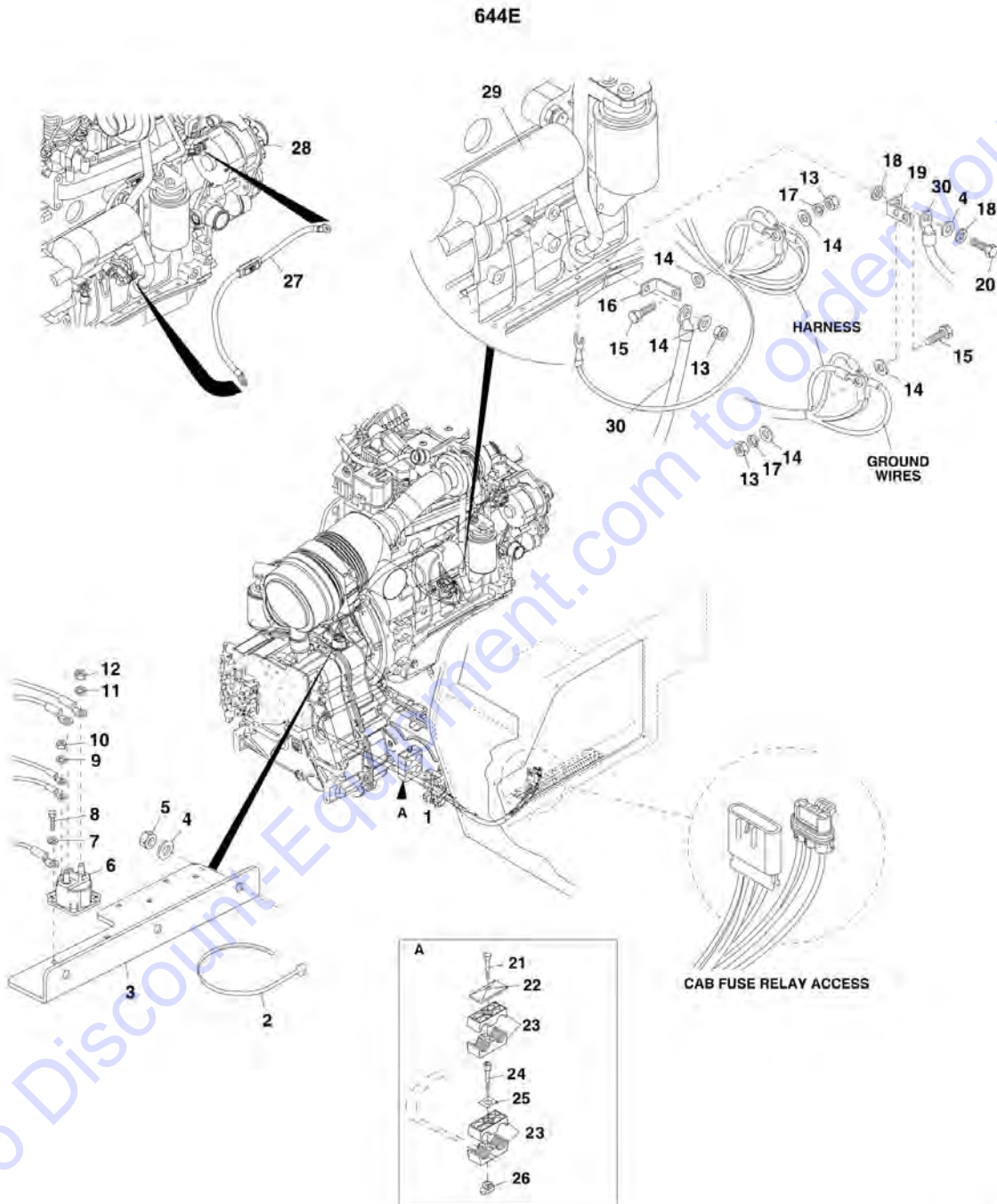
## SECTION 10 - ELECTRICAL

**FIGURE 10-4. POWER COMPONENTS (644E-42 SN 17569 through 20115, SN 0160002519 through 0160003672, Excluding 19557 and 0160003489)**

ITEM	PART NUMBER	QTY	DESCRIPTION	REV
1	7300339	1	POWER HARNESS	
2	8584001	AR	TIE WRAP	
3	7300853	1	RELAY MOUNTING BRACKET	
4	8307220	3	PLAIN WASHER, 12mm	
5	8305044	3	HEX NUT, M12X1.75	
6	10167789	2	3 POST WITH DIODE RELAY	
7	8307219	4	PLAIN WASHER, M6	
8	8303545	4	HEX HD CAPSCREW, M6X16, GR8.8, (torque to 7-12.5 Nm)	
9	8307003	2	LOCKWASHER, #10	
10	8305003	2	HEX NUT, #10-32	
11	8307004	4	LOCKWASHER, 0.312	
12	8305006	4	HEX NUT, 0.312-18, GR2	
13	8305038	3	HEX NUT, M10-1.5	
14	8307221	5	PLAIN WASHER, 10mm	
15	8303777	2	HEX HD CAPSCREW, M10X35, GR8.8, (torque to 43 Nm)	
16	6621412	1	STARTER TERMINAL, 90	
17	8307023	2	SPRING LOCKWASHER, 10mm	
18	8310650	2	LOCKWASHER, M12, (external tooth)	
19	7300344	1	NEGATIVE STARTER BUS BAR	
20	8303533	1	HEX HD CAPSCREW, M12X20, GR8.8, (torque to 43 Nm)	
21	8303528	1	HEX HD CAPSCREW, M8X65, GR8.8	
22	8750025	1	TWIN COVER PLATE	
23	8750024	2	TWIN CLAMP SET, 1.18 DIA	
24	8750039	1	METRIC BOLT STACKING	
25	8750017	1	LOCKING PLATE	
26	8750043	1	RAIL NUT, M8	
27		Ref	ALTERNATOR, (See ENGINE AND ATTACHING PARTS SECTION for Breakdown)	
28		Ref	STARTER, (See ENGINE AND ATTACHING PARTS SECTION for Breakdown)	
29		Ref	FRAME GROUNDING HARDWARE, (See BATTERY AND VEHICLE GROUND CABLES for Breakdown)	

# SECTION 10 - ELECTRICAL

FIGURE 10-5. POWER COMPONENTS (644E-42 SN 0160003690 through 0160043356, Including 19557, 20118 and 0160003489)



PU3170

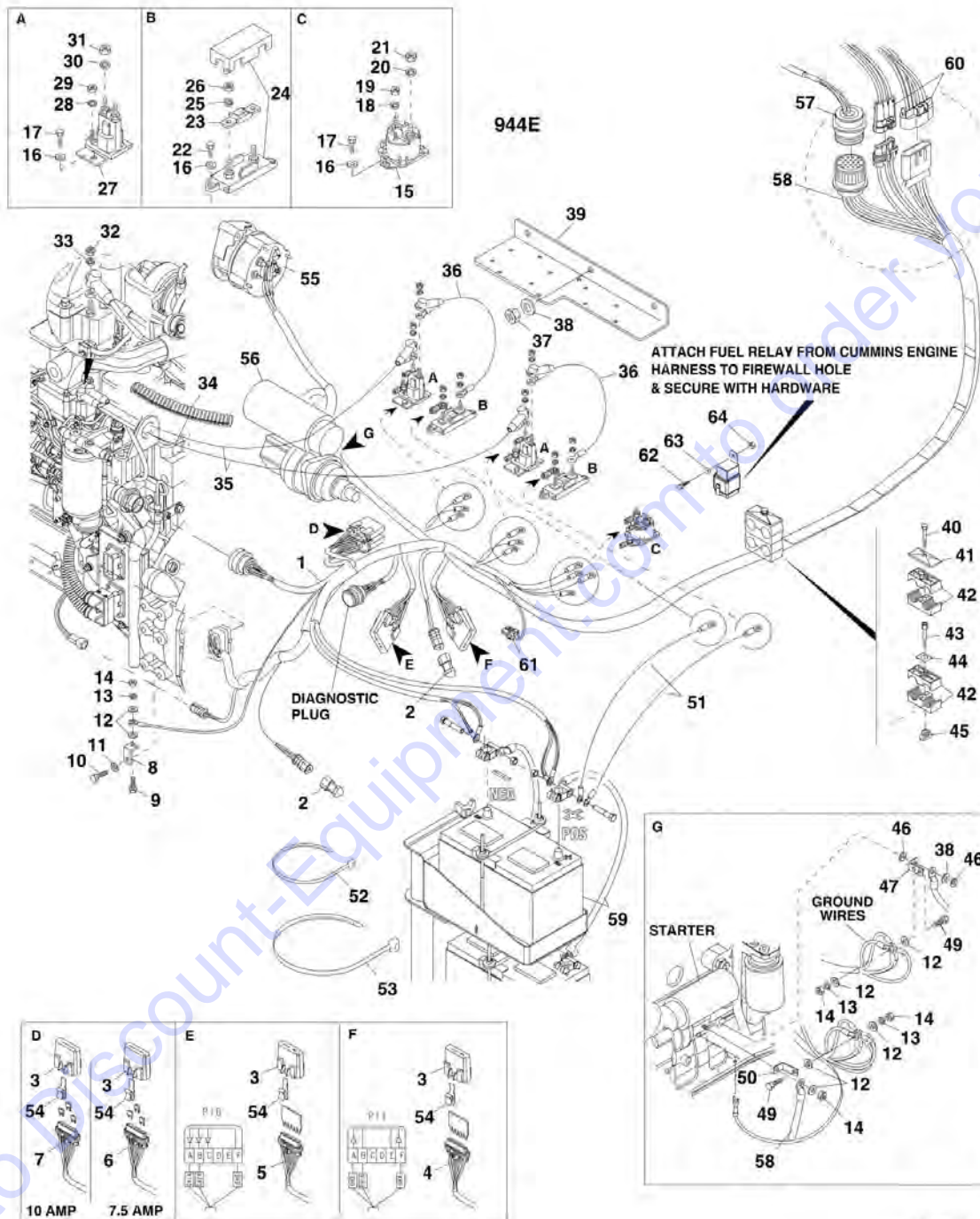
## SECTION 10 - ELECTRICAL

**FIGURE 10-5. POWER COMPONENTS (644E-42 SN 0160003690 through 0160043356, Including 19557, 20118 and 0160003489)**

ITEM	PART NUMBER	QTY	DESCRIPTION	REV
1	4922986	1	POWER HARNESS (SN 0160003690 through 0160014863)	
1	4923359	1	POWER HARNESS (SN 0160014889 through 0160043356)	
2	8584001	AR	TIE WRAP	
3	7300853	1	RELAY MOUNTING BRACKET	
4	8307220	4	PLAIN WASHER, 12mm	
5	8305044	3	HEX NUT, M12X1.75	
6	10167789	1	3 POST WITH DIODE RELAY	
7	8307219	2	PLAIN WASHER, 6mm	
8	8303545	2	HEX HD CAPSCREW, M6X16, GR8.8, (torque to 7-12.5 Nm)	
9	8307003	1	LOCKWASHER, #10	
10	8305003	1	HEX NUT, #10-32	
11	8307004	2	LOCKWASHER, 5/16	
12	8305006	2	HEX NUT, 5/16-18, GR2	
13	8305038	3	HEX NUT, M10X1.5	
14	8307221	5	PLAIN WASHER, 10mm	
15	8303777	2	HEX HD CAPSCREW, M10X35, GR8.8, (torque to 43 Nm)	
16	6621412	1	STARTER TERMINAL, 90	
17	8307023	2	SPRING LOCKWASHER, 10mm	
18	8310650	2	LOCKWASHER, 12m, (external tooth)	
19	7300344	1	NEGATIVE STARTER BUS BAR	
20	8303533	1	HEX HD CAPSCREW, M12X20, GR8.8, (torque to 43 Nm)	
21	8303528	1	HEX HD CAPSCREW, M8X65, GR8.8	
22	8750025	1	TWIN COVER PLATE	
23	8750024	2	TWIN CLAMP SET, 1.18 DIA	
24	8750039	1	BOLT STACKING, METRIC	
25	8750017	1	LOCKING PLATE	
26	8750043	1	RAIL NUT, M8	
27	7310012	1	FUSIBLE LINK ASSEMBLY	
28		Ref	ALTERNATOR, (See ENGINE AND ATTACHING PARTS SECTION for Breakdown)	
29		Ref	STARTER, (See ENGINE AND ATTACHING PARTS SECTION for Breakdown)	
30		Ref	FRAME GROUNDING HARDWARE, (See BATTERY AND VEHICLE GROUND CABLES for Breakdown)	

# SECTION 10 - ELECTRICAL

FIGURE 10-6. POWER COMPONENTS (944E-42 Prior to SN 0160041827)



PAP12290

## SECTION 10 - ELECTRICAL

**FIGURE 10-6. POWER COMPONENTS (944E-42 Prior to SN 0160041827)**

ITEM	PART NUMBER	QTY	DESCRIPTION	REV
1	7301412	1	ECM VEHICLE POWER HARNESS, (includes items 2 thru 7) (SN 17569 through 20123, SN 0160002514 through 0160010063)	
1	4923216	1	ECM VEHICLE POWER HARNESS, (includes items 2 thru 7) (SN 0160010100 through 0160014857)	
1	1001093342	1	ECM VEHICLE POWER HARNESS, (includes items 2 thru 7) (SN 0160014891 through 0160041823)	
2	8220553	2	RESISTOR	
3	8220357	4	CLEAR VES-PAC COVER	
4	8220364	1	2 DIODE CIRCUIT BOARD	
5	8220366	1	3 DIODE CIRCUIT BOARD	
6	8229243	3	MINI FUSE, 7.5 AMP	
7	8226234	3	MINI FUSE, 10 AMP	
8	7301529	1	BUSS BAR, 90	
9	8303798	1	HEX HD CAPSCREW, M10X25, GR8.8, (torque to 43 Nm)	
10	8303533	1	HEX HD CAPSCREW, M12X20, GR8.8, (torque to 43 Nm)	
11	8310650	1	LOCKWASHER, 12mm, (external tooth)	
12	8307221	6	WASHER, 10mm	
13	8307023	3	LOCKWASHER, 10mm	
14	8305038	4	HEX NUT, M10X1.5	
15	10167789	1	3 POST RELAY	
16	8307219	10	PLAIN WASHER, 6mm	
17	8303545	6	HEX HD CAPSCREW, M6X16, GR8.8, (torque to 7-12.5 Nm)	
18	8307003	1	LOCKWASHER, #10	
19	8305003	1	HEX NUT, #10-32	
20	8307004	2	LOCKWASHER, 5/16	
21	8305006	2	HEX NUT, 5/16-18	
22	8303544	4	HEX HD CAPSCREW, M6X20, GR8.8, (torque to 7-12.5 Nm)	
23	8229259	2	125A FUSE, MEGA BOLT ON	
24	8229260	2	MEGA FUSE BLOCK, (includes items 25 & 26)	
25	N.S.S.	2	LOCKWASHER, 8mm	
26	N.S.S.	2	HEX NUT, 8mm	
27	8225122	2	4 POST RELAY, (includes items 28 thru 31)	
28	8307003	2	LOCKWASHER, #10	
29	8305003	2	HEX NUT, #10-32	
30	N.S.S.	2	LOCKWASHER, 5/16	
31	N.S.S.	2	HEX NUT, 5/16-24	
32	8305047	2	HEX LOCKNUT, M6X1	
33	8310687	2	LOCKWASHER, 6mm, (external tooth)	
34	7125811	1	CONDUIT, 0.75 IDX8 LG, (cut to fit)	
35	7301450	2	GRID HEATER CABLE, RELAY TO GRID HEATER	
36	7301448	2	GRID HEATER CABLE, FUSE TO RELAY	
37	8305044	3	HEX NUT, M12X1.75	
38	8307220	4	PLAIN WASHER, 12mm	
39	7300853	1	RELAY MOUNTING BRACKET	
40	8303528	1	HEX HD CAPSCREW, M8X65, GR8.8	
41	8750025	1	TWIN COVER PLATE	
42	8750024	2	TWIN CLAMP SET, 1.18 DIA	
43	8750039	1	BOLT STACKING, METRIC	
44	8750017	1	LOCKING PLATE	
45	8750043	1	RAIL NUT, M8	

## SECTION 10 - ELECTRICAL

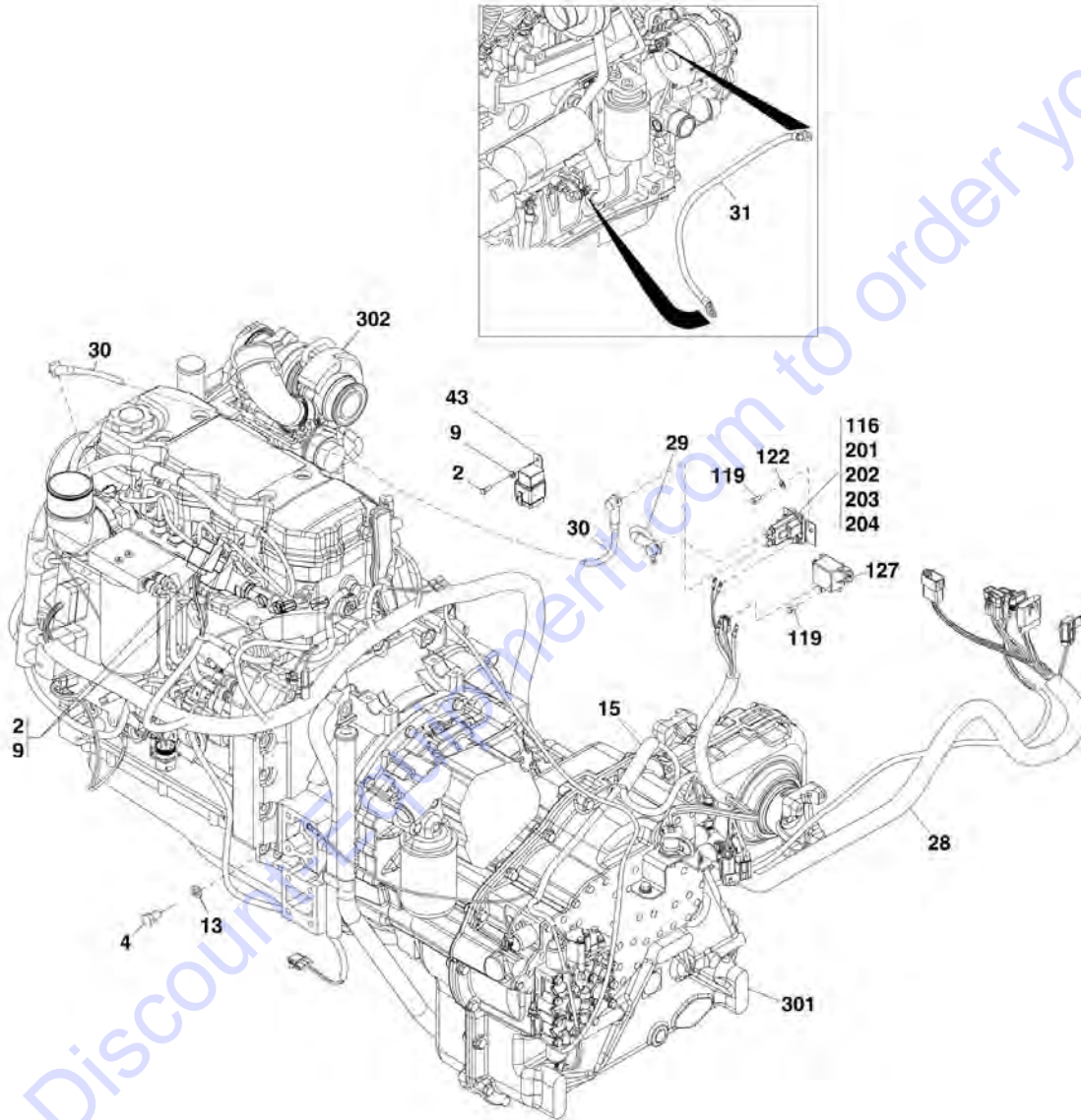
ITEM	PART NUMBER	QTY	DESCRIPTION	REV
46	8310650	2	LOCKWASHER, 12mm, (external tooth)	
47	7300344	1	NEGATIVE STARTER BUS BAR	
48	8303533	1	HEX HD CAPSCREW, M12X20, GR8.8, (torque to 43 Nm)	
49	8303777	2	HEX HD CAPSCREW, M10X35, GR8.8, (torque to 43 Nm)	
50	6621412	1	STARTER TERMINAL, 90	
51	7301449	2	GRID HEATER CABLE, BATTERY TO FUSE, (Prior to SN <b>0160010079, Excluding 0160009717</b> )	
51	4923225	2	GRID HEATER CABLE, BATTERY TO FUSE (SN <b>0160010079 to Present, Including 0160009717</b> )	
52	8584001	AR	TIE WRAP	
53	8584003	AR	TIE WRAP	
54	1380165	4	MOUNTING CLIP (SN <b>0160012745 through 0160041826</b> )	
55		Ref	ALTERNATOR, (See ENGINE AND ATTACHING PARTS SECTION for Breakdown)	
56		Ref	STARTER, (See ENGINE AND ATTACHING PARTS SECTION for Breakdown)	
57		Ref	ECM CAB HARNESS, (See CONTROLS SECTION for Breakdown)	
58		Ref	FUSE AND RELAY ACCESS, (See CAB SECTION for Breakdown)	
59		Ref	POSITIVE BATTERY CABLE, (See BATTERY AND VEHICLE GROUND CABLES for Breakdown)	
60		Ref	OPEN CAB HARNESS, (See OPEN CAB ELECTRICAL COMPONENTS for Breakdown)	
61		Ref	SENSOR HARNESS, (See SENSOR COMPONENTS for Breakdown)	
62	8303837	1	PAN HEAD SCREW, #10-24X3/4	
63	8307111	1	PLAIN WASHER, M10	
64	8310085	1	HEX LOCKNUT, #10-24	





# SECTION 10 - ELECTRICAL

FIGURE 10-7. POWER COMPONENTS (644E-42 SN 0160048717 to Present, Including 0160045421; 944E-42 SN 0160041827 to Present)



PAP12163

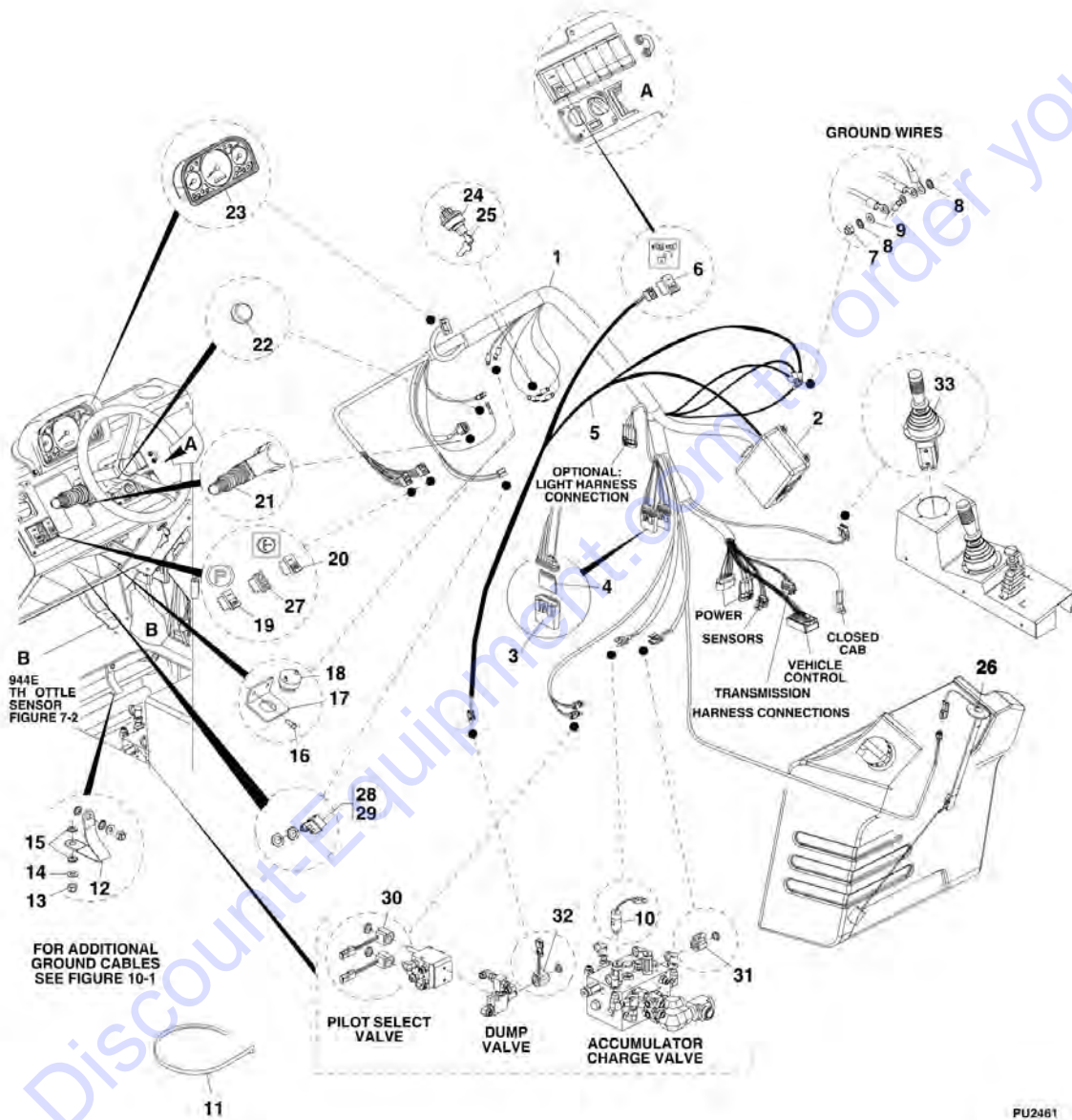
## SECTION 10 - ELECTRICAL

**FIGURE 10-7. POWER COMPONENTS (644E-42 SN 0160048717 to Present, Including 0160045421; 944E-42 SN 0160041827 to Present)**

ITEM	PART NUMBER	QTY	DESCRIPTION	REV
2	0641405	3	HEX HD CAPSCREW, 1/4-20X5/8, GR5	AA
4	0761210	1	HEX HD CAPSCREW, M12X20, GR8.8	
9	4711400	3	WASHER, 1/4	
13	4832100	1	SPRING LOCKWASHER, 12mm	
15		Ref	TRANSMISSION HARNESS, (See TRANSMISSION HARNESS for Breakdown)	
20	8584001	AR	TIE WRAP, (not shown)	
28		Ref	ENGINE HARNESS, (See ENGINE HARNESS for Breakdown)	
29	1001119969	1	GRID HEATER CABLE	
30	1001120636	1	GRID HEATER CABLE, (battery to fuse)	
31	1001119904	1	NEGATIVE ALTERNATOR CABLE	
43		Ref	FAN RELAY HARNESS, (See FAN RELAY HARNESS for Breakdown)	
116	8225122	2	4 POST RELAY, (includes items 201 thru 204)	
119	8303545	4	HEX HD CAPSCREW, M6X14, GR8.8	
122	8307219	4	WASHER, 6mm	
127	77383377	1	STARTER RELAY, (includes hardware)	
201	8307003	2	LOCKWASHER, #10	
202	8305003	2	HEX NUT, #10	
203	N.S.S.	2	LOCKWASHER, 5/16	
204	N.S.S.	2	HEX NUT, 5/16	
301		Ref	ZF TRANSMISSION, (See DRIVE TRAIN SECTION for Breakdown)	
302		Ref	CUMMINS ENGINE, (See ENGINE AND ATTACHING PARTS SECTION for Breakdown)	

# SECTION 10 - ELECTRICAL

## FIGURE 10-8. OPEN CAB ELECTRICAL COMPONENTS (SN 17569 through 19041)



PU2461

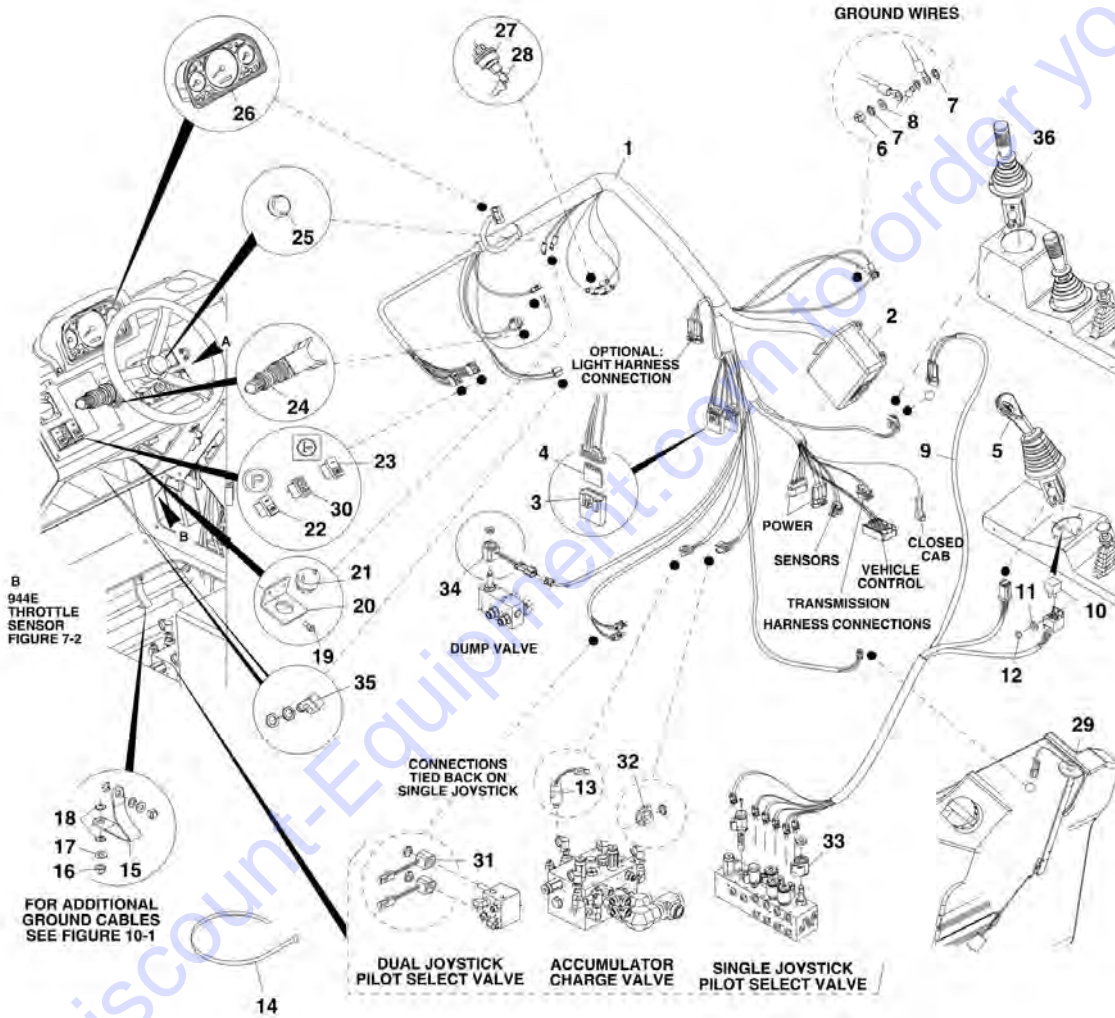
## SECTION 10 - ELECTRICAL

**FIGURE 10-8. OPEN CAB ELECTRICAL COMPONENTS (SN 17569 through 19041)**

ITEM	PART NUMBER	QTY	DESCRIPTION	REV
1		Ref	OPEN CAB HARNESS, (not available to order, use 7300336 for replacement)	
2	8220362	1	FUSE/RELAY BOX, (See FUSES, RELAYS AND FLASHER BOX for Breakdown)	
3	8220357	2	CLEAR VES-PAC COVER	
4	8220363	2	CIRCUIT BOARD, 3 DIODE	
5	7301600	1	AUXILIARY HYDRAULIC DUMP VALVE HARNESS	
6	8223050	1	AUXILIARY HYDRAULIC DUMP VALVE SWITCH	
7	8305652	1	HEX LOCKNUT, M6X1	
8	8310687	2	LOCKWASHER, 6mm, (external tooth)	
9	8307219	1	PLAIN WASHER, 6mm, (metric)	
10	8223241	1	BRAKE PRESSURE SWITCH	
11	8584001	AR	TIE WRAP	
12	6611172	1	GROUND CABLE, CAB TO CAB SUPPORT	
13	8305654	2	HEX LOCKNUT, M8X1.25	
14	8307222	2	PLAIN WASHER, 8mm	
15	8310647	4	LOCKWASHER, 8mm, (external tooth)	
16	8310683	2	HEX HD SELF TAPPING SCREW, 5/16-18X3/4	
17	7301147	1	BUZZER BRACKET	
18	8270627	1	ALARM BUZZER, 12V	
19	8223054	1	PARK BRAKE SWITCH	
20	8223071	1	TRANSMISSION DISCONNECT SWITCH	
21	8223072	1	SELECTOR TRANSMISSION CONTROL, (includes attaching hardware)	
22	8720017	1	HORN BUTTON WITH COVER SWITCH	
23	8220360	1	DASH PANEL	
24	1101202	1	IGNITION SWITCH, (includes item 25)	
25	1101203	1	IGNITION KEY, (set of 2 keys)	
26		Ref	FUEL LEVEL SENDER, (See ENGINE AND ATTACHING PARTS SECTION for Breakdown)	
27		Ref	ECM INDICATOR SWITCH, (See CONTROLS SECTION for Breakdown)	
28		Ref	STABIL-TRAK SWITCH, (See CONTROLS SECTION for Breakdown)	
29		Ref	BRAKE SWITCH, (See OPTIONS SECTION for Breakdown)	
30		Ref	PILOT SELECT VALVE, (See HYDRAULIC COMPONENTS SECTION for Breakdown)	
31		Ref	ACCUMULATOR CHARGE VALVE, (See HYDRAULIC COMPONENTS SECTION for Breakdown)	
32		Ref	DUMP VALVE, (See HYDRAULIC COMPONENTS SECTION for Breakdown)	
33		Ref	JOYSTICK CONTROL VALVE, (See HYDRAULIC CIRCUITS SECTION for Breakdown)	

# SECTION 10 - ELECTRICAL

**FIGURE 10-9. OPEN CAB ELECTRICAL COMPONENTS (644E-42 SN 19042 through 20123, SN 0160002514 through 0160034284; 944E-42 SN 19042 through 20123, SN 0160002514 through 0160034278)**



PU2471

## SECTION 10 - ELECTRICAL

**FIGURE 10-9. OPEN CAB ELECTRICAL COMPONENTS (644E-42 SN 19042 through 20123, SN 0160002514 through 0160034284; 944E-42 SN 19042 through 20123, SN 0160002514 through 0160034278)**

ITEM	PART NUMBER	QTY	DESCRIPTION	REV
1	7300336	1	OPEN CAB HARNESS, (includes items 2 thru 4) (644E-42 SN 19042 through 20123, SN 0160002514 through 0160008489; 944E-42 SN 19042 through 20123, SN 0160002514 through 0160008510)	
1	4923054	1	OPEN CAB HARNESS, (includes items 2 thru 4) (644E-42 SN 0160008490 through 0160034284; 944E-42 SN 0160008511 through 0160034278)	B
2	8220362	1	FUSE/RELAY BOX, (See FUSES, RELAYS AND FLASHER BOX for Breakdown)	
3	8220357	2	CLEAR VES-PAC COVER	
4	8220363	2	CIRCUIT BOARD, 3 DIODE	
5		Ref	JOYSTICK CONTROL VALVE, (See CONTROLS SECTION for Breakdown)	
6	8305652	1	HEX LOCKNUT, M6X1	
7	8310687	2	LOCKWASHER, 6mm, (external tooth)	
8	8307219	1	PLAIN WASHER, 6mm	
9	7300353	1	SINGLE JOYSTICK HARNESS	
10	8225119	1	SEALED RELAY	
11	8310390	1	WASHER, M5	
12	8310188	1	HEX NUT, M5X0.8	
13	8223241	1	BRAKE PRESSURE SWITCH	
14	8584001	AR	TIE WRAP	
15	6611172	1	GROUND CABLE, CAB TO CAB SUPPORT	
16	8305654	2	HEX LOCKNUT, M8X1.25	
17	8307222	2	PLAIN WASHER, 8mm	
18	8310647	4	LOCKWASHER, 8mm, (external tooth)	
19	8310683	2	HEX HD SELF TAPPING, 5/16-18X3/4	
20	7301147	1	BUZZER BRACKET	
21	8270627	1	ALARM BUZZER, 12V	
22	8223054	1	PARK BRAKE SWITCH	
23	8223071	1	TRANSMISSION DISCONNECT SWITCH	
24	8223072	1	SELECTOR TRANSMISSION CONTROL, (includes attaching hardware)	
25	7138878	1	HORN BUTTON WITH COVER SWITCH	
26	8220360	1	DASH PANEL	
27	1101202	1	IGNITION SWITCH, (includes item 28)	
28	1101203	1	IGNITION KEY, (set of 2 keys)	
29		Ref	FUEL LEVEL SENDER, (See ENGINE AND ATTACHING PARTS SECTION for Breakdown)	
30		Ref	ECM INDICATOR SWITCH, (See CONTROLS SECTION for Breakdown)	
31		Ref	PILOT SELECT VALVE, (See HYDRAULIC COMPONENTS SECTION for Breakdown)	
32		Ref	ACCUMULATOR CHARGE VALVE, (See HYDRAULIC COMPONENTS SECTION for Breakdown)	
33		Ref	SOLENOID, (See HYDRAULIC COMPONENTS SECTION for Breakdown)	
34		Ref	DUMP VALVE, (See HYDRAULIC COMPONENTS SECTION for Breakdown)	
35		Ref	STABIL-TRAK SWITCH, (See CONTROLS SECTION for Breakdown)	

## SECTION 10 - ELECTRICAL

ITEM	PART NUMBER	QTY	DESCRIPTION	REV
36		Ref	JOYSTICK CONTROL, (See HYDRAULIC CIRCUITS SECTION for Breakdown)	

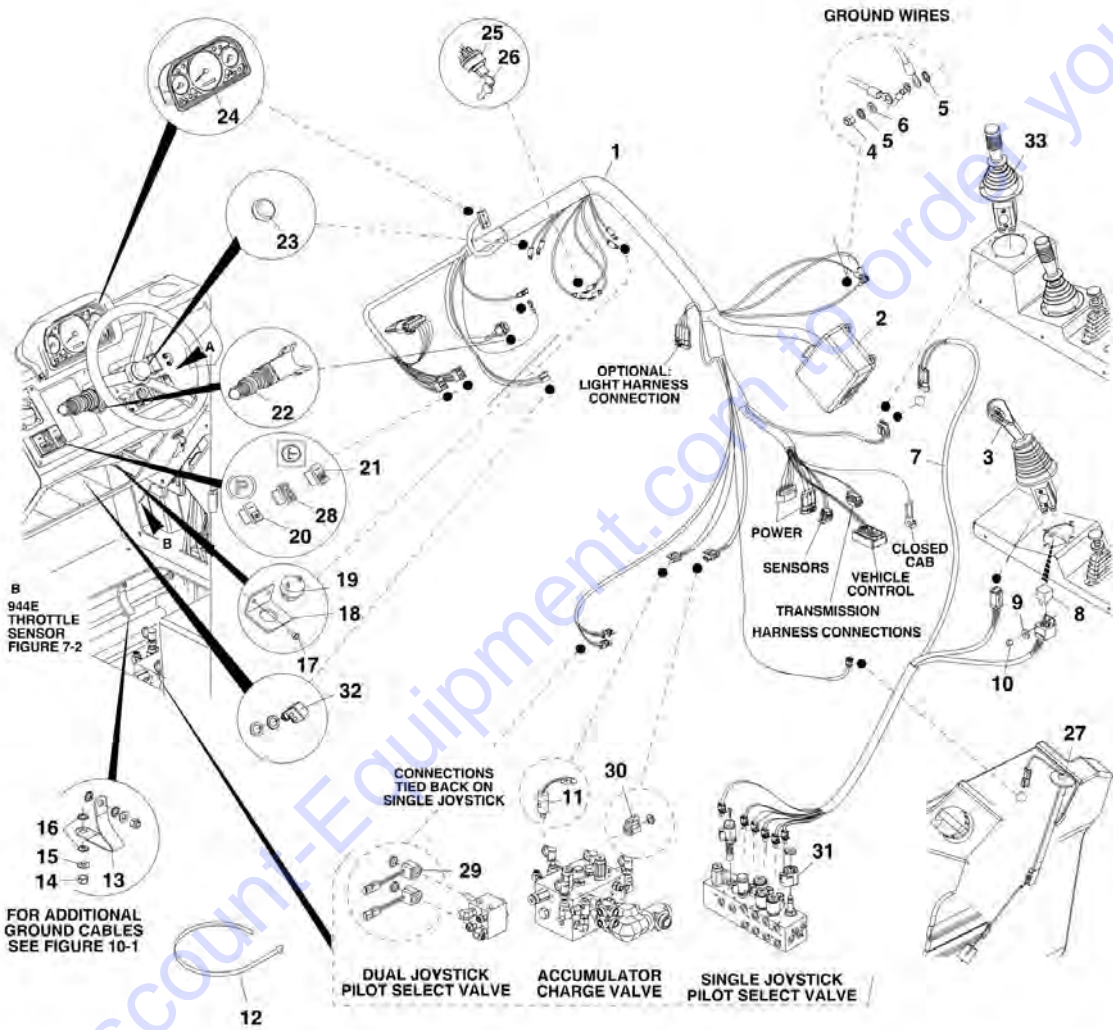
Go to Discount-Equipment.com to order your parts





# SECTION 10 - ELECTRICAL

FIGURE 10-10. OPEN CAB ELECTRICAL COMPONENTS (644E-42 SN 0160034285 to Present; 944E-42 SN 0160034279 to Present)



PU2473

## SECTION 10 - ELECTRICAL

**FIGURE 10-10. OPEN CAB ELECTRICAL COMPONENTS (644E-42 SN 0160034285 to Present; 944E-42 SN 0160034279 to Present)**

ITEM	PART NUMBER	QTY	DESCRIPTION	REV
1	4923604	1	OPEN CAB HARNESS, (includes items 2)	E
2	70021815	1	FUSE/RELAY BOX, (See FUSES, RELAYS AND FLASHER BOX for Breakdown)	
3		Ref	JOYSTICK CONTROL VALVE, (See CONTROLS SECTION for Breakdown)	
4	8305652	1	HEX LOCKNUT, M6-1.0	
5	8310687	2	LOCKWASHER, 6mm, (external tooth)	
6	8307219	1	PLAIN WASHER, 6mm	
7	7300353	1	SINGLE JOYSTICK HARNESS	
8	8225119	1	SEALED RELAY	
9	8310390	1	WASHER, 5mm	
10	8310188	1	HEX NUT, M5X0.8	
11	8223241	1	<b>BRAKE PRESSURE SWITCH (644E-42 Prior to SN 0160039830, Excluding 0160036724, 0160036811, 0160036907 and 0160037012; 944E-42 Prior to SN 0160040124, Excluding 0160034634, 0160036710, 0160036722, 0160036735 and 0160036738)</b>	
11	1001103494	1	<b>BRAKE PRESSURE SWITCH (644E-42 SN 0160039830 to Present, Including 0160036724, 0160036811, 0160036907 and 0160037012; 944E-42 SN 0160040124 to Present, Including 0160034634, 0160036710, 0160036722, 0160036735 and 0160036738)</b>	
12	8584001	AR	TIE WRAP	
13	6611172	1	GROUND CABLE, CAB TO CAB SUPPORT	
14	8305654	2	HEX LOCKNUT, M8X1.25	
15	8307222	2	PLAIN WASHER, 8mm	
16	8310647	4	LOCKWASHER, 8mm, (external tooth)	
17	8310683	2	HEX HD SELF TAPPING, 5/16-18X3/4	
18	7301147	1	BUZZER BRACKET	
19	8270627	1	ALARM BUZZER, 12V	
20	8223054	1	PARK BRAKE SWITCH	
21	8223071	1	TRANSMISSION DISCONNECT SWITCH	
22	8223072	1	SELECTOR TRANSMISSION CONTROL, (includes attaching hardware)	
23	7138878	1	HORN BUTTON WITH COVER SWITCH	
24	8220360	1	DASH PANEL	
25	1101202	1	IGNITION SWITCH, (includes item 26)	
26	1101203	1	IGNITION KEY, (set of 2 keys)	
27		Ref	FUEL LEVEL SENDER, (See ENGINE AND ATTACHING PARTS SECTION for Breakdown)	
28		Ref	ECM INDICATOR SWITCH, (See CONTROLS SECTION for Breakdown)	
29		Ref	PILOT SELECT VALVE, (See HYDRAULIC COMPONENTS SECTION for Breakdown)	
30		Ref	ACCUMULATOR CHARGE VALVE, (See HYDRAULIC COMPONENTS SECTION for Breakdown)	
31		Ref	SOLENOID, (See HYDRAULIC COMPONENTS SECTION for Breakdown)	
32		Ref	STABIL-TRAK SWITCH, (See CONTROLS SECTION for Breakdown)	
33		Ref	JOYSTICK CONTROL, (See HYDRAULIC CIRCUITS SECTION for Breakdown)	



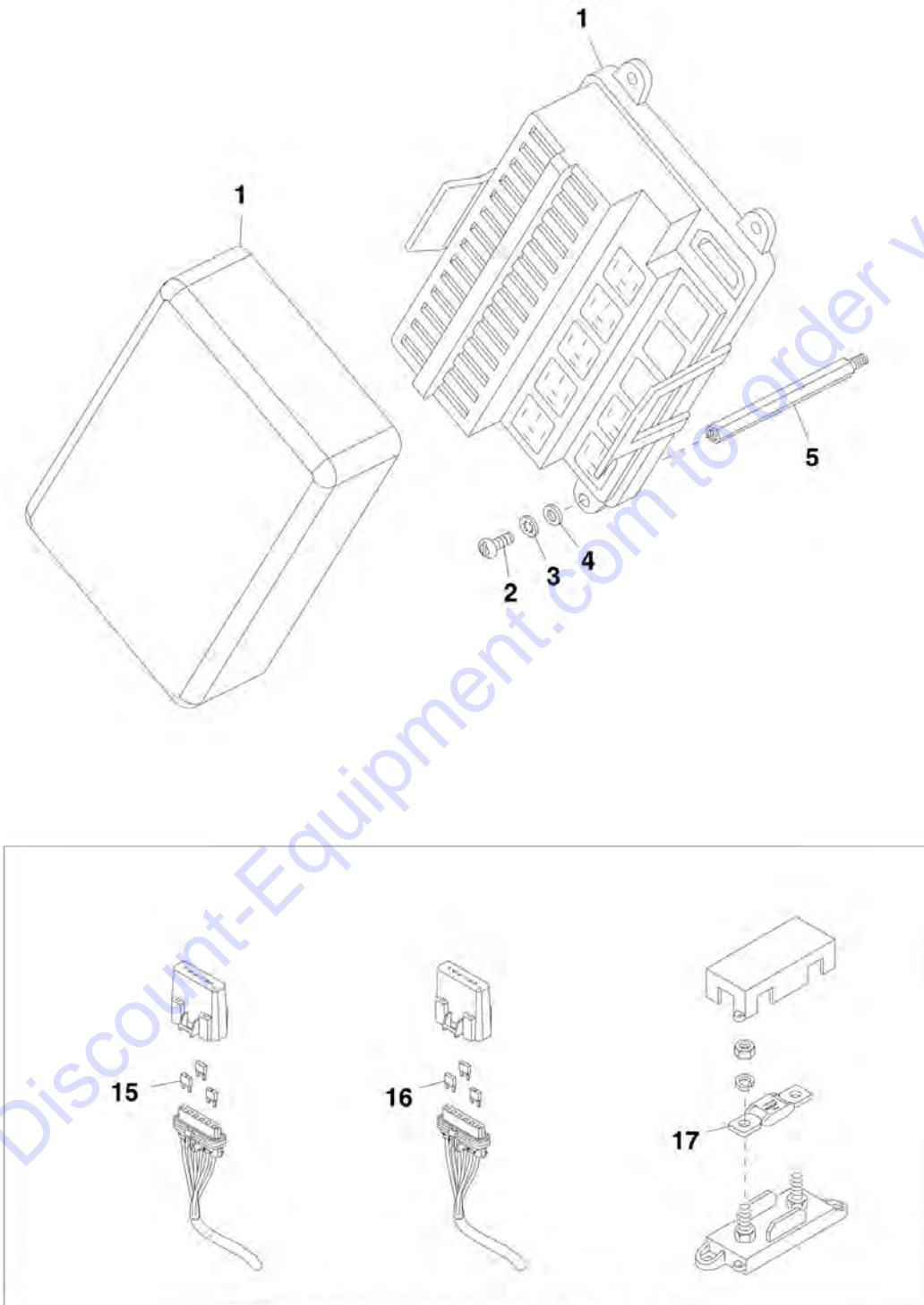
## SECTION 10 - ELECTRICAL

**FIGURE 10-11. CLOSED CAB ELECTRICAL COMPONENTS**

ITEM	PART NUMBER	QTY	DESCRIPTION	REV
1	7300411-OM	1	HARNESS, CLOSED CAB (644E-42 SN 17569 through 20123, SN 0160002514 through 0160034284; 944E-42 SN 17569 through 20123, SN 0160002514 through 0160034278)	H
1	1001092360	1	CLOSED CAB HARNESS (644E-42 SN 0160034285 to Present; 944E-42 SN 0160034279 to Present)	A
2	7301260	1	HEATER CONTROL PANEL, (includes items 5, 6 & 8)	
3	8310692	4	NYLON PUSH RIVET, 5.1mm DIA, 4.5mm GRIP	
5	8036438	2	POSITIONING KNOB	
6	8036463	1	BLOWER CONTROL SWITCH	
7	7301265	1	AIR CONDITIONING ROCKER SWITCH	
8	8036603	1	TEMPERATURE CONTROL SWITCH	
9	8223043	1	WINDSHIELD WIPER SWITCH	
10	8223044	1	WINDSHIELD WASHER SWITCH	
11	8223040	1	ROOF WIPER/WASHER SWITCH	
12	7301261	1	ELECTRIC HEAT VALVE	
13		Ref	3 POSITION BEZEL SWITCH, (See CAB SECTION for Breakdown)	
14		Ref	REAR WINDOW WIPER ASSY, (See CAB SECTION for Breakdown)	
15		Ref	FRONT WINDSHIELD WIPER ASSY, (See CAB SECTION for Breakdown)	
16		Ref	SKYLIGHT WIPER ASSY, (See CAB SECTION for Breakdown)	
17		Ref	HEATER SYSTEM, (See CAB SECTION for Breakdown)	
18		Ref	AIR CONDITIONING SYSTEM, (See CAB SECTION for Breakdown)	
19		Ref	FUSE/RELAY BOX, (See FUSES, RELAYS AND FLASHER BOX for Breakdown)	
20		Ref	GROUND WIRES, (See OPEN CAB ELECTRICAL COMPONENTS for Breakdown)	

## SECTION 10 - ELECTRICAL

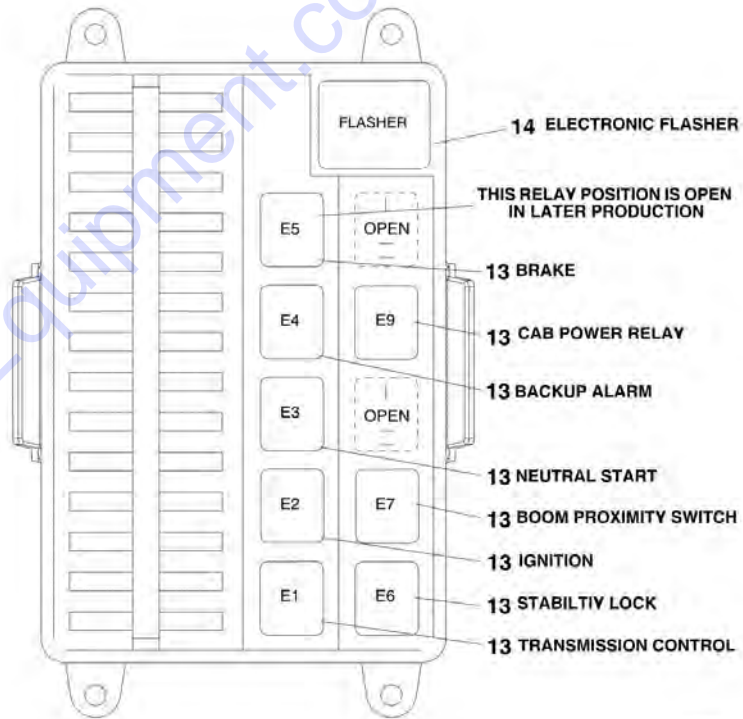
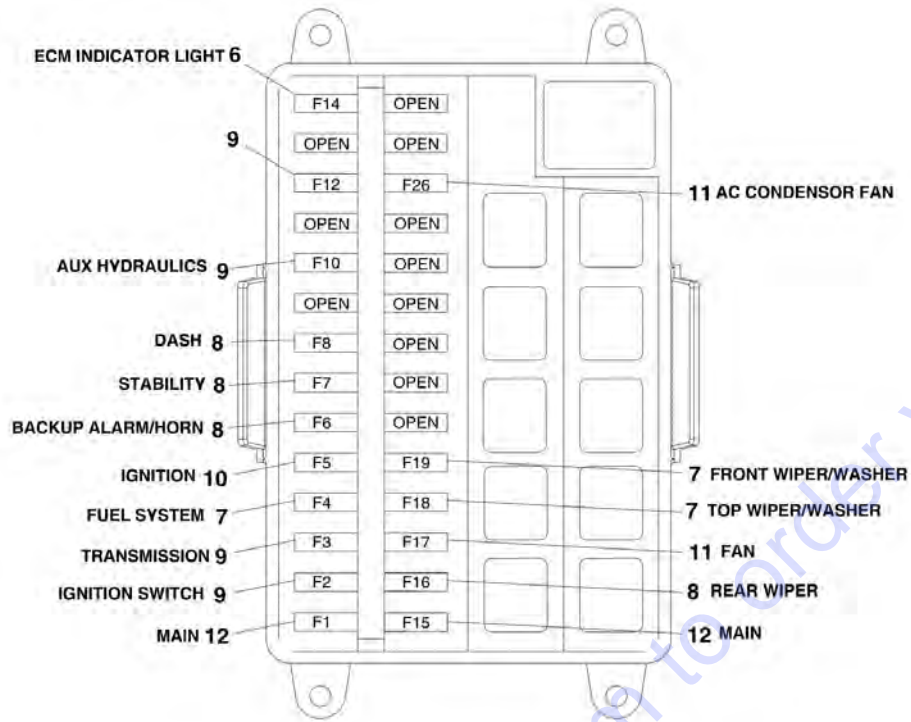
FIGURE 10-12. FUSES, RELAYS AND FLASHER BOX (644E-42 SN 19042 through 20123, SN 0160002514 through 0160034284; 944E-42 SN 19042 through 20123, SN 0160002514 through 0160034278)



944E ECM POWER HARNESS FIGURE 10-2

PU3191

# SECTION 10 - ELECTRICAL



PU3290

## SECTION 10 - ELECTRICAL

**FIGURE 10-12. FUSES, RELAYS AND FLASHER BOX (644E-42 SN 19042 through 20123, SN 0160002514 through 0160034284; 944E-42 SN 19042 through 20123, SN 0160002514 through 0160034278)**

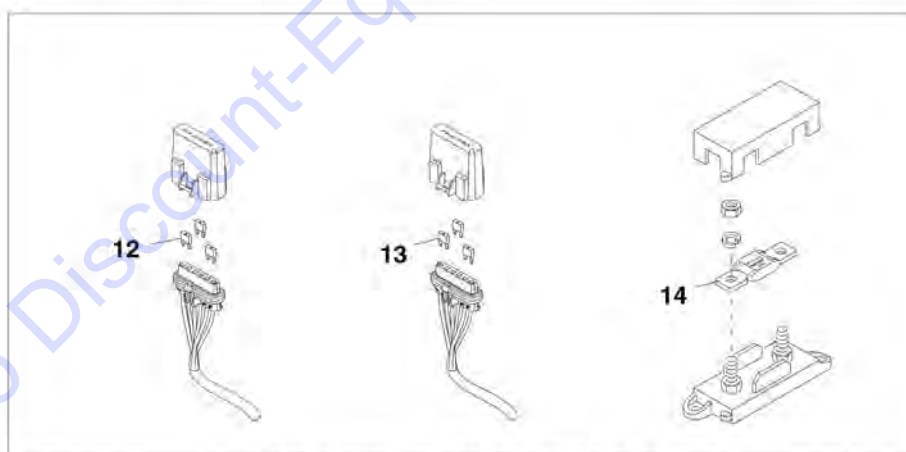
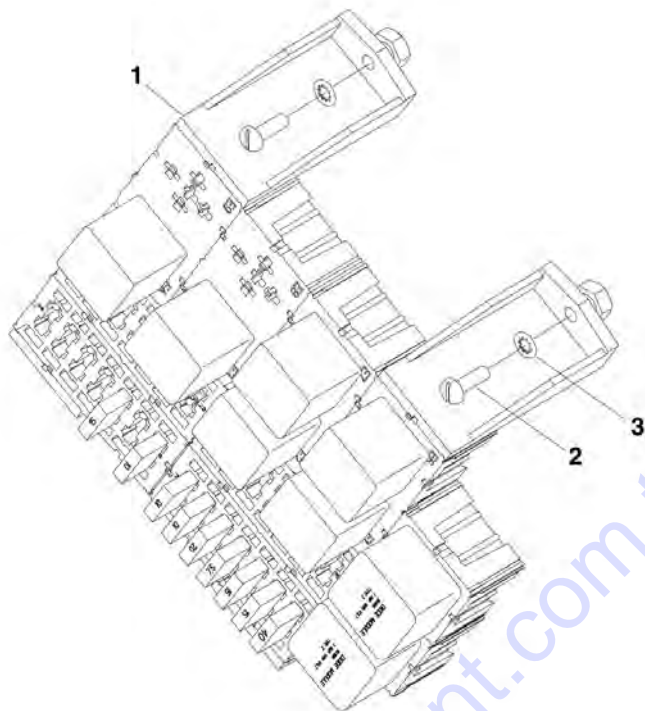
ITEM	PART NUMBER	QTY	DESCRIPTION	REV
1	8220362	1	FUSE/RELAY BOX	
2	8310642	4	SLOTTED PAN HD SCREW, M5-0.8X12mm	
3	8310641	4	LOCKWASHER, 5mm, (internal tooth)	
4	8310390	4	PLAIN WASHER, 5mm	
5	8310640	4	STEEL HEX STANDOFF, 80mm LONG	
6	8229263	1	3 AMP FUSE, (violet), AUTO BLADE TYPE	
7	8229233	3	7.5 AMP FUSE, (brown), AUTO BLADE TYPE	
8	8229234	4	10 AMP FUSE, (red), AUTO BLADE TYPE	
9	8229237	4	15 AMP FUSE, (blue), AUTO BLADE TYPE	
10	8229235	1	20 AMP FUSE, (yellow), AUTO BLADE TYPE	
11	8229262	2	25 AMP FUSE, (clear), AUTO BLADE TYPE	
12	8229238	2	40 AMP FUSE, (orange), AUTO BLADE TYPE	
13	8225119	9	12V SEALED RELAY, (early production)	
14	8270628	1	ELECTRONIC FLASHER, 12V	
15	8229243	3	MINI FUSE, 7.5 AMP	
16	8226234	3	MINI FUSE, 10 AMP	
17	8229259	2	125 AMP FUSE, MEGA BOLT ON	





## SECTION 10 - ELECTRICAL

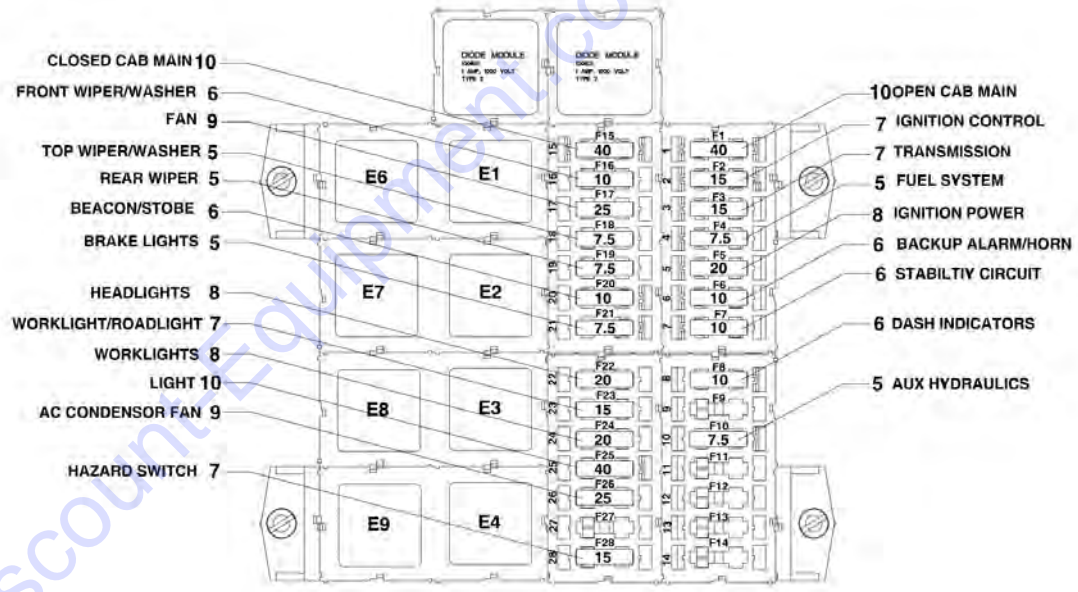
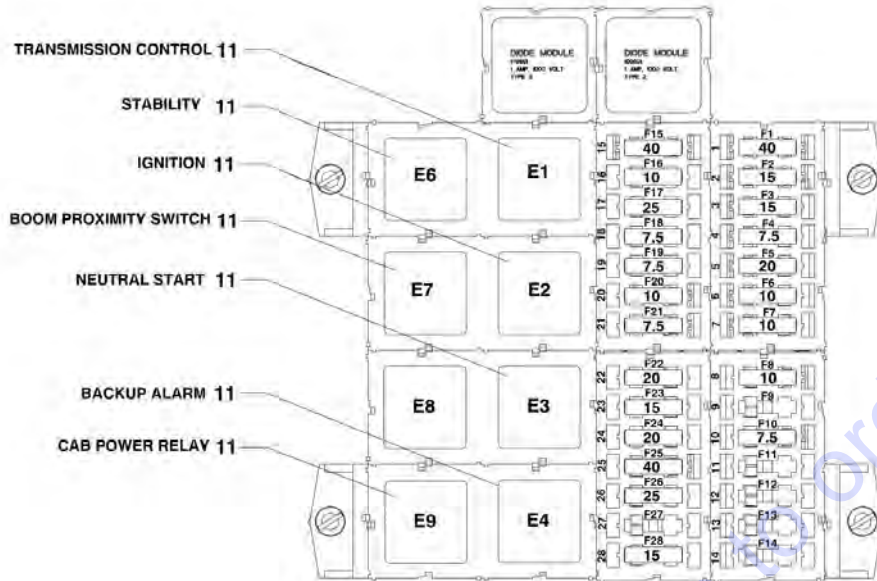
FIGURE 10-13. FUSES, RELAYS AND FLASHER BOX (644E-42 SN 0160034285 to Present; 944E-42 SN 0160034279 to Present)



944E ECM POWER HARNESS FIGURE 10-2

PU3192

# SECTION 10 - ELECTRICAL



ART\_PU3281-B

## SECTION 10 - ELECTRICAL

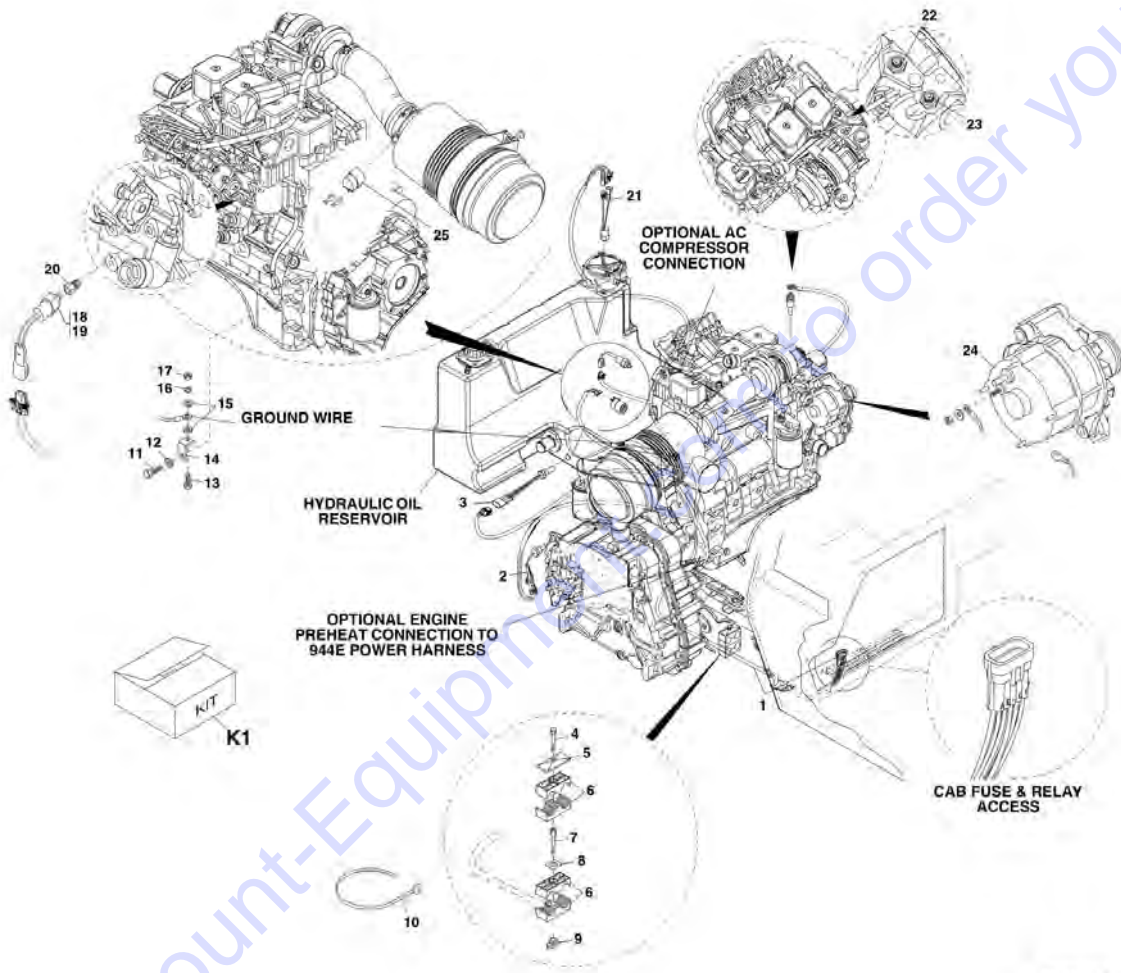
**FIGURE 10-13. FUSES, RELAYS AND FLASHER BOX (644E-42 SN 0160034285 to Present; 944E-42 SN 0160034279 to Present)**

ITEM	PART NUMBER	QTY	DESCRIPTION	REV
1	70021815	1	FUSE/RELAY BOX	
2	8303992	4	SLOTTED PAN HD SCREW, M5-0.8X15mm	
3	8310641	4	LOCKWASHER, M5, (internal tooth)	
5	8229233	5	7.5 AMP FUSE, (brown), AUTO BLADE TYPE	
6	8229234	5	10 AMP FUSE, (red), AUTO BLADE TYPE	
7	8229237	4	15 AMP FUSE, (blue), AUTO BLADE TYPE	
8	8229235	3	20 AMP FUSE, (yellow), AUTO BLADE TYPE	
9	8229262	2	25 AMP FUSE, (clear), AUTO BLADE TYPE	
10	8229238	3	40 AMP FUSE, (orange), AUTO BLADE TYPE	
11	8225119	7	12V SEALED RELAY	
12	8229243	3	MINI FUSE, 7.5 AMP	
13	8226234	3	MINI FUSE, 10 AMP	
14	8229259	2	125 AMP FUSE, MEGA BOLT ON	



# SECTION 10 - ELECTRICAL

## FIGURE 10-14. SENSOR COMPONENTS



PAP12450

## SECTION 10 - ELECTRICAL

### FIGURE 10-14. SENSOR COMPONENTS

ITEM	PART NUMBER	QTY	DESCRIPTION	REV
1	7300338	1	VEHICLE SENSOR HARNESS (644E-42 SN 17569 through 20123, SN 0160002514 through 0160012687; 944E-42 SN 17569 through 20123, SN 0160002514 through 0160012684)	I
1	4923266	1	VEHICLE SENSOR HARNESS (644E-42 SN 0160012410 through 0160043356; 944E-42 SN 0160012745 through 0160014857)	B
1	4923361	1	VEHICLE SENSOR HARNESS, (944E-42 SN 0160014891 through 0160041823)	A
2	8223232	1	TRANSMISSION TEMPERATURE SWITCH	
3	8223240	1	DUAL HYDRAULIC TEMPERATURE SWITCH	
4	8303528	1	HEX HD CAPSCREW, M8X65, GR8.8 (644E-42 Prior to SN 0160048717, Excluding 0160045421; 944E-42 Including 0160041827)	
5	8750025	1	TWIN COVER PLATE (644E-42 Prior to SN 0160048717, Excluding 0160045421; 944E-42 Including 0160041827)	
6	8750024	2	TWIN CLAMP SET, 1.18 DIA (644E-42 Prior to SN 0160048717, Excluding 0160045421; 944E-42 Including 0160041827)	
7	8750039	1	METRIC BOLT STACKING (644E-42 Prior to SN 0160048717, Excluding 0160045421; 944E-42 Including 0160041827)	
8	8750017	1	LOCKING PLATE (644E-42 Prior to SN 0160048717, Excluding 0160045421; 944E-42 Including 0160041827)	
9	8750043	1	RAIL NUT, M8 (644E-42 Prior to SN 01600408717, Excluding 0160045421; 944E-42 Including 0160041827)	
10	8584001	AR	TIE WRAP	
11	8303533	1	HEX HD CAPSCREW, M12X20, GR8.8, (torque to 43 Nm) (644E-42 Prior to SN 0160048717, Excluding 0160045421; 944E-42 Prior to SN 0160041827)	
12	8310650	1	LOCKWASHER, 12mm, (external tooth) (644E-42 Prior to SN 0160048717, Excluding 0160045421; 944E-42 Prior to SN 0160041827)	
13	8303798	1	HEX HD CAPSCREW, M10X25, GR8.8, (torque to 43 Nm) (644E-42 Prior to SN 0160048717, Excluding 0160045421; 944E-42 Prior to SN 0160041827)	
14	7301529	1	BUSS BAR, 90, (644E-42 Prior to SN 0160048717, Excluding 0160045421; 944E-42 Prior to SN 0160041827)	
15	8307221	2	PLAIN WASHER, 10mm (644E-42 Prior to SN 0160048717, Excluding 0160045421; 944E-42 Prior to SN 0160041827)	
16	8307023	1	LOCKWASHER, 10mm (644E-42 Prior to SN 0160048717, Excluding 0160045421; 944E-42 Prior to SN 0160041827)	
17	8305038	1	HEX NUT, M10X1.5 (644E-42 Prior to SN 0160048717, Excluding 0160045421; 944E-42 Prior to SN 0160041827)	
18	Kit	NLA	ENGINE OIL PRESSURE SWITCH, (no longer available, use Kit K1 for service) (644E-42 SN 17569 through 20123, SN 0160002514 through 0160012687; 944E-42 SN 17569 through 20123, SN 0160002514 to Present, Including 0160012684)	
18	4360609	1	ENGINE OIL PRESSURE SWITCH (644E-42 SN 0160012410 through 0160048717, Excluding 0160045421; 944E-42 SN 0160012745 through 0160041823)	
18		Ref	ENGINE OIL PRESSURE SWITCH, (See ENGINE AND ATTACHING PARTS SECTION for Breakdown) (644E-42 SN 0160048717 to Present, Including 0160045421; 944E-42 SN 0160041827 to Present)	
19	4923263	1	PRESSURE SWITCH JUMPER (644E-42 SN 0160012410 to Present; 944E-42 SN 0160012745 through 0160041823)	
20	77373058	1	ADAPTER (644E-42 SN 0160012410 to Present; 944E-42 SN 0160012745 through 0160041823)	
21		Ref	HYDRAULIC OIL FILTER PRESSURE SWITCH, 20 PSI, (See HYDRAULIC COMPONENTS SECTION for Breakdown)	

## SECTION 10 - ELECTRICAL

ITEM	PART NUMBER	QTY	DESCRIPTION	REV
22	8223246	1	ENGINE COOLANT TEMPERATURE SENDER, 644E-42	
23	8223246	1	ENGINE COOLANT TEMPERATURE SENDER, 944E-42	
24		Ref	ALTERNATOR, (See ENGINE AND ATTACHING PARTS SECTION for Breakdown) <b>(644E-42 Prior to SN 0160048717, Excluding 0160045421; 944E-42 Prior to SN 0160041827)</b>	
24		Ref	ALTERNATOR, (See ENGINE AND ATTACHING PARTS SECTION for Breakdown) <b>(644E-42 SN 0160048717 to Present, Including 0160045421; 944E-42 SN 0160041827 to Present)</b>	
25		Ref	VACUUM SWITCH, (See ENGINE AND ATTACHING PARTS SECTION for Breakdown)	
K1	2915053	1	PRESSURE SWITCH KIT, (includes item 18, 19 & 20) <b>(644E-42 Prior to SN 0160048717, Excluding 0160045421; 944E-42 Prior to SN 0160041827)</b>	

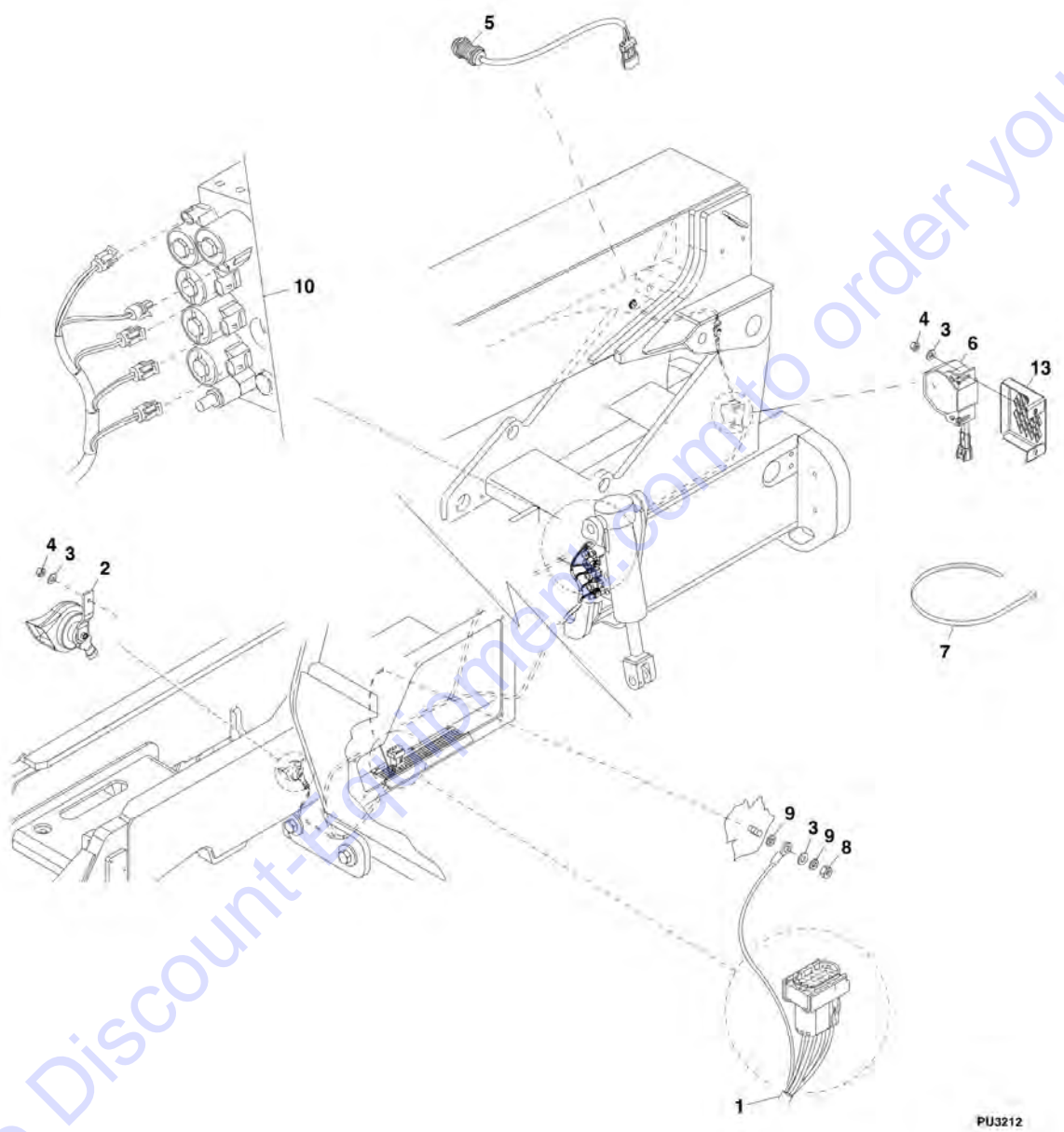
Go to Discount-Equipment.com to order your parts





# SECTION 10 - ELECTRICAL

## FIGURE 10-15. CONTROL COMPONENTS



PU3212

Go to Discount-Parts.com to order your parts

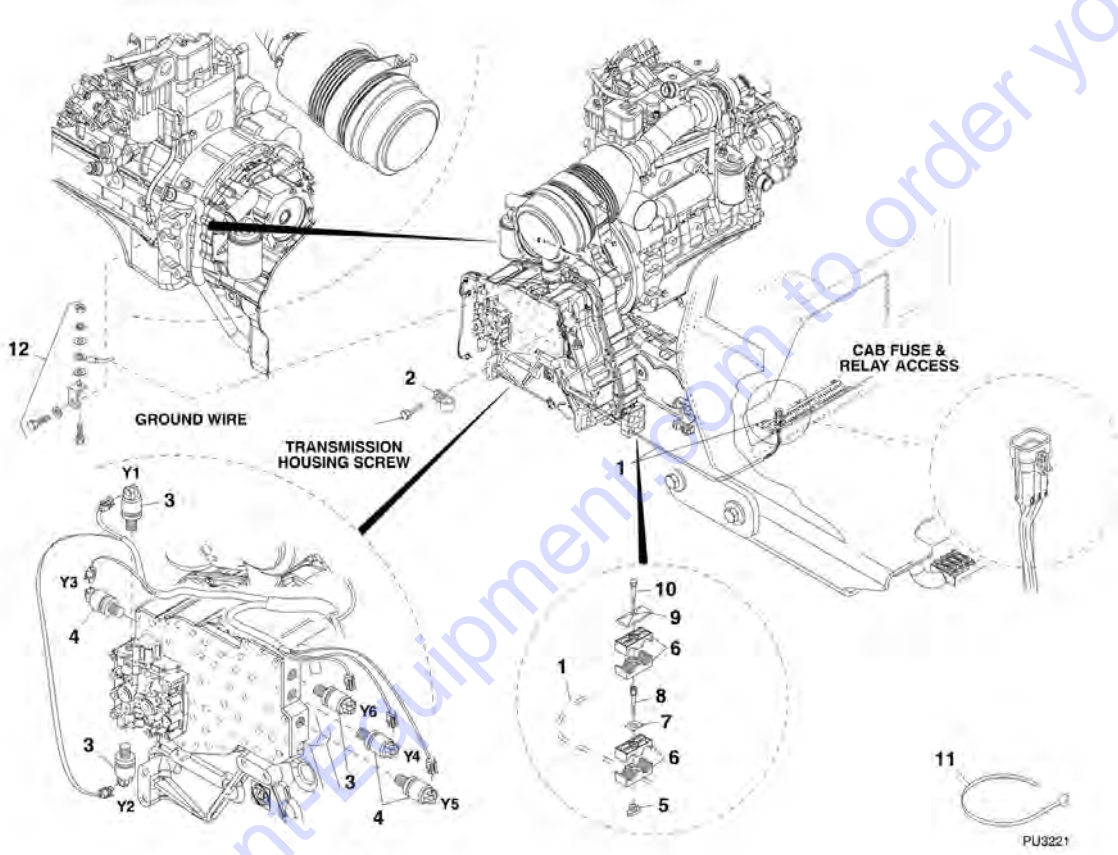
## SECTION 10 - ELECTRICAL

### FIGURE 10-15. CONTROL COMPONENTS

ITEM	PART NUMBER	QTY	DESCRIPTION	REV
1	7300340	1	CONTROL HARNESS	
2	10268663	1	HORN ASSY, 12V	
3	8307219	4	WASHER, 6mm, (644E-42 Prior to SN 0160048717, Excluding 0160045421)	
3	4711400	2	WASHER, 1/4, (644E-42 SN 0160048717 to Present, Including 0160045421)	
4	8305047	3	HEX NUT, M6X1, (644E-42 Prior to SN 0160048717, Excluding 0160045421)	
4	3311401	2	HEX NUT, 1/4-20, (644E-42 SN 0160048717 to Present, Including 0160045421)	
5	1001130308	1	BOOM ANGLE PROXIMITY SWITCH	
6	8270621	1	BACKUP ALARM	
7	8584001	AR	TIE WRAP	
8	8305652	1	HEX LOCKNUT, M6X1	
9	8310687	2	LOCKWASHER, 6mm, (external tooth)	
10		Ref	STABIL-TRAK SOLENOID VALVE, (See HYDRAULIC COMPONENTS SECTION for Breakdown)	
13	1001125470	1	BACKUP ALARM GRILL	

# SECTION 10 - ELECTRICAL

## FIGURE 10-16. TRANSMISSION COMPONENTS



Go to DiscountEquipment.com to order your parts

## SECTION 10 - ELECTRICAL

**FIGURE 10-16. TRANSMISSION COMPONENTS**

ITEM	PART NUMBER	QTY	DESCRIPTION	REV
1		Ref	TRANSMISSION HARNESS, (See TRANSMISSION HARNESS for Breakdown)	
2	8406105	2	TUBE CLIP, 3/4 (644E-42 Prior to SN 0160048717, Excluding 0160045421; 944E-42 Prior to SN 0160041827)	
3	8036528	3	SOLENOID VALVE	
4	8036529	3	SOLENOID VALVE	
5	8750043	1	RAIL NUT, M8 (644E-42 Prior to SN 0160048717, Excluding 0160045421; 944E-42 Prior to SN 0160041827)	
6	8750024	2	TWIN CLAMP SET, 1.18 DIA (644E-42 Prior to SN 0160048717, Excluding 0160045421; 944E-42 Prior to SN 0160041827)	
7	8750017	1	LOCKING PLATE (644E-42 Prior to SN 0160048717, Excluding 0160045421; 944E-42 Prior to SN 0160041827)	
8	8750039	1	BOLT STACKING (644E-42 Prior to SN 0160048717, Excluding 0160045421; 944E-42 Prior to SN 0160041827)	
9	8750025	1	TWIN COVER PLATE (644E-42 Prior to SN 0160048717, Excluding 0160045421; 944E-42 Prior to SN 0160041827)	
10	8303528	1	HEX HD CAPSCREW, M8X65, GR8.8 (644E-42 Prior to SN 0160048717, Excluding 0160045421; 944E-42 Prior to SN 0160041827)	
11	8584001	AR	TIE WRAP	
12		Ref	GROUND WIRE HARDWARE, (See SENSOR COMPONENTS for Breakdown)	



## SECTION 10 - ELECTRICAL

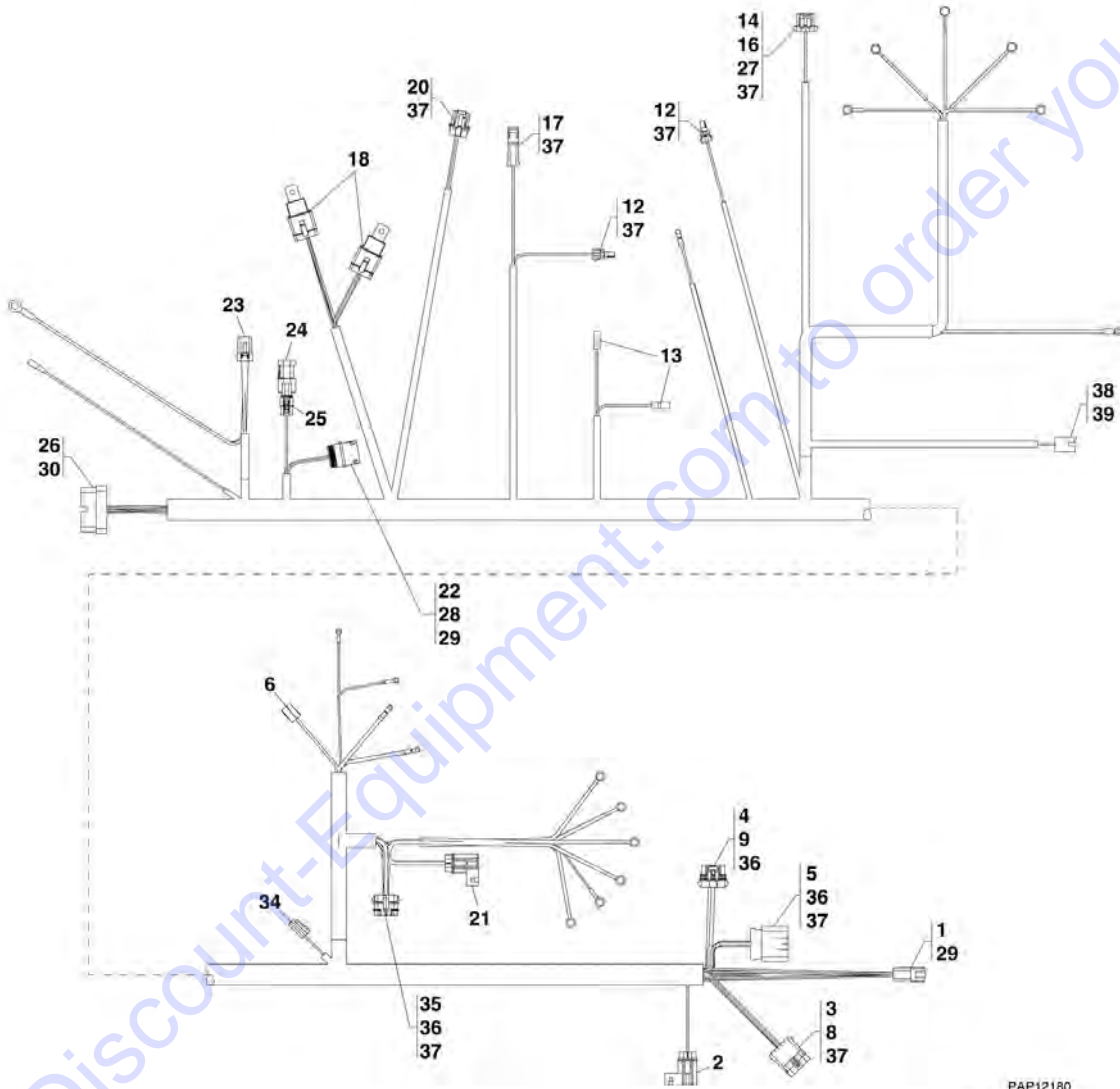
### FIGURE 10-17. TRANSMISSION HARNESS

ITEM	PART NUMBER	QTY	DESCRIPTION	REV
	7300337	1	TRANSMISSION HARNESS, (includes all items)	AE
1	8220914	1	CONNECTOR	
2	N.S.S.	1	WEDGE LOCK	
3	8220103	6	TERMINAL	
4	8220158	6	SEAL	
5	8220077	1	TERMINAL RING, 3/8	
6	8220937	6	CONNECTOR	
7	4460842	12	TERMINAL	

Go to Discount-Equipment.com to order your parts

# SECTION 10 - ELECTRICAL

FIGURE 10-18. ENGINE HARNESS (644E-42 SN 0160048717 to Present, Including 0160045421; 944E-42 SN 0160041827 to Present)



PAP12180



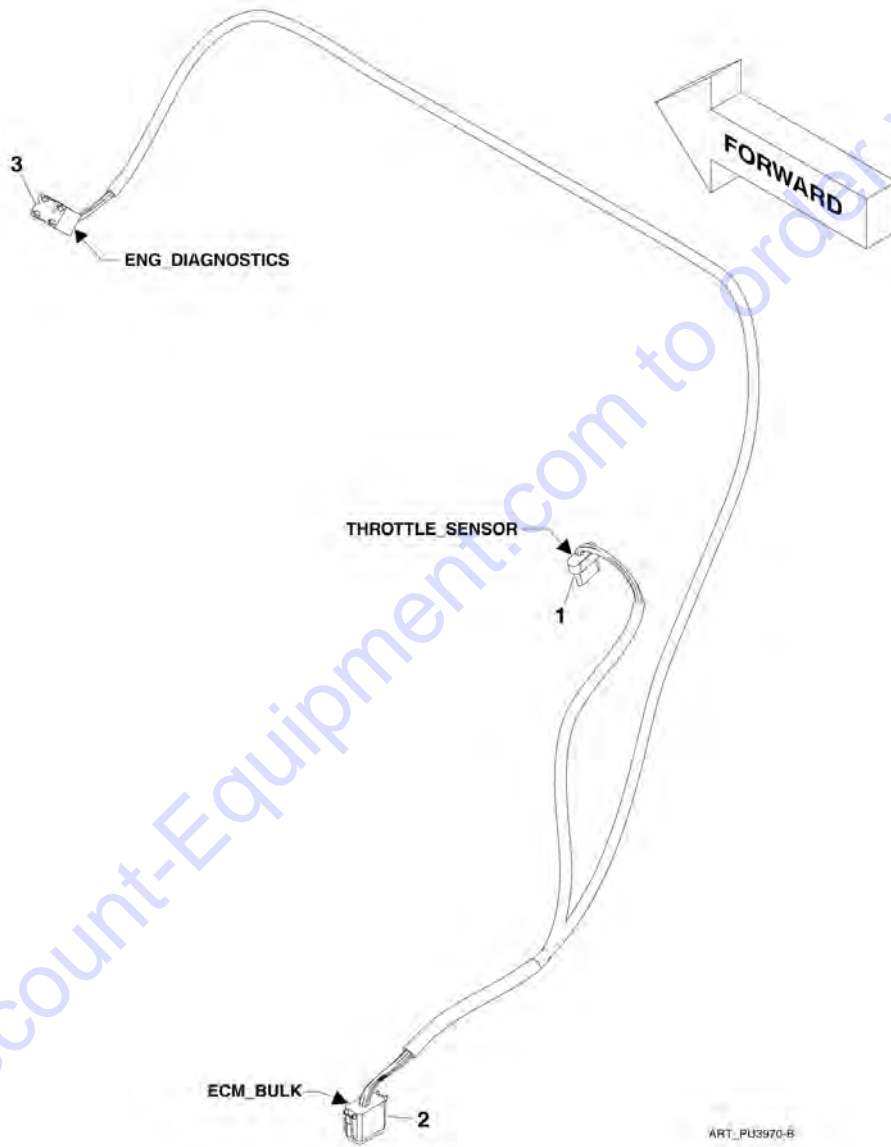
## SECTION 10 - ELECTRICAL

**FIGURE 10-18. ENGINE HARNESS (644E-42 SN 0160048717 to Present, Including 0160045421; 944E-42 SN 0160041827 to Present)**

ITEM	PART NUMBER	QTY	DESCRIPTION	REV
	1001118887	1	ENGINE HARNESS, (CUMMINS), (includes all items)	E
1	4460970	1	PLUG	
2	1001119411	2	CONNECTOR, (includes fuse)	
3	1001119049	1	CONNECTOR	
4	8220935	1	CONNECTOR, (includes item 9)	
5	8220960	1	CONNECTOR	
6	1001116981	1	CONNECTOR	
8	8220898	1	WEDGE LOCK	
9	8220936	1	WEDGE LOCK	
12	1001119004	2	CONNECTOR, (includes wedge lock)	
14	4460590	1	CONNECTOR	
16	N.S.S.	1	LOCK	
17	1001119106	1	CONNECTOR, (includes wedge lock)	
18	1001117025	2	CONNECTOR, (includes relay)	
20	1001117055	1	CONNECTOR	
20	8220891	1	WEDGE LOCK	
21	1001117070	2	CONNECTOR, (includes 30 amp fuse)	
22	1001112612	1	CONNECTOR	
23	1001116810	1	CONNECTOR	
23	70021826	1	WEDGE LOCK	
24	1001116812	1	CONNECTOR	
24	91554019	1	WEDGE LOCK	
25	4461070	1	CONNECTOR, (includes resister)	
26	1001116821	1	CONNECTOR	
27	1001116751	2	CONNECTOR	
28	1001106736	1	CAP	
29	4460466	6	CONNECTOR	
30	4460518	33	PLUG	
34	4460891	1	CONNECTOR	
34	80604018	1	WEDGE LOCK	
35	1001129286	1	DUST CAP	
36	8220089	AR	SEAL	
37	4460458	AR	SEAL	
38	1001136632	1	CONNECTOR	
39	1001136660	2	TERMINAL	

## SECTION 10 - ELECTRICAL

FIGURE 10-19. ECM CAB HARNESS (644E-42 SN 0160048717 to Present, Including 0160045421;  
944E-42 SN 0160041827 to Present)



## SECTION 10 - ELECTRICAL

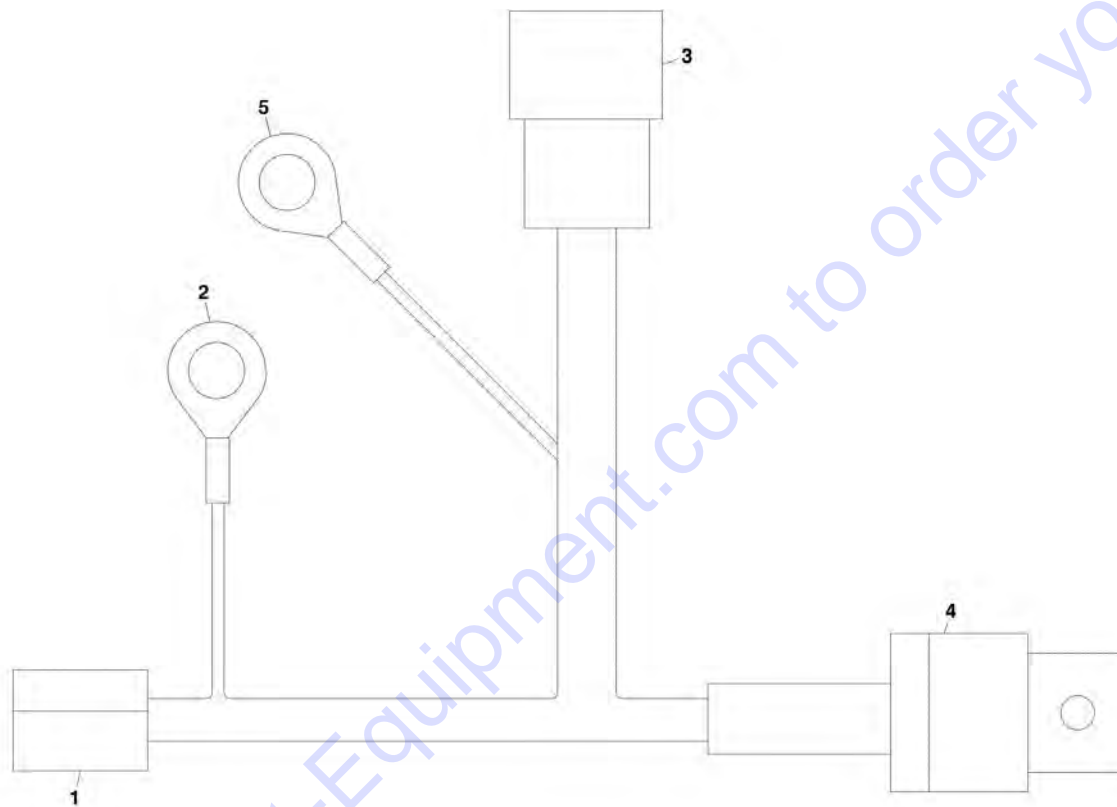
**FIGURE 10-19. ECM CAB HARNESS (644E-42 SN 0160048717 to Present, Including 0160045421;  
944E-42 SN 0160041827 to Present)**

ITEM	PART NUMBER	QTY	DESCRIPTION	REV
	1001118939	1	ECM CAB HARNESS, (CUMMINS), (includes all items)	B
1	1001117064	1	CONNECTOR	
1	91554014	6	TERMINAL	
2	4460933	1	CONNECTOR	
2	4460465	10	TERMINAL	
2	4460466	2	PLUG	
3	1001117119	1	CONNECTOR	
3	4460419	4	TERMINAL	

Go to Discount-Equipment.com to order your parts

# SECTION 10 - ELECTRICAL

## FIGURE 10-20. FAN RELAY HARNESS



ART\_PU4000-B

## SECTION 10 - ELECTRICAL

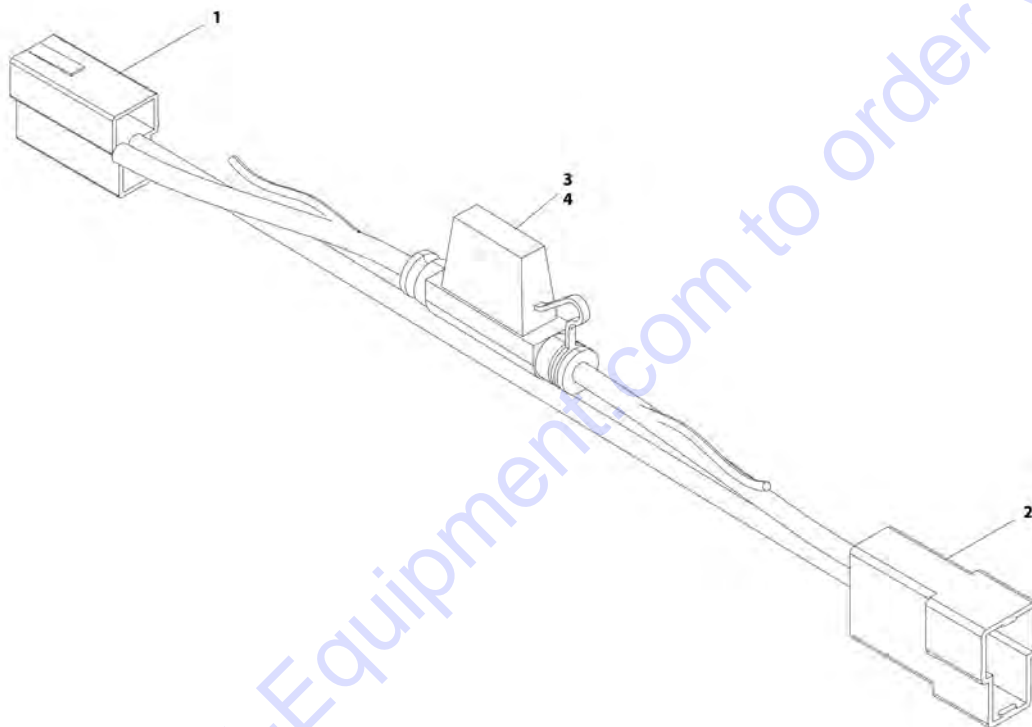
**FIGURE 10-20. FAN RELAY HARNESS**

ITEM	PART NUMBER	QTY	DESCRIPTION	REV
	1001134490	1	FAN RELAY HARNESS, (if equipped), (includes all items)	D
1	4460994	1	CONNECTOR	
1	1001116723	2	TERMINAL	
1	2400066	1	FUSE, HOLDER	
1	8229247	1	FUSE, 25 AMP	
2	4460019	1	TERMINAL RING	
3	4460897	1	CONNECTOR	
3	80604017	1	WEDGE LOCK	
3	4460464	2	TERMINAL	
4	1001118282	1	CONNECTOR WITH RELAY	
4	1001116734	2	TERMINAL	
4	1001116733	2	TERMINAL	
4	N.S.S.	1	PLUG	
5	4460256	1	TERMINAL RING	

Go to Discount-Equipment.com to order your parts

# SECTION 10 - ELECTRICAL

## FIGURE 10-21. JUMPER HARNESS



ART\_1001166101-A

## SECTION 10 - ELECTRICAL

### FIGURE 10-21. JUMPER HARNESS

ITEM	PART NUMBER	QTY	DESCRIPTION	REV
	1001166101	Ref	JUMPER HARNESS, (if equipped), (includes all items)	A
1	4460994	1	CONNECTOR	
1	1001116723	2	TERMINAL	
2	1001160152	1	CONNECTOR	
2	1001116701	2	TERMINAL	
3	2400066	1	FUSE HOLDER	
4	8229247	1	FUSE, 25 AMP	

Go to Discount-Equipment.com to order your parts



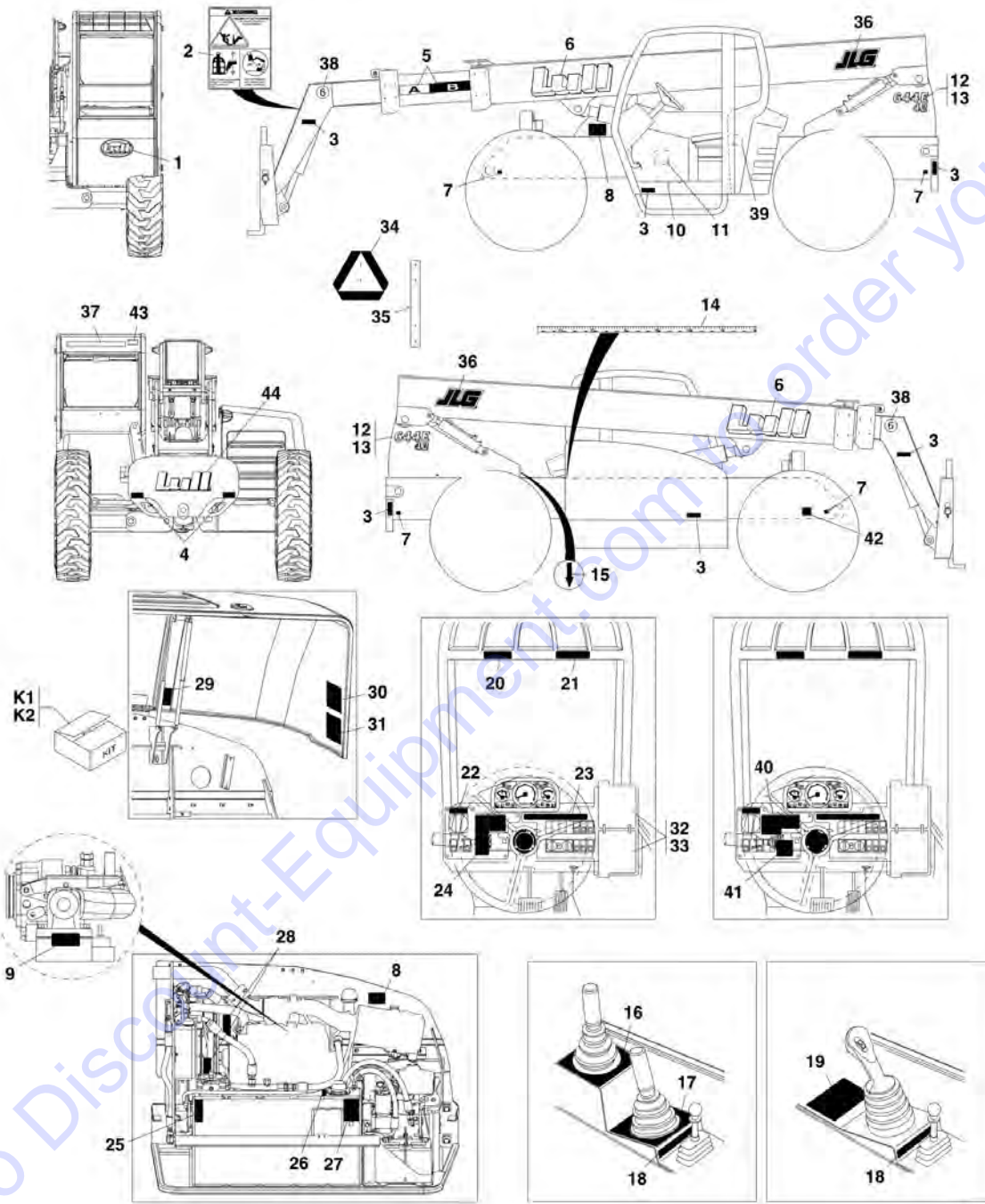


SECTION 11 - DECALS

Go to Discount-Equipment.com to order your parts

# SECTION 11 - DECALS

FIGURE 11-1. DECALS (644E-42 Prior to SN 0160048717, Excluding 0160045421; 944E-42 Prior to SN 0160041827)



PU3234

## SECTION 11 - DECALS

**FIGURE 11-1. DECALS (644E-42 Prior to SN 0160048717, Excluding 0160045421; 944E-42 Prior to SN 0160041827)**

ITEM	PART NUMBER	QTY	DESCRIPTION	REV
1	4110352	1	LULL DECAL	
2	4110389	1	CARRYING PERSONNEL WARNING DECAL	
3	7301380	6	ORANGE REFLECTIVE TAPE, (4.5X2)	
4	7301379	2	RED REFLECTIVE TAPE, (4.5X2)	
5	4110130	1	BOOM EXTEND STRIPES DECAL, (A-F)	
6	1706103	2	LULL DECAL	
7	4109801	4	TIE DOWN POINT DECAL	
8	1706300	2	ETHER STARTING WARNING DECAL, (engines equipped with cold start)	
9	8270427	1	GRID HEATER WARNING DECAL, (engines equipped with cold start)	
10	4110392	1	HYDRAULIC TEST LOCATIONS DECAL	
11	1705936	1	FUSE BLOCK FUSE LOCATIONS DECAL (644E-42 SN 17569 through 20123, SN 0160002514 through 0160034284; 944E-42 SN 17569 through 20123, SN 0160002514 through 0160034278)	
12	1706104	2	DECAL 644E-42	
13	1706105	2	DECAL 944E-42	
14	4110356	1	TRANSFER CARRIAGE EXTENSION TAPE MEASURE DECAL	
15	4110405	1	TRANSFER CARRIAGE INDICATOR POINTER DECAL	
16	4110366	1	FRONT JOYSTICK OVERLAY DECAL, (transfer and attach tilt control)	
17	4110360	1	MIDDLE JOYSTICK OVERLAY DECAL, (boom movement control)	
18	4110367	1	REAR JOYSTICK DECAL, (frame level control)	
19	4110423	1	SINGLE JOYSTICK DECAL	
20	4108991	1	ELECTROCUTION HAZARD DANGER DECAL	
21	4110137	1	TIPOVER HAZARD DANGER DECAL	
22	4110359	1	STEER MODE INDICATOR DECAL	
23	4110361	1	SAFETY INSTRUCTIONS DECAL	
24	4110358	1	WARNING AND DANGER DECAL (644E-42 SN 17569 through 20115, SN 0160002519 through 0160007267, Excluding 0160006857; 944E-42 SN 18554 through 20123, SN 0160002514 through 0160007270, Excluding 0160005664)	
25	4108302	1	HYDRAULIC OIL LEVEL DECAL	
26	4100181	1	HYDRAULIC OIL FILL DECAL	
27	1707077	1	BATTERY EXPLOSION WARNING DECAL	
28	4110184	2	MOVING PARTS/ENTANGLEMENT HAZARD WARNING DECAL	
29	4110390	1	HOOD LOCK RELEASE DECAL	
30	4110349	1	LUBRICATION CHART DECAL	
31	4110350	1	MAINTENANCE CHART DECAL	
32	7300628	1	CAPACITY CHART BOOKLET (Prior to SN 0160037794)	
32	1001134329	1	CAPACITY CHART BOOKLET (SN 0160037794 through 0160043356)	
32	1001110410	1	CAPACITY CHART BOOKLET, (contains capacity charts for 12 ft truss boom with winch, fork mounted lifting hook and grapple bucket), (644E-42 SN 0160037794 through 0160043356)	
33	7301586	1	CAPACITY CHART BOOKLET, (944E-42 Prior to SN 0160037794)	
33	1001106011	1	CAPACITY CHART BOOKLET, (944E-42 SN 0160037794 through 0160041823)	
33	1001110411	1	CAPACITY CHART BOOKLET, (contains capacity charts for 12 ft truss boom with winch, fork mounted lifting hook and grapple bucket), (944E-42 SN 0160037794 through 0160041823)	
34	7301495	1	SLOW MOVING VEHICLE SIGN	

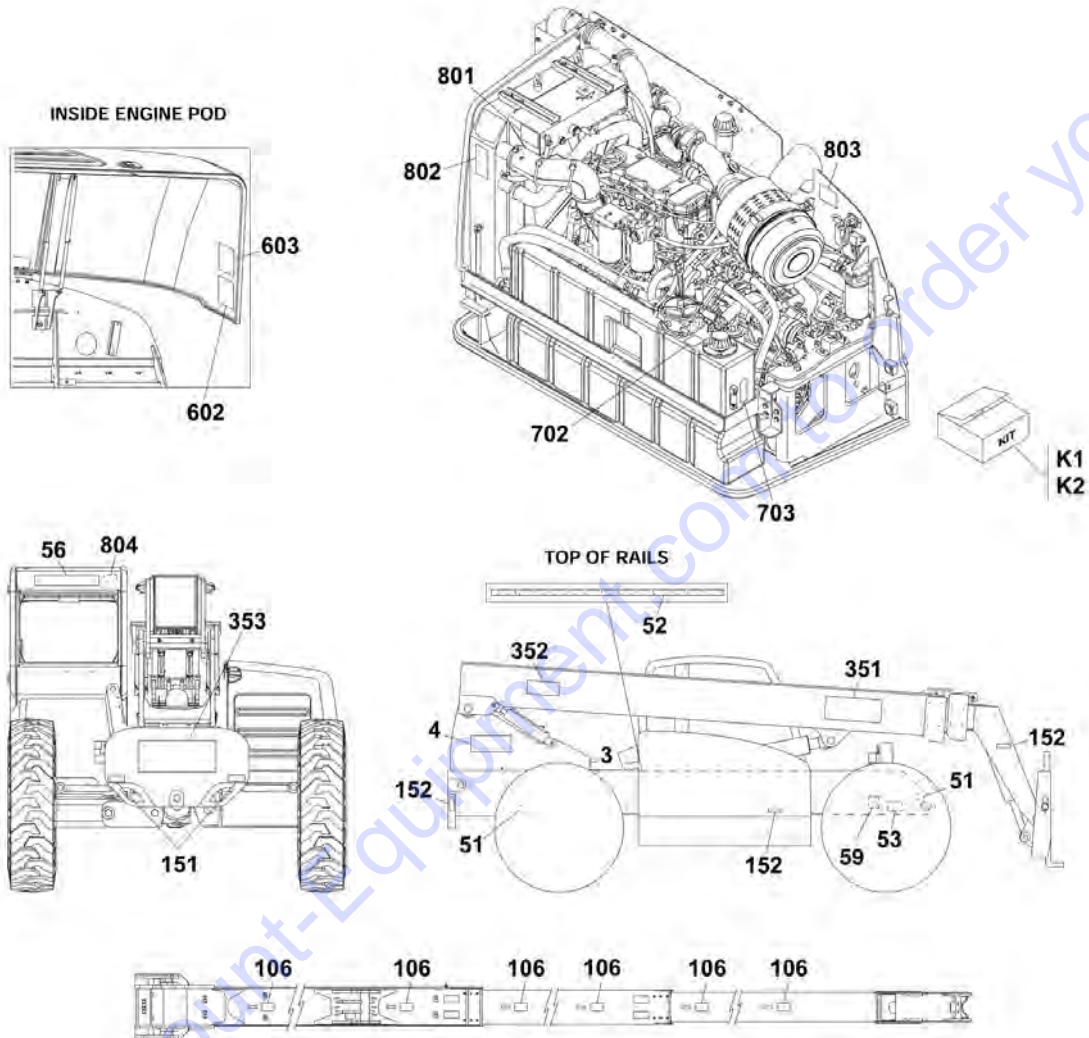
## SECTION 11 - DECALS

ITEM	PART NUMBER	QTY	DESCRIPTION	REV
35	7301383	1	SLOW MOVING VEHICLE BRACKET	
36	1706101	1	JLG DECAL	
37	1705687	1	WEBSITE DECAL	
38	1706170	2	GOOSENECK DECAL	
39	3251813	1	USA DECAL	
40	1705957	1	VEHICLE ROLLAWAY WARNING (644E-42 SN 0160007291 through 0160043356, Including 0160006857; 944E-42 SN 0160007289 through 0160041823, Including 0160005664)	
41	1705956	1	DO NOT JUMP WARNING (644E-42 SN 0160007291 through 0160043356, Including 0160006857; 944E-42 SN 0160007289 through 0160041823, Including 0160005664)	
42	N.S.S.	1	SN PLATE	
43	91404299	1	ESCAPE DECAL	
44	1706511	1	LULL DECAL (644E-42 SN 0160017554 through 0160043356; 944E-42 SN 0160017557 through 0160041823)	
K1	7301384	1	SLOW MOVING VEHICLE KIT, (includes items 38, 39 and appropriate installation hardware)	
K2	2915192	1	DECAL KIT, (includes items 1 thru 31 and items 36 thru 41)	



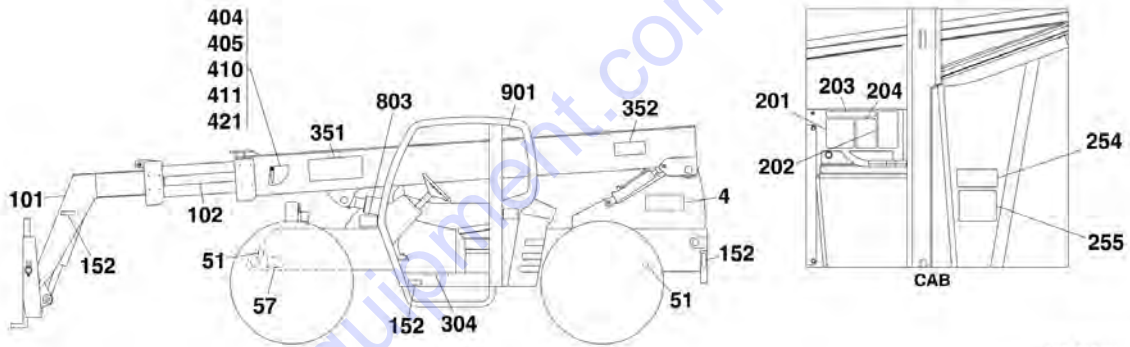
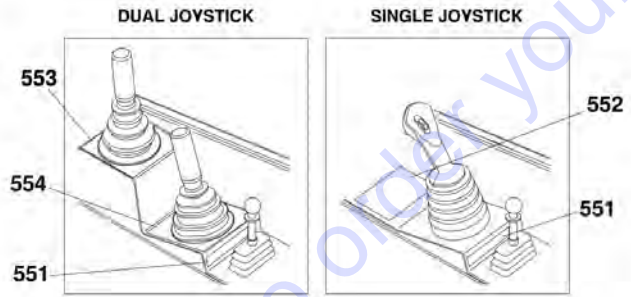
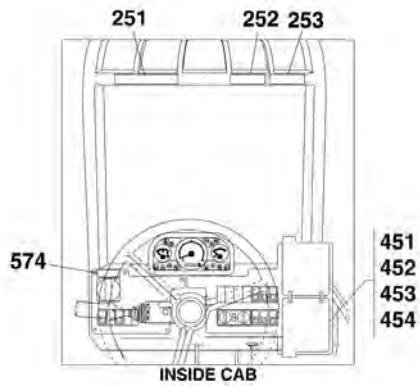
# SECTION 11 - DECALS

FIGURE 11-2. DECALS (644E-42 SN 0160048717 to Present, Including 0160045421; 944E-42 SN 0160041827 to Present)



ART\_PAP12132-B

# SECTION 11 - DECALS



ART\_PAP12312-B

## SECTION 11 - DECALS

**FIGURE 11-2. DECALS (644E-42 SN 0160048717 to Present, Including 0160045421; 944E-42 SN 0160041827 to Present)**

ITEM	PART NUMBER	QTY	DESCRIPTION	REV
3	4110405	1	TRANSFER CARRIAGE INDICATOR POINTER DECAL	
4	1706104	2	MODEL DECAL, (644E-42)	
4	1706105	2	MODEL DECAL, (944E-42)	
51	4109801	4	TIE DOWN DECAL	
52	4110356	1	TRANSFER CARRIAGE EXTENSION TAPE MEASURE DECAL	
53	N.S.S.	1	SN PLATE	
56	1705687	1	WEBSITE DECAL	
57	1001131271	1	PATENT DECAL	
59	1702631	1	DECAL,BAR CODE	
101	1706298	1	ATTACH FALLING OFF WARNING DECAL	
102	4110130	1	BOOM EXTEND STRIPES DECAL, (A-F)	
106	1706302	6	PINCH POINT DECAL	
151	7301379	2	RED REFLECTIVE TAPE, (4.5X2)	
152	7301380	6	ORANGE REFLECTIVE TAPE, (4.5X2)	
201	1706851	1	DO NOT JUMP WARNING DECAL	
202	1706304	1	RUN OVER WARNING DECAL	
203	1706303	1	READ MANUAL DECAL	
204	1706767	1	MACHINE ROLLOVER WARNING DECAL	
251	1706306	1	TIP OVER WARNING DECAL	
252	1706299	1	ELECTROCUTION HAZARD DECAL	
253	1706850	1	CRUSH WARNING DECAL	
254	1706768	1	NO RIDERS DECAL	
255	N.S.S.	1	SN PLATE	
304	4110392	1	HYDRAULIC TEST LOCATIONS DECAL	
	0274236	Ref	LULL DECAL INSTALLATION, (not available to order, see items 351 thru 353 for service)	D
351	1706103	2	LULL DECAL	
352	1706101	2	JLG DECAL	
353	1706511	1	LULL DECAL	
404	4105262	1	BOOM ANGLE INDICATOR DECAL	
405	1001098769	1	BOOM ANGLE INDICATOR	
410	8305645	1	HEX LOCKNUT, 3/8-16	
411	4711600	1	WASHER, 3/8	
421	1001096404	1	ANGLE INDICATOR SPACER	
451	1001134329	1	CAPACITY CHART, (644E-42)	B
452	1001106011	1	CAPACITY CHART, (944E-42)	B
453	1001110410	1	SUPPLEMENTAL CAPACITY CHART, (644E-42, if equipped)	B
454	1001110411	1	SUPPLEMENTAL CAPACITY CHART, (944E-42, if equipped)	3
551	4110367	1	FRAME LEVEL DECAL	
552	4110423	1	SINGLE JOYSTICK DECAL, (if equipped with single joystick)	
553	4110366	1	FRONT JOYSTICK OVERLAY DECAL, (transfer and attach tilt control), (if equipped with dual joystick)	
554	4110360	1	MIDDLE JOYSTICK OVERLAY DECAL, (boom movement control), (if equipped with dual joystick)	
574	4110359	1	STEER MODE INDICATOR DECAL	
602	4110349	1	LUBRICATION CHART DECAL	
603	1001103931	1	MAINTENANCE CHART DECAL	
702	1707079	1	HYDRAULIC OIL DECAL	
703	1707114	1	HYDRAULIC OIL LEVEL DECAL	



## SECTION 11 - DECALS

ITEM	PART NUMBER	QTY	DESCRIPTION	REV
801	1001125892	1	COOLANT FILL DECAL	
802	1706301	1	MOVING PARTS DECAL	
803	1706300	2	ETHER START WARNING DECAL	
804	91404299	1	ESCAPE DECAL	
901	1701640	1	MANUAL DECAL	
K1	1001115208	1	CAB DECALS KIT, (ANSI), (includes items 58, 251 thru 254)	
K2	1001115205	1	RIGHT SIDE DASH DECAL KIT, (includes items 201 thru 204)	

Go to Discount-Equipment.com to order your parts

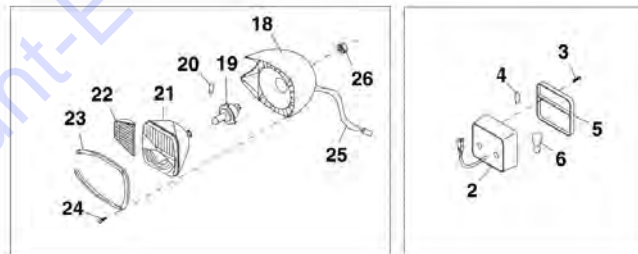
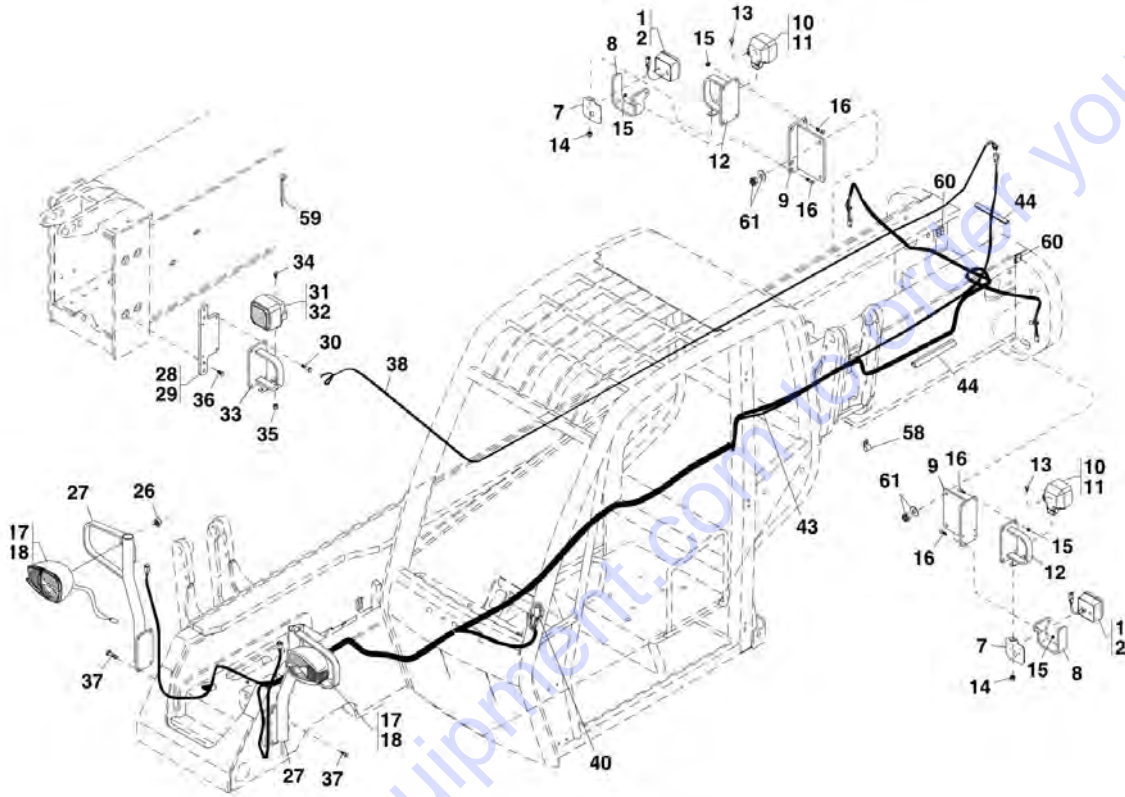


SECTION 12 - OPTIONS

Go to Discount-Equipment.com to order your parts

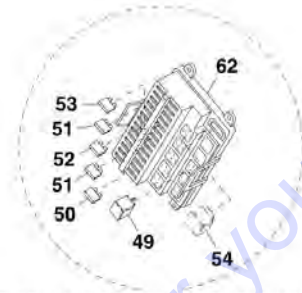
# SECTION 12 - OPTIONS

## FIGURE 12-1. ROADLIGHT INSTALLATION

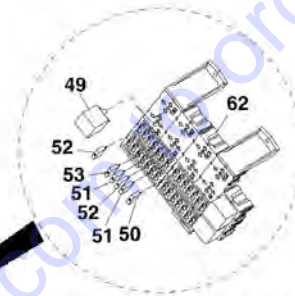


PAP12360

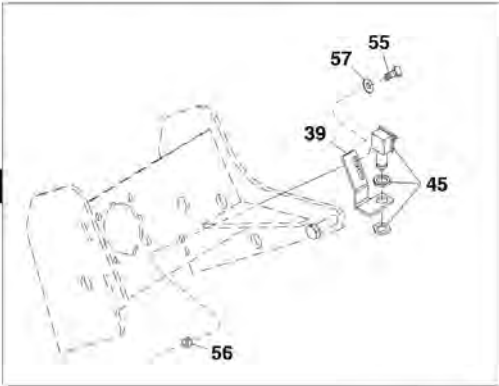
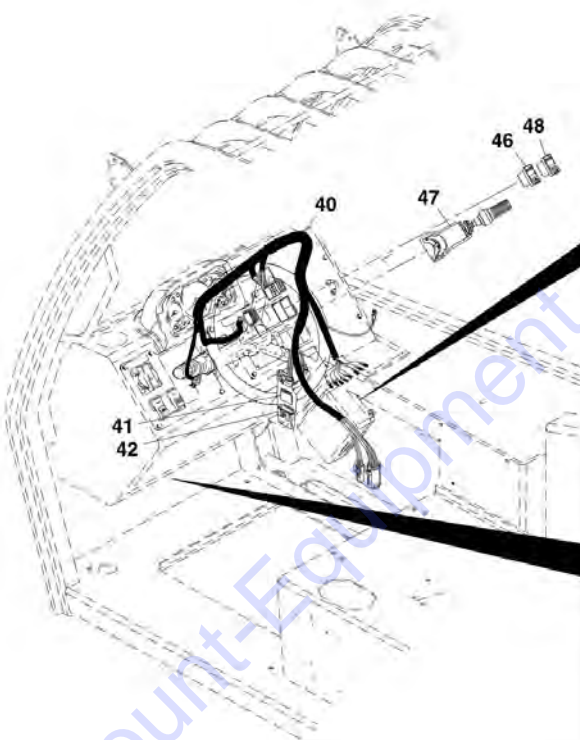
# SECTION 12 - OPTIONS



644E SN 19042 THROUGH 20123 & 0160002514 THROUGH 0160034284  
944E SN 19042 THROUGH 20123 & 0160002514 THROUGH 0160034278



644E SN 0160034285 TO PRESENT  
944E SN 0160034279 TO PRESENT



PU3252

## SECTION 12 - OPTIONS

### FIGURE 12-1. ROADLIGHT INSTALLATION

ITEM	PART NUMBER	QTY	DESCRIPTION	REV
	7300423	1	ROADLIGHT INSTALLATION, (includes items 1 thru 60)	AA
1	7301225	1	ROADLIGHT ASSY, (left rear), (includes items 2 thru 16)	D
1	7301229	1	ROADLIGHT ASSY, (right rear), (includes items 2 thru 16)	D
2	7150690	2	DIRECTION STOP/TAIL LIGHT, (includes items 3 thru 6)	D
3	N.S.S.	4	TAIL LIGHT LENS SCREW	
4	8036221	1	BLINKER BULB	
5	8036219	1	TAIL LIGHT LENS	
6	8036222	1	TAIL LIGHT BULB AND BRAKE LIGHT	
7	7301230	1	TAIL LIGHT MOUNTING PLATE	
8	7301233	1	TAIL LIGHT GUARD	
9	7301238	1	REAR LIGHT BRACKET	
10	7301345	1	WORKLIGHT ASSY, (left rear), (includes items 11 thru 14)	
10	7301346	1	WORKLIGHT ASSY, (right rear), (includes items 11 thru 14)	
11	7150687	NLA	WORKLAMP, (no longer available, use 1001096314 for replacement), <b>(644E-42 SN 19042 through 20123, SN 0160002514 through 0160030591; 944E-42 SN 19042 through 20123, SN 0160002514 through 0160030592)</b>	
11	8036218	1	HALOGEN BULB, 12V	
11	8036217	NLA	LENS, (no longer available, use 1001096314 for replacement)	
11	8036216	4	LENS SCREW	
11	1001096314	1	WORKLAMP, <b>(644E-42 SN 0160030593 to Present; 944E-42 SN 01600030594 to Present)</b>	
11	70021859	1	LENS, (includes lens, reflective unit and gasket)	
11	8036218	1	HALOGEN BULB, 12V	
12	7301341	1	WORKLIGHT BRACKET ASSY	
12	7301324	1	MOUNTING PLATE	
12	7301342	1	WORKLIGHT GUARD	
12	7301343	1	WORKLIGHT MOUNTING BRACKET	
13	8303606	6	HEX HD CAPSCREW, M8X1.25X20MM, PC8.8	
14	8305043	6	NUT, M8X1.25	
15	8305645	6	HEX NUT, 3/8-16	
16	8310341	6	HEX HD CAPSCREW, 3/8-16X1-1/2	
17	7301318	1	ROADLIGHT ASSY INC LIGHT, (right front), (includes items 18 thru 27)	B
17	7301321	1	ROADLIGHT ASSY INC LIGHT, (left front), (includes items 18 thru 27)	B
18	7150703	1	ROADLIGHT, (right front), (includes items 19 thru 26)	AD
18	7150702	1	ROADLIGHT, (left front), (includes items 19 thru 26)	AD
19	8036213	1	HEADLIGHT BULB	
20	8036214	1	BLINKER BULB	
21	8036212	1	HEADLIGHT LENS	
22	8036210	1	AMBER HEADLIGHT LENS, (right front)	
22	8036209	1	AMBER HEADLIGHT LENS, (left front)	
23	N.S.S.	1	HEADLIGHT RING	
24	8036216	6	HEADLIGHT LENS SCREW	
25	8036215	1	WIRING HARNESS, (includes 6-way connector)	
26	N.S.S.	1	NUT, (torque to 7-15 lb-ft)	
27	7301320	1	ROAD LIGHT BRACKET ASSY, (right front)	
27	7301323	1	ROAD LIGHT BRACKET ASSY, (left front)	
27	7301324	1	COMMON LIGHT MOUNTING	
27	7301325	1	ROADLIGHT SUPPORT TUBING	

## SECTION 12 - OPTIONS

ITEM	PART NUMBER	QTY	DESCRIPTION	REV
27	7301327	1	ROADLIGHT GUARD	
27	7301328	1	LIGHT MOUNT BRACKET	
28	7301322	1	BOOM WORKLIGHT ASSY, (includes items 29 thru 37)	AA
29	7301319	1	BOOM WORKLIGHT BRACKET	
30	8303784	4	HEX HD CAPSCREW, M10X1.5X20MM, PC8.8	
31	7301346	1	WORKLIGHT ASSY, (right front), (includes items 32 thru 35)	
32	7150687	NLA	WORKLAMP, (no longer available, use 1001096314 for replacement), <b>(644E-42 SN 19042 through 20123, SN 0160002514 through 0160030591; 944E-42 SN 19042 through 20123, SN 0160002514 through 0160030592)</b>	
32	8036218	1	HALOGEN BULB, 12V	
32	8036217	NLA	LENS, (no longer available, use 1001096314 for replacement)	
32	8036216	4	LENS SCREW	
32	1001096314	1	WORKLAMP, <b>(644E-42 SN 0160030593 to Present; 944E-42 SN 0160030594 to Present)</b>	
32	70021859	1	LENS, (includes lens, reflective unit and gasket)	
32	8036218	1	HALOGEN BULB, 12V	
33	7301341	1	WORKLIGHT BRACKET ASSY	
33	7301324	1	MOUNTING PLATE	
33	7301342	1	WORKLIGHT GUARD	
33	7301343	1	WORKLIGHT MOUNTING BRACKET	
34	8303606	1	HEX HD CAPSCREW, M8X1.25X20MM, PC8.8	
35	8305043	1	NUT, M8X1.25	
36	8303769	2	HEX HD CAPSCREW, M10X1.5X25MM, PC8.8	
37	8303798	8	HEX HD CAPSCREW, M10X1.5X25MM, PC8.8	
38	7150730	1	BOOM WORKLIGHT CORD	
39	7151322	1	BRAKE LIGHT SWITCH BRACKET	
40	7300347	1	CAB ROADLIGHT HARNESS, (includes items 41 & 42), <b>(644E-42 SN 17569 through 20123, SN 0160002514 through 0160034284; 944E-42 SN 17569 through 20123, SN 0160002514 through 0160034278)</b>	
40	1001092359	1	CAB ROADLIGHT HARNESS, (includes items 41 & 42), <b>(644E-42 SN 0160034285 to Present; 944E-42 SN 0160034279 to Present)</b>	
41	8220363	1	3 DIODE CIRCUIT BOARD	
42	8220357	1	CLEAR VES-PAC COVER	
43	7300348	1	VEHICLE ROADLIGHT HARNESS	
44	7301998	2	CONDUIT	
45	8223019	1	MOMENTARY SWITCH	
46	8223060	1	HAZARD SWITCH	
47	8223073	1	TURN SIGNAL CONTROL SELECTOR	
48	8223080	1	WORKLIGHT SWITCH	
49	8225119	1	SEALED RELAY, HIGH INRUSH W/RESISTOR	
50	8229233	1	FUSE, AUTOMOBILE BLADE TYPE, 7.5 AMPS	
51	8229235	2	FUSE, AUTOMOBILE BLADE TYPE, 20 AMPS	
52	8229237	AR	FUSE, AUTOMOBILE BLADE TYPE, 15 AMPS	
53	8229238	1	FUSE, AUTOMOBILE BLADE TYPE, 40 AMPS	
54	8270628	1	ELECTRONIC FLASHER, <b>(644E-42 SN 17569 through 20123, SN 0160002514 through 0160034284; 944E-42 SN 17569 through 20123, SN 0160002514 through 0160034278)</b>	
55	8303607	2	HEX HD CAPSCREW, M6X1X25MM, PC8.8	
56	8305637	2	HEX LOCKNUT, M6X1	
57	8307219	2	WASHER, M6	
58	8406105	2	CLIP TUBE	

## SECTION 12 - OPTIONS

ITEM	PART NUMBER	QTY	DESCRIPTION	REV
59	8584001	12	TIE WRAP	
60	8584018	2	CABLE TIE MOUNT	
61		Ref	BRACKET HARDWARE, (See FRAME AND ATTACHING PARTS SECTION for Breakdown)	
62		Ref	FUSE PANEL, (See ELECTRICAL SECTION for Breakdown)	

Go to Discount-Equipment.com to order your parts



# PARTS FINDER

**Search Website  
by Part Number**



**Search Manual  
Library For Parts  
Manual & Lookup Part  
Numbers – Purchase  
or Request Quote**

**Can't Find Part or  
Manual? Request Help  
by Manufacturer,  
Model & Description**

Discount-Equipment.com is your online resource for quality parts & equipment.

Florida: **561-964-4949** Outside Florida TOLL FREE: **877-690-3101**

**Need parts?**

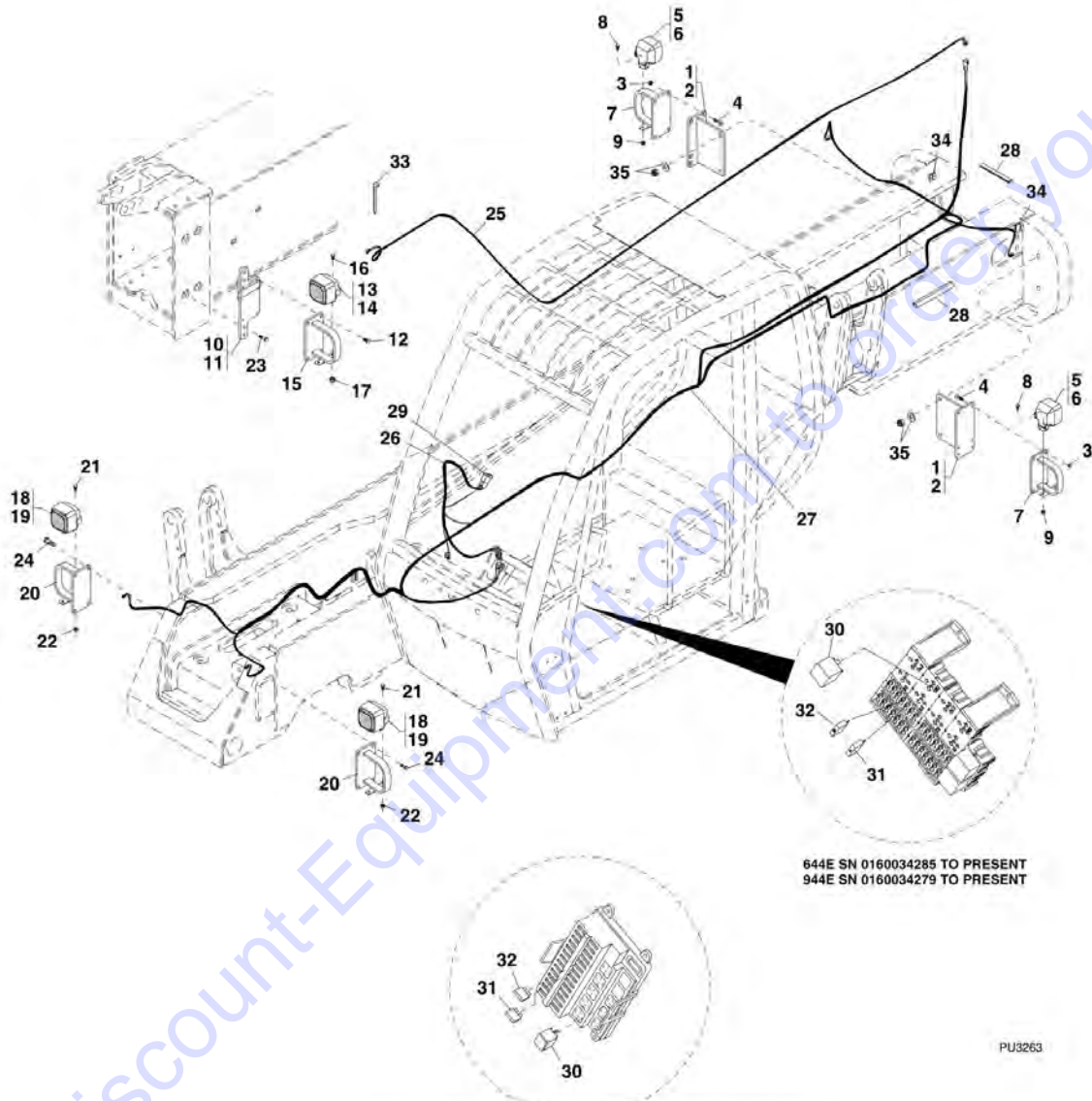
Click on this link: <http://www.discount-equipment.com/category/5443-parts/> and choose one of the options to help get the right parts and equipment you are looking for. Please have the machine model and serial number available in order to help us get you the correct parts. If you don't find the part on the website or on one of the online manuals, please fill out the request form and one of our experienced staff members will get back to you with a quote for the right part that your machine needs.

We sell worldwide for the brands: Genie, Terex, JLG, MultiQuip, Mikasa, Essick, Whiteman, Mayco, Toro Stone, Diamond Products, Generac Magnum, Airman, Haulotte, Barreto, Power Blanket, Nifty Lift, Atlas Copco, Chicago Pneumatic, Allmand, Miller Curber, Skyjack, Lull, Skytrak, Tsurumi, Husquvarna Target, Stow, Wacker, Sakai, Mi-T-M, Sullair, Basic, Dynapac, MBW, Weber, Bartell, Bennar Newman, Haulotte, Ditch Runner, Menegotti, Morrison, Contec, Buddy, Crown, Edco, Wyco, Bomag, Laymor, EZ Trench, Bil-Jax, F.S. Curtis, Gehl Pavers, Heli, Honda, ICS/PowerGrit, IHI, Partner, Imer, Clipper, MMD, Koshin, Rice, CH&E, General Equipment, Amida, Coleman, NAC, Gradall, Square Shooter, Kent, Stanley, Tamco, Toku, Hatz, Kohler, Robin, Wisconsin, Northrock, Oztec, Toker TK, Rol-Air, APT, Wylie, Ingersoll Rand / Doosan, Innovatech, Con X, Ammann, Mecalac, Makinex, Smith Surface Prep, Small Line, Wanco, Yanmar



# SECTION 12 - OPTIONS

## FIGURE 12-2. WORKLIGHT INSTALLATION



644E SN 19042 THROUGH 20123 & 0160002514 THROUGH 0160034284  
944E SN 19042 THROUGH 20123 & 0160002514 THROUGH 0160034278

Go to Discount-Equipment.com to order your parts

## SECTION 12 - OPTIONS

### FIGURE 12-2. WORKLIGHT INSTALLATION

ITEM	PART NUMBER	QTY	DESCRIPTION	REV
	7300424	1	WORKLIGHT INSTALLATION, (includes items 1 thru 34)	
1	7301236	1	WORKLIGHT ASSY, (right rear), (includes 2 thru 9)	
1	7301237	1	WORKLIGHT ASSY, (left rear), (includes 2 thru 9)	
2	7301238	1	REAR LIGHT BRACKET	
3	8305645	4	HEX NUT, 3/8-16	
4	8310341	4	HEX HD CAPSCREW, 3/8-16X1-1/2	
5	7301346	1	WORKLIGHT ASSY, (right rear)	
5	7301345	1	WORKLIGHT ASSY, (left rear)	
6	7150687	NLA	WORKLAMP, (no longer available, use 1001096314 for replacement) <b>(644E-42 SN 19042 through 20123, SN 0160002514 through 0160030591; 944E-42 SN 19042 through 20123, SN 0160002514 through 0160030592)</b>	
6	8036218	1	HALOGEN BULB, 12V	
6	8036217	NLA	LENS, (no longer available, use 1001096314 for replacement)	
6	8036216	4	LENS SCREW	
6	1001096314	1	WORKLAMP <b>(644E-42 SN 0160030593 to Present; 944E-42 SN 01600030594 to Present)</b>	
6	70021859	1	LENS, (includes lens, reflective unit and gasket)	
6	8036218	1	HALOGEN BULB, 12V	
7	7301341	1	WORKLIGHT BRACKET ASSY	
7	7301324	1	MOUNTING PLATE	
7	7301342	1	WORKLIGHT GUARD	
7	7301343	1	WORKLIGHT MOUNTING BRACKET	
8	8303606	1	HEX HD CAPSCREW, M8X1.25X20MM, PC8.8	
9	8305043	1	NUT, M8X1.25	
10	7301322	1	BOOM WORKLIGHT ASSY, (includes 11 thru 17)	
11	7301319	1	BOOM WORKLIGHT BRACKET	
12	8303784	4	HEX HD CAPSCREW, M10X1.5X20MM, PC8.8	
13	7301346	1	WORKLIGHT ASSY, (right front)	
14	7150687	NLA	WORKLAMP, (no longer available, use 1001096314 for replacement) <b>(644E-42 SN 19042 through 20123, SN 0160002514 through 0160030591; 944E-42 SN 19042 through 20123, SN 0160002514 through 0160030592)</b>	
14	8036218	1	HALOGEN BULB, 12V	
14	8036217	NLA	LENS, (no longer available, use 1001096314 for replacement)	
14	8036216	4	LENS SCREW	
14	1001096314	1	WORKLAMP <b>(644E-42 SN 0160030593 to Present; 944E-42 SN 01600030594 to Present)</b>	
14	70021859	1	LENS, (includes lens, reflective unit and gasket)	
14	8036218	1	HALOGEN BULB, 12V	
15	7301341	1	WORKLIGHT BRACKET ASSY	
15	7301324	1	MOUNTING PLATE	
15	7301342	1	WORKLIGHT GUARD	
15	7301343	1	WORKLIGHT MOUNTING BRACKET	
16	8303606	1	HEX HD CAPSCREW, M8X1.25X20MM, PC8.8	
17	8305043	1	NUT, M8X1.25	
18	7301345	1	WORKLIGHT ASSY, (left front), (includes 19 thru 22)	
18	7301346	1	WORKLIGHT ASSY, (right front), (includes 19 thru 22)	
19	7150687	NLA	WORKLAMP, (no longer available, use 1001096314 for replacement) <b>(644E-42 SN 19042 through 20123, SN 0160002514 through 0160030591; 944E-42 SN 19042 through 20123, SN 0160002514 through 0160030592)</b>	

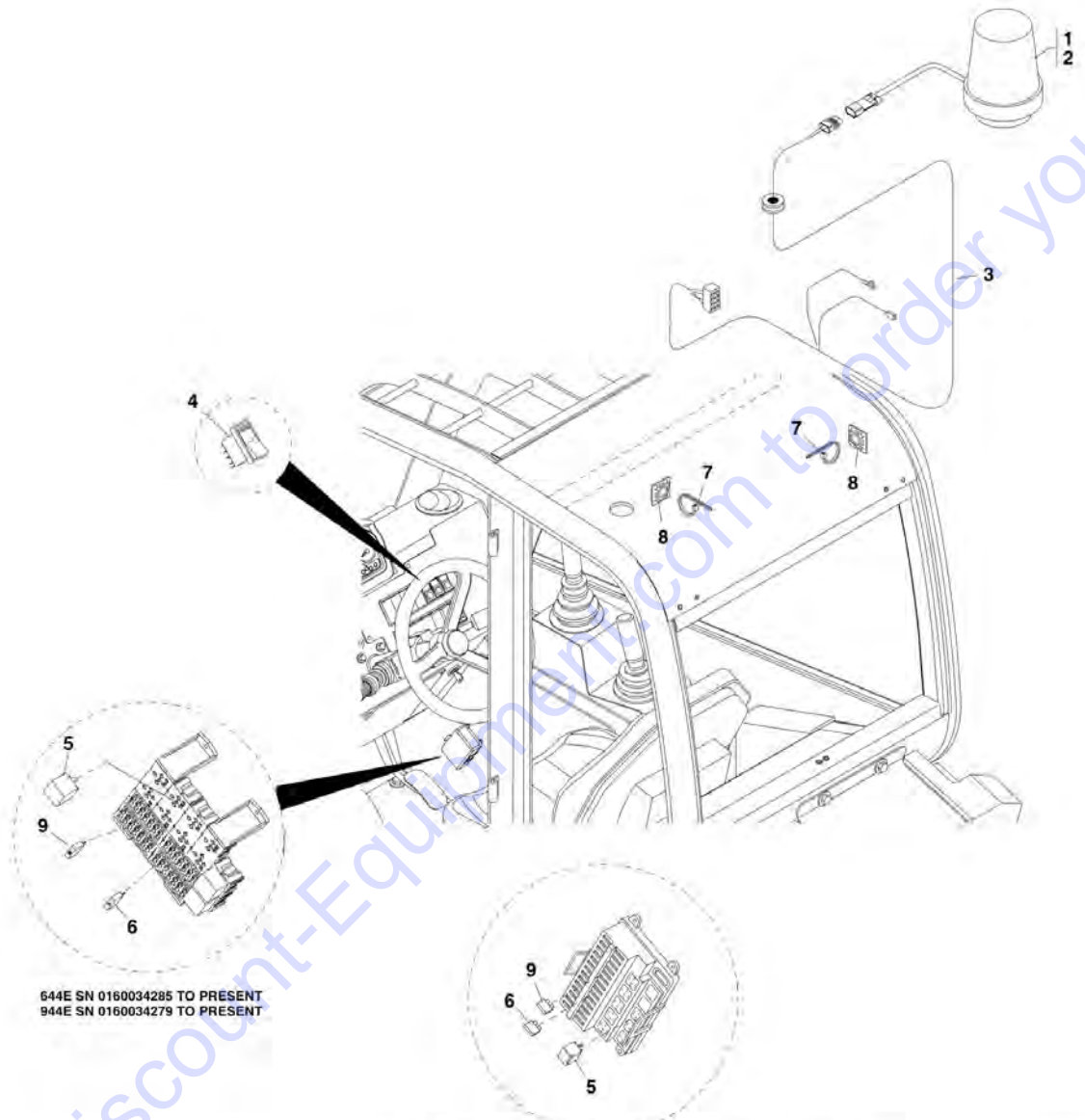
## SECTION 12 - OPTIONS

ITEM	PART NUMBER	QTY	DESCRIPTION	REV
19	8036218	1	HALOGEN BULB, 12V	
19	8036217	NLA	LENS, (no longer available, use 1001096314 for replacement)	
19	8036216	4	LENS SCREW	
19	1001096314	1	WORKLAMP (644E-42 SN 0160030593 to Present; 944E-42 SN 01600030594 to Present)	
19	70021859	1	LENS, (includes lens, reflective unit and gasket)	
19	8036218	1	HALOGEN BULB, 12V	
20	7301341	1	WORKLIGHT BRACKET ASSY	
20	7301324	1	MOUNTING PLATE	
20	7301342	1	WORKLIGHT GUARD	
20	7301343	1	WORKLIGHT MOUNTING BRACKET	
21	8303606	1	HEX HD CAPSCREW, M8X1.25X20MM, PC8.8	
22	8305043	1	NUT, M8X1.25	
23	8303769	2	HEX HD CAPSCREW, M10X1.5X45MM, PC8.8	
24	8303798	8	HEX HD CAPSCREW, M10X1.5X25MM, PC8.8	
25	7150730	1	BOOM WORKLIGHT HARNESS	
26	7300349	1	CAB WORKLIGHT HARNESS	
27	7300350	1	VEHICLE WORKLIGHT HARNESS	
28	7301998	2	SPLIT CONDUIT	
29	8223080	1	WORKLIGHT SWITCH	
30	8225119	1	SEALED RELAY, HIGH INRUSH W/RESISTOR	
31	8229236	1	FUSE, AUTOMOBILE BLADE TYPE, 30 AMPS	
32	8229238	1	FUSE, AUTOMOBILE BLADE TYPE, 40 AMPS	
33	8584001	12	TIE WRAP	
34	8584018	2	CABLE TIE MOUNT	
35		Ref	BRACKET HARDWARE, (See FRAME AND ATTACHING PARTS SECTION for Breakdown)	



# SECTION 12 - OPTIONS

## FIGURE 12-3. BEACON AND STROBE LIGHT



644E SN 0160034285 TO PRESENT  
944E SN 0160034279 TO PRESENT

644E SN 19042 THROUGH 20123 & 0160002514 THROUGH 0160034284  
944E SN 19042 THROUGH 20123 & 0160002514 THROUGH 0160034278

PU3271

## SECTION 12 - OPTIONS

**FIGURE 12-3. BEACON AND STROBE LIGHT**

ITEM	PART NUMBER	QTY	DESCRIPTION	REV
1	8500066	1	ROTATING BEACON LIGHT	
2	8500061	1	STROBE BEACON LIGHT	
2	7016603	1	BULB	
3	7300351	1	BEACON/STROBE LIGHT HARNESS (644E-42 SN 17569 through 20123, SN 0160002514 through 0160034284; 944E-42 SN 17569 through 20123, SN 0160002514 through 0160034278)	
3	1001092358	1	BEACON/STROBE LIGHT HARNESS (644E-42 SN 0160034285 to Present; 944E-42 SN 0160034279 to Present)	
4	8223038	1	BEACON SWITCH	
5	8225119	1	HIGH INRUSH W/RESISTOR RELAY SEALED	
6	8229234	1	10 AMP FUSE	
7	8584001	12	TIE WRAP	
8	8584018	7	TIE WRAP MOUNT	
9	8229238	1	40 AMP FUSE	

Go to Discount-Equipment.com to order your parts

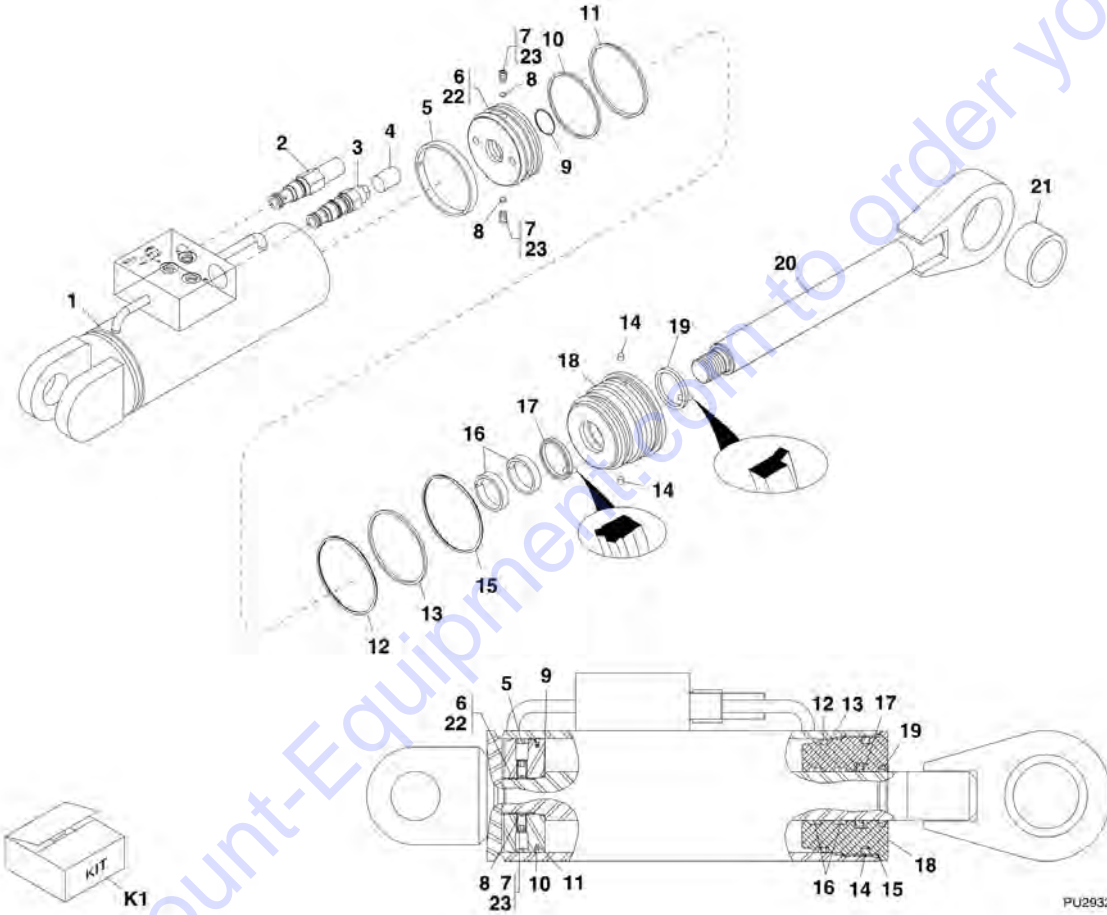


# SECTION 12 - OPTIONS

## FIGURE 12-4. SWING CARRIAGE CYLINDER ASSEMBLY ROSENBOOM

NOTE: CHECK CYLINDER FOR PART NUMBER & MANUFACTURER PRIOR TO ORDERING REPLACEMENT PARTS

ROSENBOOM



## SECTION 12 - OPTIONS

**FIGURE 12-4. SWING CARRIAGE CYLINDER ASSEMBLY ROSENBOOM**

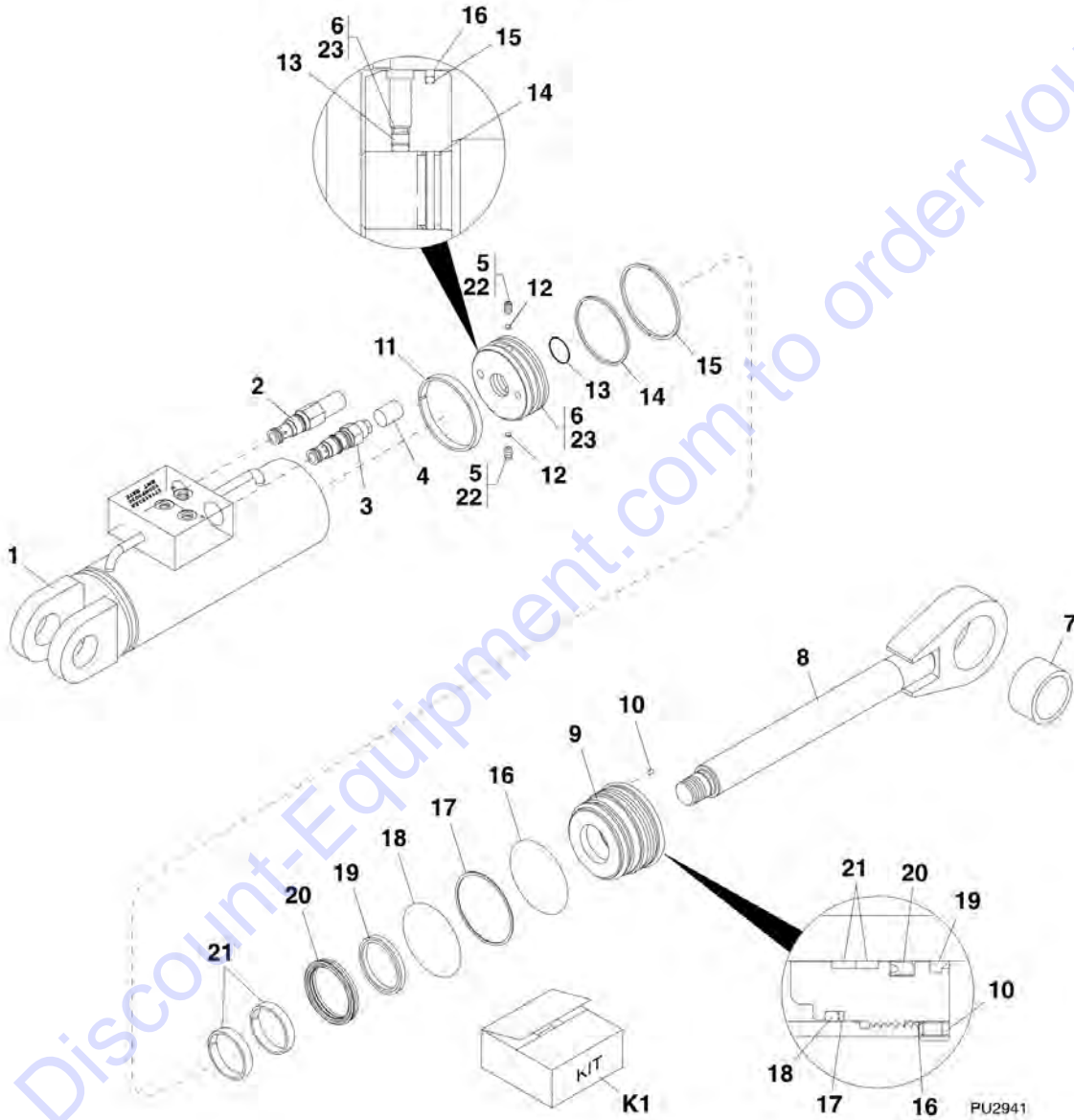
ITEM	PART NUMBER	QTY	DESCRIPTION	REV
	2716153	NLA	SWING CARRIAGE CYLINDER, (no longer available, use 2717200 for replacement), (includes items 1 thru 21)	A
	1684436	NLA	SWING CARRIAGE CYLINDER, (no longer available, use 2717200 for replacement), (includes items 1 thru 21)	B
	2717200	1	SWING CARRIAGE CYLINDER, (includes items 1 thru 21)	C, F
1	8035864	1	WELDMENT TUBE	
2	70020428	1	RELIEF VALVE CARTRIDGE, (torque to 30-35 lb-ft)	
2	7024574	1	SEAL KIT	
3	8033786	1	COUNTERBALANCE VALVE, (torque to 30-35 lb-ft)	
3	8025655	1	SEAL KIT	
4	70021812	1	CAP	
5	Kit	1	PRECISION WEARBAND	
6	8035863	1	PISTON, (loctite and torque to 440-500 lb-ft)	
7	8035536	2	SET SCREW, 5/16-18X1/2, (Loctite and torque to 85-95 lb-in)	
8	Kit	2	LOCKING INSERT	
9	Kit	1	O-RING	
10	Kit	1	SQUARE RING	
11	Kit	1	SQUARE SECTION TFE PISTON SEAL	
12	Kit	1	O-RING	
13	Kit	1	BACK-UP RING	
14	Kit	2	LOCKING INSERT	
15	Kit	1	O-RING	
16	Kit	2	PRECISION WEARBAND	
17	Kit	1	DEEP Z-SEAL	
18	8035862	1	HEAD GLAND, (torque to 250-300 lb-ft)	
19	Kit	1	WIPER SEAL	
20	8035861	1	WELDMENT ROD	
21	70022046	1	DURALON JOURNAL BEARING	
22	8526011	AR	LOCTITE 271, (apply to item 6)	
23	8526036	AR	LOCTITE 242, (apply to item 7)	
K1	8035830	1	SEAL KIT, (includes items 5, 8 thru 17 & 19)	

# SECTION 12 - OPTIONS

## FIGURE 12-5. SWING CARRIAGE CYLINDER ASSEMBLY ENERGY

NOTE: CHECK CYLINDER FOR PART NUMBER & MANUFACTURER PRIOR TO ORDERING REPLACEMENT PARTS

### ENERGY



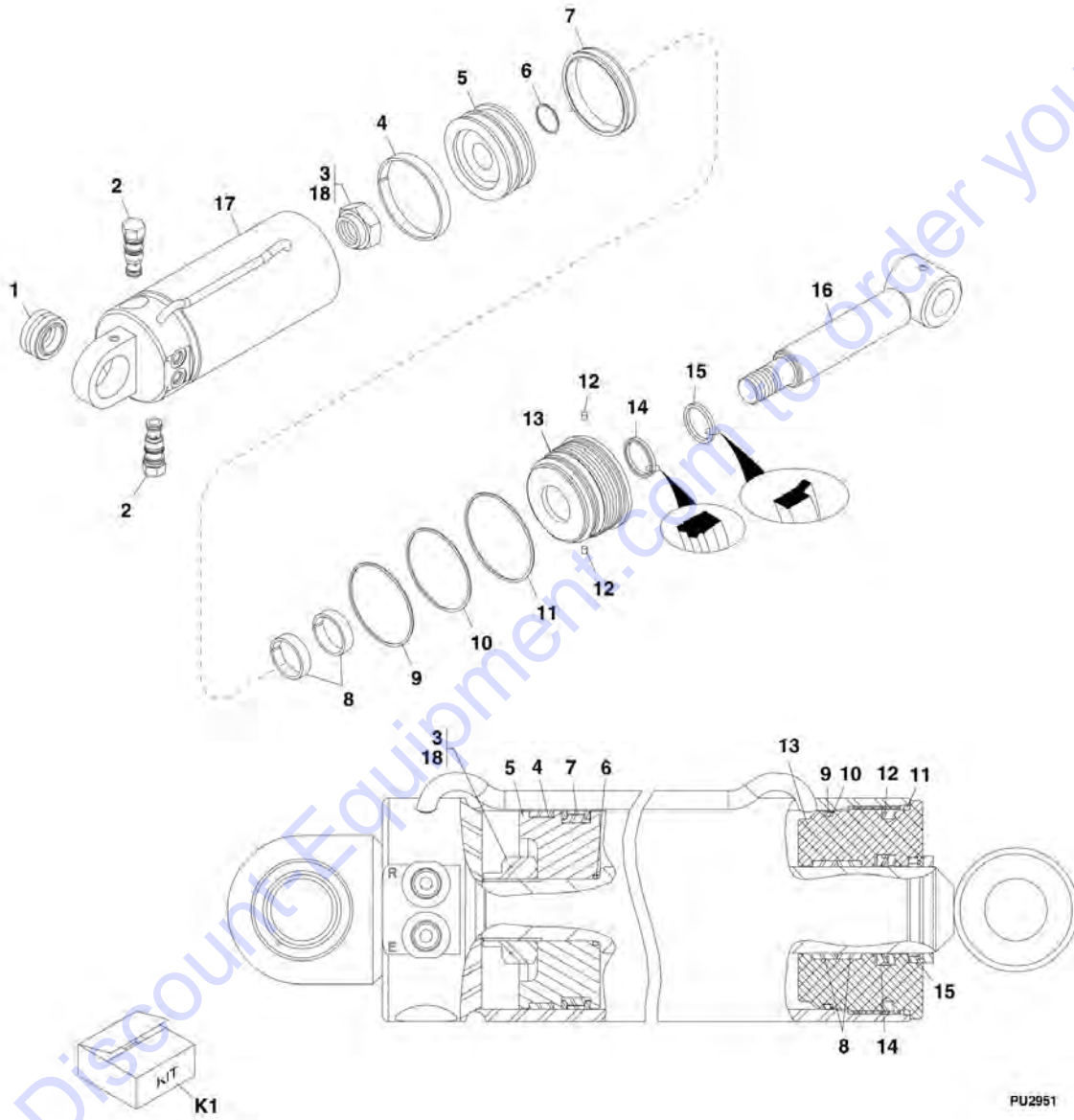
## SECTION 12 - OPTIONS

**FIGURE 12-5. SWING CARRIAGE CYLINDER ASSEMBLY ENERGY**

ITEM	PART NUMBER	QTY	DESCRIPTION	REV
	2717076	NLA	SWING CARRIAGE CYLINDER, (no longer available, use 2717200 for replacement), (includes items 1 thru 21)	B
1	N.S.S.	1	WELDMENT TUBE	
2	70020428	1	RELIEF VALVE CARTRIDGE, (torque to 30-35 lb-ft)	
2	7024574		SEAL KIT	
3	8033786	1	COUNTERBALANCE VALVE, (torque to 30-35 lb-ft)	
3	8025655		SEAL KIT	
4	N.S.S.	1	CAP	
5	8036817	2	SET SCREW, 1/2-20X1/4, (loctite and torque to 85-95 lb-in)	
6	8036819	1	PISTON, (loctite and torque to 425-500 lb-ft)	
7	8036830	2	DURALON JOURNAL BEARING	
8	8036820	1	WELDMENT ROD	
9	8036821	1	HEAD GLAND, (torque to 250-300 lb-ft)	
10	8036811	1	SET SCREW, 1/2-20X1/4	
11	Kit	1	PRECISION WEARBAND	
12	Kit	2	NYLON BALL	
13	Kit	1	O-RING	
14	Kit	1	O-RING	
15	Kit	1	PISTON SEAL	
16	Kit	1	O-RING	
17	Kit	1	BACK UP RING	
18	Kit	1	O-RING	
19	Kit	1	WIPER SEAL	
20	Kit	1	Z-SEAL	
21	Kit	2	PRECISION WEARBAND	
22	8526007	AR	LOCTITE 242, (apply to item 5)	
23	8526011	AR	LOCTITE 271, (apply to item 6)	
K1	8036783	1	SEAL KIT, (includes items 11 thru 21)	

# SECTION 12 - OPTIONS

## FIGURE 12-6. 48IN, 50IN, 60IN & 72IN SIDE TILT CARRIAGE CYLINDER



PU2951

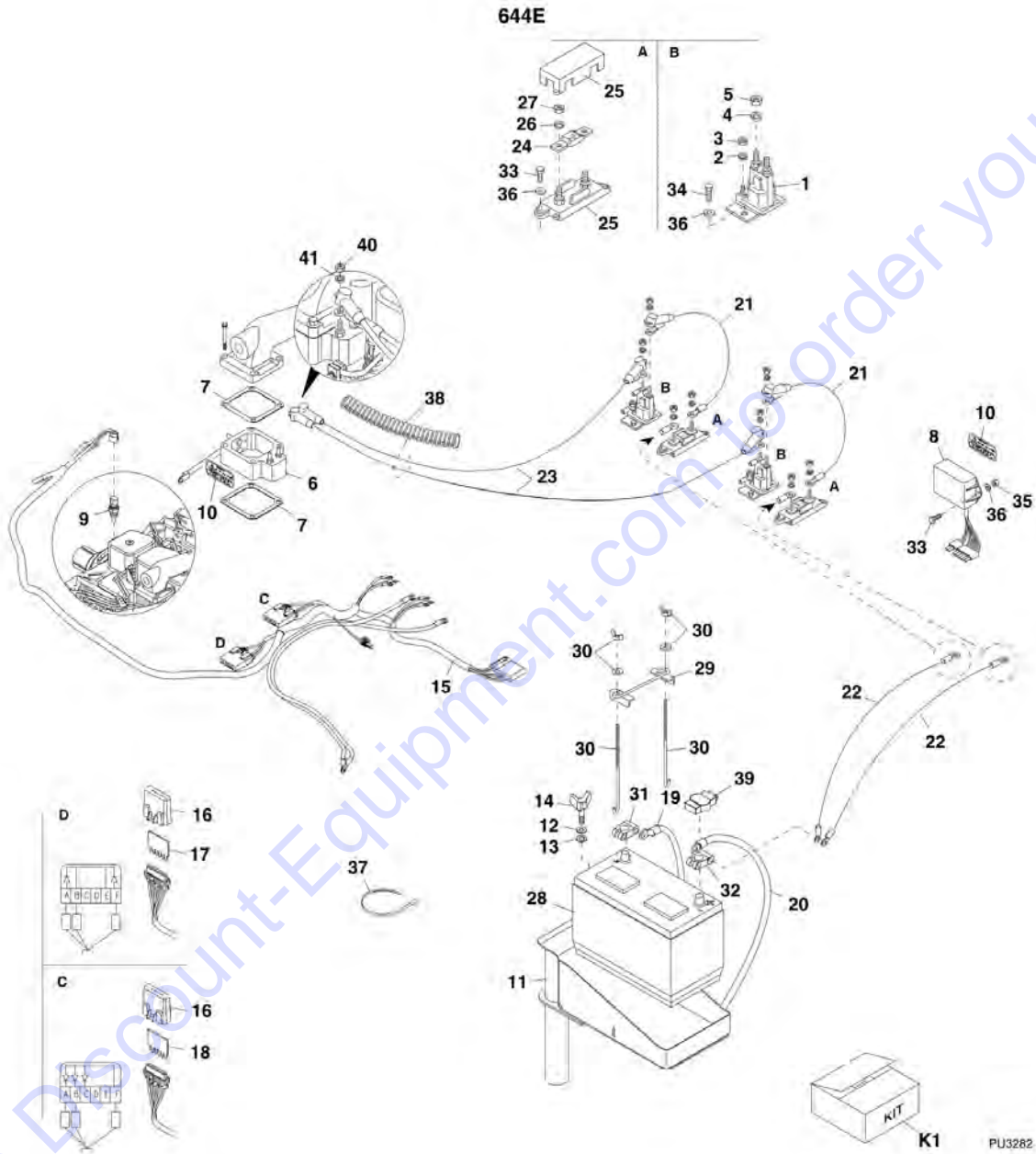
## SECTION 12 - OPTIONS

**FIGURE 12-6. 48IN, 50IN, 60IN & 72IN SIDE TILT CARRIAGE CYLINDER**

ITEM	PART NUMBER	QTY	DESCRIPTION	REV
	2716143	1	48IN, 50IN, 60IN AND 72IN SIDE TILT CARRIAGE CYLINDER, (includes items 1 thru 17)	C, F
1	8036451	1	SPHERICAL BEARING	
2	8036750	2	CHECK VALVE, (torque to 30-35 lb-ft)	
2	2900770	1	SEAL KIT	
3	8035865	1	LOCKNUT, (loctite and torque to 550-650 lb-ft)	
4	Kit	1	PRECISION WEARBAND	
5	8035868	1	PISTON	
6	Kit	1	O-RING	
7	Kit	1	CAPPED T-SEAL	
8	Kit	2	PRECISION WEARBAND	
9	Kit	1	O-RING	
10	Kit	1	BACK-UP RING	
11	Kit	1	O-RING	
12	Kit	2	LOCKING INSERT	
13	8035867	1	HEAD GLAND, (torque to 300-400 lb-ft)	
14	Kit	1	DEEP Z-SEAL	
15	Kit	1	WIPER SEAL	
16	8035866	1	ROD WELDMENT	
17	N.S.S.	1	TUBE WELDMENT	
18	0100019	AR	LOCTITE 271, (apply to item 3)	
K1	8035831	1	SEAL KIT, (includes items 4, 6 thru 12, 14 & 15)	

# SECTION 12 - OPTIONS

## FIGURE 12-7. COLD START OPTION



## SECTION 12 - OPTIONS

### FIGURE 12-7. COLD START OPTION

ITEM	PART NUMBER	QTY	DESCRIPTION	REV
1	8225122	2	4 POST RELAY, (includes items 2 thru 5)	
2	8307003	2	LOCKWASHER, #10	
3	8305003	2	HEX NUT, #10-32	
4	N.S.S.	2	LOCKWASHER, 5/16	
5	N.S.S.	2	HEX NUT, 5/16-24	
6	8270423	1	INTAKE AIR HEATER, 12 VDC, 195 AMP	
7	8270424	2	GRID HEATER GASKET	
8	8270425	1	HEATER CONTROL MODULE	
9	8270426	1	GRID HEATER CONTROL TEMPERATURE SENSOR	
10	8270427	2	GRID HEATER DECAL	
11	7300535	1	UPPER BATTERY SUPPORT	
12	8307221	1	FLAT WASHER, M10	
13	8310070	1	PUSHNUT, 3/8X13/16O.D.	
14	8310709	1	CLAMP KNOB STUD, M10-1.5X40mm	
15	7300346	1	COLD START HARNESS, (includes items 16 thru 18)	
16	8220357	2	CLEAR VES-PAC COVER	
17	8220364	1	2 DIODE CIRCUIT BOARD	
18	8220366	1	3 DIODE CIRCUIT BOARD	
19	4923215	1	NEGATIVE BATTERY CABLE	
20	4923214	1	POSITIVE BATTERY CABLE	
21	7301448	2	GRID HEATER CABLE, FUSE TO RELAY	
22	7301449	2	GRID HEATER CABLE, BATTERY TO FUSE (Prior to SN <b>0160010079, Excluding 0160009717</b> )	
22	4923225	2	GRID HEATER CABLE, BATTERY TO FUSE (SN <b>0160010079 to Present, Including 0160009717</b> )	
23	7301450	2	GRID HEATER CABLE, RELAY TO GRID HEATER	
24	8229259	2	MEGA BOLT FUSE, 125 AMP	
25	8229260	2	FUSE HOLDER, (includes items 26 & 27)	
26	N.S.S.	2	LOCKWASHER, M8	
27	N.S.S.	2	HEX NUT, M8	
28	8270144	1	12 VOLT BATTERY, GROUP 27, 850 CCA	
29	8270145	1	BATTERY HOLD DOWN BRACKET ASSY	
30	8270146	2	BATTERY HOLD DOWN BOLT ASSY	
31	8270147	1	NEGATIVE BATTERY CLAMP	
32	8270148	1	POSITIVE BATTERY CLAMP	
33	8303544	6	HEX HD CAPSCREW, M6-1.0X20mm, PC8.8, (torque to 7-12.5 Nm)	
34	8303545	4	HEX HD CAPSCREW, M6-1.0X14mm, PC8.8	
35	8305652	2	LOCK HEX NUT, M6-1.0	
36	8307219	10	FLAT WASHER, M6	
37	8584001	12	TIE WRAP	
38	7125861	1	CONDUIT, 75IDX60 LG, (cut to fit)	
39	7301893	1	BATTERY TERMINAL INSULATOR	
40	8305047	2	HEX LOCKNUT, M6-1.0	
41	8310687	2	LOCKWASHER, M6, (external tooth)	
K1	8270422	1	GRID HEATER KIT, (includes items 1 thru 10)	





**SECTION 13 - RECOMMENDED SPARE PARTS**

**SECTION 13 - RECOMMENDED SPARE PARTS**

Go to Discount-Equipment.com to order your parts

# SECTION 13 - RECOMMENDED SPARE PARTS

FIGURE 13-1. RECOMMENDED SPARE PARTS

ITEM	PART NUMBER	QTY	DESCRIPTION	REV
		Ref	<b>Note: The following list will service fleets of machines (built to current production per date on the front cover) with repair parts which can be installed in the field. Parts from the list should be replaced when inventory is depleted to keep service parts stock supplied. For further information, go to Discount-equipment.com</b>	
		Ref	<b>BOOM ASSEMBLY</b>	
	2717175	2	Tilt Cylinder Hose	
	2717176	1	Auxiliary Hose	
	7300034	8	Wear Pad	
	7300032	22	Wear Pad	
	7126172	AR	Shim, 3.42mm	
	7126182	AR	Shim, 1.90mm	
	7300517	AR	Shim, 3.42mm	
	7300518	AR	Shim, 1.90mm	
	7300064	6	Spacer	
	7300516	4	Spacer	
	7300973	4	Spacer	
	7118892	1	Quick Attach Pin	
		Ref	<b>ENGINE</b>	
	8024038	1	Engine Filter Kit, 644E-42 Tier I, 250 Hour (Prior to SN 0160048717, Excluding 01600045421)	
	8024037	1	Engine Filter Kit, 644E-42 Tier I, 1000 Hour (Prior to SN 0160048717, Excluding 01600045421)	
	2915034	1	Engine Filter Kit, 644E-42 Tier II, 250 Hour (Prior to SN 0160048717, Excluding 01600045421)	
	2915035	1	Engine Filter Kit, 644E-42 Tier II, 1000 Hour (Prior to SN 0160048717, Excluding 01600045421)	
	8024049	1	Engine Filter Kit, 250 Hour, (944E-42 Prior to SN 0160041827, Including 0160041849)	
	8024044	1	Engine Filter Kit, 1000 Hour, (944E-42 Prior to SN 0160041827, Including 0160041849)	
	70020349	1	Primary Fuel Filter (644E-42 SN 0160048717 to Present, Including 0160045421; 944E-42 SN 0160049678 to Present)	
	70020348	1	Secondary Fuel Filter (644E-42 SN 0160048717 to Present, Including 0160045421; 944E-42 SN 0160049678 to Present)	
	1001093641	1	Non-locking Fuel Cap (644E-42 SN 0160015439 to Present; 944E-42 SN 0160015442 to Present)	
	1001080707	1	Lockable Fuel Cap, (if equipped) (644E-42 SN 0160015439 through 0160043356; 944E-42 SN 0160015442 through 0160041823)	
	1001102657	1	Lockable Fuel Cap (644E-42 SN 0160048717 to Present, Including 0160045421; 944E-42 SN 0160049678 to Present)	
	8272031	1	21 IN Fan, (644E-42 Prior to SN 0160048717, Excluding 0160045421; 944E-42 Prior to SN 0160041827, Including 0160041849)	
	1001122234	1	23 IN Fan (644E-42 SN 0160048717 to Present, Including 0160045421; 944E-42 SN 0160041827 to Present)	
	1001131527	1	16 IN Electric Fan (644E-42 SN 0160048717 to Present, Including 0160045421; 944E-42 SN 0160041827 to Present)	
	8036605	1	Fan Belt (644E-42 Prior to SN 0160048717, Excluding 0160045421; 944E-42 Prior to SN 0160041827, Including 0160041849)	

## SECTION 13 - RECOMMENDED SPARE PARTS

ITEM	PART NUMBER	QTY	DESCRIPTION	REV
	7028783	1	Fan Spacer (644E-42 Prior to SN 0160048717, Excluding 0160045421; 944E-42 Prior to SN 0160041827, Including 0160041849)	
		Ref	<b>DRIVE TRAIN</b>	
	8223072	1	Selector Transmission Control	
	8160102	1	Throttle Cable, (644E-42 SN 17569 through 20115, SN 0160002519 through 0160003672, Excluding 19557 and 0160003489)	
	8160103	1	Throttle Cable, (644E-42 SN 0160003690 through 0160043356, Including 19557, 20118 and 0160003489)	
	1319726	1	Transmission Filter	
	1319433	4	Wheel End Bushing	
	7027211	4	Wheel End Seal	
	80304173	4	Wheel End Hub	
	1319472	8	Wheel Hub Bearing	
	1319470	2	Front Axle Wheel Hub O-Ring, (644E-42 Prior to SN 0160039830, Excluding 0160036724, 0160036811, 0160036907 and 0160037012)	
	70022203	2	Front Axle Wheel Hub O-Ring, (644E-42 SN 0160039830 to Present, Including 0160036724, 0160036811, 0160036907 and 0160037012)	
	1321155	2	Front Axle Wheel Hub O-Ring, (944E-42 Prior to SN 0160040124, Excluding 0160034634, 0160036710, 0160036722, 0160036735 and 0160036738)	
	70022203	2	Front Axle Wheel Hub O-Ring, (944E-42 SN 0160040124 to Present, Including 0160034634, 0160036710, 0160036722, 0160036735 and 0160036738)	
	1319470	2	Rear Axle Wheel Hub O-Ring, (644E-42 Prior to SN 0160039830, Excluding 0160036724, 0160036811, 0160036907 and 0160037012)	
	70022203	2	Rear Axle Wheel Hub O-Ring, (644E-42 SN 0160039830 to Present, Including 0160036724, 0160036811, 0160036907 and 0160037012)	
	1321155	2	Rear Axle Wheel Hub O-Ring, (944E-42 Prior to SN 0160040124, Excluding 0160034634, 0160036710, 0160036722, 0160036735 and 0160036738)	
	70022203	2	Rear Axle Wheel Hub O-Ring, (944E-42 SN 0160040124 to Present, Including 0160034634, 0160036710, 0160036722, 0160036735 and 0160036738)	
	8841322	1	Oil Dipstick	
		Ref	<b>HYDRAULIC SYSTEM</b>	
	8902335	1	Boom Joystick Assy	
		Ref	Boom Joystick Handle Assy	
	8036475	1	Extend/Retract Cylinder Seal Kit, (644E-42)	
	8036328	1	Extend/Retract Cylinder Seal Kit, (944E-42 SN 18554 through 20123, SN 0160002514 through 0160005729)	
	70020310	1	Extend/Retract Cylinder Seal Kit, (944E-42 SN 0160005814 to Present)	
	8036474	1	Lift Cylinder Seal Kit, (644E-42)	
	8036644	1	Lift Cylinder Seal Kit, (944E-42)	
	8035326	1	Attachment Tilt Cylinder Seal Kit, (644E-42)	
	8036547	1	Attachment Tilt Cylinder Seal Kit, (944E-42)	
	8036477	1	Frame Level Cylinder Seal Kit, (644E-42)	
	8036543	1	Frame Level Cylinder Seal Kit, (944E-42 SN 17569 through 20123, SN 0160002514 through 0160004849, Excluding 0160004238 and 0160004239)	
	8036477	1	Frame Level Cylinder Seal Kit, (944E-42 SN 0160004927 to	

## SECTION 13 - RECOMMENDED SPARE PARTS

ITEM	PART NUMBER	QTY	DESCRIPTION	REV
			<b>Present, Including 0160004238 and 0160004239)</b>	
	8036477	1	Stabil-Trak Cylinder Seal Kit, (644E-42)	
	8036550	1	Stabil-Trak Cylinder Seal Kit, <b>(944E-42 SN 17569 through 20123, SN 0160002514 through 0160004849, Excluding 0160004238 and 0160004239)</b>	
	8036477	1	Stabil-Trak Cylinder Seal Kit, <b>(944E-42 SN 0160004927 to Present, Including 0160004238 and 0160004239)</b>	
	8035332	1	Tilt Compensation Cylinder Seal Kit, (644E)	
	8036551	1	Tilt Compensation Cylinder Seal Kit, (944E-42)	
	8036476	1	Transfer Cylinder Seal Kit	
	8035830	1	Swing Carriage (Rosenboom) Cylinder Seal Kit	
	8036783	1	Swing Carriage (Energy) Cylinder Seal Kit	
	8035831	1	Tilt Carriage Cylinder Seal Kit	
	8320053	1	Hydraulic Filter Element	
	7138740	1	Tank Strainer	
	7300479	1	Filler/Breather Cap	
	91563136	1	Fluid Level Sight Gauge	
	Ref		<b>ELECTRICAL</b>	
	8223246	1	Engine Coolant Temperature Sender, (644E-42)	
	8223246	1	Engine Coolant Temperature Sender, (944E-42)	
	7301076	1	Fuel Level Sender	
	8270621	1	Backup Alarm	
	1001125470	1	Backup Alarm Grill, (944E-42)	
	1101202	1	Ignition Switch	
	7029525	1	Alternator <b>(644E-42 SN 0160014889 through 0160043356; 944E-42 SN 0160014891 through 0160041823)</b>	
	70023287	1	Alternator, <b>(944E-42 SN 160041827 through 0160044164)</b>	
	70024464	1	Alternator <b>(644E-42 SN 0160048717 to Present, Including 0160045421; 944E-42 SN 0160041827 to Present)</b>	
	7026666	1	Starter <b>(644E-42 Prior to SN 0160048717, Excluding 0160045421; 944E-42 Prior to SN 0160041827, Including 0160041849)</b>	
	70020352	1	Starter, <b>(944E-42 SN 160041827 through 0160049550)</b>	
	1001128594	1	Starter <b>(644E-42 SN 0160048717 to Present, Including 0160045421; 944E-42 SN 0160049678 to Present)</b>	
	10268663	1	Horn	
	Ref		<b>MISC</b>	
	8342813	1	Hood Latch Key	
	8342808	1	Door Key	
	1101203	1	Ignition Key	
	80904003	1	Hydraulic Test Kit	
	8990459	1	Owner/Operator Manual, <b>(644E-42 SN 17569 through 0160003877)</b>	
	3120038	1	Owner/Operator Manual, <b>(644E-42 SN 0160003878 through 0160037404)</b>	
	8990496	1	Owner/Operator Manual, <b>(944E-42 SN 8554 through 0160003881)</b>	
	3120039	1	Owner/Operator Manual, <b>(944E-42 SN 160003882 through 0160037751)</b>	
	31200354	1	Operation and Safety Manual <b>(SN 0160037794 to Present)</b>	
	8990461	1	Service Manual <b>(644E-42 Prior to SN 0160048717, Excluding 0160045421; 944E-42 Prior to SN 0160041827)</b>	
	31200355	1	Service Manual <b>(644E-42 SN 0160048717 to Present, Including 0160045421; 944E-42 SN 0160041827 to Present)</b>	
	Ref		<b>Special Tools</b>	
	80304484	1	Pry Bar Set, ZF Axle	

## SECTION 13 - RECOMMENDED SPARE PARTS

ITEM	PART NUMBER	QTY	DESCRIPTION	REV
	80304480	1	Two-armed Puller, ZF Axle	
	7025854	1	Two-armed Puller, ZF Axle	
	70010241	1	Threaded Ring, M105X3, ZF Axle	
	70010239	1	Two-armed Puller, 160-150mm, ZF Axle and Transmission	
	70023172	1	Gripping Insert Super, ZF Axle	
	70023173	1	Back-off Insert, Rear ZF Axle	
	70023174	1	Eye Bolt Assortment, ZF Axle and Transmission	
	70022872	1	Internal Extractor, 45-58mm, ZF Axle and Transmission	
	70022873	1	Internal Extractor, 70-100mm, ZF Axle	
	70022871	1	Counter Support, Rear, ZF Axle and Transmission	
	7029740	1	Driver, ZF Axle	
	7029739	1	Driver, ZF Axle	
	7029738	1	Driver, ZF Axle	
	70010244	1	Internal Extractor, ZF Axle	
	70010245	1	Counter Support, ZF Axle	
	70022866	1	Spanner, ZF Axle	
	70022867	1	Torque Spanner, 5-45Nm, ZF Axle	
	80304492	1	Wheel Bolt Puller Basic Set, ZF Axle	
	70110101	1	Driver, ZF Axle	
	80304498	1	Handle, ZF Axle	
	70010281	1	Slotted Nut Wrench, ZF Axle	
	70010283	1	Installer, ZF Axle	
	70010284	1	Installer, ZF Axle	
	80304497	1	HP-Pump, ZF Axle	
	7025856	1	Striker, ZF Axle	
	70010243	1	Measuring Hub, 9/16in-18UNF	
	80304486	1	Two-armed Puller, 500mm, ZF Axle, (944E-42)	
	70010240	1	Gripping Insert Super, ZF Axle, (944E-42)	
	70010285	1	Extracting Tool, ZF Axle, (944E-42)	
	70010282	1	Assembly Ring, ZF Axle, (944E-42)	
	70023175	1	Driver, ZF Axle, (944E-42)	
	70022835	1	Support, ZF Transmission	
	7025112	1	Support, ZF Transmission	
	70024052	1	Support, ZF Transmission	
	6623749	1	CAP, KEYLESS,DIESEL FUEL	



**PART NUMBER INDEX**

Go to [Discount-Equipment.com](http://Discount-Equipment.com) to order your parts



# PART NUMBER INDEX

0080268.....505, 509	1001092280..... 97	1001101867..... 49	1001112602..... 373
0080271..... 131	1001092281..... 506	1001101956..... 69	1001112603..... 373
0100011..... 69, 121, 319, 335, 349, 530	1001092358..... 601	1001102378..... 69	1001112612..... 571
0100019..... 607	1001092359..... 593	1001102657..... 131, 135, 612	1001112800..... 375
0100087..... 505, 509	1001092360..... 551	1001102813..... 98	1001112801..... 375
0100093..... 132, 135	1001092391..... 95	1001102844..... 313	1001114675..... 331
0240156..... 107	1001092481..... 97	1001103182..... 517	1001114803..... 141
0274236..... 586	1001092482..... 97	1001103216..... 351	1001114822..... 530
0274385..... 307	1001093140..... 97	1001103491..... 487	1001114823..... 530
0541408..... 351, 353	1001093171..... 93, 97	1001103492..... 511	1001114824..... 530
0641405..... 98, 530, 541	1001093273..... 107	1001103493..... 343	1001114825..... 530
0641406..... 303, 319	1001093342..... 537	1001103494..... 549	1001114940..... 155
0641509..... 351, 353	1001093377..... 77, 107	1001103619..... 187, 235	1001114941..... 333
0641514..... 423	1001093465..... 107	1001103626..... 161	1001114942..... 333
0641518..... 141	1001093641..... 131, 135, 612	1001103627..... 161	1001114943..... 135
0641606..... 530	1001093891..... 135	1001103631..... 215	1001114944..... 135
0641609..... 351, 353	1001093892..... 135	1001103637..... 97	1001114945..... 125
0641610..... 121	1001093944..... 135	1001103730..... 97	1001115174..... 333
0641611..... 141	1001093944..... 135	1001103736..... 97	1001115205..... 587
0641612..... 69	1001094330..... 107	1001103736..... 97	1001115208..... 587
0641628..... 122, 425	1001094782..... 19	1001103931..... 586	1001116122..... 141
0641676..... 530	1001094830..... 107	1001105892..... 309	1001116177..... 141
0642032..... 63, 65, 69	1001095418..... 73	1001106011..... 581, 586	1001116181..... 373
0681610..... 375, 531	1001095650..... 435, 439	1001106736..... 571	1001116701..... 577
0681616..... 335	1001095739..... 255	1001107559..... 155	1001116723..... 575, 577
0681618..... 335	1001095741..... 255	1001108668..... 110	1001116733..... 575
0681810..... 69	1001095744..... 285	1001109417..... 321	1001116734..... 575
0681812..... 369, 373, 375	1001095810..... 97	1001109573..... 29	1001116751..... 571
0682032..... 122	1001096019..... 97	1001109604..... 29	1001116810..... 571
0682034..... 121	1001096020..... 97	1001110410..... 581, 586	1001116812..... 571
0683020..... 13, 15, 25	1001096021..... 97	1001110411..... 581, 586	1001116821..... 571
0700610..... 331	1001096023..... 97	1001110704..... 73	1001116981..... 571
0700815..... 531	1001096024..... 97	1001110784..... 333	1001117025..... 571
0701017..... 121	1001096025..... 97	1001111190..... 73	1001117055..... 571
0701221..... 29	1001096306..... 97	1001112199..... 374	1001117064..... 573
0710827..... 335	1001096314..... 592, 593, 597, 598	1001112200..... 375	1001117070..... 571
0711015..... 121	1001096404..... 34, 37, 586	1001112202..... 375	1001117118..... 531
0711017..... 335	1001097072..... 97	1001112241..... 121	1001117119..... 573
0741610..... 69	1001097168..... 97	1001112244..... 473	1001117214..... 122, 333
0760810..... 531	1001097205..... 93	1001112264..... 25	1001118282..... 575
0760815..... 149	1001098582..... 98	1001112271..... 25	1001118887..... 571
0761010..... 25	1001098769..... 33, 37, 586	1001112302..... 121	1001118939..... 573
0761012..... 122, 425, 530	1001098971..... 141	1001112303..... 121	1001119004..... 571
0761210..... 373, 530, 541	1001099113..... 69	1001112306..... 121	1001119049..... 571
0761230..... 122	1001099115..... 69	1001112310..... 149	1001119106..... 571
0770810..... 335	1001099251..... 141	1001112312..... 149	1001119339..... 121
0770816..... 335	1001099251..... 141	1001112327..... 155	1001119411..... 571
0791505..... 530	1001099351..... 83	1001112328..... 155	1001119801..... 425
0791606..... 530	1001099901..... 87	1001112329..... 155	1001119904..... 531, 541
0860520..... 97, 319	1001099902..... 87	1001112330..... 155	1001119969..... 541
0903071..... 370, 374	1001100005..... 297, 299	1001112332..... 373	1001120376..... 141
0903221..... 423	1001100044..... 153, 155	1001112354..... 373	1001120377..... 141
0903609..... 29	1001100045..... 153	1001112366..... 509	1001120636..... 541
0930020..... 105	1001100227..... 77	1001112367..... 509	1001120703..... 353
1001001422..... 131, 135	1001100228..... 77	1001112368..... 373	1001120707..... 19
1001080707..... 132, 135, 612	1001100229..... 77	1001112370..... 373	1001120740..... 530
1001081280..... 321	1001100284..... 297, 299	1001112377..... 373	1001120839..... 122, 425
1001081306..... 325	1001100324..... 297, 299	1001112379..... 373	1001120840..... 425
1001081310..... 325, 327	1001100822..... 59	1001112381..... 25	1001120842..... 425
1001090063..... 69	1001100823..... 59	1001112382..... 25	1001120844..... 425
1001090064..... 69	1001100824..... 59	1001112383..... 26	1001120853..... 425
1001090134..... 515	1001100849..... 153, 155	1001112384..... 26	1001120883..... 530
1001090140..... 69	1001100967..... 79	1001112386..... 26	1001120884..... 530
1001091304..... 505	1001101085..... 319	1001112387..... 26	1001120914..... 69
	1001101115..... 77	1001112594..... 429	1001120915..... 69
	1001101116..... 77	1001112601..... 373	1001120988..... 155

## PART NUMBER INDEX

1001121022.....	530	1001132367.....	155	1060379.....	98	1319342.....	163, 218
1001121062.....	530	1001132368.....	155	1065110.....	55	1319343.....	163, 218
1001121070.....	377	1001132514.....	63	10700303.....	317	1319344.....	163, 218
1001121071.....	411	1001133072.....	69	10700484.....	81	1319345.....	163, 218
1001121085.....	297, 299	1001134329.....	581, 586	10701253.....	317	1319346.....	163, 218
1001121100.....	377	1001134490.....	575	10704216.....	13, 15, 19	1319347.....	163, 218
1001121113.....	411	1001135553.....	475	10705034.....	89, 91	1319348.....	163, 218
1001121309.....	121	1001135555.....	475	10705107.....	317	1319349.....	163, 218
1001121341.....	141	1001136632.....	571	10717672.....	369, 375	1319350.....	163, 218
1001121568.....	141	1001136660.....	571	10720496.....	339	1319351.....	163, 218
1001121579.....	141	1001136877.....	336	10721556.....	81	1319352.....	163, 218
1001121586.....	141	1001137512.....	95	10721557.....	81	1319353.....	163, 168, 176, 218, 221, 225
1001121599.....	141	1001137644.....	127	10725268.....	313	1319354.....	163, 217
1001121600.....	141	1001137959.....	375	10725464.....	317	1319355.....	163, 217
1001121628.....	429	1001137960.....	375	10727327.....	81	1319356.....	163, 217
1001121629.....	429	1001137961.....	373	10727770.....	81	1319357.....	163, 217
1001121843.....	141	1001137971.....	375	10728873.....	131, 135	1319358.....	163, 217
1001121911.....	141	1001137990.....	374	10731709.....	259, 285, 289	1319359.....	163, 217
1001121963.....	373	1001138002.....	373	10731744.....	259	1319360.....	163, 217
1001122234.....	121, 612	1001138468.....	375	10731761.....	287	1319361.....	163, 217
1001122286.....	141	1001142508.....	335	10731789.....	207, 249	1319362.....	163, 217
1001122313.....	141	1001142790.....	113	10731790.....	187, 235	1319363.....	163, 217
1001122314.....	141	1001143083.....	19	10731845.....	261, 263, 265, 267, 273, 275	1319364.....	163, 217
1001122315.....	141	1001143084.....	55	10731949.....	190, 193, 238, 241	1319365.....	163, 217
1001122417.....	530	1001143475.....	336	10731959.....	291	1319366.....	163, 217
1001122421.....	531	1001143521.....	336	10732071.....	289	1319367.....	163, 217
1001122480.....	531	1001143522.....	336	10732072.....	289	1319369.....	163, 217
1001125007.....	331	1001146084.....	65	10732072.....	289	1319370.....	163, 217
1001125299.....	26	1001146086.....	65	10732095.....	287	1319371.....	163, 217
1001125301.....	26	1001146088.....	65	10740662.....	483	1319372.....	163, 217
1001125401.....	25	1001146159.....	65	10837247.....	493	1319373.....	163, 217
1001125402.....	25	1001146160.....	65	10837352.....	487	1319374.....	163, 217
1001125456.....	25	1001146644.....	336	10837580.....	488	1319375.....	163, 217
1001125457.....	25	1001147574.....	129	10837924.....	477, 481	1319376.....	163, 217
1001125458.....	25	1001147881.....	530	10867167.....	493	1319377.....	163, 217
1001125459.....	25	1001147882.....	530	10868086.....	487	1319378.....	163, 217
1001125463.....	25	1001148177.....	331	10868902.....	487	1319379.....	163, 217
1001125470.....	565, 614	1001151099.....	297	1101202.....	543, 545, 549, 614	1319380.....	163, 217
1001125709.....	55	1001151100.....	297	1101203.....	543, 545, 549, 614	1319381.....	164, 217
1001125710.....	55	1001151103.....	299	1101244.....	485	1319382.....	164, 217
1001125711.....	56	1001151104.....	299	1101312.....	145, 147	1319383.....	164, 217
1001125720.....	25	1001151107.....	297	1101313.....	145, 147	1319384.....	164, 217
1001125721.....	25	1001151109.....	299	11045080.....	81	1319385.....	164, 217
1001125892.....	587	1001151561.....	65	11160110.....	81	1319386.....	164, 217
1001125968.....	255	1001155219.....	530	11170040.....	81	1319387.....	217
1001127467.....	347	1001155287.....	336	1120591.....	132	1319388.....	164, 217
1001128594.....	129, 614	1001160152.....	577	11419080.....	81, 85	1319389.....	164, 217
1001129286.....	571	1001163414.....	515	1170021.....	63	1319390.....	164, 217
1001130308.....	565	1001166101.....	577	1170024.....	63	1319391.....	164, 217
1001130369.....	149	10114383.....	345, 347	1170027.....	63	1319392.....	164, 217
1001130443.....	149	10116401.....	345, 347	1170054.....	69	1319393.....	164, 217
1001130444.....	149	10118167.....	53, 55	1170057.....	69	1319394.....	164, 217
1001130445.....	149	1012355.....	81	1319210.....	201, 205, 245	1319395.....	164, 217
1001130452.....	149	10125085.....	81	1319214.....	193, 241	1319396.....	164, 217
1001131271.....	586	10138329.....	483	1319229.....	257	1319397.....	164, 218
1001131527.....	141, 612	10138818.....	345, 347, 349	1319333.....	163, 218	1319398.....	164, 218
1001131528.....	141	10139087.....	313	1319334.....	163, 218	1319399.....	164, 218
1001131631.....	142	10165110.....	53	1319335.....	163, 218	1319400.....	164, 218
1001131727.....	141	10165950.....	53, 55	1319336.....	163, 218	1319401.....	164, 218
1001131761.....	531	10167789.....	533, 535, 537	1319337.....	163, 218	1319402.....	164, 218
1001131818.....	336	10238252.....	33, 37	1319338.....	163, 218	1319406.....	164, 217
1001131991.....	26	10239367.....	317	1319339.....	163, 218	1319412.....	229
1001132178.....	142	10267585.....	81	1319340.....	163, 218	1319414.....	229
1001132205.....	142	10268516.....	145, 147	1319341.....	163, 218	1319415.....	179, 229
1001132240.....	215	10268663.....	565, 614	1319342.....	163, 218	1319423.....	183, 187, 233, 235
1001132276.....	142	10268992.....	511	1319343.....	163, 218		
1001132301.....	142	10339076.....	483	1319344.....	163, 218		

## PART NUMBER INDEX

1319425..... 183, 189, 233, 237	1319523 ..... 189, 237	1319617 ... 277, 279, 281, 283	1321154..... 179, 229
1319429..... 183, 233	1319524 ..... 189, 237	1319618 ... 277, 279, 281, 283	1321155..... 205, 245, 613
1319433..... 183, 233, 613	1319525 ..... 189, 237	1319619 ..... 269, 271	1321157..... 201, 205, 245
1319436..... 183, 187, 233, 235, 291	1319526 ..... 189, 237	1319620 ... 277, 279, 281, 283	1321158..... 189, 237
1319439..... 183, 233	1319527 ..... 189, 237	1319621 ... 277, 279, 281, 283	1321159..... 189, 237
1319440..... 183, 233	1319529 ..... 189, 237	1319622 ... 277, 279, 281, 283	1321162..... 190, 238
1319441..... 183, 187, 233, 235	1319530 ..... 189, 237	1319623 ... 277, 279, 281, 283	1321163..... 190, 238
1319444.... 164, 201, 217, 245	1319531 ..... 189, 237	1319624 ... 277, 279, 281, 283	1321172..... 243
1319445..... 201, 205, 245	1319532 ..... 189, 237	1319625 ... 277, 279, 281, 283	1321174..... 190, 238
1319447..... 201, 205, 207, 245, 249	1319533 ..... 189, 237	1319626 ... 277, 279, 281, 283	1321175..... 205
1319448..... 201, 245	1319534 ..... 189, 237	1319627 ... 277, 279, 281, 283	1321177..... 269
1319449..... 201, 245	1319535 ..... 189, 237	1319628 ... 277, 279, 281, 283	1321178..... 243
1319450..... 201, 245	1319536 ..... 189, 237	1319629 ... 277, 279, 281, 283	1321184..... 179, 229
1319451..... 201, 245	1319537 ... 189, 193, 237, 241	1319630 ... 277, 279, 281, 283	1321185..... 171
1319452..... 201, 245	1319538 ..... 189, 237	1319631 ... 277, 279, 281, 283	1321186..... 171
1319453..... 201, 245	1319539 ... 189, 193, 237, 241	1319632 ... 277, 279, 281, 283	1321187..... 171
1319454..... 201, 245	1319540 ... 189, 193, 237, 241	1319633 ... 277, 279, 281, 283	1321189..... 171
1319455..... 201, 245	1319541 ..... 189, 237	1319634 ... 277, 279, 281, 283	1321190..... 171
1319456..... 201, 245	1319542 ... 189, 193, 237, 241	1319635 ..... 273, 275	1321191..... 211
1319457..... 201, 245	1319543 ..... 189, 237	1319636 ... 273, 275, 277, 279, 281, 283	1321194..... 172
1319458..... 201, 245	1319545 ... 189, 193, 237, 241	1319638 ... 277, 279, 281, 283	1321196..... 171
1319459..... 201, 245	1319558 ..... 257	1319639 ... 277, 279, 281, 283	1321197..... 171
1319460..... 201, 245	1319563 ..... 257	1319640 ..... 257	1321198..... 171
1319461..... 201, 245	1319571 ... 257, 259, 291	1319641 ..... 257	1321199..... 171
1319462..... 201, 205, 245	1319573 ..... 291	1319642 ..... 291	1321201..... 172
1319463..... 201, 245	1319576 ..... 257	1319643 ..... 291	1321202..... 172
1319464.... 201, 205, 207, 245, 249	1319578 ... 187, 193, 213, 235, 241, 253, 259	1319644 ..... 289	1321203..... 172
1319470..... 201, 245, 613	1319581 ..... 259, 285	1319645 ..... 289	1321204..... 172
1319472.... 201, 205, 207, 246, 249, 613	1319585 .... 257, 259, 285	1319646 ..... 259	1321205..... 211
1319476..... 205	1319590 ..... 259	1319647 ..... 291	1321206..... 195
1319477.... 202, 205, 207, 246, 249	1319591 ..... 261, 263	1319648 ..... 291	1321207..... 195
1319483..... 209, 251	1319593 ..... 277, 279	1319649 ..... 291	1321208..... 195
1319484..... 209, 251	1319594 ..... 277, 279	1319652 ..... 289	1321210..... 172
1319485..... 209, 251	1319595 ... 261, 263, 265, 267, 273, 275, 277, 279, 281, 283	1319661 ..... 289	1321211..... 164, 217
1319488..... 209, 251	1319596 ... 261, 263, 265, 267, 273, 275	1319666 ... 187, 190, 235, 238	1321212..... 172
1319491..... 189, 237	1319600 ... 261, 263, 265, 267, 269, 271, 273, 275, 277, 279, 281, 283	1319670 .... 259, 285, 289	1321213..... 171
1319496..... 190, 238	1319601 ... 261, 263, 265, 267, 269, 271, 273, 275, 277, 279, 281, 283	1319683 ..... 289	1321214..... 211
1319497..... 190, 238	1319602 ... 261, 263, 265, 267, 269, 271, 273, 275, 277, 279, 281, 283	1319684 ..... 289	1321215..... 179, 229
1319499..... 190, 238	1319603 ... 261, 263, 265, 267, 269, 271, 273, 275, 277, 279, 281, 283	1319685 ..... 289	1321217..... 179
1319500..... 190, 238	1319604 ... 261, 263, 265, 267, 269, 271, 273, 275, 277, 279, 281, 283	1319686 ..... 289	1321218..... 179
1319501..... 190, 238	1319605 ... 261, 263, 265, 267, 269, 271, 273, 275, 277, 279, 281, 283	1319687 ..... 289	1321219..... 179
1319502..... 190, 238	1319606 ... 261, 263, 265, 267, 273, 275	1319688 ..... 289	1321220..... 179
1319504..... 190, 238	1319607 ..... 261, 263	1319689 ..... 289	1321221..... 179
1319505..... 190, 238	1319608 .... 261, 263, 285	1319693 ..... 289	1321225..... 179, 229
1319506.... 183, 190, 209, 211, 233, 238, 251	1319614 ..... 265, 267	1319694 ..... 289	1321226.... 202, 207, 246, 249
1319510..... 189, 237	1319615 ... 265, 267, 273, 275, 277, 279, 281, 283	1319719 ..... 285	1321228..... 205
1319511..... 189, 237		1319726 ..... 285, 613	1321230..... 171
1319512..... 189, 237		1320748 ..... 291	1321231..... 209, 251
1319513..... 189, 237		1320754 ..... 291	1321232..... 211
1319514..... 189, 237		1320755 ..... 291	1321233..... 211
1319515..... 189, 237		1321136 ..... 370, 374	1321237..... 164, 217
1319516..... 189, 237		1321148 ..... 183, 233	1321238..... 251
1319517..... 189, 237		1321149 ..... 183	1321239..... 246
1319518..... 189, 237		1321150 ..... 190, 238	1321242..... 209, 251
1319519..... 189, 237		1321151 ..... 190, 238	1321244..... 195
1319520..... 189, 237		1321152 ..... 190, 238	1321245..... 201, 245
1319521..... 189, 237		1321153 ..... 179, 229	1321246..... 201, 245
1319522..... 189, 237			1321247..... 209, 251

## PART NUMBER INDEX

1321258 .....	211	2130606 89, 91, 366, 370,	2716850.....	467	2717051 .....	423
1321259 .....	229	374, 377, 390, 401,	2716861.....	433	2717057 .....	401, 403
1321260 .....	229	403, 411, 415, 419,	2716864.....	447	2717058 .....	401, 403
1321265 .....	289	421, 513	2716894.....	449	2717059 .....	401, 403
1321339 .....	531	2130608 ..... 89, 91, 411	2716897.....	437	2717060 .....	401, 403
1321733 ....	378, 386, 398	2130808 ..... 81, 378, 389,	2716900.....	463	2717062 .....	390
1321797 .....	117	393, 397, 405, 407,	2716901.....	465	2717063 ....	381, 386, 397
1321814 .....	125	411, 509	2716904.....	441	2717064 .....	381, 386
1321918 .....	125	2130810 ..... 411	2716906.....	453	2717065 ....	390, 394, 397
1321951 .....	125	2130812 ..... 381, 385	2716908.....	459	2717066 ....	390, 394, 397
1321955 .....	125	2131210 ..... 423, 425	2716911.....	365, 369, 373	2717067 .....	377
1380165 .....	538	2131212 ... 365, 369, 374,	2716914.....	427	2717069 .....	381
14404978 .....	132	381, 385, 386	2716915.....	427	2717070 .....	381, 401
1560020 .....	527	2131216 ..... 425	2716920.....	409	2717076 .....	605
1560023 .....	147	2131616 ..... 423, 429	2716921.....	409	2717084 .....	421
1684436 .....	603	2150606 ... 403, 419, 421	2716922.....	377	2717093 .....	81
170023400 .....	175	2150808 ..... 411	2716923.....	377	2717115 .....	389
1701509 .....	98	2151216 ..... 425	2716924.....	377	2717118 .....	390
1701640 .....	587	2170106 ..... 412, 421	2716925.....	411	2717131 .....	394
1702631 .....	586	2170108 ..... 398	2716927.....	411	2717132 .....	394
1702773 .....	97	2170206 ..... 421	2716928.....	411	2717133 .....	394
1704277 .....	98	2170212 ..... 386	2716934.....	365, 369, 374	2717134 .....	393
1704885 .....	97	2170306 ... 377, 394, 411,	2716936.....	365	2717144 .....	381, 385
1705687 .....	582, 586	513	2716937.....	365	2717145 .....	381, 385
1705936 .....	581	2170406 .... 370, 374, 377	2716938.....	377	2717146 .....	381, 385
1705956 .....	582	2170706 ... 378, 403, 411,	2716939.....	377	2717147 .....	381, 385
1705957 .....	582	419, 421, 513	2716940.....	381, 386	2717160 .....	89, 91
1706101 .....	582, 586	2170708 ..... 377	2716950.....	401, 403	2717161 .....	89, 91
1706103 .....	581, 586	2170716 .... 369, 374, 429	2716951.....	377	2717162 .....	89, 91
1706104 .....	581, 586	2170812 ..... 425	2716952.....	377	2717169 .....	401, 403
1706105 .....	581, 586	2170912 ..... 365, 369	2716953.....	411	2717170 .....	403
1706170 .....	582	2171108 ..... 385	2716954.....	411	2717171 .....	401, 403
1706298 .....	586	2171112 ..... 385	2716955.....	411	2717172 .....	401, 403
1706299 .....	586	2171206 ..... 89	2716956.....	411	2717173 .....	401, 403
1706300 .....	581, 587	2172006 ..... 377	2716957.....	411	2717175 ...	389, 393, 397,
1706301 .....	587	2172010 ... 381, 386, 390,	2716960.....	415, 417, 419	612	
1706302 .....	586	393, 397	2716961.....	415	2717176 ...	389, 393, 397,
1706303 .....	586	2172104 ..... 421	2716962.....	415, 417, 419	612	
1706304 .....	586	2172106 69, 89, 377, 403,	2716963....	401, 403, 415,	2717178 .....	421
1706306 .....	586	411, 415, 419, 421, 513	417, 419	2716964.....	2717180 .....	421
1706511 .....	582, 586	2172108 ..... 81, 409	2716965.....	415	2717184 .....	421
1706767 .....	586	2172116 ... 365, 369, 374,	2716966.....	401, 403	2717186 .....	421
1706768 .....	586	427	2716967.....	415	2717187 .....	421
1706850 .....	586	2172312 ..... 425	2716968.....	417, 419	2717188 .....	421
1706851 .....	586	2180467 ..... 141	2716969.....	417	2717189 .....	421
1706892 .....	97	2220218 .... 401, 403, 513	2716974.....	366	2717190 .....	421
1707077 .....	505, 581	2220282 ..... 333	2716977.....	366	2717191 .....	389, 393
1707079 .....	505, 586	2220371 ..... 67, 79	2716980.....	405	2717192 .....	389, 393
1707114 .....	505, 586	2220372 ..... 67	2716981.....	405	2717193 ...	370, 374, 477
2080040 .....	98	2220415 ..... 71, 73	2716986.....	381	2717194 ....	370, 374, 477
2080044 .....	97	2220473 ..... 71, 73	2716989.....	381	2717200 .....	603
2110404 .....	421	2220609 ..... 71, 73	2716997.....	381	2717204 ....	366, 370, 374
2110604 ...	389, 415, 421,	2220628 ..... 71, 73, 79	2716998....	381, 389, 393	2717209 .....	421
513		2220767 ..... 141	2717000.....	401, 403	2717241 .....	435
2110606 69, 91, 357, 361,		2220775 ..... 71	2717012.....	451, 455	2717242 .....	445
394, 401, 403, 411,		2300037 ..... 335	2717013.....	457, 461	2717243 .....	439
415, 417, 419, 421		2340037 ..... 95	2717014.....	423	2717252 .....	394
2110806 .....	377, 378	2340038 ..... 95	2717015.....	423	2717253 .....	394
2110808 ....	69, 366, 370,	2340039 ..... 95	2717016.....	427	2717265 .....	386, 397
390, 394, 398, 405,		2340045 ..... 95	2717029....	365, 369, 373	2717266 .....	386
409, 411, 509		2340046 ..... 95	2717030.....	365, 369	2717267 .....	385
2110810 ....	81, 381, 386	2400066 ..... 575, 577	2717031.....	365, 369	2717268 .....	385
2111212 ...	366, 370, 374,	2600281 ..... 97	2717032.....	365, 369	2717269 .....	385
509		2711992 ..... 67	2717038.....	377	2717270 .....	385
2111612 ....	365, 369, 374	2716143 ..... 607	2717039.....	411	2717271 .....	385
2130404 .....	421	2716153 ..... 603	2717040.....	411	2717272 .....	407
2130604 ....	411, 415, 513	2716629 ..... 411	2717050.....	423	2717273 .....	385

# PART NUMBER INDEX

2717275.....	397	3900382.....	335	4520412.....	297	70010241.....	615
2717276.....	397	3931632....	365, 369, 374	4520413.....	297	70010243.....	615
2717277.....	385	3980039.....	319	4520466.....	299	70010244.....	615
2717278.....	385	4060805.....	333	4520467.....	299	70010245.....	615
2717283.....	89, 91	4100181.....	505, 581	4520469.....	299	70010281.....	615
2717287.....	71, 73	4105262.....	33, 37, 586	4520652.....	295	70010282.....	615
2717288.....	369, 374	4107692.....	71	4520653.....	295	70010283.....	615
2717289.....	369, 374	4107702.....	71	4641316.....	415	70010284.....	615
2717384.....	386	4107712.....	71	4641501.....	91	70010285.....	615
2720557.....	139	4108232.....	67	4641502.....	91	70020036.....	291
2900707.....	488	4108302.....	505, 581	4711400.....	98, 351, 353, 530, 541, 565	70020310.....	439, 613
2900770.....	447, 449, 607	4108991.....	581	4711500.....	351, 353	70020348..	125, 127, 129, 612
2915007.....	478	4109801.....	581, 586	471160033, 37, 121, 335, 351, 353, 425, 530, 586		70020349..	125, 127, 129, 612
2915023.....	517	4110130.....	581, 586	4712000.....	121	70020350... 125, 127, 129	
2915028.....	333	4110137.....	581	4740274.....	141	70020351... 125, 127, 129	
2915032.....	153	4110184....	137, 139, 581	4740275.....	335	70020352... 125, 127, 614	
2915034.....	118, 612	4110252.....	81	4751400.....	97, 303, 319	70020354.....	291
2915035.....	118, 612	4110349.....	581, 586	4751500.....	141	70020355.....	291
2915053.....	562	4110350.....	581	4751600.....	141	70020358.....	125
2915055.....	139	4110352.....	581	4761400.....	351, 353	70020367.....	117
2915056.....	319	4110356.....	581, 586	4761500.....	351, 353	70020408.....	190, 238
2915155.....	131	4110358.....	581	4761600 ... 121, 351, 353, 375, 425, 530		70020409.....	190, 238
2915158.....	349	4110359.....	581, 586	4761800.....	373, 375	70020413.....	195, 233
2915170.....	117	4110360.....	581, 586	4811900.....	335	70020428... 517, 603, 605	
2915192.....	582	4110361.....	581	4812000....	121, 425, 530	70020483.....	190, 238
2940074.....	97	4110366.....	581, 586	4832000.....	25, 336, 530	70020484.....	190, 238
31200160.....	97	4110367.....	581, 586	4832100....	29, 121, 530, 541	70020485.....	190, 238
31200336.....	97	4110389.....	581	4846452.....	97	70020486.....	190, 238
31200354.....	614	4110390.....	581	4891800.....	69	70020487.....	190, 238
31200355.....	614	4110392.....	581, 586	4922986.....	535	70020493.....	291
3120038.....	614	4110405.....	581, 586	4923054.....	545	70020551.....	351, 353
31200387.....	97	4110412.....	81, 85	4923214.....	527, 609	70020555.....	93
31200388.....	97	4110422....	81, 83, 85, 87	4923215.....	527, 609	70020562.....	105
3120039.....	614	4110423.....	581, 586	4923216.....	537	70021111.....	233
3140007.....	331	4110424.....	81	4923225.....	538, 609	70021227.....	269
3251813.....	582	4110461.....	103	4923263.....	561	70021228.....	269
3271601....	122, 141, 335, 425, 531	4110473.....	71, 89, 91	4923266.....	561	70021268.....	269
3290405.....	23, 25	4150512.....	477	4923344.....	351	70021269.....	269
3290805.....	335	4220238.....	39, 41	4923359.....	535	70021342.....	83, 105
3291001.....	530	4340962.....	153	4923361.....	561	70021349.....	79, 83
3300240.....	63, 65, 69	4341041.....	423	4923604.....	549	70021358.....	105
3311401.....	565	4341074.....	303	5200810.....	121	70021359.....	105
3311405.....	98	4341154.....	351, 353	5201010.....	141	70021360.....	105
3380542.....	313	4341156.....	351, 353	5201012.....	153, 155	70021361.....	105
3421453.....	98	4360569.....	313	5221000....	141, 153, 155	70021362.....	105
3423242.....	63, 65, 69	4360609.....	561	6040500.....	61	70021364.....	105
3423275.....	63, 65, 69	4400473.....	131, 135	6040600.....	61	70021365.....	105
3423276....	63, 65, 69, 73	4460019.....	575	6040700.....	61	70021366.....	105
3423307.....	69	4460256.....	575	6604662.....	71, 73	70021367.....	105
3460407.....	153	4460419.....	573	6608621.....	71	70021387.....	79, 105
3460408.....	153	4460458.....	571	6611172 ... 525, 527, 531, 543, 545, 549		70021391.....	105
3460440.....	369	4460464.....	575	6620731.....	33, 37	70021392.....	105
3460446.....	423	4460465.....	573	6621412....	533, 535, 538	70021393.....	519
3460471.....	423	4460466.....	571, 573	6623576.....	29	70021399.....	105
3520072.....	97	4460518.....	571	6623749.....	131, 615	70021415.....	83
3520198.....	97	4460590.....	571	6623864.....	321	70021440.....	519
3575924.....	13, 15, 19	4460842.....	569	70000656.....	289	70021444.....	519
3575947.....	117	4460891.....	571	70002219.....	515	70021446.....	519
3576011.....	159	4460897.....	575	70002224.....	515	70021447.....	519
3576286.....	351, 353	4460933.....	573	70003849.....	515	70021448.....	519
3620060.....	139	4460970.....	571	70010239.....	615	70021451.....	519
3760170.....	98	4460994.....	575, 577	70010240.....	615	70021452.....	519
3820020.....	97	4461070.....	571			70021464.....	519
3841203.....	69	4461270.....	531			70021465.....	519
3860123.....	41	4520319.....	297			70021466.....	519
3900140.....	132	4520405.....	295				
		4520407.....	295				

## PART NUMBER INDEX

70021495 .....	184, 233	70022200 .....	181, 231	70022267 .....	207	70023009 .....	110
70021526 .....	257	70022201 .....	187, 235	70022270 .....	213	70023010 .....	110
70021553 .....	201, 207, 245, 249	70022202 .....	199	70022271 .....	213	70023014 .....	110
70021554 .....	201, 207, 245, 249	70022203 .....	207, 249, 613	70022272 .....	175	70023015 .....	111
70021555 .....	209	70022204 .....	187, 235	70022273 .....	213	70023016 .....	110
70021568 .....	183, 233	70022205 .....	187, 235	70022274 .....	213	70023033 .....	471, 473
70021569 .....	183, 233	70022206 .....	187, 235	70022278 .....	213	70023040 .....	319
70021570 .....	183, 233	70022207 .....	213, 253	70022279 .....	213	70023041 .....	319
70021571 .....	183, 233	70022208 .....	207, 249	70022280 .....	222	70023139 .....	319
70021573 .....	81	70022209 .....	193, 241	70022281 .....	253	70023172 .....	615
70021599 .....	131, 135	70022210 .....	187	70022282 .....	241	70023173 .....	615
70021617 .....	183, 233	70022211 .....	181, 231	70022283 .....	253	70023174 .....	615
70021726 .....	183, 233	70022213 .....	168, 176, 221, 225	70022284 .....	231	70023175 .....	615
70021789 .....	205, 207	70022215 .....	193, 199, 241	70022285 .....	231	70023287 .....	125, 614
70021790 .....	205, 207	70022216 .....	167, 175, 221, 225	70022384 .....	449	70023288 .....	125
70021812 .....	517, 603	70022217 .....	187, 235	70022527 .....	105	70023289 .....	125
70021815 .....	549, 558	70022218 .....	207, 249	70022528 .....	79	70023325 .....	351, 353
70021826 .....	571	70022219 .....	187, 235	70022529 .....	79	70023328 .....	447
70021859 .....	592, 593, 597, 598	70022220 .....	168, 176, 221, 225	70022610 .....	184, 233	70023400 .....	167, 222, 226
70021920 .....	259	70022221 .....	213, 253	70022634 .....	125	70023404 .....	235, 241, 253, 291
70021921 .....	79, 83	70022222 .....	207, 249	70022781 .....	249	70023405 .....	249
70021935 .....	79, 83	70022223 .....	207, 249	70022782 .....	249	70023443 .....	127, 129
70021948 .....	309	70022225 .....	181, 231	70022784 .....	253	70023444 .....	125, 127, 129
70021977 .....	79, 83	70022226 .....	181, 231	70022786 .....	226	70023474 .....	291
70021978 .....	79, 83	70022227 .....	181, 231	70022787 .....	226	70023475 .....	291
70021979 .....	79, 83	70022228 .....	181, 231	70022788 .....	241	70023476 .....	291
70021980 .....	105	70022229 .....	181, 231	70022789 .....	235	70023503 .....	439
70021981 .....	105	70022230 .....	207, 249	70022790 .....	289	70023736 .....	127, 129
70021982 .....	105	70022232 .....	167	70022835 .....	615	70023790 .....	117
70022028 .....	79, 83	70022233 .....	213, 253	70022866 .....	615	70023795 .....	117
70022044 .....	517	70022234 .....	207, 249	70022867 .....	615	70023800 .....	291
70022045 .....	517	70022235 .....	193, 241	70022871 .....	615	70023801 .....	291
70022046 .....	517, 603	70022236 .....	193, 241	70022872 .....	615	70023878 .....	149
70022052 .....	201, 245	70022237 .....	207, 249	70022873 .....	615	70023879 .....	149
70022170 .....	207, 249	70022238 .....	207, 249	70022931 .....	110	70023885 .....	259
70022171 .....	193, 241	70022239 .....	213, 253	70022932 .....	110	70023890 .....	319
70022172 .....	187, 235	70022240 .....	207, 249	70022934 .....	110	70023904 .....	231
70022173 .....	187, 235	70022241 .....	187, 235	70022935 .....	111	70023905 .....	235
70022174 .....	187, 235	70022242 .....	213, 253	70022936 .....	110	70023906 .....	235
70022175 .....	187, 235	70022243 .....	213, 253	70022937 .....	111	70023907 .....	235
70022176 .....	193, 241	70022244 .....	168, 176, 222, 226	70022939 .....	111	70023908 .....	241
70022177 .....	187, 235	70022245 .....	168, 176, 221, 225	70022942 .....	111	70023909 .....	249
70022178 .....	187, 235	70022246 .....	187, 235	70022946 .....	111	70023910 .....	231
70022179 .....	207, 249	70022247 .....	187, 235	70022949 .....	111	70023925 .....	111
70022180 .....	187, 235	70022248 .....	199	70022950 .....	111	70023926 .....	141
70022181 .....	187, 235	70022249 .....	207, 249	70022952 .....	111	70023927 .....	141
70022182 .....	187, 235	70022250 .....	193, 241	70022957 .....	110	70023932 .....	125
70022183 .....	193, 241	70022251 .....	199	70022960 .....	110	70023933 .....	125
70022184 .....	187, 235	70022252 .....	199	70022969 .....	110	70024020 .....	515
70022185 .....	181, 231	70022253 .....	193, 241	70022970 .....	110	70024052 .....	615
70022186 .....	193, 241	70022254 .....	187, 235	70022980 .....	111	70024059 .....	79
70022187 .....	207, 249	70022255 .....	187, 235	70022984 .....	110	70024060 .....	79
70022188 .....	207, 249	70022256 .....	213, 253	70022985 .....	110	70024061 .....	79
70022189 .....	193, 241	70022257 .....	207	70022987 .....	110	70024062 .....	79
70022190 .....	193, 241	70022258 .....	193	70022990 .....	111	70024063 .....	79
70022191 .....	199	70022259 .....	187, 235	70022992 .....	110	70024064 .....	79
70022192 .....	199	70022260 .....	181	70022993 .....	110	70024123 .....	113
70022193 .....	193, 241	70022261 .....	181	70022994 .....	110	70024262 .....	515
70022194 .....	193, 241	70022262 .....	181, 231	70022995 .....	110	70024306 .....	95
70022195 .....	199	70022263 .....	181	70022997 .....	113	70024307 .....	95
70022196 .....	193, 241	70022264 .....	181	70022998 .....	111	70024325 .....	411
70022197 .....	213, 253	70022265 .....	207	70023003 .....	110	70024463 .....	127, 129
70022198 .....	193, 241	70022266 .....	207	70023004 .....	110	70024464 .....	127, 129, 614
70022199 .....	199			70023005 .....	111	70024465 .....	127, 129
				70023006 .....	111	70024535 .....	113
				70023007 .....	111	70024536 .....	113
				70023008 .....	110		

# PART NUMBER INDEX

70024537.....	113	7026759 ...	261, 263, 265, 267, 269, 271, 273, 275, 277, 279, 281, 283	7027264 .....	265	7070191.....	67
70024538.....	113	7026760 ...	261, 263, 265, 267, 269, 271, 273, 275, 277, 279, 281, 283	7027266 .....	269	7075611.....	33, 37
70024539.....	521	7026761 ...	261, 263, 265, 267, 269, 271, 273, 275, 277, 279, 281, 283	7027267 .....	269	7077481.....	67
70024540.....	113	7026762 .....	281, 283	7027268 .....	273	7077501.....	67
70024541.....	113	7026763 .....	265, 267	7027270 .....	291	7077511.....	67
70024542.....	113	7026764 .....	269, 271	7027271 .....	291	7083922.....	43, 45
70024543.....	113	7026765 .....	269, 271	7027272 .....	291	7085411.....	67
70024544.....	113	7026766 .....	269, 271	7027273 .....	291	7085501.....	67
70024545.....	113	7026767 .....	271	7028738 .....	323	7085552.....	47
70024546.....	113	7026768 .....	271	7028783 .....	117, 613	7085571.....	47
70024547.....	521	7026769 ...	257, 269, 271, 291	7028838 .....	131	7096491.....	317
70024548.....	521	7026770 .....	273, 275	7028932 .....	505, 509	7097523.....	95
70024549.....	521	7026771 .....	257	7028976 .....	229	7110494.....	71
70024550.....	113	7026772 .....	257	7028977 ...	201, 205, 245	7110694.....	71
70024551.....	113	7026773 .....	285	7029081 .....	139	7110702.....	71, 73
70024552.....	113	7026774 .....	257	7029104 .....	196	7110712.....	71, 73
70024553.....	113	7026775 .....	257	7029186 .....	473	7110722.....	71, 73
70024554.....	113	7026776 .....	287	7029195 .....	473	7110744.....	59
70024555.....	113	7026777 .....	287	7029196 .....	473	7112523.....	75
70025606.....	515	7026778 .....	287	7029267 .....	287, 289	7112533.....	75
70025959.....	515	7026779 .....	287	7029367 .....	355	7112642.....	75, 77
70026056.....	515	7026780 .....	287	7029412 .....	333	7112704.....	75
70026057.....	515	7026781 .....	287	7029413 .....	333	7114032.....	49
70026058.....	515	7026782 .....	285	7029414 .....	333	7114941.....	75, 77
70026059.....	515	7026783 .....	285	7029415 .....	333	7117204.....	67
70026060.....	515	7026784 .....	285	7029417 .....	285	7117214.....	67
70026061.....	515	7026785 .....	289	7029419 ...	357, 359, 361	7117244.....	67
70026062.....	515	7026786 .....	289	7029419 ...	357, 359, 361	7117254.....	67
70028162.....	291	7026787 .....	289	7029513 ...	435, 439, 445	7117264.....	67
7010542.....	488	7026788 .....	289	7029514 .....	445	7117502.....	49
7010543.....	483, 487, 488	7026789 .....	289	7029517 .....	445	7117582.....	49
70110101.....	615	7026790 .....	289	7029518 ...	435, 439, 445	7118882.....	47
7012941.....	483, 487	7026791 .....	285	7029520 .....	93	7118892.....	47, 612
7016603.....	601	7026792 .....	285	7029521 .....	93	7118993.....	61
7017402.....	485, 487	7026793 .....	285	7029525 .....	117, 614	7120182.....	39
7017406.....	485	7026794 .....	259, 285	7029532 ...	261, 263, 265, 267	7121422.....	47
7017496.....	491	7026798 .....	319	7029533 ...	261, 263, 265, 267	7125741.....	67
7020368.....	390, 394, 398	7026799 .....	319	7029692 .....	83, 105	7125800.....	71
7020369.....	390, 394, 398	7026900 .....	319	7029692 .....	83, 105	7125811.....	537
7024574.....	517, 603, 605	7026901 .....	319	7029714 .....	105	7125861.....	609
7025112.....	615	7026902 .....	319	7029715 .....	287, 289	7125891.....	397
7025854.....	615	7026905 .....	319	7029716 .....	505, 509	7126172.....	33, 37, 39, 41, 43, 45, 53, 55, 612
7025856.....	615	7026906 .....	319	7029738 .....	615	7126182.....	33, 37, 39, 41, 43, 45, 53, 55, 612
7026481.....	351, 353	7027211 ...	183, 233, 613	7029739 .....	615	7127091.....	345
7026577.....	291	7027212 .....	195	7029740 .....	615	7128772.....	61, 67
7026578.....	291	7027217 ...	187, 190, 238	7029829 .....	117	7128792.....	61, 67
7026618.....	291	7027218 .....	201, 245	7029830 .....	117	7129300.....	75
7026628.....	435, 439	7027219 .....	201, 245	7029831 .....	117	7129441.....	303
7026629.....	435	7027220 .....	201, 245	7029849 ...	261, 263, 265, 267, 269, 271, 277, 279, 281, 283	7130131.....	373
7026630.....	437, 439	7027221 .....	201, 245	7029850 ...	261, 263, 265, 267, 269, 271, 277, 279, 281, 283	7130412.....	495, 497, 499, 501, 503
7026666.....	117, 614	7027222 .....	201, 245	7029851 ...	261, 263, 265, 267, 269, 271, 277, 279, 281, 283	7137142.....	13, 15, 19, 53, 56
7026744.....	257	7027225 .....	179	7029852 ...	261, 263, 265, 267, 269, 271, 277, 279, 281, 283	7138209.....	505, 509
7026745.....	257	7027227 .....	183	7029947 .....	127	7138361.....	335, 336
7026747.....	257	7027229 .....	163	7029972 .....	259	7138478.....	335
7026748.....	257	7027230 .....	179	7029973 .....	259	7138483.....	335
7026749.....	257	7027256 .....	257	7029991 .....	117	7138658.....	297
7026750.....	259	7027258 .....	277	7057141 ...	137, 139, 141	7138659.....	297
7026751.....	259	7027259 .....	277, 281	7062922 .....	71, 73	7138660.....	299
7026752.....	259	7027260 .....	281	7065482 .....	67	7138661.....	299
7026753.....	259	7027261 .....	261			7138740.....	505, 509, 614
7026754.....	259					7138833.....	355
7026755.....	259					7138836.....	355
7026756.....	259					7138858.....	317, 319
7026757.....	277, 279						
7026758.....	261, 263, 265, 267, 269, 271, 273, 275, 277, 279, 281, 283						

## PART NUMBER INDEX

7138878 .....	545, 549	7300064 .....	33, 37, 41, 612	7300487 .....	505, 509	7300859 .....	19
7138883 .....	317	7300076 .....	49	7300490 .....	495, 497, 499, 501, 503	7300886 .....	439
7138944 .....	313	7300078 .....	49	7300499 .....	401, 403	7300899 .....	45
7138979 .....	51	7300080 .....	51	7300503 .....	19, 53	7300911 .....	49
7138986 .....	51	7300094 .....	47	7300509 .....	433, 435, 437	7300912 .....	51
7139108 ...	343, 345, 347, 349	7300095 .....	47	7300510 .....	131, 135	7300927 ...	381, 385, 389, 393, 397
7139159 .....	297	7300098 .....	39	7300511 .....	43	7300943 .....	25
7139160 .....	297	7300099 .....	43	7300512 .....	43	7300944 .....	411
7139161 .....	299	7300111 .....	43, 45	7300516 ...	33, 39, 41, 612	7300945 .....	377
7139162 .....	299	7300112-OM .....	43, 45	7300517 .....	39, 41, 612	7300946 .....	411
7139165 .....	299	7300135 .....	343	7300518 .....	39, 41, 612	7300947 .....	377
7139168 .....	297	7300136 .....	343	7300522 .....	39, 41	7300948 .....	401, 403
7139325 .....	33, 37	7300137 .....	343	7300534 .....	13, 15	7300949 .....	401, 403
7139605 .....	295	7300143 ...	343, 345, 347, 349	7300535 .....	15, 609	7300950 .....	33
7139606 .....	295	7300218 ...	495, 497, 499, 501	7300536 .....	447, 449	7300955 .....	55
7139608 .....	79	7300226 .....	505	7300537 .....	505, 509	7300966 .....	37
7139739 .....	295	7300229 .....	505	7300538 .....	505, 509	7300969 .....	365, 369
7139740 .....	295	7300260 .....	13	7300539 .....	505	7300970 .....	51
7139746 .....	95	7300272 .....	139	7300565 .....	55	7300973 .....	41, 45, 612
7139747 .....	95	7300275 .....	135	7300566 .....	53, 55	7300983 .....	67
7139886 ...	13, 15, 19, 33, 37, 53, 55, 56	7300285 .....	145, 147	7300567 ...	389, 393, 397	7300987 .....	511
7139911 .....	53, 55	7300287 .....	137, 139	7300572 .....	53, 56	7300998 .....	365
7139912 .....	55	7300288 .....	137	7300573 .....	303	7300999 .....	378
7139913 .....	293	7300326 .....	303	7300579 .....	39	7301001-OM .....	378
7139914 .....	293	7300327 .....	303	7300580 .....	53, 56	7301002 .....	415
7139915 .....	53, 55	7300336 .....	545	7300586 .....	405	7301003 .....	415
7139918 .....	91, 389	7300337 .....	569	7300587 .....	405	7301004 .....	415
7139919 .....	151	7300338 .....	561	7300609 .....	23	7301005 .....	415
7139951 .....	55	7300339 .....	533	7300613 .....	49	7301013 .....	511
7139952 .....	55	7300340 .....	565	7300618 ...	381, 385, 389, 393, 397	7301030 .....	366
7139956 .....	55	7300341 .....	525, 527	7300620 .....	43, 45	7301033 .....	53, 55
7139980 ...	366, 370, 373	7300342 .....	525, 527	7300622 .....	55	7301040 .....	79
7150668 .....	29	7300343 .....	525, 527	7300628 .....	581	7301054 .....	297
7150687 ...	592, 593, 597	7300344 ...	531, 533, 535, 538	7300630 .....	23, 26	7301055 .....	295
7150690 .....	592	7300346 .....	609	7300634 .....	25	7301056 .....	299
7150695 .....	29	7300347 .....	593	7300645 .....	25	7301066 .....	343
7150696 .....	29	7300348 .....	593	7300682 .....	345	7301072 .....	389, 393
7150702 .....	592	7300349 .....	598	7300687 .....	23, 25	7301076 ...	131, 135, 614
7150703 .....	592	7300350 .....	598	7300704 .....	295	7301093 .....	503
7150706 .....	29	7300351 .....	601	7300716 .....	53, 56	7301096 .....	13, 15
7150730 .....	593, 598	7300353 .....	545, 549	7300723 .....	33, 37	7301097 .....	19
7151241 .....	303	7300355 .....	545, 549	7300726 .....	19	7301098 .....	13, 15
7151242 .....	303	7300411-OM .....	551	7300727 .....	19	7301099 .....	439
7151245 .....	135	7300423 .....	592	7300732 .....	365, 369	7301102 .....	53, 56
7151246 .....	131	7300424 .....	597	7300737 .....	381, 386	7301146 .....	19
7151250 .....	313	7300435 ...	117, 121, 159	7300738 .....	381, 386	7301147 ...	543, 545, 549
7151251 .....	313	7300439 .....	303	7300739 .....	411	7301149 .....	13, 15, 19
7151262 .....	313	7300445 .....	159	7300740 .....	411	7301154 .....	389, 393
7151271 .....	313	7300446 .....	117	7300741 .....	381, 386	7301165 ...	151, 153, 155
7151272 .....	313	7300447 .....	117	7300742 ...	390, 393, 397	7301171 .....	331
7151273 .....	313	7300448 .....	15	7300743 ...	390, 393, 397	7301175 .....	33
7151276 .....	305	7300467 .....	401, 403	7300744 .....	381, 386	7301178 .....	85
7151279 .....	303	7300468 .....	401, 403	7300745 ...	390, 393, 397	7301179 .....	81
7151280 .....	313	7300469 .....	401, 403	7300746 ...	390, 393, 397	7301180 .....	103
7151285 ...	345, 347, 349	7300479 ...	505, 509, 614	7300750 ...	378, 381, 385, 389, 393, 397	7301183 .....	37
7151313 .....	313	7300484 .....	365	7300753 .....	19	7301191 .....	81
7151317 .....	303	7300485 .....	365, 369	7300754 .....	13, 15, 19	7301198 .....	55
7151322 .....	593			7300757 .....	377	7301199 .....	55
7151337 .....	313			7300778 ...	366, 370, 374	7301222 .....	19
7161200 .....	61			7300793 .....	303	7301225 .....	592
7300032 ...	33, 37, 39, 41, 43, 45, 433, 435, 437, 439, 612			7300805 .....	41	7301229 .....	592
7300034 ...	33, 37, 39, 41, 43, 45, 53, 56, 612			7300816 .....	45	7301230 .....	592
				7300829 .....	43, 45	7301233 .....	592
				7300853 ...	533, 535, 537	7301236 .....	597
						7301237 .....	597
						7301238 .....	592, 597



## PART NUMBER INDEX

7301253.....43	7301458.....339	7302114.....386	80304117..167, 175, 221, 225
7301257.....45	7301476.....339	7302197.....375	80304118..167, 175, 221, 225
7301259.....333	7301478.....339	7302331.....347	80304119..167, 175, 221, 225
7301260.....551	7301479.....339	7310012....117, 531, 535	80304120..167, 175, 221, 225
7301261.....333, 551	7301495.....581	77133136.....423	80304121..168, 176, 221, 225
7301262.....335	7301516.....15	77133137.....423	80304122..168, 176, 221, 225
7301264.....335	7301526.....25	77373058.....561	80304123..168, 176, 221, 225
7301265.....551	7301527.....25	77383377.....541	80304124..167, 175, 221, 225
7301273.....339	7301529....530, 537, 561	8024036.....201, 205	80304125..168, 176, 221, 225
7301279.....313	7301533.....39, 41	8024037.....118, 612	80304126..168, 176, 221, 225
7301289.....85	7301535.....39, 41	8024038.....117, 612	80304127..168, 176, 221, 225
7301294.....89	7301536....389, 393, 397	8024044.....118, 612	80304128..168, 176, 221, 225
7301295.....91	7301538.....409	8024045...382, 390, 394, 398	80304129..168, 176, 221, 225
7301301....389, 393, 477	7301568.....91	8024049.....118, 612	80304130..168, 176, 221, 225
7301302.....335	7301569.....89, 91	8024061.....433	80304131..168, 176, 221, 225
7301308.....53	7301578.....89	8024062.....437	80304132..168, 176, 221, 225
7301309.....56	7301579.....89, 91	8025655.....603, 605	80304133..168, 176, 221, 225
7301311.....29	7301586.....581	80263012.....97	80304134..168, 176, 221, 225
7301312.....23, 25	7301600.....543	80264082.....321	80304135..168, 176, 221, 225
7301313.....55	7301605.....495	80304082..168, 176, 221, 225	80304136..168, 176, 221, 225
7301318.....592	7301641....389, 393, 397	80304088..167, 175, 221, 225	80304137..168, 176, 221, 225
7301319.....593, 597	7301642....389, 393, 397	80304089..167, 175, 221, 225	80304138..168, 176, 221, 225
7301320.....592	7301657.....339	80304090..167, 175, 221, 225	80304139..168, 176, 221, 225
7301321.....592	7301658.....339	80304091..167, 175, 221, 225	80304140..168, 176, 221, 225
7301322.....593, 597	7301659.....339	80304092..167, 175, 221, 225	80304141..168, 176, 221, 225
7301323.....592	7301660.....339	80304093..167, 175, 221, 225	80304142..168, 176, 221, 225
7301324....592, 593, 597, 598	7301662...381, 390, 394, 398	80304094..167, 175, 221, 225	80304143..168, 176, 221, 225
7301325.....592	7301663...381, 390, 394, 398	80304095..167, 175, 221, 225	80304144..167, 175, 222, 226
7301326.....329	7301666...381, 390, 394, 398	80304096..167, 175, 221, 225	80304145..167, 175, 222, 226
7301327.....593	7301667...381, 390, 394, 398	80304097..168, 176, 221, 225	80304146..167, 175, 222, 226
7301328.....593	7301670.....307	80304098..168, 176, 221, 225	80304147..167, 175, 222, 226
7301341....592, 593, 597, 598	7301671.....309	80304099..168, 176, 221, 225	80304148..167, 175, 222, 226
7301342....592, 593, 597, 598	7301672.....89	80304100..168, 176, 221, 225	80304149..167, 175, 222, 226
7301343....592, 593, 597, 598	7301677.....103	80304101..168, 176, 221, 225	80304150..167, 175, 222, 226
7301345.....592, 597	7301726.....89	80304102..168, 176, 222, 225	80304151..167, 175, 222, 226
7301346....592, 593, 597	7301730.....305	80304104..168, 176, 221, 225	80304152..167, 175, 222, 226
7301370.....25	7301731.....305	80304107..168, 176, 221, 225	80304153..167, 175, 222, 226
7301371.....23, 25	7301745.....403	80304108..168, 176, 221, 225	80304154..167, 175, 222, 226
7301372.....23, 25	7301747.....321	80304110..167, 175, 221, 225	
7301373.....23, 25	7301756.....41	80304111..167, 175, 221, 225	
7301379.....581, 586	7301757.....41	80304112..167, 175, 221, 225	
7301380.....581, 586	7301762.....313	80304113..167, 175, 221, 225	
7301382.....374	7301762.....313	80304115..167, 175, 221, 225	
7301383.....582	7301772.....365, 369		
7301384.....582	7301783.....335		
7301392.....349	7301808.....361		
7301393.....349	7301809.....361		
7301394.....349	7301810.....361		
7301408.....89, 91, 95	7301811.....309		
7301412.....537	7301812.....309		
7301413.....349	7301813.....335		
7301434.....333	7301815.....335		
7301438....381, 390, 394, 398	7301831.....477		
7301441.....335	7301843....369, 374, 477		
7301442.....335	7301845.....295		
7301443.....335	7301868.....19		
7301444.....335	7301873.....370		
7301446.....351	7301874.....370		
7301448.....537, 609	7301881.....335		
7301449.....538, 609	7301893....525, 527, 609		
7301450.....537, 609	7301998.....593, 598		
7301457.....339	7302032.....397		
	7302064.....33		
	7302065.....37		
	7302113.....398		

## PART NUMBER INDEX

80304155 . 167, 175, 222, 226	8035326 ..... 447, 613	8035887 ..... 171	8035983 ..... 164, 217
80304156 . 167, 175, 222, 226	8035327 ..... 447, 449	8035888 ..... 171	8035984 ..... 229
80304157 . 167, 175, 222, 226	8035329 ..... 463	8035889 ..... 171	8035986 ..... 233
80304158 . 167, 175, 222, 226	8035330 ..... 463	8035890 ..... 171	8035987 ..... 233
80304159 . 167, 175, 222, 226	8035332 ..... 463, 614	8035891 ..... 171	8035994 ..... 201, 245
80304160 . 167, 175, 222, 225	8035392 ..... 325	8035892 ..... 171	8035995 ..... 201, 245
80304161 . 167, 175, 222, 226	8035393 ..... 325	8035893 ..... 171	8035996 ..... 201, 245
80304162 . 167, 175, 222, 226	8035410 ..... 325	8035894 ..... 171	8035997 ..... 201, 245
80304163 . 167, 175, 222, 226	8035416 ..... 321	8035895 ..... 171	8035998 ..... 183, 233
80304164 . 167, 175, 222, 226	8035439 ..... 309	8035896 ..... 171	8036009 ..... 317
80304165 . 167, 175, 222, 226	8035441 ..... 309	8035897 ..... 171	8036010 ..... 317
80304166 . 167, 175, 222, 226	8035445 ..... 309	8035898 ..... 171	8036011 ..... 317
80304167 . 167, 175, 222, 226	8035475 ..... 321	8035899 ..... 171	8036013 ..... 317
80304168 . 167, 175, 222, 226	8035477 ..... 309, 321	8035900 ..... 171	8036014 ..... 317
80304169 . 167, 175, 222, 226	8035478 ..... 321	8035901 ..... 171	8036015 ..... 317
80304173 . 201, 205, 207, 246, 249, 613	8035479 ..... 321	8035902 ..... 171	8036059 ..... 309
80304227 .. 211, 269, 271	8035486 ..... 321	8035903 ..... 171	8036061 ..... 309
80304394 .. 257, 259, 285	8035490 ... 305, 307, 323	8035904 ..... 171	8036064 ..... 309
80304405 . 201, 205, 245, 257	8035493 ..... 327	8035905 ..... 171	8036065 ..... 309
80304462 ..... 193, 241	8035498 ..... 327	8035906 ..... 171	8036072 ..... 327
80304480 ..... 615	8035499 ..... 327	8035907 ..... 171	8036088 ..... 327
80304484 ..... 614	8035506 ..... 321	8035908 ..... 171	8036105 ..... 309
80304486 ..... 615	8035509 ..... 321	8035909 ..... 172	8036162 ..... 491
80304492 ..... 615	8035511 ..... 321	8035910 ..... 172	8036185 ..... 477, 481
80304497 ..... 615	8035523 ... 305, 307, 309, 323	8035911 ..... 172	8036209 ..... 592
80304498 ..... 615	8035536 ..... 517, 603	8035912 ..... 172	8036210 ..... 592
8032994 ..... 491	8035547 ..... 465	8035913 ..... 172	8036212 ..... 592
8033075 ..... 325, 327	8035631 ..... 309	8035914 ..... 172	8036213 ..... 592
8033769 ..... 487	8035632 ..... 309	8035915 ..... 172	8036214 ..... 592
8033786 ... 517, 603, 605	8035637 ..... 309	8035916 ..... 172	8036215 ..... 592
8034798 ..... 321	8035639 ..... 309	8035917 ..... 172	8036216 ... 592, 593, 597, 598
8034800 ..... 321	8035640 ..... 307, 323	8035918 ..... 172	8036217 ... 592, 593, 597, 598
8034801 ..... 321	8035659 ..... 310	8035919 ..... 172	8036218 ... 592, 593, 597, 598
8034803 ..... 321	8035757 ... 451, 453, 455, 491	8035920 ..... 172	8036219 ..... 592
8034804 ..... 321	8035781 ..... 491	8035921 ..... 172	8036221 ..... 592
8034805 ..... 321, 327	8035782 ..... 491	8035922 ..... 183, 233	8036222 ..... 592
8034807 ..... 327	8035784 ..... 491	8035927 ..... 183, 233	8036229 ... 433, 437, 441, 443
8034808 ..... 321	8035785 ... 441, 443, 445, 451, 453, 455, 491	8035933 ..... 183, 233	8036233 ..... 437, 439
8034811 ..... 321	8035830 ..... 603, 614	8035936 ..... 190, 238	8036236 ... 441, 443, 445
8034815 ..... 325	8035831 ..... 607, 614	8035939 ..... 190, 238	8036238 ..... 443, 445
8035308 ..... 441	8035855 ..... 477, 481	8035945 ..... 189, 237	8036241 ..... 443, 445
8035309 ..... 441	8035861 ..... 603	8035946 ..... 189, 237	8036242 ..... 443, 445
8035315 ... 433, 435, 437, 439	8035862 ..... 517, 603	8035947 ..... 189, 237	8036304 ..... 190, 238
8035321 ..... 447, 449	8035863 ..... 517, 603	8035948 ..... 189, 237	8036305 ..... 190, 238
8035322 ... 447, 451, 455, 457, 461, 467	8035864 ..... 603	8035951 ..... 189, 237	8036312 ..... 183, 233
8035323 ... 447, 451, 455, 457, 461	8035865 ..... 607	8035958 ..... 195	8036313 ..... 183, 233
8035324 ..... 447	8035866 ..... 607	8035959 ..... 205	8036320 ..... 195
	8035867 ..... 607	8035960 ..... 205	8036321 ..... 195
	8035868 ..... 607	8035961 ..... 205	8036328 ..... 437, 613
	8035871 ..... 171	8035962 ..... 205	8036330 ... 202, 205, 207, 245, 249
	8035872 ..... 171	8035963 ..... 205	8036331 ... 183, 189, 209, 211, 233, 237, 251
	8035873 ..... 171	8035964 ..... 205	8036338 ..... 201, 245
	8035874 ..... 171	8035965 ..... 205	8036413 ... 202, 205, 245
	8035875 ..... 171	8035966 ..... 205	8036417 ..... 183
	8035876 ..... 171	8035967 ..... 205	8036418 ..... 187, 235
	8035877 ..... 171	8035968 ..... 205	8036419 ..... 183, 233
	8035878 ..... 171	8035969 ..... 205	8036430 ..... 183
	8035879 ..... 171	8035970 ..... 205	8036431 ..... 183
	8035881 ..... 171	8035971 ..... 205	8036433 ..... 293
	8035882 ..... 171	8035972 ..... 205	8036434 ... 201, 205, 246
	8035883 ..... 171	8035973 ... 201, 205, 245	8036435 ..... 201, 246
	8035884 ..... 171	8035974 ..... 205	
	8035885 ..... 171	8035977 ..... 211, 251	
	8035886 ..... 171	8035981 ..... 183, 233	
		8035982 ..... 163, 217	

# PART NUMBER INDEX

8036436.....	209, 251	8036575 ...	261, 263, 265, 267, 269, 271, 273, 275, 277, 279, 281, 283	8036651 .....	485	8036729.....	321
8036438.....	551	8036577 .....	447	8036652 .....	485	8036733.....	89, 91
8036444.....	189, 237	8036579 .....	491	8036654 .....	307	8036734.....	321
8036445.....	189, 237	8036580 .....	491	8036655 .....	307, 323	8036739....	451, 453, 455, 491
8036447 ....	189, 193, 237, 241	8036581 .....	491	8036656 .....	309, 325	8036740.....	491
8036451.....	607	8036582 .....	491	8036657 .....	325	8036750....	447, 449, 607
8036456.....	487	8036583 ...	451, 453, 455, 457, 459, 461	8036658 .....	305, 307	8036751.....	218
8036457.....	487	8036584 ...	451, 455, 457, 461	8036659 .....	305, 307	8036752.....	229
8036460.....	487	8036585 ...	451, 455, 457, 461	8036660 .....	305, 307	8036753.....	179, 229
8036463.....	551	8036586 .....	467	8036662 .....	325	8036756.....	183, 233
8036474.....	441, 613	8036587 .....	467	8036663 .....	305, 307	8036757.....	183, 233
8036475 ....	433, 435, 613	8036588 .....	467	8036664 .....	307	8036758....	183, 187, 233, 235
8036476.....	467, 614	8036589 .....	467	8036665 .....	307	8036759....	183, 187, 233, 235
8036477 ....	451, 455, 457, 461, 613, 614	8036590 .....	433, 437	8036666 .....	305, 307	8036761.....	321, 327
8036480.....	471, 473	8036591 .....	433	8036667 .....	325	8036761.....	321, 327
8036481 ....	469, 471, 473	8036592 .....	433, 435	8036668 .....	325	8036783.....	605, 614
8036482.....	471, 473	8036593 .....	433, 435	8036669 .....	325	8036787.....	481
8036483....	469, 471, 473	8036594 .....	433, 435	8036670 .....	325	8036805.....	361
8036484 ....	469, 471, 473	8036595 .....	441, 443	8036671 .....	321	8036807.....	361
8036485.....	469, 471	8036596 .....	441, 443	8036672 .....	321	8036811.....	605
8036493.....	487	8036597 .....	441	8036673 .....	321	8036817.....	605
8036503.....	478, 481	8036598 .....	441	8036674 .....	321	8036819.....	605
8036505.....	477, 481	8036599 .....	463, 465	8036675 .....	321	8036820.....	605
8036506.....	477, 481	8036600 .....	463	8036676 .....	321	8036821.....	605
8036507.....	477, 481	8036601 .....	131, 135	8036677 .....	327	8036830.....	605
8036508.....	477, 481	8036602 .....	131, 135	8036678 .....	321, 327	8036831.....	491
8036509.....	477, 481	8036603 .....	551	8036679 .....	327	8036832.....	491
8036510.....	477, 481	8036604 .....	117, 612	8036680 .....	327	8036841.....	171
8036511.....	477, 481	8036605 .....	117, 612	8036681 .....	327	8036846.....	189, 237
8036512.....	477, 481	8036606 .....	233	8036682 .....	327	8036847....	193, 241, 259
8036513....	469, 477, 481	8036607 .....	202, 246	8036683 .....	309	8036848.....	195
8036514.....	477, 481	8036608 .....	357	8036684 .....	309	8036849.....	195
8036515.....	478, 481	8036609 .....	357	8036685 .....	309	8036852.....	195
8036516.....	477, 481	8036610 .....	357	8036686 .....	309	8036854.....	195
8036517.....	477, 481	8036611 .....	357	8036687 .....	309	8036855.....	195
8036518.....	477, 481	8036612 .....	357	8036688 .....	309	8036856.....	196
8036519.....	477, 481	8036613 .....	357	8036689 .....	309	8036859.....	195
8036520.....	477, 481	8036614 .....	357	8036690 .....	309	8036861.....	195
8036521.....	477, 481	8036615 .....	357	8036691 .....	309	8036862.....	195
8036523.....	477, 481	8036616 .....	357	8036692 .....	309	8036865.....	205
8036524.....	469	8036617 .....	357	8036693 .....	309	8036868.....	145, 147
8036525.....	493	8036618 .....	357	8036694 .....	310	8036869.....	145, 147
8036526.....	493	8036619 .....	357	8036695 .....	309	8037080.....	463
8036527.....	493	8036620 ...	357, 359, 361	8036696 .....	309	8037204.....	305, 307
8036528....	287, 289, 567	8036621 .....	359	8036697 .....	309	80383410.....	351, 353
8036529.....	287, 567	8036622 .....	359	8036698 .....	309	80384398.....	125
8036534.....	305	8036623 .....	359	8036699 .....	309	8040283.....	161
8036535.....	305	8036624 .....	359, 361	8036700 .....	309	8040284.....	215
8036541 ....	469, 471, 473	8036625 .....	359	8036701 .....	309	8040286.....	161
8036543.....	453, 613	8036626 .....	317	8036702 .....	309	8040287.....	215
8036547.....	449, 613	8036627 .....	505	8036703 .....	309	8050001....	13, 15, 19, 53, 56
8036550.....	459, 614	8036629 .....	449	8036704 .....	309	805001.....	56
8036551.....	465, 614	8036630 .....	449	8036705 .....	309	8050085.....	53, 56
8036564.....	487	8036631 .....	449	8036706 .....	309	8050086.....	53, 55
8036565.....	487	8036632 .....	449	8036707 .....	309	80604017.....	575
8036566.....	487	8036633 .....	453, 459	8036709 .....	309	80604018.....	571
8036567.....	488	8036634 .....	453, 459	8036710 .....	309	8065062.....	71, 73
8036568.....	487	8036635 .....	453, 459	8036711 .....	309	8065634.....	67
8036569.....	487	8036636 .....	453, 459	8036712 .....	309	80673023.....	122, 141
8036570.....	487	8036637 .....	437, 439	8036713 .....	321	80683217.....	333
8036571.....	487	8036638 .....	437, 439	8036714 .....	321	80904003.....	614
8036572.....	487, 488	8036639 .....	437, 439	8036715 .....	321	8124138.....	51
8036573.....	485, 487	8036640 .....	443, 445	8036716 .....	321	8160102.....	345, 613
8036574.....	485, 487	8036641 .....	465	8036717 .....	321	8160103.....	347, 613
		8036642 .....	465	8036718 .....	321		
		8036643 .....	465	8036719 .....	321		
		8036644 ...	443, 445, 613	8036720 .....	305		
		8036647 .....	485	8036721 .....	305		
		8036648 .....	485	8036722 .....	305		
		8036649 .....	485	8036723 .....	333		
		8036650 .....	485	8036724 .....	333		
				8036725 .....	333		
				8036726 .....	333		
				8036727 .....	333		

## PART NUMBER INDEX

8180210 ..... 137, 139	8226234 .... 537, 554, 558	8303533.....533, 535, 537,	8305012 ..... 75, 77
8180215 ..... 137, 139	8229233 .... 554, 558, 593	538, 561	8305038 23, 26, 151, 153,
8180216 ..... 137, 139	8229234 .... 554, 558, 601	8303541.....401, 403, 495	155, 345, 347, 349,
8180219 ..... 137	8229235 .... 554, 558, 593	8303544.....313, 335, 401,	525, 527, 533, 535,
8180311 ..... 137, 139	8229236 ..... 598	403, 415, 417, 419,	537, 561
8180320 ..... 137, 139	8229237 .... 554, 558, 593	537, 609	8305043 ... 137, 139, 345,
8180324 ..... 137, 139	8229238 ... 554, 558, 593,	8303545.....533, 535, 537,	347, 349, 389, 393,
8180325 ..... 137, 139	598, 601	541, 609	397, 495, 497, 499,
8180326 ..... 137, 139	8229243 .... 537, 554, 558	8303550.....131, 365, 369,	501, 503, 511, 592,
8180327 ..... 137, 139	8229247 ..... 575, 577	373, 378, 381, 389,	593, 597, 598
8180329 ..... 137, 139	8229259 ... 537, 554, 558,	393, 397, 427, 477	8305044 ... 122, 343, 347,
8180330 ..... 137, 139	609	8303551.....33, 37, 39, 41,	365, 369, 533, 535, 537
8180332 ..... 137, 139	8229260 ..... 537, 609	43, 45, 151, 153, 155	8305047 ... 335, 361, 537,
8205655 ..... 517	8229262 ..... 554, 558	8303606 43, 45, 137, 139,	565, 609
8205656 ... 433, 437, 441,	8229263 ..... 554	333, 495, 497, 501,	8305402 ..... 345, 347
443	8262161 ..... 117	503, 592, 593, 597, 598	8305624 .89, 91, 303, 349
8205657 .... 433, 435, 439	8262162 ..... 117	8303607.....313, 421, 593	8305626 ..... 67, 317, 319,
8220077 ..... 569	8262167 ..... 117	8303611 33, 37, 137, 139,	335
8220089 ..... 571	8270144 .... 525, 527, 609	405, 499	8305630 ... 39, 41, 43, 45,
8220103 ..... 569	8270145 .... 525, 527, 609	8303618.....51, 131	137, 139, 335, 345,
8220115 ..... 531	8270146 .... 525, 527, 609	8303621 ..... 355	347, 349
8220116 ..... 531	8270147 ... 525, 527, 530,	8303624 ..... 345, 349	8305637 ..... 593
8220158 ..... 569	531, 609	8303625 ..... 29	8305638 ... 343, 378, 381,
8220164 ..... 531	8270148 ... 525, 527, 530,	8303626 ..29, 75, 77, 365,	385, 389, 393, 397
8220357 ... 537, 543, 545,	531, 609	369	8305643 ... 61, 67, 71, 73,
593, 609	8270224 ..... 117	8303634.....61, 67, 71, 73,	89, 91, 117, 121, 159
8220360 .... 543, 545, 549	8270422 ..... 609	89, 91	8305644 ..... 29, 75, 77
8220362 .... 543, 545, 554	8270423 ..... 609	8303656 ..... 137	8305645 . 33, 37, 67, 137,
8220363 .... 543, 545, 593	8270424 ..... 609	8303658 ..... 89, 91	139, 329, 336, 586,
8220364 ..... 537, 609	8270425 ..... 609	8303670 ..... 335	592, 597
8220366 ..... 537, 609	8270426 ..... 609	8303674 ..... 317	8305646 ..... 51
8220553 ..... 537	8270427 ..... 581, 609	8303675 ..... 329, 365, 369,	8305647 ..... 33, 37
8220888 ..... 335	8270621 ..... 565, 614	374	8305652 33, 37, 543, 545,
8220891 ..... 571	8270627 ... 543, 545, 549	8303681 ..... 329	549, 565, 609
8220898 ..... 571	8270628 ..... 554, 593	8303703.....366, 370, 373	8305654 ... 13, 15, 19, 23,
8220914 ..... 569	8272031 ..... 117, 612	8303715 ..... 71, 73, 309	25, 53, 56, 145, 147,
8220935 ..... 571	8273029 ..... 145, 147	8303739 ..... 67, 343	149, 365, 369, 373,
8220936 ..... 571	8274022 ..... 131	8303743 ..... 89	374, 477, 525, 527,
8220937 ..... 569	8275042 ..... 151	8303753 ..... 41	531, 543, 545, 549
8220960 ..... 571	8275044 ..... 151	8303755 ..... 13, 15, 39	8305655 ... 15, 19, 33, 37,
8223019 ..... 593	8275212 .... 365, 369, 373	8303769.....41, 159, 593,	47
8223038 ..... 601	8275240 ..... 151, 153	598	8305916 ..... 355
8223040 ..... 551	8275247 ..... 153, 155	8303770 ..... 67	8307003 ... 533, 535, 537,
8223043 ..... 551	8276019 ..... 335	8303777 ..... 23, 25, 43, 45,	541, 609
8223044 ..... 551	8277172 ..... 23, 26	439, 533, 535, 538	8307004 .... 533, 535, 537
8223050 ..... 543	8278020 ..... 137, 139	8303778 ..... 45, 53, 56	8307005 .... 366, 370, 374
8223054 .... 543, 545, 549	8278040 ..... 117, 159	8303783 39, 41, 313, 317,	8307007 ..... 75, 77
8223060 ..... 593	8278041 ..... 303	319, 389, 393, 495,	8307022 ..... 117
8223071 .... 543, 545, 549	8301453 ... 495, 497, 499,	497, 499, 501, 503, 511	8307023 ... 533, 535, 537,
8223072 ... 543, 545, 549,	501, 503	8303784 .... 23, 25, 39, 43,	561
613	8301456 ..... 75	45, 365, 369, 433, 435,	8307024 ..... 331
8223073 ..... 593	8302446 ..... 53, 56	437, 593, 597	8307025 ..... 29, 49, 51
8223074 ..... 313	8303005 ..... 349	8303785 ..... 347, 433, 435,	8307104 ... 495, 497, 499,
8223075 ..... 313	8303097 . 37, 39, 41, 137,	437, 439	501, 503
8223080 ..... 593, 598	139	8303790.....49, 117, 121,	8307106 .... 137, 317, 319
8223081 .... 349, 351, 353	8303107 ..... 137, 139	159, 345, 365, 369, 373	8307109 .... 389, 393, 397
8223232 ..... 561	8303261 ..... 343	8303798....39, 41, 53, 56,	8307110 ..... 329, 355
8223238 ..... 343	8303265 ..... 43, 45	137, 139, 151, 153,	8307111 ..... 538
8223240 .... 505, 509, 561	8303515 ..... 131, 135	155, 159, 313, 365,	8307112 .75, 77, 345, 349
8223241 .... 543, 545, 549	8303519 ... 135, 495, 497,	369, 505, 509, 537,	8307113 ..... 33, 37
8223246 .... 121, 562, 614	499, 501, 503	561, 593, 598	8307202 ..... 349
8223526 ..... 505, 509	8303528 ... 131, 145, 147,	8303799 ..... 331, 345	8307203 . 23, 25, 67, 137,
8223527 ..... 145, 147	333, 366, 370, 374,	8303837 ..... 345, 347, 538	139, 317, 319, 335
8223531 ..... 335	385, 397, 533, 535,	8303992 ..... 558	8307204 ... 378, 381, 385,
8225119 ... 545, 549, 554,	537, 561, 567	8305003.....533, 535, 537,	389, 393, 397
558, 593, 598, 601	8303531 ..... 53, 55	541, 609	8307205 ..... 317
8225122 .... 537, 541, 609		8305006.....533, 535, 537	8307206 ..... 29

# PART NUMBER INDEX

830721933, 37, 313, 361, 374, 415, 421, 495, 497, 499, 501, 503, 533, 535, 537, 541, 543, 545, 549, 565, 593, 609	8310390 ... 331, 361, 545, 549, 554	8310693 ..... 23, 25	8430048.....333
8307220.... 13, 15, 19, 41, 122, 131, 135, 159, 343, 347, 365, 369, 373, 433, 435, 437, 439, 533, 535, 537	8310410 ..... 349	8310695 ..... 347	8430081.....377, 411, 513
8307221 .... 13, 15, 33, 37, 39, 41, 43, 45, 53, 56, 137, 139, 313, 335, 365, 369, 433, 435, 437, 439, 505, 509, 525, 527, 533, 535, 537, 561, 609	8310414 ..... 365	8310700 ..... 47	8430098.....411, 513
8307222 33, 37, 137, 139, 313, 333, 343, 397, 525, 527, 531, 543, 545, 549	8310424 ... 13, 15, 19, 53, 56	8310702 ..... 319	8430099....365, 369, 373
8307703.....51	8310426 ..... 15, 19, 47	8310703 .... 389, 393, 397	8440239.....469
8307904....43, 45, 71, 73	8310435 ..... 91	8310705 ..... 39, 117	8440240.....471
8307912.....53, 55, 56	8310453 ..... 343	8310706 ..... 43, 45	8466306.....313
8307913.....53, 55, 56	8310476 ... 343, 378, 381, 385, 389, 393, 397, 412	8310707 ..... 43, 45	8500061.....601
8307918....43, 45, 71, 73	8310491 ..... 23, 26	8310709 ..... 15, 609	8500066.....601
8310009.....407	8310507 ... 343, 345, 347, 349	8310711 ... 495, 497, 499, 501, 503	8520001.... 13, 15, 19, 43, 45, 49, 53, 56
8310028....389, 393, 397	8310508 ... 343, 345, 347, 349	8310713 ..... 15	8520003.....51
8310030....33, 370, 374, 495, 497, 499, 501, 503	8310514 ..... 41	8310714 ... 374, 495, 497, 499, 501, 503	8520013.....67, 441, 443, 445, 447, 449
8310046.....525, 527	8310518 ..... 412	8310715 .... 345, 347, 349	8520021.....463, 465
8310053.....336	8310534 ..... 335	8310716 .... 345, 347, 349	8522007.....41
8310061.....159	8310539 ..... 13, 15, 25	8310726 ..... 339	8522012....43, 45, 49, 51
8310070.....15, 609	8310598 ..... 39, 41	8310728 ..... 349	8522050....33, 37, 39, 41, 43, 45
8310085....345, 347, 538	8310600 ..... 39, 43	8310732 ..... 349	8522051.... 33, 37, 39, 43, 45
8310093.....43, 45	8310604 ... 495, 497, 499, 501, 503	8310736 ..... 335	8525011.....459
8310125.....33, 45	8310606 ..... 43, 45	8310737 ..... 335	8526007....29, 33, 37, 39, 41, 43, 45, 47, 153, 155, 202, 205, 293, 398, 401, 403, 415, 417, 419, 433, 435, 437, 439, 605
8310136.....309, 321	8310614 ..... 23, 26	8310748 ..... 345, 349	8526035.....335
8310160.....71, 73	8310617 ... 145, 147, 149	8320053 ... 505, 509, 614	8526036.....603
8310161.....71, 73	8310620 ..... 39, 41	8320054 ..... 505, 509	8526052.....291
8310164...29, 33, 37, 303, 366, 370, 373	8310621 23, 25, 139, 151, 153, 155	8320055 ..... 505, 509	8526056.....291
8310188....361, 545, 549	8310623 ... 365, 369, 373	8320270 ..... 131	8530030....365, 369, 374
8310194....495, 497, 499, 501, 503	8310625 ... 13, 15, 19, 43, 45, 53, 55, 56, 331, 343, 433, 435, 437, 439	8320275 ..... 117	8530035....365, 369, 375
8310211 ....495, 497, 499, 501, 503	8310627 ..... 33, 37	8320278 ..... 131	8530036....365, 369, 373
8310217.....43, 45, 49	8310628 ..... 347	8321701 ..... 13, 15, 19	8530041.....131
8310218.....53, 56, 331	8310629 ..... 33, 37	8340038 ..... 23, 25, 26	8540016.....333
8310220.....53, 55	8310630 ..... 33, 37	8342808 ..... 309, 614	8540218.....333
8310246.....141	8310638 ... 495, 497, 499, 501, 503	8342813 ..... 23, 25, 614	8540231.....333
8310266.....47	8310640 ..... 554	83681331 ..... 153	8546407.....365, 375
8310276.....47	8310641 ..... 554, 558	83683308 ..... 141	8551001.....145, 147
8310285.....303	8310642 ..... 554	8380008 ..... 79	8554008.....321
8310288.....117, 159	8310647 ... 525, 527, 531, 543, 545, 549	8382017 ..... 81, 85	8580315.....71, 73
8310293....37, 378, 389, 393, 397, 411	8310650 ... 533, 535, 537, 538, 561	8405007 ..... 141	8581036....366, 370, 423
8310302.....89, 91	8310651 ..... 49	8405009 ..... 131, 135	8584001...67, 71, 73, 325, 327, 335, 351, 353, 530, 533, 535, 538, 541, 543, 545, 549, 561, 565, 567, 594, 598, 601, 609
8310308....29, 303, 495, 497, 499, 501, 503	8310652 ..... 303	8405104 ..... 137, 139	8584003....345, 347, 349, 389, 393, 397, 538
8310341.....592, 597	8310655 ..... 53, 55	8405201 ..... 141	8584018....325, 327, 594, 598, 601
8310354.....41, 117	8310656 ..... 13, 15, 19	8405202 ..... 141	8630003.....91, 389
8310375.....303	8310657 ... 13, 15, 19, 33, 37, 53, 55, 56	8405203 ..... 335	8630004.....409
8310379.....121, 159	8310662 ..... 53, 56	8405209 ... 366, 370, 373	8630005.....423
8310382.....313	8310664 ..... 23, 26	8405212 ..... 141	8630006.....370, 423
	8310668 ..... 505, 509	8405306 ..... 141	8630007.....423, 427
	8310671 ..... 159	8405404 ..... 145, 147	8630008....365, 369, 375
	8310672 ..... 159	8406105 ..... 567, 593	8630009....365, 369, 373
	8310683 ... 335, 543, 545, 549	8406201 ..... 525, 527	8630019.....159, 375
	8310686 ... 33, 37, 43, 45	8406302 ..... 81	
	8310687 ... 537, 543, 545, 549, 565, 609	8410001 ... 365, 369, 373	
	8310689 ..... 53, 55, 56	8410007 ... 145, 147, 149	
	8310690 ..... 331	8410009 ... 333, 365, 369, 373	
	8310691 ..... 56	8410011 ..... 155	
	8310692 ..... 551	8410013 ... 131, 135, 141	
		8410021 ..... 147, 149	
		8420053 ... 67, 69, 71, 73, 81, 89, 91, 113, 389, 393, 397	
		8420055 ... 67, 69, 71, 73, 81, 89, 91, 113, 389, 393, 397	
		8420229 ..... 131, 135	
		8430032 ..... 377, 513	
		8430033 ..... 513	
		8430034 ..... 505	

## PART NUMBER INDEX

8630020 ... 343, 345, 347, 349	8750037 ..... 378, 412	8770282.....381	8902335 ..... 361, 613
8630022 ..... 43, 45	8750038 ... 381, 385, 407, 412	8770299.....381, 385	8902856 .... 366, 370, 373
8630026 ..... 19, 53	8750039 ... 333, 345, 347, 375, 533, 535, 537, 561, 567	8770300.....381, 385	8902862 ..... 401, 403
8630027 ..... 349	8750040 ..... 375, 427	8780031.....295, 297	8990459 ..... 614
8640028 .... 67, 71, 89, 91	8750042 ..... 378, 412	8780036.....299	8990461 ..... 614
8640029 .... 67, 71, 89, 91	8750043 ... 131, 366, 370, 374, 375, 378, 381, 385, 412, 531, 533, 535, 537, 561, 567	8780045.....295, 297	8990496 ..... 614
8640032 .... 67, 71, 89, 91	8750044 ..... 401, 403	8780048.....299	90200003. 61, 63, 65, 67, 69, 71, 73, 89, 91
8640123 .... 365, 369, 374	8769122 .... 389, 393, 397	8780050.....299	90206196 .... 25, 333, 530
8640208 .... 365, 369, 375	8769123 ... 378, 381, 385, 389, 393, 397, 411	8780264.....295, 297	90206202 ..... 141
8640903 ..... 423	8769126 ... 381, 385, 405, 412	8786514.....295, 297, 299	90451058.. 61, 67, 89, 91
8642001 ..... 67	8769127 .... 381, 385, 412	8786572.....159	90551013 ..... 61, 67, 71
8642207 ..... 71, 73	8769128 ... 389, 393, 397, 405, 407	8786573.....159	90554016 ..... 79, 83, 105
8642235 ..... 67	8769132 ..... 71, 73	8841322.....285, 613	90554017 ..... 105
8642236 ..... 49, 51	8770016 ..... 71, 73	88521208.....141	90554018 ..... 79, 105
8660016 ..... 335	8770085 ..... 381, 385	8864057.....317	90554020 ..... 79, 83
8660017 ..... 335	8770091 ..... 427	8864058.....317	90554042 ..... 79, 83
8700125 ..... 343	8770105 ..... 403	8866266.....303	90554045 ..... 519
8700126 .... 345, 347, 349	8770111 .... 401, 415, 417	8866341 ..... 137, 139	90554054 ..... 79, 83
8702162 ..... 23, 25	8770112 ..... 477	8866348.....331	90554062 ..... 83, 105
8702163 ..... 23	8770115 ..... 394, 405	8866442.....101	90554065 ..... 105
8702164 ..... 23, 25	8770117 .... 381, 390, 394	8866444 ..... 101	90554076 ..... 83, 105
8720017 ..... 543	8770125 ..... 390	8866445 ..... 101	90554080 ..... 93
8721032 ..... 411	8770127 ..... 394	8866464 ..... 101	91043125 ..... 79, 111
8742009 ..... 511	8770129 ... 381, 385, 389, 393, 397	8866514 ..... 331	91043126 ..... 79, 111
8750001 .... 366, 370, 373	8770131 ..... 411	8866516 ..... 331	91143220 ..... 56
8750005 .... 366, 370, 373	8770136 .... 389, 393, 397	8866530 ..... 331	91403193 ..... 159
8750017 ... 131, 345, 347, 375, 378, 381, 385, 407, 412, 533, 535, 537, 561, 567	8770140 ... 401, 415, 417, 513	8866560 ..... 101	91403413. 67, 69, 71, 73, 79, 81, 89, 91, 111, 113, 389, 393, 397
8750018 ..... 401, 403	8770152 ..... 390	8866561 ..... 101	91403414. 67, 69, 71, 73, 79, 81, 89, 91, 111, 113, 389, 393, 397
8750020 ..... 401, 403	8770154 ..... 366, 401	8866625 ..... 331	91403601 ..... 153, 155
8750022 ... 131, 333, 365, 366, 369, 373, 374	8770163 ..... 381	88671001.....67, 69	91404298 ..... 323
8750024 ... 345, 347, 366, 370, 533, 535, 537, 561, 567	8770196 ..... 427	88681311.....336	91404299 ..... 582, 587
8750025 ... 131, 333, 365, 366, 369, 373, 374, 375, 427, 533, 535, 537, 561, 567	8770214 ..... 365	8880218-OM.....293	91404301 ..... 323
8750027 ... 389, 393, 397, 407	8770223 ..... 505, 509	8902175.....390	91513234 ..... 336
		8902309.....357	91554014 ..... 573
		8902310.....411	91554019 ..... 571
		8902313.....487	91563136.. 505, 509, 614
		8902316.....343	91563164 ..... 319
		8902317.....485	91565094 ..... 93
		8902321.....493	
		8902322.....493	
		8902328 ..... 477	
		8902329 ..... 477, 481	
		8902330.....359	

# PARTS FINDER

**Search Website  
by Part Number**



**Search Manual  
Library For Parts  
Manual & Lookup Part  
Numbers – Purchase  
or Request Quote**

**Can't Find Part or  
Manual? Request Help  
by Manufacturer,  
Model & Description**

Discount-Equipment.com is your online resource for quality parts & equipment.

Florida: **561-964-4949** Outside Florida TOLL FREE: **877-690-3101**

**Need parts?**

Click on this link: <http://www.discount-equipment.com/category/5443-parts/> and choose one of the options to help get the right parts and equipment you are looking for. Please have the machine model and serial number available in order to help us get you the correct parts. If you don't find the part on the website or on one of the online manuals, please fill out the request form and one of our experienced staff members will get back to you with a quote for the right part that your machine needs.

We sell worldwide for the brands: Genie, Terex, JLG, MultiQuip, Mikasa, Essick, Whiteman, Mayco, Toro Stone, Diamond Products, Generac Magnum, Airman, Haulotte, Barreto, Power Blanket, Nifty Lift, Atlas Copco, Chicago Pneumatic, Allmand, Miller Curber, Skyjack, Lull, Skytrak, Tsurumi, Husquvarna Target, Stow, Wacker, Sakai, Mi-T-M, Sullair, Basic, Dynapac, MBW, Weber, Bartell, Bennar Newman, Haulotte, Ditch Runner, Menegotti, Morrison, Contec, Buddy, Crown, Edco, Wyco, Bomag, Laymor, EZ Trench, Bil-Jax, F.S. Curtis, Gehl Pavers, Heli, Honda, ICS/PowerGrit, IHI, Partner, Imer, Clipper, MMD, Koshin, Rice, CH&E, General Equipment, Amida, Coleman, NAC, Gradall, Square Shooter, Kent, Stanley, Tamco, Toku, Hatz, Kohler, Robin, Wisconsin, Northrock, Oztec, Toker TK, Rol-Air, APT, Wylie, Ingersoll Rand / Doosan, Innovatech, Con X, Ammann, Mecalac, Makinex, Smith Surface Prep, Small Line, Wanco, Yanmar