

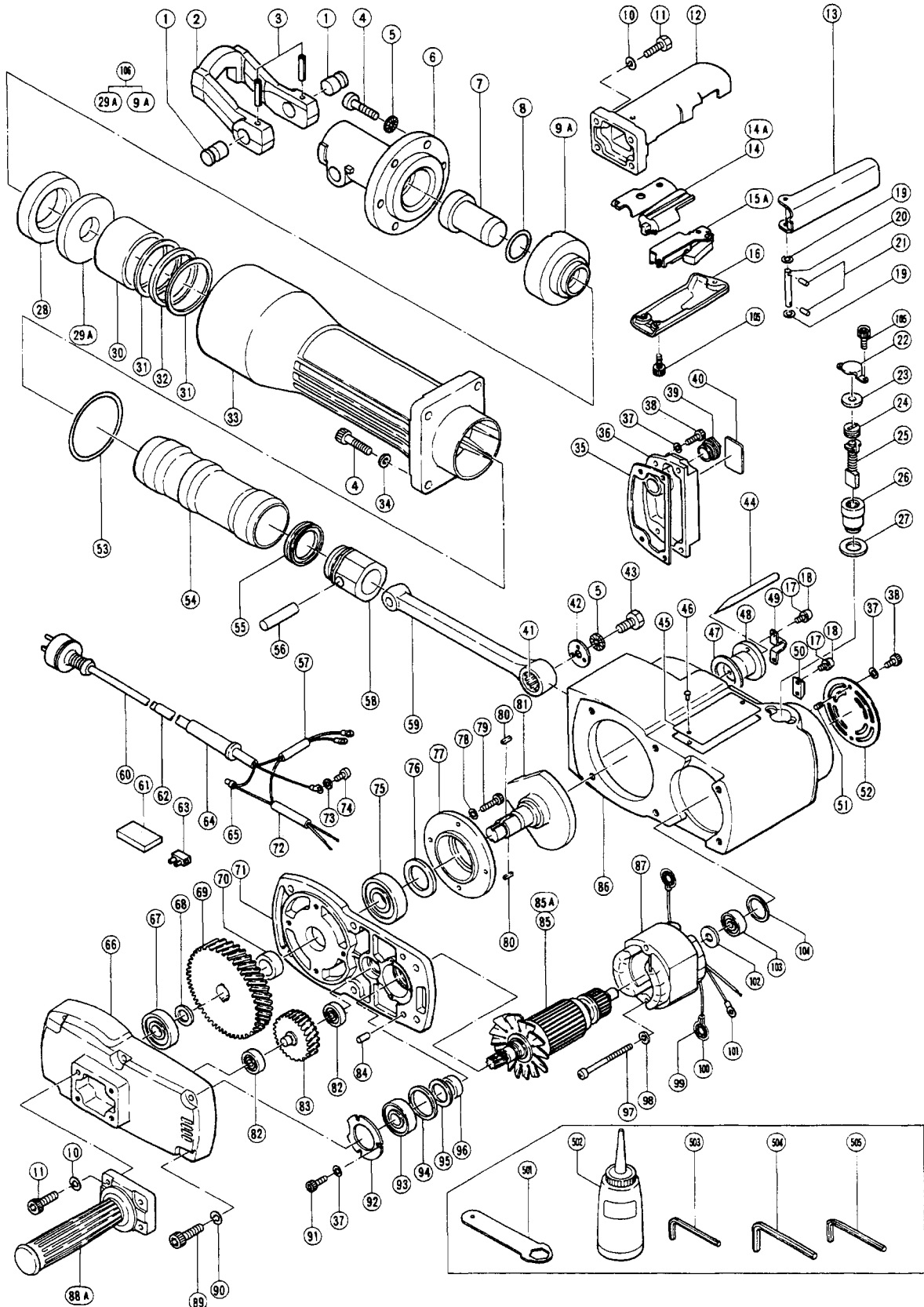
HITACHI

LIST NO. 0458

ELECTRIC TOOL PARTS LIST

■HAMMER
Model H 85

1994 · 6 · 3
(E4)



PARTS

H 85

ITEM NO.	CODE NO.	DESCRIPTION	NO. USED	REMARKS
1	985-224	LEVER PIN	2	
2	985-225	RETAINER	1	
3	949-874	ROLL PIN D6X36 (10 PCS.)	2	
4	985-226	SEAL LOCK BOLT M10X40	10	
5	956-487	BELLEVILLE SPRING M10	7	
6	985-223	FRONT COVER	1	
7	985-222	SECOND HAMMER	1	
8	956-503	O - RING (A)	1	
9A	985-236	HAMMER HOLDER	1	
10	949-457	SPRING WASHER M8 (10 PCS.)	8	
11	949-759	HEX. SOCKET HD. BOLT M8X30 (10 PCS.)	8	
12	985-228	HANDLE	1	
13	956-524	SWITCH LEVER	1	
*	14	981-869	SUPPORT	1 TILL 7.1988
*	14	981-986Z	SUPPORT (A)	1 FOR AUS
*	14A	990-082	SUPPORT (E)	1 SINCE 8.1988
*	15A	992-891	SWITCH (A) (1P SCREW TYPE) W/O LOCK	1
*	15A	981-533Z	SWITCH (2P PILLAR TYPE) W/O LOCK	1 FOR AUS
16	985-229	HANDLE COVER	1	
17	949-453	SPRING WASHER M4 (10 PCS.)	4	
18	949-218	MACHINE SCREW M4X14 (10 PCS.)	4	
19	942-204	WASHER	2	
20	956-525	PIN	1	
21	949-861	ROLL PIN D2X12 (10 PCS.)	2	
22	956-528	CAP COVER	2	
23	944-960	CAP RUBBER	2	
24	940-540	BRUSH CAP	2	
25	937-943Z	CARBON BRUSH (AUTO STOP TYPE) (1 PAIR)	2	
26	944-903	BRUSH HOLDER	2	
27	956-683	STOP PLATE	2	
28	956-501	DAMPER	1	
29A	985-235	DAMPER PLATE	1	
30	956-499	MOUTH	1	
31	956-497	MOUTH WASHER	2	
32	956-498	URETHANE RING	1	
33	956-541	CYLINDER CASE	1	
34	949-445	WASHER M10 (10 PCS.)	4	
35	956-511	PACKING (H)	1	
36	956-542	HOUSING COVER	1	
37	949-454	SPRING WASHER M5 (10 PCS.)	9	
38	949-821	HEX. SOCKET HD. BOLT M5X16 (10 PCS.)	9	
39	955-011	OIL GAUGE	1	
40	955-006C	CAUTION PLATE (ENGLISH)	1	
41	956-485	NEEDLE BEARING (NSK RLM2220)	1	
42	956-486	CRANK WASHER	1	
43	949-837	BOLT M10X16 (10 PCS.)	1	
44	956-509	OIL FELT	1	
45		NAME PLATE	1	
46	949-510	RIVET D2.5X4.8 (10 PCS.)	2	
47	956-507	PACKING (F)	1	
48	956-508	FELT HOLDER	1	

*: ALTERNATIVE PARTS

6 - 94

PARTS

H 85

ITEM NO.	CODE NO.	DESCRIPTION	NO. USED	REMARKS
49	958-510	FELT HOLDER (B)	1	
50	930-108	CORD CLIP	1	
51	938-477	HEX. SOCKET SET SCREW M5X8	2	
52	958-528	COVER	1	
53	985-227	O - RING (S - 85)	1	
54	958-493	STRIKER	1	
55	958-492	L - RING	1	
56	958-491	PISTON PIN	1	
57		VINYL TUBE (A) (I.D.7XT0.5X50)	1	
58	958-490	PISTON	1	
59	958-484	CONNECTING ROD ASS'Y	1	INCLUD.41
* 60	500-404Z	CORD	1	(CORD ARMOR D12.3) FOR USA,CAN
* 60	500-217Z	CORD	1	(CORD ARMOR D12.3) FOR NZL
* 60	971-136	CORD	1	(CORD ARMOR D12.3) FOR AUS
* 60	500-398Z	CORD	1	(CORD ARMOR D12.3) FOR INA
* 60	500-393Z	CORD	1	(CORD ARMOR D12.3) FOR SYR
* 60	500-428Z	CORD	1	(CORD ARMOR D12.3) FOR SIN,KUW
* 60	500-202Z	CORD	1	(CORD ARMOR D12.3) FOR TPE,THA
* 60	500-443Z	CORD	1	(CORD ARMOR D12.3) FOR SAF
* 61	963-243	SUPPORT	1	FOR USA
* 62		TUBE (B)	1	
* 62		TUBE (D)	1	FOR USA,CAN
* 63	938-307Z	PILLAR TERMINAL	1	FOR USA
64	930-217	CORD ARMOR D12.3	1	
* 65	959-141	CONNECTOR 50092 (10 PCS.)	1	FOR NZL,CAN
66	958-540	GEAR COVER	1	
67	620-4VV	BALL BEARING 6204VVCMP2S	1	
68	958-482	DISTANCE WASHER	1	
69	958-481	FINAL GEAR	1	
70	958-480	DISTANCE RING (B)	1	
71	958-539	INNER COVER	1	
* 72		VINYL TUBE (B) (I.D.7XT0.5X80)	2	
* 72		VINYL TUBE (C) (I.D.7XT0.5X135)	1	FOR AUS
* 73	949-453	SPRING WASHER M4 (10 PCS.)	1	FOR USA
74	949-292	MACHINE SCREW (BRASS) M4X6 (10 PCS.)	1	
75	630-5DD	BALL BEARING 6305DDUCMP2S	1	
76	958-478	FELT PACKING	1	
77	958-478	BEARING BOSS	1	
78	949-455	SPRING WASHER M6 (10 PCS.)	4	
79	949-660	HEX. SOCKET HD. BOLT M8X20 (10 PCS.)	4	
80	948-919	FEATHER KEY 4X4X15	2	
81	958-483	CRANK SHAFT	1	
82	620-1VV	BALL BEARING 6201VVCMP2S	2	
83	958-477	COUNTER GEAR	1	
84	949-480	PIN D8X14 (10 PCS.)	2	
* 85	958-536E	ARMATURE 220V - 230V	1	
* 85	958-536F	ARMATURE 240V	1	
* 85A	958-536U	ARMATURE ASS'Y 110V - 115V	1	INCLUD.93,102,103
86	958-538	HOUSING ASS'Y	1	INCLUD.28,51
* 87	985-234C	STATOR ASS'Y 110V - 115V	1	INCLUD.99 - 101

*: ALTERNATIVE PARTS

PARTS

H 85

ITEM NO.	CODE NO.	DESCRIPTION	NO. USED	REMARKS
* 87	985-234E	STATOR ASS'Y 220V - 230V	1	INCLUD.99 - 101
* 87	985-234F	STATOR ASS'Y 240V	1	INCLUD.99 - 101
88A	956-527	SIDE HANDLE	1	
89	949-850	HEX. SOCKET HD. BOLT M10X80 (10 PCS.)	8	
90	949-458	SPRING WASHER M10 (10 PCS.)	8	
91	949-757	HEX. SOCKET HD. BOLT M5X20 (10 PCS.)	3	
92	956-476	BEARING COVER	1	
93	630-3VV	BALL BEARING 6303VVCMP52S	1	
94	956-474	URETHANE WASHER (A)	1	
95	956-473	FELT PACKING	1	
96	956-544	DISTANCE RING (A)	1	
97	966-130	MACHINE SCREW M5X80	2	
98	956-468	TOOTHED LOCK WASHER	2	
99	945-932	BRUSH TERMINAL	2	
100	956-537	WIRE CLIP	2	
101	930-804	TERMINAL M4.0 (10 PCS.)	1	
102	956-470	BEARING WASHER	1	
103	630-1VV	BALL BEARING 6301VVCMP52S	1	
104	956-469	URETHANE WASHER (A)	1	
105	949-754	HEX. SOCKET HD. BOLT M4X16 (10 PCS.)	4	
106	985-237	HAMMER HOLDER ASS'Y	1	INCLUD.8A,29A

STANDARD ACCESSORIES

ITEM NO.	CODE NO.	DESCRIPTION	NO. USED	REMARKS
501	971-109	WRENCH 23MM	1	
502	931-848	LUBRICANT OILER (120CC)	1	
503	943-277	HEX. BAR WRENCH 3MM	1	
504	955-857	HEX. BAR WRENCH 8MM	1	
505	872-422	HEX. BAR WRENCH 6MM	1	

OPTIONAL ACCESSORIES

ITEM NO.	CODE NO.	DESCRIPTION	NO. USED	REMARKS
601	985-230	BULL POINT 520MM (HEX. SHANK TYPE)	1	
602	985-231	COLD CHISEL 520MM (HEX. SHANK TYPE)	1	
603	985-232	CUTTER W75X520MM (HEX. SHANK TYPE)	1	
604	985-233	SCOOP 546MM (HEX. SHANK TYPE)	1	
605	955-009	OMALA OIL (1 LITER)	1	
606	985-238	SERVICE KIT (H 85)	1	INCLUD.4,8,25,32,35,44,47,53,55,502

* : ALTERNATIVE PARTS

Printed in Japan

6 - 94