

SKYTRAK[®]



Illustrated Parts Manual

**Models
8042, 10042
& 10054**

SN 0160045250 through 0160069718
including 0160042754, 0160042762,
0160042877, 0160042911, 0160043185,
0160043220 & 0160043244 excluding
0160045255, 0160065791, 016005796,
0160065825, 0160065826, 0160069336,
0160069359, 0160069441, 0160069566,
0160069567 & 0160069568

31200732

Revised
April 17, 2018 - Rev O

JLG[®]
An Oshkosh Corporation Company

PARTS FINDER

**Search Website
by Part Number**



**Search Manual
Library For Parts
Manual & Lookup Part
Numbers – Purchase
or Request Quote**

**Can't Find Part or
Manual? Request Help
by Manufacturer,
Model & Description**

Discount-Equipment.com is your online resource for quality parts & equipment.

Florida: **561-964-4949** Outside Florida TOLL FREE: **877-690-3101**

Need parts?

Click on this link: <http://www.discount-equipment.com/category/5443-parts/> and choose one of the options to help get the right parts and equipment you are looking for. Please have the machine model and serial number available in order to help us get you the correct parts. If you don't find the part on the website or on one of the online manuals, please fill out the request form and one of our experienced staff members will get back to you with a quote for the right part that your machine needs.

We sell worldwide for the brands: Genie, Terex, JLG, MultiQuip, Mikasa, Essick, Whiteman, Mayco, Toro Stone, Diamond Products, Generac Magnum, Airman, Haulotte, Barreto, Power Blanket, Nifty Lift, Atlas Copco, Chicago Pneumatic, Allmand, Miller Curber, Skyjack, Lull, Skytrak, Tsurumi, Husquvarna Target, Stow, Wacker, Sakai, Mi-T-M, Sullair, Basic, Dynapac, MBW, Weber, Bartell, Bennar Newman, Haulotte, Ditch Runner, Menegotti, Morrison, Contec, Buddy, Crown, Edco, Wyco, Bomag, Laymor, EZ Trench, Bil-Jax, F.S. Curtis, Gehl Pavers, Heli, Honda, ICS/PowerGrit, IHI, Partner, Imer, Clipper, MMD, Koshin, Rice, CH&E, General Equipment, Amida, Coleman, NAC, Gradall, Square Shooter, Kent, Stanley, Tamco, Toku, Hatz, Kohler, Robin, Wisconsin, Northrock, Oztec, Toker TK, Rol-Air, APT, Wylie, Ingersoll Rand / Doosan, Innovatech, Con X, Ammann, Mecalac, Makinex, Smith Surface Prep, Small Line, Wanco, Yanmar

EFFECTIVITY PAGE

April 4, 2012 - A - Original Issue of Manual
August 17, 2012 - B - Revised Manual
March 15, 2013 - C - Revised Manual
June 11, 2013 - D - Revised Manual
January 22, 2014 - E - Revised Manual
March 28, 2014 - F - Revised Manual
September 15, 2014 - G - Revised Manual
November 18, 2014 - H - Revised
January 29, 2015 - I - Revised Manual
March 3, 2016 - J - Revised Manual
September 29, 2016 - K - Revised Manual
April 7, 2017 - L - Revised Manual
July 7, 2017 - M - Revised Manual
September 14, 2017 - N - Revised Manual
April 17, 2018 - O - Revised Manual

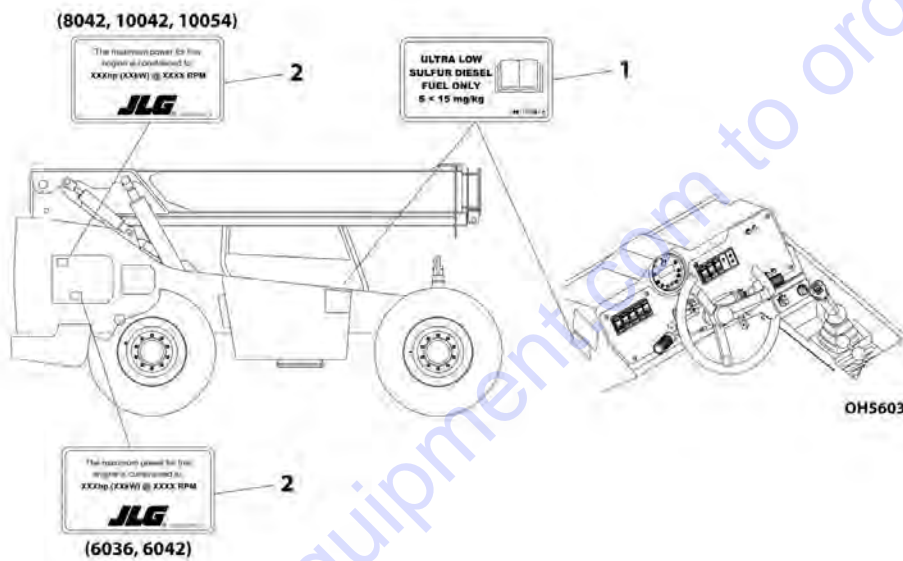
Go to Discount-Equipment.com to order your parts

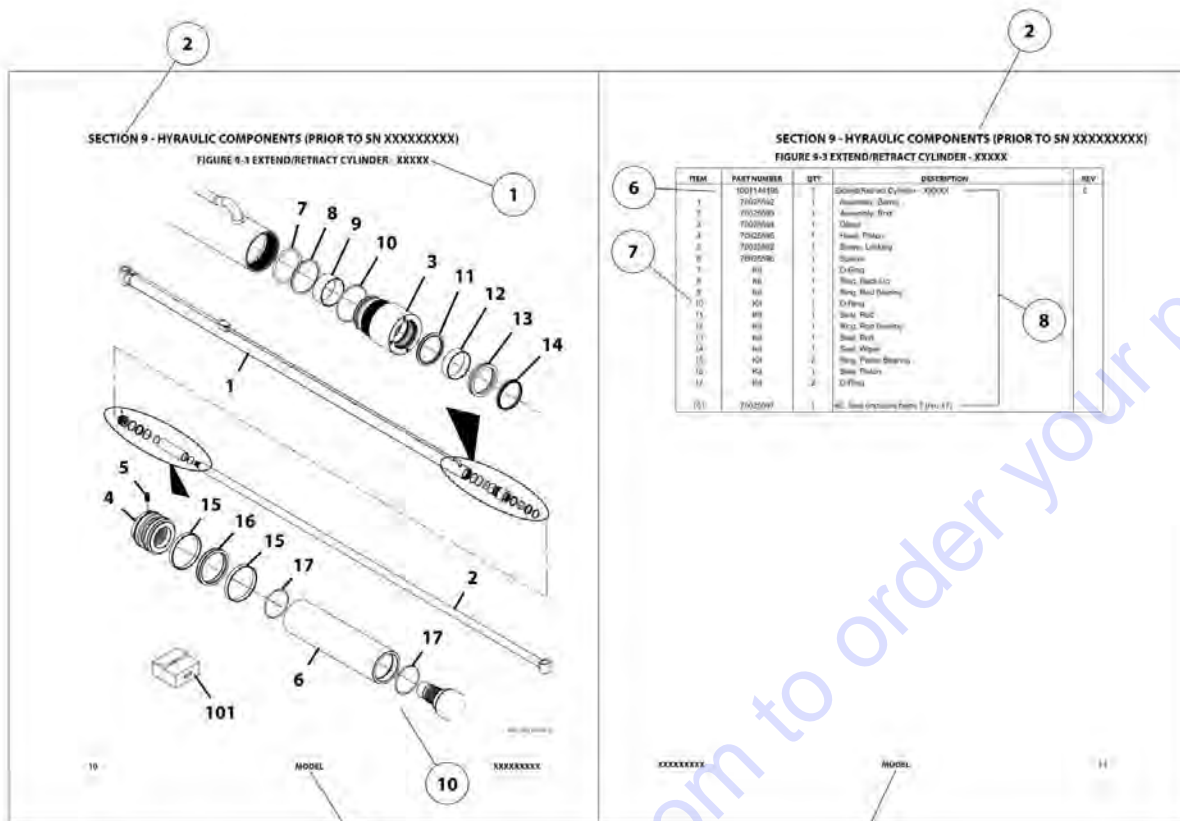
Machine Configuration

Two configurations of each machine are included in this manual. Determine if machine is equipped with Ultra Sulfur Fuel Decal (1) as indicated below.

- If equipped with the Ultra Low Sulfur decal, all specific references to this machine configuration will be referred to as Ultra Low Sulfur (ULS) from this point forward.
- If not equipped with the Ultra Low Sulfur decal, all specific references to this machine configuration will be referred to as Low Sulfur (LS) from this point forward.

Engine horsepower can be found on the decals (2) located inside the engine compartment doors.





General Information

1. MACHINE IDENTIFICATION

Machines are identified by model and in some cases a combination of model, serial number (S/N) or regional standard (e.g. ANSI, CE, CSA, AUS). Components may also be identified by S/N or manufacturer. Common components that may be identified by these characteristics are attachments, engine, transmission and hydraulic components.

2. PARTS MANUAL ORGANIZATION

Product information in this manual is organized under section titles. Frame, Engine and Electrical are a few examples. Each section is organized by Figure and page number. The information within the Figure is then organized by item number, part number, description and corresponding illustration(s).

3. TABLE OF CONTENTS

A table of contents (TOC) is found toward the beginning of the manual. Figure number, description and page number are provided for quick reference to the page containing the related information.

4. RECOMMENDED SPARE PARTS

The Recommended Spare Parts, located near the end of the manual, references most frequently used maintenance parts.

5. PARTS NUMBER INDEX

A numerical index listing all part numbers and the corresponding page number(s) appears at the back of the manual.

6. NON-SERVICED PARTS

In some instances it is necessary to display non-serviced parts, assemblies or installations. In the case of assemblies and installations there will be a Ref in the QTY column and a note after the item description stating what is available for service within. In the case of parts that are not available for service within assemblies or components there will be a NSS (Not Sold Separately) listed in the part number column of the manual.

7. PARTS LIST ITEM NUMBERS

Numbers shown in the Item column correspond to numbers used in the associated illustration(s). Item numbers which are missing from sequence and are not shown in the illustration(s) are not used on that page.

8. INDENTED PART DESCRIPTION

An indented part description is included in the item under which it is indented.

9. ABBREVIATIONS AND SYMBOLS

AC	Alternating Current
A/C	Air Conditioning
ADE	Advanced Design Electronics
AG	Agriculture
AMP	Amperage
ANSI	American National Standards Institute
AR	As Required
ASSY	Assembly
AUS	Australia
AUX	Auxiliary
AWG	American Wire Gauge
CAC	Charge Air Cooler
CE	European Conformity
CM	Centimeter
CONST	Construction
CSA	Canadian Standards Association
DEF	Diesel Exhaust Fluid
DIA	Diameter
DC	Direct Current
DTZ	Decentralized Transmission Zeros
ECU	Electronic Control Unit
EMS	Emergency Stop
FNR	Forward Neutral Reverse
FT	Foot
GA	Gauge
GR	Grade
HBP	High Boom Pivot
HHP	High Horse Power
HOC	Hydraulic Oil Cooler
HVAC	Heating, Ventilating, and Air Conditioning
ID	Inside Diameter
IN	Inch
ISO	International Organization for Standards
ITSDF	Industrial Truck Standards Development Foundation
JIC	Joint Industry Council
KG	Kilogram
KW	Kilowatt
L	Liter

LB	Pound
LBP	Low Boom Pivot
LCD	Liquid Crystal Display
LED	Light Emitting Diode
LH	Left Hand
LHD	Left Hand Drive
LHP	Low Horse Power
LMIS	Load Management Indicator System
LS	Low Sulfur
LSI	Load Stability Indicator
LSS	Load Sensing System
M ³	Cubic Meter
MA	Milliamp
M(m)	Metric/Meter
MM	Millimeter
N	Newton
NACD	North America Construction Division
NLA	No Longer Available
NSS	Not Sold Separately
OD	Outside Diameter
ORB	O-Ring Boss
ORFS	O-Ring Face Seal
OZ	Ounce
PR	Ply Rating
QT	Quart
QTY	Quantity
REF	Reference
REV	Revision
RH	Right Hand
RHD	Right Hand Drive
RHOC	Remote Hydraulic Oil Cooler
RUS	Russia
SAE	Society of Automotive Engineers
SAHR	Spring Applied Hydraulically Released
SN	Serial Number
SPD	Speed
TLU	Torque Lock Up
UGM	Universal Ground Module

10. ILLUSTRATION REFERENCE LETTERS

When necessary, illustrations may contain reference letters that are intended to track information from one point to another in the illustration such as harnesses and hoses or any other information that has been separated in the illustration

Note: Due to continuous product improvements, JLG Industries, Inc. reserves the right to make specification changes without prior notification.

TABLE OF CONTENTS

SECTION 1 - FRAME AND ATTACHING PARTS.....	11
FIGURE 1-1. FRAME AND ATTACHING PARTS	12
FIGURE 1-2. COVERS (Prior to SN 0160053075, Excluding 0160050807, 0160050814 and 0160050815)	14
FIGURE 1-3. COVERS (SN 0160053075 to Present, Including 0160050807, 0160050814 and 0160050815).....	16
FIGURE 1-4. OUTRIGGER INSTALLATION 10042/10054.....	18
SECTION 2 - BOOM.....	21
FIGURE 2-1. BOOM INSTALLATION.....	22
FIGURE 2-2. FIRST BOOM SECTION.....	24
FIGURE 2-3. SECOND BOOM SECTION 8042/10042.....	26
FIGURE 2-4. SECOND BOOM SECTION 10054.....	30
FIGURE 2-5. THIRD BOOM SECTION 8042/10042.....	34
FIGURE 2-6. THIRD BOOM SECTION 10054.....	36
FIGURE 2-7. FOURTH BOOM SECTION 10054.....	38
FIGURE 2-8. EXTEND CHAINS 8042/10042.....	40
FIGURE 2-9. EXTEND CHAINS 10054.....	42
FIGURE 2-10. RETRACT CHAINS 8042/10042.....	44
FIGURE 2-11. RETRACT CHAINS 10054.....	46
FIGURE 2-12. QUICK ATTACH.....	48
SECTION 3 - ATTACHMENTS.....	51
FIGURE 3-1. TILT CARRIAGE (Prior to SN 0160051822).....	52
FIGURE 3-2. TILT CARRIAGE (SN 0160051822 to Present).....	54
FIGURE 3-3. SIDE TILT CARRIAGE.....	56
FIGURE 3-4. 50IN SIDE SHIFT CARRIAGE.....	58
FIGURE 3-5. 50IN DUAL FORK CARRIAGE.....	60
FIGURE 3-6. 90 SWING CARRIAGE.....	62
FIGURE 3-7. SHEET MATERIAL HANDLER.....	64
FIGURE 3-8. FORKS.....	66
FIGURE 3-9. FORK MOUNTED PLATFORM.....	68
FIGURE 3-10. LIFTING HOOK.....	70
FIGURE 3-11. FORK PIN LOCK INSTALLATION.....	72
FIGURE 3-12. BUCKETS.....	74
FIGURE 3-13. GRAPPLE BUCKET.....	76
FIGURE 3-14. TRUSS BOOM.....	78
FIGURE 3-15. 12FT TRUSS BOOM WITH WINCH.....	80
FIGURE 3-16. 8FT MAST.....	82
FIGURE 3-17. ADJUSTABLE TRUSS BOOM.....	86
SECTION 4 - ENGINE AND ATTACHING PARTS.....	89
FIGURE 4-1. ENGINE INSTALLATION IF EQUIPPED FOR ULS.....	90
FIGURE 4-2. ENGINE INSTALLATION IF EQUIPPED FOR LS.....	92
FIGURE 4-3. CUMMINS ENGINE IF EQUIPPED FOR ULS (Prior to SN 0160068606).....	94
FIGURE 4-4. CUMMINS ENGINE IF EQUIPPED FOR ULS (SN 0160068606 to Present).....	96
FIGURE 4-5. CUMMINS ENGINE IF EQUIPPED FOR LS.....	98
FIGURE 4-6. FUEL TANK AND LINES IF EQUIPPED FOR ULS.....	100
FIGURE 4-7. FUEL TANK AND LINES IF EQUIPPED FOR LS.....	102
FIGURE 4-8. FUEL TANK AND LINES IF EQUIPPED FOR LS.....	104
FIGURE 4-9. RADIATOR AND COOLING INSTALLATION IF EQUIPPED FOR ULS.....	106
FIGURE 4-10. RADIATOR AND COOLING INSTALLATION IF EQUIPPED FOR LS.....	110
FIGURE 4-11. AIR CLEANER INSTALLATION IF EQUIPPED FOR ULS.....	112
FIGURE 4-12. AIR CLEANER INSTALLATION IF EQUIPPED FOR LS.....	114
FIGURE 4-13. EXHAUST INSTALLATION IF EQUIPPED FOR ULS.....	116
FIGURE 4-14. EXHAUST INSTALLATION IF EQUIPPED FOR LS.....	118
FIGURE 4-15. ISOLATION COUPLER.....	120
FIGURE 4-16. ISOLATION COUPLER IF EQUIPPED FOR LS.....	122
SECTION 5 - DRIVE TRAIN.....	125
FIGURE 5-1. DRIVE TRAIN COMPONENTS.....	126
FIGURE 5-2. FRONT AXLE.....	130
FIGURE 5-3. FRONT AXLE - INPUT.....	132

TABLE OF CONTENTS

FIGURE 5-4. FRONT AXLE - LIMITED SLIP DIFFERENTIAL.....	136
FIGURE 5-5. FRONT AXLE - AXLE CASING.....	138
FIGURE 5-6. FRONT AXLE - M-DISC BRAKE.....	140
FIGURE 5-7. FRONT AXLE - BRAKE.....	142
FIGURE 5-8. FRONT AXLE - JOINT HOUSING.....	144
FIGURE 5-9. FRONT AXLE - PLANETARY DRIVE.....	146
FIGURE 5-10. REAR AXLE.....	148
FIGURE 5-11. REAR AXLE - INPUT.....	150
FIGURE 5-12. REAR AXLE - DIFFERENTIAL.....	154
FIGURE 5-13. REAR AXLE - AXLE CASING.....	156
FIGURE 5-14. REAR AXLE - M-DISC BRAKE.....	158
FIGURE 5-15. REAR AXLE - JOINT HOUSING.....	160
FIGURE 5-16. REAR AXLE - PLANETARY DRIVE.....	162
FIGURE 5-17. ZF TRANSMISSION INSTALLATION.....	164
FIGURE 5-18. ZF TRANSMISSION - ENGINE CONNECTION AND CONVERTOR.....	166
FIGURE 5-19. ZF TRANSMISSION - INPUT SHAFTS.....	168
FIGURE 5-20. ZF TRANSMISSION - GEARBOX HOUSING.....	170
FIGURE 5-21. ZF TRANSMISSION - COUPLING GROUP 1.....	172
FIGURE 5-22. ZF TRANSMISSION - COUPLING GROUP 2.....	174
FIGURE 5-23. ZF TRANSMISSION - COUPLING GROUP 3.....	176
FIGURE 5-24. ZF TRANSMISSION - COUPLING GROUP 4.....	178
FIGURE 5-25. ZF TRANSMISSION - REVERSING GEAR GROUP 1.....	180
FIGURE 5-26. ZF TRANSMISSION - REVERSING GEAR GROUP 2.....	182
FIGURE 5-27. ZF TRANSMISSION - OUTPUT.....	184
FIGURE 5-28. ZF TRANSMISSION - CONTROL UNIT.....	186
FIGURE 5-29. ZF TRANSMISSION - VALVE HOUSING ASSEMBLY.....	188
FIGURE 5-30. ZF TRANSMISSION - VALVE BLOCK ASSEMBLY.....	190
FIGURE 5-31. ZF TRANSMISSION - OIL PUMP AND FILTER.....	192
FIGURE 5-32. FENDER INSTALLATION.....	194
FIGURE 5-33. WHEEL ASSEMBLY 8042.....	196
FIGURE 5-34. WHEEL ASSEMBLY 10042 & 10054.....	198
SECTION 6 - CAB.....	201
FIGURE 6-1. CAB INSTALLATION.....	202
FIGURE 6-2. CAB ASSEMBLY.....	204
FIGURE 6-3. CAB DOOR ASSEMBLY (Prior to SN 0160050422, Excluding 0160050419).....	208
FIGURE 6-4. CAB DOOR ASSEMBLY (SN 0160050422 to Present, Including 0160050419).....	210
FIGURE 6-5. SOFT CAB ENCLOSURE.....	212
FIGURE 6-6. WIPERS.....	214
FIGURE 6-7. OPERATORS SEAT.....	218
FIGURE 6-8. CAB HEATER.....	220
FIGURE 6-9. REAR DROPOUT WINDOW INSTALLATION.....	224
SECTION 7 - CONTROLS.....	227
FIGURE 7-1. BRAKE.....	228
FIGURE 7-2. ACCELERATOR.....	230
FIGURE 7-3. STEERING COLUMN.....	232
FIGURE 7-4. BOOM CONTROL.....	234
FIGURE 7-5. FRAME LEVEL AND ATTACHMENT TILT CONTROL.....	236
FIGURE 7-6. AUXILIARY CONTROL.....	238
SECTION 8 - HYDRAULIC CIRCUITS.....	241
FIGURE 8-1. SUPPLY CIRCUIT.....	242
FIGURE 8-2. DUMP CIRCUIT IF EQUIPPED FOR ULS.....	246
FIGURE 8-3. STEER SELECT CIRCUIT.....	250
FIGURE 8-4. SERVICE BRAKE CIRCUIT.....	252
FIGURE 8-5. LIFT CYLINDER CIRCUIT.....	256
FIGURE 8-6. EXTEND/RETRACT CYLINDER CIRCUIT.....	258
FIGURE 8-7. ATTACHMENT TILT AND TILT COMPENSATION CYLINDER CIRCUIT.....	260
FIGURE 8-8. AUXILIARY HYDRAULIC CIRCUIT.....	262
FIGURE 8-9. FRAME LEVEL AND STABIL-TRAK CYLINDER CIRCUIT.....	266
FIGURE 8-10. OUTRIGGER CIRCUIT 10042/10054.....	268
FIGURE 8-11. TRANSMISSION COOLER.....	270
FIGURE 8-12. MAIN CONTROL VALVE INSTALLATION.....	272

TABLE OF CONTENTS

SECTION 9 - HYDRAULIC COMPONENTS	275
FIGURE 9-1. LIFT CYLINDER	276
FIGURE 9-2. EXTEND/RETRACT CYLINDER 8042 & 10054	278
FIGURE 9-3. EXTEND/RETRACT CYLINDER 10042.....	280
FIGURE 9-4. ATTACHMENT TILT CYLINDER.....	282
FIGURE 9-5. TILT COMPENSATION CYLINDER.....	284
FIGURE 9-6. FRAME LEVEL CYLINDER (Prior to SN 0160076614, Including 0160076627 and 0160076629).....	286
FIGURE 9-7. FRAME LEVEL CYLINDER (SN 0160076614 through 0160076626, SN 0160076630 to Present, Including 0160076628, Excluding 0160076627 and 0160076629)	288
FIGURE 9-8. STABIL-TRAK CYLINDER	290
FIGURE 9-9. OUTRIGGER CYLINDER	292
FIGURE 9-10. 50IN SIDE SHIFT CARRIAGE CYLINDER	294
FIGURE 9-11. MAIN CONTROL VALVE	296
FIGURE 9-12. PISTON PUMP	300
FIGURE 9-13. PISTON PUMP	304
FIGURE 9-14. PISTON PUMP (Prior to SN 0160059878).....	306
FIGURE 9-15. PISTON PUMP (SN 0160059878 to Present).....	308
FIGURE 9-16. FUEL/HYDRAULIC TANK ASSEMBLY	310
FIGURE 9-17. DIRECTIONAL CONTROL VALVE	312
FIGURE 9-18. BRAKE VALVE	314
FIGURE 9-19. SIDE TILT CARRIAGE CYLINDER (Prior to SN 0160066474).....	318
FIGURE 9-20. SIDE TILT CARRIAGE CYLINDER (SN 0160066474 to Present)	320
FIGURE 9-21. 72 INCH 90 SWING CARRIAGE CYLINDER	322
FIGURE 9-22. GRAPPLE BUCKET CYLINDER.....	324
FIGURE 9-23. VALVE SECONDARY FUNCTION	326
SECTION 10 - ELECTRICAL	329
FIGURE 10-1. ENGINE COMPARTMENT ELECTRICAL INSTALLATION.....	330
FIGURE 10-2. CAB ELECTRICAL INSTALLATION	334
FIGURE 10-3. CAB SWITCHES.....	340
FIGURE 10-4. WORK LIGHTING INSTALLATION.....	342
FIGURE 10-5. ROAD LIGHTING INSTALLATION	344
FIGURE 10-6. ROTATING BEACON INSTALLATION	348
FIGURE 10-7. ENGINE HARNESS IF EQUIPPED FOR ULS.....	350
FIGURE 10-8. ENGINE HARNESS IF EQUIPPED FOR LS	354
FIGURE 10-9. CAB POWER DISTRIBUTION HARNESS (Prior to SN 0160065987).....	358
FIGURE 10-10. CAB POWER DISTRIBUTION HARNESS (SN 0160065987 to Present)	364
FIGURE 10-11. DASH/THROTTLE HARNESS.....	370
FIGURE 10-12. MAF/WATER IN FUEL HARNESS.....	372
FIGURE 10-13. OUTRIGGERS HARNESS 10042.....	374
FIGURE 10-14. OUTRIGGERS HARNESS 10042 (SN 0160065987 to Present)	376
FIGURE 10-15. GPS JUMPER HARNESS 10042.....	378
FIGURE 10-16. LOGIC HARNESS 10054.....	380
FIGURE 10-17. LOGIC HARNESS 10054 (SN 0160065987 to Present)	382
FIGURE 10-18. BOOM EXTEND HARNESS 10054	384
FIGURE 10-19. WORK LIGHTING HARNESS.....	386
FIGURE 10-20. ROAD LIGHTING HARNESS	388
FIGURE 10-21. REVERSE SENSING SYSTEM INSTALLATION.....	390
FIGURE 10-22. REVERSE SENSOR HARNESS.....	392
FIGURE 10-23. TELEMATICS INSTALLATION, UNITED RENTALS	394
SECTION 11 - DECALS.....	397
FIGURE 11-1. CAB AND FRAME DECALS	398
FIGURE 11-2. BOOM DECALS.....	404
SECTION 12 - RECOMMENDED SPARE PARTS	407
FIGURE 12-1. RECOMMENDED SPARE PARTS	408
PART NUMBER INDEX	411

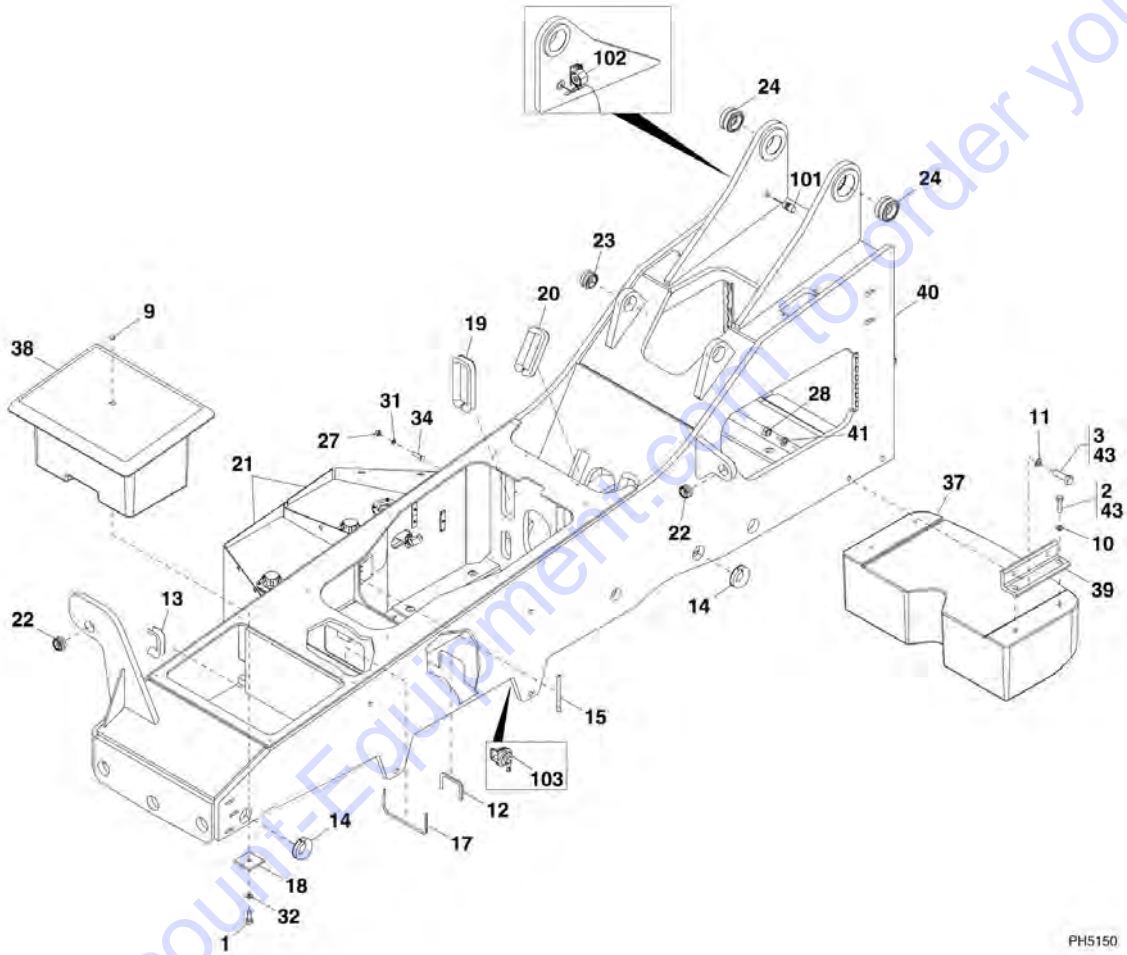
SECTION 1 - FRAME AND ATTACHING PARTS

SECTION 1 - FRAME AND ATTACHING PARTS

Go to Discount-Equipment.com to order your parts

SECTION 1 - FRAME AND ATTACHING PARTS

FIGURE 1-1. FRAME AND ATTACHING PARTS



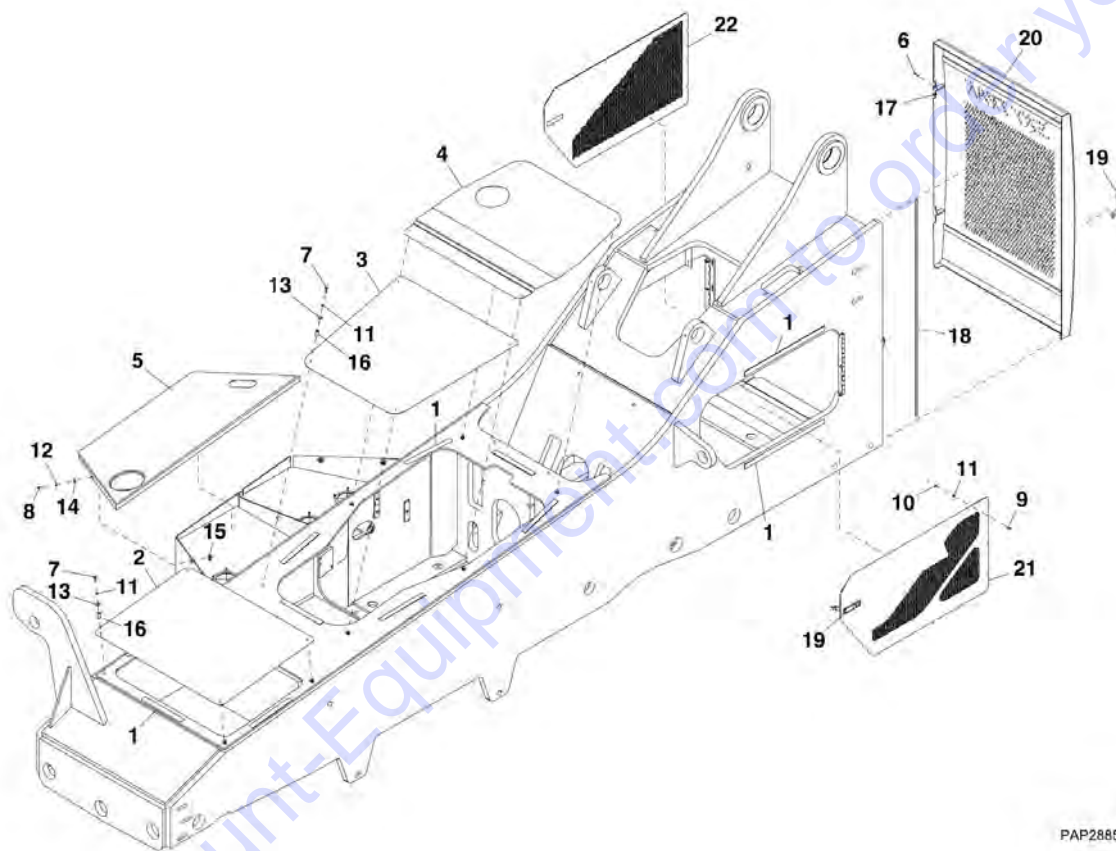
SECTION 1 - FRAME AND ATTACHING PARTS

FIGURE 1-1. FRAME AND ATTACHING PARTS

ITEM	PART NUMBER	QTY	DESCRIPTION	REV
	1001121283	Ref	FRAME INSTALLATION, (8042), (not available to order, see items 1 thru 43 for service)	B
	1001121282	Ref	FRAME INSTALLATION, (10042 & 10054), (not available to order, see items 1 thru 43 for service)	A
1	0642216	2	HEX HD CAPSCREW, 3/4-10X2, (8042)	
2	0642222	4	HEX HD CAPSCREW, 3/4-10X2-3/4	
3	0642628	4	HEX HD CAPSCREW, 1-8X3-1/2	
9	3520030	1	HOLE PLUG, (8042)	
10	4892200	4	FLAT WASHER, 3/4	
11	4892600	4	FLAT WASHER, 1	
12	7124301	AR	CONDUIT, 1/2X15-1/2	
13	7124451	AR	CONDUIT, 1 IDX8	
14	7124471	AR	CONDUIT, 1 IDX12-1/2	
15	7125871	AR	CONDUIT, 1/2X8	
17	7138368	AR	CONDUIT, 1/4X2	
18	7139066	2	COUNTERWEIGHT HOLD DOWN PLATE, (8042)	
19	7139156	AR	CONDUIT, 1 IDX28	
20	7139157	AR	CONDUIT, 1 IDX4	
21		Ref	FUEL/HYDRAULIC TANK ASSY, (See HYDRAULIC COMPONENTS SECTION for Breakdown)	
22	8050001	2	BEARING	
23	8065640	4	BEARING	
24	8065641	2	BEARING	
27	8305014	4	HEX NUT, 5/8-11	
28	8305021	4	HEX NUT, 1-8	
31	8307009	4	LOCKWASHER, 5/8	
32	8307010	2	LOCKWASHER, 3/4, (8042)	
34	8310129	4	CARRIAGE BOLT, 5/8-11X2-1/2	
37	1001094786	1	REAR COUNTERWEIGHT	
38	1001094787	1	FRONT COUNTERWEIGHT, (8042)	
39	1001094877	2	COUNTERWEIGHT MOUNTING ANGLE	
40	N.S.S.	1	FRAME WELDMENT	
41	4762600	4	LOCKWASHER, 1	
43	0100019	AR	LOCTITE 271, (apply to items 2 & 3)	
101		Ref	BOOM SENSOR, (See ELECTRICAL SECTION for Breakdown)	
102		Ref	BACKUP ALARM, (See ELECTRICAL SECTION for Breakdown)	
103		Ref	HORN, (See ELECTRICAL SECTION for Breakdown)	

SECTION 1 - FRAME AND ATTACHING PARTS

FIGURE 1-2. COVERS (Prior to SN 0160053075, Excluding 0160050807, 0160050814 and 0160050815)



PAP28850

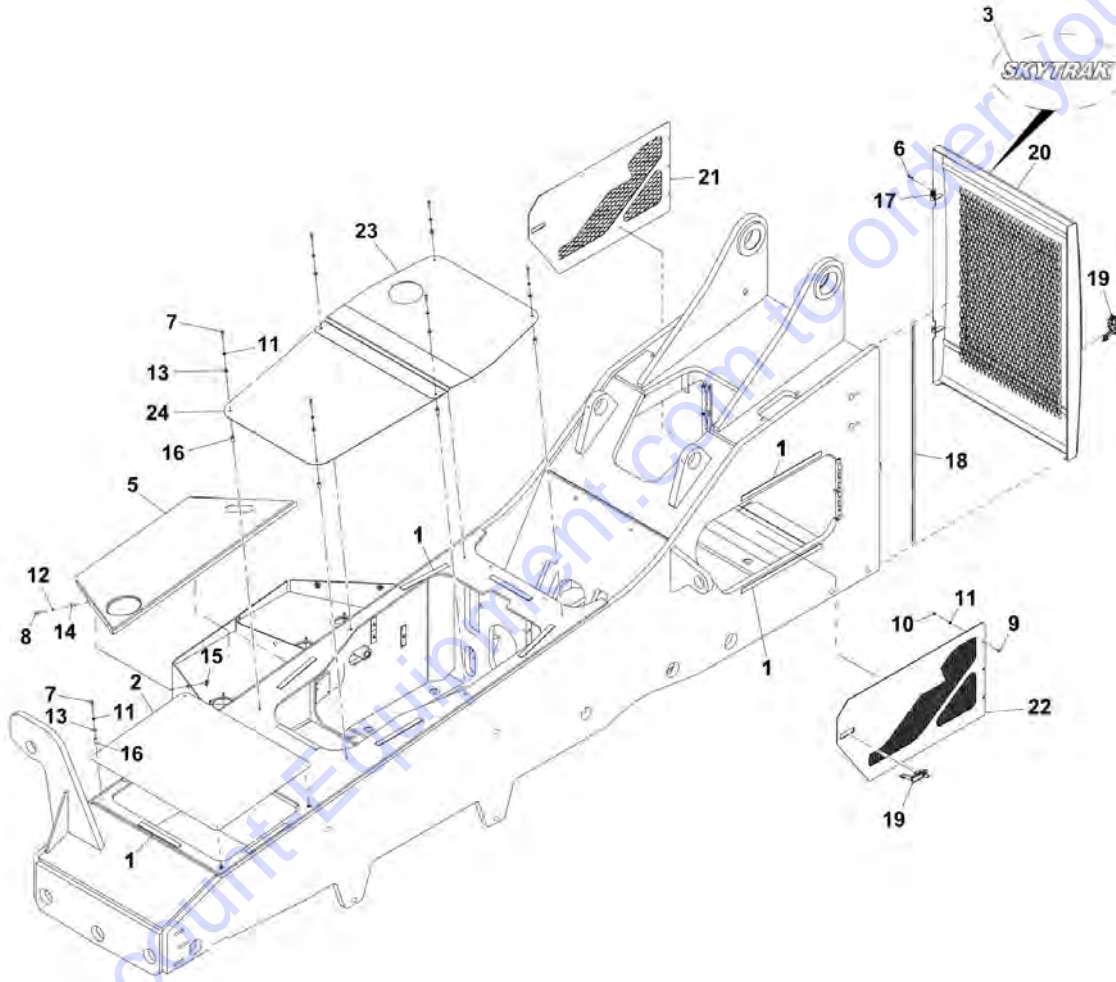
SECTION 1 - FRAME AND ATTACHING PARTS

FIGURE 1-2. COVERS (Prior to SN 0160053075, Excluding 0160050807, 0160050814 and 0160050815)

ITEM	PART NUMBER	QTY	DESCRIPTION	REV
	1001117739	Ref	COVERS INSTALLATION, (8042), (not available to order, see items 1 & 3 thru 22 for service)	D
	1001117738	Ref	COVER INSTALLATION, (10042 & 10054), (not available to order, see items 1 thru 22 for service)	D
1	4420037	150 in	INSULATION TAPE, (8042)	
1	4420037	190 in	INSULATION TAPE, (10042 & 10054)	
2	7139047	1	COUNTERWEIGHT COVER, (10042 & 10054)	
3	7139406	1	LOWER TRANSMISSION COVER	
4	7139407	1	UPPER TRANSMISSION COVER	
5	7150661	1	FUEL/HYDRAULIC TANK COVER	
6	8302470	2	COTTER PIN	
7	8303615	6	HEX HD CAPSCREW, 1/4-20X1-1/4, GR5, (8042)	
7	8303615	10	HEX HD CAPSCREW, 1/4-20X1-1/4, GR5, (10042 & 10054)	
8	8303656	4	HEX HD CAPSCREW, 5/16-18X7/8	
9	8303729	6	HEX HD CAPSCREW, 1/4-20X5/8	
10	8305004	6	HEX NUT, 1/4-20	
11	8307002	12	LOCKWASHER, 1/4, (8042)	
11	8307002	16	LOCKWASHER, 1/4, (10042 & 10054)	
12	8307004	4	LOCKWASHER, 5/16	
13	8307202	6	FLAT WASHER, 1/4, (8042)	
13	8307202	10	FLAT WASHER, 1/4, (10042 & 10054)	
14	8307203	4	FLAT WASHER, 5/16	
15	8310658	4	RETAINING NUT, 5/16	
16	8580420	6	WELL NUT, (8042)	
16	8580420	10	WELL NUT, (10042 & 10054)	
17	10732150	8	FLAT WASHER, M10	
18	90206196	47 in	PVC VINYL EDGE TRIM, 1/8	
19	1001131179	3	LATCH ASSY, WITH LOCK AND KEY	
20	1001131246	1	REAR DOOR COVER	
21	1001131861	1	SIDE DOOR PANEL	
22	1001131862	1	SIDE DOOR PANEL	

SECTION 1 - FRAME AND ATTACHING PARTS

FIGURE 1-3. COVERS (SN 0160053075 to Present, Including 0160050807, 0160050814 and 0160050815)



ART_31200732-1-3

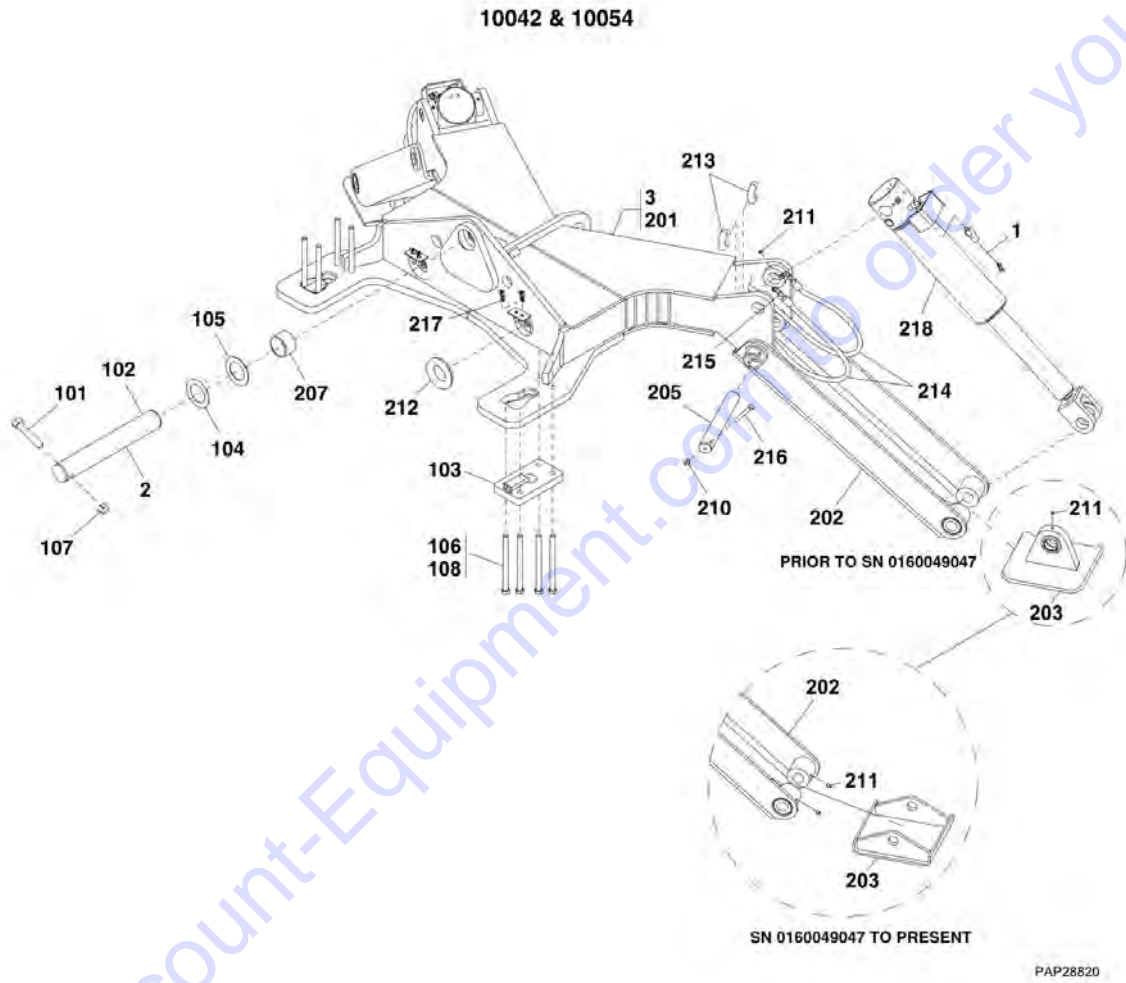
SECTION 1 - FRAME AND ATTACHING PARTS

FIGURE 1-3. COVERS (SN 0160053075 to Present, Including 0160050807, 0160050814 and 0160050815)

ITEM	PART NUMBER	QTY	DESCRIPTION	REV
	1001152654	Ref	FRAME COVERS INSTALLATION, (8042), (not available to order, see items 1 & 3 thru 22 for service)	D
	1001152653	Ref	FRAME COVERS INSTALLATION, (10042 & 10054), (not available to order, see items 1 thru 22 for service)	D
1	4420037	150 in	INSULATION TAPE, (8042)	
1	4420037	190 in	INSULATION TAPE, (10042 & 10054)	
2	7139047	1	COUNTERWEIGHT COVER, (10042 & 10054)	
3		Ref	REAR DOOR SKYTRAK DECAL, (See DECALS SECTION for Breakdown)	
5	1001150492	1	FUEL/HYDRAULIC TANK COVER	
6	8302470	2	COTTER PIN	
7	8303615	6	HEX HD CAPSCREW, 1/4-20X1-1/4, GR5, (8042)	
7	8303615	10	HEX HD CAPSCREW, 1/4-20X1-1/4, GR5, (10042 & 10054)	
8	8303656	3	HEX HD CAPSCREW, 5/16-18X7/8	
9	8303729	6	HEX HD CAPSCREW, 1/4-20X5/8	
10	8305004	6	HEX NUT, 1/4-20	
11	8307002	12	LOCKWASHER, 1/4, (8042)	
11	8307002	16	LOCKWASHER, 1/4, (10042 & 10054)	
12	8307004	3	LOCKWASHER, 5/16	
13	8307202	6	FLAT WASHER, 1/4, (8042)	
13	8307202	10	FLAT WASHER, 1/4, (10042 & 10054)	
14	8307203	3	FLAT WASHER, 5/16	
15	8310658	3	RETAINING NUT, 5/16	
16	8580420	6	WELL NUT, (8042)	
16	8580420	10	WELL NUT, (10042 & 10054)	
17	1001187887	4	FLAT WASHER, M10	
18	90206196	47 in	PVC VINYL EDGE TRIM, 1/8	
19	1001131179	Ref	LATCH ASSY WITH LOCK AND KEY, (no available to order, see 1001190341 for replacement)	
19	1001190341	3	LATCH ASSY WITH LOCK AND KEY	
19	8342808	AR	KEY SET	
20	1001150496	1	REAR ACCESS DOOR	
21	1001150741	1	SIDE DOOR PANEL	
22	1001150742	1	SIDE DOOR PANEL	
23	7139407	1	UPPER TRANSMISSION COVER	
24	7139406	1	LOWER TRANSMISSION COVER	

SECTION 1 - FRAME AND ATTACHING PARTS

FIGURE 1-4. OUTRIGGER INSTALLATION 10042/10054



SECTION 1 - FRAME AND ATTACHING PARTS

FIGURE 1-4. OUTRIGGER INSTALLATION 10042/10054

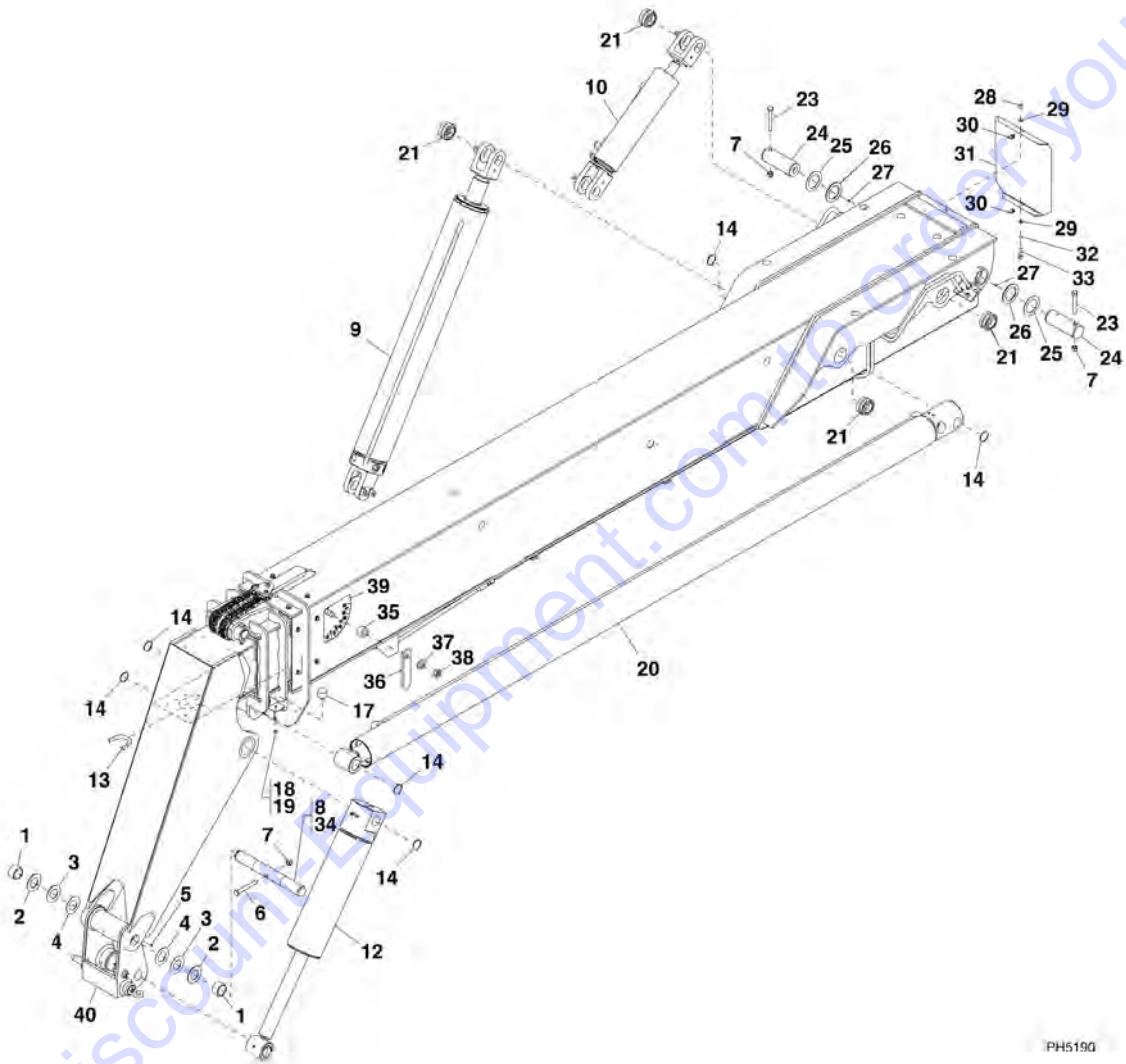
ITEM	PART NUMBER	QTY	DESCRIPTION	REV
	1001106344	Ref	OUTRIGGER INSTALLATION, (10042), (not available to order, see items 2 & 3 for service) (Prior to SN 0160049047)	C
	1001147467	1	OUTRIGGER INSTALLATION, (10042), (includes items 2 & 3) (SN 0160049047 to Present)	A
	1001106345	Ref	OUTRIGGER INSTALLATION, (10054), (not available to order, see items 1 thru 3 for service) (Prior to SN 0160049047)	C
	1001147466	1	OUTRIGGER INSTALLATION, (10054), (includes items 1 thru 3) (SN 0160049047 to Present)	A
1	8223536	2	PRESSURE SWITCH, (10054)	
2	1001107689	Ref	OUTRIGGER MOUNTING INSTALLATION, (not available to order, see items 101 thru 108 for service)	B
3	1001107690	Ref	OUTRIGGER ASSY, (not available to order, see items 201 thru 218 for service) (Prior to SN 0160049047)	B
3	1001147477	1	OUTRIGGER ASSY, (includes items 201 thru 218) (SN 0160049047 to Present)	A
101	0642640	1	HEX HD CAPSCREW, 1-8X5, GR5	
102	3423248	1	AXLE PIVOT PIN	
103	1001107664	2	MOUNTING BRACKET	
104	8307912	AR	SHIM, 1/16	
105	8307913	AR	SHIM, 1/8	
106	8310475	8	HEX HD CAPSCREW, 3/4X10, GR8, (torque to 260 lb-ft/352 Nm)	
107	8310116	1	LOCKNUT, 1-8	
108	0100019	AR	LOCTITE 271, (apply to item 106)	
201	1001107692	1	OUTRIGGER FRAME	
202	7091373	2	OUTRIGGER LEG	
203	7090822	2	OUTRIGGER PAD (Prior to SN 0160049047)	
203	1001141892	2	PAD WELD STABILIZER (SN 0160049047 to Present)	
205	7090891	2	LEG PIVOT PIN	
207	8065063	1	BUSHING, 3 IDX2	
210	8305644	2	LOCKNUT, 1/2	
211	8520013	10	GREASE FITTING (Prior to SN 0160049047)	
211	8520013	12	GREASE FITTING (SN 0160049047 to Present)	
212	7124491	2	CONDUIT, 1 IDX15-1/2	
213	7125801	4	CONDUIT, 3/4 IDX4	
214		Ref	HOSE ASSY, (See HYDRAULIC CIRCUITS SECTION for Breakdown)	
215	2220473	4	ELBOW, 90, (includes o-ring)	
216	8303628	2	HEX HD CAPSCREW, 1/2X3-3/4, GR5	
217	8770189	4	BULKHEAD ELBOW, 45	
218		Ref	OUTRIGGER CYLINDER AND MOUNTING HARDWARE, (See HYDRAULIC COMPONENTS SECTION for Breakdown)	

SECTION 2 - BOOM

Go to Discount-Equipment.com to order your parts

SECTION 2 - BOOM

FIGURE 2-1. BOOM INSTALLATION



PH5190

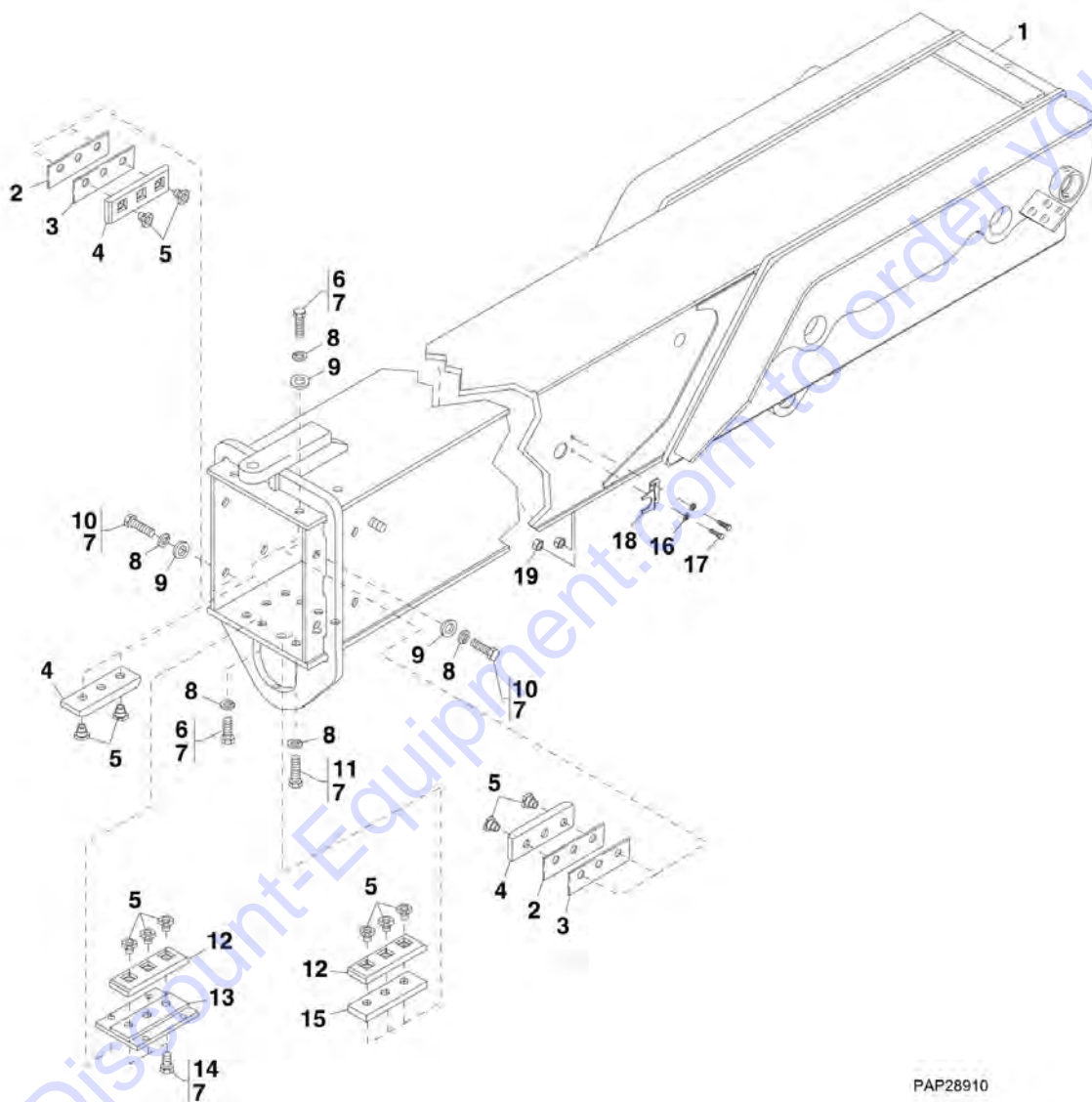
SECTION 2 - BOOM

FIGURE 2-1. BOOM INSTALLATION

ITEM	PART NUMBER	QTY	DESCRIPTION	REV
1	7095312	2	QUICK ATTACH PIVOT BUSHING	
2	8307904	AR	SHIM WASHER	
3	8310093	AR	SHIM WASHER	
4	8307918	2	SHIM WASHER	
5	8520013	2	STRAIGHT LUBE FITTING, 1/8	
6	8303666	1	HEX HD CAPSCREW, 5/8-11X5, GR5	
7	8305643	3	HEX LOCKNUT, 5/8-11	
8	7095352	1	CARRIAGE PIVOT PIN	
9		Ref	LIFT CYLINDER AND MOUNTING HARDWARE, (See HYDRAULIC COMPONENTS SECTION for Breakdown)	
10		Ref	TILT COMPENSATION CYLINDER AND MOUNTING HARDWARE, (See HYDRAULIC COMPONENTS SECTION for Breakdown)	
12		Ref	ATTACHMENT TILT CYLINDER AND MOUNTING HARDWARE, (See HYDRAULIC COMPONENTS SECTION for Breakdown)	
13	7125811	1	CONDUIT	
14	8642224	6	RETAINING RING	
17	5724622	1	RUBBER BUMPER	
18	3311601	1	HEX LOCKNUT, 3/8-16	
19	8526007	AR	LOCTITE 242, (apply to item 18)	
20		Ref	EXTEND/RETRACT CYLINDER AND MOUNTING HARDWARE, (See HYDRAULIC COMPONENTS SECTION for Breakdown)	
21	8065640	4	BEARING	
23	8303655	2	HEX HD CAPSCREW, 5/8-11X4-1/2, GR5	
24	3423226	2	BOOM PIVOT PIN	
25	8307911	AR	SHIM WASHER	
26	8307910	AR	SHIM WASHER	
27	8520001	2	STRAIGHT LUBE FITTING, 1/8	
28	8303697	1	HEX HD CAPSCREW, 5/16-18X3/4	
29	8307106	2	PLAIN WASHER, 5/16	
30	8305906	2	RETAINER NUT, 5/16-18	
31	7116792	1	OUTER BOOM COVER	
32	8310431	1	LOCKWASHER, 5/16	
33	8310497	1	THUMB SCREW, 5/16-18X1-1/2	
34	8522012	AR	ANTI-SEIZE LUBE, (apply to item 8)	
35	1001096404	1	ANGLE INDICATOR SPACER	
36	1001098769	1	BOOM ANGLE INDICATOR PLATE	
37	4711600	1	FLAT WASHER, 3/8	
38	8305645	1	HEX LOCKNUT, 3/8-16, (torque to 12 lb-ft/16 Nm)	
39		Ref	BOOM ANGLE INDICATOR DECAL, (See DECALS SECTION for Breakdown)	
40		Ref	QUICK ATTACH, (See QUICK ATTACH for Breakdown)	

SECTION 2 - BOOM

FIGURE 2-2. FIRST BOOM SECTION



PAP28910

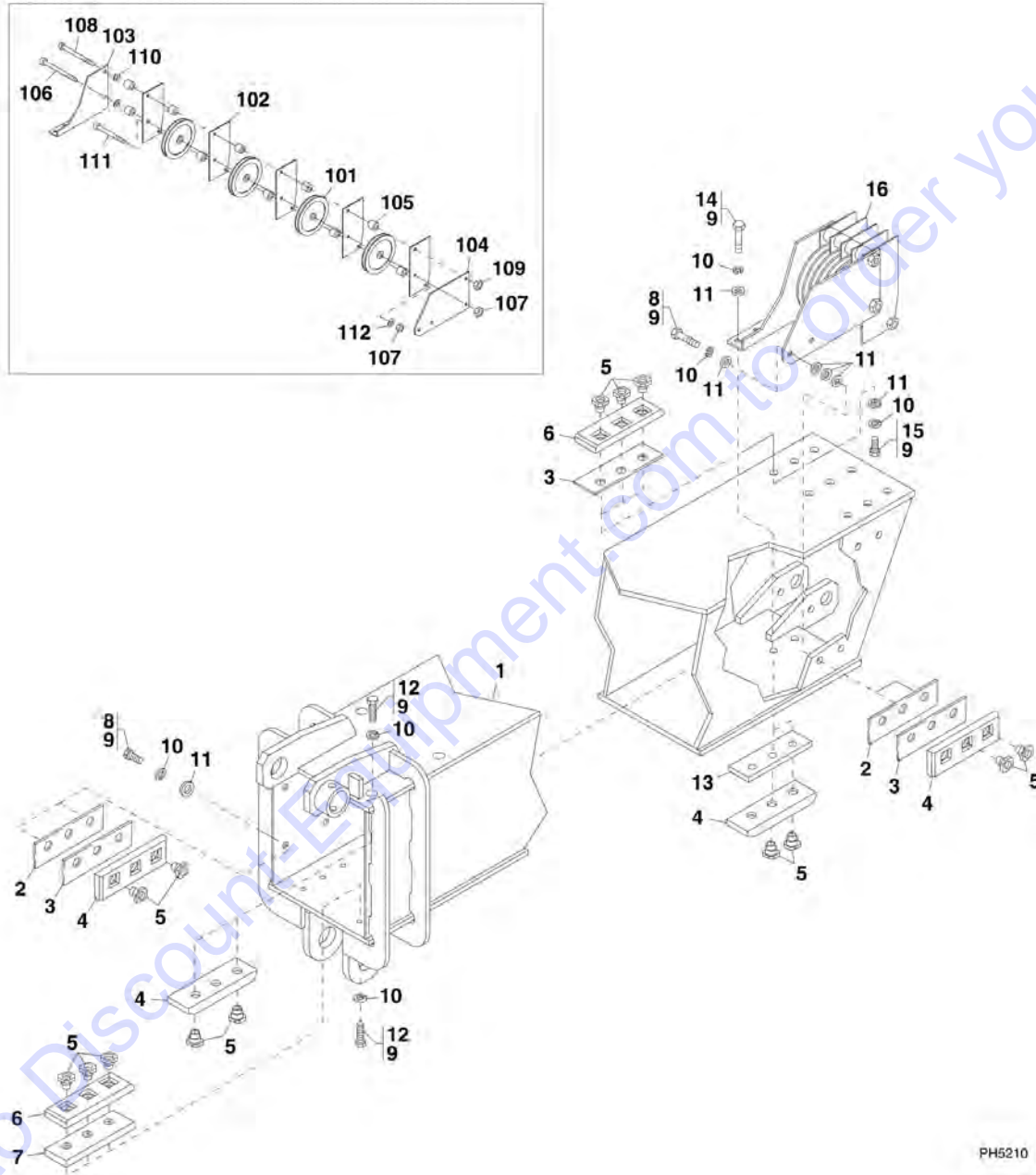
FIGURE 2-2. FIRST BOOM SECTION

ITEM	PART NUMBER	QTY	DESCRIPTION	REV
1	7302010	1	FIRST BOOM SECTION	
2	7082342	AR	SHIM, WEAR PAD, 0.07	
3	7082362	AR	SHIM, WEAR PAD, 0.13	
4	7079572	6	WEAR PAD	
5	7082311	21	WEAR PAD INSERT	
6	8303620	10	HEX HD CAPSCREW, 3/8-16X1, (torque to 31 lb-ft/42 Nm)	
7	8526007	AR	LOCTITE 242, (apply to items 6, 10, 11 & 14)	
8	8307005	22	LOCKWASHER, 3/8	
9	8307204	12	PLAIN WASHER, 3/8	
10	8303681	8	HD HEX CAPSCREW, 3/8-16X3/4, (torque to 31 lb-ft/42 Nm)	
11	8303621	8	HEX HD CAPSCREW, 3/8-16X1-1/2, (torque to 31 lb-ft/42 Nm)	
12	7111572	3	WEAR PAD	
13	7096772	1	WEAR PAD SPACER	
14	8303041	3	HEX HD CAPSCREW, 3/8-16X1/2, (torque to 31 lb-ft/42 Nm)	
15	7096882	2	WEAR PAD SPACER	
16	8307005	2	LOCKWASHER, 3/8, (10054)	
17	8303738	2	HEX HD CAPSCREW, 3/8-16X7/8, (10054)	
18	7138468	1	CLIP, (10054)	
19	8310113	2	NUT, (10054)	
N1	Note	Ref	USE LOCTITE 242 (0100011) ON ALL BOLT THREADS AND JAM NUTS.	
N2	Note	Ref	COAT STATIC, NON-ROTATING PIN BORES WITH MOLY-PASTE (3020040). DO NOT COAT THE PIN OR ANY ROTATING PARTS.	
N3	Note	Ref	COAT ALL BUSHINGS, SHEAVES AND ROTATING PIN BORES WITH MYSTIK TETRIMOLY GREASE (14404793) PRIOR TO INSTALLATION OF THE PIN.	
N4	Note	Ref	WEAR PAD SHIMMING:	
N4		Ref	A. WHENEVER A SHIM IS USED WITH A PAD, A SPACER WITH HOLES MUST BE INSERTED BETWEEN PAD AND SHIM.	
N4		Ref	B. THE WEAR PAD OR WEAR PAD INSERT MUST NOT SIT DIRECTLY ON THE SLOTTED SURFACE OF SHIMS.	
N4		Ref	C. ADD WEAR PAD SHIMS AND SPACERS AS REQUIRED TO SHIM BOOM TO MAINTAIN A TOTAL MINIMUM GAP OF 0.070 TO 0.130 IN (1.8 TO 3.3 MM) IN BOTH HORIZONTAL AND VERTICAL DIRECTIONS.	
N4		Ref	D. WEAR PAD BOLTS REQUIRE ONE HARDENED WASHER. HOWEVER, UP TO (2) HARDENED WASHERS MAY BE USED EXCEPT WHERE NOTED OTHERWISE. UNDER NO CIRCUMSTANCES SHOULD MORE THAN (2) HARDENED WASHERS EVER BE USED.	
N4		Ref	E. THE LENGTH OF PAD BOLTS DEPENDS ON THE NUMBER OF SHIMS USED. THE BOLT CANNOT EXTEND PAST CHAMFER ON WEAR PAD.	
N5	Note	Ref	ADD MYSTIK TETRIMOLY GREASE (14404793) TO ALL WEAR PADS AND ALL WEAR PAD SLIDE PATHWAYS. IF APPLICABLE, THIS INCLUDES ALL PAD GREASE FITTINGS AT THE REAR OF BOOM.	

SECTION 2 - BOOM

FIGURE 2-3. SECOND BOOM SECTION 8042/10042

8042/10042



PH5210

SECTION 2 - BOOM

FIGURE 2-3. SECOND BOOM SECTION 8042/10042

ITEM	PART NUMBER	QTY	DESCRIPTION	REV
1	1001098089	1	SECOND BOOM SECTION, (8042 & 10042)	
2	7082362	AR	SHIM, WEAR PAD, 0.13	
3	7082342	AR	SHIM, WEAR PAD, 0.07	
4	7079572	11	WEAR PAD	
5	7082311	37	WEAR PAD INSERT	
6	7111572	5	WEAR PAD	
7	7096882	2	WEAR PAD SPACER, 0.62	
8	8303681	16	HEX HD CAPSCREW, 3/8-16X3/4, (torque to 31 lb-ft/42 Nm)	
9	8526007	AR	LOCTITE 242, (apply to items 8, 12, 14 & 15)	
10	8307005	37	LOCKWASHER, 3/8	
11	8307204	27	FLAT WASHER, 3/8	
12	8303621	10	HEX HD CAPSCREW, 3/8-16X1-1/2, (torque to 31 lb-ft/42 Nm)	
13	7096702	3	WEAR PAD SPACER, 1/2	
14	8303675	2	HEX HD CAPSCREW, 3/8-16X1-1/4, (torque to 31 lb-ft/42 Nm)	
15	8303620	9	HEX HD CAPSCREW, 3/8-16X1, (torque to 31 lb-ft/42 Nm)	
16	7116733	1	HOSE PULLEY ASSY, (includes items 101 thru 112)	AC
101	7116812	4	ROLLER PULLEY	
102	7116642	5	DIVIDER	
103	7116652	1	BRACKET, (right side)	
104	7116662	1	BRACKET, (left side)	
105	7116691	10	SPACER	
106	8310235	1	SHOULDER SCREW, 1/2X5	
107	8305645	2	LOCKNUT, 3/8-16	
108	8310209	1	HEX HD CAPSCREW, 1/2-13X6	
109	8305644	1	LOCKNUT, 1/2-13	
110	8307206	2	FLAT WASHER, 1/2	
111	8310245	1	SHOULDER SCREW, 1/2X4	
112	8307204	1	FLAT WASHER, 3/8	
N1	Note	Ref	USE LOCTITE 242 (0100011) ON ALL BOLT THREADS AND JAM NUTS.	
N2	Note	Ref	COAT STATIC, NON-ROTATING PIN BORES WITH MOLY-PASTE (3020040). DO NOT COAT THE PIN OR ANY ROTATING PARTS.	
N3	Note	Ref	COAT ALL BUSHINGS, SHEAVES AND ROTATING PIN BORES WITH MYSTIK TETRIMOLY GREASE (14404793) PRIOR TO INSTALLATION OF THE PIN.	
N4	Note	Ref	WEAR PAD SHIMMING:	
N4		Ref	A. WHENEVER A SHIM IS USED WITH A PAD, A SPACER WITH HOLES MUST BE INSERTED BETWEEN PAD AND SHIM.	
N4		Ref	B. THE WEAR PAD OR WEAR PAD INSERT MUST NOT SIT DIRECTLY ON THE SLOTTED SURFACE OF SHIMS.	
N4		Ref	C. ADD WEAR PAD SHIMS AND SPACERS AS REQUIRED TO SHIM BOOM TO MAINTAIN A TOTAL MINIMUM GAP OF 0.070 TO 0.130 IN (1.8 TO 3.3 MM) IN BOTH HORIZONTAL AND VERTICAL DIRECTIONS.	
N4		Ref	D. WEAR PAD BOLTS REQUIRE ONE HARDENED WASHER. HOWEVER, UP TO (2) HARDENED WASHERS MAY BE USED EXCEPT WHERE NOTED OTHERWISE. UNDER NO CIRCUMSTANCES SHOULD MORE THAN (2) HARDENED WASHERS EVER BE USED.	
N4		Ref	E. THE LENGTH OF PAD BOLTS DEPENDS ON THE NUMBER OF SHIMS USED. THE BOLT CANNOT EXTEND PAST CHAMFER ON WEAR PAD.	

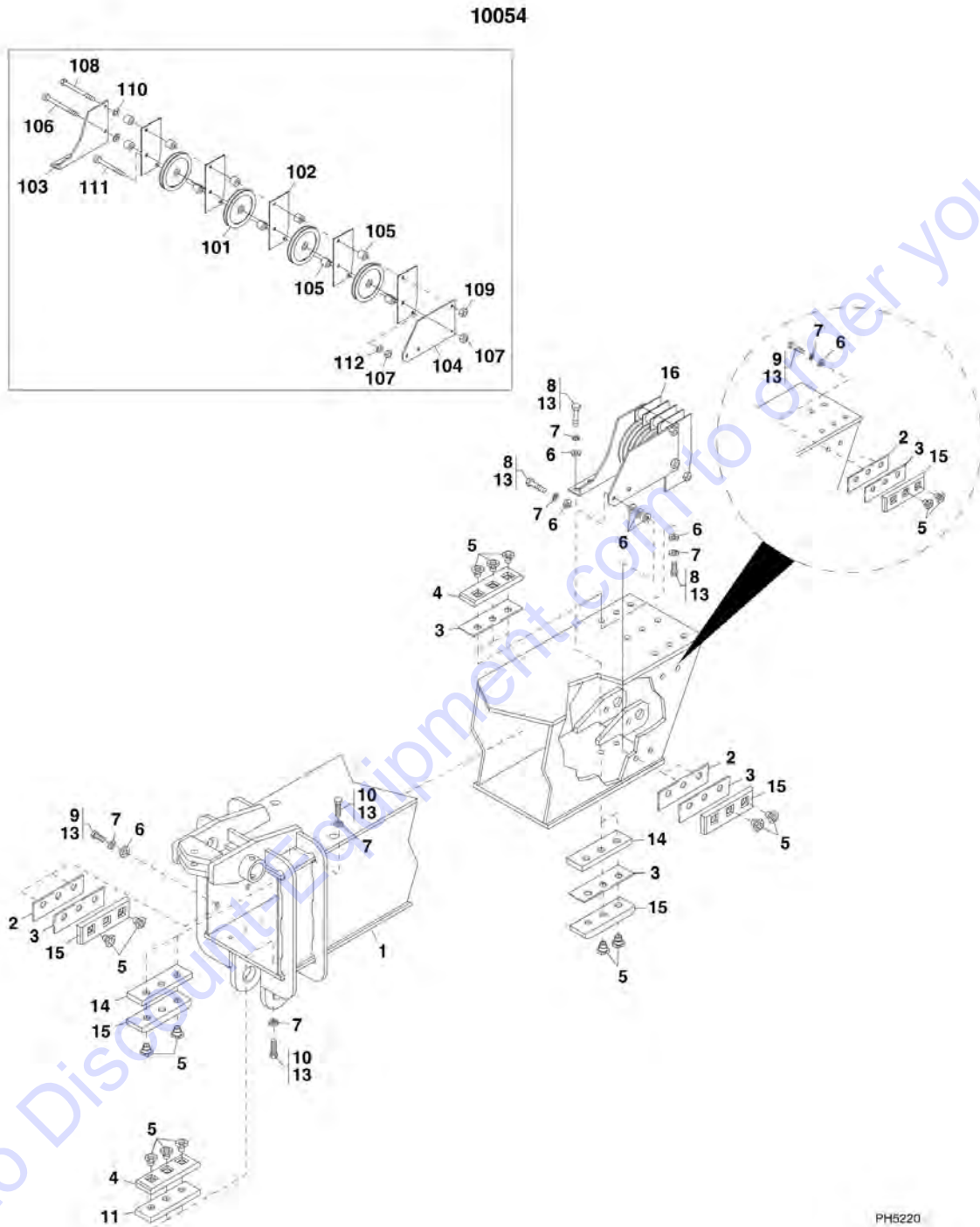
SECTION 2 - BOOM

ITEM	PART NUMBER	QTY	DESCRIPTION	REV
N5	Note	Ref	ADD MYSTIK TETRIMOLY GREASE (14404793) TO ALL WEAR PADS AND ALL WEAR PAD SLIDE PATHWAYS. IF APPLICABLE, THIS INCLUDES ALL PAD GREASE FITTINGS AT THE REAR OF BOOM.	

Go to Discount-Equipment.com to order your parts

SECTION 2 - BOOM

FIGURE 2-4. SECOND BOOM SECTION 10054



SECTION 2 - BOOM

FIGURE 2-4. SECOND BOOM SECTION 10054

ITEM	PART NUMBER	QTY	DESCRIPTION	REV
1	1001097721	1	SECOND BOOM SECTION, (10054)	
2	7082362	AR	SHIM, WEAR PAD, 0.13	
3	7082342	AR	SHIM, WEAR PAD, 0.075	
4	7111572	5	WEAR PAD	
5	7082311	36	WEAR PAD INSERT	
6	8307204	26	FLAT WASHER, 3/8	
7	8307005	36	LOCKWASHER, 3/8	
8	8303620	8	HEX HD CAPSCREW, 3/8-16X1	
9	8303681	14	HEX HD CAPSCREW, 3/8-16X3/4, (torque to 31 lb-ft/42 Nm)	
10	8303621	12	HEX HD CAPSCREW, 3/8-16X1-1/2, (torque to 31 lb-ft/42 Nm)	
11	7096882	2	WEAR PAD SPACER, 0.62	
13	8526007	AR	LOCTITE 242, (apply to items 8, 9 & 10)	
14	7096702	3	WEAR PAD SPACER, 1/2	
15	7079572	11	WEAR PAD	
16	7116733	1	HOSE PULLEY ASSY, (includes items 101 thru 112)	AC
101	7116812	4	ROLLER PULLEY	
102	7116642	5	DIVIDER	
103	7116652	1	BRACKET, (right side)	
104	7116662	1	BRACKET, (left side)	
105	7116691	10	SPACER	
106	8310235	1	SHOULDER SCREW, 1/2X5	
107	8305645	2	LOCKNUT, 3/8-16	
108	8310209	1	HEX HD CAPSCREW, 1/2-13X6	
109	8305644	1	LOCKNUT, 1/2-13	
110	8307206	2	FLAT WASHER, 1/2	
111	8310245	1	SHOULDER SCREW, 1/2X4	
112	8307204	1	FLAT WASHER, 3/8	
N1	Note	Ref	USE LOCTITE 242 (0100011) ON ALL BOLT THREADS AND JAM NUTS.	
N2	Note	Ref	COAT STATIC, NON-ROTATING PIN BORES WITH MOLY-PASTE (3020040). DO NOT COAT THE PIN OR ANY ROTATING PARTS.	
N3	Note	Ref	COAT ALL BUSHINGS, SHEAVES AND ROTATING PIN BORES WITH MYSTIK TETRIMOLY GREASE (14404793) PRIOR TO INSTALLATION OF THE PIN.	
N4	Note	Ref	WEAR PAD SHIMMING:	
N4		Ref	A. WHENEVER A SHIM IS USED WITH A PAD, A SPACER WITH HOLES MUST BE INSERTED BETWEEN PAD AND SHIM.	
N4		Ref	B. THE WEAR PAD OR WEAR PAD INSERT MUST NOT SIT DIRECTLY ON THE SLOTTED SURFACE OF SHIMS.	
N4		Ref	C. ADD WEAR PAD SHIMS AND SPACERS AS REQUIRED TO SHIM BOOM TO MAINTAIN A TOTAL MINIMUM GAP OF 0.070 TO 0.130 IN (1.8 TO 3.3 MM) IN BOTH HORIZONTAL AND VERTICAL DIRECTIONS.	
N4		Ref	D. WEAR PAD BOLTS REQUIRE ONE HARDENED WASHER. HOWEVER, UP TO (2) HARDENED WASHERS MAY BE USED EXCEPT WHERE NOTED OTHERWISE. UNDER NO CIRCUMSTANCES SHOULD MORE THAN (2) HARDENED WASHERS EVER BE USED.	
N4		Ref	E. THE LENGTH OF PAD BOLTS DEPENDS ON THE NUMBER OF SHIMS USED. THE BOLT CANNOT EXTEND PAST CHAMFER ON WEAR PAD.	
N5	Note	Ref	ADD MYSTIK TETRIMOLY GREASE (14404793) TO ALL WEAR	

SECTION 2 - BOOM

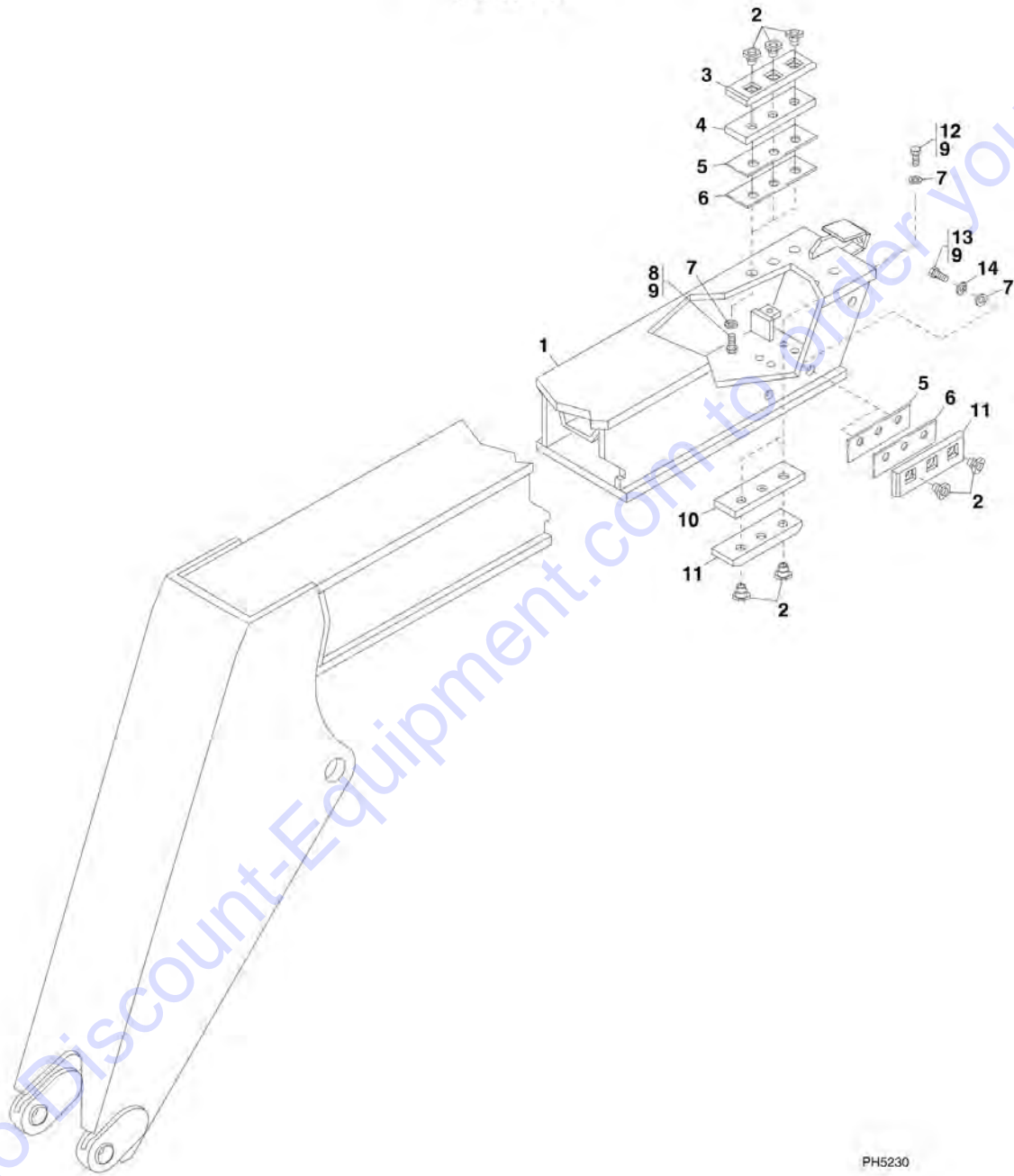
ITEM	PART NUMBER	QTY	DESCRIPTION	REV
			PADS AND ALL WEAR PAD SLIDE PATHWAYS. IF APPLICABLE, THIS INCLUDES ALL PAD GREASE FITTINGS AT THE REAR OF BOOM.	

Go to Discount-Equipment.com to order your parts

SECTION 2 - BOOM

FIGURE 2-5. THIRD BOOM SECTION 8042/10042

8042/10042



PH5230

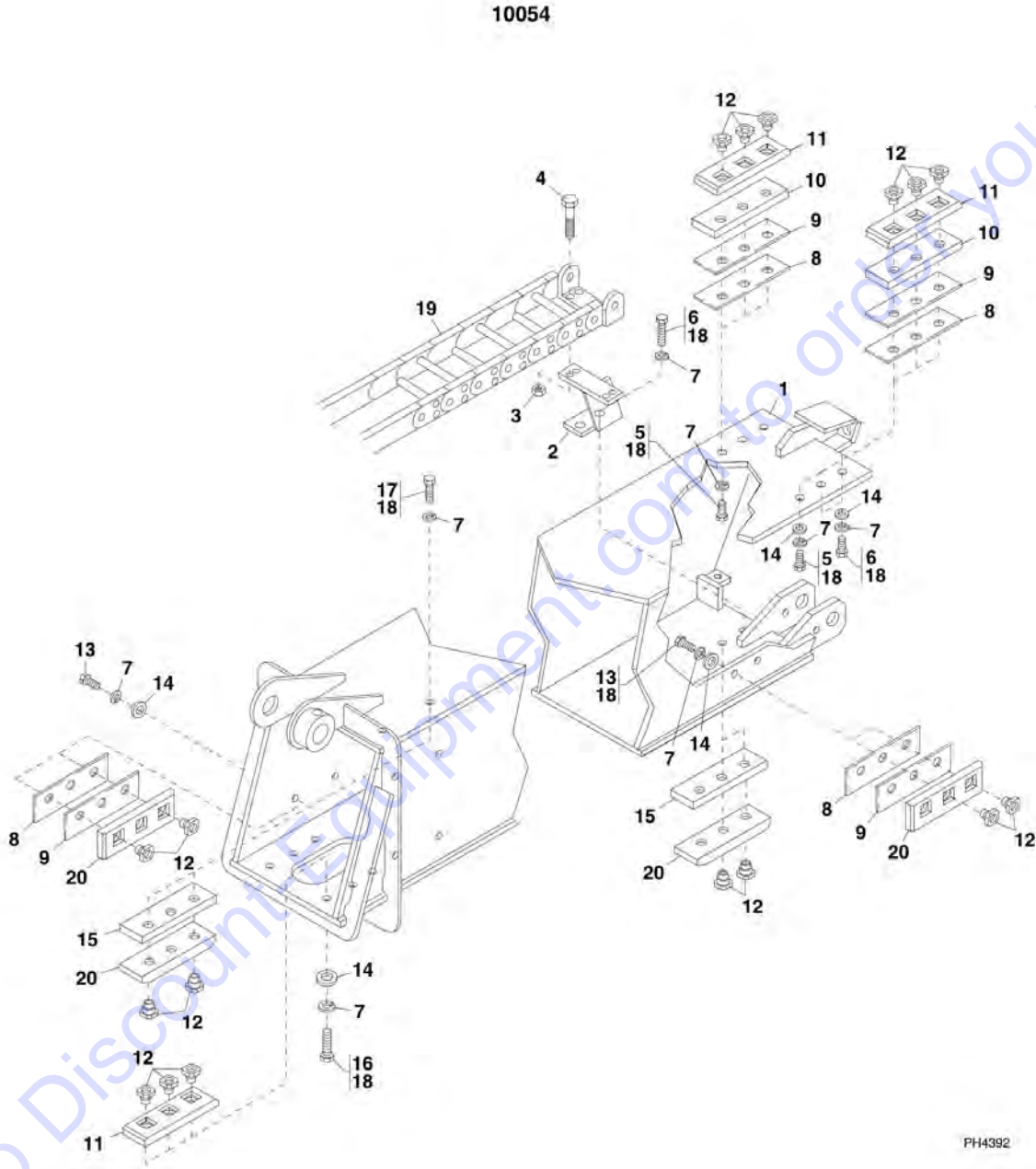
SECTION 2 - BOOM

FIGURE 2-5. THIRD BOOM SECTION 8042/10042

ITEM	PART NUMBER	QTY	DESCRIPTION	REV
1	7117113	1	THIRD BOOM SECTION, (8042 & 10042)	
2	7082311	16	WEAR PAD INSERT	
3	7111572	2	WEAR PAD	
4	7096882	2	WEAR PAD SPACER, 0.62	
5	7082362	AR	SHIM, WEAR PAD, 0.13	
6	7082342	AR	SHIM, WEAR PAD, 0.07	
7	8307005	16	LOCKWASHER, 3/8	
8	8303679	6	HEX HD CAPSCREW, 3/8-16X1-3/4, (torque to 31 lb-ft/42 Nm)	
9	8526007	AR	LOCTITE 242, (apply to items 8, 12 & 13)	
10	7096702	1	WEAR PAD SPACER, 1/2	
11	7079572	5	WEAR PAD	
12	8303675	2	HEX HD CAPSCREW, 3/8-16X1-1/4, (torque to 31 lb-ft/42 Nm)	
13	8303681	8	HEX HD CAPSCREW, 3/8-16X3/4, (torque to 31 lb-ft/42 Nm)	
14	8307204	8	FLAT WASHER, 3/8	
N1	Note	Ref	USE LOCTITE 242 (0100011) ON ALL BOLT THREADS AND JAM NUTS.	
N2	Note	Ref	COAT STATIC, NON-ROTATING PIN BORES WITH MOLY-PASTE (3020040). DO NOT COAT THE PIN OR ANY ROTATING PARTS.	
N3	Note	Ref	COAT ALL BUSHINGS, SHEAVES AND ROTATING PIN BORES WITH MYSTIK TETRIMOLY GREASE (14404793) PRIOR TO INSTALLATION OF THE PIN.	
N4	Note	Ref	WEAR PAD SHIMMING:	
N4		Ref	A. WHENEVER A SHIM IS USED WITH A PAD, A SPACER WITH HOLES MUST BE INSERTED BETWEEN PAD AND SHIM.	
N4		Ref	C. THE WEAR PAD OR WEAR PAD INSERT MUST NOT SIT DIRECTLY ON THE SLOTTED SURFACE OF SHIMS.	
N4		Ref	C. ADD WEAR PAD SHIMS AND SPACERS AS REQUIRED TO SHIM BOOM TO MAINTAIN A TOTAL MINIMUM GAP OF 0.070 TO 0.130 IN (1.8 TO 3.3 MM) IN BOTH HORIZONTAL AND VERTICAL DIRECTIONS.	
N4		Ref	D. WEAR PAD BOLTS REQUIRE ONE HARDENED WASHER. HOWEVER, UP TO (2) HARDENED WASHERS MAY BE USED EXCEPT WHERE NOTED OTHERWISE. UNDER NO CIRCUMSTANCES SHOULD MORE THAN (2) HARDENED WASHERS EVER BE USED.	
N4		Ref	E. THE LENGTH OF PAD BOLTS DEPENDS ON THE NUMBER OF SHIMS USED. THE BOLT CANNOT EXTEND PAST CHAMFER ON WEAR PAD.	
N5	Note	Ref	ADD MYSTIK TETRIMOLY GREASE (14404793) TO ALL WEAR PADS AND ALL WEAR PAD SLIDE PATHWAYS. IF APPLICABLE, THIS INCLUDES ALL PAD GREASE FITTINGS AT THE REAR OF BOOM.	

SECTION 2 - BOOM

FIGURE 2-6. THIRD BOOM SECTION 10054



PH4392

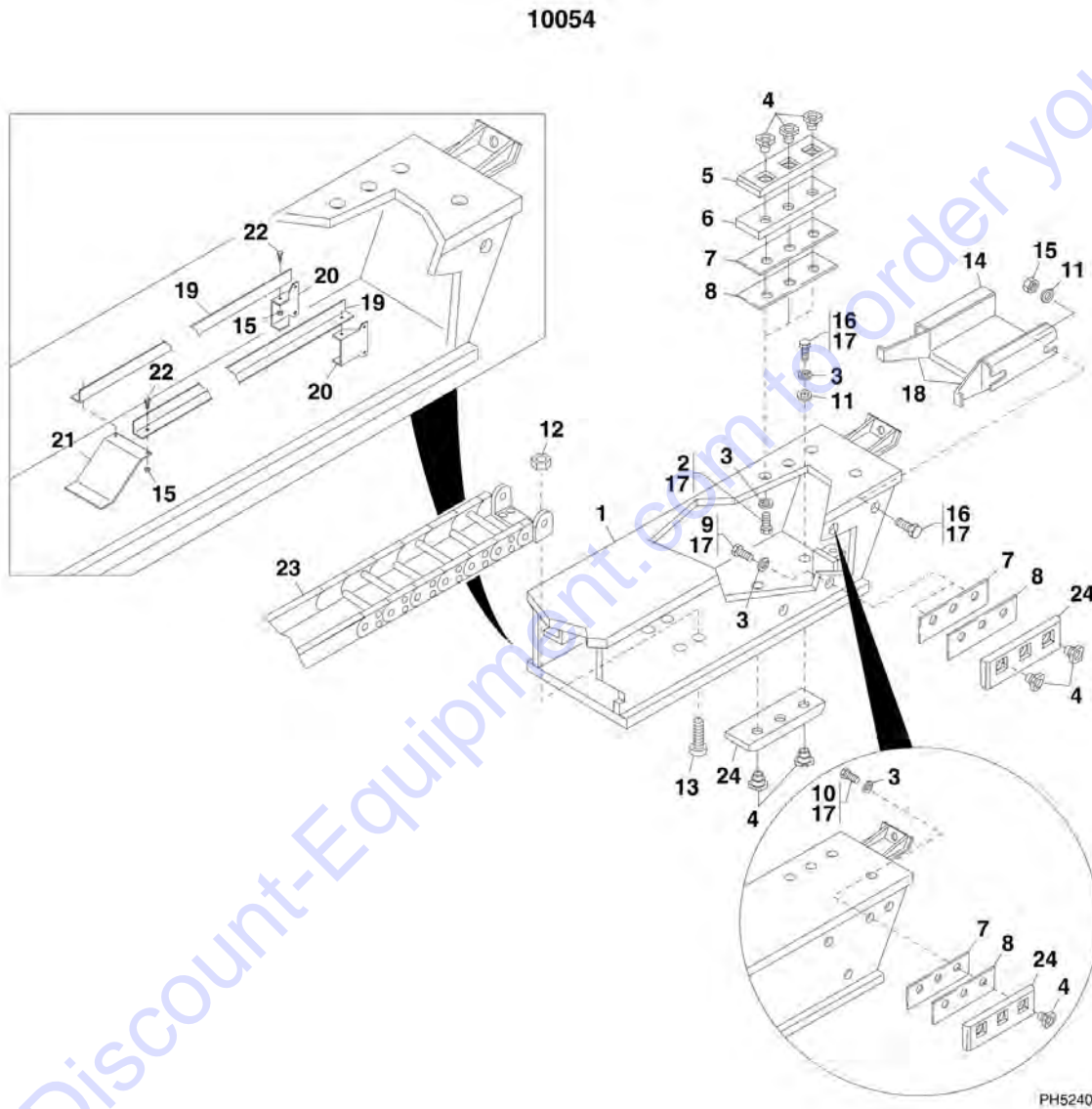
SECTION 2 - BOOM

FIGURE 2-6. THIRD BOOM SECTION 10054

ITEM	PART NUMBER	QTY	DESCRIPTION	REV
1	7117414	1	THIRD BOOM SECTION, (10054)	
2	7112732	1	HOSE CLAMP SUPPORT	
3	8305624	4	HEX LOCKNUT, 1/4-20	
4	8310026	4	HEX HD CAPSCREW, 1/4-20X3/4	
5	8303679	4	HEX HD CAPSCREW, 3/8-16X1-3/4, (torque to 31 lb-ft/42 Nm)	
6	8303622	2	HEX HD CAPSCREW, 3/8-16X2, (torque to 31 lb-ft/42 Nm)	
7	8307005	34	LOCKWASHER, 3/8	
8	7082362	AR	SHIM, WEAR PAD, 0.13	
9	7082342	AR	SHIM, WEAR PAD, 0.07	
10	7096882	2	WEAR PAD SPACER, 0.62	
11	7111572	5	WEAR PAD	
12	7082311	34	WEAR PAD INSERT	
13	8303681	16	HEX HD CAPSCREW, 3/8-16X3/4, (torque to 31 lb-ft/42 Nm)	
14	8307204	25	FLAT WASHER, 3/8	
15	7096702	3	WEAR PAD SPACER, 1/2	
16	8303620	6	HEX HD CAPSCREW, 3/8-16X1, (torque to 31 lb-ft/42 Nm)	
17	8303621	4	HEX HD CAPSCREW, 3/8-16X1-1/2, (torque to 31 lb-ft/42 Nm)	
18	8526007	AR	LOCTITE 242, (apply to items 5, 6, 13, 16 & 17)	
19		Ref	HOSE CARRIER, (See HYDRAULIC CIRCUITS SECTION for Breakdown)	
20	7079572	11	WEAR PAD	
N1	Note	Ref	USE LOCTITE 242 (0100011) ON ALL BOLT THREADS AND JAM NUTS.	
N2	Note	Ref	COAT STATIC, NON-ROTATING PIN BORES WITH MOLY-PASTE (3020040). DO NOT COAT THE PIN OR ANY ROTATING PARTS.	
N3	Note	Ref	COAT ALL BUSHINGS, SHEAVES AND ROTATING PIN BORES WITH MYSTIK TETRIMOLY GREASE (14404793) PRIOR TO INSTALLATION OF THE PIN.	
N4	Note	Ref	WEAR PAD SHIMMING:	
N4		Ref	A. WHENEVER A SHIM IS USED WITH A PAD, A SPACER WITH HOLES MUST BE INSERTED BETWEEN PAD AND SHIM.	
N4		Ref	B. THE WEAR PAD OR WEAR PAD INSERT MUST NOT SIT DIRECTLY ON THE SLOTTED SURFACE OF SHIMS.	
N4		Ref	C. ADD WEAR PAD SHIMS AND SPACERS AS REQUIRED TO SHIM BOOM TO MAINTAIN A TOTAL MINIMUM GAP OF 0.070 TO 0.130 IN (1.8 TO 3.3 MM) IN BOTH HORIZONTAL AND VERTICAL DIRECTIONS.	
N4		Ref	D. WEAR PAD BOLTS REQUIRE ONE HARDENED WASHER. HOWEVER, UP TO (2) HARDENED WASHERS MAY BE USED EXCEPT WHERE NOTED OTHERWISE. UNDER NO CIRCUMSTANCES SHOULD MORE THAN (2) HARDENED WASHERS EVER BE USED.	
N4		Ref	E. THE LENGTH OF PAD BOLTS DEPENDS ON THE NUMBER OF SHIMS USED. THE BOLT CANNOT EXTEND PAST CHAMFER ON WEAR PAD.	
N5	Note	Ref	ADD MYSTIK TETRIMOLY GREASE (14404793) TO ALL WEAR PADS AND ALL WEAR PAD SLIDE PATHWAYS. IF APPLICABLE, THIS INCLUDES ALL PAD GREASE FITTINGS AT THE REAR OF BOOM.	

SECTION 2 - BOOM

FIGURE 2-7. FOURTH BOOM SECTION 10054



SECTION 2 - BOOM

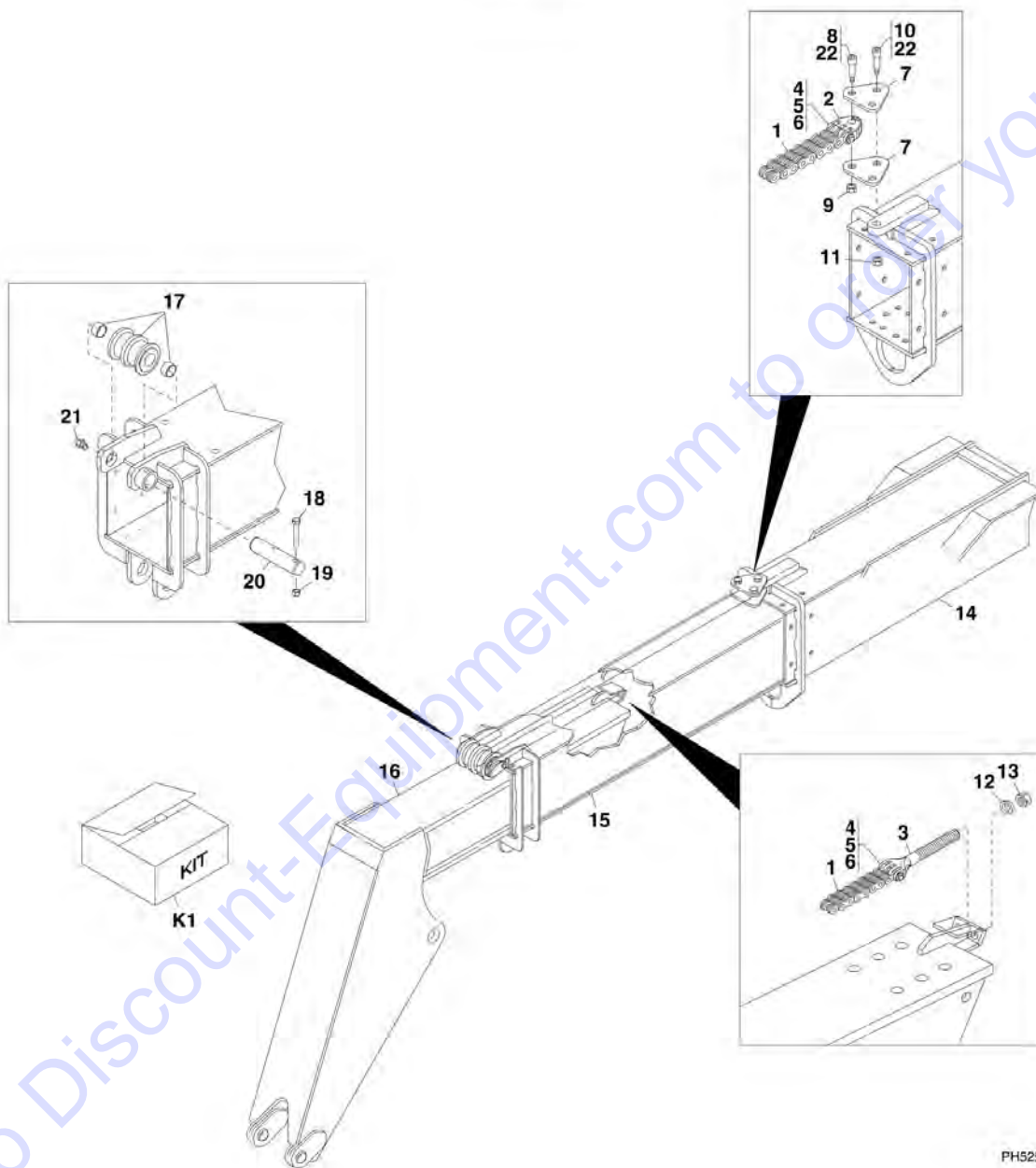
FIGURE 2-7. FOURTH BOOM SECTION 10054

ITEM	PART NUMBER	QTY	DESCRIPTION	REV
1	7117133	1	FOURTH BOOM SECTION, (10054)	
2	8303621	6	HEX HD CAPSCREW, 3/8-16X1-1/2, (torque to 31 lb-ft/42 Nm)	
3	8307005	16	LOCKWASHER, 3/8	
4	7082311	16	WEAR PAD INSERT	
5	7111572	7	WEAR PAD	
6	7096702	2	WEAR PAD SPACER, 1/2	
7	7082362	AR	SHIM, WEAR PAD, 0.13	
8	7082342	AR	SHIM, WEAR PAD, 0.07	
9	8303681	6	HEX HD CAPSCREW, 3/8-16X3/4	
10	8303620	2	HEX HD CAPSCREW, 3/8-16X1	
11	8307204	6	FLAT WASHER, 3/8	
12	8305624	4	HEX LOCKNUT, 1/4-20	
13	8303540	4	HEX HD CAPSCREW, 1/4-20X1	
14	7114922	1	GUIDE	
15	8305645	6	HEX LOCKNUT, 3/8-16	
16	8303620	2	HEX HD CAPSCREW, 3/8-16X1, (torque to 31 lb-ft/42 Nm)	
17	8526036	AR	LOCTITE 242, (apply to items 2, 9, 10 & 16)	
18	5746411	2	MOLDING	
19	7110172	2	HOSE CARRIER GUIDE	
20	7127862	2	GUIDE SUPPORT, (rear)	
21	7127852	1	GUIDE SUPPORT, (front)	
22	8303738	6	HEX HD CAPSCREW, 3/8-16X7/8	
23		Ref	HOSE CARRIER, (See HYDRAULIC CIRCUITS SECTION for Breakdown)	
24	7079572	4	WEAR PAD	
N1	Note	Ref	USE LOCTITE 242 (0100011) ON ALL BOLT THREADS AND JAM NUTS.	
N2	Note	Ref	COAT STATIC, NON-ROTATING PIN BORES WITH MOLY-PASTE (3020040). DO NOT COAT THE PIN OR ANY ROTATING PARTS.	
N3	Note	Ref	COAT ALL BUSHINGS, SHEAVES AND ROTATING PIN BORES WITH MYSTIK TETRIMOLY GREASE (14404793) PRIOR TO INSTALLATION OF THE PIN.	
N4	Note	Ref	WEAR PAD SHIMMING:	
N4	Note	Ref	A. WHENEVER A SHIM IS USED WITH A PAD, A SPACER WITH HOLES MUST BE INSERTED BETWEEN PAD AND SHIM.	
N4	Note	Ref	B. THE WEAR PAD OR WEAR PAD INSERT MUST NOT SIT DIRECTLY ON THE SLOTTED SURFACE OF SHIMS.	
N4	Note	Ref	C. ADD WEAR PAD SHIMS AND SPACERS AS REQUIRED TO SHIM BOOM TO MAINTAIN A TOTAL MINIMUM GAP OF 0.070 TO 0.130 IN (1.8 TO 3.3 MM) IN BOTH HORIZONTAL AND VERTICAL DIRECTIONS.	
N4	Note	Ref	D. WEAR PAD BOLTS REQUIRE ONE HARDENED WASHER. HOWEVER, UP TO (2) HARDENED WASHERS MAY BE USED EXCEPT WHERE NOTED OTHERWISE. UNDER NO CIRCUMSTANCES SHOULD MORE THAN (2) HARDENED WASHERS EVER BE USED.	
N4	Note	Ref	E. THE LENGTH OF PAD BOLTS DEPENDS ON THE NUMBER OF SHIMS USED. THE BOLT CANNOT EXTEND PAST CHAMFER ON WEAR PAD.	
N5	Note	Ref	ADD MYSTIK TETRIMOLY GREASE (14404793) TO ALL WEAR PADS AND ALL WEAR PAD SLIDE PATHWAYS. IF APPLICABLE, THIS INCLUDES ALL PAD GREASE FITTINGS AT THE REAR OF BOOM.	

SECTION 2 - BOOM

FIGURE 2-8. EXTEND CHAINS 8042/10042

8042/10042



PH5250

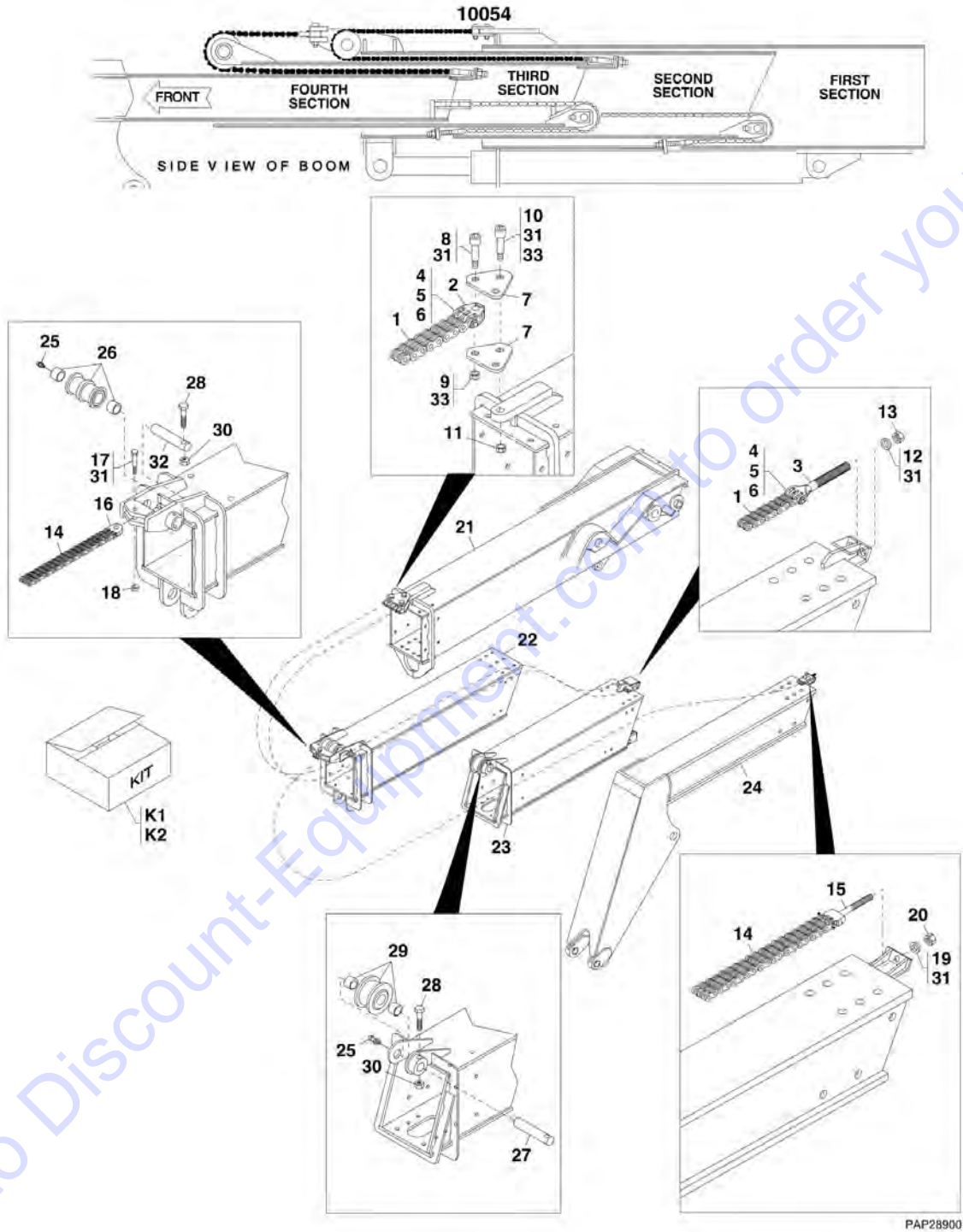
SECTION 2 - BOOM

FIGURE 2-8. EXTEND CHAINS 8042/10042

ITEM	PART NUMBER	QTY	DESCRIPTION	REV
	7139690	2	EXTEND CHAIN AND CLEVIS ASSY, (includes items 1 thru 6)	B
1	8127022	2	EXTEND CHAIN	
2	7139416	2	FEMALE ANCHOR CLEVIS	
3	7139032	2	FEMALE ANCHOR CLEVIS	
4	8124138	4	CHAIN CLEVIS PIN	
5	8642237	8	RETAINING RING	
6	8522012	AR	ANTI-SEIZE LUBE, (apply to item 4)	
7	7139180	2	EXTEND CHAIN YOKE	
8	8310019	2	SOCKET HD SHOULDER SCREW, 1/2X1-1/2X3/8-16	
9	8305645	2	HEX LOCKNUT, 3/8-16	
10	8310020	1	SOCKET HD SHOULDER SCREW, 5/8X1-1/2X1/2-13	
11	8305644	1	HEX LOCKNUT, 1/2-13	
12	8307104	2	PLAIN WASHER, 3/4	
13	8305646	2	HEX LOCKNUT, 3/4-16	
14		Ref	FIRST BOOM SECTION, (See FIRST BOOM SECTION for Breakdown)	
15		Ref	SECOND BOOM SECTION, (See SECOND BOOM SECTION for Breakdown)	
16		Ref	THIRD BOOM SECTION, (See THIRD BOOM SECTION for Breakdown)	
17	1001101845	1	SHEAVE ASSY	
17	7114112	1	EXTEND CHAIN SHEAVE	
17	7126662	2	BUSHING	
18	8303634	1	HEX HD CAPSCREW, 5/8-11X4	
19	8305643	1	HEX LOCKNUT, 5/8-11	
20	1001097735	1	EXTEND CHAIN SHEAVE PIN	
21	8520001	1	STRAIGHT LUBE FITTING, 1/8	
22	8522012	AR	ANTI SEIZE LUBE, (apply to items 8 & 10)	
K1	8024032	1	EXTEND CHAINS SERVICE KIT, (includes items 1 thru 13)	

SECTION 2 - BOOM

FIGURE 2-9. EXTEND CHAINS 10054



SECTION 2 - BOOM

FIGURE 2-9. EXTEND CHAINS 10054

ITEM	PART NUMBER	QTY	DESCRIPTION	REV
	7139690	2	THIRD BOOM SECTION EXTEND CHAIN AND CLEVIS ASSY, (includes items 1 thru 6)	B
1	8127022	2	EXTEND CHAIN	
2	7139416	2	FEMALE ANCHOR CLEVIS	
3	7139032	2	FEMALE ANCHOR CLEVIS	
4	8124138	4	CHAIN CLEVIS PIN	
5	8642237	8	RETAINING RING	
6	8522012	AR	ANTI-SEIZE LUBE, (apply to item 4)	
7	7139180	2	EXTEND CHAIN YOKE	
8	8310019	2	SOCKET HD SHOULDER SCREW, 1/2X1-1/2X3/8-16	
9	8305645	2	HEX LOCKNUT, 3/8-16	
10	8310020	1	SOCKET HD SHOULDER SCREW, 5/8X1-1/2X1/2-13	
11	8305644	1	HEX LOCKNUT, 1/2-13	
12	8307104	2	FLAT WASHER, 3/4	
13	8305646	2	HEX LOCKNUT, 3/4-16	
13	7139693	1	FOURTH BOOM SECTION EXTEND CHAIN AND CLEVIS ASSY, (includes items 14 thru 16)	C
14	8127009	1	EXTEND CHAIN	
15	7113952	1	ANCHOR CLEVIS	
16	7113982	1	ANCHOR CLEVIS	
17	8310205	1	SOCKET HD SHOULDER SCREW, 3/4X2-1/2	
18	8305643	1	HEX LOCKNUT, 5/8-11	
19	8310066	1	FLAT WASHER, 1	
20	8310210	1	HEX LOCKNUT, 1-14	
21		Ref	FIRST BOOM SECTION, (See FIRST BOOM SECTION for Breakdown)	
22		Ref	SECOND BOOM SECTION, (See SECOND BOOM SECTION for Breakdown)	
23		Ref	THIRD BOOM SECTION, (See THIRD BOOM SECTION for Breakdown)	
24		Ref	FOURTH BOOM SECTION, (See FOURTH BOOM SECTION for Breakdown)	
25	8520001	2	STRAIGHT LUBE FITTING, 1/8	
26	1001101845	1	SHEAVE ASSY	
26	7114112	1	EXTEND CHAIN SHEAVE	
26	7126662	2	BUSHING	
27	7117582	1	EXTEND CHAIN SHEAVE PIN	
28	8303634	2	HEX HD CAPSCREW, 5/8-11X4	
29	1001101867	1	SHEAVE ASSY	
29	7114032	1	EXTEND CHAIN SHEAVE	
29	7117502	2	BUSHING	
30	8305643	2	HEX LOCKNUT, 5/8-11	
31	8522012	AR	ANTI SEIZE LUBE, (apply to items 8, 10, 12, 17 & 19)	
32	1001097735	1	PIN	
33	8526406	AR	SEALANT	
K1	8024032	1	THIRD BOOM SECTION EXTEND CHAINS SERVICE KIT, (includes items 1 thru 13)	
K2	8024053	1	FOURTH BOOM SECTION EXTEND CHAIN SERVICE KIT, (includes items 17 thru 20)	

SECTION 2 - BOOM

FIGURE 2-10. RETRACT CHAINS 8042/10042

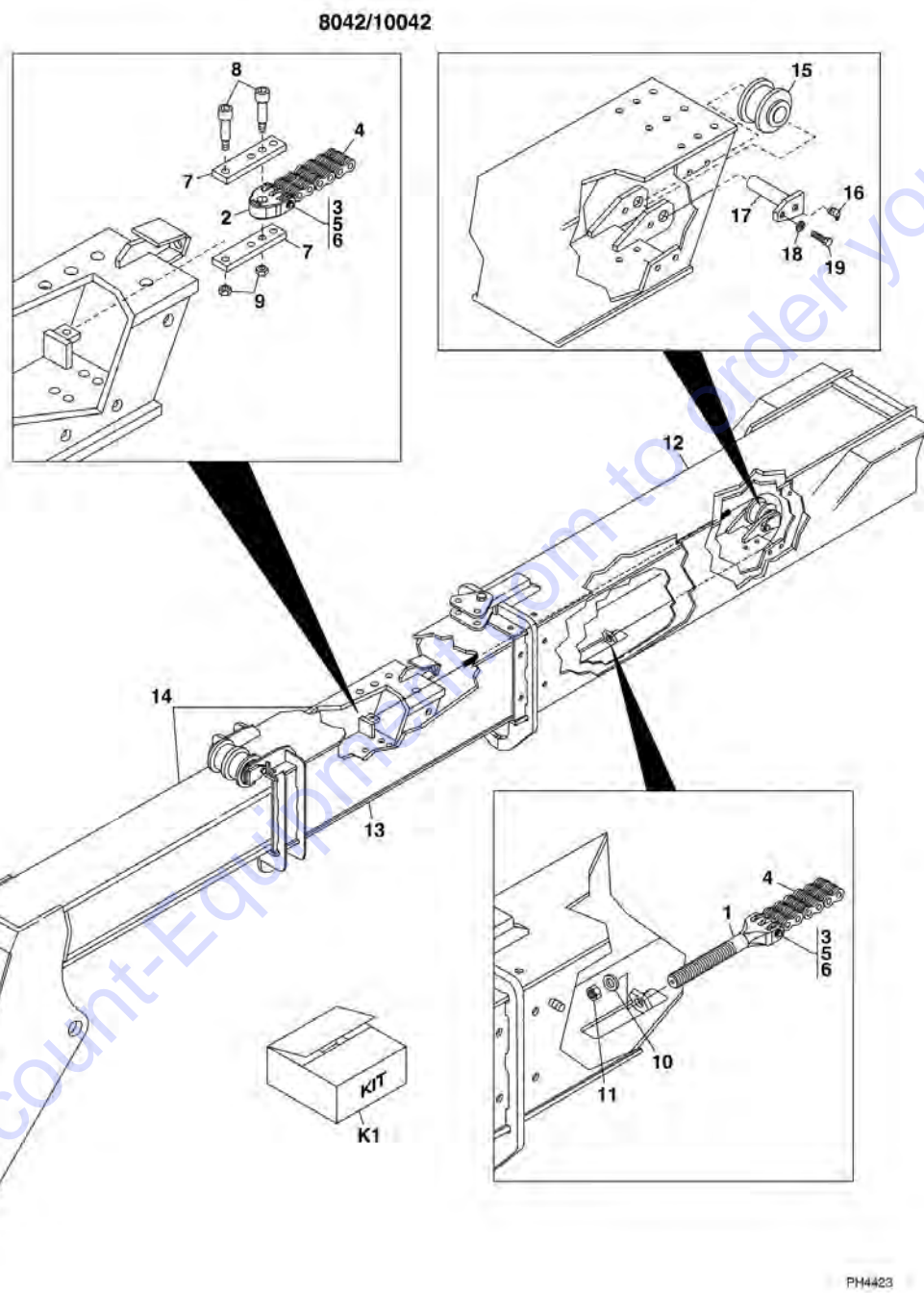


FIGURE 2-10. RETRACT CHAINS 8042/10042

ITEM	PART NUMBER	QTY	DESCRIPTION	REV
	7139692	1	RETRACT CHAIN AND CLEVIS ASSY, (includes items 1 thru 6)	B
1	7139032	1	FEMALE ANCHOR CLEVIS	
2	7139416	1	FEMALE ANCHOR CLEVIS	
3	8124138	2	CHAIN CLEVIS PIN	
4	8127024	1	RETRACT CHAIN	
5	8522012	AR	ANTI-SEIZE LUBE, (apply to item 3)	
6	8642237	4	RETAINING RING	
7	7117031	2	RETRACT CHAIN ANCHOR LINK	
8	8310019	2	SOCKET HD SHOULDER SCREW, 1/2X1-1/2X3/8-16	
9	8305645	2	HEX LOCKNUT, 3/8-16	
10	8307104	1	PLAIN WASHER, 3/4	
11	8305646	1	HEX LOCKNUT, 3/4-16	
12		Ref	FIRST BOOM SECTION, (See FIRST BOOM SECTION for Breakdown)	
13		Ref	SECOND BOOM SECTION, (See SECOND BOOM SECTION for Breakdown)	
14		Ref	THIRD BOOM SECTION, (See THIRD BOOM SECTION for Breakdown)	
15	7138986	1	RETRACT CHAIN SHEAVE WITH BUSHINGS	
16	8520003	1	LUBE FITTING, 90, 1/8	
17	7138977	1	RETRACT CHAIN SHEAVE PIN	
18	8307007	1	LOCKWASHER, 1/2	
19	8303624	1	HEX HD CAPSCREW, 1/2-13X1	
K1	8024033	1	RETRACT CHAIN SERVICE KIT, (includes items 1 thru 11)	

SECTION 2 - BOOM

FIGURE 2-11. RETRACT CHAINS 10054

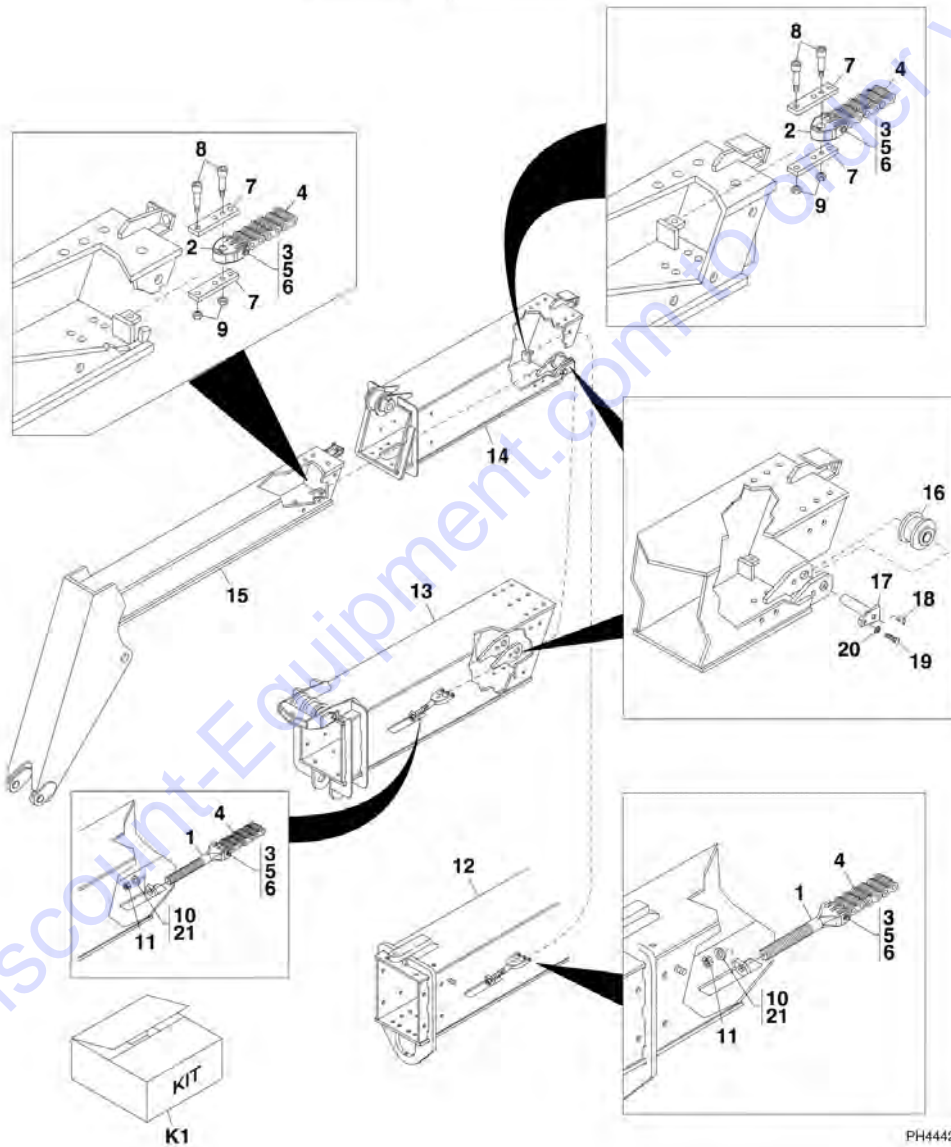
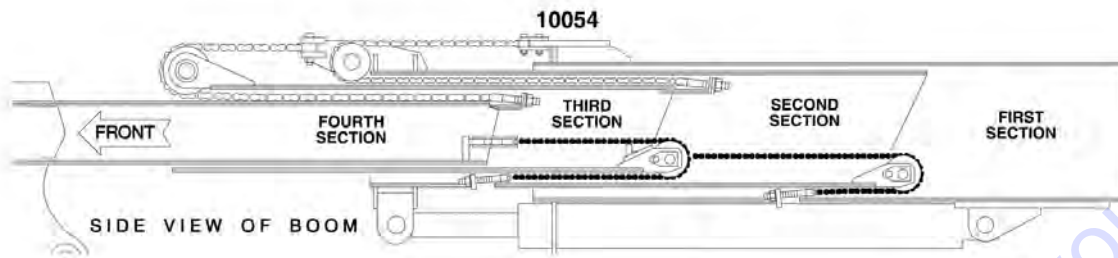


FIGURE 2-11. RETRACT CHAINS 10054

ITEM	PART NUMBER	QTY	DESCRIPTION	REV
	7139692	1	RETRACT CHAIN AND CLEVIS ASSY, (includes items 1 thru 6)	B
1	7139032	1	FEMALE ANCHOR CLEVIS	
2	7139416	1	FEMALE ANCHOR CLEVIS	
3	8124138	2	CHAIN CLEVIS PIN	
4	8127024	1	RETRACT CHAIN	
5	8522012	AR	ANTI-SEIZE LUBE, (apply to item 3)	
6	8642237	4	RETAINING RING	
7	7117031	2	RETRACT CHAIN ANCHOR LINK	
8	8310019	2	SOCKET HD SHOULDER SCREW, 1/2X1-1/2X3/8-16	
9	8305645	2	HEX LOCKNUT, 3/8-16	
10	8307104	1	PLAIN WASHER, 3/4	
11	8305646	1	HEX LOCKNUT, 3/4-16	
12		Ref	FIRST BOOM SECTION, (See FIRST BOOM SECTION for Breakdown)	
13		Ref	SECOND BOOM SECTION, (See SECOND BOOM SECTION for Breakdown)	
14		Ref	THIRD BOOM SECTION, (See THIRD BOOM SECTION for Breakdown)	
15		Ref	FOURTH BOOM SECTION, (See FOURTH BOOM SECTION for Breakdown)	
16	7138986	1	RETRACT CHAIN SHEAVE WITH BUSHINGS	
17	7138977	1	RETRACT CHAIN SHEAVE PIN	
18	8520003	1	LUBE FITTING, 90, 1/8	
19	8303624	3	HEX HD CAPSCREW, 1/2-13X1	
20	8307007	2	LOCKWASHER, 1/2	
21	8522012	AR	ANTI SEIZE LUBE, (apply to item 10)	
K1	8024033	2	RETRACT CHAIN SERVICE KIT, (Includes Items 1 thru 11)	

SECTION 2 - BOOM

FIGURE 2-12. QUICK ATTACH

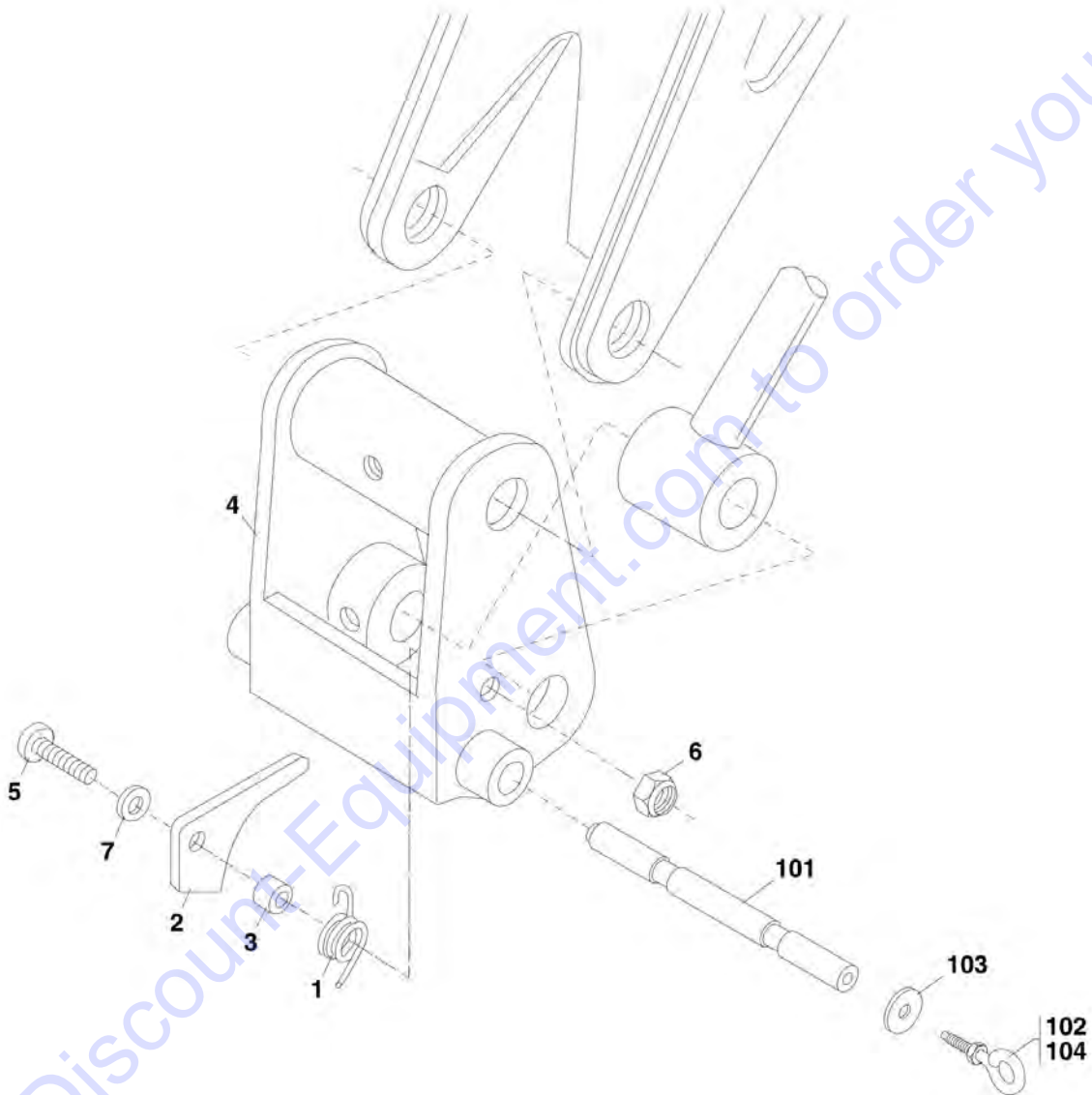


FIGURE 2-12. QUICK ATTACH

ITEM	PART NUMBER	QTY	DESCRIPTION	REV
	7139864	1	QUICK ATTACH ASSY, (includes items 1 thru 7)	B
1	7085552	1	TORSION SPRING	
2	7085562	1	LATCH	
3	7085571	1	SPACER	
4	7139863	1	QUICK ATTACH	
5	8303638	1	HEX HD CAPSCREW, 3/4-10X2-3/4	
6	8305619	1	HEX LOCKNUT, 3/4-10	
7	8307104	1	FLAT WASHER, 3/4	
	7118892	1	LOCK PIN ASSY, (includes items 101 thru 104)	B
101	7118882	1	PIN	
102	8310266	1	SHANK BOLT EYE, 1/2-13X2	
103	8310276	1	FLAT WASHER, 0.51X1.88X0.125	
104	8526007	AR	LOCTITE 242, (apply to item 102)	

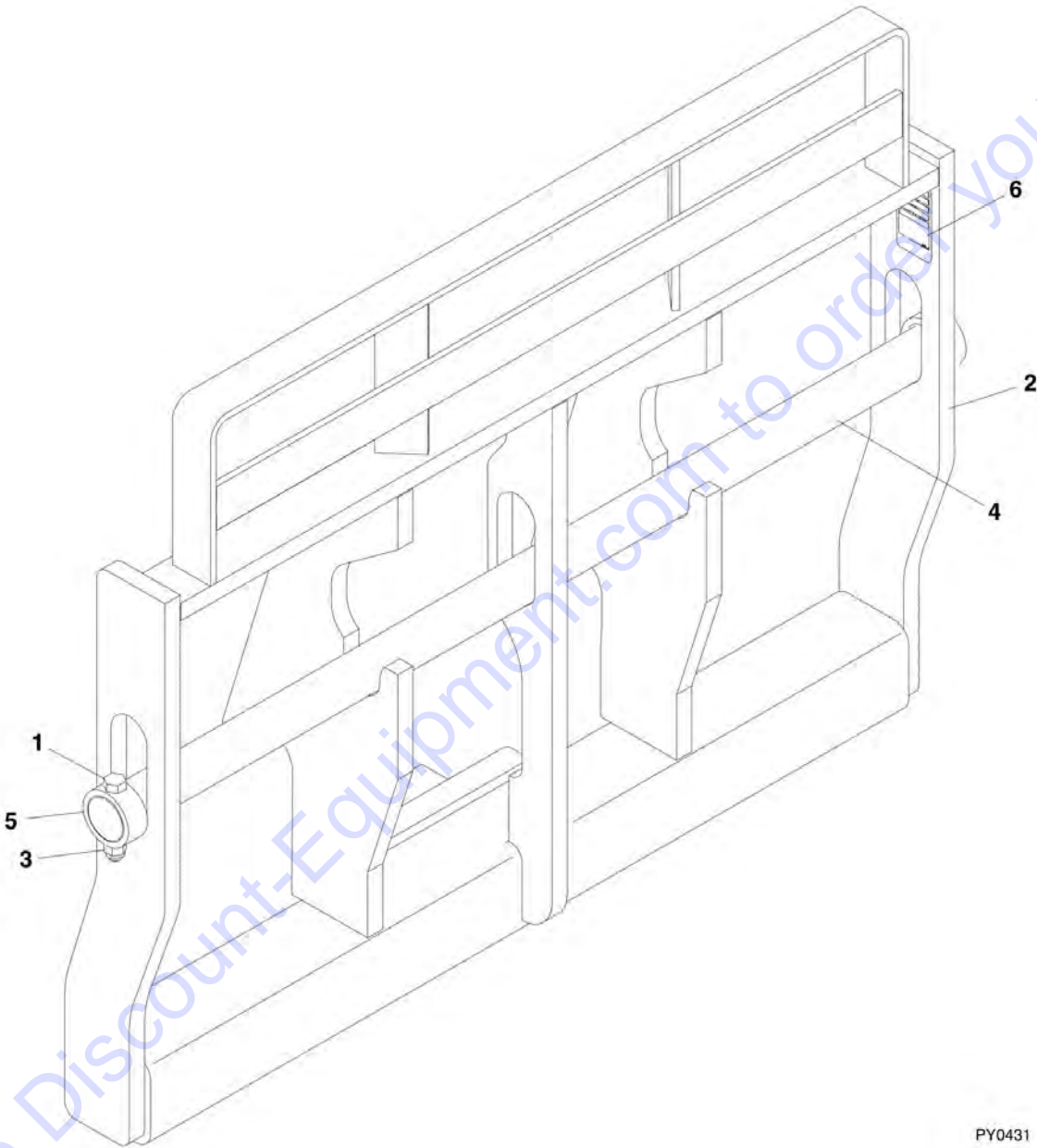
Go to Discount-Equipment.com to order your parts

SECTION 3 - ATTACHMENTS

Go to Discount-Equipment.com to order your parts

SECTION 3 - ATTACHMENTS

FIGURE 3-1. TILT CARRIAGE (Prior to SN 0160051822)



Go to Discount-Equipment.com to order your parts

PY0431

SECTION 3 - ATTACHMENTS

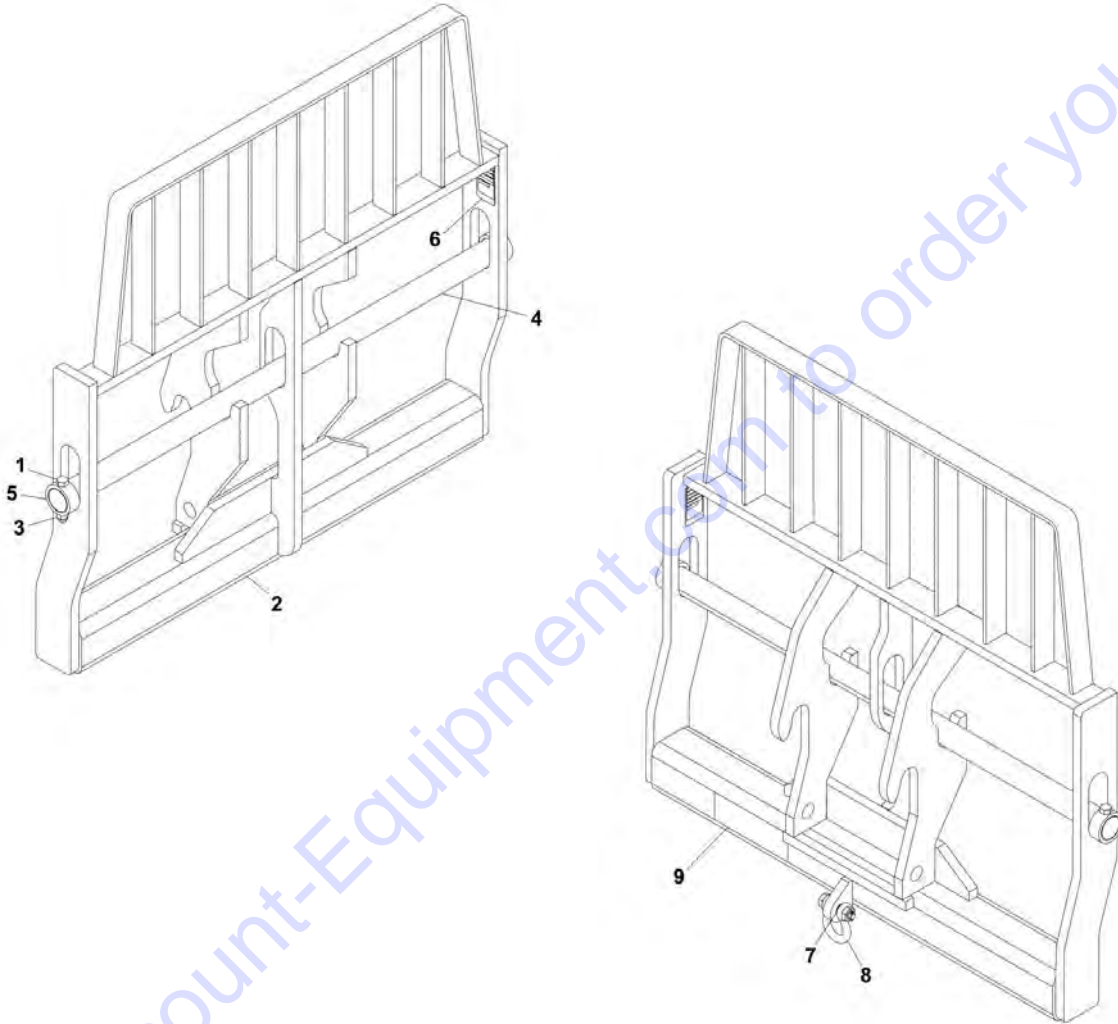
FIGURE 3-1. TILT CARRIAGE (Prior to SN 0160051822)

ITEM	PART NUMBER	QTY	DESCRIPTION	REV
	1170021	1	50 IN TILT CARRIAGE, (includes items 1 thru 6)	E
	1170024	1	60 IN TILT CARRIAGE, (includes items 1 thru 6)	E
	1001132514	1	72 IN TILT CARRIAGE, (includes items 1 thru 6)	B
1	0642032	2	HEX HD CAPSCREW, 5/8-11X4, GR5	
2	N.S.S.	1	TILT CARRIAGE	
3	3300240	2	LOCKNUT, 5/8-11	
4	3423275	1	50 IN FORK PIN	
4	3423242	1	60 IN FORK PIN	
4	3423276	1	72 IN FORK PIN	
5	90200003	2	COLLAR	
6	N.S.S.	1	SN PLATE	

Go to Discount-Equipment.com to order your parts

SECTION 3 - ATTACHMENTS

FIGURE 3-2. TILT CARRIAGE (SN 0160051822 to Present)



ART_31200732-3-2

SECTION 3 - ATTACHMENTS

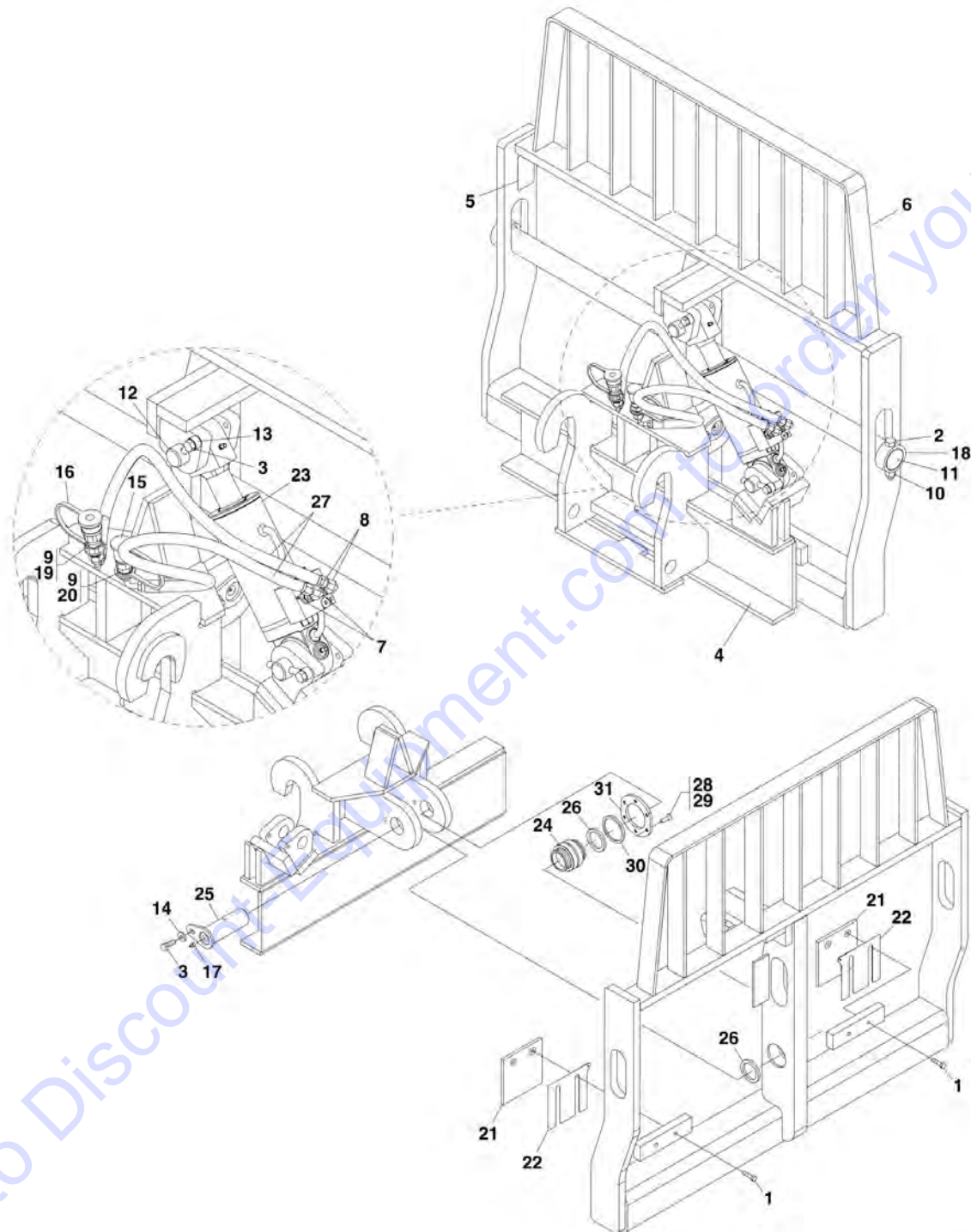
FIGURE 3-2. TILT CARRIAGE (SN 0160051822 to Present)

ITEM	PART NUMBER	QTY	DESCRIPTION	REV
	1001146084	1	50 IN TILT CARRIAGE WITH LIFT LUG, (includes all items)	C
	1001146086	1	60 IN TILT CARRIAGE WITH LIFT LUG, (includes all items)	C
	1001146088	1	72 IN TILT CARRIAGE WITH LIFT LUG, (includes all items)	C
1	0642032	2	HEX HD CAPSCREW, 5/8-11X4, GR5	
2	N.S.S.	1	TILT CARRIAGE	
3	3300240	2	LOCKNUT, 5/8-11	
4	3423275	1	50 IN FORK PIN	
4	3423242	1	60 IN FORK PIN	
4	3423276	1	72 IN FORK PIN	
5	90200003	2	COLLAR	
6	N.S.S.	1	SN PLATE	
7	1001146159	1	SLEEVE	
8	1001146160	1	SHACKLE	
9	1001151561	1	DANGER SWINGING LOADS DECAL	

Go to Discount-Equipment.com to order your parts

SECTION 3 - ATTACHMENTS

FIGURE 3-3. SIDE TILT CARRIAGE



ART_31200732-3-3

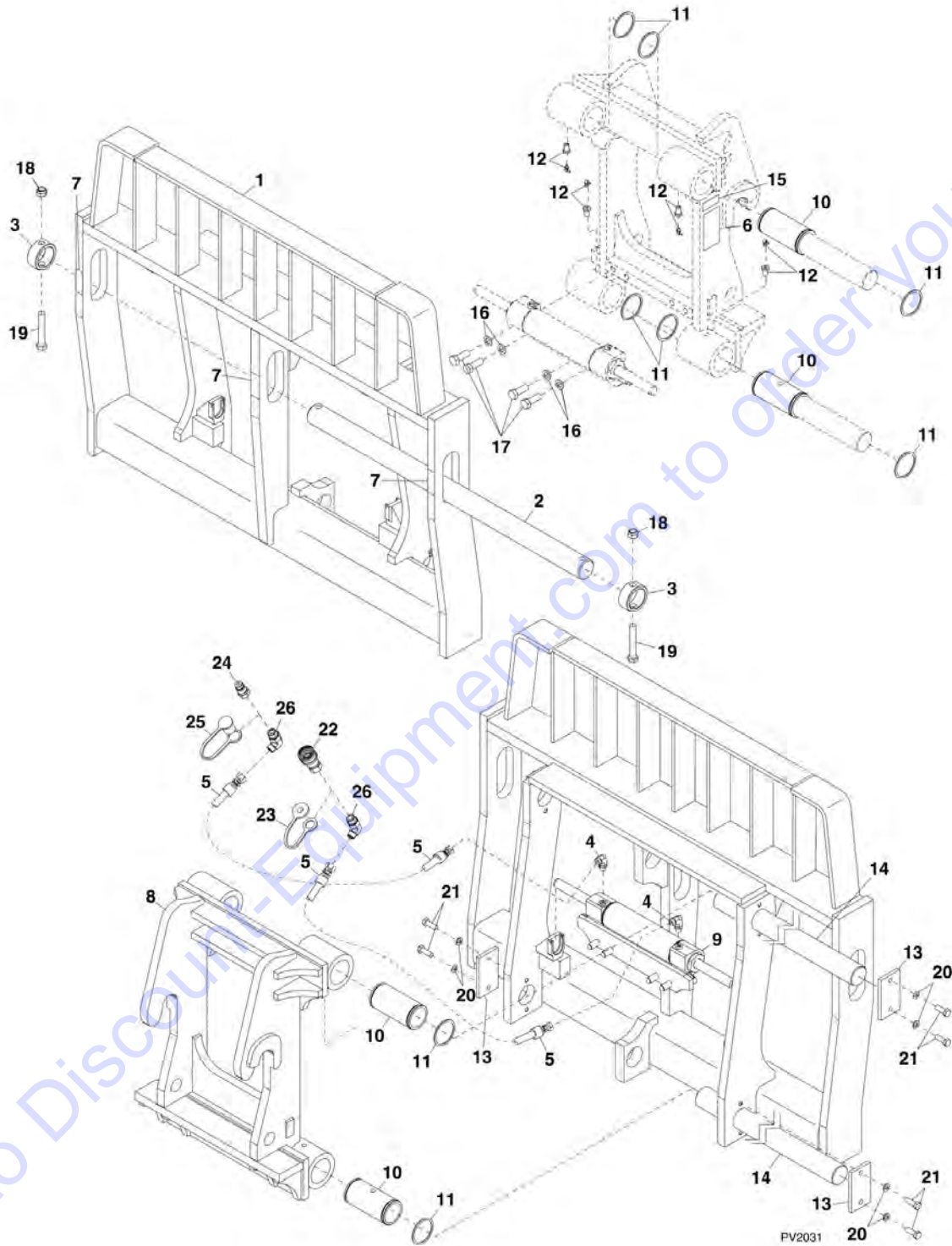
SECTION 3 - ATTACHMENTS

FIGURE 3-3. SIDE TILT CARRIAGE

ITEM	PART NUMBER	QTY	DESCRIPTION	REV
	1170054	1	50 IN SIDE TILT CARRIAGE, (includes all items)	J
	1001101956	1	60 IN SIDE TILT CARRIAGE, (includes all items)	K
	1170057	1	72 IN SIDE TILT CARRIAGE, (includes all items)	J
1	0641612	4	HEX HD CAPSCREW, 3/8-16X1-1/2	
2	0642032	2	HEX HD CAPSCREW, 5/8-11X4	
3	0681810	3	HEX HD CAPSCREW, 1/2-13X1-1/4	
4	1001133072	1	CARRIAGE BASE	
5	N.S.S.	1	SN PLATE	
6	N.S.S.	1	SIDE TILT CARRIAGE	
7	2110606	2	CONNECTOR	
8	2172106	2	ADAPTER, 90	
9	2110808	2	CONNECTOR	
10	3300240	2	LOCK NUT, 5/8-11	
11	3423275	1	50 IN FORK PIN	
11	3423242	1	60 IN FORK PIN	
11	3423276	1	72 IN FORK PIN	
12	3423307	2	PIN	
13	3841203	2	KEEPER	
14	4891800	1	WASHER, 1/2	
15	8420053	1	Dust Cap	
16	8420055	1	Dust Plug	
17	88671001	1	GREASE FITTING	
18	90200003	2	COLLAR	
19	91403413	1	CONNECTOR	
20	91403414	1	CONNECTOR	
21	1001090063	2	WEAR PAD	
22	1001090064	AR	SHIM	
23		Ref	SIDE TILT CARRIAGE CYLINDER AND MOUNTING HARDWARE, (See HYDRAULIC COMPONENTS SECTION for Breakdown)	
24	1001090140	1	BEARING	
25	1001099113	1	PIN	
26	1001099115	2	SLEEVE	
27	1001102378	2	HOSE ASSY, 3/8X39	
28	0100011	AR	LOCTITE 242	
29	0741610	6	FLAT HD SOCKET SCREW, 3/8-16X1-1/4	
30	1001120914	1	BEARING RETAINER SHIM	
31	1001120915	1	BEARING RETAINER PLATE	

SECTION 3 - ATTACHMENTS

FIGURE 3-4. 50IN SIDE SHIFT CARRIAGE



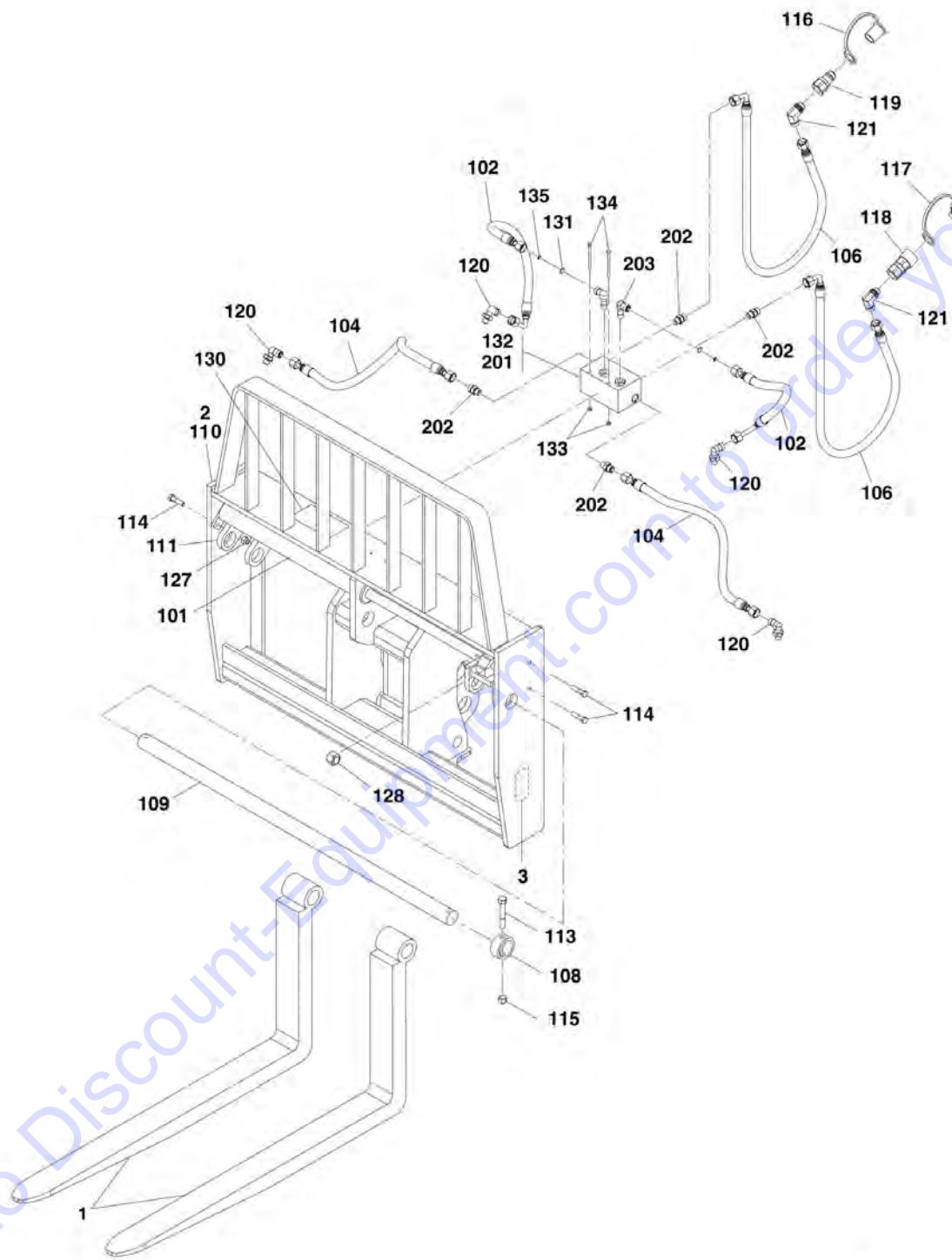
SECTION 3 - ATTACHMENTS

FIGURE 3-4. 50IN SIDE SHIFT CARRIAGE

ITEM	PART NUMBER	QTY	DESCRIPTION	REV
	1001142790	1	50 IN SIDE SHIFT CARRIAGE, (includes all items)	C
1	N.S.S.	1	WELDMENT	
2	70024535	1	SHAFT	
3	70024536	2	COLLAR	
4	70024123	2	ADAPTER, 90, (includes o-ring)	
5	70024537	2	HOSE ASSEMBLY	
6	N.S.S.	1	SN PLATE	
7	70024538	3	WARNING DECAL	
8	N.S.S.	1	WELDMENT	
9		Ref	50 IN SIDE SHIFT CYLINDER, (See HYDRAULIC COMPONENTS SECTION for Breakdown)	
10	70024540	4	BUSHING	
11	70024541	8	CIRCLIP	
12	70024542	4	GREASE FITTING	
13	70024543	4	RETAINER	
14	70024544	2	SHAFT	
15	N.S.S.	1	SN PLATE	
16	70024551	4	LOCKWASHER, 16mm	
17	70024552	4	HEX HD CAPSCREW, M16X45, GR10.9	
18	70024553	2	HEX NUT, M16, GR8	
19	70024554	2	HEX HD CAPSCREW, M16X100, GR10.9	
20	70022997	8	LOCKWASHER, 12mm	
21	70024555	8	HEX HD CAPSCREW, M12X35, GR10.9	
22	91403413	1	FEMALE QUICK DISCONNECT	
23	8420055	1	DUST PLUG	
24	91403414	1	MALE QUICK DISCONNECT	
25	8420053	1	DUST CAP	
26	70024550	2	ADAPTER, 90, (includes o-ring)	
K1	70024545	1	HYDRAULIC REPAIR KIT, (includes items 5, 22 thru 26)	B
K2	70024546	1	RETAINER KIT, (includes items 13, 20 & 21)	B

SECTION 3 - ATTACHMENTS

FIGURE 3-5. 50IN DUAL FORK CARRIAGE



ART_7301295-F

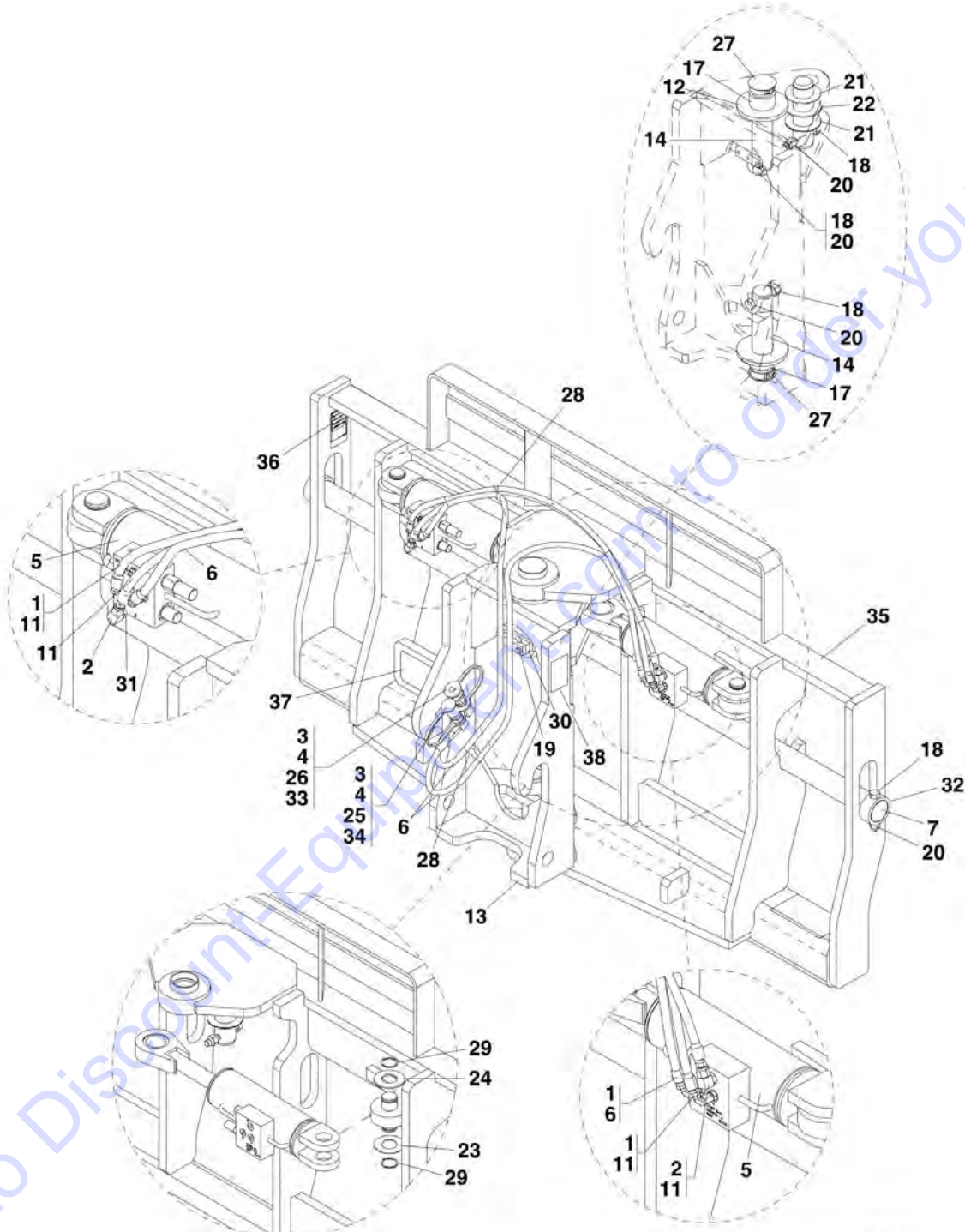
SECTION 3 - ATTACHMENTS

FIGURE 3-5. 50IN DUAL FORK CARRIAGE

ITEM	PART NUMBER	QTY	DESCRIPTION	REV
	7301295	1	50 IN DUAL FORK CARRIAGE ASSY, (includes items 1 thru 3)	F
1	7301408	2	PALLET FORK, (60X100X1220mm)	
2	N.S.S.	1	50 IN CARRIAGE, (includes items 101 thru 135)	I
3	N.S.S.	1	SN PLATE	
101	2717283	2	FORK POSITIONING CYLINDER	
102	2717160	2	HOSE ASSY	
104	2717161	2	HOSE ASSY	
106	2717162	2	HOSE ASSY	
108	90200003	2	FORK PIN COLLAR	
109	90451058	1	FORK SHAFT	
110	N.S.S.	1	50 IN CARRIAGE WELDMENT	
111	7301579	2	FORK ADAPTER WELDMENT	
113	8303634	2	HEX HD CAPSCREW, 5/8-11X4, GR5	
114	8303658	4	HEX HD CAPSCREW, 1/2-13X2, GR5	
115	8305643	2	HEX LOCKNUT, 5/8-11	
116	8420053	1	DUST CAP	
117	8420055	1	DUST PLUG	
118	91403413	1	FEMALE QUICK DISCONNECT	
119	91403414	1	MALE QUICK DISCONNECT	
120	2130606	4	ELBOW, 90, (includes o-ring)	
121	2130608	2	ELBOW, 90, (includes o-ring)	
127	8310302	4	HEX LOCKNUT, 1/2-13	
128	10705034	2	HEX LOCKNUT, 1-14	
130	4110473	1	HOSE ROUTING DECAL	
131	7139918	2	ORIFICE DISK	
132	4641502	1	VALVE ASSY, (includes items 201 thru 203)	B
133	8305624	2	HEX LOCKNUT, 1/4-20	
134	8310435	2	HEX HD CAPSCREW, 1/4-20X3-3/4, GR5	
135	8630003	2	O-RING	
201	4641501	1	FLOW DIVIDER VALVE	
202	2110606	4	CONNECTOR	
203	2130606	2	ELBOW, 90, (includes o-ring)	

SECTION 3 - ATTACHMENTS

FIGURE 3-6. 90 SWING CARRIAGE



PH5140

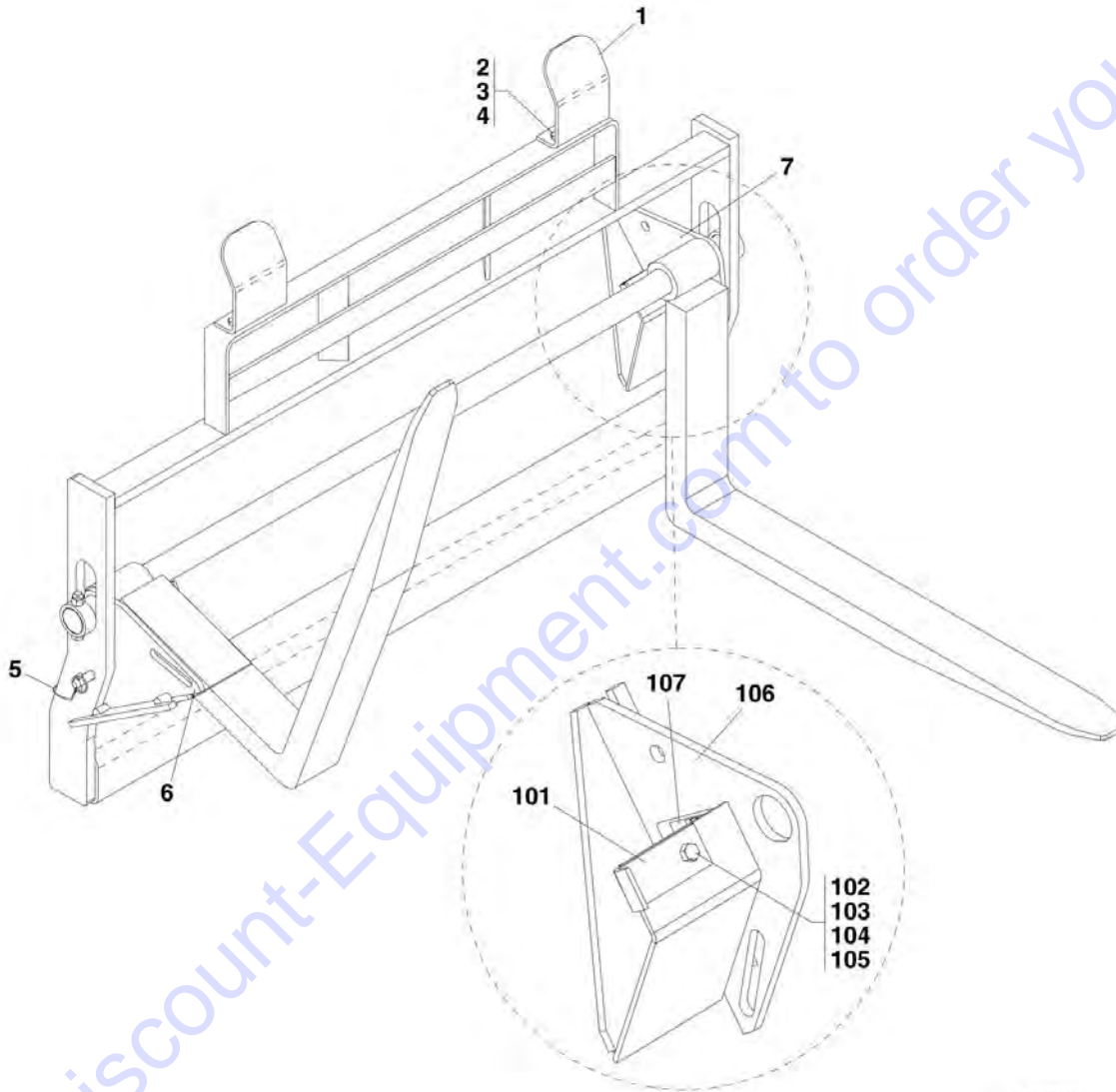
SECTION 3 - ATTACHMENTS

FIGURE 3-6. 90 SWING CARRIAGE

ITEM	PART NUMBER	QTY	DESCRIPTION	REV
	1001095418	1	90, SWING CARRIAGE, 72 IN, (includes all items)	L
1	2220415	4	CONNECTOR	
2	2220473	2	CONNECTOR, 90	
3	2220609	2	CONNECTOR	
4	2220628	2	CONNECTOR, 90	
5		Ref	SWING CARRIAGE CYLINDER AND MOUNTING HARDWARE, (See HYDRAULIC COMPONENTS SECTION for Breakdown)	
6	2717287	2	HOSE ASSY	
7	3423276	1	PIN	
11	6604662	2	HOSE ASSY	
12	7062922	1	WASHER	
13	N.S.S.	1	PIVOT WELDMENT	
14	7110702	2	PIVOT PIN	
17	8065062	2	BUSHING	
18	8303634	3	HEX HD CAPSCREW, 5/8-11X4, GR5	
19	8303715	3	HEX HD CAPSCREW, 5/16-18X1-1/2, GR5	
20	8305643	3	HEX NUT, 5/8-11	
21	8307904	AR	SHIM	
22	8307918	AR	SHIM	
23	8310160	AR	SHIM	
24	8310161	AR	SHIM	
25	8420053	1	DUST CAP	
26	8420055	1	DUST PLUG	
27	8580315	2	PLUG	
28	8584001	5	Tie Wrap	
29	8642207	4	RETAINING RING	
30	8769132	2	CLAMP	
31	8770016	2	CONNECTOR	
32	90200003	2	COLLAR	
33	91403413	1	FEMALE QUICK DISCONNECT	
34	91403414	1	MALE QUICK DISCONNECT	
35	N.S.S.	1	CARRIAGE FRAME	
36	N.S.S.	1	SN PLATE	
37	1001110704	1	WARNING CRUSH HAZARD DECAL	
38	1001111190	2	WARNING DECAL	

SECTION 3 - ATTACHMENTS

FIGURE 3-7. SHEET MATERIAL HANDLER



PY1510

SECTION 3 - ATTACHMENTS

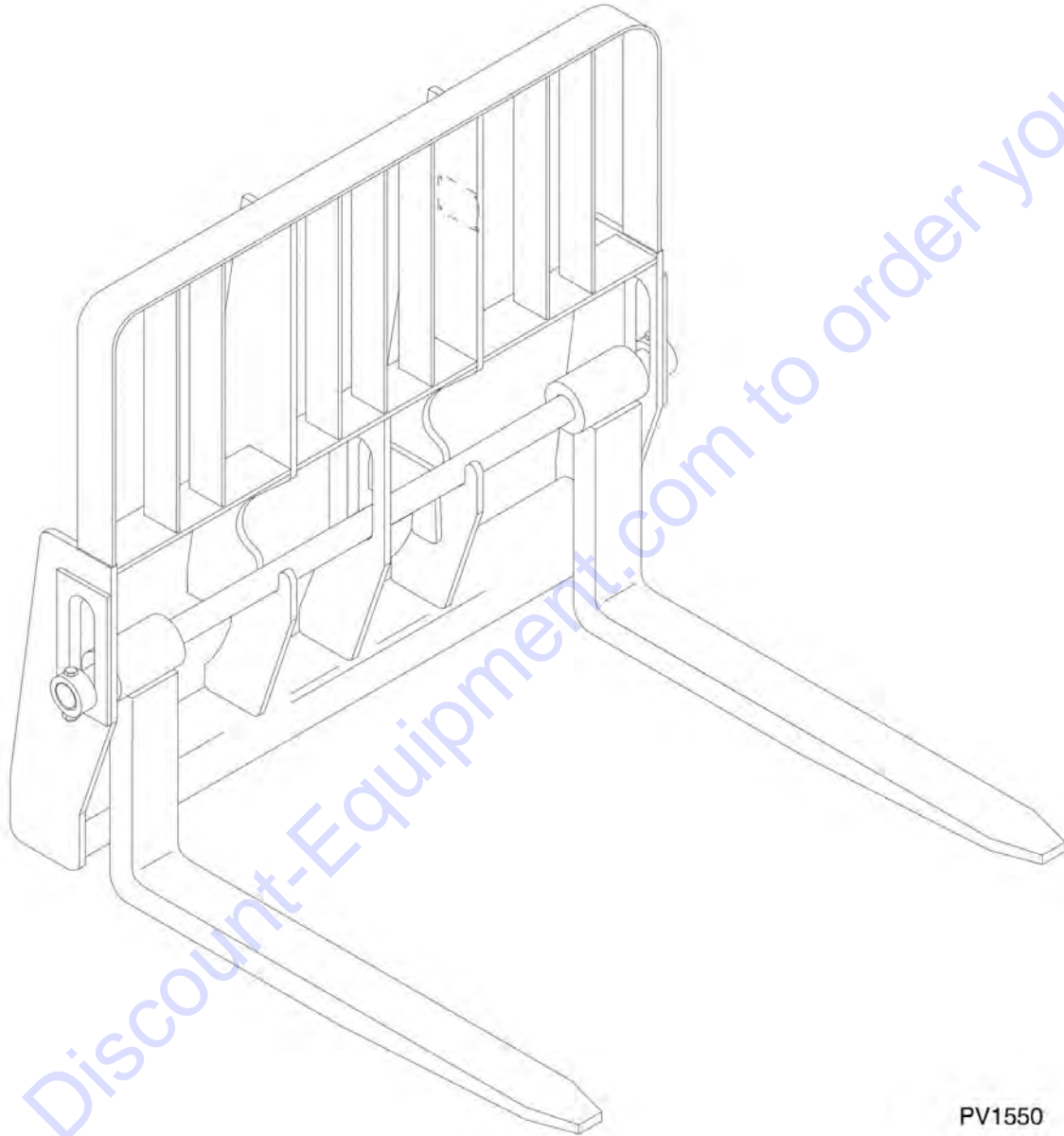
FIGURE 3-7. SHEET MATERIAL HANDLER

ITEM	PART NUMBER	QTY	DESCRIPTION	REV
	1001100227	1	SHEET MATERIAL HANDLER ASSY, (includes all items)	A
1	7112642	2	BACKREST EXTENSION	
2	8303626	4	HEX HD CAPSCREW, 1/2-13X1-1/2, GR5	
3	8305012	4	HEX NUT, 1/2-13	
4	8307007	4	LOCKWASHER, 1/2	
5	1001093377	2	HITCH PIN	
6	1001101115	1	RH FORK SUPPORT ASSY, (includes items 101 thru 107)	B
7	1001101116	1	LH FORK SUPPORT ASSY, (includes items 101 thru 107)	C
101	7114941	1	LOCK BAR	
102	8303626	1	HEX HD CAPSCREW, 1/2-13X1-1/2, GR5	
103	8305644	1	HEX LOCK NUT, 1/2-13	
104	8307007	1	LOCKWASHER, 1/2	
105	8307112	1	WASHER, 1/2	
106	1001100228	1	RH FORK SUPPORT, (not shown)	
106	1001100229	1	LH FORK SUPPORT, (shown)	
107	N.S.S.	1	SN PLATE	

Go to Discount-Equipment.com to order your parts

SECTION 3 - ATTACHMENTS

FIGURE 3-8. FORKS



PV1550

SECTION 3 - ATTACHMENTS

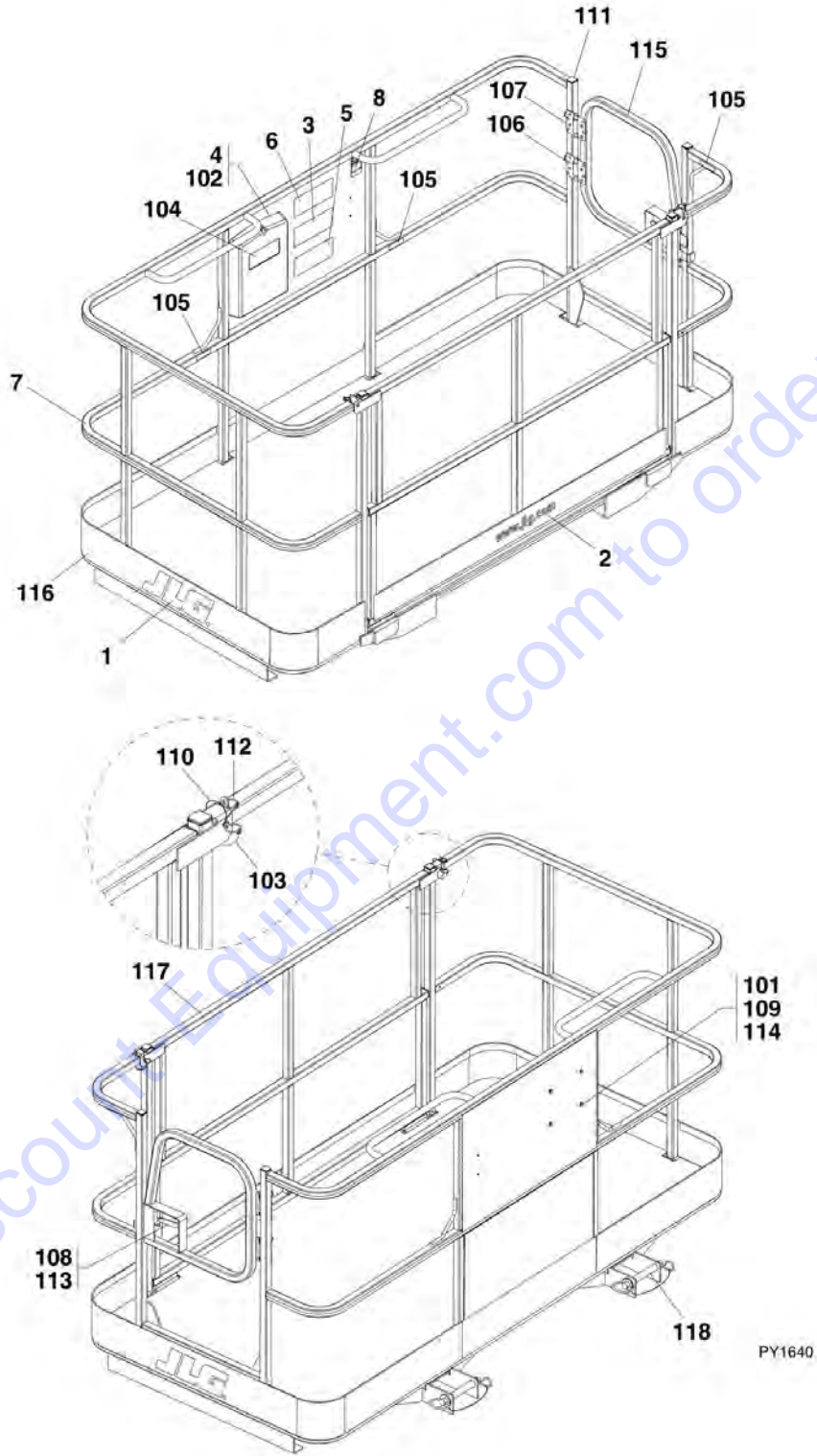
FIGURE 3-8. FORKS

ITEM	PART NUMBER	QTY	DESCRIPTION	REV
	2340037	6	CUBING FORK, 48 IN X 2 IN X 2 IN, 11,640 LB	A
	2340045	2	PALLET FORK, 48 IN X 4 IN X 2.36 IN, 10,950 LB	B
	2340038	2	PALLET FORK, 48 IN X 5 IN X 2.36 IN, 13,700 LB	B
	2340039	2	DUAL TAPER FORK, 60 IN X 6 IN X 2.36 IN, 16,300 LB	B
	2340046	2	DUAL TAPER FORK, 60 IN X 7 IN X 1.75, IN, 10,800 LB	B
	1001092391	2	DUAL TAPER FORK, 72 IN X 6 IN X 2 IN, 11,300 LB	B
	1001137512	2	90 IN FORK EXTENSION	D
N1	Note	Ref	FORKS RATED LESS THAN THE ATTACHMENT OR MACHINE'S CAPACITY DECREASES CAPACITY OF THE ATTACHMENT OR MACHINE TO THAT OF THE FORKS. FORKS RATED MORE THAN THE ATTACHMENT OR MACHINE'S CAPACITY DO NOT INCREASE ATTACHMENT OR MACHINE'S CAPACITY.	
N2	Note	Ref	PLEASE CONSULT DISCOUNT-EQUIPMENT TO DETERMINE THE CORRECT FORKS APPLICABLE TO YOUR SPECIFIC CARRIAGE ASSEMBLY AND APPLICATION.	

Go to Discount-Equipment.com to order your parts

SECTION 3 - ATTACHMENTS

FIGURE 3-9. FORK MOUNTED PLATFORM



SECTION 3 - ATTACHMENTS

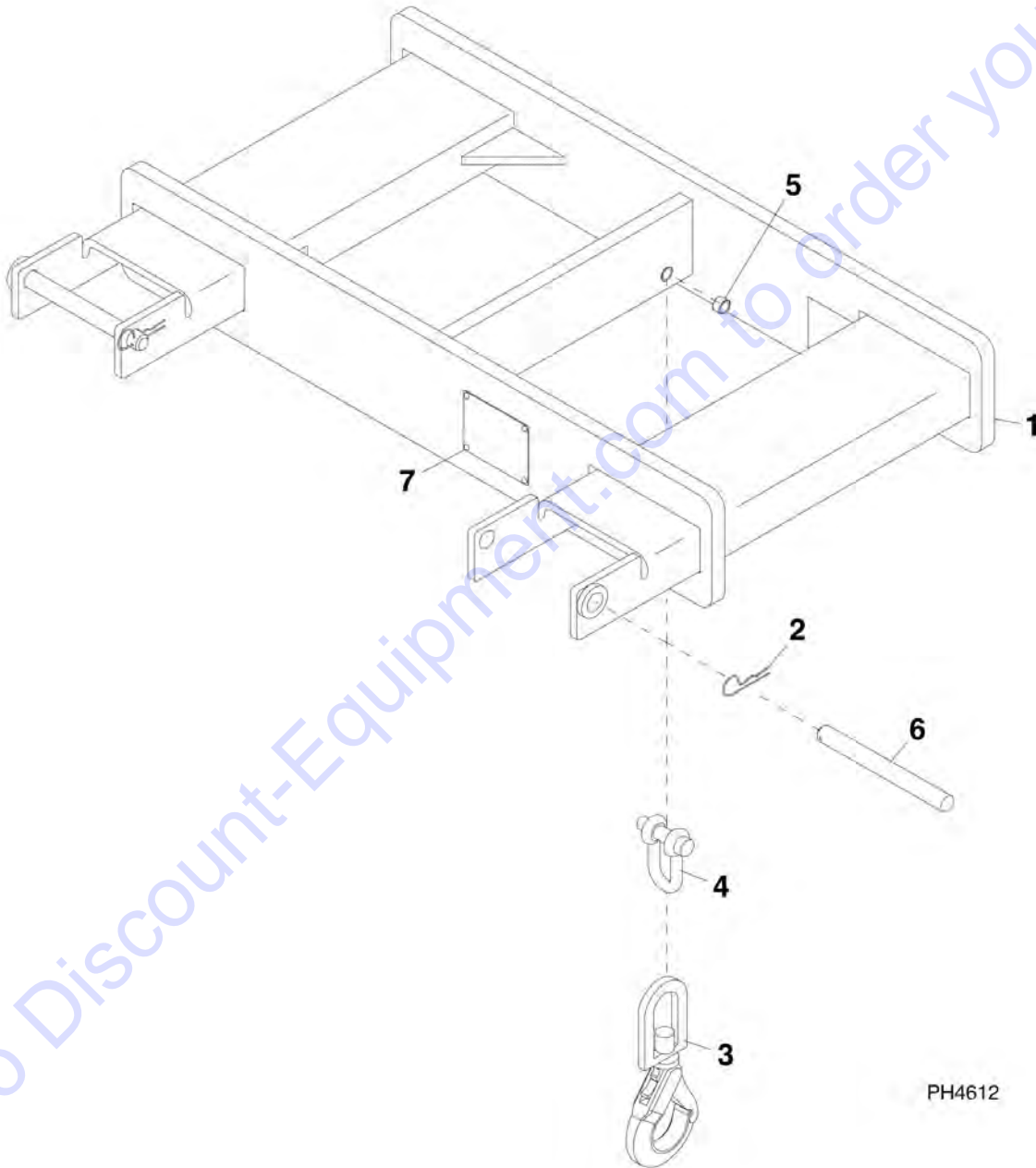
FIGURE 3-9. FORK MOUNTED PLATFORM

ITEM	PART NUMBER	QTY	DESCRIPTION	REV
	1001103637	1	FORK MOUNTED PERSONNEL PLATFORM, (ASME), (includes items 1 thru 8)	E
	1001103730	1	FORK MOUNTED PERSONNEL PLATFORM, (ISO), (includes items 1 thru 8)	E
	1001103736	1	FORK MOUNTED PERSONNEL PLATFORM, (FRENCH), (includes items 1 thru 8)	E
1	1702773	2	JLG DECAL	
2	1704885	1	WEBSITE DECAL	
3	1706892	1	PLATFORM WARNING DECAL, (ASME)	
3	1001096025	1	PLATFORM WARNING DECAL, (ISO)	
3	1001096024	1	PLATFORM WARNING DECAL, (French)	
4	31200160	1	OPERATION AND SAFETY MANUAL, (ASME)	
4	31200387	1	OPERATION AND SAFETY MANUAL, (Spanish)	
4	31200388	1	OPERATION AND SAFETY MANUAL, (Portuguese)	
4	31200336	1	OPERATION AND SAFETY MANUAL, (French)	
5	1001092481	1	WARNING DECAL, (ASME)	
5	1001096021	1	WARNING DECAL, (ISO)	
5	1001096019	1	WARNING DECAL, (French)	
6	1001092482	1	CAPACITY DECAL, (ASME)	
6	1001096023	1	CAPACITYDECAL, (ISO)	
6	1001096020	1	CAPACITY DECAL, (French)	
7	1001096162	1	FORK MOUNTED PLATFORM, (includes items 101 thru 118)	J
8	N.S.S.	1	SN PLATE	
101	0641405	4	HEX HD CAPSCREW, 1/4-20X5/8	
102	0860520	1	MANUAL STORAGE BOX	
103	1060379	2	LANYARD CABLE	
104	1701509	1	MANUAL DECAL	
105	1704277	3	LANYARD ATTACH DECAL	
106	2080040	16	FASTENER	
107	2600281	2	HINGE	
108	2940074	1	LATCH	
109	3311405	4	HEX NUT, 1/4-20	
110	3421453	2	PIN	
111	3520072	10	PLUG	
112	3760170	4	RING	
113	3820020	4	RIVET	
114	4711400	8	WASHER, 1/4	
115	4846452	1	GATE WELDMENT	
116	N.S.S.	1	PLATFORM	
117	1001095810	1	GATE WELDMENT	
118	1001102813	2	HITCH PIN	

SECTION 3 - ATTACHMENTS

FIGURE 3-10. LIFTING HOOK

NOTE: PALLET/LUMBER FORKS OF AN APPROPRIATE LOAD RATING MUST BE USED.



PH4612

SECTION 3 - ATTACHMENTS

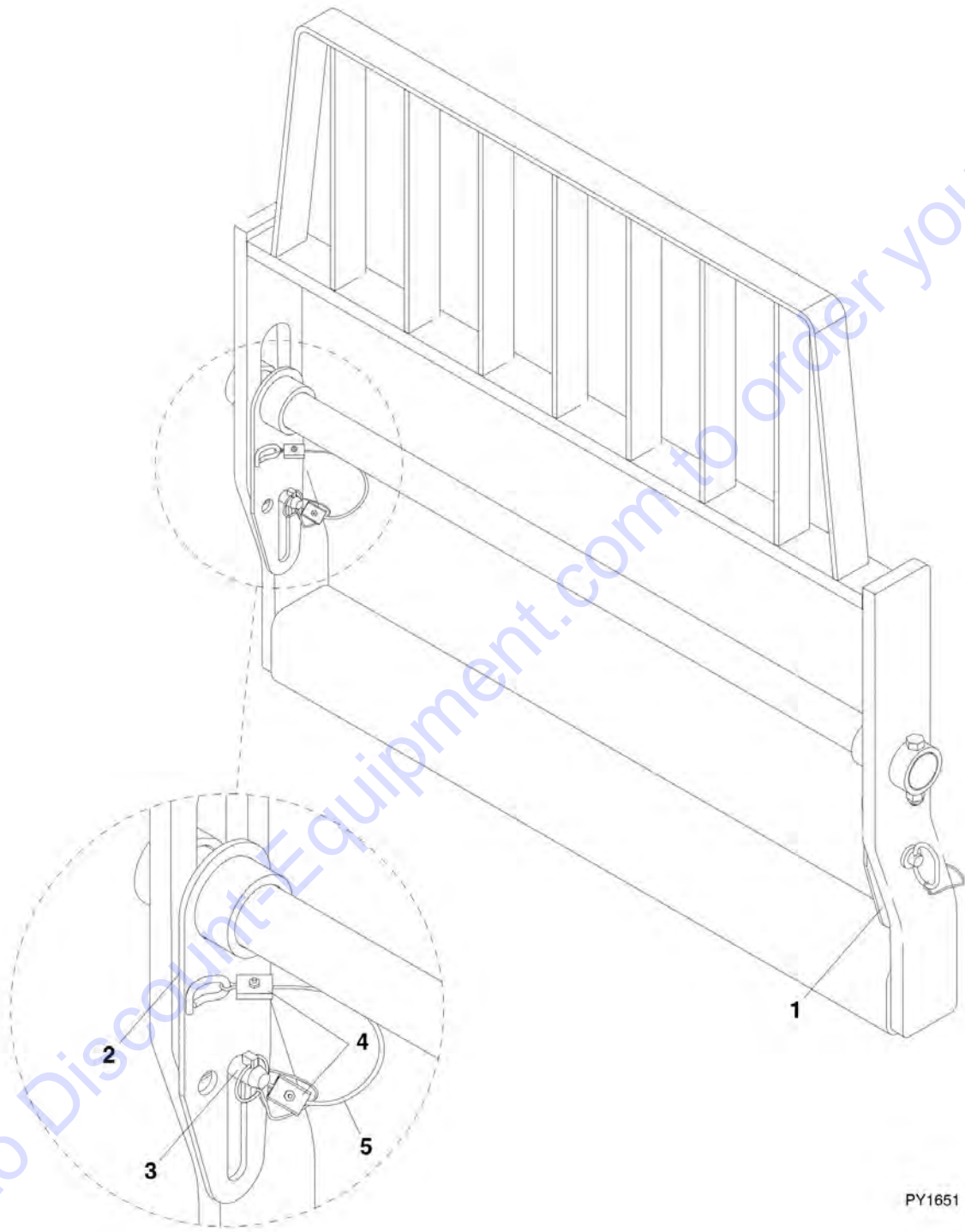
FIGURE 3-10. LIFTING HOOK

ITEM	PART NUMBER	QTY	DESCRIPTION	REV
	91565094	NLA	LIFTING HOOK, (no longer available, use 1001097205 for replacement or items 1 thru 7 for service)	G
	1001097205	1	FORK MOUNTED HOOK, (includes all items)	G
1	7029520	2	PIN, COTTER	
2	1001093171	2	PIN	
3	70020555	1	BUSHING	
4	90554080	1	HOOK	
5	7029521	1	SHACKLE	
6	N.S.S.	1	WELDMENT, HOOK	
7	N.S.S.	1	SN PLATE	

Go to Discount-Equipment.com to order your parts

SECTION 3 - ATTACHMENTS

FIGURE 3-11. FORK PIN LOCK INSTALLATION



PY1651

SECTION 3 - ATTACHMENTS

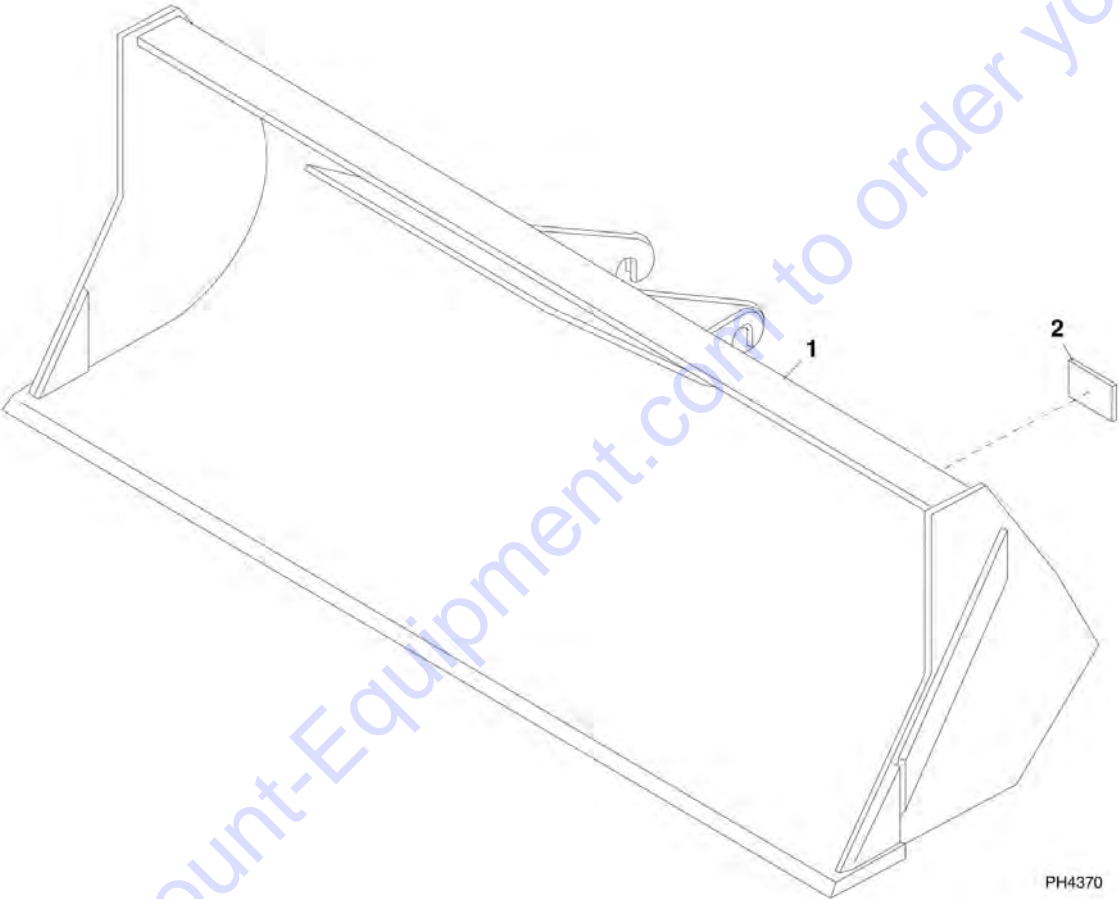
FIGURE 3-11. FORK PIN LOCK INSTALLATION

ITEM	PART NUMBER	QTY	DESCRIPTION	REV
	1001093465	1	FORK PIN LOCK INSTALLATION, (includes all items)	B
1	0240156	1	LH FORK PIN LOCK	
2	1001093273	1	RH FORK PIN LOCK	
3	1001093377	2	HITCH PIN	
4	1001094830	4	CLAMP	
5	1001094330	2	LANYARD	

Go to Discount-Equipment.com to order your parts

SECTION 3 - ATTACHMENTS

FIGURE 3-12. BUCKETS



Go to Discount-Equipment.com to order your parts

SECTION 3 - ATTACHMENTS

FIGURE 3-12. BUCKETS

ITEM	PART NUMBER	QTY	DESCRIPTION	REV
1	1001100822	1	72 IN BUCKET, 1.0 YD ³ , (includes item 2)	C
1	1001100823	1	96 IN BUCKET, 1.5 YD ³ , (includes item 2)	C
1	1001100824	1	102 IN BUCKET, 2.0 YD ³ , (includes item 2)	C
2	N.S.S.	1	SN PLATE	

Go to Discount-Equipment.com to order your parts

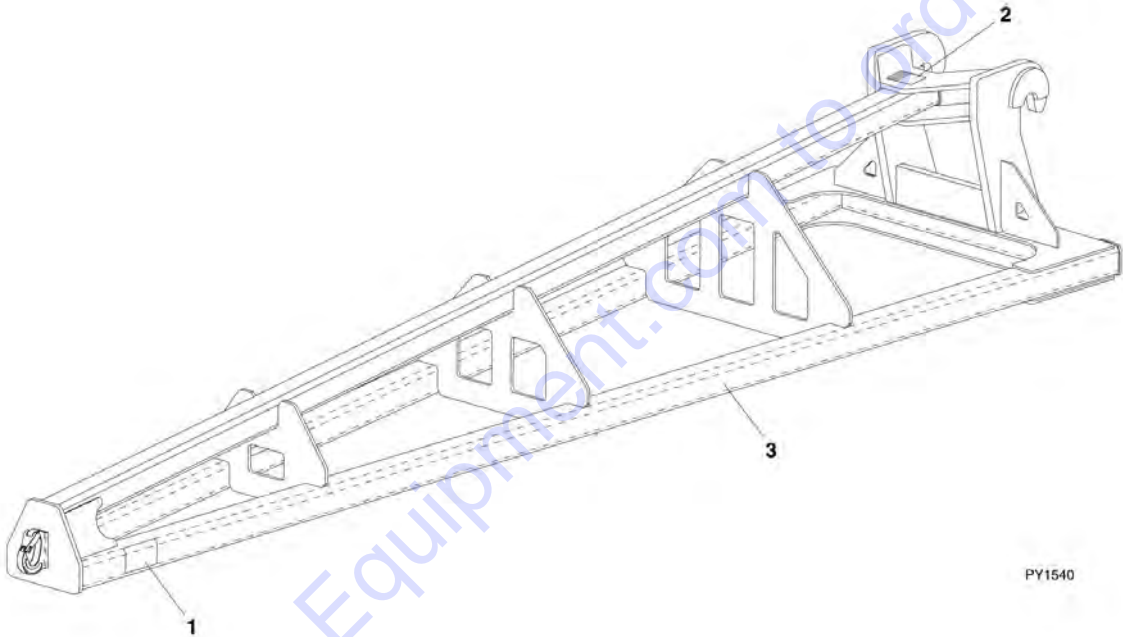
SECTION 3 - ATTACHMENTS

FIGURE 3-13. GRAPPLE BUCKET

ITEM	PART NUMBER	QTY	DESCRIPTION	REV
	0930020	1	GRAPPLE BUCKET, (includes all items)	H
1	N.S.S.	1	BUCKET	
1	70021387	4	HOSE CLAMP	
2	70021391	1	RIGHT GRAPPLE HOOK	
3	70021392	1	LEFT GRAPPLE HOOK	
4	70021358	4	BUSHING	
5	70021359	2	SPACER	
6	70021360	4	BUSHING	
7	7029714	4	GREASE FITTING	
8	70021361	2	OUTER PIVOT PIN	
9	70021362	2	INNER PIVOT PIN	
10		Ref	GRAPPLE BUCKET CYLINDER AND MOUNTING HARDWARE, (See HYDRAULIC COMPONENTS SECTION for Breakdown)	
11		Ref	CYLINDER PIN, (base end), (See HYDRAULIC COMPONENTS SECTION for Breakdown)	
12		Ref	CYLINDER PIN, (rod end), (See HYDRAULIC COMPONENTS SECTION for Breakdown)	
13	70021366	4	HEX HD CAPSCREW, 3/8X2-3/4	
13	70021367	4	LOCK NUT, 3/8	
14		Ref	HEX HD CAPSCREW, 3/8X2-1/4, (See HYDRAULIC COMPONENTS SECTION for Breakdown)	
14		Ref	LOCK NUT, 3/8, (See HYDRAULIC COMPONENTS SECTION for Breakdown)	
15	90554065	4	ELBOW, 90	
16	70021980	2	HOSE ASSY, 3/8X73	
17	70020562	2	FITTING, TEE	
18	70021981	2	HOSE ASSY, 3/8X46	
19	70021982	2	HOSE ASSY, 3/8X34	
20	70022527	2	ELBOW, 90	
21	7029692	1	MALE QUICK COUPLER	
22	90554062	1	DUST COVER	
23	70021342	1	FEMALE QUICK COUPLER	
24	90554076	1	DUST COVER	
25	90554016	1	MADE IN USA DECAL	
26	N.S.S.	1	SN PLATE	
27	90554017	2	DANGER PINCH POINT DECAL	
28	90554018	1	WARNING HIGH PRESSURE DECAL	

SECTION 3 - ATTACHMENTS

FIGURE 3-14. TRUSS BOOM



PY1540

SECTION 3 - ATTACHMENTS

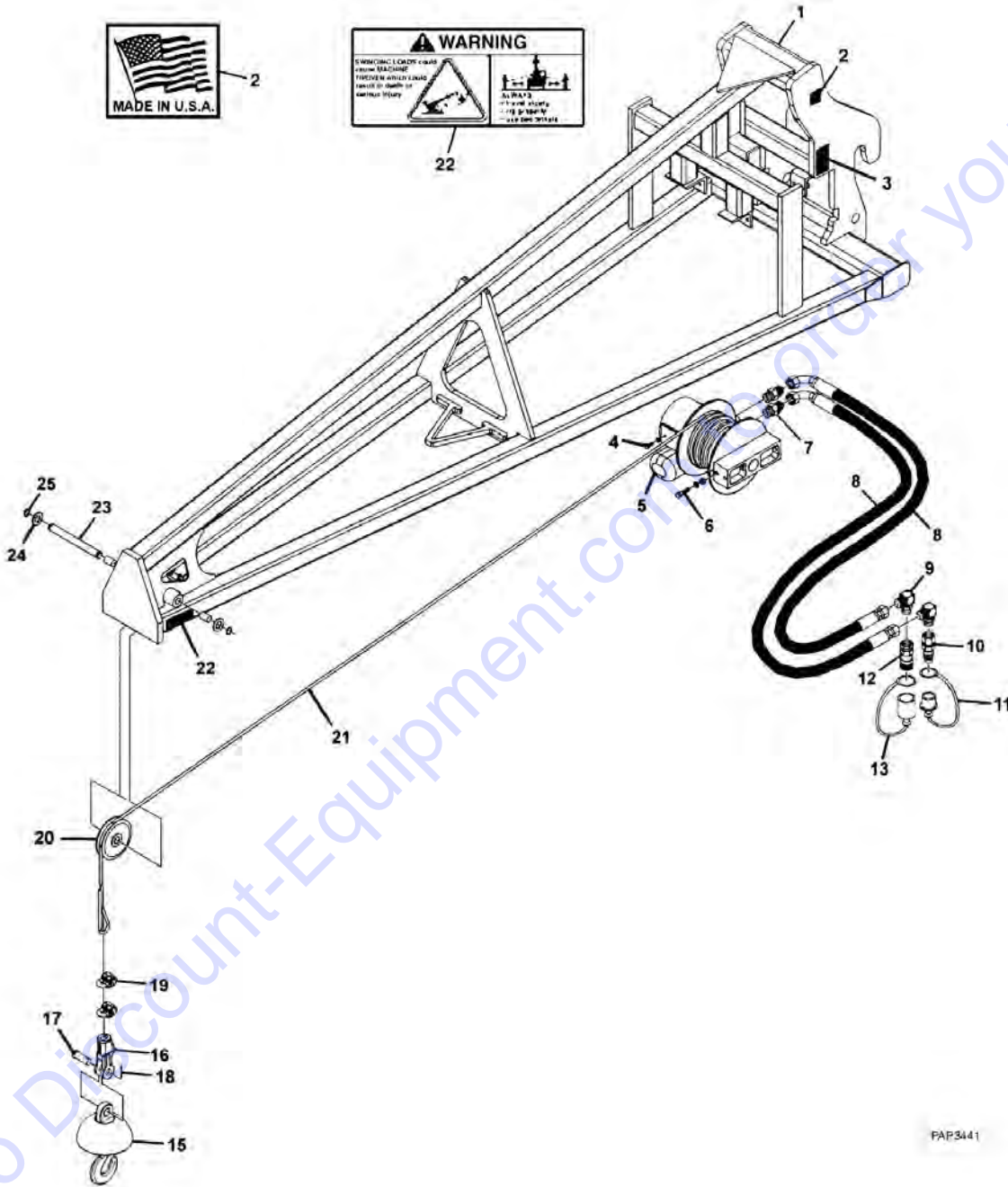
FIGURE 3-14. TRUSS BOOM

ITEM	PART NUMBER	QTY	DESCRIPTION	REV
	1001099902	1	12 FT TRUSS BOOM, (includes all items)	B
	1001099901	1	15 FT TRUSS BOOM, (includes all items)	B
1	4110422	2	WARNING SWINGING LOADS DECAL	
2	N.S.S.	1	SN PLATE	
3	N.S.S.	1	TRUSS BOOM	

Go to Discount-Equipment.com to order your parts

SECTION 3 - ATTACHMENTS

FIGURE 3-15. 12FT TRUSS BOOM WITH WINCH



FAP3441

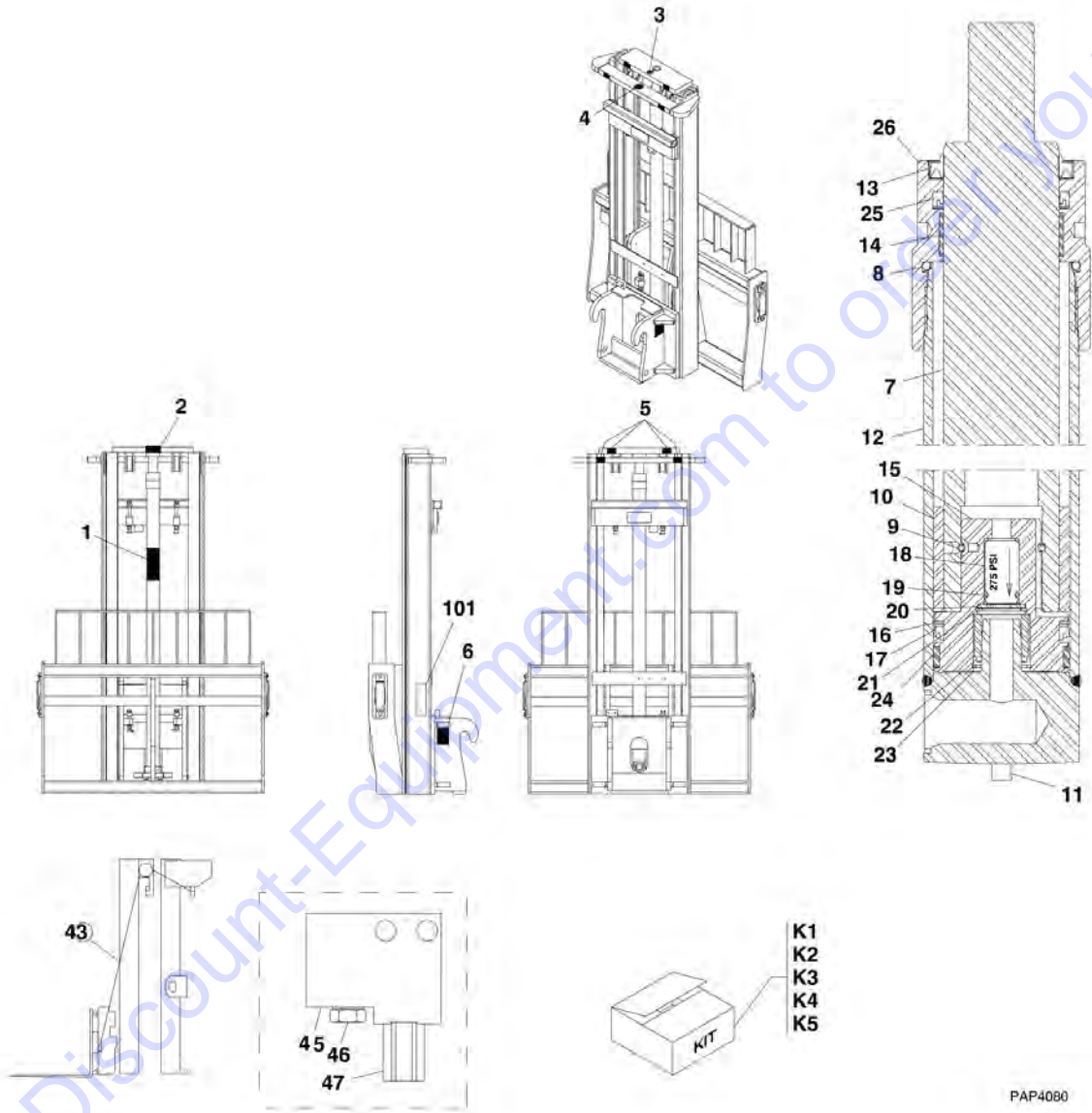
SECTION 3 - ATTACHMENTS

FIGURE 3-15. 12FT TRUSS BOOM WITH WINCH

ITEM	PART NUMBER	QTY	DESCRIPTION	REV
	1001099351	1	12 FT TRUSS BOOM WITH WINCH, (includes all items)	G
1	N.S.S.	1	TRUSS BOOM FRAME	
2	90554016	1	MADE IN USA DECAL	
3	N.S.S.	1	SN PLATE	
4	70021349	4	HEX HD CAPSCREW, 3/8X1	
4	90554042	4	LOCKWASHER, 3/8	
5	70021921	1	TRUSS BOOM WINCH MOTOR	
6	N.S.S.	2	HEX HD CAPSCREW, 1/2X1-3/4	
6	90554020	2	LOCKWASHER, 1/2	
6	90554054	2	HEX NUT, 1/2	
7	70021415	2	CONNECTOR	
8	70021977	2	HOSE ASSY, 3/8X32	
9	N.S.S.	2	ELBOW, 90	
10	7029692	1	MALE QUICK COUPLER	
11	90554062	1	DUST CAP	
12	70021342	1	FEMALE QUICK COUPLER	
13	90554076	1	DUST COVER	
15	70021978	1	BALL SWIVEL WITH SAFETY HOOK	
16	70021979	1	SOCKET ASSY	
17	N.S.S.	1	PIN	
18	N.S.S.	1	COTTER PIN	
19	N.S.S.	2	CLAMP	
20	70021935	1	PULLEY	
21	70022028	1	CABLE	
22	4110422	2	WARNING SWINGING LOADS DECAL	
23	N.S.S.	1	PIN	
24	N.S.S.	2	FLAT WASHER, 1	
25	N.S.S.	2	SNAP RING	

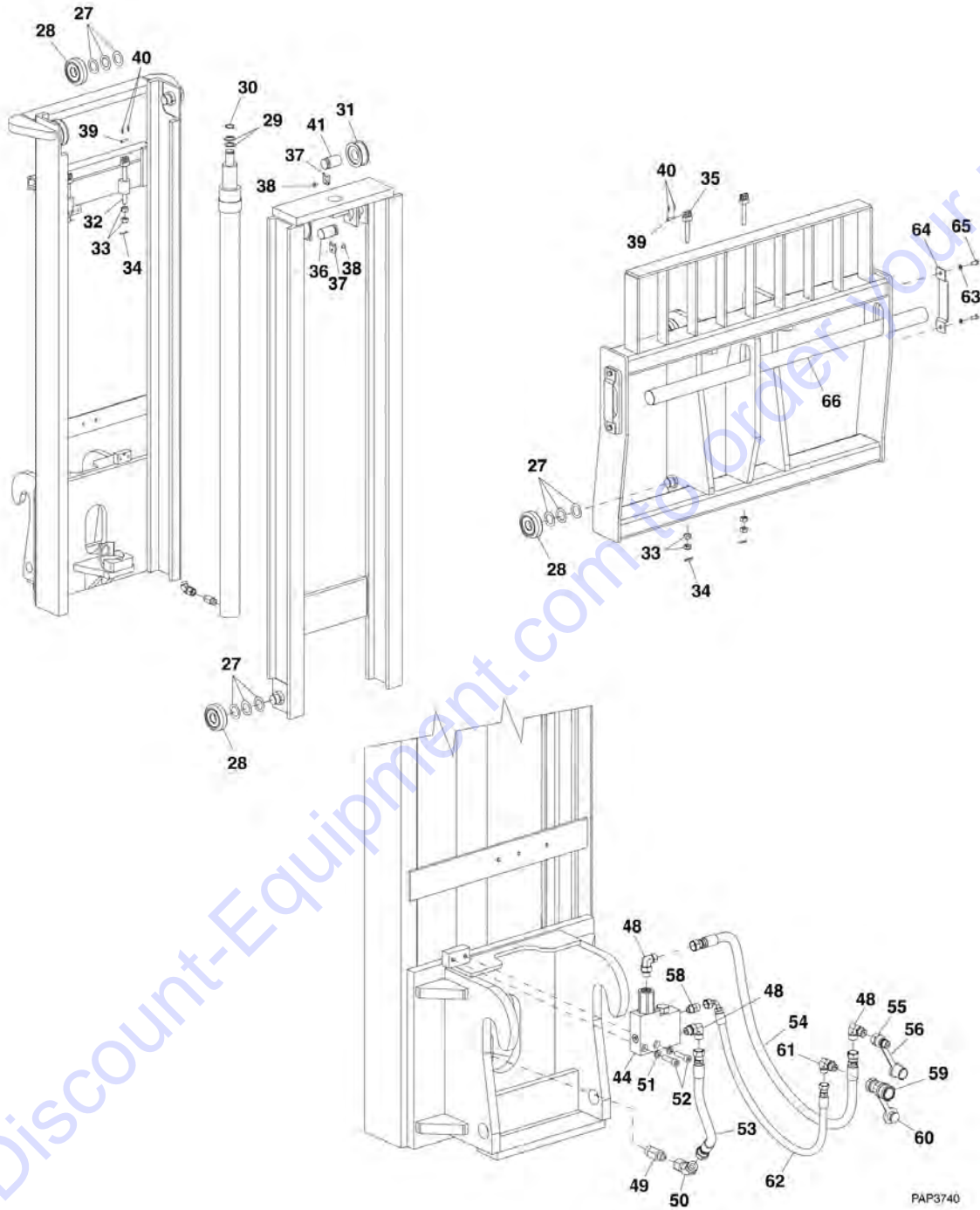
SECTION 3 - ATTACHMENTS

FIGURE 3-16. 8FT MAST



PAP4080

SECTION 3 - ATTACHMENTS



PAP3740

SECTION 3 - ATTACHMENTS

FIGURE 3-16. 8FT MAST

ITEM	PART NUMBER	QTY	DESCRIPTION	REV
	1001108668	1	8 FT MAST ASSY, (4500 LB), (includes all items)	C
1	Kit	1	WARNING DECAL	
2	Kit	1	WARNING DECAL	
3	Kit	1	NO STEP DECAL	
4	Kit	1	NO STEP DECAL	
5	Kit	4	HANDS OFF DECAL	
6	Kit	2	HOSE ROUTING DECAL	
6	70023008	1	MAIN LIFT CYLINDER, (includes items 7 thru 26)	
7	N.S.S.	1	ROD/PLUNGER	
8	Kit	1	O-RING	
9	Kit	1	PULL WIRE	
10	N.S.S.	1	SPACER	
11	N.S.S.	2	ROLL PIN	
12	N.S.S.	1	BARREL	
13	Kit	1	WIPER	
14	Kit	1	BUSHING	
15	N.S.S.	1	PISTON	
16	Kit	1	NYLON RING	
17	Kit	1	PISTON SEAL	
18	Kit	1	CHECK VALVE	
19	Kit	1	O-RING	
20	Kit	1	WASHER	
21	Kit	1	CIRCLIP	
22	N.S.S.	1	SLEEVE	
23	Kit	1	RETAINING RING	
21	Kit	1	WEAR RING	
25	Kit	1	ROD SEAL	
26	70023004	1	RETAINER/GLAND	
27	70023014	24	SHIM	
28	70022987	8	BALL BEARING	
29	Kit	1	WASHER SHIM	
30	70023016	1	SNAP RING	
31	70022969	2	SHEAVE ASSY	
32	70022960	2	CHAIN ANCHOR	
33	70022957	8	NUT, 0.625-18UNF	
34	70022993	4	COTTER PIN	
35	70022995	2	CHAIN ANCHOR	
36	70022984	1	SHEAVE SHAFT	
37	70022970	2	RETAINER BAR	
38	70023003	2	FLAT HD CAPSCREW	
39	70022994	4	CHAIN ANCHOR PIN	
40	70022992	8	COTTER PIN	
41	70022985	1	SHEAVE SHAFT	
43	70023009	2	LIFT CHAIN	
44	70022932	1	PO CHECK VALVE ASSY, (includes items 45, 46 & 47)	
45	N.S.S.	1	MANIFOLD	
46	70022931	1	PO CHECK VALVE CARTRIDGE	
47	70023010	1	PO CHECK	
48	70022934	3	FITTING, 90	
49	70022936	1	FLOW LIMITER	

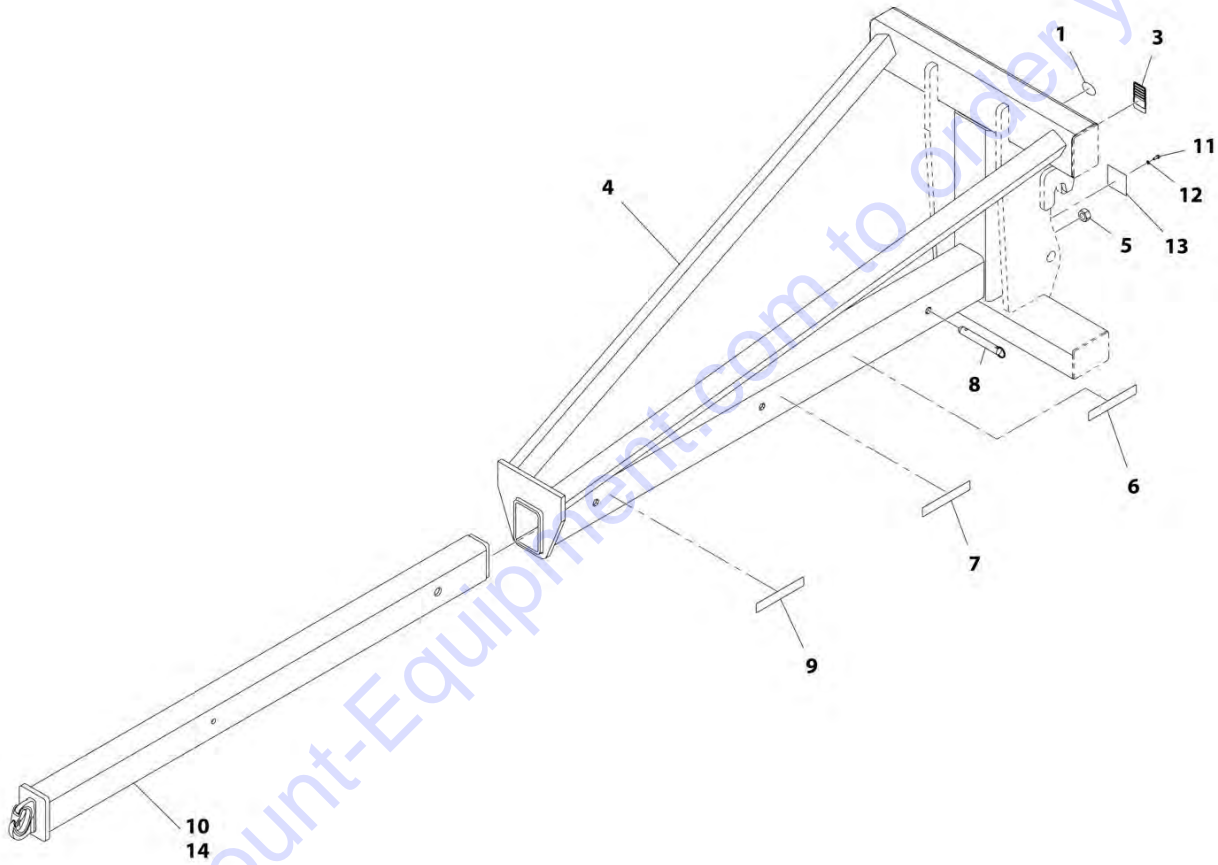
SECTION 3 - ATTACHMENTS

ITEM	PART NUMBER	QTY	DESCRIPTION	REV
50	70022937	1	FITTING, 45	
51	70022949	2	LOCKWASHER, M10	
52	70022950	2	HEX SOCKET CAPSCREW	
53	70022942	1	HOSE ASSY	
54	70022952	1	HOSE ASSY	
55	91403414	1	MALE QUICK DISCONNECT	
56	91043126	1	DUST CAP	
58	70022939	1	STRAIGHT FITTING, #6	
59	91403413	1	FEMALE QUICK DISCONNECT	
60	91043125	1	DUST PLUG	
61	70022935	1	STRAIGHT THREAD ELBOW	
62	70022946	1	HOSE ASSY	
63	70022949	4	LOCKWASHER, M10	
64	70022980	2	FORK PIN KEEPER	
65	70022998	4	CAPSCREW, M10X20	
66	70022990	1	FORK PIN	
101	N.S.S.	1	SN PLATE	
K1	70023925	1	DECAL KIT, (includes items 1 thru 6)	
K2	70023005	1	MAIN LIFT CYLINDER SEAL KIT, (includes items 8, 9, 13, 14, 16, 17, 19, 21 & 23-25)	
K3	70023006	1	CHECK VALVE KIT, (includes items 18 thru 21 & 23)	
K4	70023007	1	SHIM KIT	
K5	70023015	1	MAST COMMON PARTS KIT, (includes items 27 thru 41)	

Go to Discount-Equipment.com to order your parts

SECTION 3 - ATTACHMENTS

FIGURE 3-17. ADJUSTABLE TRUSS BOOM



ART_1001176515-A

SECTION 3 - ATTACHMENTS

FIGURE 3-17. ADJUSTABLE TRUSS BOOM

ITEM	PART NUMBER	QTY	DESCRIPTION	REV
	1001176515	1	ADJUSTABLE TRUSS BOOM	A
1	90554016	1	DECAL, MADE IN USA	
3	N.S.S.	1	SN PLATE	
4	N.S.S.	1	TRUSS BOOM, ADJUSTABLE	
5	70021440	1	NUT, LOCK	
6	70024062	2	DECAL, 4000 LBS CAP	
7	70026944	2	DECAL, 3000 LBS CAP	
8	70026946	1	PIN	
9	70026699	2	DECAL, 2000 LBS CAP	
10	70026747	1	STOP ROD, BOOM EXTENSION	
11	90554033	1	BOLT, 3/4X1/4	
12	90554034	1	WASHER, LOCK 1/4	
13	70026948	1	PLATE, STOP	
14	70026949	1	BOOM, TELESCOPIC	

Go to Discount-Equipment.com to order your parts

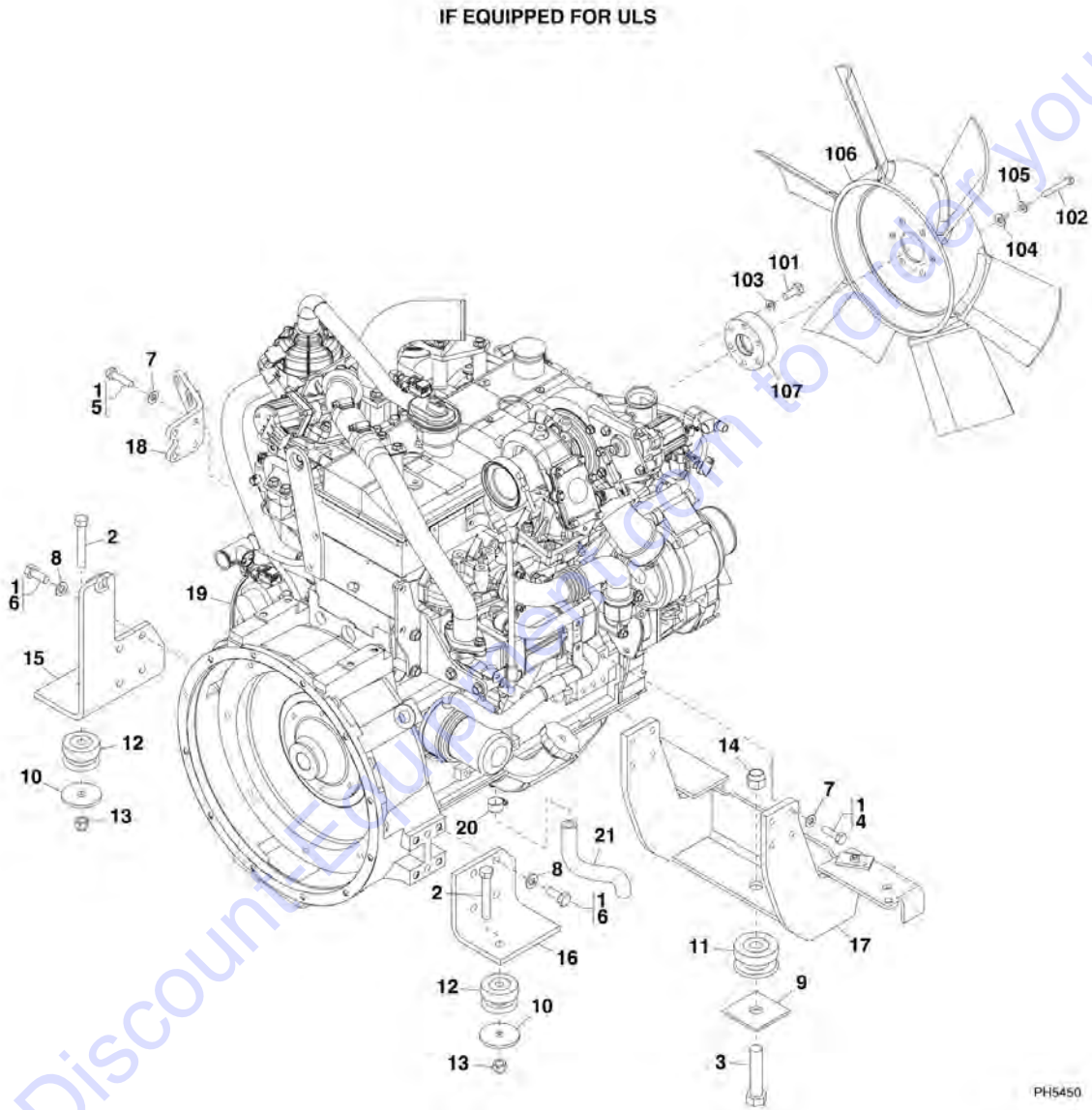
SECTION 4 - ENGINE AND ATTACHING PARTS

SECTION 4 - ENGINE AND ATTACHING PARTS

Go to Discount-Equipment.com to order your parts

SECTION 4 - ENGINE AND ATTACHING PARTS

FIGURE 4-1. ENGINE INSTALLATION IF EQUIPPED FOR ULS



PH5450

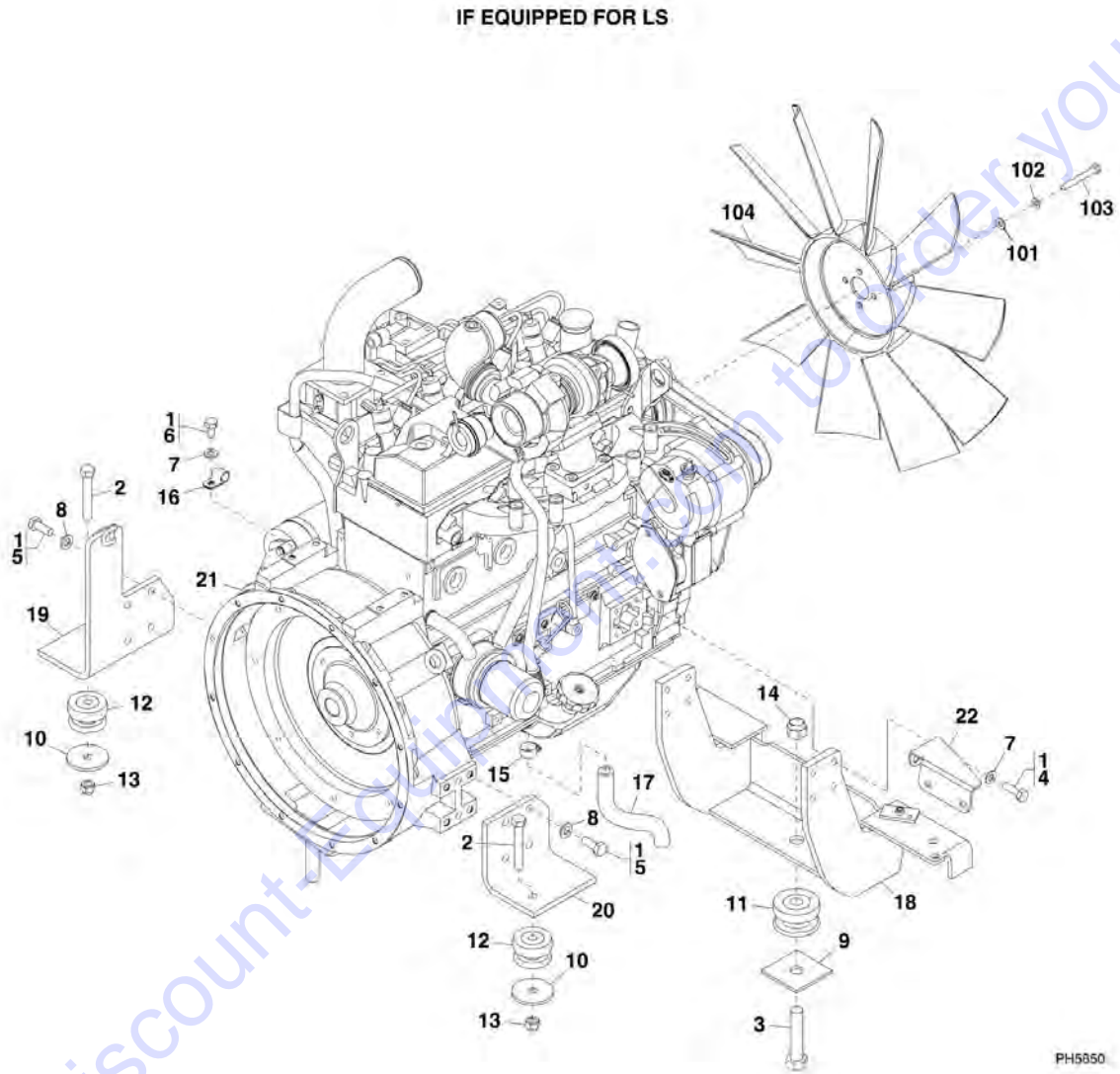
SECTION 4 - ENGINE AND ATTACHING PARTS

FIGURE 4-1. ENGINE INSTALLATION IF EQUIPPED FOR ULS

ITEM	PART NUMBER	QTY	DESCRIPTION	REV
	1001121129	Ref	ENGINE INSTALLATION, (if equipped for ULS), (not available to order, see items 1 thru 21 for service)	E
1	0100011	AR	LOCTITE 242, (apply to items 4, 5 & 6)	
2	0681826	2	HEX HD CAPSCREW, 1/2-13X3-1/4	
3	0682228	1	HEX HD CAPSCREW, 3/4-10X3-1/2	
4	0711015	4	HEX HD CAPSCREW, M10X35, GR10.9	
5	0711016	4	HEX HD CAPSCREW, M10X40, GR10.9	
6	0701214	8	HEX HD CAPSCREW, M12X30, GR8.8	
7	4812000	8	WASHER, 10MM	
8	4812100	8	WASHER, 12MM	
9	7054351	1	REBOUND WASHER	
10	7095831	2	REBOUND WASHER	
11	8278007	1	RUBBER MOUNT	
12	8278012	2	CENTER BONDED MOUNT	
13	8305644	2	HEX LOCKNUT, 1/2-13	
14	8310067	1	HEX LOCKNUT, 3/4-10	
15	1001121596	1	RH ENGINE MOUNT	
16	1001125495	1	LH FRONT ENGINE MOUNT BRACKET	
17	1001118742	1	REAR ENGINE MOUNT BRACKET	
18	1001120687	1	PRIMARY FILTER BRACKET	
19		Ref	CUMMINS ENGINE, QSB3.3, 100HP TIER 4i, (See CUMMINS ENGINE IF EQUIPPED FOR ULS for Breakdown)	
20	8405007	1	GEAR CLAMP	
21	1001109536	1	OIL DRAIN HOSE	
	1001121245	Ref	FAN INSTALLATION, (if equipped for ULS), (not available to order, see items 101 thru 107 for service)	B
101	0710819	6	HEX HD CAPSCREW, M8X55, GR10.9	
102	0761012	6	HEX HD CAPSCREW, M10X25, GR8.8	
103	4811900	6	WASHER, 8MM	
104	4812000	6	WASHER, 10MM	
105	4832000	6	SPRING LOCKWASHER, 10MM	
106	1001121646	1	SUCTION FAN	
107	1001129191	1	FAN SPACER COUPLING	

SECTION 4 - ENGINE AND ATTACHING PARTS

FIGURE 4-2. ENGINE INSTALLATION IF EQUIPPED FOR LS



SECTION 4 - ENGINE AND ATTACHING PARTS

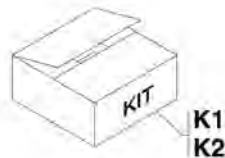
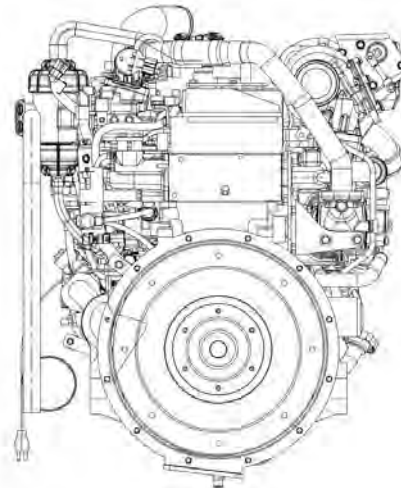
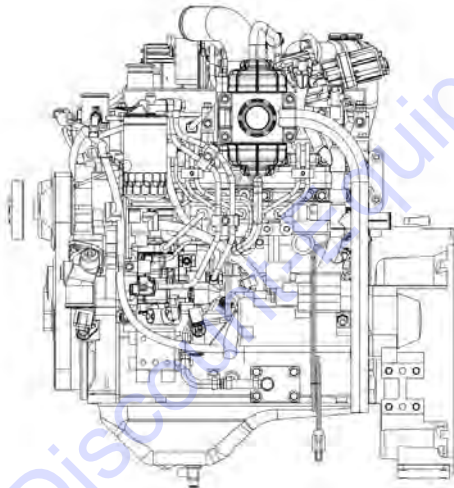
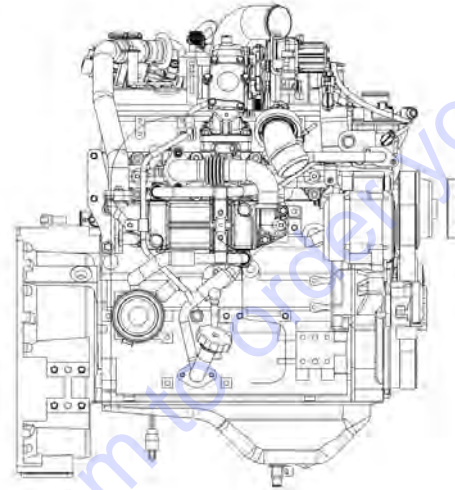
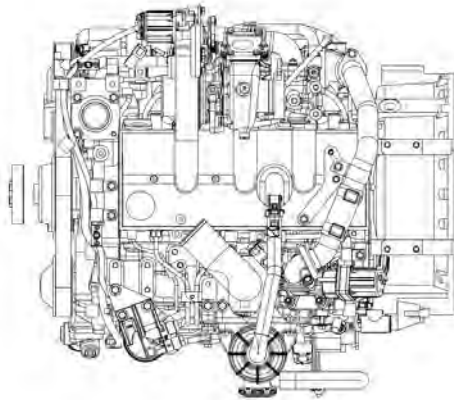
FIGURE 4-2. ENGINE INSTALLATION IF EQUIPPED FOR LS

ITEM	PART NUMBER	QTY	DESCRIPTION	REV
	1001131382	Ref	ENGINE INSTALLATION, (if equipped for LS), (not available to order, see items 1 thru 22 for service)	B
1	0100011	AR	LOCTITE 242, (apply to items 4, 5 & 6)	
2	0681826	2	HEX HD CAPSCREW, 1/2-13X3-1/4	
3	0682228	1	HEX HD CAPSCREW, 3/4-10X3-1/2	
4	0711015	8	HEX HD CAPSCREW, M10X35, GR10.9	
5	0711214	8	HEX HD CAPSCREW, M12X30, GR10.9	
6	0761010	2	HEX HD CAPSCREW, M10X20, GR8.8	
7	4812000	10	WASHER, 10MM	
8	4812100	8	WASHER, 12MM	
9	7054351	1	REBOUND WASHER	
10	7095831	2	REBOUND WASHER	
11	8278007	1	RUBBER MOUNT	
12	8278012	2	CENTER BONDED MOUNT	
13	8305644	2	HEX LOCKNUT, 1/2-13	
14	8310067	1	HEX LOCKNUT, 3/4-10	
15	8405007	1	GEAR CLAMP	
16	8406101	2	TUBE CLIP, 5/8	
17	1001109536	1	OIL DRAIN HOSE	
18	1001118742	1	REAR ENGINE MOUNT BRACKET	
19	1001121596	1	RH ENGINE MOUNT	
20	1001125495	1	LH FRONT ENGINE MOUNT BRACKET	
21		Ref	CUMMINS ENGINE, QSB3.3, 110HP TIER 3, (See CUMMINS ENGINE IF EQUIPPED FOR ULS for Breakdown)	
22	1001132004	1	PIPE SUPPORT BRACKET	
	1001131385	Ref	FAN INSTALLATION, (if equipped for LS), (not available to order, see items 101 thru 104 for service)	A
101	4811900	4	WASHER, 8MM	
102	4831900	4	SPRING LOCKWASHER, 8MM	
103	10704137	4	HEX HD CAPSCREW, M8X65, GR10.9	
104	1001098559	1	SUCTION FAN	

SECTION 4 - ENGINE AND ATTACHING PARTS

FIGURE 4-3. CUMMINS ENGINE IF EQUIPPED FOR ULS (Prior to SN 0160068606)

IF EQUIPPED FOR ULS



ART_PAP26330-B

SECTION 4 - ENGINE AND ATTACHING PARTS

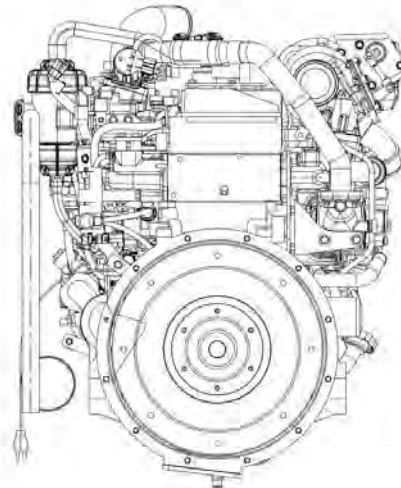
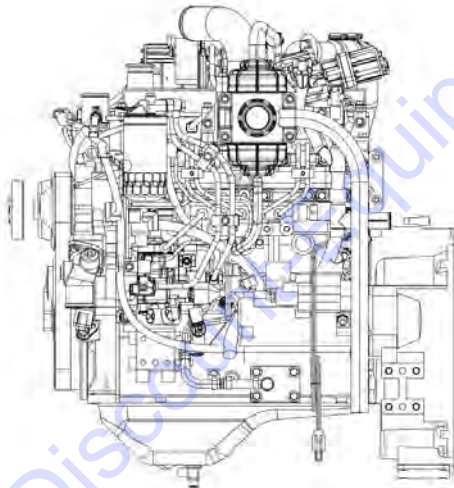
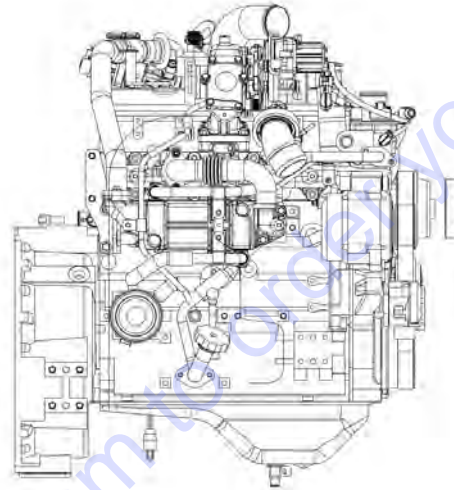
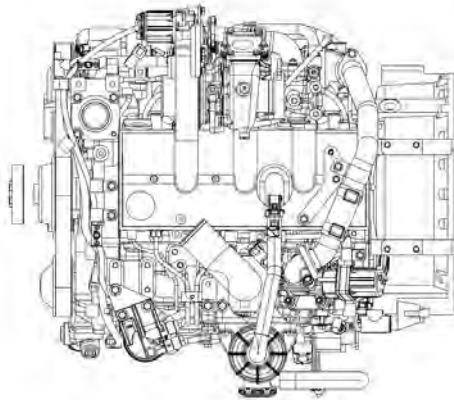
FIGURE 4-3. CUMMINS ENGINE IF EQUIPPED FOR ULS (Prior to SN 0160068606)

ITEM	PART NUMBER	QTY	DESCRIPTION	REV
	1001121233	1	CUMMINS ENGINE, QSB3.3, 100HP TIER 4i, (if equipped for ULS), (includes all items)	H
	70024274	1	FAN BELT	
	70024275	1	FAN SPACER	
	70024276	1	ALTERNATOR	
	70024277	1	STARTER	
	70024278	1	OIL FILTER ELEMENT	
	70024279	1	DIPSTICK	
	70024280	1	DIPSTICK TUBE	
	70026428	1	FUEL PUMP	
	70022842	1	OIL FILL CAP	
	70024281	1	THERMOSTAT	
	70023812	1	SECONDARY FUEL FILTER	
	70022846	1	PRIMARY FUEL FILTER	
	70022844	1	OIL PAN PLUG	
	70024284	1	CRANKCASE VENT FILTER ELEMENT	
	70024588	4	INJECTOR	
	70024589	8	O-RING, INJECTOR TO ENGINE	
	70024590	4	O-RING, INJECTOR CLAMP	
	70024627	4	GASKET, INJECTOR	
	70024628	4	CLAMP, INJECTOR	
	70024629	4	CAPSCREW, TWELVE POINT	
	70024630	4	PLAIN WASHER	
	70024623	1	ENGINE HARNESS	
	7029947	1	OIL TEMPERATURE SWITCH, (includes o-ring)	
	70026815	1	FLYWHEEL	
	70025305	1	WATER PUMP	
	70026679	1	BANJO BOLT	
K1	1001150523	1	FILTER KIT, 250 HOUR, (if equipped for ULS), (includes all items)	A
K1	70024278	1	ENGINE OIL FILTER	
K1	70023812	1	SECONDARY FUEL FILTER	
K1	70022846	1	PRIMARY FUEL FILTER	
K1	70024177	1	PRIMARY AIR FILTER ELEMENT	
K1	70024176	1	SECONDARY AIR FILTER ELEMENT	
K2	1001150526	1	FILTER KIT, 1000 HOUR, (if equipped for ULS), (includes all items)	A
K2	70024278	1	ENGINE OIL FILTER	
K2	70023812	1	SECONDARY FUEL FILTER	
K2	70022846	1	PRIMARY FUEL FILTER	
K2	70024177	1	PRIMARY AIR FILTER ELEMENT	
K2	70024176	1	SECONDARY AIR FILTER ELEMENT	
K2	8320265	1	HYDRAULIC RETURN FILTER	
K2	7139077	1	HYDRAULIC BREATHER	
K2	70024284	1	CRANKCASE VENT FILTER ELEMENT	
K2	1319726	1	TRANSMISSION FILTER	

SECTION 4 - ENGINE AND ATTACHING PARTS

FIGURE 4-4. CUMMINS ENGINE IF EQUIPPED FOR ULS (SN 0160068606 to Present)

IF EQUIPED FOR ULS



ART_1001182699-0

SECTION 4 - ENGINE AND ATTACHING PARTS

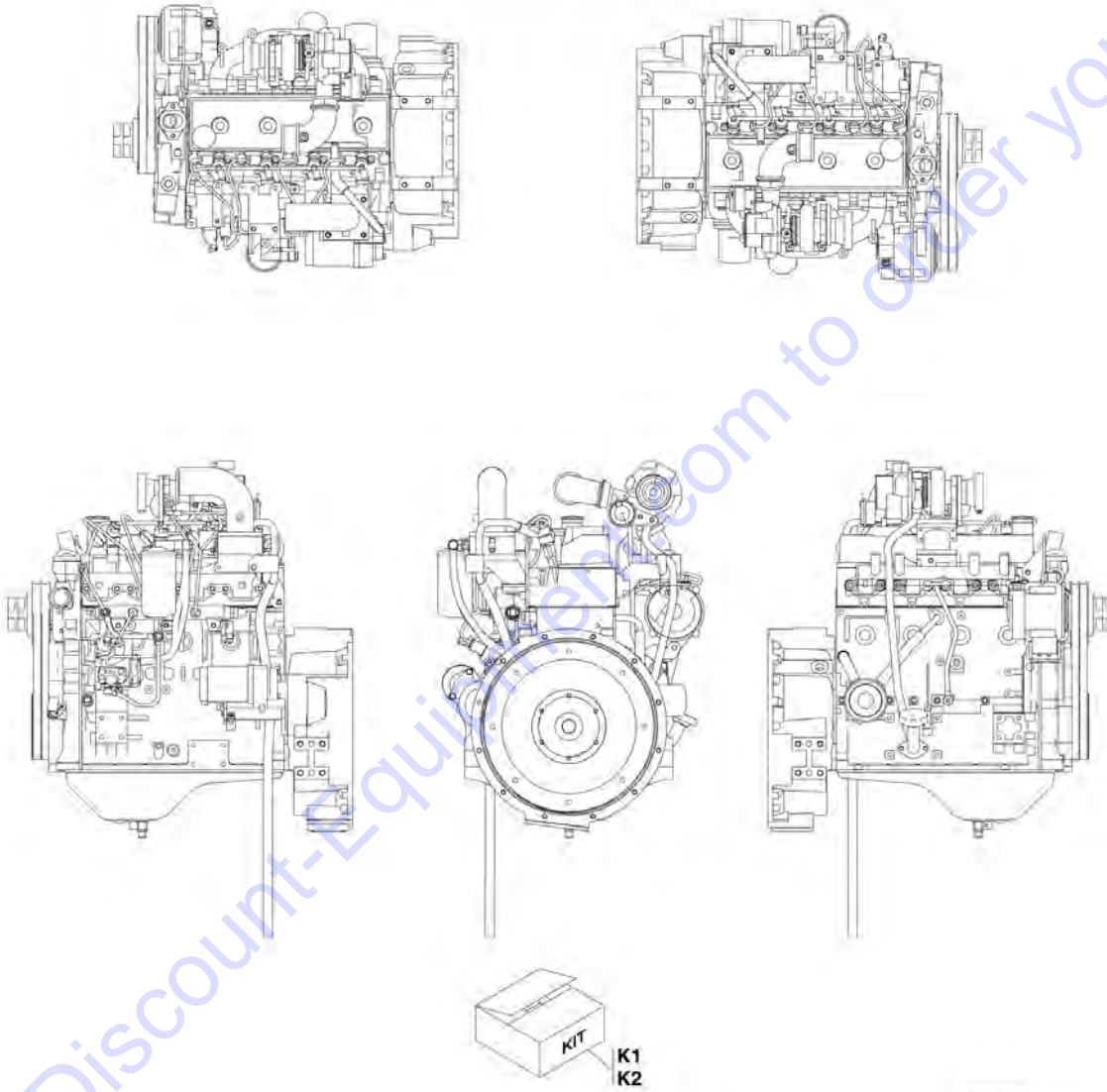
FIGURE 4-4. CUMMINS ENGINE IF EQUIPPED FOR ULS (SN 0160068606 to Present)

ITEM	PART NUMBER	QTY	DESCRIPTION	REV
	1001182699	1	CUMMINS ENGINE, QSB3.3, 100HP TIER 4i, (if equipped for ULS)	B
	70024274	1	FAN BELT	
	70024275	1	FAN SPACER	
	70024276	1	ALTERNATOR	
	70024277	1	STARTER	
	8036204	1	OIL FILTER ELEMENT	
	70024279	1	DIPSTICK	
	70024280	1	DIPSTICK TUBE	
	70022843	1	OIL FILL CAP	
	70024281	1	THERMOSTAT	
	70023812	1	SECONDARY FUEL FILTER	
	70022846	1	PRIMARY FUEL FILTER	
	70022844	1	OIL PAN PLUG	
	70027104	1	CRANKCASE VENT FILTER ELEMENT	
	70024588	4	INJECTOR	
	70024589	8	O-RING, INJECTOR TO ENGINE	
	70024590	4	O-RING, INJECTOR CLAMP	
	70024627	4	GASKET, INJECTOR	
	70024628	4	CLAMP, INJECTOR	
	70024629	4	CAPSCREW, TWELVE POINT	
	70024630	4	PLAIN WASHER	
	70024623	1	ENGINE HARNESS	
	7029947	1	OIL TEMPERATURE SWITCH, (includes o-ring)	
	70026815	1	FLYWHEEL	

SECTION 4 - ENGINE AND ATTACHING PARTS

FIGURE 4-5. CUMMINS ENGINE IF EQUIPPED FOR LS

IF EQUIPPED FOR LS



SECTION 4 - ENGINE AND ATTACHING PARTS

FIGURE 4-5. CUMMINS ENGINE IF EQUIPPED FOR LS

ITEM	PART NUMBER	QTY	DESCRIPTION	REV
	1001131343	1	CUMMINS ENGINE, QSB3.3, 110HP TIER 3, (if equipped for LS), (includes all items)	B
	70024285	1	FAN BELT	
	70021849	1	ALTERNATOR	
	70021850	1	STARTER	
	8036204	1	OIL FILTER ELEMENT	
	70021584	1	DIPSTICK	
	70023565	1	DIPSTICK TUBE	
	70022842	1	OIL FILL CAP	
	70024286	1	THERMOSTAT	
	70022846	1	SECONDARY FUEL FILTER ELEMENT	
	70022844	1	OIL PAN PLUG	
	70024156	1	PRIMARY FUEL FILTER ELEMENT	
K1	1001150524	1	FILTER KIT, 250 HOUR, (if equipped for LS), (includes all items)	A
K1	8036204	1	ENGINE OIL FILTER	
K1	70022846	1	SECONDARY FUEL FILTER	
K1	70024156	1	PRIMARY FUEL FILTER	
K1	1101312	1	PRIMARY AIR FILTER ELEMENT	
K1	1101313	1	SECONDARY AIR FILTER ELEMENT	
K2	1001150525	1	FILTER KIT, 1000 HOUR, (if equipped for LS), (includes all items)	A
K2	8036204	1	ENGINE OIL FILTER	
K2	70022846	1	SECONDARY FUEL FILTER	
K2	70024156	1	PRIMARY FUEL FILTER	
K2	1101312	1	PRIMARY AIR FILTER ELEMENT	
K2	1101313	1	SECONDARY AIR FILTER ELEMENT	
K2	8320265	1	HYDRAULIC RETURN FILTER	
K2	7139077	1	HYDRAULIC BREATHER	
K2	1319726	1	TRANSMISSION FILTER	

PARTS FINDER

**Search Website
by Part Number**



**Search Manual
Library For Parts
Manual & Lookup Part
Numbers – Purchase
or Request Quote**

**Can't Find Part or
Manual? Request Help
by Manufacturer,
Model & Description**

Discount-Equipment.com is your online resource for quality parts & equipment.

Florida: **561-964-4949** Outside Florida TOLL FREE: **877-690-3101**

Need parts?

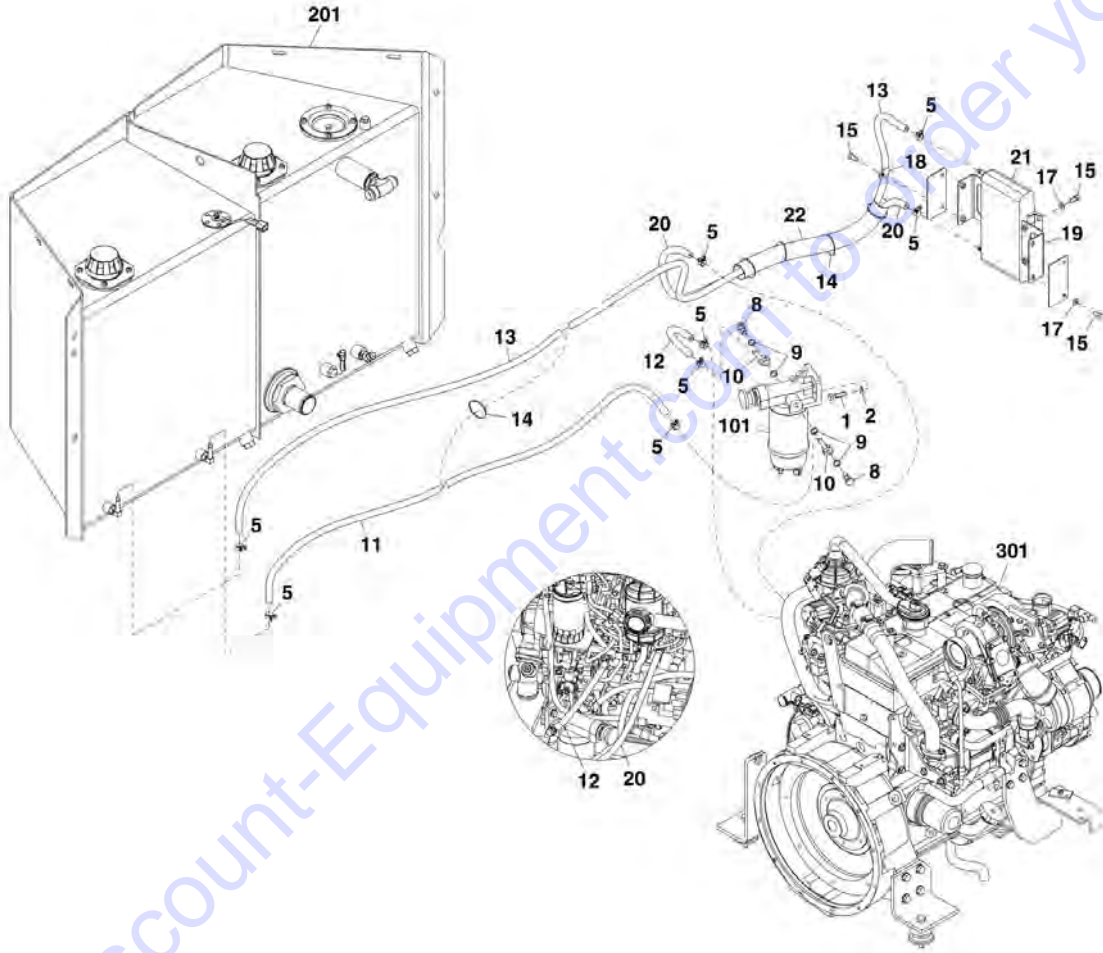
Click on this link: <http://www.discount-equipment.com/category/5443-parts/> and choose one of the options to help get the right parts and equipment you are looking for. Please have the machine model and serial number available in order to help us get you the correct parts. If you don't find the part on the website or on one of the online manuals, please fill out the request form and one of our experienced staff members will get back to you with a quote for the right part that your machine needs.

We sell worldwide for the brands: Genie, Terex, JLG, MultiQuip, Mikasa, Essick, Whiteman, Mayco, Toro Stone, Diamond Products, Generac Magnum, Airman, Haulotte, Barreto, Power Blanket, Nifty Lift, Atlas Copco, Chicago Pneumatic, Allmand, Miller Curber, Skyjack, Lull, Skytrak, Tsurumi, Husquvarna Target, Stow, Wacker, Sakai, Mi-T-M, Sullair, Basic, Dynapac, MBW, Weber, Bartell, Bennar Newman, Haulotte, Ditch Runner, Menegotti, Morrison, Contec, Buddy, Crown, Edco, Wyco, Bomag, Laymor, EZ Trench, Bil-Jax, F.S. Curtis, Gehl Pavers, Heli, Honda, ICS/PowerGrit, IHI, Partner, Imer, Clipper, MMD, Koshin, Rice, CH&E, General Equipment, Amida, Coleman, NAC, Gradall, Square Shooter, Kent, Stanley, Tamco, Toku, Hatz, Kohler, Robin, Wisconsin, Northrock, Oztec, Toker TK, Rol-Air, APT, Wylie, Ingersoll Rand / Doosan, Innovatech, Con X, Ammann, Mecalac, Makinex, Smith Surface Prep, Small Line, Wanco, Yanmar

SECTION 4 - ENGINE AND ATTACHING PARTS

FIGURE 4-6. FUEL TANK AND LINES IF EQUIPPED FOR ULS

IF EQUIPPED FOR ULS



ART_1001121256-G

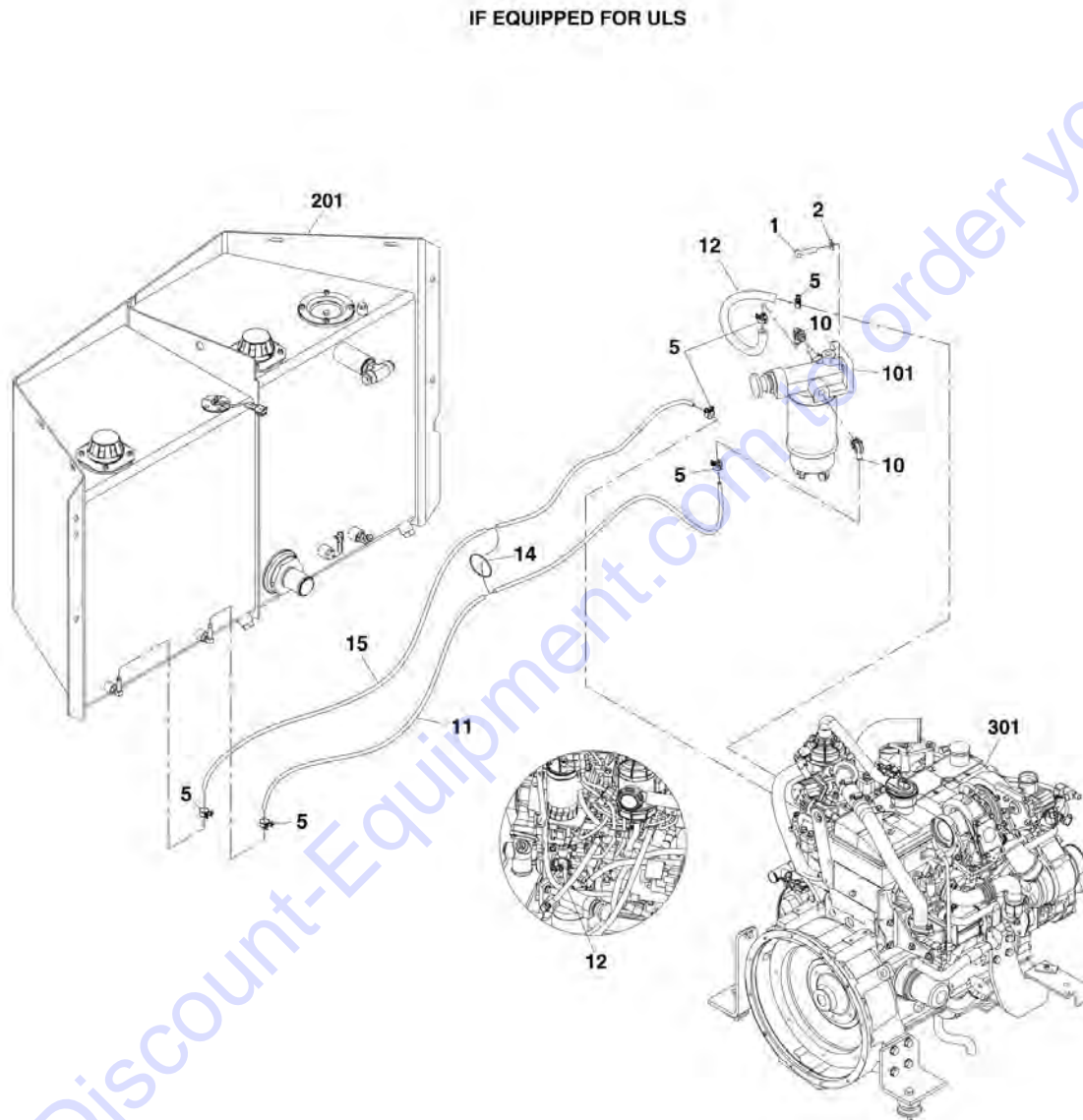
SECTION 4 - ENGINE AND ATTACHING PARTS

FIGURE 4-6. FUEL TANK AND LINES IF EQUIPPED FOR ULS

ITEM	PART NUMBER	QTY	DESCRIPTION	REV
	1001121256	Ref	FUEL LINES INSTALLATION, (if equipped for ULS), (not available to order, see items 1 thru 22 for service) (Prior to SN 0160065535)	G
1	0641611	2	HEX HD CAPSCREW, 3/8-16X1-3/8	
2	4711600	2	PLAIN WASHER, 3/8	
5	1001136975	8	FUEL HOSE CLAMP	
8	1001102931	2	BANJO BOLT, M14	
9	1001102933	4	COPPER RING SEAL	
10	1001113511	2	BANJO ADAPTER, M14X3/8	
11	1001125038	1	FUEL SUPPLY FILTER HOSE	
12	1001125039	1	FUEL SUPPLY ENGINE HOSE	
13	1001134467	1	FUEL RETURN HOSE	
14	4240017	5	TIE STRAP	
15	0641506	8	HEX HD CAPSCREW, 5/16-18X3/4	
17	4711500	7	PLAIN WASHER, 5/16	
18	8406101	1	TUBE CLIP, 5/8	
19	1001138700	2	FUEL COOLER BRACKET	
20	1001134466	1	FUEL RETURN HOSE	
21	1001134516	1	FUEL RADIATOR	
22	1001136358	1	ABRASION SLEEVE	
101		Ref	FUEL FILTER, (See CUMMINS ENGINE IF EQUIPPED FOR ULS for Breakdown)	
201		Ref	FUEL/HYDRAULIC TANK, (See HYDRAULIC COMPONENTS SECTION for Breakdown)	
301		Ref	CUMMINS ENGINE, QSB3.3, 100HP TIER 4i, (See CUMMINS ENGINE IF EQUIPPED FOR ULS for Breakdown)	

SECTION 4 - ENGINE AND ATTACHING PARTS

FIGURE 4-7. FUEL TANK AND LINES IF EQUIPPED FOR ULS



ART_1001121256-J

SECTION 4 - ENGINE AND ATTACHING PARTS

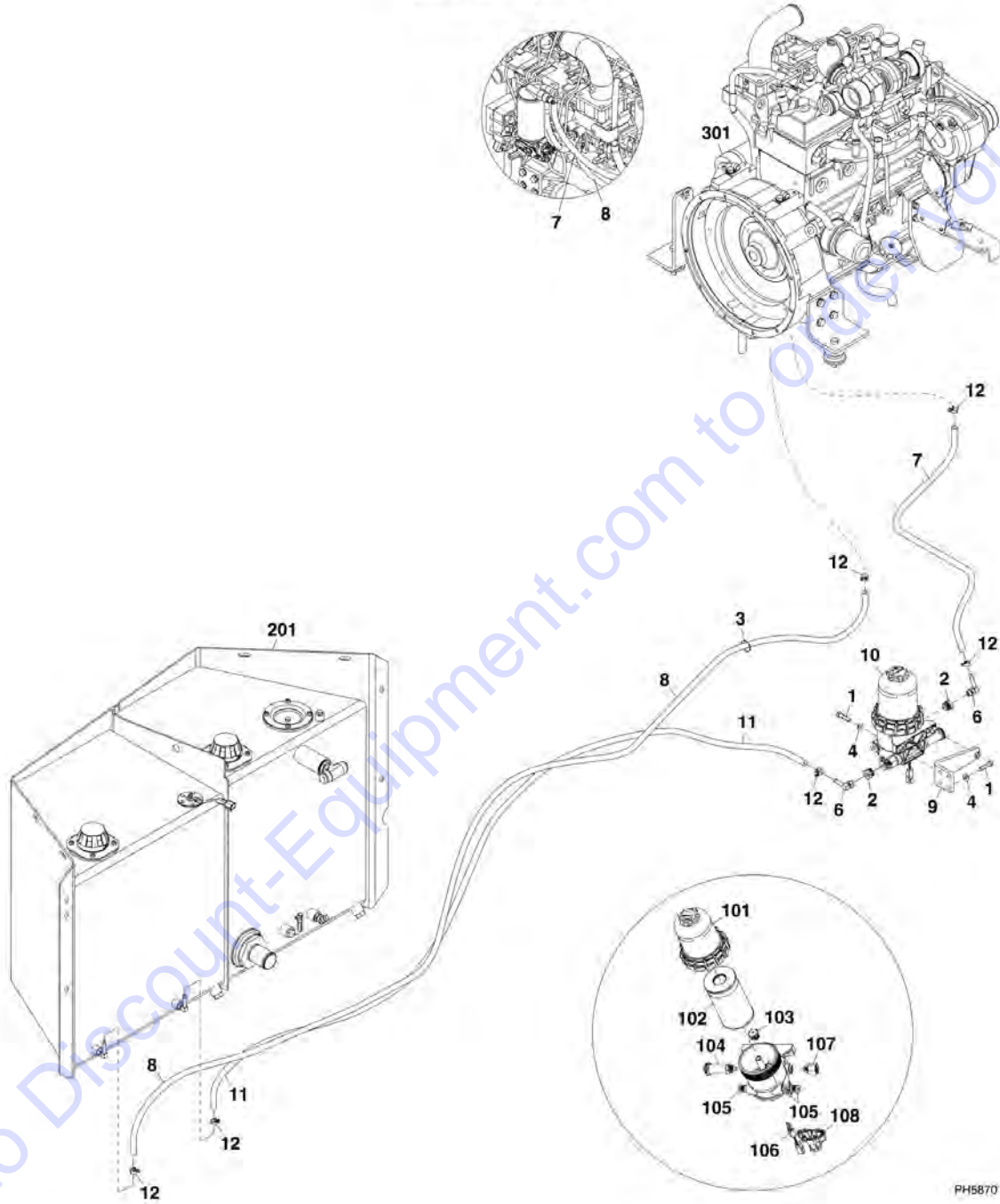
FIGURE 4-7. FUEL TANK AND LINES IF EQUIPPED FOR ULS

ITEM	PART NUMBER	QTY	DESCRIPTION	REV
	1001121256	Ref	FUEL LINES INSTALLATION, (if equipped for ULS), (not available to order, see items 1 thru 15 for service) (SN 0160065535 to Present)	J
1	0641611	2	HEX HD CAPSCREW, 3/8-16X1-3/8	
2	4711600	2	PLAIN WASHER, 3/8	
5	1001136975	6	FUEL HOSE CLAMP	
10	1001182094	2	BARB ELBOW HOSE	
11	1001125038	1	FUEL SUPPLY FILTER HOSE	
12	1001125039	1	FUEL SUPPLY ENGINE HOSE	
14	4240017	1	TIE STRAP	
15	1001125040	1	FUEL RETURN HOSE	
101		Ref	FUEL FILTER, (See CUMMINS ENGINE IF EQUIPPED FOR ULS for Breakdown)	
201		Ref	FUEL/HYDRAULIC TANK, (See HYDRAULIC COMPONENTS SECTION for Breakdown)	
301		Ref	CUMMINS ENGINE, QSB3.3, 100HP TIER 4i, (See CUMMINS ENGINE IF EQUIPPED FOR ULS for Breakdown)	

SECTION 4 - ENGINE AND ATTACHING PARTS

FIGURE 4-8. FUEL TANK AND LINES IF EQUIPPED FOR LS

IF EQUIPPED FOR LS



PH5870

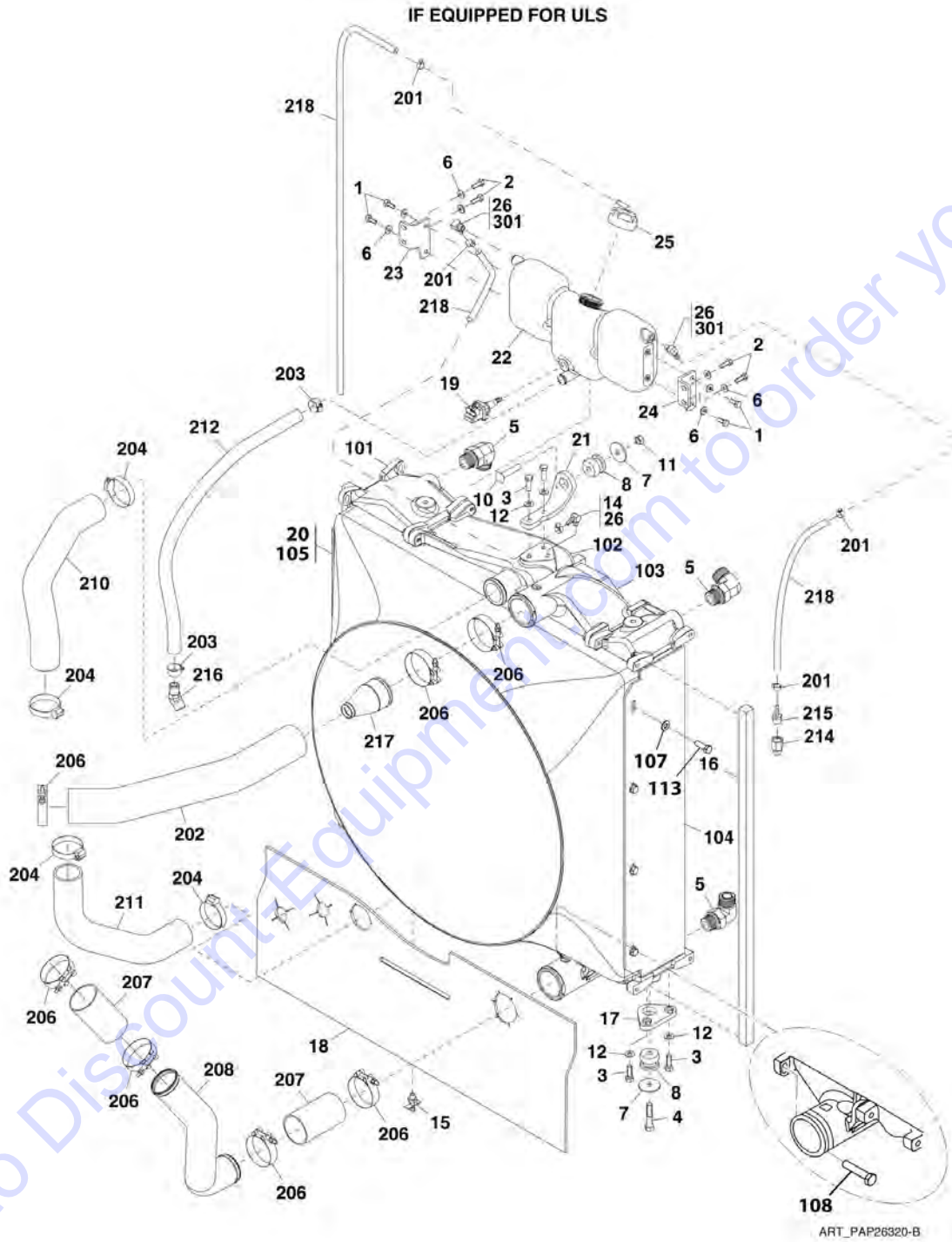
SECTION 4 - ENGINE AND ATTACHING PARTS

FIGURE 4-8. FUEL TANK AND LINES IF EQUIPPED FOR LS

ITEM	PART NUMBER	QTY	DESCRIPTION	REV
	1001121257	Ref	FUEL LINES INSTALLATION, (if equipped for LS), (not available to order, see items 1 thru 12 for service)	C
1	0641612	6	HEX HD CAPSCREW, 3/8-16X1-1/2	
2	2220218	2	STRAIGHT ADAPTER, (includes o-ring)	
3	4240017	1	TIE STRAP	
4	4711600	6	PLAIN WASHER, 3/8	
6	8430034	2	ELBOW, 90, (includes o-ring)	
7	1001136157	1	FUEL SUPPLY TO ENGINE HOSE	
8	1001125040	1	FUEL RETURN HOSE	
9	1001132173	1	FUEL FILTER BRACKET	
10	1001133534	1	FUEL FILTER, (includes items 101 thru 108)	
11	1001135011	1	FUEL FILTER HOSE	
12	1001136975	6	FUEL HOSE CLAMP	
101	70024155	1	COVER ASSY, (includes vent cap, vent cap o-ring, collar, cover, cover o-ring and spring)	
102	70024156	1	FILTER ELEMENT	
103	70024157	1	CHECK VALVE ASSY	
104	70024158	1	PRIMER	
105	70024159	3	PLUG	
106	70024160	1	WATER-IN-FUEL (WIF) SENSOR	
107	70024161	1	CHECK VALVE	
108	70024162	1	BOTTOM BOWL ASSY, (includes bottom bowl seal, bottom bowl screws, drain valve o-ring and drain valve)	
201		Ref	FUEL/HYDRAULIC TANK, (See HYDRAULIC COMPONENTS SECTION for Breakdown)	
301		Ref	CUMMINS ENGINE, QSB3.3, 110HP TIER 3, (See CUMMINS ENGINE IF EQUIPPED FOR ULS for Breakdown)	

SECTION 4 - ENGINE AND ATTACHING PARTS

FIGURE 4-9. RADIATOR AND COOLING INSTALLATION IF EQUIPPED FOR ULS



SECTION 4 - ENGINE AND ATTACHING PARTS

FIGURE 4-9. RADIATOR AND COOLING INSTALLATION IF EQUIPPED FOR ULS

ITEM	PART NUMBER	QTY	DESCRIPTION	REV
	1001121254	Ref	COOLING INSTALLATION, (if equipped for ULS), (not available to order, see items 1 thru 26 for service)	F
1	0641405	4	HEX HD CAPSCREW, 1/4-20X5/8	
2	0641406	4	HEX HD CAPSCREW, 1/4-20X3/4	
3	0641508	6	HEX HD CAPSCREW, 5/16-18X1	
4	0641614	2	HEX HD CAPSCREW, 3/8-16X1-3/4	
5	2131212	4	ADAPTER, 90, (includes o-ring)	
6	4711400	8	WASHER, 1/4	
7	7057141	3	FLAT REBOUND WASHER	
8	8278020	3	RUBBER ISOLATOR MOUNT	
10	8310281	1	CARRIAGE BOLT, 3/8-16X2-1/4, GR2	
11	8305008	1	HEX NUT, 3/8-16	
12	8307106	6	PLAIN WASHER, 5/16	
14	8420213	1	HOSE BARB ELBOW, 90	
15	91343011	1	DRAIN COCK	
16	1001109230	2	FOAM GASKET SEAL	
17	1001120869	2	LOWER COOLER MOUNT BRACKET	
18	1001120947	1	AIR DAM PANEL	
19	1001121955	1	COOLANT LEVEL SENSOR	
20	1001127591	1	RADIATOR ASSY, (includes items 101 thru 113)	I
21	1001127980	1	UPPER RADIATOR MOUNT	
22	1001153912	1	DEAERATION TANK, (includes item 301)	C
23	1001128339	1	RH TANK BRACKET	
24	1001128340	1	LH TANK BRACKET	
25	1001128341	1	DEAERATION TANK PRESSURE CAP	
26	1001097335	AR	LOCTITE 567, (apply to item 14 & 301)	
101	70024148	1	TRANSMISSION COOLER	
102	70024149	1	WATER/GLYCOL COOLER	
103	70024150	1	CHARGE AIR COOLER	
104	70024151	1	OIL COOLER	
105	70024530	1	FAN SHROUD	
107	70025541	1	FLAT WASHER, 5/16	
108	70025542	1	HEX HD CAPSCREW, 5/16-18X4	
113	70025540	1	FASTENER, 5/16-18X1	
	1001121271	Ref	PLUMBING COOLER INSTALLATION, (if equipped for ULS), (not available to order, see items 201 thru 218 for service)	G
201	1320022	5	WORM GEAR CLAMP	
202	1001127418	1	CAC OUTLET HOSE	
203	8405007	2	GEAR CLAMP, 1.25 MAX DIA	
204	8405201	4	GEAR CLAMP, 2.50 MAX DIA	
206	8405212	7	T-BOLT CLAMP	
207	1001114495	2	CAC STRAIGHT HOSE, 2-1/2	
208	1001120068	1	CAC INLET PIPE	
210	1001121493	1	UPPER RADIATOR HOSE	
211	1001121494	1	LOWER RADIATOR HOSE	
212	1001122560	1	DRAWDOWN HOSE	
214	1001122801	1	STRAIGHT ADAPTER	
215	1001122807	1	HOSE BARB COUPLING	
216	1001133871	1	ELBOW PIPE FITTING ADAPTER	
217	1001140672	1	CAC REDUCER PIPE	

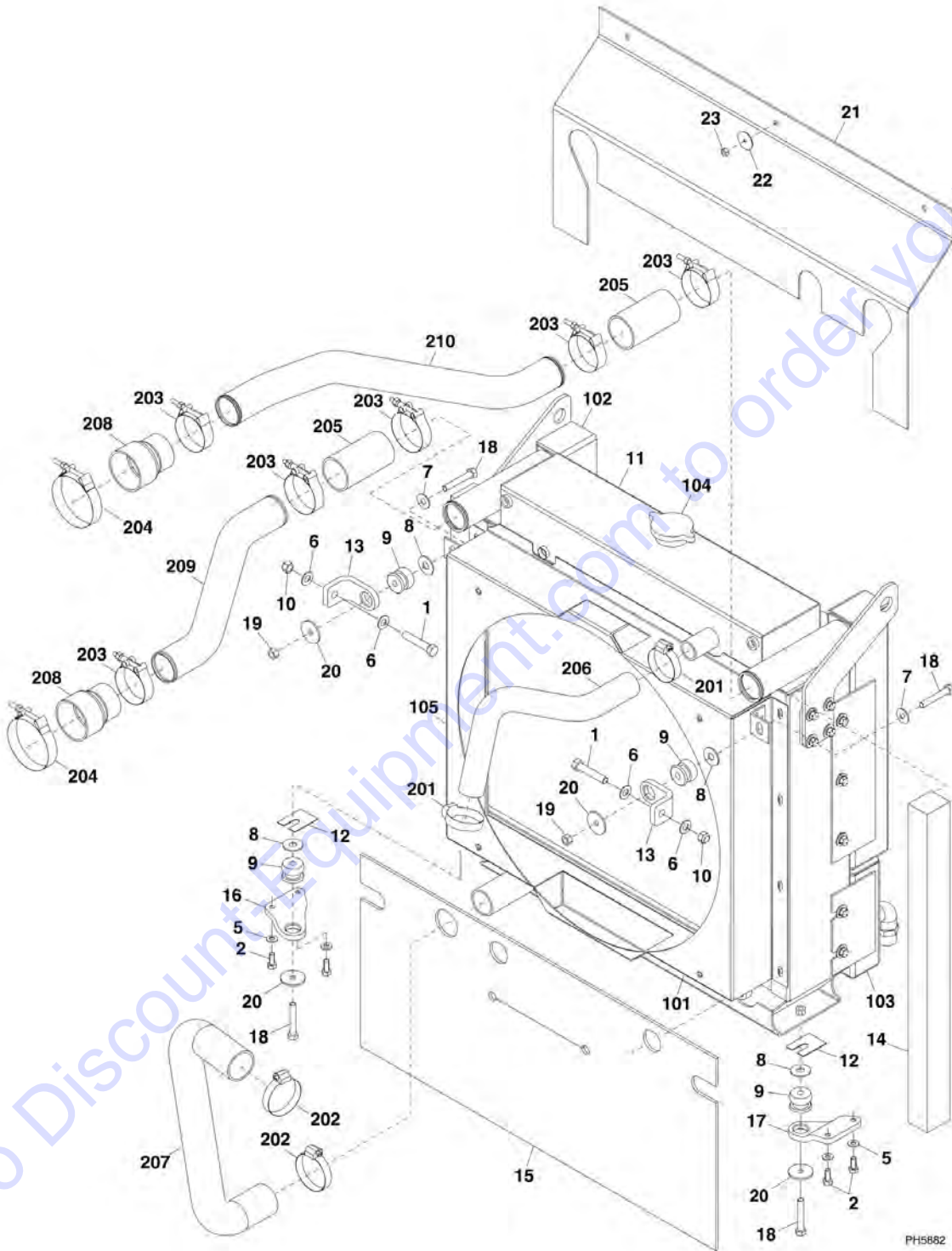
SECTION 4 - ENGINE AND ATTACHING PARTS

ITEM	PART NUMBER	QTY	DESCRIPTION	REV
218	1001153913	119 in	VENT HOSE	
301	8420213	2	ELBOW, 90, (hose barb)	

Go to Discount-Equipment.com to order your parts

SECTION 4 - ENGINE AND ATTACHING PARTS

FIGURE 4-10. RADIATOR AND COOLING INSTALLATION IF EQUIPPED FOR LS



PH5882

SECTION 4 - ENGINE AND ATTACHING PARTS

FIGURE 4-10. RADIATOR AND COOLING INSTALLATION IF EQUIPPED FOR LS

ITEM	PART NUMBER	QTY	DESCRIPTION	REV
	1001131386	Ref	COOLING INSTALLATION, (if equipped for LS), (not available to order, see items 1 thru 23 for service)	C
1	0641718	2	HEX HD CAPSCREW, 7/16-14X2-1/4	
2	0681506	4	HEX HD CAPSCREW, 5/16-18X3/4	
5	4711500	4	PLAIN WASHER, 5/16	
6	4711700	4	NARROW WASHER, 7/16	
7	4751600	2	PLAIN WASHER, 3/8	
8	4751700	4	PLAIN WASHER, 7/16	
9	8278020	4	RUBBER ISOLATOR MOUNT	
10	8310109	2	HEX LOCKNUT, 7/16-14	
11	1001111821	1	RADIATOR ASSY, (includes items 101 thru 104)	
12	1001114780	2	SHIM, 0.048	
13	1001131555	2	UPPER COOLER BRACKET	
14	1001131594	2	FOAM GASKET SEAL	
15	1001131596	1	AIR DAM PANEL	
16	1001131819	1	RIGHT LOWER COOLER BRACKET	
17	1001131820	1	LEFT LOWER COOLER BRACKET	
18	0641618	4	HEX HD CAPSCREW, 3/8-16X2-1/4	
19	3311605	2	HEX LOCKNUT, 3/8-16, GR2	
20	7057141	4	FLAT WASHER	
21	1001102212	1	RUBBER AIR DAM FILTER	
22	4740362	3	FENDER WASHER	
23	3311401	3	HEX NUT, 1/4-20	
101	70022694	2	SHROUD	
102	N.S.S.	1	CHARGE AIR COOLER	
103	70023601	1	HYDRAULIC OIL COOLER, (includes item 102)	
104	70022695	1	CAP	
105	70022696	1	RADIATOR	
	1001121272	Ref	PLUMBING COOLER INSTALLATION, (if equipped for LS), (not available to order, see items 201 thru 210 for service)	C
201	8405104	2	GEAR CLAMP, 2.25 MAX DIA	
202	8405201	2	GEAR CLAMP, 2.50 MAX DIA	
203	80933070	6	HEAVY DUTY BAND CLAMP	
204	8405212	2	HEAVY DUTY BAND CLAMP	
205	91563070	2	RUBBER HOSE COUPLING	
206	1001096435	1	UPPER RADIATOR HOSE	
207	1001096436	1	LOWER RADIATOR HOSE	
208	1001117244	2	REDUCER COUPLING	
209	1001131645	1	CAC TO ENGINE PIPE	
210	1001131646	1	TURBO TO CAC PIPE	

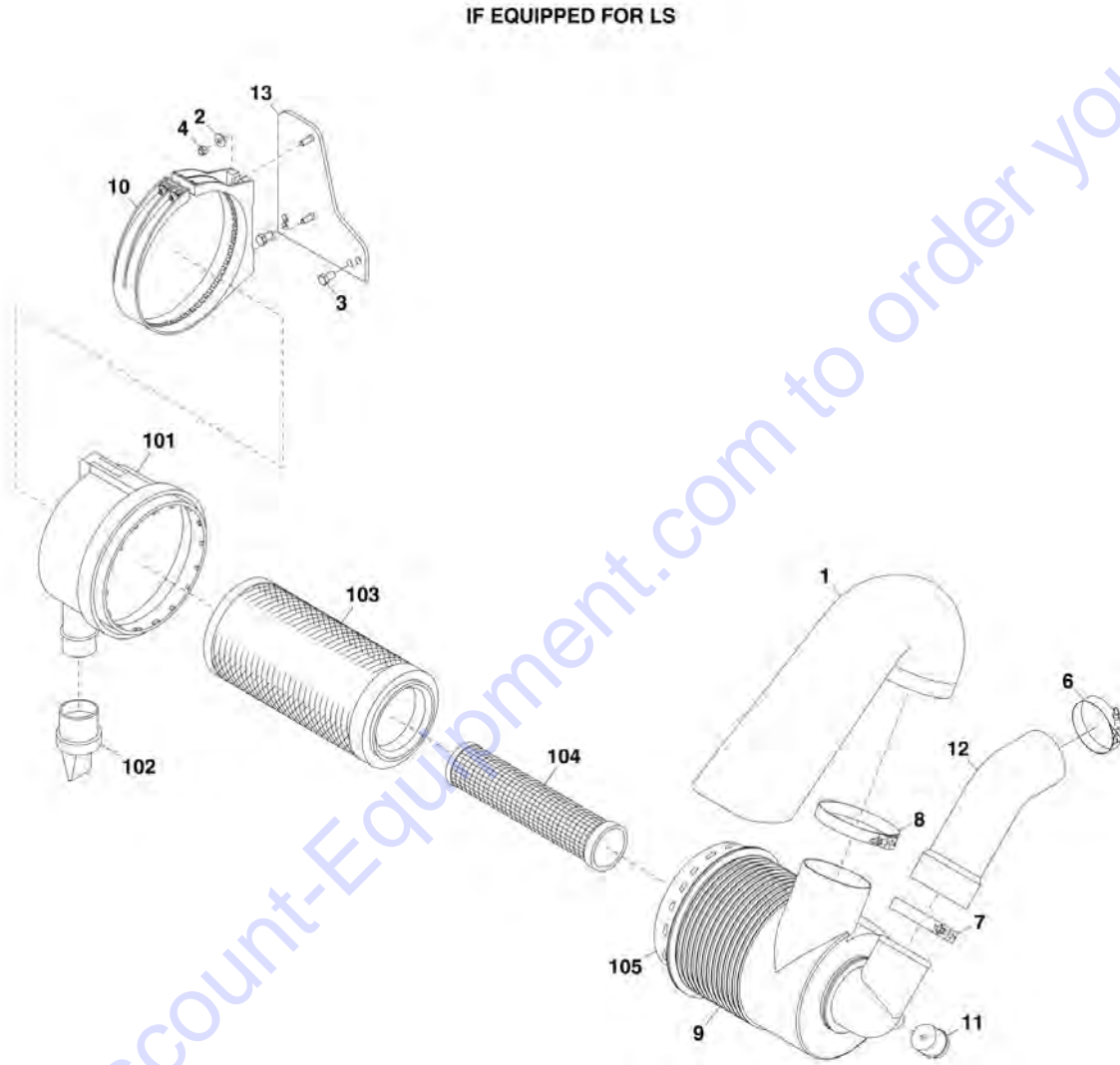
SECTION 4 - ENGINE AND ATTACHING PARTS

FIGURE 4-11. AIR CLEANER INSTALLATION IF EQUIPPED FOR ULS

ITEM	PART NUMBER	QTY	DESCRIPTION	REV
	1001121246	Ref	AIR CLEANER INSTALLATION, (if equipped for ULS), (not available to order, see items 1 thru 19 for service)	D
1	0100011	AR	LOCTITE 242	
2	0760612	4	HEX HD CAPSCREW, M6X25, GR8.8	
3	4811700	4	WASHER, 6MM	
4	8303798	4	HEX HD CAPSCREW, M10X25, GR8.8	
5	8307221	4	PLAIN WASHER, M10	
6	8405301	3	GEAR CLAMP, 4.00 MAX DIA	
7	8405502	1	GEAR CLAMP, 6.00 MAX DIA	
8	8405402	1	HOSE CLAMP	
9	1001120082	1	AIR INTAKE HOSE	
10	1001120083	1	AIR INTAKE HOSE	
11	1001134843	1	AIR INTAKE HOSE	
12	1001128507	1	AIR FILTER BRACKET WELDMENT	
13	1001128544	1	AIR FILTER, (includes items 101 thru 105)	D
14	1001128808	1	AIR FILTER PIPE	
15	2180104	1	ADAPTER, STRAIGHT	
16	2221301	1	ADAPTER, 90	
17	8420221	2	HOSE BARB COUPLING	
18	91563129	1	RESTRICTION INDICATOR	
19	1001134844	1	AIR RESTRICTION VACUUM HOSE	
101	70024177	1	PRIMARY AIR FILTER ELEMENT	
102	70024176	1	SECONDARY AIR FILTER ELEMENT	
103	70024269	1	COVER	
104	70024270	1	VACUATOR VALVE	
105	70024271	1	PRE-CLEANER	

SECTION 4 - ENGINE AND ATTACHING PARTS

FIGURE 4-12. AIR CLEANER INSTALLATION IF EQUIPPED FOR LS



ART_31200732-4-12

SECTION 4 - ENGINE AND ATTACHING PARTS

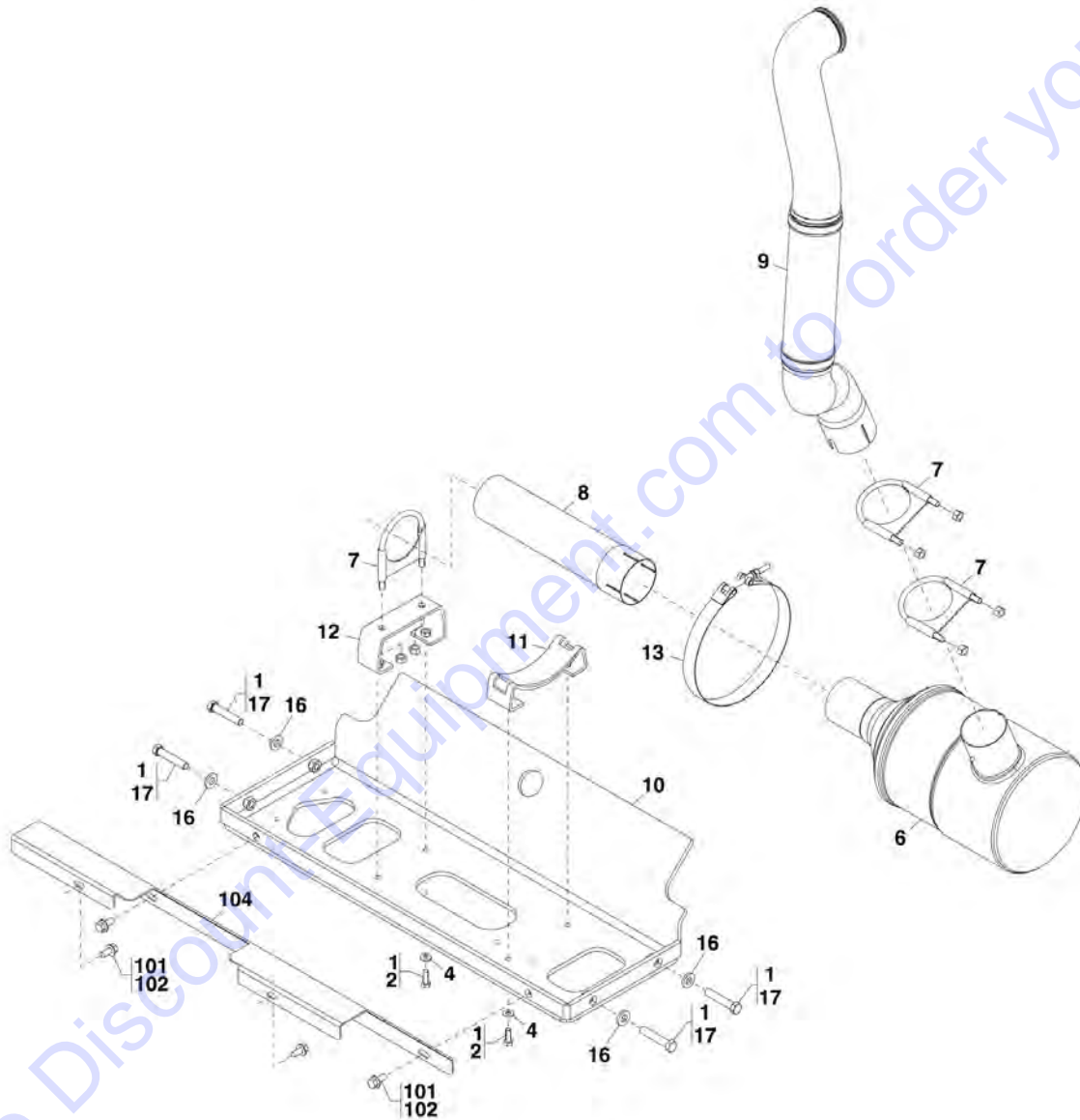
FIGURE 4-12. AIR CLEANER INSTALLATION IF EQUIPPED FOR LS

ITEM	PART NUMBER	QTY	DESCRIPTION	REV
	1001121247	Ref	AIR CLEANER INSTALLATION, (if equipped for LS), (not available to order, see items 1 thru 13 for service)	B
1	2720637	1	AIR INTAKE SCOOP	
2	4751500	2	PLAIN WASHER, 5/16	
3	8303784	2	HEX HD CAPSCREW, M10X1.5X20MM, PC8.8	
4	8305626	2	HEX LOCKNUT, 5/16-18	
6	8405305	1	T-BOLT CLAMP, 3.38 ID	
7	8405505	1	T-BOLT CLAMP, 4.06 ID	
8	8410021	1	T-BOLT CLAMP, 5.00 ID	
9	10268515	1	AIR CLEANER, (includes items 101 thru 105)	C
10	10268516	1	MOUNTING BAND	
11	91563129	1	RESTRICTION INDICATOR	
12	1001098977	1	AIR INTAKE PIPE	
13	1001131488	1	AIR CLEANER MOUNT, (no available to order, see 1001096484 for replacement)	
13	1001096484	1	AIR CLEANER MOUNT	
101	91364023	1	COVER ASSY	
102	80373094	1	VACUATOR VALVE	
103	1101312	1	PRIMARY FILTER ELEMENT	
104	1101313	1	SECONDARY FILTER ELEMENT	
105	N.S.S.	1	AIR CLEANER BODY	

SECTION 4 - ENGINE AND ATTACHING PARTS

FIGURE 4-13. EXHAUST INSTALLATION IF EQUIPPED FOR ULS

IF EQUIPPED FOR ULS



ART_31200732-4-13

SECTION 4 - ENGINE AND ATTACHING PARTS

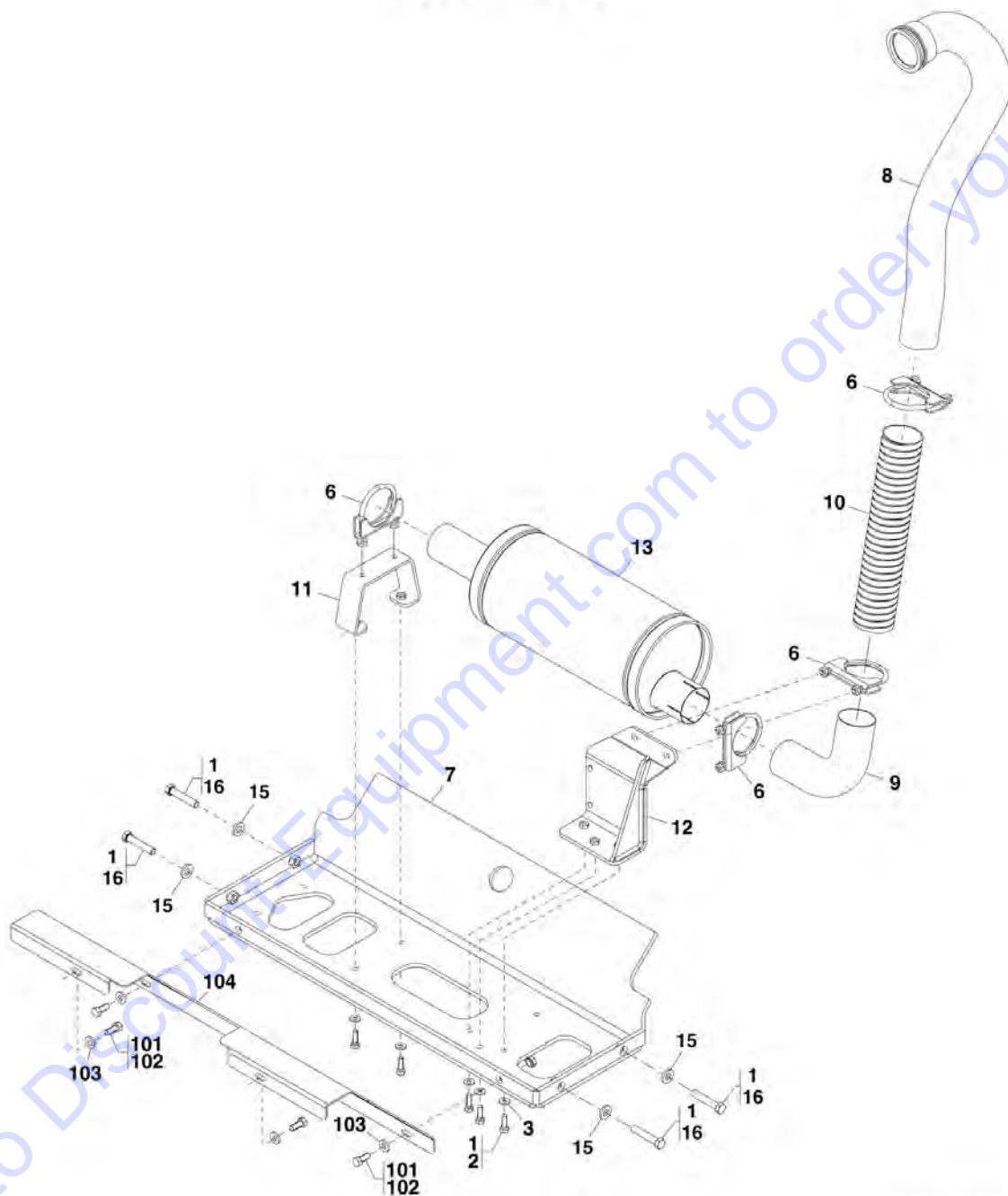
FIGURE 4-13. EXHAUST INSTALLATION IF EQUIPPED FOR ULS

ITEM	PART NUMBER	QTY	DESCRIPTION	REV
	1001129497	Ref	EXHAUST INSTALLATION, (if equipped for ULS), (not available to order, see items 1 thru 14 for service)	F
1	0100011	AR	LOCTITE 242, (apply to items 2 & 14)	
2	0641507	4	HEX HD CAPSCREW, 5/16-18X7/8	
4	4891500	4	WASHER, 5/16	
6	1001127855	1	MUFFLER	
7	24921332	3	EXHAUST CLAMP	
8	1001127856	1	EXHAUST PIPE	
9	1001127857	1	EXHAUST PIPE	
10	1001127858	1	EXHAUST MOUNT PLATE	
11	1001128363	1	MUFFLER BRACKET	
12	1001128364	1	EXHAUST PIPE BRACKET	
13	1001128901	1	BAND CLAMP	
16	4891700	4	WASHER, 7/16	
17	10700334	4	SCREW, 0.438-14X2.25	
	1001127864	Ref	DUST SHIELD INSTALLATION, (not available to order, see items 101 thru 104 for service)	B
101	0100011	AR	LOCTITE 242, (apply to item 102)	
102	0791606	1	HEX HD CAPSCREW, 3/8-16X3/4	
104	1001127867	1	DUST BAFFLE FRONT PANEL	

SECTION 4 - ENGINE AND ATTACHING PARTS

FIGURE 4-14. EXHAUST INSTALLATION IF EQUIPPED FOR LS

IF EQUIPPED FOR LS



ART_31200732-4-14

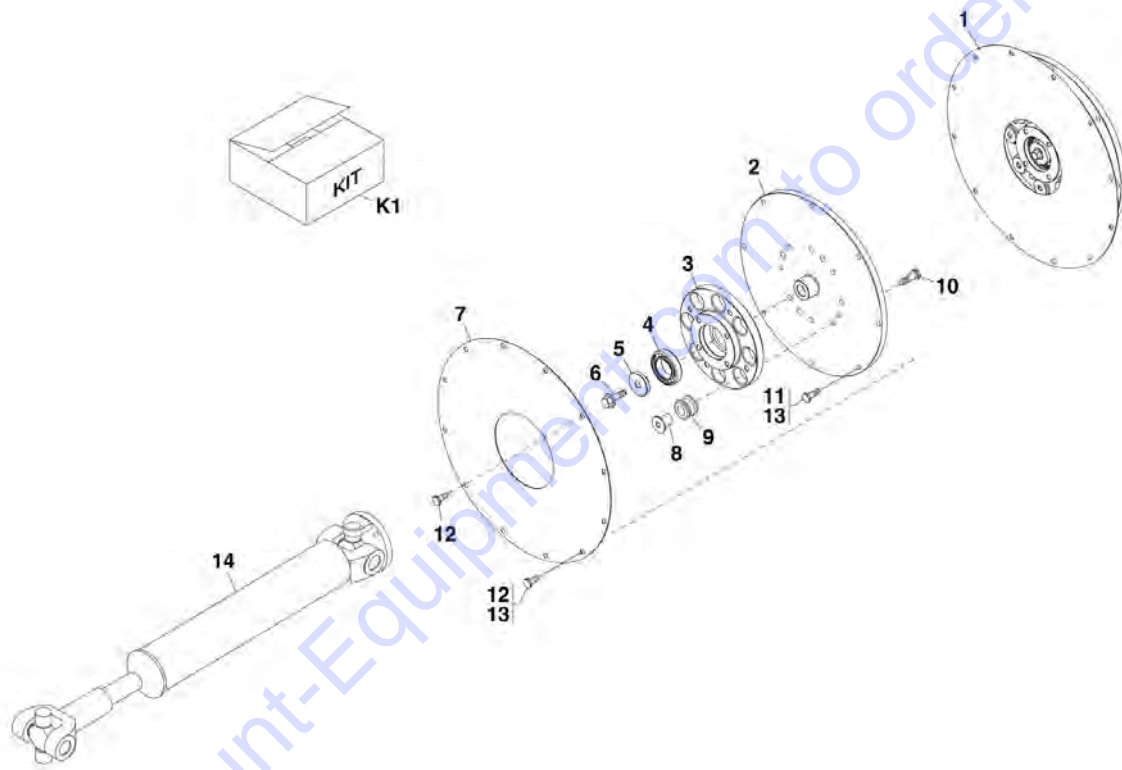
SECTION 4 - ENGINE AND ATTACHING PARTS

FIGURE 4-14. EXHAUST INSTALLATION IF EQUIPPED FOR LS

ITEM	PART NUMBER	QTY	DESCRIPTION	REV
	1001131485	Ref	EXHAUST INSTALLATION, (if equipped for LS), (not available to order, see items 1 thru 14 for service)	C
1	0100011	AR	LOCTITE 242	
2	0641508	5	HEX HD CAPSCREW, 5/16-18X1	
3	4891500	5	WASHER, 5/16	
6	83683175	4	MUFFLER CLAMP	
7	1001127858	1	MUFFLER MOUNT PLATE	
8	1001131576	1	TURBO EXHAUST PIPE	
9	1001131577	1	ELBOW EXHAUST PIPE	
10	1001131578	1	FLEX EXHAUST PIPE	
11	1001131772	1	MUFFLER MOUNT	
12	1001131996	1	MUFFLER SUPPORT	
13	1001132154	1	MUFFLER	
15	4891700	4	WASHER, 7/16	
16	10700334	4	SCREW, 0.438-14X2.25	
	1001127864	Ref	DUST SHIELD INSTALLATION, (not available to order, see items 101 thru 104 for service)	A
101	0100011	AR	LOCTITE 242, (apply to item 102)	
102	0641607	4	HEX HD CAPSCREW, 3/8-16X7/8	
103	4891600	4	WASHER, 3/8	
104	1001127867	1	DUST BAFFLE FRONT PANEL	

SECTION 4 - ENGINE AND ATTACHING PARTS

FIGURE 4-15. ISOLATION COUPLER



ART_1001141020-A

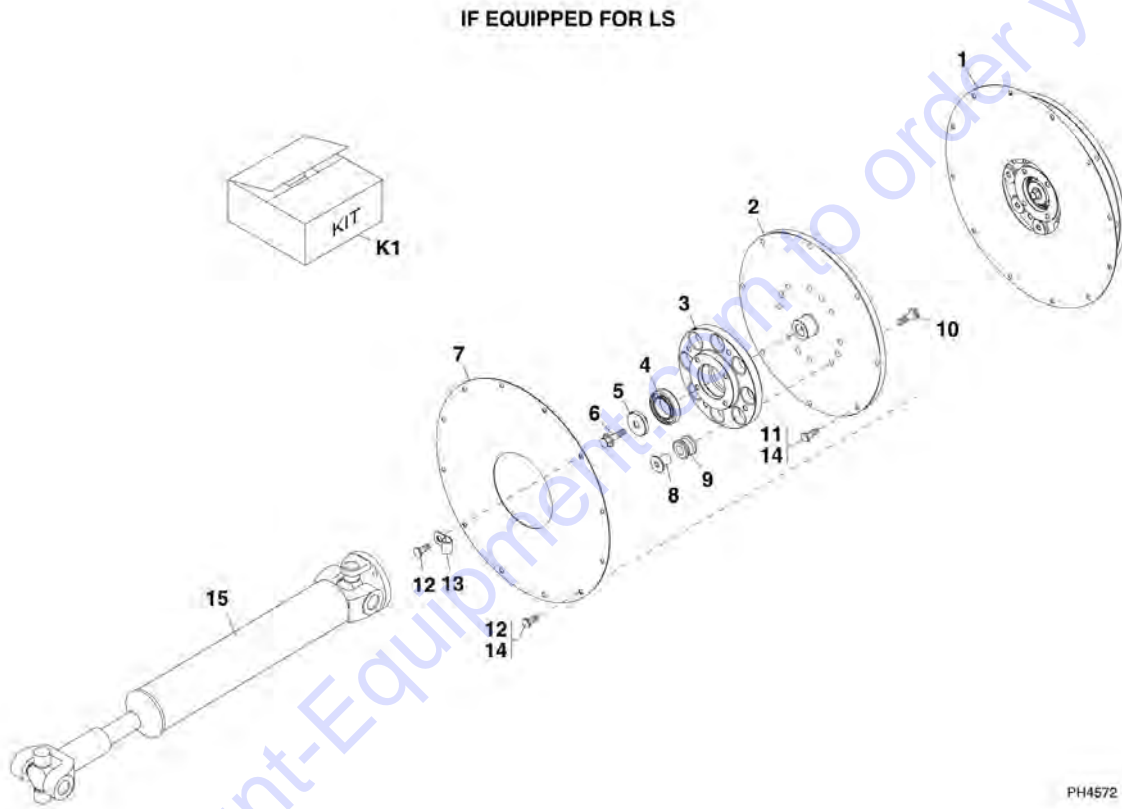
SECTION 4 - ENGINE AND ATTACHING PARTS

FIGURE 4-15. ISOLATION COUPLER

ITEM	PART NUMBER	QTY	DESCRIPTION	REV
	1001141020	Ref	ISOLATION COUPLER INSTALLATION, (not available to order, see items 1 thru 13 for service) (SN 0160045067 to Present)	A
1	8841319	1	ISOLATION COUPLER ASSY, (includes items 2 thru 10)	AA
2	N.S.S.	1	FLYWHEEL PLATE, (not available to order, use 8841319 for replacement)	
3	7029264	1	COUPLING HUB	
4	N.S.S.	1	BALL BEARING, (not available to order, use 8841319 for replacement)	
5	Kit	1	THRU BUSHING	
6	Kit	5	HEX HD CAPSCREW, 7/16-20X1-1/2, GR8	
7	7029265	1	COVER PLATE	
8	Kit	8	THREADED BUSHING	
9	Kit	8	NEOPRENE INSERT	
10	Kit	8	HEX HD CAPSCREW, 7/16-20X1-1/4, GR8	
11	8303755	8	HEX HD CAPSCREW, M10-1-1/2X30MM, PC8.8, (torque to 40-45 lb-ft/54-61 Nm)	
12	8303784	8	HEX HD CAPSCREW, M10-1-1/2X20MM, PC8, (torque to 40-45 lb-ft/54-61 Nm)	
13	8526007	AR	LOCTITE 242, (apply to items 11 & 12)	
14		Ref	DRIVE SHAFT, (engine input), (See DRIVE TRAIN SECTION for Breakdown)	
K1	70020228	1	ISOLATION COUPLER SERVICE KIT, (includes items 5, 6, 8, 9 & 10)	

SECTION 4 - ENGINE AND ATTACHING PARTS

FIGURE 4-16. ISOLATION COUPLER IF EQUIPPED FOR LS



PH4572

SECTION 4 - ENGINE AND ATTACHING PARTS

FIGURE 4-16. ISOLATION COUPLER IF EQUIPPED FOR LS

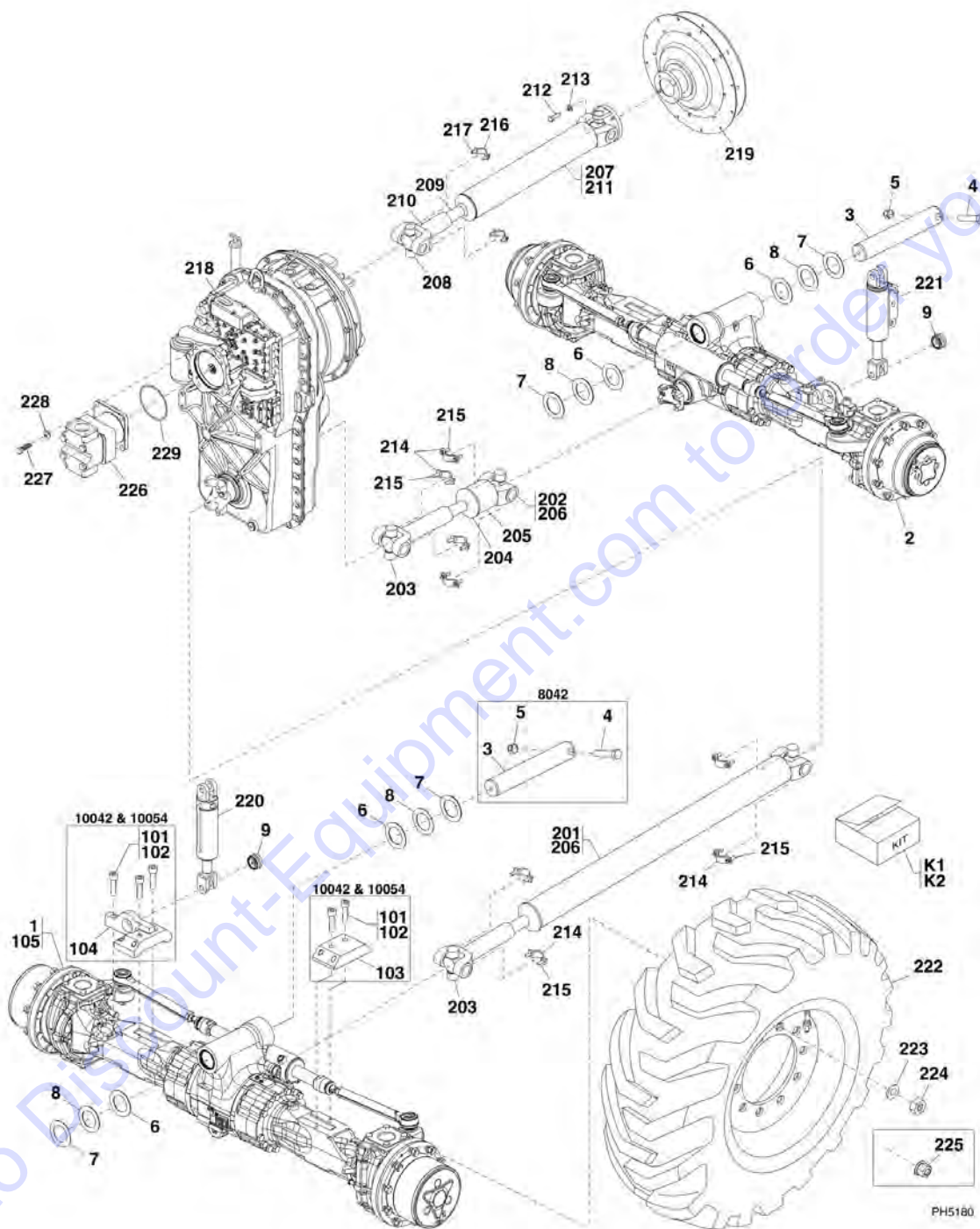
ITEM	PART NUMBER	QTY	DESCRIPTION	REV
	7301500	Ref	ISOLATION COUPLER INSTALLATION, (if equipped for LS), (not available to order, see items 1 thru 14 for service) (Prior to SN 0160045067)	AA
1	8841319	1	ISOLATION COUPLER ASSY, (includes items 2 thru 10)	AA
2	N.S.S.	1	FLYWHEEL PLATE, (not available to order, use item 1 for replacement)	
3	7029264	1	COUPLING HUB	
4	N.S.S.	1	BALL BEARING, (not available to order, use item 1 for replacement)	
5	Kit	1	THRU BUSHING	
6	Kit	5	HEX HD CAPSCREW, 7/16-20X1-1/2, GR8	
7	7029265	1	COVER PLATE	
8	Kit	8	THREADED BUSHING	
9	Kit	8	NEOPRENE INSERT	
10	Kit	8	HEX HD CAPSCREW, 7/16-20X1-1/4, GR8	
11	8303755	8	HEX HD CAPSCREW, M10-1-1/2X30MM, GR8.8, (torque to 40-45 lb-ft/54-61 Nm)	
12	8303784	12	HEX HD CAPSCREW, M10-1-1/2X20MM, GR8, (torque to 40-45 lb-ft/54-61 Nm)	
13	8406105	1	TUBE CLIP, 3/4 DIA	
14	8526007	AR	LOCTITE 242	
15		Ref	DRIVE SHAFT, (engine input), (See DRIVE TRAIN SECTION for Breakdown)	
K1	70020228	1	ISOLATION COUPLER SERVICE KIT, (includes items 5, 6, 8, 9 & 10)	

SECTION 5 - DRIVE TRAIN

Go to Discount-Equipment.com to order your parts

SECTION 5 - DRIVE TRAIN

FIGURE 5-1. DRIVE TRAIN COMPONENTS



SECTION 5 - DRIVE TRAIN

FIGURE 5-1. DRIVE TRAIN COMPONENTS

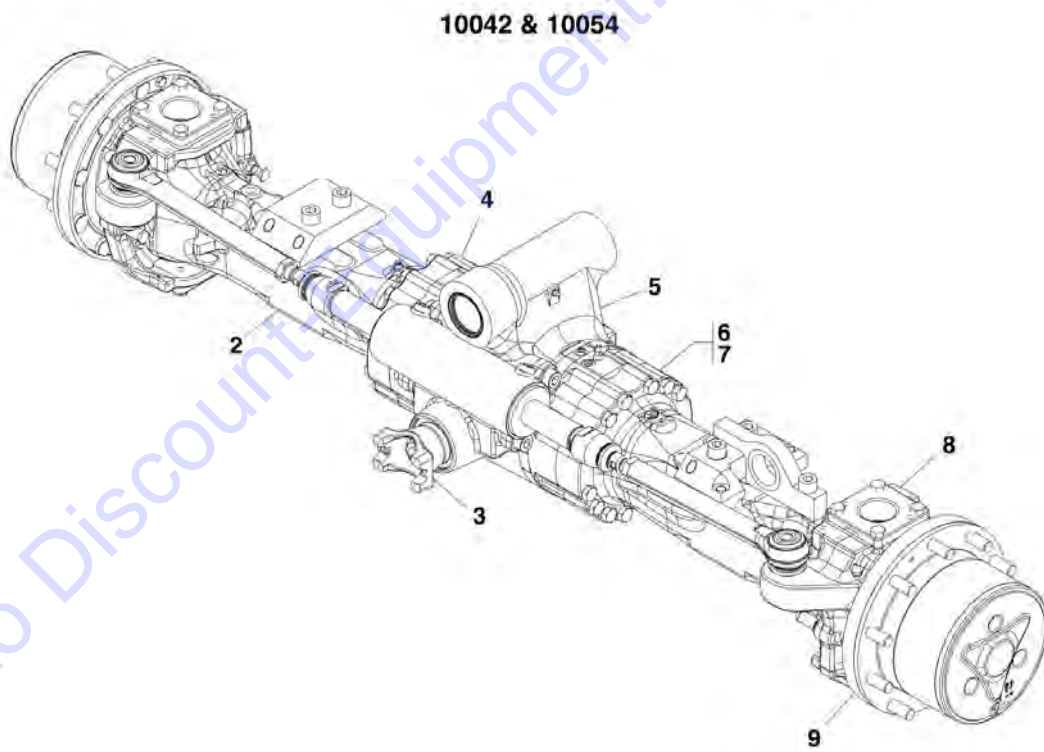
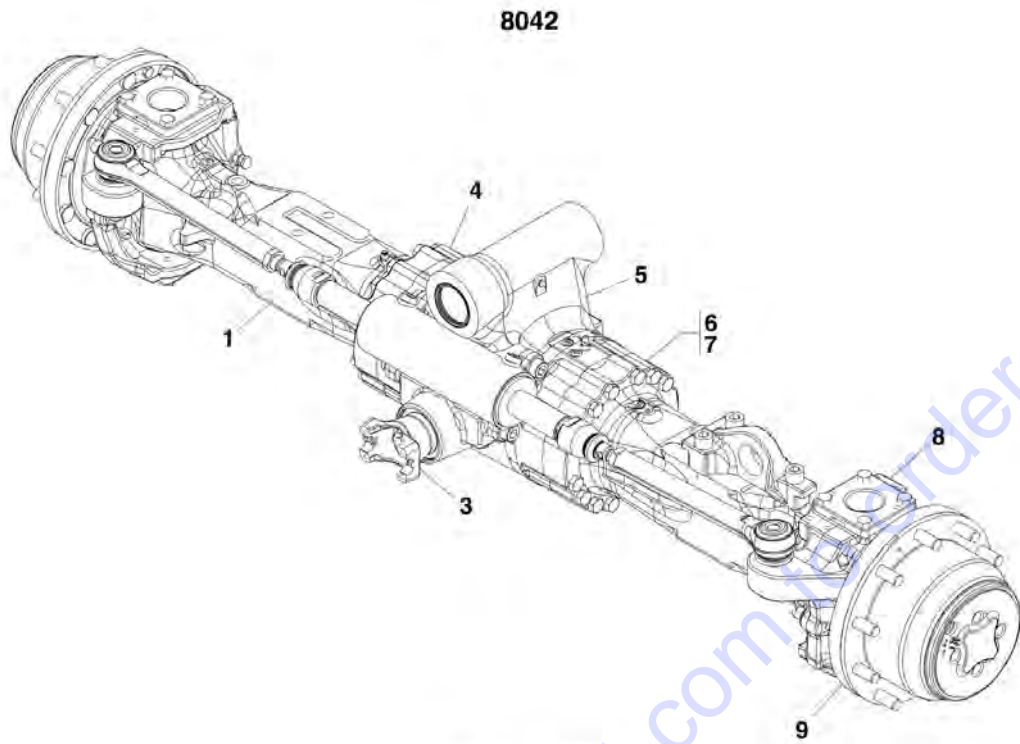
ITEM	PART NUMBER	QTY	DESCRIPTION	REV
	1001104796	Ref	AXLE INSTALLATION, (8042), (not available to order, see items 1 thru 9 for service)	D
	1001104800	Ref	AXLE INSTALLATION, (10042 & 10054), (not available to order, see items 2 thru 10 for service)	D
1		Ref	FRONT AXLE, (See FRONT AXLE for Breakdown)	
2		Ref	REAR AXLE, (See REAR AXLE for Breakdown)	
3	3423254	2	AXLE PIVOT PIN, (8042)	
3	3423254	1	AXLE PIVOT PIN, (10042 & 10054)	
4	0642640	2	HEX HD CAPSCREW, 1-8X5, GR5, (8042)	
4	0642640	1	HEX HD CAPSCREW, 1-8X5, GR5, (10042 & 10054)	
5	8310116	2	HEX LOCKNUT, 1-8, (8042)	
5	8310116	1	HEX LOCKNUT, 1-8, (10042 & 10054)	
6	8307912	AR	SHIM WASHER, .06	
7	8307913	AR	SHIM WASHER, .12	
8	8310259	AR	SHIM WASHER, .09	
9	8050001	2	BEARING	
10	1001110889	1	LOCTITE 271, (apply to item 101)	B
101	1001103619	5	SOCKET HD CAPSCREW, M22X1-1/2X80	
102	0100019	AR	LOCTITE 271, (apply to item 101)	
103	1001107744	1	OUTRIGGER MOUNTING BRACE	
104	1001107746	1	FRAME LEVEL CYLINDER LUG	
105		Ref	FRONT AXLE, (See FRONT AXLE for Breakdown)	
	1001128946	Ref	DRIVE SHAFT INSTALLATION, (not available to order, see items 201 thru 217 for service)	B
201	7138638	1	FRONT AXLE DRIVE SHAFT, (includes items 203 thru 206)	D
202	7138639	1	REAR AXLE DRIVE SHAFT, (includes items 203 thru 206)	E
203	8035778	4	CROSS AND BEARING KIT, (two required per drive shaft)	
204	8035109	2	DUST CAP KIT, (one required per drive shaft)	
205	N.S.S.	2	SLIP JOINT	
206	N.S.S.	2	YOKE SHAFT	
207	1001127784	1	DRIVE SHAFT - ENGINE TO TRANSMISSION, (includes items 208 thru 211)	C
208	1101841	2	CROSS AND BEARING KIT	
209	8035109	1	DUST CAP KIT	
210	N.S.S.	2	SLIP JOINT	
211	N.S.S.	2	YOKE SHAFT	
212	8310425	4	HEX HD CAPSCREW, 7/16-20X1-1/4, GR8	
213	8307006	4	LOCKWASHER, 7/16	
214	Kit	8	STRAP, (use kit 8880218-OM for replacement)	
215	Kit	16	SCREW, (torque to 32-42 lb-ft/43-57 Nm), (must replace when removed, do not re-torque), (use kit 8880218-OM for replacement)	
216	Kit	2	STRAP, (use kit 8880219-OM for replacement)	
217	Kit	4	SCREW, (torque to 35 lb-ft/47 Nm), (must replace when removed, do not re-torque), (use kit 8880219-OM for replacement)	
218		Ref	ZF TRANSMISSION, (See ZF TRANSMISSION INSTALLATION for Breakdown)	
219		Ref	ISOLATION COUPLER, (See ENGINE AND ATTACHING PARTS SECTION for Breakdown)	
220		Ref	FRAME LEVEL CYLINDER AND MOUNTING HARDWARE, (See HYDRAULIC COMPONENTS SECTION for Breakdown)	
221		Ref	STABIL-TRAK CYLINDER AND MOUNTING HARDWARE, (See HYDRAULIC COMPONENTS SECTION for Breakdown)	

SECTION 5 - DRIVE TRAIN

ITEM	PART NUMBER	QTY	DESCRIPTION	REV
222		Ref	WHEEL ASSY, (See WHEEL ASSEMBLY for Breakdown)	
223	8786573	40	LOCKWASHER, M22, (10 per tire), (not required with Firestone 370/75-28 (8042) or Firestone 400/75-28 (10042 & 10054))	
224	8786572	40	WHEEL NUT, (10 per tire), (torque to 430-470 lb-ft/583-637 Nm), (not required with Firestone 370/75-28 (8042) or Firestone 400/75-28 (10042 & 10054))	
225	91403193	40	LUG NUT, M22X1-1/2, FREE SPINNING, (10 per tire), (torque to 430-470 lb-ft/583-637 Nm), (if equipped with Firestone 370/75-28 (8042) or Firestone 400/75-28 (10042 & 10054))	
226		Ref	PISTON PUMP, (See HYDRAULIC COMPONENTS SECTION for Breakdown)	
227	8303519	4	HEX HD CAPSCREW, M12X1-3/4X35MM, PC8.8	
228	8310356	4	HARDENED WASHER, 12MM	
229	8630019	1	O-RING	
K1	8880218-OM	4	STRAP KIT, (includes qty 2 of item 214 & qty 4 of item 215)	
K2	8880219-OM	1	STRAP KIT, (includes qty 2 of item 216 & qty 4 of item 217)	

SECTION 5 - DRIVE TRAIN

FIGURE 5-2. FRONT AXLE



PH5340

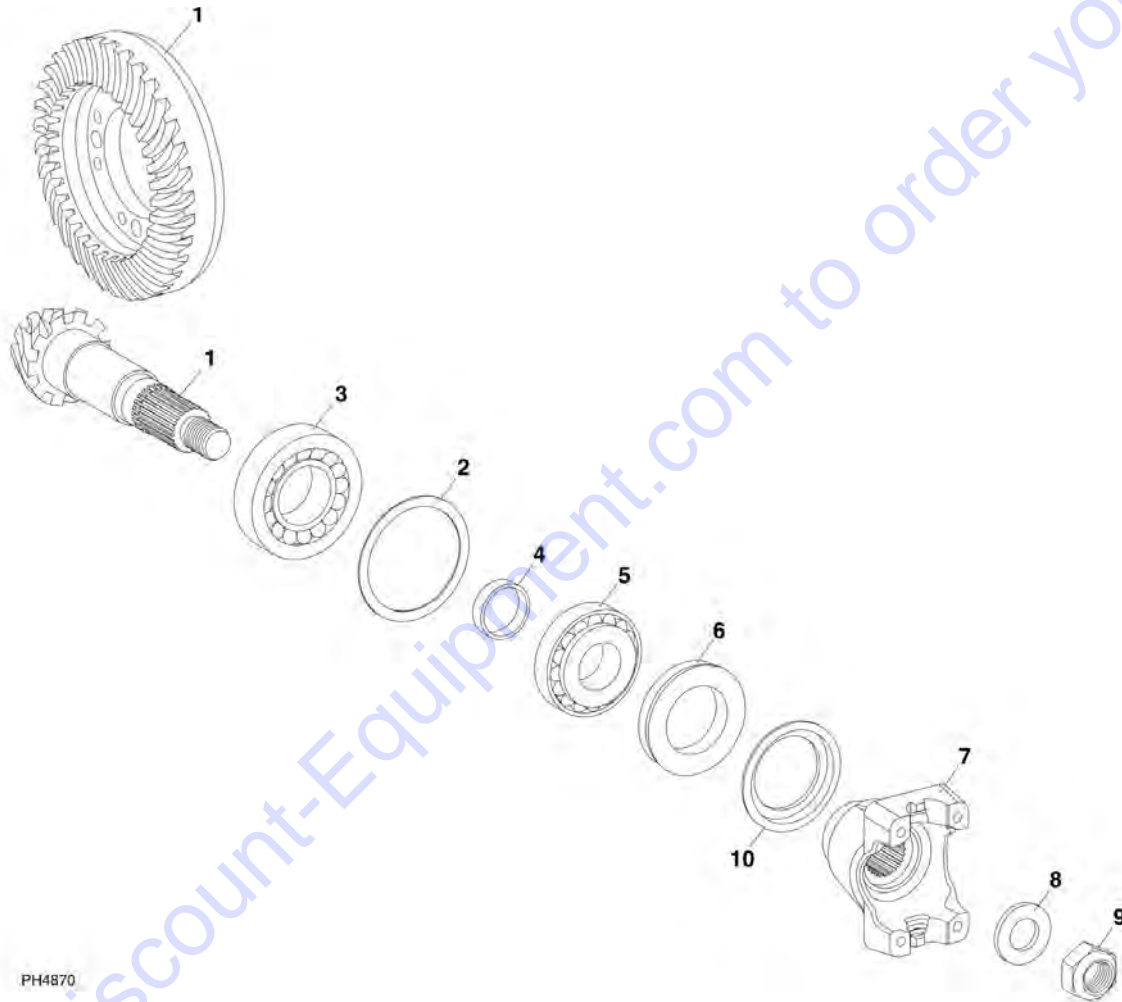
SECTION 5 - DRIVE TRAIN

FIGURE 5-2. FRONT AXLE

ITEM	PART NUMBER	QTY	DESCRIPTION	REV
1	1001103628	1	FRONT AXLE, (8042), (includes all items) (Prior to SN 0160059502)	G
1	1001150586	1 1	FRONT AXLE, (8042), (includes all items) (SN 0160059502 to Present)	D
2	1001103629	1	FRONT AXLE, (10042 & 10054), (includes all items)	H
3		Ref	INPUT, (See FRONT AXLE - INPUT for Breakdown)	
4		Ref	LIMITED SLIP DIFFERENTIAL, (See FRONT AXLE - LIMITED SLIP DIFFERENTIAL for Breakdown)	
5		Ref	AXLE CASING, (See FRONT AXLE - CASING for Breakdown)	
6		Ref	M-DISC BRAKE, (See FRONT AXLE - M-DISC BRAKE for Breakdown)	
7		Ref	BRAKE, (See FRONT AXLE - BRAKE for Breakdown)	
8		Ref	JOINT HOUSING, (See FRONT AXLE - JOINT HOUSING for Breakdown)	
9		Ref	PLANETARY DRIVE, (See FRONT AXLE - PLANETARY DRIVE for Breakdown)	

SECTION 5 - DRIVE TRAIN

FIGURE 5-3. FRONT AXLE - INPUT



SECTION 5 - DRIVE TRAIN

FIGURE 5-3. FRONT AXLE - INPUT

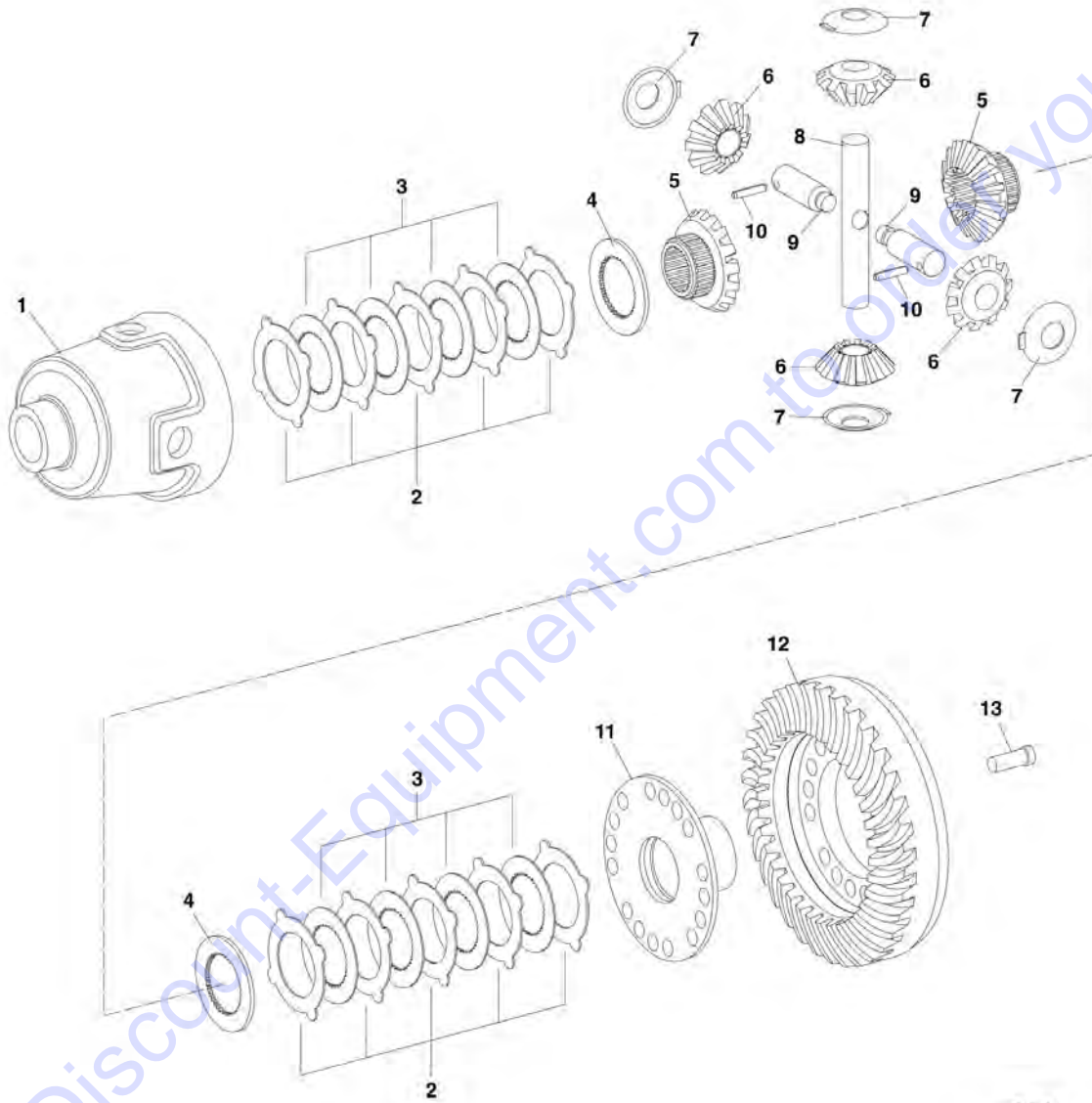
ITEM	PART NUMBER	QTY	DESCRIPTION	REV
1	70022232	1	BEVEL GEAR SET, (8042) (Prior to SN 0160059502)	
1	70022774	1	BEVEL GEAR SET, (8042) (SN 0160059502 to Present)	
1	70022272	1	BEVEL GEAR SET, (10042 & 10054)	
2	80304160	1	SHIM, 0.1	
2	80304159	1	SHIM, 0.2	
2	80304158	1	SHIM, 0.3	
2	80304157	1	SHIM, 0.5	
2	80304156	1	SHIM, 0.6	
2	80304162	1	SHIM, 0.65	
2	80304155	1	SHIM, 0.7	
2	80304161	1	SHIM, 0.75	
2	80304154	1	SHIM, 0.8	
2	80304153	1	SHIM, 0.9	
2	80304152	1	SHIM, 1.0	
2	80304146	1	SHIM, 1.2	
2	80304163	1	SHIM, 1.25	
2	80304151	1	SHIM, 1.3	
2	80304164	1	SHIM, 1.35	
2	80304150	1	SHIM, 1.4	
2	80304165	1	SHIM, 1.45	
2	80304145	1	SHIM, 1.5	
2	80304166	1	SHIM, 1.55	
2	80304149	1	SHIM, 1.6	
2	80304167	1	SHIM, 1.65	
2	80304148	1	SHIM, 1.7	
2	80304168	1	SHIM, 1.75	
2	80304144	1	SHIM, 1.8	
2	80304169	1	SHIM, 1.85	
2	80304147	1	SHIM, 1.9	
2	80304143	1	SHIM, 2.0	
3	70022231	1	ROLLER BEARING, (10042 & 10054) (8042 Prior to SN 0160059502)	
3	70023400	1	ROLLER BEARING (8042 SN 0160059502 to Present)	
4	80304088	1	RING, 16.0, (10042 & 10054) (8042 Prior to SN 0160059502)	
4	70024579	1	RING, 16.0 (8042 SN 0160059502 to Present)	
4	80304089	1	RING, 16.1	
4	80304090	1	RING, 16.2	
4	80304091	1	RING, 16.3	
4	80304092	1	RING, 16.4	
4	80304093	1	RING, 16.5	
4	80304110	1	RING, 16.56	
4	80304094	1	RING, 16.6	
4	80304111	1	RING, 16.62	
4	80304112	1	RING, 16.64, (10042 & 10054) (8042 Prior to SN 0160059502)	
4	70024581	1	RING, 16.64 (8042 SN 0160059502 to Present)	
4	80304124	1	RING, 16.66	
4	80304113	1	RING, 16.68	
4	80304095	1	RING, 16.7	
4	70022216	1	RING, 16.72	
4	80304115	1	RING, 16.74, (10042 & 10054) (8042 Prior to SN 0160059502)	

SECTION 5 - DRIVE TRAIN

ITEM	PART NUMBER	QTY	DESCRIPTION	REV
4	70024584	1	RING, 16.74 (8042 SN 0160059502 to Present)	
4	80304117	1	RING, 16.76, (10042 & 10054) (8042 Prior to SN 0160059502)	
4	70024585	1	RING, 16.76 (8042 SN 0160059502 to Present)	
4	80304118	1	RING, 16.78	
4	80304096	1	RING, 16.8	
4	80304119	1	RING, 16.82	
4	80304120	1	RING, 16.84	
4	80304104	1	RING, 16.86	
4	80304121	1	RING, 16.88, (10042 & 10054) (8042 Prior to SN 0160059502)	
4	70024592	1	RING, 16.88 (8042 SN 0160059502 to Present)	
4	70023903	1	RING, 16.89 (8042 SN 0160059502 to Present)	
4	80304122	1	RING, 16.9, (10042 & 10054) (8042 Prior to SN 0160059502)	
4	70024593	1	RING, 16.9 (8042 SN 0160059502 to Present)	
4	80304097	1	RING, 16.92	
4	80304123	1	RING, 16.94, (10042 & 10054) (8042 Prior to SN 0160059502)	
4	70024594	1	RING, 16.94 (8042 SN 0160059502 to Present)	
4	80304125	1	RING, 16.96	
4	80304107	1	RING, 16.98	
4	80304126	1	RING, 17.0, (10042 & 10054) (8042 Prior to SN 0160059502)	
4	70024596	1	RING, 17.0 (8042 SN 0160059502 to Present)	
4	80304127	1	RING, 17.02, (10042 & 10054) (8042 Prior to SN 0160059502)	
4	70024597	1	RING, 17.02 (8042 SN 0160059502 to Present)	
4	80304108	1	RING, 17.04	
4	80304128	1	RING, 17.06, (10042 & 10054) (8042 Prior to SN 0160059502)	
4	70024598	1	RING, 17.06 (8042 SN 0160059502 to Present)	
4	80304129	1	RING, 17.08, (10042 & 10054) (8042 Prior to SN 0160059502)	
4	70024599	1	RING, 17.08 (8042 SN 0160059502 to Present)	
4	80304099	1	RING, 17.10	
4	80304130	1	RING, 17.12, (10042 & 10054) (8042 Prior to SN 0160059502)	
4	70024600	1	RING, 17.12 (8042 SN 0160059502 to Present)	
4	80304131	1	RING, 17.14, (10042 & 10054) (8042 Prior to SN 0160059502)	
4	70024601	1	RING, 17.14 (8042 SN 0160059502 to Present)	
4	80304132	1	RING, 17.16	
4	80304133	1	RING, 17.18	
4	80304100	1	RING, 17.2	
4	80304134	1	RING, 17.22	
4	80304135	1	RING, 17.24	
4	80304136	1	RING, 17.26	
4	80304137	1	RING, 17.28	
4	80304101	1	RING, 17.3	
4	80304102	1	RING, 17.4	
5	1319353	1	ROLLER BEARING	
6	70022220	1	SHAFT SEAL	
7	70022245	1	END YOKE	
8	80304082	1	WASHER	
9	70022213	1	HEX NUT	
10	70022244	1	SCREEN SHEET, (10042 & 10054) (8042 Prior to SN 0160059502)	
10	70022776	1	SCREEN SHEET (8042 SN 0160059502 to Present)	

SECTION 5 - DRIVE TRAIN

FIGURE 5-4. FRONT AXLE - LIMITED SLIP DIFFERENTIAL



PA3301

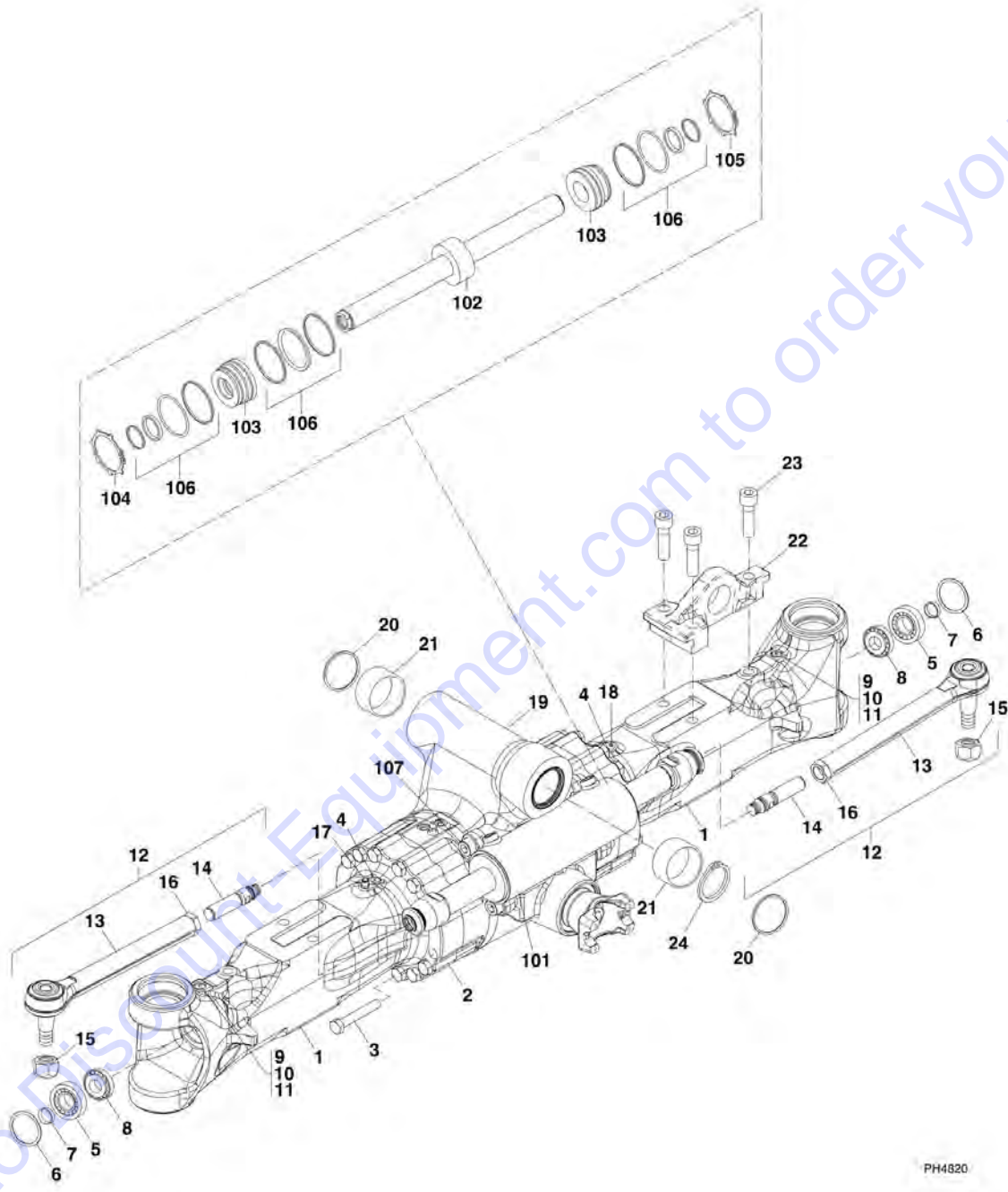
SECTION 5 - DRIVE TRAIN

FIGURE 5-4. FRONT AXLE - LIMITED SLIP DIFFERENTIAL

ITEM	PART NUMBER	QTY	DESCRIPTION	REV
1	70023910	1	DIFFERENTIAL CASE, (10042 & 10054) (8042 Prior to SN 0160059502)	
1	70026144	1	DIFFERENTIAL CASE (8042 SN 0160059502 to Present)	
2	70022263	10	O. CLUTCH DISC, 1.2, (10042 & 10054) (8042 Prior to SN 0160059502)	
2	70022263	8	O. CLUTCH DISC (8042 SN 0160059502 to Present)	
2	70022264	10	O. CLUTCH DISC, 1.3, (10042 & 10054) (8042 Prior to SN 0160059502)	
2	70022264	8	O. CLUTCH DISC (8042 SN 0160059502 to Present)	
3	70022260	8	I. CLUTCH DISC, (10042 & 10054) (8042 Prior to SN 0160059502)	
3	70026145	6	I. CLUTCH DISC (8042 SN 0160059502 to Present)	
4	70022261	2	PRESSURE DISC, (10042 & 10054) (8042 Prior to SN 0160059502)	
4	70026146	2	PRESSURE DISC (8042 SN 0160059502 to Present)	
5	70022225	2	AXLE BEVEL GEAR	
6	70022185	4	DIFFERENTIAL BEVEL GEAR	
7	70022262	4	THRUST WASHER	
8	70022227	1	DIFFERENTIAL AXLE	
9	70022228	2	DIFFERENTIAL AXLE, (10042 & 10054) (8042 Prior to SN 0160059502)	
9	70026147	2	DIFFERENTIAL AXLE (8042 SN 0160059502 to Present)	
10	70023904	2	SLOTTED PIN, (10042 & 10054) (8042 Prior to SN 0160059502)	
10	70026148	2	SLOTTED PIN (8042 SN 0160059502 to Present)	
11	70022229	1	COVER	
12		Ref	BEVEL GEAR SET, (See FRONT AXLE - INPUT for Breakdown)	
13	70022211	16	CAP SCREW, M12X35	

SECTION 5 - DRIVE TRAIN

FIGURE 5-5. FRONT AXLE - AXLE CASING



PH4820

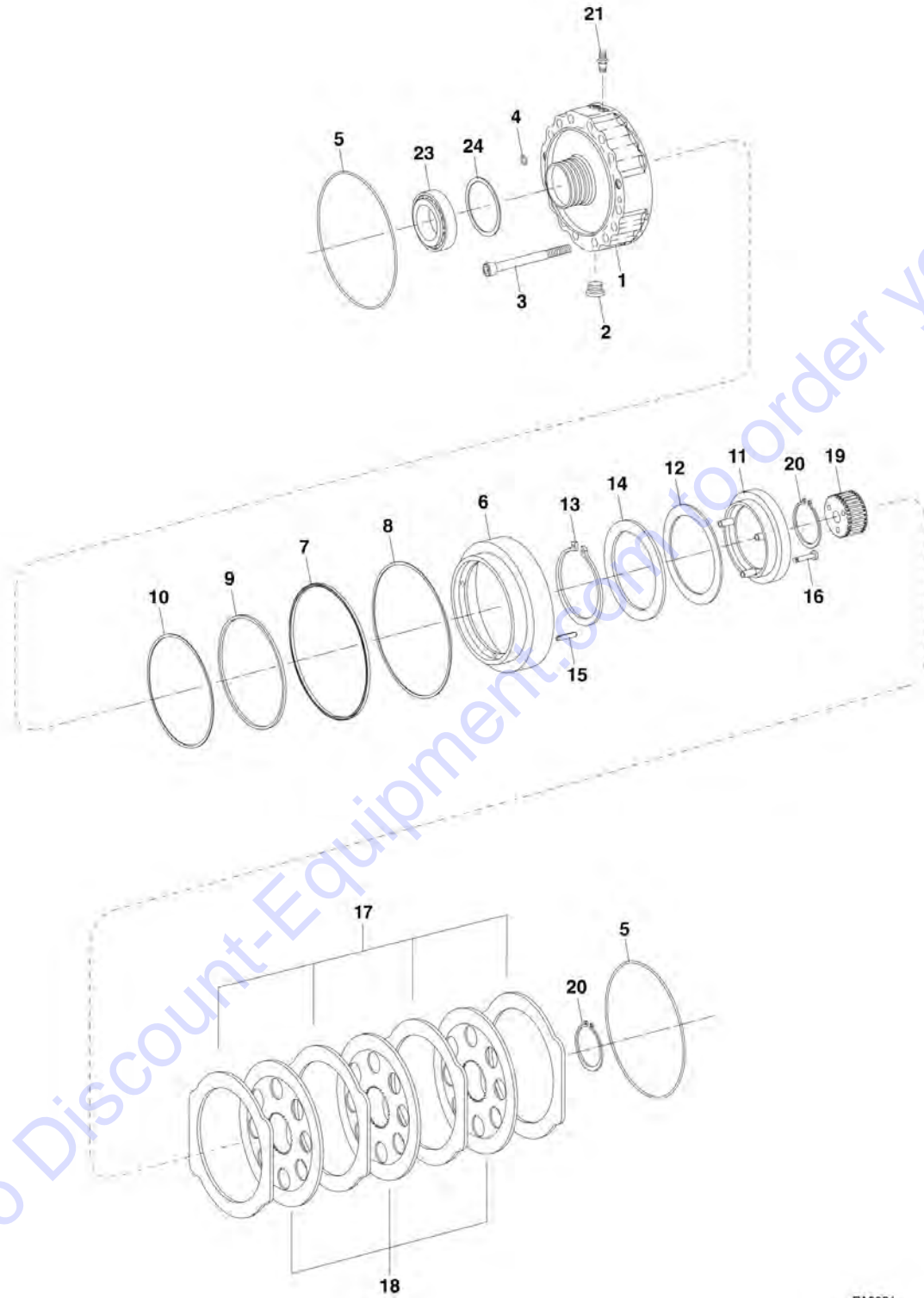
SECTION 5 - DRIVE TRAIN

FIGURE 5-5. FRONT AXLE - AXLE CASING

ITEM	PART NUMBER	QTY	DESCRIPTION	REV
1	70022255	2	AXLE CASING	
2	70022277	1	AXLE DRIVE HOUSING	
3	70022206	28	HEX HD CAPSCREW, M18X180	
4	1319578	4	SCREW PLUG, (10042 & 10054) (8042 Prior to SN 0160059502)	
4	70023404	4	SCREW PLUG (8042 SN 0160059502 to Present)	
5	70022241	2	BUSHING	
6	70022204	2	O-RING	
7	70022217	2	RING	
8	10731790	2	BEARING	
9	70022201	2	SET SCREW, M10X16, (10042 & 10054) (8042 Prior to SN 0160059502)	
9	70024615	2	SET SCREW, M10X1X55 (8042 SN 0160059502 to Present)	
10	1319666	2	SCREW PLUG, (10042 & 10054) (8042 Prior to SN 0160059502)	
10	70023906	2	WASHER (8042 SN 0160059502 to Present)	
11	7027217	2	O-RING, (10042 & 10054) (8042 Prior to SN 0160059502)	
11	70023907	2	HEX NUT (8042 SN 0160059502 to Present)	
12	70022174	2	TIE ROD, (includes items 13 thru 16)	
13	70022175	1	BALL JOINT	
14	70022172	1	AXIAL JOINT	
15	8036758	1	LOCKNUT	
16	8036759	1	HEX NUT	
17	1319436	1	BREATHER	
18	8036418	1	SCREW PLUG, (10042 & 10054) (8042 Prior to SN 0160059502)	
18	8036418	1	SCREW PLUG (8042 SN 0160059502 to Present)	
19	1319423	1	GREASE FITTING	
20	1321234	2	BUSHING	
21	1321209	2	SHAFT SEAL	
22	70022254	1	BRACKET	
23	1001103619	3	HEX HD CAPSCREW, M22X80	
24	70022269	1	SNAP RING (8042 SN 0160059502 to Present)	
101	70022173	1	STEERING CYLINDER, (includes items 102 thru 106)	
102	70022177	1	PISTON ROD	
103	70022184	2	BREAK HEAD	
104	70022181	2	RETAINING RING	
105	70022180	2	RETAINING RING	
106	70022178	1	SEAL KIT	
107	70022210	4	CAPSCREW, M22X55, (10042 & 10054) (8042 Prior to SN 0160059502)	
107	70022789	4	CAPSCREW, M22X1X55 (8042 SN 0160059502 to Present)	

SECTION 5 - DRIVE TRAIN

FIGURE 5-6. FRONT AXLE - M-DISC BRAKE



Go to Discount-Equipment.com to order your parts

PA3321

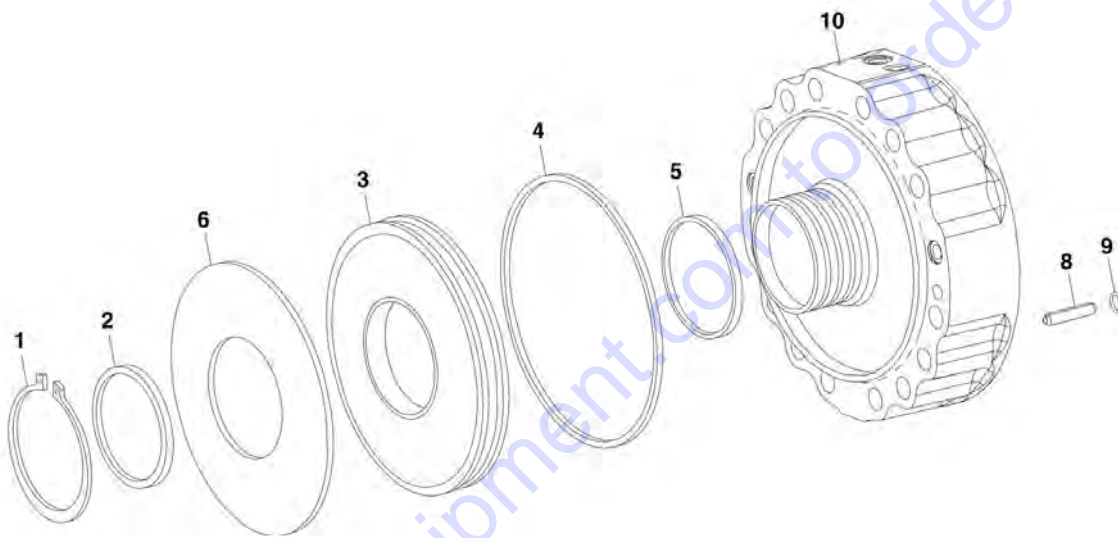
SECTION 5 - DRIVE TRAIN

FIGURE 5-6. FRONT AXLE - M-DISC BRAKE

ITEM	PART NUMBER	QTY	DESCRIPTION	REV
1	70022258	2	BRAKE HOUSING, (10042 & 10054) (8042 Prior to SN 0160059502)	
1	70026149	1	BRAKE HOUSING (8042 SN 0160059502 to Present)	
2	1319578	2	SCREW PLUG, (10042 & 10054) (8042 Prior to SN 0160059502)	
2	70023404	1	SCREW PLUG (8042 SN 0160059502 to Present)	
3	70022209	6	CAP SCREW, M12X105	
4	8036847	10	O-RING, (10042 & 10054) (8042 Prior to SN 0160059502)	
4	70022779	10	O-RING (8042 SN 0160059502 to Present)	
5	80304462	4	O-RING	
6	70022275	2	PISTON	
7	70022190	2	PISTON PACKING	
8	70022193	2	BACKUP RING	
9	70022189	2	PISTON PACKING	
10	70022194	2	BACKUP RING	
11	70022236	2	RING, (10042 & 10054) (8042 Prior to SN 0160059502)	
11	70023908	1	RING (8042 SN 0160059502 to Present)	
12	70022183	2	CUP SPRING	
13	70022198	2	RETAINING RING	
14	70022235	2	WASHER	
15	70022186	6	SLOT PIN	
16	1319214	6	CAP SCREW, M8X40	
17	70022196	10	O. CLUTCH DISC	
18	70022176	8	I. CLUTCH DISC	
19	70022253	2	DISC CARRIER	
20	10731949	4	RETAINING RING	
21	70022171	2	BREATHER	
22	70022215	2	SCREW PLUG, (not shown), (10042 & 10054) (8042 Prior to SN 0160059502)	
23	8036447	2	BEARING	
24	1319537	2	SHIM, 0.95	
24	1319545	2	SHIM, 1.05	
24	1319539	2	SHIM, 1.15	
24	1319540	2	SHIM, 1.25	
24	1319542	2	SHIM, 1.35	

SECTION 5 - DRIVE TRAIN

FIGURE 5-7. FRONT AXLE - BRAKE



PA3331

SECTION 5 - DRIVE TRAIN

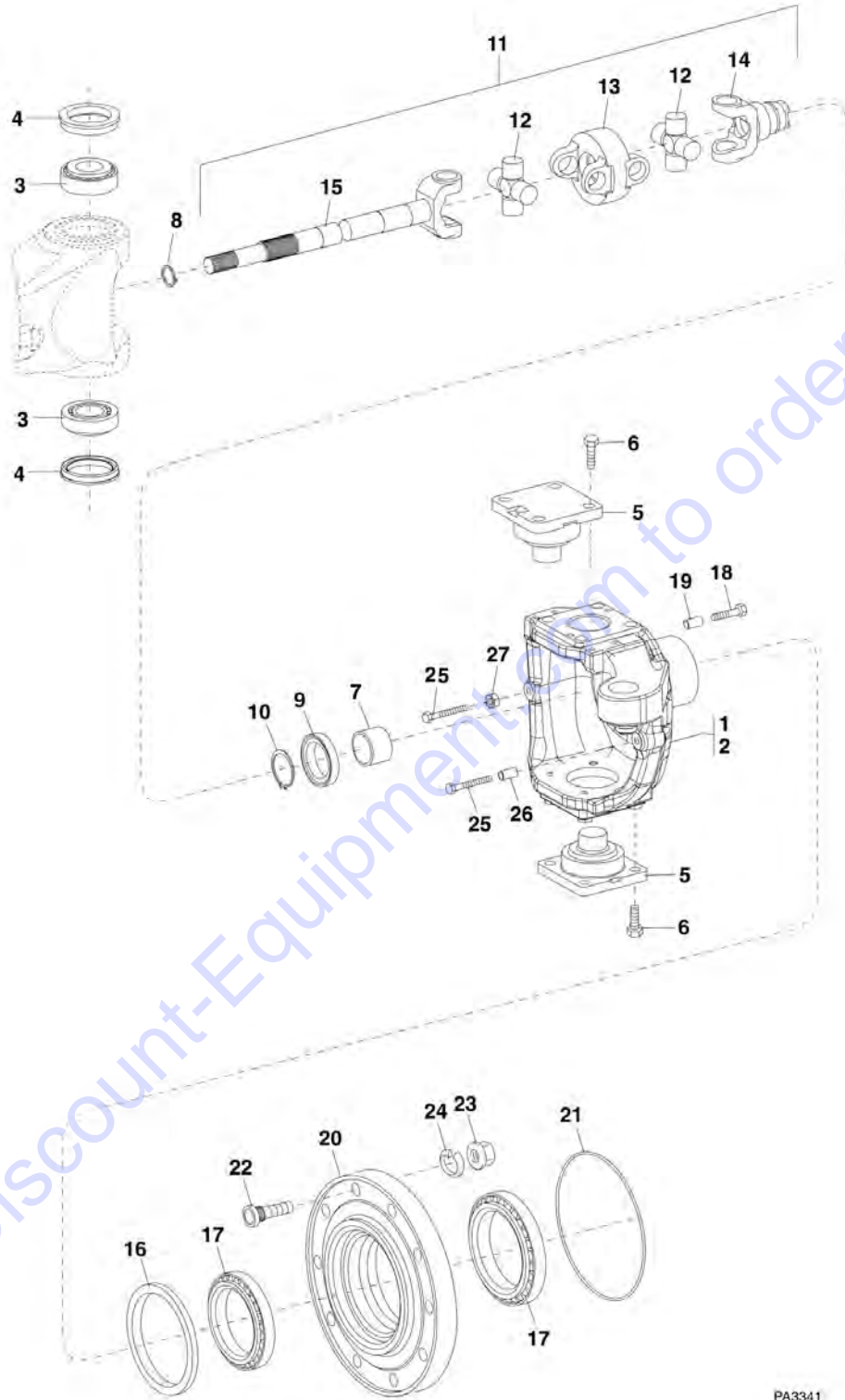
FIGURE 5-7. FRONT AXLE - BRAKE

ITEM	PART NUMBER	QTY	DESCRIPTION	REV
1	70022199	2	SNAP RING	
2	70022252	2	WASHER	
3	70022251	2	PISTON	
4	70022191	2	PISTON PACKING	
5	70022192	2	ROD SEAL	
6	70022195	2	CUP SPRING	
7	70022215	2	SCREW PLUG, (not shown), (10042 & 10054) (8042 Prior to SN 0160059502)	
8	70022248	14	PRESSURE PIN, (10042 & 10054) (8042 Prior to SN 0160059502)	
8	70024616	14	PRESSURE PIN (8042 SN 0160059502 to Present)	
9	70022202	14	O-RING, (10042 & 10054) (8042 Prior to SN 0160059502)	
10		Ref	BRAKE HOUSING, (See FRONT AXLE - M-DISC BRAKE for Breakdown)	

Go to Discount-Equipment.com to order your parts

SECTION 5 - DRIVE TRAIN

FIGURE 5-8. FRONT AXLE - JOINT HOUSING



PA3341

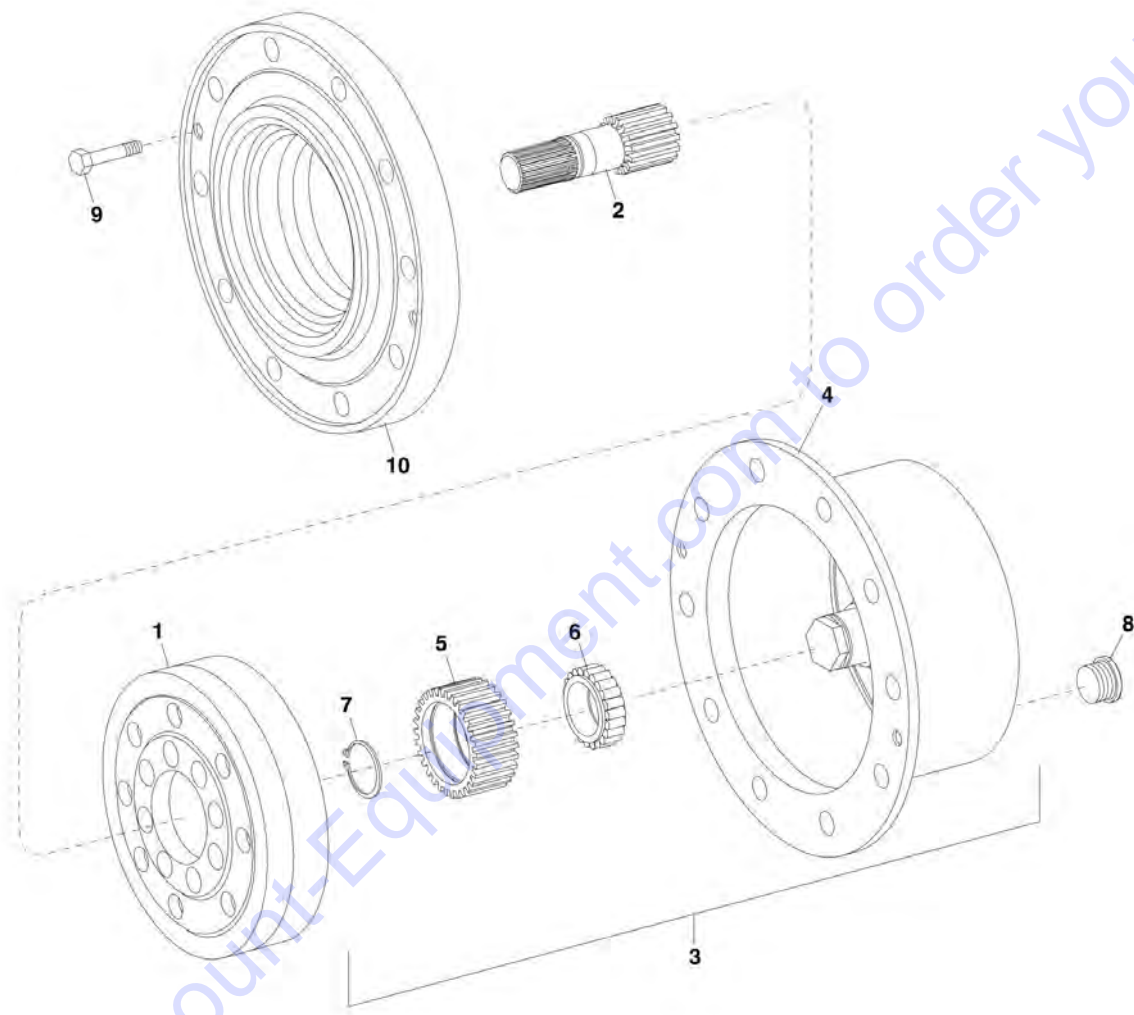
SECTION 5 - DRIVE TRAIN

FIGURE 5-8. FRONT AXLE - JOINT HOUSING

ITEM	PART NUMBER	QTY	DESCRIPTION	REV
1	70022237	1	JOINT HOUSING, (left side)	
2	70022238	1	JOINT HOUSING, (right side)	
3	70022223	4	ROLLER BEARING	
4	1319447	4	SHAFT SEAL	
5	70022240	4	BEARING PIN	
6	1319464	16	HEX SCREW, M16X40	
7	70022179	2	BUSHING	
8	10731789	2	RETAINING RING	
9	70022218	2	SHAFT SEAL	
10	1321226	2	RETAINING RING, (8042) (Prior to SN 0160059502)	
10	1321228	2	RETAINING RING, (10042 & 10054) (8042 SN 0160059502 to Present)	
11	70022170	2	UNIVERSAL COUPLING DRIVE SHAFT ASSY, (8042), (includes items 12 thru 15) (Prior to SN 0160059502)	
11	70026150	2	UNIVERSAL COUPLING DRIVE SHAFT ASSY, (8042), (includes items 12 thru 15) (SN 0160059502 to Present)	
11	70022265	2	UNIVERSAL COUPLING DRIVE SHAFT ASSY, (10042 & 10054), (includes items 12 thru 15)	
12	70021554	2	JOINT CROSS, (8042) (Prior to SN 0160059502)	
12	70024620	2	JOINT CROSS, (8042) (SN 0160059502 to Present)	
12	70021790	2	JOINT CROSS, (10042 & 10054)	
13	70021553		CENTRAL PIECE, (8042) (Prior to SN 0160059502)	
13	70024621	1	CENTRAL PIECE, (8042) (SN 0160059502 to Present)	
13	70022268	1	CENTRAL PIECE, (10042 & 10054)	
14	70022187	1	FORK SHAFT, (8042) (Prior to SN 0160059502)	
14	70024619	1	FORK SHAFT, (8042) (SN 0160059502 to Present)	
14	N.S.S.	1	FORK SHAFT, (10042 & 10054)	
15	70022188	1	FORK SHAFT, (8042) (Prior to SN 0160059502)	
15	70024618	1	FORK SHAFT, (8042) (SN 0160059502 to Present)	
15	N.S.S.	1	FORK SHAFT, (10042 & 10054)	
16	80304173	2	SHAFT SEAL	
17	1319472	4	ROLLER BEARING	
18	70022208	16	HEX SCREW, M14X70, (10042 & 10054) (8042 Prior to SN 0160059502)	
18	70023405	16	HEX SCREW, M14X70 (8042 SN 0160059502 to Present)	
19	70022234	16	CENTERING BUSHING	
20	70022249	2	HUB, (10042 & 10054) (8042 Prior to SN 0160059502)	
20	70024613	2	HUB (8042 SN 0160059502 to Present)	
21	70022203	2	O-RING	
22	70022230	20	WHEEL BOLT, (10042 & 10054) (8042 Prior to SN 0160059502)	
22	70024398	20	WHEEL BOLT (8042 SN 0160059502 to Present)	
23		Ref	WHEEL NUT, (See DRIVE TRAIN COMPONENTS for Breakdown)	
24		Ref	LOCKWASHER, (See DRIVE TRAIN COMPONENTS for Breakdown)	
25	8036330	4	STOP SCREW, M14X1.5	
26	70022257	2	SPACER TUBE	
27	1319477	2	HEX NUT, M14X1.5	

SECTION 5 - DRIVE TRAIN

FIGURE 5-9. FRONT AXLE - PLANETARY DRIVE



PA3351

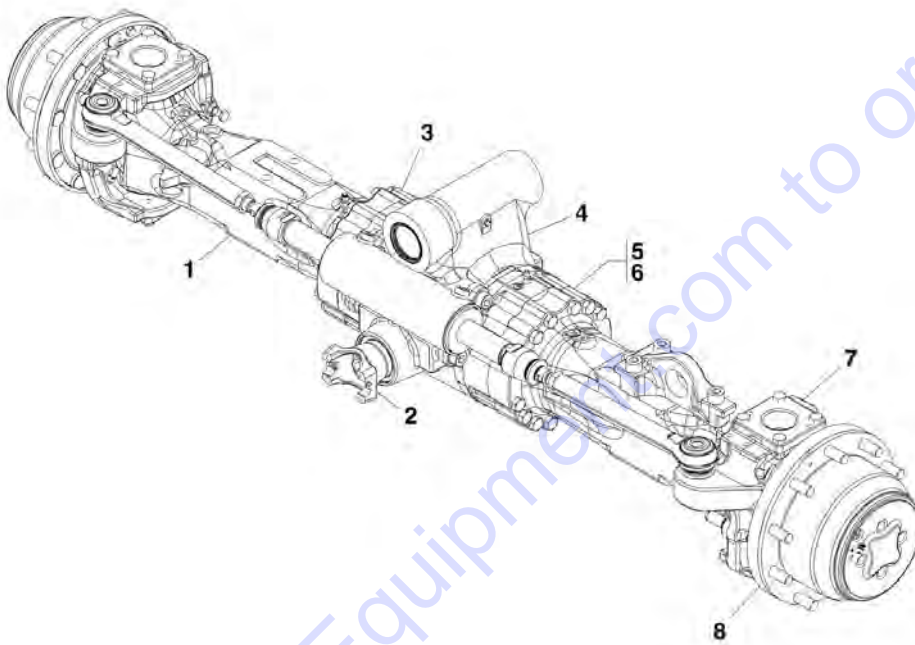
SECTION 5 - DRIVE TRAIN

FIGURE 5-9. FRONT AXLE - PLANETARY DRIVE

ITEM	PART NUMBER	QTY	DESCRIPTION	REV
1	70022242	1	RING GEAR, (8042)	
1	70022274	1	RING GEAR, (10042 & 10054)	
2	70022239	2	SUN GEAR SHAFT, (8042) (Prior to SN 0160059502)	
2	70026151	2	SUN GEAR SHAFT, (8042) (SN 0160059502 to Present)	
2	70022278	2	SUN GEAR SHAFT, (10042 & 10054)	
3	70022281	2	PLANETARY CARRIER ASSY, (8042), (includes items 4 thru 7)	
3	70022273	2	PLANETARY CARRIER ASSY, (10042 & 10054), (includes items 4 thru 7)	
4	70022283	1	PLANETARY CARRIER, (8042)	
4	70022279	1	PLANETARY CARRIER, (10042 & 10054)	
5	70022243	4	PLANETARY GEAR, (8042) (Prior to SN 0160059502)	
5	70024614	4	PLANETARY GEAR, (8042) (SN 0160059502 to Present)	
5	70022271	3	PLANETARY GEAR, (10042 & 10054)	
6	70022785	4	CYL ROLLER BEARING, (8042) (Prior to SN 0160059502)	
6	70023330	3	CYL ROLLER BEARING, (10042 & 10054)	
7	70022197	4	RETAINING RING, (8042)	
7	80304227	3	RETAINING RING, (10042 & 10054)	
8	1319578	2	SCREW PLUG, (10042 & 10054) (8042 Prior to SN 0160059502)	
8	70023404	2	SCREW PLUG (8042 SN 0160059502 to Present)	
9	70022207	4	HEX SCREW, M12X30	
10		Ref	HUB, (See FRONT AXLE - JOINT HOUSING for Breakdown)	

SECTION 5 - DRIVE TRAIN

FIGURE 5-10. REAR AXLE



PAP28970

SECTION 5 - DRIVE TRAIN

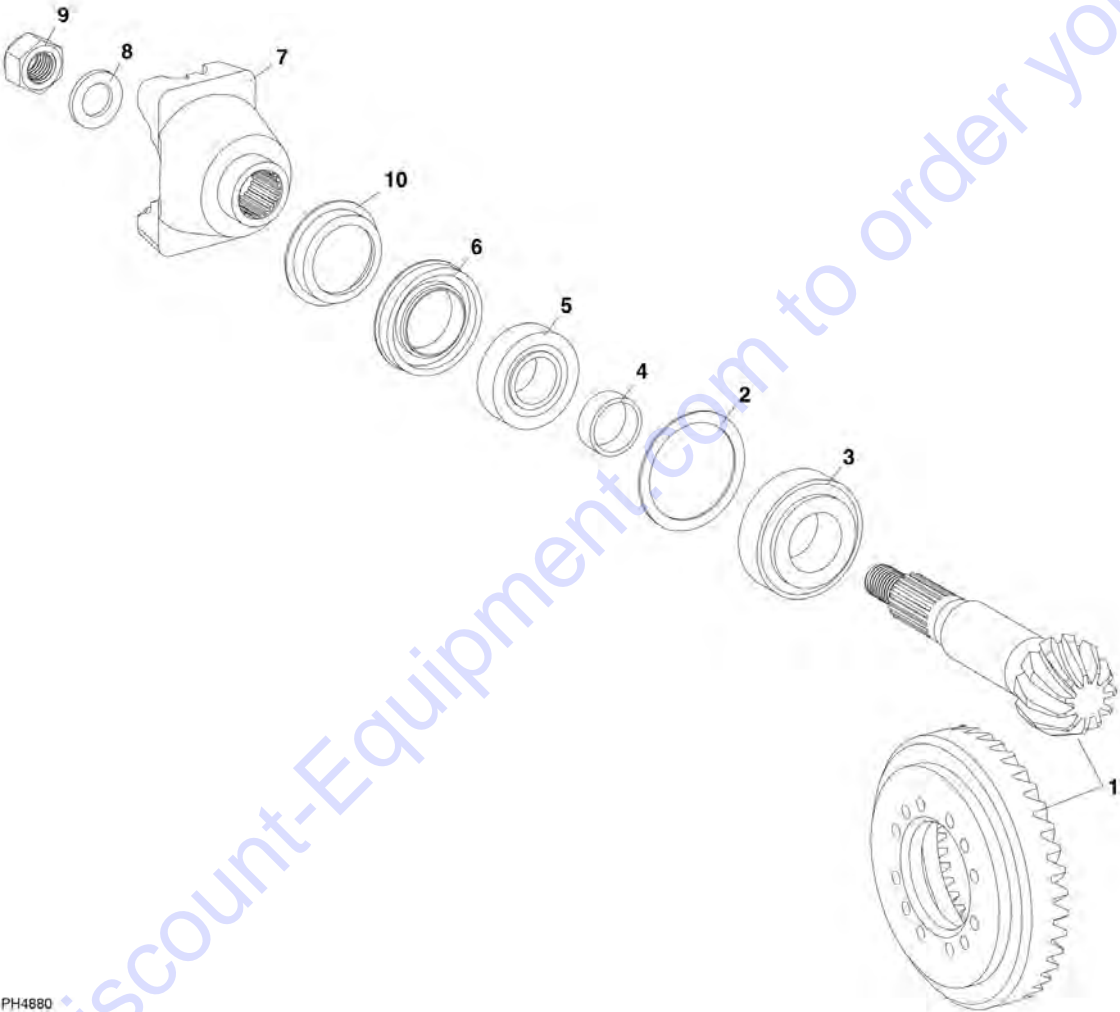
FIGURE 5-10. REAR AXLE

ITEM	PART NUMBER	QTY	DESCRIPTION	REV
1	1001116838	1	REAR AXLE, (8042), (includes all items)	F
1	1001103633	1	REAR AXLE, (10042 & 10054), (includes all items)	G
2		Ref	INPUT, (See REAR AXLE - INPUT for Breakdown)	
3		Ref	DIFFERENTIAL, (See REAR AXLE - DIFFERENTIAL for Breakdown)	
4		Ref	AXLE CASING, (See REAR AXLE - AXLE CASING for Breakdown)	
5		Ref	M-DISC BRAKE, (See REAR AXLE - M-DISC BRAKE for Breakdown)	
6		Ref	JOINT HOUSING, (See REAR AXLE - JOINT HOUSING for Breakdown)	
7		Ref	PLANETARY DRIVE, (See REAR AXLE - PLANETARY DRIVE for Breakdown)	

Go to Discount-Equipment.com to order your parts

SECTION 5 - DRIVE TRAIN

FIGURE 5-11. REAR AXLE - INPUT



PH4880

Go to Discount-Equipment.com to order your parts

SECTION 5 - DRIVE TRAIN

FIGURE 5-11. REAR AXLE - INPUT

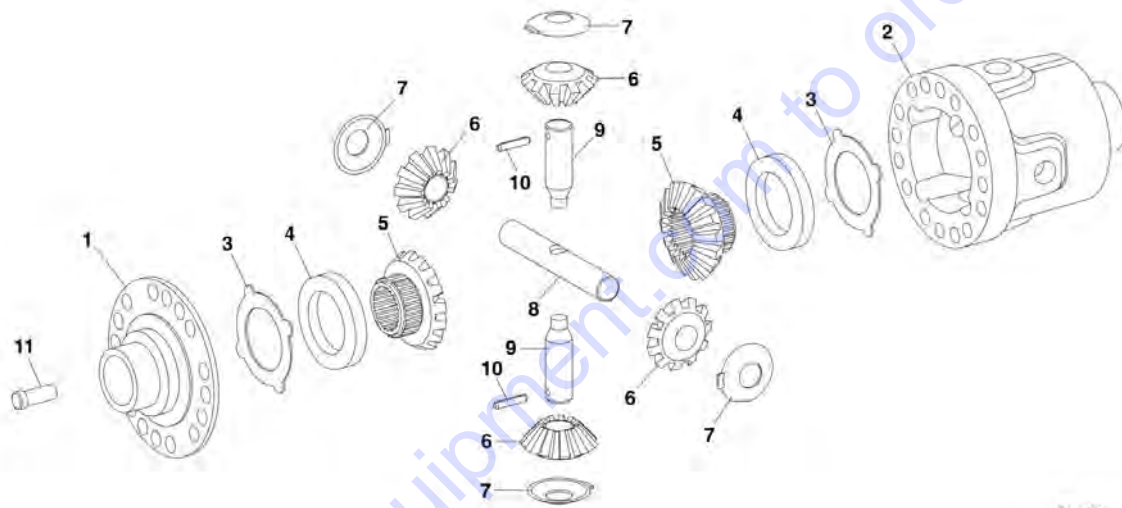
ITEM	PART NUMBER	QTY	DESCRIPTION	REV
1	70022786	1	BEVEL GEAR SET, (8042)	
1	70022787	1	PINION, (8042)	
1	70022280	1	BEVEL GEAR SET, (10042 & 10054)	
2	80304160	1	SHIM, 0.1	
2	80304159	1	SHIM, 0.2	
2	80304158	1	SHIM, 0.3	
2	80304157	1	SHIM, 0.5	
2	80304156	1	SHIM, 0.6	
2	80304162	1	SHIM, 0.65	
2	80304155	1	SHIM, 0.7	
2	80304161	1	SHIM, 0.75	
2	80304154	1	SHIM, 0.8	
2	80304153	1	SHIM, 0.9	
2	80304152	1	SHIM, 1.0	
2	80304146	1	SHIM, 1.2	
2	80304163	1	SHIM, 1.25	
2	80304151	1	SHIM, 1.3	
2	80304164	1	SHIM, 1.35	
2	80304150	1	SHIM, 1.4	
2	80304165	1	SHIM, 1.45	
2	80304145	1	SHIM, 1.5	
2	80304166	1	SHIM, 1.55	
2	80304149	1	SHIM, 1.6	
2	80304167	1	SHIM, 1.65	
2	80304148	1	SHIM, 1.7	
2	80304168	1	SHIM, 1.75	
2	80304144	1	SHIM, 1.8	
2	80304169	1	SHIM, 1.85	
2	80304147	1	SHIM, 1.9	
2	80304143	1	SHIM, 2.0	
3	70023400	1	TAPERED ROLLER BEARING, (8042)	
3	70022231	1	TAPERED ROLLER BEARING, (10042 & 10054)	
4	80304088	1	RING, 16.0	
4	80304089	1	RING, 16.1	
4	80304090	1	RING, 16.2	
4	80304091	1	RING, 16.3	
4	80304092	1	RING, 16.4	
4	80304093	1	RING, 16.5	
4	80304110	1	RING, 16.56	
4	80304094	1	RING, 16.6	
4	80304111	1	RING, 16.62	
4	80304112	1	RING, 16.64	
4	80304124	1	RING, 16.66	
4	80304113	1	RING, 16.68	
4	80304095	1	RING, 16.7	
4	70022216	1	RING, 16.72	
4	80304115	1	RING, 16.74	
4	80304117	1	RING, 16.76	
4	80304118	1	RING, 16.78	
4	80304096	1	RING, 16.8	

SECTION 5 - DRIVE TRAIN

ITEM	PART NUMBER	QTY	DESCRIPTION	REV
4	80304119	1	RING, 16.82	
4	80304120	1	RING, 16.84	
4	80304104	1	RING, 16.86	
4	80304121	1	RING, 16.88	
4	80304122	1	RING, 16.9	
4	80304097	1	RING, 16.92	
4	80304123	1	RING, 16.94	
4	80304125	1	RING, 16.96	
4	80304107	1	RING, 16.98	
4	80304126	1	RING, 17.0	
4	80304127	1	RING, 17.02	
4	80304108	1	RING, 17.04	
4	80304128	1	RING, 17.06	
4	80304129	1	RING, 17.08	
4	80304099	1	RING, 17.10	
4	80304130	1	RING, 17.12	
4	80304131	1	RING, 17.14	
4	80304132	1	RING, 17.16	
4	80304133	1	RING, 17.18	
4	80304100	1	RING, 17.2	
4	80304134	1	RING, 17.22	
4	80304135	1	RING, 17.24	
4	80304136	1	RING, 17.26	
4	80304137	1	RING, 17.28	
4	80304101	1	RING, 17.3	
4	80304102	1	RING, 17.4	
5	1319353	1	ROLLER BEARING	
6	70022220	1	SHAFT SEAL	
7	70022245	1	END YOKE	
8	80304082	1	WASHER	
9	70022213	1	HEX NUT	
10	70022244	1	SCREEN SHEET	

SECTION 5 - DRIVE TRAIN

FIGURE 5-12. REAR AXLE - DIFFERENTIAL



PA4700

SECTION 5 - DRIVE TRAIN

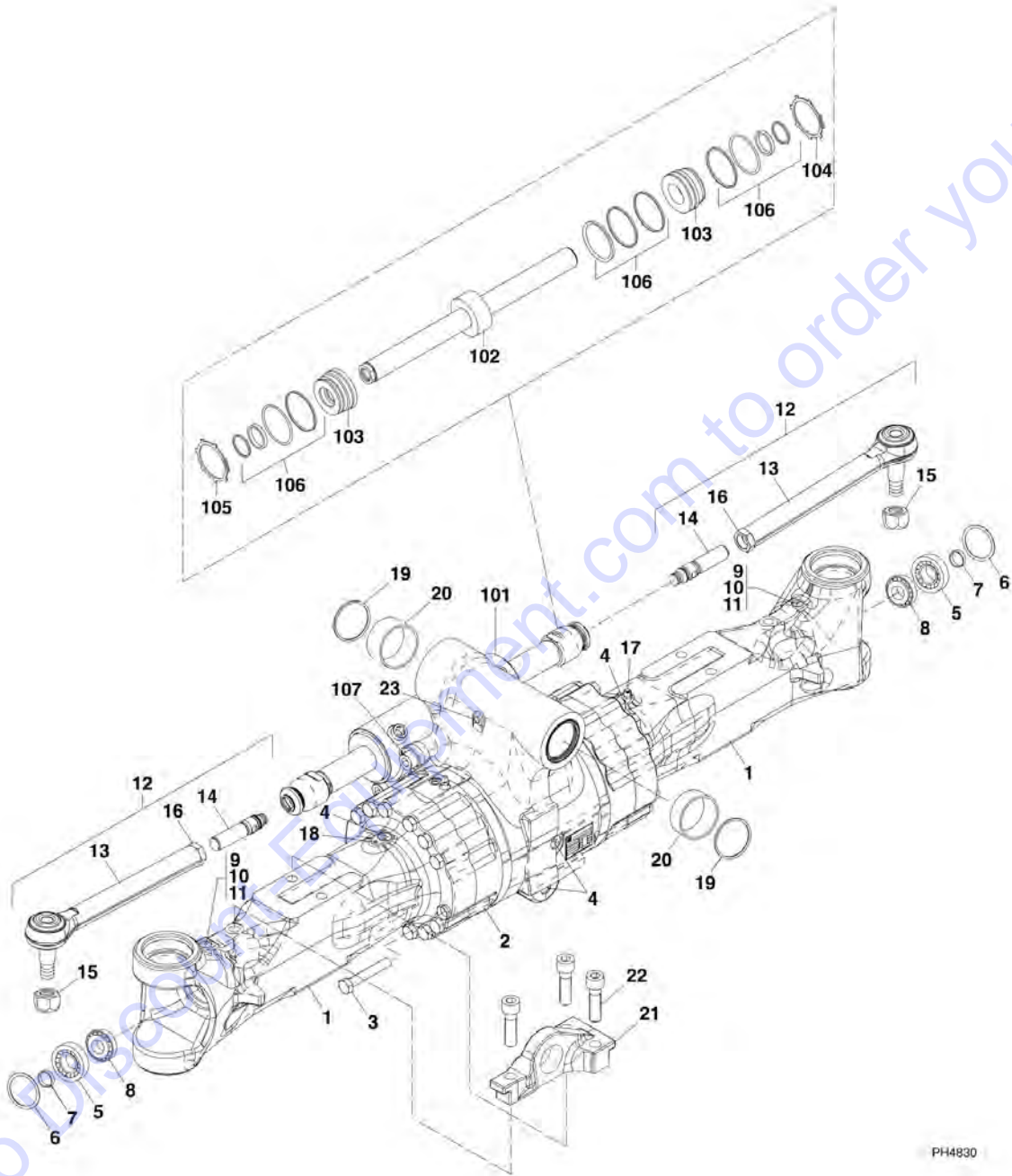
FIGURE 5-12. REAR AXLE - DIFFERENTIAL

ITEM	PART NUMBER	QTY	DESCRIPTION	REV
1	70022229	1	COVER	
2	70023910	1	DIFFERENTIAL CASE	
3	70022284	2	THRUST WASHER	
4	70023401	2	COMPENSATING RING, (8042)	
4	70022285	2	COMPENSATING RING, (10042 & 10054)	
5	70023402	2	AXLE BEVEL GEAR, (8042)	
5	70022225	2	AXLE BEVEL GEAR, (10042 & 10054)	
6	70023403	4	DIFFERENTIAL BEVEL GEAR, (8042)	
6	70022185	4	DIFFERENTIAL BEVEL GEAR, (10042 & 10054)	
7	70022262	4	THRUST WASHER	
8	70022227	1	DIFFERENTIAL AXLE	
9	70022228	2	DIFFERENTIAL AXLE	
10	70023904	2	SLOT PIN	
11	70022211	16	CAPSCREW	

Go to Discount-Equipment.com to order your parts

SECTION 5 - DRIVE TRAIN

FIGURE 5-13. REAR AXLE - AXLE CASING



PH4830

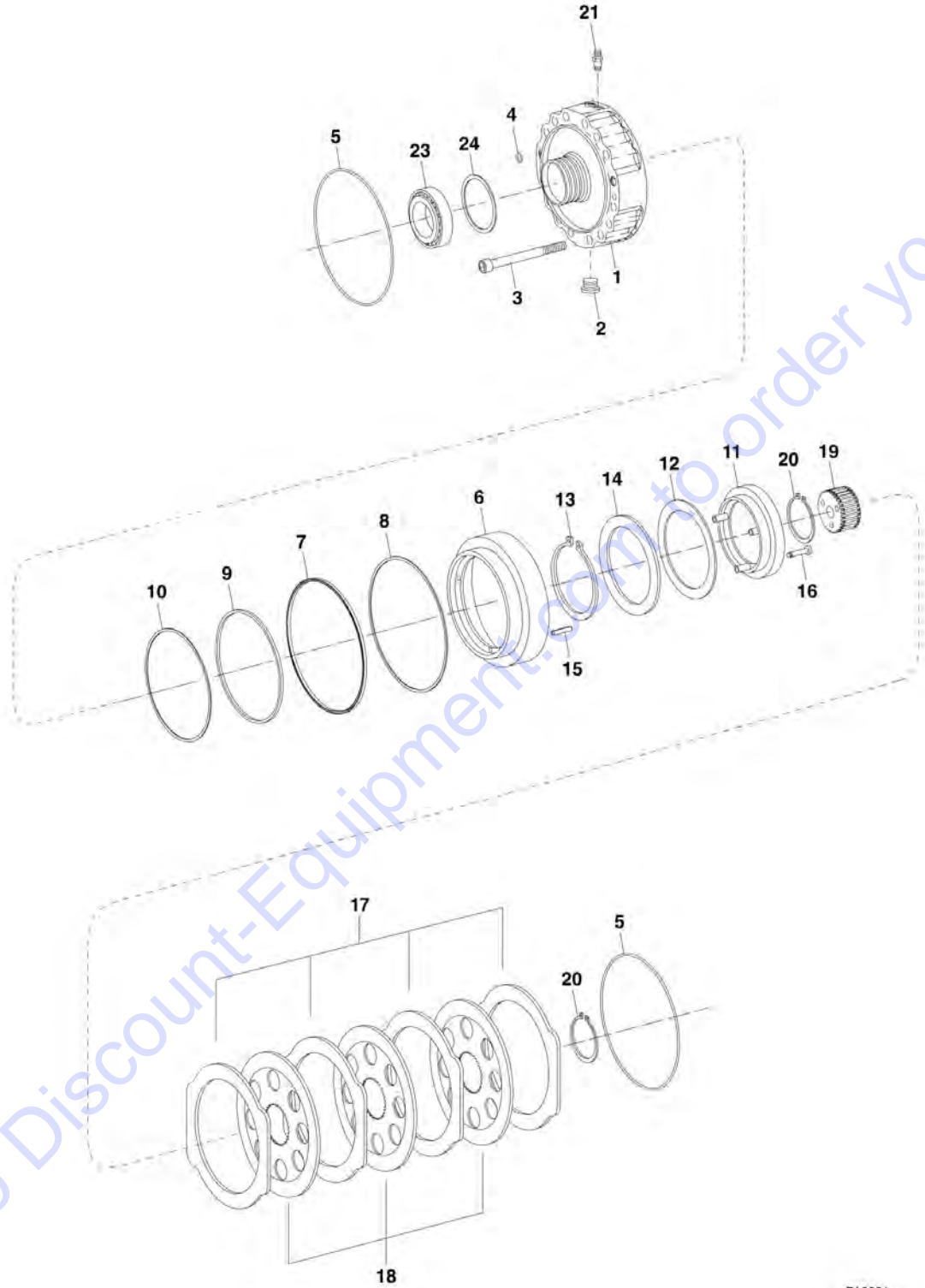
SECTION 5 - DRIVE TRAIN

FIGURE 5-13. REAR AXLE - AXLE CASING

ITEM	PART NUMBER	QTY	DESCRIPTION	REV
1	70022255	2	AXLE CASING	
2	70022277	1	AXLE DRIVE HOUSING	
3	70022206	28	HEX HD CAPSCREW, M18X180	
4	70023404	4	SCREW PLUG, (8042)	
4	1319578	4	SCREW PLUG, (10042 & 10054)	
5	70022241	2	BUSHING	
6	70022204	2	O-RING	
7	70022217	2	RING	
8	10731790	2	BEARING	
9	70022201	2	SET SCREW, M10X16	
10	70022777	2	SCREW PLUG, (8042)	
10	1319666	2	SCREW PLUG, (10042 & 10054)	
11	7027217	2	O-RING	
12	70022174	2	TIE ROD, (includes items 13 thru 16)	
13	70022175	1	BALL JOINT	
14	70022172	1	AXIAL JOINT	
15	8036758	1	LOCKNUT	
16	8036759	1	HEX NUT	
17	1319436	1	BREATHER	
18	8036418	1	SCREW PLUG	
19	1321209	2	SHAFT SEAL	
20	1321234	2	BUSHING	
21	70022254	1	BRACKET	
22	1001103619	3	HEX HD CAPSCREW, M22X80	
23	1319423	1	GREASE FITTING	
101	70022173	1	STEERING CYLINDER, (includes items 102 thru 106)	
102	70022177	1	PISTON ROD	
103	70022184	2	BREAK HEAD	
104	70022181	2	RETAINING RING	
105	70022180	2	RETAINING RING	
106	70022178	1	SEAL KIT	
107	70022789	4	CAPSCREW, M22X55, (8042)	
107	70022210	4	CAPSCREW, M22X55, (10042 & 10054)	

SECTION 5 - DRIVE TRAIN

FIGURE 5-14. REAR AXLE - M-DISC BRAKE



PA3321

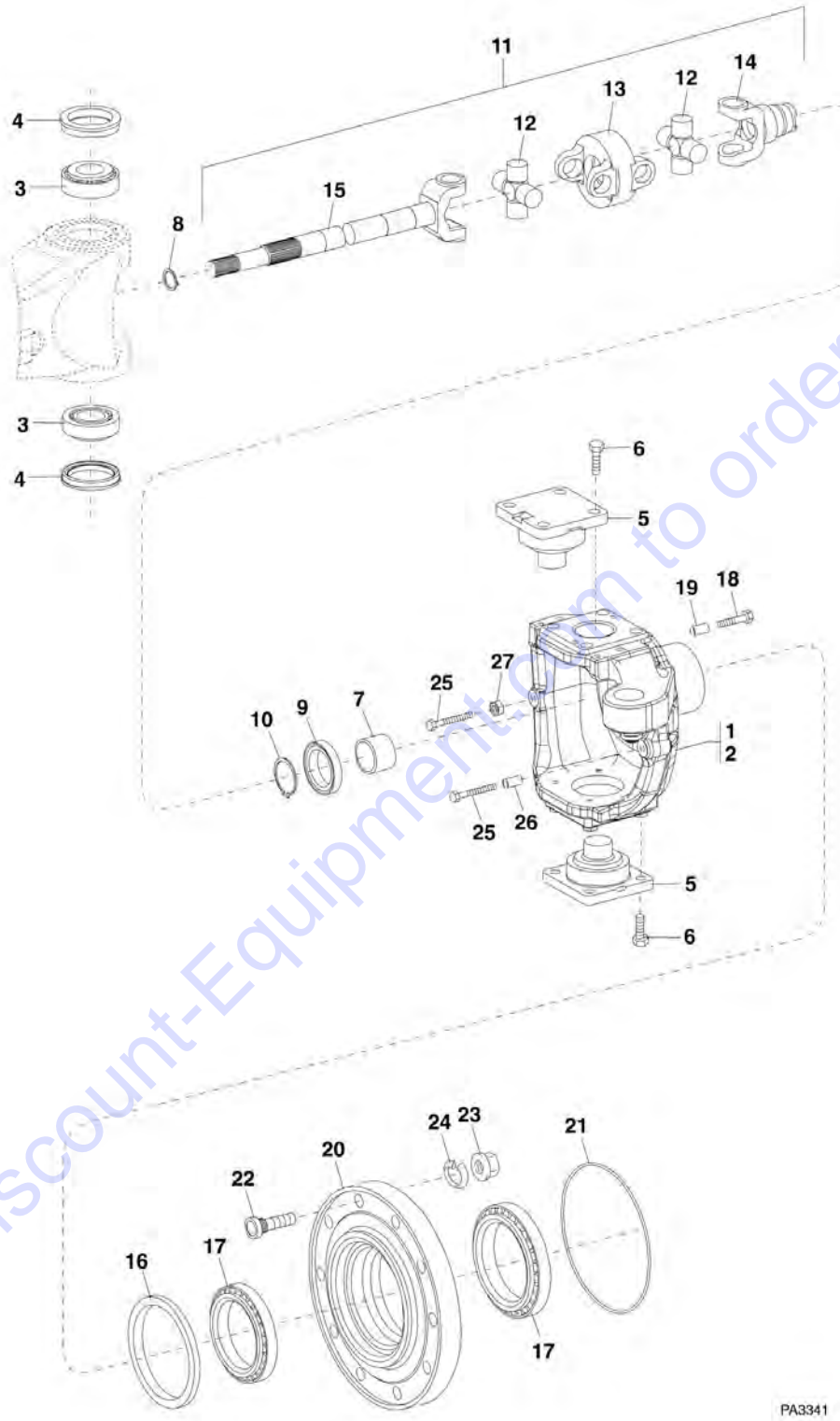
SECTION 5 - DRIVE TRAIN

FIGURE 5-14. REAR AXLE - M-DISC BRAKE

ITEM	PART NUMBER	QTY	DESCRIPTION	REV
1	70022282	2	BRAKE HOUSING	
2	70023404	2	SCREW PLUG, (8042)	
2	1319578	2	SCREW PLUG, (10042 & 10054)	
3	70022209	6	CAP SCREW, M12X105	
4	8036847	10	O-Ring	
5	80304462	4	O-RING	
6	70022250	2	PISTON	
7	70022190	2	PISTON PACKING	
8	70022193	2	BACKUP RING	
9	70022189	2	PISTON PACKING	
10	70022194	2	BACKUP RING	
11	70022236	2	RING	
12	70022183	2	CUP SPRING	
13	70022198	2	RETAINING RING	
14	70022235	2	WASHER	
15	70022186	8	SLOT PIN	
16	1319214	6	CAP SCREW, M8X40	
17	70022196	8	O.CLUTCH DISC	
18	70022176	6	I.CLUTCH DISC	
19	70022253	2	DISC CARRIER	
20	10731949	4	RETAINING RING	
21	70022171	2	BREATHER	
22	70022215	2	SCREW PLUG, (10042 & 10054), (not shown)	
23	8036447	2	BEARING	
24	1319537	AR	SHIM, 0.95	
24	1319545	AR	SHIM, 1.05	
24	1319539	AR	SHIM, 1.15	
24	1319540	AR	SHIM, 1.25	
24	1319542	AR	SHIM, 1.35	

SECTION 5 - DRIVE TRAIN

FIGURE 5-15. REAR AXLE - JOINT HOUSING



PA3341

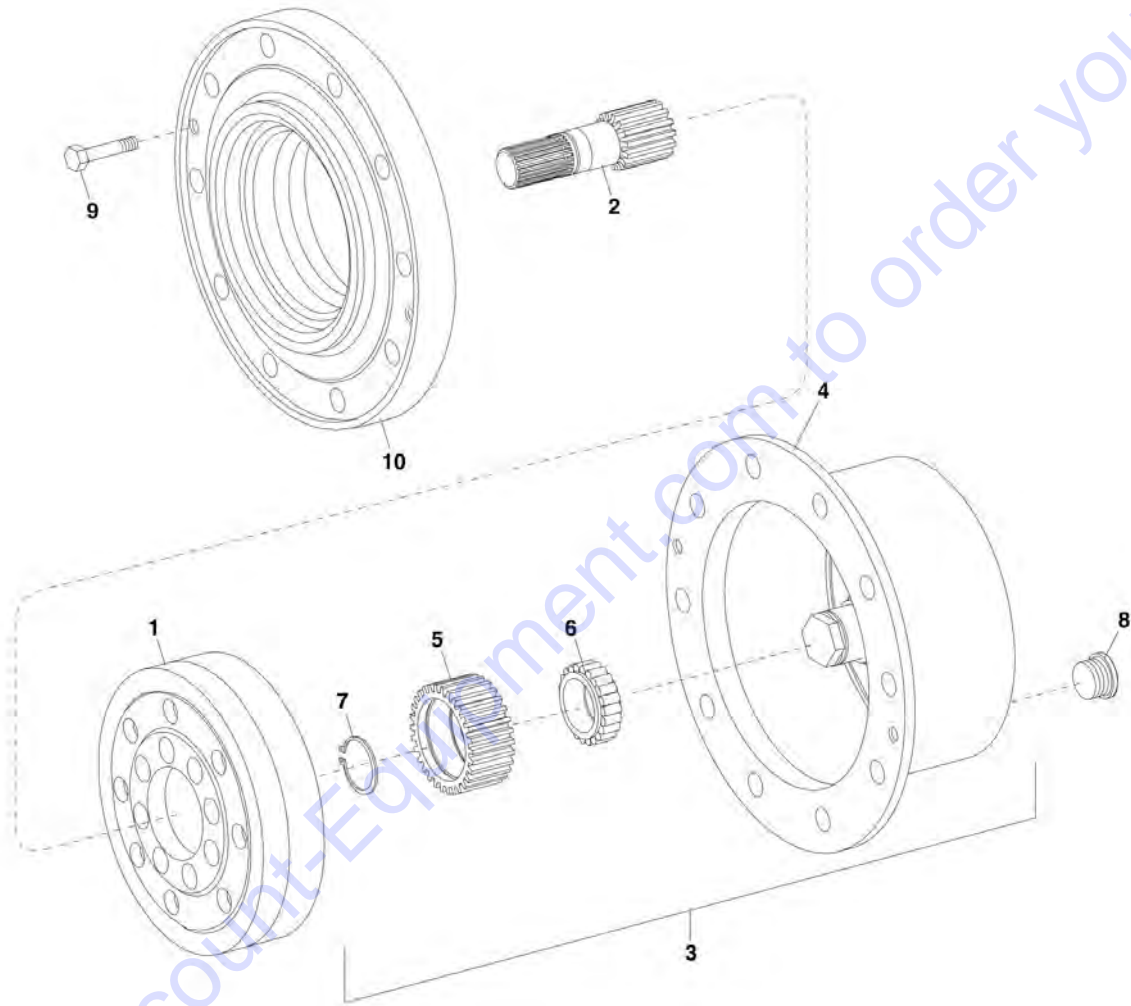
SECTION 5 - DRIVE TRAIN

FIGURE 5-15. REAR AXLE - JOINT HOUSING

ITEM	PART NUMBER	QTY	DESCRIPTION	REV
1	70022237	1	JOINT HOUSING, (right side)	
2	70022238	1	JOINT HOUSING, (left side)	
3	70022223	4	ROLLER BEARING	
4	1319447	4	SHAFT SEAL	
5	70022240	4	BEARING PIN	
6	1319464	16	HEX SCREW, M16X40	
7	70022179	2	BUSHING	
8	10731789	2	RETAINING RING	
9	70022218	2	SHAFT SEAL	
10	1321226	2	RETAINING RING	
11	70022781	2	UNIVERSAL COUPLING DRIVE SHAFT ASSY, (8042), (includes items 12 thru 15)	
11	70022170	2	UNIVERSAL COUPLING DRIVE SHAFT ASSY, (10042 & 10054), (includes items 12 thru 15)	
12	70021554	2	JOINT CROSS	
13	70022782	1	CENTRAL PIECE, (8042)	
13	70021553	1	CENTRAL PIECE, (10042 & 10054)	
14	70022187	1	FORK SHAFT	
15	70022188	1	FORK SHAFT	
16	80304173	2	SHAFT SEAL	
17	1319472	4	ROLLER BEARING	
18	70023405	16	HEX SCREW, (8042)	
18	70022208	16	HEX SCREW, M14X70, (10042 & 10054)	
19	70022234	16	CENTERING BUSHING	
20	70022249	2	HUB	
21	70022203	2	O-RING	
22	70022230	20	WHEEL BOLT	
23		Ref	WHEEL NUT, (See DRIVE TRAIN COMPONENTS for Breakdown)	
24		Ref	LOCKWASHER, (See DRIVE TRAIN COMPONENTS for Breakdown)	
25	8036330	4	STOP SCREW, M14X1.5	
26	70022257	2	SPACER TUBE, (8042)	
26	70022276	2	SPACER TUBE, (10042 & 10054)	
27	1319477	2	HEX NUT, M14X1.5	

SECTION 5 - DRIVE TRAIN

FIGURE 5-16. REAR AXLE - PLANETARY DRIVE



PA3351

SECTION 5 - DRIVE TRAIN

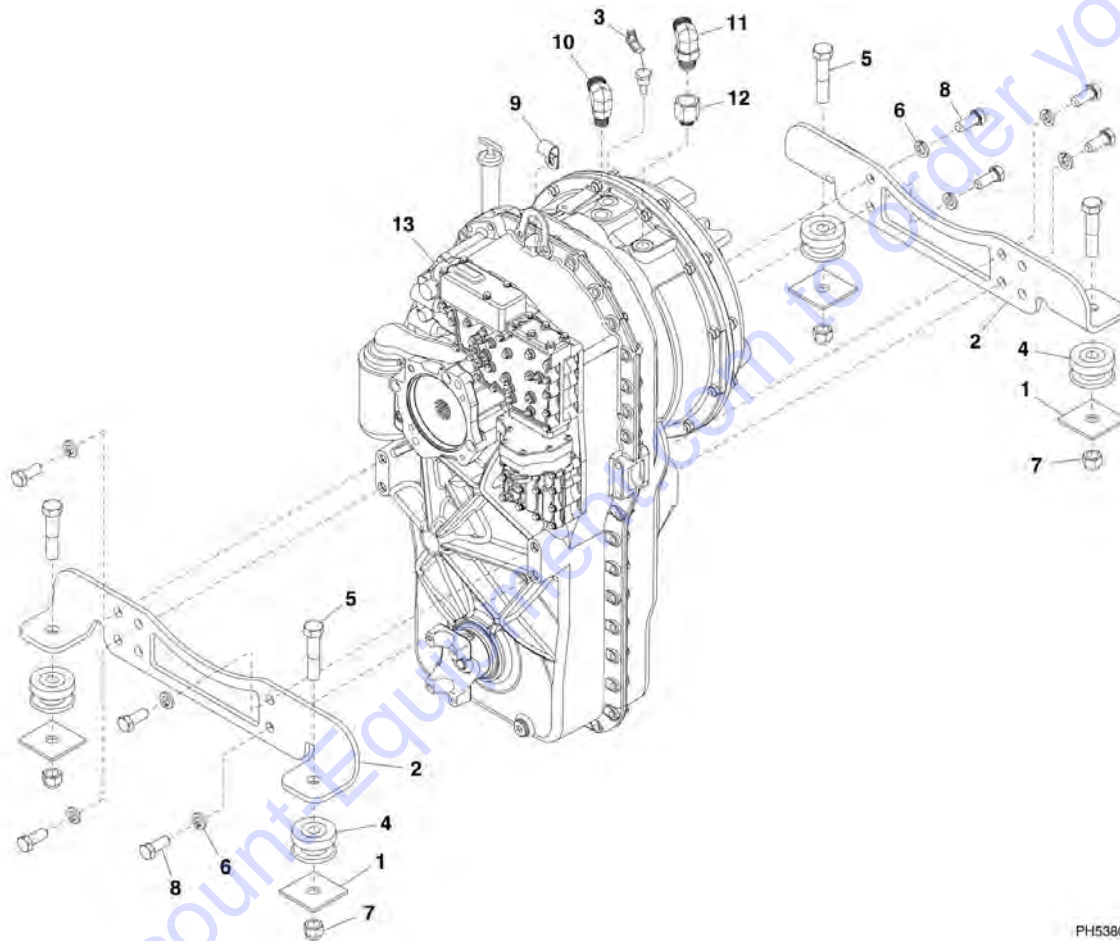
FIGURE 5-16. REAR AXLE - PLANETARY DRIVE

ITEM	PART NUMBER	QTY	DESCRIPTION	REV
1	70022242	1	RING GEAR	
2	70022784	2	SUN GEAR SHAFT, (8042)	
2	70022239	2	SUN GEAR SHAFT, (10042 & 10054)	
3	70022281	2	PLANETARY CARRIER ASSY, (includes items 4 thru 7)	
4	70022283	1	PLANETARY CARRIER	
5	70022243	3	PLANETARY GEAR	
6	70022785	4	CYL ROLLER BEARING, (8042)	
6	70022221	4	CYL ROLLER BEARING, (10042 & 10054)	
7	70022197	4	RETAINING RING	
8	70023404	2	SCREW PLUG, (8042)	
8	1319578	2	SCREW PLUG, (10042 & 10054)	
9	70022207	4	HEX SCREW, M12X30	
10		Ref	HUB, (See REAR AXLE - PLANETARY DRIVE for Breakdown)	

Go to Discount-Equipment.com to order your parts

SECTION 5 - DRIVE TRAIN

FIGURE 5-17. ZF TRANSMISSION INSTALLATION



PH5380

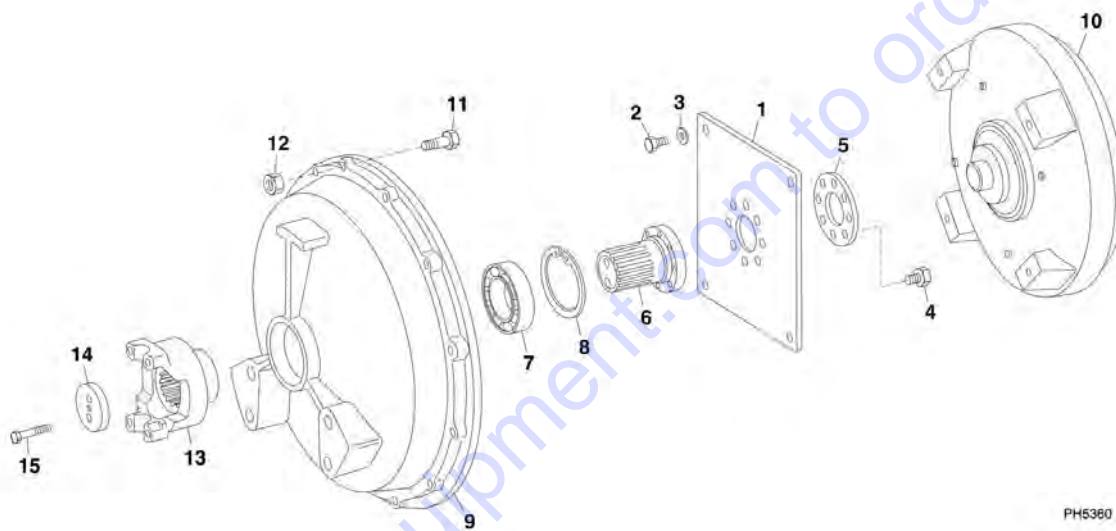
SECTION 5 - DRIVE TRAIN

FIGURE 5-17. ZF TRANSMISSION INSTALLATION

ITEM	PART NUMBER	QTY	DESCRIPTION	REV
	1001108524	Ref	TRANSMISSION INSTALLATION, (not available to order, see items 1 thru 13 for service)	A
1	7054351	4	REBOUND WASHER	
2	7138634	2	TRANSMISSION MOUNT BRACKET	
3	8223232	1	TRANSMISSION TEMPERATURE SWITCH	
4	8278007	4	RUBBER MOUNT	
5	8303724	4	HEX HD CAPSCREW, 3/4-10X3-1/2, (torque to 180-320 ft-lb/244-434 Nm)	
6	8307049	8	LOCKWASHER, M16	
7	8310067	4	HEX LOCK NUT, 3/4-10	
8	8310215	8	HEX HD CAPSCREW, M16X40, GR8.8, (torque to 107-192 lb-ft/145-260 Nm)	
9	8406105	1	TUBE CLIP	
10	2131210	1	ADAPTER, 90, (includes o-ring)	
11	2131212	1	ADAPTER, 90, (includes o-ring)	
12	8760548	1	ADAPTER, STRAIGHT, (includes o-ring)	
13	8841036	1	TRANSMISSION, 4 SPEED ZF, 4WG98-TC	AA
13		Ref	ENGINE CONNECTION AND CONVERTER, (See ZF TRANSMISSION - ENGINE CONNECTION AND CONVERTOR for Breakdown)	
13		Ref	INPUT SHAFTS, (See ZF TRANSMISSION - INPUT SHAFTS for Breakdown)	
13		Ref	GEARBOX HOUSING, (See ZF TRANSMISSION - GEARBOX HOUSING for Breakdown)	
13		Ref	COUPLING GROUP 1, (See ZF TRANSMISSION - COUPLING GROUP 1 for Breakdown)	
13		Ref	COUPLING GROUP 2, (See ZF TRANSMISSION - COUPLING GROUP 2 for Breakdown)	
13		Ref	COUPLING GROUP 3, (See ZF TRANSMISSION - COUPLING GROUP 3 for Breakdown)	
13		Ref	COUPLING GROUP 4, (See ZF TRANSMISSION - COUPLING GROUP 4 for Breakdown)	
13		Ref	REVERSING GEAR GROUP 1, (See ZF TRANSMISSION - REVERSING GEAR GROUP 1 for Breakdown)	
13		Ref	REVERSING GEAR GROUP 2, (See ZF TRANSMISSION - REVERSING GEAR GROUP 2 for Breakdown)	
13		Ref	OUTPUT, (See ZF TRANSMISSION - OUTPUT for Breakdown)	
13		Ref	CONTROL UNIT, (See ZF TRANSMISSION - CONTROL UNIT for Breakdown)	
13		Ref	VALVE HOUSING ASSY, (See ZF TRANSMISSION - VALVE HOUSING ASSEMBLY for Breakdown)	
13		Ref	VALVE BLOCK ASSY, (See ZF TRANSMISSION - VALVE BLOCK ASSEMBLY for Breakdown)	
13		Ref	OIL PUMP AND FILTER, (See ZF TRANSMISSION - OIL PUMP AND FILTER for Breakdown)	

SECTION 5 - DRIVE TRAIN

FIGURE 5-18. ZF TRANSMISSION - ENGINE CONNECTION AND CONVERTOR



PH5360

SECTION 5 - DRIVE TRAIN

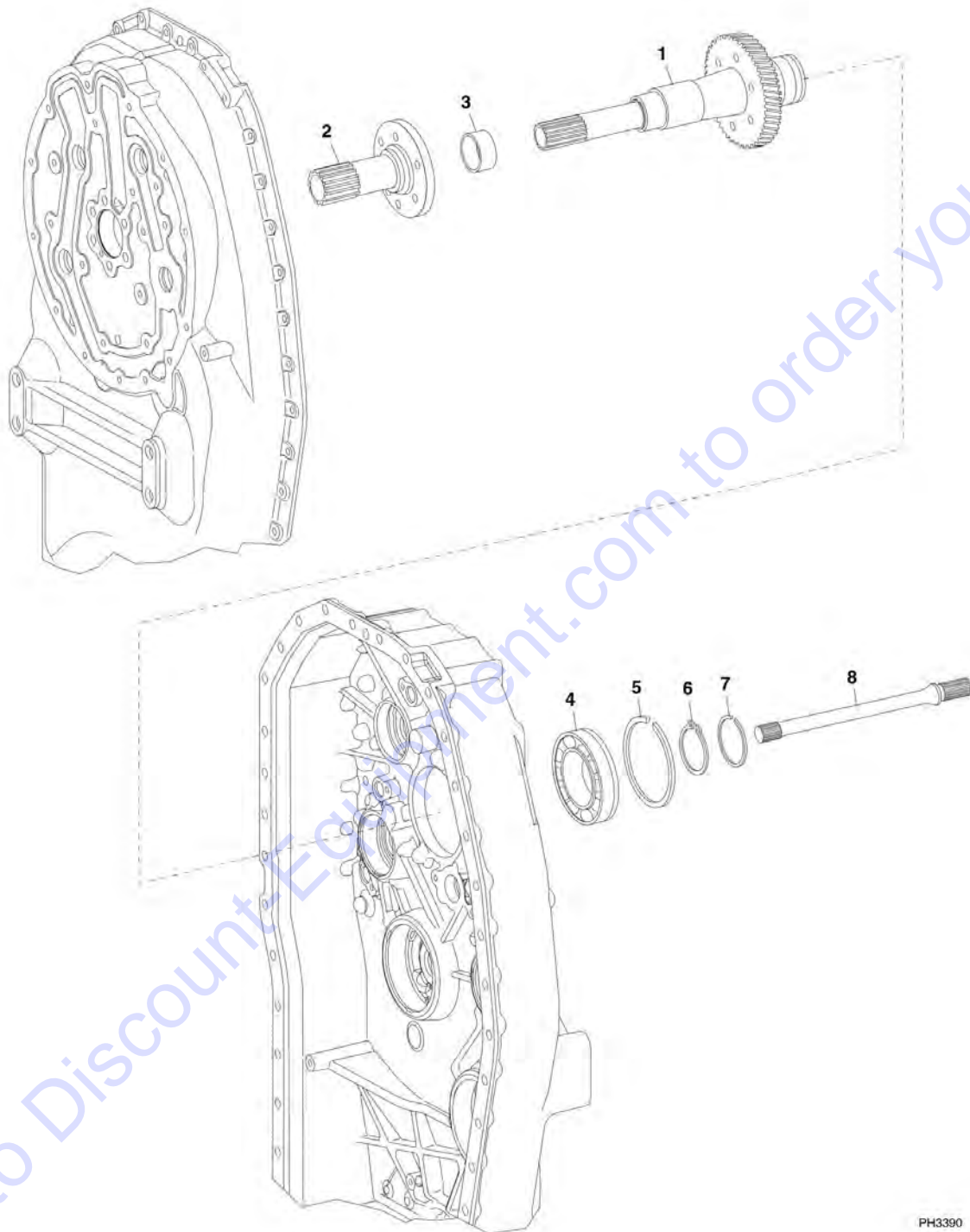
FIGURE 5-18. ZF TRANSMISSION - ENGINE CONNECTION AND CONVERTOR

ITEM	PART NUMBER	QTY	DESCRIPTION	REV
1	1319203	1	DIAPHRAGM	
2	1319204	4	HEX HD CAPSCREW, M10X18	
3	10732095	4	WASHER, 10.5	
4	10731702	8	HEX HD CAPSCREW, M10X16	
5	1319213	1	WASHER	
6	70023482	1	INPUT SHAFT	
7	1319209	1	BALL BEARING	
8	1319210	1	RETAINING RING	
9	8036021	1	COVER	
10	8036022	1	CONVERTER	
11	10731748	12	HEX HD CAPSCREW, M10X45	
12	10731751	12	HEX NUT, M10	
13	1319211	1	END YOKE	
14	1319205	1	WASHER	
15	70023483	2	HEX HD CAPSCREW	

Go to Discount-Equipment.com to order your parts

SECTION 5 - DRIVE TRAIN

FIGURE 5-19. ZF TRANSMISSION - INPUT SHAFTS



PH3390

SECTION 5 - DRIVE TRAIN

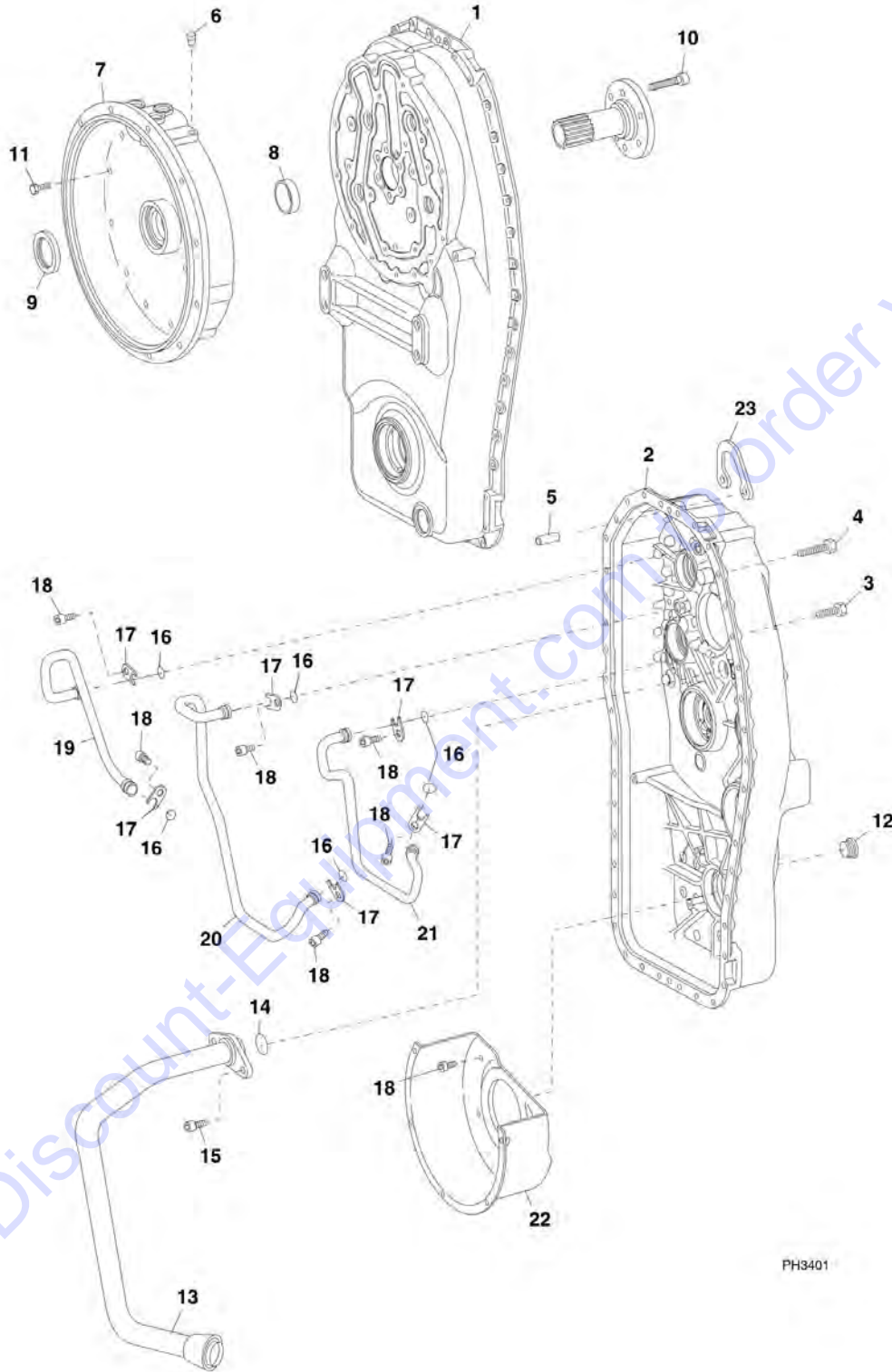
FIGURE 5-19. ZF TRANSMISSION - INPUT SHAFTS

ITEM	PART NUMBER	QTY	DESCRIPTION	REV
1	8036023	1	TURBINE SHAFT	
2	1319557	1	STATOR SHAFT	
3	1319558	1	BEARING BUSHING	
4	1319563	1	BALL BEARING	
5	10731913	1	SNAP RING	
6	80304405	1	RETAINING RING, 55X2	
7	1319565	1	PISTON RING, 55X3	
8	1319566	1	CENTRAL SHAFT	

Go to Discount-Equipment.com to order your parts

SECTION 5 - DRIVE TRAIN

FIGURE 5-20. ZF TRANSMISSION - GEARBOX HOUSING



PH3401

SECTION 5 - DRIVE TRAIN

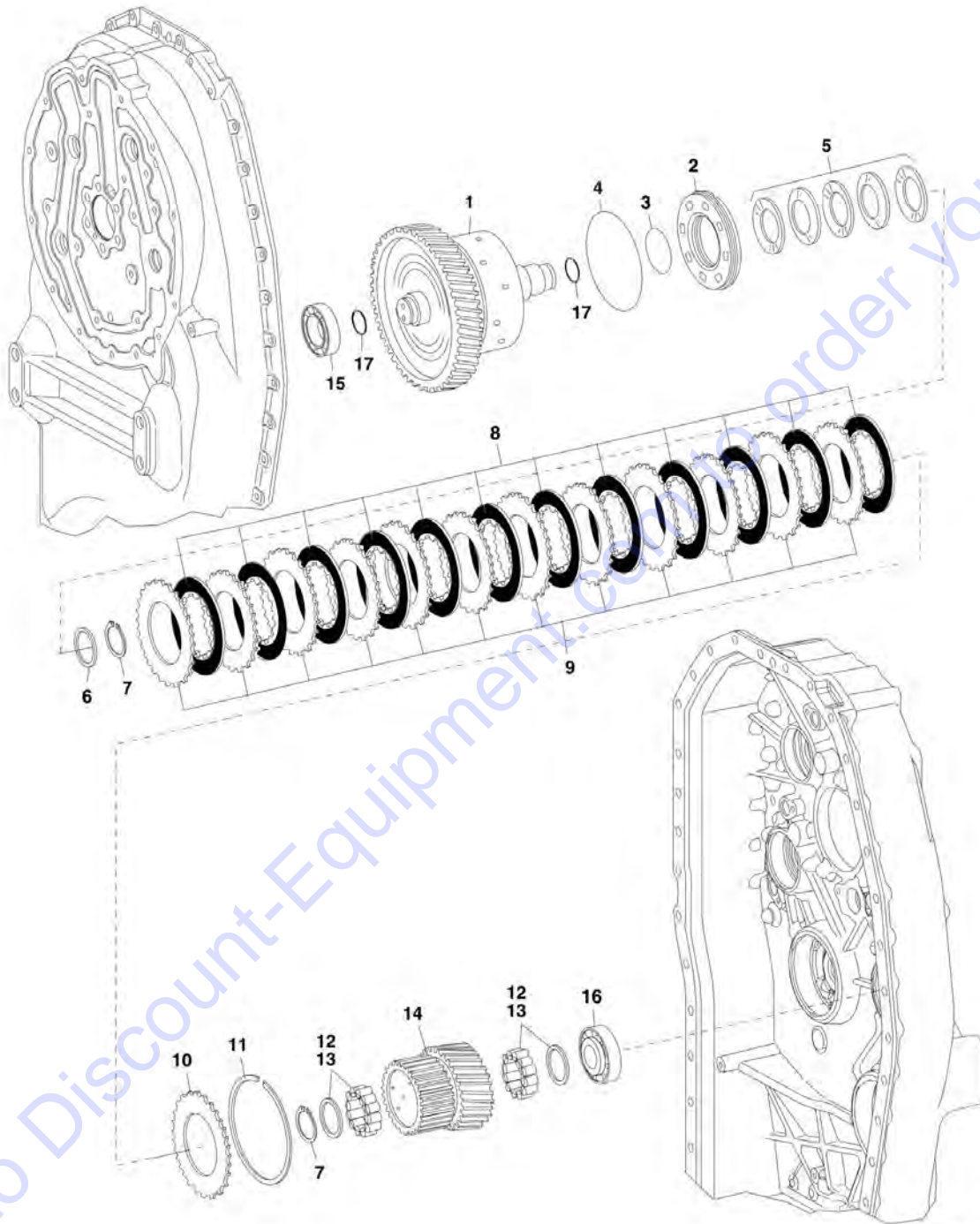
FIGURE 5-20. ZF TRANSMISSION - GEARBOX HOUSING

ITEM	PART NUMBER	QTY	DESCRIPTION	REV
1	8036024	1	HOUSING I	
2	8036025	1	HOUSING II	
3	1319569	36	HEX HD CAPSCREW, M10X30	
4	1319570	6	HEX HD CAPSCREW, M10X50	
5	1319571	2	CYLINDRICAL PIN, M6X24	
6	10731744	1	BREATHER	
7	1319574	1	CONVERTER BELL	
8	1319575	1	BEARING BUSHING	
9	1319576	1	SHAFT SEAL	
10	1319577	6	SOCKET HD CAPSCREW, M10X50	
11	1319569	23	HEX HD CAPSCREW, M10X30	
12	1319578	1	DRAIN PLUG, 7/8-14	
13	8036026	1	OIL SUCTION PIPE	
14	70023885	1	O-RING	
15	1319582	2	SOCKET HD CAPSCREW, M8X20	
16	1319583	6	O-RING	
17	1319584	6	FIXING PLATE	
18	1319585	11	SOCKET HD CAPSCREW, M8X16	
19	1319586	1	PIPE	
20	1319587	1	PIPE	
21	8036027	1	PIPE	
22	8036028	1	SCREEN SHEET	
23	1319590	1	BRACKET	

Go to Discount-Equipment.com to order your parts

SECTION 5 - DRIVE TRAIN

FIGURE 5-21. ZF TRANSMISSION - COUPLING GROUP 1



PH3410

SECTION 5 - DRIVE TRAIN

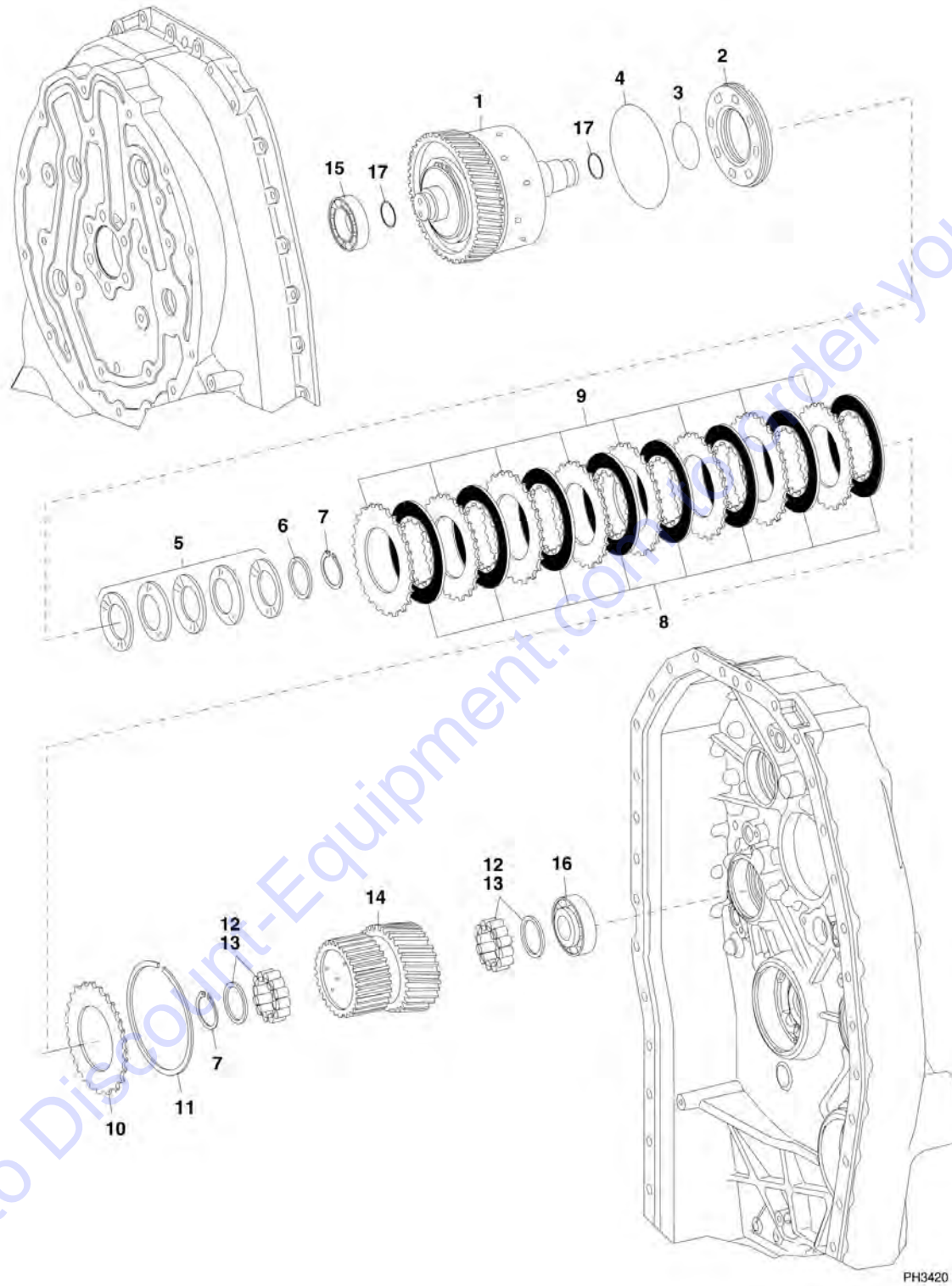
FIGURE 5-21. ZF TRANSMISSION - COUPLING GROUP 1

ITEM	PART NUMBER	QTY	DESCRIPTION	REV
1	1319591	1	COUPLING	
2	1319592	1	PISTON	
3	1319593	1	O-RING	
4	1319594	1	O-RING	
5	1319595	5	CUP SPRING	
6	1319596	1	SHIM, 2	
7	10731845	2	RETAINING RING	
8	7026758	12	LIN. CLUTCH DISC	
9	7026759	12	O. CLUTCH DISC	
10	7026760	1	END SHIM	
11	1319600	1	SNAP RING, 4	
11	1319601	1	SNAP RING, 3.5	
11	1319602	1	SNAP RING, 3	
11	1319603	1	SNAP RING, 2.5	
11	1319604	1	SNAP RING, 2	
12	1319605	2	ROLLER CAGE	
13	1319606	2	ROLLER CAGE	
14	1319607	1	DISC CARRIER	
15	1319608	1	ROLLER BEARING	
16	1319609	1	ROLLER BEARING	
16	1319610	1	ROLLER BEARING	
16	1319611	1	ROLLER BEARING	
17	1319612	2	PISTON RING, 30X2	

Go to Discount-Equipment.com to order your parts

SECTION 5 - DRIVE TRAIN

FIGURE 5-22. ZF TRANSMISSION - COUPLING GROUP 2



SECTION 5 - DRIVE TRAIN

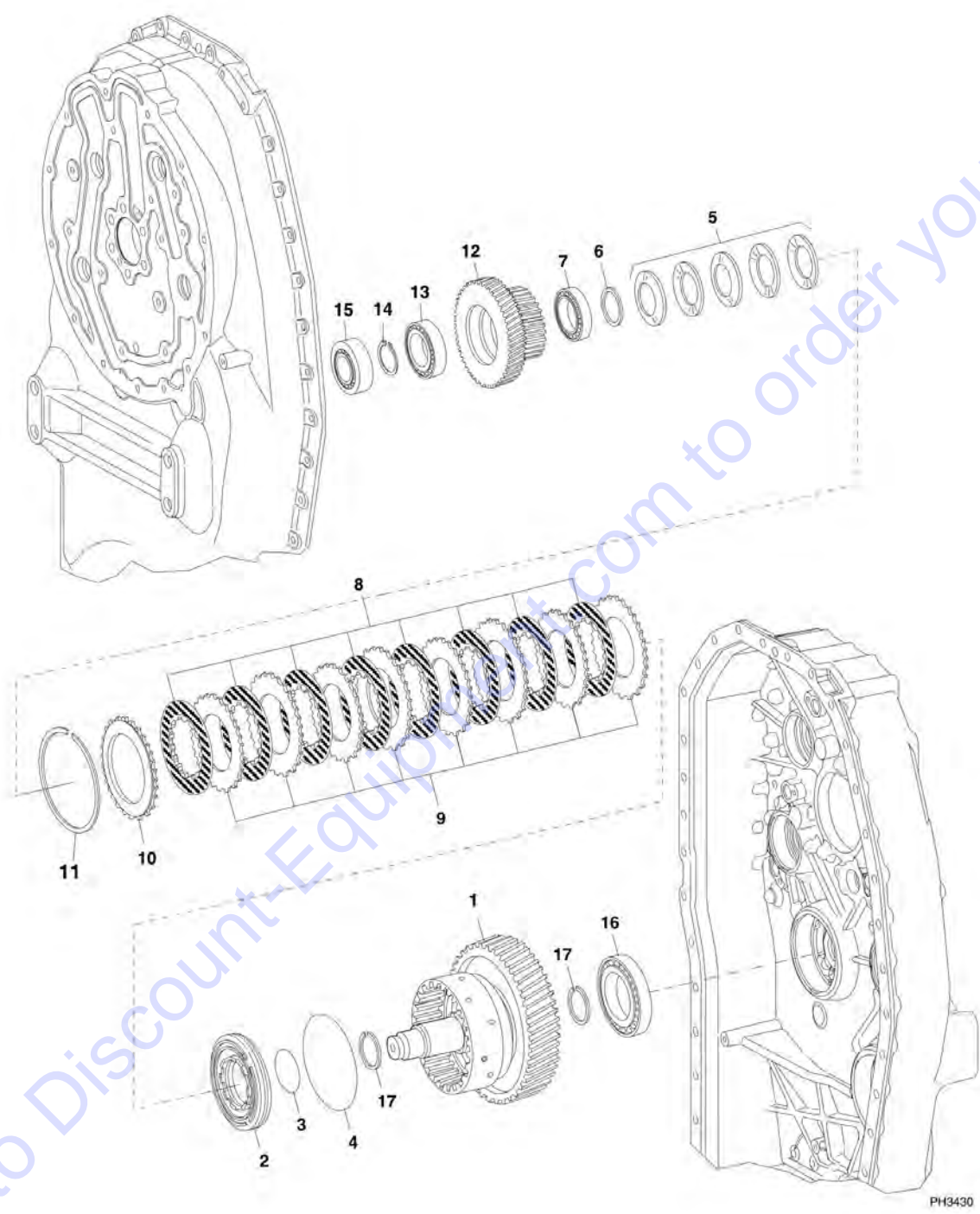
FIGURE 5-22. ZF TRANSMISSION - COUPLING GROUP 2

ITEM	PART NUMBER	QTY	DESCRIPTION	REV
1	1319613	1	COUPLING	
2	8036029	1	PISTON	
3	1319593	1	O-RING	
4	1319594	1	O-RING	
5	1319595	5	CUP SPRING	
6	1319596	1	SHIM, 2	
7	10731845	2	RETAINING RING, 40X1.75	
8	7026758	8	LIN. CLUTCH DISC	
9	7026759	8	O. CLUTCH DISC	
10	7026760	1	END SHIM	
11	1319600	1	SNAP RING, 4	
11	1319601	1	SNAP RING, 3.5	
11	1319602	1	SNAP RING, 3	
11	1319603	1	SNAP RING, 2.5	
11	1319604	1	SNAP RING, 2	
12	1319605	2	ROLLER CAGE	
13	1319606	2	ROLLER CAGE	
14	1319614	1	DISC CARRIER	
15	1319615	1	ROLLER BEARING	
16	8036190	1	ROLLER BEARING ASSY	
16	7029532	1	OUTER RING	
16	7029533	1	INNER RING	
17	1319612	2	PISTON RING, 30X2	

Go to Discount-Equipment.com to order your parts

SECTION 5 - DRIVE TRAIN

FIGURE 5-23. ZF TRANSMISSION - COUPLING GROUP 3



PH3430

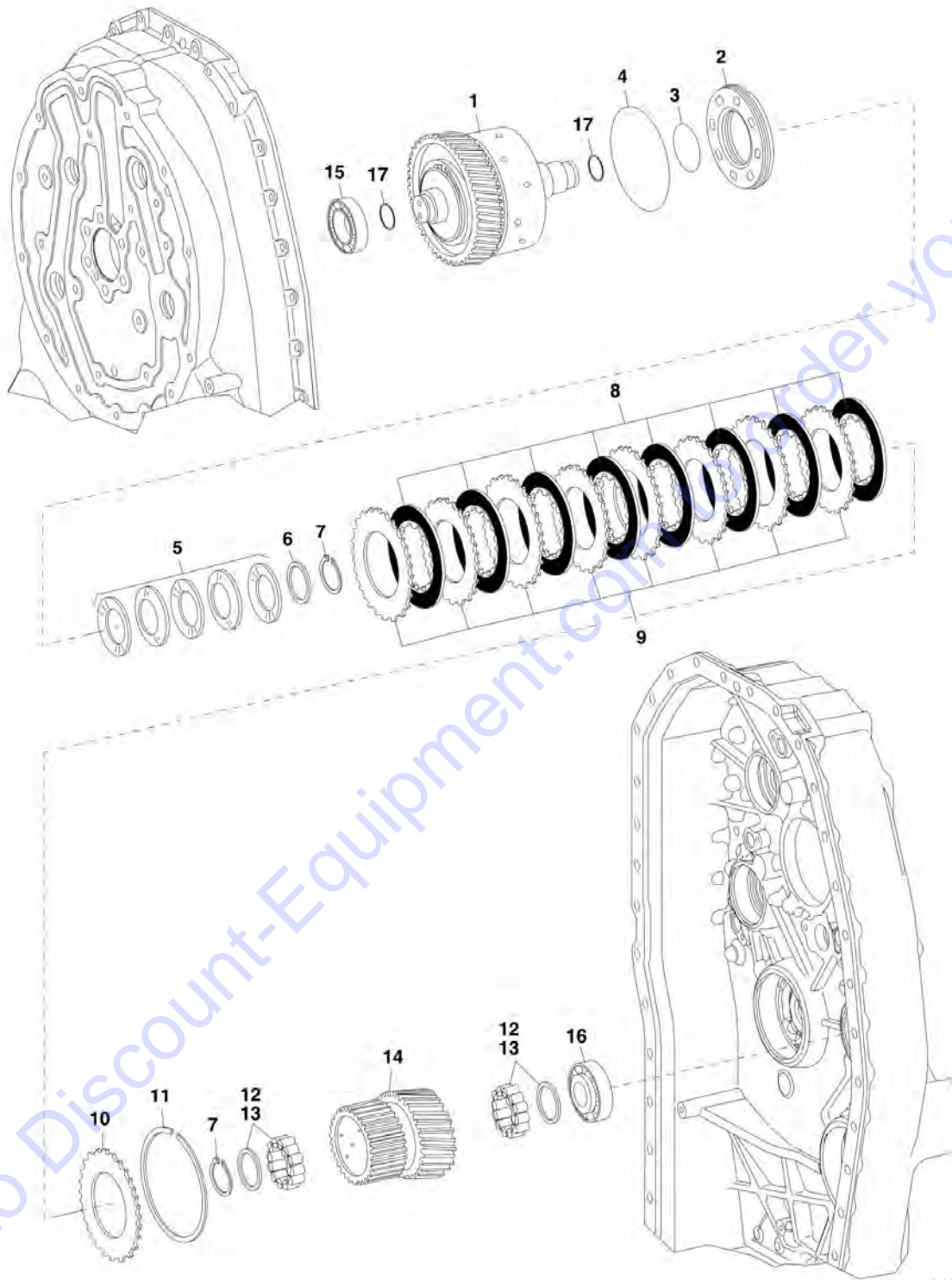
SECTION 5 - DRIVE TRAIN

FIGURE 5-23. ZF TRANSMISSION - COUPLING GROUP 3

ITEM	PART NUMBER	QTY	DESCRIPTION	REV
1	1319616	1	COUPLING	
2	8036029	1	PISTON	
3	1319593	1	O-RING	
4	1319594	1	O-RING	
5	1319595	5	CUP SPRING	
6	1319617	1	SUPPORT SHIM	
7	1319618	1	ROLLER BEARING	
8	7026758	8	LIN. CLUTCH DISC	
9	7026759	8	O. CLUTCH DISC	
10	7026760	1	END SHIM	
11	1319600	1	SNAP RING, 4	
11	1319601	1	SNAP RING, 3.5	
11	1319602	1	SNAP RING, 3	
11	1319603	1	SNAP RING, 2.5	
11	1319604	1	SNAP RING, 2	
12	1319619	1	DISC CARRIER	
13	1319620	1	ROLLER BEARING	
14	1319621	1	RETAINING RING, 3.2	
14	1319622	1	RETAINING RING, 3.1	
14	1319623	1	RETAINING RING, 3	
14	1319624	1	RETAINING RING, 2.9	
14	1319625	1	RETAINING RING, 2.8	
14	1319626	1	RETAINING RING, 2.7	
14	1319627	1	RETAINING RING, 2.6	
14	1319628	1	RETAINING RING, 38X2.5	
14	1319629	1	RETAINING RING, 38X2.4	
14	1319630	1	RETAINING RING, 38X2.3	
14	1319631	1	RETAINING RING, 38X2.2	
14	1319632	1	RETAINING RING, 38X2.1	
15	8036190	1	ROLLER BEARING ASSY	
15	7029532	1	OUTER RING	
15	7029533	1	INNER RING	
16	1319633	1	ROLLER BEARING	
17	1319612	2	PISTON RING, 30X2	

SECTION 5 - DRIVE TRAIN

FIGURE 5-24. ZF TRANSMISSION - COUPLING GROUP 4



PH3440

SECTION 5 - DRIVE TRAIN

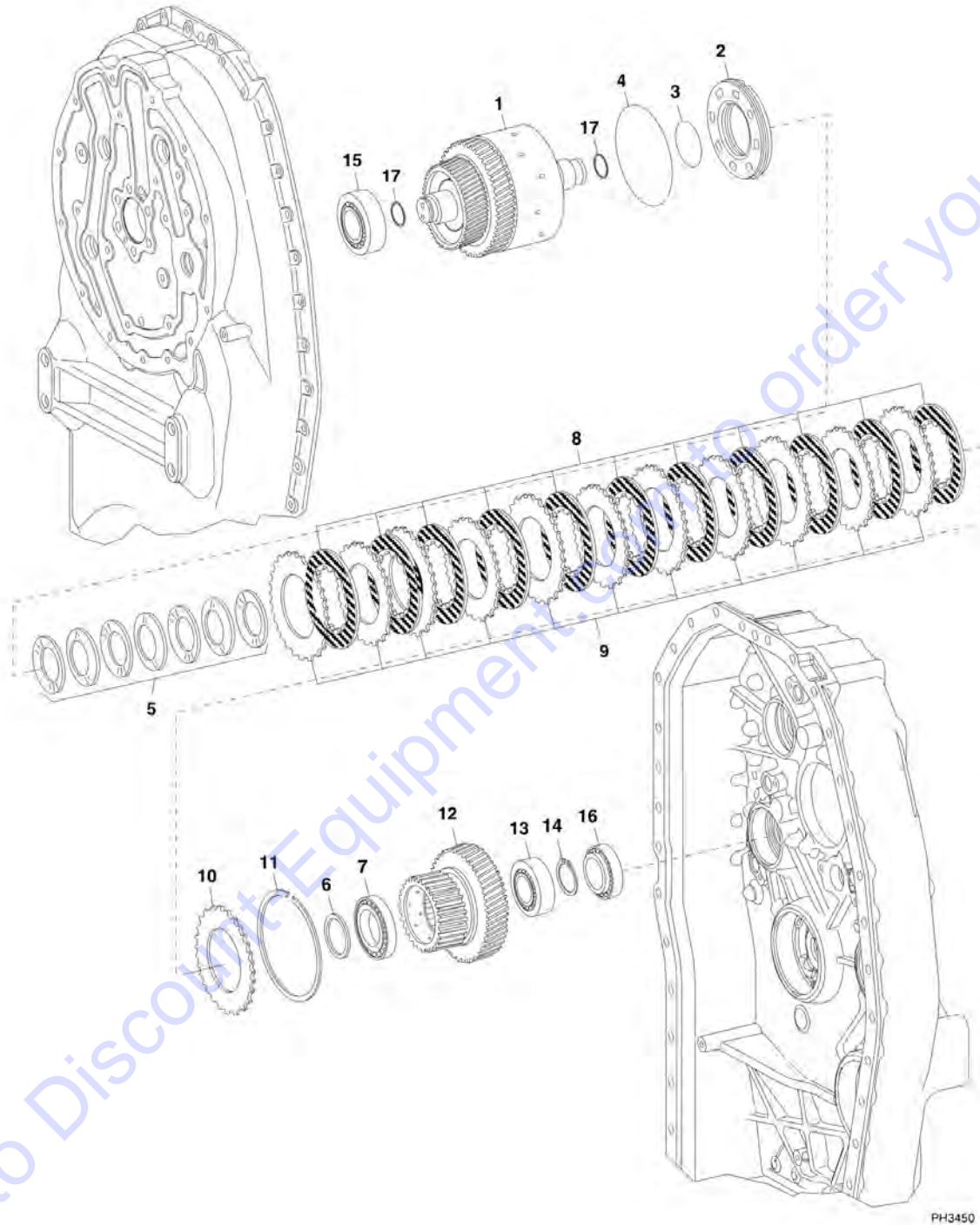
FIGURE 5-24. ZF TRANSMISSION - COUPLING GROUP 4

ITEM	PART NUMBER	QTY	DESCRIPTION	REV
1	1319634	1	COUPLING	
2	8036029	1	PISTON	
3	1319593	1	O-RING	
4	1319594	1	O-RING	
5	1319595	5	CUP SPRING	
6	1319596	1	SHIM, 2	
7	10731845	2	RETAINING RING, 40X1.75	
8	7026758	8	LIN. CLUTCH DISC	
9	7026759	8	O. CLUTCH DISC	
10	7026760	1	END SHIM	
11	1319600	1	SNAP RING, 4	
11	1319601	1	SNAP RING, 3.5	
11	1319602	1	SNAP RING, 3	
11	1319603	1	SNAP RING, 2.5	
11	1319604	1	SNAP RING, 2	
12	1319605	2	ROLLER CAGE	
13	1319606	2	ROLLER CAGE	
14	1319635	1	DISC CARRIER	
15	1319615	1	ROLLER BEARING	
16	1319636	1	ROLLER BEARING	
17	1319612	2	PISTON RING, 30X2	

Go to Discount-Equipment.com to order your parts

SECTION 5 - DRIVE TRAIN

FIGURE 5-25. ZF TRANSMISSION - REVERSING GEAR GROUP 1



PH3450

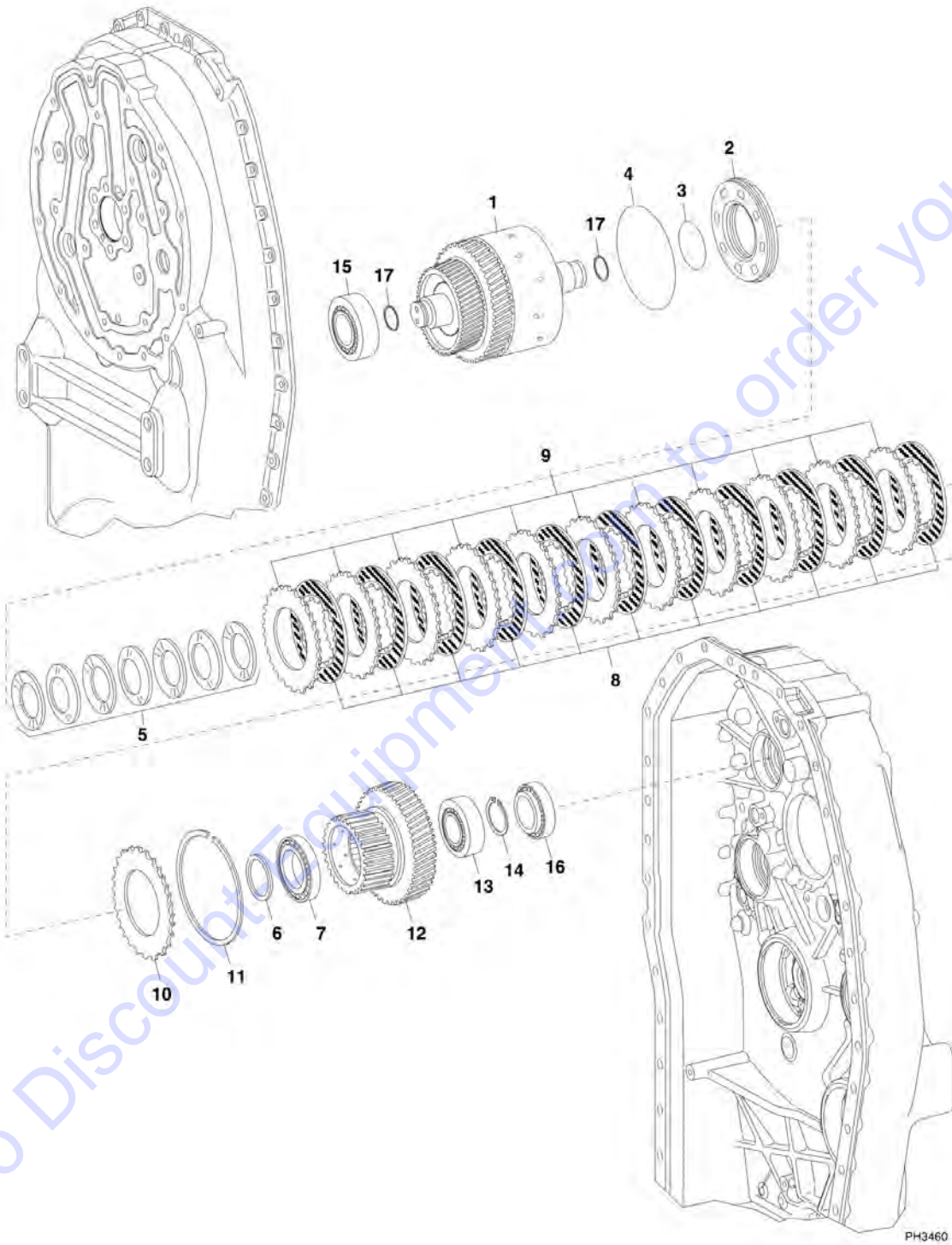
SECTION 5 - DRIVE TRAIN

FIGURE 5-25. ZF TRANSMISSION - REVERSING GEAR GROUP 1

ITEM	PART NUMBER	QTY	DESCRIPTION	REV
1	1319637	1	COUPLING	
2	8036029	1	PISTON	
3	1319593	1	O-RING	
4	1319594	1	O-RING	
5	1319595	7	CUP SPRING	
6	1319617	1	SUPPORT SHIM	
7	1319618	1	ROLLER BEARING	
8	7026758	11	LIN. CLUTCH DISC	
9	7026759	11	O. CLUTCH DISC	
10	7026760	1	END SHIM	
11	1319600	1	SNAP RING, 4	
11	1319601	1	SNAP RING, 3.5	
11	1319602	1	SNAP RING, 3	
11	1319603	1	SNAP RING, 2.5	
11	1319604	1	SNAP RING, 2	
12	1319638	1	DISC CARRIER	
13	1319620	1	ROLLER BEARING	
14	1319621	1	RETAINING RING, 3.2	
14	1319622	1	RETAINING RING, 3.1	
14	1319623	1	RETAINING RING, 3	
14	1319624	1	RETAINING RING, 2.9	
14	1319625	1	RETAINING RING, 2.8	
14	1319626	1	RETAINING RING, 2.7	
14	1319627	1	RETAINING RING, 2.6	
14	1319628	1	RETAINING RING, 2.5	
14	1319629	1	RETAINING RING, 2.4	
14	1319630	1	RETAINING RING, 2.3	
14	1319631	1	RETAINING RING, 2.2	
14	1319632	1	RETAINING RING, 2.1	
15	1319615	1	ROLLER BEARING	
16	1319636	1	ROLLER BEARING	
17	1319612	2	PISTON RING, 30X2	

SECTION 5 - DRIVE TRAIN

FIGURE 5-26. ZF TRANSMISSION - REVERSING GEAR GROUP 2



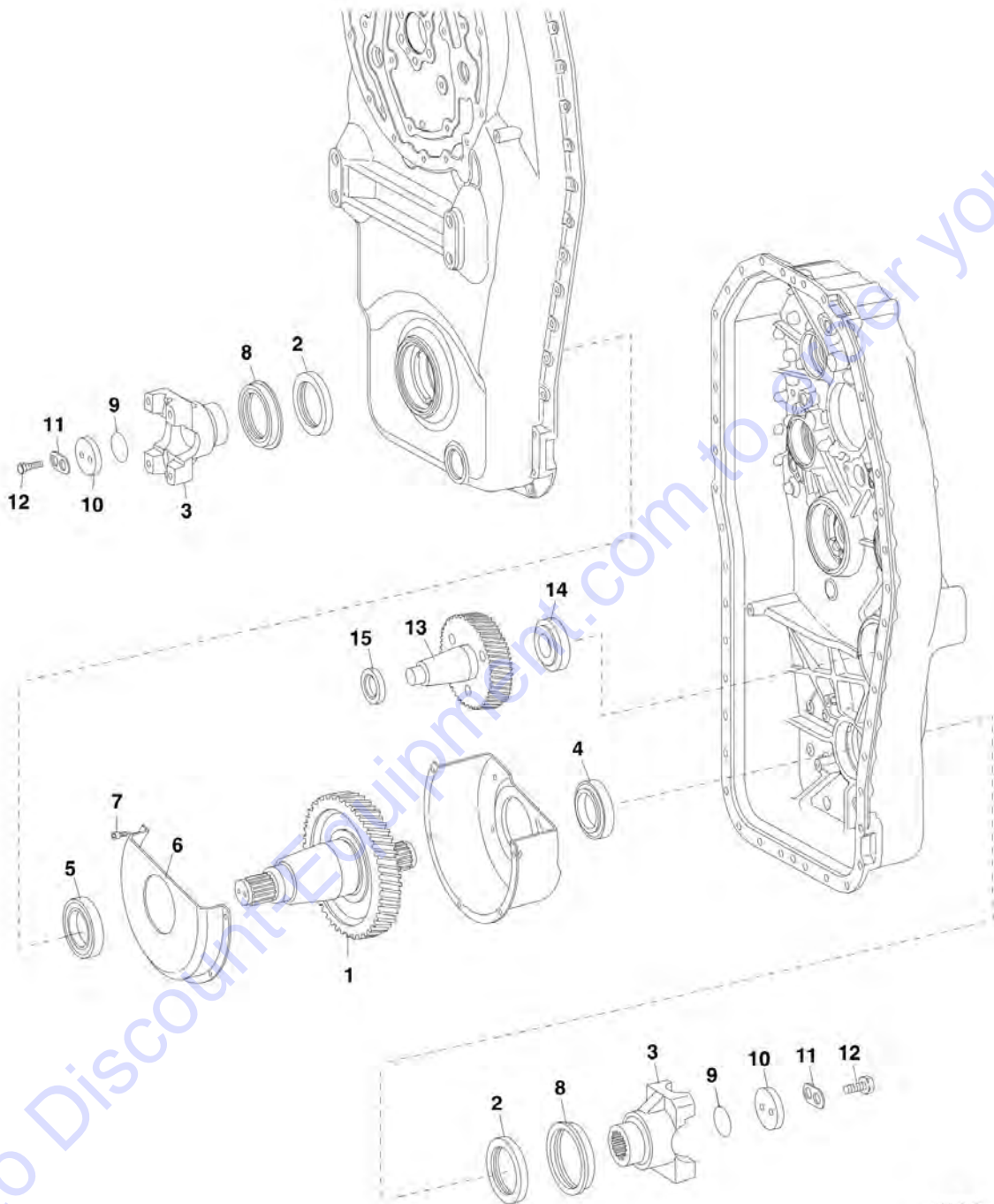
SECTION 5 - DRIVE TRAIN

FIGURE 5-26. ZF TRANSMISSION - REVERSING GEAR GROUP 2

ITEM	PART NUMBER	QTY	DESCRIPTION	REV
1	1319639	1	COUPLING	
2	8036029	1	PISTON	
3	1319593	1	O-RING	
4	1319594	1	O-RING	
5	1319595	7	CUP SPRING	
6	1319617	1	SUPPORT SHIM	
7	1319618	1	ROLLER BEARING	
8	7026758	11	LIN. CLUTCH DISC	
9	7026759	11	O. CLUTCH DISC	
10	7026760	1	END SHIM	
11	1319600	1	SNAP RING, 4	
11	1319601	1	SNAP RING, 3.5	
11	1319602	1	SNAP RING, 3	
11	1319603	1	SNAP RING, 2.5	
11	1319604	1	SNAP RING, 2	
12	1319638	1	DISC CARRIER	
13	1319620	1	ROLLER BEARING	
14	1319621	1	RETAINING RING, 3.2	
14	1319622	1	RETAINING RING, 3.1	
14	1319623	1	RETAINING RING, 3	
14	1319624	1	RETAINING RING, 2.9	
14	1319625	1	RETAINING RING, 2.8	
14	1319626	1	RETAINING RING, 2.7	
14	1319627	1	RETAINING RING, 2.6	
14	1319628	1	RETAINING RING, 2.5	
14	1319629	1	RETAINING RING, 2.4	
14	1319630	1	RETAINING RING, 2.3	
14	1319631	1	RETAINING RING, 2.2	
14	1319632	1	RETAINING RING, 2.1	
15	1319608	1	ROLLER BEARING	
16	1319636	1	ROLLER BEARING	
17	1319612	2	PISTON RING, 30X2	

SECTION 5 - DRIVE TRAIN

FIGURE 5-27. ZF TRANSMISSION - OUTPUT



PH3470

SECTION 5 - DRIVE TRAIN

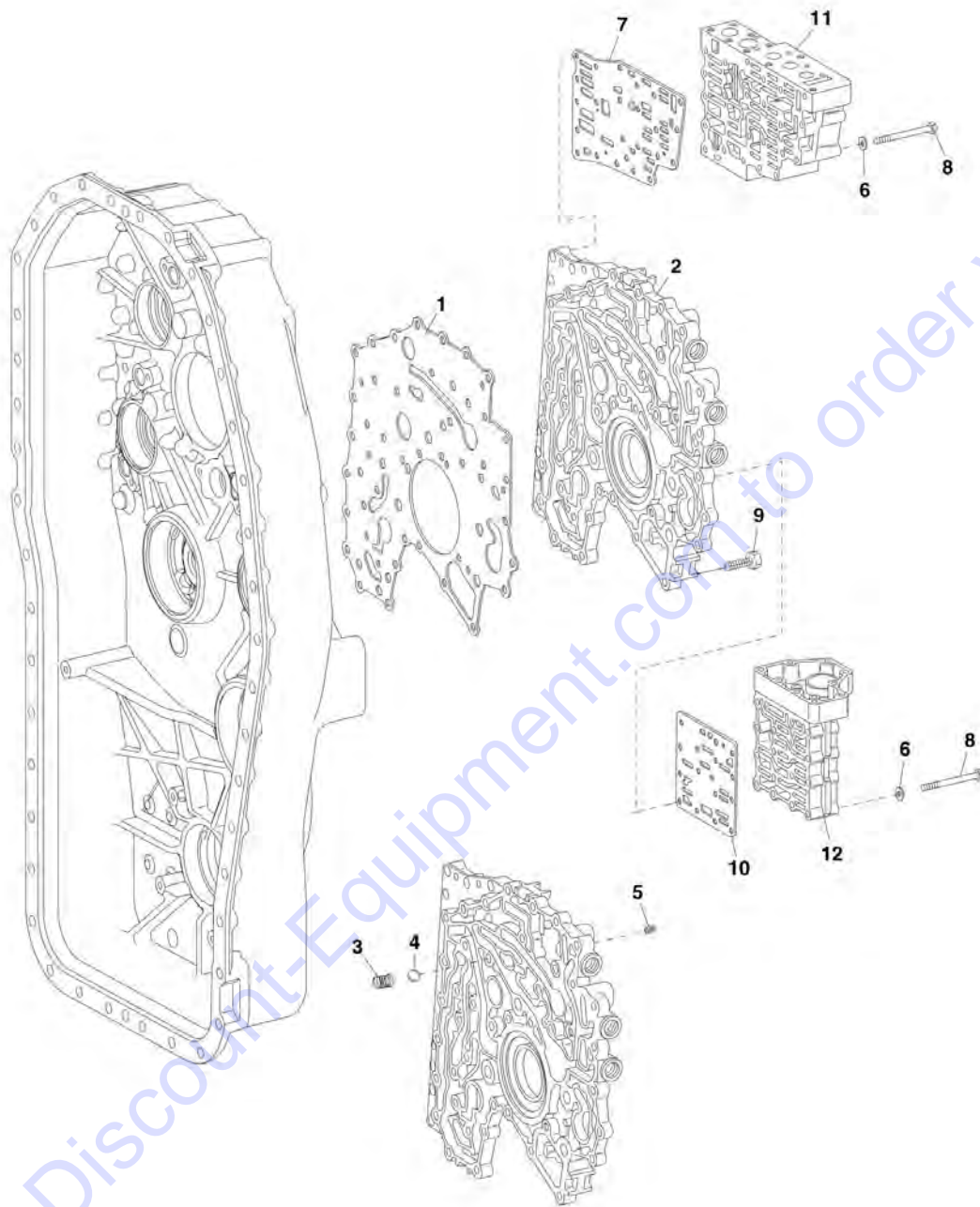
FIGURE 5-27. ZF TRANSMISSION - OUTPUT

ITEM	PART NUMBER	QTY	DESCRIPTION	REV
1	8036030	1	OUTPUT SHAFT	
2	1319641	2	SHAFT SEAL	
3	7027273	2	OUTPUT FLANGE	
4	N.S.S.	1	ROLLER BEARING ASSY	
4	70020430	1	CUP	
4	70020431	1	CONE	
5	1319643	1	ROLLER BEARING	
6	8036031	1	SCREEN SHEET	
7	1319646	5	HEX HD CAPSCREW, M6X10	
8	1319647	2	SCREEN SHEET	
9	10839156	1	O-RING	
10	1319648	2	WASHER, 10	
11	1319649	2	TAB WASHER	
12	10731959	4	HEX HD CAPSCREW, M8X25	
13	8036032	1	INTERMEDIATE SHAFT	
14	1319633	1	ROLLER BEARING	
15	8036190	1	ROLLER BEARING ASSY	
15	7029532	1	OUTER RING	
15	7029533	1	INNER RING	

Go to Discount-Equipment.com to order your parts

SECTION 5 - DRIVE TRAIN

FIGURE 5-28. ZF TRANSMISSION - CONTROL UNIT



PH5370

SECTION 5 - DRIVE TRAIN

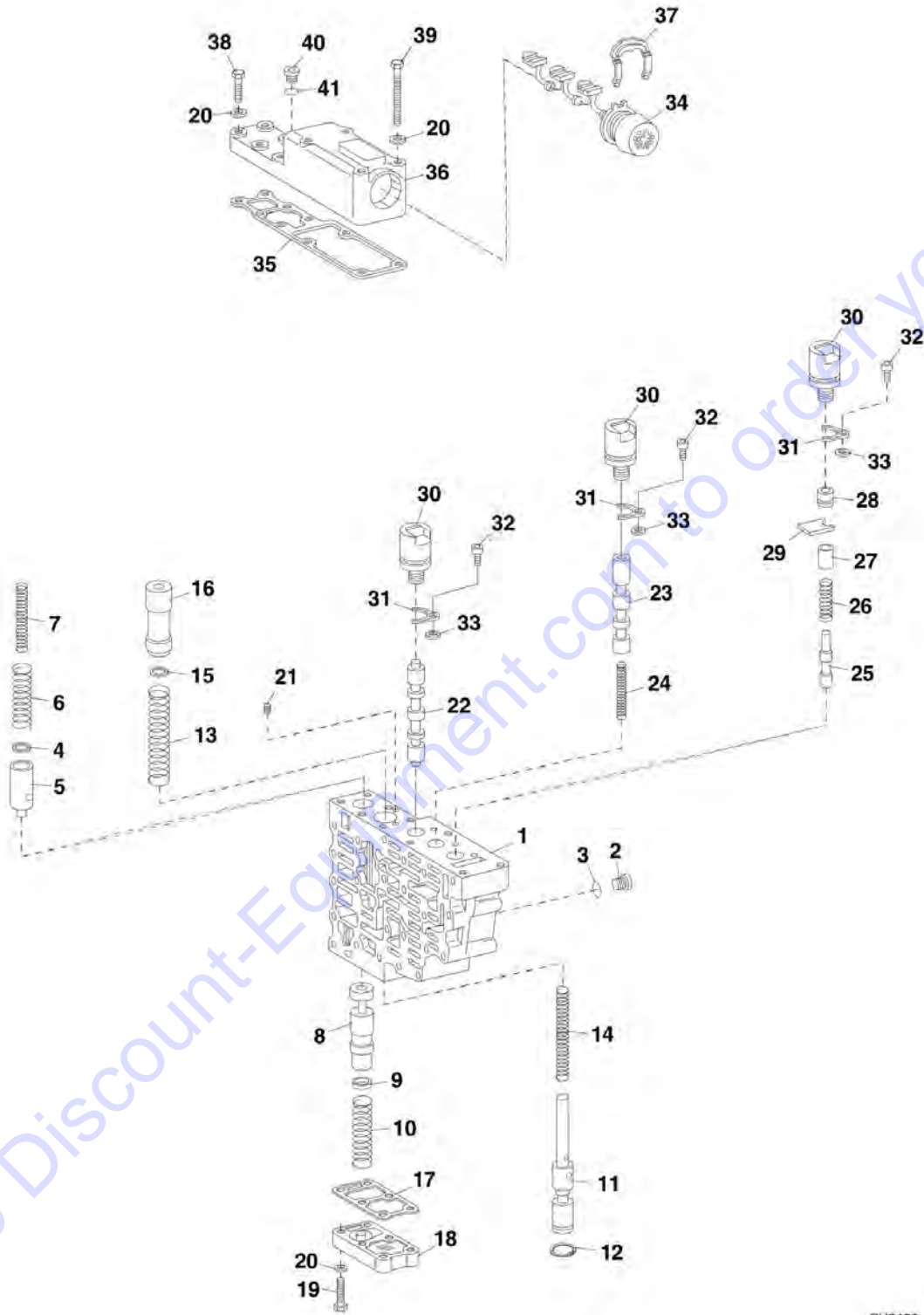
FIGURE 5-28. ZF TRANSMISSION - CONTROL UNIT

ITEM	PART NUMBER	QTY	DESCRIPTION	REV
1	1319650	1	GASKET	
2	8036033	1	DUCT PLATE	
3	10732072	1	COMPRESSION SPRING	
4	10732071	1	BALL	
5	1319652	1	ORIFICE	
6	1319661	19	WASHER, 6.4	
7	70020425	1	INTERM. SHEET	
8	7029037	19	HEX HD CAPSCREW, M6X60	
9	1319659	43	TORX SCREW, M8X30	
10	70020426	1	INTERM. SHEET	
11		Ref	VALVE HOUSING, (See ZF TRANSMISSION - VALVE HOUSING ASSEMBLY for Breakdown)	
12		Ref	VALVE BLOCK, (See ZF TRANSMISSION - VALVE BLOCK ASSEMBLY for Breakdown)	

Go to Discount-Equipment.com to order your parts

SECTION 5 - DRIVE TRAIN

FIGURE 5-29. ZF TRANSMISSION - VALVE HOUSING ASSEMBLY



PH3490

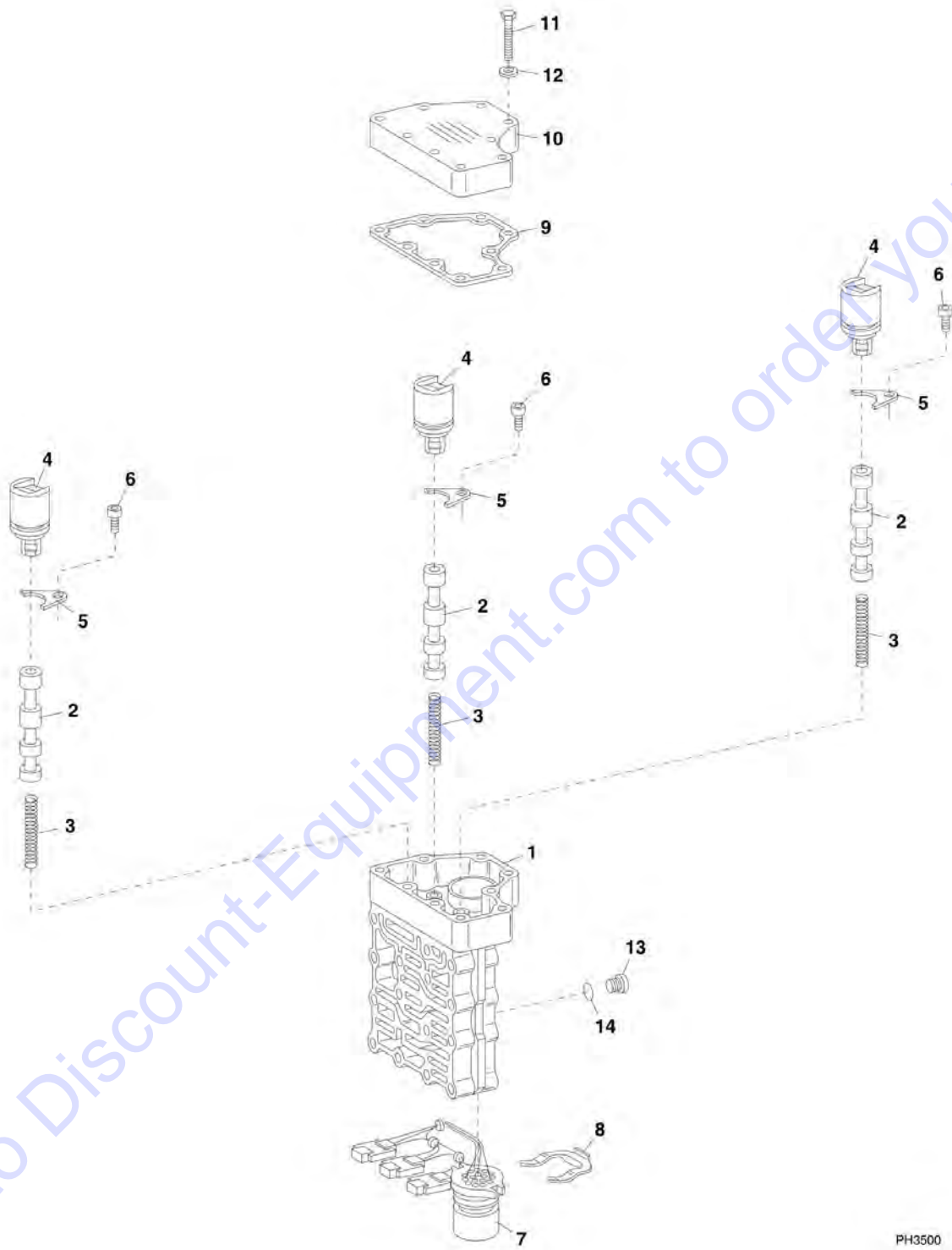
SECTION 5 - DRIVE TRAIN

FIGURE 5-29. ZF TRANSMISSION - VALVE HOUSING ASSEMBLY

ITEM	PART NUMBER	QTY	DESCRIPTION	REV
	8036040	1	VALVE HOUSING ASSY, (includes all items)	
1	1319671	1	VALVE HOUSING	
2	1319670	7	SCREW PLUG, M10X1	
3	10731709	7	O-RING	
4	8036036	1	WASHER, 1	
5	8036037	1	PISTON	
6	1319673	1	COMPRESSION SPRING	
7	8036038	1	COMPRESSION SPRING	
8	1319674	1	PISTON	
9	1319675	1	WASHER, 3.6	
9	1319676	1	WASHER, 3.2	
9	1319677	1	WASHER, 2.8	
9	1319678	1	WASHER, 2.4	
9	1319679	1	WASHER, 2	
10	1319680	1	COMPRESSION SPRING	
11	1319681	1	CONTROL PISTON	
12	1319682	1	LOCKWASHER, 12	
13	1319683	1	COMPRESSION SPRING	
14	1319684	1	COMPRESSION SPRING	
15	1319685	1	WASHER, 2	
15	1319686	1	WASHER, 1	
15	1319687	1	WASHER, 0.5	
15	1319688	1	WASHER, 0.3	
15	1319689	1	WASHER, 0.2	
16	1319690	1	PISTON	
17	1319691	1	SEAL	
18	1319692	1	COVER	
19	1319693	6	HEX HD CAPSCREW, M6X25	
20	1319661	16	WASHER, 6.4	
21	1319652	1	ORIFICE	
22	1319694	1	VALVE	
23	1319695	1	PISTON	
24	1319696	1	COMPRESSION SPRING	
25	1319697	1	PISTON	
26	1319698	1	COMPRESSION SPRING	
27	1319699	1	SPACER SLEEVE	
28	1319700	1	PLUG	
29	1319701	1	FIXING PLATE	
30	1319702	3	SOLENOID VALVE	
31	10732063	3	FIXING PLATE	
32	1319703	3	HEX HD CAPSCREW, M5X12	
33	10732064	3	WASHER, 2	
34	1319704	1	WIRING HARNESS	
35	1319705	1	SEAL	
36	8036039	1	COVER	
37	1319707	1	RETAINING CLAMP	
38	1319693	6	HEX HD CAPSCREW, M6X25	
39	1319708	4	HEX HD CAPSCREW, M6X60	
40	1319670	1	SCREW PLUG, M10X1	
41	10731709	1	O-RING	

SECTION 5 - DRIVE TRAIN

FIGURE 5-30. ZF TRANSMISSION - VALVE BLOCK ASSEMBLY



Go to Discount-Equipment.com to order your parts

PH3500

SECTION 5 - DRIVE TRAIN

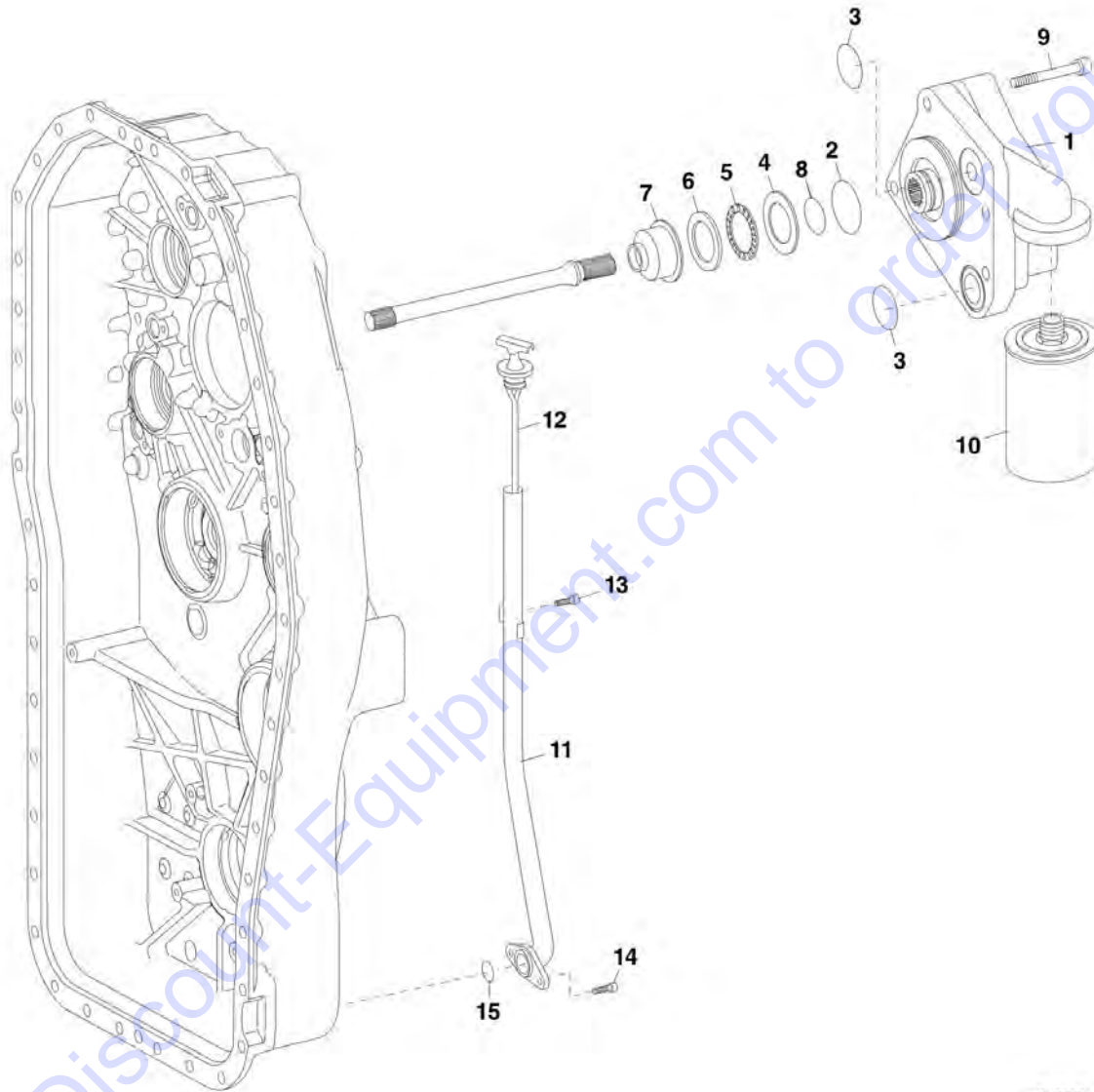
FIGURE 5-30. ZF TRANSMISSION - VALVE BLOCK ASSEMBLY

ITEM	PART NUMBER	QTY	DESCRIPTION	REV
	1319717	1	VALVE BLOCK ASSY, (includes all items), (1-piece gasket design)	
1	70020427	1	VALVE BLOCK	
2	1319710	3	PISTON	
3	1319696	3	COMPRESSION SPRING	
4	1319702	3	SOLENOID VALVE	
5	10732063	3	FIXING PLATE	
6	1319703	3	SOCKET HD CAPSCREW, M5X12	
7	1319711	1	WIRING HARNESS	
8	1319707	1	RETAINING CLAMP	
9	1319712	1	GASKET	
10	1319713	1	COVER	
11	1319714	9	HEX HD CAPSCREW, M5X32	
12	1319715	9	WASHER, 5.3	
13	1319670	3	SCREW PLUG, M10X1	
14	10731709	3	O-RING	

Go to Discount-Equipment.com to order your parts

SECTION 5 - DRIVE TRAIN

FIGURE 5-31. ZF TRANSMISSION - OIL PUMP AND FILTER



SECTION 5 - DRIVE TRAIN

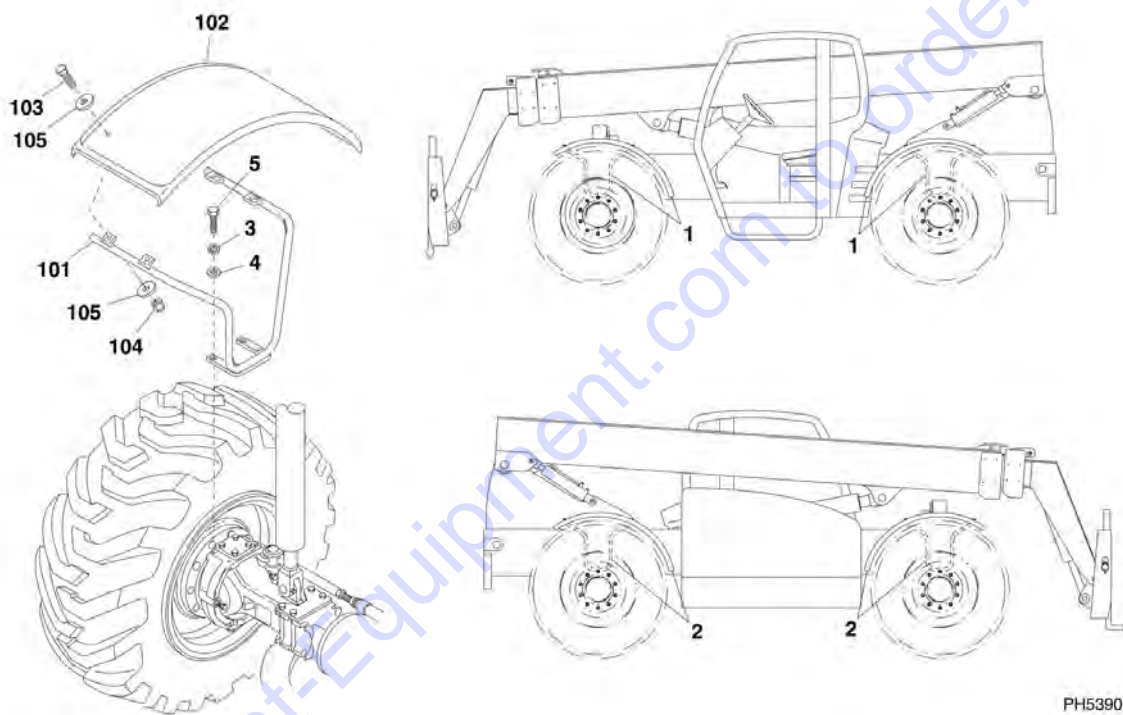
FIGURE 5-31. ZF TRANSMISSION - OIL PUMP AND FILTER

ITEM	PART NUMBER	QTY	DESCRIPTION	REV
1	1319718	1	PUMP, (includes item 2)	
1	7029417	1	O-RING, (between pump halves), (not shown)	
2	8036250	1	O-RING	
3	1319719	2	O-RING	
4	1319720	1	AXIAL WASHER, 40X60X1	
5	1319721	1	AXIAL NEEDLE CAGE	
6	1319722	1	ANGLE DISC	
7	1319723	1	SPACER BUSHING	
8	1319724	1	O-RING	
9	1319725	4	HEX HD CAPSCREW, M12X115	
10	1319726	1	FILTER	
11	8036041	1	DIPSTICK TUBE	
12	8036042	1	DIPSTICK	
13	1319585	1	HEX HD CAPSCREW, M8X16	
14	1319582	1	HEX HD CAPSCREW, M8X20	
15	70023885	1	O-RING	

Go to Discount-Equipment.com to order your parts

SECTION 5 - DRIVE TRAIN

FIGURE 5-32. FENDER INSTALLATION



SECTION 5 - DRIVE TRAIN

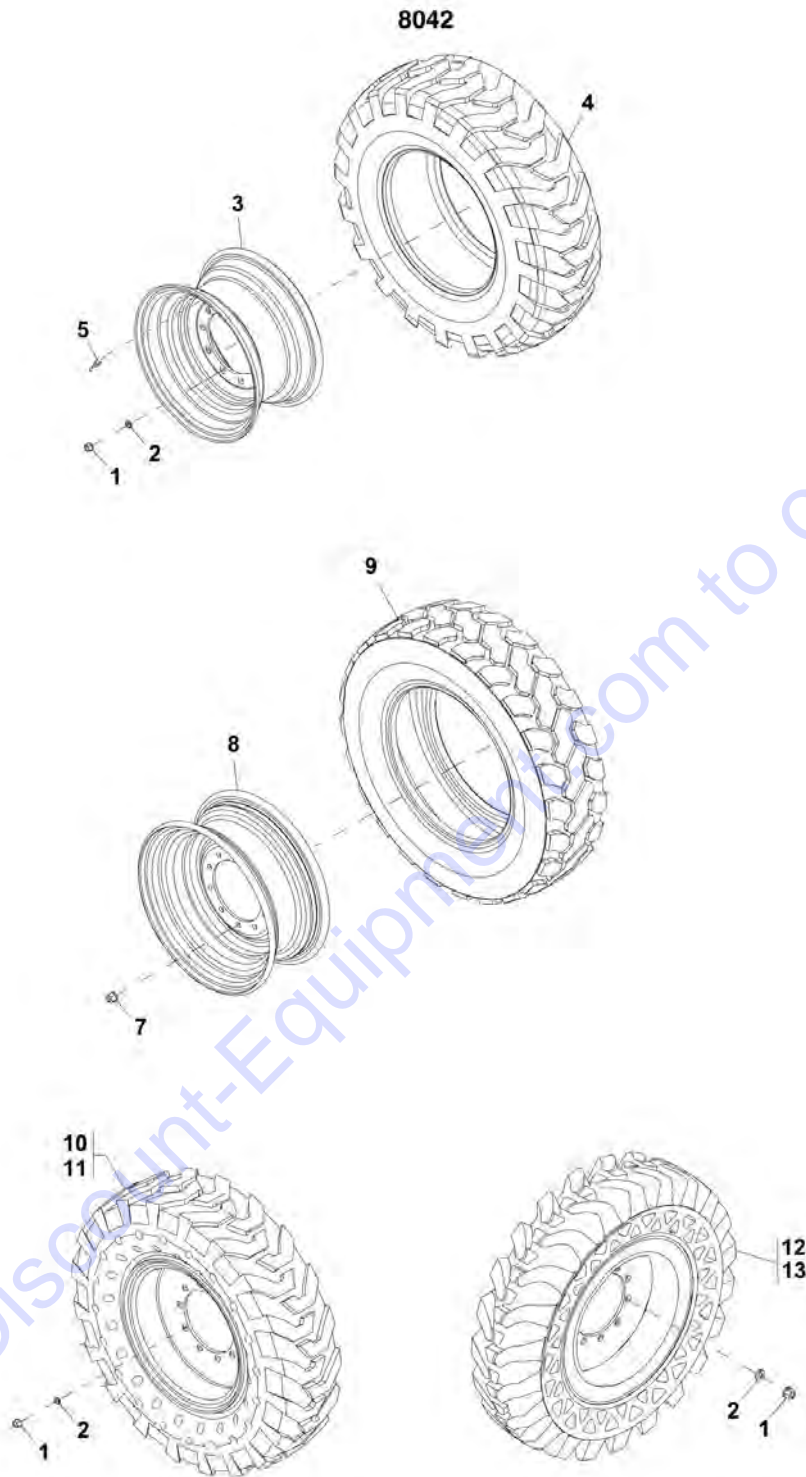
FIGURE 5-32. FENDER INSTALLATION

ITEM	PART NUMBER	QTY	DESCRIPTION	REV
	7139086	1	FENDER INSTALLATION, (includes items 1 thru 5)	D
1	7139087	2	LH FENDER AND BRACKET ASSY, (includes items 101 thru 105)	D
2	7139088	2	RH FENDER AND BRACKET ASSY, (includes items 101 thru 105)	D
3	8307025	16	LOCKWASHER, M12	
4	8307220	16	PLAIN WASHER, M12	
5	8310164	16	HEX HD CAPSCREW, M12X1-3/4X40	
101	7139560	1	FENDER MOUNTING BRACKET	
102	7139226	1	FENDER	
103	8303626	4	HEX HD CAPSCREW, 1/2-13X1-1/2, GR5	
104	8305644	4	HEX LOCKNUT, 1/2-13	
105	8307206	8	PLAIN WASHER, 1/2	

Go to Discount-Equipment.com to order your parts

SECTION 5 - DRIVE TRAIN

FIGURE 5-33. WHEEL ASSEMBLY 8042



PAP28830

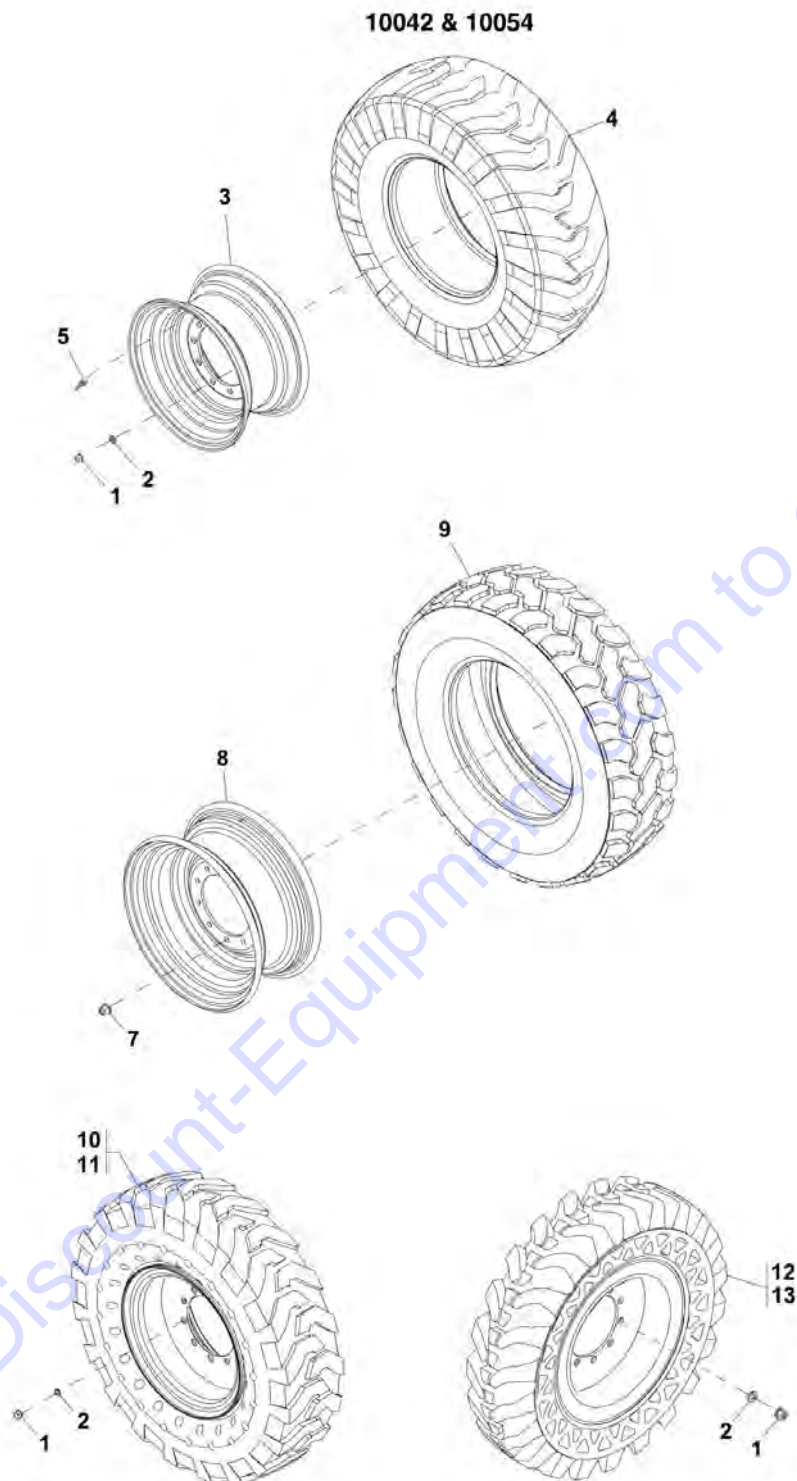
SECTION 5 - DRIVE TRAIN

FIGURE 5-33. WHEEL ASSEMBLY 8042

ITEM	PART NUMBER	QTY	DESCRIPTION	REV
	4520471	1	PNEUMATIC TIRE SET, 15.50-25, G-2, (includes items 1 & 2)	B
	7138660	2	PNEUMATIC TIRE AND WHEEL ASSY, (right side), 15.50-25, G-2, (includes items 3 thru 5)	D
	7138661	2	PNEUMATIC TIRE AND WHEEL ASSY, (left side), 15.50-25, G-2, (includes items 3 thru 5)	E
	4520472	1	FOAM TIRE SET, 15.5-25, G-2, 600 LB, (includes items 1 & 2)	B
	7139161	2	FOAM TIRE AND WHEEL ASSY, (right side), 15.50-25, G-2, (includes items 3 thru 6)	C
	7139162	2	FOAM TIRE AND WHEEL ASSY, (left side), 15.50-25, G-2, (includes items 3 thru 6)	C
	1001120935	1	PNEUMATIC TIRE SET, 370/75-28, (includes item 7)	A
	1001100324	4	PNEUMATIC TIRE AND WHEEL ASSY, 370/75-28 (includes items 5, 8 & 9)	C
	1001121518	1	FOAM TIRE SET, 370/75-28, 464 LB, (includes item 7)	B
	1001121085	4	FOAM TIRE AND WHEEL ASSY, 370/75-28, (includes items 5, 6, 8 & 9)	A
	4520648	1	SOLID TIRE SET, TY CUSHION, 14.00-24, (includes items 1, 2, 10 & 11) (Prior to SN 0160060012)	B
	1001151107	1	SOLID TIRE SET, 13.00-24, (includes items 1, 2, 12 & 13)	A
1		Ref	WHEEL NUT, (torque to 430-470 lb-ft/583-637 Nm), (See DRIVE TRAIN COMPONENTS for Breakdown)	
2		Ref	LOCKWASHER, M22, (See DRIVE TRAIN COMPONENTS for Breakdown)	
3	7301056	1	WHEEL, 13X25, 10 HOLE	
4	8780036	1	TIRE, 15.50X25, 12 PLY BIAS L2	
5	8786514	1	VALVE STEM	
6	8526203	1	BALLAST FLAT PROOFING FOAM FILL, (not shown)	
7		Ref	LUG NUT, M22X1-1/2, FREE SPINNING, (torque to 430-470 lb-ft/583-637 Nm), (See DRIVE TRAIN COMPONENTS for Breakdown)	
8	1001100005	1	WHEEL, 28X11	
9	1001100284	1	TIRE, 370/75-28	
10	4520649	2	SOLID TIRE AND WHEEL ASSY, (right side), 13.00-24 (Prior to SN 0160060012)	B
11	4520650	2	SOLID TIRE AND WHEEL ASSY, (left side), 13.00-24 (Prior to SN 0160060012)	B
12	1001151099	2	LH SOLIDEAL TIRE AND WHEEL ASSY, 13.00-24	A
13	1001151100	2	RH SOLIDEAL TIRE AND WHEEL ASSY, 13.00-24	A
N1	Note	Ref	WHEN ORDERING TIRES CONTACT DISCOUNT-EQUIPMENT AND SPECIFY THE BRAND OF TIRE.	
N2	Note	Ref	ASSEMBLIES MAY REQUIRE BALLAST/FOAM FILLING TO MANUFACTURER'S SPECIFICATIONS PRIOR TO INSTALLING ON A MACHINE. REFER TO OPERATION AND SAFETY OR SERVICE MANUALS. PURCHASE INDIVIDUAL TIRE AND/OR RIM ONLY IF ABLE TO FOAM FILL TIRE AND WHEEL ASSEMBLY, OTHERWISE, PURCHASE COMPLETE ASSEMBLY.	

SECTION 5 - DRIVE TRAIN

FIGURE 5-34. WHEEL ASSEMBLY 10042 & 10054



PAP28840

PARTS FINDER

**Search Website
by Part Number**



**Search Manual
Library For Parts
Manual & Lookup Part
Numbers – Purchase
or Request Quote**

**Can't Find Part or
Manual? Request Help
by Manufacturer,
Model & Description**

Discount-Equipment.com is your online resource for quality parts & equipment.

Florida: **561-964-4949** Outside Florida TOLL FREE: **877-690-3101**

Need parts?

Click on this link: <http://www.discount-equipment.com/category/5443-parts/> and choose one of the options to help get the right parts and equipment you are looking for. Please have the machine model and serial number available in order to help us get you the correct parts. If you don't find the part on the website or on one of the online manuals, please fill out the request form and one of our experienced staff members will get back to you with a quote for the right part that your machine needs.

We sell worldwide for the brands: Genie, Terex, JLG, MultiQuip, Mikasa, Essick, Whiteman, Mayco, Toro Stone, Diamond Products, Generac Magnum, Airman, Haulotte, Barreto, Power Blanket, Nifty Lift, Atlas Copco, Chicago Pneumatic, Allmand, Miller Curber, Skyjack, Lull, Skytrak, Tsurumi, Husquvarna Target, Stow, Wacker, Sakai, Mi-T-M, Sullair, Basic, Dynapac, MBW, Weber, Bartell, Bennar Newman, Haulotte, Ditch Runner, Menegotti, Morrison, Contec, Buddy, Crown, Edco, Wyco, Bomag, Laymor, EZ Trench, Bil-Jax, F.S. Curtis, Gehl Pavers, Heli, Honda, ICS/PowerGrit, IHI, Partner, Imer, Clipper, MMD, Koshin, Rice, CH&E, General Equipment, Amida, Coleman, NAC, Gradall, Square Shooter, Kent, Stanley, Tamco, Toku, Hatz, Kohler, Robin, Wisconsin, Northrock, Oztec, Toker TK, Rol-Air, APT, Wylie, Ingersoll Rand / Doosan, Innovatech, Con X, Ammann, Mecalac, Makinex, Smith Surface Prep, Small Line, Wanco, Yanmar

SECTION 5 - DRIVE TRAIN

FIGURE 5-34. WHEEL ASSEMBLY 10042 & 10054

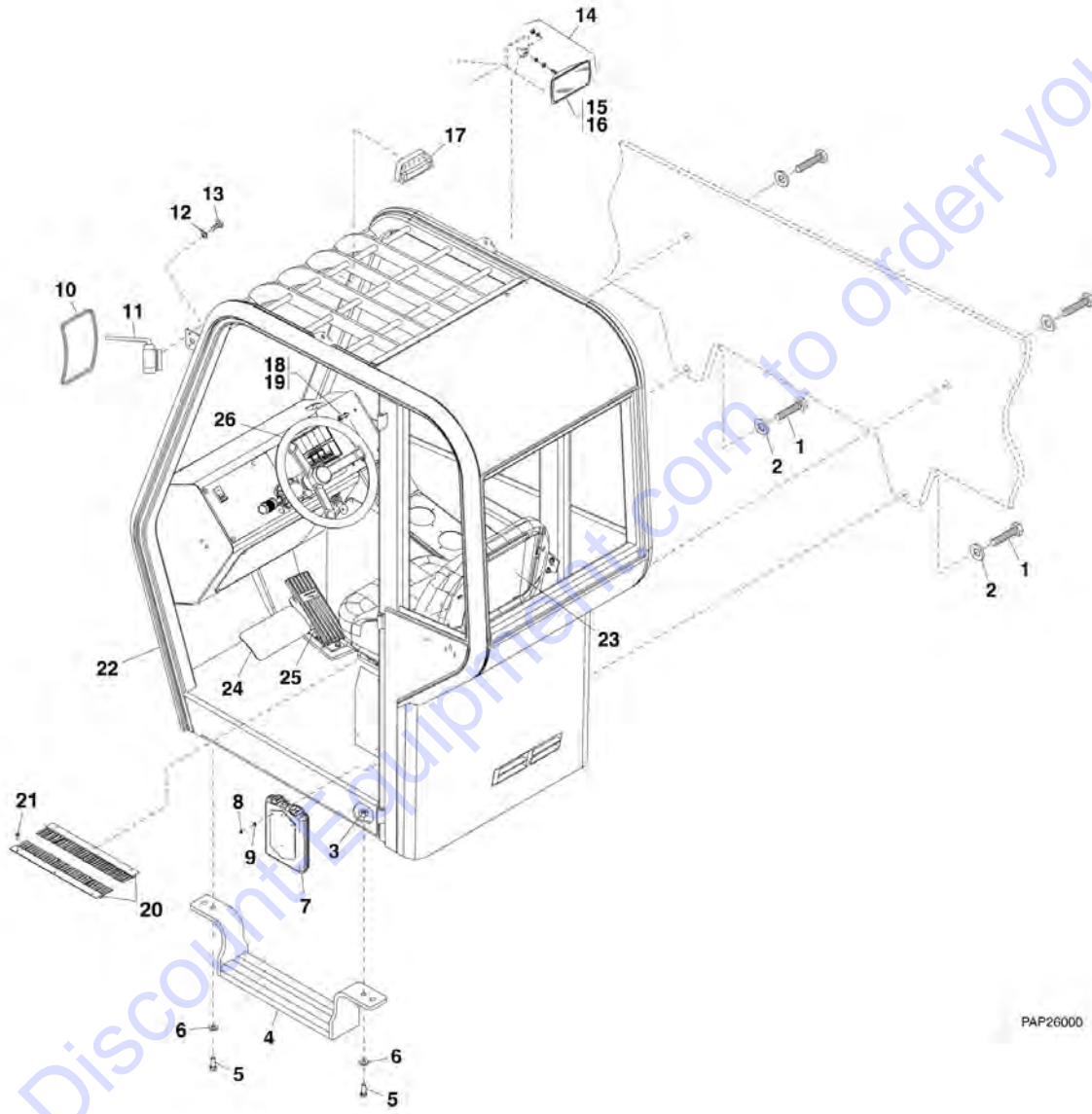
ITEM	PART NUMBER	QTY	DESCRIPTION	REV
	4520535	1	PNEUMATIC TIRE SET, 17.50-25, G-2, (includes items 1 & 2)	B
	7138662	2	PNEUMATIC TIRE AND WHEEL ASSY, (right side), 17.50-25, G-2, (includes items 3 thru 5)	F
	7138663	2	PNEUMATIC TIRE AND WHEEL ASSY, (left side), 17.50-25, G-2, (includes items 3 thru 5)	F
	4520536	1	FOAM TIRE SET, 17.50-25, G-2, 785 LB, (includes items 1 & 2)	B
	7139163	2	FOAM TIRE AND WHEEL ASSY, (right side), 17.50-25, G-2, (includes items 3 thru 6)	D
	7139164	2	FOAM TIRE AND WHEEL ASSY, (left side), 17.50-25, G-2, (includes items 3 thru 6)	D
	1001121107	1	PNEUMATIC TIRE SET, 400/75-28, (includes item 7)	A
	1001121102	4	PNEUMATIC TIRE AND WHEEL ASSY, 400/75-28, (includes items 5, 8 & 9)	A
	1001125418	1	FOAM TIRE SET, 400/75-28, 570 LB, (includes item 7)	A
	1001121104	4	FOAM TIRE AND WHEEL ASSY, 400/75-28, (includes items 5, 6, 8 & 9)	A
	1001105703	1	SOLID TIRE SET, TY CUSHION, 14.00-24, (includes items 1, 2, 10 & 11) (Prior to SN 0160060012)	B
	1001151109	1	SOLID TIRE SET, 13.00-24, (includes items 1, 2, 12 & 13)	A
1		Ref	WHEEL NUT, (torque to 430-470 lb-ft/583-637 Nm), (See DRIVE TRAIN COMPONENTS for Breakdown)	
2		Ref	LOCKWASHER, M22, (See DRIVE TRAIN COMPONENTS for Breakdown)	
3	7301056	1	WHEEL, 13X25, 10 HOLE	
4	4520527	1	TIRE, 17.50-25, 12 PLY LOADER L2	
5	8786514	1	VALVE STEM	
6	8526203	1	BALLAST FLAT PROOFING FOAM FILL, (not shown)	
7		Ref	LUG NUT, M22X1-1/2, FREE SPINNING, (torque to 430-470 lb-ft/583-637 Nm), (See DRIVE TRAIN COMPONENTS for Breakdown)	
8	1001100009	1	WHEEL, 28X12	
9	1001120179	1	TIRE, 400/75-28	
10	1001105705	2	SOLID TIRE AND WHEEL ASSY, (right side), 14.00-24 (Prior to SN 0160060012)	A
11	1001105704	2	SOLID TIRE AND WHEEL ASSY, (left side), 14.00-24 (Prior to SN 0160060012)	A
12	1001151103	2	LH SOLIDEAL TIRE, 13.00-24	A
13	1001151104	2	RH SOLIDEAL TIRE, 13.00-24	A
N1	Note	Ref	WHEN ORDERING TIRES CONTACT DISCOUNT-EQUIPMENT AND SPECIFY THE BRAND OF TIRE.	
N2	Note	Ref	ASSEMBLIES MAY REQUIRE BALLAST/FOAM FILLING TO MANUFACTURER'S SPECIFICATIONS PRIOR TO INSTALLING ON A MACHINE. REFER TO OPERATION AND SAFETY OR SERVICE MANUALS. PURCHASE INDIVIDUAL TIRE AND/OR RIM ONLY IF ABLE TO FOAM FILL TIRE AND WHEEL ASSEMBLY, OTHERWISE, PURCHASE COMPLETE ASSEMBLY.	

SECTION 6 - CAB

Go to Discount-Equipment.com to order your parts

SECTION 6 - CAB

FIGURE 6-1. CAB INSTALLATION



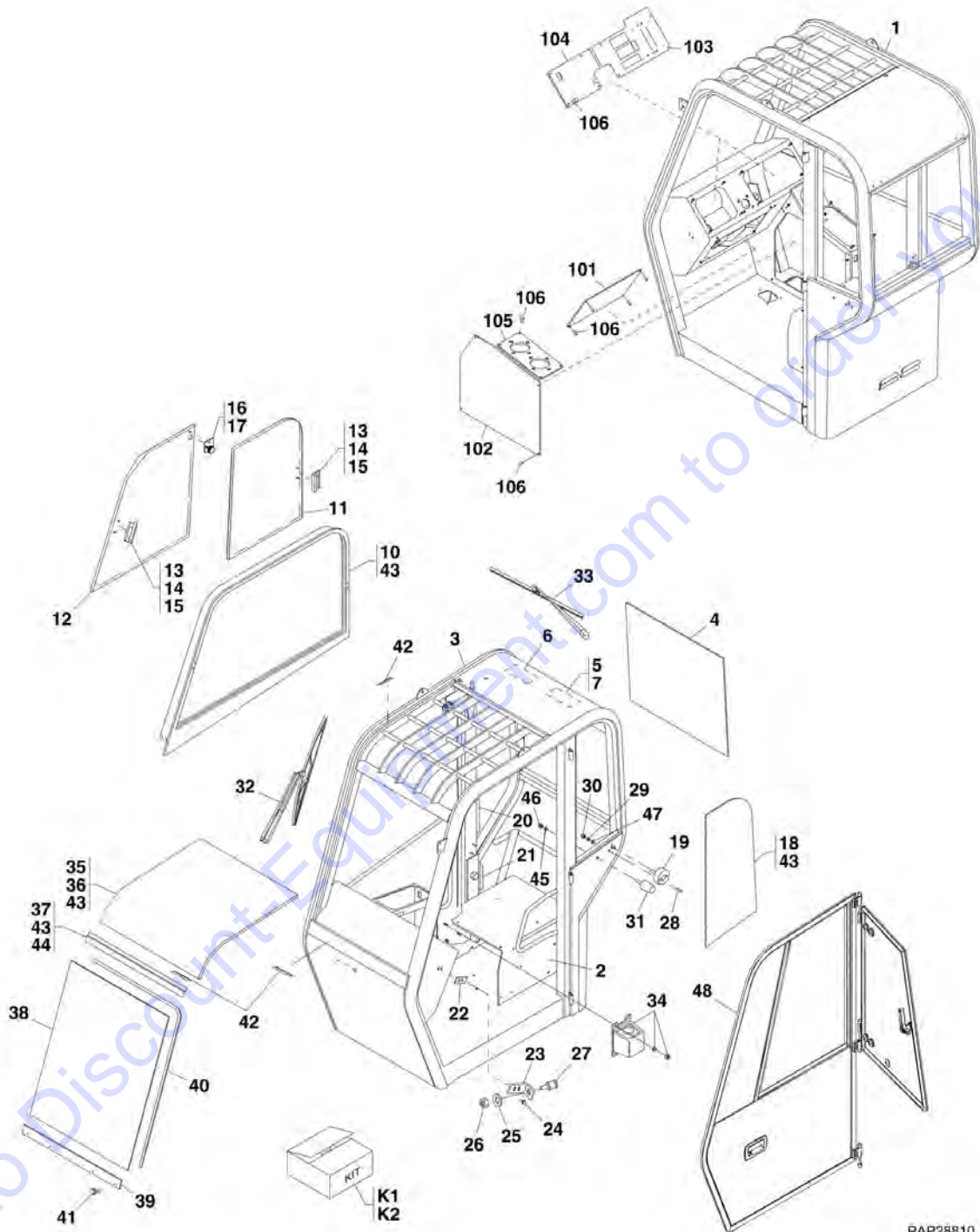
PAP26000

FIGURE 6-1. CAB INSTALLATION

ITEM	PART NUMBER	QTY	DESCRIPTION	REV
	1001121741	Ref	OPEN CAB INSTALLATION, (not available to order, see items 1 thru 23 for service)	E
	1001121742	Ref	ENCLOSED CAB INSTALLATION, (if equipped for ULS), (not available to order, see items 1 thru 23 for service)	D
	1001135038	Ref	ENCLOSED CAB INSTALLATION, (if equipped for LS), (not available to order, see items 1 thru 23 for service)	D
1	8310493	4	HEX HD CAPSCREW, 7/8-9X5-1/2, GR8, (torque to 480 lb-ft/650 Nm)	
2	8307011	4	LOCKWASHER, 7/8	
3	8305644	4	LOCKNUT, 1/2-13	
4	1001141427	1	CAB STEP MOUNT	
5	8303626	4	HEX HD CAPSCREW, 1/2-13X1-1/2	
6	8307112	4	FLAT WASHER, 1/2	
7	8990147	1	MANUAL HOLDER	
8	8310085	3	LOCKNUT, 10-24	
9	8307201	3	FLAT WASHER, 10	
10	1001148177	1	RECTANGULAR MIRROR	
11	1001114675	1	MIRROR ARM	
12	8307024	2	LOCKWASHER, M6	
13	0700610	2	HEX HD CAPSCREW, M6-1X20MM	
14	8866348	1	RIGHT MIRROR, (includes mounting hardware)	
15	8866351	1	CONVEX GLASS REPLACEMENT LENS, 6-1/2X10	
16	4791500	1	STAR LOCKWASHER, 5/16	
17	8466306	1	TILT ANGLE GAUGE	
18	1001102844	2	U-BOLT, 1/4-20X2-1/2	
19	8310382	8	FLANGE NUT, 1/4-20	
20	7138944	2	BRUSH STRIP ASSY	
21	8303982	6	SELF TAPPING SCREW, 1/4-20X3/4	
22		Ref	CAB ASSY, (See CAB ASSEMBLY for Breakdown)	
23		Ref	SEAT ASSY, (See OPERATORS SEAT for Breakdown)	
24		Ref	BRAKE ASSY, (See CONTROLS SECTION for Breakdown)	
25		Ref	THROTTLE ASSY, (See CONTROLS SECTION for Breakdown)	
26		Ref	STEERING COLUMN ASSY, (See CONTROLS SECTION for Breakdown)	

SECTION 6 - CAB

FIGURE 6-2. CAB ASSEMBLY



PAP28810

SECTION 6 - CAB

FIGURE 6-2. CAB ASSEMBLY

ITEM	PART NUMBER	QTY	DESCRIPTION	REV
	1001122456	1	ENCLOSED CAB WITH HEATER, (includes all items)	C
1	1001122457	1	OPEN CAB, (includes items 101 thru 106)	C
2		Ref	CAB HEATER ASSY, (See CAB HEATER for Breakdown)	
3	7139050	1	ENCLOSED CAB WITH TOP AND FRONT WIPERS, (less heater), (includes 4 thru 48)	E
4	7028737	1	REAR WINDOW	
5	91404301	1	HAMMER	
6	91404299	1	ESCAPE DECAL	
7	91404298	3	RIVET	
10	8036050	1	RIGHT SIDE SLIDER WINDOW, (includes items 11 thru 17)	
11	8036197	1	REAR SLIDE GLASS	
12	8036196	1	FRONT SLIDE GLASS	
13	Kit	1	CAPSCREW	
14	Kit	1	SPACER	
15	Kit	1	LATCH	
16	Kit	1	LOCK BLOCK	
17	Kit	1	KNOB ASSY	
18	8036073	1	LEFT SIDE REAR GLASS	
19	8036069	1	FEMALE DOOR RETAINER	
20	8036057	1	UPPER WIRE DUCT	
21	8036058	1	LOWER WIRE DUCT	
22	8036059	1	STRIKER NUT PLATE WELDMENT	
23	8036060	1	STRIKER BOLT BRACKET	
24	8035437	2	LOCK SCREW, 1/4-20X3/4	
25	8036061	1	FLAT WASHER, 17/32X1.06X0.094	
26	8035639	1	CENTER LOCKNUT, 7/16-14	
27	1001109478	1	STRIKER LATCH	
28	8035487	2	SCREW, 1/4-20X5/8	
29	8035416	2	LOCKWASHER, 1/4X.49ODX.07	
30	8035479	2	ACORN NUT, 1/4-20	
31	8036066	1	RUBBER CONE BUMPER	
32		Ref	FRONT WINDSHIELD WIPER ASSY, (See WIPERS for Breakdown)	
33		Ref	SKYLIGHT WIPER ASSY, (See WIPERS for Breakdown)	
34		Ref	RESERVOIR WITH MOTOR, (See WIPERS for Breakdown)	
35	7139444	1	WINDSHIELD SKYLIGHT KIT, (includes items 36 thru 43)	
36	7138958	1	SKYLIGHT GLASS	
37	7139316	1	UPPER WINDSHIELD CLIP	
38	7138951	1	WINDSHIELD GLASS	
39	7139298	1	LOWER WINDSHIELD PLATE	
40	7139299	1	BULB SEAL, 0.22X0.35X14-3/4	
41	8310529	5	SELF TAPPING SCREW, #10-16X3/4	
42	8035490	8	SETTING BLOCKS	
43	8035523	AR	URETHANE SEALANT, (apply to items 10, 18, 36 & 37)	
44	7139301	AR	FOAM	
45	0835416	1	WASHER, 0.32 IDX0.57 ODX0.09	
46	8035479	1	ACORN NUT, 1/4-20	
47	8035416	2	LOCKWASHER, 1/4X0.49 ODX0.07	
48		Ref	DOOR ASSY, (See CAB DOOR ASSEMBLY for Breakdown)	
101	7302074	1	LOWER CONSOLE PANEL	

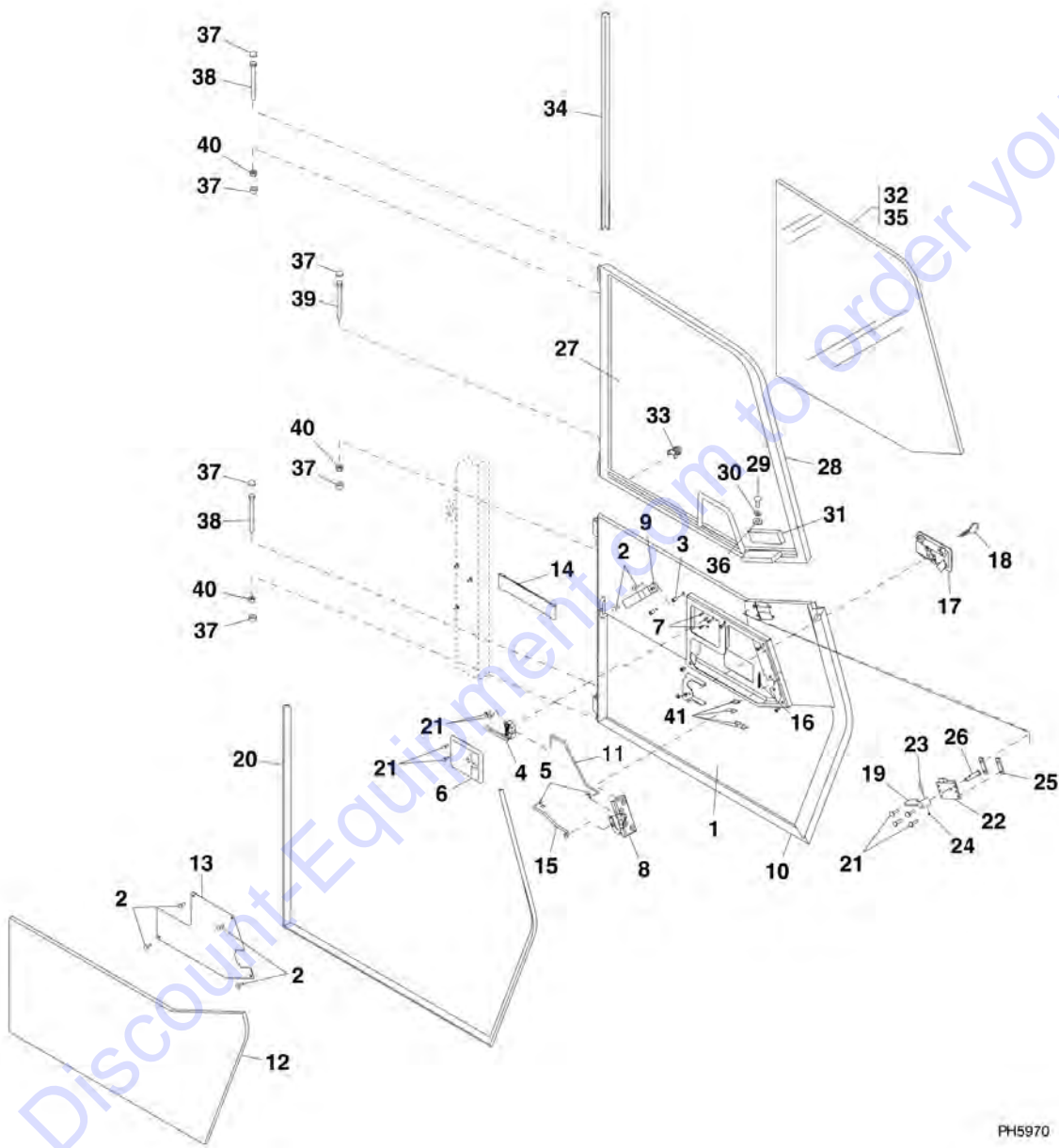
SECTION 6 - CAB

ITEM	PART NUMBER	QTY	DESCRIPTION	REV
102	7302073	1	RIGHT SIDE CONSOLE ACCESS PANEL	
103	1001129610	1	RIGHT FRONT CONSOLE PANEL	
104	7302076	1	LEFT FRONT CONSOLE PANEL	
105	7302077	1	SIDE CONSOLE PANEL	
106	8303034	20	TRUSS HD TORX SCREW, 1/4-20X3/4	
K1	8036199	1	LATCH ASSY KIT, (includes items 13 thru 15)	
K2	8036198	1	FRICTION LOCK ASSY KIT, (includes items 16 & 17)	

Go to Discount-Equipment.com to order your parts

SECTION 6 - CAB

FIGURE 6-3. CAB DOOR ASSEMBLY (Prior to SN 0160050422, Excluding 0160050419)



PH5970

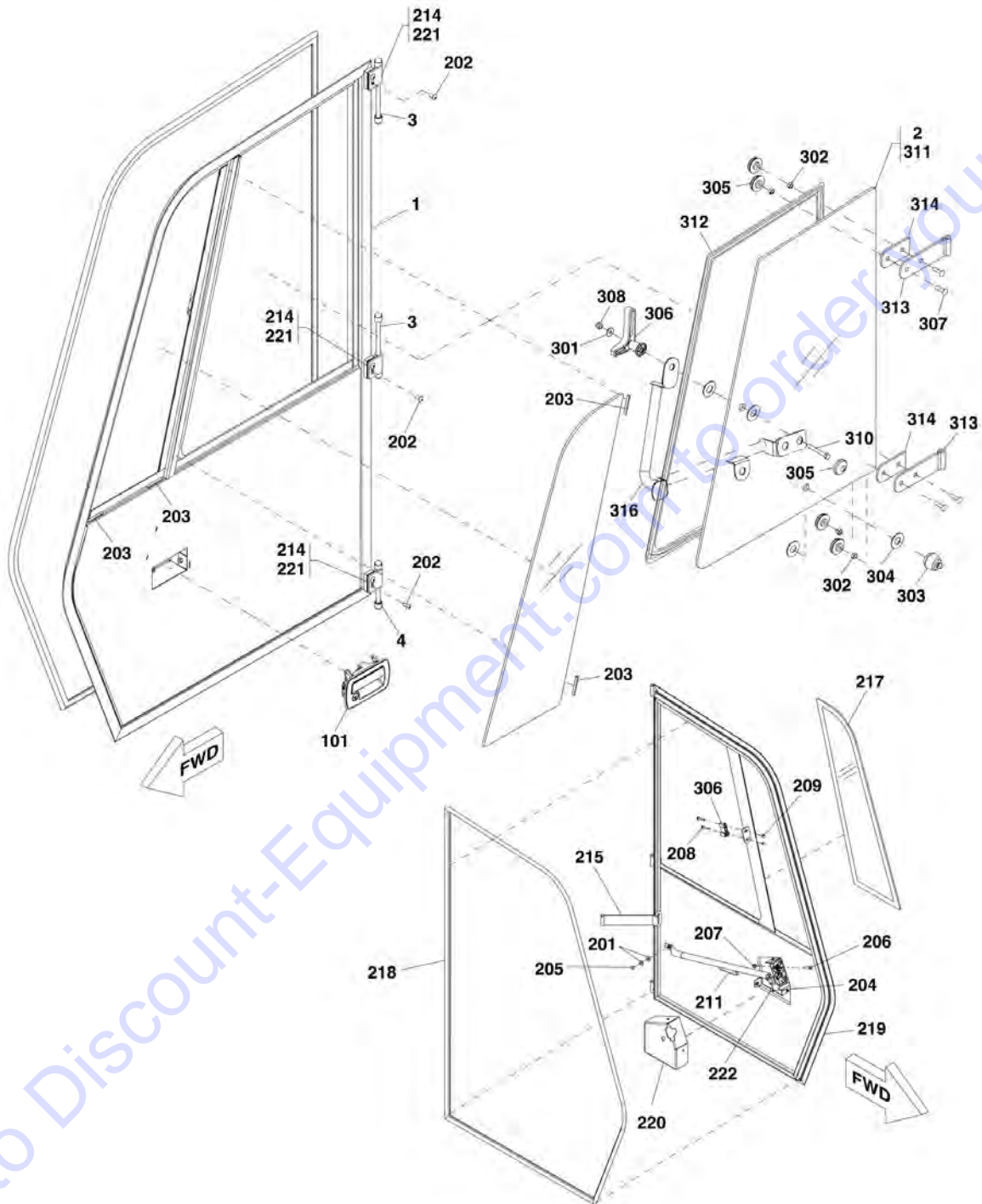
SECTION 6 - CAB

FIGURE 6-3. CAB DOOR ASSEMBLY (Prior to SN 0160050422, Excluding 0160050419)

ITEM	PART NUMBER	QTY	DESCRIPTION	REV
1	1001109007	1	LOWER DOOR ASSY, (uses round key), (includes items 2 thru 26 & item 40)	B
2	8033856	6	TORX SCREW, 1/4-20	
3	1001103509	6	HEX RIVNUT, 1/4-20	
4	80384192	1	INNER DOOR HANDLE	
5	80384187	2	ROD END RETAINING CLIP	
6	80384193	1	INSIDE DOOR BEZEL	
7	8036085	4	HEX RIVNUT, #10-24	
8	8035439	1	ROTARY LATCH	
9	91344032	1	INSIDE CAB HANDLE	
10	8036090	1	LOWER DOOR WELDMENT	
11	8036093	1	INTERIOR LATCH LINKAGE	
12	8036094	1	LOWER DOOR FOAM	
13	8036095	1	LATCH BOX ACCESS PLATE	
14	8036096	1	DOOR RESTRAINT STRAP	
15	8036097	1	EXTERIOR LATCH LINKAGE WELDMENT	
16	8036098	1	EXTENSION SPRING, 0.219X1-1/2X0.023	
17	1001105892	1	PADDLE LATCH, (uses rounded key), (includes item 18)	A
18	70021948	1	ROUND KEY	
19	91404315	1	DOOR LEVER RELEASE	
20	8036076	1	BULB SEAL, 15.5MMX10, (cut to fit)	
21	8036088	8	SCREW, #10-24X3/4	
22	91404319	1	SLAM LATCH	
23	91404317	1	SCREW, #8-32X1-1/8	
24	91404318	1	NYLON LOCKNUT, #8-32	
25	8036091	2	SLAM LATCH SPACER	
26	8036092	1	SLAM LATCH SHAFT WELDMENT	
27	1001109406	1	UPPER DOOR ASSY, (includes items 28 thru 36)	B
28	8036077	1	UPPER DOOR WELDMENT	
29	8036105	2	TORX SCREW, 1/4-20	
30	8035416	2	WASHER, 1/4 IDX0.49 OD	
31	8036078	1	SLAM LATCH STRIKER	
32	8036079	1	LEFT SIDE DOOR GLASS	
33	8036080	1	RETAINER	
34	8036076	1	BULB SEAL, 15.5MMX10, (cut to fit)	
35	8035523	AR	URETHANE SEALANT, (apply to item 32)	
36	70020628	2	WASHER	
37	8036065	6	HEX DOME CAP	
38	8035631	2	BOLT, 3/8-16X4-1/2	
39	8036064	1	BOLT, 3/8-16X6-1/2	
40	8035632	3	HEX NUT, 3/8-16	
41	80264074	4	BOLT, 1/4-20X3/4	

SECTION 6 - CAB

FIGURE 6-4. CAB DOOR ASSEMBLY (SN 0160050422 to Present, Including 0160050419)



ART_31200732-6-4

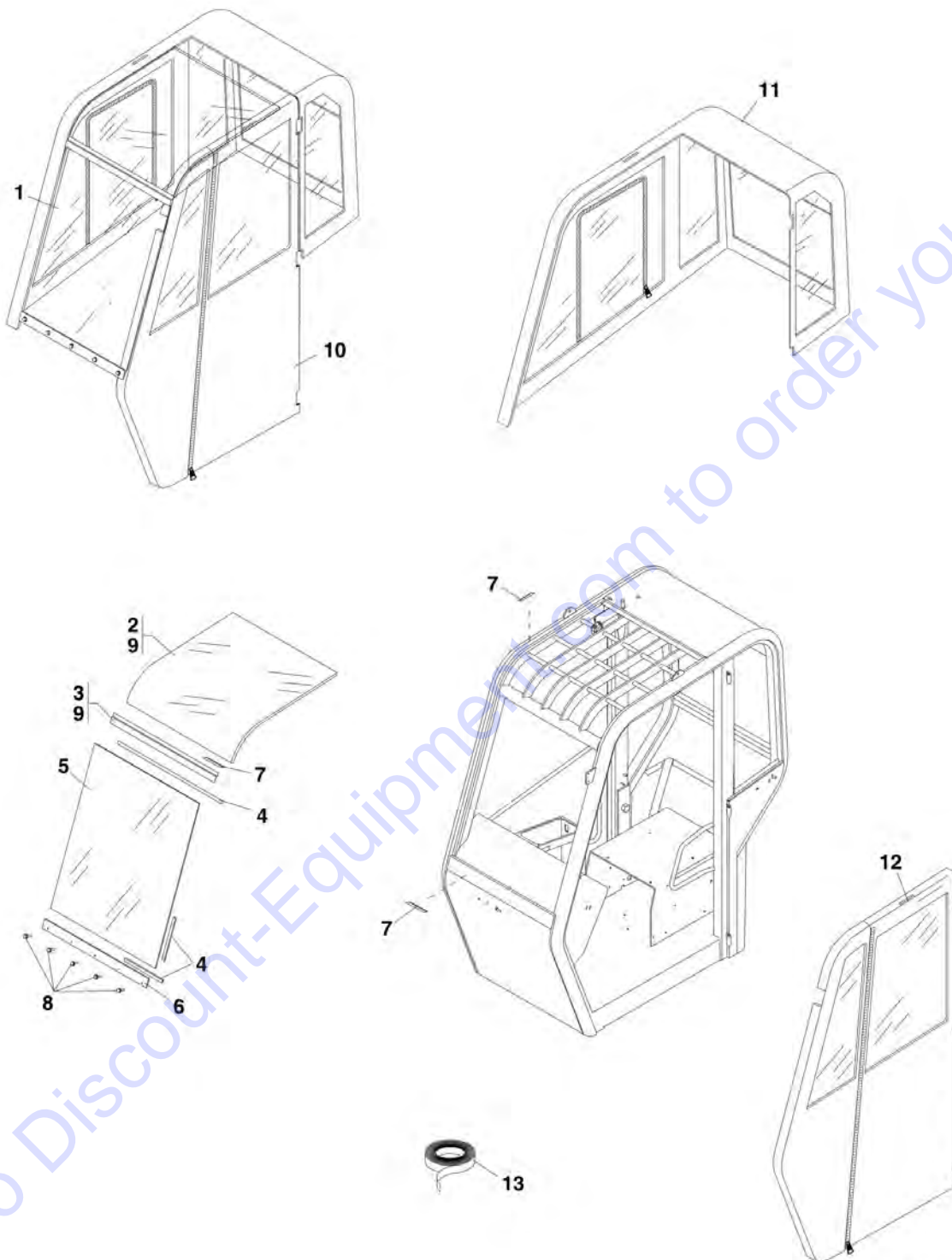
SECTION 6 - CAB

FIGURE 6-4. CAB DOOR ASSEMBLY (SN 0160050422 to Present, Including 0160050419)

ITEM	PART NUMBER	QTY	DESCRIPTION	REV
	1001145035	1	CAB DOOR ASSEMBLY, (includes items 1 & 2)	A
1	1001150229	1	CAB DOOR, (includes item 101 & items 201 thru 222)	A
2	1001150233	1	CAB DOOR WINDOW, (includes items 301 thru 316)	C
3	0641652	2	BOLT	
4	0641636	1	BOLT	
101	1001081241	1	CAB DOOR HANDLE	
201	8034800	2	FLAT WASHER	
202	80264045	9	TRUSS HD SCREW	
203	1001181968	7	MOULD,SETTING BLOCK	
204	1001183104	2	RETAINER, FASTENER	
205	70021108	1	BOLT	
206	70021077	2	BOLT	
207	70021078	2	HEX NUT	
208	70021079	2	BOLT	
209	70021082	2	NUT, M6X1	
211	1001081247	1	CAM LATCH, LH	
213	70021948	2	CAB KEY, (not shown)	
214	1001183209	3	HINGE,FLAG SLOTTED	
215	8036096	1	DOOR RESTRAINT STRAP	
217	70024900	1	DOOR GLASS	
218	1001182408	1	SEAL,DOOR	
219		Ref	DOOR FOAM	
220		Ref	LATCH COVER	
221	1001182135	6	SHIM,DOOR HINGE	
222	1001182514	1	LINK,EXTERIOR LATCH	
301	80364037	1	WASHER	
302	70021096	4	HEX NUT	
303	91474492	1	MALE DOOR HOLD OPEN	
304	70021090	3	SEAL	
305	1001081246	5	WINDOW CAP	
306	1001081244	1	HANDLE LEVER LATCH, (includes pivot lever, lever handle and latch block)	
307	70021092	4	CARRIAGE BOLT	
308	70021093	1	LOCKNUT	
310	70021095	1	HEX BOLT	
311	70024608	1	HINGED DOOR GLASS	
312	70024954	1	HINGED GLASS SEAL	
313	1001081242	2	DUAL MOUNT HINGE	
314	1001081266	2	HINGE SPACER	
315	1001177746	1	URETHANE, (not shown)	
316	1001174264	1	GRAB BAR	

SECTION 6 - CAB

FIGURE 6-5. SOFT CAB ENCLOSURE



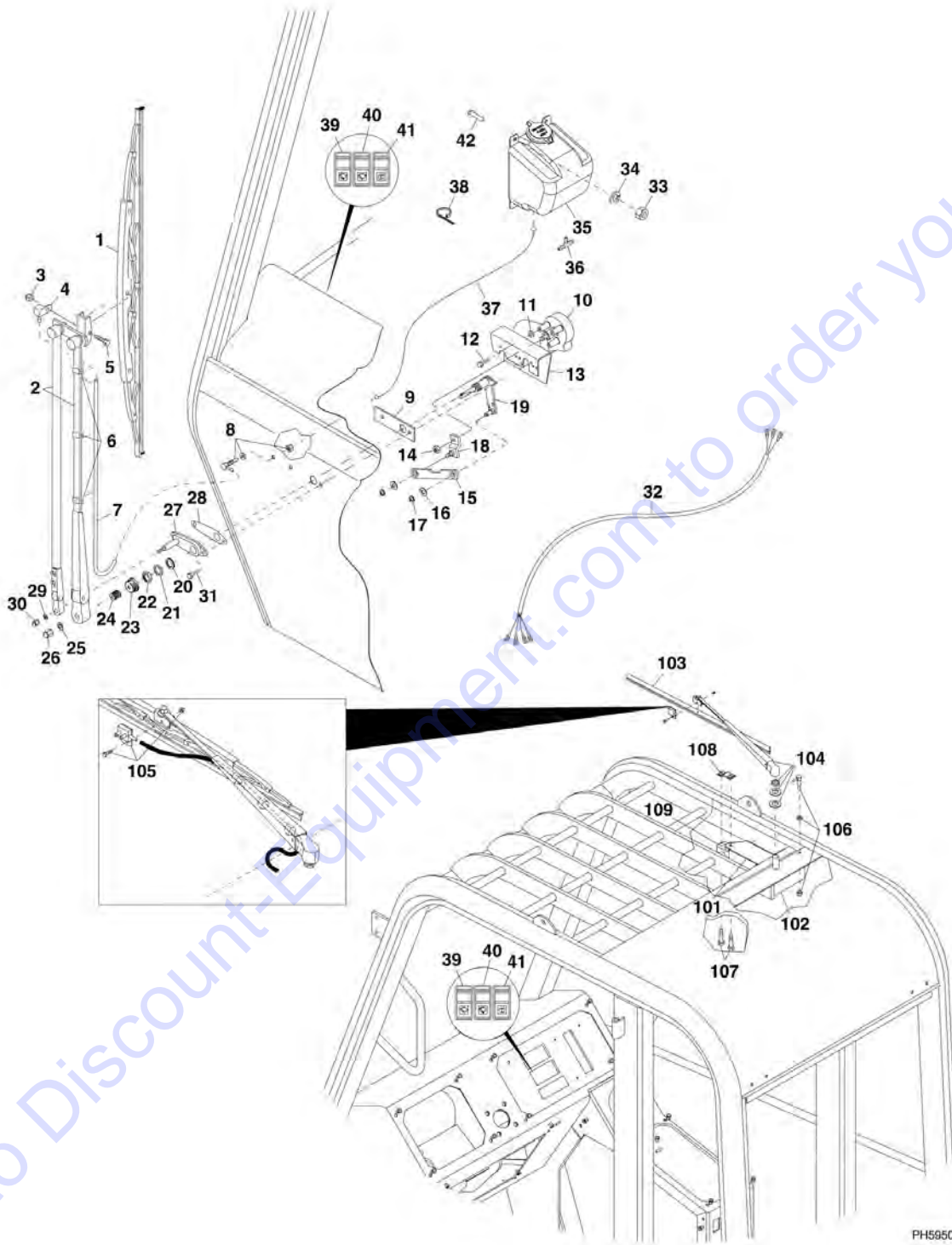
PH3270

FIGURE 6-5. SOFT CAB ENCLOSURE

ITEM	PART NUMBER	QTY	DESCRIPTION	REV
	7139250	1	SOFT CAB ENCLOSURE KIT, (includes all items)	A,C
1	7139444	1	WINDSHIELD SKYLIGHT KIT, (includes items 2 thru 9)	
2	7138958	1	SKYLIGHT GLASS	
3	7139316	1	UPPER WINDSHIELD CLIP	
4	7139299	1	BLACK BULB SEAL, .22X.35X14.75	
5	7138951	1	WINDSHIELD GLASS	
6	7139298	1	LOWER WINDSHIELD PLATE	
7	8035490	8	SETTING BLOCK, 1/8X1/4X2	
8	8310529	5	SELF TAPPING SCREW, #10-16X3/4	
9	8035523	1	URETHANE SEALANT, (apply to items 2 & 3)	
10	7139290	1	SOFT CAB ENCLOSURE KIT, (includes items 11, 12 & 13)	
11	7139293	1	SOFT REAR SECTION	
12	7139292	1	SOFT DOOR SECTION	
13	7139294	1	VELCRO KIT	
13	7139295	1	VELCRO BRAND HOOK STRIP 1-1/2X10, ORANGE, (not shown)	
13	7139296	3	VELCRO BRAND HOOK STRIP 2X10, ORANGE, (not shown)	

SECTION 6 - CAB

FIGURE 6-6. WIPERS



PH5950

FIGURE 6-6. WIPERS

ITEM	PART NUMBER	QTY	DESCRIPTION	REV
	8036056	1	FRONT WINDSHIELD WIPER ASSY, (includes items 1 thru 31)	
1	8035392	1	28 IN WIPER FLEX BLADE	
2	8035393	1	24 IN FLEX WIPER ARM ASSY, (includes items 3 thru 7)	
3	N.S.S.	1	LOCKNUT	
4	N.S.S.	1	SPRAYER NOZZLE	
5	N.S.S.	1	BOLT	
6	N.S.S.	3	HOSE CLIPS	
7	N.S.S.	1	HOSE	
8	1001081310	1	WET ARM ADAPTOR	
9	8036100	1	FRONT WIPER MOTOR SPACER	
10	7029860	1	WIPER MOTOR ASSY, (includes items 11 thru 17)	
11	N.S.S.	3	FLAT WASHER, 5/16	
12	N.S.S.	3	HEX HD CAPSCREW, 1/4-28X1	
13	N.S.S.	1	WIPER MOTOR BRACKET	
14	N.S.S.	1	NUT	
15	8035409	1	CONNECTING LINK	
16	N.S.S.	2	FLAT WASHER, 0.560X.251X.015	
17	N.S.S.	2	SPRING CLIP	
18	8035411	1	WIPER ARM DRIVE	
19	8036099	1	WIPER SHAFT AND PIVOT ASSY, (includes items 20 thru 26)	
20	N.S.S.	1	RUBBER WASHER	
21	N.S.S.	1	METAL WASHER	
22	N.S.S.	1	HEX JAM NUT, 11/16-18	
23	N.S.S.	1	RUBBER CAP	
24	N.S.S.	1	KNURLED DRIVER	
25	N.S.S.	1	LOCKWASHER, 3/8, (internal tooth)	
26	N.S.S.	1	ACORN NUT, 1/4-28	
27	8034815	1	PANTO ADAPTER ASSY, (includes items 28 thru 30)	
28	N.S.S.	1	GASKET	
29	N.S.S.	1	LOCKWASHER, 1/4, (internal tooth)	
30	N.S.S.	1	ACORN NUT, 1/4-28	
31	80384207	2	HEX HD CAPSCREW, 1/4-28X3/4	
32	8036070	1	WIPER HARNESS	
33	8035479	3	NUT, 1/4-20	
34	8035416	3	LOCKWASHER, 1/4	
35	1001111112	1	RESERVOIR	
35	70025480	1	Pump, Reservoir	
36	8036072	1	WASHER HOSE CONNECTOR TEE	
37	8033075	1	WASHER HOSE, 120	
38	8584001	AR	TIE WRAP	
39		Ref	FRONT WINDSHIELD WIPER SWITCH, (See ELECTRICAL SECTION for Breakdown)	
40		Ref	SKYLIGHT WINDSHIELD WIPER SWITCH, (See ELECTRICAL SECTION for Breakdown)	
41		Ref	WINDSHIELD WASHER SWITCH, (See ELECTRICAL SECTION for Breakdown)	
42	80264045	3	SCREW, 1/4-20X5/8	
	8036049	1	SKYLIGHT WIPER ASSY, (includes items 101 thru 109)	
101	8035492	1	SKYLIGHT WIPER MOTOR	
102	8035493	1	WIPER MOTOR COVER	

SECTION 6 - CAB

ITEM	PART NUMBER	QTY	DESCRIPTION	REV
103	8035498	1	WIPER BLADE	
104	8035500	1	WIPER ARM	
105	8035499	1	WET KIT	
106	1001081310	1	WET ARM ADAPTER	
107	8036102	2	MACHINE SCREW, #10-24X1-1/2	
108	8035496	1	PLASTIC CLAMP BLOCK	
109	8036103	1	WIPER MOUNT WELDMENT	

Go to Discount-Equipment.com to order your parts

SECTION 6 - CAB

FIGURE 6-7. OPERATORS SEAT

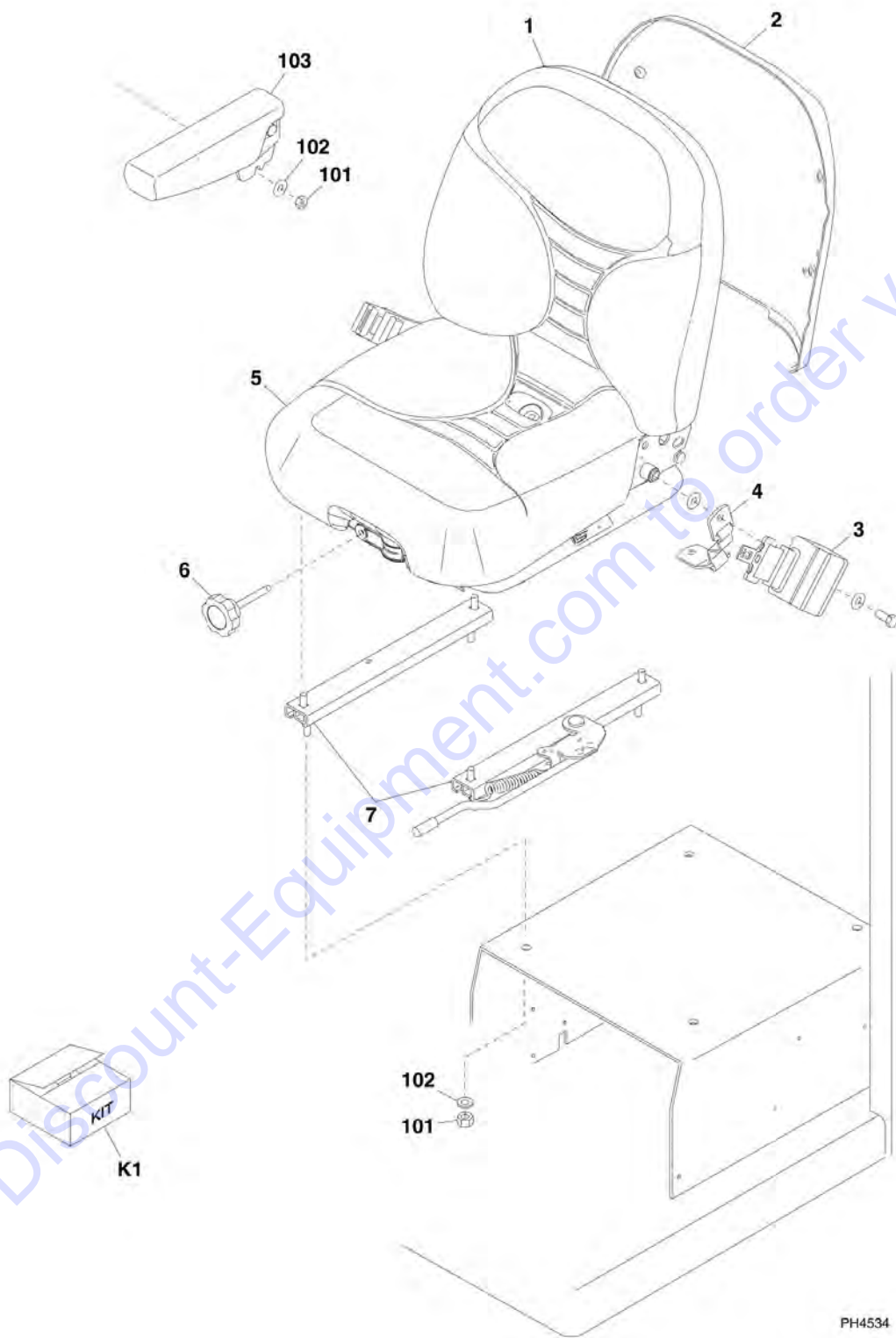
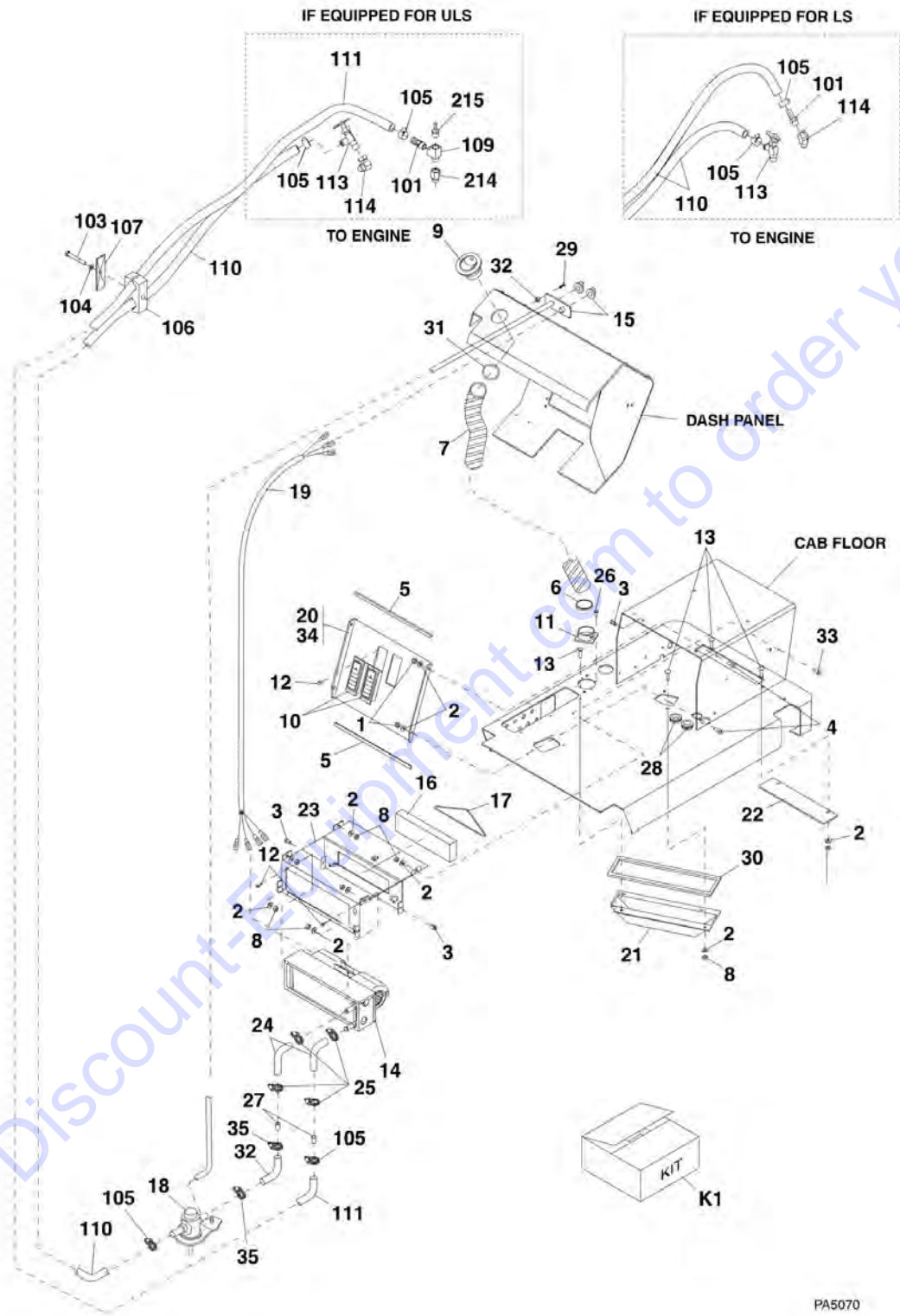


FIGURE 6-7. OPERATORS SEAT

ITEM	PART NUMBER	QTY	DESCRIPTION	REV
	1001101085	1	SUSPENSION SEAT, (includes items 1 thru 7)	C
1	7026900	1	BACK CUSHION KIT	
2	70023558	1	BACK PANEL KIT	
3	7026905	1	SEAT BELT KIT	
3	91565064	1	SEAT BELT, 3IN (California Only), (not included with 1001101085)	
4	7026906	1	TETHER KIT	
5	7026901	1	SEAT CUSHION KIT	
6	7026799	1	KNOB KIT	
7	7026798	1	SLIDE KIT	
8	70023040	1	SHOCK ABSORBER KIT, (not shown), (includes one shock absorber, two shock pins and hex nuts)	
9	70023041	1	SPRING AND SADDLE KIT, (not shown)	
10	70023890	1	BOOT KIT, (not shown)	
101	8305626	6	HEX LOCKNUT, 5/16-18	
102	8307106	6	PLAIN WASHER, 5/16	
103	7138858	1	ARM REST	
K1	70023139	1	SEAT BELT KIT, 3 IN, (includes female and retractor ends)	

SECTION 6 - CAB

FIGURE 6-8. CAB HEATER



PA5070

FIGURE 6-8. CAB HEATER

ITEM	PART NUMBER	QTY	DESCRIPTION	REV
	1001125837	1	CAB HEATER KIT, (includes items 1 thru 34)	B
1	8035479	4	ACORN NUT, 1/4-20	
2	8035416	14	LOCKWASHER, 1/4 IDX0.49 OD	
3	1001103509	4	HEX PILOT RIVNUT, 1/4-20X.305	
4	91344043	4	BOLT, 1/4-20X0.625	
5	80364020	2	SLOT EDGE TRIM, 2.69	
6	8035406	2	WIDE NYLON TIE	
7	8036110	1	HOSE ASSY	
8	8035417	12	HEX NUT, 1/4-20, GR5	
9	8035402	1	4 IN ROUND LOUVER, WITH 2-1/2 COLLAR	
10	8035668	2	RECTANGULAR LOUVER, 49MMX121MM	
11	8035431	1	HOSE ADAPTER, 2-1/2	
12	1001081073	8	PAN HEAD SELF TAPPING SCREW, #8-15X1/2	
13	8036112	6	CARRIAGE BOLT, 1/4-20X1	
14	1001125774	1	HEATER	B
15	8036114	1	PANEL/CABLE HEATER CONTROL	
15	8036388	2	POSITIONING KNOB, (includes set screw and brass insert)	
16	1001081375	1	AIR FILTER	
17	1001081376	1	RUBBER O-RING	
18	1001081045	1	HEATER WATER VALVE	
19	8036118	1	HEATER WIRE HARNESS	
20	8036119	1	HEATER LOUVER PANEL	
21	8036120	1	HEATER DUCT	
22	8036121	1	FILTER ACCESS PLATE	
23	8036122	1	HEATER MOUNT WELDMENT	
24	8036124	2	RUBBER HOSE, 90	
25	8410009	4	CLAMP, WORM GEAR	
26	91404298	4	POP RIVET	
27	1001081046	2	COPPER SPLICE, 5/8 HEATER HOSE	
28	1001081049	2	SPLIT RUBBER GROMMET	
29	8036128	4	SCREW, #6-32X1/2	
30	8035599	1	FOAM, 0.25X.5X1	
31	8405202	1	CLAMP	
32	8036129	4	NYLOCK NUT, #6-32	
33	8033856	8	SCREW, 1/4-20X3/4	
34	7139301	2	FOAM, 1/16X1/2X28	
	1001122289	Ref	CAB HEATER HOSE INSTALLATION, (if equipped for ULS), (not available to order, see items 101 thru 114 for service)	C
	1001100221	Ref	CAB HEATER HOSE INSTALLATION, (if equipped for LS), (not available to order, see items 101 thru 114 for service)	E
101	2180535	1	HOSE BARB FITTING	
103	8303757	1	HEX HD CAPSCREW, 5/16-18X2-1/2, GR5	
104	8307004	1	LOCKWASHER, 5/16	
105	8405007	4	GEAR CLAMP, 1.25 DIA MAX	
106	8750024	1	CLAMP SET	
107	8750025	1	COVER PLATE	
109	86983651	1	STREET TEE, 3/8X3/8, (if equipped for ULS)	
110	1001100225	1	CAB HEATER HOSE, (if equipped for ULS)	
110	1001100225	2	CAB HEATER HOSE, (if equipped for LS)	
111	1001122559	1	CAB HEATER HOSE, (if equipped for ULS)	

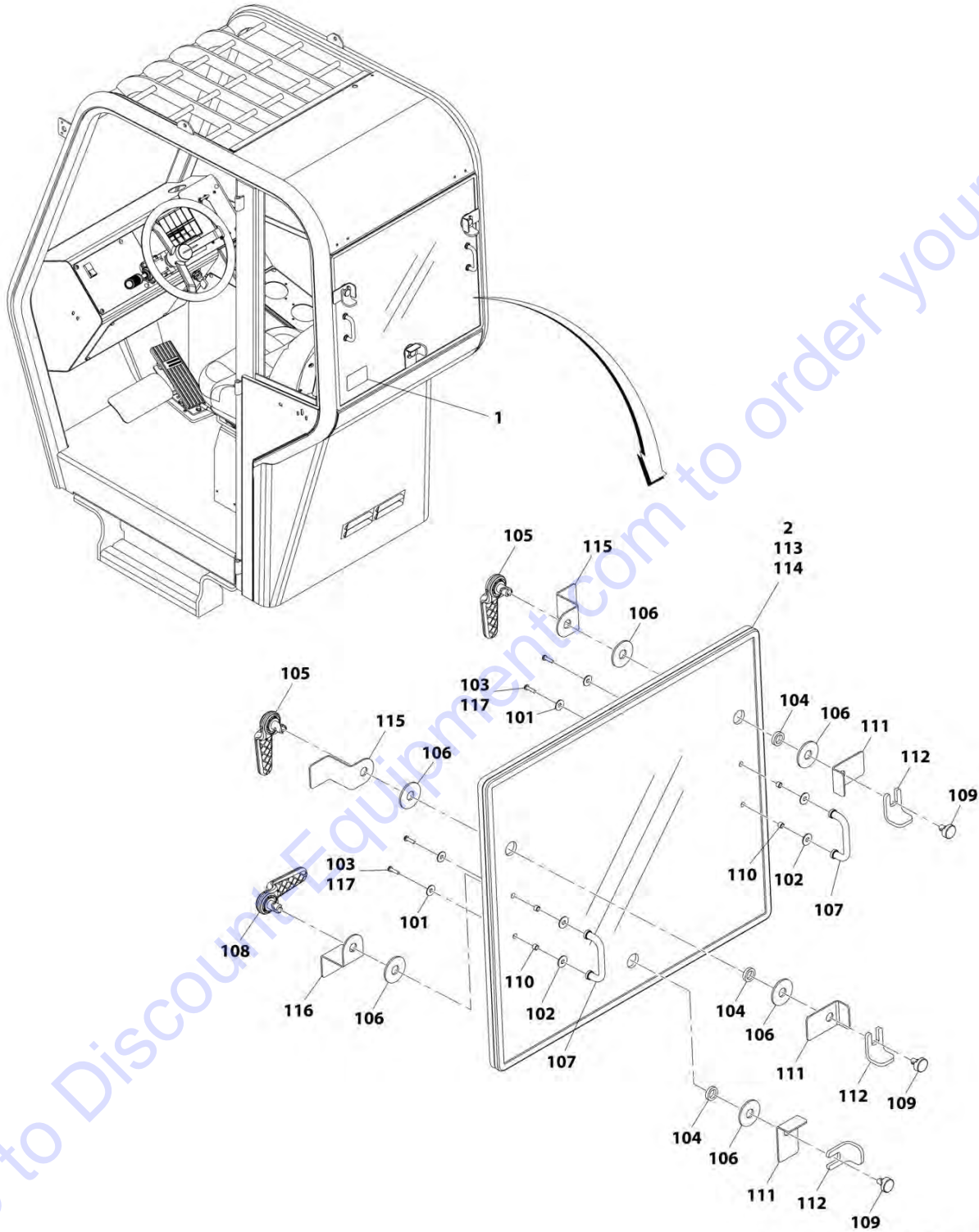
SECTION 6 - CAB

ITEM	PART NUMBER	QTY	DESCRIPTION	REV
113	8360005	1	SHUT OFF VALVE	
114	1001133874	1	ELBOW, 90, (if equipped for ULS)	
114	1001120819	1	ELBOW, 90, (if equipped for LS)	
214		Ref	STRAIGHT ADAPTER, (See ENGINE AND ATTACHING PARTS SECTION for Breakdown)	
215		Ref	HOSE BARB COUPLING, (See ENGINE AND ATTACHING PARTS SECTION for Breakdown)	
K1	7148100	1	FIELD INSTALLATION HEATER KIT, (includes items 1 thru 34, 101, 103 thru 107, 110 and item 113)	

Go to Discount-Equipment.com to order your parts

SECTION 6 - CAB

FIGURE 6-9. REAR DROPOUT WINDOW INSTALLATION



ART_31200732-6-9

FIGURE 6-9. REAR DROPOUT WINDOW INSTALLATION

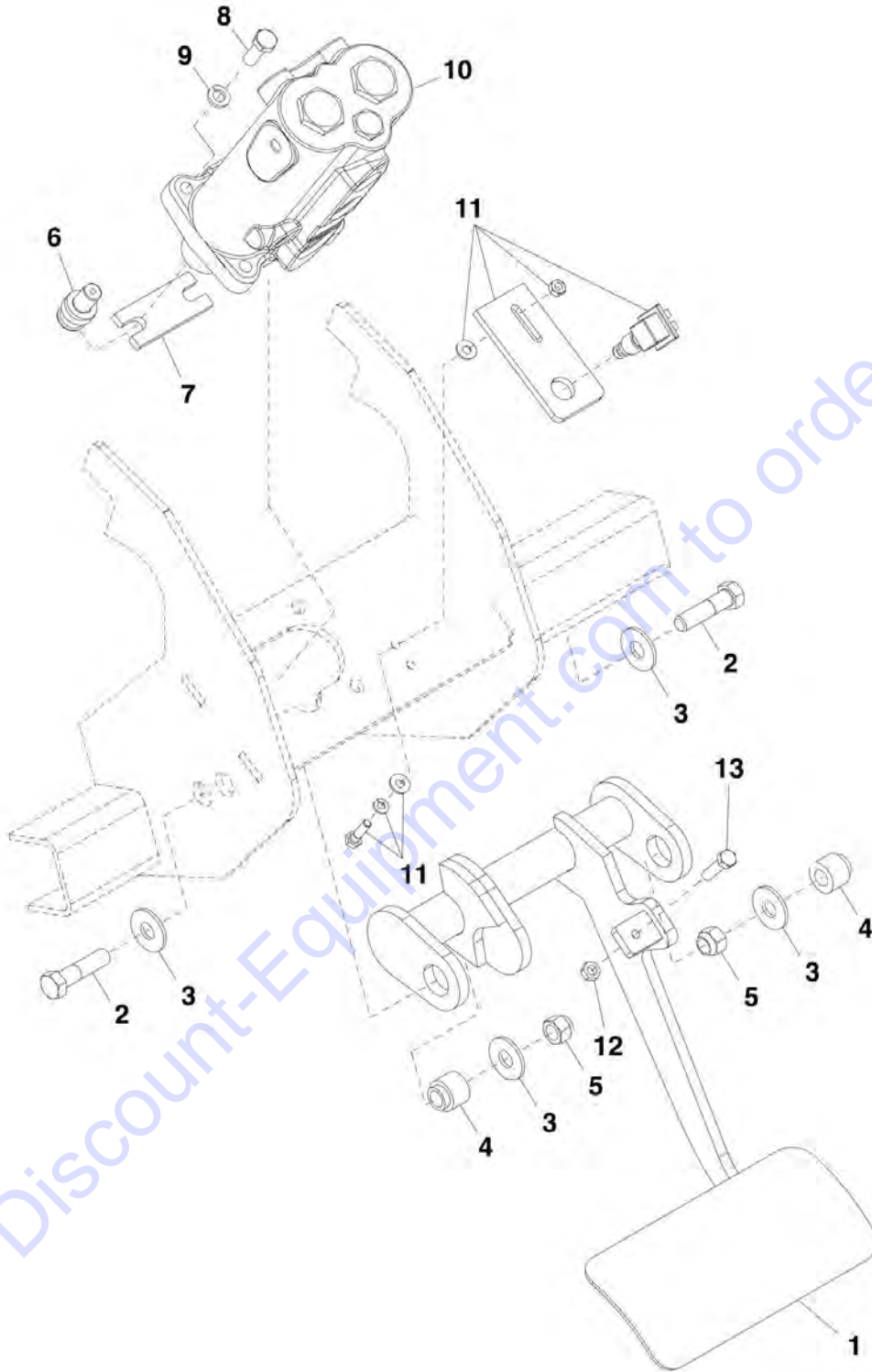
ITEM	PART NUMBER	QTY	DESCRIPTION	REV
	1001162806	Ref	REAR DROPOUT WINDOW INSTALLATION, (ANSI)	A
	1001167250	Ref	REAR DROPOUT WINDOW INSTALLATION,(ENGLISH/FRENCH)	A
	1001167251	Ref	REAR DROPOUT WINDOW INSTALLATION, (ISO)	A
1	1001160071	2	DECAL, REAR EMERGENCY EXIT, (ANSI)	
1	1001160787	2	DECAL, REAR EMERGENCY EXIT, (ENGLISH/FRENCH)	
1	1001160912	2	DECAL, REAR EMERGENCY EXIT, (ISO)	
2	1001162804	1	WINDOW, REAR DROPOUT, (includes items 101 thru 117)	
101	4740553	4	WASHER	
102	8034800	4	WASHER, FLAT	
103	70025901	4	BOLT	
104	70025902	3	WASHER	
105	70025903	2	TURN HANDLE	
106	70025904	6	WASHER	
107	1001162829	2	GRAB HANDLE	
108	70025906	1	TURN HANDLE	
109	70025907	3	RECEPTACLE	
110	N.S.S.	4	SLEEVE	
111	70025911	3	CATCH, OUTSIDE WINDOW	
112	70025912	3	RETAINER CLIP	
113	70026463	1	SEAL	
114	70026464	1	REAR DROP OUT GLASS	
115	70026465	2	CATCH, INSIDE WINDOW	
116	70026466	1	LOWER CATCH, INSIDE WINDOW	
117	91344046	1	ADHESIVE SEALANT	

SECTION 7 - CONTROLS

Go to Discount-Equipment.com to order your parts

SECTION 7 - CONTROLS

FIGURE 7-1. BRAKE



ART_31200732-7-1

SECTION 7 - CONTROLS

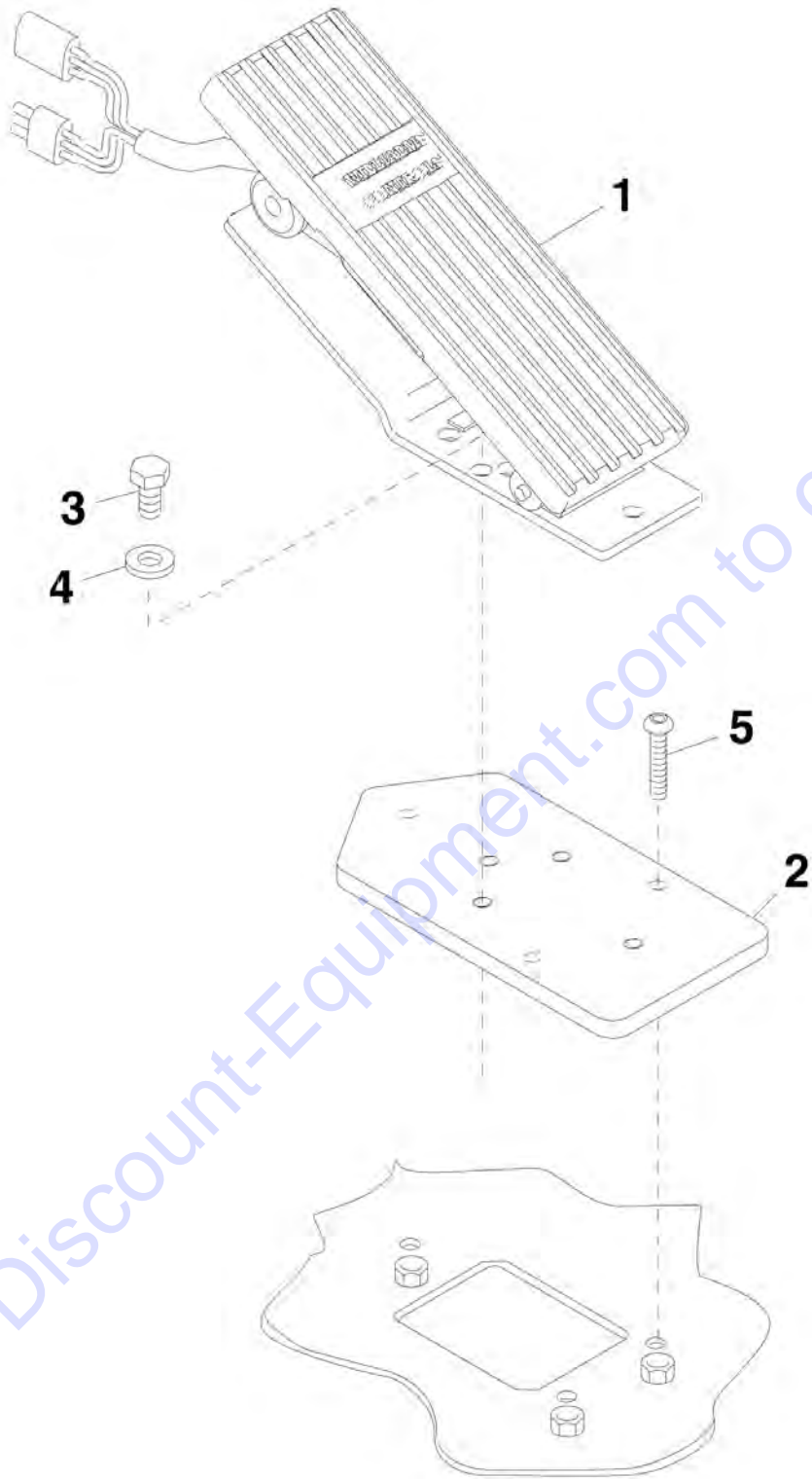
FIGURE 7-1. BRAKE

ITEM	PART NUMBER	QTY	DESCRIPTION	REV
1	1001103113	1	BRAKE PEDAL (Prior to SN 0160054302)	
1	1001143305	1	BRAKE PEDAL (SN 0160054302 to Present)	
2	8303658	2	HEX HD CAPSCREW, 1/2-13X2, GR5	
3	8307206	4	FLAT WASHER, 1/2	
4	7129521	2	BRAKE PEDAL PIVOT	
5	8305644	2	HEX LOCKNUT, 1/2-13	
6	91513180	2	ACTUATOR	
7	91511145	1	TIE BAR	
8	8303755	4	HEX HD CAPSCREW, M10X30mm, GR8.8	
9	8307023	4	LOCK WASHER, M10	
10		Ref	BRAKE VALVE, (See HYDRAULIC COMPONENTS SECTION for Breakdown)	
11		Ref	MOMENTARY BRAKE LIGHT SWITCH, (See ELECTRICAL SECTION for Breakdown)	
12	3311502	1	NUT, 5/16-18 (SN 0160054302 to Present)	
13	8303739	1	HEX HD CAPSCREW, 5/16-18X1-1/4 (SN 0160054302 to Present)	

Go to Discount-Equipment.com to order your parts

SECTION 7 - CONTROLS

FIGURE 7-2. ACCELERATOR



PH5290

SECTION 7 - CONTROLS

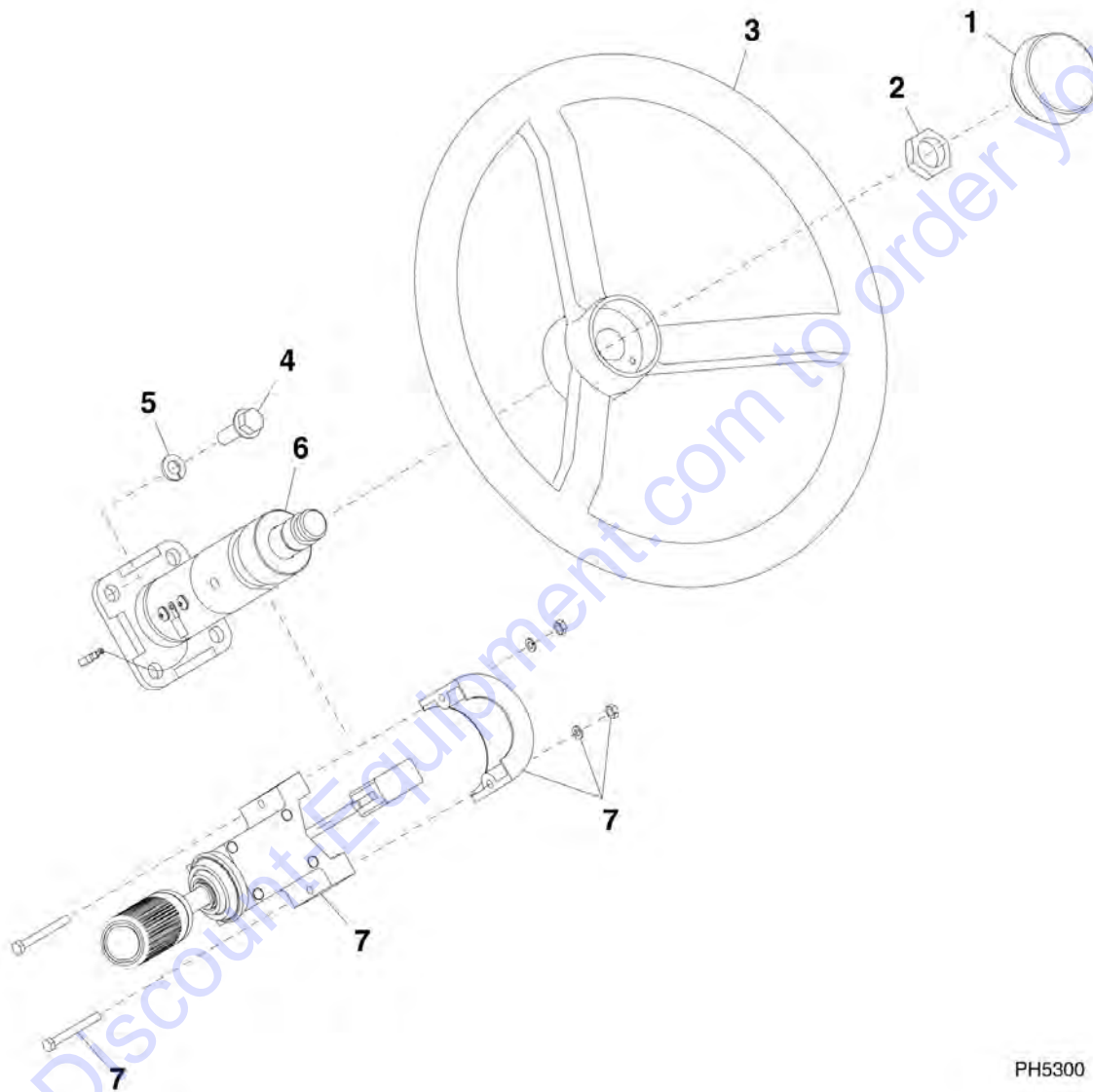
FIGURE 7-2. ACCELERATOR

ITEM	PART NUMBER	QTY	DESCRIPTION	REV
	1001129813	1	THROTTLE PEDAL ADAPTOR ASSY, (includes items 1 thru 5)	A
1	1001129870	1	THROTTLE PEDAL, (accelerator)	
2	3576442	1	THROTTLE ADAPTOR PLATE	
3	8303745	4	HEX HD CAPSCREW, 5/16-18X5/8, GR5	
4	8307106	4	PLAIN WASHER, 5/16	
5	8310725	3	BUTTON HEAD CAPSCREW, 1/4-20X1-1/4	

Go to Discount-Equipment.com to order your parts

SECTION 7 - CONTROLS

FIGURE 7-3. STEERING COLUMN



PH5300

SECTION 7 - CONTROLS

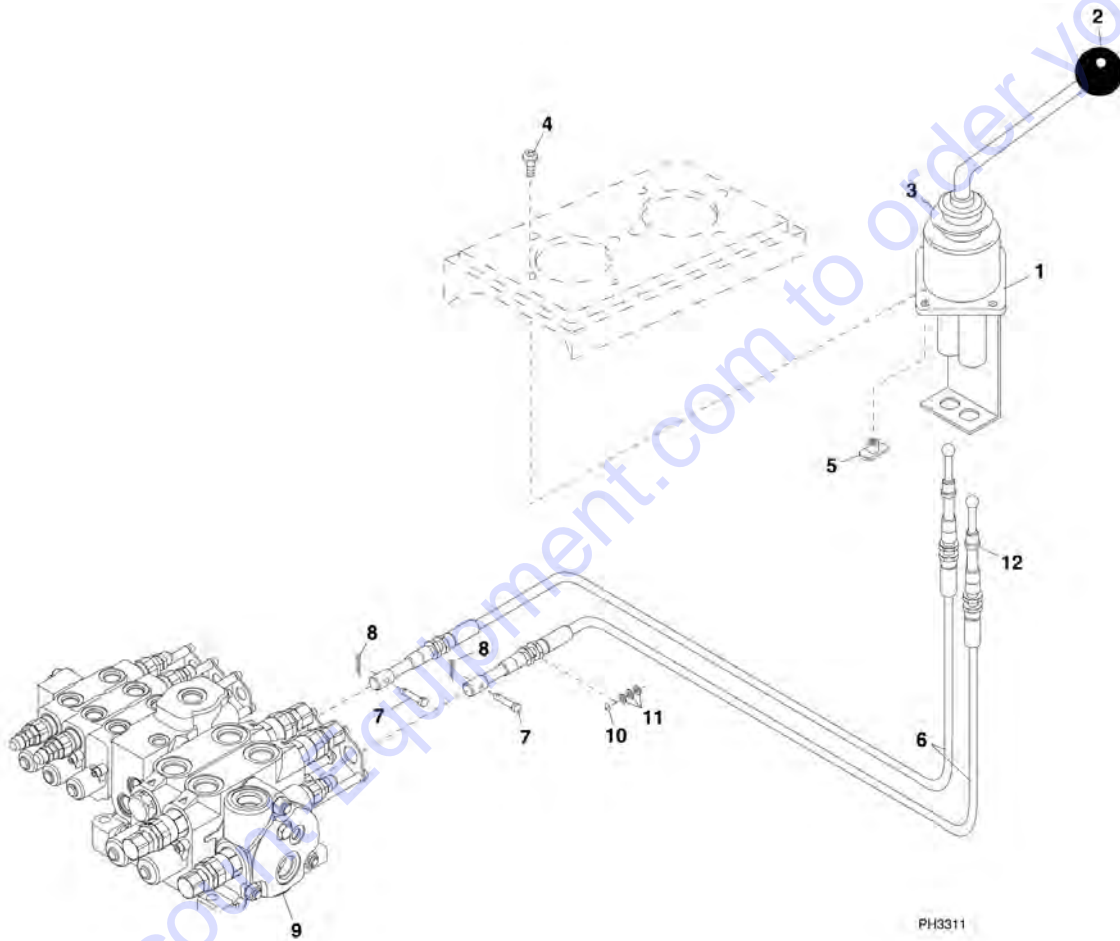
FIGURE 7-3. STEERING COLUMN

ITEM	PART NUMBER	QTY	DESCRIPTION	REV
1	7138878	1	STEERING WHEEL CAP WITH HORN SWITCH	
2	8305916	1	STEERING COLUMN NUT, (torque to 50 lb-ft/68 Nm)	
3	7138836	1	STEERING WHEEL	
4	8303534	4	FLANGE HD CAPSCREW, #10-16X1-1/4, (torque to 13 lb-ft/18 Nm)	
5	8307005	4	LOCKWASHER, 3/8	
6	7138833	1	STEERING COLUMN	
6	7029367	1	HORN BRUSH KIT	
7	1600429	1	TRANSMISSION RANGE SELECTOR SHIFTER, (includes mounting hardware), (torque to 25 in-lb/2.8 Nm)	

Go to Discount-Equipment.com to order your parts

SECTION 7 - CONTROLS

FIGURE 7-4. BOOM CONTROL



SECTION 7 - CONTROLS

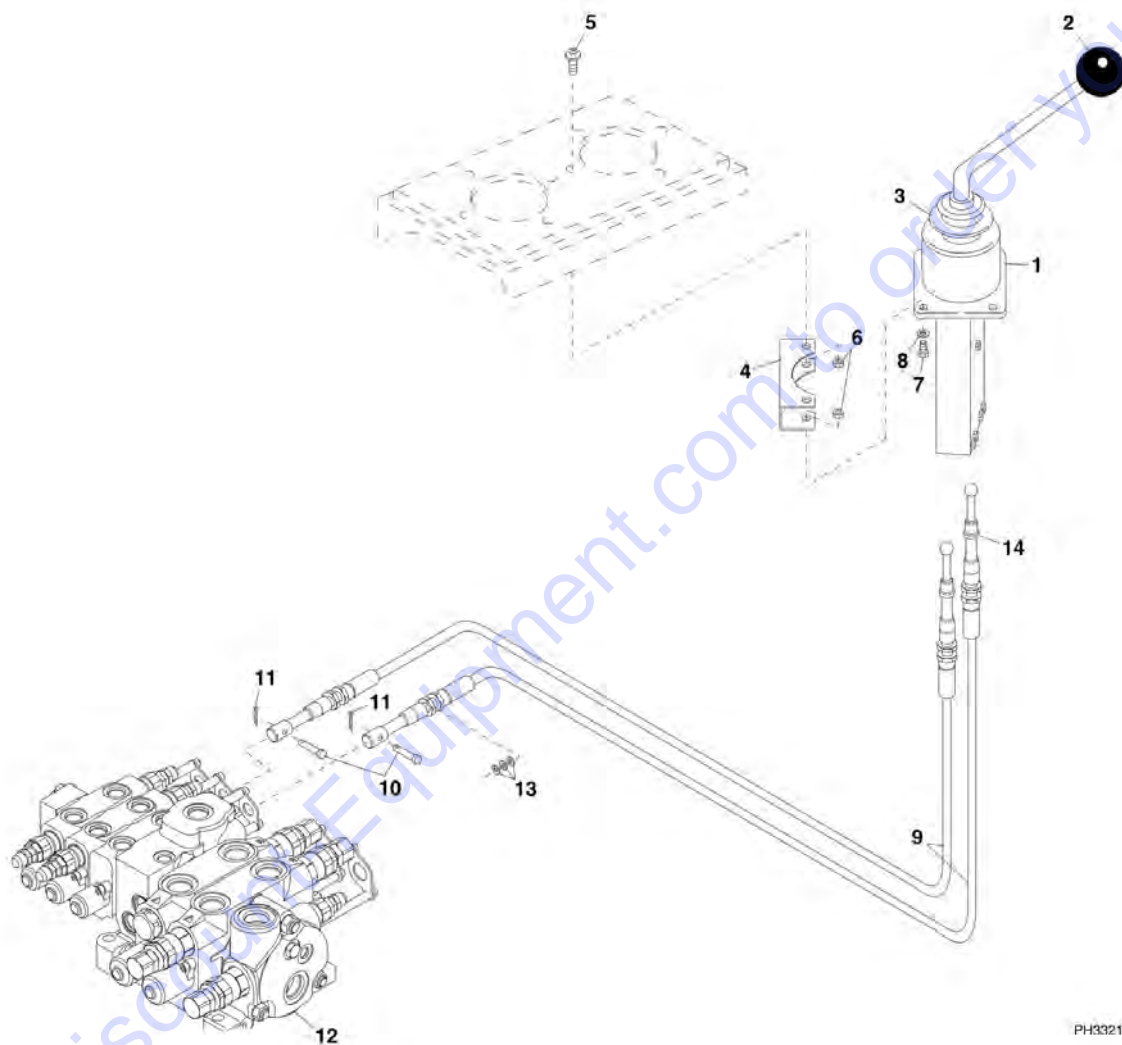
FIGURE 7-4. BOOM CONTROL

ITEM	PART NUMBER	QTY	DESCRIPTION	REV
1	8224045	1	JOYSTICK WITH GATE, (includes items 2 & 3)	AB
2	8580110	1	KNOB	
3	8160419	1	BOOT	
4	8310143	4	TRUSS HD CAPSCREW, 1/4X1	
5	8310144	4	PROP TEE NUT	
6	1001132551	2	CONTROL CABLE	
7	8301443	2	CLEVIS PIN, 3/16X1	
8	8302470	2	HAIR PIN, 3/32	
9		Ref	MAIN CONTROL VALVE, (See HYDRAULIC COMPONENTS SECTION for Breakdown)	
10	8630021	2	O-RING	
11	4812300	6	FLAT WASHER, M16	
12	0100011	AR	LOCTITE 242, (apply to item 6)	

Go to Discount-Equipment.com to order your parts

SECTION 7 - CONTROLS

FIGURE 7-5. FRAME LEVEL AND ATTACHMENT TILT CONTROL



SECTION 7 - CONTROLS

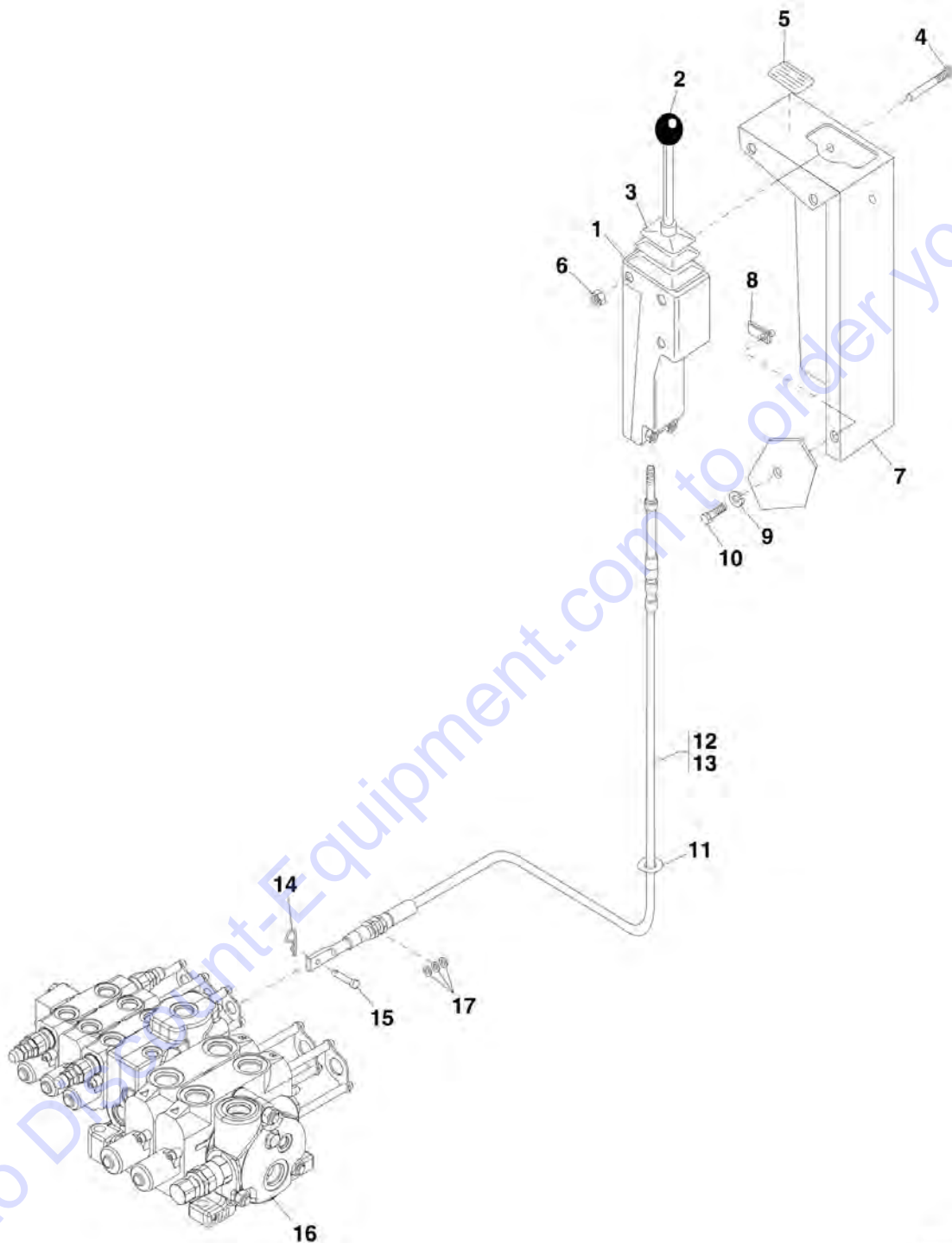
FIGURE 7-5. FRAME LEVEL AND ATTACHMENT TILT CONTROL

ITEM	PART NUMBER	QTY	DESCRIPTION	REV
1	8224047	1	JOYSTICK WITH GATE, (includes items 2 & 3)	AB
2	8580110	1	KNOB	
3	8160419	1	BOOT	
4	7098142	2	SPACER	
5	88261017	4	HEX HD CAPSCREW, 1/4-20X7/8	
6	8310001	8	HEX NUT, 1/4-20	
7	8303540	4	HEX HD CAPSCREW, 1/4X1	
8	8307109	4	FLAT WASHER, 1/4	
9	1001132552	2	CONTROL CABLE	
10	8301443	2	CLEVIS PIN, 3/16X1	
11	8302470	2	HAIR PIN, 3/32	
12		Ref	MAIN CONTROL VALVE, (See HYDRAULIC COMPONENTS SECTION for Breakdown)	
13	4812300	6	FLAT WASHER, M16	
14	0100011	AR	LOCTITE 242, (apply to item 9)	

Go to Discount-Equipment.com to order your parts

SECTION 7 - CONTROLS

FIGURE 7-6. AUXILIARY CONTROL



PA3111

SECTION 7 - CONTROLS

FIGURE 7-6. AUXILIARY CONTROL

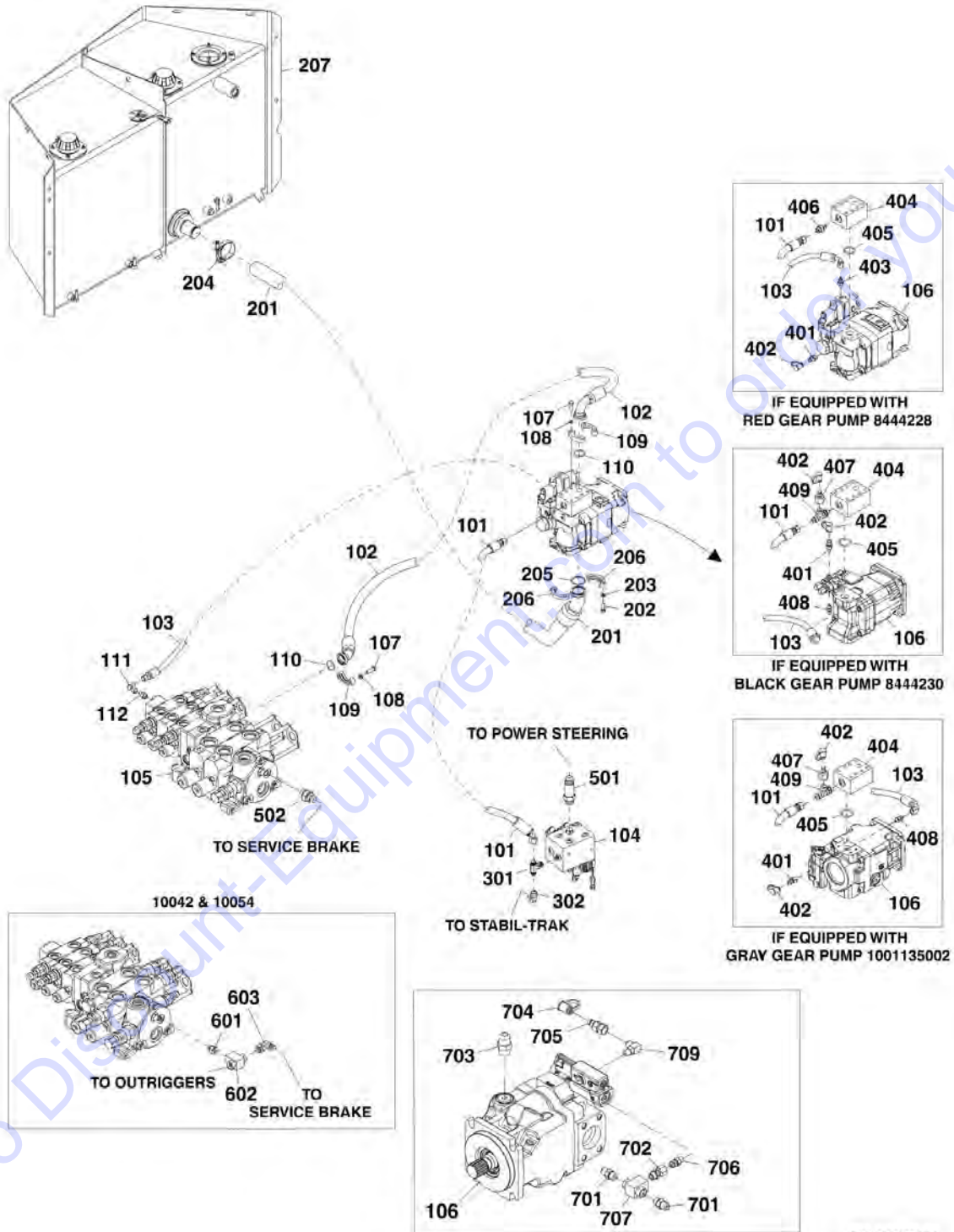
ITEM	PART NUMBER	QTY	DESCRIPTION	REV
1	8160406	1	CONTROLLER, (includes items 2 & 3)	AB
2	8580110	1	KNOB	
3	8160418	1	BOOT	
4	8303758	2	HEX HD CAPSCREW, 1/4-20X2	
5	4105621	1	AUXILIARY CONTROL DECAL	
6	8305004	2	HEX NUT, 1/4-20	
7	7091323	1	CONTROLLER SUPPORT	
8	8305906	3	RETAINING NUT, 5/16-18	
9	8307004	3	LOCKWASHER, 5/16	
10	8303697	3	HEX HD CAPSCREW, 5/16-18X3/4	
11	7125871	AR	CONDUIT, 1/2X8	
12	8024023	1	AUXILIARY HYDRAULICS CONTROL CABLE ASSY, (includes items 13 thru 15)	
13	8160078	1	CONTROL CABLE	
14	8302470	1	HAIR PIN	
15	8301443	1	CLEVIS PIN	
16		Ref	MAIN CONTROL VALVE, (See HYDRAULIC COMPONENTS SECTION for Breakdown)	
17	4812300	3	FLAT WASHER, M16	

SECTION 8 - HYDRAULIC CIRCUITS

Go to Discount-Equipment.com to order your parts

SECTION 8 - HYDRAULIC CIRCUITS

FIGURE 8-1. SUPPLY CIRCUIT



SECTION 8 - HYDRAULIC CIRCUITS

FIGURE 8-1. SUPPLY CIRCUIT

ITEM	PART NUMBER	QTY	DESCRIPTION	REV
101	2716690	1	HOSE ASSY	
102	2716750	1	HOSE ASSY	
103	2716668	1	HOSE ASSY	
104		Ref	SECONDARY FUNCTION MANIFOLD, (See HYDRAULIC COMPONENTS SECTION for Breakdown)	
105		Ref	MAIN CONTROL VALVE, (See HYDRAULIC COMPONENTS SECTION for Breakdown)	
106		Ref	PISTON PUMP, (See HYDRAULIC COMPONENTS SECTION for Breakdown)	
107	8303675	8	HEX HD CAPSCREW, 3/8-16X1-1/4, GR5	
108	8307005	8	LOCKWASHER, 3/8	
109	8530030	4	FLANGE HALF	
110	8640123	2	O-RING	
111	8760268	1	ELBOW, 90	
112	2220371	1	CONNECTOR, (includes o-ring)	
201	2716808	1	HOSE ASSY	
202	8303626	4	HEX HD CAPSCREW, 1/2-13X1-1/2, GR5, (torque to 60 lb-ft/81 Nm)	
203	8307007	4	LOCKWASHER, 1/2	
204	8405209	1	T-BOLT CLAMP	
205	8640208	1	O-RING	
206	8546407	2	FLANGE HALF, (8042 & 10054)	
206	7138804	2	FLANGE HALF, (10042)	
207		Ref	HYDRAULIC RESERVOIR, (See HYDRAULIC COMPONENTS SECTION for Breakdown)	
301	2220999	1	MALE BRANCH TEE, (includes o-ring)	
302	8765204	1	ELBOW, 90, (swivel nut)	
401	8430043	1	CONNECTOR, (includes o-ring), (if equipped with red piston pump 8444228)	
401	8430033	1	CONNECTOR, (includes o-ring), (if equipped with black piston pump 8444230 or gray piston pump 1001135002)	
402	8430032	1	DUST CAP, (if equipped with red piston pump 8444228)	
402	8430032	2	DUST CAP, (if equipped with black piston pump 8444230 or gray piston pump 1001135002)	
403	2220371	1	CONNECTOR, (includes o-ring), (if equipped with red piston pump 8444228)	
404	1001103144	1	CHECK VALVE, 125 PSI	
405	8640123	1	O-RING	
406	2220373	1	CONNECTOR, (includes o-ring), (if equipped with red piston pump 8444228)	
407	8430037	1	DIAGNOSTIC NIPPLE, 1/8 BODY, (if equipped with black piston pump 8444230 or gray piston pump 1001135002)	
408	2220603	1	STRAIGHT CONNECTOR, (includes o-ring), (if equipped with black piston pump 8444230 or gray piston pump 1001135002)	
409	2220602	1	TEE FITTING, (includes o-ring), (if equipped with black piston pump 8444230 or gray piston pump 1001135002)	
501	2220381	1	CONNECTOR, (includes o-ring)	
502	2220371	1	STRAIGHT CONNECTOR, (includes o-ring), (8042)	
601	8770152	1	UNION, (includes o-ring), (10042 & 10054)	
602	8902175	Ref	SHUTTLE VALVE, (10042 & 10054), (not available to order, use 1001213147 for replacement)	
602	1001213147	1	VALVE, SHUTTLE	
603	2220473	1	ELBOW, 90, (includes o-ring), (10042 & 10054)	

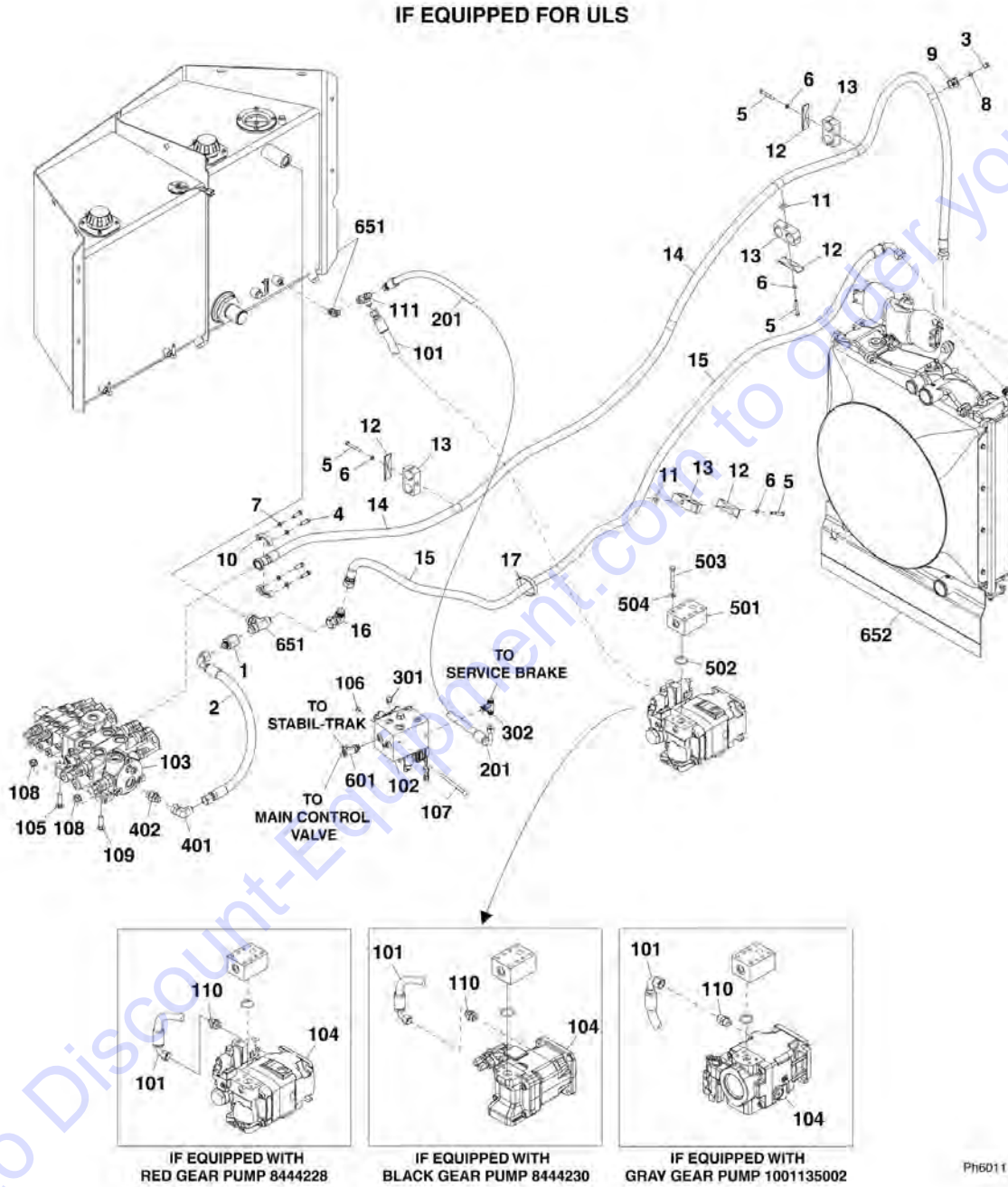
SECTION 8 - HYDRAULIC CIRCUITS

ITEM	PART NUMBER	QTY	DESCRIPTION	REV
701	2220371	2	CONNECTOR, (includes o-ring)	
702	2220919	1	CONNECTOR	
703	2220947	1	CONNECTOR STRAIGHT FITTING, (includes o-ring)	
704	8430032	1	DUST CAP	
705	8430046	1	CONNECTOR	
706	2220603	1	STRAIGHT CONNECTOR, (includes o-ring)	
707	8902175	Ref	Valve, Shuttle, (not available to order, use 1001213147 for replacement)	
	1001213147	1	Valve, Shuttle	
709	2220775	1	ELBOW, 90	

Go to Discount-Equipment.com to order your parts

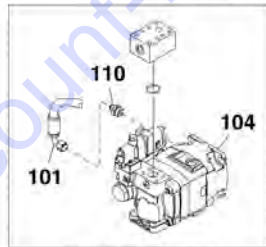
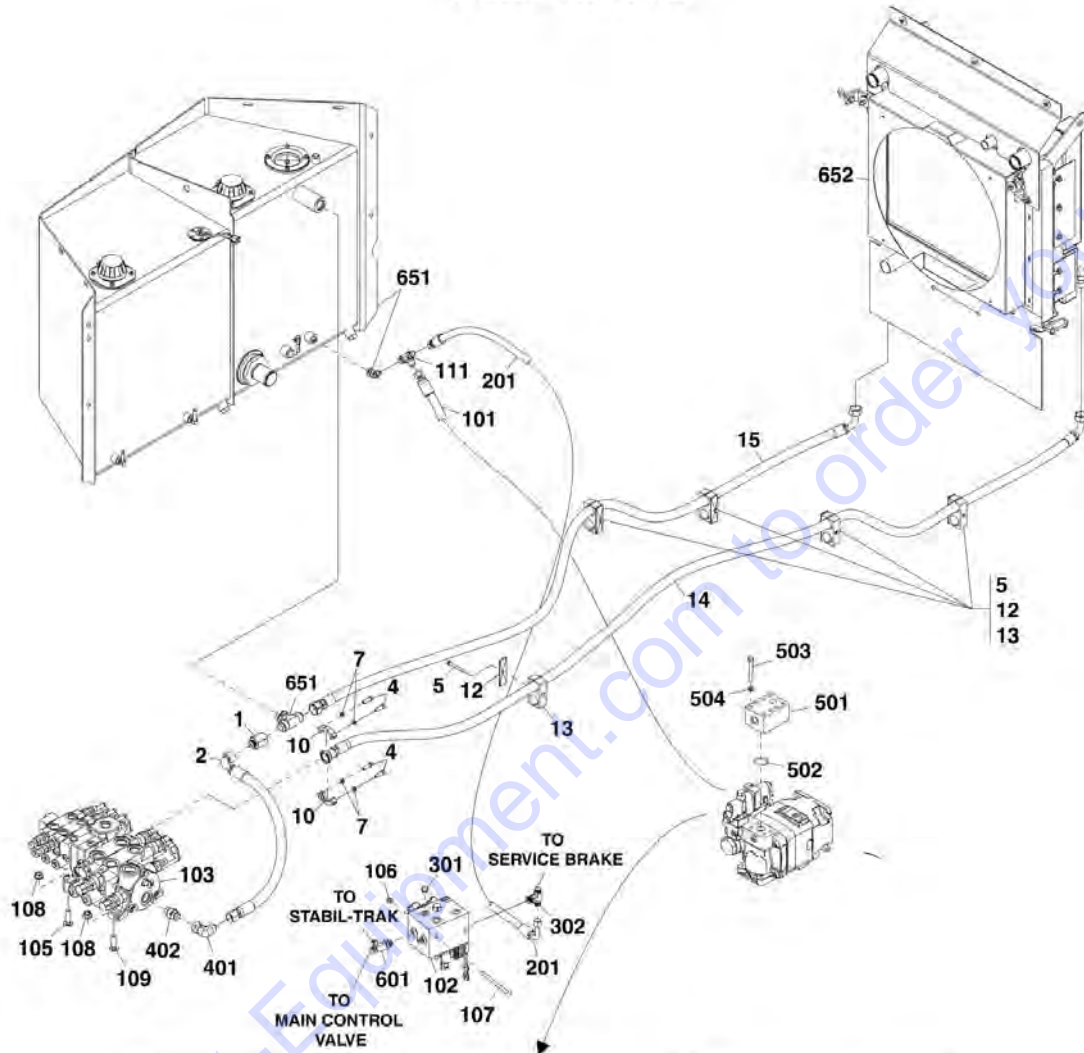
SECTION 8 - HYDRAULIC CIRCUITS

FIGURE 8-2. DUMP CIRCUIT IF EQUIPPED FOR ULS

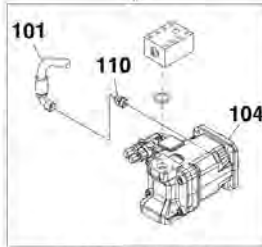


SECTION 8 - HYDRAULIC CIRCUITS

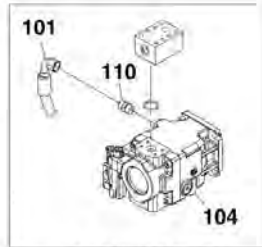
IF EQUIPPED FOR LS



IF EQUIPPED WITH
RED GEAR PUMP 8444228



IF EQUIPPED WITH
BLACK GEAR PUMP 8444230



IF EQUIPPED WITH
GRAY GEAR PUMP 1001135002

PH6100

SECTION 8 - HYDRAULIC CIRCUITS

FIGURE 8-2. DUMP CIRCUIT IF EQUIPPED FOR LS

ITEM	PART NUMBER	QTY	DESCRIPTION	REV
	1001125134	Ref	COOLER PLUMBING INSTALLATION, (if equipped for ULS), (not available to order, see items 1 thru 17 for service)	E
	1001131524	Ref	COOLER PLUMBING INSTALLATION, (if equipped for LS), (not available to order, see items 1, 2, 4 thru 7, 10 & 12 thru 15 for service)	B
1	2220710	1	CONNECTOR	
2	2716694	1	HOSE ASSY	
3	0641605	1	HEX HD CAPSCREW, 3/8-16X5/8, (if equipped for ULS)	
4	8303675	4	HEX HD CAPSCREW, 3/8-16X1-1/4, GR5	
5	8303757	4	HEX HD CAPSCREW, 5/16-18X2-1/2, GR5, (if equipped for ULS)	
5	8303757	5	HEX HD CAPSCREW, 5/16-18X2-1/2, GR5, (if equipped for LS)	
6	8307004	4	LOCKWASHER, 5/16, (if equipped for ULS)	
6	8307004	5	LOCKWASHER, 5/16, (if equipped for LS)	
7	8307005	4	LOCKWASHER, 3/8	
8	4711600	1	WASHER, 3/8, (if equipped for ULS)	
9	8406302	1	HOSE CLAMP, 1-1/4 DIA, (if equipped for ULS)	
10	8530030	2	FLANGE HALF	
11	8750017	2	TWIN CLAMP LOCKING PLATE, (if equipped for ULS)	
12	8750025	4	TWIN COVER PLATE, (if equipped for ULS)	
12	8750025	5	TWIN COVER PLATE, (if equipped for LS)	
13	8750040	4	TWIN CLAMP SET, (if equipped for ULS)	
13	8750040	5	TWIN CLAMP SET, (if equipped for LS)	
14	1001125236	1	HOSE ASSY, (if equipped for ULS)	
14	1001132547	1	HOSE ASSY, (if equipped for LS)	
15	1001125237	1	HOSE ASSY, (if equipped for ULS)	
15	1001132548	1	HOSE ASSY, (if equipped for LS)	
16	2220878	1	ELBOW, 90, (includes o-ring), (if equipped for ULS)	
17	8584007	AR	TYWRAP, (if equipped for ULS)	
101	2717291	1	HOSE ASSY, (if equipped with red gear pump 8444228 or black gear pump 8444230)	
101	1001135055	1	HOSE ASSY, (if equipped with gray gear pump 1001135002)	
102		Ref	SECONDARY FUNCTION MANIFOLD, (See HYDRAULIC COMPONENTS SECTION for Breakdown)	
103		Ref	MAIN CONTROL VALVE, (See HYDRAULIC COMPONENTS SECTION for Breakdown)	
104		Ref	GEAR PUMP, (See HYDRAULIC COMPONENTS SECTION for Breakdown)	
105	8310337	1	CARRIAGE BOLT, 1/2-13X2-1/2	
106	8310420	2	FLANGE NUT, 5/16-18	
107	8310477	2	CARRIAGE BOLT, 5/16-18X2-1/4, GR2	
108	8310523	3	HEX FLANGE NUT, 1/2-13	
109	8310524	2	CARRIAGE BOLT, 1/2-13X1-3/4	
110	8760108	1	CONNECTOR, (includes o-ring), (if equipped with red gear pump 8444228)	
110	2220374	1	STRAIGHT FITTING, (includes o-ring), (if equipped with black gear pump 8444230)	
110	2220947	1	STRAIGHT FITTING, (includes o-ring), (if equipped with gray gear pump 1001135002)	
111	2220385	1	TEE FITTING, (includes o-ring)	
201	2716663	1	HOSE ASSY	
301	2220237	1	PLUG	
302	2220999	1	BRANCH TEE, (includes o-ring)	

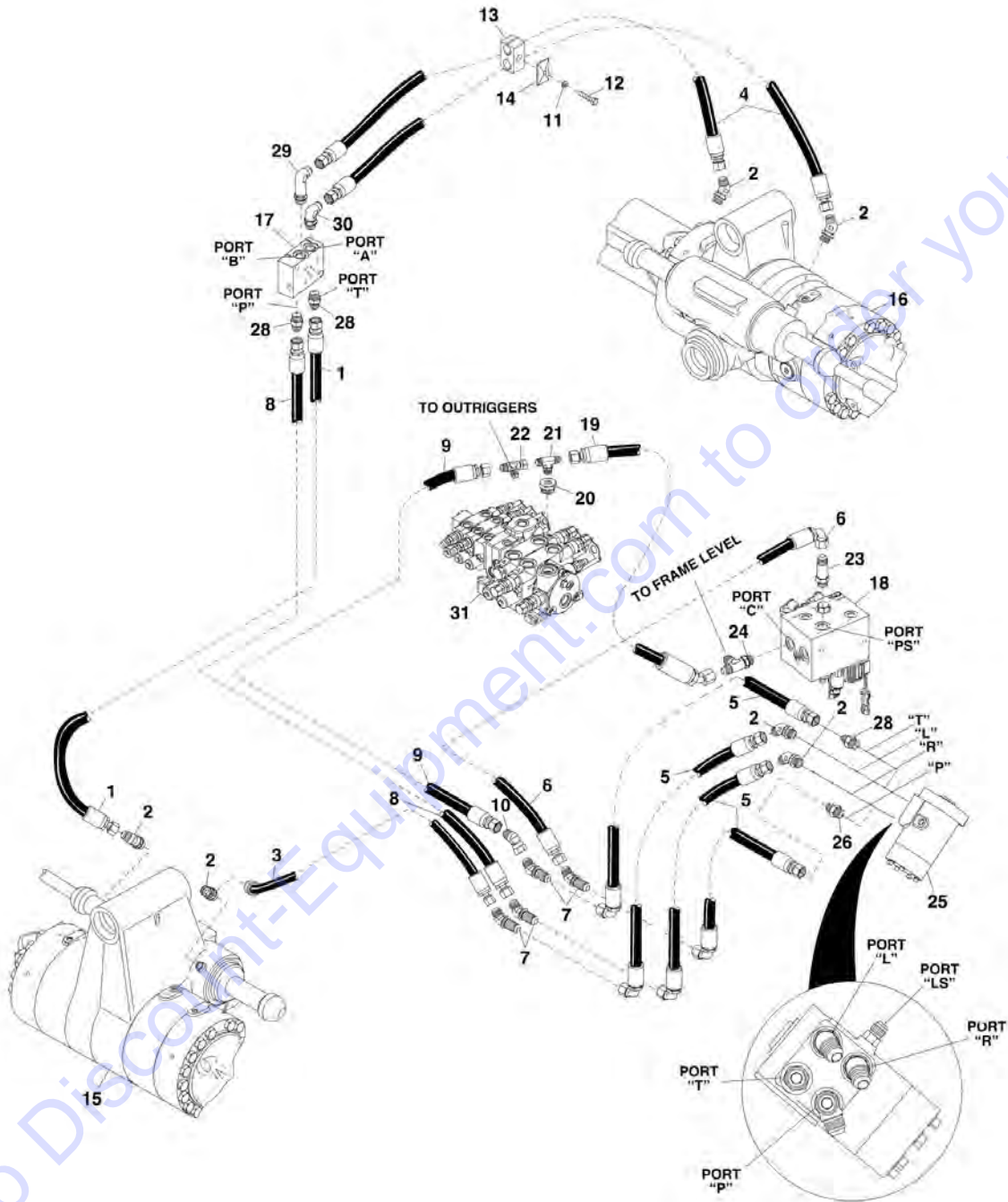
SECTION 8 - HYDRAULIC CIRCUITS

ITEM	PART NUMBER	QTY	DESCRIPTION	REV
401	2220655	1	ELBOW, 90	
402	8770173	1	CHECK VALVE, 65 PSI	
501		Ref	CHECK VALVE, 125 PSI, (See SUPPLY CIRCUIT for Breakdown)	
502		Ref	O-RING, (See SUPPLY CIRCUIT for Breakdown)	
503	8303704	4	HEX HD CAPSCREW, 3/8-16X3, GR5	
504	8307005	4	LOCKWASHER, 3/8	
601	2220602	1	MALE RUN TEE, (includes o-ring)	
651		Ref	HYDRAULIC RESERVOIR, (See HYDRAULIC COMPONENTS SECTION for Breakdown)	
652		Ref	RADIATOR, (See ENGINE AND ATTACHING PARTS SECTION for Breakdown)	

Go to Discount-Equipment.com to order your parts

SECTION 8 - HYDRAULIC CIRCUITS

FIGURE 8-3. STEER SELECT CIRCUIT



ART_31200732-8-3

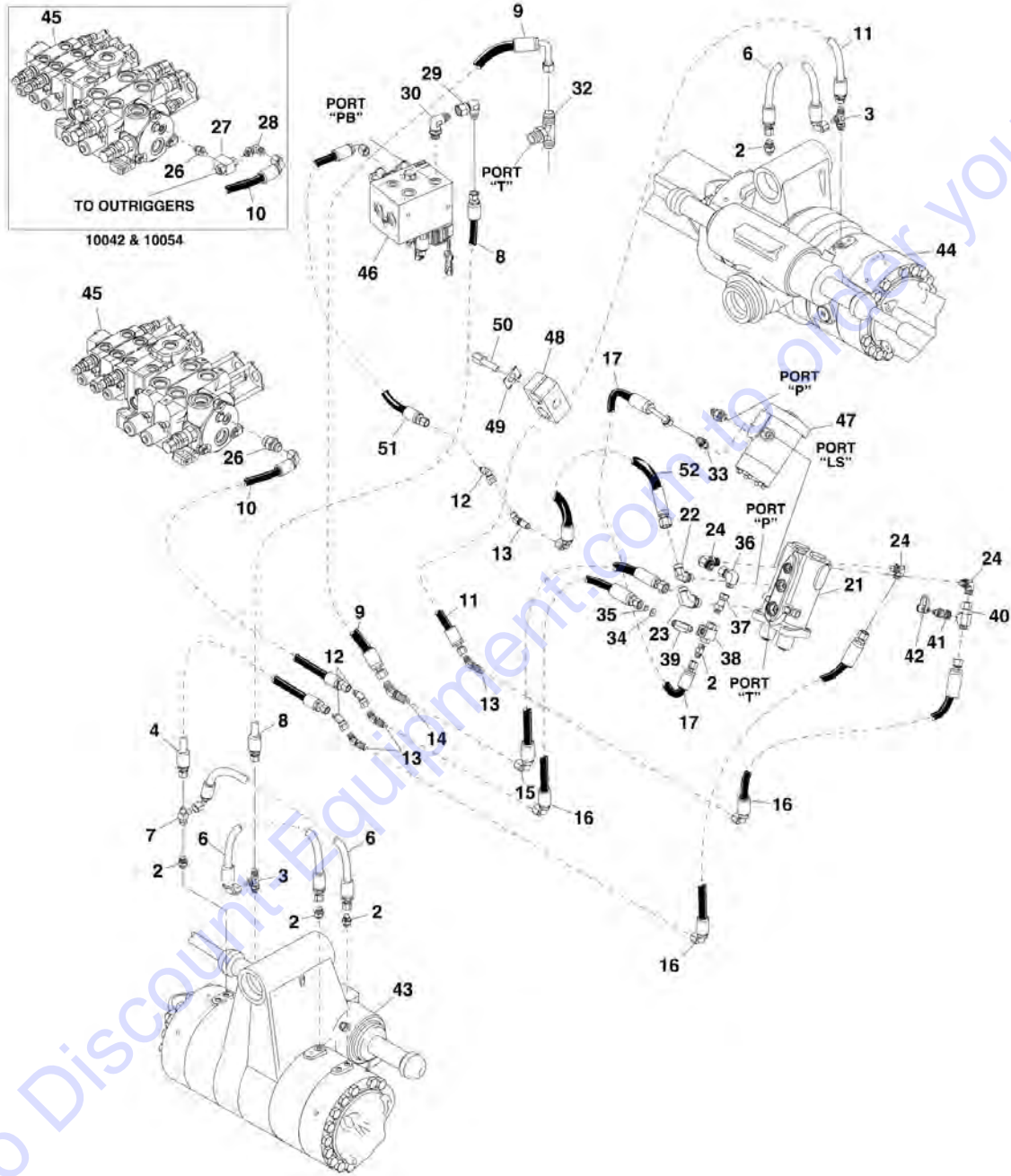
SECTION 8 - HYDRAULIC CIRCUITS

FIGURE 8-3. STEER SELECT CIRCUIT

ITEM	PART NUMBER	QTY	DESCRIPTION	REV
1	2716672	1	HOSE ASSY	
2	2220500	6	ELBOW, 45, (includes o-ring)	
3	2716708	1	HOSE ASSY	
4	2716673	2	HOSE ASSY	
5	2716696	4	HOSE ASSY	
6	2716705	1	HOSE ASSY	
7	8760237	4	BULKHEAD ELBOW, 45	
8	2716671	1	HOSE ASSY	
9	2716705	1	HOSE ASSY	
10	2220683	1	ELBOW, 45, (swivel nut)	
11	8307004	1	LOCKWASHER, 5/16	
12	8310009	1	HEX HD CAPSCREW, 5/16-18X2, GR5	
13	8750027	1	CLAMP SET	
14	8769128	1	COVER PLATE	
15		Ref	FRONT AXLE, (See DRIVE TRAIN SECTION for Breakdown)	
16		Ref	REAR AXLE, (See DRIVE TRAIN SECTION for Breakdown)	
17		Ref	STEER SELECT VALVE, (See HYDRAULIC COMPONENTS SECTION for Breakdown)	
18		Ref	SECONDARY FUNCTION MANIFOLD, (See HYDRAULIC COMPONENTS SECTION for Breakdown)	
19	2716661	1	HOSE ASSY	
20	2220833	1	REDUCER, (includes o-ring)	
21	2220999	1	MALE BRANCH TEE, (includes o-ring)	
22	2220385	1	FEMALE RUN TEE, (swivel nut), (10042 & 10054)	
23		Ref	CONNECTOR, (includes o-ring), (See SUPPLY CIRCUIT for Breakdown)	
24		Ref	MALE RUN TEE, (includes o-ring), (See DUMP CIRCUIT for Breakdown)	
25	1001146563	1	STEERING UNIT	
26	8760140	1	MALE TUBE END WITH INLET CHECK CONNECTOR, 8-8	
28	2220373	3	STRAIGHT CONNECTOR, (includes o-ring)	
29	2220474	1	ELBOW, 90, (includes o-ring)	
30	2220596	1	ELBOW, 90, (includes o-ring)	
31		Ref	MAIN CONTROL VALVE, (See HYDRAULIC COMPONENTS SECTION for Breakdown)	

SECTION 8 - HYDRAULIC CIRCUITS

FIGURE 8-4. SERVICE BRAKE CIRCUIT



ART_31200732-8-4

SECTION 8 - HYDRAULIC CIRCUITS

FIGURE 8-4. SERVICE BRAKE CIRCUIT

ITEM	PART NUMBER	QTY	DESCRIPTION	REV
2	2220371	5	STRAIGHT CONNECTOR	
3	2220606	2	MALE RUN TEE	
4	2716707	1	HOSE ASSY	
6	2716670	3	HOSE ASSY	
7	2220635	1	FEMALE SWIVEL RUN TEE	
8	2716660	1	HOSE ASSY	
9	1001169758	1	HOSE ASSY	
10	2716703	1	HOSE ASSY	
11	2716701	1	HOSE ASSY	
12	2220657	3	ELBOW, 45, (swivel nut)	
13	8770189	4	BULKHEAD ELBOW, 45	
14	2230035	1	BULKHEAD ELBOW, 45	
15	1001176722	1	HOSE ASSY	
16	2716699	3	HOSE ASSY	
17	2716700	1	HOSE ASSY	
	1001103623	1	BRAKE VALVE ASSY, (includes items 21 thru 24)	C
21		Ref	BRAKE VALVE, (See HYDRAULIC COMPONENTS SECTION for Breakdown)	
22	8770120	1	ELBOW, 90	
23	8770175	1	ELBOW, 90	
24	8770109	3	ELBOW, 90	
26		Ref	UNION, (includes o-ring), (See SUPPLY CIRCUIT for Breakdown)	
27		Ref	SHUTTLE VALVE, (See SUPPLY CIRCUIT for Breakdown)	
28		Ref	ELBOW, 90, (includes o-ring), (See SUPPLY CIRCUIT for Breakdown)	
29	8760268	1	ELBOW, 90, (swivel nut)	
30	2220473	1	ELBOW, 90, (includes o-ring)	
32		Ref	BRANCH TEE, (includes o-ring), (See DUMP CIRCUIT for Breakdown)	
33	2220603	1	STRAIGHT CONNECTOR	
34	7139212	1	ORIFICE DISK	
35	8630003	1	O-RING	
36	2172106	1	ELBOW, 90, (swivel nut)	
37	2221123	1	SWIVEL CONNECTOR	
38	8902175	Ref	SHUTTLE VALVE, (10042 & 10054), (not available to order, use 1001213147 for replacement)	
38	1001213147	1	VALVE, SHUTTLE	
39	2130606	1	ELBOW, 90	
40	2170706	1	SWIVEL RUN TEE	
41	8430081	1	SWIVEL NIPPLE, 1/8 BODY	
42	8430032	1	DUST PLUG	
43		Ref	FRONT AXLE, (See DRIVE TRAIN SECTION for Breakdown)	
44		Ref	REAR AXLE, (See DRIVE TRAIN SECTION for Breakdown)	
45		Ref	MAIN CONTROL VALVE, (See HYDRAULIC COMPONENTS SECTION for Breakdown)	
46		Ref	SECONDARY FUNCTION MANIFOLD, (See HYDRAULIC COMPONENTS SECTION for Breakdown)	
47		Ref	STEERING UNIT, (See STEER SELECT CIRCUIT for Breakdown)	
48	8750015	1	CLAMP SET	
49	8750017	1	LOCKING PLATE	
50	8750011	1	STACKING BOLT	

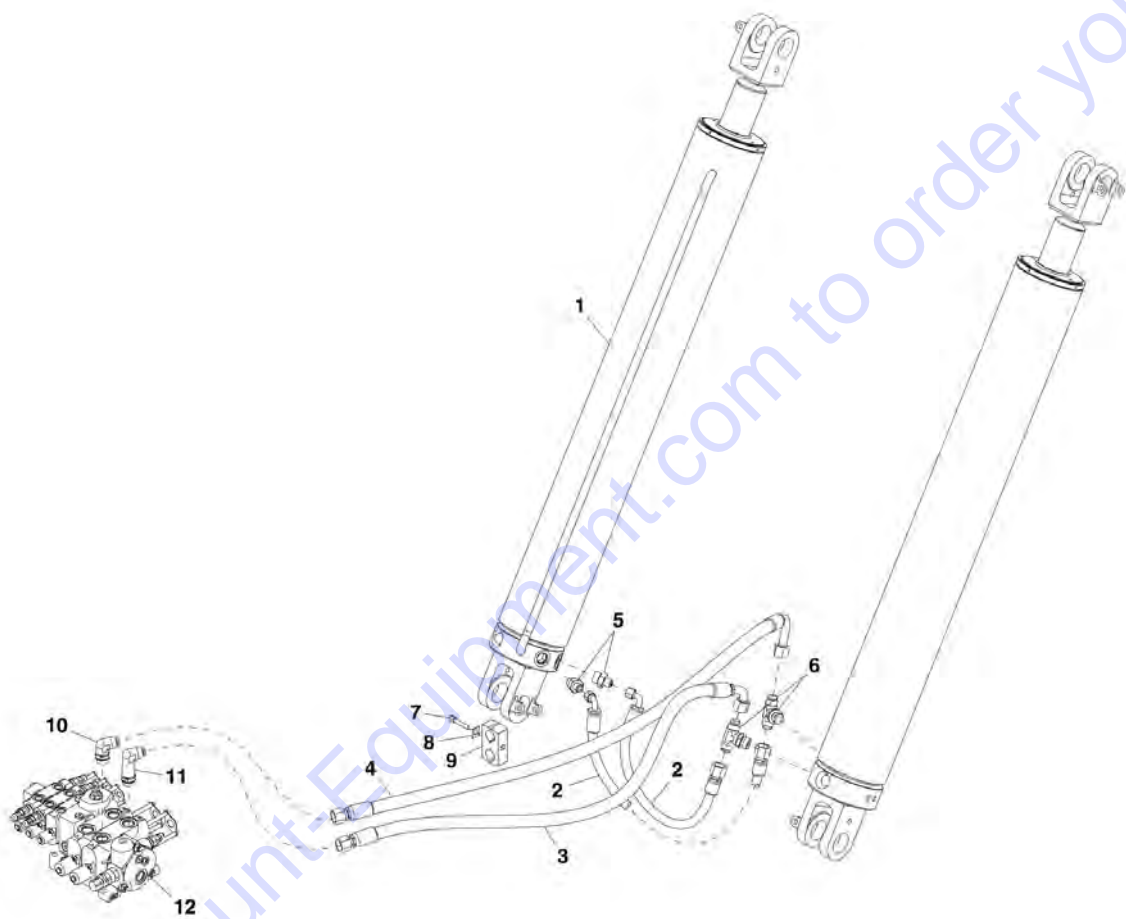
SECTION 8 - HYDRAULIC CIRCUITS

ITEM	PART NUMBER	QTY	DESCRIPTION	REV
51	2716762	1	HOSE ASSY	
52	1001166292	1	HOSE ASSY	

Go to Discount-Equipment.com to order your parts

SECTION 8 - HYDRAULIC CIRCUITS

FIGURE 8-5. LIFT CYLINDER CIRCUIT



ART_31200732-8-5

SECTION 8 - HYDRAULIC CIRCUITS

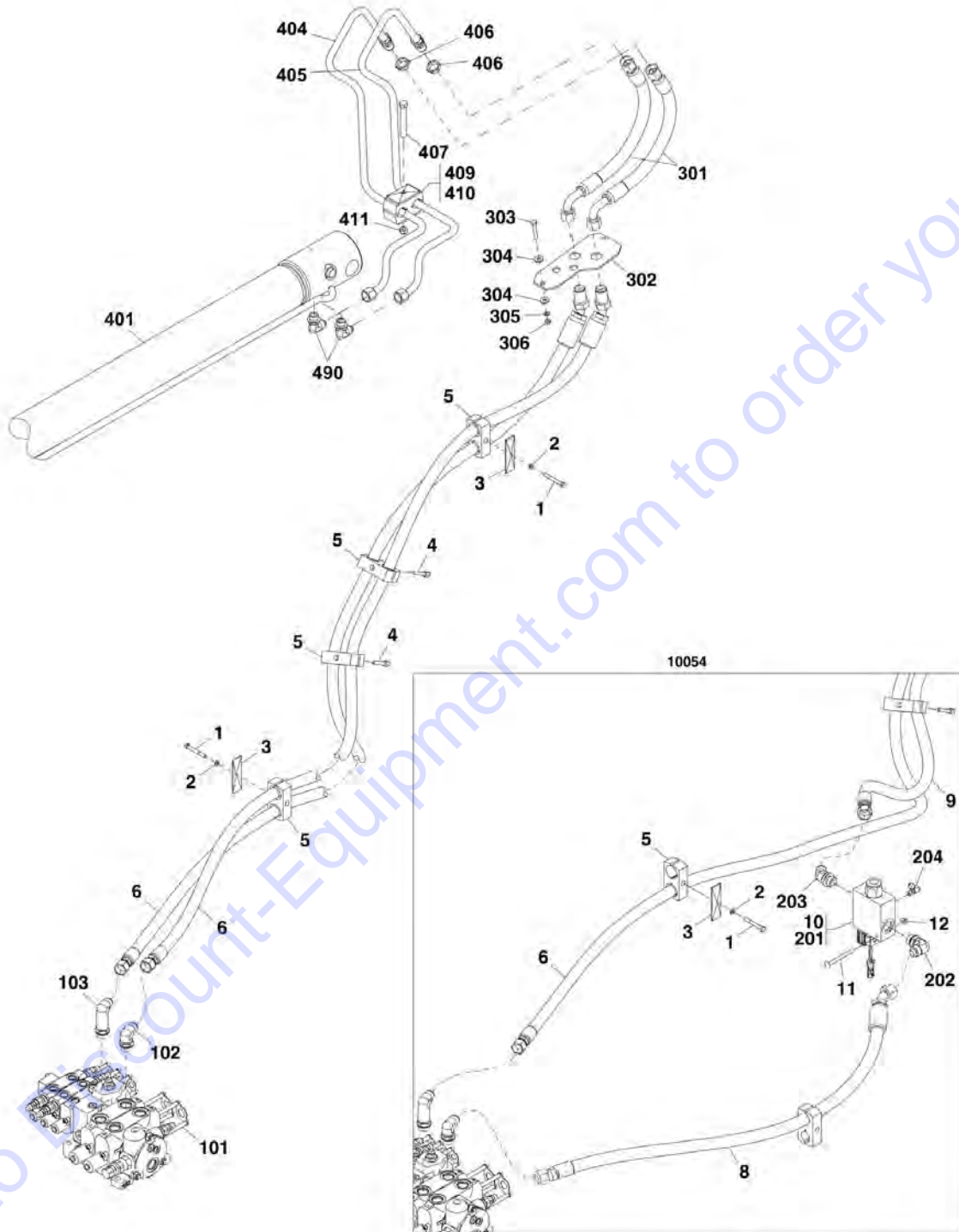
FIGURE 8-5. LIFT CYLINDER CIRCUIT

ITEM	PART NUMBER	QTY	DESCRIPTION	REV
1		Ref	LIFT CYLINDER, (See HYDRAULIC COMPONENTS SECTION for Breakdown)	
2	2716675	2	HOSE ASSY	
3	2716654	1	HOSE ASSY	
4	2716655	1	HOSE ASSY	
5	2220375	2	CONNECTOR, (includes o-ring)	
6	2220695	2	BRANCH TEE, (includes o-ring)	
7	8750026	1	STACKING BOLT	
8	8750017	1	LOCKING PLATE	
9	8750040	1	CLAMP SET	
10	2220578	1	ELBOW, 90, (includes o-ring)	
11	8770157	1	ELBOW, 45, (includes o-ring)	
12		Ref	MAIN CONTROL VALVE, (See HYDRAULIC COMPONENTS SECTION for Breakdown)	

Go to Discount-Equipment.com to order your parts

SECTION 8 - HYDRAULIC CIRCUITS

FIGURE 8-6. EXTEND/RETRACT CYLINDER CIRCUIT



ART_31200732-8-6

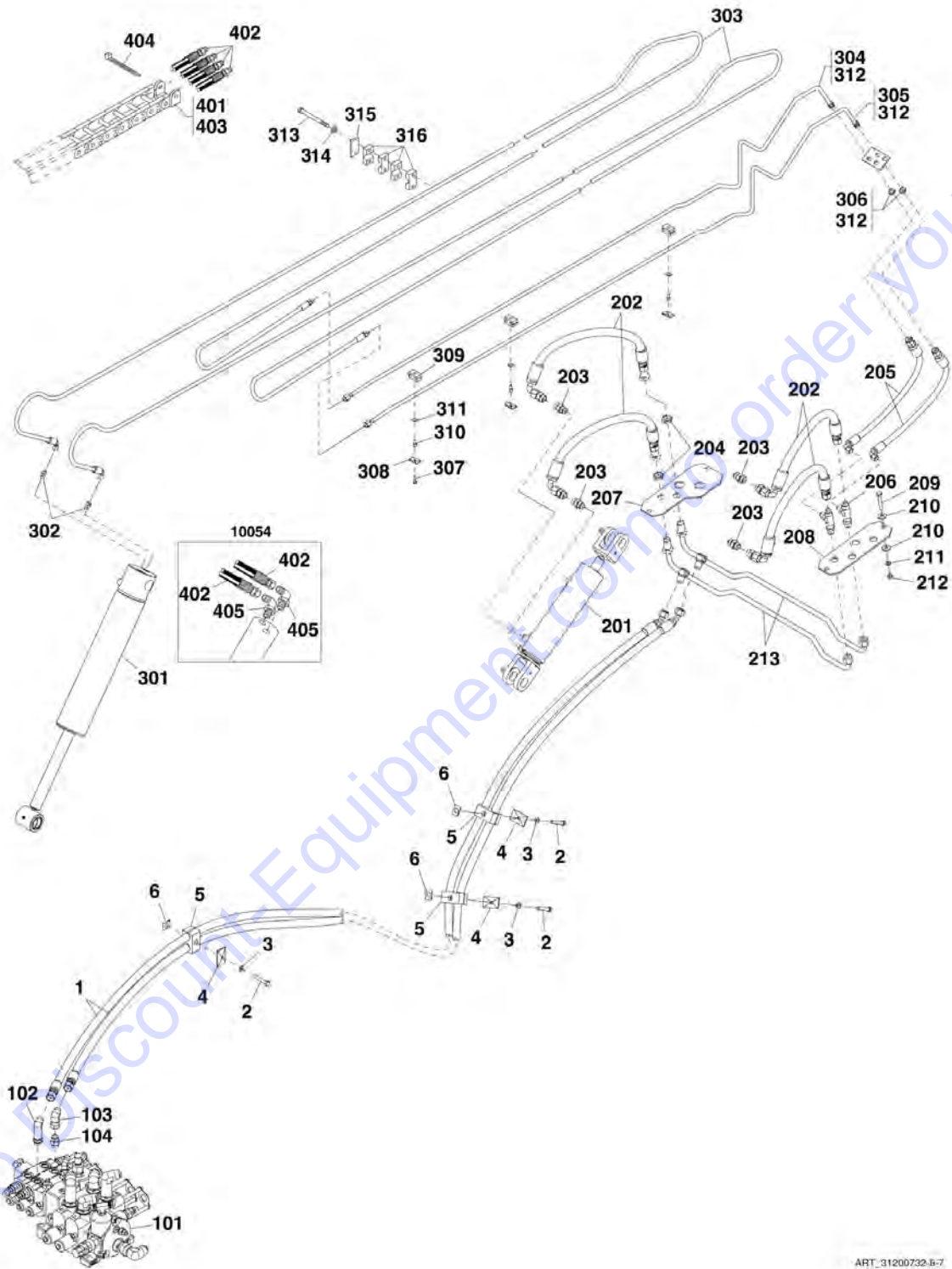
SECTION 8 - HYDRAULIC CIRCUITS

FIGURE 8-6. EXTEND/RETRACT CYLINDER CIRCUIT

ITEM	PART NUMBER	QTY	DESCRIPTION	REV
	1001125932	Ref	EXTEND CYLINDER INSTALLATION, (8042 & 10042), (not available to order, see items 1 thru 6 for service)	C
	1001125652	Ref	EXTEND CYLINDER INSTALLATION, (10054), (not available to order, see items 1 thru 12 for service)	B
1	8303757	2	HEX HD CAPSCREW, 5/16-18X2-1/2, GR5	
2	8307004	2	LOCKWASHER, 5/16	
3	8750025	2	COVER PLATE	
4	8750026	2	STACKING BOLT	
5	8750040	4	CLAMP SET	
6	1001125750	2	HOSE ASSY, (8042 & 10042)	
6	1001125750	1	HOSE ASSY, (10054)	
8	2716716	1	HOSE ASSY, (10054)	
9	1001125749	1	HOSE ASSY, (10054)	
10	7301821	1	EXTEND CYLINDER LOCKOUT VALVE ASSY, (10054), (includes items 201 thru 204)	
11	8310159	1	BOLT, 5/16-18X3-1/2, GR2, (10054)	
12	8310420	1	FLANGE NUT, 5/16-18, (10054)	
101		Ref	MAIN CONTROL VALVE, (See HYDRAULIC COMPONENTS SECTION for Breakdown)	
102	2220578	1	ELBOW, 90, (includes o-ring)	
103	8770157	1	ELBOW, 45, (includes o-ring)	
201		Ref	EXTEND LOCKOUT VALVE ASSY, (10054), (See HYDRAULIC COMPONENTS SECTION for Breakdown)	
202	2220578	1	ELBOW, 90, (includes o-ring), (10054)	
203	2220498	1	ELBOW, 45, (includes o-ring), (10054)	
204	2220775	1	ELBOW, 90, (includes o-ring), (10054)	
301	2755060	2	HOSE ASSY	
302	7139505	1	BULKHEAD SHEET	
303	8310009	2	HEX HD CAPSCREW, 5/16-18X2, GR5	
304	8307203	4	WASHER, 5/16	
305	8307004	2	LOCKWASHER, 5/16	
306	8305006	2	HEX NUT, 5/16-18	
401		Ref	EXTEND/RETRACT CYLINDER, (See HYDRAULIC COMPONENTS SECTION for Breakdown)	
402	2220578	2	ELBOW, 90, (includes o-ring)	
404	3460383	1	TUBE ASSY	
405	3460384	1	TUBE ASSY	
406	8760468	2	BULKHEAD LOCKNUT	
407	0641520	1	HEX HD CAPSCREW, 5/16-18X2, GR5	
408	8307106	3	FLAT WASHER, 5/16	
409	8769128	2	COVER PLATE	
410	8769139	1	CLAMP SET	
411	8305626	1	HEX LOCKNUT, 5/16-18	
490	2220578	2	ADPT,90 S JIC/ORB 12-12 FG	

SECTION 8 - HYDRAULIC CIRCUITS

FIGURE 8-7. ATTACHMENT TILT AND TILT COMPENSATION CYLINDER CIRCUIT



ART_31200732-B-7

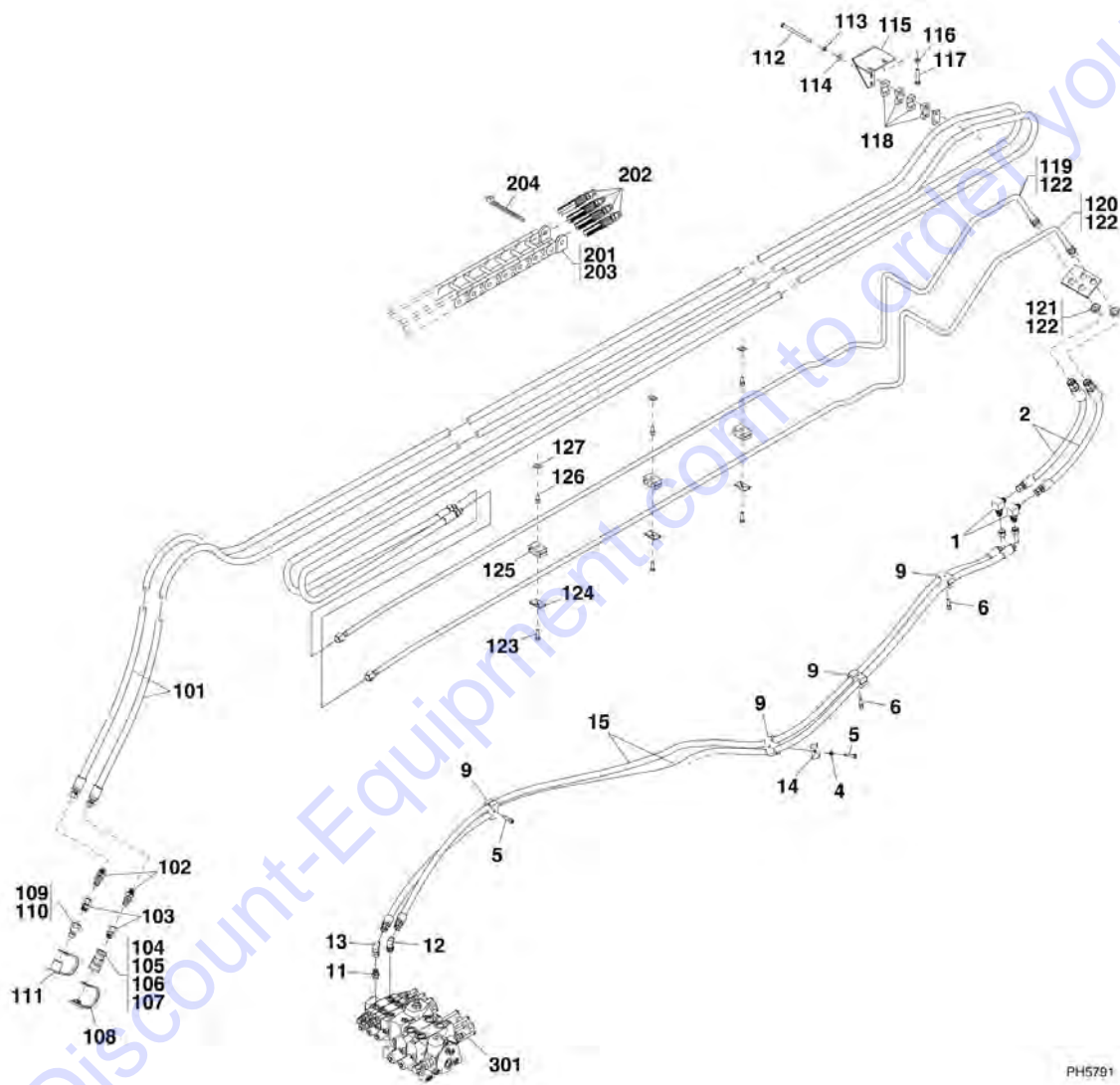
SECTION 8 - HYDRAULIC CIRCUITS

FIGURE 8-7. ATTACHMENT TILT AND TILT COMPENSATION CYLINDER CIRCUIT

ITEM	PART NUMBER	QTY	DESCRIPTION	REV
	1001125705	Ref	HYDRAULIC FORK TILT INSTALLATION, (not available to order, see items 1 thru 6 for service)	A
1	1001125751	2	HOSE ASSY	
2	8310009	3	HEX HD CAPSCREW, 5/16-18X2, GR5	
3	8307004	3	LOCKWASHER, 5/16	
4	8769128	3	TWIN COVER PLATE	
5	8750027	3	TWIN CLAMP SET, 0.84 DIA	
6	8750017	3	LOCKING PLATE	
101		Ref	MAIN CONTROL VALVE, (See HYDRAULIC COMPONENTS SECTION for Breakdown)	
102	2220474	1	ELBOW, 90, (includes o-ring)	
103	8765204	1	ELBOW, 90, (swivel nut)	
104	2220373	1	STRAIGHT CONNECTOR, (includes o-ring)	
201		Ref	TILT COMPENSATION CYLINDER, (See HYDRAULIC COMPONENTS SECTION for Breakdown)	
202	2716715	4	HOSE ASSY	
203	2220373	4	STRAIGHT CONNECTOR, (includes o-ring)	
204	8760463	2	BULKHEAD LOCKNUT, #8	
205	2716714	2	TILT CYLINDER HOSE ASSY	
206	8760477	2	MALE BULKHEAD RUN TEE	
207	7139505	1	BULKHEAD SHEET	
208	7139504	1	BULKHEAD SHEET	
209	8310009	4	HEX HD CAPSCREW, 5/16-18X2, GR5	
210	8307203	6	FLAT WASHER, 5/16	
211	8307004	4	LOCKWASHER, 5/16	
212	8305006	4	HEX NUT, 5/16-18	
213	7300214	2	TILT COMPENSATION CYLINDER CROSS-OVER TUBE ASSY	
301		Ref	ATTACHMENT TILT CYLINDER, (See HYDRAULIC COMPONENTS SECTION for Breakdown)	
302	2220373	2	STRAIGHT CONNECTOR	
303	2713452	2	BOOM HOSE ASSY, (8042 & 10042), (see item 401 for 10054)	
304	7300672	1	BOOM ATTACHMENT TILT TUBE, (extend)	
305	7300673	1	BOOM ATTACHMENT TILT TUBE, (retract)	
306	8760468	2	BULKHEAD LOCKNUT	
307	8303715	3	HEX HD CAPSCREW, 5/16-18X1-1/4	
308	8769123	3	TWIN COVER PLATE	
309	8769122	3	TWIN CLAMP, 0.62 DIA	
310	8750011	3	STACKING BOLT	
311	8750017	3	LOCKING PLATE	
312	8526048	AR	LOCTITE 545, (apply to items 304, 305 & 306)	
313	8303752	2	HEX HD CAPSCREW, 5/16-18X3-1/2	
314	8307004	2	LOCKWASHER, 5/16	
315	8769149	1	SINGLE CLAMP COVER PLATE	
316	8750003	4	SINGLE CLAMP, 0.62 DIA, (8042 & 10042)	
316	8750003	6	SINGLE CLAMP, 0.62 DIA, (10054)	
401	7112452	1	HOSE AND CARRIER ASSY, (includes items 402 thru 404), (10054)	
402	2713642	2	HOSE ASSY	
403	N.S.S.	1	HOSE CARRIER, (see item 401 for service)	
404	8584001	2	TIE WRAP	
405	2220500	2	ELBOW, 45, (includes o-ring), (10054)	

SECTION 8 - HYDRAULIC CIRCUITS

FIGURE 8-8. AUXILIARY HYDRAULIC CIRCUIT



PH5791

SECTION 8 - HYDRAULIC CIRCUITS

FIGURE 8-8. AUXILIARY HYDRAULIC CIRCUIT

ITEM	PART NUMBER	QTY	DESCRIPTION	REV
	1001121399	Ref	AUXILIARY HYDRAULICS INSTALLATION, (not available to order, see items 1 thru 15 for service)	C
1	2230044	2	ADAPTER, 90	
2	2716713	2	HOSE ASSY	
4	8307004	1	LOCKWASHER, 5/16	
5	8310009	1	HEX HD CAPSCREW, 5/16-18X2	
6	8750012	3	STACKING BOLT	
9	8750027	4	TWIN CLAMP SET, 0.84 DIA	
11	2220373	1	CONNECTOR, (includes o-ring)	
12	2220596	1	ELBOW, 90, (include o-ring)	
13	8765204	1	ELBOW, 90, (swivel nut)	
14	8769128	1	TWIN COVER PLATE	
15	1001121396	2	HOSE ASSY	
101	2713082	2	HOSE ASSY, (8042 & 10042), (see item 201 for 10054)	
102	2230025	2	STRAIGHT BULKHEAD UNION	
103	2220651	2	STRAIGHT CONNECTOR, (swivel nut), (includes o-ring)	
104	91403413	1	FEMALE QUICK DISCONNECT, (includes items 105 thru 107)	
105	8640029	1	NOSE SEAL	
106	8640028	1	COUPLER BODY SEAL	
107	8640032	1	COUPLER BODY SEAL BACK-UP RING	
108	8420055	1	DUST PLUG, #8	
109	91403414	1	MALE QUICK DISCONNECT, (includes item 110)	
110	8640029	1	NOSE SEAL	
111	8420053	1	DUST CAP, #8	
112	8310081	2	HEX HD CAPSCREW, 5/16-18X5	
113	8307004	2	LOCKWASHER, 5/16	
114	8307203	2	FLAT WASHER, 5/16	
115	7111402	1	CLAMP SUPPORT	
116	8307005	2	LOCKWASHER, 5/16	
117	8303622	2	HEX HD CAPSCREW, 3/8-16X2, GR5	
118	8769161	2	SINGLE CLAMP, 0.75 ID, (8042 & 10042)	
118	8750003	2	SINGLE CLAMP, 0.62 ID, (10054)	
119	7300674	1	AUXILIARY TUBE ASSY	
120	7300675	1	AUXILIARY TUBE ASSY	
121	8760465	4	BULKHEAD LOCKNUT	
122	8526048	1	LOCTIT 545, (apply to items 119, 120 & 121)	
123	8303715	3	HEX HD CAPSCREW, 5/16-18X2-1/4	
124	8769123	3	TWIN CLAMP COVER PLATE	
125	8769122	6	TWIN CLAMP, 0.62 ID, (two halves)	
126	8750011	3	TWIN CLAMP STACK BOLT	
127	8750017	3	TWIN CLAMP LOCK PLATE	
201		Ref	HOSE AND CARRIER ASSY, (includes items 202 thru 204), (10054), (See ATTACHMENT TILT AND TILT COMPENSATION CYLINDER CIRCUIT for Breakdown)	
202		Ref	HOSE ASSY, (See ATTACHMENT TILT AND TILT COMPENSATION CYLINDER CIRCUIT for Breakdown)	
203		Ref	HOSE CARRIER, (see item 201 for service), (See ATTACHMENT TILT AND TILT COMPENSATION CYLINDER CIRCUIT for Breakdown)	
204		Ref	TIE WRAP, (See ATTACHMENT TILT AND TILT COMPENSATION CYLINDER CIRCUIT for Breakdown)	

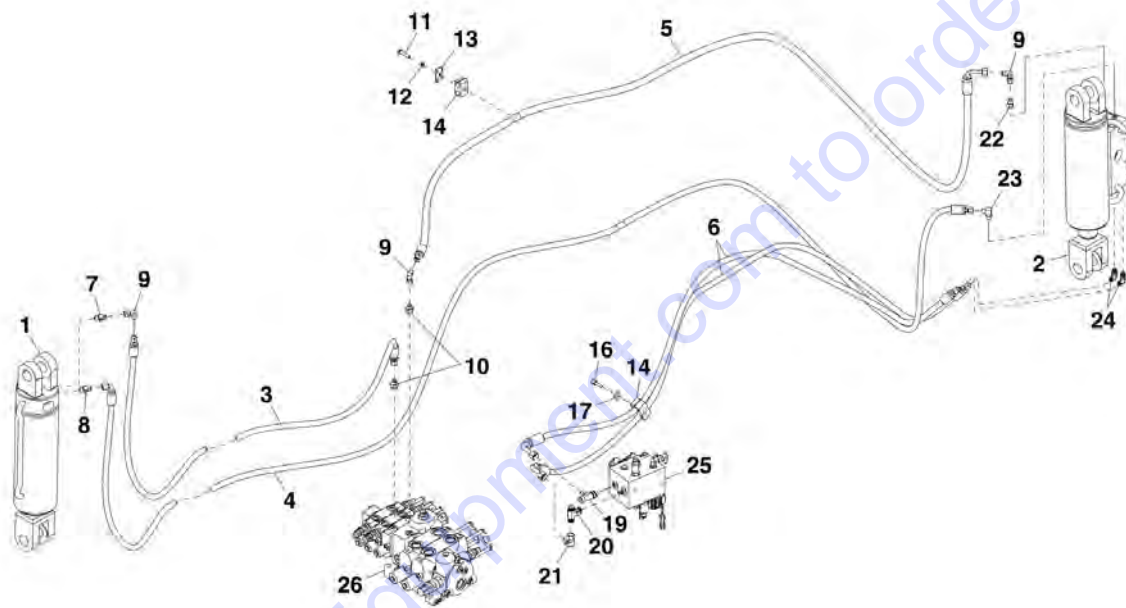
SECTION 8 - HYDRAULIC CIRCUITS

ITEM	PART NUMBER	QTY	DESCRIPTION	REV
301		Ref	MAIN CONTROL VALVE, (See HYDRAULIC COMPONENTS SECTION for Breakdown)	

Go to Discount-Equipment.com to order your parts

SECTION 8 - HYDRAULIC CIRCUITS

FIGURE 8-9. FRAME LEVEL AND STABIL-TRAK CYLINDER CIRCUIT



ART_31200732-B-9

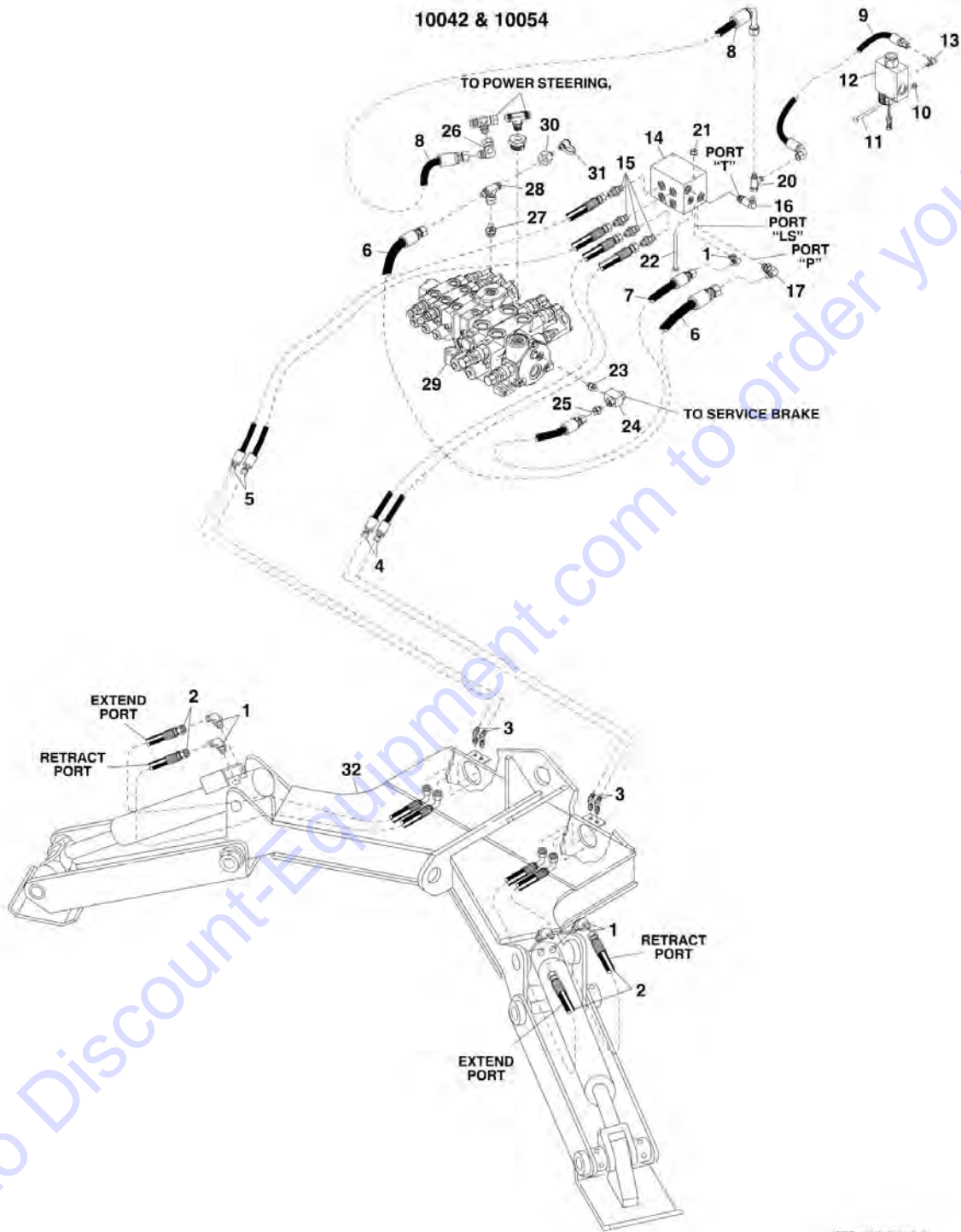
SECTION 8 - HYDRAULIC CIRCUITS

FIGURE 8-9. FRAME LEVEL AND STABIL-TRAK CYLINDER CIRCUIT

ITEM	PART NUMBER	QTY	DESCRIPTION	REV
1		Ref	FRAME LEVEL CYLINDER, (See HYDRAULIC COMPONENTS SECTION for Breakdown)	
2		Ref	STABIL-TRAK CYLINDER, (See HYDRAULIC COMPONENTS SECTION for Breakdown)	
3	2716687	1	HOSE ASSY	
4	2716688	1	HOSE ASSY	
5	2716686	1	HOSE ASSY	
6	2716691	2	HOSE ASSY	
7	8902858	1	RESTRICTOR CHECK VALVE, 0.047 DIA	
8	8902857	1	RESTRICTOR CHECK VALVE, 0.040 DIA	
9	8760268	3	ELBOW, 90, (swivel nut)	
10	2220372	2	STRAIGHT CONNECTOR, (includes o-ring)	
11	8303715	1	HEX HD CAPSCREW, 5/16-18X1.5	
12	8307004	1	LOCKWASHER, 5/16	
13	8769123	1	TWIN COVER PLATE	
14	8750015	2	TWIN CLAMP SET, 0.67 DIA	
15	8750027	2	TWIN CLAMP SET, 0.84 DIA	
16	8750011	1	STACKING BOLT	
17	8750017	1	TWIN CLAMP LOCKING PLATE	
19		Ref	MALE RUN TEE, (includes o-ring), (See DUMP CIRCUIT for Breakdown)	
20		Ref	MALE BRANCH TEE, (includes o-ring), (See SUPPLY CIRCUIT for Breakdown)	
21		Ref	ELBOW, 90, (swivel nut), (See SUPPLY CIRCUIT for Breakdown)	
22	2220371	1	STRAIGHT CONNECTOR, (includes o-ring)	
23	2220473	1	ELBOW, 90, (includes o-ring)	
24	2220501	2	ELBOW, 45	
25		Ref	SECONDARY FUNCTION MANIFOLD, (See HYDRAULIC COMPONENTS SECTION for Breakdown)	
26		Ref	MAIN CONTROL VALVE, (See HYDRAULIC COMPONENTS SECTION for Breakdown)	

SECTION 8 - HYDRAULIC CIRCUITS

FIGURE 8-10. OUTRIGGER CIRCUIT 10042/10054



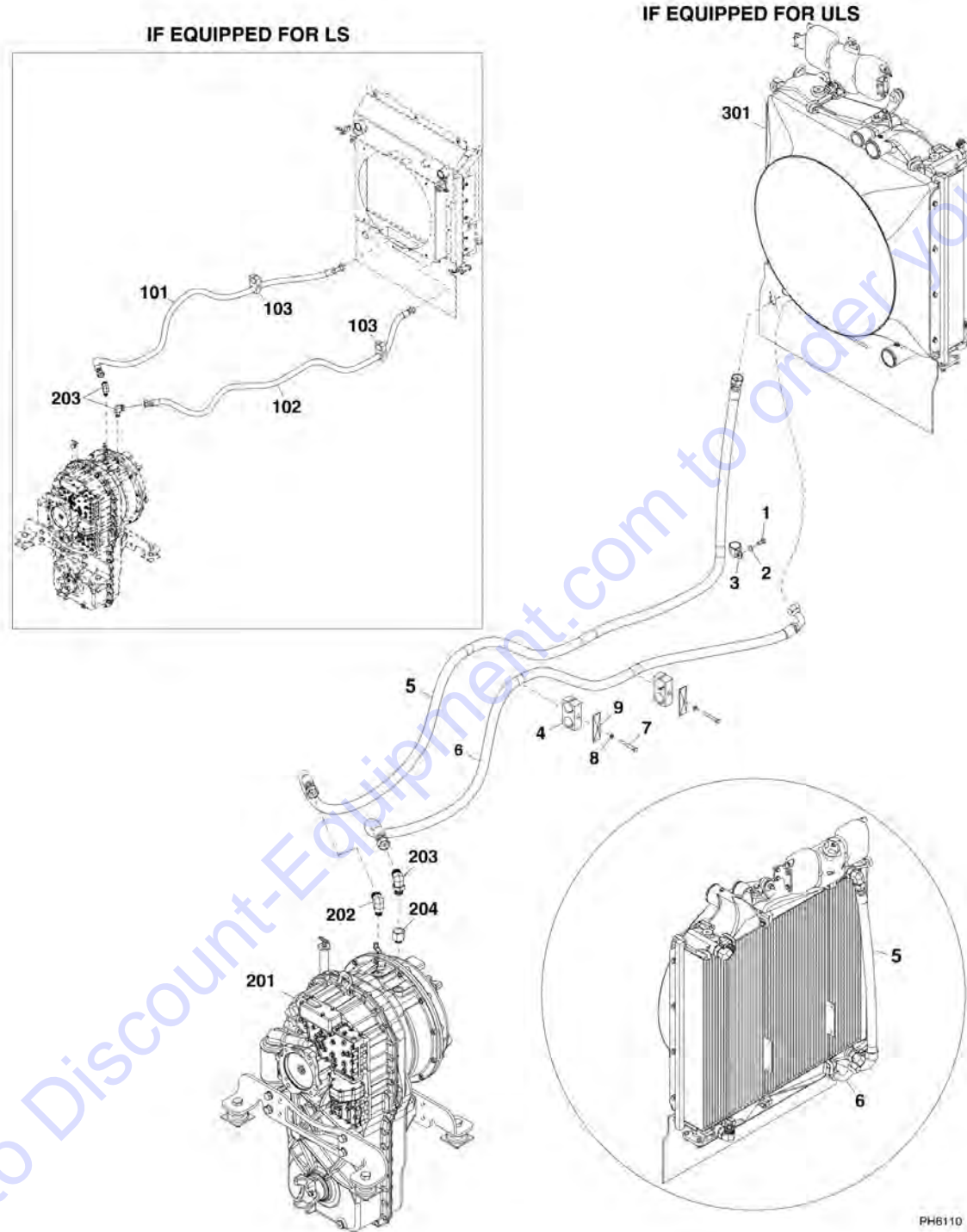
SECTION 8 - HYDRAULIC CIRCUITS

FIGURE 8-10. OUTRIGGER CIRCUIT 10042/10054

ITEM	PART NUMBER	QTY	DESCRIPTION	REV
1	2220473	5	ELBOW, 90, (includes o-ring)	
2	2716709	4	HOSE ASSY	
3	8770189	4	ELBOW, 45	
4	2716664	2	HOSE ASSY	
5	2716665	2	HOSE ASSY	
6	2716710	1	HOSE ASSY (8042)	
6	1001184557	1	HOSE ASSY (10042 & 10054)	
7	2716711	1	HOSE ASSY (8042)	
7	1001184556	1	HOSE ASSY (10042 & 10054)	
8	2716669	1	HOSE ASSY	
9	2716712	1	HOSE ASSY, (10054)	
10	8310420	1	HEX FLANGE NUT, 5/16-18, (10054)	
11	8310159	1	CARRIAGE BOLT, 5/16-18X3-1/2, (10054)	
12		Ref	EXTEND LOCKOUT VALVE ASSY, (10054), (See HYDRAULIC COMPONENTS SECTION for Breakdown)	
13	2220775	1	ELBOW, 90, (includes o-ring), (10054)	
14	1001103153	1	OUTRIGGER VALVE	
15	2220372	4	STRAIGHT CONNECTOR, (includes o-ring)	
16	2220474	1	ELBOW, 90, (includes o-ring)	
17	2220596	1	ELBOW, 90, (includes o-ring)	
18	2220657	1	ELBOW, 45, (swivel nut), (8042)	
19	2220683	1	ELBOW, 45, (swivel nut), (8042)	
20	2220385	1	FEMALE RUN TEE, (swivel nut), (10054)	
21	8310522	2	HEX FLANGE NUT, 3/8-16	
22	8310478	2	CARRIAGE BOLT, 3/8-16X5.5, GR2	
23		Ref	UNION, (includes o-ring), (See SUPPLY CIRCUIT for Breakdown)	
24		Ref	SHUTTLE VALVE, (See SUPPLY CIRCUIT for Breakdown)	
25	2220371	1	STRAIGHT CONNECTOR, (includes o-ring)	
26	8765204	1	ELBOW, 90, (swivel nut)	
27	2220374	1	STRAIGHT CONNECTOR, (includes o-ring), (8042)	
28	8770289	1	FEMALE BRANCH TEE, (swivel nut)	
29		Ref	MAIN CONTROL VALVE, (See HYDRAULIC COMPONENTS SECTION for Breakdown)	
30	8430037	1	NIPPLE	
31	8430032	1	DUST PLUG	
32		Ref	OUTRIGGERS, (See FRAME AND ATTACHING PARTS SECTION for Breakdown)	

SECTION 8 - HYDRAULIC CIRCUITS

FIGURE 8-11. TRANSMISSION COOLER



PH6110

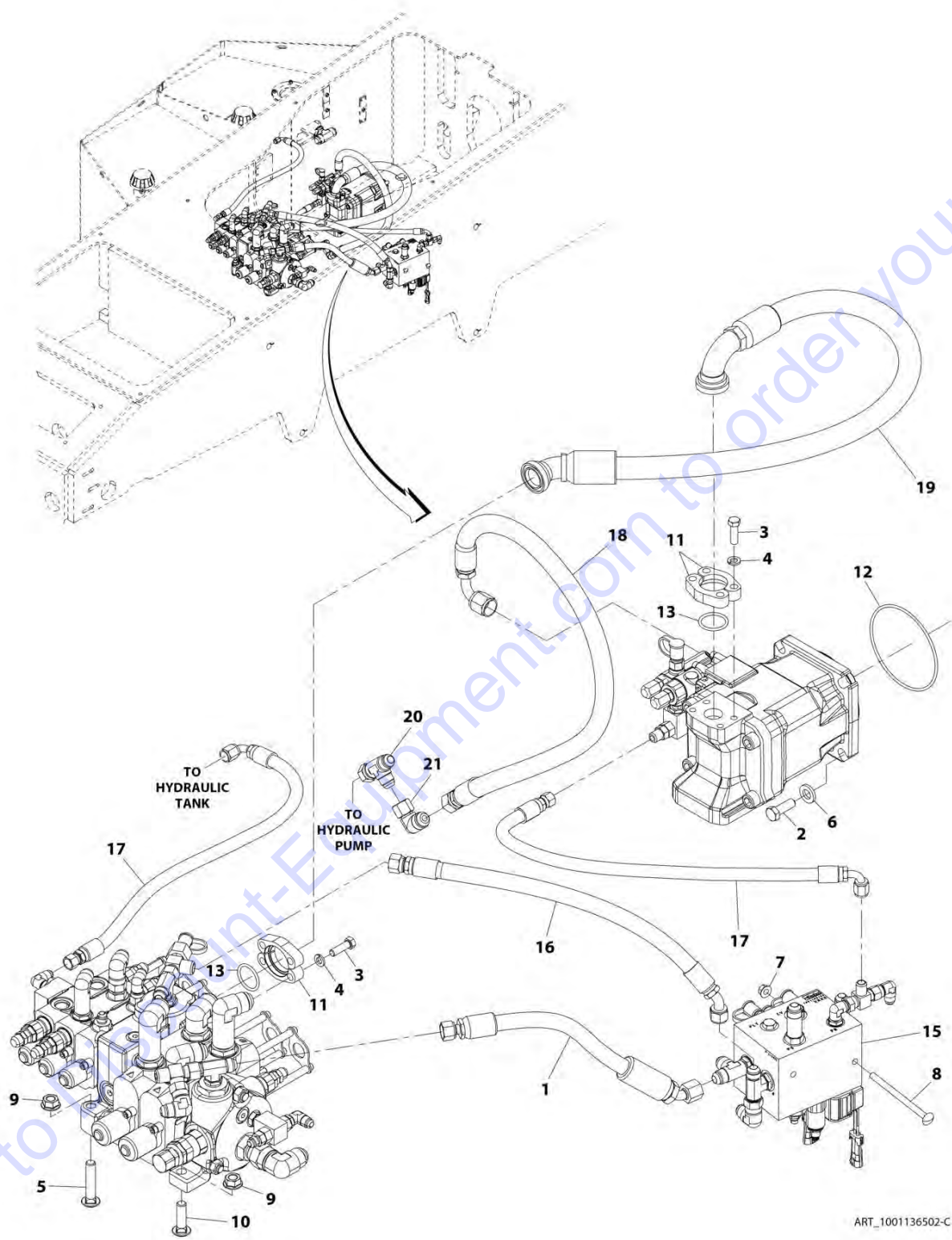
SECTION 8 - HYDRAULIC CIRCUITS

FIGURE 8-11. TRANSMISSION COOLER

ITEM	PART NUMBER	QTY	DESCRIPTION	REV
	1001125136	Ref	TRANSMISSION COOLER PLUMBING INSTALLATION, (if equipped for ULS), (not available to order, see items 1 thru 9 for service)	C
	1001131526	Ref	TRANSMISSION COOLER PLUMBING INSTALLATION, (if equipped for LS), (not available to order, see items 101 & 102 for service)	A
1	0641605	1	HEX HD CAPSCREW, 3/8-16X5/8, (if equipped for ULS)	
2	4711600	1	FLAT WASHER, 3/8, (if equipped for ULS)	
3	8406302	1	HOSE CLAMP, (if equipped for ULS)	
4	8750040	2	CLAMP SET, (if equipped for ULS)	
5	1001126385	1	HOSE ASSY, (if equipped for ULS)	
6	1001126386	1	HOSE ASSY, (if equipped for ULS)	
7	8303757	2	HEX HD CAPSCREW, 5/16-18X2-1/2, GR5, (if equipped for ULS)	
8	8307004	2	LOCKWASHER, 5/16, (if equipped for ULS)	
9	8750025	2	TWIN COVER PLATE, (if equipped for ULS)	
101	1001132545	1	HOSE ASSY, (if equipped for LS)	
102	1001132546	1	HOSE ASSY, (if equipped for LS)	
103		Ref	CLAMP SET AND HARDWARE, (if equipped for LS), (See DUMP CIRCUIT for Breakdown)	
201		Ref	TRANSMISSION ASSY, (See DRIVE TRAIN SECTION for Breakdown)	
202	2131210	1	ADAPTER, 90, (includes o-ring), (if equipped for ULS)	
203	2131212	1	ADAPTER, 90, (includes o-ring), (if equipped for ULS)	
203	2131212	2	ADAPTER, 90, (includes o-ring), (if equipped for LS)	
204	8760548	1	ADAPTER, STRAIGHT, (includes o-ring), (if equipped for ULS)	
301		Ref	RADIATOR ASSY, (See ENGINE AND ATTACHING PARTS SECTION for Breakdown)	

SECTION 8 - HYDRAULIC CIRCUITS

FIGURE 8-12. MAIN CONTROL VALVE INSTALLATION



ART_1001136502-C

SECTION 8 - HYDRAULIC CIRCUITS

FIGURE 8-12. MAIN CONTROL VALVE INSTALLATION

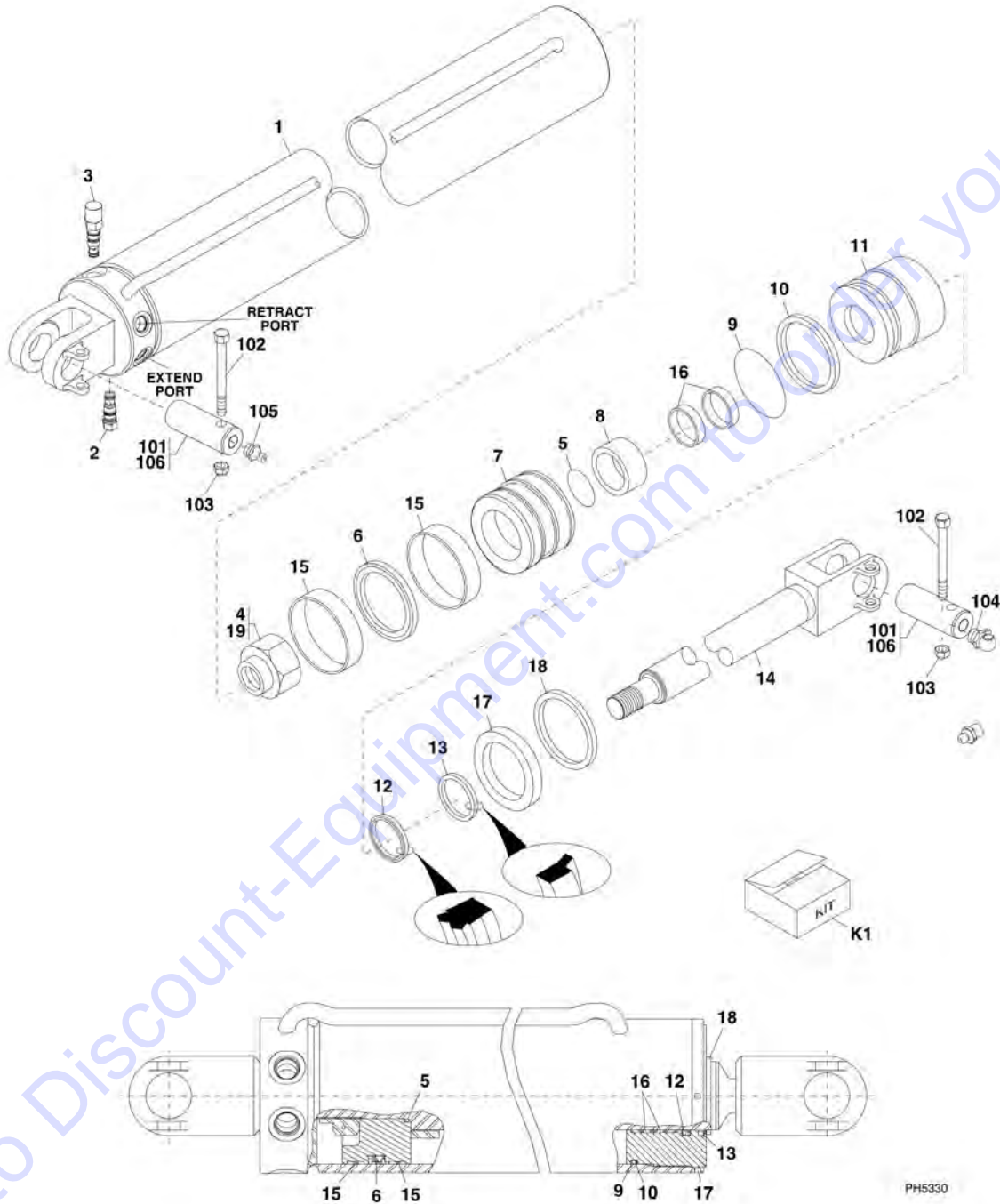
ITEM	PART NUMBER	QTY	DESCRIPTION	REV
	1001136502	Ref	MAIN CONTROL VALVE INSTALLATIO	C
1	2716661	1	HOSE	
2	8303519	4	HEX HD CAPSCREW, M12X1-3/4X35MM, PC8.8	
3	8303675	8	HEX HD CAPSCREW, 3/8-16X1-1/4, (torque to 31 lb-ft/42 Nm)	
4	8307005	8	LOCKWASHER, 3/8	
5	8310337	1	CARRIAGE BOLT, 1/2-13X2-1/2	
6	8310356	4	HARDENED WASHER, 12MM	
7	8310420	2	HEX FLANGE NUT, 5/16-18	
8	8310477	2	CARRIAGE BOLT, 5/16-18X2-1/4, GR2	
9	8310523	3	HEX FLANGE NUT, 1/2-13	
10	8310524	2	CARRIAGE BOLT, 1/2-13X1-3	
11	8530030	4	FLANGE HALF	
12	8630019	1	O-RING	
13	8640123	2	O-RING	
15	1001136556	1	VALVE, SECONDARY FUNCTION (See Separate Breakdown in HYDRAULIC COMPONENTS Section)	
16	1001136560	1	HOSE	
17	1001136561	2	HOSE	
18	1001136911	1	HOSE	
19	2716750	1	HOSE	
20	2220385	1	FEMALE RUN TEE	
21	91513140	1	FITTINGS	

SECTION 9 - HYDRAULIC COMPONENTS

Go to Discount-Equipment.com to order your parts

SECTION 9 - HYDRAULIC COMPONENTS

FIGURE 9-1. LIFT CYLINDER



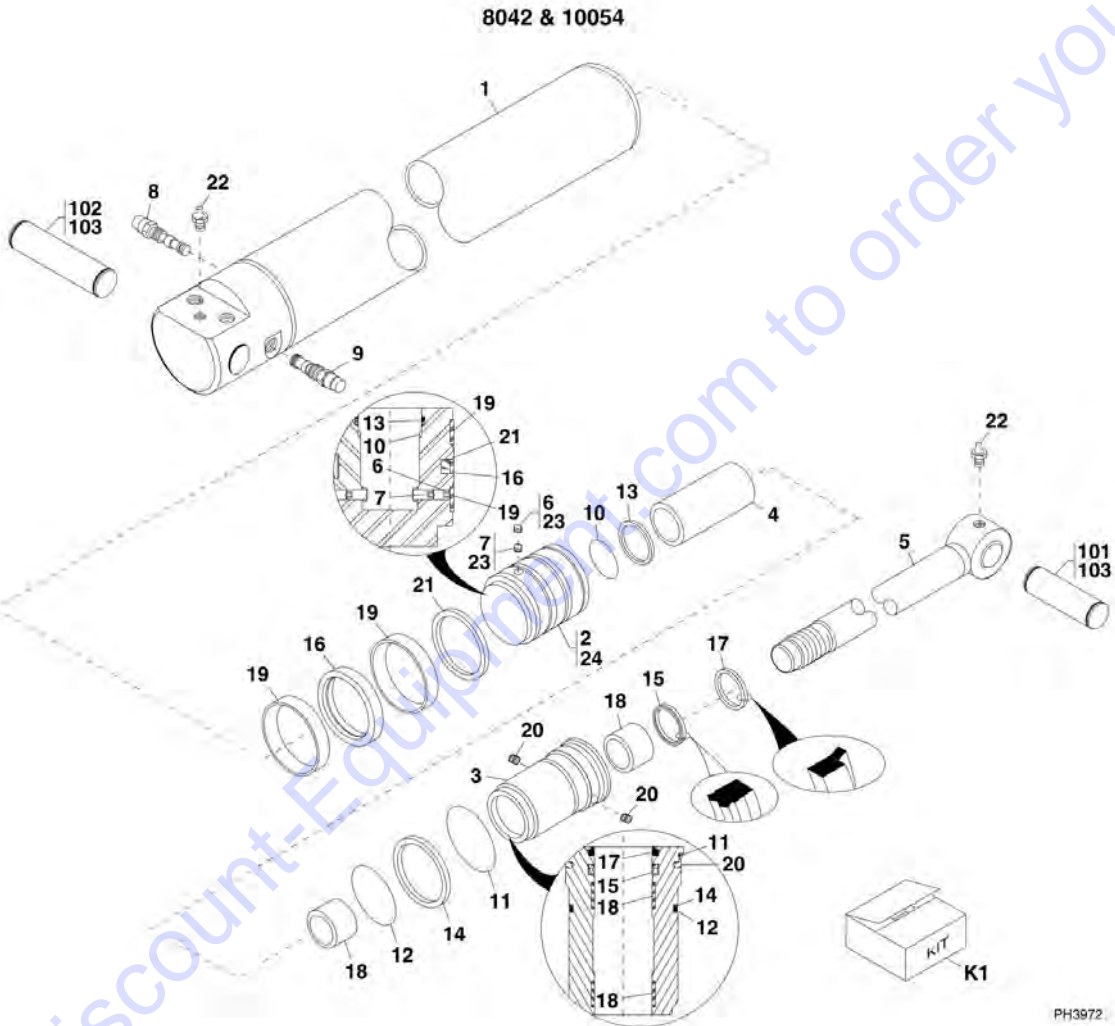
SECTION 9 - HYDRAULIC COMPONENTS

FIGURE 9-1. LIFT CYLINDER

ITEM	PART NUMBER	QTY	DESCRIPTION	REV
	2716617	2	BOOM LIFT CYLINDER, (includes items 1 thru 18), (included item quantities are per single cylinder)	D
1	N.S.S.	1	TUBE WELDMENT	
2	8036750	1	CHECK VALVE, 3550-4050 PSI, (torque to 30-35 lb-ft/41-47 Nm)	
2	2900770	1	SEAL KIT	
3	8035321	1	COUNTERBALANCE VALVE, 3550-4050 PSI, (torque to 30-35 lb-ft/41-47 Nm)	
3	8035327	1	SEAL KIT	
4	7026972	1	LOCKNUT, (Loctite and torque to 1750-2000 lb-ft/2370-2708 Nm)	
5	Kit	1	O-RING	
6	Kit	1	PISTON SEAL	
7	8035545	1	PISTON	
8	8035608	1	ROD SPACER	
9	Kit	1	O-RING	
10	Kit	1	BACK-UP RING	
11	8035609	1	GLAND	
12	Kit	1	ROD SEAL	
13	Kit	1	WIPER	
14	8035607	1	ROD	
15	Kit	2	WEARBAND	
16	Kit	2	WEARBAND	
17	8035610	1	LOCKING COLLAR, (torque to 300-400 lb-ft/406-542 Nm)	
18	8036168	1	SQUARE RING	
19	8526011	AR	LOCTITE 271, (apply to item 4)	
101	3423227	4	CYLINDER PIN, (base and rod ends)	
102	8303782	4	HEX HD CAPSCREW, 1/2-13X4, GR5	
103	8305644	4	HEX LOCKNUT, 1/2-13	
104	8520003	2	LUBE FITTING, 90	
105	8520001	2	STRAIGHT GREASE FITTING	
106	8522012	AR	ANTI-SEIZE LUBE, (apply to item 101)	
K1	8035386	2	SEAL KIT, (includes items 5, 6, 9, 10, 12, 13, 15 & 16)	

SECTION 9 - HYDRAULIC COMPONENTS

FIGURE 9-2. EXTEND/RETRACT CYLINDER 8042 & 10054



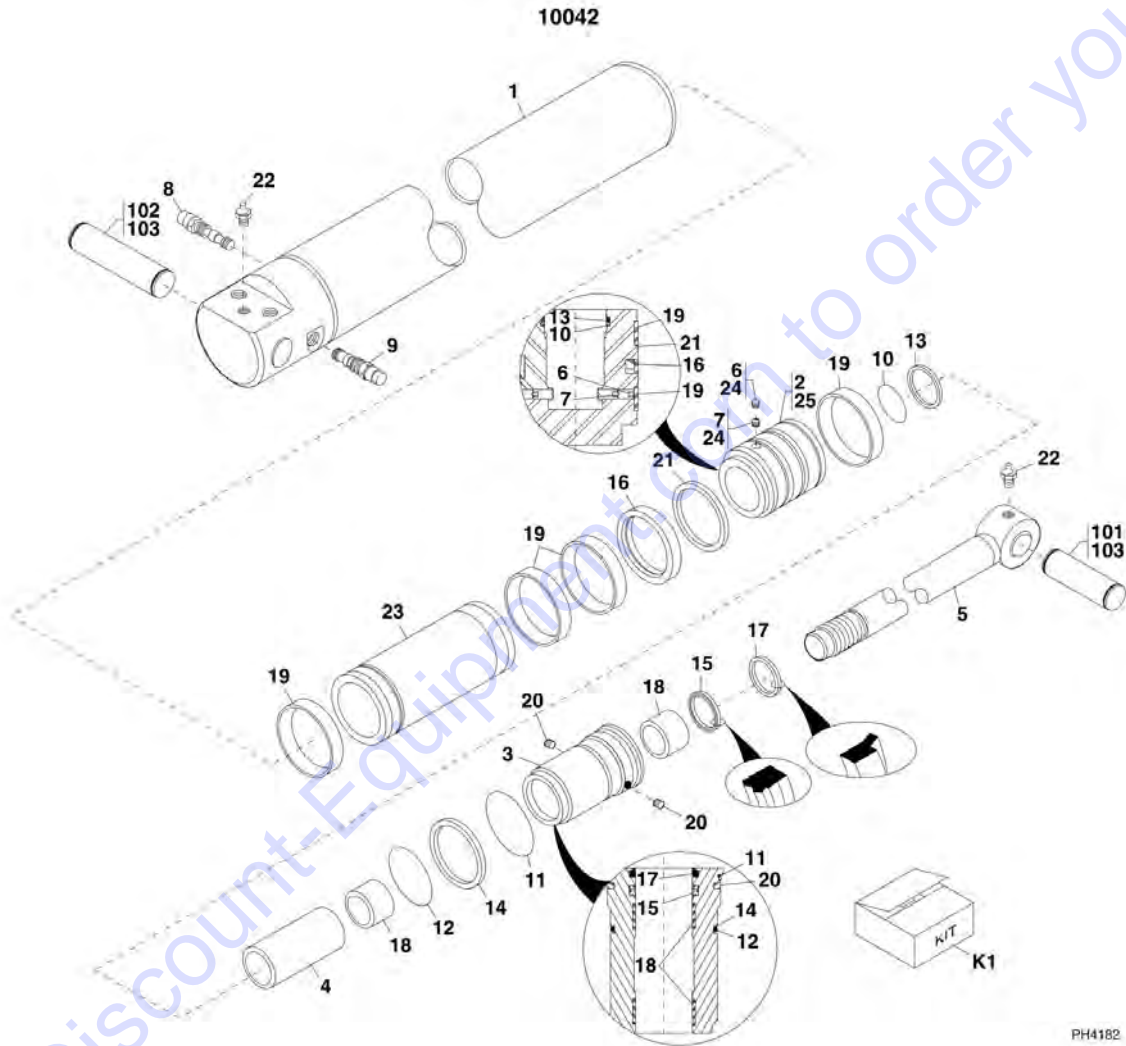
SECTION 9 - HYDRAULIC COMPONENTS

FIGURE 9-2. EXTEND/RETRACT CYLINDER 8042 & 10054

ITEM	PART NUMBER	QTY	DESCRIPTION	REV
	2716173	1	BOOM EXTEND/RETRACT CYLINDER, (8042 & 10054), (includes items 1 thru 22)	G
1	N.S.S.	1	TUBE WELDMENT	
2	8035800	1	PISTON, (Loctite and torque to 390-460 lb-ft/528-624 Nm)	
3	8035539	1	HEAD GLAND, (torque to 300-400 lb-ft/406-542 Nm)	
4	8035616	1	ROD SPACER	
5	8035615	1	ROD WELDMENT	
6	8035536	1	SET SCREW, 5/16-18X1/2, (Loctite and torque to 9-11 lb-ft/12-15 Nm)	
7	8035315	1	SET SCREW, 5/16-18X0.63, (Loctite and torque to 9-11 lb-ft/12-15 Nm)	
8	8035514	1	COUNTERBALANCE VALVE, 3500 PSI, (torque to 150-160 lb-ft/203-217 Nm)	
8	8205657	1	SEAL KIT	
9	8034026	1	PILOT TO OPEN CHECK VALVE, (torque to 150-160 lb-ft/203-217 Nm)	
9	8205657	1	SEAL KIT	
10	Kit	1	O-RING	
11	Kit	1	O-RING	
12	Kit	1	O-RING	
13	Kit	1	BACK-UP RING	
14	Kit	1	BACK-UP RING	
15	Kit	1	ROD SEAL	
16	Kit	1	PISTON SEAL	
17	Kit	1	WIPER SEAL	
18	Kit	2	WEARBAND	
19	Kit	2	WEARBAND	
20	Kit	2	LOCKING INSERT	
21	Kit	1	SQUARE RING	
22	8520013	2	GREASE FITTING	
23	8526007	1	LOCTITE 242, (apply to items 6 & 7)	
24	8526011	1	LOCTITE 271, (apply to item 2)	
101	7096562	1	CYLINDER PIN, (rod end)	
102	7096552	1	CYLINDER PIN, (base end)	
103	8522012	AR	ANTI-SEIZE LUBE, (apply to items 101 & 102)	
K1	8036295	1	SEAL KIT, (includes items 10 thru 21)	

SECTION 9 - HYDRAULIC COMPONENTS

FIGURE 9-3. EXTEND/RETRACT CYLINDER 10042



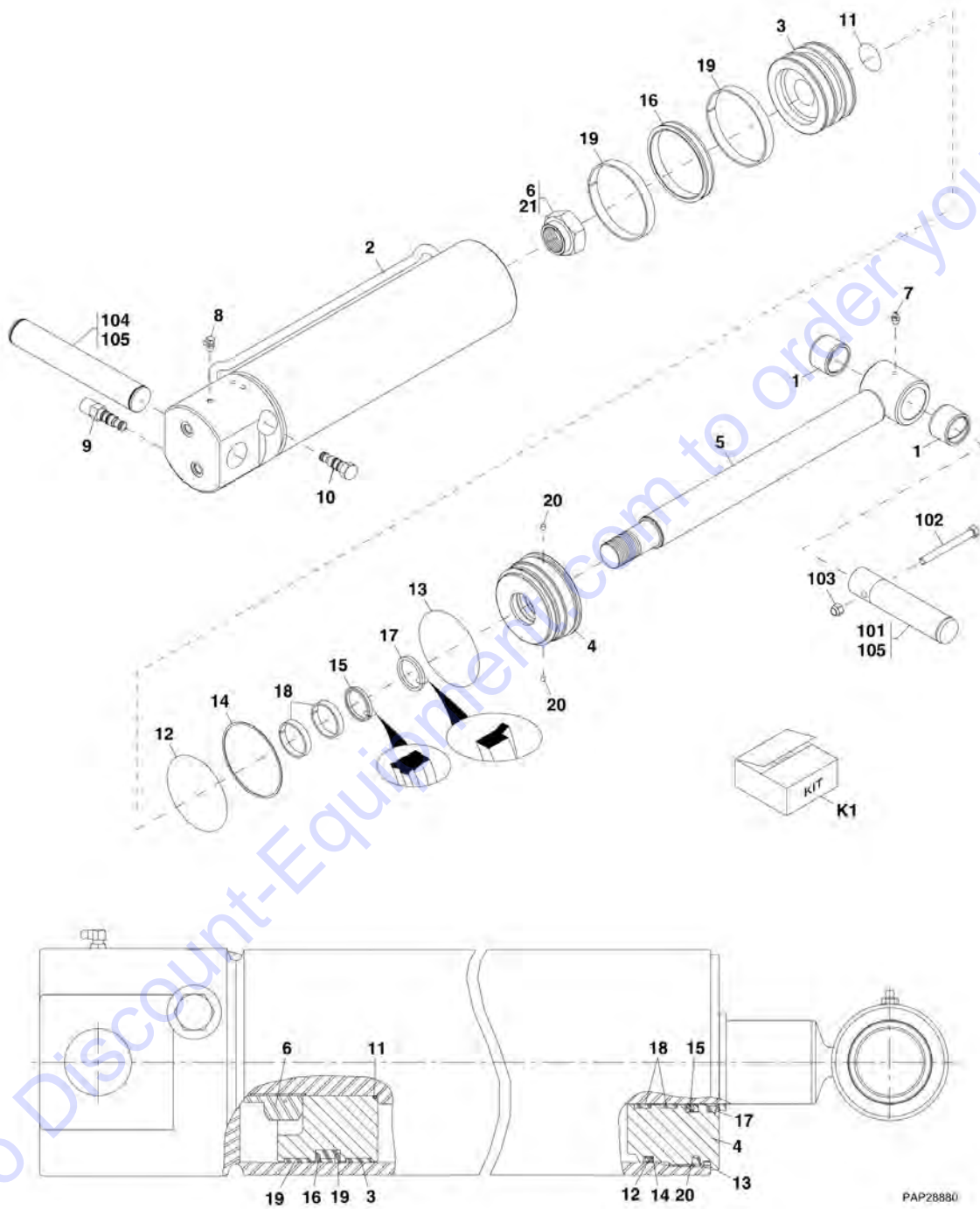
SECTION 9 - HYDRAULIC COMPONENTS

FIGURE 9-3. EXTEND/RETRACT CYLINDER 10042

ITEM	PART NUMBER	QTY	DESCRIPTION	REV
	2717052	1	BOOM EXTEND/RETRACT CYLINDER, (10042), (includes items 1 thru 23)	C
1	N.S.S.	1	TUBE WELDMENT	
2	8035800	1	PISTON, (Loctite and torque to 390-460 lb-ft/528-624 Nm)	
3	8035539	1	HEAD GLAND, (torque to 300-400 lb-ft/406-542 Nm)	
4	8035616	1	ROD SPACER	
5	8035615	1	ROD WELDMENT	
6	8035536	1	SET SCREW, 5/16-18X1/2, (Loctite and torque to 9-11 lb-ft/12-15 Nm)	
7	8035315	1	SET SCREW, 5/16-18X.63, (Loctite and torque to 9-11 lb-ft/12-15 Nm)	
8	8035514	1	COUNTERBALANCE VALVE, 3500 PSI, (torque to 150-160 lb-ft/203-217 Nm)	
8	8205657	1	SEAL KIT	
9	8034026	1	PILOT TO OPEN CHECK VALVE, (torque to 150-160 lb-ft/203-217 Nm)	
9	8205657	1	SEAL KIT	
10	Kit	1	O-RING	
11	Kit	1	O-RING	
12	Kit	1	O-RING	
13	Kit	1	BACK-UP RING	
14	Kit	1	BACK-UP RING	
15	Kit	1	ROD SEAL	
16	Kit	1	PISTON SEAL	
17	Kit	1	WIPER SEAL	
18	Kit	2	WEARBAND	
19	Kit	4	WEARBAND	
20	Kit	2	LOCKING INSERT	
21	Kit	1	SQUARE RING	
22	8520013	2	GREASE FITTING	
23	7026579	1	SPACER	
24	8526007	1	LOCTITE, 242, (apply to items 6 & 7)	
25	8526011	1	LOCTITE, 271, (apply to item 2)	
101	7096562	1	CYLINDER PIN, (rod end)	
102	7096552	1	CYLINDER PIN, (base end)	
103	8522012	AR	ANTI-SEIZE LUBE, (apply to items 101 & 102)	
K1	8036295	1	SEAL KIT, (includes items 10 thru 21)	

SECTION 9 - HYDRAULIC COMPONENTS

FIGURE 9-4. ATTACHMENT TILT CYLINDER



PAP28880

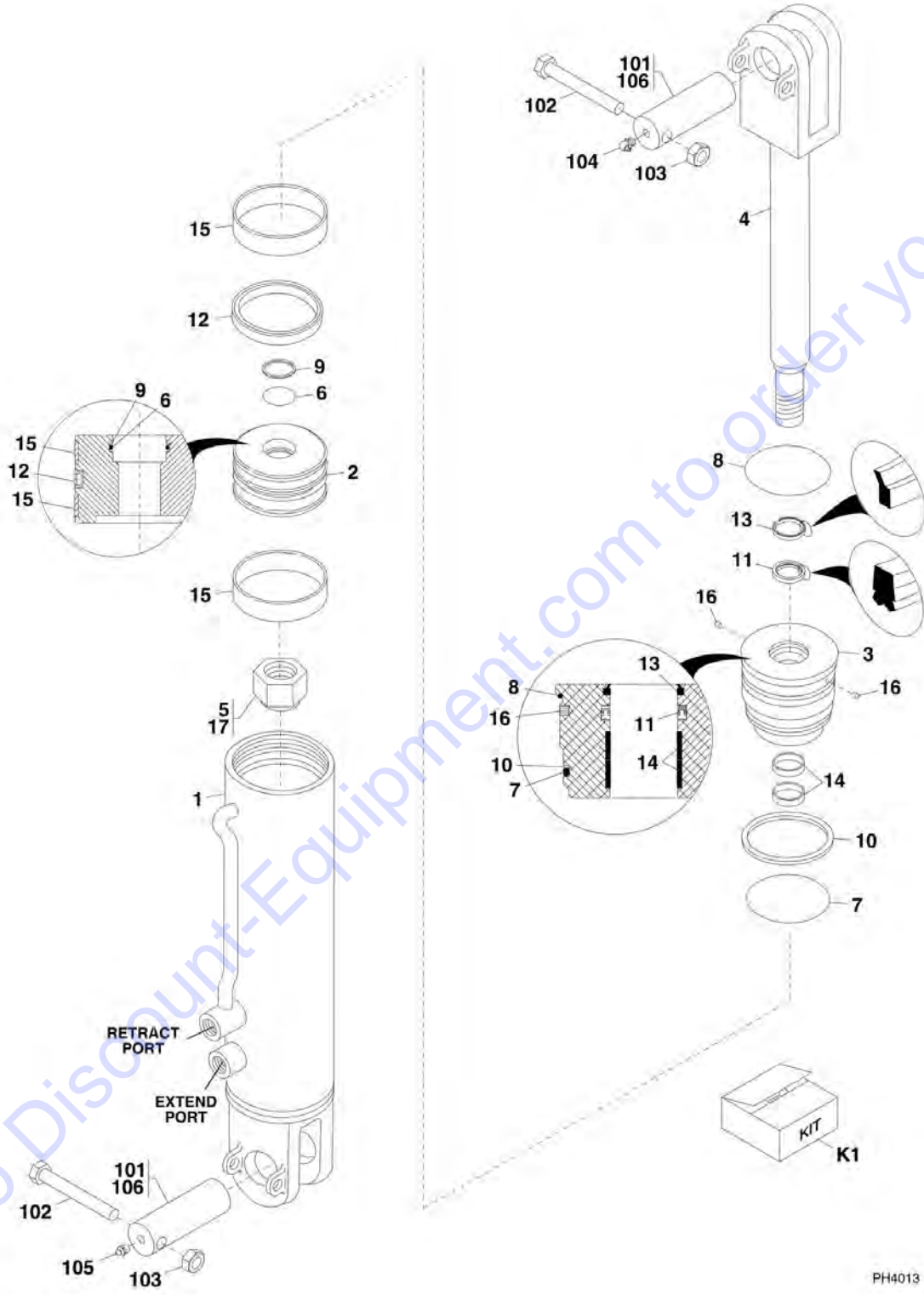
SECTION 9 - HYDRAULIC COMPONENTS

FIGURE 9-4. ATTACHMENT TILT CYLINDER

ITEM	PART NUMBER	QTY	DESCRIPTION	REV
	2716618	1	ATTACHMENT TILT CYLINDER, (includes items 1 thru 20)	I
1	7089722	2	BEARING	
2	N.S.S.	1	TUBE WELDMENT	
3	8036147	1	PISTON	
4	8036146	1	GLAND	
5	8036145	1	ROD WELDMENT	
6	8035308	1	LOCKNUT, 2-12, (Loctite and torque to 1850-2000 lb-ft/2508-2712 Nm)	
7	8520013	1	LUBE FITTING, STRAIGHT	
8	8520021	1	LUBE FITTING, 90	
9	8035321	1	COUNTERBALANCE VALVE, 4000 PSI, (torque to 30-35 lb-ft/41-47 Nm)	
9	8035327	1	SEAL KIT	
10	8036750	1	PO CHECK VALVE, (torque to 30-35 lb-ft/41-47 Nm)	
10	2900770	1	SEAL KIT	
11	Kit	1	O-RING	
12	Kit	1	O-RING	
13	Kit	1	O-RING	
14	Kit	1	BACK-UP RING	
15	Kit	1	DEEP Z-SEAL	
16	Kit	1	CAPPED T-SEAL	
17	Kit	1	WIPER SEAL	
18	Kit	2	PRECISION WEARBAND	
19	Kit	2	PRECISION WEARBAND	
20	Kit	2	LOCKING INSERT	
21	8526011	AR	LOCTITE 271, (apply to item 6)	
101	7083992	1	CYLINDER PIN, (rod end)	
102	8303772	1	HEX HD CAPSCREW, 1/2-13X5, GR5	
103	8305644	1	HEX LOCKNUT, 1/2-13	
104	7095522	1	CYLINDER PIN, (base end)	
105	8522012	AR	ANTI-SEIZE LUBE, (apply to items 101 & 104)	
K1	8035780	1	SEAL KIT, (includes items 11 thru 20)	

SECTION 9 - HYDRAULIC COMPONENTS

FIGURE 9-5. TILT COMPENSATION CYLINDER



PH4013

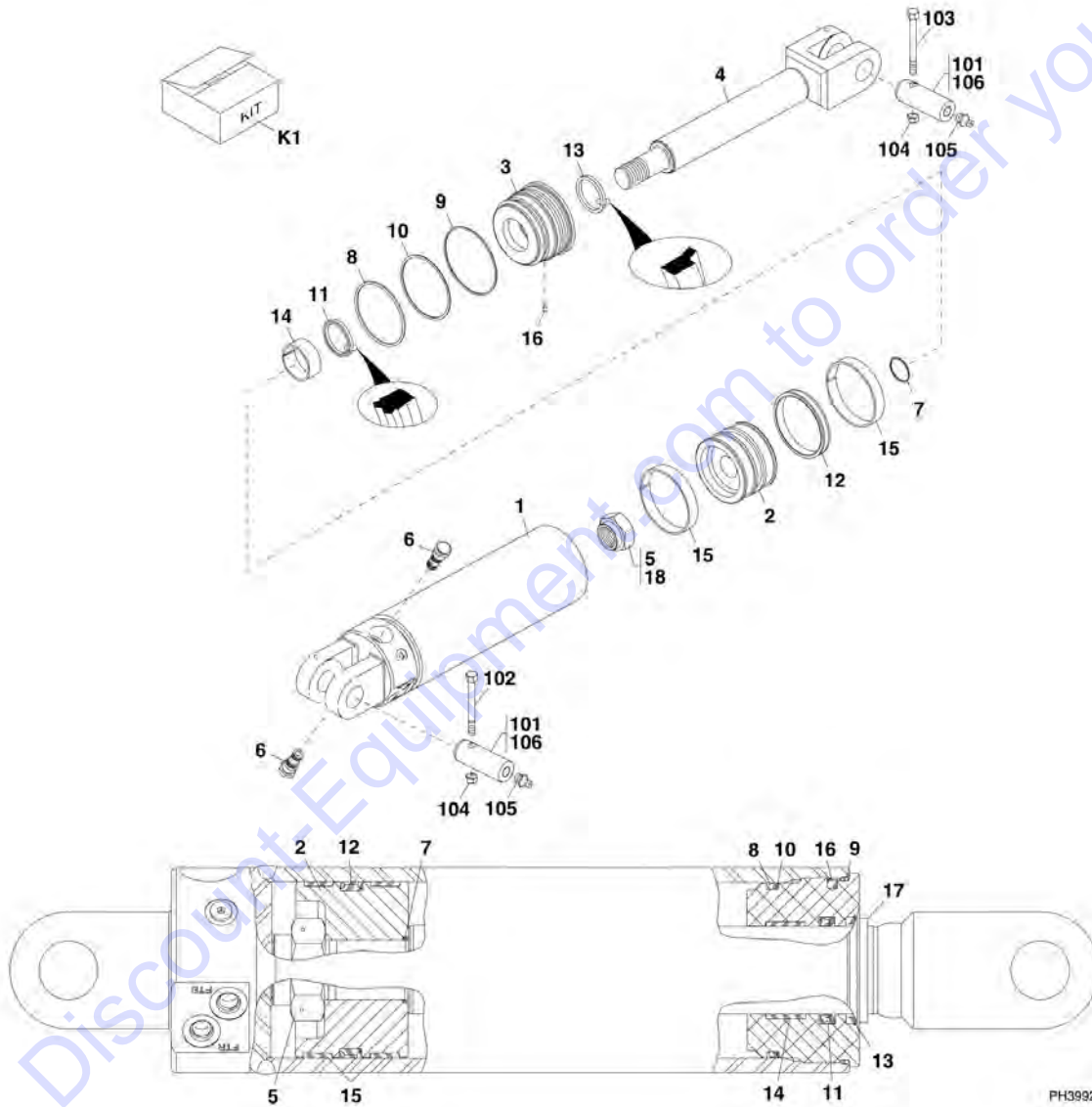
SECTION 9 - HYDRAULIC COMPONENTS

FIGURE 9-5. TILT COMPENSATION CYLINDER

ITEM	PART NUMBER	QTY	DESCRIPTION	REV
	2714973	2	TILT COMPENSATION CYLINDER, (includes items 1 thru 16), (included item quantities are per single cylinder)	
1	8036001	1	CYLINDER TUBE	
2	8035613	1	PISTON	
3	8035612	1	HEAD GLAND, (torque to 300-400 lb-ft/406-542 Nm)	
4	8035611	1	ROD	
5	8035547	1	LOCKNUT, 1.375-12, (Loctite and torque to 900-1050 lb-ft/1220-1424 Nm)	
6	Kit	1	O-RING	
7	Kit	1	O-RING	
8	Kit	1	O-RING	
9	Kit	1	BACK-UP RING	
10	Kit	1	BACK-UP RING	
11	Kit	1	DEEP Z-SEAL	
12	Kit	1	CAPPED T-SEAL	
13	Kit	1	SEAL WIPER	
14	Kit	2	WEARBAND	
15	Kit	2	WEARBAND	
16	Kit	2	LOCKING INSERT	
17	8526011	AR	LOCTITE 271, (apply to item 5)	
101	3423227	4	CYLINDER PIN	
102	8303782	4	HEX HD CAPSCREW, 1/2-13X4, GR5	
103	8305644	4	LOCKNUT, 1/2-13	
104	8520003	2	LUBE FITTING, 90	
105	8520001	2	STRAIGHT GREASE FITTING	
106	8522012	AR	ANTI-SEIZE LUBE, (apply to item 101)	
K1	8034695	2	SEAL KIT, (includes items 6 thru 16)	

SECTION 9 - HYDRAULIC COMPONENTS

FIGURE 9-6. FRAME LEVEL CYLINDER (Prior to SN 0160076614, Including 0160076627 and 0160076629)



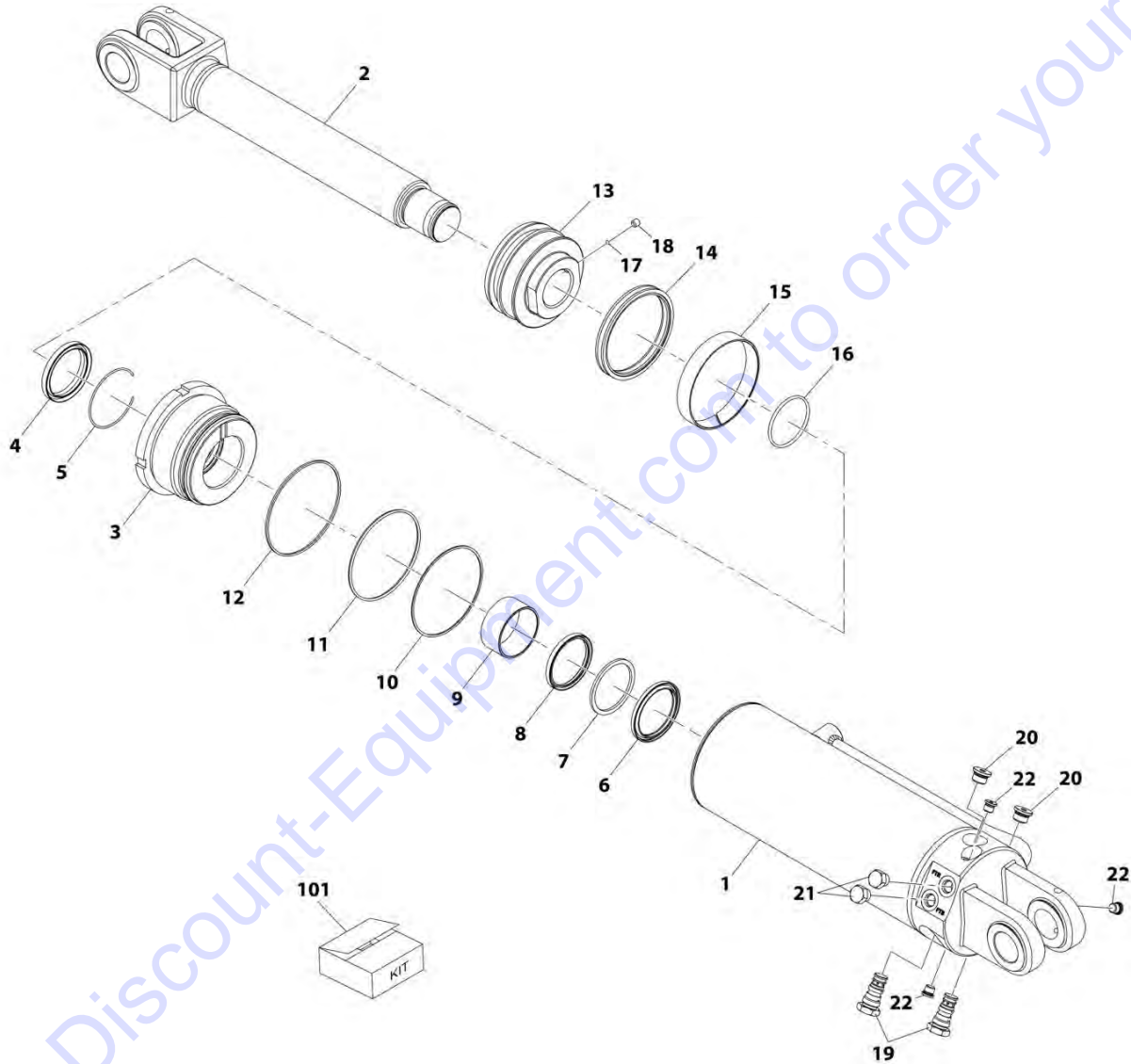
SECTION 9 - HYDRAULIC COMPONENTS

FIGURE 9-6. FRAME LEVEL CYLINDER (Prior to SN 0160076614, Including 0160076627 and 0160076629)

ITEM	PART NUMBER	QTY	DESCRIPTION	REV
	2716563	1	FRAME LEVEL CYLINDER, (includes items 1 thru 17)	C
1	N.S.S.	1	TUBE WELDMENT	
2	8035323	1	PISTON	
3	8035324	1	HEAD GLAND, (torque to 300-400 lb-ft/406-542 Nm)	
4	8035758	1	ROD WELDMENT	
5	8035322	1	HEX LOCKNUT, 1-1/2-12, (Loctite and torque to 1100-1250 lb-ft/1490-1693 Nm)	
6	8035757	2	PO CHECK VALVE, SERIES 10, (torque to 35-40 lb-ft/47-54 Nm)	
6	8035327	1	SEAL KIT	
7	Kit	1	O-RING	
8	Kit	1	O-RING	
9	Kit	1	O-RING	
10	Kit	1	BACK-UP RING	
11	Kit	1	DEEP Z-SEAL	
12	Kit	1	CAPPED T-SEAL	
13	Kit	1	SEAL WIPER	
14	Kit	1	PRECISION WEARBAND	
15	Kit	2	PRECISION WEARBAND	
16	Kit	1	LOCKING INSERT	
17	70021564	1	SQUARE RING	
18	8526011	AR	LOCTITE 271, (apply to item 5)	
101	7137142	2	CYLINDER PIN	
102	8303752	1	HEX HD CAPSCREW, 5/16-18X3-1/2	
103	8310039	1	HEX HD CAPSCREW, 5/16-18X3-3/4, GR5	
104	8305626	2	HEX LOCKNUT, 5/16-18	
105	8520001	2	STRAIGHT GREASE FITTING	
106	8522012	AR	ANTI-SEIZE LUBE, (apply to item 101)	
K1	8035326	1	SEAL KIT, (includes items 7 thru 16)	

SECTION 9 - HYDRAULIC COMPONENTS

FIGURE 9-7. FRAME LEVEL CYLINDER (SN 0160076614 through 0160076626, SN 0160076630 to Present, Including 0160076628, Excluding 0160076627 and 0160076629)



ART_1001180762-C

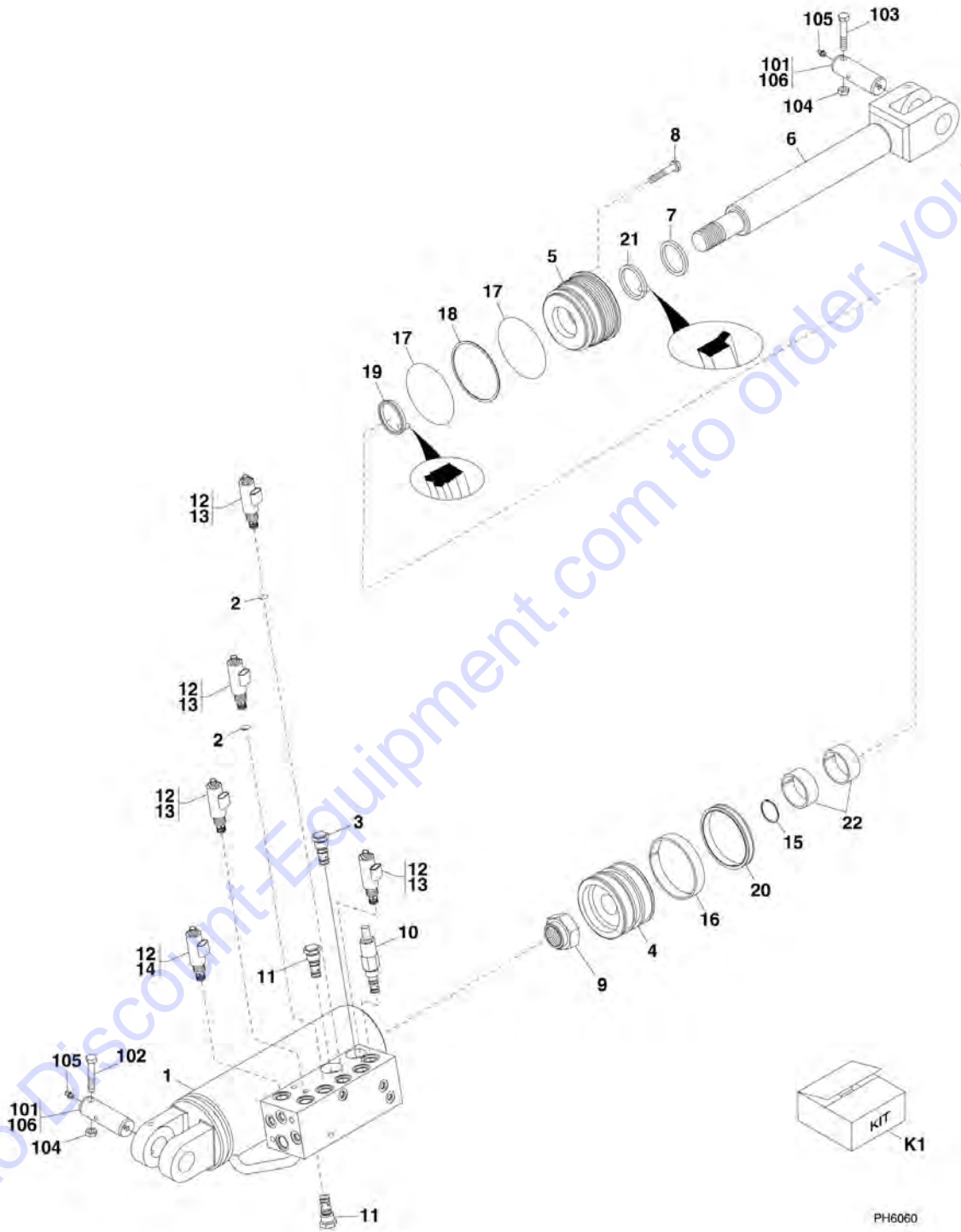
SECTION 9 - HYDRAULIC COMPONENTS

FIGURE 9-7. FRAME LEVEL CYLINDER (SN 0160076614 through 0160076626, SN 0160076630 to Present, Including 0160076628, Excluding 0160076627 and 0160076629)

ITEM	PART NUMBER	QTY	DESCRIPTION	REV
	1001180762	1	FRAME LEVEL CYLINDER	C
1	70027689	1	TUBE ASSEMBLY	
2	70027690	1	ROD ASSEMBLY	
3	70027691	1	GLAND	
4	Kit	1	DUST WIPER	
5	70027244	1	RETAIN RING	
6	Kit	1	ROD SEAL	
7	Kit	1	BACK-UP RING	
8	Kit	1	BUFFER RING	
9	70004637	1	DRY BEARING	
10	Kit	1	PISTON SEAL	
11	Kit	1	WEAR RING	
12	Kit	1	O-RING	
13	70027692	1	PISTON	
14	Kit	1	PISTON SEAL	
15	Kit	1	WEAR RING	
16	Kit	1	O-RING	
17	70022564	1	STEEL BALL	
18	70022563	1	SET SCREW	
19	70027693	2	CHECK VALVE	
20	70027694	2	HEX SOC PLUG	
21	70027695	2	HEX PLUG	
22	2220883	3	HEX SOC PLUG	
101	70027696	1	SEAL KIT, (includes items 4, 6, 7, 8, 10, 11,12 & 14 thru 16)	

SECTION 9 - HYDRAULIC COMPONENTS

FIGURE 9-8. STABIL-TRAK CYLINDER



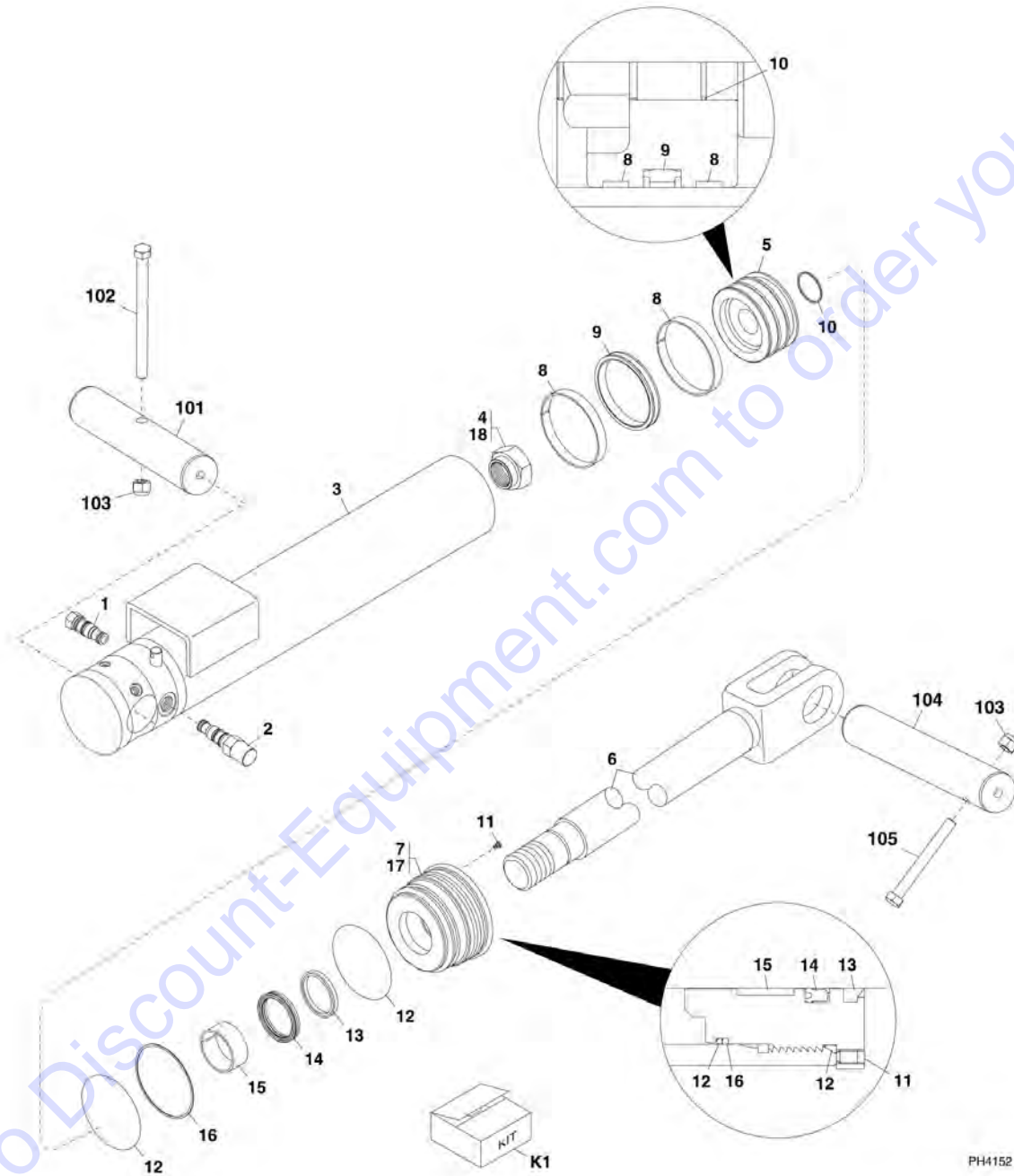
SECTION 9 - HYDRAULIC COMPONENTS

FIGURE 9-8. STABIL-TRAK CYLINDER

ITEM	PART NUMBER	QTY	DESCRIPTION	REV
	2717198	1	STABIL-TRAK CYLINDER, (includes all items)	E
1	N.S.S.	1	TUBE WELDMENT	
2	8035781	2	CONICAL ORIFICE DISK, 0.06 DIA	
3	8036582	1	CHECK VALVE, (torque to 20-25 lb-ft/27-34 Nm)	
3	7017496	1	SEAL KIT	
4	8036826	1	PISTON	
5	8036828	1	GUIDE, (torque to 300-350 lb-ft/406-474 Nm)	
6	8036827	1	ROD WELDMENT	
7	7029153	1	O-RING	
8	8036811	1	HEX SOCKET SET SCREW, 1/4-20X3/8, (torque to 3-4 lb-ft/4-5 Nm)	
9	8036825	1	LOCKNUT, 1-1/2-12, (torque to 1175-1400 lb-ft/1591-1896 Nm)	
10	8035282	1	PRESSURE REDUCING VALVE, (torque to 35-40 lb-ft/47-54 Nm)	
10	8032994	1	SEAL KIT	
11	8035281	2	PO CHECK VALVE, SERIES 10, (torque to 35-40 lb-ft/47-54 Nm)	
11	8036192	2	SEAL KIT	
12	7029246	5	SOLENOID COIL, (torque to 25-30 lb-ft/34-41 Nm)	
13	8036581	4	SOLENOID VALVE, 2 WAY, 12V	
13	7017496	4	SEAL KIT	
14	8036580	1	SOLENOID VALVE, 4 WAY, 12V	
14	7012903	1	SEAL KIT	
15	Kit	1	O-RING	
16	Kit	1	WEAR RING	
17	Kit	2	O-RING	
18	Kit	1	BACK-UP RING	
19	Kit	1	DEEP Z-SEAL	
20	Kit	1	CAPPED T-SEAL	
21	Kit	1	WIPER RING	
22	Kit	2	WIPER RING	
101	7137142	2	CYLINDER PIN	
102	8303752	1	HEX HD CAPSCREW, 5/16-18X3-1/2	
103	8310039	1	HEX HD CAPSCREW, 5/16-18X3-3/4, GR5	
104	8305626	2	HEX LOCKNUT, 5/16-18	
105	8520001	2	STRAIGHT GREASE FITTING	
106	8522012	AR	ANTI-SEIZE LUBE, (apply to item 101)	
K1	8036747	1	SEAL KIT, (includes items 15 thru 22)	

SECTION 9 - HYDRAULIC COMPONENTS

FIGURE 9-9. OUTRIGGER CYLINDER



PH4152

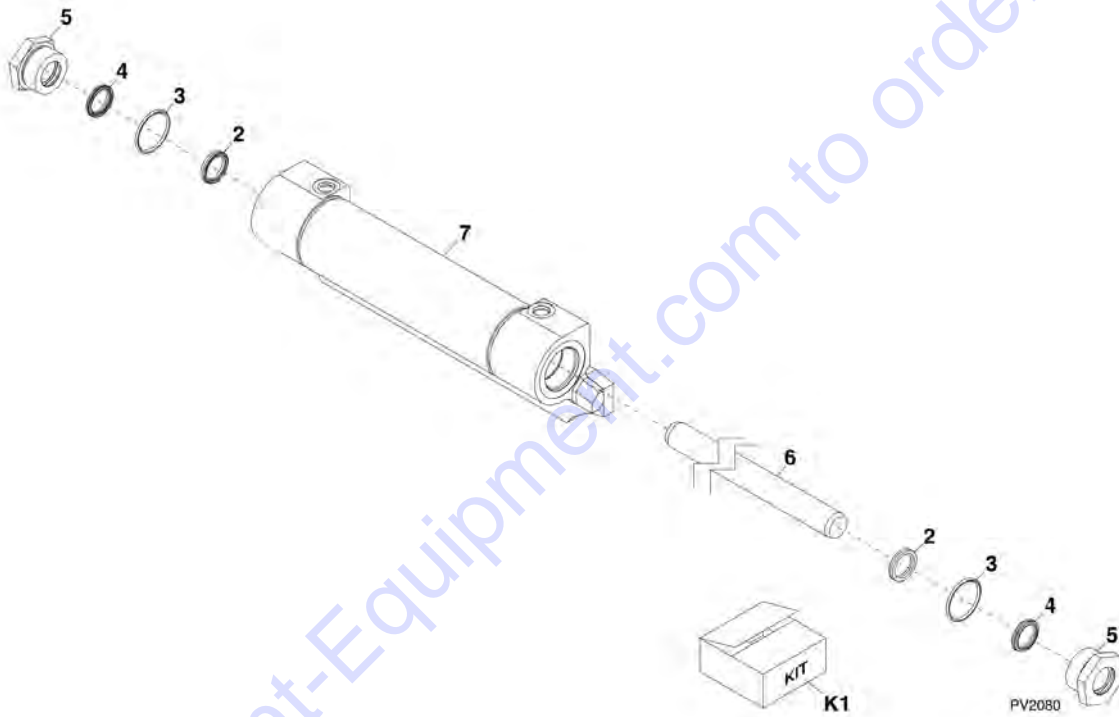
SECTION 9 - HYDRAULIC COMPONENTS

FIGURE 9-9. OUTRIGGER CYLINDER

ITEM	PART NUMBER	QTY	DESCRIPTION	REV
	2717201	2	OUTRIGGER CYLINDER, (includes items 1 thru 16), (included item quantities are per single cylinder)	E
1	8036750	1	PO CHECK VALVE, (torque to 30-35 lb-ft/41-47 Nm)	
1	2900770	1	SEAL KIT	
2	8036732	1	COUNTERBALANCE VALVE, 1000 PSI, (torque to 30-35 lb-ft/41-47 Nm)	
2	8035327	1	SEAL KIT	
3	70020658	1	BARREL ASSY	
4	8036825	1	LOCKNUT, 1-1/2-12, GRC, (Loctite and torque to 1650-1800 lb-ft/2235-2438 Nm)	
5	8036837	1	PISTON	
6	8036838	1	ROD WELDMENT	
7	8036839	1	HEAD GLAND, (Loctite and torque to 250-350 lb-ft/339-474 Nm)	
8	Kit	2	PRECISION WEARBAND	
9	Kit	1	CAPPED T-SEAL	
10	Kit	1	O-RING	
11	8036811	1	SET SCREW, 1/4-20X3/8	
12	Kit	2	O-RING	
13	Kit	1	WIPER RING	
14	Kit	1	Z-SEAL	
15	Kit	1	PRECISION WEARBAND	
16	Kit	1	BACK-UP RING	
17	8526007	AR	LOCTITE 242, (apply to item 7)	
18	8526011	AR	LOCTITE 271, (apply to item 4)	
101	7090871	2	CYLINDER PIVOT PIN, (base end)	
102	8310151	2	HEX HD CAPSCREW, 1/2X7, GR5	
103	8305644	4	LOCKNUT, 1/2	
104	7090951	2	CYLINDER PAD PIVOT PIN, (rod end) (Prior to SN 0160049047)	
104	1001147515	2	OUTRIGGER SHOE PIN (SN 0160049047 to Present)	
105	8303629	2	HEX HD CAPSCREW, 1/2X4-1/2, GR5	
K1	8036784	2	SEAL KIT, (includes items 8 thru 10 & 12 thru 16)	

SECTION 9 - HYDRAULIC COMPONENTS

FIGURE 9-10. 50IN SIDE SHIFT CARRIAGE CYLINDER



SECTION 9 - HYDRAULIC COMPONENTS

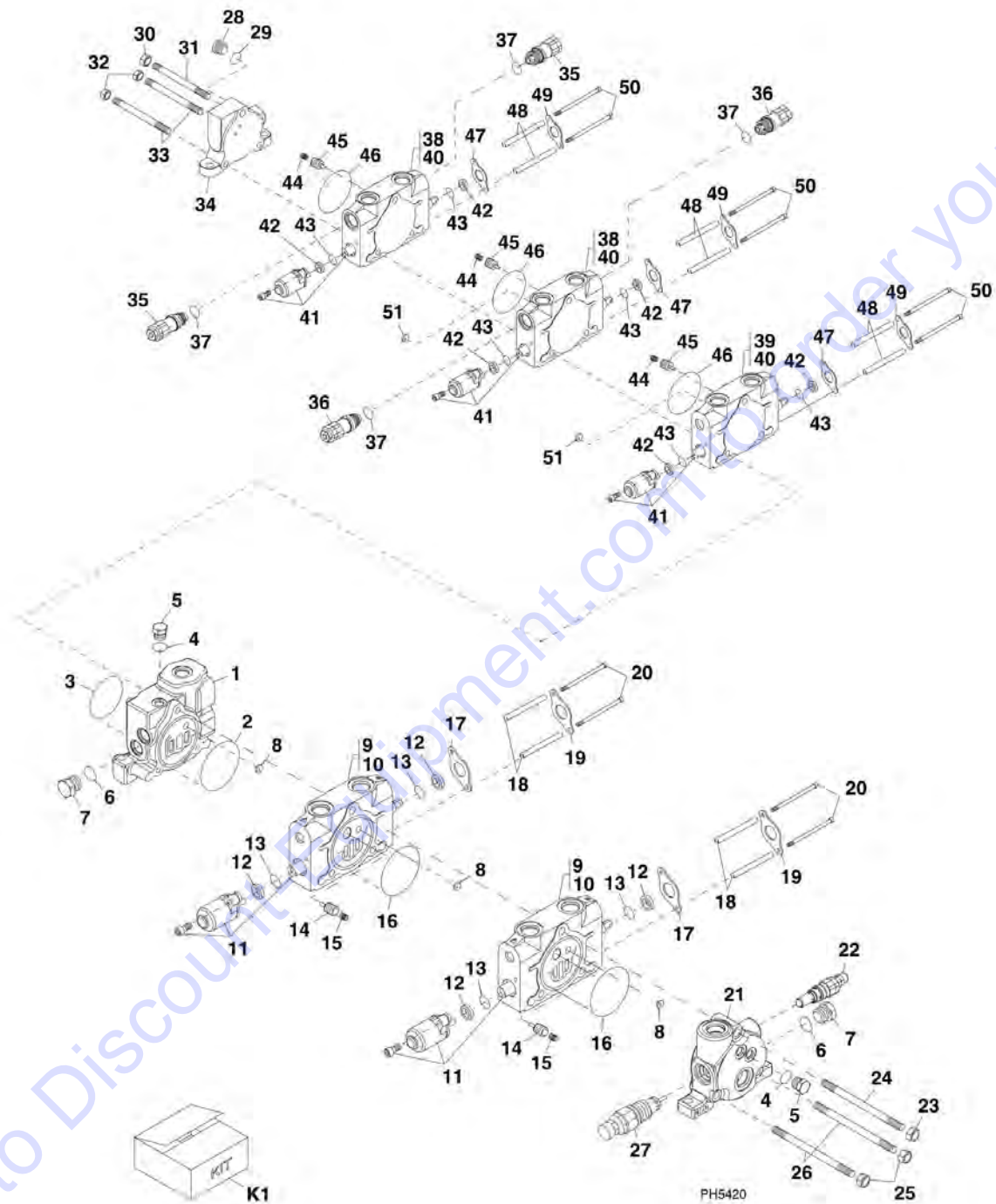
FIGURE 9-10. 50IN SIDE SHIFT CARRIAGE CYLINDER

ITEM	PART NUMBER	QTY	DESCRIPTION	REV
	70024539	1	50IN SIDE SHIFT CARRIAGE CYLINDER, (includes all items)	B
2	Kit	2	ROD SEAL	
3	70024547	2	O-RING	
4	Kit	2	ROD WIPER SEAL	
5	70024548	2	RETAINER SEAL	
6	N.S.S.	1	ROD	
6	N.S.S.	1	BARREL	
K1	70024549	1	SEAL KIT, (includes items 2 & 4)	

Go to Discount-Equipment.com to order your parts

SECTION 9 - HYDRAULIC COMPONENTS

FIGURE 9-11. MAIN CONTROL VALVE



SECTION 9 - HYDRAULIC COMPONENTS

FIGURE 9-11. MAIN CONTROL VALVE

ITEM	PART NUMBER	QTY	DESCRIPTION	REV
	8902188	1	MAIN CONTROL VALVE, (includes all items)	
1	8035849	1	MID-INLET SECTION ASSY, (includes items 2 & 3)	
2	8034697	1	O-RING	
3	10837923	1	O-RING	
4	Kit	2	O-RING	
5	8035843	2	PLUG, (torque to 18 lb-ft/24 Nm)	
6	8036517	2	O-RING	
7	8035834	2	PLUG, (torque to 18 lb-ft/24 Nm)	
8	8035845	3	SHUTTLE	
9	8036179	2	BOOM EXTEND/RETRACT AND LIFT/LOWER SECTION ASSY, (includes items 10 thru 17)	
10	N.S.S.	2	SPOOL HOUSING	
11	N.S.S.	2	SPOOL ASSY	
12	Kit	4	WIPER	
13	Kit	4	O-RING	
14	8035367	2	POPPET	
15	8035358	2	SPRING	
16	8034697	2	O-RING	
17	8036257	2	PLATE SEAL	
18	8036259	4	SPACER	
19	8036257	2	PLATE SEAL	
20	8035377	4	SOCKET HEAD CAPSCREW, (torque to 7 lb-ft/9.5 Nm)	
21	8036263	1	OUTLET SECTION ASSY	
22	8036176	1	LOAD SENSE RELIEF VALVE, 2550-2650 PSI, (torque to 33 lb-ft/45 Nm)	
22	8036184	1	SEAL AND SPRING KIT	
23	8035347	1	NUT, (torque to 74 lb-ft/100 Nm)	
24	8036282	1	TIE ROD	
25	8035381	2	NUT, (torque to 48 lb-ft/65 Nm)	
26	8036281	2	TIE ROD	
27	8035844	1	MAIN RELIEF VALVE, 3450-3550 PSI, (torque to 48 lb-ft/65 Nm)	
27	8036183	1	SEAL AND SPRING KIT	
28	8035843	1	PLUG, (torque to 18 lb-ft/24 Nm)	
29	Kit	1	O-RING	
30	8035346	1	NUT, (torque to 33 lb-ft/45 Nm)	
31	8036283	1	TIE ROD	
32	8035348	2	NUT, (torque to 18 lb-ft/24 Nm)	
33	8036284	2	TIE ROD	
34	8035848	1	OUTLET SECTION ASSY	
35	8036174	2	RELIEF ASSY VALVE, 3200-3300 PSI, (torque to 33 lb-ft/45 Nm), (includes item 37)	
35	8036185	1	SEAL AND SPRING KIT	
36	8036175	2	RELIEF VALVE ASSY, 3200-3300 PSI, (torque to 33 lb-ft/45 Nm), (includes item 37)	
36	8035855	1	SEAL AND SPRING KIT	
37	10837943	4	O-RING	
38	8036178	2	AUXILIARY AND ATTACHMENT TILT SECTION ASSY, (includes items 40 thru 47)	
39	8036177	1	FRAME LEVEL/STABIL-TRAK SECTION ASSY, (includes items 40 thru 47)	
40	N.S.S.	3	SPOOL HOUSING	

PARTS FINDER

**Search Website
by Part Number**



**Search Manual
Library For Parts
Manual & Lookup Part
Numbers – Purchase
or Request Quote**

**Can't Find Part or
Manual? Request Help
by Manufacturer,
Model & Description**

Discount-Equipment.com is your online resource for quality parts & equipment.

Florida: **561-964-4949** Outside Florida TOLL FREE: **877-690-3101**

Need parts?

Click on this link: <http://www.discount-equipment.com/category/5443-parts/> and choose one of the options to help get the right parts and equipment you are looking for. Please have the machine model and serial number available in order to help us get you the correct parts. If you don't find the part on the website or on one of the online manuals, please fill out the request form and one of our experienced staff members will get back to you with a quote for the right part that your machine needs.

We sell worldwide for the brands: Genie, Terex, JLG, MultiQuip, Mikasa, Essick, Whiteman, Mayco, Toro Stone, Diamond Products, Generac Magnum, Airman, Haulotte, Barreto, Power Blanket, Nifty Lift, Atlas Copco, Chicago Pneumatic, Allmand, Miller Curber, Skyjack, Lull, Skytrak, Tsurumi, Husquvarna Target, Stow, Wacker, Sakai, Mi-T-M, Sullair, Basic, Dynapac, MBW, Weber, Bartell, Bennar Newman, Haulotte, Ditch Runner, Menegotti, Morrison, Contec, Buddy, Crown, Edco, Wyco, Bomag, Laymor, EZ Trench, Bil-Jax, F.S. Curtis, Gehl Pavers, Heli, Honda, ICS/PowerGrit, IHI, Partner, Imer, Clipper, MMD, Koshin, Rice, CH&E, General Equipment, Amida, Coleman, NAC, Gradall, Square Shooter, Kent, Stanley, Tamco, Toku, Hatz, Kohler, Robin, Wisconsin, Northrock, Oztec, Toker TK, Rol-Air, APT, Wylie, Ingersoll Rand / Doosan, Innovatech, Con X, Ammann, Mecalac, Makinex, Smith Surface Prep, Small Line, Wanco, Yanmar

SECTION 9 - HYDRAULIC COMPONENTS

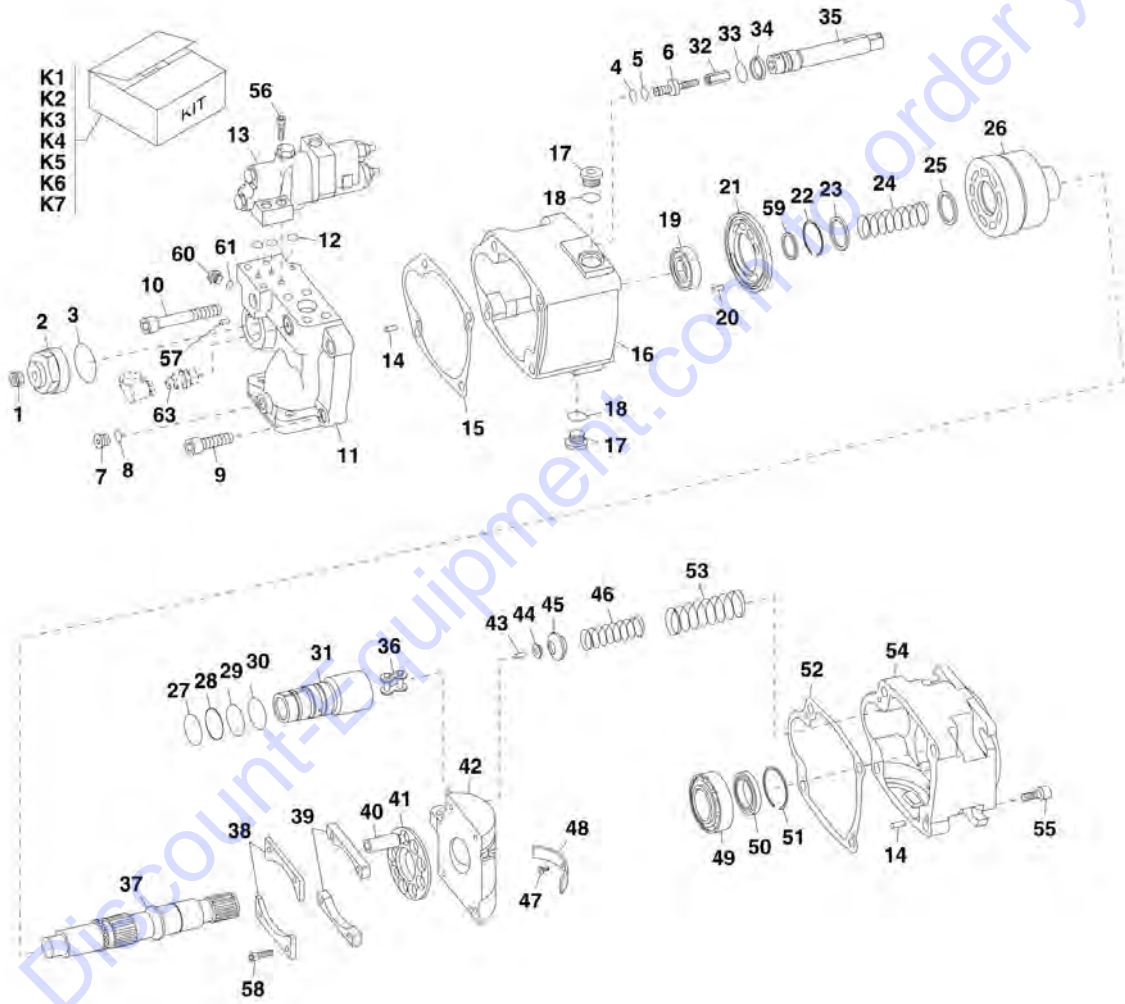
ITEM	PART NUMBER	QTY	DESCRIPTION	REV
41	N.S.S.	3	SPOOL ASSY	
42	Kit	2	WIPER	
43	Kit	2	O-RING	
44	8035365	3	SPRING	
45	8035366	3	PISTON COMPENSATOR	
46	8036260	3	O-RING	
47	8036258	3	PLATE SEAL	
48	8036259	6	SPACER	
49	8036258	3	PLATE SEAL	
50	8035377	6	SOCKET HEAD CAPSCREW, (torque to 7 lb-ft/9.5 Nm)	
51	8035845	2	SHUTTLE	
K1	8036180	1	SEAL KIT, (includes items 2, 3, 4, 12, 13, 16, 29, 37, 42, 43 & 46)	

Go to Discount-Equipment.com to order your parts

SECTION 9 - HYDRAULIC COMPONENTS

FIGURE 9-12. PISTON PUMP

CHECK PISTON PUMP PART NUMBER PRIOR TO ORDERING REPLACEMENT PARTS.



ART_8444228-E

SECTION 9 - HYDRAULIC COMPONENTS

FIGURE 9-12. PISTON PUMP

ITEM	PART NUMBER	QTY	DESCRIPTION	REV
	8444228	1	PISTON PUMP, (RED), (if equipped), (includes all items)	E
1	8035567	1	JAM NUT, (torque to 13.3-17.8 lb-ft/18-24.1 Nm)	
2	8035568	1	CAP, (s stop), (torque to 192.4-222 lb-ft/260.6-300.1 Nm)	
2	8035569	1	CAP, (f stop), (torque to 192.4-222 lb-ft/260.6-300.1 Nm)	
3	Kit	1	O-RING	
4	Kit	1	BACK-UP RING	
5	Kit	1	O-RING	
6	8035570	1	ADJUSTMENT SCREW	
7	8035571	2	SAE GAGE PORT PLUG, (torque to 29-32 lb-ft/39-43 Nm)	
7	8035572	2	ISO GAGE PORT PLUG, (torque to 29-32 lb-ft/39-43 Nm)	
8	Kit	2	O-RING	
9	8035573	3	SCREW, (torque to 76.2-94 lb-ft/103.2-127.3 Nm)	
10	8035574	1	SCREW, (torque to 76.2-94 lb-ft/103.2-127.3 Nm)	
11	8035575	1	VALVE BLOCK	
12	70021557	3	O-RING	
13	Kit	1	CONTROL SUBASSY	
14	8035577	4	PIN	
15	Kit	1	GASKET	
16	8035578	1	HOUSING	
17	8035579	2	DRAIN PLUG, (torque to 55.5-61.4 lb-ft/75.2-83.2 Nm)	
18	8035580	2	O-RING	
19	Kit	1	BEARING	
20	8035581	1	PIN	
21	8035582	1	VALVE PLATE	
22	Kit	1	RETAINING RING	
23	Kit	1	SPRING GUIDE	
24	Kit	1	SPRING	
25	Kit	1	SPRING GUIDE	
26	Kit	1	CYLINDER BLOCK	
27	Kit	1	BACK-UP RING	
28	Kit	1	O-RING	
29	Kit	1	O-RING	
30	Kit	1	BACK-UP RING	
31	8035583	1	CONTROL SLEEVE	
32	8035584	1	HEX NUT	
33	Kit	1	O-RING	
34	Kit	1	GLIDE RING	
35	8035585	1	CONTROL PISTON	
36	8035586	1	CHAIN LINK	
37	8035587	1	SHAFT	
38	Kit	2	LIMITER PLATE	
39	Kit	2	SPACER	
40	Kit	9	PISTON AND SHOES SUBASSY	
41	Kit	1	SHOE CAGE	
43	Kit	1	YOKE	
43	Kit	1	PIN	
44	8035588	1	BUTTON	
45	Kit	1	SEAT	
46	8035589	1	SPRING	
47	Kit	2	SCREW, (torque to 2.7-3.3 lb-ft/3.7-4.5 Nm)	

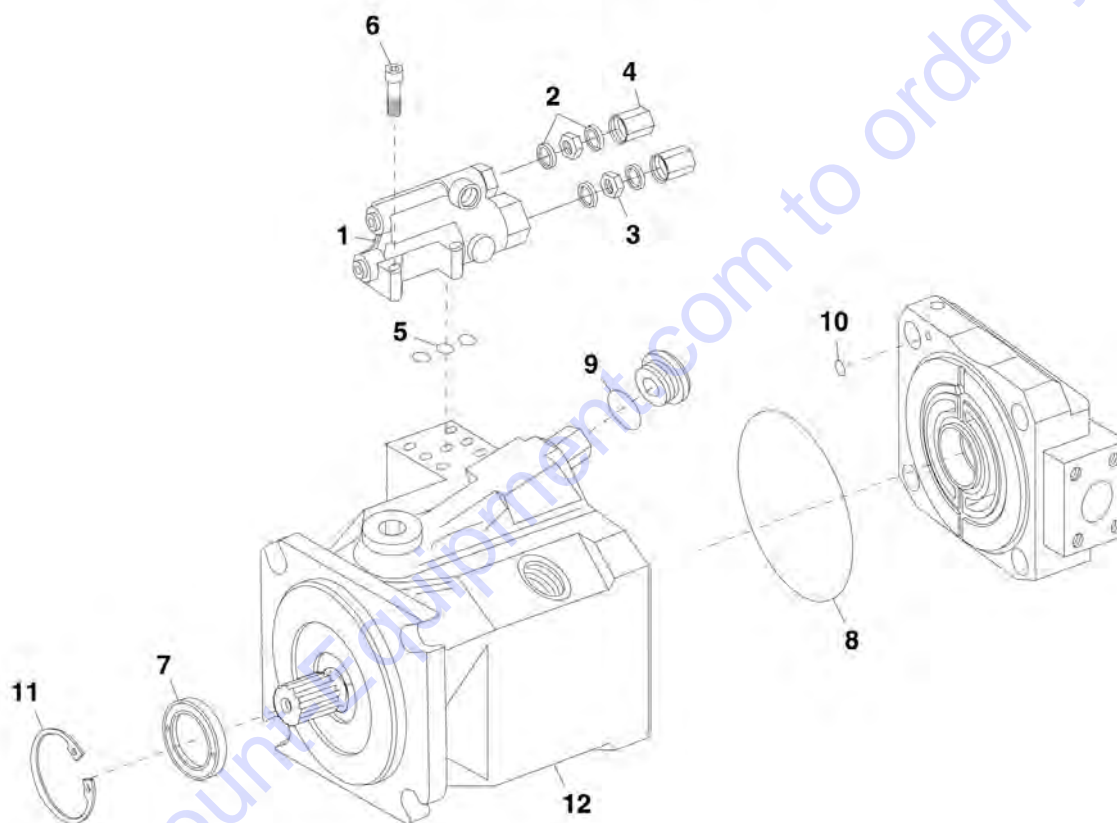
SECTION 9 - HYDRAULIC COMPONENTS

ITEM	PART NUMBER	QTY	DESCRIPTION	REV
48	Kit	2	SADDLE BEARING	
49	Kit	1	BEARING	
50	Kit	1	SHAFT SEAL	
51	Kit	1	RETAINING RING	
52	Kit	1	GASKET	
53	8035590	1	SPRING	
54	8035591	1	FLANGE	
55	8035592	4	SCREW, (torque to 76.2-94 lb-ft/103.2-127.3 Nm)	
56	8035593	4	SCREW, (torque to 23-27.4 lb-ft/31.2-37.1 Nm)	
57	8035595	1	PIN	
58	8035596	4	SCREW, (torque to 9.6-11 lb-ft/13-14.9 Nm)	
59	Kit	1	SHAFT SPACER	
60	8035597	2	PLUG	
61	8035598	2	O-RING, (torque to 11.1-11.8 lb-ft/15-16 Nm)	
63	8430033	1	STRAIGHT MALE NIPPLE	
K1	8036181	1	CONTROL KIT, (includes items 13 & 56)	
K2	8035561	1	SEAL KIT, (includes items 3 thru 5, 8, 15, 27 thru 30, 33, 34, 51 & 52)	
K3	8035562	1	ROTATING GROUP KIT, (includes items 22 thru 26, 38 thru 41 & 58)	
K4	8035563	1	YOKE AND SADDLE BEARING KIT, (includes items 42, 43, 45, 47 & 48)	
K5	8035564	1	SHAFT BEARING KIT, (includes items 19 & 49)	
K6	8035565	1	SHAFT SEAL KIT, (includes items 50 & 51)	
K7	8035566	1	SHAFT SPACER KIT, (includes item 59)	

SECTION 9 - HYDRAULIC COMPONENTS

FIGURE 9-13. PISTON PUMP

CHECK PISTON PUMP PART NUMBER PRIOR TO ORDERING REPLACEMENT PARTS.



ART. 8444230-B

SECTION 9 - HYDRAULIC COMPONENTS

FIGURE 9-13. PISTON PUMP

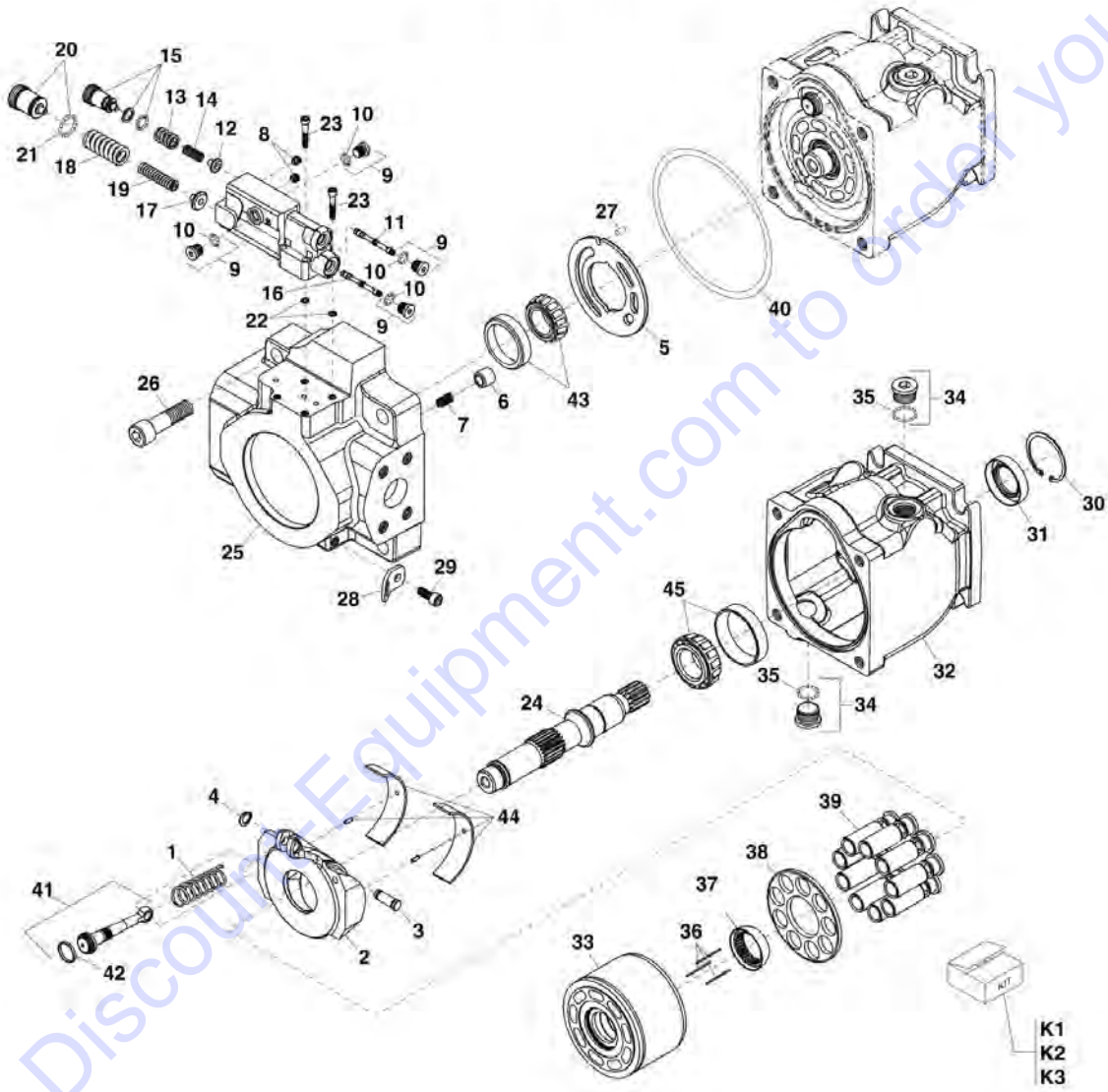
ITEM	PART NUMBER	QTY	DESCRIPTION	REV
	8444230	1	PISTON PUMP, (BLACK), (if equipped), (includes all items)	B
1	7024955	1	PILOT VALVE, (includes items 2 thru 6)	
2	7024956	4	SEAL RING	
3	7024957	2	LOCK NUT	
4	7024958	2	ACORN NUT	
5	7024922	3	O-RING	
6	7024954	4	SOCKET SCREW, M6X30-10.9	
7	7024947	1	SHAFT SEAL	
8	7024948	1	O-RING	
9	7024949	1	O-RING	
10	7024950	2	RING SEAL	
11	80334277	1	SAFETY RING	
12	N.S.S.	1	HOUSING	

Go to Discount-Equipment.com to order your parts

SECTION 9 - HYDRAULIC COMPONENTS

FIGURE 9-14. PISTON PUMP (Prior to SN 0160059878)

CHECK PISTON PUMP PART NUMBER PRIOR TO ORDERING REPLACEMENT PARTS.



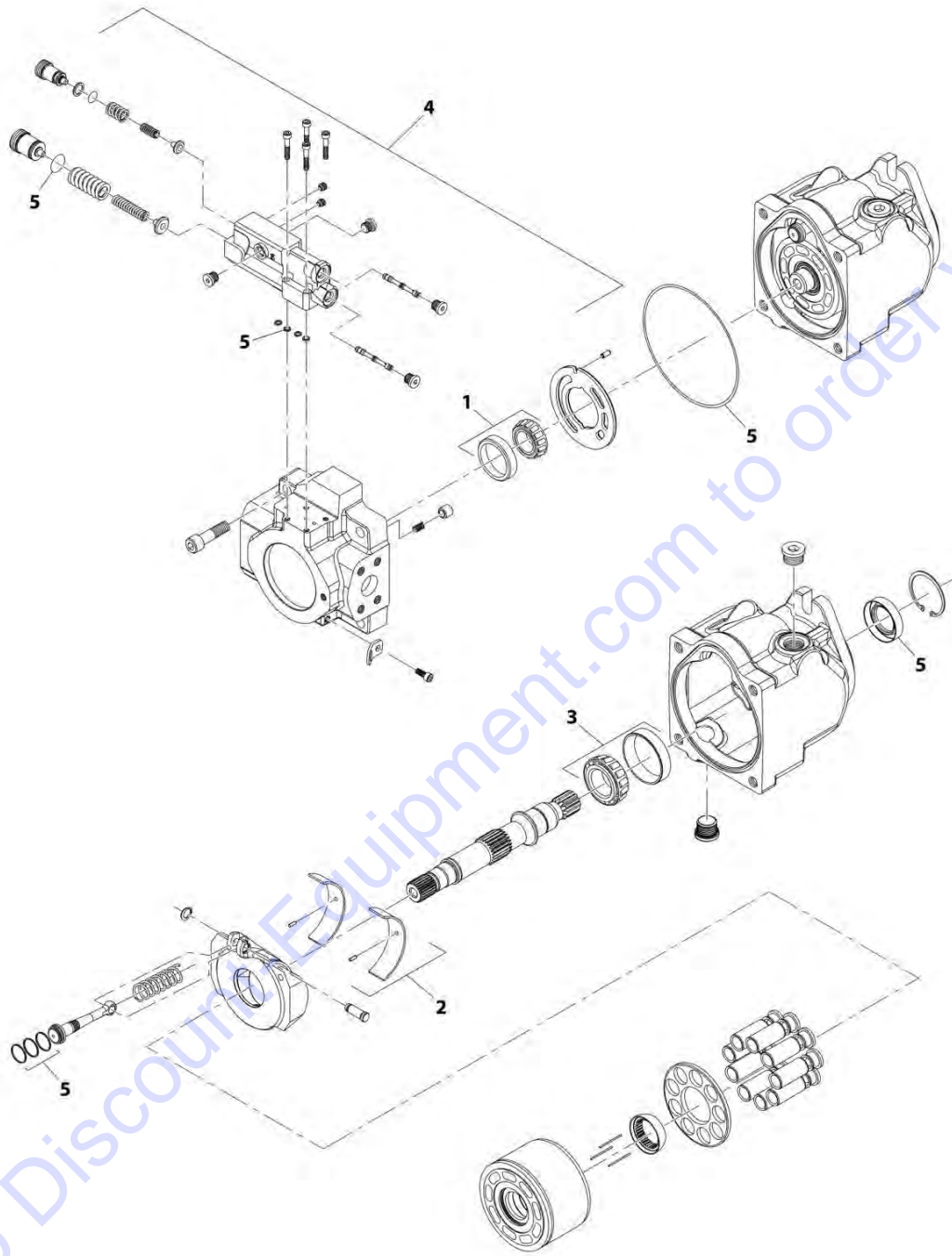
SECTION 9 - HYDRAULIC COMPONENTS

FIGURE 9-14. PISTON PUMP (Prior to SN 0160059878)

ITEM	PART NUMBER	QTY	DESCRIPTION	REV
	1001135002	1	PISTON PUMP, (GREY), (if equipped), (includes all items)	D
1	70002580	1	BIAS SPRING	
2	70002581	1	SWASHPLATE	
3	70002582	1	RETAINER PIN	
4	70002583	1	RETAINING RING	
5	70002584	1	RH PLATE	
6	70001956	1	CHECK VALVE POPPET	
7	70001955	1	SPRING	
8	70023351	2	SET SCREW	
9	70002133	4	PLUG ASSY, (includes item 10)	
10	7007207	4	O-RING	
11	70023352	1	SPOOL	
12	70023353	1	LH SPRING GUIDE	
13	70023354	1	LEFT SIDE OUTER SPRING	
14	70023355	1	LEFT SIDE INNER SPRING	
15	70024039	1	LEFT SIDE ADJUSTING PLUG	
16	70023352	1	CONTROL SPOOL	
17	70023357	1	PC SPRING GUIDE	
18	70023358	1	PC OUTER SPRING	
19	70023359	1	PC INNER SPRING	
20	70024040	1	PC ADJUSTING SPRING, (includes item 21)	
21	N.S.S.	1	O-RING	
22	70023362	4	SEAL RING	
23	70023363	4	SCREW	
24	70023364	1	SHAFT, (14 tooth)	
25	70024041	1	RADIAL END CAP	
26	70002588	4	SCREW	
27	7007446	1	SLOTTED PIN	
28	7022340	1	LIFTING BRACKET	
29	70002590	1	SCREW	
30	7023962	1	RETAINING RING	
31	70022287	1	LIP SEAL	
32	70022288	1	HOUSING	
33	70023996	1	CYLINDER BLOCK ASSY	
34	7023964	2	PLUG, (includes item 35)	
35	7007415	2	O-RING	
36	7021275	3	HOLD DOWN RING	
37	70002592	1	SLIPPER RETAINER GUIDE	
38	70002593	1	SLIPPER RETAINER	
39	70023997	9	PISTON ASSY	
40	70002595	1	END CAP SEAL	
41	70023998	1	PISTON ASSY, (includes item 42)	
42	70023999	1	PISTON RING	
43	70002585	1	REAR BEARING KIT	
44	70002579	1	SWASHPLATE BEARING KIT	
45	70002578	1	FRONT BEARING KIT	
K1	70024000	1	CYLINDER BLOCK KIT, (includes items 33 & 36 thru 39)	
K2	70023350	1	CONTROL KIT, (includes items 8 thru 23)	
K3	70002599	1	SEAL KIT, (includes items 10, 15, 21, 22, 31, 35 & 40)	

SECTION 9 - HYDRAULIC COMPONENTS

FIGURE 9-15. PISTON PUMP (SN 0160059878 to Present)



ART_1001170427-A

SECTION 9 - HYDRAULIC COMPONENTS

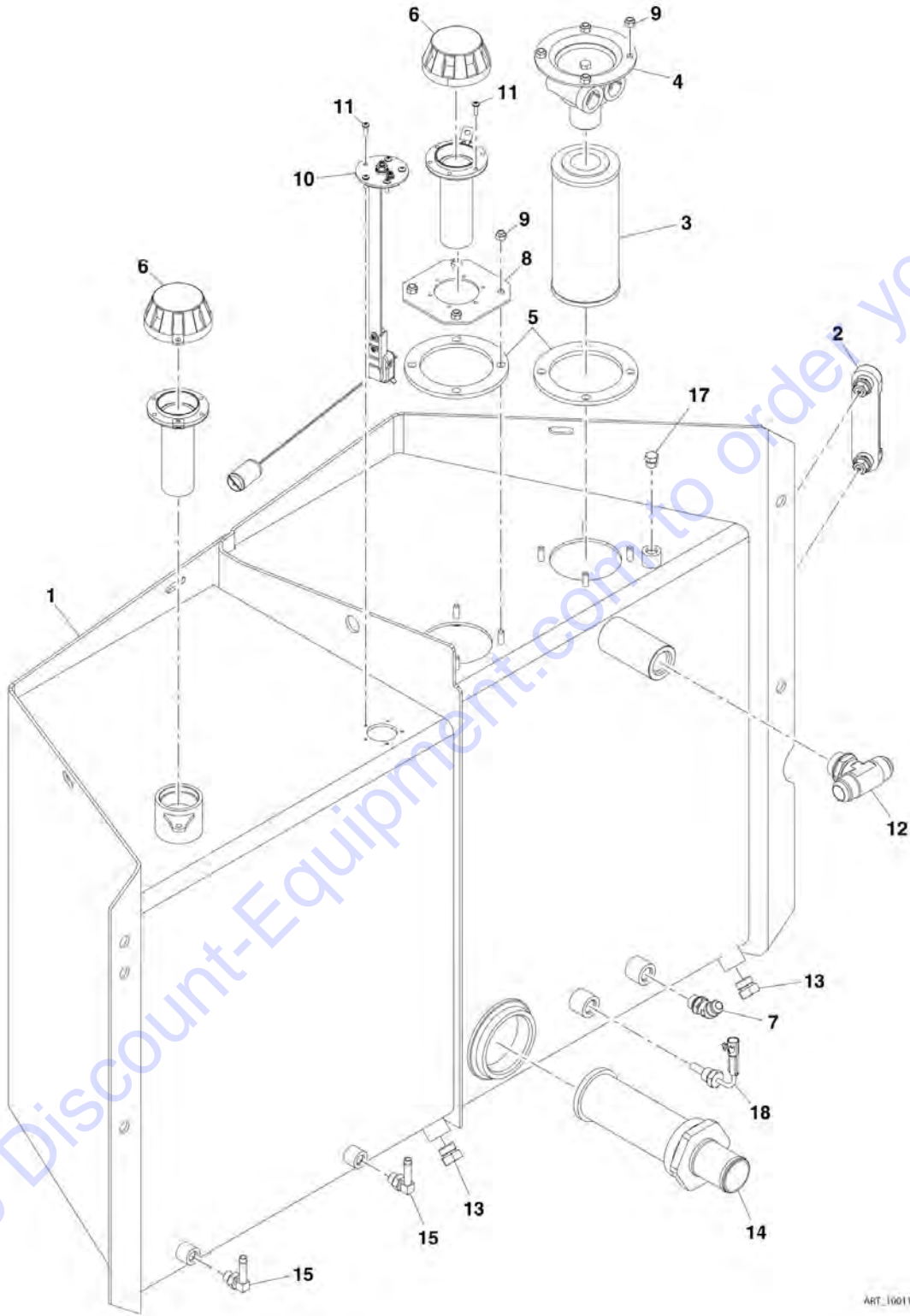
FIGURE 9-15. PISTON PUMP (SN 0160059878 to Present)

ITEM	PART NUMBER	QTY	DESCRIPTION	REV
	1001170427	Ref	PISTON PUMP, (if equipped), (includes all items)	A
1	70002585	1	REAR BEARING KIT	
2	70004426	1	BEARING KIT	
3	70002578	1	BEARING KIT	
4	70023350	1	CONTROL KIT	
5	70002599	1	SEAL KIT	

Go to Discount-Equipment.com to order your parts

SECTION 9 - HYDRAULIC COMPONENTS

FIGURE 9-16. FUEL/HYDRAULIC TANK ASSEMBLY



ART_10011002181

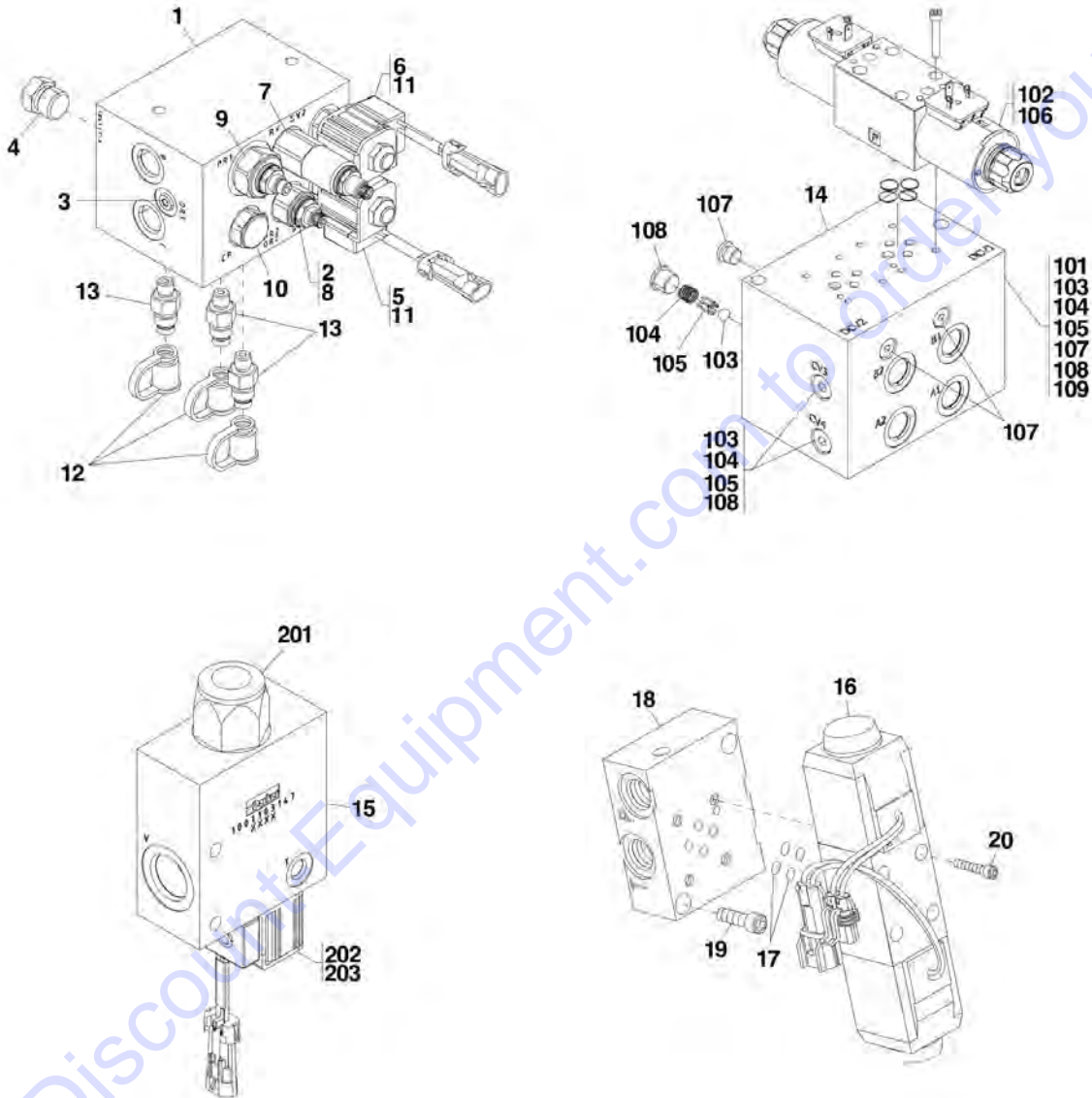
SECTION 9 - HYDRAULIC COMPONENTS

FIGURE 9-16. FUEL/HYDRAULIC TANK ASSEMBLY

ITEM	PART NUMBER	QTY	DESCRIPTION	REV
	1001100218		FUEL/HYDRAULIC TANK ASSY, (includes all items)	I
1	7301862	1	FUEL/HYDRAULIC TANK	
2	7024441	1	SIGHT GAUGE, (torque bolts to 4-5 lb-ft/5.4-6.8 Nm)	
3	7301252	1	RETURN FILTER ELEMENT	
4	1001091752	1	INTAKE FILTER HEAD	
5	7138209	2	HYDRAULIC TANK GASKET	
6	7139077	2	FILLER/BREATHER	
7	2220500	1	ELBOW, 45, (includes o-ring)	
8	7139076	1	PLATE	
9	8305626	8	HEX LOCKNUT, 5/16-18	
10	1001145026	1	FUEL LEVEL SENDER	
11	8310163	11	PAN HD SCREW, #10-24X5/8	
12	8760552	1	MALE BRANCH TEE, #16, (includes o-ring)	
13	2220239	2	HEX HD PLUG, (includes o-ring)	
14	7138740	1	SUCTION STRAINER	
14	7029716	1	O-RING	
15	8430034	2	ELBOW, 90, (includes o-ring)	
17	2220237	1	HEX HD PLUG, #6, (includes o-ring)	
18	8223226	1	HYDRAULIC TEMPERATURE SWITCH, 195F	

SECTION 9 - HYDRAULIC COMPONENTS

FIGURE 9-17. DIRECTIONAL CONTROL VALVE



ART_31200732-9-17

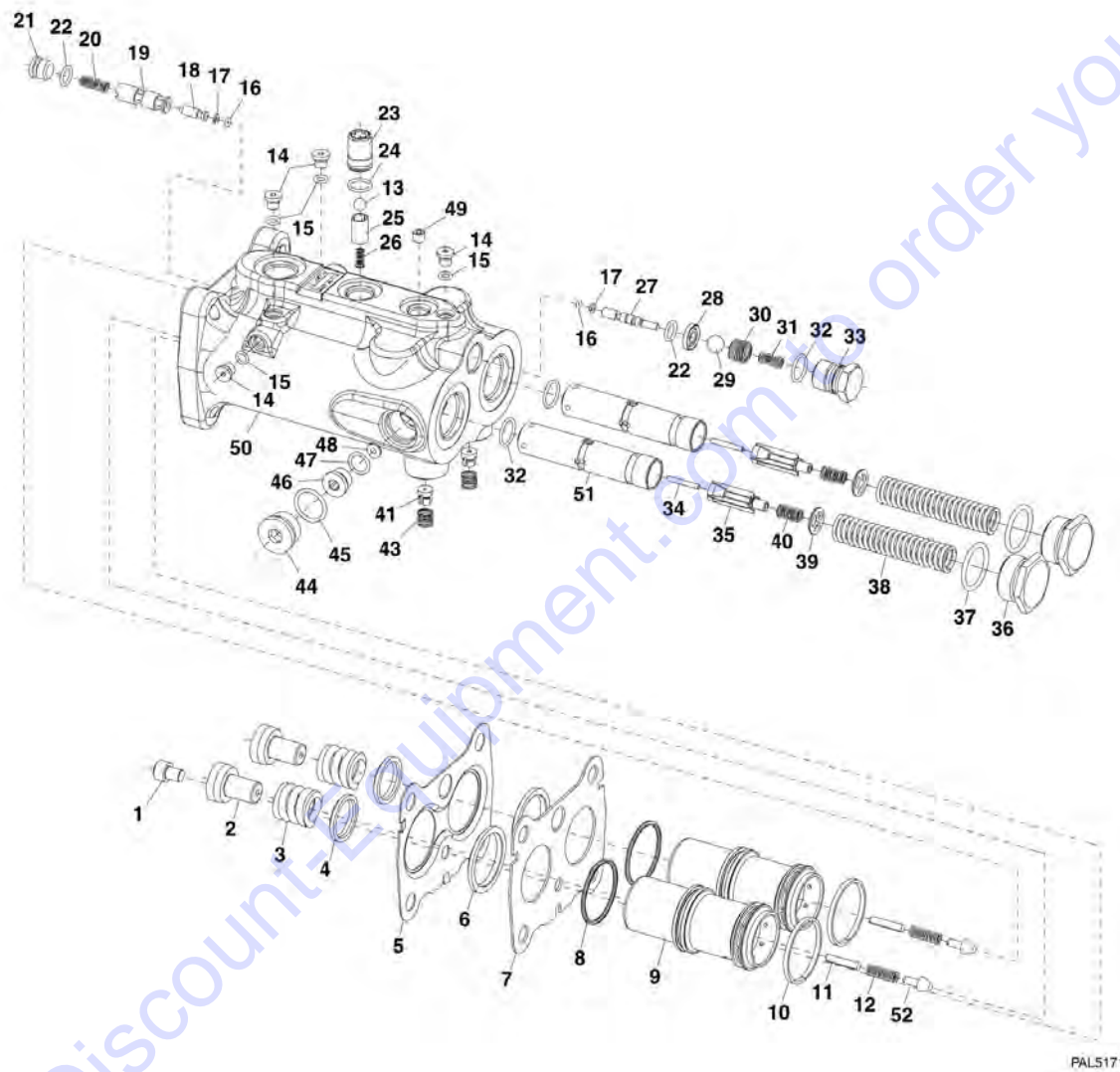
SECTION 9 - HYDRAULIC COMPONENTS

FIGURE 9-17. DIRECTIONAL CONTROL VALVE

ITEM	PART NUMBER	QTY	DESCRIPTION	REV
1	1001103150	1	SECONDARY FUNCTION MANIFOLD, (includes items 2 thru 11)	A
2	70023453	1	ORRIFICE PLUG	
3	70023454	1	ORRIFICE PLUG	
4	91474023	1	CHECK VALVE, (torque to 23-27 lb-ft/31-37 Nm)	
5	70022722	1	SOLENOID VALVE CARTRIDGE, (torque to 23-27 lb-ft/31-37 Nm), (torque coil to 5-7 lb-ft/7-9.5 Nm)	
6	70022723	1	SOLENOID VALVE CARTRIDGE, (torque to 23-27 lb-ft/31-37 Nm), (torque coil to 5-7 lb-ft/7-9.5 Nm)	
7	70022721	1	RELIEF VALVE, (650 psi), (torque to 37-41 lb-ft/50-55.5 Nm)	
8	70022719	1	PRESSURE REDUCING VALVE, (550 psi), (torque to 37-41 lb-ft/50-55.5 Nm)	
9	70022720	1	PRESSURE REDUCING VALVE, (2500 psi), (torque to 21 lb-ft/28.5 Nm)	
10	70023455	1	CAVITY PLUG, (torque to 37-41 lb-ft/50-55.5 Nm)	
11	70022724	2	SOLENOID COIL WITH DIODE	
12	8430032	3	DUST PLUG	
13	8430033	3	DIAGNOSTIC NIPPLE	
14	1001103153	1	OUTRIGGER VALVE, (includes items 101 thru 109)	A
15	1001103147	1	EXTEND LOCKOUT VALVE ASSY, (10054), (includes items 201 thru 203)	B
16	1001103152	1	STEER SELECT VALVE, (includes item 17)	C
17	8640017	AR	O-RING	
18	8902111	1	STEER SELECT VALVE SUBPLATE	
19	8310326	2	SOCKET HD CAPSCREW, 5/16-18X1-1/8	
20	8310327	4	SOCKET HD CAPSCREW, #10-24X1-1/8	
101	70022724	1	MANIFOLD	
102	70023505	2	DIRECTIONAL CONTROL VALVE	
103	70023506	6	BALL BEARING, 0.3125	
104	70023507	6	SPRING	
105	70023508	6	RETAINER	
106	70023509	2	ORRIFICE	
107	8032790	6	PORT PLUG, (torque to 7.5-8.3 lb-ft/10.2-11.2 Nm)	
108	88662192	6	PORT PLUG, (torque to 25.7-28.1 lb-ft/34.8-38.1 Nm)	
109	70023510	3	EXPANDER PLUG, 7MM	
201	70023519	1	LOGIC ELEMENT, (65 lb-ft/88 Nm)	
201	70023520	1	SEAL KIT	
202	70023521	1	SOLENOID, (torque to 23-27 lb-ft/31-36.5 Nm)	
202	8032694	1	SEAL KIT	
203	70022724	1	METRIPACK COIL, (torque to 3 lb-ft/4 Nm)	

SECTION 9 - HYDRAULIC COMPONENTS

FIGURE 9-18. BRAKE VALVE



PAL5171

SECTION 9 - HYDRAULIC COMPONENTS

FIGURE 9-18. BRAKE VALVE

ITEM	PART NUMBER	QTY	DESCRIPTION	REV
	1001106836	1	BRAKE VALVE, (includes all items)	A
1	91474454	1	SCREW	
2	91474442	2	PIN	
3	70020659	2	SPRING	
4	91474441	2	WIPER	
5	70020660	1	COVER	
6	91474440	2	WIPER	
7	70020661	1	COVER	
8	91474439	2	QUAD RING	
9	70020662	2	PISTON	
10	70020663	2	PISTON RING	
11	70023037	2	PIN	
12	91474438	2	SPRING	
13	91474452	1	BALL	
14	91474450	4	PLUG	
15	91474451	4	O-RING	
16	91474453	2	O-RING	
17	91514199	2	BACKUP RING	
18	91474455	1	DUMP PISTON	
19	91474456	1	DUMP SPOOL	
20	70020665	1	SPRING	
21	91474458	1	PLUG	
22	91514198	2	O-RING	
23	70020666	1	INLET SEAT	
24	70020667	1	O-RING	
25	70020668	1	RETAINER	
26	70020669	1	SPRING	
27	91474447	1	PISTON	
28	91474446	1	SEAT	
29	70020670	1	BALL	
30	70020671	1	SPRING	
31	70020672	1	SPRING	
32	91514197	3	O-RING	
33	91474443	1	PLUG	
34	70020673	2	NEEDLE ROLLER	
35	70020674	2	MAKE-UP CHECK	
36	91474434	2	PLUG	
37	91474435	2	O-RING	
38	70020675	2	SPRING	
39	70020676	2	SPRING GUIDE	
40	70020677	2	SPRING	
41	70020678	2	ORIFICE	
43	70020679	2	SPRING	
44	91474459	1	PLUG	
45	91474460	1	O-RING	
46	70020680	1	PLUG	
47	70020681	1	O-RING	
48	70020682	1	ORIFICE	
49	70023039	1	ORIFICE	
50	N.S.S.	1	HOUSING	

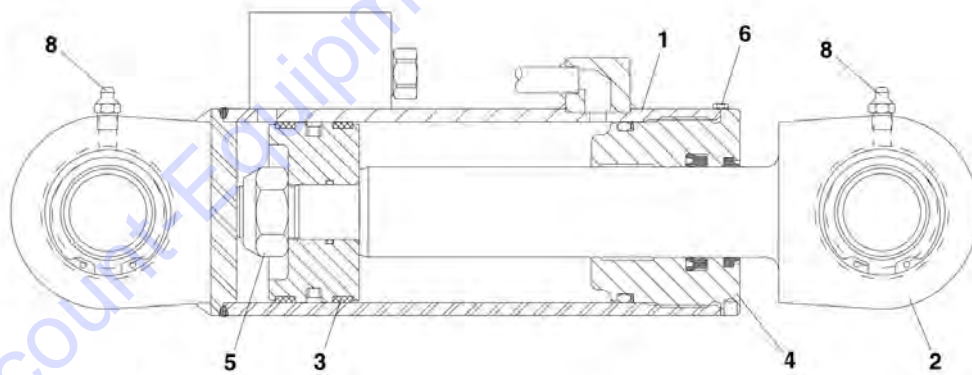
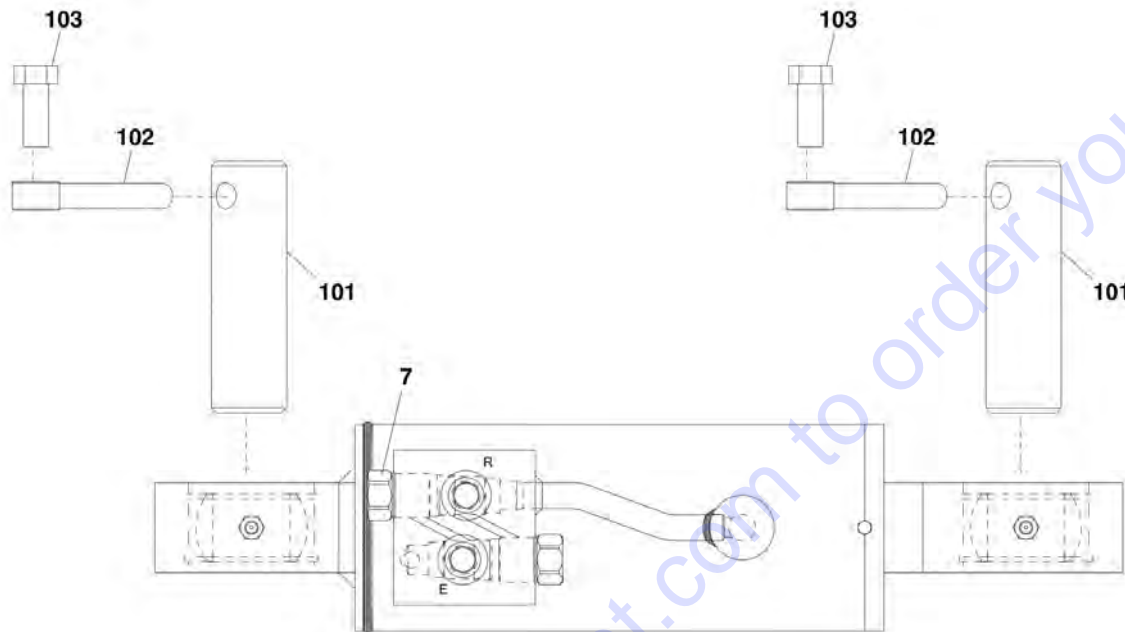
SECTION 9 - HYDRAULIC COMPONENTS

ITEM	PART NUMBER	QTY	DESCRIPTION	REV
51	N.S.S.	2	SPOOL	
52	70023038	2	POPPET	

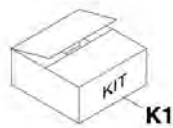
Go to Discount-Equipment.com to order your parts

SECTION 9 - HYDRAULIC COMPONENTS

FIGURE 9-19. SIDE TILT CARRIAGE CYLINDER (Prior to SN 0160066474)



PY1582



SECTION 9 - HYDRAULIC COMPONENTS

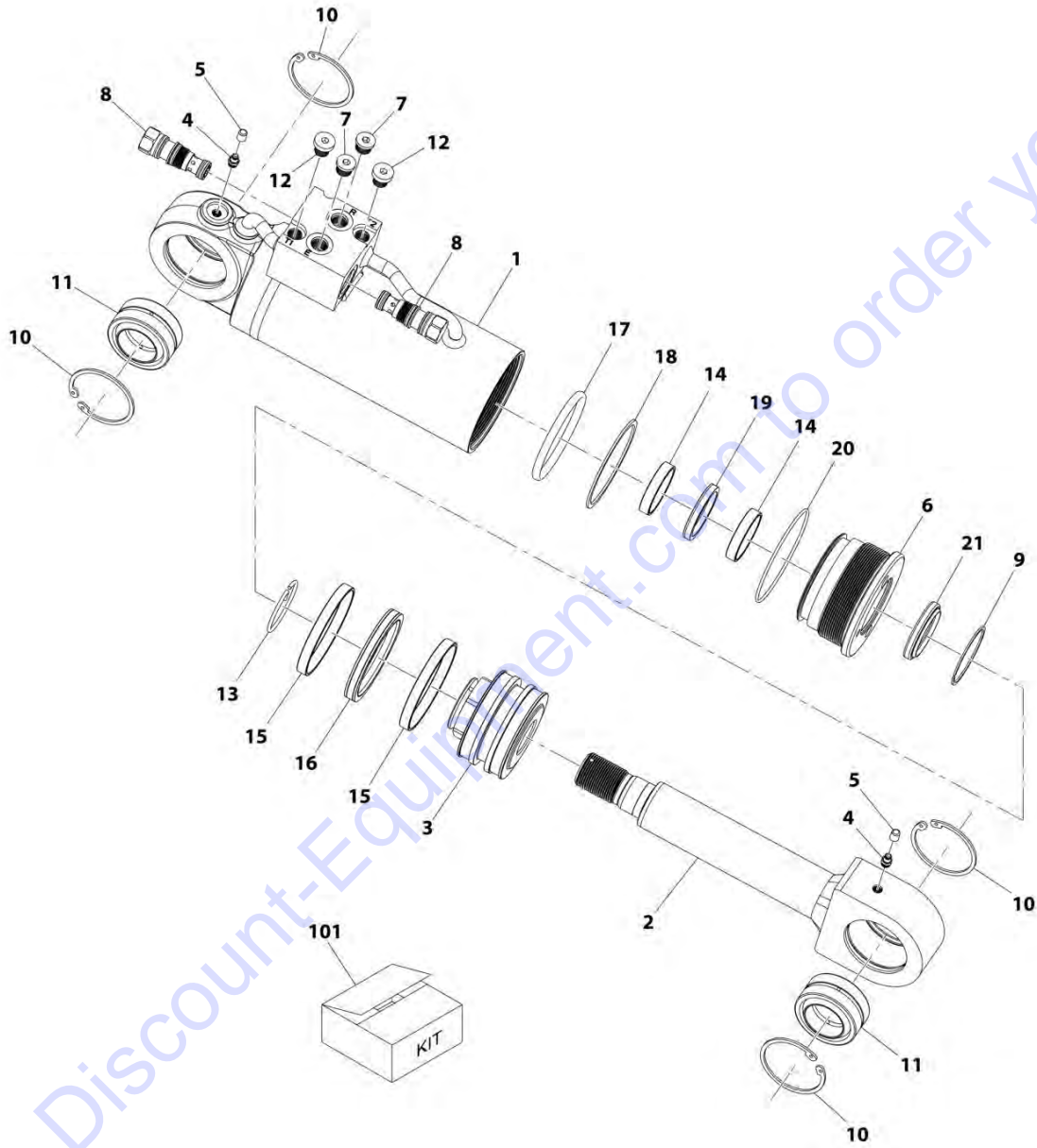
FIGURE 9-19. SIDE TILT CARRIAGE CYLINDER (Prior to SN 0160066474)

ITEM	PART NUMBER	QTY	DESCRIPTION	REV
	1001090134	1	SIDE TILT CARRIAGE CYLINDER, (includes all items)	C
1	70022038	1	BARREL ASSY	
2	70022039	1	ROD ASSY	
3	70022040	1	PISTON	
3	70022042	1	SEAL KIT	
4	70024002	1	ROD BEARING	
4	70022043	1	SEAL KIT	
5	90022230	1	HEX NUT	
6	7029760	1	CAPSCREW	
7	4640438	2	CHECK VALVE	
7	2900770	1	SEAL KIT	
8	91044080	2	GREASE FITTING	
101	3423307	2	CYLINDER PIN	
102	3841203	2	KEEPER	
103	0681810	2	HEX HD CAPSCREW, 1/2-13X1-1/4	
K1	70022041	1	SEAL KIT, (contains 70022042 & 70022043)	

Go to Discount-Equipment.com to order your parts

SECTION 9 - HYDRAULIC COMPONENTS

FIGURE 9-20. SIDE TILT CARRIAGE CYLINDER (SN 0160066474 to Present)



ART_1001163414-A

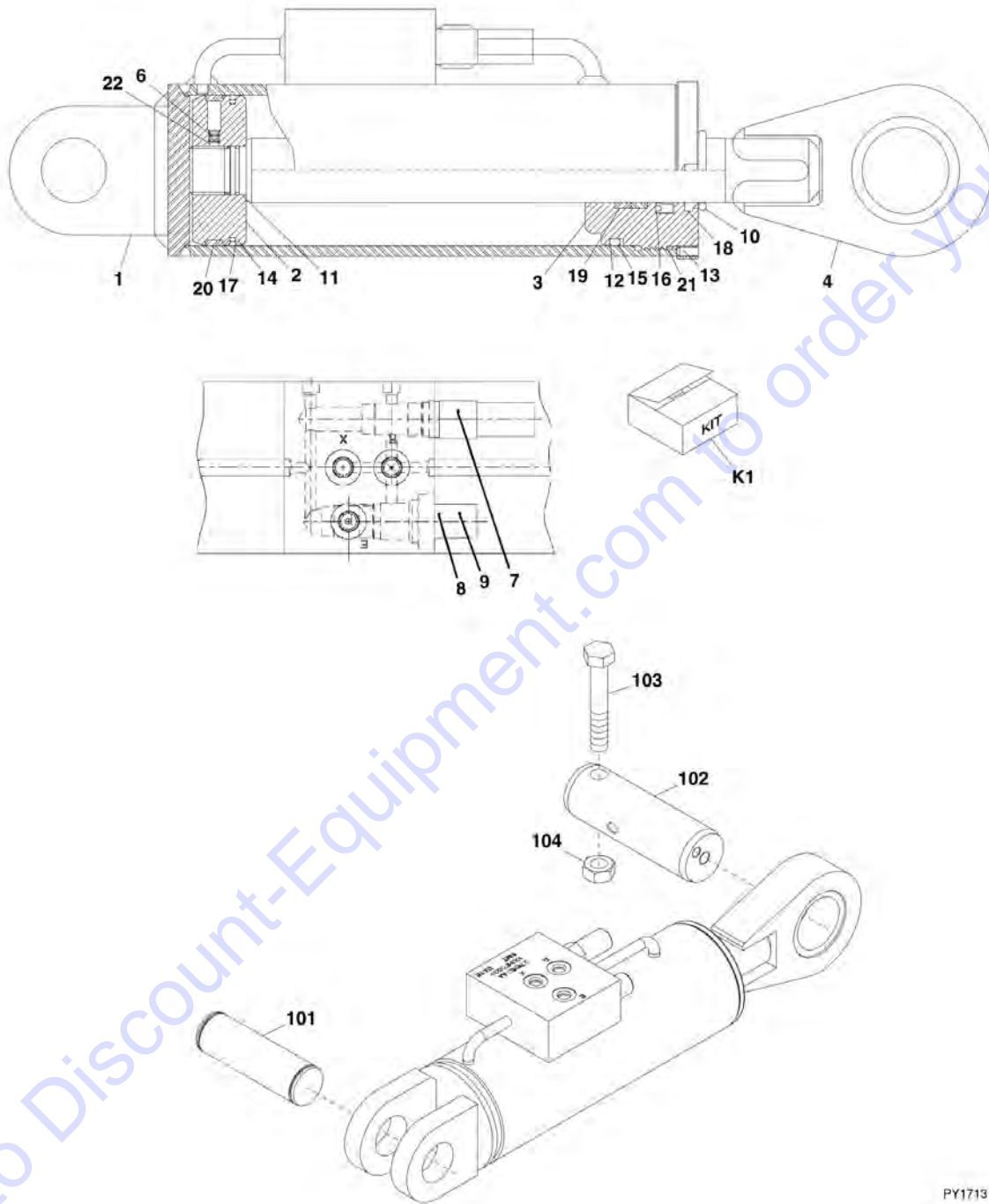
SECTION 9 - HYDRAULIC COMPONENTS

FIGURE 9-20. SIDE TILT CARRIAGE CYLINDER (SN 0160066474 to Present)

ITEM	PART NUMBER	QTY	DESCRIPTION	REV
	1001163414	Ref	SIDE TILT CARRIAGE CYLINDER, (includes all items)	A
1	70026056	1	BARREL	
2	70026057	1	ROD	
3	70026058	1	SCREWED PISTON HEAD, 90MM	
4	70025606	2	GREASE NIPPLE	
5	70024020	2	GREASER PROTECTOR	
6	70003849	1	GLAND	
7	70025959	2	BLANKING SCREW	
8	70026059	2	P/O CHECK VALVE	
9	70002219	1	INTERNAL SNAP RING	
10	70026060	4	INTERNAL SNAP RING	
11	70026061	2	SPHERICAL BEARING	
12	70024262	2	BLANKING SCREW	
13	70002224	1	LOCKING RING	
14	Kit	2	ROD BEARING RING	
15	Kit	2	PISTON BEARING RING	
16	Kit	1	PISTON SEAL	
17	Kit	1	O-RING	
18	Kit	1	BACK UP RING	
19	Kit	1	ROD SEAL	
20	Kit	1	O-RING	
21	Kit	1	WIPER SEAL	
101	70026062	1	SEAL KIT, (includes items 14 thru 21)	

SECTION 9 - HYDRAULIC COMPONENTS

FIGURE 9-21. 72 INCH 90 SWING CARRIAGE CYLINDER



PY1713

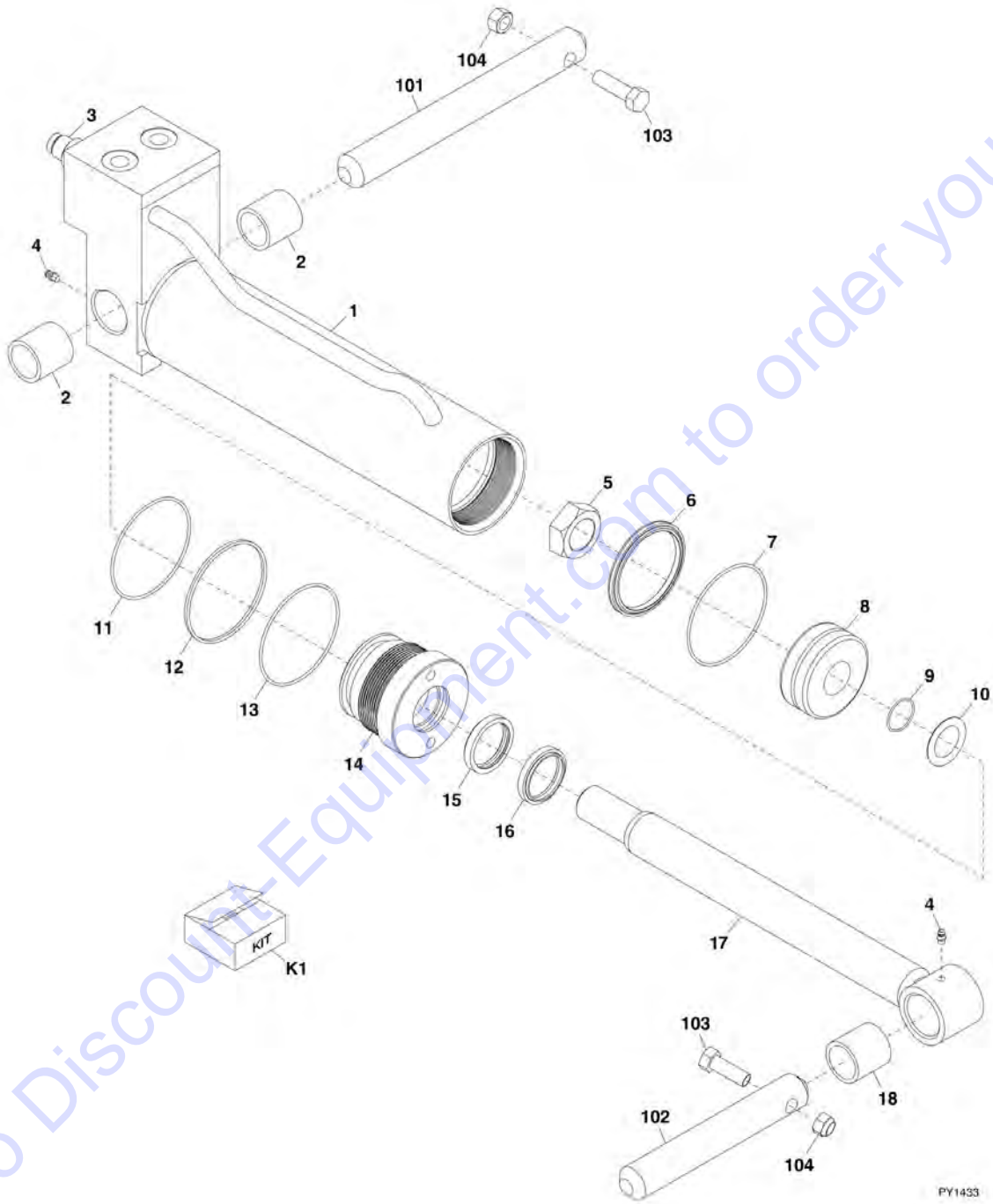
SECTION 9 - HYDRAULIC COMPONENTS

FIGURE 9-21. 72 INCH 90 SWING CARRIAGE CYLINDER

ITEM	PART NUMBER	QTY	DESCRIPTION	REV
	1001103182	2	72IN 90, SWING CARRIAGE CYLINDER, (includes items 1 thru 22), (included item quantities are per single cylinder)	B
1	70022044	1	TUBE ASSY	
2	8035863	1	PISTON	
3	8035862	1	HEAD GLAND	
4	70022045	1	ROD ASSY	
5	70022046	1	BEARING, (not shown)	
6	8035536	2	SET SCREW, 5/16-18X1/2	
7	70020428	1	RELIEF VALVE, (preset to 2000 psi)	
7	7024574	1	SEAL KIT	
8	8033786	1	COUNTERBALANCE VALVE, (preset to 3000 psi)	
8	8205655	1	SEAL KIT	
9	70021812	1	TAMPERPROOF CAP	
11	Kit	1	O-RING	
12	Kit	1	O-RING	
13	Kit	1	O-RING	
14	Kit	1	SQUARE RING	
15	Kit	1	BACKUP RING	
16	Kit	1	SEAL	
17	Kit	1	PISTON SEAL	
18	Kit	1	ROD WIPER	
19	Kit	1	WEARBAND	
20	Kit	1	WEARBAND	
21	Kit	1	INSERT	
22	Kit	1	INSERT	
101	7110722	2	CYLINDER PIN, (base end)	
102	7110712	2	CYLINDER PIN, (rod end)	
103	8303634	2	HEX HD CAPSCREW, 5/8-11X4, GR5	
104	8305643	2	HEX NUT, 5/8-11	
K1	2915023	2	SEAL KIT, (includes items 11 thru 22)	

SECTION 9 - HYDRAULIC COMPONENTS

FIGURE 9-22. GRAPPLE BUCKET CYLINDER



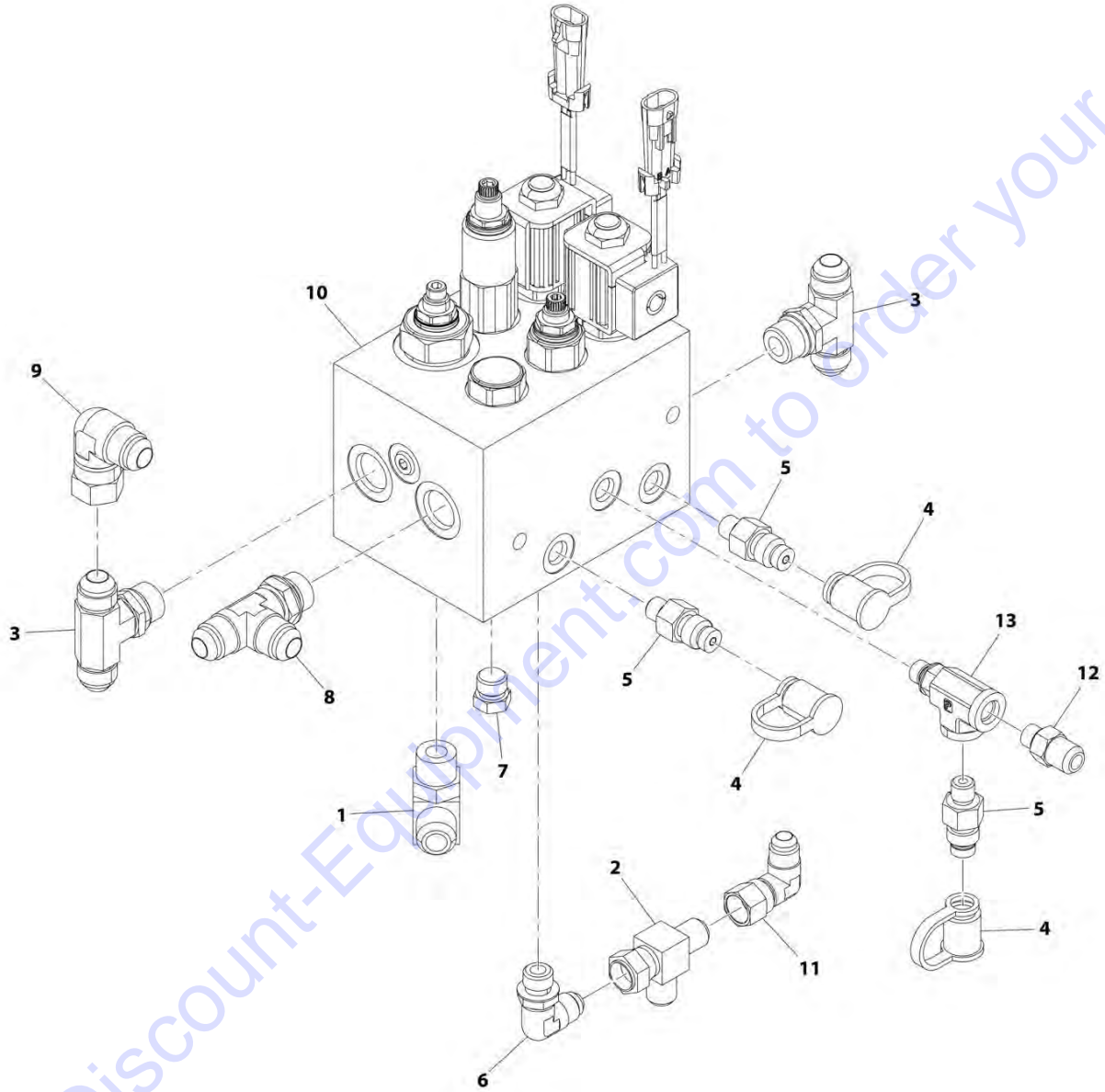
SECTION 9 - HYDRAULIC COMPONENTS

FIGURE 9-22. GRAPPLE BUCKET CYLINDER

ITEM	PART NUMBER	QTY	DESCRIPTION	REV
	70021393	2	GRAPPLE BUCKET CYLINDER, (includes items 1 thru 18), (included item quantities are per single cylinder)	
1	70021465	1	CYLINDER TUBE	
2	70021448	2	BUSHING	
3	70021464	2	VALVE CARTRIDGE	
4	90554045	2	GREASE FITTING	
5	70021440	1	HEX NUT	
6	Kit	1	PISTON RING	
7	Kit	1	O-RING	
8	70021451	1	PISTON	
9	Kit	1	O-RING	
10	70021444	1	WASHER	
11	Kit	1	O-RING	
12	Kit	1	BACK-UP WASHER	
13	Kit	1	O-RING	
14	70021446	1	CYLINDER GLAND	
15	Kit	1	POLY-PAK SEAL	
16	Kit	1	ROD WIPER	
17	70021462	1	PISTON ROD	
18	70021447	1	BUSHING	
101	70021364	2	CYLINDER PIN, (base end)	
102	70021365	2	CYLINDER PIN, (rod end)	
103	70021399	4	HEX HD CAPSCREW, 3/8X2-1/4	
104	70021367	4	LOCK NUT, 3/8	
K1	70021452	1	SEAL KIT, (includes items 6, 7, 9, 11 thru 13, 15 & 16)	

SECTION 9 - HYDRAULIC COMPONENTS

FIGURE 9-23. VALVE SECONDARY FUNCTION



ART_1001136556-C

SECTION 9 - HYDRAULIC COMPONENTS

FIGURE 9-23. VALVE SECONDARY FUNCTION

ITEM	PART NUMBER	QTY	DESCRIPTION	REV
	1001136556	Ref	VALVE SECONDARY FUNCTION	C
1	2220596	1	ELBOW, 90, (includes o-ring)	
2	2220635	1	FEMALE SWIVEL RUN TEE	
3	2220999	2	MALE BRANCH TEE, (includes o-ring)	
4	8430032	3	DUST PLUG	
5	8430033	3	DIAGNOSTIC NIPPLE	
6	2220473	1	ELBOW, 90, (includes o-ring)	
7	2220237	1	HEX HD PLUG, #6, (includes o-ring)	
8	2220602	1	MALE RUN TEE, (includes o-ring)	
9	8765204	1	ELBOW, 90, (swivel nut)	
10	1001103150	1	SECONDARY FUNCTION MANIFOLD (see separate breakdown in same section)	
11	8760268	1	ELBOW, 90, (swivel nut)	
12	2220603	1	STRAIGHT CONNECTOR	
13	1001166285	1	ADAPTOR	

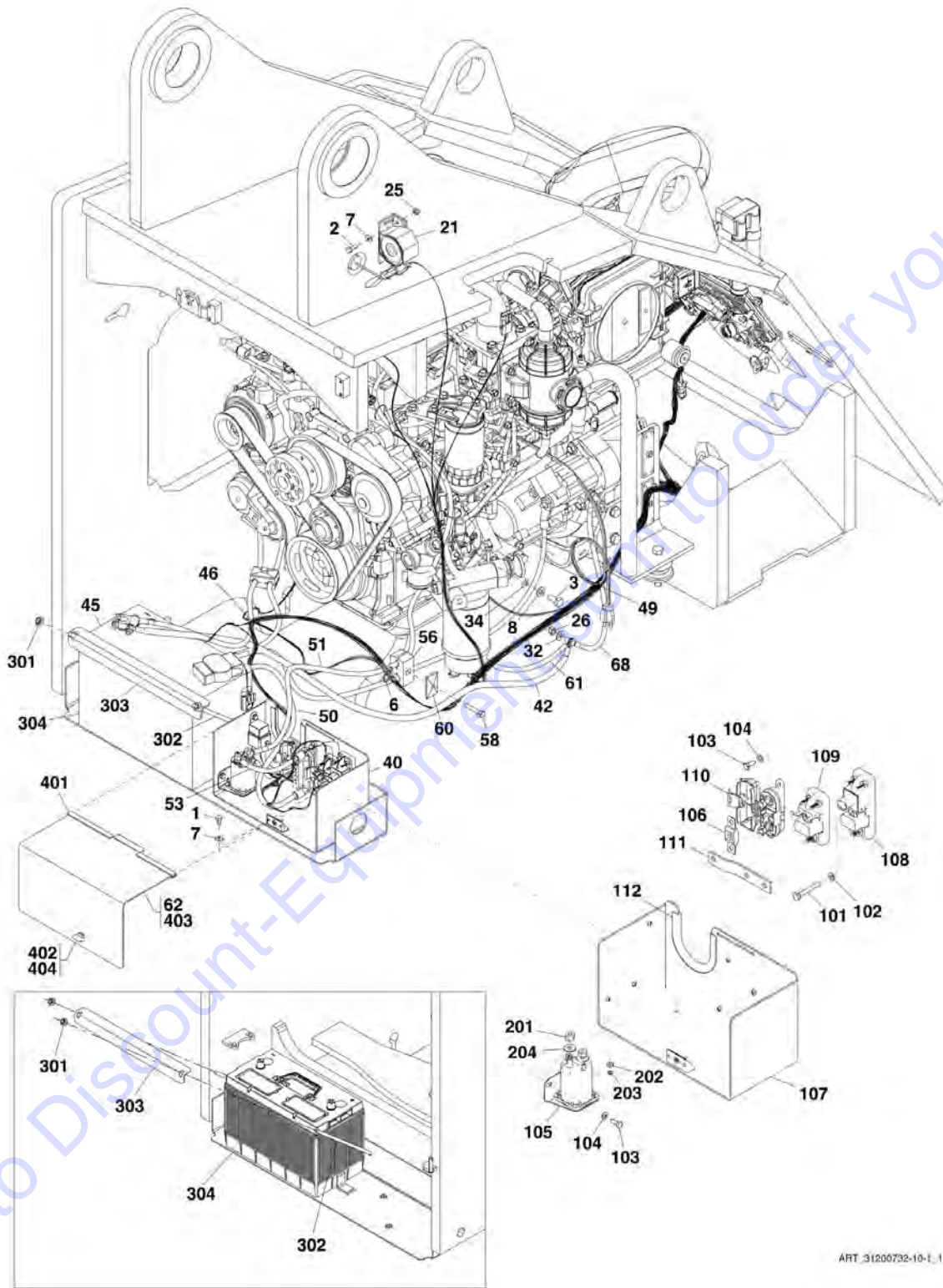
Go to Discount-Equipment.com to order your parts

SECTION 10 - ELECTRICAL

Go to Discount-Equipment.com to order your parts

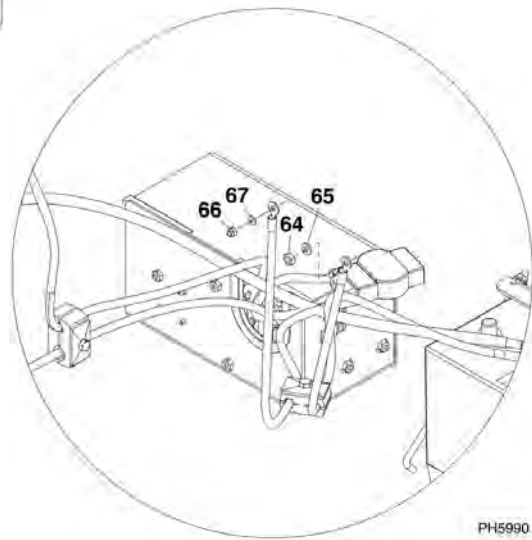
SECTION 10 - ELECTRICAL

FIGURE 10-1. ENGINE COMPARTMENT ELECTRICAL INSTALLATION



ART_31200732-10-1_1

SECTION 10 - ELECTRICAL



PH5990

SECTION 10 - ELECTRICAL

FIGURE 10-1. ENGINE COMPARTMENT ELECTRICAL INSTALLATION

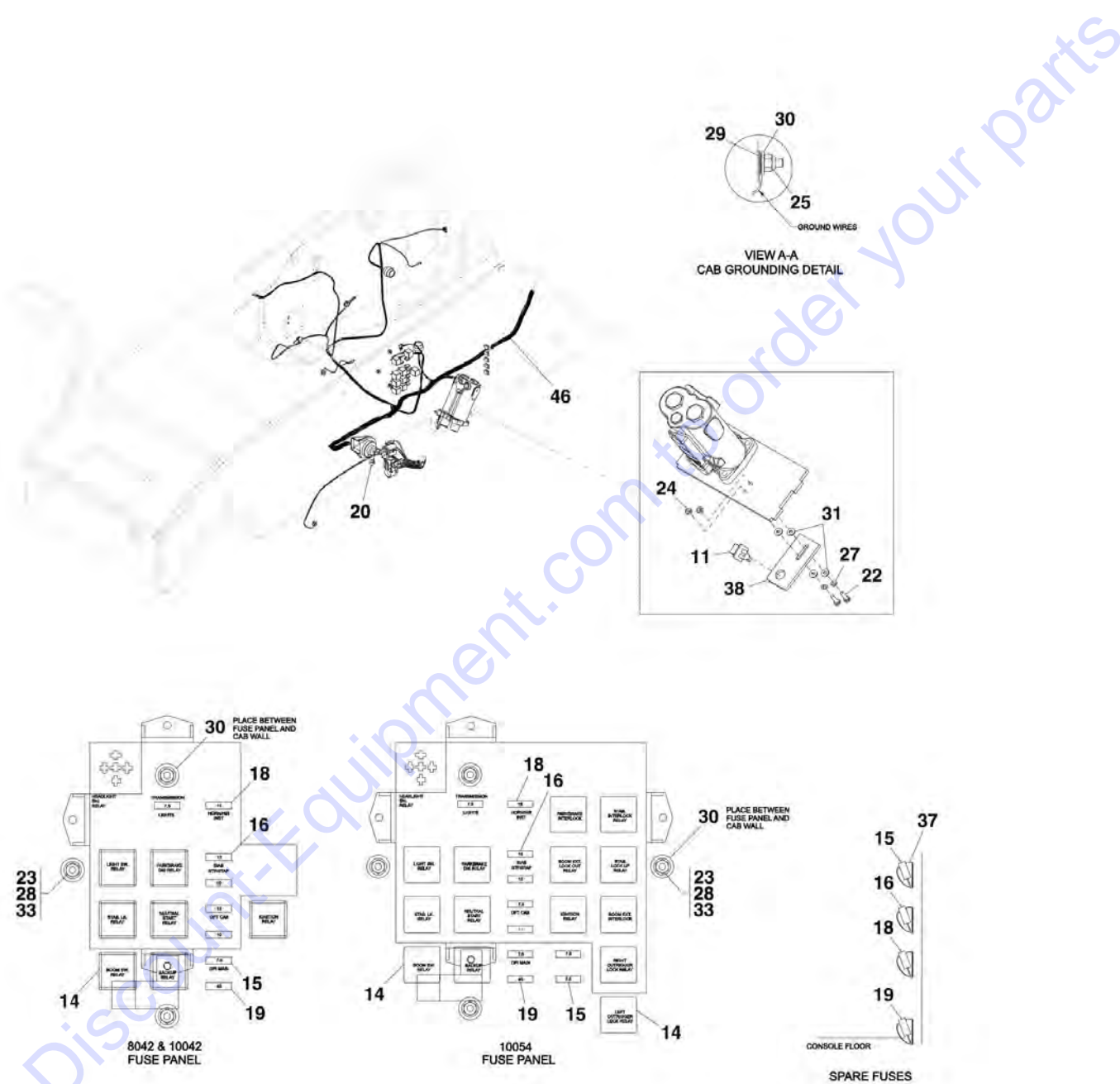
ITEM	PART NUMBER	QTY	DESCRIPTION	REV
	1001129650	Ref	ELECTRICAL INSTALLATION, (8042), (if equipped for ULS), (not available to order, see items 1 thru 68 & items 9 thru 48 see CAB ELECTRICAL INSTALLATION for service)	J
	1001132986	Ref	ELECTRICAL INSTALLATION, (8042), (if equipped for LS), (not available to order, see items 1 thru 68 & items 9 thru 48 see CAB ELECTRICAL INSTALLATION for service)	H
	1001129649	Ref	ELECTRICAL INSTALLATION, (10042), (if equipped for ULS), (not available to order, see items 1 thru 68 & items 9 thru 69 see CAB ELECTRICAL INSTALLATION for service)	J
	1001132985	Ref	ELECTRICAL INSTALLATION, (10042), (if equipped for LS), (not available to order, see items 1 thru 68 & items 9 thru 69 see CAB ELECTRICAL INSTALLATION for service)	H
	1001127213	Ref	ELECTRICAL INSTALLATION, (10054), (if equipped for ULS), (not available to order, see items 1 thru 68 & items 9 thru 48 see CAB ELECTRICAL INSTALLATION for service)	J
	1001132984	Ref	ELECTRICAL INSTALLATION, (10054), (if equipped for LS), (not available to order, see items 1 thru 68 & items 9 thru 48 see CAB ELECTRICAL INSTALLATION for service)	H
1	0641404	3	HEX HD CAPSCREW, 1/4-20X1/2	
2	0641406	2	HEX HD CAPSCREW, 1/4-20X3/4	
3	0761010	1	HEX HD CAPSCREW, M10X20, GR8.8	
6	4240017	7	TIE STRAP	
7	4711400	5	PLAIN WASHER, 1/4	
8	4812000	1	WASHER, 10MM	
9	1001130307	1	BOOM SENSOR, (8042 & 10042)	
9	1001130307	2	BOOM SENSOR, (10054)	
21	8270621	1	BACK-UP ALARM	
25	8305624	2	HEX LOCKNUT, 1/4-20	
26	8305645	1	HEX LOCKNUT, 3/8-16	
32	8307110	1	WASHER, 3/8	
34	8310046	1	LOCKWASHER, M10, (external tooth)	
40	1001127212	1	RELAY PANEL INSTALLATION, (includes items 101 thru 112)	E
42	1001128663	1	BATTERY NEGATIVE CABLE	
45	1001142513	1	BATTERY INSTALLATION, (if equipped for ULS), (includes items 301 thru 304)	B
45	1001128783	1	BATTERY INSTALLATION, (if equipped for LS), (includes items 301 thru 304)	B
46		Ref	ENGINE/CHASSIS HARNESS, (See ENGINE HARNESS for Breakdown)	
49	1001129768	1	STARTER POWER CABLE	
50	1001129769	1	BUSS POWER CABLE	
51	1001129795	1	GRID HEATER POWER CABLE	
52	1001129796	1	ALTERNATOR POWER CABLE	
53	1001129797	1	HEATER FUSE TO HEATER RELAY CABLE	
54	1001130568	1	ALTERNATOR GROUND CABLE	
56	8750027	1	TWIN CLAMP SET	
57	8303739	1	HEX HD CAPSCREW, 5/16-18X1-1/4, GR5	
58	8303746	1	HEX HD CAPSCREW, 5/16-18X1-3/4, GR5	
59	8750015	1	TWIN CLAMP SET, 0.67 DIA	
60	8769128	2	TWIN COVER PLATE	
61	1001133172	1	ENGINE GROUND CABLE (Prior to SN 0160046469)	
62	1001134452	Ref	RELAY PANEL COVER INSTALLATION, (not available to order, see items 401 thru 404 for service)	D

SECTION 10 - ELECTRICAL

ITEM	PART NUMBER	QTY	DESCRIPTION	REV
64	3290801	1	HEX NUT, M8X1-1/4	
65	4831900	1	SPRING LOCKWASHER, 8MM	
66	8305652	1	HEX LOCKNUT, M6X1, (if equipped for ULS)	
66	3290601	1	HEX NUT, M6X1, (if equipped for LS)	
67	4831700	1	SPRING LOCKWASHER, 6MM	
68	1001135710	1	STARTER GROUND CABLE, (if equipped for ULS)	
68	1001133171	1	STARTER GROUND CABLE, (if equipped for LS)	
101	0641415	2	HEX HD CAPSCREW, 1/4-20X1-7/8	
102	4761400	2	LOCKWASHER, 1/4	
103	8303545	5	HEX HD CAPSCREW, M6X1X14MM, PC8.8	
104	8307219	5	PLAIN WASHER, M6	
105	1001117308	1	RELAY, 200 AMP, (includes items 201 thru 204)	A
106	1001118245	1	FUSE, 250 AMP	
107	1001126581	1	RELAY MOUNT BRACKET	
108	1001163729	1	POWER MODULE RELAY	
109	1001127699	1	POWER MODULE FUSE	
110	1001127700	1	AMG FUSE HOLDER	
111	1001129615	1	BUSS CONNECTOR BAR	
112	90206196	9 in	TRIM-LOK	
201	3300220	2	WASHER NUT	
202	3321001	2	HEX NUT, #10-32	
203	4761000	2	LOCKWASHER, #10	
204	1001111424	2	COPPER WASHER	
301	77143006	2	LOCKNUT, 5/16-18	
302	91081640	2	BATTERY HOLD DOWN BOLT	
303	91401281	1	BATTERY HOLD DOWN BRACKET	
304	0400075	1	BATTERY, (if equipped for ULS)	
304	1001155219	1	BATTERY, (if equipped for LS)	
401	90206196	9 in	VINYL TRIM	
402	1001135770	1	PUSH-ON RETAINER	
403	1001127142	1	RELAY PANEL COVER	
404	1001135777	1	WING HEAD FASTNER ASSY	
501	1001120341	Ref	ECM MODULE INSTALLATION, (if equipped for ULS), (includes items 502 thru 504)	B
501	1001131384	Ref	ECM MODULE INSTALLATION, (if equipped for LS), (includes items 502 thru 504)	C
502	0641516	4	HEX HD CAPSCREW, 5/16-18X2	
503	4711500	4	PLAIN WASHER, 5/16	
504	4761500	4	LOCKWASHER, 5/16	

SECTION 10 - ELECTRICAL

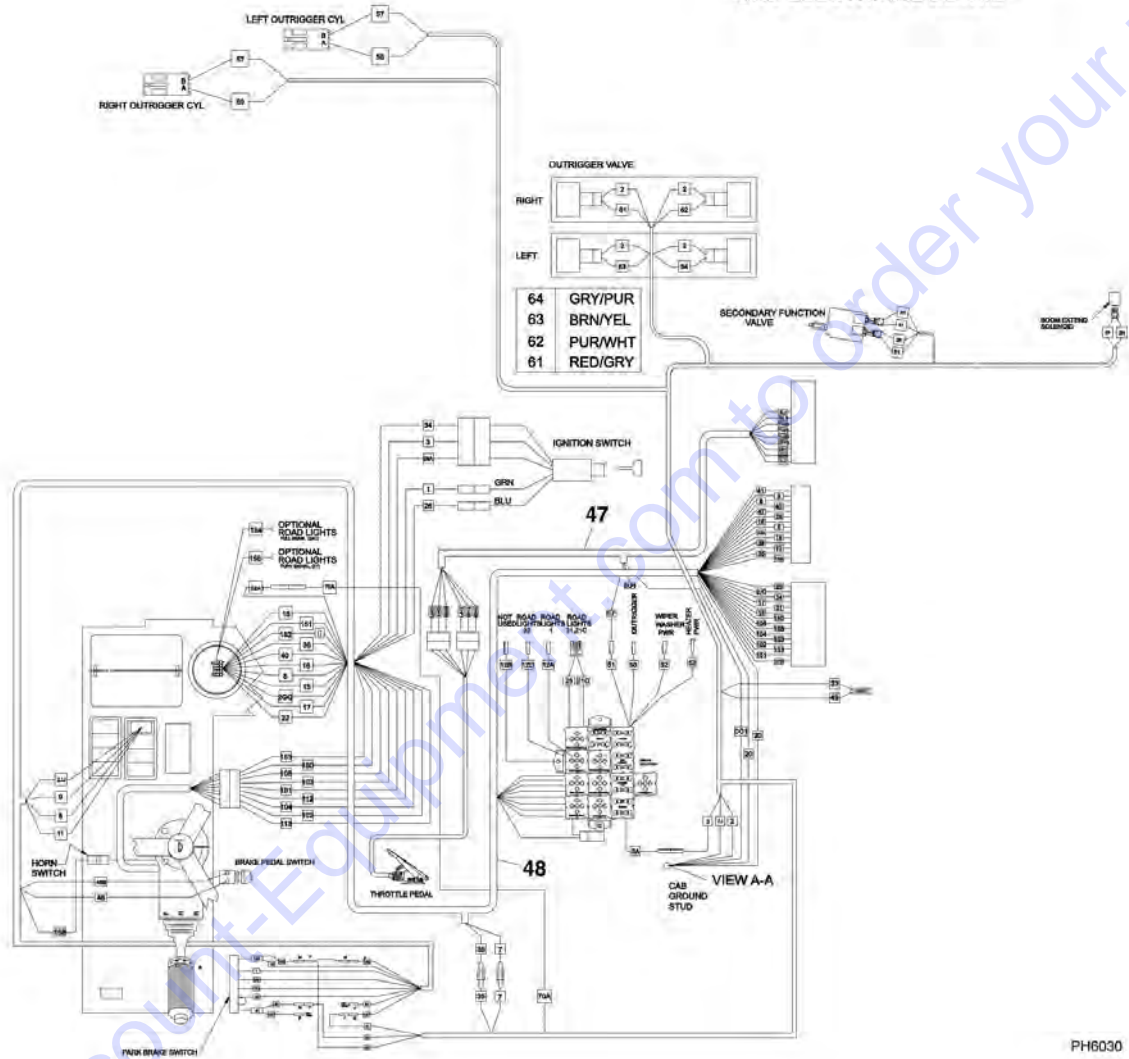
FIGURE 10-2. CAB ELECTRICAL INSTALLATION



ART_31200723-10-2_1

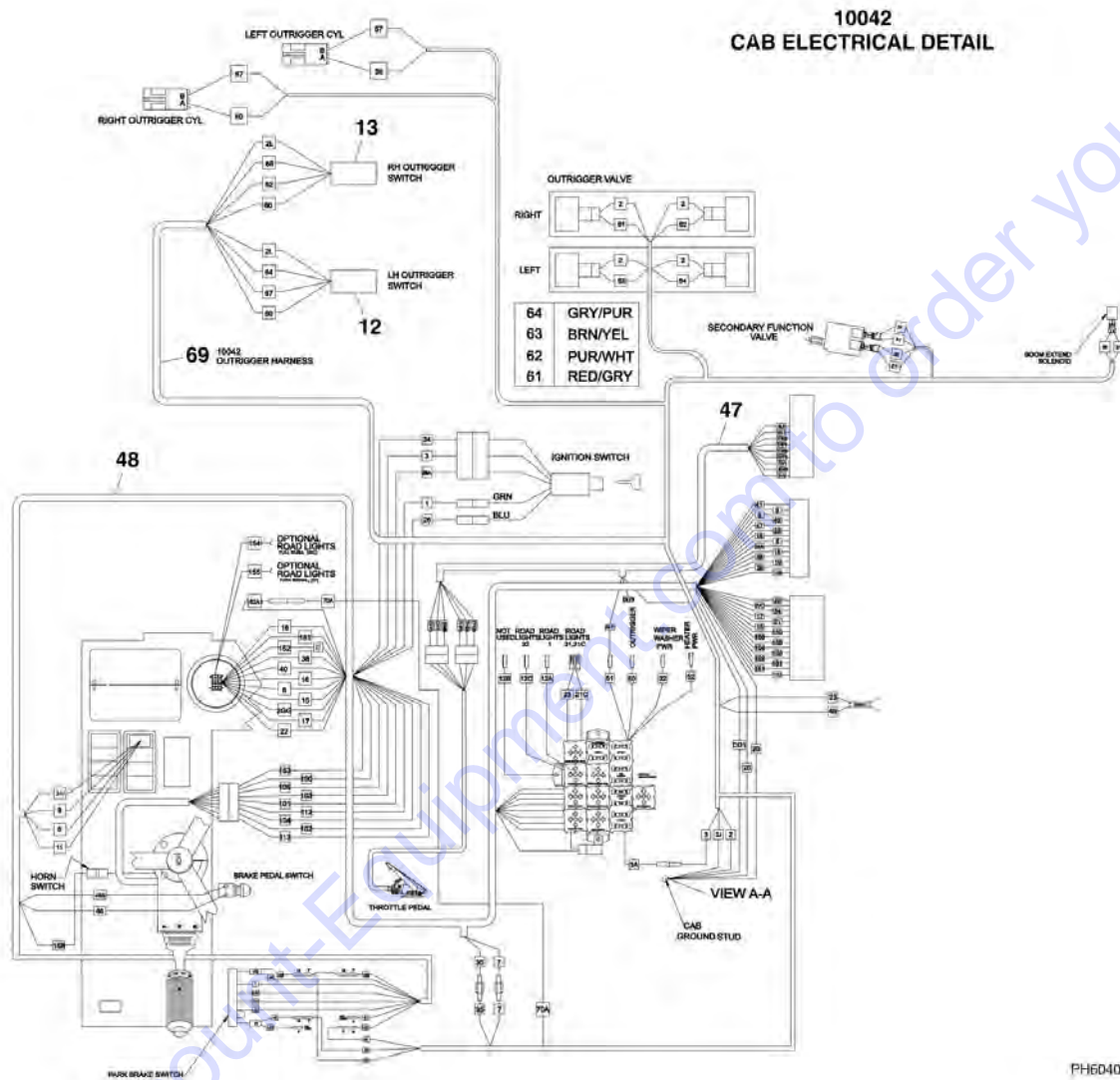
SECTION 10 - ELECTRICAL

8042
CAB ELECTRICAL DETAIL



PH6030

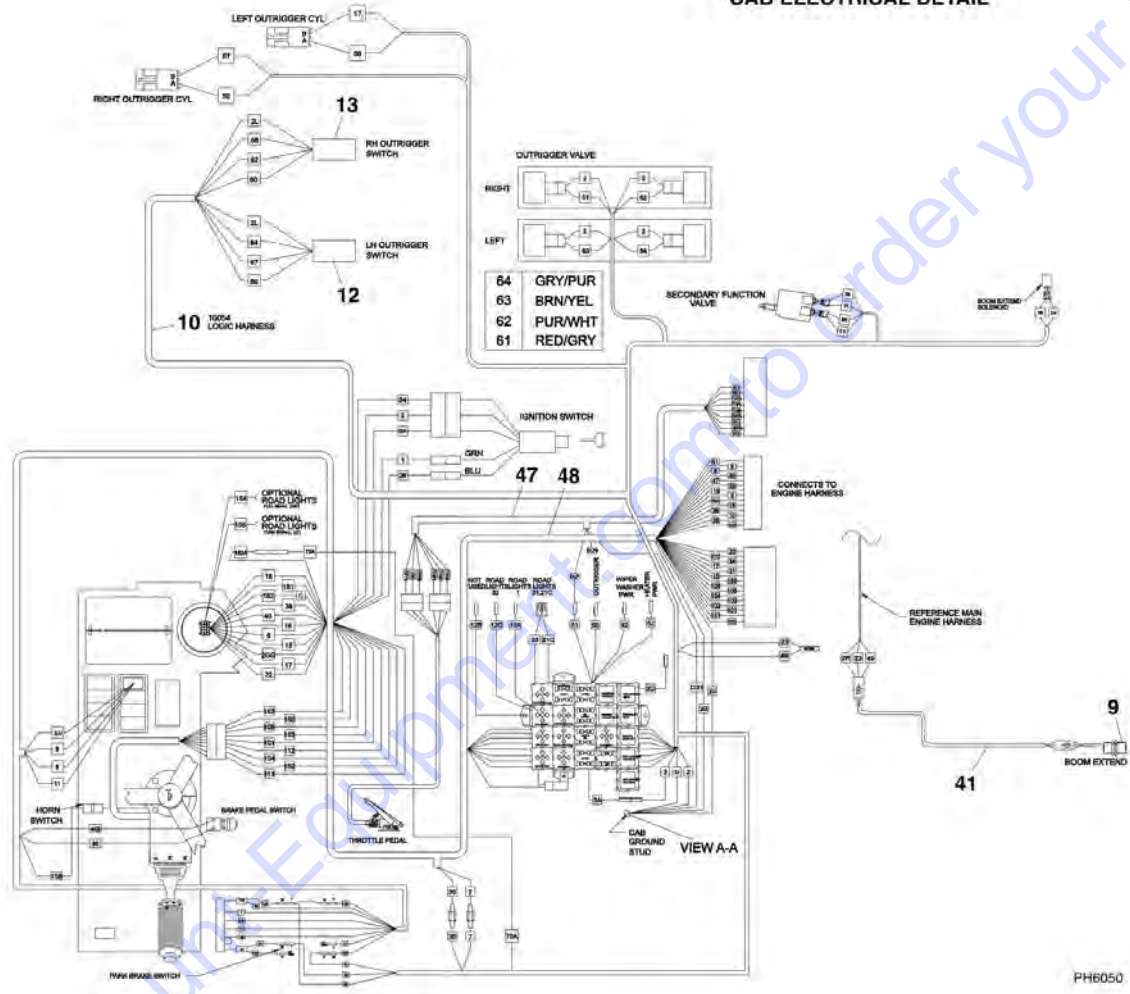
SECTION 10 - ELECTRICAL



PH6040

SECTION 10 - ELECTRICAL

10054
CAB ELECTRICAL DETAIL



PH6050

SECTION 10 - ELECTRICAL

FIGURE 10-2. CAB ELECTRICAL INSTALLATION

ITEM	PART NUMBER	QTY	DESCRIPTION	REV
	1001129650	Ref	ELECTRICAL INSTALLATION, (8042), (if equipped for ULS), (not available to order, see items 9 thru 48 & items 1 thru 68 see ENGINE COMPARTMENT ELECTRICAL INSTALLATION for service)	J
	1001132986	Ref	ELECTRICAL INSTALLATION, (8042), (if equipped for LS), (not available to order, see items 9 thru 48 & items 1 thru 68 see ENGINE COMPARTMENT ELECTRICAL INSTALLATION for service)	H
	1001129649	Ref	ELECTRICAL INSTALLATION, (10042), (if equipped for ULS), (not available to order, see items 9 thru 69 and items 1 thru 68 see ENGINE COMPARTMENT ELECTRICAL INSTALLATION for service)	J
	1001132985	Ref	ELECTRICAL INSTALLATION, (10042), (if equipped for LS), (not available to order, see items 9 thru 69 & items 1 thru 68 see ENGINE COMPARTMENT ELECTRICAL INSTALLATION for service)	H
	1001127213	Ref	ELECTRICAL INSTALLATION, (10054), (if equipped for ULS), (not available to order, see items 9 thru 48 & items 1 thru 68 see ENGINE COMPARTMENT ELECTRICAL INSTALLATION for service)	J
	1001132984	Ref	ELECTRICAL INSTALLATION, (10054), (if equipped for LS), (not available to order, see items 9 thru 48 & items 1 thru 68 see ENGINE COMPARTMENT ELECTRICAL INSTALLATION for service)	H
9		Ref	BOOM SENSOR, (See ENGINE COMPARTMENT ELECTRICAL INSTALLATION for Breakdown)	
10		Ref	LOGIC HARNESS, (10054), (See CAB SWITCHES for Breakdown)	
11	8223025	1	MOMENTARY BRAKE LIGHT SWITCH	
12		Ref	LEFT OUTRIGGER SWITCH, (10042 & 10054), (See OUTRIGGERS HARNESS for Breakdown)	
13		Ref	RIGHT OUTRIGGER SWITCH, (10042 & 10054), (See OUTRIGGERS HARNESS for Breakdown)	
14	8225119	7	SEALED RELAY, (8042 & 10042)	
14	8225119	14	SEALED RELAY, (10054)	
15	8229233	3	FUSE, 7.5 AMP, (8042 & 10042)	
15	8229233	6	FUSE, 7.5 AMP, (10054)	
16	8229234	4	FUSE, 10 AMP	
18	8229237	3	FUSE, 15 AMP, (8042 & 10042)	
18	8229237	2	FUSE, 15 AMP, (10054)	
19	8229238	2	FUSE, 40 AMP	
20	8270620	1	HORN	
22	8303540	2	HEX HD CAPSCREW, 1/4-20X1, GR5	
23	8305002	3	HEX NUT, #10-24, (8042 & 10042)	
23	8305002	4	HEX NUT, #10-24, (10054)	
24	8305004	2	HEX NUT, 1/4-20	
25	8305624	1	HEX LOCKNUT, 1/4-20	
27	8307002	2	LOCKWASHER, 1/4	
28	8307003	3	LOCKWASHER #10, (8042 & 10042)	
28	8307003	4	LOCKWASHER #10, (10054)	
29	8307027	1	LOCKWASHER, 5/16, (external tooth)	
30	8307106	4	PLAIN WASHER, 5/16, (8042 & 10042)	
30	8307106	5	PLAIN WASHER, 5/16, (10054)	
31	8307109	2	PLAIN WASHER, 1/4	
33	8307111	3	PLAIN WASHER, #10, (8042 & 10042)	
33	8307111	4	PLAIN WASHER, #10, (10054)	
37	8582007	4	SPARE FUSE CLIP	

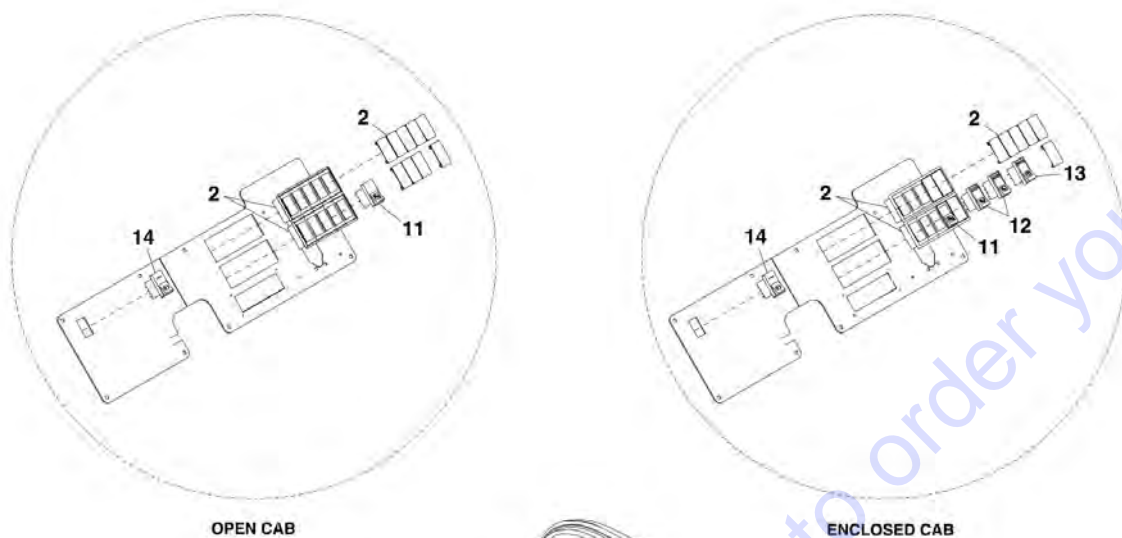
SECTION 10 - ELECTRICAL

ITEM	PART NUMBER	QTY	DESCRIPTION	REV
38	1001107355	1	BRAKE SWITCH BRACKET (Prior to SN 0160054302)	
38	1001143307	1	BRAKE SWITCH BRACKET (SN 0160054302 to Present)	
41		Ref	BOOM EXTEND HARNESS, (10054), (See WORK LIGHTING INSTALLATION for Breakdown)	
46		Ref	ENGINE/CHASSIS HARNESS, (See ENGINE HARNESS for Breakdown)	
47		Ref	DASH/THROTTLE HARNESS, (See DASH/THROTTLE HARNESS for Breakdown)	
48		Ref	CAB/POWER DISTRIBUTION HARNESS, (See CAB POWER DISTRIBUTION HARNESS for Breakdown)	
69		Ref	OUTRIGGER HARNESS, (10042), (See OUTRIGGERS HARNESS for Breakdown)	

Go to Discount-Equipment.com to order your parts

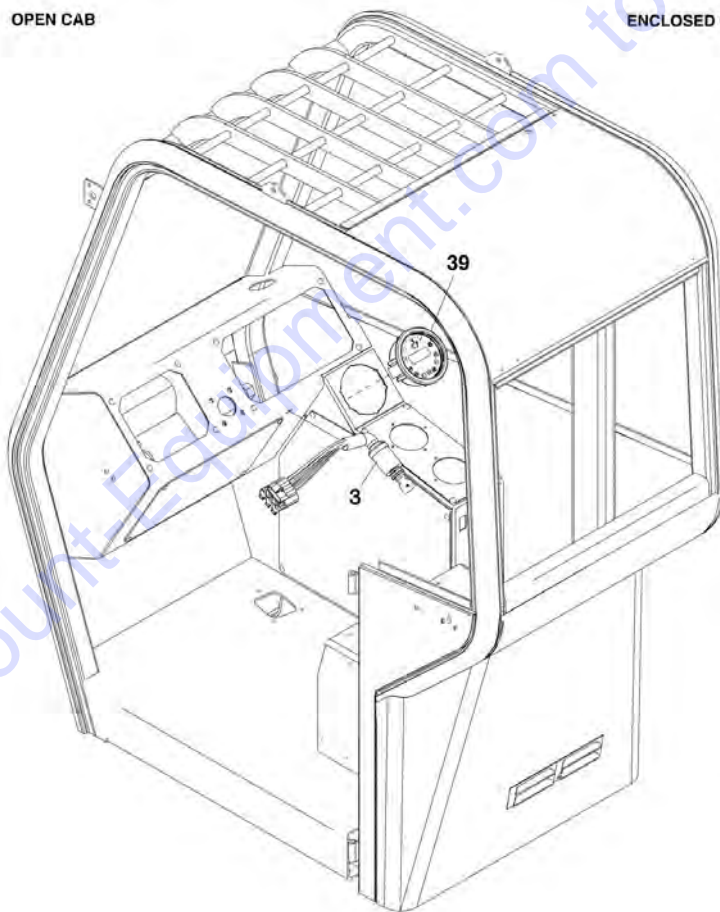
SECTION 10 - ELECTRICAL

FIGURE 10-3. CAB SWITCHES



OPEN CAB

ENCLOSED CAB



PH5580

SECTION 10 - ELECTRICAL

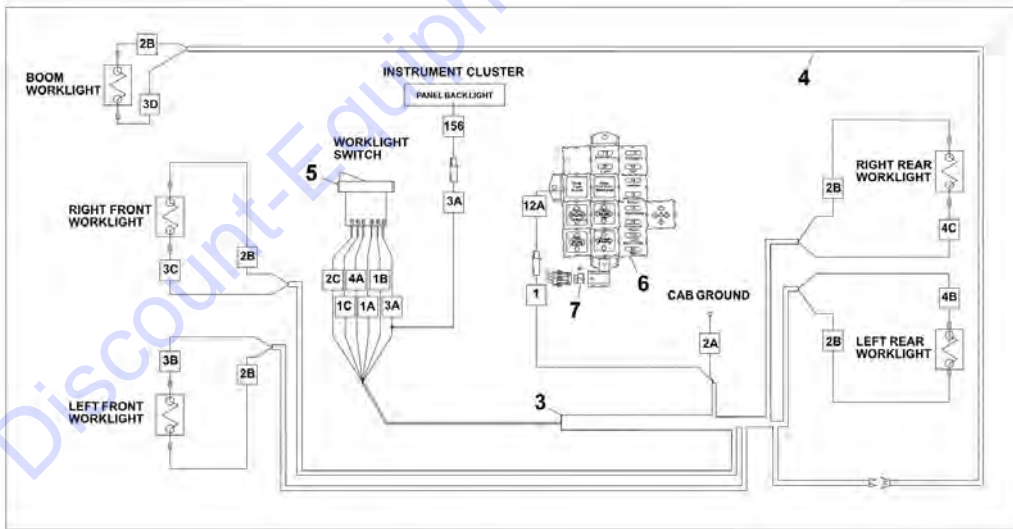
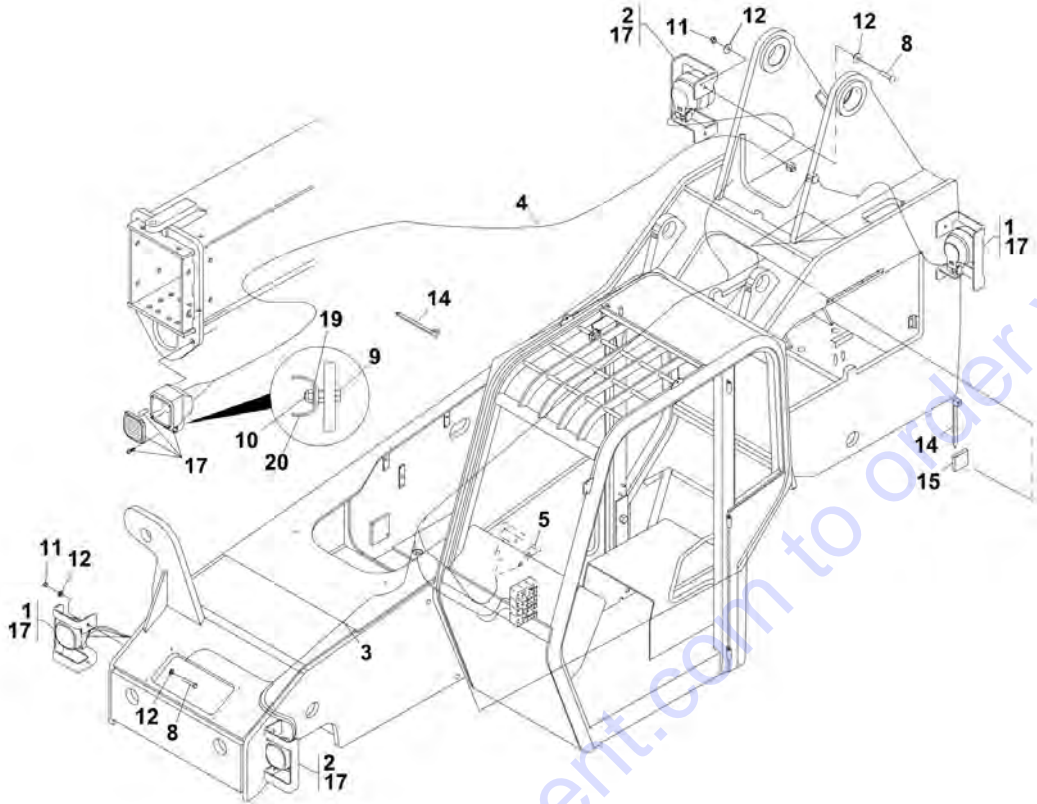
FIGURE 10-3. CAB SWITCHES

ITEM	PART NUMBER	QTY	DESCRIPTION	REV
2	4360569	2	BEZEL SWITCH, 5 POSITION	
3	4360690	1	IGNITION SWITCH	
3	8035807	1	KEY, (with cover)	
11	8223037	1	STEER SELECT SWITCH	
12	8223043	2	WINDSHIELD WIPER SWITCH, (front and skylight)	
13	8223044	1	WINDSHIELD WASHER SWITCH	
14	8223054	1	PARK BRAKE SWITCH	
39	1001126864	1	INSTRUMENT CLUSTER, (includes hourmeter)	

Go to Discount-Equipment.com to order your parts

SECTION 10 - ELECTRICAL

FIGURE 10-4. WORK LIGHTING INSTALLATION



PAP28950

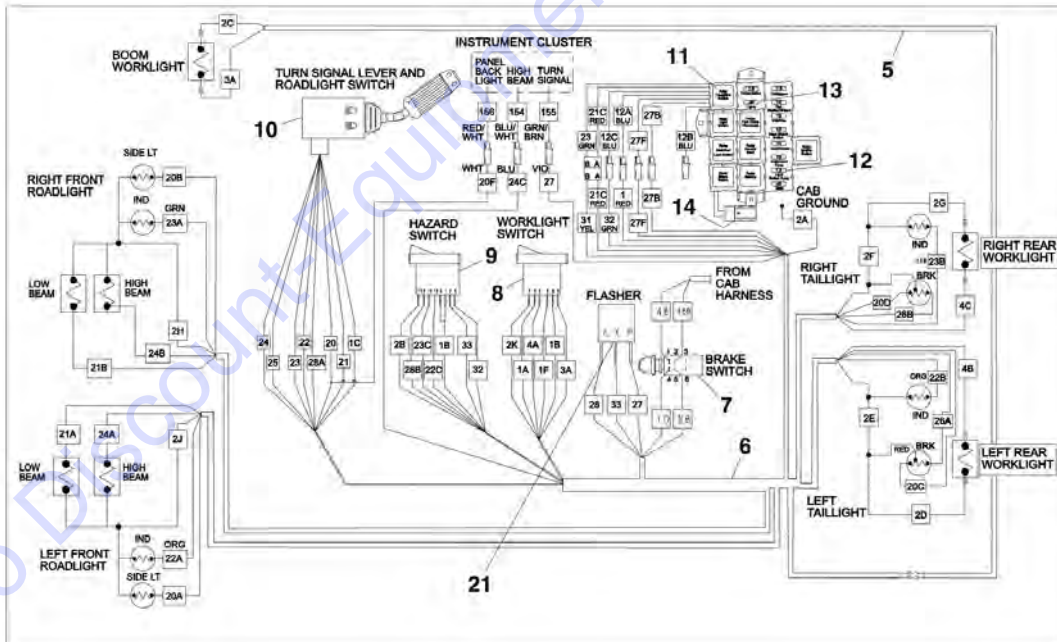
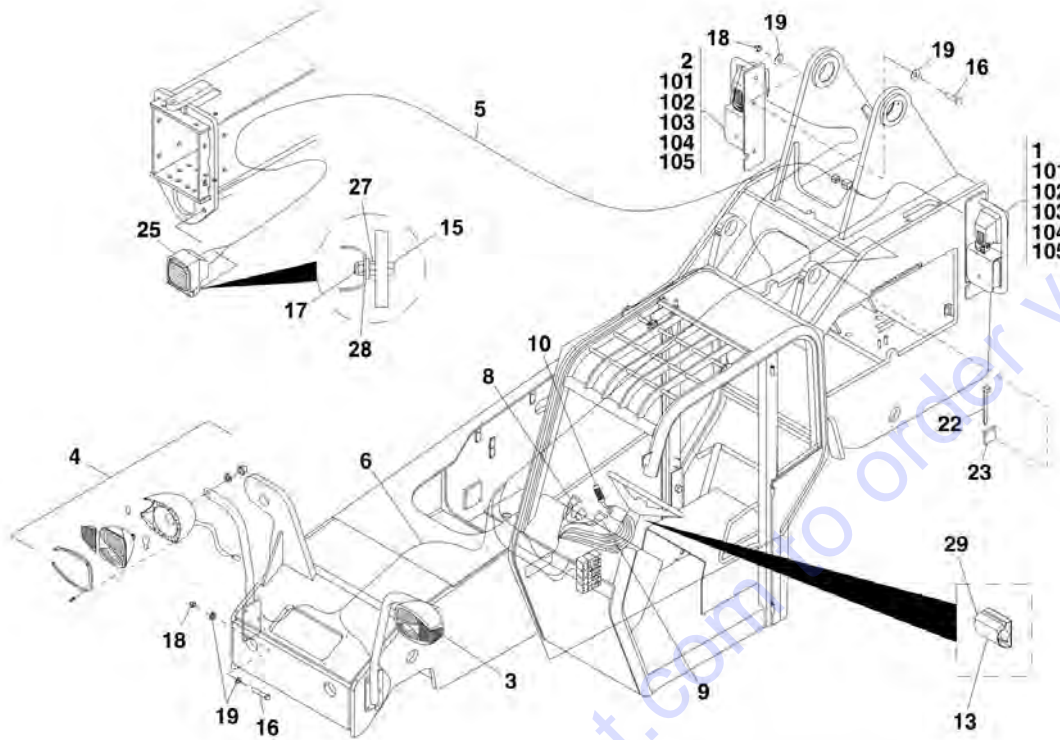
SECTION 10 - ELECTRICAL

FIGURE 10-4. WORK LIGHTING INSTALLATION

ITEM	PART NUMBER	QTY	DESCRIPTION	REV
	1001130896	1	WORK LIGHTING INSTALLATION, (includes all items)	B
1	7150673	2	LH WORKLIGHT ASSY, (includes item 17)	D
1	1001097080	2	LH WORKLIGHT BRACKET	
2	7150688	2	RH WORKLIGHT ASSY, (includes item 17)	D
2	1001097079	2	RH WORKLIGHT BRACKET	
3		Ref	WORK LIGHTING HARNESS, (See WORK LIGHTING HARNESS for Breakdown)	
4	7150730	1	WIRE HARNESS	
5	8223059	1	WORKLIGHT SWITCH	
6	8229233	1	LIGHT SWITCH FUSE, 7.5 AMP, (Tan)	
7	8229238	1	WORKLIGHT FUSE, 40 AMP, (Orange)	
8	8303771	8	HEX HD CAPSCREW, 3/8-16X2-1/4, GR5	
9	0641511	1	HEX HD CAPSCREW, 5/16-18X1-3/8	
10	8305626	1	LOCKNUT, 5/16-18	
11	8305645	8	HEX NUT, 3/8	
12	8307204	16	FLAT WASHER, 3/8	
14	8584001	32	PLASTIC TIE WRAP	
15	8584018	2	TIE MOUNT	
17	1001096314	1	WORKLIGHT	
17	8036216	4	WORKLIGHT LENS SCREW	
17	8036218	1	WORKLIGHT HALOGEN BULB	
19	88501005	1	HEX NUT, 5/16-18	
20	4891600	1	WASHER, 3/8	

SECTION 10 - ELECTRICAL

FIGURE 10-5. ROAD LIGHTING INSTALLATION



ART_31200732-10-5

SECTION 10 - ELECTRICAL

FIGURE 10-5. ROAD LIGHTING INSTALLATION

ITEM	PART NUMBER	QTY	DESCRIPTION	REV
	1001130894	1	ROAD LIGHTING INSTALLATION, (includes items 1 thru 28)	C
1	7150679	1	LH ROADLIGHT ASSY, (includes items 101 thru 105)	C
2	7150689	1	RH ROADLIGHT ASSY, (includes items 101 thru 105)	C
3	7150699	1	LH ROADLIGHT BRACKET ASSY	
3	7150685	1	LH ROADLIGHT BRACKET	
3	7150702	1	FRONT ROADLIGHT, (torque nut to 7-15 lb-ft/9-20 Nm)	
3	8036216	6	HEADLIGHT LENS SCREW	
3	8036212	1	HEADLIGHT LENS	
3	8036213	1	HEADLIGHT BULB, 12V 60/55W	
3	8036214	1	BLINKER BULB, 12V 5W	
3	8036215	1	WIRING HARNESS, (includes 6-way connector)	
3	8036209	1	LEFT AMBER HEADLIGHT LENS	
4	7150716	1	RH ROADLIGHT BRACKET ASSY	
4	7150717	1	RH ROADLIGHT BRACKET	
4	7150703	1	FRONT ROADLIGHT, (torque nut to 7-15 lb-ft/9-20 Nm)	
4	8036210	1	RIGHT AMBER HEADLIGHT LENS	
4	8036216	6	HEADLIGHT LENS SCREW	
4	8036212	1	HEADLIGHT LENS	
4	8036213	1	HEADLIGHT BULB, 12V, 60/55W	
4	8036214	1	BLINKER BULB, 12V, 5W	
4	8036215	1	WIRING HARNESS, (includes 6-way connector)	
5	7150730	1	WIRE HARNESS	
6		Ref	ROAD LIGHTING HARNESS, (See ROAD LIGHTING HARNESS for Breakdown)	
7	8223057	1	BRAKE LIGHT SWITCH	
8	8223059	1	WORKLIGHT SWITCH	
9	8223060	1	HAZARD SWITCH	
10	8223073	1	TURN SIGNAL LEVER	
11	8225119	1	RELAY	
12	8229233	1	FUSE, 7.5 AMP	
13	8229235	1	FUSE, 20 AMP	
14	8229238	1	FUSE, 40 AMP	
15	0641511	1	HEX HD CAPSCREW, 5/16-18X1-3/8	
16	8303771	10	HEX HD CAPSCREW, 3/8-16X2-1/4, GR5	
17	8305626	1	HEX LOCKNUT, 5/16-18	
18	8305645	10	HEX LOCKNUT, 3/8	
19	8307204	20	FLAT WASHER, 3/8	
21	8500203	1	FLASHER, 12V	
22	8584001	32	TIE WRAP	
23	8584018	2	TIE MOUNT	
25	1001096314	1	WORKLIGHT	
25	8036216	4	WORKLIGHT LENS SCREW	
25	8036218	1	WORKLIGHT HALOGEN BULB	
27	88501005	1	HEX NUT, 5/16-18	
28	4891600	1	STEEL WASHER, 3/8	
29	8582007	1	CLIP	
101	7150681	1	LH WORKLIGHT BRACKET ASSY	
101	7150680	1	RH WORKLIGHT BRACKET ASSY	
102	1001096314	1	WORKLIGHT	
102	8036216	4	WORKLIGHT LENS SCREW	

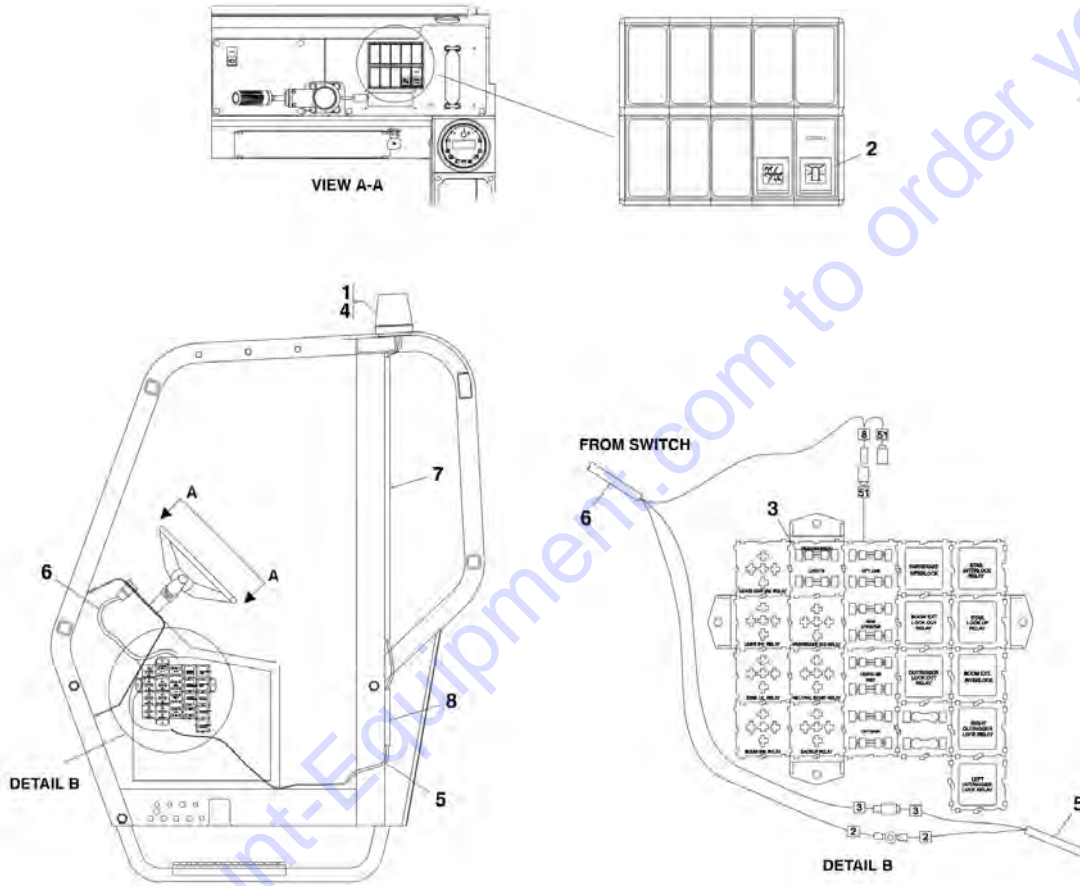
SECTION 10 - ELECTRICAL

ITEM	PART NUMBER	QTY	DESCRIPTION	REV
102	8036218	1	WORKLIGHT HALOGEN BULB	
103	7150690	1	TAIL/INDICATOR LIGHT	
103	N.S.S.	2	TAIL LIGHT LENS SCREW	
103	8036219	1	TAIL LIGHT LENS	
103	8036221	1	BLINKER BULB, 12V, 21W	
103	8036222	1	TAIL AND BRAKE LIGHT BULB, 12V, 21/5W	
103	8036220	1	WIRING HARNESS, (includes 4-way connector)	
104	8303745	1	HEX HD CAPSCREW, 5/16-18X5/8	
105	8305626	1	HEX LOCKNUT, 5/16-18	

Go to Discount-Equipment.com to order your parts

SECTION 10 - ELECTRICAL

FIGURE 10-6. ROTATING BEACON INSTALLATION



PH5570

SECTION 10 - ELECTRICAL

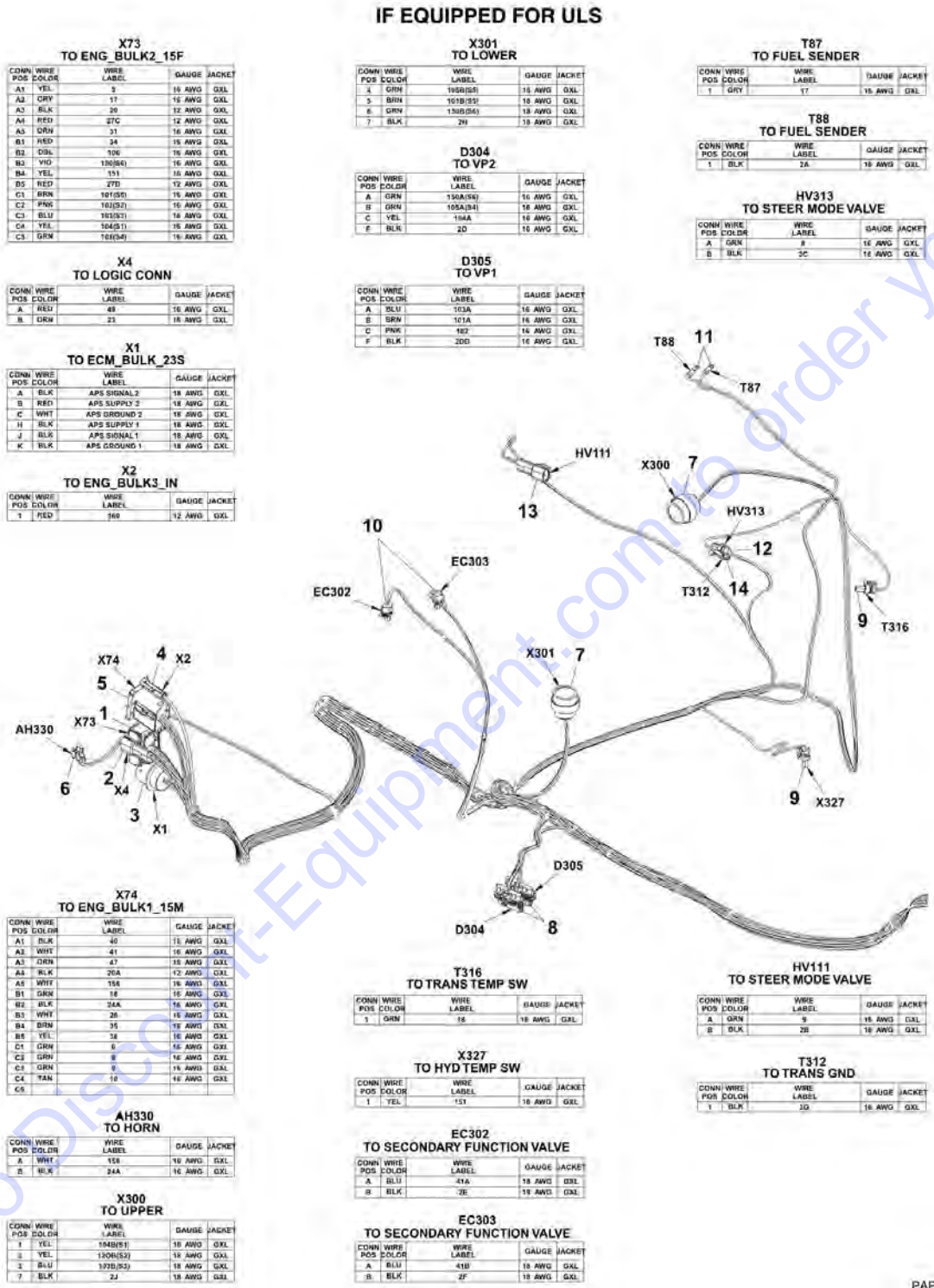
FIGURE 10-6. ROTATING BEACON INSTALLATION

ITEM	PART NUMBER	QTY	DESCRIPTION	REV
	1001130897	1	ROTATING BEACON INSTALLATION, OPEN CAB, (includes all items)	A
	1001130898	1	ROTATING BEACON INSTALLATION, ENCLOSED CAB, (includes items 1 thru 6)	A
1	0100009	AR	SEALANT	
2	8223038	1	BEACON SWITCH	
3	8229233	1	FUSE, 7.5 AMP	
4	8500066	1	ROTATING BEACON LIGHT	
5	7139263	1	WIRE ASSY	
6	7139269	1	WIRE ASSY FROM SWITCH	
7	7139267	1	UPPER WIRE DUCT	
8	7139268	1	LOWER WIRE DUCT	

Go to Discount-Equipment.com to order your parts

SECTION 10 - ELECTRICAL

FIGURE 10-7. ENGINE HARNESS IF EQUIPPED FOR ULS



PAP26350

SECTION 10 - ELECTRICAL

IF EQUIPPED FOR ULS

X52 TO STABILTRAK

CONN. WIRE POS. COLOR	WIRE LABEL	GAUGE	JACKET
A	BLK	18 AWG	OXL
B	BLK	18 AWG	OXL

X53 TO STABILTRAK

CONN. WIRE POS. COLOR	WIRE LABEL	GAUGE	JACKET
A	WHY	24	18 AWG OXL
B	BLK	24	18 AWG OXL

X54 TO STABILTRAK

CONN. WIRE POS. COLOR	WIRE LABEL	GAUGE	JACKET
A	WHY	24	18 AWG OXL
B	BLK	24	18 AWG OXL

X55 TO STABILTRAK

CONN. WIRE POS. COLOR	WIRE LABEL	GAUGE	JACKET
A	WHY	24	18 AWG OXL
B	BLK	24	18 AWG OXL

X56 TO STAB. FLOAT B

CONN. WIRE POS. COLOR	WIRE LABEL	GAUGE	JACKET
A	WHY	24	18 AWG OXL
B	BLK	24	18 AWG OXL

X325 TO BACK UP ALARM

CONN. WIRE POS. COLOR	WIRE LABEL	GAUGE	JACKET
A	ORN	33	18 AWG OXL
B	BLK	2K	18 AWG OXL

T57 TO ENG. GND

CONN. WIRE POS. COLOR	WIRE LABEL	GAUGE	JACKET
1	BLK	20	12 AWG OXL
2	BLK	20	12 AWG OXL

T278 TO BATT+

CONN. WIRE POS. COLOR	WIRE LABEL	GAUGE	JACKET
1	RED	ECM BATT	12 AWG OXL

T284 TO ENG BLOCK GND

CONN. WIRE POS. COLOR	WIRE LABEL	GAUGE	JACKET
1	BLK	CASE GND	16 AWG OXL
2	BLK	ECM GND 1	12 AWG OXL

T61 TO PWR BUSS

CONN. WIRE POS. COLOR	WIRE LABEL	GAUGE	JACKET
1	RED	270	12 AWG OXL

T328 TO PWR BUSS

CONN. WIRE POS. COLOR	WIRE LABEL	GAUGE	JACKET
1	RED	166	12 AWG OXL
2	RED	270	12 AWG OXL

X324 TO ALTERNATOR

CONN. WIRE POS. COLOR	WIRE LABEL	GAUGE	JACKET
1	RED	5	16 AWG OXL

EC291 TO STARTER ENGINE

CONN. WIRE POS. COLOR	WIRE LABEL	GAUGE	JACKET
1	BLK	181	18 AWG OXL

SN112 TO BOOM SENSOR

CONN. WIRE POS. COLOR	WIRE LABEL	GAUGE	JACKET
A	BRN	35	18 AWG OXL
B	TAN	16	18 AWG OXL
C	BLK	27	18 AWG OXL

SN113 TO BOOM EXTEND

CONN. WIRE POS. COLOR	WIRE LABEL	GAUGE	JACKET
A	RED	48	18 AWG OXL
B	ORN	25	18 AWG OXL
C	BLK	28	18 AWG OXL

EC292 TO COOLANT LEVEL

CONN. WIRE POS. COLOR	WIRE LABEL	GAUGE	JACKET
A	DRG	SENSOR SUPPLY	18 AWG OXL
B	DRG	COOLANT LVL	18 AWG OXL
C	BLK	ECM SEN RTN	18 AWG OXL

FC314 TO ATO FUSE

CONN. WIRE POS. COLOR	WIRE LABEL	GAUGE	JACKET
1	RED	ECM BATT	12 AWG OXL
2	RED	ECM BATT	12 AWG OXL

RL109-85 TO GRID HTR RLY

CONN. WIRE POS. COLOR	WIRE LABEL	GAUGE	JACKET
1	BLK	OUTPUT RTN 2	18 AWG OXL

RL109-86 TO GRID HTR RLY

CONN. WIRE POS. COLOR	WIRE LABEL	GAUGE	JACKET
1	BLK	GND	18 AWG OXL

X321 TO STRT LOCK OUT

CONN. WIRE POS. COLOR	WIRE LABEL	GAUGE	JACKET
25	BLU	18	12 AWG OXL
85	BLK	OUTPUT RTN 1	18 AWG OXL
86	DRG	STRT LOCK	18 AWG OXL
87	DRN	STRT	18 AWG OXL

RL288 TO STARTER RELAY GENERIC

CONN. WIRE POS. COLOR	WIRE LABEL	GAUGE	JACKET
1	ORN	STR7	18 AWG OXL
2	BLK	27	16 AWG OXL

RL288-1 TO STARTER RELAY GENERIC

CONN. WIRE POS. COLOR	WIRE LABEL	GAUGE	JACKET
1	BLK	51	18 AWG OXL

T350 TO ECM CASE GROUND

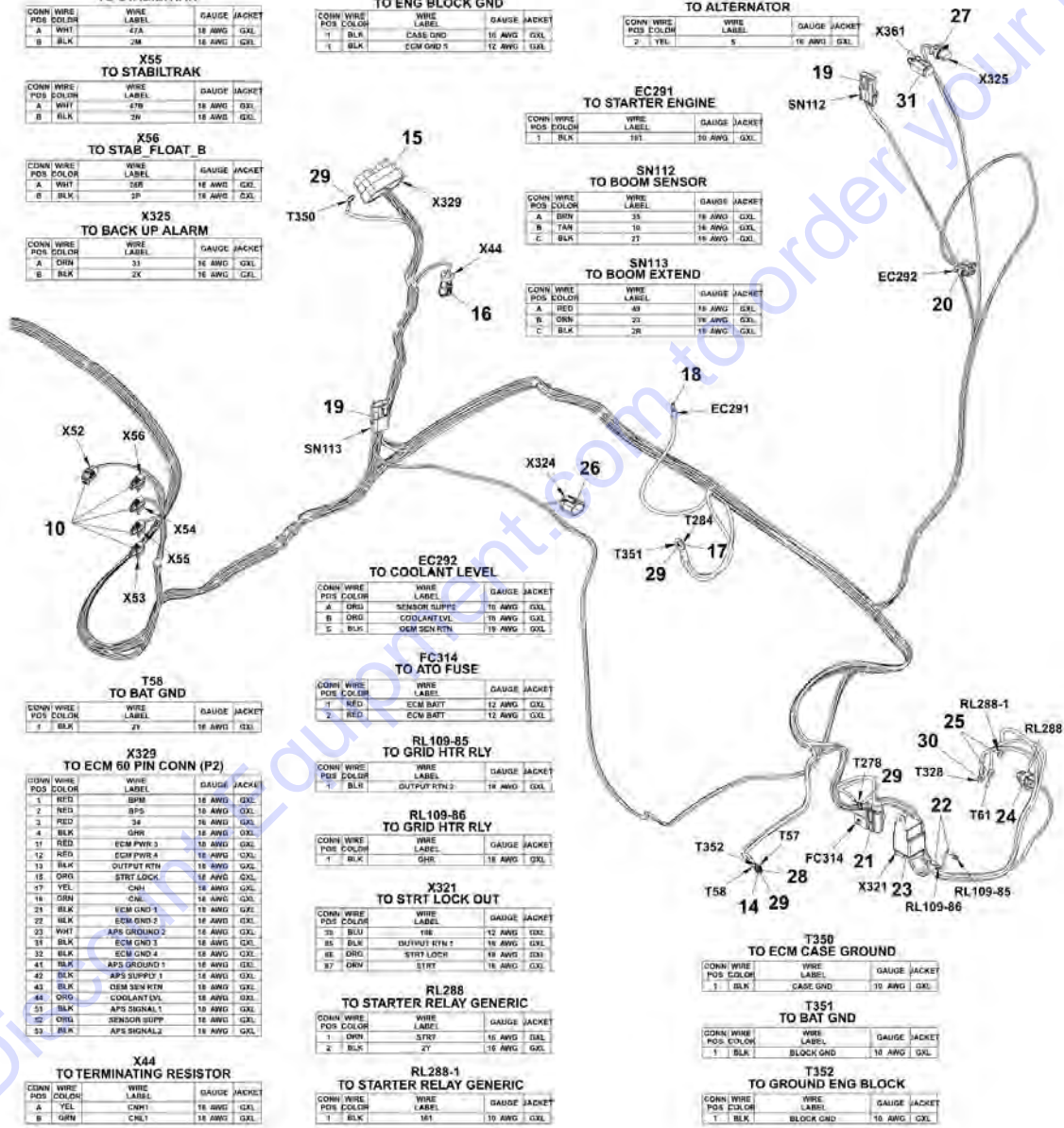
CONN. WIRE POS. COLOR	WIRE LABEL	GAUGE	JACKET
1	BLK	CASE GND	18 AWG OXL

T351 TO BAT GND

CONN. WIRE POS. COLOR	WIRE LABEL	GAUGE	JACKET
1	BLK	BLOCK GND	18 AWG OXL

T352 TO GROUND ENG BLOCK

CONN. WIRE POS. COLOR	WIRE LABEL	GAUGE	JACKET
1	BLK	BLOCK GND	18 AWG OXL



SECTION 10 - ELECTRICAL

FIGURE 10-7. ENGINE HARNESS IF EQUIPPED FOR ULS

ITEM	PART NUMBER	QTY	DESCRIPTION	REV
	1001129759	1	ENGINE HARNESS, (IF EQUIPPED FOR ULS), (includes all items)	J
1	8220927	1	CONNECTOR	
1	1001116728	11	TERMINAL	
1	4460458	11	SEAL	
1	1001116747	4	TERMINAL	
1	8220089	4	SEAL	
2	4461157	1	CONNECTOR	
2	4460475	2	TERMINAL	
2	4460458	2	SEAL	
3	8220548	1	CONNECTOR	
3	1001116692	6	TERMINAL	
3	4460466	17	PLUG	
4	80963056	1	CONNECTOR	
4	4460850	1	TERMINAL	
4	80963067	1	SEAL	
5	8220929	1	CONNECTOR	
5	1001116729	13	TERMINAL	
5	1001116745	1	TERMINAL	
5	1001116727	1	PLUG	
6	1001117068	1	CONNECTOR	
6	8220124	2	TERMINAL	
7	8220536	2	CONNECTOR	
7	1001129513	4	TERMINAL	
8	4460744	2	CONNECTOR	
8	1001116728	4	TERMINAL	
8	8220081	4	SEAL	
8	1001116727	2	PLUG	
9	1001119004	2	CONNECTOR	
9	1001116728	1	TERMINAL	
10	4460955	7	CONNECTOR	
10	1001116748	2	TERMINAL	
11	4460042	2	RING TERMINAL	
11	4460042	1	RING TERMINAL	
12	1001117021	1	CONNECTOR	
12	1001116728	2	TERMINAL	
12	4460458	2	SEAL	
13	1001117026	1	CONNECTOR	
13	1001116729	2	TERMINAL	
14	4460256	2	RING TERMINAL	
14	4460256	1	RING TERMINAL	
15	1001126208	1	CONNECTOR	
15	1001119619	22	TERMINAL	
15	4460518	38	SEAL PLUG	
16	4461095	1	TERMINAL	
16	4461094	2	TERMINAL	
16	4460466	1	PLUG	
17	8220164	1	RING TERMINAL	
17	8220164	2	RING TERMINAL	
18	4460142	1	RING TERMINAL	
18	1001117111	1	FORK TERMINAL	

SECTION 10 - ELECTRICAL

ITEM	PART NUMBER	QTY	DESCRIPTION	REV
19	4460476	1	CONNECTOR	
19	4460475	3	TERMINAL	
19	4460458	3	PLUG	
20	1001125027	1	METRI-PACK CONNECTOR	
20	8220124	3	TERMINAL	
21	1001117070	1	CONNECTOR	
21	1001116734	2	TERMINAL	
22	4460247	2	RING TERMINAL	
22	4460247	1	RING TERMINAL	
23	1001118282	1	CONNECTOR	
23	1001116734	1	TERMINAL	
23	1001116732	2	TERMINAL	
23	1001116733	1	TERMINAL	
24	1001116950	1	CONNECTOR	
24	4460465	2	SOCKET TERMINAL	
25	4460312	2	RING TERMINAL	
25	4460312	1	RING TERMINAL	
26	1001125748	1	CONNECTOR	
26	1001129773	2	SEAL PLUG	
26	1001125773	1	TERMINAL	
27	1001117021	1	METRI-PACK CONNECTOR	
27	1001116728	2	TERMINAL	
27	8220081	2	SEAL	
28	4460019	1	RING TERMINAL	
28	4460019	2	RING TERMINAL	
29	4460019	4	RING TERMINAL	
29	4460019	1	RING TERMINAL	
30	4460312	1	RING TERMINAL	
30	4460312	2	RING TERMINAL	
31	4460884	1	CONNECTOR	
31	4460465	3	TERMINAL	
31	4460466	1	PLUG	

SECTION 10 - ELECTRICAL

FIGURE 10-8. ENGINE HARNESS IF EQUIPPED FOR LS

IF EQUIPPED FOR LS

**X73
TO ENG BULK2_15F**

CONN. WIRE POS. COLOR	WIRE LABEL	GAUGE	JACKET
A1	YEL	5	16 AWG GXL
A2	GRY	17	16 AWG GXL
A3	BLK	20	12 AWG GXL
A4	RED	27C	12 AWG GXL
A6	GRN	31	16 AWG GXL
B1	RED	34	16 AWG GXL
B2	BLU	106	16 AWG GXL
B3	VIO	150(58)	16 AWG GXL
B4	YEL	161	16 AWG GXL
B5	RED	27D	12 AWG GXL
C1	BRN	101(55)	16 AWG GXL
C2	PNK	102(52)	16 AWG GXL
C3	BLU	103(53)	16 AWG GXL
C4	YEL	104(51)	16 AWG GXL
C5	GRN	105(54)	16 AWG GXL

**X4
TO LOGIC CONN**

CONN. WIRE POS. COLOR	WIRE LABEL	GAUGE	JACKET
A	RED	46	16 AWG GXL
B	GRN	28	16 AWG GXL

**X1
TO ECM BULK_23S**

CONN. WIRE POS. COLOR	WIRE LABEL	GAUGE	JACKET
A	BLK	APS GND 1	16 AWG GXL
B	BLK	APS SUPP 1	16 AWG GXL
C	BLK	APS SIG 1	16 AWG GXL
H	RED	APS SUPP 2	16 AWG GXL
J	WHT	APS GND 2	16 AWG GXL
K	BLK	APS SIG 2	16 AWG GXL
X	GRN	CHG	16 AWG GXL

**X2
TO ENG BULK3_IN**

CONN. WIRE POS. COLOR	WIRE LABEL	GAUGE	JACKET
1	RED	160	12 AWG GXL

**X74
TO ENG BULK1_15M**

CONN. WIRE POS. COLOR	WIRE LABEL	GAUGE	JACKET
A1	BLK	40	16 AWG GXL
A2	WHT	41	16 AWG GXL
A3	GRN	47	16 AWG GXL
A4	BLK	20A	12 AWG GXL
A5	WHT	158	16 AWG GXL
B1	GRN	16	16 AWG GXL
B2	BLK	28A	16 AWG GXL
B3	WHT	28	16 AWG GXL
B4	BRN	35	16 AWG GXL
B5	YEL	38	16 AWG GXL
C1	GRN	8	16 AWG GXL
C3	GRN	8	16 AWG GXL
C2	GRN	9	16 AWG GXL
C4	TAN	10	16 AWG GXL

**AH330
TO HORN**

CONN. WIRE POS. COLOR	WIRE LABEL	GAUGE	JACKET
A	WHT	158	16 AWG GXL
B	BLK	28A	16 AWG GXL

**X300
TO UPPER**

CONN. WIRE POS. COLOR	WIRE LABEL	GAUGE	JACKET
1	YEL	104(B1)	16 AWG GXL
2	YEL	120(B1)	16 AWG GXL
3	BLU	108(B1)	16 AWG GXL
7	BLK	21	16 AWG GXL

**X301
TO LOWER**

CONN. WIRE POS. COLOR	WIRE LABEL	GAUGE	JACKET
4	GRN	102(B1)	16 AWG GXL
5	BRN	101(B1)	16 AWG GXL
6	GRN	103(B1)	16 AWG GXL
7	BLK	2H	16 AWG GXL

**D304
TO VP2**

CONN. WIRE POS. COLOR	WIRE LABEL	GAUGE	JACKET
A	GRN	150A(56)	16 AWG GXL
B	GRN	105A(54)	16 AWG GXL
C	YEL	106A	16 AWG GXL
F	BLK	2D	16 AWG GXL

**D305
TO VP1**

CONN. WIRE POS. COLOR	WIRE LABEL	GAUGE	JACKET
A	BLU	109A	16 AWG GXL
B	BRN	107A	16 AWG GXL
C	PNK	102	16 AWG GXL
F	BLK	20D	16 AWG GXL

**T88
TO FUEL SENDER**

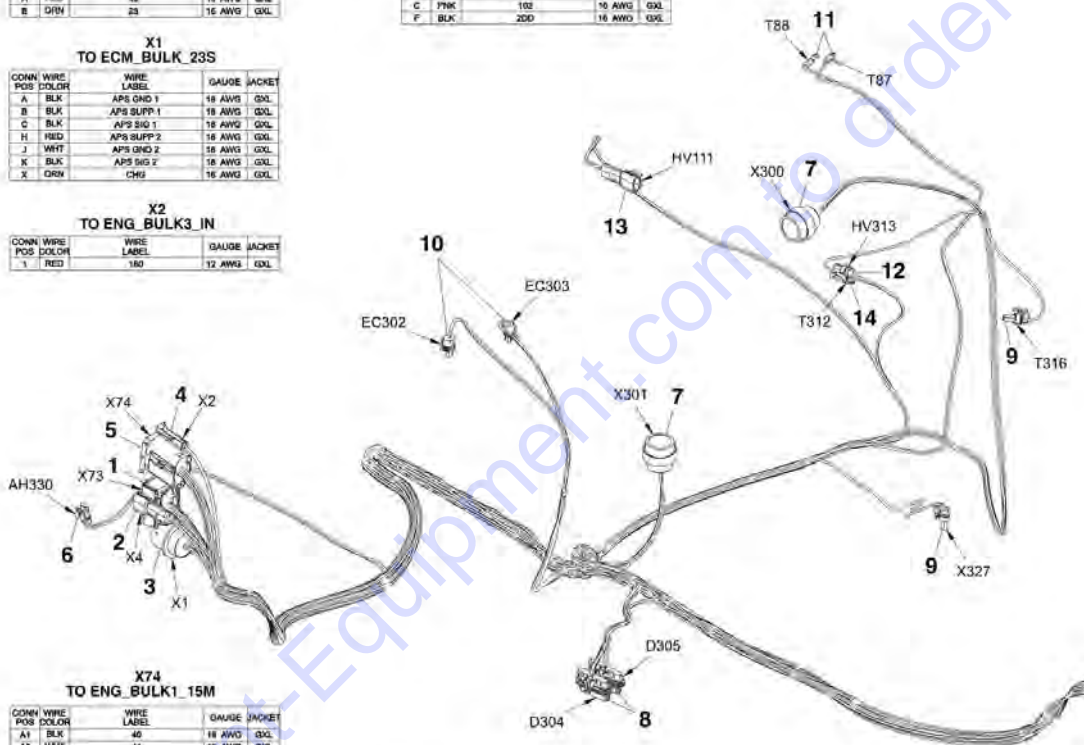
CONN. WIRE POS. COLOR	WIRE LABEL	GAUGE	JACKET
1	BLK	2A	16 AWG GXL

**HV313
TO STEER MODE VALVE**

CONN. WIRE POS. COLOR	WIRE LABEL	GAUGE	JACKET
A	GRN	9	16 AWG GXL
B	BLK	2B	16 AWG GXL

**T87
TO FUEL SENDER**

CONN. WIRE POS. COLOR	WIRE LABEL	GAUGE	JACKET
1	GRY	17	16 AWG GXL



**T316
TO TRANS TEMP SW**

CONN. WIRE POS. COLOR	WIRE LABEL	GAUGE	JACKET
1	GRN	18	16 AWG GXL

**X327
TO HYD TEMP SW**

CONN. WIRE POS. COLOR	WIRE LABEL	GAUGE	JACKET
1	YEL	161	16 AWG GXL

**EC302
TO SECONDARY FUNCTION VALVE**

CONN. WIRE POS. COLOR	WIRE LABEL	GAUGE	JACKET
A	BLU	41A	16 AWG GXL
B	BLK	2E	16 AWG GXL

**EC303
TO SECONDARY FUNCTION VALVE**

CONN. WIRE POS. COLOR	WIRE LABEL	GAUGE	JACKET
A	BLU	41B	16 AWG GXL
B	BLK	2F	16 AWG GXL

**HV111
TO STEER MODE VALVE**

CONN. WIRE POS. COLOR	WIRE LABEL	GAUGE	JACKET
A	GRN	9	16 AWG GXL
B	BLK	2B	16 AWG GXL

**T312
TO TRANS GND**

CONN. WIRE POS. COLOR	WIRE LABEL	GAUGE	JACKET
1	BLK	2D	16 AWG GXL

PH5610.

SECTION 10 - ELECTRICAL

FIGURE 10-8. ENGINE HARNESS IF EQUIPPED FOR LS

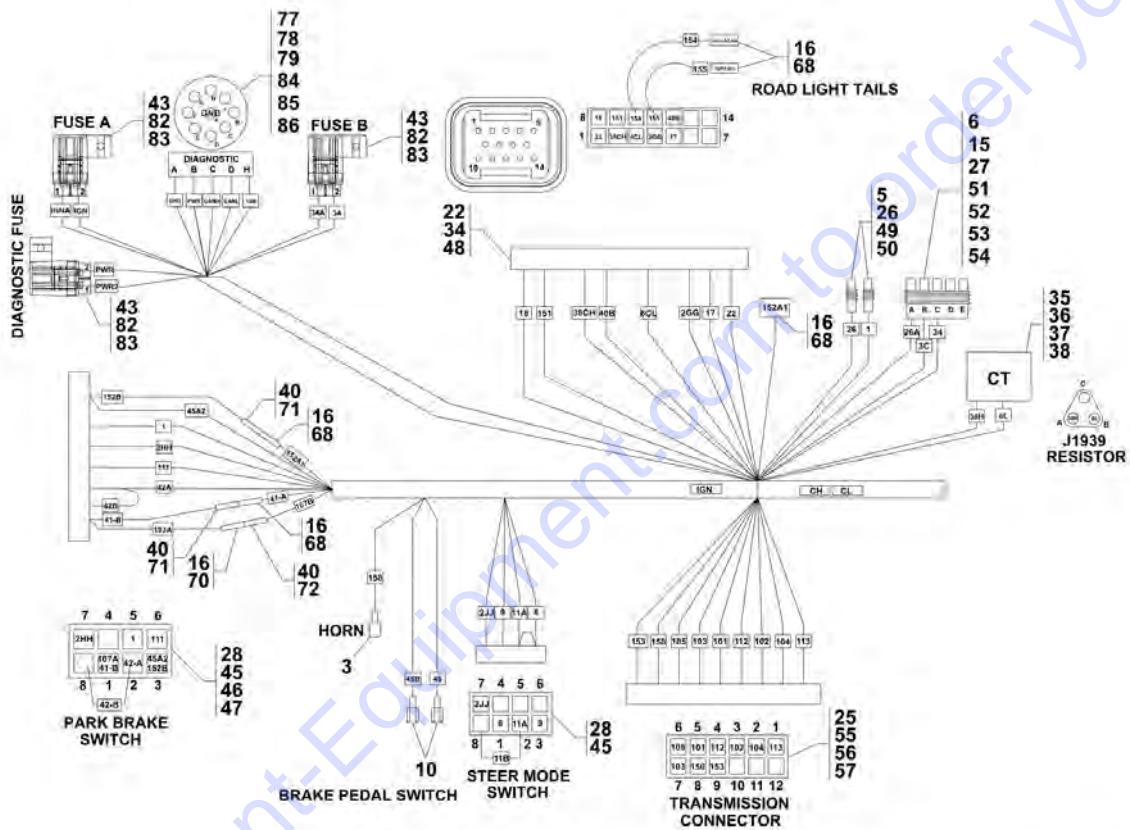
ITEM	PART NUMBER	QTY	DESCRIPTION	REV
	1001133350	1	ENGINE HARNESS, (IF EQUIPPED FOR LS), (includes all items)	H
1	8220927	1	CONNECTOR	
1	1001116728	12	TERMINAL	
1	8220081	12	CABLE SEAL, METRI-PACK	
1	8220089	3	CABLE SEAL TERMINAL, METRI-PACK	
1	1001116747	3	TERMINAL	
2	4461157	1	CONNECTOR	
2	4460475	2	TERMINAL	
2	8220081	2	CABLE SEAL, METRI-PACK	
3	8220548	1	CONNECTOR	
3	1001116692	7	SOCKET TERMINAL	
3	4460466	16	SEALING PLUG TERMINAL	
4	80963056	1	CONNECTOR	
4	4460979	1	TERMINAL	
5	8220929	1	CONNECTOR	
5	1001116729	14	TERMINAL	
6	1001117068	1	METRI-PACK CONNECTOR	
6	8220124	2	TERMINAL	
7	8220536	2	CONNECTOR	
7	1001129513	4	SOCKET TERMINAL	
8	4460744	2	METRI-PACK CONNECTOR	
8	1001116728	4	TERMINAL	
8	8220081	2	CABLE SEAL, METRI-PACK	
8	1001116727	2	PLUG	
9	1001119004	2	METRI-PACK CONNECTOR	
9	1001116728	1	TERMINAL	
10	4460955	7	CONNECTOR	
10	1001116748	2	TERMINAL	
11	4460042	2	RING TERMINAL	
11	4460042	1	RING TERMINAL	
12	1001117021	1	METRI-PACK CONNECTOR	
12	1001116747	2	TERMINAL	
13	1001117026	1	METRI-PACK CONNECTOR	
13	1001116729	2	TERMINAL	
14	4460256	2	RING TERMINAL	
14	4460256	1	RING TERMINAL	
15	1001116810	1	CONNECTOR	
15	4460509	4	SOCKET TERMINAL	
16	1001116831	1	CONNECTOR	
16	1001119619	11	SOCKET TERMINAL	
16	4460518	49	SEALING PLUG TERMINAL	
17	4460897	1	TERMINAL	
17	4460464	2	TERMINAL	
18	4461095	1	CONNECTOR	
18	4460943	2	TERMINAL	
18	4460466	1	SEAL PLUG	
19	4460019	5	RING TERMINAL	
20	4460142	1	RING TERMINAL	
20	1001117111	1	FORK TERMINAL	
21	4460476	2	TERMINAL	

SECTION 10 - ELECTRICAL

ITEM	PART NUMBER	QTY	DESCRIPTION	REV
21	4460475	3	TERMINAL	
22	1001117070	1	METRI-PACK CONNECTOR	
22	1001116734	2	TERMINAL	
23	4460247	2	RING TERMINAL	
23	4460247	1	RING TERMINAL	
24	1001116950	1	AMPSEAL 16 CONNECTOR	
24	4460465	2	SOCKET TERMINAL	
25	4460312	3	RING TERMINAL	
25	4460312	4	RING TERMINAL	
26	1001125748	1	CONNECTOR	
26	1001125773	2	TERMINAL	
27	4460891	1	TERMINAL	
27	4460465	2	SOCKET TERMINAL	
28	1001117021	1	METRI-PACK CONNECTOR	
28	1001116728	2	TERMINAL	
28	8220081	2	CABLE SEAL, METRI-PACK	
29	4460019	1	RING TERMINAL	
29	8220164	1	RING TERMINAL	
30	8220164	1	RING TERMINAL	
30	8220164	2	RING TERMINAL	
31	4460312	1	RING TERMINAL	
31	4460312	2	RING TERMINAL	
32	4460884	1	CONNECTOR	
32	4460465	3	TERMINAL	
32	4460466	1	SEALING PLUG TERMINAL	

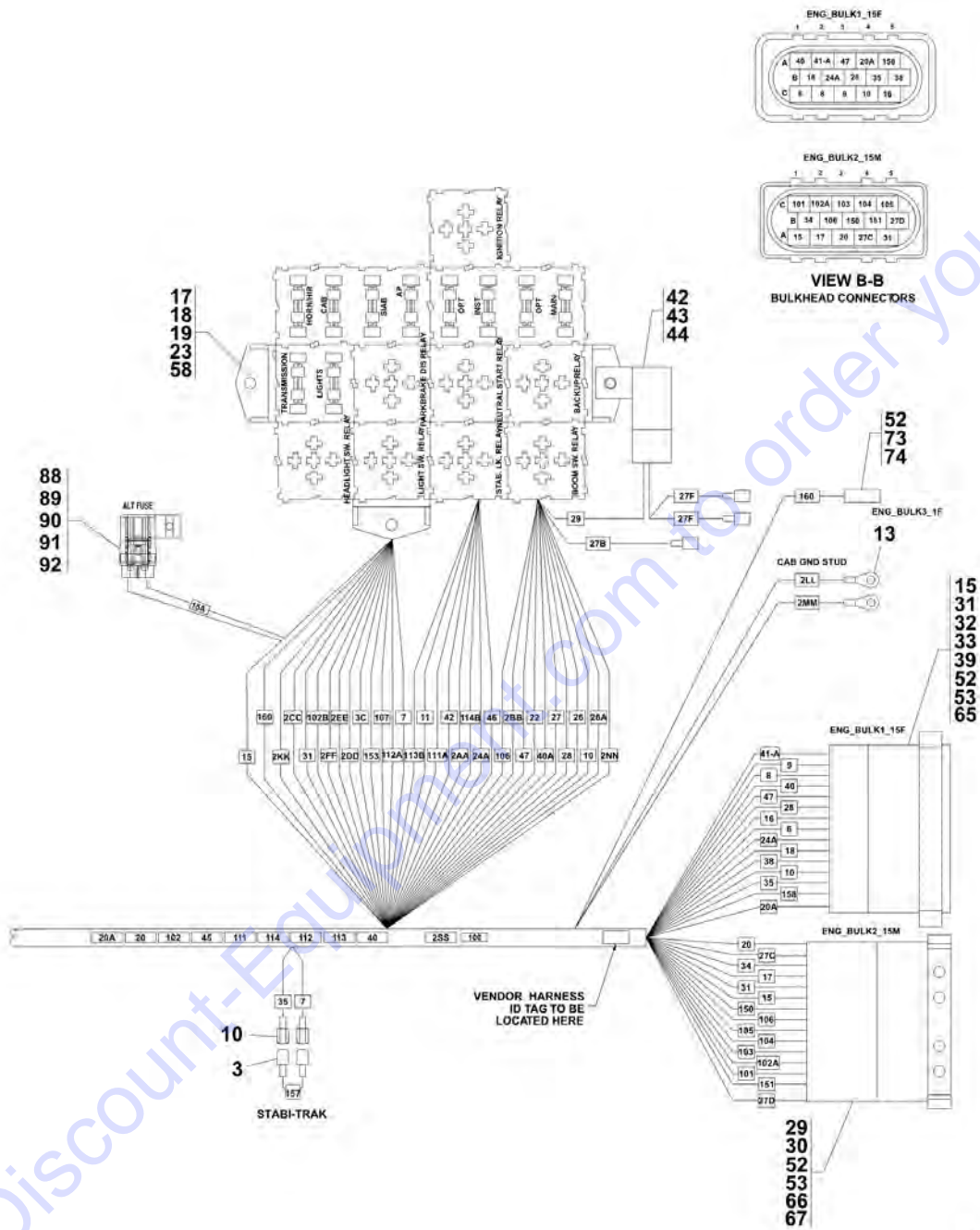
SECTION 10 - ELECTRICAL

FIGURE 10-9. CAB POWER DISTRIBUTION HARNESS (Prior to SN 0160065987)



PAP26090

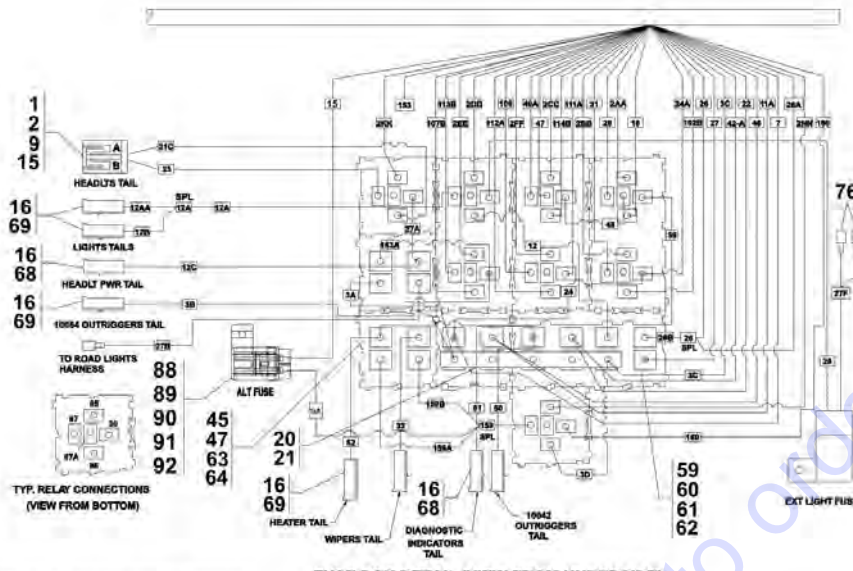
SECTION 10 - ELECTRICAL



ART_1001129762_24

Go to Discount-Eduparts.com to order your parts

SECTION 10 - ELECTRICAL



FUSE BOX DETAIL (VIEW FROM UNDERSIDE)

WIRE NO	COLOR	WIRE GAGE/TYPER	WIRE TO/FROM
160	RED	12 SXL	IGN RELAY PIN 36 - ENG_BULK1_17
159B	PURPLE	14 SXL	SPUCE 108 - CAB FUSE
159A	PURPLE	12 SXL	SPUCE 119 - HORN/STR FUSE
159	PURPLE	12 SXL	IGN RELAY PIN 37 - SPUCE 139
15E	BLACK	16 SXL	HORN TERM - ENG_BULK_1_15F-A3
157	BROWN	16 SXL	JUMPER WIRE AT STAB-TRAK TERM
10NA	BLUE	18 SXL	SPUCE 10N FUSE A PIN 1
115	GREEN/RED	10 OXL	INSTR PNL PIN 11 - ROADLT TAIL
154	BLUE/WHITE	16 OXL	INSTR PNL PIN 11 - ROADLT TAIL
123A	GREY/WHITE	16 SXL	TRANSM FUSE - PWRK SW RELAY PIN 30
153	GREY/WHITE	16 SXL	TRANSM CONN PIN 6 - PWRK SW RELAY PIN 30
152B	BLACK/WHITE	16 SXL	PWRK SW MALE CONN - PWRK SW PIN 3
10H	BLUE	18 SXL	FUSEA PIN 2-DIAGNOSTIC PIN H
0ND	BLACK	16 SXL	DIAGNOSTIC PINA-SPUCE 20
192A1	BLACK/WHITE	16 SXL	OUTRIGGER TAIL - PWRK SW FEM CONN
151	YELLOW/GREEN	10 OXL	INSTR PNL PIN 8 - ENG_BULK_15M-B4
150	PURPLE	18 SXL	TRANSM CONN PIN 4 - ENG_BULK_15M-B3
114B	BLUE/ORANGE	16 SXL	STAB SW RELAY PIN 46 - SPUCE 114
114A	BLUE/ORANGE	12 SXL	SPUCE 114 - INDOOR - SPUCE 114
113C	RED	16 SXL	SPUCE 113 - SPUCE 113/DIODE
113B	RED	16 SXL	SPUCE 113 - PWRK SW RELAY PIN 47
113A	RED	16 SXL	SPUCE 113 - SPUCE 113
113	RED	16 SXL	TRANSM CONN PIN 1 - SPUCE 113
112A	GREY	16 SXL	INSTR PNL PIN 8B - SPUCE 112
112	GREY	16 SXL	TRANSM CONN PIN 4 - SPUCE 112
111A	RED	12 SXL	SPUCE 111 - HOIST START RELAY PIN 28
111	RED	12 SXL	PWRK SW PIN 6 - SPUCE 111
107D	BLUE	18 SXL	PWRK SW MALE CONN - PWRK SW RELAY PIN 30
107A	BLUE	18 SXL	PWRK SW PIN 1 - PWRK SW FEM CONN
106	BLUE/ORANGE	12 SXL	NEU ST RELAY PIN 47 - ENG_BULK_15M-B2
105	GREEN	10 SXL	TRANSM CONN PIN 6 - ENG_BULK_15M-C3
104	YELLOW	16 SXL	TRANSM CONN PIN 2 - ENG_BULK_15M-C4
103	BLUE	16 SXL	TRANSM CONN PIN 7 - ENG_BULK_15M-C1
15A	LT BLUE	12 SXL	ALT FUSE PIN 2 - SPUCE 15A
PWR2	RED	16 SXL	SPUCE 27-DIAGNOSTIC FUSE PIN 1
CANL	GREEN	18 SXL	DIAGNOSTIC PIN 8-SPUCE CL
CAN1	YELLOW	18 SXL	DIAGNOSTIC PIN 5-SPUCE CH
PWR1	RED	16 SXL	DIAGNOSTIC PIN 8-DIAGNOSTIC FUSE PIN 2
102B	PINK	16 SXL	SPUCE 102 - BACKUP RELAY PIN 65
102A	PINK	16 SXL	SPUCE 102 - ENG_BULK_15M-C2
102	PINK	16 SXL	SPUCE 102 - TRANSM CONN PIN 2
101	BROWN	16 SXL	TRANSM CONN PIN 5 - ENG_BULK_15M-C1

WIRE NO	COLOR	WIRE GAGE/TYPER	WIRE TO/FROM
52	ORANGE	14 SXL	HORN/STR FUSE - HEATER TAIL
51	WHITE/RED	16 SXL	OPT FUSE - DIAG IND TAIL
50	WHITE/YELLOW	16 SXL	OPT FUSE - 10942 OUTRIG TAIL
48	PURPLE/BLACK	16 SXL	STAB RELAY PIN 24 - ROOM SW RELAY PIN 37A
47	ORANGE/WHITE	16 SXL	STAB RELAY PIN 37A - ENG_BULK_15F-A3
46	WHITE/ORANGE	16 SXL	STRUTAS FUSE - BRAKX PEDAL SW
45B	DK BLUE/ORANGE	16 SXL	SPUCE 45 - BRAKX PED SW
45A2	DK BLUE/ORANGE	16 SXL	SPUCE 45 DIODE - PWRK SW PIN 3
45A	DK BLUE/ORANGE	16 SXL	SPUCE 45 DIODE - SPUCE 45
45	DK BLUE/ORANGE	16 SXL	SPUCE 45 - SPUCE 114
42-B	TAN	16 SXL	PWRK SW JUMPER PINS 2-4
42-A	TAN	16 SXL	PWRK SW PIN 2 - INSTR FUSE
41-B	DK BLUE/WHITE	16 SXL	PWRK SW PIN 1 - PWRK SW MALE CONN
41-A	DK BLUE/WHITE	16 SXL	PWRK SW FEM CONN - ENG_BULK_15M-A2
40B	BROWN/BLACK	16 SXL	SPUCE 40 - INSTR PNL PIN 12
40A	BROWN/BLACK	16 SXL	SPUCE 40 - STAB LX RELAY PIN 47
40	BROWN/BLACK	16 SXL	SPUCE 40 - ENG_BULK_15F-A1
38	RED/ORAY	16 SXL	ROOM SW RELAY PIN 30 - STAB FUSE
38	YELLOW	16 SXL	SPUCE CH - ENG_BULK_15F-25
35	BROWN/WHITE	16 SXL	STAB-TRAK TERM - ENG_BULK_15F-B4
34	RED/BLACK	16 SXL	FUSE B PIN 3 - ENG_BULK_15M-B1
32	GRAY/WHITE	14 SXL	CAB FUSE - WIPER TAIL
31	ORANGE/RED	16 SXL	BACKUP RELAY PIN 37 - ENG_BULK_15M-A5
29	RED	12 SXL	HOIST LIGHT FUSE - LIGHT SW RELAY PIN 56
28	PURPLE/WHITE	16 SXL	ROOM SW RELAY PIN 47 - ENG_BULK_15F-B3
27F	RED	12 SXL	12V SUBBARR - EXT LIGHTS FUSE
27D	RED	12 SXL	SPUCE 27 - ENG_BULK_15M-B5
27C	RED	12 SXL	SPUCE 27 - ENG_BULK_15M-A4
27B	RED	12 SXL	ROAD LIGHT/HARN CONN - LIGHT FUSE
27A	RED	12 SXL	HOIST SW RELAY PIN 18 - LIGHTS FUSE
27	RED	10 SXL	SPUCE 27 - MAIN FUSE
26B	RED	10 OXL	SPUCE 26 - IGN SWITCH
26A	RED	10 OXL	SPUCE 26 - IGN SWITCH PIN A
26	RED	10 OXL	SPUCE 26 - IGN SWITCH
24A	ORANGE/GREEN	14 SXL	BRUP RELAY PIN 38 - ENG_BULK_15F-B2
24	ORANGE/GREEN	14 SXL	BACKUP RELAY PIN 35 - HORN/STR FUSE
23	GREEN	16 SXL	HEADLT CONN PIN B - HEADLT SW RELAY PIN 67
22	WHITE	16 OXL	INSTR FUSE DIODE - INSTR PNL PIN 1
21C	RED	16 SXL	HEADLT CONN PIN A - HEADLT SW RELAY PIN 66
21A	BLACK	12 SXL	ENG_BULK_15F-A4 - SPUCE 20A

WIRE NO	COLOR	WIRE GAGE/TYPER	WIRE TO/FROM
20	BLACK	12 SXL	ENG_BULK_15M-A3 - SPUCE 20
18	GREEN	18 SXL	ENG_BULK_15F-B1 - INSTR PNL PIN 6
17	GRAY	18 SXL	ENG_BULK_15M-A2 - INSTR PNL PIN 5
33CH	YELLOW	16 SXL	SPUCE CH/INST PNL PIN 2
38H	YELLOW	16 SXL	SPUCE CH/CT PIN A
24A	RED/BLK	16 SXL	HORN B PIN 1-SPUCE 8H
15	LT. BLUE	16 SXL	ENG_BULK_15M-A1 - SPUCE 15H
122AA	DK BLUE	12 SXL	SPUCE 12A - LIGHT OPTION TAIL
12C	DK BLUE	16 SXL	LIGHTS FUSE - HOIST OPTION TAIL
12B	DK BLUE	12 SXL	SPUCE 12A - LIGHT OPTION TAIL
12A	DK BLUE	12 SXL	SPUCE 12A - LIGHT SW RELAY PIN 67
12	DK BLUE	18 SXL	OPT FUSE - LIGHT SW RELAY PIN 66
11B	LT. GREEN	16 SXL	STEER/ROCK SW JUMPER PINS 2-PIN 9
11A	LT. GREEN	16 SXL	STEER/ROCK SW PIN 9 - STAB SW FUSE
10	TAN	16 SXL	ROOM SW RELAY PIN 36 - ENG_BULK_15F-C1
9	GREEN/BLACK	16 SXL	STEER MODE SW PIN 1 - ENG_BULK_15F-C3
8	GREEN/WHITE	16 SXL	STEER MODE SW PIN 1 - ENG_BULK_15M-C2
7	BROWN	16 SXL	STAB FUSE - STAB-TRAK TERM
6	GREEN	18 SXL	SPUCE CL - ENG_BULK_15F-C1
3D	PURPLE	18 SXL	IGN RELAY PIN 46 - FUSE/IGN SUBBARR
3C	PURPLE	10 SXL	IGN SW PIN B - FUSE BUZZBAR
3B	PURPLE	10 SXL	FUSE BUZZBAR - 1094 OUTRIG TAIL
3A	PURPLE	10 SXL	TRANSM CONN PIN 6 - FUSE BUZZBAR
8CL	GREEN	18 SXL	SPUCE CL/INST PNL PIN 3
8L	GREEN	18 SXL	SPUCE CL/CT PIN B
IGNSW	BLUE	16 SXL	IGNITION SWITCH PIN 2-SPUCE 10H
29N	BLACK	12 SXL	SPUCE 30 - IGNITION RELAY PIN 35
29M	BLACK	12 SXL	SPUCE 29A - CAB GROUND STUD
29L	BLACK	12 SXL	SPUCE 29 - CAB GROUND STUD
29K	BLACK	18 SXL	SPUCE 29A - HEADLIGHT SW RELAY PIN 65
29J	BLACK	18 SXL	SPUCE 29A - STEER MODE SW PIN 7
29H	BLACK	18 SXL	SPUCE 29A - PWRK SW PIN 7
29G	BLACK	18 SXL	SPUCE 29A - INSTR PNL PIN 4
29F	BLACK	16 SXL	SPUCE 29A - INSTR PNL PIN 4S
29E	BLACK	18 SXL	SPUCE 29A - PWRK SW RELAY PIN 45
29D	BLACK	18 SXL	SPUCE 29 - LIGHT SW RELAY PIN 65
29C	BLACK	18 SXL	SPUCE 29 - STAB LX RELAY PIN 45
29B	BLACK	18 SXL	SPUCE 29A - BACKUP RELAY PIN 45
29A	BLACK	18 SXL	SPUCE 29 - ROOM RELAY PIN 45
1	WHITE	16 SXL	IGN SW - PWRK SW PIN 5

ART_100129762_34

SECTION 10 - ELECTRICAL

FIGURE 10-9. CAB POWER DISTRIBUTION HARNESS (Prior to SN 0160065987)

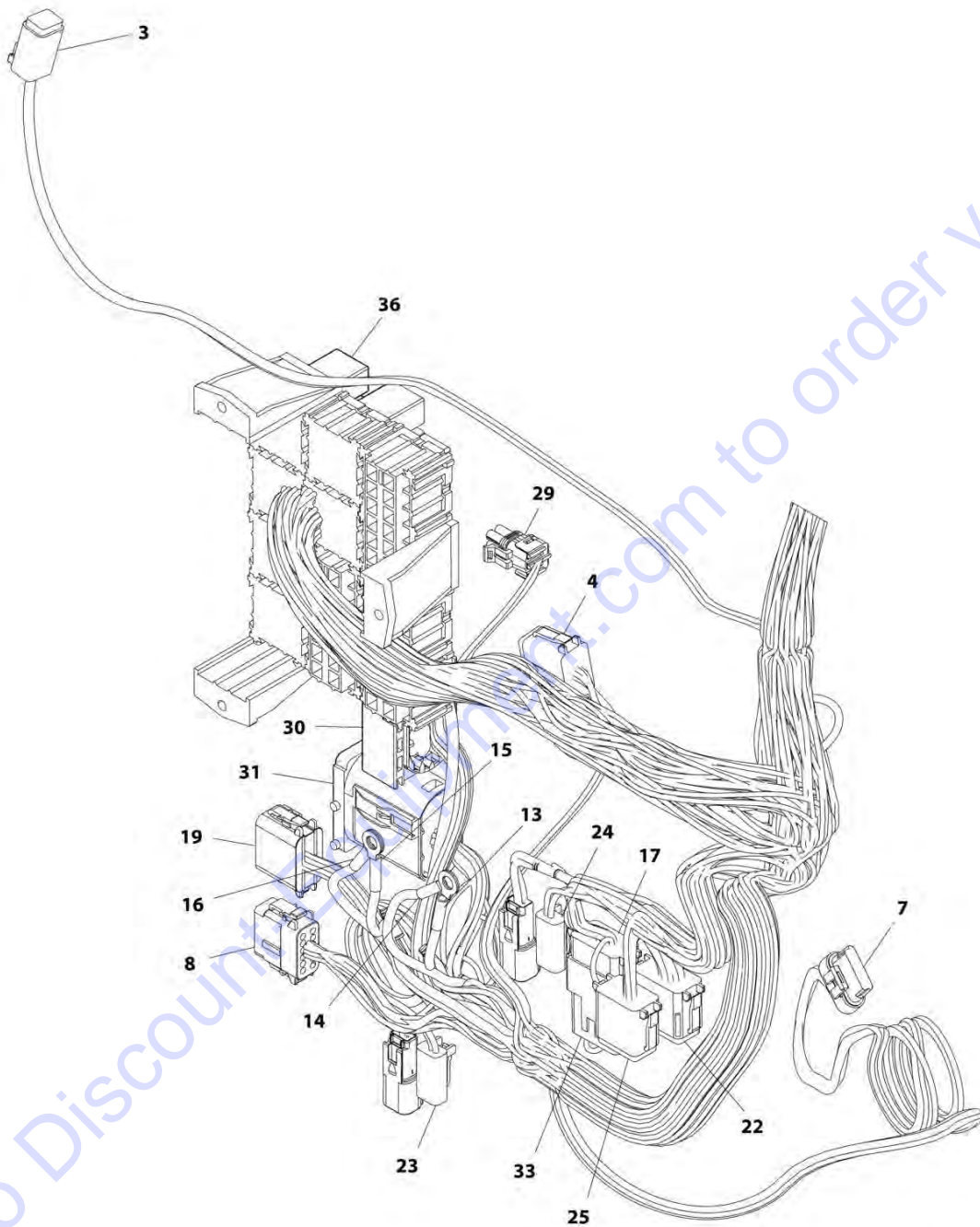
ITEM	PART NUMBER	QTY	DESCRIPTION	REV
	1001129762	1	CAB POWER DISTRIBUTION HARNESS, (includes all items)	I
1	1001117021	1	PLUG, METRI-PACK, SERIES 280, 2 POSITION	
2	8220890	1	SECONDARY LOCK, 2 WAY, SEALED METRI-PACK	
3	4460206	3	MALE BLADE	
5	1001121728	2	CONNECTOR, FEMALE, 1 POSITION	
6	1001121726	1	PLUG, METRI-PACK, SERIES 280, 5 POSITION	
9	4460458	1	SEAL TERMINAL, METRI-PACK, SERIES 280	
10	70024672	4	FEMALE BLADE TERMINAL	
15	1001116728	15	TERMINAL, METRI-PACK, 280 SERIES	
16	8220970	13	CONNECTOR	
17	70024244	2	4 FUSE MODULE	
18	70024245	3	MOUNTING LEG	
19	4461103	20	LOCKING WEDGE	
20	70024246	1	BUS BAR	
21	70024247	1	BUS BAR INSULATOR	
22	4460872	1	PLUG, AMPSEAL, 14 POSITION	
23	4461101	10	LOCKING WEDGE	
25	80363178	1	CONNECTOR	
26	1001121728	2	CONNECTOR, FEMALE	
27	1001121726	1	CONNECTOR, FEMALE, 5 POSITION, METRI-PACK	
28	7026439	2	CONNECTOR	
29	8220929	11	CONNECTOR, METRI-PACK, 15 POSITION, MALE	
30	70024253	11	TPA LOCK	
31	8220927	1	CONNECTOR, METRI-PACK, 15 POSITION, FEMALE	
32	70024254	1	TPA LOCK	
33	70024255	1	SEAL	
34	4460905	4	HOLE SEAL PLUG TERMINAL, AMPSEAL	
35	91554018	1	CONNECTOR	
36	70020891	3	TERMINAL	
37	8220553	1	RECEPTACLE	
38	70021825	1	WEDGE LOCK	
39	70024256	1	SIDE LOCK	
40	7116562	3	CONNECTOR, MALE	
42	70024257	1	CONNECTOR	
43	1001096134	3	FUSE COVER HOLDER	
44	1001116734	2	TERMINAL, METRI-PACK, FEMALE	
45	70022747	20	TERMINAL	
46	70024258	1	TERMINAL, METRI-PACK, FEMALE	
47	1001116735	7	TERMINAL, METRI-PACK, FEMALE	
48	4460871	8	AMPSEAL SOCKET TERMINAL	
49	1001121730	2	TERMINAL, FEMALE, METRI-PACK	
50	8220160	2	CABLE SEAL TERMINAL, FEMALE, METRI-PACK	
51	8220125	2	TERMINAL, FEMALE, METRI-PACK	
52	8220089	6	CABLE SEAL TERMINAL, METRI-PACK	
53	8220081	18	CABLE SEAL, METRI-PACK	
54	1001116727	2	CAVITY PLUG, METRI-PACK	
55	80363179	1	LOCK WEDGE	
56	4460464	9	TERMINAL, #16-#18 PIN	
57	4460466	3	SEALING PLUG TERMINAL	
58	70024248	1	2 FUSE MODULE	

SECTION 10 - ELECTRICAL

ITEM	PART NUMBER	QTY	DESCRIPTION	REV
59	70024249	1	FUSE TERMINAL, WITH SPRING CLIP	
60	70024250	3	FUSE TERMINAL, WITH SPRING CLIP	
61	70024251	9	FUSE TERMINAL, WITH SPRING CLIP	
62	70024252	13	SECONDARY LOCK	
63	4460419	17	TERMINAL, FEMALE, METRI-PACK	
64	4461102	30	SECONDARY LOCK	
65	1001116747	2	TERMINAL, FEMALE, METRI-PACK	
66	1001116745	4	TERMINAL, MALE, METRI-PACK	
67	1001116729	1	TERMINAL, MALE, METRI-PACK	
68	1001116736	9	TERMINAL, FEMALE, UNSEALED	
69	1001116737	4	TERMINAL, FEMALE, UNSEALED	
71	70024259	2	TERMINAL, MALE, METRI-PACK	
72	4461189	1	TERMINAL, MALE, METRI-PACK	
73	80963055	1	CONNECTOR, WEATHER-PACK	
74	4460790	1	TERMINAL, FEMALE SLEEVE SOCKET	
76	70024673	4	FEMALE BLADE TERMINAL	
77	4460466	1	SEAL, PLUG	
78	4460944	1	SOCKET, FEMALE	
79	1001116975	1	CONNECTOR	
82	1001116733	3	TERMINAL, FEMALE	
83	1001117019	3	CONNECTOR, MALE	
84	1001149712	1	CAP AND LANYARD	
85	1001125784	1	LOCKWASHER	
86	1001125785	1	PANEL NUT	
87	70024674	1	MALE BLADE TERMINAL	
88	12066614	1	TERMINAL, PACKARD	
89		Ref	FUSE, 50 AMP	
90	12092677	1	PACKARD	
91	12033997	1	TERMINAL, PACKARD	
92	1233731	1	COVER, PACKARD	

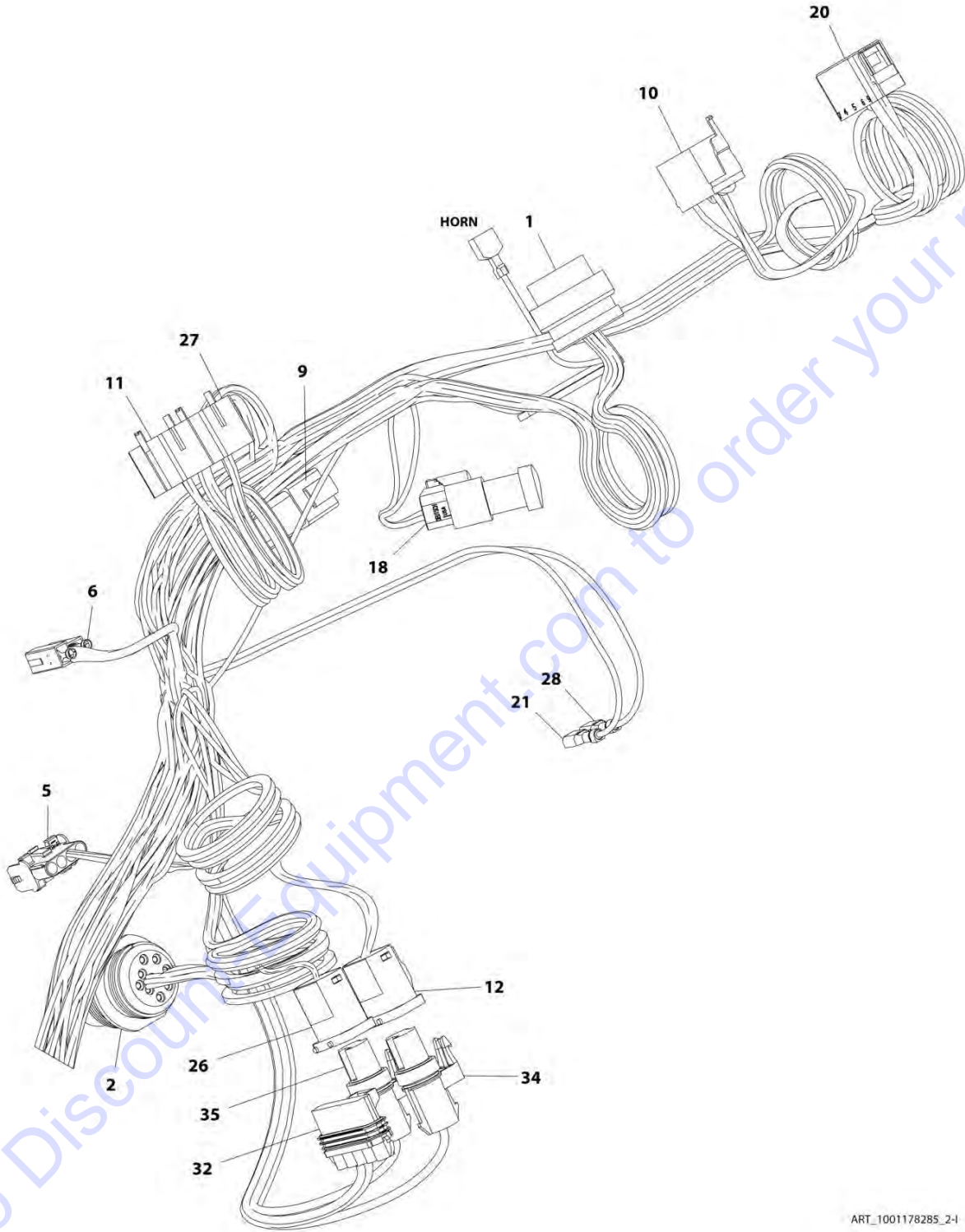
SECTION 10 - ELECTRICAL

FIGURE 10-10. CAB POWER DISTRIBUTION HARNESS (SN 0160065987 to Present)



ART_1001178285_1-I

SECTION 10 - ELECTRICAL



ART_1001178285_2-I

SECTION 10 - ELECTRICAL

FIGURE 10-10. CAB POWER DISTRIBUTION HARNESS (SN 0160065987 to Present)

ITEM	PART NUMBER	QTY	DESCRIPTION	REV
	1001178285	Ref	CAB POWER DISTRIBUTION HARNESS	I
1	4460872	1	CONNECTOR	
	4460871	10	TERMINAL, SOCKET	
	4460905	4	PLUG, SEAL	
2	1001112612	1	CONNECTOR	
	1001149712	1	CAP	
	1001125784	1	LOCKWASHER	
	1001125785	1	NUT	
	4460464	6	TERMINAL	
	4460466	3	PLUG	
3	4460884	1	CONNECTOR	
	80604021	1	LOCK, WEDGE	
	4460465	4	TERMINAL	
4	4460930	1	CONNECTOR	
	80604025	1	LOCK, WEDGE	
	4460465	6	TERMINAL	
	4460466	2	PLUG	
5	4460761	1	CONNECTOR	
	1001118378	4	TERMINAL	
6	1001200833	1	TERMINAL	
7	1001117064	1	CONNECTOR	
	91554014	6	TERMINAL	
8	1001116808	1	CONNECTOR	
	4460909	1	HOUSING	
	4460915	1	LOCK, WEDGE	
	1001126008	10	TERMINAL, SOCKET	
	4460518	2	TERMINAL, PLUG	
9	4460970	1	CONNECTOR	
	80363179	1	LOCK, WEDGE	
	4460464	9	TERMINAL	
	4460466	3	PLUG	
10	8220904	1	CONNECTOR	
	4460419	6	TERMINAL	
11	1001117119	1	CONNECTOR	
	1001159186	4	TERMINAL	
12	4460891	1	CONNECTOR	
	80604018	1	LOCK, WEDGE	
	1001157890	1	TERMINAL	
	4460942	1	TERMINAL	
13	1001117106	1	TERMINAL, RING	
14	1001117106	1	TERMINAL, RING	
15	1001117106	1	TERMINAL, RING	
16	1001117106	1	TERMINAL, RING	
17	4460836	1	CONNECTOR	
	80604016	1	LOCK, WEDGE	
	4460509	5	TERMINAL, SOCKET	
	4460465	6	TERMINAL	
	4460466	1	PLUG	
18	1001116812	1	CONNECTOR	
	91554019	1	LOCK, WEDGE	

SECTION 10 - ELECTRICAL

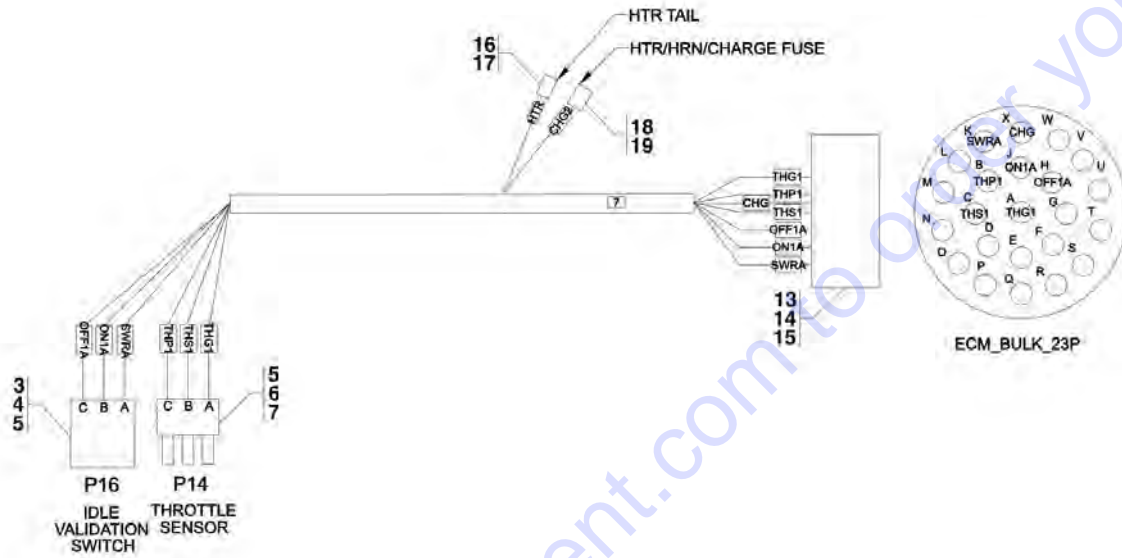
ITEM	PART NUMBER	QTY	DESCRIPTION	REV
	4461070	1	CONNECTOR	
	4460465	2	TERMINAL	
	4460466	1	PLUG	
19	1001116774	1	CONNECTOR	
	4460908	1	HOUSING	
	4460915	1	LOCK, WEDGE	
	1001126008	12	TERMINAL, SOCKET	
20	8220904	1	CONNECTOR	
	4460419	8	TERMINAL	
	1001195760	2	TERMINAL	
21	8220051	1	TERMINAL	
22	4460933	1	CONNECTOR	
	80604016	1	LOCK, WEDGE	
	1001003174	3	TERMINAL, SOCKET	
	4460465	7	TERMINAL	
	4460466	2	TERMINAL	
23	4460897	1	CONNECTOR	
	80604018	1	LOCK, WEDGE	
	4460464	2	TERMINAL	
24	4460891	1	CONNECTOR	
	80604018	1	LOCK, WEDGE	
	4460465	1	TERMINAL	
	1001157890	1	TERMINAL	
25	4460930	1	CONNECTOR	
	8220525	1	LOCK, WEDGE	
	4460465	3	TERMINAL	
	1001157890	2	TERMINAL	
	4460466	3	PLUG	
26	4461017	1	CONNECTOR	
	80604018	1	LOCK, WEDGE	
	4460508	2	TERMINAL, SOCKET	
27	1001117119	1	CONNECTOR	
	1001159186	2	TERMINAL	
28	8220051	1	TERMINAL	
29	80963061	1	CONNECTOR	
	4460790	4	TERMINAL, SOCKET	
	8220089	4	SEAL	
30	8220927	1	CONNECTOR	
	70024256	1	LOCK, SLIDE	
	70024255	1	SEAL, CONNECTOR	
	70024254	1	LOCK, SECONDARY	
	1001116747	12	TERMINAL	
	8220081	12	SEAL	
	4460746	3	TERMINAL	
	4460458	3	SEAL	
31	8220929	1	CONNECTOR	
	70024253	1	LOCK, SECONDARY	
	8220097	12	TERMINAL	
	8220125	2	TERMINAL	
	4460458	14	SEAL	
	1001116727	1	PLUG	

SECTION 10 - ELECTRICAL

ITEM	PART NUMBER	QTY	DESCRIPTION	REV
32	1001121726	1	CONNECTOR	
	70026219	1	LOCK, TPA	
	8220125	2	TERMINAL	
	8220089	2	SEAL	
	1001116726	1	TERMINAL	
	4460458	1	SEAL	
	1001116727	2	PLUG	
33	4460970	1	CONNECTOR	
	80363179	1	LOCK, WEDGE	
	4460466	6	TERMINAL	
	4460464	6	TERMINAL	
34	1001121728	1	CONNECTOR, PACKARD FEMALE, 1POS	
	70026218	1	LOCK, TPA	
	1001121730	1	TERMINAL	
35	1001121728	1	CONNECTOR, PACKARD FEMALE, 1POS	
	70026218	1	Lock, TPA	
	1001121730	1	TERMINAL	
36	1001200845	3	LEG, MOUNTING	
	1001205172	11	RELAY, MICRO 280, 12V, 35 AMP	
	1001129285	3	FUSE, MINI DIODE	
	1001177198	6	MODULE, 2 FUSE	
	1001187952	3	ASSEMBLY, ELECTRICAL	
	8229261	2	FUSE, TYPE 5 A	
	8229233	4	FUSE, TYPE 7.5 A	
	8229234	7	FUSE, TYPE 10 A	
	8229237	1	FUSE, TYPE 15 A	
	8229235	4	FUSE, TYPE 20 A	
	8229238	1	FUSE, TYPE 40 A	
	1001116710	11	TERMINAL	
	1001116712	3	TERMINAL	
	1001210779	1	TERMINAL	
	1001192050	10	TERMINAL	
	1001210776	4	TERMINAL	
	1001192049	11	TERMINAL	
1001210778	2	TERMINAL		
1001210777	8	TERMINAL		

SECTION 10 - ELECTRICAL

FIGURE 10-11. DASH/THROTTLE HARNESS



WIRELIST FROM/TO INFORMATION							
WIRE NAME	SPOOL	GAGE	COLOR	FROM COMPONENT	PIN	TO COMPONENT	PIN
ON1A	GXL18PR	18	PURPLE	ECM_BULK_23P	J	P16	B
OFF1A	GXL18O	18	ORANGE	ECM_BULK_23P	H	P16	C
SWRA	GXL18Y	18	YELLOW	ECM_BULK_23P	K	P16	A
THG1	GXL18BK	18	BLACK	ECM_BULK_23P	A	P14	A
THP1	GXL18R	18	RED	ECM_BULK_23P	B	P14	C
THS1	GXL18W	18	WHITE	ECM_BULK_23P	C	P14	B
CHG	GXL18ORG	16	ORANGE	ECM_BULK_23P	X	7	SPLICE
HTR	GXL12ORG	12	ORANGE	HTR TAIL	1	7	SPLICE
CHG2	GXL12ORG	12	ORANGE	HTR/HRN/CHARGE FUSE	1	7	SPLICE

PH5640

SECTION 10 - ELECTRICAL

FIGURE 10-11. DASH/THROTTLE HARNESS

ITEM	PART NUMBER	QTY	DESCRIPTION	REV
	1001129760	1	DASH/THROTTLE HARNESS, (includes all items)	B
3	4460476	1	CONNECTOR	
4	4460979	3	TERMINAL	
5	4460458	6	SEAL	
6	4460459	1	CONNECTOR	
7	4460743	3	TERMINAL	
13	8220552	1	CONNECTOR	
14	1001116693	9	TERMINAL	
15	4460466	14	SEALING PLUG TERMINAL	
16	8220970	1	CONNECTOR	
17	1001116737	1	TERMINAL	
18	70024263	1	CONNECTOR	
19	70024264	1	TERMINAL	

Go to Discount-Equipment.com to order your parts

SECTION 10 - ELECTRICAL

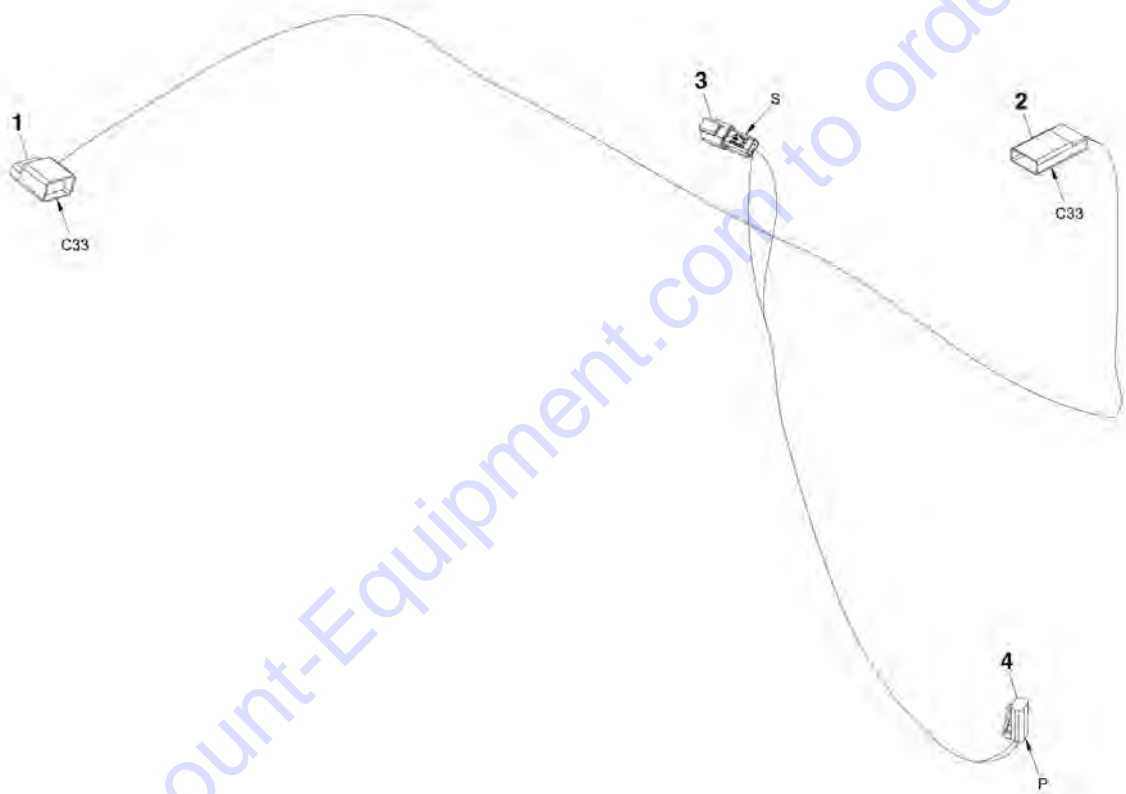
FIGURE 10-12. MAF/WATER IN FUEL HARNESS

C33

CONN POS	WIRE DESIGNATION	COLOR GAUGE
1	MAF_SIGNAL	ORG 18GA
2	VSENSOR_7	BLU 18GA
3	VSENSOR_RTN	BLK 18GA
4	VAT_SIGNAL	BRN 18GA

C33

CONN POS	WIRE DESIGNATION	COLOR GAUGE
1	MAF_SIGNAL	ORG 18GA
2	VSENSOR_7	BLU 18GA
3	VSENSOR_RTN	BLK 18GA
4	VAT_SIGNAL	BRN 18GA



S

CONN POS	WIRE DESIGNATION	COLOR GAUGE
1	WATER IN FUEL	ORG 18GA
2	WATER IN FUEL RTN	BLK 18GA

P

CONN POS	WIRE DESIGNATION	COLOR GAUGE
1	WATER IN FUEL	ORG 18GA
2	WATER IN FUEL RTN	BLK 18GA

PH5681

SECTION 10 - ELECTRICAL

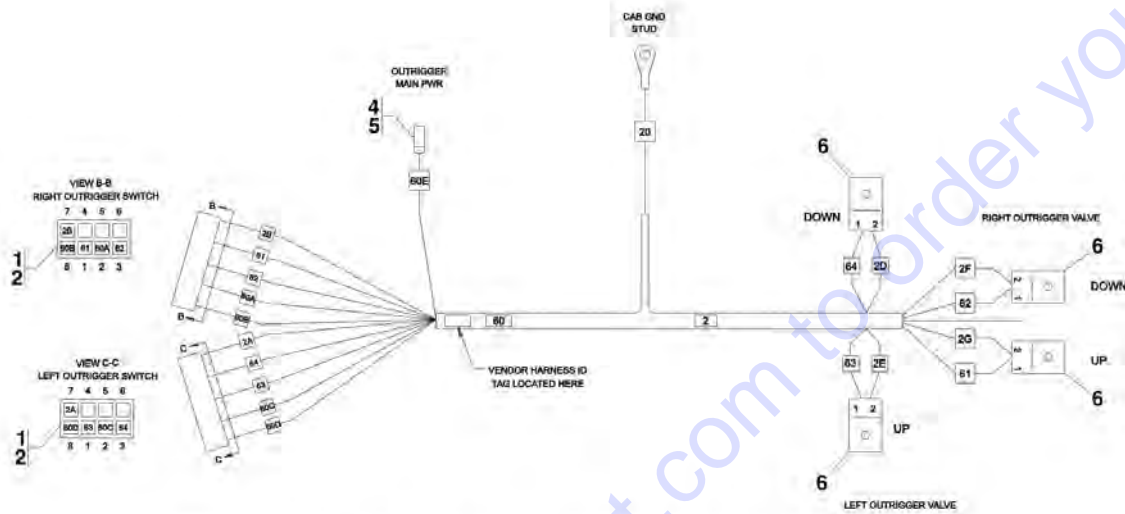
FIGURE 10-12. MAF/WATER IN FUEL HARNESS

ITEM	PART NUMBER	QTY	DESCRIPTION	REV
	1001130927	1	MAF/WATER IN FUEL HARNESS, (includes all items)	C
1	1001134193	1	CONNECTOR, MALE, 4 POSITION	
2	1001134192	1	CONNECTOR, FEMALE, 4 POSITION	
3	4460897	1	RECEPTACLE TERMINAL, 2 POSITION	
3	4461273	1	HOUSING	
3	4460464	1	TERMINAL	
3	80604017	1	LOCK WEDGE	
4	4460891	1	PLUG TERMINAL, 2 POSITION	
4	7026408	1	HOUSING	
4	4460465	1	TERMINAL	
4	80604018	1	LOCK WEDGE	

Go to Discount-Equipment.com to order your parts

SECTION 10 - ELECTRICAL

FIGURE 10-13. OUTRIGGERS HARNESS 10042



64	GREY/PURPLE	16 SXL	LF OUTR SW PIN 3 - LF OUTR SOL DWN PIN 1
63	BROWN/YELLOW	16 SXL	LF OUTR SW PIN 3 - LF OUTR SOL UP PIN 1
62	PURPLE/WHITE	16 SXL	RT OUTR SW PIN 1 - RT OUTR SOL DWN PIN 1
61	RED/GREY	16 SXL	RT OUTR SW PIN 1 - RT OUTR SOL UP PIN 1
60E	YELLOW/GREEN	16 SXL	OUTR MAIN PWR - SPLICE 60
60D	YELLOW/GREEN	16 SXL	LF OUTR SW PIN 8 - SPLICE 60
60C	YELLOW/GREEN	16 SXL	LF OUTR SW PIN 2 - SPLICE 60
60B	YELLOW/GREEN	16 SXL	RT OUTR SW PIN 8 - SPLICE 60
60A	YELLOW/GREEN	16 SXL	RT OUTR SW PIN 2 - SPLICE 60
20	BLACK	14 SXL	SPLICE 2 - CAB GND STUD
2G	BLACK	16 SXL	RT OUTR SOL UP PIN 2 - SPLICE 2
2F	BLACK	16 SXL	RT OUTR SOL DWN PIN 2 - SPLICE 2
2E	BLACK	16 SXL	LF OUTR SOL UP PIN 2 - SPLICE 2
2D	BLACK	16 SXL	LF OUTR SOL DWN PIN 2 - SPLICE 2
2B	BLACK	16 SXL	RT OUTR SW PIN 7 - SPLICE 2
2A	BLACK	16 SXL	LF OUTR SW PIN 7 - SPLICE 2
WIRE	COLOR	WIRE GAGE/TYPE	WIRE TO/FROM



PH5690

SECTION 10 - ELECTRICAL

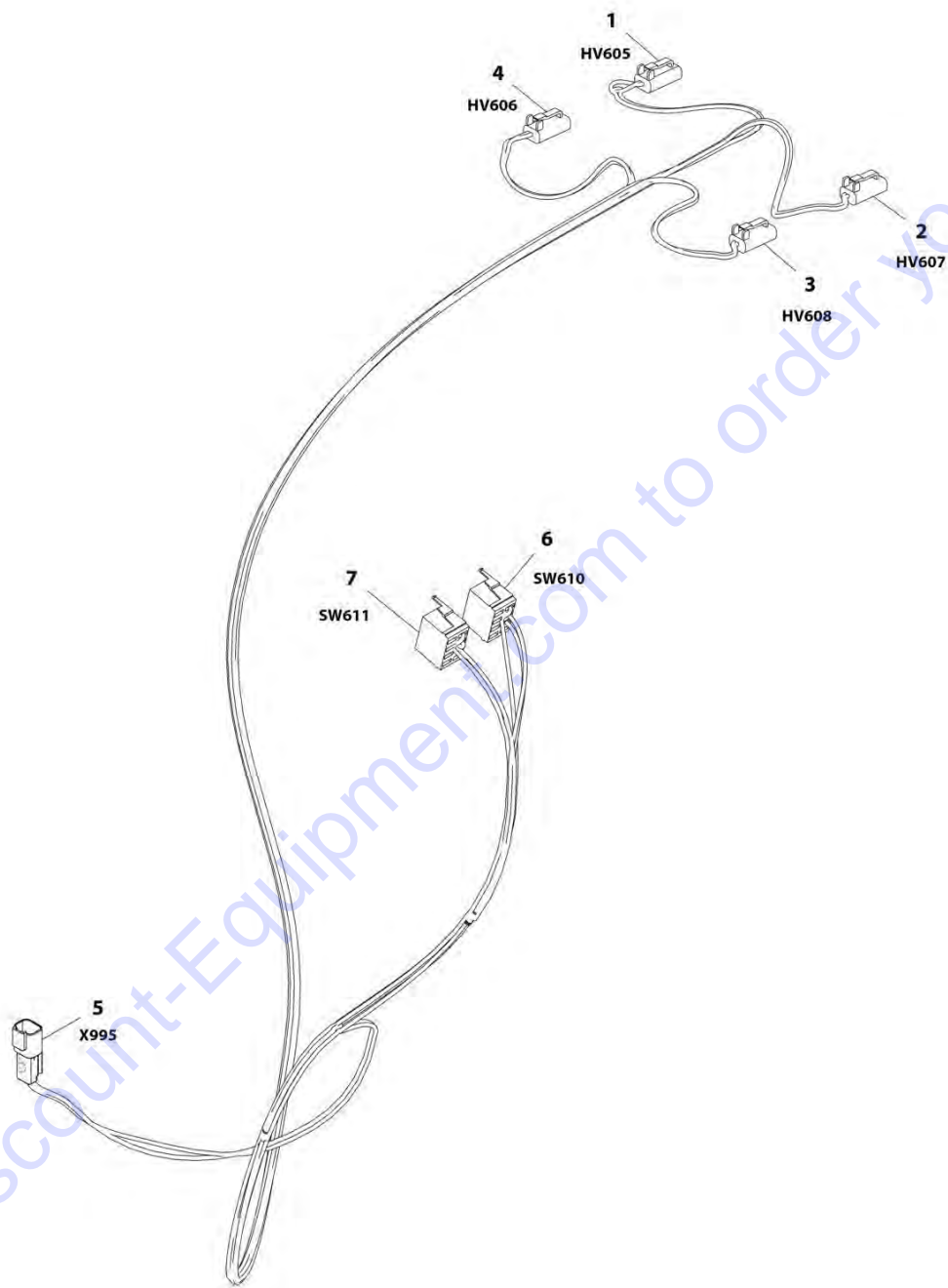
FIGURE 10-13. OUTRIGGERS HARNESS 10042

ITEM	PART NUMBER	QTY	DESCRIPTION	REV
	7150723	1	OUTRIGGERS HARNESS, (10042), (includes items 1 thru 6) (Prior to SN 0160065987)	G
1	8220904	2	ROCKER SWITCH CONNECTOR, FEMALE, 8 POSITION	
2	4460419	10	FEMALE METRI-PACK TERMINAL	
4	7116562	1	CONNECTOR, MALE	
5	70024259	1	TERMINAL, MALE, METRI-PACK	
6	70024265	4	CONNECTOR	
101	8223041	1	LEFT OUTRIGGER SWITCH	
102	8223042	1	RIGHT OUTRIGGER SWITCH	

Go to Discount-Equipment.com to order your parts

SECTION 10 - ELECTRICAL

FIGURE 10-14. OUTRIGGERS HARNESS 10042 (SN 0160065987 to Present)



ART_100117778-D

SECTION 10 - ELECTRICAL

FIGURE 10-14. OUTRIGGERS HARNESS 10042 (SN 0160065987 to Present)

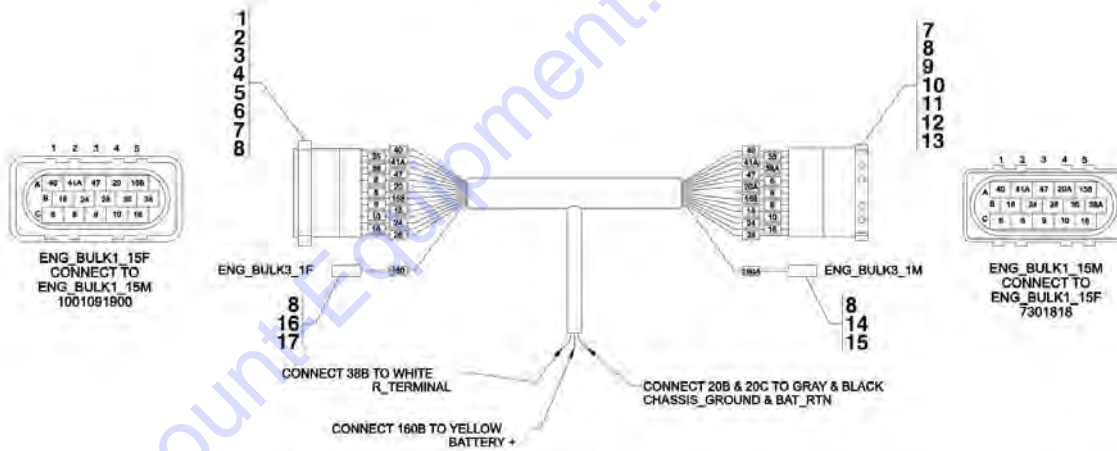
ITEM	PART NUMBER	QTY	DESCRIPTION	REV
	1001177778	Ref	OUTRIGGER HARNESS	D
1	4460891	1	CONNECTOR	
	80604018	1	LOCK, WEDGE	
	4460465	2	TERMINAL	
2	4460891	1	CONNECTOR	
	80604018	1	LOCK, WEDGE	
	4460465	2	TERMINAL	
3	4460891	1	CONNECTOR	
	80604018	1	LOCK, WEDGE	
	4460465	2	TERMINAL	
4	4460891	1	CONNECTOR	
	80604018	1	LOCK, WEDGE	
	4460465	2	TERMINAL	
5	4460897	1	CONNECTOR	
	80604017	1	LOCK, WEDGE	
	4460464	1	TERMINAL	
	4460941	1	TERMINAL	
6	8220904	1	CONNECTOR	
	4460419	5	TERMINAL	
7	8220904	1	CONNECTOR	
	4460419	5	TERMINAL	

Go to Discount-Equipment.com to order your parts

SECTION 10 - ELECTRICAL

FIGURE 10-15. GPS JUMPER HARNESS 10042

WIRELIST FROM/TO INFORMATION				
WIRE NAME	SPOOL	GAGE	COLOR	FROM COMPONENT
40	GXL18BR_BK	18	BROWN/BLACK	ENG_BULK1_15F
41A	GXL18BL_W	18	BLUE/WHITE	ENG_BULK1_15F
47	SXL16O_W	16	ORANGE/WHITE	ENG_BULK1_15F
20	GXL12BK	12	BLACK	ENG_BULK1_15F
20A	GXL12BK	12	BLACK	SPLICE
20B	GXL12GY	12	GRAY	SPLICE
20C	GXL12BK	12	BLACK	SPLICE
158	GXL16W	16	WHITE	ENG_BULK1_15F
18	SXL16GR	16	GREEN	ENG_BULK1_15F
24	GXL16O_BK	16	ORANGE/BLACK	ENG_BULK1_15F
26	SXL16P_W	16	PURPLE/WHITE	ENG_BULK1_15F
35	SXL16BR_W	16	BROWN/WHITE	ENG_BULK1_15F
38	SXL16O	16	ORANGE	ENG_BULK1_15F
38A	SXL16O	16	ORANGE	SPLICE
38B	GX316W	16	WHITE	SPLICE
6	SXL16Y	16	YELLOW	ENG_BULK1_15F
8	SXL16LG_W	16	LIGHT GREEN/WHITE	ENG_BULK1_15F
9	SXL16LG_BK	16	LIGHT GREEN/BLACK	ENG_BULK1_15F
10	SXL16T	16	TAN	ENG_BULK1_15F
16	SXL16BR	16	BROWN	ENG_BULK1_15F
160	GXL12R	12	RED	ENG_BULK3_1F
160A	GXL12R	12	RED	SPLICE
160B	GXL12Y	12	YELLOW	SPLICE



PH6000

SECTION 10 - ELECTRICAL

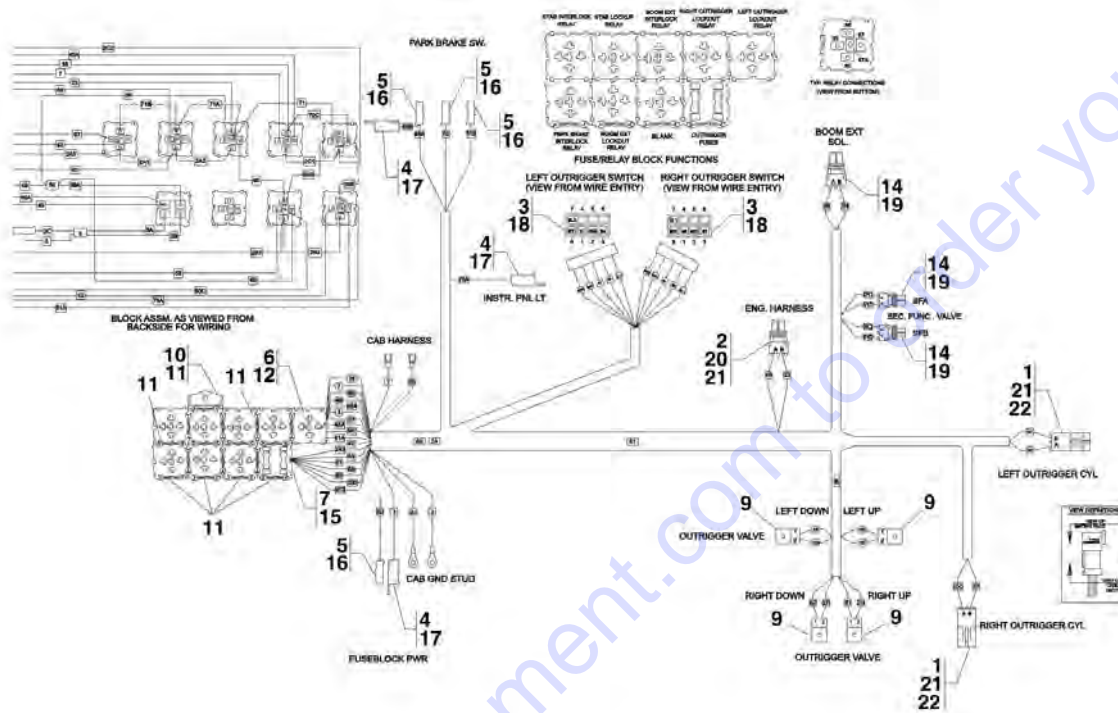
FIGURE 10-15. GPS JUMPER HARNESS 10042

ITEM	PART NUMBER	QTY	DESCRIPTION	REV
	1001102448	1	GPS JUMPER HARNESS, (10042), (includes all items)	A
1	8220927	1	CONNECTOR	
2	8220928	1	TPA	
3	8220931	1	CONNECTOR SEAL	
4	8220932	1	SLIDE LOCK	
5	8220084	1	TERMINAL	
6	8220086	14	TERMINAL	
7	8220081	27	CABLE SEAL	
8	8220089	4	CABLE SEAL	
9	8220929	1	CONNECTOR	
10	8220930	1	TPA	
11	8220161	1	TERMINAL	
12	8220123	1	CABLE SEAL	
13	8220087	14	TERMINAL	
14	80963056	1	CONNECTOR	
15	4460850	1	TERMINAL	
16	80963055	1	CONNECTOR	
17	4460790	1	TERMINAL	

Go to Discount-Equipment.com to order your parts

SECTION 10 - ELECTRICAL

FIGURE 10-16. LOGIC HARNESS 10054



WIRE NO.	COLOR	WIRE GA.	WIRE TO/FROM
71B	ORANGE/WHT	16	RT OUTR LO RELAY PIN 86 - LF OUTR LO RELAY PIN 86
71A	ORANGE/WHT	16	RT OUTR LO RELAY PIN 86 - BOOM EXT L RELAY PIN 87A
71	ORANGE/WHT	16	STAB L RELAY PIN 30 - BOOM EXT L RELAY PIN 87A
70C	ORANGE/BLK	16	STAB L RELAY PIN 87 - STAB LU RELAY PIN 86
70B	ORANGE/BLK	16	PBRK L RELAY PIN 88 - STAB L RELAY PIN 87
70A	ORANGE/BLK	16	PBRK L RELAY PIN 88 - INSTR PNL LT TAIL
68	RED/BLK	16	RT OUTR LO RELAY PIN 30 - RT OUTR SW PIN 1
67	BRN/BLK	16	LF OUTR LO RELAY PIN 30 - LF OUTR SW PIN 1
66	ORANGE/GRY	16	SPLICE 58 - BOOM EXT LO RELAY PIN 30
65	DK BLUE	16	BOOM EXT L RELAY PIN 87 - BOOM EXT LO RELAY PIN 86
64	GRY/PUR	16	LF OUTR SW PIN 1 - OUTR SOL LF DN PIN 1
63	BRN/YEL	16	LF OUTR LO RELAY PIN 87A - OUTR SOL LF LP PIN 1
62	PUR/WHT	16	RT OUTR SW PIN 3 - OUTR SOL RT DN PIN 1
61	RED/GRY	16	RT OUTR RELAY PIN 87A - OUTR SOL RT UP PIN 1
60E	YEL/GRN	16	SPLICE 65 - RT OUTR SW PIN 2
60D	YEL/GRN	16	SPLICE 65 - RT OUTR SW PIN 2
60C	YEL/GRN	16	SPLICE 65 - LF OUTR SW PIN 2
60B	YEL/GRN	16	SPLICE 65 - LF OUTR SW PIN 2
60A	YEL/GRN	16	SPLICE 65 - OUTR FUSE 1
58	GREEN	16	BOOM EXT LO RELAY PIN 30 - BOOM EXT SOL PIN A
57	DRY/GRN	16	RT OUTR CYL PIN 8 - LF OUTR CYL PIN 8
60A	GRY/BL	16	SPLICE 58 - OUTR FUSE 3
56	GRY/BLU	16	SPLICE 58 - LF OUTR CYL PIN A
55	ORANGE/RED	16	BOOM EXT LO RELAY PIN 87 - SPLICE 68
52	DLB/RED	16	PBRK L RELAY PIN 30 - PBRK SW TAIL
51D	BLU/WHITE	16	SPLICE 51 - SEC FUNG SOL B PIN A
51C	BLU/WHITE	16	SPLICE 51 - SEC FUNG SOL A PIN A
51B	BLU/WHITE	16	SPLICE 51 - PB SW TAIL
51A	BLU/WHITE	16	SPLICE 51 - PBRK L RELAY PIN 87A

WIRE NO.	COLOR	WIRE GA.	WIRE TO/FROM
49C	RED/WHT	16	BOOM EXT LO RELAY PIN 87A - RT OUTR CYL PIN A
49B	RED/WHT	16	BOOM EXT LO RELAY PIN 87A - STAB L RELAY PIN 86
49	RED/BLU	16	OUTR FUSE 1 - ENG HARNESS PIN A
48E	DLB/GRN	16	PB SW TAIL 48A - PB SW TAIL
48A	DLB/GRN	16	STAB LU RELAY PIN 87 - PB SW TAIL
38	BRN/GRN/GRN	16	STAB LU RELAY PIN 87A - CAB HARNESS TERM
23	ORANGE/GRN/GRN	16	BOOM EXT L RELAY PIN 86 - ENG HARNESS PIN B
7	TAN	16	STAB LU RELAY PIN 30 - CAB HARNESS TERM
3C	RED	14	FUSELOCK PWR TAIL - SPLICE 3
3B	RED	14	OUTRIG FUSE 2 - SPLICE 3
3A	RED	14	OUTRIG FUSE 1 - SPLICE 3
3	RED	14	FUSELOCK PWR TAIL - SPLICE 3
2L2	BLACK	16	SPLICE 2A - LF OUTR SW PIN 7
2L1	BLACK	16	SPLICE 2A - RT OUTR SW PIN 7
2K2	BLACK	16	SPLICE 2B - SEC FUNG SOL B PIN 6
2K1	BLACK	16	SPLICE 2B - SEC FUNG SOL A PIN 6
2J	BLACK	16	SPLICE 2B - CAB GND STUO
2H	BLACK	16	SPLICE 2B - BOOM EXT SOL PIN 8
2G	BLACK	16	SPLICE 2B - OUTR SOL RT UP PIN 2
2F	BLACK	16	SPLICE 2B - OUTR SOL RT DN PIN 2
2E	BLACK	16	SPLICE 2B - OUTR SOL UP PIN 2
2D	BLACK	16	SPLICE 2B - OUTR SOL LF DN PIN 2
2C2	BLACK	16	SPLICE 2A - STAB L RELAY PIN 86
2C1	BLACK	16	STAB LU RELAY PIN 86 - STAB L RELAY PIN 86
2B3	BLACK	16	BOOM EXT LO RELAY PIN 86 - SPLICE 2A
2B2	BLACK	16	BOOM EXT LO RELAY PIN 86 - PBRK L RELAY PIN 86
2A2	BLACK	16	LF OUTR RELAY PIN 86 - SPLICE 2A
2A1	BLACK	16	RT OUTR RELAY PIN 86 - BOOM EXT L RELAY PIN 86
2	BLACK	14	LF OUTR RELAY PIN 86 - RT OUTR RELAY PIN 86
2	BLACK	14	SPLICE 2A - CAB GND STUO



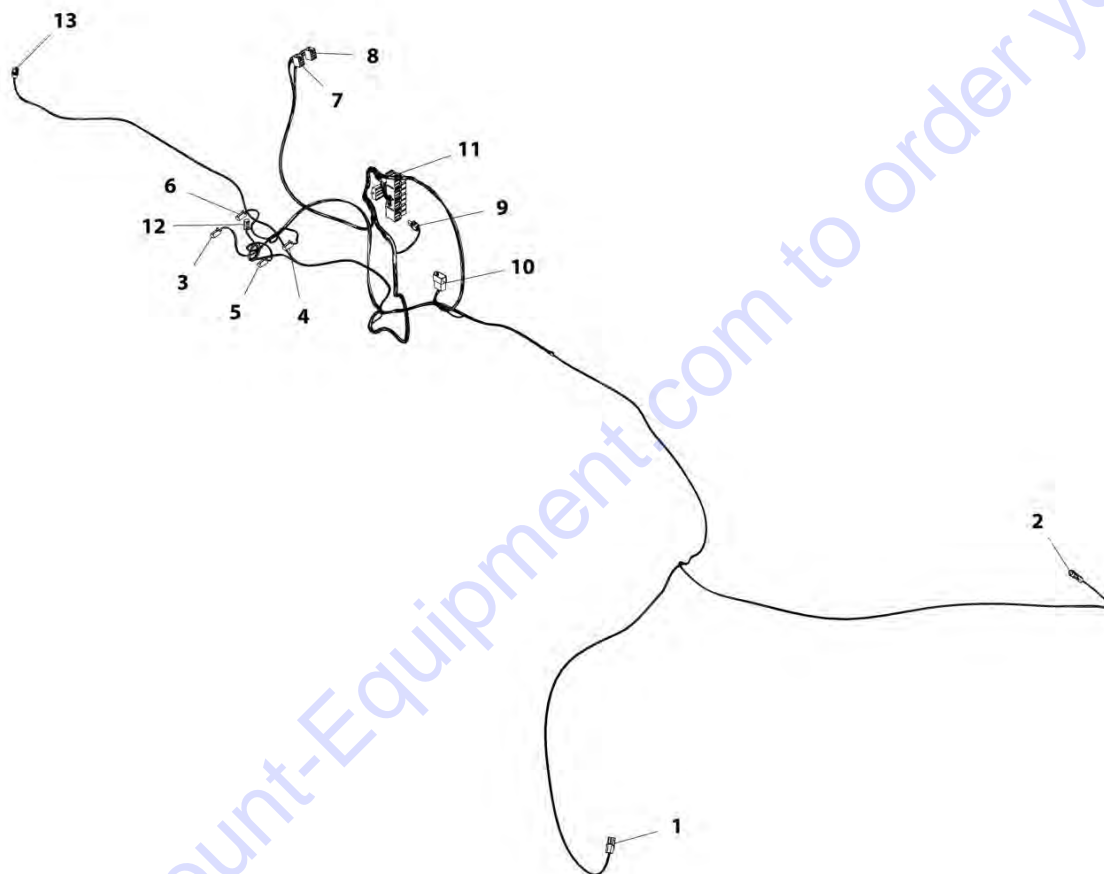
SECTION 10 - ELECTRICAL

FIGURE 10-16. LOGIC HARNESS 10054

ITEM	PART NUMBER	QTY	DESCRIPTION	REV
	7150722	1	LOGIC HARNESS, (10054), (includes items 1 thru 22) (Prior to SN 0160065987)	K
1	4461157	2	RECEPTACLE, WEATHER-PACK SEALED CONNECTOR, 2 POSITION	
2	4460742	1	PLUG, WEATHER-PACK SEALED CONNECTOR, 2 POSITION	
3	7026439	2	CONNECTOR	
4	7116562	3	CONNECTOR, MALE	
5	77383282	4	CONNECTOR, FEMALE	
6	4461101	8	RELAY MODULE	
7	70024248	1	2 FUSE MODULE	
9	70024265	4	CONNECTOR	
10	70023111	1	MOUNTING LEG KIT, (includes 4 mounting legs and 4 wedges)	
11	4461103	16	LOCKING WEDGE	
12	4461102	28	SECONDARY LOCK	
14	4460955	3	METRI-PACK SEALED CONNECTOR	
15	70024252	4	SECONDARY LOCK	
16	1001116736	4	UNSEALED FEMALE TERMINAL	
17	70024259	3	TERMINAL, MALE, METRI-PACK	
18	4460419	10	METRI-PACK FEMALE TERMINAL	
19	1001116748	6	METRI-PACK FEMALE TERMINAL	
20	4460457	2	WEATHER-PACK FEMALE SLEEVE TERMINAL	
21	8220081	6	CABLE SEAL WEATHER/METRI-PACK	
22	4460475	4	WEATHER-PACK MALE PIN TERMINAL	
101		Ref	LEFT OUTRIGGER SWITCH, (See OUTRIGGERS HARNESS for Breakdown)	
102		Ref	RIGHT OUTRIGGER SWITCH, (See OUTRIGGERS HARNESS for Breakdown)	

SECTION 10 - ELECTRICAL

FIGURE 10-17. LOGIC HARNESS 10054 (SN 0160065987 to Present)



ART_1001178284-G

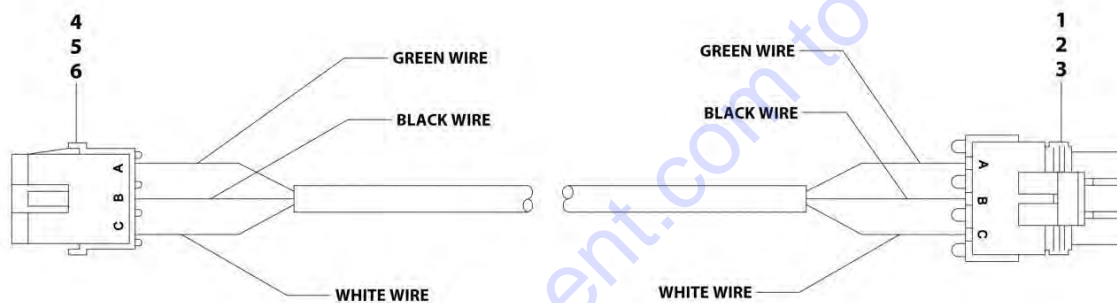
SECTION 10 - ELECTRICAL

FIGURE 10-17. LOGIC HARNESS 10054 (SN 0160065987 to Present)

ITEM	PART NUMBER	QTY	DESCRIPTION	REV
	1001178284	Ref	LOGIC HARNESS	G
1	4461157	1	CONNECTOR	
	4460475	2	TERMINAL	
2	4461157	1	CONNECTOR	
	4460475	2	TERMINAL	
3	4460891	1	CONNECTOR	
	80604018	1	LOCK, WEDGE	
4	4460465	2	TERMINAL	
	4460891	1	CONNECTOR	
5	80604018	1	LOCK, WEDGE	
	4460465	2	TERMINAL	
6	4460891	1	CONNECTOR	
	80604018	1	LOCK, WEDGE	
7	4460465	2	TERMINAL	
	4460891	1	CONNECTOR	
8	80604018	1	LOCK, WEDGE	
	4460465	2	TERMINAL	
9	8220904	1	CONNECTOR	
	1001116720	3	TERMINAL	
10	8220904	1	CONNECTOR	
	1001116720	3	TERMINAL	
11	4460742	1	CONNECTOR	
	4460457	2	TERMINAL	
12	4460970	1	CONNECTOR	
	80363179	1	LOCK, WEDGE	
13	4460464	5	TERMINAL	
	4460941	3	TERMINAL	
14	4460466	4	PLUG	
	1001200845	1	LEG, MOUNTING	
15	8229243	2	FUSE, TYPE 7.5 A	
	1001205172	7	RELAY, MICRO 280, 12V, 35 AMP	
16	1001177198	4	MODULE, 2 FUSE	
	4461103	8	RELAY	
17	1001116712	19	TERMINAL	
	1001116711	1	TERMINAL	
18	1001116710	24	TERMINAL	
	4460891	1	CONNECTOR	
19	4460465	2	TERMINAL	
	4460955	1	CONNECTOR	
20	1001116748	2	TERMINAL	

SECTION 10 - ELECTRICAL

FIGURE 10-18. BOOM EXTEND HARNESS 10054



ART_1001127226-C

SECTION 10 - ELECTRICAL

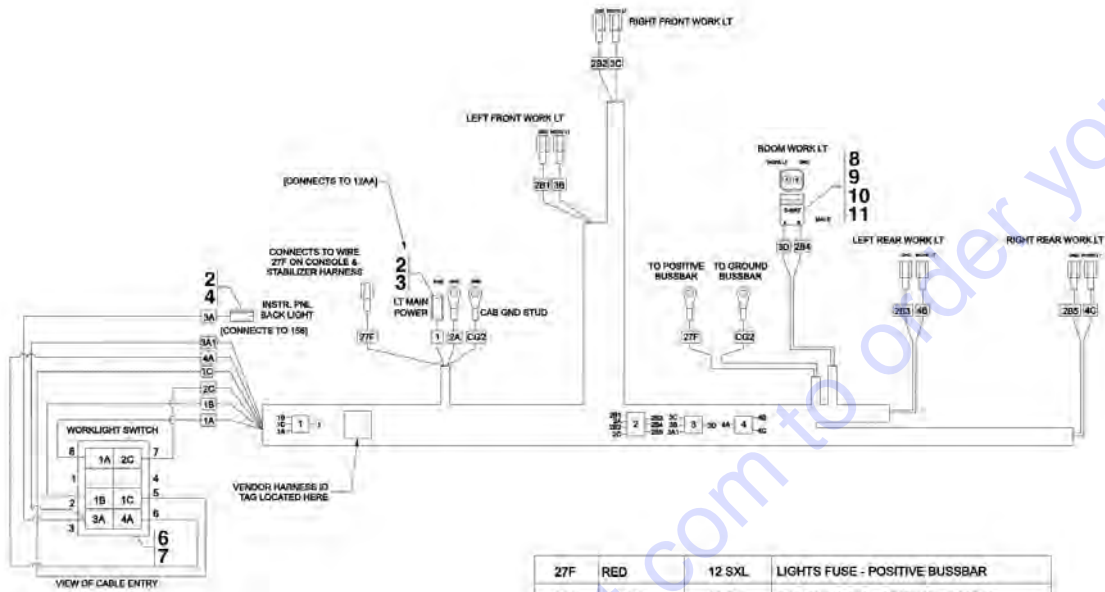
FIGURE 10-18. BOOM EXTEND HARNESS 10054

ITEM	PART NUMBER	QTY	DESCRIPTION	REV
	1001127226	1	BOOM EXTEND HARNESS, (10054), (includes all items)	C
1	4460459	1	CONNECTOR	
2	4460457	3	TERMINAL	
3	4460458	3	SEAL	
4	4460476	1	CONNECTOR	
5	4460475	3	TERMINAL	
6	4460458	3	SEAL	

Go to Discount-Equipment.com to order your parts

SECTION 10 - ELECTRICAL

FIGURE 10-19. WORK LIGHTING HARNESS



27F	RED	12 SXL	LIGHTS FUSE - POSITIVE BUSSBAR
CG2	BLACK	12 SXL	CAB GND STUD - GROUND BUSSBAR
4C	YELLOW	14 SXL	RR WORK LT PWR - SPLICE 4
4B	YELLOW	14 SXL	LR WORK LT PWR - SPLICE 4
4A	YELLOW	14 SXL	WORKLIGHT SW PIN 6 - SPLICE 4
3D	LT. BLUE	14 SXL	SPLICE 3 - BOOM WK LT CONN PIN A
3C	LT. BLUE	14 SXL	SPLICE 3 - RF WRK LT PWR
3B	LT. BLUE	14 SXL	SPLICE 3 - LF WRK LT PWR
3A1	LT. BLUE	14 SXL	SPLICE 3 - WORKLIGHT SW PIN 3
3A	LT. BLUE	14 SXL	INSTR. PNL. BACKLT - WORKLIGHT SW PIN 3
2C	BLACK	14 SXL	SPLICE 2 - WORKLIGHT SW PIN 7
2B5	BLACK	14 SXL	SPLICE 2 - RR WRK LT GND
2B4	BLACK	14 SXL	SPLICE 2 - BOOM WK CONN PIN B
2B3	BLACK	14 SXL	SPLICE 2 - LR WRK LT GND
2B2	BLACK	14 SXL	SPLICE 2 - RF WRK LT GND
2B1	BLACK	14 SXL	SPLICE 2 - LF WRK LT GND
2A	BLACK	12 SXL	SPLICE 2 - CAB GND STUD
1C	RED	14 SXL	SPLICE 1 - WORKLIGHT SW PIN 5
1B	RED	14 SXL	SPLICE 1 - WORKLIGHT SW PIN 2
1A	RED	14 SXL	SPLICE 1 - WORKLIGHT SW PIN 8
1	RED	12 SXL	SPLICE 1 - LT MAIN POWER
WIRE	COLOR	WIRE GAGE/TYPE	WIRE TO/FROM

PH5720

SECTION 10 - ELECTRICAL

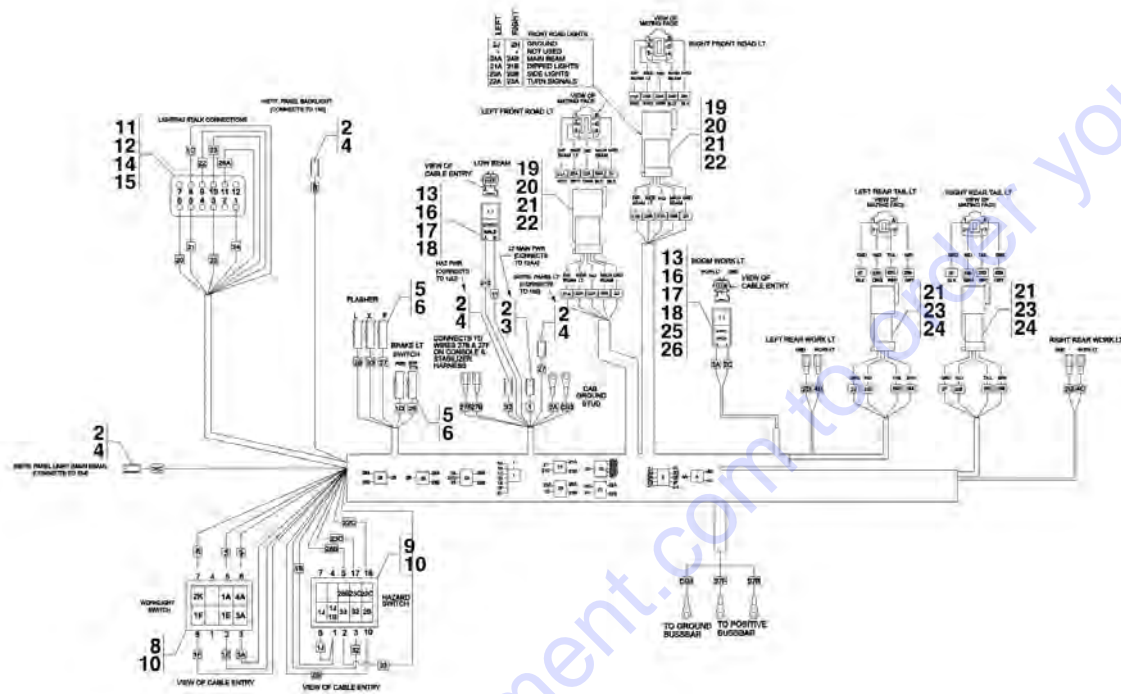
FIGURE 10-19. WORK LIGHTING HARNESS

ITEM	PART NUMBER	QTY	DESCRIPTION	REV
	7150707	1	WORK LIGHTING HARNESS, (includes all items)	1
2	8220971	2	CONNECTOR	
3	1001116737	1	TERMINAL, FEMALE, UNSEALED	
4	70024259	1	TERMINAL, MALE, METRI-PACK	
6	7026439	1	CONNECTOR	
7	4460419	6	METRI-PACK, TERMINAL, FEMALE	
8	1001117026	1	METRI-PACK SEALED CONNECTOR, 2 POSITION	
9	8220890	1	SECONDARY LOCK	
10	8220081	2	CABLE SEAL, WEATHER/METRI-PACK	
11	1001116729	2	TERMINAL, MALE, METRI-PACK	

Go to Discount-Equipment.com to order your parts

SECTION 10 - ELECTRICAL

FIGURE 10-20. ROAD LIGHTING HARNESS



WIRE	COLOR	WIRE GAGE/TYPE	WIRE TO/FROM
2A	LT. BLUE	14 SXL	ROOM WK LT CONN PIN A - WORKLIGHT SW PIN 3
2K	BLACK	18 SXL	SPLICE 2 - WORKLIGHT SW PIN 7
2J	BLACK	18 SXL	SPLICE 2 - LF ROAD LT CONN PIN 8
2H	BLACK	18 SXL	SPLICE 2 - RF ROAD LT CONN PIN 6
2D	BLACK	18 SXL	SPLICE 2 - RF W/VT LT GND
2F	BLACK	18 SXL	SPLICE 2 - RR TAIL LT CONN PIN 1
2E	BLACK	18 SXL	SPLICE 2 - LR TAIL LT CONN PIN 1
2J	BLACK	18 SXL	SPLICE 2 - LR W/VT LT GND
2C	BLACK	18 SXL	SPLICE 2 - ROOM WK LT CONN PIN B
2B	BLACK	18 SXL	SPLICE 2 - HAZ SW PIN 15
2A	BLACK	12 SXL	SPLICE 2 - CAB GND STUD
1J	RED	14 SXL	HAZ SW TERM 1 - HAZ SW PIN 8
1F	RED	14 SXL	SPLICE 1 - WORKLIGHT SW PIN 4
1E	RED	14 SXL	SPLICE 1 - WORKLIGHT SW PIN 2
1D	RED	14 SXL	SPLICE 1 - SW LT SW PIN 1
1C	RED	14 SXL	SPLICE 1 - LSTALK SW CONN PIN C
1B	RED	14 SXL	SPLICE 1 - HAZ SW PIN 1
1A	RED	14 SXL	SPLICE 1 - WORKLIGHT SW PIN 6
1	RED	12 SXL	SPLICE 1 - LT MAIN POWER

WIRE	COLOR	WIRE GAGE/TYPE	WIRE TO/FROM
22C	ORANGE	16 SXL	SPLICE 22 - HAZ SW PIN 18
22B	ORANGE	16 SXL	SPLICE 22 - LR ROADLT CONN PIN 2
25A	ORANGE	16 SXL	SPLICE 22 - LF ROADLT CONN PIN 3
22	ORANGE	16 SXL	SPLICE 22 - LF ROADLT CONN PIN 3
21C	RED	16 SXL	SPLICE 21 - LOWBEAM CONN PIN A
21B	RED	16 SXL	SPLICE 21 - RF ROADLT CONN PIN 1
21A	RED	16 SXL	SPLICE 21 - LF ROADLT CONN PIN 1
24	RED	16 SXL	SPLICE 21 - LSTALK SW CONN PIN B
23F	WHITE	10 SXL	SPLICE 20 - INSTR. PNL BACKLIGHT
20D	WHITE	16 SXL	SPLICE 20 - RR TAIL LT CONN PIN 3
20C	WHITE	16 SXL	SPLICE 20 - LR TAIL LT CONN PIN 3
20F	WHITE	16 SXL	SPLICE 20 - RF ROADLT CONN PIN 2
20A	WHITE	16 SXL	SPLICE 20 - LF ROADLT CONN PIN 2
20	WHITE	16 SXL	SPLICE 20 - LSTALK SW CONN PIN A
4C	YELLOW	14 SXL	RR WORK LT PWR - SPLICE 4
4B	YELLOW	14 SXL	LR WORK LT PWR - SPLICE 4
4A	YELLOW	14 SXL	WORKLIGHT SW PIN 5 - SPLICE 4

WIRE	COLOR	WIRE GAGE/TYPE	WIRE TO/FROM
003	BLACK	12 SXL	CAB GND STUD - GND BUSBAR
35	PURPLE	18 SXL	FLASHER X TERM - HAZ SW CONN PIN 2
3E	GREEN	14 SXL	HAZ PWR - HAZ SW CONN PIN 3
31	YELLOW	16 SXL	LOWBEAM CONN PIN 5 - SPLICE 1
24G	PURPLE	16 SXL	SPLICE 28 - HAZ SW CONN TERM E
24A	PURPLE	16 SXL	SPLICE 28 - LSTALK SW CONN PIN F
28	PURPLE	16 SXL	SPLICE 28 - FLASHER L TERM
27F	RED	12 SXL	LIGHTS FUSE - POSITIVE BUSBAR
27B	RED	12 SXL	HELTS FUSE - POSITIVE BUSBAR
27	PURPLE/WHITE	16 SXL	FLASHER P TERM - INSTR. PNL TURN SIGNAL
28B	GREY	16 SXL	SPLICE 26 - RR TAIL LT CONN PIN 4
28A	GREY	16 SXL	SPLICE 26 - LR TAIL LT CONN PIN 4
26	GREY	16 SXL	SPLICE 26 - BRAKE LT SW STP LTS
26	PINK	16 SXL	SPLICE 24 - LSTALK SW CONN PIN 6
34C	DAINY BLUE	16 SXL	SPLICE 24 - INSTR. PNL MAIN BEAM
34B	DARK BLUE	16 SXL	SPLICE 24 - RF ROADLT CONN PIN 4
24A	DARK BLUE	16 SXL	SPLICE 24 - LF ROADLT CONN PIN 4
24	DARK BLUE	16 SXL	SPLICE 24 - LSTALK SW CONN PIN A
23C	GREEN	16 SXL	SPLICE 23 - HAZ SW PIN 17
23B	GREEN	16 SXL	SPLICE 23 - RR TAIL LT CONN PIN 2
23A	GREEN	16 SXL	SPLICE 23 - RF ROADLT CONN PIN 3
23	GREEN	16 SXL	SPLICE 23 - LSTALK SW CONN PIN D

PH5710

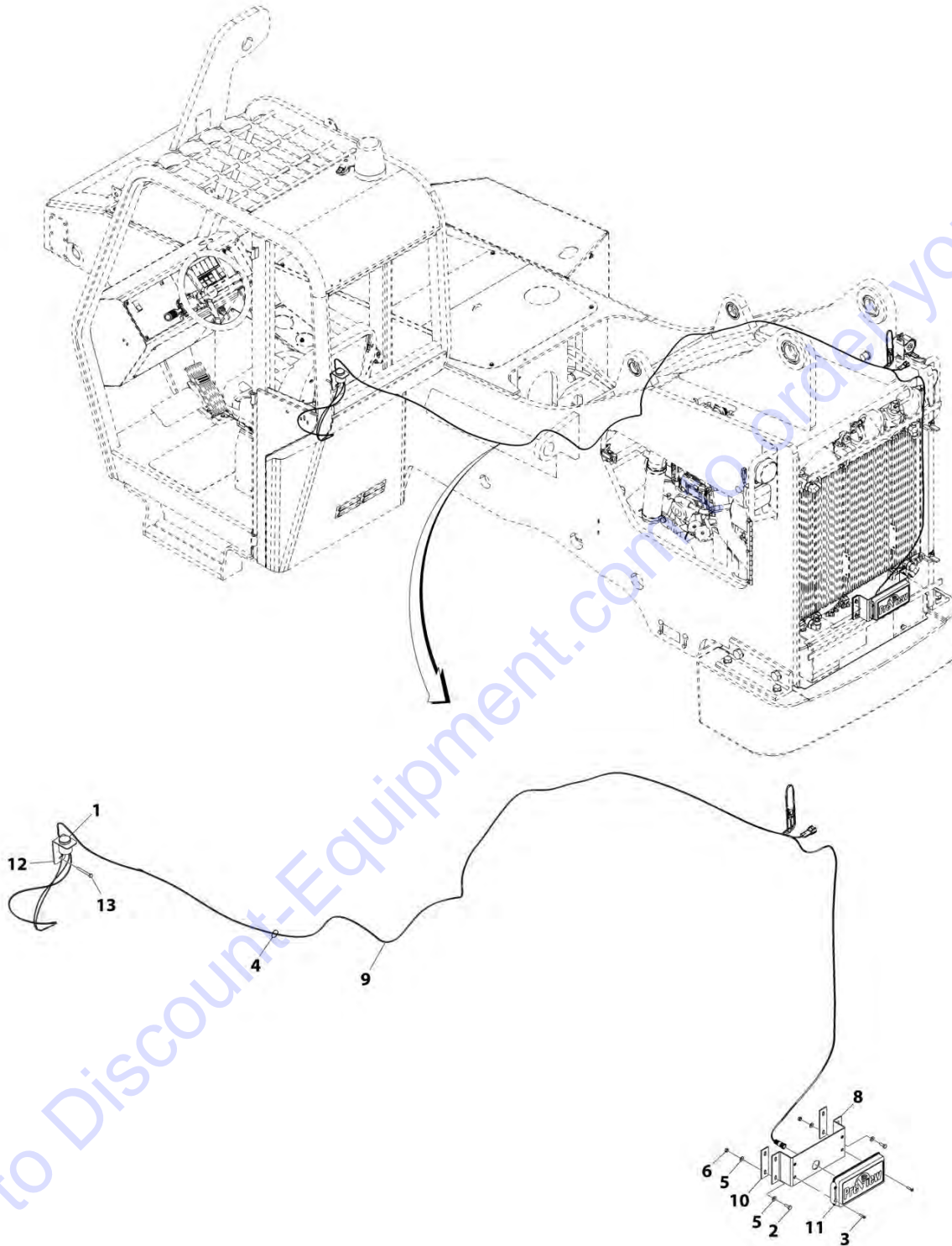
SECTION 10 - ELECTRICAL

FIGURE 10-20. ROAD LIGHTING HARNESS

ITEM	PART NUMBER	QTY	DESCRIPTION	REV
	7150741	1	ROAD LIGHTING HARNESS, (includes all items)	J
2	8220971	5	CONNECTOR	
3	1001116737	1	UNSEALED TERMINAL, FEMALE	
4	70024259	4	TERMINAL, MALE, METRI-PACK	
5	8220970	5	CONNECTOR	
6	1001116736	5	UNSEALED TERMINAL	
8	7026439	1	CONNECTOR	
9	1001117079	1	CONNECTOR	
10	4460419	14	METRI-PACK TERMINAL	
11	4460933	1	CONNECTOR PLUG	
12	4460465	8	SOCKET CONNECTOR	
13	8220081	3	SEAL	
14	80604016	1	WEDGE LOCK	
15	4460466	4	SEALING PLUG TERMINAL	
16	1001117026	2	METRI-PACK SEALED CONNECTOR	
17	8220890	2	SECONDARY LOCK	
18	1001116745	3	METRI-PACK TERMINAL	
19	4460894	2	PLUG CONNECTOR	
20	80604023	2	WEDGE LOCK	
21	70020888	18	TERMINAL SOCKET	
22	4460466	2	SEALING PLUG TERMINAL	
23	4460884	2	PLUG CONNECTOR	
24	80604021	2	WEDGE LOCK	
25	8220089	1	SEAL	
26	1001116729	1	METRI-PACK TERMINAL	

SECTION 10 - ELECTRICAL

FIGURE 10-21. REVERSE SENSING SYSTEM INSTALLATION



ART_1001154331-B

SECTION 10 - ELECTRICAL

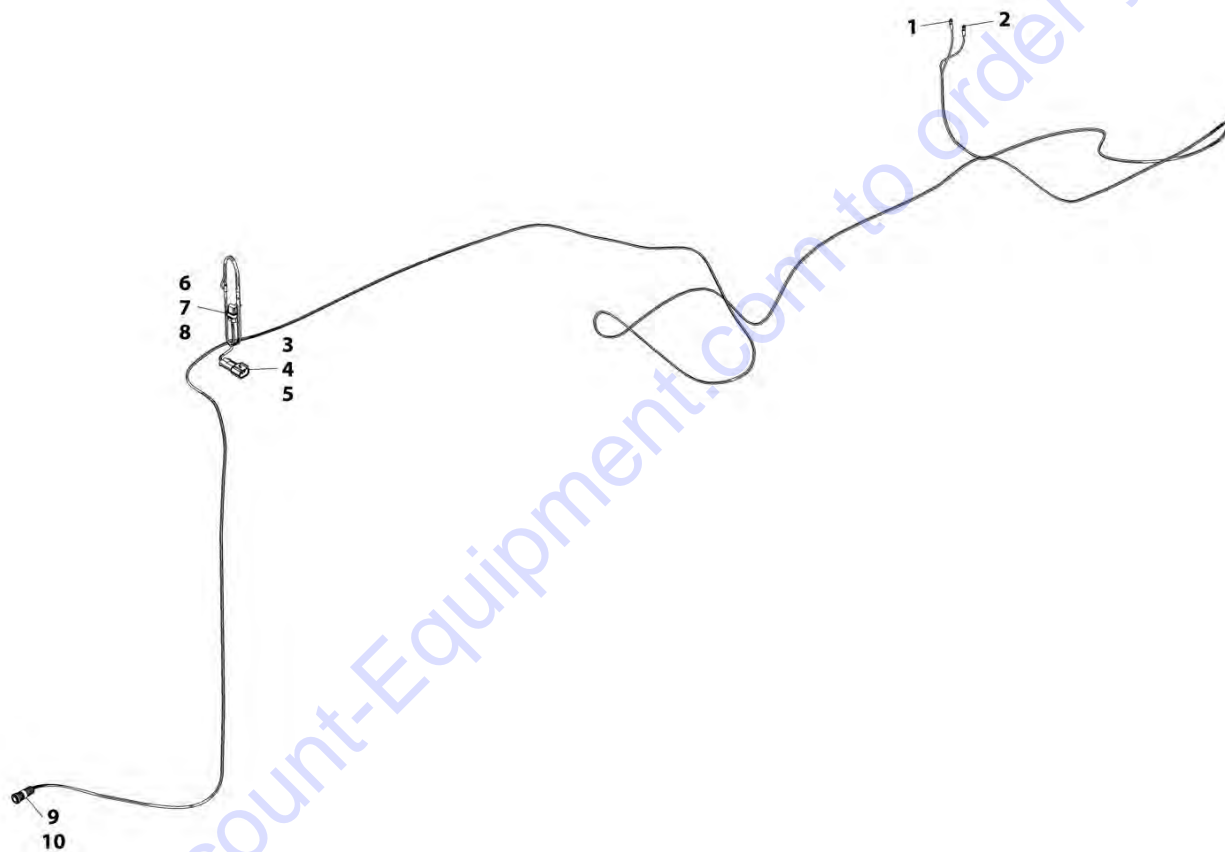
FIGURE 10-21. REVERSE SENSING SYSTEM INSTALLATION

ITEM	PART NUMBER	QTY	DESCRIPTION	REV
	1001154331	1	REVERSE SENSING SYSTEM INSTALLATION (includes all items)	B
1	0140011	1	ALARM	
2	0641406	4	HEX HD CAPSCREW, 1/4-20X3/4	
3	3931012	4	SOCKET HD CAPSCREW, 10-24X3/4	
4	4240033	AR	WIRE TIE	
5	4711400	8	WASHER, 1/4	
6	8305004	4	HEX NUT, 1/4-20	
8	1001154375	1	BRACKET	
9	1001159876	1	REVERSE SENSOR HARNESS (See Separate Breakdown in this section)	
10	1001161023	2	PLATE	
11	1001182358	1	REVERSE SENSOR CONTROL	
12	1001182863	1	ALARM BRACKET	
13	0641418	1	HEX HD CAPSCREW, 1/4-20X2-3/4, GR5	

Go to Discount-Equipment.com to order your parts

SECTION 10 - ELECTRICAL

FIGURE 10-22. REVERSE SENSOR HARNESS



ART_1001159876-B

SECTION 10 - ELECTRICAL

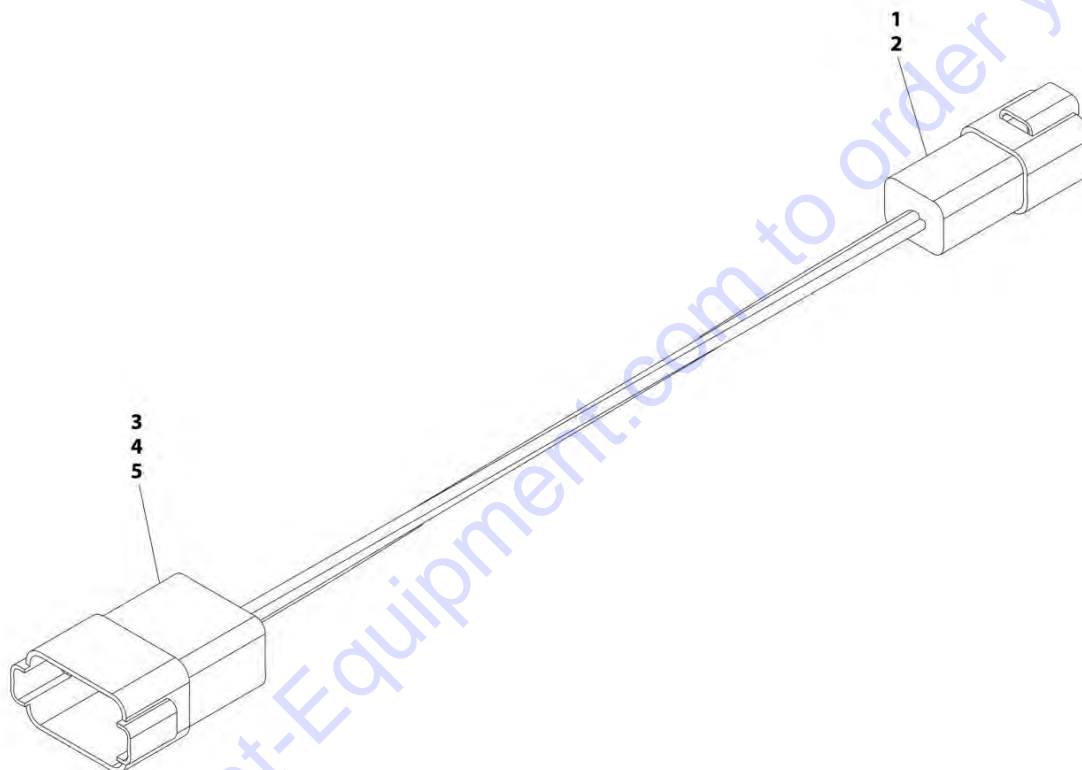
FIGURE 10-22. REVERSE SENSOR HARNESS

ITEM	PART NUMBER	QTY	DESCRIPTION	REV
	1001159876	1	REVERSE SENSOR HARNESS, (includes all items)	B
1	1001098122	1	RING TERMINAL	
2	1001098122	1	RING TERMINAL	
3	1001117026	1	CONNECTOR	
4	1001116745	2	TERMINAL	
5	4460458	2	SEAL	
6	1001117021	1	CONNECTOR	
7	1001116728	2	TERMINAL	
8	4460458	2	SEAL	
9	1001175733	1	CONNECTOR	
10	N.S.S.	3	PLUG	

Go to Discount-Equipment.com to order your parts

SECTION 10 - ELECTRICAL

FIGURE 10-23. TELEMATICS INSTALLATION, UNITED RENTALS



ART_1001195423-B

SECTION 10 - ELECTRICAL

FIGURE 10-23. TELEMATICS INSTALLATION, UNITED RENTALS

ITEM	PART NUMBER	QTY	DESCRIPTION	REV
	1001195423	1	TELEMATICS INSTALLATION, UNITED RENTAL	B
1	4460932	1	CONNECTOR	
2	4460464	4	TERMINAL	
3	4460931	1	CONNECTOR	
4	4460464	4	TERMINAL	
5	4460466	4	PLUG	

Go to Discount-Equipment.com to order your parts

PARTS FINDER

**Search Website
by Part Number**



**Search Manual
Library For Parts
Manual & Lookup Part
Numbers – Purchase
or Request Quote**

**Can't Find Part or
Manual? Request Help
by Manufacturer,
Model & Description**

Discount-Equipment.com is your online resource for quality parts & equipment.

Florida: **561-964-4949** Outside Florida TOLL FREE: **877-690-3101**

Need parts?

Click on this link: <http://www.discount-equipment.com/category/5443-parts/> and choose one of the options to help get the right parts and equipment you are looking for. Please have the machine model and serial number available in order to help us get you the correct parts. If you don't find the part on the website or on one of the online manuals, please fill out the request form and one of our experienced staff members will get back to you with a quote for the right part that your machine needs.

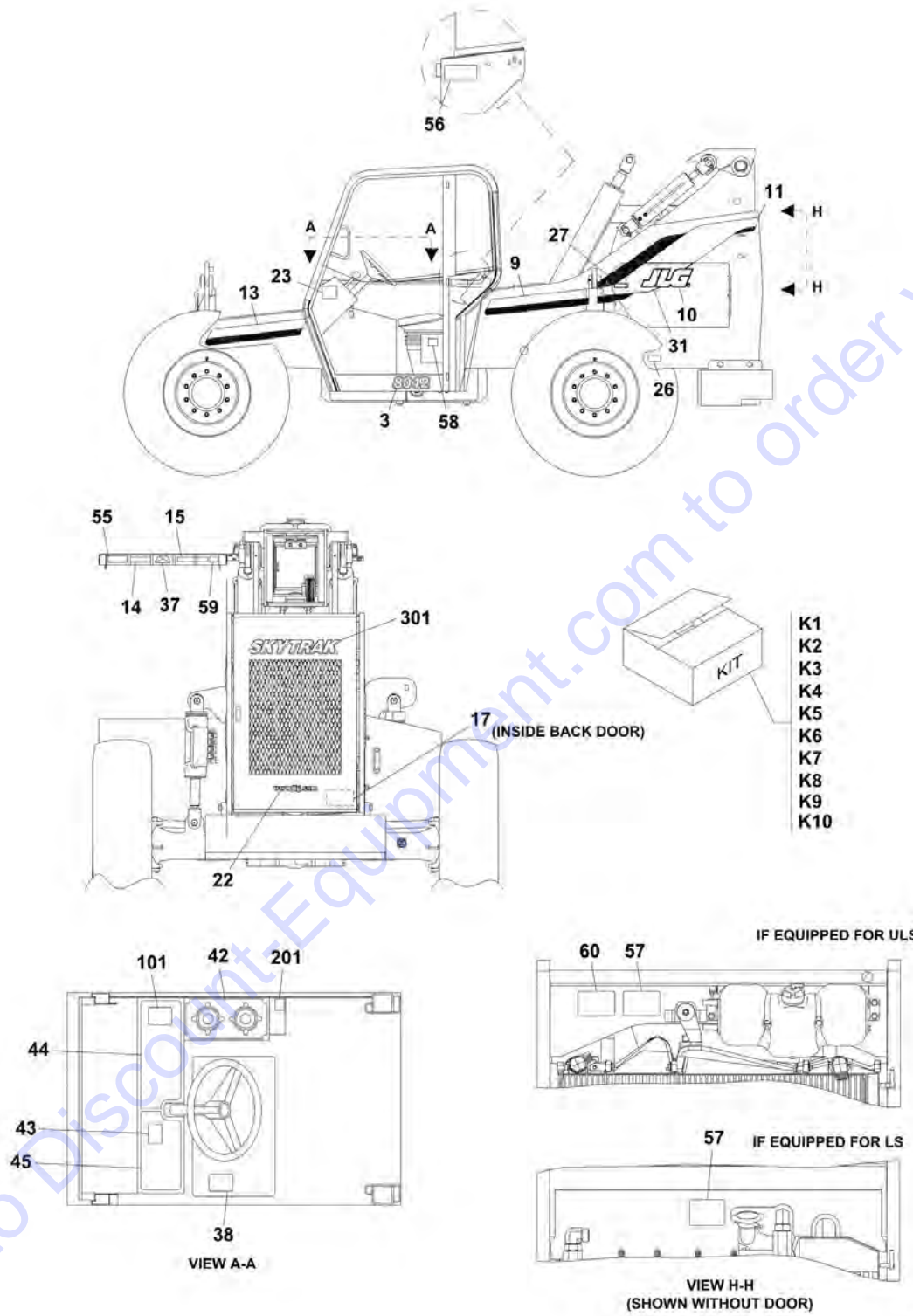
We sell worldwide for the brands: Genie, Terex, JLG, MultiQuip, Mikasa, Essick, Whiteman, Mayco, Toro Stone, Diamond Products, Generac Magnum, Airman, Haulotte, Barreto, Power Blanket, Nifty Lift, Atlas Copco, Chicago Pneumatic, Allmand, Miller Curber, Skyjack, Lull, Skytrak, Tsurumi, Husquvarna Target, Stow, Wacker, Sakai, Mi-T-M, Sullair, Basic, Dynapac, MBW, Weber, Bartell, Bennar Newman, Haulotte, Ditch Runner, Menegotti, Morrison, Contec, Buddy, Crown, Edco, Wyco, Bomag, Laymor, EZ Trench, Bil-Jax, F.S. Curtis, Gehl Pavers, Heli, Honda, ICS/PowerGrit, IHI, Partner, Imer, Clipper, MMD, Koshin, Rice, CH&E, General Equipment, Amida, Coleman, NAC, Gradall, Square Shooter, Kent, Stanley, Tamco, Toku, Hatz, Kohler, Robin, Wisconsin, Northrock, Oztec, Toker TK, Rol-Air, APT, Wylie, Ingersoll Rand / Doosan, Innovatech, Con X, Ammann, Mecalac, Makinex, Smith Surface Prep, Small Line, Wanco, Yanmar

SECTION 11 - DECALS

Go to Discount-Equipment.com to order your parts

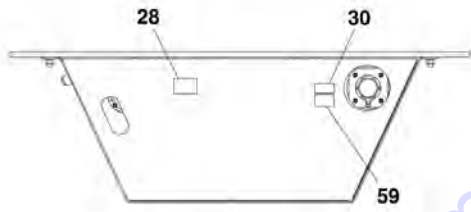
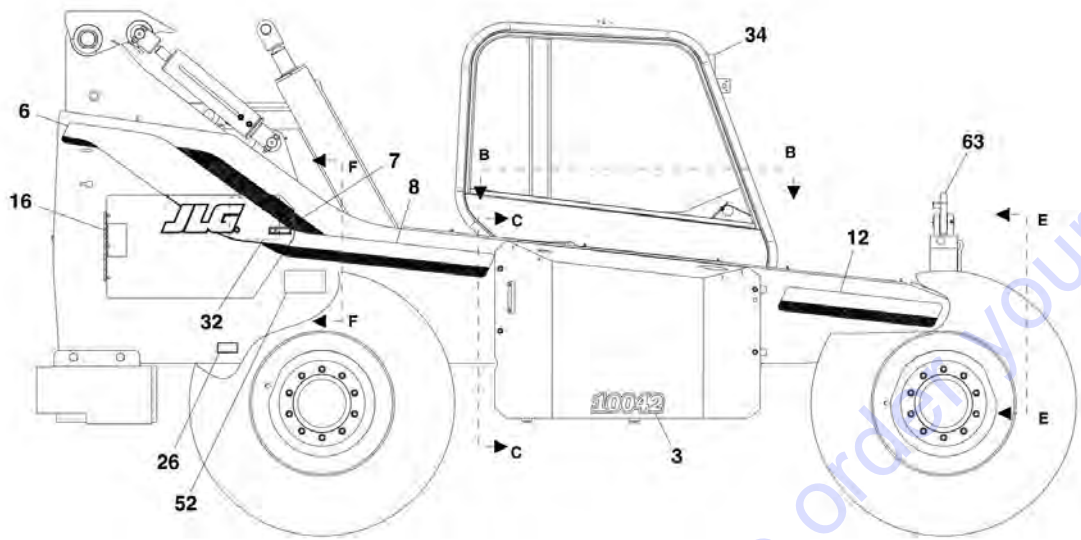
SECTION 11 - DECALS

FIGURE 11-1. CAB AND FRAME DECALS

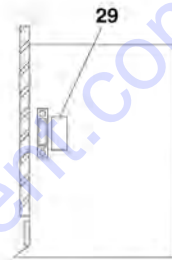


PAP28870

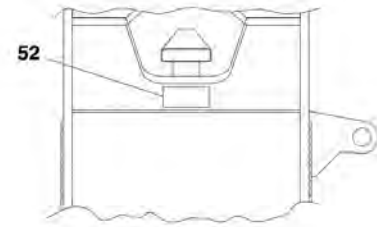
SECTION 11 - DECALS



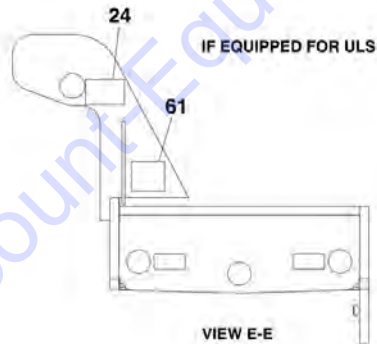
VIEW B-B



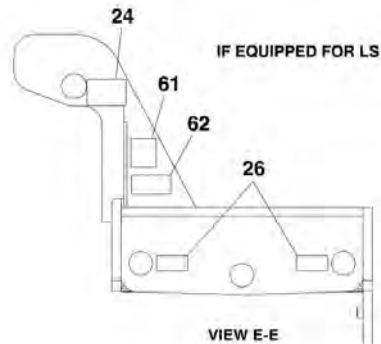
VIEW C-C



VIEW F-F



VIEW E-E



VIEW E-E

ART_PAP26300-B

SECTION 11 - DECALS

FIGURE 11-1. CAB AND FRAME DECALS

ITEM	PART NUMBER	QTY	DESCRIPTION	REV
	1001125360	Ref	DECAL INSTALLATION, (8042), (ANSI), (not available to order, see items 3 thru 61 & 63 on CAB AND FRAME DECALS and items on BOOM DECALS for service)	F
	1001125361	Ref	DECAL INSTALLATION, (8042), (ISO), (if equipped for ULS), (not available to order, see items 3 thru 61 & 63 on CAB AND FRAME DECALS and items on BOOM DECALS for service)	F
	1001142440	Ref	DECAL INSTALLATION, (8042), (ISO), (if equipped for LS), (not available to order, see items 3 thru 58 & 61,62 & 63 on CAB AND FRAME DECALS and items on BOOM DECALS for service)	E
	1001125362	Ref	DECAL INSTALLATION, (10042), (ANSI), (not available to order, see items 3 thru 61 & 63 on CAB AND FRAME DECALS and items on BOOM DECALS for service)	F
	1001125363	Ref	DECAL INSTALLATION, (10042), (ISO), (if equipped for ULS), (not available to order, see items 3 thru 61 & 63 on CAB AND FRAME DECALS and items on BOOM DECALS for service)	F
	1001142410	Ref	DECAL INSTALLATION, (10042), (ISO), (if equipped for LS), (not available to order, see items 3 thru 58 & 61,62 & 63 on CAB AND FRAME DECALS and items on BOOM DECALS for service)	E
	1001125364	Ref	DECAL INSTALLATION, (10054), (ANSI), (not available to order, see items 3 thru 61 & 63 on CAB AND FRAME DECALS and items on BOOM DECALS for service)	F
	1001125365	Ref	DECAL INSTALLATION, (10054), (ISO), (if equipped for ULS), (not available to order, see items 3 thru 61 & 63 on CAB AND FRAME DECALS and items on BOOM DECALS for service)	F
	1001142409	Ref	DECAL INSTALLATION, (10054), (ISO), (if equipped for LS), (not available to order, see items 3 thru 58 & 61,62 & 63 on CAB AND FRAME DECALS and items on BOOM DECALS for service)	E
	1001163654	Ref	DECAL INSTALLATION, (8042), (ENGLISH\FRENCH) , (not available to order, see items 3 thru 42 and 44 thru 61 & 63 on CAB AND FRAME DECALS and items on BOOM DECALS for service)	B
	1001163657	Ref	DECAL INSTALLATION, (10042), (ENGLISH\FRENCH) , (not available to order, see items 3 thru 61 & 63 on CAB AND FRAME DECALS and items on BOOM DECALS for service)	B
	1001163658	Ref	DECAL INSTALLATION, (10042), (ENGLISH\FRENCH) , (not available to order, see items 3 thru 61 & 63 on CAB AND FRAME DECALS and items on BOOM DECALS for service)	B
3	1706173	2	8042 MODEL NUMBER DECAL	
3	1706174	2	10042 MODEL NUMBER DECAL	
3	1706175	2	10054 MODEL NUMBER DECAL	
6	4110155	1	REAR FRAME STRIPE RH DECAL	
7	1706200	1	ENGINE DOOR STRIPE RH DECAL	
8	4110157	1	MID FRAME STRIPE RH DECAL	
9	4110158	1	MID FRAME STRIPE LH DECAL	
10	1706201	1	ENGINE DOOR STRIPE LH DECAL	
11	4110160	1	REAR FRAME STRIPE LH DECAL	
12	4110166	1	FRONT FRAME STRIPE RH DECAL	
13	4110167	1	FRONT FRAME STRIPE LH DECAL	
14	1706299	1	ELECTROCUTION HAZARD DECAL, (ANSI)	
14	1706284	1	ELECTROCUTION HAZARD DECAL, (ISO)	
14	1001163210	1	ELECTROCUTION HAZARD DECAL, (ENGLISH\FRENCH)	
15	1706306	1	TIP OVER HAZARD DECAL, (ANSI)	
15	1706288	1	TIP OVER HAZARD DECAL, (ISO)	
15	1001163285	1	TIP OVER HAZARD DECAL, (ENGLISH\FRENCH)	
16	1706301	2	MOVING PARTS HAZARD DECAL, (ANSI)	
16	1706285	2	MOVING PARTS HAZARD DECAL, (ISO)	

SECTION 11 - DECALS

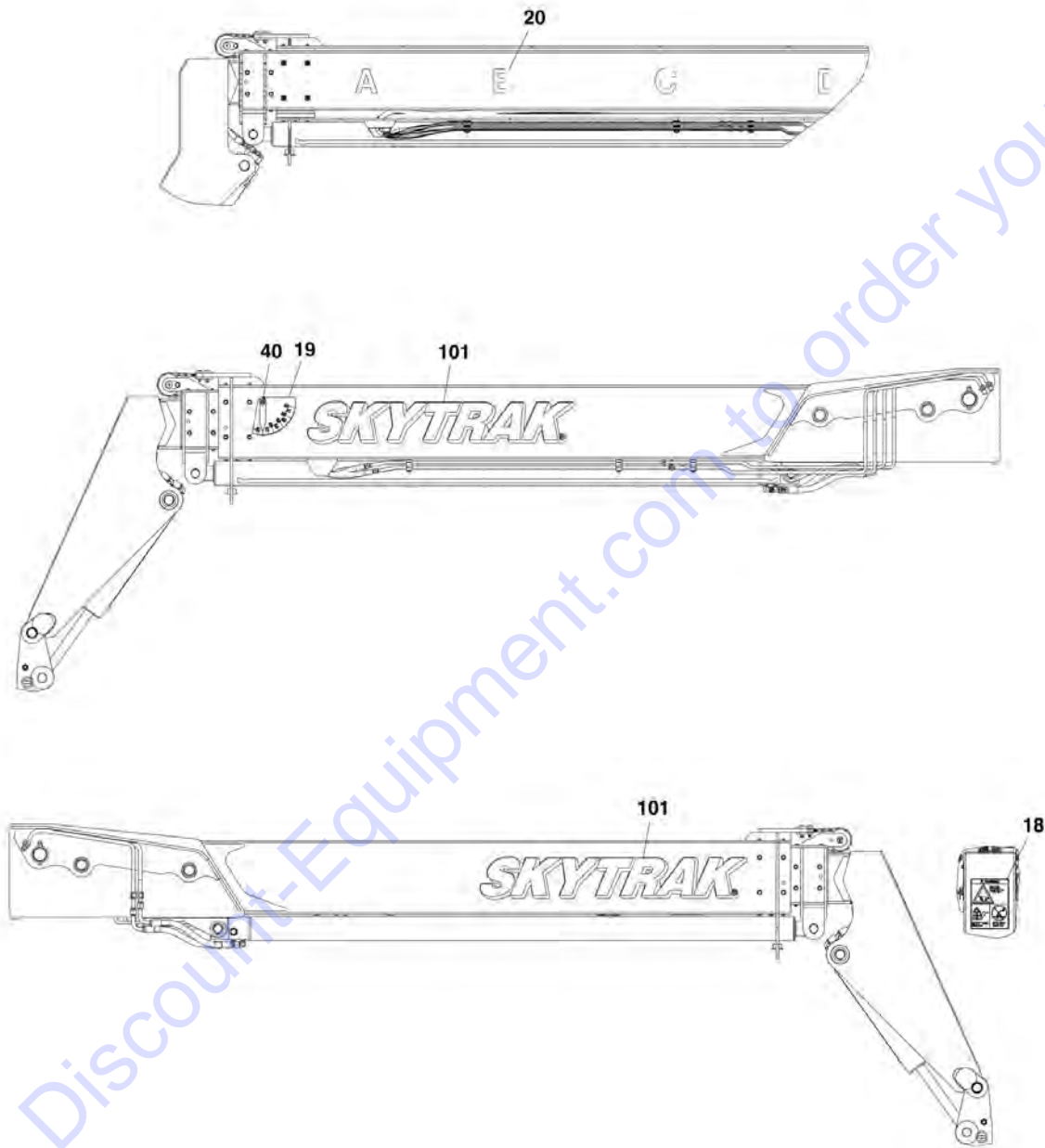
ITEM	PART NUMBER	QTY	DESCRIPTION	REV
16	1001163222	2	MOVING PARTS HAZARD DECAL, (ENGLISH\FRENCH)	
17	1706296	1	BATTERY HAZARD DECAL, (ANSI)	
17	1706281	1	BATTERY HAZARD DECAL, (ISO)	
17	1001163174	1	BATTERY HAZARD DECAL, (ENGLISH\FRENCH)	
22	1704885	1	WEBSITE DECAL	
23	3251813	1	USA DECAL	
24	N.S.S.	1	SN PLATE	
26	4110226	4	LIFT POINT/TIE DOWN DECAL	
27	4110242	1	FRAME STRIPE LH DECAL	
28	4100181	1	HYDRAULIC OIL FILL DECAL	
29	4108302	1	HYDRAULIC OIL LEVEL DECAL	
30	4105171	1	DIESEL FUEL FILL DECAL	
31	1001143904	1	MAINTENANCE CHART DECAL	
31	1001109596	1	MAINTENANCE CHART DECAL, (ISO), (if equipped for LS)	
32	1001129510	1	LUBRICATION CHART DECAL, (8042)	
32	1001129509	1	LUBRICATION CHART DECAL, (10042)	
32	1001129508	1	LUBRICATION CHART DECAL, (10054)	
34		Ref	RECTANGULAR MIRROR, (See CAB SECTION for Breakdown)	
37	8466306	1	TILT ANGLE GAUGE	
38	10139087	1	SAFETY WALK	
42	4107462	1	SIDE CONSOLE DECAL	
43	4107971	1	OUTRIGGER CONTACT DECAL, (10042 & 10054), (ANSI)	
43	1706279	1	OUTRIGGER CONTACT DECAL, (10042 & 10054), (ISO)	
43	1001163452	1	OUTRIGGER CONTACT DECAL, (10042&10054), (ENGLISH\FRENCH)	
44	1001129766	1	OVERLAY RH DECAL, (ANSI)	
44	1001129767	1	OVERLAY RH DECAL, (ISO)	
44	1001129766	1	OVERLAY RH DECAL, (ENGLISH\FRENCH)	
44	1001165771	1	OVERLAY RH DECAL, (ENGLISH\FRENCH)	
45	4110188	1	OVERLAY LH DECAL, (ANSI)	
45	1001110282	1	OVERLAY LH DECAL, (ISO)	
45	1001165804	1	OVERLAY LH DECAL, (ENGLISH\FRENCH)	
52	1706300	2	ETHER START WARNING DECAL, (ANSI)	
52	1706098	2	ETHER START WARNING DECAL, (ISO)	
52	1001163212	2	ETHER START WARNING DECAL, (ENGLISH\FRENCH)	
55	1706850	1	CRUSH HAZARD WARNING DECAL, (ANSI)	
55	1001092877	1	CRUSH HAZARD WARNING DECAL, (ISO)	
55	1001163304	1	CRUSH HAZARD WARNING DECAL, (ENGLISH\FRENCH)	
56	1706768	1	NO RIDERS DECAL, (ANSI)	
56	1001092878	1	NO RIDERS DECAL, (ISO)	
56	1001163300	1	NO RIDERS DECAL, (ENGLISH\FRENCH)	
57	1001109053	1	COOLANT FILL DECAL	
58	1701640	1	MANUAL DECAL	
59	1001125387	2	ULTRA LOW SULFUR DIESEL DECAL	
59	1001163355	2	ULTRA LOW SULFUR DIESEL DECAL, (ENGLISH\FRENCH)	
60	1001139578	1	HOT FLUID WARNING DECAL	
60	1001163323	1	HOT FLUID WARNING DECAL	
61	1001131271	1	TELEHANDLERS PATENT DECAL	
62	1001143852	1	EXPORT DECAL, (if equipped for LS)	
63	1702631	1	BAR CODE	
101	1001106014	1	CAPACITY CHART BOOKLET, (8042), (ANSI)	
101	1001122561	1	CAPACITY CHART BOOKLET, (8042), (ISO)	

SECTION 11 - DECALS

ITEM	PART NUMBER	QTY	DESCRIPTION	REV
101	1001110414	1	OPTIONAL CAPACITY CHART BOOKLET, (8042), (ANSI)	
101	1001122562	1	OPTIONAL CAPACITY CHART BOOKLET, (8042), (ISO)	
101	1001106015	NLA	CAPACITY CHART BOOKLET, (10042), (ANSI), (no longer available, use 1001199512 for replacement)	
101	1001199512	1	CAPACITY CHART BOOKLET, (10042), (ANSI)	
101	1001122612	NLA	CAPACITY CHART BOOKLET, (10042), (ISO), (no longer available, use 1001199513 for replacement)	
101	1001199513	1	CAPACITY CHART BOOKLET, (10042), (ISO)	
101	1001110415	NLA	OPTIONAL CAPACITY CHART BOOKLET, (10042), (ANSI), (no longer available, use 1001199512 for replacement)	
101	1001199512	1	OPTIONAL CAPACITY CHART BOOKLET, (10042), (ANSI)	
101	1001122613	NLA	OPTIONAL CAPACITY CHART BOOKLET, (10042), (ISO), (no longer available, use 1001199513 for replacement)	
101	1001199513	1	OPTIONAL CAPACITY CHART BOOKLET, (10042), (ISO)	
101	1001106016	1	CAPACITY CHART BOOKLET, (10054), (ANSI)	
101	1001121967	1	CAPACITY CHART BOOKLET, (10054), (ISO)	
101	1001110416	1	OPTIONAL CAPACITY CHART BOOKLET, (10054), (ANSI)	
101	1001121968	1	OPTIONAL CAPACITY CHART BOOKLET, (10054), (ISO)	
201	4105621	1	AUXILIARY CONTROL DECAL	
301	1001153473	1	REAR DOOR SKYTRAK DECAL	
401	1001160072	1	REVERSE SENSING SYSTEM DECAL, (ANSI), (not shown)	
401	1001160945	1	REVERSE SENSING SYSTEM DECAL, (ENGLISH/FRENCH), (not shown)	
401	1001160916	1	REVERSE SENSING SYSTEM DECAL, (ISO), (not shown)	
K1	7302189	1	UNITED RENTALS DECAL KIT	
K2	1001098594	1	RSC DECAL KIT, (8042 & 10042)	
K3	1001098595	1	RSC DECAL KIT, (10054)	
K4	0274272	1	NES DECAL KIT	
K5	0274547	1	H & E DECAL KIT	
K6	1001120632	1	SUNBELT DECAL KIT	
K7	0274271	1	SUNSTATE DECAL KIT, (8042 & 10054)	
K8	1001128530	1	HERTZ DECAL KIT	
K9	1001140699	1	LEAVITT DECAL KIT	
K10	0274072	1	CUSTOMER DECAL KIT	

SECTION 11 - DECALS

FIGURE 11-2. BOOM DECALS



ART_PH6090-B

SECTION 11 - DECALS

FIGURE 11-2. BOOM DECALS

ITEM	PART NUMBER	QTY	DESCRIPTION	REV
	1001125360	Ref	DECAL INSTALLATION, (8042), (ANSI), (not available to order, see items 18 thru 20 on BOOM DECALS and items on CAB AND FRAME DECALS for service)	F
	1001125361	Ref	DECAL INSTALLATION, (8042), (ISO), (if equipped for ULS), (not available to order, see items 18 thru 20 on BOOM DECALS and items on CAB AND FRAME DECALS for service)	F
	1001142440	Ref	DECAL INSTALLATION, (8042), (ISO), (if equipped for LS), (not available to order, see items 18 thru 20 on BOOM DECALS and items on CAB AND FRAME DECALS for service)	E
	1001125362	Ref	DECAL INSTALLATION, (10042), (ANSI), (not available to order, see items 18 thru 20 on BOOM DECALS and items on CAB AND FRAME DECALS for service)	F
	1001125363	Ref	DECAL INSTALLATION, (10042), (ISO), (if equipped for ULS), (not available to order, see items 18 thru 20 on BOOM DECALS and items on CAB AND FRAME DECALS for service)	F
	1001142410	Ref	DECAL INSTALLATION, (10042), (ISO), (if equipped for LS), (not available to order, see items 18 thru 20 on BOOM DECALS and items on CAB AND FRAME DECALS for service)	E
	1001125364	Ref	DECAL INSTALLATION, (10054), (ANSI), (not available to order, see items 18 thru 20 on BOOM DECALS and items on CAB AND FRAME DECALS for service)	F
	1001125365	Ref	DECAL INSTALLATION, (10054), (ISO), (if equipped for ULS), (not available to order, see items 18 thru 20 on BOOM DECALS and items on CAB AND FRAME DECALS for service)	F
	1001142409	Ref	DECAL INSTALLATION, (10054), (ISO), (if equipped for LS), (not available to order, see items 18 thru 20 on BOOM DECALS and items on CAB AND FRAME DECALS for service)	E
	1001163654	Ref	DECAL INSTALLATION, (8042), (ENGLISH\FRENCH) , (not available to order, see items 18 thru 20 on CAB AND FRAME DECALS and items on BOOM DECALS for service)	A
	1001163657	Ref	DECAL INSTALLATION, (10042), (ENGLISH\FRENCH) , (not available to order, see items 18 thru 20 on CAB AND FRAME DECALS and items on BOOM DECALS for service)	A
	1001163658	Ref	DECAL INSTALLATION, (10054), (ENGLISH\FRENCH) , (not available to order, see items 18 thru 20 on CAB AND FRAME DECALS and items on BOOM DECALS for service)	A
18	1706298	1	CARRYING PERSONNEL DECAL, (ANSI)	
18	1706282	1	CARRYING PERSONNEL DECAL, (ISO)	
18	1001163206	1	CARRYING PERSONNEL DECAL, (ENGLISH\FRENCH)	
19	4105262	1	BOOM ANGLE INDICATOR DECAL	
20	4107442	1	BOOM EXTEND LETTERS DECAL	
40		Ref	BOOM ANGLE INDICATOR PLATE AND MOUNTING HARDWARE, (See BOOM SECTION for Breakdown)	
	0274068	Ref	SKYTRAK DECAL INSTALLATION, (not available to order, see item 101 for service)	B
101	1706176	2	SKYTRAK BOOM DECAL	

SECTION 12 - RECOMMENDED SPARE PARTS

SECTION 12 - RECOMMENDED SPARE PARTS

Go to Discount-Equipment.com to order your parts

SECTION 12 - RECOMMENDED SPARE PARTS

FIGURE 12-1. RECOMMENDED SPARE PARTS

ITEM	PART NUMBER	QTY	DESCRIPTION	REV
	Note	Ref	Note: The following list will service fleets of machines (built to current production per date on the front cover) with repair parts which can be installed in the field. Parts from the list should be replaced when inventory is depleted to keep service parts stock supplied. For further information, go to Discount-equipment.com	
		Ref	Boom Assembly	
	2713452	2	Tilt Cylinder Hose, (8042 & 10042)	
	2713642	4	Tilt Cylinder Hose, (10054)	
	2716714	2	Boom Hose	
	7111572	AR	Wear Pad	
	7079572	AR	Wear Pad	
	7082311	AR	Insert, Wear Pad	
	7082342	AR	Shim, 0.07	
	7082362	AR	Shim, 0.13	
	7096772	1	Spacer, 0.62	
	7096702	AR	Spacer, 0.5	
	7118892	1	Quick Attach Pin	
		Ref	Engine	
	7139077	1	Filler Breather Assy	
	1001121646	1	Fan, (if equipped for ULS)	
	1001098559	1	Fan, (if equipped for LS)	
	70024274	1	Fan Belt, (if equipped for ULS)	
	70024285	1	Fan Belt, (if equipped for LS)	
	70024276	1	Fan Spacer, (if equipped for ULS)	
	70024278	1	Engine Oil Filter Element, (if equipped for ULS)	
	8036204	1	Engine Oil Filter Element, (if equipped for LS)	
	70024279	1	Dipstick, (if equipped for ULS)	
	70021854	1	Dipstick, (if equipped for LS)	
		Ref	Drive Train	
	1600429	1	Transmission Selector Control	
	1319726	1	Transmission Filter	
	70022241	4	Wheel End Bushing	
	70022218	2	Front Wheel End Seal	
	70022218	2	Rear Wheel End Seal	
	80304173	4	Wheel Hub Seal	
	1319472	8	Wheel Hub Bearing	
	70022203	4	Axle Wheel Hub O-Ring	
		Ref	Hydraulic System	
	8224045	1	Boom Joystick Assy	
	8036295	1	Boom Extend/Retract Cylinder Seal Kit	
	8035386	2	Boom Lift/Lower Cylinder Seal Kit	
	8035780	1	Attachment Tilt Cylinder Seal Kit	
	8035326	1	Frame Level Cylinder Seal Kit	
	8036747	1	Stabil-Trak Cylinder Seal Kit	
	8034695	2	Tilt Compensation Cylinder Seal Kit	
	8036784	2	Outrigger (Energy) Cylinder Seal Kit	
	70022178	2	Steering Cylinder Seal Kit	
	2915023	2	Swing Carriage Cylinder Seal Kit	

SECTION 12 - RECOMMENDED SPARE PARTS

ITEM	PART NUMBER	QTY	DESCRIPTION	REV
	70022041	1	Side Tilt Carriage Cylinder Seal Kit	
	8320265	1	Hydraulic Filter Element	
	7138740	1	Tank Strainer	
	7139077	2	Filler/Breather	
	7024441	1	Fluid Level Sight Gauge	
	70021452	1	Grapple Bucket Cylinder Seal Kit	
		Ref	Electrical	
	1001145026	1	Fuel Level Sender Assy	
	8270621	1	Backup Alarm	
	4360690	1	Ignition Switch	
	70024276	1	Alternator, (if equipped for ULS)	
	70021849	1	Alternator, (if equipped for LS)	
	70024277	1	Starter, (if equipped for ULS)	
	70021850	1	Starter, (if equipped for LS)	
	8270620	1	Horn	
		Ref	Misc	
	8035807	1	Ignition Key With Cover	
	70021948	1	Door Key	
	31200749	1	Operation and Safety Manual	
	31200796	1	Service Manual	
		Ref	Special Tools	
	80304484	1	Pry Bar Set, ZF Axle	
	80304480	1	Two-armed Puller, ZF Axle	
	7025854	1	Two-armed Puller, ZF Axle	
	70010241	1	Threaded Ring, M105X3, ZF Axle	
	70010239	1	Two-armed Puller, 160-150mm, ZF Axle and Transmission	
	70023172	1	Gripping Insert Super, ZF Axle	
	70023173	1	Back-off Insert, Rear ZF Axle	
	70023174	1	Eye Bolt Assortment, ZF Axle and Transmission	
	70022872	1	Internal Extractor, 45-58mm, ZF Axle and Transmission	
	70022873	1	Internal Extractor, 70-100mm, ZF Axle	
	70022871	1	Counter Support, Rear, ZF Axle and Transmission	
	7029740	1	Driver, ZF Axle	
	7029739	1	Driver, ZF Axle	
	7029738	1	Driver, ZF Axle	
	70010244	1	Internal Extractor, ZF Axle	
	70010245	1	Counter Support, ZF Axle	
	70022866	1	Spanner, ZF Axle	
	70022867	1	Torque Spanner, 5-45Nm, ZF Axle	
	80304492	1	Wheel Bolt Puller Basic Set, ZF Axle	
	70110101	1	Driver, ZF Axle	
	80304498	1	Handle, ZF Axle	
	70010281	1	Slotted Nut Wrench, ZF Axle	
	70010283	1	Installer, ZF Axle	
	70010284	1	Installer, ZF Axle	
	80304497	1	HP-Pump, ZF Axle	
	7025856	1	Striker, ZF Axle	
	70010243	1	Measuring Hub, 9/16in-18UNF	
	80304486	1	Two-armed Puller, ZF Axle	
	70010240	1	Gripping Insert Super, ZF Axle	
	70010285	1	Extracting Tool, ZF Axle	

SECTION 12 - RECOMMENDED SPARE PARTS

ITEM	PART NUMBER	QTY	DESCRIPTION	REV
	70010282	1	Assembly Ring, ZF Axle	
	70023175	1	Driver, ZF Axle	

Go to Discount-Equipment.com to order your parts

PART NUMBER INDEX

Go to Discount-Equipment.com to order your parts

PART NUMBER INDEX

0100009.....349	1001081310..... 215, 216	1001100823 75	1001111112.....215
0100011..57, 91, 93, 113, 117, 119, 235, 237	1001081375 221	1001100824 75	1001111190..... 63
0100019..... 13, 19, 127	1001081376 221	1001101085 219	1001111424..... 333
0140011.....391	1001090063 57	1001101115 65	1001111821..... 111
0240156.....73	1001090064 57	1001101116 65	1001112612..... 366
0274068.....405	1001090134 319	1001101845 41, 43	1001113511..... 101
0274072.....402	1001090140 57	1001101867 43	1001114495..... 107
0274271.....402	1001091752 311	1001101956 57	1001114675..... 203
0274272.....402	1001092391 67	1001102212 111	1001114780..... 111
0274547.....402	1001092481 69	1001102378 57	1001116692..... 352, 356
0400075333	1001092482 69	1001102448 379	1001116693..... 371
0641404.....332	1001092877 401	1001102813 69	1001116710..... 368, 383
0641405..... 69, 107	1001092878 401	1001102844 203	1001116711..... 383
0641406..... 107, 332, 391	1001093171 71	1001102931 101	1001116712..... 368, 383
0641415.....333	1001093273 73	1001102933 101	1001116720..... 383
0641418.....391	1001093377 65, 73	1001103113 229	1001116726..... 368
0641506..... 101	1001093465 73	1001103144 243	1001116727..... 352, 356, 361, 367, 368
0641507..... 117	1001094330 73	1001103147 313	1001116728..... 352, 353, 356, 357, 361, 393
0641508..... 107, 119	1001094786 13	1001103150 313, 327	1001116729..... 352, 356, 362, 387, 389
0641511..... 343, 345	1001094787 13	1001103152 313	1001116732..... 353
0641516.....333	1001094830 73	1001103153 269, 313	1001116733..... 353, 362
0641520.....259	1001094877 13	1001103182 323	1001116734..... 353, 357, 361
0641605.....248, 271	1001095418 63	1001103509 209, 221	1001116735..... 361
0641607..... 119	1001095810 69	1001103619 127, 139, 157	1001116736..... 362, 381, 389
0641611..... 101, 103	1001096019 69	1001103623 253	1001116737..... 362, 371, 387, 389
0641612..... 57, 105	1001096020 69	1001103628 131	1001116745..... 352, 362, 389, 393
0641614..... 107	1001096021 69	1001103629 131	1001116747..... 352, 356, 362, 367
0641618..... 111	1001096023 69	1001103633 149	1001116748..... 352, 356, 381, 383
0641636.....211	1001096024 69	1001103637 69	1001116774..... 367
0641652.....211	1001096025 69	1001103730 69	1001116808..... 366
0641718..... 111	1001096134 361	1001103736 69	1001116810..... 356
0642032..... 53, 55, 57	1001096162 69	1001104796 127	1001116812..... 366
0642216..... 13	1001096314 343, 345	1001104800 127	1001116831..... 356
0642222..... 13	1001096404 23	1001105703 199	1001116838..... 149
0642628..... 13	1001096435 111	1001105704 199	1001116950..... 353, 357
0642640..... 19, 127	1001096436 111	1001105705 199	1001116975..... 362
0681506..... 111	1001096484 115	1001105892 209	1001117019..... 362
0681810..... 57, 319	1001097079 343	1001106014 401	1001117021..... 352, 353, 356, 357, 361, 393
0681826..... 91, 93	1001097080 343	1001106015 402	1001117026..... 352, 356, 387, 389, 393
0682228..... 91, 93	1001097205 71	1001106016 402	1001117064..... 366
0700610..... 203	1001097335 107	1001106344 19	1001117068..... 352, 356
0701214..... 91	1001097721 31	1001106345 19	1001117070..... 353, 357
0710819..... 91	1001097735 41, 43	1001106836 315	1001117079..... 389
0711015..... 91, 93	1001098089 27	1001107355 339	1001117106..... 366
0711016..... 91	1001098122 393	1001107664 19	1001117111..... 352, 356
0711214..... 93	1001098559 93, 408	1001107689 19	1001117119..... 366, 367
0741610..... 57	1001098594 402	1001107690 19	1001117244..... 111
0760612..... 113	1001098595 402	1001107692 19	1001117308..... 333
0761010..... 93, 332	1001098769 23	1001107744 127	1001117738..... 15
0761012..... 91	1001098977 115	1001107746 127	1001117739..... 15
0791606..... 117	1001099113 57	1001108524 165	1001118245..... 333
0835416..... 205	1001099115 57	1001108668 84	1001118282..... 353
0860520..... 69	1001099351 81	1001109007 209	1001118378..... 366
0930020..... 77	1001099901 79	1001109053 401	1001118742..... 91, 93
1001003174..... 367	1001099902 79	1001109230 107	1001119004..... 352, 356
1001081045..... 221	1001100005 197	1001109406 209	
1001081046..... 221	1001100009 199	1001109478 205	
1001081049..... 221	1001100218 311	1001109536 91, 93	
1001081073..... 221	1001100221 221	1001109596 401	
1001081241..... 211	1001100225 221	1001110282 401	
1001081242..... 211	1001100227 65	1001110414 402	
1001081244..... 211	1001100228 65	1001110415 402	
1001081246..... 211	1001100229 65	1001110416 402	
1001081247..... 211	1001100284 197	1001110704 63	
1001081266..... 211	1001100324 197	1001110889 127	
	1001100822 75		

PART NUMBER INDEX

1001119619 352, 356	1001125363..... 400, 405	1001129766..... 401	1001134467 101
1001120068 107	1001125364..... 400, 405	1001129767..... 401	1001134516 101
1001120082 113	1001125365..... 400, 405	1001129768..... 332	1001134843 113
1001120083 113	1001125387..... 401	1001129769..... 332	1001134844 113
1001120179 199	1001125418..... 199	1001129773..... 353	1001135002 307
1001120341 333	1001125495..... 91, 93	1001129795..... 332	1001135011 105
1001120632 402	1001125652..... 259	1001129796..... 332	1001135038 203
1001120687 91	1001125705..... 261	1001129797..... 332	1001135055 248
1001120819 222	1001125748..... 353, 357	1001129813..... 231	1001135710 333
1001120869 107	1001125749..... 259	1001129870..... 231	1001135770 333
1001120914 57	1001125750..... 259	1001130307..... 332	1001135777 333
1001120915 57	1001125751..... 261	1001130568..... 332	1001136157 105
1001120935 197	1001125773..... 353, 357	1001130894..... 345	1001136358 101
1001120947 107	1001125774..... 221	1001130896..... 343	1001136502 273
1001121085 197	1001125784..... 362, 366	1001130897..... 349	1001136556 273, 327
1001121102 199	1001125785..... 362, 366	1001130898..... 349	1001136560 273
1001121104 199	1001125837..... 221	1001130927..... 373	1001136561 273
1001121107 199	1001125932..... 259	1001131179..... 15, 17	1001136911 273
1001121129 91	1001126008..... 366, 367	1001131246..... 15	1001136975 101, 103, 105
1001121233 95	1001126208..... 352	1001131271..... 401	
1001121245 91	1001126385..... 271	1001131343..... 99	1001137512 67
1001121246 113	1001126386..... 271	1001131382..... 93	1001138700 101
1001121247 115	1001126581..... 333	1001131384..... 333	1001139578 401
1001121254 107	1001126864..... 341	1001131385..... 93	1001140672 107
1001121256 101, 103	1001127142..... 333	1001131386..... 111	1001140699 402
1001121257 105	1001127212..... 332	1001131485..... 119	1001141020 121
1001121271 107	1001127213..... 332, 338	1001131488..... 115	1001141427 203
1001121272 111	1001127226..... 385	1001131524..... 248	1001141892 19
1001121282 13	1001127418..... 107	1001131526..... 271	1001142409 400, 405
1001121283 13	1001127591..... 107	1001131555..... 111	1001142410 400, 405
1001121396 263	1001127699..... 333	1001131576..... 119	1001142440 400, 405
1001121399 263	1001127700..... 333	1001131577..... 119	1001142513 332
1001121493 107	1001127784..... 127	1001131578..... 119	1001142790 59
1001121494 107	1001127855..... 117	1001131594..... 111	1001143305 229
1001121518 197	1001127856..... 117	1001131596..... 111	1001143307 339
1001121596 91, 93	1001127857..... 117	1001131645..... 111	1001143852 401
1001121646 91, 408	1001127858..... 117, 119	1001131646..... 111	1001143904 401
1001121726 361, 368	1001127864..... 117, 119	1001131772..... 119	1001145026 311, 409
1001121728 361, 368	1001127867..... 117, 119	1001131819..... 111	1001145035 211
1001121730 361, 368	1001127980..... 107	1001131820..... 111	1001146084 55
1001121741 203	1001128339..... 107	1001131861..... 15	1001146086 55
1001121742 203	1001128340..... 107	1001131862..... 15	1001146088 55
1001121955 107	1001128341..... 107	1001131996..... 119	1001146159 55
1001121967 402	1001128363..... 117	1001132004..... 93	1001146160 55
1001121968 402	1001128364..... 117	1001132154..... 119	1001146563 251
1001122289 221	1001128507..... 113	1001132173..... 105	1001147466 19
1001122456 205	1001128530..... 402	1001132514..... 53	1001147467 19
1001122457 205	1001128544..... 113	1001132545..... 271	1001147477 19
1001122559 221	1001128663..... 332	1001132546..... 271	1001147515 293
1001122560 107	1001128783..... 332	1001132547..... 248	1001148177 203
1001122561 401	1001128808..... 113	1001132548..... 248	1001149712 362, 366
1001122562 402	1001128901..... 117	1001132551..... 235	1001150229 211
1001122612 402	1001128946..... 127	1001132552..... 237	1001150233 211
1001122613 402	1001129191..... 91	1001132984..... 332, 338	1001150492 17
1001122801 107	1001129285..... 368	1001132985..... 332, 338	1001150496 17
1001122807 107	1001129497..... 117	1001132986..... 332, 338	1001150523 95
1001125027 353	1001129508..... 401	1001133072..... 57	1001150524 99
1001125038 101, 103	1001129509..... 401	1001133171..... 333	1001150525 99
1001125039 101, 103	1001129510..... 401	1001133172..... 332	1001150526 95
1001125040 103, 105	1001129513..... 352, 356	1001133350..... 356	1001150586 131
1001125134 248	1001129610..... 206	1001133534..... 105	1001150741 17
1001125136 271	1001129615..... 333	1001133871..... 107	1001150742 17
1001125236 248	1001129649..... 332, 338	1001133874..... 222	1001151099 197
1001125237 248	1001129650..... 332, 338	1001134192..... 373	1001151100 197
1001125360 400, 405	1001129759..... 352	1001134193..... 373	1001151103 199
1001125361 400, 405	1001129760..... 371	1001134452..... 332	1001151104 199
1001125362 400, 405	1001129762..... 361	1001134466..... 101	1001151107 197

PART NUMBER INDEX

1001151109.....	199	1001184556.....	269	1319423.....	139, 157	1319620.....	177, 181, 183
1001151561.....	55	1001184557.....	269	1319436.....	139, 157	1319621.....	177, 181, 183
1001152653.....	17	1001187887.....	17	1319447.....	145, 161	1319622.....	177, 181, 183
1001152654.....	17	1001187952.....	368	1319464.....	145, 161	1319623.....	177, 181, 183
1001153473.....	402	1001190341.....	17	1319472....	145, 161, 408	1319624.....	177, 181, 183
1001153912.....	107	1001192049.....	368	1319477.....	145, 161	1319625.....	177, 181, 183
1001153913.....	108	1001192050.....	368	1319537.....	141, 159	1319626.....	177, 181, 183
1001154331.....	391	1001195423.....	395	1319539.....	141, 159	1319627.....	177, 181, 183
1001154375.....	391	1001195760.....	367	1319540.....	141, 159	1319628.....	177, 181, 183
1001155219.....	333	1001199512.....	402	1319542.....	141, 159	1319629.....	177, 181, 183
1001157890.....	366, 367	1001199513.....	402	1319545.....	141, 159	1319630.....	177, 181, 183
1001159186.....	366, 367	1001200833.....	366	1319557.....	169	1319631.....	177, 181, 183
1001159876.....	391, 393	1001200845.....	368, 383	1319558.....	169	1319632.....	177, 181, 183
1001160071.....	225	1001205172.....	368, 383	1319563.....	169	1319633.....	177, 185
1001160072.....	402	1001210776.....	368	1319565.....	169	1319634.....	179
1001160787.....	225	1001210777.....	368	1319566.....	169	1319635.....	179
1001160912.....	225	1001210778.....	368	1319569.....	171	1319636.....	179, 181, 183
1001160916.....	402	1001210779.....	368	1319570.....	171	1319637.....	181
1001160945.....	402	1001213147.....	243, 244, 253	1319571.....	171	1319638.....	181, 183
1001161023.....	391	10139087.....	401	1319574.....	171	1319639.....	183
1001162804.....	225	10268515.....	115	1319575.....	171	1319641.....	185
1001162806.....	225	10268516.....	115	1319576.....	171	1319643.....	185
1001162829.....	225	1060379.....	69	1319577.....	171	1319646.....	185
1001163174.....	401	10700334.....	117, 119	1319578... 139, 141, 147, 157, 159, 163, 171		1319647.....	185
1001163206.....	405	10704137.....	93	1319582.....	171, 193	1319648.....	185
1001163210.....	400	10705034.....	61	1319583.....	171	1319649.....	185
1001163212.....	401	10731702.....	167	1319584.....	171	1319650.....	187
1001163222.....	401	10731709.....	189, 191	1319585.....	171, 193	1319652.....	187, 189
1001163285.....	400	10731744.....	171	1319586.....	171	1319659.....	187
1001163300.....	401	10731748.....	167	1319587.....	171	1319661.....	187, 189
1001163304.....	401	10731751.....	167	1319590.....	171	1319666.....	139, 157
1001163323.....	401	10731789.....	145, 161	1319591.....	173	1319670.....	189, 191
1001163355.....	401	10731790.....	139, 157	1319592.....	173	1319671.....	189
1001163414.....	321	10731845..	173, 175, 179	1319593... 173, 175, 177, 179, 181, 183		1319673.....	189
1001163452.....	401	10731913.....	169	1319594... 173, 175, 177, 179, 181, 183		1319674.....	189
1001163654.....	400, 405	10731949.....	141, 159	1319595... 173, 175, 177, 179, 181, 183		1319675.....	189
1001163657.....	400, 405	10731959.....	185	1319596.... 173, 175, 179		1319676.....	189
1001163658.....	400, 405	10732063.....	189, 191	1319600... 173, 175, 177, 179, 181, 183		1319677.....	189
1001163729.....	333	10732064.....	189	1319601... 173, 175, 177, 179, 181, 183		1319678.....	189
1001165771.....	401	10732071.....	187	1319602... 173, 175, 177, 179, 181, 183		1319679.....	189
1001165804.....	401	10732072.....	187	1319603... 173, 175, 177, 179, 181, 183		1319680.....	189
1001166285.....	327	10732095.....	167	1319604... 173, 175, 177, 179, 181, 183		1319681.....	189
1001166292.....	254	10732150.....	15	1319605.... 173, 175, 179		1319682.....	189
1001167250.....	225	10837923.....	297	1319606.... 173, 175, 179		1319683.....	189
1001167251.....	225	10837943.....	297	1319607.....	173	1319684.....	189
1001169758.....	253	10839156.....	185	1319608.....	173, 183	1319685.....	189
1001170427.....	309	1101312.....	99, 115	1319609.....	173	1319686.....	189
1001174264.....	211	1101313.....	99, 115	1319610.....	173	1319687.....	189
1001175733.....	393	1101841.....	127	1319611.....	173	1319688.....	189
1001176515.....	87	1170021.....	53	1319612... 173, 175, 177, 179, 181, 183		1319689.....	189
1001176722.....	253	1170024.....	53	1319613.....	175	1319690.....	189
1001177198.....	368, 383	1170054.....	57	1319614.....	175	1319691.....	189
1001177746.....	211	1170057.....	57	1319615.... 175, 179, 181		1319692.....	189
1001177778.....	377	12033997.....	362	1319616.....	177	1319693.....	189
1001178284.....	383	12066614.....	362	1319617.... 177, 181, 183		1319694.....	189
1001178285.....	366	12092677.....	362	1319618.... 177, 181, 183		1319695.....	189
1001180762.....	289	1233731.....	362	1319619.....	177	1319696.....	189, 191
1001181968.....	211	1319203.....	167	1319619.....	177	1319697.....	189
1001182094.....	103	1319204.....	167	1319619.....	177	1319698.....	189
1001182135.....	211	1319205.....	167	1319619.....	177	1319699.....	189
1001182358.....	391	1319209.....	167	1319619.....	177	1319700.....	189
1001182408.....	211	1319210.....	167	1319619.....	177	1319701.....	189
1001182514.....	211	1319211.....	167	1319619.....	177	1319702.....	189, 191
1001182699.....	97	1319213.....	167	1319619.....	177	1319703.....	189, 191
1001182863.....	391	1319214.....	141, 159	1319619.....	177	1319704.....	189
1001183104.....	211	1319353.....	134, 152	1319619.....	177	1319705.....	189
1001183209.....	211			1319619.....	177	1319707.....	189, 191

PART NUMBER INDEX

1319708.....	189	2220372.....	267, 269	2716669.....	269	3423248.....	19
1319710.....	191	2220373 ...	243, 251, 261, 263	2716670.....	253	3423254.....	127
1319711.....	191	2220374.....	248, 269	2716671.....	251	3423275.....	53, 55, 57
1319712.....	191	2220375.....	257	2716672.....	251	3423276 ...	53, 55, 57, 63
1319713.....	191	2220381.....	243	2716673.....	251	3423307.....	57, 319
1319714.....	191	2220385 ...	248, 251, 269, 273	2716675.....	257	3460383.....	259
1319715.....	191	2220415.....	63	2716686.....	267	3460384.....	259
1319717.....	191	2220473 19, 63, 243, 253, 267, 269, 327		2716687.....	267	3520030.....	13
1319718.....	193	2220474 ...	251, 261, 269	2716688.....	267	3520072.....	69
1319719.....	193	2220498.....	259	2716690.....	243	3576442.....	231
1319720.....	193	2220500 ...	251, 261, 311	2716691.....	267	3760170.....	69
1319721.....	193	2220501.....	267	2716694.....	248	3820020.....	69
1319722.....	193	2220578.....	257, 259	2716696.....	251	3841203.....	57, 319
1319723.....	193	2220596 ...	251, 263, 269, 327	2716699.....	253	3931012.....	391
1319724.....	193	2220602 ...	243, 249, 327	2716700.....	253	4100181.....	401
1319725.....	193	2220603 ...	243, 244, 253, 327	2716701.....	253	4105171.....	401
1319726 95, 99, 193, 408		2220606.....	253	2716703.....	253	4105262.....	405
1320022.....	107	2220609.....	63	2716705.....	251	4105621.....	239, 402
1321209.....	139, 157	2220628.....	63	2716707.....	253	4107442.....	405
1321226.....	145, 161	2220635.....	253, 327	2716708.....	251	4107462.....	401
1321228.....	145	2220651.....	263	2716709.....	269	4107971.....	401
1321234.....	139, 157	2220655.....	249	2716710.....	269	4108302.....	401
1600429.....	233, 408	2220657.....	253, 269	2716711.....	269	4110155.....	400
1701509.....	69	2220683.....	251, 269	2716712.....	269	4110157.....	400
1701640.....	401	2220695.....	257	2716713.....	263	4110158.....	400
1702631.....	401	2220710.....	248	2716714.....	261, 408	4110160.....	400
1702773.....	69	2220775 ...	244, 259, 269	2716715.....	261	4110166.....	400
1704277.....	69	2220833.....	251	2716716.....	259	4110167.....	400
1704885.....	69, 401	2220878.....	248	2716750.....	243, 273	4110188.....	401
1706098.....	401	2220883.....	289	2716762.....	254	4110226.....	401
1706173.....	400	2220919.....	244	2716808.....	243	4110242.....	401
1706174.....	400	2220947.....	244, 248	2717052.....	281	4110422.....	79, 81
1706175.....	400	2220999 ...	243, 248, 251, 327	2717160.....	61	4110473.....	61
1706176.....	405	2221123.....	253	2717161.....	61	4240017 ...	101, 103, 105, 332
1706200.....	400	2221301.....	113	2717162.....	61	4240033.....	391
1706201.....	400	2230025.....	263	2717198.....	291	4360569.....	341
1706279.....	401	2230035.....	253	2717201.....	293	4360690.....	341, 409
1706281.....	401	2230044.....	263	2717283.....	61	4420037.....	15, 17
1706282.....	405	2340037.....	67	2717287.....	63	4460019 ...	353, 356, 357
1706284.....	400	2340038.....	67	2717291.....	248	4460042.....	352, 356
1706285.....	400	2340039.....	67	2720637.....	115	4460142.....	352, 356
1706288.....	400	2340045.....	67	2755060.....	259	4460206.....	361
1706296.....	401	2340046.....	67	2900770 ...	277, 283, 293, 319	4460247.....	353, 357
1706298.....	405	24921332.....	117	2915023.....	323, 408	4460256.....	352, 356
1706299.....	400	2600281.....	69	2940074.....	69	4460312.....	353, 357
1706300.....	401	2713082.....	263	31200160.....	69	4460419 ...	362, 366, 367, 375, 377, 381, 387, 389
1706301.....	400	2713452.....	261, 408	31200336.....	69	4460457 ...	381, 383, 385
1706306.....	400	2713642.....	261, 408	31200387.....	69	4460458 ...	352, 353, 361, 367, 368, 371, 385, 393
1706768.....	401	2714973.....	285	31200388.....	69	4460459.....	371, 385
1706850.....	401	2716173.....	279	31200749.....	409	4460464 ...	356, 361, 366, 367, 368, 373, 377, 383, 395
1706892.....	69	2716563.....	287	31200796.....	409	4460465 ...	353, 357, 366, 367, 373, 377, 383, 389
2080040.....	69	2716617.....	277	3251813.....	401	4460466 ...	352, 353, 356, 357, 361, 362, 366, 367, 368, 371, 383, 389, 395
2110606.....	57, 61	2716618.....	283	3290601.....	333	4460475 ...	352, 353, 356, 357, 381, 383, 385
2110808.....	57	2716654.....	257	3290801.....	333	4460476 ...	353, 356, 371, 385
2130606.....	61, 253	2716655.....	257	3300220.....	333	4460508.....	367
2130608.....	61	2716660.....	253	3300240.....	53, 55, 57	4460509.....	356, 366
2131210.....	165, 271	2716661.....	251, 273	3311401.....	111		
2131212 ...	107, 165, 271	2716663.....	248	3311405.....	69		
2170706.....	253	2716664.....	269	3311502.....	229		
2172106.....	57, 253	2716665.....	269	3311601.....	23		
2180104.....	113	2716666.....	253	3311605.....	111		
2180535.....	221	2716668.....	243	3321001.....	333		
2220218.....	105			3421453.....	69		
2220237 ...	248, 311, 327			3423226.....	23		
2220239.....	311			3423227.....	277, 285		
2220371 ...	243, 244, 253, 267, 269			3423242.....	53, 55, 57		

PART NUMBER INDEX

4460518.....352, 356, 366	4761000..... 333	70020659..... 315	70021790.....145
4460742.....381, 383	4761400..... 333	70020660..... 315	70021812..... 323
4460743.....371	4761500..... 333	70020661..... 315	70021825.....361
4460744.....352, 356	4762600..... 13	70020662..... 315	70021849..... 99, 409
4460746.....367	4791500..... 203	70020663..... 315	70021850..... 99, 409
4460761.....366	4811700..... 113	70020665..... 315	70021854.....408
4460790.....362, 367, 379	4811900..... 91, 93	70020666..... 315	70021921..... 81
4460836.....366	4812000..... 91, 93, 332	70020667..... 315	70021935..... 81
4460850.....352, 379	4812100..... 91, 93	70020668..... 315	70021948...209, 211, 409
4460871.....361, 366	4812300... 235, 237, 239	70020669..... 315	70021977..... 81
4460872.....361, 366	4831700..... 333	70020670..... 315	70021978..... 81
4460884....353, 357, 366, 389	4831900..... 93, 333	70020671..... 315	70021979..... 81
4460891....357, 366, 367, 373, 377, 383	4832000..... 91	70020672..... 315	70021980..... 77
4460894.....389	4846452..... 69	70020673..... 315	70021981..... 77
4460897....356, 367, 373, 377	4891500..... 117, 119	70020674..... 315	70021982..... 77
4460905.....361, 366	4891600... 119, 343, 345	70020675..... 315	70022028..... 81
4460908.....367	4891700..... 117, 119	70020676..... 315	70022038.....319
4460909.....366	4891800..... 57	70020677..... 315	70022039.....319
4460915.....366, 367	4892200..... 13	70020678..... 315	70022040.....319
4460930.....366, 367	4892600..... 13	70020679..... 315	70022041..... 319, 409
4460931.....395	5724622..... 23	70020680..... 315	70022042.....319
4460932.....395	5746411..... 39	70020681..... 315	70022043.....319
4460933.....367, 389	6604662..... 63	70020682..... 315	70022044.....323
4460941.....377, 383	70001955..... 307	70020888..... 389	70022045.....323
4460942.....366	70001956..... 307	70020891..... 361	70022046.....323
4460943.....356	70002133..... 307	70021077..... 211	70022170..... 145, 161
4460944.....362	70002219..... 321	70021078..... 211	70022171..... 141, 159
4460955....352, 356, 381, 383	70002224..... 321	70021079..... 211	70022172..... 139, 157
4460970.....366, 368, 383	70002578..... 307, 309	70021082..... 211	70022173..... 139, 157
4460979.....356, 371	70002579..... 307	70021090..... 211	70022174..... 139, 157
4461017.....367	70002580..... 307	70021092..... 211	70022175..... 139, 157
4461070.....367	70002581..... 307	70021093..... 211	70022176..... 141, 159
4461094.....352	70002582..... 307	70021095..... 211	70022177..... 139, 157
4461095.....352, 356	70002583..... 307	70021096..... 211	70022178... 139, 157, 408
4461101.....361, 381	70002584..... 307	70021108..... 211	70022179..... 145, 161
4461102.....362, 381	70002585..... 307, 309	70021342..... 77, 81	70022180..... 139, 157
4461103....361, 381, 383	70002588..... 307	70021349..... 81	70022181..... 139, 157
4461157....352, 356, 381, 383	70002590..... 307	70021358..... 77	70022183..... 141, 159
4461189.....362	70002592..... 307	70021359..... 77	70022184..... 139, 157
4461273.....373	70002593..... 307	70021360..... 77	70022185..... 137, 155
4520471.....197	70002595..... 307	70021361..... 77	70022186..... 141, 159
4520472.....197	70002599..... 307, 309	70021362..... 77	70022187..... 145, 161
4520527.....199	70003849..... 321	70021364..... 325	70022188..... 145, 161
4520535.....199	70004426..... 309	70021365..... 325	70022189..... 141, 159
4520536.....199	70004637..... 289	70021366..... 77	70022190..... 141, 159
4520648.....197	70010239..... 409	70021367..... 77, 325	70022191..... 143
4520649.....197	70010240..... 409	70021387..... 77	70022192..... 143
4520650.....197	70010241..... 409	70021391..... 77	70022193..... 141, 159
4640438.....319	70010243..... 409	70021392..... 77	70022194..... 141, 159
4641501.....61	70010244..... 409	70021393..... 325	70022195..... 143
4641502.....61	70010245..... 409	70021399..... 325	70022196..... 141, 159
4711400.....69, 107, 332, 391	70010281..... 409	70021415..... 81	70022197..... 147, 163
4711500.....101, 111, 333	70010282..... 410	70021440..... 87, 325	70022198..... 141, 159
4711600.....23, 101, 103, 105, 248, 271	70010283..... 409	70021444..... 325	70022199..... 143
4711700.....111	70010284..... 409	70021446..... 325	70022201..... 139, 157
4740362.....111	70010285..... 409	70021447..... 325	70022202..... 143
4740553.....225	70010285..... 409	70021448..... 325	70022203... 145, 161, 408
4751500.....115	70020228..... 121, 123	70021451..... 325	70022204..... 139, 157
4751600.....111	70020425..... 187	70021452..... 325, 409	70022206..... 139, 157
4751700.....111	70020426..... 187	70021462..... 325	70022207..... 147, 163
	70020427..... 191	70021464..... 325	70022208..... 145, 161
	70020428..... 323	70021465..... 325	70022209..... 141, 159
	70020430..... 185	70021553..... 145, 161	70022210..... 139, 157
	70020431..... 185	70021554..... 145, 161	70022211..... 137, 155
	70020555..... 71	70021557..... 301	70022213..... 134, 152
	70020562..... 77	70021564..... 287	70022215... 141, 143, 159
	70020628..... 209	70021584..... 99	70022216..... 133, 151
	70020658..... 293		

PART NUMBER INDEX

70022217	139, 157	70022721	313	70023041	219	70024149	107
70022218	145, 161, 408	70022722	313	70023111	381	70024150	107
70022220	134, 152	70022723	313	70023139	219	70024151	107
70022221	163	70022724	313	70023172	409	70024155	105
70022223	145, 161	70022747	361	70023173	409	70024156	99, 105
70022225	137, 155	70022774	133	70023174	409	70024157	105
70022227	137, 155	70022776	134	70023175	410	70024158	105
70022228	137, 155	70022777	157	70023330	147	70024159	105
70022229	137, 155	70022779	141	70023350	307, 309	70024160	105
70022230	145, 161	70022781	161	70023351	307	70024161	105
70022231	133, 151	70022782	161	70023352	307	70024162	105
70022232	133	70022784	163	70023353	307	70024176	95, 113
70022234	145, 161	70022785	147, 163	70023354	307	70024177	95, 113
70022235	141, 159	70022786	151	70023355	307	70024244	361
70022236	141, 159	70022787	151	70023357	307	70024245	361
70022237	145, 161	70022789	139, 157	70023358	307	70024246	361
70022238	145, 161	70022842	95, 99	70023359	307	70024247	361
70022239	147, 163	70022843	97	70023362	307	70024248	361, 381
70022240	145, 161	70022844	95, 97, 99	70023363	307	70024249	362
70022241	139, 157, 408	70022846	95, 97, 99	70023364	307	70024250	362
70022242	147, 163	70022866	409	70023400	133, 151	70024251	362
70022243	147, 163	70022867	409	70023401	155	70024252	362, 381
70022244	134, 152	70022871	409	70023402	155	70024253	361, 367
70022245	134, 152	70022872	409	70023403	155	70024254	361, 367
70022248	143	70022873	409	70023404	139, 141, 147, 157, 159, 163	70024255	361, 367
70022249	145, 161	70022931	84	70023405	145, 161	70024256	361, 367
70022250	159	70022932	84	70023453	313	70024257	361
70022251	143	70022934	84	70023454	313	70024258	361
70022252	143	70022935	85	70023455	313	70024259	362, 375, 381, 387, 389
70022253	141, 159	70022936	84	70023482	167	70024262	321
70022254	139, 157	70022937	85	70023483	167	70024263	371
70022255	139, 157	70022939	85	70023505	313	70024264	371
70022257	145, 161	70022942	85	70023506	313	70024265	375, 381
70022258	141	70022946	85	70023507	313	70024269	113
70022260	137	70022949	85	70023508	313	70024270	113
70022261	137	70022950	85	70023509	313	70024271	113
70022262	137, 155	70022952	85	70023510	313	70024274	95, 97, 408
70022263	137	70022957	84	70023519	313	70024275	95, 97
70022264	137	70022960	84	70023520	313	70024276	95, 97, 408, 409
70022265	145	70022969	84	70023521	313	70024277	95, 97, 409
70022268	145	70022970	84	70023558	219	70024278	95, 408
70022269	139	70022980	85	70023565	99	70024279	95, 97, 408
70022271	147	70022984	84	70023601	111	70024280	95, 97
70022272	133	70022985	84	70023812	95, 97	70024281	95, 97
70022273	147	70022987	84	70023885	171, 193	70024284	95
70022274	147	70022990	85	70023890	219	70024285	99, 408
70022275	141	70022992	84	70023903	134	70024286	99
70022276	161	70022993	84	70023904	137, 155	70024398	145
70022277	139, 157	70022994	84	70023906	139	70024530	107
70022278	147	70022995	84	70023907	139	70024535	59
70022279	147	70022997	59	70023908	141	70024536	59
70022280	151	70022998	85	70023910	137, 155	70024537	59
70022281	147, 163	70023003	84	70023925	85	70024538	59
70022282	159	70023004	84	70023996	307	70024539	295
70022283	147, 163	70023005	85	70023997	307	70024540	59
70022284	155	70023006	85	70023998	307	70024541	59
70022285	155	70023007	85	70023999	307	70024542	59
70022287	307	70023008	84	70024000	307	70024543	59
70022288	307	70023009	84	70024002	319	70024544	59
70022527	77	70023010	84	70024020	321	70024545	59
70022563	289	70023014	84	70024039	307	70024546	59
70022564	289	70023015	85	70024040	307	70024547	295
70022694	111	70023016	84	70024041	307	70024548	295
70022695	111	70023037	315	70024062	87	70024549	295
70022696	111	70023038	316	70024123	59	70024550	59
70022719	313	70023039	315	70024148	107		
70022720	313	70023040	219				

PART NUMBER INDEX

70024551.....	59	70026149.....	141	7026906.....	219	7112642.....	65
70024552.....	59	70026150.....	145	7026972.....	277	7112732.....	37
70024553.....	59	70026151.....	147	7027217.....	139, 157	7113952.....	43
70024554.....	59	70026218.....	368	7027273.....	185	7113982.....	43
70024555.....	59	70026219.....	368	7028737.....	205	7114032.....	43
70024579.....	133	70026428.....	95	7029037.....	187	7114112.....	41, 43
70024581.....	133	70026463.....	225	7029153.....	291	7114922.....	39
70024584.....	134	70026464.....	225	7029246.....	291	7114941.....	65
70024585.....	134	70026465.....	225	7029264.....	121, 123	7116562.....	361, 375, 381
70024588.....	95, 97	70026466.....	225	7029265.....	121, 123	7116642.....	27, 31
70024589.....	95, 97	70026679.....	95	7029367.....	233	7116652.....	27, 31
70024590.....	95, 97	70026699.....	87	7029417.....	193	7116662.....	27, 31
70024592.....	134	70026747.....	87	7029520.....	71	7116691.....	27, 31
70024593.....	134	70026815.....	95, 97	7029521.....	71	7116733.....	27, 31
70024594.....	134	70026944.....	87	7029532.....	175, 177, 185	7116792.....	23
70024596.....	134	70026946.....	87	7029533.....	175, 177, 185	7116812.....	27, 31
70024597.....	134	70026948.....	87	7029692.....	77, 81	7117031.....	45, 47
70024598.....	134	70026949.....	87	7029714.....	77	7117113.....	35
70024599.....	134	70027104.....	97	7029716.....	311	7117133.....	39
70024600.....	134	70027244.....	289	7029738.....	409	7117414.....	37
70024601.....	134	70027689.....	289	7029739.....	409	7117502.....	43
70024608.....	211	70027690.....	289	7029740.....	409	7117582.....	43
70024613.....	145	70027691.....	289	7029760.....	319	7118882.....	49
70024614.....	147	70027692.....	289	7029860.....	215	7118892.....	49, 408
70024615.....	139	70027693.....	289	7029947.....	95, 97	7124301.....	13
70024616.....	143	70027694.....	289	7054351.....	91, 93, 165	7124451.....	13
70024618.....	145	70027695.....	289	7057141.....	107, 111	7124471.....	13
70024619.....	145	70027696.....	289	7062922.....	63	7124491.....	19
70024620.....	145	7007207.....	307	7079572.....	25, 27, 31, 35, 37, 39, 408	7125801.....	19
70024621.....	145	7007415.....	307	7082311.....	25, 27, 31, 35, 37, 39, 408	7125811.....	23
70024623.....	95, 97	7007446.....	307	7082342.....	25, 27, 31, 35, 37, 39, 408	7125871.....	13, 239
70024627.....	95, 97	70110101.....	409	7082362.....	25, 27, 31, 35, 37, 39, 408	7126662.....	41, 43
70024628.....	95, 97	7012903.....	291	7083992.....	283	7127852.....	39
70024629.....	95, 97	7017496.....	291	7085552.....	49	7127862.....	39
70024630.....	95, 97	7021275.....	307	7085562.....	49	7127862.....	39
70024672.....	361	7022340.....	307	7085571.....	49	7129521.....	229
70024673.....	362	7023962.....	307	7089722.....	283	7137142.....	287, 291
70024674.....	362	7023964.....	307	7090822.....	19	7138209.....	311
70024900.....	211	7024441.....	311, 409	7090871.....	293	7138368.....	13
70024954.....	211	7024574.....	323	7090891.....	19	7138468.....	25
70025305.....	95	7024922.....	305	7090951.....	293	7138634.....	165
70025480.....	215	7024947.....	305	7090951.....	293	7138638.....	127
70025540.....	107	7024948.....	305	7091323.....	239	7138639.....	127
70025541.....	107	7024949.....	305	7091373.....	19	7138660.....	197
70025542.....	107	7024950.....	305	7095312.....	23	7138661.....	197
70025606.....	321	7024954.....	305	7095352.....	23	7138662.....	199
70025901.....	225	7024955.....	305	7095522.....	283	7138663.....	199
70025902.....	225	7024956.....	305	7095522.....	283	7138740.....	311, 409
70025903.....	225	7024957.....	305	7095831.....	91, 93	7138804.....	243
70025904.....	225	7024958.....	305	7096552.....	279, 281	7138833.....	233
70025906.....	225	7025854.....	409	7096562.....	279, 281	7138836.....	233
70025907.....	225	7025856.....	409	7096702.....	27, 31, 35, 37, 39, 408	7138858.....	219
70025911.....	225	7026408.....	373	7096772.....	25, 408	7138878.....	233
70025912.....	225	7026439.....	361, 381, 387, 389	7096882.....	25, 27, 31, 35, 37	7138944.....	203
70025959.....	321	7026579.....	281	7098142.....	237	7138951.....	205, 213
70026056.....	321	7026758.....	173, 175, 177, 179, 181, 183	7110172.....	39	7138958.....	205, 213
70026057.....	321	7026759.....	173, 175, 177, 179, 181, 183	7110702.....	63	7138977.....	45, 47
70026058.....	321	7026760.....	173, 175, 177, 179, 181, 183	7110712.....	323	7138986.....	45, 47
70026059.....	321	7026798.....	219	7110722.....	323	7139032.....	41, 43, 45, 47
70026060.....	321	7026799.....	219	7111402.....	263	7139047.....	15, 17
70026061.....	321	7026900.....	219	7111572.....	25, 27, 31, 35, 37, 39, 408	7139050.....	205
70026062.....	321	7026901.....	219	7112452.....	261	7139066.....	13
70026144.....	137	7026905.....	219			7139076.....	311
70026145.....	137					7139077.....	95, 99, 311, 408, 409
70026146.....	137					7139086.....	195
70026147.....	137					7139087.....	195
70026148.....	137					7139088.....	195

PART NUMBER INDEX

7139156.....	13	7301579.....	61	80304149.....	133, 151	8035402.....	221
7139157.....	13	7301821.....	259	80304150.....	133, 151	8035406.....	221
7139161.....	197	7301862.....	311	80304151.....	133, 151	8035409.....	215
7139162.....	197	7302010.....	25	80304152.....	133, 151	8035411.....	215
7139163.....	199	7302073.....	206	80304153.....	133, 151	8035416... 205, 209, 215,	221
7139164.....	199	7302074.....	205	80304154.....	133, 151	8035417.....	221
7139180.....	41, 43	7302076.....	206	80304155.....	133, 151	8035431.....	221
7139212.....	253	7302077.....	206	80304156.....	133, 151	8035437.....	205
7139226.....	195	7302189.....	402	80304157.....	133, 151	8035439.....	209
7139250.....	213	77143006.....	333	80304158.....	133, 151	8035479... 205, 215, 221	
7139263.....	349	77383282.....	381	80304159.....	133, 151	8035487.....	205
7139267.....	349	8024023.....	239	80304160.....	133, 151	8035490.....	205, 213
7139268.....	349	8024032.....	41, 43	80304161.....	133, 151	8035492.....	215
7139269.....	349	8024033.....	45, 47	80304162.....	133, 151	8035493.....	215
7139290.....	213	8024053.....	43	80304163.....	133, 151	8035496.....	216
7139292.....	213	80264045.....	211, 215	80304164.....	133, 151	8035498.....	216
7139293.....	213	80264074.....	209	80304165.....	133, 151	8035499.....	216
7139294.....	213	80304082.....	134, 152	80304166.....	133, 151	8035500.....	216
7139295.....	213	80304088.....	133, 151	80304167.....	133, 151	8035514.....	279, 281
7139296.....	213	80304089.....	133, 151	80304168.....	133, 151	8035523... 205, 209, 213	
7139298.....	205, 213	80304090.....	133, 151	80304169.....	133, 151	8035536... 279, 281, 323	
7139299.....	205, 213	80304091.....	133, 151	80304173... 145, 161, 408		8035539.....	279, 281
7139301.....	205, 221	80304092.....	133, 151	80304227.....	147	8035545.....	277
7139316.....	205, 213	80304093.....	133, 151	80304405.....	169	8035547.....	285
7139406.....	15, 17	80304094.....	133, 151	80304462.....	141, 159	8035561.....	302
7139407.....	15, 17	80304095.....	133, 151	80304480.....	409	8035562.....	302
7139416... 41, 43, 45, 47		80304096.....	134, 151	80304484.....	409	8035563.....	302
7139444.....	205, 213	80304097.....	134, 152	80304486.....	409	8035564.....	302
7139504.....	261	80304099.....	134, 152	80304492.....	409	8035565.....	302
7139505.....	259, 261	80304100.....	134, 152	80304497.....	409	8035566.....	302
7139560.....	195	80304101.....	134, 152	80304498.....	409	8035567.....	301
7139690.....	41, 43	80304102.....	134, 152	8032694.....	313	8035568.....	301
7139692.....	45, 47	80304104.....	134, 152	8032790.....	313	8035569.....	301
7139693.....	43	80304107.....	134, 152	8032994.....	291	8035570.....	301
7139863.....	49	80304108.....	134, 152	8033075.....	215	8035571.....	301
7139864.....	49	80304110.....	133, 151	80334277.....	305	8035572.....	301
7139918.....	61	80304111.....	133, 151	8033786.....	323	8035573.....	301
7148100.....	222	80304112.....	133, 151	8033856.....	209, 221	8035574.....	301
7150661.....	15	80304113.....	133, 151	8034026.....	279, 281	8035575.....	301
7150673.....	343	80304115.....	133, 151	8034695.....	285, 408	8035577.....	301
7150679.....	345	80304117.....	134, 151	8034697.....	297	8035578.....	301
7150680.....	345	80304118.....	134, 151	8034800.....	211, 225	8035579.....	301
7150681.....	345	80304119.....	134, 152	8034815.....	215	8035580.....	301
7150685.....	345	80304120.....	134, 152	8035109.....	127	8035581.....	301
7150688.....	343	80304121.....	134, 152	8035281.....	291	8035582.....	301
7150689.....	345	80304122.....	134, 152	8035282.....	291	8035583.....	301
7150690.....	346	80304123.....	134, 152	8035308.....	283	8035584.....	301
7150699.....	345	80304124.....	133, 151	8035315.....	279, 281	8035585.....	301
7150702.....	345	80304125.....	134, 152	8035321.....	277, 283	8035586.....	301
7150703.....	345	80304126.....	134, 152	8035322.....	287	8035587.....	301
7150707.....	387	80304127.....	134, 152	8035323.....	287	8035588.....	301
7150716.....	345	80304128.....	134, 152	8035324.....	287	8035589.....	301
7150717.....	345	80304129.....	134, 152	8035326.....	287, 408	8035590.....	302
7150722.....	381	80304130.....	134, 152	8035327... 277, 283, 287,	293	8035591.....	302
7150723.....	375	80304131.....	134, 152	8035346.....	297	8035592.....	302
7150730.....	343, 345	80304132.....	134, 152	8035347.....	297	8035593.....	302
7150741.....	389	80304133.....	134, 152	8035348.....	297	8035595.....	302
7300214.....	261	80304134.....	134, 152	8035358.....	297	8035596.....	302
7300672.....	261	80304135.....	134, 152	8035359.....	298	8035597.....	302
7300673.....	261	80304136.....	134, 152	8035366.....	298	8035598.....	302
7300674.....	263	80304137.....	134, 152	8035367.....	297	8035599.....	221
7300675.....	263	80304143.....	133, 151	8035377.....	297, 298	8035607.....	277
7301056.....	197, 199	80304144.....	133, 151	8035381.....	297	8035608.....	277
7301252.....	311	80304145.....	133, 151	8035386.....	277, 408	8035609.....	277
7301295.....	61	80304146.....	133, 151	8035392.....	215	8035610.....	277
7301408.....	61	80304147.....	133, 151	8035393.....	215	8035611.....	285
7301500.....	123	80304148.....	133, 151				

PART NUMBER INDEX

8035612.....285	8036088.....209	8036282.....297	8220081....352, 353, 356,
8035613.....285	8036090.....209	8036283.....297	357, 361, 367, 379,
8035615.....279, 281	8036091.....209	8036284.....297	381, 387, 389
8035616.....279, 281	8036092.....209	8036295....279, 281, 408	8220084.....379
8035631.....209	8036093.....209	80363178.....361	8220086.....379
8035632.....209	8036094.....209	80363179 .361, 366, 368,	8220087.....379
8035639.....205	8036095.....209	383	8220089....352, 356, 361,
8035668.....221	8036096.....209, 211	8036330.....145, 161	367, 368, 379, 389
8035757.....287	8036097.....209	8036388.....221	8220097.....367
8035758.....287	8036098.....209	80364020.....221	8220123.....379
8035778.....127	8036099.....215	80364037.....211	8220124....352, 353, 356
8035780.....283, 408	8036100.....215	8036418.....139, 157	8220125....361, 367, 368
8035781.....291	8036102.....216	8036447.....141, 159	8220160.....361
8035800.....279, 281	8036103.....216	8036517.....297	8220161.....379
8035807.....341, 409	8036105.....209	8036580.....291	8220164.....352, 357
8035834.....297	8036110.....221	8036581.....291	8220525.....367
8035843.....297	8036112.....221	8036582.....291	8220536.....352, 356
8035844.....297	8036114.....221	8036732.....293	8220548.....352, 356
8035845.....297, 298	8036118.....221	8036747.....291, 408	8220552.....371
8035848.....297	8036119.....221	8036750....277, 283, 293	8220553.....361
8035849.....297	8036120.....221	8036758.....139, 157	8220890....361, 387, 389
8035855.....297	8036121.....221	8036759.....139, 157	8220904....366, 367, 375,
8035862.....323	8036122.....221	8036784.....293, 408	377, 383
8035863.....323	8036124.....221	8036811.....291, 293	8220927....352, 356, 361,
8036001.....285	8036128.....221	8036825.....291, 293	367, 379
8036021.....167	8036129.....221	8036826.....291	8220928.....379
8036022.....167	8036145.....283	8036827.....291	8220929....352, 356, 361,
8036023.....169	8036146.....283	8036828.....291	367, 379
8036024.....171	8036147.....283	8036837.....293	8220930.....379
8036025.....171	8036168.....277	8036838.....293	8220931.....379
8036026.....171	8036174.....297	8036839.....293	8220932.....379
8036027.....171	8036175.....297	8036847.....141, 159	8220970....361, 371, 389
8036028.....171	8036176.....297	80373094.....115	8220971.....387, 389
8036029....175, 177, 179,	8036177.....297	80384187.....209	8223025.....338
181, 183	8036178.....297	80384192.....209	8223037.....341
8036030.....185	8036179.....297	80384193.....209	8223038.....349
8036031.....185	8036180.....298	80384207.....215	8223041.....375
8036032.....185	8036181.....302	8050001.....13, 127	8223042.....375
8036033.....187	8036183.....297	80604016..366, 367, 389	8223043.....341
8036036.....189	8036184.....297	80604017.....373, 377	8223044.....341
8036037.....189	8036185.....297	80604018 .366, 367, 373,	8223054.....341
8036038.....189	8036190....175, 177, 185	377, 383	8223057.....345
8036039.....189	8036192.....291	80604021.....366, 389	8223059.....343, 345
8036040.....189	8036196.....205	80604023.....389	8223060.....345
8036041.....193	8036197.....205	80604025.....366	8223073.....345
8036042.....193	8036198.....206	8065062.....63	8223226.....311
8036049.....215	8036199.....206	8065063.....19	8223232.....165
8036050.....205	8036204.....97, 99, 408	8065640.....13, 23	8223536.....19
8036056.....215	8036209.....345	8065641.....13	8224045.....235, 408
8036057.....205	8036210.....345	80933070.....111	8224047.....237
8036058.....205	8036212.....345	80963055.....362, 379	8225119.....338, 345
8036059.....205	8036213.....345	80963056..352, 356, 379	8229233....338, 343, 345,
8036060.....205	8036214.....345	80963061.....367	349, 368
8036061.....205	8036215.....345	80963067.....352	8229234.....338, 368
8036064.....209	8036216.....343, 345	8124138....41, 43, 45, 47	8229235.....345, 368
8036065.....209	8036218....343, 345, 346	8127009.....43	8229237.....338, 368
8036066.....205	8036219.....346	8127022.....41, 43	8229238....338, 343, 345,
8036069.....205	8036220.....346	8127024.....45, 47	368
8036070.....215	8036221.....346	8160078.....239	8229243.....383
8036072.....215	8036222.....346	8160406.....239	8229261.....368
8036073.....205	8036250.....193	8160418.....239	8270620.....338, 409
8036076.....209	8036257.....297	8160419.....235, 237	8270621.....332, 409
8036077.....209	8036258.....298	8205655.....323	8278007.....91, 93, 165
8036078.....209	8036259.....297, 298	8205657.....279, 281	8278012.....91, 93
8036079.....209	8036260.....298	8220051.....367	8278020.....107, 111
8036080.....209	8036263.....297		8301443....235, 237, 239
8036085.....209	8036281.....297		

PART NUMBER INDEX

8302470 15, 17, 235, 237, 239	8305643 ... 23, 41, 43, 61, 63, 323	8310093.....23	8420055 ... 57, 59, 61, 63, 263
8303034 206	8305644 ... 19, 27, 31, 41, 43, 65, 91, 93, 195, 203, 229, 277, 283, 285, 293	8310109.....111	8420213 107, 108
8303041 25	8305645 ... 23, 27, 31, 39, 41, 43, 45, 47, 332, 343, 345	8310113.....25	8420221 113
8303519 128, 273	8305646 41, 43, 45, 47	8310116..... 19, 127	8430032 ... 243, 244, 253, 269, 313, 327
8303534 233	8305652 333	8310129..... 13	8430033... 243, 302, 313, 327
8303540 39, 237, 338	8305906 23, 239	8310143.....235	8430034 105, 311
8303545 333	8305916 233	8310144.....235	8430037 243, 269
8303615 15, 17	8307002 15, 17, 338	8310151.....293	8430043 243
8303620 ... 25, 27, 31, 37, 39	8307003 338	8310159.....259, 269	8430046 244
8303621 ... 25, 27, 31, 37, 39	8307004 15, 17, 221, 239, 248, 251, 259, 261, 263, 267, 271	8310160.....63	8430081 253
8303622 37, 263	8307005 ... 25, 27, 31, 35, 37, 39, 233, 243, 248, 249, 263, 273	8310161.....63	8444228 301
8303624 45, 47	8307006 127	8310163.....311	8444230 305
8303626 65, 195, 203, 243	8307007 .. 45, 47, 65, 243	8310164.....195	8466306 203, 401
8303628 19	8307009 13	8310205.....43	8500066 349
8303629 293	8307010 13	8310209.....27, 31	8500203 345
8303634 ... 41, 43, 61, 63, 323	8307011 203	8310210.....43	8520001 . 23, 41, 43, 277, 285, 287, 291
8303638 49	8307023 229	8310215.....165	8520003 . 45, 47, 277, 285
8303655 23	8307024 203	8310235.....27, 31	8520013 19, 23, 279, 281, 283
8303656 15, 17	8307025 195	8310245.....27, 31	8520021 283
8303658 61, 229	8307027 338	8310259.....127	8522012 ... 23, 41, 43, 45, 47, 277, 279, 281, 283, 285, 287, 291
8303666 23	8307049 165	8310266.....49	8526007 ... 23, 25, 27, 31, 35, 37, 49, 121, 123, 279, 281, 293
8303675 27, 35, 243, 248, 273	8307104 ... 41, 43, 45, 47, 49	8310276.....49	8526011 ... 277, 279, 281, 283, 285, 287, 293
8303679 35, 37	8307106 23, 107, 219, 231, 259, 338	8310281 107	8526036 39
8303681 ... 25, 27, 31, 35, 37, 39	8307109 237, 338	8310302 61	8526048 261, 263
8303697 23, 239	8307110 332	8310326 313	8526203 197, 199
8303704 249	8307111 338	8310327 313	8526406 43
8303715 63, 261, 263, 267	8307112 65, 203	8310337 248, 273	8530030 ... 243, 248, 273
8303724 165	8307201 203	8310356 128, 273	8546407 243
8303729 15, 17	8307202 15, 17	8310382 203	8580110 ... 235, 237, 239
8303738 25, 39	8307203 15, 17, 259, 261, 263	8310420 ... 248, 259, 269, 273	8580315 63
8303739 229, 332	8307204 ... 25, 27, 31, 35, 37, 39, 343, 345	8310425 127	8580420 15, 17
8303745 231, 346	8307206 27, 31, 195, 229	8310431 23	8582007 338, 345
8303746 332	8307219 333	8310435 61	8584001 63, 215, 261, 343, 345
8303752 ... 261, 287, 291	8307220 195	8310475 19	8584007 248
8303755 ... 121, 123, 229	8307221 113	8310477 248, 273	8584018 343, 345
8303757 ... 221, 248, 259, 271	8307904 23, 63	8310478 269	8630003 61, 253
8303758 239	8307910 23	8310493 203	8630019 128, 273
8303771 343, 345	8307911 23	8310497 23	8630021 235
8303772 283	8307912 19, 127	8310522 269	8640017 313
8303782 277, 285	8307913 19, 127	8310523 248, 273	8640028 263
8303784 ... 115, 121, 123	8307918 23, 63	8310524 248, 273	8640029 263
8303798 113	8310001 237	8310529 205, 213	8640032 263
8303982 203	8310009 ... 251, 259, 261, 263	8310658 15, 17	8640123 243, 273
8305002 338	8310019 ... 41, 43, 45, 47	8310725 231	8640208 243
8305004 15, 17, 239, 338, 391	8310020 41, 43	8320265 95, 99, 409	8642207 63
8305006 259, 261	8310026 37	8342808 17	8642224 23
8305008 107	8310039 287, 291	8360005 222	8642237 ... 41, 43, 45, 47
8305012 65	8310046 332	83683175 119	86983651 221
8305014 13	8310066 43	8405007 91, 93, 107, 221	8750003 261, 263
8305021 13	8310067 91, 93, 165	8405104 111	8750011 ... 253, 261, 263, 267
8305619 49	8310081 263	8405201 107, 111	8750012 263
8305624 . 37, 39, 61, 332, 338	8310085 203	8405202 221	8750015 ... 253, 267, 332
8305626 ... 115, 219, 259, 287, 291, 311, 343, 345, 346		8405209 243	8750017 ... 248, 253, 257, 261, 263, 267
		8405212 107, 111	8750024 221
		8405301 113	
		8405305 115	
		8405402 113	
		8405502 113	
		8405505 115	
		8406101 93, 101	
		8406105 123, 165	
		8406302 248, 271	
		8410009 221	
		8410021 115	
		8420053 ... 57, 59, 61, 63, 263	

PART NUMBER INDEX

8750025.....221, 248, 259, 271	8770173 249	90554033 87	91474435.....315
8750026.....257, 259	8770175 253	90554034 87	91474438.....315
8750027.....251, 261, 263, 267, 332	8770189 19, 253, 269	90554042 81	91474439.....315
8750040.....248, 257, 259, 271	8770289 269	90554045 325	91474440.....315
8760108.....248	8780036 197	90554054 81	91474441.....315
8760140.....251	8786514 197, 199	90554062 77, 81	91474442.....315
8760237.....251	8786572 128	90554065 77	91474443.....315
8760268.....243, 253, 267, 327	8786573 128	90554076 77, 81	91474446.....315
8760463.....261	88261017 237	90554080 71	91474447.....315
8760465.....263	8841036 165	91043125 85	91474450.....315
8760468.....259, 261	8841319 121, 123	91043126 85	91474451.....315
8760477.....261	88501005 343, 345	91044080 319	91474452.....315
8760548.....165, 271	88662192 313	91081640 333	91474453.....315
8760552.....311	8866348 203	91343011 107	91474454.....315
8765204.....243, 261, 263, 269, 327	8866351 203	91344032 209	91474455.....315
8769122.....261, 263	88671001 57	91344043 221	91474456.....315
8769123.....261, 263, 267	8880218-OM 128	91344046 225	91474458.....315
8769128.....251, 259, 261, 263, 332	8880219-OM 128	91364023 115	91474459.....315
8769132.....63	8902111 313	91401281 333	91474460.....315
8769139.....259	8902175 243, 244, 253	91403193 128	91474492.....211
8769149.....261	8902188 297	91403413 . 57, 59, 61, 63, 85, 263	91511145.....229
8769161.....263	8902857 267	91403414 . 57, 59, 61, 63, 85, 263	91513140.....273
8770016.....63	8902858 267	91404298 205, 221	91513180.....229
8770109.....253	8990147 203	91404299 205	91514197.....315
8770120.....253	90022230 319	91404301 205	91514198.....315
8770152.....243	90200003 . 53, 55, 57, 61, 63	91404315 209	91514199.....315
8770157.....257, 259	90206196 15, 17, 333	91404317 209	91554014.....366
	90451058 61	91404318 209	91554018.....361
	90554016 77, 81, 87	91404319 209	91554019.....366
	90554017 77	91474023 313	91563070.....111
	90554018 77	91474434 315	91563129.....113, 115
	90554020 81		91565064.....219
			91565094.....71

PARTS FINDER

**Search Website
by Part Number**



**Search Manual
Library For Parts
Manual & Lookup Part
Numbers – Purchase
or Request Quote**

**Can't Find Part or
Manual? Request Help
by Manufacturer,
Model & Description**

Discount-Equipment.com is your online resource for quality parts & equipment.

Florida: **561-964-4949** Outside Florida TOLL FREE: **877-690-3101**

Need parts?

Click on this link: <http://www.discount-equipment.com/category/5443-parts/> and choose one of the options to help get the right parts and equipment you are looking for. Please have the machine model and serial number available in order to help us get you the correct parts. If you don't find the part on the website or on one of the online manuals, please fill out the request form and one of our experienced staff members will get back to you with a quote for the right part that your machine needs.

We sell worldwide for the brands: Genie, Terex, JLG, MultiQuip, Mikasa, Essick, Whiteman, Mayco, Toro Stone, Diamond Products, Generac Magnum, Airman, Haulotte, Barreto, Power Blanket, Nifty Lift, Atlas Copco, Chicago Pneumatic, Allmand, Miller Curber, Skyjack, Lull, Skytrak, Tsurumi, Husquvarna Target, Stow, Wacker, Sakai, Mi-T-M, Sullair, Basic, Dynapac, MBW, Weber, Bartell, Bennar Newman, Haulotte, Ditch Runner, Menegotti, Morrison, Contec, Buddy, Crown, Edco, Wyco, Bomag, Laymor, EZ Trench, Bil-Jax, F.S. Curtis, Gehl Pavers, Heli, Honda, ICS/PowerGrit, IHI, Partner, Imer, Clipper, MMD, Koshin, Rice, CH&E, General Equipment, Amida, Coleman, NAC, Gradall, Square Shooter, Kent, Stanley, Tamco, Toku, Hatz, Kohler, Robin, Wisconsin, Northrock, Oztec, Toker TK, Rol-Air, APT, Wylie, Ingersoll Rand / Doosan, Innovatech, Con X, Ammann, Mecalac, Makinex, Smith Surface Prep, Small Line, Wanco, Yanmar