

SKYTRAK



Illustrated Parts Manual

Model 6036

SN 14834 through 19988
& 0160002345 through
0160044900

8990417

Revised
June 9, 2017



Go to Discount-Equipment.com to order your parts

PARTS FINDER

**Search Website
by Part Number**



**Search Manual
Library For Parts
Manual & Lookup Part
Numbers – Purchase
or Request Quote**

A screenshot of the "Search Manuals" form. It includes a "Search Manuals" title, a "Find" dropdown menu, a "Serial Number" input field, a "Make" dropdown menu, a "Model" dropdown menu, a "Part Number" input field, and a "Submit" button at the bottom.

**Can't Find Part or
Manual? Request Help
by Manufacturer,
Model & Description**

A screenshot of the "Parts Order Form". It features a title "Parts Order Form" and a "Manufacturer" dropdown menu. Below this, there are several input fields for "Model", "Description", "Part Number", "Quantity", "Unit Price", and "Total Price". There is also a "Submit" button at the bottom.

Discount-Equipment.com is your online resource for quality parts & equipment.

Florida: **561-964-4949** Outside Florida TOLL FREE: **877-690-3101**

Need parts?

Click on this link: <http://www.discount-equipment.com/category/5443-parts/> and choose one of the options to help get the right parts and equipment you are looking for. Please have the machine model and serial number available in order to help us get you the correct parts. If you don't find the part on the website or on one of the online manuals, please fill out the request form and one of our experienced staff members will get back to you with a quote for the right part that your machine needs.

We sell worldwide for the brands: Genie, Terex, JLG, MultiQuip, Mikasa, Essick, Whiteman, Mayco, Toro Stone, Diamond Products, Generac Magnum, Airman, Haulotte, Barreto, Power Blanket, Nifty Lift, Atlas Copco, Chicago Pneumatic, Allmand, Miller Curber, Skyjack, Lull, Skytrak, Tsurumi, Husquvarna Target, Stow, Wacker, Sakai, Mi-T-M, Sullair, Basic, Dynapac, MBW, Weber, Bartell, Bennar Newman, Haulotte, Ditch Runner, Menegotti, Morrison, Contec, Buddy, Crown, Edco, Wyco, Bomag, Laymor, EZ Trench, Bil-Jax, F.S. Curtis, Gehl Pavers, Heli, Honda, ICS/PowerGrit, IHI, Partner, Imer, Clipper, MMD, Koshin, Rice, CH&E, General Equipment, Amida, Coleman, NAC, Gradall, Square Shooter, Kent, Stanley, Tamco, Toku, Hatz, Kohler, Robin, Wisconsin, Northrock, Oztec, Toker TK, Rol-Air, APT, Wylie, Ingersoll Rand / Doosan, Innovatech, Con X, Ammann, Mecalac, Makinex, Smith Surface Prep, Small Line, Wanco, Yanmar

EFFECTIVITY PAGE

December 24, 2004 - A - Revised Manual
July 29, 2005 - B - Revised Manual
June 16, 2006 - C - Revised Manual
April 17, 2008 - D - Revised Manual, (Manual edited to B/M - 0010620 Revision 29)
January 19, 2009 - E - Revised Manual
August 3, 2009 - F - Revised Manual
July 7, 2010 - G - Revised Manual
February 18, 2011 - H - Revised Manual
December 20, 2011 - I - Revised Manual
April 9, 2012 - J - Revised Manual
June 22, 2012 - K - Revised Manual
March 31, 2014 - L - Revised Manual
April 26, 2016 - M - Revised Manual
June 9, 2017 - N - Revised Manual

Go to Discount-Equipment.com to order your parts

TABLE OF CONTENTS

SECTION 1 - FRAME AND ATTACHING PARTS.....	9
FIGURE 1-1. MAIN FRAME COMPONENTS (SN 14384 through 19988, SN 0160002345 through 0160004109, Excluding 0160003491 and 0160003492).....	10
FIGURE 1-2. MAIN FRAME COMPONENTS (Including 0160003491 and 0160003492).....	12
FIGURE 1-3. MAIN FRAME COMPONENTS (SN 0160004110 through 0160015051).....	14
FIGURE 1-4. MAIN FRAME COMPONENTS (SN 0160015052 to Present).....	16
FIGURE 1-5. HOODS AND GUARDS.....	18
SECTION 2 - BOOM.....	21
FIGURE 2-1. FIRST BOOM SECTION (SN 14834 through 17190).....	22
FIGURE 2-2. FIRST BOOM SECTION (SN 17191 through 19988, SN 0160002345 through 0160004091, Excluding 0160003491 and 0160003492).....	24
FIGURE 2-3. FIRST BOOM SECTION (SN 0160004110 through 0160015020, Including 0160003491 and 0160003492).....	26
FIGURE 2-4. FIRST BOOM SECTION (SN 0160015052 to Present).....	28
FIGURE 2-5. SECOND BOOM SECTION.....	30
FIGURE 2-6. THIRD BOOM SECTION.....	32
FIGURE 2-7. QUICK ATTACH.....	34
FIGURE 2-8. BOOM EXTEND CHAINS.....	36
FIGURE 2-9. BOOM RETRACT CHAIN.....	38
SECTION 3 - ATTACHMENTS.....	41
FIGURE 3-1. BUCKETS.....	42
FIGURE 3-2. TILT CARRIAGE (SN 14834 through 19988, SN 0160002345 through 0160034170).....	44
FIGURE 3-3. TILT CARRIAGE (SN 0160034171 to Present).....	46
FIGURE 3-4. SIDE TILT CARRIAGE (Prior to SN 0160037788).....	48
FIGURE 3-5. SIDE TILT CARRIAGE (SN 0160037788 to Present).....	50
FIGURE 3-6. SWING CARRIAGE (Prior to SN 0160037788).....	52
FIGURE 3-7. SWING CARRIAGE (SN 0160037788 to Present).....	54
FIGURE 3-8. SHEET MATERIAL HANDLER (Prior to SN 0160037788).....	56
FIGURE 3-9. SHEET MATERIAL HANDLER (SN 0160037788 to Present).....	58
FIGURE 3-10. 3FT TRUSS BOOM WITH WINCH.....	60
FIGURE 3-11. 12FT TRUSS BOOM WITH WINCH (SN 0160037788 to Present).....	62
FIGURE 3-12. TRUSS BOOM (Prior to SN 0160037788).....	64
FIGURE 3-13. TRUSS BOOM (SN 0160037788 to Present).....	66
FIGURE 3-14. FORK MOUNTED LIFTING HOOK.....	68
FIGURE 3-15. FORKS.....	70
FIGURE 3-16. CONCRETE BUCKET (Prior to SN 0160037788).....	72
FIGURE 3-17. SWEEPER ASSEMBLY (Prior to SN 0160037788).....	74
FIGURE 3-18. FORK MOUNTED PLATFORM.....	76
FIGURE 3-19. GRAPPLE BUCKET.....	80
FIGURE 3-20. FORK PIN LOCK INSTALLATION.....	82
FIGURE 3-21. DUAL FORK POSITIONING CARRIAGE ASSEMBLY.....	84
FIGURE 3-22. 8FT STANDARD MAST (SN 0160037788 to Present).....	86
FIGURE 3-23. 50IN SIDE SHIFT CARRIAGE (SN 0160037788 to Present).....	90
SECTION 4 - ENGINE AND ATTACHING PARTS.....	93
FIGURE 4-1. ENGINE MOUNTING (SN 14834 through 19988, SN 0160002345 through 0160004109).....	94
FIGURE 4-2. ENGINE MOUNTING (SN 0160004110 through 0160039337, Excluding 0160024571 and 0160037911).....	96
FIGURE 4-3. ENGINE MOUNTING (SN 0160039338 to Present, Including 0160024571 and 0160037911).....	100
FIGURE 4-4. FUEL SYSTEM (Prior to SN 0160039337, Excluding 0160024571 and 0160037911).....	104
FIGURE 4-5. FUEL SYSTEM (SN 0160039338 to Present, Including 0160024571 and 0160037911).....	106
FIGURE 4-6. RADIATOR AND OIL COOLER MOUNTING ASSEMBLY (SN 14834 through 19988, SN 0160002345 through 0160004109).....	108
FIGURE 4-7. RADIATOR AND OIL COOLER MOUNTING ASSEMBLY (SN 0160004110 through 0160010807).....	110
FIGURE 4-8. RADIATOR AND OIL COOLER MOUNTING ASSEMBLY (SN 0160010808 through 0160039337, Excluding 0160024571 and 0160037911).....	114
FIGURE 4-9. RADIATOR AND OIL COOLER MOUNTING ASSEMBLY (SN 0160039338 to Present, Including 0160024571 and 0160037911).....	116
FIGURE 4-10. AIR CLEANER ASSEMBLY (SN 14384 through 19988, SN 0160002345 through 0160004109).....	118
FIGURE 4-11. AIR CLEANER ASSEMBLY (SN 0160004110 through 0160039337, Excluding 0160024571 and 0160037911).....	120
FIGURE 4-12. AIR CLEANER ASSEMBLY (SN 0160039338 to Present, Including 0160024571 and 0160037911).....	122
FIGURE 4-13. EXHAUST SYSTEM (SN 14384 through 19988, SN 0160002345 through 0160004109).....	124

TABLE OF CONTENTS

FIGURE 4-14. EXHAUST SYSTEM (SN 0160004110 through 0160035250).....	126
FIGURE 4-15. EXHAUST SYSTEM (SN 0160035251 through 0160039337, Excluding 0160024571 and 0160037911).....	128
FIGURE 4-16. EXHAUST SYSTEM (SN 0160039338 to Present, Including 0160024571 and 0160037911).....	130
FIGURE 4-17. ISOLATION COUPLER (SN 14834 through 19765).....	132
FIGURE 4-18. ISOLATION COUPLER (SN 19766 through 19988, SN 0160002345 through 0160004109).....	134
FIGURE 4-19. ISOLATION COUPLER (SN 0160004110 to Present).....	136
SECTION 5 - DRIVE TRAIN.....	139
FIGURE 5-1. DRIVE TRAIN COMPONENTS.....	140
FIGURE 5-2. FRONT AXLE.....	142
FIGURE 5-3. FRONT AXLE - INPUT (Prior to SN 0160038391, Including 0160038848, 0160038853 and 0160038855).....	144
FIGURE 5-4. FRONT AXLE - INPUT (SN 0160038391 to Present, Excluding 0160038848, 0160038853 and 0160038855).....	148
FIGURE 5-5. FRONT AXLE - LIMITED SLIP DIFFERENTIAL (Prior to SN 0160038391, Including 0160038848, 0160038853 and 0160038855).....	152
FIGURE 5-6. FRONT AXLE - LIMITED SLIP DIFFERENTIAL (SN 0160038391 to Present, Excluding 0160038848, 0160038853 and 0160038855).....	154
FIGURE 5-7. FRONT AXLE - AXLE CASING (Prior to SN 0160038391, Including 0160038848, 0160038853 and 0160038855).....	156
FIGURE 5-8. FRONT AXLE - AXLE CASING (SN 0160038391 to Present, Excluding 0160038848, 0160038853 and 0160038855).....	158
FIGURE 5-9. FRONT AXLE - M-DISK BRAKE (Prior to SN 0160038391, Including 0160038848, 0160038853 and 0160038855).....	160
FIGURE 5-10. FRONT AXLE - M-DISK BRAKE (SN 0160038391 to Present, Excluding 0160038848, 0160038853 and 0160038855).....	164
FIGURE 5-11. FRONT AXLE - BRAKE (Prior to SN 0160038391, Including 0160038848, 0160038853 and 0160038855).....	166
FIGURE 5-12. FRONT AXLE - BRAKE (SN 0160038391 to Present, Excluding 0160038848, 0160038853 and 0160038855).....	168
FIGURE 5-13. FRONT AXLE - JOINT HOUSING (Prior to SN 0160038391, Including 0160038848, 0160038853 and 0160038855).....	170
FIGURE 5-14. FRONT AXLE - JOINT HOUSING (SN 0160038391 to Present, Excluding 0160038848, 0160038853 and 0160038855).....	174
FIGURE 5-15. FRONT AXLE - PLANETARY DRIVE (Prior to SN 0160038391, Including 0160038848, 0160038853 and 0160038855).....	176
FIGURE 5-16. FRONT AXLE - PLANETARY DRIVE (SN 0160038391 to Present, Excluding 0160038848, 0160038853 and 0160038855).....	178
FIGURE 5-17. REAR AXLE.....	180
FIGURE 5-18. REAR AXLE - INPUT (Prior to SN 0160038391, Including 0160038848, 0160038853 and 0160038855).....	182
FIGURE 5-19. REAR AXLE - INPUT (SN 0160038391 to Present, Excluding 0160038848, 0160038853 and 0160038855).....	186
FIGURE 5-20. REAR AXLE - DIFFERENTIAL (Prior to SN 0160038391, Including 0160038848, 0160038853 and 0160038855).....	190
FIGURE 5-21. REAR AXLE - DIFFERENTIAL (SN 0160038391 to Present, Excluding 0160038848, 0160038853 and 0160038855).....	192
FIGURE 5-22. REAR AXLE - AXLE CASING (Prior to SN 0160038391, Including 0160038848, 0160038853 and 0160038855).....	194
FIGURE 5-23. REAR AXLE - AXLE CASING (SN 0160038391 to Present, Excluding 0160038848, 0160038853 and 0160038855).....	196
FIGURE 5-24. REAR AXLE - M-DISK BRAKE (Prior to SN 0160038391, Including 0160038848, 0160038853 and 0160038855).....	198
FIGURE 5-25. REAR AXLE - M-DISK BRAKE (SN 0160038391 to Present, Excluding 0160038848, 0160038853 and 0160038855).....	202
FIGURE 5-26. REAR AXLE - BRAKE (Prior to SN 0160038391, Including 0160038848, 0160038853 and 0160038855).....	204
FIGURE 5-27. REAR AXLE - JOINT HOUSING (Prior to SN 0160038391, Including 0160038848, 0160038853 and 0160038855).....	206
FIGURE 5-28. REAR AXLE - JOINT HOUSING (SN 0160038391 to Present, Excluding 0160038848, 0160038853 and 0160038855).....	210
FIGURE 5-29. REAR AXLE - PLANETARY DRIVE (Prior to SN 0160038391, Including 0160038848, 0160038853 and 0160038855).....	212
FIGURE 5-30. REAR AXLE - PLANETARY DRIVE (SN 0160038391 to Present, Excluding 0160038848, 0160038853 and 0160038855).....	214
FIGURE 5-31. ZF TRANSMISSION.....	216
FIGURE 5-32. ZF TRANSMISSION - ENGINE CONNECTION AND CONVERTER.....	218
FIGURE 5-33. ZF TRANSMISSION - INPUT SHAFTS.....	220
FIGURE 5-34. ZF TRANSMISSION - GEARBOX HOUSING.....	222
FIGURE 5-35. ZF TRANSMISSION - COUPLING GROUP 1.....	224
FIGURE 5-36. ZF TRANSMISSION - COUPLING GROUP 2.....	226
FIGURE 5-37. ZF TRANSMISSION - COUPLING GROUP 3.....	228
FIGURE 5-38. ZF TRANSMISSION - COUPLING GROUP 4.....	230

TABLE OF CONTENTS

FIGURE 5-39. ZF TRANSMISSION - REVERSING GEAR GROUP 1	232
FIGURE 5-40. ZF TRANSMISSION - REVERSING GEAR GROUP 2	234
FIGURE 5-41. ZF TRANSMISSION - OUTPUT.....	236
FIGURE 5-42. ZF TRANSMISSION - CONTROL UNIT	238
FIGURE 5-43. ZF TRANSMISSION - VALVE HOUSING ASSEMBLY.....	240
FIGURE 5-44. ZF TRANSMISSION - VALVE BLOCK ASSEMBLY	242
FIGURE 5-45. ZF TRANSMISSION - OIL PUMP AND FILTER	244
FIGURE 5-46. DRIVE SHAFTS.....	246
FIGURE 5-47. TIRES AND RIMS (PNEUMATIC) (Prior to SN 0160038391, Including 0160038848, 0160038853 and 0160038855)	248
FIGURE 5-48. TIRES AND RIMS (PNEUMATIC) (SN 0160038391 to Present, Excluding 0160038848, 0160038853 and 0160038855).....	250
FIGURE 5-49. TIRES AND RIMS (FOAM FILLED AND SOLID) (Prior to SN 0160038391, Including 0160038848, 0160038853 and 0160038855).....	252
FIGURE 5-50. TIRES AND RIMS (FOAM FILLED AND SOLID) (SN 0160038391 to Present, Excluding 0160038848, 0160038853 and 0160038855).....	254
SECTION 6 - CAB.....	257
FIGURE 6-1. OPEN CAB	258
FIGURE 6-2. CLOSED CAB (SN 14834 through 19988, SN 0160002345 through 0160008805).....	260
FIGURE 6-3. CLOSED CAB (SN 0160008819 to Present)	264
FIGURE 6-4. SOFT CAB ENCLOSURE.....	268
FIGURE 6-5. CAB DOOR.....	270
FIGURE 6-6. OPERATORS SEAT (SN 14834 through 19988, SN 0160002345 through 0160010387).....	272
FIGURE 6-7. OPERATORS SEAT (SN 0160010399 to Present).....	274
FIGURE 6-8. FRONT WINDSHIELD WIPER	276
FIGURE 6-9. SKYLIGHT WINDSHIELD WIPER.....	278
FIGURE 6-10. CAB HEATER.....	280
SECTION 7 - CONTROLS	283
FIGURE 7-1. SERVICE BRAKE PEDAL CONTROL (Prior to SN 0160039337, Excluding 0160024571 and 0160037911)	284
FIGURE 7-2. SERVICE BRAKE PEDAL CONTROL (SN 0160039338 to Present, Including 0160024571 and 0160037911).....	286
FIGURE 7-3. THROTTLE PEDAL CONTROL (SN 14834 through 19988, SN 0160002345 through 0160004109).....	288
FIGURE 7-4. THROTTLE PEDAL CONTROL (SN 0160004110 through 0160039337, Excluding 0160024571 and 0160037911)	290
FIGURE 7-5. THROTTLE PEDAL CONTROL (SN 0160039338 to Present, Including 0160024571 and 0160037911).....	292
FIGURE 7-6. STEERING WHEEL AND SHIFTER	294
FIGURE 7-7. CONTROL CONSOLE	296
FIGURE 7-8. BOOM LIFT/LOWER AND EXTEND/RETRACT CONTROL	298
FIGURE 7-9. FRAME SWAY AND ATTACHMENT TILT CONTROL	300
FIGURE 7-10. AUXILIARY HYDRAULIC CONTROL	302
SECTION 8 - HYDRAULIC CIRCUITS.....	305
FIGURE 8-1. SERVICE BRAKE AND DE-CLUTCH (Prior to SN 0160039337, Excluding 0160024571 and 0160037922)	306
FIGURE 8-2. SERVICE BRAKE AND DE-CLUTCH (SN 0160039338 to Present, Including 0160024571 and 0160037911).....	310
FIGURE 8-3. BOOM LIFT/LOWER AND EXTEND/RETRACT.....	314
FIGURE 8-4. ATTACHMENT TILT AND SLAVE (SN 14834 through 18831).....	318
FIGURE 8-5. ATTACHMENT TILT AND SLAVE (SN 0160002345 to Present, SN 18832 through 19988).....	320
FIGURE 8-6. FRAME SWAY	322
FIGURE 8-7. POWER STEERING	324
FIGURE 8-8. CONTROL VALVES.....	326
FIGURE 8-9. AUXILIARY HYDRAULIC.....	330
FIGURE 8-10. TRANSMISSION COOLER (SN 14834 through 19988, SN 0160002345 through 0160004109).....	332
FIGURE 8-11. TRANSMISSION COOLER (SN 0160004110 through 0160039337, Excluding 0160024571 and 0160037911)	334
FIGURE 8-12. TRANSMISSION COOLER (SN 0160039338 to Present, Including 0160024571 and 0160037911)	336
FIGURE 8-13. OIL COOLER (SN 14834 through 19988, SN 0160002345 through 0160004109)	338
FIGURE 8-14. OIL COOLER (SN 0160004110 through 0160039337, Excluding 0160024571 and 0160037911).....	340
FIGURE 8-15. OIL COOLER (SN 0160039338 to Present, Including 0160024571 and 0160037911).....	342
SECTION 9 - HYDRAULIC COMPONENTS.....	345
FIGURE 9-1. BOOM EXTEND/RETRACT CYLINDER.....	346
FIGURE 9-2. BOOM LIFT/LOWER CYLINDER (SN 14834 through 19297)	348

TABLE OF CONTENTS

FIGURE 9-3. BOOM LIFT/LOWER CYLINDER (SN 19298 through 19988, SN 0160002345 through 0160004091, Excluding 0160003491 and 0160003492)	350
FIGURE 9-4. BOOM LIFT/LOWER CYLINDER (SN 0160004110 through 0160015020, Including 0160003491 and 0160003492)	352
FIGURE 9-5. BOOM LIFT/LOWER CYLINDER (SN 0160015052 to Present).....	354
FIGURE 9-6. FRAME SWAY CYLINDER (SN 14384 through 19988, SN 0160002345 through 0160004091, Excluding 0160003491 and 0160003492)	356
FIGURE 9-7. FRAME SWAY CYLINDER (SN 0160004110 through 0160005622, Including 0160003491 and 0160003492)	358
FIGURE 9-8. FRAME SWAY CYLINDER (SN 0160005638 to Present).....	360
FIGURE 9-9. ATTACHMENT TILT CYLINDER.....	362
FIGURE 9-10. SLAVE CYLINDER (SN 14834 through 19297).....	364
FIGURE 9-11. SLAVE CYLINDER (SN 19298 through 19988, SN 0160002345 through 0160004088, Excluding 0160003491 and 0160003492)	366
FIGURE 9-12. SLAVE CYLINDER (SN 0160004110 to Present, Including 0160003491 and 0160003492)	368
FIGURE 9-13. GEAR PUMP	370
FIGURE 9-14. MAIN CONTROL VALVE.....	372
FIGURE 9-15. DIRECTIONAL CONTROL VALVES	374
FIGURE 9-16. FUEL/HYDRAULIC TANK ASSEMBLY (SN 14834 through 19987).....	378
FIGURE 9-17. FUEL/HYDRAULIC TANK ASSEMBLY (SN 160002345 to Present, Including 199880)	380
FIGURE 9-18. GRAPPLE BUCKET CYLINDER	382
FIGURE 9-19. SIDE TILT CARRIAGE CYLINDER	384
FIGURE 9-20. SIDE TILT CARRIAGE CYLINDER	386
FIGURE 9-21. 72IN 90, SWING CARRIAGE CYLINDER	388
FIGURE 9-22. BRAKE VALVE.....	390
FIGURE 9-23. 50IN SIDE SHIFT CARRIAGE CYLINDER (SN 0160037788 to Present)	392
 SECTION 10 - ELECTRICAL.....	 395
FIGURE 10-1. CAB HARNESS (Prior to SN 0160039337, Excluding 0160024571 and 0160037911).....	396
FIGURE 10-2. CAB HARNESS (SN 0160039338 to Present, Including 0160024571 and 0160037911)	398
FIGURE 10-3. ENGINE HARNESS (SN 14834 through 19988, SN 0160002345 through 0160004109)	400
FIGURE 10-4. ENGINE HARNESS (SN 0160004110 through 0160039337, Excluding 0160024571 and 0160037911)	402
FIGURE 10-5. ENGINE HARNESS (SN 0160039338 to Present, Including 0160024571 and 0160037911)	406
 SECTION 11 - DECALS	 409
FIGURE 11-1. DECALS AND PAINT	410
 SECTION 12 - OPTIONS.....	 415
FIGURE 12-1. WORKLIGHT INSTALLATION	416
FIGURE 12-2. ROADLIGHT INSTALLATION (SN 14834 through 19988, SN 0160002345 through 0160015227)	418
FIGURE 12-3. ROADLIGHT INSTALLATION (SN 0160015228 to Present).....	422
FIGURE 12-4. SWING CARRIAGE CYLINDER (SN 14834 through 19238)	426
FIGURE 12-5. SWING CARRIAGE CYLINDER (SN 0160002408 to Present, SN 19239 through 19897)	428
FIGURE 12-6. SIDE TILT CARRIAGE CYLINDER	430
FIGURE 12-7. COLD START INSTALLATION (SN 14836 through 19988, SN 0160002345 through 0160004109)	432
FIGURE 12-8. COLD START INSTALLATION (SN 0160004110 to Present).....	436
FIGURE 12-9. FENDER INSTALLATION	440
FIGURE 12-10. ROTATING BEACON INSTALLATION.....	442
FIGURE 12-11. REMOTE OIL FILLER (SN 0160004110 to Present).....	444
FIGURE 12-12. IGNITION SWITCH WEATHER KIT (SN 14834 through 19988, SN 0160002345 through 0160023102)	446
 SECTION 13 - RECOMMENDED SPARE PARTS.....	 449
FIGURE 13-1. RECOMMENDED SPARE PARTS.....	450
 PART NUMBER INDEX.....	 453

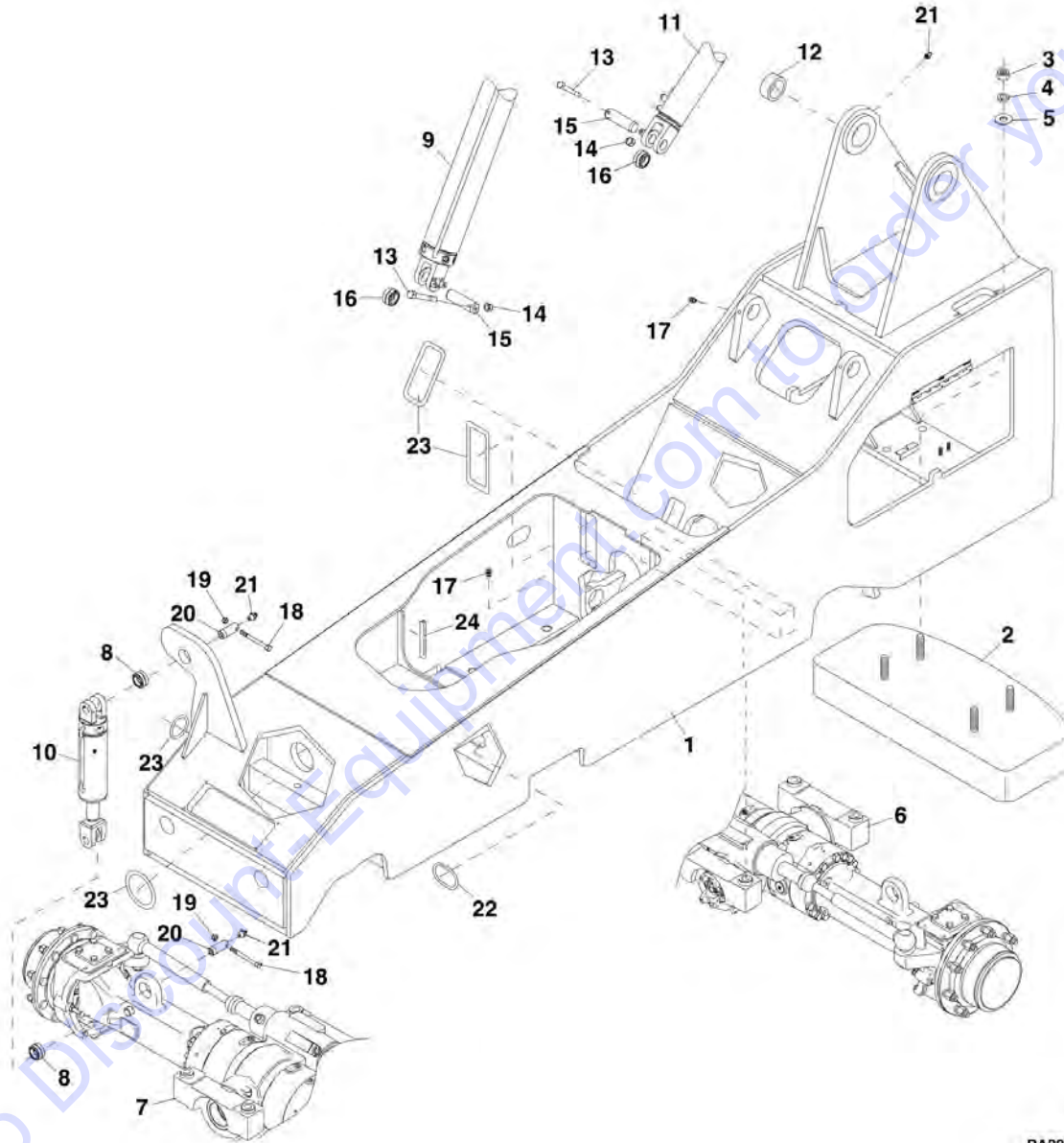
SECTION 1 - FRAME AND ATTACHING PARTS

SECTION 1 - FRAME AND ATTACHING PARTS

Go to Discount-Equipment.com to order your parts

SECTION 1 - FRAME AND ATTACHING PARTS

FIGURE 1-1. MAIN FRAME COMPONENTS (SN 14384 through 19988, SN 0160002345 through 0160004109, Excluding 0160003491 and 0160003492)



PA2952

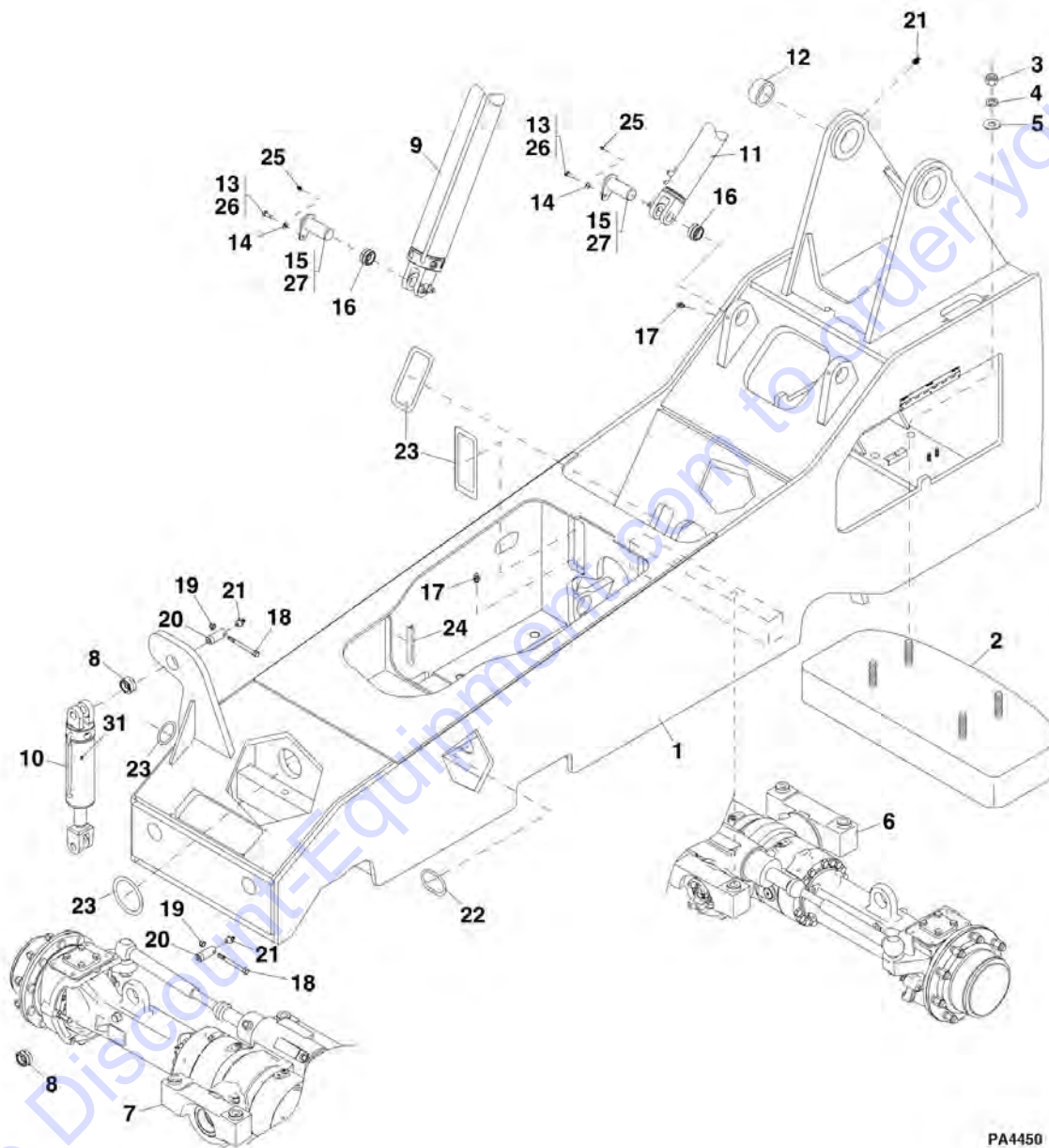
SECTION 1 - FRAME AND ATTACHING PARTS

FIGURE 1-1. MAIN FRAME COMPONENTS (SN 14384 through 19988, SN 0160002345 through 0160004109, Excluding 0160003491 and 0160003492)

ITEM	PART NUMBER	QTY	DESCRIPTION	REV
1	N.S.S.	1	FRAME WELDMENT	
2	7139475	1	COUNTERWEIGHT	
3	8305021	4	HEX NUT, 1-8	
4	8307012	4	LOCKWASHER, 1	
5	8310066	4	PLAIN WASHER, 1	
6		Ref	REAR AXLE, (See DRIVE TRAIN SECTION for Breakdown)	
7		Ref	FRONT AXLE, (See DRIVE TRAIN SECTION for Breakdown)	
8	8050001	2	BEARING, (self align)	
9		Ref	BOOM LIFT/LOWER CYLINDER, (See HYDRAULIC COMPONENTS SECTION for Breakdown)	
10		Ref	FRAME SWAY CYLINDER, (See HYDRAULIC COMPONENTS SECTION for Breakdown)	
11		Ref	SLAVE CYLINDER, (See HYDRAULIC COMPONENTS SECTION for Breakdown)	
12	8065641	2	BEARING, (self align)	
13	8303782	4	HEX HD CAPSCREW, 1/2-13X4, GR5	
14	8305644	4	HEX LOCKNUT, 1/2-13	
15	7092292	4	LIFT/LOWER AND SLAVE CYLINDER PINS	
16	8065640	2	BEARING, (self align)	
17	8520021	4	GREASE FITTING, 90	
18	8303752	2	HEX HD CAPSCREW, 5/16-18X3-1/2, GR5	
19	8305626	2	HEX LOCKNUT, 5/16-18	
20	7137142	2	FRAME SWAY CYLINDER PIN	
21	8520013	2	STRAIGHT LUBE FITTING, 1/8	
22	7125861	AR	CONDUIT, 0.75X60, (cut to fit)	
23	6620531	AR	CONDUIT, 1.0X60, (cut to fit)	
24	7124331	AR	CONDUIT, 0.50X60, (cut to fit)	

SECTION 1 - FRAME AND ATTACHING PARTS

FIGURE 1-2. MAIN FRAME COMPONENTS (Including 0160003491 and 0160003492)



PA4450

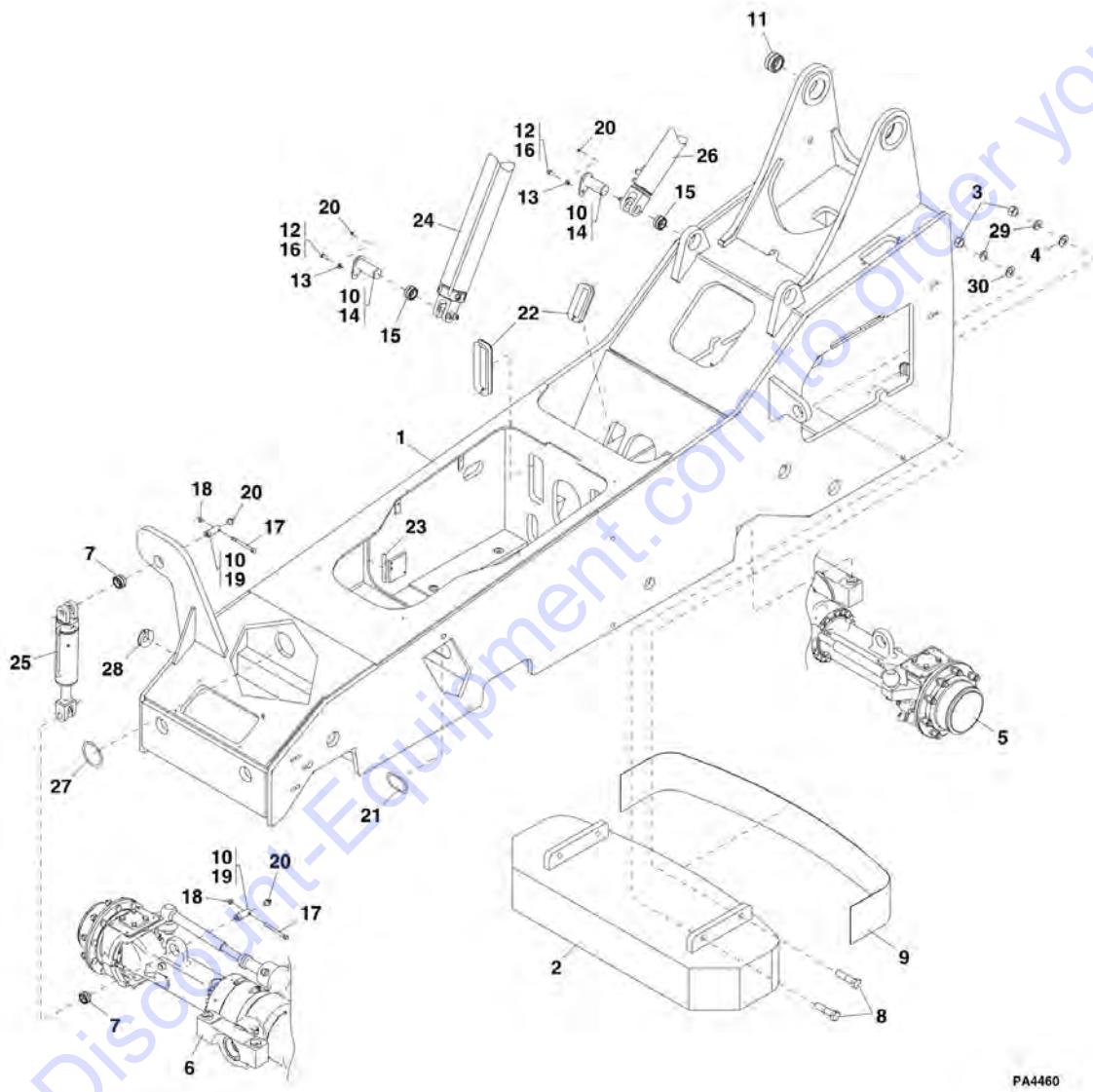
SECTION 1 - FRAME AND ATTACHING PARTS

FIGURE 1-2. MAIN FRAME COMPONENTS (Including 0160003491 and 0160003492)

ITEM	PART NUMBER	QTY	DESCRIPTION	REV
1	N.S.S.	1	FRAME WELDMENT	
2	7139475	1	COUNTERWEIGHT	
3	8305021	4	HEX NUT, 1-8	
4	8307012	4	LOCKWASHER, 1	
5	8310066	4	PLAIN WASHER, 1	
6		Ref	REAR AXLE, (See DRIVE TRAIN SECTION for Breakdown)	
7		Ref	FRONT AXLE, (See DRIVE TRAIN SECTION for Breakdown)	
8	8050001	2	BEARING, (self align)	
9		Ref	BOOM LIFT/LOWER CYLINDER, (See HYDRAULIC COMPONENTS SECTION for Breakdown)	
10		Ref	FRAME SWAY CYLINDER, (See HYDRAULIC COMPONENTS SECTION for Breakdown)	
11		Ref	SLAVE CYLINDER, (See HYDRAULIC COMPONENTS SECTION for Breakdown)	
12	8065641	2	BEARING, (self align)	
13	8303625	4	HEX HD CAPSCREW, 1/2-13X1-1/4, GR5	
14	8310056	4	HARD WASHER, 1/2	
15	7302039	4	LIFT/LOWER AND SLAVE CYLINDER PINS	
16	8065640	2	BEARING, (self align)	
17	8520021	4	GREASE FITTING, 90	
18	8303752	2	HEX HD CAPSCREW, 5/16-18X3-1/2, GR5	
19	8305626	2	HEX LOCKNUT, 5/16-18	
20	7137142	2	FRAME SWAY CYLINDER PIN	
21	8520013	2	STRAIGHT LUBE FITTING, 1/8	
22	7125861	AR	CONDUIT, 0.75X60, (cut to fit)	
23	6620531	AR	CONDUIT, 1.0X60, (cut to fit)	
24	7124331	AR	CONDUIT, 0.50X60, (cut to fit)	
25	8520001	4	STRAIGHT LUBE FITTING, 1/8	
26	8526007	AR	LOCTITE 242, (apply to item 13)	
27	8522012	AR	ANTI-SEIZE LUBE, (apply to items 15 & 20)	

SECTION 1 - FRAME AND ATTACHING PARTS

FIGURE 1-3. MAIN FRAME COMPONENTS (SN 0160004110 through 0160015051)



PA4460

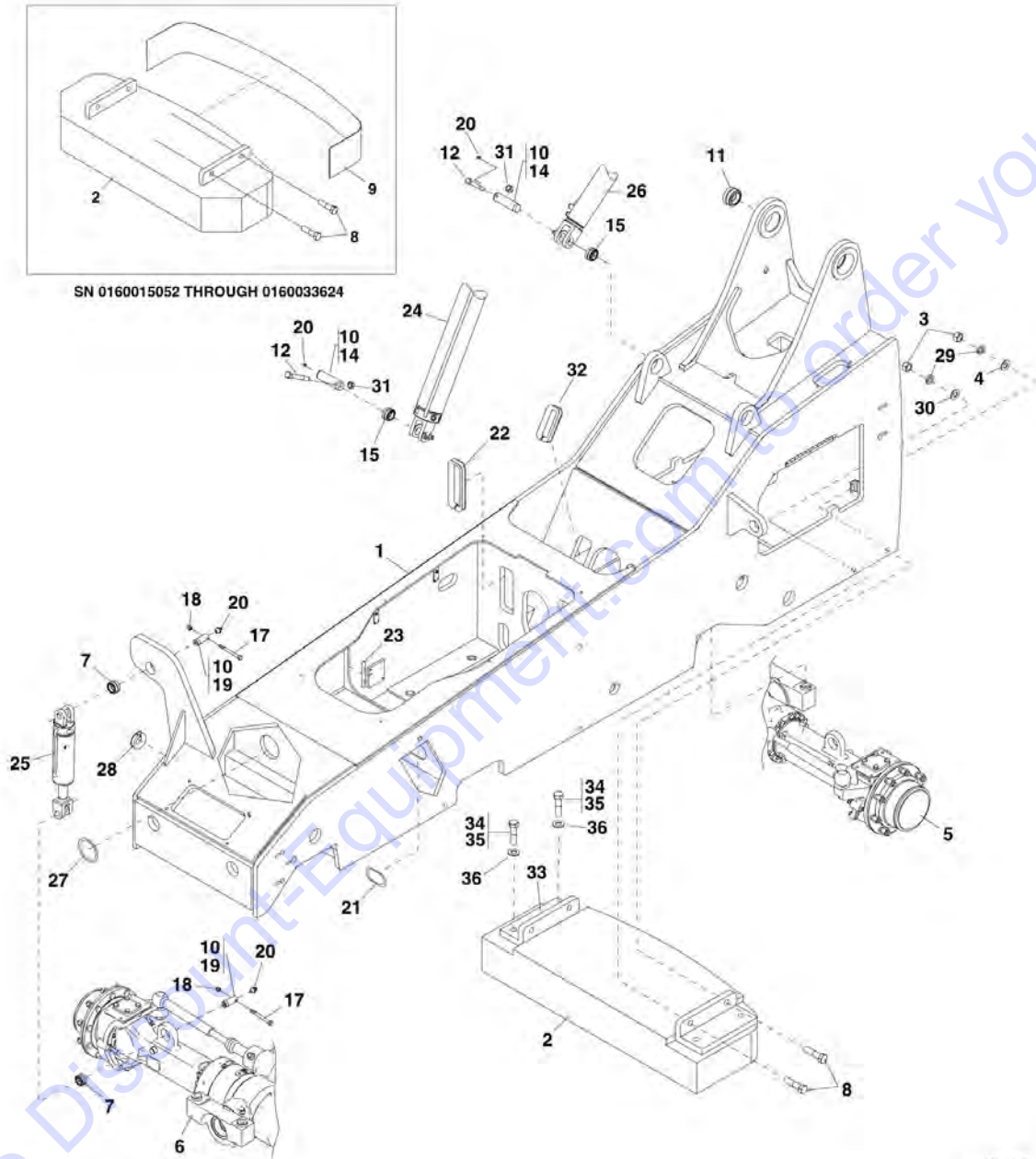
SECTION 1 - FRAME AND ATTACHING PARTS

FIGURE 1-3. MAIN FRAME COMPONENTS (SN 0160004110 through 0160015051)

ITEM	PART NUMBER	QTY	DESCRIPTION	REV
1	N.S.S.	1	FRAME WELDMENT	
2	7302332	1	COUNTERWEIGHT	
3	8305021	4	HEX NUT, 1-8	
4	8310066	AR	PLAIN WASHER, 1	
5		Ref	REAR AXLE, (See DRIVE TRAIN SECTION for Breakdown)	
6		Ref	FRONT AXLE, (See DRIVE TRAIN SECTION for Breakdown)	
7	8050001	1	BEARING, (self align)	
8	8310051	4	HEX HD CAPSCREW, 1-8X4, GR5	
9	4821430	1	COUNTERWEIGHT WRAPPER	
10	8522012	AR	ANTI-SIEZE LUBE, (apply to items 14 & 19)	
11	8065641	2	BEARING, (self align)	
12	8303625	4	HEX HD CAPSCREW, 1/2-13X1-1/4, GR5	
13	8310056	4	HARD WASHER, 1/2	
14	7302039	4	LIFT/LOWER AND SLAVE CYLINDER PINS	
15	8065640	4	BEARING, (self align)	
16	8526007	AR	LOCTITE 242, (apply to item 12)	
17	8303752	2	HEX HD CAPSCREW, 5/16-18X3-1/2, GR5	
18	8305626	2	HEX LOCKNUT, 5/16-18	
19	7137142	2	FRAME SWAY CYLINDER PIN	
20	8520001	2	LUBE FITTING, STRAIGHT, 1/8	
21	7124301	AR	CONDUIT, 0.50X15.5, (cut to fit)	
22	7139156	AR	CONDUIT, 1.0X28, (cut to fit)	
23	7125871	AR	CONDUIT, 0.50X8, (cut to fit)	
24		Ref	BOOM LIFT/LOWER CYLINDER, (See HYDRAULIC COMPONENTS SECTION for Breakdown)	
25		Ref	FRAME SWAY CYLINDER, (See HYDRAULIC COMPONENTS SECTION for Breakdown)	
26		Ref	SLAVE CYLINDER, (See HYDRAULIC COMPONENTS SECTION for Breakdown)	
27	7139613	AR	CONDUIT, 1.0X18, (cut to fit)	
28	7124471	AR	CONDUIT, 1.0X12.5, (cut to fit)	
29	8307012	4	LOCKWASHER, 1	
30	5724302	AR	SHIM	

SECTION 1 - FRAME AND ATTACHING PARTS

FIGURE 1-4. MAIN FRAME COMPONENTS (SN 0160015052 to Present)



PA3461

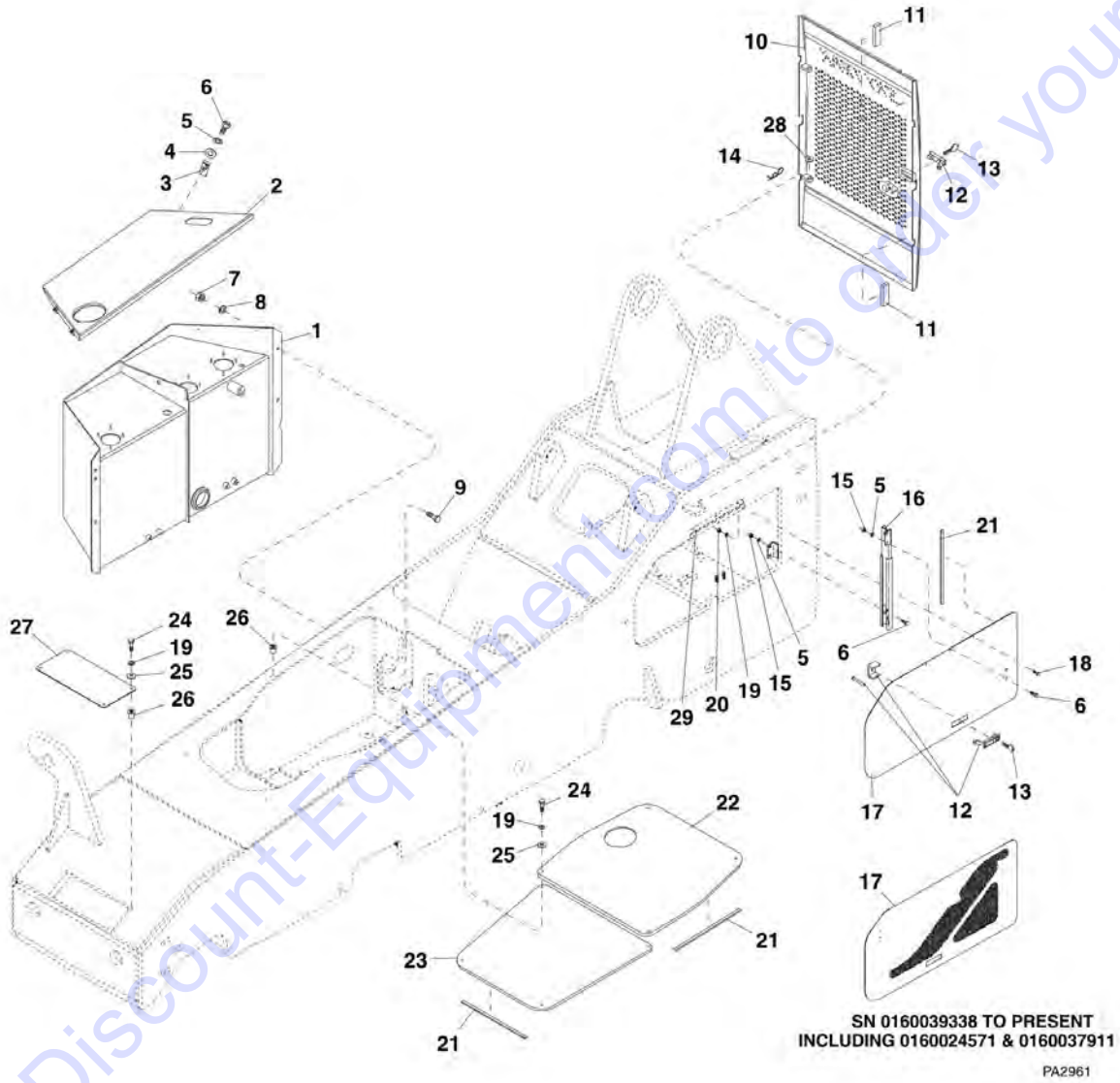
SECTION 1 - FRAME AND ATTACHING PARTS

FIGURE 1-4. MAIN FRAME COMPONENTS (SN 0160015052 to Present)

ITEM	PART NUMBER	QTY	DESCRIPTION	REV
1	N.S.S.	1	FRAME WELDMENT	
2	7302332	1	COUNTERWEIGHT (SN 0160015052 through 0160033624)	
2	1001094784	1	COUNTERWEIGHT (SN 0160033646 to Present)	
3	8305021	4	HEX NUT, 1-8	
4	8310066	AR	PLAIN WASHER, 1 (SN 0160015052 through 0160033624)	
4	4892600	2	HARDENED WASHER, 1 (SN 0160033646 to Present)	
5		Ref	REAR AXLE, (See DRIVE TRAIN SECTION for Breakdown)	
6		Ref	FRONT AXLE, (See DRIVE TRAIN SECTION for Breakdown)	
7	8050001	1	BEARING, (self align)	
8	8310051	4	HEX HD CAPSCREW, 1-8X4, GR5 (SN 0160015052 through 0160033624)	
8	0642628	4	HEX HD CAPSCREW, 1-8X3 1/2, GR5, (torque to 675 lb-ft) (SN 0160033646 to Present)	
9	4821430	1	COUNTERWEIGHT WRAPPER (SN 0160015052 through 0160033646)	
10	8522012	AR	ANTI-SIEZE LUBE, (apply to items 14 & 19)	
11	8065641	2	BEARING, (self align)	
12	8303782	4	HEX HD CAPSCREW, 1/2-13X4, GR5	
14	3423227	4	LIFT/LOWER AND SLAVE CYLINDER PIN	
15	8065640	4	BEARING, (self align)	
16	8526007	AR	LOCTITE 242, (apply to item 12)	
17	8303752	2	HEX HD CAPSCREW, 5/16-18X3-1/2, GR5	
18	8305626	2	HEX LOCKNUT, 5/16-18	
19	7137142	2	FRAME SWAY CYLINDER PIN	
20	8520001	6	LUBE FITTING, STRAIGHT, 1/8	
21	7124301	AR	CONDUIT, 0.50X15.5, (cut to fit)	
22	7139156	AR	CONDUIT, 1.0X28, (cut to fit)	
23	7125871	AR	CONDUIT, 0.50X8, (cut to fit)	
24		Ref	BOOM LIFT/LOWER CYLINDER, (See HYDRAULIC COMPONENTS SECTION for Breakdown)	
25		Ref	FRAME SWAY CYLINDER, (See HYDRAULIC COMPONENTS SECTION for Breakdown)	
26		Ref	SLAVE CYLINDER, (See HYDRAULIC COMPONENTS SECTION for Breakdown)	
27	7139613	AR	CONDUIT, 1.0X18, (cut to fit)	
28	7124471	AR	CONDUIT, 1.0X12.5, (cut to fit)	
29	8307012	4	LOCKWASHER, 1	
30	5724302	AR	SHIM (SN 0160015052 through 0160033624)	
30	4892600	2	HARDENED WASHER, 1 (SN 0160033646 to Present)	
31	8305644	4	HEX LOCKNUT, 1/2-13	
32	1560028	2	CONDUIT, 1.0 POLY (SN 0160015228 to Present)	
33	1001114112	2	ANGLE COUNTWEIGHT (SN 0160033646 to Present)	
34	0100019	AR	LOCTITE 271, (apply to item 35) (SN 0160033646 to Present)	
35	0642222	4	HEX HD CAPSCREW, 3/4-10X2-3/4, GR5, (torque to 285 lb-ft) (SN 0160033646 to Present)	
36	4892200	4	HARDENED WASHER, 3/4 (SN 0160033646 to Present)	

SECTION 1 - FRAME AND ATTACHING PARTS

FIGURE 1-5. HOODS AND GUARDS



SECTION 1 - FRAME AND ATTACHING PARTS

FIGURE 1-5. HOODS AND GUARDS

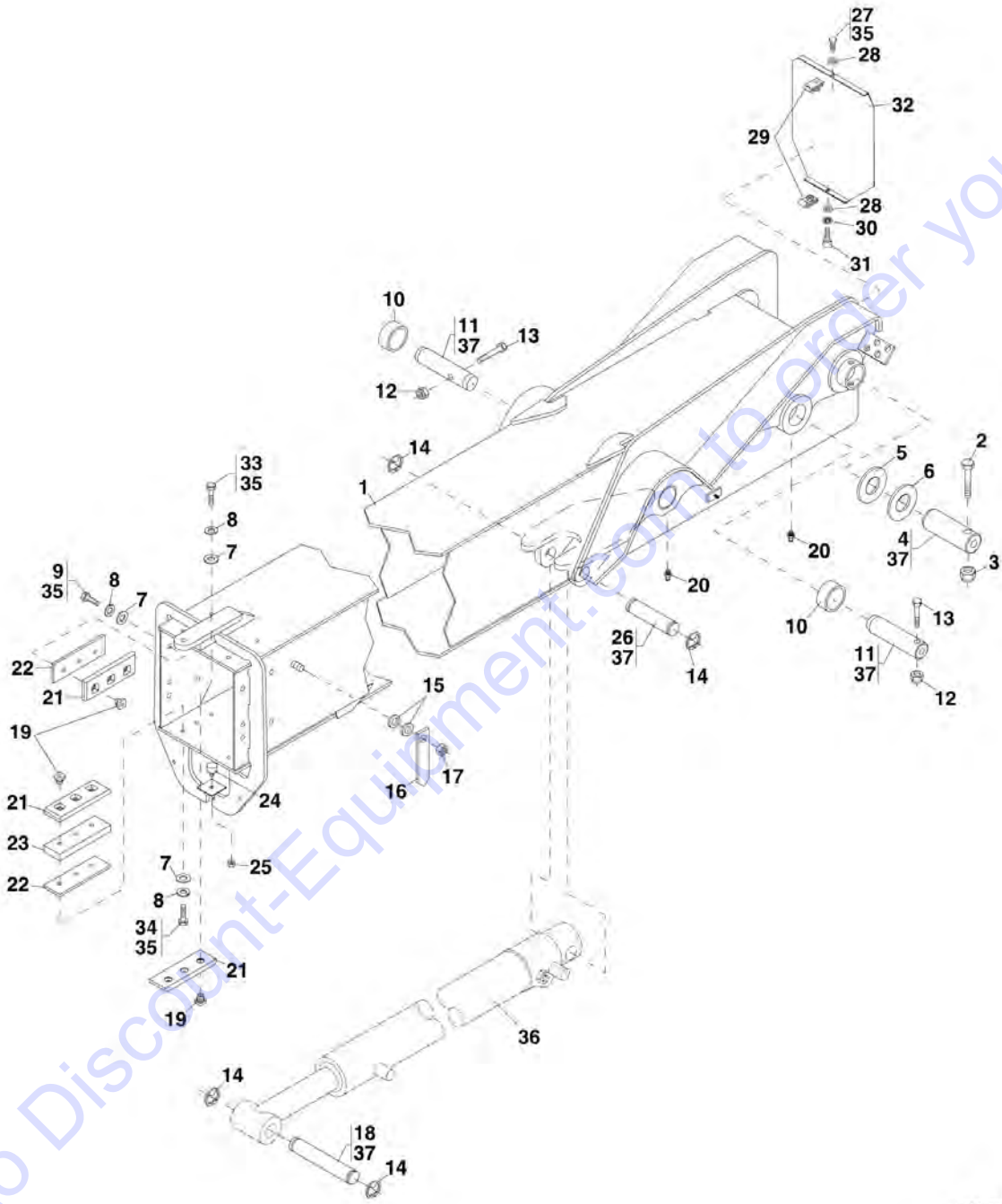
ITEM	PART NUMBER	QTY	DESCRIPTION	REV
1		Ref	FUEL AND HYDRAULIC TANK, (See HYDRAULIC COMPONENTS SECTION for Breakdown)	
2	7150661	1	FUEL/HYDRAULIC TANK COVER	
3	8310658	4	RETAINING NUT, 5/16	
4	8307203	4	FLAT WASHER, 5/16	
5	8307004	20	LOCKWASHER, 5/16	
6	8303656	20	HEX HD CAPSCREW, 5/16-18X7/8	
7	8305014	4	HEX NUT, 5/8-11	
8	8307009	4	LOCKWASHER, 5/8	
9	8310129	4	CARRIAGE BOLT, 5/8-11X2-1/2	
10	7139456	1	RADIATOR COVER (SN 14384 through 19988, SN 0160002345 through 0160004109)	
10	7139462	1	RADIATOR COVER (SN 0160004110 through 0160039338, Excluding 0160024571 and 0160037911)	
10	1001094897	1	RADIATOR COVER (SN 0160039338 to Present, Including 0160024571 and 0160037911)	
11	5724742	2	GASKET (Prior to SN 0160039338, Excluding 0160024571 and 0160037911)	
11	90206196	2	TRIM (SN 0160039338 to Present, Including 0160024571 and 0160037911)	
12	1001094075	3	LATCH ASSY, WITH LOCK AND KEY, (includes item 13)	
13	8342808	AR	KEY SET	
14	8302470	2	COTTER PIN	
15	8305006	16	HEX NUT, 5/16-18	
16	7139714	4	SIDE DOOR PROP	
17	7139552	2	SIDE ACCESS COVER (Prior to SN 0160039338, Excluding 0160024571 and 0160037911)	
17	1001103212	1	RIGHT SIDE ACCESS COVER (SN 0160039338 to Present, Including 0160024571 and 0160037911)	
17	1001103038	1	LEFT SIDE ACCESS COVER (SN 0160039338 to Present, Including 0160024571 and 0160037911)	
18	8303729	6	HEX HD CAPSCREW, 1/4-20X5/8	
19	8307002	16	LOCK WASHER, 1/4	
20	8305004	6	HEX NUT, 1/4-20	
21	4420037	AR	FOAM TAPE - 60IN, (235in needed)	
22	7139455	1	UPPER TRANSMISSION COVER	
23	7139406	1	LOWER TRANSMISSION COVER	
24	8303615	10	HEX HD CAPSCREW, 1/4-20X1-1/4	
25	8307202	10	PLAIN WASHER, 1/4	
26	8580420	10	WELL NUT	
27	7150608	1	FRONT COVER	
28	10732150	AR	FLAT WASHER, M10	
29	7094682	2	SIDE ACCESS COVER HINGE	

SECTION 2 - BOOM

Go to Discount-Equipment.com to order your parts

SECTION 2 - BOOM

FIGURE 2-1. FIRST BOOM SECTION (SN 14834 through 17190)



PA3770

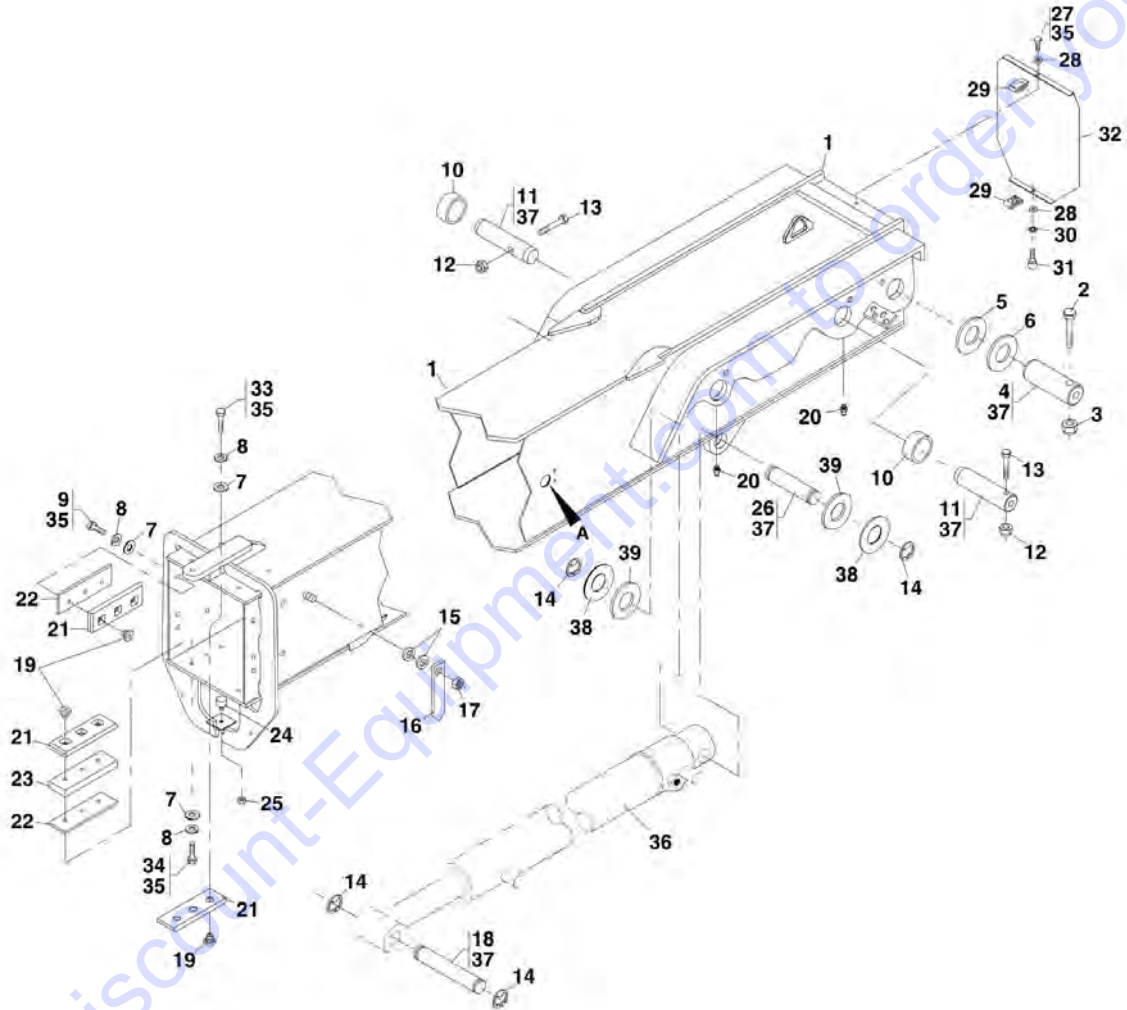
SECTION 2 - BOOM

FIGURE 2-1. FIRST BOOM SECTION (SN 14834 through 17190)

ITEM	PART NUMBER	QTY	DESCRIPTION	REV
1	7150737	1	FIRST BOOM SECTION	
2	8303655	2	HEX HD CAPSCREW, 5/8-11X4.50	
3	8305643	2	HEX LOCKNUT, 5/8-11	
4	7097682	2	BOOM PIVOT PIN	
5	8307910	AR	WASHER, SHIM 2.75 DIAX.075	
6	8307911	AR	WASHER, SHIM 2.75 DIAX.135	
7	8307204	18	FLAT WASHER, 3/8	
8	8307005	18	LOCKWASHER, 3/8	
9	8303681	8	HEX HD CAPSDREW, 3/8-16X3/4, (lubricate and torque to 31 lb-ft)	
10	8065640	4	SELF-ALIGNING BEARING, 2 DIA	
11	7092292	4	LIFT/LOWER AND SLAVE CYLINDER PINS	
12	8305644	4	HEX LOCKNUT, 1/2-13	
13	8303782	4	HEX HD CAPSCREW, 1/2-13X4	
14	8642234	4	RETAINING RING	
15	8307113	2	FLAT WASHER, 7/16	
16	7075611	1	POINTER	
17	8305647	1	HEX LOCKNUT, 7/16-14	
18	7081631	1	EXTEND CYLINDER PIN, (rod end)	
19	7082311	18	WEAR PAD INSERT	
20	8520013	4	STRAIGHT LUBE FITTING, 1/8	
21	7111572	8	WEAR PAD	
22	7082362	AR	SHIM, WEAR PAD, .13	
23	7085442	2	SPACER, WEAR PAD, .88	
24	5724622	1	RUBBER BUMPER	
25	8305645	1	HEX LOCKNUT, 3/8-16	
26	7081621	1	EXTEND CYLINDER PIN, (base end)	
27	8303697	1	HEX HD CAPSCREW, 5/16-18X3/4, (lubricate and torque to 31 lb-ft)	
28	8307106	2	FLAT WASHER, 5/16	
29	8305906	2	RETAINER NUT, 5/16-18	
30	8310431	1	LOCKWASHER, 5/16, (internal tooth)	
31	8310497	1	THUMB SCREW, 5/16-18X1.50	
32	7116822	1	REAR BOOM COVER	
33	8303738	4	HEX HD CAPSCREW, 3/8-16X.88, (lubricate and torque to 31 lb-ft)	
34	8303679	6	HEX HD CAPSCREW, 3/8-16X1.75, (lubricate and torque to 31 lb-ft)	
35	8526036	AR	THREADLOCKER COMPOUND, (apply to items 9, 27, 33 & 34)	
36		Ref	BOOM EXTEND/RETRACT CYLINDER, (See HYDRAULIC CIRCUITS SECTION for Breakdown)	
37	8522012	AR	ANTI-SEIZE LUBE, (apply to items 4, 11, 18 & 26)	

SECTION 2 - BOOM

FIGURE 2-2. FIRST BOOM SECTION (SN 17191 through 19988, SN 0160002345 through 0160004091, Excluding 01600034917 and 0160003492)



PA4510

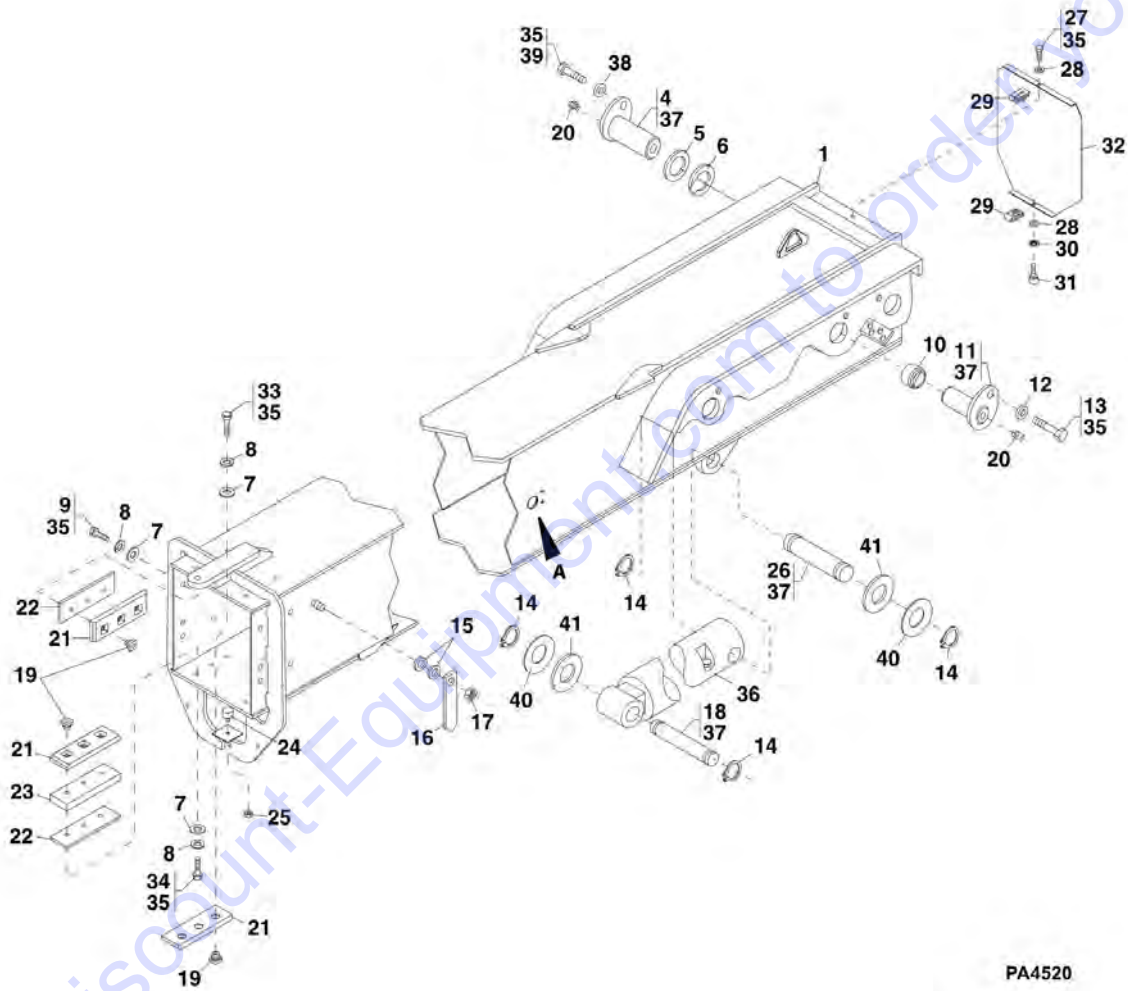
SECTION 2 - BOOM

FIGURE 2-2. FIRST BOOM SECTION (SN 17191 through 19988, SN 0160002345 through 0160004091, Excluding 01600034917 and 0160003492)

ITEM	PART NUMBER	QTY	DESCRIPTION	REV
1	7139758	1	FIRST BOOM SECTION	
2	8303655	2	HEX HD CAPSCREW, 5/8-11X4.50	
3	8305643	2	HEX LOCKNUT, 5/8-11	
4	7300748	2	BOOM PIVOT PIN	
5	8307910	AR	WASHER, SHIM 2.75 DIAx.075	
6	8307911	AR	WASHER, SHIM 2.75 DIAx.135	
7	8307204	18	FLAT WASHER, 3/8	
8	8307005	18	LOCKWASHER, 3/8	
9	8303681	8	HEX HD CAPSDREW, 3/8-16X3/4, (lubricate and torque to 31 lb-ft)	
10	8065640	4	SELF-ALIGNING BEARING, 2 DIA	
11	7092292	4	LIFT/LOWER AND SLAVE CYLINDER PINS	
12	8305644	4	HEX LOCKNUT, 1/2-13	
13	8303782	4	HEX HD CAPSCREW, 1/2-13X4	
14	8642234	4	RETAINING RING	
15	8307113	2	FLAT WASHER, 7/16	
16	7075611	1	POINTER	
17	8305647	1	HEX LOCKNUT, 7/16-14	
18	7081631	1	EXTEND CYLINDER PIN, (rod end)	
19	7082311	18	WEAR PAD INSERT	
20	8520013	4	STRAIGHT LUBE FITTING, 1/8	
21	7111572	8	WEAR PAD	
22	7082362	AR	SHIM, WEAR PAD, .13	
23	7085442	2	SPACER, WEAR PAD, .88	
24	5724622	1	RUBBER BUMPER	
25	8305645	1	HEX LOCKNUT, 3/8-16	
26	7081621	1	EXTEND CYLINDER PIN, (base end)	
27	8303697	1	HEX HD CAPSCREW, 5/16-18X3/4, (lubricate and torque to 31 lb-ft)	
28	8307106	2	FLAT WASHER, 5/16	
29	8305906	2	RETAINER NUT, 5/16-18	
30	8310431	1	LOCKWASHER, 5/16, (internal tooth)	
31	8310497	1	THUMB SCREW, 5/16-18X1.50	
32	7116822	1	REAR BOOM COVER	
33	8303738	4	HEX HD CAPSCREW, 3/8-16X.88, (lubricate and torque to 31 lb-ft)	
34	8303679	6	HEX HD CAPSCREW, 3/8-16X1.75, (lubricate and torque to 31 lb-ft)	
35	8526036	AR	THREADLOCKER COMPOUND, (apply to items 9, 27, 33 & 34)	
36		Ref	BOOM EXTEND/RETRACT CYLINDER, (See HYDRAULIC CIRCUITS SECTION for Breakdown)	
37	8522012	AR	ANTI-SEIZE LUBE, (apply to items 4, 11, 18 & 26)	
38	8310708	2	NARROW PLAIN WASHER, 1-3/4 (SN 18824 through 19988, SN 0160002345 through 0160004091)	
39	8310712	2	WASHER, SHIM, 1.75 DIAx.048 (SN 18824 through 19988, SN 0160002345 through 0160004091)	

SECTION 2 - BOOM

FIGURE 2-3. FIRST BOOM SECTION (SN 0160004110 through 0160015020, Including 0160003491 and 0160003492)



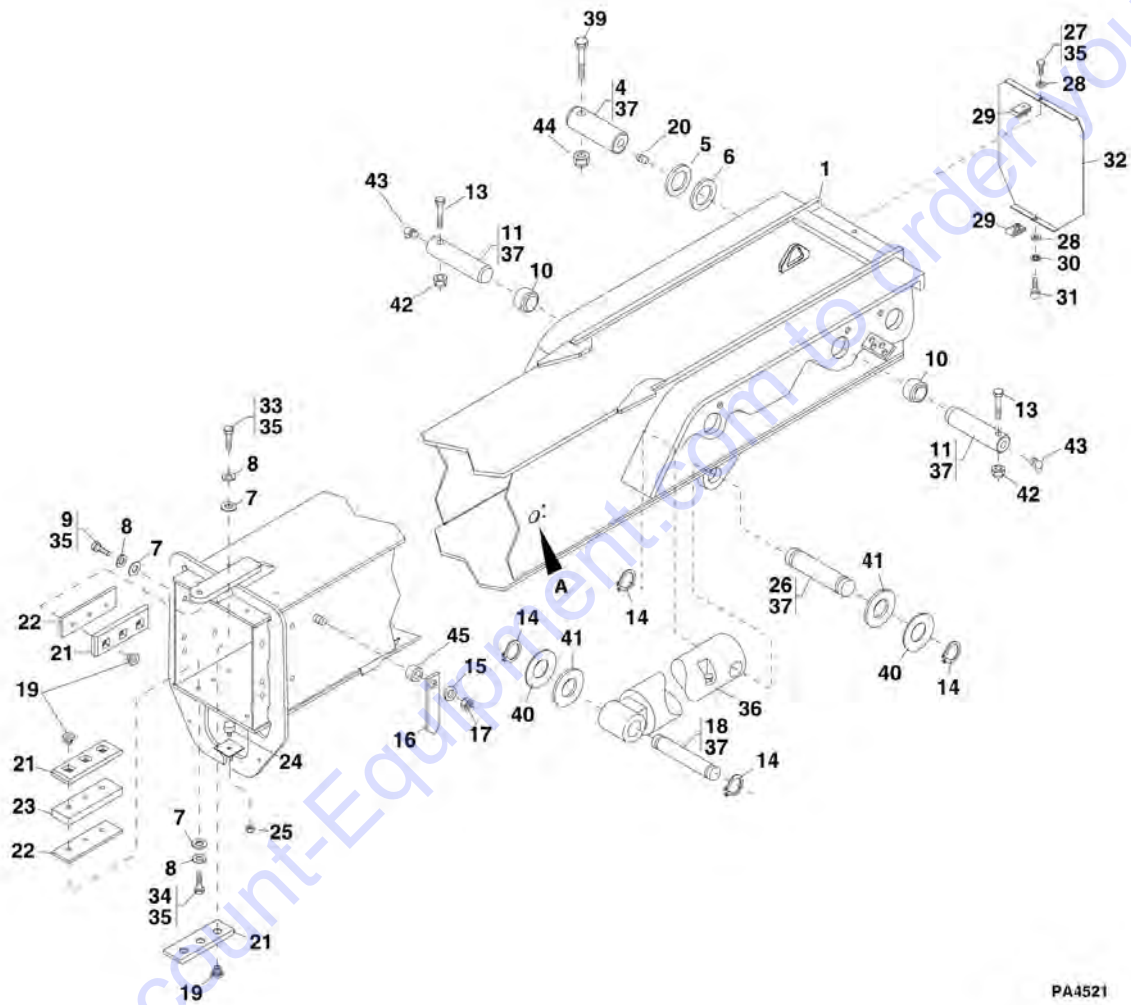
SECTION 2 - BOOM

FIGURE 2-3. FIRST BOOM SECTION (SN 0160004110 through 0160015020, Including 0160003491 and 0160003492)

ITEM	PART NUMBER	QTY	DESCRIPTION	REV
1	7302056	1	FIRST BOOM SECTION	
4	7302024	2	BOOM PIVOT PIN	
5	8307910	AR	WASHER, SHIM 2.75 DIAx.075	
6	8307911	AR	WASHER, SHIM 2.75 DIAx.135	
7	8307204	18	FLAT WASHER, 3/8	
8	8307005	18	LOCKWASHER, 3/8	
9	8303681	8	HEX HD CAPSDREW, 3/8-16X3/4, (lubricate and torque to 31 lb-ft)	
10	8065640	4	SELF-ALIGNING BEARING, 2 DIA	
11	7302039	4	LIFT/LOWER AND SLAVE CYLINDER PINS	
12	8310056	4	HARD WASHER, 1/2	
13	8303625	4	HEX HD CAPSCREW, 1/2-13X1-1/4, GR5 (lubricate and torque to 31 lb-ft)	
14	8642234	4	RETAINING RING	
15	8307113	2	FLAT WASHER, 7/16	
16	7075611	1	POINTER	
17	8305647	1	HEX LOCKNUT, 7/16-14	
18	7081631	1	EXTEND CYLINDER PIN, (rod end)	
19	7082311	18	WEAR PAD INSERT	
20	8520001	6	STRAIGHT LUBE FITTING, 1/8	
21	7111572	8	WEAR PAD	
22	7082362	AR	SHIM, WEAR PAD, .13	
23	7085442	2	SPACER, WEAR PAD, .88	
24	5724622	1	RUBBER BUMPER	
25	8305645	1	HEX LOCKNUT, 3/8-16	
26	7081621	1	EXTEND CYLINDER PIN, (base end)	
27	8303697	1	HEX HD CAPSCREW, 5/16-18X3/4, (lubricate and torque to 31 lb-ft)	
28	8307106	2	FLAT WASHER, 5/16	
29	8305906	2	RETAINER NUT, 5/16-18	
30	8310431	1	LOCKWASHER, 5/16, (internal tooth)	
31	8310497	1	THUMB SCREW, 5/16-18X1.5	
32	7116822	1	REAR BOOM COVER	
33	8303738	4	HEX HD CAPSCREW, 3/8-16X.88, (lubricate and torque to 31 lb-ft)	
34	8303679	6	HEX HD CAPSCREW, 3/8-16X1.75, (lubricate and torque to 31 lb-ft)	
35	8526036	AR	THREADLOCKER COMPOUND, (apply to items 9, 13, 27, 33 & 34)	
36		Ref	BOOM EXTEND/RETRACT CYLINDER, (See HYDRAULIC CIRCUITS SECTION for Breakdown)	
37	8522012	AR	ANTI-SEIZE LUBE, (apply to items 4, 11, 18 & 26)	
38	8310058	2	PLAIN WASHER, 5/8	
39	8303712	2	HEX HD CAPSCREW, 5/8-11X1-1/2, GR5	
40	8310708	2	NARROW PLAIN WASHER, 1-3/4	
41	8310712	2	WASHER, SHIM, 1.75 DIAx.048	

SECTION 2 - BOOM

FIGURE 2-4. FIRST BOOM SECTION (SN 0160015052 to Present)



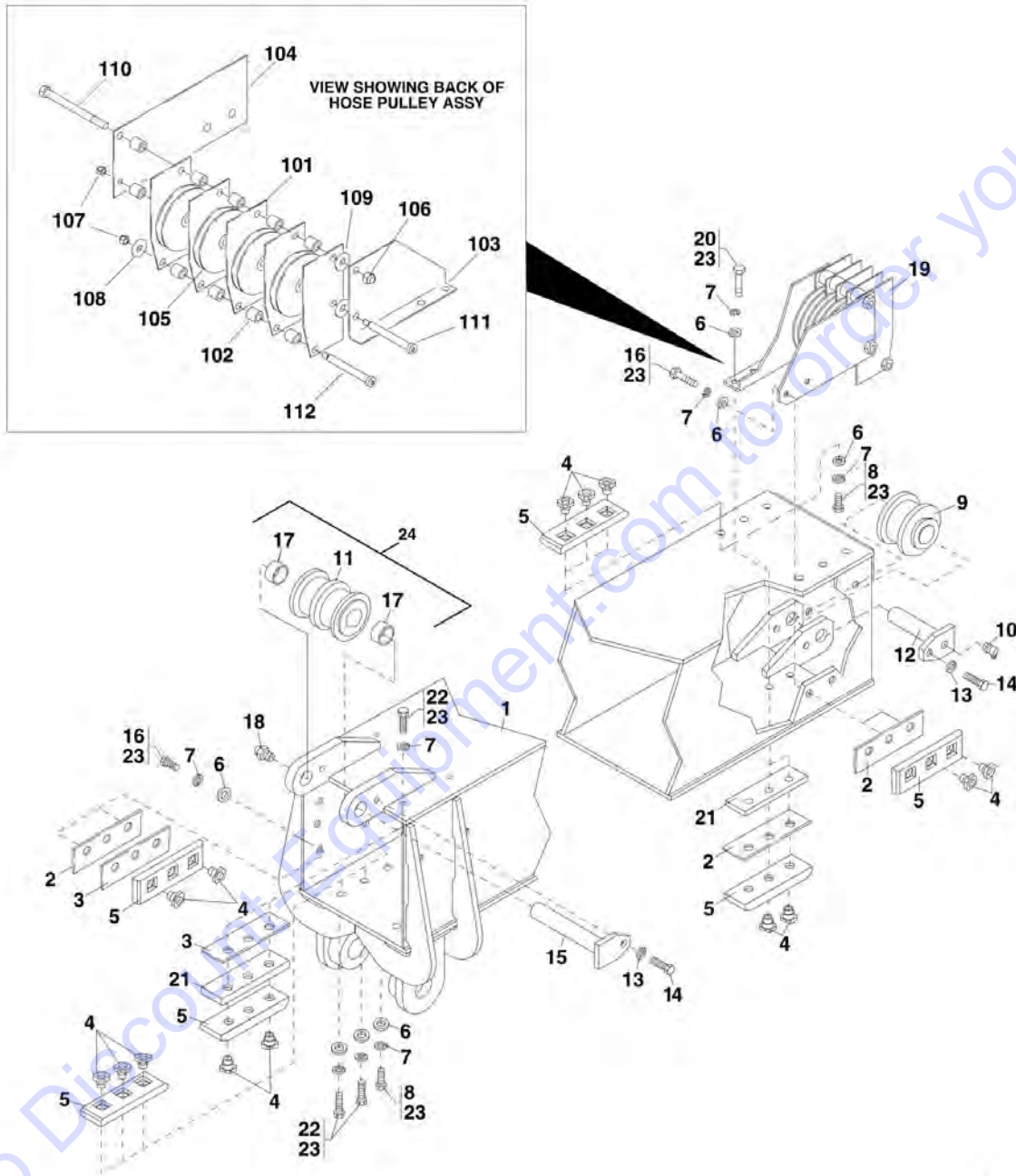
SECTION 2 - BOOM

FIGURE 2-4. FIRST BOOM SECTION (SN 0160015052 to Present)

ITEM	PART NUMBER	QTY	DESCRIPTION	REV
1	7302056	1	FIRST BOOM SECTION	
4	3423226	2	BOOM PIVOT PIN	
5	8307910	AR	WASHER, SHIM 2.75 DIAX.075	
6	8307911	AR	WASHER, SHIM 2.75 DIAX.135	
7	8307204	18	FLAT WASHER, 3/8	
8	8307005	18	LOCKWASHER, 3/8	
9	8303681	8	HEX HD CAPSDREW, 3/8-16X3/4, (lubricate and torque to 31 lb-ft)	
10	8065640	4	SELF-ALIGNING BEARING, 2 DIA	
11	3423227	4	LIFT/LOWER AND SLAVE CYLINDER PINS	
13	8303782	4	HEX HD CAPSCREW, 1/2-13X4, GR5	
14	8642234	4	RETAINING RING	
15	4711600	1	FLAT WASHER, 3/8	
16	1001098769	1	POINTER	
17	8305645	1	HEX LOCKNUT, 3/8-16, (torque to 12 lb-ft)	
18	7081631	1	EXTEND CYLINDER PIN, (rod end)	
19	7082311	18	WEAR PAD INSERT	
20	8520001	2	STRAIGHT LUBE FITTING, 1/8	
21	7111572	8	WEAR PAD	
22	7082362	AR	SHIM, WEAR PAD, .13	
23	7085442	2	SPACER, WEAR PAD, .88	
24	5724622	1	RUBBER BUMPER	
25	3311601	1	HEX NUT, 3/8-16	
26	7081621	1	EXTEND CYLINDER PIN, (base end)	
27	8303697	1	HEX HD CAPSCREW, 5/16-18X3/4, (lubricate and torque to 31 lb-ft)	
28	8307106	2	FLAT WASHER, 5/16	
29	8305906	2	RETAINER NUT, 5/16-18	
30	8310431	1	LOCKWASHER, 5/16, (internal tooth)	
31	8310497	1	THUMB SCREW, 5/16-18X1.5	
32	7116822	1	REAR BOOM COVER	
33	8303738	4	HEX HD CAPSCREW, 3/8-16X.88, (lubricate and torque to 31 lb-ft)	
34	8303679	6	HEX HD CAPSCREW, 3/8-16X1.75, (lubricate and torque to 31 lb-ft)	
35	8526036	AR	THREADLOCKER COMPOUND, (apply to items 9, 27, 33 & 34)	
36		Ref	BOOM EXTEND/RETRACT CYLINDER, (See HYDRAULIC CIRCUITS SECTION for Breakdown)	
37	8522012	AR	ANTI-SEIZE LUBE, (apply to items 4, 11, 18 & 26)	
39	8303655	2	HEX HD CAPSCREW, 5/8-11X4-1/2, GR5	
40	8310708	2	NARROW PLAIN WASHER, 1-3/4	
41	8310712	2	WASHER, SHIM, 1.75 DIAX.048	
42	8305644	4	HEX LOCKNUT, 1/2-13	
43	8520003	4	LUBE FITTING, 90, 1/8	
44	8305643	1	HEX LOCKNUT, 5/8-11	
45	1001096404	1	SPACER, ANGLE INDICATOR	

SECTION 2 - BOOM

FIGURE 2-5. SECOND BOOM SECTION



PAP9320

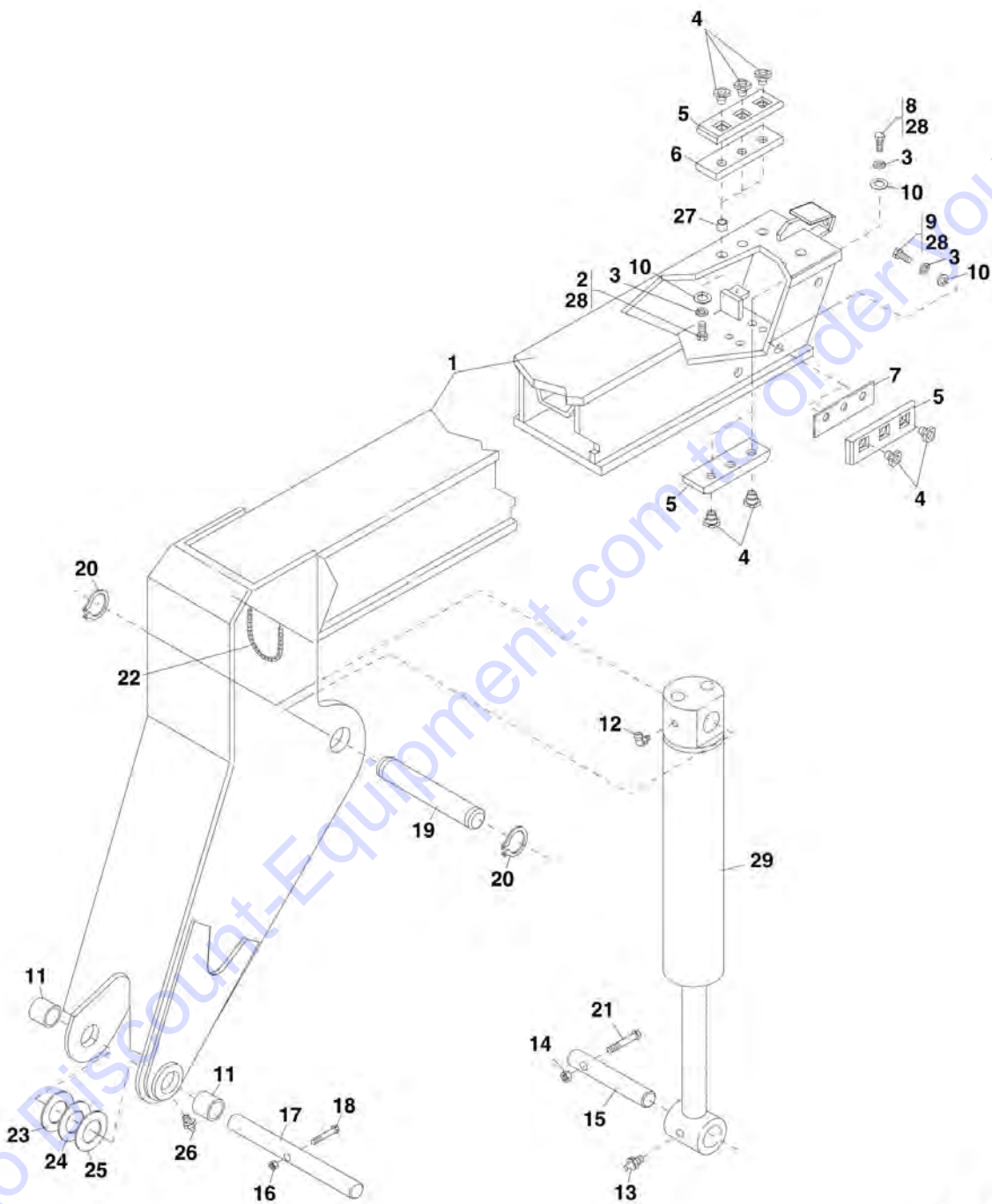
SECTION 2 - BOOM

FIGURE 2-5. SECOND BOOM SECTION

ITEM	PART NUMBER	QTY	DESCRIPTION	REV
1	7080244	1	SECOND BOOM SECTION	
2	7082362	AR	SHIM, WEAR PAD, .13	
3	7082342	AR	SHIM, WEAR PAD, .07	
4	7082311	34	WEAR PAD INSERT	
5	7111572	15	WEAR PAD	
6	8307204	30	FLAT WASHER, 3/8	
7	8307005	34	LOCKWASHER, 3/8	
8	8303738	8	HEX HD CAPSCREW, 3/8-16X.88, (Loctite and torque to 31 lb-ft)	
9	7138986	1	RETRACT CHAIN SHEAVE, (includes bushings)	
10	8520003	1	LUBE FITTING, 90, 1/8	
11	7063452	1	EXTEND CHAIN SHEAVE	
12	7138977	1	RETRACT CHAIN SHEAVE PIN	
13	8307007	2	LOCKWASHER, 1/2	
14	8303624	2	HEX HD CAPSCREW, 1/2-13X1	
15	7063432	1	EXTEND CHAIN SHEAVE PIN	
16	8303681	16	HEX HD CAPSCREW, 3/8-16X3/4, (Loctite and torque to 31 lb-ft)	
17	5906392	2	CHAIN SHEAVE BUSHING	
18	8520001	1	STRAIGHT LUBE FITTING, 1/8	
19	7116773	1	HOSE PULLEY ASSY, (see items 101 thru 112 for details)	E
20	8303657	2	HEX HD CAPSCREW, 3/8-16X2.00, (Loctite and torque to 31 lb-ft)	
21	7085442	3	SPACER, WEAR PAD, .88	
22	8303679	8	HEX HD CAPSCREW, 3/8-16X1-75, (Loctite and torque to 31 lb-ft)	
23	8526036	AR	THREADLOCKER COMPOUND, (apply to items 8, 16, 20 & 22)	
24	1001101861	1	SHEAVE INSTALLATION, (includes items 11 & 17)	
101	7116642	5	DIVIDER	
102	7116691	10	SPACER	
103	7116742	1	BRACKET, RIGHT SIDE	
104	7116752	1	BRACKET, LEFT SIDE	
105	7116812	4	WHEEL, ROLLER	
106	8305644	1	HEX LOCKNUT, 1/2-13	
107	8305645	2	HEX LOCKNUT, 3/8-16	
108	8307204	1	PLAIN WASHER, 3/8	
109	8307206	2	PLAIN WASHER, 1/2	
110	8310209	1	HEX HD CAPSCREW, 1/2X6.00	
111	8310235	1	HEX HD CAPSCREW, 1/2-13X5.00X3/8-16	
112	8310245	1	HEX HD CAPSCREW, 1/2-13X4.00X3/8-16	

SECTION 2 - BOOM

FIGURE 2-6. THIRD BOOM SECTION



PA3800

FIGURE 2-6. THIRD BOOM SECTION

ITEM	PART NUMBER	QTY	DESCRIPTION	REV
1	7117094	1	THIRD BOOM SECTION	
2	8303679	6	HEX HD CAPSCREW, 3/8-16X1-3/4, (includes item 28)	
3	8307005	16	LOCKWASHER, 3/8	
4	7082311	16	INSERT, WEAR PAD	
5	7111572	7	WEAR PAD	
6	7085442	2	SPACER, WEAR PAD, .88	
7	7082362	AR	SHIM, WEAR PAD, .13	
8	8303738	2	HEX HD CAPSCREW, 3/8-16X.88, (Loctite and torque to 31 lb-ft)	
9	8303681	8	HEX HD CAPSCREW, 3/8-16X3/4, (Loctite and torque to 31 lb-ft)	
10	8307204	16	FLAT WASHER, 3/8	
11	7085542	2	QUICK ATTACH PIVOT BUSHING	
12	8520034	1	LUBE FITTING, 45, 1/8	
13	8520013	1	LUBE FITTING, STRAIGHT, 1/8	
14	8305644	1	HEX LOCKNUT, 1/2-13	
15	7083992	1	ATTACHMENT TILT CYLINDER PIN, (rod end)	
16	8305643	1	HEX LOCKNUT, 5/8-11	
17	7083922	1	QUICK ATTACH PIVOT PIN	
18	8303666	1	HEX HD CAPSCREW, 5/8-11X5, (Loctite and torque to 31 lb-ft)	
19	7095522	1	ATTACHMENT TILT CYLINDER PIN, (base end)	
20	8642224	2	RETAINING RING, 2IN DIA	
21	8303772	1	HEX HD CAPSCREW, 1/2-13X5	
22	7125811	1	PLASTIC CONDUIT, 3/4X8.00	
23	8307918	2	WASHER, SHIM 2.00X3.50X0.134	
24	8310093	AR	WASHER, SHIM 2.00X3.50X0.75	
25	8307904	AR	WASHER, SHIM 2.00X3.50X0.048	
26	8520001	2	LUBE FITTING, 1/8	
27	7096491	6	SPACER TUBE	
28	8526036	AR	THREADLOCKER COMPOUND, (apply to items 8, 9 & 18)	
29		Ref	ATTACHMENT TILT CYLINDER, (See HYDRAULIC CIRCUITS SECTION for Breakdown)	

SECTION 2 - BOOM

FIGURE 2-7. QUICK ATTACH

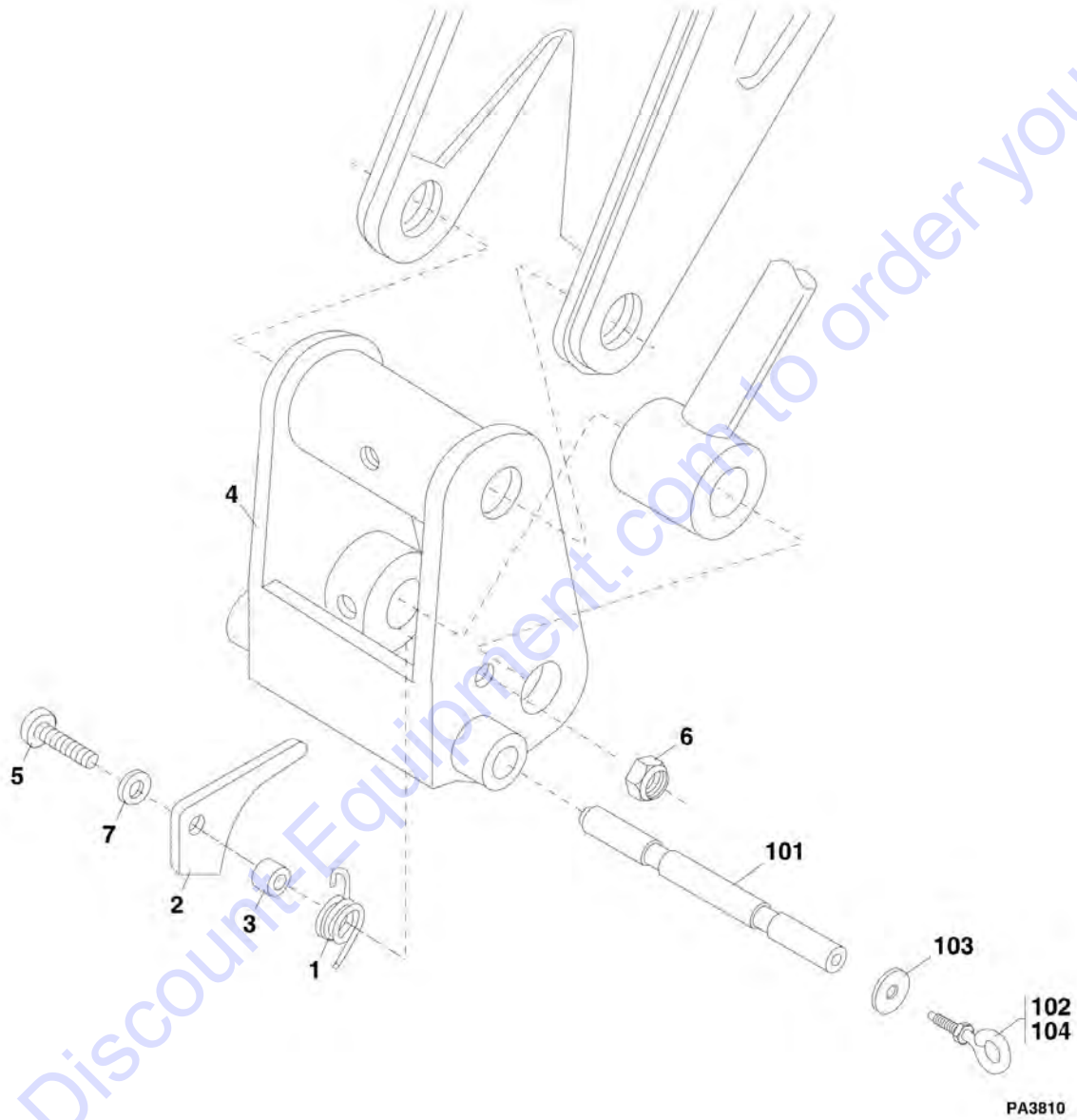


FIGURE 2-7. QUICK ATTACH

ITEM	PART NUMBER	QTY	DESCRIPTION	REV
	7085102	1	QUICK ATTACH ASSY, (includes items 1 thru 7) (SN 14384 through 15917, SN 17191 through 17243)	D
	7139864	1	QUICK ATTACH ASSY, (includes items 1 thru 7) (SN 0160002345 to Present, SN 15924 through 17188, SN 17248 through 19988)	B
1	7085552		TORSION SPRING	
2	7085562		LATCH	
3	7085571		SPACER	
4	7120742	1	QUICK ATTACH (SN 14384 through 15917, SN 17191 through 17243)	
4	7139863	1	QUICK ATTACH (SN 0160002345 to Present, SN 15924 through 17188, SN 17248 through 19988)	
5	8303638		HEX HD CAPSCREW, 3/4-10X2-3/4	
6	8305619		HEX LOCKNUT, 3/4-10	
7	8307104		FLAT WASHER, 3/4	
	7118892	1	LOCK PIN ASSY, (includes items 101 thru 104)	B
101	7118882	1	PIN	
102	8310266	1	SHANK BOLT EYE, 1/2-13X2	
103	8310276	1	FLAT WASHER, .51X1.88X.125	
104	8526007	AR	LOCTITE 242, (apply to item 101)	

SECTION 2 - BOOM

FIGURE 2-8. BOOM EXTEND CHAINS

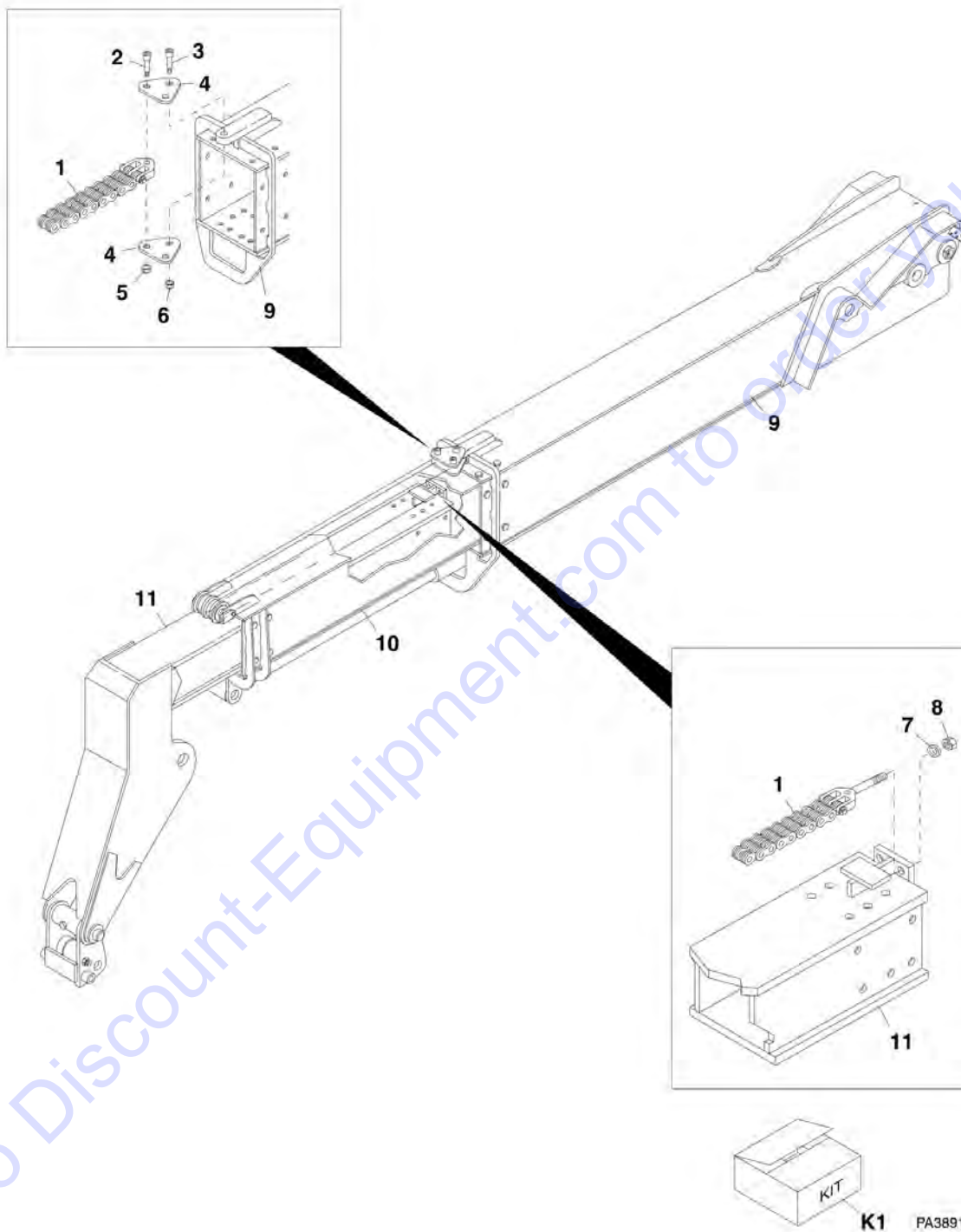


FIGURE 2-8. BOOM EXTEND CHAINS

ITEM	PART NUMBER	QTY	DESCRIPTION	REV
	N.S.S.	Ref	EXTEND CHAIN ASSY, (use service kit 8024025 for replacement)	
1	N.S.S.	2	EXTEND CHAIN AND CLEVIS ASSY	
2	8310019	2	SHOULDER BOLT, 1/2X1-1/2X3/8-16	
3	8310020	1	SHOULDER BOLT, 5/8X1-1/2X1/2-13	
4	7139180	2	EXTEND CHAIN YOKE	
5	8305645	2	HEX LOCKNUT, 3/8-16	
6	8305644	1	HEX LOCKNUT, 1/2-13	
7	8307104	2	FLAT WASHER, 3/4	
8	8305646	2	HEX LOCKNUT, 3/4-16	
9		Ref	FIRST BOOM SECTION, (See FIRST BOOM SECTION for Breakdown)	
10		Ref	SECOND BOOM SECTION, (See SECOND BOOM SECTION for Breakdown)	
11		Ref	THIRD BOOM SECTION, (See THIRD BOOM SECTION for Breakdown)	
K1	8024025	1	EXTEND CHAIN SERVICE KIT, (includes items 1 thru 8)	

SECTION 2 - BOOM

FIGURE 2-9. BOOM RETRACT CHAIN

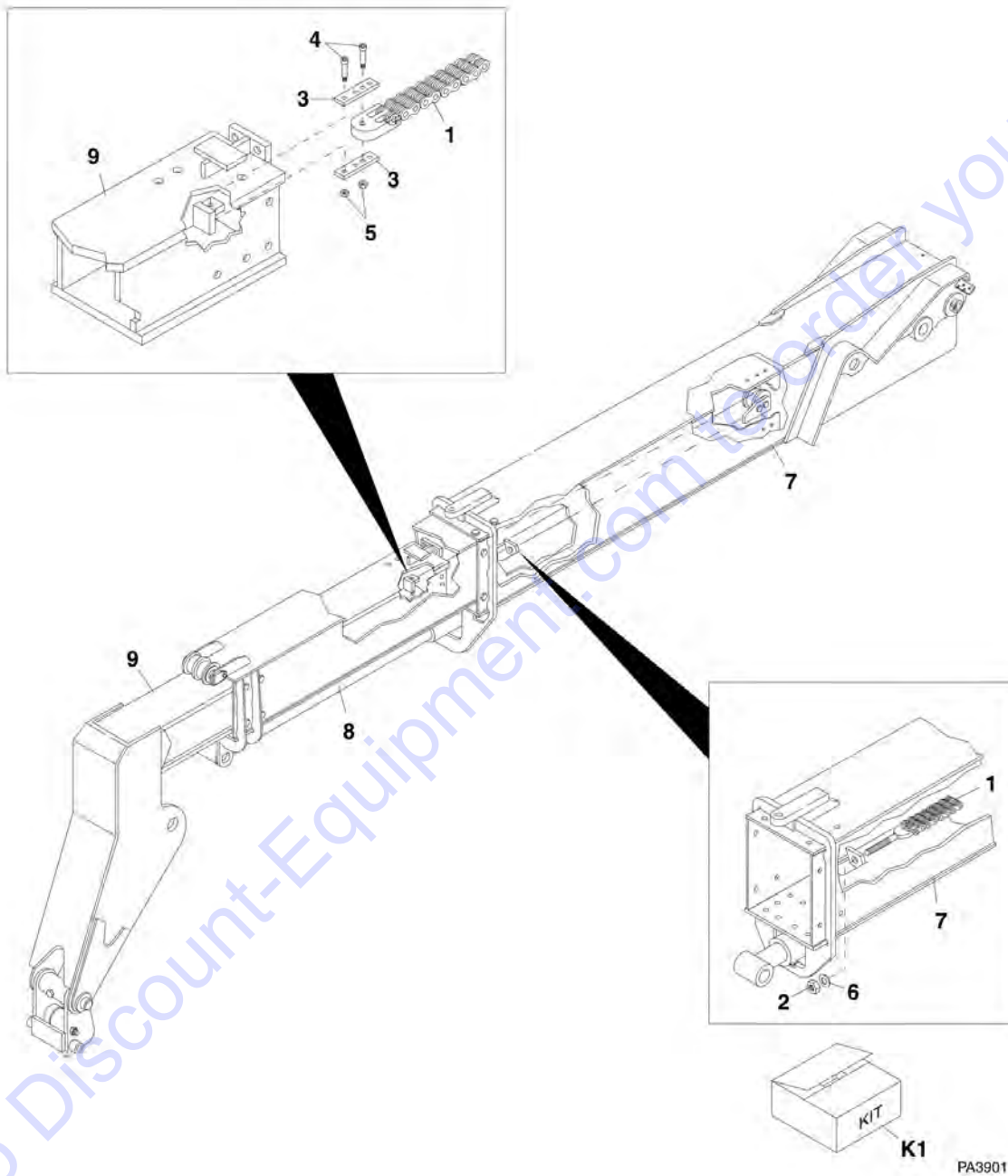


FIGURE 2-9. BOOM RETRACT CHAIN

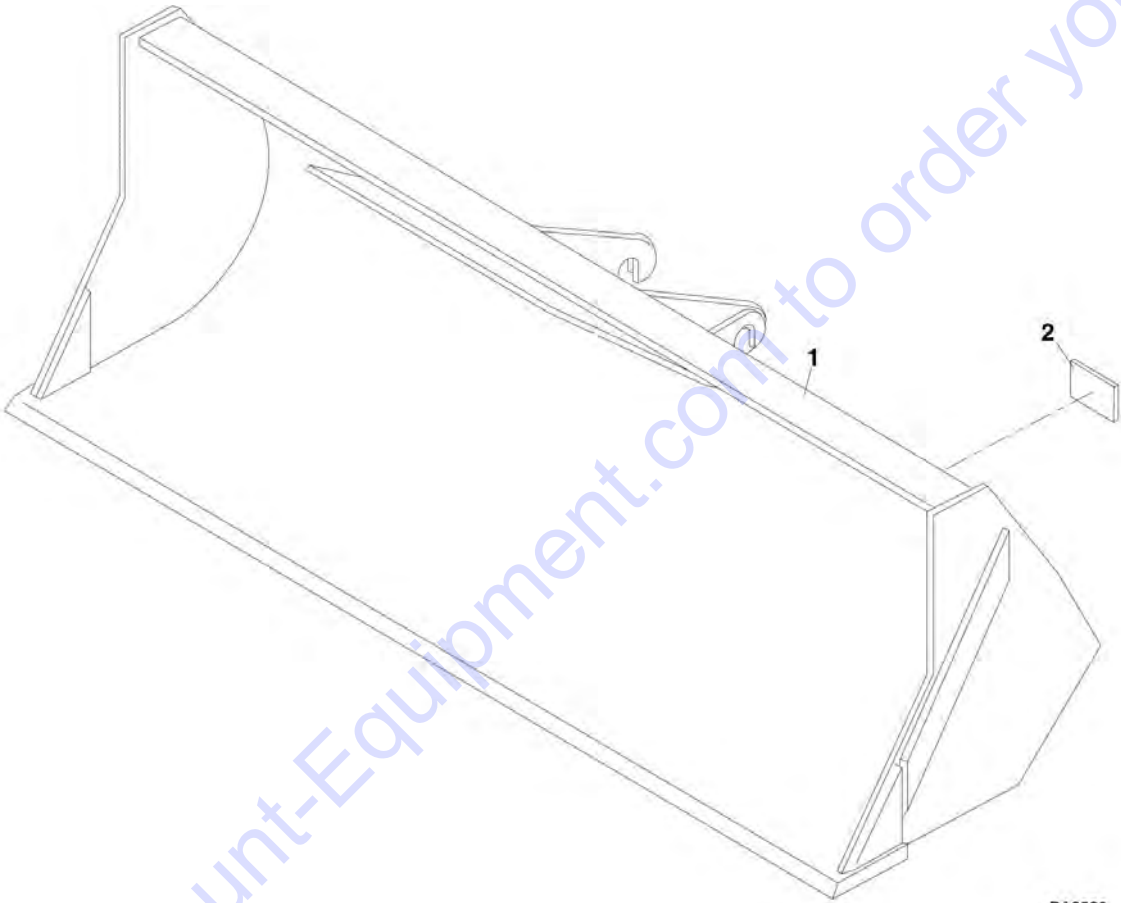
ITEM	PART NUMBER	QTY	DESCRIPTION	REV
	N.S.S.	Ref	EXTEND CHAIN ASSY, (use service kit 8024025 for replacement)	
1	N.S.S.	1	EXTEND CHAIN AND CLEVIS ASSY	
2	8305646	1	HEX LOCKNUT, 3/4-16	
3	7117031	2	CHAIN ANCHOR LINK	
4	8310019	2	SHOULDER BOLT, 1/2X1-1/2X3/8-16	
5	8305645	2	LOCKNUT, 3/8-16	
6	8307104	1	FLAT WASHER, 3/4	
7		Ref	FIRST BOOM SECTION, (See FIRST BOOM SECTION for Breakdown)	
8		Ref	SECOND BOOM SECTION, (See SECOND BOOM SECTION for Breakdown)	
9		Ref	THIRD BOOM SECTION, (See THIRD BOOM SECTION for Breakdown)	
K1	8024026	1	RETRACT CHAIN SERVICE KIT, (includes items 1 thru 6)	

SECTION 3 - ATTACHMENTS

Go to Discount-Equipment.com to order your parts

SECTION 3 - ATTACHMENTS

FIGURE 3-1. BUCKETS



PA3880

Go to Discount-Equipment.com to order your parts

SECTION 3 - ATTACHMENTS

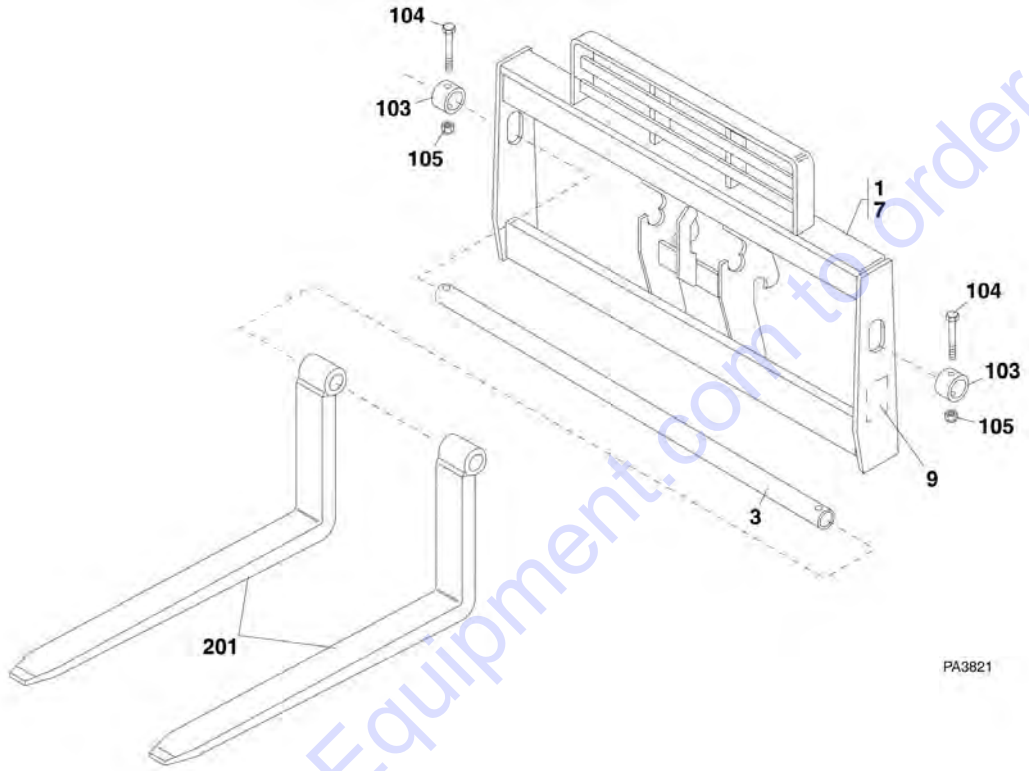
FIGURE 3-1. BUCKETS

ITEM	PART NUMBER	QTY	DESCRIPTION	REV
1	7110744	1	UTILITY BUCKET, 1.25 YD ³ , (includes item 2)	E
1	1001100822	1	72IN BUCKET, 1.0 YD ³ , (includes item 2)	B
1	1001100823	1	96IN BUCKET, 1.5 YD ³ , (includes item 2)	B
1	1001100824	1	102IN BUCKET, 2.0 YD ³ , (includes item 2)	B
2	N.S.S.	1	SN PLATE	

Go to Discount-Equipment.com to order your parts

SECTION 3 - ATTACHMENTS

FIGURE 3-2. TILT CARRIAGE (SN 14834 through 19988, SN 0160002345 through 0160034170)



PA3821

PA3820

SECTION 3 - ATTACHMENTS

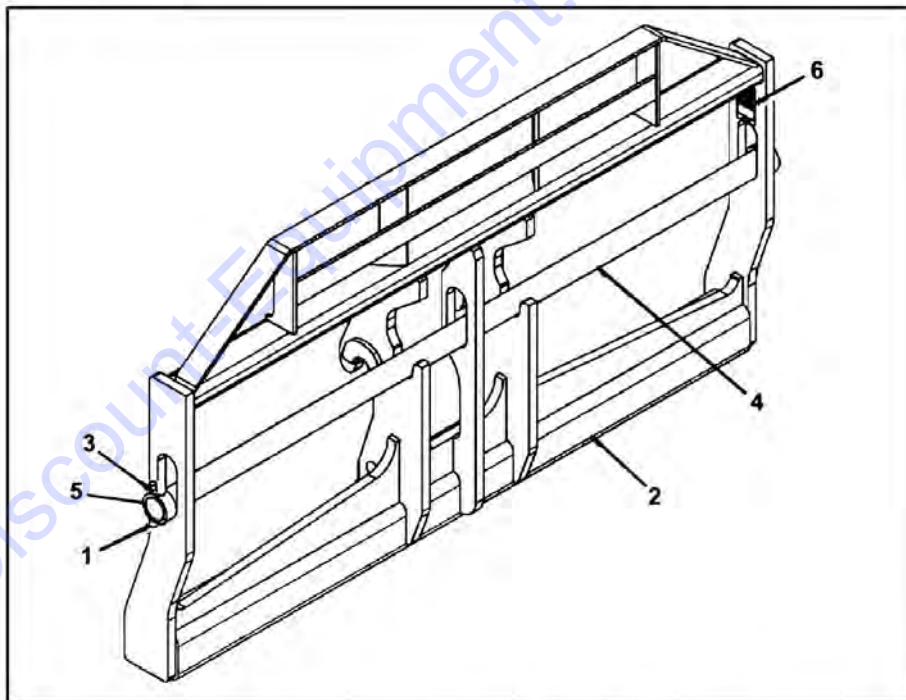
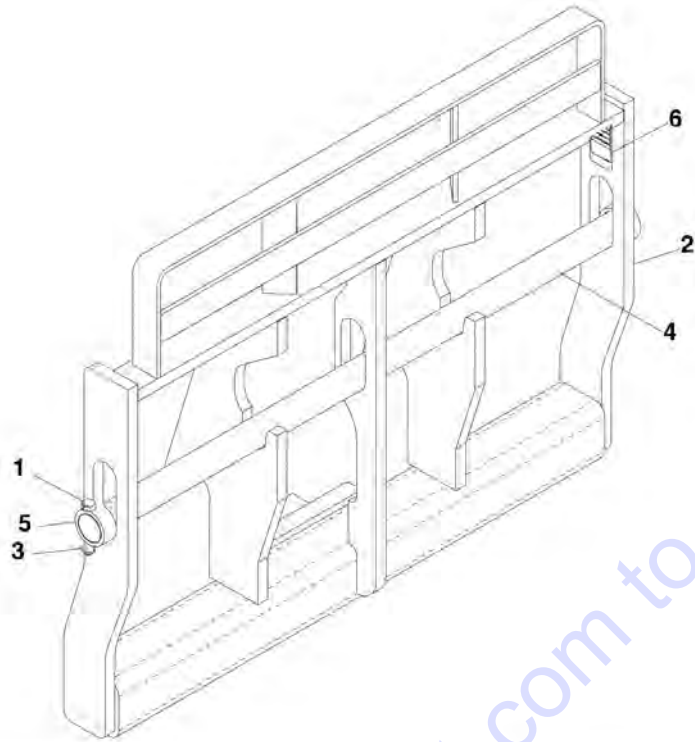
FIGURE 3-2. TILT CARRIAGE (SN 14834 through 19988, SN 0160002345 through 0160034170)

ITEM	PART NUMBER	QTY	DESCRIPTION	REV
	6040500	1	48IN CARRIAGE, (includes items 1 thru 9)	6
	6040600	1	60IN CARRIAGE, (includes items 1 thru 9)	4
	6040700	1	72IN CARRIAGE, (includes items 1 thru 9)	5
1	N.S.S.	1	CARRIAGE	
3	7128772	1	FORK PIVOT SHAFT, (48in carriage)	
3	90451058	1	FORK PIVOT SHAFT, (50in carriage)	
3	7128792	1	FORK PIVOT SHAFT, (60in carriage)	
3	90551013	1	FORK PIVOT SHAFT, (72in carriage)	
7	7118993	Ref	STANDARD CARRIAGE ASSSY, (not available for service, see items 103 thru 105 for service)	G
9	N.S.S.	1	SN PLATE	
103	90200003	2	COLLAR	
104	8303634	2	HEX HD CAPSCREW, 5/8-11X4	
105	8305643	2	HEX LOCKNUT, 5/8-11	
201		Ref	FORKS, (See FORKS for Breakdown)	

Go to Discount-Equipment.com to order your parts

SECTION 3 - ATTACHMENTS

FIGURE 3-3. TILT CARRIAGE (SN 0160034171 to Present)



SN 0160042348 TO PRESENT EXCLUDING 0160042758

PAP9350

SECTION 3 - ATTACHMENTS

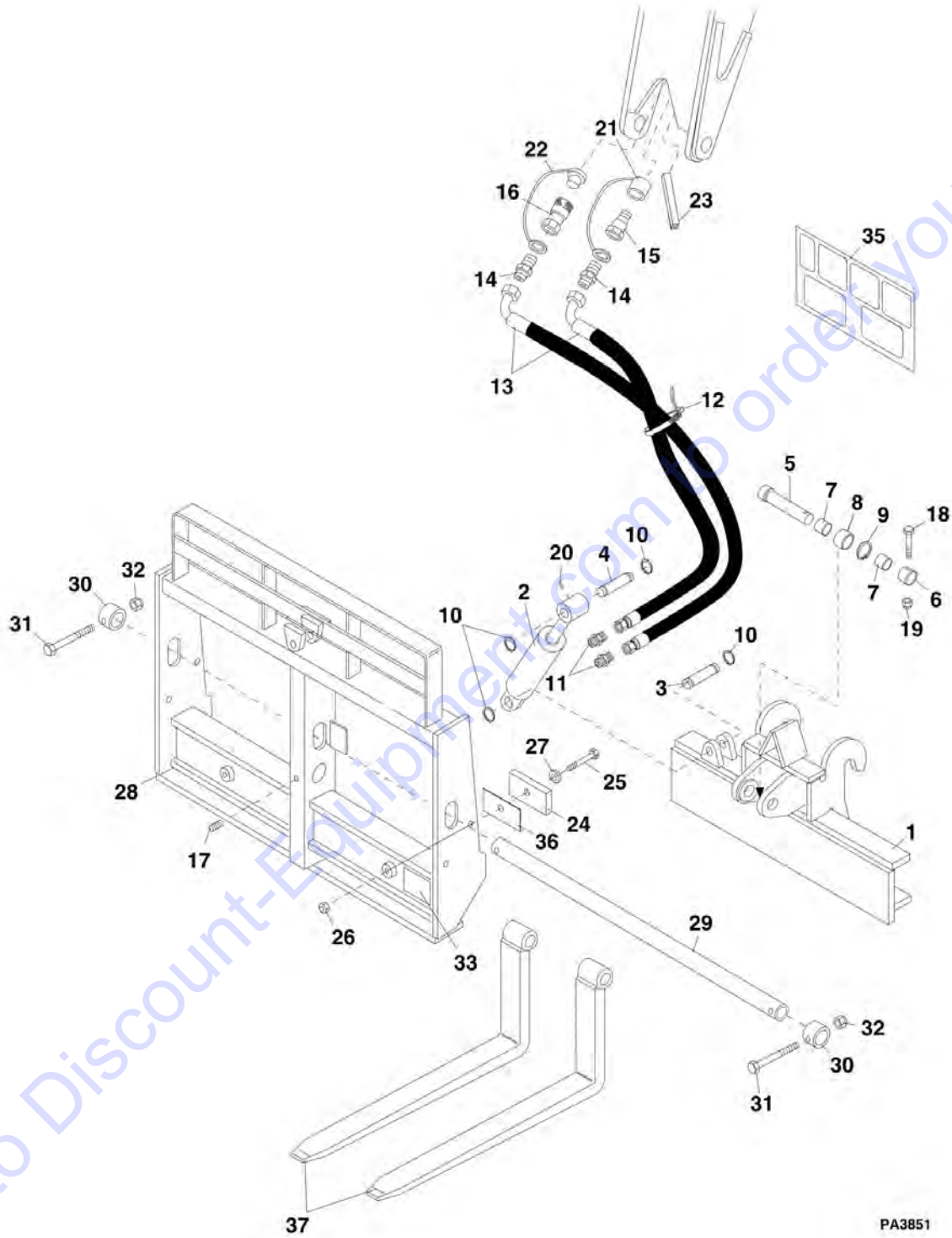
FIGURE 3-3. TILT CARRIAGE (SN 0160034171 to Present)

ITEM	PART NUMBER	QTY	DESCRIPTION	REV
	1170021	1	50IN TILT CARRIAGE, (includes items 1 thru 6)	D
	1170024	1	60IN TILT CARRIAGE, (includes items 1 thru 6)	D
	1170027	1	72IN TILT CARRIAGE , (includes items 1 thru 6) (Prior to SN 0160042348, Including 0160042758)	E
	1001132514	1	72IN TILT CARRIAGE , (includes items 1 thru 6) (SN 0160042348 to Present, Excluding 0160042758)	A
1	0642032	2	HEX HD CAPSCREW, 5/8-11X4, GR5	
2	N.S.S.	1	TILT CARRIAGE	
3	3300240	2	LOCKNUT, 5/8-11	
4	3423275	1	50IN FORK PIN	
4	3423242	1	60IN FORK PIN	
4	3423276	1	72IN FORK PIN	
5	90200003	2	COLLAR	
6	N.S.S.	1	SN PLATE	

Go to Discount-Equipment.com to order your parts

SECTION 3 - ATTACHMENTS

FIGURE 3-4. SIDE TILT CARRIAGE (Prior to SN 0160037788)



PA3851

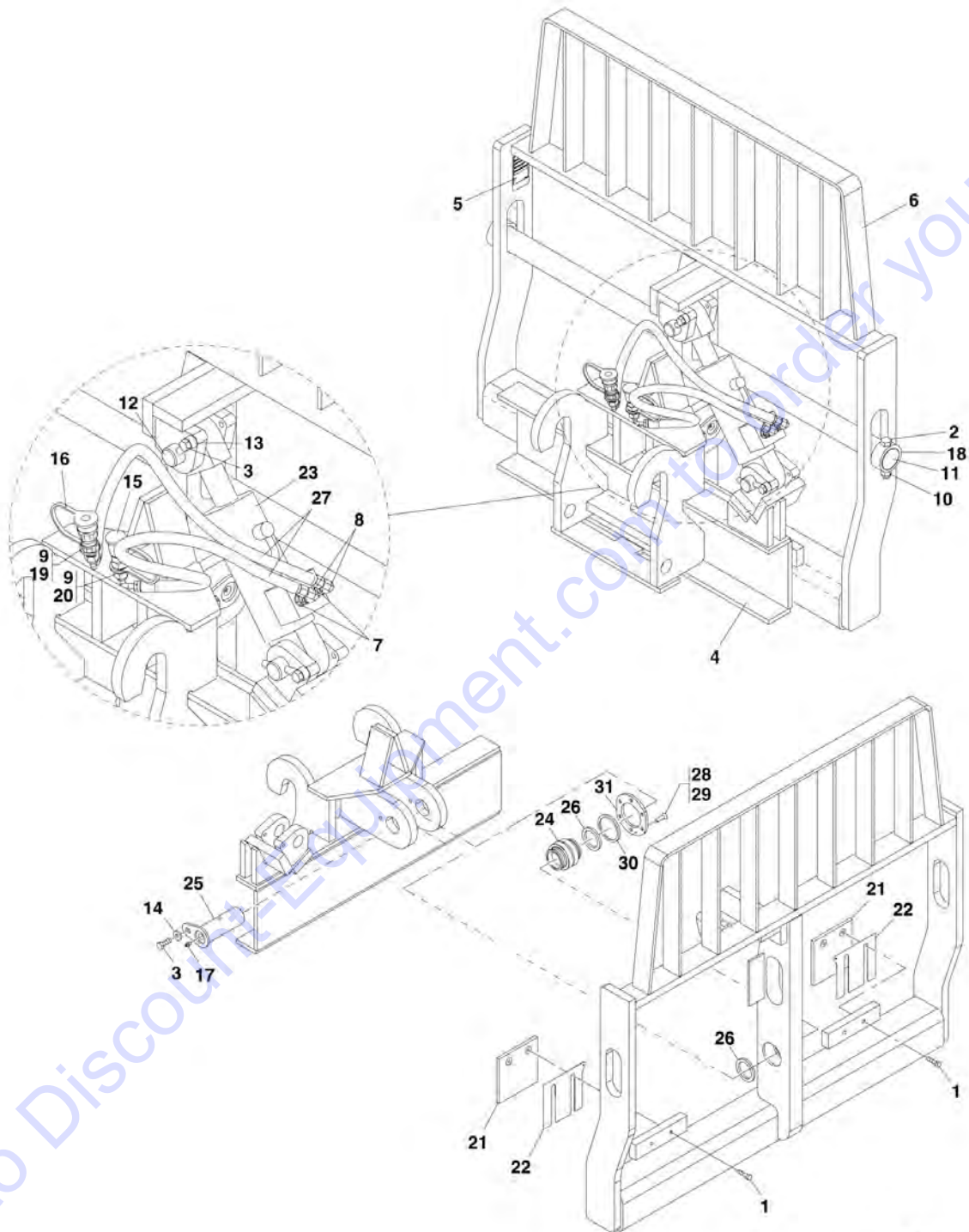
SECTION 3 - ATTACHMENTS

FIGURE 3-4. SIDE TILT CARRIAGE (Prior to SN 0160037788)

ITEM	PART NUMBER	QTY	DESCRIPTION	REV
	7117214	1	SIDE TILT CARRIAGE ASSY, (includes items 1 thru 36)	N
1	7117204	1	PIVOT BASE	
2		Ref	SIDE TILT CYLINDER, (See OPTIONS SECTION for Breakdown)	
3	7077501	1	CYLINDER BASE PIN	
4	7077511	1	CYLINDER ROD PIN	
5	7085411	1	PIVOT PIN	
6	7085501	1	PIN LOCKING COLLAR	
7	7077481	2	SPACER	
8	8065634	1	SELF ALIGN BUSHING	
9	8642001	1	SNAP RING	
10	8642235	4	SNAP RING	
11	2220371	2	STRAIGHT CONNECTOR	
12	8584001	1	TIE WRAP	
13	2711992	2	HOSE ASSY	
14	2220372	2	STRAIGHT CONNECTOR	
15	91403414	1	MALE QUICK DISCONNECT	
15	8640029	1	NOSE SEAL, (not shown)	
16	91403413	1	FEMALE QUICK DISCONNECT	
16	8640029	1	NOSE SEAL, (not shown)	
16	8640028	1	COUPLER BODY SEAL, (not shown)	
16	8640032	1	COUPLER BODY SEAL BACK-UP RING, (not shown)	
17	88671001	1	GREASE FITTING	
18	8303770	1	HEX HD CAPSCREW, 3/8-16X2-3/4	
19	8305645	1	HEX LOCKNUT, 3/8-16 ESNA	
20	8520013	2	LUBE FITTING	
21	8420053	1	DUST CAP, #8	
22	8420055	1	DUST PLUG, #8	
23	7125741	1	MOULDING	
24	7065482	2	WEAR PAD	
25	8303739	2	HEX HD CAPSCREW, 5/16-18X1-1/4	
26	8305626	2	HEX LOCKNUT, 5/16-18	
27	8307203	2	FLAT HEAVY WASHER	
28	7117244	1	48IN SIDE TILT CARRIAGE	
28	7300983	1	50IN SIDE TILT CARRIAGE	
28	7117254	1	60IN SIDE TILT CARRIAGE	
28	7117264	1	72IN SIDE TILT CARRIAGE	
29	7128772	1	FORK PIVOT SHAFT, (48in carriage)	
29	90451058	1	FORK PIVOT SHAFT, (50in carriage)	
29	7128792	1	FORK PIVOT SHAFT, (60in carriage)	
29	90551013	1	FORK PIVOT SHAFT, (72in carriage)	
30	90200003	2	COLLAR	
31	8303634	2	HEX HD CAPSCREW, 5/8-11X4	
32	8305643	2	HEX LOCKNUT, 5/8-11	
33	N.S.S.	1	SN PLATE	
35	4108232	2	CAPACITY CHART DECAL	
36	7070191	AR	SHIM	
37		Ref	FORKS, (See FORKS for Breakdown)	

SECTION 3 - ATTACHMENTS

FIGURE 3-5. SIDE TILT CARRIAGE (SN 0160037788 to Present)



PAP2970

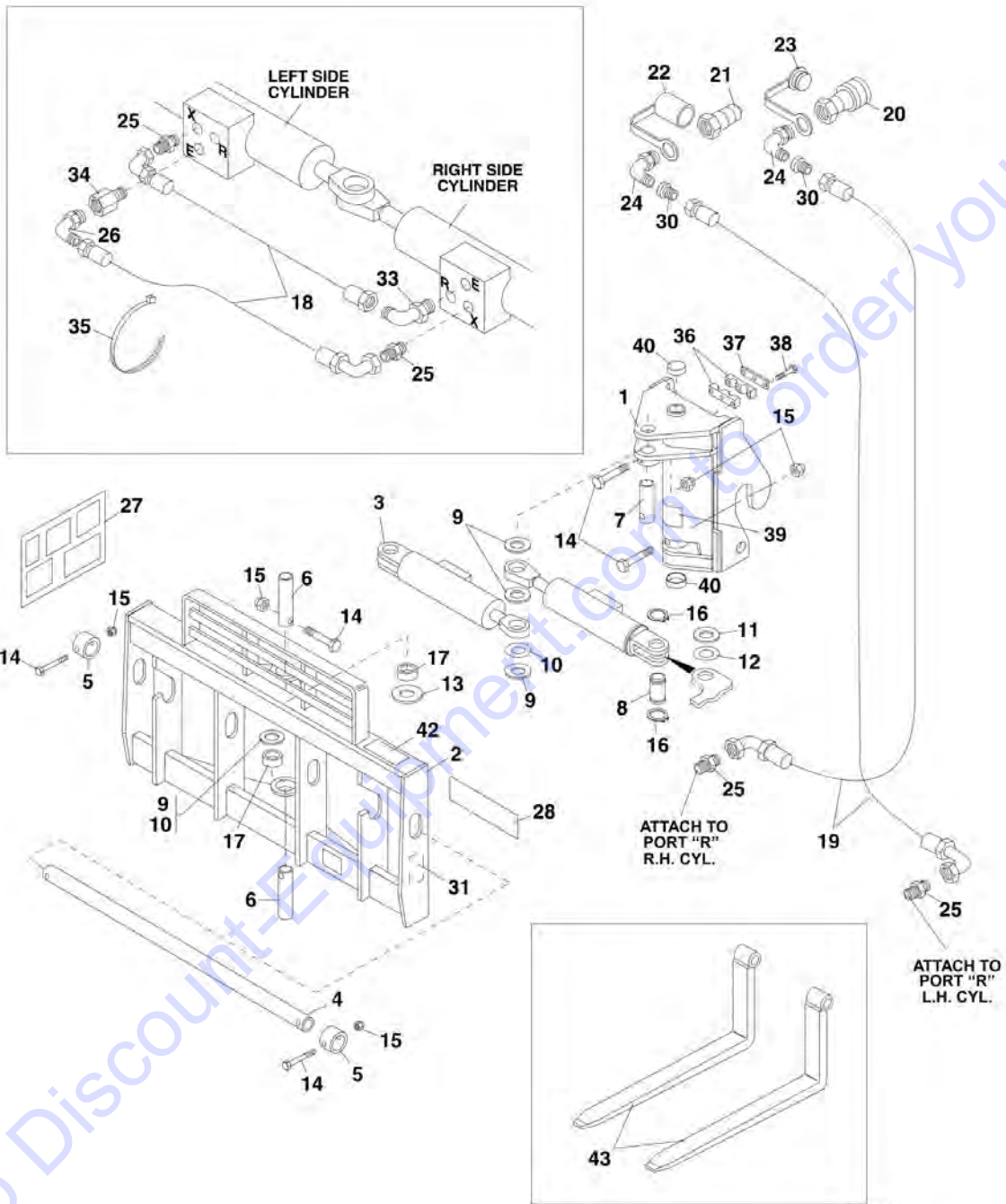
SECTION 3 - ATTACHMENTS

FIGURE 3-5. SIDE TILT CARRIAGE (SN 0160037788 to Present)

ITEM	PART NUMBER	QTY	DESCRIPTION	REV
	1170054	1	50IN SIDE TILT CARRIAGE, (includes all items)	I
	1001101956	1	60IN SIDE TILT CARRIAGE, (includes all items)	J
	1170057	1	72IN SIDE TILT CARRIAGE, (includes all items)	I
1	0641612	4	HEX HD CAPSCREW, 3/8-16X1-1/2	
2	0642032	2	HEX HD CAPSCREW, 5/8-11X4	
3	0681810	3	HEX HD CAPSCREW, 1/2-13X1-1/4	
4	1001133072	1	CARRIAGE BASE	
5	N.S.S.	1	SN PLATE	
6	N.S.S.	1	CARRIAGE, SIDE TILT	
7	2110606	2	CONNECTOR	
8	2172106	2	CONNECTOR, 90	
9	2110808	2	CONNECTOR	
10	3300240	2	LOCK NUT, 5/8-11	
11	3423275	1	50IN FORK PIN	
11	3423242	1	60IN FORK PIN	
11	3423276	1	72IN FORK PIN	
12	3423307	2	PIN	
13	3841203	2	KEEPER	
14	4891800	1	WASHER, 1/2	
15	8420053	1	DUST CAP	
16	8420055	1	DUST PLUG	
17	88671001	1	GREASE FITTING	
18	90200003	2	COLLAR	
19	91403413	1	CONNECTOR	
20	91403414	1	CONNECTOR	
21	1001090063	2	WEAR PAD	
22	1001090064	AR	SHIM	
23		Ref	HYDRAULIC CYLINDER, (See HYDRAULIC COMPONENTS SECTION for Breakdown)	
24	1001090140	1	BEARING	
25	1001099113	1	PIN	
26	1001099115	2	SLEEVE	
27	1001102378	2	HOSE ASSY, 3/8X39	
28	0100011	AR	LOCTITE 242	
29	0741610	6	FLAT HEAD SOCKET SCREW, 3/8-16	
30	1001120914	1	BEARING RETAINER SHIM	
31	1001120915	1	BEARING RETAINER PLATE	

SECTION 3 - ATTACHMENTS

FIGURE 3-6. SWING CARRIAGE (Prior to SN 0160037788)



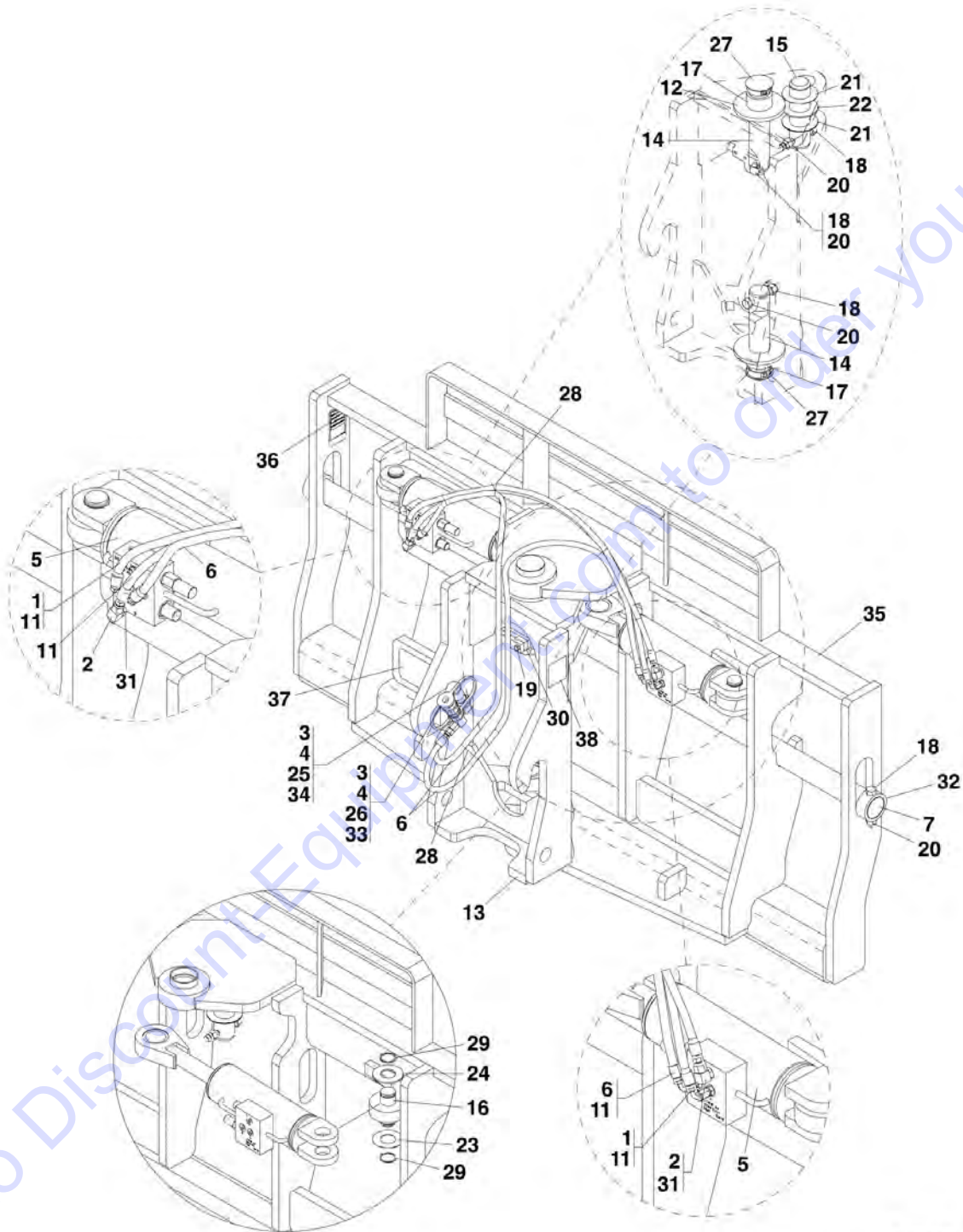
SECTION 3 - ATTACHMENTS

FIGURE 3-6. SWING CARRIAGE (Prior to SN 0160037788)

ITEM	PART NUMBER	QTY	DESCRIPTION	REV
	7125800	1	72IN SWING CARRIAGE ASSY, (includes items 1 thru 42)	
1	7110494	1	PIVOT BASE	
2	7110694	1	72IN CARRIAGE	
3		Ref	SWING CARRIAGE CYLINDER, (See OPTIONS SECTION for Breakdown)	
4	90551013	1	FORK PIVOT SHAFT	
5	90200003	2	COLLAR	
6	7110702	2	CARRIAGE PIVOT PIN	
7	7110712	1	CYLINDER PIVOT PIN, (rod end)	
8	7110722	2	CYLINDER PIVOT PIN, (base end)	
9	8307918	AR	SHIM, 2 IDX10GA	
10	8307904	AR	SHIM, 2 IDX18GA	
11	8310161	AR	SHIM, 1-1/2 IDX10GA	
12	8310160	AR	SHIM, 1-1/2 IDX 18GA	
13	7062922	1	THRUST BEARING	
14	8303634	5	HEX HD CAPSCREW, 5/8-11X4	
15	8305643	5	HEX LOCKNUT, 5/8-11	
16	8642207	4	RETAINING RING	
17	8065062	2	SELF LUBE BEARING	
18	6604662	2	HOSE ASSY	
19	2717287	2	HOSE ASSY	
20	91403413	1	FEMALE QUICK DISCONNECT	
20	8640029	1	SEAL NOSE, (not shown)	
20	8640028	1	COUPLER BODY SEAL, (not shown)	
20	8640032	1	COUPLER BODY SEAL BACK-UP RING, (not shown)	
21	91403414	1	MALE QUICK DISCONNECT	
21	8640029	1	NOSE SEAL, (not shown)	
22	8420053	1	DUST CAP, #8	
23	8420055	1	DUST PLUG, #8	
24	2220628	2	ELBOW, 90	
25	2220415	4	STRAIGHT CONNECTOR	
26	2220473	1	ELBOW, 90	
27	4107692	2	CAPACITY CHART DECAL	
28	4107702	1	TIP OVER HAZARD, DANGER DECAL	
30	2220609	2	TUBE END REDUCER, 6-4	
31	N.S.S.	1	SN PLATE	
33	2220775	1	ELBOW, 90	
34	8770016	1	REDUCER	
35	8584001	4	TIE WRAP	
36	8769132	2	CLAMP HALF	
37	6608621	1	CLAMP COVER	
38	8303715	3	HEX HD CAPSCREW, 5/16-18X1-1/2	
39	4107712	1	NO TRUSS BOOM DANGER DECAL	
40	8580315	2	TRIM PLUG, 2-1/2 DIA	
42	4110473	1	HOSE ROUTING DECAL	
43		Ref	FORKS, (See FORKS for Breakdown)	

SECTION 3 - ATTACHMENTS

FIGURE 3-7. SWING CARRIAGE (SN 0160037788 to Present)



PAP3360

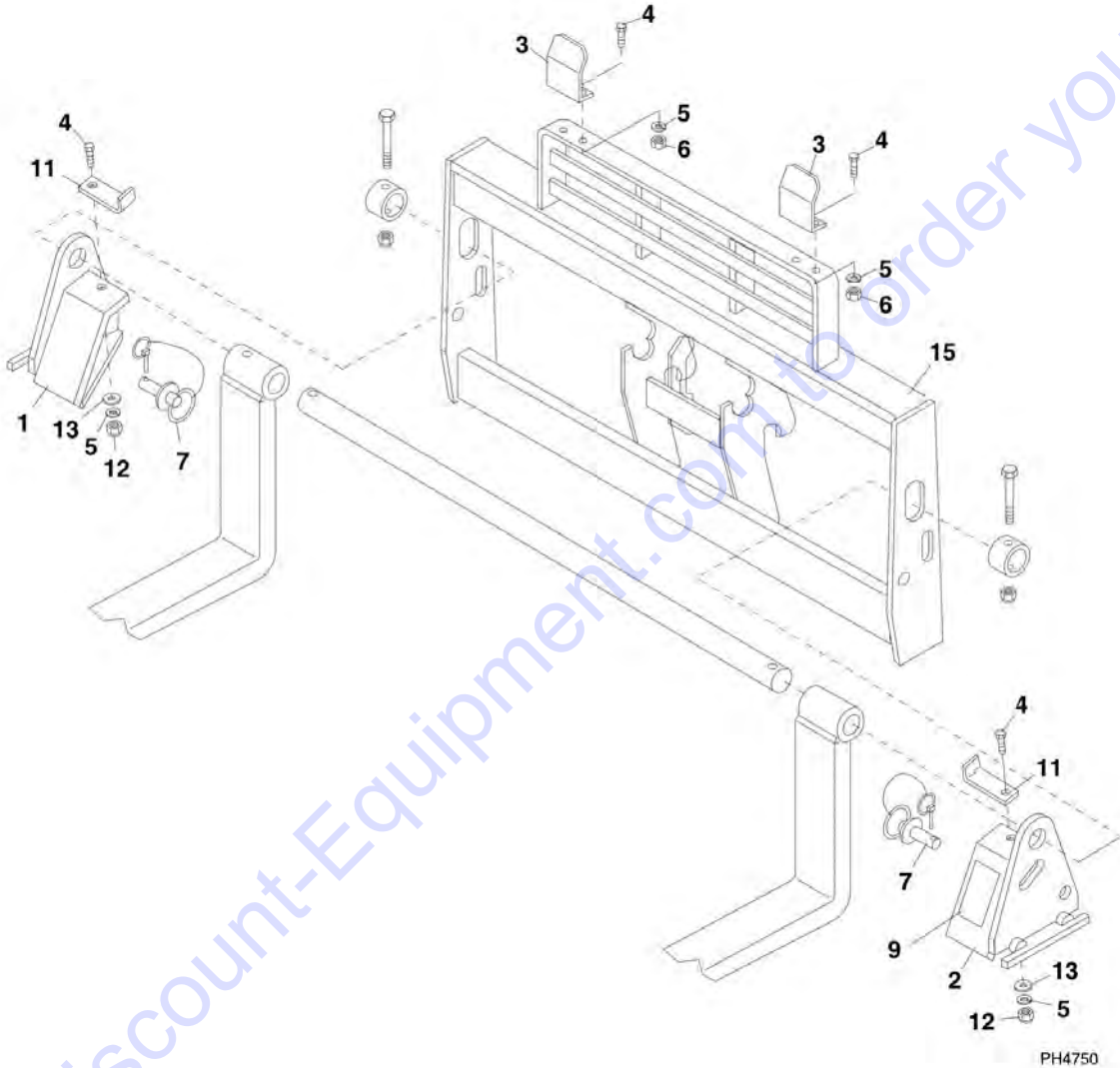
SECTION 3 - ATTACHMENTS

FIGURE 3-7. SWING CARRIAGE (SN 0160037788 to Present)

ITEM	PART NUMBER	QTY	DESCRIPTION	REV
	1001095418	1	90, SWING CARRIAGE, 72IN, (includes all items)	K
1	2220415	4	CONNECTOR	
2	2220473	2	CONNECTOR, 90	
3	2220609	2	CONNECTOR	
4	2220628	2	CONNECTOR, 90	
5		Ref	SWING CYLINDER, (See HYDRAULIC COMPONENTS SECTION for Breakdown)	
6	2717287	2	HOSE ASSY, 1/4X58	
7	3423276	1	PIN	
11	6604662	2	HOSE ASSY, 1/4X40.5	
12	7062922	1	WASHER	
13	N.S.S.	1	PIVOT WELDMENT	
14	7110702	2	PIVOT PIN	
15	7110712	1	PIN	
16	7110722	2	PIN	
17	8065062	2	BUSHING	
18	8303634	5	HEX HD CAPSCREW, 5/8-11X4, GR5	
19	8303715	3	HEX HD CAPSCREW, 5/16-18X1.5, GR5	
20	8305643	5	HEX NUT, 5/8-11	
21	8307904	AR	SHIM	
22	8307918	AR	SHIM	
23	8310160	AR	SHIM	
24	8310161	AR	SHIM	
25	8420053	1	DUST CAP	
26	8420055	1	DUST PLUG	
27	8580315	2	PLUG	
28	8584001	5	TIE WRAP	
29	8642207	4	RETAINING RING	
30	8769132	2	CLAMP	
31	8770016	2	CONNECTOR	
32	90200003	2	COLLAR	
33	91403413	1	CONNECTOR	
34	91403414	1	CONNECTOR	
35	N.S.S.	1	CARRIAGE FRAME	
36	N.S.S.	1	SN PLATE	
37	1706850	1	WARNING CRUSH HAZARD DECAL, (ANSI)	
37	1001092877	1	WARNING CRUSH HAZARD DECAL, (ISO)	
38	1001111190	2	WARNING DECAL	

SECTION 3 - ATTACHMENTS

FIGURE 3-8. SHEET MATERIAL HANDLER (Prior to SN 0160037788)



SECTION 3 - ATTACHMENTS

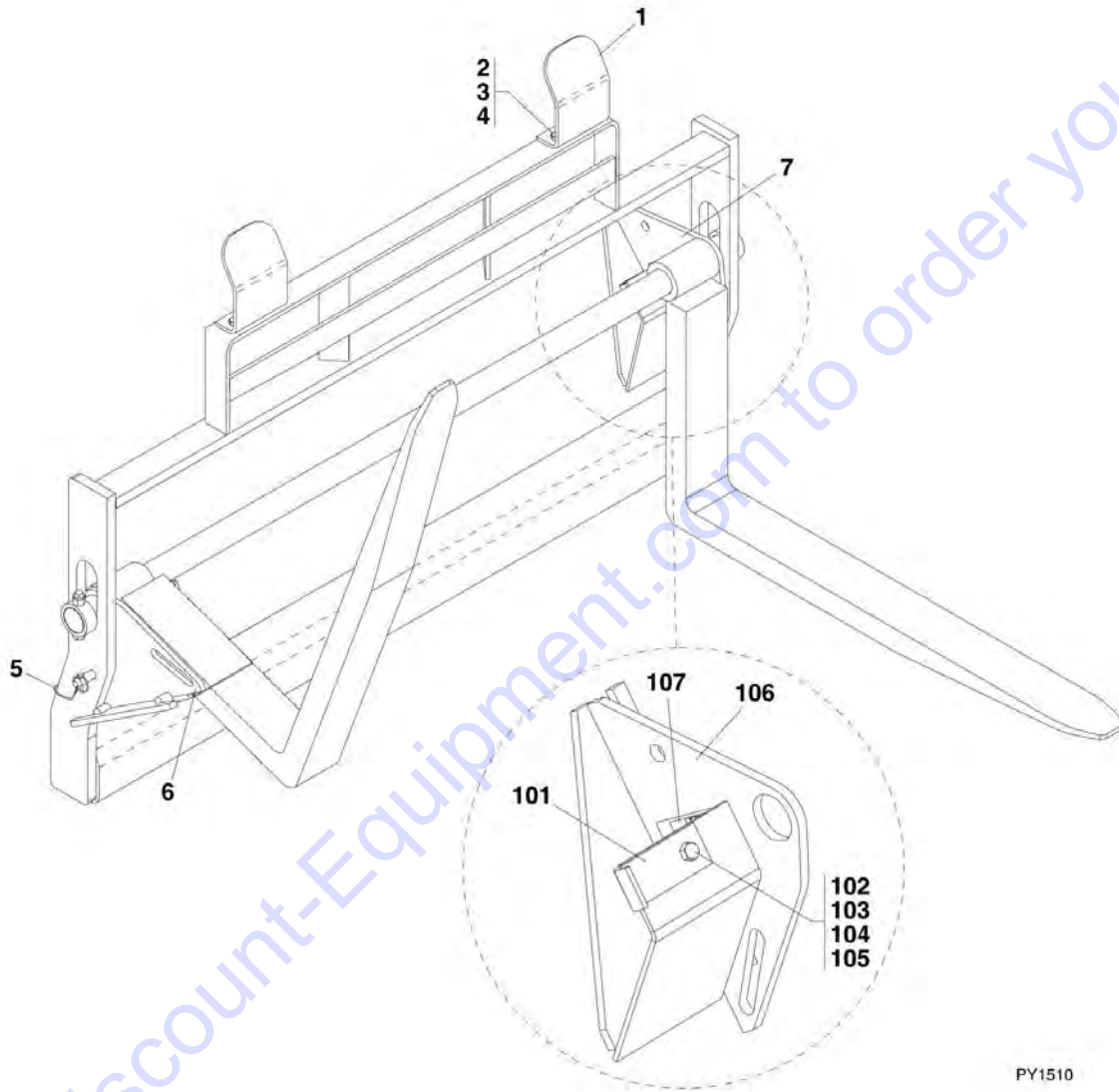
FIGURE 3-8. SHEET MATERIAL HANDLER (Prior to SN 0160037788)

ITEM	PART NUMBER	QTY	DESCRIPTION	REV
	7129300	1	SHEET MATERIAL HANDLER WITH 72IN SWING CARRIAGE ASSY, (includes items 1 thru 13)	
	7112704	1	SHEET MATERIAL HANDLER WITH 72IN SWING CARRIAGE ASSEMBLY, (includes items 1 thru 13)	E
1	7112533	1	RIGHT SIDE FORK SUPPORT	
2	7112523	1	LEFT SIDE FORK SUPPORT	
3	7112642	2	BACKREST EXTENSION	
4	8303626	6	HEX HD CAPSCREW, 1/2-13X1-1/2	
5	8307007	6	LOCKWASHER, 1/2	
6	8305012	4	HEX NUT, 1/2-13	
7	8301456	2	HITCH PIN	
9	N.S.S.	2	CAPACITY/SN PLATE	
11	7114941	2	LOCK BAR	
12	8305644	2	HEX LOCKNUT, 1/2-13	
13	8307112	2	FLAT WASHER, 1/2 LT	
15		Ref	72IN SWING CARRIAGE, (See SWING CARRIAGE for Breakdown)	

Go to Discount-Equipment.com to order your parts

SECTION 3 - ATTACHMENTS

FIGURE 3-9. SHEET MATERIAL HANDLER (SN 0160037788 to Present)



PY1510

SECTION 3 - ATTACHMENTS

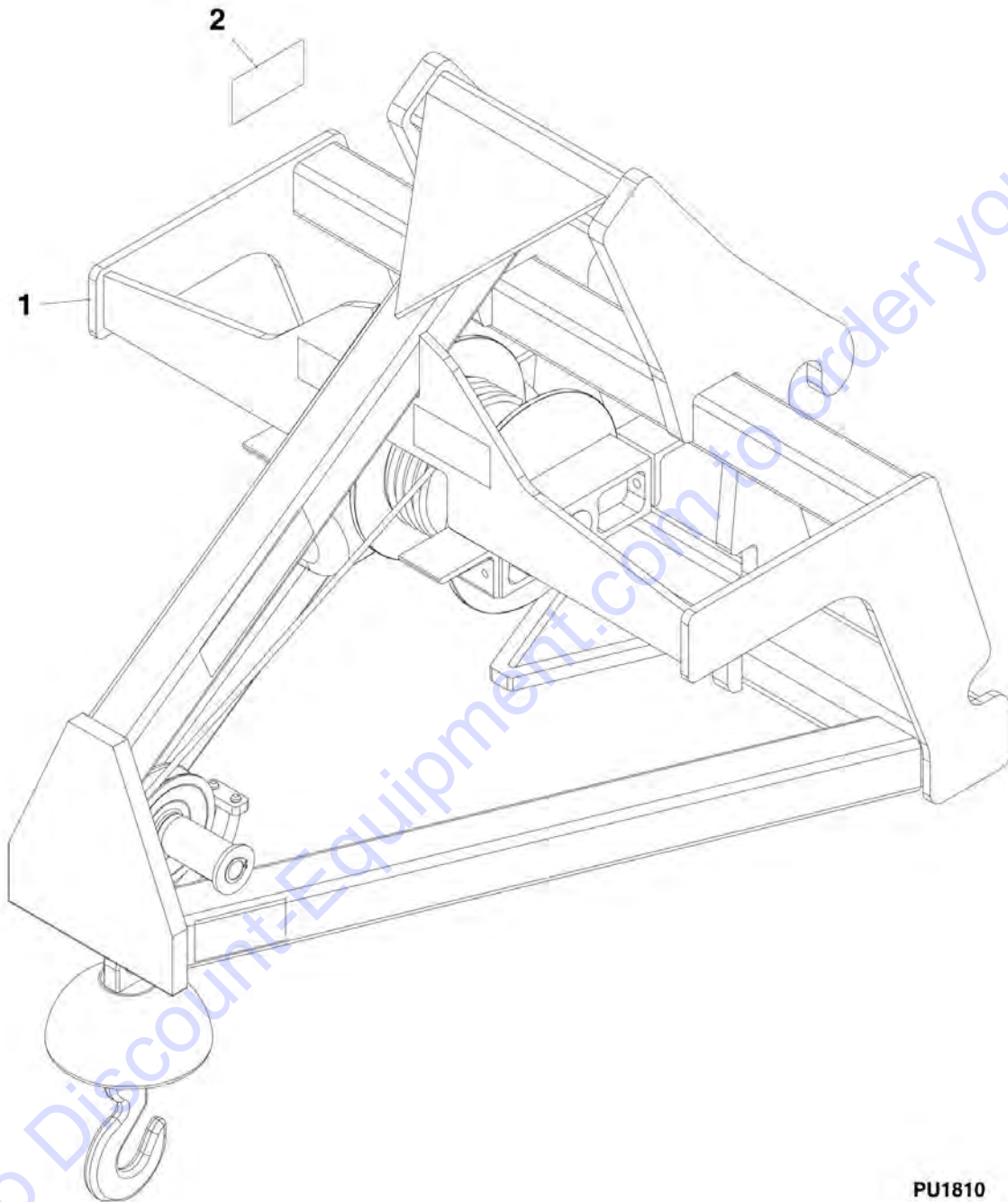
FIGURE 3-9. SHEET MATERIAL HANDLER (SN 0160037788 to Present)

ITEM	PART NUMBER	QTY	DESCRIPTION	REV
	1001100227	1	SHEET MATERIAL HANDLER ASSY, (includes all items)	A
1	7112642	2	BACKREST EXTENSION	
2	8303626	4	HEX HD CAPSCREW, 1/2-13X1-1/2 GR5	
3	8305012	4	HEX NUT, 1/2-13	
4	8307007	4	LOCK WASHER, 1/2	
5	1001093377	2	HITCH PIN	
6	1001101115	1	FORK SUPPORT ASSY, RH, (includes items 101 thru 107)	A
7	1001101116	1	FORK SUPPORT ASSY, LH, (includes items 101 thru 107)	B
101	7114941	1	LOCK BAR	
102	8303626	1	HEX HD CAPSCREW, 1/2-13X1-1/2 GR5	
103	8305644	1	HEX LOCK NUT, 1/2-13	
104	8307007	4	LOCK WASHER, 1/2	
105	8307112	1	WASHER, 1/2	
106	1001100228	1	FORK SUPPORT, RH (not shown)	
106	1001100229	1	FORK SUPPORT, LH (shown)	
107	N.S.S.	1	SN PLATE	

Go to Discount-Equipment.com to order your parts

SECTION 3 - ATTACHMENTS

FIGURE 3-10. 3FT TRUSS BOOM WITH WINCH



PU1810

SECTION 3 - ATTACHMENTS

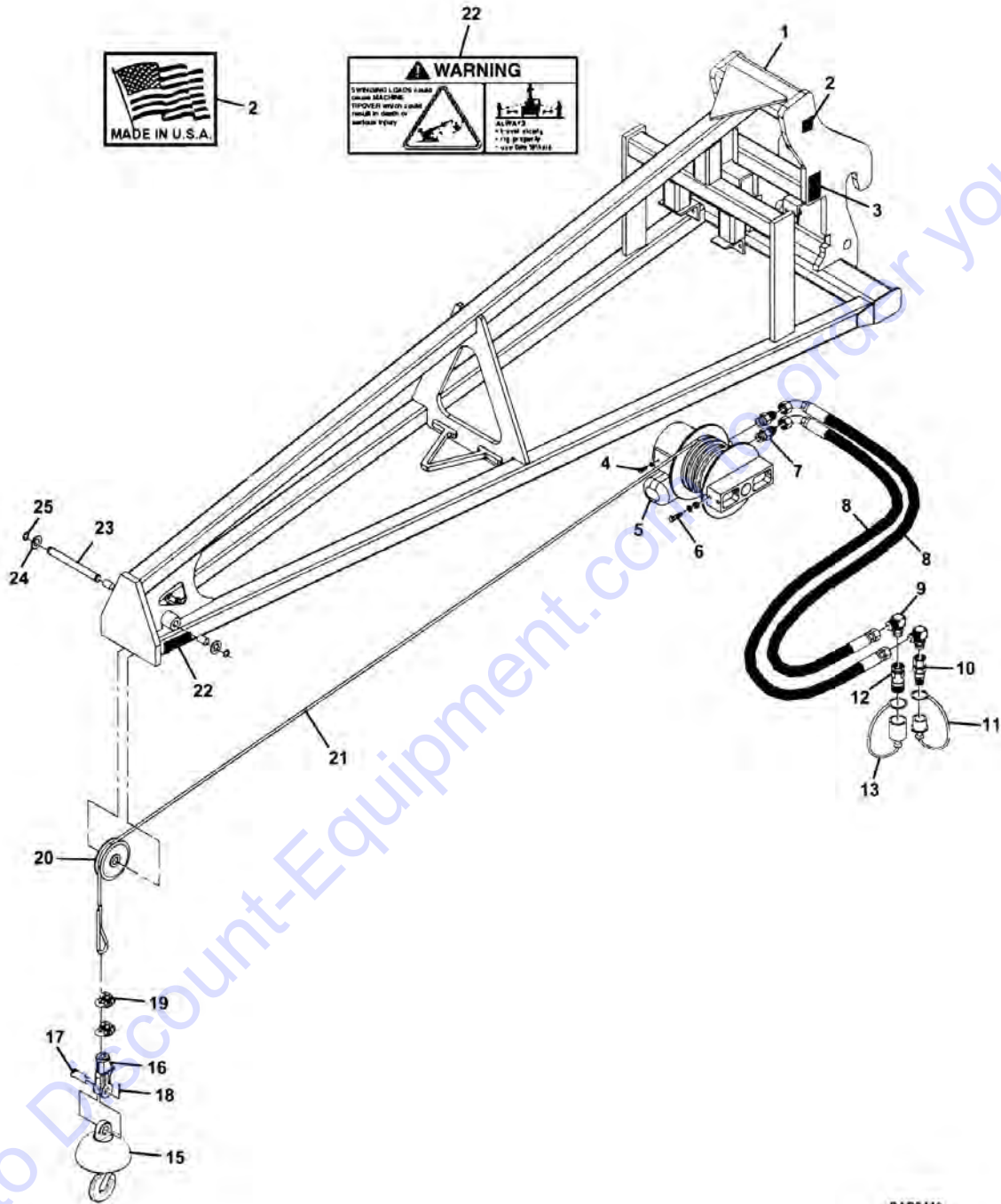
FIGURE 3-10. 3FT TRUSS BOOM WITH WINCH

ITEM	PART NUMBER	QTY	DESCRIPTION	REV
	7139608	1	3FT TRUSS BOOM WITH WINCH, (includes all items) (SN 14834 through 19988, SN 0160002345 through 0160034041)	G
	1001100967	1	3FT TRUSS BOOM WITH WINCH, (includes items 1 & 2) (SN 0160034053 to Present)	A
1	8380008	1	3FT TRUSS BOOM WITH WINCH	
2	N.S.S.	1	SN PLATE	
3	7301040	1	LOAD CHART BOOKLET, (not Shown)	

Go to Discount-Equipment.com to order your parts

SECTION 3 - ATTACHMENTS

FIGURE 3-11. 12FT TRUSS BOOM WITH WINCH (SN 0160037788 to Present)



PAP3440

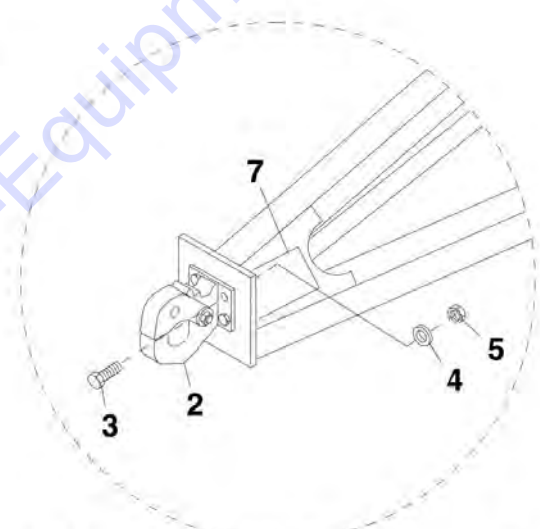
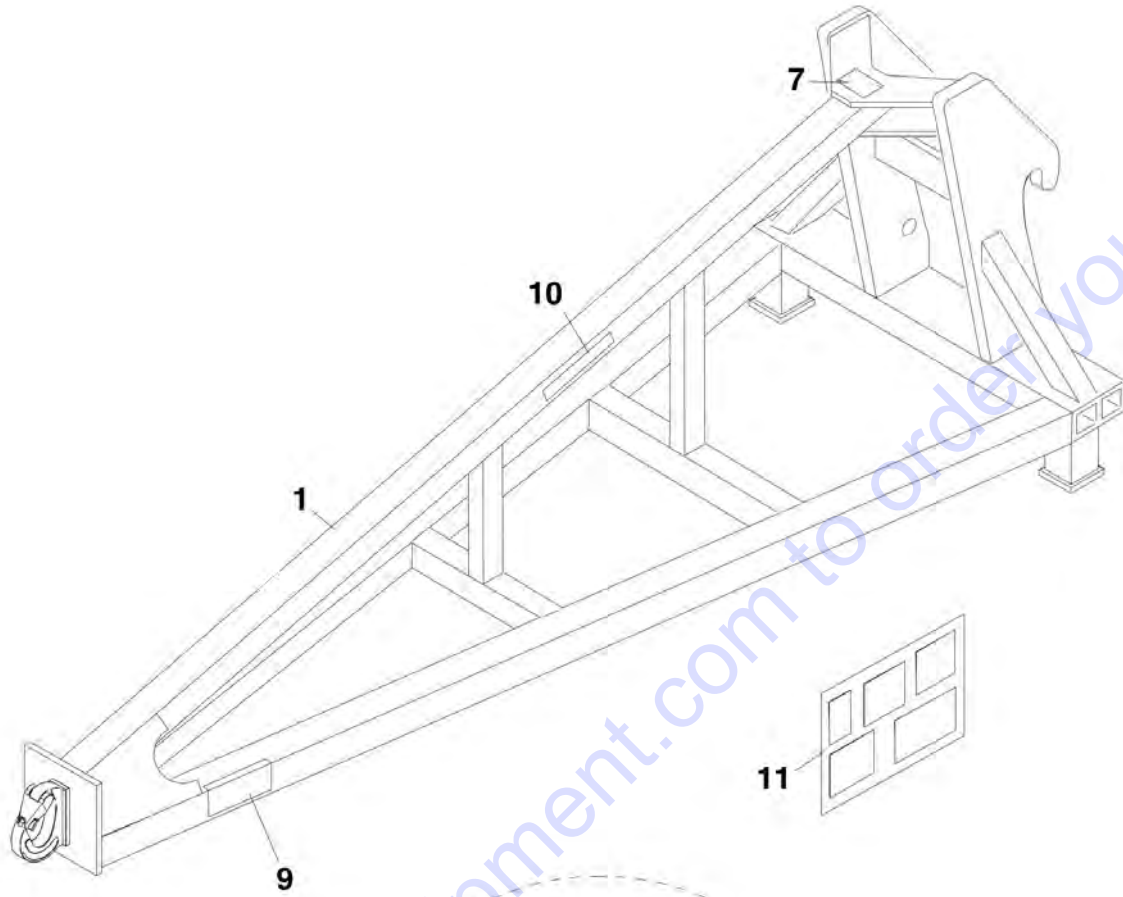
SECTION 3 - ATTACHMENTS

FIGURE 3-11. 12FT TRUSS BOOM WITH WINCH (SN 0160037788 to Present)

ITEM	PART NUMBER	QTY	DESCRIPTION	REV
	1001099351	1	12FT TRUSS BOOM WITH WINCH, (includes all items)	F, C
1	N.S.S.	1	TRUSS BOOM FRAME	
2	90554016	1	USA DECAL	
3	N.S.S.	1	SN PLATE	
4	70021349	4	HEX HD CAPSCREW, 3/8X1	
4	90554042	4	LOCK WASHER, 3/8	
5	70021921	1	TRUSS BOOM WINCH MOTOR	
6	N.S.S.	2	HEX HD CAPSCREW, 1/2X1.75	
6	90554020	2	LOCK WASHER, 1/2	
6	90554054	2	HEX NUT, 1/2	
7	70021415	2	CONNECTOR	
8	70021977	2	HOSE ASSY, 3/8X32	
9	N.S.S.	1	ELBOW, 90	
10	7029692	1	MALE QUICK COUPLER	
11	90554062	1	DUST CAP	
12	70021342	1	FEMALE QUICK COUPLER	
13	90554076	1	DUST COVER	
15	70021978	1	BALL SWIVEL WITH SAFETY HOOK	
16	70021979	1	SOCKET ASSY	
17	N.S.S.	1	PIN	
18	N.S.S.	1	COTTER PIN	
19	N.S.S.	2	CLAMP	
20	70021935	1	PULLEY	
21	70022028	1	CABLE	
22	4110422	2	WARNING SWINGING LOADS DECAL	
23	N.S.S.	1	PIN	
24	N.S.S.	2	FLAT WASHER, 1	
25	N.S.S.	2	SNAP RING	

SECTION 3 - ATTACHMENTS

FIGURE 3-12. TRUSS BOOM (Prior to SN 0160037788)



SN 14834 THROUGH 19988 & 0160002345
THROUGH 0160032267

PH4451

SECTION 3 - ATTACHMENTS

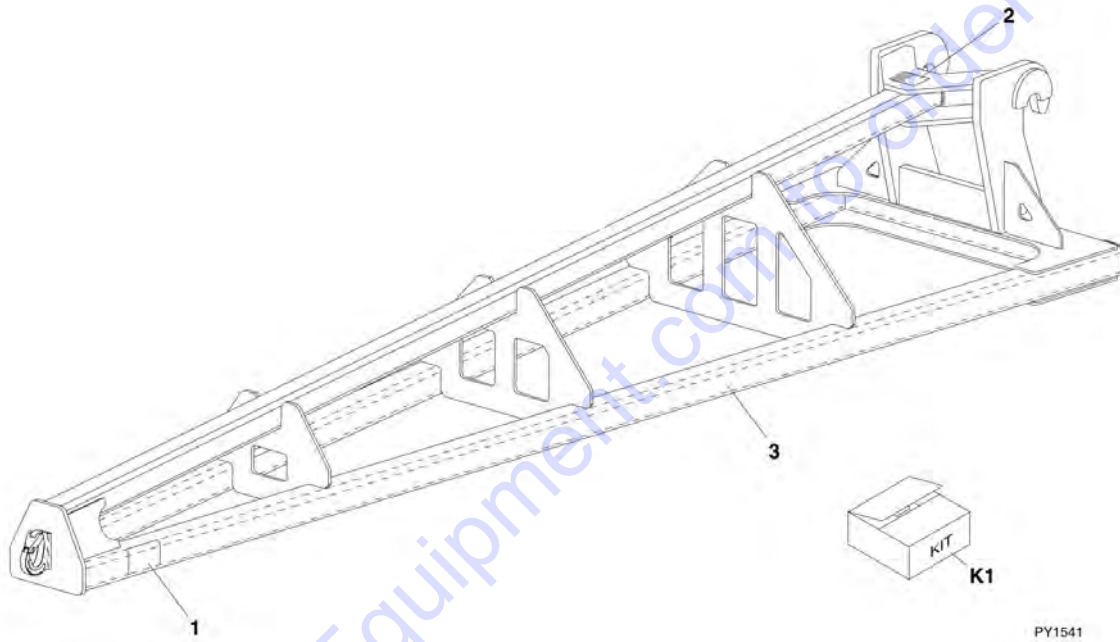
FIGURE 3-12. TRUSS BOOM (Prior to SN 0160037788)

ITEM	PART NUMBER	QTY	DESCRIPTION	REV
	7113024	1	12FT TRUSS BOOM ASSY, (includes all items)	D
1	7113034	1	TRUSS BOOM WELDMENT	
2	8382017	1	PINTLE HOOK (SN 14834 through 19988, SN 0160002345 through 0160032266)	
2	70022893	1	LATCH KIT (SN 14834 through 19988, SN 0160002345 through 0160032266)	
3	8310195	4	HEX HD CAPSCREW, 1/2-13X1.75 (SN 14834 through 19988, SN 0160002345 through 0160032266)	
4	8307112	4	PLAIN WASHER, 1/2 (SN 14834 through 19988, SN 0160002345 through 0160032266)	
5	8305644	4	HEX LOCKNUT, 1/2-13 (SN 14834 through 19988, SN 0160002345 through 0160032266)	
7	N.S.S.	1	SN PLATE	
9	4110422	2	SWING LOAD DECAL	
10	4107832	2	LENGTH/CAPACITY DECAL	
11	4107812	2	CAPACITY CHART	

Go to Discount-Equipment.com to order your parts

SECTION 3 - ATTACHMENTS

FIGURE 3-13. TRUSS BOOM (SN 0160037788 to Present)



SECTION 3 - ATTACHMENTS

FIGURE 3-13. TRUSS BOOM (SN 0160037788 to Present)

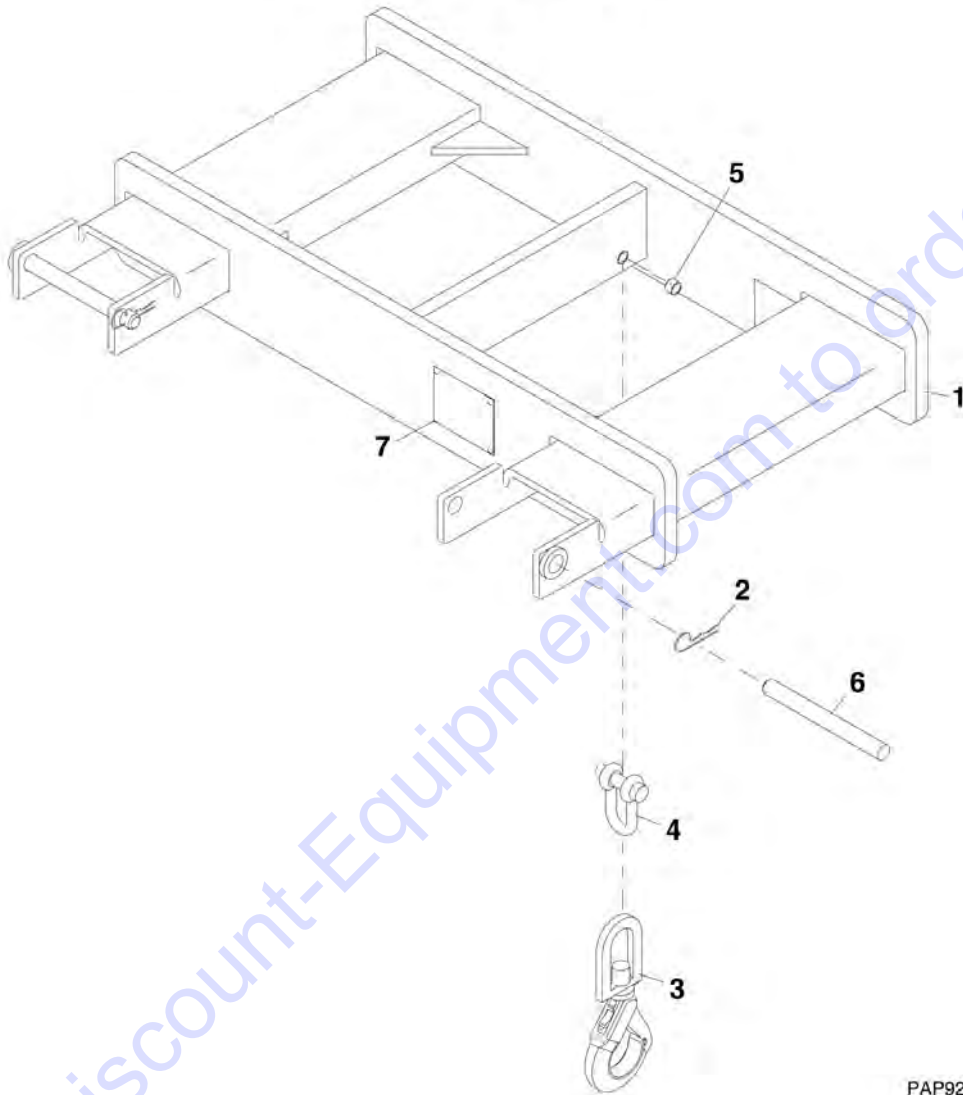
ITEM	PART NUMBER	QTY	DESCRIPTION	REV
	1001099902	1	12FT TRUSS BOOM, (includes all items)	A
	1001099901	1	15FT TRUSS BOOM, (includes all items)	A
1	4110422	2	WARNING SWINGING LOADS DECAL	
2	N.S.S.	1	SN PLATE	
3	N.S.S.	1	TRUSS BOOM	

Go to Discount-Equipment.com to order your parts

SECTION 3 - ATTACHMENTS

FIGURE 3-14. FORK MOUNTED LIFTING HOOK

NOTE: PALLET/LUMBER FORKS OF AN APPROPRIATE LOAD RATING MUST BE USED.



PAP9200

PH4611

SECTION 3 - ATTACHMENTS

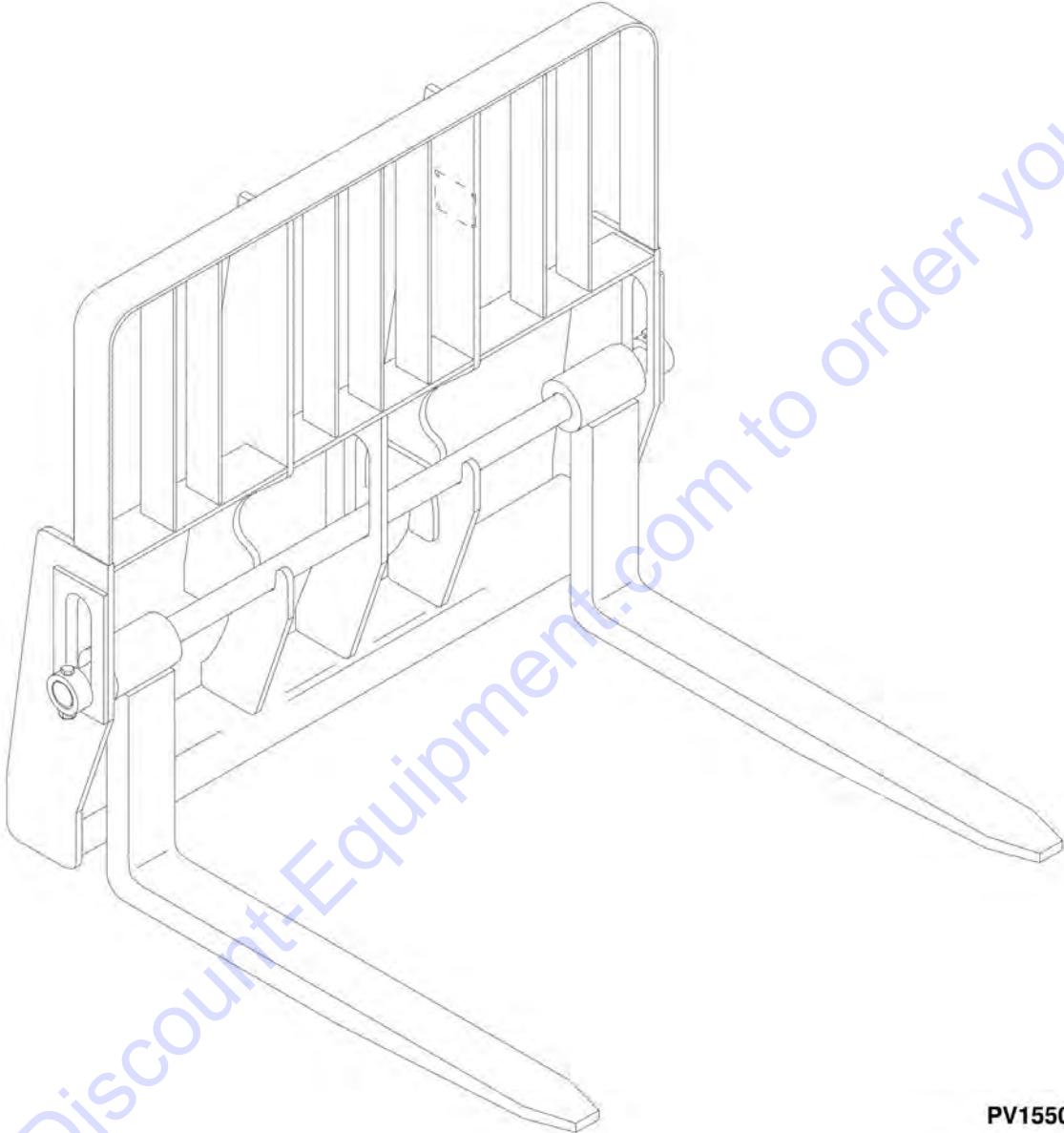
FIGURE 3-14. FORK MOUNTED LIFTING HOOK

ITEM	PART NUMBER	QTY	DESCRIPTION	REV
1	91565094	1	FORK MOUNTED LIFTING HOOK, (includes all items)	F
2	7029520	2	HAIRPIN CLIP	
3	90554080	1	SLING HOOK	
4	7029521	1	CHAIN SHACKLE ASSY, (includes pin), 12,000LB	
5	70020555	1	SPRING BUSHING	
6	1001093171	2	PIN	
7	N.S.S.	1	SN ATTACHMENT PLATE	

Go to Discount-Equipment.com to order your parts

SECTION 3 - ATTACHMENTS

FIGURE 3-15. FORKS



PV1550

Go to Discount-Equipment.com to order your parts

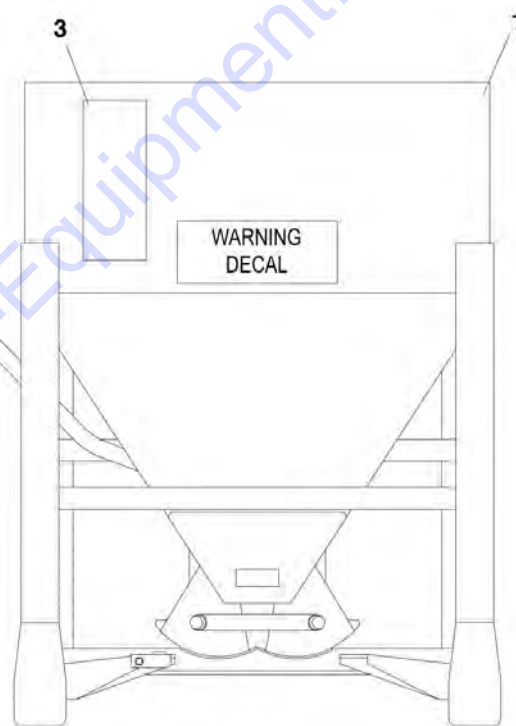
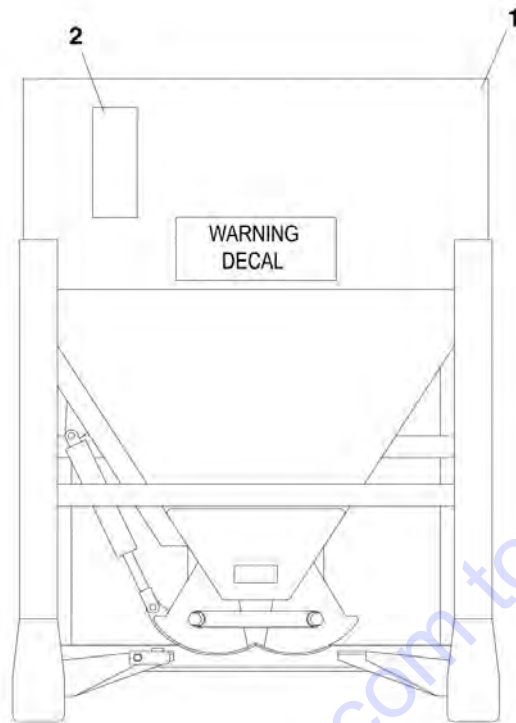
SECTION 3 - ATTACHMENTS

FIGURE 3-15. FORKS

ITEM	PART NUMBER	QTY	DESCRIPTION	REV
	2340037	6	CUBING FORK, 48X2X2, 11,640LBS	A
	7301408	2	PALLET FORK, 48X4X2.25	D
	2340045	2	PALLET FORK, 48X4X2.36, 10,950LBS	B
	2340038	2	PALLET FORK, 48X5X2.36, 13,700LBS	B
	7139747	2	BLOCKING FORK, 48X2X2	C
	2340039	2	PALLET FORK, 60X6X2.36, 16,300LBS	B
	7139746	2	DUAL TAPER FORK, 60X7X1.75	C
	2340046	2	DUAL TAPER FORK, 60X7X1.75, 10,800LBS	B
	1001092391	2	DUAL TAPER FORK, 72X6X2, 11,300LBS	B
	1001137512	2	90IN FORK EXTENSION, (not shown), (includes items 1 thru 2)	D
1	70024306	1	PIN, (not shown)	
2	70024307	1	CLIP, (not shown)	
N1	Note	Ref	FORKS RATED LESS THAN THE ATTACHMENT OR MACHINE'S CAPACITY DECREASES CAPACITY OF THE ATTACHMENT OR MACHINE TO THAT OF THE FORKS. FORKS RATED MORE THAN THE ATTACHMENT OR MACHINE'S CAPACITY DO NOT INCREASE ATTACHMENT OR MACHINE'S CAPACITY.	
N2	Note	Ref	PLEASE CONSULT DISCOUNT-EQUIPMENT TO DETERMINE THE CORRECT FORKS APPLICABLE TO YOUR SPECIFIC CARRIAGE ASSEMBLY AND APPLICATION.	

SECTION 3 - ATTACHMENTS

FIGURE 3-16. CONCRETE BUCKET (Prior to SN 0160037788)



PH4741

SECTION 3 - ATTACHMENTS

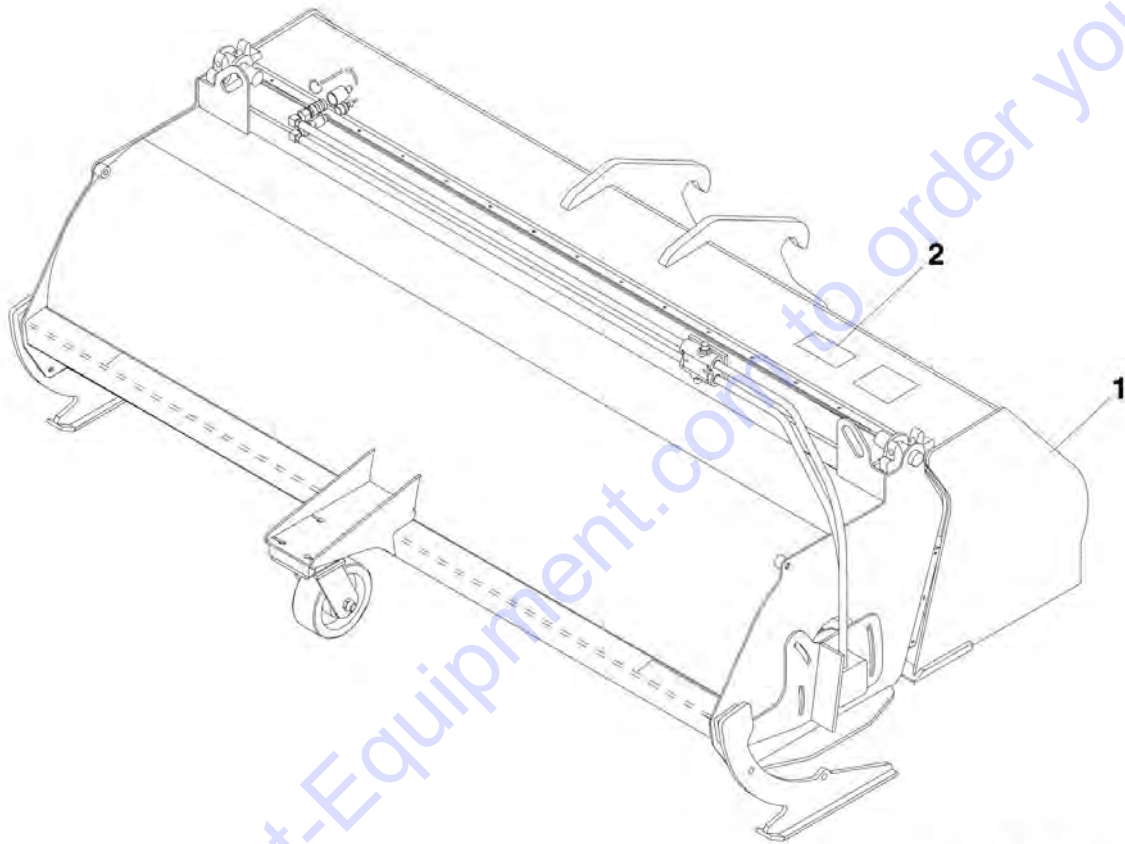
FIGURE 3-16. CONCRETE BUCKET (Prior to SN 0160037788)

ITEM	PART NUMBER	QTY	DESCRIPTION	REV
1	8866442	1	CONCRETE BUCKET, 1/2 YD ³ , HYDRAULIC, (includes item 2)	B
1	8866444	1	CONCRETE BUCKET, 1/2 YD ³ , MANUAL, (includes item 3)	B
2	N.S.S.	1	SN PLATE	
3	N.S.S.	1	SN PLATE	
4	8866446	1	4IN DISCHARGE HOSE, (not shown)	
4	8866561	1	4IN DISCHARGE HOSE WITH GATE, (not shown)	
5	8866464	1	6IN DISCHARGE HOSE, (not shown)	
6	8866560	1	8IN DISCHARGE HOSE, (not shown)	
7	8866445	1	RUBBER SIDE DISCHARGE CHUTE, (not shown)	

Go to Discount-Equipment.com to order your parts

SECTION 3 - ATTACHMENTS

FIGURE 3-17. SWEEPER ASSEMBLY (Prior to SN 0160037788)



PH4770

SECTION 3 - ATTACHMENTS

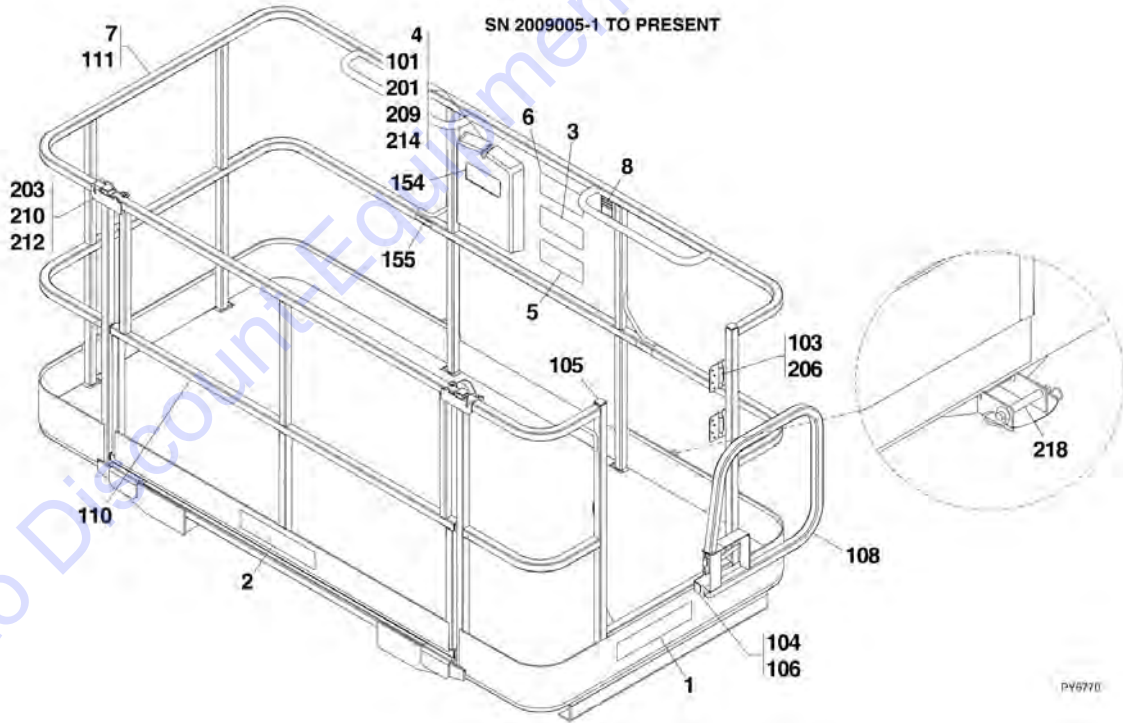
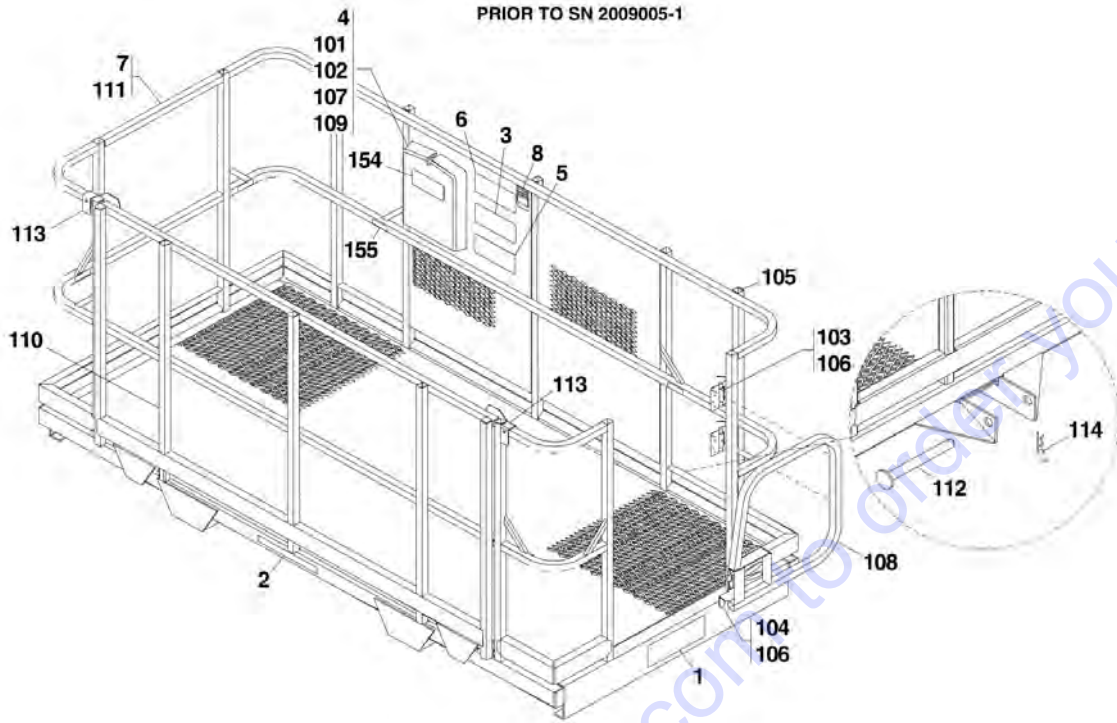
FIGURE 3-17. SWEEPER ASSEMBLY (Prior to SN 0160037788)

ITEM	PART NUMBER	QTY	DESCRIPTION	REV
	7301180	1	SWEEPER ASSY, (includes all items)	B
1	7301718	1	24IN SWEEPER WITH BUCKET	
2	N.S.S.	1	SN PLATE	
4	4110461	1	WARNING DECAL, (not shown)	

Go to Discount-Equipment.com to order your parts

SECTION 3 - ATTACHMENTS

FIGURE 3-18. FORK MOUNTED PLATFORM



PV6770

SECTION 3 - ATTACHMENTS

FIGURE 3-18. FORK MOUNTED PLATFORM

ITEM	PART NUMBER	QTY	DESCRIPTION	REV
	1001092280	NLA	FORK MOUNTED PLATFORM, (Prior to SN 2009005-1), (ASME), (no longer available, order 1001103637 for replacement or items 1 thru 8 for service)	E
	1001103637	1	FORK MOUNTED PLATFORM, (SN 2009005-1 to Present) (ASME), (includes items 1 thru 8)	B
	1001096306	NLA	FORK MOUNTED PLATFORM, (Prior to SN 2009005-1), (ISO), (no longer available, order 1001103730 for replacement or items 1 thru 8 for service)	C
	1001103730	1	FORK MOUNTED PLATFORM, (SN 2009005-1 to Present), (ISO), (includes items 1 thru 8)	B
	1001097072	NLA	FORK MOUNTED PLATFORM, (Prior to SN 2009005-1), (ASME - FRENCH), (no longer available, order 1001103736 for replacement or items 1 thru 8 for service)	C
	1001103736	1	FORK MOUNTED PLATFORM, (SN 2009005-1 to Present), (ASME - FRENCH), (includes 1 thru 8)	B
1	1702773	2	JLG DECAL	
2	1704885	1	WEBSITE DECAL	
3	1706892	1	PLATFORM WARNING DECAL, (ASME)	
3	1001096025	1	PLATFORM WARNING DECAL, (ISO)	
3	1001096024	1	PLATFORM WARNING DECAL, (ASME - FRENCH)	
4	31200160	1	OPERATION AND SAFETY MANUAL, (ASME)	
4	31200387	1	OPERATION AND SAFETY MANUAL, (ISO - SPANISH)	
4	31200388	1	OPERATION AND SAFETY MANUAL, (ISO - PORTUGUESE)	
4	31200336	1	OPERATION AND SAFETY MANUAL, (ASME - FRENCH)	
5	1001092481	1	WARNING DECAL, (ASME)	
5	1001096021	1	WARNING DECAL, (ISO)	
5	1001096019	1	WARNING DECAL, (ASME - FRENCH)	
6	1001092482	1	CAPACITY DECAL, (ASME)	
6	1001096023	1	CAPACITY DECAL, (ISO)	
6	1001096020	1	CAPACITY DECAL, (ASME - FRENCH)	
7	N.S.S.	1	FORK MOUNTED PLATFORM, (Prior to SN 2009005-1), (includes items 101 thru 114, 154 & 155)	B
7	N.S.S.	1	FORK MOUNTED PLATFORM, (SN 2009005-1 to Present), (includes items 101, 103 thru 106, 108, 110, 111, 154, 155, 201, 203, 206, 210, 212, 214 & 218)	H
8	N.S.S.	1	SN PLATE	
101	0860520	1	MANUAL STORAGE BOX	
102	2080044	4	RIVNUT FASTENER 1/4-20	
103	2600281	2	HINGE	
104	2940074	1	LATCH	
105	3520198	21	PLUG, (Prior to SN 2009005-1)	
105	3520072	10	PLUG, (SN 2009005-1 to Present)	
106	3820020	20	POP RIVET, (Prior to SN 2009005-1)	
106	3820020	4	POP RIVET, (SN 2009005-1 to Present)	
107	4751400	4	WASHER, 1/4	
108	4846452	1	GATE WELDMENT	
109	80263012	4	SCREW WHIZ LOCK 1/4-20 X 1/2	
110	1001093140	1	GATE WELDMENT, (Prior to SN 2009005-1)	
110	1001095810	1	GATE WELDMENT, (SN 2009005-1 to Present)	
111	N.S.S.	1	PLATFORM WELDMENT	
112	1001093171	2	PIN	
113	1001097168	2	PIN, SAFETY SNAP, WITH LANYARD	

SECTION 3 - ATTACHMENTS

ITEM	PART NUMBER	QTY	DESCRIPTION	REV
114	1001098582	2	LYNCH PIN 3/16 WITH LANYARD	
154	1701509	1	MANUAL DECAL	
155	1704277	3	LANYARD ATTACH DECAL	
201	0641405	4	HEX HD CAPSCREW, 1/4-20X5/8	
203	1060379	2	6IN LANYARD CABLE	
206	2080040	16	FASTENER	
209	3311405	4	HEX NUT, 1/4-20	
210	3421453	2	PIN	
212	3760170	4	RING	
214	4711400	8	WASHER, 1/4	
218	1001102813	2	HITCH PIN	

Go to Discount-Equipment.com to order your parts

SECTION 3 - ATTACHMENTS

FIGURE 3-19. GRAPPLE BUCKET



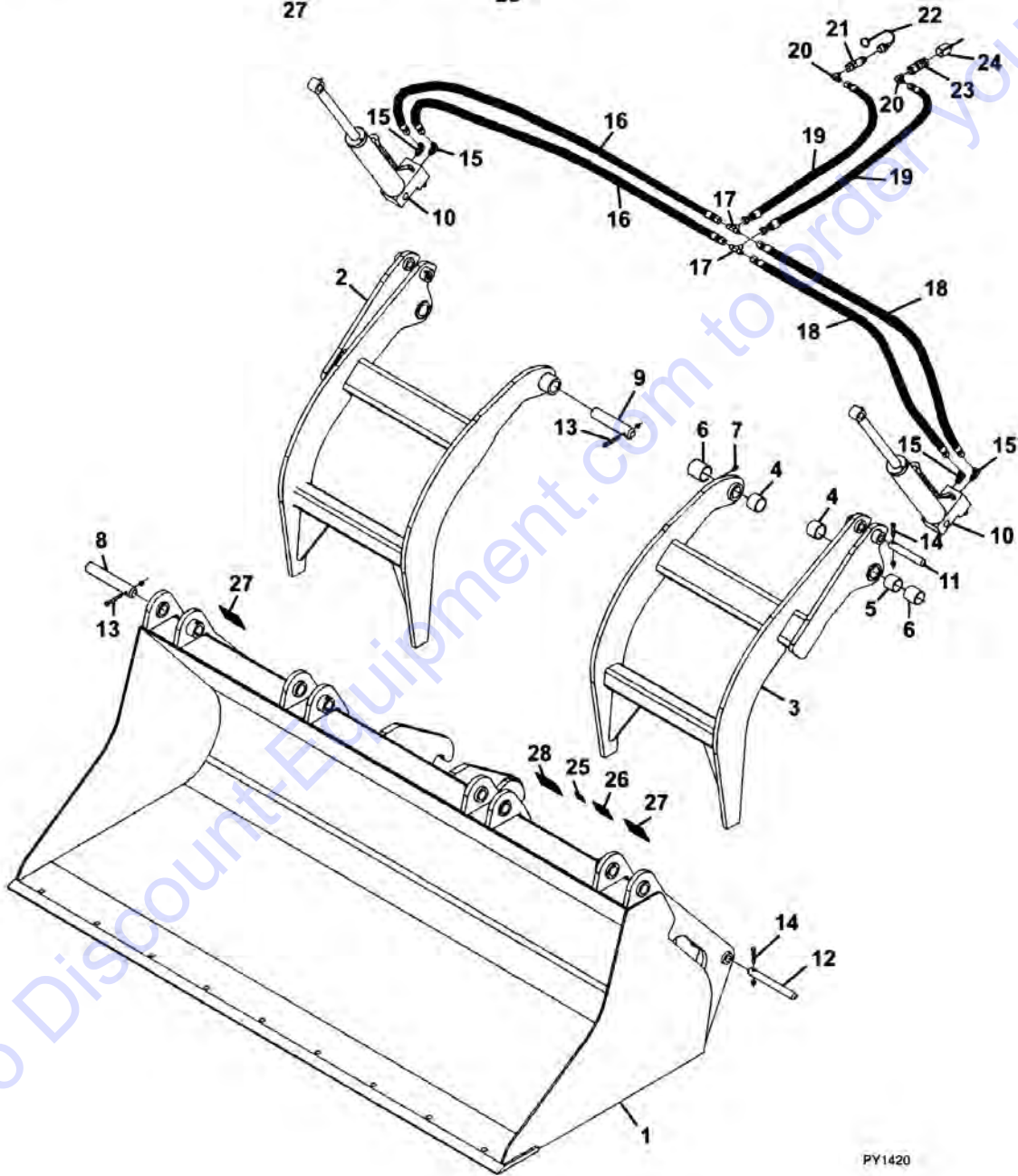
25



27



28



PY1420

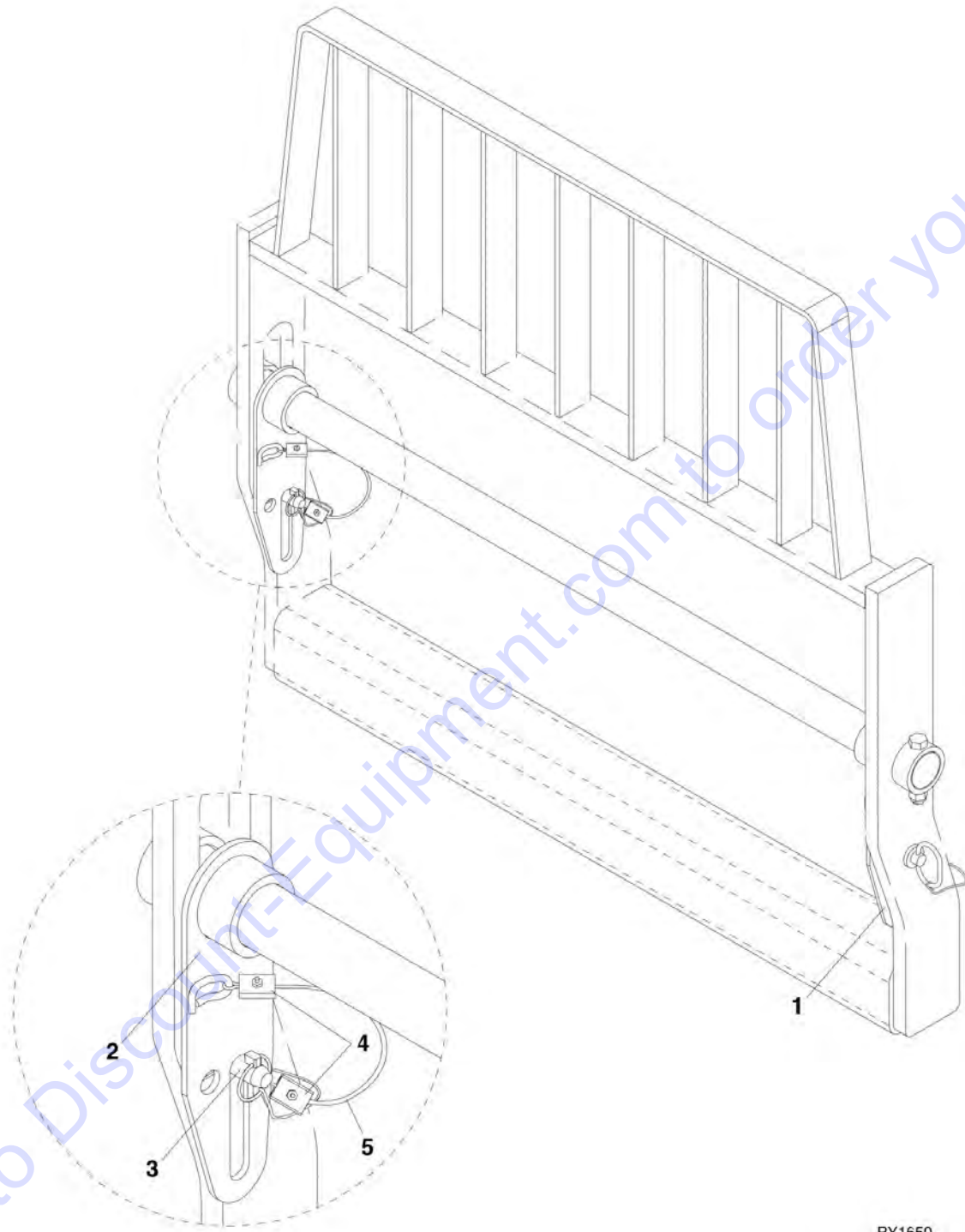
SECTION 3 - ATTACHMENTS

FIGURE 3-19. GRAPPLE BUCKET

ITEM	PART NUMBER	QTY	DESCRIPTION	REV
	0930020	1	GRAPPLE BUCKET, (includes all items)	G
1	N.S.S.	1	BUCKET	
1	70021387	4	HOSE CLAMP	
2	70021391	1	RIGHT GRAPPLE HOOK	
3	70021392	1	LEFT GRAPPLE HOOK	
4	70021358	4	BUSHING	
5	70021359	2	SPACER	
6	70021360	4	BUSHING	
7	7029714	4	GREASE FITTING	
8	70021361	2	OUTER PIVOT PIN	
9	70021362	2	INNER PIVOT PIN	
10		Ref	CYLINDER ASSY, (See HYDRAULIC COMPONENTS SECTION for Breakdown)	
11	70021364	2	PIN	
12	70021365	2	PIN	
13	70021366	4	HEX HD CAPSCREW, 3/8X2.75	
13	70021367	4	LOCK NUT, 3/8	
14	70021399	4	HEX HD CAPSCREW, 3/8X2.25	
14	70021367	4	LOCK NUT, 3/8	
15	90554065	4	ELBOW, 90	
16	70021980	2	HOSE ASSY, 3/8X73IN	
17	70020562	2	FITTING, TEE	
18	70021981	2	HOSE ASSY, 3/8X46IN	
19	70021395	2	HOSE ASSY, 3/8X34IN	
20	70022527	2	ELBOW, 90	
21	7029692	1	MALE QUICK COUPLER	
22	90554062	1	DUST COVER	
23	70021342	1	FEMALE QUICK COUPLER	
24	90554076	1	DUST COVER	
25	90554016	1	USA DECAL	
26	N.S.S.	1	SN PLATE	
27	90554017	2	DANGER PINCH POINT DECAL	
28	90554018	1	WARNING HIGH PRESSURE DECAL	

SECTION 3 - ATTACHMENTS

FIGURE 3-20. FORK PIN LOCK INSTALLATION



SECTION 3 - ATTACHMENTS

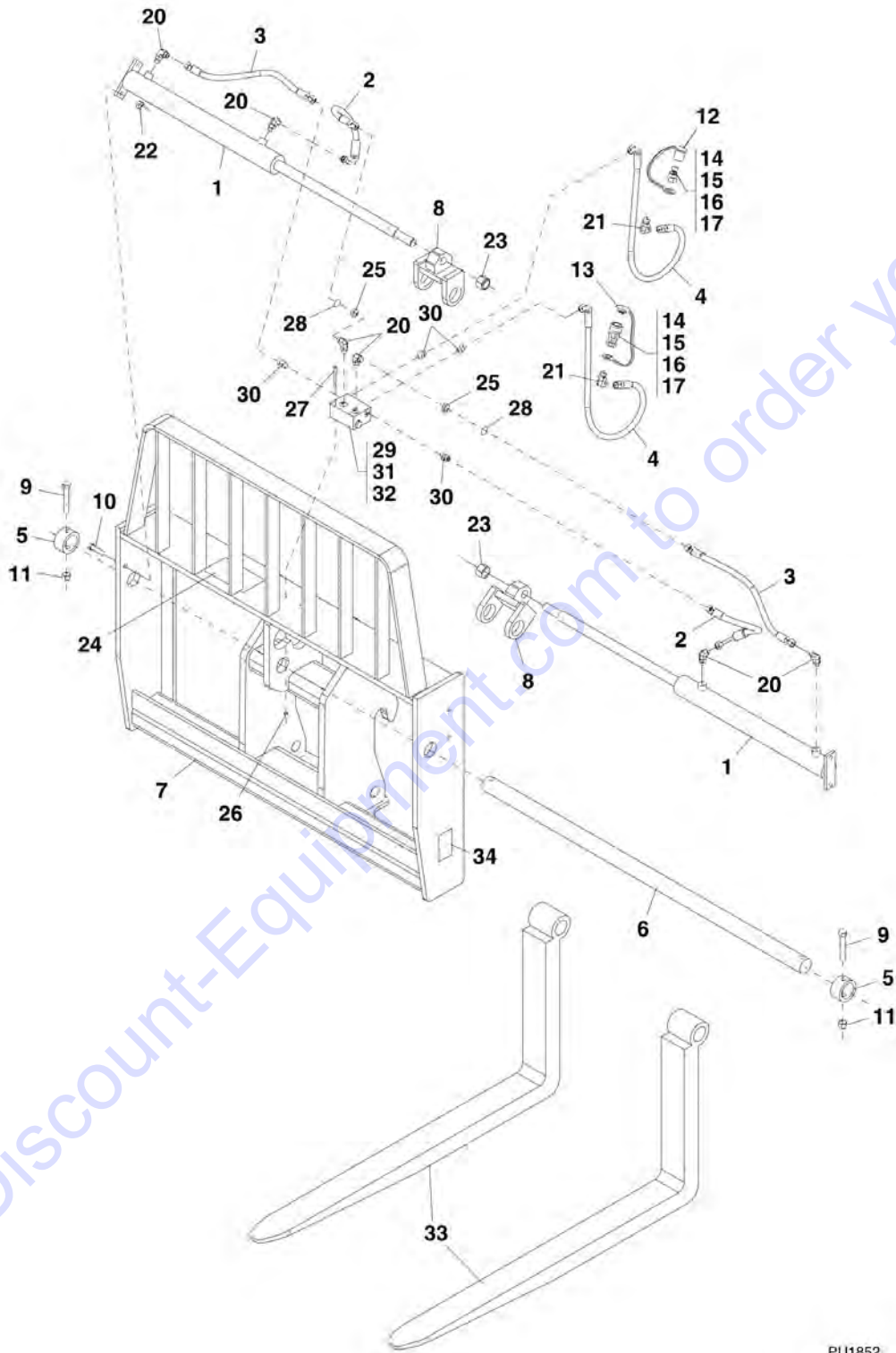
FIGURE 3-20. FORK PIN LOCK INSTALLATION

ITEM	PART NUMBER	QTY	DESCRIPTION	REV
	1001093465	1	FORK PIN LOCK INSTALLATION (includes all items)	B
1	0240156	1	FORK PIN LOCK, LH	
2	1001093273	1	FORK PIN LOCK, RH	
3	1001093377	2	HITCH PIN	
4	1001094830	4	CLAMP	
5	1001094330	2	LANYARD	

Go to Discount-Equipment.com to order your parts

SECTION 3 - ATTACHMENTS

FIGURE 3-21. DUAL FORK POSITIONING CARRIAGE ASSEMBLY



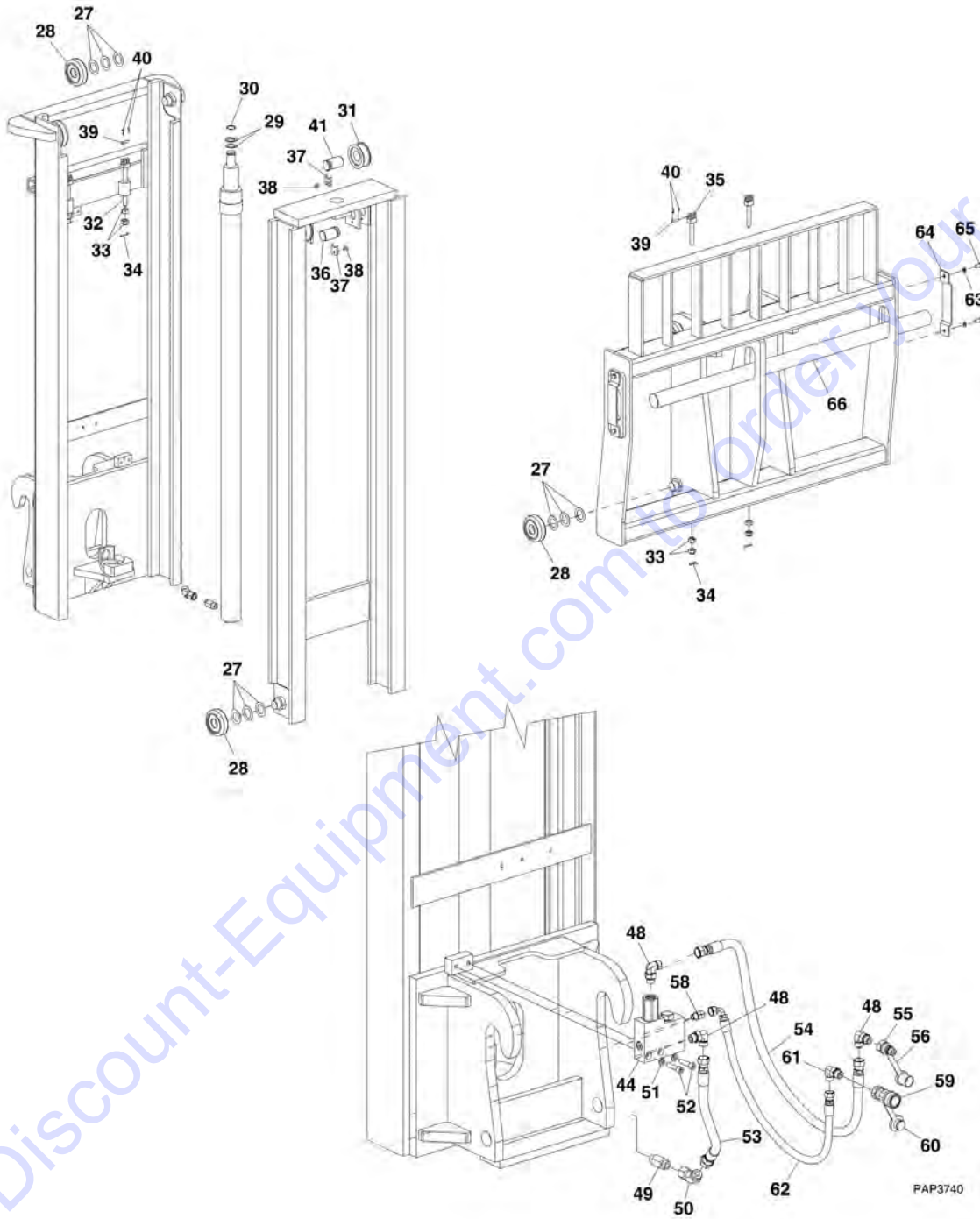
PU1852

SECTION 3 - ATTACHMENTS

FIGURE 3-21. DUAL FORK POSITIONING CARRIAGE ASSEMBLY

ITEM	PART NUMBER	QTY	DESCRIPTION	REV
	7301295	1	50IN DUAL FORK POSITIONING CARRIAGE ASSY, (includes all items)	F
	7301568	1	50IN DUAL FORK POSITIONING CARRIAGE ASSY, (includes items 1 thru 32)	I
1	2717283	2	FORK POSITIONING CYLINDER	
1	8036733	1	SEAL KIT	
2	2717160	2	HOSE ASSY	
3	2717161	2	HOSE ASSY	
4	2717162	2	HOSE ASSY	
5	90200003	2	LOCKING HUB	
6	90451058	1	FORK SHAFT	
7	7301569	1	50IN CARRIAGE WELDMENT	
8	7301579	2	FORK ADAPTER WELDMENT	
9	8303634	2	HEX HD CAPSCREW, 5/8-11X4, GR5	
10	8303658	4	HEX HD CAPSCREW, 1/2-13X2, GR5	
11	8305643	2	HEX LOCKNUT, 5/8-11	
12	8420053	1	DUST CAP	
13	8420055	1	DUST PLUG	
14	91403413	1	FEMALE QUICK DISCONNECT, (includes items 15 thru 17)	
15	8640029	1	NOSE SEAL	
16	8640028	1	COUPLER BODY SEAL	
17	8640032	1	COUPLER BODY SEAL BACK UP RING	
18	91403414	1	MALE QUICK DISCONNECT, (includes item 19)	
19	8640029	1	NOSE SEAL	
20	2130606	4	ELBOW, 90	
21	2130608	2	ELBOW, 90	
22	8310302	4	HEX LOCKNUT, 1/2-13	
23	10705034	2	HEX LOCKNUT	
24	4110473	1	HOSE ROUTE WARNING DECAL	
25	7139918	2	DISC ORIFICE	
26	8305624	2	HEX LOCKNUT, 1/4-20	
27	8310435	2	HEX HD CAPSCREW, 1/4-20X3-1/4, GR5	
28	8630003	2	O-RING	
29	4641502	1	VALVE ASSY, (Includes items 30 thru 32)	
30	2110606	4	ADAPTER	
31	4641501	1	VALVE BODY	
32	2130606	2	CONNECTOR	
33	7301408	2	PALLET FORK, 60X100X1220MM	
34	N.S.S.	1	SN PLATE	

SECTION 3 - ATTACHMENTS



SECTION 3 - ATTACHMENTS

FIGURE 3-22. 8FT STANDARD MAST (SN 0160037788 to Present)

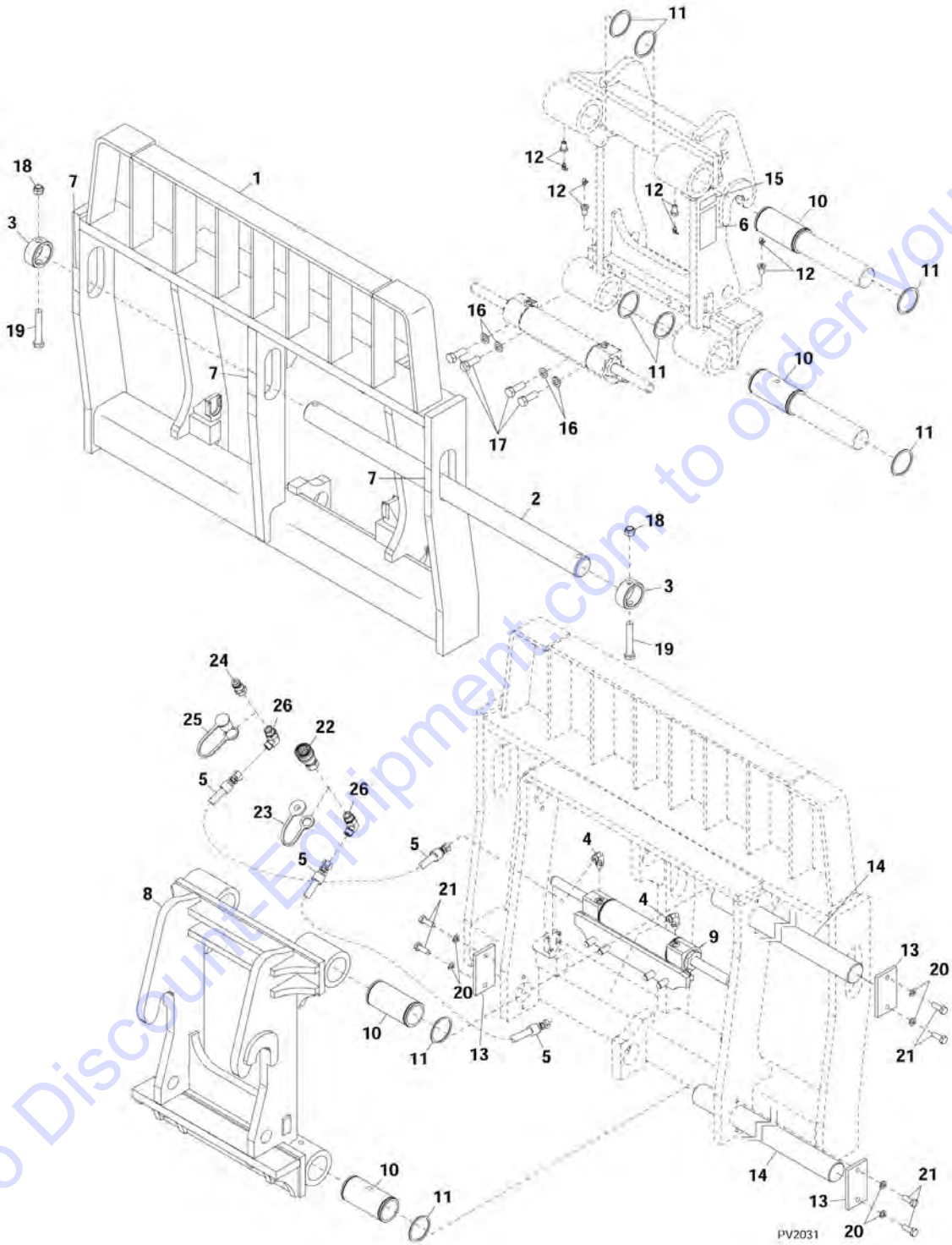
ITEM	PART NUMBER	QTY	DESCRIPTION	REV
	1001108668	1	8FT STANDARD MAST, (includes all items)	B
1	Kit	1	WARNING DECAL	
2	Kit	1	WARNING DECAL	
3	Kit	1	NO STEP DECAL	
4	Kit	1	NO STEP DECAL	
5	Kit	4	HANDS OFF DECAL	
6	1001111190	2	HOSE ROUTING	
6	70023008	1	MAIN LIFT CYLINDER	
7	N.S.S.	1	ROD/PLUNGER	
8	Kit	1	O-RING	
9	Kit	1	PULL WIRE	
10	N.S.S.	1	SPACER	
11	N.S.S.	2	ROLL PIN	
12	N.S.S.	1	BARREL	
13	Kit	1	WIPER	
14	Kit	1	BUSHING	
15	N.S.S.	1	PISTON	
16	Kit	1	NYLON RING	
17	Kit	1	PISTON SEAL	
18	Kit	1	CHECK VALVE	
19	Kit	1	O-RING	
20	Kit	1	WASHER	
21	Kit	1	CIRCLIP	
22	N.S.S.	1	SLEEVE	
23	Kit	1	RETAINING RING	
24	Kit	1	WEAR RING	
25	Kit	1	ROD SEAL	
26	70023004	1	RETAINER/GLAND	
27	70023014	24	SHIM	
28	70022987	8	BALL BEARING	
29	Kit	2	WASHER SHIM	
30	70023016	1	SNAP RING	
31	70022969	2	SHEAVE ASSY	
32	70022960	2	CHAIN ANCHOR	
33	70022957	8	NUT, 0.625-18UNF	
34	70022993	4	COTTER PIN	
35	70022995	2	CHAIN ANCHOR	
36	70022984	1	SHEAVE SHAFT	
37	70022970	2	RETAINER BAR	
38	70023003	2	FLAT HD CAPSCREW	
39	70022994	4	CHAIN ANCHOR PIN	
40	70022992	8	COTTER PIN	
41	70022985	1	SHEAVE SHAFT	
43	70023009	2	LIFT CHAIN	
44	70022932	1	PO CHECK VALVE ASSY, (includes items 45, 46 & 47)	
45	N.S.S.	1	MANIFOLD	
46	70022931	1	PO CHECK VALVE CARTRIDGE	
47	70023010	1	P.O. CHECK	
48	70022934	3	FITTING, 90	
49	70022936	1	FLOW LIMITER	

SECTION 3 - ATTACHMENTS

ITEM	PART NUMBER	QTY	DESCRIPTION	REV
50	70022937	1	FITTING, 45	
51	70022949	2	LOCKWASHER, M10	
52	70022950	2	HEX SOCKET CAPSCREW	
53	70022942	1	HOSE ASSY	
54	70022952	1	HOSE ASSY	
55	91403414	1	MALE QUICK DISCONNECT COUPLING	
56	91043126	1	DUST CAP	
58	70022939	1	STRAIGHT FITTING, #6	
59	91403413	1	FEMALE QUICK DISCONNECT COUPLING	
60	91043125	1	DUST PLUG	
61	70022935	1	ELBOW, STRAIGHT THREAD	
62	70022946	1	HOSE ASSY	
63	70022949	4	LOCKWASHER, M10	
64	70022980	2	FORK PIN KEEPER	
65	70022998	4	CAPSCREW, M10X20 LG	
66	70022990	1	FORK PIN	
101	N.S.S.	1	SN PLATE	
K1	70023925	1	DECAL KIT, (includes items 1 thru 6)	
K2	70023005	1	SEAL KIT, MAIN LIFT CYLINDER, (includes items 8, 9, 13, 14, 16, 17, 19, 21, 23, 24 & 25)	
K3	70023006	1	CHECK VALVE KIT, (includes items 18, 19, 20, 21 & 23)	
K4	70023007	1	SHIM KIT	
K5	70023015	1	MAST COMMON PARTS KIT, (includes items 27 thru 42)	

SECTION 3 - ATTACHMENTS

FIGURE 3-23. 50IN SIDE SHIFT CARRIAGE (SN 0160037788 to Present)



SECTION 3 - ATTACHMENTS

FIGURE 3-23. 50IN SIDE SHIFT CARRIAGE (SN 0160037788 to Present)

ITEM	PART NUMBER	QTY	DESCRIPTION	REV
	1001142790	1	50IN SIDE SHIFT CARRIAGE, (includes all items)	B
1	N.S.S.	1	WELDMENT	
2	70024535	1	SHAFT	
3	70024536	2	COLLAR	
4	70024123	2	ADAPTER, 90, (includes o-ring)	
5	70024537	2	HOSE ASSEMBLY	
6	N.S.S.	1	SN PLATE	
7	70024538	3	WARNING DECAL	
8	N.S.S.	1	WELDMENT	
9		Ref	50IN SIDE SHIFT CYLINDER, (See HYDRAULIC COMPONENTS SECTION for Breakdown)	
10	70024540	4	BUSHING	
11	70024541	8	CIRCLIP	
12	70024542	4	GREASE FITTING	
13	70024543	4	RETAINER	
14	70024544	2	SHAFT	
15	N.S.S.	1	SN PLATE	
16	70024551	4	LOCKWASHER, 16MM	
17	70024552	4	HEX HD CAPSCREW, M16X45, GR10.9	
18	70024553	2	HEX NUT, M16, GR8	
19	70024554	2	HEX HD CAPSCREW, M16X100, GR10.9	
20	70022997	8	LOCKWASHER, 12MM	
21	70024555	8	HEX HD CAPSCREW, M12X35, GR10.9	
22	91403413	1	FEMALE QUICK DISCONNECT	
23	8420055	1	DUST PLUG	
24	91403414	1	MALE QUICK DISCONNECT	
25	8420053	1	DUST CAP	
26	70024550	2	ADAPTER, 90, (includes o-ring)	
K1	70024545	1	HYDRAULIC REPAIR KIT, (includes items 5, 22 thru 26)	B
K2	70024546	1	RETAINER KIT, (includes items 13, 20 & 21)	B

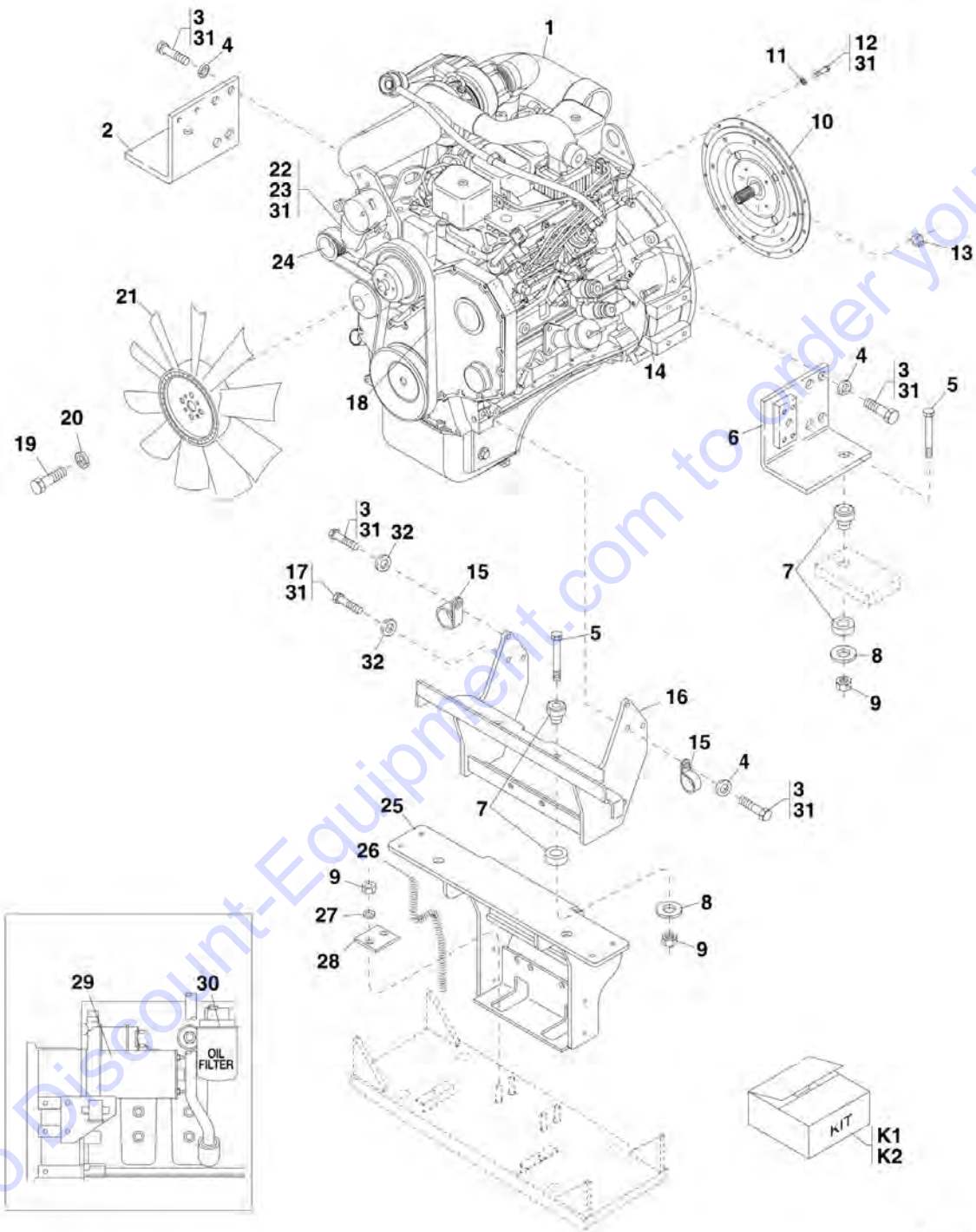
SECTION 4 - ENGINE AND ATTACHING PARTS

SECTION 4 - ENGINE AND ATTACHING PARTS

Go to Discount-Equipment.com to order your parts

SECTION 4 - ENGINE AND ATTACHING PARTS

FIGURE 4-1. ENGINE MOUNTING (SN 14834 through 19988, SN 0160002345 through 0160004109)



PA3444

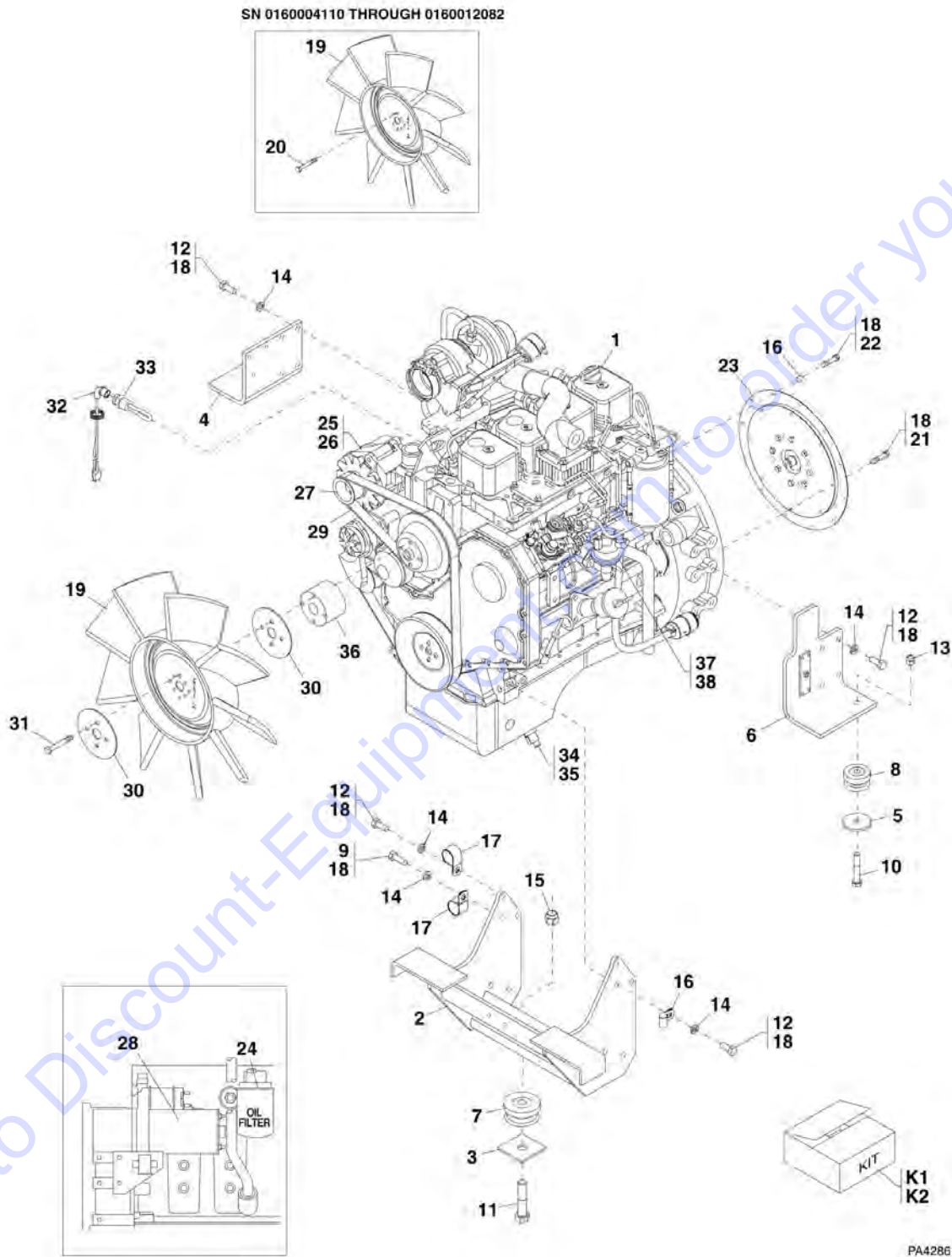
SECTION 4 - ENGINE AND ATTACHING PARTS

FIGURE 4-1. ENGINE MOUNTING (SN 14834 through 19988, SN 0160002345 through 0160004109)

ITEM	PART NUMBER	QTY	DESCRIPTION	REV
1	8262318	1	CUMMINS ENGINE, 4BT 3.9 TURBO (SN 14834 through 17390)	AJ
1	8262166	1	CUMMINS ENGINE, 4BT 3.9 TURBO (SN 17391 through 0160004109)	K
2	7095272	1	LH ENGINE MOUNT	
3	8303790	12	HEX HD CAPSCREW, M12X1.75X30MM	
4	8307025	14	LOCKWASHER, M12	
5	8310290	4	HEX HD CAPSCREW, 1/2-13X3-1/2, GR8	
6	7138881	4	RH ENGINE MOUNT	
7	8278032	4	ENGINE ISOLATOR	
8	7095831	4	REBOUND WASHER	
9	8305644	8	HEX LOCKNUT, 1/2-13	
10		Ref	ISOLATION COUPLER ASSY, (See ISOLATION COUPLER for Breakdown)	
11	8307023	12	LOCKWASHER, M10 (SN 14834 through 19765)	
12	8303784	12	HEX HD CAPSCREW, M10X1.5X20MM	
13	8305645	8	HEX LOCKNUT, 3/8-16 (SN 14834 through 19765)	
13	8305630	8	HEX LOCKNUT, M10X1.5 (SN 19766 through 19988, SN 0160002345 through 0160004109)	
14	8303679	8	HEX HD CAPSCREW, 3/8-16X1-3/4, GR5 (SN 14834 through 19765)	
14	8310747	8	HEX HD CAPSCREW, M10X1.5X70MM, PC8.8 (SN 19766 through 19988, SN 0160002345 through 0160004109)	
15	8406302	2	HOSE CLAMP, 1-1/4 DIA	
16	7139587	1	ENGINE MOUNT	
17	8303519	2	HEX HD CAPSCREW, M12X1.75X35MM	
18	8080613	1	ENGINE FAN BELT	
19	8310424	4	HEX HD CAPSCREW, M8X1.25X90MM	
20	8307222	4	FLAT WASHER, M8	
21	8272017	1	FAN	
22	8270221	1	BOSCH ALTERNATOR	
23	8270220	1	ALTERNATOR FAN, (not shown)	
24	80974028	1	ALTERNATOR PULLEY	
25	7139591	1	ENGINE/RADIATOR MOUNT	
26	7124331	AR	CONDUIT, 1/2 DIA, (60in cut to fit)	
27	8307112	4	PLAIN WASHER, 1/2	
28	7139595	2	ENGINE HOLD DOWN PLATE	
29	8033340	1	12V STARTER, (includes solenoid)	
30	8320262	1	ENGINE OIL FILTER	
31	8526007	AR	LOCTITE 242, (apply to items 3, 12, 17 & 22)	
32	8307220	3	PLAIN WASHER, M12	
K1	1001128949	1	250 HOUR FILTER KIT, (includes primary and secondary air filters, fuel strainer, fuel filter and oil filter) (SN 14834 through 19983)	
K1	1001128951	1	250 HOUR FILTER KIT, (includes primary and secondary air filters, fuel strainer, fuel filter and oil filter) (SN 0160002345 through 0160004109, Including 19988)	
K2	8024016	1	1000 HOUR FILTER KIT, (includes primary and secondary air filters, fuel strainer, fuel filter, oil filter, transmission filter, hydraulic oil filter and breather) (SN 14834 through 19983)	
K2	1001128950	1	1000 HOUR FILTER KIT, (includes primary and secondary air filters, fuel strainer, fuel filter, oil filter, transmission filter, hydraulic oil filter and breather) (SN 0160002345 through 0160004109, Including 19988)	

SECTION 4 - ENGINE AND ATTACHING PARTS

FIGURE 4-2. ENGINE MOUNTING (SN 0160004110 through 0160039337, Excluding 0160024571 and 0160037911)



SECTION 4 - ENGINE AND ATTACHING PARTS

FIGURE 4-2. ENGINE MOUNTING (SN 0160004110 through 0160039337, Excluding 0160024571 and 0160037911)

ITEM	PART NUMBER	QTY	DESCRIPTION	REV
1	2000218	1	CUMMINS ENGINE, 99HP, TIER 2	
2	4340809	1	ENGINE MOUNT	
3	7054351	1	LORD MOUNT WASHER	
4	7095272	1	LH ENGINE MOUNT	
5	7095831	2	REBOUND WASHER	
6	4341004	1	RH ENGINE MOUNT	
7	8278007	1	RUBBER MOUNT	
8	8278012	2	CENTER BONDED MOUNT	
9	0701215	1	HEX HD CAPSCREW, M12X1.75X35MM, PC8.8	
10	8303702	2	HEX HD CAPSCREW, 1/2-13X3, GR5	
11	8303724	1	HEX HD CAPSCREW, 3/4-10X3-1/2, GR5	
12	0701214	13	HEX HD CAPSCREW, M12X1.75X30MM, PC8.8	
13	8305644	2	HEX LOCKNUT, 1/2-13	
14	8307025	14	LOCKWASHER, M12	
15	8310067	1	HEX LOCKNUT, 3/4-10	
16	8406105	4	CLIP TUBE, 3/4	
17	8406302	2	HOSE CLAMP	
18	8526007	AR	LOCTITE 242, (apply to items 9, 12 & 22)	
19	8272027	1	FAN, 9-BLADE, 21IN	
20	8310705	NLA	HEX HD CAPSCREW, M10X1.5X75MM, PC8.8, (no longer available, use items 30 & 31 for replacement) (SN 0160004110 through 0160012082)	
21	8303755	8	HEX HD CAPSCREW, M10X1.5X30MM, PC8.8	
22	8303784	12	HEX HD CAPSCREW, M10X1.5X20MM, PC8.8	
23		Ref	ISOLATION COUPLER ASSY, (See ISOLATION COUPLER for Breakdown)	
24	8320275	1	ENGINE OIL FILTER	
25	7029268	NLA	ALTERNATOR, (no longer available, use following Kit 2915170 and Alternator 7029525 for replacement) (SN 0160004110 through 0160014860)	
25	2915170	1	ALTERNATOR SERVICE KIT	
25	7029525	1	ALTERNATOR (SN 0160014897 through 0160039337, Excluding 0160024571 and 0160037911)	
26	7029269	1	ALTERNATOR FAN (SN 0160004110 through 0160014860)	
27	80974028	1	ALTERNATOR PULLEY	
28	7026666	1	STARTER	
29	7029270	1	ENGINE FAN BELT	
30	3575947	2	FAN HUB PLATE (SN 0160012151 through 0160039337, Excluding 0160024571 and 0160037911)	
31	8310354	4	HEX HD CAPSCREW, M10-1.5X80MM, PC8.8 (SN 0160012151 through 0160039337, Excluding 0160024571 and 0160037911)	
32	7029829	1	COOLANT HEATER CABLE	
33	7029830	1	COOLANT HEATER	
34	70020210	1	OIL CONTROL VALVE	
35	70020211	1	SEALING WASHER	
36	7028783	1	FAN SPACER	
37	7029991	1	TRANSFER FUEL PUMP	
38	1321797	1	COVER PLATE GASKET, TRANSFER FUEL PUMP	
K1	2915034	1	250 HOUR FILTER KIT, (includes primary and secondary air filters, fuel strainer, fuel filter and oil filter)	
K2	2915036	1	1000 HOUR FILTER KIT, (includes primary and secondary air	

SECTION 4 - ENGINE AND ATTACHING PARTS

ITEM	PART NUMBER	QTY	DESCRIPTION	REV
			filters, fuel strainer, fuel filter, oil filter, transmission filter, hydraulic oil filter and breather)	

Go to Discount-Equipment.com to order your parts

PARTS FINDER

**Search Website
by Part Number**



**Search Manual
Library For Parts
Manual & Lookup Part
Numbers – Purchase
or Request Quote**

**Can't Find Part or
Manual? Request Help
by Manufacturer,
Model & Description**

Discount-Equipment.com is your online resource for quality parts & equipment.

Florida: **561-964-4949** Outside Florida TOLL FREE: **877-690-3101**

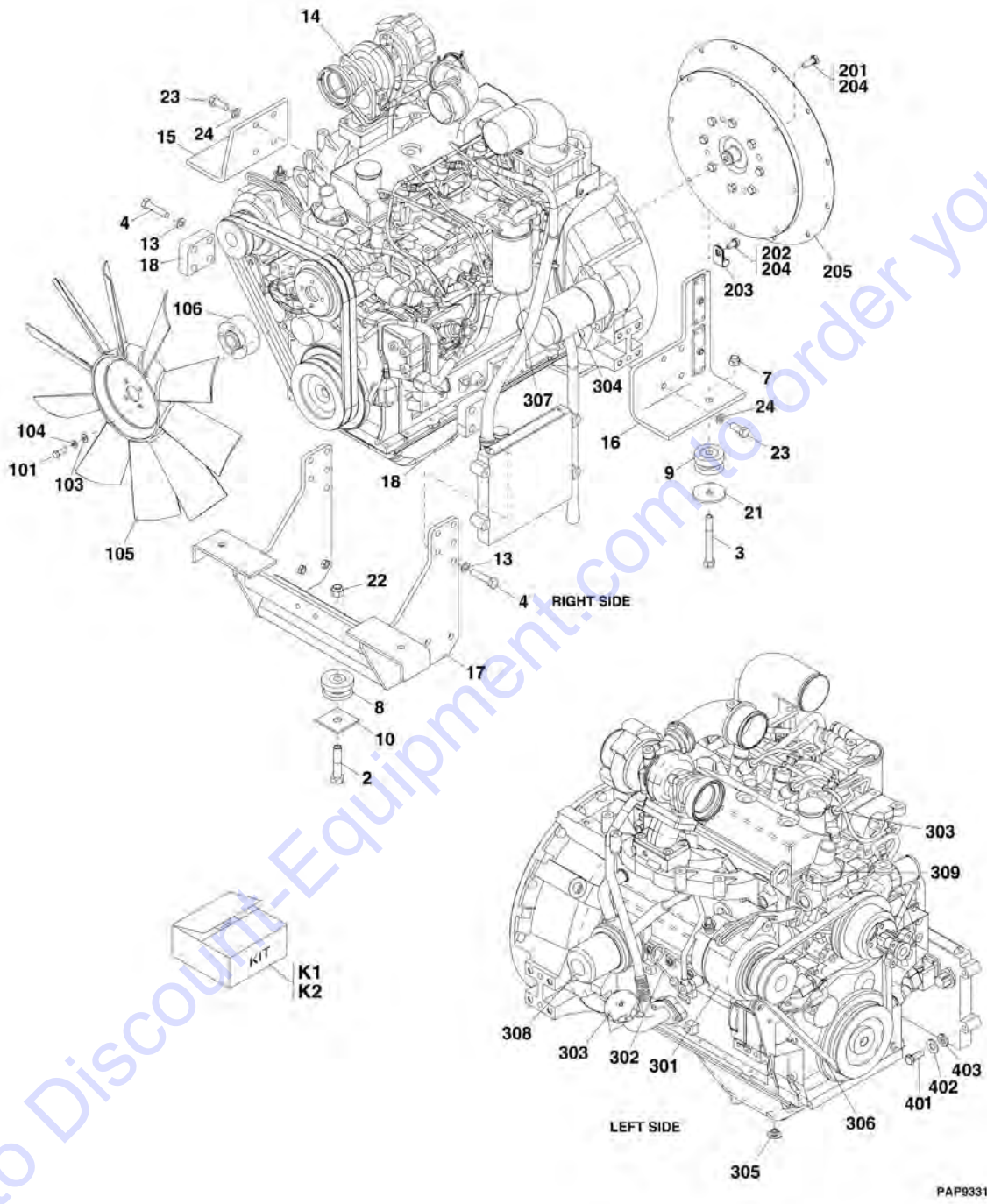
Need parts?

Click on this link: <http://www.discount-equipment.com/category/5443-parts/> and choose one of the options to help get the right parts and equipment you are looking for. Please have the machine model and serial number available in order to help us get you the correct parts. If you don't find the part on the website or on one of the online manuals, please fill out the request form and one of our experienced staff members will get back to you with a quote for the right part that your machine needs.

We sell worldwide for the brands: Genie, Terex, JLG, MultiQuip, Mikasa, Essick, Whiteman, Mayco, Toro Stone, Diamond Products, Generac Magnum, Airman, Haulotte, Barreto, Power Blanket, Nifty Lift, Atlas Copco, Chicago Pneumatic, Allmand, Miller Curber, Skyjack, Lull, Skytrak, Tsurumi, Husquvarna Target, Stow, Wacker, Sakai, Mi-T-M, Sullair, Basic, Dynapac, MBW, Weber, Bartell, Bennar Newman, Haulotte, Ditch Runner, Menegotti, Morrison, Contec, Buddy, Crown, Edco, Wyco, Bomag, Laymor, EZ Trench, Bil-Jax, F.S. Curtis, Gehl Pavers, Heli, Honda, ICS/PowerGrit, IHI, Partner, Imer, Clipper, MMD, Koshin, Rice, CH&E, General Equipment, Amida, Coleman, NAC, Gradall, Square Shooter, Kent, Stanley, Tamco, Toku, Hatz, Kohler, Robin, Wisconsin, Northrock, Oztec, Toker TK, Rol-Air, APT, Wylie, Ingersoll Rand / Doosan, Innovatech, Con X, Ammann, Mecalac, Makinex, Smith Surface Prep, Small Line, Wanco, Yanmar

SECTION 4 - ENGINE AND ATTACHING PARTS

FIGURE 4-3. ENGINE MOUNTING (SN 0160039338 to Present, Including 0160024571 and 0160037911)



SECTION 4 - ENGINE AND ATTACHING PARTS

FIGURE 4-3. ENGINE MOUNTING (SN 0160039338 to Present, Including 0160024571 and 0160037911)

ITEM	PART NUMBER	QTY	DESCRIPTION	REV
	1001096428	1	ENGINE ASSY, (includes items 2 thru 24)	H
2	0682228	1	HEX HD CAPSCREW, 3/4-10X3-1/2, GR8, (torque to 340 lb-ft)	
3	0681826	2	HEX HD CAPSCREW, 1/2-13X3-1/4, GR8, (torque to 95 lb-ft)	
4	0711019	8	HEX HD CAPSCREW, 10X55MM, GR10.9, (torque to 80-88 lb-ft)	
7	8305644	2	HEX LOCKNUT, 1/2-13	
8	8278007	1	ENGINE MOUNT	
9	8278012	2	ENGINE MOUNT	
10	7054351	1	WASHER	
13	4832000	8	SPRING LOCKWASHER, 10MM	
14	1001095710	1	CUMMINS ENGINE, 99HP, TIER III, (includes items 301 thru 309) (Prior to SN 0160044478)	G
14	1001137288	1	CUMMINS ENGINE, (includes items 301 thru 309) (SN 0160044478 to Present)	A
15	1001096459	1	LH ENGINE MOUNT	
16	1001096462	1	RH ENGINE MOUNT	
17	1001096479	1	REAR ENGINE BRACKET	
18	1001097566	2	ENGINE MOUNT SPACER	
20	0100011	AR	LOCTITE 242	
21	7095831	2	WASHER	
22	8310067	1	HEX LOCKNUT, 3/4-10	
23	8303790	8	HEX HD CAPSCREW, M12X30MM	
24	4832100	8	SPRING LOCKWASHER	
	1001129749	1	ENGINE FAN ASSY, (includes items 101 thru 106)	A
101	0710819	4	HEX HD CAPSCREW, 8X25MM, GR8.8	
103	4811900	4	WASHER, 8MM	
104	4831900	4	SPRING LOCKWASHER, 8MM	
105	1001098559	1	FAN	
106	1001128058	1	FAN SPACER	
	7301500	1	COUPLER INSTALL, (includes items 201 thru 205)	AA
201	8303755	8	HEX HD CAPSCREW, 10X1.5X30MM, GR8.8, (torque to 54-61 Nm)	
202	8303784	12	HEX HD CAPSCREW, 10X1.5X20MM, GR8.8, (torque to 54-61 Nm)	
203	8406105	1	TUBE CLIP	
204	8526007	AR	LOCTITE 242	
205		Ref	COUPLER, (See ISOLATION COUPLER for Breakdown)	
301	70021849	1	ALTERNATOR	
302	70021854	1	DIPSTICK	
303	70022842	1	OIL CAP, UPPER	
303	70022843	1	OIL CAP, LOWER	
304	70021850	1	STARTER	
305	70022844	1	OIL PAN PLUG	
305	70022845	1	GASKET	
306	70021852	1	BELT	
307	70022846	1	FUEL FILTER, PRIMARY	
308	8036204	1	OIL FILTER	
309	70021847	1	THERMOSTAT KIT	
309	70021848	1	GASKET	
	1001113422	Ref	ECM INSTALLATION MOUNT, (not available to order, see items 401 thru 403 for service)	B
401	0641514	3	HEX HD CAPSCREW, 5/16-18 x 1 3/4 LG	

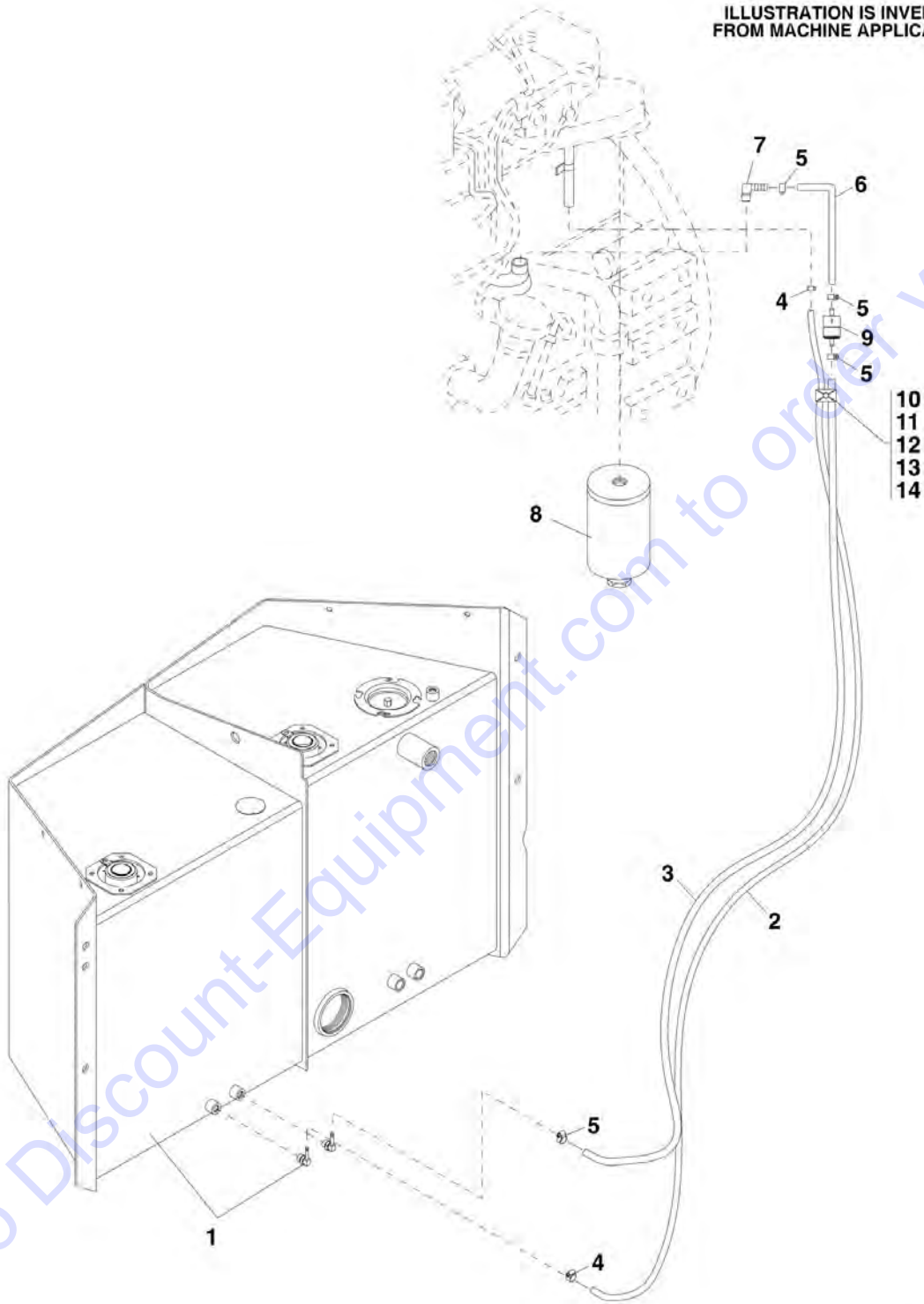
SECTION 4 - ENGINE AND ATTACHING PARTS

ITEM	PART NUMBER	QTY	DESCRIPTION	REV
402	4711500	3	FLAT WASHER	
403	4761500	6	LOCK WASHER	
K1	1001128968	1	250 HOUR FILTER KIT, (includes primary and secondary air filters, fuel strainer, fuel filter and oil filter)	
K2	1001128967	1	1000 HOUR FILTER KIT, (includes primary and secondary air filters, fuel strainer, fuel filter, oil filter, transmission filter, hydraulic oil filter and breather)	

Go to Discount-Equipment.com to order your parts

SECTION 4 - ENGINE AND ATTACHING PARTS

FIGURE 4-4. FUEL SYSTEM (Prior to SN 0160039337, Excluding 0160024571 and 0160037911)



PA3482

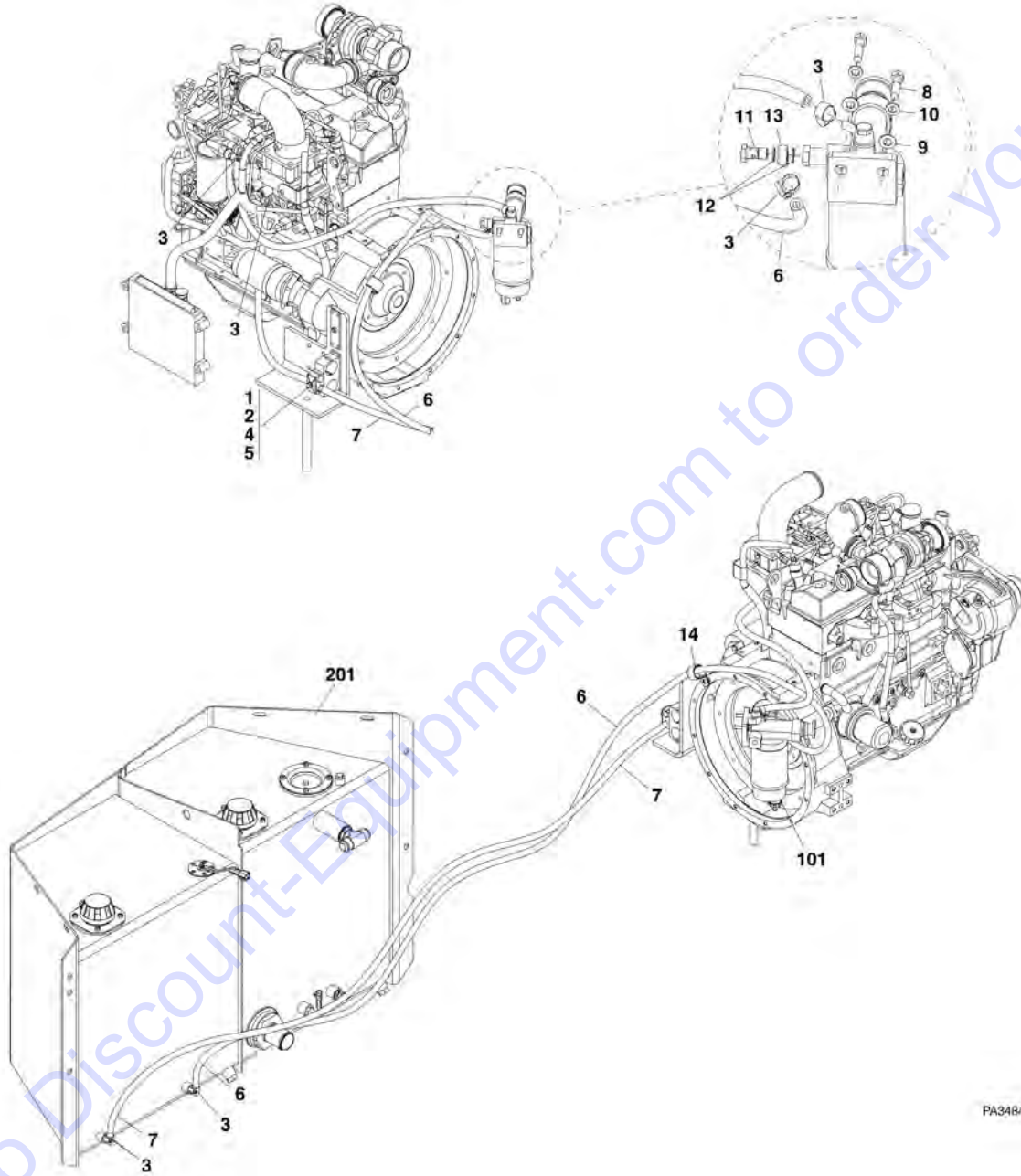
SECTION 4 - ENGINE AND ATTACHING PARTS

FIGURE 4-4. FUEL SYSTEM (Prior to SN 0160039337, Excluding 0160024571 and 0160037911)

ITEM	PART NUMBER	QTY	DESCRIPTION	REV
1		Ref	FUEL/HYDRAULIC TANK ASSY, (See HYDRAULIC COMPONENTS SECTION for Breakdown)	
2	7127081	1	FUEL RETURN HOSE ASSY (SN 14834 through 19987)	
2	7302085	1	FUEL RETURN HOSE ASSY (SN 0160002345 through 0160039337, Including 19988, Excluding 0160024571 and 0160037911)	
3	2720551	1	FUEL SUPPLY HOSE ASSY	
4	8405009	2	GEAR CLAMP, .62 MAX DIA	
5	8410013	4	GEAR CLAMP, .78 MAX DIA	
6	7127881	1	FUEL SUPPLY HOSE ASSY	
7	8420229	1	ELBOW, 90, HOSE BARB 6-4P	
8	8320270	1	PRIMARY FUEL FILTER (SN 14834 through 19987)	
8	7028838	1	PRIMARY FUEL FILTER (SN 0160002345 through 0160039337, Including 19988, Excluding 0160024571 and 0160037911)	
9	8274022	1	INLINE FUEL FILTER	
10	8303715	1	HEX HD CAPSCREW, 5/16-18X1-1/2, GR5	
11	8307004	1	LOCKWASHER, 5/16	
12	8750015	1	TWIN CLAMP SET, .67IN DIA	
13	8769123	1	TWIN COVER PLATE	
14	8750017	1	LOCKING PLATE FOR TWIN CLAMP (SN 0160033304 through 0160039337, Excluding 0160024571 and 0160037911)	

SECTION 4 - ENGINE AND ATTACHING PARTS

FIGURE 4-5. FUEL SYSTEM (SN 0160039338 to Present, Including 0160024571 and 0160037911)



PA3484

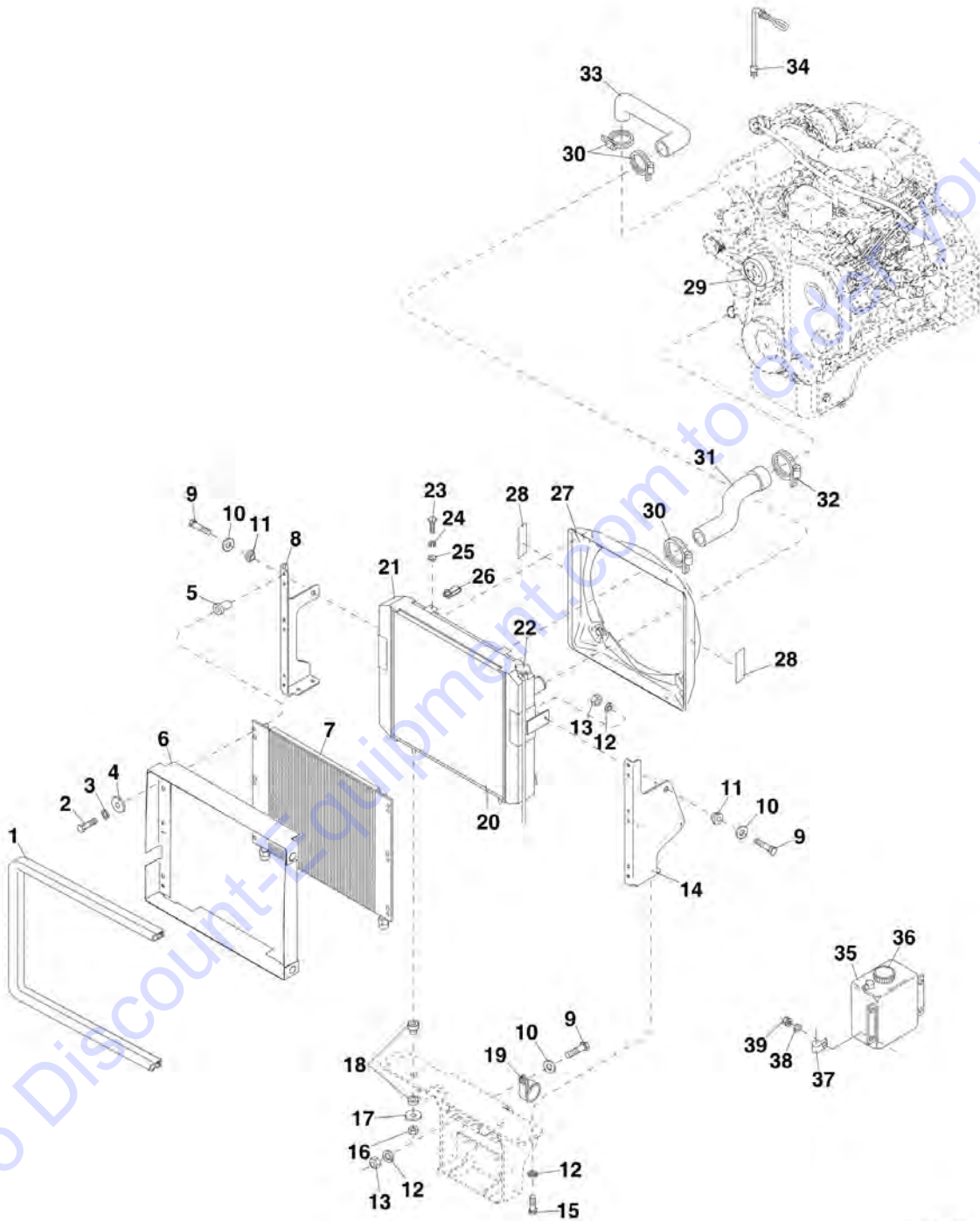
SECTION 4 - ENGINE AND ATTACHING PARTS

FIGURE 4-5. FUEL SYSTEM (SN 0160039338 to Present, Including 0160024571 and 0160037911)

ITEM	PART NUMBER	QTY	DESCRIPTION	REV
	1001097567	Ref	FUEL SYSTEM, (not available to order, see items 1 thru 14 for service)	B
1	8303715	1	HEX HD CAPSCREW, 5/16-18X1-1/2	
2	8307004	1	LOCKWASHER, 5/16	
3	8410013	6	CLAMP	
4	8750015	1	CLAMP SET	
5	8769123	1	COVER PLATE	
6	1001097568	1	FUEL HOSE	
7	1001097569	1	FUEL HOSE	
8	0641612	2	HEX HD CAPSCREW, 3/8-16X1-1/2, GR5	
9	4711600	2	FLAT WASHER, 3/8	
10	4761600	2	LOCKWASHER, 3/8	
11	1001102931	1	BOLT, 14MM	
12	1001102933	2	COPPER RING SEAL	
13	1001113511	1	ADAPTER	
14	8406302	1	HOSE CLAMP	
101	70021851	1	FUEL FILTER	
201		Ref	FUEL/HYDRAULIC TANK ASSY, (See HYDRAULIC COMPONENTS SECTION for Breakdown)	

SECTION 4 - ENGINE AND ATTACHING PARTS

FIGURE 4-6. RADIATOR AND OIL COOLER MOUNTING ASSEMBLY (SN 14834 through 19988, SN 0160002345 through 0160004109)



PA3451

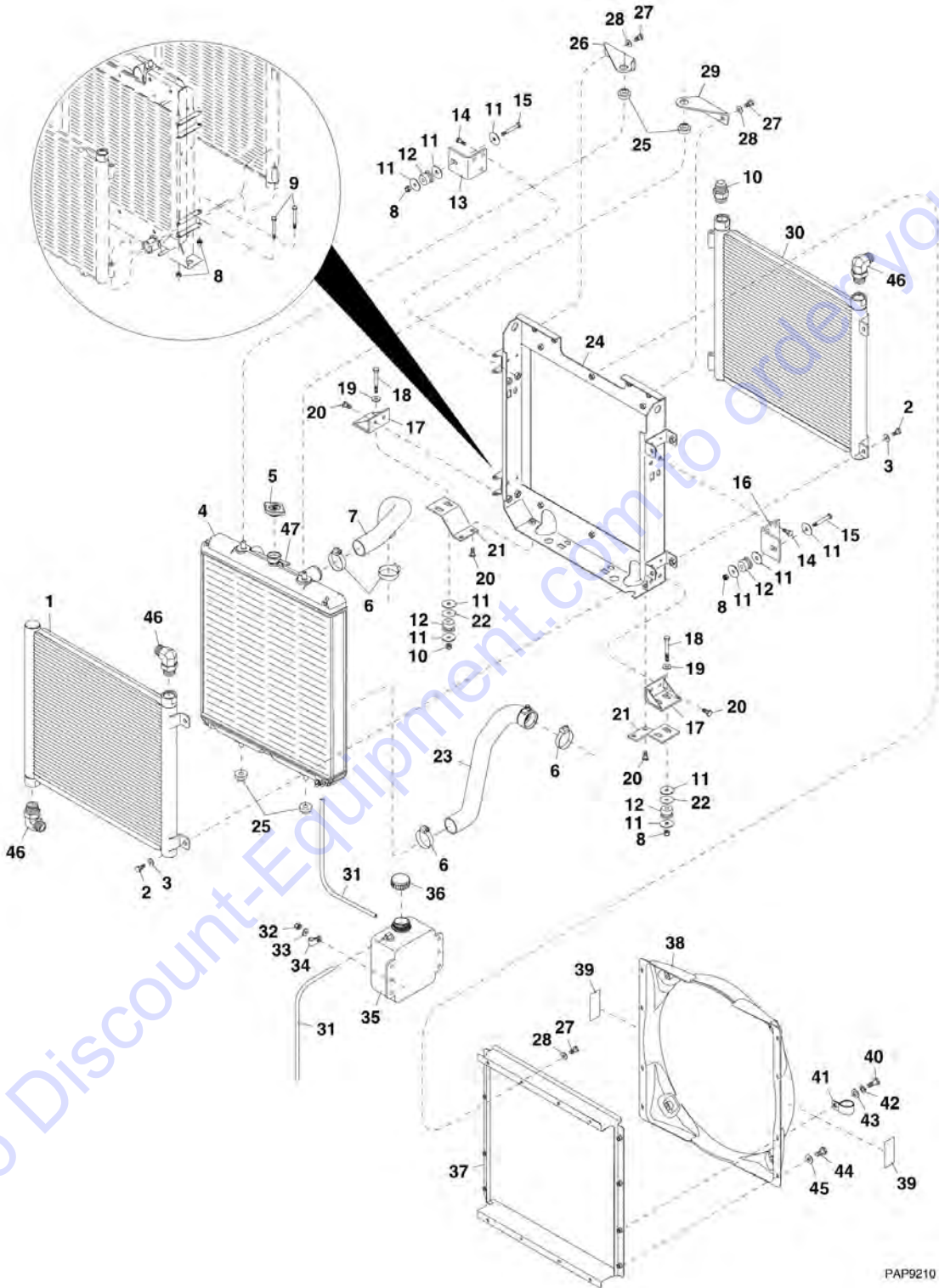
SECTION 4 - ENGINE AND ATTACHING PARTS

FIGURE 4-6. RADIATOR AND OIL COOLER MOUNTING ASSEMBLY (SN 14834 through 19988, SN 0160002345 through 0160004109)

ITEM	PART NUMBER	QTY	DESCRIPTION	REV
1	7139778	1	BULB SEAL	
2	8303743	6	HEX HD CAPSCREW, 1/4-20X1-1/2	
3	8307002	6	LOCKWASHER, 1/4	
4	8307202	6	FLAT WASHER, 1/4	
5	8580420	6	WELL NUT	
6	7139763	1	RADIATOR BAFFLE	
7	7129973	1	OIL COOLER	
8	7139447	1	LH RADIATOR BRACKET ASSY	
9	8303675	3	HEX HD CAPSCREW, 3/8-16X1-1/4, GR5	
10	8307204	3	PLAIN WASHER, 3/8	
11	8278031	2	ISOLATOR RADIATOR MOUNT	
12	8307005	7	LOCKWASHER, 3/8	
13	8305008	3	HEX NUT, 3/8-16	
14	7139446	1	RH RADIATOR BRACKET ASSY	
15	8303620	4	HEX HD CAPSCREW, 3/8-16X1	
16	8305645	2	LOCKNUT, 3/8-16	
17	7057141	2	REBOUND WASHER	
18	8278008	2	RUBBER MOUNT	
19	8406302	1	HOSE CLAMP, 1-1/2 DIA	
20	8024029	1	RADIATOR ASSY KIT, (SN 16307 through 19988 & 0160002345 through 0160004109 includes items 21 thru 28), (SN 14834 through 16307 includes items 21 thru 27 & item 29 must also be ordered for first time order)	
21	N.S.S.	1	RADIATOR, (order item 20)	
22	8180311	1	RADIATOR CAP	
23	8303697	4	HEX HD CAPSCREW, 5/16-18X3/4, GR5	
24	8307004	4	LOCKWASHER, 5/16	
25	8307106	4	PLAIN WASHER, 5/16	
26	8036546	4	SPEED NUT, 5/16-18	
27	8024031	1	RADIATOR SHROUD KIT, (SN 16307 through 19988 & 0160002345 through 0160004109 includes item 28), (SN 14834 through 16307 includes item 28 & item 29 must also be ordered for first time order)	
28		Ref	DECAL, (See DECALS SECTION for Breakdown)	
29	8036544	1	ENGINE FAN SPACER, 1-1/2, (38.1mm)	
30	8405104	3	HOSE CLAMP, 2-1/4	
31	7138515	1	LOWER RADIATOR HOSE	
32	8405203	1	HOSE CLAMP, 3	
33	7126703	1	UPPER RADIATOR HOSE	
34	8277161	1	COOLANT HEATER	
35	7085422	1	RADIATOR OVERFLOW TANK, (includes item 36)	
36	8866341	1	CAP WITH TETHER	
37	8406101	1	HOSE SUPPORT, 5/8	
38	8307109	2	FLAT WASHER, 1/4	
39	8305624	2	HEX LOCKNUT, 1/4	

SECTION 4 - ENGINE AND ATTACHING PARTS

FIGURE 4-7. RADIATOR AND OIL COOLER MOUNTING ASSEMBLY (SN 0160004110 through 0160010807)



SECTION 4 - ENGINE AND ATTACHING PARTS

FIGURE 4-7. RADIATOR AND OIL COOLER MOUNTING ASSEMBLY (SN 0160004110 through 0160010807)

ITEM	PART NUMBER	QTY	DESCRIPTION	REV
1	8180216	1	TRANSMISSION OIL COOLER ASSY	
2	8303798	8	HEX HD CAPSCREW, M10-1.5X25MM, PC8.8	
3	8307221	8	PLAIN WASHER, M10	
4	8036816	1	RADIATOR ASSY	
5	8180311	1	RADIATOR PRESSURE CAP, 13PSI	
6	8405104	4	HOSE CLAMP, #28	
7	7301833	1	UPPER RADIATOR HOSE	
8	8305645	8	HEX NUT, 3/8-16	
9	8303107	4	HEX HD CAPSCREW, 3/8-16X3-1/4	
10	8770078	1	STRAIGHT CONNECTOR	
11	7057141	AR	FLAT REBOUND WASHER	
12	8278020	4	RUBBER ISOLATOR MOUNT	
13	7301649	1	UPPER LEFT RADIATOR SUPPORT BRACKET	
14	8303798	6	HEX HD CAPSCREW, M10-1.5X25MM, PC8.8	
15	8303106	2	HEX HD CAPSCREW, 3/8-16X2-1/5, GR5	
16	7301648	1	UPPER RIGHT RADIATOR SUPPORT BRACKET	
17	7301653	2	LOWER RADIATOR SUPPORT BRACKET	
18	8303704	2	HEX HD CAPSCREW, 3/8-16X3, GR5	
19	8310200	2	PLAIN WASHER, 3/8	
20	8303784	6	HEX HD CAPSCREW, M10-1.5X20MM, PC8.8	
21	7301651	2	LOWER RADIATOR MOUNT BRACKET	
22	8310246	AR	FENDER WASHER, .375X.048X1.5	
23	2720555	1	LOWER RADIATOR HOSE	
24	8036812	1	FRAME ASSY	
25	8180324	4	RUBBER CUSHION	
26	8180326	1	LEFT FRAME BRACKET	
27	8303606	12	HEX HD CAPSCREW, M8-1.25X22MM, PC8.8	
28	8307222	12	PLAIN WASHER, M8	
29	8180325	1	RIGHT FRAME BRACKET	
30	8180215	1	HYDRAULIC OIL COOLER ASSY	
31	8180335	1	OVERFLOW TANK HOSE, 75MM LG	
32	8305624	2	HEX LOCKNUT, 1/4-20	
33	8307109	2	PLAIN WASHER, 1/4	
34	8406101	1	TUBE CLIP, 5/8	
35	7085422	1	OVERFLOW TANK, (includes item 36)	
36	8866341	1	OVERFLOW TANK CAP	
37	8180334	NLA	SHROUD SPACER, (no longer available, use kit 2915054 on RADIATOR AND OIL COOLER MOUNTING ASSEMBLY SN 0160010813 through 0160039337 excluding 0160024571 & 0160037911 for replacement)	
38	8024039	NLA	RADIATOR SHROUD, (includes item 39), (no longer available, use kit 2915054 on RADIATOR AND OIL COOLER MOUNTING ASSEMBLY SN 0160010813 through 0160039337 excluding 0160024571 & 0160037911 for replacement)	
39		Ref	MOVING PARTS WARNING DECAL, (See DECALS SECTION for Breakdown)	
40	8303670	1	HEX HD CAPSCREW, 5/16-18X1, GR5	
41	8406302	1	HOSE CLAMP, 1-1/4 DIA	
42	8307004	1	LOCKWASHER, 5/16	
43	8307106	1	PLAIN WASHER, 5/16	

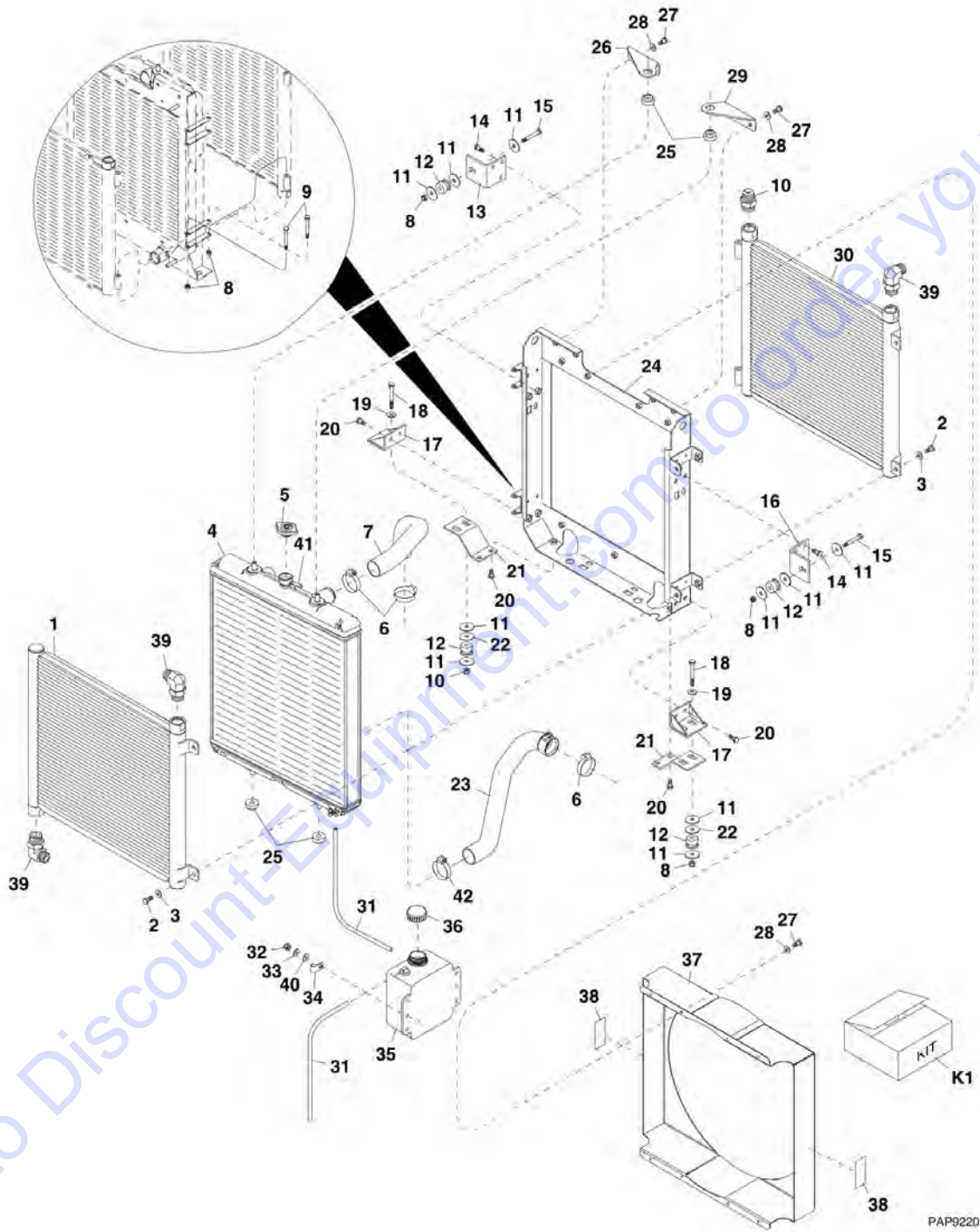
SECTION 4 - ENGINE AND ATTACHING PARTS

ITEM	PART NUMBER	QTY	DESCRIPTION	REV
44	8303656	7	HEX HD CAPSCREW, 5/16-18X7/8	
45	8307106	7	PLAIN WASHER, .312X.344X.688X.065	
46	2131216	3	ELBOW, 90	
47	70023968	1	DRAIN HOSE	

Go to Discount-Equipment.com to order your parts

SECTION 4 - ENGINE AND ATTACHING PARTS

FIGURE 4-8. RADIATOR AND OIL COOLER MOUNTING ASSEMBLY (SN 0160010808 through 0160039337, Excluding 0160024571 and 0160037911)



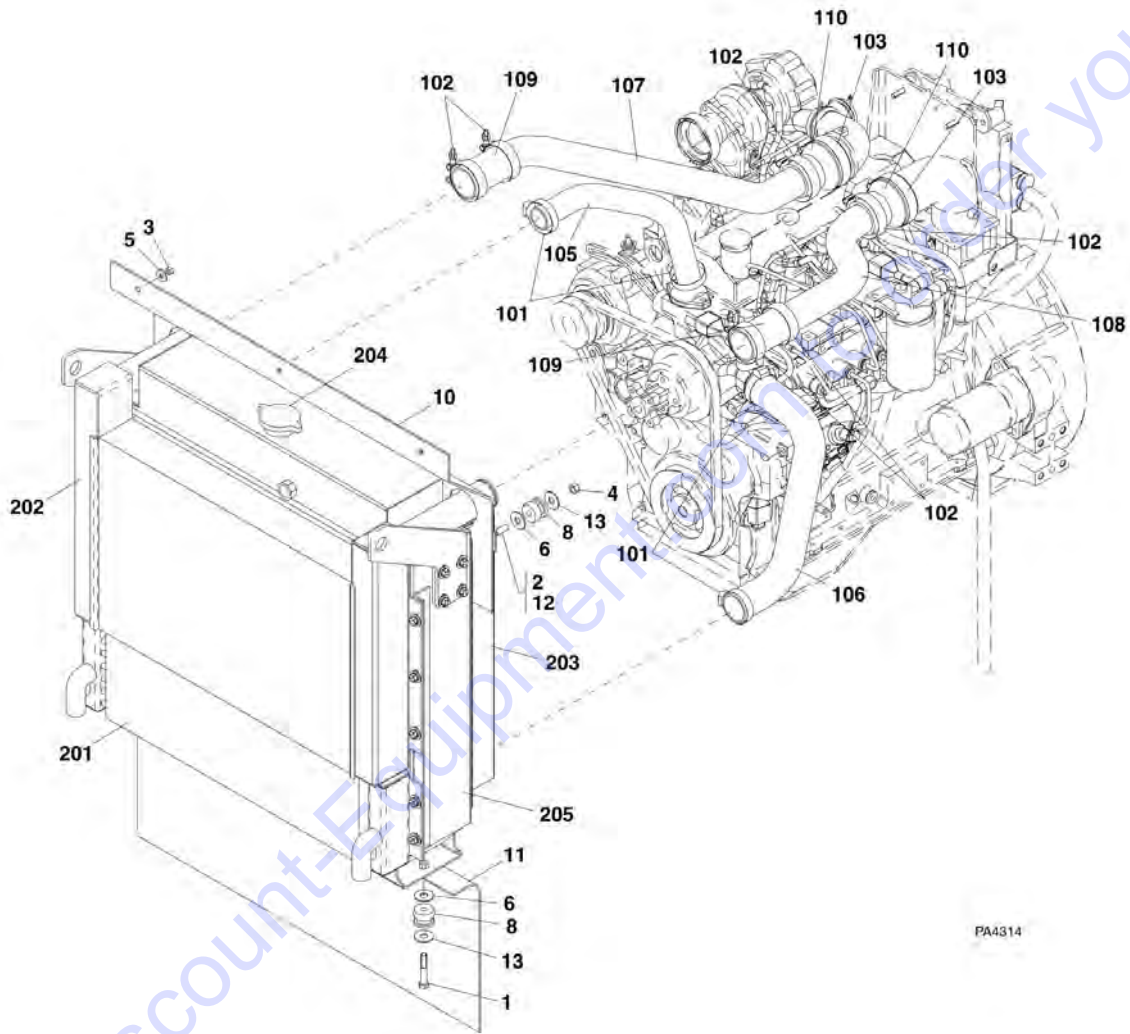
SECTION 4 - ENGINE AND ATTACHING PARTS

FIGURE 4-8. RADIATOR AND OIL COOLER MOUNTING ASSEMBLY (SN 0160010808 through 0160039337, Excluding 0160024571 and 0160037911)

ITEM	PART NUMBER	QTY	DESCRIPTION	REV
	3620059	Ref	RADIATOR ASSY, (includes items 1 thru 5, qty 4 of item 8, 9, 10, 24 thru 31, 37, 39 & 40)	D
1	8180216	1	TRANSMISSION OIL COOLER ASSY	
2	8303798	4	HEX HD CAPSCREW, M10-1.5X25MM, PC8.8, (torque to 25-45 lb-ft)	
3	8307221	4	PLAIN WASHER, M10	
4	8036816	1	RADIATOR	
5	8180311	1	RADIATOR PRESSURE CAP, 13PSI	
6	8405104	3	HOSE CLAMP, #28	
7	7301833	1	UPPER RADIATOR HOSE	
8	8305645	8	HEX NUT, 3/8-16	
9	8303107	4	HEX HD CAPSCREW, 3/8-16X3-1/4, (torque to 13-23 lb-ft)	
10	8770078	1	STRAIGHT CONNECTOR	
11	7057141	AR	FLAT REBOUND WASHER	
12	8278020	4	RUBBER ISOLATOR MOUNT	
13	7301649	1	UPPER LEFT RADIATOR SUPPORT BRACKET	
14	8303798	6	HEX HD CAPSCREW, M10-1.5X25MM, PC8.8	
15	8303106	2	HEX HD CAPSCREW, 3/6-16X2-1/5, GR5	
16	7301648	1	UPPER RIGHT RADIATOR SUPPORT BRACKET	
17	7301653	2	LOWER RADIATOR SUPPORT BRACKET	
18	8303704	2	HEX HD CAPSCREW, 3/8-16X3, GR5	
19	8310200	2	PLAIN WASHER, 3/8	
20	8303784	6	HEX HD CAPSCREW, M10-1.5X20MM, PC8.8	
21	7301651	2	LOWER RADIATOR MOUNT BRACKET	
22	8310246	AR	FENDER WASHER, .375X.048X1.5	
23	2720555	1	LOWER RADIATOR HOSE	
24	8036812	1	FRAME ASSY	
25	8180324	4	RUBBER CUSHION	
26	8180326	1	LEFT FRAME BRACKET	
27	8303606	12	HEX HD CAPSCREW, M8-1.25X22MM, PC8.8	
28	8307222	12	PLAIN WASHER, M8	
29	8180325	1	RIGHT FRAME BRACKET	
30	8180215	1	HYDRAULIC OIL COOLER ASSY	
31	8180335	1	OVERFLOW TANK HOSE, 75MM LG	
32	8305004	2	HEX LOCKNUT, 1/4-20	
33	8307024	2	LOCK WASHER, M6, (Metric)	
34	8406101	1	TUBE CLIP, 5/8	
35	7085422	1	OVERFLOW TANK, (includes item 36)	
36	8866341	1	OVERFLOW TANK CAP	
37	7029005	1	RADIATOR SHROUD	
38		Ref	MOVING PARTS WARNING DECAL, (See DECALS SECTION for Breakdown)	
39	2131216	3	ELBOW, 90	
40	4711400	2	PLAIN WASHER, 1/4	
41	70023968	1	DRAIN HOSE	
42	8405202	1	GEAR CLAMP, 2.75 MAX DIA	
K1	2915054	1	FAN SHROUD KIT, (includes items 6, 23, 27, 28 & 37)	

SECTION 4 - ENGINE AND ATTACHING PARTS

FIGURE 4-9. RADIATOR AND OIL COOLER MOUNTING ASSEMBLY (SN 0160039338 to Present, Including 0160024571 and 0160037911)



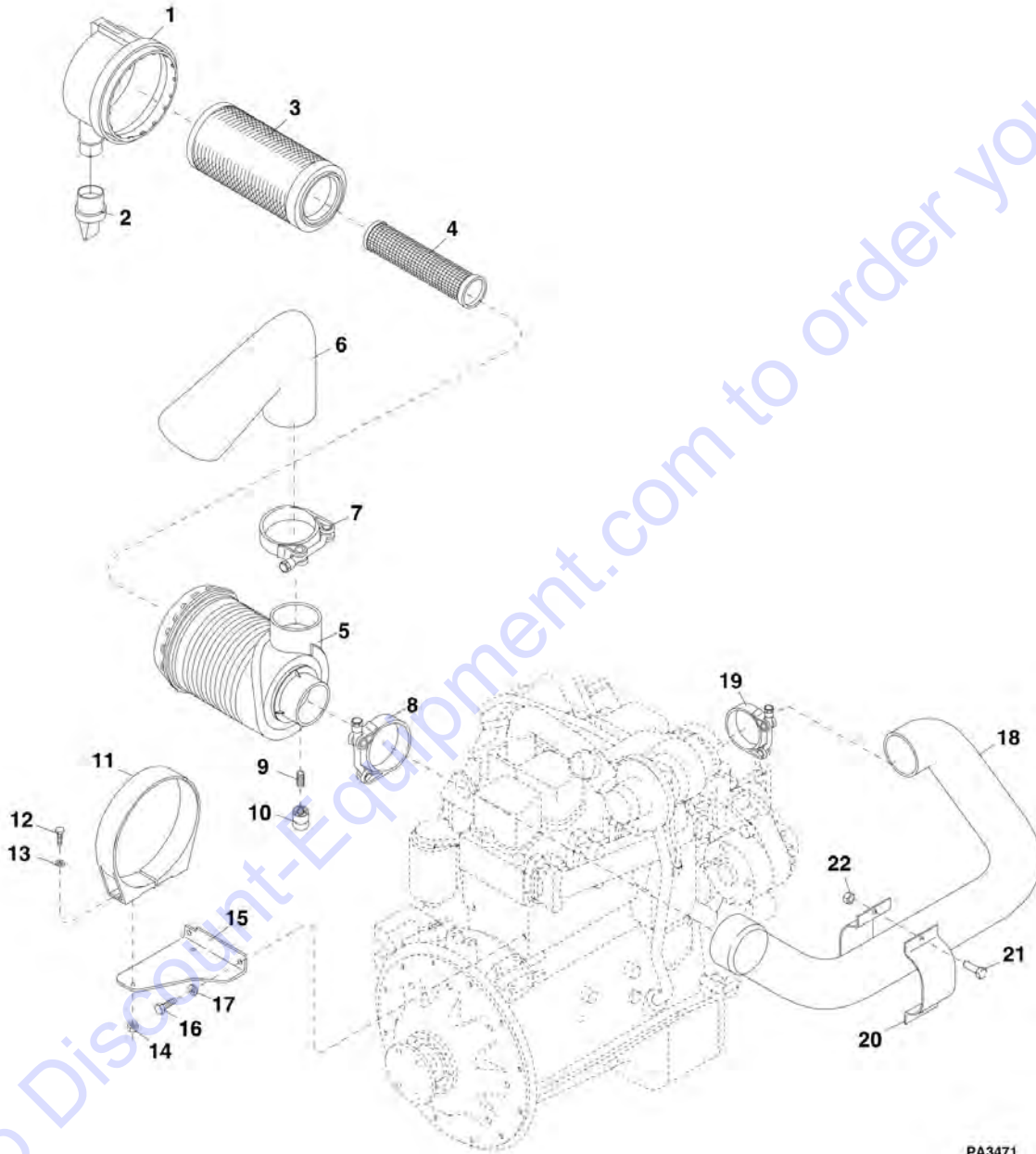
SECTION 4 - ENGINE AND ATTACHING PARTS

**FIGURE 4-9. RADIATOR AND OIL COOLER MOUNTING ASSEMBLY (SN 0160039338 to Present,
Including 0160024571 and 0160037911)**

ITEM	PART NUMBER	QTY	DESCRIPTION	REV
	1001096431	1	RADIATOR ASSY, (includes items 1 thru 12)	B
1	0641618	2	HEX HD CAPSCREW, 3/8-16X2-1/4, GR5	
2	0641616	2	HEX HD CAPSCREW, 3/8-16X2, GR5	
3	3311401	3	LOCKNUT, 1/4-20, GR2	
4	3311605	2	LOCKNUT, 3/8-16, GR2	
5	4740362	3	FENDER WASHER, 1/4	
6	4751700	4	FLAT WASHER, 7/16	
8	8278020	4	MOUNT	
9	1001096432	1	RADIATOR ASSY, (includes items 201 thru 205)	E
10	1001102212	1	UPPER RUBBER AIR DAM	
11	1001102213	1	LOWER RUBBER AIR DAM	
12	4751600	2	FLAT WASHER, 3/8	
13	7057141	4	REBOUND WASHER	
	1001096434	Ref	ENGINE COOLANT PLUMBING INSTALLATION, (not available to order, see items 101 thru 110 for service)	D
101	8405104	4	CLAMP, (torque to 60 lb-ft)	
102	8405209	6	T-BOLT CLAMP	
103	91163129	2	HEAVY DUTY BAND CLAMP, (torque to 60 lb-ft)	
105	1001096435	1	UPPER RADIATOR HOSE	
106	1001096436	1	LOWER RADIATOR HOSE	
107	1001097564	1	PIPE	
108	1001097565	1	PIPE	
109	91563070	2	COUPLING	
110	1001098972	2	REDUCER	
201	70022692	1	HYDRAULIC OIL COOLER	
202	70022693	1	CAC ASSY	
203	70023599	1	SHROUD	
204	70022695	1	RADIATOR CAP	
205	70022696	1	RADIATOR	

SECTION 4 - ENGINE AND ATTACHING PARTS

FIGURE 4-10. AIR CLEANER ASSEMBLY (SN 14384 through 19988, SN 0160002345 through 0160004109)



PA3471

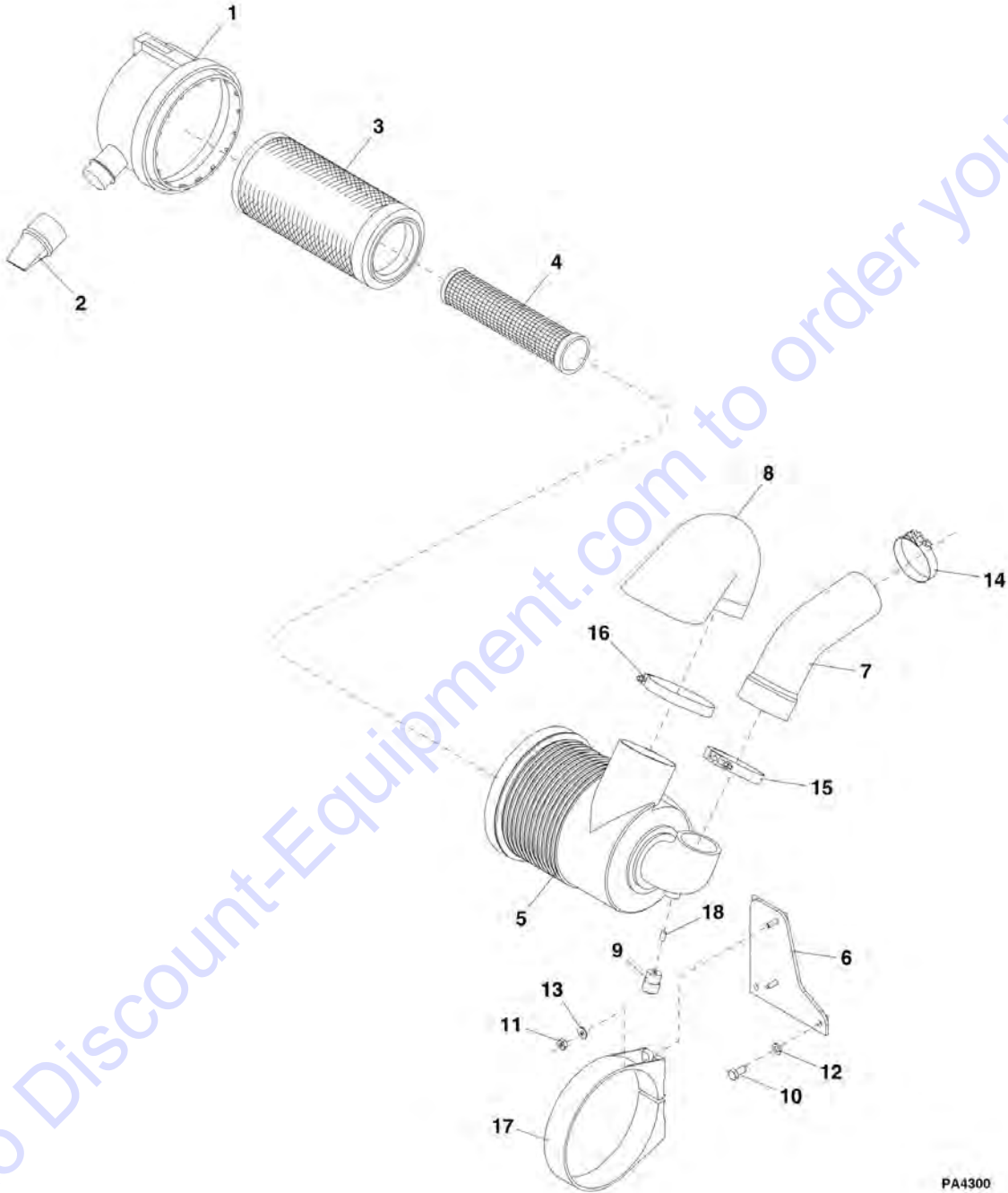
SECTION 4 - ENGINE AND ATTACHING PARTS

FIGURE 4-10. AIR CLEANER ASSEMBLY (SN 14384 through 19988, SN 0160002345 through 0160004109)

ITEM	PART NUMBER	QTY	DESCRIPTION	REV
	8273027	1	AIR CLEANER ASSY, (includes items 1 thru 5)	
1	8036745	1	END COVER	
2	8032398	1	VACUATOR VALVE	
3	80273010	1	PRIMARY ELEMENT	
4	80273042	1	SAFETY ELEMENT	
5	N.S.S.	1	AIR CLEANER BODY	
6	7097323	1	AIR INTAKE SCOOP	
7	8405404	1	T-BOLT BAND CLAMP, 4.38 ID	
8	8405505	1	T-BOLT BAND CLAMP, 4.06 ID	
9	8551001	1	NIPPLE, #2 DIA X 3/4 LG	
10	8273241	1	AIR INTAKE RESTRICTION INDICATOR	
11	8273303	1	AIR CLEANER MOUNTING BAND	
12	8303739	2	HEX HD CAPSCREW, 5/16-18X1-1/4, GR5	
13	8307203	2	FLAT WASHER, 5/16	
14	8305626	2	HEX LOCKNUT, 5/16	
15	7139553	1	AIR CLEANER BRACKET	
16	8303618	2	HEX HD CAPSCREW, M12X25MM	
17	8307025	2	LOCKWASHER, M12	
18	7095393	1	AIR INTAKE HOSE	
19	8405305	1	T-BOLT BAND CLAMP, 3.38 ID	
20	7301006	2	HEAT SHIELD STRAP (SN 17191 through 19988, SN 0160002345 through 0160004109)	
21	8303670	2	HEX HD CAPSCREW, 5/16-18X1, GR5 (SN 17191 through 19988, SN 0160002345 through 0160004109)	
22	8310453	2	HEX NUT, 5/16-18, GR5 (SN 17191 through 19988, SN 0160002345 through 0160004109)	

SECTION 4 - ENGINE AND ATTACHING PARTS

FIGURE 4-11. AIR CLEANER ASSEMBLY (SN 0160004110 through 0160039337, Excluding 0160024571 and 0160037911)



PA4300

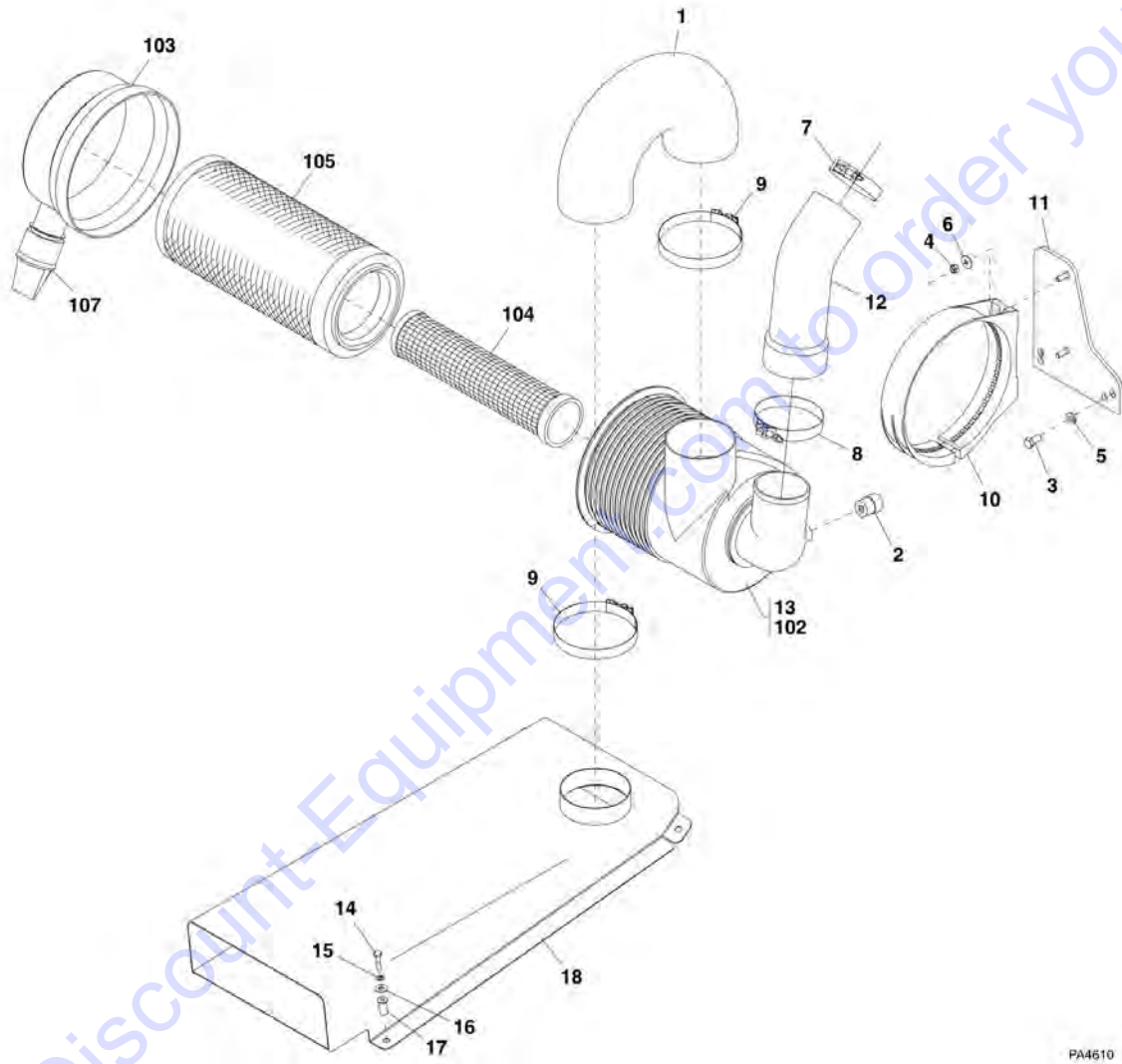
SECTION 4 - ENGINE AND ATTACHING PARTS

FIGURE 4-11. AIR CLEANER ASSEMBLY (SN 0160004110 through 0160039337, Excluding 0160024571 and 0160037911)

ITEM	PART NUMBER	QTY	DESCRIPTION	REV
	10268515	1	AIR CLEANER ASSY, (includes items 1 thru 5)	C
1	91364023	1	COVER ASSY	
2	80373094	1	VACUATOR VALVE	
3	1101312	1	PRIMARY ELEMENT	
4	1101313	1	SAFETY ELEMENT	
5	N.S.S.	1	AIR CLEANER BODY	
6	4340812	1	AIR CLEANER MOUNT	
7	2720549	1	AIR CLEANER HOSE	
8	7300972	1	AIR INTAKE SCOOP	
9	8273241	1	AIR INTAKE RESTRICTION INDICATOR	
10	8303618	2	HEX HD CAPSCREW, M12X1.75X25MM, PC8.8	
11	8305626	2	HEX LOCKNUT, 5/16-18	
12	8307025	2	LOCKWASHER, M12	
13	8307203	2	PLAIN WASHER, 5/16	
14	8405305	1	T-BOLT CLAMP, 3.38 ID	
15	8405505	1	T-BOLT CLAMP	
16	8410021	1	T-BOLT CLAMP, 5.00 ID	
17	10268516	1	MOUNTING BAND	
18	8551001	1	NIPPLE, #2 DIA X 3/4 LG	

SECTION 4 - ENGINE AND ATTACHING PARTS

FIGURE 4-12. AIR CLEANER ASSEMBLY (SN 0160039338 to Present, Including 0160024571 and 0160037911)



PA4610

Go to Discount-Equipment.com to order your parts

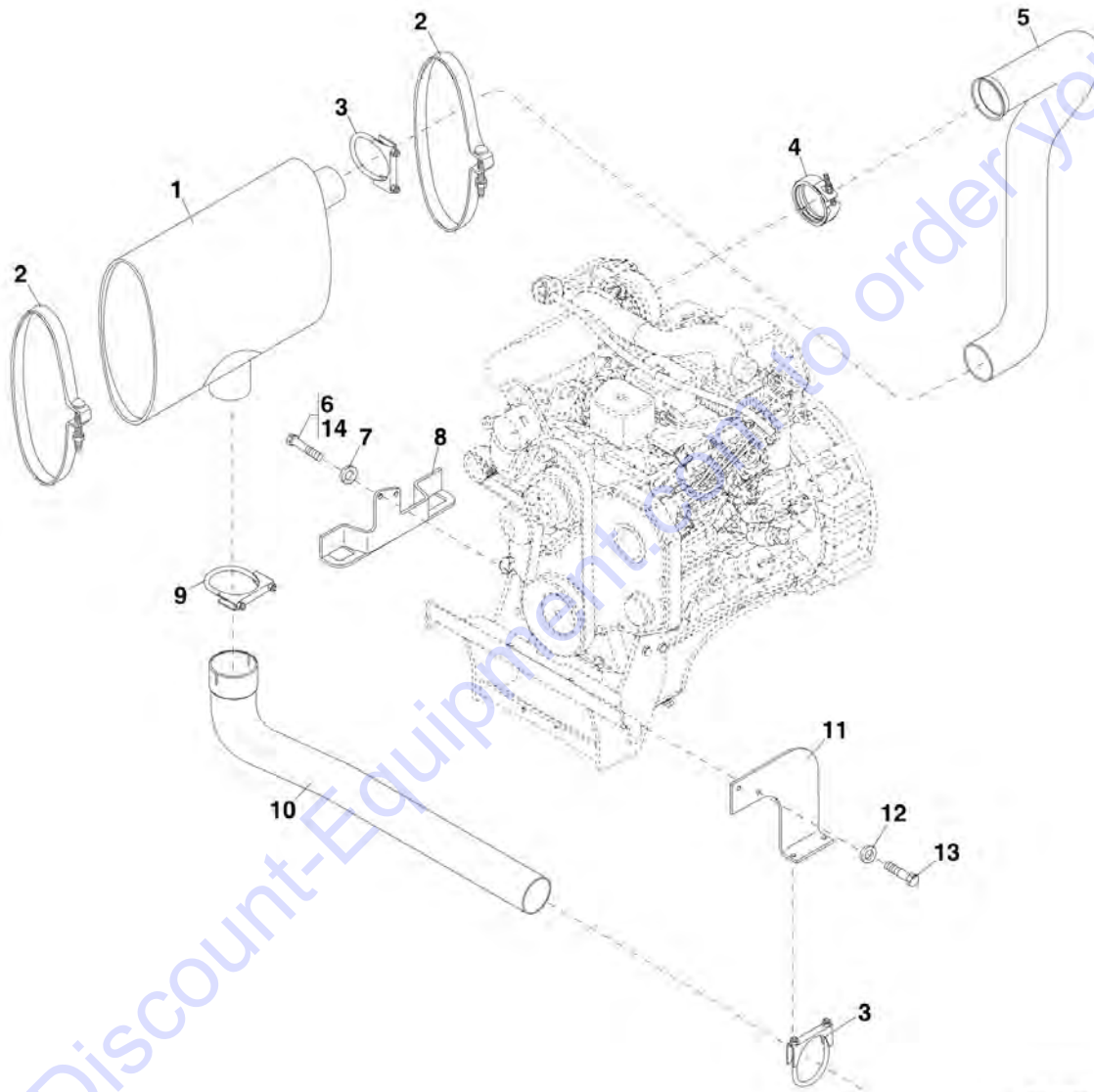
SECTION 4 - ENGINE AND ATTACHING PARTS

FIGURE 4-12. AIR CLEANER ASSEMBLY (SN 0160039338 to Present, Including 0160024571 and 0160037911)

ITEM	PART NUMBER	QTY	DESCRIPTION	REV
	1001096427	1	AIR INTAKE INSTALL, (includes items 1 thru 18)	C
1	1001102277	1	ELBOW, 180	
2	8273241	1	AIR INTAKE RESTRICTION INDICATOR	
3	8310668	2	BUTTON HD CAPSCREW, 10-1.2X25MM, GR10.9	
4	8305626	2	HEX LOCKNUT, .312-18	
5	83191013	2	LOCKWASHER, 10MM	
6	8307203	2	WASHER, .312	
7	8405305	1	CLAMP	
8	8405505	1	CLAMP	
9	8410021	2	CLAMP	
10	10268516	1	MOUNTING BAND	
11	1001096484	1	AIR CLEANER SUPPORT	
12	1001098977	1	AIR INTAKE PIPE	
13	10268515	1	AIR CLEANER, (includes items 102 thru 107)	C
14	8303615	4	HEX HD CAPSCREW, .250-20X1.25, GR5	
15	8307002	4	LOCKWASHER, .250	
16	8307202	4	WASHER, .250	
17	8580420	4	WELL NUT	
18	1001102214	1	AIR INTAKE DUCT	
102	N.S.S.	1	AIR CLEANER BODY	
103	91364023	1	COVER ASSY	
104	1101313	1	SAFETY ELEMENT	
105	1101312	1	PRIMARY ELEMENT	
107	80373094	1	VACUATOR VALVE	

SECTION 4 - ENGINE AND ATTACHING PARTS

FIGURE 4-13. EXHAUST SYSTEM (SN 14384 through 19988, SN 0160002345 through 0160004109)



PA3460

SECTION 4 - ENGINE AND ATTACHING PARTS

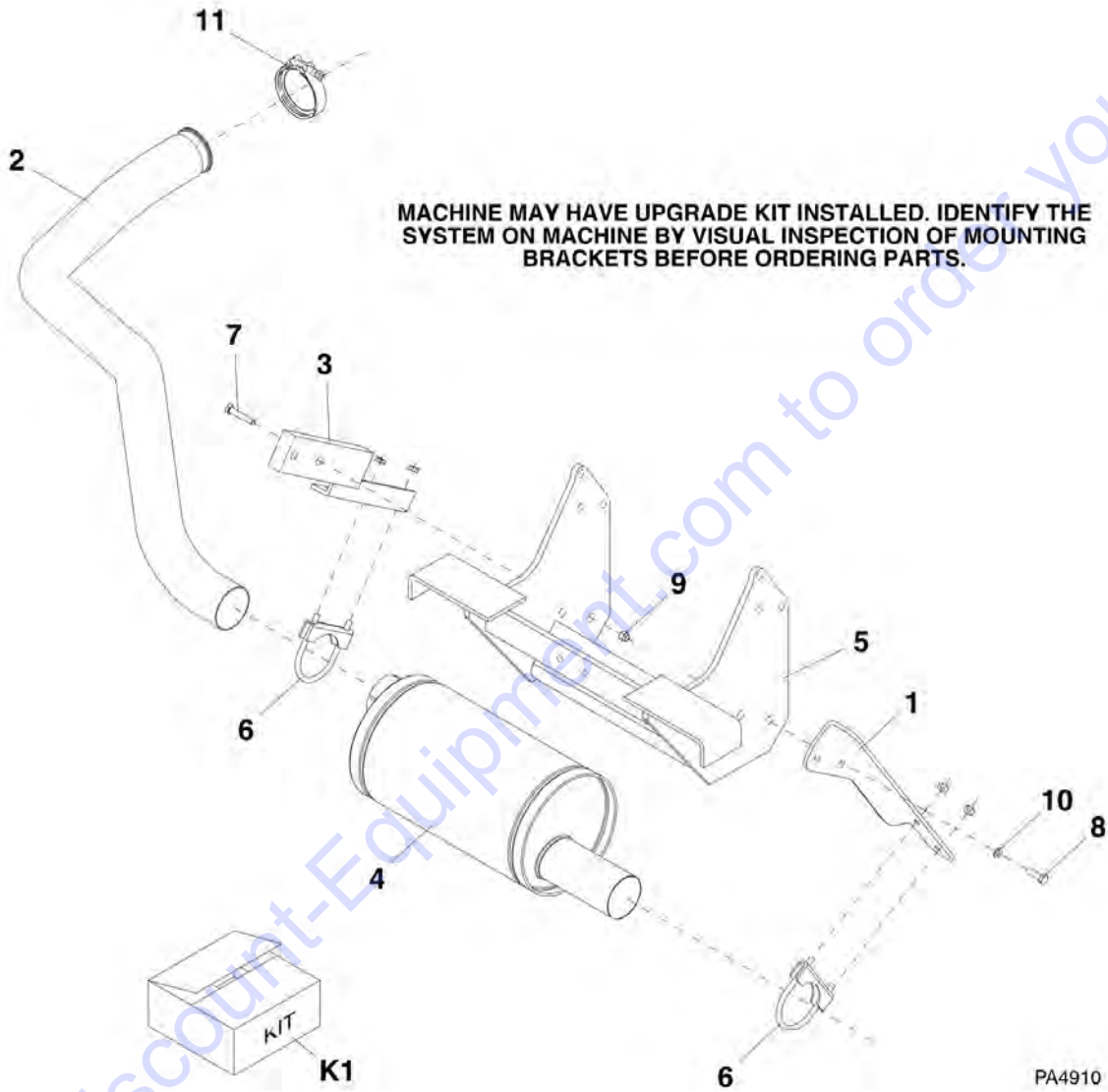
FIGURE 4-13. EXHAUST SYSTEM (SN 14384 through 19988, SN 0160002345 through 0160004109)

ITEM	PART NUMBER	QTY	DESCRIPTION	REV
1	7150642	1	MUFFLER	
2	7126992	2	BAND CLAMP, 5X11	
3	8275247	2	MUFFLER CLAMP, 3	
4	8275240	1	V BAND CLAMP	
5	7138871	1	EXHAUST PIPE	
6	8303519	2	HEX HD CAPSCREW, M12X1.75X35MM	
7	8307220	2	PLAIN WASHER, M12	
8	7138318	1	MUFFLER BRACKET	
9	8275248	1	MUFFLER CLAMP, 2-3/4	
10	7138816	1	TAIL PIPE	
11	7138815	1	EXHAUST PIPE MOUNTING BRACKET	
12	8307005	2	LOCKWASHER, 3/8	
13	8303675	2	HEX HD CAPSCREW, 3/8-16X1-1/4, GR5	
14	8526007	AR	LOCTITE 242, (apply to item 6)	

Go to Discount-Equipment.com to order your parts

SECTION 4 - ENGINE AND ATTACHING PARTS

FIGURE 4-14. EXHAUST SYSTEM (SN 0160004110 through 0160035250)



SECTION 4 - ENGINE AND ATTACHING PARTS

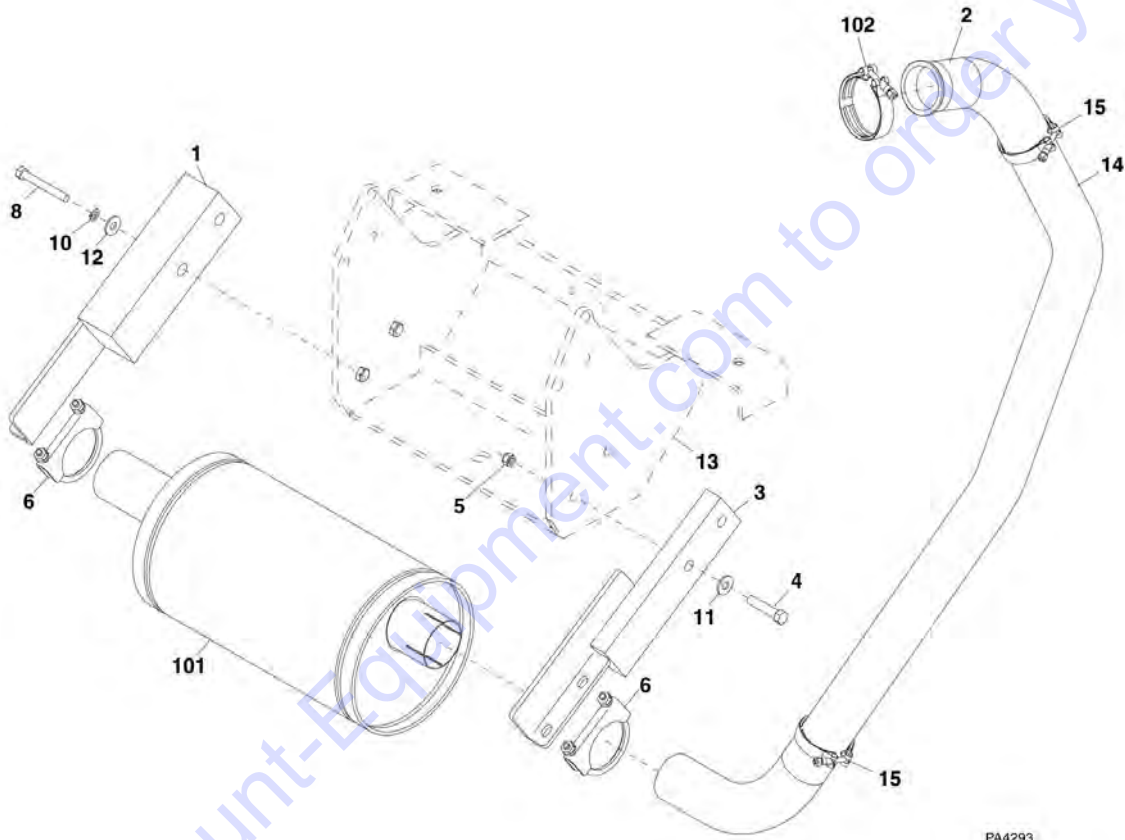
FIGURE 4-14. EXHAUST SYSTEM (SN 0160004110 through 0160035250)

ITEM	PART NUMBER	QTY	DESCRIPTION	REV
1	7302304	1	EXHAUST BRACKET	
2	7301505	1	EXHAUST PIPE	
3	7301506	1	MOUNTING BRACKET	
4	8275045	1	ROUND MUFFLER	
4	3220148	1	PURIMUFFLER, (optional)	
5		Ref	ENGINE MOUNT, (See ENGINE MOUNTING for Breakdown)	
6	8275247	2	MUFFLER CLAMP, 3IN	
7	0641718	2	HEX HD CAPSCREW, 7/16-14X2 1/4, GR5, (torque to 35-45 lb-ft)	
8	8303675	2	HEX HD CAPSCREW, 3/8-16X1-1/4, GR5, (torque to 7.5-13.5 lb-ft)	
9	8310109	2	HEX LOCKNUT, 7/16-14	
10	8307005	2	LOCKWASHER, 3/8	
11	77384830	1	V BAND CLAMP	
K1	1001102305	1	EXHAUST UPGRADE KIT, (includes items 1 thru 10 & 101 on EXHAUST SYSTEM) (SN 0160035251 to Present)	

Go to Discount-Equipment.com to order your parts

SECTION 4 - ENGINE AND ATTACHING PARTS

FIGURE 4-15. EXHAUST SYSTEM (SN 0160035251 through 0160039337, Excluding 0160024571 and 0160037911)



PA4293

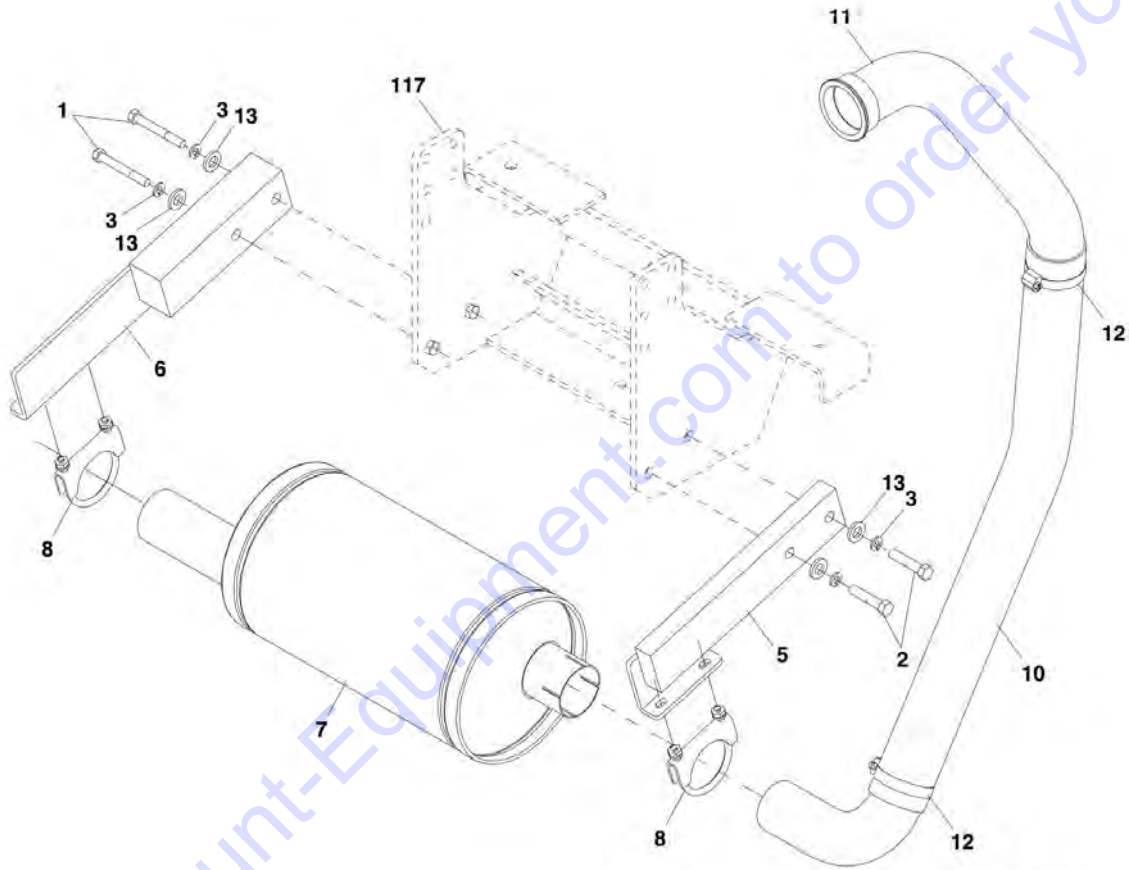
SECTION 4 - ENGINE AND ATTACHING PARTS

FIGURE 4-15. EXHAUST SYSTEM (SN 0160035251 through 0160039337, Excluding 0160024571 and 0160037911)

ITEM	PART NUMBER	QTY	DESCRIPTION	REV
	7301498	Ref	EXHAUST INSTALLATION, (includes items 1 thru 12)	I
1	1001101397	1	EXHAUST BRACKET	
2	1001100296	1	EXHAUST PIPE	
3	1001101396	1	MOUNTING BRACKET	
4	0641718	2	HEX HD CAPSCREW, 7/16-14X2-1/4, GR5, (torque to 35-45 lb-ft)	
5	8310109	2	HEX LOCKNUT, 7/16-14	
6	83683175	2	MUFFLER CLAMP, 2-1/2IN	
8	0641624	2	HEX HD CAPSCREW, 3/8-16X3, GR5, (torque to 7.5-13.5 lb-ft)	
10	8307005	2	LOCKWASHER, 3/8	
11	4751700	2	WASHER, 7/16	
12	4751600	2	WASHER, 3/8	
13		Ref	ENGINE MOUNT, (See ENGINE MOUNTING for Breakdown)	
14	1001101193	2 ft	FIBER GLASS SLEEVE, (sold by the foot)	
15	8405209	2	T-BOLT CLAMP	
101	1001100978	1	ROUND MUFFLER	
102	77384830	1	V BAND CLAMP	

SECTION 4 - ENGINE AND ATTACHING PARTS

FIGURE 4-16. EXHAUST SYSTEM (SN 0160039338 to Present, Including 0160024571 and 0160037911)



PAP9340

SECTION 4 - ENGINE AND ATTACHING PARTS

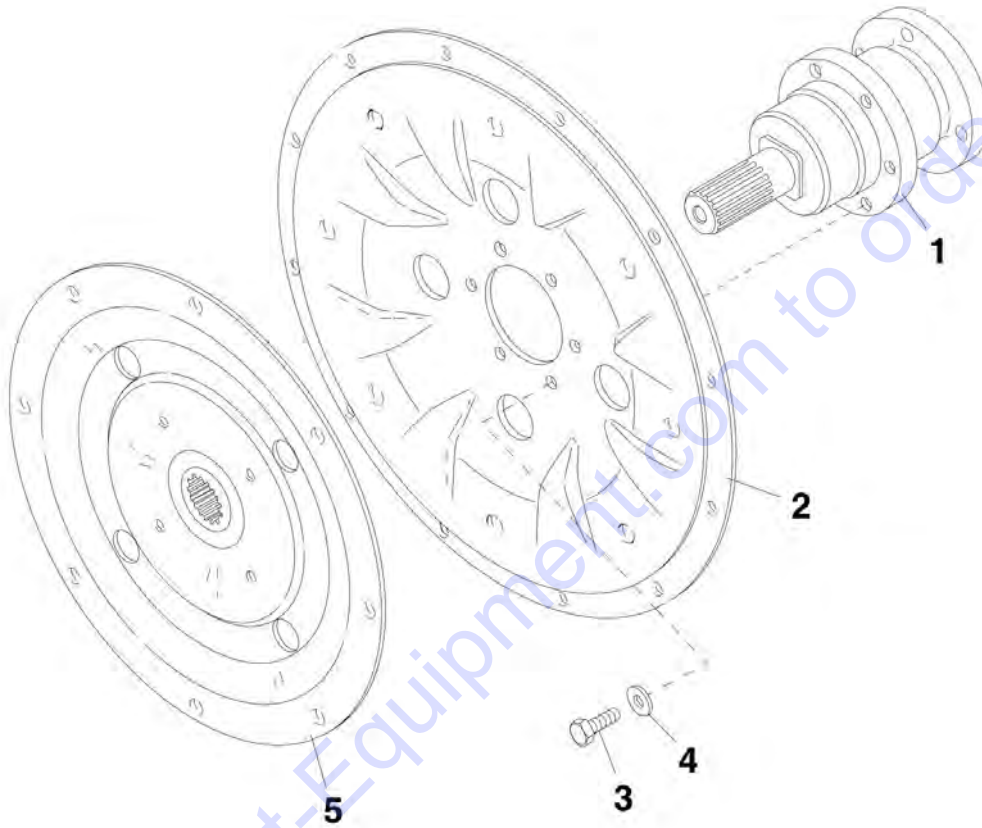
FIGURE 4-16. EXHAUST SYSTEM (SN 0160039338 to Present, Including 0160024571 and 0160037911)

ITEM	PART NUMBER	QTY	DESCRIPTION	REV
	1001096425	1	EXHAUST INSTALL, (includes items 1 thru 13)	E
1	0641624	2	HEX HD CAPSCREW, 3/8-16X3, GR5, (torque to 25-30 lb-ft)	
2	0641616	2	HEX HD CAPSCREW, 3/8-16X2, GR5, (torque to 25-30 lb-ft)	
3	8307005	4	LOCKWASHER, .375	
5	1001114012	1	EXHAUST BRACKET	
6	1001114013	1	EXHAUST BRACKET	
7	1001100978	1	ROUND MUFFLER	
8	83683175	2	MUFFLER CLAMP	
10	1001101193	29 in	FIBER GLASS SLEEVE, (sold by the foot)	
11	1001114040	1	EXHAUST PIPE	
12	8405202	2	GEAR CLAMP	
13	4751600	4	WASHER, 3/8	
117		Ref	ENGINE MOUNT, (See ENGINE MOUNTING for Breakdown)	

Go to Discount-Equipment.com to order your parts

SECTION 4 - ENGINE AND ATTACHING PARTS

FIGURE 4-17. ISOLATION COUPLER (SN 14834 through 19765)



PA3940

SECTION 4 - ENGINE AND ATTACHING PARTS

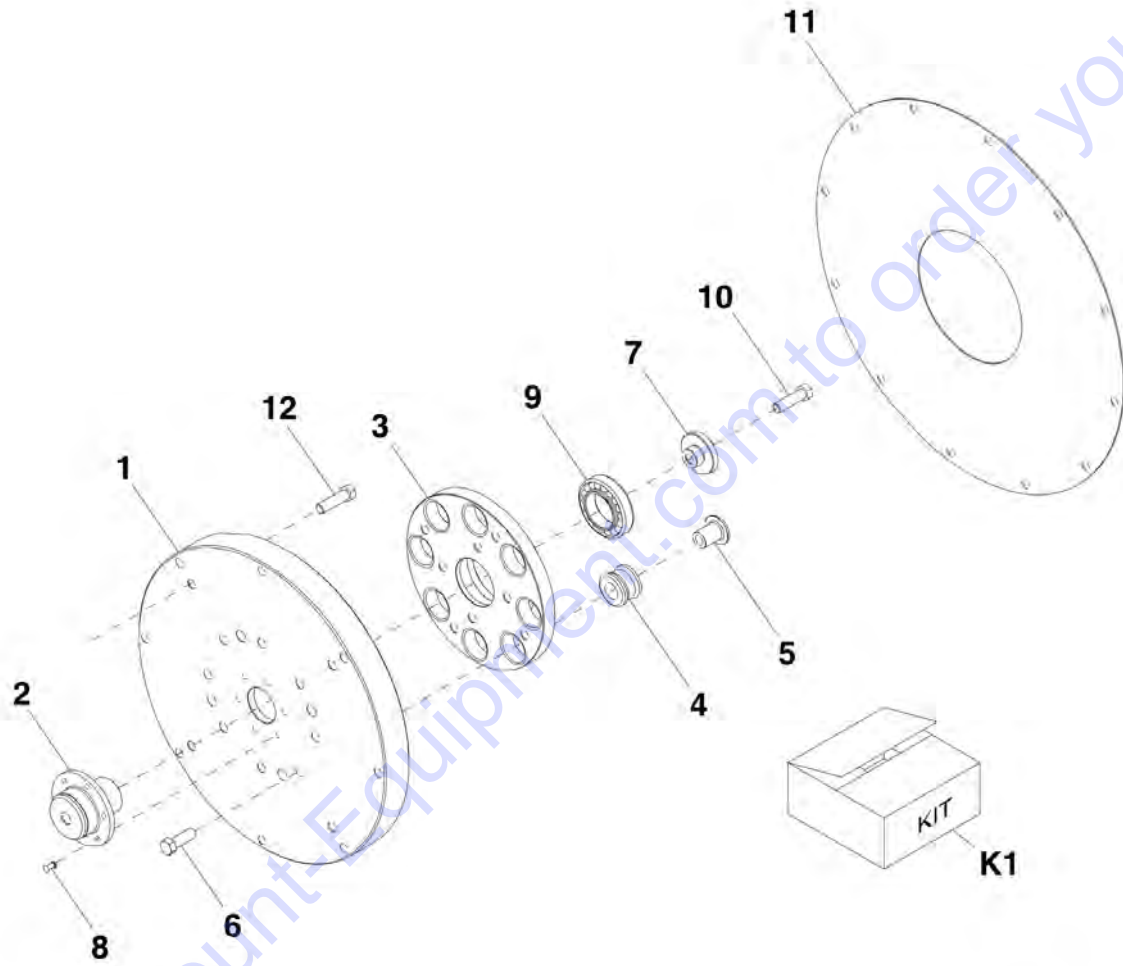
FIGURE 4-17. ISOLATION COUPLER (SN 14834 through 19765)

ITEM	PART NUMBER	QTY	DESCRIPTION	REV
	7137643	1	ISOLATION COUPLING ASSY, (includes all items)	
1	8035555	1	SHAFT AND BEARING ASSY	
2	8035556	1	PROTECTIVE HOUSING	
3	8035557	6	HEX HD BOLT, M10X25MM	
4	8035558	6	FLAT WASHER, M10	
5	8035559	1	TORSION COUPLING ELEMENT	

Go to Discount-Equipment.com to order your parts

SECTION 4 - ENGINE AND ATTACHING PARTS

FIGURE 4-18. ISOLATION COUPLER (SN 19766 through 19988, SN 0160002345 through 0160004109)



PA3701

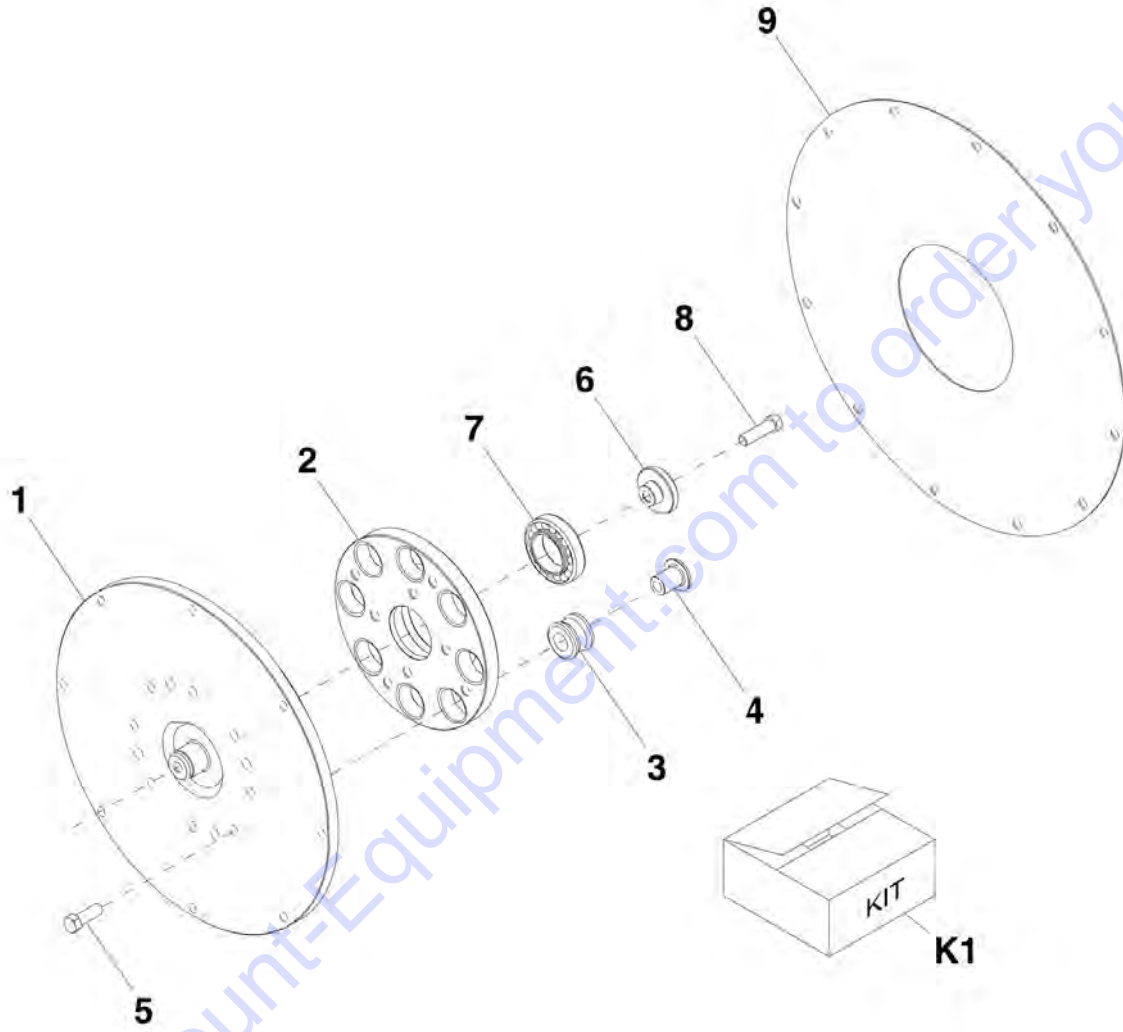
SECTION 4 - ENGINE AND ATTACHING PARTS

FIGURE 4-18. ISOLATION COUPLER (SN 19766 through 19988, SN 0160002345 through 0160004109)

ITEM	PART NUMBER	QTY	DESCRIPTION	REV
	8841318	1	ISOLATION COUPLER ASSY, (includes all items)	
1	N.S.S.	1	FLYWHEEL PLATE, (not sold separately, use 8841318 for replacement)	
2	N.S.S.	1	PILOT, (not sold separately, use 8841318 for replacement)	
3	7029264	1	COUPLING HUB	
4	Kit	8	NEOPRENE INSERT	
5	Kit	8	THREADED BUSHING	
6	Kit	8	BOLT, 7/16-20X1-1/4	
7	Kit	1	BUSHING	
8	N.S.S.	6	FLANGE HD RIVET, 1/4X1	
9	N.S.S.	1	BALL BEARING, (not sold separately, use 8841318 for replacement)	
10	Kit	5	HEX HD BOLT, 7/16-20X1-1/2	
11	7029265	1	COVER PLATE	
12	0761015	4	HEX HD BOLT, M10X1.5X35MM	
K1	70020228	1	ISOLATION COUPLER SERVICE KIT, (includes items 4 thru 7 & 10)	

SECTION 4 - ENGINE AND ATTACHING PARTS

FIGURE 4-19. ISOLATION COUPLER (SN 0160004110 to Present)



PA4271

SECTION 4 - ENGINE AND ATTACHING PARTS

FIGURE 4-19. ISOLATION COUPLER (SN 0160004110 to Present)

ITEM	PART NUMBER	QTY	DESCRIPTION	REV
	8841319	1	ISOLATION COUPLER ASSY, (includes all items)	AA
1	N.S.S.	1	FLYWHEEL PLATE, (not sold separately, use 8841319 for replacement)	
2	7029264	1	COUPLING HUB	
3	Kit	8	NEOPRENE INSERT	
4	Kit	8	THREADED BUSHING	
5	Kit	8	HEX HD BOLT, 7/16-20X1-1/4	
6	Kit	1	BUSHING	
7	N.S.S.	1	BALL BEARING, (not sold separately, use 8841319 for replacement)	
8	Kit	5	HEX HD BOLT, 7/16-20X1-1/2	
9	7029265	1	COVER PLATE	
K1	70020228	1	ISOLATION COUPLER SERVICE KIT, (includes items 3 thru 6 & 8)	

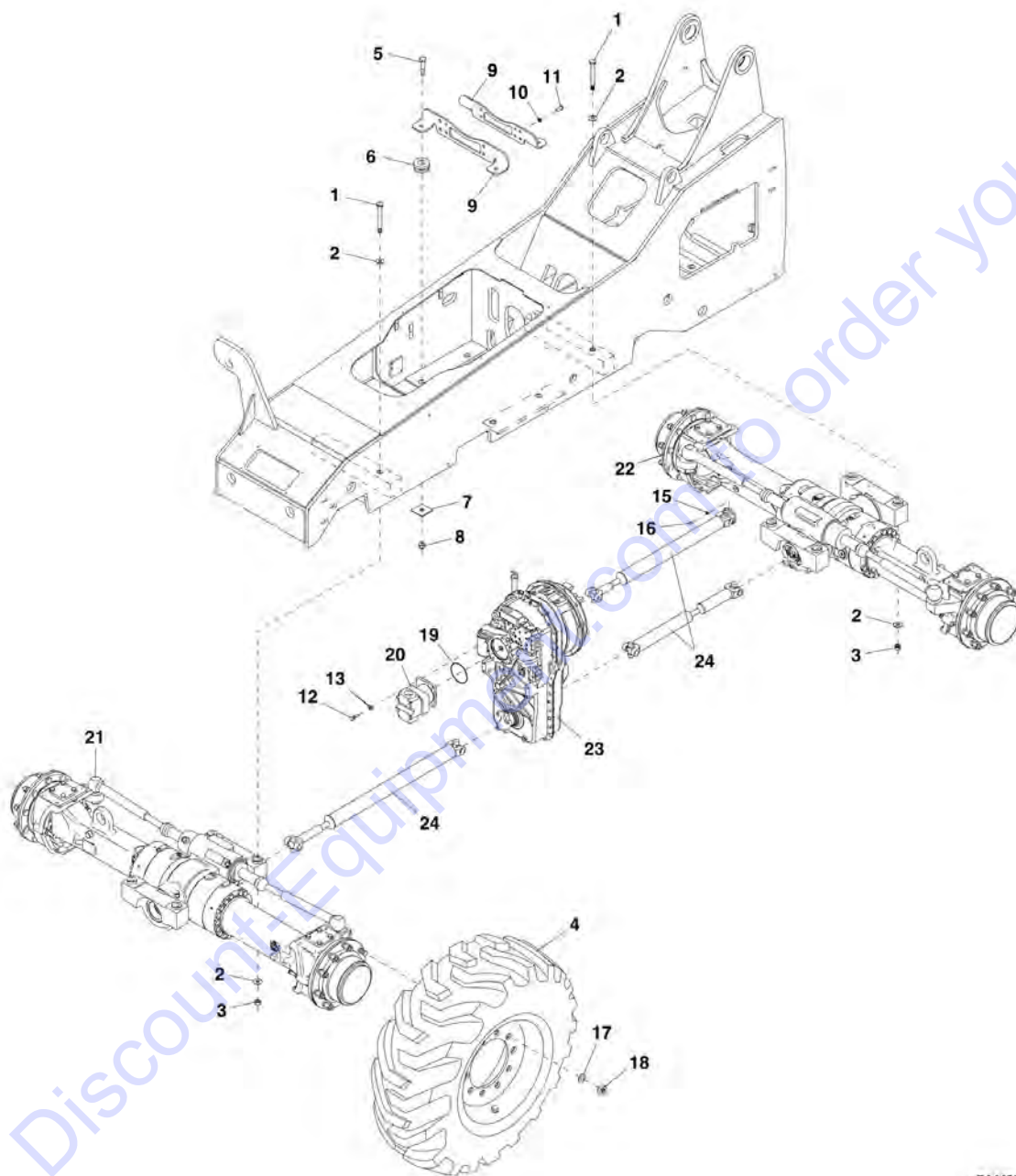
Go to Discount-Equipment.com to order your parts

SECTION 5 - DRIVE TRAIN

Go to Discount-Equipment.com to order your parts

SECTION 5 - DRIVE TRAIN

FIGURE 5-1. DRIVE TRAIN COMPONENTS



PA4430

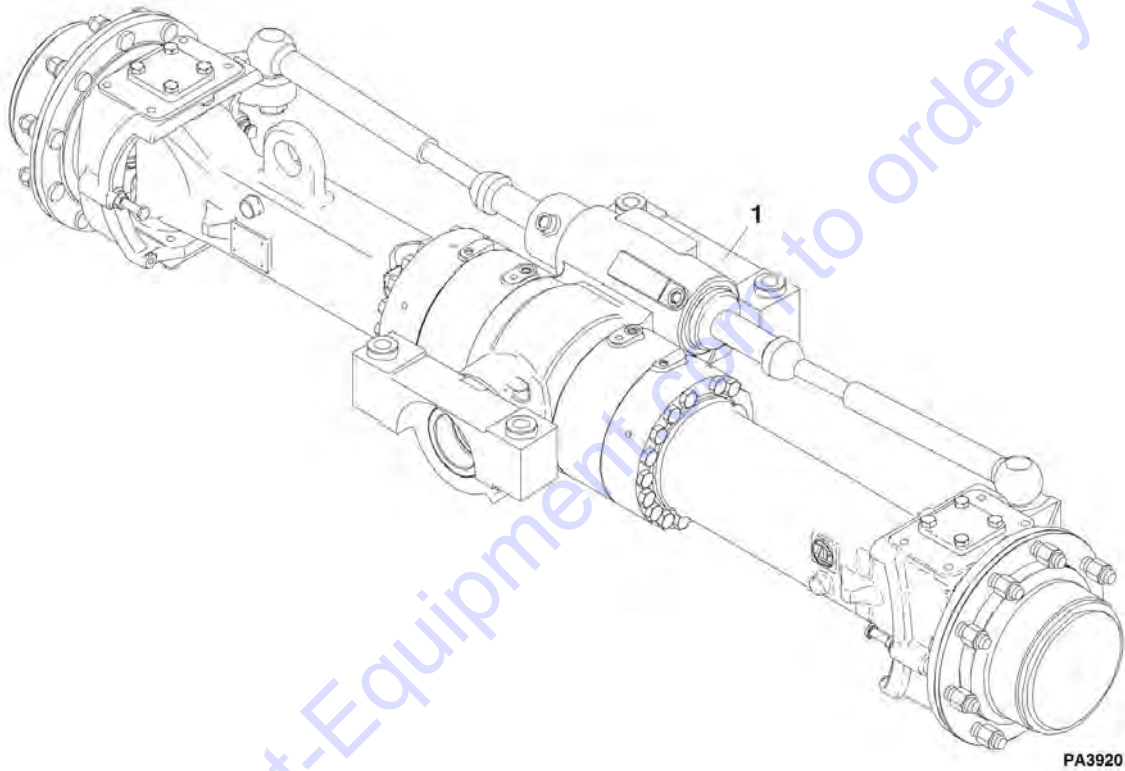
SECTION 5 - DRIVE TRAIN

FIGURE 5-1. DRIVE TRAIN COMPONENTS

ITEM	PART NUMBER	QTY	DESCRIPTION	REV
1	8310479	8	HEX HD CAPSCREW, 1-8X11, (torque to 600-680 lb-ft)	
2	8310061	16	HARDENED WASHER, 1 O.D.	
3	8310481	8	HEX LOCKNUT, 1-8	
4		Ref	TIRE AND RIM ASSY, (See TIRES AND RIMS for Breakdown)	
5	8303724	4	HEX HD CAPSCREW, 3/4-10X3-1/2, GR5, (torque to 210 lb-ft)	
6	8278007	4	RUBBER MOUNT	
7	7054351	4	REBOUND WASHER	
8	8310067	4	HEX LOCKNUT, 3/4-10	
9	7138634	2	TRANSMISSION MOUNT BRACKET	
10	8307049	8	LOCKWASHER, M16, (mount bracket to transmission)	
11	8310215	8	HEX HD CAPSCREW, M16X2X40MM, PC8.8, (torque to 148 lb-ft), (mount bracket to transmission)	
12	8303519	4	HEX HD CAPSCREW, M12X1.75X35MM, PC8.8, (torque to 58-70 lb-ft)	
13	8310356	4	HARDENED WASHER, 12MM	
15	8307006	4	LOCKWASHER, 0.438	
16	8310425	4	HEX HD CAPSCREW, 0.438-20X2.25, GR8	
17	8786573	32	SPRING WASHER, M22 (Prior to SN 0160038391, Including 0160038848, 0160038853 and 0160038855)	
17	8786573	40	SPRING WASHER, (not required with Firestone 370/75-28) (SN 0160038391 to Present, Excluding 0160038848, 0160038853 and 0160038855)	
18	8786572	32	WHEEL NUT, (torque to 425-450 lb-ft) (Prior to SN 0160038391, Including 0160038848, 0160038853 and 0160038855)	
18	8786572	40	WHEEL NUT, (torque to 425-450 lb-ft) (SN 0160038391 to Present, Excluding 0160038848, 0160038853 and 0160038855)	
18	91403193	40	WHEEL NUT, (torque to 430-470 lb-ft), (if equipped with Firestone 370/75-28) (SN 0160038391 to Present, Excluding 0160038848, 0160038853 and 0160038855)	
19	8630019	1	O-RING	
20		Ref	GEAR PUMP, (See HYDRAULIC COMPONENTS SECTION for Breakdown)	
21		Ref	FRONT AXLE, (See FRONT AXLE for Brekdown)	
22		Ref	REAR AXLE, (See REAR AXLE for Breakdown)	
23		Ref	ZF TRANSMISSION, (See ZF TRANSMISSION for Breakdown)	
24		Ref	DRIVE SHAFTS, (See DRIVE SHAFTS for Breakdown)	

SECTION 5 - DRIVE TRAIN

FIGURE 5-2. FRONT AXLE



SECTION 5 - DRIVE TRAIN

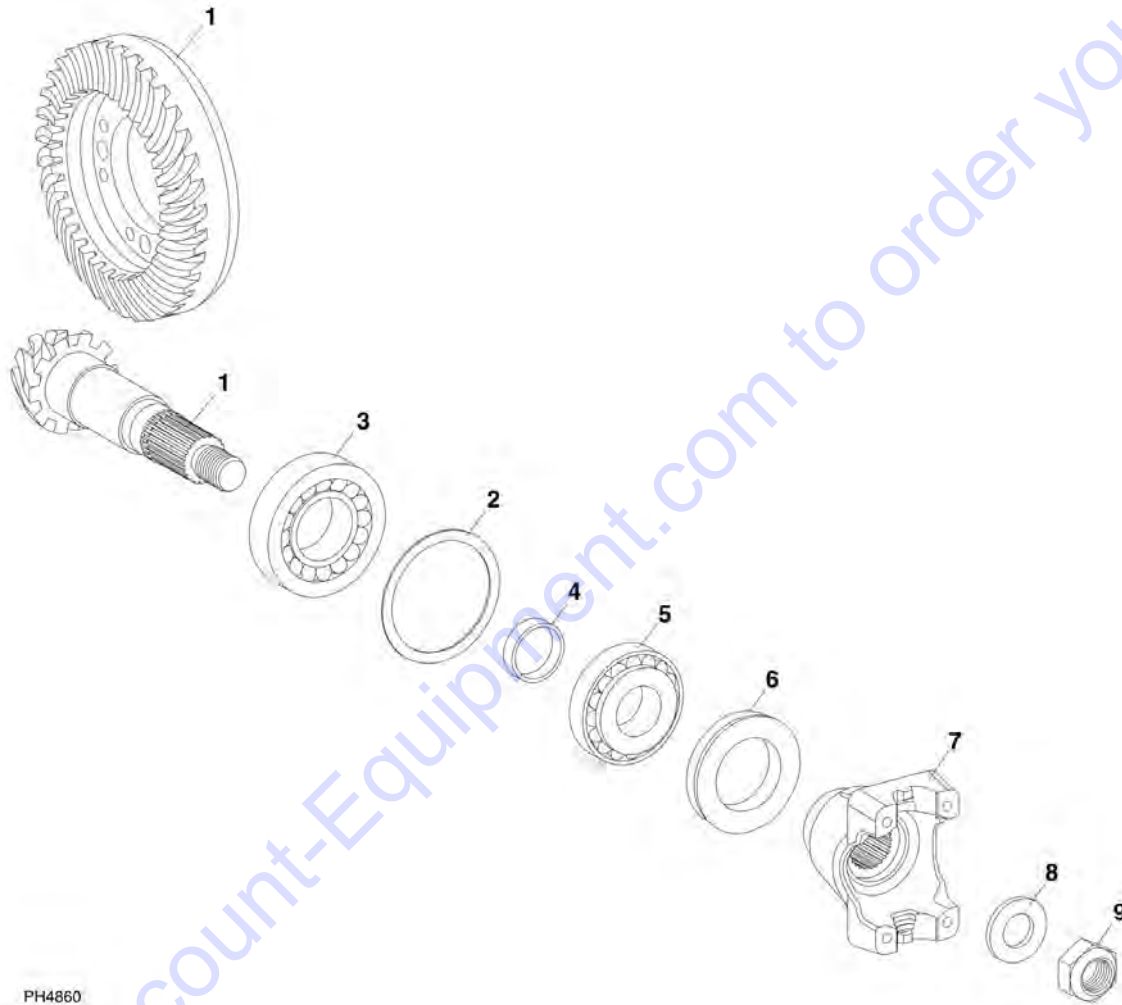
FIGURE 5-2. FRONT AXLE

ITEM	PART NUMBER	QTY	DESCRIPTION	REV
1	8040267	1	FRONT AXLE (Prior to SN 0160038391, Including 0160038848, 0160038853 and 0160038855)	G
1	1001103625	1	FRONT AXLE (SN 0160038391 to Present, Excluding 0160038848, 0160038853 and 0160038855)	E
1		Ref	INPUT, (See FRONT AXLE – INPUT for Breakdown)	
1		Ref	LIMITED SLIP DIFFERENTIAL, (See FRONT AXLE - LIMITED SLIP DIFFERENTIAL for Breakdown)	
1		Ref	AXLE CASING, (See FRONT AXLE - AXLE CASING for Breakdown)	
1		Ref	M-DISK BRAKE, (See FRONT AXLE - M-DISK BRAKE for Breakdown)	
1		Ref	BRAKE, (See FRONT AXLE – BRAKE for Brekdown)	
1		Ref	JOINT HOUSING, (See FRONT AXLE - JOINT HOUSING for Breakdown)	
1		Ref	PLANETARY DRIVE, (See FRONT AXLE - PLANETARY DRIVE for Breakdown)	

Go to Discount-Equipment.com to order your parts

SECTION 5 - DRIVE TRAIN

FIGURE 5-3. FRONT AXLE - INPUT (Prior to SN 0160038391, Including 0160038848, 0160038853 and 0160038855)



SECTION 5 - DRIVE TRAIN

FIGURE 5-3. FRONT AXLE - INPUT (Prior to SN 0160038391, Including 0160038848, 0160038853 and 0160038855)

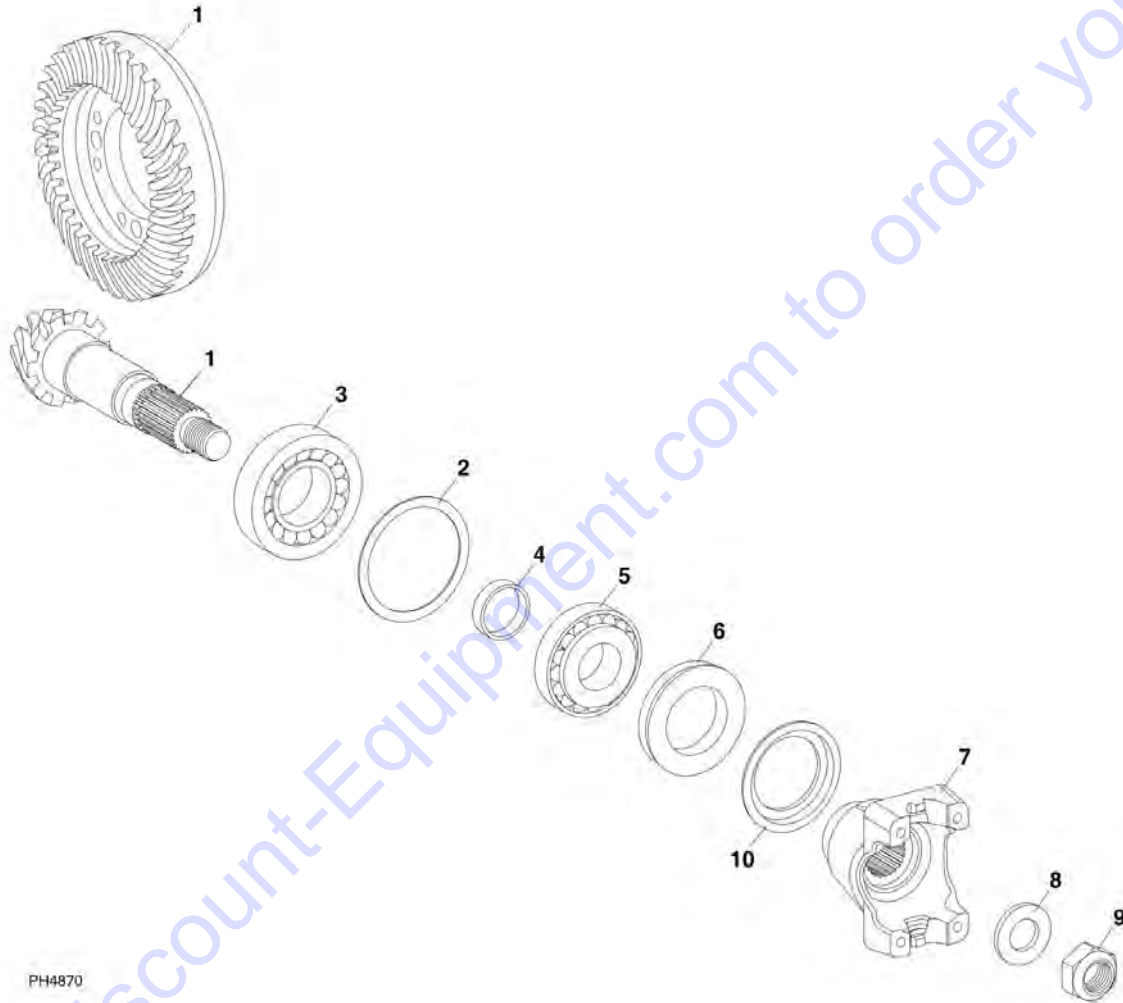
ITEM	PART NUMBER	QTY	DESCRIPTION	REV
1	7027229	1	BEVEL GEAR SET	
2	1319333	1	SHIM, S=1.0	
2	1319334	1	SHIM, S=0.05	
2	1319335	1	SHIM, S=1.1	
2	1319336	1	SHIM, S=1.15	
2	1319337	1	SHIM, S=1.2	
2	8035876	1	SHIM, S=1.25	
2	8035877	1	SHIM, S=1.3	
2	1321187	1	SHIM, S=1.35	
2	1319341	1	SHIM, S=1.4	
2	1319342	1	SHIM, S=1.45	
2	1319343	1	SHIM, S=1.5	
2	1319344	1	SHIM, S=1.55	
2	1319345	1	SHIM, S=1.6	
2	1319346	1	SHIM, S=0.9	
2	1319347	1	SHIM, S=0.95	
2	1319348	1	SHIM, S=0.65	
2	1319349	1	SHIM, S=0.70	
2	1319350	1	SHIM, S=0.75	
2	1319351	1	SHIM, S=0.85	
2	1319352	1	SHIM, S=0.80	
3	1319353	1	ROLLER BEARING	
4	1319354	1	RING, S=15.1	
4	1319355	1	RING, S=15.2	
4	1319356	1	RING, S=15.3	
4	1319357	1	RING, S=15.4	
4	1319358	1	RING, S=15.5	
4	1319359	1	RING, S=15.6	
4	1319360	1	RING, S=15.7	
4	1319361	1	RING, S=15.8	
4	1319362	1	RING, S=15.9	
4	1319363	1	RING, S=16.0	
4	1319364	1	RING, S=16.1	
4	1319365	1	RING, S=16.2	
4	1319366	1	RING, S=16.3	
4	1319367	1	RING, S=16.4	
4	8035982	1	RING, S=16.26	
4	1319369	1	RING, S=16.23	
4	1319370	1	RING, S=16.16	
4	1319371	1	RING, S=16.13	
4	1319372	1	RING, S=16.06	
4	1319373	1	RING, S=16.03	
4	1319374	1	RING, S=15.96	
4	1319375	1	RING, S=15.93	
4	1319376	1	RING, S=15.86	
4	1319377	1	RING, S=15.83	
4	1319378	1	RING, S=15.76	
4	1319379	1	RING, S=15.73	
4	1319380	1	RING, S=15.66	

SECTION 5 - DRIVE TRAIN

ITEM	PART NUMBER	QTY	DESCRIPTION	REV
4	1319381	1	RING, S=15.63	
4	1319382	1	RING, S=15.56	
4	1319383	1	RING, S=15.53	
4	1319384	1	RING, S=15.46	
4	1319385	1	RING, S=15.43	
4	1319386	1	RING, S=15.36	
4	1319387	1	RING, S=15.33	
4	1319388	1	RING, S=15.26	
4	1319380	1	RING, S=15.66	
4	1319390	1	RING, S=15.48	
4	1319391	1	RING, S=15.58	
4	1319392	1	RING, S=15.68	
4	1319393	1	RING, S=15.69	
4	1319394	1	RING, S=15.72	
4	1319395	1	RING, S=15.78	
4	1319396	1	RING, S=15.81	
4	1319397	1	RING, S=15.84	
4	1319398	1	RING, S=15.88	
4	1319399	1	RING, S=15.89	
4	1319400	1	RING, S=15.91	
4	1319401	1	RING, S=15.94	
4	1319402	1	RING, S=15.97	
5	1319444	1	ROLLER BEARING	
6	1321211	1	SHAFT SEAL	
7	1321237	1	END YOKE	
8	1319406	1	WASHER	
9	8035983	1	HEX NUT	

SECTION 5 - DRIVE TRAIN

FIGURE 5-4. FRONT AXLE - INPUT (SN 0160038391 to Present, Excluding 0160038848, 0160038853 and 0160038855)



SECTION 5 - DRIVE TRAIN

FIGURE 5-4. FRONT AXLE - INPUT (SN 0160038391 to Present, Excluding 0160038848, 0160038853 and 0160038855)

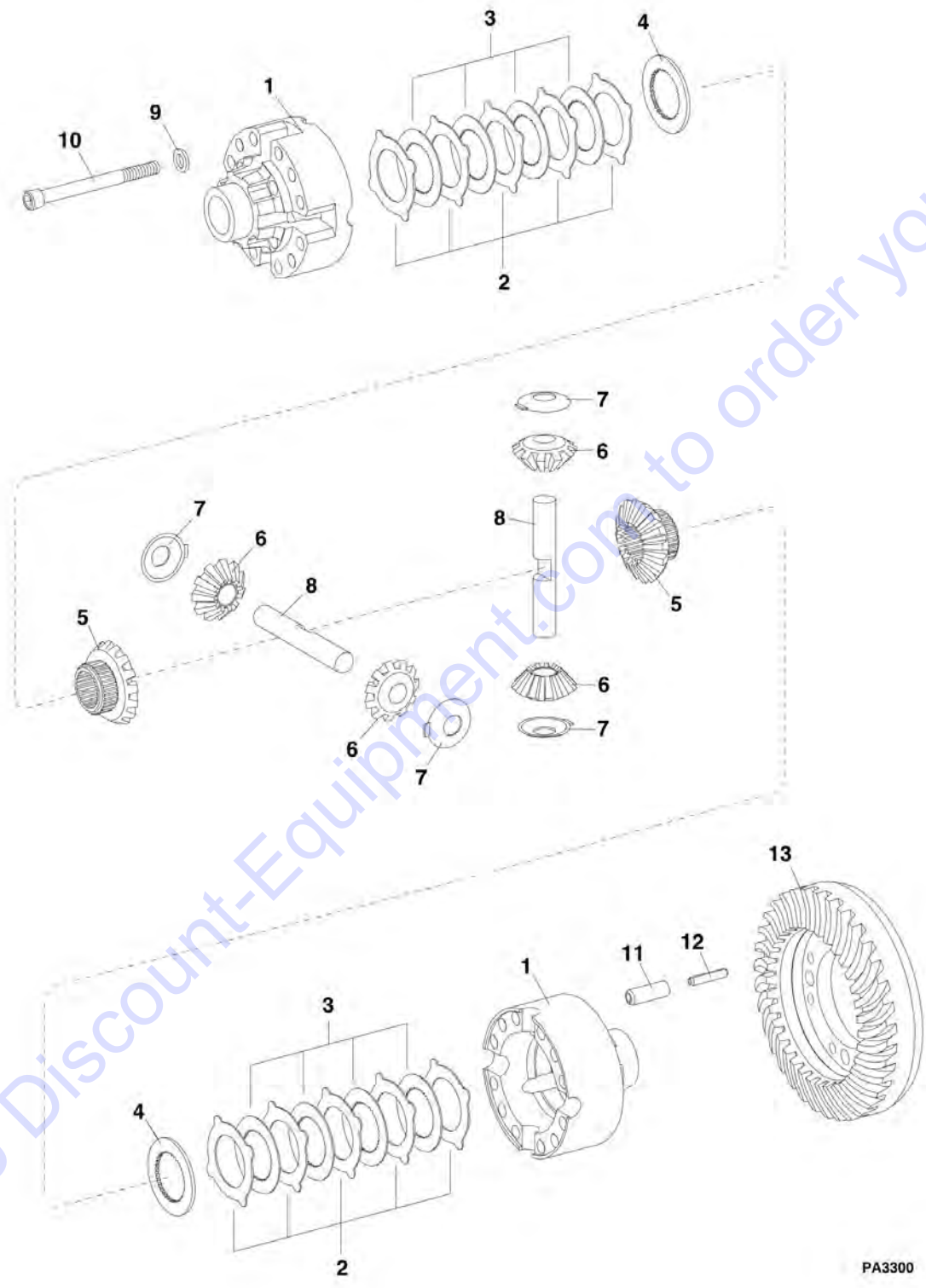
ITEM	PART NUMBER	QTY	DESCRIPTION	REV
1	70022774	1	BEVEL GEAR, (pinion not included)	
1	70022775	1	PINION	
2	80304160	1	SHIM, S=0.1	
2	80304159	1	SHIM, S=0.2	
2	80304158	1	SHIM, S=0.3	
2	80304157	1	SHIM, S=0.5	
2	80304156	1	SHIM, S=0.6	
2	80304162	1	SHIM, S=0.65	
2	80304155	1	SHIM, S=0.7	
2	80304161	1	SHIM, S=0.75	
2	80304154	1	SHIM, S=0.8	
2	80304153	1	SHIM, S=0.9	
2	80304152	1	SHIM, S=1.0	
2	80304146	1	SHIM, S=1.2	
2	80304163	1	SHIM, S=1.25	
2	80304151	1	SHIM, S=1.3	
2	80304164	1	SHIM, S=1.35	
2	80304150	1	SHIM, S=1.4	
2	80304165	1	SHIM, S=1.45	
2	80304145	1	SHIM, S=1.5	
2	80304166	1	SHIM, S=1.55	
2	80304149	1	SHIM, S=1.6	
2	80304167	1	SHIM, S=1.65	
2	80304148	1	SHIM, S=1.7	
2	80304168	1	SHIM, S=1.75	
2	80304144	1	SHIM, S=1.8	
2	80304169	1	SHIM, S=1.85	
2	80304147	1	SHIM, S=1.9	
2	80304143	1	SHIM, S=2.0	
3	70022231	1	ROLLER BEARING	
4	80304088	1	RING, S=16.0	
4	80304089	1	RING, S=16.1	
4	80304090	1	RING, S=16.2	
4	80304091	1	RING, S=16.3	
4	80304092	1	RING, S=16.4	
4	80304093	1	RING, S=16.5	
4	80304110	1	RING, S=16.56	
4	80304094	1	RING, S=16.6	
4	80304111	1	RING, S=16.62	
4	80304112	1	RING, S=16.64	
4	80304124	1	RING, S=16.66	
4	80304113	1	RING, S=16.68	
4	80304095	1	RING, S=16.7	
4	70022216	1	RING, S=16.72	
4	70024584	1	RING, S=16.74	
4	80304117	1	RING, S=16.76	
4	80304118	1	RING, S=16.78	
4	80304096	1	RING, S=16.8	
4	80304119	1	RING, S=16.82	

SECTION 5 - DRIVE TRAIN

ITEM	PART NUMBER	QTY	DESCRIPTION	REV
4	70024591	1	Ring, 16.84	
4	80304104	1	RING, S=16.86	
4	80304121	1	RING, S=16.88	
4	70024593	1	Ring, 16.9	
4	80304097	1	RING, S=16.92	
4	80304123	1	RING, S=16.94	
4	80304125	1	RING, S=16.96	
4	80304107	1	RING, S=16.98	
4	80304126	1	RING, S=17.0	
4	80304127	1	RING, S=17.02	
4	80304108	1	RING, S=17.04	
4	80304128	1	RING, S=17.06	
4	80304129	1	RING, S=17.08	
4	80304099	1	RING, S=17.10	
4	80304130	1	RING, S=17.12	
4	80304131	1	RING, S=17.14	
4	80304132	1	RING, S=17.16	
4	80304133	1	RING, S=17.18	
4	80304100	1	RING, S=17.2	
4	80304134	1	RING, S=17.22	
4	80304135	1	RING, S=17.24	
4	80304136	1	RING, S=17.26	
4	80304137	1	RING, S=17.28	
4	80304101	1	RING, S=17.3	
4	80304102	1	RING, S=17.4	
5	1319353	1	ROLLER BEARING	
6	70022220	1	SHAFT SEAL	
7	70022245		END YOKE	
8	80304082	1	WASHER	
9	70022213	1	HEX NUT	
10	70022776	1	SCREEN SHEET	

SECTION 5 - DRIVE TRAIN

FIGURE 5-5. FRONT AXLE - LIMITED SLIP DIFFERENTIAL (Prior to SN 0160038391, Including 0160038848, 0160038853 and 0160038855)



Go to Discount-Equipment.com to order your parts

PA3300

SECTION 5 - DRIVE TRAIN

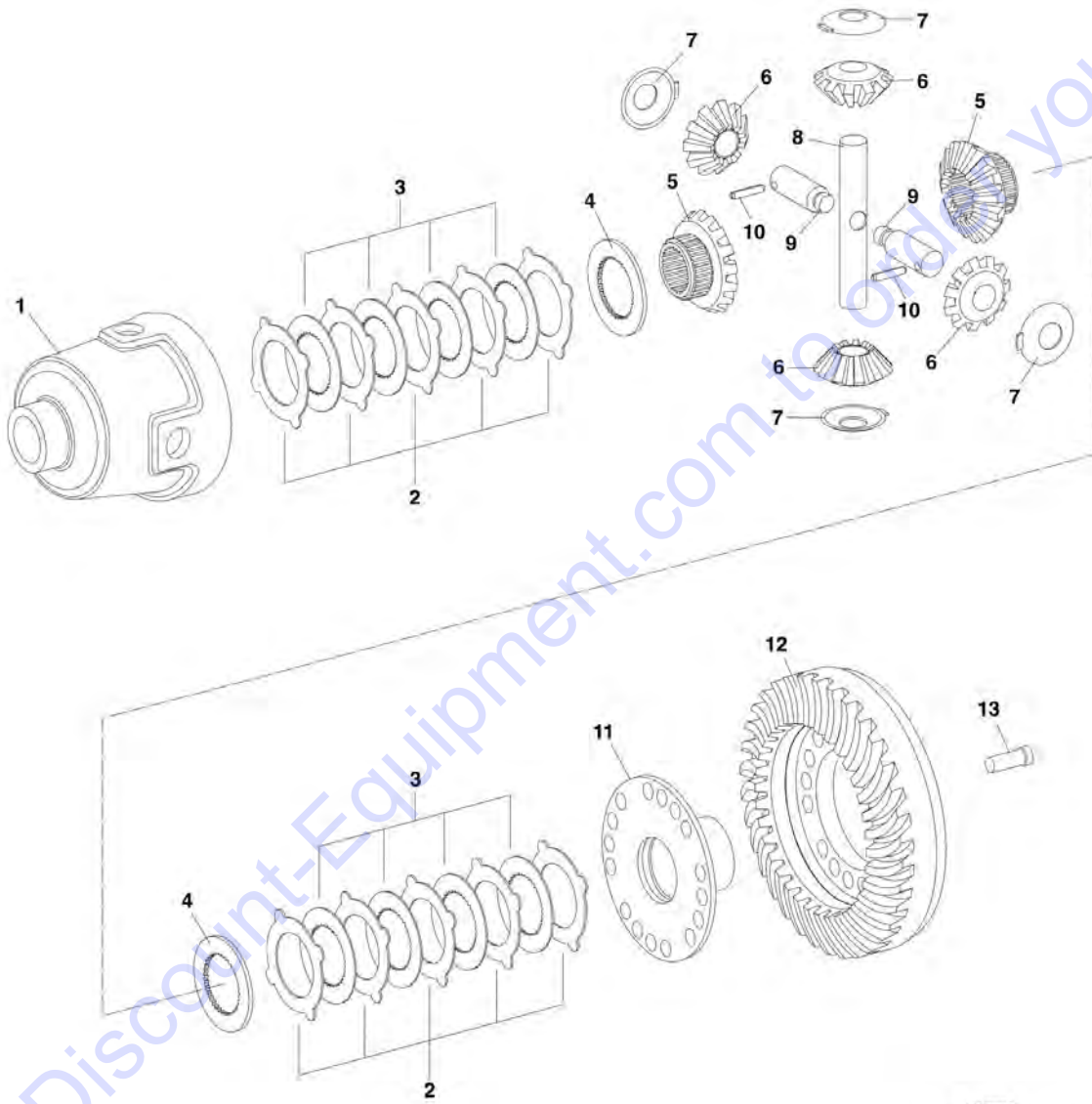
FIGURE 5-5. FRONT AXLE - LIMITED SLIP DIFFERENTIAL (Prior to SN 0160038391, Including 0160038848, 0160038853 and 0160038855)

ITEM	PART NUMBER	QTY	DESCRIPTION	REV
1	8036425	1	DIFFERENTIAL CASE	
2	1321219	10	O. CLUTCH DISC, A=1.2	
2	1321220	10	O. CLUTCH DISC, A=1.3	
2	1321221	10	O. CLUTCH DISC, A=1.4	
3	8036426	8	I. CLUTCH DISC	
4	1321217	2	PRESSURE DISC	
5	8036427	2	AXLE BEVEL GEAR	
6	1321262	4	DIFFERENTIAL BEVEL GEAR	
7	1321188	4	THRUST WASHER	
8	1321224	2	DIFFERENTIAL AXLE	
9	1321184	12	WASHER	
10	8035985	12	CAPSCREW	
11	1321153	4	SLOTTED PIN	
12	1321154	4	SLOTTED PIN	
13		Ref	BEVEL GEAR SET, (See FRONT AXLE – INPUT for Breakdown)	

Go to Discount-Equipment.com to order your parts

SECTION 5 - DRIVE TRAIN

FIGURE 5-6. FRONT AXLE - LIMITED SLIP DIFFERENTIAL (SN 0160038391 to Present, Excluding 0160038848, 0160038853 and 0160038855)



PA3301

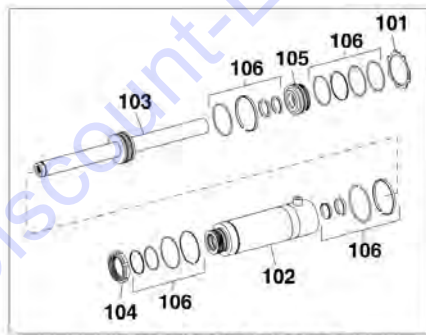
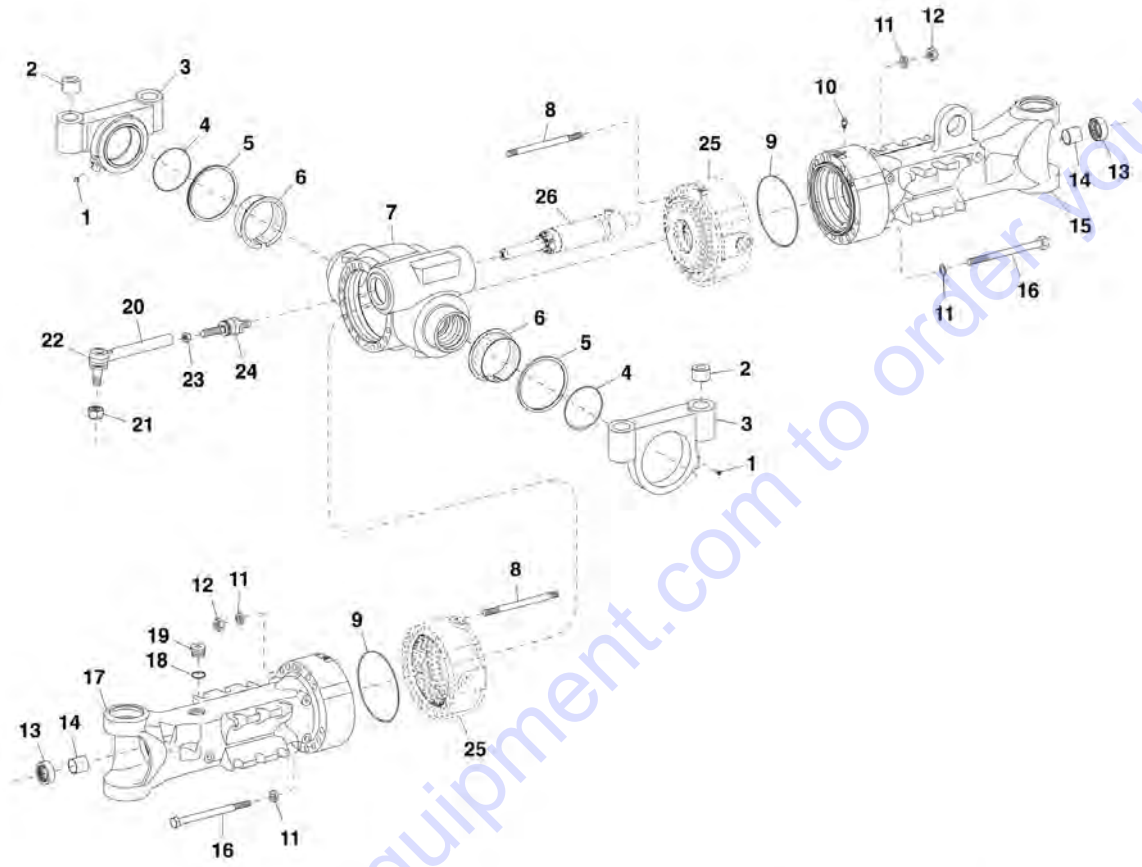
SECTION 5 - DRIVE TRAIN

FIGURE 5-6. FRONT AXLE - LIMITED SLIP DIFFERENTIAL (SN 0160038391 to Present, Excluding 0160038848, 0160038853 and 0160038855)

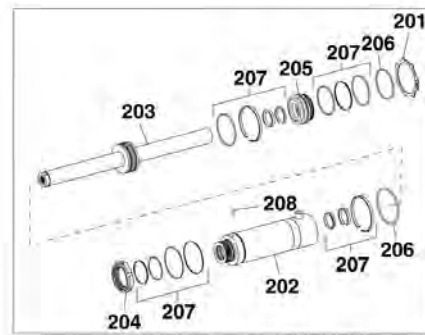
ITEM	PART NUMBER	QTY	DESCRIPTION	REV
1	70022226	NLA	DIFFERENTIAL CASE, (no longer available, Prior to Axle SN 2022732 must replace with both 70023910 differential case and qty 2 of 70023904 slotted pins)	
1	70023910	1	DIFFERENTIAL CASE, (Axle SN 2022732 to Present)	
2	70022263	10	O. CLUTCH DISC, A=1.2	
2	70022264	10	O. CLUTCH DISC, A=1.3	
3	70022260	8	I. CLUTCH DISC	
4	70022261	2	PRESSURE DISC	
5	70022225	2	AXLE BEVEL GEAR	
6	70022185	4	DIFFERENTIAL BEVEL GEAR	
7	70022262	4	THRUST WASHER	
8	70022227	1	DIFFERENTIAL AXLE	
9	70022228	2	DIFFERENTIAL AXLE	
10	70022200	NLA	SLOTTED PIN, (no longer available, Prior to Axle SN 2022732 must replace with both 70023910 differential case and qty 2 of 70023904 slotted pins)	
10	70023904	2	SLOTTED PIN, (Axle SN 2022732 to Present)	
11	70022229	1	COVER	
12		Ref	BEVEL GEAR SET, (See FRONT AXLE – INPUT for Breakdown)	
13	70022211	16	CAP SCREW, M12X1.5X35	

SECTION 5 - DRIVE TRAIN

FIGURE 5-7. FRONT AXLE - AXLE CASING (Prior to SN 0160038391, Including 0160038848, 0160038853 and 0160038855)



PRIOR TO AXLE SN 829694



AXLE SN 829694 TO PRESENT

PU1983

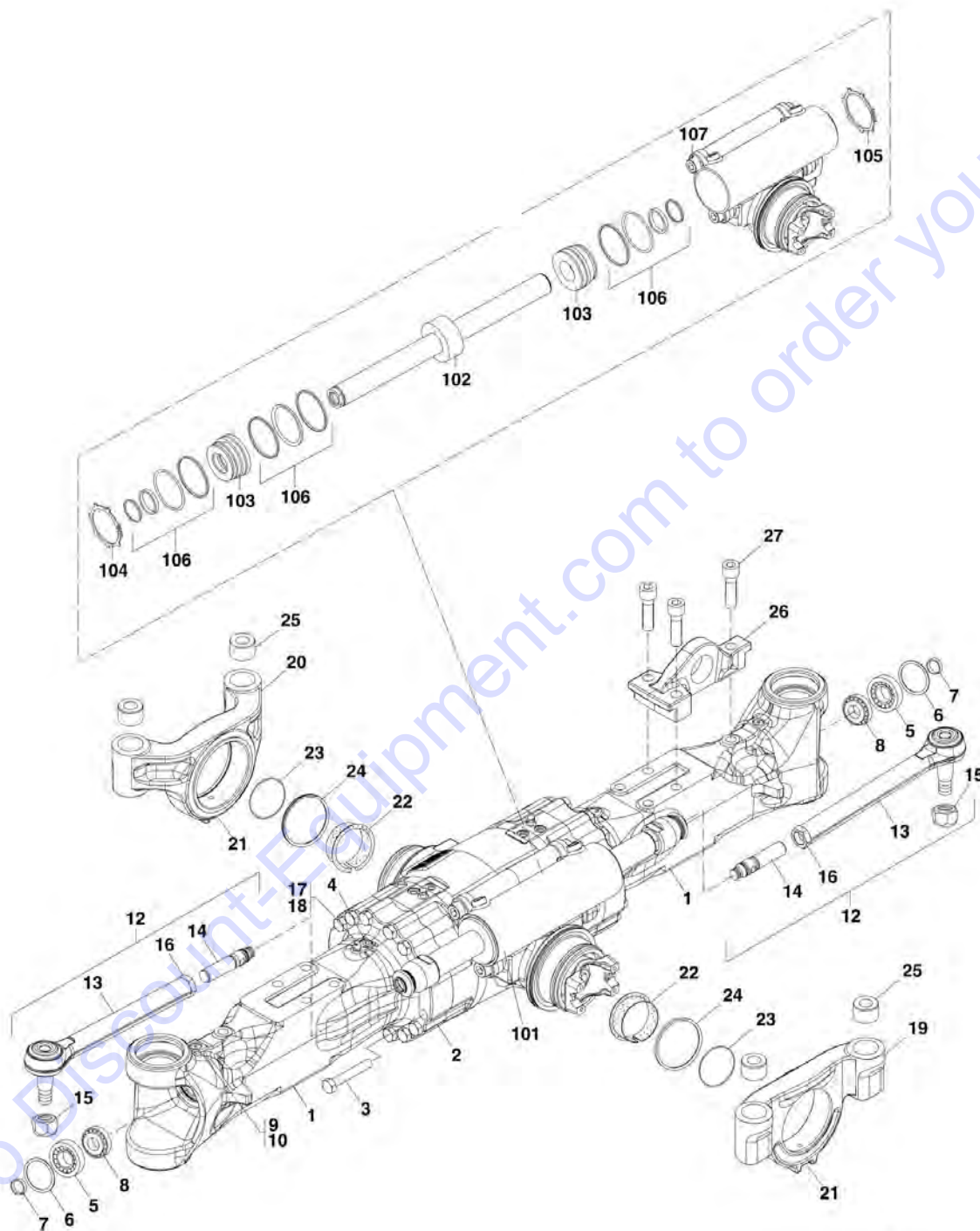
SECTION 5 - DRIVE TRAIN

FIGURE 5-7. FRONT AXLE - AXLE CASING (Prior to SN 0160038391, Including 0160038848, 0160038853 and 0160038855)

ITEM	PART NUMBER	QTY	DESCRIPTION	REV
1	1319423	2	GREASE FITTING	
2	1319441	4	CENTERING BUSHING	
3	8035933	2	BRACKET	
4	1319439	2	O-RING	
5	1319440	2	V-RING	
6	1319438	2	FLANGE BUSHING	
7	8036336	1	AXLE DRIVE HOUSING	
8	8036313	8	STUD	
9	1319425	2	O-RING	
10	1319436	1	BREATHER	
11	8036312	30	WASHER	
12	1319429	8	HEX NUT	
13	1319434	2	SHAFT SEAL	
14	1319433	2	BUSHING	
15	8036430	1	RIGHT FRONT AXLE CASING	
16	8035927	22	HEX SCREW	
17	8036431	1	LEFT FRONT AXLE CASING	
18	8036314	1	O-RING	
19	1319506	1	SCREW PLUG	
20	1321148	2	AXIAL JOINT COUPLING ASSY, (includes items 21 thru 24)	
21	8035931	2	LOCKING NUT	
22	N.S.S.	2	BALL JOINT WITH PIPE COUPLING	
23	8035932	2	HEX NUT	
24	8035930	2	AXIAL JOINT COUPLING	
25		Ref	BRAKE HOUSING, (See FRONT AXLE - M-DISK BRAKE for Breakdown)	
26	1321149	NLA	STEERING CYLINDER, (Prior to Axle SN 829694), (no longer available, use 70021617 for replacement or items 101 thru 106 for service)	
26	70021617	1	STEERING CYLINDER, (Axle SN 829694 to Present), (includes items 201 thru 208)	
101	8035978	NLA	L-RING, (no longer available, use 70021617 for replacement)	
102	8036440	NLA	TUBE WELDMENT, (no longer available, use 70021617 for replacement)	
103	8036439	NLA	PISTON ROD, (no longer available, use 70021617 for replacement)	
104	8035998	1	SLOTTED NUT	
105	8035980	NLA	GUIDE PIECE, (no longer available, use 70021617 for replacement)	
106	8035981	1	SEAL KIT	
201	70021571	1	L-RING	
202	N.S.S.	1	CYLINDER TUBE	
203	70021568	1	PISTON ROD	
204	70021570	1	SLOTTED NUT	
205	70021569	1	GUIDE PIECE	
206	70021726	2	RETAINING RING	
207	70021495	1	SEAL KIT	
208	70022610	1	SLOTTED PIN	

SECTION 5 - DRIVE TRAIN

FIGURE 5-8. FRONT AXLE - AXLE CASING (SN 0160038391 to Present, Excluding 0160038848, 0160038853 and 0160038855)



PA3312

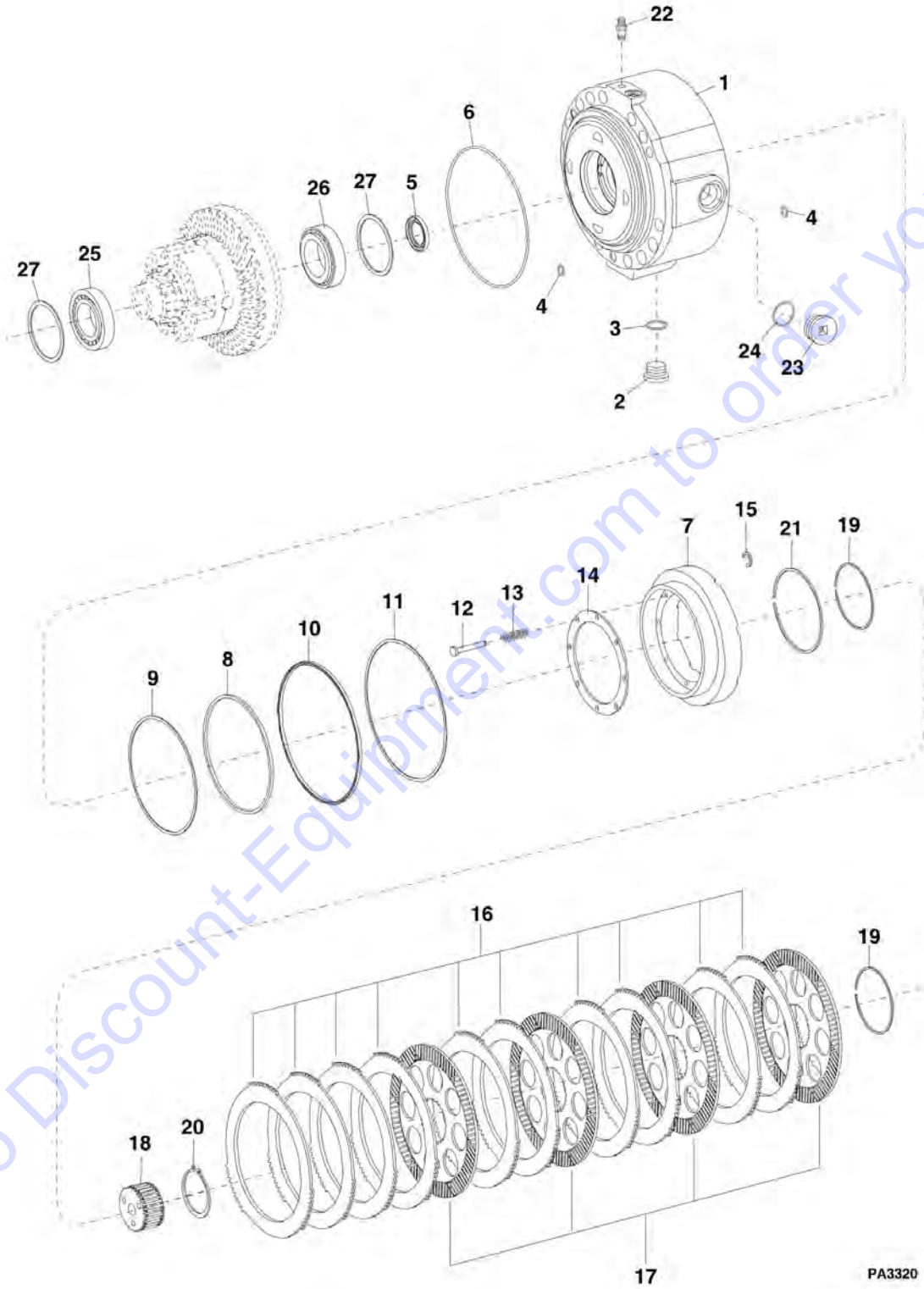
SECTION 5 - DRIVE TRAIN

FIGURE 5-8. FRONT AXLE - AXLE CASING (SN 0160038391 to Present, Excluding 0160038848, 0160038853 and 0160038855)

ITEM	PART NUMBER	QTY	DESCRIPTION	REV
1	70022255	2	AXLE CASING	
2	70022259	1	AXLE DRIVE HOUSING	
3	70022206	28	HEX HD CAPSCREW, M18X180	
4	1319578	4	SCREW PLUG	
5	70022241	2	BUSHING	
6	70022204	2	O-RING	
7	70022217	2	RING	
8	10731790	2	BEARING	
9	70022201	2	SET SCREW, M10X1X16	
10	70022777	2	SCREW PLUG	
12	70022174	2	TIE ROD, (includes items 13 thru 16)	
13	70022175	1	BALL JOINT	
14	70022172	1	AXIAL JOINT	
15	8036758	1	LOCKNUT	
16	8036759	1	HEX NUT	
17	1319436	1	BREATHER	
18	8036418	1	SCREW PLUG	
19	70022246	1	BRACKET	
20	70022247	1	BRACKET	
21	1319423	2	GREASE FITTING	
22	70022182	2	FLANGE BUSHING	
23	70022205	2	O-RING	
24	70022219	2	V-RING	
25	1319441	4	BUSHING	
26	70022254	1	BRACKET	
27	1001103619	3	HEX HD CAPSCREW, M22X1.5X80	
101	70022173	1	STEERING CYLINDER, (includes items 102 thru 106)	
102	70022177	1	PISTON ROD	
103	70022184	2	BREAK HEAD	
104	70022181	2	RETAINING RING	
105	70022180	2	RETAINING RING	
106	70022178	1	SEAL KIT	
107	70022789	4	CAPSCREW, M22X1.5X55	

SECTION 5 - DRIVE TRAIN

FIGURE 5-9. FRONT AXLE - M-DISK BRAKE (Prior to SN 0160038391, Including 0160038848, 0160038853 and 0160038855)



PA3320

SECTION 5 - DRIVE TRAIN

FIGURE 5-9. FRONT AXLE - M-DISK BRAKE (Prior to SN 0160038391, Including 0160038848, 0160038853 and 0160038855)

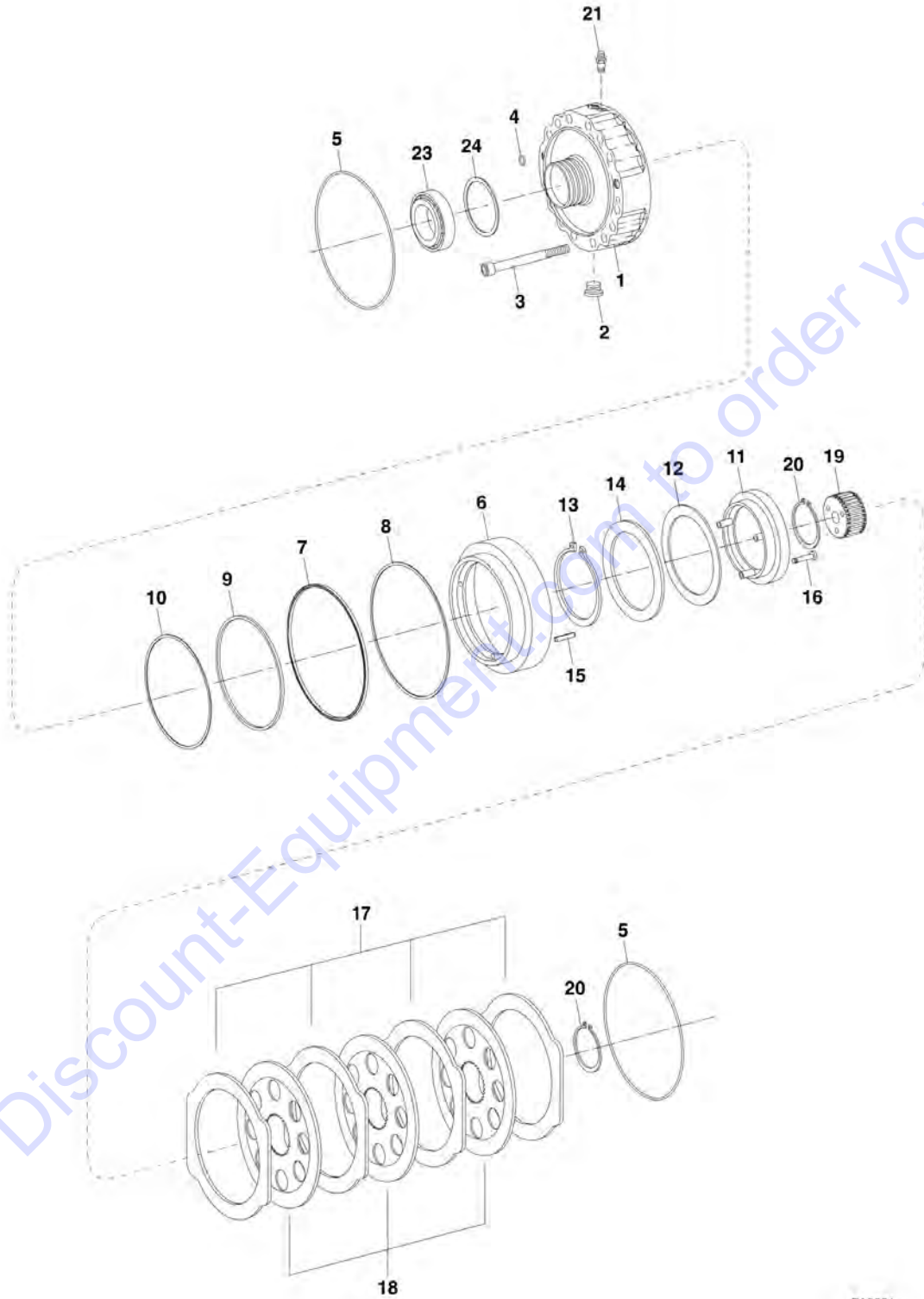
ITEM	PART NUMBER	QTY	DESCRIPTION	REV
1	8035936	Ref	BRAKE HOUSING, (right side), (Prior to Axle SN 675668), (see note N1)	
1	70020483	1	BRAKE HOUSING, (right side), (Axle SN 675668 to Present)	
1	8035939	Ref	BRAKE HOUSING, (left side), (Prior to Axle SN 675668), (not shown), (see note N1)	
1	70020484	1	BRAKE HOUSING, (left side), (Axle SN 675668 to Present), (not shown)	
2	1319431	2	SCREW PLUG	
3	8036303	2	O-RING	
4	1319491	12	O-RING	
5	1321161	2	SHAFT SEAL	
6	1319425	2	O-RING	
7	8036304	2	PISTON	
8	1321162	2	U-RING	
9	1321151	2	SUPPORT RING	
10	1321163	2	U-RING	
11	1321152	2	SUPPORT RING	
12	1319496	16	PIN	
13	1319497	16	COMPRESSION SPRING	
14	8036305	2	WASHER	
15	1319499	16	CRESCENT RING	
16	1319500	20	O.CLUTCH DISC, S=2.0, (Prior to Axle SN 675668)	
16	70020485	20	O.CLUTCH DISC, S=2.0, (Axle SN 675668 to present)	
16	1319501	20	O.CLUTCH DISC, S=2.5, (Prior to Axle SN 675668)	
16	70020486	20	O.CLUTCH DISC, S=2.5, (Axle SN 675668 to Present)	
16	1319502	20	O.CLUTCH DISC, S=3.0, (Prior to Axle SN 675668)	
16	70020487	20	O.CLUTCH DISC, S=3.0, (Axle SN 675668 to Present)	
17	1321150	8	I.CLUTCH DISC (Prior to Axle SN 82384)	
17	70020408	8	I.CLUTCH DISC, (Axle SN 823842 to Present)	
18	1321174	2	DISC CARRIER, (Prior to Axle SN 823842)	
18	70020409	2	DISC CARRIER, (Axle SN 823842 to Present)	
19	8036307	4	SNAP RING	
20	8036308	2	RETAINING RING	
21	1319504	2	SNAP RING	
22	1319505	2	VALVE VENT	
23	1319506	2	SCREW PLUG	
24	8036314	2	O-RING	
25	8036445	2	ROLLER BEARING	
26	8036447	2	ROLLER BEARING	
27	1319531	AR	SHIM, A=0.1	
27	8035945	AR	SHIM, A=0.15	
27	1319530	AR	SHIM, A=0.2	
27	8035946	AR	SHIM, A=0.25	
27	1319529	AR	SHIM, A=0.3	
27	8035947	AR	SHIM, A=0.35	
27	8035951	AR	SHIM, A=0.4	
27	1319543	AR	SHIM, A=0.45	
27	1319527	AR	SHIM, A=0.5	
27	1321158	AR	SHIM, A=0.55	

SECTION 5 - DRIVE TRAIN

ITEM	PART NUMBER	QTY	DESCRIPTION	REV
27	1319526	AR	SHIM, A=0.6	
27	1319532	AR	SHIM, A=0.65	
27	1319533	AR	SHIM, A=0.70	
27	1319534	AR	SHIM, A=0.75	
27	1319545	AR	SHIM, A=0.8	
27	1319535	AR	SHIM, A=0.85	
27	1319536	AR	SHIM, A=0.9	
27	1319537	AR	SHIM, A=0.95	
27	1319524	AR	SHIM, A=1.0	
27	1319525	AR	SHIM, A=1.05	
27	1319538	AR	SHIM, A=1.10	
27	1319539	AR	SHIM, A=1.15	
27	1319523	AR	SHIM, A=1.20	
27	1319540	AR	SHIM, A=1.25	
27	1319541	AR	SHIM, A=1.30	
27	1319542	AR	SHIM, A=1.35	
27	1319522	AR	SHIM, A=1.40	
27	1319521	AR	SHIM, A=1.45	
27	1319520	AR	SHIM, A=1.50	
27	1319519	AR	SHIM, A=1.55	
27	1319518	AR	SHIM, A=1.60	
27	1319517	AR	SHIM, A=1.65	
27	1319510	AR	SHIM, A=2.0	
27	1321159	AR	SHIM, A=1.47	
27	8035948	AR	SHIM, A=1.63	
27	1319516	AR	SHIM, A=1.70	
27	1319515	AR	SHIM, A=1.75	
27	1319514	AR	SHIM, A=1.80	
27	1319513	AR	SHIM, A=1.85	
27	1319512	AR	SHIM, A=1.90	
27	1319511	AR	SHIM, A=1.95	
N1	Note	Ref	PARTS ARE NO LONGER AVAILABLE; ORDER BRAKE HOUSINGS 70020483 & 70020484, QUANTITY REQUIRED OF OUTER DISCS 70020485, 70020486 & 70020487, QUANTITY 2 OF 70020413 END PLATES	

SECTION 5 - DRIVE TRAIN

FIGURE 5-10. FRONT AXLE - M-DISK BRAKE (SN 0160038391 to Present, Excluding 0160038848, 0160038853 and 0160038855)



PA3321

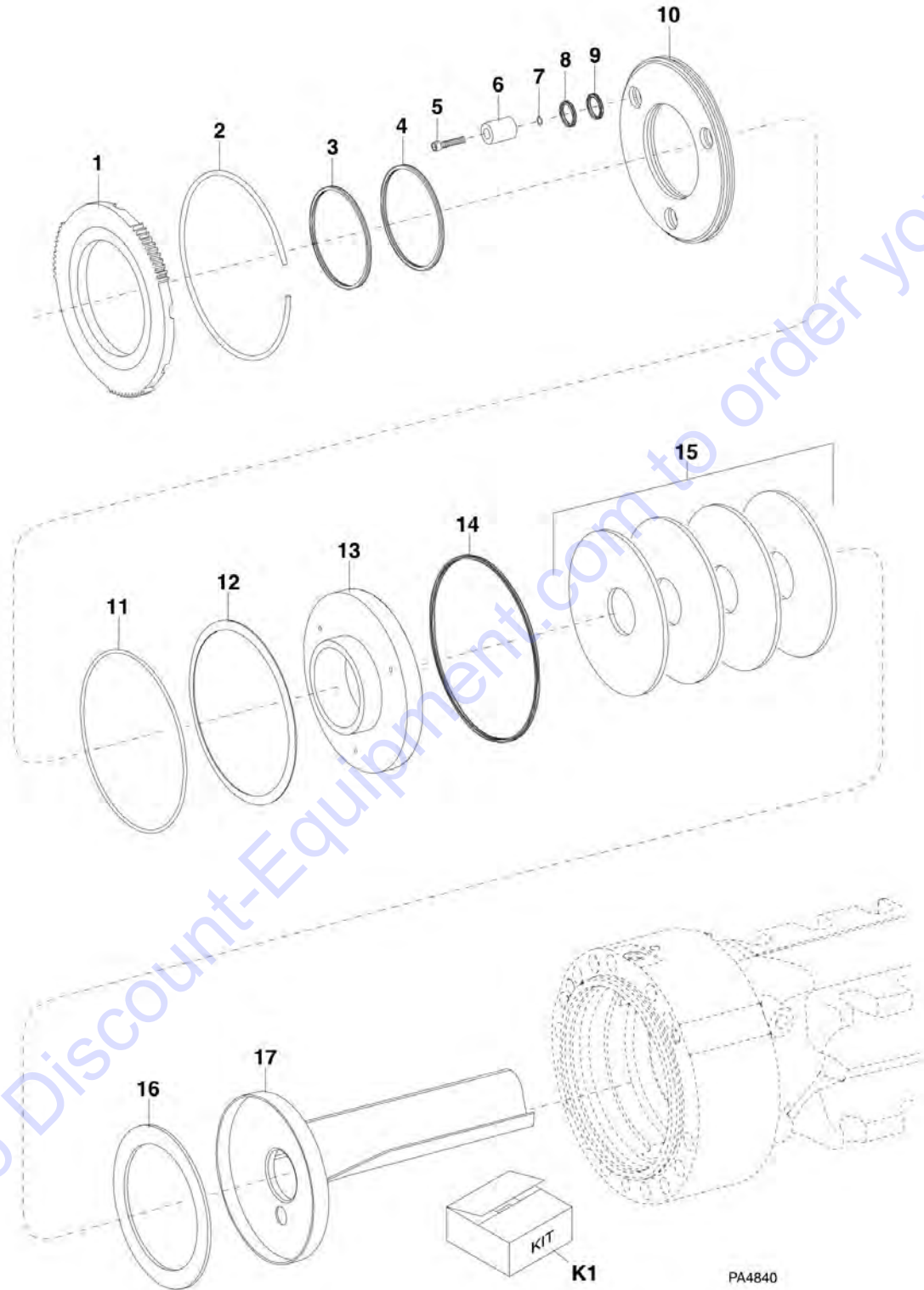
SECTION 5 - DRIVE TRAIN

FIGURE 5-10. FRONT AXLE - M-DISK BRAKE (SN 0160038391 to Present, Excluding 0160038848, 0160038853 and 0160038855)

ITEM	PART NUMBER	QTY	DESCRIPTION	REV
1	70026149	2	BRAKE HOUSING	
2	1319578	2	SCREW PLUG	
3	70022209	6	CAP SCREW, M12X105	
4	70022779	10	O-RING	
5	80304462	4	O-RING	
6	70022250	2	PISTON	
7	70022190	2	PISTON PACKING	
8	70022193	2	BACKUP RING	
9	70022189	2	PISTON PACKING	
10	70022194	2	BACKUP RING	
11	70022236	2	RING	
12	70022183	2	CUP SPRING	
13	70022198	2	RETAINING RING	
14	70022235	2	WASHER	
15	70022186	2	SLOT PIN	
16	1319214	6	CAP SCREW, M8X40	
17	70022196	8	O.CLUTCH DISC	
18	70022176	6	I.CLUTCH DISC	
19	70022253	2	DISC CARRIER	
20	10731949	4	RETAINING RING	
21	70022171	2	BREATHER	
22	70022780	2	SCREW PLUG, (not shown)	
23	8036447	2	BEARING	
24	1319537	2	SHIM, A=0.95	
24	1319545	2	SHIM, A=1.05	
24	1319539	2	SHIM, A=1.15	
24	1319540	2	SHIM, A=1.25	
24	1319542	2	SHIM, A=1.35	

SECTION 5 - DRIVE TRAIN

FIGURE 5-11. FRONT AXLE - BRAKE (Prior to SN 0160038391, Including 0160038848, 0160038853 and 0160038855)



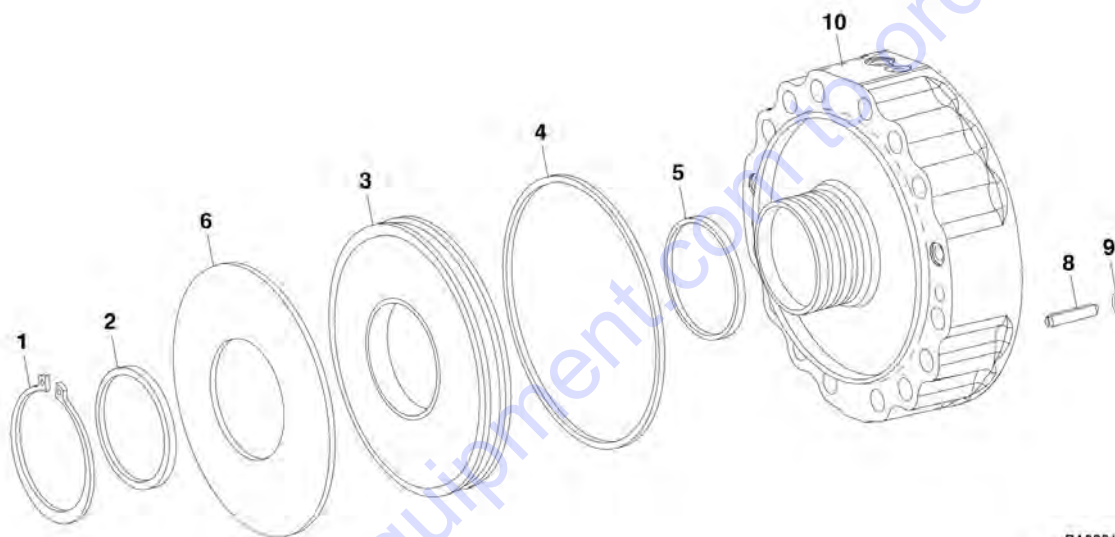
SECTION 5 - DRIVE TRAIN

FIGURE 5-11. FRONT AXLE - BRAKE (Prior to SN 0160038391, Including 0160038848, 0160038853 and 0160038855)

ITEM	PART NUMBER	QTY	DESCRIPTION	REV
1	Kit	NLA	END SHIM, (Prior to Axle SN 332590), (no longer available, use 7029104 kit for replacement)	
1	8036848	2	END SHIM, (Axle SN 332590 through Axle SN 675667)	
1	70020143	2	END SHIM, (Axle SN 675668 to Present)	
2	1321206	2	SNAP RING	
3	Kit	NLA	SUPPORT RING, (Prior to Axle SN 332590), (no longer available, use 7029104 kit for replacement)	
3	8036855	2	BACKUP RING, (Axle SN 332590 to Present)	
4	Kit	NLA	FOUR-LIP RING, (Prior to Axle SN 332590), (no longer available, use 7029104 kit for replacement)	
4	8036854	2	U-RING, (Axle SN 332590 to Present)	
5	8036321	6	CAPSCREW	
6	Kit	NLA	PRESSURE PIN, (Prior to Axle SN 332590), (no longer available, use 7029104 kit for replacement)	
6	8036858	6	PRESSURE PIN, (Axle SN 332590 to Present)	
7	Kit	NLA	SUPPORT RING, (Prior to Axle SN 332590), (no longer available, use 7029104 kit for replacement)	
7	8036862	6	BACKUP RING, (Axle SN 332590 to Present)	
8	8036859	6	O-RING	
9	Kit	NLA	FOUR-LIP RING, (Prior to Axle SN 332590), (no longer available, use 7029104 kit for replacement)	
9	8036861	6	U-RING, (Axle SN 332590 to Present)	
10	Kit	NLA	SEALING WASHER, (Prior to Axle SN 332590), (no longer available, use 7029104 kit for replacement)	
10	8036849	2	SEALING WASHER, (Axle SN 332590 to Present)	
11	8036320	2	O-RING	
12	1321208	2	CUP SPRING	
13	Kit	NLA	PISTON, (Prior to Axle SN 332590), (no longer available, use 7029104 kit for replacement)	
13	7027212	2	PISTON, (Axle SN 332590 to Present)	
14	Kit	NLA	FOUR-LIP RING, (Prior to Axle SN 332590), (no longer available, use 7029104 kit for replacement)	
14	8036852	2	U-RING, (Axle SN 332590 to Present)	
15	1321207	8	CUP SPRING	
16	8035958	2	SPACING WASHER	
17	Kit	NLA	OIL DAM, (Prior to Axle SN 332590), (no longer available, use 7029104 kit for replacement)	
17	8036856	2	OIL DAM, (Axle SN 332590 to Present)	
K1	7029104	AR	BRAKE SEAL KIT, (Prior to Axle SN 675668), (includes quantity of 1 each of items 1, 2, 3, 4, 10 thru 14, 17; quantity of 3 each of items 5 thru 9 and quantity of 1 of 1319425 o-ring)	

SECTION 5 - DRIVE TRAIN

FIGURE 5-12. FRONT AXLE - BRAKE (SN 0160038391 to Present, Excluding 0160038848, 0160038853 and 0160038855)



PA3331

SECTION 5 - DRIVE TRAIN

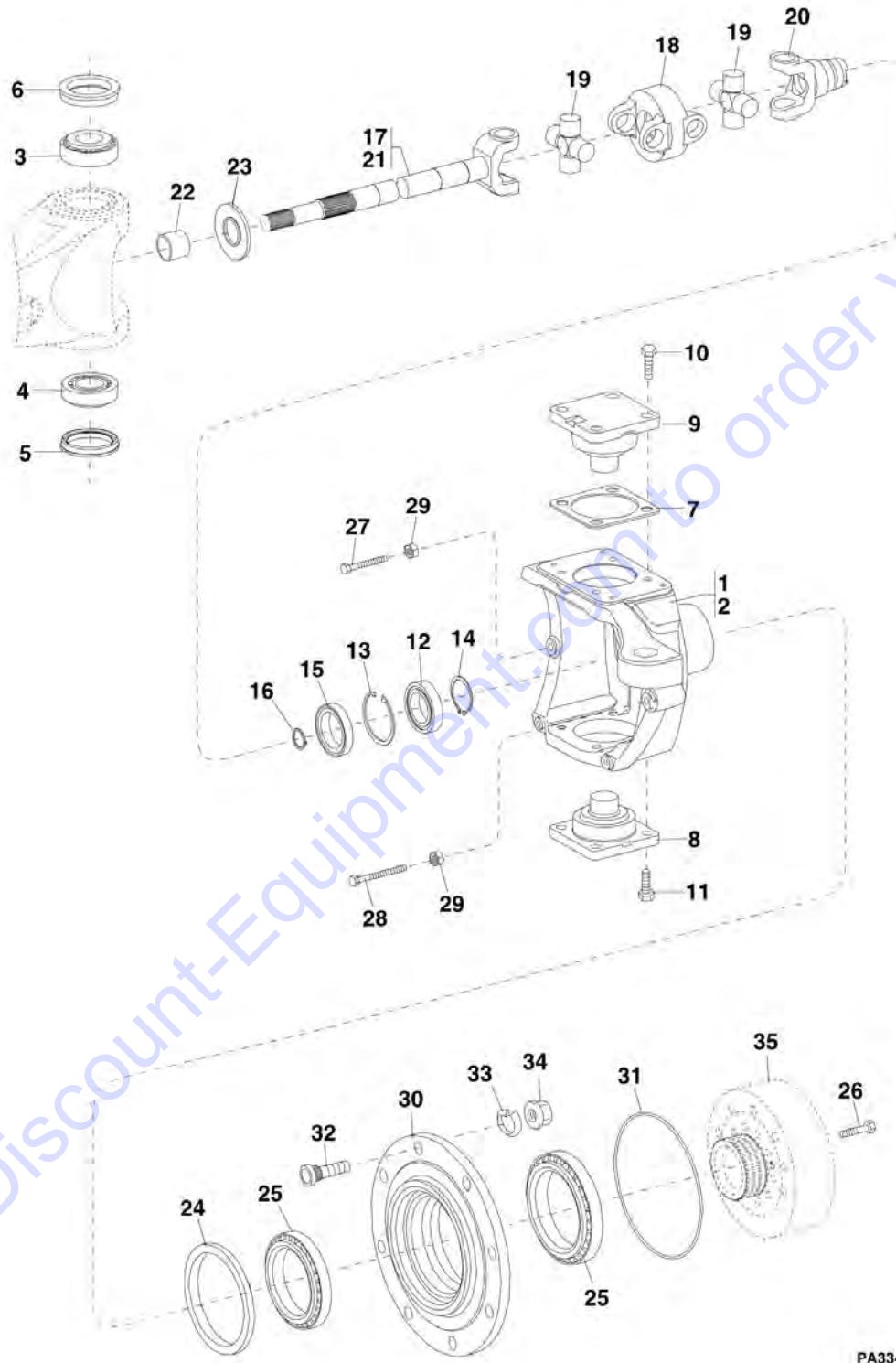
FIGURE 5-12. FRONT AXLE - BRAKE (SN 0160038391 to Present, Excluding 0160038848, 0160038853 and 0160038855)

ITEM	PART NUMBER	QTY	DESCRIPTION	REV
1	70022199	2	SNAP RING	
2	70022252	2	WASHER	
3	70022251	2	PISTON	
4	70022191	2	PISTON PACKING	
5	70022192	2	ROD SEAL	
6	70022195	2	CUP SPRING	
7	70022780	2	SCREW PLUG, (not shown)	
8	70022248	14	PRESSURE PIN	
9	70022202	14	O-RING	
10		Ref	BRAKE HOUSING, (See FRONT AXLE - M-DISK BRAKE for Breakdown)	

Go to Discount-Equipment.com to order your parts

SECTION 5 - DRIVE TRAIN

FIGURE 5-13. FRONT AXLE - JOINT HOUSING (Prior to SN 0160038391, Including 0160038848, 0160038853 and 0160038855)



PA3340

SECTION 5 - DRIVE TRAIN

FIGURE 5-13. FRONT AXLE - JOINT HOUSING (Prior to SN 0160038391, Including 0160038848, 0160038853 and 0160038855)

ITEM	PART NUMBER	QTY	DESCRIPTION	REV
1	1321245	1	JOINT HOUSING, (right side)	
2	1321246	1	JOINT HOUSING, (left side)	
3	1319444	2	ROLLER BEARING	
4	1321166	2	ROLLER BEARING	
5	1319447	2	SHAFT SEAL	
6	8036338	2	MULTI SEAL RING	
7	1319448	AR	SHIM, A=0.2	
7	1319449	AR	SHIM, A=0.3	
7	1319450	AR	SHIM, A=0.4	
7	1319451	AR	SHIM, A=0.6	
7	1319452	AR	SHIM, A=0.8	
7	1319453	AR	SHIM, A=1.0	
7	1319454	AR	SHIM, A=1.2	
7	1319455	AR	SHIM, A=1.4	
7	1319456	AR	SHIM, A=1.6	
7	1319457	AR	SHIM, A=1.8	
7	1319458	AR	SHIM, A=2.0	
7	1319459	AR	SHIM, A=0.7	
7	1319460	AR	SHIM, A=0.5	
8	1319461	2	BEARING PIN	
9	1319462	2	BEARING PIN	
10	1319463	8	HEX SCREW	
11	1319464	8	HEX SCREW	
12	1321157	2	BALL BEARING	
13	1319210	2	RETAINING RING	
14	80304405	2	RETAINING RING	
15	1321164	2	SHAFT SEAL	
16	1321226	2	RETAINING RING	
17	1321176	2	UNIVERSAL COUPLING DRIVE SHAFT ASSY, (includes items 18 thru 23)	
18	8035992	2	CENTRAL PIECE	
19	8035993	4	JOINT CROSS	
20	8035994	2	JOINT FORK	
21	8035995	2	JOINT COUPLING FORK	
22	8035973	2	BUSHING	
23	8035996	2	SCREEN SHEET	
24	8036329	2	CASSETTE RING	
25	1319472	4	ROLLER BEARING	
26	8035997	20	HEX SCREW	
27	1319475	2	STOP SCREW	
28	8036330	2	STOP SCREW	
29	1319477	4	HEX NUT	
30	8036435	2	HUB	
31	1319470	2	O-RING	
32	8036434	16	WHEEL BOLT	
33		Ref	SPRING WASHER, (See DRIVE TRAIN COMPONENTS for Breakdown)	
34		Ref	WHEEL NUT, (See DRIVE TRAIN COMPONENTS for Breakdown)	
35		Ref	RING GEAR, (See FRONT AXLE - PLANETARY DRIVE for	

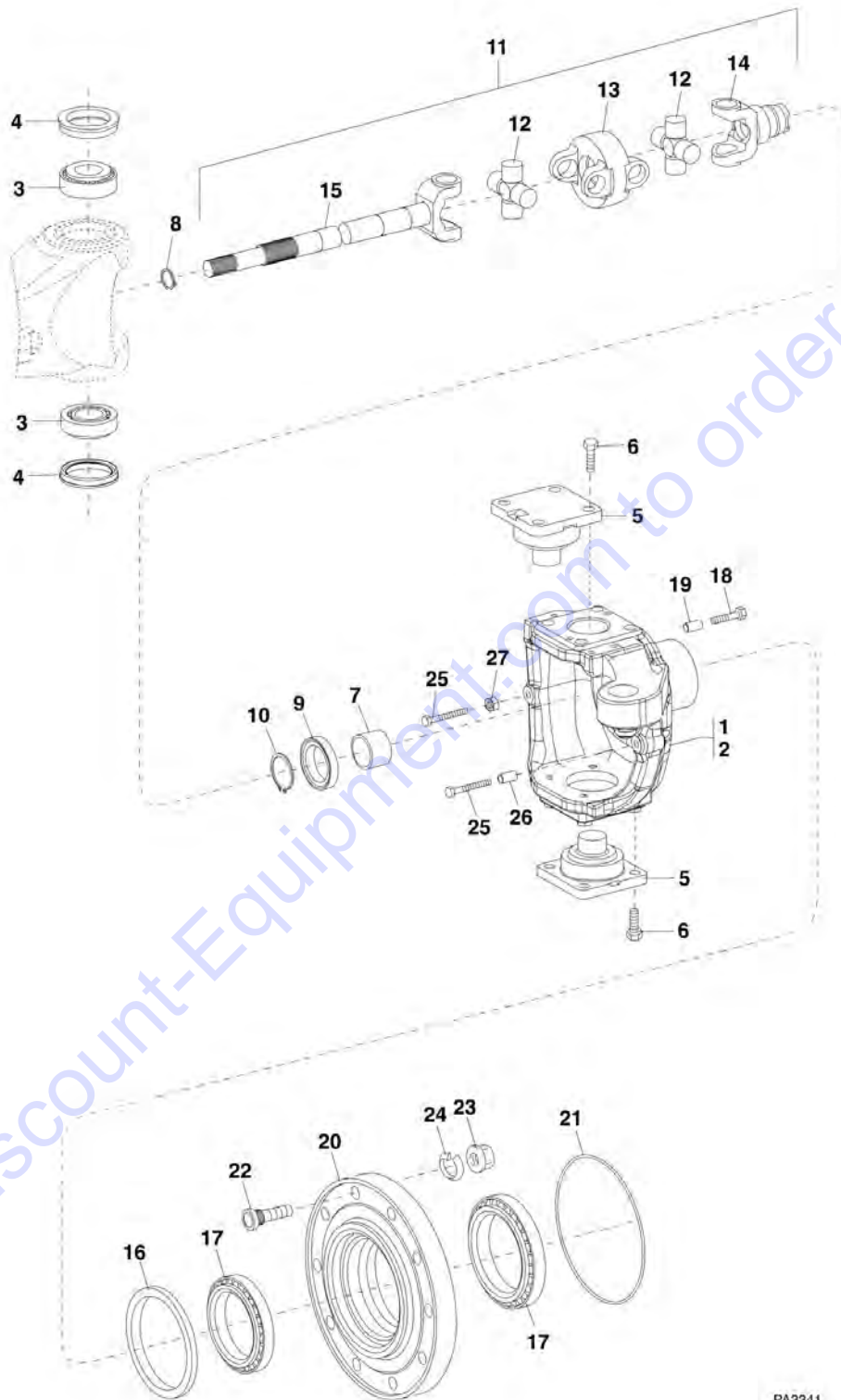
SECTION 5 - DRIVE TRAIN

ITEM	PART NUMBER	QTY	DESCRIPTION	REV
			Breakdown)	

Go to Discount-Equipment.com to order your parts

SECTION 5 - DRIVE TRAIN

FIGURE 5-14. FRONT AXLE - JOINT HOUSING (SN 0160038391 to Present, Excluding 0160038848, 0160038853 and 0160038855)



PA3341

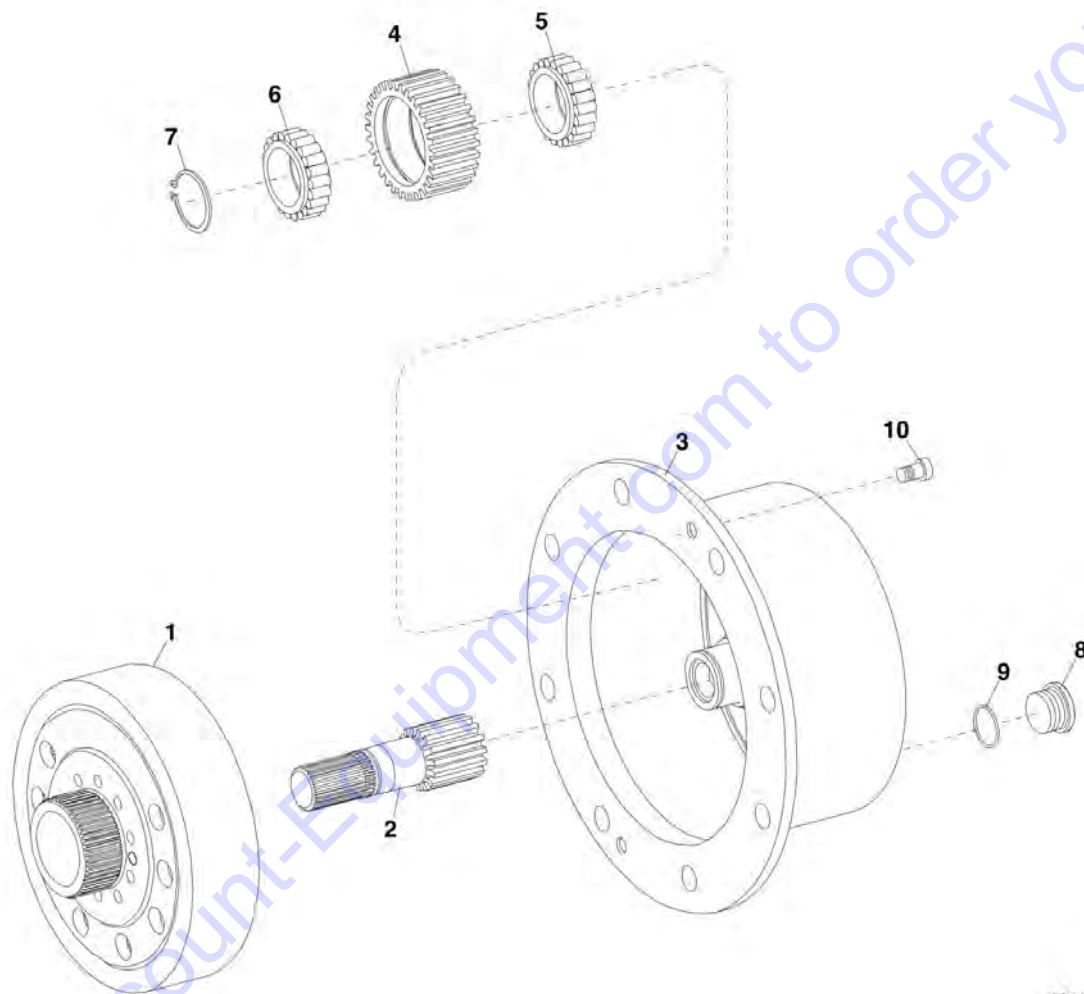
SECTION 5 - DRIVE TRAIN

FIGURE 5-14. FRONT AXLE - JOINT HOUSING (SN 0160038391 to Present, Excluding 0160038848, 0160038853 and 0160038855)

ITEM	PART NUMBER	QTY	DESCRIPTION	REV
1	70022237	1	JOINT HOUSING, (left side)	
2	70022238	1	JOINT HOUSING, (right side)	
3	70022223	4	ROLLER BEARING	
4	1319447	4	SHAFT SEAL	
5	70022240	4	BEARING PIN	
6	1319464	16	HEX SCREW, M16X40	
7	70022179	2	BUSHING	
8	10731789	2	RETAINING RING	
9	70022218	2	SHAFT SEAL	
10	1321226	2	RETAINING RING	
11	70022781	2	UNIVERSAL COUPLING DRIVE SHAFT ASSY, (includes items 12 thru 15)	
12	70021554	2	JOINT CROSS	
13	70022782	1	CENTRAL PIECE	
14	70022187	1	FORK SHAFT	
15	70022188	1	FORK SHAFT	
16	80304173	2	SHAFT SEAL	
17	1319472	4	ROLLER BEARING	
18	70022783	16	HEX SCREW, M14X70	
19	70022234	16	CENTERING BUSHING	
20	70024613	2	HUB	
21	70022203	2	O-RING	
22	70022230	20	WHEEL BOLT	
23		Ref	WHEEL NUT, (See DRIVE TRAIN COMPONENTS for Breakdown)	
24		Ref	SPRING WASHER, (See DRIVE TRAIN COMPONENTS for Breakdown)	
25	8036330	4	STOP SCREW, M14X1.5	
26	70022257	2	SPACER TUBE	
27	1319477	2	HEX NUT, M14X1.5	

SECTION 5 - DRIVE TRAIN

FIGURE 5-15. FRONT AXLE - PLANETARY DRIVE (Prior to SN 0160038391, Including 0160038848, 0160038853 and 0160038855)



PA3350

SECTION 5 - DRIVE TRAIN

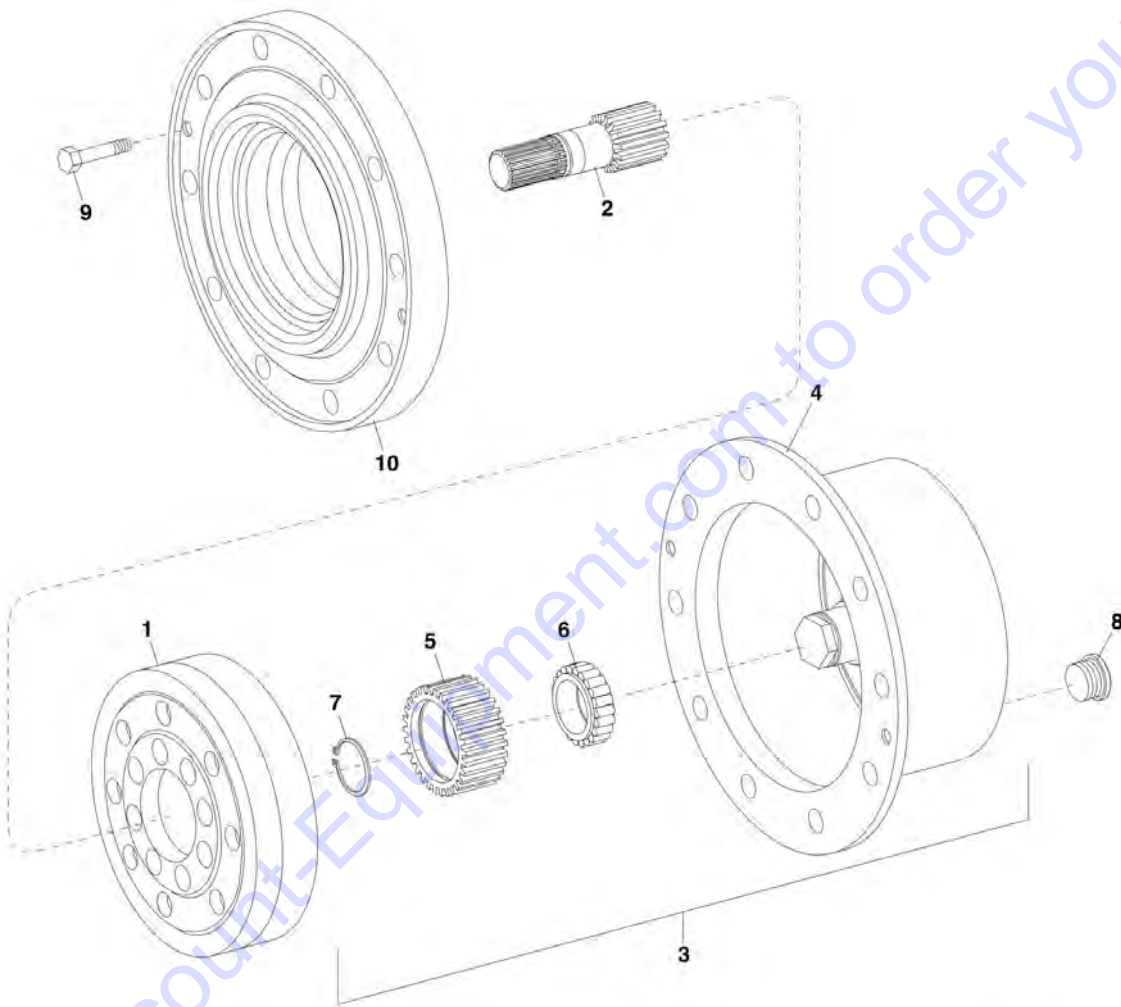
FIGURE 5-15. FRONT AXLE - PLANETARY DRIVE (Prior to SN 0160038391, Including 0160038848, 0160038853 and 0160038855)

ITEM	PART NUMBER	QTY	DESCRIPTION	REV
1	1321247	2	RING GEAR	
2	1321242	2	SUN GEAR SHAFT	
3	8036436	2	PLANET CARRIER	
4	1321231	6	PLANET GEAR	
5	1319483	6	ROLLER BEARING	
6	1319484	6	ROLLER BEARING	
7	1319485	6	SNAP RING	
8	1319506	2	SCREW PLUG	
9	8036331	2	O-RING	
10	1319488	4	CAPSCREW	

Go to Discount-Equipment.com to order your parts

SECTION 5 - DRIVE TRAIN

FIGURE 5-16. FRONT AXLE - PLANETARY DRIVE (SN 0160038391 to Present, Excluding 0160038848, 0160038853 and 0160038855)



PA3351

SECTION 5 - DRIVE TRAIN

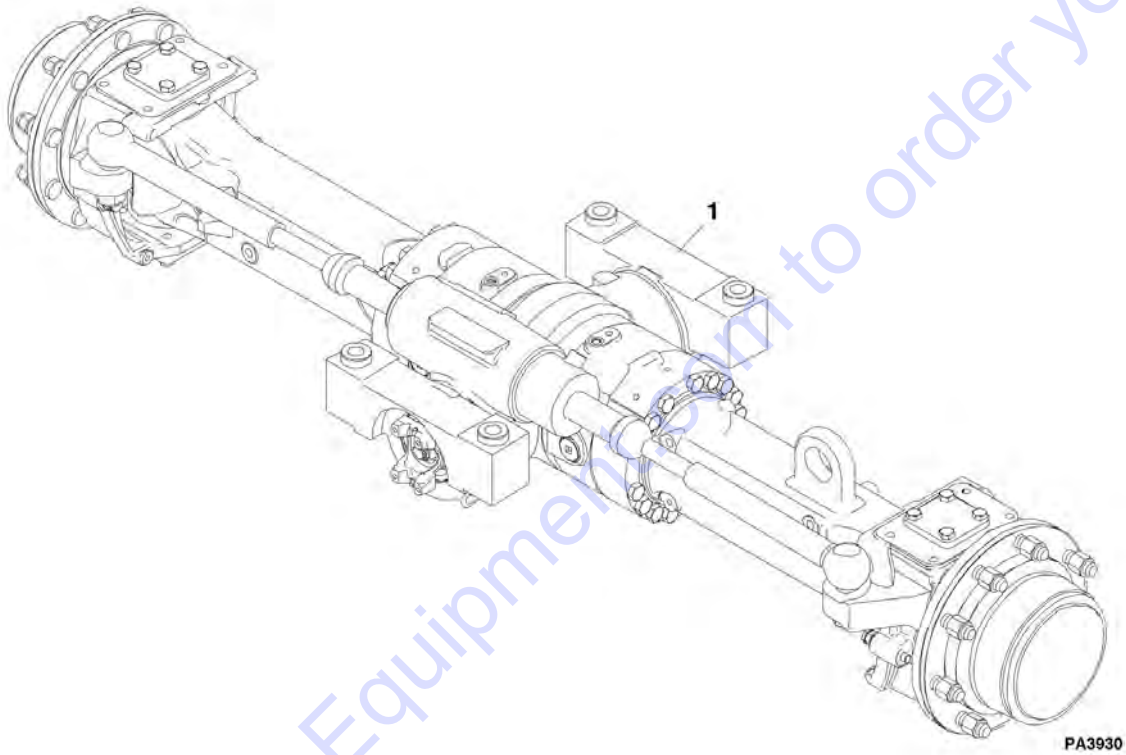
FIGURE 5-16. FRONT AXLE - PLANETARY DRIVE (SN 0160038391 to Present, Excluding 0160038848, 0160038853 and 0160038855)

ITEM	PART NUMBER	QTY	DESCRIPTION	REV
1	70022242	1	RING GEAR	
2	70022784	2	SUN GEAR SHAFT	
3	70022233	2	PLANETARY CARRIER ASSY, (includes items 4 thru 7)	
4	70022256	1	PLANETARY CARRIER	
5	70022243	3	PLANETARY GEAR	
6	70022785	3	CYL ROLLER BEARING	
7	70022197	3	RETAINING RING	
8	1319578	2	SCREW PLUG	
9	70022207	4	HEX SCREW, M12X30	
10		Ref	HUB, (See FRONT AXLE - JOINT HOUSING for Breakdown)	

Go to Discount-Equipment.com to order your parts

SECTION 5 - DRIVE TRAIN

FIGURE 5-17. REAR AXLE



SECTION 5 - DRIVE TRAIN

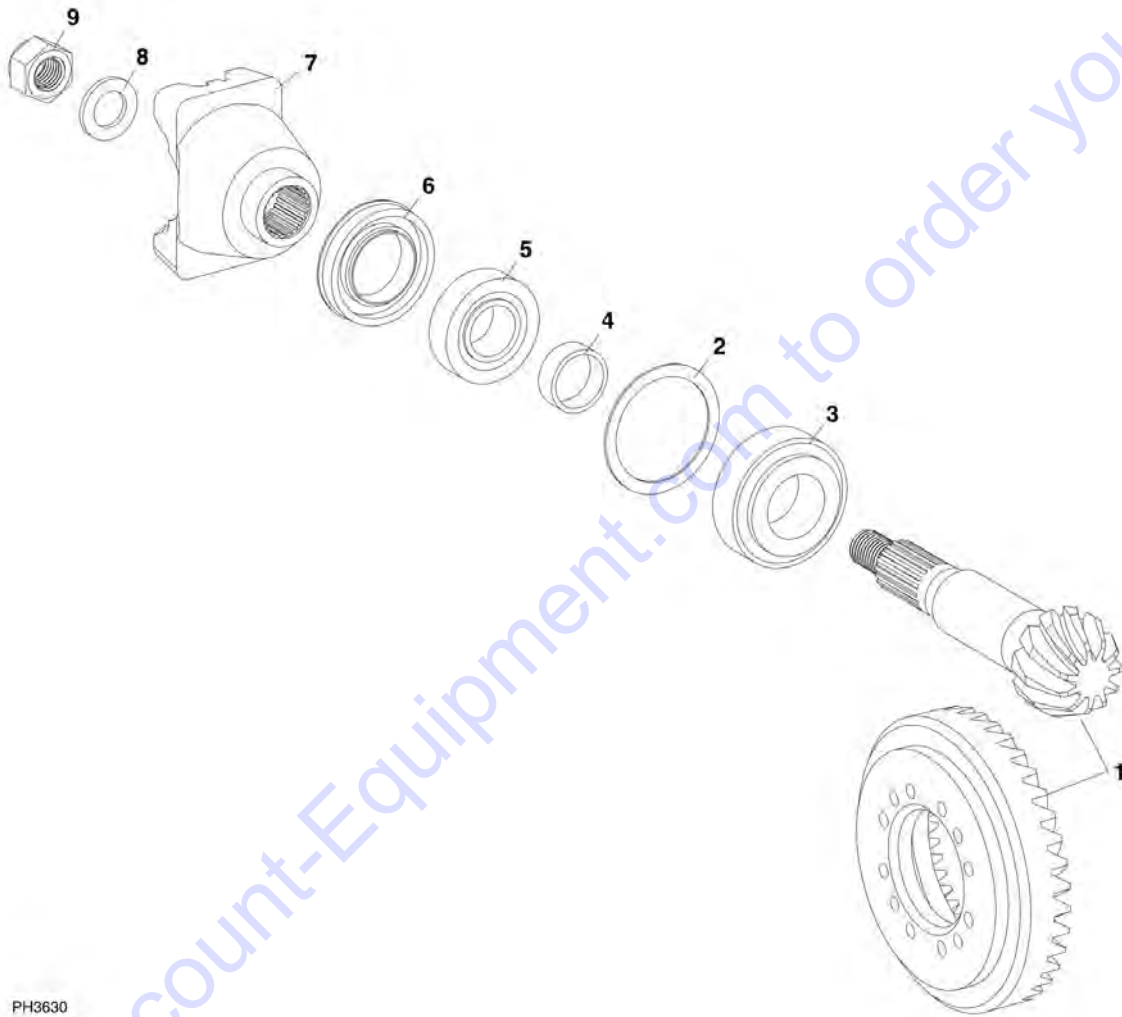
FIGURE 5-17. REAR AXLE

ITEM	PART NUMBER	QTY	DESCRIPTION	REV
1	8040274	1	REAR AXLE (Prior to SN 0160038391, Including 0160038848, 0160038853 and 0160038855)	F
1	1001106727	1	REAR AXLE (SN 0160038391 to Present, Excluding 0160038848, 0160038853 and 0160038855)	E
1		Ref	INPUT, (See REAR AXLE – INPUT for Breakdown)	
1		Ref	LIMITED SLIP DIFFERENTIAL, (See REAR AXLE – DIFFERENTIAL for Breakdown)	
1		Ref	AXLE CASING, (See REAR AXLE - AXLE CASING for Breakdown)	
1		Ref	M-DISK BRAKE, (See REAR AXLE - M-DISK BRAKE for Breakdown)	
1		Ref	BRAKE, (See REAR AXLE - BRAKE for Breakdown)	
1		Ref	JOINT HOUSING, (See REAR AXLE - JOINT HOUSING for Breakdown)	
1		Ref	PLANETARY DRIVE, (See REAR AXLE - PLANETARY DRIVE for Breakdown)	

Go to Discount-Equipment.com to order your parts

SECTION 5 - DRIVE TRAIN

FIGURE 5-18. REAR AXLE - INPUT (Prior to SN 0160038391, Including 0160038848, 0160038853 and 0160038855)



SECTION 5 - DRIVE TRAIN

FIGURE 5-18. REAR AXLE - INPUT (Prior to SN 0160038391, Including 0160038848, 0160038853 and 0160038855)

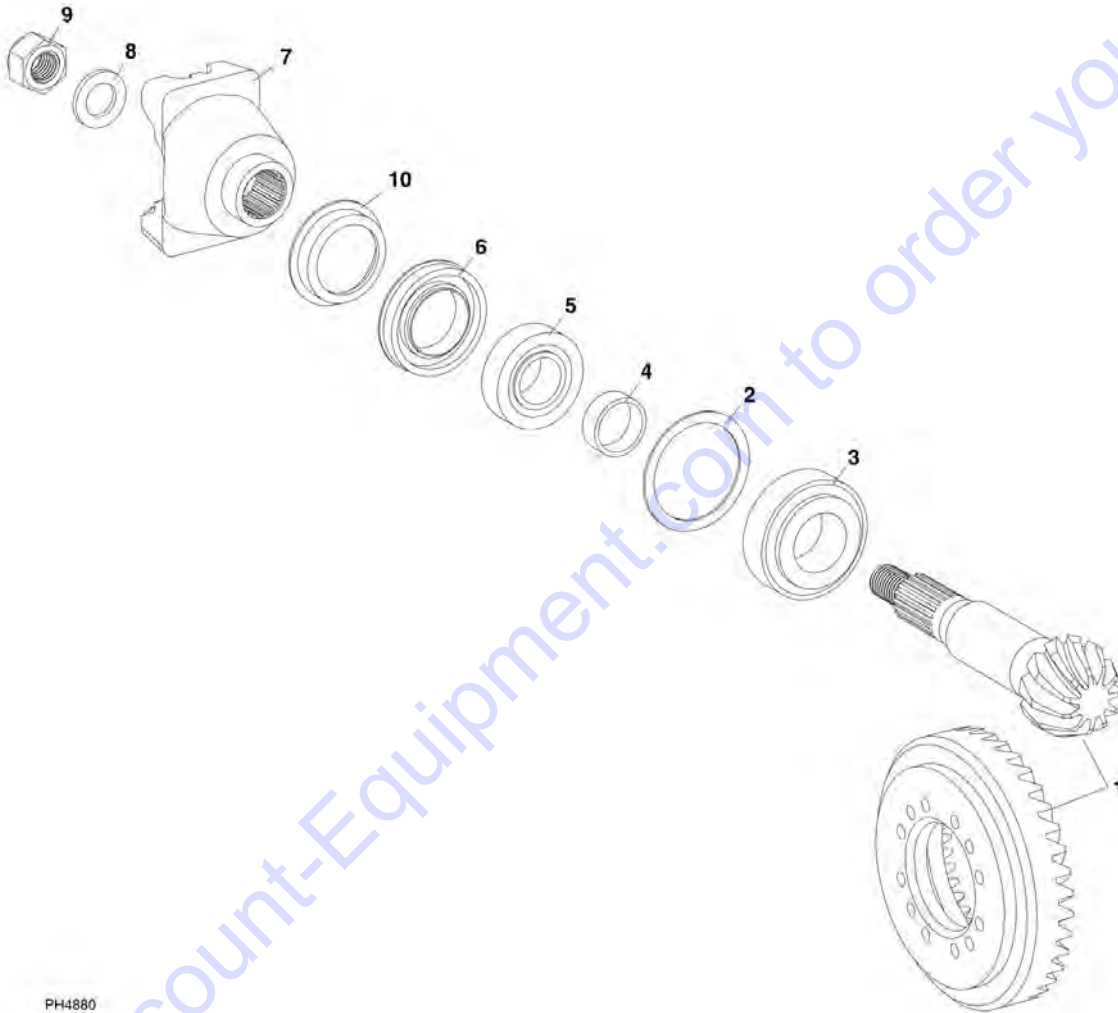
ITEM	PART NUMBER	QTY	DESCRIPTION	REV
1	8036751	1	BEVEL GEAR SET, (includes pinion)	
2	1319333	1	SHIM, S=1.0	
2	1319334	1	SHIM, S=1.05	
2	1319335	1	SHIM, S=1.10	
2	1319336	1	SHIM, S=1.15	
2	1319337	1	SHIM, S=1.20	
2	1319338	1	SHIM, S=1.25	
2	1319339	1	SHIM, S=1.30	
2	1319340	1	SHIM, S=1.35	
2	1319341	1	SHIM, S=1.40	
2	1319342	1	SHIM, S=1.45	
2	1319343	1	SHIM, S=1.50	
2	1319344	1	SHIM, S=1.55	
2	1319345	1	SHIM, S=1.60	
2	1319346	1	SHIM, S=0.90	
2	1319347	1	SHIM, S=0.95	
2	1319348	1	SHIM, S=0.65	
2	1319349	1	SHIM, S=0.70	
2	1319350	1	SHIM, S=0.75	
2	1319351	1	SHIM, S=0.85	
2	1319352	1	SHIM, S=0.80	
3	1319353	1	ROLLER BEARING	
4	1319354	1	RING, S=15.1	
4	1319355	1	RING, S=15.2	
4	1319356	1	RING, S=15.3	
4	1319357	1	RING, S=15.4	
4	1319358	1	RING, S=15.5	
4	1319359	1	RING, S=15.6	
4	1319360	1	RING, S=15.7	
4	1319361	1	RING, S=15.8	
4	1319362	1	RING, S=15.9	
4	1319363	1	RING, S=16.0	
4	1319364	1	RING, S=16.1	
4	1319365	1	RING, S=16.2	
4	1319366	1	RING, S=16.3	
4	1319367	1	RING, S=16.4	
4	8035982	1	RING, S=16.26	
4	1319369	1	RING, S=16.23	
4	1319370	1	RING, S=16.16	
4	1319371	1	RING, S=16.13	
4	1319372	1	RING, S=16.06	
4	1319373	1	RING, S=16.03	
4	1319374	1	RING, S=15.96	
4	1319375	1	RING, S=15.93	
4	1319376	1	RING, S=15.86	
4	1319377	1	RING, S=15.83	
4	1319378	1	RING, S=15.76	
4	1319379	1	RING, S=15.73	
4	1319380	1	RING, S=15.66	

SECTION 5 - DRIVE TRAIN

ITEM	PART NUMBER	QTY	DESCRIPTION	REV
4	1319381	1	RING, S=15.63	
4	1319382	1	RING, S=15.56	
4	1319383	1	RING, S=15.53	
4	1319384	1	RING, S=15.46	
4	1319385	1	RING, S=15.43	
4	1319386	1	RING, S=15.36	
4	1319387	1	RING, S=15.33	
4	1319388	1	RING, S=15.26	
4	1319389	1	RING, S=15.38	
4	1319390	1	RING, S=15.48	
4	1319391	1	RING, S=15.58	
4	1319392	1	RING, S=15.68	
4	1319393	1	RING, S=15.69	
4	1319394	1	RING, S=15.72	
4	1319395	1	RING, S=15.78	
4	1319396	1	RING, S=15.81	
4	1319397	1	RING, S=15.84	
4	1319398	1	RING, S=15.88	
4	1319399	1	RING, S=15.89	
4	1319400	1	RING, S=15.91	
4	1319401	1	RING, S=15.94	
4	1319402	1	RING, S=15.97	
5	1319444	1	ROLLER BEARING	
6	1321211	1	SHAFT SEAL	
7	1321237	1	END YOKE	
8	1319406	1	WASHER	
9	8035983	1	HEX NUT	

SECTION 5 - DRIVE TRAIN

FIGURE 5-19. REAR AXLE - INPUT (SN 0160038391 to Present, Excluding 0160038848, 0160038853 and 0160038855)



PH4880

Go to Discount-Equipment.com to order your parts

SECTION 5 - DRIVE TRAIN

FIGURE 5-19. REAR AXLE - INPUT (SN 0160038391 to Present, Excluding 0160038848, 0160038853 and 0160038855)

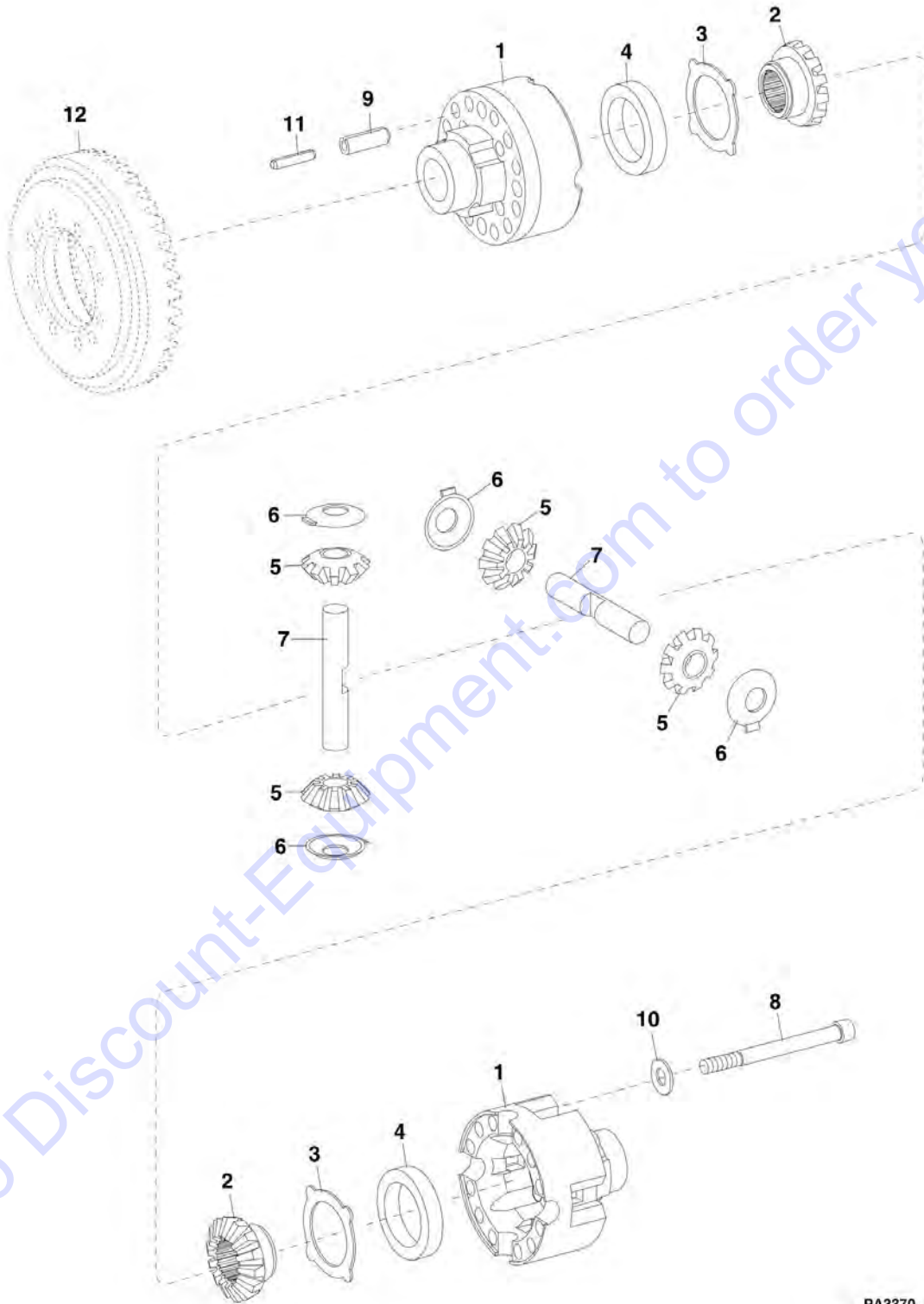
ITEM	PART NUMBER	QTY	DESCRIPTION	REV
1	70022786	1	BEVEL GEAR	
1	70022787	1	PINION	
2	80304160	1	SHIM, S=0.1	
2	80304159	1	SHIM, S=0.2	
2	80304158	1	SHIM, S=0.3	
2	80304157	1	SHIM, S=0.5	
2	80304156	1	SHIM, S=0.6	
2	80304162	1	SHIM, S=0.65	
2	80304155	1	SHIM, S=0.7	
2	80304161	1	SHIM, S=0.75	
2	80304154	1	SHIM, S=0.8	
2	80304153	1	SHIM, S=0.9	
2	80304152	1	SHIM, S=1.0	
2	80304146	1	SHIM, S=1.2	
2	80304163	1	SHIM, S=1.25	
2	80304151	1	SHIM, S=1.3	
2	80304164	1	SHIM, S=1.35	
2	80304150	1	SHIM, S=1.4	
2	80304165	1	SHIM, S=1.45	
2	80304145	1	SHIM, S=1.5	
2	80304166	1	SHIM, S=1.55	
2	80304149	1	SHIM, S=1.6	
2	80304167	1	SHIM, S=1.65	
2	80304148	1	SHIM, S=1.7	
2	80304168	1	SHIM, S=1.75	
2	80304144	1	SHIM, S=1.8	
2	80304169	1	SHIM, S=1.85	
2	80304147	1	SHIM, S=1.9	
2	80304143	1	SHIM, S=2.0	
3	70022231	1	ROLLER BEARING	
4	80304089	1	RING, S=16.1	
4	80304090	1	RING, S=16.2	
4	80304091	1	RING, S=16.3	
4	80304092	1	RING, S=16.4	
4	80304093	1	RING, S=16.5	
4	80304110	1	RING, S=16.56	
4	80304094	1	RING, S=16.6	
4	80304111	1	RING, S=16.62	
4	80304112	1	RING, S=16.64	
4	80304124	1	RING, S=16.66	
4	80304113	1	RING, S=16.68	
4	80304095	1	RING, S=16.7	
4	70022216	1	RING, S=16.72	
4	70024584	1	RING, S=16.74	
4	80304117	1	RING, S=16.76	
4	80304118	1	RING, S=16.78	
4	80304096	1	RING, S=16.8	
4	80304119	1	RING, S=16.82	
4	70024591	1	Ring, 16.84	

SECTION 5 - DRIVE TRAIN

ITEM	PART NUMBER	QTY	DESCRIPTION	REV
4	80304104	1	RING, S=16.86	
4	80304121	1	RING, S=16.88	
4	70024593	1	Ring, 16.9	
4	80304097	1	RING, S=16.92	
4	80304123	1	RING, S=16.94	
4	80304125	1	RING, S=16.96	
4	80304126	1	RING, S=17.0	
4	80304127	1	RING, S=17.02	
4	80304108	1	RING, S=17.04	
4	80304128	1	RING, S=17.06	
4	80304129	1	RING, S=17.08	
4	80304099	1	RING, S=17.10	
4	80304130	1	RING, S=17.12	
4	80304131	1	RING, S=17.14	
4	80304132	1	RING, S=17.16	
4	80304133	1	RING, S=17.18	
4	80304100	1	RING, S=17.2	
4	80304134	1	RING, S=17.22	
4	80304135	1	RING, S=17.24	
4	80304136	1	RING, S=17.26	
4	80304137	1	RING, S=17.28	
4	80304101	1	RING, S=17.3	
4	80304102	1	RING, S=17.4	
5	1319353	1	ROLLER BEARING	
6	70022220	1	SHAFT SEAL	
7	70022245	1	END YOKE	
8	80304082	1	WASHER	
9	70022213	1	HEX NUT	
10	70022244	1	SCREEN SHEET	

SECTION 5 - DRIVE TRAIN

FIGURE 5-20. REAR AXLE - DIFFERENTIAL (Prior to SN 0160038391, Including 0160038848, 0160038853 and 0160038855)



PA3370

SECTION 5 - DRIVE TRAIN

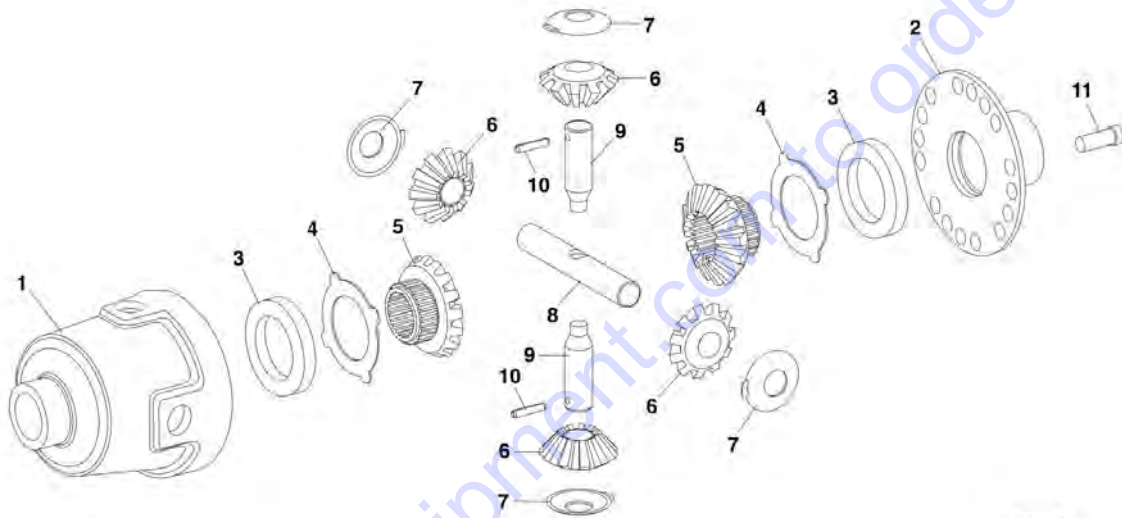
FIGURE 5-20. REAR AXLE - DIFFERENTIAL (Prior to SN 0160038391, Including 0160038848, 0160038853 and 0160038855)

ITEM	PART NUMBER	QTY	DESCRIPTION	REV
1	1321215	1	DIFFERENTIAL CASE	
2	1321223	2	AXLE BEVEL GEAR	
3	1319412	2	THRUST WASHER	
4	1321260	2	DIFFERENTIAL RING, A=13.7	
4	8035984	2	DIFFERENTIAL RING, A=13.6	
4	1321259	2	DIFFERENTIAL RING, A=13.5	
5	1321262	4	DIFFERENTIAL BEVEL GEAR	
6	1321188	4	THRUST WASHER	
7	1321224	2	DIFFERENTIAL AXLE	
8	8035985	12	CAPSCREW	
9	1321153	4	SLOT PIN	
10	1321184	12	WASHER	
11	1321154	4	SLOT PIN	
12		Ref	BEVEL GEAR SET, (See REAR AXLE - INPUT for Breakdown)	

Go to Discount-Equipment.com to order your parts

SECTION 5 - DRIVE TRAIN

FIGURE 5-21. REAR AXLE - DIFFERENTIAL (SN 0160038391 to Present, Excluding 0160038848, 0160038853 and 0160038855)



PA3371

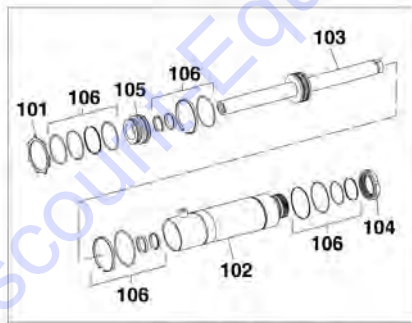
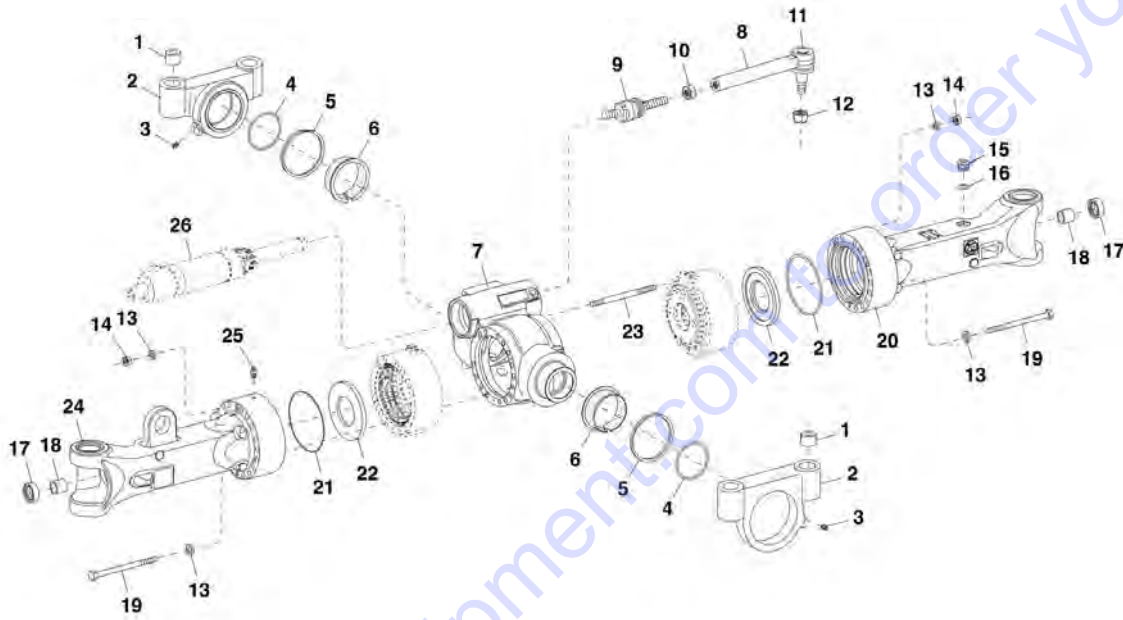
SECTION 5 - DRIVE TRAIN

FIGURE 5-21. REAR AXLE - DIFFERENTIAL (SN 0160038391 to Present, Excluding 0160038848, 0160038853 and 0160038855)

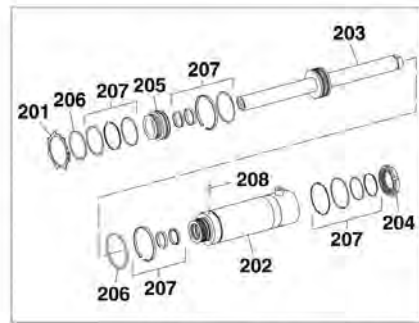
ITEM	PART NUMBER	QTY	DESCRIPTION	REV
1	70022226	NLA	DIFFERENTIAL CASE, (no longer available, Prior to Axle SN 2022732 must replace with both 70023910 differential case and qty 2 of 70023904 slotted pins)	
1	70023910	1	DIFFERENTIAL CASE, (Axle SN 2022732 to Present)	
2	70022229	1	COVER	
3	70022285	2	COMP RING	
4	70022284	2	THRUST WASHER	
5	70022225	2	AXLE BEVEL GEAR	
6	70022185	4	DIFFERENTIAL BEVEL GEAR	
7	70022262	4	THRUST WASHER	
8	70022227	1	DIFFERENTIAL AXLE	
9	70022228	2	DIFFERENTIAL AXLE	
10	70022200	NLA	SLOTTED PIN, (no longer available, Prior to Axle SN 2022732 must replace with both 70023910 differential case and qty 2 of 70023904 slotted pins)	
10	70023904	2	SLOTTED PIN, (Axle SN 2022732 to present)	
11	70022211	16	CAP SCREW, M12X1.5X35	

SECTION 5 - DRIVE TRAIN

FIGURE 5-22. REAR AXLE - AXLE CASING (Prior to SN 0160038391, Including 0160038848, 0160038853 and 0160038855)



PRIOR TO AXLE SN 829694



AXLE SN 829694 TO PRESENT

PU2072

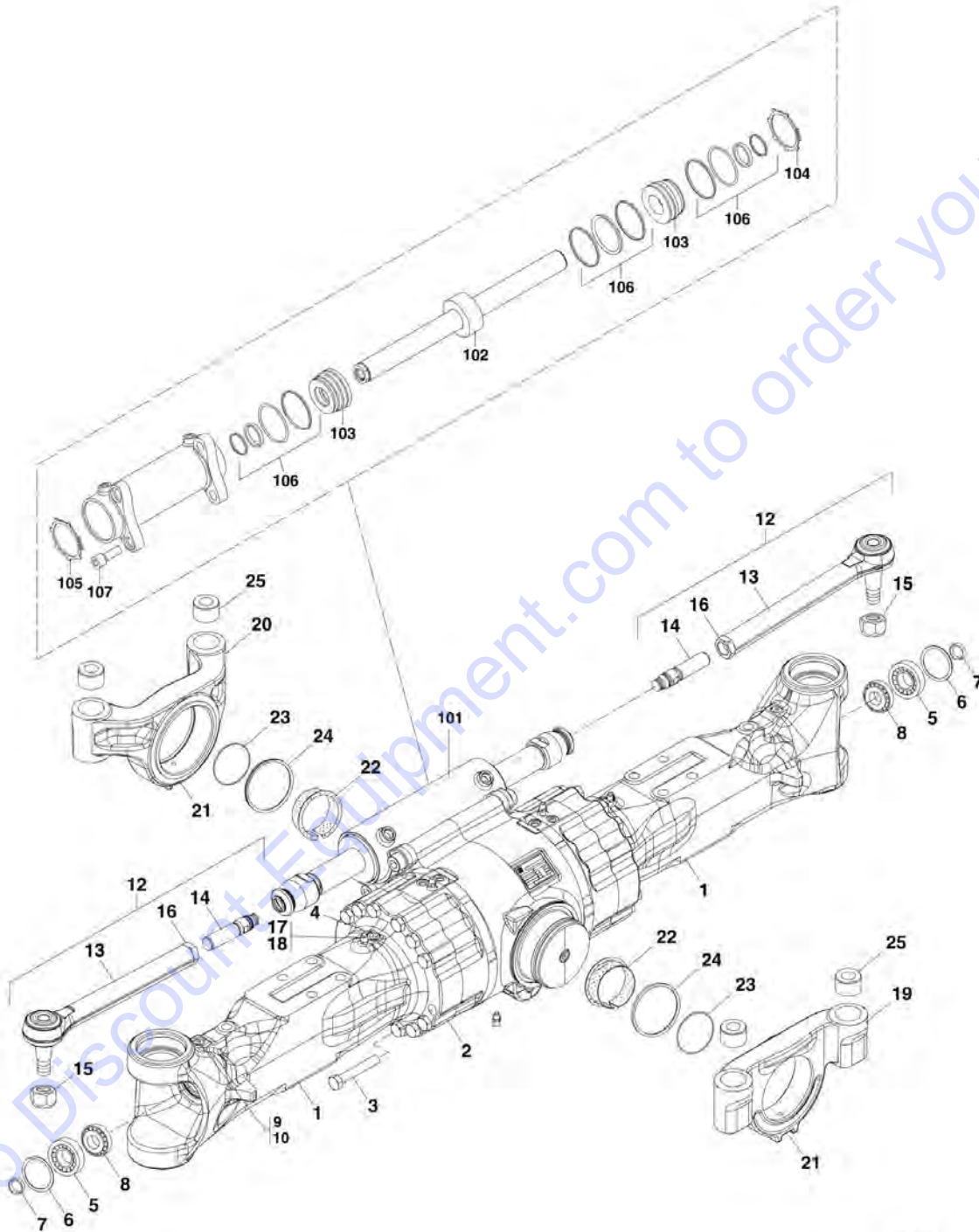
SECTION 5 - DRIVE TRAIN

FIGURE 5-22. REAR AXLE - AXLE CASING (Prior to SN 0160038391, Including 0160038848, 0160038853 and 0160038855)

ITEM	PART NUMBER	QTY	DESCRIPTION	REV
1	1319441	4	CENTERING BUSHING	
2	8035933	2	BRACKET	
3	1319423	2	LUBRICATION NIPPLE	
4	1319439	2	O-RING	
5	1319440	2	V-RING	
6	1319438	2	FLANGE BUSHING	
7	1321236	1	AXLE DRIVE HOUSING	
8	1321148	2	AXIAL JOINT COUPLING ASSY, (includes items 9 thru 12)	
9	8035930	2	AXIAL JOINT COUPLING	
10	8035932	2	HEX NUT	
11	N.S.S.	2	BALL JOINT	
12	8035931	2	LOCKING NUT	
13	1319427	30	WASHER	
14	1319429	8	HEX NUT	
15	1319506	1	SCREW PLUG	
16	8036331	1	O-RING	
17	1319434	2	SHAFT SEAL	
18	1319433	2	BUSHING	
19	8035927	22	HEX SCREW	
20	8035987	1	AXLE CASING, (right rear)	
21	1319425	2	O-RING	
22	8035990	2	END SHIM	
23	8035989	8	STUD	
24	8035986	1	AXLE CASING, (left rear)	
25	1319436	1	BREATHER	
26	1321149	NLA	STEERING CYLINDER, (Prior to Axle SN 829694), (no longer available, use 70021617 for replacement or items 101 thru 106 for service)	
26	70021617	1	STEERING CYLINDER, (Axle SN 829694 to Present), (includes items 201 thru 208)	
101	8035978	NLA	L-RING, (no longer available, use 70021617 for replacement)	
102	8036440	NLA	TUBE WELDMENT, (no longer available, use 70021617 for replacement)	
103	8036439	NLA	PISTON ROD, (no longer available, use 70021617 for replacement)	
104	8035998	1	SLOTTED NUT	
105	8035980	NLA	GUIDE PIECE, (no longer available, use 70021617 for replacement)	
106	8035981	1	SEAL KIT	
201	70021571	1	L-RING	
202	N.S.S.	1	CYLINDER TUBE	
203	70021568	1	PISTON ROD	
204	70021570	1	SLOTTED NUT	
205	70021569	1	GUIDE PIECE	
206	70021726	2	RETAINING RING	
207	70021495	1	SEAL KIT	
208	70022610	1	SLOTTED PIN	

SECTION 5 - DRIVE TRAIN

FIGURE 5-23. REAR AXLE - AXLE CASING (SN 0160038391 to Present, Excluding 0160038848, 0160038853 and 0160038855)



PA3381

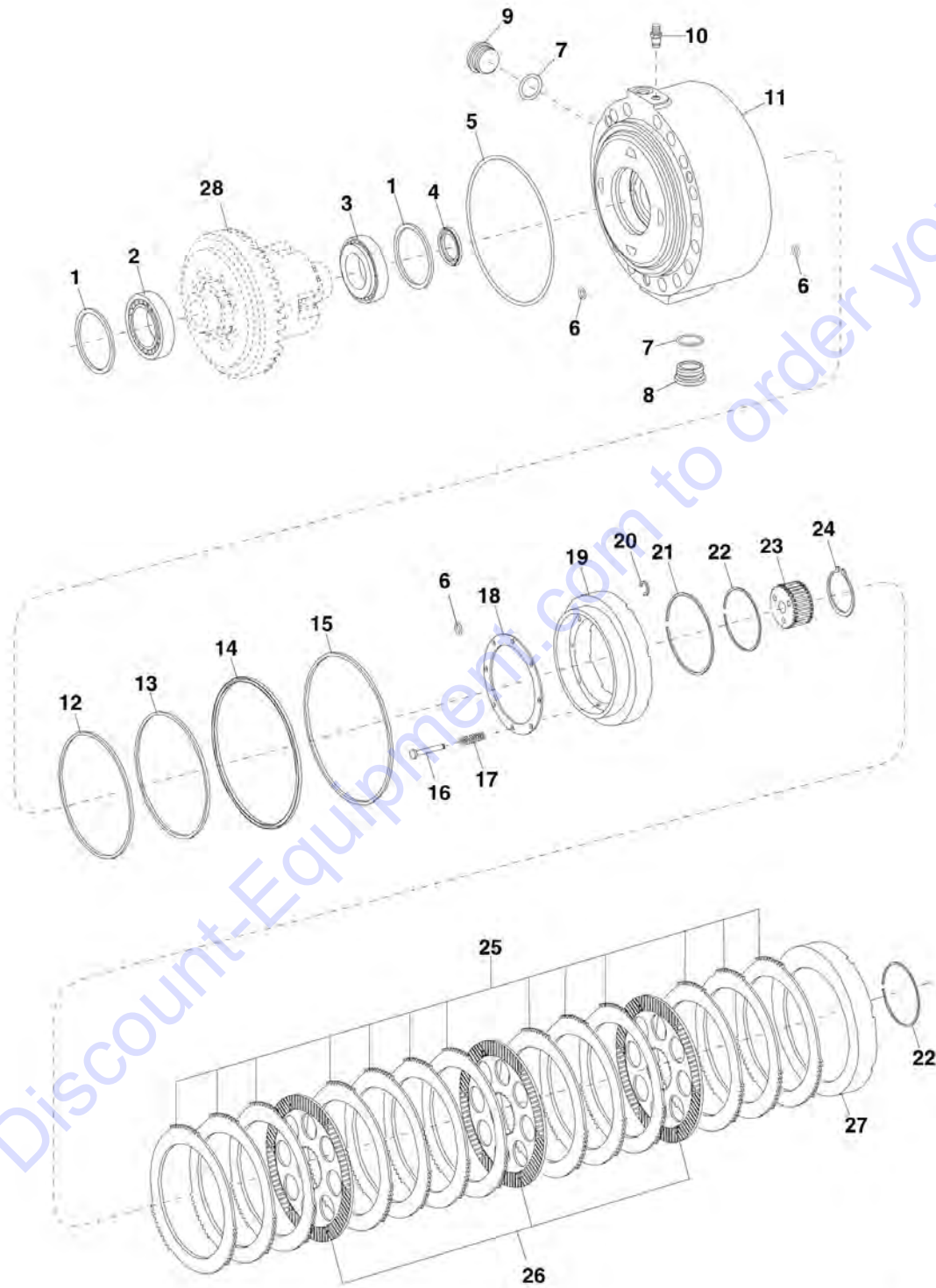
SECTION 5 - DRIVE TRAIN

FIGURE 5-23. REAR AXLE - AXLE CASING (SN 0160038391 to Present, Excluding 0160038848, 0160038853 and 0160038855)

ITEM	PART NUMBER	QTY	DESCRIPTION	REV
1	70022255	2	AXLE CASING	
2	70022259	1	AXLE DRIVE HOUSING	
3	70022206	28	HEX HD CAPSCREW, M18X180	
4	1319578	4	SCREW PLUG	
5	70022241	2	BUSHING	
6	70022204	2	O-RING	
7	70022217	2	RING	
8	10731790	2	BEARING	
9	70022201	2	SET SCREW, M10X1X16	
10	70022777	2	SCREW PLUG	
12	70022174	2	TIE ROD, (includes items 13 thru 16)	
13	70022175	1	BALL JOINT	
14	70022172	1	AXIAL JOINT	
15	8036758	1	LOCKNUT	
16	8036759	1	HEX NUT	
17	1319436	1	BREATHER	
18	8036418	1	SCREW PLUG	
19	70022246	1	BRACKET	
20	70022247	1	BRACKET	
21	1319423	2	GREASE FITTING	
22	70022182	2	FLANGE BUSHING	
23	70022205	2	O-RING	
24	70022219	2	V-RING	
25	1319441	4	BUSHING	
101	70022173	1	STEERING CYLINDER, (includes items 102 thru 106)	
102	70022177	1	PISTON ROD	
103	70022184	2	BREAK HEAD	
104	70022181	2	RETAINING RING	
105	70022180	2	RETAINING RING	
106	70022178	1	SEAL KIT	
107	70022789	4	CAPSCREW, M22X1.5X55	

SECTION 5 - DRIVE TRAIN

FIGURE 5-24. REAR AXLE - M-DISK BRAKE (Prior to SN 0160038391, Including 0160038848, 0160038853 and 0160038855)



PA3391

PARTS FINDER

**Search Website
by Part Number**



**Search Manual
Library For Parts
Manual & Lookup Part
Numbers – Purchase
or Request Quote**

A screenshot of the "Search Manuals" form. It includes a search bar, a "Find" button, and several dropdown menus for "Year", "Make", "Model", "Serial", and "Part Number". There is also a "Search" button at the bottom.

**Can't Find Part or
Manual? Request Help
by Manufacturer,
Model & Description**

A screenshot of the "Parts Order Form". It is a form with multiple rows for entering information. The fields include "Manufacturer", "Model", "Description", "Part Number", "Quantity", "Unit Price", "Total Price", "Part Name", "Part Description", "Part Location", "Part Drawing", "Part Photo", "Part Notes", and "Part Status".

Discount-Equipment.com is your online resource for quality parts & equipment.

Florida: **561-964-4949** Outside Florida TOLL FREE: **877-690-3101**

Need parts?

Click on this link: <http://www.discount-equipment.com/category/5443-parts/> and choose one of the options to help get the right parts and equipment you are looking for. Please have the machine model and serial number available in order to help us get you the correct parts. If you don't find the part on the website or on one of the online manuals, please fill out the request form and one of our experienced staff members will get back to you with a quote for the right part that your machine needs.

We sell worldwide for the brands: Genie, Terex, JLG, MultiQuip, Mikasa, Essick, Whiteman, Mayco, Toro Stone, Diamond Products, Generac Magnum, Airman, Haulotte, Barreto, Power Blanket, Nifty Lift, Atlas Copco, Chicago Pneumatic, Allmand, Miller Curber, Skyjack, Lull, Skytrak, Tsurumi, Husquvarna Target, Stow, Wacker, Sakai, Mi-T-M, Sullair, Basic, Dynapac, MBW, Weber, Bartell, Bennar Newman, Haulotte, Ditch Runner, Menegotti, Morrison, Contec, Buddy, Crown, Edco, Wyco, Bomag, Laymor, EZ Trench, Bil-Jax, F.S. Curtis, Gehl Pavers, Heli, Honda, ICS/PowerGrit, IHI, Partner, Imer, Clipper, MMD, Koshin, Rice, CH&E, General Equipment, Amida, Coleman, NAC, Gradall, Square Shooter, Kent, Stanley, Tamco, Toku, Hatz, Kohler, Robin, Wisconsin, Northrock, Oztec, Toker TK, Rol-Air, APT, Wylie, Ingersoll Rand / Doosan, Innovatech, Con X, Ammann, Mecalac, Makinex, Smith Surface Prep, Small Line, Wanco, Yanmar

SECTION 5 - DRIVE TRAIN

FIGURE 5-24. REAR AXLE - M-DISK BRAKE (Prior to SN 0160038391, Including 0160038848, 0160038853 and 0160038855)

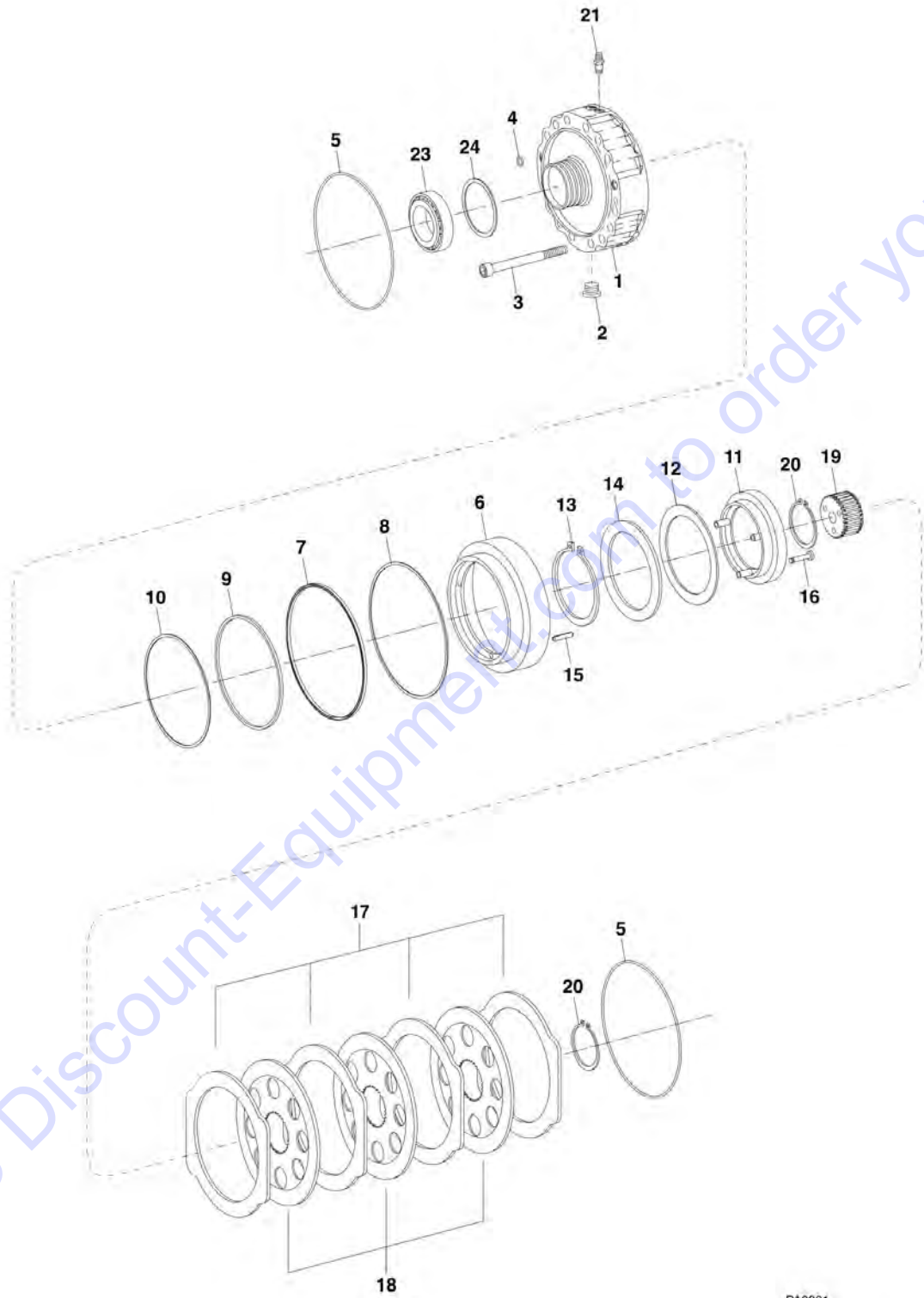
ITEM	PART NUMBER	QTY	DESCRIPTION	REV
1	1319531	AR	SHIM, A=0.1	
1	8035945	AR	SHIM, A=0.15	
1	1319530	AR	SHIM, A=0.2	
1	8035946	AR	SHIM, A=0.25	
1	1319529	AR	SHIM, A=0.3	
1	8035947	AR	SHIM, A=0.35	
1	8035951	AR	SHIM, A=0.4	
1	1319543	AR	SHIM, A=0,45	
1	1319527	AR	SHIM, A=0.5	
1	1321158	AR	SHIM, A=0.55	
1	1319526	AR	SHIM, A=0.6	
1	1319532	AR	SHIM, A=0.65	
1	1319533	AR	SHIM, A=0.7	
1	1319534	AR	SHIM, A=0.75	
1	1319525	AR	SHIM, A=0.8	
1	1319535	AR	SHIM, A=0.85	
1	1319536	AR	SHIM, A=0.9	
1	1319537	AR	SHIM, A=0.95	
1	1319524	AR	SHIM, A=1.0	
1	1319545	AR	SHIM, A=1.05	
1	1319538	AR	SHIM, A=1.1	
1	1319539	AR	SHIM, A=1.15	
1	1319523	AR	SHIM, A=1.2	
1	1319540	AR	SHIM, A=1.25	
1	1319541	AR	SHIM, A=1.3	
1	1319542	AR	SHIM, A=1.35	
1	1319522	AR	SHIM, A=1.4	
1	1319521	AR	SHIM, A=1.45	
1	1319520	AR	SHIM, A=1.5	
1	1319519	AR	SHIM, A=1.55	
1	1319518	AR	SHIM, A=1.6	
1	1319517	AR	SHIM, A=1.65	
1	1319510	AR	SHIM, A=2.0	
1	1321159	AR	SHIM, A=1.47	
1	8035948	AR	SHIM, A=1.63	
1	1319515	AR	SHIM, A=1.75	
1	1319516	AR	SHIM, A=1.7	
1	1319514	AR	SHIM, A=1.8	
1	1319513	AR	SHIM, A=1.85	
1	1319512	AR	SHIM, A=1.9	
1	1319511	AR	SHIM, A=1.95	
2	8036447	2	ROLLER BEARING	
3	8036445	2	ROLLER BEARING	
4	8036444	2	SHAFT SEAL	
5	1319425	2	O-RING	
6	1319491	12	O-RING	
7	8036331	4	O-RING	
8	1319431	2	SCREW PLUG	
9	1319506	2	SCREW PLUG	

SECTION 5 - DRIVE TRAIN

ITEM	PART NUMBER	QTY	DESCRIPTION	REV
10	1319505	2	BREATHER	
11	8035936	Ref	BRAKE HOUSING, (right side), (Prior to Axle SN 679469), (see note N1)	
11	70020483	1	BRAKE HOUSING, (right side), (Axle SN 679469 to Present)	
11	8035939	Ref	BRAKE HOUSING, (left side), (Prior to Axle SN 679469), (not shown), (see note N1)	
11	70020484	1	BRAKE HOUSING, (left side), (Axle SN 679469 to Present), (not shown)	
12	1321151	2	SUPPORT RING	
13	1321162	2	U-RING	
14	1321163	2	U-RING	
15	1321152	2	SUPPORT RING	
16	1319496	16	PIN	
17	1319497	16	COMPRESSION SPRING	
18	8036305	2	WASHER	
19	8036304	2	PISTON	
20	1319499	16	CRESCENT RING	
21	1319504	2	SNAP RING	
22	8036307	4	SNAP RING	
23	1321174	1	DISC CARRIER, (Prior to Axle SN 824742)	
23	70020409	1	DISC CARRIER, (Axle SN 824742 to Present)	
24	8036308	2	RETAINER RING	
25	1319500	26	O.CLUTCH DISC, S=2.0, (Prior to Axle SN 679469)	
25	70020485	26	O.CLUTCH DISC, S=2.0, (Axle SN 679469 to Present)	
25	1319501	26	O.CLUTCH DISC, S=2.5, (Prior to Axle SN 679469)	
25	70020486	26	O.CLUTCH DISC, S=2.5, (Axle SN 679469 to Present)	
25	1319502	26	O.CLUTCH DISC, S=3.0, (Prior to Axle SN 679469)	
25	70020487	26	O.CLUTCH DISC, S=3.0, (Axle SN 679469 to Present)	
26	1321150	6	I.CLUTCH DISC, (Prior to Axle SN 824742)	
26	70020408	6	I.CLUTCH DISC, (Axle SN 824742 to Present)	
27	8036606	2	END PLATE, (Prior to Axle SN 679469)	
27	70020413	2	END PLATE, (Axle SN 679469 to Present)	
28		Ref	DIFFERENTIAL, (See REAR AXLE - DIFFERENTIAL for Breakdown)	
N1	Note	Ref	PARTS ARE NO LONGER AVAILABLE; ORDER BRAKE HOUSINGS 70020483 & 70020484, QUANTITY REQUIRED OF OUTER DISCS 70020485, 70020486 & 70020487, QUANTITY 2 OF 70020413 END PLATES	

SECTION 5 - DRIVE TRAIN

FIGURE 5-25. REAR AXLE - M-DISK BRAKE (SN 0160038391 to Present, Excluding 0160038848, 0160038853 and 0160038855)



PA3321

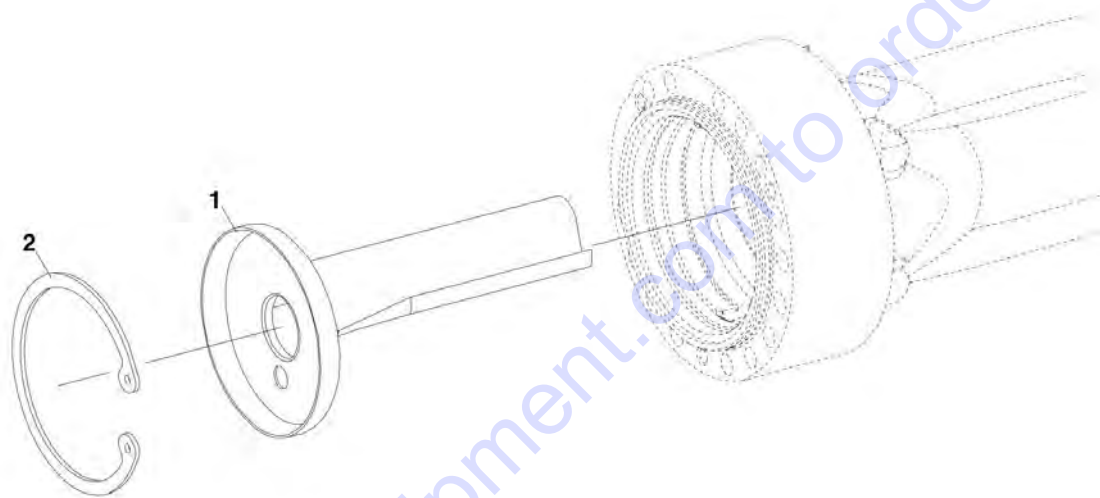
SECTION 5 - DRIVE TRAIN

FIGURE 5-25. REAR AXLE - M-DISK BRAKE (SN 0160038391 to Present, Excluding 0160038848, 0160038853 and 0160038855)

ITEM	PART NUMBER	QTY	DESCRIPTION	REV
1	70022788	2	BRAKE HOUSING	
2	1319578	2	SCREW PLUG	
3	70022209	6	CAP SCREW, M12X105	
4	70022779	10	O-RING	
5	80304462	4	O-RING	
6	70022250	2	PISTON	
7	70022190	2	PISTON PACKING	
8	70022193	2	BACK-UP RING	
9	70022189	2	PISTON PACKING	
10	70022194	2	BACKUP RING	
11	70022236	2	RING	
12	70022183	2	CUP SPRING	
13	70022198	2	RETAINING RING	
14	70022235	2	WASHER	
15	70022186	8	SLOT PIN	
16	1319214	6	CAP SCREW, M8X40	
17	70022196	8	O.CLUTCH DISC	
18	70022176	6	I.CLUTCH DISC	
19	70022253	2	DISC CARRIER	
20	10731949	4	RETAINING RING	
21	70022171	2	BREATHER	
22	70022280	2	SCREW PLUG, (not shown)	
23	8036447	2	BEARING	
24	1319537	AR	SHIM, A=0.95	
24	1319545	AR	SHIM, A=1.05	
24	1319539	AR	SHIM, A=1.15	
24	1319540	AR	SHIM, A=1.25	
24	1319542	AR	SHIM, A=1.35	

SECTION 5 - DRIVE TRAIN

FIGURE 5-26. REAR AXLE - BRAKE (Prior to SN 0160038391, Including 0160038848, 0160038853 and 0160038855)



PA3400

SECTION 5 - DRIVE TRAIN

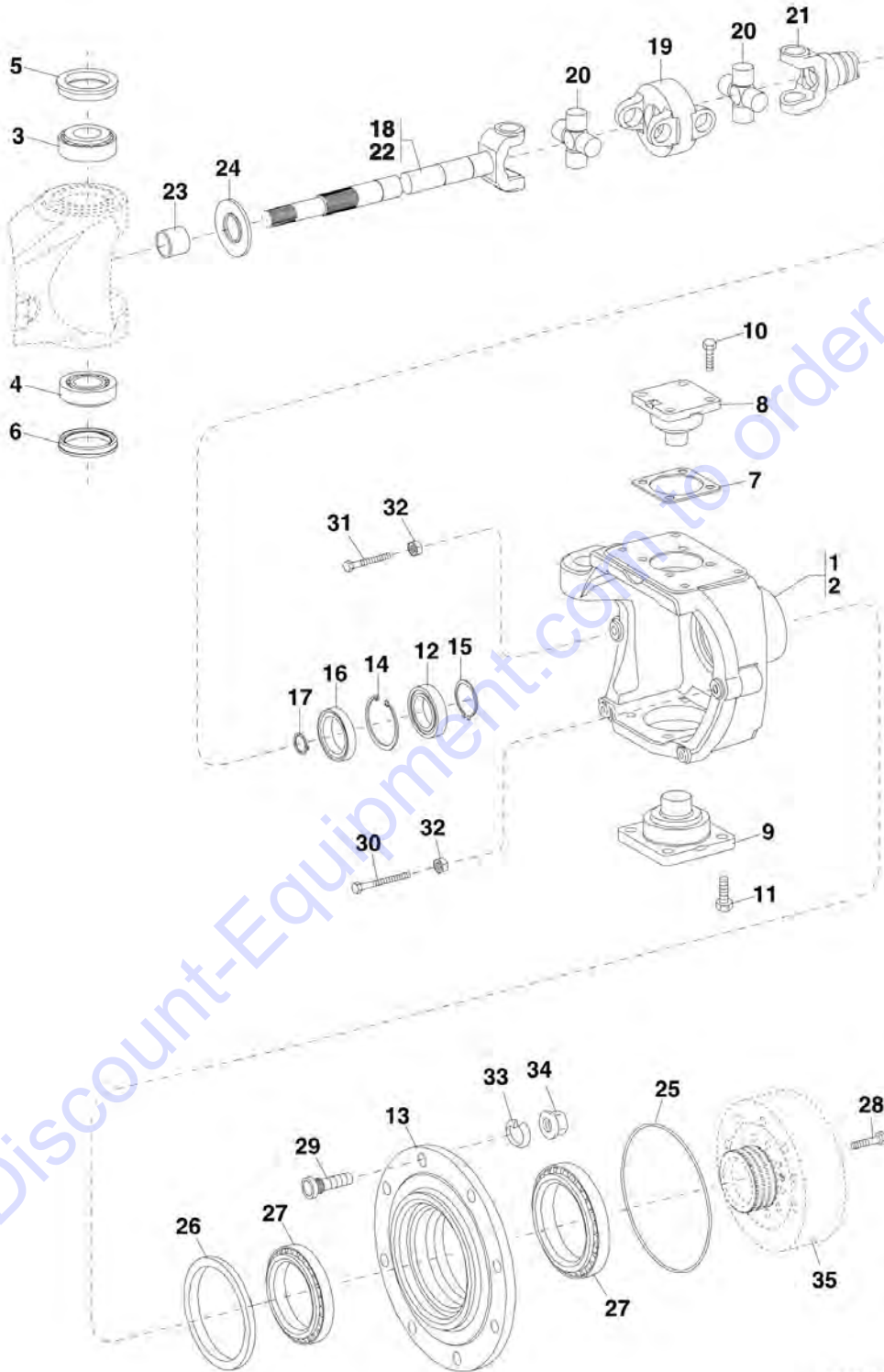
FIGURE 5-26. REAR AXLE - BRAKE (Prior to SN 0160038391, Including 0160038848, 0160038853 and 0160038855)

ITEM	PART NUMBER	QTY	DESCRIPTION	REV
1	1321172	2	PIN CARRIER	
2	1321178	2	RETAINING RING	

Go to Discount-Equipment.com to order your parts

SECTION 5 - DRIVE TRAIN

FIGURE 5-27. REAR AXLE - JOINT HOUSING (Prior to SN 0160038391, Including 0160038848, 0160038853 and 0160038855)



PA3410

SECTION 5 - DRIVE TRAIN

FIGURE 5-27. REAR AXLE - JOINT HOUSING (Prior to SN 0160038391, Including 0160038848, 0160038853 and 0160038855)

ITEM	PART NUMBER	QTY	DESCRIPTION	REV
1	1321245	1	JOINT HOUSING, (left side)	
2	1321246	1	JOINT HOUSING, (right side)	
3	1319444	2	ROLLER BEARING	
4	1319445	2	ROLLER BEARING	
5	8036338	2	MULTI SEAL RING	
6	1319447	2	SHAFT SEAL	
7	1319448	AR	SHIM, S=0.2	
7	1319449	AR	SHIM, S=0.3	
7	1319450	AR	SHIM, S=0.4	
7	1319451	AR	SHIM, S=0.6	
7	1319452	AR	SHIM, S=0.8	
7	1319453	AR	SHIM, S=1.0	
7	1319454	AR	SHIM, S=1.2	
7	1319455	AR	SHIM, S=1.4	
7	1319456	AR	SHIM, S=1.6	
7	1319457	AR	SHIM, S=1.8	
7	1319458	AR	SHIM, S=2.0	
7	1319459	AR	SHIM, S=0.7	
7	1319460	AR	SHIM, S=0.5	
8	1319461	2	BEARING PIN	
9	1319462	2	BEARING PIN	
10	1319463	8	HEX SCREW	
11	1319464	8	HEX SCREW	
12	1321157	2	BALL BEARING	
13	8036435	2	HUB	
14	1319210	2	RETAINING RING	
15	80304405	2	RETAINING RING	
16	1321164	2	SHAFT SEAL	
17	1321226	2	RETAINING RING	
18	7028979	NLA	UNIVERSAL COUPLING DRIVE SHAFT, (Prior to Axle SN 720124), (not maintenance free), (no longer available, use 70022052 for replacement or items 19 thru 24 for service)	
18	70022052	2	UNIVERSAL COUPLING DRIVE SHAFT, (maintenance free), (includes items 19 thru 24), (Axle SN 720125 to present)	
19	8035992	2	CENTRAL PIECE, (Prior to Axle SN 720124)	
19	70021553	2	CENTRAL PIECE, (Axle SN 720125 to Present)	
20	8035993	4	JOINT CROSS, (Prior to Axle SN 720124)	
20	70021554	4	JOINT CROSS, (Axle SN 720125 to Present)	
21	8035994	2	JOINT FORK	
22	8035995	2	JOINT COUPLING FORK	
23	8035973	2	BUSHING	
24	8035996	2	SCREEN SHEET	
25	1319470	2	O-RING	
26	80304173	2	CASSETTE RING	
27	1319472	4	ROLLER BEARING	
28	8035997	20	HEX SCREW	
29	8036434	16	WHEEL BOLT	
30	1319475	2	STOP SCREW	
31	8036330	2	STOP SCREW	

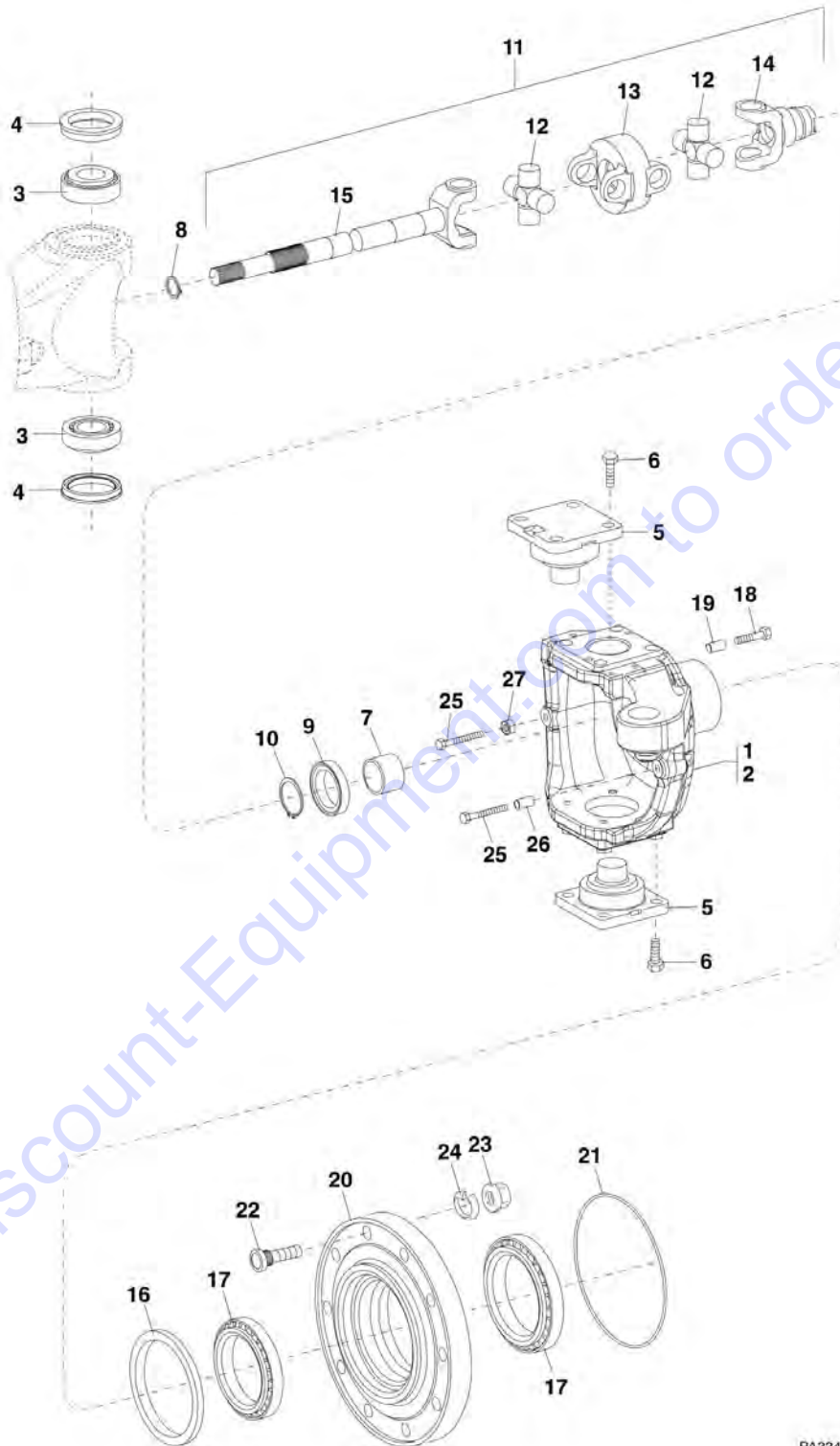
SECTION 5 - DRIVE TRAIN

ITEM	PART NUMBER	QTY	DESCRIPTION	REV
32	1319477	4	HEX NUT	
33		Ref	SPRING WASHER, (See DRIVE TRAIN COMPONENTS for Breakdown)	
34		Ref	WHEEL NUT, (See DRIVE TRAIN COMPONENTS for Breakdown)	
35		Ref	BRAKE HOUSING, (See REAR AXLE - M-DISK BRAKE for Breakdown)	
N1	Note	Ref	IF REPLACING BOTH 8035992 CENTRAL PIECE 8035993 JOINT CROSS (NOT MAINTENANCE FREE) CAN REPLACE WITH 70021553 CENTRAL PIECE AND 70021554 JOINT CROSS (MAINTENANCE FREE).	

Go to Discount-Equipment.com to order your parts

SECTION 5 - DRIVE TRAIN

FIGURE 5-28. REAR AXLE - JOINT HOUSING (SN 0160038391 to Present, Excluding 0160038848, 0160038853 and 0160038855)



PA3341

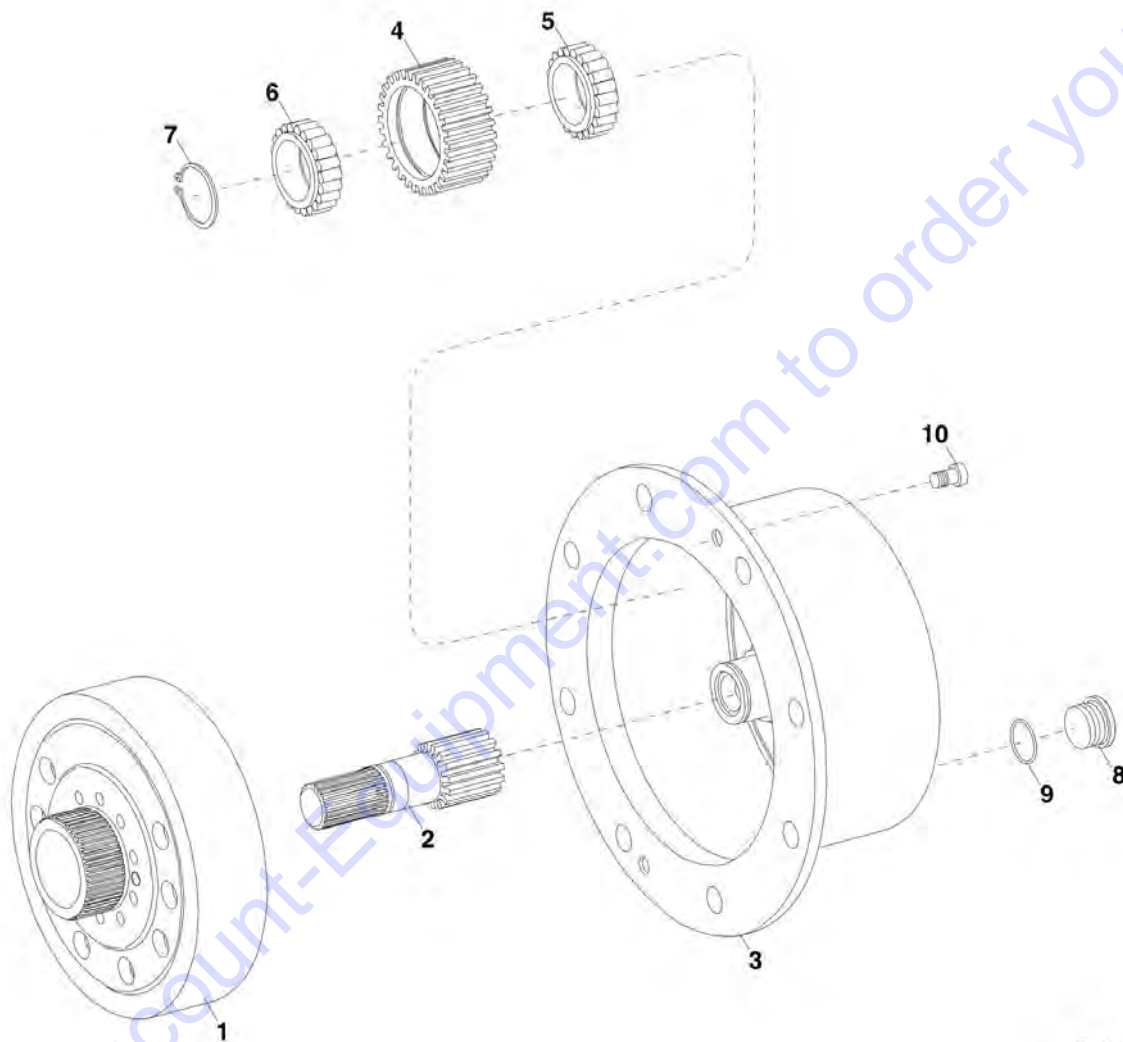
SECTION 5 - DRIVE TRAIN

FIGURE 5-28. REAR AXLE - JOINT HOUSING (SN 0160038391 to Present, Excluding 0160038848, 0160038853 and 0160038855)

ITEM	PART NUMBER	QTY	DESCRIPTION	REV
1	70022237	1	JOINT HOUSING, (right side)	
2	70022238	1	JOINT HOUSING, (left side)	
3	70022223	4	ROLLER BEARING	
4	1319447	4	SHAFT SEAL	
5	70022240	4	BEARING PIN	
6	1319464	16	HEX SCREW, M16X40	
7	70022179	2	BUSHING	
8	10731789	2	RETAINING RING	
9	70022218	2	SHAFT SEAL	
10	1321226	2	RETAINING RING	
11	70022781	2	UNIVERSAL COUPLING DRIVE SHAFT ASSY, (includes items 12 thru 15)	
12	70021554	2	JOINT CROSS	
13	70022782	1	CENTRAL PIECE	
14	70022187	1	FORK SHAFT	
15	70022188	1	FORK SHAFT	
16	80304173	2	SHAFT SEAL	
17	1319472	4	ROLLER BEARING	
18	70022783	16	HEX SCREW, M14X70	
19	70022234	16	CENTERING BUSHING	
20	70024613	2	HUB	
21	70022203	2	O-RING	
22	70022230	20	WHEEL BOLT	
23		Ref	WHEEL NUT, (See DRIVE TRAIN COMPONENTS for Breakdown)	
24		Ref	SPRING WASHER, (See DRIVE TRAIN COMPONENTS for Breakdown)	
25	8036330	4	STOP SCREW, M14X1.5	
26	70022257	2	SPACER TUBE	
27	1319477	2	HEX NUT, M14X1.5	

SECTION 5 - DRIVE TRAIN

FIGURE 5-29. REAR AXLE - PLANETARY DRIVE (Prior to SN 0160038391, Including 0160038848, 0160038853 and 0160038855)



PA3420

SECTION 5 - DRIVE TRAIN

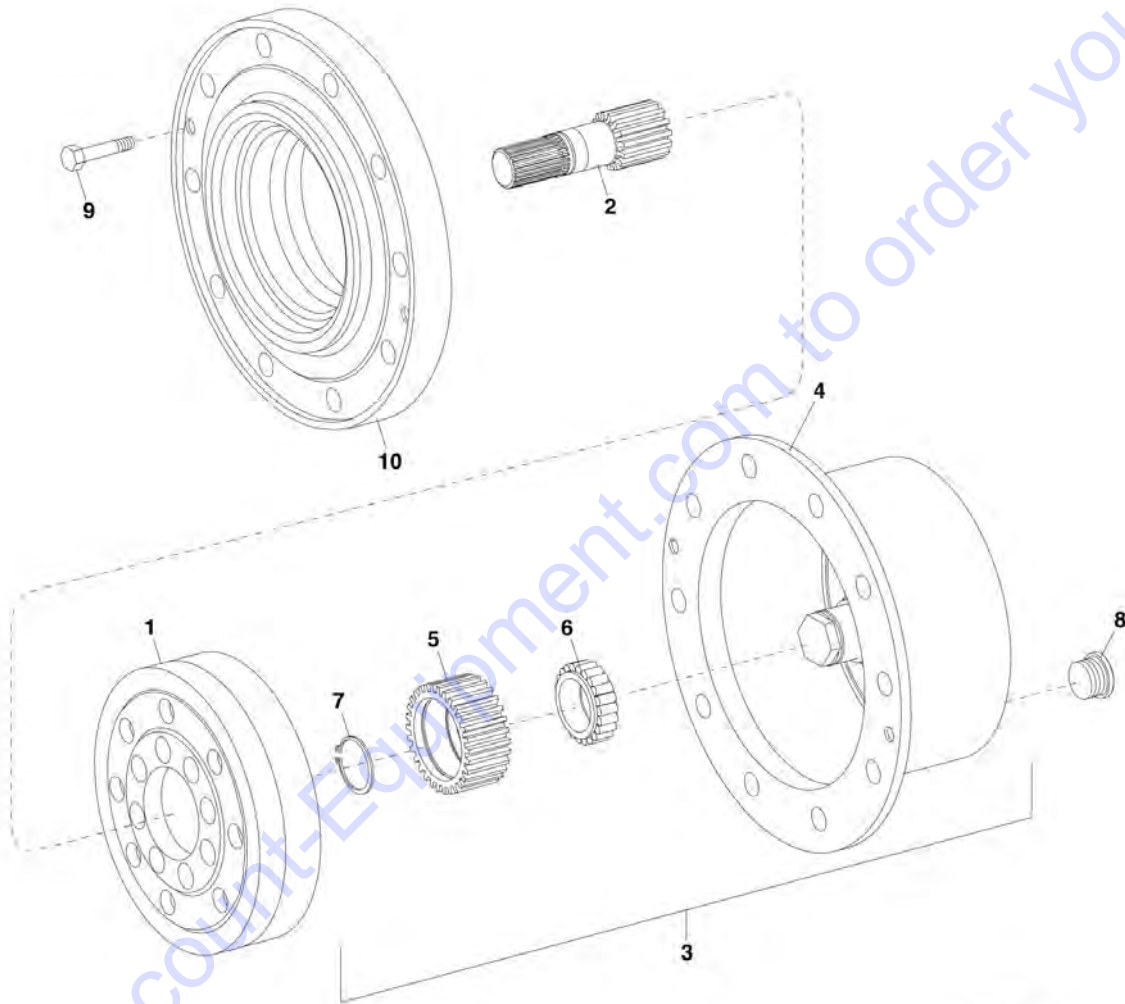
FIGURE 5-29. REAR AXLE - PLANETARY DRIVE (Prior to SN 0160038391, Including 0160038848, 0160038853 and 0160038855)

ITEM	PART NUMBER	QTY	DESCRIPTION	REV
1	1321247	2	RING GEAR	
2	1321242	2	SUN GEAR SHAFT	
3	8036436	2	PLANET CARRIER	
4	1321231	3	PLANET GEAR	
5	1319483	3	ROLLER BEARING, (inner)	
6	1319484	3	ROLLER BEARING, (outer)	
7	1319485	3	SNAP RING	
8	1319506	2	SCREW PLUG	
9	8036331	2	O-RING	
10	1319488	4	CAPSCREW	
	70021555	2	PLANETARY CARRIER ASSY, (includes items 4 thru 7)	

Go to Discount-Equipment.com to order your parts

SECTION 5 - DRIVE TRAIN

FIGURE 5-30. REAR AXLE - PLANETARY DRIVE (SN 0160038391 to Present, Excluding 0160038848, 0160038853 and 0160038855)



PA3351

SECTION 5 - DRIVE TRAIN

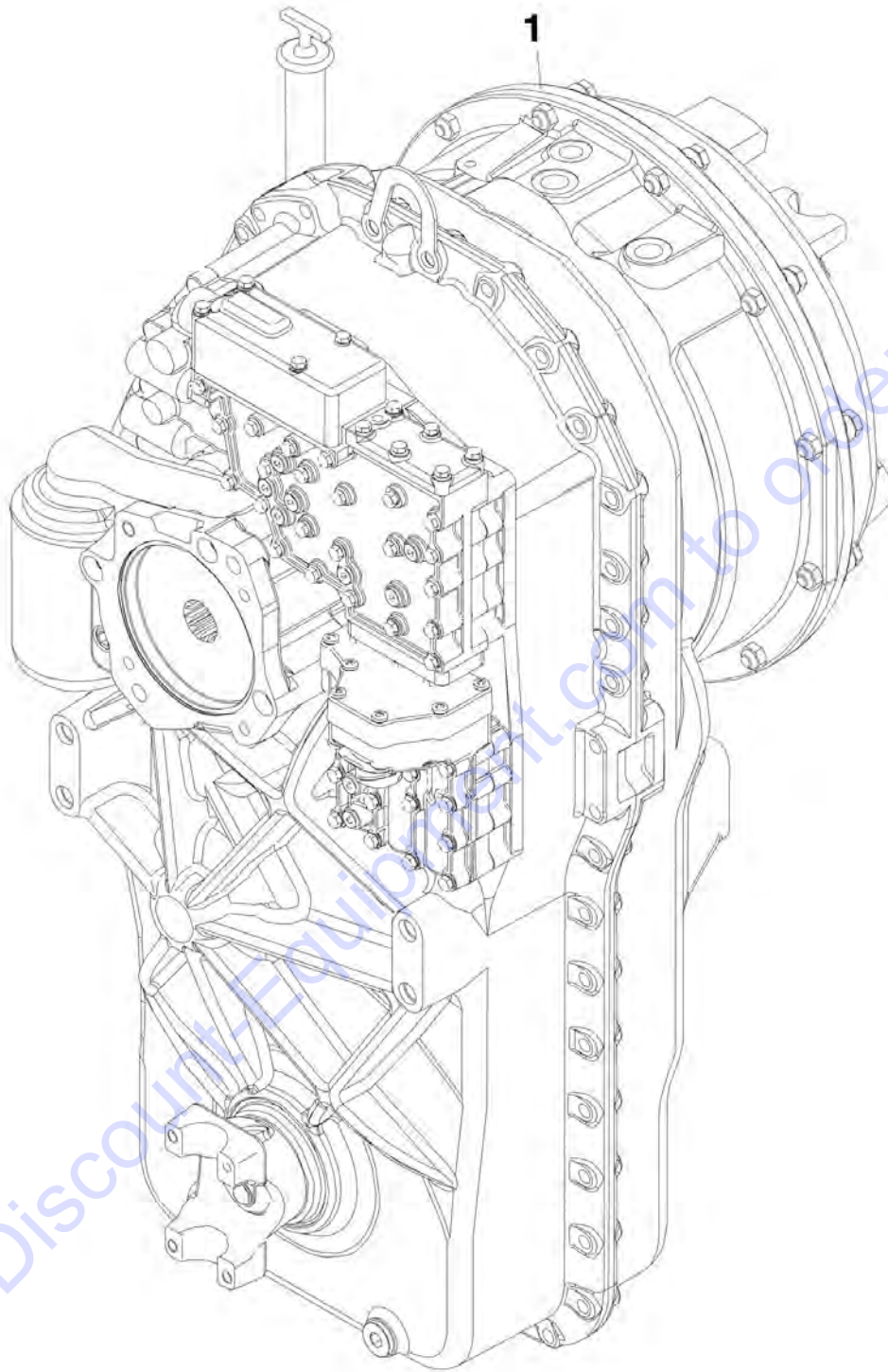
FIGURE 5-30. REAR AXLE - PLANETARY DRIVE (SN 0160038391 to Present, Excluding 0160038848, 0160038853 and 0160038855)

ITEM	PART NUMBER	QTY	DESCRIPTION	REV
1	70022242	1	RING GEAR	
2	70022784	2	SUN GEAR SHAFT	
3	70022233	2	PLANETARY CARRIER ASSY, (includes items 4 thru 7)	
4	70022256	1	PLANETARY CARRIER	
5	70022243	3	PLANETARY GEAR	
6	70022785	3	CYL ROLLER BEARING	
7	70022197	3	RETAINING RING	
8	1319578	2	SCREW PLUG	
9	70022207	4	HEX SCREW, M12X30	
10		Ref	HUB, (See FRONT AXLE - JOINT HOUSING for Breakdown)	

Go to Discount-Equipment.com to order your parts

SECTION 5 - DRIVE TRAIN

FIGURE 5-31. ZF TRANSMISSION



PA3261

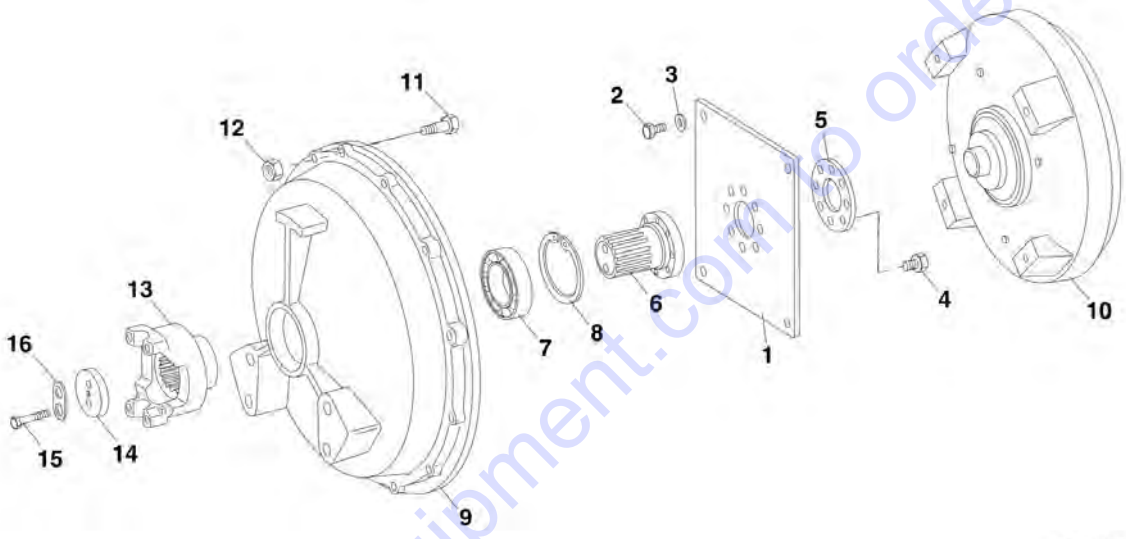
SECTION 5 - DRIVE TRAIN

FIGURE 5-31. ZF TRANSMISSION

ITEM	PART NUMBER	QTY	DESCRIPTION	REV
1	8841036	1	TRANSMISSION, 4WG98-TC	
1		Ref	ENGINE CONNECTION AND CONVERTER, (See ZF TRANSMISSION - ENGINE CONNECTION AND CONVERTER for Breakdown)	
1		Ref	INPUT SHAFTS, (See ZF TRANSMISSION - INPUT SHAFTS for Breakdown)	
1		Ref	GEARBOX HOUSING, (See ZF TRANSMISSION - GEARBOX HOUSING for Breakdown)	
1		Ref	COUPLING GROUP 1, (See ZF TRANSMISSION - COUPLING GROUP 1 for Breakdown)	
1		Ref	COUPLING GROUP 2, (See ZF TRANSMISSION - COUPLING GROUP 2 for Breakdown)	
1		Ref	COUPLING GROUP 3, (See ZF TRANSMISSION - COUPLING GROUP 3 for Breakdown)	
1		Ref	COUPLING GROUP 4, (See ZF TRANSMISSION - COUPLING GROUP 4 for Breakdown)	
1		Ref	REVERSING GEAR GROUP 1, (See ZF TRANSMISSION - REVERSING GEAR GROUP 1 for Breakdown)	
1		Ref	REVERSING GEAR GROUP 2, (See ZF TRANSMISSION - REVERSING GEAR GROUP 2 for Breakdown)	
1		Ref	OUTPUT, (See ZF TRANSMISSION - OUTPUT for Breakdown)	
1		Ref	CONTROL UNIT, (See ZF TRANSMISSION - CONTROL UNIT for Breakdown)	
1		Ref	VALVE HOUSING ASSY, (See ZF TRANSMISSION - VALVE HOUSING ASSEMBLY for Breakdown)	
1		Ref	VALVE BLOCK ASSY, (See ZF TRANSMISSION - VALVE BLOCK ASSEMBLY for Breakdown)	
1		Ref	OIL PUMP AND FILTER, (See ZF TRANSMISSION - OIL PUMP AND FILTER for Breakdown)	

SECTION 5 - DRIVE TRAIN

FIGURE 5-32. ZF TRANSMISSION - ENGINE CONNECTION AND CONVERTER



PA3120

Go to Discount-Equipment.com to order your parts

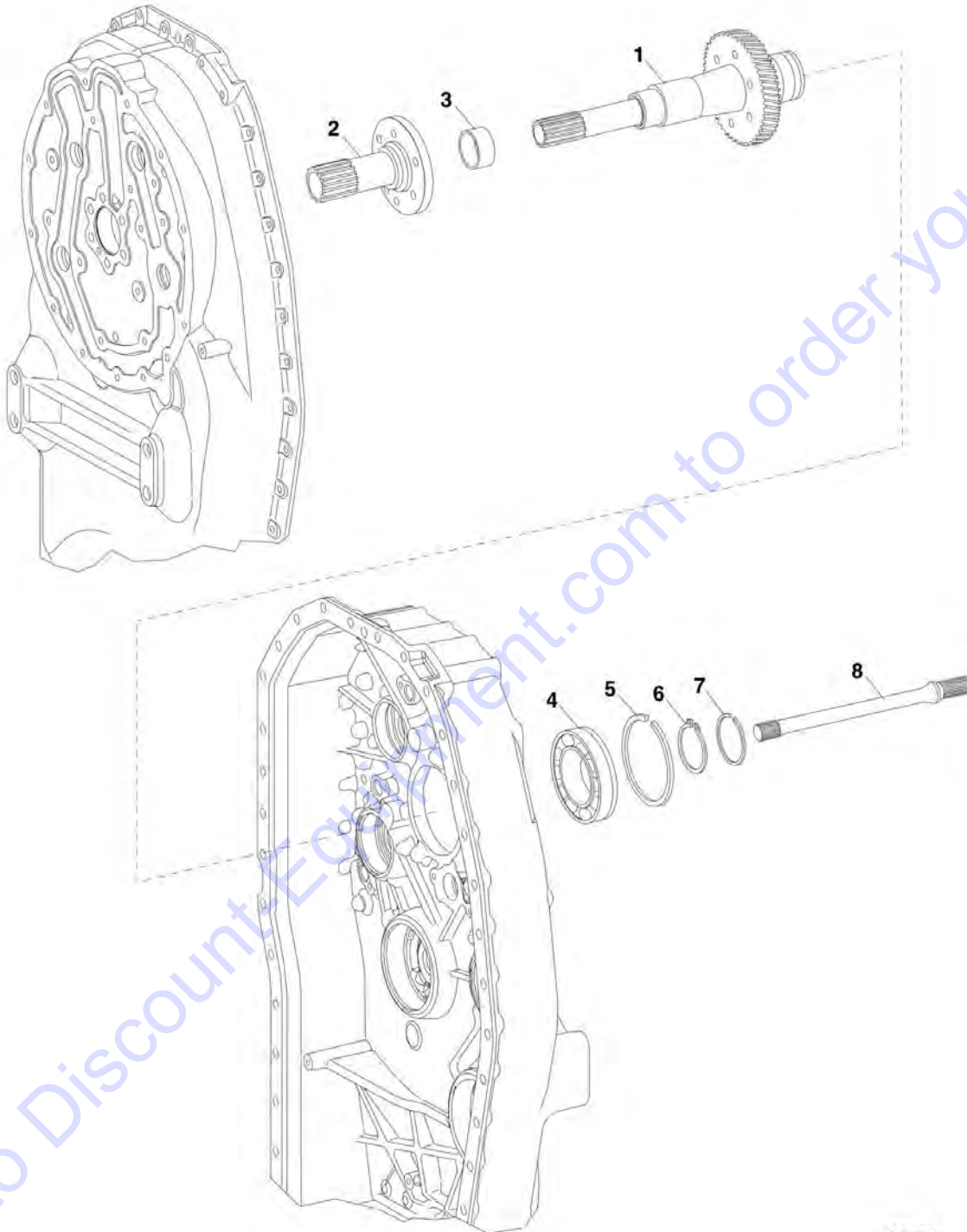
SECTION 5 - DRIVE TRAIN

FIGURE 5-32. ZF TRANSMISSION - ENGINE CONNECTION AND CONVERTER

ITEM	PART NUMBER	QTY	DESCRIPTION	REV
1	1319203	1	DIAPHRAGM	
2	1319204	4	HEX HD CAPSCREW, M10X18MM	
3	10732095	4	WASHER, 10.5	
4	10731702	8	HEX HD CAPSCREW, M10X16MM	
5	1319213	1	WASHER	
6	1319212	1	INPUT SHAFT, (Prior to Transmission SN 152496)	
6	70023482	1	INPUT SHAFT, (Transmission SN 152496 to Present)	
7	1319209	1	BALL BEARING	
8	1319210	1	RETAINING RING	
9	8036021	1	COVER	
10	8036022	1	CONVERTER	
11	10731748	12	HEX HD CAPSCREW, M10X45MM	
12	10731751	12	HEX NUT, M10	
13	1319211	1	END YOKE	
14	1319205	1	WASHER	
15	1319206	2	HEX HD CAPSCREW, M8X50MM, (Prior to Transmission SN 152496)	
15	70023483	2	HEX HD CAPSCREW, M8X50MM, (Transmission SN 152496 to Present)	
16	1319207	1	TAB WASHER, (Prior to Transmission SN 152496)	

SECTION 5 - DRIVE TRAIN

FIGURE 5-33. ZF TRANSMISSION - INPUT SHAFTS



PA3130

SECTION 5 - DRIVE TRAIN

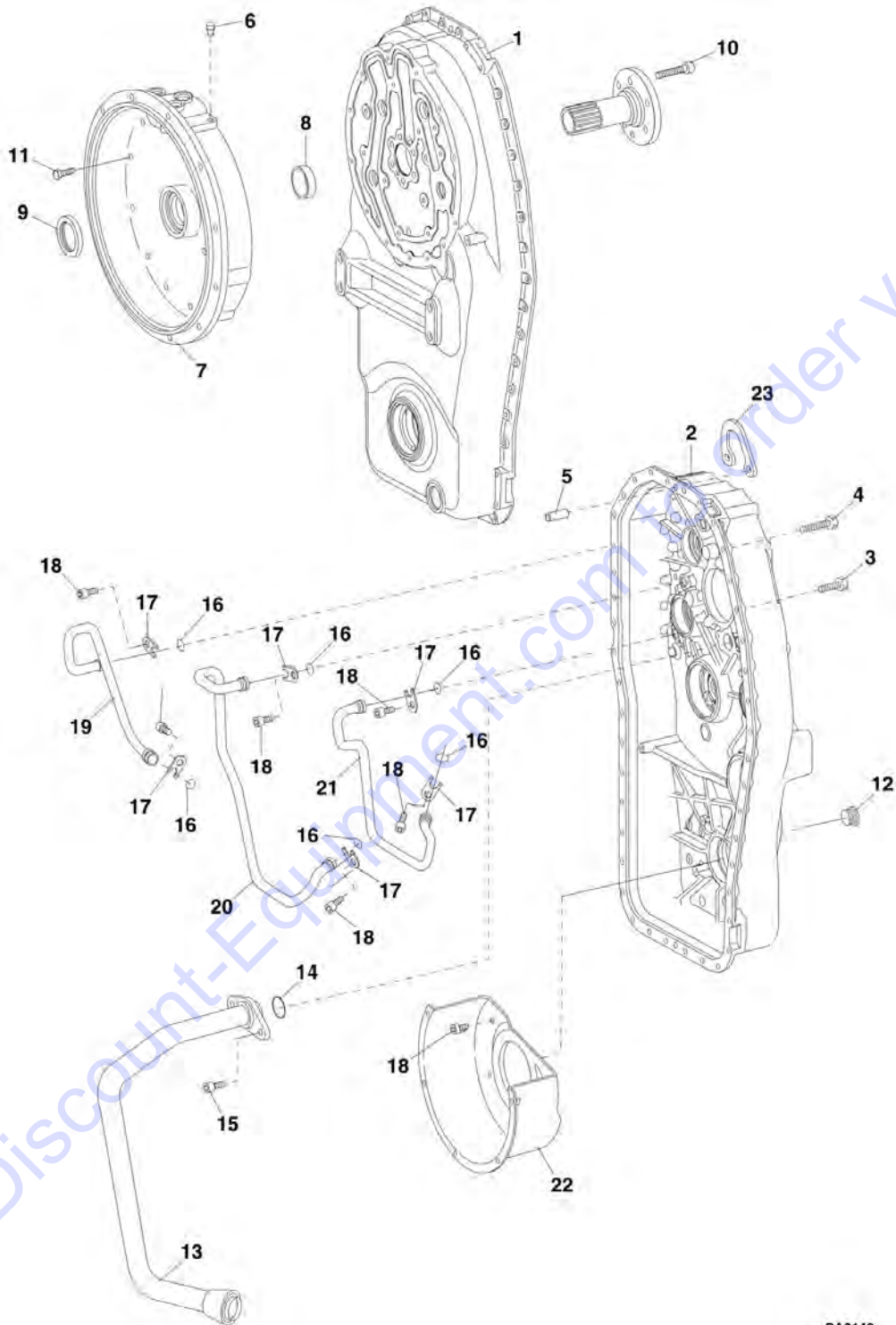
FIGURE 5-33. ZF TRANSMISSION - INPUT SHAFTS

ITEM	PART NUMBER	QTY	DESCRIPTION	REV
1	8036023	1	TURBINE SHAFT	
2	1319557	1	STATOR SHAFT	
3	1319558	1	BEARING BUSHING	
4	1319563	1	BALL BEARING	
5	10731913	1	SNAP RING	
6	80304405	1	RETAINING RING, 55X2.00	
7	1319565	1	PISTON RING, 55X3.00	
8	1319566	1	CENTRAL SHAFT	

Go to Discount-Equipment.com to order your parts

SECTION 5 - DRIVE TRAIN

FIGURE 5-34. ZF TRANSMISSION - GEARBOX HOUSING



PA3140

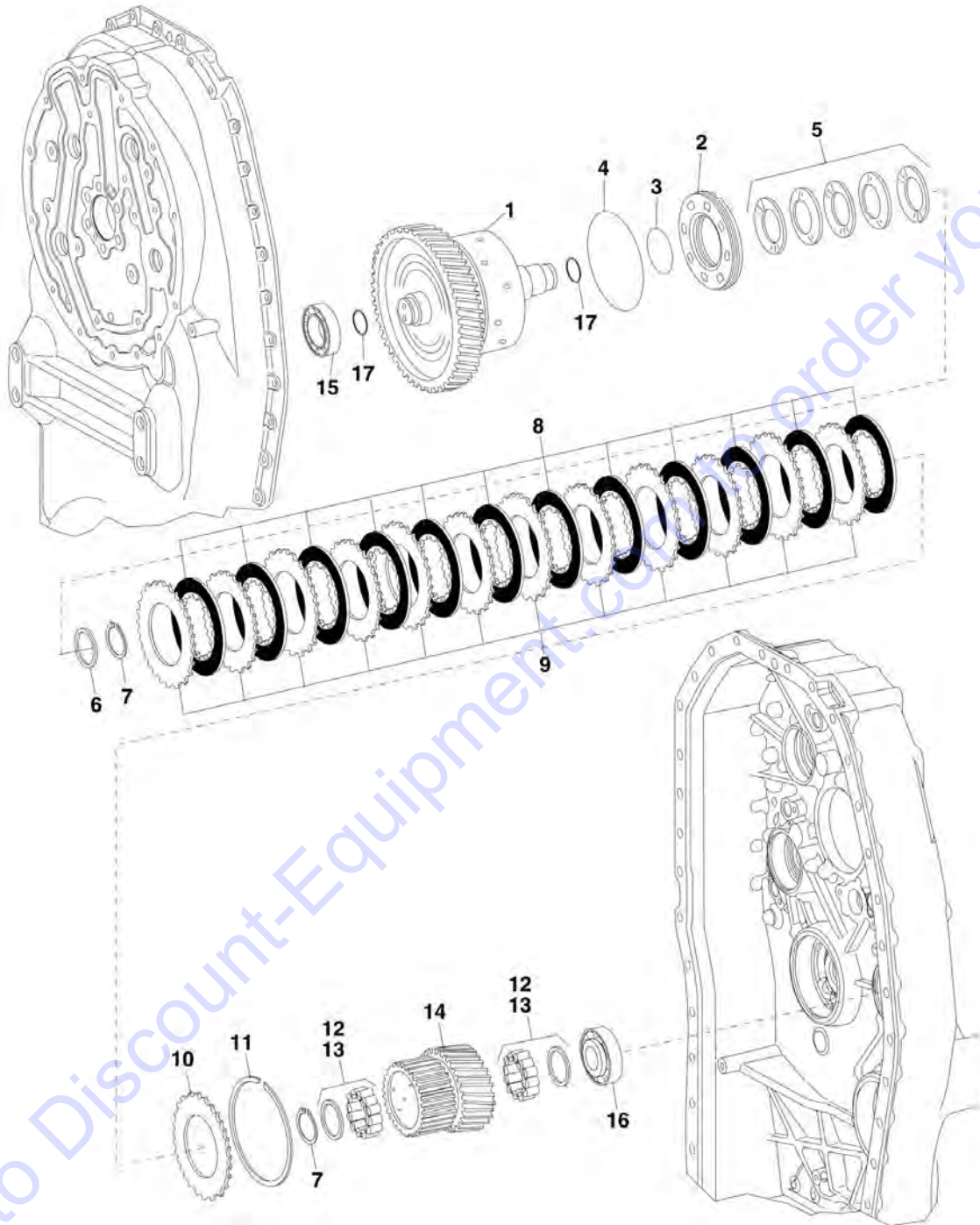
SECTION 5 - DRIVE TRAIN

FIGURE 5-34. ZF TRANSMISSION - GEARBOX HOUSING

ITEM	PART NUMBER	QTY	DESCRIPTION	REV
1	8036024	1	HOUSING I	
2	8036025	1	HOUSING II	
3	1319569	36	HEX HD CAPSCREW, M10X30MM	
4	1319570	6	HEX HD CAPSCREW, M10X50MM	
5	1319571	2	CYLINDRICAL PIN, M6X24MM	
6	10731744	1	BREATHER	
7	1319574	1	CONVERTER BELL	
8	1319575	1	BEARING BUSHING	
9	1319576	1	SHAFT SEAL	
10	1319577	6	SOCKET HD CAPSCREW, M10X50MM	
11	1319569	23	HEX HD CAPSCREW, M10X30MM	
12	1319578	1	DRAIN PLUG, 7/8-14	
13	8036026	1	OIL SUCTION PIPE	
14	1319581	1	O-RING, 30X3.00	
15	1319582	2	SOCKET HD CAPSCREW, M8X20MM	
16	1319583	6	O-RING, 14X2.00	
17	1319584	6	FIXING PLATE	
18	1319585	11	SOCKET HD CAPSCREW, M8X16MM	
19	1319586	1	PIPE	
20	1319587	1	PIPE	
21	8036027	1	PIPE	
22	8036028	1	SCREEN SHEET	
23	1319590	1	BRACKET	

SECTION 5 - DRIVE TRAIN

FIGURE 5-35. ZF TRANSMISSION - COUPLING GROUP 1



PA3150

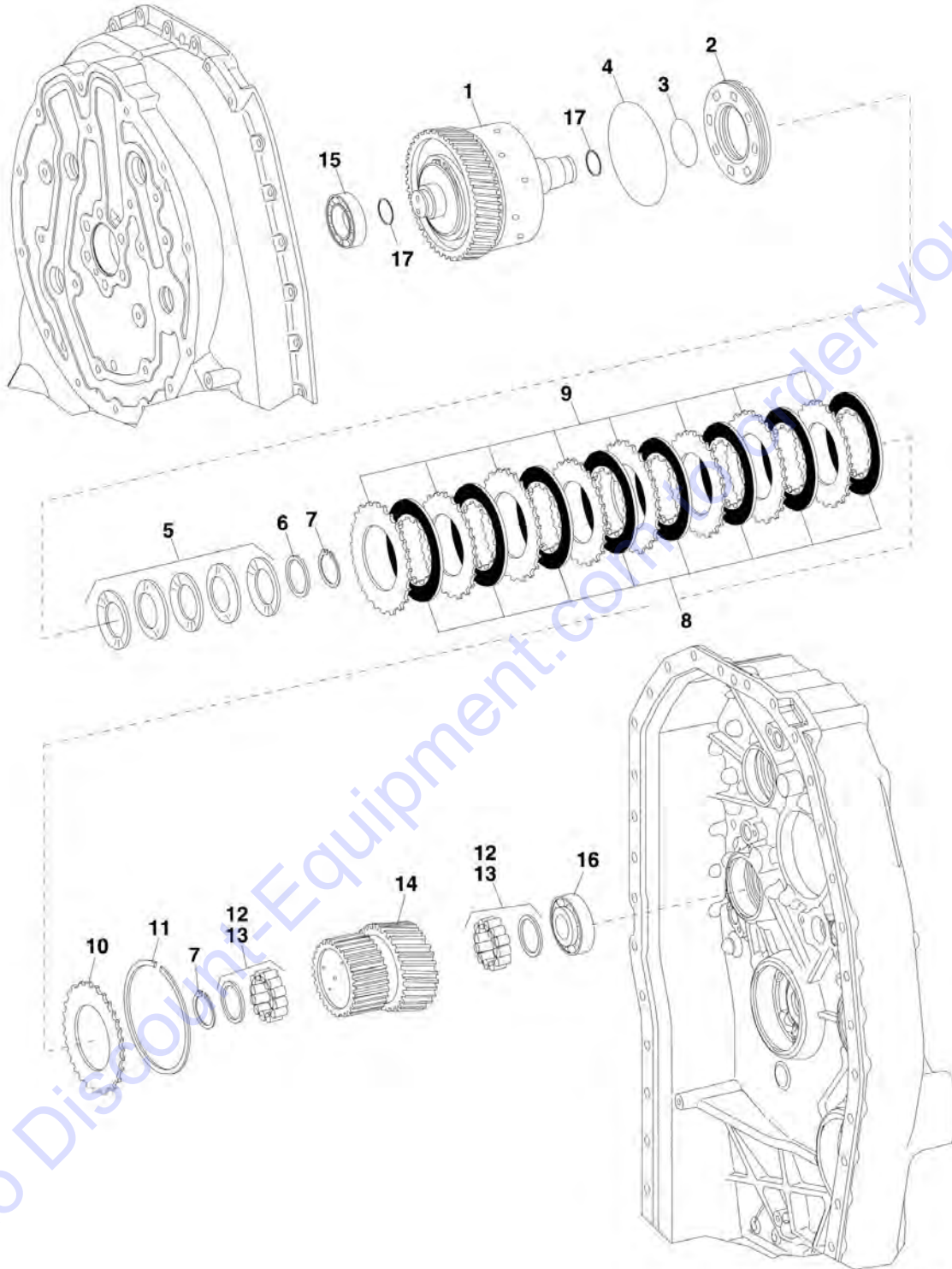
SECTION 5 - DRIVE TRAIN

FIGURE 5-35. ZF TRANSMISSION - COUPLING GROUP 1

ITEM	PART NUMBER	QTY	DESCRIPTION	REV
1	1319591	1	COUPLING	
2	1319592	1	PISTON	
3	1319593	1	O-RING, 52X3.00	
4	1319594	1	O-RING, 115X3.00	
5	1319595	5	CUP SPRING	
6	1319596	1	SHIM, 2.00	
7	10731845	2	RETAINING RING, 40X1.75	
8	7026758	12	LIN.CLUTCH DISC	
9	7026759	12	O.CLUTCH DISC	
10	1319599	1	SHIM, END	
11	1319600	1	SNAP RING, 4.00	
11	1319601	1	SNAP RING, 3.50	
11	1319602	1	SNAP RING, 3.00	
11	1319603	1	SNAP RING, 2.50	
11	1319604	1	SNAP RING, 2.00	
12	1319605	2	ROLLER CAGE	
13	1319606	2	ROLLER CAGE	
14	1319607	1	DISC CARRIER	
15	1319608	1	ROLLER BEARING	
16	1319609	1	ROLLER BEARING	
16	1319610	1	ROLLER BEARING	
16	1319611	1	ROLLER BEARING	
17	1319612	2	PISTON RING, 30X2.00	

SECTION 5 - DRIVE TRAIN

FIGURE 5-36. ZF TRANSMISSION - COUPLING GROUP 2



PA3160

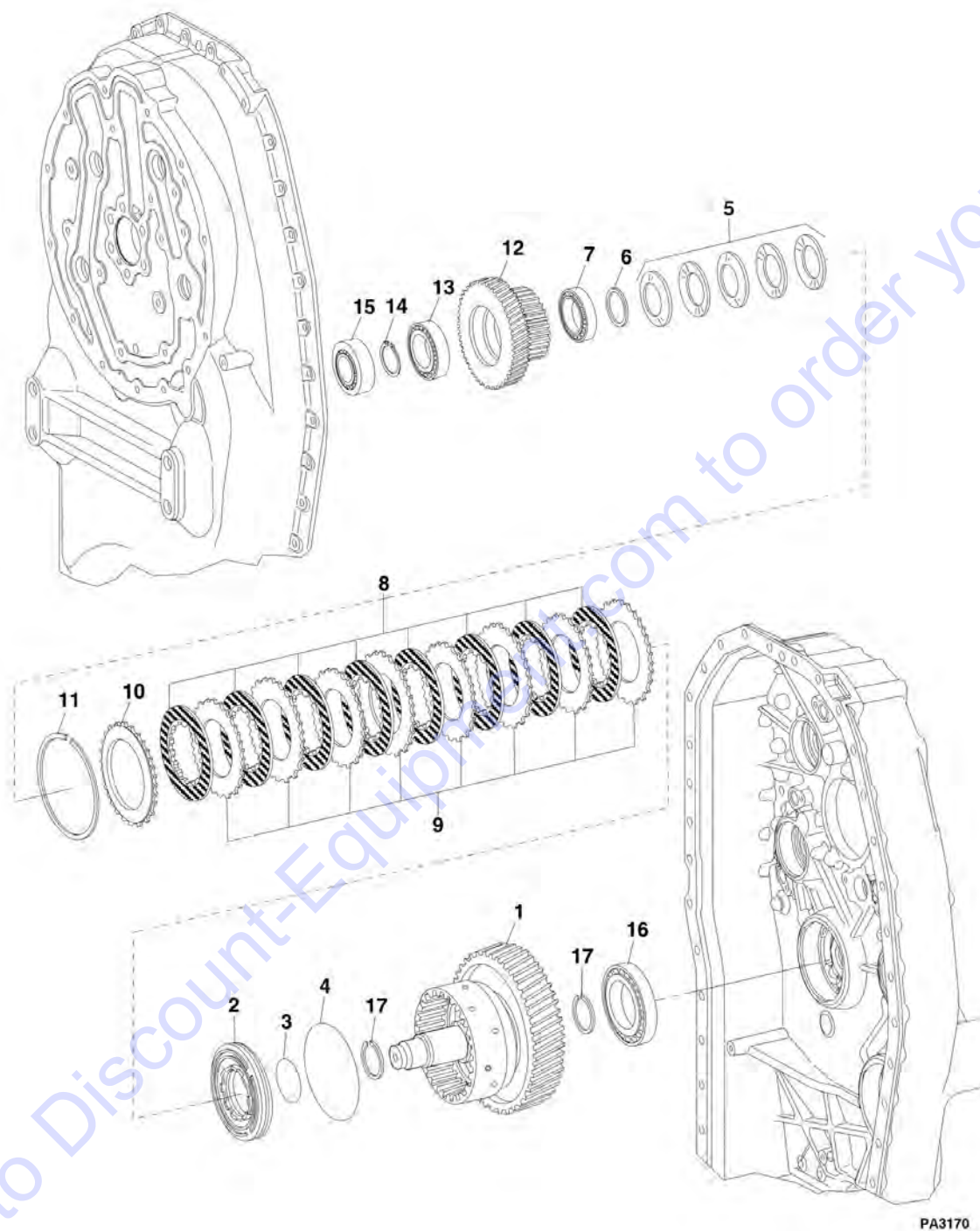
SECTION 5 - DRIVE TRAIN

FIGURE 5-36. ZF TRANSMISSION - COUPLING GROUP 2

ITEM	PART NUMBER	QTY	DESCRIPTION	REV
1	1319613	1	COUPLING	
2	8036029	1	PISTON	
3	1319593	1	O-RING, 52X3.00	
4	1319594	1	O-RING, 115X3.00	
5	1319595	5	CUP SPRING	
6	1319596	1	SHIM, 2.00	
7	10731845	2	RETAINING RING, 40X1.75	
8	7026758	8	LIN.CLUTCH DISC	
9	7026759	8	O.CLUTCH DISC	
10	1319599	1	END SHIM	
11	1319600	1	SNAP RING, 4.00	
11	1319601	1	SNAP RING, 3.50	
11	1319602	1	SNAP RING, 3.00	
11	1319603	1	SNAP RING, 2.50	
11	1319604	1	SNAP RING, 2.00	
12	1319605	2	ROLLER CAGE	
13	1319606	2	ROLLER CAGE	
14	1319614	1	DISC CARRIER	
15	1319615	1	ROLLER BEARING	
16	8036190	1	ROLLER BEARING ASSY	
16	7029532	1	OUTER RING	
16	7029533	1	INNER RING	
17	1319612	2	PISTON RING, 30X2.00	

SECTION 5 - DRIVE TRAIN

FIGURE 5-37. ZF TRANSMISSION - COUPLING GROUP 3



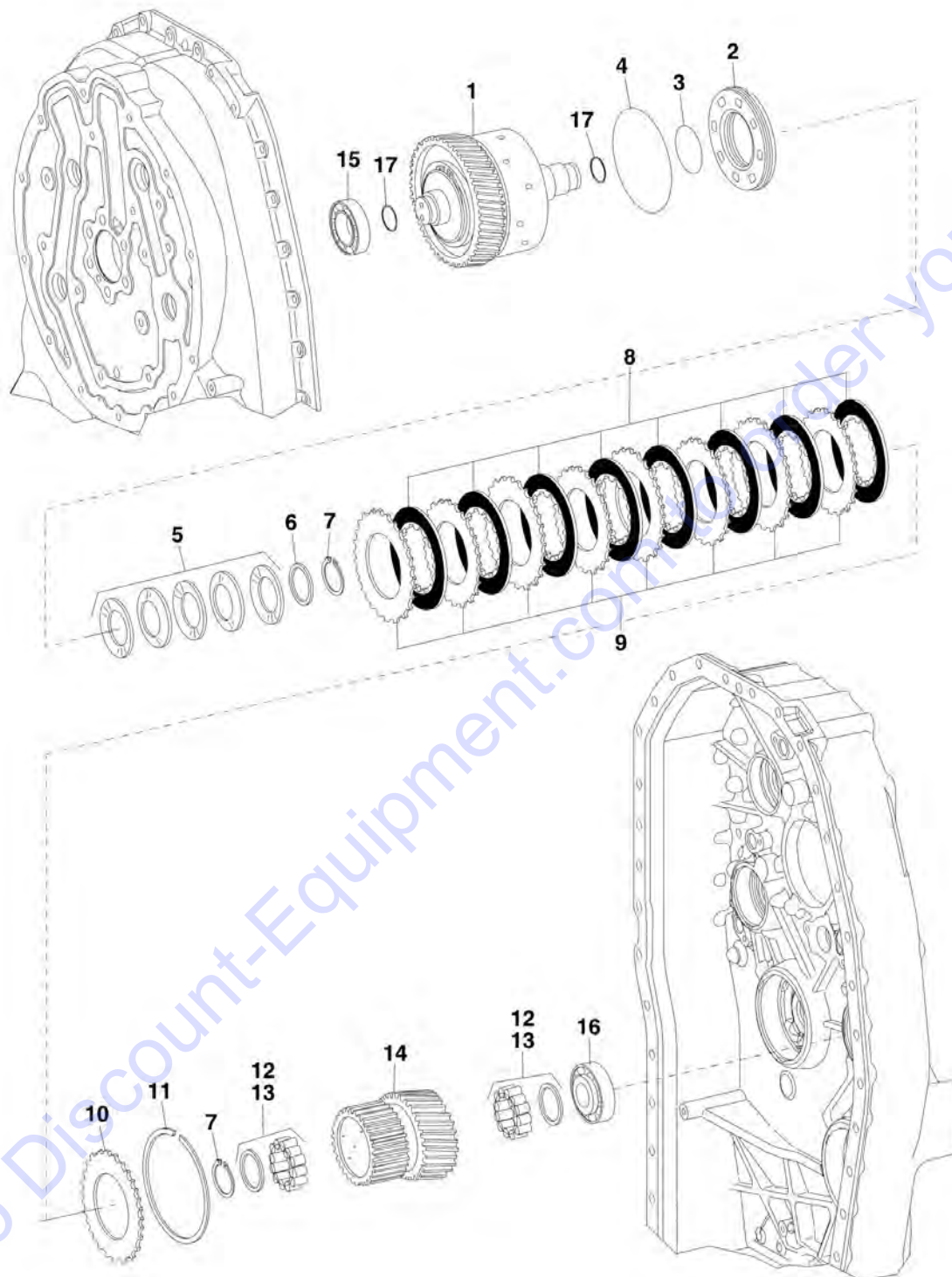
SECTION 5 - DRIVE TRAIN

FIGURE 5-37. ZF TRANSMISSION - COUPLING GROUP 3

ITEM	PART NUMBER	QTY	DESCRIPTION	REV
1	1319616	1	COUPLING	
2	8036029	1	PISTON	
3	1319593	1	O-RING, 52X3.00	
4	1319594	1	O-RING, 115X3.00	
5	1319595	5	CUP SPRING	
6	1319617	1	SUPPORT SHIM	
7	1319618	1	ROLLER BEARING	
8	7026758	8	LIN.CLUTCH DISC	
9	7026759	8	O.CLUTCH DISC	
10	1319599	1	END SHIM	
11	1319600	1	SNAP RING, 4.00	
11	1319601	1	SNAP RING, 3.50	
11	1319602	1	SNAP RING, 3.00	
11	1319603	1	SNAP RING, 2.50	
11	1319604	1	SNAP RING, 2.00	
12	1319619	1	DISC CARRIER	
13	1319620	1	ROLLER BEARING	
14	1319621	1	RETAINING RING, 3.20	
14	1319622	1	RETAINING RING, 3.10	
14	1319623	1	RETAINING RING, 3.00	
14	1319624	1	RETAINING RING, 2.90	
14	1319625	1	RETAINING RING, 2.80	
14	1319626	1	RETAINING RING, 2.70	
14	1319627	1	RETAINING RING, 2.60	
14	1319628	1	RETAINING RING, 38X2.50	
14	1319629	1	RETAINING RING, 38X2.40	
14	1319630	1	RETAINING RING, 38X2.30	
14	1319631	1	RETAINING RING, 38X2.20	
14	1319632	1	RETAINING RING, 38X2.10	
15	8036190	1	ROLLER BEARING ASSY	
15	7029532	1	OUTER RING	
15	7029533	1	INNER RING	
16	1319633	1	ROLLER BEARING	
17	1319612	2	PISTON RING, 30X2.00	

SECTION 5 - DRIVE TRAIN

FIGURE 5-38. ZF TRANSMISSION - COUPLING GROUP 4



PA3180

SECTION 5 - DRIVE TRAIN

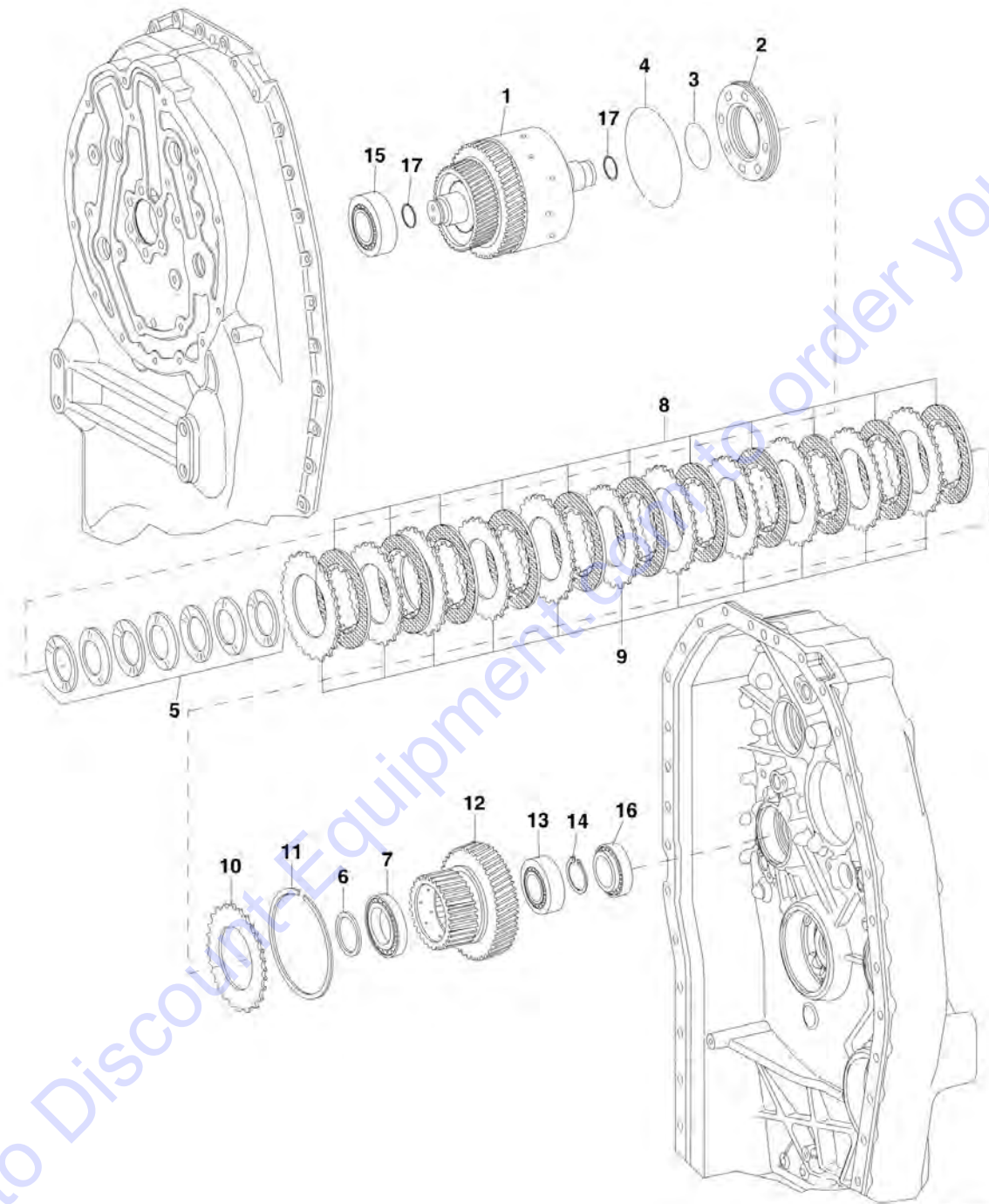
FIGURE 5-38. ZF TRANSMISSION - COUPLING GROUP 4

ITEM	PART NUMBER	QTY	DESCRIPTION	REV
1	1319634	1	COUPLING	
2	8036029	1	PISTON	
3	1319593	1	O-RING	
4	1319594	1	O-RING	
5	1319595	5	CUP SPRING	
6	1319596	1	SHIM, 2.00	
7	10731845	2	RETAINING RING	
8	7026758	8	LIN.CLUTCH DISC	
9	7026759	8	O.CLUTCH DISC	
10	1319599	1	END SHIM	
11	1319600	1	SNAP RING, 4.00	
11	1319601	1	SNAP RING, 3.50	
11	1319602	1	SNAP RING, 3.00	
11	1319603	1	SNAP RING, 2.50	
11	1319604	1	SNAP RING, 2.00	
12	1319605	2	ROLLER CAGE	
13	1319606	2	ROLLER CAGE	
14	1319635	1	DISC CARRIER	
15	1319615	1	ROLLER BEARING	
16	1319636	1	ROLLER BEARING	
17	1319612	2	PISTON RING, 30X2.00	

Go to Discount-Equipment.com to order your parts

SECTION 5 - DRIVE TRAIN

FIGURE 5-39. ZF TRANSMISSION - REVERSING GEAR GROUP 1



PA3190

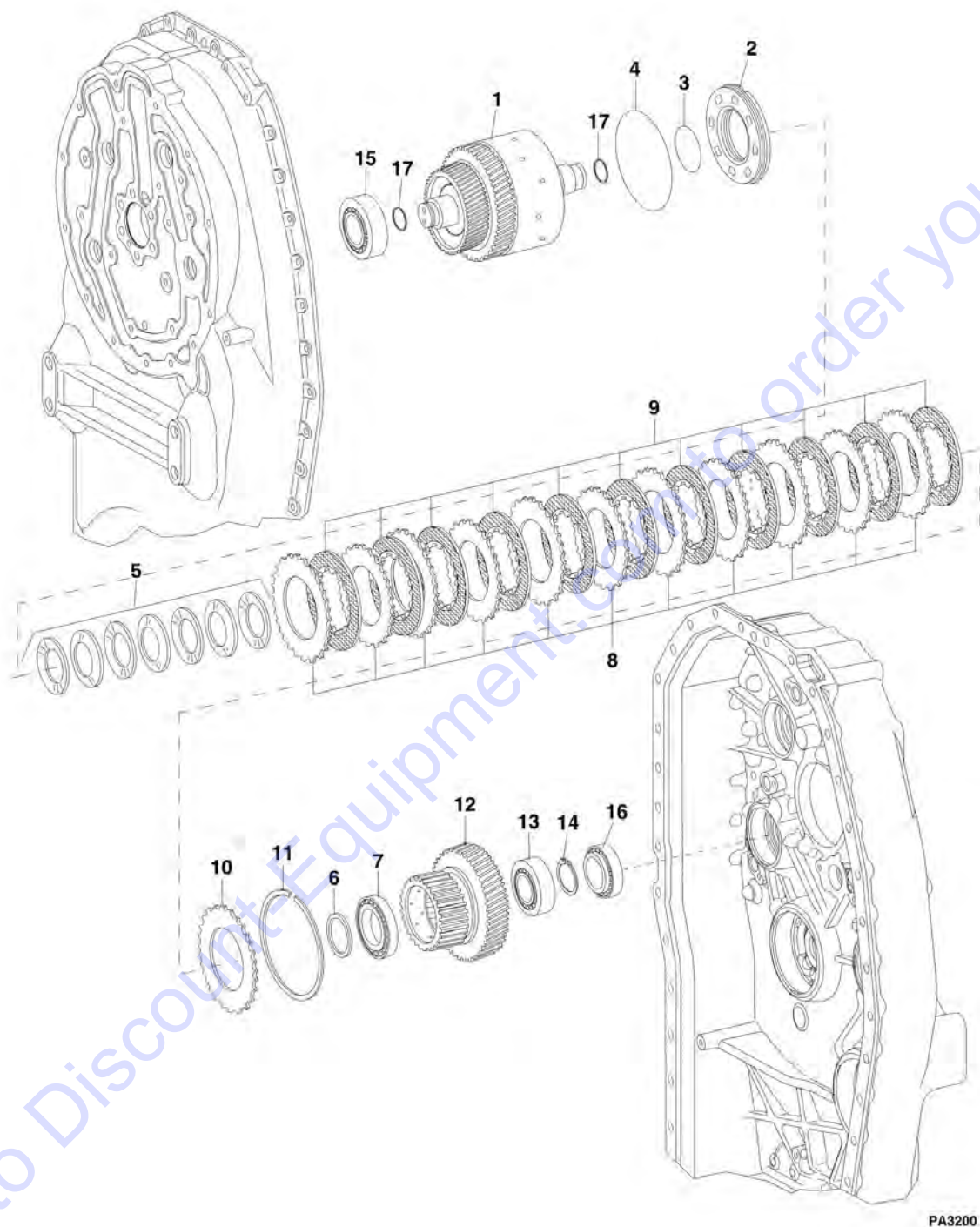
SECTION 5 - DRIVE TRAIN

FIGURE 5-39. ZF TRANSMISSION - REVERSING GEAR GROUP 1

ITEM	PART NUMBER	QTY	DESCRIPTION	REV
1	1319637	1	COUPLING	
2	8036029	1	PISTON	
3	1319593	1	O-RING	
4	1319594	1	O-RING	
5	1319595	7	CUP SPRING	
6	1319617	1	SUPPORT SHIM	
7	1319618	1	ROLLER BEARING	
8	7026758	11	LIN.CLUTCH DISC	
9	7026759	11	O.CLUTCH DISC	
10	1319599	1	END SHIM	
11	1319600	1	SNAP RING, 4.00	
11	1319601	1	SNAP RING, 3.50	
11	1319602	1	SNAP RING, 3.00	
11	1319603	1	SNAP RING, 2.50	
11	1319604	1	SNAP RING, 2.00	
12	1319638	1	DISC CARRIER	
13	1319620	1	ROLLER BEARING	
14	1319621	1	RETAINING RING, 3.20	
14	1319622	1	RETAINING RING, 3.10	
14	1319623	1	RETAINING RING, 3.00	
14	1319624	1	RETAINING RING, 2.90	
14	1319625	1	RETAINING RING, 2.80	
14	1319626	1	RETAINING RING, 2.70	
14	1319627	1	RETAINING RING, 2.60	
14	1319628	1	RETAINING RING, 2.50	
14	1319629	1	RETAINING RING, 2.40	
14	1319630	1	RETAINING RING, 2.30	
14	1319631	1	RETAINING RING, 2.20	
14	1319632	1	RETAINING RING, 2.10	
15	1319615	1	ROLLER BEARING	
16	1319636	1	ROLLER BEARING	
17	1319612	2	PISTON RING, 30X2.00	

SECTION 5 - DRIVE TRAIN

FIGURE 5-40. ZF TRANSMISSION - REVERSING GEAR GROUP 2



PA3200

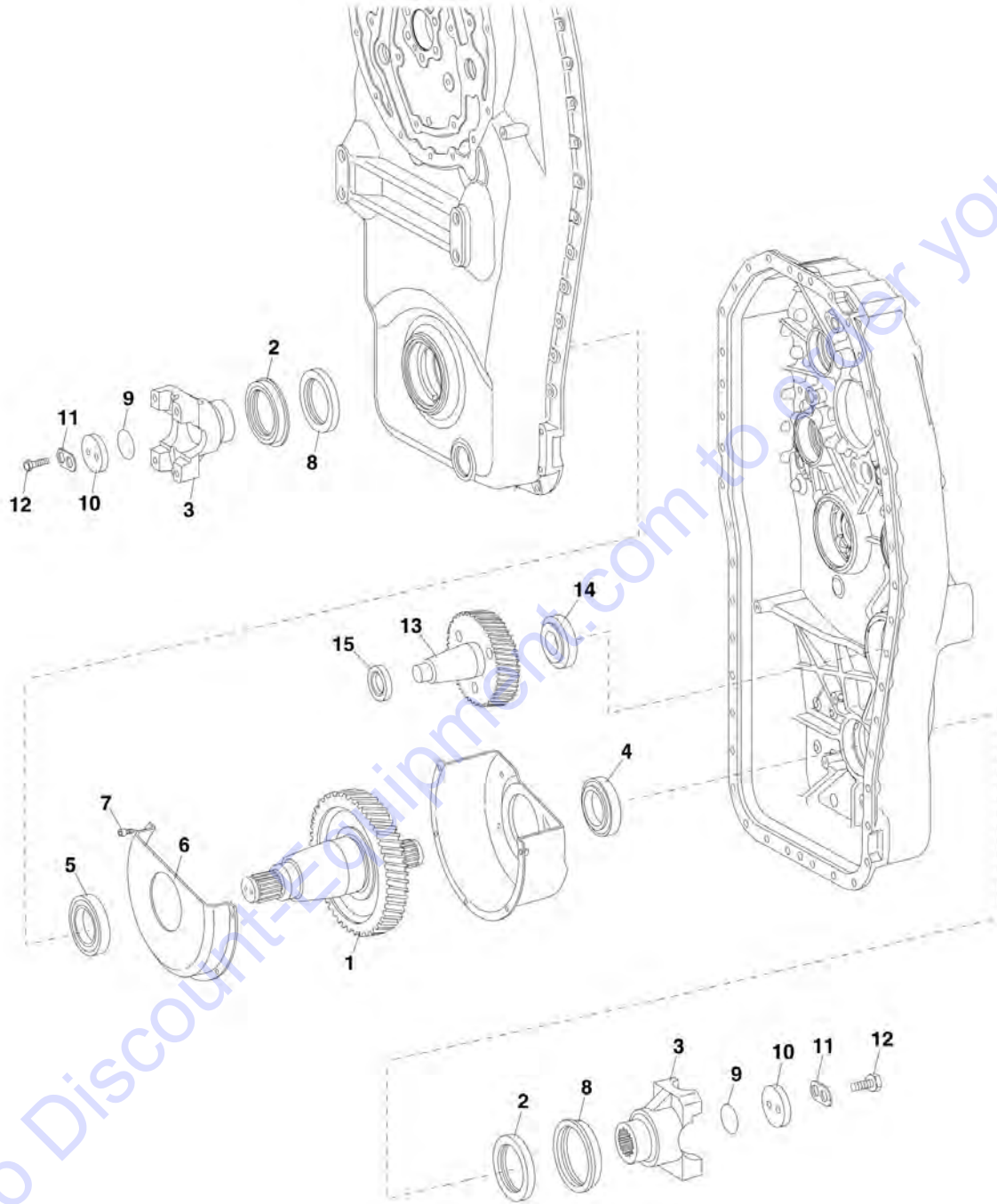
SECTION 5 - DRIVE TRAIN

FIGURE 5-40. ZF TRANSMISSION - REVERSING GEAR GROUP 2

ITEM	PART NUMBER	QTY	DESCRIPTION	REV
1	1319639	1	COUPLING	
2	8036029	1	PISTON	
3	1319593	1	O-RING	
4	1319594	1	O-RING	
5	1319595	7	CUP SPRING	
6	1319617	1	SUPPORT SHIM	
7	1319618	1	ROLLER BEARING	
8	7026758	11	LIN.CLUTCH DISC	
9	7026759	11	O.CLUTCH DISC	
10	1319599	1	END SHIM	
11	1319600	1	SNAP RING, 4.00	
11	1319601	1	SNAP RING, 3.50	
11	1319602	1	SNAP RING, 3.00	
11	1319603	1	SNAP RING, 2.50	
11	1319604	1	SNAP RING, 2.00	
12	1319638	1	DISC CARRIER	
13	1319620	1	ROLLER BEARING	
14	1319621	1	RETAINING RING, 3.20	
14	1319622	1	RETAINING RING, 3.10	
14	1319623	1	RETAINING RING, 3.00	
14	1319624	1	RETAINING RING, 2.90	
14	1319625	1	RETAINING RING, 2.80	
14	1319626	1	RETAINING RING, 2.70	
14	1319627	1	RETAINING RING, 2.60	
14	1319628	1	RETAINING RING, 2.50	
14	1319629	1	RETAINING RING, 2.40	
14	1319630	1	RETAINING RING, 2.30	
14	1319631	1	RETAINING RING, 2.20	
14	1319632	1	RETAINING RING, 2.10	
15	1319608	1	ROLLER BEARING	
16	1319636	1	ROLLER BEARING	
17	1319612	2	PISTON RING, 30X2.00	

SECTION 5 - DRIVE TRAIN

FIGURE 5-41. ZF TRANSMISSION - OUTPUT



PA3210

SECTION 5 - DRIVE TRAIN

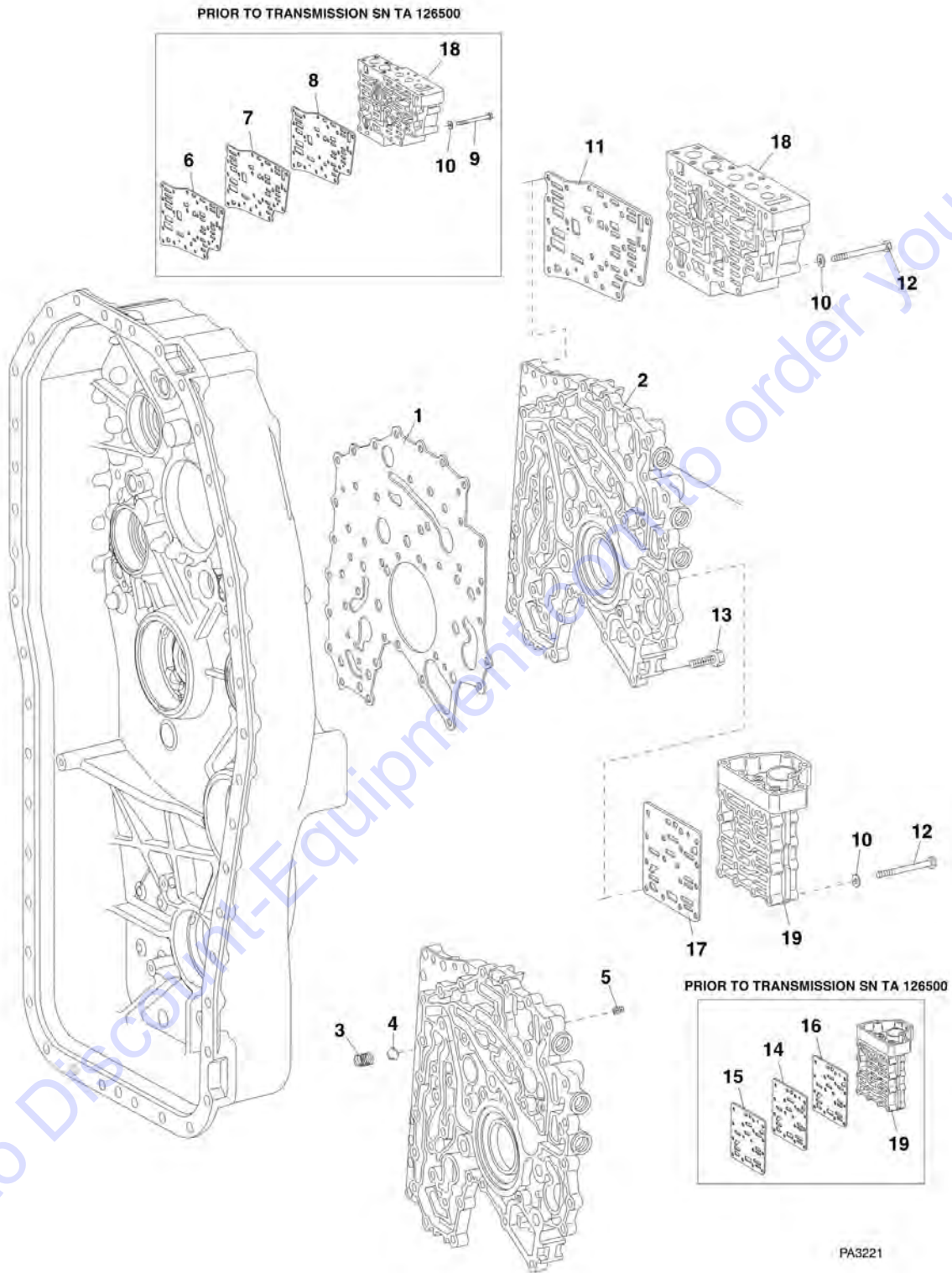
FIGURE 5-41. ZF TRANSMISSION - OUTPUT

ITEM	PART NUMBER	QTY	DESCRIPTION	REV
1	8036030	1	OUTPUT SHAFT	
2	1319641	2	SHAFT SEAL	
3	7027273	2	OUTPUT FLANGE	
4	N.S.S.	1	ROLLER BEARING ASSY	
4	70020430	1	CUP	
4	70020431	1	CONE	
5	1319643	1	ROLLER BEARING	
6	8036031	1	SCREEN SHEET	
7	1319646	5	HEX HD CAPSCREW, M6X10MM	
8	1319647	2	SCREEN SHEET	
9	10839156	2	O-RING	
10	1319648	2	WASHER 10.00	
11	1319649	2	TAB WASHER	
12	10731959	4	HEX HD CAPSCREW, M8X25MM	
13	8036032	1	INTERMEDIATE SHAFT	
14	1319633	1	ROLLER BEARING	
15	8036190	1	ROLLER BEARING ASSY	
15	7029532	1	OUTER RING	
15	7029533	1	INNER RING	

Go to Discount-Equipment.com to order your parts

SECTION 5 - DRIVE TRAIN

FIGURE 5-42. ZF TRANSMISSION - CONTROL UNIT



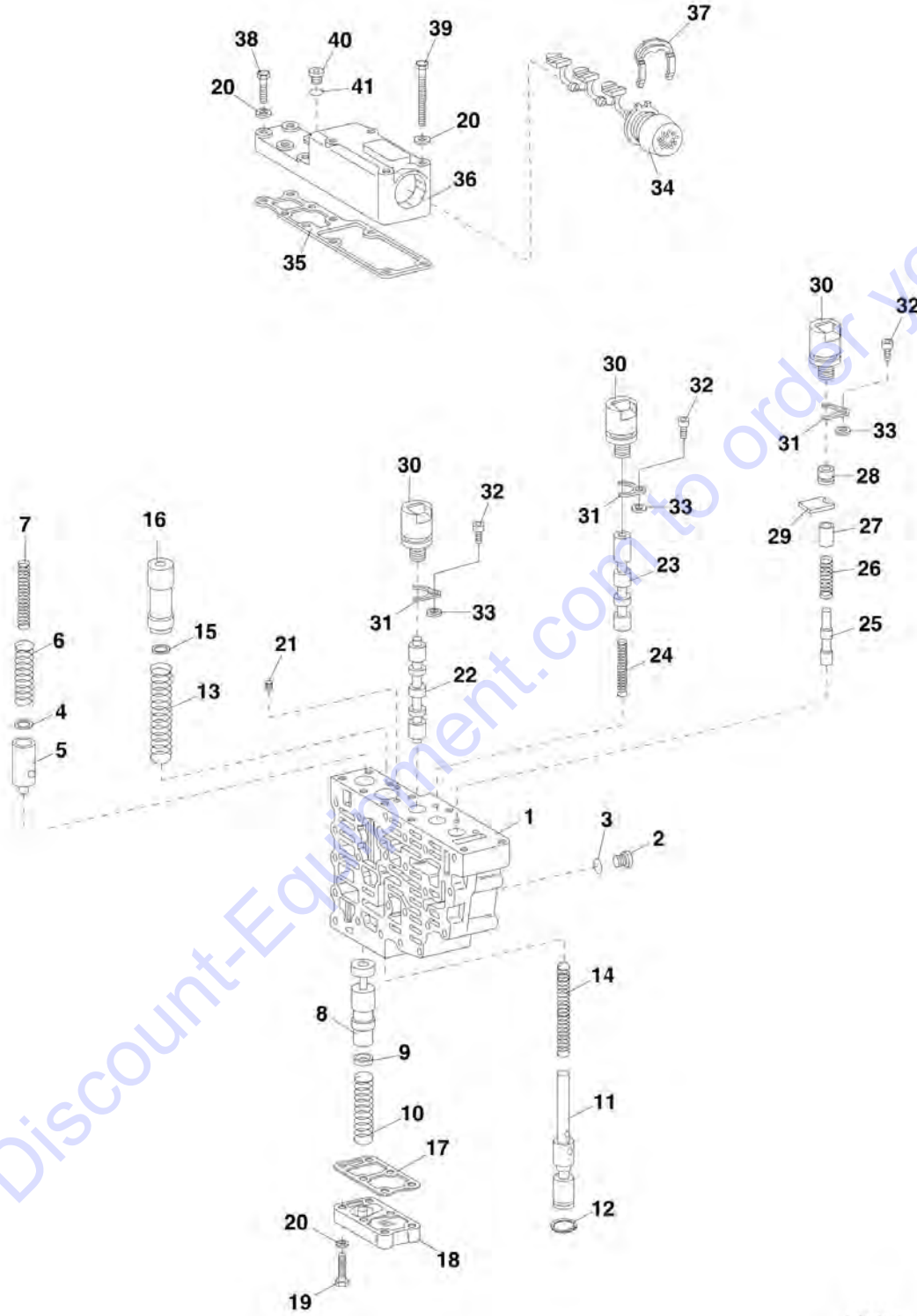
SECTION 5 - DRIVE TRAIN

FIGURE 5-42. ZF TRANSMISSION - CONTROL UNIT

ITEM	PART NUMBER	QTY	DESCRIPTION	REV
1	1319650	1	GASKET	
2	8036033	1	DUCT PLATE	
3	10732072	1	COMPRESSION SPRING	
4	10732071	1	BALL	
5	1319652	1	ORIFICE	
6	NLA	NLA	GASKET, (Prior to transmission SN TA 126500), (no longer available, use items 11 & 12 for replacement)	
7	NLA	NLA	INTERM. SHEET, (Prior to transmission SN TA 126500), (no longer available, use items 11 & 12 for replacement)	
8	NLA	NLA	GASKET, (Prior to transmission SN TA 126500), (no longer available, use items 11 & 12 for replacement)	
9	1319662	19	HEX HD CAPSCREW, M6X65MM, (Prior to transmission SN TA 126500)	
10	1319661	19	WASHER, 6.4	
11	70020425	1	INTERM. SHEET, (transmission SN TA 126500 to Present)	
12	7029037	19	HEX HD CAPSCREW, M6X60MM, (transmission SN TA 126500 to Present)	
13	1319659	43	TORX SCREW, M8X30MM	
14	8036035	1	GASKET, (Prior to transmission SN TA 126500)	
15	7029720	1	INTERM. SHEET, (Prior to transmission SN TA 126500)	
16	7029721	1	GASKET, (Prior to transmission SN TA 126500)	
17	70020426	1	INTERM. SHEET, (transmission SN TA 126500 to Present)	
18		Ref	VALVE HOUSING, (See ZF TRANSMISSION - VALVE HOUSING ASSEMBLY for Breakdown)	
19		Ref	VALVE BLOCK, (See ZF TRANSMISSION - VALVE BLOCK ASSEMBLY for Breakdown)	

SECTION 5 - DRIVE TRAIN

FIGURE 5-43. ZF TRANSMISSION - VALVE HOUSING ASSEMBLY



PA3230

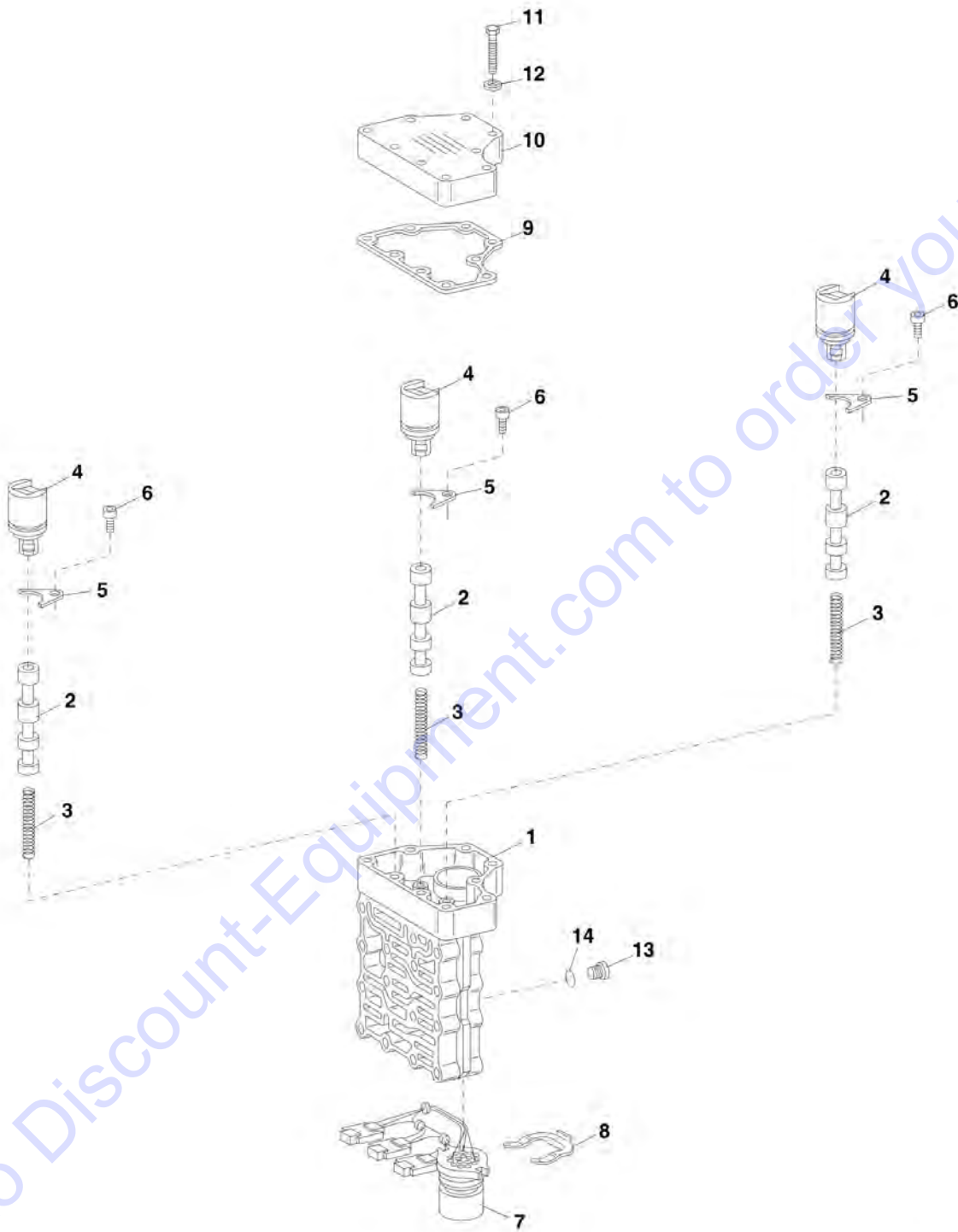
SECTION 5 - DRIVE TRAIN

FIGURE 5-43. ZF TRANSMISSION - VALVE HOUSING ASSEMBLY

ITEM	PART NUMBER	QTY	DESCRIPTION	REV
	8036040	1	VALVE HOUSING ASSY, (includes all items)	
1	1319671	1	VALVE HOUSING	
2	1319670	7	SCREW PLUG, M10X1MM	
3	10731709	7	O-RING	
4	8036036	1	WASHER, 1.00	
5	8036037	1	PISTON	
6	1319673	1	COMPRESSION SPRING	
7	8036038	1	COMPRESSION SPRING	
8	1319674	1	PISTON	
9	1319675	1	WASHER, 3.60	
9	1319676	1	WASHER, 3.20	
9	1319677	1	WASHER, 2.80	
9	1319678	1	WASHER, 2.40	
9	1319679	1	WASHER, 2.00	
10	1319680	1	COMPRESSION SPRING	
11	1319681	1	CONTROL PISTON	
12	1319682	1	LOCKWASHER, 12.0	
13	1319683	1	COMPRESSION SPRING	
14	1319684	1	COMPRESSION SPRING	
15	1319685	1	WASHER, 2.00	
15	1319686	1	WASHER, 1.00	
15	1319687	1	WASHER, 0.50	
15	1319688	1	WASHER, 0.30	
15	1319689	1	WASHER, 0.20	
16	1319690	1	PISTON	
17	1319691	1	SEAL	
18	1319692	1	COVER	
19	1319693	6	SOCKET HD CAPSCREW, M6X25MM	
20	1319661	16	WASHER, 6.4	
21	1319652	1	ORIFICE	
22	1319694	1	VALVE	
23	1319695	1	PISTON	
24	1319696	1	COMPRESSION SPRING	
25	1319697	1	PISTON	
26	1319698	1	COMPRESSION SPRING	
27	1319699	1	SPACER SLEEVE	
28	1319700	1	PLUG	
29	1319701	1	FIXING PLATE	
30	1319702	3	SOLENOID VALVE	
31	10732063	3	FIXING PLATE	
32	1319703	3	HEX HD CAPSCREW, M5X12MM	
33	10732064	3	WASHER, 2.00	
34	1319704	1	WIRING HARNESS	
35	1319705	1	SEAL	
36	8036039	1	COVER	
37	1319707	1	RETAINING CLAMP	
38	1319693	6	HEX HD CAPSCREW, M6X25MM	
39	1319708	4	HEX HD CAPSCREW, M6X60MM	
40	1319670	1	SCREW PLUG, M10X1MM	
41	10731709	1	O-RING, 8X1.5MM	

SECTION 5 - DRIVE TRAIN

FIGURE 5-44. ZF TRANSMISSION - VALVE BLOCK ASSEMBLY



Go to Discount-Equipment.com to order your parts

PA3240

SECTION 5 - DRIVE TRAIN

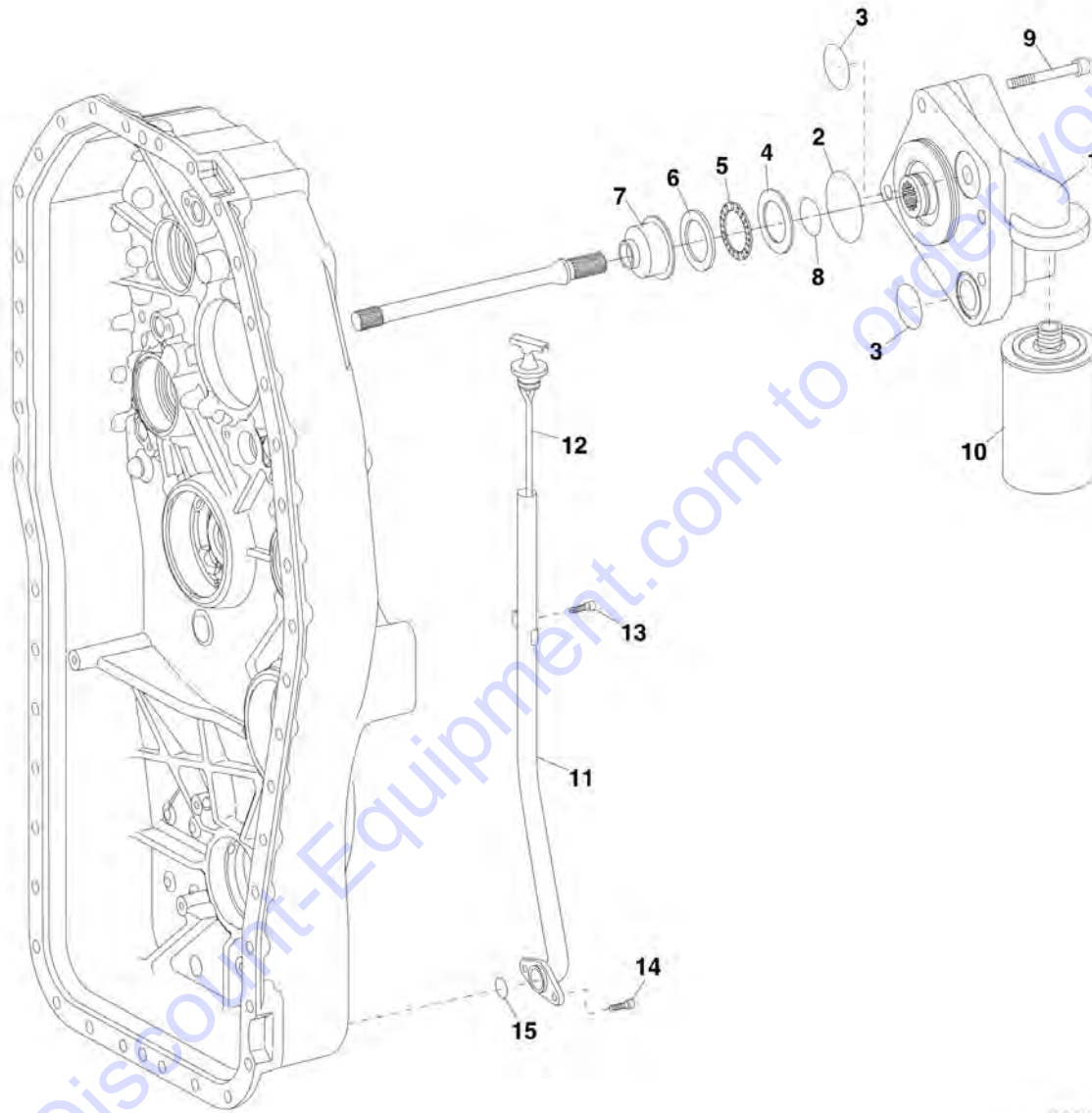
FIGURE 5-44. ZF TRANSMISSION - VALVE BLOCK ASSEMBLY

ITEM	PART NUMBER	QTY	DESCRIPTION	REV
	1319717	1	VALVE BLOCK ASSY, (includes all items), (one piece gasket design)	
1	70020427	1	VALVE HOUSING	
2	1319710	3	PISTON	
3	1319696	3	COMPRESSION SPRING	
4	1319702	3	SOLENOID VALVE	
5	10732063	3	FIXING PLATE	
6	1319703	3	SOCKET HD CAPSCREW, M5X12MM	
7	1319711	1	WIRING HARNESS	
8	1319707	1	RETAINING CLAMP	
9	1319712	1	GASKET	
10	1319713	1	COVER	
11	1319714	9	HEX HD CAPSCREW, M5X32MM	
12	1319715	9	WASHER, 5.3	
13	1319670	3	SCREW PLUG, M10X1MM	
14	10731709	3	O-RING	

Go to Discount-Equipment.com to order your parts

SECTION 5 - DRIVE TRAIN

FIGURE 5-45. ZF TRANSMISSION - OIL PUMP AND FILTER



PA3250

SECTION 5 - DRIVE TRAIN

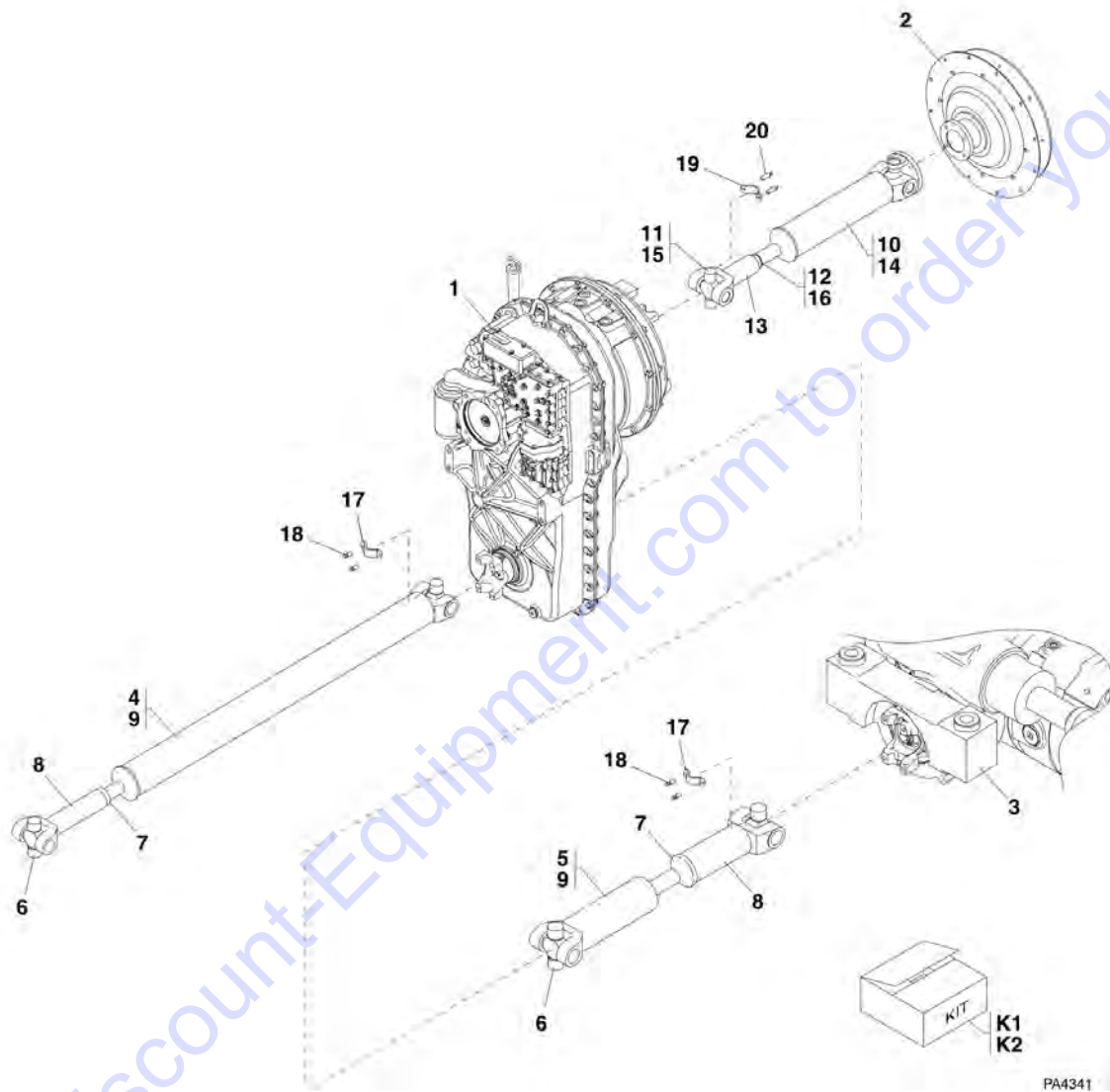
FIGURE 5-45. ZF TRANSMISSION - OIL PUMP AND FILTER

ITEM	PART NUMBER	QTY	DESCRIPTION	REV
1	1319718	1	PUMP, (includes item 2)	
1	7029417	1	O-RING, (between pump halves), (not shown)	
2	8036250	1	O-RING	
3	1319719	2	O-RING	
4	1319720	1	AXIAL WASHER, 40X60X1	
5	1319721	1	AXIAL NEEDLE CAGE	
6	1319722	1	ANGLE DISC	
7	1319723	1	SPACER BUSHING	
8	1319724	1	O-RING	
9	1319725	4	HEX HD CAPSCREW, M12X115MM	
10	1319726	1	TRANSMISSION FILTER	
11	8036041	1	DIPSTICK TUBE	
12	8036042	1	DIPSTICK	
13	1319585	1	SOCKET HD CAPSCREW, M8X16MM	
14	1319582	1	SOCKET HD CAPSCREW, M8X20MM	
15	1319581	1	O-RING	

Go to Discount-Equipment.com to order your parts

SECTION 5 - DRIVE TRAIN

FIGURE 5-46. DRIVE SHAFTS



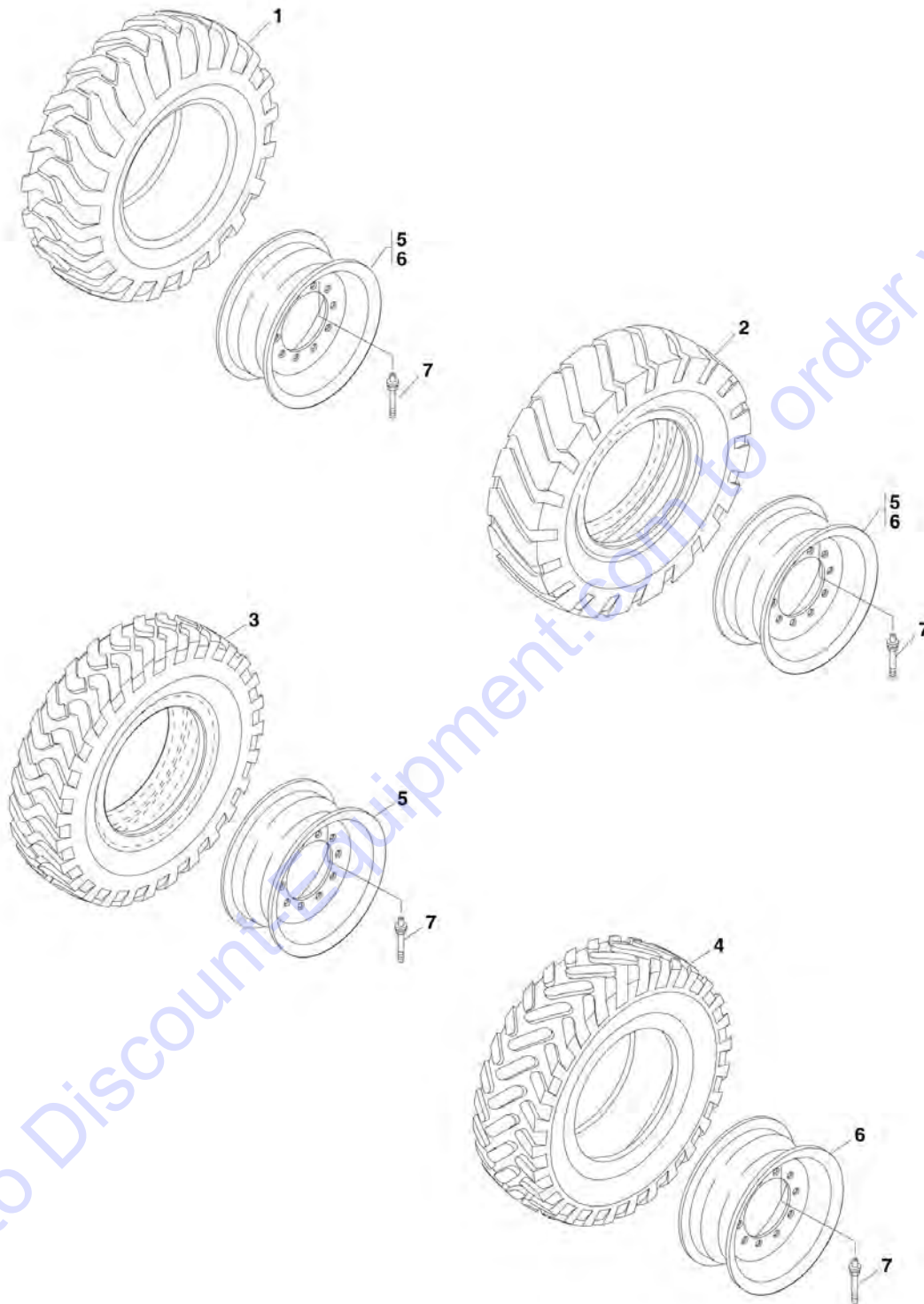
SECTION 5 - DRIVE TRAIN

FIGURE 5-46. DRIVE SHAFTS

ITEM	PART NUMBER	QTY	DESCRIPTION	REV
1		Ref	ZF TRANSMISSION, (See ZF TRANSMISSION for Breakdown)	
2		Ref	ISOLATION COUPLER, (See ENGINE AND ATTACHING PARTS SECTION for Breakdown)	
3		Ref	REAR AXLE, (See REAR AXLE for Breakdown)	
4	7150579	1	FRONT AXLE DRIVE SHAFT, (includes items 6 thru 9)	C
5	7150580	1	REAR AXLE DRIVE SHAFT, (includes items 6 thru 9)	C
6	8036433	4	CROSS AND BEARING KIT	
7	8035779	2	DUST CAP KIT	
8	N.S.S.	2	SLIP JOINT	
9	N.S.S.	2	YOKE SHAFT	
10	7139509	1	DRIVE SHAFT - ENGINE TO TRANSMISSION, (includes items 11 thru 14) (SN 14834 through 19778)	
10	7302028	1	DRIVE SHAFT - ENGINE TO TRANSMISSION, (includes items 13 thru 16) (SN 0160002345 to Present, SN 19779 through 19988)	D
11	8036432	2	CROSS AND BEARING KIT (SN 14834 through 19778)	
12	8033002	1	DUST CAP KIT (SN 14834 through 19778)	
8	N.S.S.	1	SLIP JOINT	
9	N.S.S.	1	YOKE SHAFT	
15	7029271	2	CROSS AND BEARING KIT (SN 0160002345 to Present, SN 19779 through 19988)	
16	8033651	1	DUST CAP KIT (SN 0160002345 to Present, SN 19779 through 19988)	
17	Kit	8	STRAP, (order kit 8880218-OM)	
18	Kit	16	SCREW, (torque to 32-42 lb-ft), (must replace when removed, do not re-torque), (order kit 8880218-OM for replacement)	
19	Kit	2	STRAP, (order kit 8880219-OM for replacement)	
20	Kit	4	SCREW, (torque to 35 lb-ft), (must replace when removed, do not re-torque), (order kit 8880219-OM for replacement)	
K1	8880218-OM	1	STRAP KIT, (includes qty 2 of item 17 and qty 4 of item 18)	
K2	8880219-OM	1	STRAP KIT, (includes qty 2 of item 19 and qty 4 of item 20)	

SECTION 5 - DRIVE TRAIN

FIGURE 5-47. TIRES AND RIMS (PNEUMATIC) (Prior to SN 0160038391, Including 0160038848, 0160038853 and 0160038855)



PA3433

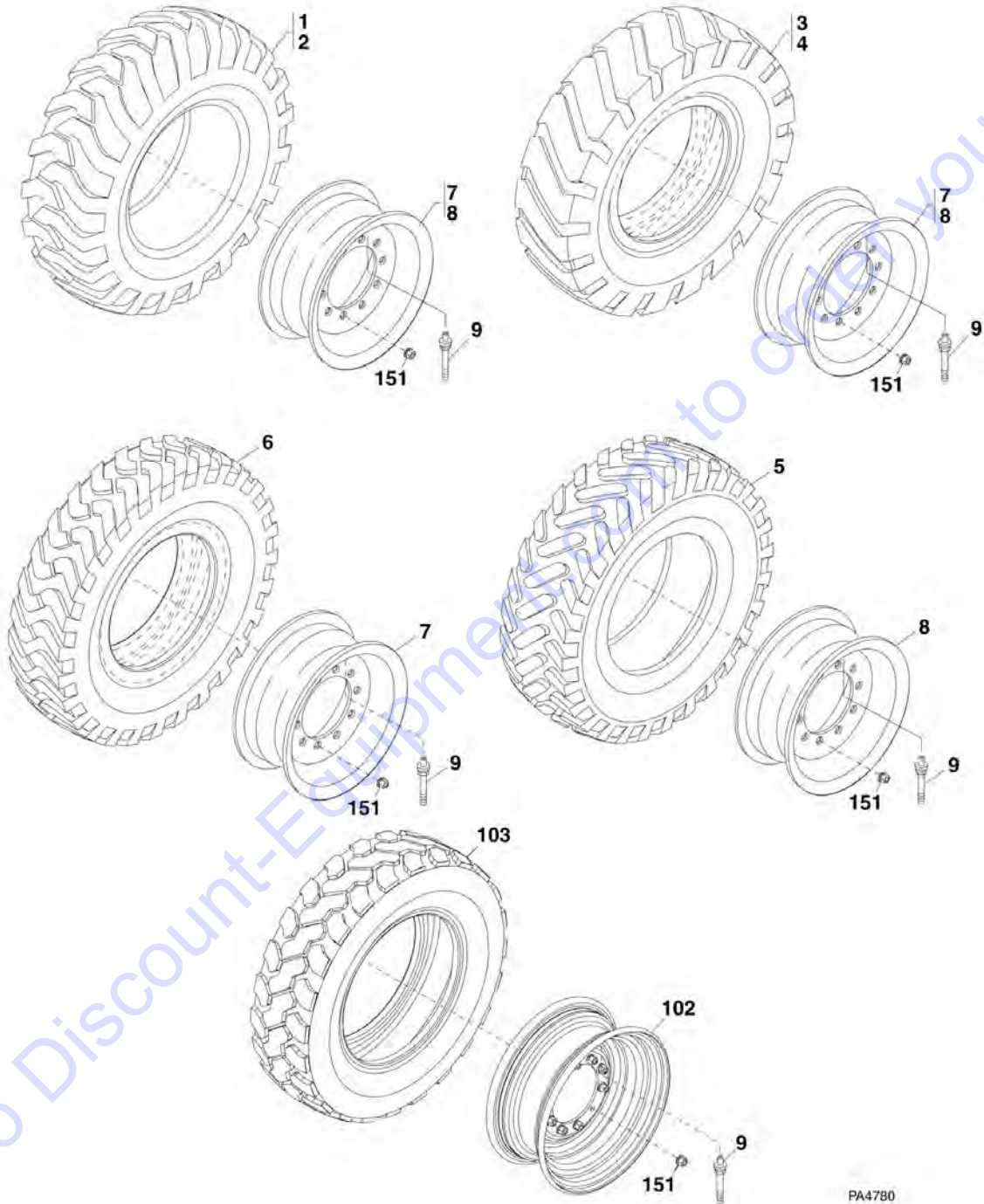
SECTION 5 - DRIVE TRAIN

FIGURE 5-47. TIRES AND RIMS (PNEUMATIC) (Prior to SN 0160038391, Including 0160038848, 0160038853 and 0160038855)

ITEM	PART NUMBER	QTY	DESCRIPTION	REV
	7139605	1	GRADER TIRE AND RIM ASSY, (right side), 13.00 X 24, 12 PLY, (includes items 1, 5 & 7)	F
	7139606	1	GRADER TIRE AND RIM ASSY, (left side), 13.00 X 24, 12 PLY, (includes items 1, 5 & 7)	F
	4520429	1	GRADER TIRE AND RIM ASSY, (right side), 15.50 X 25, 12 PLY, (includes items 1, 6 & 7)	B
	4520430	1	GRADER TIRE AND RIM ASSY, (left side), 15.50 X 25, 12 PLY, (includes items 1, 6 & 7)	B
	7139741	1	ROCK TIRE AND RIM ASSY, 15.5-25 12 PLY, (includes items 2, 6 & 7)	C
	4520405	1	ROCK TIRE AND RIM ASSY, 13 X 24, 12 PLY, (includes items 2, 5 & 7)	B
	7300704	1	STEEL BELTED RADIAL TIRE AND RIM ASSY, 13 X 24, 12 PLY, (includes items 3, 5 & 7)	E
	4520437	1	STEEL BELTED RADIAL TIRE AND RIM ASSY, 15.5 X 25, 12 PLY, (includes items 4, 6 & 7)	A
1	8780031	1	GRADER TIRE, 13.00 X 24, 12 PLY	
1	8780036	1	GRADER TIRE, 15.50 X 25, 12 PLY	
2	8780050	1	ROCK TIRE, 25.5-25, 12 PLY	
1	8780045	1	ROCK TIRE, 13.00R24, 12-PLY	
3	8780264	1	STEEL BELTED RADIAL TIRE, 13.00R24 XGLA2	
4	8780048	1	STEEL BELTED RADIAL TIRE, 15.50R25 L2	
5	7301055	1	RIM, 9 X 24 1.06 OFFSET, (Argent replaces all colors)	
6	7301142	1	RIM, 13 x 25 LR 1.18 OFFSET	
7	8786514	1	VALVE STEM	
8	7139743	4	STEER ANGLE SPACER, (used with 7139741 only), (not shown)	
N1	Note	Ref	WHEN ORDERING TIRES CONTACT DISCOUNT-EQUIPMENT AND SPECIFY THE BRAND OF TIRE.	

SECTION 5 - DRIVE TRAIN

FIGURE 5-48. TIRES AND RIMS (PNEUMATIC) (SN 0160038391 to Present, Excluding 0160038848, 0160038853 and 0160038855)



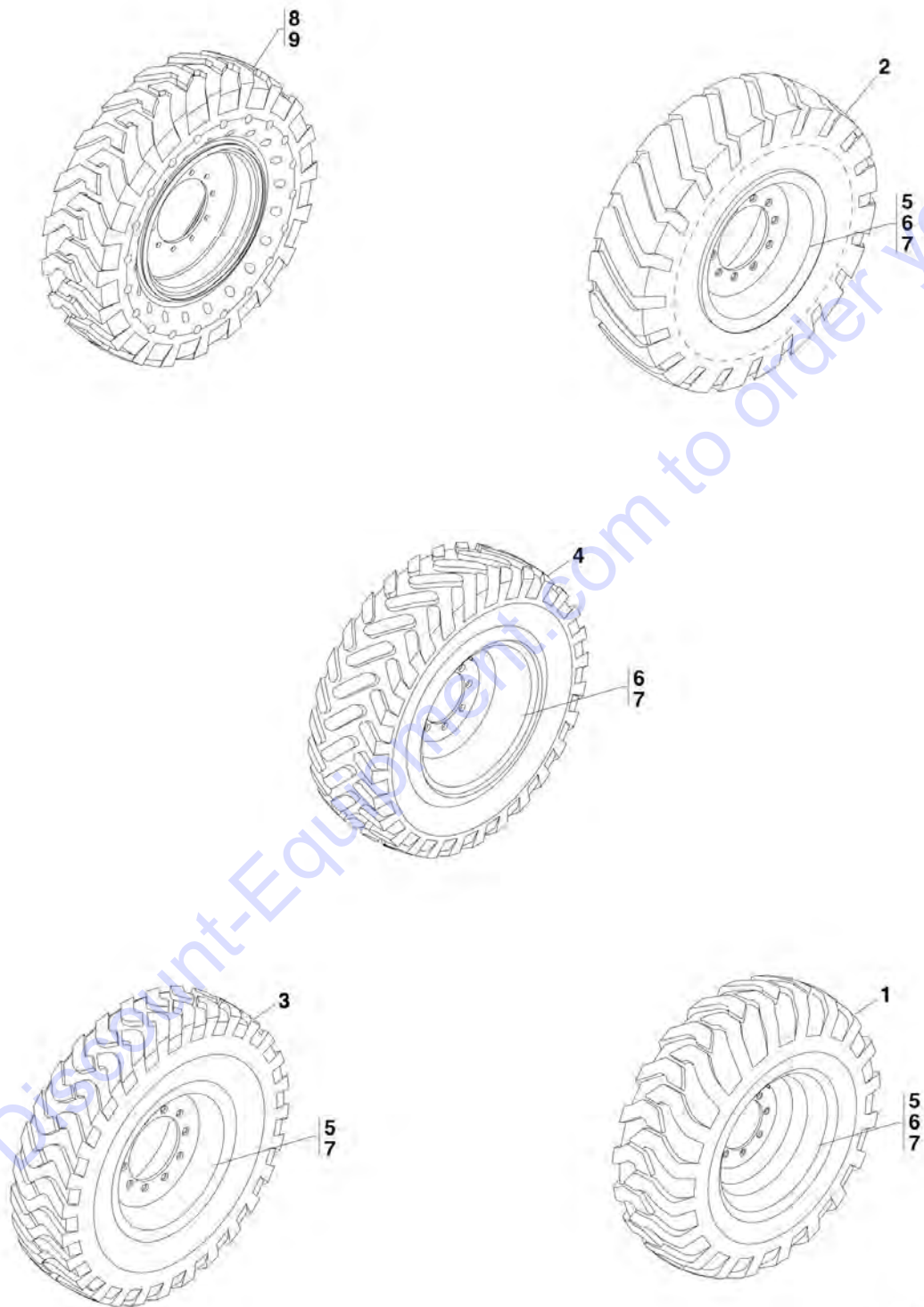
SECTION 5 - DRIVE TRAIN

FIGURE 5-48. TIRES AND RIMS (PNEUMATIC) (SN 0160038391 to Present, Excluding 0160038848, 0160038853 and 0160038855)

ITEM	PART NUMBER	QTY	DESCRIPTION	REV
	7138658	1	TIRE AND RIM ASSY, (right side), 13.00 X 24, 12 PLY, G2, (includes items 1, 7 & 9)	D
	7138659	1	TIRE AND RIM ASSY, (left side), 13.00 X 24, 12 PLY, (includes items 1, 7 & 9)	D
	7138660	1	TIRE AND RIM ASSY, (right side), 15.50 X 25, 12 PLY, G2, (includes items 2, 8 & 9)	D
	7138661	1	TIRE AND RIM ASSY, (left side), 15.50 X 25, 12 PLY, G2, (includes items 2, 8 & 9)	E
	7139168	1	ROCK TIRE AND RIM ASSY, FOAM FILLED, 13.00 X 24, 12 PLY, G-3, (includes items 3, 7 & 9)	C
	4520466	1	ROCK TIRE AND RIM ASSY, FOAM FILLED, 15.50 X 25, 12 PLY, L3, (includes items 4, 8 & 9)	A
	4520412	1	STEEL BELTED RADIAL TIRE AND RIM ASSY, 13.00 X 24, 12 PLY, L2/G-2, (includes items 6, 7 & 9)	A
	7139165	1	STEEL BELTED RADIAL TIRE AND RIM ASSY, 15.50 X 25, 12 PLY, (includes items 5, 8 & 9)	C
	1001100324	1	TIRE AND RIM ASSY, 370/75-28, 14PLY, (includes items 9, 102 & 103)	C
1	8780031	1	TIRE, 13.00 x 24, 12 PLY	
2	8780036	1	TIRE, 15.50 X 25, 12 PLY	
3	8780045	1	ROCK TIRE, 13.00R24, 12 PLY	
4	8780050	1	ROCK TIRE, 25.5-25, 12 PLY	
5	8780048	1	STEEL BELTED RADIAL TIRE, 15.50R25	
6	8780264	1	STEEL BELTED RADIAL TIRE, 13.00R24	
7	7301054	1	RIM, 9 X 24 1.06 OFFSET	
8	7301056	1	RIM, 13 X 25 LR 1.18 OFFSET	
9	8786514	1	VALVE STEM	
102	1001100005	1	RIM, 28X11, 1.18 OFFSET	
103	1001100284	1	TIRE, 370/75-28, 14 PLY	
151		Ref	WHEEL NUT, (See DRIVE TRAIN COMPONENTS for Breakdown)	
N1	Note	Ref	WHEN ORDERING TIRES CONTACT DISCOUNT-EQUIPMENT AND SPECIFY THE BRAND OF TIRE.	

SECTION 5 - DRIVE TRAIN

FIGURE 5-49. TIRES AND RIMS (FOAM FILLED AND SOLID) (Prior to SN 0160038391, Including 0160038848, 0160038853 and 0160038855)



PA3434

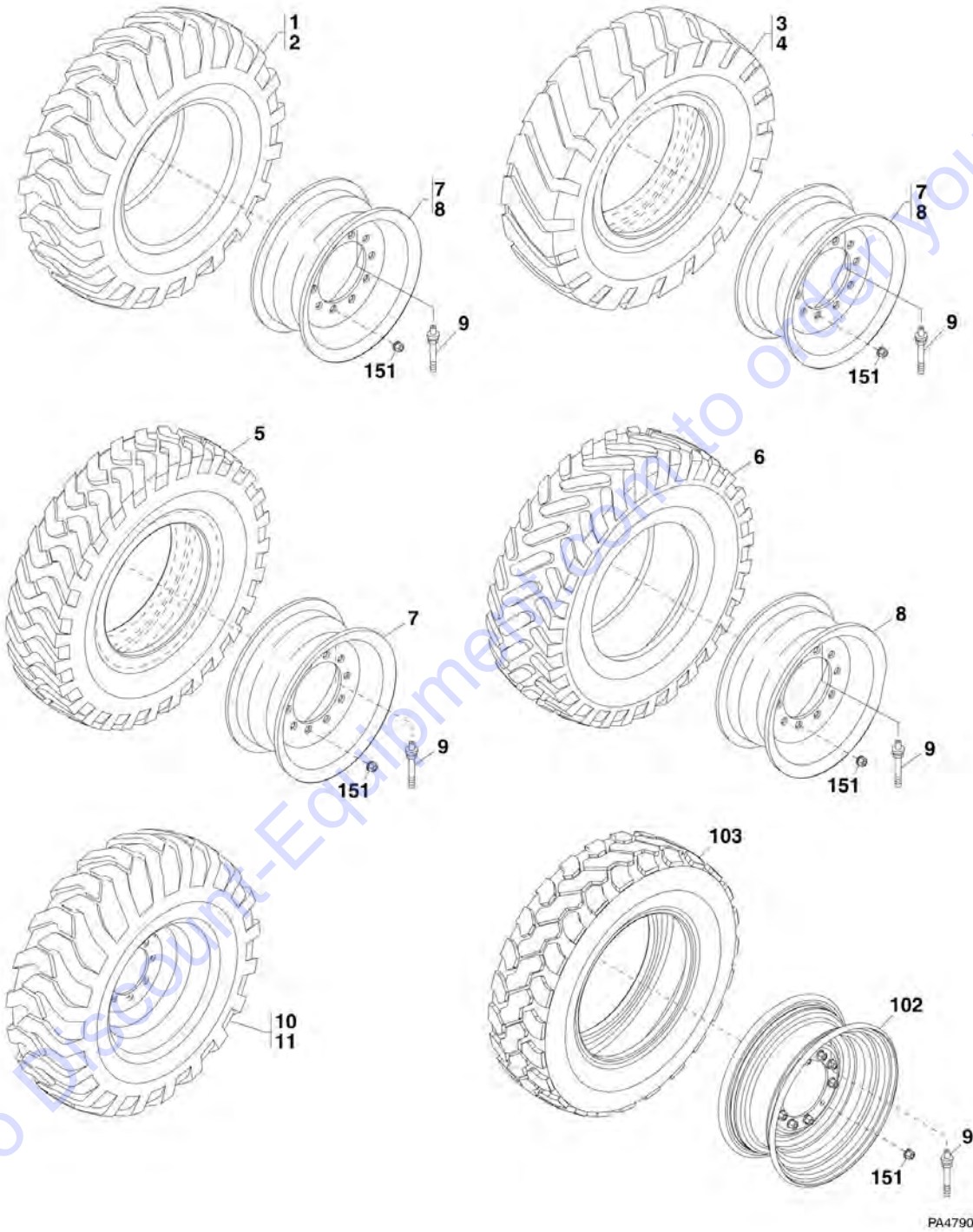
SECTION 5 - DRIVE TRAIN

FIGURE 5-49. TIRES AND RIMS (FOAM FILLED AND SOLID) (Prior to SN 0160038391, Including 0160038848, 0160038853 and 0160038855)

ITEM	PART NUMBER	QTY	DESCRIPTION	REV
	7139739	1	GRADER TIRE AND RIM ASSY, (right side), FOAM FILLED, 13.00 X 24, 12 PLY, G-2, (includes items 1, 5 & 7)	C
	7139740	1	GRADER TIRE AND RIM ASSY, (left side), FOAM FILLED, 13.00 X 24, 12 PLY, G-2, (includes items 1, 5 & 7)	C
	4520431	1	GRADER TIRE AND RIM ASSY, (right side), FOAM FILLED, 15.50 X 25, 12 PLY, G-2, (includes items 1, 6 & 7)	A
	4520432	1	GRADER TIRE AND RIM ASSY, (left side), FOAM FILLED, 15.50 X 25, 12 PLY, G-2, (includes items 1, 6 & 7)	A
	4520320	NLA	ROCK TIRE AND RIM ASSY, FOAM FILLED, 13.00 X 24, 12 PLY, (tire no longer available; order 7301845 for replacement), (includes items 2, 5 & 7)	B
	7301845	1	ROCK TIRE AND RIM ASSY, FOAM FILLED, 13.00 X 24, 12 PLY, (includes items 2, 5 & 7)	C
	4520435	1	ROCK TIRE AND RIM ASSY, FOAM FILLED, 15.50 X 25, 12 PLY, SRG L3, (includes items 2, 5 & 7)	A
	4520407	1	STEEL BELTED RADIAL TIRE AND RIM ASSY, FOAM FILLED, 13.00 X 24, 12 PLY, (includes items 3, 5 & 7)	B
	4520438	1	STEEL BELTED RADIAL TIRE AND RIM ASSY, FOAM FILLED, 15.50 X 25, 12 PLY L2, (includes items 4, 6 & 7)	A
	4520651	1	SOLID TIRE SET, 13.00 X 24, (includes items 8 & 9)	C
1	8780031	1	GRADER TIRE, 13.00 X 24, 12 PLY	
1	8780036	1	GRADER TIRE, 15.50 X 25, 12 PLY	
2	8780045	1	ROCK TIRE, 13.00R24, 12 PLY	
2	8780050	1	ROCK TIRE, 15.5-25, 12 PLY,	
3	8780264	1	STEEL BELTED RADIAL TIRE, 13.00R24	
4	8780048	1	STEEL BELTED RADIAL TIRE, 15.50R25	
5	7301055	1	RIM, 9 X 24 1.06 OFFSET	
6	7301142	1	RIM, 13 x 25 LR 1.18 OFFSET	
7	8786514	1	VALVE STEM	
8	4520652	1	R.H. SOLID TIRE AND WHEEL ASSY	C
9	4520653	1	L.H. SOLID TIRE AND WHEEL ASSY	C
N1	Note	Ref	WHEN ORDERING TIRES CONTACT DISCOUNT-EQUIPMENT AND SPECIFY THE BRAND OF TIRE.	
N2	Note	Ref	ASSEMBLIES MAY REQUIRE BALLAST/FOAM FILLING TO MANUFACTURER'S SPECIFICATIONS PRIOR TO INSTALLING ON A MACHINE. REFER TO OPERATION AND SAFETY OR SERVICE AND MAINTENANCE MANUALS. PURCHASE INDIVIDUAL TIRE AND/OR RIM ONLY IF ABLE TO FOAM FILL TIRE AND WHEEL ASSEMBLY, OTHERWISE, PURCHASE COMPLETE ASSEMBLY.	

SECTION 5 - DRIVE TRAIN

FIGURE 5-50. TIRES AND RIMS (FOAM FILLED AND SOLID) (SN 0160038391 to Present, Excluding 0160038848, 0160038853 and 0160038855)



SECTION 5 - DRIVE TRAIN

FIGURE 5-50. TIRES AND RIMS (FOAM FILLED AND SOLID) (SN 0160038391 to Present, Excluding 0160038848, 0160038853 and 0160038855)

ITEM	PART NUMBER	QTY	DESCRIPTION	REV
	7139159	1	TIRE AND RIM ASSY, (right side), FOAM FILLED, 13.00 X 24, 12 PLY, G-2, (includes items 1, 7 & 9)	D
	7139160	1	TIRE AND RIM ASSY, (left side), FOAM FILLED, 13.00 X 24, 12 PLY, G-2, (includes items 1, 7 & 9)	D
	7139161	1	TIRE AND RIM ASSY, (right side), FOAM FILLED, 15.50 X 25, 12 PLY, L2, (includes items 2, 8 & 9)	C
	7139162	1	TIRE AND RIM ASSY, (left side), FOAM FILLED, 15.50 X 25, 12 PLY, L2, (includes items 2, 8 & 9)	C
	4520319	1	ROCK TIRE AND RIM ASSY, FOAM FILLED, 13.00 X 24, 12 PLY, G-3, (includes items 3, 7 & 9)	B
	4520467	1	ROCK TIRE AND RIM ASSY, FOAM FILLED, 15.50 X 25, 12 PLY, L3, (includes items 4, 8 & 9)	A
	4520413	1	STEEL BELTED RADIAL TIRE AND RIM ASSY, FOAM FILLED, 13.00 X 24, 12 PLY, L2/G-2, (includes items 5, 7 & 9)	A
	4520469	1	STEEL BELTED RADIAL TIRE AND RIM ASSY, FOAM FILLED, 15.50 X 25, 12 PLY, L2, (includes items 6, 8 & 9)	A
	4520648	1	SOLID TIRE SET, 13.00 X 24, (includes items 10 & 11)	A
	1001121085	1	TIRE AND RIM ASSY, 370/75-28, 14PLY, FOAM FILLED, 464LB, (includes items 9, 102 & 103)	A
1	8780031	1	TIRE, 13.00 x 24, 12 PLY	
2	8780036	1	TIRE, 15.50 X 25, 12 PLY	
3	8780045	1	ROCK TIRE, 13.00R24, 12 PLY	
4	8780050	1	ROCK TIRE, 15.50 X 25, 12 PLY	
5	8780264	1	STEEL BELTED RADIAL TIRE, 13.00R24	
6	8780048	1	STEEL BELTED RADIAL TIRE, 15.50R25	
7	7301054	1	RIM, 9 X 24 1.06 OFFSET	
8	7301056	1	RIM, 13 X 25 LR 1.18 OFFSET	
9	8786514	1	VALVE STEM	
10	4520649	1	R.H. SOLID TIRE AND WHEEL ASSY	
11	4520650	1	L.H. SOLID TIRE AND WHEEL ASSY	
102	1001100005	1	RIM, 28X11, 1.18 OFFSET	
103	1001100284	1	TIRE, 370/75-28, 14 PLY	
151		Ref	WHEEL NUT, (See DRIVE TRAIN COMPONENTS for	
N1	Note	Ref	Breakdown) WHEN ORDERING TIRES CONTACT DISCOUNT-EQUIPMENT AND SPECIFY THE BRAND OF TIRE.	
N2	Note	Ref	ASSEMBLIES MAY REQUIRE BALLAST/FOAM FILLING TO MANUFACTURER'S SPECIFICATIONS PRIOR TO INSTALLING ON A MACHINE. REFER TO OPERATION AND SAFETY OR SERVICE AND MAINTENANCE MANUALS. PURCHASE INDIVIDUAL TIRE AND/OR RIM ONLY IF ABLE TO FOAM FILL TIRE AND WHEEL ASSEMBLY, OTHERWISE, PURCHASE COMPLETE ASSEMBLY.	

SECTION 6 - CAB

Go to Discount-Equipment.com to order your parts

SECTION 6 - CAB

FIGURE 6-1. OPEN CAB

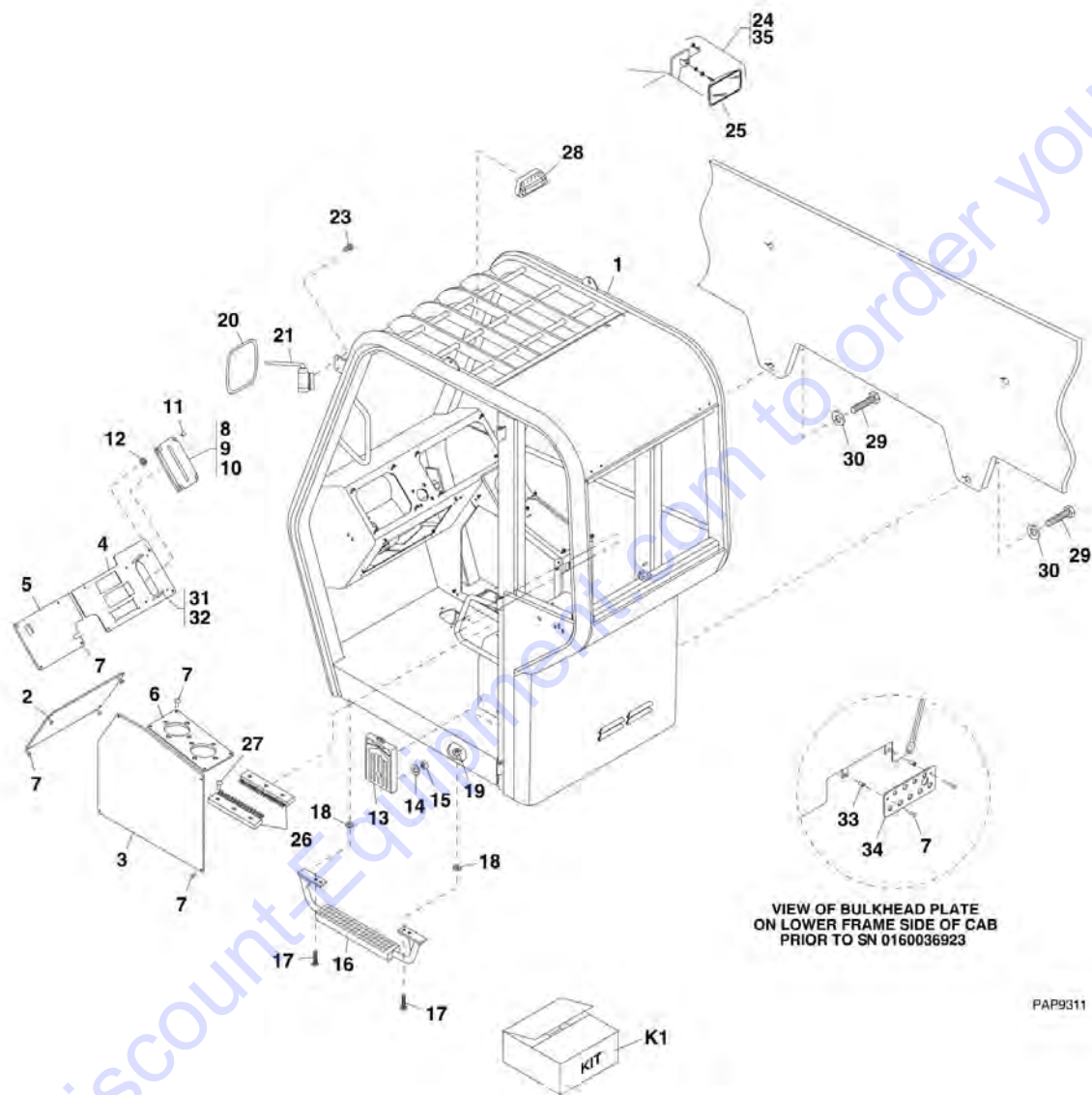
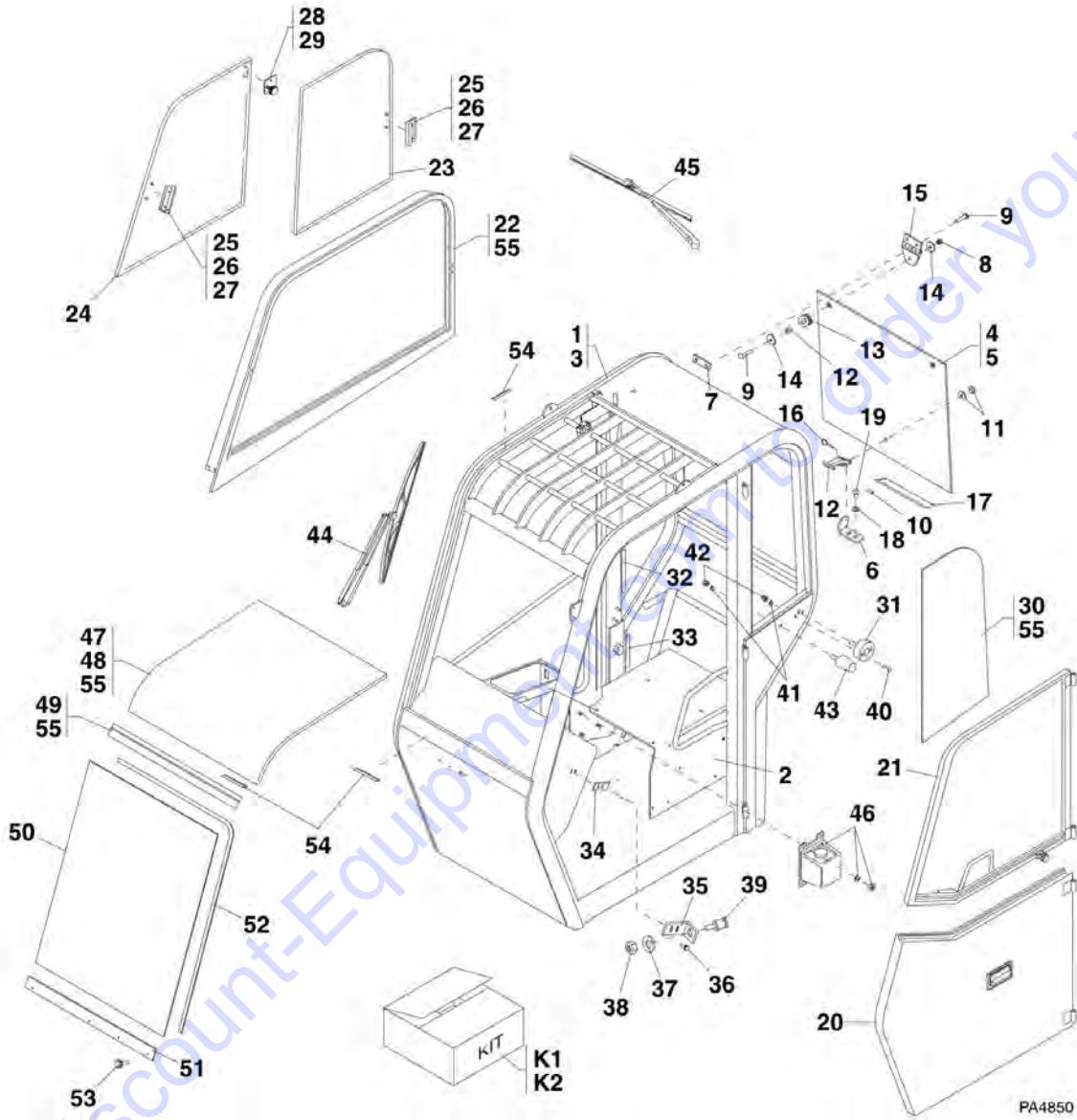


FIGURE 6-1. OPEN CAB

ITEM	PART NUMBER	QTY	DESCRIPTION	REV
1	7138857	1	OPEN CAB, (includes items 2 thru 7 and items 33 & 34)	H
2	7302074	1	LOWER PANEL	
3	7302073	1	RIGHT SIDE CONSOLE ACCESS PANEL	
4	3380679	1	RIGHT FRONT CONSOLE PANEL	
5	7302076	1	LEFT FRONT CONSOLE PANEL	
6	7302077	1	SIDE CONSOLE PANEL	
7	8303034	22	TRUSS HD TORX SCREW, 1/4-20X3/4	
8	7138819	1	LOAD CHART HOLDER (SN 14834 through 19988, SN 0160002345 through 0160019856, Excluding 0160019687 and 0160019688)	
9	7139135	AR	SPACER FOAM TAPE (SN 14834 through 19988, SN 0160002345 through 0160019856, Excluding 0160019687 and 0160019688)	
10	8310016	2	PAN HD CAPSCREW, 10-24X1 (SN 14834 through 19988, SN 0160002345 through 0160019856, Excluding 0160019687 and 0160019688)	
11	8310362	4	BUTTON HD CAPSCREW, 10-24X.5 (SN 14834 through 19988, SN 0160002345 through 0160019856, Excluding 0160019687 and 0160019688)	
12	8310085	6	LOCK NUT, #10-24 (SN 14834 through 19988, SN 0160002345 through 0160019856, Excluding 0160019687 and 0160019688)	
13	8990147	1	DOCUMENT HOLDER	
14	8307201	3	FLAT WASHER, 10	
15	8310085	3	LOCKNUT, 10-24	
16	1001141427	1	STEP	
17	8303626	4	HEX HD CAPSCREW, 1/2-13X1-1/2	
18	8307112	4	FLAT WASHER, 1/2	
19	8305644	4	LOCKNUT, 1/2-13	
20	8866529	1	REAR VIEW MIRROR (Prior to SN 0160038391)	
20	3140007	1	REAR VIEW MIRROR (SN 0160038391 to Present)	
21	8866530	NLA	MIRROR ARM, (no longer available, order Kit K1 for replacement) (Prior to SN 0160038391)	
21	1001114675	1	MIRROR ARM (SN 0160038391 to Present)	
23	0700610	2	HEX HD CAPSCREW, M6-1X14MM	
24	8866348	1	RIGHT MIRROR, (includes mounting hardware except star washer)	
25	8866351	1	CONVEX GLASS REPLACEMENT LENS, 6.5X10	
26	7138944	2	BRUSH STRIP ASSY	
27	8303982	6	SELF-TAPPING SCREW, 1/4-20X3/4	
28	8466306	1	TILT ANGLE GAUGE	
29	8310493	4	HEX HD CAPSCREW, 7/8-9X5.5, GR8, (torque to 480 lb-ft)	
30	8307011	4	LOCKWASHER, 7/8	
31	1001102844	2	U-BOLT, 1/4-20X2-1/2 (SN 0160019953 to Present, Including 0160019687 and 0160019688)	
32	8310382	8	FLANGE NUT, 1/4-20 (SN 0160019953 to Present, Including 0160019687 and 0160019688)	
33	70021305	2	RIVNUT (Prior to SN 0160036923)	
34	70021306	1	BULKHEAD FITTING PLATE (Prior to SN 0160036923)	
35	4791500	1	STAR WASHER, 5/16	
K1	1001125007	1	MIRROR ARM KIT, (includes items 21, 23 and spacer) (Prior to SN 0160038391)	

SECTION 6 - CAB

FIGURE 6-2. CLOSED CAB (SN 14834 through 19988, SN 0160002345 through 0160008805)



SECTION 6 - CAB

FIGURE 6-2. CLOSED CAB (SN 14834 through 19988, SN 0160002345 through 0160008805)

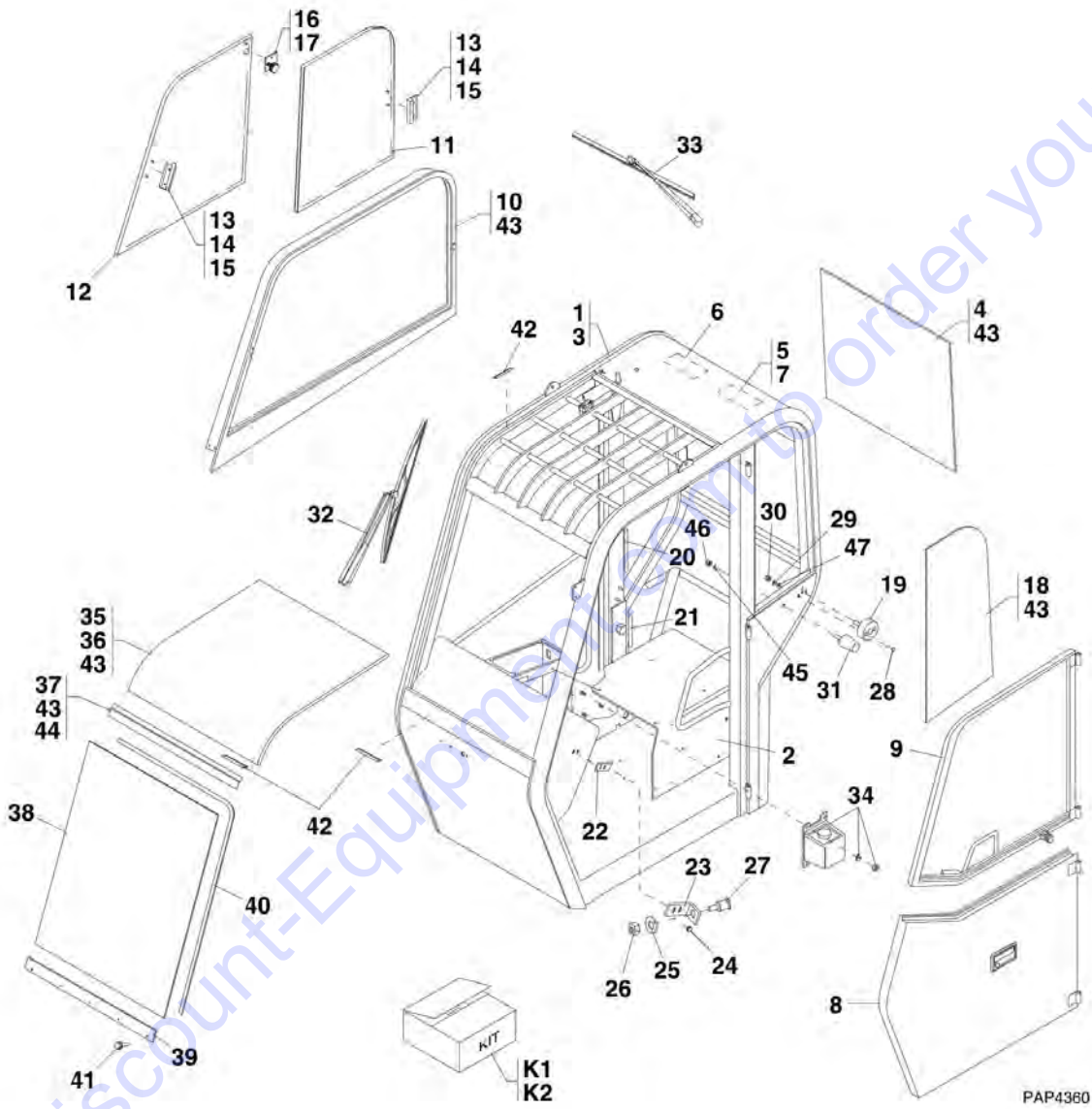
ITEM	PART NUMBER	QTY	DESCRIPTION	REV
	7139048	1	ENCLOSED CAB, (includes all items)	AA
1		Ref	OPEN CAB ASSY, (See OPEN CAB for Breakdown)	
2		Ref	CAB HEATER ASSY, (See CAB HEATER for Breakdown)	
3	7139050	1	CAB ENCLOSURE WITH TOP AND FRONT WIPERS, (less heater), (includes items 4 thru 55)	A
4	8036048	1	REAR WINDOW ASSY, (includes items 5 thru 19)	
5	8036106	1	REAR WINDOW GLASS	
6	8036107	1	REAR WINDOW LATCH MOUNT	
7	8036108	2	REAR WINDOW HINGE BLOCK	
8	8035479	2	ACORN NUT, 1/4-20	
9	8310136	6	TRUSS SCREW, 1/4-20X1-1/4	
10	8035486	1	ROLL PIN, #10X1/2	
11	1001081280	1	T-HANDLE LATCH, (includes mounting hardware)	
12	8035478	2	BUSHING, .26 IDX1/2OD	
13	8035477	2	GROMMET, 1/2 IDX1.06OD	
14	80264082	4	FLAT WASHER, 9/32X1.00X.065	
15	8035475	2	PLASTIC HINGE	
16	1001109417	1	DETENT RING PIN, .019X1.4	
17	8037206	1	SEAL, 8.6FT LONG	
18	8036071	2	WASHER	
19	91344043	2	HEX HD CAPSCREW, 1/4-20X.62	
20		Ref	LOWER DOOR ASSY, (See CAB DOOR for Breakdown)	
21		Ref	UPPER DOOR ASSY, (See CAB DOOR for Breakdown)	
22	8036050	1	RIGHT SIDE SLIDER WINDOW, (includes items 23 thru 29)	
23	8036197	1	REAR SLIDE GLASS	
24	8036196	1	FRONT SLIDE GLASS	
25	Kit	1	CAPSCREW	
26	Kit	1	SPACER	
27	Kit	1	LATCH	
28	Kit	1	LOCK BLOCK	
29	Kit	1	KNOB ASSY	
30	8036073	1	LEFT SIDE REAR GLASS	
31	80364044	1	FEMALE DOOR RETAINER	
32	8036057	1	UPPER WIRE DUCT	
33	8036058	1	LOWER WIRE DUCT	
34	8036059	1	STRIKER NUT PLATE WELDMENT	
35	8036060	1	STRIKER BOLT BRACKET	
36	8035437	2	LOCKSCREW, 1/4-20X3/4	
37	8036061	1	FLAT WASHER, 17/32X1.06X.094	
38	8035639	1	CENTER LOCKNUT, 7/16-14	
39	1001109478	1	STRIKER BOLT, 7/16-14X1-1/2	
40	8035487	2	SCREW, 1/4-20X.625	
41	8035416	6	LOCKWASHER, 1/4X.49ODX.07	
42	8035479	6	ACORN NUT, 1/4-20	
43	8036066	1	RUBBER CONE BUMPER	
44	8036056	Ref	FRONT WINDSHIELD WIPER ASSY, (See FRONT WINDSHIELD WIPER for Breakdown)	
45	8036049	Ref	SKYLIGHT WIPER ASSY, (See SKYLIGHT WINDSHIELD WIPER for Breakdown)	
46		Ref	RESERVOIR WITH 12 VOLT MOTOR, (See FRONT	

SECTION 6 - CAB

ITEM	PART NUMBER	QTY	DESCRIPTION	REV
			WINDSHIELD WIPER for Breakdown)	
47	7139444	1	WINDSHIELD SKYLIGHT KIT, (includes items 48 thru 55)	
48	7138958	1	SKYLIGHT GLASS	
49	7139316	1	UPPER WINDSHIELD CLIP	
50	7138951	1	WINDSHIELD GLASS	
51	7139298	1	LOWER WINDSHIELD PLATE	
52	7139299	1	BULB SEAL, .22X.35X14.75	
53	8310529	5	SELF TAPPING SCREW, #10-16X.75	
54	1001181968	8	MOULD,SETTING BLOCK	
55	7139308	AR	URETHANE SEALANT, (apply to items 22, 27, 45 & 46)	
K1	8036199	2	LATCH ASSY KIT, (includes items 25 thru 27)	
K2	8036198	1	FRICTION LOCK ASSY KIT, (includes items 28 & 29)	

SECTION 6 - CAB

FIGURE 6-3. CLOSED CAB (SN 0160008819 to Present)



SECTION 6 - CAB

FIGURE 6-3. CLOSED CAB (SN 0160008819 to Present)

ITEM	PART NUMBER	QTY	DESCRIPTION	REV
	7139048	NLA	ENCLOSED CAB WITH HEATER, (no longer available, order 1001125838 or see items 1 to 43 for service)	E
	1001125838	1	ENCLOSED CAB WITH HEATER, (includes all items)	A
1		Ref	OPEN CAB ASSY, (See OPEN CAB for Breakdown)	
2		Ref	CAB HEATER ASSY, (See CAB HEATER for Breakdown)	
3	7139050	1	CAB ENCLOSURE WITH TOP AND FRONT WIPERS, (less heater), (includes items 4 thru 43)	D
4	1001181707	1	WINDOW, REAR	
5	91404301	1	HAMMER	
6		Ref	ESCAPE DECAL, (See DECALS SECTION for Breakdown)	
7	91404298	3	RIVET	
8		Ref	LOWER DOOR ASSY, (See CAB DOOR for Breakdown)	
9		Ref	UPPER DOOR ASSY, (See CAB DOOR for Breakdown)	
10	8036050	1	RIGHT SIDE SLIDER WINDOW, (includes items 11 thru 17)	
11	7138953	NLA	REAR SLIDE GLASS, (no longer available, use complete assy 8036050 for replacement), (p/n 7138953 is etched onto glass)	
11	8036197	1	REAR SLIDE GLASS	
12	7138952	NLA	FRONT SLIDE GLASS, (no longer available, use complete assy 8036050 for replacement), (p/n 7138952 is etched onto glass)	
12	8036196	1	FRONT SLIDE GLASS	
13	Kit	1	CAPSCREW	
14	Kit	1	SPACER	
15	Kit	1	LATCH	
16	Kit	1	LOCK BLOCK	
17	Kit	1	KNOB ASSY	
18	8036073	1	LEFT SIDE REAR GLASS	
19	8036069	1	FEMALE DOOR RETAINER	
20	7139267	1	UPPER WIRE DUCT	
21	7139268	1	LOWER WIRE DUCT	
22	8036059	1	STRIKER NUT PLATE WELDMENT	
23	8036060	1	STRIKER BOLT BRACKET	
24	8035437	2	LOCKSCREW, 1/4-20X3/4	
25	8036061	1	FLAT WASHER, 17/32X1.06X.094	
26	8035639	1	CENTER LOCKNUT, 7/16-14	
27	1001109478	1	STRIKER BOLT, 7/16-14X1-1/2	
28	8035487	2	SCREW, 1/4-20X5/8	
29	8035416	2	LOCKWASHER, 1/4X.49ODX.07	
30	8035479	2	ACORN NUT, 1/4-20	
31	8036066	1	RUBBER CONE BUMPER	
32		Ref	FRONT WINDSHIELD WIPER ASSY, (See FRONT WINDSHIELD WIPER for Breakdown)	
33		Ref	SKYLIGHT WIPER ASSY, (See SKYLIGHT WINDSHIELD WIPER for Breakdown)	
34		Ref	RESERVOIR WITH 12 VOLT MOTOR, (See FRONT WINDSHIELD WIPER for Breakdown)	
35	7139444	1	WINDSHIELD SKYLIGHT KIT, (includes items 36 thru 43)	
36	7138958	1	SKYLIGHT GLASS	
37	7139316	1	UPPER WINDSHIELD CLIP	
38	7138951	1	WINDSHIELD GLASS	
39	7139298	1	LOWER WINDSHIELD PLATE	

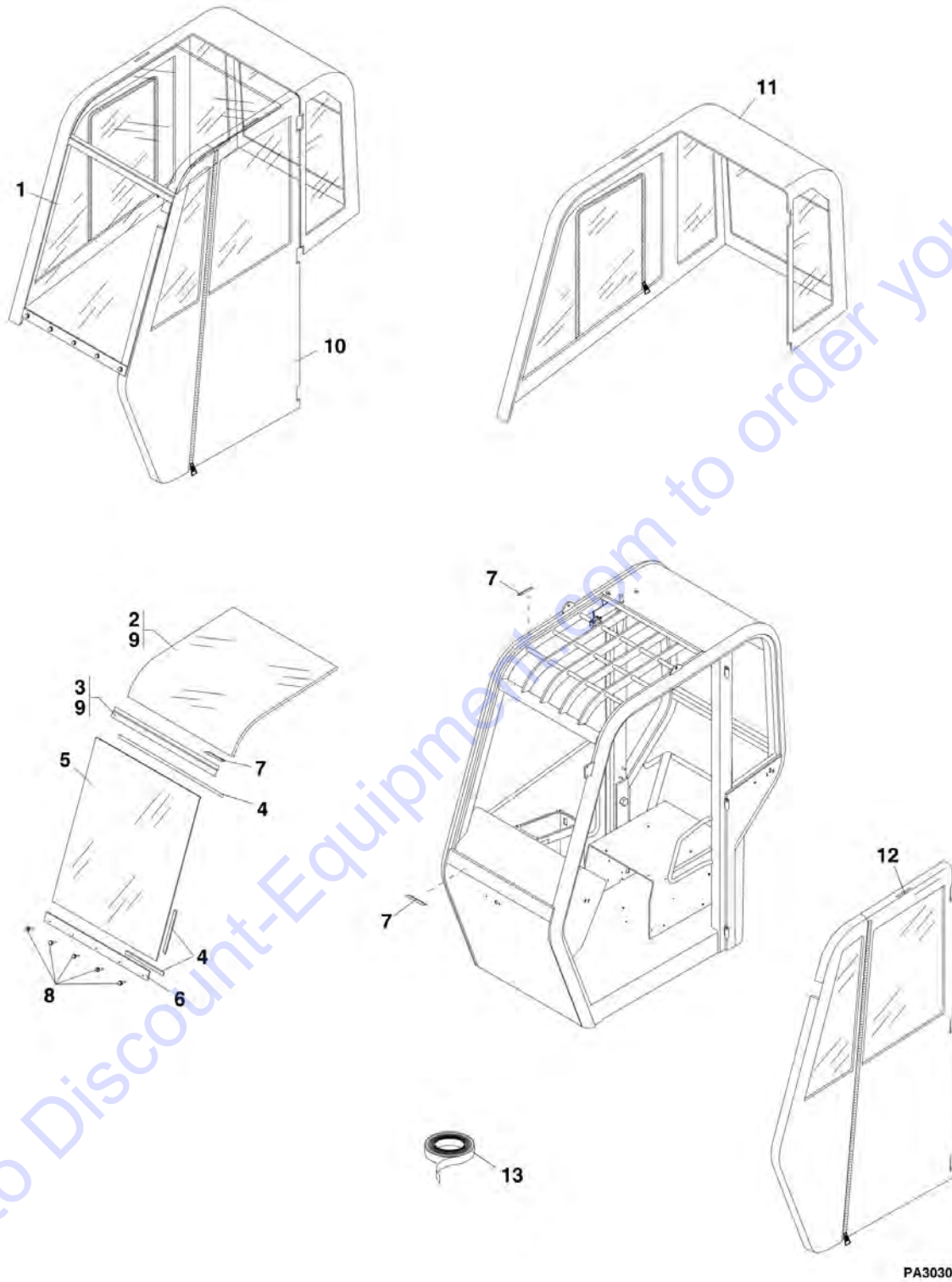
SECTION 6 - CAB

ITEM	PART NUMBER	QTY	DESCRIPTION	REV
40	7139299	1	BULB SEAL, 0.22X.35X14.75	
41	8310529	5	SELF-TAPPING SCREW, #10-16X.75	
42	1001181968	8	MOULD,SETTING BLOCK	
43	8035523	AR	URETHANE SEALANT, (apply to items 4, 10, 18, 36 & 37)	
44	7139301	AR	FOAM	
45	8036067	1	WASHER, 5/16	
46	8036068	1	HEX NUT, 5/16-18	
47	8036071	2	WASHER,.28	
K1	8036199	1	LATCH ASSY KIT, (includes items 13 thru 15)	
K2	8036198	1	FRICTION LOCK ASSY KIT, (includes items 16 & 17)	

Go to Discount-Equipment.com to order your parts

SECTION 6 - CAB

FIGURE 6-4. SOFT CAB ENCLOSURE



Go to Discount-Equipment.com to order your parts

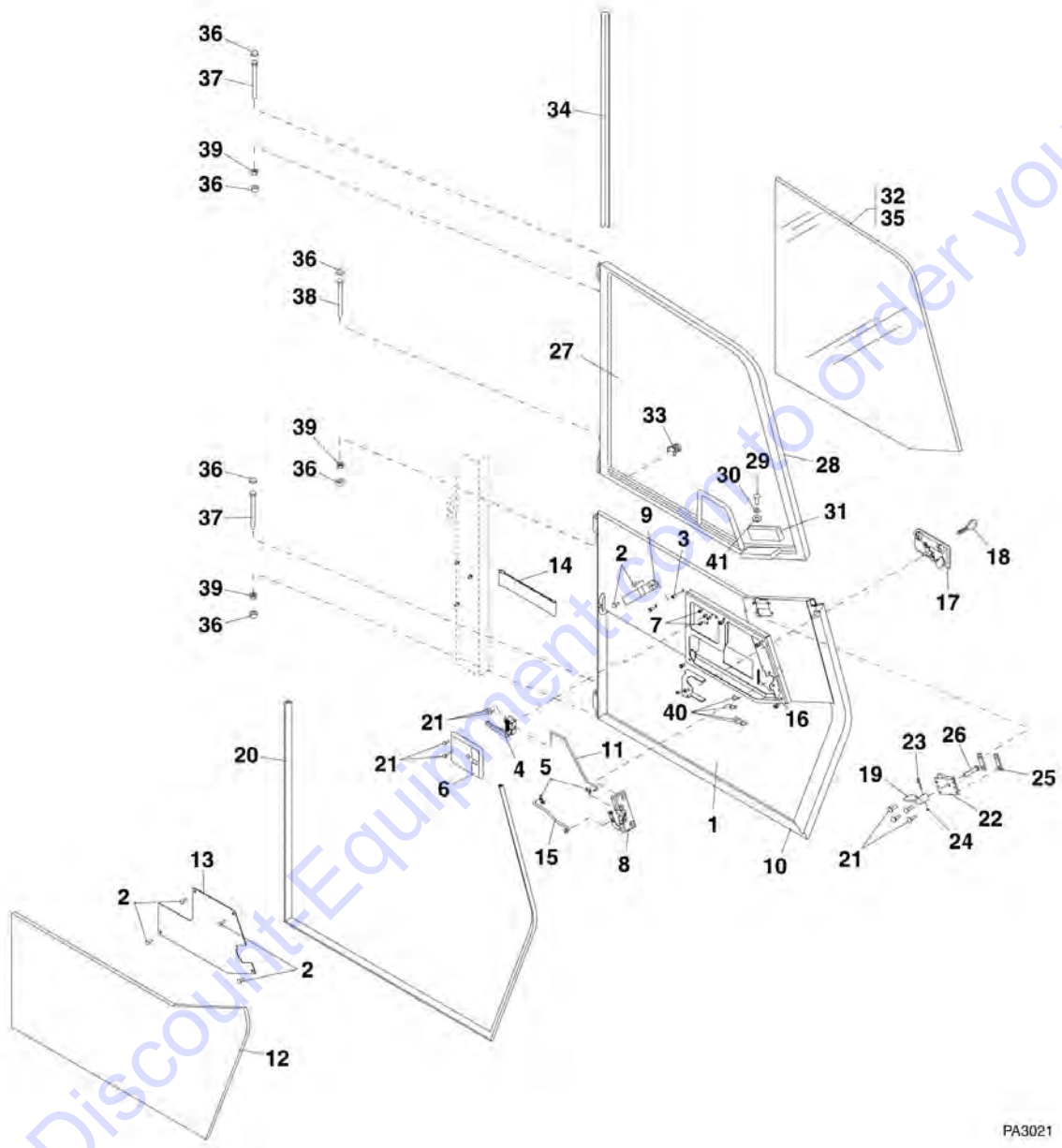
PA3030

FIGURE 6-4. SOFT CAB ENCLOSURE

ITEM	PART NUMBER	QTY	DESCRIPTION	REV
	7139250	1	COMPLETE SOFT CAB ENCLOSURE KIT, (includes all items)	
1	7139444	1	WINDSHIELD SKYLIGHT KIT, (includes items 2 thru 9)	
2	7138958	1	SKYLIGHT GLASS	
3	7139316	1	UPPER WINDSHIELD CLIP	
4	7139299	1	BLACK BULB SEAL, .22X.35, 14.75	
5	7138951	1	WINDSHIELD GLASS	
6	7139298	1	LOWER WINDSHIELD PLATE	
7	1001181968	8	MOULD, SETTING BLOCK	
8	8037204	5	SELF TAPPING SCREW, #10-16X3/4	
9	8035523	1	URETHANE SEALANT, (apply to items 2 & 3)	
10	7139290	1	SOFT CAB ENCLOSURE KIT, (includes items 11 thru 13)	
11	7139393	1	MAIN SOFT CAB ENCLOSURE	
12	7139292	1	SOFT DOOR SECTION	
13	7139294	1	VELCRO KIT	
13	7139295	1	VELCRO BRAND HOOK STRIP 1X10, ORANGE, (not shown)	
13	7139296	1	VELCRO BRAND HOOK STRIP 2X10, ORANGE, (not shown)	

SECTION 6 - CAB

FIGURE 6-5. CAB DOOR



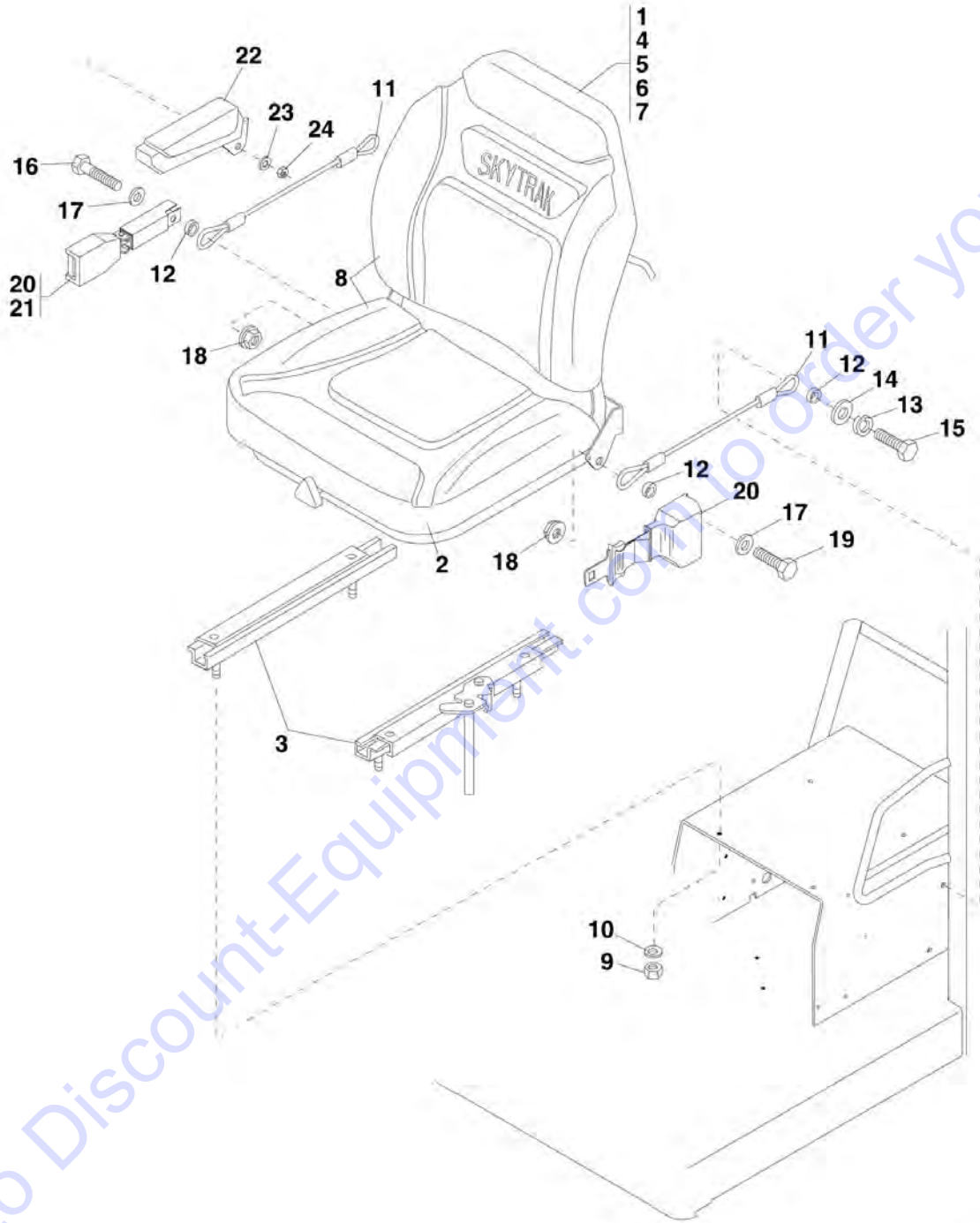
PA3021

FIGURE 6-5. CAB DOOR

ITEM	PART NUMBER	QTY	DESCRIPTION	REV
1	8036062	1	LOWER DOOR ASSY, (uses square key), (includes items 2 thru 26 and item 40)	
1	1001109007	1	LOWER DOOR ASSY, (uses round key), (includes items 2 thru 26 and item 40)	A
2	8033856	6	TORX SCREW, 1/4-20	
3	1001103509	6	HEX RIVNUT, 1/4-20	
4	80384192	1	INNER DOOR HANDLE	
5	80384187	2	ROD END RETAINING CLIP	
6	80384193	1	INSIDE DOOR BEZEL	
7	8036085	4	HEX RIVNUT, #10-24	
8	8035439	1	ROTARY LATCH	
9	91344032	1	INSIDE CAB HANDLE	
10	8036090	1	LOWER DOOR WELDMENT	
11	8036093	1	INTERIOR LATCH LINKAGE	
12	8036094	1	LOWER DOOR FOAM	
13	8036095	1	LATCHBOX ACCESS PLATE	
14	8036096	1	DOOR RESTRAINT STRAP	
15	8036097	1	EXTERIOR LATCH LINKAGE WELDMENT	
16	8036098	1	EXTENSION SPRING, .219X1-1/2X.023	
17	8035441	NLA	PADDLE LATCH, (uses square key), (includes item 18), (no longer available, use 1001105892 for replacement)	
17	1001105892	1	PADDLE LATCH, (uses rounded key), (includes item 18)	A
18	8342808	1	KEY, SQUARE	
18	70021948	1	KEY, ROUND	
19	91404315	1	DOOR LEVER RELEASE	
20	8036076	1	BULB SEAL, 15.5MMX10, (cut to fit)	
21	8036088	8	SCREW, #10-24X3/4	
22	91404319	1	SLAM LATCH	
23	91404317	1	SCREW, #8-32X1-1/8	
24	91404318	1	NYLON LOCKNUT, #8-32	
25	8036091	2	SLAM LATCH SPACER	
26	8036092	1	SLAM LATCH SHAFT WELDMENT	
27	1001109406	1	UPPER DOOR ASSY, (includes items 28 thru 35 & item 41)	A
28	8036077	1	UPPER DOOR WELDMENT	
29	8036105	2	TORX SCREW, 1/4-20	
30	8035416	2	WASHER, 1/4IDX.49OD	
31	8036078	1	SLAM LATCH STRIKER	
32	8036079	1	LEFT SIDE DOOR GLASS	
33	8036080	1	RETAINER	
34	8036076	1	BULB SEAL, 15.5MMX10, (cut to fit)	
35	8035523	AR	URETHANE, (apply to item 32)	
36	8036065	6	HEX DOME CAP	
37	8035631	2	BOLT, 3/8-16X4.5	
38	8036064	1	BOLT, 3/8-16X6.5	
39	8035632	3	HEX NUT, 3/8-16	
40	80264074	4	BOLT, 1/4-20X3/4	
41	70020628	2	WASHER	

SECTION 6 - CAB

FIGURE 6-6. OPERATORS SEAT (SN 14834 through 19988, SN 0160002345 through 0160010387)



PA2990

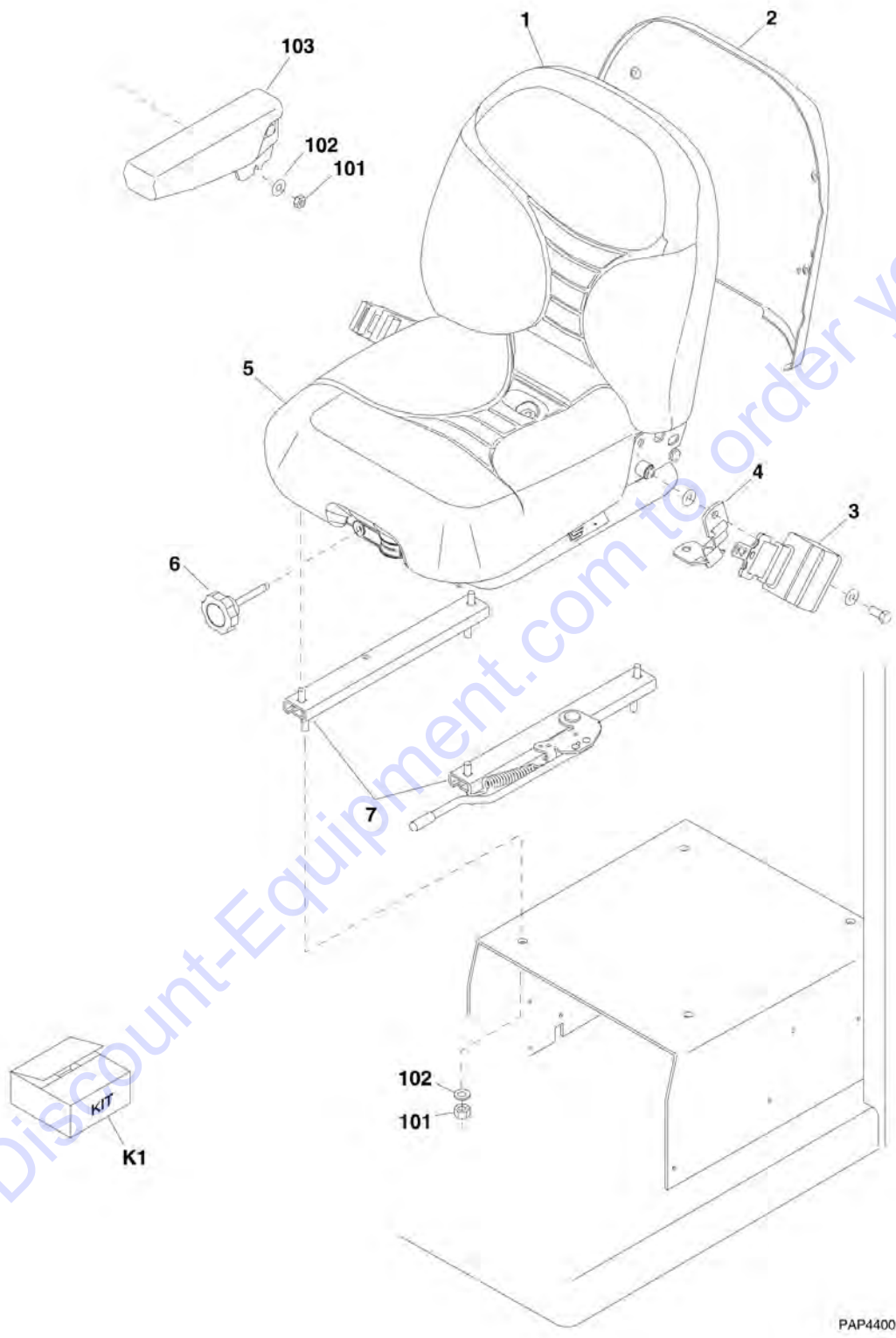
SECTION 6 - CAB

FIGURE 6-6. OPERATORS SEAT (SN 14834 through 19988, SN 0160002345 through 0160010387)

ITEM	PART NUMBER	QTY	DESCRIPTION	REV
1	8864053	NLA	SEAT WITH SUSPENSION, (no longer available, use seat on OPERATORS SEAT SN 0160010399 to Present for replacement)	
2	8036009	1	BOOT, 60/76MM, (covers adjuster below seat)	
3	8036010	1	6IN ADJUSTER, (partially shown)	
4	8036011	1	DAMPER, (shock absorber), (not shown)	
5	8036013	4	UP STOP/DOWN STOP BUMPER ROLLERS, 7/16 DIA (not shown)	
6	8036014	1	SPRINGS AND CABLE, (not shown)	
7	8036015	1	HANGER/KNOB/TENSION SHAFT, (not shown)	
8	8036017	1	CUSHION/PAN ASSY KIT, (includes both seat and back rest)	
9	8305626	4	HEX LOCKNUT, 5/16-18	
10	8307106	4	PLAIN WASHER, 312	
11	7138883	2	TETHER	
12	7096491	4	SPACER	
13	8307006	2	LOCKWASHER, 7/16	
14	8307205	2	PLAIN WASHER, 7/16X1.125OD	
15	8303674	2	HEX HD CAPSCREW, 7/16-14X1.50, GR5	
16	N.S.S.	1	HEX HD CAPSCREW, 7/16-20X2.5, GR5, (included with seat belt)	
17	N.S.S.	2	PLAIN WIDE WASHER, 7/16, (included with seat belt)	
18	N.S.S.	2	FLANGED HEX NUT, 7/16-20, (included with seat belt)	
19	N.S.S.	1	HEX HD CAPSCREW, 7/16-20X1.5, GR5, (included with seat belt)	
20	8864057	1	2IN STANDARD SEAT BELT, (includes mounting hardware)	
21	8864058	1	3IN OPTIONAL SEAT BELT, (not shown, includes mounting hardware)	
22	7138858	1	ARM REST	
23	8307106	2	FLAT WASHER, 5/16	
24	8305626	2	LOCKNUT, 5/16-18	

SECTION 6 - CAB

FIGURE 6-7. OPERATORS SEAT (SN 0160010399 to Present)



PAP4400

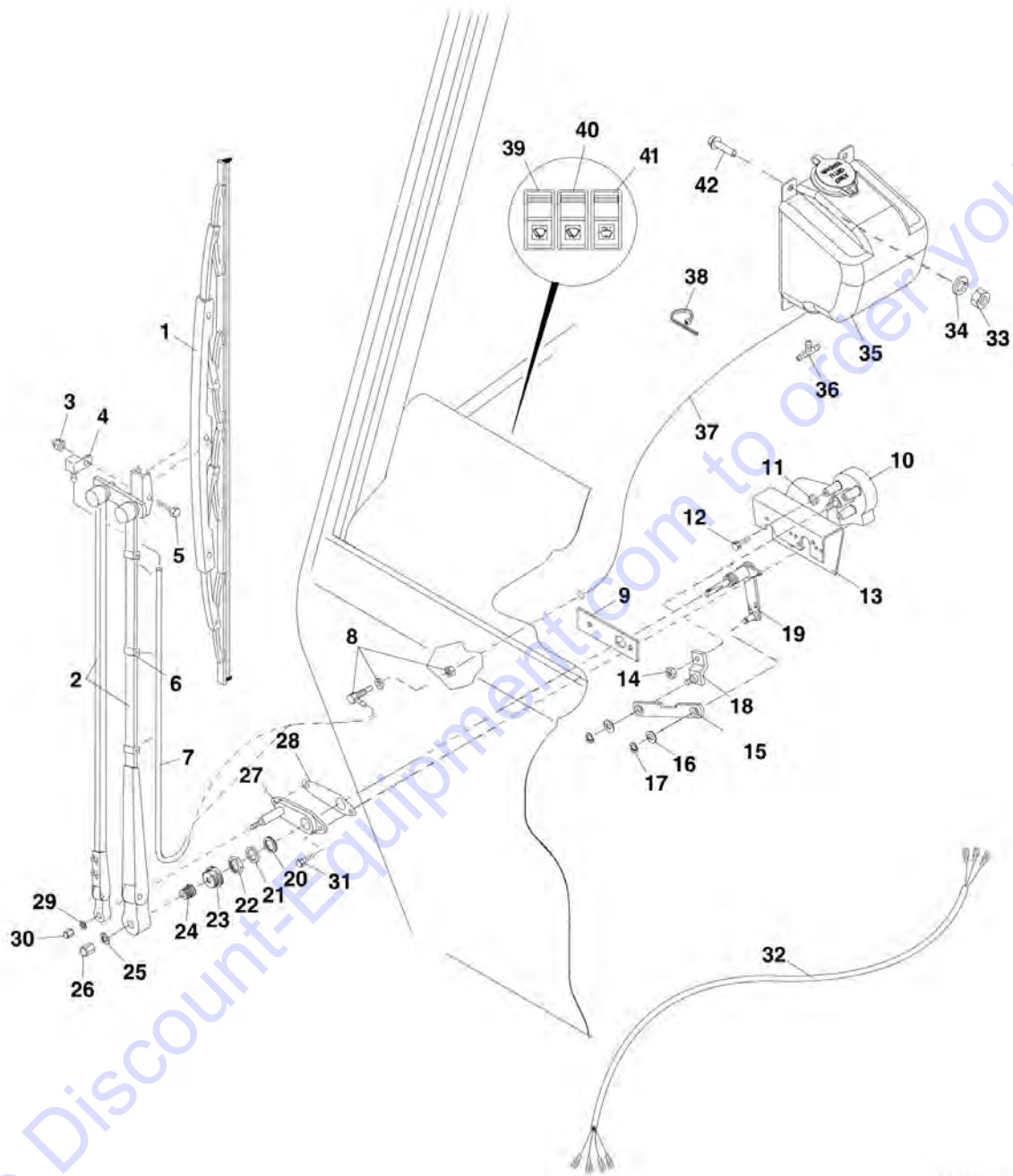
SECTION 6 - CAB

FIGURE 6-7. OPERATORS SEAT (SN 0160010399 to Present)

ITEM	PART NUMBER	QTY	DESCRIPTION	REV
	3980039	1	SUSPENSION SEAT, (includes items 1 thru 7) (SN 0160010399 through 0160034240)	E
	1001101085	1	SUSPENSION SEAT, (includes items 1 thru 7) (SN 0160034241 to Present)	D
1	7026900	1	BACK CUSHION KIT	
2	7026902	1	BACK PANEL KIT	
3	7026905	1	SEAT BELT KIT	
	91563164	1	SEAT BELT, 3IN (California Only), (not included with seat)	
4	7026906	1	TETHER KIT	
5	7026901	1	SEAT CUSHION KIT	
6	7026799	1	KNOB KIT	
7	7026798	1	SLIDE KIT	
8	70023040	1	SHOCK ABSORBER KIT, (not shown), (includes one shock absorber, two shock pins and two hex nuts)	
9	70023041	1	SPRING AND SADDLE KIT, (not shown)	
10	70023890	1	BOOT KIT, (not shown)	
101	8305626		HEX LOCKNUT, 5/16-18	
102	8307106		PLAIN WASHER, 312	
103	7138858		ARM REST	
K1	70023139	1	SEAT BELT KIT, 3IN, (includes female and retractor ends)	

SECTION 6 - CAB

FIGURE 6-8. FRONT WINDSHIELD WIPER



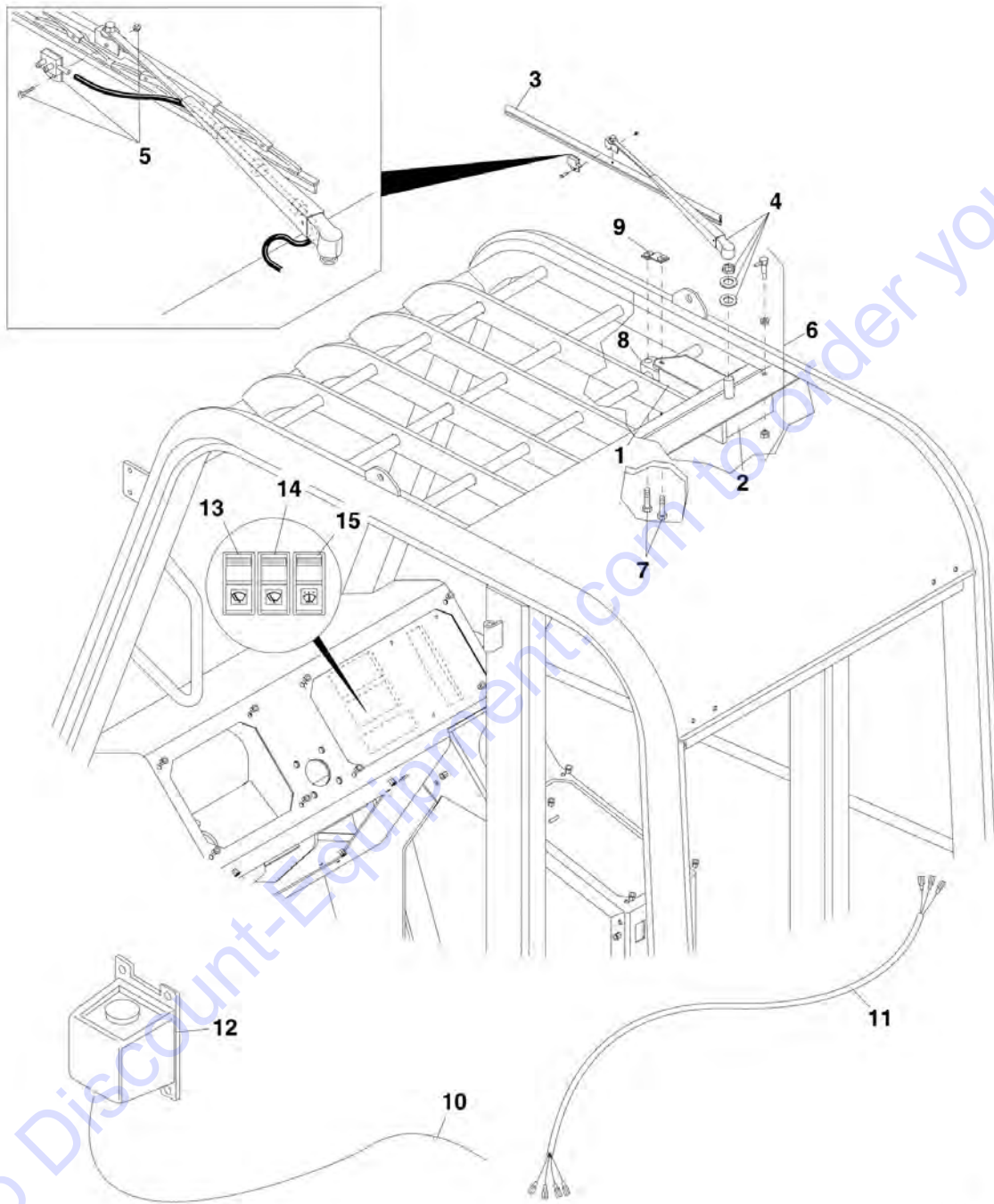
PAP9260

FIGURE 6-8. FRONT WINDSHIELD WIPER

ITEM	PART NUMBER	QTY	DESCRIPTION	REV
	8036056	1	FRONT WINDSHIELD WIPER ASSY, (includes items 1 thru 31)	
1	8035392	1	28IN FLEX WIPER BLADE	
2	8035393	1	24IN FLEX WIPER ARM ASSY, (includes items 3 thru 7)	
3	N.S.S.	1	LOCKNUT	
4	N.S.S.	1	SPRAYER NOZZLE	
5	N.S.S.	1	BOLT	
6	N.S.S.	3	HOSE CLIPS	
7	N.S.S.	1	HOSE	
8	1001081310	1	WET ARM ADAPTOR	
9	8036100	1	FRONT WIPER MOTOR SPACER	
10	7029860	1	WIPER MOTOR ASSY, (includes items 11 thru 17)	
11	N.S.S.	3	FLAT WASHER, 5/16	
12	N.S.S.	3	HEX HD CAPSCREW, 1/4-28X1	
13	N.S.S.	1	WIPER MOTOR BRACKET	
14	N.S.S.	1	NUT	
15	8035409	1	CONNECTING LINK	
16	N.S.S.	2	FLAT WASHER, 560X.251X.015	
17	N.S.S.	2	SPRING CLIP	
18	8035411	1	WIPER ARM DRIVE	
19	8036099	1	WIPER SHAFT AND PIVOT ASSY, (includes items 20 thru 26)	
20	N.S.S.	1	RUBBER WASHER	
21	N.S.S.	1	METAL WASHER	
22	N.S.S.	1	HEX JAM NUT, 11/16-18	
23	N.S.S.	1	RUBBER CAP	
24	N.S.S.	1	KNURLED DRIVER	
25	N.S.S.	1	LOCKWASHER, 3/8, (internal tooth)	
26	N.S.S.	1	ACORN NUT, 1/4-28	
27	8034815	1	PANTO ADAPTER ASSY, (includes items 28 thru 30)	
28	N.S.S.	1	GASKET	
29	N.S.S.	1	LOCKWASHER, 1/4, (internal tooth)	
30	N.S.S.	1	ACORN NUT, 1/4-28	
31	80384207	2	HEX HD CAPSCREW, 1/4-28X3/4 -BLACK	
32	8036070	1	WIPER HARNESS	
33	8035479	3	NUT, 1/4-20, BLACK	
34	8035416	3	LOCKWASHER, 1/4X.49ODX07	
35	8033065	NLA	RESERVOIR, (no longer available, use 100111112 for replacement)	
35	100111112	1	RESERVOIR	
35	70025480	1	Pump, Reservoir	
36	1001008742	1	COUPLING, TEE	
37	8033075	1	WASHER HOSE	
38	8584001	AR	TIE WRAP	
39	8223043	1	FRONT WINDSHIELD WIPER SWITCH	
40		Ref	SWITCHES, (See SKYLIGHT WINDSHIELD WIPER for Breakdown)	
41	8223044	1	WINDSHIELD WASHER SWITCH	
42	80264045	3	SCREW, 1/4-20X5/8	

SECTION 6 - CAB

FIGURE 6-9. SKYLIGHT WINDSHIELD WIPER



PA3050

FIGURE 6-9. SKYLIGHT WINDSHIELD WIPER

ITEM	PART NUMBER	QTY	DESCRIPTION	REV
	8036049	1	SKYLIGHT WIPER ASSY, (includes items 1 thru 9)	
1	8035492	1	SKYLIGHT WIPER MOTOR	
2	8035493	1	WIPER MOTOR COVER	
3	8035498	1	WIPER BLADE	
4	8035500	1	WIPER ARM	
5	8035499	1	WET KIT	
6	1001081310	1	WET ARM ADAPTER	
7	8036102	2	MACHINE SCREW, #10-24X1-1/2	
8	8035496	1	PLASTIC CLAMP BLOCK	
9	8036103	1	WIPER MOUNT WELDMENT	
10		Ref	WASHER HOSE, (See FRONT WINDSHIELD WIPER for Breakdown)	
11		Ref	WIPER HARNESS, (See FRONT WINDSHIELD WIPER for Breakdown)	
12		Ref	RESERVOIR, (See FRONT WINDSHIELD WIPER for Breakdown)	
13		Ref	FRONT WINDSHIELD WIPER SWITCH, (See FRONT WINDSHIELD WIPER for Breakdown)	
14	8223043	1	SKYLIGHT WINDSHIELD WIPER SWITCH	
15		Ref	WINDSHIELD WASHER SWITCH, (See FRONT WINDSHIELD WIPER for Breakdown)	

SECTION 6 - CAB

FIGURE 6-10. CAB HEATER

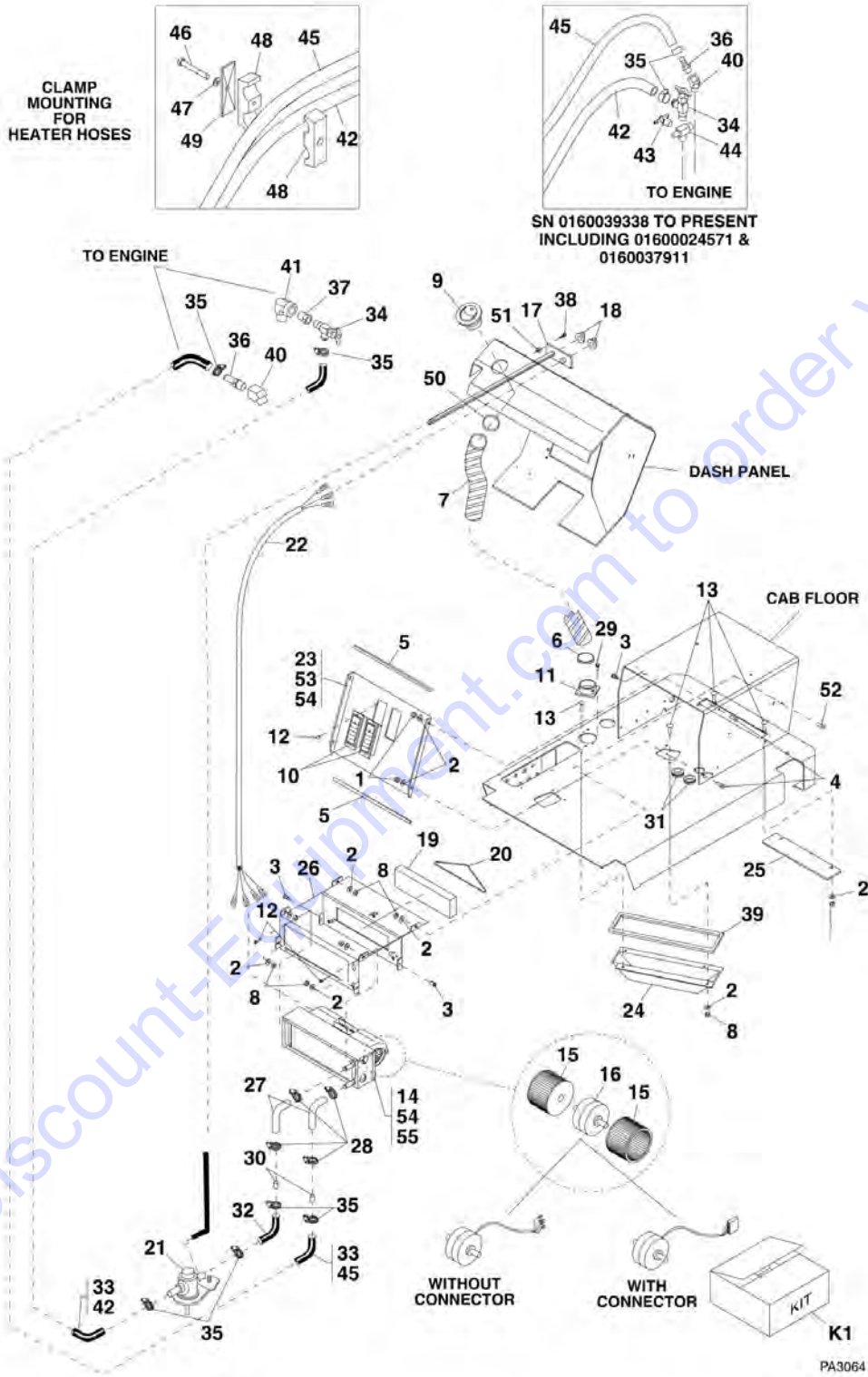


FIGURE 6-10. CAB HEATER

ITEM	PART NUMBER	QTY	DESCRIPTION	REV
	7139049	NLA	CAB HEATER ASSY, (includes items 1 thru 31, 38, 39 & 50 thru 53), (no longer available, use 1001125837 for replacement)	B
	1001125837	1	CAB HEATER KIT, (includes item 1 thru 31, 38, 39 & 50 thru 53)	B
1	8035479	4	ACORN NUT, 1/4-20	
2	8035416	14	LOCKWASHER, 1/4 IDX.49 OD	
3	1001103509	4	HEX PILOT RIVNUT, 1/4-20X.305	
4	91344043	4	BOLT, 1/4-20X.625	
5	80364020	2	SLOT EDGE TRIM, 2.69	
6	8035406	2	WIDE NYLON TIE	
7	8036110	1	HOSE ASSY	
8	8035417	12	HEX NUT, 1/4-20, GR5	
9	8035402	1	4IN ROUND LOUVER, WITH 2-1/2 COLLAR	
10	8035668	2	RECTANGULAR LOUVER, 49MMX121MM	
11	8035431	1	HOSE ADAPTER, 2-1/2	
12	1001081073	8	PAN HEAD SELF-TAPPING SCREW, #8-15X1/2	
13	8036112	6	CARRIAGE BOLT, 1/4-20X1	
14	8036410	NLA	HEATER, 12V, (no longer available, order 1001125774 for replacement or items 15 & 16 for service)	
14	1001113276	NLA	HEATER, 12V, (no longer available, use 1001125774 for replacement or items 15 & 16 for service)	C
14	1001125774	1	HEATER, 12V, (includes items 16)	B
15	8036421	2	BLOWER WHEEL	
16	70021546	1	MOTOR, 12V, (without connector)	
16	70023034	1	MOTOR, 12V, (with connector)	
16	1001126234	1	MOTOR ASSY, 12V, (includes blower wheels)	
17	8036114	1	PANEL/CABLE HEATER CONTROL, (includes item 18)	
18	8036388	2	POSITIONING KNOB, (includes set screw and brass insert)	
19	1001081375	1	AIR FILTER	
20	1001081376	1	RUBBER O-RING	
21	1001081045	1	HEATER WATER VALVE	
22	8036118	1	HEATER WIRE HARNESS	
23	8036119	1	HEATER LOUVER PANEL	
24	8036120	1	HEATER DUCT	
25	8036121	1	FILTER ACCESS PLATE	
26	8036122	1	HEATER MOUNT WELDMENT	
27	8036124	2	RUBBER HOSE, 90	
28	8410009	4	CLAMP, WORM GEAR	
29	91404298	4	POP RIVET	
30	1001081046	2	COPPER SPLICE, 5/8 HEATER HOSE	
31	1001081049	2	SPLIT RUBBER GROMMET	
32	6620472	1	HEATER HOSE ASSY	
33	7139174	2	HEATER HOSE ASSY (Prior to SN 0160039337, Excluding 0160024571 and 0160037911)	
34	8360005	1	SHUT OFF VALVE	
35	8405007	6	GEAR CLAMP, 1.25 DIA MAX	
36	8430048	1	REDUCER (Prior to SN 0160039337, Excluding 0160024571 and 0160037911)	
36	2220806	1	REDUCER (SN 0160039338 to Present, Including 0160024571 and 0160037911)	
37	2220251	1	REDUCER	
38	8036128	4	SCREW, #6-32X1/2	

SECTION 6 - CAB

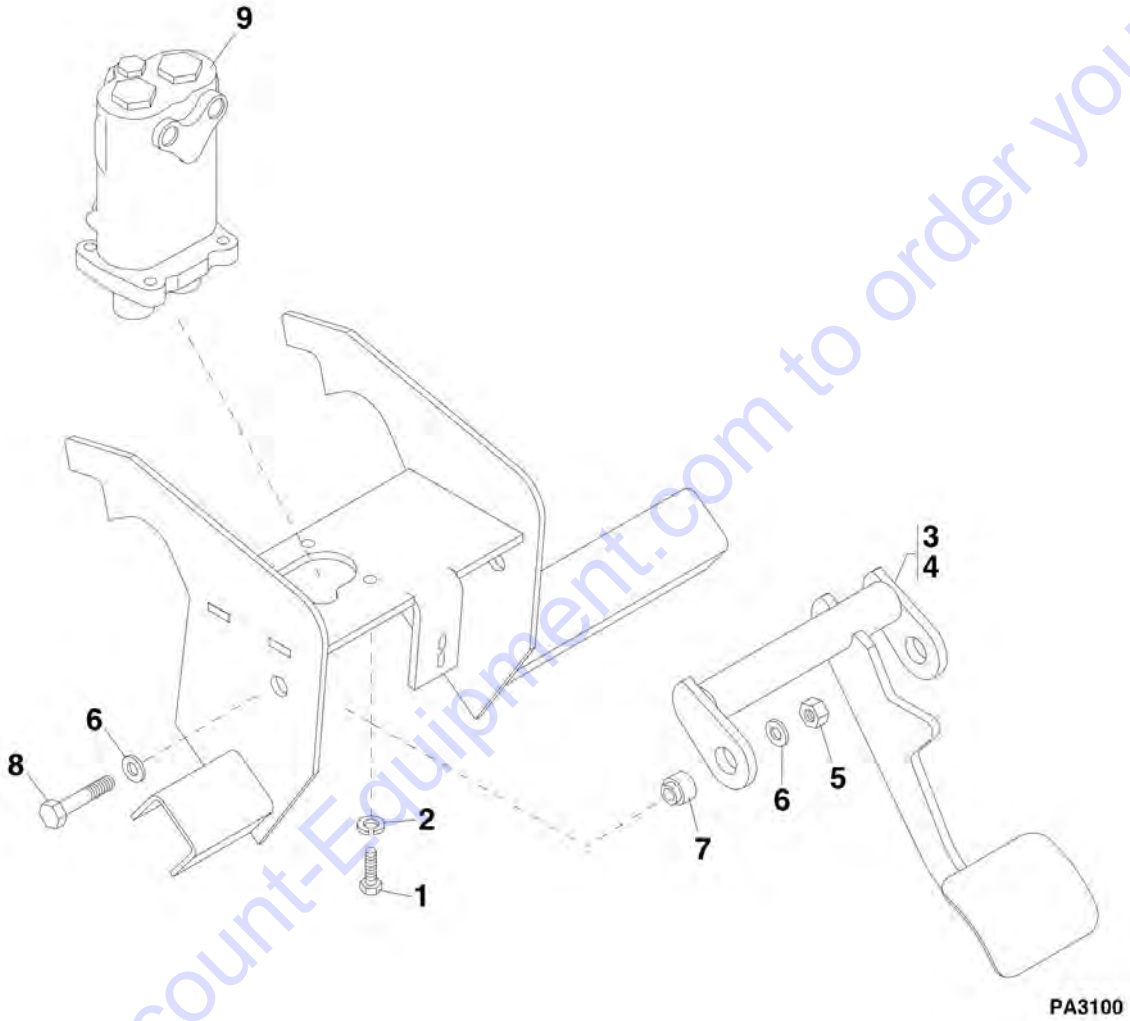
ITEM	PART NUMBER	QTY	DESCRIPTION	REV
39	8035599	1	FOAM, .25X.5	
40	8540231	1	ADAPTER, 45, (Prior to SN 0160039337, Excluding 0160024571 and 0160037911)	
40	8540205	1	ADAPTER, 45, (SN 0160039338 to Present, Including 0160024571 and 0160037911)	
41	8540218	1	ADAPTER, 90	
42	1001100225	1	HEATER HOSE ASSY (SN 0160039338 to Present, Including 0160024571 and 0160037911)	
43	1001102231	1	DRAIN COCK (SN 0160039338 to Present, Including 0160024571 and 0160037911)	
44	2220444	1	FITTING, TEE (SN 0160039338 to Present, Including 0160024571 and 0160037911)	
45	1001100226	1	HEATER HOSE ASSY (SN 0160039338 to Present, Including 0160024571 and 0160037911)	
46	8303757	1	HEX HD CAPSCREW, 5/16-18X2-1/2, GR5 (SN 0160039338 to Present, Including 0160024571 and 0160037911)	
47	8307004	1	LOCKWASHER, 5/16 (SN 0160039338 to Present, Including 0160024571 and 0160037911)	
48	8750024	1	CLAMP SET (SN 0160039338 to Present, Including 0160024571 and 0160037911)	
49	8750025	1	COVER PLATE (SN 0160039338 to Present, Including 0160024571 and 0160037911)	
50	8405202	1	CLAMP	
51	8036129	4	NYLOCK NUT, #6-32	
52	8033856	8	SCREW, 1/4-20X3/4	
53	7139301	2	FOAM	
54	70020631	1	HEATER PANEL ASSEMBLY, (includes items 5, 10, 12, 23 & 53)	
K1	7148100	1	FIELD INSTALLATION HEATER KIT, (includes items 1 thru 31, 38, 39 & 50 thru 53)	

SECTION 7 - CONTROLS

Go to Discount-Equipment.com to order your parts

SECTION 7 - CONTROLS

FIGURE 7-1. SERVICE BRAKE PEDAL CONTROL (Prior to SN 0160039337, Excluding 0160024571 and 0160037911)



SECTION 7 - CONTROLS

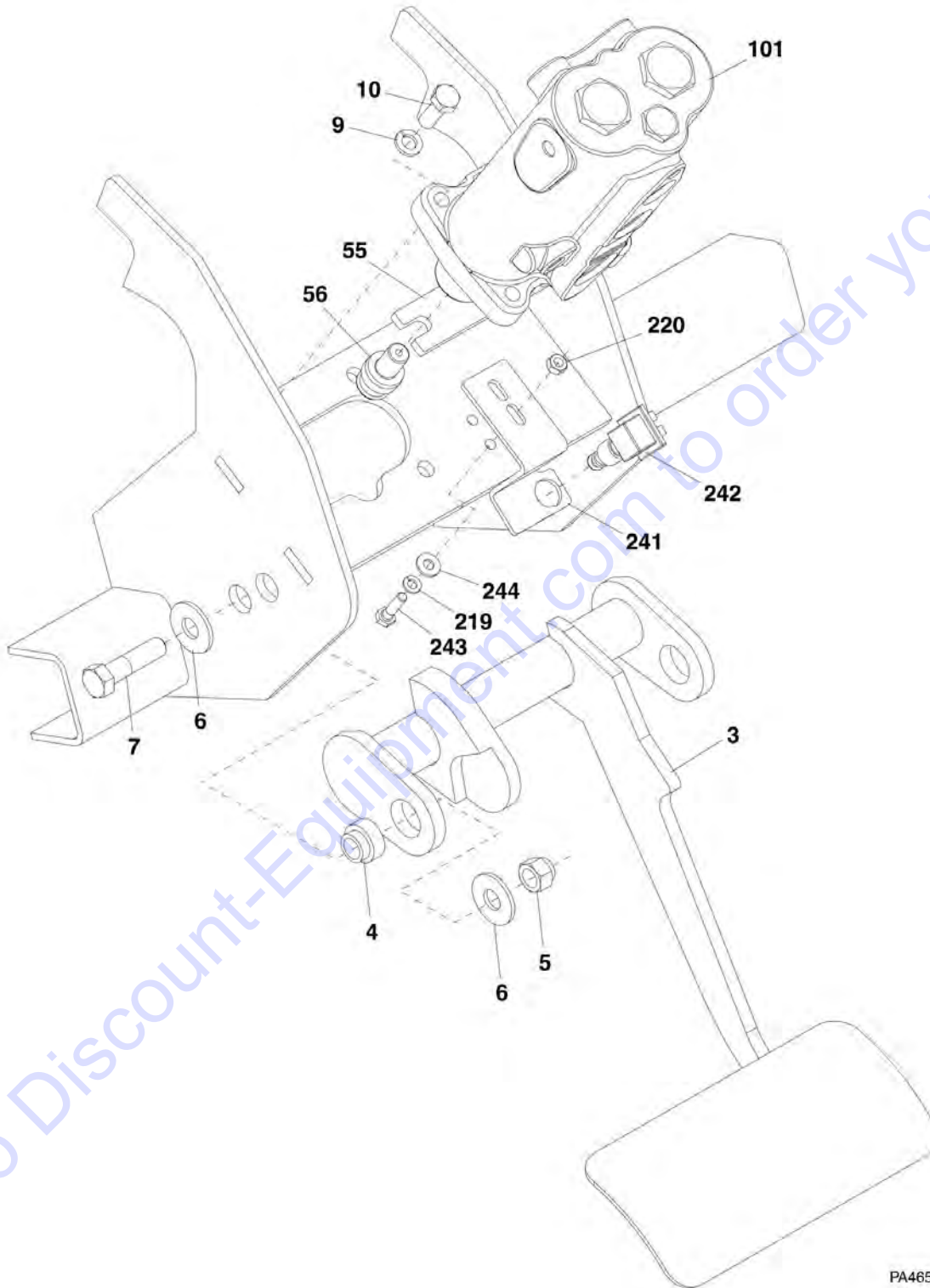
FIGURE 7-1. SERVICE BRAKE PEDAL CONTROL (Prior to SN 0160039337, Excluding 0160024571 and 0160037911)

ITEM	PART NUMBER	QTY	DESCRIPTION	REV
1	8303755	4	HEX HD CAPSCREW, M10-1.5X30MM	
2	8307023	4	LOCKWASHER, M10	
3	8024024	1	SERVICE BRAKE PEDAL KIT, (includes items 4 thru 8)	
4	7139027	1	BRAKE PEDAL	
5	8305644	2	LOCKNUT, 1/2-13	
6	8307206	4	FLAT WASHER, 1/2	
7	7129521	2	BRAKE PEDAL PIVOT	
8	8303658	2	HEX HD CAPSCREW, 1/2-13X2	
9		Ref	BRAKE VALVE, (See HYDRAULIC CIRCUITS SECTION for Breakdown)	

Go to Discount-Equipment.com to order your parts

SECTION 7 - CONTROLS

FIGURE 7-2. SERVICE BRAKE PEDAL CONTROL (SN 0160039338 to Present, Including 0160024571 and 0160037911)



PA4651

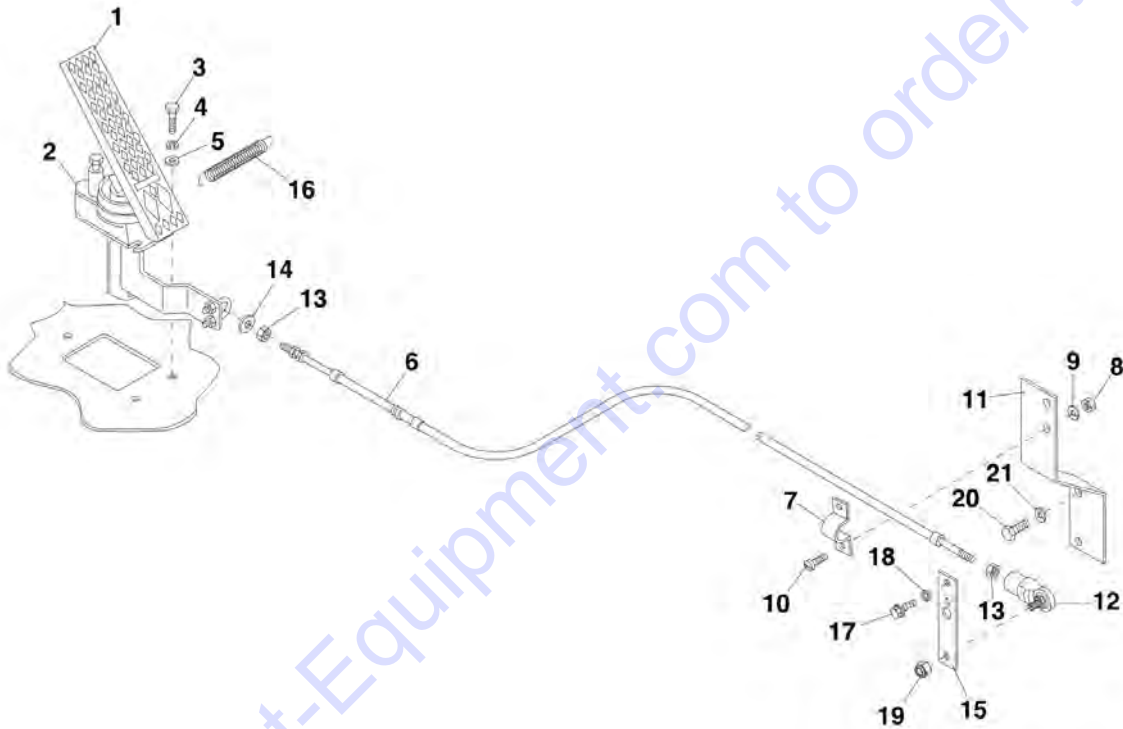
SECTION 7 - CONTROLS

FIGURE 7-2. SERVICE BRAKE PEDAL CONTROL (SN 0160039338 to Present, Including 0160024571 and 0160037911)

ITEM	PART NUMBER	QTY	DESCRIPTION	REV
3	1001103113	1	BRAKE PEDAL	
4	7129521	2	BRAKE PEDAL PIVOT	
5	8305644	2	HEX LOCKNUT, 1/2-13	
6	8307206	4	FLAT WASHER, 1/2	
7	8303658	2	HEX HD CAPSCREW, 1/2-13X2, GR5	
9	8307023	4	LOCKWASHER, 10MM	
10	8303755	4	HEX HD CAPSCREW, 10X1-1/2X30MM, GR8.8	
55	91511145	1	TIE BAR	
56	91513180	2	ACTUATOR	
101		Ref	BRAKE VALVE, (See HYDRAULIC CIRCUITS SECTION for Breakdown)	
219	8307002	2	LOCKWASHER, 1/4	
220	8305004	2	HOSE CLAMP	
241	1001107355	1	SERVICE BRAKE SWITCH BRACKET	
242	8223025	1	SERVICE BRAKE SWITCH	
243	8303540	2	HEX HD CAPSCREW, 1/4-20X1	
244	8307109	2	FLAT WASHER, 1/4	

SECTION 7 - CONTROLS

FIGURE 7-3. THROTTLE PEDAL CONTROL (SN 14834 through 19988, SN 0160002345 through 0160004109)



PA3090

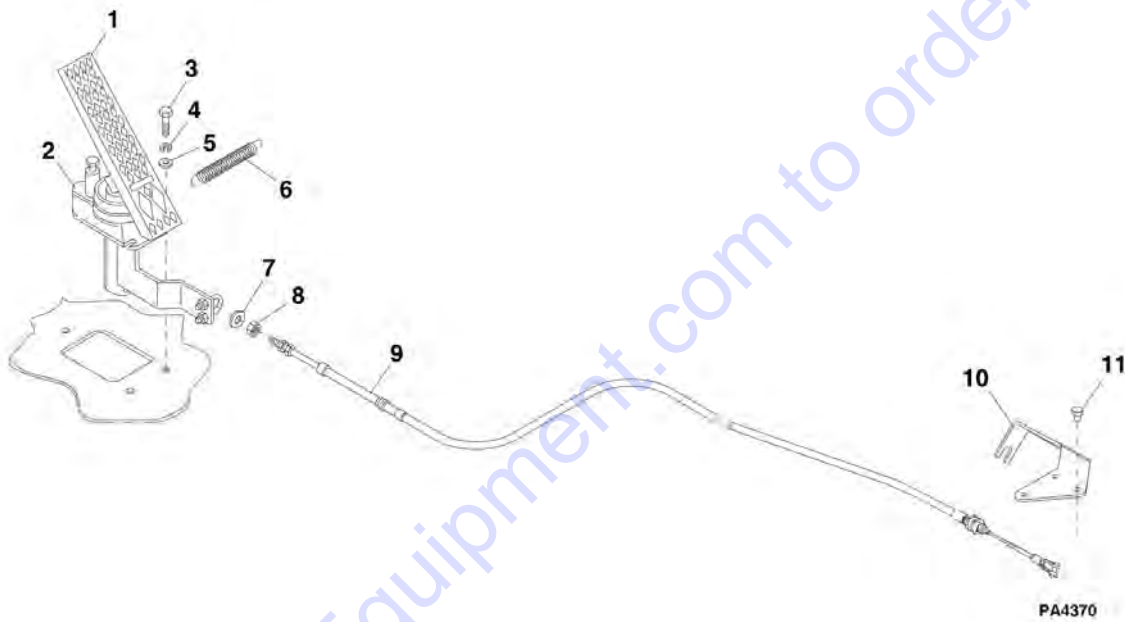
SECTION 7 - CONTROLS

FIGURE 7-3. THROTTLE PEDAL CONTROL (SN 14834 through 19988, SN 0160002345 through 0160004109)

ITEM	PART NUMBER	QTY	DESCRIPTION	REV
1	8162003	1	THROTTLE PEDAL, (includes item 2)	
2	8033178	1	THROTTLE PEDAL BELLOWS	
3	8303540	3	HEX HD CAPSCREW, 1/4-20X1	
4	8307002	3	LOCKWASHER, 1/4	
5	8307109	3	FLAT WASHER, 1/4	
6	8160080	1	THROTTLE CABLE	
7	8160610	1	CABLE CLAMP	
8	8305002	2	HEX NUT, #10-24	
9	8307003	2	LOCKWASHER, #10	
10	8303837	2	ROUND HD SCREW, #10-24X3/4	
11	7127102	1	THROTTLE CABLE BRACKET	
12	8340034	1	ROD END	
13	8305402	2	JAMNUT, 1/4	
14	8307109	AR	FLAT WASHER, 1/4	
15	7127091	1	THROTTLE LEVER EXTENSION	
16	8700116	1	SPRING	
17	8303799	2	HEX HD CAPSCREW, M6X14MM	
18	8307024	2	LOCKWASHER, M6	
19	8305650	1	LOCKNUT, 1/4	
20	8303790	2	HEX HD CAPSCREW, M12X30MM	
21	8307025	2	LOCKWASHER, M12	

SECTION 7 - CONTROLS

FIGURE 7-4. THROTTLE PEDAL CONTROL (SN 0160004110 through 0160039337, Excluding 0160024571 and 0160037911)



SECTION 7 - CONTROLS

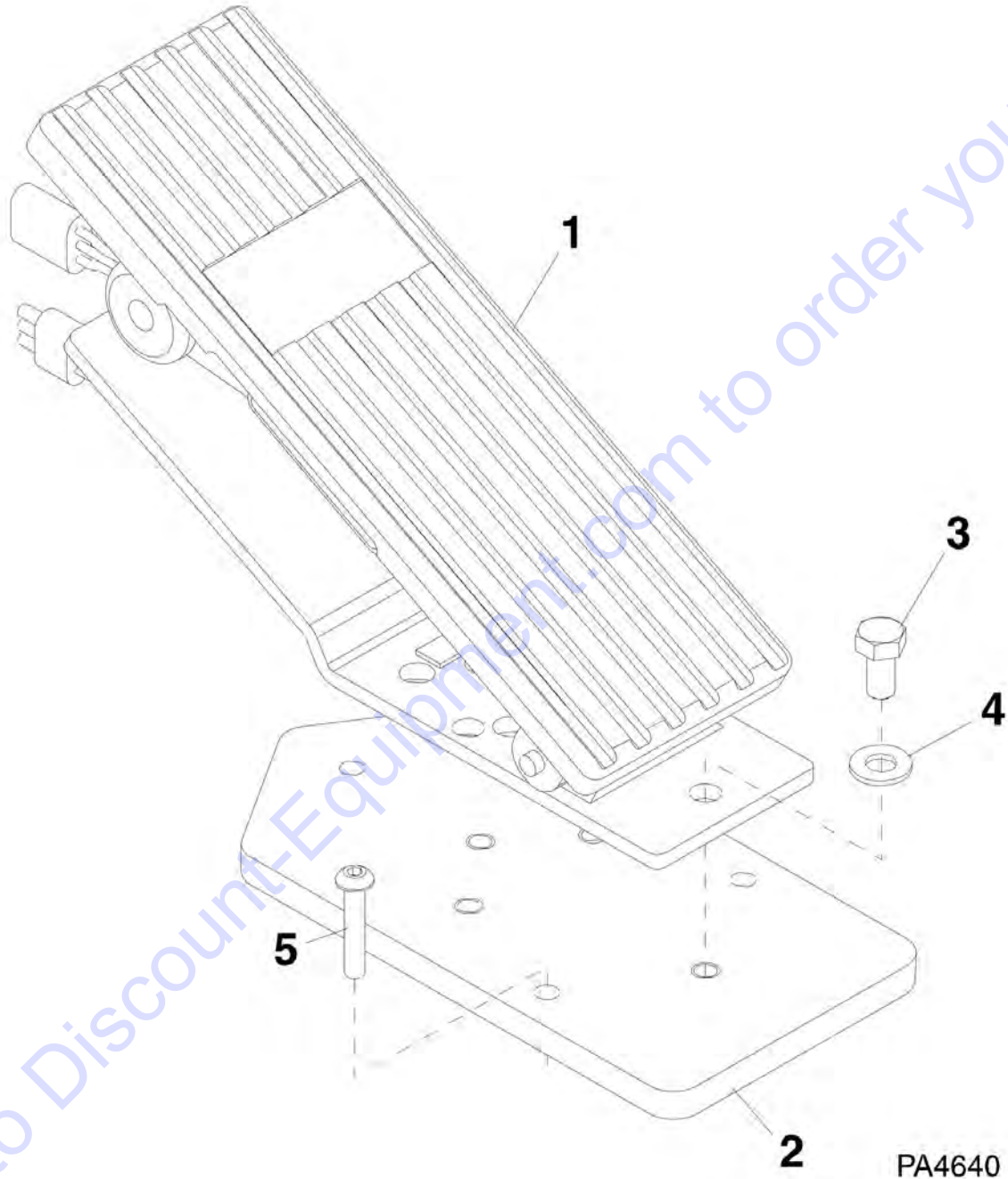
FIGURE 7-4. THROTTLE PEDAL CONTROL (SN 0160004110 through 0160039337, Excluding 0160024571 and 0160037911)

ITEM	PART NUMBER	QTY	DESCRIPTION	REV
1	8162003	1	THROTTLE PEDAL, (includes item 2)	
2	8033178	1	THROTTLE PEDAL BELLOWS	
3	8303540	3	HEX HD CAPSCREW, 1/4-20X1	
4	8307002	3	LOCKWASHER, 1/4	
5	8307109	3	FLAT WASHER, 1/4	
6	8700116	1	SPRING	
7	8307109	AR	FLAT WASHER, 1/4	
8	8305402	2	JAM NUT, 1/4	
9	1600373	1	THROTTLE CABLE	
10	7302331	1	THROTTLE CABLE BRACKET	
11	8310628	3	HEX HD CAPSCREW, M10X1.5X14MM, PC8.8	

Go to Discount-Equipment.com to order your parts

SECTION 7 - CONTROLS

FIGURE 7-5. THROTTLE PEDAL CONTROL (SN 0160039338 to Present, Including 0160024571 and 0160037911)



SECTION 7 - CONTROLS

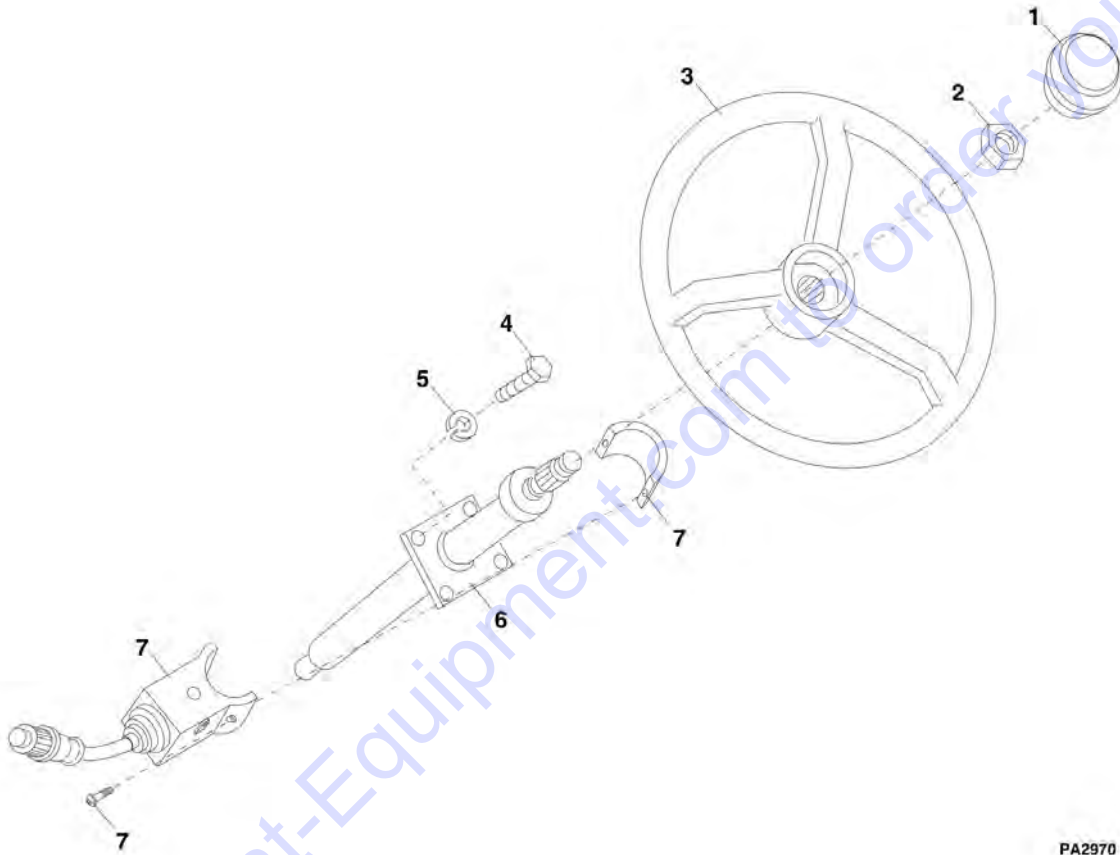
FIGURE 7-5. THROTTLE PEDAL CONTROL (SN 0160039338 to Present, Including 0160024571 and 0160037911)

ITEM	PART NUMBER	QTY	DESCRIPTION	REV
	7301585	1	THROTTLE PEDAL ADAPTER ASSY, (includes items 1 thru 5)	C
1	3400022	1	THROTTLE PEDAL ACCELERATOR	
2	3576442	1	THROTTLE ADAPTER PLATE	
3	8303745	4	HEX HD CAPSCREW, 5/16-18X5/8, GR5	
4	8307106	4	FLAT WASHER, 5/16	
5	8310725	3	BUTTON HD CAPSCREW, 1/4-20X1-1/4	

Go to Discount-Equipment.com to order your parts

SECTION 7 - CONTROLS

FIGURE 7-6. STEERING WHEEL AND SHIFTER



PA2970

SECTION 7 - CONTROLS

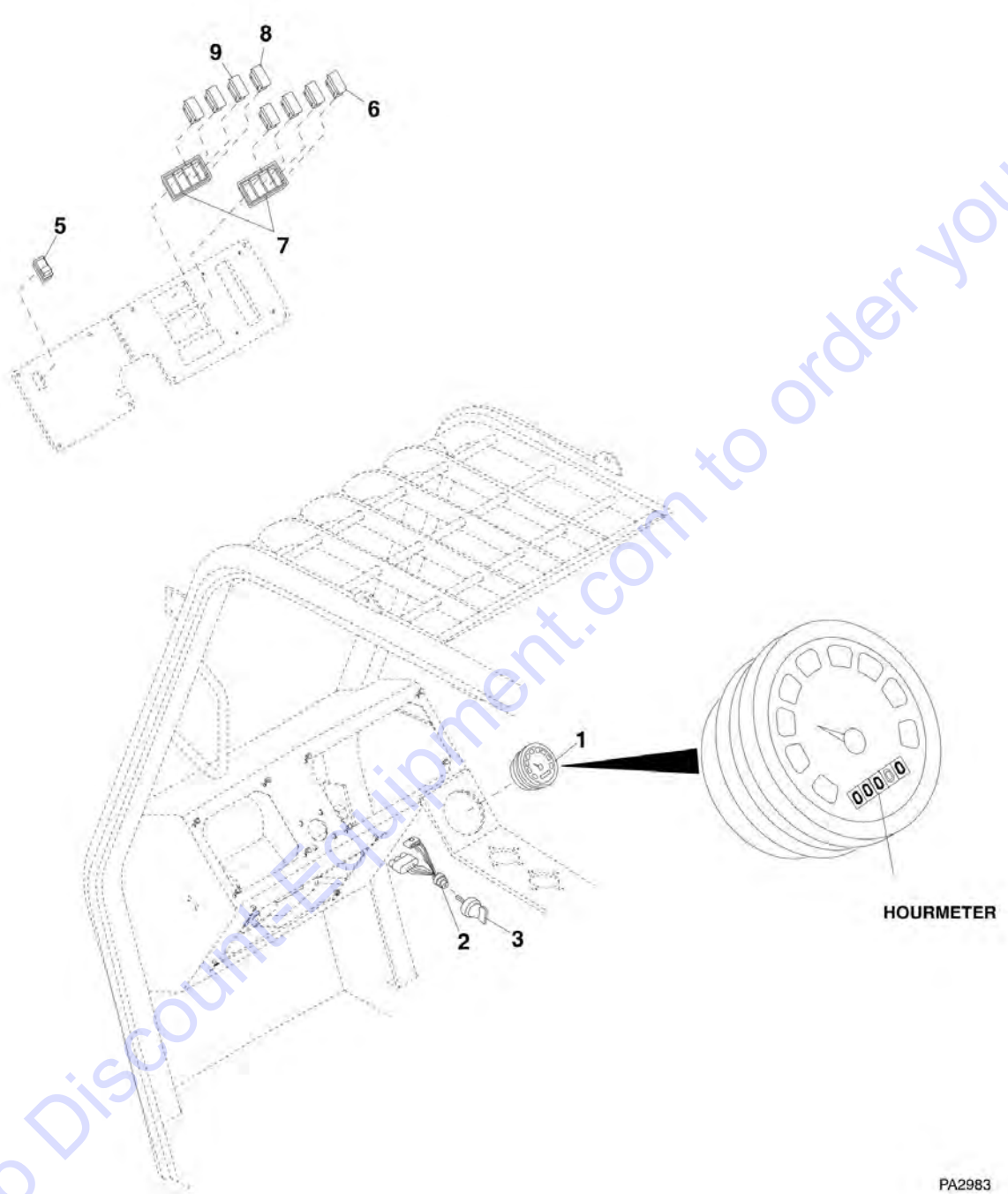
FIGURE 7-6. STEERING WHEEL AND SHIFTER

ITEM	PART NUMBER	QTY	DESCRIPTION	REV
1	7138878	1	STEERING WHEEL CAP, (with horn button switch)	
2	8305916	1	STEERING COLUMN NUT, (torque to 50 lb-ft)	
3	7138836	1	STEERING WHEEL	
4	8303534	4	FLAT HD CAPSCREW, #10-16X1-1/4, (torque to 13 lb-ft)	
5	8307005	4	LOCKWASHER, 3/8	
6	7138833	1	STEERING COLUMN	
6	7029367	1	HORN BRUSH KIT	
7	8223049	1	TRANSMISSION RANGE SELECTOR SHIFTER, (includes mounting hardware) (SN 14834 through 19988, SN 0160002345 through 0160015194)	
7	1600429	1	TRANSMISSION RANGE SELECTOR SHIFTER, (includes mounting hardware) (SN 0160015228 to Present)	

Go to Discount-Equipment.com to order your parts

SECTION 7 - CONTROLS

FIGURE 7-7. CONTROL CONSOLE



PA2983

SECTION 7 - CONTROLS

FIGURE 7-7. CONTROL CONSOLE

ITEM	PART NUMBER	QTY	DESCRIPTION	REV
1	7150708	1	INSTRUMENT CLUSTER, (includes hourmeter)	
2	8223453	NLA	IGNITION SWITCH, (includes item 3), (no longer available, use ignition switch 4360690 or kit 2915161 for replacement), (See OPTIONS SECTION for Breakdown) (SN 14834 through 19988, SN 0160002345 through 0160023102)	
2	4360690	1	IGNITION SWITCH, (includes item 3) (SN 0160023266 to Present)	
3	8035807	AR	KEY, (with cover)	
5	8223054	1	PARK BRAKE SWITCH	
6	8223037	1	STEER SELECT SWITCH	
7	8223046	2	BEZEL SWITCH	
8	8223081	1	ECM INDICATOR (SN 0160039338 to Present, Including 0160024571 and 0160037911)	
9	8223082	1	ENGINE PREHEAT INDICATOR (SN 0160039338 to Present, Including 0160024571 and 0160037911)	

Go to Discount-Equipment.com to order your parts

PARTS FINDER

**Search Website
by Part Number**



**Search Manual
Library For Parts
Manual & Lookup Part
Numbers – Purchase
or Request Quote**

**Can't Find Part or
Manual? Request Help
by Manufacturer,
Model & Description**

Discount-Equipment.com is your online resource for quality parts & equipment.

Florida: **561-964-4949** Outside Florida TOLL FREE: **877-690-3101**

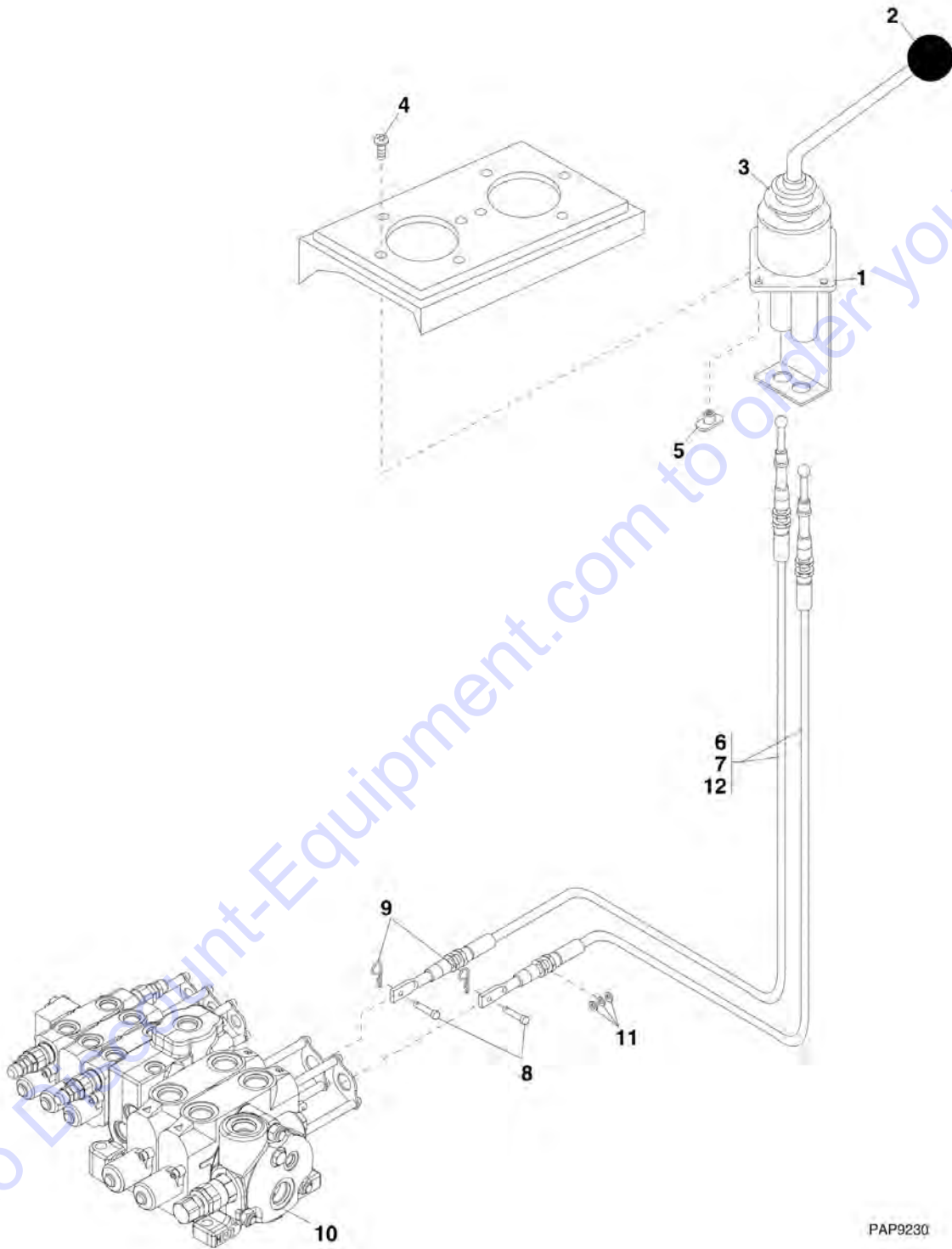
Need parts?

Click on this link: <http://www.discount-equipment.com/category/5443-parts/> and choose one of the options to help get the right parts and equipment you are looking for. Please have the machine model and serial number available in order to help us get you the correct parts. If you don't find the part on the website or on one of the online manuals, please fill out the request form and one of our experienced staff members will get back to you with a quote for the right part that your machine needs.

We sell worldwide for the brands: Genie, Terex, JLG, MultiQuip, Mikasa, Essick, Whiteman, Mayco, Toro Stone, Diamond Products, Generac Magnum, Airman, Haulotte, Barreto, Power Blanket, Nifty Lift, Atlas Copco, Chicago Pneumatic, Allmand, Miller Curber, Skyjack, Lull, Skytrak, Tsurumi, Husquvarna Target, Stow, Wacker, Sakai, Mi-T-M, Sullair, Basic, Dynapac, MBW, Weber, Bartell, Bennar Newman, Haulotte, Ditch Runner, Menegotti, Morrison, Contec, Buddy, Crown, Edco, Wyco, Bomag, Laymor, EZ Trench, Bil-Jax, F.S. Curtis, Gehl Pavers, Heli, Honda, ICS/PowerGrit, IHI, Partner, Imer, Clipper, MMD, Koshin, Rice, CH&E, General Equipment, Amida, Coleman, NAC, Gradall, Square Shooter, Kent, Stanley, Tamco, Toku, Hatz, Kohler, Robin, Wisconsin, Northrock, Oztec, Toker TK, Rol-Air, APT, Wylie, Ingersoll Rand / Doosan, Innovatech, Con X, Ammann, Mecalac, Makinex, Smith Surface Prep, Small Line, Wanco, Yanmar

SECTION 7 - CONTROLS

FIGURE 7-8. BOOM LIFT/LOWER AND EXTEND/RETRACT CONTROL



PAP9230

SECTION 7 - CONTROLS

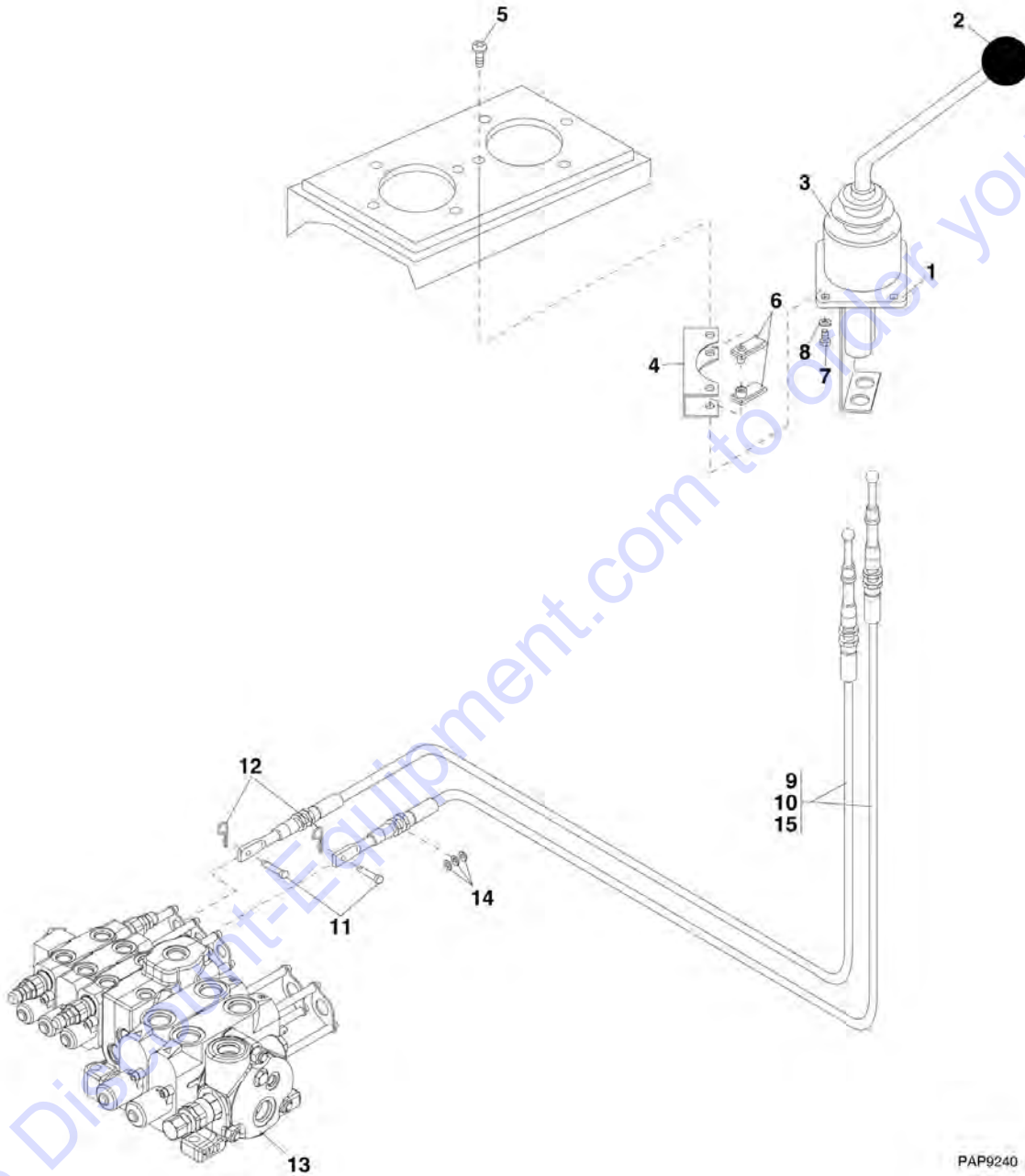
FIGURE 7-8. BOOM LIFT/LOWER AND EXTEND/RETRACT CONTROL

ITEM	PART NUMBER	QTY	DESCRIPTION	REV
1	8224045	1	JOYSTICK WITH GATE, (includes items 2 & 3)	
2	8580110	1	KNOB	
3	8160419	1	BOOT	
4	8310143	4	HEX HD SCREW, 1/4X1	
5	8310144	4	PROP TEE NUT	
6	8024021	2	BOOM LIFT/LOWER AND EXTEND/RETRACT CONTROL CABLE ASSY, (includes items 7 thru 9)	
7	1001132550	1	CONTROL CABLE	
8	8301443	1	CLEVIS PIN, 3/16X1	
9	8302470	1	HAIR PIN, 3/32	
10		Ref	MAIN CONTROL VALVE, (See HYDRAULIC COMPONENTS SECTION for Breakdown)	
11	4812300	6	FLAT WASHER, M16	
12	0100011	AR	LOCTITE 242, (apply to item 7)	

Go to Discount-Equipment.com to order your parts

SECTION 7 - CONTROLS

FIGURE 7-9. FRAME SWAY AND ATTACHMENT TILT CONTROL



PAP9240

SECTION 7 - CONTROLS

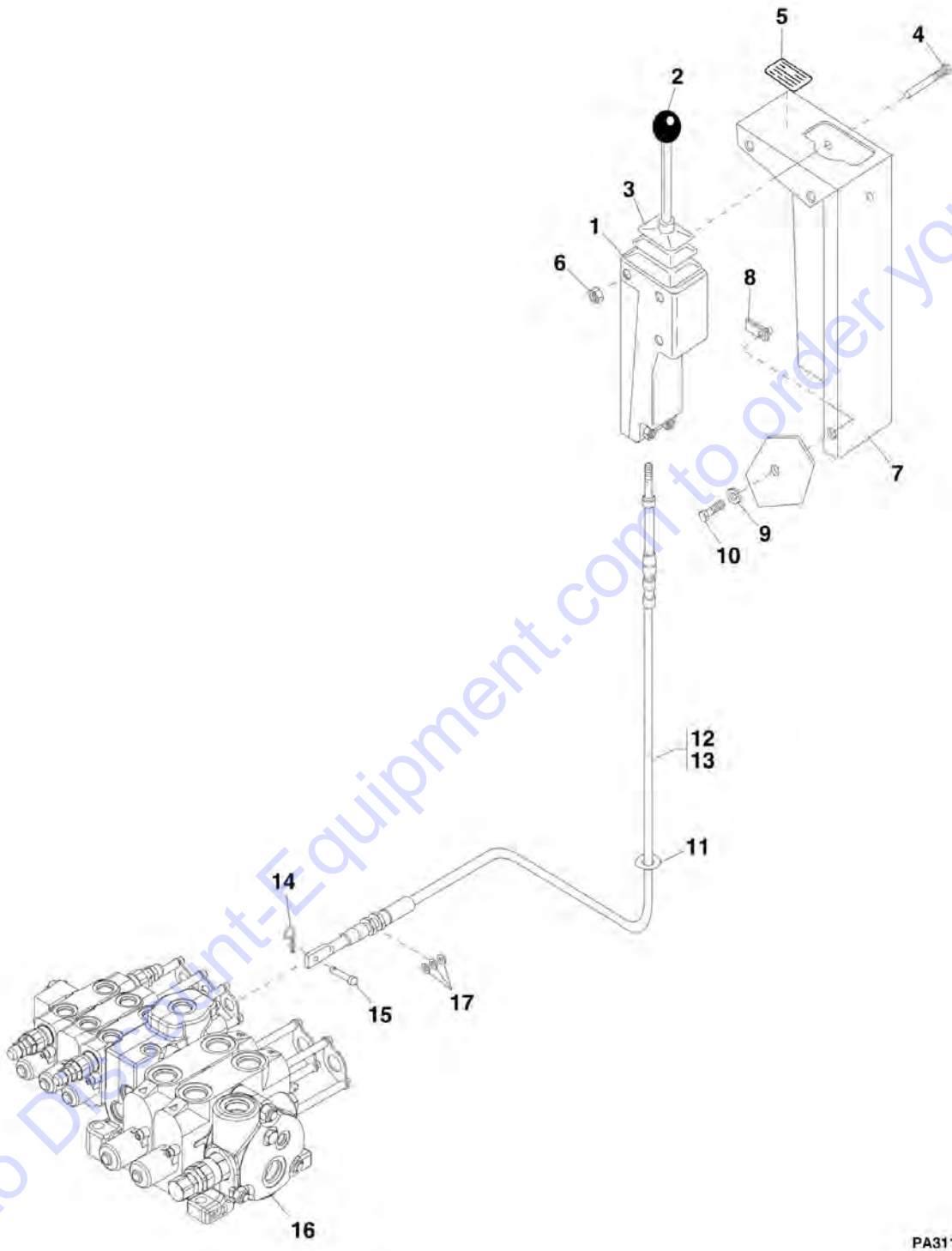
FIGURE 7-9. FRAME SWAY AND ATTACHMENT TILT CONTROL

ITEM	PART NUMBER	QTY	DESCRIPTION	REV
1	8224047	1	JOYSTICK WITH GATE, (includes items 2 & 3)	
2	8580110	1	KNOB	
3	8160419	1	BOOT	
4	7098142	2	SPACER	
5	88261017	4	HEX HD SCREW, 1/4-20NCX7/8	
6	8310001	4	NUT	
7	8303540	4	HEX HD SCREW, 1/4X1	
8	8307109	4	FLAT WASHER, 1/4	
9	8024022	2	FRAME SWAY AND ATTACHMENT TILT CONTROL CABLE ASSY, (includes items 10 thru 12)	
10	1001132551	1	CONTROL CABLE	
11	8301443	1	CLEVIS PIN, 3/16X1	
12	8302470	1	HAIR PIN, 3/32	
13		Ref	MAIN CONTROL VALVE, (See HYDRAULIC COMPONENTS SECTION for Breakdown)	
14	4812300	6	FLAT WASHER, M16	
15	0100011	AR	LOCTITE 242, (apply to item 10)	

Go to Discount-Equipment.com to order your parts

SECTION 7 - CONTROLS

FIGURE 7-10. AUXILIARY HYDRAULIC CONTROL



PA3111

SECTION 7 - CONTROLS

FIGURE 7-10. AUXILIARY HYDRAULIC CONTROL

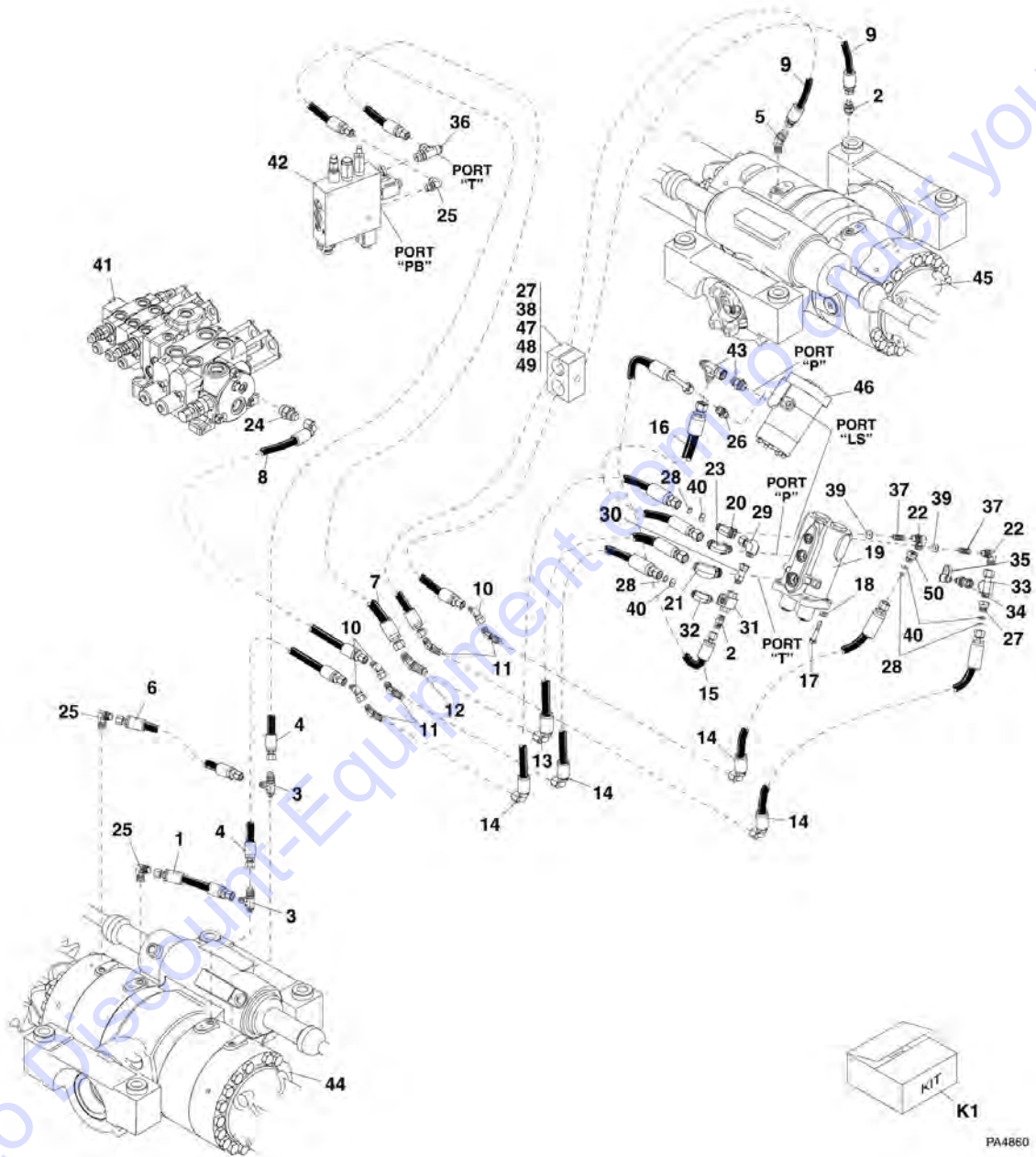
ITEM	PART NUMBER	QTY	DESCRIPTION	REV
1	8160406	1	CONTROLLER, (includes items 2 & 3)	
2	8580110	1	KNOB	
3	8160418	1	BOOT	
4	8303758	2	HEX HD CAPSCREW, 1/4-20X2	
5	4105621	1	AUXILIARY CONTROL DECAL	
6	8305004	2	HEX NUT, 1/4-20	
7	7091323	1	CONTROLLER SUPPORT	
8	8305906	3	RETAINING NUT, 5/16-18	
9	8307004	3	LOCKWASHER, 5/16	
10	8303697	3	HEX HD CAPSCREW, 5/16-18X3/4	
11	7125871	1	CONDUIT, .5X8	
12	8024023	1	AUXILIARY HYDRAULICS CONTROL CABLE ASSY, (includes 13 thru 15)	
13	8160078	1	CONTROL CABLE	
14	8302470	1	HAIR PIN	
15	8301443	1	CLEVIS PIN	
16		Ref	MAIN CONTROL VALVE, (See HYDRAULIC COMPONENTS SECTION for Breakdown)	
17	4812300	3	FLAT WASHER, M16	

SECTION 8 - HYDRAULIC CIRCUITS

Go to Discount-Equipment.com to order your parts

SECTION 8 - HYDRAULIC CIRCUITS

FIGURE 8-1. SERVICE BRAKE AND DE-CLUTCH (Prior to SN 0160039337, Excluding 0160024571 and 0160037922)



SECTION 8 - HYDRAULIC CIRCUITS

FIGURE 8-1. SERVICE BRAKE AND DE-CLUTCH (Prior to SN 0160039337, Excluding 0160024571 and 0160037922)

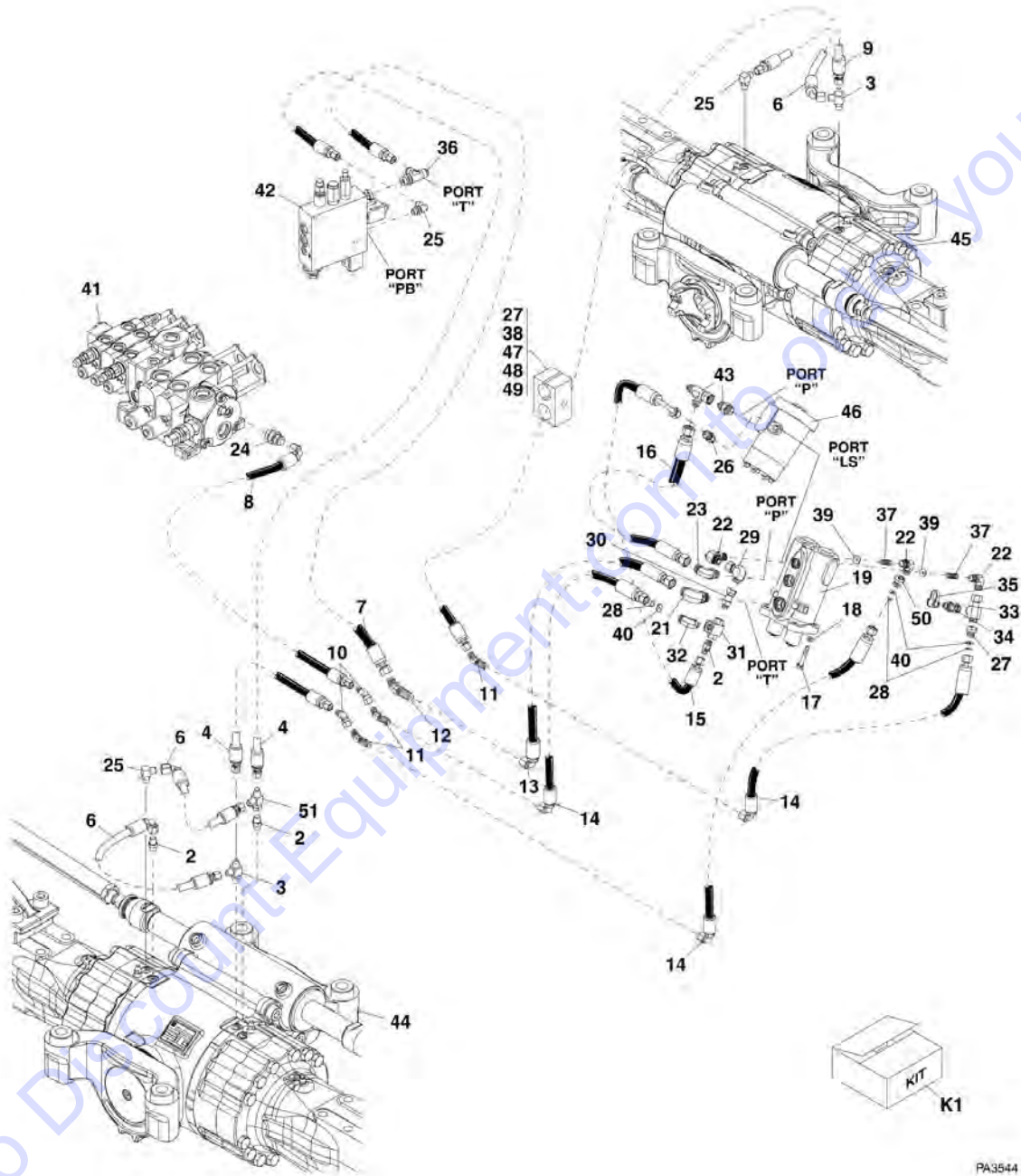
ITEM	PART NUMBER	QTY	DESCRIPTION	REV
1	2716765	1	HOSE ASSY	
2	2220371	2	STRAIGHT CONNECTOR	
3	2220606	2	MALE RUN TEE	
4	2716763	2	HOSE ASSY	
5	2220501	1	ELBOW, 45	
6	2716761	1	HOSE ASSY	
7	2716770	1	HOSE ASSY (SN 14834 through 19988, SN 0160002345 through 0160018879)	
7	2754737	1	HOSE ASSY (SN 0160018880 to Present)	
8	2716762	1	HOSE ASSY	
9	2716766	2	HOSE ASSY	
10	2220657	3	ELBOW, 45, (swivel nut)	
11	8770189	4	BULKHEAD ELBOW, 45	
12	8760237	1	ELBOW, 45, (SN 14834 through 19988, SN 0160002345 through 0160018879)	
12	2230035	1	BULKHEAD ELBOW, 45, (SN 0160018880 to Present)	
13	2716697	1	HOSE ASSY (SN 14834 through 19988, SN 0160002345 through 0160018879)	
13	2754736	1	HOSE ASSY (SN 0160018880 to Present)	
14	2716699	4	HOSE ASSY	
15	2716700	1	HOSE ASSY	
16	2716695	1	HOSE ASSY	
17	8303755	4	HEX HD CAPSCREW, M10X30MM	
18	8307023	4	LOCK WASHER, M10	
	8902274	NLA	BRAKE VALVE ASSY, (includes items 19 thru 23), (no longer available, use 1001109404 for replacement)	D
	1001109404	1	BRAKE VALVE ASSY, (includes items 19 thru 23)	A
19		Ref	BRAKE VALVE, (See HYDRAULIC COMPONENTS SECTION for Breakdown)	
20	8770183	1	BRANCH TEE, (includes o-ring)	
21	8770175	1	ELBOW, 90, (includes o-ring)	
22	8770109	2	ELBOW, 90, (includes o-ring)	
23	8770120	1	ELBOW, 90, (includes o-ring)	
24	2220371	1	STRAIGHT CONNECTOR	
25	2220473	3	ELBOW, 90	
26	2220603	1	STRAIGHT CONNECTOR	
27	8303264	1	HEX HD CAPSCREW, 438-14X1-1/2, GR8	
28	8630003	4	O-RING	
29	2172106	1	ELBOW, 90, (swivel nut)	
30	2221123	1	SWIVEL CONNECTOR	
31	8902175	1	SHUTTLE VALVE	
32	2130606	1	ELBOW, 90	
33	2170706	1	SWIVEL RUN TEE	
34	8430081	1	SWIVEL NIPPLE, 1/8 BODY	
35	8430032	1	DUST PLUG	
36	2220602	1	MALE RUN TEE	
37	Kit	2	CONICAL SPRING	
38	8769123	1	TWIN COVER PLATE	
39	Kit	2	ORIFICE	
40	7139212	4	ORIFICE DISK, .089 DIA	

SECTION 8 - HYDRAULIC CIRCUITS

ITEM	PART NUMBER	QTY	DESCRIPTION	REV
41		Ref	MAIN CONTROL VALVE, (See HYDRAULIC COMPONENTS SECTION for Breakdown)	
42		Ref	SECONDARY FUNCTION MANIFOLD, (See HYDRAULIC COMPONENTS SECTION for Breakdown)	
43		Ref	POWER STEERING CIRCUIT, (See POWER STEERING for Breakdown)	
44		Ref	FRONT AXLE, (See DRIVE TRAIN SECTION for Breakdown)	
45		Ref	REAR AXLE, (See DRIVE TRAIN SECTION for Breakdown)	
46		Ref	STEERING UNIT, (See POWER STEERING for Breakdown)	
47	8307004	1	LOCKWASHER, 5/16	
48	8750015	1	CLAMP SET	
49	8750012	1	STACKING BOLT	
50	7139179	1	ORIFICE FITTING	
K1	8036385	1	BRAKE VALVE SEAL KIT, (includes qty 1 of item 37 and qty 1 of item 39)	

SECTION 8 - HYDRAULIC CIRCUITS

FIGURE 8-2. SERVICE BRAKE AND DE-CLUTCH (SN 0160039338 to Present, Including 0160024571 and 0160037911)



SECTION 8 - HYDRAULIC CIRCUITS

FIGURE 8-2. SERVICE BRAKE AND DE-CLUTCH (SN 0160039338 to Present, Including 0160024571 and 0160037911)

ITEM	PART NUMBER	QTY	DESCRIPTION	REV
2	2220371	3	STRAIGHT CONNECTOR	
3	2220606	2	MALE RUN TEE	
4	2716763	2	HOSE ASSY	
6	2716670	3	HOSE ASSY	
7	2754737	1	HOSE ASSY	
8	2716762	1	HOSE ASSY	
9	2716766	1	HOSE ASSY	
10	2220657	2	ELBOW, 45, (swivel nut)	
11	8770189	4	BULKHEAD ELBOW, 45	
12	2230035	1	BULKHEAD ELBOW, 45	
13	2754736	1	HOSE ASSY	
14	2716699	3	HOSE ASSY	
15	2716700	1	HOSE ASSY	
16	2716695	1	HOSE ASSY	
17	8303755	4	HEX HD CAPSCREW, M10X30MM	
18	8307023	4	LOCK WASHER, M10	
	1001109404	1	BRAKE VALVE ASSY, (includes items 19 thru 23)	
19		Ref	BRAKE VALVE, (See HYDRAULIC COMPONENTS SECTION for Breakdown)	B
20	8770183	1	BRANCH TEE, (includes o-ring)	
21	8770175	1	ELBOW, 90, (includes o-ring)	
22	8770109	2	ELBOW, 90, (includes o-ring)	
23	8770120	1	ELBOW, 90, (includes o-ring)	
25	2220473	3	ELBOW, 90	
26	2220603	1	STRAIGHT CONNECTOR	
27	8303264	1	HEX HD CAPSCREW, .438-14X1-1/2, GR8	
28	8630003	3	O-RING	
29	2172106	1	ELBOW, 90, (swivel nut)	
30	2221123	1	SWIVEL CONNECTOR	
31	8902175	1	SHUTTLE VALVE	
32	2130606	1	ELBOW, 90	
33	2170706	1	SWIVEL RUN TEE	
34	8430081	1	SWIVEL NIPPLE, 1/8 BODY	
35	8430032	1	DUST PLUG	
36	2220602	1	MALE RUN TEE	
37	Kit	2	CONICAL SPRING	
38	8769123	1	TWIN COVER PLATE	
39	Kit	2	ORIFICE	
40	7139212	3	ORIFICE DISK, .089 DIA	
41		Ref	MAIN CONTROL VALVE, (See HYDRAULIC COMPONENTS SECTION for Breakdown)	
42		Ref	SECONDARY FUNCTION MANIFOLD, (See HYDRAULIC COMPONENTS SECTION for Breakdown)	
43		Ref	POWER STEERING CIRCUIT, (See POWER STEERING for Breakdown)	
44		Ref	FRONT AXLE, (See DRIVE TRAIN SECTION for Breakdown)	
45		Ref	REAR AXLE, (See DRIVE TRAIN SECTION for Breakdown)	
46		Ref	STEERING UNIT, (See POWER STEERING for Breakdown)	
47	8307004	1	LOCKWASHER, 5/16	
48	8750015	1	CLAMP SET	

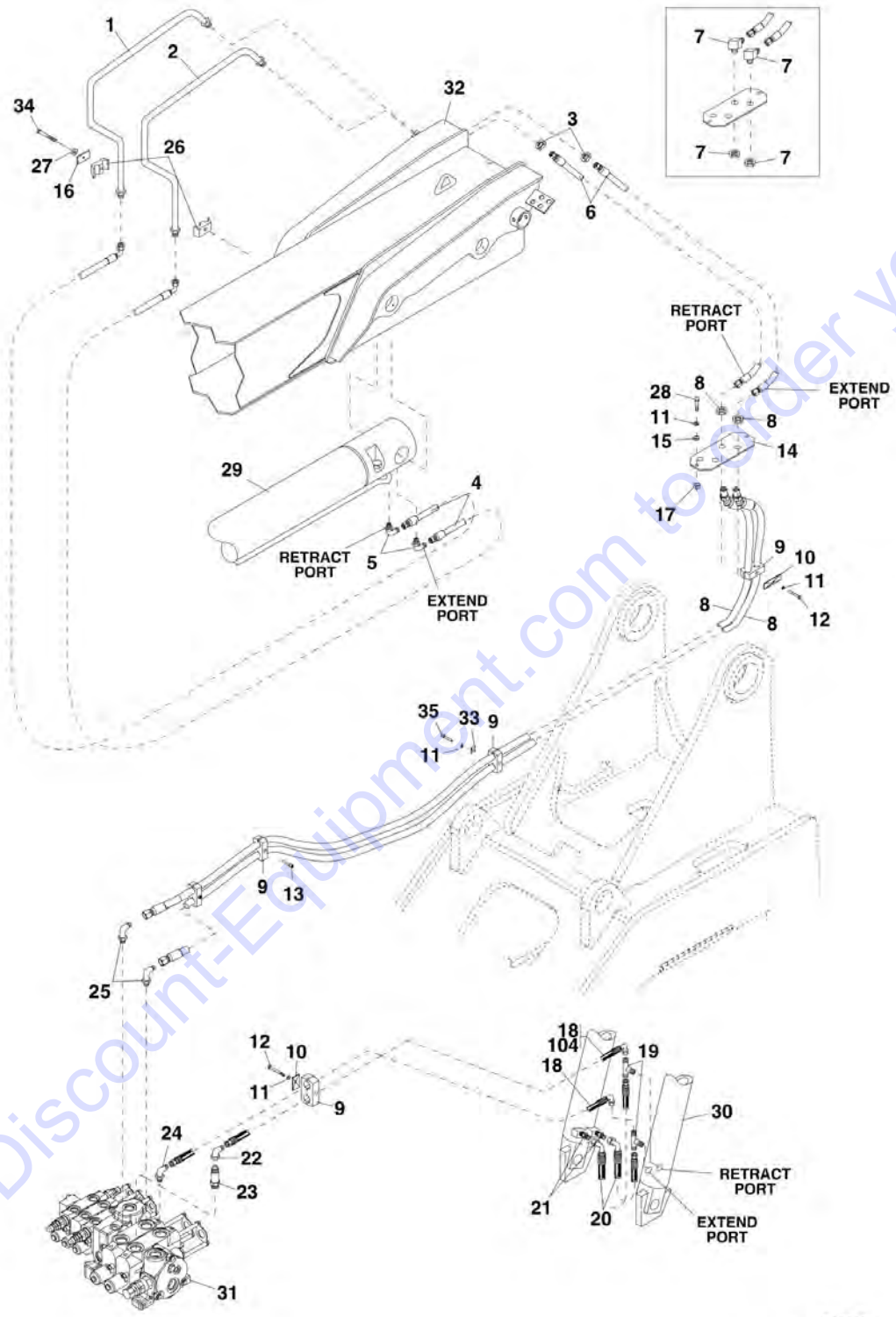
SECTION 8 - HYDRAULIC CIRCUITS

ITEM	PART NUMBER	QTY	DESCRIPTION	REV
49	8750017	1	LOCKING PLATE	
50	7139179	1	ORIFICE FITTING	
51	2220635	1	FITTING, TEE	
K1	8036385	1	BRAKE VALVE SEAL KIT, (includes qty 1 of item 37 and qty 1 of item 39)	

Go to Discount-Equipment.com to order your parts

SECTION 8 - HYDRAULIC CIRCUITS

FIGURE 8-3. BOOM LIFT/LOWER AND EXTEND/RETRACT



PA3516

SECTION 8 - HYDRAULIC CIRCUITS

FIGURE 8-3. BOOM LIFT/LOWER AND EXTEND/RETRACT

ITEM	PART NUMBER	QTY	DESCRIPTION	REV
1	7139527	1	BOOM EXTEND CYL TUBE (SN 14834 through 17190)	
1	7139731	1	BOOM EXTEND CYL TUBE (SN 0160002345 to Present, SN 17191 through 19988)	
2	7139528	1	BOOM EXTEND CYL TUBE (SN 14834 through 17190)	
2	7139730	1	BOOM EXTEND CYL TUBE (SN 0160002345 to Present, SN 17191 through 19988)	
3	8760468	2	BULKHEAD LOCKNUT, 12	
4	2716760	2	HOSE ASSY	
5	2220567	2	ELBOW, 90	
6	2755060	2	HOSE ASSY	
7	2230046	2	BULKHEAD UNION, 90, (SN 14834 through 19988, SN 0160002345 through 0160012120)	
8	2716778	2	HOSE ASSY (SN 14834 through 19988, SN 0160002345 through 0160012120)	
8	2755059	2	HOSE ASSY (SN 0160012121 through 0160039337, Excluding 0160024571 and 0160037911)	
8	1001114202	2	HOSE ASSY (SN 0160039338 to Present, Including 0160024571 and 0160037911)	
9	8750040	5	TWIN CLAMP SET, 1.18DIA	
10	8750025	2	TWIN COVER PLATE	
11	8307004	AR	LOCKWASHER, 5/16	
12	8303757	1	HEX HD CAPSCREW, 5/16-18X2.50	
13	8750026	2	STACKING BOLT, (torque to 11.6 - 21 lb-ft)	
14		Ref	RH REAR BULKHEAD PLATE, (See ATTACHMENT TILT AND SLAVE SECTION for Breakdown)	
15	8307203	2	PLAIN WASHER, .312	
16	8769128	1	TWIN COVER PLATE	
17	8305006	2	HEX NUT, 5/16-18	
18	2716784	2	HOSE ASSY (Prior to SN 0160039337, Excluding 0160024571 and 0160037911)	
18	2716784	1	HOSE ASSY (SN 0160039338 to Present, Including 0160024571 and 0160037911)	
19	2220695	2	MALE BRANCH TEE	
20	2716675	2	HOSE ASSY	
21	2220375	2	STRAIGHT CONNECTOR	
22	2220655	1	ELBOW, 90, (swivel nut)	
23	2220451	1	STRAIGHT CONNECTOR	
24	2220578	1	ELBOW, 90	
25	8770157	2	ELBOW, 90	
26	8769139	1	TWIN CLAMP SET, .750 DIA	
27	8307106	1	FLAT WASHER, .34X.69X.065	
28	8310009	2	HEX HD CAPSCREW, 5/16-18X2.00	
29		Ref	EXTEND/RETRACT CYLINDER, (See HYDRAULIC COMPONENTS SECTION for Breakdown)	
30		Ref	LIFT/LOWER CYLINDER, (See HYDRAULIC COMPONENTS SECTION for Breakdown)	
31		Ref	MAIN CONTROL VALVE, (See HYDRAULIC COMPONENTS SECTION for Breakdown)	
32		Ref	FIRST BOOM SECTION, (See BOOM SECTION for Breakdown)	
33	8750017	1	TWIN CLAMP LOCKING PLATE (SN 14834 through 19988, SN 0160002345 through 0160033303)	
33	8750025	1	TWIN COVER PLATE (SN 0160033304 to Present)	

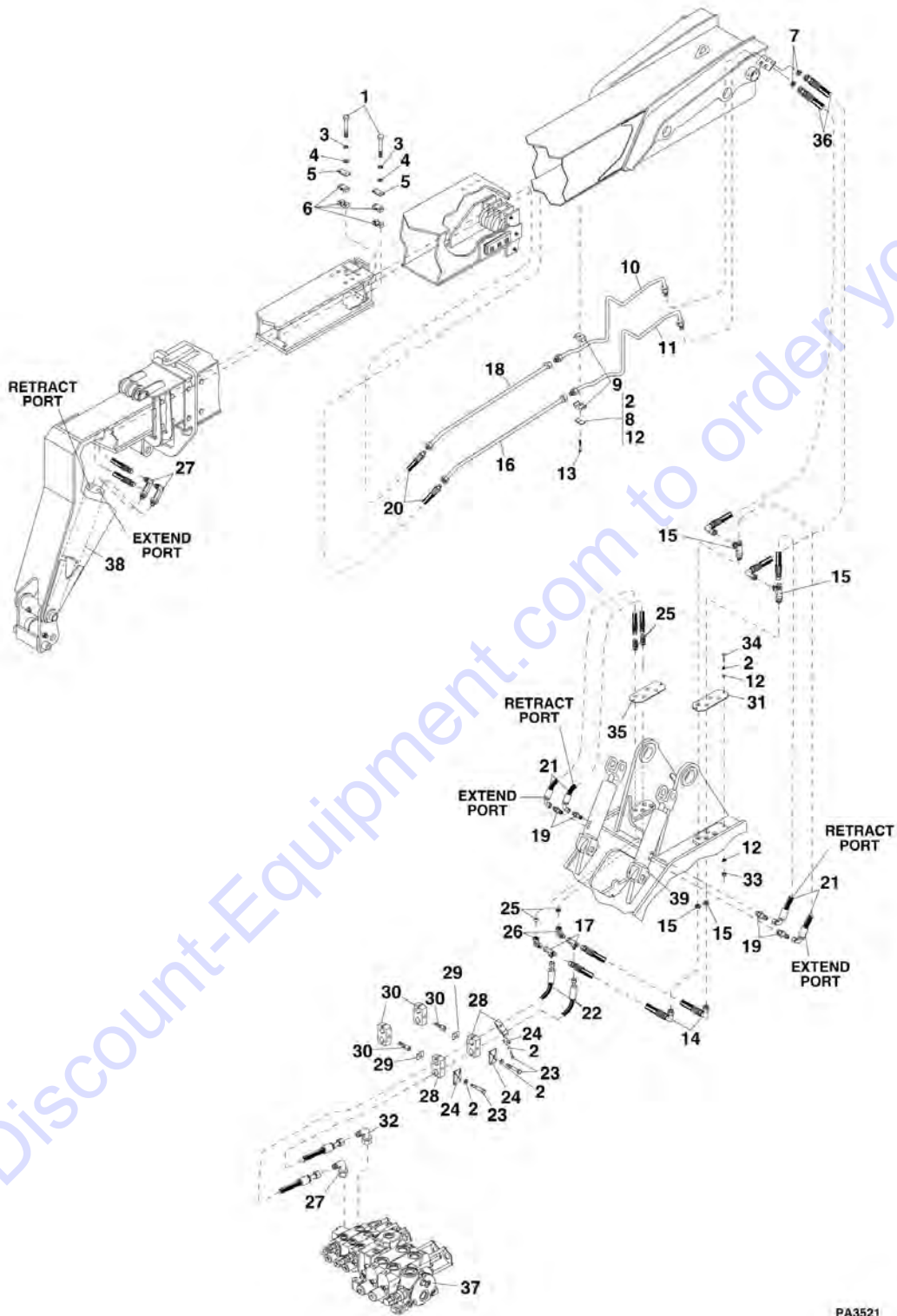
SECTION 8 - HYDRAULIC CIRCUITS

ITEM	PART NUMBER	QTY	DESCRIPTION	REV
34	8310009	1	HEX HD CAPSCREW, 5/16-18X2.0 (SN 14834 through 19988, SN 0160002345 through 0160015051)	
34	8303746	1	HEX HD CAPSCREW, 5/16-18X1-3/4 (SN 0160015052 to Present)	
35	8750026	1	STACKING BOLT (SN 14834 through 19988, SN 0160002345 through 0160033303)	
35	8303757	1	HEX HD CAPSCREW, 5/16-18X2.50 (SN 0160033304 to Present)	
104	2716785	1	HOSE ASSY (SN 0160039338 to Present, Including 0160024571 and 0160037911)	

Go to Discount-Equipment.com to order your parts

SECTION 8 - HYDRAULIC CIRCUITS

FIGURE 8-4. ATTACHMENT TILT AND SLAVE (SN 14834 through 18831)



PA3521

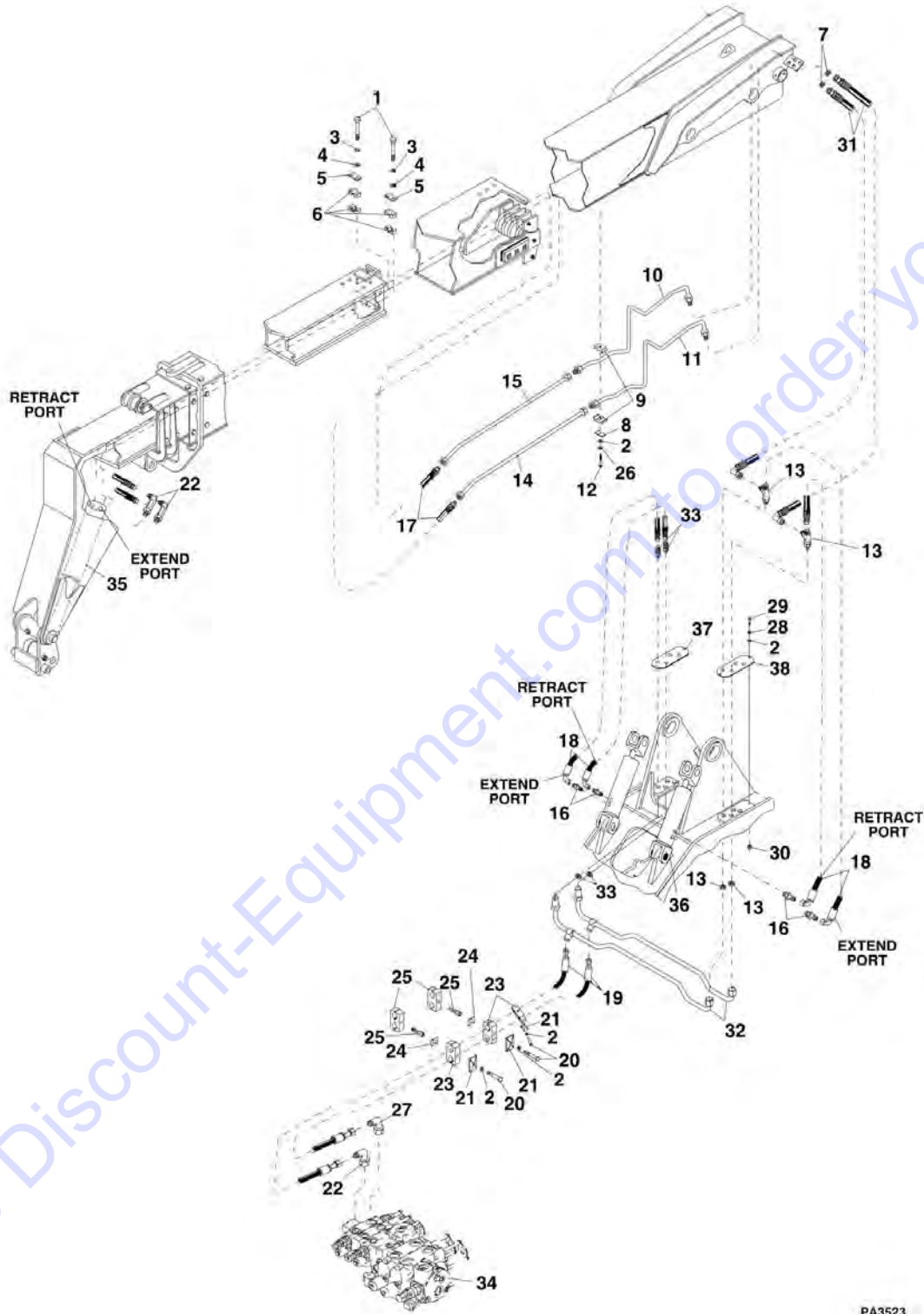
SECTION 8 - HYDRAULIC CIRCUITS

FIGURE 8-4. ATTACHMENT TILT AND SLAVE (SN 14834 through 18831)

ITEM	PART NUMBER	QTY	DESCRIPTION	REV
1	8303090	4	HEX HD CAPSCREW, 1/4-20X1.75	
2	8307004	10	LOCKWASHER, 5/16	
3	8307002	4	LOCKWASHER, 5/16	
4	8307109	4	NARROW FLAT WASHER, 1/4	
5	8769153	2	SINGLE CLAMP COVER PLATE	
6	8750029	2	SINGLE CLAMP, .75 DIA	
7	8760465	2	BULKHEAD LOCKNUT #10	
8	8769123	3	TWIN COVER PLATE	
9	8769122	3	TWIN CLAMP, .62 DIA	
10	7150810	1	RETRACT BOOM ATTACHMENT TILT TUBE	
11	7150811	1	EXTEND BOOM ATTACHMENT TILT TUBE	
12	8307106	11	FLAT WASHER, .34X.69X.065	
13	8303715	3	HEX HD CAPSCREW, 5/16-18X1.50	
14	2716684	2	HOSE ASSY	
15	8760477	2	MALE BULKHEAD RUN TEE	
16	7150837	1	RETRACT ATTACHMENT TILT TUBE ASSY	
17	2220385	2	FEMALE SWIVEL TEE	
18	7150838	1	EXTEND ATTACHMENT TILT TUBE ASSY	
19	2220373	4	STRAIGHT CONNECTOR	
20	2716788	2	BOOM HOSE ASSY	
21	2716773	4	HOSE ASSY	
22	2716767	2	HOSE ASSY	
23	8303264	3	HEX HD CAPSCREW, .312-18X1.50	
24	8769128	3	TWIN COVER PLATE	
25	8760045	2	UNION BULKHEAD	
26	8765204	2	ELBOW, 90, (swivel nut)	
27	2220474	3	ELBOW, 90	
28	8750016	3	TWIN CLAMP SET, 1.18 DIA	
29	8750017	2	LOCK FOR TWIN CLAMP PLATE	
30		Ref	CLAMP AND HARDWARE, (See BOOM LIFT/LOWER AND EXTEND/RETRACT for Breakdown)	
31	7139504	1	LH BULKHEAD PLATE	
32	2220596	1	ELBOW, 90	
33	8305006	4	HEX NUT, 5/16-18	
34	8310009	4	HEX HD CAPSCREW, 5/16-18X2	
35	7139505	1	RH BULKHEAD PLATE	
36	2716714	2	HOSE ASSY	
37		Ref	MAIN CONTROL VALVE, (See HYDRAULIC COMPONENTS SECTION for Breakdown)	
38		Ref	ATTACHMENT TILT CYLINDER, (See HYDRAULIC COMPONENTS SECTION for Breakdown)	
39		Ref	SLAVE CYLINDER, (See HYDRAULIC COMPONENTS SECTION for Breakdown)	

SECTION 8 - HYDRAULIC CIRCUITS

FIGURE 8-5. ATTACHMENT TILT AND SLAVE (SN 0160002345 to Present, SN 18832 through 19988)



PA3523

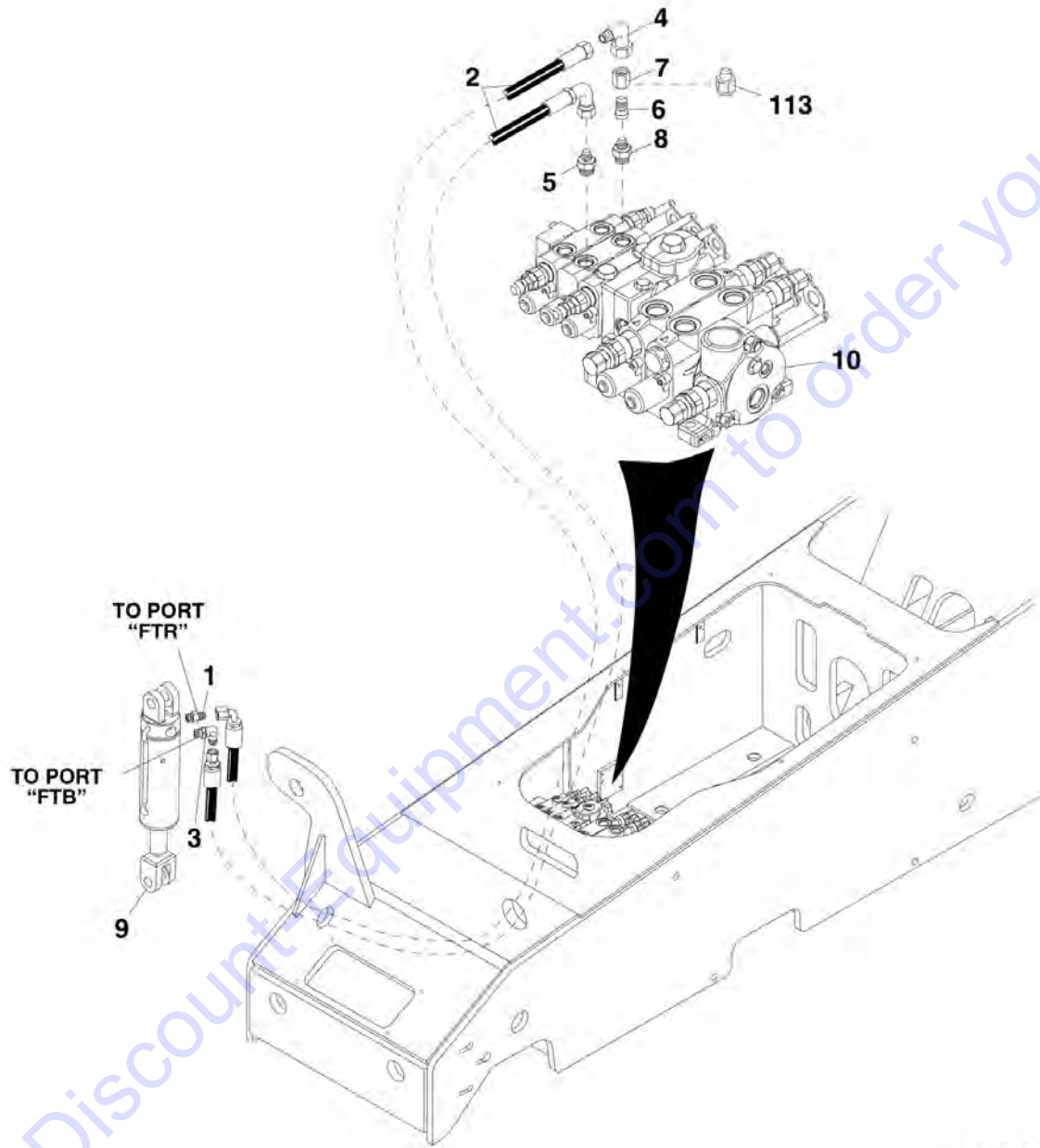
SECTION 8 - HYDRAULIC CIRCUITS

FIGURE 8-5. ATTACHMENT TILT AND SLAVE (SN 0160002345 to Present, SN 18832 through 19988)

ITEM	PART NUMBER	QTY	DESCRIPTION	REV
1	8303090	4	HEX HD CAPSCREW, 1/4-20X1.75	
2	8307004	10	LOCKWASHER, 5/16	
3	8307002	4	LOCKWASHER, 1/4	
4	8307109	4	NARROW FLAT WASHER, 1/4	
5	8769153	2	SINGLE CLAMP COVER PLATE	
6	8750029	2	SINGLE CLAMP, .75 DIA	
7	8760465	2	BULKHEAD LOCKNUT #10	
8	8769123	3	TWIN COVER PLATE	
9	8769122	3	TWIN CLAMP, .62 DIA	
10	7139726	1	RETRACT BOOM ATTACHMENT TILT TUBE	
11	7139727	1	EXTEND BOOM ATTACHMENT TILT TUBE	
12	8303715	3	HEX HD CAPSCREW, 5/16-18X1.50	
13	8760477	2	MALE BULKHEAD RUN TEE	
14	7150837	1	RETRACT ATTACHMENT TILT TUBE ASSY	
15	7150838	1	EXTEND ATTACHMENT TILT TUBE ASSY	
16	2220373	4	STRAIGHT CONNECTOR	
17	2716788	2	BOOM HOSE ASSY	
18	2716773	4	HOSE ASSY	
19	2716767	2	HOSE ASSY	
20	8303264	3	HEX HD CAPSCREW, .312-18X1.50	
21	8769128	3	TWIN COVER PLATE	
22	2220474	3	ELBOW, 90	
23	8750027	3	TWIN CLAMP SET, .84IN DIA	
24	8750017	2	LOCK FOR TWIN CLAMP PLATE	
25		Ref	CLAMP AND HARDWARE, (See BOOM LIFT/LOWER AND EXTEND/RETRACT for Breakdown)	
26	8307106	3	FLAT WASHER, .34X.69X.065	
27	2220596	1	ELBOW, 90	
28	8307203	4	PLAIN WASHER, .312	
29	8310009	4	HEX HD CAPSCREW, .312-18X2, GR5	
30	8305006	4	HEX NUT, .312-18	
31	2716714	2	HOSE ASSY	
32	7300214	2	TUBE ASSY	
33	8760463	2	LOCKNUT, BULKHEAD #8	
34		Ref	MAIN CONTROL VALVE, (See HYDRAULIC COMPONENTS SECTION for Breakdown)	
35		Ref	ATTACHMENT TILT CYLINDER, (See HYDRAULIC COMPONENTS SECTION for Breakdown)	
36		Ref	SLAVE CYLINDER, (See HYDRAULIC COMPONENTS SECTION for Breakdown)	
37	7139505	1	RH BULKHEAD PLATE	
38	7139504	1	LH BULKHEAD PLATE	

SECTION 8 - HYDRAULIC CIRCUITS

FIGURE 8-6. FRAME SWAY



PA3531

SECTION 8 - HYDRAULIC CIRCUITS

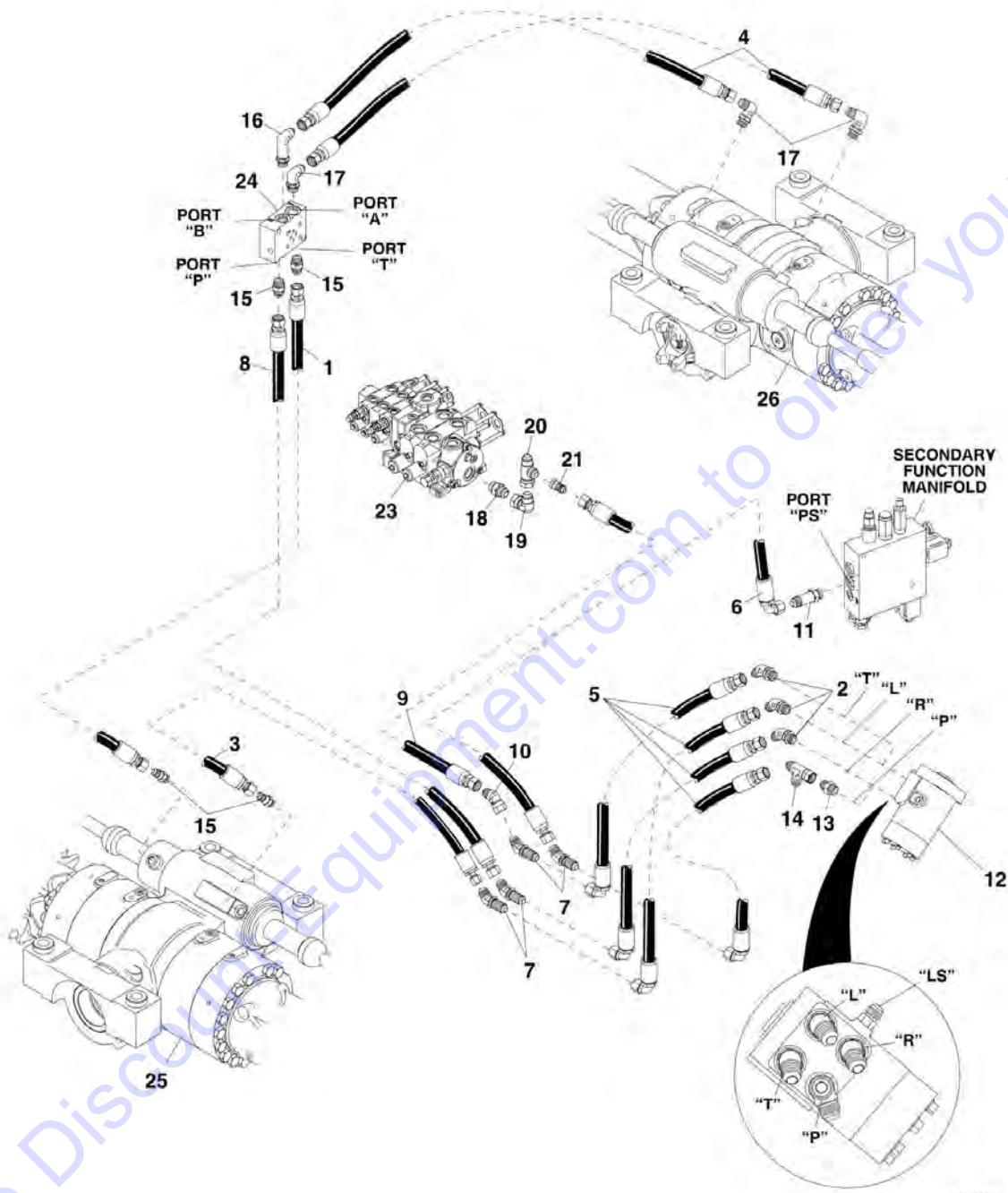
FIGURE 8-6. FRAME SWAY

ITEM	PART NUMBER	QTY	DESCRIPTION	REV
1	2220371	1	STRAIGHT CONNECTOR	
2	2716764	2	HOSE ASSY	
3	2220473	1	ELBOW, 90	
4	8760268	1	ELBOW, 90, (swivel nut)	
5	2220372	1	STRAIGHT CONNECTOR	
6	8760458	1	TUBE END REDUCER (Prior to SN 0160039337, Excluding 0160024571 and 0160037911)	
7	8760407	1	NUT (Prior to SN 0160039337, Excluding 0160024571 and 0160037911)	
8	2220373	1	STRAIGHT CONNECTOR	
9		Ref	FRAME SWAY CYLINDER, (See HYDRAULIC COMPONENTS SECTION for Breakdown)	
10		Ref	MAIN CONTROL VALVE, (See HYDRAULIC COMPONENTS SECTION for Breakdown)	
113	2220619	1	ADAPTER (SN 0160039338 to Present, Including 0160024571 and 0160037911)	

Go to Discount-Equipment.com to order your parts

SECTION 8 - HYDRAULIC CIRCUITS

FIGURE 8-7. POWER STEERING



PA3492

Go to DiscountTractorEquipment.com to order your parts

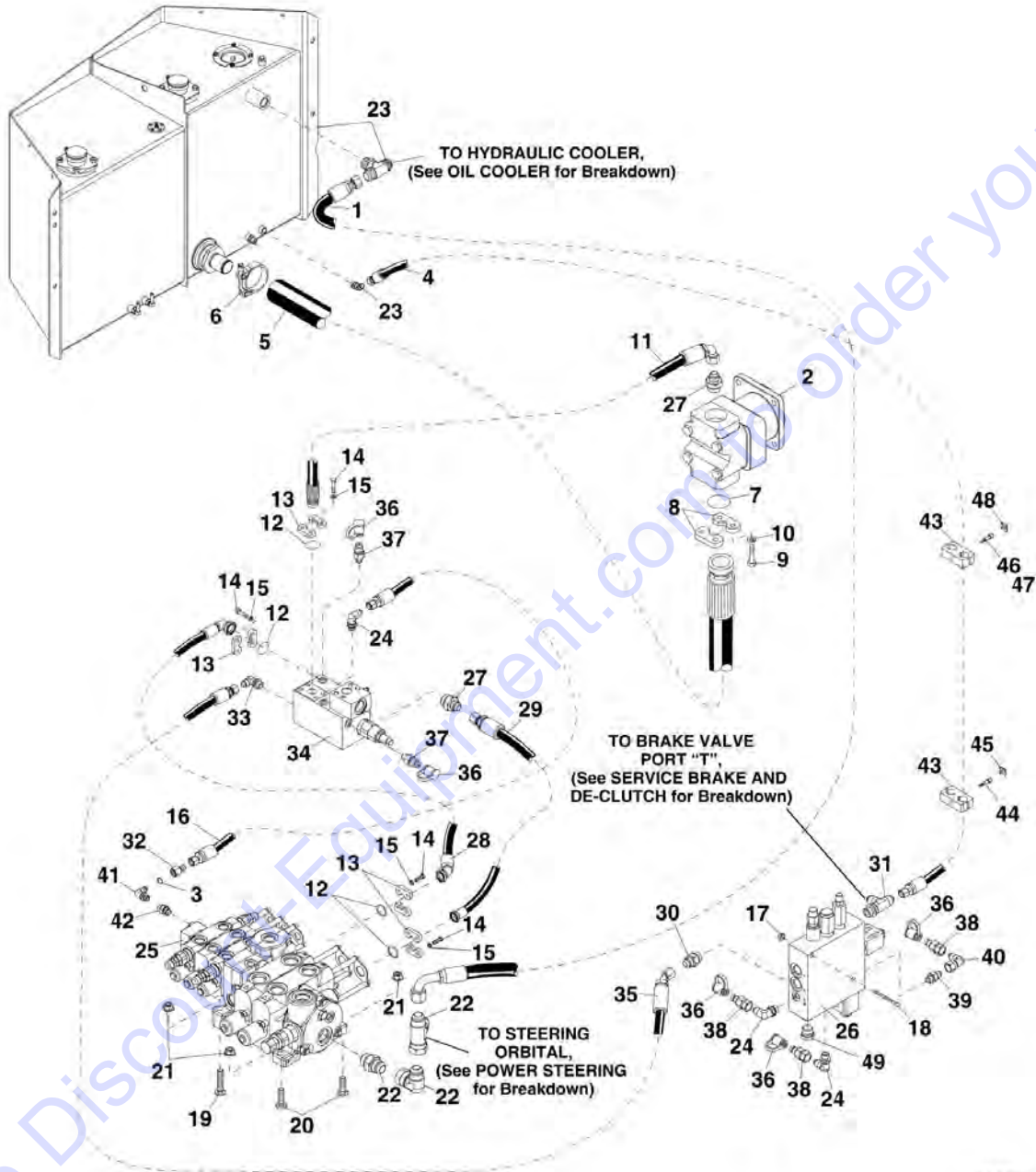
SECTION 8 - HYDRAULIC CIRCUITS

FIGURE 8-7. POWER STEERING

ITEM	PART NUMBER	QTY	DESCRIPTION	REV
1	2716776	1	HOSE ASSY	
2	2220500	3	ELBOW, 45	
3	2716775	1	HOSE ASSY	
4	2716673	2	HOSE ASSY	
5	2716696	4	HOSE ASSY	
6	2716769	1	HOSE ASSY	
7	8760237	4	BULKHEAD ELBOW, 45	
8	2716773	1	HOSE ASSY	
9	2716772	1	HOSE ASSY	
10	2220683	1	ELBOW, 45, (swivel nut)	
11	2220381	1	CONNECTOR	
12	8721029	1	STEERING UNIT	
13	8760140	1	MALE CONNECTOR	
14	2220385	1	FEMALE SWIVEL RUN TEE	
15	2220373	4	STRAIGHT CONNECTOR	
16	2220474	1	ELBOW, 90	
17	2220596	3	ELBOW, 90	
18	8770173	1	CONNECTOR	
19	2220655	1	ELBOW, 90, (swivel nut)	
20	2220700	1	FEMALE SWIVEL RUN TEE	
21	2220622	1	TUBE END REDUCER	
23		Ref	MAIN CONTROL VALVE, (See HYDRAULIC COMPONENTS SECTION for Breakdown)	
24		Ref	STEER SELECT VALVE, (See HYDRAULIC COMPONENTS SECTION for Breakdown)	
25		Ref	FRONT AXLE, (See DRIVE TRAIN SECTION for Breakdown)	
26		Ref	REAR AXLE, (See DRIVE TRAIN SECTION for Breakdown)	

SECTION 8 - HYDRAULIC CIRCUITS

FIGURE 8-8. CONTROL VALVES



PA3503

SECTION 8 - HYDRAULIC CIRCUITS

FIGURE 8-8. CONTROL VALVES

ITEM	PART NUMBER	QTY	DESCRIPTION	REV
1	2716783	1	HOSE ASSY	
2		Ref	GEAR PUMP, (See HYDRAULIC COMPONENTS SECTION for Breakdown)	
3	8630003	1	O-RING	
4	2716774	1	HOSE ASSY	
5	2716808	1	HOSE ASSY	
6	8405209	1	HOSE CLAMP	
7	8640208	1	O-RING	
8	10717672	2	FLANGE HALF, 32	
9	8303626	4	HEX HD CAPSCREW, 1/2-13X1.5	
10	8307007	4	LOCKWASHER, 1/2	
11	2716780	1	HOSE ASSY	
12	8640123	4	O-RING	
13	8530030	8	FLANGE HALF, 16	
14	8303675	16	HEX HD CAPSCREW, 3/8-16X1.25, GR5, (torque to 33-37 lb-ft)	
15	8307005	16	LOCKWASHER, 3/8	
16	2717033	1	HOSE ASSY	
17	8310420	2	HEX FLANGE NUT, 5/16-18	
18	8310393	2	CARRIAGE BOLT, 5/16-18X2.75, GR2, (torque to 18.5 - 21 lb-ft)	
19	8310337	1	CARRIAGE BOLT, 1/2-13X2.5	
20	8310524	2	CARRIAGE BOLT, 1/2-13X1.75	
21	8310523	3	HEX FLANGE NUT, 1/2-13	
22		Ref	MAIN CONTROL VALVE HARDWARE, (See POWER STEERING for Breakdown)	
23		Ref	FUEL/HYDRAULIC TANK ASSY, (See HYDRAULIC COMPONENTS SECTION for Breakdown)	
24	2220473	3	ELBOW, 90	
25		Ref	MAIN CONTROL VALVE ASSY, (See HYDRAULIC COMPONENTS SECTION for Breakdown)	
26		Ref	SECONDARY FUNCTION MANIFOLD, (See HYDRAULIC COMPONENTS SECTION for Breakdown)	
27	2220435	2	STRAIGHT CONNECTOR	
28	2716781	1	HOSE ASSY	
29	2716807	1	HOSE ASSY	
30	2220373	1	STRAIGHT CONNECTOR	
31	2220602	1	MALE RUN TEE	
32	7139993	1	RESTRICTOR CHECK VALVE	
33	2220596	1	ELBOW, 90	
34		Ref	UNLOADER VALVE ASSY, (See HYDRAULIC COMPONENTS SECTION for Breakdown)	
35	2716771	1	HOSE ASSY	
36	8430032	5	DUST PLUG	
37	8430033	2	DIAGNOSTIC NIPPLE	
38	8430046	3	DIAGNOSTIC NIPPLE	
39	2220371	1	STRAIGHT CONNECTOR	
40	8760268	1	ELBOW, 90, (swivel nut)	
41	2172106	1	ELBOW, 90, (swivel nut))	
42	2110606	1	STRAIGHT CONNECTOR	
43	8750027	2	CLAMP, SET, .84 DIA TWIN	
44	8750012	1	STACKING BOLT, (torque to 7.5 - 13.5 lb-ft)	
45	8750017	1	TWIN CLAMP PLATE LOCKING	

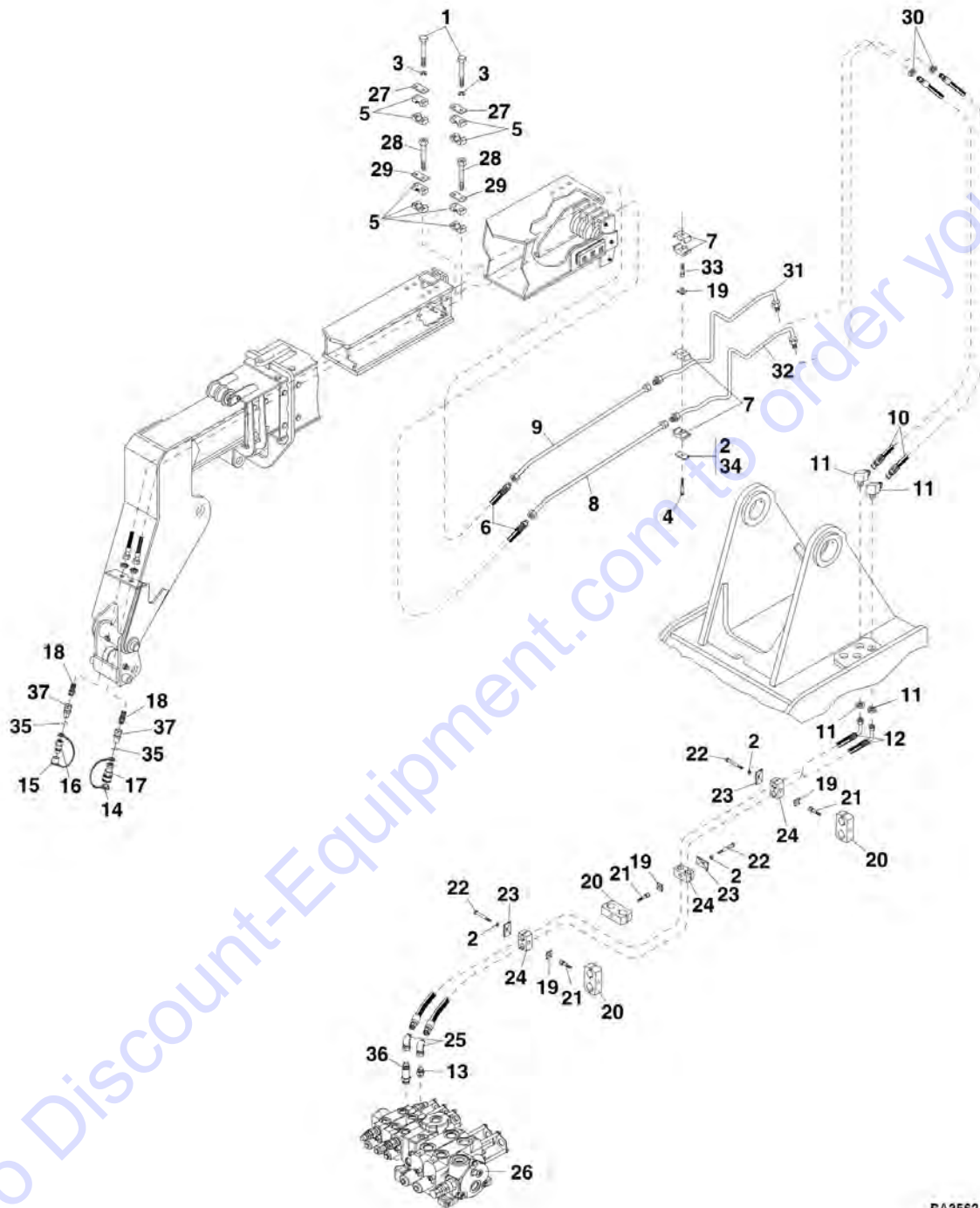
SECTION 8 - HYDRAULIC CIRCUITS

ITEM	PART NUMBER	QTY	DESCRIPTION	REV
46	8310009	1	HEX HD CAPSCREW, 5/16-18X2, (torque to 11.6 - 21 lb-ft)	
47	8307004	1	LOCKWASHER, 5/16	
48	8769128	1	TWIN COVER PLATE	
49	2220238	1	PLUG	

Go to Discount-Equipment.com to order your parts

SECTION 8 - HYDRAULIC CIRCUITS

FIGURE 8-9. AUXILIARY HYDRAULIC



PA3562

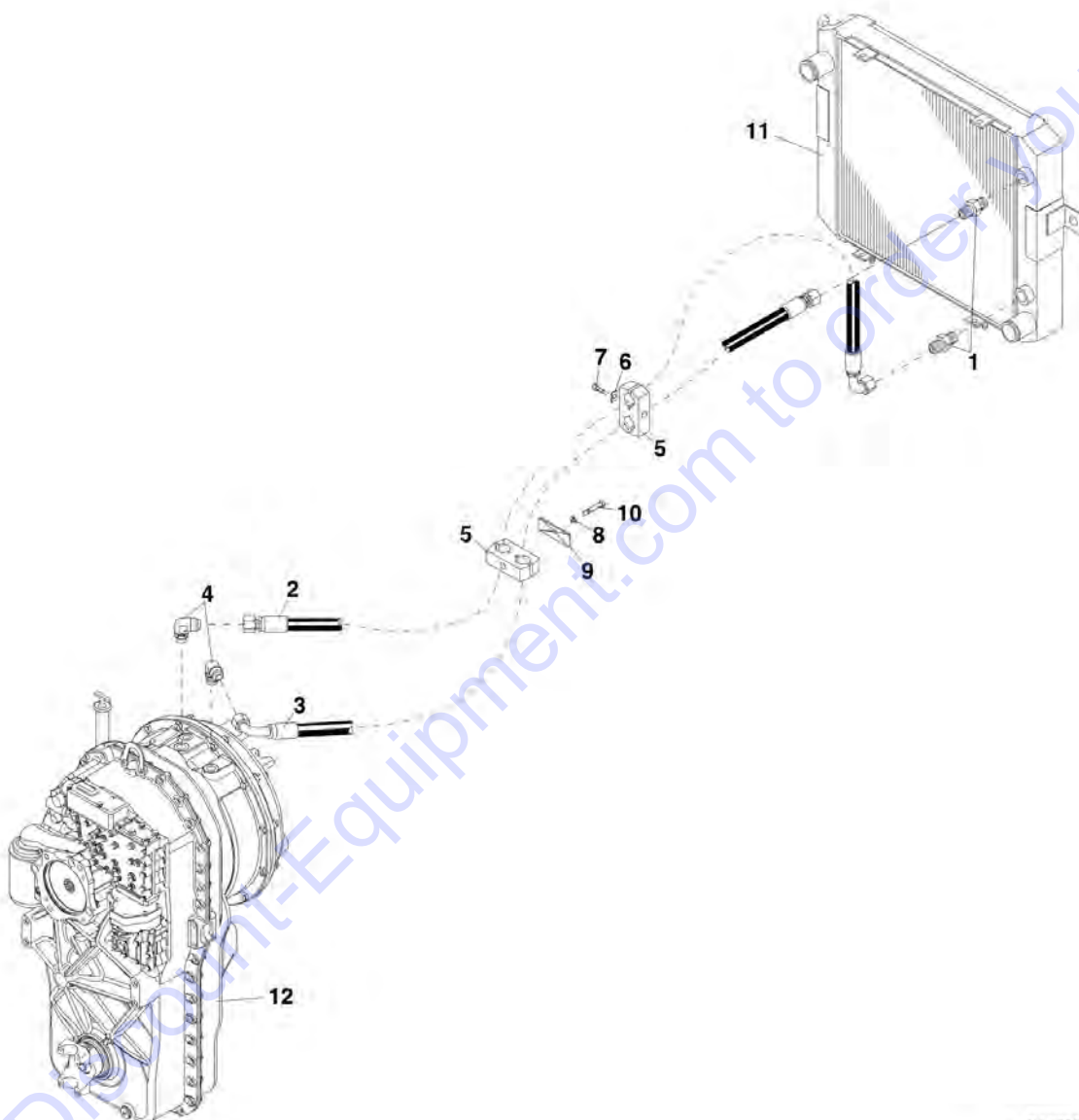
SECTION 8 - HYDRAULIC CIRCUITS

FIGURE 8-9. AUXILIARY HYDRAULIC

ITEM	PART NUMBER	QTY	DESCRIPTION	REV
1	8303090	4	HEX HD CAPSCREW, 1/4-20X1-3/4	
2	8307004	6	LOCKWASHER, 5/16	
3	8307002	4	LOCKWASHER, 1/4	
4	8303715	3	HEX HD CAPSCREW, 5/16-18X1-1/2	
5	8750029	4	SINGLE CLAMP, .75 ID	
6	2716792	2	HOSE ASSY	
7	8769122	6	TWIN CLAMP, .62 ID, (two halves)	
8	7150837	1	TUBE ASSY	
9	7150838	1	TUBE ASSY	
10	2716713	2	HOSE ASSY	
11	2230044	2	BULKHEAD ELBOW, 90, (includes nut)	
12	2716768	2	HOSE ASSY	
13	2220373	1	STRAIGHT CONNECTOR	
14	8420055	1	DUST PLUG, #8	
15	8420053	1	DUST CAP, #8	
16	91403414	1	MALE QUICK DISCONNECT	
17	91403413	1	FEMALE QUICK DISCONNECT	
18	2230025	2	BULKHEAD STRAIGHT UNION	
19	8750017	6	TWIN CLAMP PLATE LOCKING	
20	8750040	3	TWIN CLAMP SET, 1.18 DIA	
21	8750026	3	STACKING BOLT	
22	8310009	3	HEX HD CAPSCREW, 5/16-18X2	
23	8769128	3	TWIN COVER PLATE	
24	8750027	3	TWIN CLAMP SET, .84 DIA	
25	8765204	2	ELBOW, 90, (swivel nut)	
26		Ref	MAIN CONTROL VALVE, (See HYDRAULIC COMPONENTS SECTION for Breakdown)	
27	8769153	2	SINGLE CLAMP COVER PLATE	
28	8769155	4	STACKING BOLT	
29	8769156	2	SAFETY LOCK SINGLE PLATE	
30	8760465	2	BULKHEAD LOCKNUT, #10	
31	7139728	1	TUBE ASSY	
32	7139729	1	TUBE ASSY	
33	8750011	3	STACKING BOLT	
34	8769123	3	COVER PLATE	
35	8640025	2	O-RING (SN 14834 through 19988, SN 0160002345 through 0160034648)	
36	2220381	1	CONNECTOR	
37	2220651	2	STRAIGHT CONNECTOR (SN 0160034648 to Present)	

SECTION 8 - HYDRAULIC CIRCUITS

FIGURE 8-10. TRANSMISSION COOLER (SN 14834 through 19988, SN 0160002345 through 0160004109)



PA3551

SECTION 8 - HYDRAULIC CIRCUITS

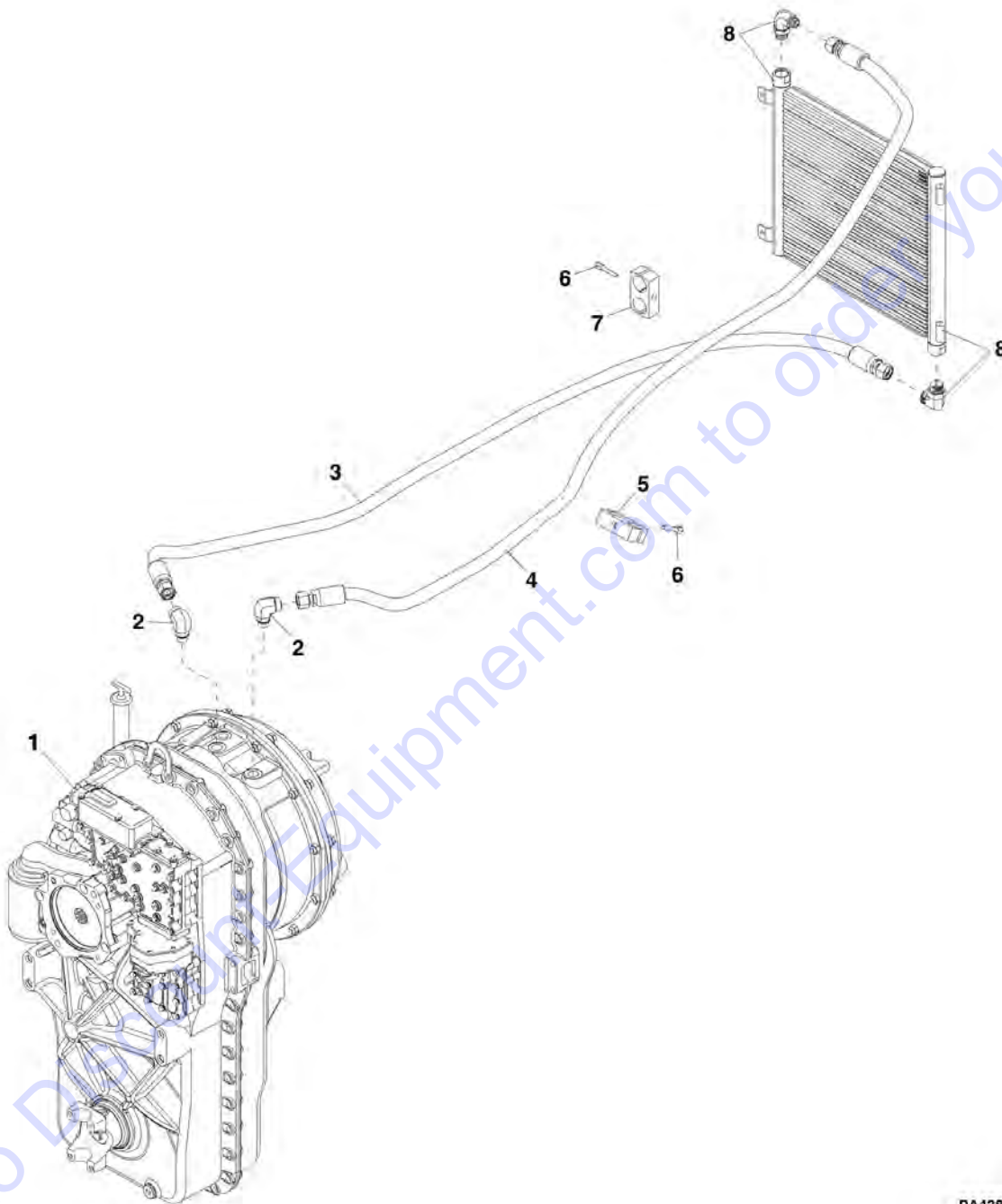
FIGURE 8-10. TRANSMISSION COOLER (SN 14834 through 19988, SN 0160002345 through 0160004109)

ITEM	PART NUMBER	QTY	DESCRIPTION	REV
1	8760109	2	STRAIGHT CONNECTOR	
2	2716622	1	HOSE ASSY	
3	2716621	1	HOSE ASSY	
4	8760328	2	ELBOW, 90	
5	8750024	2	TWIN CLAMP SET	
6	8750017	1	TWIN CLAMP LOCKING PLATE	
7	8750026	1	STOCKING BOLT	
8	8307004	1	LOCKWASHER, 5/16	
9	8750025	1	TWIN COVER PLATE	
10	8303757	1	HEX HD CAPSCREW, 5/16-18X2.5	
11		Ref	RADIATOR, (See ENGINE AND ATTACHING PARTS SECTION for Breakdown)	
12		Ref	ZF TRANSMISSION, (See DRIVE TRAIN SECTION for Breakdown)	

Go to Discount-Equipment.com to order your parts

SECTION 8 - HYDRAULIC CIRCUITS

FIGURE 8-11. TRANSMISSION COOLER (SN 0160004110 through 0160039337, Excluding 0160024571 and 0160037911)



PA4380

SECTION 8 - HYDRAULIC CIRCUITS

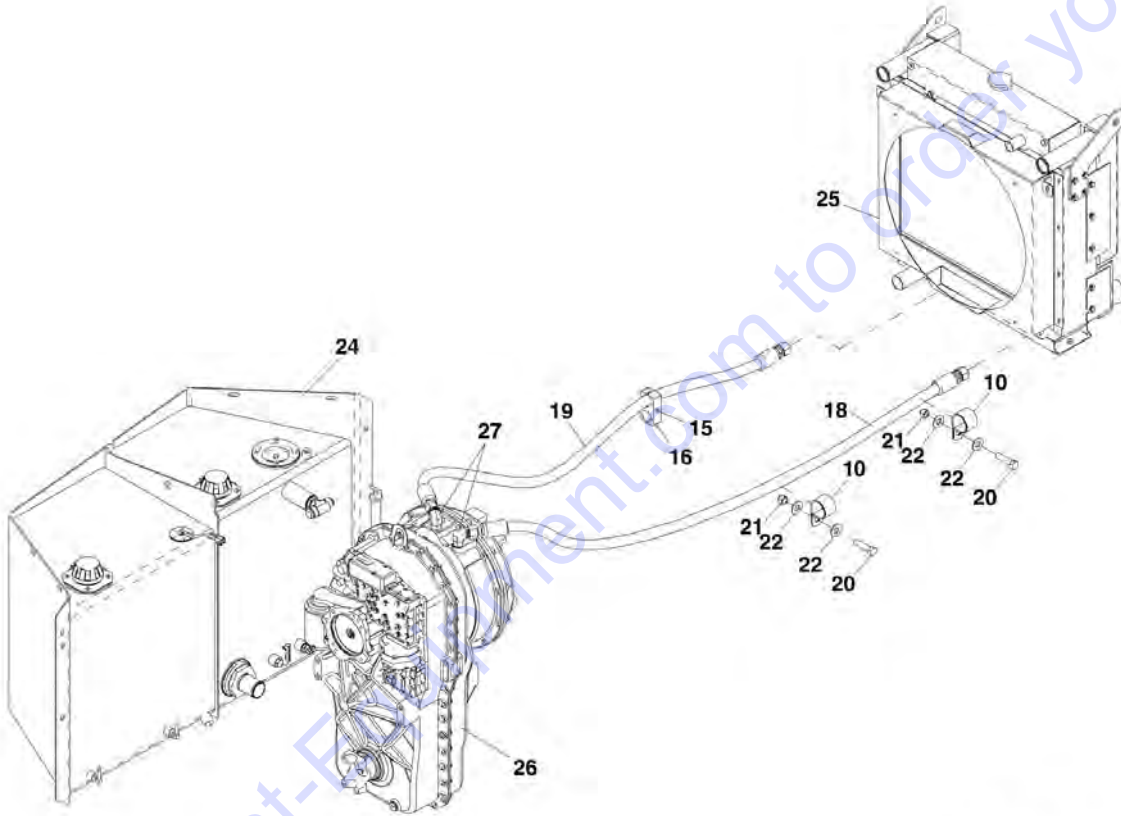
FIGURE 8-11. TRANSMISSION COOLER (SN 0160004110 through 0160039337, Excluding 0160024571 and 0160037911)

ITEM	PART NUMBER	QTY	DESCRIPTION	REV
1		Ref	ZF TRANSMISSION, (See DRIVE TRAIN SECTION for Breakdown)	
2	2131210	2	ELBOW, 90	
3	2717150	1	HOSE ASSY	
4	2717149	1	HOSE ASSY	
5	8750024	1	CLAMP SET, 1.18 DIA (SN 0160004110 through 0160032087)	
5	8750040	1	CLAMP SET, 1.46 DIA (SN 0160032088 to Present)	
6	8750026	2	STACKING BOLT	
7	8750040	1	CLAMP SET, 1.46 DIA	
8		Ref	TRANSMISSION OIL COOLER, (See ENGINE AND ATTACHING PARTS SECTION for Breakdown)	

Go to Discount-Equipment.com to order your parts

SECTION 8 - HYDRAULIC CIRCUITS

FIGURE 8-12. TRANSMISSION COOLER (SN 0160039338 to Present, Including 0160024571 and 0160037911)



PAP9300

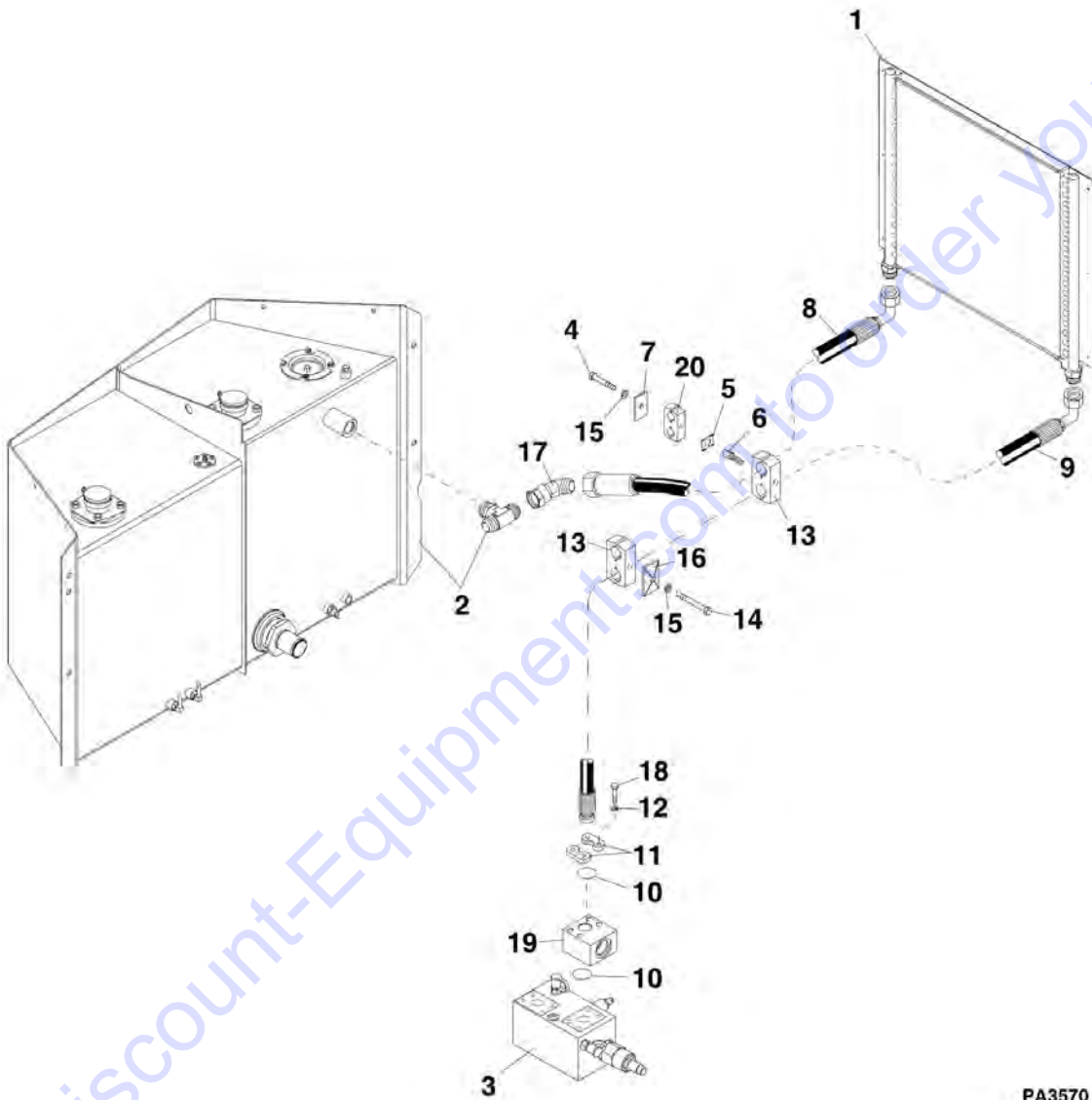
SECTION 8 - HYDRAULIC CIRCUITS

FIGURE 8-12. TRANSMISSION COOLER (SN 0160039338 to Present, Including 0160024571 and 0160037911)

ITEM	PART NUMBER	QTY	DESCRIPTION	REV
	1001100220	1	TRANSMISSION COOLER, (includes items 10, 15, 16, 18 thru 22)	D
10		Ref	CLAMP, (See OIL COOLER for Breakdown)	
15	8750026	1	STACK BOLT	
16	8750040	1	CLAMP SET	
18	1001100222	1	HOSE ASSY	
19	1001100223	1	HOSE ASSY	
20	0641612	2	HEX HD CAPSCREW, 3/8-16X1-1/2, GR5	
21	8305645	2	HEX LOCKNUT, 3/8-16	
22	8310200	4	WASHER, 3/8	
24		Ref	FUEL/HYDRAULIC TANK ASSY, (See HYDRAULIC COMPONENTS SECTION for Breakdown)	
25		Ref	RADIATOR, (See ENGINE AND ATTACHING PARTS SECTION for Breakdown)	
26		Ref	ZF TRANSMISSION, (See DRIVE TRAIN SECTION for Breakdown)	
27	2131210	2	ELBOW, 90	

SECTION 8 - HYDRAULIC CIRCUITS

FIGURE 8-13. OIL COOLER (SN 14834 through 19988, SN 0160002345 through 0160004109)



PA3570

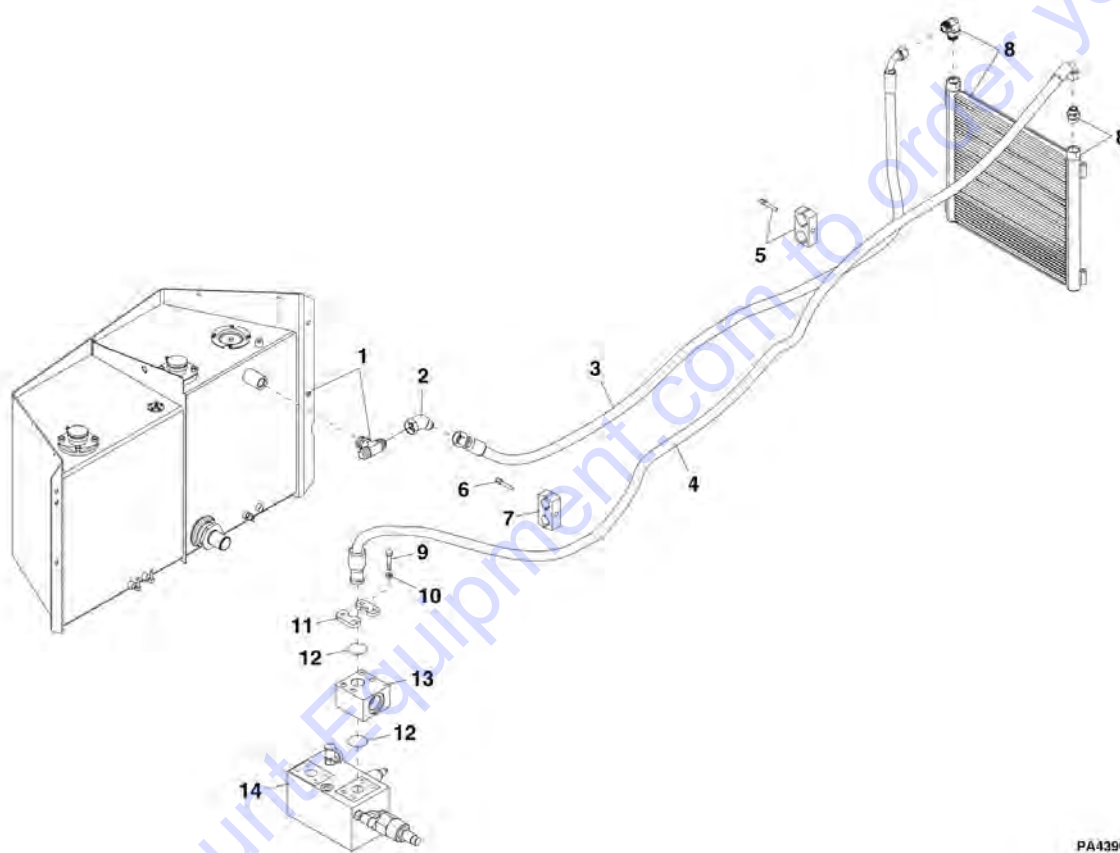
SECTION 8 - HYDRAULIC CIRCUITS

FIGURE 8-13. OIL COOLER (SN 14834 through 19988, SN 0160002345 through 0160004109)

ITEM	PART NUMBER	QTY	DESCRIPTION	REV
1		Ref	OIL COOLER, (See ENGINE AND ATTACHING PARTS SECTION for Breakdown)	
2		Ref	FUEL/HYDRAULIC TANK ASSY, (See HYDRAULIC COMPONENTS SECTION for Breakdown)	
3		Ref	UNLOADER VALVE, (See HYDRAULIC COMPONENTS SECTION for Breakdown)	
4	8310009	1	HEX HD CAPSCREW, 5/16-18X2.00, GR5	
5	8750017	1	LOCKING PLATE	
6	8750026	1	STACKING BOLT	
7	8769123	1	TWIN COVER PLATE	
8	2716786	1	HOSE ASSY	
9	2716779	1	HOSE ASSY	
10	8640123	2	O-RING	
11	8530030	2	FLANGE HALF, 16	
12	8307005	4	LOCKWASHER, 3/8	
13	8750040	2	TWIN CLAMP SET, 1.18 DIA	
14	8303757	1	HEX HD CAPSCREW, 5/16-18X2.5	
15	8307004	2	LOCKWASHER, 5/16	
16	8750025	1	TWIN COVER PLATE	
17	8760273	1	ELBOW, 45, (swivel nut)	
18	8303107	4	HEX HD CAPSCREW, 3/8-16X3.25, GR5	
19	7139788	1	BLOCK MANIFOLD	
20	8750015	1	TWIN CLAMP SET, .67 DIA	

SECTION 8 - HYDRAULIC CIRCUITS

FIGURE 8-14. OIL COOLER (SN 0160004110 through 0160039337, Excluding 0160024571 and 0160037911)



PA4390

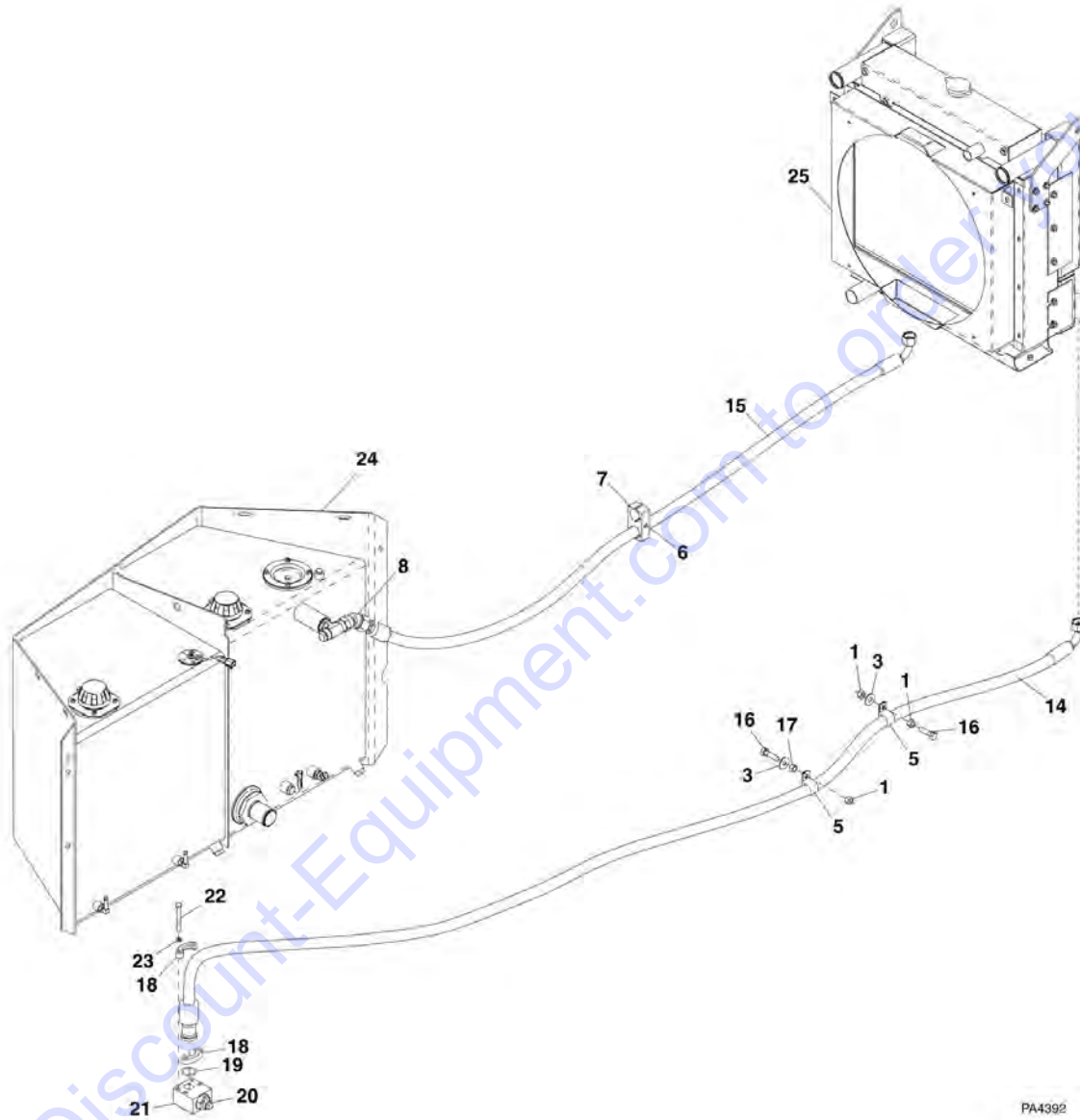
SECTION 8 - HYDRAULIC CIRCUITS

FIGURE 8-14. OIL COOLER (SN 0160004110 through 0160039337, Excluding 0160024571 and 0160037911)

ITEM	PART NUMBER	QTY	DESCRIPTION	REV
1		Ref	FUEL/HYDRAULIC TANK ASSY, (See HYDRAULIC COMPONENTS SECTION for Breakdown)	
2	8760273	1	ELBOW, 45, (swivel nut)	
3	2717159	1	HOSE ASSY	
4	2717158	1	HOSE ASSY	
5		Ref	CLAMP AND HARDWARE, (See TRANSMISSION COOLER for Breakdown)	
6	8750026	1	STACKING BOLT	
7	8750024	1	CLAMP SET, 1.18 DIA	
8		Ref	OIL COOLER, (See ENGINE AND ATTACHING PARTS SECTION for Breakdown)	
9	8303107	4	HEX HD CAPSCREW, 3/8-16X3-1/4, GR5	
10	8307005	4	LOCKWASHER, 3/8	
11	8530030	2	FLANGE HALF	
12	8640123	2	O-RING	
13	7139788	1	BLOCK MANIFOLD	
14		Ref	UNLOADER VALVE, (See HYDRAULIC COMPONENTS SECTION for Breakdown)	

SECTION 8 - HYDRAULIC CIRCUITS

FIGURE 8-15. OIL COOLER (SN 0160039338 to Present, Including 0160024571 and 0160037911)



SECTION 8 - HYDRAULIC CIRCUITS

FIGURE 8-15. OIL COOLER (SN 0160039338 to Present, Including 0160024571 and 0160037911)

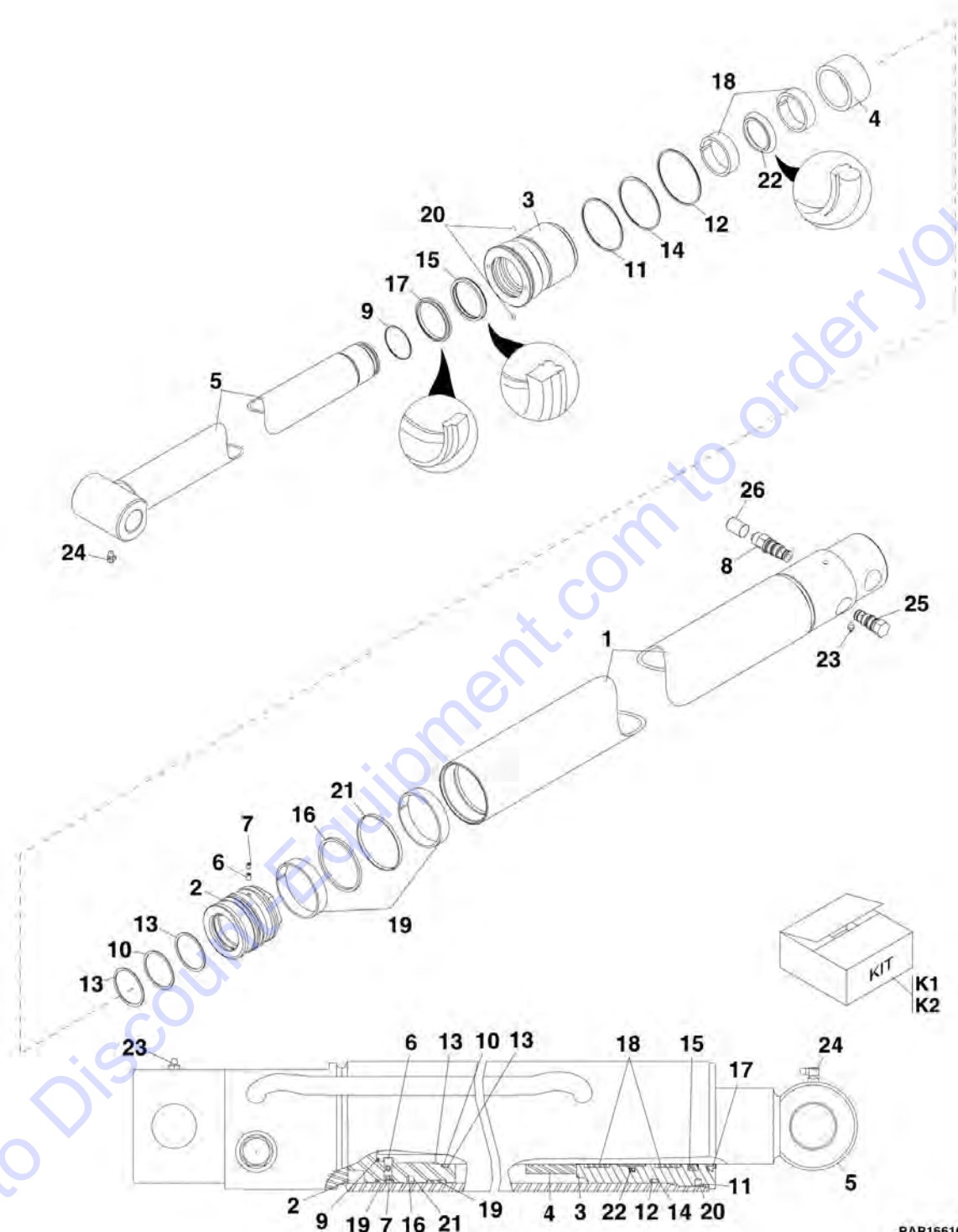
ITEM	PART NUMBER	QTY	DESCRIPTION	REV
	1001099246	1	OIL COOLER, (includes items 1 thru 23)	C
1	3311805	3	LOCKNUT, 1/2-13	
3	4751800	2	WASHER, 1/2	
5	8406302	2	CLAMP	
8	8760273	1	ELBOW, 45	
14	1001100215	1	HOSE ASSY	
15	1001100216	1	HOSE ASSY	
16	0641814	2	HEX HD CAPSCREW, 1/2-13X1-3/4, GR5	
17	8310456	1	HEX NUT, 1/2-13	
18	8530030	2	FLANGE	
19	8640123	1	O-RING	
20	2220435	1	CONNECTOR	
21	7139788	1	MANIFOLD BLOCK	
22	8303107	4	HEX HD CAPSCREW, 3/8-16X3-1/4, GR5	
23	8307005	4	LOCKWASHER, 3/8	
24		Ref	FUEL/HYDRAULIC TANK ASSY, (See HYDRAULIC COMPONENTS SECTION for Breakdown)	
25		Ref	RADIATOR, (See ENGINE AND ATTACHING PARTS SECTION for Breakdown)	

SECTION 9 - HYDRAULIC COMPONENTS

Go to Discount-Equipment.com to order your parts

SECTION 9 - HYDRAULIC COMPONENTS

FIGURE 9-1. BOOM EXTEND/RETRACT CYLINDER



PAP16610

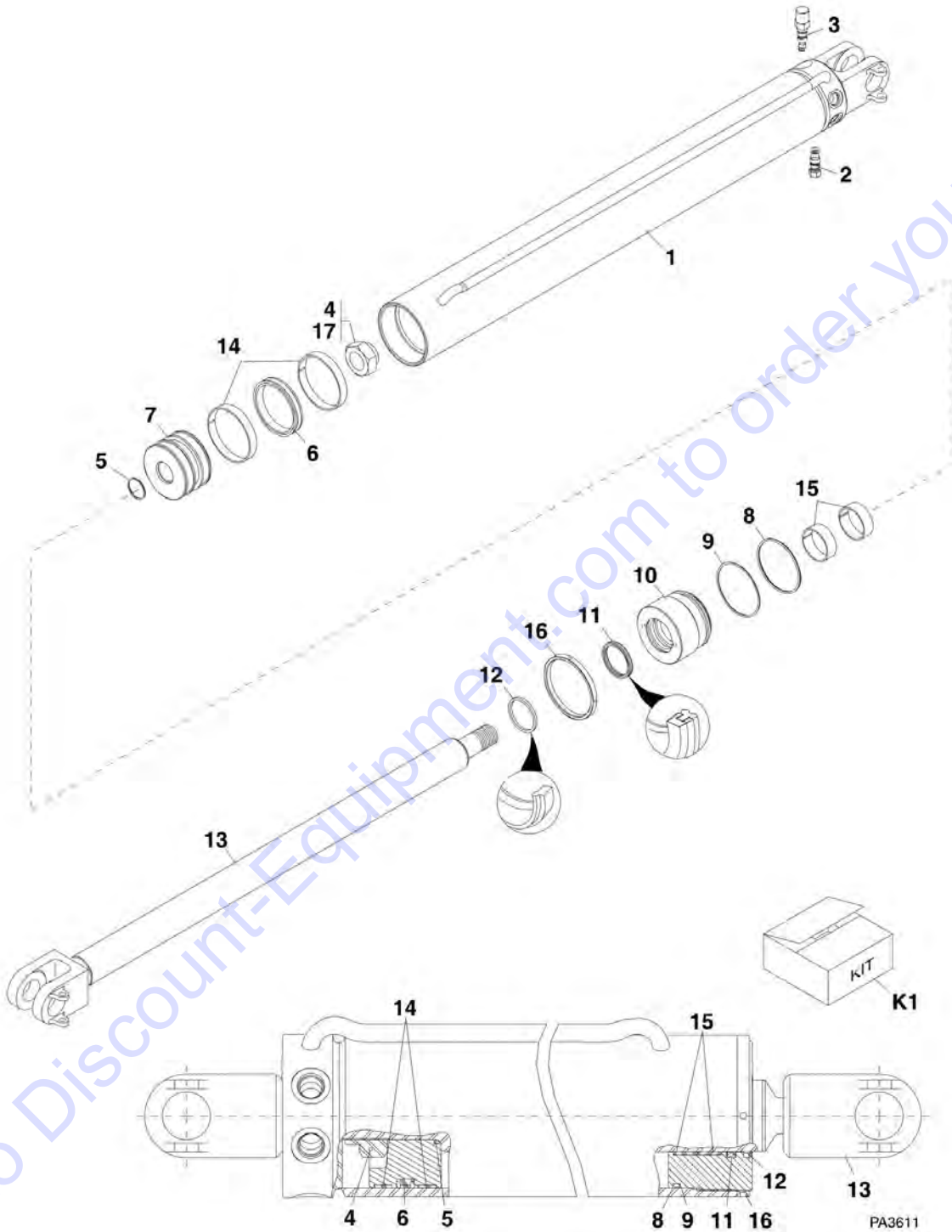
SECTION 9 - HYDRAULIC COMPONENTS

FIGURE 9-1. BOOM EXTEND/RETRACT CYLINDER

ITEM	PART NUMBER	QTY	DESCRIPTION	REV
	2716571	1	BOOM EXTEND/RETRACT CYLINDER, (includes all items)	H
1	N.S.S.	1	TUBE WELDMENT	
2	8036402	1	PISTON, (Loctite 241 and torque to 300-400 lb-ft)	
3	8036403	1	GLAND HEAD, (torque to 300-400 lb-ft)	
4	8036404	1	ROD SPACER	
5	8036405	1	ROD WELDMENT	
6	8035536	1	SET SCREW, 5/16-18X.50, (Loctite 241 and torque to 155-165 lb-ft)	
7	8036406	1	SET SCREW, 5/16-18X.38, (Loctite 241 and torque to 155-165 lb-ft)	
8	8902259	1	COUNTERBALANCE VALVE, (3500psi), (torque to 45-50 lb-ft)	
8	8205656	1	SEAL KIT	
9	Kit	1	O-RING	
10	Kit	1	O-RING	
11	Kit	1	O-RING	
12	Kit	1	O-RING	
13	Kit	2	BACK-UP RING	
14	Kit	1	BACK-UP RING	
15	Kit	1	WIPER SEAL	
16	Kit	1	PISTON SEAL	
17	Kit	1	WIPER SEAL	
18	Kit	2	WEARBAND	
19	Kit	2	WEARBAND	
20	Kit	2	LOCKING INSERT	
21	Kit	1	SQUARE RING	
22	Kit	1	BUFFER SEAL	
23	8036144	1	STRAIGHT GREASE FITTING	
24	8036143	1	GREASE FITTING, 90	
25	8036229	1	CHECK VALVE	
25	8205656	1	SEAL KIT	
26	8036407	1	TAMPERPROOF CAP	
K1	8036296	1	CYLINDER CONVERSION KIT, (includes item 3 and boom extend cylinder seal kit) (SN 14834 through 15222)	
K2	8036294	1	EXTEND CYLINDER SEAL KIT, (includes items 9 thru 22) (SN 15223 through 19988, SN 0160002345 to Present)	

SECTION 9 - HYDRAULIC COMPONENTS

FIGURE 9-2. BOOM LIFT/LOWER CYLINDER (SN 14834 through 19297)



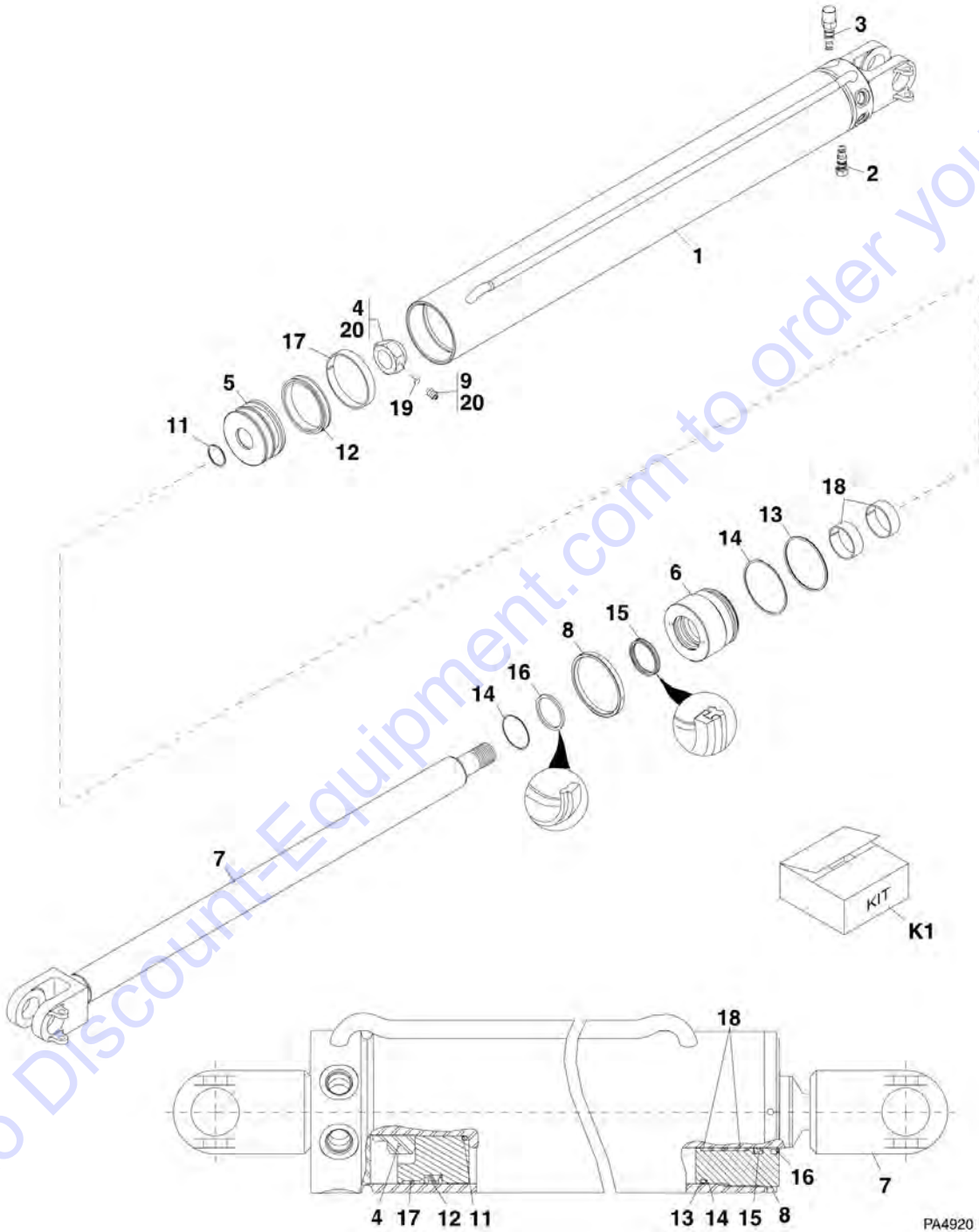
SECTION 9 - HYDRAULIC COMPONENTS

FIGURE 9-2. BOOM LIFT/LOWER CYLINDER (SN 14834 through 19297)

ITEM	PART NUMBER	QTY	DESCRIPTION	REV
	2716616	2	BOOM LIFT/LOWER CYLINDER, (includes items 1 thru 16)	
1	N.S.S.	1	TUBE WELDMENT	
2	8036393	1	PO CHECK VALVE	
2	2900770	1	SEAL KIT	
3	8035321	1	COUNTERBALANCE VALVE, (4000 ± 50PSI), (torque to 30-35 lb-ft)	
3	8035327	1	SEAL KIT	
4	8036394	1	LOCKNUT, (torque to 1750-2000 lb-ft)	
5	Kit	1	O-RING	
6	Kit	1	CAPPED T-SEAL	
7	8036397	1	PISTON	
8	Kit	1	O-RING	
9	Kit	1	BACK-UP RING	
10	8036396	1	GLAND	
11	Kit	1	DEEP Z-SEAL	
12	Kit	1	WIPER SEAL	
13	8036395	1	ROD WELDMENT	
14	Kit	2	PRECISION WEARBAND	
15	Kit	2	PRECISION WEARBAND	
16	8036398	1	LOCKING COLLAR, (torque to 300-400 lb-ft)	
17	8526011	1	LOCTITE 271, (apply to item 4)	
K1	8036132	1	LIFT/LOWER CYLINDER SEAL KIT, (includes items 5, 6, 8, 9, 11, 12, 14 & 15)	
N1	Note	Ref	QUANTITIES SHOWN ARE FOR ONE CYLINDER ONLY.	

SECTION 9 - HYDRAULIC COMPONENTS

FIGURE 9-3. BOOM LIFT/LOWER CYLINDER (SN 19298 through 19988, SN 0160002345 through 0160004091, Excluding 0160003491 and 0160003492)



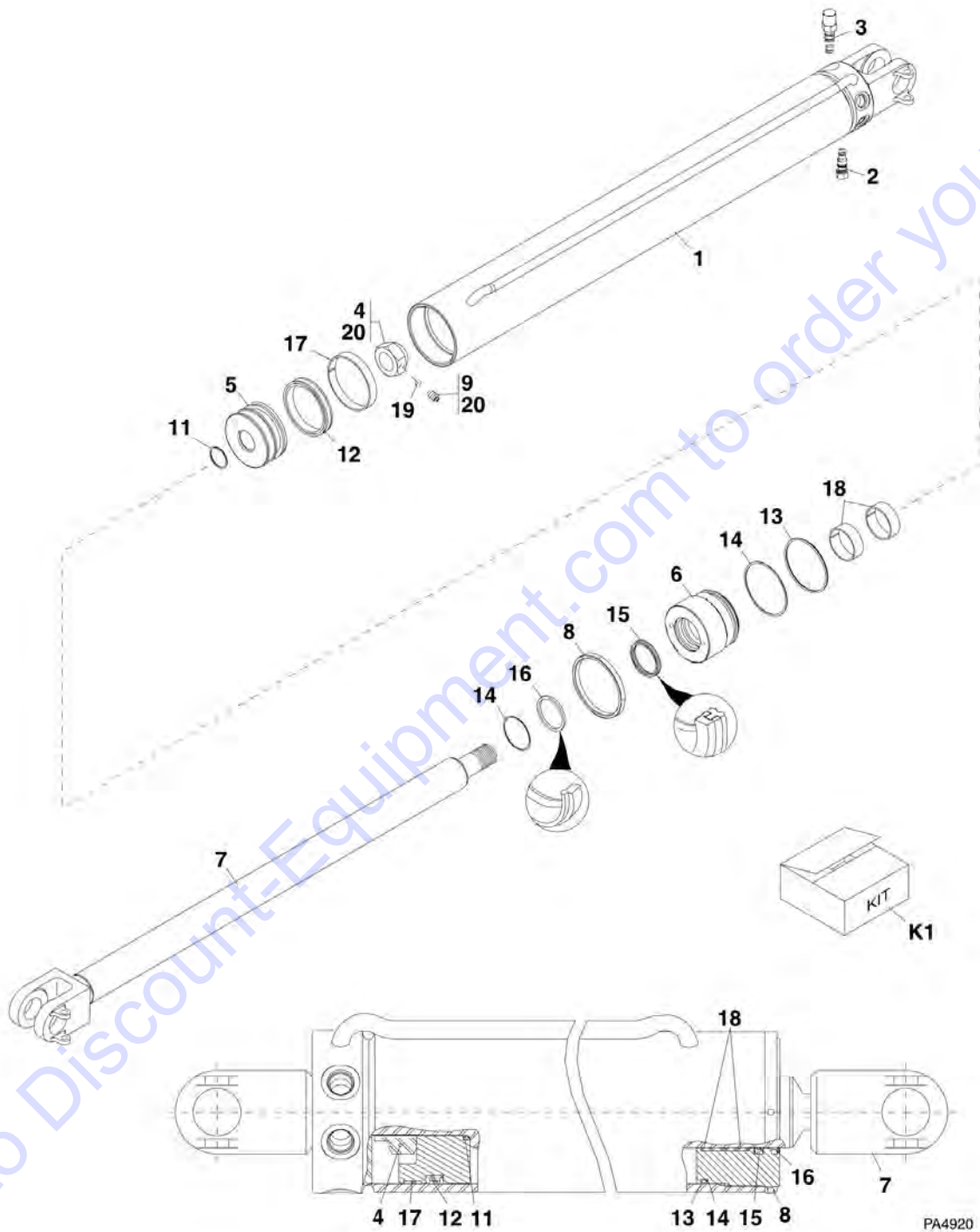
SECTION 9 - HYDRAULIC COMPONENTS

FIGURE 9-3. BOOM LIFT/LOWER CYLINDER (SN 19298 through 19988, SN 0160002345 through 0160004091, Excluding 0160003491 and 0160003492)

ITEM	PART NUMBER	QTY	DESCRIPTION	REV
	2717196	2	BOOM LIFT/LOWER CYLINDER, (includes items 1 thru 19)	D
1	N.S.S.	1	TUBE WELDMENT	
2	7029328	1	PO CHECK VALVE	
2	8025655	1	SEAL KIT	
3	7029327	1	COUNTERBALANCE VALVE, (4000 ± 50PSI), (torque to 30-35 lb-ft)	
3	7029330	1	SEAL KIT	
4	8036536	1	LOCKNUT, (torque to 1735-1885 lb-ft)	
5	7029336	1	PISTON	
6	7029333	1	GLAND	
7	7029332	1	ROD WELDMENT	
8	7029334	1	LOCKING COLLAR, (torque to 300-400 lb-ft)	
9	8036537	2	SET SCREW, 3/8-16X3/8	
10	7029335	1	O-RING	
11	Kit	1	O-RING	
12	Kit	1	CAPPED T-SEAL	
13	Kit	1	O-RING	
14	Kit	1	BACK-UP RING	
15	Kit	1	DEEP Z-SEAL	
16	Kit	1	WIPER SEAL	
17	Kit	1	PRECISION WEARBAND	
18	Kit	2	PRECISION WEARBAND	
19	Kit	2	NYLON BALL	
20	8526011	1	LOCTITE 271, (apply to item 4)	
K1	8036782	1	LIFT/LOWER CYLINDER SEAL KIT, (includes items 11 thru 19)	
N1	Note	Ref	QUANTITIES SHOWN ARE FOR ONE CYLINDER ONLY.	

SECTION 9 - HYDRAULIC COMPONENTS

FIGURE 9-4. BOOM LIFT/LOWER CYLINDER (SN 0160004110 through 0160015020, Including 0160003491 and 0160003492)



Go to Discount-Equipment.com to order your parts

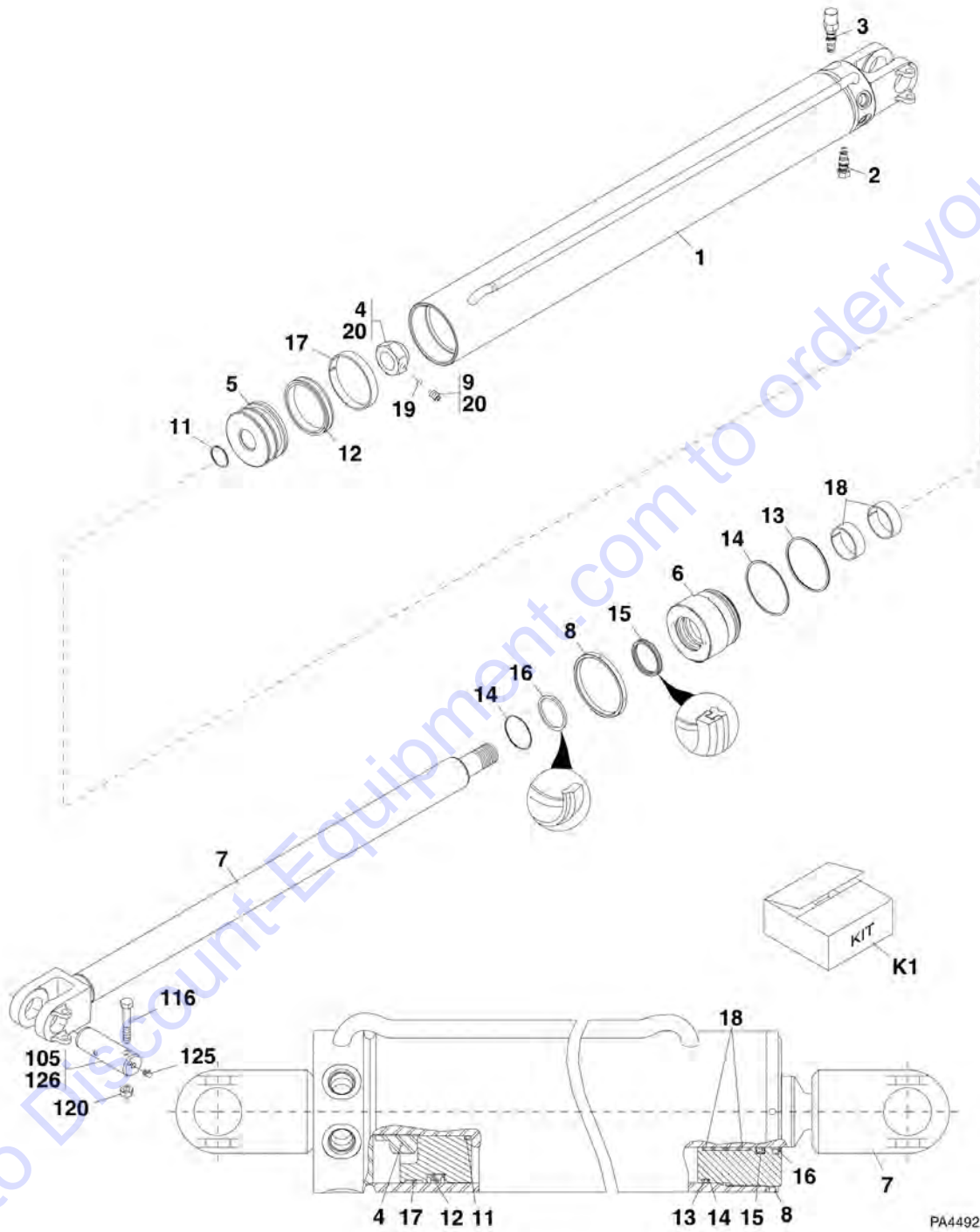
SECTION 9 - HYDRAULIC COMPONENTS

FIGURE 9-4. BOOM LIFT/LOWER CYLINDER (SN 0160004110 through 0160015020, Including 0160003491 and 0160003492)

ITEM	PART NUMBER	QTY	DESCRIPTION	REV
	2717257	2	BOOM LIFT/LOWER CYLINDER, (includes items 1 thru 19)	B
1	N.S.S.	1	TUBE WELDMENT	
2	7029328	1	PO CHECK VALVE	
2	8025655	1	SEAL KIT	
3	7029327	1	COUNTERBALANCE VALVE, (4000 ± 50PSI), (torque to 30-35 lb-ft)	
3	7029330	1	SEAL KIT	
4	8036536	1	LOCKNUT, (torque to 1735-1885 lb-ft)	
5	7029336	1	PISTON	
6	7029333	1	GLAND	
7	7029337	1	ROD WELDMENT	
8	7029334	1	LOCKING COLLAR, (torque to 300-400 lb-ft)	
9	8036537	2	SET SCREW, 3/8-16X3/8	
10	7029335	1	O-RING	
11	Kit	1	O-RING	
12	Kit	1	CAPPED T-SEAL	
13	Kit	1	O-RING	
14	Kit	1	BACK-UP RING	
15	Kit	1	DEEP Z-SEAL	
16	Kit	1	WIPER SEAL	
17	Kit	1	PRECISION WEARBAND	
18	Kit	2	PRECISION WEARBAND	
19	Kit	2	NYLON BALL	
20	8526011	1	LOCTITE 271, (apply to item 4)	
K1	8036782	1	LIFT/LOWER CYLINDER SEAL KIT, (includes items 11 thru 19)	
N1	Note		QUANTITIES SHOWN ARE FOR ONE CYLINDER ONLY.	

SECTION 9 - HYDRAULIC COMPONENTS

FIGURE 9-5. BOOM LIFT/LOWER CYLINDER (SN 0160015052 to Present)



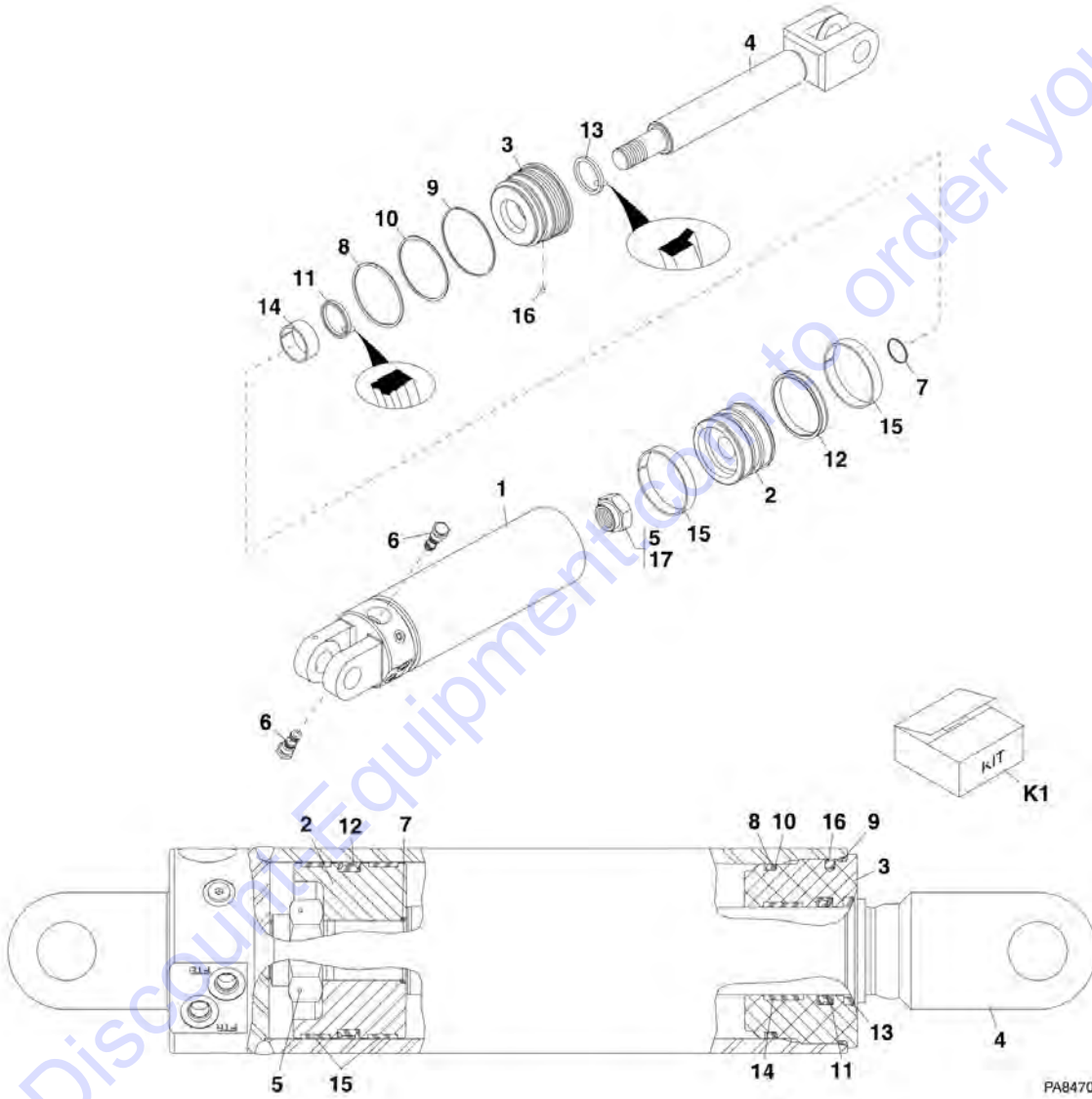
SECTION 9 - HYDRAULIC COMPONENTS

FIGURE 9-5. BOOM LIFT/LOWER CYLINDER (SN 0160015052 to Present)

ITEM	PART NUMBER	QTY	DESCRIPTION	REV
	1684464	2	BOOM LIFT/LOWER CYLINDER, (includes items 1 thru 19)	B
1	N.S.S.	1	TUBE WELDMENT	
2	7029328	1	PO CHECK VALVE	
2	8025655	1	SEAL KIT	
3	7029327	1	COUNTERBALANCE VALVE, (4000 ± 50PSI), (torque to 30-35 lb-ft)	
3	7029330	1	SEAL KIT	
4	8036536	1	LOCKNUT, (torque to 1735-1885 lb-ft)	
5	7029336	1	PISTON	
6	7029333	1	GLAND	
7	7029337	1	ROD WELDMENT	
8	7029334	1	LOCKING COLLAR, (torque to 300-400 lb-ft)	
9	8036537	2	SET SCREW, 3/8-16X3/8	
10	7029335	1	O-RING	
11	Kit	1	O-RING	
12	Kit	1	CAPPED T-SEAL	
13	Kit	1	O-RING	
14	Kit	1	BACK-UP RING	
15	Kit	1	DEEP Z-SEAL	
16	Kit	1	WIPER SEAL	
17	Kit	1	PRECISION WEARBAND	
18	Kit	2	PRECISION WEARBAND	
19	Kit	2	NYLON BALL	
20	8526011	1	LOCTITE 271, (apply to item 4)	
105	3423227	1	CYLINDER PIN	
116	8303782	1	HEX HD CAPSCREW, 1/2-13X4, GR5	
120	8305644	1	HEX LOCKNUT, 1/2-13	
125	8520003	1	GREASE FITTING, 90	
126	8522012	AR	ANTI-SEIZE LUBE	
K1	8036782	1	LIFT/LOWER CYLINDER SEAL KIT, (includes items 11 thru 19)	
N1	Note	Ref	QUANTITIES SHOWN ARE FOR ONE CYLINDER ONLY.	

SECTION 9 - HYDRAULIC COMPONENTS

FIGURE 9-6. FRAME SWAY CYLINDER (SN 14384 through 19988, SN 0160002345 through 0160004091, Excluding 0160003491 and 0160003492)



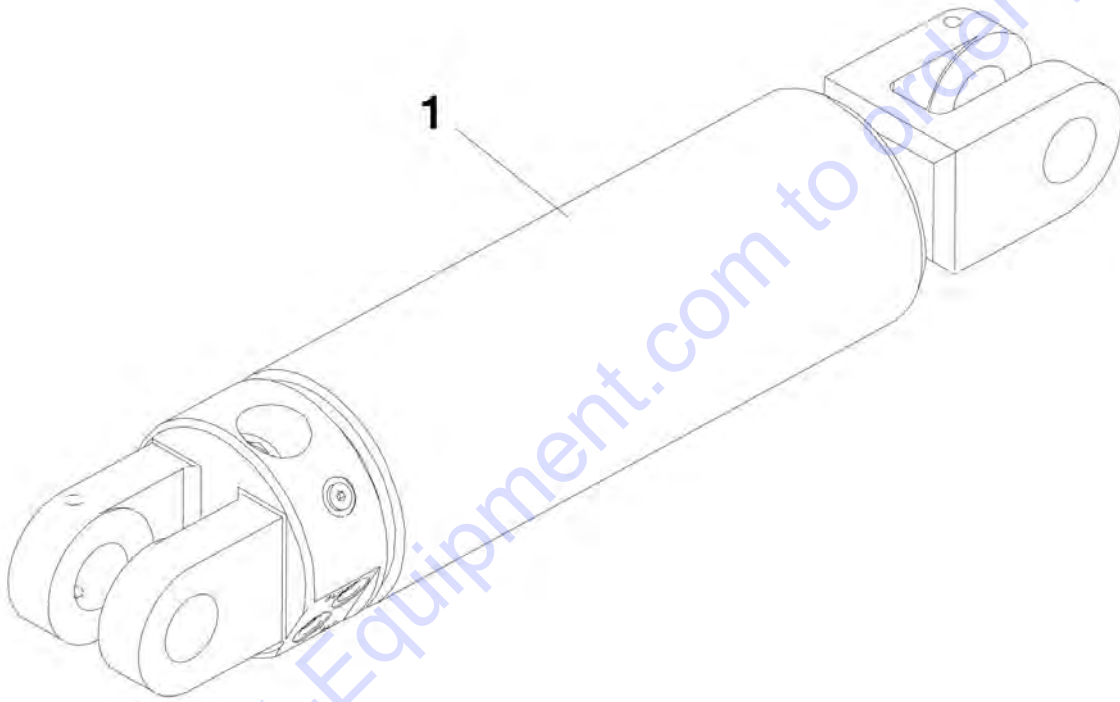
SECTION 9 - HYDRAULIC COMPONENTS

FIGURE 9-6. FRAME SWAY CYLINDER (SN 14384 through 19988, SN 0160002345 through 0160004091, Excluding 0160003491 and 0160003492)

ITEM	PART NUMBER	QTY	DESCRIPTION	REV
	2716563	NLA	FRAME SWAY CYLINDER, (includes items 1 thru 16), (no longer available, use 1001091901 on FRAME SWAY CYLINDER SN 0160005638 to Present for replacement)	
1	N.S.S.	1	TUBE WELDMENT	
2	8035323	1	PISTON	
3	8035324	1	HEAD GLAND, (torque to 300-400 lb-ft)	
4	8035758	1	ROD WELDMENT	
5	8035322	1	HEX LOCKNUT, 1.50-12, (torque to 1100-1250 lb-ft)	
6	8035757	2	PO CHECK VALVE - SERIES 10, (torque to 35-40 lb-ft)	
6	8035327	1	SEAL KIT	
7	Kit	1	O-RING	
8	Kit	1	O-RING	
9	Kit	1	O-RING	
10	Kit	1	BACK-UP RING	
11	Kit	1	DEEP Z-SEAL	
12	Kit	1	CAPPED T-SEAL	
13	Kit	1	WIPER SEAL	
14	Kit	1	PRECISION WEARBAND	
15	Kit	2	PRECISION WEARBAND	
16	Kit	1	LOCKING INSERT	
17	8526011	AR	LOCTITE TREADLOCKER 271, (apply to item 5)	
K1	8035326	1	FRAME SWAY CYLINDER SEAL KIT, (includes items 7 thru 16)	

SECTION 9 - HYDRAULIC COMPONENTS

FIGURE 9-7. FRAME SWAY CYLINDER (SN 0160004110 through 0160005622, Including 0160003491 and 0160003492)



SECTION 9 - HYDRAULIC COMPONENTS

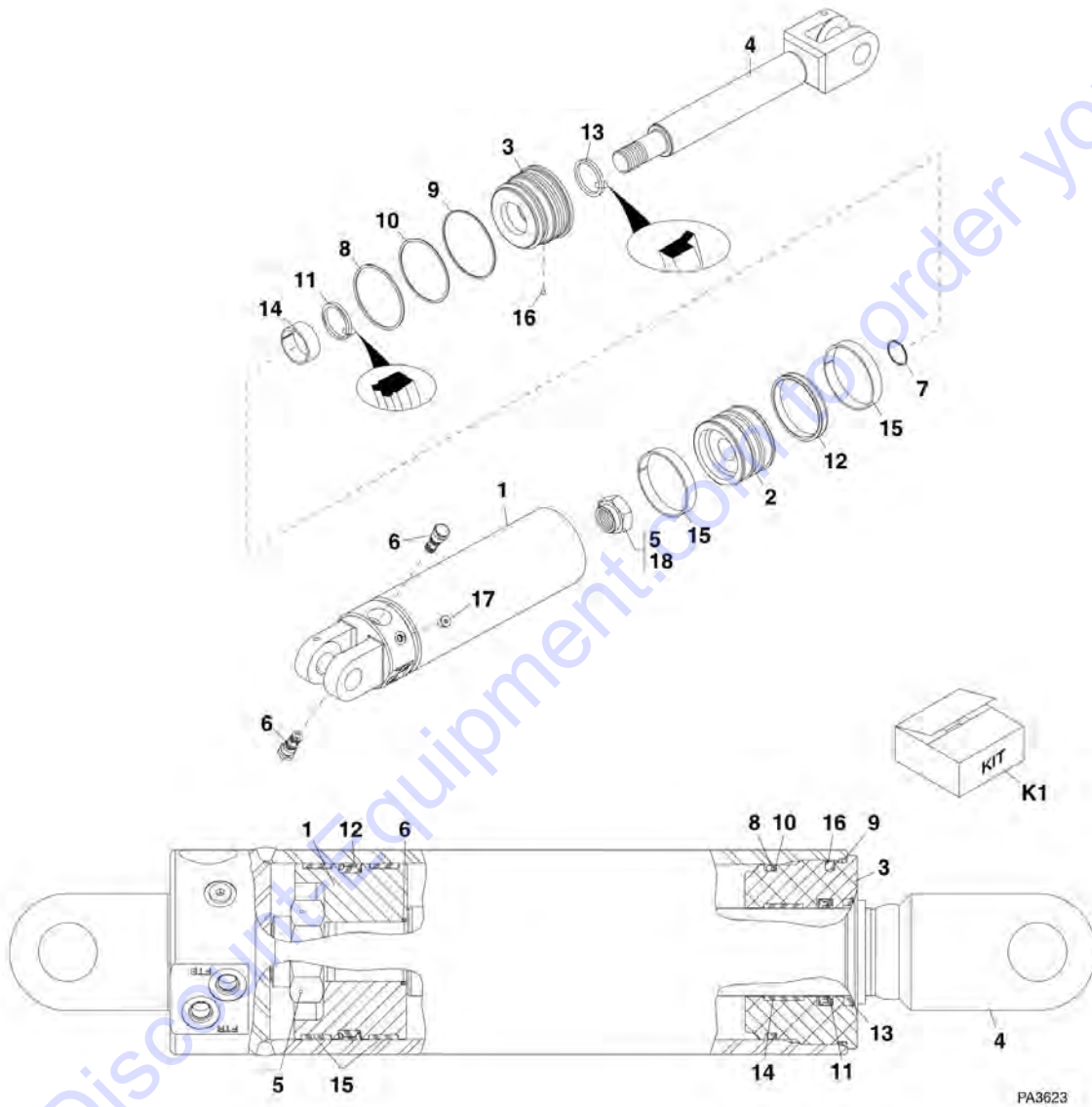
FIGURE 9-7. FRAME SWAY CYLINDER (SN 0160004110 through 0160005622, Including 0160003491 and 0160003492)

ITEM	PART NUMBER	QTY	DESCRIPTION	REV
1	2717216	NLA	FRAME SWAY CYLINDER, (no service parts available, use 1001091901 for replacement)	

Go to Discount-Equipment.com to order your parts

SECTION 9 - HYDRAULIC COMPONENTS

FIGURE 9-8. FRAME SWAY CYLINDER (SN 0160005638 to Present)



PA3623

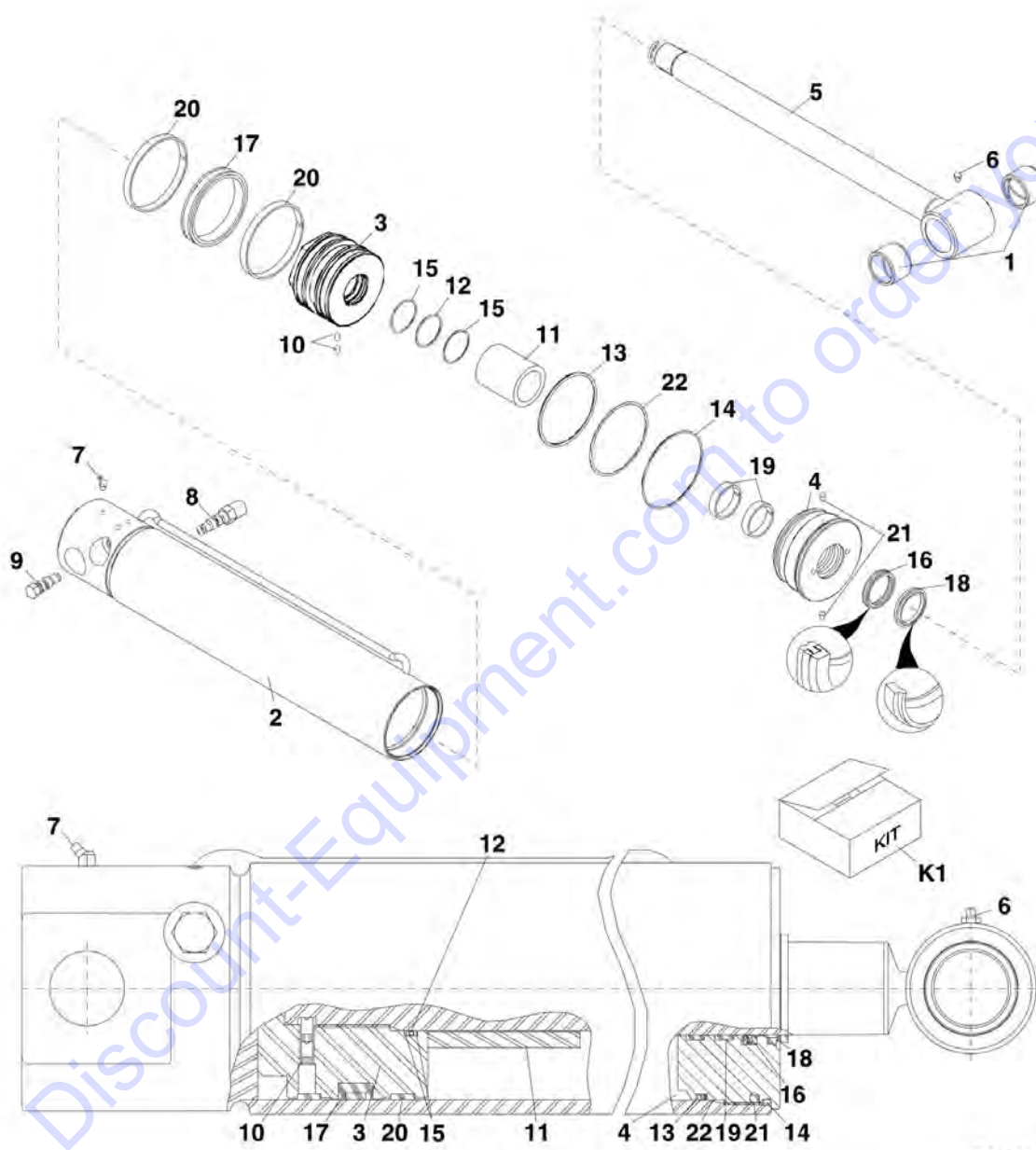
SECTION 9 - HYDRAULIC COMPONENTS

FIGURE 9-8. FRAME SWAY CYLINDER (SN 0160005638 to Present)

ITEM	PART NUMBER	QTY	DESCRIPTION	REV
	2716563	NLA	FRAME SWAY CYLINDER, (no longer available, use 1001091901 for replacement or items 1 thru 16 for service) (SN 0160005638 through 0160032210)	C
	1001091901	1	FRAME SWAY CYLINDER, (includes items 1 thru 17) (SN 0160032211 to Present)	C
1	N.S.S.	1	TUBE WELDMENT	
2	8035323	1	PISTON	
3	8035324	1	HEAD GLAND, (torque to 300-400 lb-ft)	
4	8035758	1	ROD WELDMENT	
5	8035322	1	HEX LOCKNUT, 1.50-12, (torque to 1100-1250 lb-ft)	
6	8035757	NLA	PO CHECK VALVE - SERIES 10, (torque to 35-40 lb-ft), (no longer available, use 1001091885 for replacement) (SN 0160005638 through 0160032210)	
6	8035327	1	SEAL KIT	
6	1001091885	2	COUNTERBALANCE VALVE - SERIES 10, (torque to 35-40 lb-ft) (SN 0160032211 to Present)	
6	70021583	1	SEAL KIT	
7	Kit	1	O-RING	
8	Kit	1	O-RING	
9	Kit	1	O-RING	
10	Kit	1	BACK-UP RING	
11	Kit	1	DEEP Z-SEAL	
12	Kit	1	CAPPED T-SEAL	
13	Kit	1	WIPER SEAL	
14	Kit	1	PRECISION WEARBAND	
15	Kit	2	PRECISION WEARBAND	
16	Kit	1	LOCKING INSERT	
17	8035785	2	HEX PLUG	
18	8526011	AR	LOCTITE TREADLOCKER 271, (apply to item 5)	
K1	8035326	1	FRAME SWAY CYLINDER SEAL KIT, (includes items 7 thru 16)	

SECTION 9 - HYDRAULIC COMPONENTS

FIGURE 9-9. ATTACHMENT TILT CYLINDER



PA3641

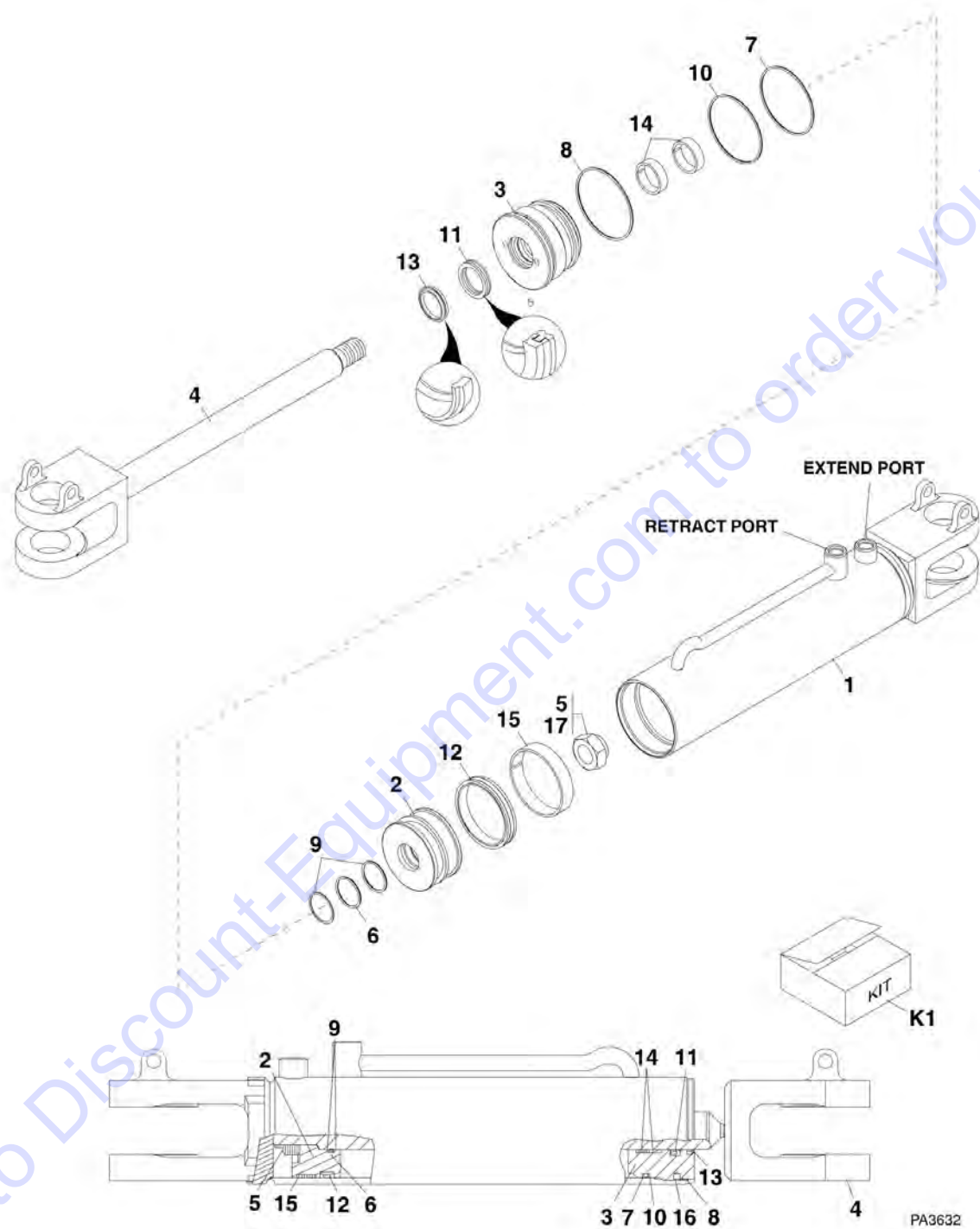
SECTION 9 - HYDRAULIC COMPONENTS

FIGURE 9-9. ATTACHMENT TILT CYLINDER

ITEM	PART NUMBER	QTY	DESCRIPTION	REV
	2716614	1	ATTACHMENT TILT CYLINDER, (includes all items)	E
1	8036149	2	BEARING	
2	70023265	1	TUBE WELDMENT	
3	8036392	1	PISTON, (Loctite 243 and torque to 200-300 lb-ft)	
4	8036391	1	GLAND, (torque to 300-400 lb-ft)	
5	8036389	1	ROD WELDMENT	
6	8520013	1	LUBE FITTING, STRAIGHT	
7	8520021	1	LUBE FITTING, 90	
8	8035321	1	COUNTERBALANCE VALVE, (4000PSI), (torque to 30-35 lb-ft)	
8	8035327	1	SEAL KIT	
9	8036393	1	CHECK VALVE, (torque to 30-35 lb-ft)	
9	8205655	1	SEAL KIT	
10	8035536	2	SET SCREW, 5/16-18X.5, (Loctite 243 and torque to 155-175 lb-ft)	
11	8036390	1	ROD SPACER	
12	Kit	1	O-RING	
13	Kit	1	O-RING	
14	Kit	1	O-RING	
15	Kit	2	DYNAMIC BACK-UP RING	
16	Kit	1	DEEP Z-SEAL	
17	Kit	1	CAPPED T-SEAL	
18	Kit	1	WIPER SEAL	
19	Kit	2	PRECISION WEARBAND	
20	Kit	2	PRECISION WEARBAND	
21	Kit	2	LOCKING INSERT	
22	Kit	1	DYNAMIC BACK-UP RING	
K1	8035720	1	ATTACHMENT TILT CYLINDER SEAL KIT, (includes items 12 thru 22)	

SECTION 9 - HYDRAULIC COMPONENTS

FIGURE 9-10. SLAVE CYLINDER (SN 14834 through 19297)



PA3632

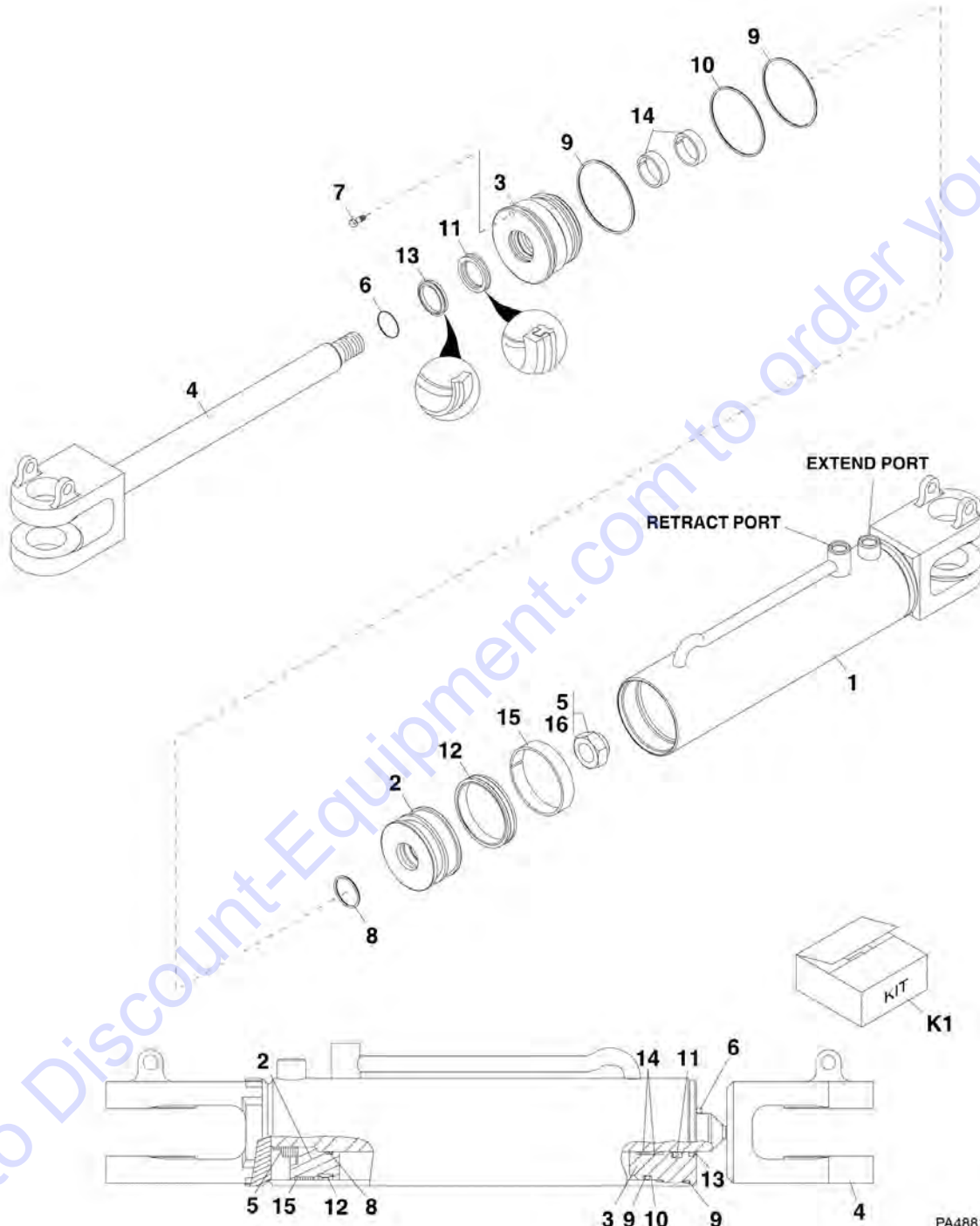
SECTION 9 - HYDRAULIC COMPONENTS

FIGURE 9-10. SLAVE CYLINDER (SN 14834 through 19297)

ITEM	PART NUMBER	QTY	DESCRIPTION	REV
	2716615	2	SLAVE CYLINDER, (includes items 1 thru 16)	
1	N.S.S.	1	TUBE WELDMENT	
2	8036401	1	PISTON	
3	8036400	1	HEAD GLAND, (torque 250-300 lb-ft)	
4	8036399	1	ROD WELDMENT	
5	8037080	1	LOCKNUT, 1.25-12, (torque 675-750 lb-ft)	
6	Kit	1	O-RING	
7	Kit	1	O-RING	
8	Kit	1	O-RING	
9	Kit	2	BACK-UP RING	
10	Kit	1	BACK-UP RING	
11	Kit	1	DEEP Z-SEAL	
12	Kit	1	CAPPED T-SEAL	
13	Kit	1	WIPER SEAL	
14	Kit	2	WEARBAND	
15	Kit	1	WEARBAND	
16	Kit	1	LOCKING INSERT	
17	8526011	AR	LOCTITE 271, (apply to item 5)	
K1	8036131	1	SLAVE CYLINDER SEAL KIT, (includes items 6 thru 16)	
N1	Note	Ref	QUANTITIES SHOWN ARE FOR ONE CYLINDER ONLY.	

SECTION 9 - HYDRAULIC COMPONENTS

FIGURE 9-11. SLAVE CYLINDER (SN 19298 through 19988, SN 0160002345 through 0160004088, Excluding 0160003491 and 0160003492)



PA4881

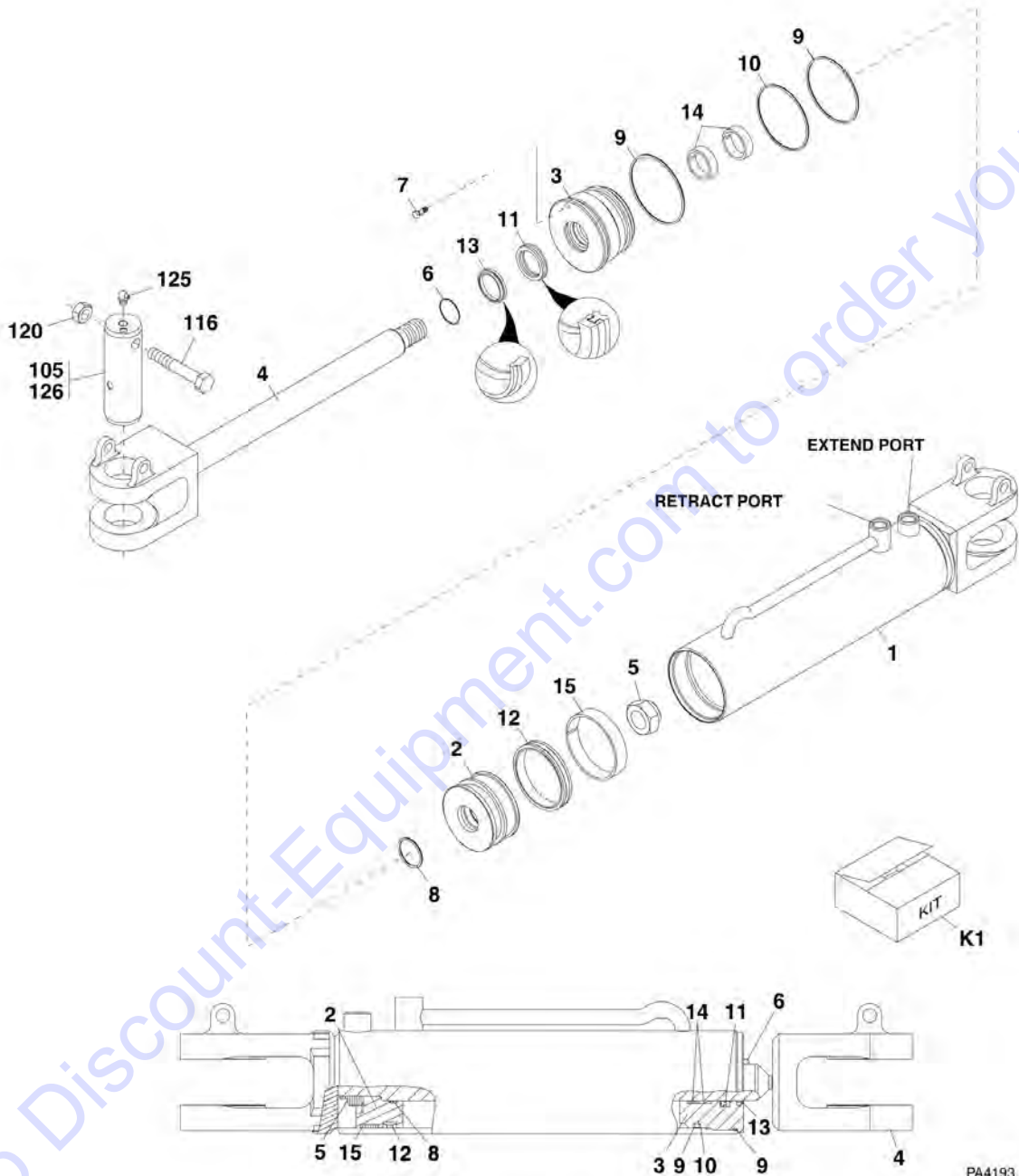
SECTION 9 - HYDRAULIC COMPONENTS

**FIGURE 9-11. SLAVE CYLINDER (SN 19298 through 19988, SN 0160002345 through 0160004088,
Excluding 0160003491 and 0160003492)**

ITEM	PART NUMBER	QTY	DESCRIPTION	REV
	2717197	2	SLAVE CYLINDER, (includes items 1 thru 16)	
1	N.S.S.	1	TUBE WELDMENT	
2	7029247	1	PISTON	
3	7029250	1	HEAD GLAND, (torque 250-300 lb-ft)	
4	7029248	1	ROD WELDMENT	
5	8036778	1	LOCKNUT, 1.25-12, (torque 675-750 lb-ft)	
6	7029249	1	O-RING	
7	7017283	1	SET SCREW, 1/4-20X3/8	
8	Kit	1	O-RING	
9	Kit	1	O-RING	
10	Kit	1	BACK-UP RING	
11	Kit	1	DEEP Z-SEAL	
12	Kit	1	CAPPED T-SEAL	
13	Kit	1	WIPER SEAL	
14	Kit	2	WEARBAND	
15	Kit	1	WEARBAND	
16	8526011	AR	LOCTITE 271, (apply to item 5)	
K1	7028739	1	SLAVE CYLINDER SEAL KIT, (includes items 8 thru 15)	
N1	Note	Ref	QUANTITIES SHOWN ARE FOR ONE CYLINDER ONLY.	

SECTION 9 - HYDRAULIC COMPONENTS

FIGURE 9-12. SLAVE CYLINDER (SN 0160004110 to Present, Including 0160003491 and 0160003492)



PA4193

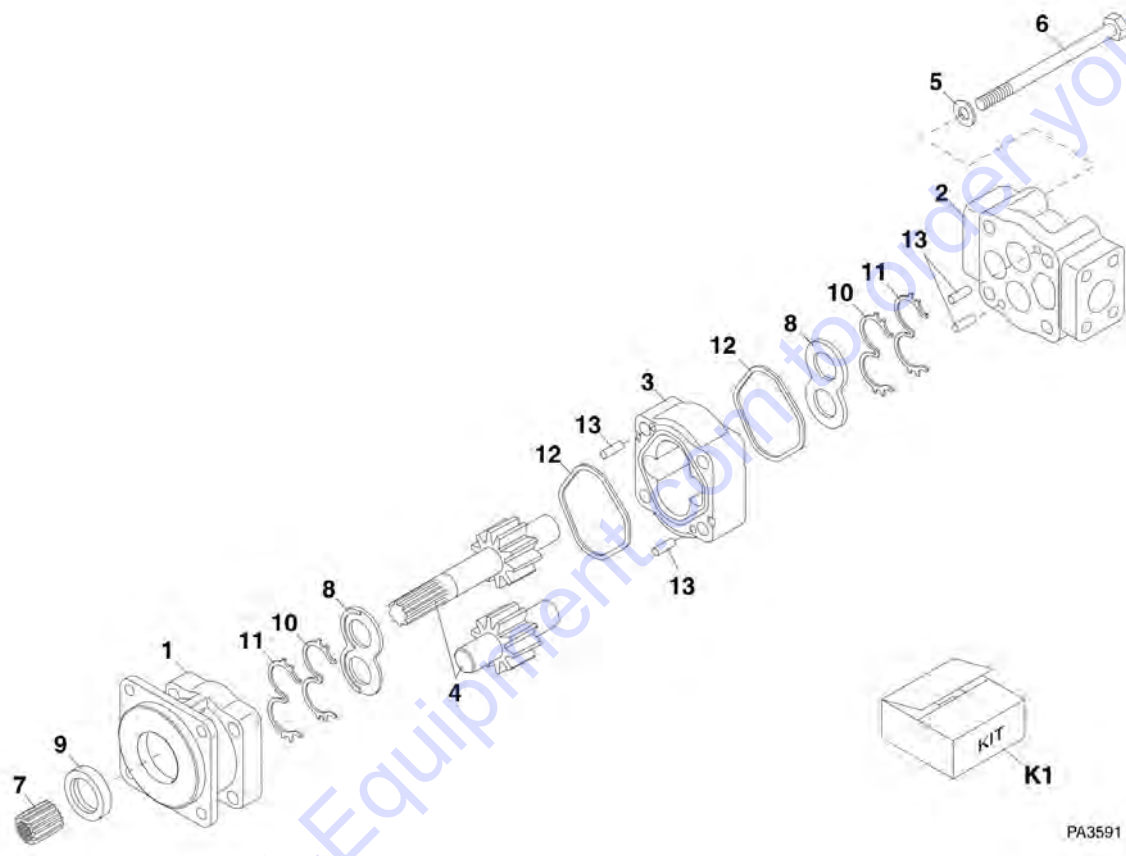
SECTION 9 - HYDRAULIC COMPONENTS

FIGURE 9-12. SLAVE CYLINDER (SN 0160004110 to Present, Including 0160003491 and 0160003492)

ITEM	PART NUMBER	QTY	DESCRIPTION	REV
	2717260	2	SLAVE CYLINDER, (includes items 1 thru 15)	B
1	N.S.S.	1	TUBE WELDMENT	
2	7029247	1	PISTON	
3	7029250	1	GUIDE, (torque 300-350 lb-ft)	
4	7029251	1	ROD WELDMENT	
5	7017278	1	LOCKNUT, 1-1/8-12, (torque 650-700 lb-ft)	
6	7029249	1	O-RING	
7	8036811	1	HEX SOCKET SET SCREW, 1/4-20X3/8, (torque to 3-4 lb-ft)	
8	Kit	1	O-RING	
9	Kit	2	O-RING	
10	Kit	1	BACK-UP RING	
11	Kit	1	DEEP Z-SEAL	
12	Kit	1	CAPPED T-SEAL	
13	Kit	1	WIPER RING	
14	Kit	2	WEAR RING	
15	Kit	1	WEAR RING	
105	3423227	1	CYLINDER PIN	
116	8303782	1	HEX HD CAPSCREW, 1/2-13X4, GR5	
120	8305644	1	HEX LOCKNUT, 1/2-13	
125	8520003	1	GREASE FITTING, 90	
126	8522012	AR	ANTI SIEZE LUBE	
K1	7028739	1	SEAL KIT, (includes items 8 thru 15)	
N1	Note	Ref	QUANTITIES SHOWN ARE FOR ONE CYLINDER ONLY.	

SECTION 9 - HYDRAULIC COMPONENTS

FIGURE 9-13. GEAR PUMP



SECTION 9 - HYDRAULIC COMPONENTS

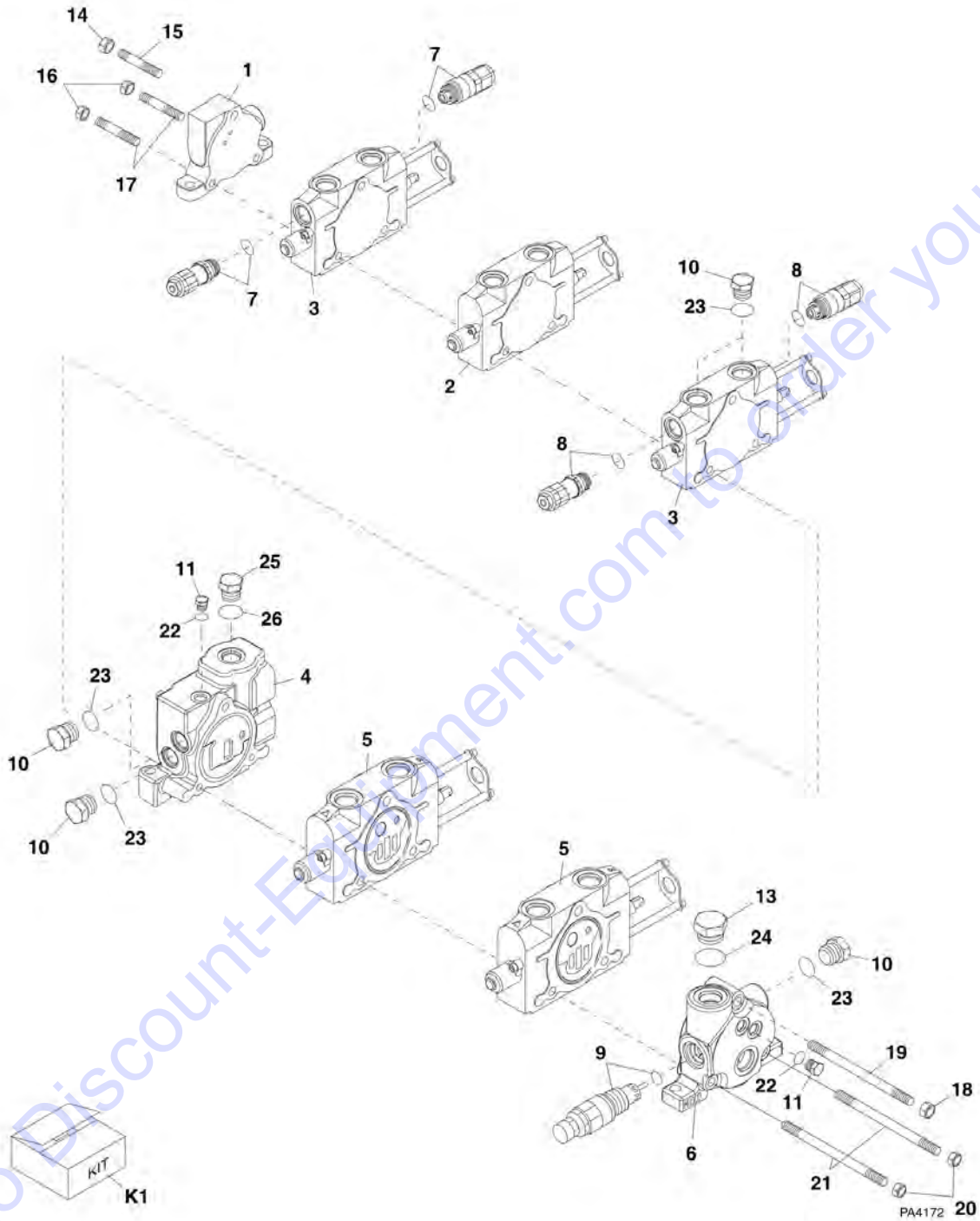
FIGURE 9-13. GEAR PUMP

ITEM	PART NUMBER	QTY	DESCRIPTION	REV
	8440162	1	GEAR PUMP, (includes all items)	AA
1	N.S.S.	1	SEC HOUSING	
2	N.S.S.	1	PEC HOUSING	
3	8036428	1	GEAR HOUSING	
4	8036271	1	GEAR SHAFT SET	
5	N.S.S.	4	WASHER	
6	8035745	4	HEX HD CAPSCREW	
7	8035744	1	SPLINE ADAPTER	
8	83674096	2	THRUST PLATE	
9	Kit	1	LIP SEAL	
10	Kit	2	CHANNEL SEAL	
11	Kit	2	BACK-UP SEAL	
12	Kit	2	SQUARE R SEAL	
13	83671037	4	DOWEL PIN	
K1	8036429	1	GEAR PUMP SEAL KIT, (includes items 9 thru 12)	

Go to Discount-Equipment.com to order your parts

SECTION 9 - HYDRAULIC COMPONENTS

FIGURE 9-14. MAIN CONTROL VALVE



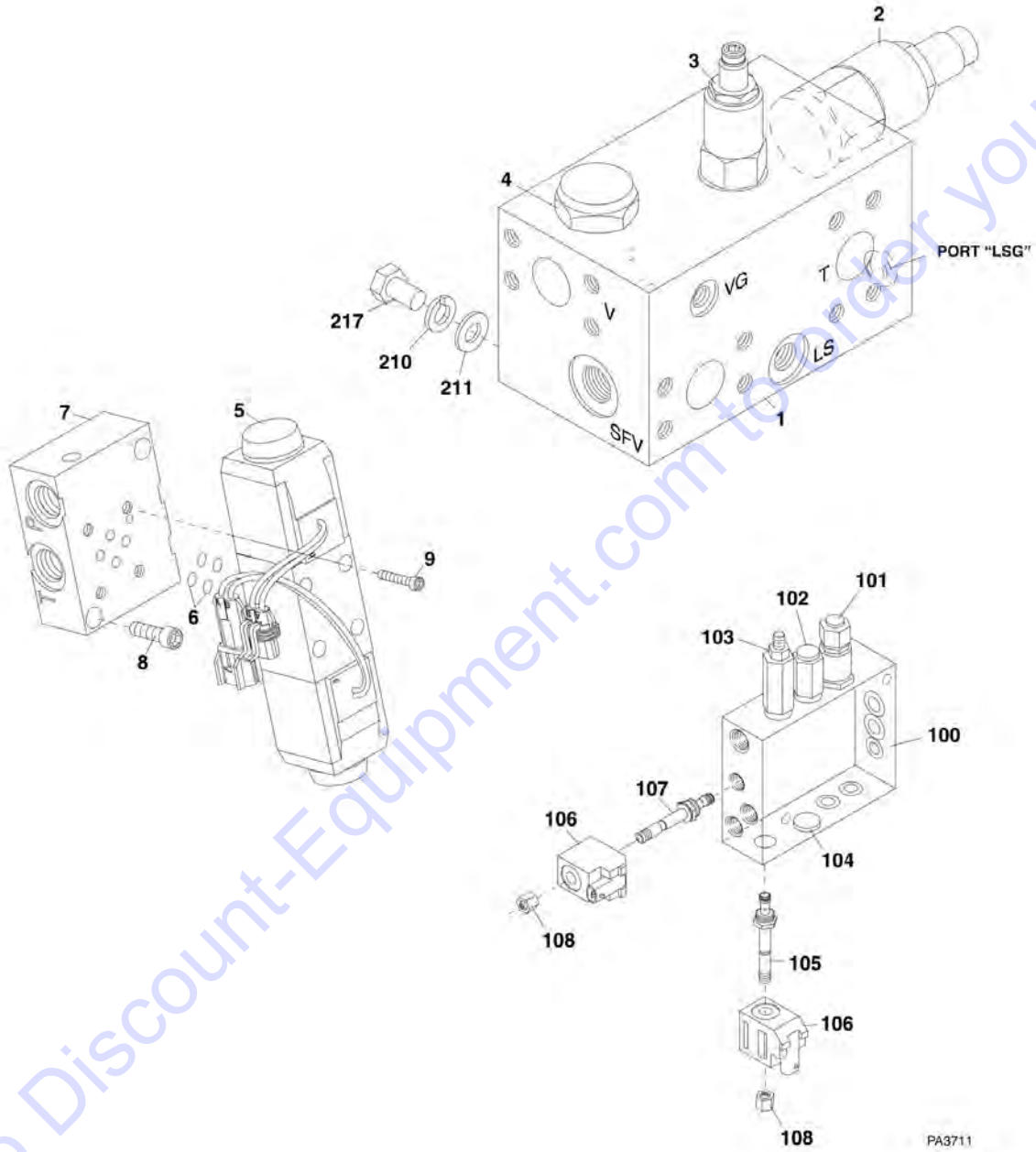
SECTION 9 - HYDRAULIC COMPONENTS

FIGURE 9-14. MAIN CONTROL VALVE

ITEM	PART NUMBER	QTY	DESCRIPTION	REV
	8902187	1	MAIN CONTROL VALVE, (includes all items)	AD
1	8035848	1	OUTLET SECTION ASSY	
2	8036177	1	FRAME SWAY SECTION ASSY	
3	8036178	2	ATTACHMENT TILT AND AUXILIARY HYDRAULIC SECTION ASSY	
4	8035849	1	MID-INLET SECTION ASSY	
5	8036179	2	BOOM EXTEND/RETRACT AND BOOM LIFT/LOWER SECTION ASSY	
6	8036263	1	EXTEND/RETRACT AND LIFT/LOWER SECTION ASSY OUTLET	
7	8036175	2	RELIEF ASSY VALVE - Preset at 3250 ± 50psi (224 ± 3,4 bar)	
8	8036174	2	RELIEF ASSY VALVE - Preset at 3250 ± 50psi (224 ± 3,4 bar)	
9	8035844	1	MAIN RELIEF VALVE - Preset at 3500 ± 50psi (242 ± 3,4 bar)	
10	8035834	4	PLUG, #10	
11	8035843	2	PLUG	
12	8760419	2	PLUG, #6, (not used on machines with auxiliary hydraulics)	
13	8035835	1	PLUG, #10	
14	8035346	1	NUT	
15	8036283	1	TIE ROD	
16	8035348	2	NUT	
17	8036284	2	TIE ROD	
18	8035347	1	NUT	
19	8036282	1	TIE ROD	
20	8035381	2	NUT	
21	8036281	2	TIE ROD	
22	8036533	2	O-RING	
23	8036517	4	O-RING	
24	7013903	1	O-RING	
25	7013930	1	PLUG	
26	7013928	1	O-RING	
K1	8036180	1	COMPLETE VALVE SEAL KIT	

SECTION 9 - HYDRAULIC COMPONENTS

FIGURE 9-15. DIRECTIONAL CONTROL VALVES



PA3711

SECTION 9 - HYDRAULIC COMPONENTS

FIGURE 9-15. DIRECTIONAL CONTROL VALVES

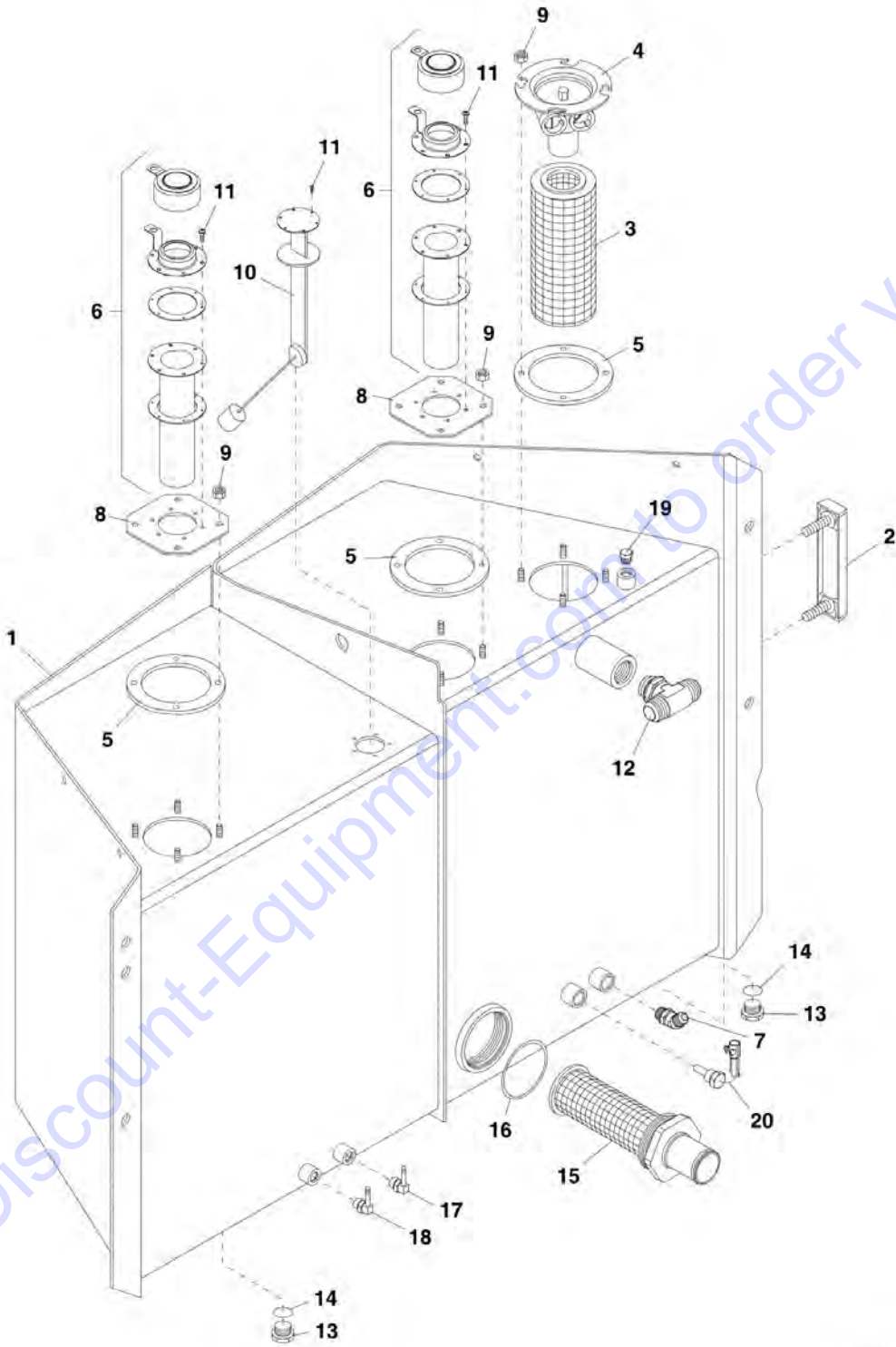
ITEM	PART NUMBER	QTY	DESCRIPTION	REV
1	8902200	1	UNLOADER VALVE, (includes items 2 thru 4) (Prior to SN 0160037836)	AD
1	1001103151	1	UNLOADER VALVE, (includes items 2 thru 4) (SN 0160037836 to Present)	B
2	8035775	1	DIFFERENTIAL PRESSURE SENSE VALVE, (torque to 80-90 lb-ft) (Prior to SN 0160037836)	
2	8036187	1	SEAL KIT	
2	70022718	1	DIFFERENTIAL PRESSURE SENSE VALVE, (torque to 60-65 lb-ft) (SN 0160037836 to Present)	
2		Ref	SEAL KIT	
3	8036356	1	RELIEF VALVE, (torque to 35-40 lb-ft) (Prior to SN 0160037836)	
3	8034037	1	SEAL KIT	
3	70022717	1	RELIEF VALVE, (2700PSI, [186 bar]), (torque to 37-41 lb-ft) (SN 0160037836 to Present)	
3		Ref	SEAL KIT	
4	8035774	1	CHECK VALVE, (125psi [8,6 bar]), (torque to 80-90 lb-ft) (Prior to SN 0160037836)	
4	70020799	1	SEAL KIT	
4	70022716	1	CHECK VALVE, (180psi [12,4 bar]), (torque to 40 lb-ft) (SN 0160037836 to Present)	
4		Ref	SEAL KIT	
5	8902197	1	STEER SELECT VALVE, (includes item 6) (Prior to SN 0160037860)	C
5	1001103152	1	STEER SELECT VALVE, (includes item 6) (SN 0160037860 to Present)	C
6	8640017	AR	O-Ring	
7	8902111	1	STEER SELECT VALVE SUBPLATE	
8	8310326	2	SOCKET HD CAPSCREW, 5/16-18X1.125, (torque to 18.5-21 lb-ft)	
9	8310327	4	SOCKET HD CAPSCREW, #10-24X1.125, (torque to 18.5-21 lb-ft)	
100	8902196	1	SECONDARY FUNCTION MANIFOLD, (includes items 101 thru 108) (Prior to SN 0160038185)	AD
100	1001103149	1	SECONDARY FUNCTION MANIFOLD, (includes items 101 thru 108) (SN 0160038185 to Present)	B
101	8032989	1	PRESSURE REDUCING VALVE, (2500PSI, [172 bar]), (torque to 60-70 lb-ft) (Prior to SN 0160038185)	
101	8032990	1	SEAL KIT	
101	70022720	1	PRESSURE REDUCING VALVE, (2500PSI, [172 bar]), (torque to 21 lb-ft) (SN 0160038185 to Present)	
101		Ref	SEAL KIT	
102	8032993	1	PRESSURE REDUCING VALVE, (550PSI, [38 bar]), (torque to 35-40 lb-ft) (Prior to SN 0160038185)	
102	8032994	1	SEAL KIT	
102	70022719	1	PRESSURE REDUCING VALVE, (550PSI, [38 bar]), (torque to 37-41 lb-ft) (SN 0160038185 to Present)	
102		Ref	SEAL KIT	
103	8032991	1	PRESSURE REDUCING VALVE, (650PSI, [45 bar]), (torque to 25-30 lb-ft) (Prior to SN 0160038185)	
103	8032994	1	SEAL KIT	
103	70022721	1	PRESSURE REDUCING VALVE, (650PSI, [45 bar]), (torque to 37-41 lb-ft) (SN 0160038185 to Present)	
103		Ref	SEAL KIT	
104	8032995	1	CHECK VALVE (Prior to SN 0160038185)	
104	8032992	1	SEAL KIT	

SECTION 9 - HYDRAULIC COMPONENTS

ITEM	PART NUMBER	QTY	DESCRIPTION	REV
104	91474023	1	CHECK VALVE, (torque to 23-27 lb-ft) (SN 0160038185 to Present)	
104	91474024	1	SEAL KIT	
105	8902696	1	SOLENOID VALVE CARTRIDGE, (torque to 25-30 lb-ft) (Prior to SN 0160038185)	
105	70022723	1	SOLENOID VALVE CARTRIDGE, (torque to 23-27 lb-ft) (SN 0160038185 to Present)	
105	8032992	1	SEAL KIT	
106	8902698	2	SOLENOID COIL WITH INTEGRATED DIODE (Prior to SN 0160038185)	
106	70022724	2	SOLENOID COIL WITH INTEGRATED DIODE (SN 0160038185 to Present)	
107	8902697	1	SOLENOID VALVE CARTRIDGE, (torque to 25-30 lb-ft) (Prior to SN 0160038185)	
107	8032992	1	SEAL KIT	
	70022722	1	SOLENOID VALVE CARTRIDGE, (torque to 23-27 lb-ft) (SN 0160038185 to Present)	
	N.S.S.	1	SEAL KIT	
108	N.S.S.	2	NUT, (torque to 4-6 lb-ft)	
210	8307005	3	LOCKWASHER, 3/8	
211	8307203	3	WASHER, 5/16	
217	8310525	3	HEX HD CAPSCREW, 3/8-16X1.00, GR8, (torque to 46-52 lb-ft)	

SECTION 9 - HYDRAULIC COMPONENTS

FIGURE 9-16. FUEL/HYDRAULIC TANK ASSEMBLY (SN 14834 through 19987)



PA3581

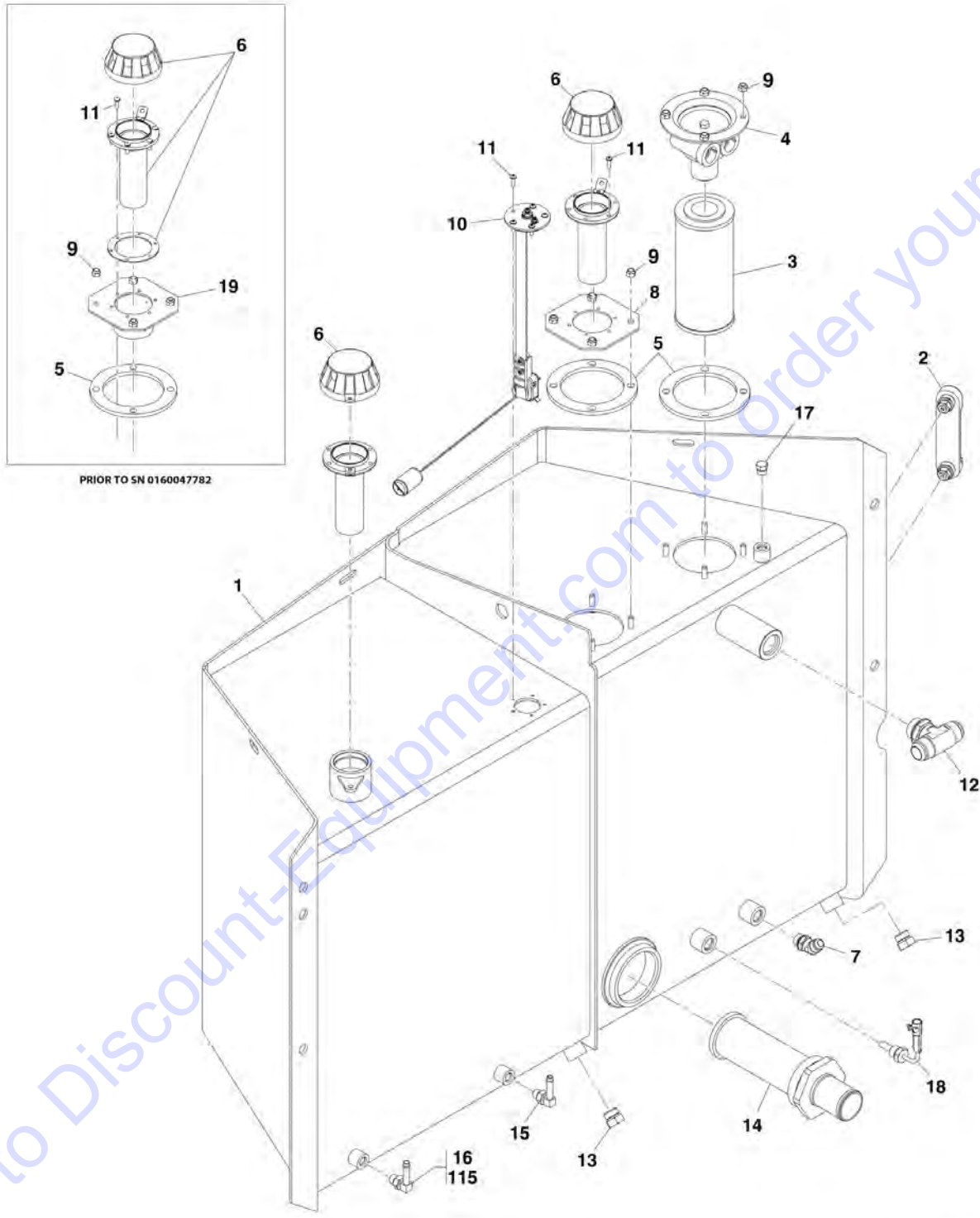
SECTION 9 - HYDRAULIC COMPONENTS

FIGURE 9-16. FUEL/HYDRAULIC TANK ASSEMBLY (SN 14834 through 19987)

ITEM	PART NUMBER	QTY	DESCRIPTION	REV
	7150655		FUEL/HYDRAULIC TANK ASSY, (includes all items)	F
1	7150610	1	FUEL/HYDRAULIC RESERVOIR	
2	7024441	1	SIGHT GAUGE, (torque bolts to 4-5 lb-ft)	
3	8320265	1	HYDRAULIC OIL FILTER ELEMENT	
4	1001091752	1	FILTER HEAD, (with by-pass)	
5	7138209	3	GASKET	
6	7139077	2	FILLER/BREATHER	
7	2220500	1	ELBOW, 45, (includes o-ring)	
8	7139076	2	PLATE	
9	8305626	12	HEX LOCK ELASTIC NUT, 5/16-18	
10	7118222	1	FUEL LEVEL SENDER ASSY	
11	8310163	17	TRUSS HD SCREW, #10X5/8	
12	8760552	1	MALE BRANCH TEE, #16, (includes o-ring)	
13	8541435	2	HEX HD MAGNETIC PLUG	
14	8640903	2	O-RING	
15	7138740	1	SUCTION STRAINER, (includes o-ring)	
16	7029716	1	O-RING	
17	8430034	1	ELBOW, 90, (includes o-ring)	
18	8430064	1	ELBOW, 90, (includes o-ring)	
19	2220237	1	HEX HD PLUG, #6, (includes o-ring)	
20	8223226	1	HYDRAULIC TEMPERATURE SWITCH, 195F	

SECTION 9 - HYDRAULIC COMPONENTS

FIGURE 9-17. FUEL/HYDRAULIC TANK ASSEMBLY (SN 16002345 to Present, Including 199880)



PRIOR TO SN 0160047782

ART_8990417-9-17

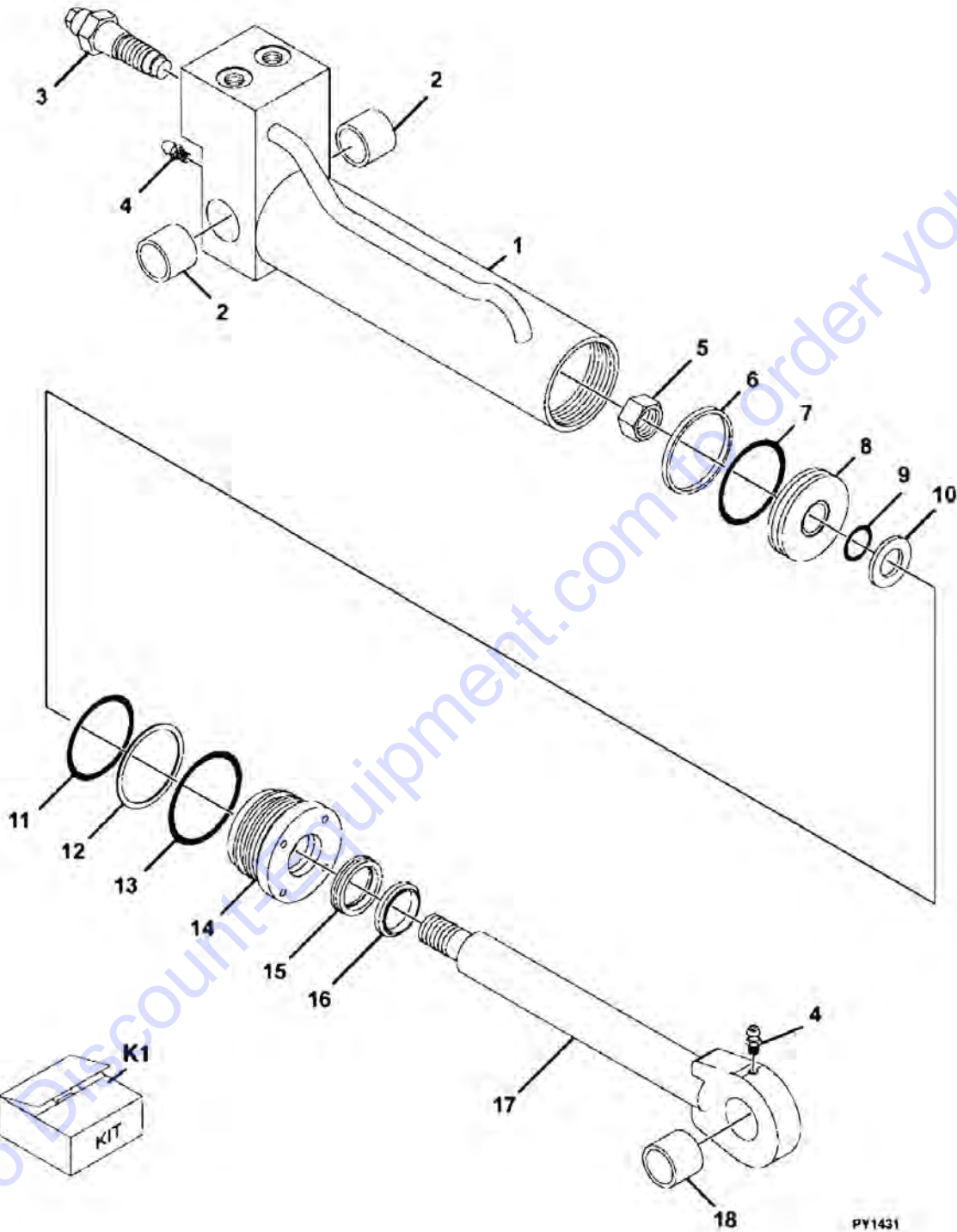
SECTION 9 - HYDRAULIC COMPONENTS

FIGURE 9-17. FUEL/HYDRAULIC TANK ASSEMBLY (SN 160002345 to Present, Including 199880)

ITEM	PART NUMBER	QTY	DESCRIPTION	REV
	7301863	1	FUEL/HYDRAULIC TANK ASSY, (includes all items except 115) (SN 0160002345 through 0160036939, Including 19988)	G
	1001100218	1	FUEL/HYDRAULIC TANK ASSY, (includes items 1 thru 15, 17, 18, 19 & 115) (SN 0160037777 to Present)	H
1	7301862	1	FUEL/HYDRAULIC RESERVOIR	
2	7024441	1	SIGHT GAUGE, (torque bolts to 4-5 lb-ft)	
3	7301252	1	HYDRAULIC OIL FILTER ELEMENT	
4	1001091752	1	FILTER HEAD, (with by-pass)	
5	7138209	2	GASKET	
6	7139077	2	FILLER/BREATHER	
7	2220500	1	ELBOW, 45, (includes o-ring)	
8	7139076	1	PLATE	
9	8305626	8	HEX LOCK ELASTIC NUT, 5/16-18	
10	7118222	1	FUEL SENDER (Prior to SN 0160047782)	
10	1001145026	1	FUEL SENDER (SN 0160047782 to Present)	
11	8310163	11	TRUSS HD SCREW, #10X5/8	
12	8760552	1	MALE BRANCH TEE, #16, (includes o-ring)	
13	2220239	2	HEX HD PLUG, (includes o-ring)	
14	7138740	1	SUCTION STRAINER, (includes o-ring)	
15	8430034	1	ELBOW, 90, (includes o-ring)	
16	8430064	1	ELBOW, 90, (includes o-ring)	
17	2220237	1	HEX HD PLUG, #6, (includes o-ring)	
18	8223226	1	HYDRAULIC TEMPERATURE SWITCH, 195F	
19	1001134961	1	FUEL FILL NECK ADAPTER (Prior to SN 0160047782)	
115	8430034	1	ELBOW, 90, (includes o-ring)	

SECTION 9 - HYDRAULIC COMPONENTS

FIGURE 9-18. GRAPPLE BUCKET CYLINDER



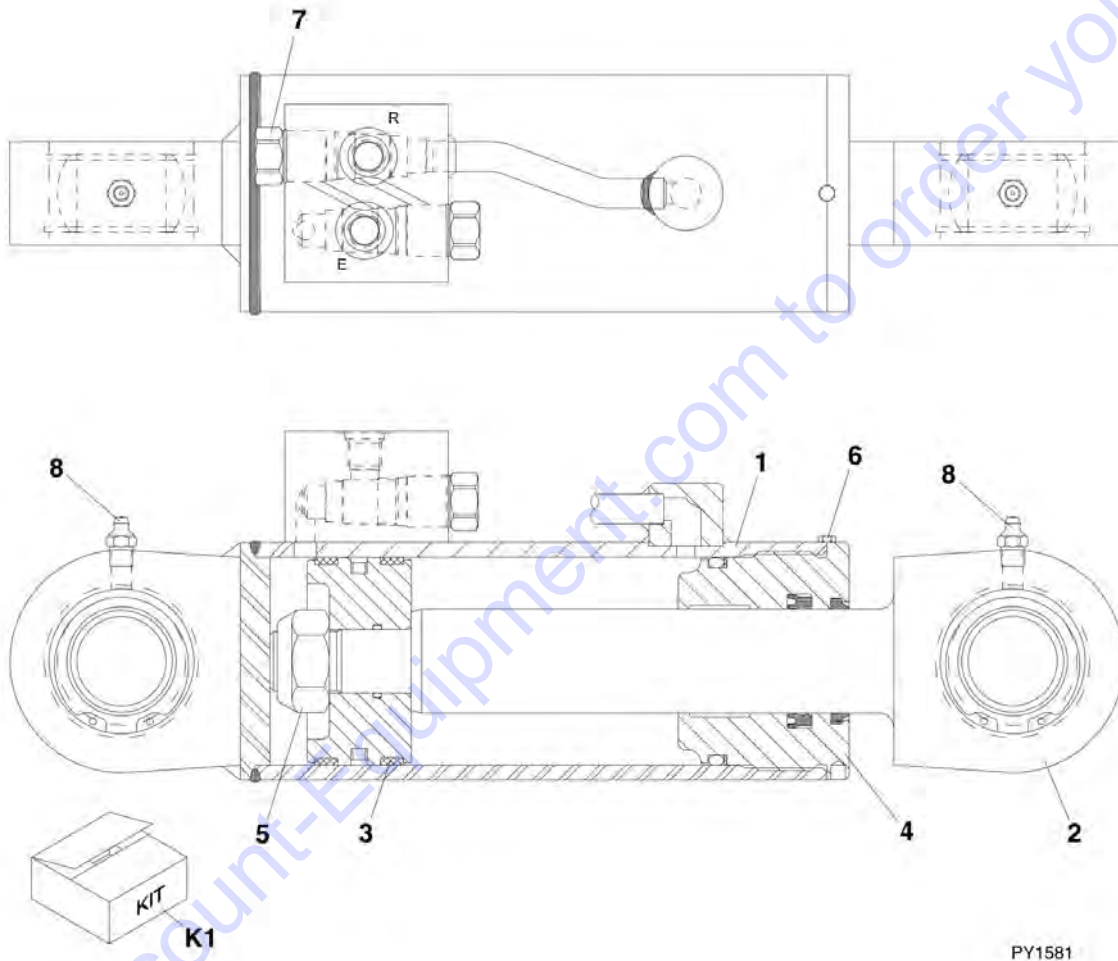
SECTION 9 - HYDRAULIC COMPONENTS

FIGURE 9-18. GRAPPLE BUCKET CYLINDER

ITEM	PART NUMBER	QTY	DESCRIPTION	REV
	70021393	1	GRAPPLE BUCKET CYLINDER, (includes all items)	
1	70021465	1	CYLINDER TUBE	
2	70021448	2	BUSHING	
3	70021464	2	VALVE CARTRIDGE	
4	90554045	2	GREASE FITTING	
5	70021440	1	HEX NUT	
6	Kit	1	PISTON RING	
7	Kit	1	O-RING	
8	70021451	1	PISTON	
9	Kit	1	O-RING	
10	70021444	1	WASHER	
11	Kit	1	O-RING	
12	Kit	1	BACK-UP WASHER	
13	Kit	1	O-RING	
14	70021446	1	CYLINDER GLAND	
15	Kit	1	POLY-PAK SEAL	
16	Kit	1	ROD WIPER	
17	70021466	1	PISTON ROD	
18	70021447	1	BUSHING	
K1	70021452	1	SEAL KIT (includes items 6, 7, 9, 11 thru 13, 15 & 16)	

SECTION 9 - HYDRAULIC COMPONENTS

FIGURE 9-19. SIDE TILT CARRIAGE CYLINDER



SECTION 9 - HYDRAULIC COMPONENTS

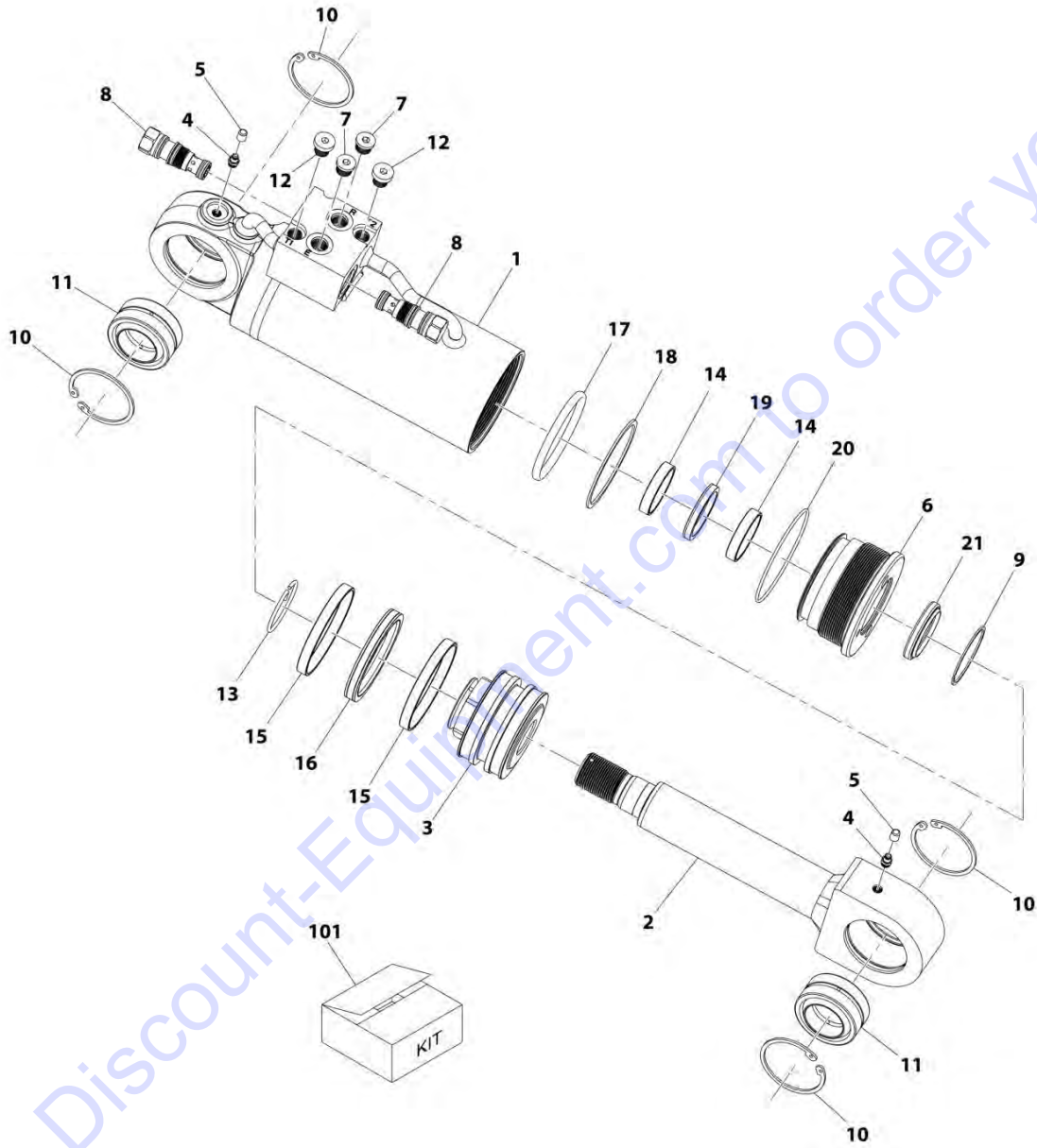
FIGURE 9-19. SIDE TILT CARRIAGE CYLINDER

ITEM	PART NUMBER	QTY	DESCRIPTION	REV
	1001090134	NLA	SIDE TILT CARRIAGE CYLINDER, (no longer available, see items 1 through 8 for service or 1001163414 for replacement)	C
1	70022038	1	BARREL ASSY	
2	70022039	1	ROD ASSY	
3	70022040	1	PISTON	
3	70022042	1	SEAL KIT	
4	70024002	1	ROD BEARING	
4	70022043	1	SEAL KIT	
5	90022230	1	HEX NUT	
6	7029760	1	CAPSCREW	
7	4640438	2	CHECK VALVE	
7	2900770	1	SEAL KIT	
8	91044080	2	GREASE FITTING	
K1	70022041	1	SEAL KIT, (contains 70022042 & 70022043)	

Go to Discount-Equipment.com to order your parts

SECTION 9 - HYDRAULIC COMPONENTS

FIGURE 9-20. SIDE TILT CARRIAGE CYLINDER



ART_1001163414-A

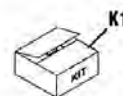
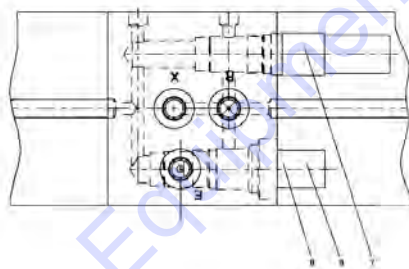
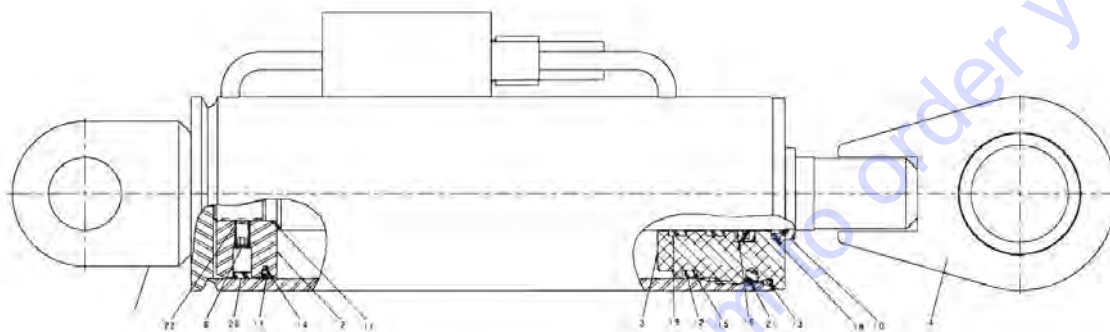
SECTION 9 - HYDRAULIC COMPONENTS

FIGURE 9-20. SIDE TILT CARRIAGE CYLINDER

ITEM	PART NUMBER	QTY	DESCRIPTION	REV
	1001163414	Ref	SIDE TILT CYLINDER	A
1	70026056	1	BARREL	
2	70026057	1	ROD	
3	70026058	1	HEAD, PISTON	
4	70025606	2	NIPPLE, GREASE	
5	70024020	2	FITTING, GREASE	
6	70003849	1	GLAND	
7	70025959	2	PLUG	
8	70026059	2	VALVE, P.O. CHECK	
9	70002219	1	RING, INTERNAL SNAP	
10	70026060	4	RING, INTERNAL SNAP	
11	70026061	2	BEARING, SPHERICAL	
12	70024262	2	PLUG	
13	70002224	1	RING, LOCKING	
14	Kit	2	RING, ROD BEARING	
15	Kit	2	RING, PISTON BEARING	
16	Kit	1	SEAL, PISTON	
17	Kit	1	O-RING	
18	Kit	1	RING, BACK-UP	
19	Kit	1	SEAL, ROD	
20	Kit	1	O-RING	
21	Kit	1	SEAL, WIPER	
101	70026062	1	SEAL KIT, (includes items 14 thru 21)	

SECTION 9 - HYDRAULIC COMPONENTS

FIGURE 9-21. 72IN 90, SWING CARRIAGE CYLINDER



PPV1711

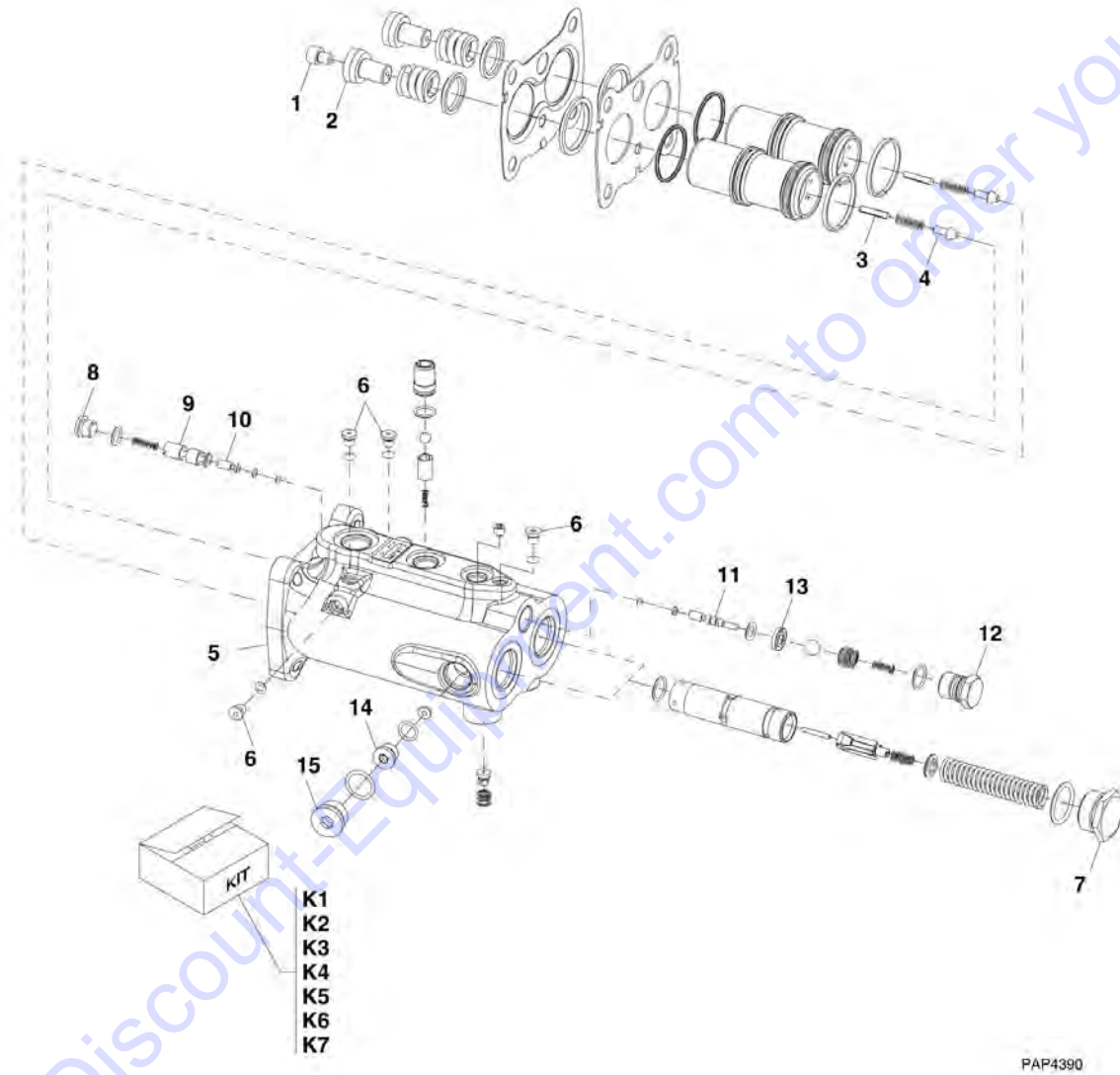
SECTION 9 - HYDRAULIC COMPONENTS

FIGURE 9-21. 72IN 90, SWING CARRIAGE CYLINDER

ITEM	PART NUMBER	QTY	DESCRIPTION	REV
	1001103182	1	SWING CARRIAGE CYLINDER, (includes items 1 thru 22)	B
1	70022044	1	TUBE ASSY	
2	8035863	1	PISTON	
3	8035862	1	HEAD GLAND	
4	70022045	1	ROD ASSY	
5	70022046	1	BEARING	
6	8035536	2	SET SCREW, 5/16-18X1/2	
7	70020428	1	RELIEF VALVE, (preset to 2000 psi)	
7	7024574	1	SEAL KIT	
8	8033786	1	COUNTER BALANCE VALVE, (preset to 3000 psi)	
8	8205655	1	SEAL KIT	
9	70021812	1	TAMPERPROOF CAP	
11	Kit	1	O-RING	
12	Kit	1	O-RING	
13	Kit	1	O-RING	
14	Kit	1	SQUARE RING	
15	Kit	1	BACKUP RING	
16	Kit	1	SEAL	
17	Kit	1	PISTON SEAL	
18	Kit	1	ROD WIPER	
19	Kit	2	WEARBAND	
20	Kit	1	WEARBAND	
21	Kit	2	INSERT	
22	Kit	2	INSERT	
K1	2915023	1	SEAL KIT, (includes items 11 thru 22)	

SECTION 9 - HYDRAULIC COMPONENTS

FIGURE 9-22. BRAKE VALVE



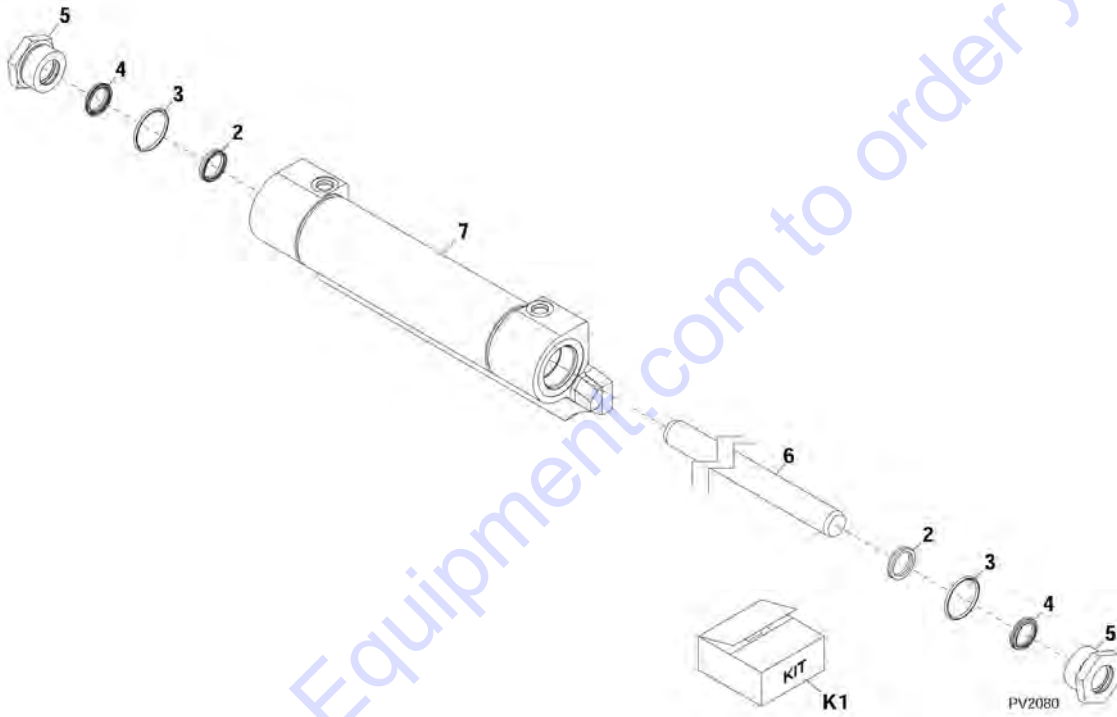
SECTION 9 - HYDRAULIC COMPONENTS

FIGURE 9-22. BRAKE VALVE

ITEM	PART NUMBER	QTY	DESCRIPTION	REV
	1001094284	NLA	POWER BRAKE VALVE, (no longer available, order 1001106845 for replacement or see items 1 thru 15 for service)	A
	1001106845	1	POWER BRAKE VALVE, (information not available at the time of publication)	
1	91474454	1	BOLT	
2	91474442	2	PIN	
3	70023037	2	PIN	
4	70023038	2	POPPET	
5	N.S.S.	1	HOUSING	
6	91474450	4	PLUG	
7	91474434	2	PLUG	
8	91474458	1	PLUG	
9	91474456	1	SPOOL	
10	91474455	1	PISTON	
11	91474447	1	PISTON	
12	91474443	1	PLUG	
13	91474446	1	SEAT	
14	70020680	1	PLUG	
15	91474459	1	PLUG	
K1	70024044	1	PREFILL PISTON KIT	
K2	70024045	1	COVERS KIT	
K3	70024046	1	SEAL KIT	
K4	70024047	1	MAKE-UP CHECK KIT	
K5	70024048	1	INLET CHECK KIT	
K6	70024049	1	HARDWARE KIT	
K7	70024050	1	WORKPORT ORIFICE KIT	

SECTION 9 - HYDRAULIC COMPONENTS

FIGURE 9-23. 50IN SIDE SHIFT CARRIAGE CYLINDER (SN 0160037788 to Present)



SECTION 9 - HYDRAULIC COMPONENTS

FIGURE 9-23. 50IN SIDE SHIFT CARRIAGE CYLINDER (SN 0160037788 to Present)

ITEM	PART NUMBER	QTY	DESCRIPTION	REV
	70024539	1	50IN SIDE SHIFT CARRIAGE CYLINDER, (includes all items)	B
2	Kit	2	ROD SEAL	
3	70024547	2	O-RING	
4	Kit	2	ROD WIPER SEAL	
5	70024548	2	RETAINER SEAL	
6	N.S.S.	1	ROD	
7	N.S.S.	1	BARREL	
K1	70024549	1	SEAL KIT, (includes items 2 & 4)	

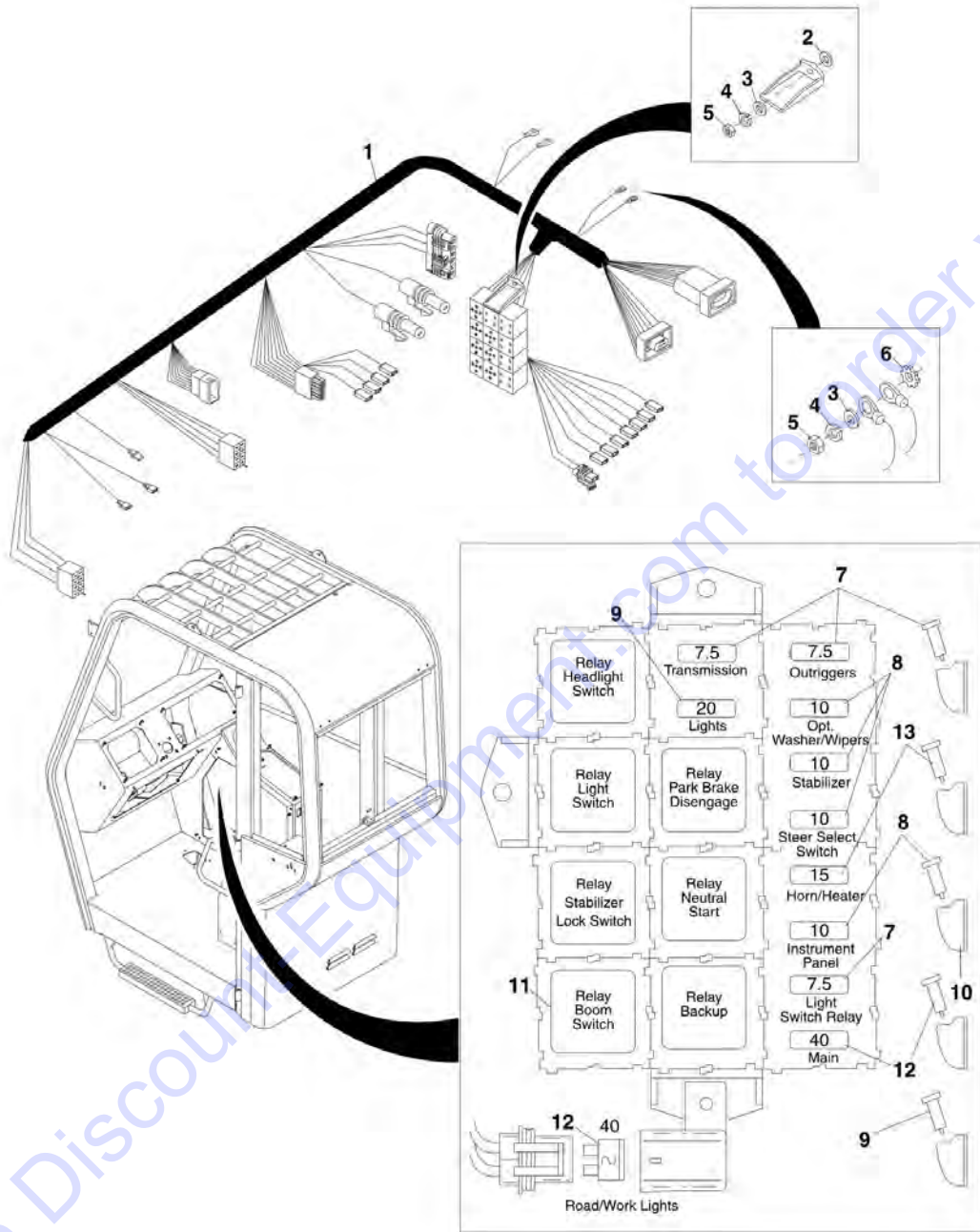
Go to Discount-Equipment.com to order your parts

SECTION 10 - ELECTRICAL

Go to Discount-Equipment.com to order your parts

SECTION 10 - ELECTRICAL

FIGURE 10-1. CAB HARNESS (Prior to SN 0160039337, Excluding 0160024571 and 0160037911)



PA3720

PARTS FINDER

**Search Website
by Part Number**



**Search Manual
Library For Parts
Manual & Lookup Part
Numbers – Purchase
or Request Quote**

**Can't Find Part or
Manual? Request Help
by Manufacturer,
Model & Description**

Discount-Equipment.com is your online resource for quality parts & equipment.

Florida: **561-964-4949** Outside Florida TOLL FREE: **877-690-3101**

Need parts?

Click on this link: <http://www.discount-equipment.com/category/5443-parts/> and choose one of the options to help get the right parts and equipment you are looking for. Please have the machine model and serial number available in order to help us get you the correct parts. If you don't find the part on the website or on one of the online manuals, please fill out the request form and one of our experienced staff members will get back to you with a quote for the right part that your machine needs.

We sell worldwide for the brands: Genie, Terex, JLG, MultiQuip, Mikasa, Essick, Whiteman, Mayco, Toro Stone, Diamond Products, Generac Magnum, Airman, Haulotte, Barreto, Power Blanket, Nifty Lift, Atlas Copco, Chicago Pneumatic, Allmand, Miller Curber, Skyjack, Lull, Skytrak, Tsurumi, Husquvarna Target, Stow, Wacker, Sakai, Mi-T-M, Sullair, Basic, Dynapac, MBW, Weber, Bartell, Bennar Newman, Haulotte, Ditch Runner, Menegotti, Morrison, Contec, Buddy, Crown, Edco, Wyco, Bomag, Laymor, EZ Trench, Bil-Jax, F.S. Curtis, Gehl Pavers, Heli, Honda, ICS/PowerGrit, IHI, Partner, Imer, Clipper, MMD, Koshin, Rice, CH&E, General Equipment, Amida, Coleman, NAC, Gradall, Square Shooter, Kent, Stanley, Tamco, Toku, Hatz, Kohler, Robin, Wisconsin, Northrock, Oztec, Toker TK, Rol-Air, APT, Wylie, Ingersoll Rand / Doosan, Innovatech, Con X, Ammann, Mecalac, Makinex, Smith Surface Prep, Small Line, Wanco, Yanmar

SECTION 10 - ELECTRICAL

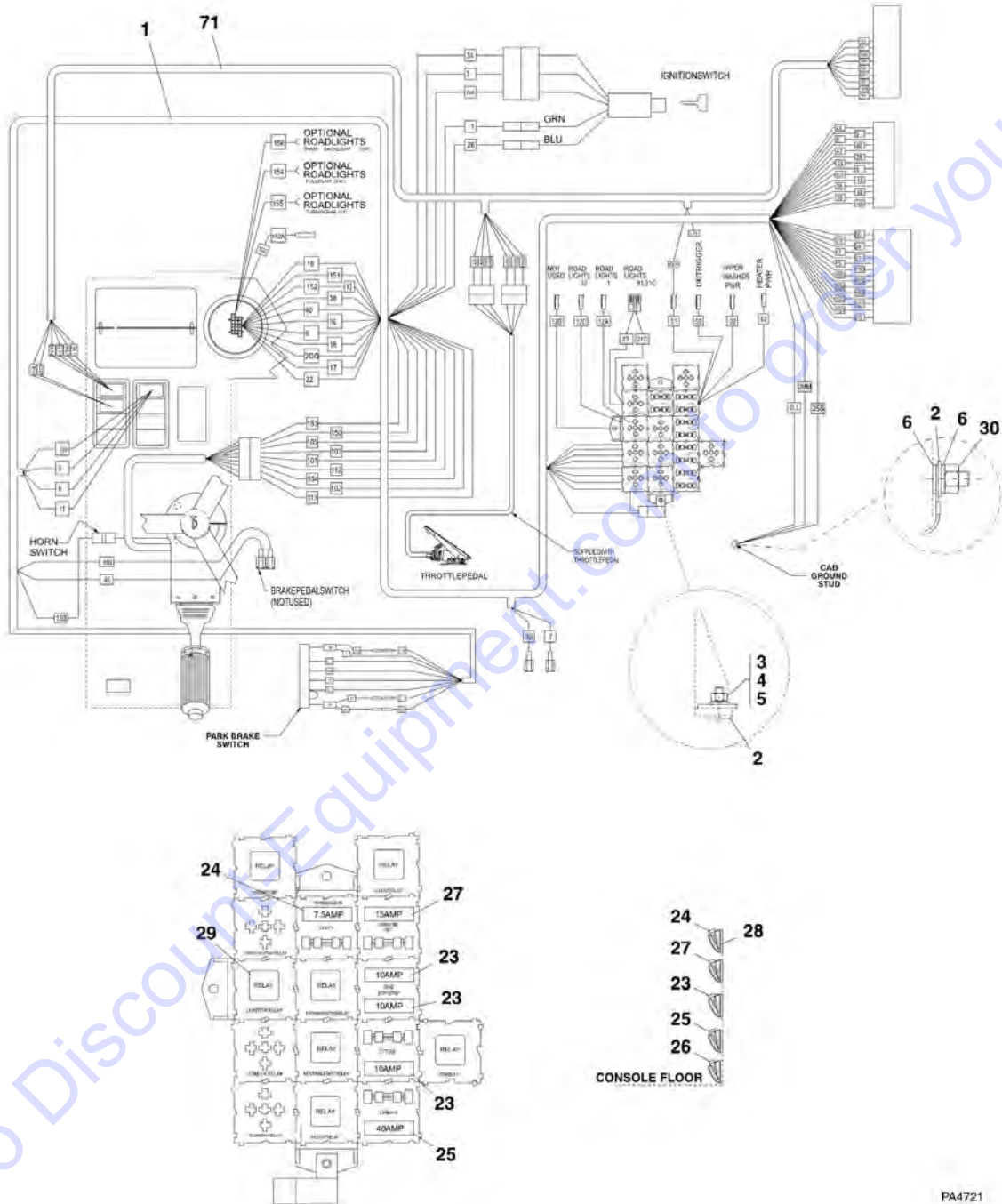
FIGURE 10-1. CAB HARNESS (Prior to SN 0160039337, Excluding 0160024571 and 0160037911)

ITEM	PART NUMBER	QTY	DESCRIPTION	REV
1	7301818	1	CAB HARNESS	E
2	8307106	3	FLAT WASHER, 5/16	
3	8307111	4	FLAT WASHER, #10	
4	8307003	4	LOCKWASHER, #10	
5	8305002	4	HEX NUT, #10-24 NC	
6	8307027	1	LOCKWASHER, 5/16, (external tooth)	
7	8229233	4	FUSE, 7.5 AMP, (Tan)	
8	8229234	5	FUSE, 10 AMP, (Red)	
9	8229235	2	FUSE, 20 AMP, LIGHTS, (Yellow)	
10	8582007	5	SPARE FUSE CLIP	
11	8225119	7	RELAY	
12	8229238	3	FUSE, 40 AMP, (Orange)	
13	8229237	2	FUSE, 15 AMP	

Go to Discount-Equipment.com to order your parts

SECTION 10 - ELECTRICAL

FIGURE 10-2. CAB HARNESS (SN 0160039338 to Present, Including 0160024571 and 0160037911)



PA4721

SECTION 10 - ELECTRICAL

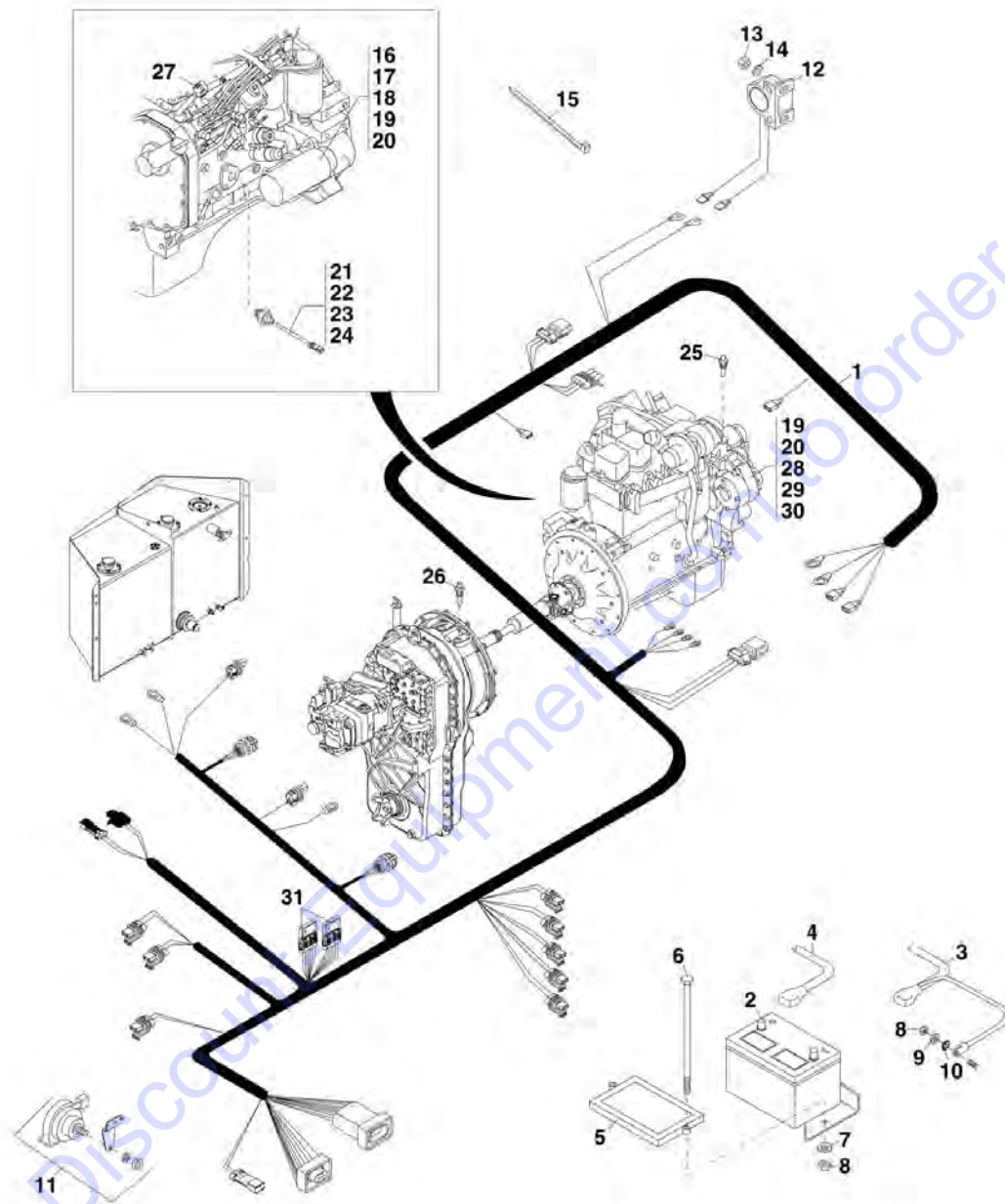
FIGURE 10-2. CAB HARNESS (SN 0160039338 to Present, Including 0160024571 and 0160037911)

ITEM	PART NUMBER	QTY	DESCRIPTION	REV
1	1001104036	1	CONSOLE AND STABILIZER HARNESS	
2	8307106	4	FLAT WASHER, 5/16	
3	8307111	3	FLAT WASHER, #10	
4	8307003	3	LOCKWASHER, #10	
5	8305002	3	HEX NUT, #10-24	
6	8307027	2	LOCKWASHER, 5/16	
23	8229234	4	FUSE, 10 AMP	
24	8229233	2	FUSE, 7.5 AMP	
25	8229238	2	FUSE, 40 AMP	
26	8229235	1	FUSE, 20 AMP	
27	8229237	2	FUSE, 15 AMP	
28	8582007	5	SPARE FUSE CLIP	
29	8225119	7	SEALED RELAY	
30	8305624	1	HEX LOCKNUT, 1/4	
71	1001114579	1	CAB HARNESS	

Go to Discount-Equipment.com to order your parts

SECTION 10 - ELECTRICAL

FIGURE 10-3. ENGINE HARNESS (SN 14834 through 19988, SN 0160002345 through 0160004109)



PA3731

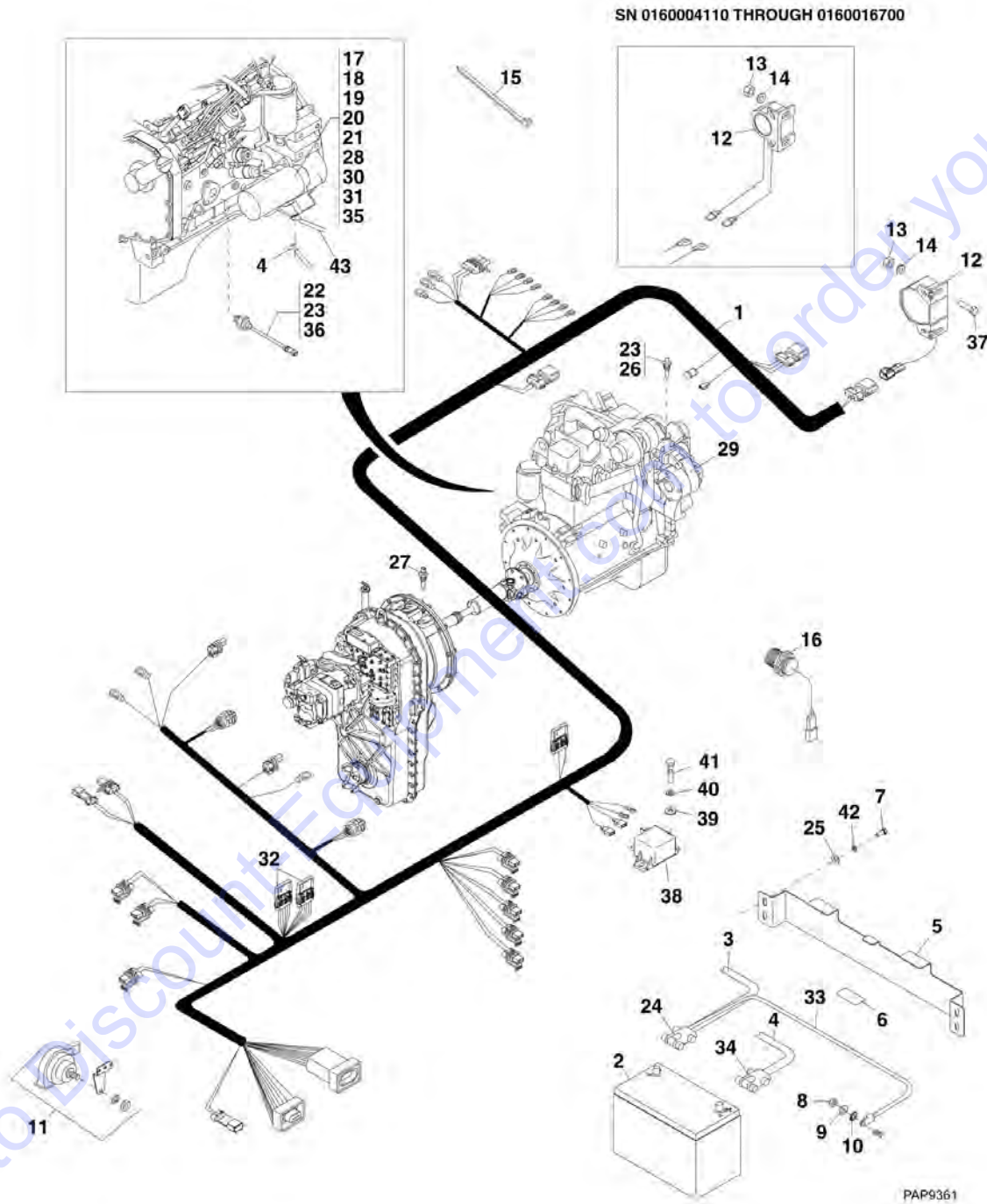
SECTION 10 - ELECTRICAL

FIGURE 10-3. ENGINE HARNESS (SN 14834 through 19988, SN 0160002345 through 0160004109)

ITEM	PART NUMBER	QTY	DESCRIPTION	REV
1	7150714	1	ENGINE HARNESS	L
2	8270134	1	12 VOLT BATTERY	
3	7150745	1	SINGLE BATTERY NEGATIVE CABLE	
4	7150746	1	SINGLE BATTERY POSITIVE CABLE	
5	7138830	1	BATTERY HOLD-DOWN	
6	8310344	2	HEX HD CAPSCREW, 3/8-16X10	
7	8307204	2	FLAT WASHER, 3/8	
8	8305645	3	LOCKNUT, 3/8	
9	8307112	1	FLAT WASHER, 1/2	
10	10701363	1	LOCKWASHER, 5/8, (external tooth)	
11	8270620	1	HORN, (includes mounting hardware)	
12	8270624	NLA	BACKUP ALARM, (no longer available, use kit 2915184 on Figure 10-2 for replacement) (SN 0160004110 through 0160039337)	
13	8305004	2	HEX NUT, 1/4-20	
14	8307002	2	LOCKWASHER, 1/4	
15	8584001	AR	TIE WRAP, (not shown)	
16		Ref	STARTER, (includes starter solenoid), (See ENGINE AND ATTACHING PARTS SECTION for Breakdown)	
17	8307023	1	LOCKWASHER, M10	
18	8305438	1	HEX JAM NUT, M10	
19	8310077	3	HEX JAM NUT, M5-0.8	
20	8310078	3	LOCKWASHER, M5	
21	8223532	NLA	LOW OIL PRESSURE SENDER, (no longer available, use kit 2915063 on ENGINE HARNESS SN 0160004110 through 0160039337 for replacement)	
22	8310041	1	LOCKWASHER, #8, (external tooth)	
23	8305201	1	HEX NUT, #8-32 BRASS	
24	8220073	1	SLIP-ON MALE TERMINAL, #10 SCREW	
25	8223217	1	WATER TEMPERATURE SENDER (SN 14834 through 18231)	
25	8223242	1	WATER TEMPERATURE SENDER (SN 18231 through 19988, SN 0160002345 through 0160004109)	
26	8223232	1	TRANSMISSION TEMPERATURE SWITCH	
27	8035276	1	FUEL RUN SOLENOID	
28		Ref	ALTERNATOR, (See ENGINE AND ATTACHING PARTS SECTION for Breakdown)	
29	8307022	1	LOCKWASHER, M8	
30	8305043	1	HEX NUT, M8-1.25	
31	8035805	2	DIODE PAC	

SECTION 10 - ELECTRICAL

FIGURE 10-4. ENGINE HARNESS (SN 0160004110 through 0160039337, Excluding 0160024571 and 0160037911)



SECTION 10 - ELECTRICAL

FIGURE 10-4. ENGINE HARNESS (SN 0160004110 through 0160039337, Excluding 0160024571 and 0160037911)

ITEM	PART NUMBER	QTY	DESCRIPTION	REV
1	4922984	1	ENGINE HARNESS (SN 0160004110 through 0160012751)	D
1	4923285	1	ENGINE HARNESS (SN 0160012752 through 0160014860)	C
1	4923363	1	ENGINE HARNESS (SN 0160014897 through 0160039337, Excluding 0160024571 and 0160037911)	C
2	8270144	1	12 VOLT BATTERY	
3	7301836	1	SINGLE BATTERY NEGATIVE CABLE	
4	7301835	1	SINGLE BATTERY POSITIVE CABLE	
5	7301859	1	BATTERY TIE DOWN SHEET	
6	7301864	2	FOAM STRIP	
7	8303620	4	HEX HD CAPSCREW, 3/8-16X1, GR5	
8	8305645	1	LOCKNUT, 3/8	
9	8307110	1	FLAT WASHER, 3/8	
10	8307026	1	LOCKWASHER, 3/8, (external tooth)	
11	8270620	1	HORN, (includes mounting hardware)	
12	8270624	NLA	BACK-UP ALARM, (no longer available, use kit 2915184 for replacement) (SN 0160004110 through 0160016700)	
12	8270621	1	BACK-UP ALARM (SN 0160016744 to Present)	
13	8305624	2	HEX LOCKNUT, 1/4	
14	4711400	2	WASHER, 1/4	
15	8584001	AR	TIE WRAP	
16	7099882	1	BOOM ANGLE SENSOR	
17		Ref	STARTER, (includes starter solenoid), (See ENGINE AND ATTACHING PARTS SECTION for Breakdown)	
18	7300344	1	BUSS BAR	
19	8303533	1	HEX HD CAPSCREW, M12X1.75X20MM, PC8.8	
20	8307220	1	PLAIN WASHER, M12	
21	8310650	1	LOCKWASHER, M12	
22	8223532	NLA	LOW OIL PRESSURE SENDER, (no longer available, use kit 2915063 for replacement) (SN 0160004110 through 0160012751)	
22	4360609	1	LOW OIL PRESSURE SENDER (SN 0160012752 through 0160039337, Excluding 0160024571 and 0160037911)	
23	8220073	2	TAB FASTON TERMINAL	
24	8270147	1	NEGATIVE BATTERY CLAMP	
25	8307204	4	PLAIN WASHER, 3/8	
26	8223244	1	WATER TEMPERATURE SENDER	
27	8223232	1	TRANSMISSION TEMPERATURE SWITCH	
28	8305038	2	HEX NUT, M10	
29		Ref	ALTERNATOR, (See ENGINE AND ATTACHING PARTS SECTION for Breakdown)	
30	8303777	2	HEX HD CAPSCREW, M10X1.5X35MM, PC8.8	
31	8307221	4	PLAIN WASHER, M10	
32	8220366	3	DIODE PAC	
33	4923018	1	FRAME GROUND CABLE	
34	8270148	1	POSITIVE BATTERY CLAMP	
35	8307023	2	LOCKWASHER, M10	
36	4923283	1	PRESSURE SWITCH JUMPER (SN 0160012752 to Present)	
37	0641406	2	HEX HD CAPSCREW, 1/4-20X3/4 (SN 0160016744 to Present)	
38	77383377	1	STARTER RELAY (SN 0160014897 to Present)	
39	4711400	2	WASHER, 1/4 (SN 0160014897 to Present)	
40	8307002	2	LOCKWASHER, 1/4 (SN 0160014897 through 0160039337,	

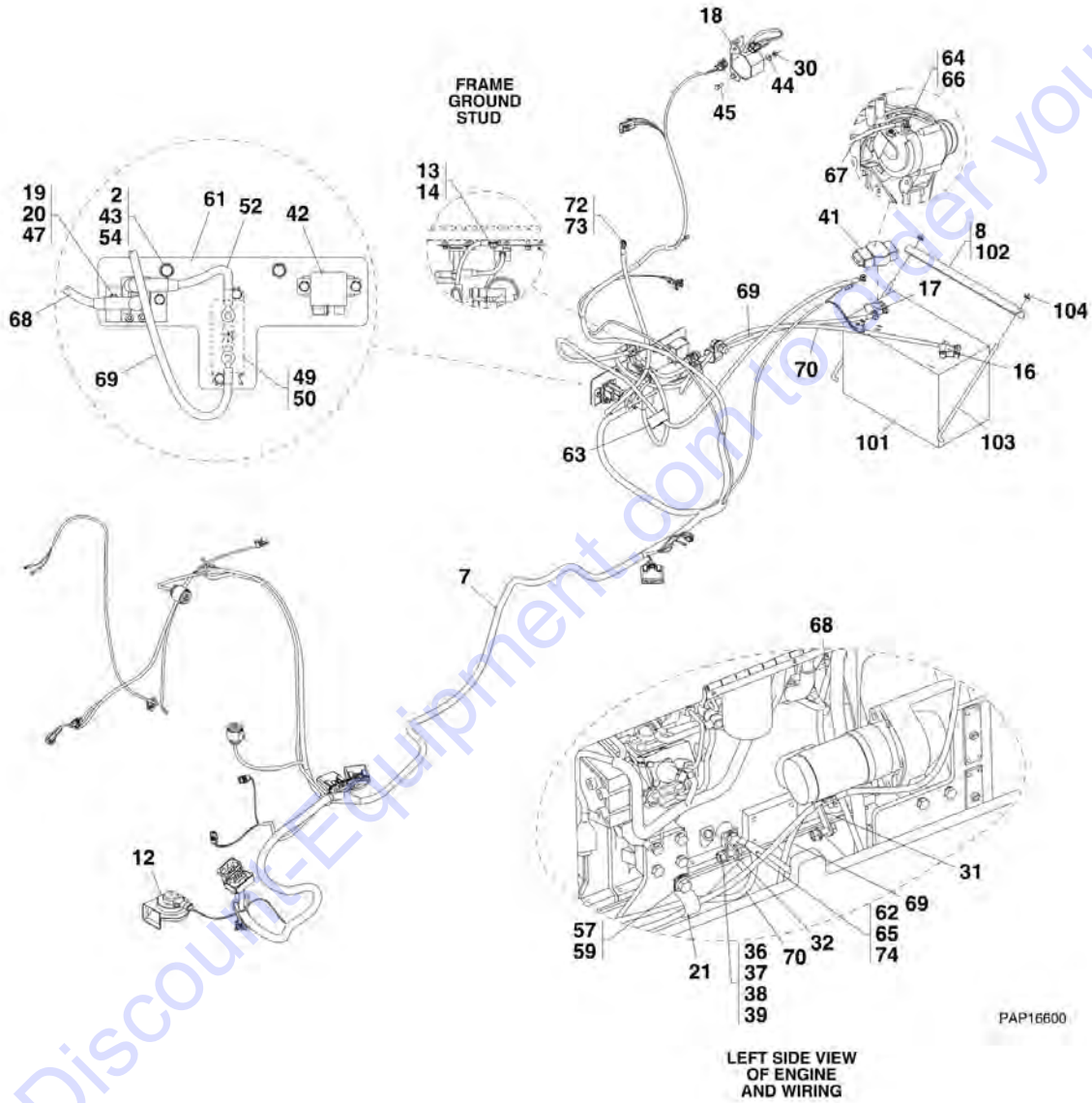
SECTION 10 - ELECTRICAL

ITEM	PART NUMBER	QTY	DESCRIPTION	REV
41	0641410	2	Excluding 0160024571 and 0160037911) HEX HD CAPSCREW, 1/4-20X1-1/4 (SN 0160014897 through 0160039337, Excluding 0160024571 and 0160037911)	
42	8307005	4	LOCKWASHER, 375	
43	7310012	1	FUSIBLE LINK ASSY	
K1	2915063	1	PRESSURE SWITCH KIT, (includes items 22 & 36)	
K2	2915184	1	BACK-UP ALARM SERVICE KIT, (includes items 12 thru 14, 37, mounting bar, 3576433 and butt connectors, 86683480)	

Go to Discount-Equipment.com to order your parts

SECTION 10 - ELECTRICAL

FIGURE 10-5. ENGINE HARNESS (SN 0160039338 to Present, Including 0160024571 and 0160037911)



SECTION 10 - ELECTRICAL

FIGURE 10-5. ENGINE HARNESS (SN 0160039338 to Present, Including 0160024571 and 0160037911)

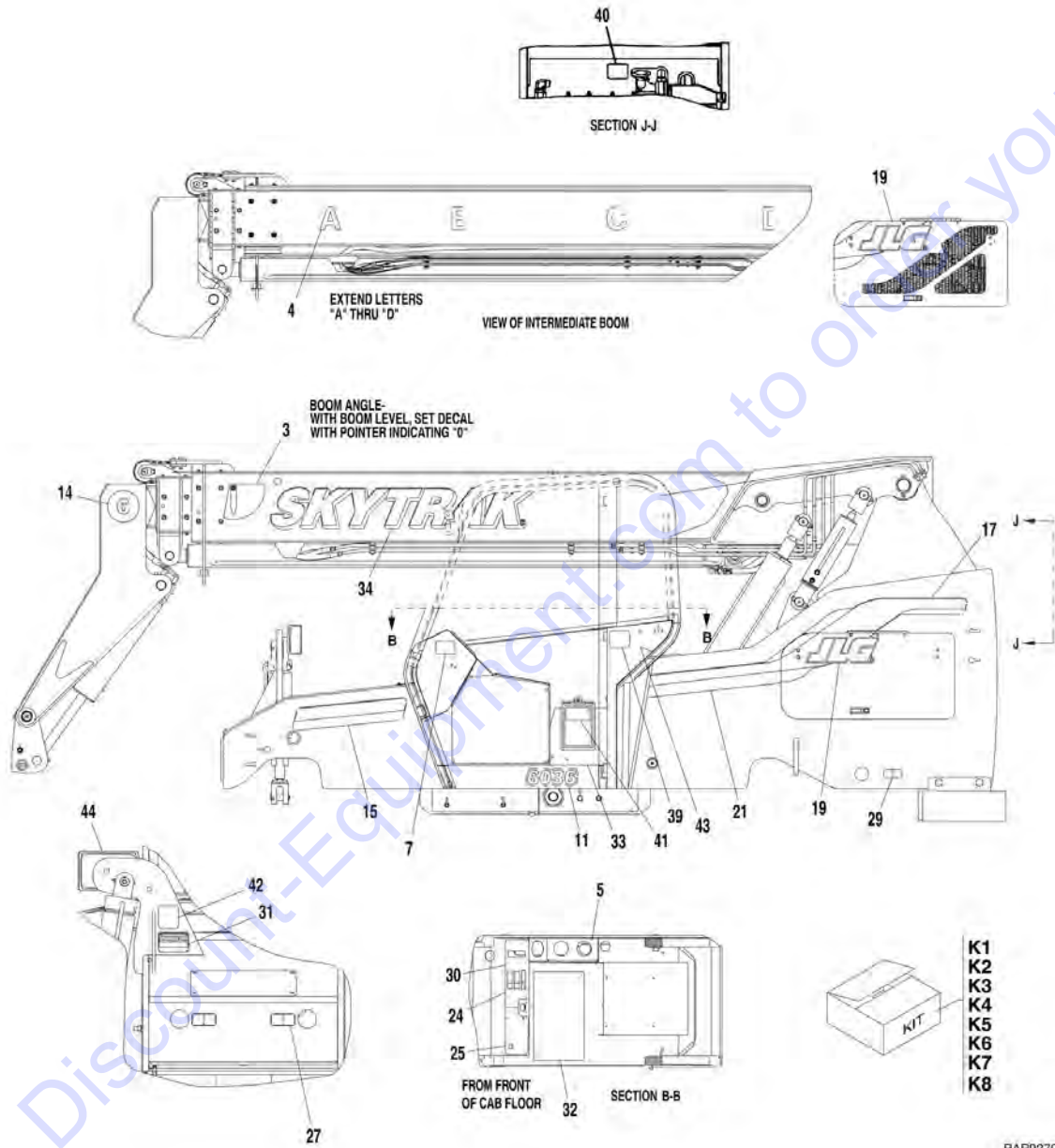
ITEM	PART NUMBER	QTY	DESCRIPTION	REV
2	8307106	2	WASHER, 5/16	
7	1001128397	1	ENGINE HARNESS	
8	1001108206	1	BATTERY HOLD DOWN INSTALLATION, (includes items 101 thru 104)	B
12	8270620	1	HORN, (includes mounting hardware)	
13	8305645	1	HEX LOCKNUT, 3/8-16	
14	8307110	1	WASHER, 3/8	
16	8270147	1	BATTERY CLAMP, (negative)	
17	8270148	1	BATTERY CLAMP, (positive)	
18	8270621	1	BACK-UP ALARM	
19	8307219	6	WASHER, 6MM	
20	8303545	6	HEX HD CAPSCREW, 6X1X14MM	
21	8406302	1	HOSE CLAMP	
30	8305624	2	HEX LOCKNUT, 1/4-20	
31	6621412	1	STARTER TERMINAL	
32	7300344	1	BUSS BAR	
36	8303777	2	HEX HD CAPSCREW, 10X1.5X35MM	
37	8307221	4	WASHER, 10MM	
38	8307023	2	LOCKWASHER, 10MM	
39	8305038	2	HEX NUT, 10X1.50MM	
41	7301893	1	BATTERY TERMINAL, INSULATOR	
42	77383377	1	STARTER RELAY	
43	8307004	2	LOCKWASHER, 5/16	
44	4711400	2	WASHER, 1/4	
45	0641406	2	HEX HD CAPSCREW, 1/4-20X3/4, GR5	
47	1001117308	1	CONTINUOUS DUTY RELAY	
49	1001118245	1	FUSE	
50	8229260	1	FUSE HOLDER	
52	1001118129	1	GRID HEATER FUSE RELAY	
54	8303745	2	HEX HD CAPSCREW, 5/16-18X1/16, GR5	
57	0791810	1	WHIZ-LOCK, 1/2-13X1-1/4	
59	8310523	1	FLANGE NUT, 1/2-13	
61	1001114671	1	RELAY MOUNT BRACKET	
62	0761012	1	HEX HD CAPSCREW, 10X25MM, GR8.8	
63	1320131	1	HOSE CLAMP	
64	3290801	1	HEX NUT, 8X1.25MM	
65	4812000	1	WASHER, 10MM	
66	4831900	1	SPRING LOCKWASHER, 8MM	
67	1001114480	1	CABLE, (alternator to starter)	
68	1001118107	1	GRID HEATER CABLE	
69	1001114482	1	BATTERY CABLE, (positive)	
70	1001114483	1	BATTERY CABLE, (negative) (Prior to SN 0160042003)	
70	1001128663	1	BATTERY CABLE, (negative) (SN 0160042003 to Present)	
72	3290601	1	HEX NUT, 6X1MM	
73	4831700	1	SPRING LOCKWASHER, 6MM	
74	8310046	1	LOCKWASHER, M10	
101	1001101043	1	BATTERY, 12 VOLT	
102	91401281	1	BATTERY HOLD DOWN BRACKET	
103	91081640	2	BATTERY HOLD DOWN BOLT	
104	77143006	2	WHIZ-LOCK NUT, 5/16-18	

SECTION 11 - DECALS

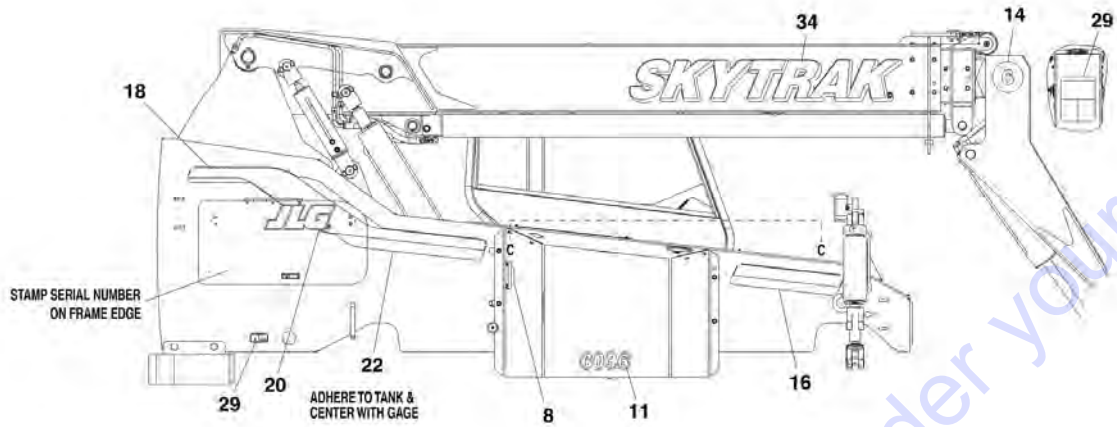
Go to Discount-Equipment.com to order your parts

SECTION 11 - DECALS

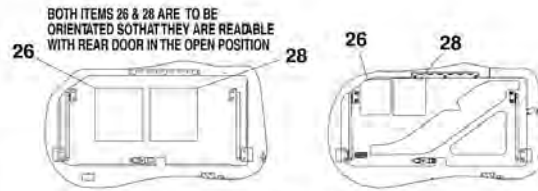
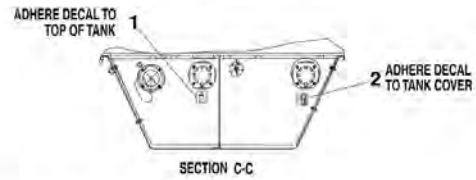
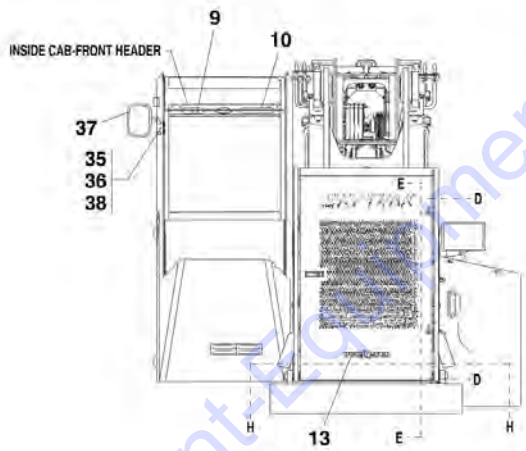
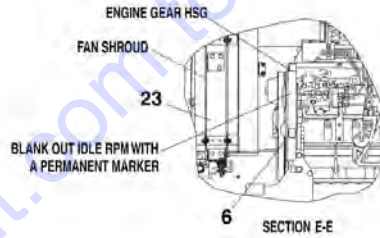
FIGURE 11-1. DECALS AND PAINT



SECTION 11 - DECALS

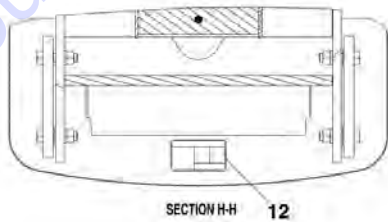


20
SN 0160039338 TO PRESENT
INCLUDING 0160024571 &
0160037911



PRIOR TO SN 0160039338
EXCLUDING 0160024571 &
0160037911

SN 0160039338 TO PRESENT
INCLUDING 0160024571 &
0160037911



PAP9290

SECTION 11 - DECALS

FIGURE 11-1. DECALS AND PAINT

ITEM	PART NUMBER	QTY	DESCRIPTION	REV
1	4100181	1	HYDRAULIC OIL FILL DECAL	
2	4105171	1	DIESEL FUEL FILL DECAL	
3	4105262	1	BOOM ANGLE INDICATOR DECAL	
4	4107442	1	BOOM EXTEND LETTERS DECAL	
5	4107462	1	SIDE CONSOLE DECAL	
6	4107901	1	ENGINE IDLE SETTING DECAL	
7	3251813	1	USA DECAL	
8	4108302	1	HYDRAULIC OIL LEVEL DECAL	
9	1706299	1	ELECTROCUTION HAZARD DECAL, (ANSI)	
9	1706284	1	ELECTROCUTION HAZARD DECAL, (ISO)	
10	1706306	1	WARNING TIP OVER DECAL, (ANSI)	
10	1706288	1	WARNING TIP OVER DECAL, (ISO)	
11	1706171	2	DECAL 6036 MODEL NUMBER	
12	1706296	1	BATTERY WARNING DECAL, (ANSI)	
12	1706281	1	BATTERY WARNING DECAL, (ISO)	
13	1704885	1	WEBSITE DECAL	
14	1706170	2	GOOSENECK DECAL, 6	
15	4110176	1	FRONT FRAME STRIPE LH SIDE DECAL	
16	4110177	1	FRONT FRAME STRIPE RH SIDE DECAL	
17	4110178	1	REAR FRAME STRIPE LH SIDE DECAL	
18	4110179	1	REAR FRAME STRIPE RH SIDE DECAL	
19	1706202	1	LH ENGINE DOOR STRIPE DECAL	
20	1706203	1	RH ENGINE DOOR STRIPE DECAL	
21	4110182	1	MID FRAME STRIPE LH SIDE DECAL	
22	4110183	1	MID FRAME STRIPE RH SIDE DECAL	
23	1706301	2	MOVING PARTS WARNING DECAL, (ANSI)	
23	1706285	2	MOVING PARTS WARNING DECAL, (ISO)	
24	4110187	1	OVERLAY RH DECAL, (ANSI)	
24	1001110280	1	OVERLAY RH DECAL, (ISO)	
25	4110188	1	OVERLAY LH DECAL, (ANSI)	
25	1001110282	1	OVERLAY LH DECAL, (ISO)	
26	4110223	1	LUBRICATION CHART DECAL (Prior to SN 0160039338, Excluding 0160024571 and 0160037911)	
26	1001109597	1	LUBRICATION CHART DECAL (SN 0160039338 to Present, Including 0160024571 and 0160037911)	
27	4110226	4	LIFT POINT/TIE DOWN	
28	4110339	1	MAINTENANCE CHART (Prior to SN 0160039338, Excluding 0160024571 and 0160037911)	
28	1001109596	1	MAINTENANCE CHART (SN 0160039338 to Present, Including 0160024571 and 0160037911)	
29	1706298	1	CARRY PERSONNEL DECAL, (ANSI)	
29	1706282	1	CARRY PERSONNEL DECAL, (ISO)	
30	7139452	1	NORTH AMERICAN LOAD CHART BOOKLET (SN 14834 through 19988, SN 0160002345 through 0160019856, Excluding 0160019687 and 0160019688)	C
30	1706796	1	NORTH AMERICAN LOAD CHART BOOKLET (SN 0160019953 through 0160037778, Including 0160019687 and 0160019688)	A
30	1706784	1	COVER	A
30	1706785	1	STANDARD CARRIAGE	A
30	1706786	1	SIDE TILT CARRIAGE	A
30	1706787	1	SWING CARRIAGE	A

SECTION 11 - DECALS

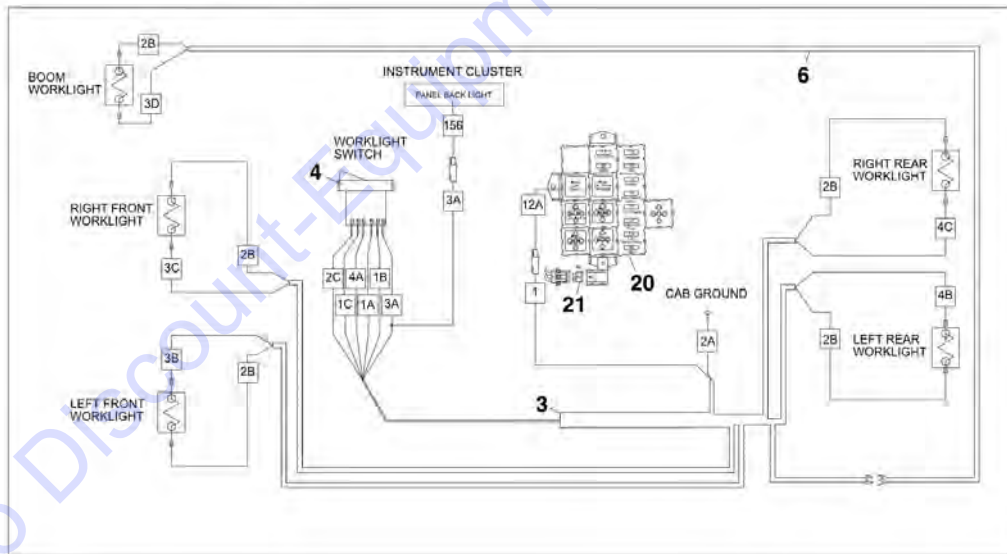
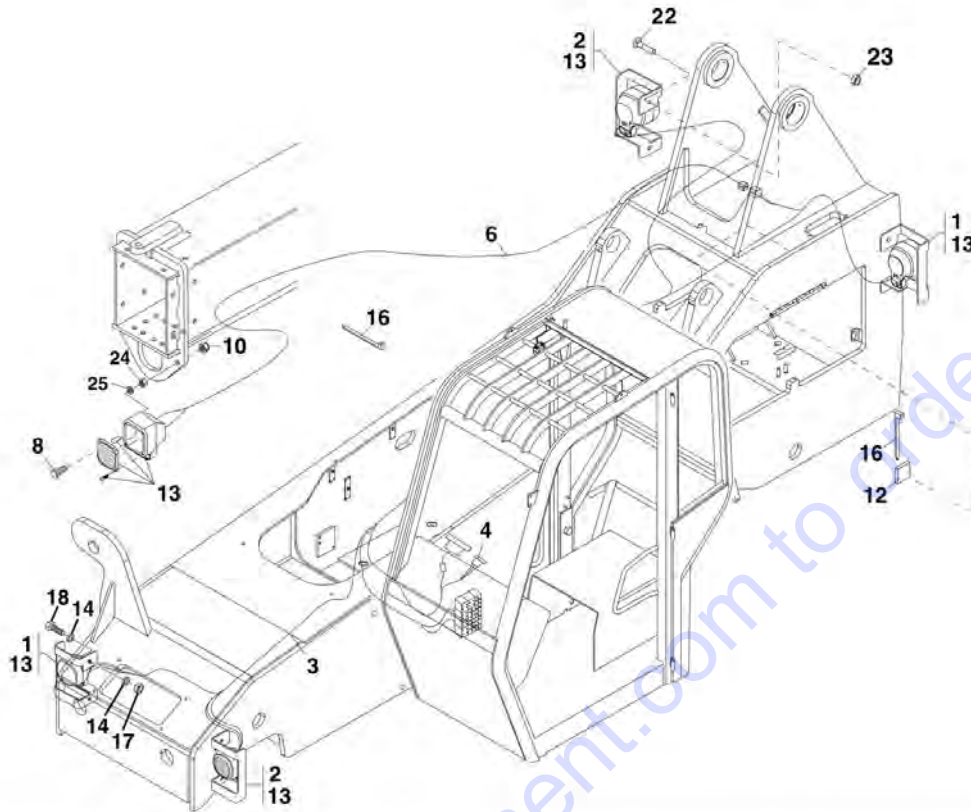
ITEM	PART NUMBER	QTY	DESCRIPTION	REV
30	1706788	1	TRUSS BOOM, 12FT	A
30	1706789	1	TRUSS BOOM, 6FT	A
30	1001106012	1	NORTH AMERICAN LOAD CHART BOOKLET, (ANSI) (SN 0160037788 to Present)	B
30	1001110412	1	NORTH AMERICAN LOAD CHART BOOKLET SUPPLEMENT, (ANSI) (SN 0160037788 to Present)	C
30	1001127753	1	NORTH AMERICAN LOAD CHART BOOKLET, (ISO) (SN 0160037788 to Present)	B
30	1001127755	1	NORTH AMERICAN LOAD CHART BOOKLET SUPPLEMENT, (ISO) (SN 0160037788 to Present)	B
31	N.S.S.	1	SN PLATE	
32	10139087	1	ANTISLIP ADHESIVE STRIP	
34	1706176	2	SKYTRAK BOOM DECAL	
35	0700610	2	HEX HD CAP SCREW, M6X1X20MM PC8.8	
36	8307024	2	LOCKWASHER, M6	
37	3140007	NLA	RECTANGULAR MIRROR (no longer available, use 1001148177 for replacement)	
37	1001148177	1	RECTANGULAR MIRROR	
38	1001114675	1	MIRROR MOUNT ARM ASSY	
39	1706768	1	NO RIDERS DECAL, (ANSI)	
39	1001092878	1	NO RIDERS DECAL, (ISO)	
40	1001109053	1	COOLANT FILL DECAL	
41	1701640	1	MANUAL DECAL	
42	1001131271	1	PATENT TELEHANDLERS DECAL	
43	91404299	1	ESCAPE DECAL	
44		Ref	CONVEX RIGHT SIDE MIRROR ASSY, (See CAB SECTION for Breakdown)	
K1	7302189	1	UNITED RENTALS DECAL	
K2	0274263	1	NATIONS RENT DECAL	
K3	0274547	1	H AND E DECAL KIT	
K4	0274272	1	NES DECAL KIT	
K5	0274039	1	CUSTOMER DECAL KIT	
K6	1001098594	1	RSC DECAL KIT	
K7	1001120632	1	SUNBELT DECAL KIT	
K8	1001128530	1	HERTZ DECAL KIT	

SECTION 12 - OPTIONS

Go to Discount-Equipment.com to order your parts

SECTION 12 - OPTIONS

FIGURE 12-1. WORKLIGHT INSTALLATION



PAP9380

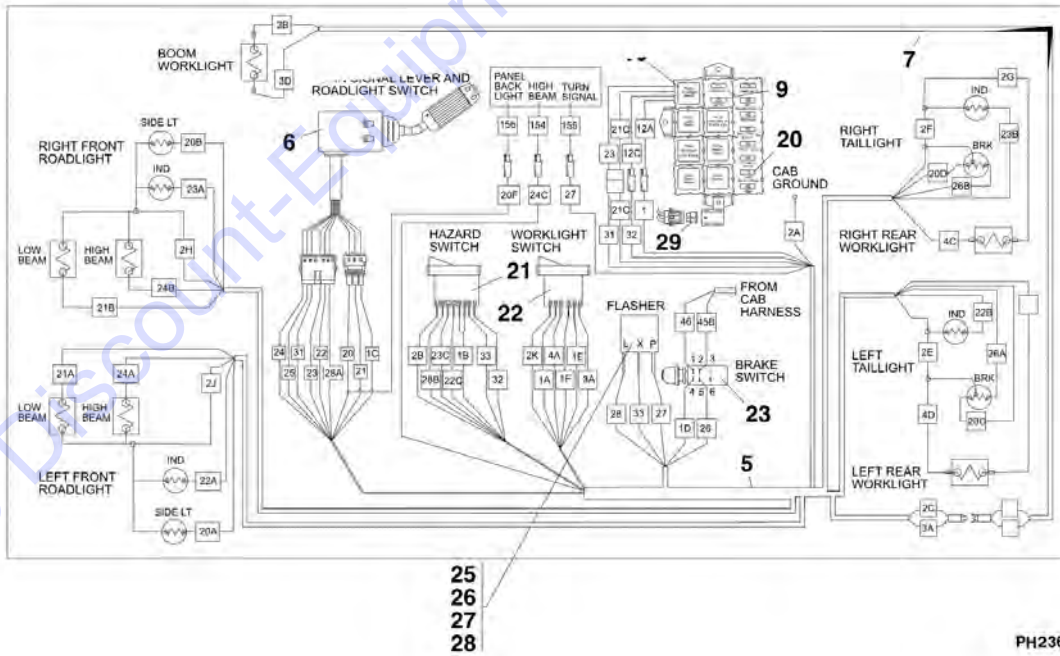
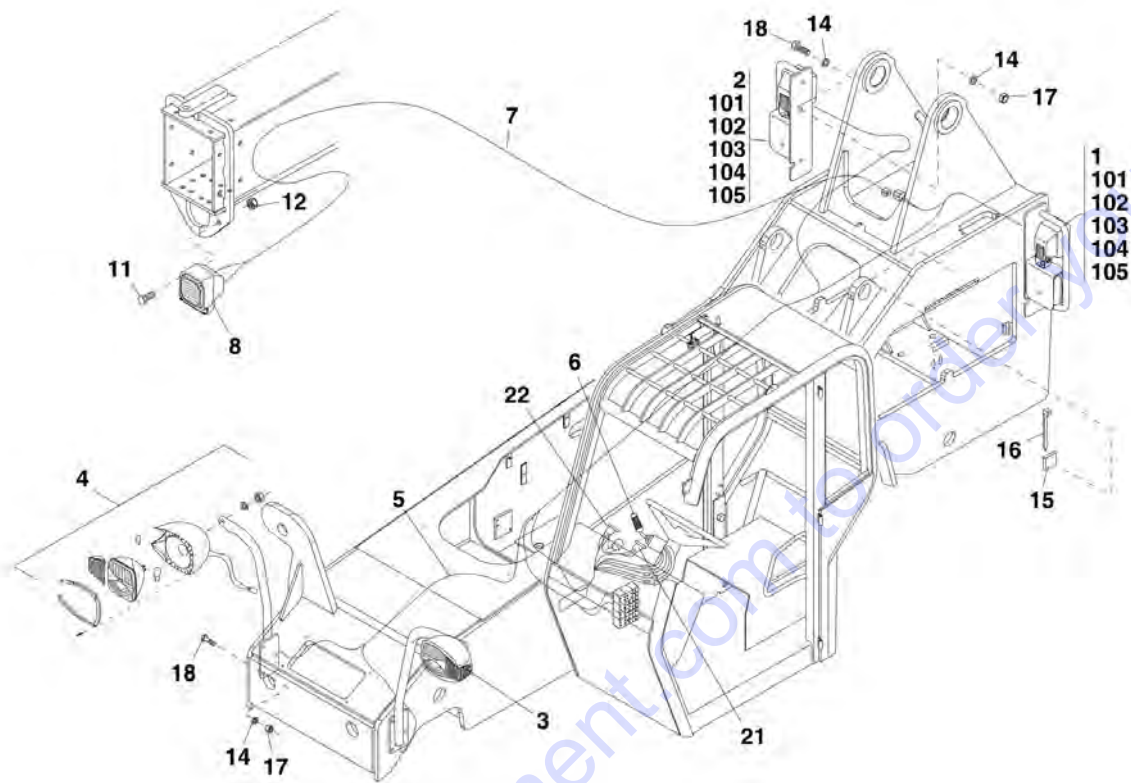
SECTION 12 - OPTIONS

FIGURE 12-1. WORKLIGHT INSTALLATION

ITEM	PART NUMBER	QTY	DESCRIPTION	REV
	7150705	1	WORKLIGHT INSTALLATION, (includes all items)	J
1	7150673	2	WORKLIGHT ASSY, (front left and rear right), (includes item 13)	
1	1001097080	2	WORKLIGHT BRACKET, (front left and rear right)	
2	7150688	2	WORKLIGHT ASSY, (front right and rear left), (includes item 13)	
2	1001097079	2	WORKLIGHT BRACKET, (front right and rear left)	
3	7150707	1	WIRE HARNESS	I
4	8223059	1	WORKLIGHT SWITCH	
6	7150730	1	BOOM WORKLIGHT HARNESS	
8	0641511	1	HEX HD CAPSCREW, 5/16X1.375, GR5	
10	8305626	1	LOCKNUT, 5/16-18	
12	8584018	6	TIE MOUNT	
13	7150687	NLA	WORKLIGHT, (no longer available, use 1001096314 for replacement) (SN 14834 through 19988, SN 0160002345 through 0160030565)	
13	8036216	4	WORKLIGHT LENS SCREW	
13	8036217	NLA	WORKLIGHT LENS, (no longer available, use 1001096314 for replacement) (SN 14834 through 19988, SN 0160002345 through 0160030565)	
13	8036218	1	WORKLIGHT HALOGEN BULB	
13	1001096314	1	WORKLIGHT (SN 0160030566 to Present)	
14	8307204	16	FLAT WASHER, 3/8	
16	8584001	32	TIE WRAP	
17	8305645	8	HEX NUT, 3/8	
18	8303622	8	HEX HD CAPSCREW, 3/8X2	
20	8229233	1	LIGHT SWITCH FUSE, 7.5 AMP, (Tan)	
21	8229238	1	WORKLIGHT FUSE, 40 AMP, (Orange)	

SECTION 12 - OPTIONS

FIGURE 12-2. ROADLIGHT INSTALLATION (SN 14834 through 19988, SN 0160002345 through 0160015227)



PH2362

SECTION 12 - OPTIONS

FIGURE 12-2. ROADLIGHT INSTALLATION (SN 14834 through 19988, SN 0160002345 through 0160015227)

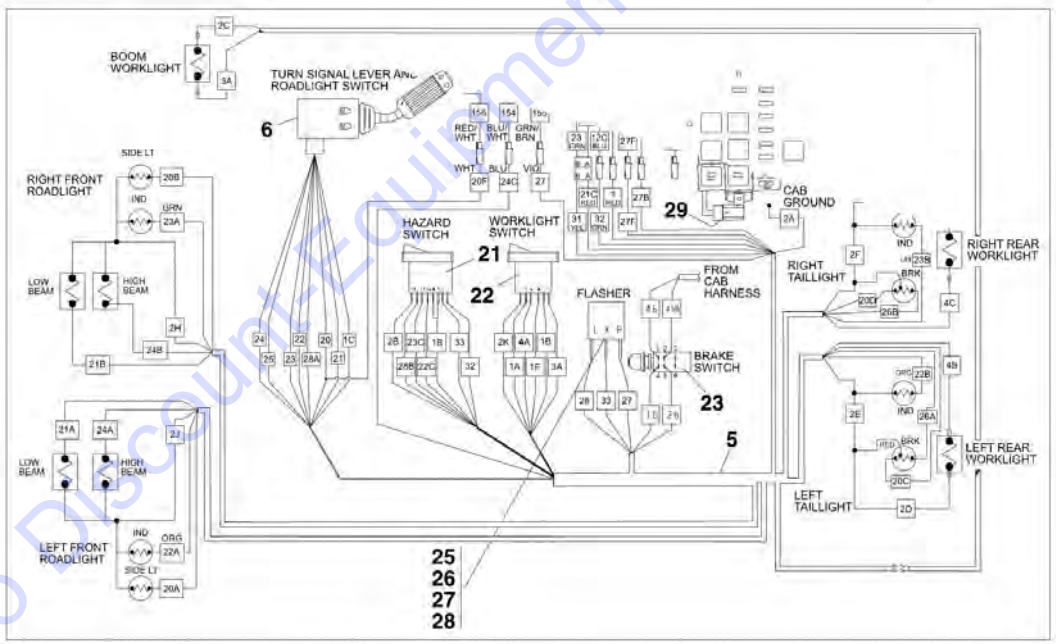
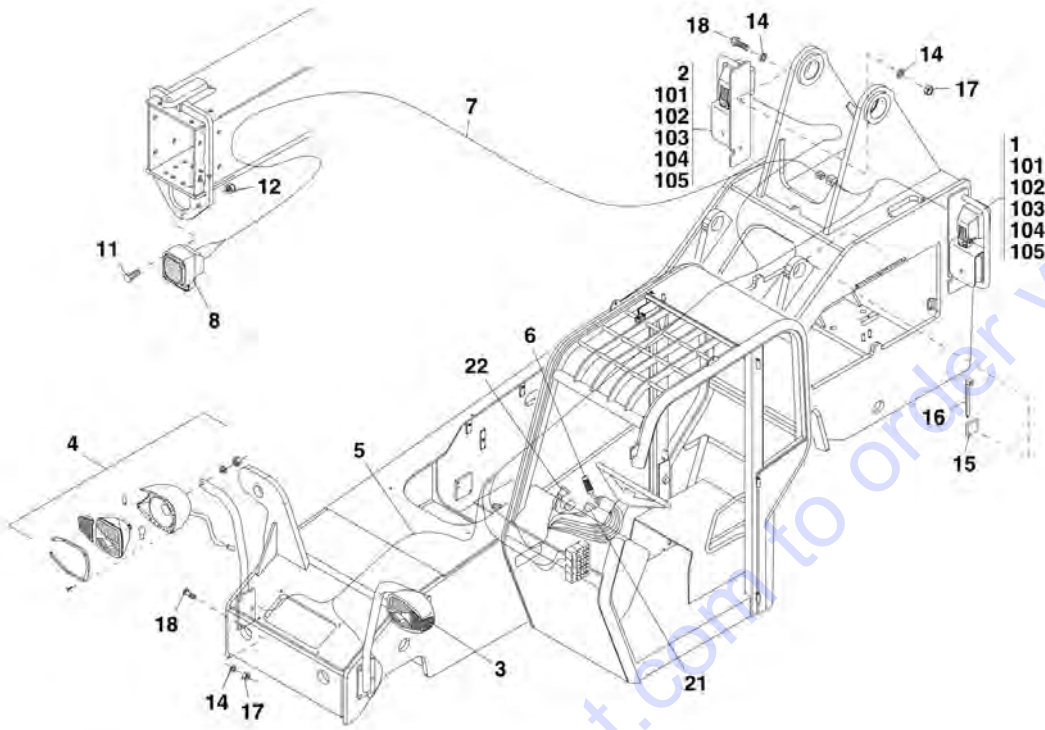
ITEM	PART NUMBER	QTY	DESCRIPTION	REV
	7148700	1	ROADLIGHT INSTALLATION, (includes items 1 thru 29)	
1	7150679	1	LH ROADLIGHT ASSY, (includes items 101 thru 105)	AB
2	7150689	1	RH ROADLIGHT ASSY, (includes items 101 thru 105)	AB
3	7150699	1	LH ROADLIGHT BRACKET ASSY	
3	7150685	1	LH ROADLIGHT BRACKET	
3	7150702	1	FRONT ROADLIGHT	
3	8036216	6	HEADLIGHT LENS SCREW	
3	8036212	1	HEADLIGHT LENS	
3	8036213	1	HEADLIGHT BULB, 12V 60/55W	
3	8036214	1	BLINKER BULB, 12V 5W	
3	8036215	1	WIRING HARNESS, (includes 6-way connector)	
3	8036209	1	LEFT AMBER HEADLIGHT LENS	
4	7150716	1	RH ROADLIGHT BRACKET ASSY	
4	7150717	1	RH ROADLIGHT BRACKET	
4	7150703	1	FRONT ROADLIGHT	
4	8036210	1	RIGHT AMBER HEADLIGHT LENS	
4	8036216	6	HEADLIGHT LENS SCREW	
4	8036212	1	HEADLIGHT LENS	
4	8036213	1	HEADLIGHT BULB, 12V, 60/55W	
4	8036214	1	BLINKER BULB, 12V, 5W	
4	8036215	1	WIRING HARNESS, (includes 6-way connector)	
5	4923649	1	WIRE HARNESS	
6	7150742	1	TURN SIGNAL LEVER	
7	7150730	1	WORKLIGHT HARNESS	
8	7150687	NLA	WORKLIGHT, (no longer available, use 1001096314 on ROADLIGHT INSTALLATION SN 0160015228 to Present for replacement)	
8	8036216	4	WORKLIGHT LENS SCREW	
8	8036217	NLA	WORKLIGHT LENS, (no longer available, use 1001096314 on ROADLIGHT INSTALLATION SN 0160015228 to Present for replacement)	
8	8036218	1	WORKLIGHT HALOGEN BULB, 12V	
9	8229236	1	FUSE, 20AMP	
11	8303670	1	HEX HD CAPSCREW, 5/16-18X1, GR8	
12	8305626	1	HEX LOCKNUT, 5/16-18	
14	8307204	14	FLAT WASHER, 3/8	
15	8584018	2	TIE MOUNT	
16	8584001	32	TIE WRAP	
17	8305645	10	HEX LOCKNUT, 3/8	
18	8303622	10	HEX HD CAPSCREW, 3/8X2	
19	8225119	1	RELAY	
20	8229233	1	FUSE, 7.5AMP	
21	8223060	1	HAZARD SWITCH	
22	8223059	1	WORKLIGHT SWITCH	
23	8223057	1	BRAKE LIGHT SWITCH	
25	8500203	1	FLASHER, 12V	
26	8303835	2	SLOTTED PAN HD SCREW, #10-24X1/2	
27	8310085	2	LOCKNUT, #10-24	
28	8307111	2	WASHER, #10	
29	8229238	1	FUSE, 40AMP	

SECTION 12 - OPTIONS

ITEM	PART NUMBER	QTY	DESCRIPTION	REV
101	7150681	1	LH WORKLIGHT BRACKET ASSY	
101	7150680	1	RH WORKLIGHT BRACKET ASSY	
102	7150687	NLA	WORKLIGHT, (no longer available, use 1001096314 on ROADLIGHT INSTALLATION SN 0160015228 to Present for replacement) (SN 0160015228 to Present)	
102	8036216	4	WORKLIGHT LENS SCREW	
102	8036217	NLA	WORKLIGHT LENS, (no longer available, use 1001096314 on ROADLIGHT INSTALLATION SN 0160015228 to Present for replacement)	
102	8036218	1	WORKLIGHT HALOGEN BULB, 12V	
103	7150690	1	TAIL/INDICATOR LIGHT	
103	N.S.S.	2	TAIL LIGHT LENS SCREW	
103	8036219	1	TAIL LIGHT LENS	
103	8036221	1	BLINKER BULB, 12V, 21W	
103	8036222	1	TAIL AND BRAKE LIGHT BULB, 12V, 21/5W	
103	8036220	1	WIRING HARNESS, (includes 4-way connector)	
104	8303745	1	HEX HD CAPSCREW, 5/16-18X5/8	
105	8305626	1	HEX LOCKNUT, 5/16-18	

SECTION 12 - OPTIONS

FIGURE 12-3. ROADLIGHT INSTALLATION (SN 0160015228 to Present)



PAP9370

SECTION 12 - OPTIONS

FIGURE 12-3. ROADLIGHT INSTALLATION (SN 0160015228 to Present)

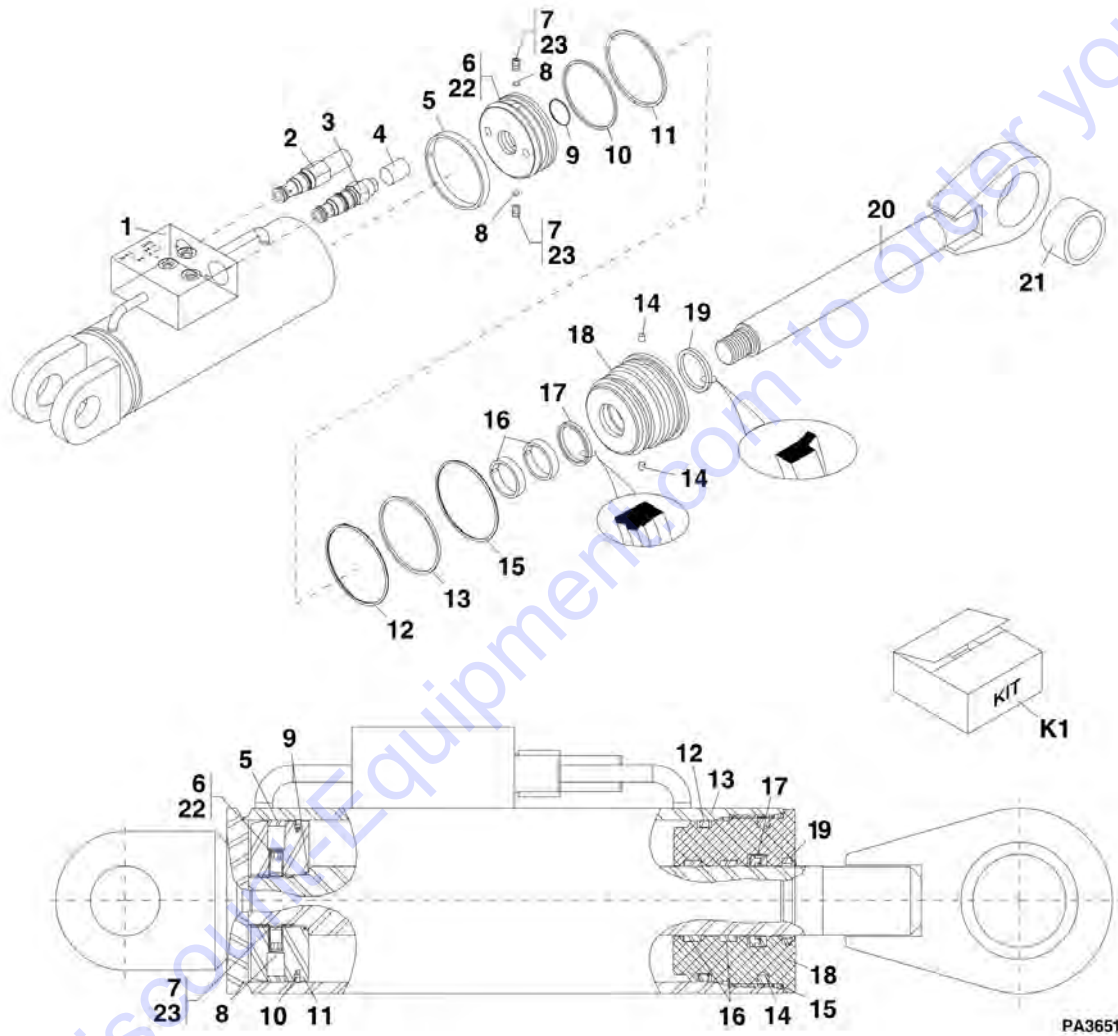
ITEM	PART NUMBER	QTY	DESCRIPTION	REV
	7150704	1	ROADLIGHT INSTALLATION, (includes items 1 thru 29)	K
1	7150679	1	LH ROADLIGHT ASSY, (includes items 101 thru 105)	AB
2	7150689	1	RH ROADLIGHT ASSY, (includes items 101 thru 105)	AB
3	7150699	1	LH ROADLIGHT BRACKET ASSY	B
3	7150685	1	LH ROADLIGHT BRACKET	
3	7150702	1	FRONT ROADLIGHT	
3	8036216	6	HEADLIGHT LENS SCREW	
3	8036212	1	HEADLIGHT LENS	
3	8036213	1	HEADLIGHT BULB, 12V 60/55W	
3	8036214	1	BLINKER BULB, 12V 5W	
3	8036215	1	WIRING HARNESS, (includes 6-way connector)	
3	8036209	1	LEFT AMBER HEADLIGHT LENS	
4	7150716	1	RH ROADLIGHT BRACKET ASSY	B
4	7150717	1	RH ROADLIGHT BRACKET	
4	7150703	1	FRONT ROADLIGHT	
4	8036210	1	RIGHT AMBER HEADLIGHT LENS	
4	8036216	6	HEADLIGHT LENS SCREW	
4	8036212	1	HEADLIGHT LENS	
4	8036213	1	HEADLIGHT BULB, 12V 60/55W	
4	8036214	1	BLINKER BULB, 12V 5W	
4	8036215	1	WIRING HARNESS, (includes 6-way connector)	
5	7150741	1	WIRE HARNESS	I
6	8223073	1	TURN SIGNAL LEVER	
7	7150730	1	WORKLIGHT HARNESS	
8	7150687	NLA	WORKLIGHT, (no longer available, use 1001096314 for replacement) (SN 14834 through 19988, SN 0160002345 through 0160030565)	
8	8036216	4	WORKLIGHT LENS SCREW	
8	8036217	NLA	WORKLIGHT LENS, (no longer available, use 1001096314 for replacement) (SN 14834 through 19988, SN 0160002345 through 0160030565)	
8	8036218	1	WORKLIGHT HALOGEN BULB	
8	1001096314	1	WORKLIGHT (SN 0160030566 to Present)	
9	8229235	1	FUSE, 20AMP	
11	8303670	1	HEX HD CAPSCREW, 5/16X1, GR8	
12	8305626	1	HEX LOCKNUT, 5/16-18	
14	8307204	14	FLAT WASHER, 3/8	
15	8584018	2	TIE MOUNT	
16	8584001	32	TIE WRAP	
17	8305645	10	HEX LOCKNUT, 3/8	
18	8303622	10	HEX HD CAPSCREW, 3/8X2	
19	8225119	1	Relay	
20	8229233	1	FUSE, 7.5AMP	
21	8223060	1	HAZARD SWITCH	
22	8223059	1	WORKLIGHT SWITCH	
23	8223057	1	BRAKE LIGHT SWITCH	
25	8500203	1	FLASHER, 12V	
26	8303835	2	SLOTTED PAN HD SCREW, #10-24X1/2	
27	8310085	2	LOCKNUT, #10-24	
28	8307111	2	WASHER, #10	

SECTION 12 - OPTIONS

ITEM	PART NUMBER	QTY	DESCRIPTION	REV
29	8229238	1	FUSE, 40AMP	
30	88411094	4	SCREW, 7-16-14x2	
31	8310109	4	LOCKNUT, 7-16-14	
32	88501005	1	HEAVY NUT, 5-16-18	
33	4891600	1	FLAT WASHER, 0.375	
101	7150681	1	LH WORKLIGHT BRACKET ASSY	
101	7150680	1	RH WORKLIGHT BRACKET ASSY	
102	7150687	NLA	WORKLIGHT, (no longer available, use 1001096314 for replacement) (SN 14834 through 19988, SN 0160002345 through 0160030565)	
102	8036216	4	WORKLIGHT LENS SCREW	
102	8036217	NLA	WORKLIGHT LENS, (no longer available, use 1001096314 for replacement) (SN 14834 through 19988, SN 0160002345 through 0160030565)	
102	8036218	1	WORKLIGHT HALOGEN BULB	
102	1001096314	1	WORKLIGHT (SN 0160030566 to Present)	
103	7150690	1	TAIL/INDICATOR LIGHT	
103	N.S.S.	2	TAIL LIGHT LENS SCREW	
103	8036219	1	TAIL LIGHT LENS	
103	8036221	1	BLINKER BULB, 12V 21W	
103	8036222	1	TAIL AND BRAKE LIGHT BULB, 12V 21/5W	
103	8036220	1	WIRING HARNESS, (includes 4-way connector)	
104	8303745	1	HEX HD CAPSCREW, 5/16-18X5/8	
105	8305626	1	HEX LOCKNUT, 5/16-18	

SECTION 12 - OPTIONS

FIGURE 12-4. SWING CARRIAGE CYLINDER (SN 14834 through 19238)



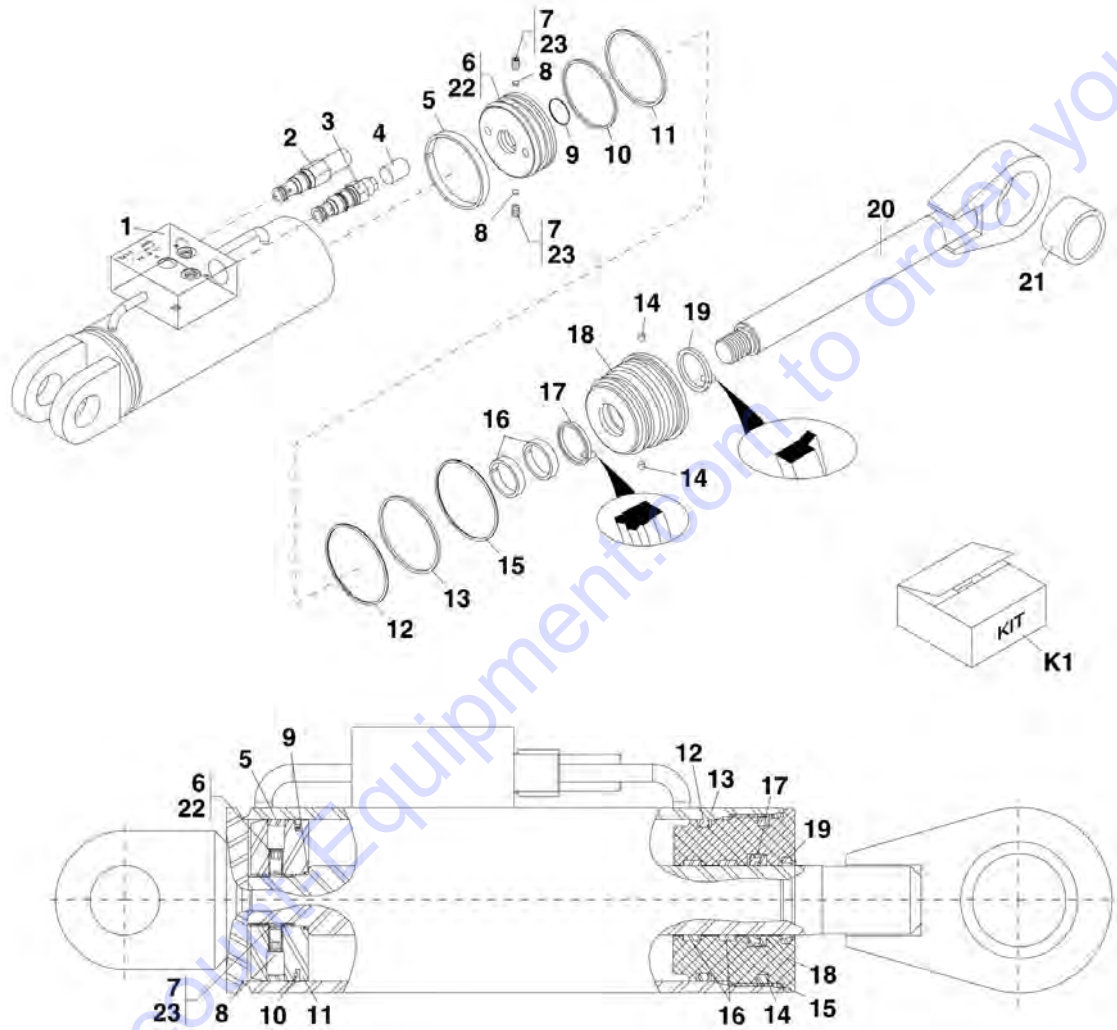
SECTION 12 - OPTIONS

FIGURE 12-4. SWING CARRIAGE CYLINDER (SN 14834 through 19238)

ITEM	PART NUMBER	QTY	DESCRIPTION	REV
	2716153	1	SWING CARRIAGE CYLINDER, (includes items 1 thru 21)	AA
1	N.S.S.	1	WELDMENT TUBE	
2	70020428	1	RELIEF VALVE CARTRIDGE, (torque to 30-35 lb-ft)	
2	7024574	1	SEAL KIT	
3	8033786	1	COUNTERBALANCE VALVE, (torque to 30-35 lb-ft)	
3	8025655	1	SEAL KIT	
4	N.S.S.	1	CAP	
5	Kit	1	PRECISION WEARBAND	
6	8035863	1	PISTON, (torque to 440-500 lb-ft)	
7	8035536	2	SET SCREW, 5/16-18X.5, (torque to 85-90 lb-in)	
8	Kit	2	LOCKING INSERT	
9	Kit	1	O-RING	
10	Kit	1	SQUARE RING	
11	Kit	1	SQUARE SECTION TFE PISTON SEAL	
12	Kit	1	O-RING	
13	Kit	1	BACK-UP RING	
14	Kit	2	LOCKING INSERT	
15	Kit	1	O-RING	
16	Kit	2	PRECISION WEARBAND	
17	Kit	1	DEEP Z-SEAL	
18	8035862	1	HEAD GLAND, (torque to 250-300 lb-ft)	
19	Kit	1	WIPER SEAL	
20	8035861	1	WELDMENT ROD	
21	8065062	1	DURALON JOURNAL BEARING	
22	8526011	AR	LOCTITE 271, (apply to item 6)	
23	8526036	AR	LOCTITE 242, (apply to item 7)	
K1	8035830	1	SEAL KIT, (includes items 5, 8 thru 17, 19)	

SECTION 12 - OPTIONS

FIGURE 12-5. SWING CARRIAGE CYLINDER (SN 0160002408 to Present, SN 19239 through 19897)



PA3651

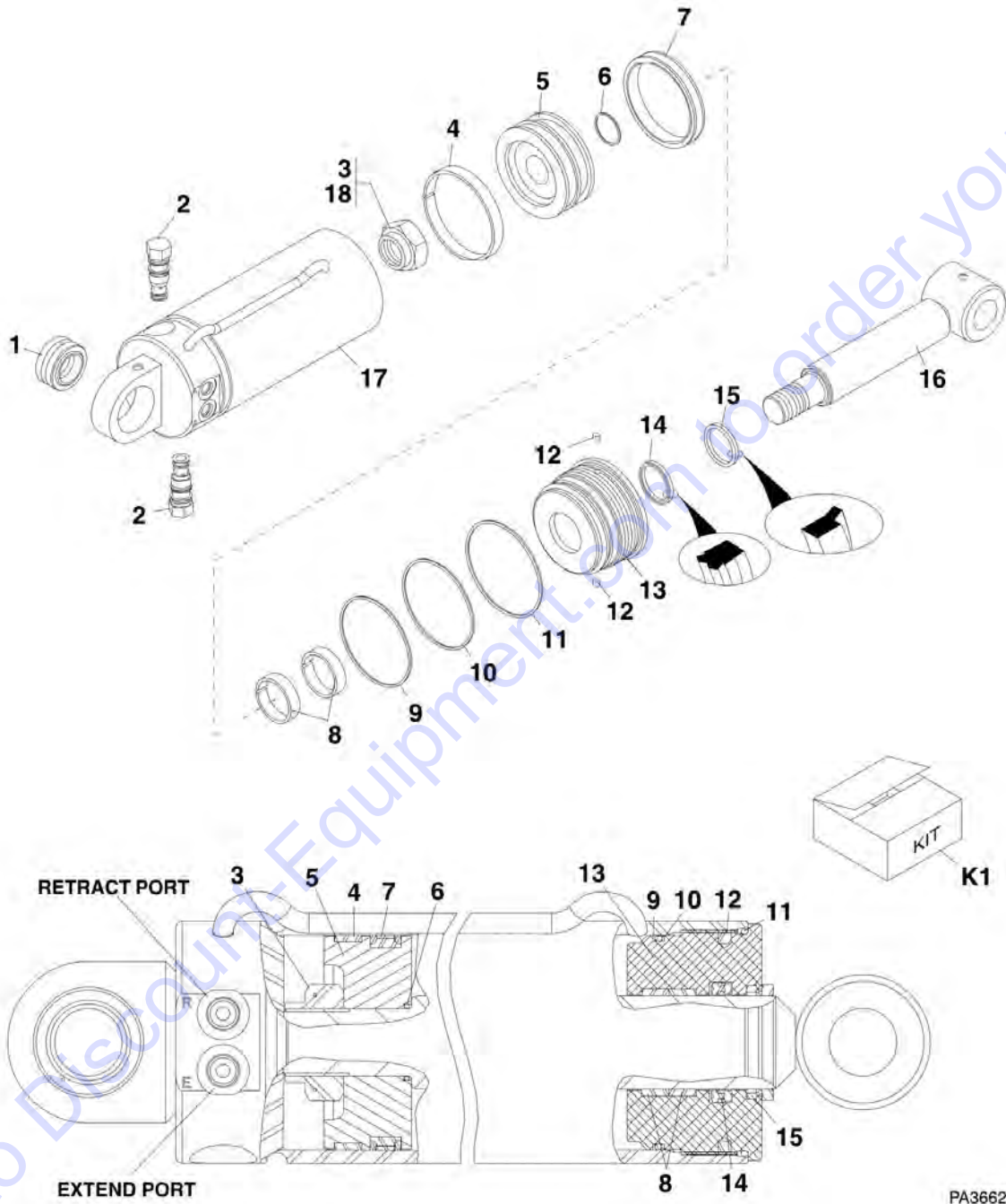
SECTION 12 - OPTIONS

FIGURE 12-5. SWING CARRIAGE CYLINDER (SN 0160002408 to Present, SN 19239 through 19897)

ITEM	PART NUMBER	QTY	DESCRIPTION	REV
	2717200	1	SWING CARRIAGE CYLINDER, (includes items 1 thru 21)	C
1	N.S.S.	1	WELDMENT TUBE	
2	70020428	1	RELIEF VALVE CARTRIDGE, (torque to 30-35 lb-ft)	
2	7024574	1	SEAL KIT	
3	8033786	1	COUNTERBALANCE VALVE, (torque to 30-35 lb-ft)	
3	8025655	1	SEAL KIT	
4	N.S.S.	1	CAP	
5	Kit	1	PRECISION WEARBAND	
6	8035863	1	PISTON, (torque to 440-500 lb-ft)	
7	8035536	2	SET SCREW, 5/16-18X.5, (torque to 85-90 lb-in)	
8	Kit	2	LOCKING INSERT	
9	Kit	1	O-RING	
10	Kit	1	SQUARE RING	
11	Kit	1	SQUARE SECTION TFE PISTON SEAL	
12	Kit	1	O-RING	
13	Kit	1	BACK-UP RING	
14	Kit	2	LOCKING INSERT	
15	Kit	1	O-RING	
16	Kit	2	PRECISION WEARBAND	
17	Kit	1	DEEP Z-SEAL	
18	8035862	1	HEAD GLAND, (torque to 250-300 lb-ft)	
19	Kit	1	WIPER SEAL	
20	8035861	1	WELDMENT ROD	
21	8065062	1	DURALON JOURNAL BEARING	
22	8526011	AR	LOCTITE 271, (apply to item 6)	
23	8526036	AR	LOCTITE 242, (apply to item 7)	
K1	2915023	1	SEAL KIT, (includes items 5, 8 thru 17, 19)	

SECTION 12 - OPTIONS

FIGURE 12-6. SIDE TILT CARRIAGE CYLINDER



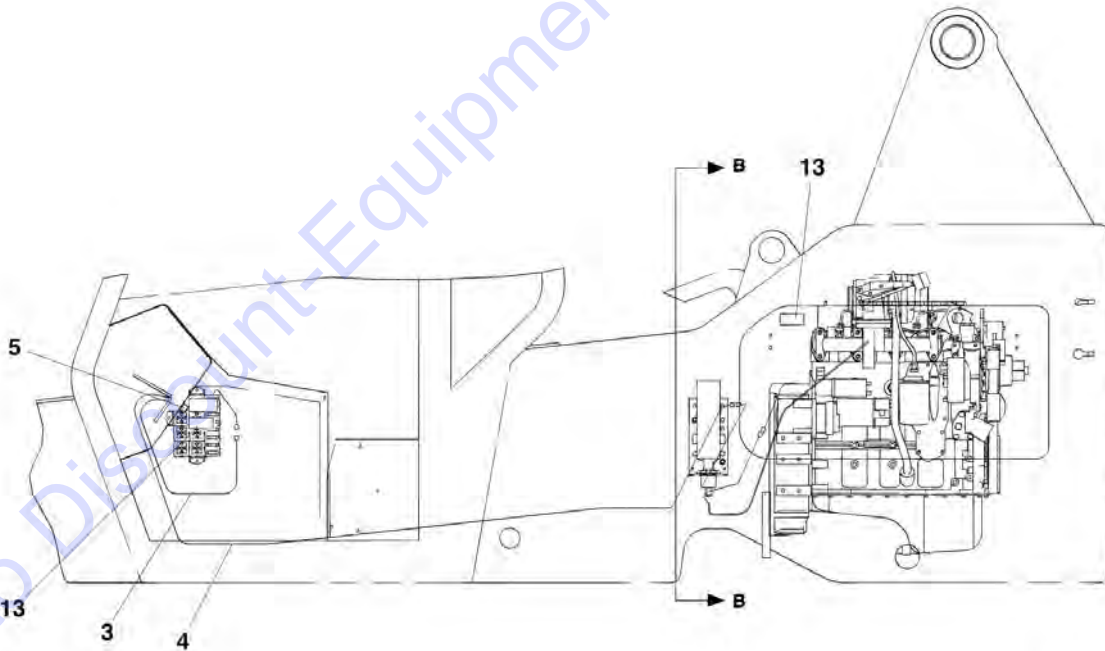
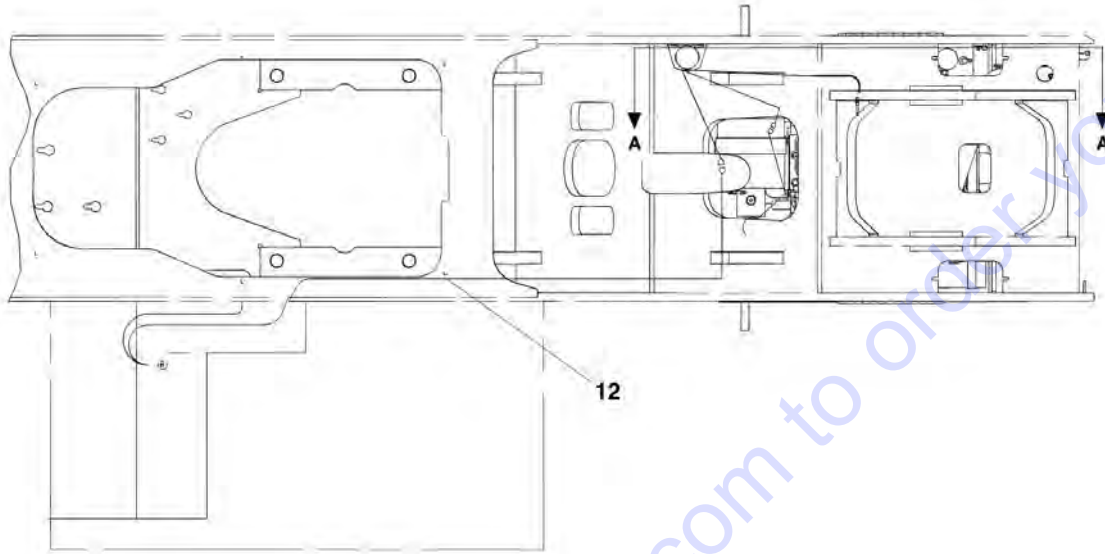
SECTION 12 - OPTIONS

FIGURE 12-6. SIDE TILT CARRIAGE CYLINDER

ITEM	PART NUMBER	QTY	DESCRIPTION	REV
	2716143	1	SIDE TILT CARRIAGE CYLINDER, (includes items 1 thru 17)	C,F
1	8036451	1	SPHERICAL BEARING	
2	8036750	2	CHECK VALVE, (torque to 30-35 lb-ft)	
2	2900770	1	SEAL KIT	
3	8035865	1	LOCKNUT, (torque to 550-650 lb-ft)	
4	Kit	1	PRECISION WEARBAND	
5	8035868	1	PISTON	
6	Kit	1	O-RING	
7	Kit	1	CAPPED T-SEAL	
8	Kit	2	PRECISION WEARBAND	
9	Kit	1	O-RING	
10	Kit	1	BACK-UP RING	
11	Kit	1	O-RING	
12	Kit	2	LOCKING INSERT	
13	8035867	1	HEAD GLAND, (torque to 300-400 lb-ft)	
14	Kit	1	DEEP Z-SEAL	
15	Kit	1	WIPER SEAL	
16	8035866	1	WELDMENT ROD	
17	N.S.S.	1	WELDMENT TUBE	
18	8526011	AR	LOCTITE 271, (apply to item 3)	
K1	8035831	1	SEAL KIT, (includes items 4, 6 thru 12, 14 & 15)	

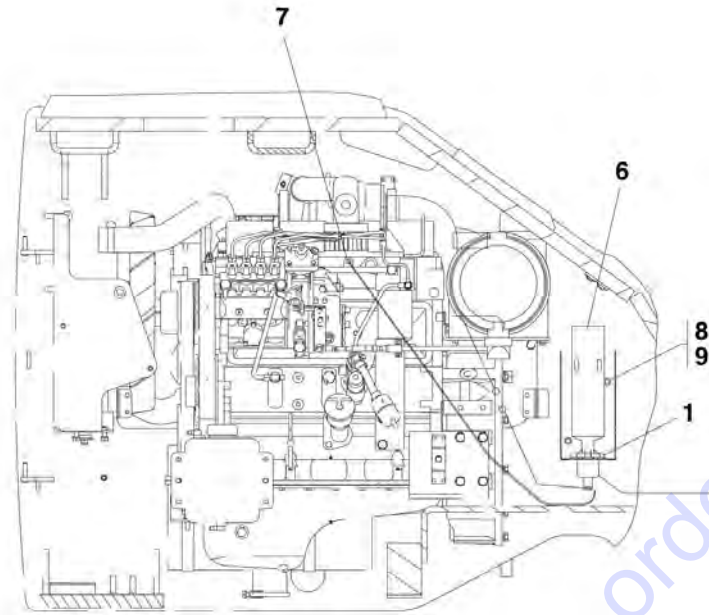
SECTION 12 - OPTIONS

FIGURE 12-7. COLD START INSTALLATION (SN 14836 through 19988, SN 0160002345 through 0160004109)

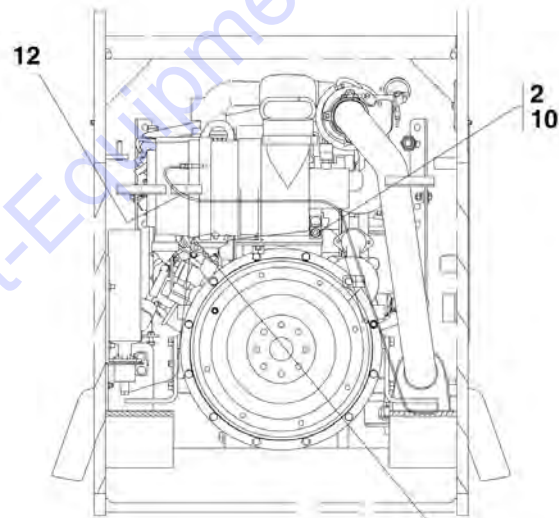


PA4210

SECTION 12 - OPTIONS



SECTION A-A



PA4220

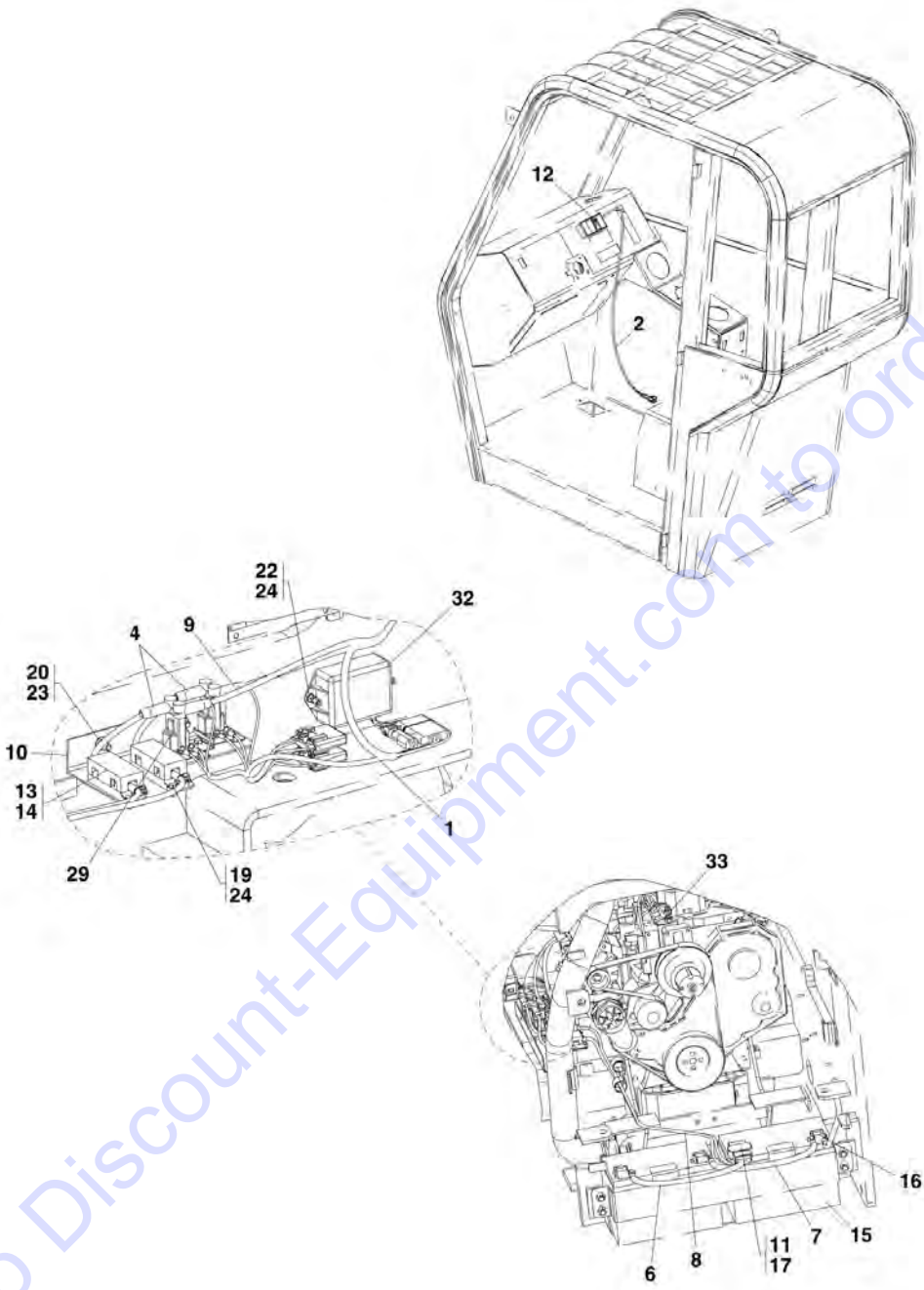
SECTION 12 - OPTIONS

FIGURE 12-7. COLD START INSTALLATION (SN 14836 through 19988, SN 0160002345 through 0160004109)

ITEM	PART NUMBER	QTY	DESCRIPTION	REV
	7300908	1	COLD START INSTALLATION, (includes all items)	AB
1	7138529	1	ETHER START ASSY	
2	7139254	1	THERMOSTAT ASSY	
3	7139257	1	WIRE ASSY	
4	7139258	1	WIRE ASSY	
5	8580311	1	WEATHER PROOF CAP AND NUT ASSY	
6	8277098	1	ETHER FLUID CYLINDER	
7	8277101	1	ATOMIZER	
8	8305008	2	HEX NUT, 3/8-16	
9	8307005	2	LOCKWASHER, 3/8	
10	8310300	1	SHIM WASHER, .625X.048X1	
12	8584001	4	TIE WRAP	
13	4110253	2	COLD START OPTION DECAL	

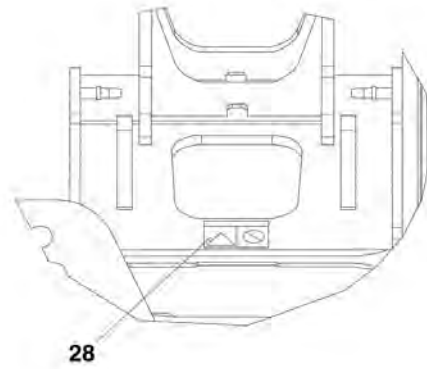
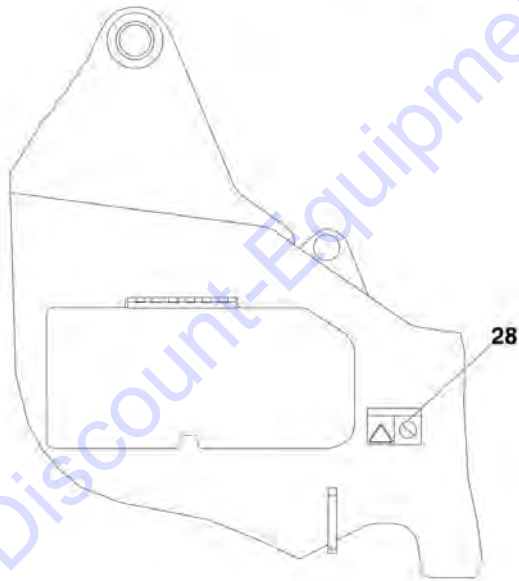
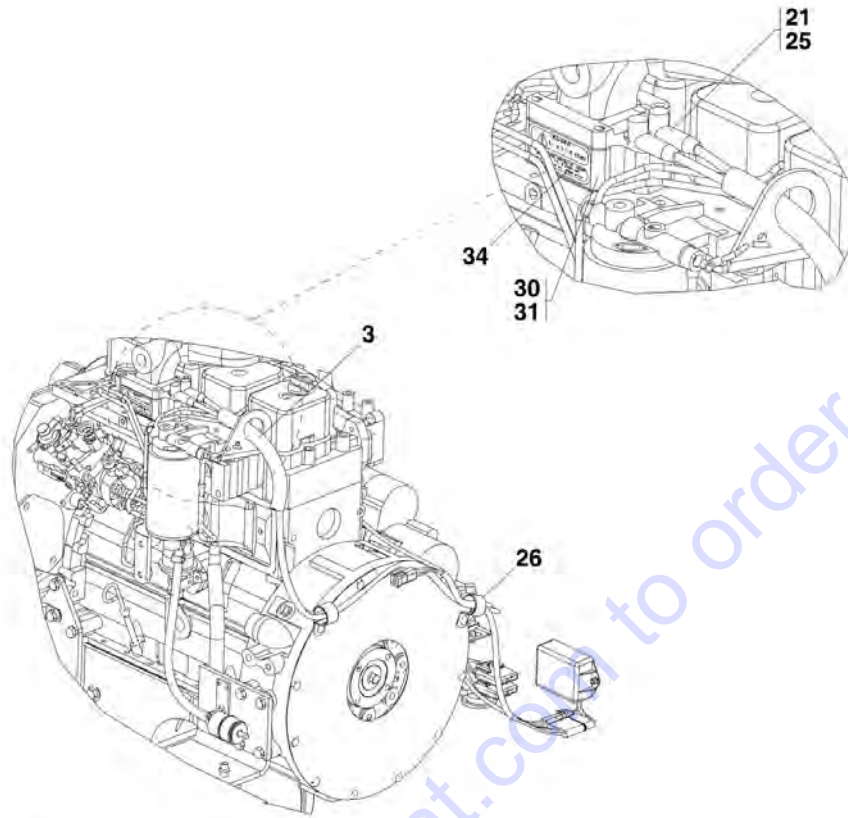
SECTION 12 - OPTIONS

FIGURE 12-8. COLD START INSTALLATION (SN 0160004110 to Present)



PA4410

SECTION 12 - OPTIONS



PA4420

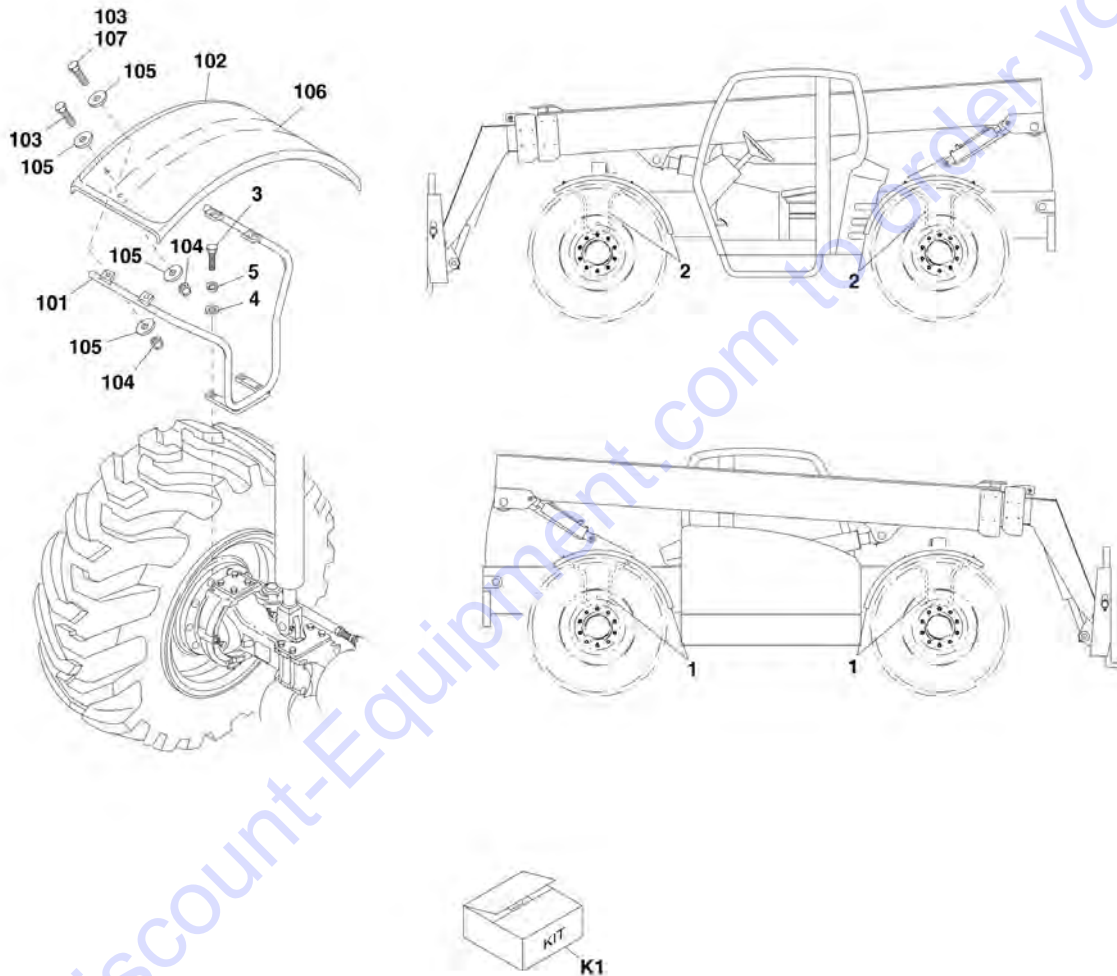
SECTION 12 - OPTIONS

FIGURE 12-8. COLD START INSTALLATION (SN 0160004110 to Present)

ITEM	PART NUMBER	QTY	DESCRIPTION	REV
	7310020	1	COLD START INSTALLATION, (includes all items)	C
1	4922985	1	COLD START HARNESS	
2	4922987	1	CAB PREHEAT HARNESS	B
3	7128511	1	CONDUIT, .75 IDX8	
4	7301448	2	FUSE TO RELAY CABLE	
6	7301522	1	POSITIVE BATTERY CABLE	
7	7301523	1	NEGATIVE BATTERY CABLE	
8	7301524	2	BATTERY TO FUSE CABLE	
9	7301525	2	RELAY TO GRID HEATER CABLE	
10	7301829	1	RELAY MOUNTING BRACKET	
11	7301893	1	BATTERY TERMINAL INSULATOR	
12	8223082	1	ENGINE PREHEAT INDICATOR	
13	8229259	2	125AMP FUSE, MEGA BOLT ON	
14	8229260	2	FUSE HOLDER	
15	8270144	1	BATTERY, 12-VOLT	
16	8270147	1	NEGATIVE POLARITY BATTERY CLAMP	
17	8270148	1	POSITIVE POLARITY BATTERY CLAMP	
19	8303545	8	HEX HD CAPSCREW, M6X1X14MM, PC8.8	
20	8305008	2	HEX NUT, 3/8-16	
21	8305047	2	HEX NUT, M6X1	
22	8305652	2	HEX LOCKNUT, M6X1	
23	8307110	2	WASHER, 3/8	
24	8307219	10	PLAIN WASHER, M6	
25	8310687	2	LOCKWASHER, M6	
26	8406302	2	HOSE CLAMP, 1.25 DIA	
27	8584001	6	TIE WRAP	
28	4110460	2	ETHER STARTING WARNING DECAL (SN 0160004110 through 0160028020)	
28	1706300	2	ETHER STARTING WARNING DECAL, (ANSI) (SN 0160028021 to Present)	
28	1706098	2	ETHER STARTING WARNING DECAL, (ISO) (SN 0160028021 to Present)	
29	8225122	2	RELAY, 12VDC, 100AMP	
30	8270423	1	INTAKE AIR HEATER, 12VDC, 195AMP	
31	8270424	2	GRID HEATER GASKET	
32	8270425	1	HEATER CONTROL MODULE	
33	8270426	1	GRID HEATER TEMPERATURE SENSOR	
34	8270427	1	GRID HEATER DECAL	

SECTION 12 - OPTIONS

FIGURE 12-9. FENDER INSTALLATION



ART_8990417-12-9

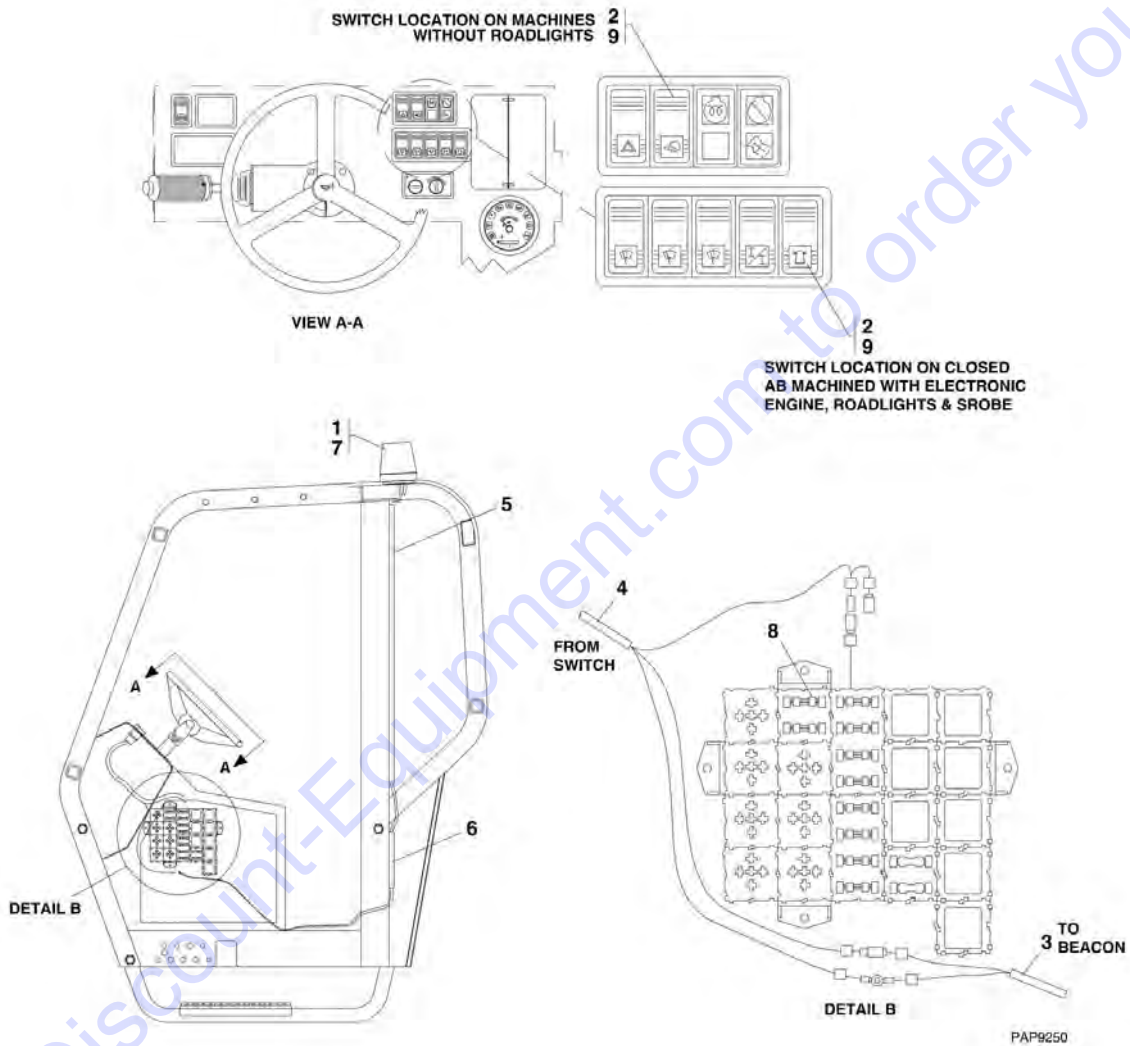
SECTION 12 - OPTIONS

FIGURE 12-9. FENDER INSTALLATION

ITEM	PART NUMBER	QTY	DESCRIPTION	REV
	7150697	1	FENDER INSTALLATION, (includes items 1 thru 5)	C
1	N.S.S.	2	RH FENDER AND BRACKET ASSY, (includes items 101 thru 107) (SN 14834 through 19988, SN 0160002345 through 0160025361)	AD
1	7150696	2	RH FENDER AND BRACKET ASSY, (includes items 101 thru 105) (SN 0160025388 to Present)	G
2	N.S.S.	2	LH FENDER AND BRACKET ASSY, (includes items 101 thru 107) (SN 14834 through 19988, SN 0160002345 through 0160025361)	AD
2	7150695	2	LH FENDER AND BRACKET ASSY, (includes items 101 thru 105) (SN 0160025388 to Present)	G
3	8310164	16	HEX HD CAPSCREW, M12-1.75X40MM, PC8.8	
4	8307220	16	FLAT WASHER, M12	
5	8307025	16	LOCKWASHER, M12	
101	7150668	1	FENDER MOUNT (SN 14834 through 19988, SN 0160002345 through 0160025361)	
101	0903609	1	FENDER MOUNT (SN 0160025388 to Present)	
102	7150706	1	FENDER	
103	8303626	4	HEX HD CAPSCREW, 1/2-13X1-1/2, GR5	
104	8305644	6	HEX LOCKNUT, 1/2-13 (SN 14834 through 19988, SN 0160002345 through 0160025361)	
104	8305644	4	HEX LOCKNUT, 1/2-13 (SN 0160025388 to Present)	
105	8307206	12	PLAIN WASHER, 1/2 (SN 14834 through 19988, SN 0160002345 through 0160025361)	
105	8307206	8	PLAIN WASHER, 1/2 (SN 0160025388 to Present)	
106	6623576	1	FENDER SUPPORT (SN 14834 through 19988, SN 0160002345 through 0160025361)	
107	8303625	2	HEX HD CAPSCREW, 1/2-13X1-1/4, GR5 (SN 14834 through 19988, SN 0160002345 through 0160025361)	
K1	7147400	1	FENDER FIELD KIT, (four wheel installation)	

SECTION 12 - OPTIONS

FIGURE 12-10. ROTATING BEACON INSTALLATION



SECTION 12 - OPTIONS

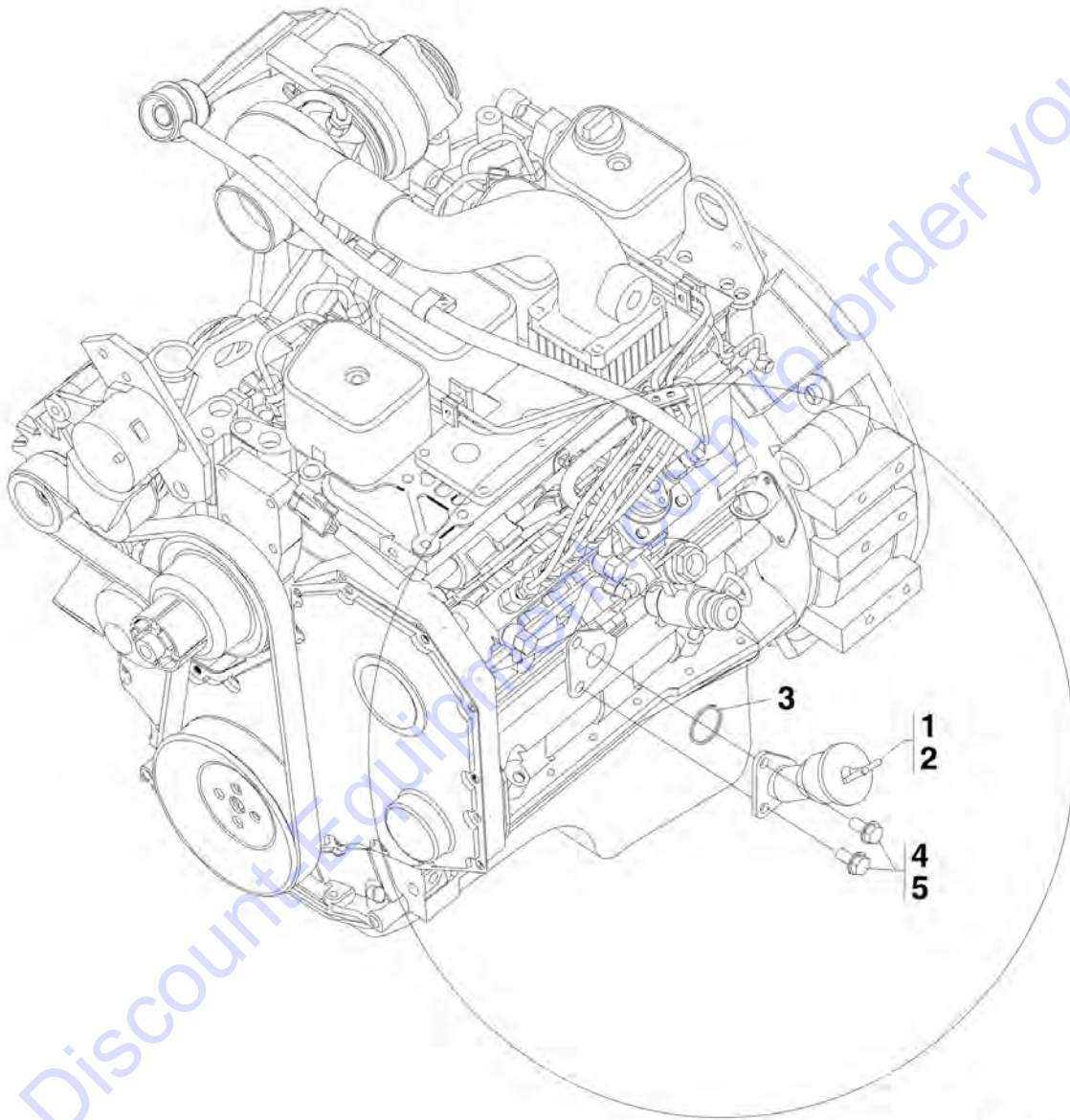
FIGURE 12-10. ROTATING BEACON INSTALLATION

ITEM	PART NUMBER	QTY	DESCRIPTION	REV
	7139264	1	ROTATING BEACON INSTALLATION, OPEN CAB, (includes all items)	AD
	1001111074	1	ROTATING BEACON INSTALLATION, CLOSED CAB, (includes items 1 thru 4 & 7 thru 9)	A
1	8500066	1	ROTATING BEACON LIGHT	
2	8223038	1	BEACON SWITCH	
3	7139263	1	WIRE ASSY	
4	7139269	1	WIRE ASSY FROM SWITCH	
5	8036057	1	UPPER WIRE DUCT, (open cab only)	
6	8036058	1	LOWER WIRE DUCT, (open cab only)	
7	8526035	AR	SILICONE SEALANT, (open cab)	
7	0100009	AR	SILICONE SEALANT, (closed cab)	
8	8229233	1	FUSE, 7.5AMP	
9	8223083	1	BEZEL SWITCH, MIDDLE POSITION	

Go to Discount-Equipment.com to order your parts

SECTION 12 - OPTIONS

FIGURE 12-11. REMOTE OIL FILLER (SN 0160004110 to Present)



PA4530

SECTION 12 - OPTIONS

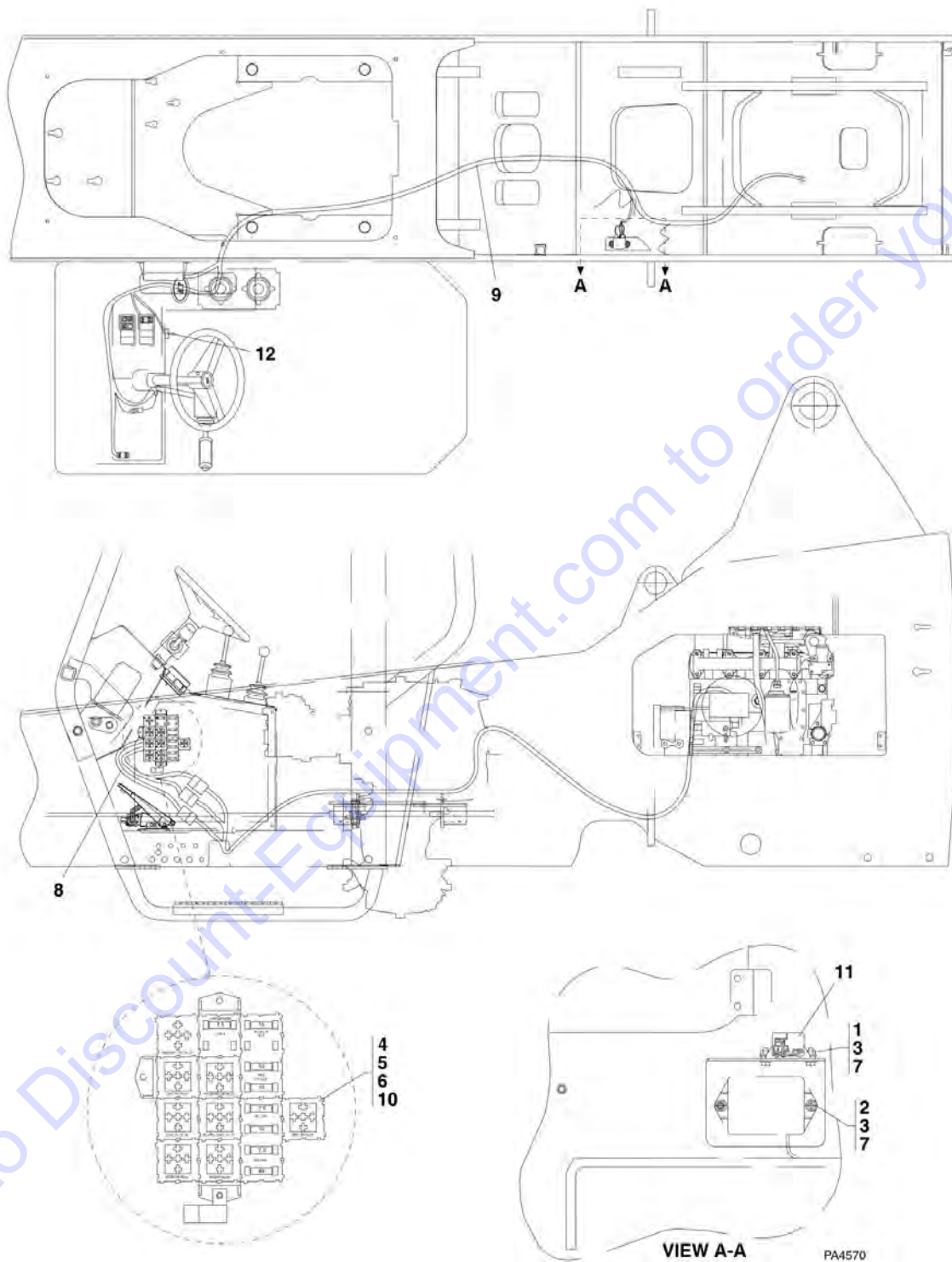
FIGURE 12-11. REMOTE OIL FILLER (SN 0160004110 to Present)

ITEM	PART NUMBER	QTY	DESCRIPTION	REV
	2915052	1	REMOTE OIL FILLER KIT, (includes items 1 thru 4)	
1	83673130	1	FILLER CAP	
2	7029006	1	OIL FILLER TUBE	
3	83673133	1	SEAL	
4	7029242	2	HEX HD CAPSCREW, M12X1.75MM, GR8, (Loctite 242 and torque to 71 lb-ft)	
5	8526007	AR	LOCTITE 242, (apply to item 4)	

Go to Discount-Equipment.com to order your parts

SECTION 12 - OPTIONS

FIGURE 12-12. IGNITION SWITCH WEATHER KIT (SN 14834 through 19988, SN 0160002345 through 0160023102)



SECTION 12 - OPTIONS

FIGURE 12-12. IGNITION SWITCH WEATHER KIT (SN 14834 through 19988, SN 0160002345 through 0160023102)

ITEM	PART NUMBER	QTY	DESCRIPTION	REV
	2915161	1	IGNITION SWITCH REPLACEMENT KIT, (includes all items)	C
1	0641406	2	HEX HD CAPSCREW, 1/4-20X3/4	
2	0903318	1	RELAY MOUNTING BRACKET	
3	3311401	4	HEX NUT, 1/4-20	
4	4461101	1	RELAY MODULE	
5	4461102	1	SECONDARY LOCK	
6	4461103	1	LOCKING WEDGE RELAY	
7	4711400	6	WASHER, 1/4	
8	4923334	1	RETROFIT CAB HARNESS	
9	4923342	1	RETROFIT FRAME HARNESS	
10	8225119	1	RELAY	
11	77383377	1	STARTER RELAY	
12	4360690	1	IGNITION SWITCH	

Go to Discount-Equipment.com to order your parts

SECTION 13 - RECOMMENDED SPARE PARTS

SECTION 13 - RECOMMENDED SPARE PARTS

Go to Discount-Equipment.com to order your parts

SECTION 13 - RECOMMENDED SPARE PARTS

FIGURE 13-1. RECOMMENDED SPARE PARTS

ITEM	PART NUMBER	QTY	DESCRIPTION	REV
	Note	Ref	Note: The following list will service fleets of machines (built to current production per date on the front cover) with repair parts which can be installed in the field. Parts from the list should be replaced when inventory is depleted to keep service parts stock supplied. For further information, go to Discount-equipment.com	
		Ref	BOOM ASSEMBLY	
	2716788	2	Tilt Cylinder Hose	
	2716714	2	Boom Hose	
	7111572	AR	Wear Pad	
	7082311	AR	Insert, Wear Pad	
	7082342	AR	Shim, .07	
	7082362	AR	Shim, .13	
	7085442	AR	Spacer, .88	
	7118892	1	Quick Attach Pin	
		Ref	ENGINE	
	1001128949	1	Engine Filter Kit, 250 Hour (SN 14834 through 19983)	
	1001128951	1	Engine Filter Kit, 250 Hour (SN 0160002345 through 0160004109, Including 19988)	
	2915034	1	Engine Filter Kit, 250 Hour (SN 0160004110 through 0160039337, Excluding 0160024571 and 0160037911)	
	1001128968	1	Engine Filter Kit, 250 Hour (SN 0160039338 to Present, Including 0160024571 and 0160037911)	
	8024016	1	Engine Filter Kit, 1000 Hour (SN 14834 through 19983)	
	1001128950	1	Engine Filter Kit, 1000 Hour (SN 0160002345 through 0160004109, Including 19988)	
	2915036	1	Engine Filter Kit, 1000 Hour (SN 0160004110 through 0160039337, Excluding 0160024571 and 0160037911)	
	1001128967	1	Engine Filter Kit, 1000 Hour (SN 0160039338 to Present, Including 0160024571 and 0160037911)	
	8272017	1	Fan (SN 14834 through 19988, SN 0160002345 through 0160004109)	
	8272027	1	Fan (SN 0160004110 through 0160039337, Excluding 0160024571 and 0160037911)	
	1001098559	1	Fan (SN 0160039338 to Present, Including 0160024571 and 0160037911)	
	8080613	1	Fan Belt (SN 14834 through 19988, SN 0160002345 through 0160004109)	
	7029270	1	Fan Belt (SN 0160004110 through 0160039337, Excluding 0160024571 and 0160037911)	
	70021852	1	Fan Belt (SN 0160039338 to Present, Including 0160024571 and 0160037911)	
		Ref	DRIVE TRAIN	
	8223049	1	Transmission Selector Control (SN 14834 through 19988, SN 0160002345 through 0160015194)	
	1600429	1	Transmission Selector Control (SN 0160015228 to Present)	
	8160080	1	Throttle Cable (SN 14834 through 0160004109)	
	1600373	1	Throttle Cable (SN 0160004110 through 0160039337, Excluding 0160024571 and 0160037911)	
	1319726	1	Transmission Filter	
	1319433	4	Wheel End Bushing (Prior to SN 0160038391, Including 0160038848, 0160038853 and 0160038855)	
	70022241	4	Wheel End Bushing (SN 0160038391 to Present, Excluding	

SECTION 13 - RECOMMENDED SPARE PARTS

ITEM	PART NUMBER	QTY	DESCRIPTION	REV
			0160038848, 0160038853 and 0160038855)	
	1319434	2	Wheel End Seal	
	8036329	4	Wheel Hub Seal (Prior to SN 0160038391, Including 0160038848, 0160038853 and 0160038855)	
	80304173	4	Wheel Hub Seal (SN 0160038391 to Present, Excluding 0160038848, 0160038853 and 0160038855)	
	1319472	8	Wheel Hub Bearing	
	1319470	4	Axle Wheel Hub O-Ring (Prior to SN 0160038391, Including 0160038848, 0160038853 and 0160038855)	
	70022203	4	Axle Wheel Hub O-Ring (SN 0160038391 to Present, Excluding 0160038848, 0160038853 and 0160038855)	
	8880218-OM	AR	Strap Kit	
	8880219-OM	AR	Strap Kit	
		Ref	HYDRAULIC SYSTEM	
	8224045	1	Boom Joystick Assembly	
	8036294	1	Boom Extend/Retract Cylinder Seal Kit	
	8036132	1	Boom Lift/Lower Cylinder Seal Kit (SN 14834 through 19297)	
	8036782	1	Boom Lift/Lower Cylinder Seal Kit (SN 19298 to Present)	
	8035326	1	Frame Sway Cylinder Seal Kit	
	8035720	1	Attachment Tilt Cylinder Seal Kit	
	8036131	1	Slave Cylinder Seal Kit (SN 14834 through 19297)	
	7028739	1	Slave Cylinder Seal Kit (SN 19298 to Present)	
	8035830	1	Swing Carriage Cylinder Seal Kit (SN 14834 through 19238)	
	2915023	1	Swing Carriage Cylinder Seal Kit (SN 19239 to Present)	
	8035831	1	Side Tilt Carriage Cylinder Seal Kit (Prior to SN 0160038391, Including 0160038848, 0160038853 and 0160038855)	
	8035981	1	Steering Cylinder Seal Kit, (Prior to Axle SN 829694)	
	70021495	1	Steering Cylinder Seal Kit, (Axle SN 829694 to Present) (SN 0160038391 to Present, Excluding 0160038848, 0160038853 and 0160038855)	
	70022178	1	Steering Cylinder Seal Kit	
	8320265	1	Hydraulic Filter Element	
	7138740	1	Tank Strainer	
	7139077	1	Filler/Breather	
	7024441	1	Fluid Level Sight Gauge	
		Ref	ELECTRICAL	
	8223217	1	Engine Coolant Temperature Sender (SN 14834 through 18231)	
	8223242	1	Engine Coolant Temperature Sender (SN 18231 through 19988, SN 0160002345 through 0160004109)	
	8223244	1	Engine Coolant Temperature Sender (SN 0160004110 through 0160039337, Excluding 0160024571 and 0160037911)	
	2915063	1	Engine Oil Pressure Sender Kit (Prior to SN 0160012752)	
	4360609	1	Engine Oil Pressure Sender (SN 0160012752 through 0160039337, Excluding 0160024571 and 0160037911)	
	7118222	1	Fuel Level Sender Assembly	
	2915184	1	Back-up Alarm Kit (SN 14834 through 19988, SN 0160002345 through 0160016700)	
	8270621	1	Back-up Alarm (SN 0160016744 to Present)	
	4360690	1	Ignition Switch	
	8270221	1	Alternator (SN 14834 through 19988, SN 0160002345 through 0160004109)	
	7029268	1	Alternator (SN 0160004110 through 0160014860)	
	7029525	1	Alternator (SN 0160014897 through 0160039337, Excluding 0160024571 and 0160037911)	

SECTION 13 - RECOMMENDED SPARE PARTS

ITEM	PART NUMBER	QTY	DESCRIPTION	REV
	70021849	1	Alternator (SN 0160039338 to Present, Including 0160024571 and 0160037911)	
	8270620	1	Horn	
		Ref	MISC.	
	8035807	1	Ignition Key With Cover	
	8342808	1	Door Key, Square	
	70021948	1	Door Key, Round	
	80904003	1	Hydraulic Test Kit	
	8990415	1	Operator and Safety Manual (SN 14834 through 17284)	
	8990468	1	Operator and Safety Manual (SN 17285 through 19983, SN 0160002345 through 0160004109)	
	3126021	1	Operator and Safety Manual (SN 0160004110 through 0160037778)	
	31200352	1	Operation and Safety Manual (SN 0160037788 to Present)	
	8990416	1	Service Manual (SN 14834 through 19988, SN 0160002345 through 0160039337)	
	31200353	1	Service Manual (SN 0160039338 to Present)	
		Ref	Special Tools	
	80304484	1	Pry Bar Set, ZF Axle	
	80304480	1	Two-armed Puller, ZF Axle	
	7025854	1	Two-armed Puller, ZF Axle	
	70010241	1	Threaded Ring, M105X3, ZF Axle	
	70010239	1	Two-armed Puller, 160-150MM, ZF Axle and Transmission	
	70023172	1	Gripping Insert Super, ZF Axle	
	70023173	1	Back-off Insert, Rear ZF Axle	
	70023174	1	Eye Bolt Assortment, ZF Axle and Transmission	
	70022872	1	Internal Extractor, 45-58MM, ZF Axle and Transmission	
	70022873	1	Internal Extractor, 70-100MM, ZF Axle	
	70022871	1	Counter Support, Rear, ZF Axle and Transmission	
	7029740	1	Driver, ZF Axle	
	7029739	1	Driver, ZF Axle	
	7029738	1	Driver, ZF Axle	
	70010244	1	Internal Extractor, ZF Axle	
	70010245	1	Counter Support, ZF Axle	
	70022866	1	Spanner, ZF Axle	
	70022867	1	Torque Spanner, 5-45Nm, ZF Axle	
	80304492	1	Wheel Bolt Puller Basic Set, ZF Axle	
	70110101	1	Driver, ZF Axle	
	80304498	1	Handle, ZF Axle	
	70010281	1	Slotted Nut Wrench, ZF Axle	
	70010283	1	Installer, ZF Axle	
	70010284	1	Installer, ZF Axle	
	80304497	1	HP-Pump, ZF Axle	
	7025856	1	Striker, ZF Axle	
	70010243	1	Measuring Hub, 9/16in-18UNF	

PART NUMBER INDEX

Go to Discount-Equipment.com to order your parts

PART NUMBER INDEX

0100009.....443	1001094075.....19	1001100296.....129	1001114013.....131
0100011.....51, 101, 299, 301	1001094284.....391	1001100324.....251	1001114040.....131
0100019.....17	1001094330.....83	1001100822.....43	1001114112.....17
0240156.....83	1001094784.....17	1001100823.....43	1001114202.....315
0274039.....413	1001094830.....83	1001100824.....43	1001114480.....407
0274263.....413	1001094897.....19	1001100967.....61	1001114482.....407
0274272.....413	1001095418.....55	1001100978.....129, 131	1001114483.....407
0274547.....413	1001095710.....101	1001101043.....407	1001114579.....399
0641405.....78	1001095810.....77	1001101085.....275	1001114671.....407
0641406.....403, 407, 447	1001096019.....77	1001101115.....59	1001114675.....259, 413
0641410.....404	1001096020.....77	1001101116.....59	1001117308.....407
0641511.....417	1001096021.....77	1001101193.....129, 131	1001118107.....407
0641514.....101	1001096023.....77	1001101396.....129	1001118129.....407
0641612.....51, 107, 337	1001096024.....77	1001101397.....129	1001118245.....407
0641616.....117, 131	1001096025.....77	1001101861.....31	1001120632.....413
0641618.....117	1001096306.....77	1001101956.....51	1001120914.....51
0641624.....129, 131	1001096314.....417, 423, 424	1001102212.....117	1001120915.....51
0641718.....127, 129	1001096404.....29	1001102213.....117	1001121085.....255
0641814.....343	1001096425.....131	1001102214.....123	1001125007.....259
0642032.....47, 51	1001096427.....123	1001102231.....282	1001125774.....281
0642222.....17	1001096428.....101	1001102277.....123	1001125837.....281
0642628.....17	1001096431.....117	1001102305.....127	1001125838.....265
0681810.....51	1001096432.....117	1001102378.....51	1001126234.....281
0681826.....101	1001096434.....117	1001102813.....78	1001127753.....413
0682228.....101	1001096435.....117	1001102844.....259	1001127755.....413
0700610.....259, 413	1001096436.....117	1001102931.....107	1001128058.....101
0701214.....97	1001096459.....101	1001102933.....107	1001128397.....407
0701215.....97	1001096462.....101	1001103038.....19	1001128530.....413
0710819.....101	1001096479.....101	1001103113.....287	1001128663.....407
0711019.....101	1001096484.....123	1001103149.....375	1001128949.....95, 450
0741610.....51	1001097072.....77	1001103151.....375	1001128950.....95, 450
0761012.....407	1001097079.....417	1001103152.....375	1001128951.....95, 450
0761015.....135	1001097080.....417	1001103182.....389	1001128967.....102, 450
0791810.....407	1001097080.....417	1001103212.....19	1001128968.....102, 450
0860520.....77	1001097168.....77	1001103509.....271, 281	1001129749.....101
0903318.....447	1001097564.....117	1001103619.....159	1001131271.....413
0903609.....441	1001097565.....117	1001103625.....143	1001132514.....47
0930020.....81	1001097566.....101	1001103637.....77	1001132550.....299
1001008742.....277	1001097567.....107	1001103730.....77	1001132551.....301
1001081045.....281	1001097568.....107	1001103736.....77	1001133072.....51
1001081046.....281	1001097569.....107	1001104036.....399	1001134961.....381
1001081049.....281	1001098559.....101, 450	1001105892.....271	1001137288.....101
1001081073.....281	1001098582.....78	1001106012.....413	1001137512.....71
1001081280.....261	1001098594.....413	1001106727.....181	1001141427.....259
1001081310.....277, 279	1001098769.....29	1001106845.....391	1001142790.....91
1001081375.....281	1001098972.....117	1001107355.....287	1001145026.....381
1001081376.....281	1001098977.....123	1001108206.....407	1001148177.....413
1001090063.....51	1001099113.....51	1001108668.....88	1001163414.....387
1001090064.....51	1001099115.....51	1001109007.....271	1001181707.....265
1001090134.....385	1001099246.....343	1001109053.....413	1001181968.....262, 266, 269
1001090140.....51	1001099351.....63	1001109404.....307, 311	10139087.....413
1001091752.....379, 381	1001099901.....67	1001109406.....271	10268515.....121, 123
1001091885.....361	1001099902.....67	1001109417.....261	10268516.....121, 123
1001091901.....361	1001100005.....251, 255	1001109478.....261, 265	1060379.....78
1001092280.....77	1001100215.....343	1001109596.....412	10701363.....401
1001092391.....71	1001100216.....343	1001109597.....412	10705034.....85
1001092481.....77	1001100218.....381	1001110280.....412	10717672.....327
1001092482.....77	1001100220.....337	1001110282.....412	10731702.....219
1001092877.....55	1001100222.....337	1001110412.....413	10731709.....241, 243
1001092878.....413	1001100223.....337	1001111074.....443	10731744.....223
1001093140.....77	1001100225.....282	1001111112.....277	10731748.....219
1001093171.....69, 77	1001100226.....282	1001111190.....55, 88	10731751.....219
1001093273.....83	1001100227.....59	1001113276.....281	10731789.....175, 211
1001093377.....59, 83	1001100228.....59	1001113422.....101	10731790.....159, 197
1001093465.....83	1001100229.....59	1001113511.....107	10731845.....225, 227, 231
	1001100284.....251, 255	1001114012.....131	

PART NUMBER INDEX

10731913	221	1319372	145, 183	1319461	171, 207	1319563	221
10731949	165, 203	1319373	145, 183	1319462	171, 207	1319565	221
10731959	237	1319374	145, 183	1319463	171, 207	1319566	221
10732063	241, 243	1319375	145, 183	1319464	171, 175, 207, 211	1319569	223
10732064	241	1319376	145, 183	1319470	171, 207, 451	1319570	223
10732071	239	1319377	145, 183	1319472	171, 175, 207, 211, 451	1319571	223
10732072	239	1319378	145, 183	1319475	171, 207	1319574	223
10732095	219	1319379	145, 183	1319477	171, 175, 208, 211	1319575	223
10732150	19	1319380	145, 146, 183	1319483	177, 213	1319576	223
10839156	237	1319381	146, 184	1319484	177, 213	1319577	223
1101312	121, 123	1319382	146, 184	1319485	177, 213	1319578 ...	159, 165, 179, 197, 203, 215, 223
1101313	121, 123	1319383	146, 184	1319488	177, 213	1319581	223, 245
1170021	47	1319384	146, 184	1319491	161, 199	1319582	223, 245
1170024	47	1319385	146, 184	1319496	161, 200	1319583	223
1170027	47	1319386	146, 184	1319497	161, 200	1319584	223
1170054	51	1319387	146, 184	1319499	161, 200	1319585	223, 245
1170057	51	1319388	146, 184	1319500	161, 200	1319586	223
1319203	219	1319389	184	1319501	161, 200	1319587	223
1319204	219	1319390	146, 184	1319502	161, 200	1319590	223
1319205	219	1319391	146, 184	1319504	161, 200	1319591	225
1319206	219	1319392	146, 184	1319505	161, 200	1319592	225
1319207	219	1319393	146, 184	1319506	157, 161, 177, 195, 199, 213	1319593 ...	225, 227, 229, 231, 233, 235
1319209	219	1319394	146, 184	1319510	162, 199	1319594 ...	225, 227, 229, 231, 233, 235
1319210 ...	171, 207, 219	1319395	146, 184	1319511	162, 199	1319595 ...	225, 227, 229, 231, 233, 235
1319211	219	1319396	146, 184	1319512	162, 199	1319596 ...	225, 227, 231
1319212	219	1319397	146, 184	1319513	162, 199	1319599 ...	225, 227, 229, 231, 233, 235
1319213	219	1319398	146, 184	1319514	162, 199	1319600 ...	225, 227, 229, 231, 233, 235
1319214	165, 203	1319399	146, 184	1319515	162, 199	1319601 ...	225, 227, 229, 231, 233, 235
1319333	145, 183	1319400	146, 184	1319516	162, 199	1319602 ...	225, 227, 229, 231, 233, 235
1319334	145, 183	1319401	146, 184	1319517	162, 199	1319603 ...	225, 227, 229, 231, 233, 235
1319335	145, 183	1319402	146, 184	1319518	162, 199	1319604 ...	225, 227, 229, 231, 233, 235
1319336	145, 183	1319406	146, 184	1319519	162, 199	1319605 ...	225, 227, 231
1319337	145, 183	1319412	191	1319520	162, 199	1319606 ...	225, 227, 231
1319338	183	1319423 ...	157, 159, 195, 197	1319521	162, 199	1319607	225
1319339	183	1319425 ...	157, 161, 195, 199	1319522	162, 199	1319608	225, 235
1319340	183	1319427	195	1319523	162, 199	1319609	225
1319341	145, 183	1319429	157, 195	1319524	162, 199	1319610	225
1319342	145, 183	1319431	161, 199	1319525	162, 199	1319611	225
1319343	145, 183	1319433 ...	157, 195, 450	1319526	162, 199	1319612 ...	225, 227, 229, 231, 233, 235
1319344	145, 183	1319434 ...	157, 195, 451	1319527	161, 199	1319613	227
1319345	145, 183	1319436 ...	157, 159, 195, 197	1319529	161, 199	1319614	227
1319346	145, 183	1319438	157, 195	1319530	161, 199	1319615 ...	227, 231, 233
1319347	145, 183	1319439	157, 195	1319531	161, 199	1319616	229
1319348	145, 183	1319440	157, 195	1319532	162, 199	1319617 ...	229, 233, 235
1319349	145, 183	1319441 ...	157, 159, 195, 197	1319533	162, 199	1319618 ...	229, 233, 235
1319350	145, 183	1319444 ...	146, 171, 184, 207	1319534	162, 199	1319619	229
1319351	145, 183	1319445	207	1319535	162, 199	1319620 ...	229, 233, 235
1319352	145, 183	1319447 ...	171, 175, 207, 211	1319536	162, 199	1319621 ...	229, 233, 235
1319353 ...	145, 150, 183, 188	1319448	171, 207	1319537 ...	162, 165, 199, 203	1319622 ...	229, 233, 235
1319354	145, 183	1319449	171, 207	1319538	162, 199	1319623 ...	229, 233, 235
1319355	145, 183	1319450	171, 207	1319539 ...	162, 165, 199, 203	1319624 ...	229, 233, 235
1319356	145, 183	1319451	171, 207	1319540 ...	162, 165, 199, 203	1319625 ...	229, 233, 235
1319357	145, 183	1319452	171, 207	1319541	162, 199	1319626 ...	229, 233, 235
1319358	145, 183	1319453	171, 207	1319542 ...	162, 165, 199, 203	1319627 ...	229, 233, 235
1319359	145, 183	1319454	171, 207	1319543	161, 199	1319628 ...	229, 233, 235
1319360	145, 183	1319455	171, 207	1319545 ...	162, 165, 199, 203	1319629 ...	229, 233, 235
1319361	145, 183	1319456	171, 207	1319557	221		
1319362	145, 183	1319457	171, 207	1319558	221		
1319363	145, 183	1319458	171, 207				
1319364	145, 183	1319459	171, 207				
1319365	145, 183	1319460	171, 207				
1319366	145, 183						
1319367	145, 183						
1319369	145, 183						
1319370	145, 183						
1319371	145, 183						

PART NUMBER INDEX

1319630.....	229, 233, 235	1319720.....	245	1706202.....	412	2220635.....	312
1319631.....	229, 233, 235	1319721.....	245	1706203.....	412	2220651.....	331
1319632.....	229, 233, 235	1319722.....	245	1706281.....	412	2220655.....	315, 325
1319633.....	229, 237	1319723.....	245	1706282.....	412	2220657.....	307, 311
1319634.....	231	1319724.....	245	1706284.....	412	2220683.....	325
1319635.....	231	1319725.....	245	1706285.....	412	2220695.....	315
1319636.....	231, 233, 235	1319726.....	245, 450	1706288.....	412	2220700.....	325
1319637.....	233	1320131.....	407	1706296.....	412	2220775.....	53
1319638.....	233, 235	1321148.....	157, 195	1706298.....	412	2220806.....	281
1319639.....	235	1321149.....	157, 195	1706299.....	412	2221123.....	307, 311
1319641.....	237	1321150.....	161, 200	1706300.....	438	2230025.....	331
1319643.....	237	1321151.....	161, 200	1706301.....	412	2230035.....	307, 311
1319646.....	237	1321152.....	161, 200	1706306.....	412	2230044.....	331
1319647.....	237	1321153.....	153, 191	1706768.....	413	2230046.....	315
1319648.....	237	1321154.....	153, 191	1706784.....	412	2340037.....	71
1319649.....	237	1321157.....	171, 207	1706785.....	412	2340038.....	71
1319650.....	239	1321158.....	161, 199	1706786.....	412	2340039.....	71
1319652.....	239, 241	1321159.....	162, 199	1706787.....	412	2340045.....	71
1319659.....	239	1321161.....	161	1706788.....	413	2340046.....	71
1319661.....	239, 241	1321162.....	161, 200	1706789.....	413	2600281.....	77
1319662.....	239	1321163.....	161, 200	1706796.....	412	2711992.....	49
1319670.....	241, 243	1321164.....	171, 207	1706850.....	55	2716143.....	431
1319671.....	241	1321166.....	171	1706892.....	77	2716153.....	427
1319673.....	241	1321172.....	205	2000218.....	97	2716563.....	357, 361
1319674.....	241	1321174.....	161, 200	2080040.....	78	2716571.....	347
1319675.....	241	1321176.....	171	2080044.....	77	2716614.....	363
1319676.....	241	1321178.....	205	2110606.....	51, 85, 327	2716615.....	365
1319677.....	241	1321184.....	153, 191	2110808.....	51	2716616.....	349
1319678.....	241	1321187.....	145	2130606.....	85, 307, 311	2716621.....	333
1319679.....	241	1321188.....	153, 191	2130608.....	85	2716622.....	333
1319680.....	241	1321206.....	167	2131210.....	335, 337	2716670.....	311
1319681.....	241	1321207.....	167	2131216.....	112, 115	2716673.....	325
1319682.....	241	1321208.....	167	2170706.....	307, 311	2716675.....	315
1319683.....	241	1321211.....	146, 184	2172106.....	51, 307, 311,	2716684.....	319
1319684.....	241	1321215.....	191	327		2716695.....	307, 311
1319685.....	241	1321217.....	153	2220237.....	379, 381	2716696.....	325
1319686.....	241	1321219.....	153	2220238.....	328	2716697.....	307
1319687.....	241	1321220.....	153	2220239.....	381	2716699.....	307, 311
1319688.....	241	1321221.....	153	2220251.....	281	2716700.....	307, 311
1319689.....	241	1321223.....	191	2220371.....	49, 307, 311,	2716713.....	331
1319690.....	241	1321224.....	153, 191	323, 327		2716714.....	319, 321, 450
1319691.....	241	1321226.....	171, 175, 207,	2220372.....	49, 323	2716760.....	315
1319692.....	241	211		2220373.....	319, 321, 323,	2716761.....	307
1319693.....	241	1321231.....	177, 213	325, 327, 331		2716762.....	307, 311
1319694.....	241	1321236.....	195	2220375.....	315	2716763.....	307, 311
1319695.....	241	1321237.....	146, 184	2220381.....	325, 331	2716764.....	323
1319696.....	241, 243	1321242.....	177, 213	2220385.....	319, 325	2716765.....	307
1319697.....	241	1321245.....	171, 207	2220415.....	53, 55	2716766.....	307, 311
1319698.....	241	1321246.....	171, 207	2220435.....	327, 343	2716767.....	319, 321
1319699.....	241	1321247.....	177, 213	2220444.....	282	2716768.....	331
1319700.....	241	1321259.....	191	2220451.....	315	2716769.....	325
1319701.....	241	1321260.....	191	2220473.....	53, 55, 307, 311,	2716770.....	307
1319702.....	241, 243	1321262.....	153, 191	323, 327		2716771.....	327
1319703.....	241, 243	1321797.....	97	2220474.....	319, 321, 325	2716772.....	325
1319704.....	241	1560028.....	17	2220500.....	325, 379, 381	2716773.....	319, 321, 325
1319705.....	241	1600373.....	291, 450	2220501.....	307	2716774.....	327
1319707.....	241, 243	1600429.....	295, 450	2220567.....	315	2716775.....	325
1319708.....	241	1684464.....	355	2220578.....	315	2716776.....	325
1319710.....	243	1701509.....	78	2220596.....	319, 321, 325,	2716778.....	315
1319711.....	243	1701640.....	413	327		2716779.....	339
1319712.....	243	1702773.....	77	2220602.....	307, 311, 327	2716780.....	327
1319713.....	243	1704277.....	78	2220603.....	307, 311	2716781.....	327
1319714.....	243	1704885.....	77, 412	2220606.....	307, 311	2716783.....	327
1319715.....	243	1706098.....	438	2220609.....	53, 55	2716784.....	315
1319717.....	243	1706170.....	412	2220619.....	323	2716785.....	316
1319718.....	245	1706171.....	412	2220622.....	325	2716786.....	339
1319719.....	245	1706176.....	413	2220628.....	53, 55	2716788.....	319, 321, 450

PART NUMBER INDEX

2716792.....	331	3576442.....	293	4640438.....	385	70020409.....	161, 200
2716807.....	327	3620059.....	115	4641501.....	85	70020413.....	200
2716808.....	327	3760170.....	78	4641502.....	85	70020425.....	239
2717033.....	327	3820020.....	77	4711400.....	78, 115, 403, 407, 447	70020426.....	239
2717149.....	335	3841203.....	51	4711500.....	102	70020427.....	243
2717150.....	335	3980039.....	275	4711600.....	29, 107	70020428 ..	389, 427, 429
2717158.....	341	4100181.....	412	4740362.....	117	70020430.....	237
2717159.....	341	4105171.....	412	4751400.....	77	70020431.....	237
2717160.....	85	4105262.....	412	4751600.....	117, 129, 131	70020483.....	161, 200
2717161.....	85	4105621.....	303	4751700.....	117, 129	70020484.....	161, 200
2717162.....	85	4107442.....	412	4751800.....	343	70020485.....	161, 200
2717196.....	351	4107462.....	412	4761500.....	102	70020486.....	161, 200
2717197.....	367	4107692.....	53	4761600.....	107	70020487.....	161, 200
2717200.....	429	4107702.....	53	4791500.....	259	70020555.....	69
2717216.....	359	4107712.....	53	4811900.....	101	70020562.....	81
2717257.....	353	4107812.....	65	4812000.....	407	70020628.....	271
2717260.....	369	4107832.....	65	4812300.....	299, 301, 303	70020631.....	282
2717283.....	85	4107901.....	412	4821430.....	15, 17	70020680.....	391
2717287.....	53, 55	4108232.....	49	4831700.....	407	70020799.....	375
2720549.....	121	4108302.....	412	4831900.....	101, 407	70021305.....	259
2720551.....	105	4110176.....	412	4832000.....	101	70021306.....	259
2720555.....	111, 115	4110177.....	412	4832100.....	101	70021342.....	63, 81
2754736.....	307, 311	4110178.....	412	4846452.....	77	70021349.....	63
2754737.....	307, 311	4110179.....	412	4891600.....	424	70021358.....	81
2755059.....	315	4110182.....	412	4891800.....	51	70021359.....	81
2755060.....	315	4110183.....	412	4892200.....	17	70021360.....	81
2900770.....	349, 385, 431	4110187.....	412	4892600.....	17	70021361.....	81
2915023.....	389, 429, 451	4110188.....	412	4922984.....	403	70021362.....	81
2915034.....	97, 450	4110223.....	412	4922985.....	438	70021364.....	81
2915036.....	97, 450	4110226.....	412	4922987.....	438	70021365.....	81
2915052.....	445	4110253.....	434	4923018.....	403	70021366.....	81
2915054.....	115	4110339.....	412	4923283.....	403	70021367.....	81
2915063.....	404, 451	4110422.....	63, 65, 67	4923285.....	403	70021387.....	81
2915161.....	447	4110460.....	438	4923334.....	447	70021391.....	81
2915170.....	97	4110461.....	75	4923342.....	447	70021392.....	81
2915184.....	404, 451	4110473.....	53, 85	4923363.....	403	70021393.....	383
2940074.....	77	4340809.....	97	4923649.....	419	70021395.....	81
31200160.....	77	4340812.....	121	5724302.....	15, 17	70021399.....	81
31200336.....	77	4341004.....	97	5724622.....	23, 25, 27, 29	70021415.....	63
31200352.....	452	4360609.....	403, 451	5724742.....	19	70021440.....	383
31200353.....	452	4360690.....	297, 447, 451	5906392.....	31	70021444.....	383
31200387.....	77	4420037.....	19	6040500.....	45	70021446.....	383
31200388.....	77	4461101.....	447	6040600.....	45	70021447.....	383
3126021.....	452	4461102.....	447	6040700.....	45	70021448.....	383
3140007.....	259, 413	4461103.....	447	6604662.....	53, 55	70021451.....	383
3220148.....	127	4520319.....	255	6608621.....	53	70021452.....	383
3251813.....	412	4520320.....	253	6620472.....	281	70021464.....	383
3290601.....	407	4520405.....	249	6620531.....	11, 13	70021465.....	383
3290801.....	407	4520407.....	253	6621412.....	407	70021466.....	383
3300240.....	47, 51	4520412.....	251	6623576.....	441	70021495 ..	157, 195, 451
3311401.....	117, 447	4520413.....	255	7000219.....	387	70021546.....	281
3311405.....	78	4520429.....	249	70002224.....	387	70021553.....	207
3311601.....	29	4520430.....	249	70003849.....	387	70021554 ..	175, 207, 211
3311605.....	117	4520431.....	253	70010239.....	452	70021555.....	213
3311805.....	343	4520432.....	253	70010241.....	452	70021568.....	157, 195
3380679.....	259	4520435.....	253	70010243.....	452	70021569.....	157, 195
3400022.....	293	4520437.....	249	70010244.....	452	70021570.....	157, 195
3421453.....	78	4520438.....	253	70010245.....	452	70021571.....	157, 195
3423226.....	29	4520466.....	251	70010281.....	452	70021583.....	361
3423227 ..	17, 29, 355, 369	4520467.....	255	70010283.....	452	70021617.....	157, 195
3423242.....	47, 51	4520469.....	255	70010284.....	452	70021726.....	157, 195
3423275.....	47, 51	4520648.....	255	70020143.....	167	70021812.....	389
3423276.....	47, 51, 55	4520649.....	255	70020210.....	97	70021847.....	101
3423307.....	51	4520650.....	255	70020211.....	97	70021848.....	101
3520072.....	77	4520651.....	253	70020228.....	135, 137	70021849.....	101, 452
3520198.....	77	4520652.....	253	70020408.....	161, 200	70021850.....	101
3575947.....	97	4520653.....	253			70021851.....	107

PART NUMBER INDEX

70021852.....	101, 450	70022225.....	155, 193	70022788.....	203	70023925.....	89
70021854.....	101	70022226.....	155, 193	70022789.....	159, 197	70023968.....	112, 115
70021921.....	63	70022227.....	155, 193	70022842.....	101	70024002.....	385
70021935.....	63	70022228.....	155, 193	70022843.....	101	70024020.....	387
70021948.....	271, 452	70022229.....	155, 193	70022844.....	101	70024044.....	391
70021977.....	63	70022230.....	175, 211	70022845.....	101	70024045.....	391
70021978.....	63	70022231.....	149, 187	70022846.....	101	70024046.....	391
70021979.....	63	70022233.....	179, 215	70022866.....	452	70024047.....	391
70021980.....	81	70022234.....	175, 211	70022867.....	452	70024048.....	391
70021981.....	81	70022235.....	165, 203	70022871.....	452	70024049.....	391
70022028.....	63	70022236.....	165, 203	70022872.....	452	70024050.....	391
70022038.....	385	70022237.....	175, 211	70022873.....	452	70024123.....	91
70022039.....	385	70022238.....	175, 211	70022893.....	65	70024262.....	387
70022040.....	385	70022240.....	175, 211	70022931.....	88	70024306.....	71
70022041.....	385	70022241 ..	159, 197, 450	70022932.....	88	70024307.....	71
70022042.....	385	70022242.....	179, 215	70022934.....	88	70024535.....	91
70022043.....	385	70022243.....	179, 215	70022935.....	89	70024536.....	91
70022044.....	389	70022244.....	188	70022936.....	88	70024537.....	91
70022045.....	389	70022245.....	150, 188	70022937.....	89	70024538.....	91
70022046.....	389	70022246.....	159, 197	70022939.....	89	70024539.....	393
70022052.....	207	70022247.....	159, 197	70022942.....	89	70024540.....	91
70022171.....	165, 203	70022248.....	169	70022946.....	89	70024541.....	91
70022172.....	159, 197	70022250.....	165, 203	70022949.....	89	70024542.....	91
70022173.....	159, 197	70022251.....	169	70022950.....	89	70024543.....	91
70022174.....	159, 197	70022252.....	169	70022952.....	89	70024544.....	91
70022175.....	159, 197	70022253.....	165, 203	70022957.....	88	70024545.....	91
70022176.....	165, 203	70022254.....	159	70022960.....	88	70024546.....	91
70022177.....	159, 197	70022255.....	159, 197	70022969.....	88	70024547.....	393
70022178... ..	159, 197, 451	70022256.....	179, 215	70022970.....	88	70024548.....	393
70022179.....	175, 211	70022257.....	175, 211	70022980.....	89	70024549.....	393
70022180.....	159, 197	70022259.....	159, 197	70022984.....	88	70024550.....	91
70022181.....	159, 197	70022260.....	155	70022985.....	88	70024551.....	91
70022182.....	159, 197	70022261.....	155	70022987.....	88	70024552.....	91
70022183.....	165, 203	70022262.....	155, 193	70022990.....	89	70024553.....	91
70022184.....	159, 197	70022263.....	155	70022992.....	88	70024554.....	91
70022185.....	155, 193	70022264.....	155	70022993.....	88	70024555.....	91
70022186.....	165, 203	70022280.....	203	70022994.....	88	70024584.....	149, 187
70022187.....	175, 211	70022284.....	193	70022995.....	88	70024591.....	150, 187
70022188.....	175, 211	70022285.....	193	70022997.....	91	70024593.....	150, 188
70022189.....	165, 203	70022527.....	81	70022998.....	89	70024613.....	175, 211
70022190.....	165, 203	70022610.....	157, 195	70023003.....	88	70025480.....	277
70022191.....	169	70022692.....	117	70023004.....	88	70025606.....	387
70022192.....	169	70022693.....	117	70023005.....	89	70025959.....	387
70022193.....	165, 203	70022695.....	117	70023006.....	89	70026056.....	387
70022194.....	165, 203	70022696.....	117	70023007.....	89	70026057.....	387
70022195.....	169	70022716.....	375	70023008.....	88	70026058.....	387
70022196.....	165, 203	70022717.....	375	70023009.....	88	70026059.....	387
70022197.....	179, 215	70022718.....	375	70023010.....	88	70026060.....	387
70022198.....	165, 203	70022719.....	375	70023014.....	88	70026061.....	387
70022199.....	169	70022720.....	375	70023015.....	89	70026062.....	387
70022200.....	155, 193	70022721.....	375	70023016.....	88	70026149.....	165
70022201.....	159, 197	70022722.....	376	70023034.....	281	70110101.....	452
70022202.....	169	70022723.....	376	70023037.....	391	7013903.....	373
70022203... ..	175, 211, 451	70022724.....	376	70023038.....	391	7013928.....	373
70022204.....	159, 197	70022774.....	149	70023040.....	275	7013930.....	373
70022205.....	159, 197	70022775.....	149	70023041.....	275	7017278.....	369
70022206.....	159, 197	70022776.....	150	70023139.....	275	7017283.....	367
70022207.....	179, 215	70022777.....	159, 197	70023172.....	452	7024441.....	379, 381, 451
70022209.....	165, 203	70022779.....	165, 203	70023173.....	452	7024574.....	389, 427, 429
70022211.....	155, 193	70022780.....	165, 169	70023174.....	452	7025854.....	452
70022213.....	150, 188	70022781.....	175, 211	70023265.....	363	7025856.....	452
70022216.....	149, 187	70022782.....	175, 211	70023482.....	219	7026666.....	97
70022217.....	159, 197	70022783.....	175, 211	70023483.....	219	7026758.....	225, 227, 229, 231, 233, 235
70022218.....	175, 211	70022784.....	179, 215	70023599.....	117	7026759.....	225, 227, 229, 231, 233, 235
70022219.....	159, 197	70022785.....	179, 215	70023890.....	275	7026798.....	275
70022220.....	150, 188	70022786.....	187	70023904.....	155, 193		
70022223.....	175, 211	70022787.....	187	70023910.....	155, 193		

PART NUMBER INDEX

7026799.....	275	7077481.....	49	7118993.....	45	7139174.....	281
7026900.....	275	7077501.....	49	7120742.....	35	7139179.....	308, 312
7026901.....	275	7077511.....	49	7124301.....	15, 17	7139180.....	37
7026902.....	275	7080244.....	31	7124331.....	11, 13, 95	7139212.....	307, 311
7026905.....	275	7081621.....	23, 25, 27, 29	7124471.....	15, 17	7139250.....	269
7026906.....	275	7081631.....	23, 25, 27, 29	7125741.....	49	7139254.....	434
7027212.....	167	7082311.....	23, 25, 27, 29, 31, 33, 450	7125800.....	53	7139257.....	434
7027229.....	145	7082342.....	31, 450	7125811.....	33	7139258.....	434
7027273.....	237	7082362.....	23, 25, 27, 29, 31, 33, 450	7125861.....	11, 13	7139263.....	443
7028739.....	367, 369, 451	7083922.....	33	7125871.....	15, 17, 303	7139264.....	443
7028783.....	97	7083992.....	33	7126703.....	109	7139267.....	265
7028838.....	105	7085102.....	35	7126992.....	125	7139268.....	265
7028979.....	207	7085411.....	49	7127081.....	105	7139269.....	443
7029005.....	115	7085422.....	109, 111, 115	7127091.....	289	7139290.....	269
7029006.....	445	7085442.....	23, 25, 27, 29, 31, 33, 450	7127102.....	289	7139292.....	269
7029037.....	239	7085501.....	49	7127881.....	105	7139294.....	269
7029104.....	167	7085542.....	33	7128511.....	438	7139295.....	269
7029242.....	445	7085552.....	35	7128772.....	45, 49	7139296.....	269
7029247.....	367, 369	7085562.....	35	7128792.....	45, 49	7139298.....	262, 265, 269
7029248.....	367	7085571.....	35	7129300.....	57	7139299.....	262, 266, 269
7029249.....	367, 369	7091323.....	303	7129521.....	285, 287	7139301.....	266, 282
7029250.....	367, 369	7092292.....	11, 23, 25	7129973.....	109	7139308.....	262
7029251.....	369	7094682.....	19	7137142.....	11, 13, 15, 17	7139316.....	262, 265, 269
7029264.....	135, 137	7095272.....	95, 97	7137643.....	133	7139393.....	269
7029265.....	135, 137	7095393.....	119	7138209.....	379, 381	7139406.....	19
7029268.....	97, 451	7095522.....	33	7138318.....	125	7139444.....	262, 265, 269
7029269.....	97	7095831.....	95, 97, 101	7138515.....	109	7139446.....	109
7029270.....	97, 450	7096491.....	33, 273	7138529.....	434	7139447.....	109
7029271.....	247	7097323.....	119	7138634.....	141	7139452.....	412
7029327.....	351, 353, 355	7097682.....	23	7138658.....	251	7139455.....	19
7029328.....	351, 353, 355	7098142.....	301	7138659.....	251	7139456.....	19
7029330.....	351, 353, 355	7099882.....	403	7138660.....	251	7139462.....	19
7029332.....	351	7110494.....	53	7138661.....	251	7139475.....	11, 13
7029333.....	351, 353, 355	7110694.....	53	7138740.....	379, 381, 451	7139504.....	319, 321
7029334.....	351, 353, 355	7110702.....	53, 55	7138815.....	125	7139505.....	319, 321
7029335.....	351, 353, 355	7110712.....	53, 55	7138816.....	125	7139509.....	247
7029336.....	351, 353, 355	7110722.....	53, 55	7138819.....	259	7139527.....	315
7029337.....	353, 355	7110744.....	43	7138830.....	401	7139528.....	315
7029367.....	295	7111572.....	23, 25, 27, 29, 31, 33, 450	7138833.....	295	7139552.....	19
7029417.....	245	7112523.....	57	7138836.....	295	7139553.....	119
7029520.....	69	7112533.....	57	7138857.....	259	7139587.....	95
7029521.....	69	7112642.....	57, 59	7138858.....	273, 275	7139591.....	95
7029525.....	97, 451	7112704.....	57	7138871.....	125	7139595.....	95
7029532.....	227, 229, 237	7113024.....	65	7138878.....	295	7139605.....	249
7029533.....	227, 229, 237	7113034.....	65	7138881.....	95	7139606.....	249
7029692.....	63, 81	7114941.....	57, 59	7138883.....	273	7139608.....	61
7029714.....	81	7116642.....	31	7138944.....	259	7139613.....	15, 17
7029716.....	379	7116691.....	31	7138951.....	262, 265, 269	7139714.....	19
7029720.....	239	7116742.....	31	7138952.....	265	7139726.....	321
7029721.....	239	7116752.....	31	7138953.....	265	7139727.....	321
7029738.....	452	7116773.....	31	7138958.....	262, 265, 269	7139728.....	331
7029739.....	452	7116812.....	31	7138977.....	31	7139729.....	331
7029740.....	452	7116822.....	23, 25, 27, 29	7138986.....	31	7139730.....	315
7029760.....	385	7117031.....	39	7139027.....	285	7139731.....	315
7029829.....	97	7117094.....	33	7139048.....	261, 265	7139739.....	253
7029830.....	97	7117204.....	49	7139049.....	281	7139740.....	253
7029860.....	277	7117214.....	49	7139050.....	261, 265	7139741.....	249
7029991.....	97	7117244.....	49	7139076.....	379, 381	7139743.....	249
7054351.....	97, 101, 141	7117254.....	49	7139077.....	379, 381, 451	7139746.....	71
7057141.....	109, 111, 115, 117	7117264.....	49	7139135.....	259	7139747.....	71
7062922.....	53, 55	7118222.....	379, 381, 451	7139156.....	15, 17	7139758.....	25
7063432.....	31	7118882.....	35	7139159.....	255	7139763.....	109
7063452.....	31	7118892.....	35, 450	7139160.....	255	7139778.....	109
7065482.....	49			7139161.....	255	7139788.....	339, 341, 343
7070191.....	49			7139162.....	255	7139863.....	35
7075611.....	23, 25, 27			7139165.....	251	7139864.....	35
				7139168.....	251	7139918.....	85

PART NUMBER INDEX

7139993.....	327	7301506.....	127	80304093.....	149, 187	80304484.....	452
7147400.....	441	7301522.....	438	80304094.....	149, 187	80304492.....	452
7148100.....	282	7301523.....	438	80304095.....	149, 187	80304497.....	452
7148700.....	419	7301524.....	438	80304096.....	149, 187	80304498.....	452
7150579.....	247	7301525.....	438	80304097.....	150, 188	8032398.....	119
7150580.....	247	7301568.....	85	80304099.....	150, 188	8032989.....	375
7150608.....	19	7301569.....	85	80304100.....	150, 188	8032990.....	375
7150610.....	379	7301579.....	85	80304101.....	150, 188	8032991.....	375
7150642.....	125	7301585.....	293	80304102.....	150, 188	8032992.....	375, 376
7150655.....	379	7301648.....	111, 115	80304104.....	150, 188	8032993.....	375
7150661.....	19	7301649.....	111, 115	80304107.....	150	8032994.....	375
7150668.....	441	7301651.....	111, 115	80304108.....	150, 188	8032995.....	375
7150673.....	417	7301653.....	111, 115	80304110.....	149, 187	8033002.....	247
7150679.....	419, 423	7301718.....	75	80304111.....	149, 187	8033065.....	277
7150680.....	420, 424	7301818.....	397	80304112.....	149, 187	8033075.....	277
7150681.....	420, 424	7301829.....	438	80304113.....	149, 187	8033178.....	289, 291
7150685.....	419, 423	7301833.....	111, 115	80304117.....	149, 187	8033340.....	95
7150687.....	417, 419, 420, 423, 424	7301835.....	403	80304118.....	149, 187	8033651.....	247
7150688.....	417	7301836.....	403	80304119.....	149, 187	8033786.....	389, 427, 429
7150689.....	419, 423	7301845.....	253	80304121.....	150, 188	8033856.....	271, 282
7150690.....	420, 424	7301859.....	403	80304123.....	150, 188	8034037.....	375
7150695.....	441	7301862.....	381	80304124.....	149, 187	8034815.....	277
7150696.....	441	7301863.....	381	80304125.....	150, 188	8035276.....	401
7150697.....	441	7301864.....	403	80304126.....	150, 188	8035321.....	349, 363
7150699.....	419, 423	7301893.....	407, 438	80304127.....	150, 188	8035322.....	357, 361
7150702.....	419, 423	7302024.....	27	80304128.....	150, 188	8035323.....	357, 361
7150703.....	419, 423	7302028.....	247	80304129.....	150, 188	8035324.....	357, 361
7150704.....	423	7302039.....	13, 15, 27	80304130.....	150, 188	8035326.....	357, 361, 451
7150705.....	417	7302056.....	27, 29	80304131.....	150, 188	8035327.....	349, 357, 361, 363
7150706.....	441	7302073.....	259	80304132.....	150, 188	8035346.....	373
7150707.....	417	7302074.....	259	80304133.....	150, 188	8035347.....	373
7150708.....	297	7302076.....	259	80304134.....	150, 188	8035348.....	373
7150714.....	401	7302077.....	259	80304135.....	150, 188	8035381.....	373
7150716.....	419, 423	7302085.....	105	80304136.....	150, 188	8035382.....	277
7150717.....	419, 423	7302189.....	413	80304137.....	150, 188	8035392.....	277
7150730.....	417, 419, 423	7302304.....	127	80304143.....	149, 187	8035393.....	277
7150737.....	23	7302331.....	291	80304144.....	149, 187	8035402.....	281
7150741.....	423	7302332.....	15, 17	80304145.....	149, 187	8035406.....	281
7150742.....	419	7310012.....	404	80304146.....	149, 187	8035409.....	277
7150745.....	401	7310020.....	438	80304147.....	149, 187	8035411.....	277
7150746.....	401	77143006.....	407	80304148.....	149, 187	8035416.....	261, 265, 271, 277, 281
7150810.....	319	77383377.....	403, 407, 447	80304149.....	149, 187	8035417.....	281
7150811.....	319	77384830.....	127, 129	80304150.....	149, 187	8035431.....	281
7150837.....	319, 321, 331	8024016.....	95, 450	80304151.....	149, 187	8035437.....	261, 265
7150838.....	319, 321, 331	8024021.....	299	80304152.....	149, 187	8035439.....	271
7300214.....	321	8024022.....	301	80304153.....	149, 187	8035441.....	271
7300344.....	403, 407	8024023.....	303	80304154.....	149, 187	8035475.....	261
7300704.....	249	8024024.....	285	80304155.....	149, 187	8035477.....	261
7300748.....	25	8024025.....	37	80304156.....	149, 187	8035478.....	261
7300908.....	434	8024026.....	39	80304157.....	149, 187	8035479.....	261, 265, 277, 281
7300972.....	121	8024029.....	109	80304158.....	149, 187	8035486.....	261
7300983.....	49	8024031.....	109	80304159.....	149, 187	8035487.....	261, 265
7301006.....	119	8024039.....	111	80304160.....	149, 187	8035492.....	279
7301040.....	61	8025655.....	351, 353, 355, 427, 429	80304161.....	149, 187	8035493.....	279
7301054.....	251, 255	80263012.....	77	80304162.....	149, 187	8035496.....	279
7301055.....	249, 253	80264045.....	277	80304163.....	149, 187	8035498.....	279
7301056.....	251, 255	80264074.....	271	80304164.....	149, 187	8035499.....	279
7301142.....	249, 253	80264082.....	261	80304165.....	149, 187	8035500.....	279
7301180.....	75	80273010.....	119	80304166.....	149, 187	8035523.....	266, 269, 271
7301252.....	381	80273042.....	119	80304167.....	149, 187	8035536.....	347, 363, 389, 427, 429
7301295.....	85	80304082.....	150, 188	80304168.....	149, 187	8035555.....	133
7301408.....	71, 85	80304088.....	149	80304169.....	149, 187	8035556.....	133
7301448.....	438	80304089.....	149, 187	80304173.....	175, 207, 211, 451	8035557.....	133
7301498.....	129	80304090.....	149, 187	80304405.....	171, 207, 221	8035558.....	133
7301500.....	101	80304091.....	149, 187	80304462.....	165, 203		
7301505.....	127	80304092.....	149, 187	80304480.....	452		

PART NUMBER INDEX

8035559.....	133	8036010.....	273	8036105.....	271	8036320.....	167
8035599.....	282	8036011.....	273	8036106.....	261	8036321.....	167
8035631.....	271	8036013.....	273	8036107.....	261	8036329.....	171, 451
8035632.....	271	8036014.....	273	8036108.....	261	8036330... 171, 175, 207,	
8035639.....	261, 265	8036015.....	273	8036110.....	281	211	
8035668.....	281	8036017.....	273	8036112.....	281	8036331... 177, 195, 199,	
8035720.....	363, 451	8036021.....	219	8036114.....	281	213	
8035744.....	371	8036022.....	219	8036118.....	281	8036336.....	157
8035745.....	371	8036023.....	221	8036119.....	281	8036338.....	171, 207
8035757.....	357, 361	8036024.....	223	8036120.....	281	8036356.....	375
8035758.....	357, 361	8036025.....	223	8036121.....	281	8036385.....	308, 312
8035774.....	375	8036026.....	223	8036122.....	281	8036388.....	281
8035775.....	375	8036027.....	223	8036124.....	281	8036389.....	363
8035779.....	247	8036028.....	223	8036128.....	281	8036390.....	363
8035785.....	361	8036029... 227, 229, 231,		8036129.....	282	8036391.....	363
8035805.....	401	233, 235		8036131.....	365, 451	8036392.....	363
8035807.....	297, 452	8036030.....	237	8036132.....	349, 451	8036393.....	349, 363
8035830.....	427, 451	8036031.....	237	8036143.....	347	8036394.....	349
8035831.....	431, 451	8036032.....	237	8036144.....	347	8036395.....	349
8035834.....	373	8036033.....	239	8036149.....	363	8036396.....	349
8035835.....	373	8036035.....	239	8036174.....	373	8036397.....	349
8035843.....	373	8036036.....	241	8036175.....	373	8036398.....	349
8035844.....	373	8036037.....	241	8036177.....	373	8036399.....	365
8035848.....	373	8036038.....	241	8036178.....	373	8036400.....	365
8035849.....	373	8036039.....	241	8036179.....	373	8036401.....	365
8035861.....	427, 429	8036040.....	241	8036180.....	373	8036402.....	347
8035862... 389, 427, 429		8036041.....	245	8036187.....	375	80364020.....	281
8035863... 389, 427, 429		8036042.....	245	8036190... 227, 229, 237		8036403.....	347
8035865.....	431	8036048.....	261	8036196.....	261, 265	8036404.....	347
8035866.....	431	8036049.....	261, 279	8036197.....	261, 265	80364044.....	261
8035867.....	431	8036050.....	261, 265	8036198.....	262, 266	8036405.....	347
8035868.....	431	8036056.....	261, 277	8036199.....	262, 266	8036406.....	347
8035876.....	145	8036057.....	261, 443	8036204.....	101	8036407.....	347
8035877.....	145	8036058.....	261, 443	8036209.....	419, 423	8036410.....	281
8035927.....	157, 195	8036059.....	261, 265	8036210.....	419, 423	8036418.....	159, 197
8035930.....	157, 195	8036060.....	261, 265	8036212.....	419, 423	8036421.....	281
8035931.....	157, 195	8036061.....	261, 265	8036213.....	419, 423	8036425.....	153
8035932.....	157, 195	8036062.....	271	8036214.....	419, 423	8036426.....	153
8035933.....	157, 195	8036064.....	271	8036215.....	419, 423	8036427.....	153
8035936.....	161, 200	8036065.....	271	8036216... 417, 419, 420,		8036428.....	371
8035939.....	161, 200	8036066.....	261, 265	423, 424		8036429.....	371
8035945.....	161, 199	8036067.....	266	8036217... 417, 419, 420,		8036430.....	157
8035946.....	161, 199	8036068.....	266	423, 424		8036431.....	157
8035947.....	161, 199	8036069.....	265	8036218... 417, 419, 420,		8036432.....	247
8035948.....	162, 199	8036070.....	277	423, 424		8036433.....	247
8035951.....	161, 199	8036071.....	261, 266	8036219.....	420, 424	8036434.....	171, 207
8035958.....	167	8036073.....	261, 265	8036220.....	420, 424	8036435.....	171, 207
8035973.....	171, 207	8036076.....	271	8036221.....	420, 424	8036436.....	177, 213
8035978.....	157, 195	8036077.....	271	8036222.....	420, 424	8036439.....	157, 195
8035980.....	157, 195	8036078.....	271	8036229.....	347	8036440.....	157, 195
8035981... 157, 195, 451		8036079.....	271	8036250.....	245	8036444.....	199
8035982.....	145, 183	8036080.....	271	8036263.....	373	8036445.....	161, 199
8035983.....	146, 184	8036085.....	271	8036271.....	371	8036447... 161, 165, 199,	
8035984.....	191	8036088.....	271	8036281.....	373	203	
8035985.....	153, 191	8036090.....	271	8036282.....	373	8036451.....	431
8035986.....	195	8036091.....	271	8036283.....	373	8036517.....	373
8035987.....	195	8036092.....	271	8036284.....	373	8036533.....	373
8035989.....	195	8036093.....	271	8036294.....	347, 451	8036536... 351, 353, 355	
8035990.....	195	8036094.....	271	8036296.....	347	8036537... 351, 353, 355	
8035992.....	171, 207	8036095.....	271	8036303.....	161	8036544.....	109
8035993.....	171, 207	8036096.....	271	8036304.....	161, 200	8036546.....	109
8035994.....	171, 207	8036097.....	271	8036305.....	161, 200	8036606.....	200
8035995.....	171, 207	8036098.....	271	8036307.....	161, 200	8036733.....	85
8035996.....	171, 207	8036099.....	277	8036308.....	161, 200	8036745.....	119
8035997.....	171, 207	8036100.....	277	8036312.....	157	8036750.....	431
8035998.....	157, 195	8036102.....	279	8036313.....	157	8036751.....	183
8036009.....	273	8036103.....	279	8036314.....	157, 161	8036758.....	159, 197

PART NUMBER INDEX

8036759.....	159, 197	8223081.....	297	8303106.....	111, 115	8303798.....	111, 115
8036778.....	367	8223082.....	297, 438	8303107 ...	111, 115, 339, 341, 343	8303799.....	289
8036782.....	351, 353, 355, 451	8223083.....	443	8303264 ...	307, 311, 319, 321	8303835.....	419, 423
8036811.....	369	8223217.....	401, 451	8303519.....	95, 125, 141	8303837.....	289
8036812.....	111, 115	8223226.....	379, 381	8303533.....	403	8303982.....	259
8036816.....	111, 115	8223232.....	401, 403	8303540 ...	287, 289, 291, 301	8305002.....	289, 397, 399
8036848.....	167	8223242.....	401, 451	8303545.....	407, 438	8305004.....	19, 115, 287, 303, 401
8036849.....	167	8223244.....	403, 451	8303606.....	111, 115	8305006.....	19, 315, 319, 321
8036852.....	167	8223453.....	297	8303615.....	19, 123	8305008.....	109, 434, 438
8036854.....	167	8223532.....	401, 403	8303618.....	119, 121	8305012.....	57, 59
8036855.....	167	8224045.....	299, 451	8303620.....	109, 403	8305014.....	19
8036856.....	167	8224047.....	301	8303622 ...	417, 419, 423	8305021.....	11, 13, 15, 17
8036858.....	167	8225119 ...	397, 399, 419, 423, 447	8303624.....	31	8305038.....	403, 407
8036859.....	167	8225122.....	438	8303625 ..	13, 15, 27, 441	8305043.....	401
8036861.....	167	8229233 ...	397, 399, 417, 419, 423, 443	8303626 57, 59, 259, 327, 441		8305047.....	438
8036862.....	167	8229234.....	397, 399	8303634 ...	45, 49, 53, 55, 85	8305201.....	401
8037080.....	365	8229235 ...	397, 399, 423	8303633.....	35	8305402.....	289, 291
8037204.....	269	8229236.....	419	8303655.....	23, 25, 29	8305438.....	401
8037206.....	261	8229237.....	397, 399	8303656.....	19, 112	8305619.....	35
80373094.....	121, 123	8229238 ...	397, 399, 417, 419, 424	8303657.....	31	8305624.....	85, 109, 111, 399, 403, 407
80384187.....	271	8229259.....	438	8303658.....	85, 285, 287	8305626... ..	11, 13, 15, 17, 49, 119, 121, 123, 273, 275, 379, 381, 417, 419, 420, 423, 424
80384192.....	271	8229260.....	407, 438	8303666.....	33	8305630.....	95
80384193.....	271	8262166.....	95	8303670 ...	111, 119, 419, 423	8305643.....	23, 25, 29, 33, 45, 49, 53, 55, 85
80384207.....	277	8262318.....	95	8303674.....	273	8305644... ..	11, 17, 23, 25, 29, 31, 33, 37, 57, 59, 65, 95, 97, 101, 259, 285, 287, 355, 369, 441
8040267.....	143	8270134.....	401	8303675 ...	109, 125, 127, 327	8305645... ..	23, 25, 27, 29, 31, 37, 39, 49, 95, 109, 111, 115, 337, 401, 403, 407, 417, 419, 423
8040274.....	181	8270144.....	403, 438	8303702.....	97	8305646.....	37, 39
8050001.....	11, 13, 15, 17	8270147 ...	403, 407, 438	8303704.....	111, 115	8305647.....	23, 25, 27
8065062.....	53, 55, 427, 429	8270148 ...	403, 407, 438	8303707.....	111, 115	8305650.....	289
8065634.....	49	8270220.....	95	8303712.....	27	8305652.....	438
8065640... ..	11, 13, 15, 17, 23, 25, 27, 29	8270221.....	95, 451	8303715 53, 55, 105, 107, 319, 321, 331		8305906... ..	23, 25, 27, 29, 303
8065641... ..	11, 13, 15, 17	8270222.....	438	8303724.....	97, 141	8305916.....	295
8080613.....	95, 450	8270423.....	438	8303729.....	19	8307002.....	19, 109, 123, 287, 289, 291, 319, 321, 331, 401, 403
80904003.....	452	8270424.....	438	8303738 ...	23, 25, 27, 29, 31, 33	8307003.....	289, 397, 399
80974028.....	95, 97	8270425.....	438	8303739.....	49, 119	8307004.....	19, 105, 107, 109, 111, 282, 303, 308, 311, 315, 319, 321, 328, 331, 333, 339, 407
8160078.....	303	8270426.....	438	8303743.....	109	8307005.....	23, 25, 27, 29, 31, 33, 109, 125, 127, 129, 131, 295, 327, 339, 341, 343, 376, 404, 434
8160080.....	289, 450	8270427.....	438	8303745 ...	293, 407, 420, 424	8307006.....	141, 273
8160406.....	303	8270620 ...	401, 403, 407, 452	8303746.....	316	8307007... ..	31, 57, 59, 327
8160418.....	303	8270621 ...	403, 407, 451	8303752 ...	11, 13, 15, 17	8307009.....	19
8160419.....	299, 301	8270624.....	401, 403	8303755.....	97, 101, 285, 287, 307, 311	8307011.....	259
8160610.....	289	8272017.....	95, 450	8303757 ...	282, 315, 316, 333, 339	8307012.....	11, 13, 15, 17
8162003.....	289, 291	8272027.....	97, 450	8303758.....	303	8307022.....	401
8180215.....	111, 115	8273027.....	119	8303770.....	49	8307023.....	95, 285, 287, 307, 311, 401, 403, 407
8180216.....	111, 115	8273241 ...	119, 121, 123	8303772.....	33		
8180311.....	109, 111, 115	8273303.....	119	8303777.....	403, 407		
8180324.....	111, 115	8274022.....	105	8303782 ...	11, 17, 23, 25, 29, 355, 369		
8180325.....	111, 115	8275045.....	127	8303784 95, 97, 101, 111, 115			
8180326.....	111, 115	8275240.....	125	8303790.....	95, 101, 289		
8180334.....	111	8275247.....	125, 127				
8180335.....	111, 115	8275248.....	125				
8205655.....	363, 389	8277098.....	434				
8205656.....	347	8277101.....	434				
8220073.....	401, 403	8277161.....	109				
8220366.....	403	8278007.....	97, 101, 141				
8223025.....	287	8278008.....	109				
8223037.....	297	8278012.....	97, 101				
8223038.....	443	8278020 ...	111, 115, 117				
8223043.....	277, 279	8278031.....	109				
8223044.....	277	8278032.....	95				
8223046.....	297	8301443 ...	299, 301, 303				
8223049.....	295, 450	8301456.....	57				
8223054.....	297	8302470 ...	19, 299, 301, 303				
8223057.....	419, 423	8303034.....	259				
8223059.....	417, 419, 423	8303090 ...	319, 321, 331				
8223060.....	419, 423						
8223073.....	423						

PART NUMBER INDEX

8307024 115, 289, 413	8310200 111, 115, 337	8405305..... 119, 121, 123	8640123 ... 327, 339, 341, 343
8307025 95, 97, 119, 121, 289, 441	8310209 31	8405404 119	8640208 327
8307026 403	8310215 141	8405505..... 119, 121, 123	8640903 379
8307027 397, 399	8310235 31	8406101..... 109, 111, 115	8642001 49
8307049 141	8310245 31	8406105..... 97, 101	8642207 53, 55
8307104 35, 37, 39	8310246 111, 115	8406302 95, 97, 107, 109, 111, 343, 407, 438	8642224 33
8307106 ... 23, 25, 27, 29, 109, 111, 112, 273, 275, 293, 315, 319, 321, 397, 399, 407	8310266 35	8410009 281	8642234 ... 23, 25, 27, 29
8307109 ... 109, 111, 287, 289, 291, 301, 319, 321	8310276 35	8410013 105, 107	8642235 49
8307110 403, 407, 438	8310290 95	8410021 121, 123	8700116 289, 291
8307111 ... 397, 399, 419, 423	8310300 434	8420053 ... 49, 51, 53, 55, 85, 91, 331	8721029 325
8307112 ... 57, 59, 65, 95, 259, 401	8310302 85	8420055 ... 49, 51, 53, 55, 85, 91, 331	8750011 331
8307113 23, 25, 27	8310326 375	8420229 105	8750012 308, 327
8307201 259	8310327 375	8430032 ... 307, 311, 327	8750015 ... 105, 107, 308, 311, 339
8307202 19, 109, 123	8310337 327	8430033 327	8750016 319
8307203 19, 49, 119, 121, 123, 315, 321, 376	8310344 401	8430034 379, 381	8750017 ... 105, 312, 315, 319, 321, 327, 331, 333, 339
8307204 ... 23, 25, 27, 29, 31, 33, 109, 401, 403, 417, 419, 423	8310354 97	8430046 327	8750024 ... 282, 333, 335, 341
8307205 273	8310356 141	8430048 281	8750025 ... 282, 315, 333, 339
8307206 31, 285, 287, 441	8310362 259	8430064 379, 381	8750026 ... 315, 316, 331, 333, 335, 337, 339, 341
8307219 407, 438	8310382 259	8430081 307, 311	8750027 ... 321, 327, 331
8307220 95, 125, 403, 441	8310393 327	8440162 371	8750029 ... 319, 321, 331
8307221 ... 111, 115, 403, 407	8310420 327	8466306 259	8750040 ... 315, 331, 335, 337, 339
8307222 95, 111, 115	8310424 95	8500066 443	8760045 319
8307904 33, 53, 55	8310425 141	8500203 419, 423	8760109 333
8307910 ... 23, 25, 27, 29	8310431 ... 23, 25, 27, 29	8520001 ... 13, 15, 17, 27, 29, 31, 33	8760140 325
8307911 ... 23, 25, 27, 29	8310435 85	8520003 29, 31, 355, 369	8760237 307, 325
8307918 33, 53, 55	8310453 119	8520013 ... 11, 13, 23, 25, 33, 49, 363	8760268 323, 327
8310001 301	8310456 343	8520021 11, 13, 363	8760273 ... 339, 341, 343
8310009 ... 315, 316, 319, 321, 328, 331, 339	8310479 141	8520034 33	8760328 333
8310016 259	8310481 141	8522012 ... 13, 15, 17, 23, 25, 27, 29, 355, 369	8760407 323
8310019 37, 39	8310493 259	8526007 ... 13, 15, 17, 35, 95, 97, 101, 125, 445	8760419 373
8310020 37	8310497 ... 23, 25, 27, 29	8526011 ... 349, 351, 353, 355, 357, 361, 365, 367, 427, 429, 431	8760458 323
8310041 401	8310523 327, 407	8526035 443	8760463 321
8310046 407	8310524 327	8526036 ... 23, 25, 27, 29, 31, 33, 427, 429	8760465 ... 319, 321, 331
8310051 15, 17	8310525 376	8530030 ... 327, 339, 341, 343	8760468 315
8310056 13, 15, 27	8310529 262, 266	8540205 282	8760477 319, 321
8310058 27	8310628 291	8540218 282	8760552 379, 381
8310061 141	8310650 403	8540231 282	8765204 319, 331
8310066 ... 11, 13, 15, 17	8310658 19	8541435 379	8769122 ... 319, 321, 331
8310067 ... 97, 101, 141	8310668 123	8551001 119, 121	8769123 ... 105, 107, 307, 311, 319, 321, 331, 339
8310077 401	8310687 438	8580110 ... 299, 301, 303	8769128 ... 315, 319, 321, 328, 331
8310078 401	8310705 97	8580311 434	8769132 53, 55
8310085 ... 259, 419, 423	8310708 ... 25, 27, 29	8580315 53, 55	8769139 315
8310093 33	8310712 ... 25, 27, 29	8580420 ... 19, 109, 123	8769153 ... 319, 321, 331
8310109 ... 127, 129, 424	8310725 293	8582007 397, 399	8769155 331
8310129 19	8310747 95	8584001 . 49, 53, 55, 277, 401, 403, 417, 419, 423, 434, 438	8769156 331
8310136 261	83191013 123	8584018 ... 417, 419, 423	8770016 53, 55
8310143 299	8320262 95	8630003 ... 85, 307, 311, 327	8770078 111, 115
8310144 299	8320265 379, 451	8630019 141	8770109 307, 311
8310160 53, 55	8320270 105	8640017 375	8770120 307, 311
8310161 53, 55	8320275 97	8640025 331	8770157 315
8310163 379, 381	8340034 289	8640028 49, 53, 85	8770173 325
8310164 441	8342808 ... 19, 271, 452	8640029 49, 53, 85	8770175 307, 311
8310195 65	8360005 281	8640032 49, 53, 85	8770183 307, 311
	83671037 371		8770189 307, 311
	83673130 445		8780031 ... 249, 251, 253, 255
	83673133 445		
	83674096 371		
	83683175 129, 131		
	8380008 61		
	8382017 65		
	8405007 281		
	8405009 105		
	8405104 ... 109, 111, 115, 117		
	8405202 ... 115, 131, 282		
	8405203 109		
	8405209 ... 117, 129, 327		

PART NUMBER INDEX

8780036....249, 251, 253, 255	8866445 73	90206196 19	91404298.....265, 281
8780045....249, 251, 253, 255	8866446 73	90451058 45, 49, 85	91404299.....413
8780048....249, 251, 253, 255	8866464 73	90551013 45, 49, 53	91404301.....265
8780050....249, 251, 253, 255	8866529 259	90554016 63, 81	91404315.....271
8780264....249, 251, 253, 255	8866530 259	90554017 81	91404317.....271
8786514....249, 251, 253, 255	8866560 73	90554018 81	91404318.....271
8786572.....141	8866561 73	90554020 63	91404319.....271
8786573.....141	88671001 49, 51	90554042 63	91474023.....376
88261017.....301	8880218-OM 247, 451	90554045 383	91474024.....376
8841036.....217	8880219-OM 247, 451	90554054 63	91474434.....391
88411094.....424	8902111 375	90554062 63, 81	91474442.....391
8841318.....135	8902175 307, 311	90554065 81	91474443.....391
8841319.....137	8902187 373	90554076 63, 81	91474446.....391
88501005.....424	8902196 375	90554080 69	91474447.....391
8864053.....273	8902197 375	91043125 89	91474450.....391
8864057.....273	8902200 375	91043126 89	91474454.....391
8864058.....273	8902259 347	91044080 385	91474455.....391
8866341.....109, 111, 115	8902274 307	91081640 407	91474456.....391
8866348.....259	8902696 376	91163129 117	91474458.....391
8866351.....259	8902697 376	91344032 271	91474459.....391
8866442.....73	8902698 376	91344043 261, 281	91511145.....287
8866444.....73	8990147 259	91364023 121, 123	91513180.....287
	8990415 452	91401281 407	91563070.....117
	8990416 452	91403193 141	91563164.....275
	8990468 452	91403413 . 49, 51, 53, 55, 85, 89, 91, 331	91565094.....69
	90022230 385	91403414 . 49, 51, 53, 55, 85, 89, 91, 331	
	90200003 . 45, 47, 49, 51, 53, 55, 85		

PARTS FINDER

**Search Website
by Part Number**



**Search Manual
Library For Parts
Manual & Lookup Part
Numbers – Purchase
or Request Quote**

**Can't Find Part or
Manual? Request Help
by Manufacturer,
Model & Description**

Discount-Equipment.com is your online resource for quality parts & equipment.

Florida: **561-964-4949** Outside Florida TOLL FREE: **877-690-3101**

Need parts?

Click on this link: <http://www.discount-equipment.com/category/5443-parts/> and choose one of the options to help get the right parts and equipment you are looking for. Please have the machine model and serial number available in order to help us get you the correct parts. If you don't find the part on the website or on one of the online manuals, please fill out the request form and one of our experienced staff members will get back to you with a quote for the right part that your machine needs.

We sell worldwide for the brands: Genie, Terex, JLG, MultiQuip, Mikasa, Essick, Whiteman, Mayco, Toro Stone, Diamond Products, Generac Magnum, Airman, Haulotte, Barreto, Power Blanket, Nifty Lift, Atlas Copco, Chicago Pneumatic, Allmand, Miller Curber, Skyjack, Lull, Skytrak, Tsurumi, Husquvarna Target, Stow, Wacker, Sakai, Mi-T-M, Sullair, Basic, Dynapac, MBW, Weber, Bartell, Bennar Newman, Haulotte, Ditch Runner, Menegotti, Morrison, Contec, Buddy, Crown, Edco, Wyco, Bomag, Laymor, EZ Trench, Bil-Jax, F.S. Curtis, Gehl Pavers, Heli, Honda, ICS/PowerGrit, IHI, Partner, Imer, Clipper, MMD, Koshin, Rice, CH&E, General Equipment, Amida, Coleman, NAC, Gradall, Square Shooter, Kent, Stanley, Tamco, Toku, Hatz, Kohler, Robin, Wisconsin, Northrock, Oztec, Toker TK, Rol-Air, APT, Wylie, Ingersoll Rand / Doosan, Innovatech, Con X, Ammann, Mecalac, Makinex, Smith Surface Prep, Small Line, Wanco, Yanmar