

SKYTRAK[®]



Illustrated Parts Manual

Model 6036

S/N 14833 & Before

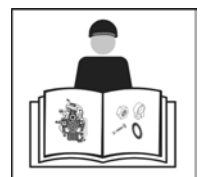
P/N - 8990150

Revised February 11, 2005

Go to Discount-Equipment.com to order your parts



JLG[®]



PARTS FINDER

**Search Website
by Part Number**



**Search Manual
Library For Parts
Manual & Lookup Part
Numbers – Purchase
or Request Quote**

Search Manuals

Enter your information to help us find the right parts manual for your machine.

* Brand:

* Model:

* Serial:

* Part Number:

SEARCH

**Can't Find Part or
Manual? Request Help
by Manufacturer,
Model & Description**

Parts Order Form

Please fill in the following information to help us find the right part for your machine.

Manufacturer:	<input type="text"/>
Model:	<input type="text"/>
Description:	<input type="text"/>
Part Number:	<input type="text"/>
Quantity:	<input type="text"/>
Notes:	<input type="text"/>

Submit

Discount-Equipment.com is your online resource for quality parts & equipment.

Florida: **561-964-4949** Outside Florida TOLL FREE: **877-690-3101**

Need parts?

Click on this link: <http://www.discount-equipment.com/category/5443-parts/> and choose one of the options to help get the right parts and equipment you are looking for. Please have the machine model and serial number available in order to help us get you the correct parts. If you don't find the part on the website or on one of the online manuals, please fill out the request form and one of our experienced staff members will get back to you with a quote for the right part that your machine needs.

We sell worldwide for the brands: Genie, Terex, JLG, MultiQuip, Mikasa, Essick, Whiteman, Mayco, Toro Stone, Diamond Products, Generac Magnum, Airman, Haulotte, Barreto, Power Blanket, Nifty Lift, Atlas Copco, Chicago Pneumatic, Allmand, Miller Curber, Skyjack, Lull, Skytrak, Tsurumi, Husquvarna Target, Stow, Wacker, Sakai, Mi-T-M, Sullair, Basic, Dynapac, MBW, Weber, Bartell, Bennar Newman, Haulotte, Ditch Runner, Menegotti, Morrison, Contec, Buddy, Crown, Edco, Wyco, Bomag, Laymor, EZ Trench, Bil-Jax, F.S. Curtis, Gehl Pavers, Heli, Honda, ICS/PowerGrit, IHI, Partner, Imer, Clipper, MMD, Koshin, Rice, CH&E, General Equipment, Amida, Coleman, NAC, Gradall, Square Shooter, Kent, Stanley, Tamco, Toku, Hatz, Kohler, Robin, Wisconsin, Northrock, Oztec, Toker TK, Rol-Air, APT, Wylie, Ingersoll Rand / Doosan, Innovatech, Con X, Ammann, Mecalac, Makinex, Smith Surface Prep, Small Line, Wanco, Yanmar

EFFECTIVITY PAGE

November, 1997 - 004 - Revised Manual

February 11, 2005 - E - Replaced all Branding with JLG.

Go to Discount-Equipment.com to order your parts

EFFECTIVITY PAGE

Go to Discount-Equipment.com to order your parts

Table of Contents

	Page		Page
SECTION 1 — MAIN FRAME AND GUARDS			
Main Frame	1.1	Drop Gear Box (Cont.)	
Hood and Guards	1.2	(Perkins and Cummins Turbo & Nat. Engines S/N 8L0355 Thru 9N0941)	3.19
SECTION 2 — OPERATOR'S CAB AND CONTROLS		(Perkins and Cummins Turbo & Nat. Engines S/N 9N0942 and After)	3.19.1
Operator's Cab — Open	2.1	Drive Shaft (Front & Rear Axles)	3.9
Operator's Cab — Closed (Optional)	2.2	Park Lock	3.10
Cab Door	2.3	Axles	
Operator's Seat	2.4	Differential Carrier Assembly — Front	3.11
Control Console	2.5	Differential Carrier Assembly — Rear	3.12
Transmission Shift Controls	2.6	Axle Steering Joints	3.13
Boom Raise/Lower & Boom Extend/Retract Control		Wheel End — Rear Axle Only	
(Cable Control Joystick)	2.7	(w/o Service Brakes)	3.14
(Electronic Control Joystick)		Wheel End — With Service Brakes (Front Axles S/N 6036-2343 and Before and Rear Axles S/N 6036-1305 and Before)	3.15
w/o TLC	2.7.1	Wheel End — With Service Brakes (Rear Axle Only - S/N 6036-1306 thru 2337)	3.15.1
Resistive w/TLC	2.7.2	Wheel End — With Service Brakes (Rear Axle Only - S/N 6036-2338 and After)	3.15.2
Inductive w/TLC	2.7.3	Wheel End — With Service Brakes (Front Axle Only - S/N 6036-2344 and After)	3.15.3
Frame Level & Grille Tilt Control		Tie Rod & Steering Cylinder Mounting	3.16
(S/N 9B0499 and Before)	2.8	Wheels and Tires	3.17
(S/N 9B0500 and After)	2.8.1	SECTION 4 — POWER PLANT	
Throttle Pedal Control		Engine, Radiator & Oil Cooler Mounting	
Perkins Engines	2.9	(Perkins 4.236 — Natural)	4.1
Cummins Engines	2.14	(Perkins 4.236T — Turbo)	4.5
Service Brake Pedal Control	2.10	(Cummins 4B3.9 - Natural — S/N 6036-1525 and Before)	4.8
Windshield Wiper (Optional Closed Cab Only)	2.11	(Cummins 4B3.9 - Natural — S/N 6036-1526 and After)	4.8.1
Cab Heater	2.12	(Cummins 4B3.9 - Turbo — S/N 6036-1525 and Before)	4.9
Auxiliary Hydraulic Control (Optional)		(Cummins 4B3.9 - Turbo — S/N 6036-1526 and After)	4.9.1
(S/N 9B0499 and Before)	2.13	Exhaust System	
(S/N 9B0500 and After)	2.13.1	(Perkins 4.236 — Natural)	4.2
Mirrors	2.15	(Perkins 4.236T — Turbo)	4.6
SECTION 3 — DRIVE TRAIN		(Cummins 4B3.9 — Natural)	4.10
Transmission		(Cummins 4BT3.9 — Turbo)	4.11
Converter & Transmission Housings	3.1	Air Cleaner	
Converter Group (Clark Model No. 12.2 HR18306-42 Only)	3.2	(Perkins 4.236 — Natural S/N 0F1185 and Before)	4.3
Converter Group (Clark Model 12.2 HR18306-48, 12.2 HR18306-54 & 12.2 HR18306-57 Only)	3.2.1	(Perkins 4.236 — Natural S/N 0F1186 and After)	4.3.1
Transmission Gear Groups	3.3	(Perkins 4.236T — Turbo)	4.7
Transmission Clutch Groups	3.4	(Cummins 4B3.9 — Natural S/N 0F1185 and Before)	4.12
Control Valve Assembly		(Cummins 4B3.9 — Natural S/N 0F1186 and After)	4.12.1
(S/N 0E1179 and Before)	3.5	(Cummins 4BT3.9 — Turbo S/N 0F1185 and Before)	4.13
(S/N 0E1180 and After)	3.5.1	(Cummins 4BT3.9 — Turbo S/N 0F1186 and After)	4.13.1
Transmission Mounting		Fuel System	
(S/N 9H0793 and Before)	3.6	Perkins Engines	4.4
(S/N 9H0794 and After)	3.20	Cummins Engines	4.14
Drive Shaft - Transmission to Drop Gear Box			
(Perkins 4.236 — Natural S/N 8L0354 and Before Only)	3.7		
(Perkins and Cummins Turbo & Nat. Engines S/N 8L0355 and After Only)	3.18		
Drop Gear Box			
(Perkins 4.236 - Nat. S/N 8L0354 and Before Only)	3.8		

Table of Contents (Cont.)

	Page
SECTION 5 — HYDRAULIC CIRCUITS	
Power Steering Circuit	
(S/N 8F0235 and Before)	5.1
(S/N 8G0236 thru S/N 9B0499)	5.1.1
(S/N 9B0500 and After)	5.1.2
Main Control Valve Circuit	
(S/N 9B0499 and Before)	5.2
(S/N 9B0500 thru 0E1179 w/Electronic Controlled Joystick)	5.2.1
(S/N 9B0500 thru 0E1179 w/Cable Controlled Joystick)	5.2.2
(S/N 0E1180 and After w/ Electronic Controlled Joystick)	5.2.3
(S/N 0E1180 and After w/Cable Controlled Joystick)	5.2.4
Boom Raise/Lower and Extend/Retract Circuits	
(S/N 9B0499 and Before)	5.3
(S/N 9B0500 and After w/Electronic Controlled Joystick)	5.3.1
(S/N 9B0500 and After w/Cable Controlled Joystick)	5.3.2
Grille Tilt, Slave and Frame Tilt Circuits	
(S/N 9B0499 and Before)	5.4
(S/N 9B0500 Thru 6036-1316)	5.4.1
(S/N 6036-1317 and After)	5.4.2
Brake Circuits	
w/2 Wheel Service Brakes	
(S/N 9B0499 and Before)	5.5
(S/N 9B0500 thru 0E1179)	5.5.1
(S/N 9B0499 and Before w/Declutch Conversion Installed)	5.5.2
(S/N 9B500 Thru 0E1179 w/Declutch Conver. Installed & 0E1180 and After) ..	5.5.3
w/4 Wheel Service Brakes	
(S/N 9B0499 and Before)	5.9
(S/N 9B0500 thru 0E1179)	5.9.1
(S/N 9B0499 and Before w/Declutch Conversion Installed)	5.9.2
(S/N 9B500 Thru 0E1179 w/Declutch Conver. Installed & 0E1180 and After) ..	5.9.3
Valve Plate Assembly	
(S/N 8F0235 and Before)	5.6
(S/N 8G0236 thru 9B0499)	5.6.1
(S/N 9B0500 thru 0E1179)	5.6.2
(S/N 0E1180 and After)	5.6.3
Transmission Cooling Circuit	5.7
Auxiliary Hydraulic Circuit (Optional)	
(S/N 9B0499 and Before)	5.8
(S/N 9B0499 Thru 6036-1316)	5.8.1
(S/N 6036-1317 and After)	5.8.2
Hydraulic & Transmission Oil Cooling Circuit - Optional	
(S/N 6036-1525 and Before)	5.10
(S/N 6036-1526 and After)	5.10.1

SECTION 6 — HYDRAULIC COMPONENTS

	Page
Hydraulic Reservoir	
(S/N 9B0499 and Before)	6.1
(S/N 9B0500 thru 1316)	6.1.1
(S/N 1317 and After)	6.1.2
Main Tandem Pump	6.2
Steering & Emergency Brake Pump	
(S/N 7P0013 and Before)	6.3
(S/N 7P0014 thru 9B0499)	6.3.1
Boom Hoist Cylinder	6.4
Boom Extend Cylinder	6.5
Slave Cylinder	6.6
Grille Tilt Cylinder	6.7
Frame Tilt Cylinder	6.8
Steering Cylinder	6.9
Main Control Valve	
(S/N 9B0499 and Before)	6.10
(Cable Controlled S/N 9B0500 and After)	6.10.1
(Electronic S/N 9B0500 and After)	6.10.2
Directional Control Valves	
(S/N 9B0499 and Before)	6.11
(S/N 9B0500 and After)	6.11.1
Main Control Valve — Auxiliary Hydraulics	
(S/N 9B0499 and Before)	6.12
Side Tilt Carriage Cylinder	6.13
Secondary Control Valve (S/N 9B0500 and After)	6.14
Swing Carriage Cylinder	6.15

SECTION 7 — ELECTRICAL

Electrical System	
(S/N 9B0500 & Before) - Complete Harness	7.1
Cab Harness	
(S/N 9B0501 & After)	7.1.1
Engine Harness	
(S/N 9B0501 & After - Perkins Eng.)	7.3
(S/N 9B0501 & After - Cummins Eng.)	7.4
Lighting System	
(Early Machines)	7.2
(Later Machines)	7.2.1
Electronic Joystick Assembly	7.5
Electronic Joystick Wiring w/o TLC	
(S/N 9B0501 and After)	7.6
TLC Wiring	7.7

SECTION 8 — DECALS AND PAINT

Decals and Paint	8.1
------------------------	-----

Table of Contents (Cont.)

Page

Page

SECTION 9 — BOOM AND ATTACHMENTS

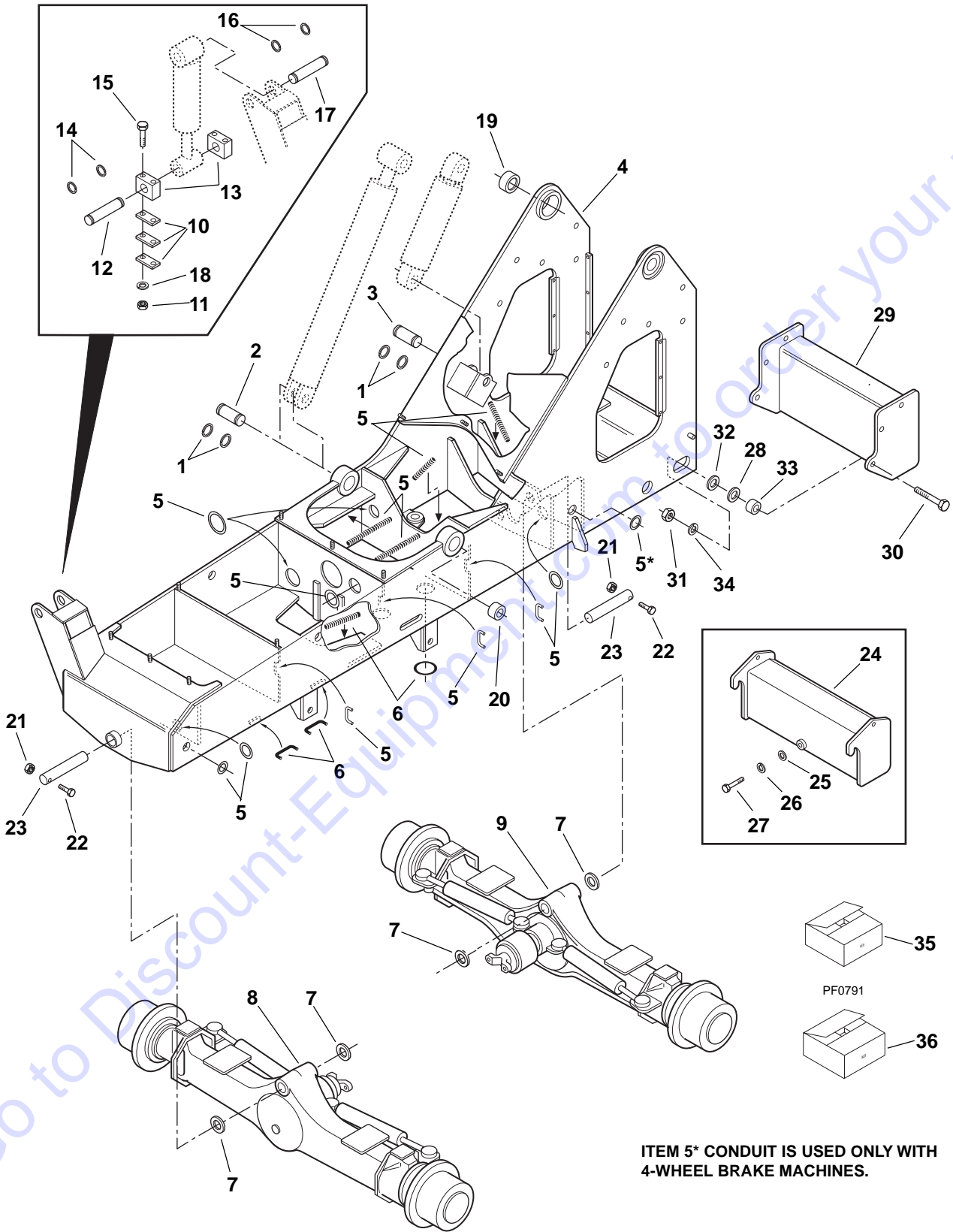
Outer Boom	
(S/N 9B0499 and Before)	9.1
(S/N 9B0500 and After)	9.1.1
Intermediate Boom	9.2
Inner Boom	9.3
Quick Attach	9.4
Carriage 48"	9.5
Carriage 60" (Optional)	9.6
Carriage 72" (Optional)	9.7
Utility Bucket (Optional)	9.8
Side Tilt Carriage (Optional)	
Pivot Pin With Snap Rings (S/N 9B0472 and Before)	9.9
Pivot Pin With Lock Collar (S/N 9B0472 and Before)	9.9.1
(S/N 9B0473 Thru 6036-1316)	9.9.2
(S/N 6036-1317 and After)	9.9.3
Swing Carriage (Optional)	9.10
Sheet Material Handler (Optional)	9.11

MOST ACTIVE SERVICE PARTS PROFILE

PART NUMBER INDEX

Go to Discount-Equipment.com to order your parts

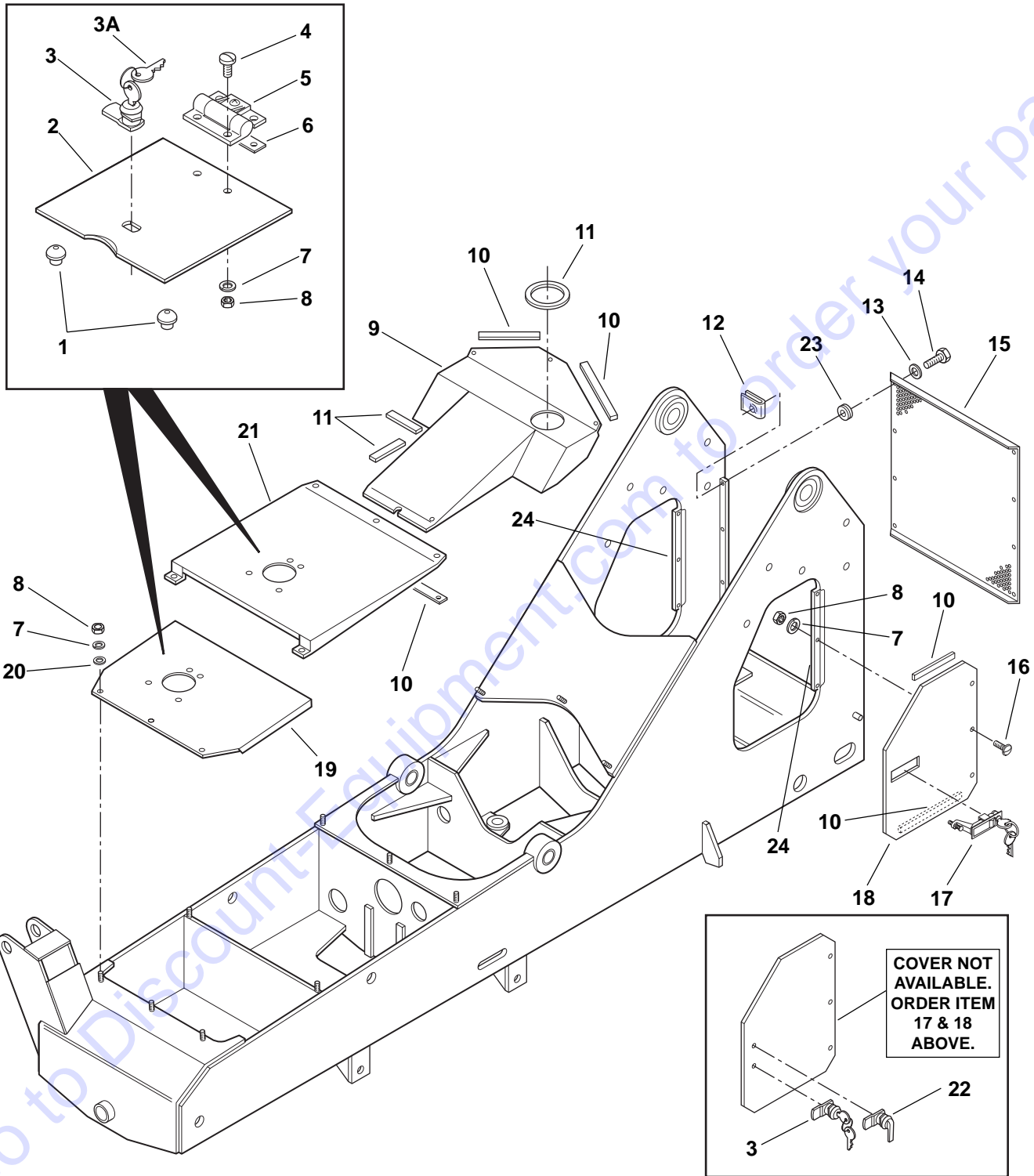
MAIN FRAME



MAIN FRAME

Item No.	Part Number	Qty.	Description
1	8642224	6	Ring, Snap, 2.0 Dia
2	7081571	2	Pin, Hoist Cylinder
3	7081601	1	Pin, Slave Cylinder
4	Consult Factory	1	Frame Weldment
5	8221020-0600	AR	Conduit, 1 ID x 5 Ft. - Cut to Fit
6	8221011-0600	AR	Conduit, 1/2 ID x 5 Ft. - Cut to Fit
7	8310093	AR	Shim, 0.075 Thk
8	8040229	1	Axle, Front (S/N 6036-2343 and Before)
	8040250	1	Axle, Front (S/N 6036-2344 and After)
9	8040228	1	Axle, Rear (w/o Service Brakes)
	8040232	1	Axle, Rear (w/ Service Brakes) (S/N 6036-1305 and Before)
	8040241	1	Axle, Rear (w/ Service Brakes) (S/N 6036-1306 thru 2337)
	8040251	1	Axle, Rear (w/ Service Brakes) (S/N 6036-2338 and After)
10	7084911	AR	Shim, 0.010 Thk
11	8305017	4	Nut, Hex, 3/4-10
12	7081551	1	Pin, Frame Leveling
13	7081561	2	Block, Mounting
14	8642207	2	Ring, Snap, 1.5 Dia
15	8303731	4	Screw, Hex Hd Cap, 3/4-10 x 5-1/2
16	8642207	2	Ring, Snap, 1.5 Dia
17	7081541	1	Pin, Frame Leveling Cylinder
18	8307010	4	Lockwasher, 3/4
19	8065637	2	Bushing, 2-1/2 ID
20	8065636	2	Bushing, 2 ID
21	8305643	2	Locknut, 5/8-11 (See Kits)
22	8303655	2	Screw, Hex Hd Cap, 5/8-11 x 4-1/2, Gr 5 (See Kits)
23	7096062	2	Pin, Axle Pivot (See Kits)
ITEMS 24 THRU 27, FOR MACHINES S/N 9F0694 AND BEFORE			
24	7083353	1	Counterweight (no longer available) - See Kits
25	8307107	1	Washer, Flat, 5/8
26	8307009	1	Lockwasher, 5/8
27	8303633	1	Screw, Cap, Hex Hd, 5/8-11 x 3-1/2
ITEMS 28 THRU 34, FOR MACHINES S/N 9F0695 AND AFTER			
28	5724302	AR	Washer, Shim, 0.060 Thk
29	7089913	1	Counterweight
30	8310051	4	Screw, Hex Hd Cap, 1-8 x 4, Gr 5
31	8305021	4	Nut, Hex 1-8
32	8310066	AR	Washer, Flat, 1
33	7088341	4	Spacer
34	8307012	4	Lockwasher, 1
<u>KITS</u>			
35	7086851	2	Pin and Hub Kit (Includes Items 21, 22, 23 and Locking Hub)
36	7096622	1	Counterweight Kit for item 24 (Includes Hardware)

HOODS AND GUARDS

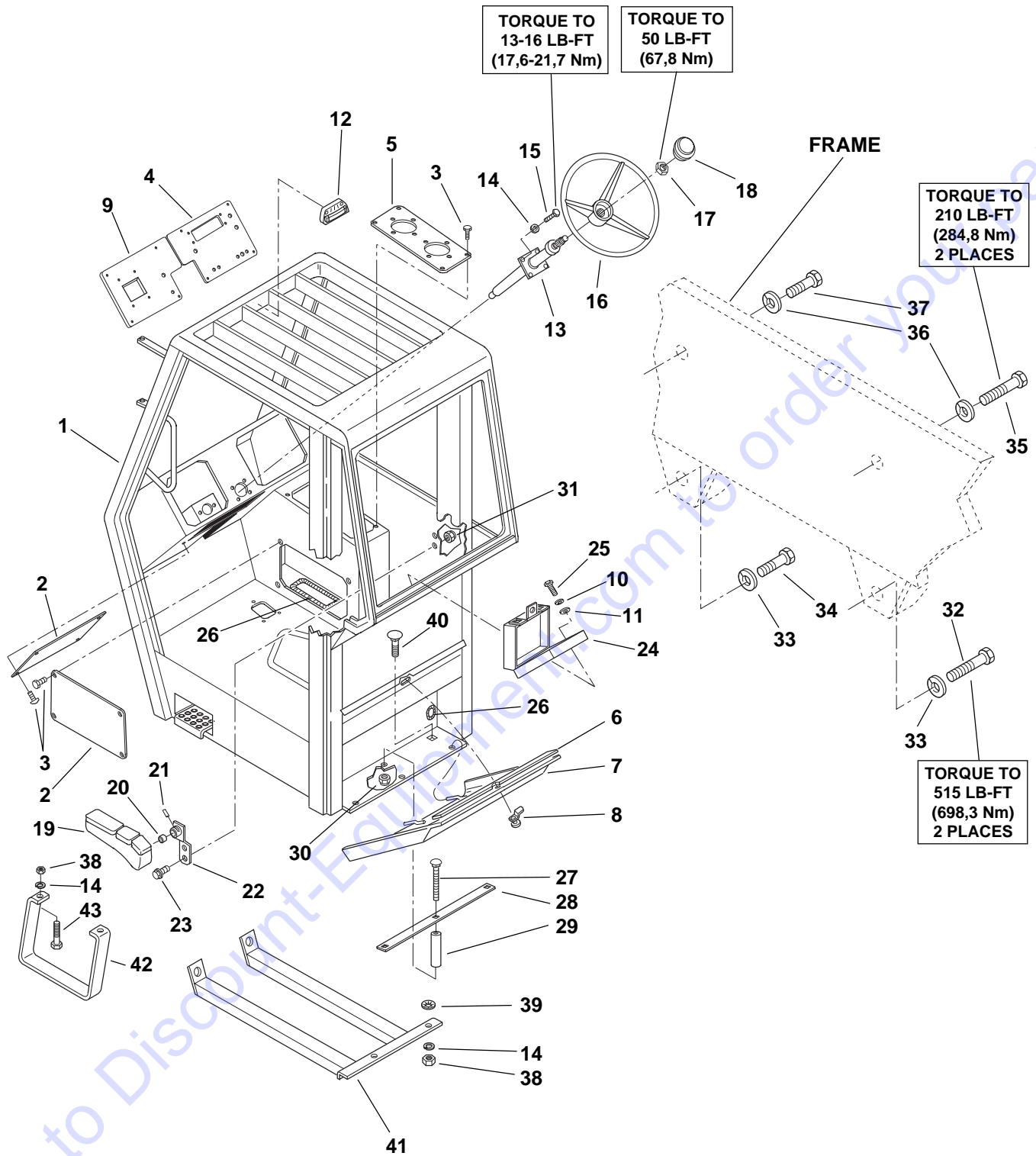


EARLY MACHINES

HOODS AND GUARDS

Item No.	Part Number	Qty.	Description
1	8582413	4	Plug, Bumper
2	7084792	2/4	Door, Access
3	8342807	2	Latch, Door w/Key
3A	8342808	1	Key Set
4	8303034	8	Screw, Truss Hd, 1/4-20 x 3/4
5	8344010	2	Hinge
6	7084821	2	Shim
7	8307002	25	Lockwasher, 1/4
8	8305004	25	Nut, Hex, 1/4-20
9	7083583	1	Cover, Transmission
10	8581007	AR	Tape, Foam
11	8221020-0600	AR	Conduit, 1 ID x 5 Ft. - Cut to Fit
12	8305906	8	Nut, Retainer, 5/16-18
13	8307203	8	Washer, Flat, 5/16
14	8303739	8	Screw, Hex Hd Cap, 5/16-18 x 1-1/4
15	7080383	1	Cover, Radiator
16	8303776	6	Screw, Hex Hd Cap, 1/4-20 x 1/2
17	8342416	2	Latch, Adjustable Trigger w/Key
18	7080763	2	Cover, Side Access
19	7083503	1	Cover, Fuel Tank
20	8307202	11	Washer, Flat, 1/4
21	7083533	1	Cover, Hydraulic Tank
22	8342404	2	Latch, Lift & Turn
23	8580203	8	Grommet
24	7077261	2	Hinge, Side Access Cover

OPERATOR'S CAB - OPEN

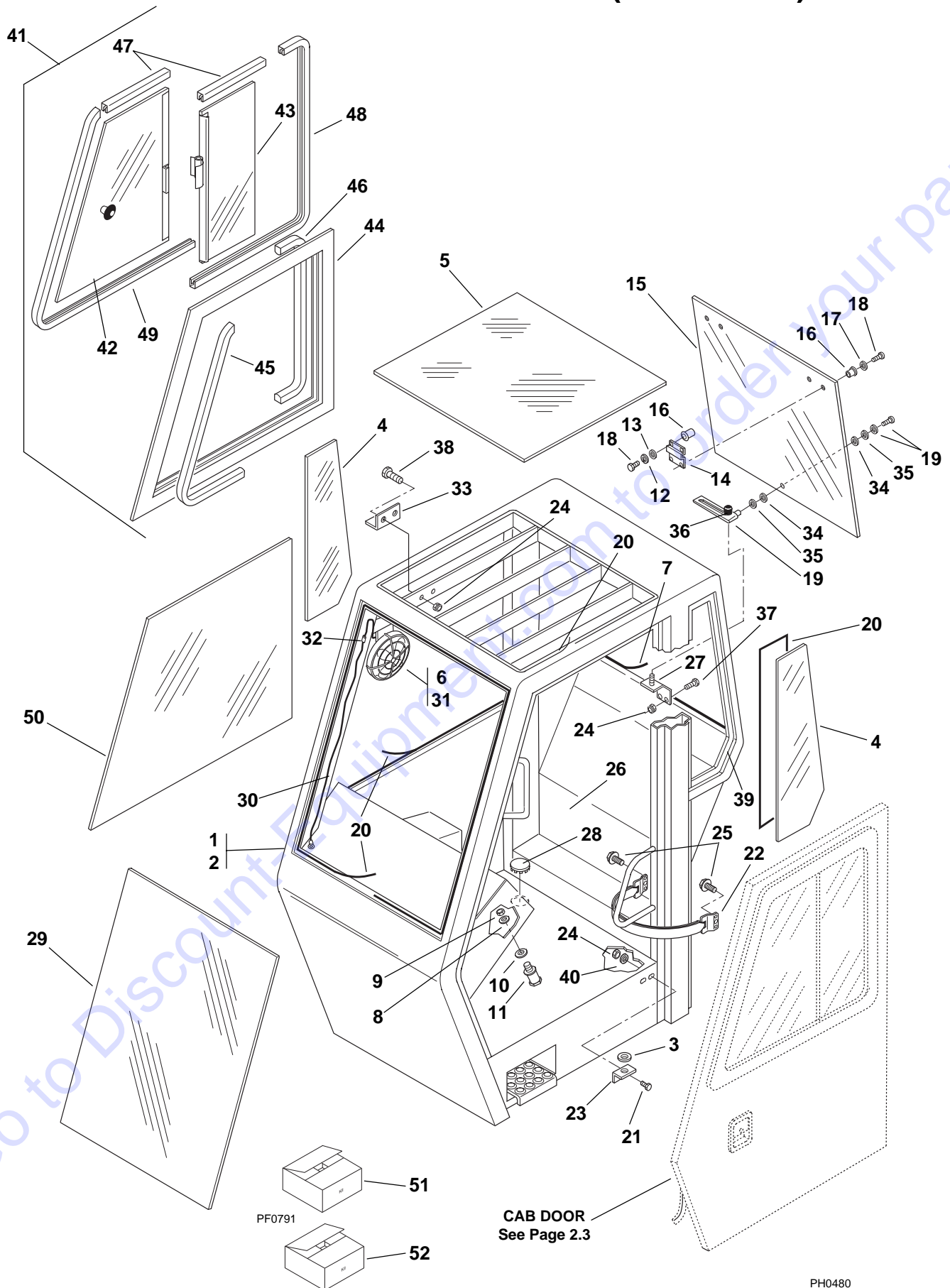


PA1870

OPERATOR'S CAB - OPEN

Item No.	Part Number	Qty.	Description
1	7112102	1	Cab Assembly, FOPS Orange - (Includes Items 2 thru 8)
	7112112	1	Cab Assembly, FOPS White - (Includes Items 2 thru 8)
2	8033050	2	Panel, Lower
3	8303034	16	Screw, Truss Hd Machine, Torx, 1/4-20 x 3/4
4	8033052	1	Panel, Right Front Console
5	8033053	1	Panel, Side Console
6	8033031	1	Gasketing, Sponge Rubber, 25-1/4
7	8033022	1	Cover, Battery S/N 8L0328 & After
	7126272	1	Cover, Battery S/N 8L0327 & Before
8	8342807	1	Lock, Cam
9	8033051	1	Panel, Left Front Console
10	8307002	3	Lockwasher, 1/4
11	8307109	3	Washer, Flat, 1/4
12	8466307	1	Gauge, Tilt Angle
13	8721023	1	Column, Steering
14	8307005	10	Lockwasher, 3/8
15	8303534	4	Screw, Flange Hd Cap, 3/8-16 x 1-1/4
16	8720014	1	Wheel, Steering
17	8305916	1	Nut, Steering Column
18	8720015	1	Cap, Steering Wheel
19	8864038	1	Arm Rest
20	8065639	1	Bushing, Sleeve
21	8302147	1	Pin, Roll
22	7098342	1	Bracket, Arm Rest
23	8303705	2	Screw, Flange Hd Cap, 1/4-20 x 3/4
24	8990147	1	Holder, Manual
25	8303729	3	Screw, Hex Hd Cap, 1/4-20 x 5/8
26	8221011-0600	1	Conduit, 1/2 ID x 5' - Cut to fit
27	8304014	3	Bolt, Carriage, 3/8-16 x 9
28	7082971	1	Bar, Battery Hold-down
29	8403217-0080	3	Hose
30	8305645	3	Nut, Lock, 3/8-16
31	8305624	2	Nut, Lock, 1/4-20
32	8310050	1	Screw, Hex Hd Cap, 1-8 x 6
33	8307012	2	Lockwasher, 1"
34	8310049	1	Screw, Hex Hd Cap, 1-8 x 2-3/4
35	8310112	1	Screw, Hex Hd Cap, 3/4 10 x 6
36	8307010	2	Lockwasher, 3/4
37	8303638	1	Screw, Hex Hd Cap, 3/4-10 x 2-3/4
38	8305008	6	Nut, Hex, 3/8-16
39	8310070	4	Retainer, 3/8
40	8310036	4	Bolt, Carriage, 3/8-16 x 1-1/4
41	7097233	1	Guard, Bottom
42	7084882	1	Step
43	8303534	2	HHCS, 3/8-16 x 1-1/4

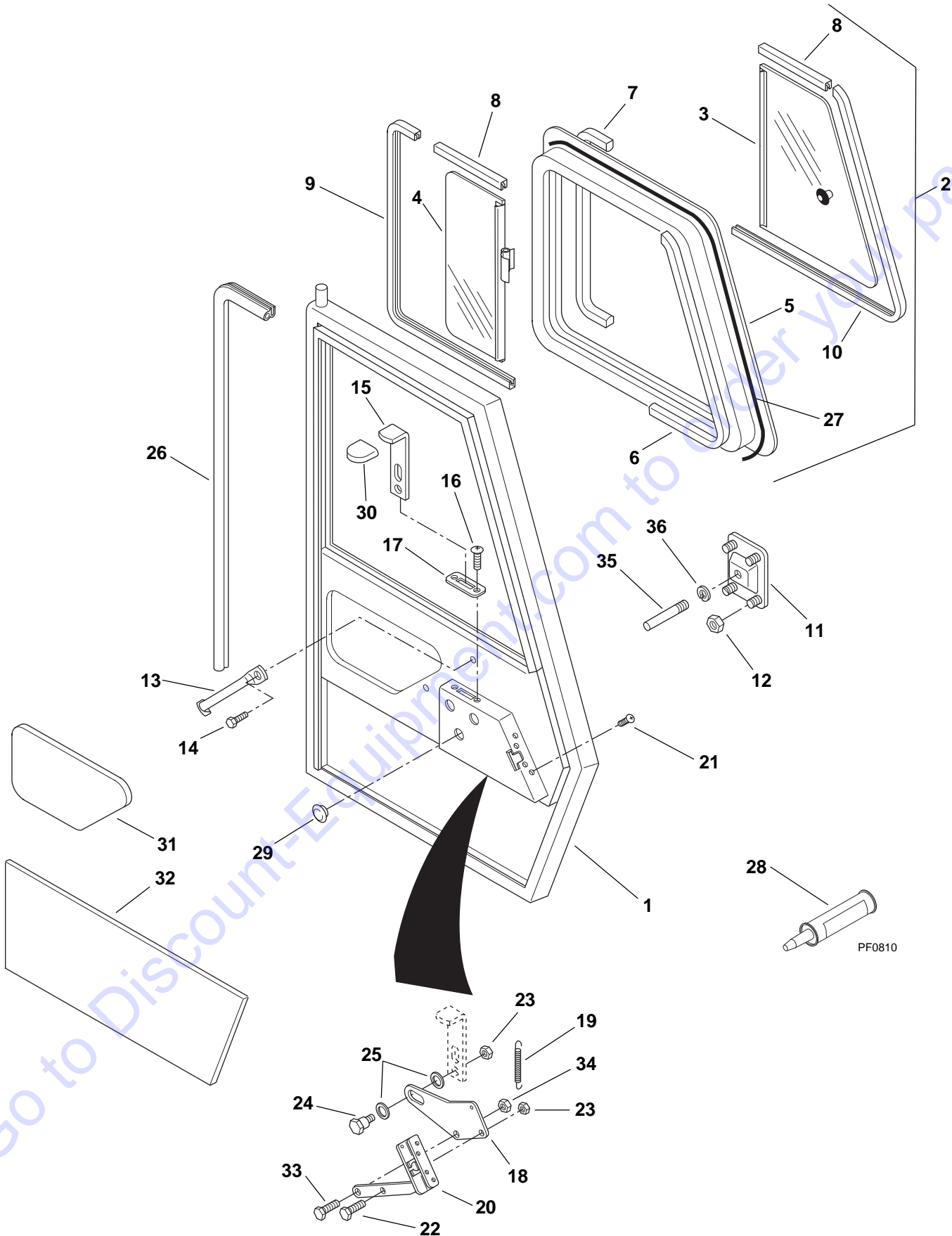
OPERATOR'S CAB - CLOSED (OPTIONAL)



OPERATOR'S CAB - CLOSED (OPTIONAL)

Item No.	Part Number	Qty.	Description
1	See Page 2.1	1	Cab Assembly
2	7099324	1	Cab, Enclosed (Includes Items 3 thru 49 on this page and all parts on page 2.11)
3	8307207	1	Washer, Flat, 5/8
4	8033079	2	Window, Wing
5	8033081	1	Window, Skylight
6	8033092	4	Screw, Socket Hd, #10-24 x 3/4
7	8033072	1	Seal, Rubber, 120 in.
8	8307113	1	Washer, Flat, 7/16
9	8305647	1	Locknut, 7/16-14l
10	8307206	AR	Washer, Flat, 1/2
11	8346010	1	Bolt, Striker
12	8307003	4	Lockwasher, #10
13	8307201	4	Washer, Flat, 3/16
14	8033085	2	Hinge, Spring
15	8033084	1	Window, Rear
16	8033086	8	Nut, Well
17	8033087	4	Washer, Nylon
18	8033088	8	Screw, Phillips Hd, #10-32 x 3/4
19	8033044	1	Window Hold Slide Assembly, w/Hardware
20	8585135	3	Tape, Butyl, 1/4" square x 15' Roll (See Kits)
21	8303540	2	Screw, Hex Hd Cap, 1/4-20 x 1
22	8342413	1	Strap
23	8033090	1	Bracket, Door Mounting
24	8305601	6	Locknut, 1/4-20
25	8303982	4	Screw, Self Tapping, 1/4-20 x 3/4
26	8346011	1	Panel, Rear Foam
27	8585138	1	Weldment, Latch Bracket
28	8580315	1	Plug, Hole
29	8033479	1	Window, Front
30	8033076	1	Wire Assembly, Fan
31	8033078	1	Fan, Defroster
32	8033077	2	Connector, Wire
33	8033094	1	Bracket, Fan
34	8585139	2	Washer, Flat Plastic, 3/8
35	8307204	2	Washer, Flat, 3/8
36	8580115	1	Knob
37	8303776	2	Screw, Hex Hd Cap, 1/4-20 x 1/2
38	8303540	2	Screw, Hex Hd Cap, 1/4-20 x 1
39	8585134	AR	Sealant, Urethane, 10 oz Cartridge (Location Shown Only) (See Kits)
40	8307002	2	Lockwasher, 1/4
41	8346009	1	Window, Right Side Sliding (Includes Items 43 thru 49)
42	8033833	1	Glass Assembly, Front
43	8033834	1	Glass Assembly, Rear
44	8033835	1	Frame Assembly
45	8033836	1	Trim Stop, Front
46	8033837	1	Trim Stop, Rear
47	8033838	2	Rubber, Flkd
48	8033839	1	Rubber, Flkd
49	8033840	1	Rubber, Flkd
50	8033082	1	Window, Right Side (Optional)
			<u>KITS</u>
51	8585133	1	Window Glue Kit (Includes Items 20, 39, four Setting Blocks and one Set of Installation Instructions)
52	7111332	1	Door Strap Kit (For Gas Spring Replacement on Older Machines) (Includes Items 22 and 25)

CAB DOOR



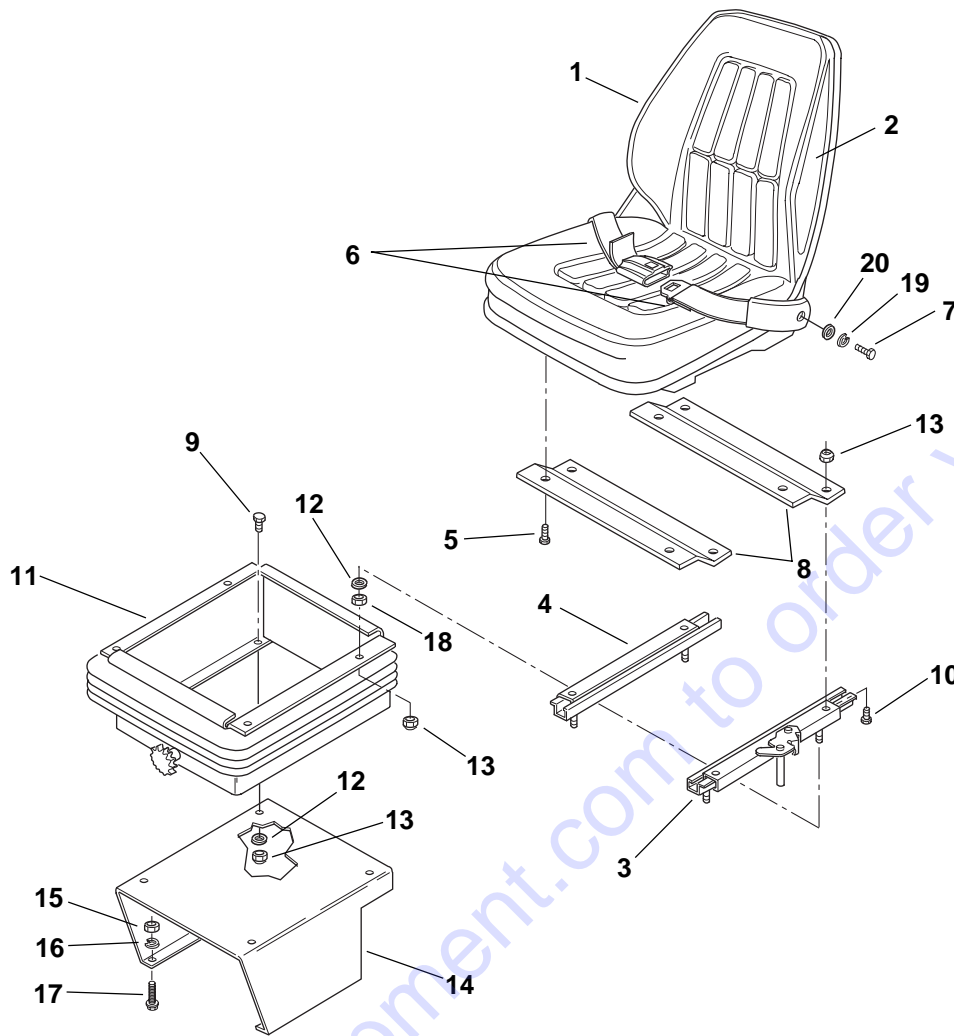
PF0810

PH0550

CAB DOOR

Item No.	Part Number	Qty.	Description
	8346008	1	Door Assembly - Orange (Includes Items 1 thru 36)
	8346013	1	Door Assembly - White (Includes Items 1 thru 36)
1	8033844	1	Door Weldment
2	8033845	1	Sliding Window Assembly (Includes Items 3 thru 10)
3	8033843	1	Glass Assembly, Front
4	8033842	1	Glass Assembly, Rear
5	8033841	1	Frame Assembly
6	8034544	1	Trim Stop, Front
7	8034545	1	Trim Stop, Rear
8	8034546	2	Rubber, Flkd
9	8034547	1	Rubber, Flkd
10	8034548	1	Rubber, Flkd
11	8033846	1	Latch, Paddle
12	8033847	4	Nut, Hex Locking, 1/4-20
13	8033848	1	Grab Handle
14	8033849	1	Screw, Self Tapping, 1/4 x 3/4
15	8033850	1	Door Release
16	8033851	1	Screw, Self Tapping, 1/4 x 1/2
17	8033852	1	Bezel
18	8033853	1	Latch Trip
19	8033854	1	Spring
20	8033855	1	Cam Latch, RH
21	8033856	4	Bolt, Hex Hd, 1/4-20 x 3/4
22	8033857	1	Bolt, Hex Hd, 5/16-18 x 3/4
23	8033858	2	Nut, Hex Locking, 5/16-18
24	8033859	1	Shoulder Bolt
25	8033860	2	Washer, Nylon
26	8033861	1	Seal, Rubber (17 Ft.)
27	8585135	1	Tape, Butyl, 1/4" square x 15' Roll
28	8585134	1	Sealant, Urethane, 10 Oz Cartridge
29	8033862	3	Plug, Hole
30	8033863	1	Rubber Grip
31	8033864	1	Vinyl, Upper Door
32	8033865	1	Vinyl, Lower Door
33	8033866	1	Bolt, Hex Hd, 3/8-16 x 3/4
34	8033867	1	Nut, Hex Locking, 3/8-16
35	8033868	1	Bolt, Striker
36	8033869	1	Lockwasher, 3/8

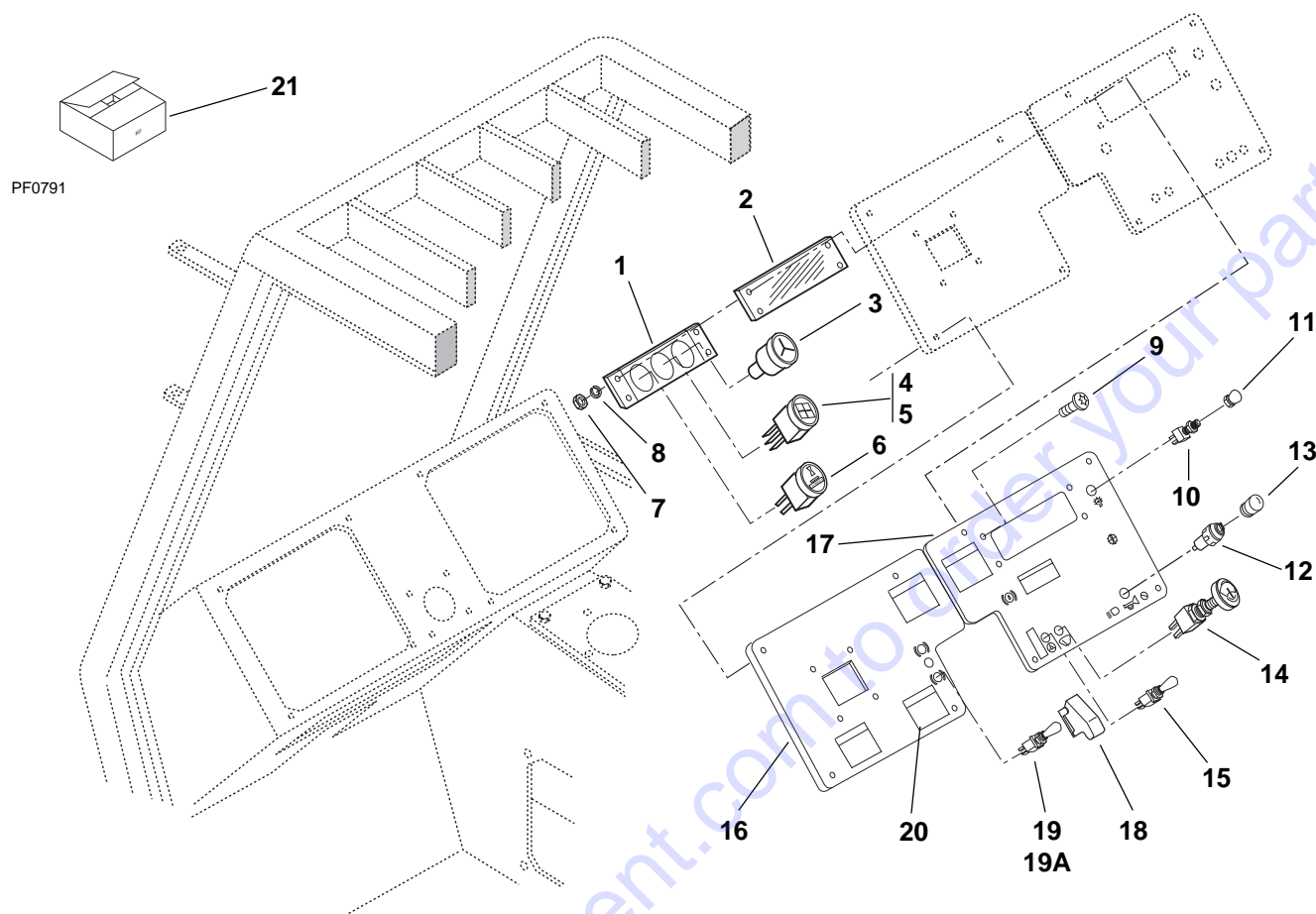
OPERATOR'S SEAT



PA0064

Item No.	Part Number	Qty.	Description
1	8864037	1	Seat Assembly, Vinyl (Includes Items 2 thru 5)
	8864044	1	Seat Assembly, Cloth (Optional) (Includes Items 2 thru 5)
2	8864041	1	Cushion, Seat, Vinyl (one piece)
	8864045	1	Cushion, Seat, Cloth
	8864046	1	Seat Back, Cloth
3	8864039	1	Slide, w/Handle
4	8864040	1	Slide, w/o Handle
5	NSS	4	Screw, Flanged Hd
6	8864043	1	Belt, Seat
7	8303604	2	Screw, Hex Hd Cap, 7/16-20 x 1-1/4
8	7090751	2	Mount, Seat
9	8303697	4	Screw, Cap, 5/16-18 x 3/4
10	8303745	4	Screw, Cap, 5/16-18 x 5/8
11	8864036	1	Suspension
12	8307106	4	Washer, Flat, 5/16
13	8305626	12	Nut, Hex Lock Elastic, 5/16-18
14	7083963	1	Support, Suspension
15	8305008	4	Nut, Hex, 3/8
16	8307005	4	Lockwasher, 3/8
17	8303675	4	Screw, Hex Hd Cap, 3/8-16 x 1-1/4
18	8305006	4	Nut, Hex, 5/16-18
19	8307006	2	Lockwasher, 7/16
20	8307113	2	Washer, Flat, 7/16

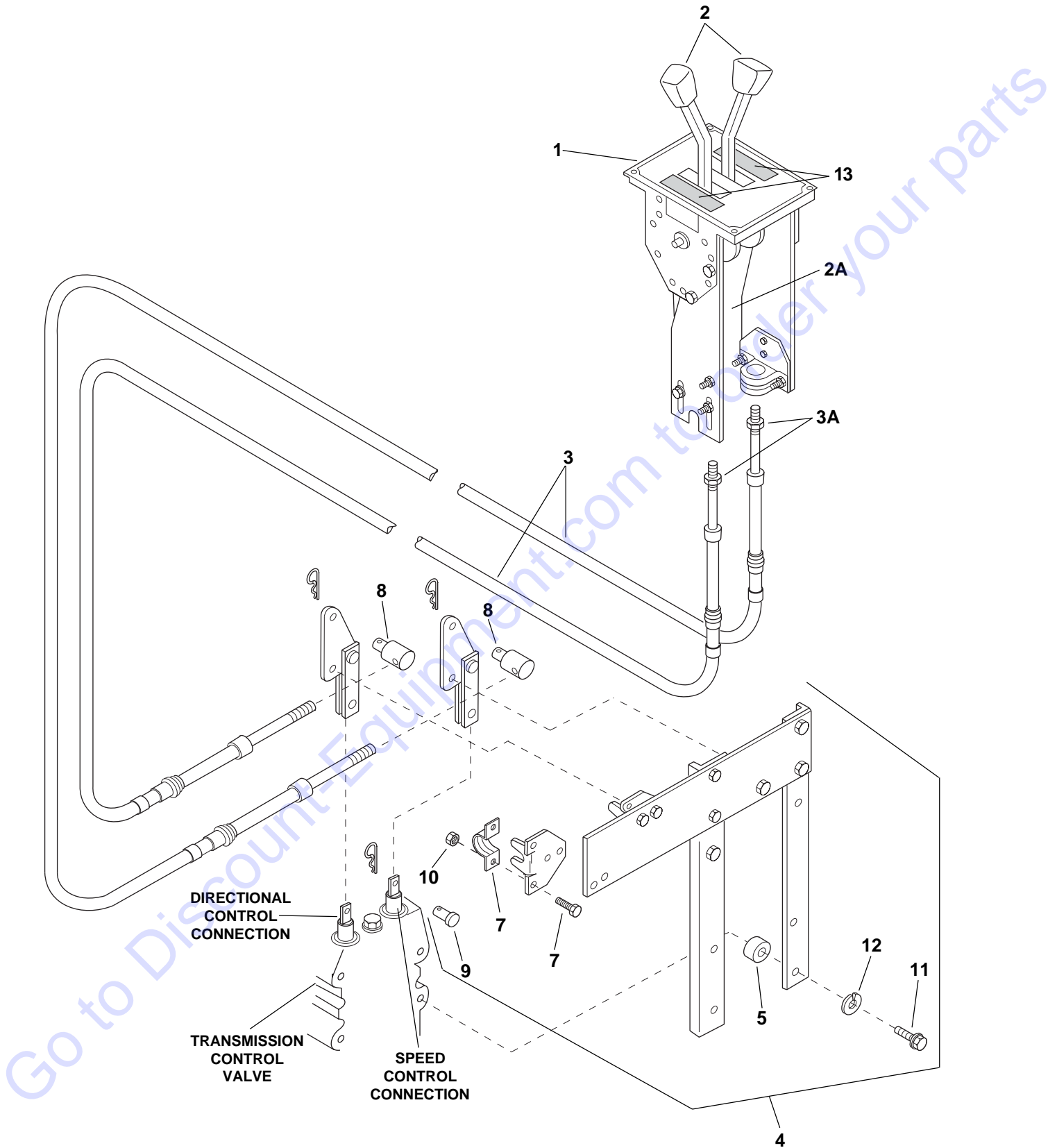
CONTROL CONSOLE



PA0073

Item No.	Part Number	Qty.	Description
1	7084902	1	Plate, Gauge Mounting
2	7082292	1	Cover
3	8464212	1	Gauge, Fuel
4	8466305	1	Gauge, Warning Lights
5	8469030	4	Bulb (Not Shown)
6	8467010	1	Hourmeter (S/N 9B0500 and before)
	8467014	1	Hourmeter (S/N 9B0501 and after)
7	8305004	4	Nut, Hex, 1/4-20
8	8307002	4	Lockwasher, 1/4
9	8303034	4	Screw, Truss Hd Cap, Torx, 1/4 x 3/4
10	8223442	1	Switch Test
11	8580312	1	Cap, Seal
12	8223405	1	Button, Horn
13	8580311	1	Cap, Seal
14	8033201	1	Switch, Washer/Wiper (Optional)
15	8223220	1	Switch, Steer Select
16	7099352	1	Overlay, Left Console - Domestic (Late Production)
	7096434	1	Overlay, Left Console - Domestic (Early Production)
	7111842	1	Overlay, Left Console - Export
17	7099332	1	Overlay, Right Console - Domestic (Late Production)
	7096334	1	Overlay, Right Console - Domestic (Early Production)
	7111832	1	Overlay, Right Console - Export
18	8223445	1	Guard, Switch (See Kit)
19	8223444	1	Switch, Brake
19A	8307113	1	Lockwasher, External Tooth, 1/2 (Not Shown)
20	4106692	1	Decal (See Kit)
			KITS
21	7086861	1	Kit, Retrofit, Park Lock Switch (Includes Items 18 and 20)

TRANSMISSION SHIFT CONTROLS (CLARK)

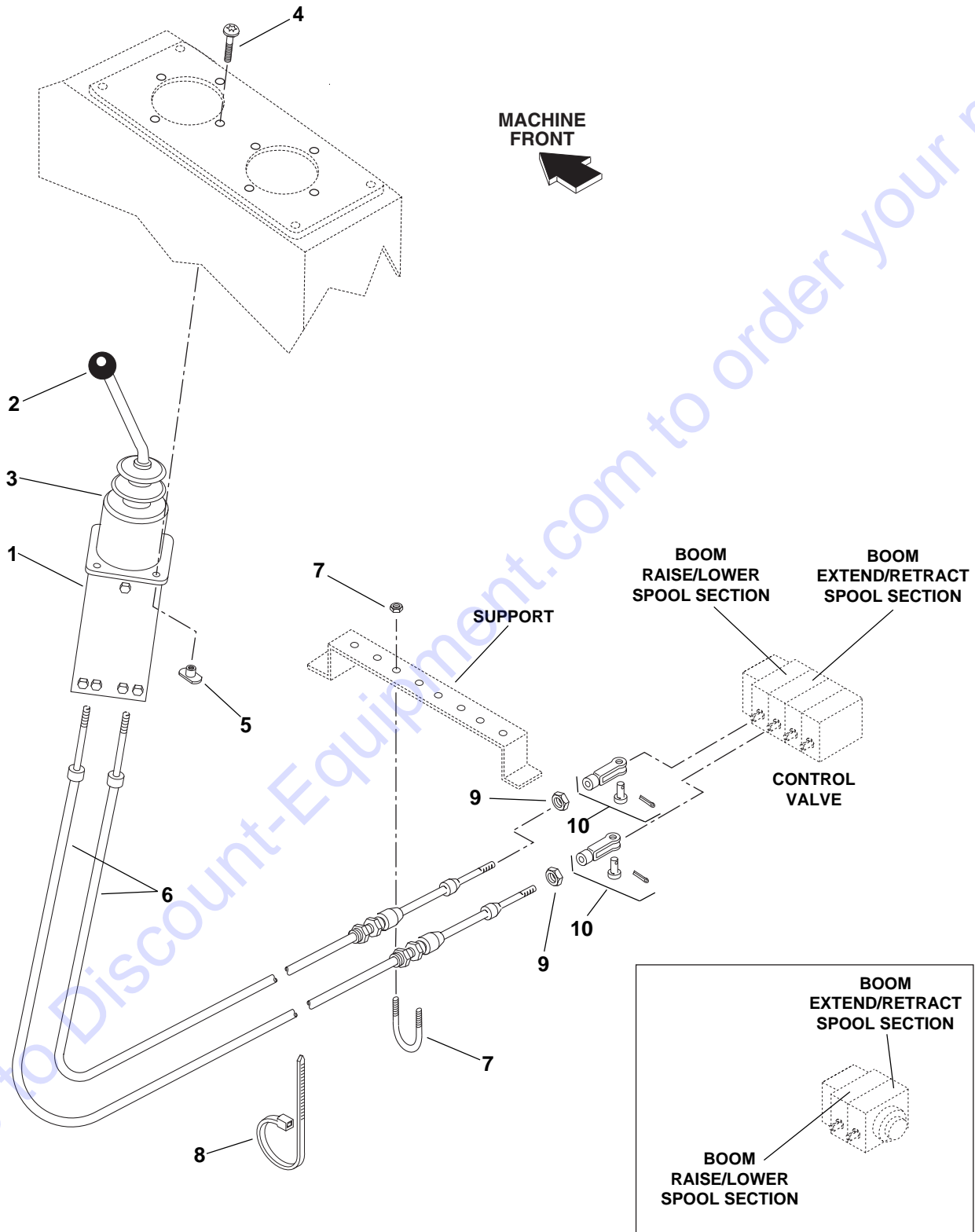


PA0084

TRANSMISSION SHIFT CONTROLS (CLARK)

Item No.	Part Number	Qty.	Description
1	8160205	1	Shifter, Transmission (Includes Items 2 & 2A)
2	8580111	2	Knob
2A	8160621	1	Switch, Reverse
3	8160042	2	Cable, Control
3A	8305402	2	Nut, Jam, 1/4-28
4	8160417	1	Transmission Connector Kit (Includes items 5 thru 12 plus all other parts not identified with an item number)
5	8033240	4	Spacer
6	8033241	2	Clamp
7	8303540	4	Screw, Hex Hd Cap, 1/4-20 x 1, Gr 5
8	8033242	2	Swivel
9	8033243	2	Pin, Clevis
10	8305601	4	Nut, Lock, 1/4-20
11	8303106	4	Screw, Hex Hd Cap, 3/8-16 x 2-1/2, Gr 5
12	8307005	4	Lockwasher, 3/8
13	8032753	1	Decal Kit, (contains F-N-R & 3-2-1 decals)

BOOM RAISE/LOWER & BOOM EXTEND/RETRACT CONTROL (CABLE CONTROL JOYSTICK)



S/N 9B500 AND AFTER

PA0093

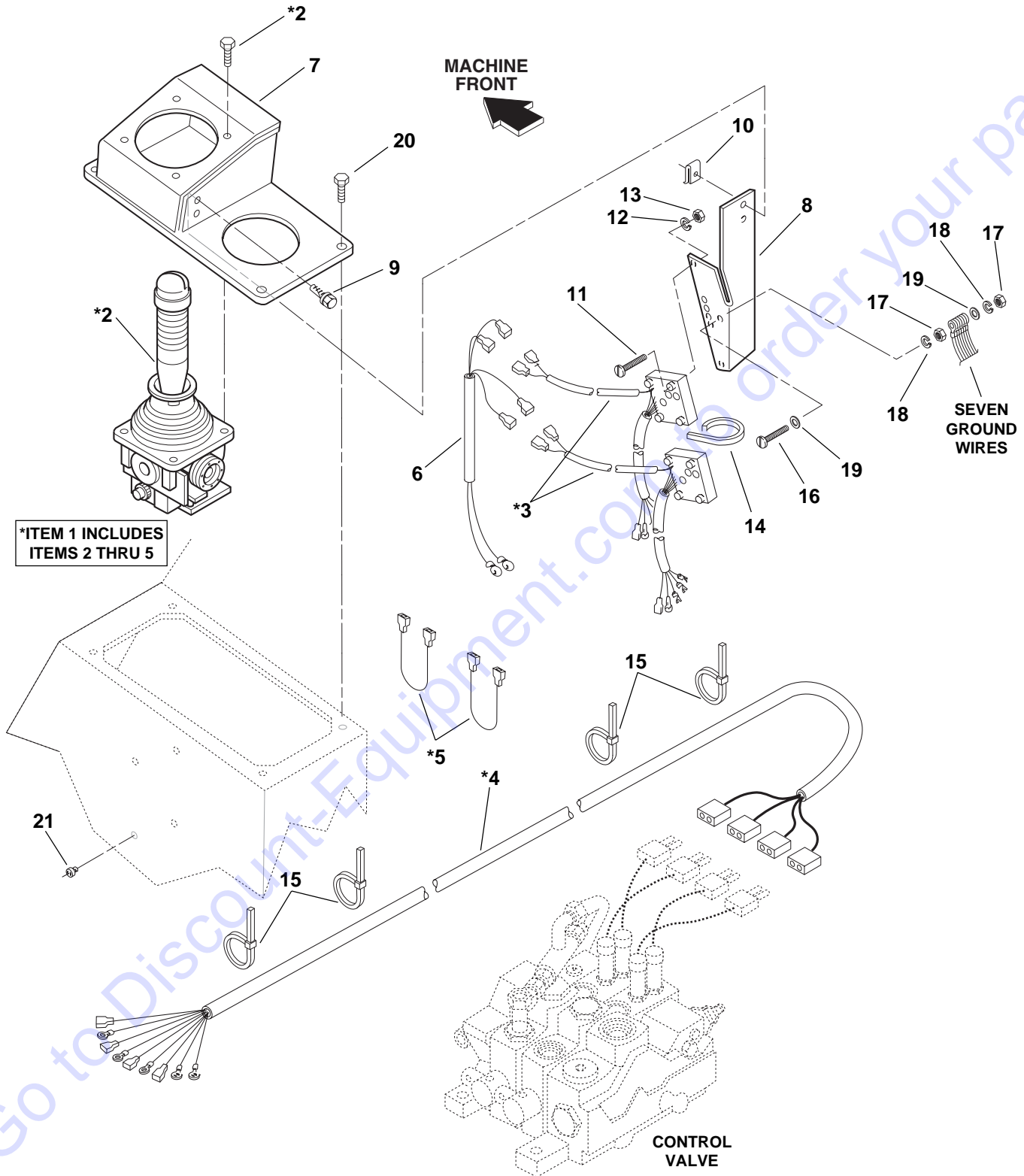
BOOM RAISE/LOWER & BOOM EXTEND/RETRACT CONTROL (CABLE CONTROL JOYSTICK)

Item No.	Part Number	Qty.	Description
1	8224025	1	Joystick (Includes Items 2 and 3)
2	8580110	1	Knob
3	8160419	1	Boot
4	8310143	4	Screw, Truss Hd, #10-24 x 3/4
5	8310144	4	Nut, Prop. Tee, #10-24
6	8160052	2	Cable, Control, 57" long
7	8160615	2	Clamp
8	8584003	2	Tie
9	8305402	2	Nut, Jam, 1/4-28
10	8301439	2	Clevis (w /pin)

Go to Discount-Equipment.com to order your parts

BOOM RAISE/LOWER & BOOM EXTEND/RETRACT CONTROL

(ELECTRONIC CONTROL JOYSTICK w/o TLC)

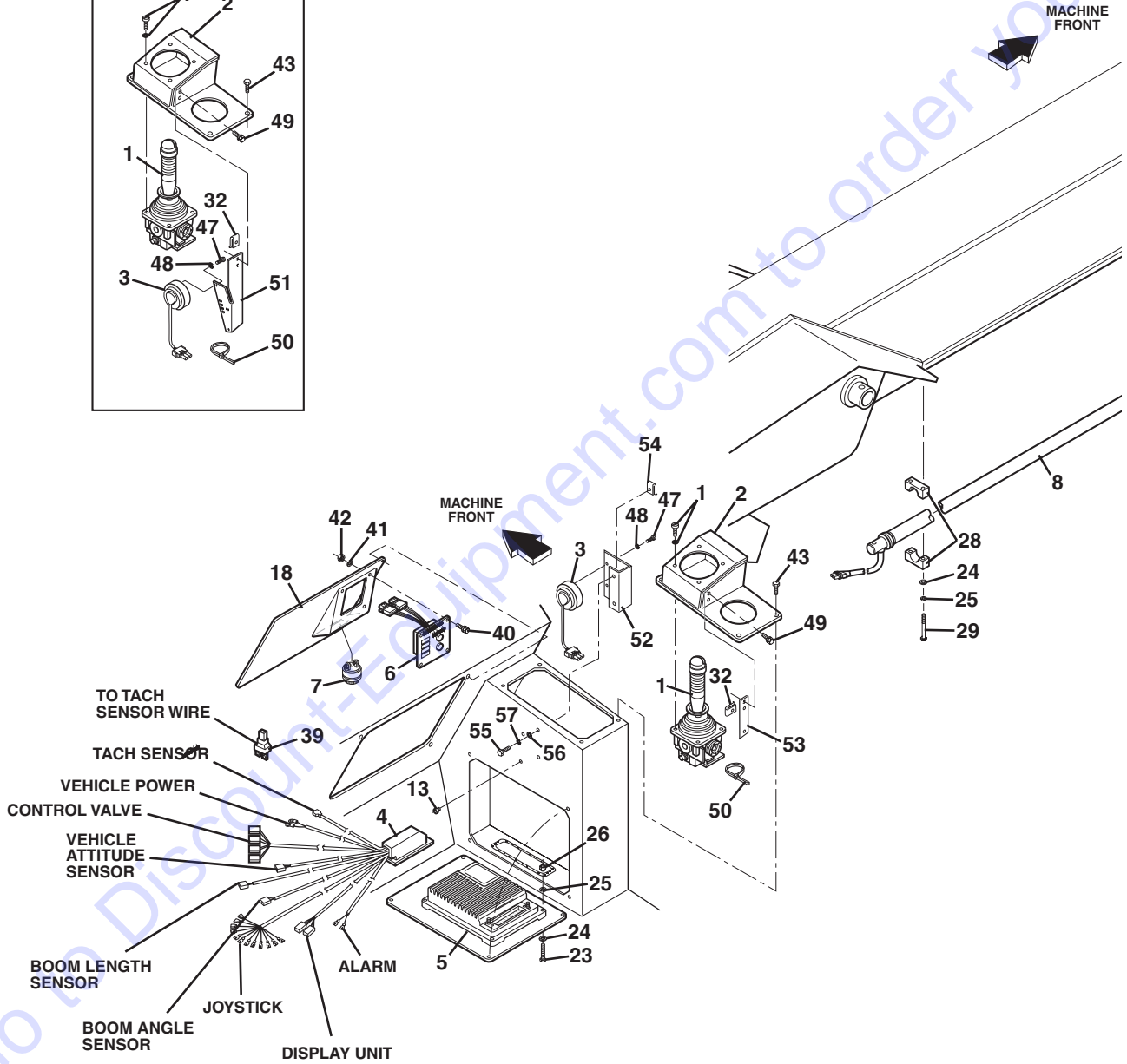
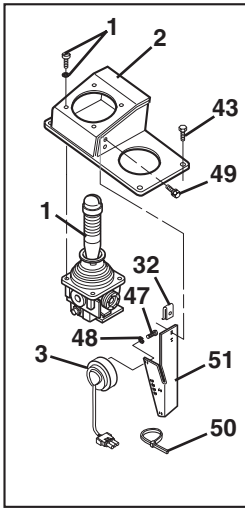


PA0842

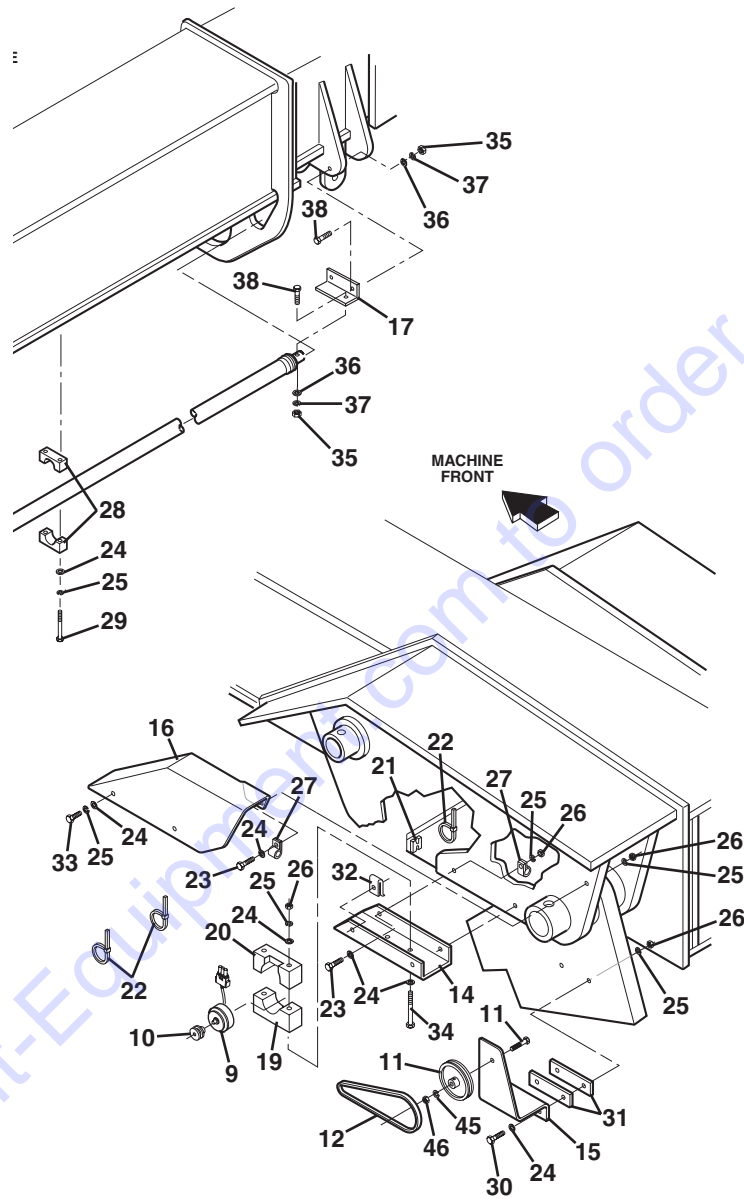
BOOM RAISE/LOWER & BOOM EXTEND/RETRACT CONTROL
 (ELECTRONIC CONTROL JOYSTICK w/o TLC)

Item No.	Part Number	Qty.	Description
1	7087383	1	Electronic Control Joystick (Includes items 2 thru 5)
2	8224016	1	Joystick, Electronic (See Page 7. 5 for Internal Breakdown)
3	7086762	2	Module, Driver
4	7086752	1	Harness, Wire
5	7087361	2	Wire Assembly
6	7089322	1	Harness, Wire
7	7088533	1	Cover, Console
8	7088952	1	Bracket
9	8303119	2	Screw, Hex Flanged, 1/4-20 x .625
10	8310001	2	Nut, Retainer, 1/4-20
11	8310023	4	Screw, Mach Pan Hd, #4-40 x 1.25
12	8307050	4	Lockwasher, #4
13	8305049	4	Nut, Hex, #4-40
14	8584001	1	Tie Wrap
15	8584002	4	Tie Wrap
16	8303932	1	Screw, Mach., Rd Hd, #10-24 x 1.25
17	8305002	2	Nut, Hex, #10-24
18	8307003	2	Lockwasher, #10
19	8307111	2	Washer, Flat, #10
20	8033058	4	Screw, Hex Hd Cap, 1/4-20 x 3/4
21	8580313	4	Plug, 7/16

BOOM RAISE/LOWER & BOOM EXTEND/ RETRACT CONTROL (RESISTIVE ELECTRONIC JOYSTICK w/TLC)



BOOM RAISE/LOWER & BOOM EXTEND/RETRACT CONTROL (RESISTIVE ELECTRONIC JOYSTICK w/TLC)



PA0852

6036

Revised 11/97

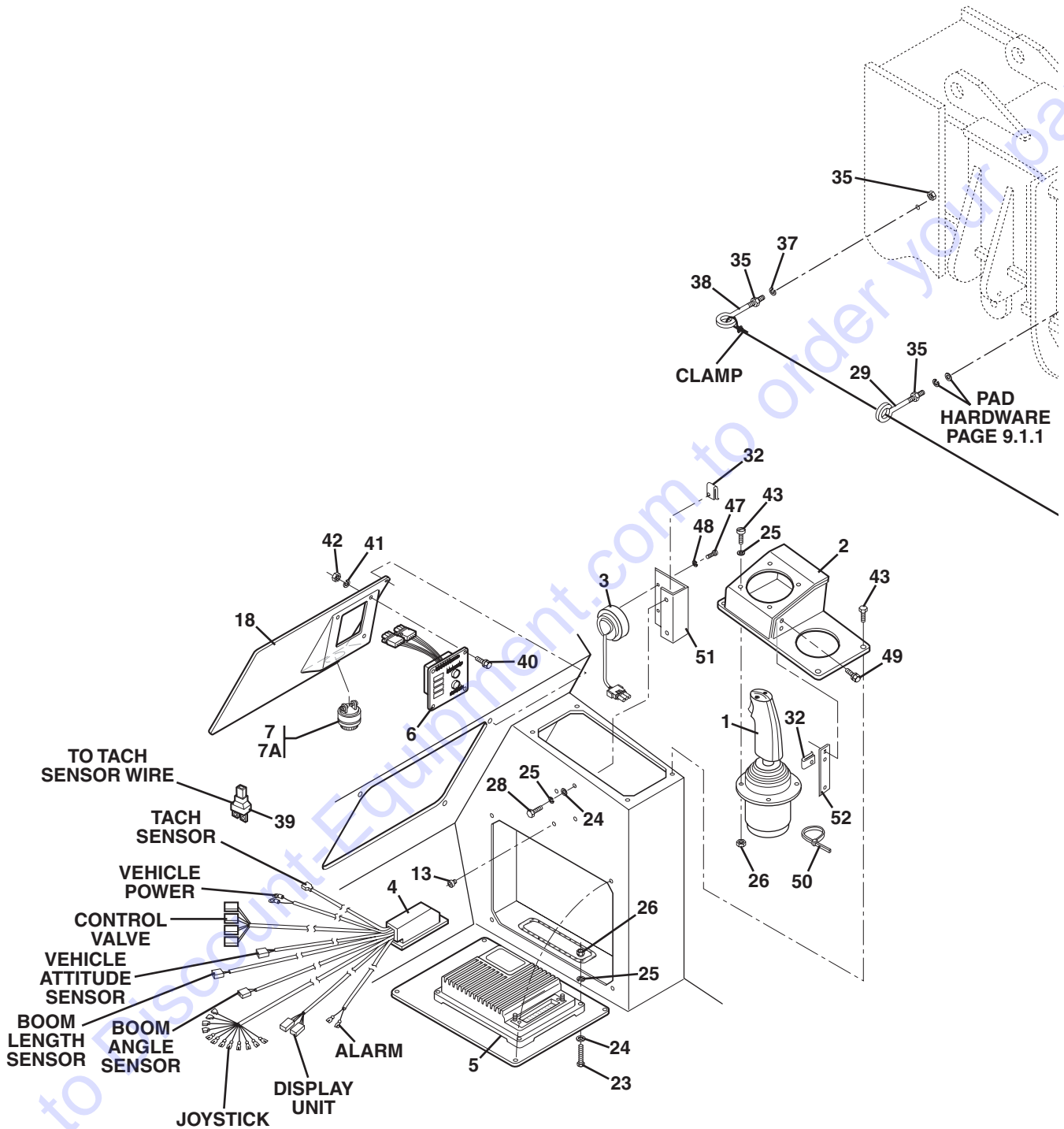
2.7.2

BOOM RAISE/LOWER & BOOM EXTEND/ RETRACT CONTROL (RESISTIVE ELECTRONIC JOYSTICK w/TLC)

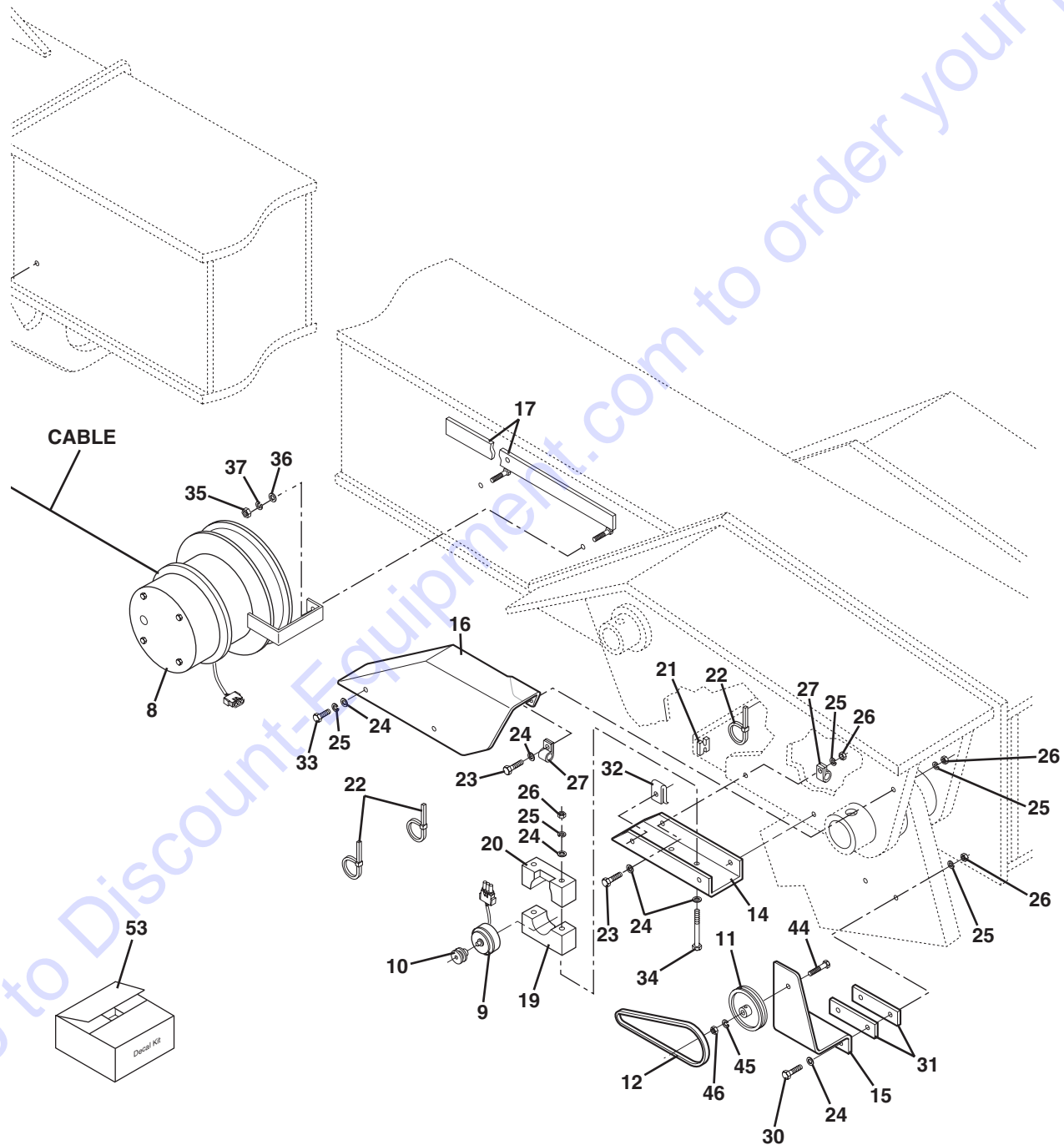
Item No.	Part Number	Qty.	Description
1	8224016	1	Joystick, Electronic, w/ 50° Gate (See Page 7. 5 for Breakdown)
2	7088533	1	Cover, Console
3	7088232	1	Sensor, Vehicle Attitude
4	7086772	1	Harness, Wire
5	7089712	1	Controller, Electronic
6	7088122	1	Display Unit
7	7088202	1	Horn, Signal
8	7088212	1	Sensor, Boom Length
9	7088222	1	Sensor, Boom Angle
10	7088242	1	Pulley, 0.30 Grooves
11	7088252	1	Pulley, 0.120 Grooves
12	7088262	1	Belt
13	8580313	4	Plug, Trim
14	7088042	1	Bracket, Boom Angle Sensor
15	7088052	1	Bracket, Pulley
16	7088062	1	Cover, Angle Sensor Bracket
17	7088842	1	Bracket, Boom Length Sensor
18	7088653	1	Panel, Lower Front
19	7088081	1	Clamp, Half
20	8769141	1	Clamp, Half
21	8584018	1	Mount, Cable Tie
22	8584002	8	Tie, Plastic
23	8303615	5	Screw, Hex Hd Cap, 1/4-20 x 1.250 Gr 5
24	8307202	17	Washer, Flat, 1/4
25	8307002	15	Lockwasher, 1/4
26	8305004	9	Nut, Hex, 1/4-20
27	8406005	2	Support
28	8769147	2	Clamp,Half
29	8303703	4	Screw, Hex Hd Cap, 1/4-20 x 2.50 Gr 5
30	8303090	2	Screw, Hex Hd Cap, 1/4-20 x 1-1/4 Gr 5
31	7088161	2	Shim, Sensor Bracket
32	8310001	4	Nut, Retainer, 1/4-20
33	8310026	2	Screw, Hex Hd Cap, 1/4-20 x .75 Gr 5
34	8310027	2	Screw, Hex Hd Cap, 1/4-20 x 3.25 Gr 5
35	8305008	3	Nut, Hex, 3/8-16
36	8307204	3	Washer, Flat, 3/8
37	8307005	3	Lockwasher, 3/8
38	8303679	3	Screw, Hex Hd Cap, 3/8-16 x 1.75 Gr 5
39	8220060	1	Adapter
40	8303981	4	Screw, Washer Hd Machine, 10-24 x .50
41	8307003	4	Lockwasher, #10
42	8305002	4	Nut, Hex, #10-24
43	8033034	4	Screw, Truss Hd, Phillips, 1/4-20 x .75 (Black)
44	8303739	1	Screw, Hex Hd Cap, 5/16-18 x 1-1/4 Gr 5
45	8307004	1	Lockwasher, 5/16
46	8305006	1	Nut, Hex 5/16-18
47	8310022	2	Screw, Machine, #4-40 x 3/8
48	8307050	2	Lockwasher, #4
49	8303119	2	Screw, Flange Hex Hd, 1/4-20 x 0.625
50	8584001	1	Tie Wrap
			<u>USED ON EARLY MODELS ONLY</u>
51	7090781	1	Conversion Kit, Attitude Sensor Mount (Includes items 52 thru 57)
			<u>USED ON LATER MODELS ONLY</u>
52	7090432	1	Bracket, Attitude Sensor Mount
53	7090461	1	Support
54	8310001	2	Nut, Retainer, 1/4-20
55	8310026	2	Screw, Hex Hd Cap, 1/2-20 x 3/4 Gr5
56	8307202	2	Washer, Flat 1/4
57	8307002	2	Lockwasher, #4

Go to Discount-Equipment.com to order your parts

BOOM RAISE/LOWER & BOOM EXTEND/RETRACT CONTROL (INDUCTIVE ELECTRONIC JOYSTICK w/TLC)



BOOM RAISE/LOWER & BOOM EXTEND/RETRACT CONTROL (INDUCTIVE ELECTRONIC JOYSTICK w/TLC)

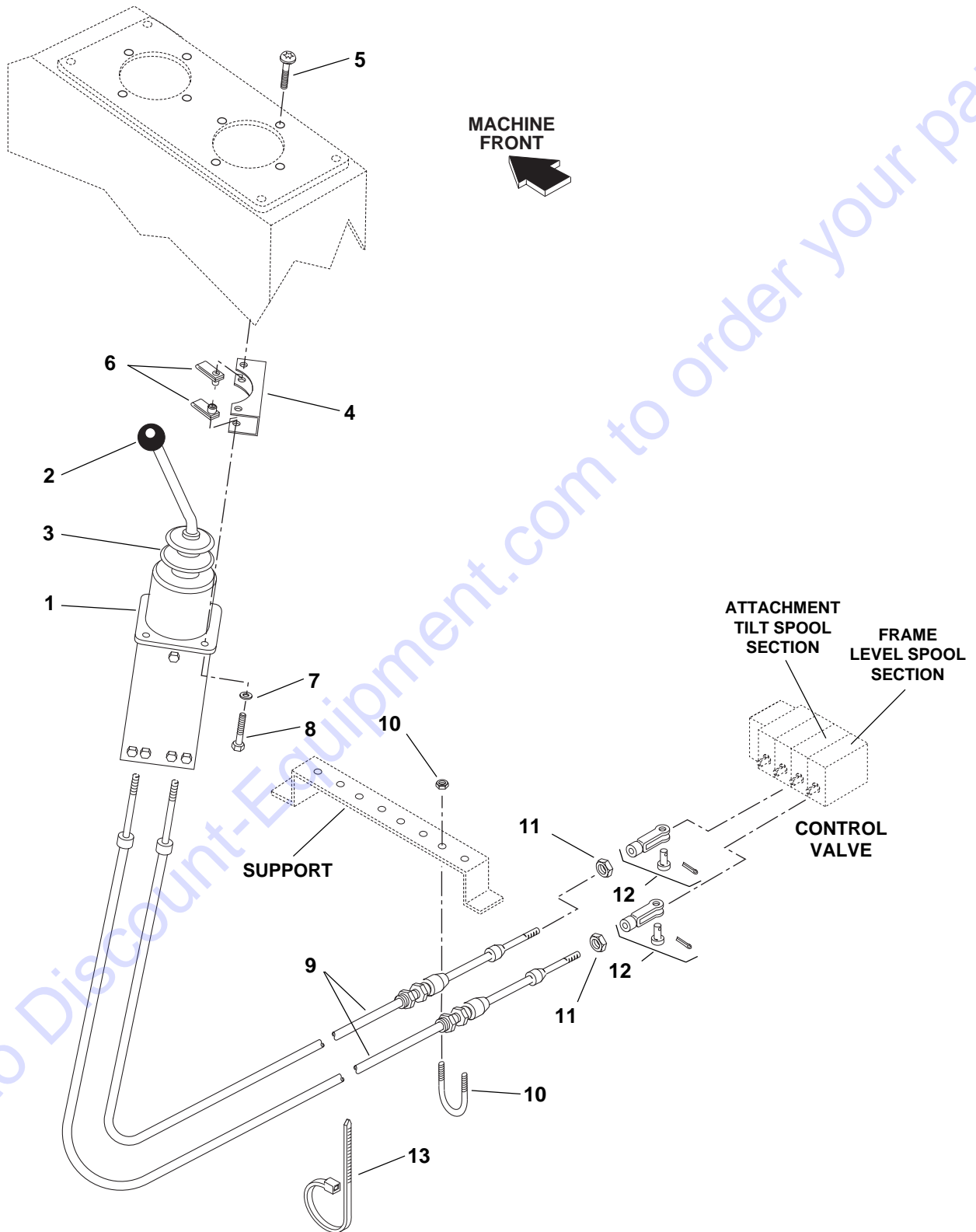


BOOM RAISE/LOWER & BOOM EXTEND/ RETRACT CONTROL (RESISTIVE ELECTRONIC JOYSTICK w/TLC)

Item No.	Part Number	Qty.	Description
1	8224024	1	Joystick, Electronic, Inductive with Trigger
2	7088533	1	Cover, Console
3	7088232	1	Sensor, Vehicle Attitude
4	7086772	1	Harness, Wire
5	7089712	1	Controller, Electronic
6	7088122	1	Display Unit
7	7088202	1	Horn, Signal
	7090031	1	Diode Assembly, Horn Suppression (Not Shown)
8	7110922	1	Sensor, Boom Length (Includes Cable & Clamp)
9	7088222	1	Sensor, Boom Angle
10	7088242	1	Pulley, 0.30 Grooves
11	7088252	1	Pulley, 0.120 Grooves
12	7088262	1	Belt
13	8580313	4	Plug, Trim
14	7088042	1	Bracket, Boom Angle Sensor
15	7088052	1	Bracket, Pulley
16	7088062	1	Cover, Angle Sensor Bracket
17	7110911	1	Bolt, Bar
18	7088653	1	Panel, Lower Front
19	7088081	1	Clamp, Half
20	8769141	1	Clamp, Half
21	8584018	1	Mount, Cable Tie
22	8584002	8	Tie, Plastic
23	8303615	5	Screw, Hex Hd Cap, 1/4-20 x 1.250 Gr 5
24	8307202	19	Washer, Flat, 1/4
25	8307002	21	Lockwasher, 1/4
26	8305004	9	Nut, Hex, 1/4-20
27	8406005	2	Support
28	9310026	2	Screw, Hex Hd Cap, 1/4-20 x 3/4 Gr 5
29	7112632	1	Eyebolt
30	8303090	2	Screw, Hex Hd Cap, 1/4-20 x 1-1/4 Gr 5
31	7088161	2	Shim, Sensor Bracket
32	8310001	6	Nut, Retainer, 1/4-20
33	8310026	2	Screw, Hex Hd Cap, 1/4-20 x 0.75 Gr 5
34	8310027	2	Screw, Hex Hd Cap, 1/4-20 x 3.25 Gr 5
35	8305008	5	Nut, Hex, 3/8-16
36	8307204	3	Washer, Flat, 3/8
37	8307005	3	Lockwasher, 3/8
38	8310179	1	Eyebolt
39	8220060	1	Adapter
40	8303981	4	Screw, Washer Hd Machine, #10-24 x 0.50
41	8307003	4	Lockwasher, #10
42	8305002	4	Nut, Hex, #10-24
43	8033034	6	Screw, Truss Hd, Phillips, 1/4-20 x 0.75 (Black)
44	8303739	1	Screw, Hex Hd Cap, 5/16-18 x 1-1/4 Gr 5
45	8307004	1	Lockwasher, 5/16
46	8305006	1	Nut, Hex, 5/16-18
47	8310022	2	Screw, Machine, #4-40 x 3/8
48	8307050	2	Lockwasher, #4
49	8303119	2	Screw, Flange Hex Hd, 1/4-20 x 0.625
50	8584001	1	Tie Wrap
51	7090432	1	Bracket, Attitude Sensor Mount
52	7090461	1	Support
			KITS
53	8224020	1	Harness/Sensor Kit (Includes Items 4, 6, 7, 7A, and 9 thru 12)

Go to Discount-Equipment.com to order your parts

FRAME LEVEL & ATTACHMENT TILT CONTROL (S/N 9B0499 AND BEFORE)



FRAME LEVEL & ATTACHMENT TILT CONTROL (S/N 9B0499 AND BEFORE)

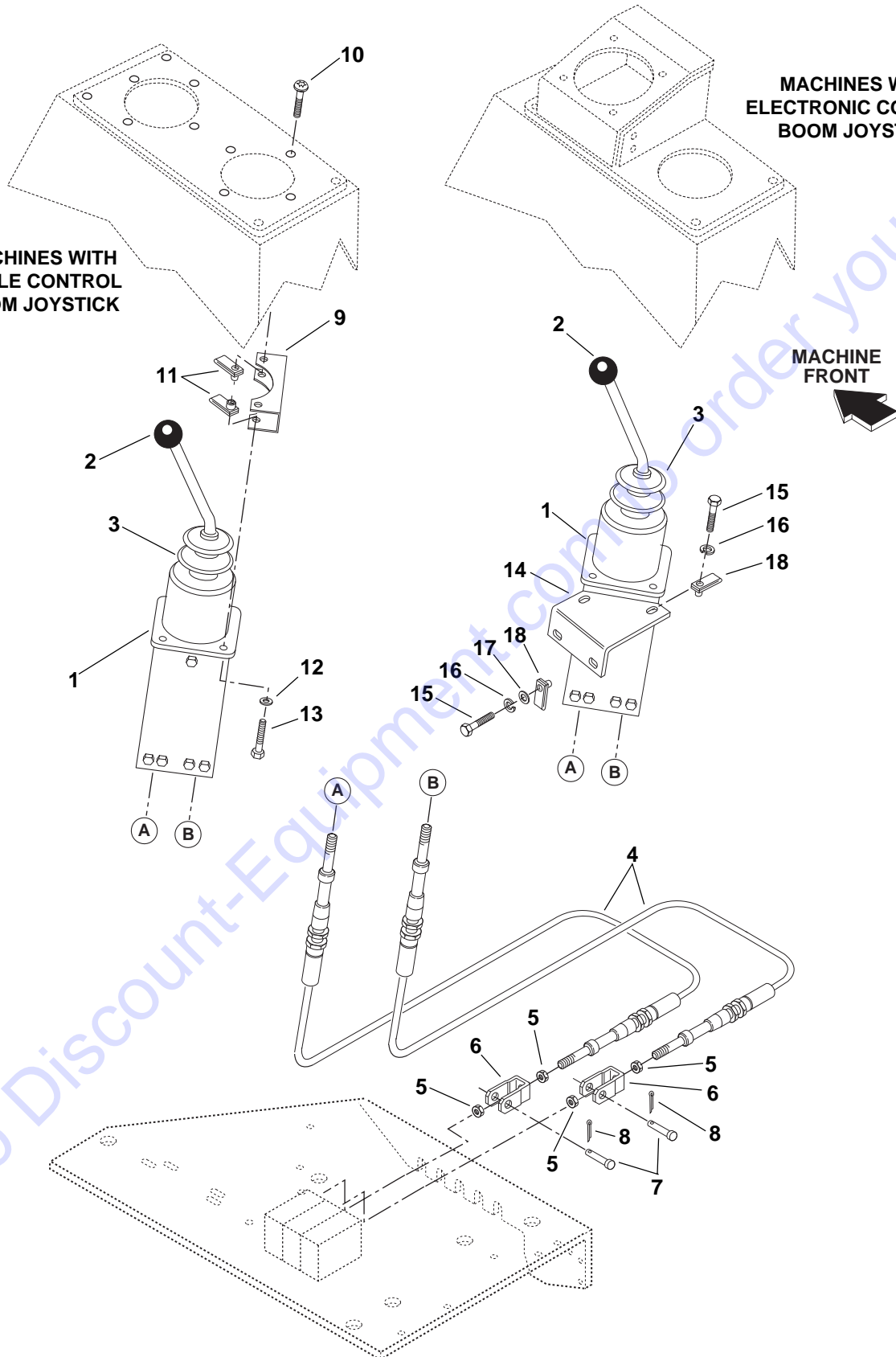
Item No.	Part Number	Qty.	Description
1	8224026	1	Joystick (Includes Items 2 and 3)
2	8580110	1	Knob
3	8160419	1	Boot
4	7098142	2	Bracket
5	8303034	4	Screw, Truss Hd, Torx, 1/4-20 x 3/4
6	8310001	8	Nut, Retainer, 1/4-20
7	8307109	8	Washer, Flat, 1/4
8	8303540	4	Screw, Hex Hd Cap, 1/4-20 x 1
9	8160052	2	Cable, Control, 57" long
10	8160615	2	Clamp
11	8305402	2	Nut, Jam, 1/4-28
12	8301439	2	Clevis (w/pin)
13	8584003	2	Tie

FRAME LEVEL & ATTACHMENT TILT CONTROL (S/N 9B0500 AND AFTER)

MACHINES WITH
CABLE CONTROL
BOOM JOYSTICK

MACHINES WITH
ELECTRONIC CONTROL
BOOM JOYSTICK

MACHINE
FRONT



PA1720

2.8.1

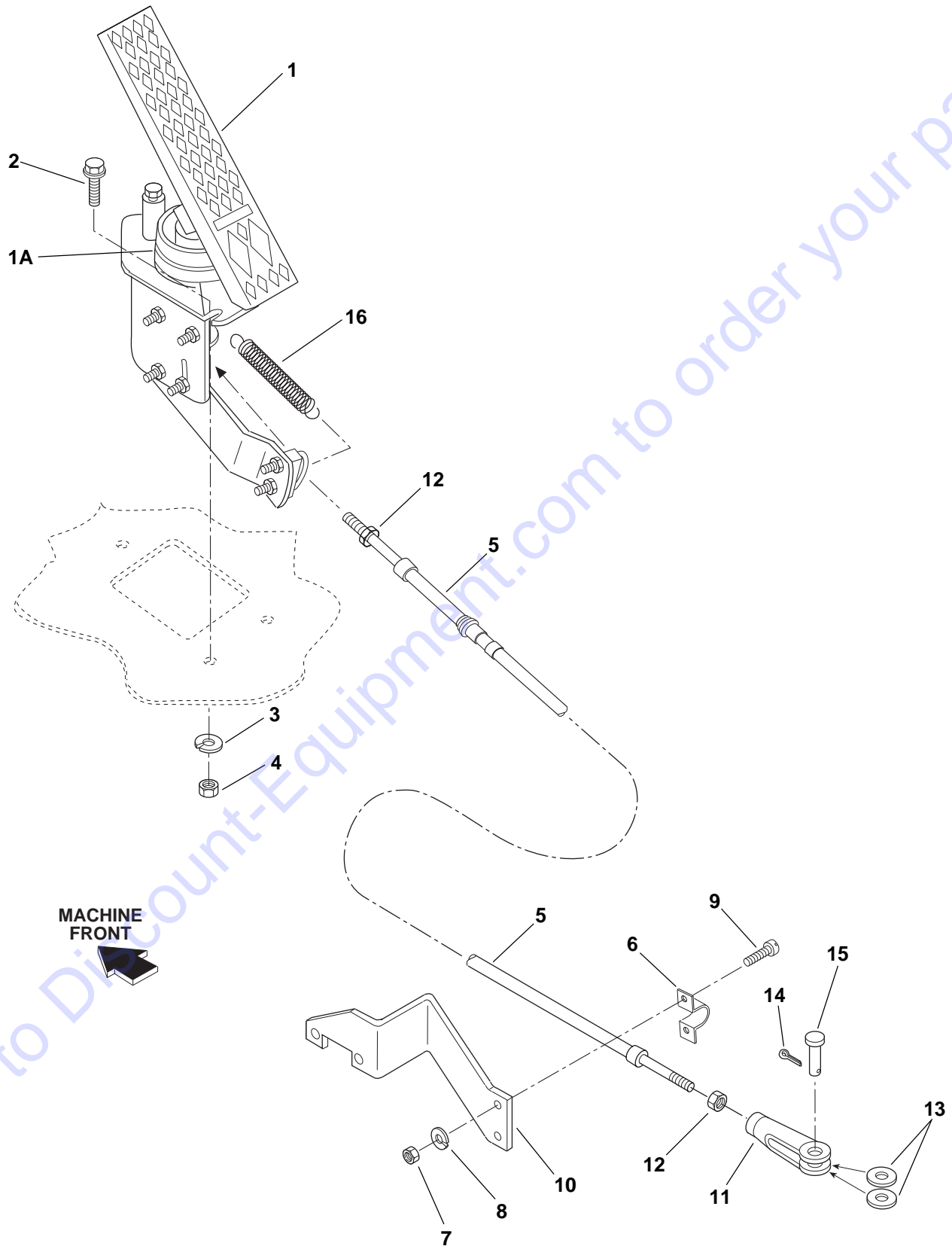
6036

Revised 9/94

FRAME LEVEL & ATTACHMENT TILT CONTROL (S/N 9B0500 AND AFTER)

Item No.	Part Number	Qty.	Description
1	8224026	1	Joystick (Includes Items 2 and 3)
2	8580110	1	Knob
3	8160419	1	Boot
4	8160060	2	Cable, Control, 30" Long
5	8305005	4	Nut, Hex 1/4-28
6	8160617	2	Clevis, Cable
7	8301443	2	Pin, Clevis, 3/16 x 1
8	8302470	2	Pin, Hair, 1/16
FOR MACHINES WITH CABLE CONTROL BOOM JOYSTICK			
9	7098142	2	Bracket
10	8303034	4	Screw, Truss Hd, Torx, 1/4-20 x 3/4
11	8310001	8	Nut, Retainer 1/4-20
12	8307109	4	Washer, Flat, 1/4
13	8303540	4	Screw, Hex Hd Cap. 1/4-20 x 1
FOR MACHINES WITH ELECTRONIC CONTROL BOOM JOYSTICK			
14	7088942	2	Bracket
15	8310026	8	Screw, Hex Hd Cap, 1/4-20 x 3/4, Gr 5
16	8307002	8	Lockwasher, 1/4
17	8307202	4	Washer, Flat, 1/4
18	8310001	8	Nut, Retainer, 1/4-20

THROTTLE PEDAL CONTROL (PERKINS ENGINES)

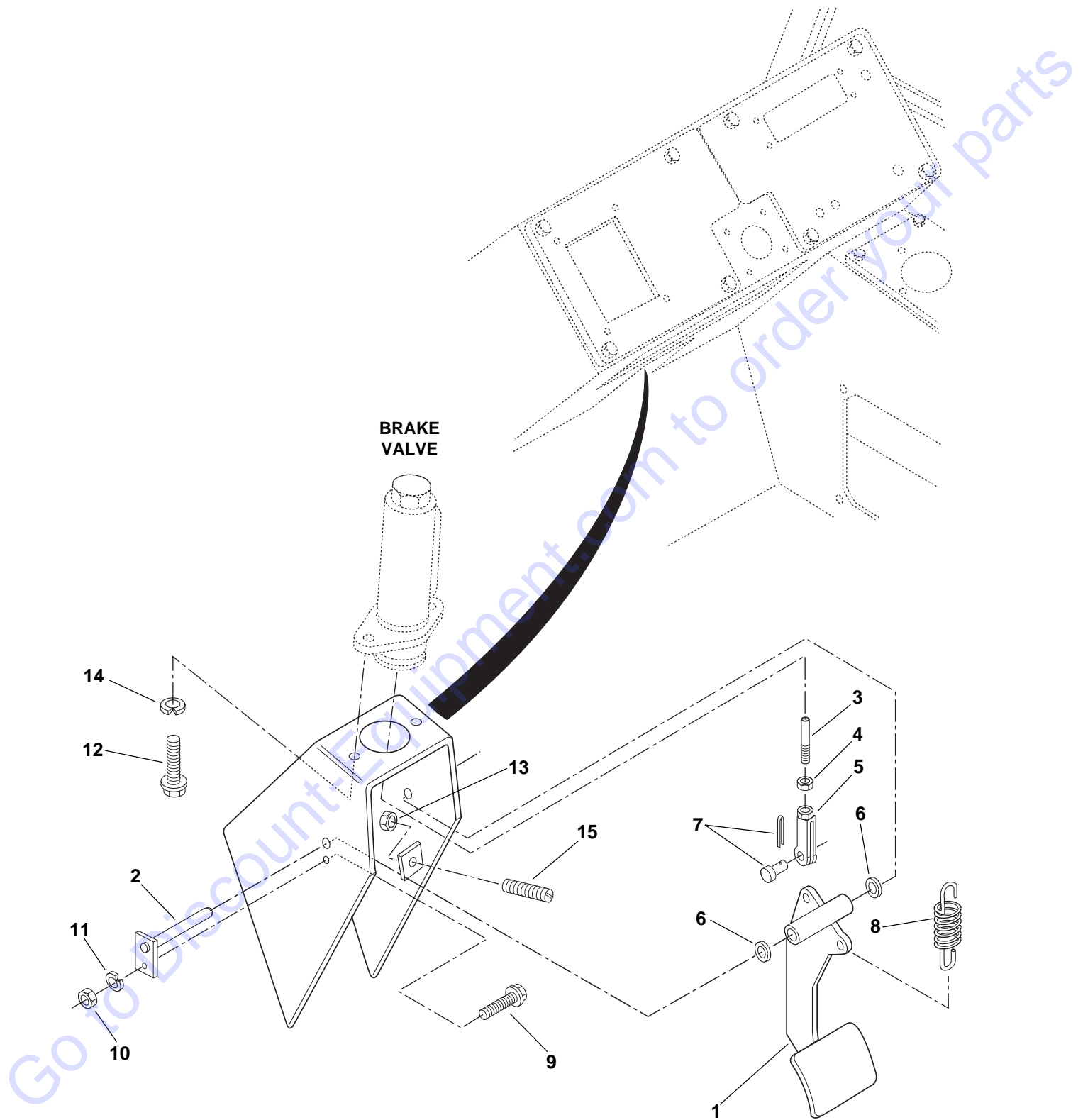


PA0114

THROTTLE PEDAL CONTROL (PERKINS ENGINES)

Item No.	Part Number	Qty.	Description
1	8162003	1	Joystick (Includes Items 2 and 3)
1A	8033178	1	Knob
2	8303742	1	Boot
3	8307002	2	Cable, Control, 30" Long
4	8305004	4	Nut, Hex 1/4-28
5	8160053	2	Clevis, Cable
6	8160610	2	Pin, Clevis, 3/16 x 1
7	8305002	2	Pin, Hair, 1/16
8	8307003	2	Lockwasher, #10
9	8303837	2	Screw, Round Hd, #10-24 X 3/4
10	7077782	1	Bracket, Throttle Cable
11	8301002	1	Clevis, 1/4-28 X 2
12	8305402	2	Nut, Jam, 1/4-28
13	8307002	2	Washer, Flat, 1/4
14	8302449	1	Pin, Cotter
15	8301402	1	Pin, Yoke
16	8700116	1	Spring, Return

SERVICE BRAKE PEDAL CONTROL

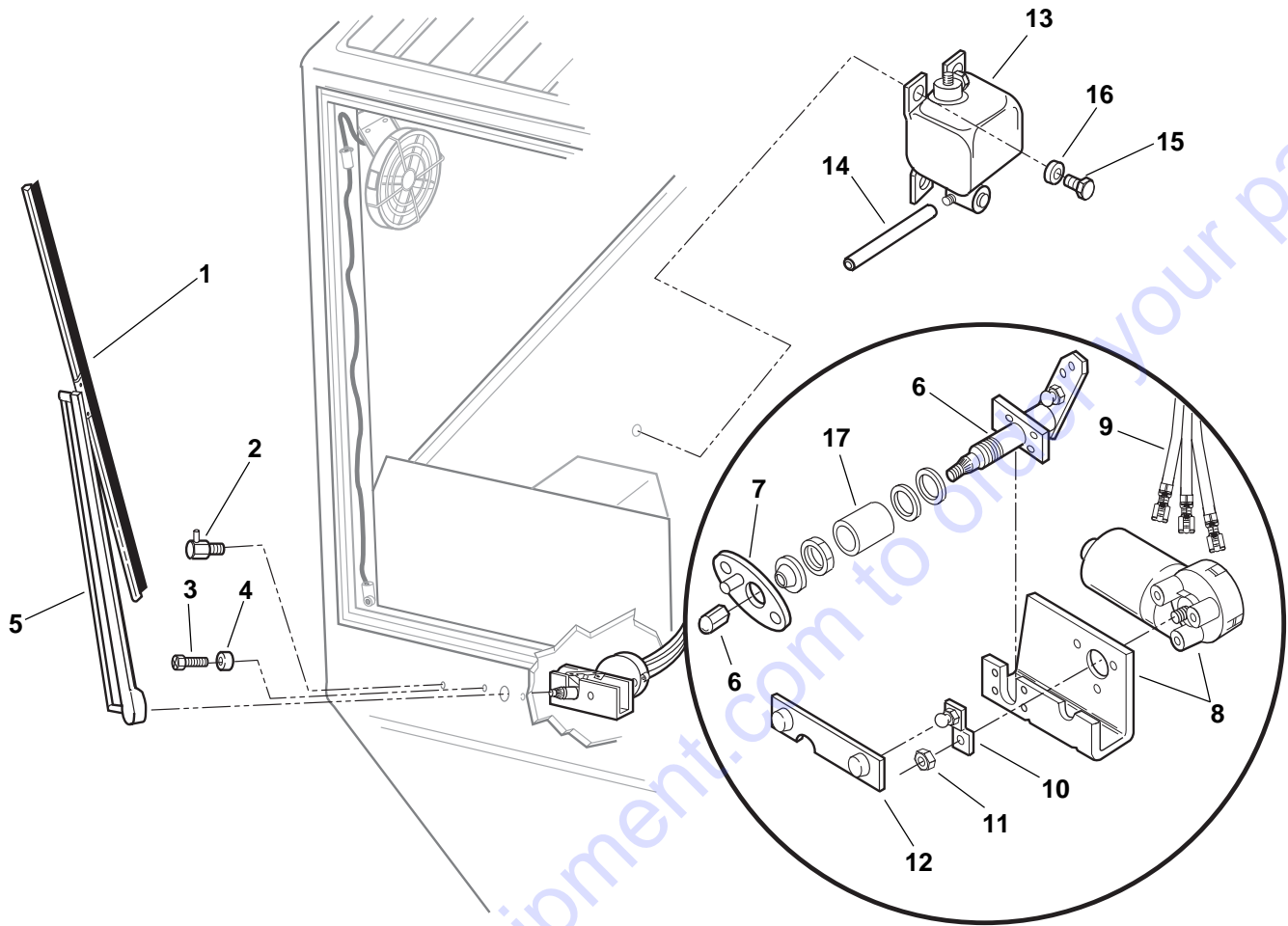


PA0126

SERVICE BRAKE PEDAL CONTROL

Item No.	Part Number	Qty.	Description
1	7111203	1	Pedal, Brake
2	7081031	1	Shaft
3	7080891	1	Rod, Push
4	8305410	1	Nut, Jam, 1/2-20
5	8301210	1	Yoke
6	8307104	2	Washer, Flat, 3/4
7	8301410	1	Pin, Clevis (w/cotter pin)
8	8700120	1	Spring
9	8303742	1	Screw, Flange Hd, 1/4-20 x 1-1/4
10	8305004	1	Nut, Hex, 1/4-20
11	8307002	1	Lockwasher, 1/4
12	8303534	3	Screw, Flange Hd, 3/8-16 x 1-1/4
13	8305405	1	Nut, Jam, 3/8-16
14	8307005	2	Lockwasher, 3/8
15	8310170	1	Setscrew, 3/8-16 x 1-3/4

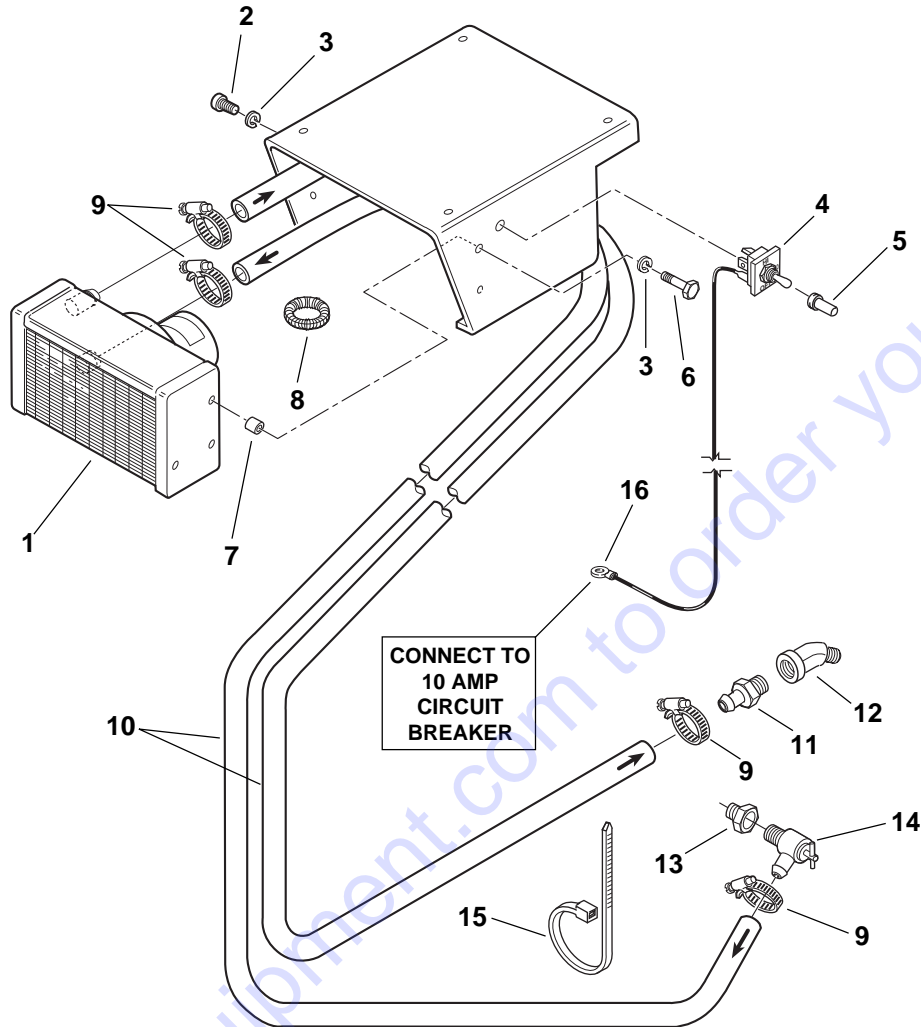
WINDSHIELD WIPER (OPTIONAL CLOSED CAB ONLY)



PA0132

Item No.	Part Number	Qty.	Description
1	8866220	1	Blade, Wiper, 22" (S/N 8L0327 & Before)
	8866381	1	Blade, Wiper, 22" (S/N 8L0328 & After)
2	8033101	1	Nozzle, Washer
3	8033110	2	Screw, 1/4-28 x 3/4
4	8307109	2	Washer, Flat, 1/4
5	8033106	1	Arm, Wiper, 22" (S/N 8L0327 & Before)
	8866382	1	Arm, Wiper, 22" (S/N 8L0328 & After)
6	8866492	1	Shaft and Pivot Assembly
7	8033107	1	Adapter, Panto
8	8033102	1	Motor Assembly, Wiper (S/N 8L0327 & Before)
	7112511	1	Motor Assembly, Wiper (S/N 8L0328 & After)
9	8033103	1	Cable, Wiper
10	8866437	1	Arm, Drive
11	8305006	1	Nut, Hex, 5/16-18
12	8033104	1	Link, Connection
13	8033065	1	Washer Reservoir Assembly
14	8033075	1	Hose, Washer, 120" (Cut to fit)
15	8303776	3	Bolt, Hex Hd, 1/4-20 x 1/2
16	8307109	3	Washer, Flat, 1/4
17	8033105	1	Spacer

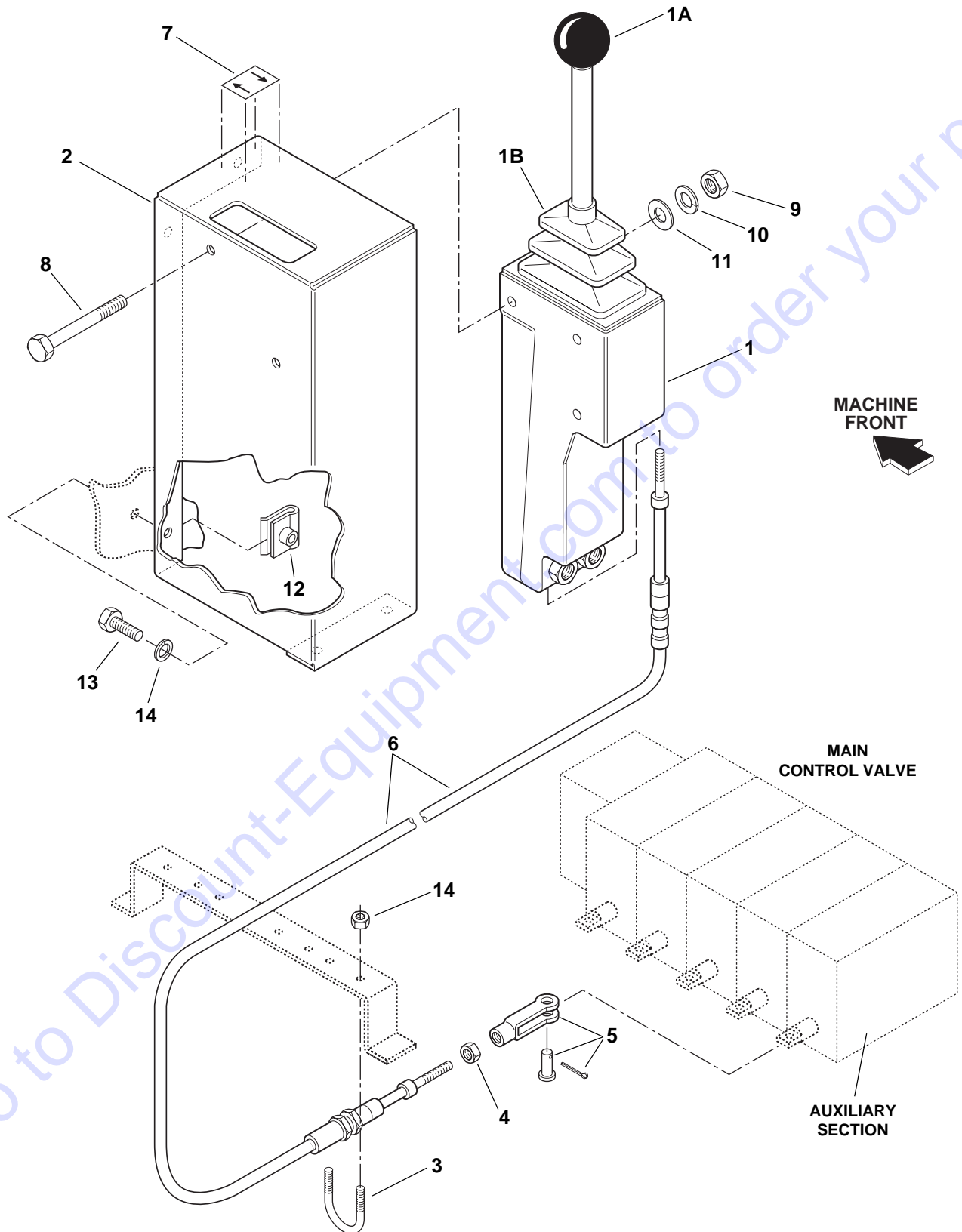
CAB HEATER



PA0144

Item No.	Part Number	Qty.	Description
1	8360008	1	Heater (Includes Items 2 and 3)
2		2	Screw, Hex Hd Cap, 1/4-20 x 1/2
3		4	Lockwasher, 1/4
4	8223024	1	Switch Kit
5	8580309	1	Cap
6	8303615	2	Screw, Hex Hd Cap, 1/4-20 x 1-1/4
7	7772035-0008	2	Spacer, 3/4
8	8221022-0600	2	Conduit, 1/4 ID x 5 Ft. - Cut to Fit
9	8405007	4	Clamp
10	8401012-1340	2	Hose
11	8420201	1	Hose Fitting, Low Pressure, Barbed, SAE 10-8P - hose size 10 x male NPT
12	8540231	1	Elbow, Street, 45° 1/2 NPT
13	8540023	1	Bushing, Hex, 1/2 NPT x 3/8 NPT
14	8360005	1	Valve, Shutoff
15	8584001	4	Tie Wrap
16	8220008	1	Terminal, #10

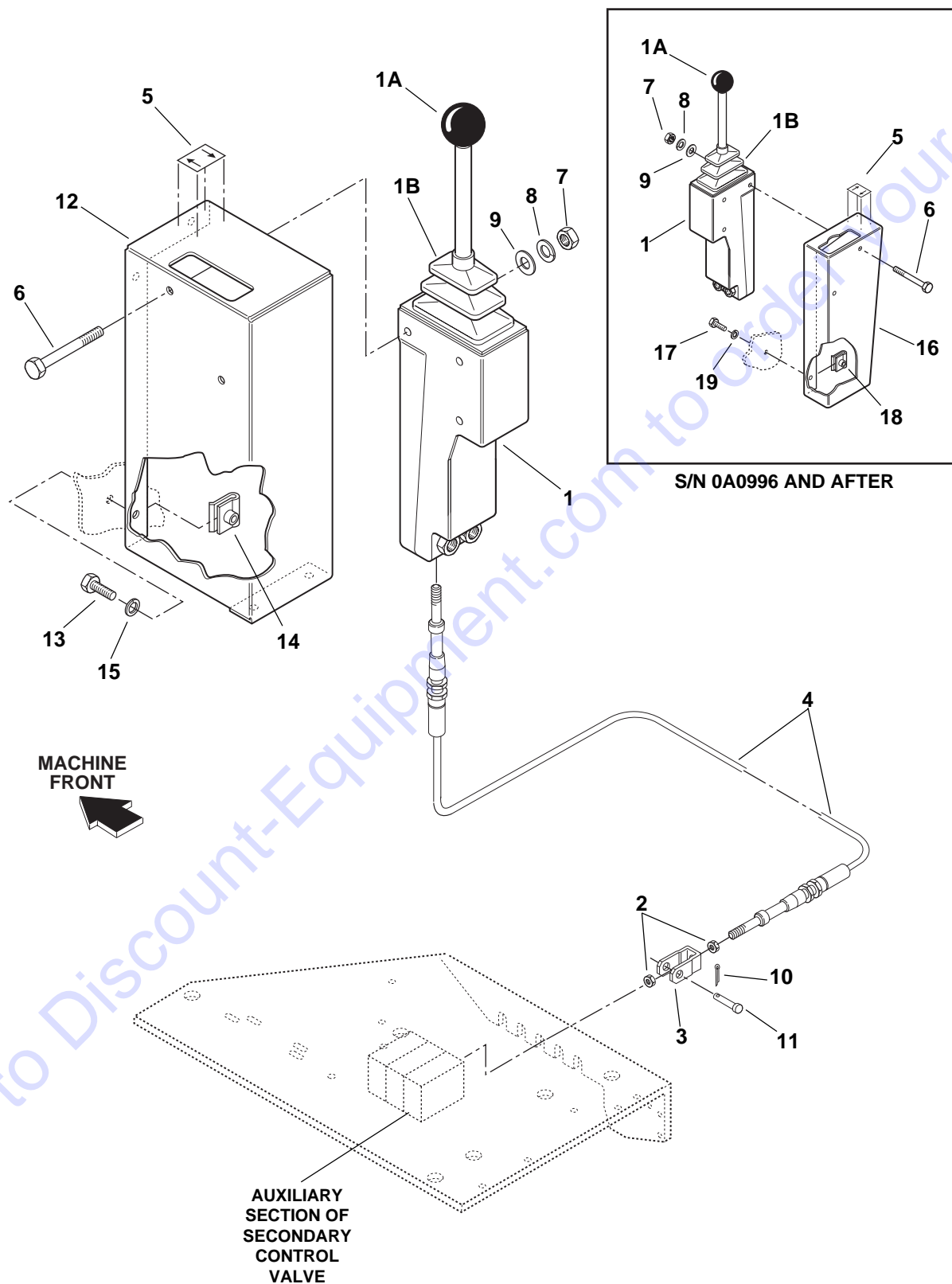
AUXILIARY HYDRAULIC CONTROL (OPTIONAL) (S/N 9B0499 AND BEFORE)



AUXILIARY HYDRAULIC CONTROL (OPTIONAL) (S/N 9B0499 AND BEFORE)

Item No.	Part Number	Qty.	Description
1	8160406	1	Controller, Auxiliary Hydraulics (Includes Items 1A & 1B)
1A	8580110	1	Knob
1B	8160418	1	Boot
2	7085403	1	Support, Controller
3	8160615	1	Clamp
4	8305402	1	Nut, Jam, 1/4-28
5	8301439	1	Clevis Assembly
6	8160052	1	Cable
7	4105621	1	Decal
8	8303758	2	Screw, Hex Hd Cap, 1/4-20 x 2
9	8305004	2	Nut, Hex, 1/4-20
10	8307002	2	Lockwasher, 1/4
11	8307109	2	Washer, Flat, 1/4
12	8305906	5	Nut, Retaining, 5/16 -18
13	8303697	5	Screw, Hex Hd Cap, 5/16-18 x 3/4
14	8307004	5	Lockwasher, 5/16

AUXILIARY HYDRAULIC CONTROL (OPTIONAL) (S/N 9B0500 AND AFTER)



2.13.1

PA1710

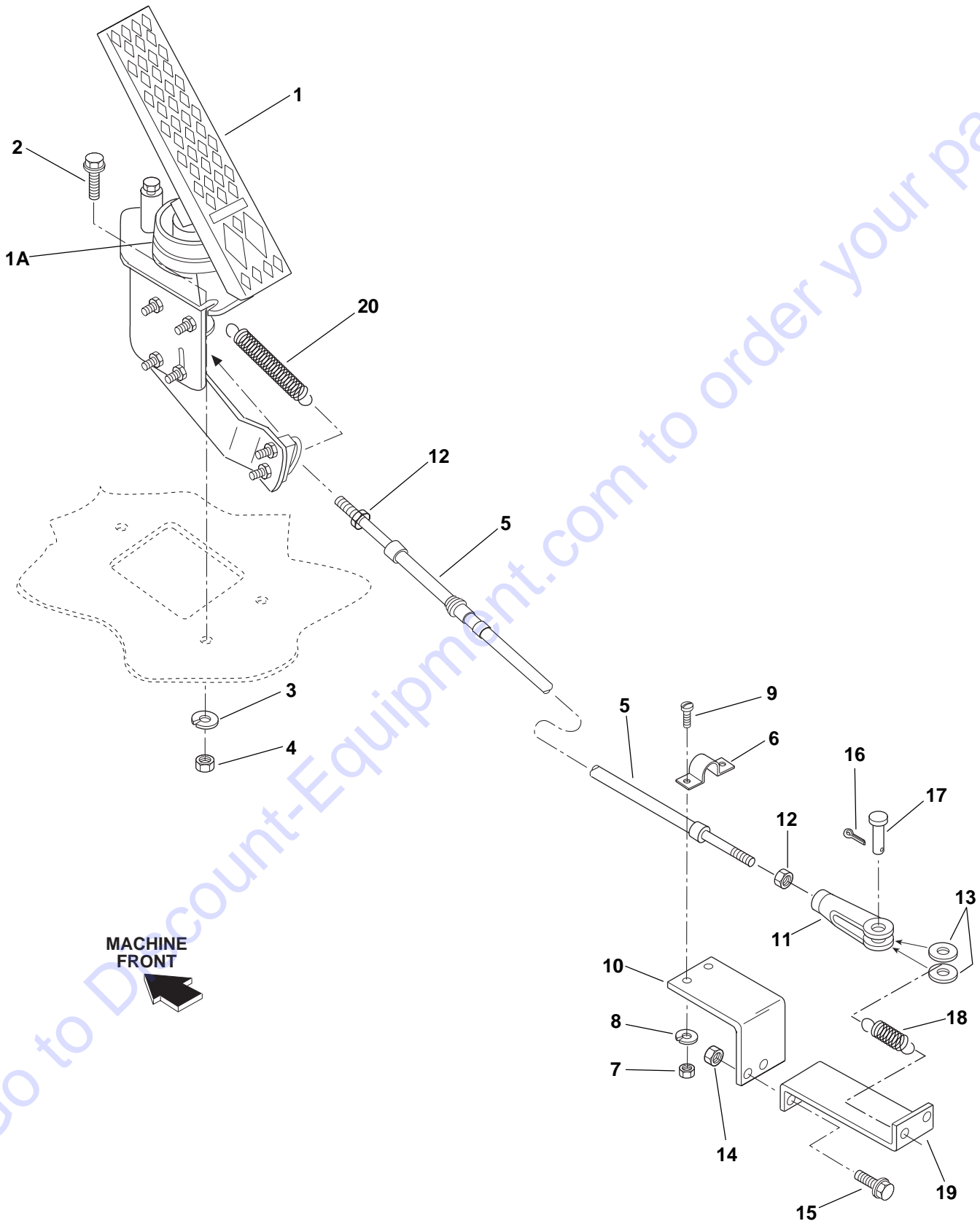
6036

Revised 9/94

AUXILIARY HYDRAULIC CONTROL (OPTIONAL) (S/N 9B0500 AND AFTER)

Item No.	Part Number	Qty.	Description
1	8160406	1	Controller, Auxiliary Hydraulics (Includes Items 1A & 1B)
1A	8580110	1	Knob
1B	8160418	1	Boot
2	8305005	2	Nut, Jam, 1/4-28
3	8160617	1	Clevis, Cable
4	8160059	1	Cable
5	4105621	1	Decal
6	8303758	2	Screw, Hex Hd Cap, 1/4-20 x 2
7	8305004	2	Nut, Hex, 1/4-20
8	8307002	2	Lockwasher, 1/4
9	8307109	2	Washer, Flat, 1/4
10	8302470	1	Pin, Hair
11	8301443	1	Pin, Clevis
Items 12 thru 15 S/N 9B0500 thru S/N 0A0995			
12	7085403	1	Support, Controller
13	8303697	5	Screw, Hex Hd Cap, 5/16-18 x 3/4
14	8305906	5	Nut, Retainer
15	8307004	5	Lockwasher, 5/16
Items 16 thru 19 S/N 0A0996 And After			
16	7091323	1	Support, Controller
17	8303697	3	Screw, Hex Hd Cap, 5/16-18 x 3/4
18	8305906	3	Nut, Retainer
19	8307004	3	Lockwasher, 5/16

THROTTLE PEDAL CONTROL (CUMMINS ENGINES)



PA1162

THROTTLE PEDAL CONTROL (CUMMINS ENGINES)

Item No.	Part Number	Qty.	Description
1	8162003	1	Pedal, Throttle (Includes Item 1A)
1A	8033178	1	Bellows, Throttle Pedal
2	8303742	3	Screw, Flange Hd, 1/4-20 x 1-1/4, Gr 5
3	8307002	3	Lockwasher, 1/4
4	8305004	3	Nut, Hex, 1/4-20
5	8160053	1	Cable, Throttle
6	8160610	1	Clamp, Cable
7	8305002	2	Nut, Hex, #10-24
8	8307003	2	Lockwasher, #10
9	8303837	2	Screw, Round Hd, #10-24 x 3/4
10	7088522	1	Bracket, Throttle Cable (Turbo)
	7088141	1	Bracket, Throttle Cable (Natural)
11	8301002	1	Clevis, 1/4-28 x 2 (w/pin)
12	8305402	2	Nut, Jam, 1/4-28
13	8307109	3	Washer, Flat, 1/4
14	8305624	2	Locknut, 1/4-20
15	8303705	2	Screw, Flanged Hd, 1/4-20 x .75
16	8302449	1	Pin, Cotter
17	8301402	1	Pin, Yoke
18	8702146	1	Spring, Extension (Natural Only)
19	7097882	1	Bracket, Throttle Spring (Natural Only)
20	8700116	1	Spring, Return

PARTS FINDER

**Search Website
by Part Number**



**Search Manual
Library For Parts
Manual & Lookup Part
Numbers – Purchase
or Request Quote**

Search Manuals

Enter your information to help us find the right parts manual for your equipment.

* Brand:

* Model:

* Serial:

* Part Number:

SEARCH

**Can't Find Part or
Manual? Request Help
by Manufacturer,
Model & Description**

Parts Order Form

Please fill in the following information to help us find the right part for your equipment.

Manufacturer:	<input type="text"/>
Model:	<input type="text"/>
Description:	<input type="text"/>
Part Number:	<input type="text"/>
Quantity:	<input type="text"/>
Notes:	<input type="text"/>

REQUEST HELP

Discount-Equipment.com is your online resource for quality parts & equipment.

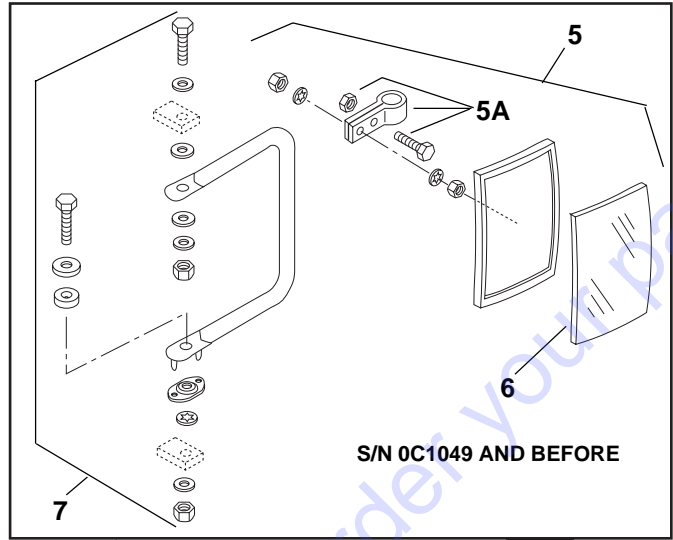
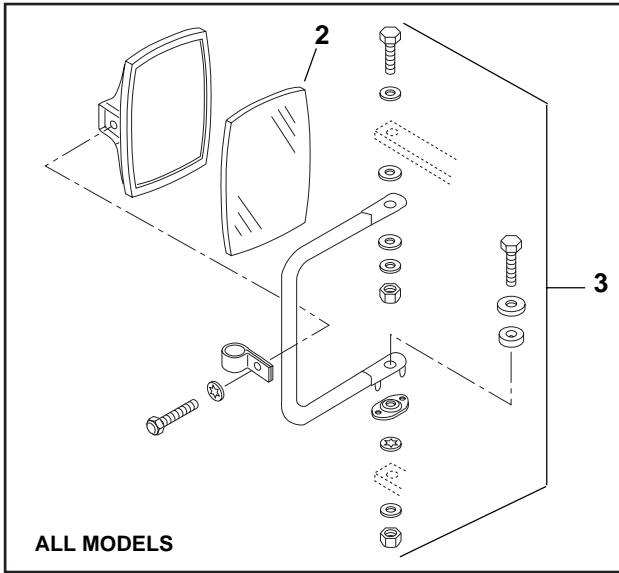
Florida: **561-964-4949** Outside Florida TOLL FREE: **877-690-3101**

Need parts?

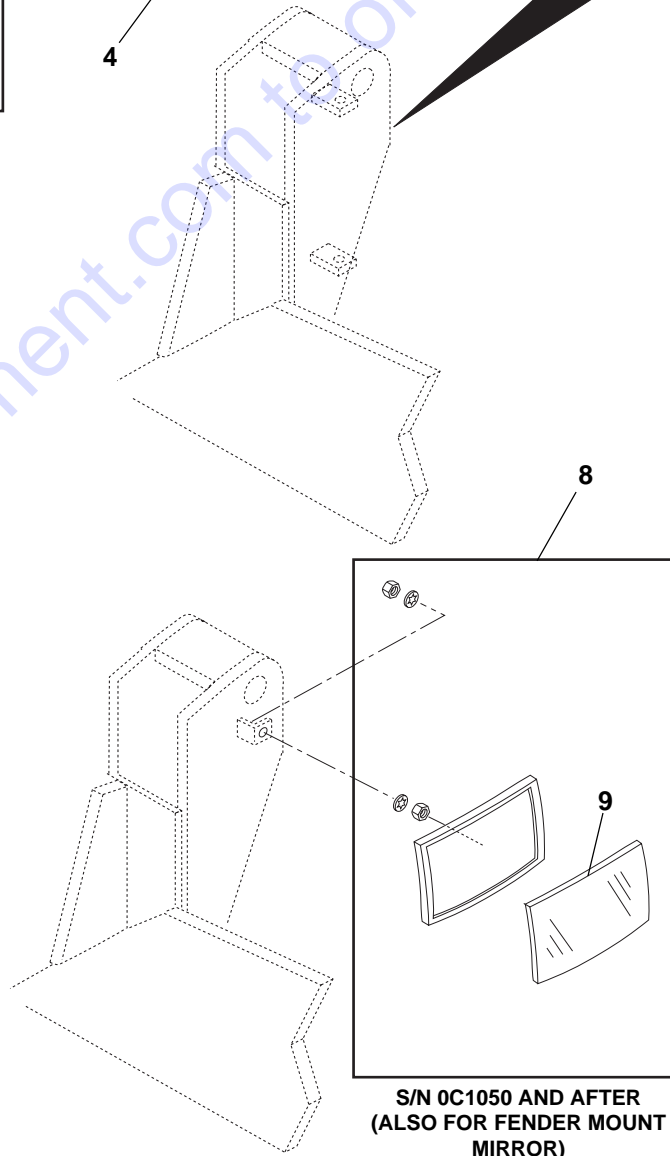
Click on this link: <http://www.discount-equipment.com/category/5443-parts/> and choose one of the options to help get the right parts and equipment you are looking for. Please have the machine model and serial number available in order to help us get you the correct parts. If you don't find the part on the website or on one of the online manuals, please fill out the request form and one of our experienced staff members will get back to you with a quote for the right part that your machine needs.

We sell worldwide for the brands: Genie, Terex, JLG, MultiQuip, Mikasa, Essick, Whiteman, Mayco, Toro Stone, Diamond Products, Generac Magnum, Airman, Haulotte, Barreto, Power Blanket, Nifty Lift, Atlas Copco, Chicago Pneumatic, Allmand, Miller Curber, Skyjack, Lull, Skytrak, Tsurumi, Husquvarna Target, Stow, Wacker, Sakai, Mi-T-M, Sullair, Basic, Dynapac, MBW, Weber, Bartell, Bennar Newman, Haulotte, Ditch Runner, Menegotti, Morrison, Contec, Buddy, Crown, Edco, Wyco, Bomag, Laymor, EZ Trench, Bil-Jax, F.S. Curtis, Gehl Pavers, Heli, Honda, ICS/PowerGrit, IHI, Partner, Imer, Clipper, MMD, Koshin, Rice, CH&E, General Equipment, Amida, Coleman, NAC, Gradall, Square Shooter, Kent, Stanley, Tamco, Toku, Hatz, Kohler, Robin, Wisconsin, Northrock, Oztec, Toker TK, Rol-Air, APT, Wylie, Ingersoll Rand / Doosan, Innovatech, Con X, Ammann, Mecalac, Makinex, Smith Surface Prep, Small Line, Wanco, Yanmar

MIRRORS



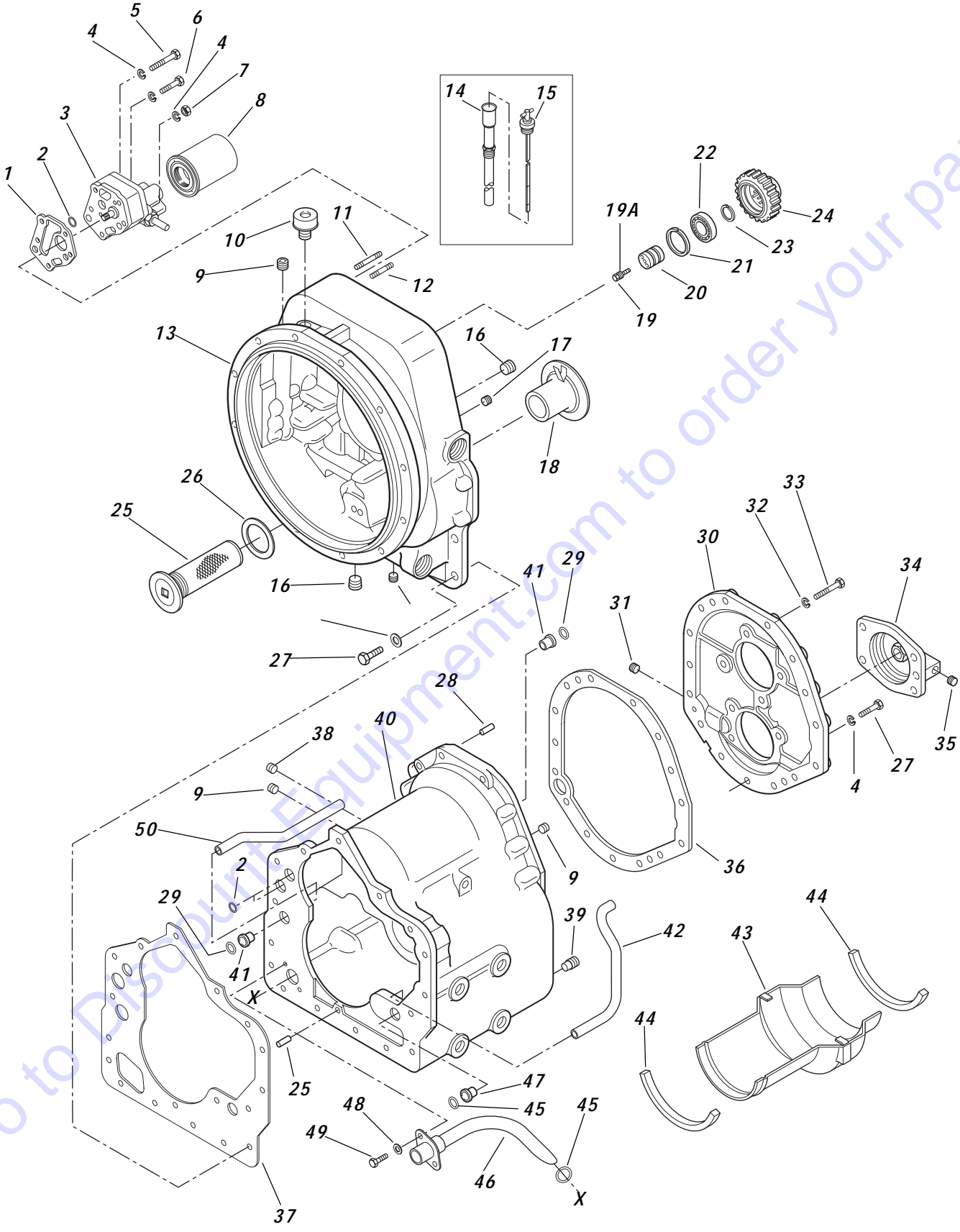
MACHINE
FRONT



MIRRORS

Item No.	Part Number	Qty.	Description
1	8866347	1	Mirror Assembly, 6.5" x 10", Left Side - Flat Glass (Includes items 2 and 3)
2	8866350	1	Lens, 6.5" x 10" Flat Glass Replacement
3	8866364	1	Loop Assembly
4	8866362	1	Mirror Assembly, 6.5" x 10" Right Side - Convex Glass (Includes items 5 thru 7) (S/N 0C1049 and before)
5	7091852	1	*Kit, Mirror Head - Convex, 6.5" x 10" (Includes item 5A)
5A	8866349	1	Clamp Assembly
6	8866351	1	Lens, 6.5" x 10" Convex Glass Replacement
7	8866364	1	Loop Assembly
8	8866348	1	Mirror Assembly, 6.5" x 10" Right Side - Convex Glass (Includes item 9) (S/N 0C1050 and after)
9	8866351	1	Lens, 6.5" x 10" Convex Glass Replacement
			*Kit used as replacement for smaller 6.5" x 6" right side convex mirror for better right side visibility.

CONVERTER AND TRANSMISSION HOUSINGS

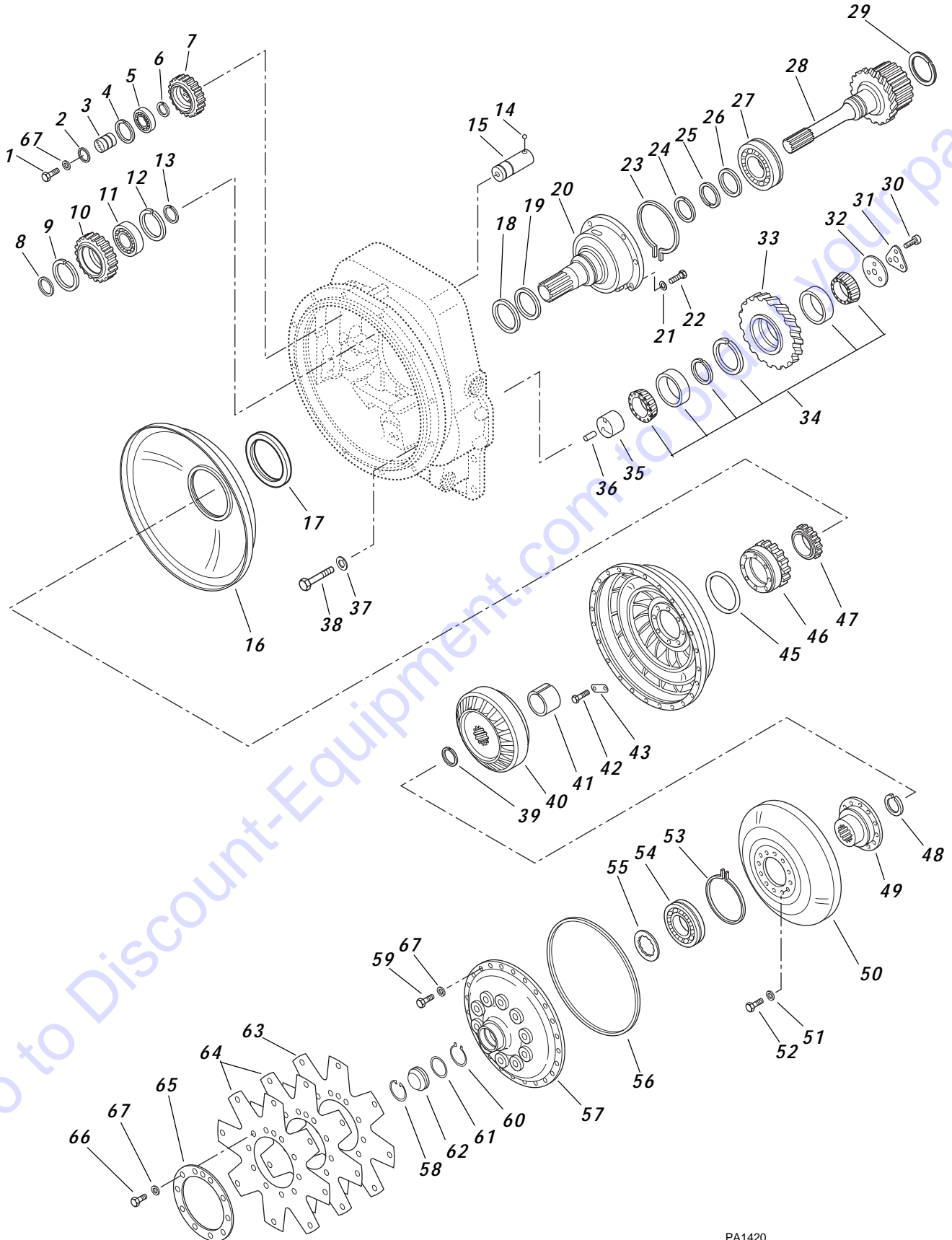


PA1410

CONVERTER AND TRANSMISSION HOUSINGS

Item No.	Part Number	Qty.	Description
1	8032500	1	Gasket, Charging Pump
2	8032501	3	O-Ring
3	8032502	1	Charging Pump Assembly
4	8032503	27	Lockwasher
5	8032504	1	Screw, Pump Mounting
6	8032505	2	Screw, Pump Mounting
7	8032506	2	Nut, Stud
8	8320254	1	Filter Assembly
9	8032508	3	Plug, Pipe
10	8032509	1	Breather
11	8032510	1	Stud, Pump Mounting
12	8032511	1	Stud, Pump Mounting
13	8032512	1	Housing, Converter
14	8032513	1	Tube Assembly, Dipstick
15	8032514	1	Dipstick
16	8032515	2	Plug, Pipe
17	8032516	2	Plug, Pipe
18	8032517	1	Sleeve, Converter Housing
19	8032541	2	Screw, Bearing Support
19A	8307005	2	Lockwasher
20	8032542	1	Support, Bearing
21	8032543	1	Ring, Retaining
22	8033199	1	Bearing
23	8032545	1	Ring, Locating
24	8032546	1	Gear, Pump Drive
25	8032518	1	Screen Assembly
26	8032519	1	Gasket, Screen
27	8032520	22	Screw, Housing to Case
28	8032521	3	Pin, Dowel
29	8032523	3	O-Ring
30	8032569	1	Rear Cover and Plug Assembly (Includes Item 31)
31	8032516	1	Plug, Pipe
32	8032503	9	Lockwasher
33	8032524	9	Screw, Rear Cover to Case
34	8032525	1	Bearing Cap Assembly, Rear, Low Shaft (Includes Item 35)
35	8032526	1	Plug
36	8032527	1	Gasket, Rear Cover to Case
37	8032537	1	Gasket, Converter Housing to Case
38	8032539	1	Plug, Pipe
39	8032528	2	Plug, Magnetic Drain
40	8032540	1	Case Assembly, Transmission (Includes Items 41 thru 50)
41	8032522	2	Sleeve, Tube
42	8032529	1	Tube, Clutch Lube
43	8032530	1	Baffle, Oil
44	8032531	2	Seal, Oil Baffle
45	8032532	1	O-Ring
46	8032533	1	Tube Assembly, Suction
47	8033307	1	Sleeve, Tube
48	8032535	2	Lockwasher
49	8032536	2	Screw
50	8032538	1	Tube, Low Speed Clutch Pressure

CONVERTER GROUP (CLARK MODEL 12.2 HR18306-42 ONLY)



PA1420

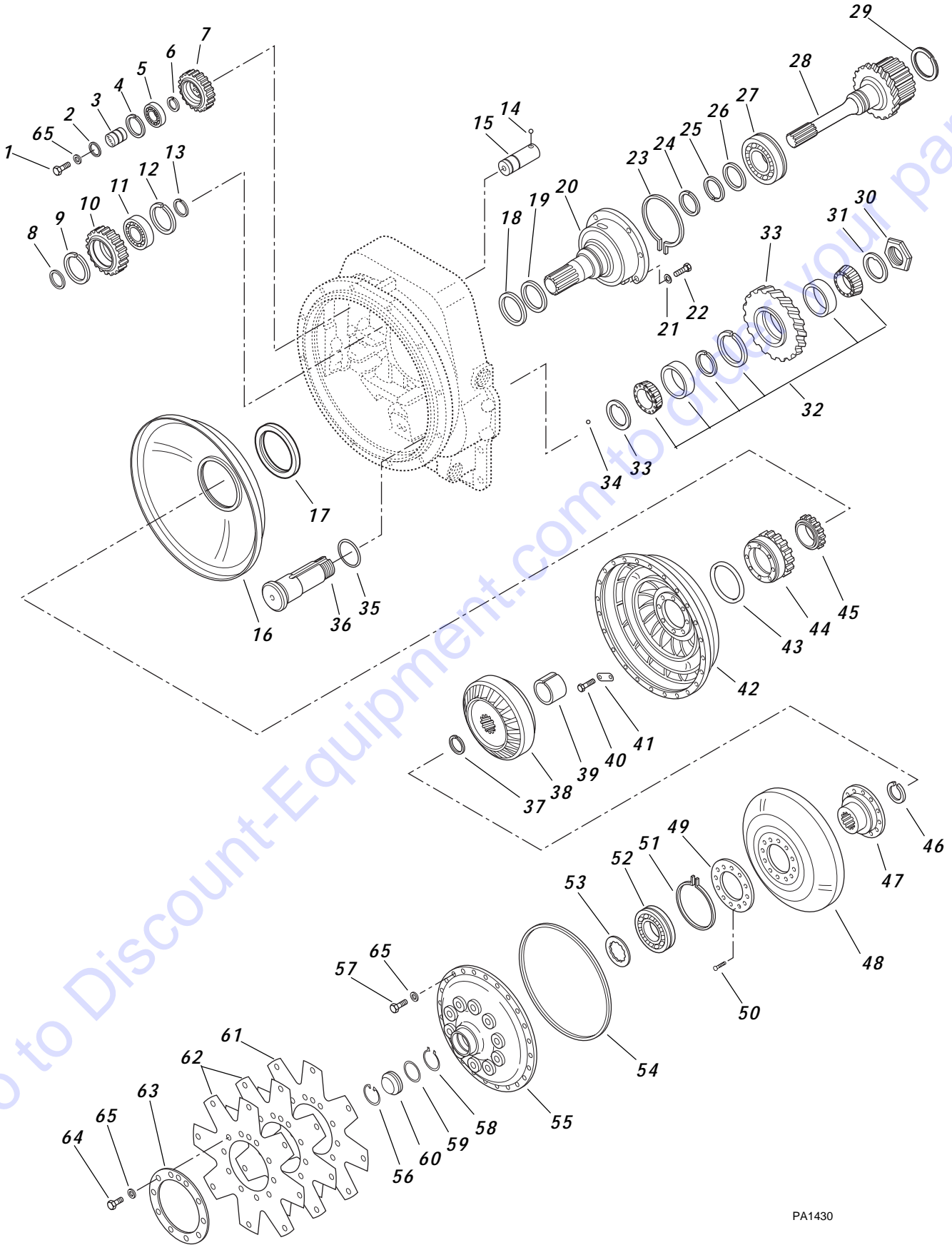
CONVERTER GROUP

(CLARK MODEL 12.2 HR18306-42 ONLY)

Item No.	Part Number	Qty.	Description
1	8032541	2	Screw, Bearing Support
2	8032545	1	Ring, Locating
3	8032542	1	Support, Bearing
4	8032550	1	Ring, Retaining
5	8032551	1	Bearing
6	8032545	1	Ring, Locating
7	8032552	1	Gear, Pump Drive
8	8032545	1	Ring, Locating
9	8032543	1	Ring, Retaining
10	8032553	1	Gear, Idler
11	8033199	1	Bearing
12	8032543	1	Ring, Retaining
13	8032545	1	Ring, Locating
14	8032554	1	Ball, Lock
15	8032555	1	Shaft, Idler Gear Stub
16	8032556	1	Baffle Assembly, Oil
17	8032557	1	Seal, Oil
18	8032558	1	Ring, Piston
19	8032559	1	Spring, Piston Ring Expander
20	8032560	1	Support, Stator
21	8307005	6	Lockwasher
22	8303620	6	Screw
23	8032563	1	Ring, Snap
24	8032564	1	Ring, Piston
25	8032565	1	Ring, Retaining
26	8032566	1	Washer, Locating
27	8032567	1	Bearing, Turbine Shaft
28	8032568	1	Turbine Shaft Assembly (Includes Item 29)
29	8032620	1	Ring, Retaining
30	8032570	3	Screw, Bearing Retaining Plate
31	8032571	1	Plate, Lock
32	8032572	1	Plate, Retaining
33	8032573	1	Gear, Reverse Idler
34	8032574	1	Bearing Assembly
35	8032575	1	Shaft, Reverse Idler
36	8032576	1	Pin, Shaft
37	8032503	3	Washer, Lock
38	8032577	3	Screw
39	8032578	1	Ring, Retaining
40	8032579	1	Reaction Member
41	8032580	1	Spacer
42	8032581	8	Screw
43	8032582	4	Lock Tab
44	8032583	1	Impeller
45	8032584	1	O-Ring
46	8032585	1	Gear, Impeller Hub
47	8032586	1	Bearing
48	8032587	1	Ring, Retaining
49	8032588	1	Hub, Turbine
50	8032589	1	Turbine
51	8032590	12	Washer
52	8032591	12	Screw
53	8032592	1	Ring, Locating
54	8032593	1	Bearing
55	8032594	1	Washer
56	8032595	1	O-Ring
57	8032596	1	Impeller Cover (Includes Item 58)
58	8032600	1	Ring, Retaining
59	8303620	24	Screw
60	8032587	1	Ring, Retaining
61	8032598	1	O-Ring
62	8032599	1	Plug, Bore
63	8032601	1	Drive Plate Assembly Kit (Includes Items 64, 65 and 66)
64	N.S.S.	1	Drive Plate
65	8032602	1	Ring, Backing
66	8032603	10	Screw
67	8307005	36	Lockwasher

CONVERTER GROUP

(Clark Model 12.2 HR18306-48, 12.2 HR18306-54 & 12.2 HR18306-57 Only)



PA1430

3.2.1

6036

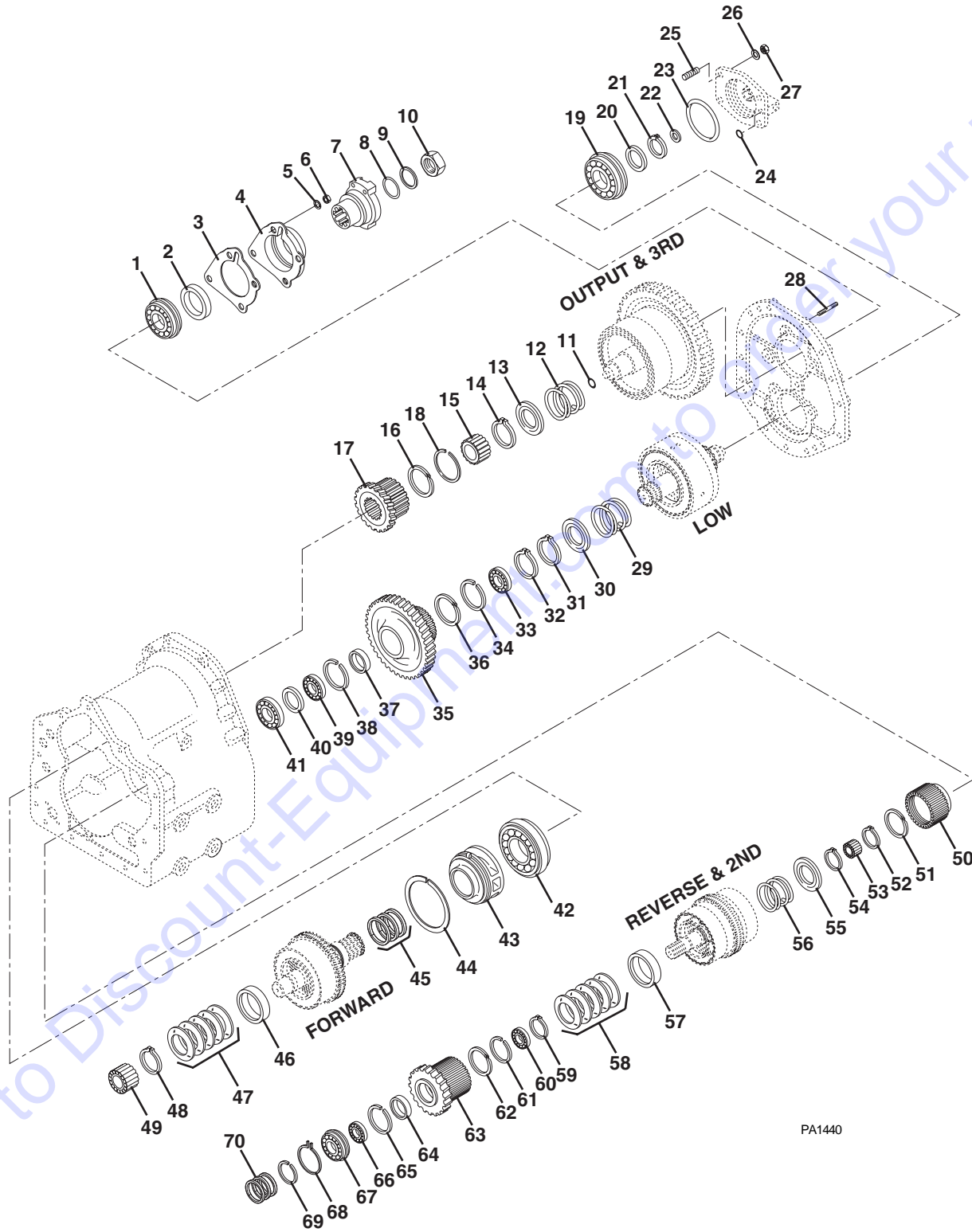
Revised 9/94

CONVERTER GROUP

(Clark Model 12.2 HR18306-48, 12.2 HR18306-54 & 12.2 HR18306-57 Only)

Item No.	Part Number	Qty.	Description
1	8032541	2	Screw, Bearing Support
2	8032545	1	Ring, Locating
3	8032542	1	Support, Bearing
4	8032550	1	Ring, Retaining
5	8032551	1	Bearing
6	8032545	1	Ring, Locating
7	8032552	1	Gear, Pump Drive
8	8032545	1	Ring, Locating
9	8032543	1	Ring, Retaining
10	8032553	1	Gear, Idler
11	8033199	1	Bearing
12	8032543	1	Ring, Retaining
13	8032545	1	Ring, Locating
14	8032554	1	Ball, Lock
15	8032555	1	Shaft, Idler Gear Stub
16	8032556	1	Baffle Assembly, Oil
17	8032557	1	Seal, Oil
18	8032558	1	Ring, Piston
19	8032559	1	Spring, Piston Ring Expander
20	8032560	1	Support, Stator
21	8307005	6	Lockwasher
22	8303620	6	Screw
23	8032563	1	Ring, Snap
24	8032564	1	Ring, Piston
25	8032565	1	Ring, Retaining
26	8032566	1	Washer, Locating
27	8032567	1	Bearing, Turbine Shaft
28	8032568	1	Turbine Shaft Assembly (Includes Item 29)
29	8032620	1	Ring, Retaining
30	8033195	1	Nut, Bearing Retaining Plate
31	8033194	2	Thrust Plate, Reverse Idler Gear Bearing
32	8032574	1	Bearing Assembly
33	8032573	1	Gear, Reverse Idler
34	8033192	1	Lockball, Idler Shaft
35	8033191	1	O-Ring, Idler Shaft
36	8033190	1	Shaft, Reverse Idler
37	8032578	1	Ring, Retaining
38	8032579	1	Reaction Member
39	8032580	1	Spacer
40	8032581	8	Screw
41	8032582	4	Lock Tab
42	8032583	1	Impeller
43	8032584	1	O-Ring
44	8032585	1	Gear, Impeller Hub
45	8032586	1	Bearing
46	8032587	1	Ring, Retaining
47	8032588	1	Hub, Turbine
48	8032589	1	Turbine
49	8033196	1	Ring, Turbine
50	8033197	12	Screw
51	8032592	1	Ring, Locating
52	8032593	1	Bearing
53	8032594	1	Washer
54	8032595	1	O-Ring
55	8032596	1	Impeller Cover (Includes Item 56)
56	8032600	1	Ring, Retaining
57	8303620	24	Screw
58	8032587	1	Ring, Retaining
59	8032598	1	O-Ring
60	8032599	1	Plug, Bore
61	8032601	1	Drive Plate Assembly Kit (Includes Items 62, 63 and 64)
62	N.S.S.	1	Drive Plate
63	8032602	1	Ring, Backing
64	8032603	10	Screw
65	8307005	36	Lockwasher

TRANSMISSION GEAR GROUP

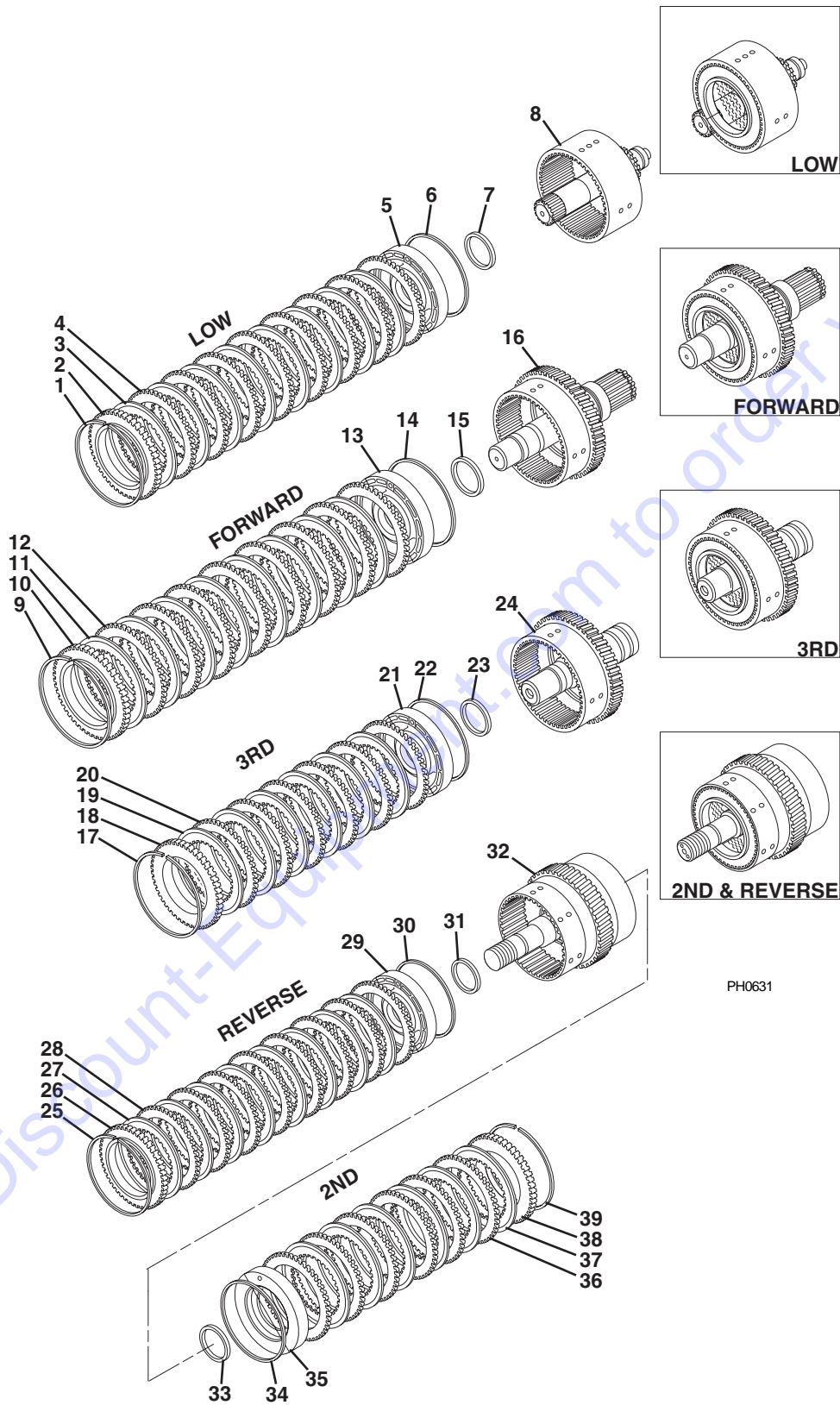


PA1440

TRANSMISSION GEAR GROUP

Item No.	Part Number	Qty.	Description
1	8032604	1	Bearing
2	8032605	1	Seal, Oil
3	8032606	1	Gasket, Cap
4	8032607	1	Cap, Bearing
5	8032608	4	Lockwasher
6	8032609	4	Nut, Stud
7	8032610	1	Flange, Output (For Perkins 4.236 - Natural)
	8032950	1	Flange, Output (For all Perkins Turbo Engines and all Natural Engines S/N 8L0355 and after only and all Cummins Engines)
8	8032611	1	O-Ring
9	8032612	1	Washer, Flange
10	8032613	1	Nut, Flange
11	8032614	1	Ring, Piston
12	8032615	1	Spring, Return
13	8032616	1	Retainer
14	8032617	1	Ring, Snap
15	8032618	1	Bearing, Pilot
16	8032620	1	Ring, Retaining
17	8032621	1	3rd Gear and Hub Assembly (Includes Item 18)
18	8032619	1	Ring, Retaining
19	8032622	1	Bearing
20	8032566	1	Washer
21	8032623	1	Ring, Retaining
22	8032614	1	Ring, Piston
23	8032624	1	O-Ring
24	8032625	1	O-Ring
25	8032626	4	Stud, Cap
26	8032503	4	Lockwasher
27	8032506	4	Nut, Stud
28	8032627	4	Stud, Cap
29	8032615	1	Spring, Return
30	8032616	1	Retainer
31	8032617	1	Ring, Snap
32	8032623	1	Ring, Retainer
33	8032628	1	Bearing
34	8032629	1	Ring, Locating
35	8032630	1	Low Shaft Gear and Hub Assembly (Includes Item 36)
36	8032620	1	Ring, Retaining
37	8032631	1	Spacer
38	8032629	1	Ring, Locating
39	8032628	1	Bearing
40	8032632	1	Spacer
41	8032633	1	Bearing, Front
42	8032634	1	Bearing, Rear
43	8032635	1	Sleeve
44	8033355	1	Ring, Retaining
45	8032637	4	Ring, Piston
46	8032638	1	Spacer
47	8033348	1	Spring Set, Return (Includes 5 Springs)
48	8032640	1	Ring, Snap
49	8032641	1	Bearing, Pilot
50	8032642	1	2nd Clutch Disc Hub Assembly (Includes Item 51)
51	8032620	1	Ring, Retaining
52	8032623	1	Ring Retaining
53	8032643	1	Bearing
54	8032617	1	Ring, Snap
55	8032616	1	Retainer
56	8032615	1	Spring, Piston
57	8032638	1	Spacer
58	8032639	5	Spring, Return
59	8032640	1	Ring, Snap
60	8032644	1	Bearing
61	8032645	1	Ring, Retaining
62	8032646	1	Reverse Clutch Gear Assembly (Includes Item 63)
63	8032620	1	Ring, Retaining
64	8032647	1	Spacer
65	8032645	1	Ring, Retaining
66	8032648	1	Bearing
67	8032649	1	Bearing
68	8032650	1	Ring, Snap
69	8032651	1	Ring, Retaining
70	8032652	3	Ring, Piston

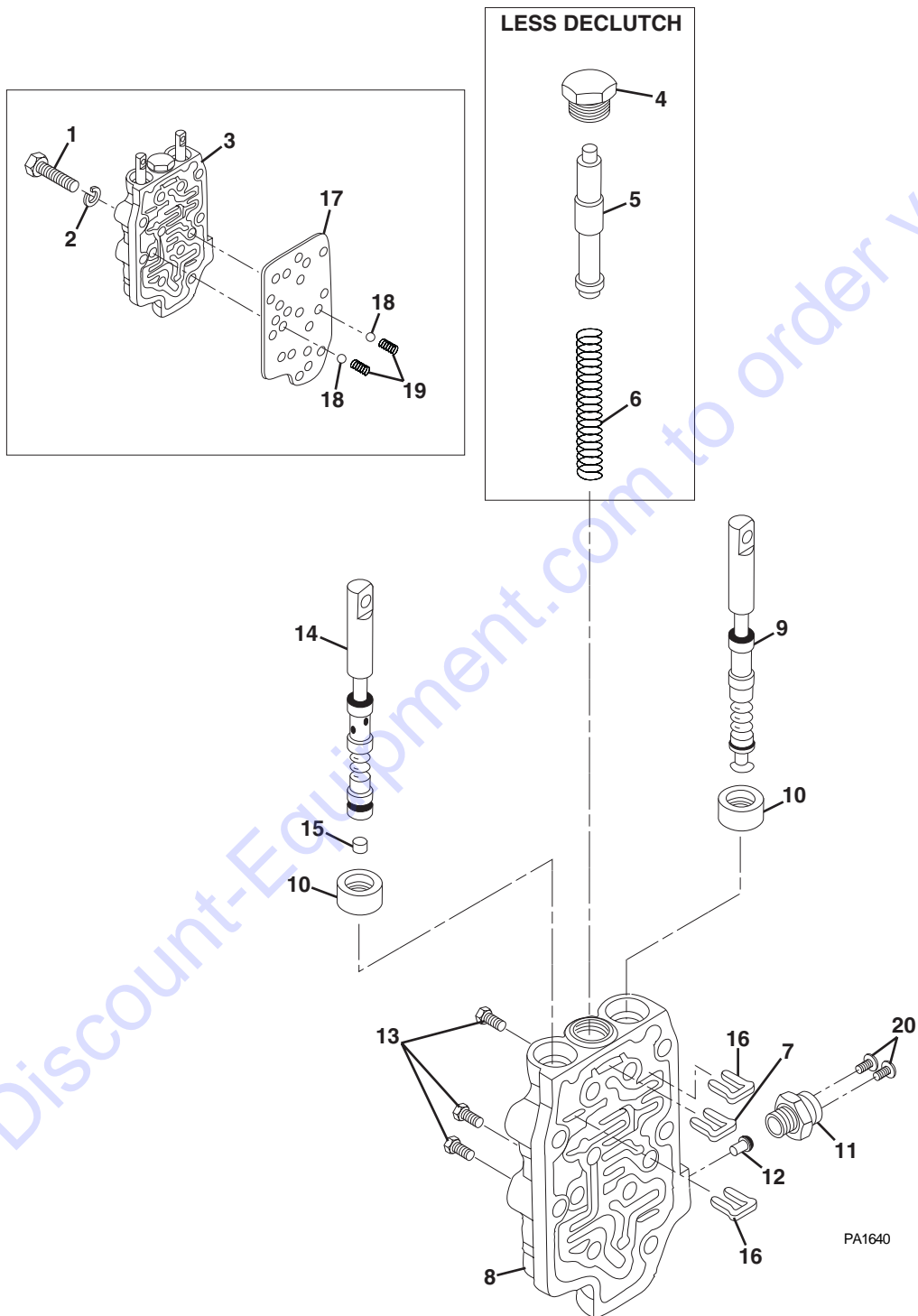
TRANSMISSION CLUTCH GROUPS



TRANSMISSION CLUTCH GROUPS

Item No.	Part Number	Qty.	Description
1	8032653	1	Ring, Snap
2	8032654	1	Plate, Backing
3	8032655	8	Disc, Inner Clutch
4	8032656	8	Disc, Outer Clutch
5	8032657	1	Piston, Clutch
6	8032658	1	Seal, Outer Piston
7	8032659	1	Seal, Inner Piston
8	8032660	1	Low Clutch Shaft, Drum and Bleed Valve Assembly
9	8032653	1	Ring, Snap
10	8032654	1	Plate, Backing
11	8032661	8	Disc, Inner Clutch
12	8032656	8	Disc, Outer Clutch
13	8032657	1	Piston, Clutch
14	8032658	1	Seal, Outer Piston
15	8032659	1	Seal, Inner Piston
16	8032662	1	Forward Shaft, Drum and Plug Assembly
17	8032653	1	Ring, Snap
18	8032654	1	Plate, Backing
19	8032661	8	Disc, Inner Clutch
20	8032656	8	Disc, Outer Clutch
21	8032663	1	Piston Assembly, Clutch
22	8032658	1	Seal, Outer Piston
23	8032659	1	Seal, Inner Piston
24	8032664	1	Output and 3rd Clutch Shaft, Drum and Plug Assembly
25	8032653	1	Ring, Snap
26	8032654	1	Plate, Backing
27	8032661	8	Disc, Inner Clutch
28	8032656	8	Disc, Outer Clutch
29	8032657	1	Piston, Clutch
30	8032658	1	Seal, Outer Piston
31	8032659	1	Seal, Inner Piston
32	8032665	1	Reverse and 2nd Shaft, Drum and Plug Assembly
33	8032659	1	Seal, Inner Piston
34	8032658	1	Seal, Outer Piston
35	8032663	1	Piston Assembly, Clutch
36	8032656	6	Disc, Outer Clutch
37	8032661	6	Disc, Inner Clutch
38	8032654	1	Plate, Backing
39	8032653	1	Ring, Snap

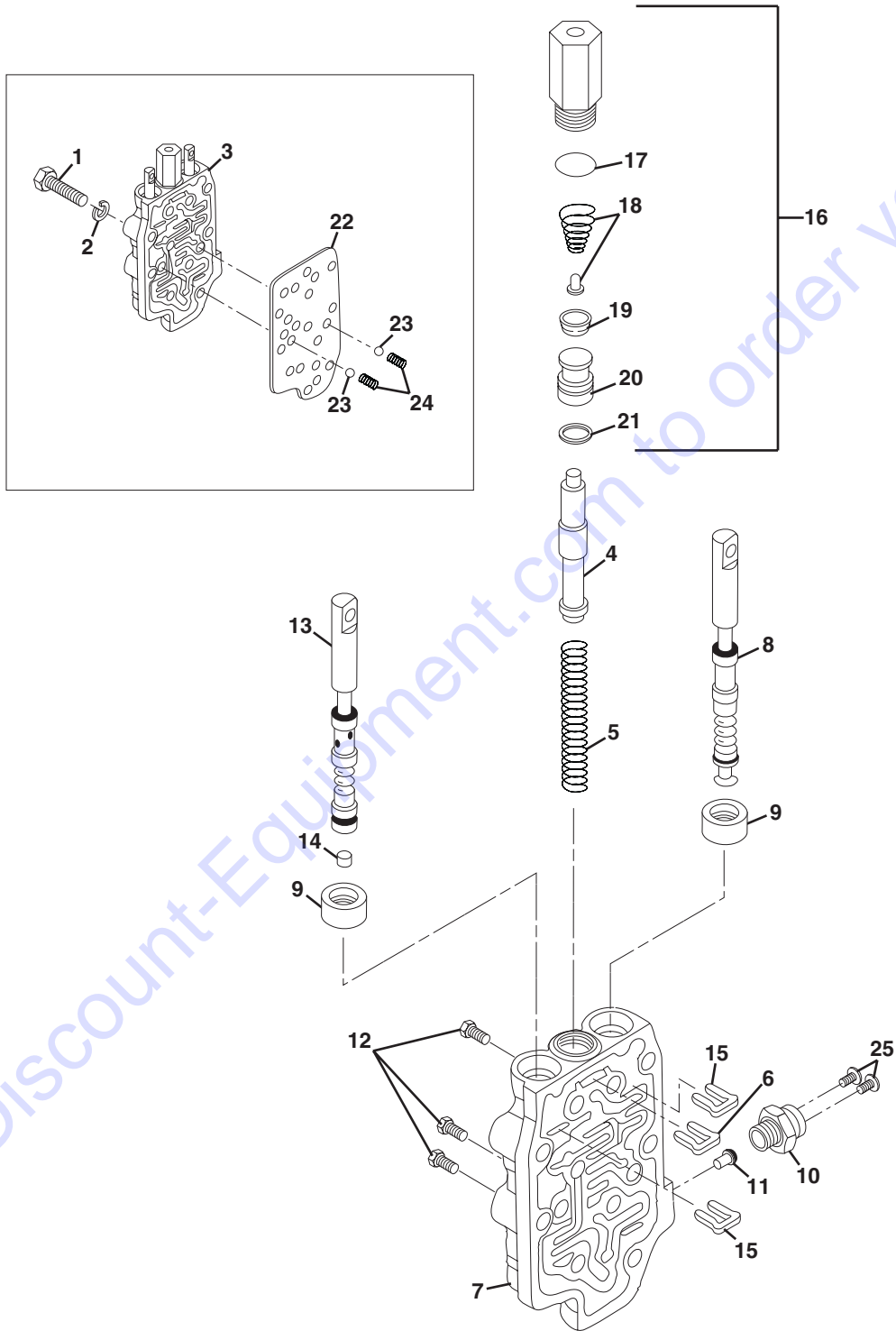
CONTROL VALVE ASSEMBLY (S/N 0E1179 AND BEFORE)



CONTROL VALVE ASSEMBLY (S/N 0E1179 AND BEFORE)

Item No.	Part Number	Qty.	Description
1	8032666	9	Screw
2	8037005	9	Lockwasher
3	8032667	1	Valve Assembly, Control (Includes Items 4 thru 8)
4	8032671	1	Plug
5	8032672	1	Spool, Valve
6	8032673	1	Spring, Control Valve
7	8032676	1	Stop, Control Valve
8	8032679	1	Housing Assembly, Control Valve (Includes Items 9 thru 16)
9	8032674	1	Spool, Forward and Reverse Valve
10	8032675	2	Seal, Oil
11	8032677	1	Switch, Neutral
12	8032678	1	Pin, Switch Actuating
13	8032680	3	Plug, Pipe
14	8032682	1	Spool and Plug Assembly, Speed Selector (Includes Item 15)
15	8032681	1	Plug
16	8032676	2	Stop, Valve Spool
17	8032668	1	Gasket, Control Valve
18	8032669	2	Ball, Detent
19	8032670	2	Spring, Detent
20	8303987	2	Screw, Slotted Pan Head, 8-32 x 1/4

CONTROL VALVE ASSEMBLY (S/N 0E1180 AND AFTER)

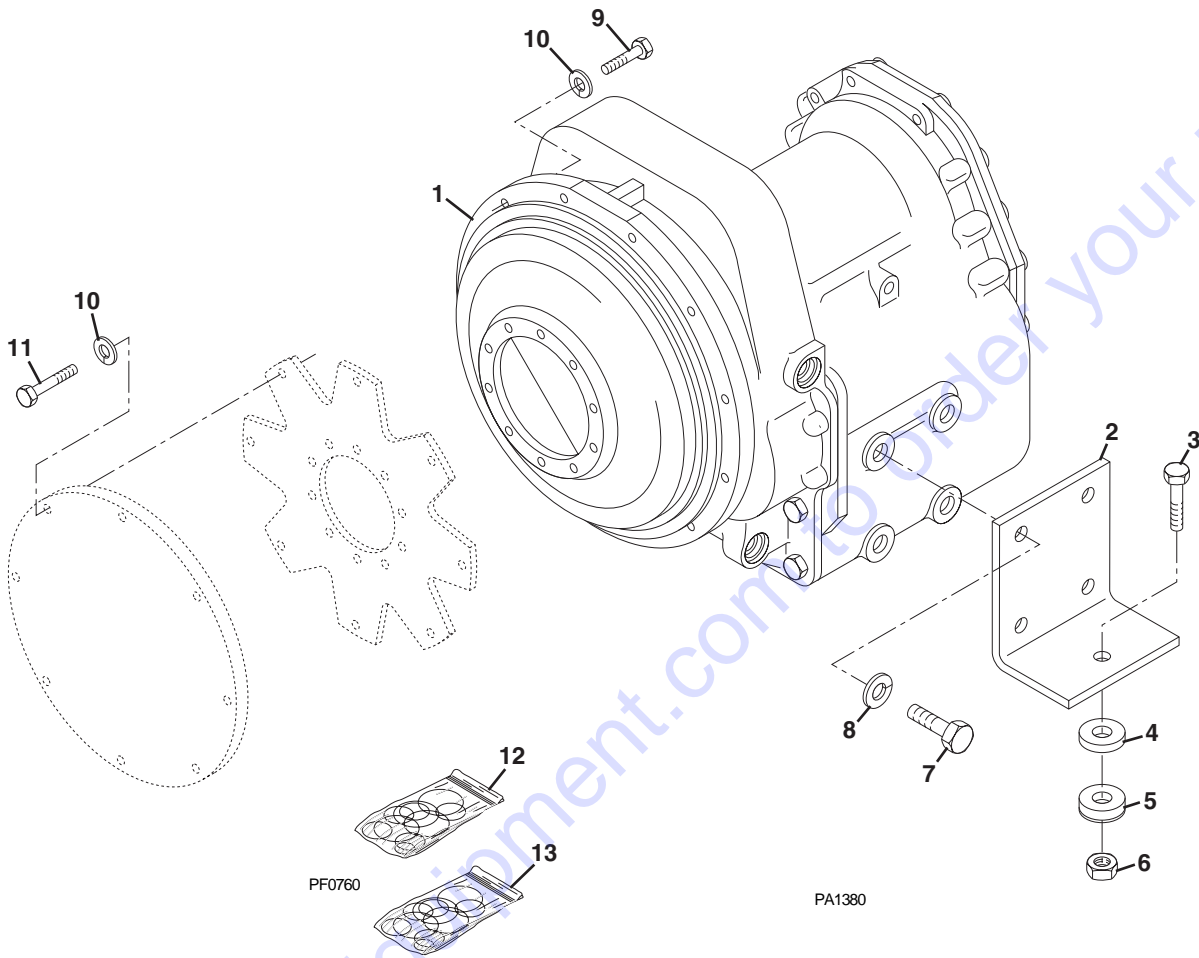


PA1650

CONTROL VALVE ASSEMBLY (S/N 0E1180 AND AFTER)

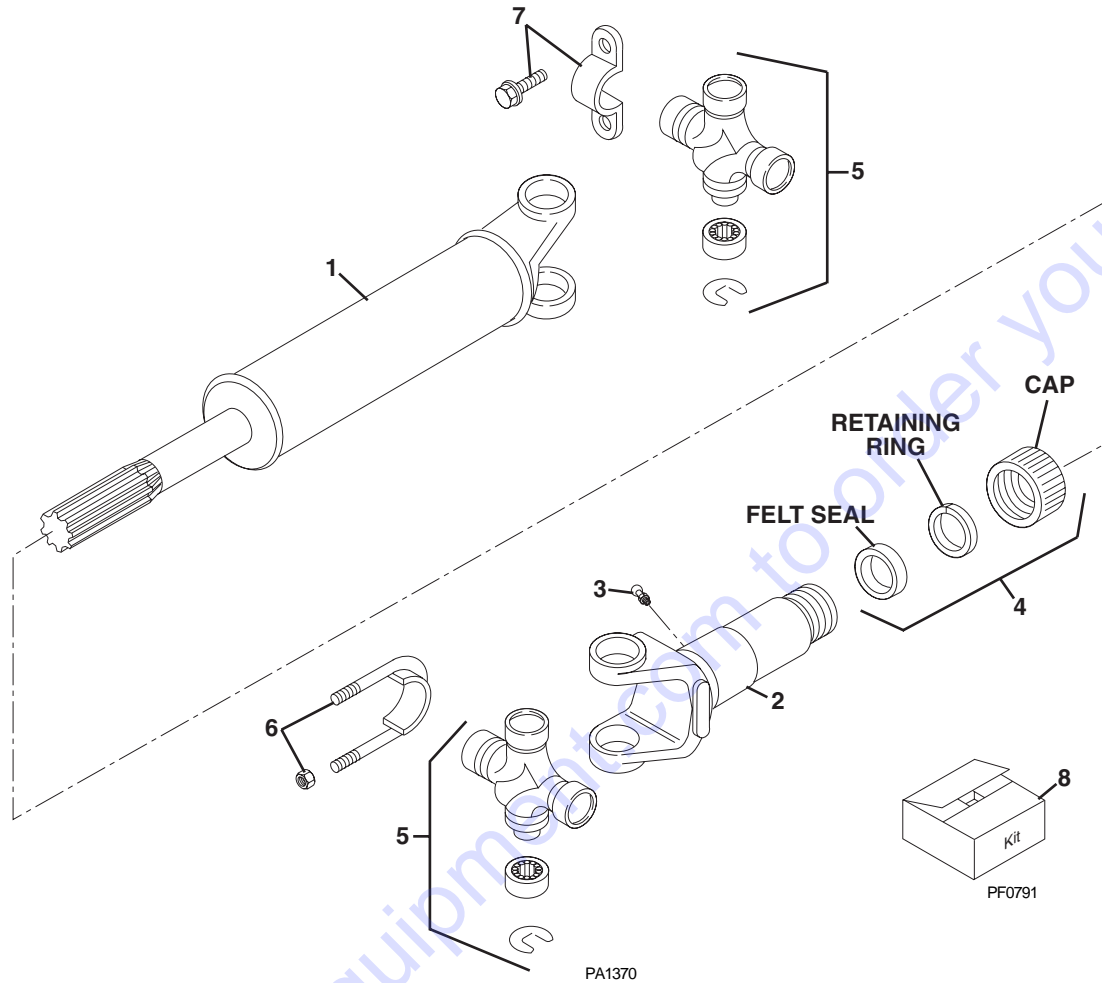
Item No.	Part Number	Qty.	Description
1	8032666	9	Screw
2	8037005	9	Lockwasher
3	8033239	1	Valve Assembly, Control (w/Declutch) (Includes Items 4 thru 7 and item 16)
4	8032672	1	Spool, Valve
5	8032673	1	Spring, Control Valve
6	8032676	1	Stop, Valve Spool
7	8032679	1	Housing Assembly, Control Valve (Includes Items 8 thru 15)
8	8032674	1	Spool, Forward and Reverse Valve
9	8032675	2	Seal, Oil
10	8032677	1	Switch, Neutral
11	8032678	1	Pin, Switch Actuating
12	8032680	3	Plug, Pipe
13	8032682	1	Spool and Plug Assembly, Speed Selector (Includes Item 14)
14	8032681	1	Plug
15	8032676	2	Stop, Valve Spool
16	8841314	1	Actuator Assembly, Hydraulic (Includes Items 17 thru 21)
17	8033202	1	O-Ring, Piston Housing
18	8033203	1	Kit, Balance Spring and Pin
19	8033204	1	Seal, Piston
20	8033205	1	Piston
21	8033238	1	Glyd Ring Assembly
22	8032668	1	Gasket, Control Valve
23	8032669	2	Ball, Detent
24	8032670	2	Sprin, Detent
25	8303987	2	Screw, Slotted Pan Head, 8-32 x 1/4

TRANSMISSION MOUNTING (S/N 9H0793 AND BEFORE)



Item No.	Part Number	Qty.	Description
1	8841007	1	Transmission (For Perkins 4.336 - Natural Engines S/N 8L0354 and before only)
	8841015	1	Transmission (For Perkins 4.236T - Turbo Engines and all Natural Engines S/N 8L0355 thru 9H0793)
2	7079862	2	Mount, Transmission
3	8303692	2	Screw, Hex Hd Cap, 1/2-NC x 2.75 Gr 5
4	7080751	2	Washer, Rebound
5	8278012	2	Mount, Vibration
6	8305644	2	Locknut, 1/2-NC ESNA
7	8303664	8	Screw, Hex Hd Cap, 3/4-10 x 1.5 Gr 5
8	8307010	8	Lockwasher, 3/4
9	8303621	11	Screw Hx Hd Cap, 3/8-16 x 1.5 Gr 5
10	8307005	19	Lockwasher, 3/8
11	8303659	8	Screw, Hex Hd Cap, 3/8-24 x 2.0 Gr 5
			Kits
12	8032958	1	Converter and Transmission Gasket and Sealing Kit
13	8032959	1	Converter Section Gasket and Sealing Kit

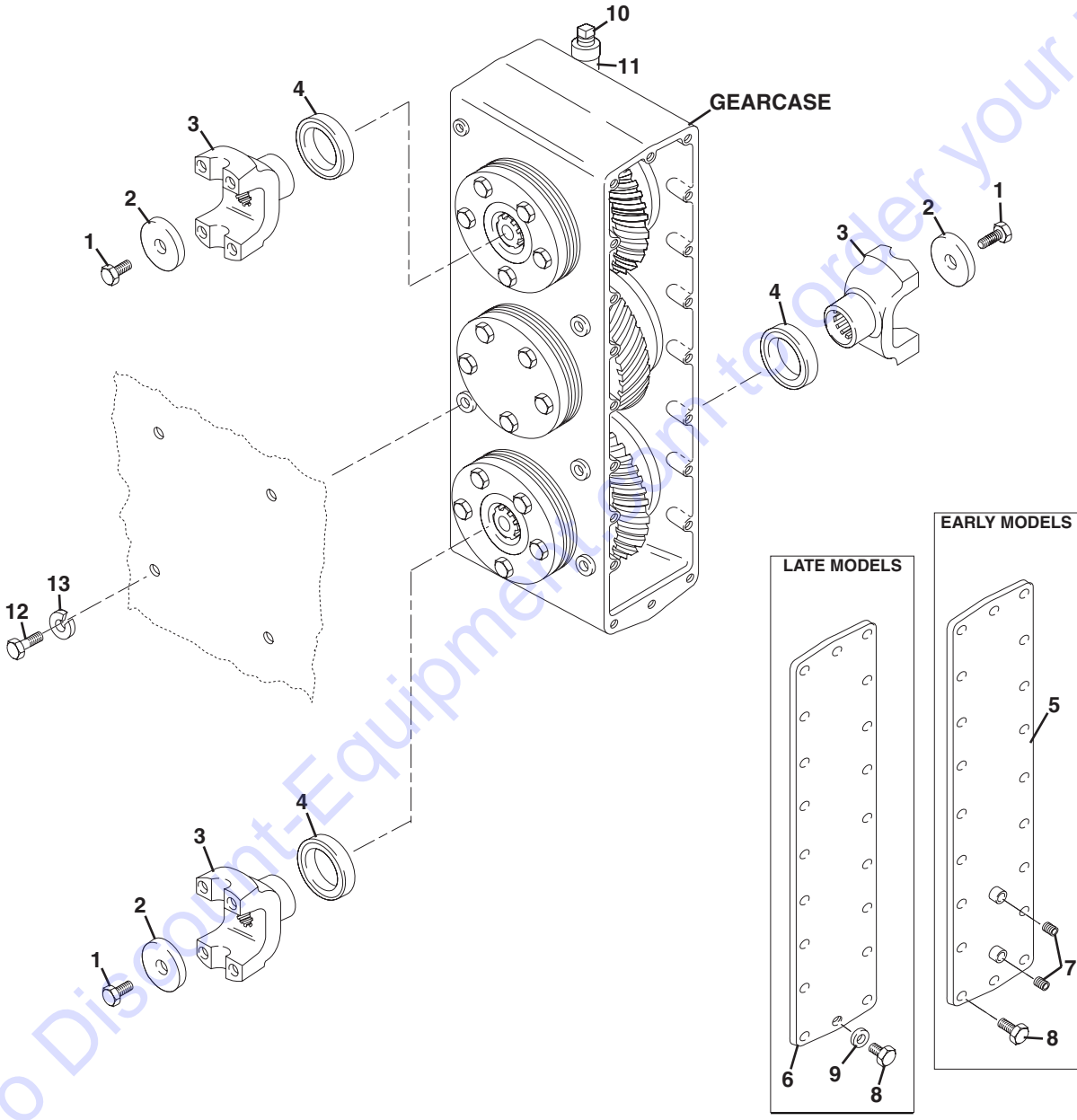
DRIVE SHAFT - TRANSMISSION TO DROP GEAR BOX (PERKINS 4.236 - NATURAL S/N 8L0354 AND BEFORE ONLY)



Item No.	Part Number	Qty.	Description
	7078862	1	Drive Shaft, Trasnmission to Drop Gear Box (Includes Items 1 thru 5)
1	8033001		Shaft Assembly
2	8033003	1	Sleeve Assembly
3	8033004	1	Fitting, Grease
4	8033002	1	Seal Package
5	See Kits	2	Cross & Bearing Assembly
6	8880214	2	U-Bolt Assembly
7	8880215	2	Cap & Bolt Assembly
			Kits
8	8033000	1	Cross & Bearing Kit (Includes 1 Cross, 4 Bearings & 4 Retaining Pins)

DROP GEAR BOX

(PERKINS 4.236 - NATURAL S/N 8L0354 AND BEFORE ONLY)



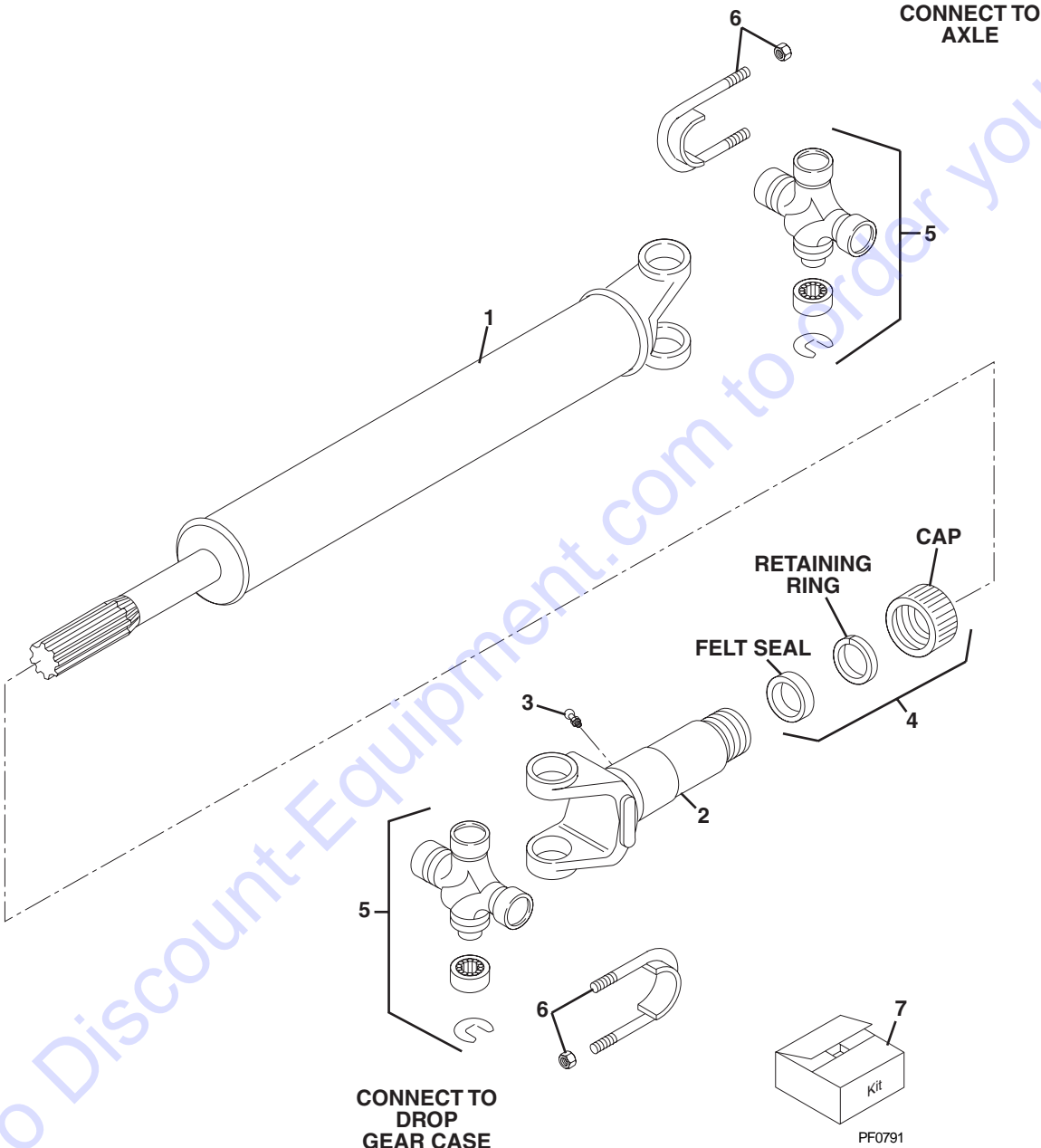
PA0253

DROP GEAR BOX

(PERKINS 4.236 - NATURAL S/N 8L0354 AND BEFORE ONLY)

Item No.	Part Number	Qty.	Description
	8841011	1	Drop Box Assembly (Includes Items 1 thru 11)
1	8303624	3	Screw, Hex Hd, 1/2-13 x 1
2	8032768	3	Washer
3	8032766	3	Yoke, End
4	8032770	3	Seal
5	8032784	1	Cover, Housing (Early Models)
6	8032946	1	Cover, Housing (Late Models)
7	8540438	2	Plug, Pipe, 3/8NPT Hex Socket (Early Models)
8	8033681	20	Screw, Hex Hd, 3/8-16 x 3/4 UNC-2A
9	8032787	1	Washer, Flat, 3/8 Brass
10	8032785	1	Plug, Vent, 3/8-18 NPT
11	8032781	1	Elbow, 90°, 3/8-18 NPT
12	8303692	4	Screw, Cap, Hex Hd, 1/2 NC x 2-3/4 Gr 5
13	8307007	4	Lockwasher, 3/8

DRIVE SHAFT (FRONT & REAR AXLES)



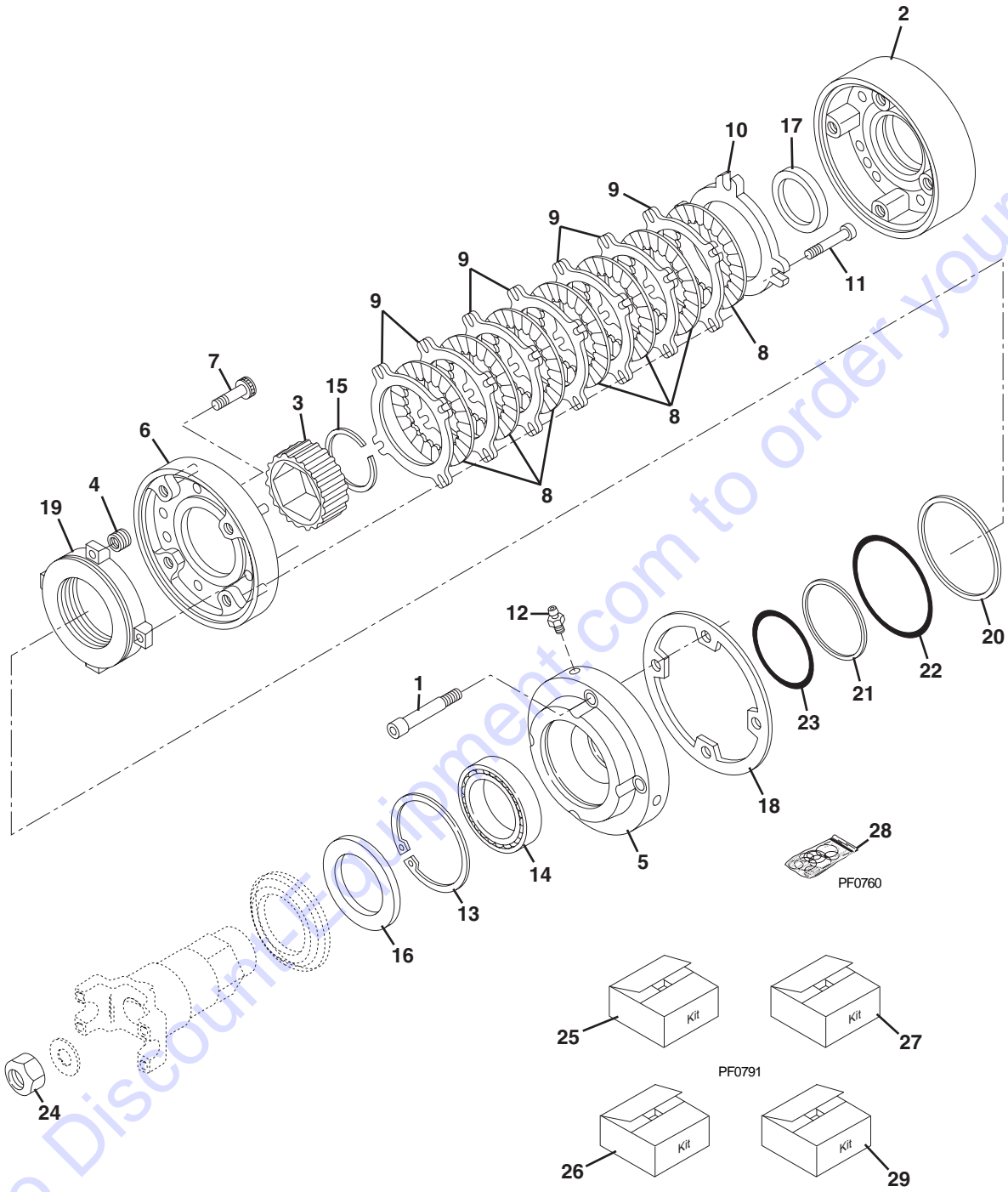
Go to Discount-Equipment.com to order your parts

PA1660

DRIVE SHAFT (FRONT & REAR AXLES)

Item No.	Part Number	Qty.	Description
			Note: Quantities are for one drive shaft
	7078852	2	Drive Shaft, Axle (Includes Items 1 thru 5)
1	8032905	1	Shaft Assembly
2	8033003	1	Sleeve
3	8033004	1	Fitting, Grease
4	8033002	1	Seal Package
5	See Kits	2	Cross & Bearing Assembly
6	8880214	4	U-Bolt Assembly
			<u>Kits</u>
7	8033000	1	Cross & Bearing Kit (Includes 1 Cross, 4 Bearings & 4 Retaining Rings)

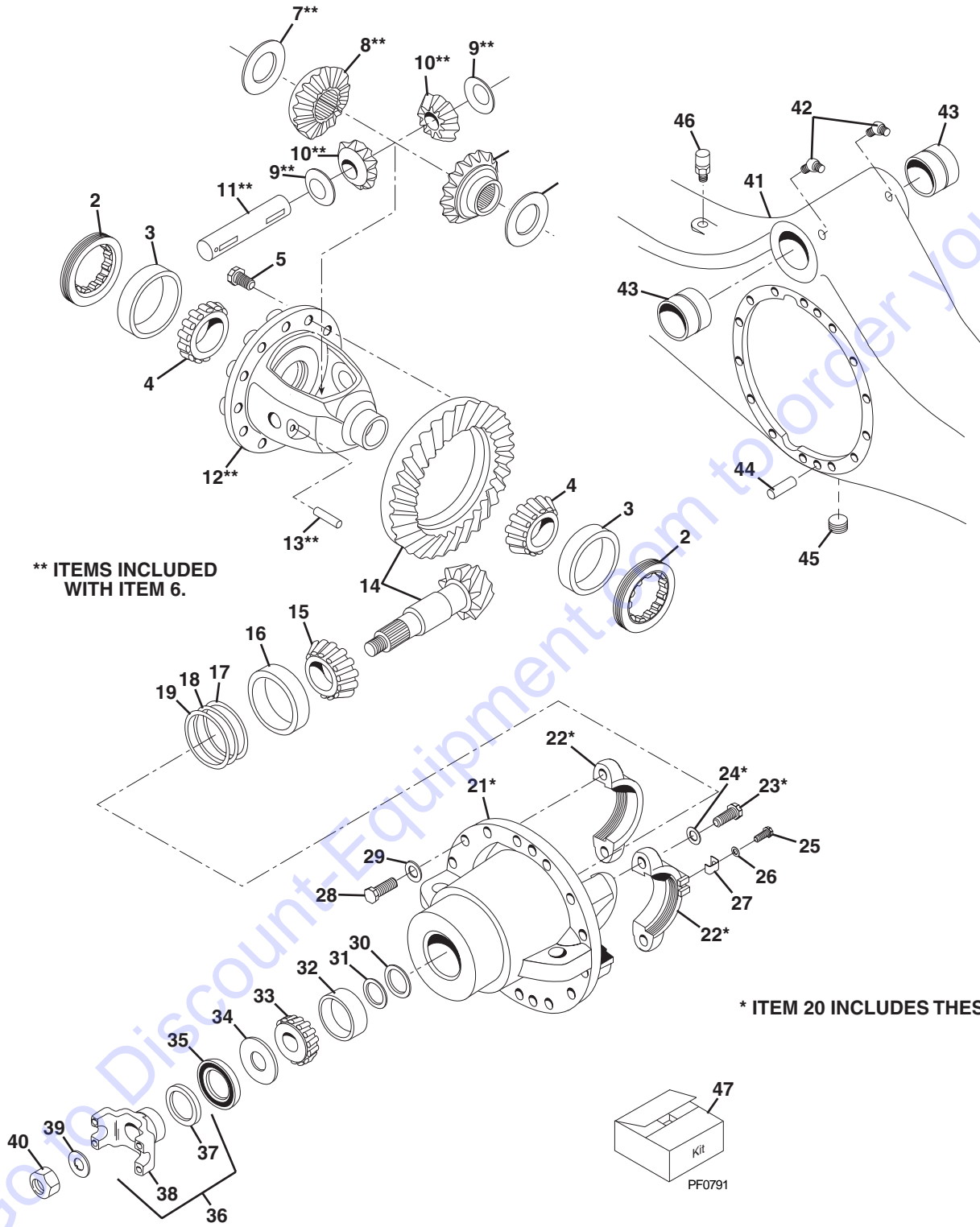
PARK LOCK



PARK LOCK

Item No.	Part Number	Qty.	Description
	8033487	1	Park Lock Assembly (Includes Items 1 thru 24)
1	8033166	4	Screw, Socket Hd Cap
2	8033167	1	Plate, Cover
3	8033168	1	Spline, Outer
4	8033169	12	Spring, Red
5	See Kits	1	Plate, Pressure
6	See Kits	1	Plate, Spring
7	See Kits	4	Screw, Socket Hd Cap
8	See Kits	7	Disc, Rotor
9	See Kits	7	Disc, Stator
10	See Kits	1	Disc, Primary
11	See Kits	4	Bolt, Shoulder, Socket Hd
12	See Kits	1	Screw, Bleeder
13	See Kits	1	Ring, Retainer
14	See Kits	1	Bearing
15	See Kits	1	Ring, Retainer
16	See Kits	1	Seal, Oil
17	See Kits	1	Seal, Oil
18	See Kits	2	Seal, Case
19	See Kits	1	Piston
20	See Kits	1	Ring, Backup
21	See Kits	1	Ring, Backup
22	See Kits	1	O-Ring
23	See Kits	1	O-Ring
24	See Kits	1	Nut, Pinion
			Kits
25	8033480	1	Pressure & Spring Plate (Includes Items 5, 6, 7 & 24)
26	8033481	1	Disc & Plate Kit (Includes Items 8, 9, 10, 11, 12 & 24)
27	8033482	1	Bearing & Ring Kit (Includes Items 13, 14, 15 & 24)
28	8033483	1	Seal Kit (Includes Items 16, 17, 18 & 24)
29	8033484	1	Piston & Ring Kit (Includes Items 19, 20, 21, 22, 23 & 24)

DIFFERENTIAL CARRIER ASSEMBLY - FRONT AXLE



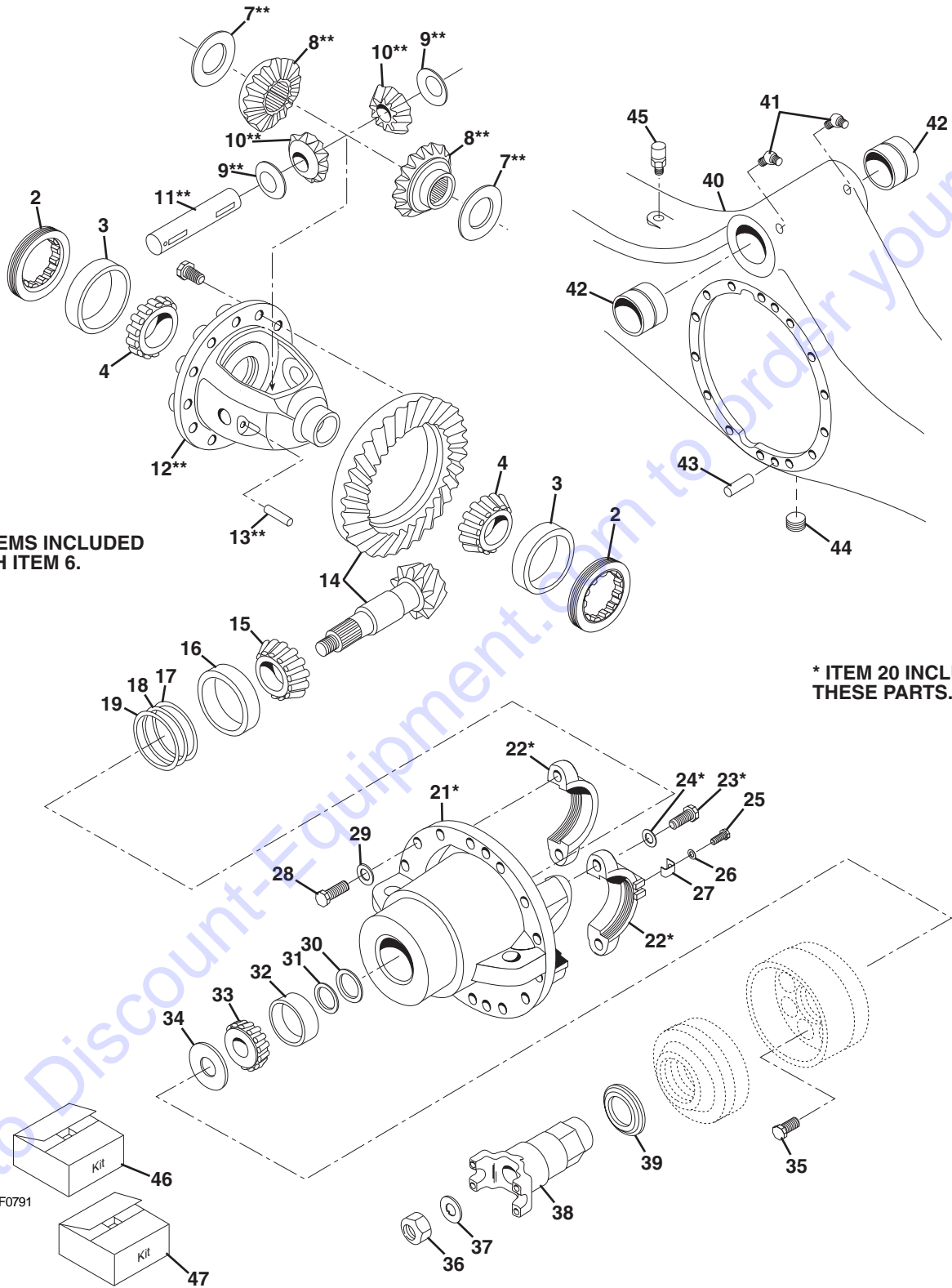
** ITEMS INCLUDED WITH ITEM 6.

* ITEM 20 INCLUDES THESE PARTS.

DIFFERENTIAL CARRIER ASSEMBLY - FRONT AXLE

Item No.	Part Number	Qty.	Description
1	8032817	1	Differential Carrier Assembly (Includes Items 2 thru 40)
2	8032834	2	Ring, Adjusting
3	8032836	2	Cup, Roller Bearing
4	8032835	2	Cone, Roller Bearing
5	8032830	12	Screw, Differential
6	8032821	1	Differential Case Assembly (Includes Items 7 thru 13)
7	8032828	2	Washer, Thrust
8	8032824	2	Gear, Differentail Side
9	8032823	2	Washer, Pinion Thrust
10	8032827	2	Gear, Pinion
11	8032822	1	Shaft, Differential
12	8032825	1	Case, Differentail
13	8032829	1	Pin, Pinion Bearing Cage
14	8032837	1	Gear & Pinion Assembly
15	8032838	1	Cone, Roller Bearing
16	8032839	1	Cup, Roller Bearing
17	8032840	AR	Shim, Bevel Pinion Bearing, 0.003
18	8032841	AR	Shim, Bevel Pinion Bearing, 0.005
19	8032842	AR	Shim, Bevel Pinion Bearing, 0.010
20	8032954	1	Carrier Assembly (Includes Items 21 thru 24)
21	N.S.S	1	Carrier
22	N.S.S	2	Cap, Differential Carrier
23	8032819	4	Screw, Differential Bearing Cap
24	8032820	4	Washer, Differential Bearing Cap
25	8032831	2	Bolt, Hex
26	8032832	2	Washer, Flat
27	8032833	2	Clip, Adjusting Ring
28	8033824	14	Screw, Cap, Hex Hd
29	8032855	14	Washer, Flat
30	8032843	1	Spacer, Flat
31	8033807	AR	Shim, Adjusting
32	8032845	1	Cup, Roller Bearing
33	8032846	1	Cone, Roller Bearing
34	8032847	1	Washer, Thrust, Bearing
35	8032980	1	Seal, Oil (See Kits)
36	8032849	1	End Yoke Assembly (Includes Items 37 & 38)
37	8032850	1	Deflector
38	8032960	1	End Yoke
39	8032851	1	Wahser, Pinion Nut
40	8032852	1	Nut, Pinion (See Kits)
41	8033179	1	Housing, Axle
42	8032859	2	Fitting, Grease
43	7089722	2	Bushing, Axle Pivot
44	8032857	2	Pin, Dowel
45	8032854	2	Plug, Pipe
46	8033228	1	Vent
			Kits
47	8033485	1	Front or Rear Axle Seal Kit - w/Brakes (Includes the following items which contains enough seals to service one complete axle) Oil Seal, Pinion (Item 35, Page 3.11) Nut, Pinion (Item 40, Page 3.11) Oil Seal, Deflector (Item 9, Page 3.13) Oil Seal, Shaft/Housing (Item 10, Page 3.13) Oil Seal, King Pin (Item 22, Page 3.13) Oil Seal, Wheel Hub (Item 40, Page 3.15) Oil Seal, Shaft Spindle (Item 42, Page 3.15)

DIFFERENTIAL CARRIER ASSEMBLY - FRONT AXLE



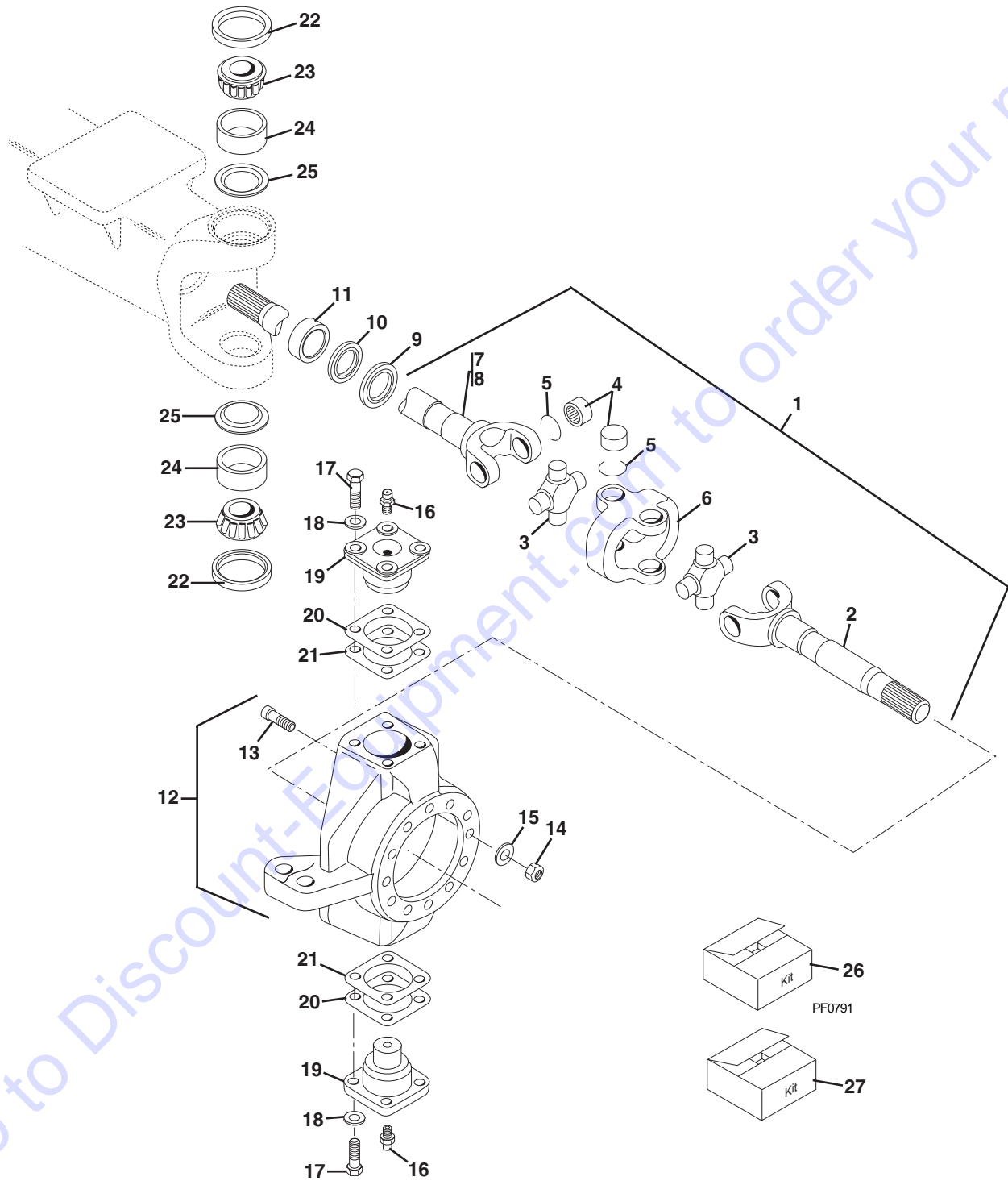
**** ITEMS INCLUDED WITH ITEM 6.**

*** ITEM 20 INCLUDES THESE PARTS.**

DIFFERENTIAL CARRIER ASSEMBLY - FRONT AXLE

Item No.	Part Number	Qty.	Description
1	8033491	1	Differential Carrier Assembly (Includes Items 2 thru 37)
2	8032834	2	Ring, Adjusting
3	8032836	2	Cup, Roller Bearing
4	8032835	2	Cone, Roller Bearing
5	8032830	12	Screw, Differential
6	8032821	1	Differential Case Assembly (Includes Items 7 thru 13)
7	8032828	2	Washer, Thrust
8	8032824	2	Gear, Differential Side
9	8032823	2	Washer, Pinion Thrust
10	8032827	2	Gear, Pinion
11	8032822	1	Shaft, Differential
12	8032825	1	Case, Differential
13	8032829	1	Pin, Pinion Bearing Cage
14	8032837	1	Gear & Pinion Assembly
15	8032838	1	Cone, Roller Bearing
16	8032839	1	Cup, Roller Bearing
17	8032840	AR	Shim, Bevel Pinion Bearing, 0.003
18	8032841	AR	Shim, Bevel Pinion Bearing, 0.005
19	8032842	AR	Shim, Bevel Pinion Bearing, 0.010
20	8032953	1	Carrier Assembly (Includes Items 21 thru 24)
21	N.S.S	1	Carrier
22	N.S.S	2	Cap, Differential Carrier
23	8032819	4	Screw, Differential Bearing Cap
24	8032820	4	Washer, Differential Bearing Cap
25	8032831	2	Bolt, Hex
26	8032832	2	Washer, Flat
27	8032833	2	Clip, Adjusting Ring
28	8033824	14	Screw, Cap, Hex Hd
29	8032855	14	Washer, Flat
30	8032843	1	Spacer, Flat
31	8033807	AR	Shim, Adjusting
32	8032845	1	Cup, Roller Bearing
33	8032846	1	Cone, Roller Bearing
34	8032861	1	Washer, Thrust, Bearing
35	8032862	8	Bolt, Hex
36	8032852	1	Nut Pinion (See Kits)
37	8032851	1	Washer, Pinion Nut
38	8032863	1	End Yoke Assembly
39	8032864	1	Slinger, Dust
40	8033179	1	Housing, Axle
41	8032859	2	Fitting, Grease
42	7089722	2	Bushing, Axle Pivot
43	8032857	2	Pin, Dowel
44	8032854	2	Plug, Pipe
45	8033228	1	Vent
			<u>Kits</u>
46	8033486	1	Rear Axle Seal Kit - w/o Brakes (Includes the following items which contains enough seals to service one complete axle) Nut, Pinion (Item 36, Page 3.12) Oil Seal, Deflector (Item 9, Page 3.13) Oil Seal, Shaft/Housing (Item 10, Page 3.13) Oil Seal, King Pin (Item 22, Page 3.13) Oil Seal, Wheel Hub (Item 29, Page 3.14) Oil Seal, Shaft Spindle (Item 31, Page 3.14)
47	8033485	1	Front or Rear Oil Seal Kit - w/Brakes (See also Page 3.11)

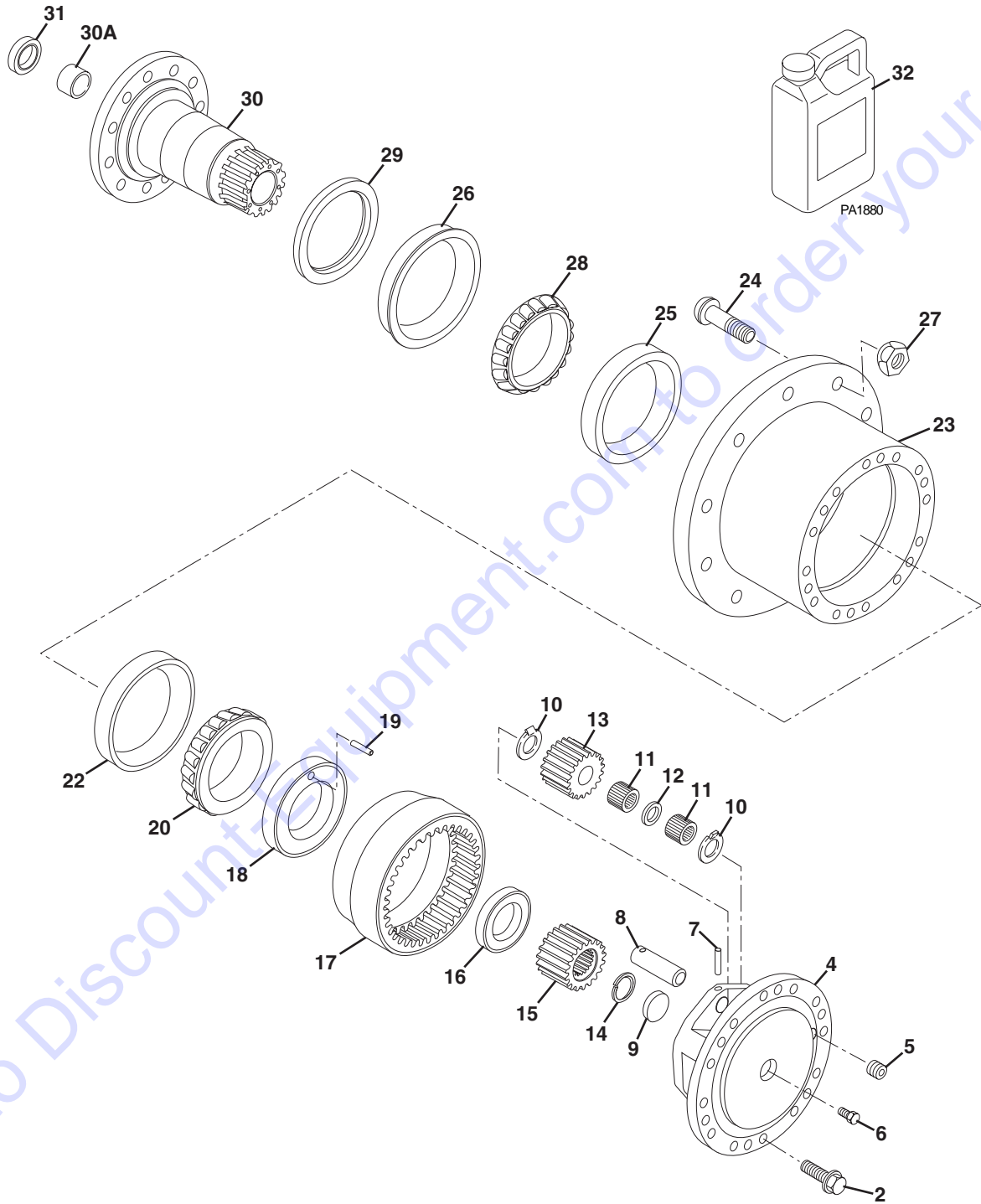
AXLE STEERING JOINTS



AXLE STEERING JOINTS

Item No.	Part Number	Qty.	Description
			Note: Quantities are for one axle
1	8032951	1	Shaft & Joint Assembly, Right Rear, Left Front (Includes item 2 thru 7) (Not Shown)
	8033200		Shaft & Joint Assembly, Left Rear, Right Front (Includes Items 2, 3, 4, 5, 6 & 8)
2	8032868	1	Shaft, Outer
3	See Kits	2	Cross Assembly
4	See Kits	8	Bearing Race Assembly
5	See Kits	8	Ring, Snap
6	8032874	1	Yoke, Center
7	8032869	1	Shaft, Inner Yoke (Not Shown) - Right Rear & Left Front
8	8032870	1	Shaft, Inner Yoke - Left Rear & Right Front
9	8032981	2	Seal, Oil (See Kits below and on Pages 3.11 & 3.12)
10	8032815	2	Seal, Oil (See Kits below and on Pages 3.11 & 3.12)
11	8032887	2	Bushing, Spindle (See Kits)
12	8032866	1	Knuckle Assembly, Left Rear, Right Front (Includes Item 13)
	8032867	1	Knuckle Assembly, Not Shown, Right Rear, Left Front (Includes Item 13)
13	8032878	12	Stud, Dowel
14	8032875	24	Nut, Lock
15	8032876	24	Washer, Flat
16	8032877	4	Fitting, Grease
17	8033824	16	Screw, Cap, Hex Hd
18	8032855	16	Washer, Flat
19	8032880	4	Cap, King Pin
20	8032881	AR	Shim, Formed
21	8032882	AR	Shim, Formed
22	8032979	4	Seal, Oil (See Kits below & on Pages 3.11 & 3.12)
23	8032883	4	Cone, Roller Bearing
24	8032885	4	Cup, Roller Bearing
25	8032886	4	Retainer, Grease
			Kits
26	7091562	AR	Axle Shaft Service Kit (Includes one of each items 9, 10 & 11 & Instruction sheet)
27	8033492	2	Cross & Bearing Kit (Includes one of item 3 & four of items 4 & 5)

WHEEL END - REAR AXLE ONLY (W/O SERVICE BRAKES)



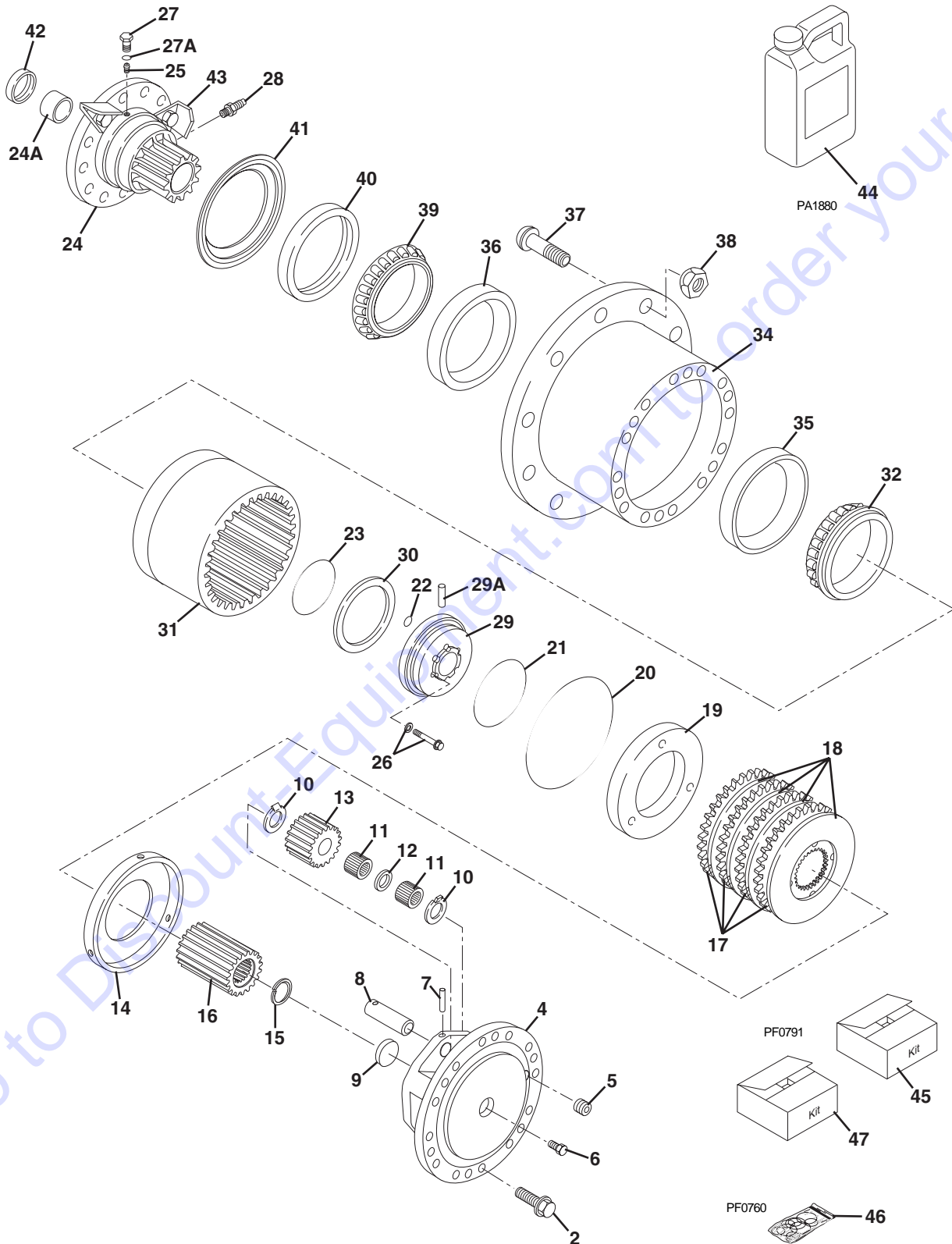
Go to DiscountTractorEquipment.com to order your parts

WHEEL END - REAR AXLE ONLY (W/O SERVICE BRAKES)

Item No.	Part Number	Qty.	Description
			Note: Quantities for items 2 thru 31 are for one wheel assembly
1	8032938	2	Wheel End Assembly, Rear Axle (Includes Items 2 thru 31)
2	8032906	18	Screw, Hex Hd, Self Locking
3	8032918	1	Planetary Gear Assembly (Includes Items 4 thru 13)
4	8032903	1	Flange, Drive, Planetary
5	8032895	1	Plug, Pipe
6	8032894	1	Plug, Hex Hd
7	8032937	3	Pin, Roller
8	8032899	3	Shaft, Planet Gear
9	8032896	1	Washer, Drive Flange
10	8032901	6	Washer, Keyed
11	8032898	150	Bearing Single Roller
12	8032897	3	Washer, Planet Gear
13	8032902	3	Gear, Spur
14	8032908	1	Ring, Snap
15	8032939	1	Gaer, Spur
16	8032940	1	Spacer, Flat
17	8032941	1	Gear, Planetary Ring
18	8032943	1	Nut, Lock
19	8032942	1	Pin, Roll
20	8032944	1	Cone, Roller Bearing
21	8033225	1	Hub Assembly (Includes Items 22 thru 26)
22	8032934	1	Cup, Roller Bearing
23	8032933	1	Hub, Planetary
24	8032893	10	Bolt, Wheel, RH
25	8032935	1	Cup, Roller Bearing
26	8032936	1	Slinger, Hub Oil
27	8786516	10	Nut, Wheel
28	8032945	1	Cone, Roller Bearing
29	8032988	1	Seal, Oil (See Kit, Page 3.12)
30	8032948	1	Spindle Assembly (Includes Item 30A)
30A	8032977	1	Bushing, Spindle
31	8032982	1	Seal, Oil (See Kit, Page 3.12)
32	8522042	AR	Fluid, Special Wet Disc Brake, 1 Gal. (Not Shown)

WHEEL END - WITH SERVICE BRAKES

(FRONT AXLES S/N 6036-2343 AND BEFORE AND REAR AXLES S/N 6036-1305 AND BEFORE)



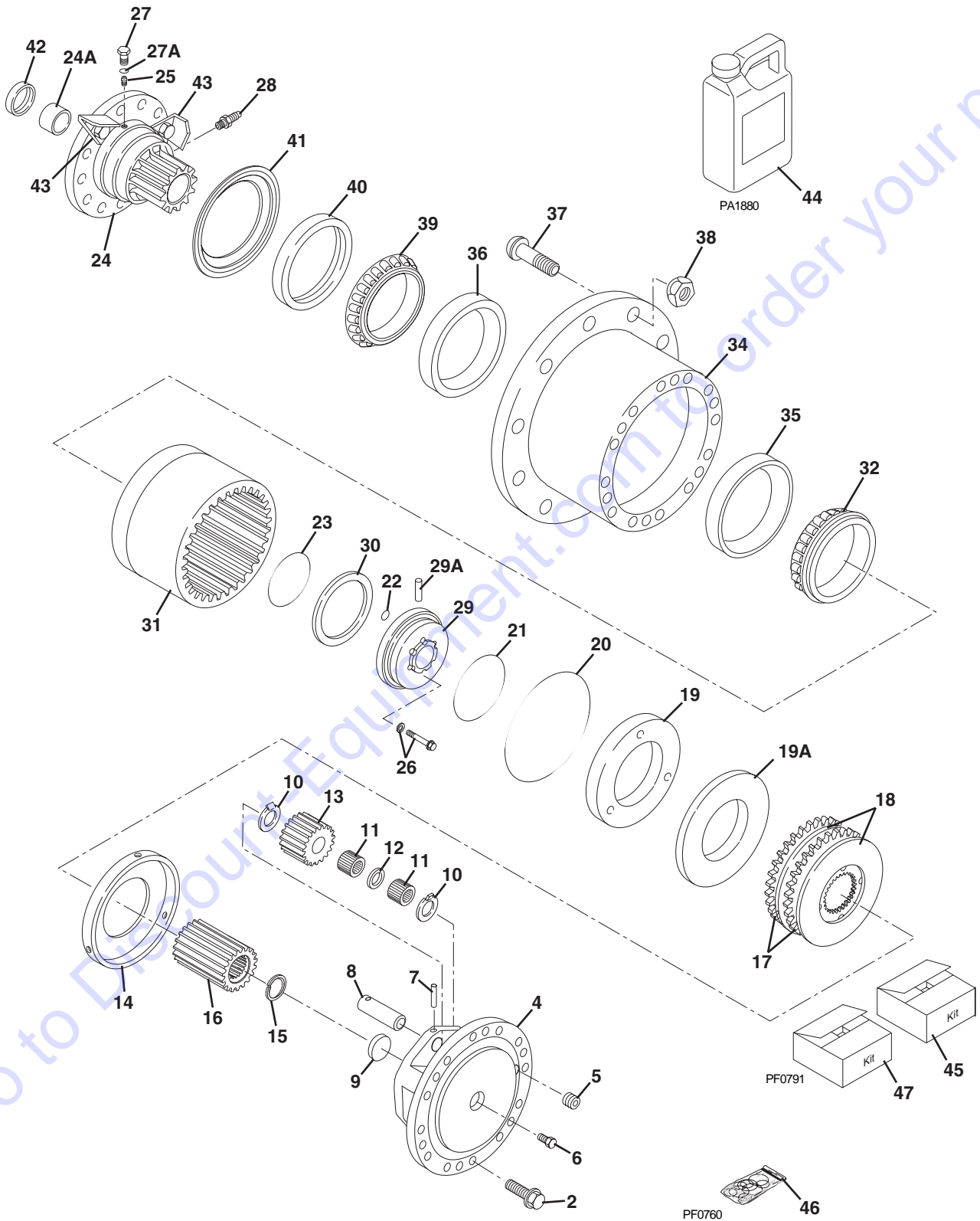
WHEEL END - WITH SERVICE BRAKES

(FRONT AXLES S/N 6036-2343 AND BEFORE AND REAR AXLES S/N 6036-1305 AND BEFORE)

Item No.	Part Number	Qty.	Description
			Note: Quantities for items 2 thru 43 are for one wheel end assembly
1	8033095	2	Wheel End Assembly, Front Axle (Includes Items 2 thru 43)
2	8032906	18	Screw, Hex Hd, Self Locking
3	8033012	1	Planetary Gear Assembly (Includes Items 4 thru 14)
4	8032903	1	Flange, Planetary Drive
5	8032895	1	Plug, Pipe
6	8032894	1	Plug, Hex Hd
7	8032900	3	Pin, Roller
8	8032899	3	Shaft, Planet Gear
9	8032896	1	Washer, Drive Flange
10	8032901	6	Washer, Keyed
11	8032898	150	Bearing, Single Roller
12	8032897	3	Washer, Planet Gear
13	8032902	3	Gear, Spur
14	8032904	1	Plate, Lining Stop
15	8032908	1	Ring, Snap
16	8032907	1	Gear, Spur
17	N.S.S	4	Plate, Lining Stop (See Kits)
18	N.S.S	4	Disc Assembly (See Kits)
19	8032912	1	Piston
20	8032924	1	O-Ring (See Kits)
21	8032925	1	O-Ring (See Kits)
22	8032922	2	O-Ring (See Kits)
23	8032923	1	O-Ring (See Kits)
24	See Kits	1	Spindle Assembly (Includes Items 24A & 25)
24A	8032978	1	Bushing, Spindle
25	8032826	1	Seat, Bleeder (See Kits)
26	8034581	1	Screw 12 Pt Cap & Washer Kit (Contains 6 each)
27	8032984	1	Plug, Bleeder
27A	8032985	1	O-Ring, Bleeder Plug
28	8032848	1	Fitting, Brake
29	8032920	1	Retainer, Bearing Adjuster Ring (Includes Item 29A)
29A	8032949	1	Tubing, Brake
30	8032972	AR	Shim, Adjusting, 0.010
	8032973	AR	Shim, Adjusting, 0.020
	8032974	AR	Shim, Adjusting, 0.030
31	8032910	1	Gear, Planetary
32	8032913	1	Cone, Roller Bearing
33	8032879	1	Hub Assembly (Includes Items 34 thru 37)
34	8032890	1	Hub, Planetary
35	8032891	1	Cup, Roller Bearing
36	8032892	1	Cup, Roller Bearing
37	8032893	10	Bolt, Wheel, RH
38	8786516	10	Nut, Wheel
39	8032914	1	Cone, Roller Bearing
40	8032983	1	Seal, Oil (See Kits, Page 3.11)
41	8032926	1	Deflector, Seal
42	8032982	1	Seal, Oil (See Kit, Page 3.11)
43	8033226	2	Scraper
44	8522042	AR	Fluid, Special Wet Disc Brake, 1 GAL.
			Kits
45	8032927	1	Service Kit, Spindle (Includes Items 24, 24A, 25 & 26)
46	8032957	1	Wet Brake Seal Kit (Includes Items 20 thru 23)
47	8034688	1	Service Kit, Brake Discs and Plates (Includes Items 17 & 18)

WHEEL END - WITH SERVICE BRAKES

(REAR AXLE ONLY - S/N 6036-1306 THRU 2337)



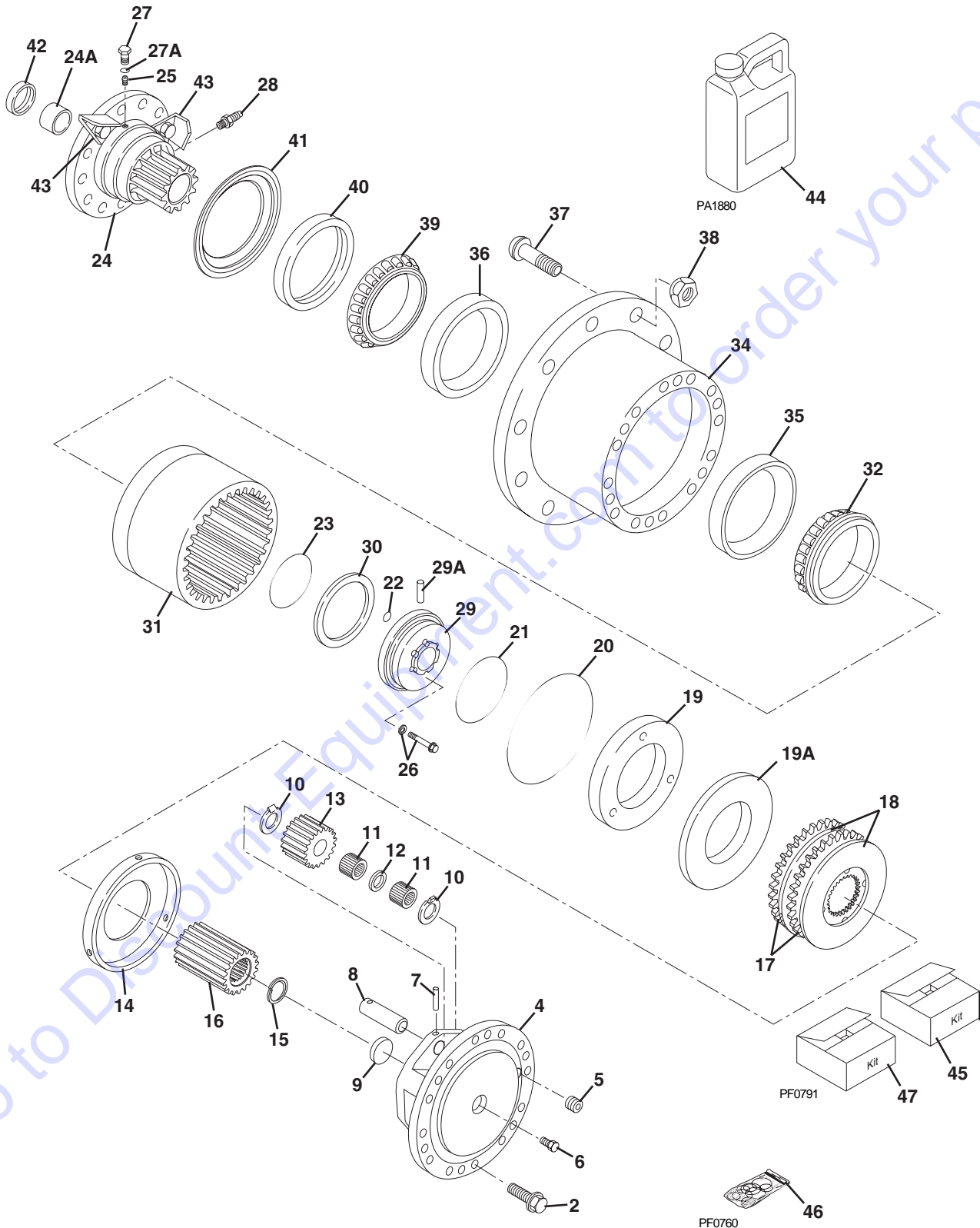
WHEEL END - WITH SERVICE BRAKES

(REAR AXLE ONLY - S/N 6036-1306 THRU 2337)

Item No.	Part Number	Qty.	Description
			Note: Quantities for items 2 thru 43 are for one wheel end assembly
1	8033247	2	Wheel End Assembly (Includes Items 2 thru 43)
2	8032906	18	Screw, Hex Hd, Self Locking
3	8033012	1	Planetary Gear Assembly (Includes Items 4 thru 14)
4	8032903	1	Flange, Planetary Drive
5	8032895	1	Plug, Pipe
6	8032894	1	Plug, Hex Hd
7	8032900	3	Pin, Roller
8	8032899	3	Shaft, Planet Gear
9	8032896	1	Washer, Drive Flange
10	8032901	6	Washer, Keyed
11	8032898	150	Bearing, Single Roller
12	8032897	3	Washer, Planet Gear
13	8032902	3	Gear, Spur
14	8032904	1	Plate, Lining Stop
15	8032908	1	Ring, Snap
16	8032907	1	Gear, Spur
17	N.S.S	2	Plate, Lining Stop (See Kits)
18	N.S.S	2	Disc Assembly (See Kits)
19	8032912	1	Piston
19A	8033248	1	Plate, Spacer
20	8032924	1	O-Ring (See Kits)
21	8032925	1	O-Ring (See Kits)
22	8032922	2	O-Ring (See Kits)
23	8032923	1	O-Ring (See Kits)
24	See Kits	1	Spindle Assembly (Includes Items 24A & 25)
24A	8032978	1	Bushing, Spindle
25	8032826	1	Seat, Bleeder (See Kits)
26	8034581	1	Screw 12 Pt Cap & Washer Kit (Contains 6 each)
27	8032984	1	Plug, Bleeder
27A	8032985	1	O-Ring, Bleeder Plug
28	8032848	1	Fitting, Brake
29	8032920	1	Retainer, Bearing Adjuster Ring (Includes Item 29A)
29A	8032949	1	Tubing, Brake
30	8032972	AR	Shim, Adjusting, 0.010
	8032973	AR	Shim, Adjusting, 0.020
	8032974	AR	Shim, Adjusting, 0.030
31	8032910	1	Gear, Planetary
32	8032913	1	Cone, Roller Bearing
33	8032879	1	Hub Assembly (Includes Items 34 thru 37)
34	8032890	1	Hub, Planetary
35	8032891	1	Cup, Roller Bearing
36	8032892	1	Cup, Roller Bearing
37	8032893	10	Bolt, Wheel, RH
38	8786516	10	Nut, Wheel
39	8032914	1	Cone, Roller Bearing
40	8032983	1	Seal, Oil (See Kits, Page 3.11)
41	8032926	1	Deflector, Seal
42	8032982	1	Seal, Oil (See Kit, Page 3.11)
43	8033226	2	Scraper
44	8522042	AR	Fluid, Special Wet Disc Brake, 1 GAL.
			Kits
45	8032927	1	Service Kit, Spindle (Includes Items 24, 24A, 25 & 26)
46	8032957	1	Wet Brake Seal Kit (Includes Items 20 thru 23)
47	7095841	1	Service Kit, Brake Discs and Plates (Includes Items 17 & 18)

WHEEL END - WITH SERVICE BRAKES

(REAR AXLE ONLY - S/N 6036-2338 AND AFTER)

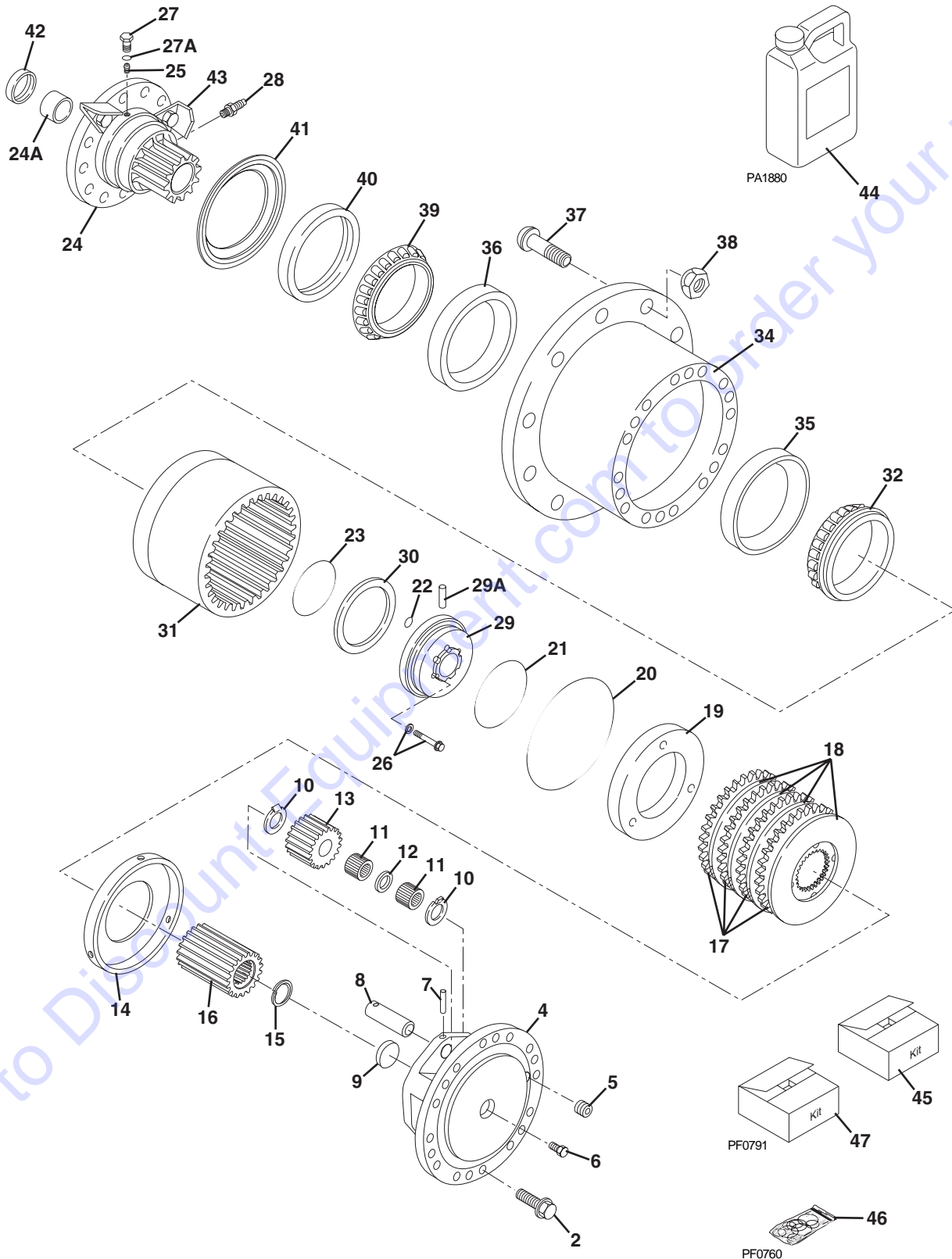


WHEEL END - WITH SERVICE BRAKES

(REAR AXLE ONLY - S/N 6036-2338 AND AFTER)

Item No.	Part Number	Qty.	Description
Note: Quantities for items 2 thru 43 are for one wheel end assembly			
1	8034587	2	Wheel End Assembly (Includes Items 2 thru 43)
2	8032906	18	Screw, Hex Hd, Self Locking
3	8033012	1	Planetary Gear Assembly (Includes Items 4 thru 14)
4	8032903	1	Flange, Planetary Drive
5	8032895	1	Plug, Pipe
6	8032894	1	Plug, Hex Hd
7	8032900	3	Pin, Roller
8	8032899	3	Shaft, Planet Gear
9	8032896	1	Washer, Drive Flange
10	8032901	6	Washer, Keyed
11	8032898	150	Bearing, Single Roller
12	8032897	3	Washer, Planet Gear
13	8032902	3	Gear, Spur
14	8032904	1	Plate, Lining Stop
15	8032908	1	Ring, Snap
16	8032907	1	Gear, Spur
17	N.S.S	2	Plate, Lining Stop (See Kits)
18	N.S.S	2	Disc Assembly (See Kits)
19	8032912	1	Piston
19A	8033248	1	Plate, Spacer
20	8032924	1	O-Ring (See Kits)
21	8032925	1	O-Ring (See Kits)
22	8032922	2	O-Ring (See Kits)
23	8032923	1	O-Ring (See Kits)
24	See Kits	1	Spindle Assembly (Includes Items 24A & 25)
24A	8032978	1	Bushing, Spindle
25	8032826	1	Seat, Bleeder (See Kits)
26	8034584	6	Screw 12 Pt Cap 1/2"
26A	8034585	6	Washer, Flat 1/2"
27	8032984	1	Plug, Bleeder
27A	8032985	1	O-Ring, Bleeder Plug
28	8032848	1	Fitting, Brake
29	8034586	1	Retainer, Bearing Adjuster Ring (Includes Item 29A)
29A	8032949	1	Tubing, Brake
30	8032972	AR	Shim, Adjusting, 0.010
	8032973	AR	Shim, Adjusting, 0.020
	8032974	AR	Shim, Adjusting, 0.030
31	8032910	1	Gear, Planetary
32	8032913	1	Cone, Roller Bearing
33	8032879	1	Hub Assembly (Includes Items 34 thru 37)
34	8032890	1	Hub, Planetary
35	8032891	1	Cup, Roller Bearing
36	8032892	1	Cup, Roller Bearing
37	8032893	10	Bolt, Wheel, RH
38	8786516	10	Nut, Wheel
39	8032914	1	Cone, Roller Bearing
40	8032983	1	Seal, Oil (See Kits, Page 3.11)
41	8032926	1	Deflector, Seal
42	8032982	1	Seal, Oil (See Kit, Page 3.11)
43	8033226	2	Scraper
44	8522042	AR	Fluid, Special Wet Disc Brake, 1 GAL.
Kits			
45	8034583	1	Service Kit, Spindle (Includes Items 24, 24A, 25, 26 & 26A)
46	8032957	1	Wet Brake Seal Kit (Includes Items 20 thru 23)
47	7095841	1	Service Kit, Brake Discs and Plates (Includes Items 17 & 18)

WHEEL END - WITH SERVICE BRAKES (FRONT AXLE ONLY - S/N 6036-2344 AND AFTER)

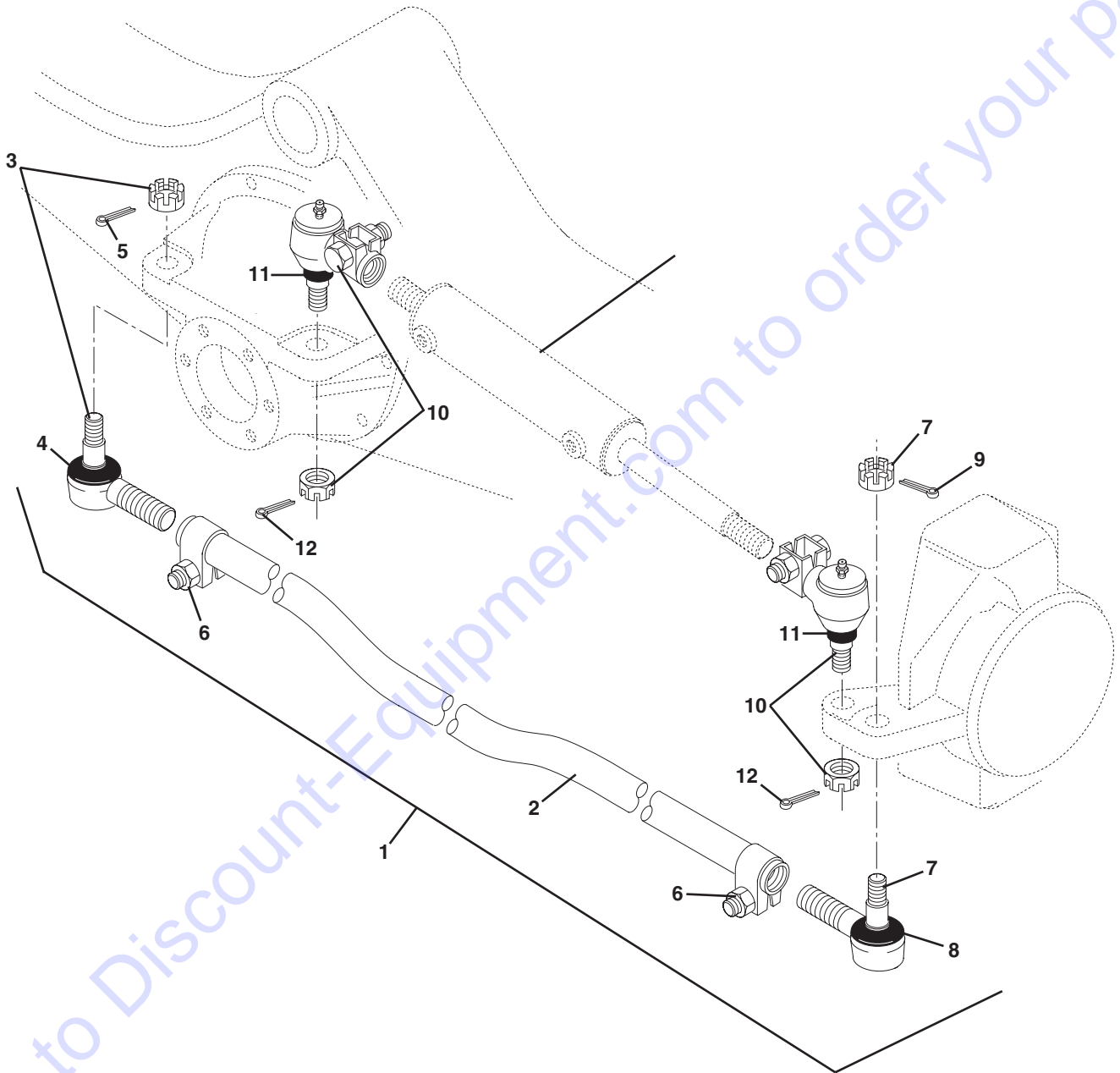


WHEEL END - WITH SERVICE BRAKES

(FRONT AXLE ONLY - S/N 6036-2344 AND AFTER)

Item No.	Part Number	Qty.	Description
Note: Quantities for items 2 thru 43 are for one wheel end assembly			
1	8034588	2	Wheel End Assembly, Front Axle (Includes Items 2 thru 43)
2	8032906	18	Screw, Hex Hd, Self Locking
3	8033012	1	Planetary Gear Assembly (Includes Items 4 thru 14)
4	8032903	1	Flange, Planetary Drive
5	8032895	1	Plug, Pipe
6	8032894	1	Plug, Hex Hd
7	8032900	3	Pin, Roller
8	8032899	3	Shaft, Planet Gear
9	8032896	1	Washer, Drive Flange
10	8032901	6	Washer, Keyed
11	8032898	150	Bearing, Single Roller
12	8032897	3	Washer, Planet Gear
13	8032902	3	Gear, Spur
14	8032904	1	Plate, Lining Stop
15	8032908	1	Ring, Snap
16	8032907	1	Gear, Spur
17	N.S.S	4	Plate, Lining Stop (See Kits)
18	N.S.S	4	Disc Assembly (See Kits)
19	8032912	1	Piston
20	8032924	1	O-Ring (See Kits)
21	8032925	1	O-Ring (See Kits)
22	8032922	2	O-Ring (See Kits)
23	8032923	1	O-Ring (See Kits)
24	See Kits	1	Spindle Assembly (Includes Items 24A & 25)
24A	8032978	1	Bushing, Spindle
25	8032826	1	Seat, Bleeder (See Kits)
26	8034584	6	Screw 12 Pt Cap 1/2"
26A	8034585	6	Washer, Flat 1/2"
27	8032984	1	Plug, Bleeder
27A	8032985	1	O-Ring, Bleeder Plug
28	8032848	1	Fitting, Brake
29	8034586	1	Retainer, Bearing Adjuster Ring (Includes Item 29A)
29A	8032949	1	Tubing, Brake
30	8032972	AR	Shim, Adjusting, 0.010
	8032973	AR	Shim, Adjusting, 0.020
	8032974	AR	Shim, Adjusting, 0.030
31	8032910	1	Gear, Planetary
32	8032913	1	Cone, Roller Bearing
33	8032879	1	Hub Assembly (Includes Items 34 thru 37)
34	8032890	1	Hub, Planetary
35	8032891	1	Cup, Roller Bearing
36	8032892	1	Cup, Roller Bearing
37	8032893	10	Bolt, Wheel, RH
38	8786516	10	Nut, Wheel
39	8032914	1	Cone, Roller Bearing
40	8032983	1	Seal, Oil (See Kits, Page 3.11)
41	8032926	1	Deflector, Seal
42	8032982	1	Seal, Oil (See Kit, Page 3.11)
43	8033226	2	Scraper
44	8522042	AR	Fluid, Special Wet Disc Brake, 1 GAL.
Kits			
45	8034583	1	Service Kit, Spindle (Includes Items 24, 24A, 25, 26 & 26A)
46	8032957	1	Wet Brake Seal Kit (Includes Items 20 thru 23)
47	8033096	1	Service Kit, Brake Discs and Plates (Includes Items 17 & 18)

TIRE ROD & STEERING CYLINDER MOUNTING



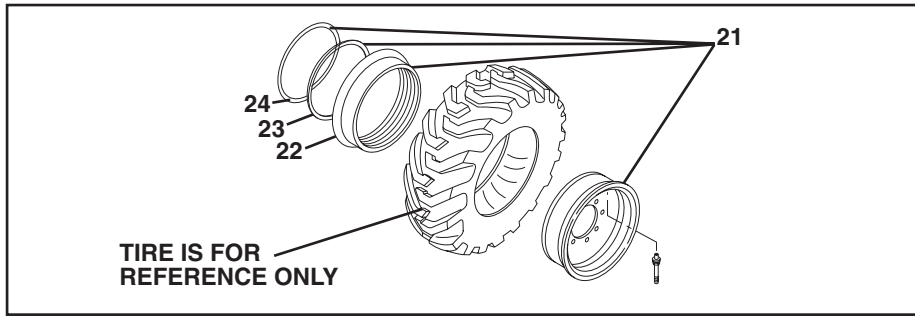
Go to Discount-Equipment.com to order your parts

TIRE ROD & STEERING CYLINDER MOUNTING

Item No.	Part Number	Qty.	Description
			Note: Quantites listed are for one axle
1	8033252	1	Tie Rod Assembly (Includes itesm 2 thru 9)
2	8032928	1	Tube, Tie Rod
3	8032929	1	Socket Assembly, 1-1/8-16 (Includes Nut, Cotter Pin & Boot)
4	8032816	1	Boot
5	8033965	1	Cotter Pin
6	8032930	2	Clamp Assembly
7	8032931	1	Socket Assembly, 1-1/8-12 (Includes Nut, Cotter Pin & Boot)
8	8032816	1	Boot
9	8033965	1	Cotter Pin
10	8340025	4	Socket Assembly, Steer Cylinder (Includes Nut, Cotter Pin & Boot)
11	8032816	AR	Boot
12	8033965	AR	Cotter Pin

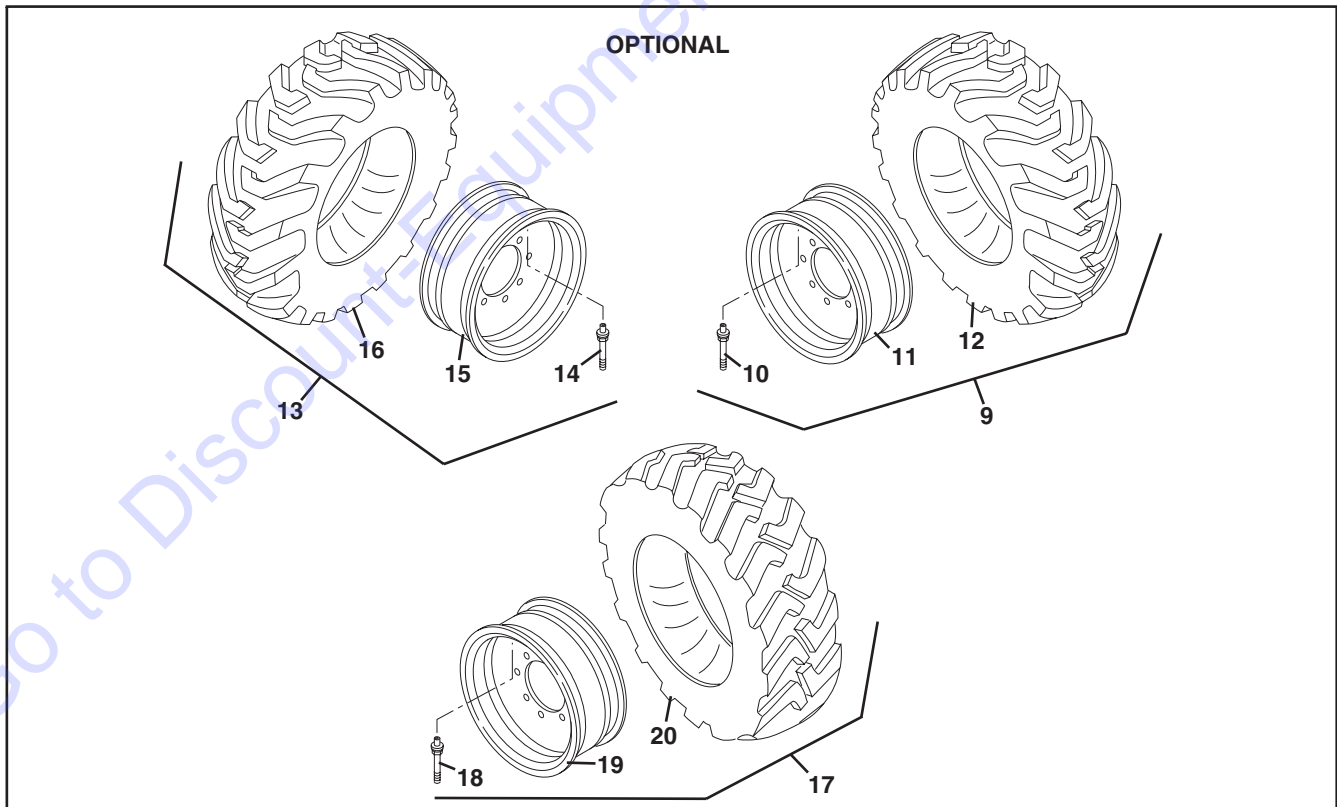
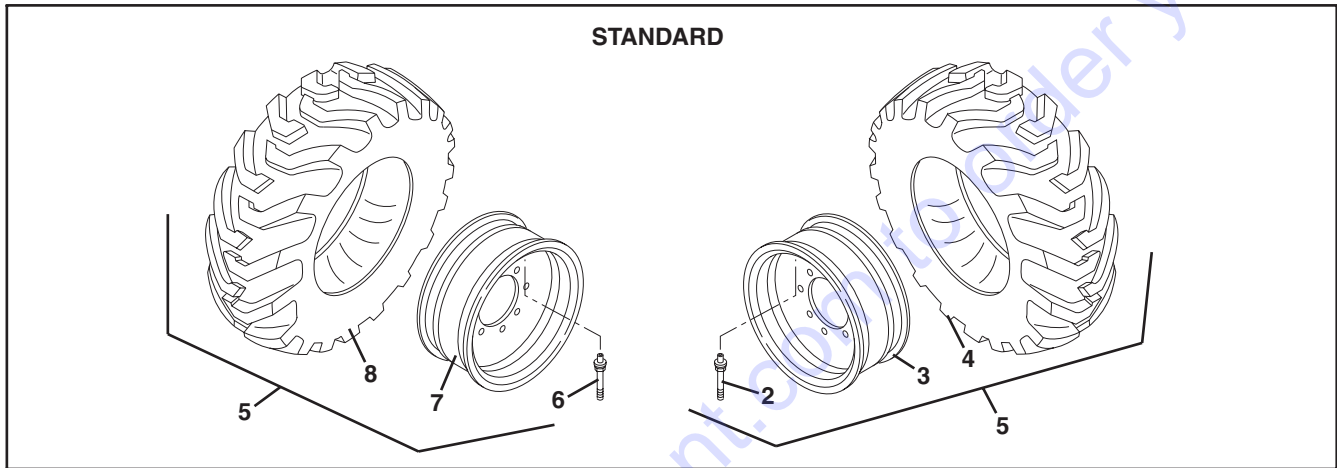
Go to Discount-Equipment.com to order your parts

WHEELS AND TIRES



LEFT SIDE

RIGHT SIDE



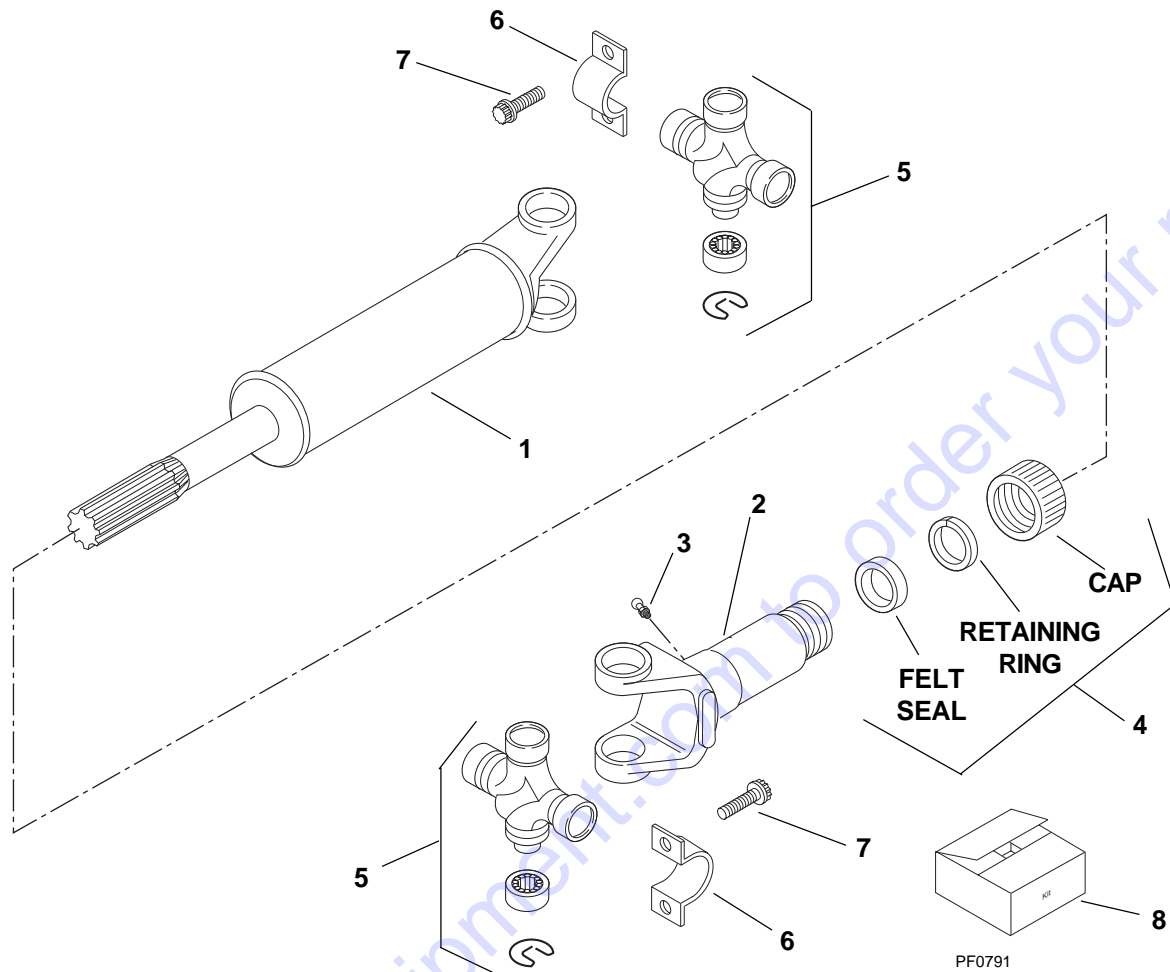
WHEELS AND TIRES

Item No.	Part Number	Qty.	Description
1	7092762	2	Tires & Wheel Assembly, Right Side (Includes items 2 thru 4)
2	8786514	1	Stem, Valve
3	7092533	1	Wheel, 24 x 9
4	8780027	1	Tire, 13.00 - 24, 10 Ply
5	7092772	2	Tire & Wheel Assembly, Left Side (Includes items 6 thru 8)
6	8786514	1	Stem, Valve
7	7092533	1	Wheel, 24 x 9
8	8780027	1	Tire, 13.00 - 24, 10 Ply
9	7084602	2	Tire & Wheel Assembly, Right Side (Optional) (Includes items 10 thru 12)
10	8786514	1	Stem, Valve
11	7078403	1	Wheel, 19.5 x 12.5
12	8780262	1	Tire, 15.00 - 19.5, 12 Ply
13	7084612	2	Tire & Wheel Assembly, Left Side (Optional) (Includes items 14 thru 16)
14	8786514	1	Stem, Valve
15	7078403	1	Wheel, 19.5 x 12.5
16	8780262	1	Tire, 15.00 - 19.5, 12 Ply
17	7092612	4	Tire & Wheel Assembly, Left or Right Side (Optional) (Includes items 18 thru 20)
18	8786514	1	Stem, Valve
19	7092533	1	Wheel, 24 x 9
20	8780264	1	Tire 13.00R - 24, 14 Ply, Radial
21	7083313	1	The Following Rim Assembly is for S/N 1192 & Before Rim Assembly - 4 Piece (Includes items 22 thru 24)
22	8786543	1	Flange
23	8786544	1	Locking Ring
24	8786545	1	O-Ring

Go to Discount-Equipment.com to order your parts

DRIVE SHAFT - TRANSMISSION TO DROP GEAR BOX

(PERKINS AND CUMMINS ENGINES TURBO & NAT. S/N 8L0355 AND AFTER)



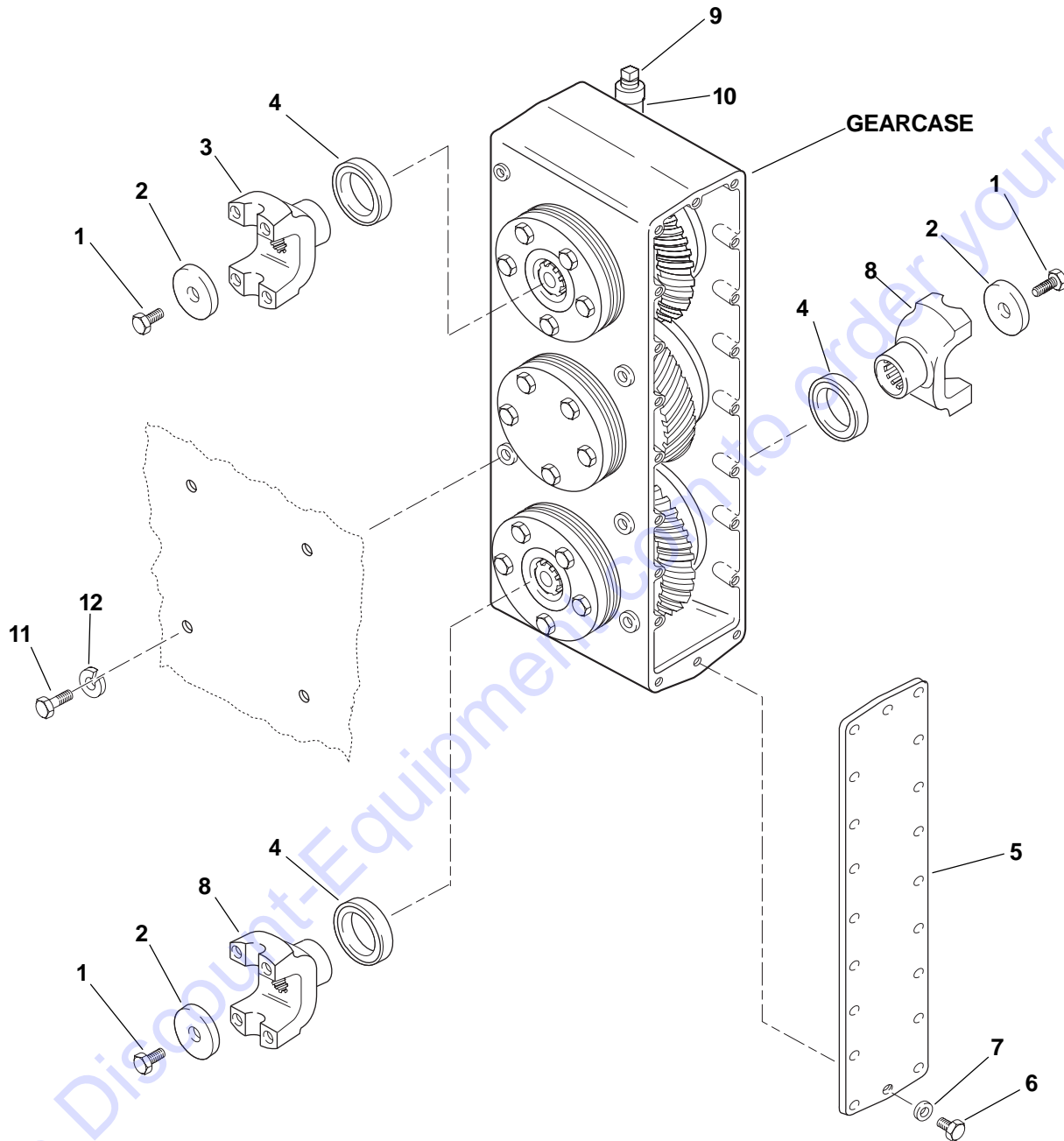
PA1670

Item No.	Part Number	Qty.	Description
1	7088072	1	Drive Shaft, Transmission to Drop Box (Includes items 1 thru 5)
1	8033005		Shaft Assembly
2	8033006	1	Sleeve Assembly
3	8033007	1	Fitting, Grease
4	8033008	1	Seal Package
5	See Kits	2	Cross and Bearing Assembly
6	8880216	4	Strap, Bearing
7	8880217	8	Screw, 12 Pt. Flange Hd, 3/8-24
			KITS
8	8033009	2	Cross & Bearing Kit (Includes 1 Cross, 4 Bearings & 4 Retaining Rings)

Go to Discount-Equipment.com to order your parts

DROP GEAR BOX

(PERKINS AND CUMMINS -TURBO & NAT. ENGINES S/N 8L0355 THRU 9N0941)



DROP GEAR BOX

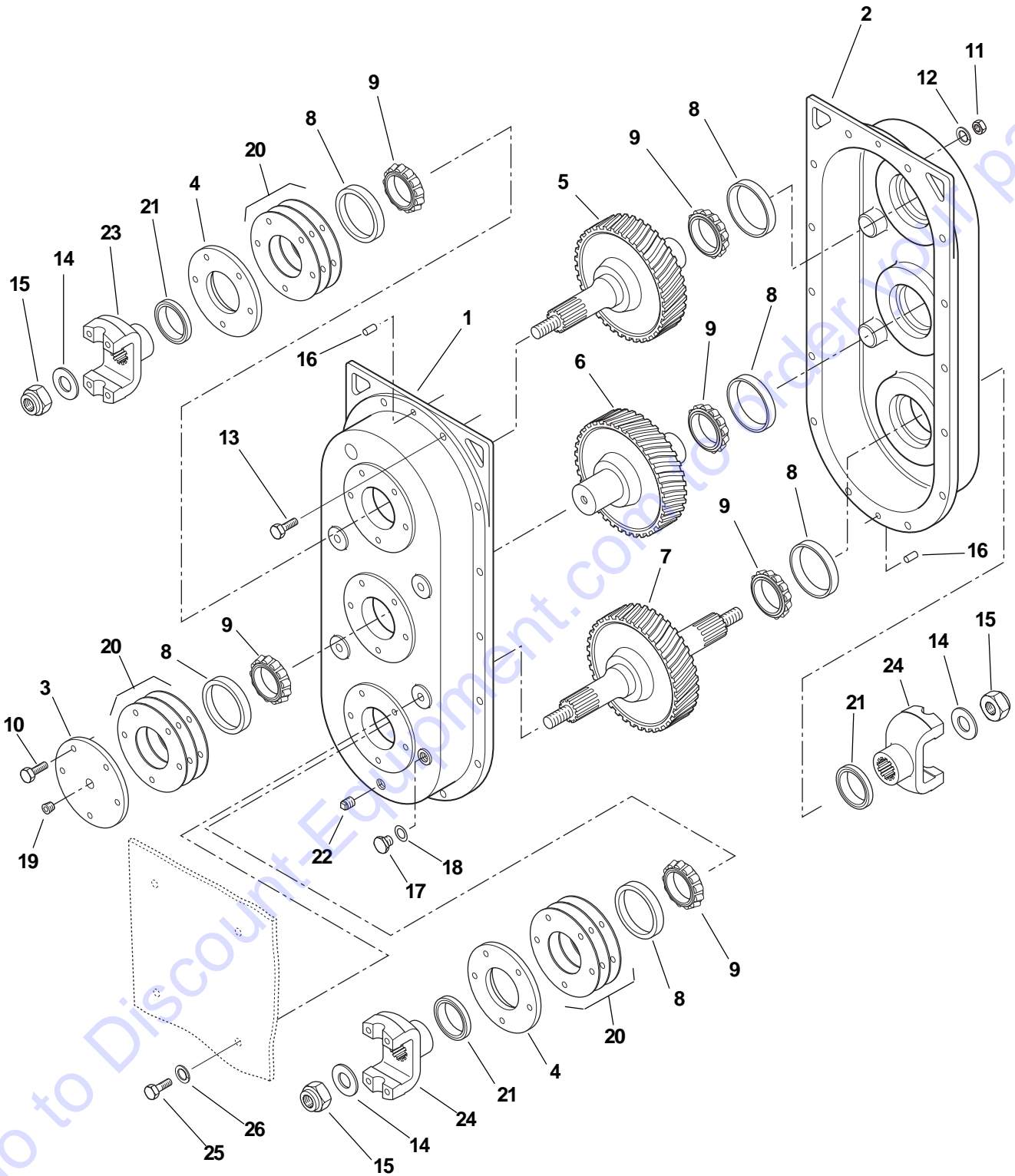
(PERKINS AND CUMMINS -TURBO & NAT. ENGINES S/N 8L0355 THRU 9N0941)

Item No.	Part Number	Qty.	Description
	8841016	1	Drop Box Assembly (Includes Items 1 thru 10)
1	8303624	3	Screw, Hex Hd, 1/2-13 x 1
2	8032768	3	Washer
3	N.L.A	1	Yoke, End
4	8032770	3	Seal
5	8032946	1	Cover, Housing
6	8033681	20	Screw, Hex Hd, 3/8-16 x 3/4 UNC-2A
7	8032787	1	Washer, Flat, 3/8 brass
8	8032766	2	Yoke, End
9	8032785	1	Plug, Vent, 3/8-18 NPT
10	8032781	1	Elbow, 90°, 3/8-18 NPT
11	8303692	4	Screw, Cap, Hex Hd, 1/2 NC x 2-3/4 grade 5
12	8307007	4	Lockwasher, 3/8

Go to Discount-Equipment.com to order your parts

DROP GEAR BOX

(PERKINS AND CUMMINS ENGINES TURBO & NAT. S/N 9N0942 AND AFTER)



PARTS FINDER

**Search Website
by Part Number**



**Search Manual
Library For Parts
Manual & Lookup Part
Numbers – Purchase
or Request Quote**

Search Manuals

Enter your information to search for a manual or to purchase a manual or parts.

* Brand:

* Model:

* Serial:

* Part Number:

SEARCH

**Can't Find Part or
Manual? Request Help
by Manufacturer,
Model & Description**

Parts Order Form

Please fill in the following information:

Manufacturer:

Model:

Description:

Quantity:

Part Number:

Part Name:

Part Description:

Part Category:

Part Location:

Part Status:

Part Condition:

Part Material:

Part Color:

Part Weight:

Part Dimensions:

Part Price:

Part Notes:

Submit

Discount-Equipment.com is your online resource for quality parts & equipment.

Florida: **561-964-4949** Outside Florida TOLL FREE: **877-690-3101**

Need parts?

Click on this link: <http://www.discount-equipment.com/category/5443-parts/> and choose one of the options to help get the right parts and equipment you are looking for. Please have the machine model and serial number available in order to help us get you the correct parts. If you don't find the part on the website or on one of the online manuals, please fill out the request form and one of our experienced staff members will get back to you with a quote for the right part that your machine needs.

We sell worldwide for the brands: Genie, Terex, JLG, MultiQuip, Mikasa, Essick, Whiteman, Mayco, Toro Stone, Diamond Products, Generac Magnum, Airman, Haulotte, Barreto, Power Blanket, Nifty Lift, Atlas Copco, Chicago Pneumatic, Allmand, Miller Curber, Skyjack, Lull, Skytrak, Tsurumi, Husquvarna Target, Stow, Wacker, Sakai, Mi-T-M, Sullair, Basic, Dynapac, MBW, Weber, Bartell, Bennar Newman, Haulotte, Ditch Runner, Menegotti, Morrison, Contec, Buddy, Crown, Edco, Wyco, Bomag, Laymor, EZ Trench, Bil-Jax, F.S. Curtis, Gehl Pavers, Heli, Honda, ICS/PowerGrit, IHI, Partner, Imer, Clipper, MMD, Koshin, Rice, CH&E, General Equipment, Amida, Coleman, NAC, Gradall, Square Shooter, Kent, Stanley, Tamco, Toku, Hatz, Kohler, Robin, Wisconsin, Northrock, Oztec, Toker TK, Rol-Air, APT, Wylie, Ingersoll Rand / Doosan, Innovatech, Con X, Ammann, Mecalac, Makinex, Smith Surface Prep, Small Line, Wanco, Yanmar

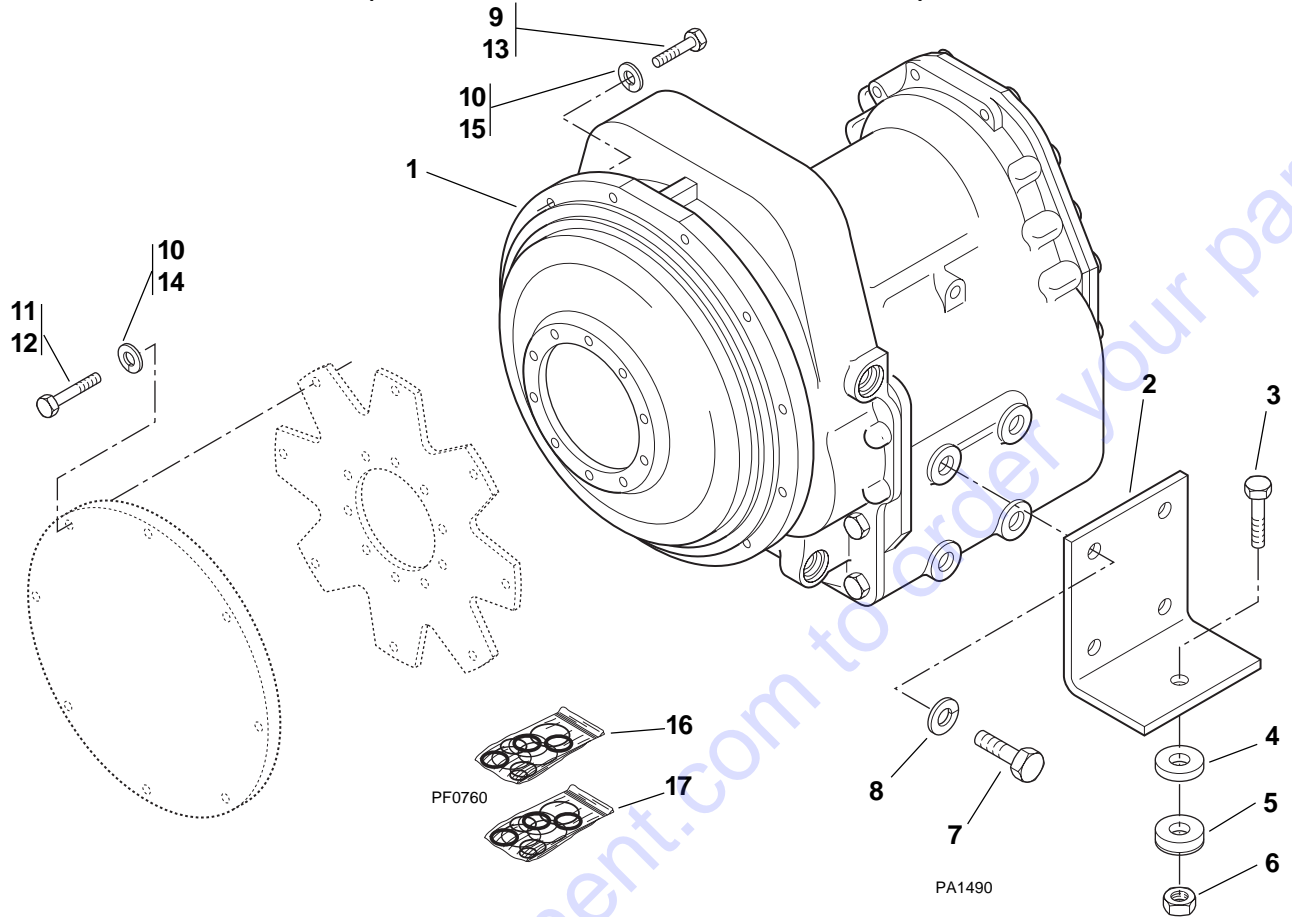
DROP GEAR BOX

(PERKINS AND CUMMINS ENGINES TURBO & NAT. S/N 9N0942 AND AFTER)

Item No.	Part Number	Qty.	Description
	8841020	1	Drop Box Assembly (Includes items 1 thru 24)
1	8033447	1	Housing
2	8033448	1	Housing
3	8033449	1	Cover, Closed
4	8033450	2	Cover, Open
5	8033451	1	Pinion, Input, 69Teeth
6	8033452	1	Pinion, Intermediate, 67 Teeth
7	8033453	1	Pinion, Output, 69 Teeth
8	8033454	6	Cup, Bearing
9	8033455	6	Cone, Bearing
10	8033456	15	Screw, Hex Hd Cap, 3/8-16 x 1"
11	8033457	14	Nut, Hex 3/8-16
12	8033459	14	Lockwasher, 3/8
13	8033461	14	Screw, Hex Hd Cap, 3/8-16 x 1-1/2
14	8033460	3	Washer, Flat 1"
15	8033458	3	Nut, Lock
16	8033462	2	Dowel, 3/8 x 3/4
17	8032780	1	Plug, Magnetic Level, 5/8-18 NPT
18	8032792	1	Washer, Copper
19	8033464	1	Plug, 1/2-14NPT
20	8032786	A/R	Shim
21	8032770	3	Seal
22	8033466	1	Plug, Drain 3/8-18NPT
23	8032950	1	Yoke, Input End
24	8032766	2	Yoke, Output End
25	8303692	4	Screw, Hex Hd Cap, 1/2 NC x 2-3/4 Gr 5
26	8307007	4	Lockwasher, 1/2

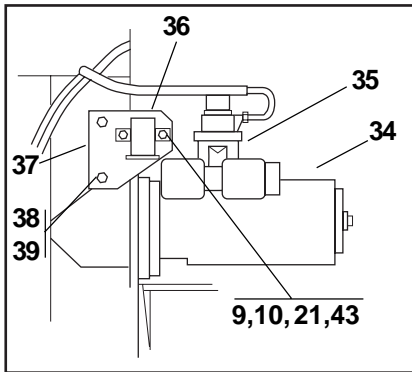
Go to Discount-Equipment.com to order your parts

TRANSMISSION MOUNTING (S/N 9H0794 AND AFTER)

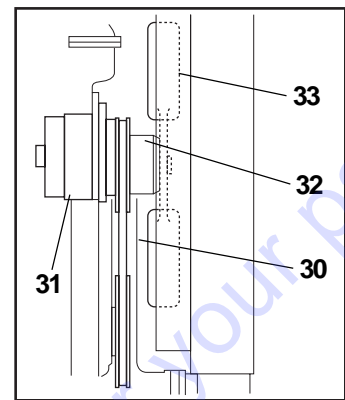


Item No.	Part Number	Qty.	Description
1	8841015	1	Transmission (For Perkins & Cummins Engines S/N 9H0794 thru 0E1179)
	8841023	1	Transmission (For Perkins & Cummins Engines S/N 0E1180 and After)
2	7090942	2	Mount, Transmission
3	8303707	2	Screw, Hex Hd Cap, 5/8 NC x 3.00 Gr 5
4	7088511	2	Washer, Rebound
5	8278009	2	Mount, Vibration
6	8305643	2	Locknut, 5/8-NC ESNA
7	8303664	8	Screw, Hex Hd Cap, 3/4-10 x 1.5 Gr 5
8	8307010	8	Lockwasher, 3/4
			ITEMS 9 THRU 11 - PERKINS ENGINES ONLY
9	8303621	11	Screw, Hex Hd Cap, 3/8 NC x 1.5 Gr 5
10	8307005	19	Lockwasher, 3/8
11	8303659	8	Screw, Hex Hd Cap, 3/8NF x 2.0 Gr 5
			ITEMS 12 THRU 15 - CUMMINS ENGINES ONLY
12	8310038	8	Screw, Hex Hd Cap, 3/8 - 24 x 1.62 Gr
13	8303778	11	Screw, Hex Hd Cap, M10 - 1.5 x 1.5
14	8307005	8	Lockwasher 3/8
15	8307023	11	Lockwasher M10
			KITS
16	8032958	1	Converter and Transmission Gasket and Sealing Kit
17	8032959	1	Converter Section Gasket and Sealing Kit

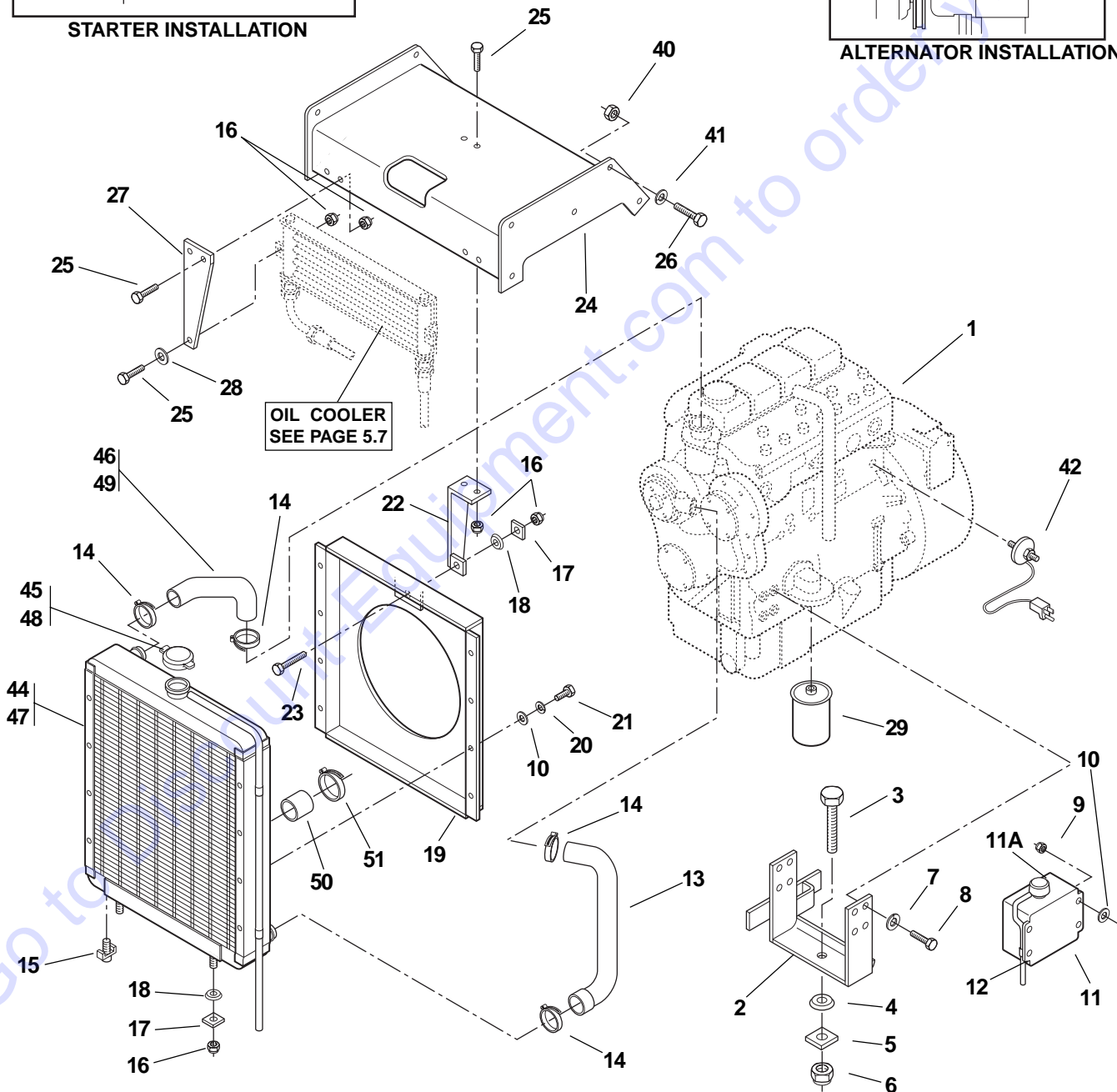
ENGINE, RADIATOR AND OIL COOLER MOUNTING (PERKINS 4.236 —NATURAL)



STARTER INSTALLATION



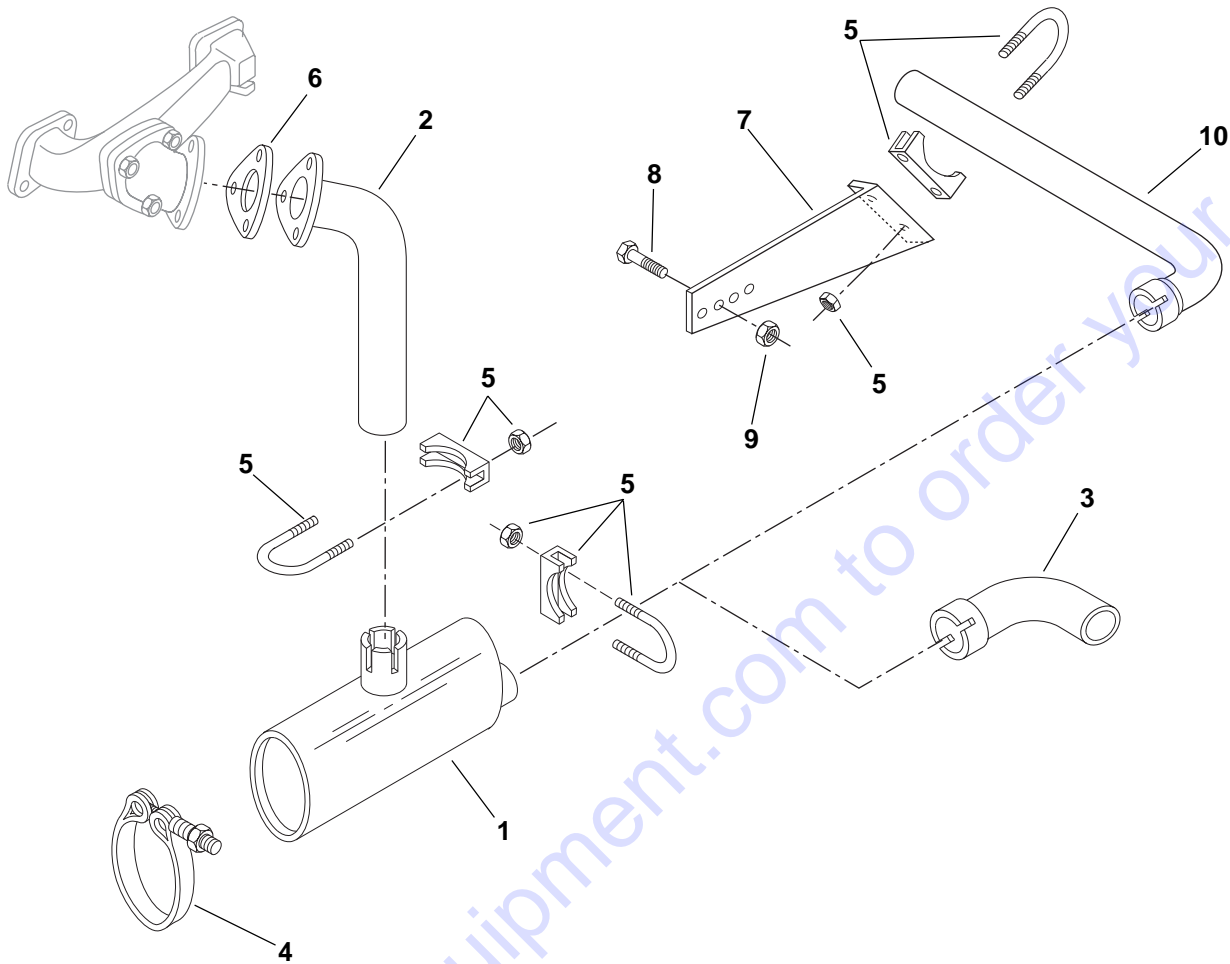
ALTERNATOR INSTALLATION



ENGINE, RADIATOR AND OIL COOLER MOUNTING (PERKINS 4.236 —NATURAL)

Item No.	Part Number	Qty.	Description
1	8262117	1	Engine, Perkins 4.236 Diesel
2	7083693	1	Mount, Engine
3	8303640	1	Screw, Hex Hd Cap, 3/4-10 x 3.25
4	8278007	1	Mount, Vibration
5	7054351	1	Washer, Rebound
6	8310067	1	Locknut, 3/4-10 ESNA
7	8307006	8	Lockwasher, 7/16
8	8303604	8	Screw, Hex Hd Cap, 7/16-18 x 1.25
9	8305624	6	Locknut, 1/4-20
10	8307202	17	Washer, Flat, 1/4
11	7085422	1	Tank, Radiator Overflow (Includes Item 11A)
11A	8866341	1	Cap w/tether
12	8406103	1	Clamp
13	7082073	1	Hose, Radiator, Lower
14	8405104	4	Clamp, Hose, 2-1/4
15	8904001	1	Draincock, 1/4
16	8305645	11	Locknut, 3/8-16
17	7057141	3	Washer, Rebound
18	8278008	3	Mount, Vibration
19	7081703	1	Shroud, Radiator
20	8307002	8	Washer, Lock, 1/4
21	8303705	10	Screw, Hex Hd Cap, 1/4-20 x 0.75
22	7088372	1	Support, Radiator
23	8303622	1	Screw, Hex Hd Cap, 3/8-16 x 2.0
24	7080343	1	Support, Rear (S/N 0F1185 and Before)
	7091973	1	Crossmember (S/N 0F1186 and After - Exceptions 0F1189, 0F1190 & 0F1191)
25	8303621	8	Screw, Hex Hd Cap, 3/8-16 x 1.5
26	8303686	10	Screw, Hex Hd Cap, 3/4-10 x 2 .50
27	7083982	2	Support, Oil Cooler
28	8307204	2	Washer, Flat, 3/8
29	8320242	1	Element, Engine Oil Filter
30	8080023	1	Belt, Fan
31	8270221	1	Alternator
32	8270220	1	Pulley, Alternator
33	8272005	1	Fan, Cooling
34	8270411	1	Starter
35	8270412	1	Solenoid, Starter
36	8277143	1	Relay, Starter
37	7082452	1	Bracket, Starter Relay
38	8303624	2	Screw, Hex Hd Cap, 1/2-12 X 1
39	8307007	2	Lockwasher, 1/2
40	8305017	10	Nut, Hex, 3/4-10
41	8307010	10	Lockwasher, 3/4
42	8277094	1	Heater, Engine Coolant (Option)
43	8310002	2	Lockwasher, External Tooth 1/4
			ITEMS 44 thru 46, FOR MACHINES S/N 9G0778 AND BEFORE ONLY
44	7090331	1	Radiator (Includes Item 45)
45	8180306	1	Cap, Radiator
46	7082062	1	Hose, Radiator, Upper
			ITEMS 47 thru 51, FOR MACHINES S/N 9G0779 AND AFTER ONLY
47	7093803	1	Radiator (Includes item 48)
48	8180306	1	Cap, Radiator
49	7089943	1	Hose, Radiator Upper
50	8403224	1	Cap, Test
51	8405203	1	Clamp, Hose, 3.0"

EXHAUST SYSTEM (PERKINS 4.236 - NATURAL)

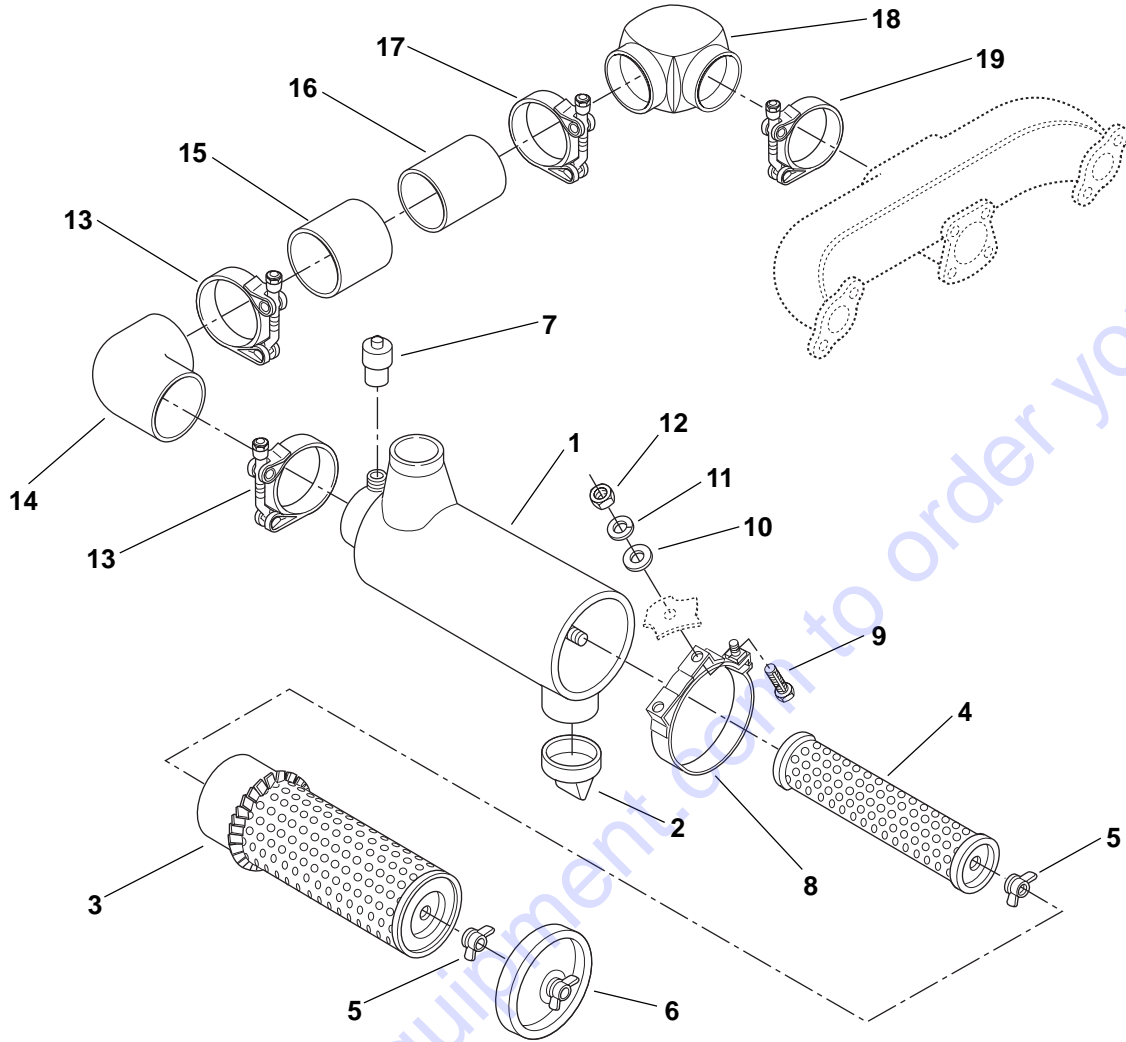


PA1460

Item No.	Part Number	Qty.	Description
1	7079162	1	Muffler
2	7079173	1	Pipe, Exhaust
3	7080782	1	Pipe, Tail
4	8405604	2	Clamp, T-Bolt
5	8275212	3	Clamp, Muffler
6	8030128	1	Gasket, Exhaust Manifold
			The following 4 items are for machines with right side exhaust only. (SN 8H0298 & After)
7	7088362	1	Support, Tail Pipe
8	8303621	2	Screw, Hex Hd Cap, 3/8-16 x 1-1/2
9	8305645	2	Locknut, 3/8-16 x 1-1/2
10	7086742	1	Pipe, Tail

AIR CLEANER

(PERKINS 4.236 - NATURAL - S/N 0F1185 AND BEFORE)



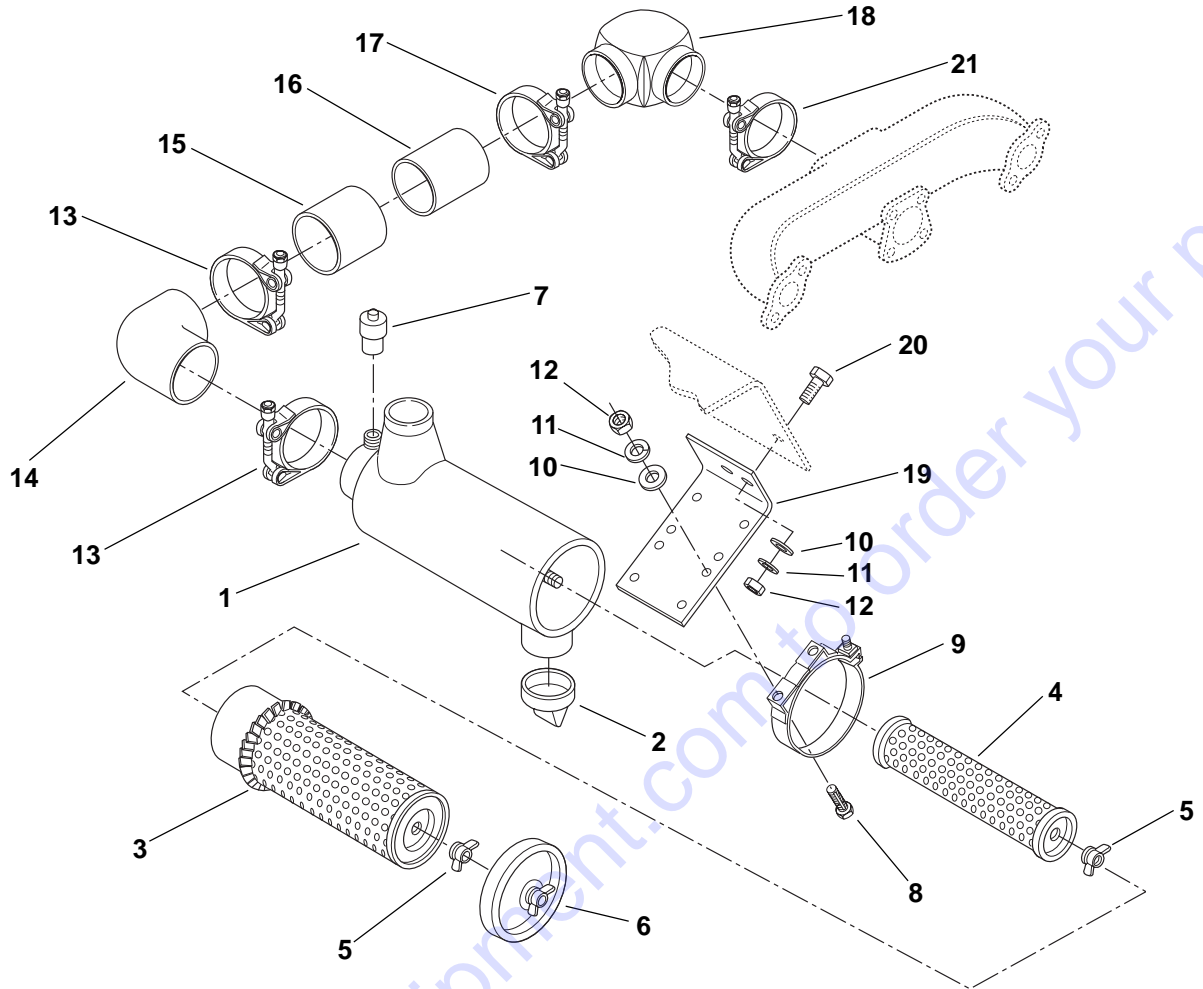
PA1290

Item No.	Part Number	Qty.	Description
1	8273017	1	Air Cleaner Assembly (Includes items 2 thru 6)
2	8032764	1	Valve, Vacuator
3	8273267	1	Element, Primary
4	8273271	1	Element Safety
5	8237272	2	Nut Assembly
6	8032763	1	Cover, End
7	8373241	1	Indicator, Service, 25 inch
8	8273266	2	Band, Mounting, Air Cleaner
9	8303697	4	Screw, Hex Hd Cap, 5/16-18 x 3/4, Gr 5
10	8307203	4	Washer, Flat, 5/16
11	8307004	4	Lockwasher, 5/16
12	8305006	4	Nut, Hex, 5/16-18
13	8405305	2	Clamp, Hose, 3.38 to 3.69 inch
14	8273119	1	Elbow, 3 x 90°
15	8402020-0025	1	Hose, 2-1/2 ID x 3.00 OD x 2-1/2
16	7080981	1	Tube, Air Intake
17	8405212	1	Clamp, Hose, 2.69 to 3.00 inch
18	8273269	1	Elbow, Reducing 90°
19	8405211	1	Clamp, Hose, 2.50 to 2.81 inch

Go to Discount-Equipment.com to order your parts

AIR CLEANER

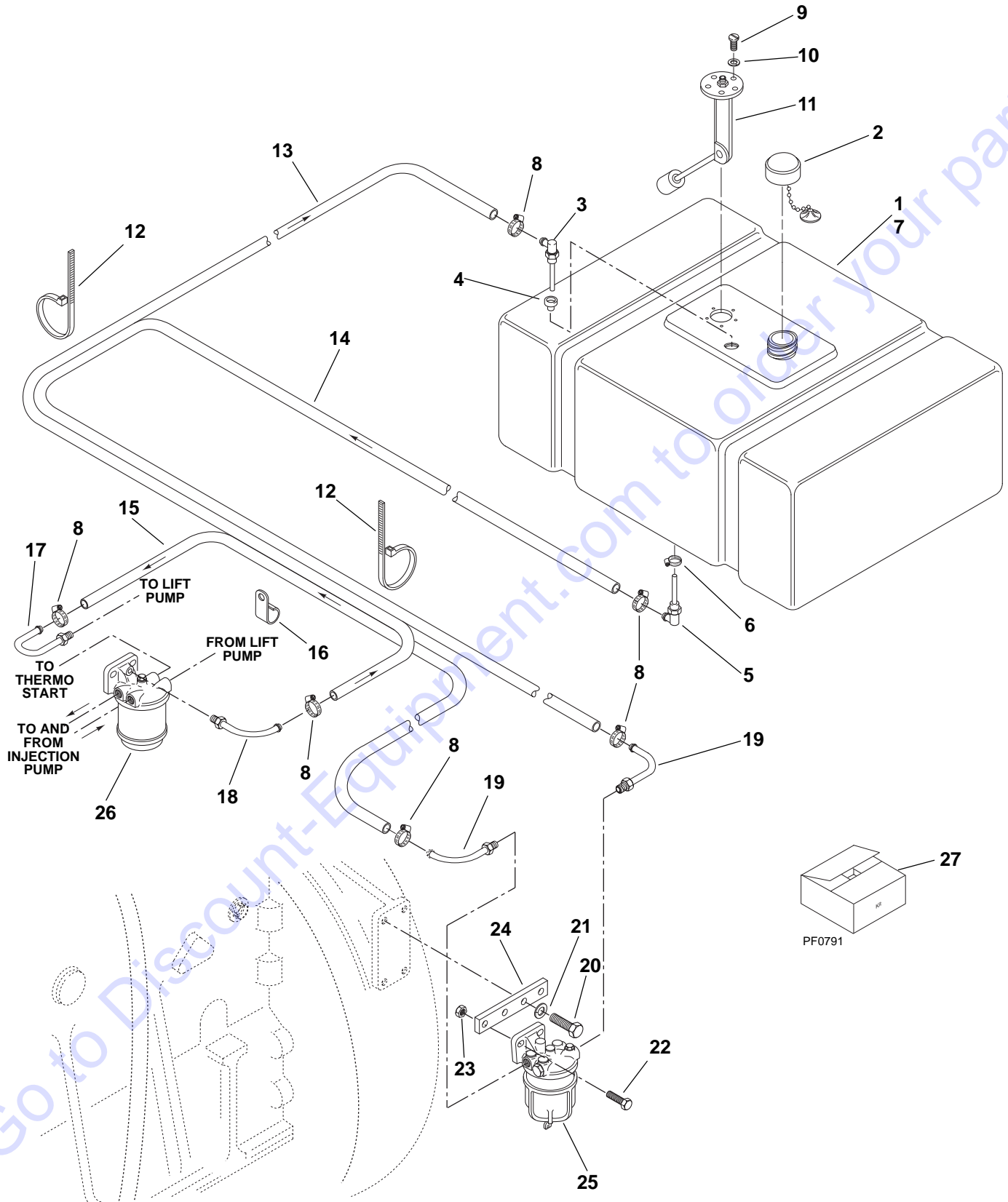
(PERKINS 4.236 - NATURAL - S/N 0F1186 AND AFTER)



PA1300

Item No.	Part Number	Qty.	Description
1	8273017	1	Air Cleaner Assembly (Includes Items 2 thru 6)
2	8032764	1	Valve, Vacuator
3	8273267	1	Element, Primary
4	8273271	1	Element, Safety
5	8273272	2	Nut Assembly
6	8032763	1	Cover, End
7	8273241	1	Indicator, Service, 25 inch
8	8273266	2	Band, Mounting, Air Cleaner
9	8303697	4	Screw, Cap, Hex Hd, 5/16-18 x 3/4
10	8307203	6	Washer, Flat, 5/16
11	8307004	6	Lockwasher, 5/16
12	8305006	6	Nut, Hex, 5/16-18
13	8405305	2	Clamp, Hose, 3.38 to 3.69 inch
14	8273119	1	Elbow, 3 x 90°
15	8402020-0025	1	Hose, 2-1/2 ID x 3.00 OD x 2-1/2
16	7080981	1	Tube, Air Intake
17	8405212	1	Clamp, Hose, 2.69 to 3.00 inch
18	8273269	1	Elbow, Reducing 90°
19	7091902	1	Bracket, Air Cleaner
20	8303739	2	Screw, Hex Hd Cap, 5/16-18 x 1-1/4
21	8405211	1	Clamp, Hose, 2.50 to 2.81 inch

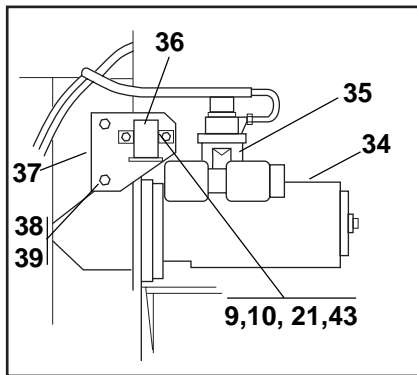
FUEL SYSTEM (PERKINS ENGINES)



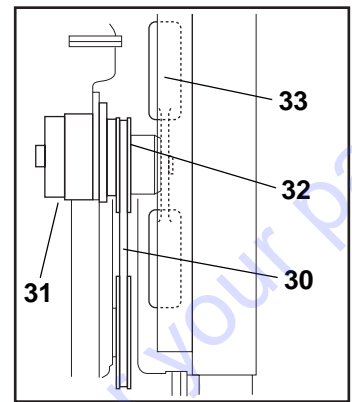
FUEL SYSTEM (PERKINS ENGINES)

Item No.	Part Number	Qty.	Description
1	7078583	1	Tank, Fuel (Includes items 2 thru 7)
2	8033111	1	Cap, Filler, w/tether
3	8033109	1	Elbow, 90° w/standpipe
4	8033175	1	Bushing, Rubber
5	8033176	1	Elbow, 90° w/standpipe
6	8405101	1	Clamp, Hose
7	NSS	1	Tank, Fuel
8	8405009	6	Clamp, Hose
9	8310180	5	Screw, Machine, 10-24 x 3/8
10	8307003	5	Lockwasher, #10
11	7070992	1	Sender, Fuel Level
12	8584001	2	Tie Wrap
13	8403214-1290	1	Hose, Fuel Return, 1/4 x 129.0
14	8403219-1400	1	Hose, Fuel Supply, 5/16 x 140.0
15	8403219-0300	1	Hose, Fuel Supply, 5/16 x 30.0
16	8406101	1	Support, Hose, 5/8
17	7091291	1	Tube, Fuel Filter (Natural) (Not Shown)
	7076721	1	Tube, Fuel Filter (Turbo) (Shown)
18	7092121	1	Tube, Fuel Filter (Natural) (Not Shown)
	7047232	1	Tube, Fuel Filter (Turbo) (Shown)
19	7091291	2	Tube, Fuel Filter (Natural) (Not Shown)
	7076711	2	Tube, Fuel Filter (Turbo) (Shown)
20	8303624	2	Screw, Hex Hd Cap, 1/2-13 x 1.0
21	8307007	2	Lockwasher, 1/2
22	8303621	2	Screw, Hex Hd Cap, 3/8-16 x 1.5
23	8305645	2	Nut, Hex Lock, 3/8-16
24	7083621	1	Bar, Mounting
25	8274012	1	Fuel Pre-Filter
26	8030943	1	Fuel Filter Assembly (See Kits)
			<u>KITS</u>
27	8825183	1	Fuel Filter Element Kit

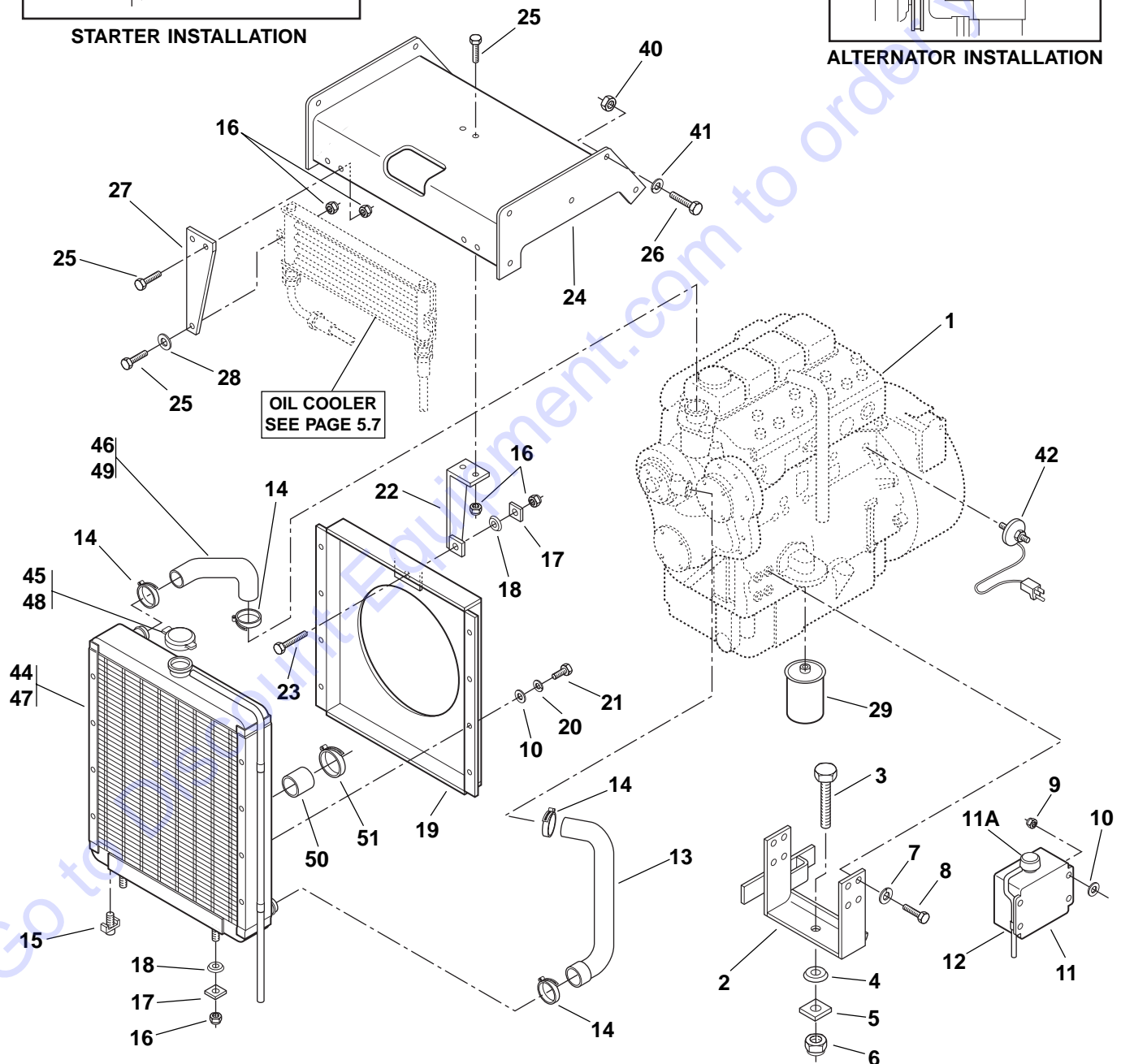
ENGINE, RADIATOR AND OIL COOLER MOUNTING (PERKINS 4.236T - TURBO)



STARTER INSTALLATION



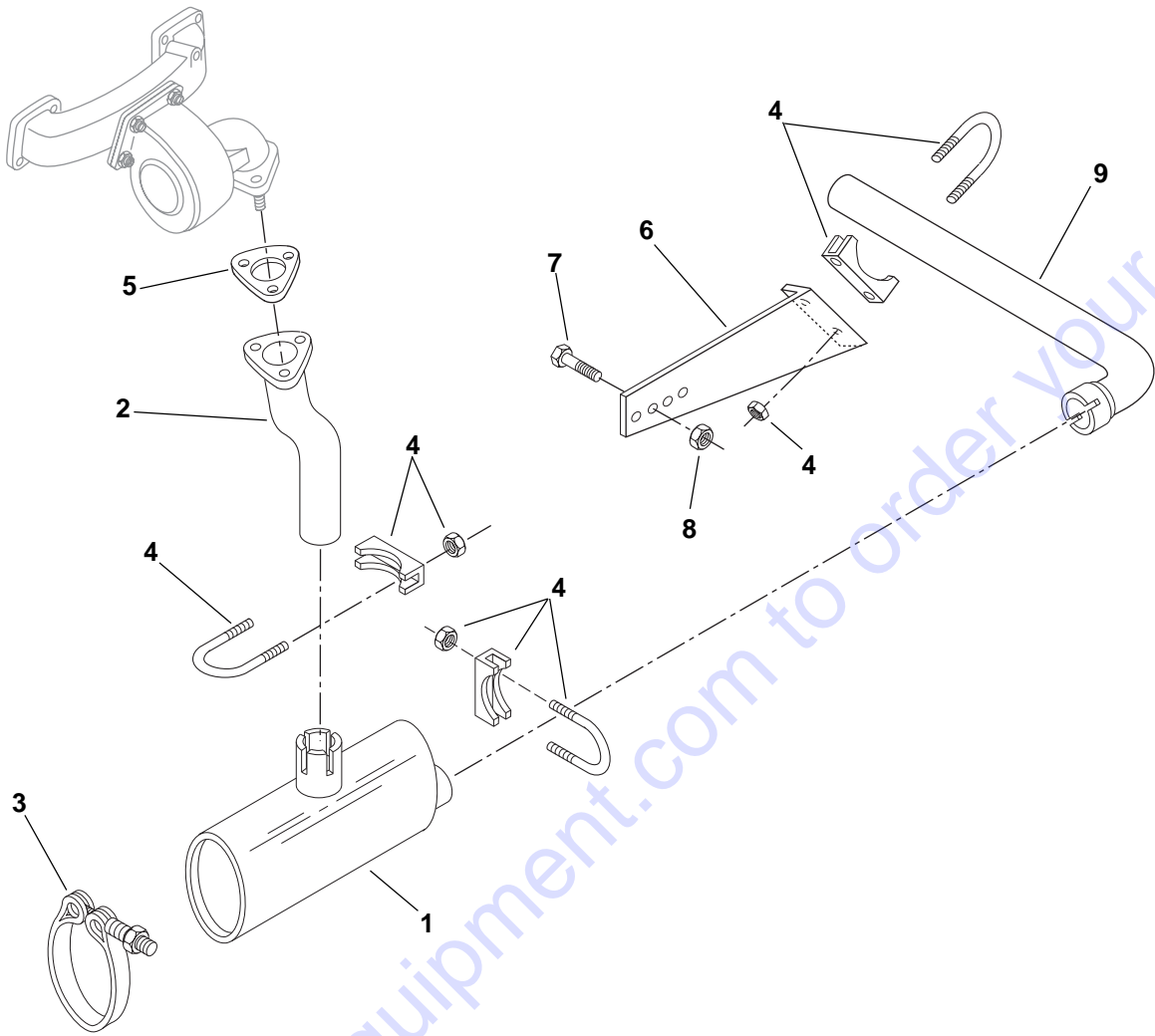
ALTERNATOR INSTALLATION



ENGINE, RADIATOR AND OIL COOLER MOUNTING (PERKINS 4.236T - TURBO)

Item No.	Part Number	Qty.	Description
1	8262125	1	Engine, Perkins 4.236 Diesel
2	7083693	1	Mount, Engine
3	8303640	1	Screw, Hex Hd Cap, 3/4-10 x 3.25
4	8278007	1	Mount, Vibration
5	7054351	1	Washer, Rebound
6	8310067	1	Locknut, 3/4-10 ESNA
7	8307006	8	Lockwasher, 7/16
8	8303604	8	Screw, Hex Hd Cap, 7/16-18 x 1.25
9	8305624	6	Locknut, 1/4-20
10	8307202	17	Washer, Flat, 1/4
11	7085422	1	Tank, Radiator Overflow (Includes Item 11A)
11A	8866341	1	Cap w/tether
12	8406103	1	Clamp
13	7082073	1	Hose, Radiator, Lower
14	8405104	4	Clamp, Hose, 2-1/4
15	8904001	1	Draincock, 1/4
16	8305645	11	Locknut, 3/8-16
17	7057141	3	Washer, Rebound
18	8278008	3	Mount, Vibration
19	7081703	1	Shroud, Radiator
20	8307002	8	Washer, Lock, 1/4
21	8303705	10	Screw, Hex Hd Cap, 1/4-20 x 0.75
22	7088372	1	Support, Radiator
23	8303622	1	Screw, Hex Hd Cap, 3/8-16 x 2.0
24	7080343	1	Support, Rear
25	8303621	8	Screw, Hex Hd Cap, 3/8-16 x 1.5
26	8303686	10	Screw, Hex Hd Cap, 3/4-10 x 2 .50
27	7083982	2	Support, Oil Cooler
28	8307204	2	Washer, Flat, 3/8
29	8320242	1	Element, Engine Oil Filter
30	8080023	1	Belt, Fan
31	8270221	1	Alternator
32	8080220	1	Pulley, Alternator
33	8272005	1	Fan, Cooling
34	8270411	1	Starter
35	8270412	1	Solenoid, Starter
36	8277143	1	Relay, Starter
37	7082452	1	Bracket, Starter Relay
38	8303624	2	Screw, Hex Hd Cap, 1/2-12 x 1
39	8307007	2	Lockwasher, 1/2
40	8305017	10	Nut, Hex, 3/4-10
41	8307010	10	Lockwasher, 3/4
42	8277094	1	Heater, Engine Coolant (Option)
43	8310002	2	Lockwasher, External Tooth 1/4
			ITEMS 44 thru 46, FOR MACHINES S/N 9G0778 AND BEFORE ONLY
44	7090331	1	Radiator (Includes Item 45)
45	8180306	1	Cap, Radiator
46	7082062	1	Hose, Radiator, Upper
			ITEMS 47 thru 51, FOR MACHINES S/N 9G0779 AND AFTER ONLY
47	7093803	1	Radiator (Includes item 48)
48	8180306	1	Cap, Radiator
49	7089943	1	Hose, Radiator Upper
50	8403224	1	Cap, Test
51	8405203	1	Clamp, Hose, 3.0"

EXHAUST SYSTEM (PERKINS 4.236T - TURBO)

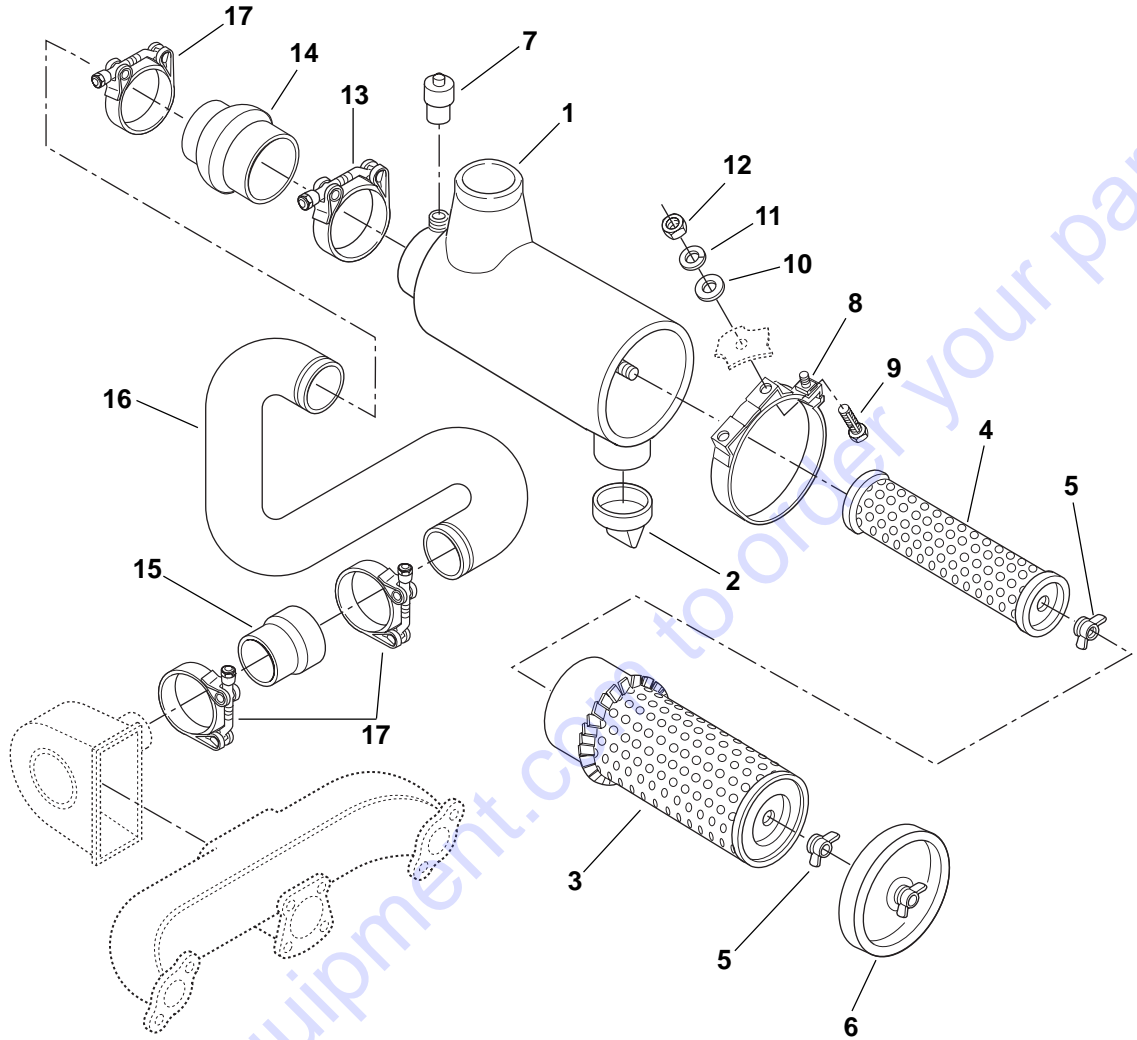


PA1470

Item No.	Part Number	Qty.	Description
1	7079162	1	Muffer
2	7086183	1	Pipe, Exhaust
3	8405604	2	Clamp, T-Bolt
4	8275212	3	Clamp, Muffer
5	8030128	1	Gasket, Exhaust Manifold
6	7088362	1	Support, Tail Pipe
7	8303622	2	Screw, Hex Hd Cap 3/8-16 x 2-1/2
8	8305645	2	Locknut, 3/8-16 ESNA
9	7086742	1	Pipe, Tail

AIR CLEANER

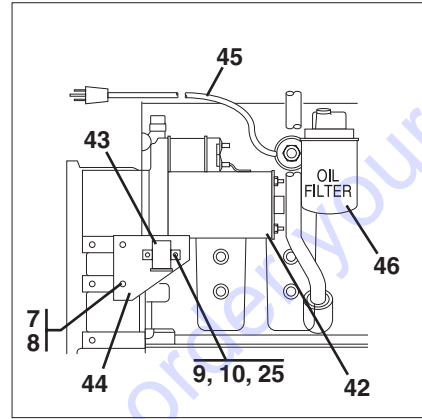
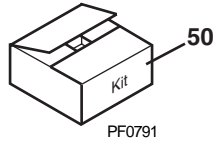
(PERKINS 4.236T - TURBO)



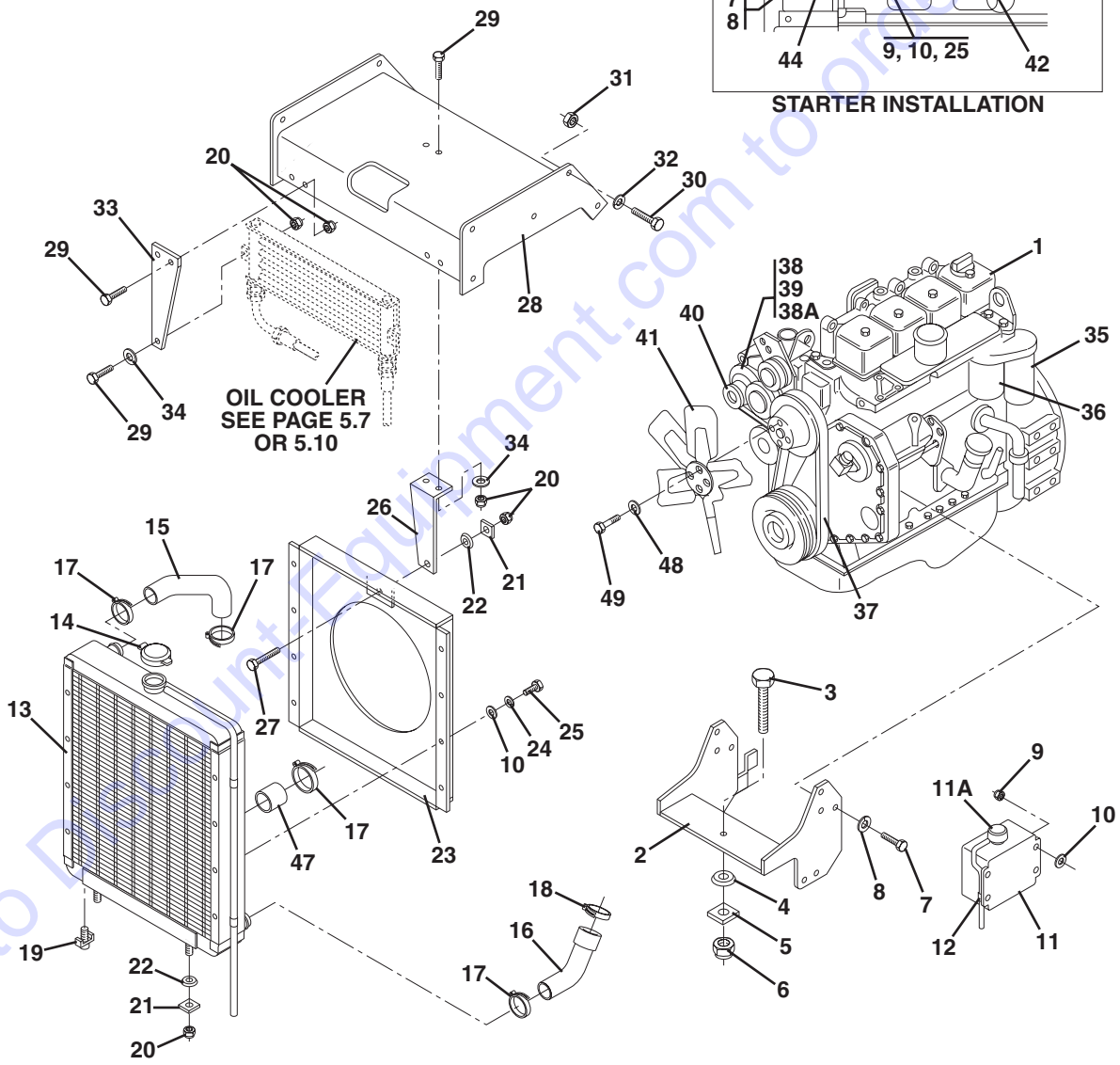
PA1310

Item No.	Part Number	Qty.	Description
1	8273013	1	Air Cleaner Assembly (Includes Items 2 thru 6)
2	8032764	1	Valve, Vacuator
3	8273237	1	Element, Primary
4	8273238	1	Element, Safety
5	8273272	2	Nut Assembly
6	8032762	1	Cover, End
7	8273241	1	Indicator, Service, 25 inch
8	8273240	2	Band, Mounting, Air Cleaner
9	8303697	4	Screw, Cap, Hex Hd, 5/16-18 x 3/4
10	8307203	4	Washer, Flat, 5/16
11	8307004	4	Lockwasher, 5/16
12	8305006	4	Nut, Hex, 5/16-18
13	8405305	1	Clamp, Hose, 3.38 to 3.69 inch
14	8273117	1	Hump Hose
15	8273118	1	Reducer, Hose
16	7086163	1	Tube, Air Intake
17	8405212	3	Clamp, Hose, 2.69 to 3.00 inch

ENGINE, RADIATOR AND OIL COOLER MOUNTING (CUMMINS 4B3.9 - NATURAL - S/N 6036-1525 AND BEFORE)



STARTER INSTALLATION

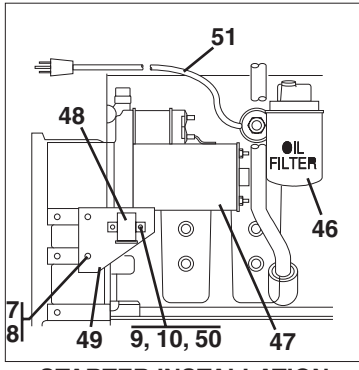


PA0883

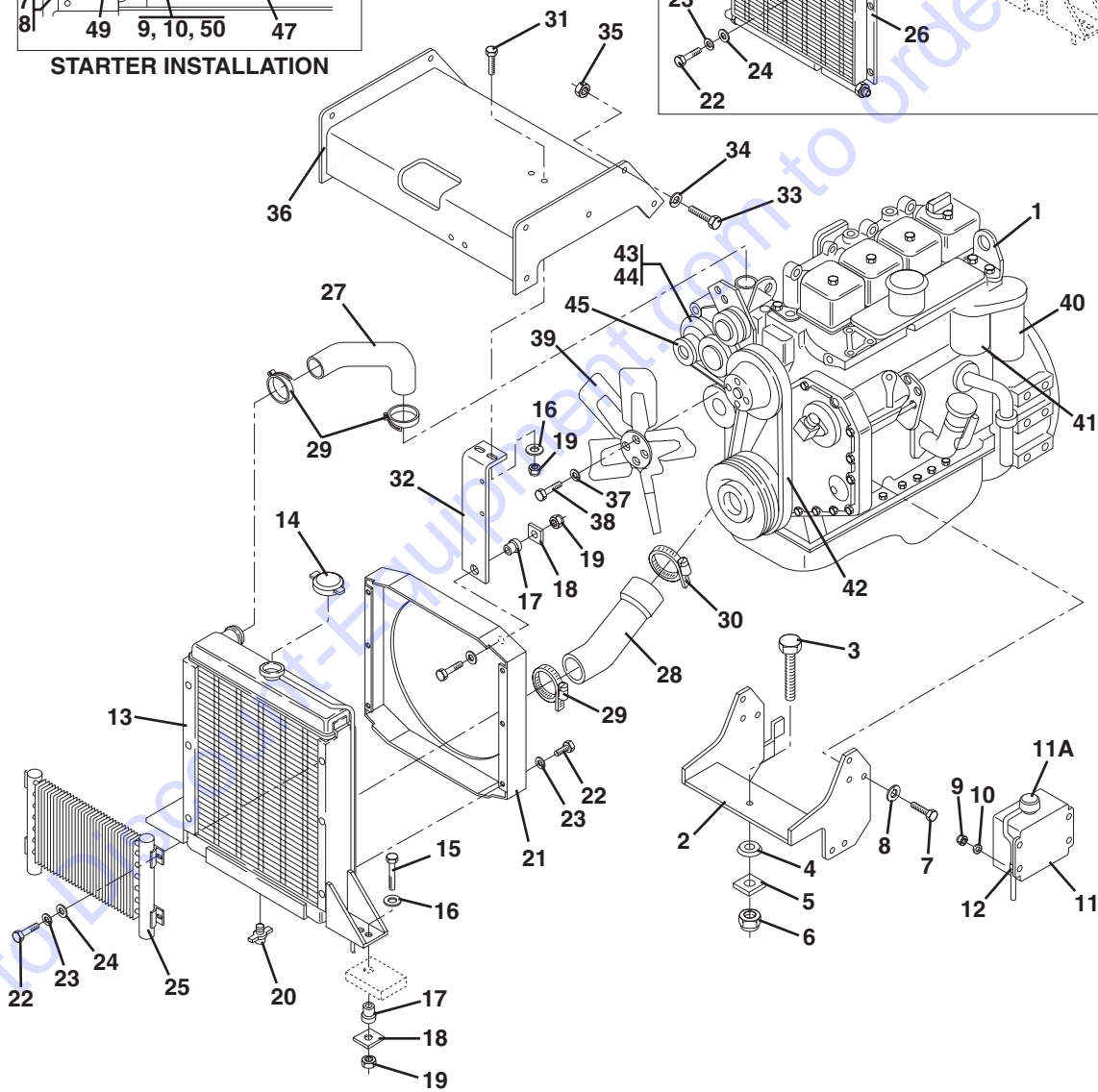
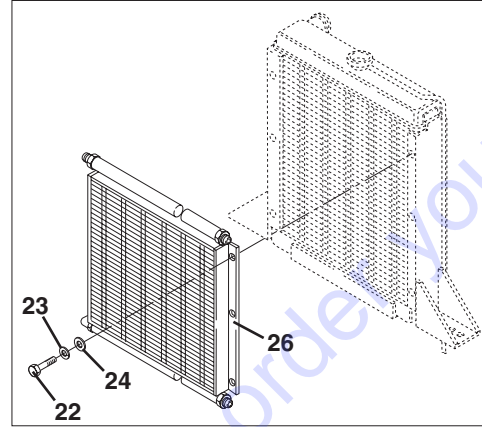
ENGINE, RADIATOR AND OIL COOLER MOUNTING (CUMMINS 4B3.9 - NATURAL - S/N 6036-1525 AND BEFORE)

Item No.	Part Number	Qty.	Description
1	8262129	1	Engine, Cummins 4B3.9 Natural
2	7088413	1	Mount, Engine
3	8303640	1	Screw, Hex Hd Cap, 3/4-10 x 3.25
4	8278007	1	Mount, Vibration
5	7054351	1	Washer, Rebound
6	8310067	1	Locknut, 3/4-10 ESNA
7	8303790	10	Screw, Hex Hd Cap, M12 x 30MM
8	8307025	10	Lockwasher, M12
9	8305624	6	Locknut, 1/4-20
10	8307202	14	Washer, Flat, 1/4
11	7085422	1	Tank, Radiator Overflow (Includes Item 11A)
11A	8866341	1	Cap w/tether
12	8406103	1	Support, Hose, 0.62
13	7093803	1	Radiator (Includes Item 14)
14	81800306	1	Cap, Radiator
15	7088314	1	Hose, Radiator, Upper
16	7088322	1	Hose, Radiator, Lower
17	8405104	4	Clamp, Hose, 2.25
18	8405203	2	Clamp, Hose, 3.0
19	8904001	1	Draincock, 1/4
20	8305645	11	Locknut, 3/8-16
21	7057141	3	Washer, Rebound
22	8278008	3	Mount, Vibration
23	7088303	1	Shroud, Radiator
24	8307002	8	Washer, Lock, 1/4
25	8303705	10	Screw, Hex Hd Cap, 1/4-20 x 0.75
26	7088372	1	Support, Radiator
27	8303622	1	Screw, Hex Hd Cap, 3/8-16 x 2.0
28	7091973	1	Crossmember, Rear Frame
29	8303621	8	Screw, Hex Hd Cap, 3/8-16 x 1.5
30	8303686	10	Screw, Hex Hd Cap, 3/8-16 x 2.50
31	8305017	10	Nut, Hex, 3/4-10
32	8307010	10	Lockwasher, 3/4
33	7083982	2	Support, Oil Cooler
34	8307204	4	Washer, Flat, 3/8
35	8320253	1	Element, Fuel Filter, Primary
36	8320250	1	Element, Fuel Filter, Secondary
37	8080613	1	Belt, Fan
38	8270220	1	Fan, Alternator, (Not Shown)
39	See Item 39A	1	Alternator, (Motorola or Prestolite Types)
39A	8270219	1	Alternator, (Delco Type)
	8270221	1	Alternator, Bosch Type)
40	8033342	1	Pulley, Alternator
41	8272009	1	Fan, Cooling 17" Puller
42	8270416	1	Starter
43	8277143	1	Relay, Starter
44	7082452	1	Bracket, Starter Relay
45	7088352	1	Kit, Engine Coolant Heater (Option)
46	8320262	1	Element, Engine Oil Filter
47	8403224	1	Cap, Test
48	8307222	4	Washer, Flat, M8
49	8310028	4	Screwm Hex Hd Cap, M8 x 70MM
			Kits
50	7098461	1	Kit, Radiator Connection (Includes one of each Items 17 & 47)

ENGINE RADIATOR AND OIL COOLER MOUNTING (CUMMINS 4B3.9 - NATURAL - S/N 6036-1526 AND AFTER)



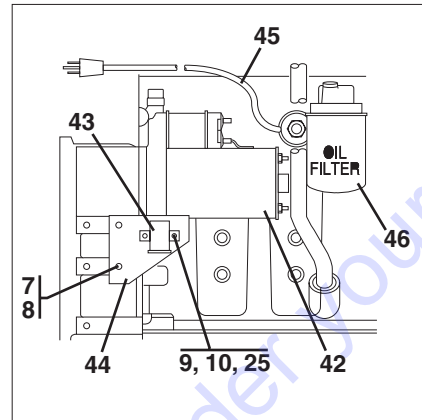
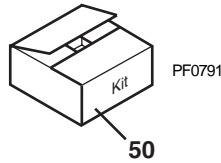
HYDRAULIC/TRANSMISSION COOLER INSTALLATION



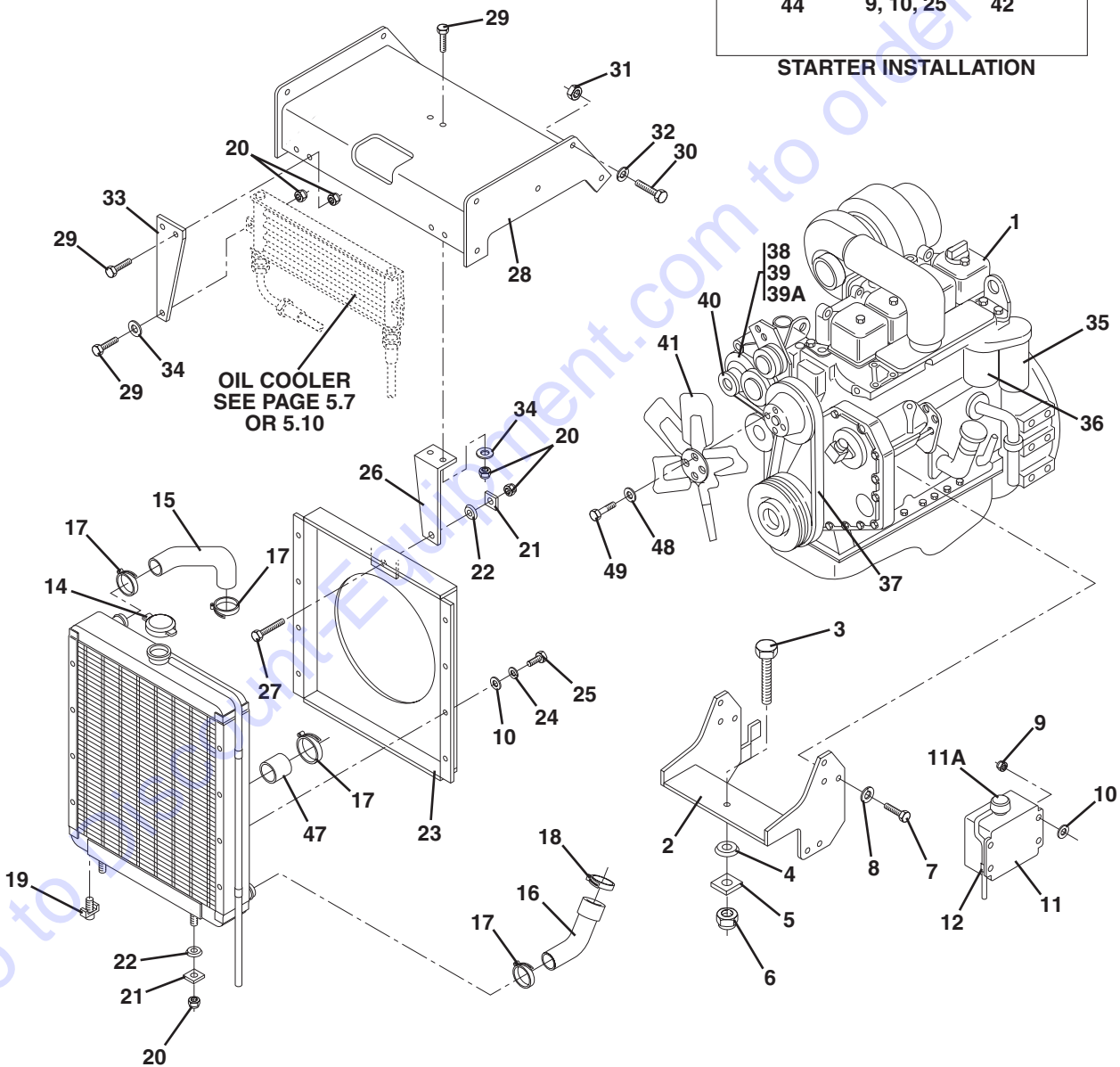
ENGINE RADIATOR AND OIL COOLER MOUNTING (CUMMINS 4B3.9 - NATURAL - S/N 6036-1526 AND AFTER)

Item No.	Part Number	Qty.	Description
1	8262129	1	Engine, Cummins 4B3.9 Natural
2	7088413	1	Mount, Engine
3	8303640	1	Screw, Hex Hd Cap, 3/4-10 x 3.25
4	8278007	1	Mount, Vibration
5	7054351	1	Washer, Rebound
6	8310067	1	Locknut, 3/4-10 ESNA
7	8303790	10	Screw, Hex Hd Cap, M12 x 30MM
8	8307025	10	Lockwasher, M12
9	8305624	6	Locknut, 1/4-20
10	8307109	6	Washer, Flat, 1/4
11	7085422	1	Tank, Radiator Overflow (Includes Item 11A)
11A	8866341	1	Cap w/tether
12	8406103	1	Support, Hose, 0.62
13	7112434	1	Radiator (Includes Item 14)
14	8180307	1	Cap, Radiator
15	8303622	3	Screw, Hex Hd Cap, 3/8-16 x 2.0
16	8307204	4	Washer, Flat, 3/8
17	8278008	3	Mount, Vibration
18	7057141	3	Washer, Rebound
19	8305645	11	Locknut, 3/8-16
20	8904001	1	Draincock, 1/4
21	7099943	1	Shroud, Radiator
22	8303744	10	Screw, Hex Hd Cap, 3/8-16 x 1/2
23	8307004	10	Lockwasher, 3/8
24	8307106	6	Washer, Flat, 3/8
25	2712993	1	Oil Cooler, Transmission
26	2713054	1	Oil Cooler, Transmission/Hydraulic (Optional, Page 5.10.1)
27	7093783	1	Hose, Radiator, Upper
28	7093772	1	Hose, Radiator, Lower
29	8405104	3	Clamp, Hose, 2.25
30	8405203	1	Clamp, Hose, 3.0
31	8303679	2	Screw, Hex Hd Cap, 3/8-16 x 1.75
32	7112492	1	Support, Radiator
33	8303686	10	Screw, Hex Hd Cap, 3/4-10 x 2.50
34	8307010	10	Lockwasher, 3/4
35	8305017	10	Nut, Hex, 3/4-1
36	7091973	1	Crossmember, Rear Frame
37	8307222	4	Washer, Flat, M8
38	8310028	4	Screw, Hex Hd Cap, M8 x 70MM
39	8272009	1	Fan, Cooling 17" Puller
40	8320253	1	Element, Fuel Filter - Primary
41	8320250	1	Element, Fuel Filter - Secondary
42	8080613	1	Belt, Fan
43	8270220	1	Fan, Alternator (Not Shown)
44	8270221	1	Alternator (Bosch Type)
45	8033342	1	Pulley, Alternator
46	8320262	1	Element, Engine Oil Filter
47	8270416	1	Starter
48	8277143	1	Relay, Starter
49	7082452	1	Bracket, Starter
50	8303705	2	Screw, Hex Hd Cap, 1/4-20 x 0.75
51	7088352	1	Kit, Engine Coolant Heater (Optional)

ENGINE RADIATOR AND OIL COOLER MOUNTING (CUMMINS 4BT3.9 - TURBO - S/N 6036-1525 AND BEFORE)



STARTER INSTALLATION

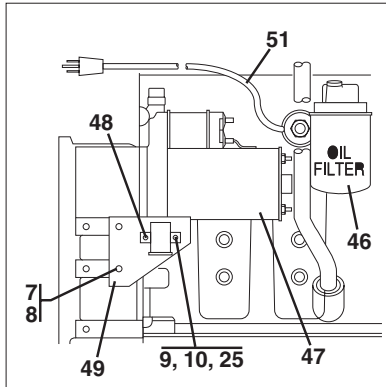


ENGINE RADIATOR AND OIL COOLER MOUNTING

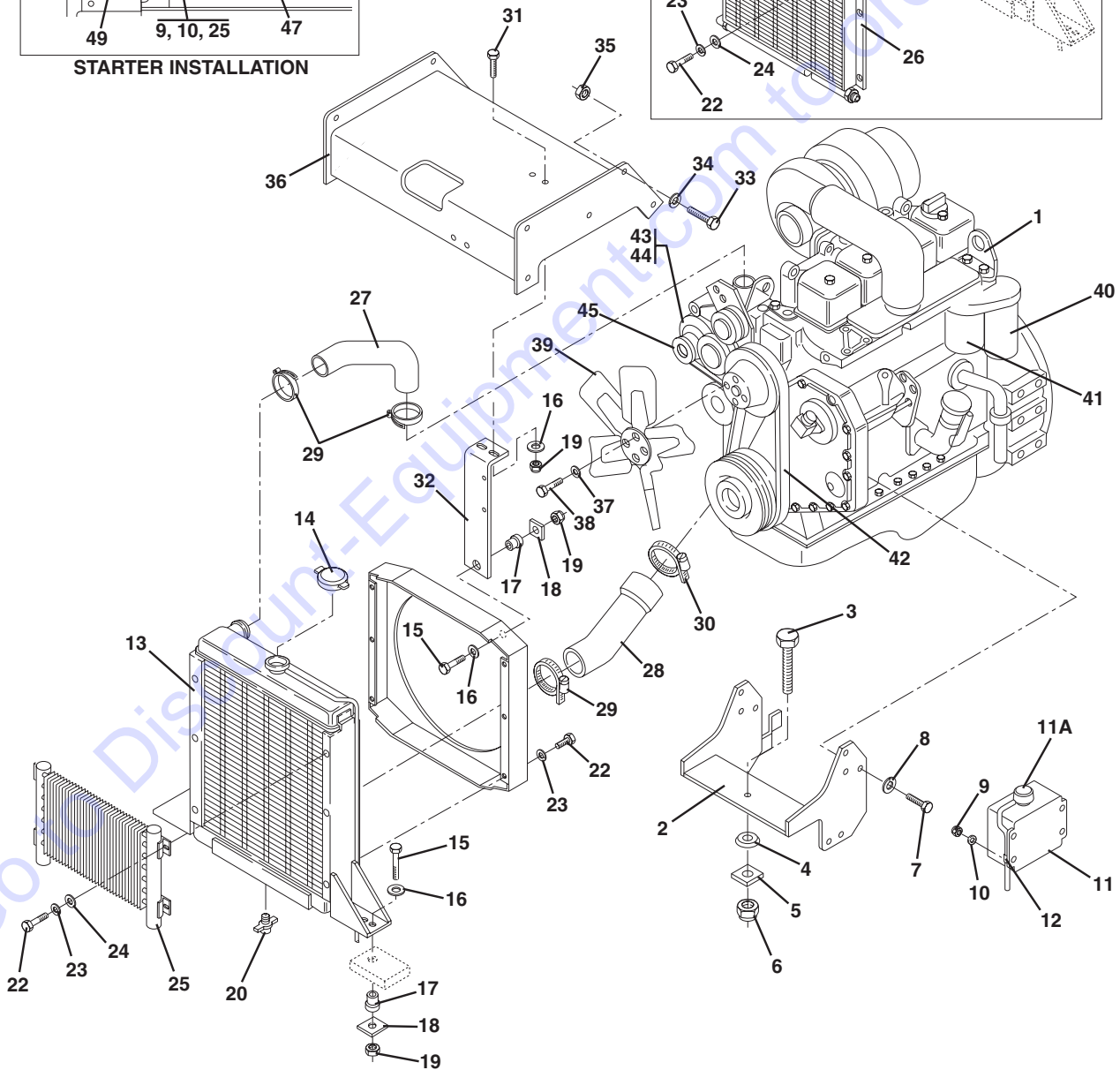
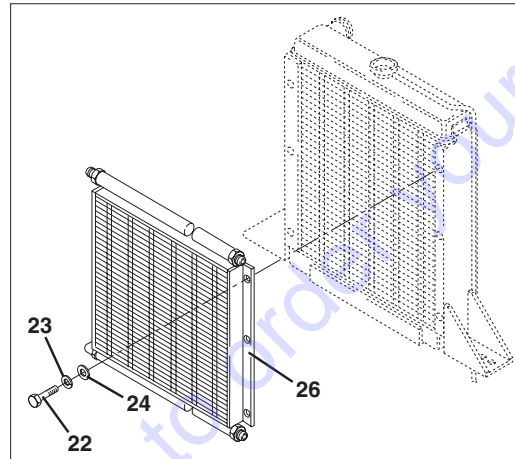
(CUMMINS 4BT3.9 - TURBO - S/N 6036-1525 AND BEFORE)

Item No.	Part Number	Qty.	Description
1	8262127	1	Engine, Cummins 4B3.9 Turbo
2	7088413	1	Mount, Engine
3	8303640	1	Screw, Hex Hd Cap, 3/4-10 x 3.25
4	8278007	1	Mount, Vibration
5	7054351	1	Washer, Rebound
6	8310067	1	Locknut, 3/4-10 ESNA
7	8303790	10	Screw, Hex Hd Cap, M12 x 30MM
8	8307025	10	Lockwasher, M12
9	8305624	6	Locknut, 1/4-20
10	8307202	14	Washer, Flat, 1/4
11	7085422	1	Tank, Radiator Overflow (Includes Item 11A)
11A	8866341	1	Cap w/tether
12	8406103	1	Support, Hose, 0.62
13	7093803	1	Radiator (Includes Item 14)
14	8180306	1	Cap, Radiator
15	7088314	1	Hose, Radiator, Upper
16	7088322	1	Hose, Radiator, Lower
17	8405104	4	Clamp, Hose, 2.25
18	8405203	2	Clamp, Hose, 3.0
19	8904001	1	Draincock, 1/4
20	8305645	11	Locknut, 3/8-16
21	7057141	3	Wahser, Rebound
22	8278008	3	Mount, Vibration
23	7088303	1	Shroud, Radiator
24	8307002	8	Washer, Lock 1/4
25	8303705	10	Screw, Hex Hd Cap, 1/4-20 x 0.75
26	7088372	1	Support, Radiator
27	8303622	1	Screw, Hex Hd Cap, 3/8-16 x 2.0
28	7091973	1	Crossmember, Rear Frame
29	8303621	8	Screw, Hex Hd Cap, 3/8-16 x 1.5
30	8303686	10	Screw, Hex Hd Cap, 3/4-10 x 2.50
31	8305017	10	Nut, Hex, 3/4-10
32	8307010	10	Lockwasher, 3/4
33	7083982	2	Support, Oil Cooler
34	8307204	4	Washer, Flat, 3/8
35	8320253	1	Element, Fuel Filter - Primary
36	8320250	1	Element, Fuel Filter - Secondary
37	8080613	1	Belt, Fan
38	8270220	1	Fan, Alternator (Not Shown)
39	See Item 39A	1	Alternator (Motorola or Prestolite Type)
39A	8270219	1	Alternator (Delco Type)
	8270221	1	Alternator (Bosch Type)
40	8033342	1	Pulley, Alternator
41	8272009	1	Fan, Cooling 17" Puller
42	8270416	1	Starter
43	8277143	1	Relay, Starter
44	7082452	1	Bracket, Starter Relay
45	7088352	1	Kit, Engine Coolant Heater (Option)
46	8320262	1	Element, Engine Oil Filter
47	8403223	1	Cap, Test
48	8307222	4	Washer, Flat, M8
49	8310028	4	Screw, Hex Hd Cap, M8 x 70MM
			Kits
50	7098461	1	Kit, Radiator Connection (Includes one of each Items 17 & 47)

ENGINE RADIATOR AND OIL COOLER MOUNTING (CUMMINS 4BT3.9 - TURBO - S/N 6036-1526 AND AFTER)



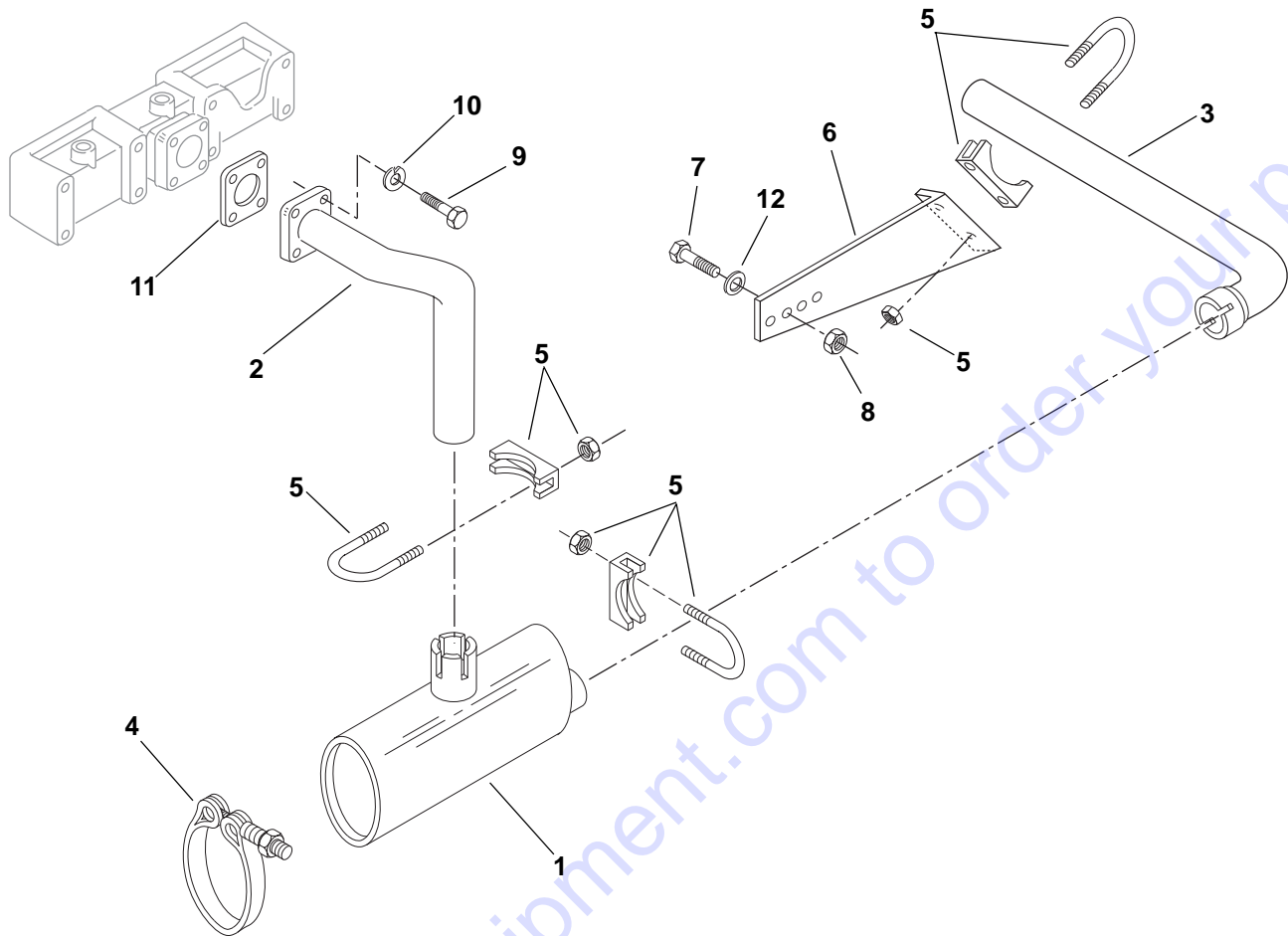
HYDRAULIC/TRANSMISSION COOLER INSTALLATION



ENGINE RADIATOR AND OIL COOLER MOUNTING (CUMMINS 4BT3.9 - TURBO - S/N 6036-1526 AND AFTER)

Item No.	Part Number	Qty.	Description
1	8262127	1	Engine, Cummins 4B3.9 Turbo
2	7088413	1	Mount, Engine
3	8303640	1	Screw, Hex Hd Cap, 3/4-10 x 3.25
4	8278007	1	Mount, Vibration
5	7054351	1	Washer, Rebound
6	8310067	1	Locknut, 3/4-10 ESNA
7	8303790	10	Screw, Hex Hd Cap, M12 x 30MM
8	8307025	10	Lockwasher, M12
9	8305624	6	Locknut, 1/4-20
10	8307109	6	Washer, Flat, 1/4
11	7085422	1	Tank, Radiator Overflow (Includes Item 11A)
11A	8866341	1	Cap w/tether
12	8406103	1	Support, Hose, 0.62
13	7112434	1	Radiator (Includes Item 14)
14	8180307	1	Cap, Radiator
15	8303622	3	Screw, Hex Hd Cap, 3/8-16 x 2.0
16	8307204	4	Washer, Flat, 3/8
17	8278008	3	Mount, Vibration
18	7057141	3	Washer, Rebound
19	8305645	11	Locknut, 3/8-16
20	8904001	1	Draincock, 1/4
21	7099943	1	Shroud, Radiator
22	8303744	10	Screw, Hex Hd Cap, 3/8-16 x 1/2
23	8307004	10	Lockwasher, 3/8
24	8307106	6	Washer, Flat, 3/8
25	2712993	1	Oil Cooler, Transmission
26	2713054	1	Oil Cooler, Transmission/Hydraulic (Optional, Page 5.10.1)
27	7093783	1	Hose, Radiator, Upper
28	7093772	1	Hose, Radiator, Lower
29	8405104	3	Clamp, Hose, 2.25
30	8405203	1	Clamp, Hose, 3.0
31	8303679	2	Screw, Hex Hd Cap, 3/8-16 x 1.75
32	7112492	1	Support, Radiator
33	8303686	10	Screw, Hex Hd Cap, 3/4-10 x 2.50
34	8307010	10	Lockwasher, 3/4
35	8305017	10	Nut, Hex, 3/4-1
36	7091973	1	Crossmember, Rear Frame
37	8307222	4	Washer, Flat, M8
38	8310028	4	Screw, Hex Hd Cap, M8 x 70MM
39	8272009	1	Fan, Cooling 17" Puller
40	8320253	1	Element, Fuel Filter - Primary
41	8320250	1	Element, Fuel Filter - Secondary
42	8080613	1	Belt, Fan
43	8270220	1	Fan, Alternator (Not Shown)
44	8270221	1	Alternator (Bosch Type)
45	8033342	1	Pulley, Alternator
46	8320262	1	Element, Engine Oil Filter
47	8270416	1	Starter
48	8277143	1	Relay, Starter
49	7082452	1	Bracket, Starter
50	8303705	2	Screw, Hex Hd Cap, 1/4-20 x 0.75
51	7088352	1	Kit, Engine Coolant Heater (Optional)

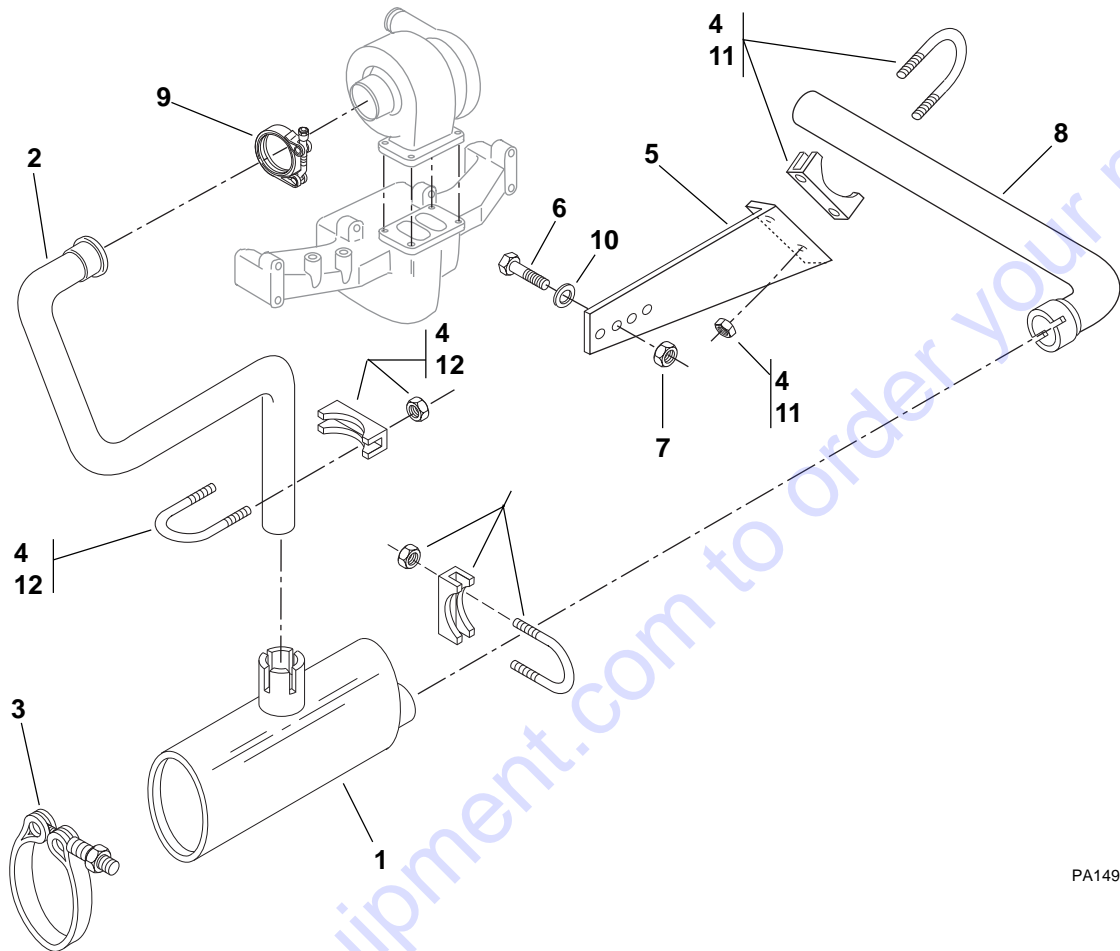
EXHAUST SYSTEM (CUMMINS 4B3.9 - NATURAL)



PA1480

Item No.	Part Number	Qty.	Description
1	7079162	1	Muffer
2	7081962	1	Pipe, Exhaust
3	7086742	1	Pipe, Tail
4	8405604	2	Clamp, T-Bolt
5	8275212	3	Clamp, Muffer
6	7088362	1	Support, Tail Pipe
7	8303621	2	Screw, Hex Hd Cap, 3/8-16 x 1 -1/2
8	8305645	2	Locknut, 3/8-16 ESNA
9	8303755	4	Screw, Hex Hd Cap, M10 x 30 MM
10	8307023	4	Lockwasher, M10
11	8033493	1	Gasket, Exhaust Manifold
12	8307204	2	Washer, Flat, 3/8

EXHAUST SYSTEM (CUMMINS 4B3.9 -TURBO)

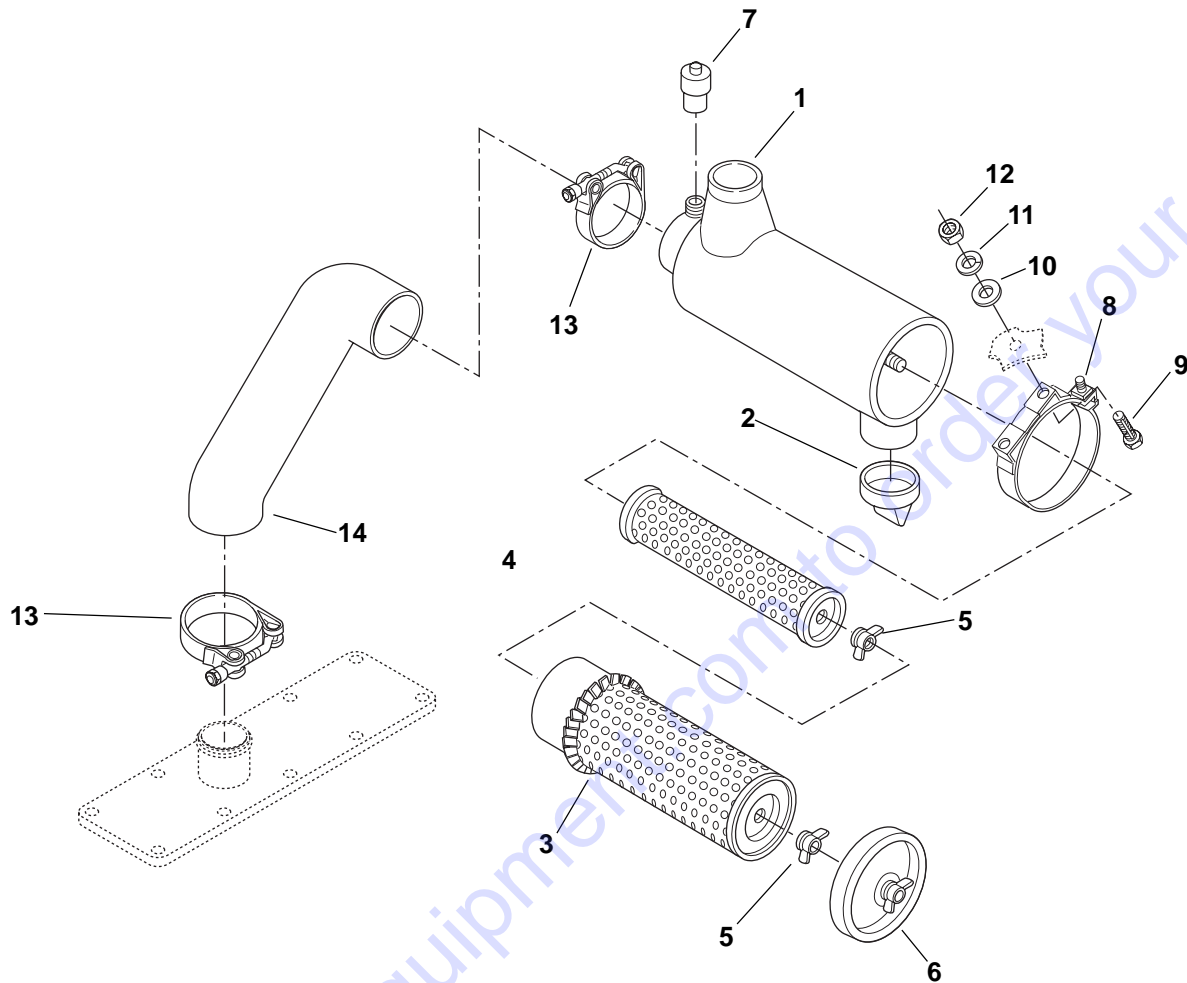


PA1490

Item No.	Part Number	Qty.	Description
1	7079162	1	Muffer (S/N 3616 & Before)
	7126922	1	Muffer (S/N 3617 & After)
2	7088283	1	Pipe, Exhaust (S/N 3616 & Before)
	7126953	1	Pipe, Exhaust (S/N 3617 & After)
3	8405604	2	Clamp, T-Bolt (S/N 3616 & Before)
	7126992	2	Clamp, T-Bolt (S/N 3617 & After)
4	8275212	3	Clamp, Muffer (S/N 3616 & Before)
	7088362	1	Support Tail Pipe (S/N 3616 & Before)
5	7127062	1	Support Tail Pipe (S/N 3617 & After)
	6	8303621	2
7	8305645	2	Locknut, 3/8-16 ESNA
8	7086742	1	Pipe, Tail (S/N 3616 & Before)
	7126962	1	Pipe, Tail (S/N 3617 & After)
9	8275240	1	Clamp, V-Band
10	8307204	2	Washer, Flat 3/8
11	8275248	2	Clamp, Muffer - 3" (S/N 3617 & After)
12	8275247	1	Clamp, Muffer - 2.75" (S/N 3617 & After)

AIR CLEANER

(CUMMINS 4B3.9 - NATURAL S/N 0F1185 AND BEFORE)

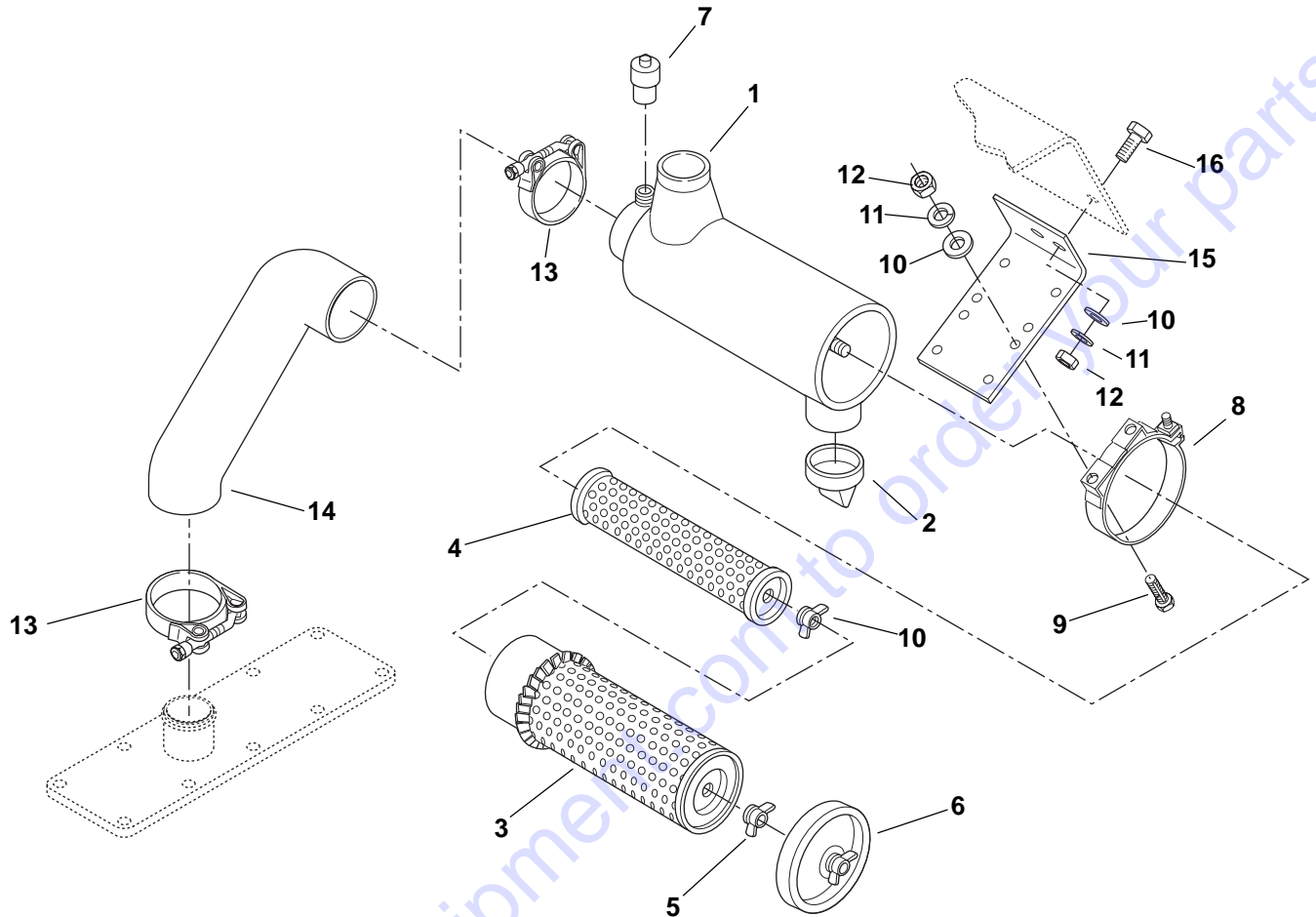


PA1321

Item No.	Part Number	Qty.	Description
1	8273017	1	Air Cleaner Assembly (Includes Items 2 thru 6)
2	8032764	1	Valve, Vacuator
3	8273267	1	Element, Primary
4	8273271	1	Element, Safety
5	8273272	2	Nut Assembly
6	8032763	1	Cover, End
7	8273241	1	Indicator, Service, 25 inch
8	8273266	2	Band, Mounting, Air Cleaner
9	8303697	4	Screw, Cap, Hex Hd, 5/16-18 x 3/4
10	8307203	4	Washer, Flat, 5/16
11	8307004	4	Lockwasher, 5/16
12	8305006	4	Nut, Hex, 5/16-18
13	8405305	2	Clamp, Hose, 3.38 to 3.69 inch
14	7118962	1	Hose, Intake

AIR CLEANER

(CUMMINS 4B3.9 - NATURAL S/N 0F1186 AND AFTER)

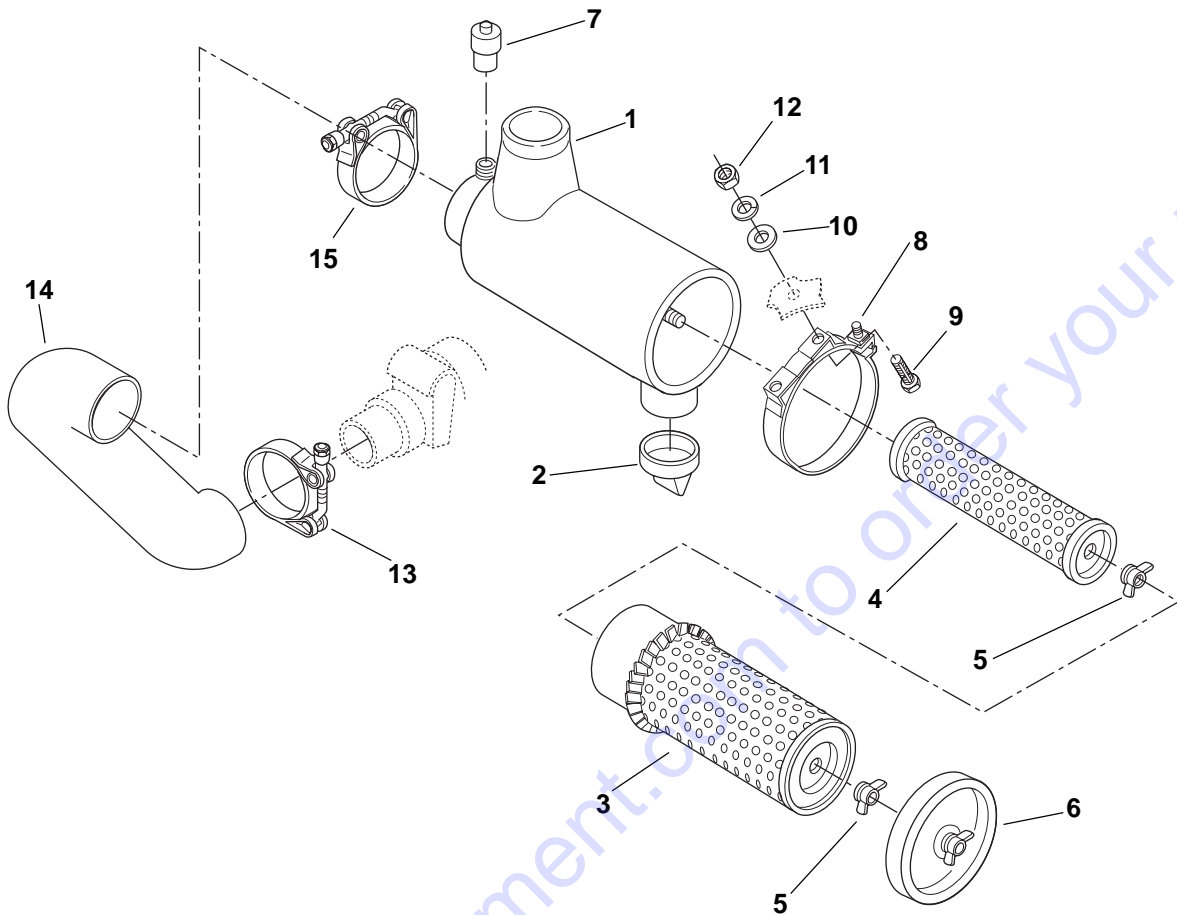


PA1331

Item No.	Part Number	Qty.	Description
1	8273017	1	Air Cleaner Assembly (Includes Items 2 thru 6)
2	8032764	1	Valve, Vacuator
3	8273267	1	Element, Primary
4	8273271	1	Element, Safety
5	8273272	2	Nut Assembly
6	8032763	1	Cover, End
7	8273241	1	Indicator, Service, 25 inch
8	8273266	2	Band, Mounting, Air Cleaner
9	8303697	4	Screw, Cap, Hex Hd, 5/16-18 x 3/4
10	8307203	4	Washer, Flat, 5/16
11	8307004	4	Lockwasher, 5/16
12	8305006	4	Nut, Hex, 5/16-18
13	8405305	2	Clamp, Hose, 3.38 to 3.69 inch
14	7118962	1	Hose, Intake
15	7091902	1	Bracket, Air Cleaner
16	8303739	2	Screw, Hex Hd Cap, 5/16-18 NC x 1-1/4 Gr 5

AIR CLEANER

(CUMMINS 4BT3.9 - TURBO S/N 0F1185 AND BEFORE)



PA1341

Item No.	Part Number	Qty.	Description
1	8273013	1	Air Cleaner Assembly (Includes Items 2 thru 6)
2	8032764	1	Valve, Vacuator
3	8273237	1	Element, Primary
4	8273238	1	Element, Safety
5	8273272	2	Nut Assembly
6	8032762	1	Cover, End
7	8273241	1	Indicator, Service, 25 inch
8	8273240	2	Band, Mounting, Air Cleaner
9	8303697	4	Screw, Cap, Hex Hd, 5/16-18 x 3/4
10	8307203	4	Washer, Flat, 5/16
11	8307004	4	Lockwasher, 5/16
12	8305006	4	Nut, Hex, 5/16-18
13	8405305	1	Clamp, Hose, 3.38 to 3.69 inch
14	7118702	1	Hose, Intake
15	8405307	1	Clamp, Hose, 3.81 to 4.13 inch

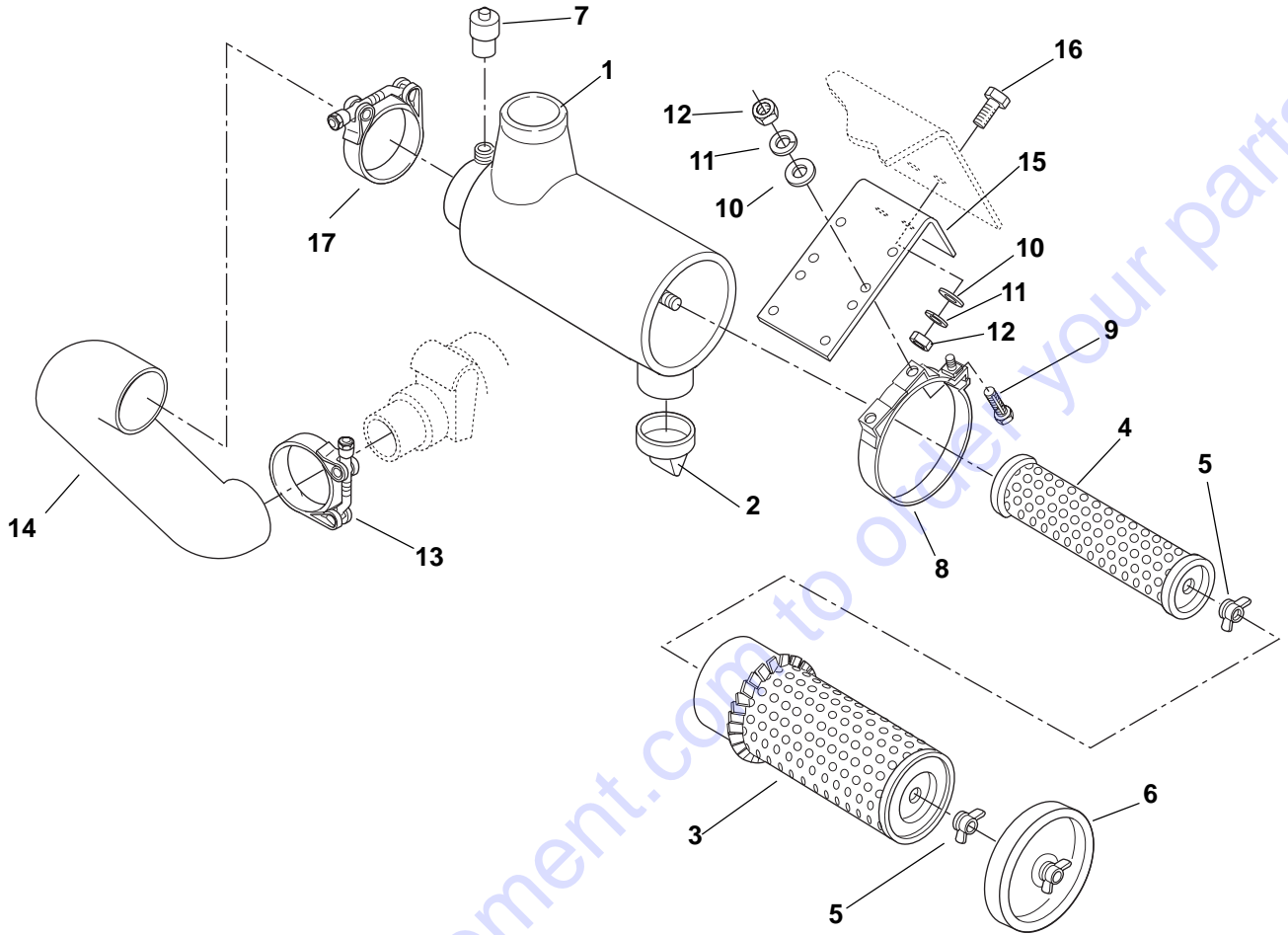
4.13

6036

Revised 11/97

AIR CLEANER

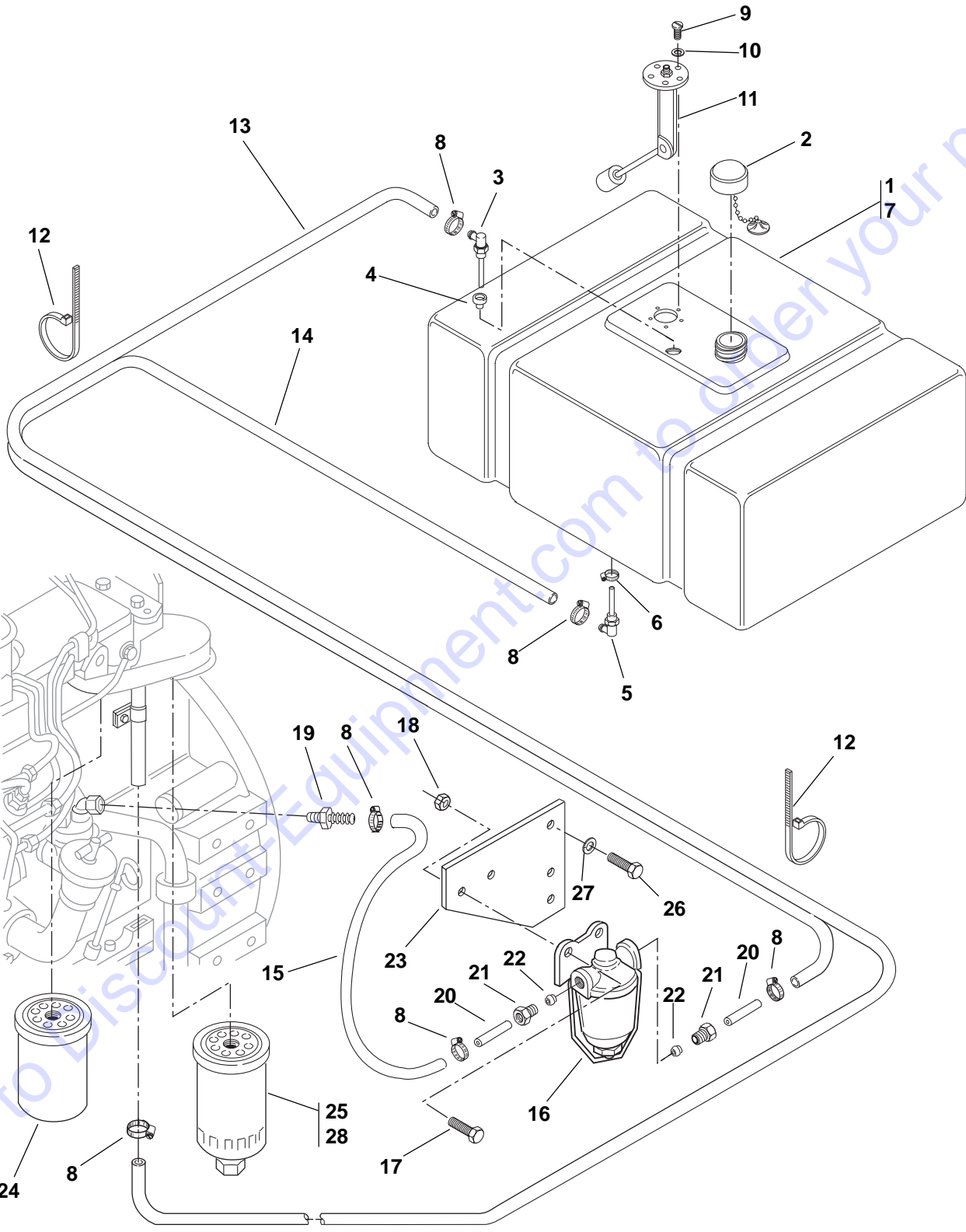
(CUMMINS 4BT3.9 - TURBO S/N 0F1186 AND AFTER)



PA1351

Item No.	Part Number	Qty.	Description
1	8273013	1	Air Cleaner Assembly (Includes Items 2 thru 6)
2	8032764	1	Valve, Vacuator
3	8273237	1	Element, Primary
4	8273238	1	Element, Safety
5	8273272	2	Nut Assembly
6	8032762	1	Cover, End
7	8273241	1	Indicator, Service, 25 inch
8	8273240	2	Band, Mounting, Air Cleaner
9	8303697	4	Screw, Cap, Hex Hd, 5/16-18 x 3/4
10	8307203	6	Washer, Flat, 5/16
11	8307004	6	Lockwasher, 5/16
12	8305006	6	Nut, Hex, 5/16-18
13	8405305	1	Clamp, Hose, 3.38 to 3.69 inch
14	7118702	1	Hose, Intake
15	7091902	1	Bracket, Air Cleaner
16	8303739	2	Screw, Hex Hd Cap, 5/16-18 x 1-1/4 Gr5
17	8405307	1	Clamp, Hose, 3.81 to 4.13 inch

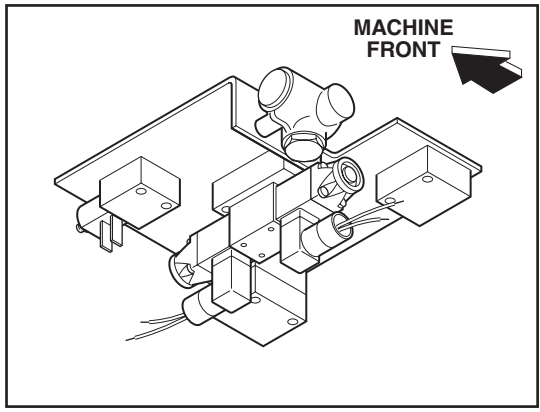
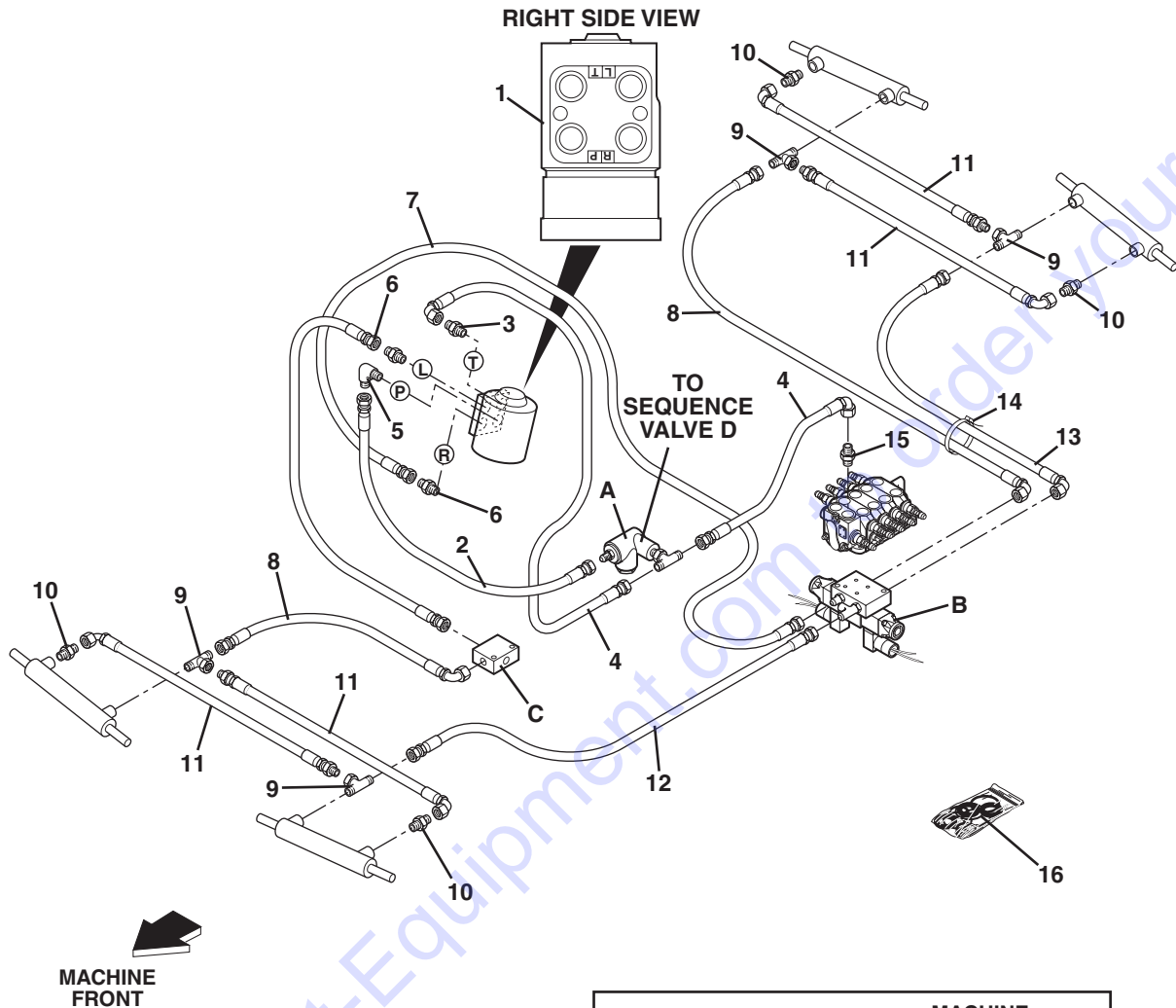
FUEL SYSTEM (CUMMINS ENGINES)



FUEL SYSTEM (CUMMINS ENGINES)

Item No.	Part Number	Qty.	Description
1	7127321	1	Tank, Fuel (Includes items 2 thru 7)
2	8033111	1	Cap, Filler, w/tether
3	8033109	1	Elbow, 90° w/standpipe
4	8033175	1	Bushing, Rubber
5	8033176	1	Elbow, 90° w/standpipe
6	8405101	1	Clamp, Hose
7	NSS	1	Tank, Fuel
8	8405009	6	Clamp, Hose
9	8310180	5	Screw, Machine, 10-24 x 3/8
10	8307003	5	Lockwasher, #10
11	7070992	1	Sender, Fuel Level
12	8584001	2	Tie Wrap
13	8403214-1290	1	Hose, Fuel Return, 1/4 x 129.0
14	8403219-1400	1	Hose, Fuel Supply, 5/16 x 140.0
15	8403219-0120	1	Hose, Fuel Supply, 5/16 x 12.0
16	8274021	1	Fuel Pre-Filter All Naturally Aspirated And (Turbo Charged S/N 3616 & Before)
	8274022	1	Fuel Strainer - Inline - Not Shown (S/N 3617 & After Turbo Charged Only)
17	8303705	2	Screw, Hex Hd Cap, 1/4-20 x 0.75 All Naturally Aspirated And (Turbo Charged S/N 3616 & Before)
18	8305624	2	Locknut, 1/4-20 All Naturally Aspirated And (Turbo Charged S/N 3616 & Before)
19	8420231	1	Fitting, Barbed 1/4 NPT x 5/16 T All Naturally Aspirated And (Turbo Charged S/N 3616 & Before)
	8430007	1	Fitting, Barbed 1/4 NPT x .38 T (S/N 3617 & After Turbo Charged Only)
20	7091291	2	Tube All Naturally Aspirated And (Turbo Charged S/N 3616 & Before)
21	8274209	2	Bushing, Hex, 1/2-20 x 5/16 tube All Naturally Aspirated And (Turbo Charged S/N 3616 & Before)
22	8274210	2	Sleeve All Naturally Aspirated And (Turbo Charged S/N 3616 & Before)
23	7082452	1	Bracket, Fuel Pre-Filter Mounting All Naturally Aspirated And (Turbo Charged S/N 3616 & Before)
24	8320250	1	Element, Fuel Filter - Secondary All Naturally Aspirated And (Turbo Charged S/N 3616 & Before)
25	8320253	1	Element, Fuel Filter - Primary All Naturally Aspirated And (Turbo Charged S/N 3616 & Before)
26	8303790	2	Screw, Hex Hd Cap, M12 x 20 mm All Naturally Aspirated And (Turbo Charged S/N 3616 & Before)
27	8307025	2	Lockwasher, M12 All Naturally Aspirated And (Turbo Charged S/N 3616 & Before)
28	8320270	1	Element, Single Filter/Water Separator (S/N 3617 & After Turbo Charged Only)

POWER STEERING CIRCUIT (S/N 8F0235 AND BEFORE)

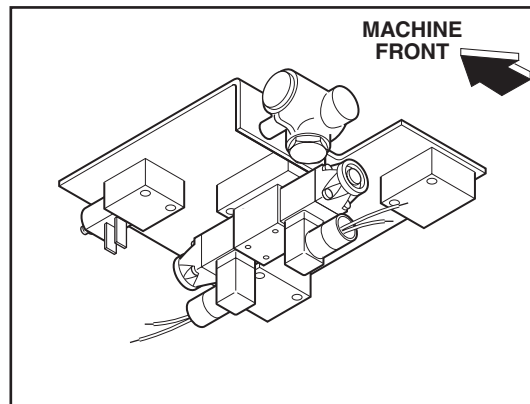
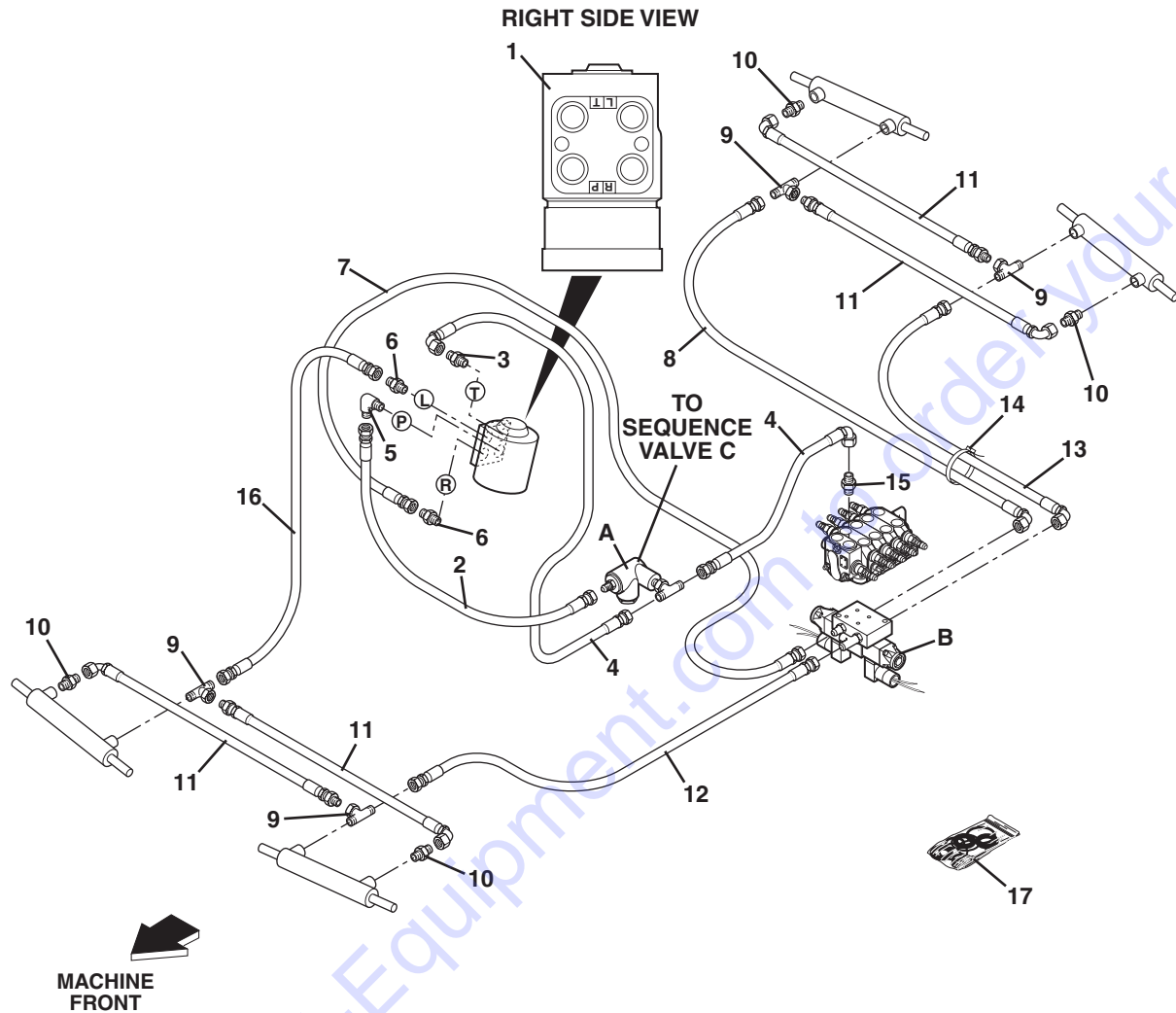


UNDERSIDE VIEW OF VALVE PLATE.
SEE VALVE PALTE ASSEMBLY PAGE.

POWER STEERING CIRCUIT (S/N 8F0235 AND BEFORE)

Item No.	Part Number	Qty.	Description
1	8721021	1	Power Steering Unit (See Kits)
2	2711942	1	Hose Assembly, Steering Unit Inlet
3	8760107	1	Connector, Straight, SAE 8-8 - male JIC 37° x male str. thd. O-ring
4	2711962	2	Hose Assembly, Steering Unit Outlet
5	8760303	1	Elbow, 90° SAE 8-8 - male JIC 37° x male str. thd. O-ring
6	8760110	2	Connector, Straight, SAE 6-8 - male JIC 37° x male str. thd. O-ring
7	2711972	2	Hose Assembly, Steer Select/Counterbalance Valves
8	2712142	2	Hose Assembly, Steer Select to RH Rear/Front Cover
9	8760449	4	Tee, Male Run, SAE 6-6 - male JIC 37° x male str. thd. O-ring
10	8760117	4	Connector, Straight, SAE 6-8 - male JIC 37° x male str. thd. O-ring
11	2711992	4	Hose Assembly, Steering Crossover
12	2712002	1	Hose Assembly, Steer Select to LH Front Cylinder
13	2712012	1	Hose Assembly, Steer Select to LH Rear Cylinder
14	8584002	4	TieWrap
15	8760111	1	Connector, Straight, SAE 8-12 - male JIC 37° x male str. thd. O-ring
			<u>Kits</u>
16	8034565	1	Seal Kit, Power Steering Unit

POWER STEERING CIRCUIT (S/N 8G0236 THRU S/N 9B0499)

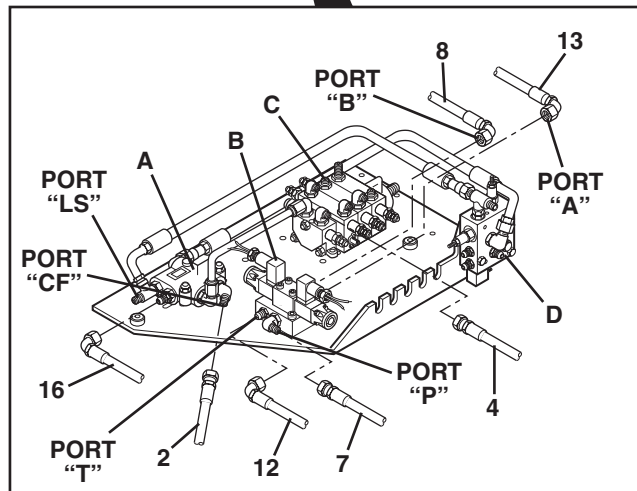
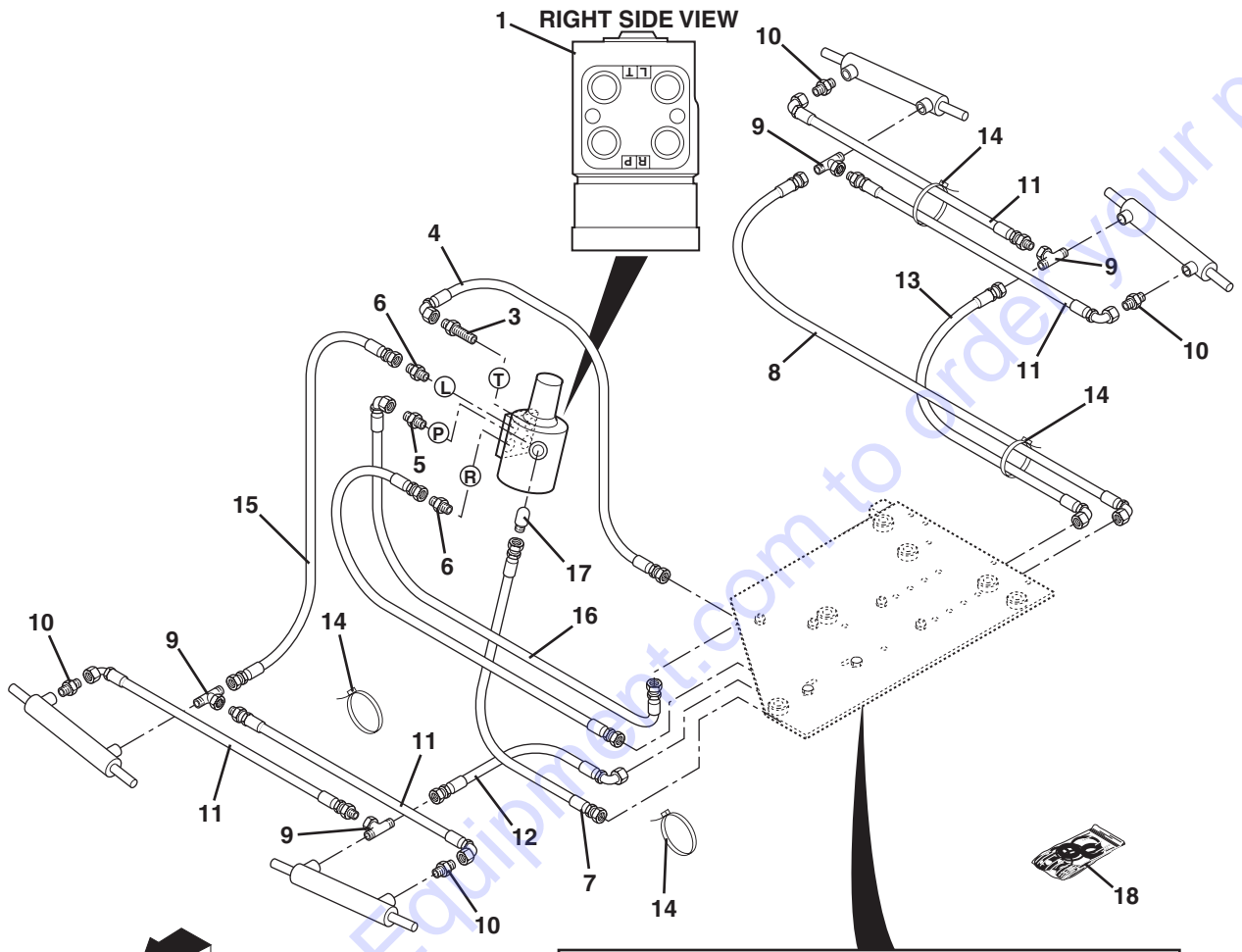


UNDERSIDE VIEW OF VALVE PLATE.
SEE VALVE PLATE ASSEMBLY PAGE.

POWER STEERING CIRCUIT (S/N 8G0236 THRU S/N 9B0499)

Item No.	Part Number	Qty.	Description
1	8721021	1	Power Steering Unit (See Kits)
2	2711942	1	Hose Assembly, Steering Unit Inlet
3	8760107	1	Connector, Straight, SAE 8-8 - male JIC 37° x male str. thd. O-ring
4	2711962	2	Hose Assembly, Steering Unit Outlet
5	8760303	1	Elbow, 90° SAE 8-8 - male JIC 37° x male str. thd. O-ring
6	8760110	2	Connector, Straight, SAE 6-8 - male JIC 37° x male str. thd. O-ring
7	2711972	2	Hose Assembly, Steer Select/Counterbalance Valves
8	2712142	2	Hose Assembly, Steer Select to RH Rear/Front Cover
9	8760449	4	Tee, Male Run, SAE 6-6 - male JIC 37° x male str. thd. O-ring
10	8760117	4	Connector, Straight, SAE 6-8 - male JIC 37° x male str. thd. O-ring
11	2711992	4	Hose Assembly, Steering Crossover
12	2712002	1	Hose Assembly, Steer Select to LH Front Cylinder
13	2712012	1	Hose Assembly, Steer Select to LH Rear Cylinder
14	8584002	4	Tie Wrap
15	8760111	1	Connector, Straight, SAE 8-12 - male JIC 37° x male str. thd. O-ring
16	2711982	1	Hose Assembly, Steer Select to RH Front Cylinder
			<u>Kits</u>
17	8034565	1	Seal Kit, Power Steering Unit

POWER STEERING CIRCUIT (S/N 9B0500 AND AFTER)

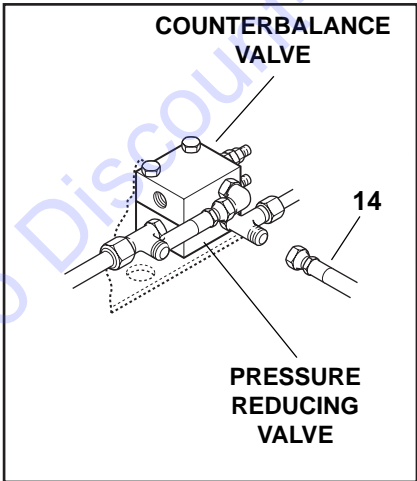
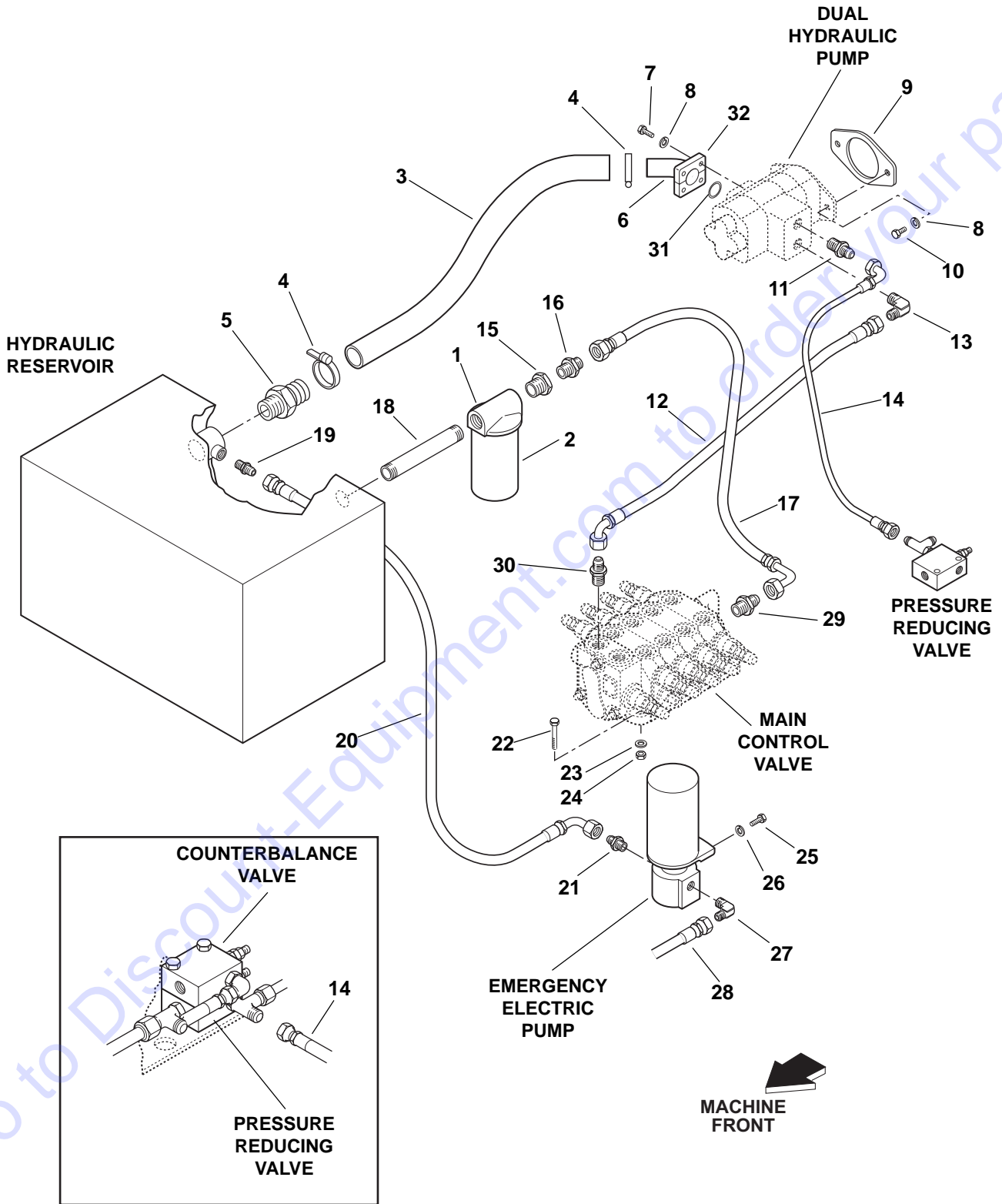


UNDERSIDE VIEW OF VALVE PLATE.
SEE VALVE PLATE ASSEMBLY PAGE.

POWER STEERING CIRCUIT (S/N 9B0500 AND AFTER)

Item No.	Part Number	Qty.	Description
1	8721024	1	Power Steering Unit (See Kits)
2	2712122	1	Hose Assembly, Steering Unit Inlet
3	8760143	1	Connector, Straight, SAE 8-8 - male JIC 37° x male str. thd. O-ring
4	2711962	2	Hose Assembly, Steering Unit Outlet
5	8760140	1	Connector, male tube end w/inlet check, SAE 8-8 - free flow male tube end w/inlet x str. thd. port w/O-ring
6	8760110	2	Connector, Straight, SAE 6-8 - male JIC 37° x male str. thd. O-ring
7	2711972	2	Hose Assembly, Steer Select/Counterbalance Valves
8	2712032	2	Hose Assembly, Steer Select to RH Rear Cylinder
9	8760449	4	Tee, Male Run, SAE 6-6 - male JIC 37° x male str. thd. O-ring
10	8760117	4	Connector, Straight, SAE 6-8 - male JIC 37° x male str. thd. O-ring
11	2711992	4	Hose Assembly, Steering Crossover
12	2712012	1	Hose Assembly, Steer Select to LH Front Cylinder
13	2712142	1	Hose Assembly, Steer Select to LH Rear Cylinder
14	8584002	4	TieWrap
15	2711982	1	Hose Assembly, Steer Select to RH Front Cylinder
16	2712592	1	Hose Assembly, Steering Pilot
17	8760322	1	Elbow, 90°, SAE 4-4 - male JIC 37° x male str. thd. O-ring
			<u>Kits</u>
18	8034565	1	Seal Kit, Power Steering Unit

MAIN CONTROL VALVE CIRCUIT (S/N 9B0499 AND BEFORE)



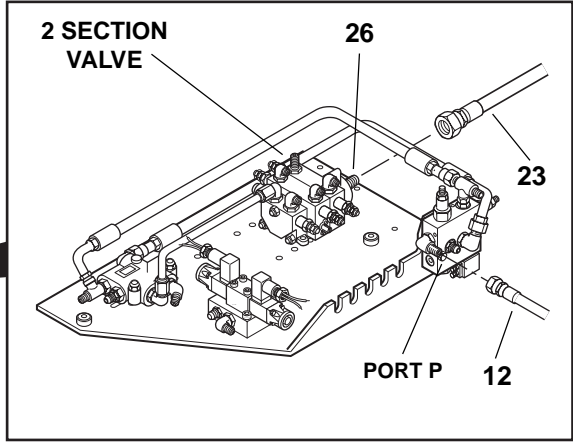
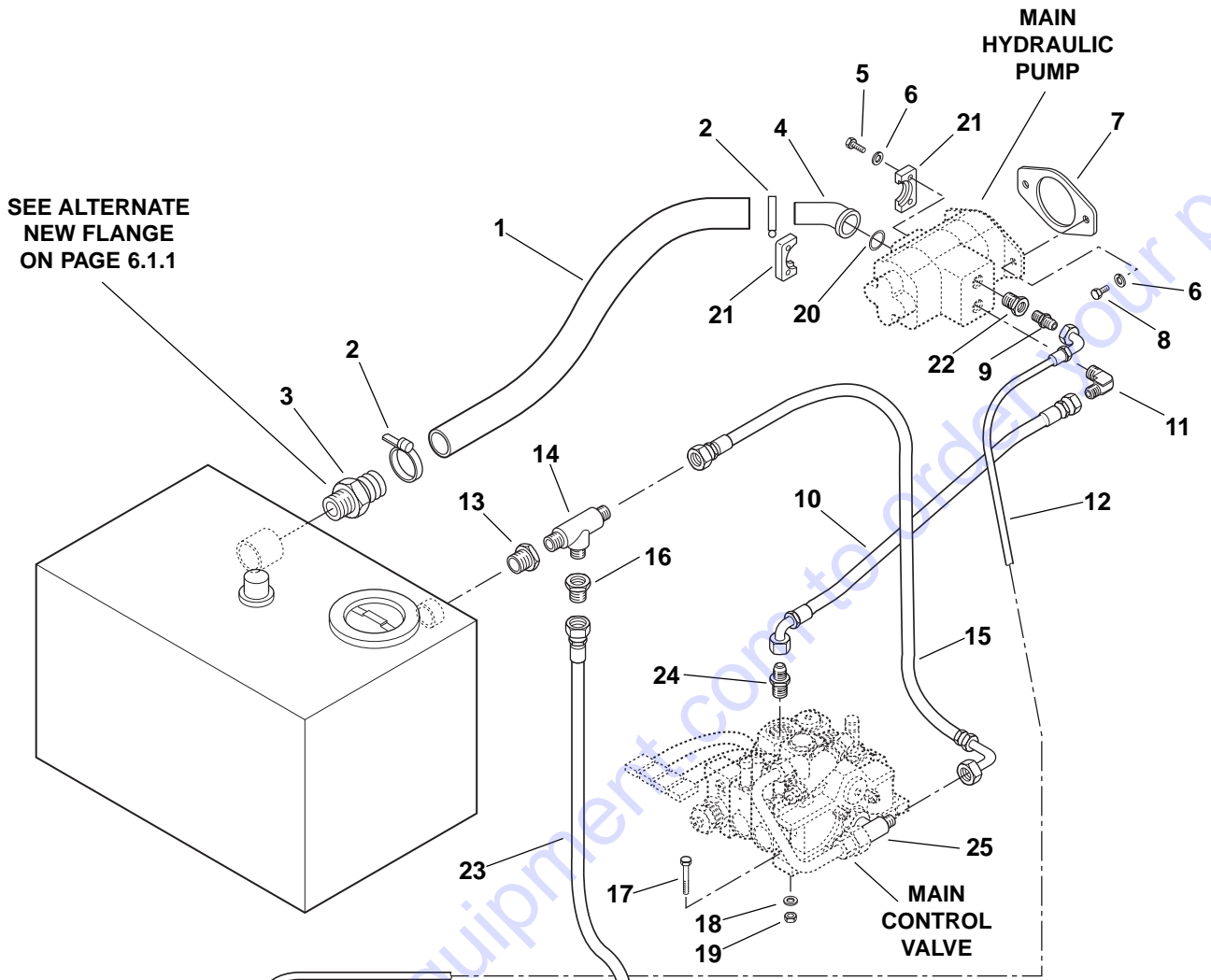
MAIN CONTROL VALVE CIRCUIT (S/N 9B0499 AND BEFORE)

Item No.	Part Number	Qty.	Description
1	8320255	1	Head, Filter (See NOTE)
2	8320240	1	Element, Filter (See NOTE)
3	8401004-0470	1	Hose, Inlet
4	8405209	2	Clamp, Hose
5	8424003	1	Hose Fitting, Beaded, SAE 32-32P - 2" ID x male NPT
6	8424222	1	Hose Fitting, Elbow, Tube, 45° Barbed, SAE 32 - hose 2 " ID x 4 bolt O-ring
7	8303626	4	Screw, Hex Hd Cap, 1/2-13 x 1-1/2
8	8307007	6	Lockwasher, 1/2
9	7054902	1	Gasket
10	8303625	2	Screw, Hex Hd Cap, 1/2-13 x 1-1/4
11	8760111	1	Connector, Straight, SAE 8-12 - male JIC 37° x male str. thd O-ring
12	2711832	1	Hose Assembly, Large Pump Outlet
13	8760325	1	Elbow, 90° SAE 12-16 - male JIC 37° x male str. thd. O-ring
14	2711912	1	Hose Assembly, Small Pump Outlet
15	8540048	1	Bushing, Hex, 1-1/4 " NPT x 1 " NPT (See NOTE)
16	8760005	1	Connector, Straight, SAE 16-16P - male JIC 37° x male NPT
17	2711902	1	Hose Assembly, Main Control Valve to Filter
18	8551621	1	Pipe, 1-1/4 x 11 (See NOTE)
19	8760002	1	Connector, Straight, SAE 10-8P - male JIC 37° x male NPT
20	2711922	1	Hose Assembly, Emergency Pump Inlet
21	8760115	1	Connector, Straight, SAE 10-10 - male JIC 37° x male str. thd. O-ring
22	8303713	3	Screw, Hex Hd Cap, 1/2-13 x 2-1/4
23	8307112	3	Washer, Flat, SAE 1/2
24	8305644	3	Locknut, 1/2-13
25	8303621	2	Screw, Hex Hd Cap, 3/8-16 x 1-1/2
26	8307005	2	Lockwasher, 3/8
27	8760311	1	Elbow, 90° SAE 6-6 - male JIC 37° x male str. thd. O-ring
28	2712182	1	Hose Assembly, Emergency Pump Outlet
29	8760102	1	Connector, Straight, SAE 16-16 - male JIC 37° male str. thd. O-ring
30	8760109	1	Connector, Straight, SAE 12-12 - male JIC 37° x male str. thd. O-ring
31	8640208	1	O-Ring, #228
32	8546407	2	Clamp Half, 2"

NOTE: Items 1, 2, 15 and 18 are not used with reservoirs converted to in-tank filters. See Sheet 6.1 for reservoir conversion kit.

MAIN CONTROL VALVE CIRCUIT

(S/N 9B0500 THRU 0E1179 w/ ELECTRONIC CONTROLLED JOYSTICK)



UNDERNEATH VIEW. SEE PAGE 5.6.2 FOR VALVE PLATE BREAKDOWN

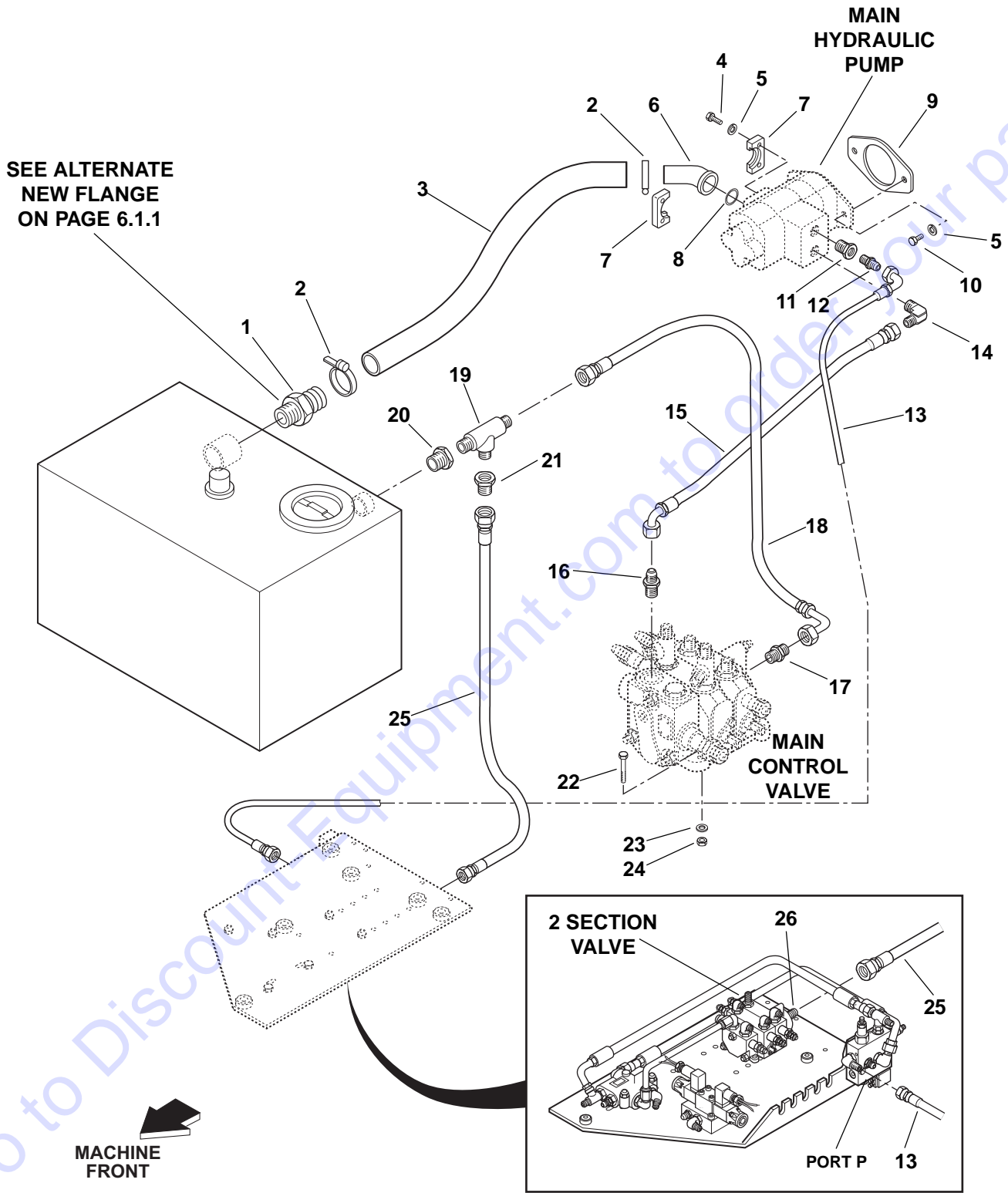
MAIN CONTROL VALVE CIRCUIT

(S/N 9B0500 THRU 0E1179 w/ ELECTRONIC CONTROLLED JOYSTICK)

Item No.	Part Number	Qty.	Description
1	8401004-0470	1	Hose, Inlet
2	8405209	2	Clamp, Hose
3	8424003	1	Hose Fitting, Beaded, SAE 32-32P - hose 2" ID x male NPT
4	8424222	1	Elbow, Tube, 45°, Barbed, SAE 32 - hose 2" ID x 4 bolt O-ring
5	8303626	4	Screw, Hex Hd Cap, 1/2-13 x 1-1/2
6	8307007	6	Washer, Lock, 1/2
7	7054902	1	Gasket
8	8303602	2	Screw, Hex Hd Cap, 1/2-13 x 1-1/4
9	8760107	1	Connector, Straight, SAE 8-8 - male JIC 37° x male str. thd. O-ring
10	2711832	1	Hose Assembly, Large Pump Outlet
11	8760325	1	Elbow, 90° SAE 12-16 - male JIC 37° x male str. thd. O-ring
12	6604862	1	Hose Assembly, Small Pump Outlet
13	8540048	1	Bushing, Hex, 1-1/4" NPT x 1" NPT (See NOTE)
14	8760553	1	Tee, Male Run, SAE 16-16P - male JIC 37° x male NPT (See NOTE)
15	2711902	1	Hose Assembly, Main Control Valve to Reservoir
16	8760533	1	Reducer, SAE 16-8 - female JIC 37° x male JIC 37° (See NOTE)
17	8303713	3	Screw, Hex Hd Cap, 1/2-13 x 2-1/4 Gr 5
18	8307112	3	Washer, Flat, SAE 1/2
19	8305644	3	Locknut, 1/2-13
20	8640208	1	O-Ring #228
21	8546407	2	Clamp Half 2"
22	8760545	1	Reducer, SAE 16-8 - male str. thd. O-ring x female internal o-ring boss
23	2712342	1	Hose Assembly, Reservoir Return
24	8760118	1	Connector, Straight, SAE 12-16 - male JIC 37° x str. thd. O-ring
25	8760552	1	Tee, Male Branch, SAE 16-16 - male JIC 37° x male str. thd. O-ring
26	8760108	1	Connector, Straight, SAE 8-10 - male JIC 37° x str. thd. O-ring
			NOTE: Items 13, 14 and 16 are not used with converted reservoir. See Page 6.1.1 for reservoir conversion kit.

MAIN CONTROL VALVE CIRCUIT

(S/N 9B0500 THRU 0E1179 w/CABLE CONTROLLED JOYSTICK)



UNDERNEATH VIEW. SEE PAGE 5.6.2 FOR VALVE PLATE BREAKDOWN

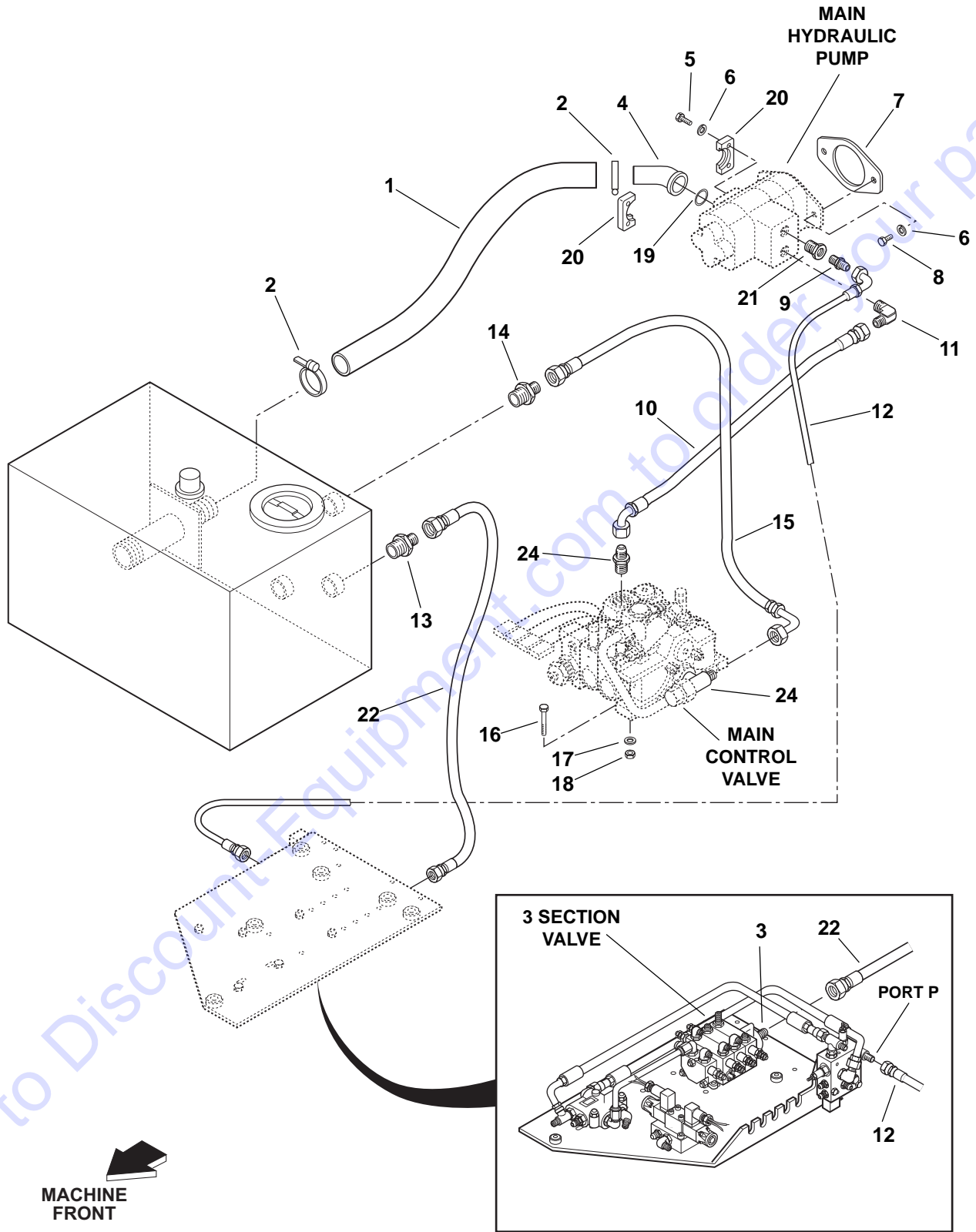
MAIN CONTROL VALVE CIRCUIT

(S/N 9B0500 THRU 0E1179 w/CABLE CONTROLLED JOYSTICK)

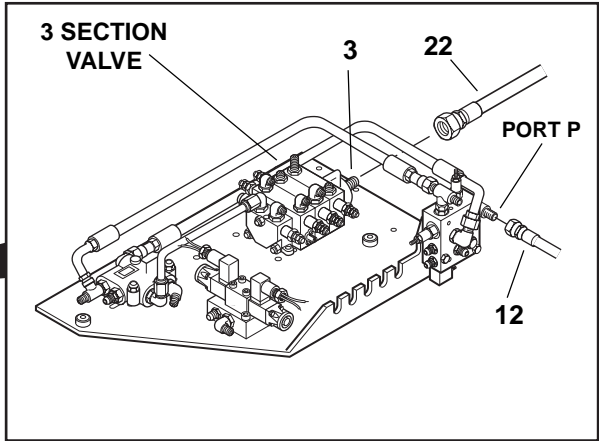
Item No.	Part Number	Qty.	Description
1	8424003	1	Hose Fitting, Beaded, SAE 32-32P - hose 2" ID x male NPT
2	8405209	2	Clamp, Hose
3	8401004-0470	1	Hose, Inlet
4	8303626	4	Screw, Hex Hd Cap, 1/2-13 x 1-1/2
5	8307007	6	Washer, Lock, 1/2
6	8424222	1	Hose Fitting, Elbow, Tube, 45° Barbed, SAE 32 - hose 2 " ID x 4 bolt O-ring
7	8546407	2	Clamp Half, 2"
8	8640208	1	O-Ring #228
9	7054902	1	Gasket
10	8303602	2	Screw, Hex Hd Cap, 1/2-13 x 1-1/4
11	8760545	1	Reducer, SAE 16-8 - male str. thd. O-ring x female internal O-ring boss
12	8760107	1	Connector, Straight, SAE 8-8 - male JIC 37° x male str. thd. O-ring
13	6604862	1	Hose Assembly, Small Pump Outlet
14	8760325	1	Elbow, 90° SAE 12-16 - male JIC 37° x male str. thd. O-ring
15	2711832	1	Hose Assembly, Large Pump Outlet
16	8760109	1	Connector, Straight, SAE 12-12 - male JIC 37° x male str. thd. O-ring
17	8760102	1	Connector, Straight, SAE 16-16 - male JIC 37° x male str. thd. O-ring
18	2711902	1	Hose Assembly, Main Control Valve to Filter
19	8760553	1	Tee, Male Run, SAE 16-16P - male JIC 37° x male NPT(See NOTE)
20	8540048	1	Bushing, Hex, 1-1/4 " NPT x 1 " NPT (See NOTE)
21	8760533	1	Reducer, SAE 16-8 - female JIC 37° x male JIC 37° (See NOTE)
22	8303713	3	Screw, Hex Hd Cap, 1/2-13 x 2-1/4 Gr 5
23	8307112	3	Washer, Flat, SAE 1/2
24	8305644	3	Locknut, 1/2-13
25	2712342	1	Hose Assembly, Reservoir Return
26	8760108	1	Connector, Straight, SAE 8-10 - male JIC 37° x male str. thd. O-ring
			NOTE: Items 19, 20 and 21 are not used with a converted reservoir. See Page 6.1.1 for reservoir conversion kit.

MAIN CONTROL VALVE CIRCUIT

(S/N 0E1180 AND AFTER w/ELECTRONIC CONTROLLED JOYSTICK)



MACHINE FRONT



UNDERNEATH VIEW. SEE PAGE 5.6.3 FOR VALVE PLATE BREAKDOWN

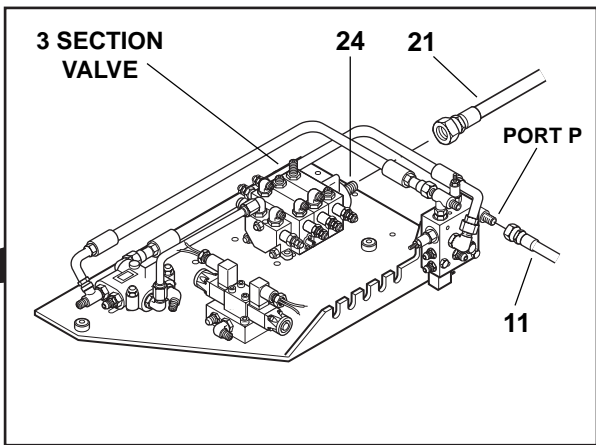
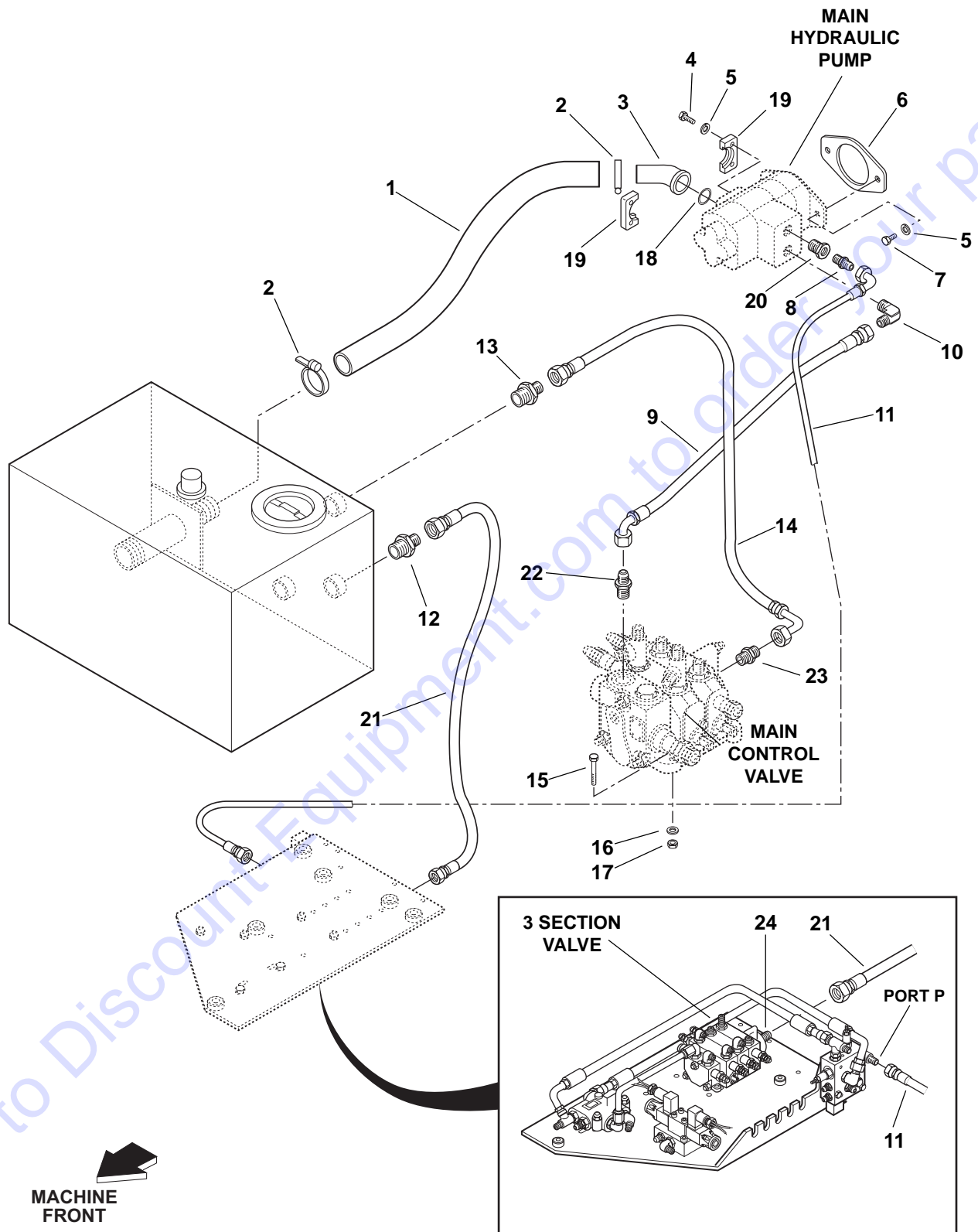
MAIN CONTROL VALVE CIRCUIT

(S/N 0E1180 AND AFTER w/ELECTRONIC CONTROLLED JOYSTICK)

Item No.	Part Number	Qty.	Description
1	8401004-0470	1	Hose, Inlet
2	8405209	2	Clamp, Hose
3	8760108	1	Connector, Straight, SAE 8-10 - male JIC 37° x male str. thd. O-ring
4	8424222	1	Elbow, Tube, 45°, Barbed, SAE 32 - hose 2 "ID x 4 bolt O-ring
5	8303626	4	Screw, Hex Hd Cap, 1/2-13 x 1-1/2
6	8307007	6	Washer, Lock, 1/2
7	7054902	1	Gasket
8	8303602	2	Screw, Hex Hd Cap, 1/2-13 x 1-1/4
9	8760107	1	Connector, Straight, SAE 8-8 - male JIC 37° x male str. thd. O-ring
10	2711832	1	Hose Assembly, Large Pump Outlet
11	8760325	1	Elbow, 90° SAE 12-16 - male JIC 37° x male str. thd. O-ring
12	6604862	1	Hose Assembly, Small Pump Outlet
13	8760015	1	Connector, Straight, SAE 8-8P - male JIC 37° x male NPT
14	8760005	1	Connector, Straight, SAE 16-16P - male JIC 37° x male NPT
15	2711902	1	Hose Assembly, Main Control Valve to Reservoir
16	8303713	3	Screw, Hex Hd Cap, 1/2-13 x 2-1/4 Gr 5
17	8307112	3	Washer, Flat, SAE 1/2
18	8305644	3	Locknut, 1/2-13
19	8640208	1	O-Ring #228
20	8546407	2	Clamp Half, 2"
21	8760545	1	Reducer, SAE 16-8 - male str. thd. O-ring x female internal O-ring boss
22	2712342	1	Hose Assembly, Reservoir Return
23	8760118	1	Connector, Straight, SAE 12-16 - male JIC 37° x male str. thd. O-ring
24	8760552	1	Tee, Male Branch, SAE 16-16 - male JIC 37° x male str. thd. O-ring

MAIN CONTROL VALVE CIRCUIT

(S/N 0E1180 AND AFTER w/CABLE CONTROLLED JOYSTICK)



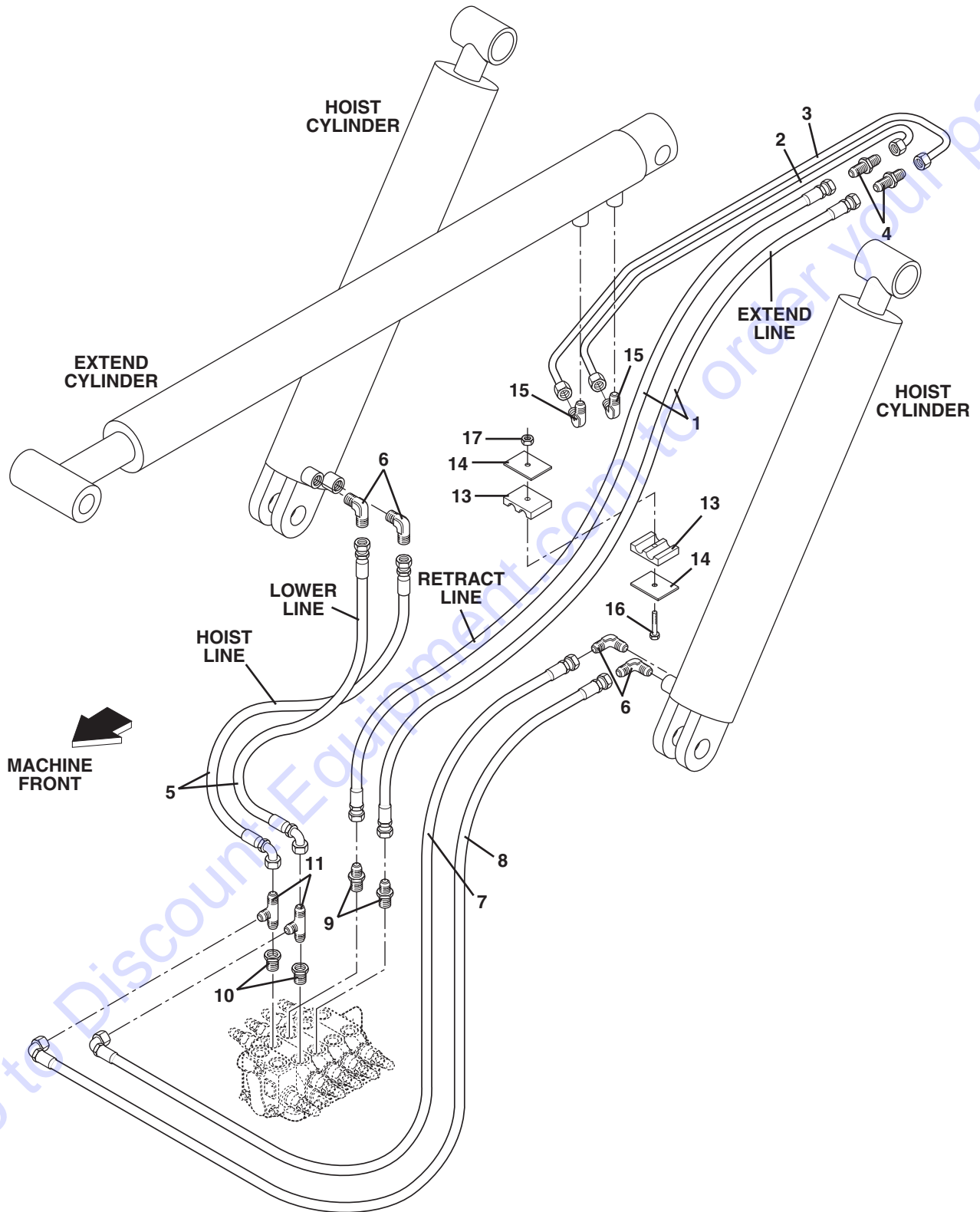
UNDERNEATH VIEW. SEE PAGE 5.6.3 FOR VALVE PLATE BREAKDOWN

MAIN CONTROL VALVE CIRCUIT

(S/N 0E1180 AND AFTER w/CABLE CONTROLLED JOYSTICK)

Item No.	Part Number	Qty.	Description
1	8401004-0470	1	Hose, Inlet
2	8405209	2	Clamp, Hose,
3	8424222	1	Elbow, Tube, 45°, Barbed, SAE 32 - hose 2 "ID x 4 bolt O-ring
4	8303626	4	Screw, Hex Hd Cap, 1/2-13 x 1-1/2
5	8307007	6	Washer, Lock, 1/2
6	7054902	1	Gasket
7	8303602	2	Screw, Hex Hd Cap, 1/2-13 x 1-1/4
8	8760107	1	Connector, Straight, SAE 8-8 - male JIC 37° x male str. thd. O-ring
9	2711832	1	Hose Assembly, Large Pump Outlet
10	8760325	1	Elbow, 90° SAE 12-16 - male JIC 37° x male str. thd. O-ring
11	6604862	1	Hose Assembly, Small Pump Outlet
12	8760015	1	Connector, Straight, SAE 8-8P - male JIC 37° x male NPT
13	8760005	1	Connector, Straight, SAE 16-16P - male JIC 37° x male NPT
14	2711902	1	Hose Assembly, Main Control Valve to Reservoir
15	8303713	3	Screw, Hex Hd Cap, 1/2-13 x 2-1/4 Gr 5
16	8307112	3	Washer, Flat, SAE 1/2
17	8305644	3	Locknut, 1/2-13
18	8640208	1	O-Ring #228
19	8546407	2	Clamp Half 2"
20	8760545	1	Reducer, SAE 16-8 - male str. thd. O-ring x female internal O-ring boss
21	2712342	1	Hose Assembly, Reservoir Return
22	8760109	1	Connector, Straight, SAE 12-12 - male JIC 37° x male str. thd. O-ring
23	8760102	1	Connector, Straight SAE 16-16 - male JIC 37° x male str. thd. O-ring
24	8760108	1	Connector, Straight, SAE 8-10 - male JIC 37° x male str. thd. O-ring

BOOM RAISE/LOWER & EXTEND/RETRACT CIRCUITS (S/N 9B0499 AND BEFORE)



BOOM RAISE/LOWER & EXTEND/RETRACT CIRCUITS (S/N 9B0499 AND BEFORE)

Item No.	Part Number	Qty.	Description
1	2711862	2	Hose Assembly, Extend Cylinder
2	7081843	1	Tube Assembly
3	7081833	1	Tube Assembly
4	8760037	2	Union, Bulkhead, Straight, SAE 10 - male JIC 37°
5	2711852	2	Hose Assembly, Right Hoist Cylinder
6	8760305	4	Elbow, 90° SAE 12-12 - male str. thd. O-ring
7	2712132	1	Hose Assembly, Left Hoist Cylinder Rod
8	2712152	1	Hose Assembly, Left Hoist Cylinder Base
9	8760101	2	Connector, Straight, SAE 10-12 - male JIC 37° x male str. thd. O-ring
10	8760535	2	Reducer, SAE 12-8 - male str. thd. O-ring female internal O-ring boss
11	8760510	2	Tee, Male Run, SAE 8-8 - male JIC 37° x male str. thd. O-ring
12	8584002	4	Tie Wrap (Not Shown)
13	8769127	1	Clamp Set, 1" ID - 2 Halves
14	8769128	2	Plate, Cover
15	8760304	2	Elbow, 90° SAE 10-10 - male JIC 37° x male str. thd. O-ring
16	8303752	1	Scerw, Hex Hd Cap, 5/16-18 x 3-1/2
17	8305626	1	Locknut, 5/16-18

PARTS FINDER

**Search Website
by Part Number**



**Search Manual
Library For Parts
Manual & Lookup Part
Numbers – Purchase
or Request Quote**

Search Manuals

Enter your information to help us find the right parts manual for your machine.

* Brand:

* Model:

* Serial:

* Part Number:

SEARCH

**Can't Find Part or
Manual? Request Help
by Manufacturer,
Model & Description**

Parts Order Form

Please fill in the following information to help us find the right part for your machine.

Manufacturer:	<input type="text"/>
Model:	<input type="text"/>
Description:	<input type="text"/>
Part Number:	<input type="text"/>
Quantity:	<input type="text"/>
Notes:	<input type="text"/>

Discount-Equipment.com is your online resource for quality parts & equipment.

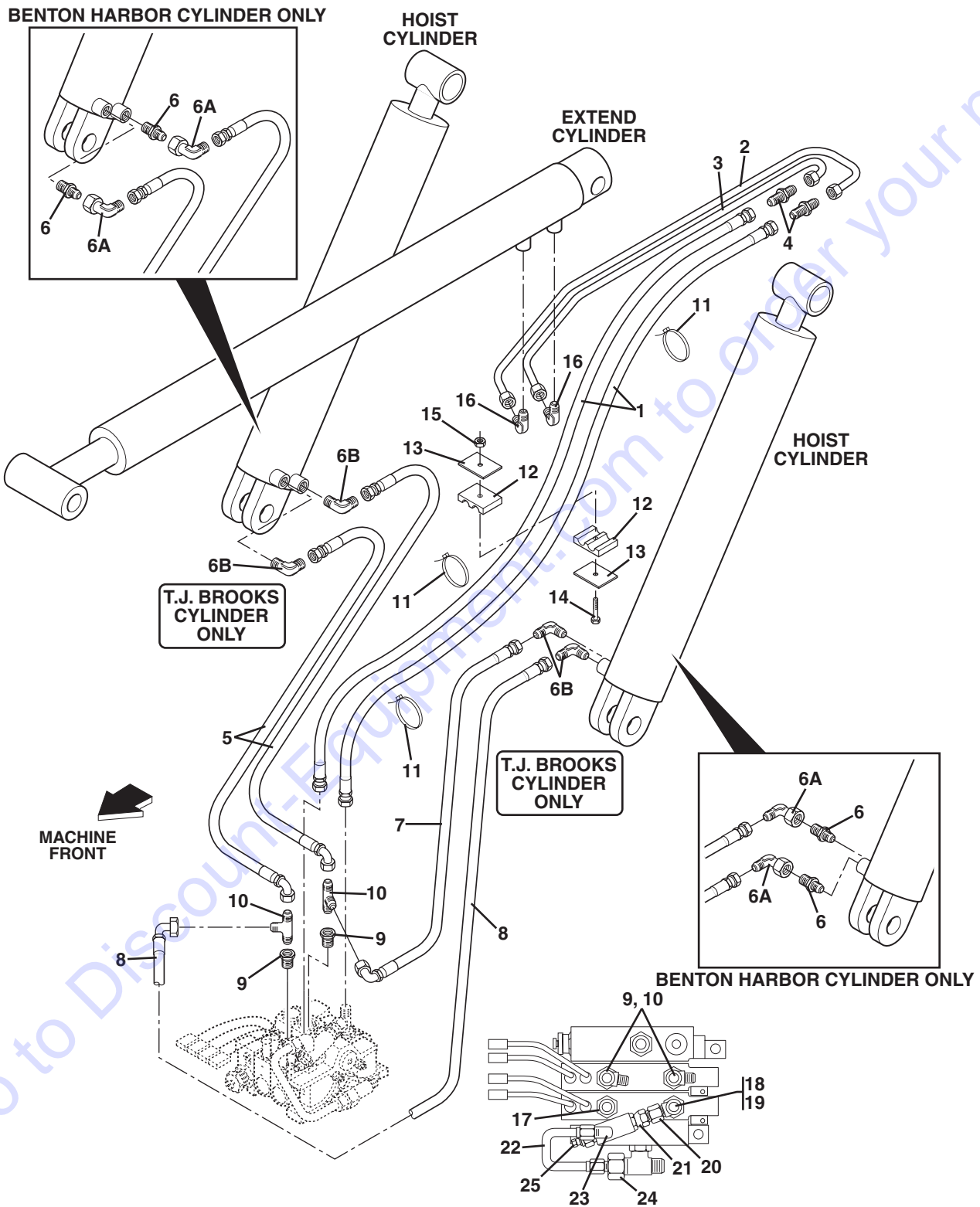
Florida: **561-964-4949** Outside Florida TOLL FREE: **877-690-3101**

Need parts?

Click on this link: <http://www.discount-equipment.com/category/5443-parts/> and choose one of the options to help get the right parts and equipment you are looking for. Please have the machine model and serial number available in order to help us get you the correct parts. If you don't find the part on the website or on one of the online manuals, please fill out the request form and one of our experienced staff members will get back to you with a quote for the right part that your machine needs.

We sell worldwide for the brands: Genie, Terex, JLG, MultiQuip, Mikasa, Essick, Whiteman, Mayco, Toro Stone, Diamond Products, Generac Magnum, Airman, Haulotte, Barreto, Power Blanket, Nifty Lift, Atlas Copco, Chicago Pneumatic, Allmand, Miller Curber, Skyjack, Lull, Skytrak, Tsurumi, Husquvarna Target, Stow, Wacker, Sakai, Mi-T-M, Sullair, Basic, Dynapac, MBW, Weber, Bartell, Bennar Newman, Haulotte, Ditch Runner, Menegotti, Morrison, Contec, Buddy, Crown, Edco, Wyco, Bomag, Laymor, EZ Trench, Bil-Jax, F.S. Curtis, Gehl Pavers, Heli, Honda, ICS/PowerGrit, IHI, Partner, Imer, Clipper, MMD, Koshin, Rice, CH&E, General Equipment, Amida, Coleman, NAC, Gradall, Square Shooter, Kent, Stanley, Tamco, Toku, Hatz, Kohler, Robin, Wisconsin, Northrock, Oztec, Toker TK, Rol-Air, APT, Wylie, Ingersoll Rand / Doosan, Innovatech, Con X, Ammann, Mecalac, Makinex, Smith Surface Prep, Small Line, Wanco, Yanmar

BOOM RAISE/LOWER & EXTEND/RETRACT CIRCUITS (S/N 9B500 & AFTER w/ELECTRONIC CONTROLLED JOYSTICK)



BOOM RAISE/LOWER & EXTEND/RETRACT CIRCUITS (S/N 9B500 & AFTER w/ELECTRONIC CONTROLLED JOYSTICK)

Item No.	Part Number	Qty.	Description
1	2711862	2	Hose Assembly, Extend Cylinder
2	7081833	1	Tube Assembly
3	7081843	1	Tube Assembly
4	8760037	2	Union, Bulkhead, Straight, SAE 10 - male JIC 37°
5	2711852	2	Hose Assembly, Right Hoist Cylinder
6	8760109	4	Connector, Straight, SAE 12-12 - male JIC 37° x male str. thd. O-ring (Benton Harbor Cyl. Only)
6A	8760254	4	Elbow, 90° SAE 12-12 - male JIC 37° x female JIC 37° swivel (Benton Harbor Cyl. Onyl)
6B	8760305	4	Elbow, 90° SAE 12-12 - male JIC 37° x female JIC 37° O-ring (T.J Brooks Cyl. Onyl)
7	2712132	1	Hose Assembly, Left Hoist Cylinder Rod
8	2712152	1	Hose Assembly, Left Hoist Cylinder Base
9	8760535	2	Reducer, SAE 12-8 - male str. thd. O-ring x female internal O-ring boss
10	8760510	2	Tee, Male Run, SAE 8-8 - male JIC 37° x male str. thd O-ring
11	8584002	3	Tie Wrap
12	8769127	1	Clamp Set, 1" ID - 2 Halves
13	8769128	2	Plate, Cover
14	8303752	1	Screw, Hex Hd Cap, 5/16-18 x 3-1/2
15	8305626	1	Locknut, 5/16-18
16	8760304	2	Elbow, 90° SAE 10-10 - male JIC 37° x male str. thd. O-ring
17	8760101	2	Connector, Straight, SAE 10-12 - male JIC 37° x male str. thd. O-ring
18	8760550	1	Reducer, SAE 10-12 - male str. thd. O-ring x female internal O-ring boss
19	8760481	1	Tee, Male Run, SAE 10-10 - male JIC 37° x male str. thd O-ring
20	8760486	1	Reducer, SAE 10-8 - male JIC 37° x male str. thd. O-ring
21	88760142	1	Connector, Straight, SAE 8-8 - male str. thd. O-ring x female JIC 37° swivel
22	7089292	1	Tube Assembly, 1/2 O.D.
23	8760303	1	Elbow, 90° SAE 8-8 - male JIC 37° x male str. thd. O-ring
24	8760533	1	Reducer, SAE 16-8 - feamle JIC 37° x male JIC 37°
25	8902655	1	Valve, Relief (Set at 2850 psi ± 50 psi)

BOOM RAISE/LOWER & EXTEND/RETRACT CIRCUITS (S/N 9B500 & AFTER w/CABLE CONTROLLED JOYSTICK)

BENTON HARBOR CYLINDER ONLY

HOIST
CYLINDER

EXTEND
CYLINDER

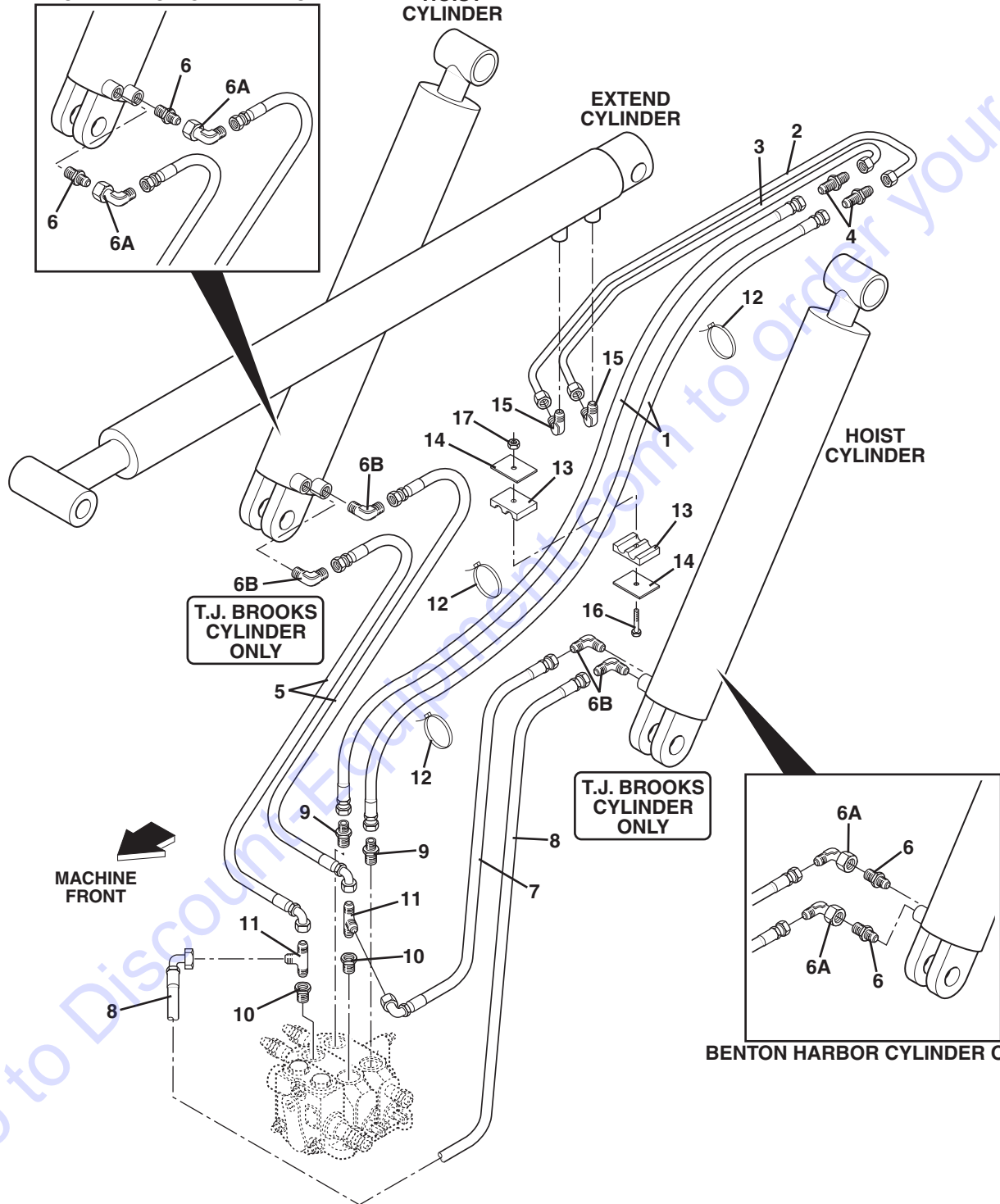
HOIST
CYLINDER

T.J. BROOKS
CYLINDER
ONLY

T.J. BROOKS
CYLINDER
ONLY

BENTON HARBOR CYLINDER ONLY

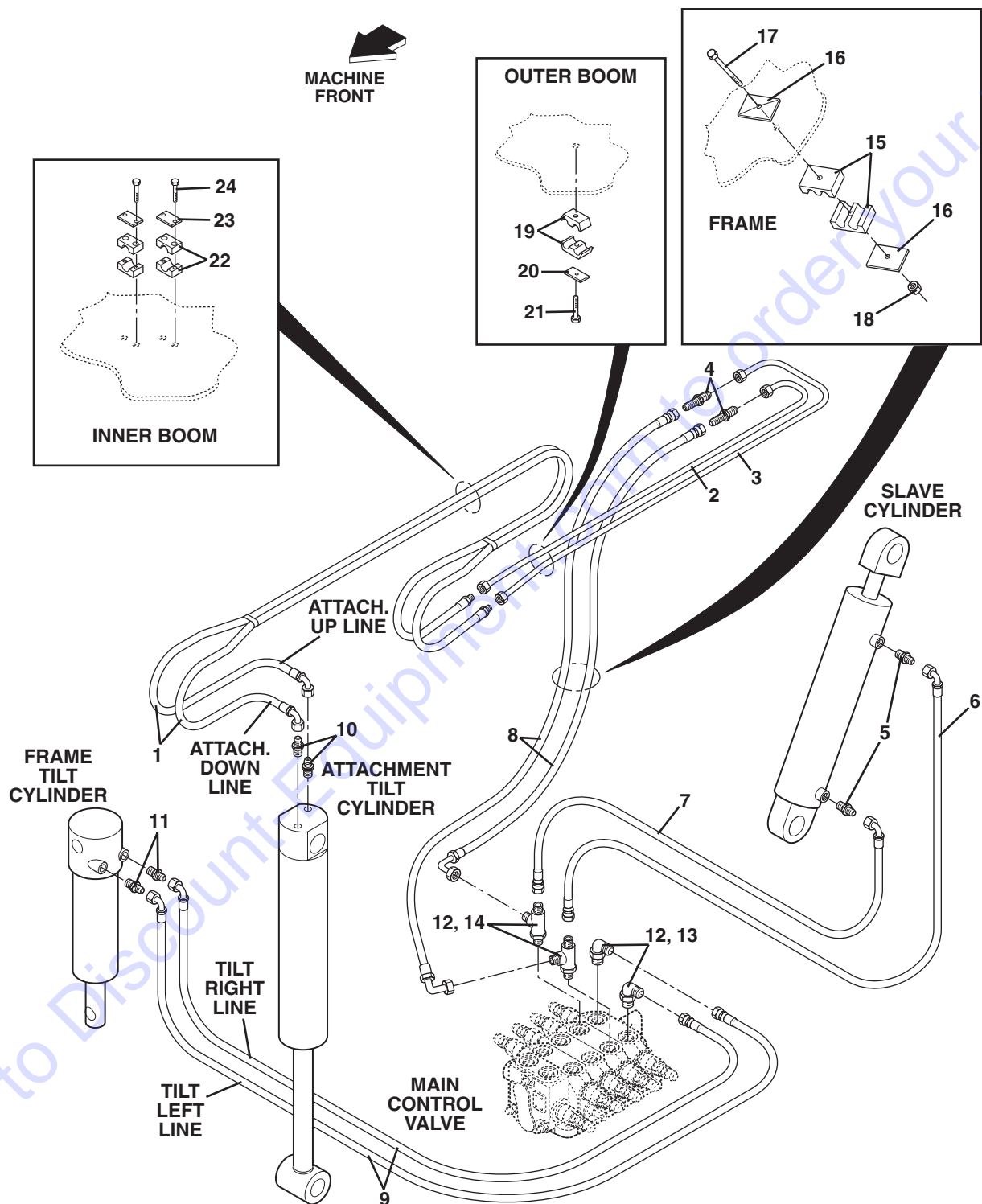
MACHINE
FRONT



BOOM RAISE/LOWER & EXTEND/RETRACT CIRCUITS (S/N 9B500 & AFTER w/CABLE CONTROLLED JOYSTICK)

Item No.	Part Number	Qty.	Description
1	2711862	2	Hose Assembly, Extend Cylinder
2	7081833	1	Tube Assembly
3	7081843	1	Tube Assembly
4	8760037	2	Union, Bulkhead, Straight, SAE 10 - male JIC 37°
5	2711852	2	Hose Assembly, Right Hoist Cylinder
6	8760109	4	Connector, Straight, SAE 12-12 - male JIC 37° x male str. thd. O-ring (Benton Harbor Cyl. Only)
6A	8760254	4	Elbow, 90° SAE 12-12 - male JIC 37° x female JIC 37° swivel (Benton Harbor Cyl. Onyl)
6B	8760305	4	Elbow, 90° SAE 12-12 - male JIC 37° x female JIC 37° O-ring (T.J Brooks Cyl. Onyl)
7	2712132	1	Hose Assembly, Left Hoist Cylinder Rod
8	2712152	1	Hose Assembly, Left Hoist Cylinder Base
9	8760101	2	Connector, Straight, SAE 10-12 - male JIC 37° x male str. thd. O-ring
10	8760535	2	Reducer, SAE 12-8 - male str. thd. O-ring x female internal O-ring boss
11	8760510	2	Tee, Male Run, SAE 8-8 - male JIC 37° x male str. thd O-ring
12	8584002	3	Tie Wrap
13	8769127	1	Clamp Set, 1" ID - 2 Halves
14	8769128	2	Plate, Cover
15	8760304	2	Elbow, 90° SAE 10-10 - male JIC 37° x male str. thd. O-ring
16	8303752	1	Screw, Hex Hd Cap, 5/16-18 x 3-1/2
17	8305626	1	Locknut, 5/16-18

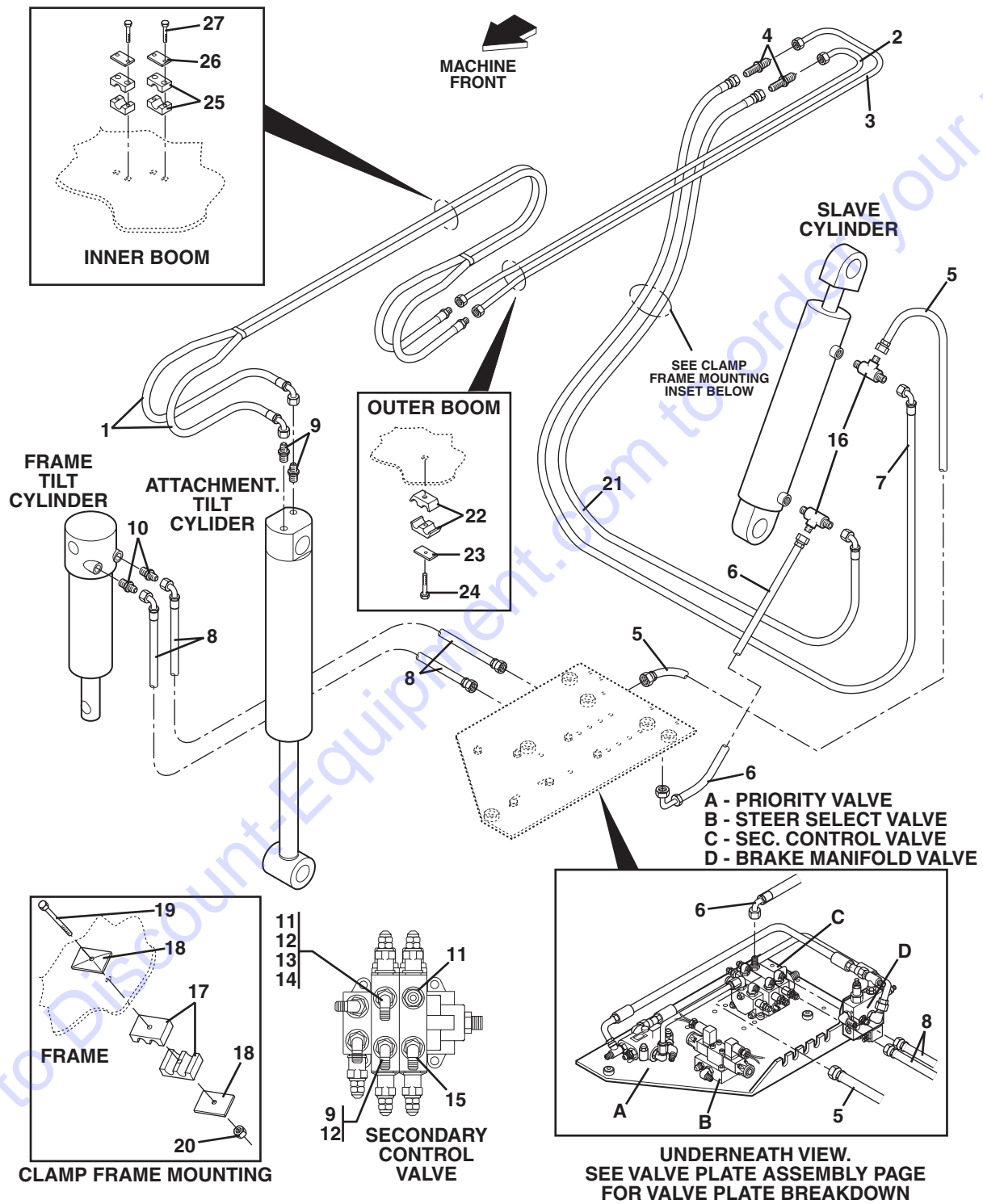
ATTACHMENT TILT, SLAVE & FRAME TILT CIRCUITS (S/N 9B0499 & BEFORE)



ATTACHMENT TILT, SLAVE & FRAME TILT CIRCUITS (S/N 9B0499 & BEFORE)

Item No.	Part Number	Qty.	Description
1	2711882	2	Hose Assembly, Attachment Tilt Cylinder
2	7082673	1	Tube Assembly, Attachment Tilt Cylinder
3	7084673	1	Tube Assembly, Attachment Tilt Cylinder
4	8760045	2	Union, Bulkhead, Straight, SAE 8 - male JIC 37°
5	8760107	2	Connector, Straight, SAE 8-8 - male JIC 37° x male str. thd. O-ring
6	2711872	1	Hose Assembly, Slave Cylinder Retract
7	2712122	1	Hose Assembly, Slave Cylinder Extend
8	2712112	2	Hose Assembly, Slave Tube
9	2711892	2	Hose Assembly, Frame Tilt Cylinder
10	8760110	2	Connector, Straight, SAE 6-8 - male JIC 37° x male str. thd. O-ring
11	8760134	2	Connector, Straight, SAE 6-4 - male JIC 37° x male str. thd. O-ring
12	8760535	4	Reducer, SAE 12-8 - male str. thd. O-ring x female internal O-ring boss
13	8760313	2	Elbow, 90° SAE 6-8 - male JIC 37° x male str. thd. O-ring
14	8760510	2	Tee Male Run, SAE 8-8 - male JIC 37° x male str. thd. O-ring
15	8769139	1	Clamp Set, Twin (2 halves, 3/4 ID)
16	8769128	2	Plate, Cover
17	8303752	2	Screw, Hex Hd Cap, 5/16-18 x 3
18	8305626	1	Locknut, 5/16-18
19	8769122	3	Clamp Set, Twin Tube (2 halves, 5/8 ID)
20	8769123	3	Plate, Clamp Top
21	8303739	3	Screw, Hex Hd Cap, 5/16-18 x 1-1/4
22	8769129	2	Clamp Set, Single (2 halves, 5/8 ID)
23	8769146	2	Cover, Clamp
24	8303743	4	Screw, Hex Hd Cap, 1/4-20 x 1-1/2
			<p>NOTE: FOR RETROFIT INFORMATION ON AUXILIARY HYDRAULIC CIRCUITS AND RELATED COMPONENTS, REFER TO THE AUXILIARY HYDRAULIC CIRCUIT - OPTIONAL PAGES.</p>

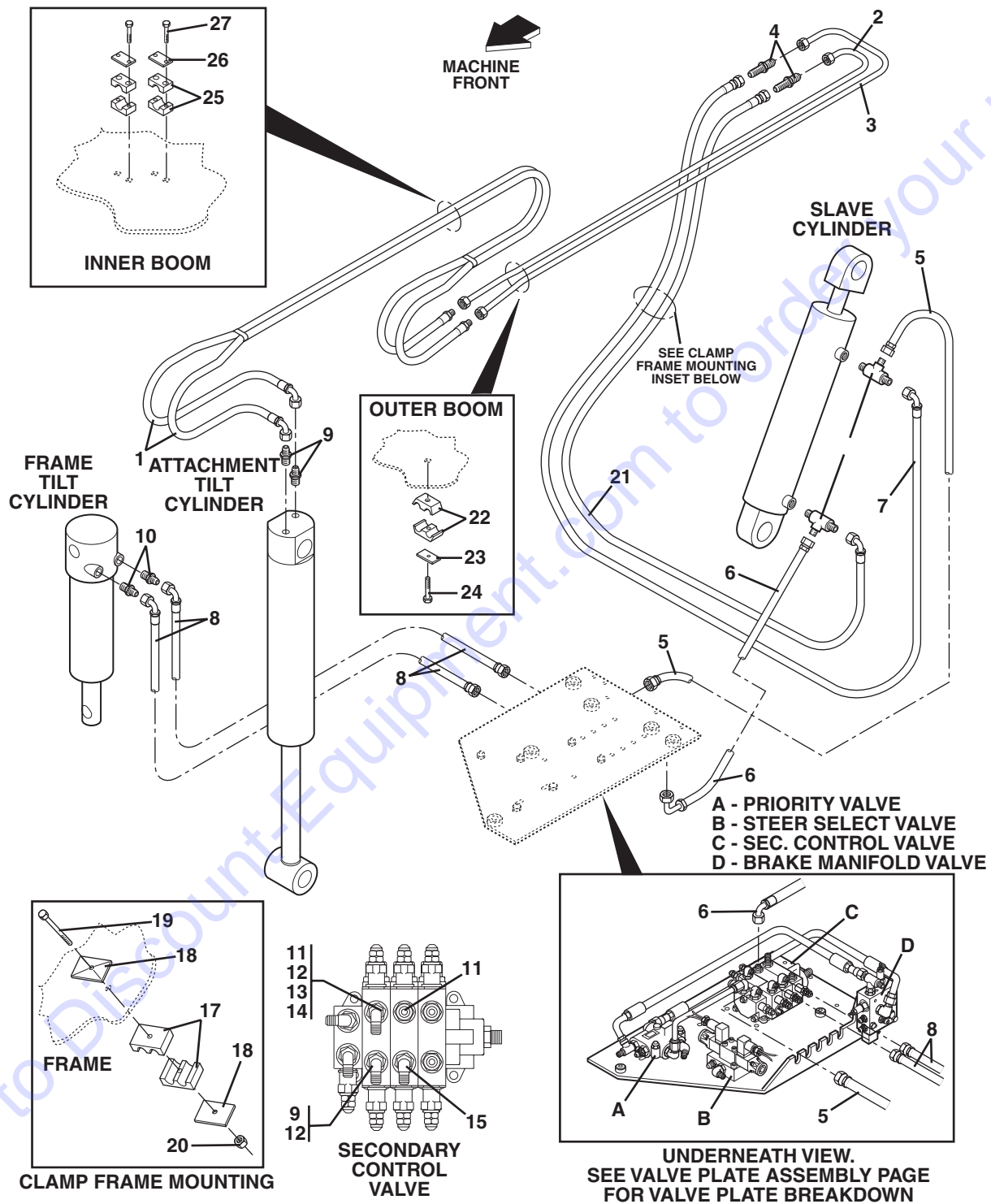
ATTACHMENT TILT, SLAVE & FRAME TILT CIRCUITS (S/N 9B0500 THRU 6036-1316)



ATTACHMENT TILT, SLAVE & FRAME TILT CIRCUITS (S/N 9B0500 THRU 6036-1316)

Item No.	Part Number	Qty.	Description
1	2711882	2	Hose Assembly, Attachment Tilt Cylinder
2	7082673	1	Tube Assembly, Attachment Tilt Cylinder
3	7084673	1	Tube Assembly, Attachment Tilt Cylinder
4	8760045	2	Union, Bulkhead, Straight, SAE 8 - male JIC 37°
5	2709372	1	Hose Assembly, Slave Cylinder Retract
6	2712322	1	Hose Assembly, Slave Cylinder Extend
7	2712112	1	Hose Assembly, Slave Tube
8	6604782	2	Hose Assembly, Frame Tilt Cylinder
9	8760110	3	Connector, Straight, SAE 6-8 - male JIC 37° x male str. thd. O-ring
10	8760134	2	Connector, Straight, SAE 4-4 - male JIC 37° x male str. thd. O-ring
11	8760107	2	Connector, Straight, SAE 8-8 - male JIC 37° x male str. thd. O-ring
12	8760268	2	Elbow, 90° SAE 6-6 - male JIC 37° x female JIC 37° swivel
13	8760458	1	Reducer, Tube End, SAE 8-6 - JIC 37°
14	8760407	1	Nut, SAE 8 - JIC 37°
15	8760303	1	Elbow, 90° SAE 8-8 - male JIC 37° x male str. thd. O-ring
16	8760510	2	Tee, Male Run, SAE 8-8 - male JIC 37° x male str. thd. O-ring
17	8769139	1	Clamp Set, Twin (2 halves, 3/4 ID)
18	8769128	2	Plate, Cover
19	8303752	1	Screw, Hex Hd Cap, 5/16-18 x 3
20	8305626	1	Locknut, 5/16-18
21	2711912	1	Hose Assembly, Slave to Tube
22	8769122	3	Clamp Set, Twin Tube (2 halves 5/8 ID)
23	8769123	3	Plate, Clamp Top
24	8303739	3	Scew, Hex Hd Cap, 5/16-28 x 1-1/4
25	8769129	2	Clamp Set, Single (2 halves, 5/8 ID)
26	8769146	2	Cover, Clamp
27	8303743	4	Screw, Hex Hd Cap, 1/4-20 x 1-1/2
			<p>NOTE: FOR RETROFIT INFORMATION ON AUXILIARY HYDRAULIC CIRCUITS AND RELATED COMPONENTS, REFER TO THE AUXILIARY HYDRAULIC CIRCUIT - OPTIONAL PAGES.</p>

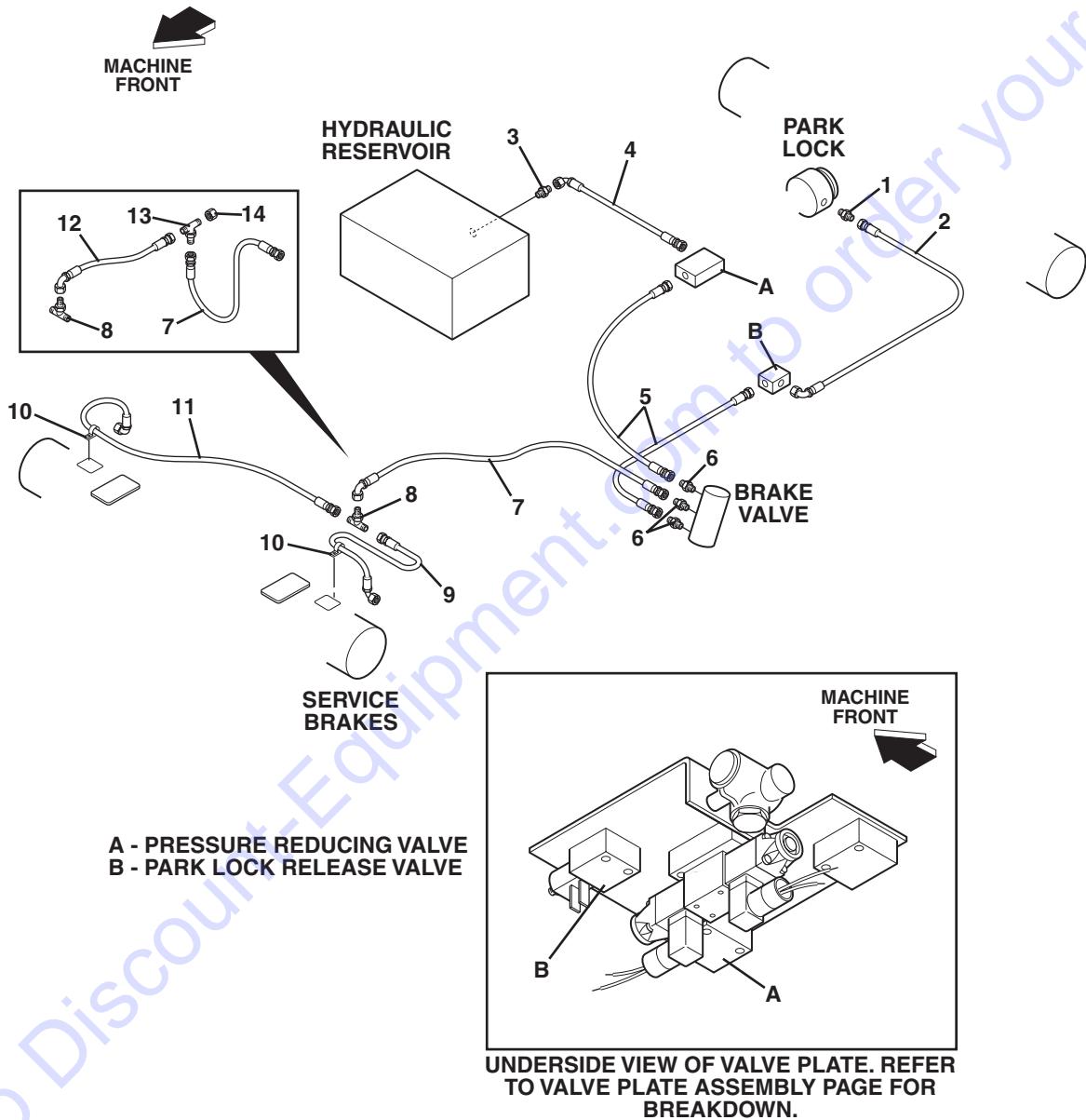
ATTACHMENT TILT, SLAVE & FRAME TILT CIRCUITS (S/N 6036-1317 & AFTER)



ATTACHMENT TILT, SLAVE & FRAME TILT CIRCUITS (S/N 6036-1317 & AFTER)

Item No.	Part Number	Qty.	Description
1	2711882	2	Hose Assembly, Attachment Tilt Cylinder
2	7082673	1	Tube Assembly, Attachment Tilt Cylinder
3	7084673	1	Tube Assembly, Attachment Tilt Cylinder
4	8760045	2	Union, Bulkhead, Straight, SAE 8 - male JIC 37°
5	2709372	1	Hose Assembly, Slave Cylinder Retract
6	2712322	1	Hose Assembly, Slave Cylinder Extend
7	2712112	1	Hose Assembly, Slave Tube
8	6604782	2	Hose Assembly, Frame Tilt Cylinder
9	8760110	3	Connector, Straight, SAE 6-8 - male JIC 37° x male str. thd. O-ring
10	8770031	2	Connector, Straight, SAE 4-4 - male JIC 37° x male str. thd. O-ring
11	8760107	2	Connector, Straight, SAE 8-8 - male JIC 37° x male str. thd. O-ring
12	8760268	2	Elbow, 90° SAE 6-6 - male JIC 37° x female JIC 37° swivel
13	8760458	1	Reducer, Tube End, SAE 8-6 - JIC 37°
14	8760407	1	Nut, SAE 8 - JIC 37°
15	8760303	1	Elbow, 90° SAE 8-8 - male JIC 37° x male str. thd. O-ring
16	8760510	2	Tee, Male Run, SAE 8-8 - male JIC 37° x male str. thd O-ring
17	8769139	1	Clamp Set, Twin (2 halves, 3/4 ID)
18	8769128	2	Plate, Cover
19	8303752	1	Screw, Hex Hd Cap, 5/16-18 x 3
20	8305626	1	Locknut, 5/16-18
21	2711912	1	Hose Assembly, Slave to Tube
22	8769122	3	Clamp Set, Twin Tube (2 halves, 5/8 ID)
23	8769123	3	Plate, Clamp Top
24	8303739	3	Screw, Hex Hd Cap, 5/16-18 x 1-1/4
25	8769154	2	Clamp Set, (2 halves, 5/8 ID)
26	8769153	2	Cover, Clamp
27	8303743	4	Screw, Hex Hd Cap, 1/4-20 x 1-1/2

BRAKE CIRCUITS - W/2 WHEEL SERVICE BRAKES (S/N 9B0499 & BEFORE)



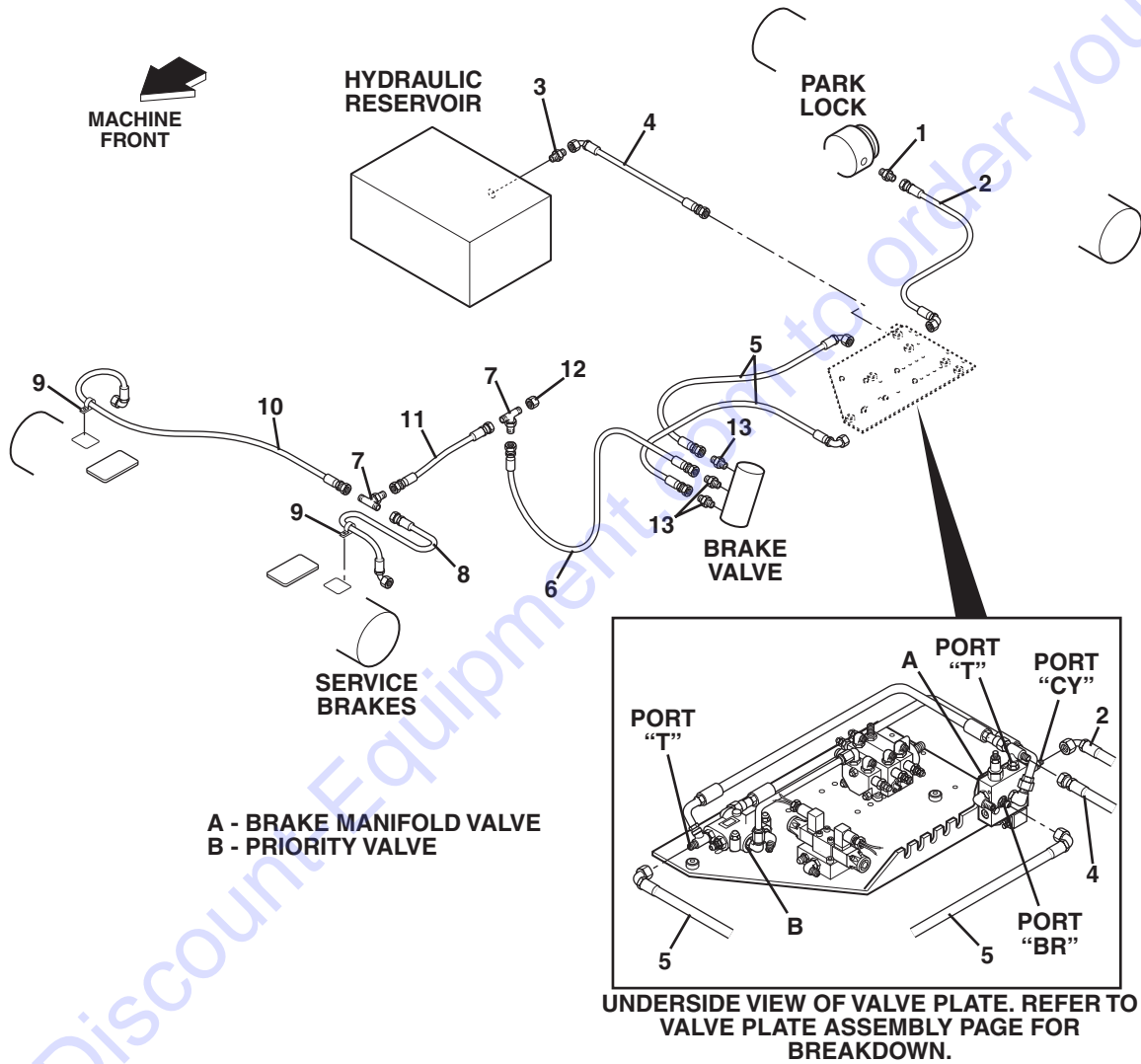
PA0483

BRAKE CIRCUITS - W/2 WHEEL SERVICE BRAKES (S/N 9B0499 & BEFORE)

Item No.	Part Number	Qty.	Description
1	8760113	1	Connector, Straight, SAE 4-4 - male JIC 37° x male str. thd. O-ring
2	2712052	1	Hose Assembly, Transmission Declutch
3	8760036	1	Connector, Straight, SAE 6-8 - male JIC 37° x male NPT
4	2712072	1	Hose Assembly, Pressure Reducing Valve to Tank
5	2712042	2	Hose Assembly, Brake Valve
6	8760110	3	Connector, Straight, SAE 6-8 - male JIC 37° x male str. thd. O-ring
7	2712032	1	Hose Assembly (S/N 8L0333 & Before Only)
	2710672	1	Hose Assembly (S/N 8L0334 thru 9B0499)
8	8760455	1	Tee, Bulkhead, Male Branch, SAE 6 - male JIC 37°
9	2712092	1	Hose Assembly, Left Front Service Brake
10	8406105	2	Clamp, 3/4 ID
11	2712022	1	Hose Assembly, Right Front Service Brake
12	2711972	1	Hose Assembly, (S/N 8L0334 thru 9B0499)
13	8760455	1	Tee, Bulkhead, Male Branch, SAE 6 - male JIC 37° (S/N 8L0334 thru 9B00499)
14	8760488	1	Cap, SAE 6 - JIC 37° (S/N 8L0334 & After)

BRAKE CIRCUITS - W/2 WHEEL SERVICE BRAKES

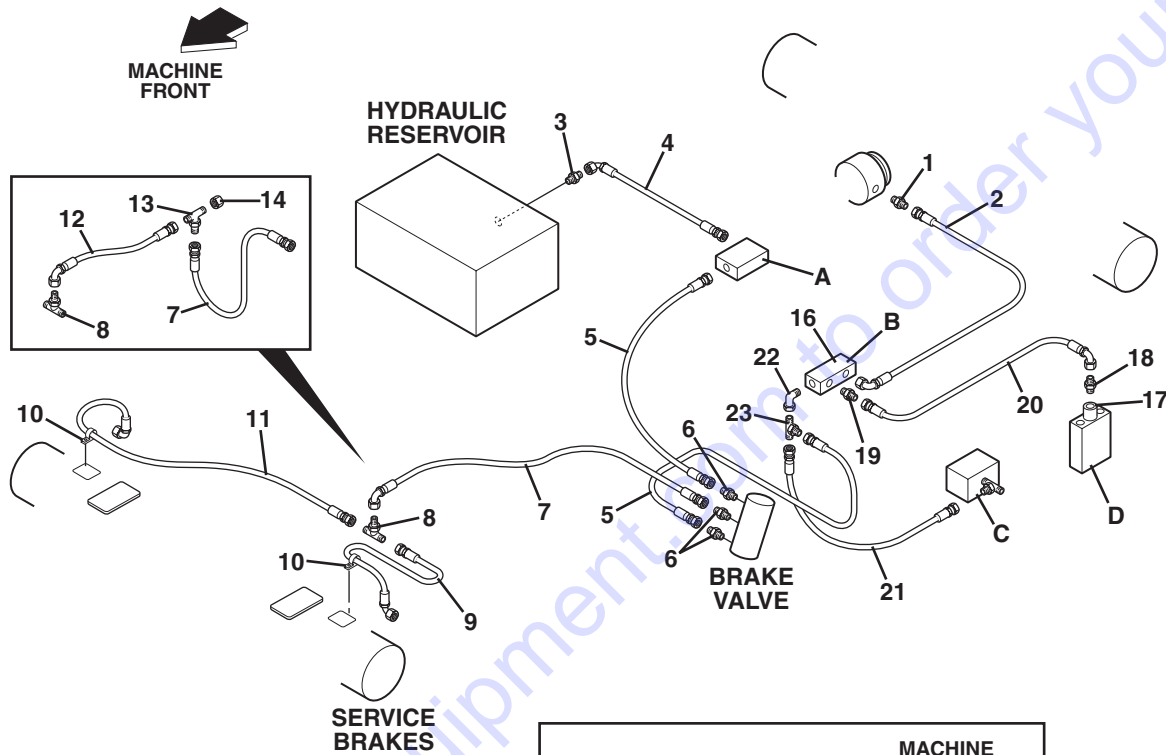
(S/N 9B0500 THRU 0e1179)



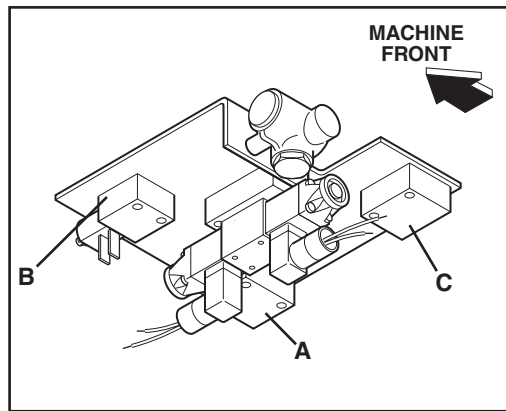
BRAKE CIRCUITS - W/2 WHEEL SERVICE BRAKES (S/N 9B0500 THRU 0e1179)

Item No.	Part Number	Qty.	Description
1	8760113	1	Connector, Straight, SAE 4-4 - male JIC 37° x male str. thd. O-ring
2	6605152	1	Hose Assembly, Park Lock
3	8760036	1	Connector, Straight, SAE 6-8 - male JIC 37° x male NPT
4	2712072	1	Hose Assembly, Brake Manifold Valve to Tank
5	2712332	2	Hose Assembly, Brake Drain
6	2710672	1	Hose Assembly, Brake Output
7	8760455	2	Tee, Bulkhead, Male Branch, SAE 6 - Male JIC 37°
8	2712092	1	Hose Assembly, Left Front Service Brake
9	8406105	2	Clamp, 3/4 ID
10	2712022	1	Hose Assembly, Right Front Service Brake
11	2711492	1	Hose Assembly
12	8760488	1	Cap, SAE 6 - JIC 37°
13	8760110	3	Connector, Straight, SAE 6-8 - male JIC 37° x male str. thd. O-ring

BRAKE CIRCUITS - W/2 WHEEL SERVICE BRAKES (S/N 9B0499 & BEFORE w/DECLUTCH CONVERSION INSTALLED)



- A - PRESSURE REDUCING VALVE
- B - PARK LOCK RELEASE VALVE
- C - SEQUENCE VALVE
- D - TRANSMISSION CONTROL VALVE



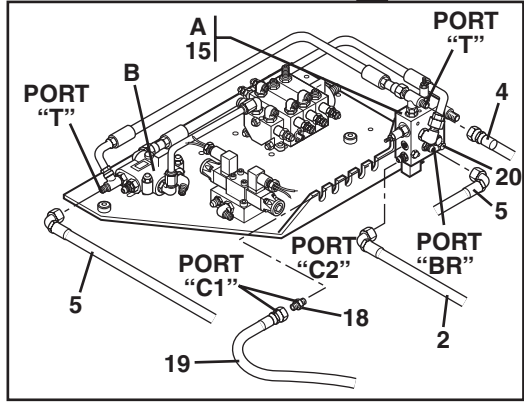
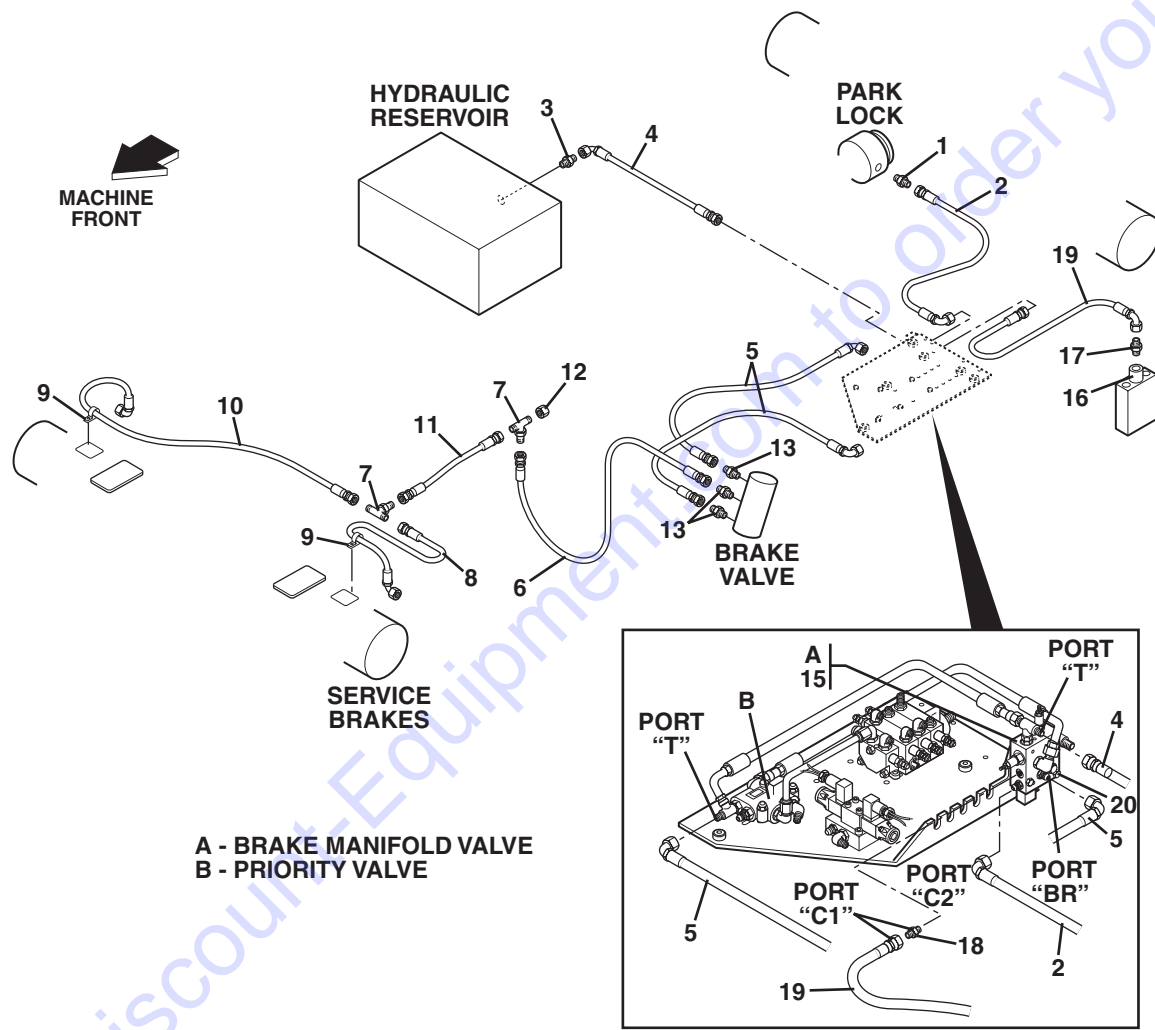
UNDERSIDE VIEW OF VALVE PLATE. REFER TO VALVE PLATE ASSEMBLY PAGE FOR BREAKDOWN.

BRAKE CIRCUITS - W/2 WHEEL SERVICE BRAKES (S/N 9B0499 & BEFORE w/DECLUTCH CONVERSION INSTALLED)

Item No.	Part Number	Qty.	Description
1	8760113	1	Connector, Straight, SAE 4-4 - male JIC 37° x male str. thd. O-ring
2	2712052	1	Hose Assembly, Transmission Declutch
3	8760036	1	Connector, Straight, SAE 6-8 - male JIC 37° x male NPT
4	2712072	1	Hose Assembly, Pressure Reducing Valve to Tank
5	2712042	2	Hose Assembly, Brake Valve
6	8760110	3	Connector, Straight, SAE 6-8 - male JIC 37° x male str. thd. O-ring
7	2712032	1	Hose Assembly (S/N 8L0333 & Before)
	2710672	1	Hose Assembly (S/N 8L0334 & After)
8	8760455	1	Tee, Bulkhead, Male Branch, SAE 6 - male JIC 37°
9	2712092	1	Hose Assembly, Left Front Service Brake
10	8406105	2	Clamp, 3/4 ID
11	2712022	1	Hose Assembly, Right Front Service Brake
12	2711972	1	Hose Assembly (s/n 8L0334 & After)
13	8760455	1	Tee, Bulkhead, Male Branch, SAE 6 - male JIC 37° (S/N 8L0334 thru 9B0499)
14	8760488	1	Cap, SAE 6 - JIC 37° (S/N 8L0334 thru 9B0499)
15	7093242	1	Kit, Transmission Declutch Conversion (Includes items 16 thru 22)
16	8902134	1	Valve Assembly
17	8841314	1	Declutch Cylinder Assembly
18	8760011	1	Connector, Straight, SAE 4-2P, Male JIC 37° x male NPT
19	8760010	1	Connector, Straight, SAE 4-4P, Male JIC 37° x male NPT
20	2712052	1	Hose Assembly, Brake Valve to Declutch Cylinder
21	6605652	1	Hose Assembly, Brake Valve to Sequence Valve
22	8540214	1	Elbow, Straight, 90° x 1/4 NPT
23	8760432	1	Tee, Male Branch, SAE 8-6P - male JIC 37° x male NPT

BRAKE CIRCUITS - W/2 WHEEL SERVICE BRAKES

(S/N 9B0500 THRU 0E1179 w/DECLUTCH CONVERSION
INSTALLED & 0E1180 & AFTER)



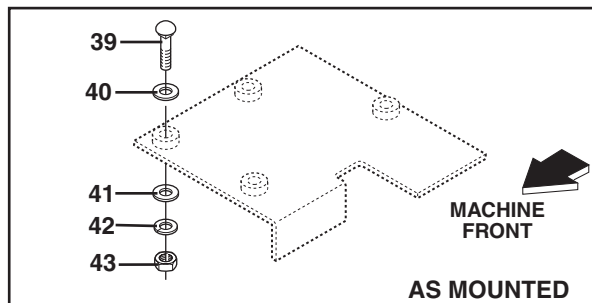
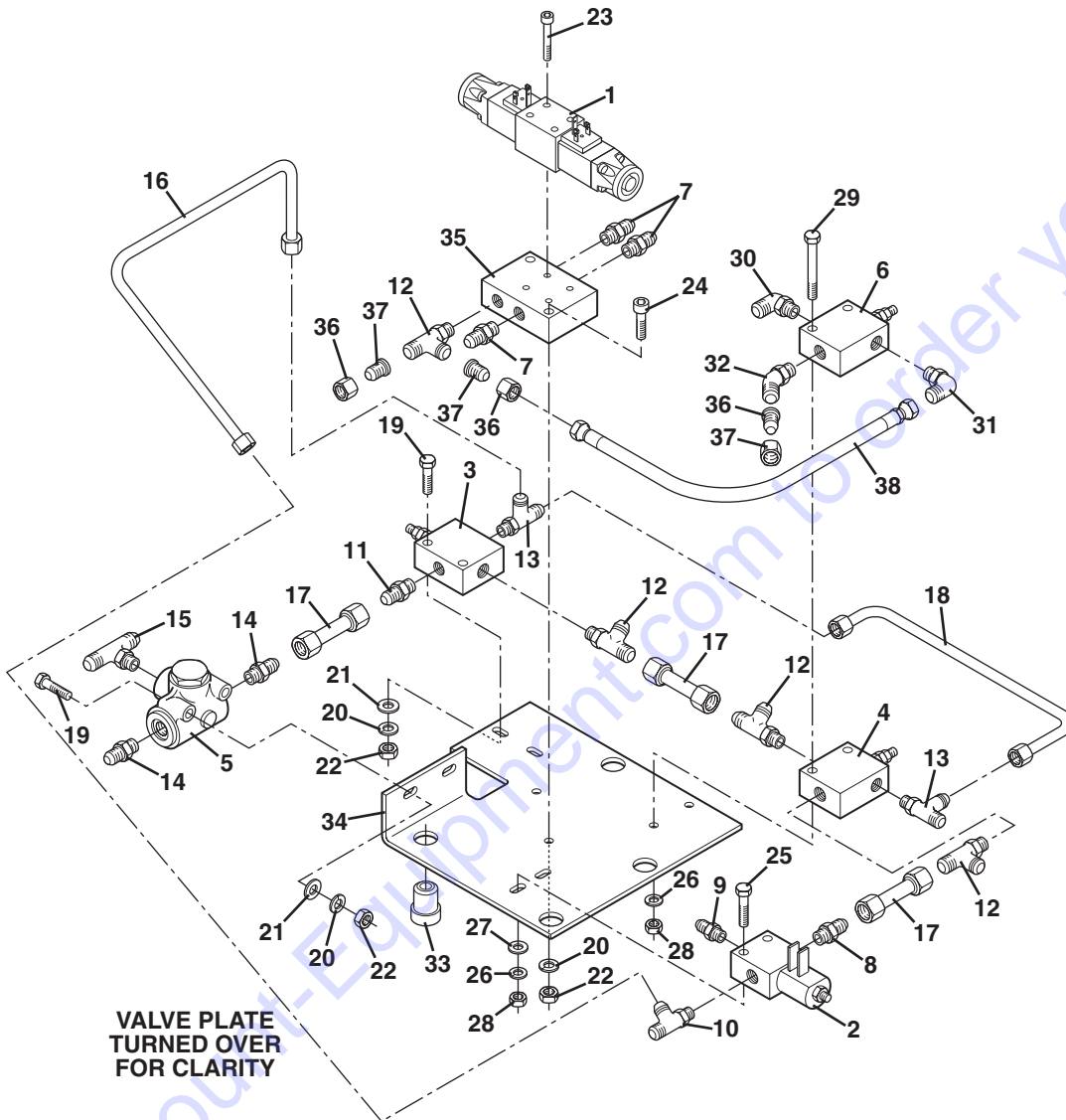
UNDERSIDE VIEW OF VALVE PLATE. REFER TO VALVE PLATE ASSEMBLY PAGE FOR BREAKDOWN.

Go to DiscountEquipment.com to order your parts

BRAKE CIRCUITS - W/2 WHEEL SERVICE BRAKES
(S/N 9B0500 THRU 0E1179 w/DECLUTCH CONVERSION
INSTALLED & 0E1180 & AFTER)

Item No.	Part Number	Qty.	Description
1	8760113	1	Connector, Straight, SAE 4-8 - male JIC 37° x male str. thd. O-ring
2	6605152	1	Hose Assembly, Park Lock
3	8760036	1	Connector, Straight, SAE 6-8, male JIC 37° x male NPT
4	2712072	1	Hose Assembly, Brake Manifold Valve to Tank
5	2712332	2	Hose Assembly, Brake Drain
6	2710672	1	Hose Assembly, Brake Output
7	8760455	2	Tee, Branch, Bulkhead, SAE 6-6, male JIC 37° x male JIC 37°
8	2712092	1	Hose Assembly, Left Front Service Brake
9	8406105	2	Clamp, 3/4 ID
10	2712022	1	Hose Assembly, Right Front Service Brake
11	2711492	1	Hose Assembly
12	8760488	1	Cap #6
13	8760110	3	Connector, Straight, SAE 6-8, male JIC 37° x male str. thd. O-ring
14	7092552	1	Kit Transmission Declutch Conversion (Includes items 15 thru 19)
15	8902659	1	Valve Assembly
16	8841314	1	Declutch Cylinder Assembly
17	8760011	1	Connector, Straight, SAE 4-2P, male JIC 37° x male NPT
18	8760113	1	Connector, Straight, SAE 4-8, male JIC 37° x male str. thd. O-ring
19	2712052	1	Hose Assembly, Brake Valve to Declutch Cylinder
20	8303728	2	Screw, Hex Hd Cap, 1/4-20 x 2-3/4

VALVE PLATE ASSEMBLY (S/N 8F0235 & BEFORE)

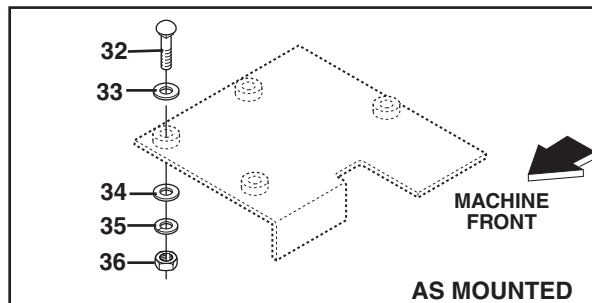
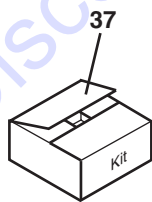
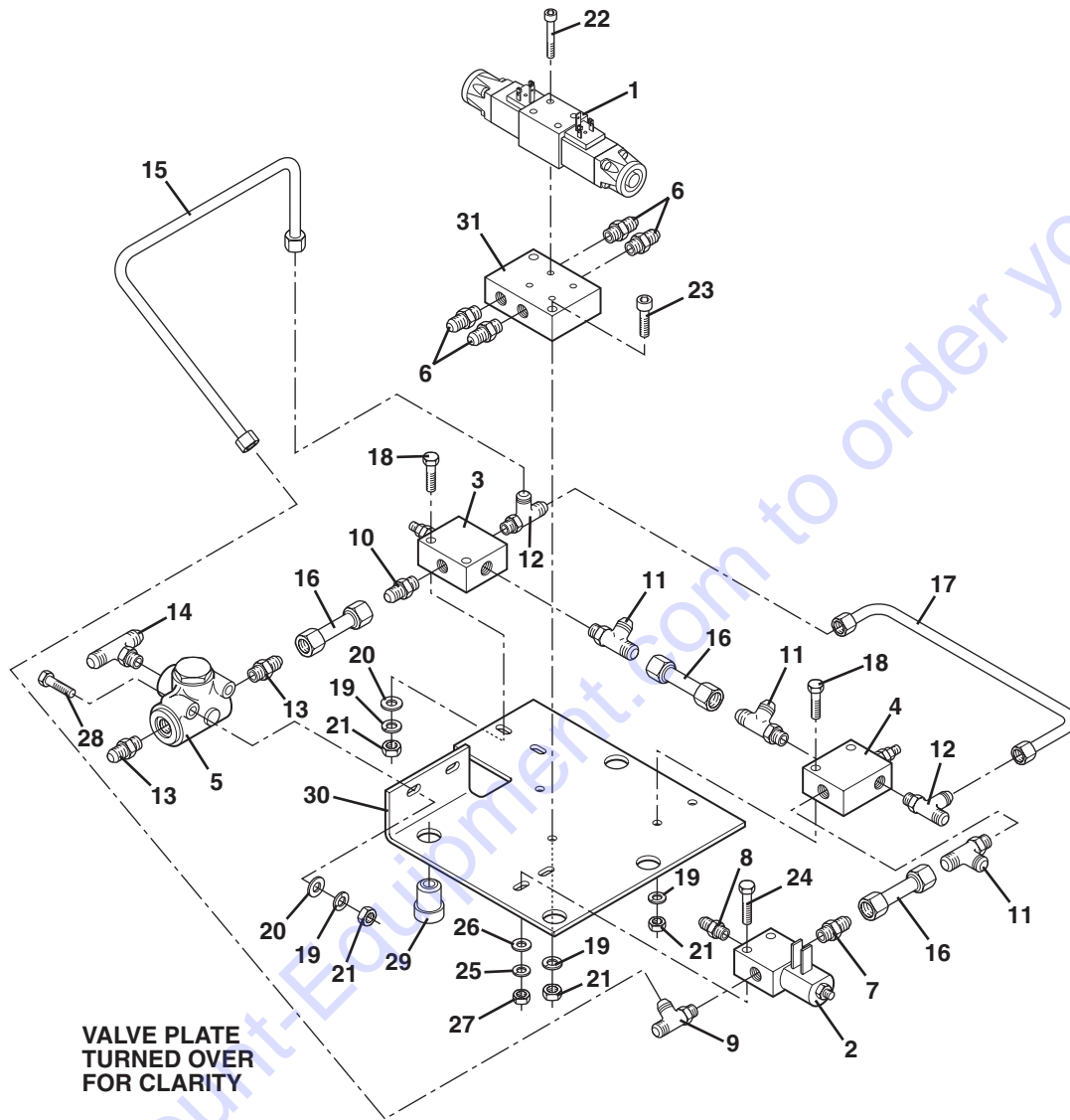


VALVE PLATE ASSEMBLY (S/N 8F0235 & BEFORE)

Item No.	Part Number	Qty.	Description
1	8902109	1	Valve, Steer Select
2	8902116	1	Valve, Park Lock Release
3	8902224	1	Valve, Sequence
4	8902225	1	Valve, Pressure Reducing
5	8902651	1	Valve, Relief
6	8902230	1	Valve, Sequence
7	8760110	3	Connector, Straight, SAE 6-8, male JIC 37° x male str. thd. O-ring
q 8	8760013	1	Connector, Straight, SAE 8-4P, male JIC 37° x male NPT
9	8760010	1	Connector, Straight, SAE 4-4P, male JIC 37° x male NPT
10	8760432	1	Tee, Male Run, SAE 6-4P, male JIC 37° x male NPT
11	8760107	1	Connector, Straight, SAE 8-10, male JIC 37° x male str. thd. O-ring
12	8760510	4	Tee, Male Run, SAE 8-8, male JIC 37° x male str. thd. O-ring
13	8760449	2	Tee, Male Run, SAE 6-6, male JIC 37° x male str. thd. O-ring
14	8760108	2	Connector, Straight, SAE 10-10, male JIC 37° x male str. thd. O-ring
15	8760464	1	Tee, Male Run, SAE 10-10, male JIC 37° x male str. thd. O-ring
16	7081783	1	Tube Assembly
17	7081731	3	Tube Assembly
18	7081773	1	Tube Assembly
19	8303746	4	Screw, Hex Hd Cap, 5/16-18 x 1-1/4
20	8307004	6	Lockwasher, 5.16
21	8307106	4	Washer, Flat, 5/16
22	8305006	6	Nut, Hex, 5/16-18
23	8304631	4	Screw, Socket Hd Cap, #10-24 x 2
24	8304608	2	Screw, Socket Hd Cap, 5/16-18 x 1-1/2
25	8303090	2	Screw, Hex Hd Cap, 1/4-20 x 1-3/4
26	8307002	4	Lockwasher, 1/4
27	8307102	2	Washer, Flat, 1/4
28	8305004	4	Nut, Hex, 1/4-20
29	8303082	2	Screw, Hex Hd Cap, 1/4-20 x 3
30	8760313	1	Elbow, 90°, SAE 6-8, male JIC 37° x male str. thd. O-ring
31	8760311	1	Elbow, 90°, SAE 6-6, male JIC 37° x male str. thd. O-ring
32	8760307	1	Elbow, 45°, SAE 8-8, male JIC 37° x male str. thd. O-ring
33	8278008	4	Mount, Rubber
34	7081693	1	Plate, Valve Mounting
35	8902111	1	Subplate, Valve
36	8760407	3	Nut, SAE 8 - JIC 37°
37	8760458	3	Reducer, Tube End, SAE 8-6, JIC 37°
38	2711382	1	Hose Assembly
39	8304042	4	Bolt, Carriage, 3/8-16 x 2
40	8307110	4	Washer, Flat Heavy, 3/8
41	7057141	4	Washer, Rebound
42	8307005	4	Lockwasher, 3/8
43	8305008	4	Nut, Hex, 3/8-16

VALVE PLATE ASSEMBLY

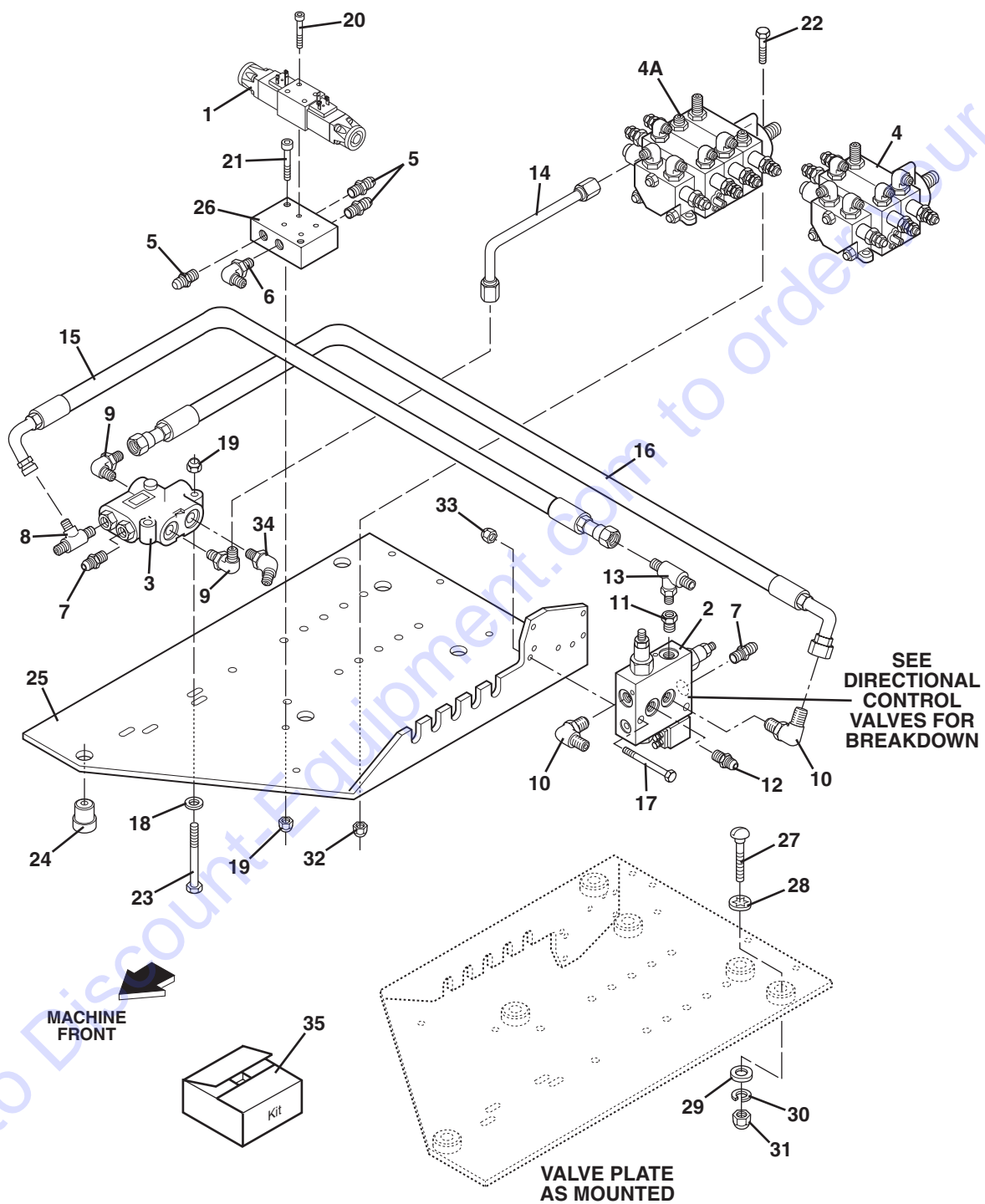
(S/N 8G0236N THRU S/N 9B0499)



VALVE PLATE ASSEMBLY (S/N 8G0236N THRU S/N 9B0499)

Item No.	Part Number	Qty.	Description
1	8902109	1	Valve, Steer Select
2	8902116	1	Valve, Park Lock Release
	8902134	1	Valve, Park Lock Release (For units with Declutch)
3	8902224	1	Valve, Sequence
4	8902225	1	Valve, Pressure Reducing
5	8902651	1	Valve, Relief
6	8760110	4	Connector, Straight, SAE 6-8, male JIC 37° x male str. thd. O-ring
7	8760013	1	Connector, Straight, SAE 8-4P, male JIC 37° x male NPT
8	8760010	1	Connector, Straight, SAE 4-4P, male JIC 37° x male NPT
9	8760432	1	Tee, Male Run, SAE 6-4P, male JIC 37° x male NPT
10	8760107	1	Connector, Straight, SAE 8-10, male JIC 37° x male str. thd. O-ring
11	8760510	3	Tee, Male Run, SAE 8-8, male JIC 37° x male str. thd. O-ring
12	8760449	2	Tee, Male Run, SAE 6-6, male JIC 37° x male str. thd. O-ring
13	8760108	2	Connector, Straight, SAE 10-10, male JIC 37° x male str. thd. O-ring
14	8760464	1	Tee, Male Run, SAE 10-10, male JIC 37° x male str. thd. O-ring
15	7081783	1	Tube Assembly
16	7081731	3	Tube Assembly
17	7081773	1	Tube Assembly
18	8303746	2	Screw, Hex Hd Cap, 5/16-18 x 1-1/4
19	8307004	8	Lockwasher, 5.16
20	8307106	4	Washer, Flat, 5/16
21	8305006	8	Nut, Hex, 5/16-18
22	8304631	4	Screw, Socket Hd Cap, #10-24 x 2
23	8304608	2	Screw, Socket Hd Cap, 5/16-18 x 1-1/2
24	8303090	2	Screw, Hex Hd Cap, 1/4-20 x 1-3/4
25	8307002	2	Lockwasher, 1/4
26	8307102	2	Washer, Flat, 1/4
27	8305004	2	Nut, Hex, 1/4-20
28	8303786	2	Screw, Hex Hd Cap, 5/16-18 x 2-1/4
29	8278008	4	Mount, Rubber
30	7081693	1	Plate, Valve Mounting
31	8902111	1	Subplate, Valve
32	8304042	4	Bolt, Carriage, 3/8-16 x 2
33	8307110	4	Washer, Flat Heavy, 3/8
34	7057141	4	Washer, Rebound
35	8307005	4	Lockwasher, 3/8
36	8305008	4	Nut, Hex, 3/8-16
			<u>KITS</u>
37	7093242	1	Kit, Declutch Conversion (Refer to sheet 5.5.2 for Kit Parts)

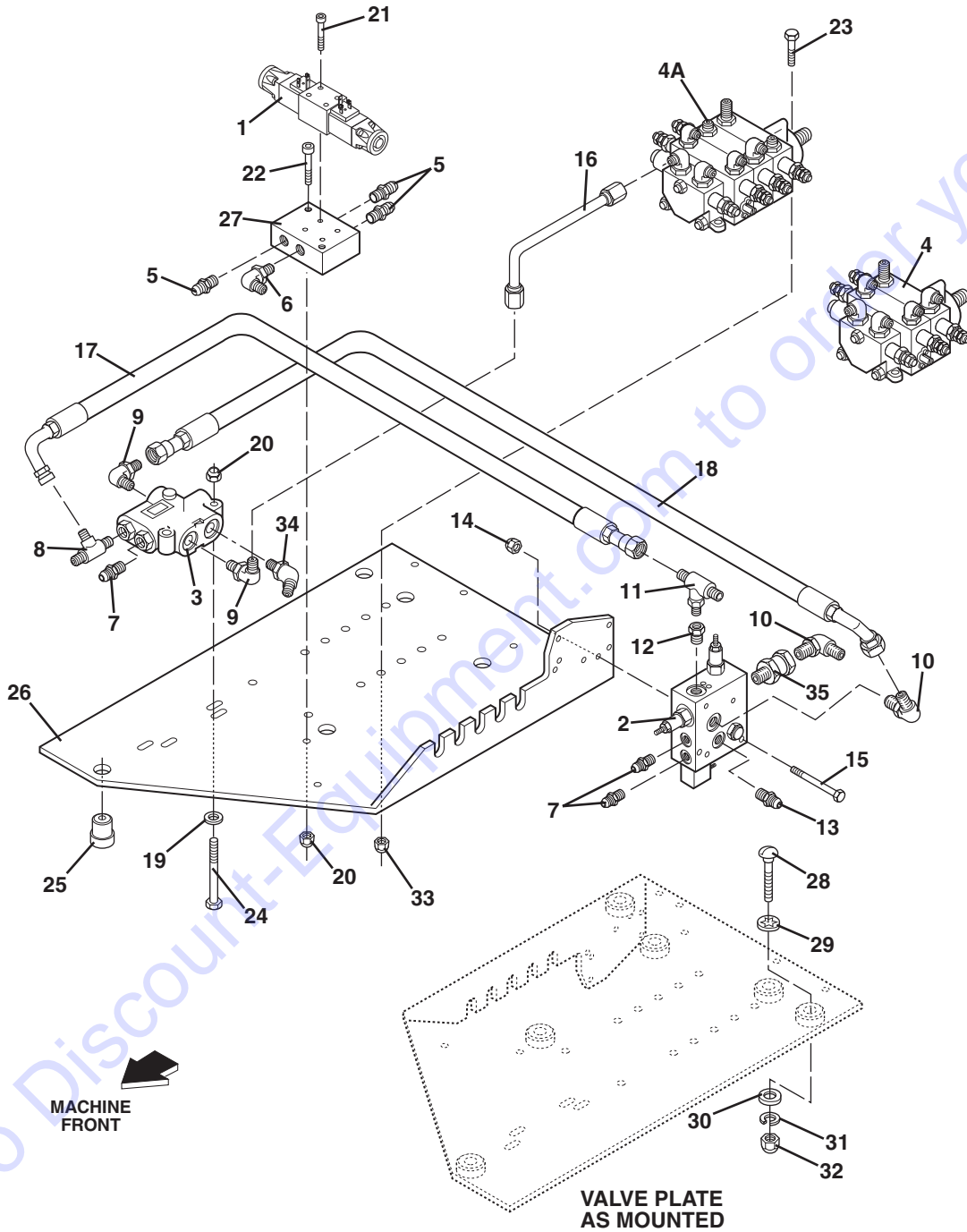
VALVE PLATE ASSEMBLY (S/N 9B0500 THRU S/N 0E1179)



VALVE PLATE ASSEMBLY (S/N 9B0500 THRU S/N 0E1179)

Item No.	Part Number	Qty.	Description
1	8902109	1	Valve, Steering Select
2	8902657	1	Valve, Brake Manifold (OBSOLETE - Order service valve see "KITS" below to convert to declutch)
3	8902227	1	Valve, Priority
4	8902125	1	Valve, Secondary Control, 2 Section (OBSOLETE - Order Valve 8902151 with two 8760419 plugs in work ports)
4A	8902151	1	Valve, Secondary Control, 3 Section
5	8760110	3	Connector, Straight, SAE 6-8, male JIC 37° x male str. thd. O-ring
6	8760313	1	Elbow, 90°, SAE 6-8, male JIC 37° x male str. thd. O-ring
7	8760113	2	Connector, Straight, SAE 4-4, male JIC 37° x male str. thd. O-ring
8	8760534	1	Tee, Male Run, SAE 4-4, male JIC 37° x male str. thd. O-ring
9	8760308	2	Elbow, 90°, SAE 8-10, male JIC 37° x male str. thd. O-ring
10	8760303	2	Elbow, 90°, SAE 8-8, male JIC 37° x male str. thd. O-ring
11	8760460	1	Reducer, SAE 8-6, male str. thd. O-ring x female internal O-ring boss
12	8760136	1	Connector, Straight, SAE 4-6, Male JIC 37° x male str. thd. O-ring
13	8760457	1	Tee, Male Branch, SAE 6-6, male JIC 37° x male str. thd. O-ring
14	7088692	1	Tube Assembly (S/N 9B0500 thru 0A0996)
	7091592	1	Tube Assembly (S/N 0A0997 thru 0E1179)
15	2712292	1	Hose Assembly
16	6605182	1	Hose Assembly
17	8303703	2	Screw, Hex Hd Cap, 1/4-20 x 2-1/2
18	8307106	2	Washer, Flat, 5/16
19	8305626	4	Locknut, 5/16-18
20	8304631	4	Screw, Socket Hd Cap, #10-24 x 2
21	8304608	2	Screw, Socket Hd Cap, 5/16-18 x 1-1/2
22	8303675	3	Screw, Socket Hd Cap, 3/8-16 x 1-1/4
23	8303757	2	Screw, Socket Hd Cap, 5/16-18 x 2-1/2
24	8278008	4	Mount, Rubber
25	7098293	1	Plate, Valve Mounting
26	8902111	1	Body, Steer Select Valve
27	8304042	4	Bolt, Carriage, 3/8-16 x 2
28	8310070	4	Retainer, Bolt 3/8
29	7057141	4	Washer, Rebound
30	8307005	4	Lockwasher, 3/8
31	8305008	4	Nut, Hex, 3/8-16
32	8305645	3	Locknut, 3/8-16
33	8305624	2	Locknut, 1/4-20
34	8760307	1	Elbow, 45° SAE #8 - JIC #8
			<u>KITS</u>
35	7092552	1	Kit, Declutch Conversion (Refer to page 5.52 for kit parts)

VALVE PLATE ASSEMBLY (S/N 0E1180 & AFTER)

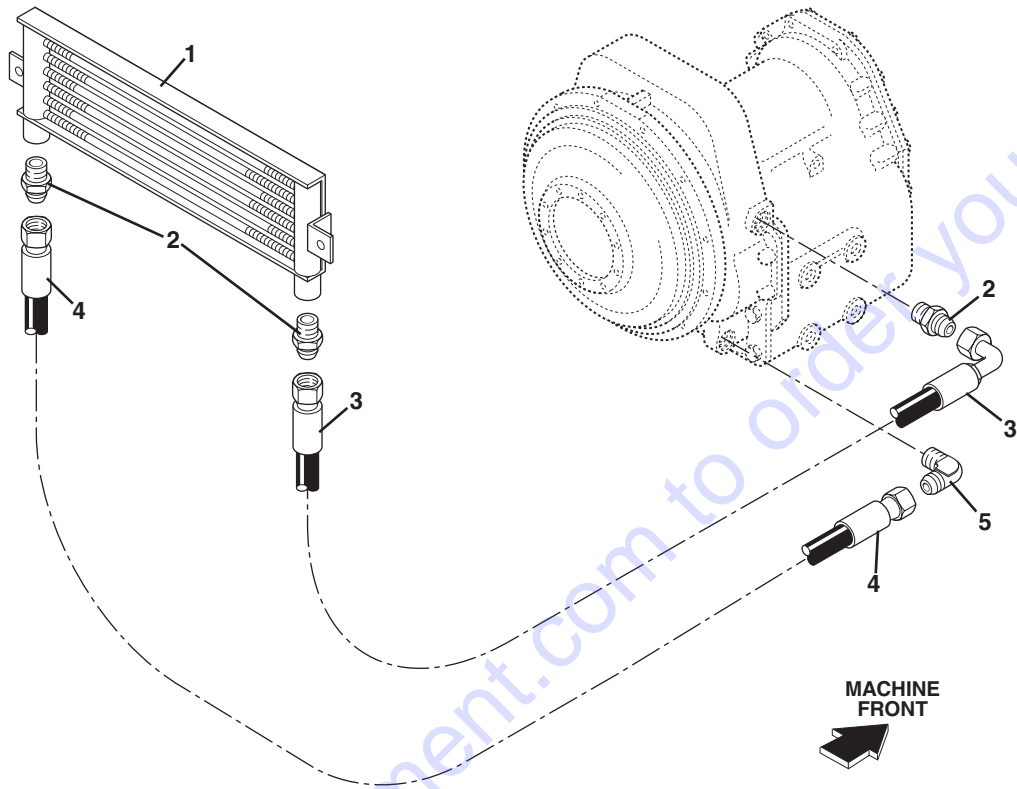


VALVE PLATE ASSEMBLY (S/N 0E1180 & AFTER)

Item No.	Part Number	Qty.	Description
1	8902109	1	Valve, Steering Select
2	8902659	1	Valve, Brake Manifold
3	8902227	1	Valve Priority
4	8902125	1	Valve, Secondary Control, 2 Section (OBSOLETE - Order Valve 8902151 with two 8760419 plugs in work ports)
5	8760110	3	Connector, Straight, SAE 6-8, male JIC 37° x male str. thd. O-ring
6	8760313	1	Elbow, 90°, SAE 6-8, male JIC 37° x male str. thd. O-ring
7	8760113	3	Connector, Straight, SAE 4-4, male JIC 37° x male str. thd. O-ring
8	8760534	1	Tee, Run, SAE 4-4, male JIC 37° x male str. thd. O-ring
9	8760308	2	Elbow, 90°, SAE 8-10, male JIC 37° x male str. thd. O-ring
10	8760303	2	Elbow, 90°, SAE 8-8, male JIC 37° x male str. thd. O-ring
11	8760457	1	Tee, Male Branch, SAE 8-8, male JIC 37° x male str. thd. O-ring
12	8760460	1	Reducer, SAE 8-6, male str. thd. O-ring x female internal O-ring boss
13	8760136	1	Connector, Straight, SAE 4-6, male JIC 37° x male str. thd. O-ring
14	8305624	2	Locknut, 1/4-20
15	8303728	2	Screw, Hex Hd Cap, 1/4-20 x 2-3/4
16	7091592	1	Tube Assembly
17	2712292	1	Hose Assembly
18	6605182	1	Hose Assembly
19	8307106	2	Washer, Flat, 5/16
20	8305626	4	Locknut, 5/16-18
21	8304631	4	Screw, Socket Hd Cap, #10-24 x 2
22	8304608	2	Screw, Socket Hd Cap, 5/16-18 x 1-1/2
23	8303675	3	Screw, Socket Hd Cap, 3/8-16 x 1-1/4
24	8303757	2	Screw, Socket Hd Cap, 5/16-18 x 2-1/2
25	8278008	4	Mount, Rubber
26	7098293	1	Plate, Valve Mounting
27	8902111	1	Body, Steer Select Valve
28	8304042	4	Bolt, Carriage, 3/8-16 x 2
29	8310070	4	Retainer, Bolt 3/8
30	7057141	4	Washer, Rebound
31	8307005	4	Lockwasher, 3/8
32	8305008	4	Nut, Hex, 3/8-16
33	8305645	3	Locknut, 3/8-16
34	8760307	1	Elbow, 45°, SAE 8-8, male JIC 37° x male str. thd. O-ring
35	8520030	1	Filter, Inline Fitting (S/N 6036-5532 & After)

Go to Discount-Equipment.com to order your parts

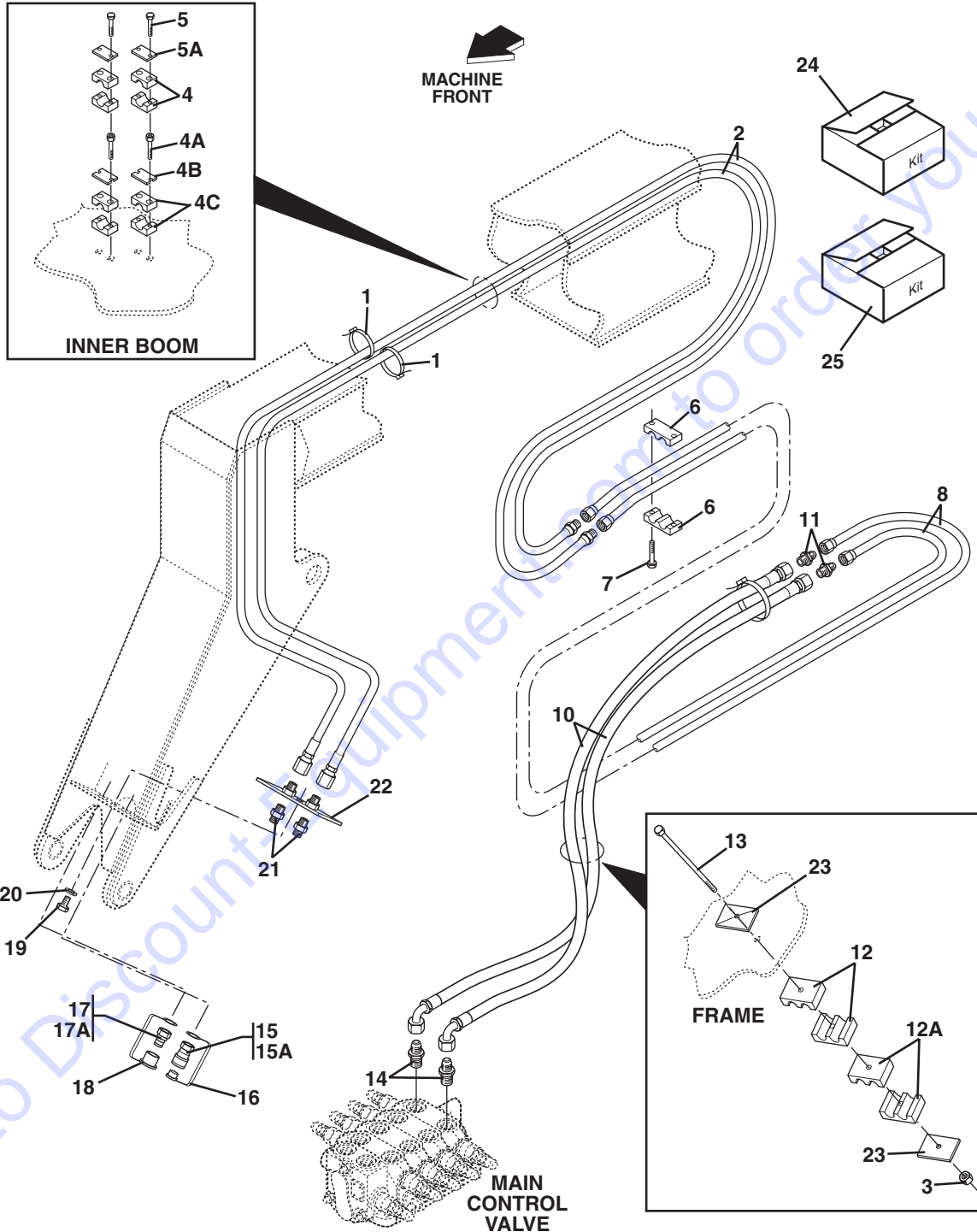
TRANSMISSION COOLING CIRCUIT (S/N 6036-1525 & BEFORE)



PA0524

Item No.	Part Number	Qty.	Description
1	5715112	1	Oil Cooler
2	8760109	3	Connector, Straight, SAE 12-12 - male JIC 37° x male str.thd. O-ring
3	2712082	1	Hose Assembly, 60"
4	2712102	1	Hose Assembly, 77"
5	8760305	1	Elbow, 90° SAE 12-12 - male JIC 37° x male str. thd. O-ring

AUXILIARY HYDRAULIC CIRCUIT - OPTIONAL (S/N 9B0499 & BEFORE)

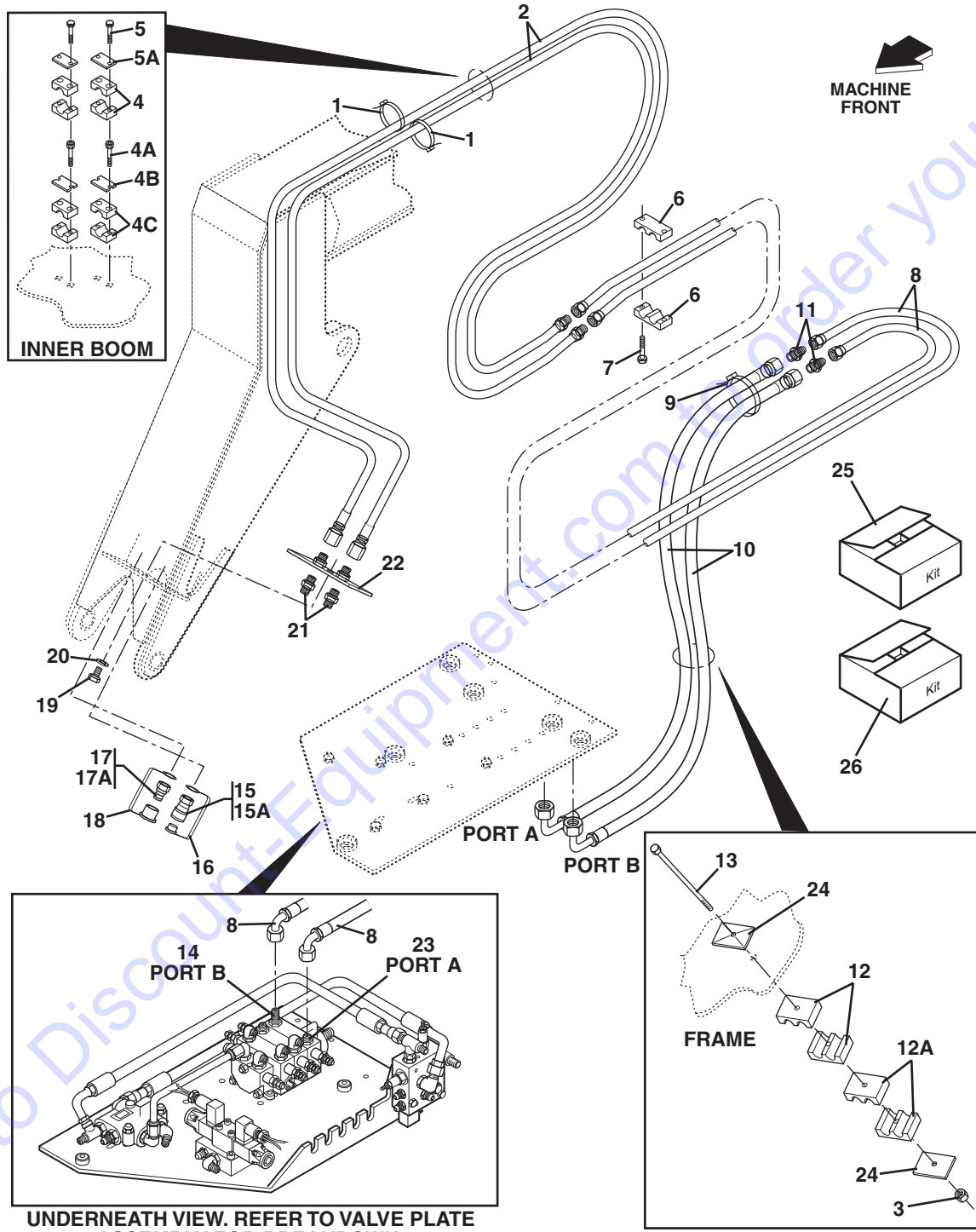


AUXILIARY HYDRAULIC CIRCUIT - OPTIONAL (S/N 9B0499 & BEFORE)

Item No.	Part Number	Qty.	Description
1	8584007	2	Plastic Wrap
2	2712172	2	Hose Assembly, 3/8 ID
	2712922	2	Hose Assembly, 1/2 ID (For use with Quick Coupler Kit)
3	8305626	1	Locknut, 5/16-18 (Existing part shown on Page 5.4.1)
4	8769129	2	Clamp Set, Single (2 halves, 5/8 ID)
4A	8769155	2	Bolt, Stacking
4B	8769156	2	Plate, Stacking
4C	8769129	2	Clamp Set, Single (2 halves, 5/8 ID) (Existing part shown on Page 5.4.1)
5	8303728	4	Screw, Hex Hd Cap, 1/4-20 x 2-3/4
5A	8769146	2	Plate, Cover
6	8769126	3	Clamp Set, Single (2 halves, 1/2 ID)
7	8303690	2	Screw, Hex Hd Cap, 5/16-18 x 2
8	7084683	2	Tube Assembly
9	8584002	1	Tie Wrap
10	2712582	2	Hose Assembly
11	8760045	2	Union, Bulkhead, Straight, SAE 8 - male JIC 37°
12	8769139	1	Clamp Set, Single (2 halves, 3/4 ID) (Existing part shown on Page 5.4.1)
12A	8769139	1	Clamp Set, Single (2 halves, 3/4 ID)
13	8310081	1	Screw, Hex Hd Cap, 5/16-18 x 5 (Existing part shown on Page 5.4.1)
14	8760143	1	Connector, Long, SAE 8-8 - male JIC 37° x male str. thd. O-ring
15	8420057	1	Quick Disconnect, Female 3/8 NPT (See also Item 15)
15A	8640027	1	O-Ring, Viton - For High Temp. Application of Item 15
16	8420059	1	Plug, Dust, SAE 6
17	8420056	1	Screw, Hex HD Cap, 3/8-16 x 1
17A	8640027	1	O-Ring, Viton - For High Temp. Application of Item 17
18	8420058	1	Cap, Dust, SAE 6
19	8303620	1	Screw, Hex Hd Cap, 3/8-16 x 1
20	8307005	1	Lockwasher, 3/8
21	8540001	2	Nipple, Hex, 3/8 NPT
22	7085491	1	Plate, Junction
23	8769128	2	Plate, Cover
			<u>KITS</u>
24	7096862	1	Kit, Quick Couplers
	8430005	1	Quick Disconnect, Female 3/4-16 ORB (Item 20, Page 5.8.2)
	8420055	1	Plug, Dust, SAE 8 (Item 21, Page 5.8.2)
	8430006	1	Quick Disconnect, Male 3/4-16 ORB (Item 22, Page 5.8.2)
	8420053	1	Cap, Dust, SAE 8 (Item 23, Page 5.8.2)
	8760142	2	Connector, Swivel Nut, SAE 8-8 (Item 24, Page 5.8.2)
	8760045	2	Union, Bulkhead, Straight, SAE 8 - male JIC 37° (Item 25, Page 5.8.2)
	5713331	4	Washer, Flat (Used on forks with 0.938 dia. mtg. holes) (Item 26, Page 5.8.2)
25	7097662	1	Kit, Inner Boom (For auxiliary hydraulic retrofit)
	8303743	4	Screw, Hex Hd Cap, 1/4-20 x 1-1/2 (Item 5, Page 5.8.2)
	8769153	2	Plate, Cover (Item 6, Page 5.8.2)
	8769154	2	Clamp Set, Single (2 halves, 3/4 ID) (Item 7, Page 5.8.2)
	8769155	4	Bolt, Stacking (Item 8, Page 5.8.2)
	8769156	2	Plate, Stacking (Item 9, Page 5.8.2)
	7097644	1	Inner Boom (Item 1, Page 5.8.2)

AUXILIARY HYDRAULIC CIRCUIT - OPTIONAL

(S/N 9B0500 THRU 6036-1316)

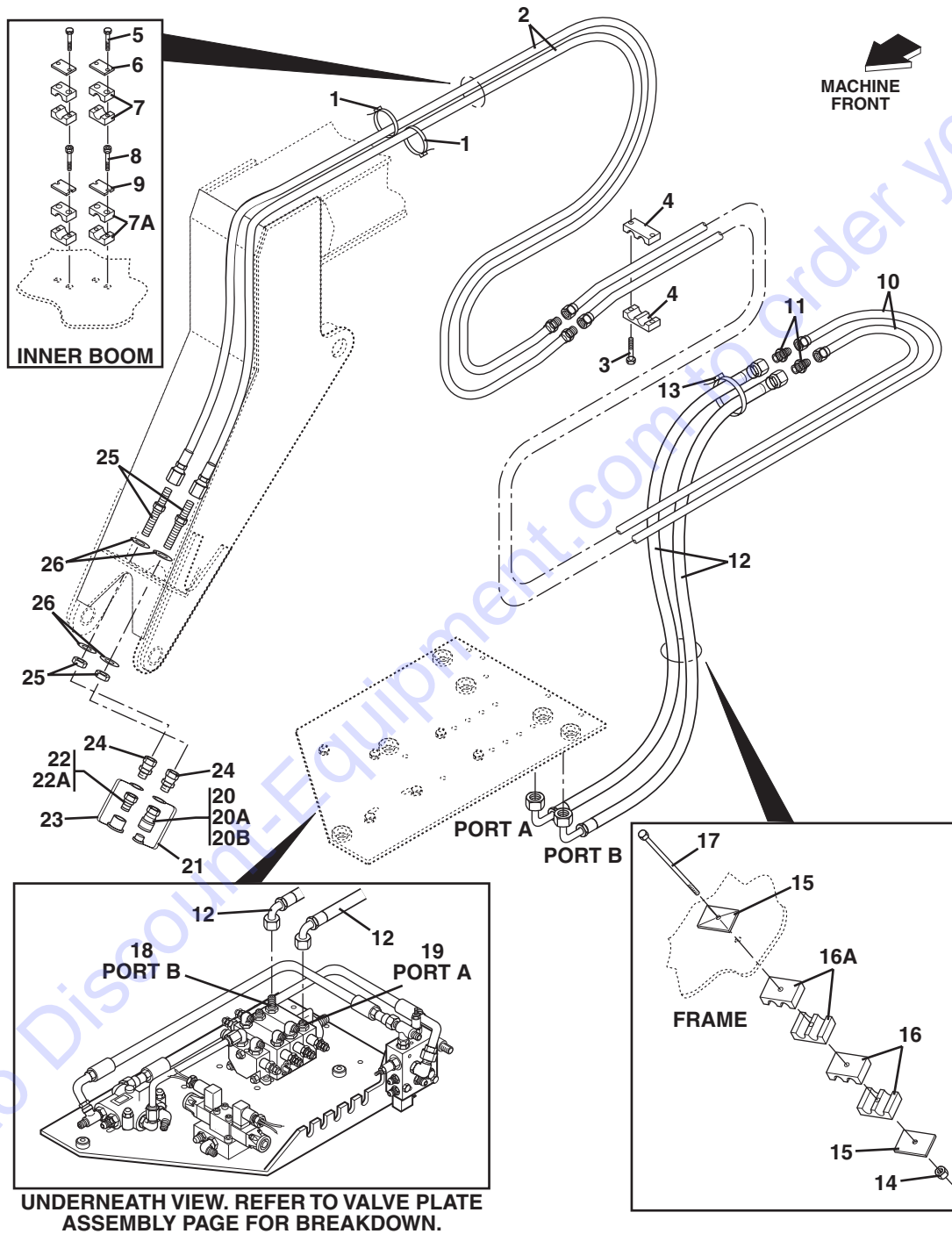


AUXILIARY HYDRAULIC CIRCUIT - OPTIONAL

(S/N 9B0500 THRU 6036-1316)

Item No.	Part Number	Qty.	Description
1	8584007	2	Plastic Wrap
2	2712172	2	Hose Assembly, 3/8 ID
	2712922	2	Hose Assembly, 1/2 ID (For use with Quick Coupler Kit)
3	8305626	1	Locknut, 5/16-18 (Existing part shown on Page 5.4.1)
4	8769129	2	Clamp Set, Single (2 halves, 5/8 ID)
	7097491	4	Clamp Half, 3/4 ID (For interim use with 1/2 ID hose)
4A	8769155	2	Bolt, Stacking
4B	8769156	2	Plate, Stacking
4C	8769129	2	Clamp Set, Single (2 halves, 5/8 ID) (Existing part shown on Page 5.4.1)
5	8303728	4	Screw, Hex Hd Cap, 1/4-10 x 2-3/4
5A	8769146	2	Plate, Cover
6	8769126	3	Clmap Set, Single (2 halves, 1/2 ID)
7	8303690	2	Scew, Hex Hd Cap, 5/16-18 x 2
8	7084683	2	Tube Assembly
9	8584002	1	Tie Wrap
10	2712582	2	Hose Assembly
11	8760045	2	Union, Bulkhead, Straight, SAE 8 - male JIC 37°
12	8769139	1	Clamp Set, Single (2 halves, 3/4 ID) (Existing part shown on Page 5.4.1)
12A	8769139	1	Clamp Set, Single (2 halves, 3/4 ID)
13	8310081	1	Screw, Hex Hd Cap, 5/16-18 x 5 (Existing part shown on Page 5.4.1)
14	8760143	1	Connector, Long, SAE 8-8 - male JIC 37° x male str. thd O-ring
15	8420057	1	Quick Disconnect, Female 3/8 NPT (See also Item 15A)
15A	8640027	1	O-Ring, Viton - For high temperature Application of Item 15
16	8420059	1	Plug, Dust, SAE 6
17	8420056	1	Quick Disconnect, Male 3/8 NPT (See also Item 17A)
18	8420058	1	Cap, Dust, SAE 6
19	8303620	1	Screw, Hex Hd Cap, 3/8-16 x 1
20	8307005	1	Lockwasher 3/8
21	8540001	2	Nipple, Hex, 3/8 NPT
22	7085491	1	Plate, Junction
23	8760107	1	Connector, SAE #8 - JIC #8
24	8769128	2	Plate, Cover
			KITS
25	7096862	1	Kits, Quick Couplers
	8430005	1	Quick Disconnect, Female 3/4-16 ORB (Item 20, Page 5.8.2)
	8420055	1	Plug, Dust, SAE 8 (Item 21, Page 5.8.2.)
	8430006	1	Quick Disconnect, Male 3/4-16 ORB (Item 22, Page 5.8.2)
	8420053	1	Cap, Dust, SAE 8 (Item 23, Page 5.8.2)
	8760142	2	Connector, Swivel Nut, SAE 8-8 (Item 24, Page 5.8.2)
	8760045	2	Union, Bulkhead, Straight, SAE 8 - male JIC 37° (Item 25, Page 5.8.2)
	5713331	4	Washer, Flat (Used on forks with 0.983 dia. mtg. holes) (Item 26, Page 5.8.2)
26	7097662	1	Kit, Inner Boom (For auxiliary hydraulic retrofit)
	8303743	4	Screw, Hex Hd Cap, 1/4-10 x 1-1/2 (Item 5, Page 5.8.2)
	8769153	2	Plate, Cover (Item 6, Page 5.8.2)
	8769154	2	Clamp Set, Single (2 halves, 3/4 ID) (Item 7, Page 5.8.2)
	8769155	4	Bolt, Stacking (Item 8, Page 5.8.2)
	8769156	2	Plate, Stacking (Item 9, Page 5.8.2)
	7097644	1	Inner Boom (Item 1, Page 9.3)

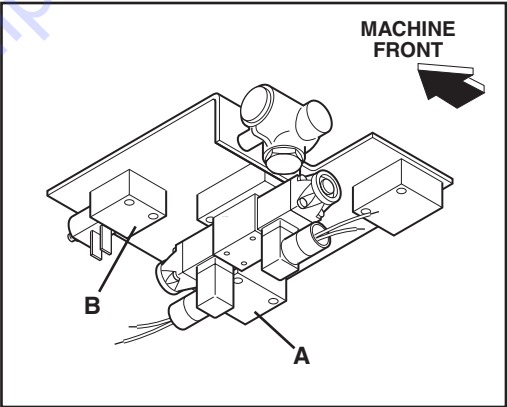
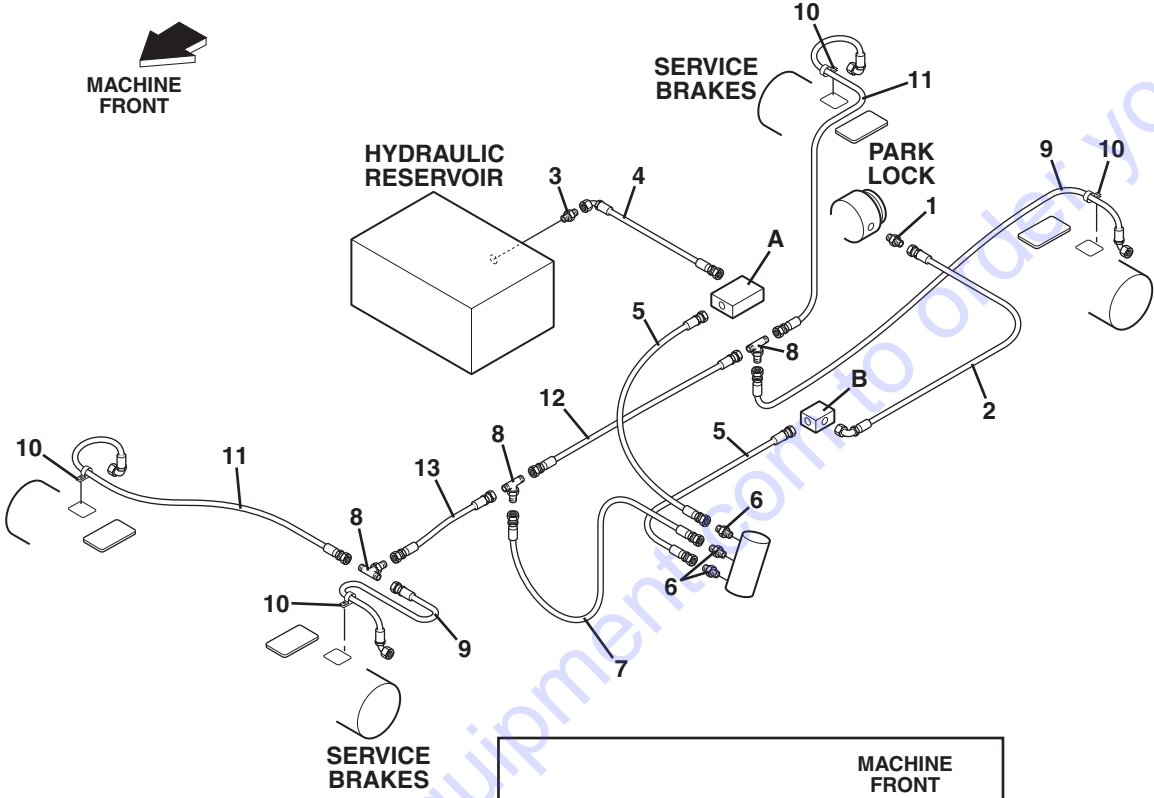
AUXILIARY HYDRAULIC CIRCUIT - OPTIONAL (S/N 6036-1317 & AFTER)



AUXILIARY HYDRAULIC CIRCUIT - OPTIONAL (S/N 6036-1317 & AFTER)

Item No.	Part Number	Qty.	Description
1	8585145	2	Plastic Tape, 3/4 x 12
2	2712922	2	Hose Assembly
3	8303786	2	Screw, Hex Hd Cap, 5/16-18 x 2-1/4
4	8769126	3	Clamp Set, Single (2 halves, 1/2 ID)
5	8303743	4	Screw, Hex Hd Cap, 1/4-20 x 1-1/2 (Existing part shown on Page 5.4.2)
6	8769153	2	Plate, Cover (Existing part shown on Page 5.4.2)
7	8769152	2	Clamp Set, Single (2 halves, 3/4 ID) (Existing part shown on Page 5.4.2)
7A	8769152	2	Clamp Set, Single (2 halves, 3/4 ID)
8	8769155	4	Bolt, Stacking
9	8769156	2	Plate, Stacking
10	7084683	2	Tube Assembly
11	8760045	2	Union, Bulkhead, Straight, SAE 8 - male JIC 37°
12	2712582	2	Hose Assembly
13	8584002	1	TieWrap
14	8305626	1	Locknut, 5/16-18
15	8769128	2	Plate, Cover
16	8769139	1	Clamp Set, Single (2 halves, 3/4 ID)
16A	8769139	1	Clamp Set, Single (2 halves, 3/4 ID)
17	8310081	1	Screw, Hex Hd Cap, 5/16-18 x 5
18	8760143	1	Connector, Long, SAE 8-8 - male JIC 37° x male str. thd. O-ring
19	8760107	1	Connector, SAE #8 - JIC #8
20	8430005	1	Quick Disconnect, Female 3/4-16 ORB (Includes Items 20A & 20B)
20A	8640029	1	Seal, Nose (Not shown)
20B	8640028	1	Seal, Coupler Body (Not shown)
21	8420055	1	Plug, Dust, SAE 8
22	8430006	1	Quick Disconnect, Male 3/4-16 ORB (Includes Item 22A)
22A	8420029	1	Seal, Nose (Not shown)
23	8420053	1	Cap, Dust, SAE 8
24	8760142	2	Connector, Swivel Nut, SAE 8-8
25	8760045	2	Union, Bulkhead, Straight, SAE 8 - male JIC 37°
26	5713331	4	Washer, Flat (Part of Retrofit Quick Coupler Kit 7096862 - Not used on original installations)

BRAKE CIRCUITS - W/4 WHEEL SERVICE BRAKES (S/N 9B0499 & BEFORE)



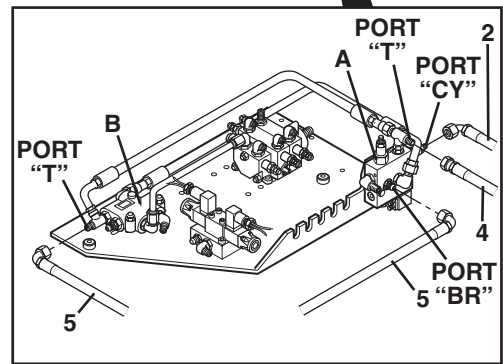
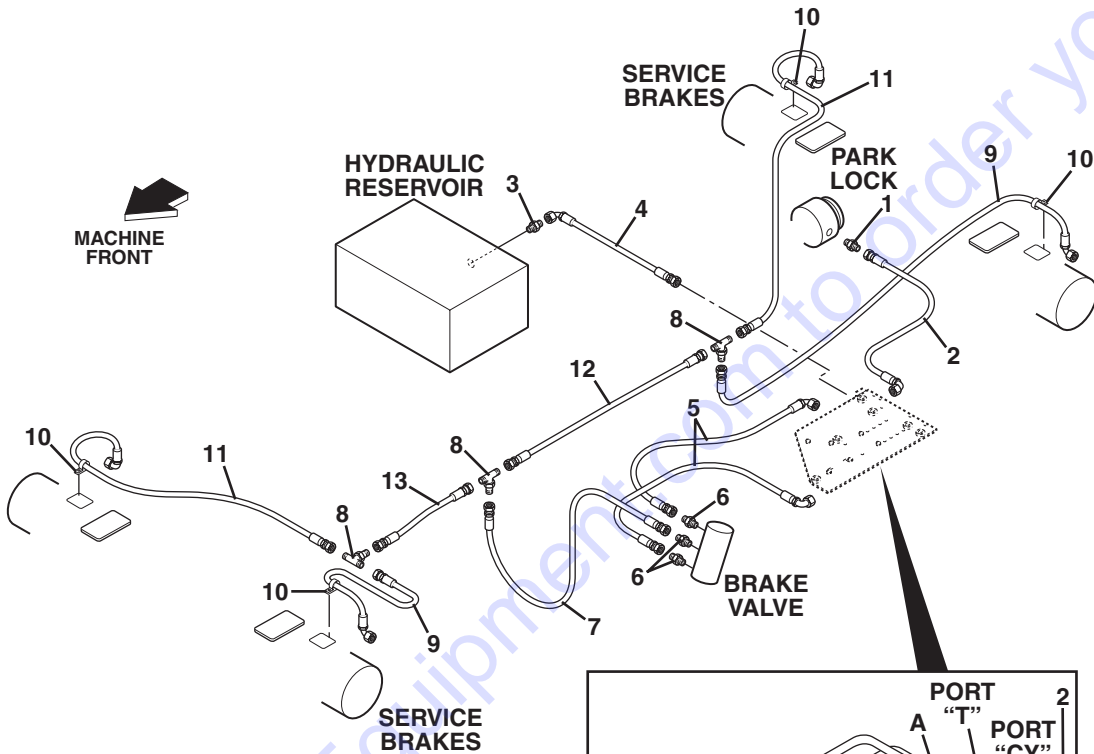
UNDERSIDE VIEW OF VALVE PLATE. REFER TO VALVE PLATE ASSEMBLY PAGES FOR BREAKDOWN.

Go to Discount-Equipment.com to buy your parts

BRAKE CIRCUITS - W/4 WHEEL SERVICE BRAKES (S/N 9B0499 & BEFORE)

Item No.	Part Number	Qty.	Description
1	8760113	1	Connector, Straight, SAE 4-8, male JIC 37° x male str. thd. O-ring
2	2712052	1	Hose Assembly, Park Lock Release
3	8760036	1	Connector, Straight, SAE 6-8P, male JIC 37° x male NPT
4	2712072	1	Hose Assembly, Pressure Reducing Valve to Tank
5	2712042	2	Hose Assembly, Brake Valve
6	8760110	3	Connector, Straight, SAE 6-8, male JIC 37° x male str. thd. O-ring
7	2710672	1	Hose Assembly
8	8760455	3	Tee, Branch, Bulkhead, SAE 6-6, male JIC 37° x male JIC 37°
9	2712092	2	Hose Assembly, Left Front & Rear Service Brake
10	8406105	4	Clamp, 3/4 ID
11	2712022	2	Hose Assembly, Right Front & Rear Service Brake
12	2711972	1	Hose Assembly
13	2711492	1	Hose Assembly

BRAKE CIRCUITS - W/4 WHEEL SERVICE BRAKES (S/N 9B0499 & BEFORE)



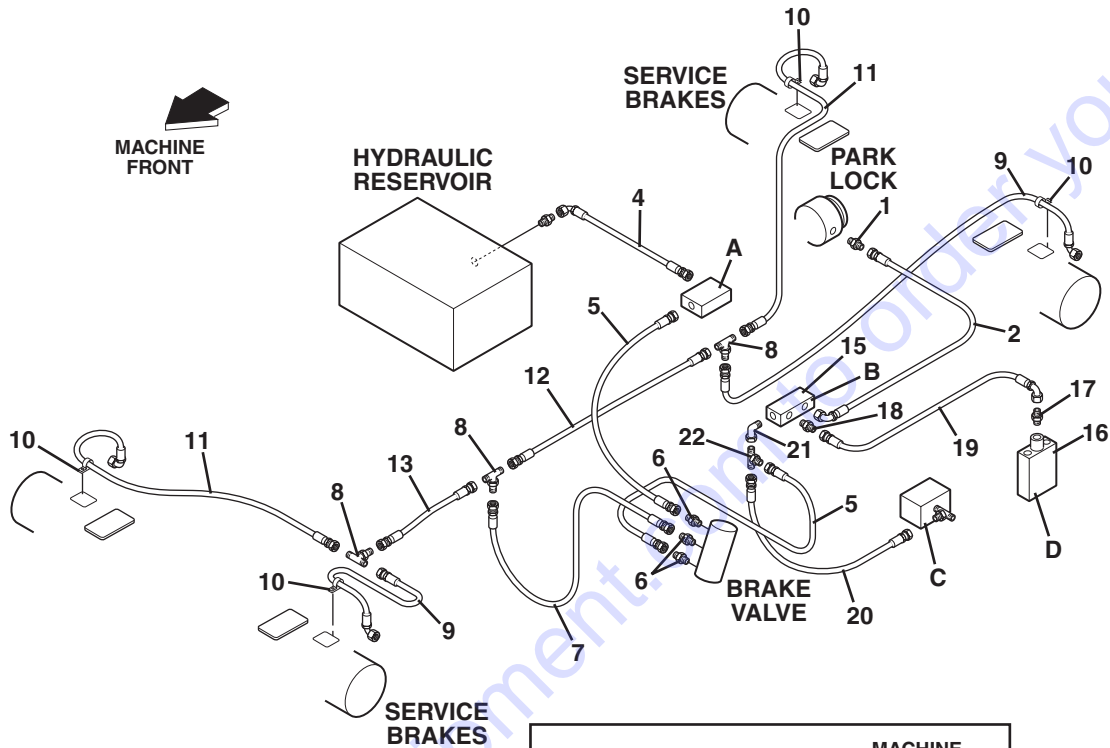
UNDERSIDE VIEW OF VALVE PLATE. REFER TO VALVE PLATE ASSEMBLY PAGE FOR BREAKDOWN.

BRAKE CIRCUITS - W/4 WHEEL SERVICE BRAKES (S/N 9B0499 & BEFORE)

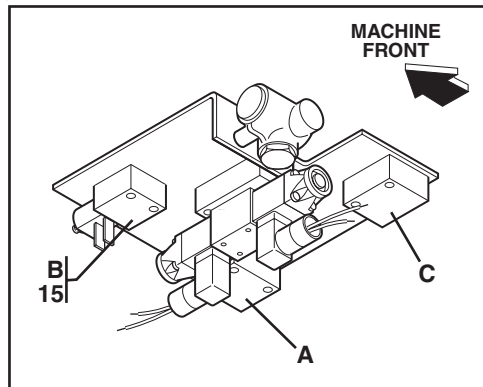
Item No.	Part Number	Qty.	Description
1	8760113	1	Connector, Straight, SAE 4-8, male JIC 37° x male str. thd. O-ring
2	6605152	1	Hose Assembly, Park Lock
3	8760036	1	Connector, Straight, SAE 6-8P, male JIC 37° x male NPT
4	2712072	1	Hose Assembly, Brake Manifold Valve to Tank
5	2712332	2	Hose Assembly, Brake Drain
6	8760110	3	Connector, Straight, SAE 6-8, male JIC 37° x male str. thd. O-ring
7	2710672	1	Hose Assembly, Brake Outlet
8	8760455	3	Tee, Branch, Bulkhead, SAE 6-6, male JIC 37° x male JIC 37°
9	2712092	2	Hose Assembly, Left Front & Rear Service Brake
10	8406105	4	Clamp, 3/4 ID
11	2712022	2	Hose Assembly, Right Front & Rear Service Brake
12	2711972	1	Hose Assembly
13	2711492	1	Hose Assembly

Go to Discount-Equipment.com to order your parts

BRAKE CIRCUITS - W/4 WHEEL SERVICE BRAKES (S/N 9B0499 & BEFORE w/DECLUTCH CONVERSION INSTALLED)



- A - PRESSURE REDUCING VALVE
- B - PARK LOCK RELEASE VALVE
- C - SEQUENCE VALVE
- D - TRANSMISSION CONTROL VALVE



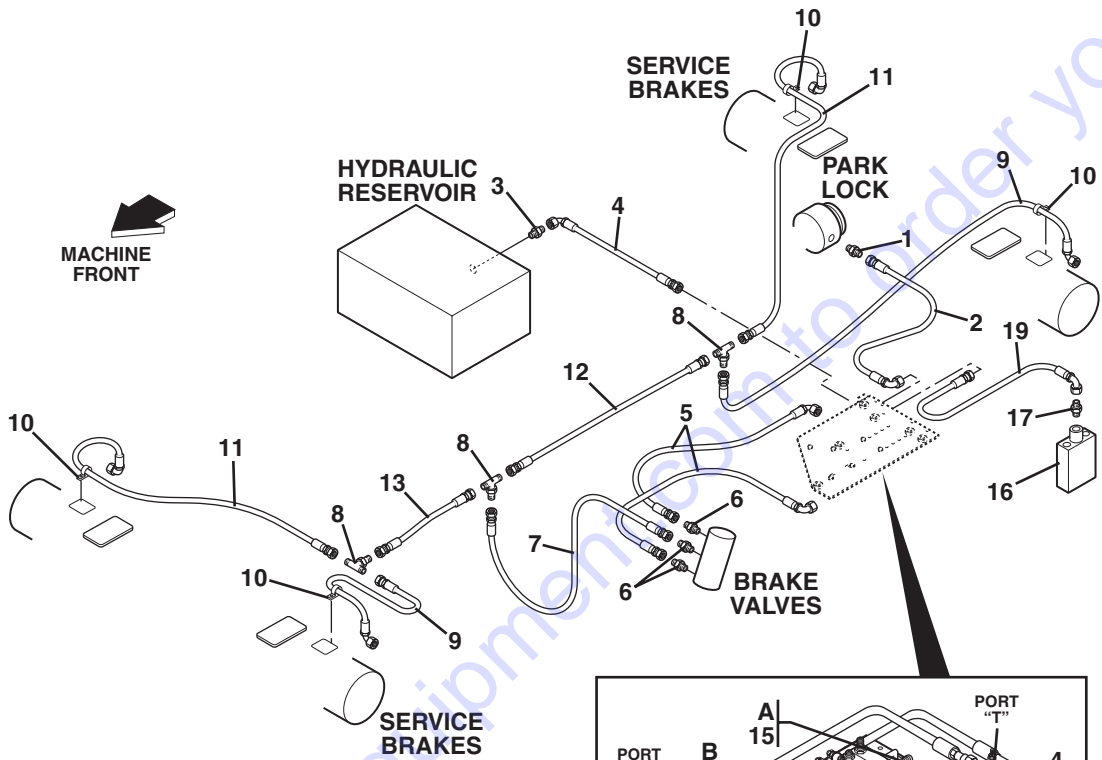
UNDERSIDE VIEW OF VALVE PLATE. REFER TO VALVE PLATE ASSEMBLY FOR BREAKDOWN.

BRAKE CIRCUITS - W/4 WHEEL SERVICE BRAKES (S/N 9B0499 & BEFORE w/DECLUTCH CONVERSION INSTALLED)

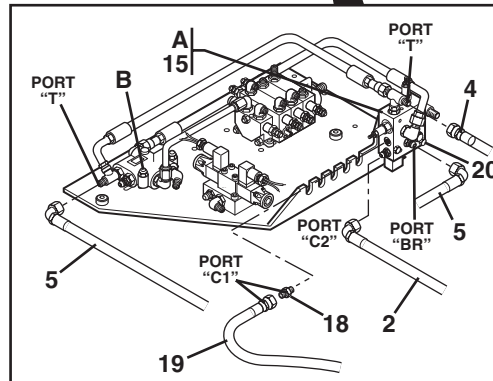
Item No.	Part Number	Qty.	Description
1	8760113	1	Connector, Straight, SAE 4-8, male JIC 37° x male str. thd. O-ring
2	2712052	1	Hose Assembly, Park Lock Release
3	8760036	1	Connector, Straight, SAE 6-8P, male JIC 37° x male NPT
4	2712072	1	Hose Assembly, Brake Manifold Valve to Tank
5	2712042	2	Hose Assembly, Brake Valve
6	8760110	3	Connector, Straight, SAE 6-8, male JIC 37° x male str. thd. O-ring
7	2710672	1	Hose Assembly, Brake Outlet
8	8760455	3	Tee, Branch, Bulkhead, SAE 6-6, male JIC 37° x male JIC 37°
9	2712092	2	Hose Assembly, Left Front & Rear Service Brake
10	8406105	4	Clamp, 3/4 ID
11	2712022	2	Hose Assembly, Right Front & Rear Service Brake
12	2711972	1	Hose Assembly
13	2711492	1	Hose Assembly
14	7093242	1	Kit, Transmission Declutch Conversion (Includes Items 15 thru 21)
15	8902134	1	Valve Assembly
16	8841314	1	Declutch Cylinder Assembly
17	8760011	1	Connector, Straight, SAE 4-2P, male JIC 37° x male NPT
18	8760010	1	Connector, Straight, SAE 4-4P, male JIC 37° x male NPT
19	2712052	1	Hose Assembly, Brake Valve to Declutch Cylinder
20	6605652	1	Hose Assembly, Brake Valve to Sequence Valve
21	8540214	1	Elbow, Street, 90° x 1/4 NPT
22	8760432	1	Tee, Male Branch, SAE 8-6P - male JIC 37° x male NPT

BRAKE CIRCUITS - W/4 WHEEL SERVICE BRAKES

(S/N 9B08500 THRU 0E1179 w/DECLUTCH CONVERSION
INSTALLED AND 0E1180 & AFTER)



A - BRAKE MANIFOLD VALVE
B - PRIORITY VALVE

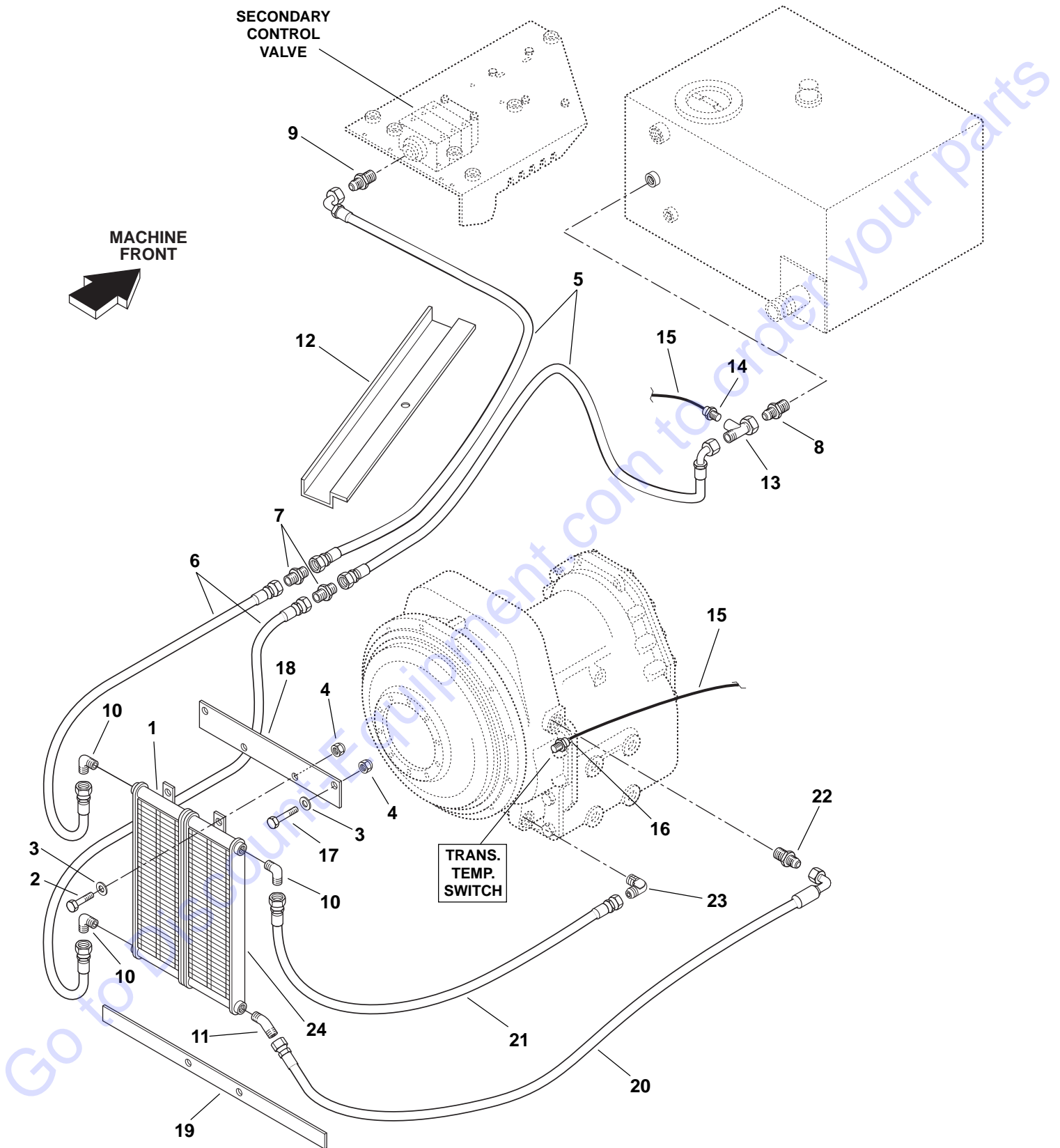


UNDERSIDE VIEW OF VALVE PLATE. REFER TO VALVE PLATE ASSEMBLY PAGE FOR BREAKDOWN.

BRAKE CIRCUITS - W/4 WHEEL SERVICE BRAKES
(S/N 9B08500 THRU 0E1179 w/DECLUTCH CONVERSION
INSTALLED AND 0E1180 & AFTER)

Item No.	Part Number	Qty.	Description
1	8760113	1	Connector, Straight, SAE 4-8, male JIC 37° x male str. thd. O-ring
2	6605152	1	Hose Assembly, Park Lock
3	8760036	1	Connector, Straight, SAE 6-8P, male JIC 37° x male NPT
4	2712072	1	Hose Assembly, Brake Manifold Valve to Tank
5	2712332	2	Hose Assembly, Brake Drain
6	8760110	3	Connector, Straight, SAE 6-8, male JIC 37° x male str. thd. O-ring
7	2710672	1	Hose Assembly, Brake Outlet
8	8760455	3	Tee, Branch, Bulkhead, SAE 6-6, male JIC 37° x male JIC 37°
9	2712092	2	Hose Assembly, Left Front & Rear Service Brake
10	8406105	4	Clamp, 3/4 ID
11	2712022	2	Hose Assembly, Right Front & Rear Service Brake
12	2711972	1	Hose Assembly
13	2711492	1	Hose Assembly
14	7092552	1	Kit, Transmission Declutch Conversion (Includes Items 15 thru 21)
15	8902659	1	Valve Assembly
16	8841314	1	Declutch Cylinder Assembly
17	8760011	1	Connector, Straight, SAE 4-2P, male JIC 37° x male NPT
18	8760113	1	Connector, Straight, SAE 4-8, male JIC 37° x male str. thd. O-ring
19	2712052	1	Hose Assembly, Brake Valve to Declutch Cylinder
20	8303728	2	Screw, Hex Hd Cap, 1/4-20 x 2-3/4

HYDRAULIC OIL COOLING CIRCUIT - OPTIONAL (S/N 6036-1525 AND BEFORE)

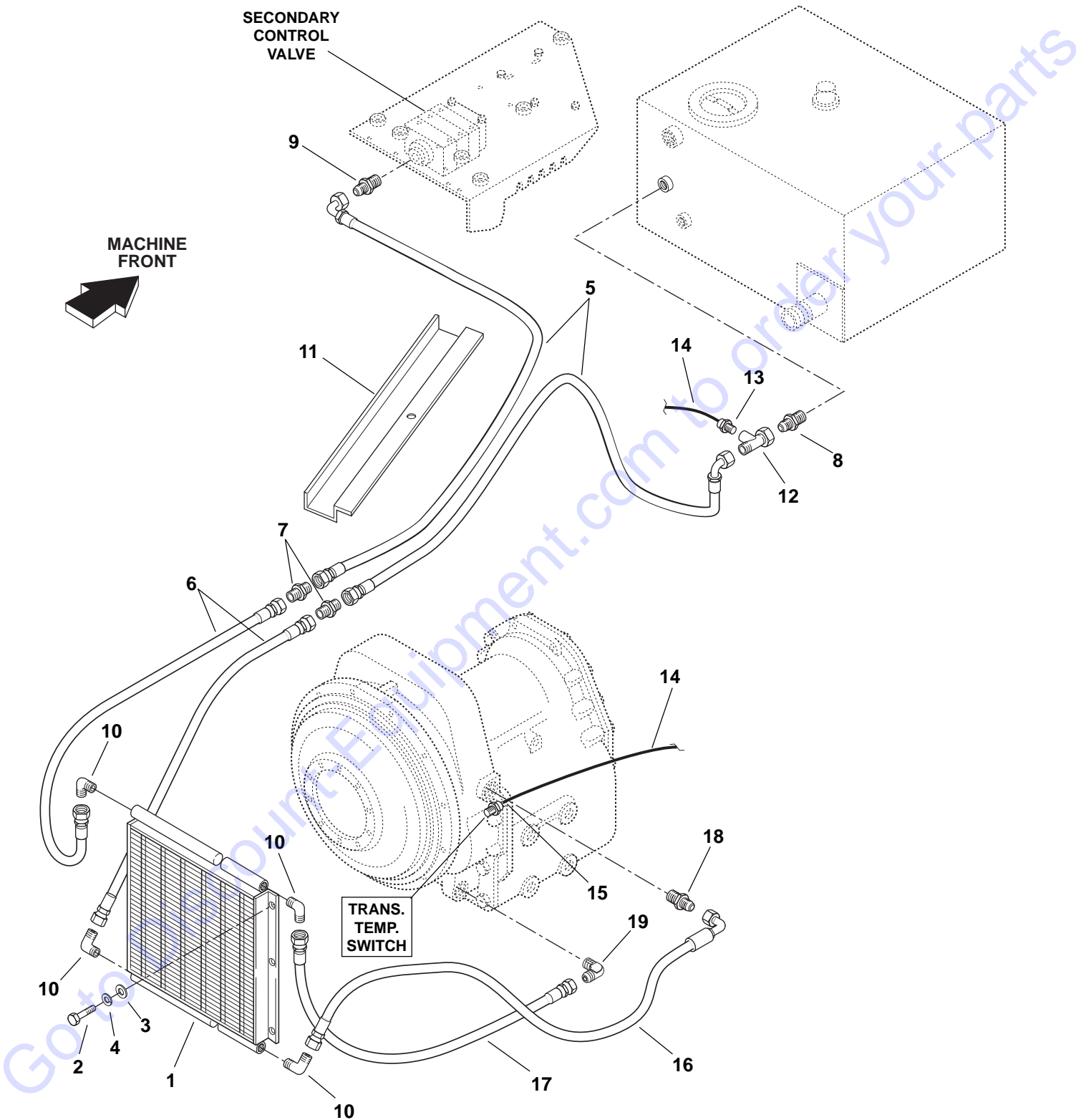


PA1740

HYDRAULIC OIL COOLING CIRCUIT - OPTIONAL (S/N 6036-1525 AND BEFORE)

Item No.	Part Number	Qty.	Description
1	5715112	1	Oil Cooler
2	8303620	4	Screw, Hex Hd Cap, 3/8-16 x 1
3	8307204	4	Washer, Flat, 3/8
4	8305645	6	Locknut, 3/8-16 ESNA
5	2712082	2	Hose Assembly, 60"
6	6604902	2	Hose Assembly, 105"
7	8760008	2	Union, SAE 12 - male JIC 37°
8	8760109	1	Connector, Straight, SAE 12-12 - male JIC 37° x male str. thd. O-ring (Used on newer reservoirs with straight fitting)
	8760020	1	Connector, Straight, SAE 12-8P - male JIC 37° x male NPT (Used on older reservoirs with tapered pipe fitting)
9	8760112	1	Connector, Straight, SAE 12-10 - male JIC 37° x male str. thd. O-ring
10	8760305	3	Elbow, 90° SAE 12-12 - male JIC 37° x male str. thd. O-ring
11	8760317	1	Elbow, Elbow, 45° SAE 12-12 - male JIC 37° x male str. thd. O-ring
12	7097811	1	Support, Hose
13	7098271	1	Tee, Swivel Run, SAE 12 male with SAE 8 female port
14	8223217	1	Switch, Temperature, SAE 8 NPT, 210°
15	7098281	1	Wire Assembly, 80"
16	8220060	1	Adapter, Blade Terminal
17	8303675	2	Screw, Hex Hd Cap, 3/8-16 x 1-1/4
18	7097751	1	Support, Upper Cooler
19	7097761	1	Support, Lower Cooler
			NOTE: The following parts are used on the hydraulic oil cooling circuit, Page 5.7, and are shown for reference.
20	2712082	1	Hose Assembly, 60 "
21	2712102	1	Hose Assembly, 77 "
22	8760109	3	Connector, Straight, SAE 12-12 - male JIC 37° x male str. thd. O-ring
23	8760305	1	Elbow, 90° SAE 12-12 - male JIC 37° x male str. thd. O-ring
24	5715112	1	Oil Cooler

HYDRAULIC AND TRANSMISSION OIL COOLING CIRCUITS - OPTIONAL (S/N 6036-1526 AND AFTER)

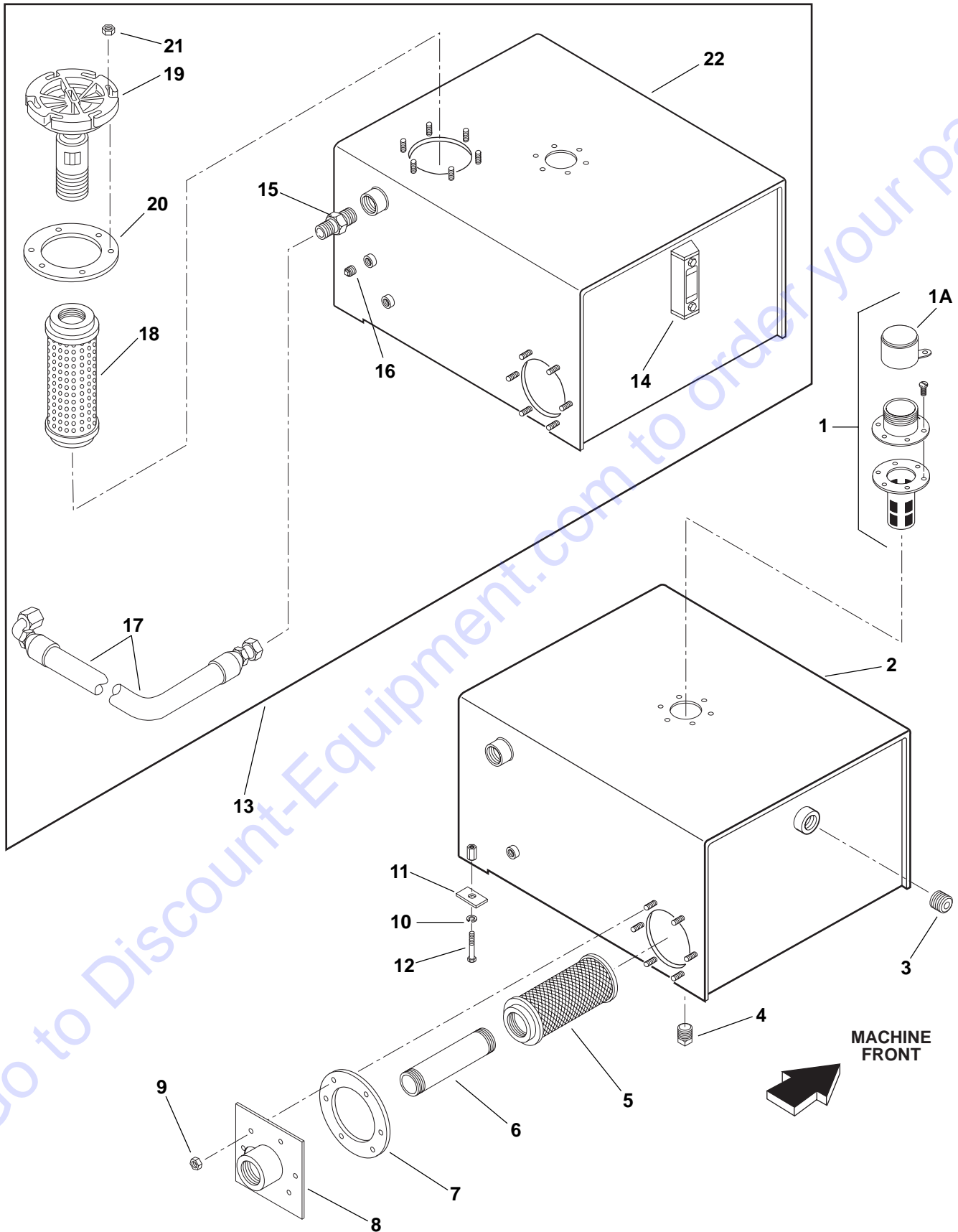


PA1790

HYDRAULIC AND TRANSMISSION OIL COOLING CIRCUITS - OPTIONAL (S/N 6036-1526 AND AFTER)

Item No.	Part Number	Qty.	Description
1	2713054	1	Oil Cooler
2	8303744	6	Screw, Hex Hd Cap, 5/16-18 x 1/2
3	8307106	6	Washer, Flat, 5/16
4	8307004	6	Lockwasher, 5/16
5	2712082	2	Hose Assembly, 60"
6	6604902	2	Hose Assembly, 105"
7	8760008	2	Union, SAE 12 - male JIC 37°
8	8760109	1	Connector, Straight, SAE 12-12 - male JIC 37° x male str. thd. O-ring (Used on newer reservoirs with straight fitting)
	8760020	1	Connector, Straight, SAE 12-8P - male JIC 37° x male NPT (Used on older reservoirs with tapered pipe fitting)
9	8760112	1	Connector, Straight, SAE 12-10 - male JIC 37° x male str. thd. O-ring
10	8760305	4	Elbow, 90° SAE 12-12 - male JIC 37° x male str. thd. O-ring
11	7097811	1	Support, Hose
12	7098271	1	Tee, Swivel Run, SAE 12 male with SAE 8 female port
13	8223217	1	Switch, Temperature, SAE 8 NPT, 210°
14	7098281	1	Wire Assembly, 80"
15	8220060	1	Adapter, Blade Terminal
			NOTE: The following parts are used on the hydraulic oil cooling circuit, Page 5.7, and are shown for reference.
16	2712082	1	Hose Assembly, 60 "
17	2712102	1	Hose Assembly, 77 "
18	8760109	3	Connector, Straight, SAE 12-12 - male JIC 37° x male str. thd. O-ring
19	8760305	1	Elbow, 90° SAE 12-12 - male JIC 37° x male str. thd. O-ring

HYDRAULIC RESERVOIR (S/N 9B0499 AND BEFORE)



6.1

PA0544

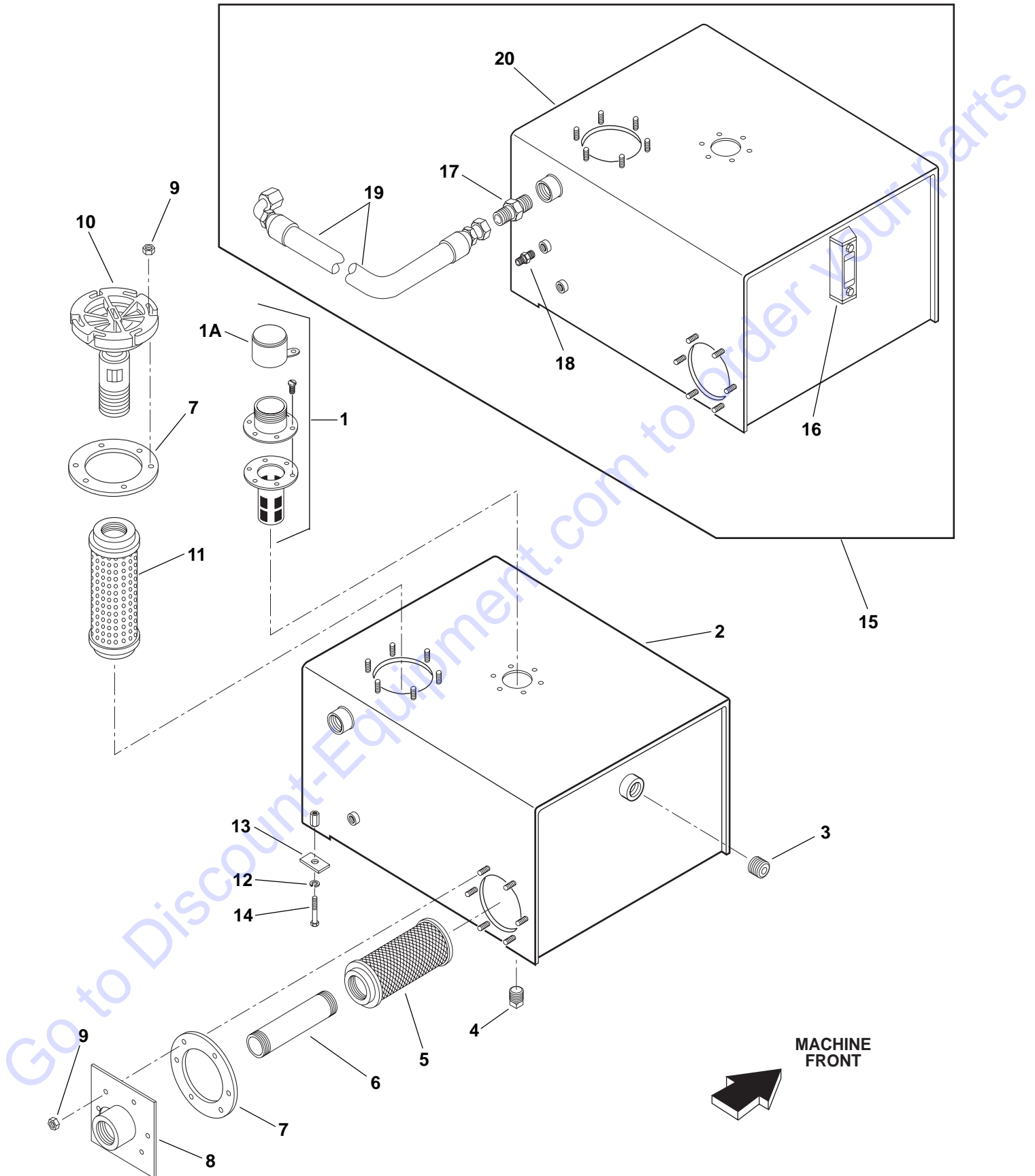
6036

Revised 11/97

HYDRAULIC RESERVOIR (S/N 9B0499 AND BEFORE)

Item No.	Part Number	Qty.	Description
1	8322022	1	Filler/Breather (Includes Item 1A)
1A	8322029	1	Cap, Filler/Breather
2	See Note	1	Reservoir, Hydraulic
3	8464009	1	Gauge, Sight
4	8541437	1	Plug, Pipe, Square, 3/4
5	8324014	1	Strainer
6	8551811	1	Nipple, 2.00 x 8-1/2
7	7082901	2	Gasket
8	7081002	1	Flange Assembly
9	8305006	6	Locknut, 5/16-18
10	8307004	2	Washer, Lock, 5/16
11	8769128	2	Plate, Cover
12	8303715	2	Screw, Hex Hd Cap, 5/16-18 x 1-1/2, grade 5
NOTE: Original reservoir is no longer available as a service part. Order conversion kit below.			
13	7093262	1	Kit, Hydraulic Tank Conversion (Includes the following new parts)
14	8464012	1	Gauge, Sight
15	8760005	1	Connector, Straight, SAE 16-16P, male JIC 37° x male NPT
16	8541409	1	Plug, Pipe, Sq. Hd., 1/2" NPT
17	2711902	1	Hose Assembly
18	8320265	1	Element
19	8320256	1	Cover Assembly
20	7082901	1	Gasket
21	8305626	6	Locknut, 5/16-18
22	7093194	1	TankWeldment

HYDRAULIC RESERVOIR (S/N 9B0500 THRU 6036-1316)



6.1.1

PA1043

6036

Revised 11/97

PARTS FINDER

**Search Website
by Part Number**



**Search Manual
Library For Parts
Manual & Lookup Part
Numbers – Purchase
or Request Quote**

Search Manuals

Enter your information to help us find the right parts manual for your machine.

* Brand:

* Model:

* Serial:

* Part Number:

SEARCH

**Can't Find Part or
Manual? Request Help
by Manufacturer,
Model & Description**

Parts Order Form

Please fill in the following information to help us find the right part for your machine.

Manufacturer:	<input type="text"/>
Model:	<input type="text"/>
Description:	<input type="text"/>
Part Number:	<input type="text"/>
Quantity:	<input type="text"/>
Notes:	<input type="text"/>

Submit

Discount-Equipment.com is your online resource for quality parts & equipment.

Florida: **561-964-4949** Outside Florida TOLL FREE: **877-690-3101**

Need parts?

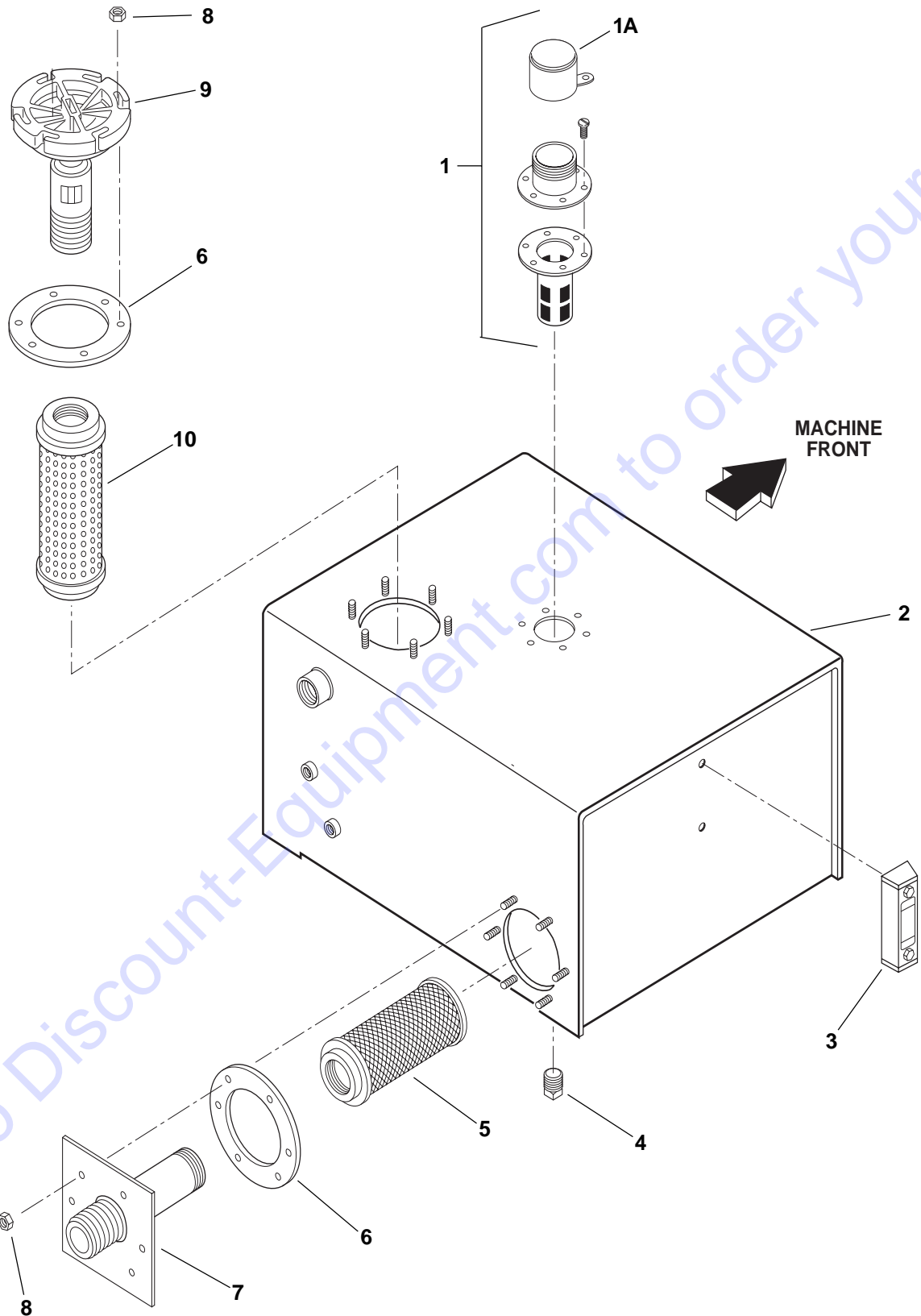
Click on this link: <http://www.discount-equipment.com/category/5443-parts/> and choose one of the options to help get the right parts and equipment you are looking for. Please have the machine model and serial number available in order to help us get you the correct parts. If you don't find the part on the website or on one of the online manuals, please fill out the request form and one of our experienced staff members will get back to you with a quote for the right part that your machine needs.

We sell worldwide for the brands: Genie, Terex, JLG, MultiQuip, Mikasa, Essick, Whiteman, Mayco, Toro Stone, Diamond Products, Generac Magnum, Airman, Haulotte, Barreto, Power Blanket, Nifty Lift, Atlas Copco, Chicago Pneumatic, Allmand, Miller Curber, Skyjack, Lull, Skytrak, Tsurumi, Husquvarna Target, Stow, Wacker, Sakai, Mi-T-M, Sullair, Basic, Dynapac, MBW, Weber, Bartell, Bennar Newman, Haulotte, Ditch Runner, Menegotti, Morrison, Contec, Buddy, Crown, Edco, Wyco, Bomag, Laymor, EZ Trench, Bil-Jax, F.S. Curtis, Gehl Pavers, Heli, Honda, ICS/PowerGrit, IHI, Partner, Imer, Clipper, MMD, Koshin, Rice, CH&E, General Equipment, Amida, Coleman, NAC, Gradall, Square Shooter, Kent, Stanley, Tamco, Toku, Hatz, Kohler, Robin, Wisconsin, Northrock, Oztec, Toker TK, Rol-Air, APT, Wylie, Ingersoll Rand / Doosan, Innovatech, Con X, Ammann, Mecalac, Makinex, Smith Surface Prep, Small Line, Wanco, Yanmar

HYDRAULIC RESERVOIR (S/N 9B0500 THRU 6036-1316)

Item No.	Part Number	Qty.	Description
1	8322022	1	Filler/Breather (Includes Item 1A)
1A	8322029	1	Cap, Filler/Breather
2	See Note	1	Reservoir, Hydraulic
3	8464009	1	Gauge, Sight
4	8541437	1	Plug, Pipe, Square Hd, 3/4
5	8324014	1	Strainer
6	8551811	1	Nipple, 2.00 x 8-1/2
7	7082901	2	Gasket
8	7088802	1	Flange Assembly
9	8305626	12	Locknut, 5/16-18
10	8320256	1	Cover Assembly, w/By-Pass
11	8320265	1	Element
12	8307004	2	Washer, Lock, 5/16
13	8769128	2	Plate, Cover
14	8303715	2	Screw, Hex Hd Cap, 5/16-18 x 1-1/2, grade 5
			NOTE: Original reservoir is no longer available as a service part. Order conversion kit below.
15	7093272	1	Kit, Hydraulic Tank Conversion (Includes the following new parts)
16	8464012	1	Gauge, Sight
17	8760005	1	Connector, Straight, SAE 16-16P, male JIC 37° x male NPT
18	8760015	1	Connector, Straight, SAE 8-8P, male JIC 37° x male NPT
19	2711902	1	Hose Assembly
20	7093194	1	Tank Weldment

HYDRAULIC RESERVOIR (S/N 6036-1317 AND AFTER)

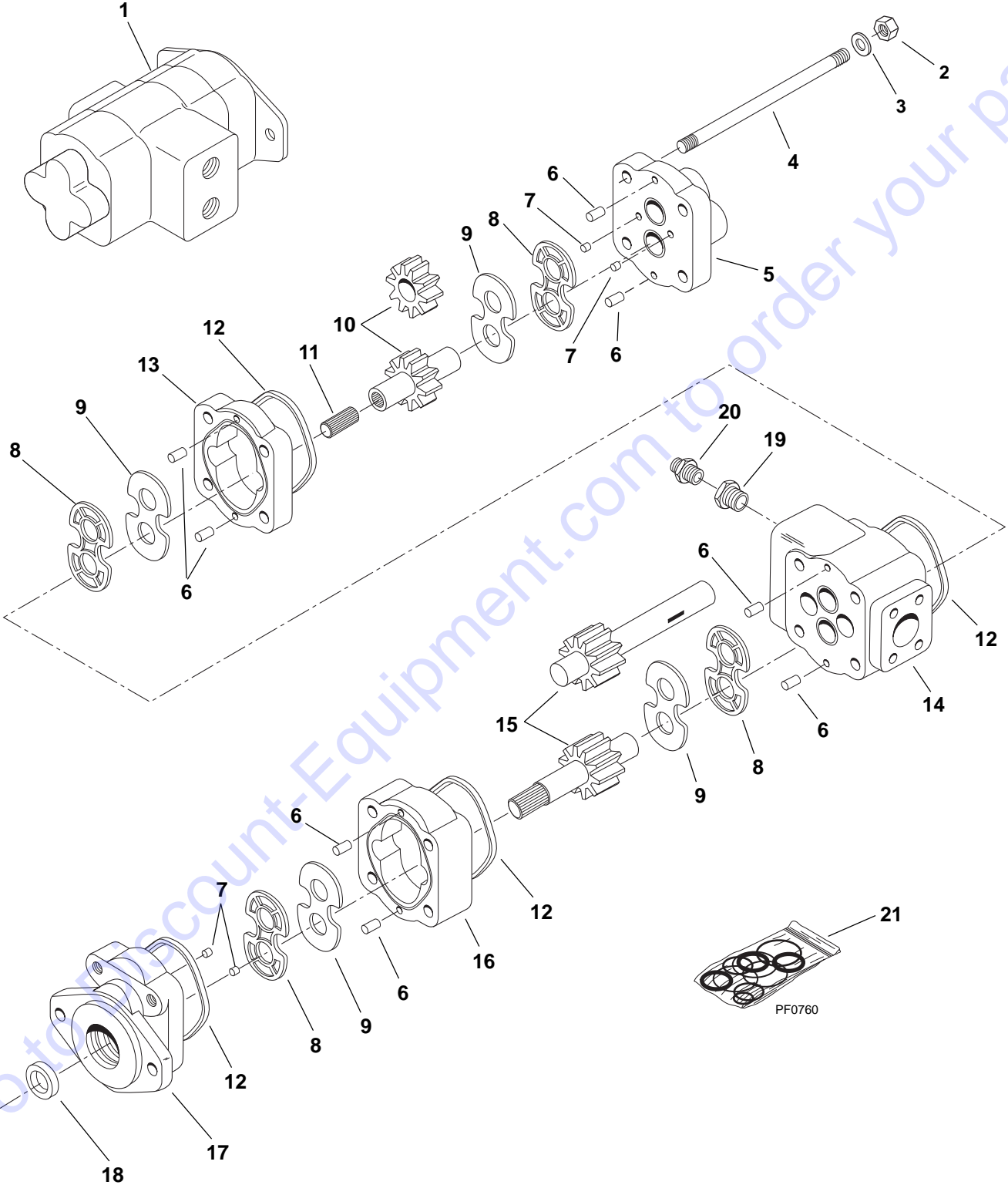


HYDRAULIC RESERVOIR (S/N 6036-1317 AND AFTER)

Item No.	Part Number	Qty.	Description
1	8322022	1	Filler/Breather (Includes Item 1A)
1A	8322029	1	Cap, Filler/Breather
2	7093154	1	Reservoir, Hydraulic
3	8464012	1	Gauge, Sight (Includes mtg. hardware and seal)
4	8541437	1	Plug, Pipe, Square Hd, 3/4
5	8324029	1	Strainer
6	7082901	2	Gasket
7	7092652	1	Flange Assembly
8	8305626	12	Locknut, 5/16-18
9	8320256	1	Cover Assembly, w/By-Pass
10	8320265	1	Element

Go to Discount-Equipment.com to order your parts

MAIN TANDEM PUMP

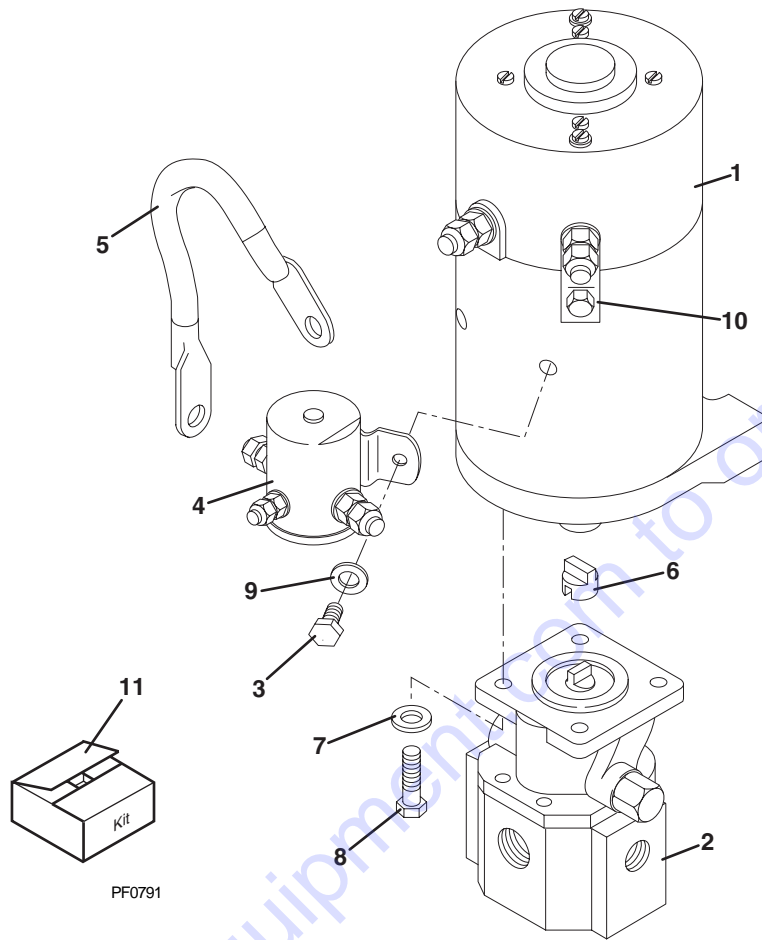


MA0843

MAIN TANDEM PUMP

Item No.	Part Number	Qty.	Description
1	7090801	1	Pump Assembly, Hydraulic (Includes Items 2 thru 20) (S/N 9B0499 & Before)
	8440211	1	Pump Assembly, Hydraulic (Includes Items 2 thru 18) (S/N 9B0500 & After)
2	8032804	4	Nut, Hex
3	8032802	4	Washer
4	8032803	4	Stud
5	8032796	1	Housing, PEC
6	8032810	8	Pin, Dowel
7	8032806	4	Plug
8	See Kits	4	Seal, Channel
9	8033478	4	Plate, Thrust
10	8032801	1	Gear Set
11	8032813	1	Shaft, Connecting
12	See Kits	4	Seal, Sq-R
13	8032799	1	Housing, Gear
14	NLA	1	Housing, Bearing Carrier (S/N 9B0499 & Before) (No Longer Available. Order P/N 8032999 and Items 19 & 20)
	8032999	1	Housing, Bearing Carrier (S/N 9B0500 & After)
15	8032800	1	Gear Shaft Set
16	8032797	1	Housing, Gear
17	8032795	1	Housing, SEC
18	See Kits	1	Seal, Lip
19	8760545	1	Reducer, SAE 16-8 - male str thd O-ring x female internal O-ring boss
20	8760107	1	Connector, Straight, SAE 8-8 - male JIC 37° x male str thd O-ring
			<u>KITS</u>
21	8032811	1	Seal Kit, Hydraulic Pump (Consists of Items 8, 12 and 18)

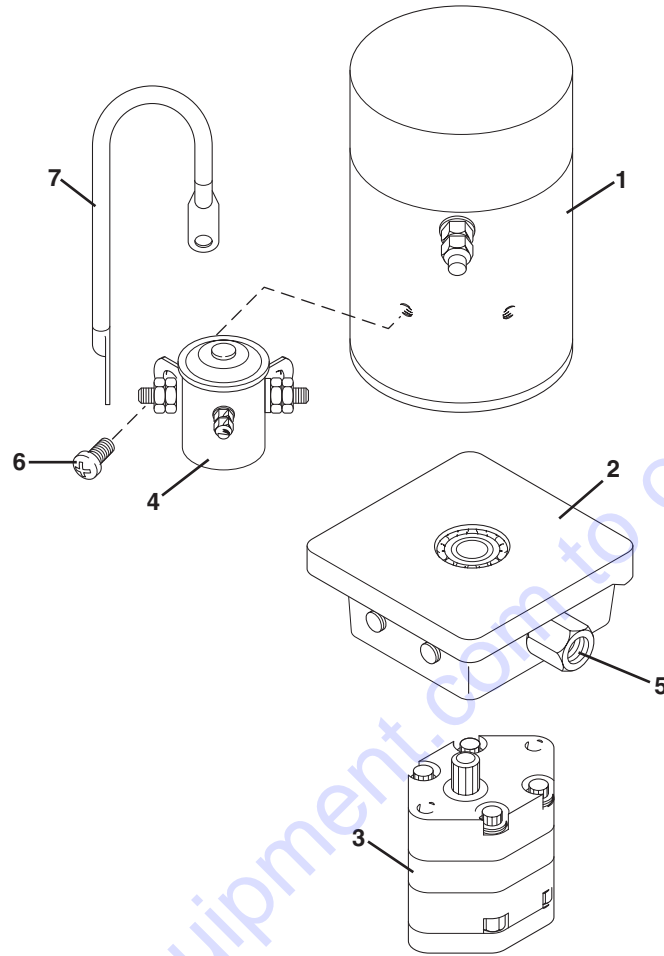
STEERING & EMERGENCY BRAKE PUMP (S/N 7P0013 & BEFORE)



PA0563

Item No.	Part Number	Qty.	Description
	See Kits	1	Pump & Motor Assembly (Includes Items 1 thru 10)
1	See Kits	1	Motor
2	See Kits	1	Pump
3	8032916	2	Screw
4	8032888	1	Solenoid
5	8032915	1	Cable, Terminal
6	8033229	1	Coupling
7	8033230	4	Washer
8	8033231	4	Screw
9	8033232	2	Washer
10	8033233	1	Strap, Ground
			KITS
11	7095741	1	Pump & Motor Assembly Kit

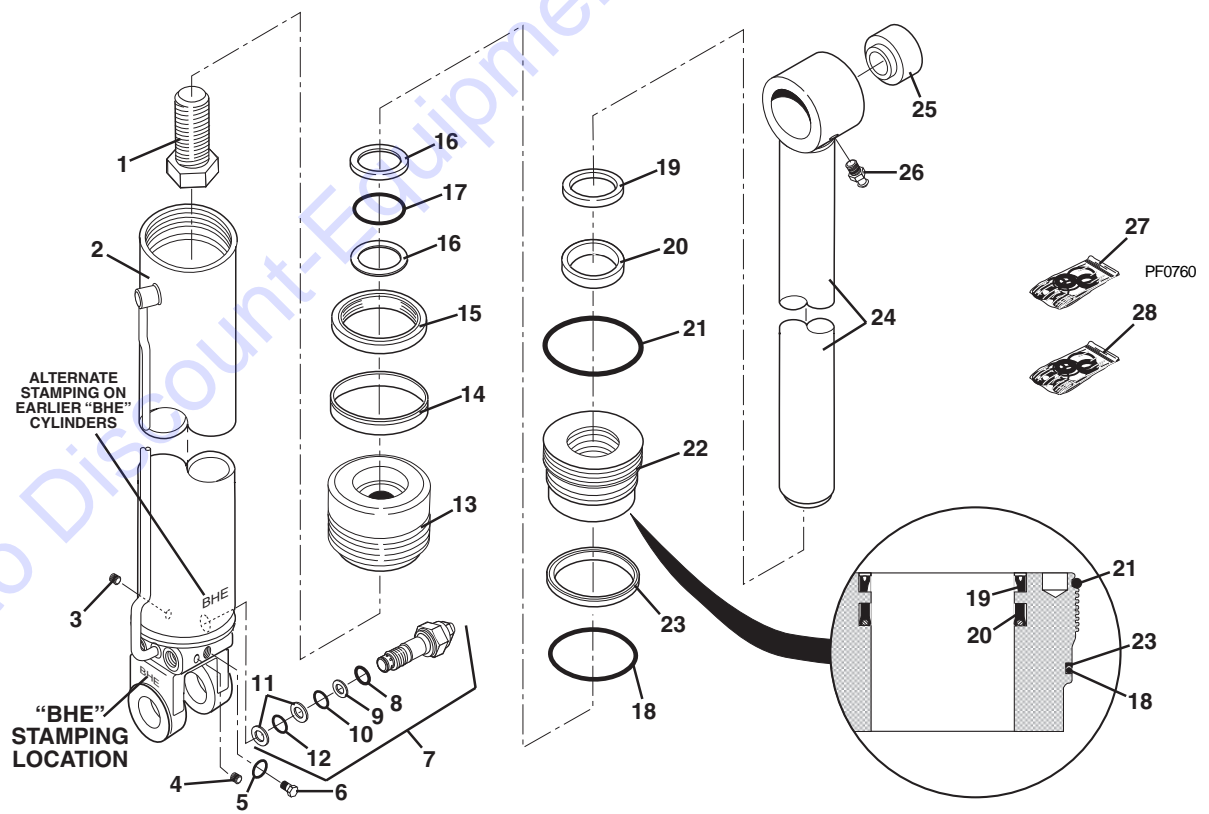
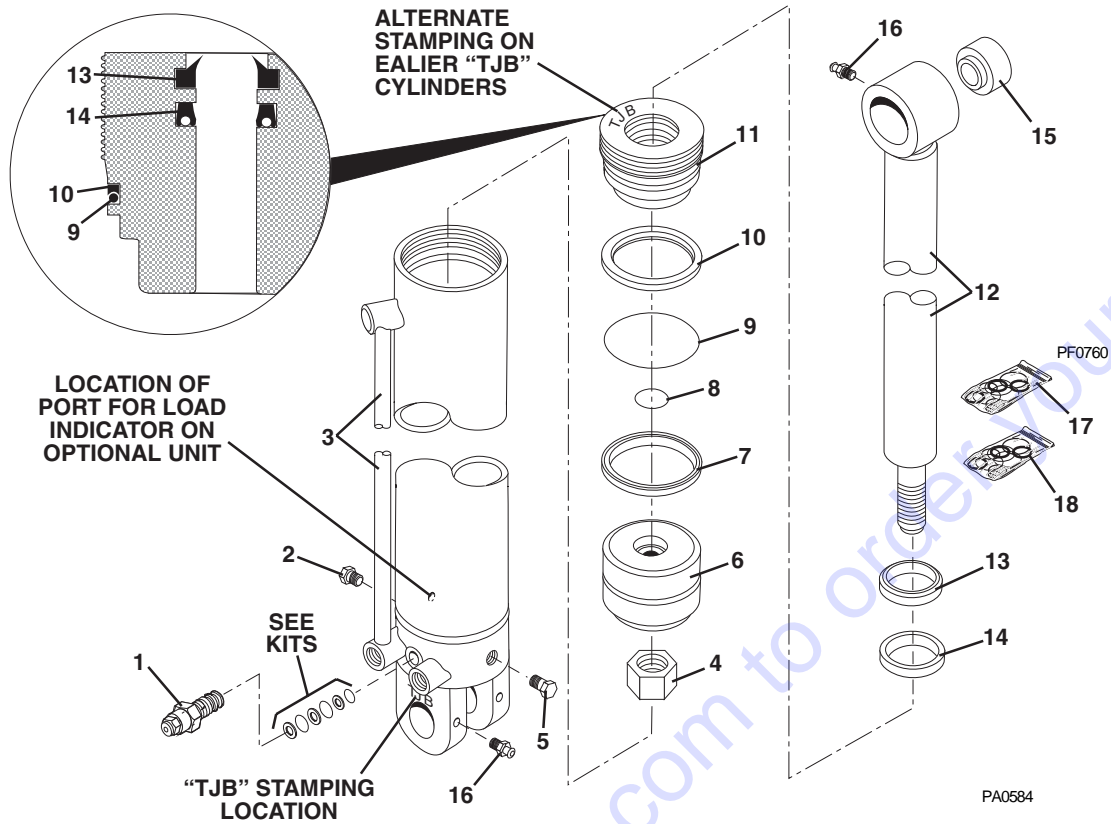
STEERING AND EMERGENCY BRAKE PUMP (S/N 7P0014 THRU S/N 9B0499)



PA0573

Item No.	Part Number	Qty.	Description
	8440147	1	Pump & Motor Assembly (Includes Items 1 thru 7)
1	8033180	1	Motor
2	8033186	1	End Head Assembly
3	8033181	1	Pump
4	8033182	1	Solenoid
5	8033184	1	Valve, Check
6	8033187	2	Screw, Taptite, 1/4-20 x 1/4 (Torx)
7	8033185	1	Cable, Terminal

BOOM HOIST CYLINDER



BOOM HOIST CYLINDER

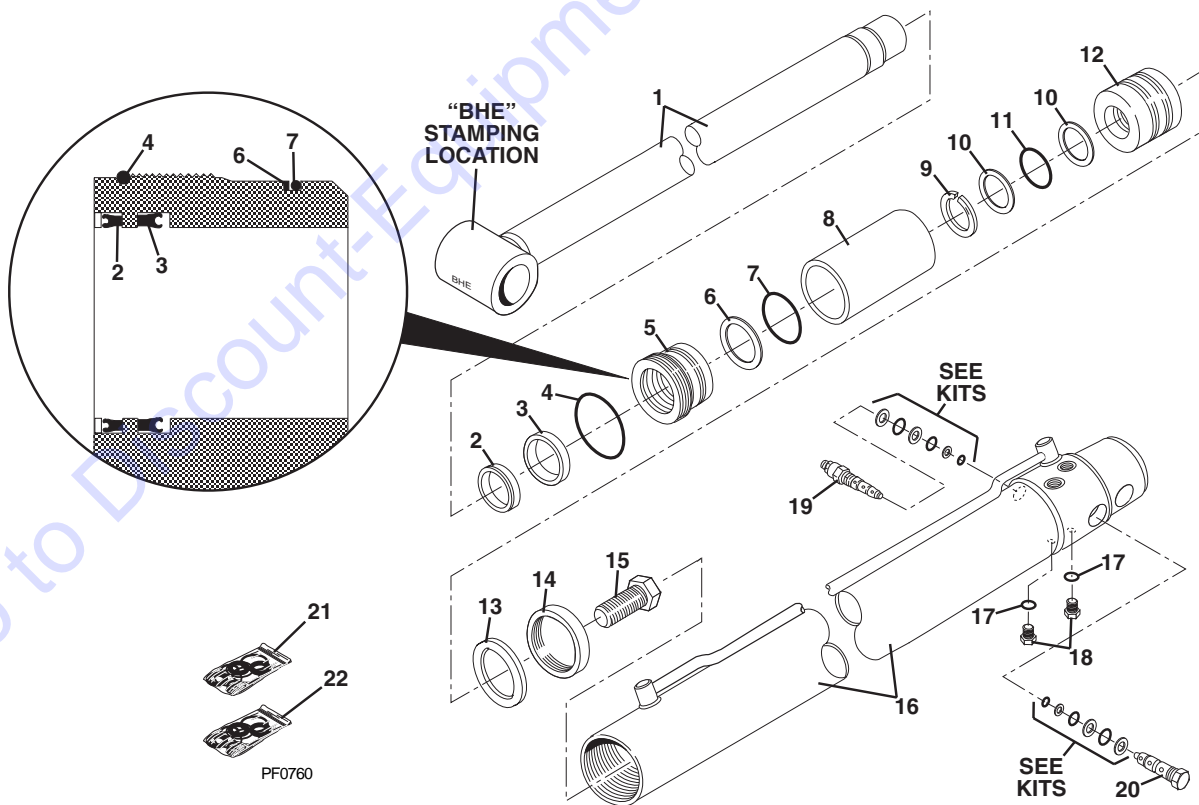
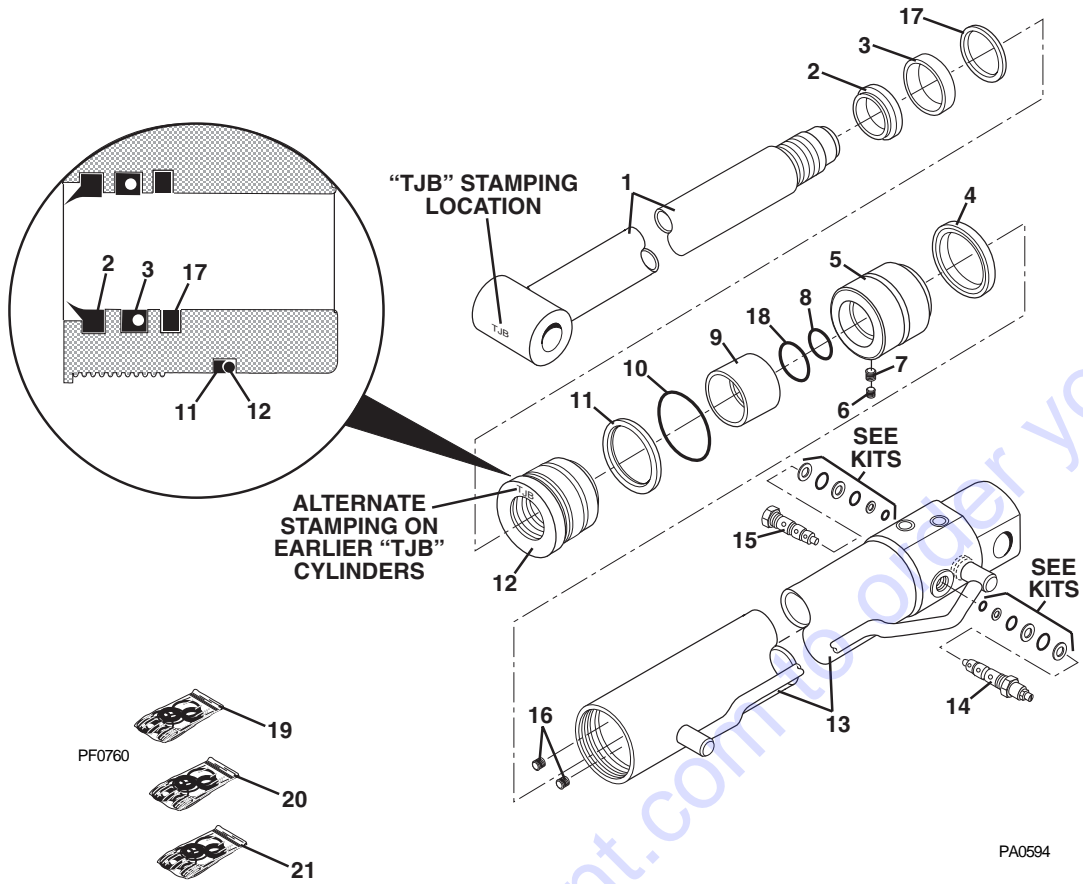
Item No.	Part Number	Qty.	Description
	7129252	2	Cylinder, Boom Hoist - TJB (Includes Items 1 thru 15)
	2713793	2	Cylinder, Boom Hoist - TJB (Optional, Ported for Load Indicator) (Includes Items 1 thru 15)
1	8902247	1	Valve, Counterbalance (For 7129252)
2	8032712	1	Plug
3	NSS	1	Tube, Cylinder (For 7129252)
	NSS	1	Tube, Cylinder (For 2713793)
4	8032714	1	Nut
5	8032715	1	Plug
6	8032716	1	Piston
7	See Kits	1	Seal, Piston
8	See Kits	1	O-Ring
9	See Kits	1	O-Ring
10	See Kits	1	Ring, Backup
11	8032717	1	Gland
12	8032719	1	Rod
13	See Kits	1	Wiper
14	See Kits	1	Seal, Rod
15	8065640	1	Bushing
16	80520013	2	Fitting, Grease, 1/8 NPT
			KITS
17	8032718	1	Seal Kit, Boom Hoist Cylinder (Includes Items 7, 8, 9, 10, 13, 14)
18	8205656	1	Seal Kit, Counterbalance Valve (Includes 3 O-Rings & 3 Backup Rings)

IMPORTANT !

Before ordering internal service parts, you must first identify the cylinder by the manufacturer's stamping (see illustrations). The BHE cylinders are no longer available as individual complete assemblies. You must replace individual BHE cylinders with a pair of the same TJB cylinders.

Item No.	Part Number	Qty.	Description
	2711543	2	Cylinder, Boom Hoist - BHE (Includes Items 1 thru 25)
1	8033143	1	Screw, Hex Hd Cap
2	NSS	1	Barrel
3	8033153	1	Plug, Sealing
4	8033145	1	Plug, Sealing
5	See Kits	1	O-Ring
6	8033131	1	Plug
7	8902843	1	Cartridge Valve, Counterbalance (Includes Items 8 thru 12)
8	See Kits	1	O-Ring
9	See Kits	1	Ring, Backup
10	See Kits	1	O-Ring
11	See Kits	2	Ring, Backup
12	See Kits	1	O-Ring
13	8033140	1	Piston
14	See Kits	1	Bearing
15	See Kits	1	Seal & Expander Assembly
16	See Kits	2	Ring, Backup
17	See Kits	1	O-Ring
18	See Kits	1	O-Ring
19	See Kits	1	Wiper
20	See Kits	1	Seal
21	See Kits	1	O-Ring
22	8033134	1	Head
23	See Kits	1	Ring, Backup
24	8033132	1	Rod
25	8065640	1	Bushing
26	8520013	1	Fitting, Grease, 1/8 NPT
			KITS
27	8205668	1	Seal Kit, Boom Hoist Cylinder (Includes Items 5, 8, thru 12, 14 thru 21 and 23)
28	8033425	1	Seal Kit, Counterbalance Valve (Includes Items 8 thru 12)

BOOM EXTEND CYLINDER



BOOM EXTEND CYLINDER

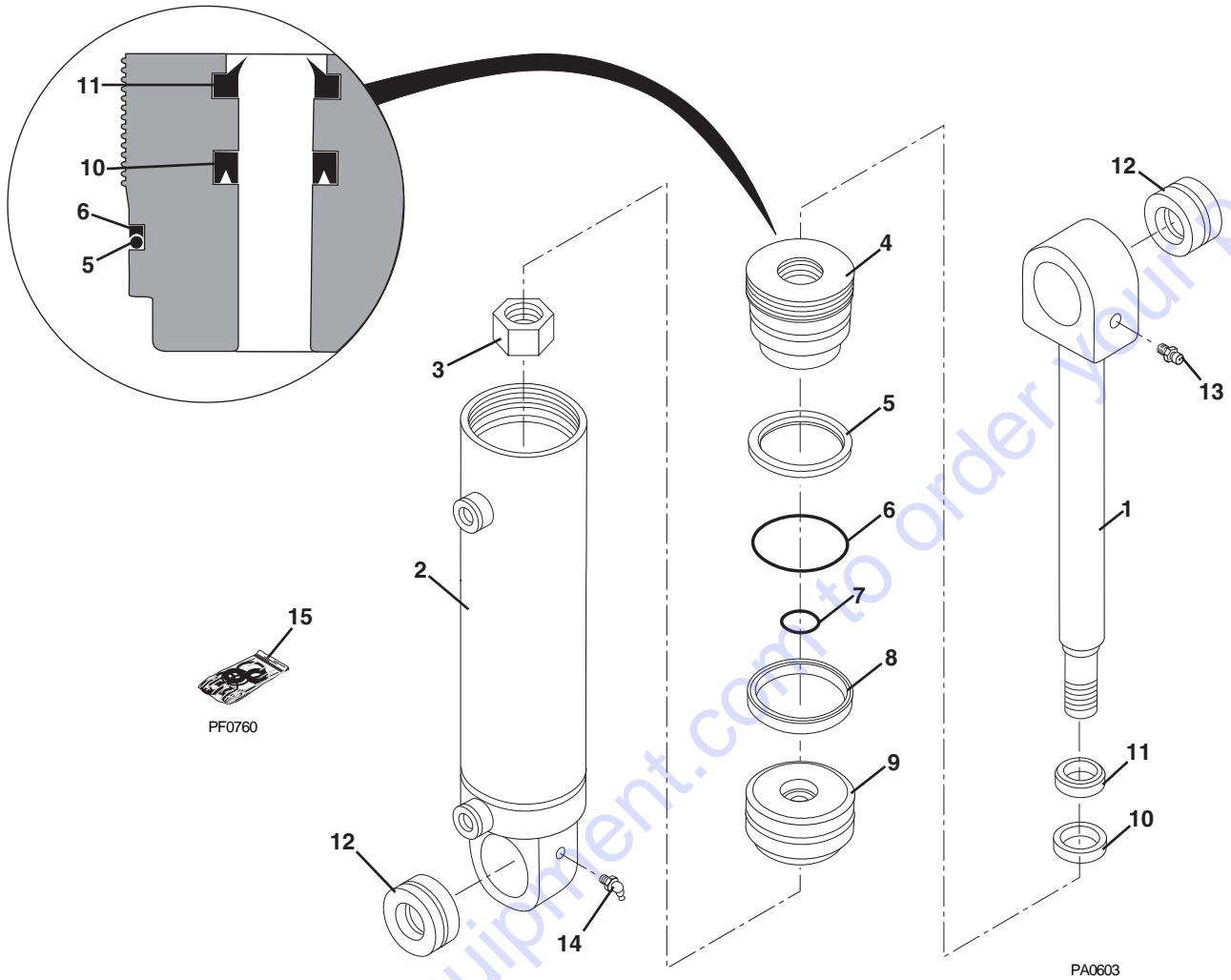
Item No.	Part Number	Qty.	Description
1	2711693	1	Cylinder, Boom Extend/Retract - TJB (Includes Items 1 thru 18)
2	8032731	1	Rod
3	See Kits	1	Wiper
4	See Kits	1	Seal, Rod
5	8032734	1	Seal, Piston
6	See Kits	1	Piston
7	See Kits	1	Setscrew, Nylon
8	See Kits	1	Setscrew
9	See Kits	1	O-Ring
10	8032736	1	Tube, Stop
11	See Kits	1	O-Ring
12	See Kits	1	Ring, Backup
13	8032732	1	Gland
14	NSS	1	Tube Cylinder
15	8902212	1	Valve, Counterbalance w/o TLC (See Kits)
16	8032737	1	Valve, Counterbalance w/TLC Only (See Kits)
17	8032738	2	Plug
18	See Kits	1	Seal, Step
			O-Ring
			KITS
19	8205659	1	Seal Kit, Boom Extend/Retract Cylinder (Includes Items 2, 3, 4, 6, 7, 8, 10, 11, 17 & 18)
20	8205656	2	Seal Kit, Counterbalance & Pilot Check Valves (Includes 3 O-Rings & 3 Backup Rings)
21	8035246	1	Seal Kit, Gland Static Seal (Consists of 1 O-Ring & 1 Backup Ring)

IMPORTANT !

Before ordering internal service parts, you must first identify the cylinder by the manufacturer's stamping (see illustrations). The BHE cylinders are no longer available as individual complete assemblies. You must replace individual BHE cylinders with a pair of the same TJB cylinders.

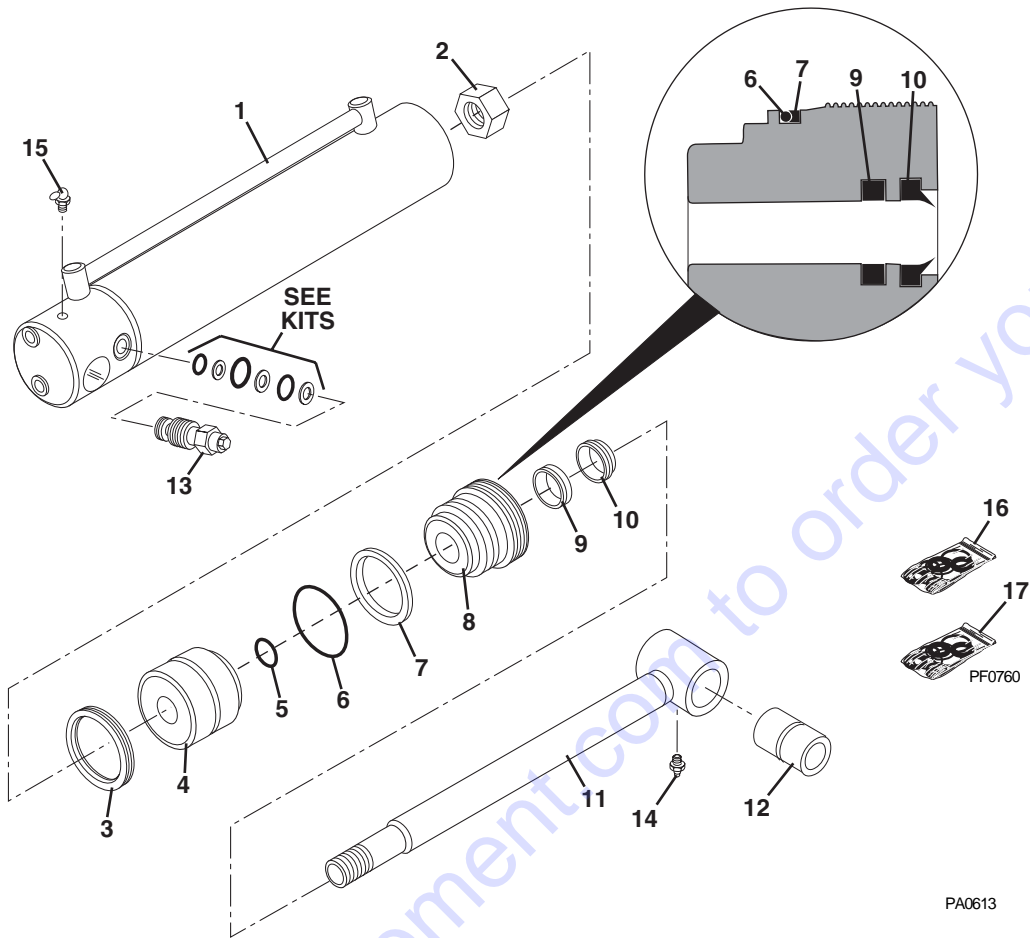
Item No.	Part Number	Qty.	Description
	2711693	1	Cylinder, Boom Extend/Retract - BHE (Includes Items 1 thru 20)
1	8033119	1	Rod
2	See Kits	1	Wiper
3	See Kits	1	Seal
4	See Kits	1	O-Ring
5	8033115	1	Head
6	See Kits	1	Ring, Backup
7	See Kits	1	O-Ring
8	8033122	1	Spacer
9	8033123	1	Ring, Snap
10	See Kits	2	Ring, Backup
11	See Kits	1	O-Ring
12	8033128	1	Piston
13	See Kits	1	Seal/Expander Assembly
14	See Kits	1	Bearing
15	8033129	1	Screw, Hex Hd Cap
16	NSS	1	Barrel
17	See Kits	2	O-Ring
18	8033131	2	Plug
19	8902473	1	Valve, Counterbalance
20	8032737	1	Valve, Pilot Check
			KITS
21	8205667	1	Seal Kit, Boom Extend/Retract Cylinder (Includes Items 2, 3, 4, 6, 7, 10, 11, 13, 14 & 17)
22	8205656	2	Seal Kit, Counterbalance & Pilot Check Valve (Includes 3 O-Rings & 3 Backup Rings)

SLAVE CYLINDER



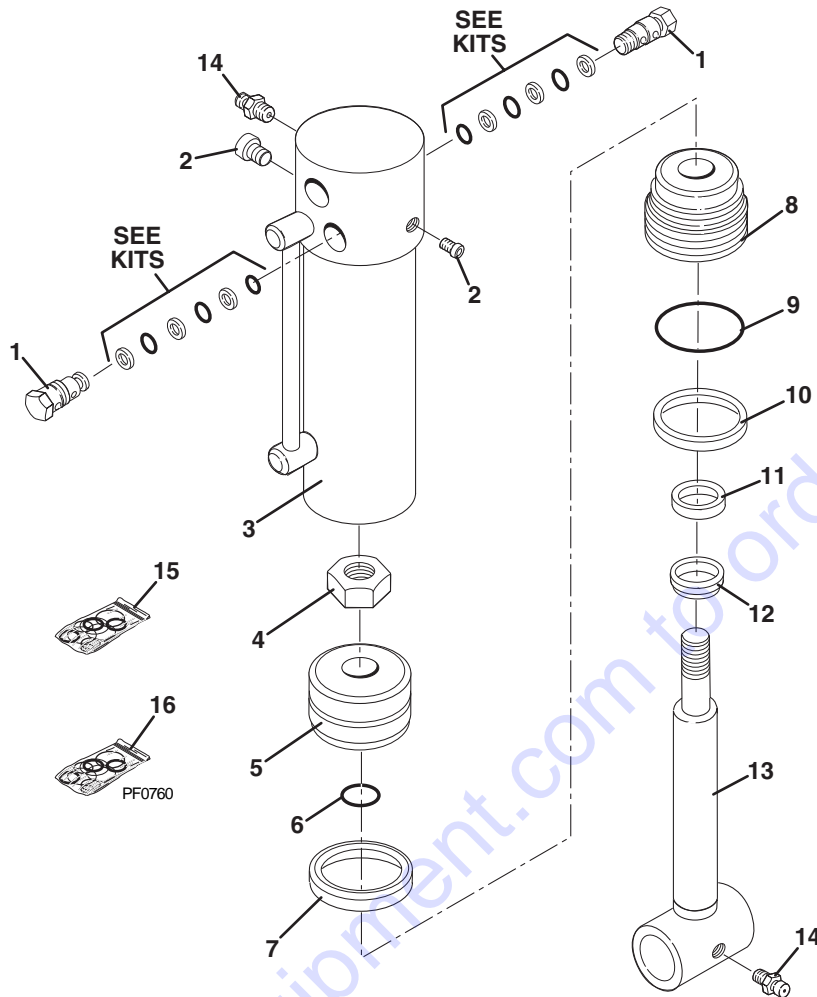
Item No.	Part Number	Qty.	Description
	2716193	1	Cylinder, Slave (Includes Items 1 thru 12)
1	8032706	1	Rod
2	NSS	1	Tube Cylinder
3	8032702	1	Locknut
4	8032704	1	Gland
5	See Kits	1	Ring, Backup
6	See Kits	1	O-Ring
7	See Kits	1	O-Ring
8	See Kits	1	Seal, Piston
9	8032705	1	Piston
10	See Kits	1	Seal, Rod
11	See Kits	1	Wiper
12	8065640	2	Bushing
13	8520013	1	Fitting, Grease, 1/8 NPT
14	8520021	1	Fitting, Grease, 90°
			KITS
15	8032707	1	Seal Kit, Slave Cylinder (Includes Items 5, 6, 7, 8, 10 & 11)

ATTACHMENT TILT CYLINDER



Item No.	Part Number	Qty.	Description	PA0613
	2711703	1	Cylinder, Attachment Tilt (Includes Items 1 thru 13)	
1	NSS	1	Tube, Cylinder	
2	8032702	1	Nut	
3	See Kits	1	Seal, Piston	
4	8032746	1	Piston	
5	See Kits	1	O-Ring	
6	See Kits	1	O-Ring	
7	See Kits	1	Ring, Backup	
8	8032704	1	Gland	
9	See Kits	1	Seal, Rod	
10	See Kits	1	Wiper	
11	8032747	1	Rod	
12	7089722	2	Bushing	
13	8902247	1	Valve, Counterbalance (See Kits)	
14	8520013	1	Fitting, Grease	
15	8520021	1	Fitting, Grease, 90°	
			KITS	
16	8032707	1	Seal Kit, Attachment Tilt Cylinder (Includes Items 3, 5, 6, 7, 9 & 10)	
17	8205656	1	Seal Kit, Counterbalance Valve (Includes 3 O-Rings & 3 Backup Rings)	

FRAME TILT CYLINDER

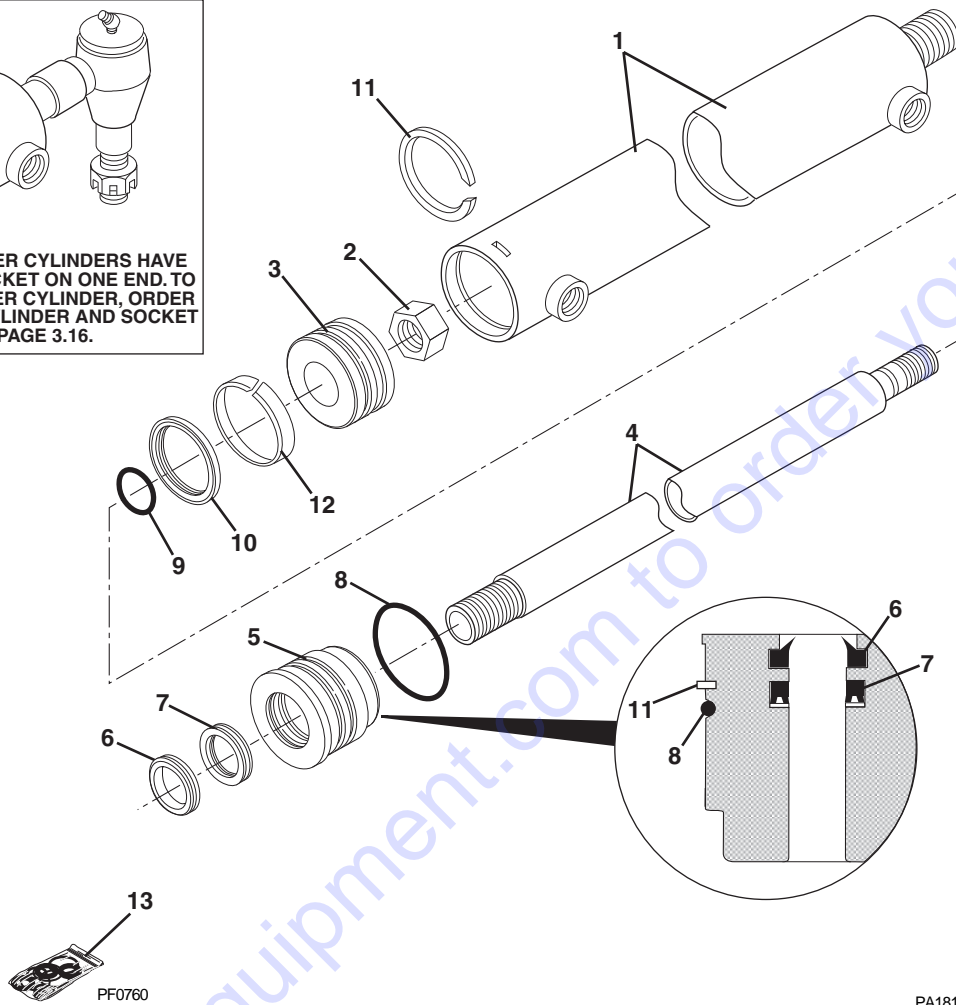
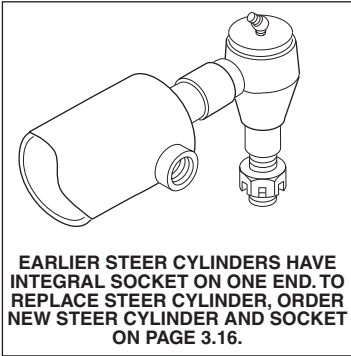


PA0623

Item No.	Part Number	Qty.	Description
	2711673	1	Cylinder, Frame Tilt (Includes Items 1 thru 13)
1	8902511	2	Check Valve (See Kits)
2	8032712	2	Plug
3	NSS	1	Tube, Cylinder
4	8032726	1	Nut
5	8032727	1	Piston
6	See Kits	1	O-Ring
7	See Kits	1	Seal, Piston
8	8032728	1	Gland
9	See Kits	1	O-Ring
10	See Kits	1	Ring, Backup
11	See Kits	1	Seal, Rod
12	See Kits	1	Wiper
13	8032729	1	Rod
14	8520013	2	Fitting, Grease, 1/8 NPT
			KITS
15	8032730	1	Seal Kit, Frame Tilt Cylinder (Includes Items 6, 7 & 9 thru 12)
16	8205655	1	Seal Kit, Check Valve (Includes 3 O-Rings & 3 Backup Rings)

Go to Discount-Equipment.com to order your parts

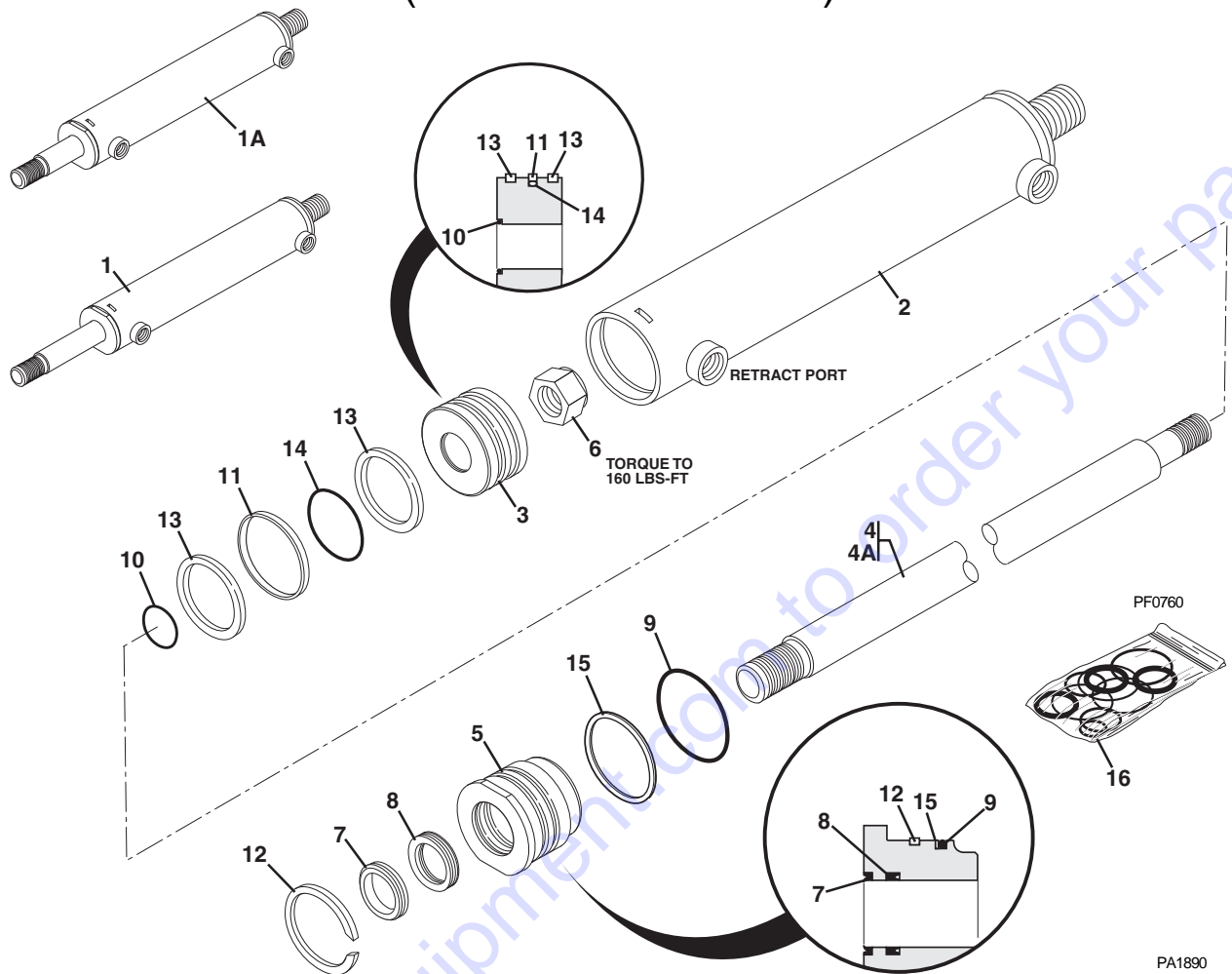
STEERING CYLINDER (S/N 3101 & BEFORE)



PA1810

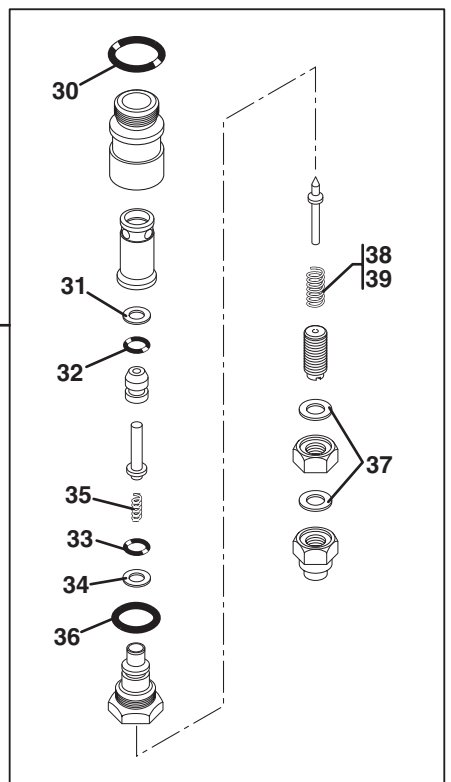
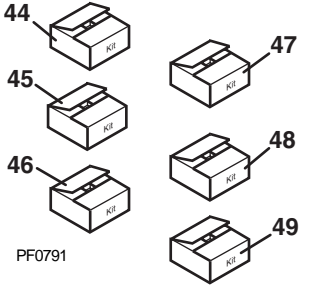
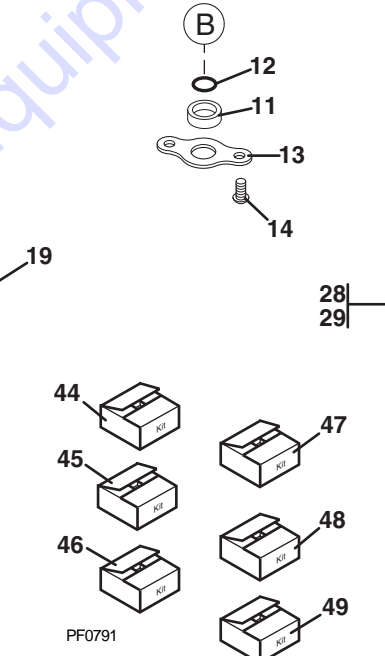
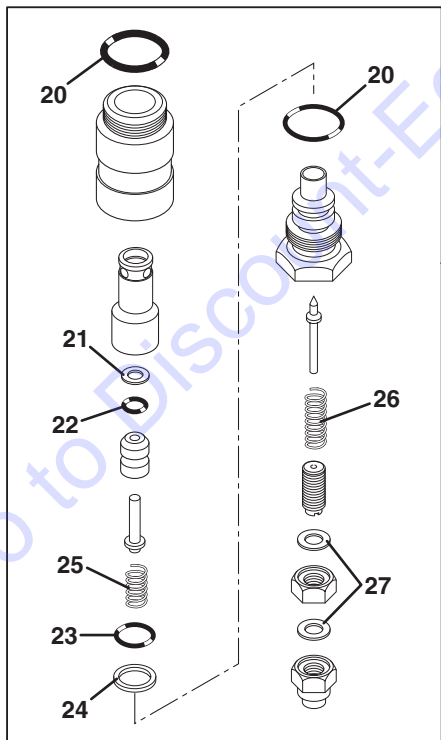
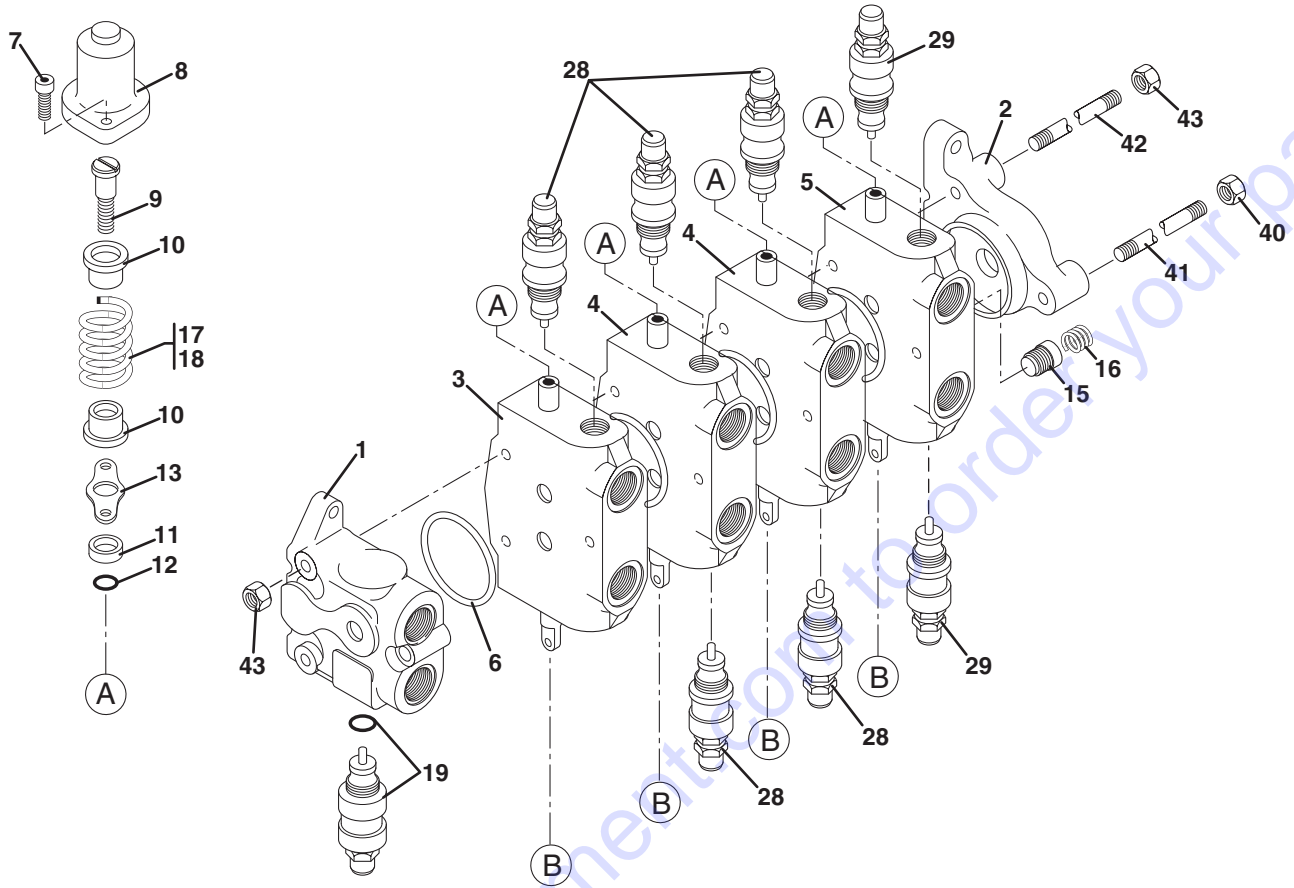
Item No.	Part Number	Qty.	Description
	8032963	2	Steering Cylinder, Right Front & Left Rear (Includes Items 1 thru 12)
	8032964	2	Steering Cylinder, Left Front & Right Rear (Includes Items 1 thru 12)
1	NSS	1	Tube
2	8033488	1	Locknut
3	8032966	1	Piston
4	8032967	1	Rod, Left Front & Right Rear
	8032968	1	Rod, Right Front & Left Rear
5	8032965	1	Gland
6	See Kits	1	Wiper, Rod
7	See Kits	1	Z-Seal
8	See Kits	1	O-Ring
9	See Kits	1	O-Ring
10	See Kits	1	Seal, Crown
11	See Kits	1	Lockwire
12	See Kits	1	Wear Ring
			KITS
13	8033489	1	Seal Kit, Steering Cylinder (Includes Items 6 thru 12)

STEERING CYLINDER (S/N 3102 & AFTER)



Item No.	Part Number	Qty.	Description
1	8034685	2	Steering Cylinder - Right Front & Left Rear
1A	8034686	2	Steering Cylinder - Left Front & Right Rear
			* Note: Quantites Listed Below Are For 1 Cylinder Only
2	NSS	1	Barrel Assembly
3	8034827	1	Piston
4	8034825	1	Rod - 17.17" Long
4A	8034826	1	Rod - 16.17" Long
5	8034828	1	Gland
6	8034824	1	Locknut
7	See Kit	1	Wiper, Rod
8	See Kit	1	Seal, U-Cup
9	See Kit	1	O-Ring
10	See Kit	1	O-Ring
11	See Kit	1	Seal, Piston
12	See Kit	1	Wire Retainer
13	See Kit	2	Wear Ring
14	See Kit	1	Expander
15	See Kit	1	Backup Ring
			KITS
16	8034690	1	Seal Kit, Steering Cylinder (Includes Items 7 thru 15)

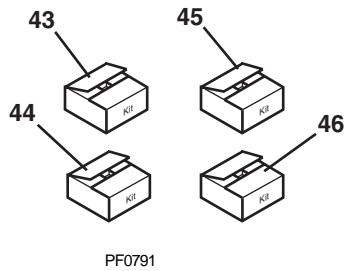
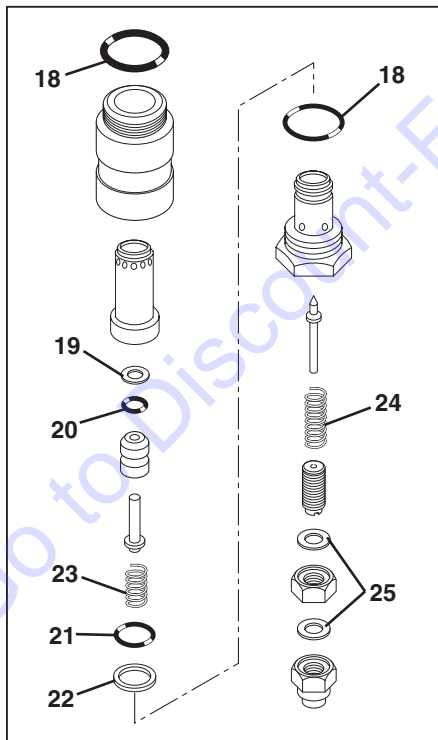
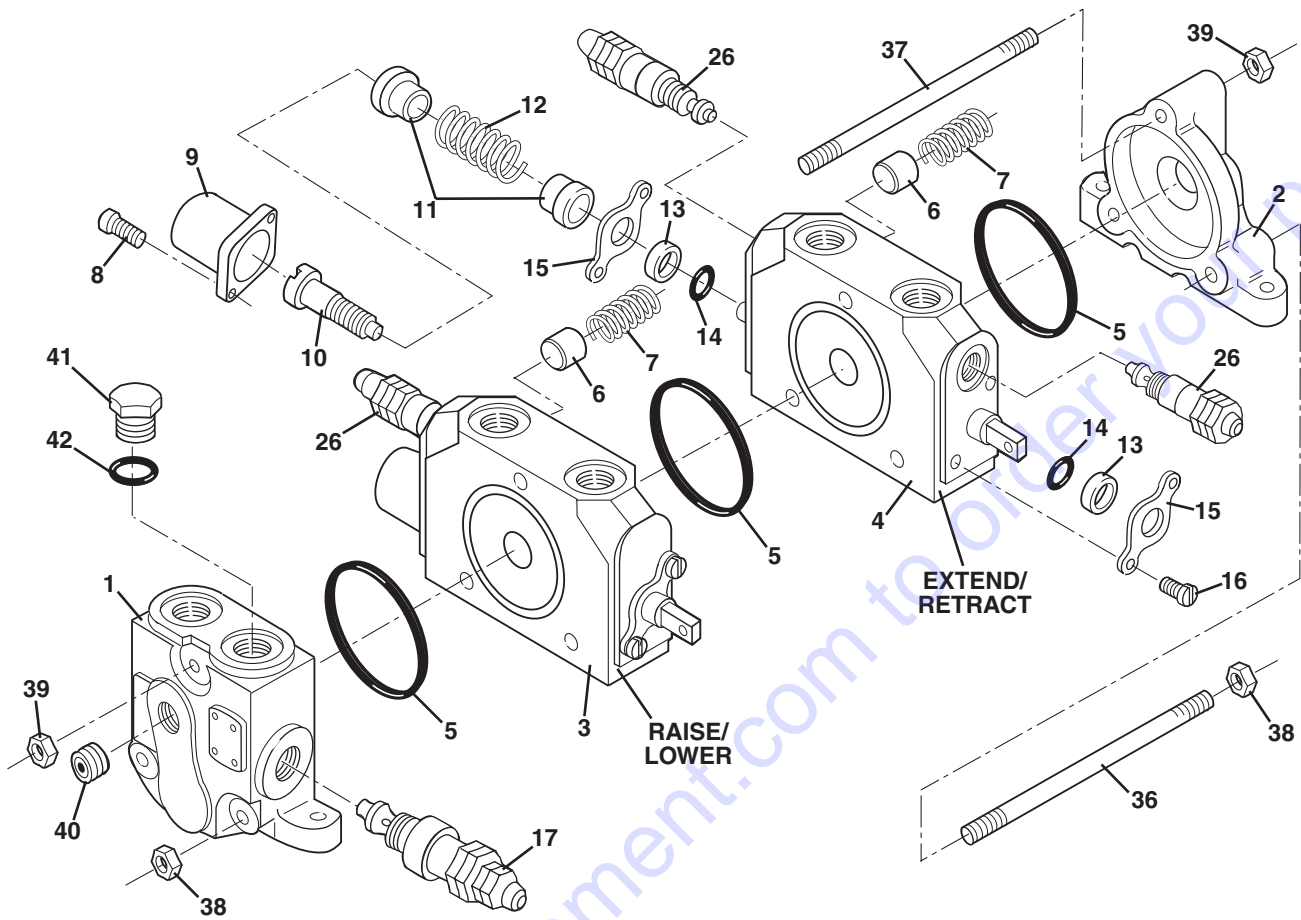
MAIN CONTROL VALVE (S/N 9B0499 & BEFORE)



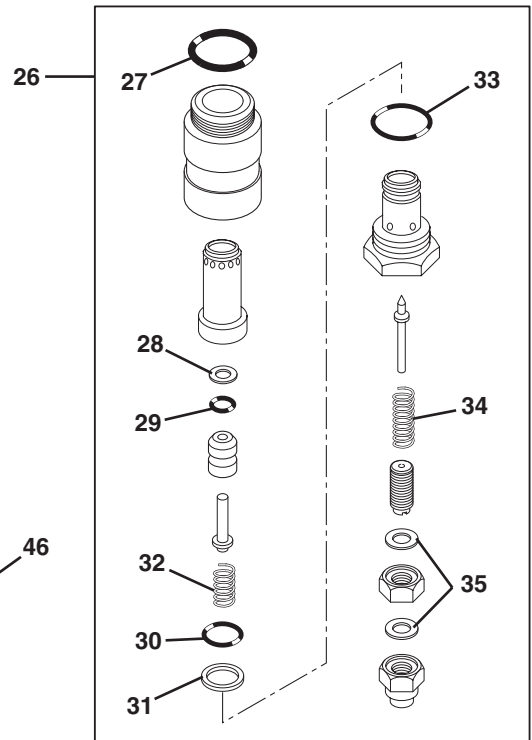
MAIN CONTROL VALVE (S/N 9B0499 & BEFORE)

Item No.	Part Number	Qty.	Description
1	8902104	1	Main Control Valve (Includes Items 1 thru 43)
	8902504	1	Section, Inlet (Includes one of Item 6)
2	8033215	1	Section, Outlet
3	8033158	1	Section, Boom Hoist (Includes Items 6 thru 17)
4	8033159	2	Section, Boom Extend/Fork Tilt (Includes Items 6 thru 17)
5	8033160	1	Section, Frame Tilt (Includes Items 6 thru 16 & 18)
6	See Kits	1	O-Ring
7	See Kits	2	Screw, Cap, Socket Hd
8	See Kits	1	Cap, Spool
9	See Kits	1	End, Spool
10	See Kits	2	Seat, Spring
11	See Kits	2	Wiper
12	See Kits	2	O-Ring
13	See Kits	2	Plate, Seal
14	See Kits	2	Screw, Mach, Round Head
15	See Kits	1	Poppet, C.V.
16	See Kits	1	Spring
17	8033161	1	Spring (Used on Items 3 & 4)
18	8033162	1	Spring (Used on Item 5 Only)
19	8033216	1	Relief Valve, Main - Preset at 3000 ± 50 psi (Includes Items 20 thru 27)
20	See Kits	2	O-Ring
21	See Kits	1	Ring, Backup
22	See Kits	1	O-Ring
23	See Kits	1	O-Ring
24	See Kits	1	Ring, Backup
25	See Kits	1	Spring
26	See Kits	1	Spring
27	See Kits	1	O-Ring
28	8033164	5	Relief Valve, Port - Preset at 2650 ± 50 psi (Includes Items 30 thru 38)
29	8033150	2	Relief Valve, Port - Preset at 1200 ± 50 psi (Includes Items 30 thru 37 & 39)
30	See Kits	1	O-Ring
31	See Kits	1	Ring, Backup
32	See Kits	1	O-Ring
33	See Kits	1	O-Ring
34	See Kits	1	Ring, Backup
35	See Kits	1	Spring
36	See Kits	1	O-Ring
37	See Kits	2	O-Ring
38	See Kits	1	Spring (Used on Item 28 Only)
39	See Kits	1	Spring, (Used on Item 29 Only)
40	See Kits	2	Nut, Special
41	See Kits	1	Rod, Tie
42	See Kits	2	Rod, Tie
43	See Kits	4	Nut, Special
			KITS
44	8902525	1	Rebuild Kit For Sections Items 3 & 4 (Includes 5 of Item 6 and listed quantities of Item 7 thru 17)
45	8902526	1	Rebuild Kit For Sections Items 5 (Includes 5 of Item 6 and listed quantities of Item 7 thru 16 & 18)
46	8033218	1	Seal & Spring Kit For Main Relief Valve Item 19 (Includes Items 20 thru 27)
47	8902495	1	Seal & Spring Kit For Port Relief Valve Item 28 (Includes Items 30 thru 38)
48	8033219	1	Seal & Spring Kit For Port Relief Valve Item 29 (Includes Items 30 thru 37 & 39)
49	8903013	1	Tie Rod Kit (Includes Items 40 thru 43)

MAIN CONTROL VALVE (S/N 9B0500 & AFTER)



PF0791



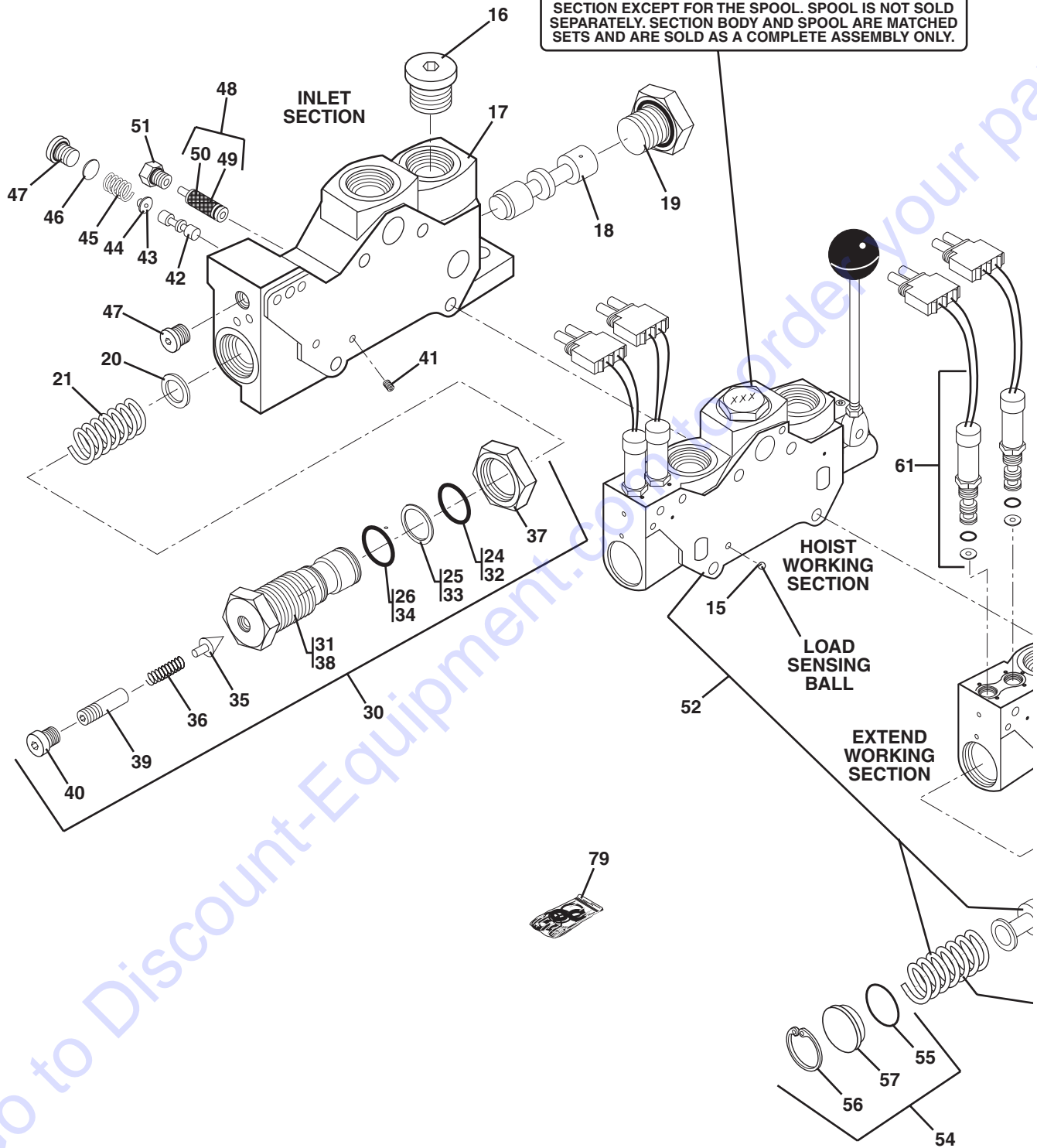
PA0664

MAIN CONTROL VALVE (S/N 9B0500 & AFTER)

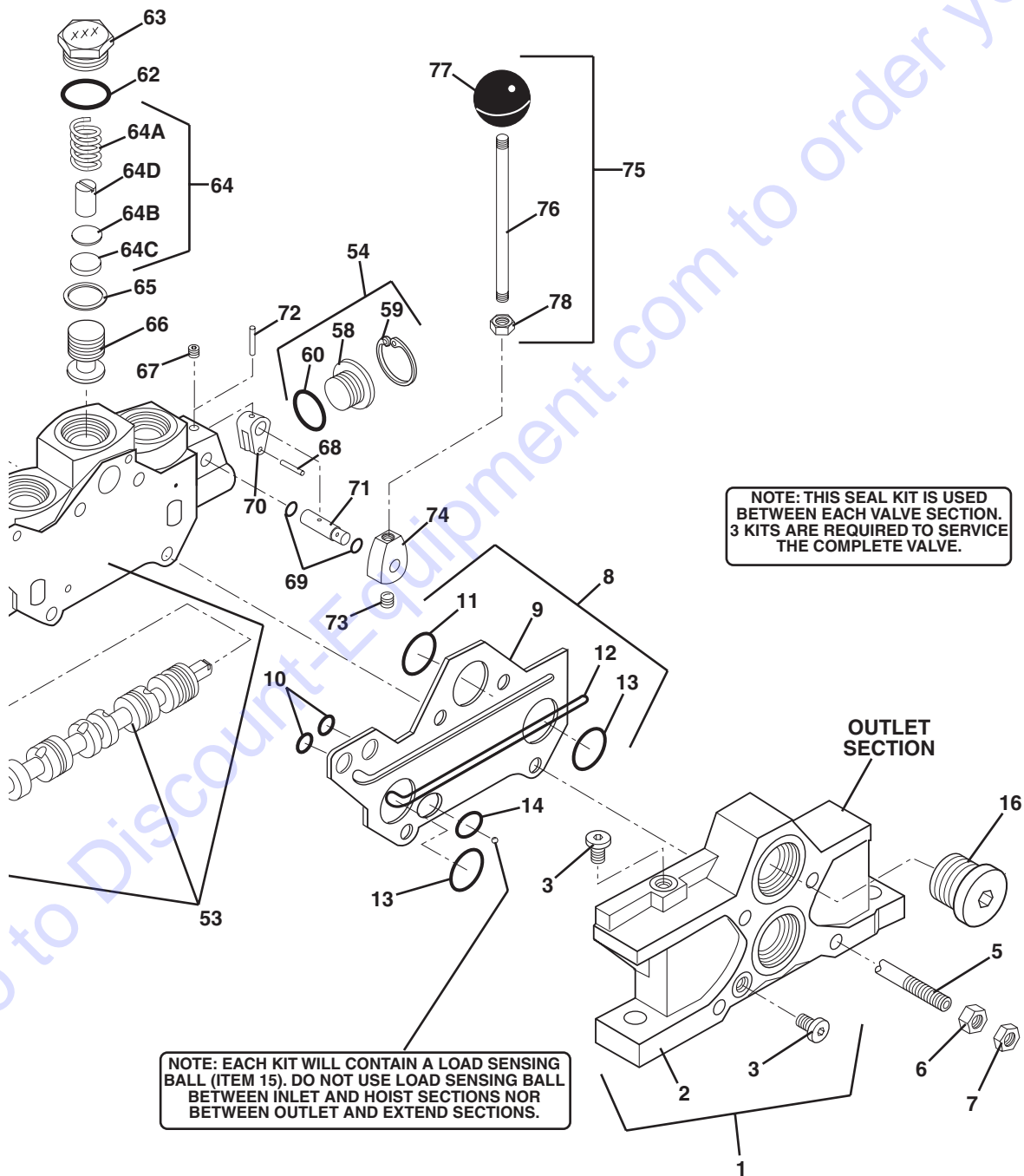
Item No.	Part Number	Qty.	Description
1	8902129	1	Main Control Valve (Includes Items 1 thru 42)
2	8902504	1	Section, Inlet (Includes one of Item 5)
3	8033215	1	Section, Outlet
4	8033158	1	Section, Boom Raise/Lower (Includes Items 5 thru 16)
5	8033159	1	Section, Boom Extend/Retract (Includes Items 5 thru 16)
6	See Kits	1	O-Ring
7	See Kits	1	Poppet, C.V.
8	See Kits	1	Spring
9	See Kits	2	Screw, Socket Hd Cap
10	See Kits	1	Cap, Spool
11	See Kits	1	End, Spool
12	See Kits	2	Seat Spring
13	8033161	1	Spring
14	See Kits	2	Wiper
15	See Kits	2	O-Ring
16	See Kits	2	Plate, Seal
17	See Kits	2	Screw, Machine, Round Hd
18	8033164	1	Relief Valve, Main - Preset at 2650 ± 50 psi (Includes Items 18 thru 25)
19	See Kits	2	O-Ring
20	See Kits	1	Ring, Backup
21	See Kits	1	O-Ring
22	See Kits	1	O-Ring
23	See Kits	1	Ring, Backup
24	See Kits	1	Spring
25	See Kits	1	Spring
26	See Kits	2	O-Ring
27	8033412	3	Relief Valve, Port - Preset at 2850 ± 50 psi (Includes Items 27 thru 35)
28	See Kits	1	O-Ring
29	See Kits	1	Ring, Backup
30	See Kits	1	O-Ring
31	See Kits	1	O-Ring
32	See Kits	1	Ring, Backup
33	See Kits	1	Spring
34	See Kits	1	O-Ring
35	See Kits	1	Spring
36	See Kits	2	O-Ring
37	See Kits	2	Rod, Tie
38	See Kits	1	Rod, Tie
39	See Kits	4	Nut, Special
40	See Kits	2	Nut, Special
41	See Kits	1	Plug Assembly, SAE
42	See Kits	1	Plug
			O-Ring
			KITS
43	8033154	1	Rebuild Kit for Items 3 & 4 (Includes 3 of Item 5, listed quantities of Items 6 thru 16 & 40, 41 & 42)
44	8033218	1	Seal & Spring Kit for Main Relief Valve Item 17 (Includes Items 18 thru 25)
45	8902495	3	Spring & Seal Kit for Port Relief Valve Item 26 (Includes Items 27 thru 35)
46	8903011	1	Tie Rod Kit (Includes Items 36 thru 39)

MAIN CONTROL VALVE - ELECTRONIC (S/N 9B0500 & AFTER)

ALL SERVICE PARTS FOR THE HOIST WORKING SECTION ARE THE SAME AS PARTS USED ON EXTEND WORKING SECTION EXCEPT FOR THE SPOOL. SPOOL IS NOT SOLD SEPARATELY. SECTION BODY AND SPOOL ARE MATCHED SETS AND ARE SOLD AS A COMPLETE ASSEMBLY ONLY.



MAIN CONTROL VALVE - ELECTRONIC (S/N 9B0500 & AFTER)



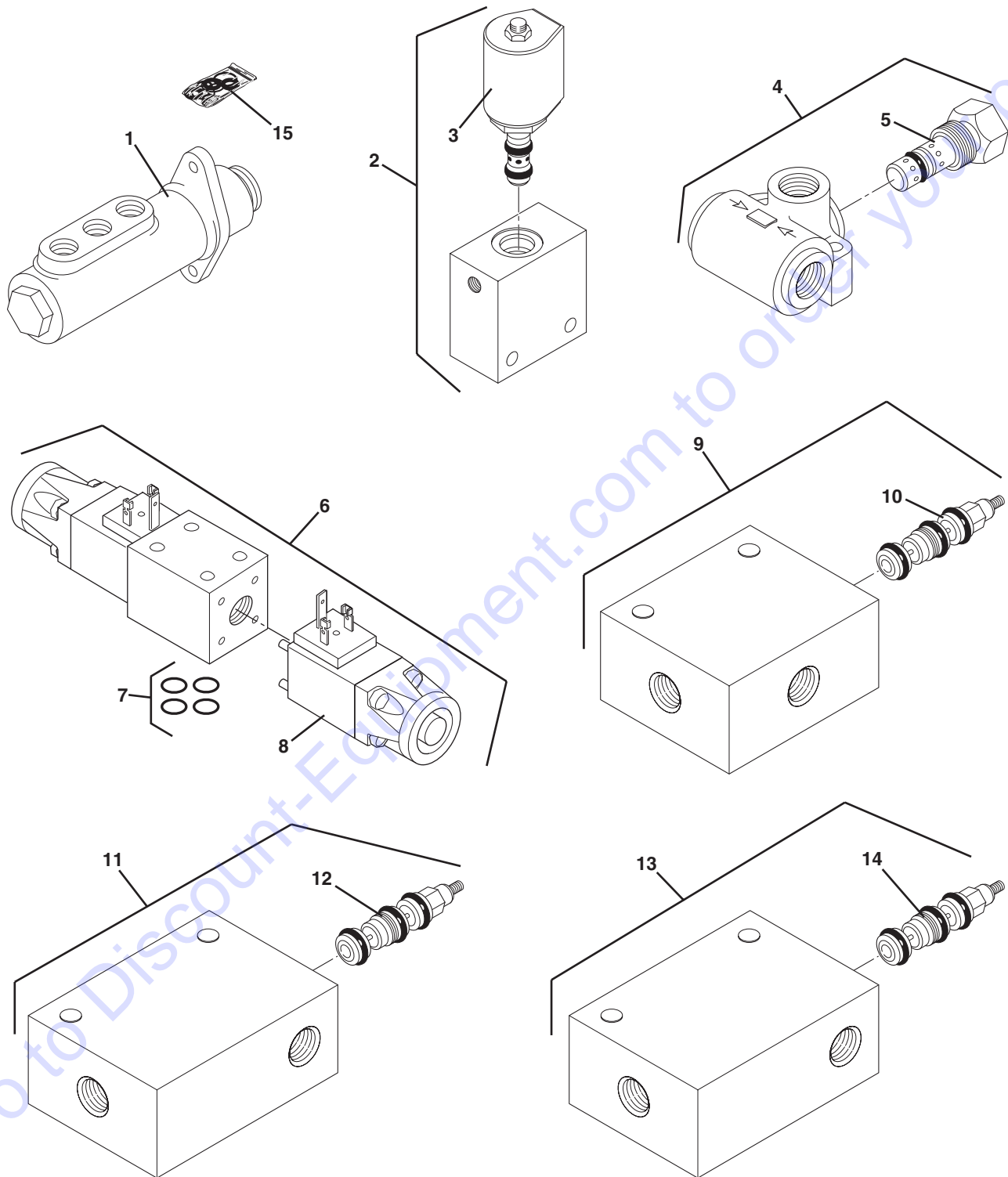
MAIN CONTROL VALVE - ELECTRONIC (S/N 9B0500 AND AFTER)

Item No.	Part Number	Qty.	Description
	8902146	1	Main Control Valve (Includes Items 1 thru 78)
1	8033255	1	Outlet Section (Includes Items 2 & 3)
2		1	Body, End Cover
3		2	Plug, SAE
4	8033256	1	Tie Rod Kit (Includes Items 5, 6 & 7)
5		4	Rod, Tie
6		4	Nut, Hex
7		4	Nut, Jam
8	8033257	3	Seal Plate Kit (Includes Items 9 thru 15)
9		1	Plate, Seal
10		2	O-Ring
11		1	O-Ring
12		1	O-Ring
13		2	O-Ring
14		1	O-Ring
15		1	Ball, 3/16"
16	8033258	2	Plug, SAE
17	8033278	1	Bypass Compensating Inlet Valve Assembly (Includes Items 16, 18-21, 30, 41-48 & 51)
18	8033279	1	Spool, Bypass
19	8033280	1	Plug, SAE
20	8033281	1	Washer, Spring
21	8033282	1	Spring, Compression
22	8033284	1	Bypass Compensating O-Ring Kit (Includes Items 23 thru 29)
23		1	O-Ring (Not Shown)
24		1	Ring, Backup
25		1	O-Ring
26		1	O-Ring
27		3	O-Ring, Plug (Not Shown)
28		2	O-Ring, Plug (Not Shown)
29		1	O-Ring, Plug (Not Shown)
30	8033285	1	Compensator Adjustment Kit (Includes Items 31 thru 40)
31		1	Seat
32		1	O-Ring
33		1	Ring, Backup
34		1	O-Ring
35		1	Cone, Poppet
36		1	Spring, Pressure Limiter Compression
37		1	Nut, Lock
38		1	Plug, Adjustment
39		1	Screw, Set
40		1	Plug, SAE
41	8033286	1	Screw, Orifice
42	8033287	1	Spool, Pilot Reducing
43	8033288	1	Ball, Valve
44	8033289	1	Guide, Spring
45	8033290	1	Spring, Compression
46	8033291	4	Shim, Pilot
47	8033292	2	Plug, SAE
48	8033295	1	Bypass Pilot Filter Kit (Includes Items 49 & 50)
49		1	O-Ring
50		1	Filter
51	8033293	1	Plug, SAE
52	8033259	1	Hoist Working Section Valve Assembly (Includes Spool)
53	8033260	1	Extend Working Section Valve Assembly (Includes Spool)
54	8033261	1	End Plug Kit (Includes Items 55 thru 60)
55		1	O-Ring
56		1	Ring, Retaining
57		1	Plug
58		1	Plug
59		1	Ring, Retaining
60		1	O-Ring
61	8903009	1	Solenoid Cartridge w/ Weather Pack Connector
62	8033263	1	O-Ring
63	8033264	1	Plug, Compensator
64	8033249	1	Compensator Spring Kit (Includes Items 64A thru 64D)
64A		1	Spring, Compensator
64B		2	Shim, 0.003"
		2	Shim, 0.008"
		2	Shim, 0.025"
64C		1	Backup Washer
64D		1	Pin, Slotted

MAIN CONTROL VALVE - ELECTRONIC (S/N 9B0500 AND AFTER)

Item No.	Part Number	Qty.	Description
65	8033267	1	Ring, Retaining
66	8033268	1	Spool, Compensator
67	8033269	1	Plug, Pipe
68	8033270	1	Pin, Dowel
69	8033271	2	O-Ring
70	8033272	1	Clevis
71	8033273	1	Shaft
72	8033274	1	Pin, Spring
73	8033275	1	Set Screw
74	8033276	1	Adapter, Handle
75	8033277	1	Manual Override Handle Kit (Includes Items 76, 77 & 78)
76		1	Rod, Handle
77		1	Ball, Handle
78		1	Nut, Jam
			<u>KITS</u>
79	8033294	1	Working Section O-Ring Kit (Includes Items 55, 60, 62 & 69)

DIRECTIONAL CONTROL VALVES (S/N 9B0499 & BEFORE)



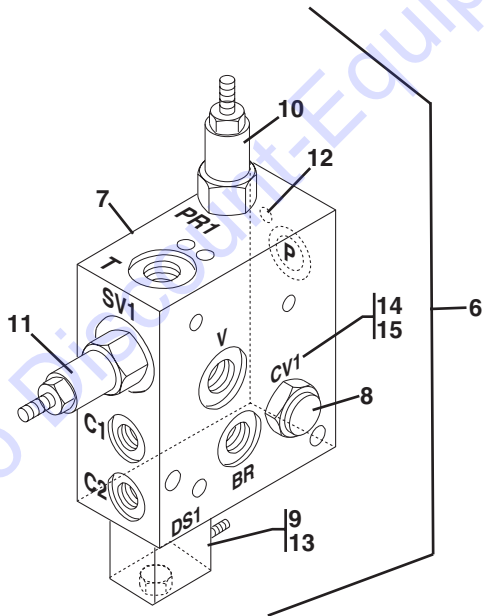
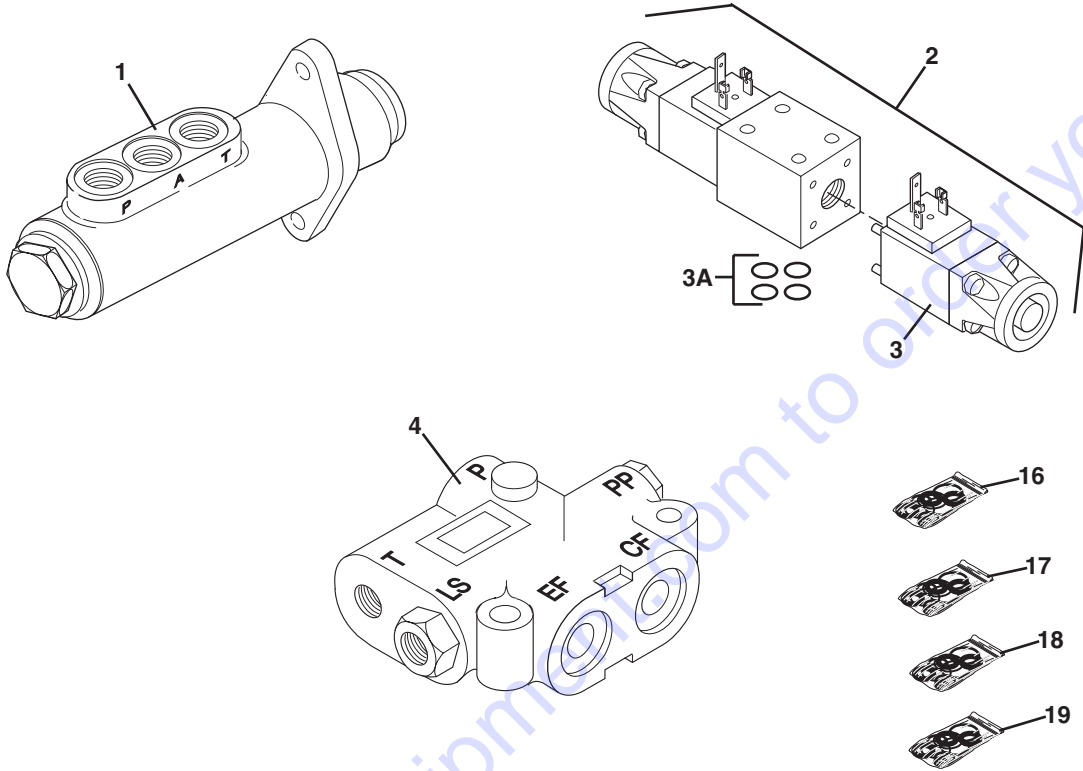
PA0653

ELECTRICAL SYSTEM - CAB HARNESS (S/N 9B0501 & AFTER)

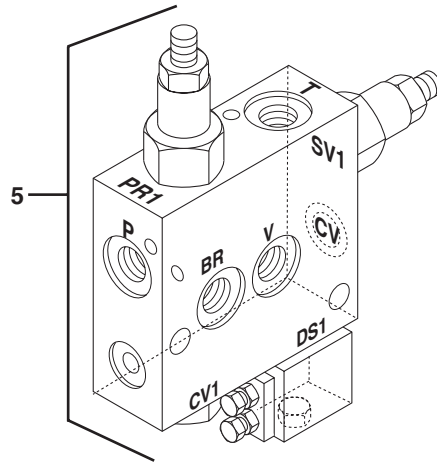
Item No.	Part Number	Qty.	Description
1	8902222	1	Brake Valve Assembly (See Kits)
2	8902116	1	Valve, Park Lock Release
	8902134	1	Valve, Park Lock Release (For Units w/Declutch)
3	8902130	1	Solenoid
4	8902651	1	Valve, Relief
5	8032758	1	Cartridge
6	8902109	1	Valve, Steer Select
7	8640017	4	O-Ring
8	8032756	2	Solenoid
9	8902224	1	Valve, Sequence
10	8032757	1	Cartridge
11	8902225	1	Valve, Pressure Reducing
12	8032759	1	Cartridge
13	8902230	1	Valve, Sequence (S/N 8F0235 & Before Only)
14	8902231	1	Cartridge
			KITS
15	8033254	1	Repair Kit, Brake Valve (Item 1)

DIRECTIONAL CONTROL VALVES

(S/N 9B0500 & AFTER)



(S/N 0E1180 AND AFTER)

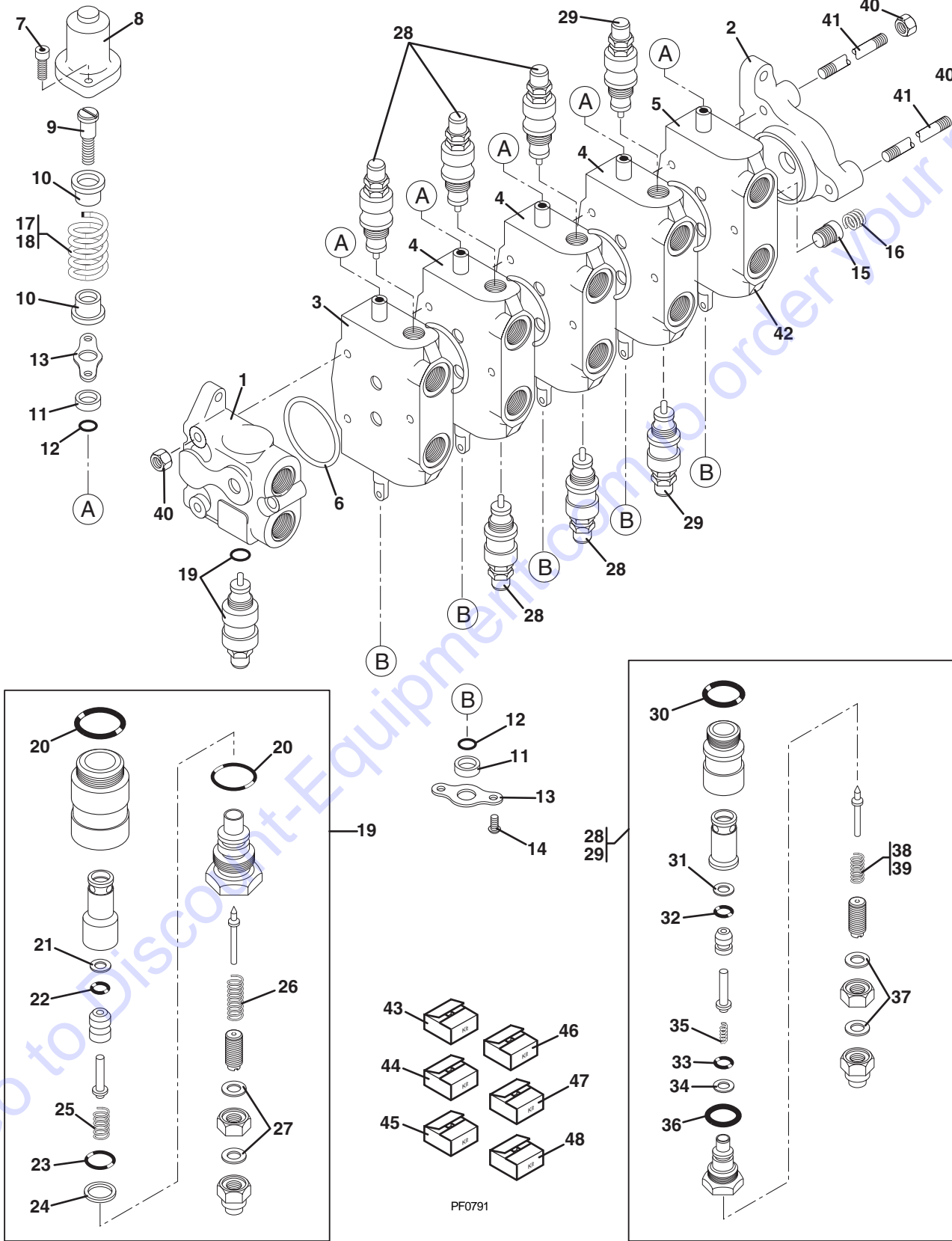


(S/N 9B0500 THRU 0E1179)

DIRECTIONAL CONTROL VALVES (S/N 9B0500 & AFTER)

Item No.	Part Number	Qty.	Description
1	8902222	1	Brake Valve Assembly (See Kits)
2	8902109	1	Valve, Steer Select (Includes Items 3 & 3A)
3	8032756	2	Solenoid
3A	8640017	4	O-Ring, Size 2-12
4	8902227	1	Valve, Priority
5	7092552	1	Valve, Brake Manifold Kit w/Declutch (S/N 9B0500 thru 0E1179) (Was 8902657 Obsolete)
6	8902659	1	Valve, Brake Manifold (Includes Items 7 thru 15) (S/N 0E1180 & After)
7	NSS	1	Body, (Order Item 6)
8	8032684	1	Valve, Check (See Kits)
9	8032788	1	Valve, Solenoid Cartridge, Park Lock Release (See Kits)
10	8032686	1	Valve, Pressure Reducing (See Kits)
11	8032687	1	Valve, Sequence (See Kits)
12	8032688	5	Plug, Expander
13	8034564	1	Coil
14	8032690	1	Plug, Orifice
15	8032790	1	Plug
			<u>KITS</u>
16	8033254	1	Repair Kit, Brake Valve (Item 1)
17	8032693	1	Seal Kit, Check Valve (Item 8)
18	8032695	2	Seal Kit, Pressure Reducing Valve and Sequence Valve (Items 10 & 11)
19	8032791	1	Seal Kit, Park Lock Release Solenoid Valve (Item 9)

MAIN CONTROL VALVE - AUXILIARY HYDRAULICS (S/N 9B0499 & BEFORE)

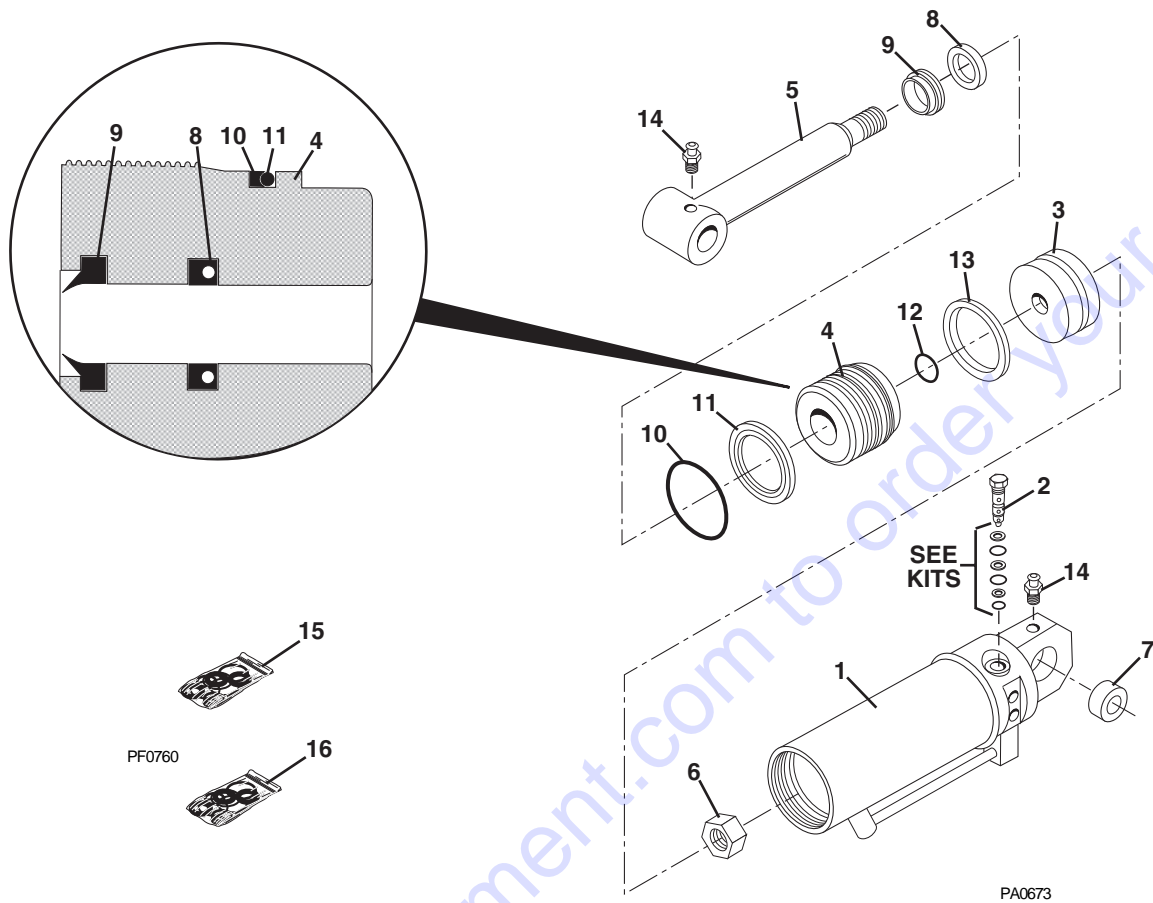


MAIN CONTROL VALVE - AUXILIARY HYDRAULICS (S/N 9B0499 & BEFORE)

Item No.	Part Number	Qty.	Description
	8902119	1	Main Control Valve - Auxiliary Hydraulics (Includes Items 1 thru 42)
1	8902504	1	Section, Inlet (Includes one of Item 6)
2	8033215	1	Section, Outlet
3	8033158	1	Section, Boom Hoist (Includes Items 6 thru 17)
4	8033159	2	Section, Boom Extend/Attachment Tilt (Includes Items 6 thru 17)
5	8033160	2	Section, Frame Tilt (Includes Items 6 thru 16 & 18)
6	See Kits	1	O-Ring
7	See Kits	2	Screw, Cap, Socket Hd
8	See Kits	1	Cap, Spool
9	See Kits	1	End, Spool
10	See Kits	2	Seat, Spring
11	See Kits	2	Wiper
12	See Kits	2	O-Ring
13	See Kits	2	Plate, Seal
14	See Kits	2	Screw, Round Hd Machine
15	See Kits	1	Poppet, C.V.
16	See Kits	1	Spring
17	8033161	1	Spring (Used on Items 3, 4 & 42)
18	8033162	1	Spring (Used on Item 5 Only)
19	8033216	1	Relief Valve, Main - Preset at 3000 ± 50 psi (Includes Items 20 thru 27)
20	See Kits	2	O-Ring
21	See Kits	1	Ring, Backup
22	See Kits	1	O-Ring
23	See Kits	1	O-Ring
24	See Kits	1	Ring, Backup
25	See Kits	1	Spring
26	See Kits	1	Spring
27	See Kits	2	O-Ring
28	8033164	5	Relief Valve, Port - Preset at 2650 ± 50 psi (Includes Items 30 thru 38)
29	8033150	2	Relief Valve, Port - Preset at 1200 ± 50 psi (Includes Items 30 thru 37 & 39)
30	See Kits	1	O-Ring
31	See Kits	1	Ring, Backup
32	See Kits	1	O-Ring
33	See Kits	1	O-Ring
34	See Kits	1	Ring, Backup
35	See Kits	1	Spring
36	See Kits	1	O-Ring
37	See Kits	2	O-Ring
38	See Kits	1	Spring (Used on Item 28 Only)
39	See Kits	1	Spring (Used on Item 29 Only)
40	See Kits	6	Nut, Special
41	See Kits	3	Tie Rod
42	8902524	1	Section, Auxiliary Hydraulics (Includes Items 6 thru 17)
			<u>KITS</u>
43	8902525	1	Rebuild Kit For Sections Items 3, 4 & 42 (Includes 6 of Item 6 and listed quantities of Items 7 thru 17)
44	8902526	1	Rebuild Kit For Section Item 5 (Includes 6 of Item 6 and listed quantities of Items 7 thru 16 & 18)
45	8033218	1	Seal & Spring Kit For Main Relief Valve Item 19 (Includes Items 20 thru 27)
46	8902465	1	Seal & Spring Kit For Port Relief Valve Item 28 (Includes Items 30 thru 38)
47	8033219	1	Seal & Spring Kit For Port Relief Valve Item 29 (Includes Items 30 thru 37 & 39)
48	8902523	1	Tie Rod Kit (Includes Items 40 & 41)

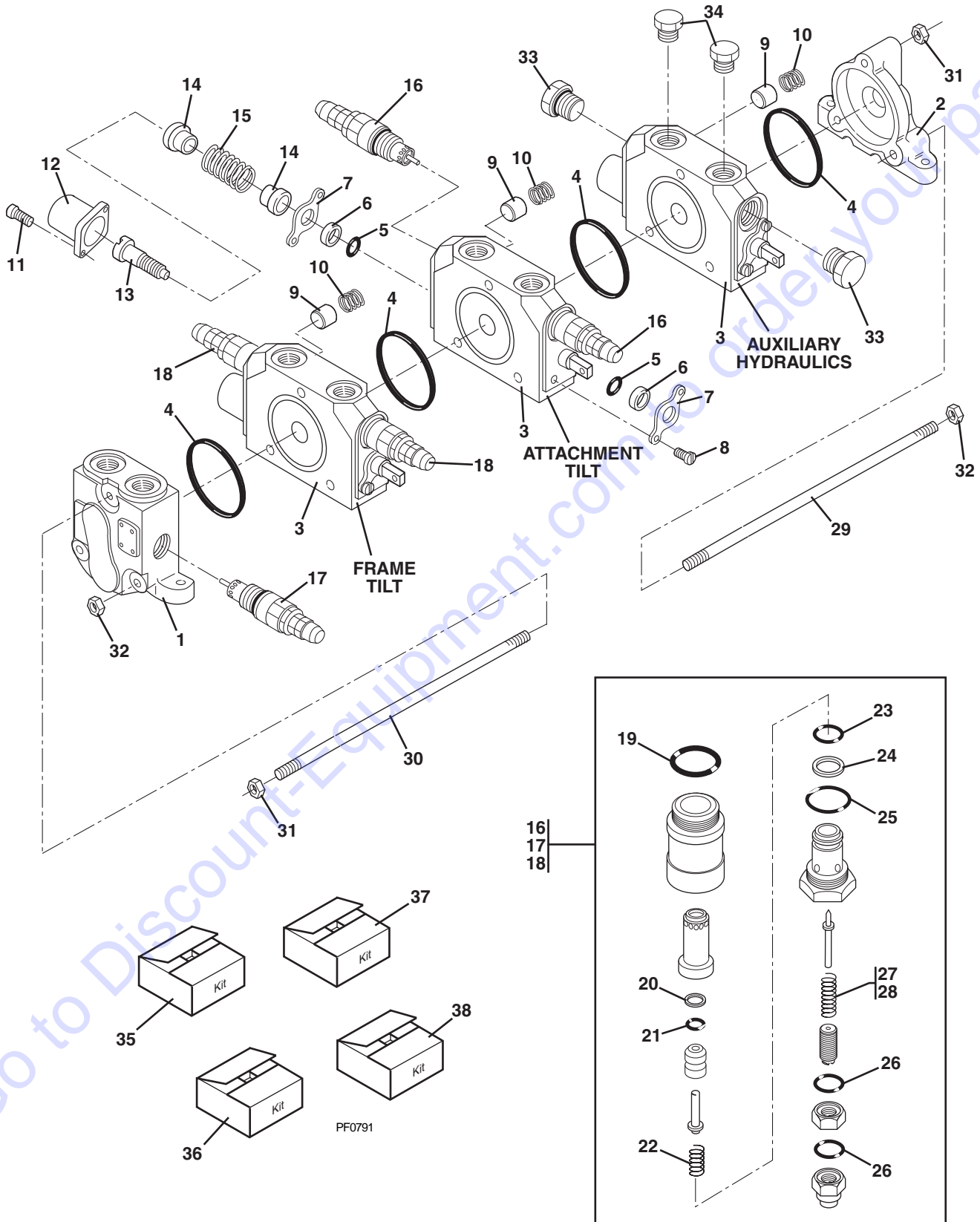
Go to Discount-Equipment.com to order your parts

SIDE TILT CARRIAGE CYLINDER



Item No.	Part Number	Qty.	Description
			PA0613
	2711613	1	Side Tilt Carriage Cylinder (Includes Items 1 thru 13)
1	NSS	1	Barrel, Cylinder
2	8902511	2	Valve, Check
3	8205545	1	Piston
4	8205546	1	Gland
5	8205547	1	Rod
6	8205548	1	Nut, Piston
7	8205514	1	Bearing, Self-Aligning
8	See Kits	1	Seal, Rod
9	See Kits	1	Wiper
10	See Kits	1	O-Ring
11	See Kits	1	Ring, Backup
12	See Kits	1	O-Ring
13	See Kits	1	Seal, Piston
14	8520013	2	Fitting, Grease
			KITS
15	8205661	1	Seal Kit, Side Tilt Carriage Cylinder (Includes Items 8 thru 13)
16	8205655	1	Seal Kit, Check Valve (Includes 3 O-Rings & 3 Backup Rings)

SECONDARY CONTROL VALVE (S/N 9B0500 & AFTER)

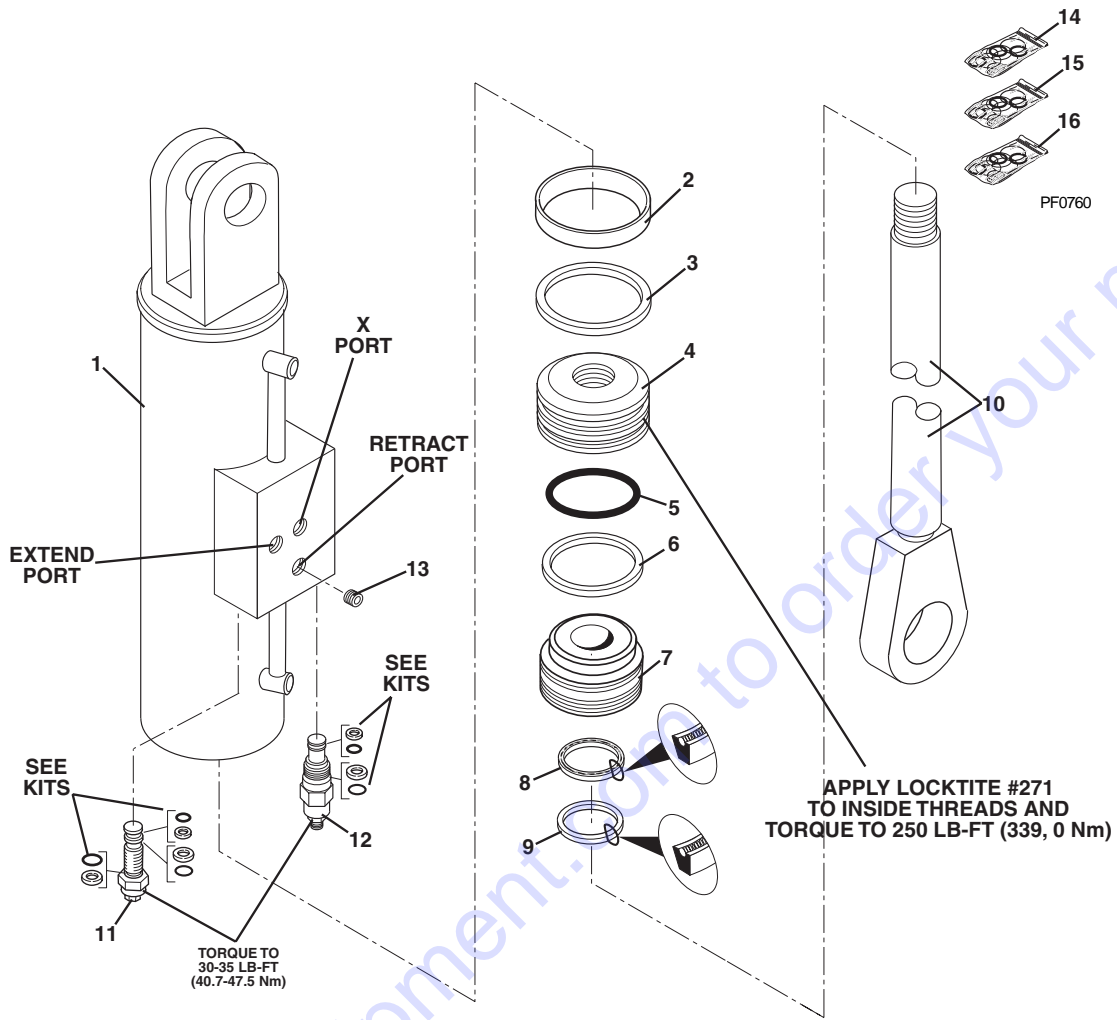


SECONDARY CONTROL VALVE (S/N 9B0500 & AFTER)

Item No.	Part Number	Qty.	Description
	8902125	1	Secondary Control Valve, 2 Section (OBSOLETE - Order valve 8902151 with two 8760419 (Item 34) plugs in work ports)
	8902151	1	Secondary Control Valve, 3 Section (Includes Items 1 thru 33)
1	8033234	1	Section, Inlet
2	8033235	1	Section, Outlet
3	8033236	3	Section, Frame, Attachment Tilt & Auxiliary (Includes Items 4 thru 15)
4	See Kits	1	O-Ring
5	See Kits	2	O-Ring
6	See Kits	2	Wiper
7	See Kits	2	Plate, Seal
8	See Kits	2	Screw, Round Hd Machine
9	See Kits	1	Poppet, C.V.
10	See Kits	1	Spring
11	See Kits	2	Screw, Socket Hd Cap
12	See Kits	1	Cap, Spool
13	See Kits	1	End, Spool
14	See Kits	2	Seat, Spring
15	See Kits	1	Spring
16	8033165	2	Relief Valve, Port - Preset at 3250 ± 50 psi (Includes Items 19 thru 27)
17	8033412	1	Relief Valve, Main - Preset at 2850 ± 50 psi (Includes Items 19 thru 27)
18	8033150	2	Relief Valve, Port - Preset at 1200 ± 50 psi (Includes Items 19 thru 26 & 28)
19	See Kits	1	O-Ring
20	See Kits	1	Ring, Backup
21	See Kits	1	O-Ring
22	See Kits	1	Spring
23	See Kits	1	O-Ring
24	See Kits	1	Ring, Backup
25	See Kits	1	O-Ring
26	See Kits	2	O-Ring
27	See Kits	1	Spring (Used on Items 16 & 17 only)
28	See Kits	1	Spring (Used on Item 18 only)
29	See Kits	2	Rod, Tie (For 3 Section Valve)
30	See Kits	1	Rod, Tie (For 3 Section Valve)
31	See Kits	2	Nut, Special
32	See Kits	4	Nut, Special
33	8902512	2	Plug, Shutoff
34	8760419	2	Plug, Hex Hd, SAE 8 male str. thd. O-ring
			KITS
35	8033155	AR	Rebuild Kit, For individual service of Item 3 (Includes 4 of Item 4 & listed quantities of Items 5 thru 15)
36	8902495	1	Seal & Spring Kit, Main & Port Relief Valve (Includes Items 19 thru 27)
37	8033219	1	Seal & Spring Kit, Port Relief (Includes Items 19 thru 26 & 28)
38	8902095	1	Tie Rod Kit (Includes Items 29 thru 32) For 3 Section Valves

Go to Discount-Equipment.com to order your parts

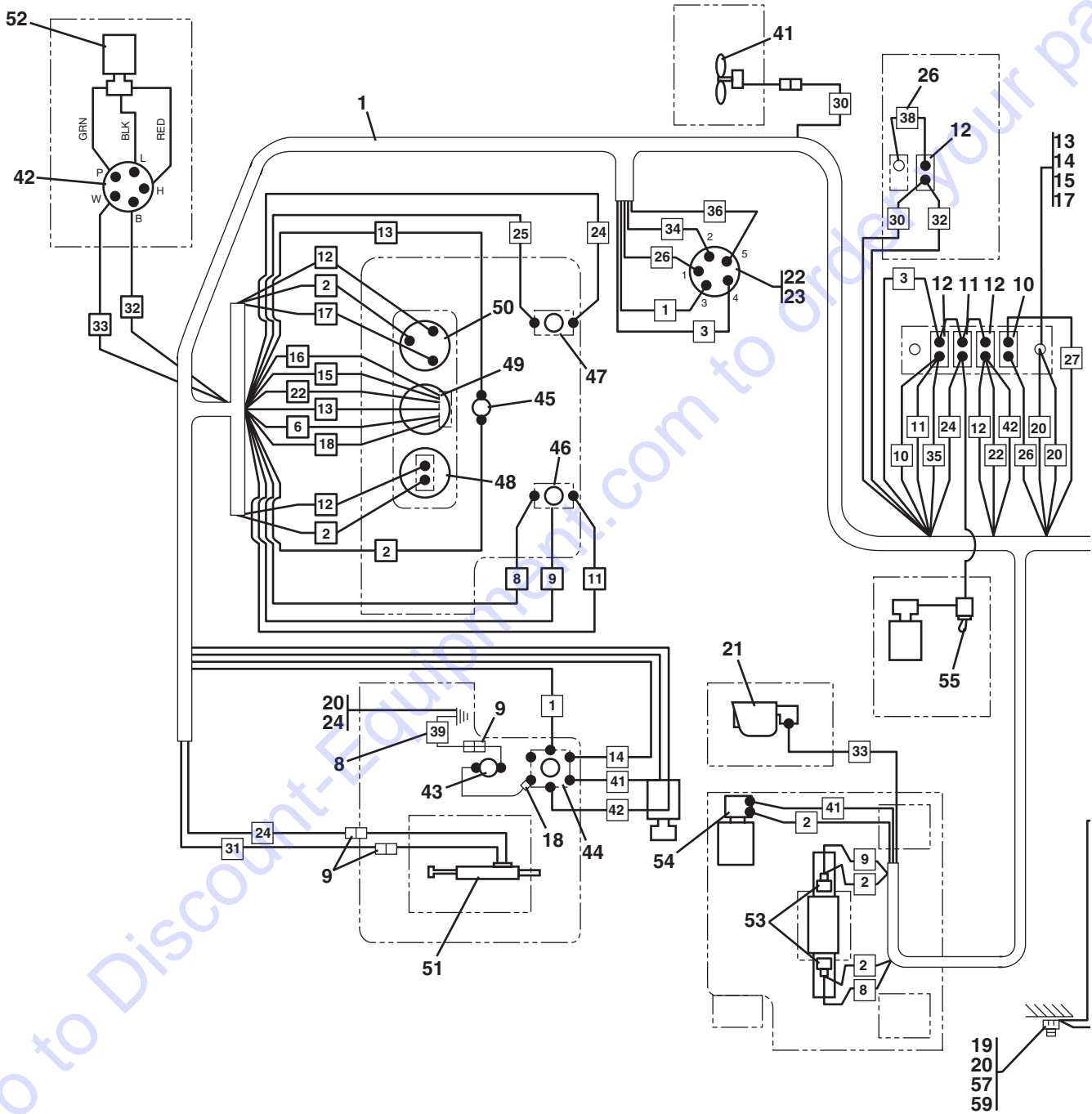
SWING CARRIAGE CYLINDER



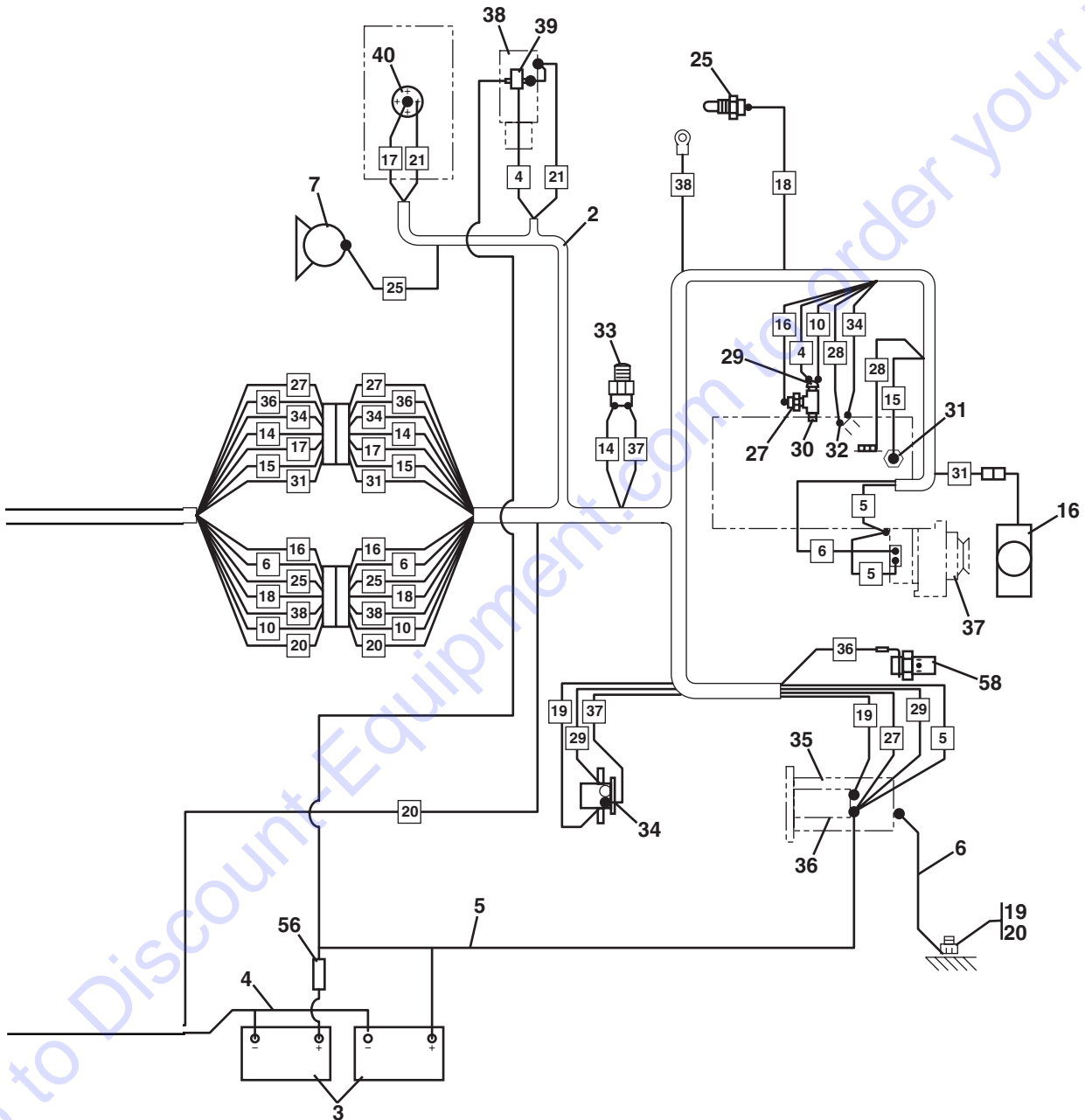
PH0441

Item No.	Part Number	Qty.	Description
	2713363	1	Swing Carriage Cylinder (Includes Items 1 thru 13)
1	NSS	1	Tube, Cylinder
2	See Kits	1	Wear Ring
3	See Kits	1	Seal, Piston
4	8033783	1	Piston
5	See Kits	1	O-Ring
6	See Kits	1	Backup Ring
7	8033784	1	Gland
8	See Kits	1	Seal, Rod
9	See Kits	1	Wiper
10	8033785	1	Rod
11	8033786	1	Valve, Counterbalance Cartridge - 3000 psi (See Kits)
12	8092842	1	Valve, Direct Acting Relief - 2000 psi (See Kits)
13	8033788	1	Orifice, 0.038 Dia.
			KITS
14	8033789	1	Seal Kit, Swing Carriage Cylinder (Includes Items 2, 3, 5, 6, 8 & 9)
15	8205655	1	Seal Kit, Ctrbal. Valve (Includes 3 O-Rings & 3 Backup Rings)
16	8033790	1	Seal Kit, Relief Valve (Includes 3 O-Rings & 3 Backup Rings)

ELECTRIC SYSTEM (S/N 9B0500 & BEFORE)



ELECTRIC SYSTEM (S/N 9B0500 & BEFORE)



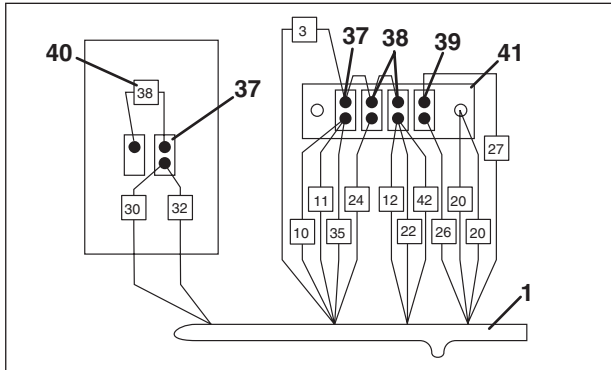
ELECTRICAL SYSTEM (S/N 9B0500 AND BEFORE)

Item No.	Part Number	Qty.	Description
1	7082424	1	Harness, Cab
2	7082584	1	Harness, Engine
3	8270014	2	Battery, 12 Volt
4	7084212	1	Cable, Battery-Negative
5	7085682	1	Cable, Battery-Positive
6	7068651	1	Cable, Starter Ground
7	8270602	1	Horn
8	7084202	1	Wire Assembly
9	8220050	3	Terminal, Male
10	8229226	1	Circuit Breaker, 40 Amp
11	8229216	1	Circuit Breaker, 10 Amp
12	8229215	2	Circuit Breaker, 6 Amp (3 Required on Closed Cab)
13	8229218	1	Bracket, Circuit Breaker
14	8305004	2	Nut, Hex, 1/4-20
15	8307005	2	Lockwasher, 3/8
16	7093442	1	Backup Alarm, Retrofit Kit (Includes Hardware)
17	8307109	2	Washer, Flat 1/4
18	8220035	1	Terminal, Ring #6
19	8305008	2	Nut, Hex, 3/8
20	8307006	3	Lockwasher, 7/16
21	8033065	1	Washer Reservoir Assembly
22	8223436	1	Switch, Ignition (w / keys)
23	8223438	1	Key, Ignition (Not Shown)
24	8305405	1	Nut, Jam 3/8-16
25	8223216	1	Switch, Transmission Temperature
26	7047041	1	Wire Assembly (Closed Cab Only)
27	8468026	1	Sender, Low Oil Pressure
28	8584001	9	Tie Wrap (Not Shown)
29	8223514	1	Switch, Emergency Pump Oil Pressure
30	8541627	1	Tee, Street, 1/8NPT
31	8223217	1	Sender, Water Temperature
32	8274401	1	Solenoid, Fuel Run
33	8032677	1	Switch, Neutral Start
34	8277143	1	Relay, Starter
35	8270411	1	Starter
36	8270412	1	Solenoid, Starter
37	8270219	1	Alternator
38	8033250	1	Electric Pump Motor (Early Models)
	8033180	1	Electric Pump Motor (Late Models)
39	8032888	1	Solenoid, Electric Pump Motor (Early Models)
	8033182	1	Solenoid, Electric Pump Motor (Late Models)
40	7070992	1	Sender, Fuel Level
41	8033078	1	Fan,Circulation
42	8033201	1	Switch, Windshield Washer/ Wiper
43	8469028	1	Light, Brake
44	8223444	1	Switch, Brake
45	8223442	1	Switch, Test
46	8223220	1	Switch, Steer Select
47	8223405	1	Button, Horn
48	8467010	1	Hourmeter
49	8466305	1	Gauge, Warning Lights
50	8464212	1	Gauge, Fuel
51	8160620	1	Switch, Reverse
52	8033102	1	Motor, Windshield Wiper
53	8032756	2	Solenoid, Steer Select Valve
54	8902130	1	Solenoid, Brake Release Valve
55	8223024	1	Switch Kit, Heater
56	8221011-0600	1	Conduit, 1/2 ID x 5 Ft. - Cut to Fit
57	8303620	2	Screw, Hex Hd Cap, 3/8-16 x 1
58	8277095	1	Plug, Thermo Start
59	8307026	2	Lockwasher, Shakeproof, 3/8

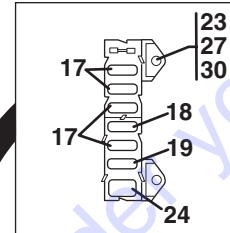
Go to Discount-Equipment.com to order your parts

ELECTRICAL SYSTEM - CAB HARNESS

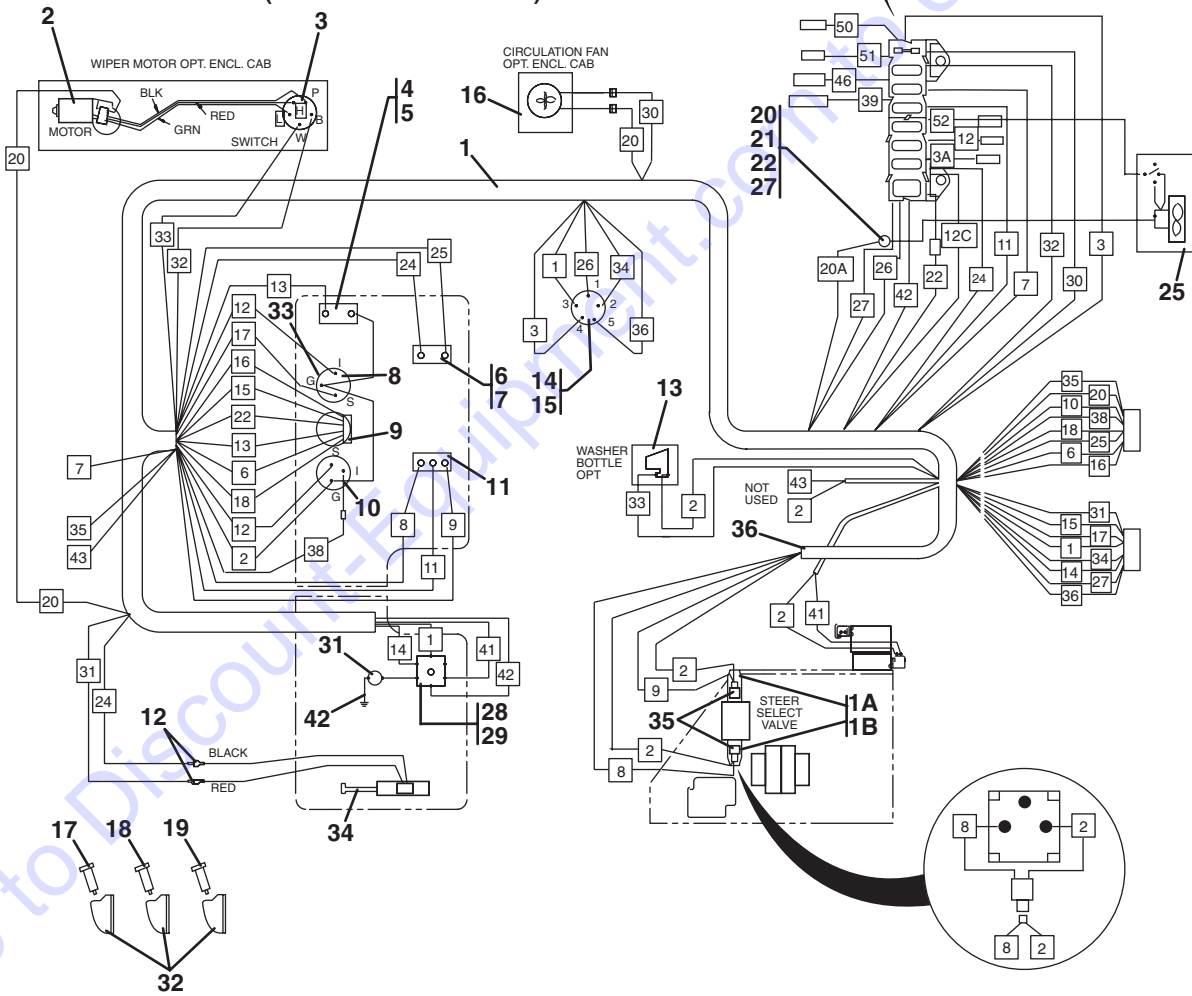
(S/N 9B0501 & AFTER)



PREVIOUS CAB HARNESS PROTECTIVE DEVICES
(S/N 9B0501 THRU 1882)



(S/N 1883 & AFTER)

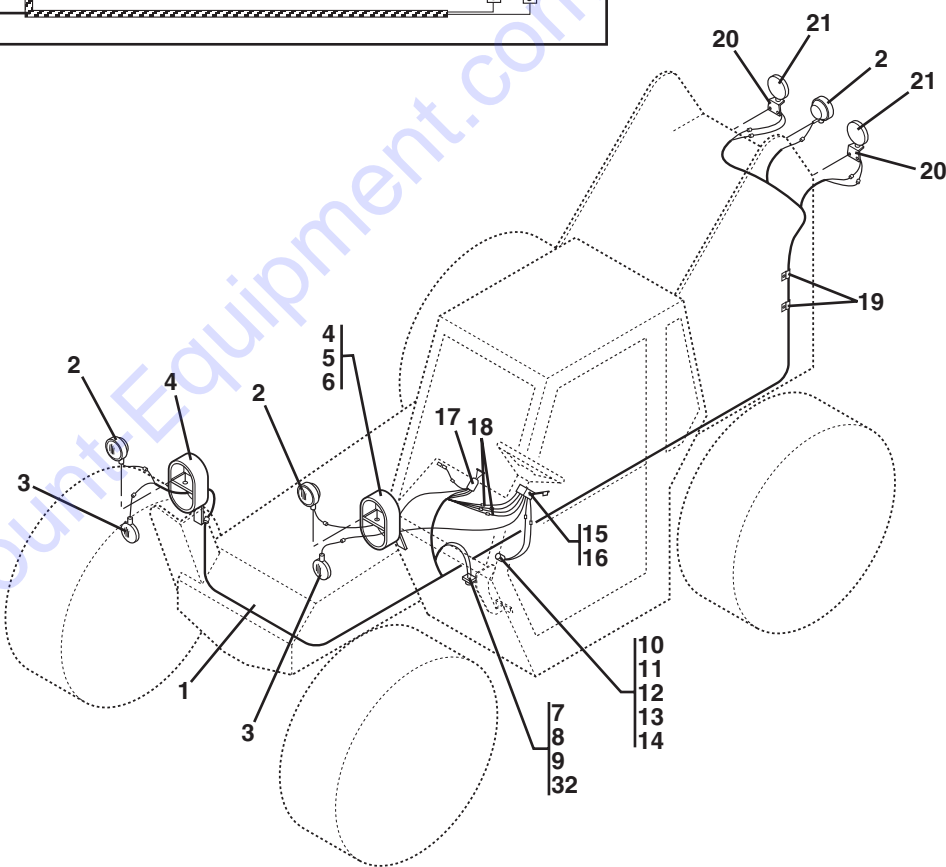
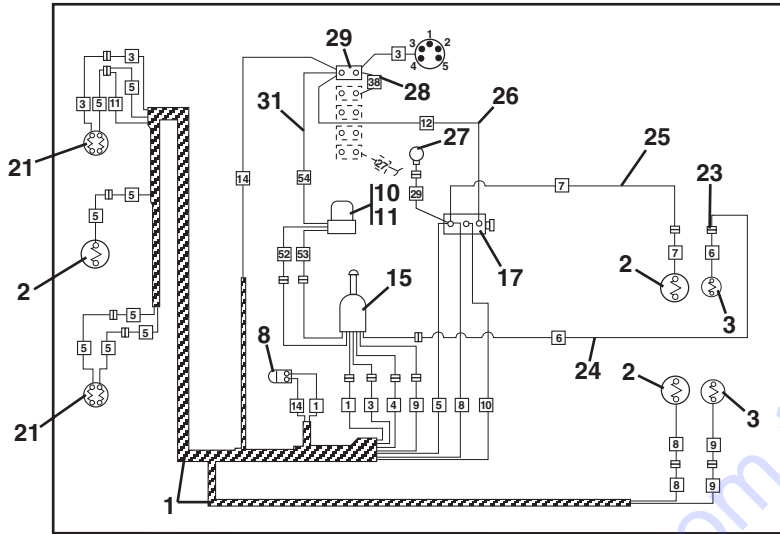


PA1083

ELECTRICAL SYSTEM - CAB HARNESS (S/N 9B0501 & AFTER)

Item No.	Part Number	Qty.	Description
1	7089114	1	Harness, Cab (Obsolete)
	7114754	1	Harness, Cab (Includes Items 1A & 1B)
1A	8220882	2	Connector, Solenoid (Includes Item 1B)
1B	8688026	2	Seal, Connector (Not Shown)
2	7112511	1	Motor Kit, Windshield Washer/Wiper
3	8033201	1	Switch, Windshield Washer/Wiper
4	8223442	1	Switch, Test
5	8580312	1	Boot, Test Switch
6	8223405	1	Button, Horn
7	8580311	1	Boot, Horn Button
8	8464212	1	Gauge, Fuel
9	8466305	1	Gauge, Warning Lights
10	8467014	1	Hourmeter
11	8223220	1	Switch, Steer Select
12	8220050	2	Terminal, Male
13	8033065	1	Washer Reservoir Assembly
14	8223436	1	Switch, Ignition
15	8223438	1	Key, Ignition (w/Keys)
16	8033078	1	Fan, Circulation
17	8229233	3	Fuse, 7.5 Amp (4 Required on Closed Cab)
18	8229234	2	Fuse, 10 Amp
19	8229235	1	Fuse, 20 Amp (Optional Light Package)
20	8305004	2	Nut, Hex, 1/4
21	8307109	2	Washer, Flat, 1/4
22	8307005	2	Lockwasher, Internal Tooth, 3/8
23	8305002	2	Nut, Hex, #10
24	8229415	1	Circuit Breaker, 40 Amp
25	8223024	1	Switch Kit, Heater
26	8584001	5	Wrap, Tie (Not Shown)
27	8307002	3	Lockwasher, 1/4
28	8223444	1	Switch, Brake
29	8223445	1	Guard, Switch
30	8307003	2	Lockwasher, #10
31	8469028	1	Warning Light, Brake
32	8582007	3	Clip, Spare Fuse
33	8220008	1	Terminal, Ring #10
34	8160621	1	Switch, Reverse
35	8032756	2	Solenoid, Steer Select Valve
36	8584003	1	Tie Wrap
			NOTE: The following protective parts are used with Harness 7089114 only in place of items 17, 18 & 19
37	8229215	2	Circuit Breaker, 6 Amp (3 Required on Closed Cab)
38	8229216	2	Circuit Breaker, 10 Amp
39	8229226	1	Circuit Breaker, 40 Amp
40	7047041	1	Wire Assembly (Closed Cab Only)
41	8229218	1	Bracket, Circuit Breaker
42	7084202	1	Wire Assembly

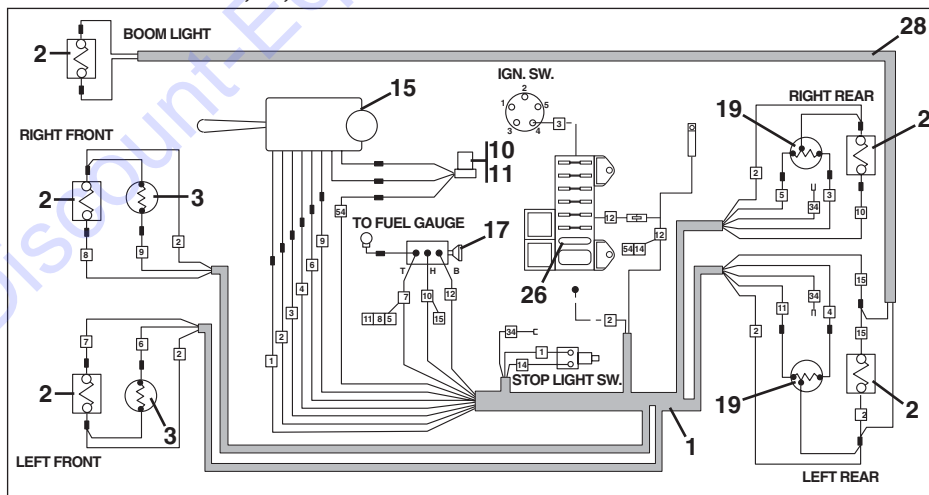
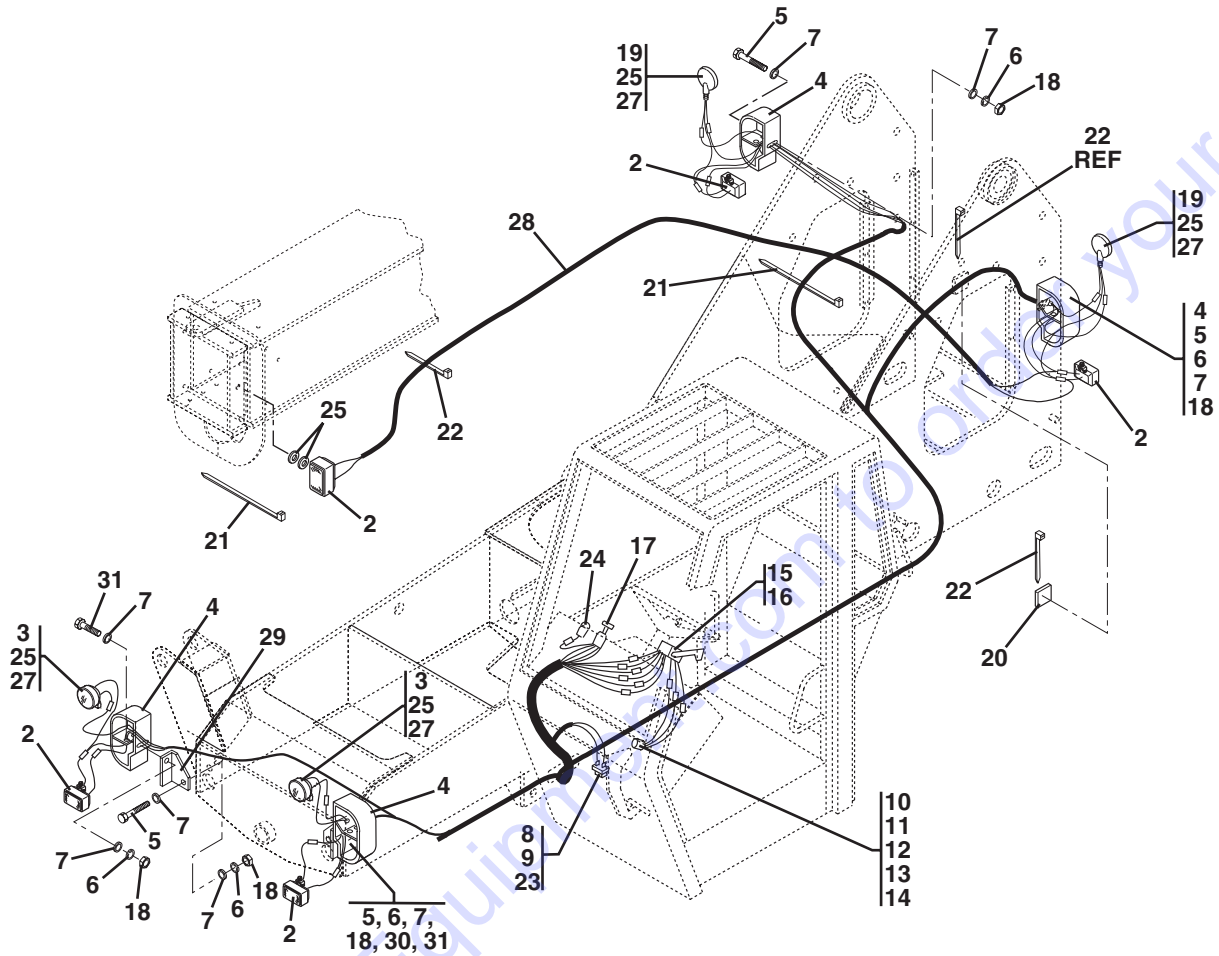
LIGHTING SYSTEM (EARLY MACHINES)



LIGHTING SYSTEM (EARLY MACHINES)

Item No.	Part Number	Qty.	Description
1	7085783	1	Harness, Wiring
2	7047421	3	Light, Head Lamp
3	7069851	2	Light, Turn Signal
4	7069743	2	Bracket, Front
5	8305645	2	Locknut, 3/8NC
6	8303620	2	Screw, Hex Hd Cap, 3/8-16 x 1.0
7	8580209	1	Grommet
8	8223025	1	Switch, Momentary Brake Light
9	7085751	1	Plate, Actuator
10	7047371	1	Mount, Flasher
11	8500201	1	Flasher
12	8303837	2	Screw, Round Hd Mach, #10-24 x 3/4
13	8305627	2	Locknut, #10-24
14	8307111	2	Washer, Flat, #10
15	8223419	1	Switch, Turn Signal
16	8221011-0600	1	Conduit, 1/2 ID x 5 Ft. - Cut to fit (Not Shown)
17	8223016	1	Switch, Head Lights
18	8220051	7	Terminal, Female, 1/4 Spade
19	8406002	2	Clamp, Hose, 3/8
20	7085732	2	Bracket, Tail Light
21	7015531	2	Light, Stop/Tail
22	8584003	5	Tie, Plastic, 4.0 Dia. (Not Shown)
23	8220050	1	Terminal, Male, 1/4 Spade
24	7085821	1	Wire Assembly
25	7085801	1	Wire Assembly
26	7085791	1	Wire Assembly
27	7058372	1	Light Assembly
28	7047041	1	Wire Assembly
29	8229227	1	Circuit Breaker, 15 Amp
30	7085831	1	Wire Assembly
31	7087411	1	Wire Assembly
32	8305405	1	Nut, Jam, 3/8-16

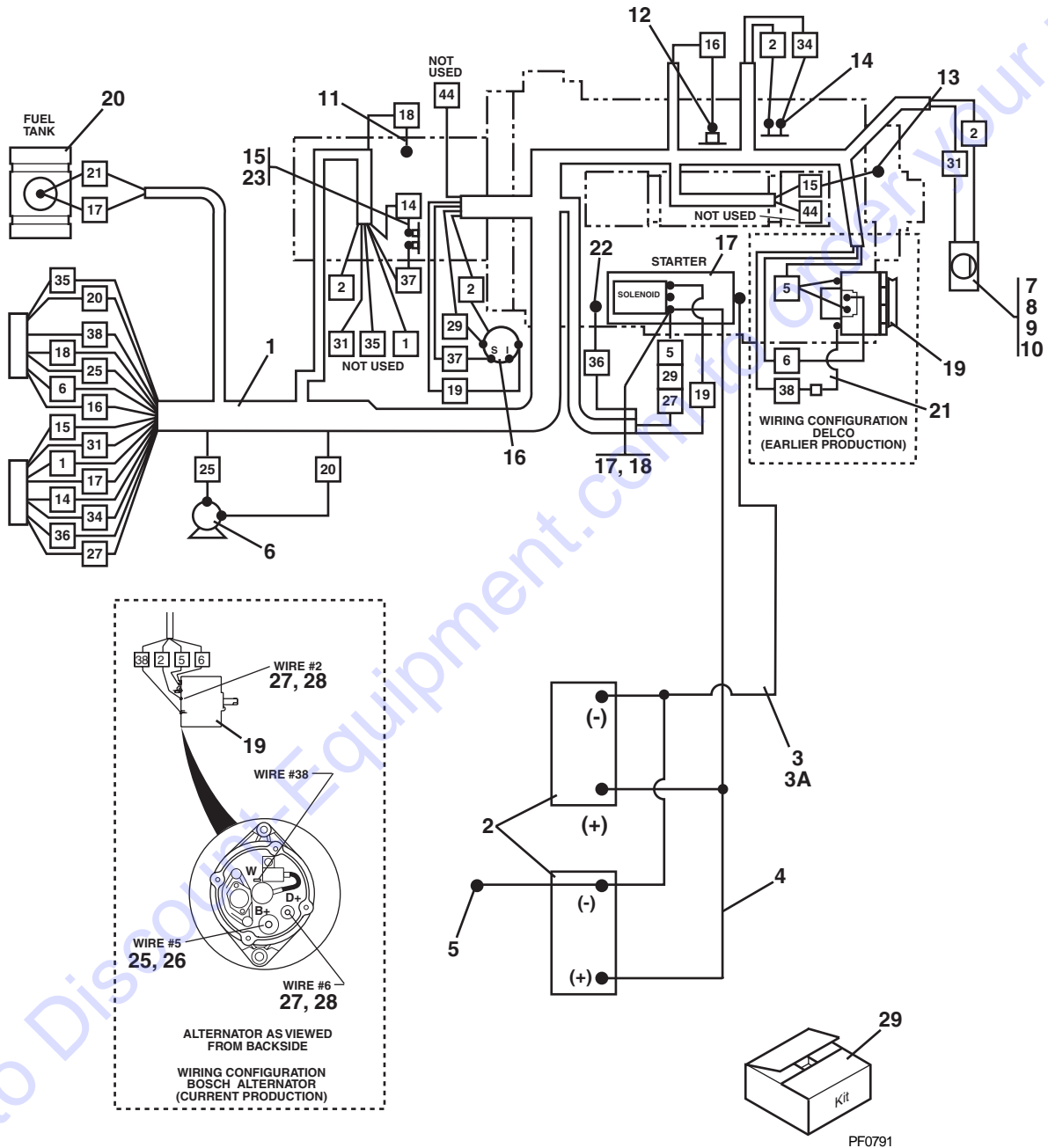
LIGHTING SYSTEM (LATER MACHINES)



LIGHTING SYSTEM (LATER MACHINES)

Item No.	Part Number	Qty.	Description
1	7098973	1	Harness, Wiring
2	5721202	5	Light, Head & Work Lamp
3	8500036	2	Light, Turn Signal
4	7112302	4	Bracket, Mounting
5	8303632	4	Screw, Hex Hd Cap, 5/8-11 x 2-1/2
6	8307008	6	Lockwasher, 5/8
7	8307207	8	Washer, Flat, 5/8 Heavy
8	8223025	1	Switch, Momentary Brake Light
9	7111191	1	Plate, Actuator
10	8323424	1	Mount, Flasher
11	8500201	1	Flasher
12	8303837	2	Screw, Round Hd Mach, #10-24 x 3/4
13	8305627	2	Nut, Hex Lock, #10-24
14	8307111	2	Washer, Flat, #10
15	8223419	1	Switch, Turn Signal
16	8221011-0600	1	Conduit, 1/2 ID x 5 Ft. - Cut to fit (Not Shown)
17	8223016	1	Switch, Head & Tail Lights
18	8305014	6	Nut, Hex, 5/8-11
19	8500009	2	Stop/Turn Signal Light
20	8584018	2	Mount, Tie
21	8584003	3	Tie, Plastic, 14.8"
22	8584001	7	Tie, Plastic, 6.7"
23	8305405	1	Nut, Hex Jam. 3/8
24	7058372	1	Fuel Gauge Light Assembly
25	8307206	AR	Washer, Flat, 1/2 Heavy
26	8229235	1	Fuse, 20 Amp
27	8220050	6	Terminal, Blade Male, 1/4
28	7110782	1	Cord, Boom Work Light
29	7099452	1	Bracket, Mounting, RH
30	7099462	1	Bracket, Mounting, LH (Not Shown)
31	8303712	2	Screw, Hex Hd Cap, 5/8-11 x 1-1/2

ELECTRICAL SYSTEM - ENGINE HARNESS (S/N 9B0501 & AFTER - PERKINS ENGINE)



ELECTRICAL SYSTEM - ENGINE HARNESS (S/N 9B0501 & AFTER - PERKINS ENGINE)

Item No.	Part Number	Qty.	Description	PA0613
1	7098864	1	Harness, Engine	
	7096874	1	Harness, Engine (Obsolete)	
2	8270014	2	Battery, 12 Volt	
3	7084542	1	Cable, Battery - Negative	
3A	7068651	1	Cable, Starter Ground (Not used with Cable 7084542) (Not Shown)	
4	7080192	1	Cable, Battery - Positive	
5	8310202	1	Screw, Washer Hd, Type B, 3/8 x 3/4	
6	8270602	1	Horn	
7	7093442	1	Backup Alarm, Retrofit for ECCO Brand (Includes Hardware)	
	8270617	1	Alarm, Backup - Velvac Brand Replacement	
8	8303615	2	Screw, Hex Hd Cap, 1/4-20 x 1-1/4 Gr 5 (Velvac Brand Only)	
9	8305004	2	Nut, Hex, 1/4-20 (Velvac Brand Only)	
10	8307002	2	Lockwasher, 1/4 (Velvac Brand Only)	
11	8223216	1	Switch, Transmission Temperature	
12	8468026	1	Sender, Low Oil Pressure	
13	8223217	1	Sender, Water Temperature	
14	8274401	1	Solenoid, Fuel Run	
15	8032677	1	Switch, Neutral Start	
16	8277143	1	Relay, Starter	
17	8270411	1	Starter	
18	8270412	1	Solenoid, Solenoid	
19	8270219	1	Alternator (Delco)	
	8270221	1	Alternator (Bosch)	
20	7070992	1	Sender, Fuel Level	
21	7082261	1	Wire Assembly (Not used with Harness 7098864)	
22	8277095	1	Plug, Thermo Stat	
23	8303987	2	Screw, Round Hd Machine, #8-32 x 1/4	
24	8584001	3	Tie Wrap (Not Shown)	
25	8305438	1	Nut, Jam, M10	
26	8307022	2	Lockwasher, M8	
27	8305043	2	Nut, Hex, M8	
28	8310078	1	Lockwasher, M5	
			KITS	
29	7098881	1	Wire Harness Kit (For Machines with Delco Alternator)	
	7098871	1	Wire Assembly	
	7098864	1	Wire Harness (Bosch)	

PARTS FINDER

**Search Website
by Part Number**



**Search Manual
Library For Parts
Manual & Lookup Part
Numbers – Purchase
or Request Quote**

Search Manuals

Enter your information to help us find the right parts manual for your machine.

* Brand:

* Model:

* Serial:

* Part Number:

SEARCH

**Can't Find Part or
Manual? Request Help
by Manufacturer,
Model & Description**

Parts Order Form

Please fill in the following information to help us find the right part for your machine.

Manufacturer:	<input type="text"/>
Model:	<input type="text"/>
Description:	<input type="text"/>
Part Number:	<input type="text"/>
Quantity:	<input type="text"/>
Notes:	<input type="text"/>
Submit	<input type="button" value="Submit"/>

Discount-Equipment.com is your online resource for quality parts & equipment.

Florida: **561-964-4949** Outside Florida TOLL FREE: **877-690-3101**

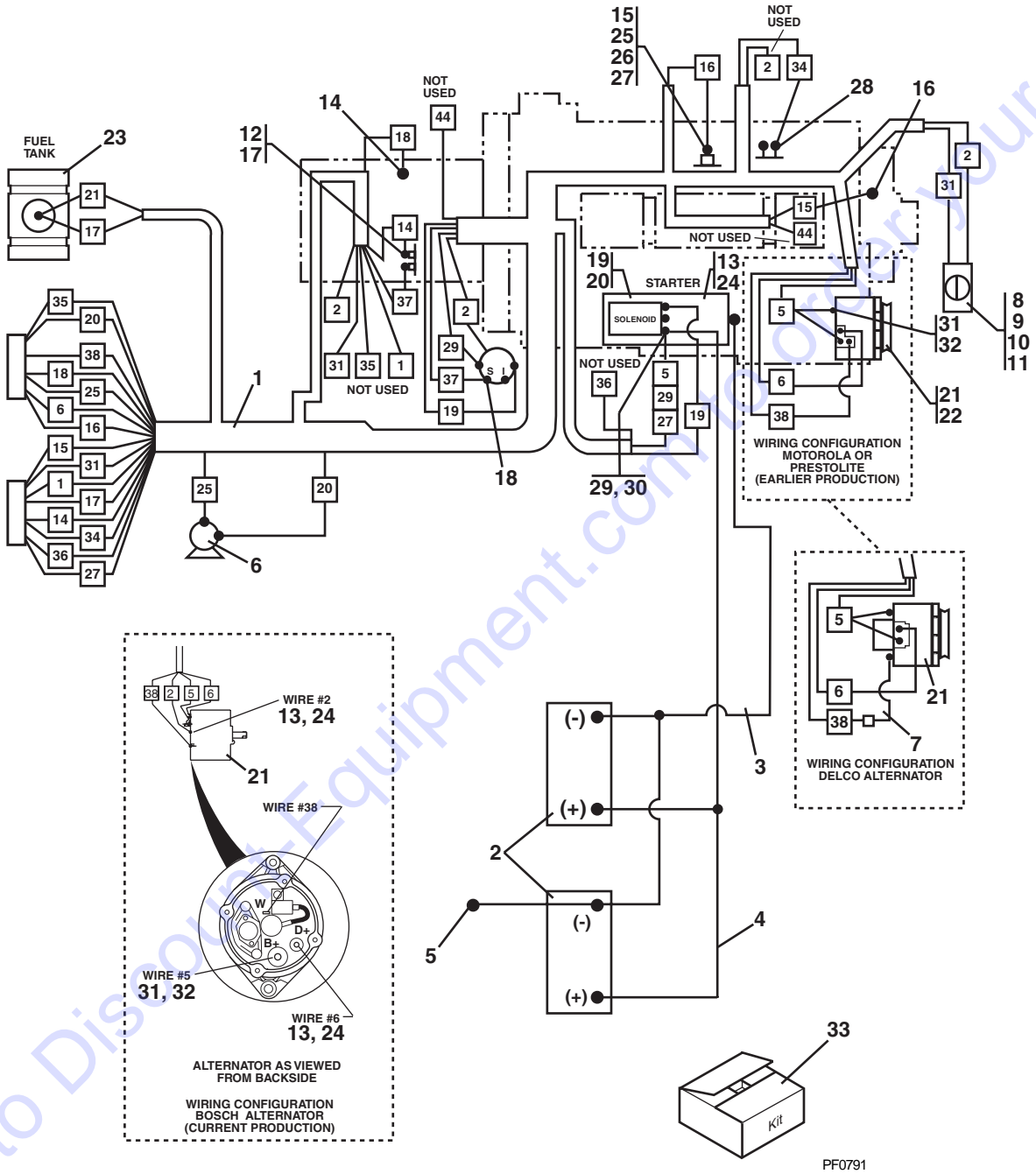
Need parts?

Click on this link: <http://www.discount-equipment.com/category/5443-parts/> and choose one of the options to help get the right parts and equipment you are looking for. Please have the machine model and serial number available in order to help us get you the correct parts. If you don't find the part on the website or on one of the online manuals, please fill out the request form and one of our experienced staff members will get back to you with a quote for the right part that your machine needs.

We sell worldwide for the brands: Genie, Terex, JLG, MultiQuip, Mikasa, Essick, Whiteman, Mayco, Toro Stone, Diamond Products, Generac Magnum, Airman, Haulotte, Barreto, Power Blanket, Nifty Lift, Atlas Copco, Chicago Pneumatic, Allmand, Miller Curber, Skyjack, Lull, Skytrak, Tsurumi, Husquvarna Target, Stow, Wacker, Sakai, Mi-T-M, Sullair, Basic, Dynapac, MBW, Weber, Bartell, Bennar Newman, Haulotte, Ditch Runner, Menegotti, Morrison, Contec, Buddy, Crown, Edco, Wyco, Bomag, Laymor, EZ Trench, Bil-Jax, F.S. Curtis, Gehl Pavers, Heli, Honda, ICS/PowerGrit, IHI, Partner, Imer, Clipper, MMD, Koshin, Rice, CH&E, General Equipment, Amida, Coleman, NAC, Gradall, Square Shooter, Kent, Stanley, Tamco, Toku, Hatz, Kohler, Robin, Wisconsin, Northrock, Oztec, Toker TK, Rol-Air, APT, Wylie, Ingersoll Rand / Doosan, Innovatech, Con X, Ammann, Mecalac, Makinex, Smith Surface Prep, Small Line, Wanco, Yanmar

ELECTRICAL SYSTEM - ENGINE HARNESS

(S/N 9B0501 & AFTER - CUMMINS ENGINE)

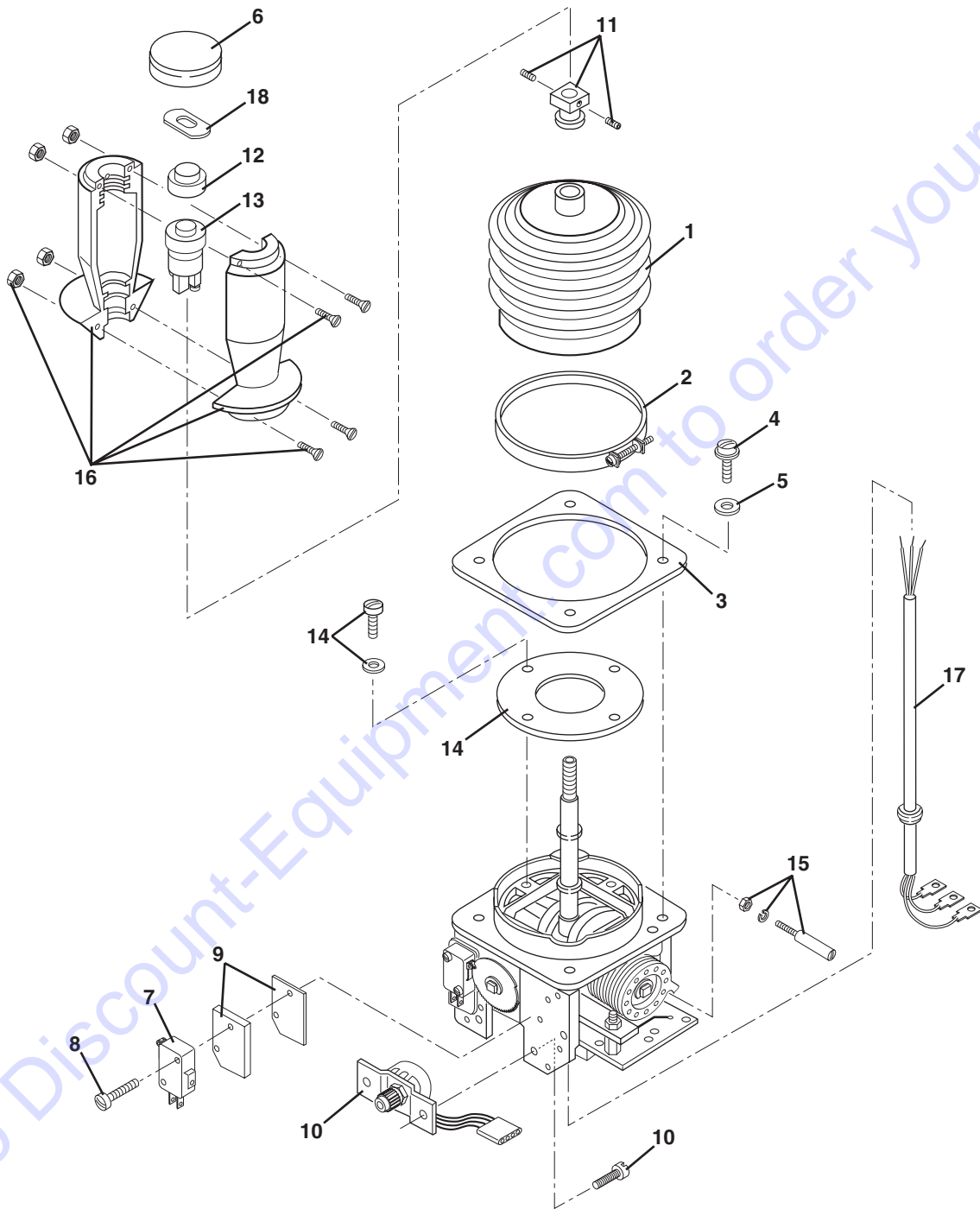


ELECTRICAL SYSTEM - ENGINE HARNESS

(S/N 9B0501 & AFTER - CUMMINS ENGINE)

Item No.	Part Number	Qty.	Description
1	7126684	1	Harness, Engine
	7096874	1	Harness, Engine (Obsolete)
2	8270014	2	Battery, 12 Volt
3	7114542	1	Cable, Battery - Negative
3A	7068651	1	Cable, Starter Ground (Not used with Cable 7114542) (Not Shown)
4	7080192	1	Cable, Battery - Positive
5	8310202	1	Screw, Washer Hd, Type B, 3/8 x 3/4
6	8270602	1	Horn
7	7082261	1	Wire Assembly (Not used with harness 7098864)
8	7093442	1	Backup Alarm, Retrofit for ECCO Brand (Includes Hardware)
	8270617	1	Alarm, Backup - Velvac Brand Replacement
9	8303615	2	Screw, Hex Hd Cap, 1/4-20 x 1-1/4 Gr 5 (Velvac Brand Only)
10	8305004	2	Nut, Hex, 1/4-20 (Velvac Brand Only)
11	8307002	2	Lockwasher, 1/4 (Velvac Brand Only)
12	8303697	2	Screw, Round Hd Machine, Type B, 3/8 x 3/4
13	8310077	1	Nut, Jam, M5
14	8223216	1	Switch, Transmission Temperature
15	8223510	1	Sender, Low Oil Pressure
16	8223217	1	Sender, Water Temperature
18	8277143	1	Relay, Starter
19	8270416	1	Starter (Includes Solenoid)
20	8584001	3	Tie Wrap (Not Shown)
21	8270219	1	Alternator (Delco)
	8270221	1	Alternator (Bosch)
22	8033341	1	Fan, Alternator (Motorola or Prestolite alternator only)
23	7070992	1	Sender, Fuel Level
24	8310078	1	Lockwasher, M5
25	8305201	1	Nut, Hex, Brass, #8-32
26	8310041	1	Lockwasher, External Tooth, #8
27	8220073	1	Terminal, Slip-On Male, #10 SCR
28	8033406	1	Solenoid, Fuel Run, 12 Volt
29	8307023	1	Lockwasher, M10
30	8305438	1	Nut, Jam, M10
31	8307022	2	Lockwasher, M8
32	8305043	2	Nut, Hex, M8
			<u>KITS</u>
33	7098881	1	Wire Harness Kit (For Machines with Delco Alternator)
	7098871	1	Wire Assembly
	7098864	1	Wire Harness (Bosch)

ELECTRONIC JOYSTICK ASSEMBLY



Go to Discount-Equipment.com to order your parts

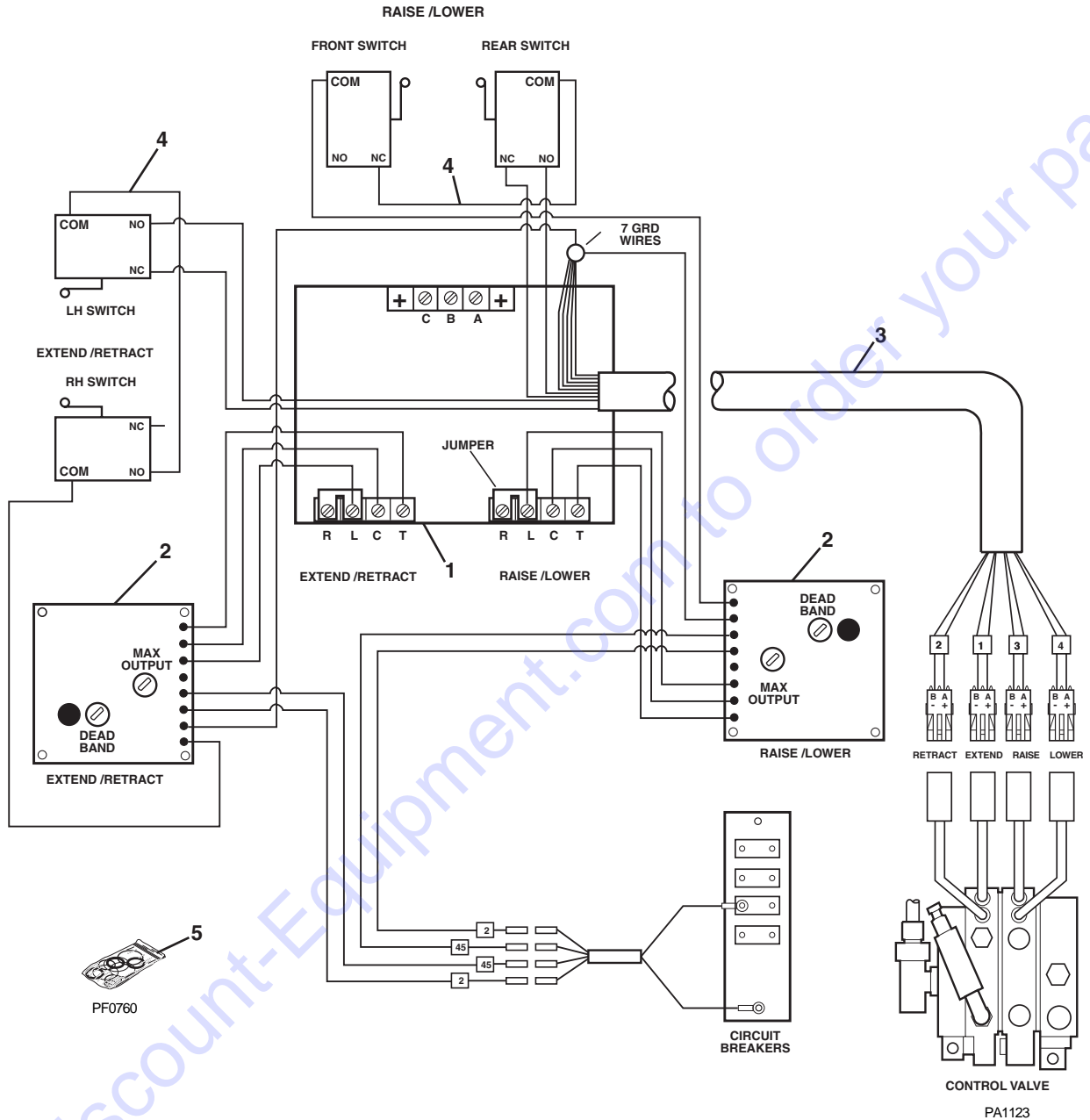
ELECTRONIC JOYSTICK ASSEMBLY

Item No.	Part Number	Qty.	Description
	8224016	1	Joystick Assembly (Includes Items 1 thru 18)
1	8033389	1	Boot
2	8033390	1	Clamp Boot
3	8033391	1	Gasket, Mounting
4	8033392	4	Screw, M5 x 10
5	8033393	4	Washer, Nylon #10
6	8033394	1	Boot, Pushbutton
7	8033395	4	Microswitch
8	8033396	8	Screw, #4-10 x 7/8
9	8033397	4	Insulator Cap
10	8033398	2	Pot Plate Assembly
11	8033399	1	Coupling, Shaft w/Screws
12	8033400	1	Button, Actuating
13	8033401	1	Switch, Pushbutton
14	8033402	1	Gate, Special
15	8033403	1	Stop, Return Spring w/Nut & Lockwasher
16	8033404	1	Handle Section w/Gaskets (Both Halves)
17	8033405	1	Wire, 3 Condcutor, 24" Long
18	8033490	1	Plate, Switch

Go to Discount-Equipment.com to order your parts

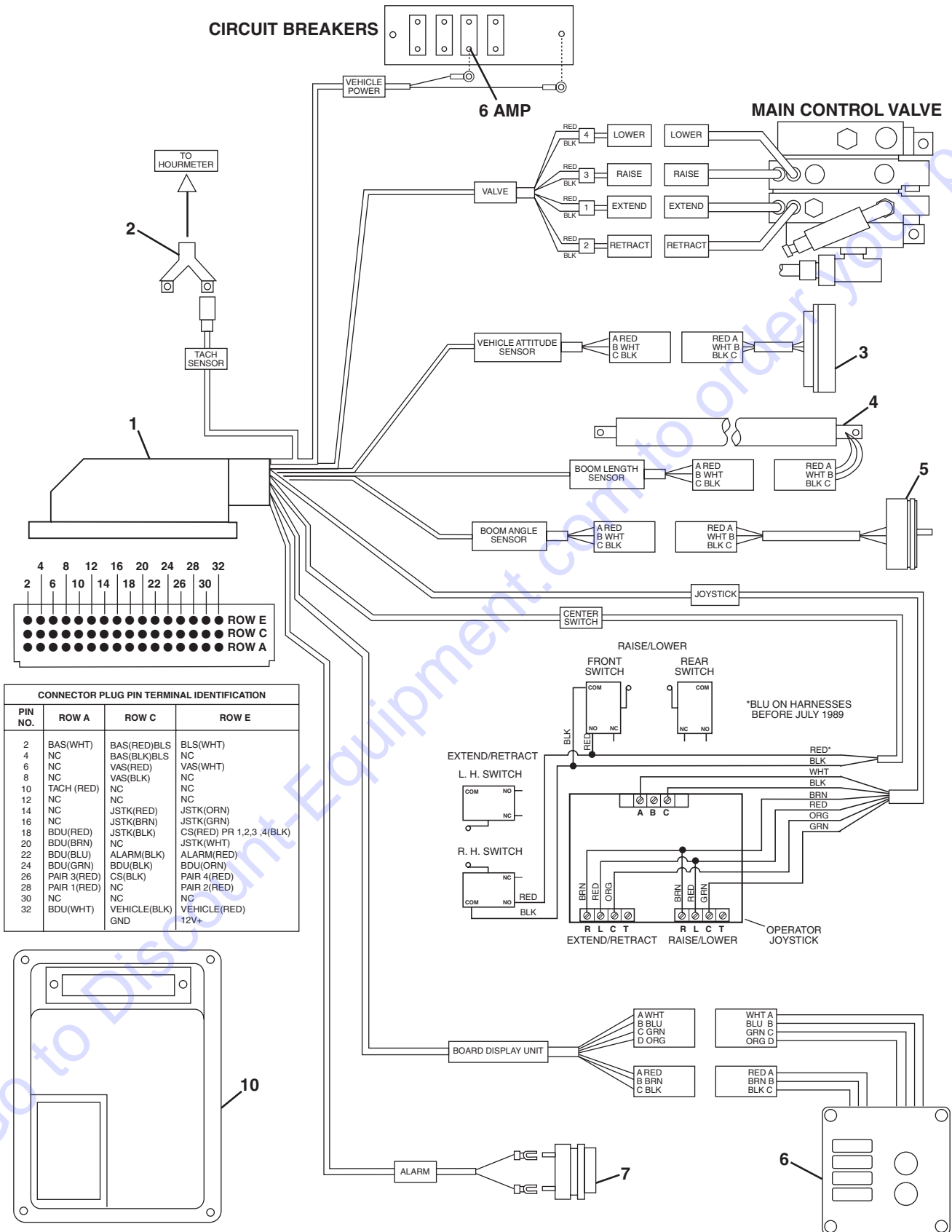
Go to Discount-Equipment.com to order your parts

ELECTRONIC JOYSTICK WIRING w/o TLC (S/N 9B0501 & AFTER)

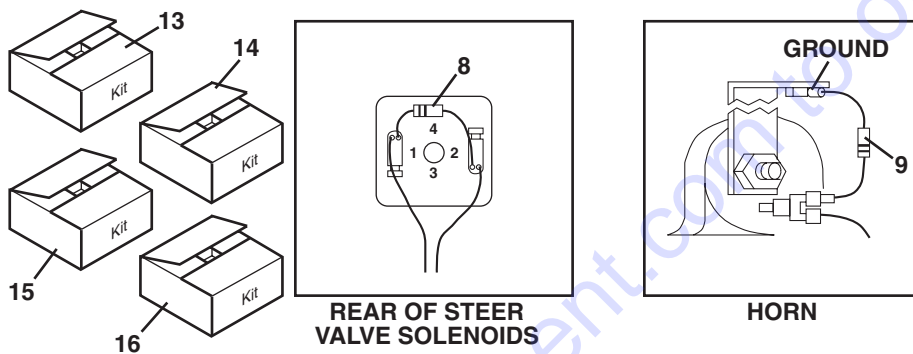
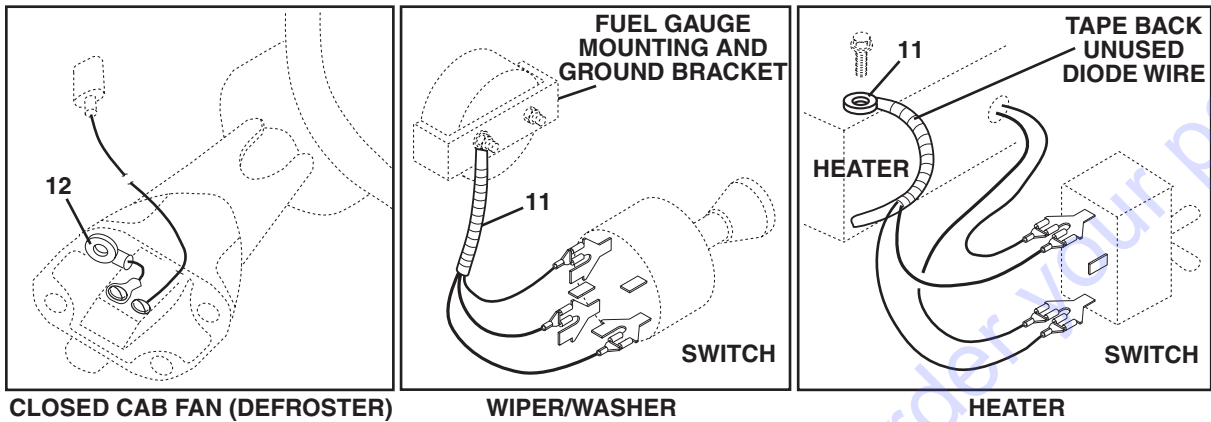


Item No.	Part Number	Qty.	Description
1	7087383	1	Electronic Joystick Assembly (Includes Items 1 thru 4)
2	8224016	1	Joystick, Electronic 50°
2	7086762	2	Module, Driver
3	7086752	1	Harness, Wiring
4	7087361	2	Wire Assembly
			KITS
5	7091871	1	Kit, Test Cable for Pulsar Solenoid Valve

TLC WIRING



TLC WIRING

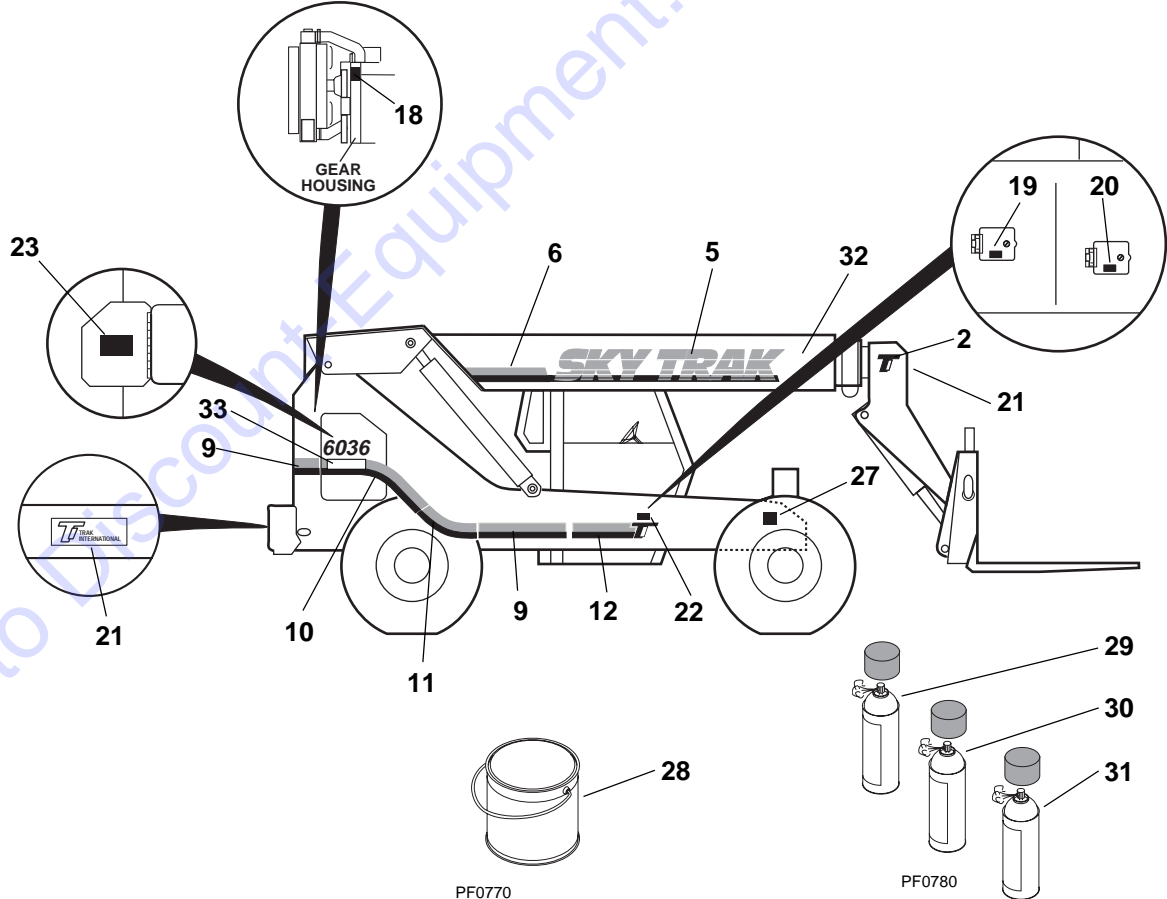
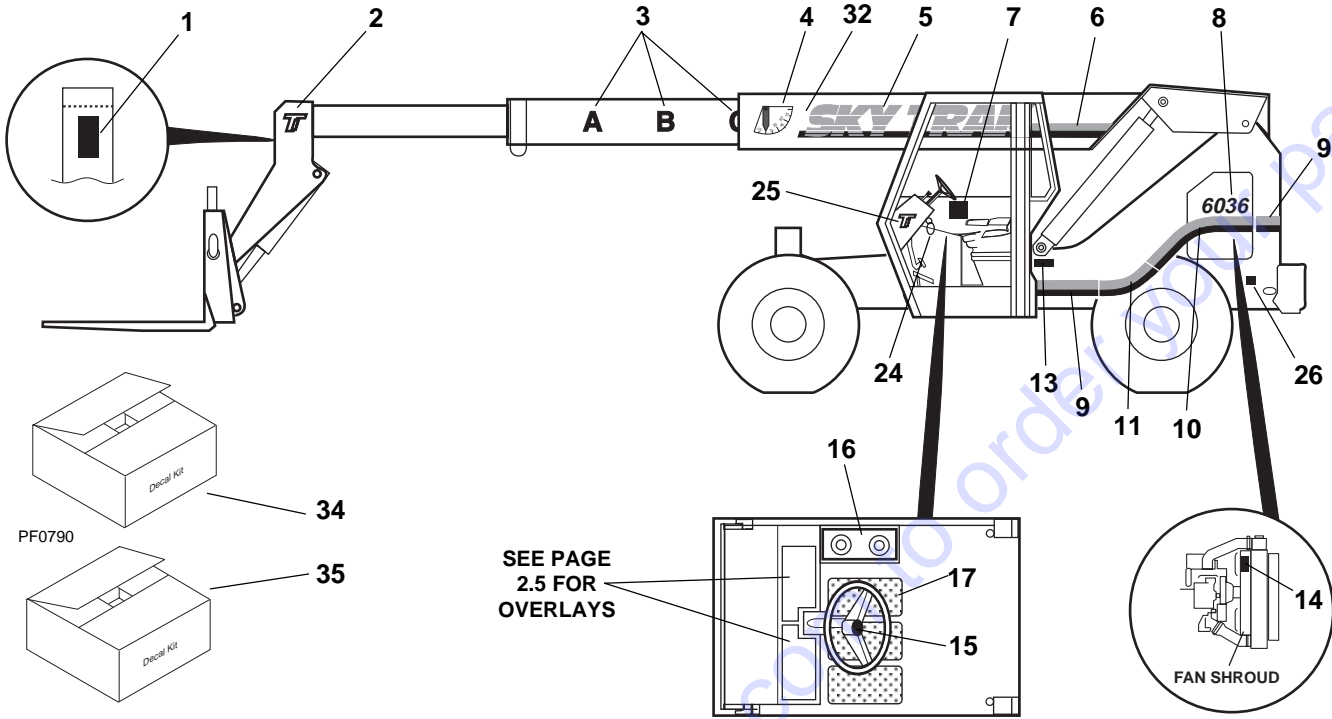


PF0791

PA1860

Item No.	Part Number	Qty.	Description
1	7086772	1	Wire Harness
2	8220060	1	Adapter
3	7088232	1	Sensor, Vehicle Attitude
4	7110922	1	Sensor, Boom Length (For inductive joysticks) (Not Shown)
	7088212	1	Sensor, Boom Length (For resistive joysticks)
5	7088222	1	Sensor, Boom Angle
6	7088122	1	Display Unit
7	7088202	1	Horn, Signal
8	7090051	2	Diode Assembly (See Kits)
9	7090041	1	Diode Assembly (See Kits)
10	7111762	1	Controller, Electronic (For inductive joysticks)
	7089712	1	Controller, Electronic (For resistive joysticks)
11	7090191	2	Diode Assembly (See Kits)
12	7090901	1	Diode Assembly (See Kits)
			KITS
13	7090141	1	Kit, TLC Diodes (Includes Items 8 & 9)
14	7090922	1	Kit, TLC Diodes w/Optional Enclosed Cab Only (Includes Items 11 & 12)
15	7091871	1	Kit, Test Cable for Pulsar Solenoid Valve
16	7091881	1	Kit, Test Cable for TLC Sensors

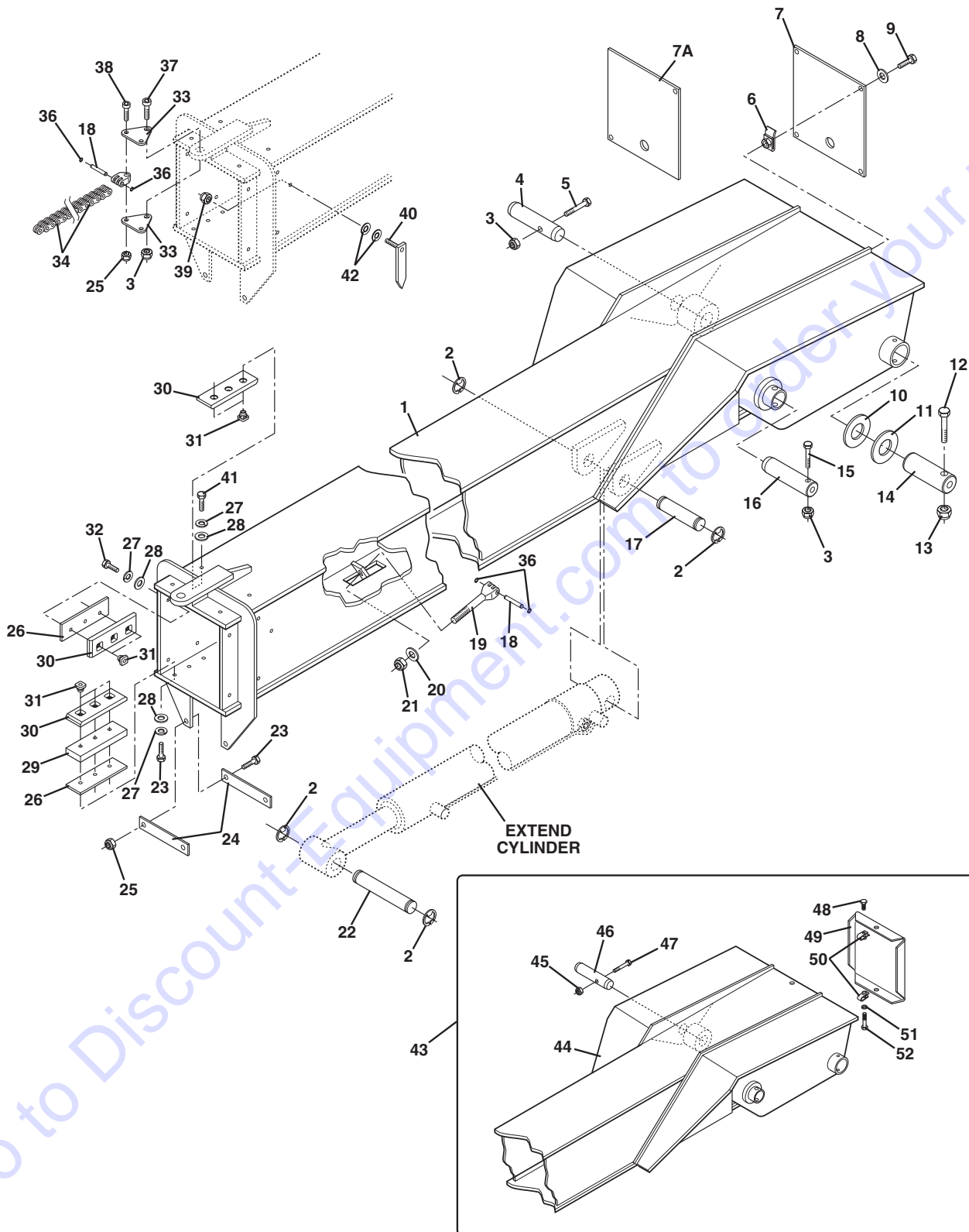
DECALS AND PAINT



DECALS AND PAINT

Item No.	Part Number	Qty.	Description
1	4107452	1	Decal, Carrying Personnel
	4106991	1	Decal, Carrying Personnel (Export Only)
2	4106781	2	Decal, "T I" Logo (Early Models)
	4108441	2	Decal, OmniQuip Logo (Late Models Not Shown)
3	4106092	1	Decal, Boom, Extend Numbers (S/N 1293 & Before)
	4107442	1	Decal, Boom, Extend Letters (S/N 1294 & After)
4	4105262	1	Decal, Boom Angle
5	4107283	2	Decal, SKY TRAK
6	4107272	2	Decal, Boom Stripe
7	4107542	1	Chart, Load Rating, 13.00 x 24, 10 ply
	4107552	1	Chart, Load Rating, 15.00 x 19.5, 12 ply
8	4107492	2	Decal, "6036"
9	4107232	2	Decal, Rear Stripe
10	4107243	2	Decal, Upper Curve Stripe
11	4107252	2	Decal, Lower Curve Stripe
12	4107223	1	Decal, Stripe w/TI Logo
13	4107402	1	Decal, Battery Warning
14	4107412	2	Decal, Fan Warning
	4106981	2	Decal, Fan Warning (Export Only)
15	4106681	1	Decal, Steering Wheel Logo (TI)
16	4107462	1	Decal, Side Console
17	7010491	3	Safety Walk, 6 x 12
18	4107901	1	Decal, Engine Idle
19	4100181	1	Decal, Hydraulic Oil
20	4105171	1	Decal, Diesel Fuel
21	4106872	2	Decal, TRAK Logo
22	4104291	1	Decal, Hydraulic Oil Level
23	4106523	1	Decal, 6036 Lube Chart
24	4102321	1	Ring, Key
25	4106761	1	Decal, TI Logo (Export Only)
26	4107651	1	Decal, Sound Level (Export Only)
27	4107001	4	Decal, Hydrofill (Export Only)
28	8528074	1 gal	Paint, Orange, Hi-Solids Alkyd (Service Repaint)
29	8528071	1 can	Paint, Orange, Hi-Solids Alkyd (16 oz spray - touchup)
30	8528036	1 can	Paint, Black, Gloss Enamel "Transport" (16 oz spray - touchup)
31	8528040	1 can	Paint, White, Gloss Enamel (16 oz spray - touchup)
32	4106852	2	Decal, TLC Logo (Not Shown)
33	4108172	2	Decal, Turbo
			<u>KITS</u>
34	7082921	1	Decal Kit, Complete Machine - Domestic (S/N 1396 & Before)
	7099721	1	Decal Kit, Complete Machine - Domestic (S/N 1397 & After)
35	7112381	1	Decal Kit, Complete Machine - Export

OUTER BOOM (S/N 9B0499 & BEFORE)

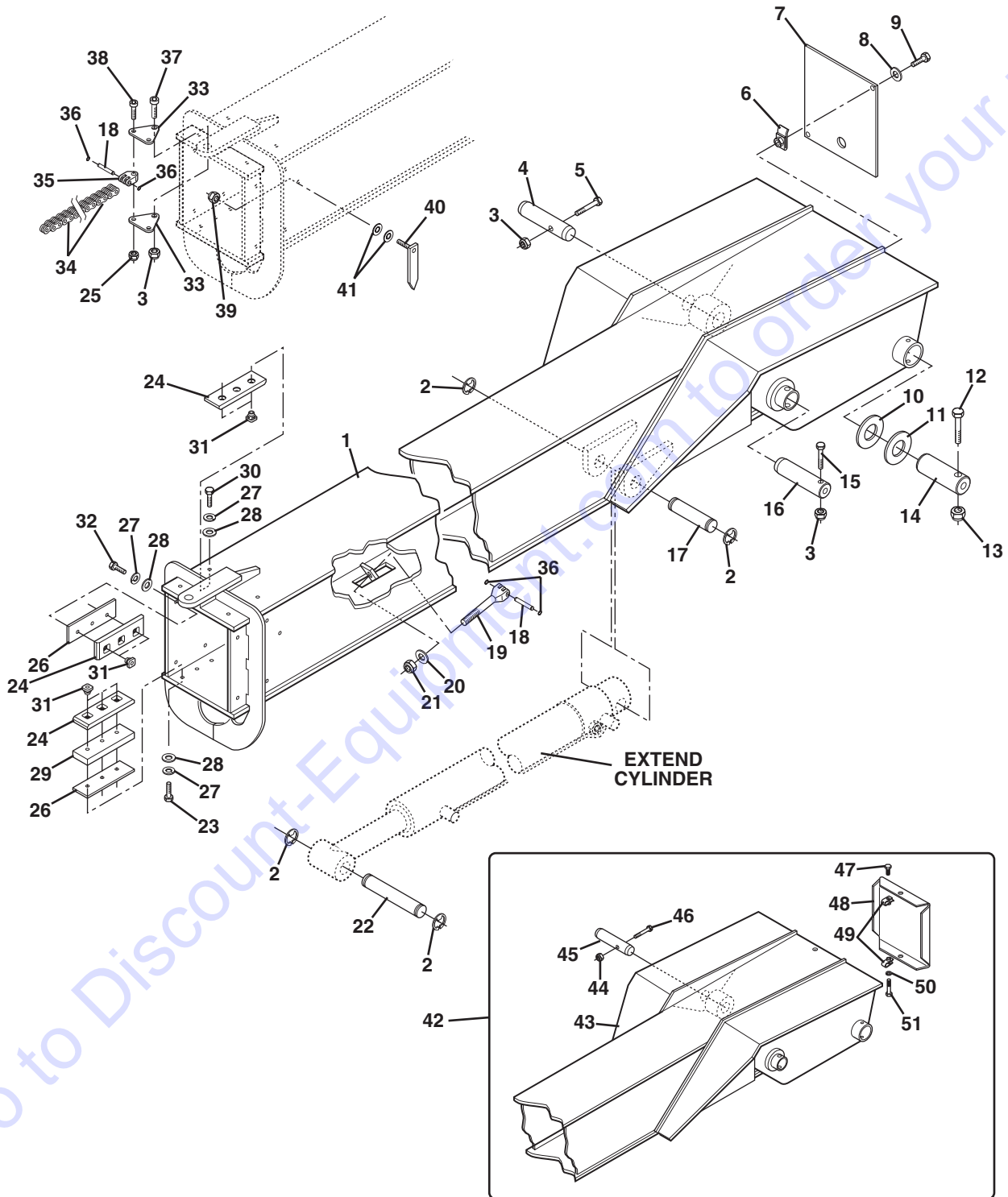


OUTER BOOM

(S/N 9B0499 & BEFORE)

Item No.	Part Number	Qty.	Description
1	7079904	1	Outer Boom (S/N 2515 & Before) (No Longer Available - Order Item 42 # 7116862)
2	8642234	4	Ring, Retaining
3	8305644	4	Nut, Lock, 1/2-13
4	7081612	1	Pin, Rod End, Slave Cylinder (S/N 2515 & Before)
5	8303772	1	Screw, Hex Hd Cap, 1/2-13 x 5 (S/N 2515 & Before)
6	8305906	2	Nut, Retaining, 5/16-18
7	7083102	1	Cover, Rear Boom (4 mtg. holes)
7A	7086452	1	Cover, Rear Boom (2 mtg. holes)
8	8307106	4	Washer, Flat, 5/16
9	8303697	4	Screw, Hex Hd Cap, 5/16-18 x 3/4
10	8307916	2	Washer, Spacer, #14 Ga
11	8307917	2	Washer, Spacer, #10 Ga
12	8303655	2	Screw, Hex Hd Cap, 5/8-11 x 4-1/2
13	8305643	2	Nut, Lock, 5/8-11
14	7081532	2	Pin, Boom Pivot
15	8303628	2	Screw, Hex Hd Cap, 1/2-13 x 3-3/4
16	7081582	2	Pin, Rod End, Hoist Cylinder
17	7081621	1	Pin, Base End, Boom Extend
18	8124126	3	Pin
19	7063472	1	Clevis, Chain
20	8307104	1	Washer, Flat, 3/4
21	8305646	1	Nut, Lock, 3/4-16
22	7081631	1	Pin, Rod End, Boom Extend
23	8303679	8	Screw, Hex Hd Cap, 3/8-16 x 1-3/4
24	7080161	2	Bar, Anti-Buckle
25	8305645	4	Locknut, 3/8-16
26	7082362	AR	Shim, Wear Pad, #10 Ga
27	8307005	18	Lockwasher, 3/8
28	8307204	18	Washer, Flat, 3/8
29	7085442	2	Spacer, Wear Pad
30	7111572	8	Wear Pad
31	7082311	18	Insert, Wear Pad
32	8303681	8	Screw, Hex Hd Cap, 3/8-16 x 3/4
33	7089781	2	Yoke, Chain
34	8127003	2	Chain, 219 Pitch x 164 -1/4
35	7063482	2	Clevis, Chain
36	8642237	6	Ring, Retaining
37	8310020	1	Screw, Socket Hd, 1/2-13 x 1-1/2
38	8310019	2	Screw, Socket Hd, 3/8-16 x 1-1/2
39	8305647	1	Locknut
40	7075611	1	Pointer
41	8303738	4	Screw, Hex Hd Cap, 3/8-16 x 7/8
42	8307113	2	Washer, Flat, 7/16
43	7116862	1	Kit, Outer Boom (Includes Items 44 thru 52)
44	7116844	1	Outer Boom
45	8305643	1	Nut, Hex Lock Elastic, 5/8-11
46	7116882	1	Pin, Slave Cylinder Rod
47	8303666	1	HHCS, 5/8-11 x 5"
48	8303697	1	HHCS, 5/16-18 x 3/4"
49	7116822	1	Cover, Rear Boom
50	8305906	2	Nut, Retainer, 5/16-18
51	8307004	1	Washer, Lock, 5/16"
52	8303739	1	HHCS, 5/16-18 x 1-1/4

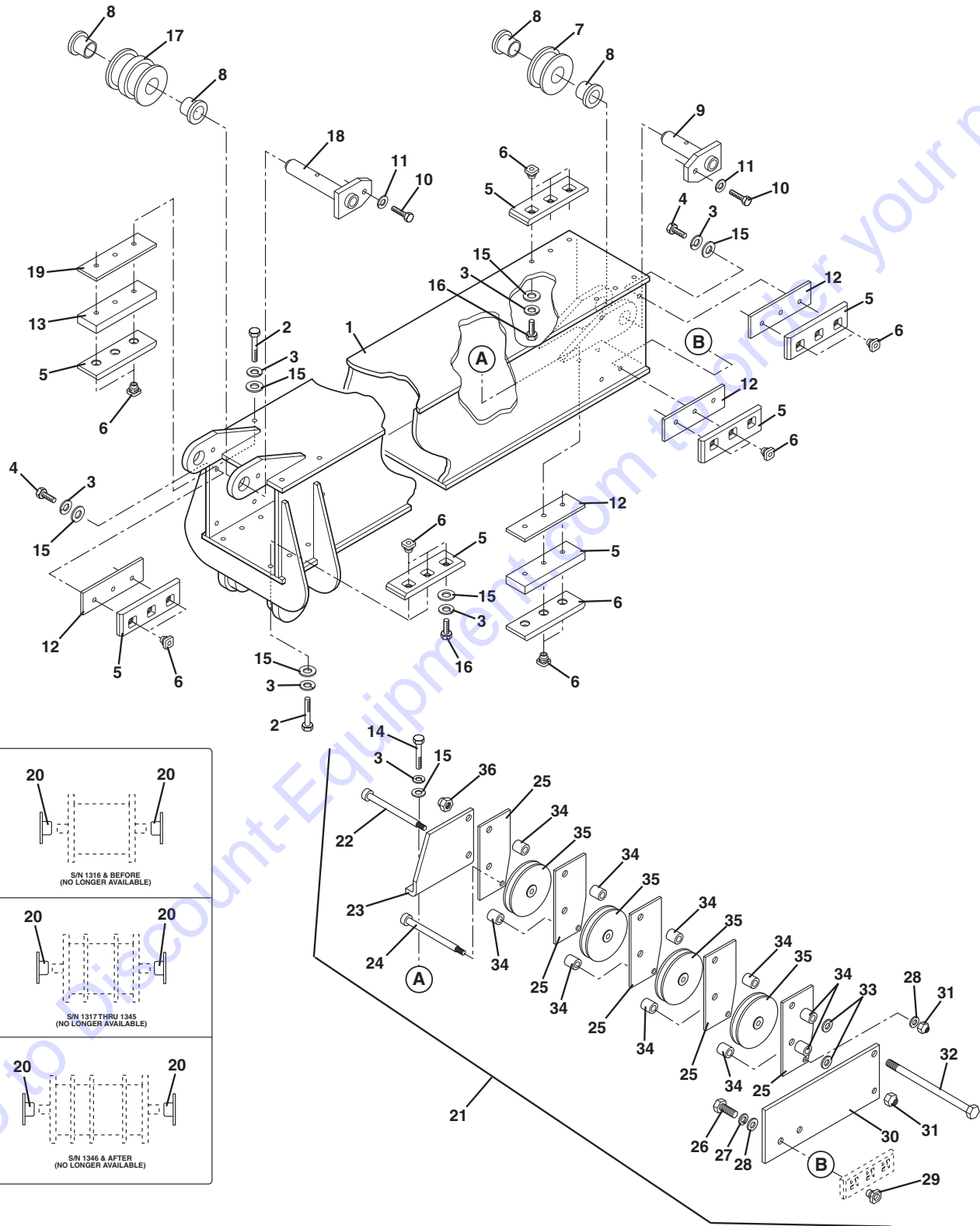
OUTER BOOM (S/N 9B0500 & AFTER)



OUTER BOOM (S/N 9B0500 & AFTER)

Item No.	Part Number	Qty.	Description
1	7079904	1	Outer Boom (S/N 2515 & Before) (No Longer Available - Order Item 42 # 7116862)
	7116844	1	Outer Boom (S/N 2516 & After)
2	8642234	4	Ring, Retaining
3	8305644	4	Nut, Lock, 1/2-13
4	7081612	1	Pin, Rod End, Slave Cylinder (S/N 2515 & Before)
	7116882	1	Pin, Rod End, Slave Cylinder (S/N 2516 & After)
5	8303772	1	Screw, Hex Hd Cap, 1/2-13 x 5 (S/N 2515 & Before)
	8303666	1	Screw, Hex Hd Cap, 5/8-11 x 5 (S/N 2516 & After)
6	8305906	2	Nut, Retaining, 5/16-18
7	7086452	1	Cover, Rear Boom (S/N 2515 & Before)
	7116822	1	Cover, Rear Boom (S/N 2516 & After)
8	8307106	4	Washer, Flat, 5/16
9	8303697	4	Screw, Hex Hd Cap, 5/16-18 x 3/4
10	8307916	2	Washer, Spacer, #14 Ga
11	8307917	2	Washer, Spacer, #10 Ga
12	8303655	2	Screw, Hex Hd Cap, 5/8-11 x 4-1/2
13	8305643	2	Nut, Lock, 5/8-11
14	7081532	2	Pin, Boom Pivot
15	8303628	2	Screw, Hex Hd Cap, 1/2-13 x 3-3/4
16	7081582	2	Pin, Rod End, Hoist Cylinder
17	7081621	1	Pin, Base End, Boom Extend
18	8124126	3	Pin
19	7063472	1	Clevis, Chain
20	8307104	1	Washer, Flat, 3/4
21	8305646	1	Nut, Lock, 3/4-16
22	7081631	1	Pin, Rod End, Boom Extend
23	8303679	6	Screw, Hex Hd Cap, 3/8-16 x 1-3/4
24	7111572	8	Wear Pad
25	8305645	2	Nut, Lock, 3/8-16
26	7082362	AR	Shim, Wear Pad, #10 Ga
27	8307005	18	Lockwasher, 3/8
28	8307204	18	Washer, Flat, 3/8
29	7085442	2	Spacer, Wear Pad
30	8303738	4	Screw, Hex Hd Cap, 3/8-16 x 7/8
31	7082311	18	Inset, Wear Pad
32	8303681	8	Screw, Hex Hd Cap, 3/8-16 x 3/4
33	7089781	2	Yoke, Chain
34	8127003	2	Chain, 219 Pitch x 164-1/4
35	7063482	2	Clevis, Chain
36	8642237	6	Ring, Retaining
37	8310020	1	Screw, Socket Hd, 1/2-13 x 1-1/2
38	8310019	2	Screw, Socket Hd, 3/8-16 x 1-1/2
39	8305647	1	Locknut
40	7075611	1	Pointer
41	8307113	2	Washer, Flat, 7/16
42	7116862	1	Kit, Outer Boom (Includes Items 43 thru 51)
43	7116844	1	Outer Boom
44	8305643	1	Nut, Hex Lock Elastic 5/8-11
45	7116882	1	Pin, Slave Cylinder Rod
46	8303666	1	HHCS, 5/8-11 x 5"
47	8303697	1	HHCS, 5/16-18 x 3/4"
48	7116822	1	Cover, Rear Boom
49	8305906	2	Nut, Retainer 5/16-18
50	8307004	1	Washer, Lock 5/16"
51	8303739	1	HHCS, 5/16-18 x 1-1/4

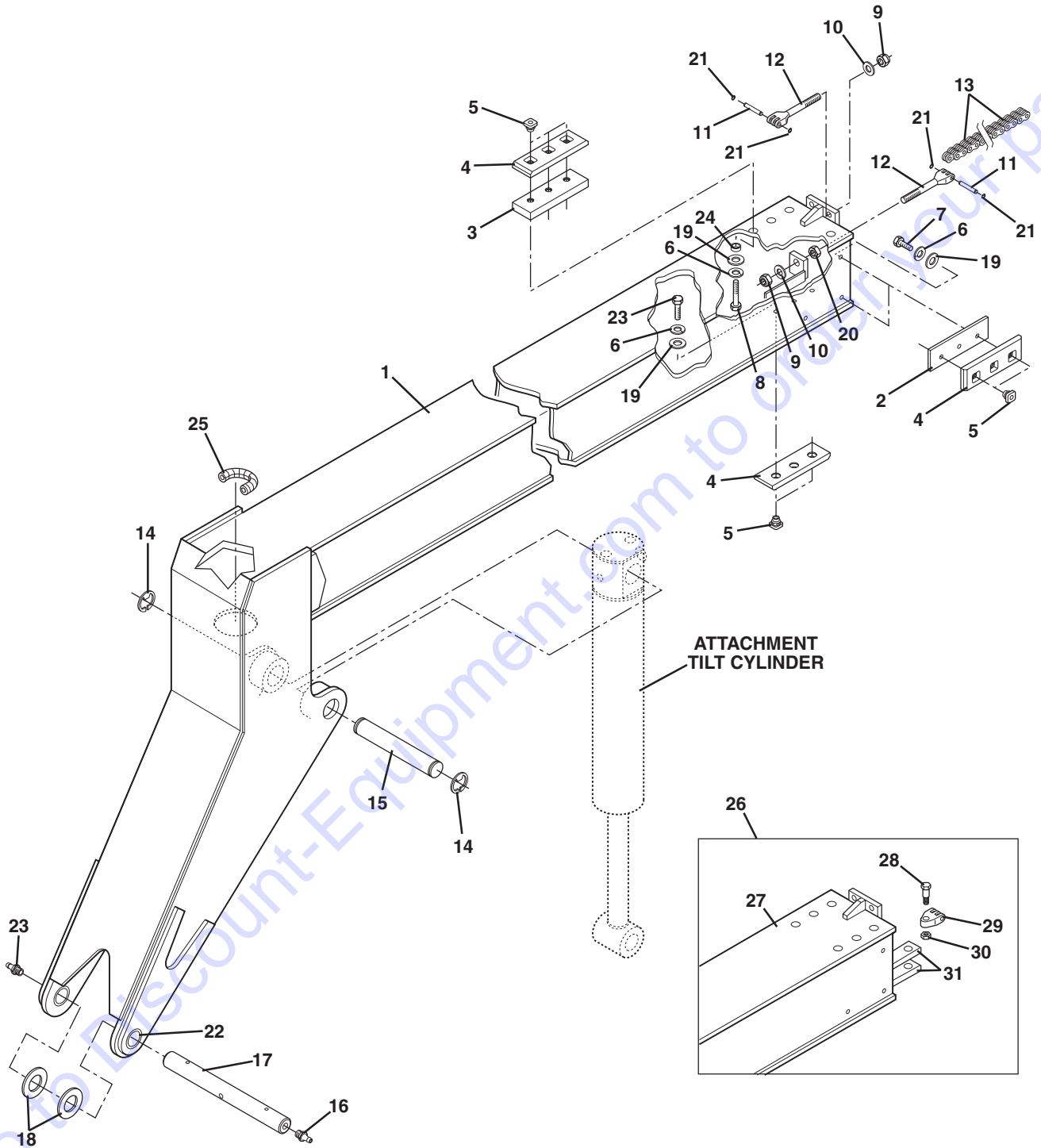
INTERMEDIATE BOOM



INTERMEDIATE BOOM

Item No.	Part Number	Qty.	Description
1	7080244	1	Intermediate Boom
2	8303679	8	Screw, Hex Hd Cap, 3/8-16 x 1-3/4
3	8307005	32	Lockwasher, 3/8
4	8303681	14	Screw, Hex Hd Cap, 3/8-16 x 3/4
5	7111572	15	Wear Pad
6	7082311	34	Insert, Wear Pad
7	7063462	1	Sheave, Retract Chain
8	5906392	4	Bushing, Flange
9	7082622	1	Pin, Sheave Chain
10	8303624	2	Screw, Hex Hd Cap, 1/2-13 x 1.0
11	8307007	2	Lockwasher, 1/2
12	7082362	AR	Shim, Wear Pad, #10 Ga
13	7085442	3	Spacer, Wear Pad
14	8303657	2	Screw, Hex Hd Cap, 3/8-16 x 2
15	8307204	32	Washer, Flat, 3/8
16	8303738	8	Screw, Hex Hd Cap, 3/8-16 x 7/8
17	7063452	1	Sheave, Extend Chain
18	7063432	1	Pin, Chain Sheave
19	7082342	AR	Shim, Wear Pad, #14 Ga
20	8065214	2	Bearing, For Service of Obsolete Hose Pulleys
21	7117182	1	Kit, Hose Pulley (Includes Items 22 thru 36)
22	8310235	1	Bolt, Shoulder, Hex Socket Hd. 1/2" Dia. x 5"
23	7116742	1	Bracket, R.H.
24	8310245	1	Bolt, Shoulder, Hex Socket Hd. 1/2" Dia. x 4"
25	7116642	5	Divider
26	8303681	2	HHSC, 3/8-16 x 3/4"
27	8307005	2	Washer, Lock 3/8"
28	8307204	3	Washer, Flat 3/8"
29	7082311	2	Insert, Wear Pad
30	7116752	1	Bracket, L.H.
31	8305645	2	Nut, Hex Lock Elastic 3/8-16
32	8310209	1	HHCS, 1/2-13 x 6
33	8307206	2	Washer, Flat 1/2" Heavy
34	7116691	10	Spacer
35	7116812	4	Roller, Pulley
36	8305644	1	Nut, Hex Lock Elastic 1/2-13

INNER BOOM

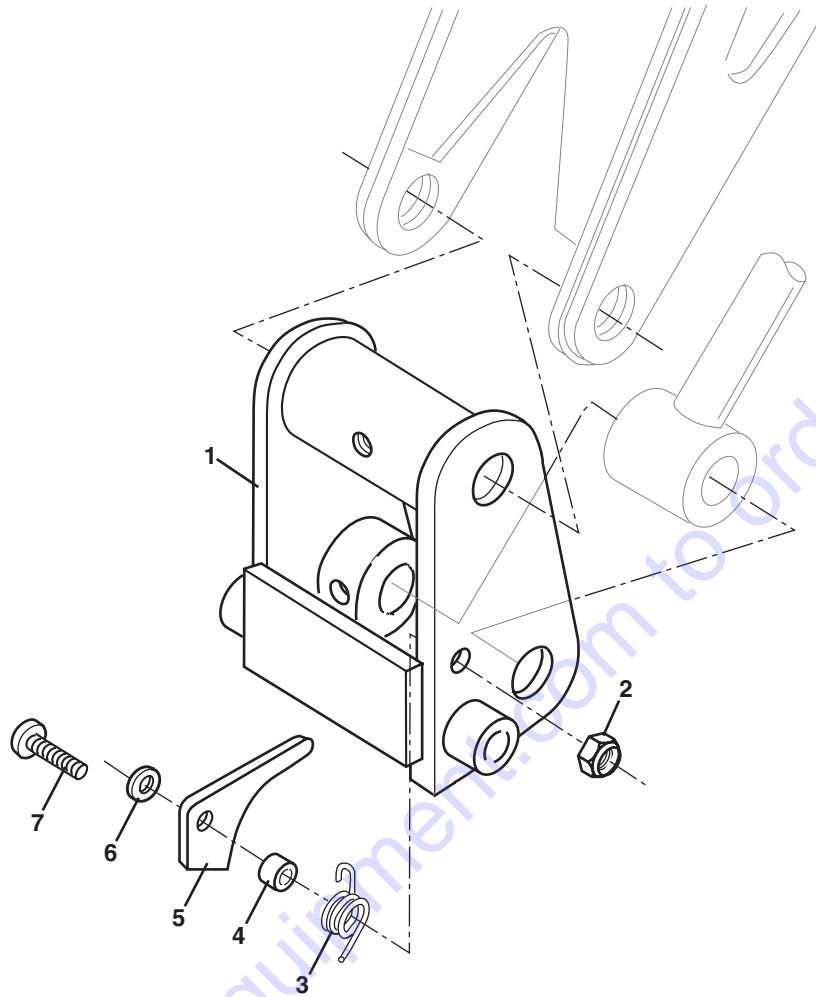


PA1581

INNER BOOM

Item No.	Part Number	Qty.	Description
1	7116722	1	Inner Boom (S/N 6036-2516 & After)
2	7082362	AR	Shim, Wear Pad, #10 Ga
3	7085442	2	Spacer, Wear Pad
4	7111572	7	Wear Pad
5	7082311	16	Insert, Wear Pad
6	8307005	16	Lockwasher, 3/8
7	8303681	8	Screw, Hex Hd Cap, 3/8-16 x 3/4
8	8303679	6	Screw, Hex Hd Cap, 3/8-16 x 1-3/4
9	8305646	3	Locknut, 3/4-16 ESNA
10	8307104	3	Washer, Flat, 3/4
11	8124126	3	Pin
12	7063472	3	Clevis, Chain
13	8127004	1	Chain, 171 Pitch x 128-1/4
14	8642224	2	Ring, Retaining
15	7081641	1	Pin, Base End, Attachment Tilt Cylinder
16	8520001	2	Fitting, Grease, 1/8NPT
17	7083922	1	Pin, Pivot, Quick Attach
18	8307918	2	Washer, Spacer, 2.0 ID x 3.5 OD
19	8307204	16	Washer, Flat, 3/8
20	8305018	1	Locknut, 3/4-16
21	8642237	6	Ring, Retaining
22	7085542	2	Bushing, Quick Attach Pivot
23	8303738	2	Screw, Hex Hd Cap, 3/8-16 x 7/8
24	7096491	6	Spacer (S/N 6036-2516 & After Only)
25	82210011-0080	1	Conduit, 1/2 x 8
26	7117192	1	Kit, Inner Boom (S/N 6036-2516 & Before) (Includes Items 27 thru 30 and hose clamps shown on Pages 5.4.2 & 5.8.2)
27	7116722	1	Inner Boom w/Bushings (Includes Item 22)
28	8310019	1	Bolt, Shoulder, 1/2" Dia. x 1-1/2"
29	7063482	1	Clevis, Chain
30	8305645	1	Nut, Hex Lock Elastic, 3/8-16
31	7117031	2	Link

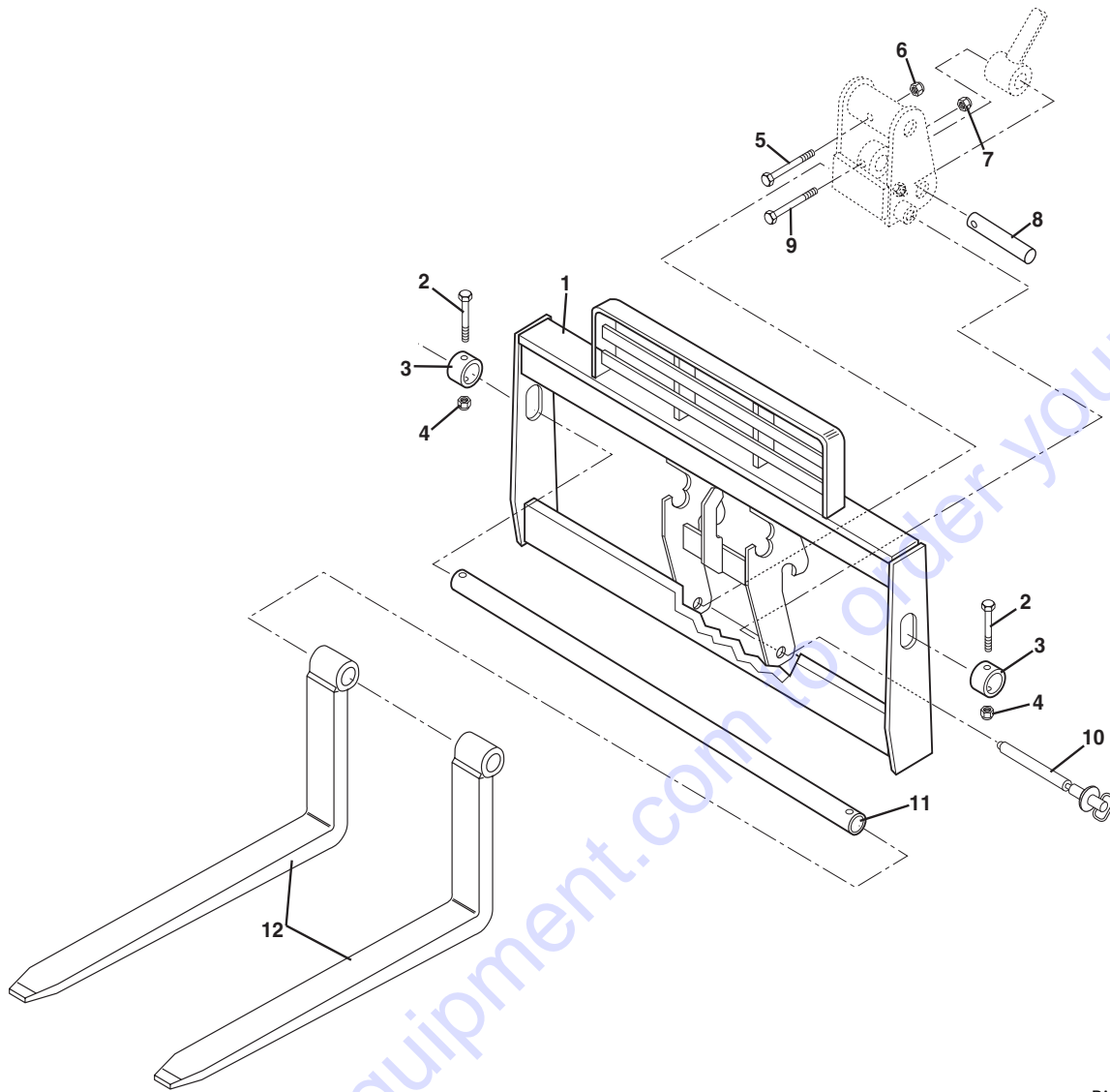
QUICK ATTACH



PA0746

Item No.	Part Number	Qty.	Description
1	7083752	1	Quick Attach
2	8305619	1	Locknut, 3/4-10
3	7085552	1	Spring, Torsion
4	7085571	1	Spacer
5	7085562	1	Latch
6	8307104	1	Washer, Flat
7	8303638	1	Screw, Hex Hd Cap, 3/4-10 x 2-3/4

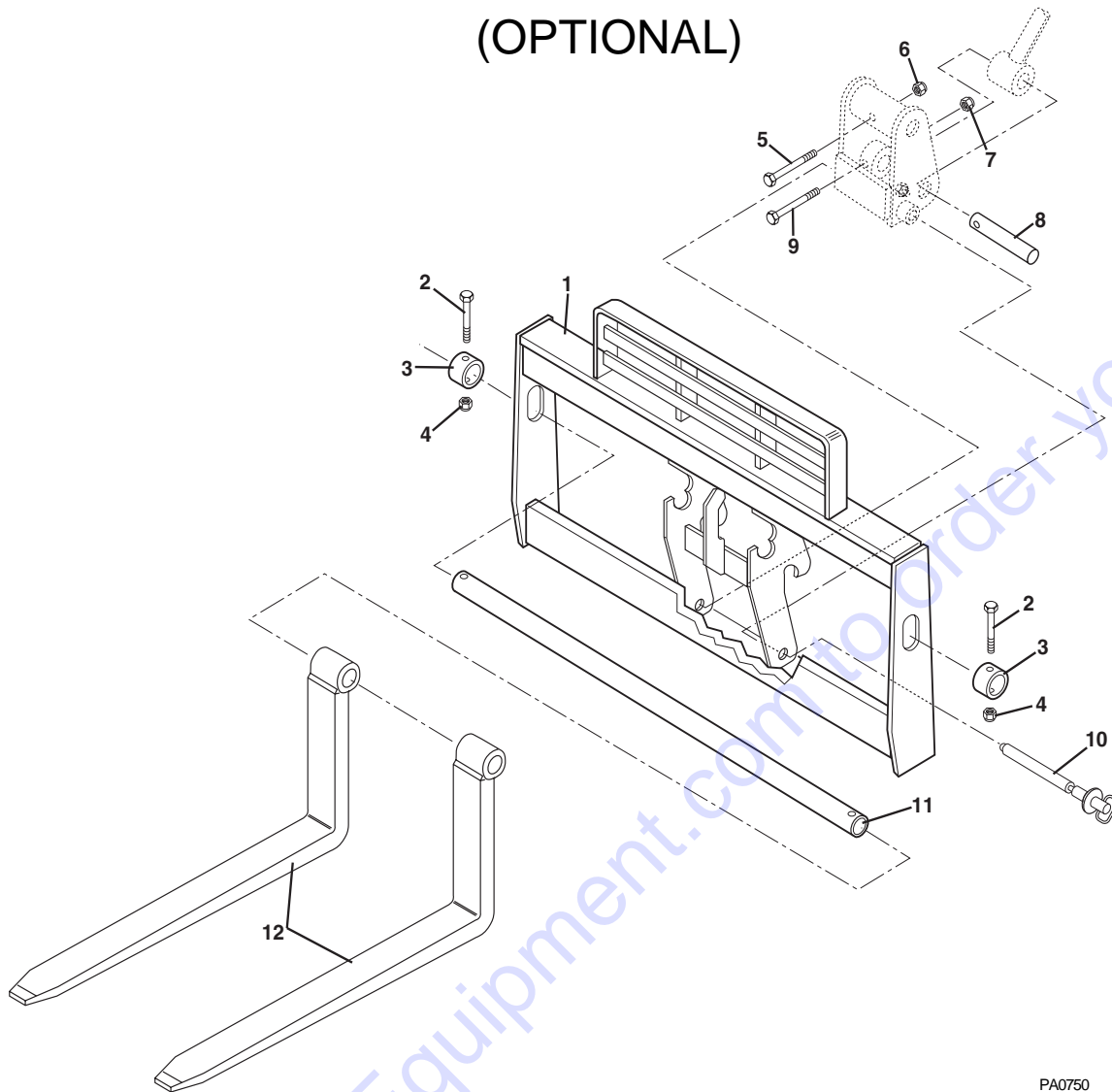
CARRIAGE 48"



PA0750

Item No.	Part Number	Qty.	Description
1	7083054	1	Carriage, 48"
2	8303634	2	Screw, Hex Hd Cap, 5/8-11 x 4
3	7086471	2	Collar
4	8305643	2	Locknut, 5/8-11
5	8303666	1	Screw, Hex Hd Cap, 5/8-11 x 5
6	8305643	1	Locknut, 5/8-11
7	8305644	1	Locknut, 1/2-13
8	7083992	1	Pin, Rod End, Fork Cylinder
9	8303772	1	Screw, Hex Hd Cap, 1/2-13 x 5
10	7087002	1	Pin, Lock
11	7083912	1	Shaft
12	7048233	2	Fork, Pallet 48 x 4

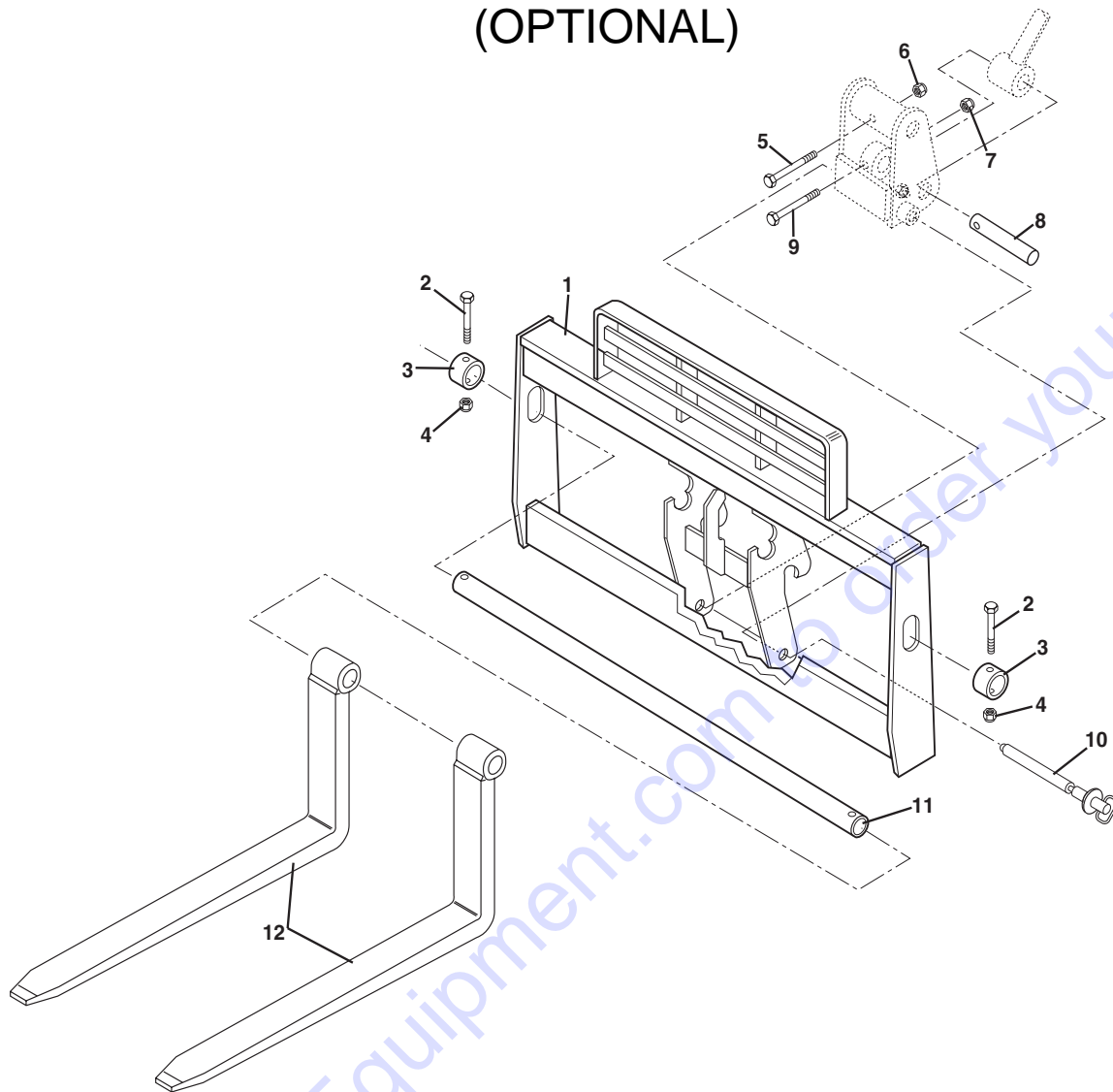
CARRIAGE 60" (OPTIONAL)



PA0750

Item No.	Part Number	Qty.	Description
1	7086304	1	Carriage, 60"
2	8303634	2	Screw, Hex Hd Cap, 5/8-11 x 4
3	7086471	2	Collar
4	8305643	2	Locknut, 5/8-11
5	8303666	1	Screw, Hex Hd Cap, 5/8-11 x 5
6	8305643	1	Locknut, 5/8-11
7	8305644	1	Locknut, 1/2-13
8	7083992	1	Pin, Rod End, Fork Cylinder
9	8303772	1	Screw, Hex Hd Cap, 1/2-13 x 5
10	7087002	1	Pin, Lock
11	7084972	1	Shaft
12	7048233	2	Fork, Pallet 48 x 4 (3000 lb)
	7092793	2	Fork, Lumber 60 x 5 (Not Shoen) (3000 lb)
	7085073	6	Fork, Block (Not Shown) (1900 lb)

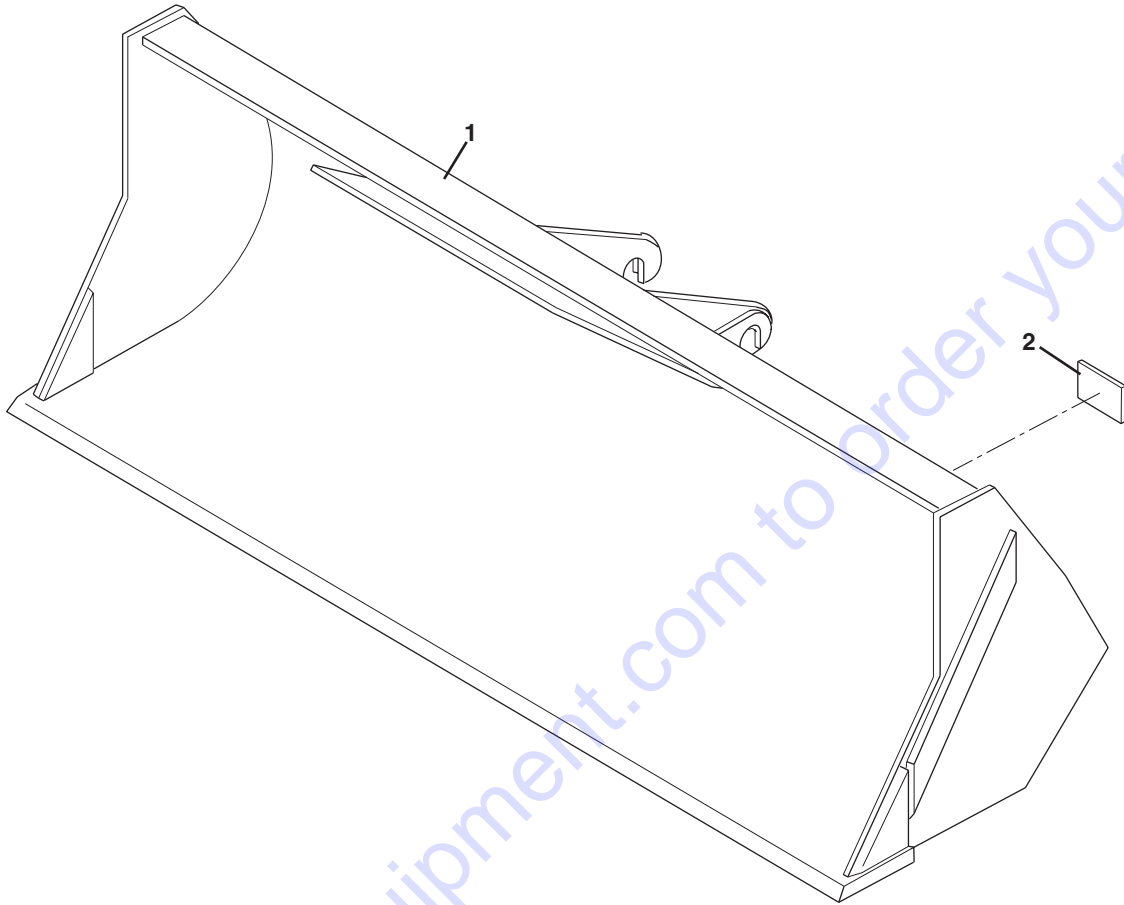
CARRIAGE 72" (OPTIONAL)



Item No.	Part Number	Qty.	Description
1	7090814	1	Carriage, 72"
2	8303634	2	Screw, Hex Hd Cap, 5/8-11 x 4
3	7086471	2	Collar
4	8305643	2	Locknut, 5/8-11
5	8303666	1	Screw, Hex Hd Cap, 5/8-11 x 5
6	8305643	1	Locknut, 5/8-11
7	8305644	1	Locknut, 1/2-13
8	7083992	1	Pin, Rod End, Fork Cylinder
9	8303772	1	Screw, Hex Hd Cap, 1/2-13 x 5
10	7087002	1	Pin, Lock
11	7084942	1	Shaft
12	7048233	2	Fork, Pallet 48 x 4 (3000 lb)
	7092793	2	Fork, Lumber 60 x 5 (Not Shoen) (3000 lb)
	7085073	6	Fork, Block (Not Shown) (1900 lb)

Go to Discount-Equipment.com to order your parts

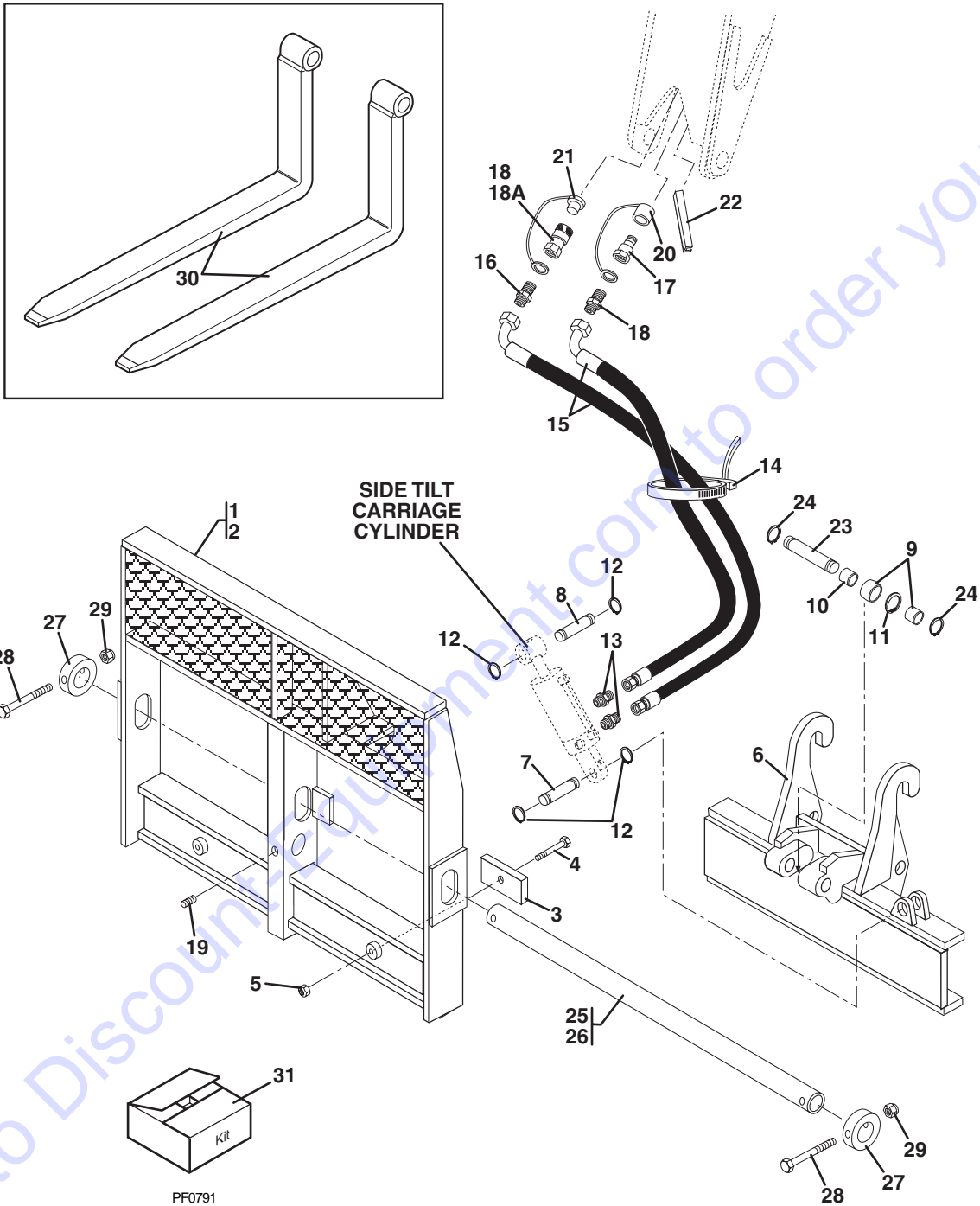
UTILITY BUCKET (OPTIONAL)



Item No.	Part Number	Qty.	Description
1	7110744	1	Bucket, Utility, 1-1/4 cu yd (Includes Item 2)
2	4106561	1	Plate, Capacity

SIDE TILT CARRIAGE - OPTIONAL

PIVOT PIN WITH SNAP RINGS (S/N 9B0472 & BEFORE)



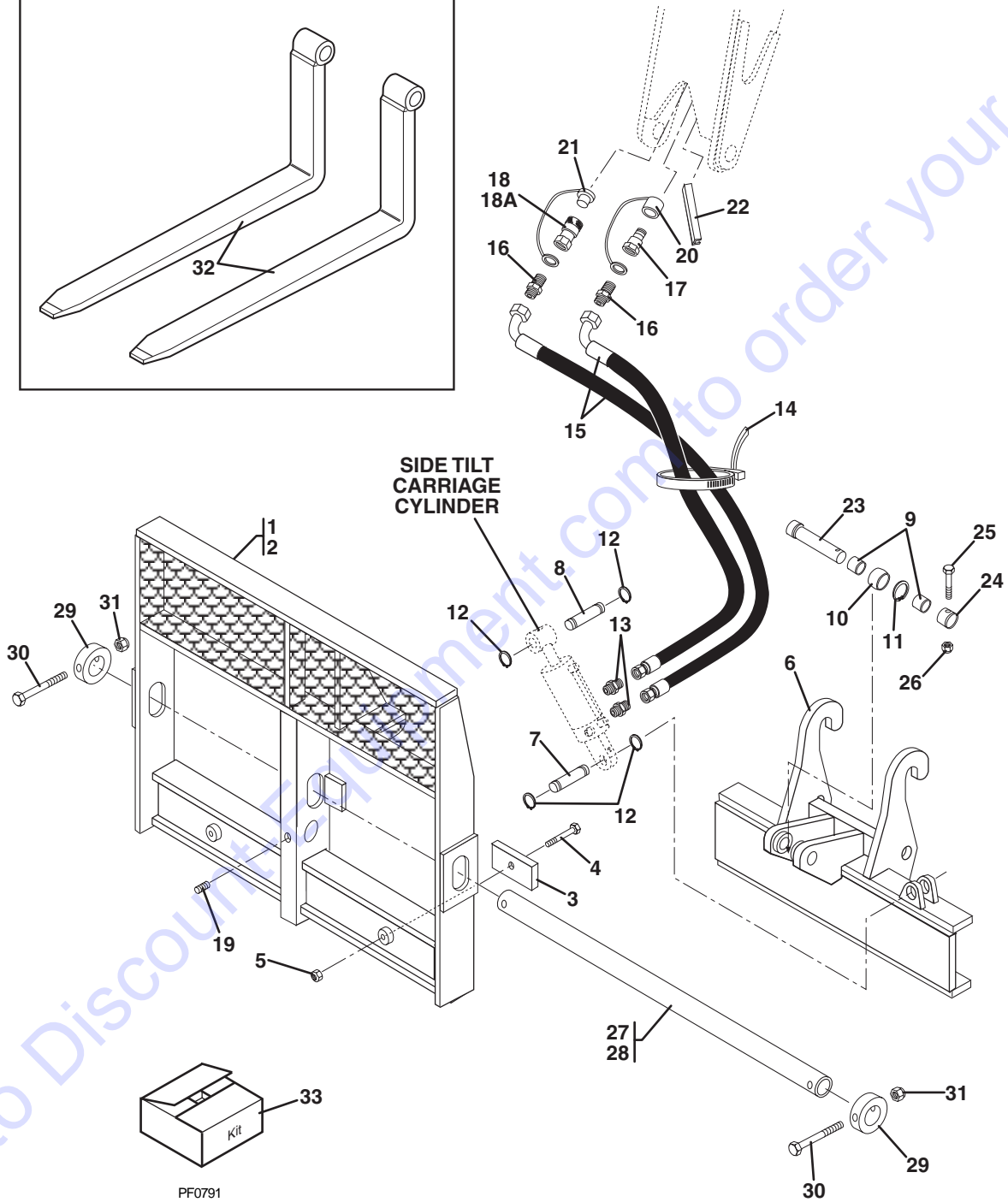
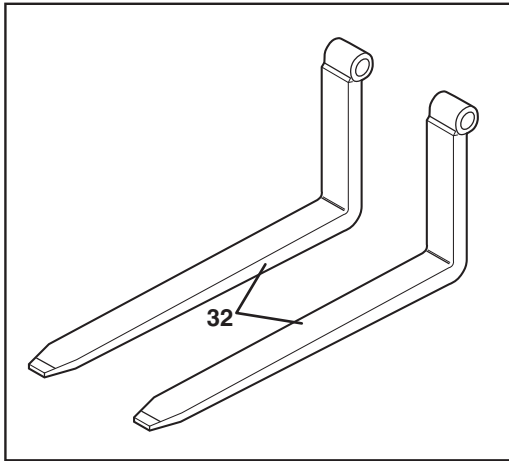
SIDE TILT CARRIAGE - OPTIONAL

PIVOT PIN WITH SNAP RINGS (S/N 9B0472 & BEFORE)

Item No.	Part Number	Qty.	Description
1	7077344	1	Carriage, Side Tilt - 48" (Includes Items 3 thru 5)
2	7077444	1	Carriage, Side Tilt - 60" (Includes Items 3 thru 5)
3	7065482	2	Pad Wear
4	8303739	2	Screw, Hex Hd Cap, 5/16-18 x 1-1/4
5	8305626	2	Locknut, 5/16-18
6	7086894	1	Base, Pivot
7	7077501	1	Pin, Cylinder Base
8	7077511	1	Pin, Cylinder Rod
9	7077481	2	Spacer
10	8065643	1	Bushing, Self Align
11	8642001	1	Ring, Snap
12	8642235	4	Ring, Snap
13	8760117	2	Connector, Straight, SAE 6-6 - male JIC° x angle str. thd. O-ring
14	8584001	1	TieWrap
15	2711992	2	Hose Assembly
16	8760030	2	Connector, Straight, SAE 6-6P - male JIC° x male NPT
17	8420056	1	Quick Disconnect, Male 6/6" NPT
18	8420057	1	Quick Disconnect, Female 6/6" NPT (Includes Item 18A)
18A	8640027	1	O-Ring, Viton for High Temp. Application of Item 18
19	8541433	1	Plug, Pipe Hex, Socket, 1/8
20	8420058	1	Cap, Dust, SAE 6
21	8420059	1	Plug, Dust, SAE 6
22	8582406-0090	1	Moulding
23	7080231	1	Pin, Pivot
24	8642207	2	Ring, Snap
25	7075942	1	Shaft, Fork Pivot, 48 x 2.75"
26	7075952	1	Shaft, Fork Pivot, 60 x 2.75" (Not Shown)
27	7079251	2	Collar, Locking
28	8303629	2	Screw, Hex Hd Cap, 1/2-13 x 4-1/2
29	8305644	2	Locknut, 1/2-13
30	7069093	2	Fork, Pallet, 48 x 4 x 1.75" (3000 lb Rating)
	7077333	2	Fork, Lumber 60 x 7 (Not Shown)
	7070623	6	Fork, Blocking (Not Shown)
			<u>KITS</u>
31	7096712	1	Conversion Kit, Attachment, Size 6 to Size 8 Quick Couplers (Includes Items 17, 18, 19, 21 & 22, Page 9.9.3 & P/N 8760341 elbow for Auger Mount to replace corresponding parts on these attachments)

SIDE TILT CARRIAGE - OPTIONAL

PIVOT PIN WITH LOCK COLLAR (S/N 9B0472 & BEFORE)

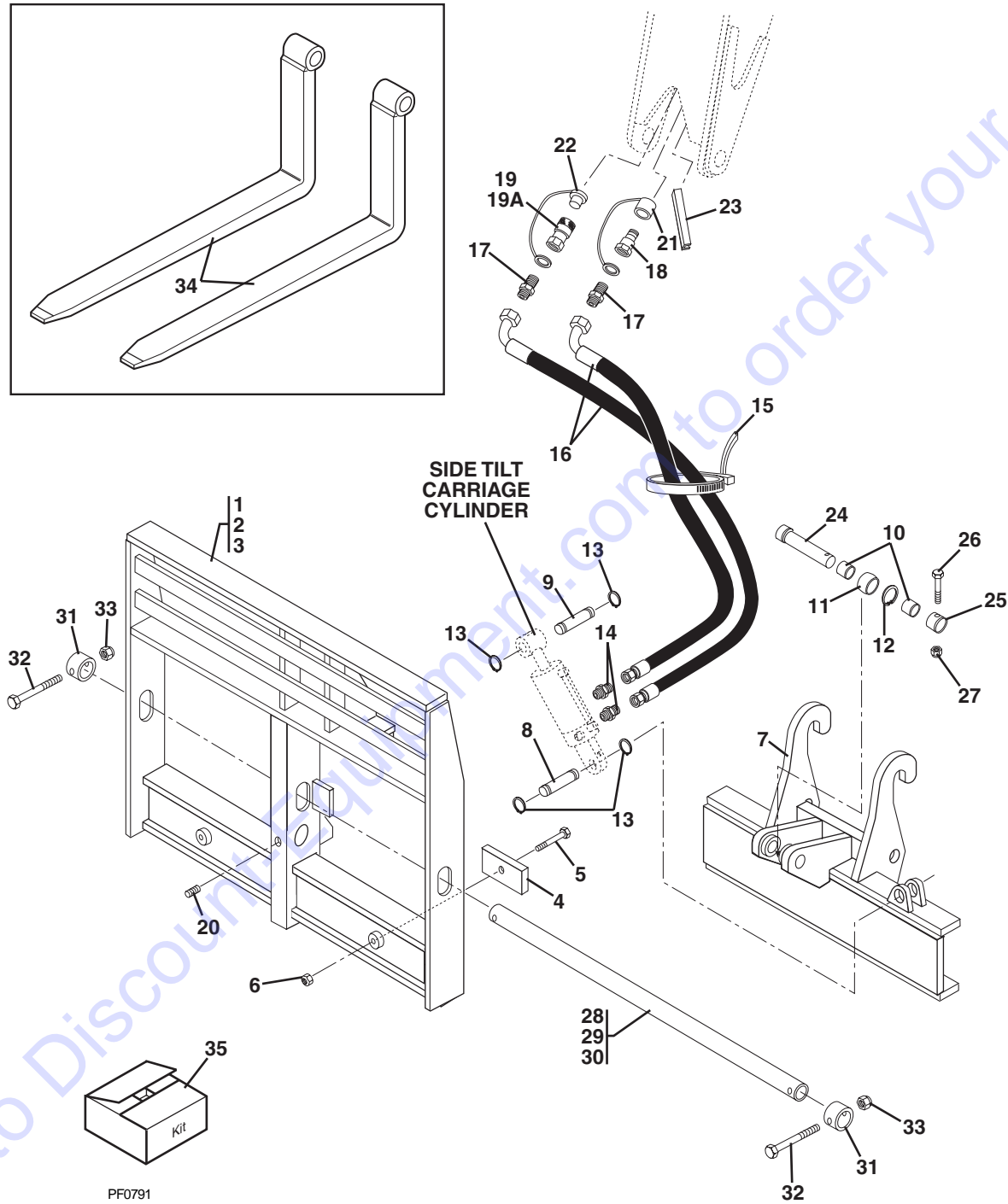
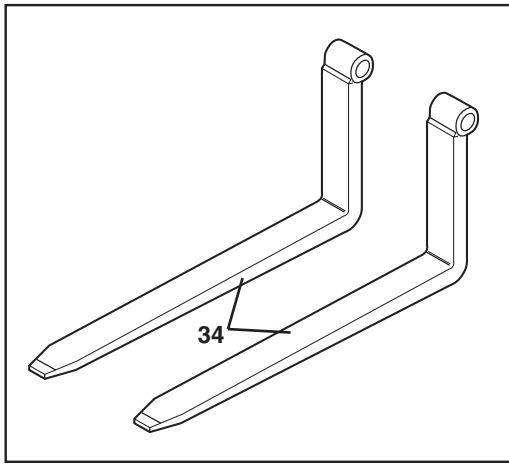


SIDE TILT CARRIAGE - OPTIONAL

PIVOT PIN WITH LOCK COLLAR (S/N 9B0472 & BEFORE)

Item No.	Part Number	Qty.	Description
1	7077344	1	Carriage, Side Tilt - 48" (Includes Items 3 thru 5)
2	7077444	1	Carriage, Side Tilt - 60" (Includes Items 3 thru 5)
3	7065482	2	Pad Wear
4	8303739	2	Screw, Hex Hd Cap, 5/16-18 x 1-1/4
5	8305626	2	Locknut, 5/16NC
6	7085154	1	Base, Pivot
7	7077501	1	Pin, Cylinder Base
8	7077511	1	Pin, Cylinder Rod
9	7077481	2	Spacer
10	8065643	1	Bushing, Self Align
11	8642001	1	Ring, Snap
12	8642235	4	Ring, Snap
13	8760117	2	Connector, Straight, SAE 6-6 - male JIC° x male str. thd. O-ring
14	8584001	1	Tie Wrap
15	2711992	2	Hose Assembly
16	8760030	2	Connector, Straight, SAE 6-6P - male JIC° x male NPT
17	8420056	1	Quick Disconnect, Male 6/6" NPT
18	8420057	1	Quick Disconnect, Female 6/6" NPT (Includes Item 18A)
18A	8640027	1	O-Ring, Viton for High Temp. Application of Item 18
19	8541433	1	Plug, Pipe Hex, Socket, 1/8
20	8420058	1	Cap, Dust, SAE 6
21	8420059	1	Plug, Dust, SAE 6
22	8582406-0090	1	Moulding
23	7085411	1	Pin, Pivot
24	7085501	1	Collar, Locking Pin
25	8303770	1	Screw, Hex Hd Cap, 3/8-16 x 2-3/4
26	8305645	1	Locknut, 3/8-16 ESNA
27	7075942	1	Shaft, Fork Pivot, 48 x 2.75"
28	7075952	1	Shaft Fork Pivot, 60 x 2.75" (Not Shown)
29	7079251	2	Collar, Locking
30	8303629	2	Screw, Hex Hd Cap, 1/2-13 x 4-1/2
31	8305644	2	Locknut, 1/2-13
32	7069093	2	Fork, Pallet 48 x 4 x 1.75" (3000 lb Rating)
	7077333	2	Fork, Lumber 60 x 7 (Not Shown)
	7070623	6	Fork, Blocking (Not Shown)
			<u>KITS</u>
33	7096712	1	Conversion Kit, Attachment, Size 6 to Size 8 Quick Couplers (Includes Items 17, 18, 19, 21 & 22, Page 9.9.3 & P/N 8760341 elbow for Auger Mount to replace corresponding parts on these attachments)

SIDE TILT CARRIAGE - OPTIONAL (S/N 9B0473 THRU 6036-1316)

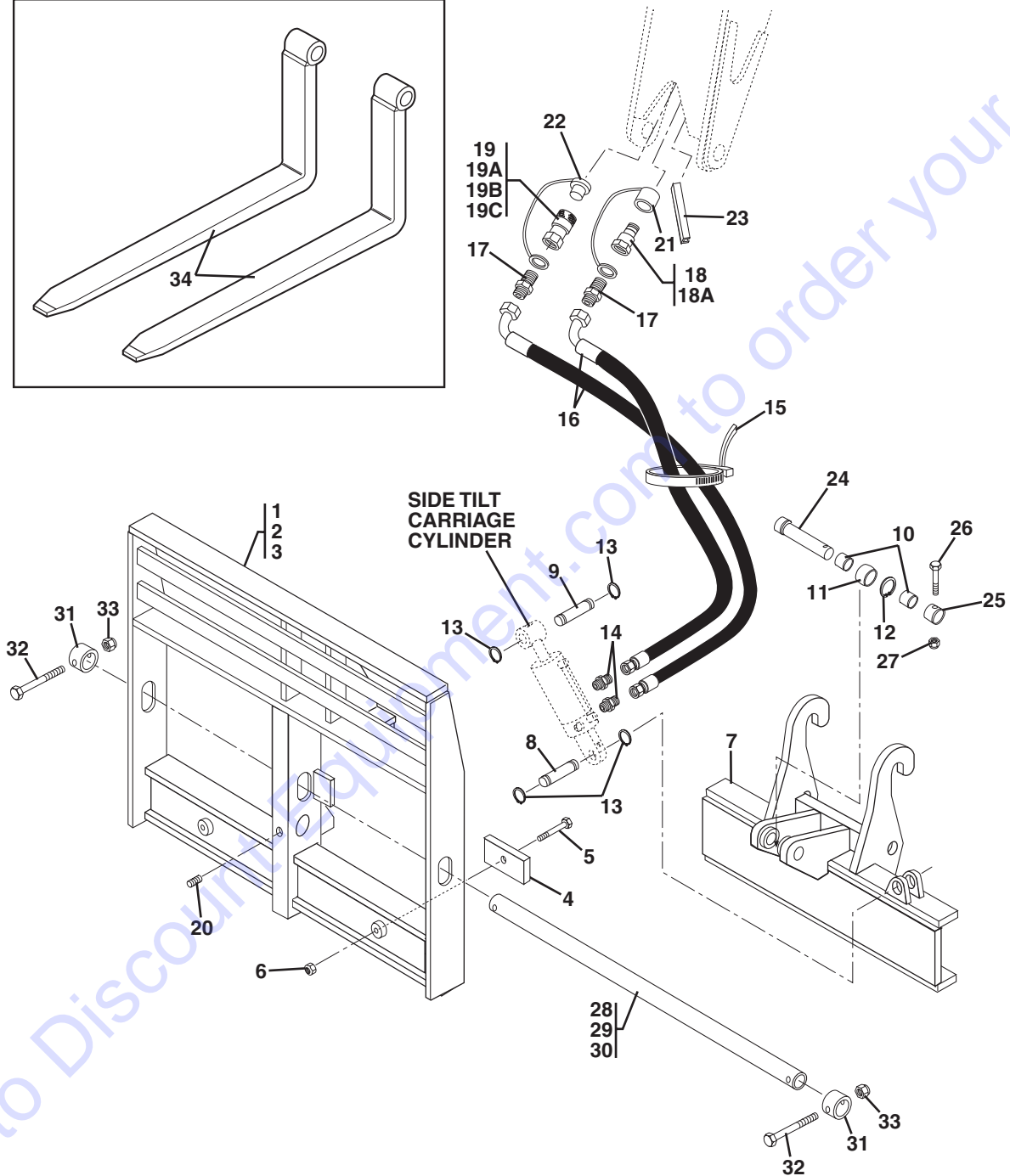
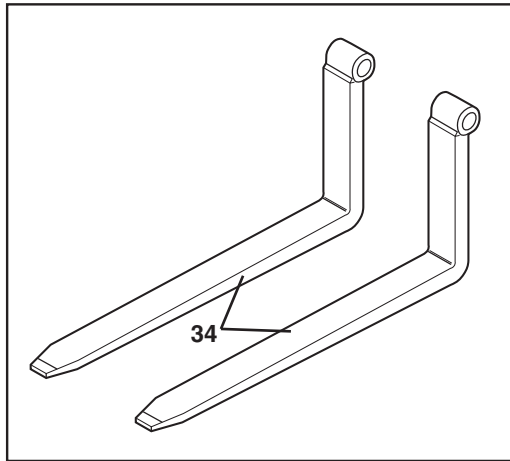


Go to DiscountEquipment.com to order your parts

SIDE TILT CARRIAGE - OPTIONAL (S/N 9B0473 THRU 6036-1316)

Item No.	Part Number	Qty.	Description
1	7089044	1	Carriage, Side Tilt - 48"
2	7089054	1	Carrige, Side Tilt - 60"
3	7098354	1	Carrige, Side Tilt - 72"
4	7065482	2	Pad Wear
5	8303739	2	Screw, Hex Hd Cap, 5/16-18 x 1-1/4
6	8305626	2	Locknut, 5/16NC
7	7085154	1	Base, Pivot
8	7077501	1	Pin, Cylinder Base
9	7077511	1	Pin, Cylinder Rod
10	7077481	2	Spacer
11	8065643	1	Bushing, Self Align
12	8642001	1	Ring, Snap
13	8642235	4	Ring, Snap
14	8760117	2	Connector, Straight, SAE 6-6 - male JIC° x amle str. thd. O-ring
15	8584001	1	TieWrap
16	2711992	2	Hose Assembly
17	8760030	2	Connector, Straight, SAE 6-6P - male JIC° x male NPT
18	8420056	1	Quick Disconnect, Male 6/6" NPT
19	8420057	1	Quick Disconnect, Female 6/6" NPT (Includes Item 18A)
19A	8640027	1	O-Ring, Viton for High Temp. Application of Item 18
20	8541433	1	Plug, Pipe Hex, Socket, 1/8
21	8420058	1	Cap, Dust, SAE 6
22	8420059	1	Plug, Dust, SAE 6
23	8582406-0090	1	Moulding
24	7085411	1	Pin, Pivot
25	7085501	1	Collar, Locking Pin
26	8303770	1	Screw, Hex Hd Cap, 3/8-16 x 2-3/4
27	8305645	1	Locknut, 3/8-16 ESNA
28	7083912	1	Shaft, Fork Pivot, 48 x 2.00"
29	7084972	1	Shaft, Fork Pivot, 60 x 2.00" (Not Shown)
30	7084942	1	Shaft, Fork Pivot, 72 x 2.00" (Not Shown)
31	7086471	2	Hub, Lock
32	8303634	2	Screw, Hex Hd Cap, 5/8-11 x 4
33	8305643	2	Locknut, 5/8-11
34	7048233	2	Fork, Pallet 48 x 4 x 1.75" (3000 lb Rating)
	7085673	2	Fork, Lumber 60 x 5 (Not Shown) (22" Fork Drop)
	7092793	2	Fork, Lumber 60 x 5 (Not Shown) (24" Fork Drop) (Service in Pairs when replaicing 22" drop forks)
	7085073	6	Fork, Blocking (Not Shown)
			<u>KITS</u>
35	7096712	1	Conversion Kit, Attachment, Size 6 to Size 8 Quick Couplers (Includes Items 17, 18, 19, 21 & 22, Page 9.9.3 & P/N 8760341 elbow for Auger Mount to replace corresponding parts on these attachments)

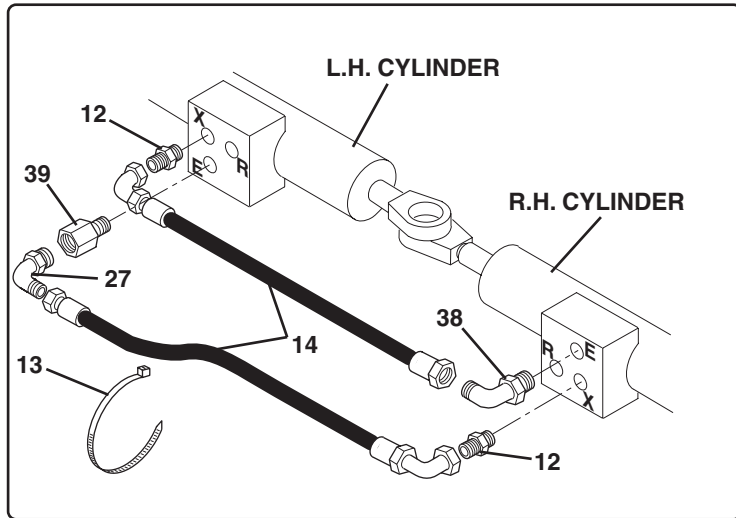
SIDE TILT CARRIAGE - OPTIONAL (S/N 6036-1317 & After)



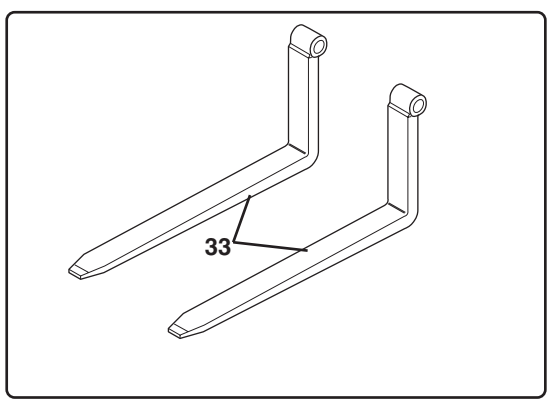
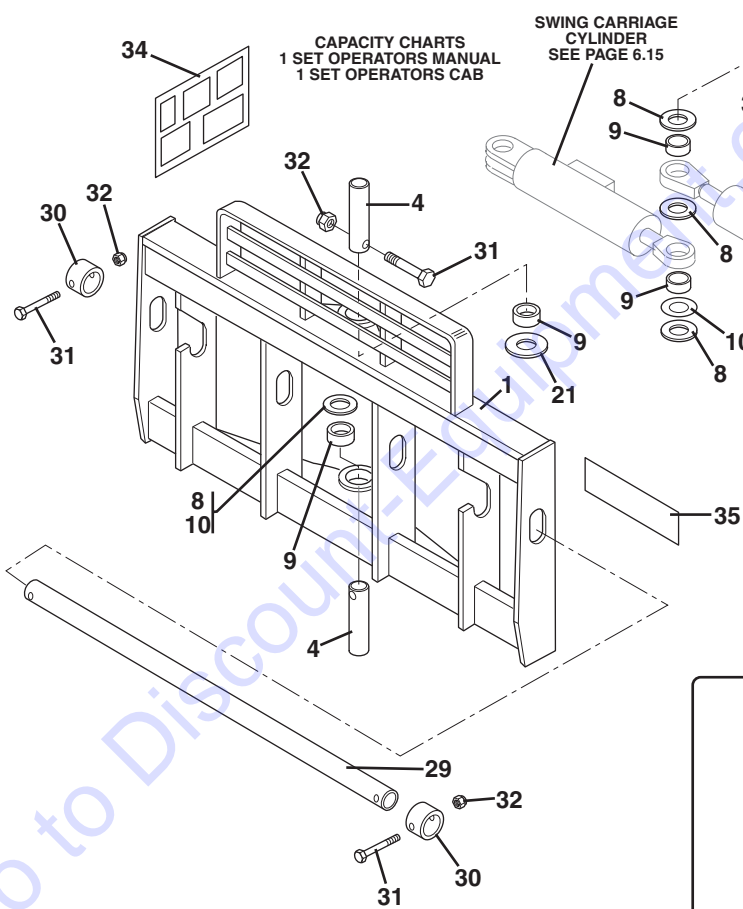
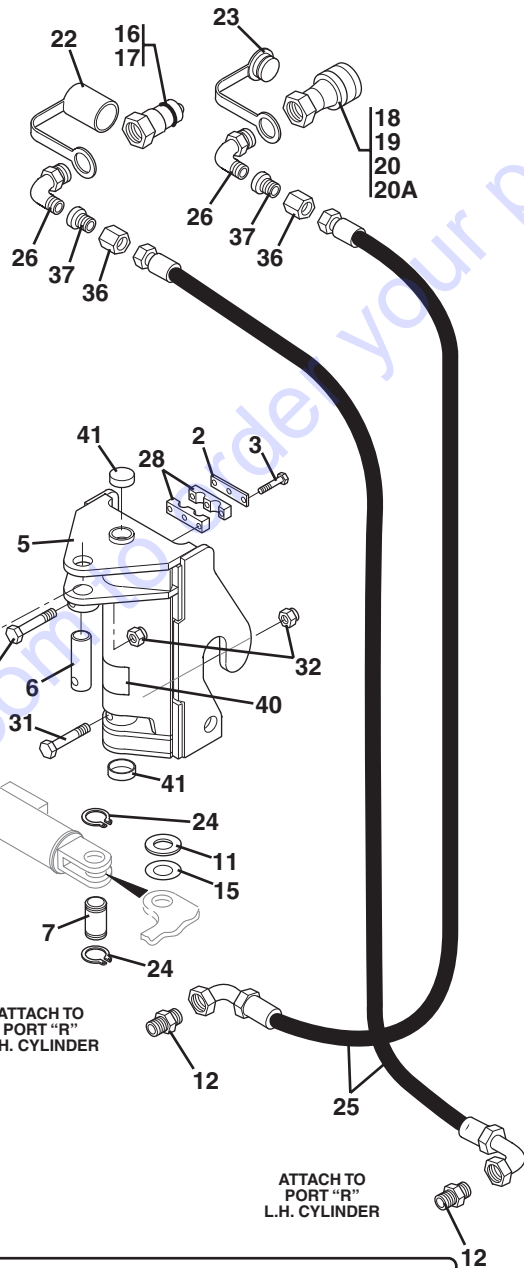
SIDE TILT CARRIAGE - OPTIONAL (S/N 9B0473 THRU 6036-1316)

Item No.	Part Number	Qty.	Description
1	7089044	1	Carriage, Side Tilt - 48"
2	7089054	1	Carriage, Side Tilt - 60"
3	7098354	1	Carriage, Side Tilt - 72"
4	7065482	2	Pad Wear
5	8303739	2	Screw, Hex Hd Cap, 5/16-18 x 1-1/4
6	8305626	2	Locknut, 5/16NC
7	7085154	1	Base, Pivot
8	7077501	1	Pin, Cylinder Base
9	7077511	1	Pin, Cylinder Rod
10	7077481	2	Spacer
11	8065643	1	Bushing, Self Align
12	8642001	1	Ring, Snap
13	8642235	4	Ring, Snap
14	8760117	2	Connector, Straight, SAE 6-6 - male JIC° x amle str. thd. O-ring
15	8584001	1	TieWrap
16	2711992	2	Hose Assembly
17	8760110	2	Connector, Straight, SAE 6-8 - male JIC 37° x male str. thd. O-ring
18	8420006	1	Quick Disconnect, Male, SAE 8-8, 3/4-16 ORB(Includes Item 18A)
18A	8640029	1	Seal, Nose, Viton (Not Shown)
19	8420005	1	Quick Disconnect, Female, SAE 8-8, 3/4-16 ORB (Includes Item 19A, 19B & 19C)
19A	8640029	1	Seal, Nose, Viton (Not Shown)
19B	8640028	1	Seal, Coupler Body, Viton (Not Shown)
19C	8640032	1	Back-up Ring, Coupler Body (Not Shown)
20	8541433	1	Plug, Pipe, Hex Socket, 1/8
21	8420053	1	Cap, Dust, SAE 8
22	8420055	1	Plug, Dust, SAE 8
23	8582406-0090	1	Moulding
24	7085411	1	Pin, Pivot
25	7085501	1	Collar, Pin Locking
26	8303770	1	Screw, Hex Hd Cap, 3/8-16 x 2-3/4
27	8305645	1	Locknut, 3/8-16 ESNA
28	7083912	1	Shaft, Fork Pivot, 48 x 2.00"
29	7084972	1	Shaft, Fork Pivot, 60 x 2.00"
30	7084942	1	Shaft, Fork Pivot, 72 x 2.00"
31	7086471	2	Hub, Lock
32	8303634	2	Screw, Hex Hd Cap, 5/8-11 x 4
33	8305643	2	Locknut, 5/8-11 x 4
34	7048233	2	Fork, Pallet 48 x 4 x 1.75" (3000 lb Rating)
	7085673	2	Fork, Lumber 60 x 5 (Not Shown) (22" Fork Drop)
	7082793	2	Fork, Lumber 60 x 5 (Not Shown) (24" Fork Drop) (Service in pairs when replacing 22" drop forks)
	7085073	6	Fork, Blocking (Not Shown)

SWING CARRIAGE (OPTIONAL)



CYLINDER AS VIEWED FROM THE BACKSIDE

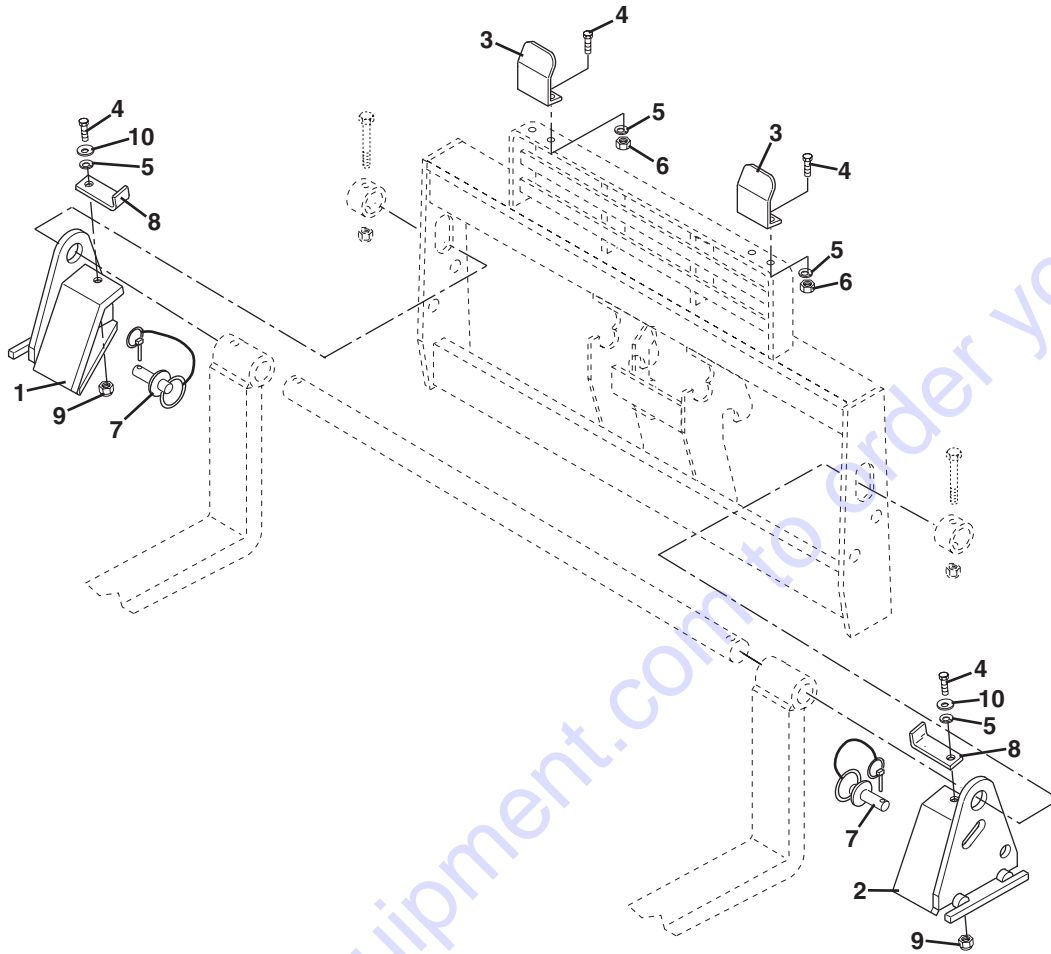


SWING CARRIAGE (OPTIONAL)

Item No.	Part Number	Qty.	Description
1	7111994	1	Carriage - 52"
	7110694	1	Carriage - 72"
2	6608621	1	Cover - Clamp
3	8303715	3	Screw, Hex Hd Cap, 5/16-18 x 1-1/2
4	7110702	2	Pin, Carriage Pivot
5	7110494	1	Base Pivot
6	7110712	1	Pin, Cylinder Pivot (Rod End)
7	7110722	2	Pin, Cylinder Pivot (Base End)
8	8307918	AR	Shim, 2" ID x 10 Ga
9	8065062	4	Bearing, Self Lube
10	8307904	AR	Shim, 2" ID x 18 Ga
11	8310161	AR	Shim, 1-1/2" ID x 10 Ga
12	8760113	4	Connector, Straight, SAE 4 - male JIC 37° x male str. thd. O-ring
13	8584001	4	TieWrap
14	6604662	2	Hose Assembly
15	8310160	AR	Shim, 1-1/2" I.D. x 18 Ga.
16	8430006	1	Quick Disconnect, Male 3/4-16 ORB (Includes Item 17)
17	8640029	1	Seal, Nose (Not Shown)
18	8430005	1	Quick Disconnect, Female 3/4-16 ORB (Includes Items 19, 20 & 20A)
19	8640029	1	Seal, Nose (Not Shown)
20	8640028	1	Seal, Large, Coupler Body (Not Shown)
20A	8640032	1	Back-up Ring for Large Seal (Not Shown)
21	7062922	1	Bearing, Thrust
22	8420053	1	Cap, Dust
23	8420055	1	Plug, Dust
24	8642207	4	Ring, Retaining
25	6611752	2	Hose Assembly
26	8760313	2	Elbow, 90° SAE 6-8 - male JIC° x male str. thd. O-ring
27	8760311	1	Elbow, 90° SAE 6 - male JIC° x male str. thd. O-ring
28	8769132	2	Clamp, Half
29	7112052	1	Shaft, Fork Pivot 52"
	7084942	1	Shaft, Fork Pivot 72"
30	7086471	2	Hub, Lock
31	8303634	5	Screw, Hex Hd Cap, 5/8-11 x 4"
32	8305643	5	Locknut, 5/8-11
33	7097523	2	Fork, Pallet 48" x 4" x 2" (4000 lb Rating)
	7097533	2	Fork, Lumber (Not Shown)
	7085073	6	Fork, Blocking (Not Shown)
34	4107692	2	Chart, Capacity
35	4107702	1	Decal, Danger - Tip Over Hazard
36	8760409	2	Nut, SAE 6 JIC 37°
37	8760475	2	Reducer, Tube End SAE 6-4 JIC 37°
38	8770012	1	Elbow, 90° SAE 6-4 male JIC 37°
39	8770016	1	Reducer, Tube End SAE 4-6
40	4107712	1	Decal, Danger - No Truss Boom
41	8580315	2	Plug, Trim 2-1/2" Dia.

Go to Discount-Equipment.com to order your parts

SHEET MATERIAL HANDLER (OPTIONAL)



PK0040

Item No.	Part Number	Qty.	Description
1	7112533	1	Fork Support, RH
2	7112523	1	Fork Support, LH
3	7112523	1	Backrest Extension, Top
4	8303626	6	Screw, Hex Hd Cap, 1/2-13 x 1-1/2
5	8307007	6	Washer, Lock 1/2"
6	8305012	4	Nut, Hex, 1/2-13
7	8301456	2	Hitch Pin
8	7114941	2	Lock, Bar
9	8305644	2	Locknut, Hex, Elastic 1/2-13
10	8307112	2	Washer, Flat, 1/2" LT

MOST ACTIVE SERVICE PARTS PROFILE for 6036 SKY TRAKs

<u>Part Number</u>	<u>Description</u>	<u>Qty/Unit</u>
8032718	Seal Kit, Hoist Cylinder (For Cylinders marked w/TJB)	2
8205668	Seal Kit, Hoist Cylinder (For Cylinders marked w/BHE)	2
8205659	Seal Kit, Extend Cylinder (For Cylinders marked w/TJB)	1
8205667	Seal Kit, Extend Cylinder (For Cylinders marked w/BHE)	1
8032707	Seal Kit, Slave & Attachment Tilt Cylinders	2
8032730	Seal Kit, Frame Tilt Cylinder	1
8033489	Seal Kit, Steer Cylinder (S/N 3101 & Before)	4
8034690	Seal Kit, Steer Cylinder (S/N 3102 & After)	4
8223436	Switch, Ignition	1
8223438	Key, Ignition Switch	1
8032893	Stud, Wheel	40
8786516	Nut, Wheel	40
2711862	Hose, Extend Cylinder	2
2712112	Hose, Tilt Cylinder	1
2711882	Hose, Tilt Cylinder	2
8033485	Seal Kit, Front Axle	1
8033486	Seal Kit, Rear Axle	1
8277143	Relay, Starter	1
8342808	Key, Access Panels	1
8270412	Solenoid, Starter	1
8160053	Cable, Control - Throttle	1
8825174	Switch, Neutral Start	1
8033000	Cross & Bearing Kit	6
8032886	Retainer, Grease	8
8032885	Cup, Bearing	8
8032883	Cone, Bearing	8
8033481	Disc & Brake Kit for Park Lock	1
7111572	Pad, Wear	30
7082311	Insert, Wear Pad	68
8320240	Element, Hydraulic Oil Filter (S/N 9B0499 & Before)	1
8273238	Element, Air Cleaner - Safety (Turbo Engines)	1
8273271	Element, Air Cleaner - Safety (Natural Engines)	1
8205656	Seal Kit, Counterbalance & Pilot Check Valves	5
8032816	Boot - For Tie Rods & Steer Cylinder Ball Joints	12
7079162	Muffler	1
8270617	Alarm, Back-up	1
8160052	Cable, Control - Frame/Fork Tilt Joystick (S/N 9B0499 & Before)	2
8320242	Element, Engine Oil Filter (Perkins Engines)	1
8825183	Element, Fuel Filter (Perkins Engines)	1
8273267	Element, Air Cleaner - Primary (Natural Engines)	1
8320254	Element, Transmission Oil Filter	1
8320265	Element, Hydraulic Oil Filter	1
8273237	Element, Air Cleaner - Primary (Turbo Engines)	1
8320262	Element, Engine Oil Filter (Cummins Engines)	1
8320250	Element, Fuel Filter - Primary (Cummins Engines)	1
8320253	Element, Fuel Filter - Secondary (Cummins Engines)	1
8274022	Strainer, Inline Fuel	1
8080023	Belt, Engine Fan (Perkins Engines)	1
8080613	Belt, Engine Fan (Cummins Engines)	1
8522042	Oil, Special TRAK Wet Disc Brake	4 gal.
8320270	Filter/Water Separator (Turbo Charged S/N 3617 & After Only)	1

PART NUMBER INDEX

Part Number	Page	Part Number	Page	Part Number	Page	Part Number	Page
2709372	5.4.1		5.9		5.7	4106981	8.1
	5.4.2		5.9.1	2712112	5.4	4106991	8.1
2710672	5.5		5.9.2		5.4.1	4107001	8.1
	5.5.1		5.9.3		5.4.2	4107223	8.1
	5.5.2	2711982	5.1.1	2712122	5.1.2	4107232	8.1
	5.5.3		5.1.2		5.4	4107243	8.1
	5.9	2711992	5.1	2712132	5.3	4107252	8.1
	5.9.1		5.1.1		5.3.1	4107272	8.1
	5.9.2		5.1.2		5.3.2	4107283	8.1
	5.9.3		9.9	2712142	5.1	4107402	8.1
2711382	5.6		9.9.1		5.1.1	4107412	8.1
2711492	5.5.1		9.9.2		5.1.2	4107442	8.1
	5.5.3		9.9.3	2712152	5.3	4107452	8.1
	5.9	2712002	5.1		5.3.1	4107462	8.1
	5.9.1		5.1.1		5.3.2	4107492	8.1
	5.9.2	2712012	5.1	2712172	5.8	4107542	8.1
	5.9.3		5.1.1		5.8.1	4107552	8.1
2711543	6.4		5.1.2	2712182	5.2	4107651	8.1
2711613	6.13	2712022	5.5	2712292	5.6.2	4107692	9.10
2711673	6.8		5.5.1		5.6.3	4107702	9.10
2711693	6.5		5.5.2	2712322	5.4.1	4107712	9.10
2711703	6.7		5.5.3		5.4.2	4107901	8.1
2711723	6.6		5.9	2712332	5.5.1	5713331	5.8
2711832	5.2		5.9.1		5.5.3		5.8.1
	5.2.1		5.9.2		5.9.1		5.8.2
	5.2.2		5.9.3		5.9.3	5715112	5.10
	5.2.3	2712032	5.1.2	2712342	5.2.1		5.7
	5.2.4		5.5		5.2.2	5721202	7.2.1
2711852	5.3		5.5.2		5.2.3	5724302	1.1
	5.3.1	2712042	5.5		5.2.4	5906392	9.2
	5.3.2		5.5.2	2712582	5.8	6604662	9.10
2711862	5.3		5.9		5.8.1	6604782	5.4.1
	5.3.1		5.9.2		5.8.2		5.4.2
	5.3.2	2712052	5.5	2712592	5.1.2	6604862	5.2.1
2711872	5.4		5.5.2	2712922	5.8		5.2.2
2711882	5.4		5.5.3		5.8.1		5.2.3
	5.4.1		5.9		5.8.2		5.2.4
	5.4.2		5.9.2	2712993	4.8.1	6604902	5.10
2711892	5.4		5.9.3		4.9.1		5.10.1
2711902	5.2	2712072	5.5	2713054	4.8.1	6605152	5.5.1
	5.2.1		5.5.1		4.9.1		5.5.3
	5.2.2		5.5.2		5.10.1		5.9.1
	5.2.3		5.5.3	2713363	6.15		5.9.3
	5.2.4		5.9	2713793	6.4	6605182	5.6.2
	6.1		5.9.1	4100181	8.1		5.6.3
	6.1.1		5.9.2	4102321	8.1	6605652	5.5.2
2711912	5.2		5.9.3	4104291	8.1		5.9.2
	5.4.1	2712082	5.10	4105171	8.1	6608621	9.10
	5.4.2		5.10.1	4105262	8.1	6611752	9.10
2711922	5.2		5.7	4105621	2.13	7010491	8.1
2711942	5.1	2712092	5.5		2.13.1	7015531	7.2
	5.1.1		5.5.1	4106092	8.1	7047041	7.1
2711962	5.1		5.5.2	4106523	8.1		7.1.1
	5.1.1		5.5.3	4106561	9.8		7.2
	5.1.2		5.9	4106681	8.1	7047232	4.4
2711972	5.1		5.9.1	4106692	2.5	7047371	7.2
	5.1.1		5.9.2	4106761	8.1	7047421	7.2
	5.1.2		5.9.3	4106781	8.1		
	5.5	2712102	5.10	4106852	8.1		
	5.5.2		5.10.1	4106872	8.1		

PART NUMBER INDEX

Part Number	Page	Part Number	Page	Part Number	Page	Part Number	Page
7048233	9.5	7075952	9.9	7081571	1.1	7082921	6.1.2
.....	9.6	9.9.1	7081582	9.1	7082971	8.1
.....	9.7	7076711	4.4	9.1.1	2.1
.....	9.9.2	7076721	4.4	7081601	1.1	7083054	9.5
.....	9.9.3	7077261	1.2	7081612	9.1	7083102	9.1
7054351	4.1	7077333	9.9	9.1.1	7083313	3.17
.....	4.5	9.9.1	7081621	9.1	7083353	1.1
.....	4.8	7077344	9.9	9.1.1	7083503	1.2
.....	4.8.1	9.9.1	7081631	9.1	7083533	1.2
.....	4.9	7077444	9.9	9.1.1	7083583	1.2
.....	4.9.1	9.9.1	7081641	9.3	7083621	4.4
7054902	5.2	7077481	9.9	7081693	5.6	7083693	4.1
.....	5.2.1	9.9.1	5.6.1	4.5
.....	5.2.2	9.9.2	7081703	4.1	7083752	9.4
.....	5.2.3	9.9.3	4.5	7083912	9.5
.....	5.2.4	7077501	9.9	7081731	5.6	9.9.2
7057141	4.1	9.9.1	5.6.1	9.9.3
.....	4.5	9.9.2	7081773	5.6	7083922	9.3
.....	4.8	9.9.3	5.6.1	7083963	2.4
.....	4.8.1	7077511	9.9	7081783	5.6	7083982	4.1
.....	4.9	9.9.1	5.6.1	4.5
.....	4.9.1	9.9.2	7081833	5.3	4.8
.....	5.6	9.9.3	5.3.1	4.9
.....	5.6.1	7077782	2.9	5.3.2	7083992	9.5
.....	5.6.2	7078403	3.17	7081843	5.3	9.6
.....	5.6.3	7078583	4.14	5.3.1	9.7
7058372	7.2	4.4	5.3.2	7084202	7.1
.....	7.2.1	7078852	3.9	7081962	4.10	7.1.1
7062922	9.10	7078862	3.7	7082062	4.1	7084212	7.1
7063432	9.2	7079162	4.10	4.5	7084542	7.3
7063452	9.2	4.11	7082073	4.1	7084602	3.17
7063462	9.2	4.2	4.5	7084612	3.17
7063472	9.1	4.6	7082261	7.3	7084673	5.4
.....	9.1.1	7079173	4.2	7.4	5.4.1
.....	9.3	7079251	9.9	7082292	2.5	5.4.2
7063482	9.1	9.9.1	7082311	9.1	7084683	5.8
.....	9.1.1	7079862	3.6	9.1.1	5.8.1
.....	9.3	7079904	9.1	7082311	9.2	5.8.2
7065482	9.9	9.1.1	9.3	7084792	1.2
.....	9.9.1	7080161	9.1	7082342	9.2	7084821	1.2
.....	9.9.2	7080192	7.3	7082362	9.1	7084882	2.1
.....	9.9.3	7.4	9.1.1	7084902	2.5
7068651	7.1	7080231	9.9	9.2	7084911	1.1
.....	7.3	7080244	9.2	9.3	7084942	9.10
.....	7.4	7080343	4.1	7082424	7.1	9.7
7069093	9.9	4.5	7082452	4.1	9.9.2
.....	9.9.1	7080383	1.2	4.14	9.9.3
7069743	7.2	7080751	3.6	4.5	7084972	9.6
7069851	7.2	7080763	1.2	4.8	9.9.2
7070623	9.9	7080782	4.2	4.8.1	9.9.3
.....	9.9.1	7080891	2.10	4.9	7085073	9.10
7070992	4.14	7080981	4.3	4.9.1	9.5
.....	4.4	4.3.1	7082584	7.1	9.6
.....	7.1	7081002	6.1	7082622	9.2	9.7
.....	7.3	7081031	2.10	7082673	5.4	9.9.2
.....	7.4	7081532	9.1	5.4.1	9.9.3
7075611	9.1	9.1.1	5.4.2	7085154	9.9.1
.....	9.1.1	7081541	1.1	7082793	9.9.3	9.9.2
7075942	9.9	7081551	1.1	7082901	6.1	9.9.3
.....	9.9.1	7081561	1.1	6.1.1	9.9.3

PART NUMBER INDEX

Part Number	Page	Part Number	Page	Part Number	Page	Part Number	Page
7085403	2.13		9.6		4.8.1	7091881	7.7
	2.13.1		9.7		4.9	7091902	4.12.1
7085411	9.9.1	7087361	2.7.1		4.9.1		4.13.1
	9.9.2		7.6	7088511	3.20		4.3.1
	9.9.3	7087383	2.7.1	7088522	2.14	7091973	4.1
7085422	4.1		7.6	7088533	2.7.1		4.8
	4.5	7087411	7.2		2.7.2		4.8.1
	4.8	7088042	2.7.2		2.7.3		4.9
	4.8.1		2.7.3	7088653	2.7.2		4.9.1
	4.9	7088052	2.7.2		2.7.3	7092121	4.4
	4.9.1		2.7.3	7088692	5.6.2	7092533	3.17
7085442	9.1	7088062	2.7.2	7088802	6.1.1	7092552	5.5.3
	9.1.1		2.7.3	7088842	2.7.2		5.6.2
	9.2	7088072	3.18	7088942	2.8.1		5.9.3
	9.3	7088081	2.7.2	7088952	2.7.1		6.11.1
7085491	5.8		2.7.3	7089044	9.9.2	7092612	3.17
	5.8.1	7088122	2.7.2		9.9.3	7092652	6.1.2
7085501	9.9.1		2.7.3	7089054	9.9.2	7092762	3.17
	9.9.2		7.7		9.9.3	7092772	3.17
	9.9.3	7088141	2.14	7089114	7.1.1	7092793	9.5
7085542	9.3	7088161	2.7.2	7089292	5.3.1		9.6
7085552	9.4		2.7.3	7089322	2.7.1		9.7
7085562	9.4	7088202	2.7.2	7089712	2.7.2		9.9.2
7085571	9.4		2.7.3		2.7.3	7093194	6.1
7085673	9.9.2		7.7		7.7		6.1.1
	9.9.3	7088212	2.7.2	7089722	3.11		6.1.2
7085682	7.1		7.7		3.12	7093242	5.5.2
7085732	7.2	7088222	2.7.2		6.7		5.6.1
7085751	7.2		2.7.3	7089781	9.1		5.9.2
7085783	7.2		7.7		9.1.1	7093262	6.1
7085791	7.2	7088232	2.7.2	7089913	1.1	7093272	6.1.1
7085801	7.2		2.7.3	7089943	4.1	7093442	7.1
7085821	7.2		7.7		4.5		7.3
7085831	7.2	7088242	2.7.2	7090031	2.7.3		7.4
7086163	4.7		2.7.3	7090041	7.7	7093772	4.8.1
7086183	4.6	7088252	2.7.2	7090051	7.7		4.9.1
7086304	9.6		2.7.3	7090141	7.7	7093783	4.8.1
7086452	9.1	7088262	2.7.2	7090191	7.7		4.9.1
	9.1.1		2.7.3	7090331	4.1	7093803	4.1
7086471	9.10	7088283	4.11		4.5		4.5
	9.5	7088303	4.8	7090432	2.7.2		4.8
	9.6		4.9		2.7.3		4.9
	9.7	7088314	4.8	7090461	2.7.2	7095741	6.3
	9.9.2		4.9		2.7.3	7095841	3.15.1
	9.9.3	7088322	4.8	7090751	2.4		3.15.2
7086742	4.2		4.9	7090781	2.7.2	7096062	1.1
	4.10	7088341	1.1	7090801	6.2	7096334	2.5
	4.11	7088352	4.8	7090814	9.7	7096434	2.5
	4.6		4.8.1	7090901	7.7	7096491	9.3
7086752	2.7.1		4.9	7090922	7.7	7096622	1.1
	7.6		4.9.1	7090942	3.20	7096712	9.9
7086762	2.7.1	7088362	4.10	7091291	4.14		9.9.1
	7.6		4.11		4.4		9.9.2
7086772	2.7.2		4.2	7091323	2.13.1	7096862	5.8
	2.7.3		4.6	7091562	3.13		5.8.1
	7.7	7088372	4.1	7091592	5.6.2	7096874	7.3
7086851	1.1		4.5		5.6.3		7.4
7086861	2.5		4.8	7091852	2.15	7097233	2.1
7086894	9.9		4.9	7091871	7.6	7097491	5.8.1
7087002	9.5	7088413	4.8		7.7	7097523	9.10

PART NUMBER INDEX

Part Number	Page	Part Number	Page	Part Number	Page	Part Number	Page
7097533	9.10	7112102	2.1	8032509	3.1	8032558	3.2
7097644	5.8	7112112	2.1	8032510	3.1		3.2.1
	5.8.1	7112302	7.2.1	8032511	3.1	8032559	3.2
7097662	5.8	7112381	8.1	8032512	3.1		3.2.1
	5.8.1	7112434	4.8.1	8032513	3.1	8032560	3.2
7097751	5.10		4.9.1	8032514	3.1		3.2.1
7097761	5.10	7112492	4.8.1	8032515	3.1	8032563	3.2
7097811	5.10		4.9.1	8032516	3.1		3.2.1
	5.10.1	7112511	2.11	8032517	3.1	8032564	3.2
7097882	2.14		7.1.1	8032518	3.1		3.2.1
7098142	2.8	7112523	9.11	8032519	3.1	8032565	3.2
	2.8.1	7112533	9.11	8032520	3.1		3.2.1
7098271	5.10	7112632	2.7.3	8032521	3.1	8032566	3.2
	5.10.1	7112642	9.11	8032522	3.1		3.2.1
7098281	5.10	7114542	7.4	8032523	3.1		3.3
	5.10.1	7114754	7.1.1	8032524	3.1	8032567	3.2
7098293	5.6.2	7114941	9.11	8032525	3.1		3.2.1
	5.6.3	7116642	9.2	8032526	3.1	8032568	3.2
7098342	2.1	7116691	9.2	8032527	3.1		3.2.1
7098354	9.9.2	7116722	9.3	8032528	3.1	8032569	3.1
	9.9.3	7116742	9.2	8032529	3.1	8032570	3.2
7098461	4.8	7116752	9.2	8032530	3.1	8032571	3.2
	4.9	7116812	9.2	8032531	3.1	8032572	3.2
7098864	7.3	7116822	9.1	8032532	3.1	8032573	3.2
	7.4		9.1.1	8032533	3.1		3.2.1
7098871	7.3	7116844	9.1	8032535	3.1	8032574	3.2
	7.4		9.1.1	8032536	3.1		3.2.1
7098881	7.3	7116862	9.1	8032537	3.1	8032575	3.2
	7.4		9.1.1	8032538	3.1	8032576	3.2
7098973	7.2.1	7116882	9.1	8032539	3.1	8032577	3.2
7099324	2.2		9.1.1	8032540	3.1	8032578	3.2
7099332	2.5	7117031	9.3	8032541	3.1		3.2.1
7099352	2.5	7117182	9.2		3.2	8032579	3.2
7099452	7.2.1	7117192	9.3		3.2.1		3.2.1
7099462	7.2.1	7118702	4.13	8032542	3.1	8032580	3.2
7099721	8.1		4.13.1		3.2		3.2.1
7099943	4.8.1	7118962	4.12		3.2.1	8032581	3.2
	4.9.1		4.12.1	8032543	3.1		3.2.1
7110494	9.10	7126272	2.1		3.2	8032582	3.2
7110694	9.10	7126684	7.4		3.2.1		3.2.1
7110702	9.10	7126922	4.11	8032545	3.1	8032583	3.2
7110712	9.10	7126953	4.11		3.2		3.2.1
7110722	9.10	7126962	4.11		3.2.1	8032584	3.2
7110744	9.8	7126992	4.11	8032546	3.1		3.2.1
7110782	7.2.1	7127062	4.11	8032550	3.2	8032585	3.2
7110911	2.7.3	7772035-0008	2.12		3.2.1		3.2.1
7110922	2.7.3	8030128	4.2	8032551	3.2	8032586	3.2
	7.7		4.6		3.2.1		3.2.1
7111191	7.2.1	8030943	4.4	8032552	3.2	8032587	3.2
7111203	2.10	8032500	3.1		3.2.1		3.2.1
7111332	2.2	8032501	3.1	8032553	3.2	8032588	3.2
7111572	9.1	8032502	3.1		3.2.1		3.2.1
	9.1.1	8032503	3.1	8032554	3.2	8032589	3.2
	9.2		3.2		3.2.1		3.2.1
	9.3		3.3	8032555	3.2	8032590	3.2
7111762	7.7	8032504	3.1		3.2.1	8032591	3.2
7111832	2.5	8032505	3.1	8032556	3.2	8032592	3.2
7111842	2.5	8032506	3.1		3.2.1		3.2.1
7111994	9.10		3.3	8032557	3.2	8032593	3.2
7112052	9.10	8032508	3.1		3.2.1		3.2.1

PART NUMBER INDEX

Part Number	Page	Part Number	Page	Part Number	Page	Part Number	Page
8032594	3.2	8032646	3.3	8032693	6.11.1	8032780	3.19.1
.....	3.2.1	8032647	3.3	8032695	6.11.1	8032781	3.19
8032595	3.2	8032648	3.3	8032702	6.6	3.8
.....	3.2.1	8032649	3.3	6.7	8032784	3.8
8032596	3.2	8032650	3.3	8032704	6.6	8032785	3.19
.....	3.2.1	8032651	3.3	6.7	3.8
8032598	3.2	8032652	3.3	8032705	6.6	8032786	3.19.1
.....	3.2.1	8032653	3.4	8032706	6.6	8032787	3.19
8032599	3.2	8032654	3.4	8032707	6.6	3.8
.....	3.2.1	8032655	3.4	6.7	8032788	6.11.1
8032600	3.2	8032656	3.4	8032712	6.4	8032790	6.11.1
.....	3.2.1	8032657	3.4	6.8	8032791	6.11.1
8032601	3.2	8032658	3.4	8032714	6.4	8032792	3.19.1
.....	3.2.1	8032659	3.4	8032715	6.4	8032795	6.2
8032602	3.2	8032660	3.4	8032716	6.4	8032796	6.2
.....	3.2.1	8032661	3.4	8032717	6.4	8032797	6.2
8032603	3.2	8032662	3.4	8032718	6.4	8032799	6.2
.....	3.2.1	8032663	3.4	8032719	6.4	8032800	6.2
8032604	3.3	8032664	3.4	8032726	6.8	8032801	6.2
8032605	3.3	8032665	3.4	8032727	6.8	8032802	6.2
8032606	3.3	8032666	3.5	8032728	6.8	8032803	6.2
8032607	3.3	3.5.1	8032729	6.8	8032804	6.2
8032608	3.3	8032667	3.5	8032730	6.8	8032806	6.2
8032609	3.3	8032668	3.5	8032731	6.5	8032810	6.2
8032610	3.3	3.5.1	8032732	6.5	8032811	6.2
8032611	3.3	8032669	3.5	8032734	6.5	8032813	6.2
8032612	3.3	3.5.1	8032736	6.5	8032815	3.13
8032613	3.3	8032670	3.5	8032737	6.5	8032816	3.16
8032614	3.3	3.5.1	8032738	6.5	8032817	3.11
8032615	3.3	8032671	3.5	8032746	6.7	8032819	3.11
8032616	3.3	8032672	3.5	8032747	6.7	3.12
8032617	3.3	3.5.1	8032756	6.11	8032820	3.11
8032618	3.3	8032673	3.5	6.11.1	3.12
8032619	3.3	3.5.1	7.1	8032821	3.11
8032620	3.2	8032674	3.5	7.1.1	3.12
.....	3.2.1	3.5.1	8032757	6.11	8032822	3.11
8032621	3.3	8032675	3.5	8032758	6.11	3.12
8032622	3.3	3.5.1	8032759	6.11	8032823	3.11
8032623	3.3	8032676	3.5	8032762	4.13	3.12
8032624	3.3	3.5.1	4.13.1	8032824	3.11
8032625	3.3	8032677	3.5	4.7	3.12
8032626	3.3	3.5.1	8032763	4.12	8032825	3.11
8032627	3.3	7.1	4.12.1	3.12
8032628	3.3	7.3	4.3	8032826	3.15
8032629	3.3	7.4	4.3.1	3.15.1
8032630	3.3	8032678	3.5	8032764	4.12	3.15.2
8032631	3.3	3.5.1	4.13	3.15.3
8032632	3.3	8032679	3.5	4.12.1	8032827	3.11
8032633	3.3	3.5.1	4.13.1	3.12
8032634	3.3	8032680	3.5	4.3	8032828	3.11
8032635	3.3	3.5.1	4.3.1	3.12
8032637	3.3	8032681	3.5	4.7	8032829	3.11
8032638	3.3	3.5.1	8032766	3.19	3.12
8032639	3.3	8032682	3.5	3.19.1	8032830	3.11
8032640	3.3	3.5.1	3.8	3.12
8032641	3.3	8032684	6.11.1	8032768	3.19	8032831	3.11
8032642	3.3	8032686	6.11.1	3.8	3.12
8032643	3.3	8032687	6.11.1	8032770	3.19	8032832	3.11
8032644	3.3	8032688	6.11.1	3.19.1	3.12
8032645	3.3	8032690	6.11.1	3.8		

PART NUMBER INDEX

Part Number	Page	Part Number	Page	Part Number	Page	Part Number	Page
8032833	3.11	8032879	3.15	8032900	3.15		3.15.1
	3.12		3.15.1		3.15.1		3.15.2
8032834	3.11		3.15.2		3.15.2		3.15.3
	3.12		3.15.3		3.15.3	8032923	3.15
8032835	3.11	8032880	3.13	8032901	3.14		3.15.1
	3.12	8032881	3.13		3.15		3.15.2
8032836	3.11	8032882	3.13		3.15.1		3.15.3
	3.12	8032883	3.13		3.15.2	8032924	3.15
8032837	3.11	8032885	3.13		3.15.3		3.15.1
	3.12	8032886	3.13	8032902	3.14		3.15.2
8032838	3.11	8032887	3.13		3.15		3.15.3
	3.12	8032888	6.3		3.15.1	8032925	3.15
8032839	3.11		7.1		3.15.2		3.15.1
	3.12	8032890	3.15		3.15.3		3.15.2
8032840	3.11		3.15.1	8032903	3.14		3.15.3
	3.12		3.15.2		3.15	8032926	3.15
8032841	3.11		3.15.3		3.15.1		3.15.1
	3.12	8032891	3.15		3.15.2		3.15.2
8032842	3.11		3.15.1		3.15.3		3.15.3
	3.12		3.15.2	8032904	3.15	8032927	3.15
8032843	3.11		3.15.3		3.15.1		3.15.1
	3.12	8032892	3.15		3.15.2	8032928	3.16
8032845	3.11		3.15.1		3.15.3	8032929	3.16
	3.12		3.15.2	8032905	3.9	8032930	3.16
8032846	3.11		3.15.3	8032906	3.14	8032931	3.16
	3.12	8032893	3.14		3.15	8032933	3.14
8032847	3.11		3.15		3.15.1	8032934	3.14
8032848	3.15		3.15.1		3.15.2	8032935	3.14
	3.15.1		3.15.2		3.15.3	8032936	3.14
	3.15.2		3.15.3	8032907	3.15	8032937	3.14
	3.15.3	8032894	3.14		3.15.1	8032938	3.14
8032849	3.11		3.15		3.15.2	8032939	3.14
8032850	3.11		3.15.1		3.15.3	8032940	3.14
8032851	3.11		3.15.2	8032908	3.14	8032941	3.14
	3.12		3.15.3		3.15	8032942	3.14
8032852	3.11	8032895	3.14		3.15.1	8032943	3.14
	3.12		3.15		3.15.2	8032944	3.14
8032854	3.11		3.15.1		3.15.3	8032945	3.14
	3.12		3.15.2	8032910	3.15	8032946	3.19
8032855	3.11		3.15.3		3.15.1		3.8
	3.12	8032896	3.14		3.15.2	8032947	3.19
	3.13		3.15		3.15.3	8032948	3.14
8032857	3.11		3.15.1	8032912	3.15	8032949	3.15
	3.12		3.15.2		3.15.1		3.15.1
8032859	3.11		3.15.3		3.15.2		3.15.2
	3.12	8032897	3.14		3.15.3		3.15.3
8032861	3.12		3.15	8032913	3.15	8032950	3.19.1
8032862	3.12		3.15.1		3.15.1		3.3
8032863	3.12		3.15.2		3.15.2	8032951	3.13
8032864	3.12		3.15.3		3.15.3	8032953	3.12
8032866	3.13	8032898	3.14	8032914	3.15	8032954	3.11
8032867	3.13		3.15		3.15.1	8032957	3.15
8032868	3.13		3.15.1		3.15.2		3.15.1
8032869	3.13		3.15.2		3.15.3		3.15.2
8032870	3.13		3.15.3	8032915	6.3		3.15.3
8032874	3.13	8032899	3.14	8032916	6.3	8032958	3.20
8032875	3.13		3.15	8032918	3.14		3.6
8032876	3.13		3.15.1	8032920	3.15	8032959	3.20
8032877	3.13		3.15.2		3.15.1		3.6
8032878	3.13		3.15.3	8032922	3.15	8032960	3.11

PART NUMBER INDEX

Part Number	Page	Part Number	Page	Part Number	Page	Part Number	Page
8032963	6.9		3.15.1	8033143	6.4	8033202	3.5.1
8032964	6.9		3.15.2	8033145	6.4	8033203	3.5.1
8032965	6.9		3.15.3	8033150	6.10	8033204	3.5.1
8032966	6.9	8033022	2.1		6.12	8033205	3.5.1
8032967	6.9	8033031	2.1		6.14	8033215	6.10
8032968	6.9	8033034	2.7.2	8033153	6.4		6.12
8032972	3.15		2.7.3	8033154	6.10.1		6.10.1
	3.15.1	8033044	2.2	8033155	6.14	8033216	6.10
	3.15.2	8033050	2.1	8033158	6.10		6.12
	3.15.3	8033051	2.1		6.12	8033218	6.10
8032973	3.15	8033052	2.1		6.10.1		6.12
	3.15.1	8033053	2.1	8033159	6.10		6.10.1
	3.15.2	8033058	2.7.1		6.12	8033219	6.10
	3.15.3	8033065	2.11		6.10.1		6.12
8032974	3.15		7.1	8033160	6.10		6.14
	3.15.1		7.1.1		6.12	8033225	3.14
	3.15.2	8033072	2.2	8033161	6.10	8033226	3.15
	3.15.3	8033075	2.11		6.12		3.15.1
8032977	3.14	8033076	2.2		6.10.1		3.15.2
8032978	3.15	8033077	2.2	8033162	6.10		3.15.3
	3.15.1	8033078	2.2		6.12	8033228	3.11
	3.15.2		7.1	8033164	6.10		3.12
	3.15.3		7.1.1		6.12	8033229	6.3
8032979	3.13	8033079	2.2		6.10.1	8033230	6.3
8032980	3.11	8033081	2.2	8033165	6.14	8033231	6.3
8032981	3.13	8033082	2.2	8033166	3.10	8033232	6.3
8032982	3.14	8033084	2.2	8033167	3.10	8033233	6.3
	3.15	8033085	2.2	8033168	3.10	8033234	6.14
	3.15.1	8033086	2.2	8033169	3.10	8033235	6.14
	3.15.2	8033087	2.2	8033175	4.14	8033236	6.14
	3.15.3	8033088	2.2		4.4	8033238	3.5.1
8032983	3.15	8033090	2.2	8033176	4.14	8033239	3.5.1
	3.15.1	8033092	2.2		4.4	8033240	2.6
	3.15.2	8033094	2.2	8033178	2.14	8033241	2.6
	3.15.3	8033095	3.15		2.9	8033242	2.6
8032984	3.15	8033096	3.15.3	8033179	3.11	8033243	2.6
	3.15.1	8033101	2.11		3.12	8033247	3.15.1
	3.15.2	8033102	2.11	8033180	6.3.1	8033248	3.15.1
	3.15.3		7.1		7.1		3.15.2
8032985	3.15	8033103	2.11	8033181	6.3.1	8033249	6.10.2
	3.15.1	8033104	2.11	8033182	6.3.1	8033250	7.1
	3.15.2	8033105	2.11		7.1	8033252	3.16
	3.15.3	8033106	2.11	8033184	6.3.1	8033254	6.11
8032988	3.14	8033107	2.11	8033185	6.3.1		6.11.1
8032999	6.2	8033109	4.14	8033186	6.3.1	8033255	6.10.2
8033000	3.7		4.4	8033187	6.3.1	8033256	6.10.2
	3.9	8033110	2.11	8033190	3.2.1	8033257	6.10.2
8033001	3.7	8033111	4.14	8033191	3.2.1	8033258	6.10.2
8033002	3.7		4.4	8033192	3.2.1	8033259	6.10.2
	3.9	8033115	6.5	8033194	3.2.1	8033260	6.10.2
8033003	3.7	8033119	6.5	8033195	3.2.1	8033261	6.10.2
	3.9	8033122	6.5	8033196	3.2.1	8033263	6.10.2
8033004	3.7	8033123	6.5	8033197	3.2.1	8033264	6.10.2
	3.9	8033128	6.5	8033199	3.1	8033267	6.10.2
8033005	3.18	8033129	6.5		3.2	8033268	6.10.2
8033006	3.18	8033131	6.4		3.2.1	8033269	6.10.2
8033007	3.18		6.5	8033200	3.13	8033270	6.10.2
8033008	3.18	8033132	6.4	8033201	2.5	8033271	6.10.2
8033009	3.18	8033134	6.4		7.1	8033272	6.10.2
8033012	3.15	8033140	6.4		7.1.1	8033273	6.10.2

PART NUMBER INDEX

Part Number	Page	Part Number	Page	Part Number	Page	Part Number	Page
8033274	6.10.2	8033457	3.19.1	8033854	2.3		9.9.1
8033275	6.10.2	8033458	3.19.1	8033855	2.3		9.9.2
8033276	6.10.2	8033459	3.19.1	8033856	2.3		9.9.3
8033277	6.10.2	8033460	3.19.1	8033857	2.3	8065636	1.1
8033278	6.10.2	8033461	3.19.1	8033858	2.3	8065637	1.1
8033279	6.10.2	8033462	3.19.1	8033859	2.3	8065639	2.1
8033280	6.10.2	8033464	3.19.1	8033860	2.3	8065640	6.4
8033281	6.10.2	8033466	3.19.1	8033861	2.3		6.6
8033282	6.10.2	8033478	6.2	8033862	2.3	8080023	4.1
8033284	6.10.2	8033479	2.2	8033863	2.3		4.5
8033285	6.10.2	8033480	3.10	8033864	2.3	8080220	4.5
8033286	6.10.2	8033481	3.10	8033865	2.3	8080613	4.8
8033287	6.10.2	8033482	3.10	8033866	2.3		4.8.1
8033288	6.10.2	8033483	3.10	8033867	2.3		4.9
8033289	6.10.2	8033484	3.10	8033868	2.3		4.9.1
8033290	6.10.2	8033485	3.11	8033869	2.3	8092842	6.15
8033291	6.10.2		3.12	8033965	3.16	8124126	9.1
8033292	6.10.2	8033486	3.12	8034544	2.3		9.1.1
8033293	6.10.2	8033487	3.10	8034545	2.3		9.3
8033294	6.10.2	8033488	6.9	8034546	2.3	8127003	9.1
8033295	6.10.2	8033489	6.9	8034547	2.3		9.1.1
8033307	3.1	8033490	7.5	8034548	2.3	8127004	9.3
8033341	7.4	8033491	3.12	8034564	6.11.1	8160042	2.6
8033342	4.8	8033492	3.13	8034565	5.1	8160052	2.13
	4.8.1	8033493	4.10		5.1.1		2.7
	4.9	8033681	3.19		5.1.2		2.8
	4.9.1		3.8	8034581	3.15	8160053	2.14
8033348	3.3	8033783	6.15		3.15.1		2.9
8033355	3.3	8033784	6.15	8034583	3.15.2	8160059	2.13.1
8033389	7.5	8033785	6.15		3.15.3	8160060	2.8.1
8033390	7.5	8033786	6.15	8034584	3.15.2	8160406	2.13
8033391	7.5	8033788	6.15		3.15.3		2.13.1
8033392	7.5	8033789	6.15	8034585	3.15.2	8160411	2.6
8033393	7.5	8033790	6.15		3.15.3	8160417	2.6
8033394	7.5	8033807	3.11	8034586	3.15.2	8160418	2.13
8033395	7.5	8033807	3.12		3.15.3		2.13.1
8033396	7.5	8033824	3.11	8034587	3.15.2	8160419	2.7
8033397	7.5		3.12	8034588	3.15.3		2.8
8033398	7.5		3.13	8034685	6.9.1		2.8.1
8033399	7.5	8033833	2.2	8034686	6.9.1	8160610	2.14
8033400	7.5	8033834	2.2	8034688	3.15		2.9
8033401	7.5	8033835	2.2	8034690	6.9.1	8160615	2.13
8033402	7.5	8033836	2.2	8034694	2.6		2.7
8033403	7.5	8033837	2.2	8034824	6.9.1		2.8
8033404	7.5	8033838	2.2	8034825	6.9.1	8160617	2.13.1
8033405	7.5	8033839	2.2	8034826	6.9.1		2.8.1
8033406	7.4	8033840	2.2	8034827	6.9.1	8160620	7.1
8033412	6.14	8033841	2.3	8034828	6.9.1	8160621	2.6
	6.10.1	8033842	2.3	8035246	6.5		7.1.1
8033425	6.4	8033843	2.3	8037005	3.5	8162003	2.14
8033447	3.19.1	8033844	2.3		3.5.1		2.9
8033448	3.19.1	8033845	2.3	8040228	1.1	8180306	4.1
8033449	3.19.1	8033846	2.3	8040229	1.1		4.5
8033450	3.19.1	8033847	2.3	8040232	1.1		4.8
8033451	3.19.1	8033848	2.3	8040241	1.1		4.9
8033452	3.19.1	8033849	2.3	8040250	1.1	8180307	4.8.1
8033453	3.19.1	8033850	2.3	8040251	1.1		4.9.1
8033454	3.19.1	8033851	2.3	8065062	9.10	8205514	6.13
8033455	3.19.1	8033852	2.3	8065214	9.2	8205545	6.13
8033456	3.19.1	8033853	2.3	8065634	9.9	8205546	6.13

PART NUMBER INDEX

Part Number	Page	Part Number	Page	Part Number	Page	Part Number	Page
8205547	6.13		7.1.1		4.9.1		4.3
8205548	6.13	8223438	7.1		7.3		4.3.1
8205655	6.13		7.1.1		7.4	8273269	4.3
	6.15	8223442	2.5	8270411	4.1		4.3.1
8205655	6.8		7.1		4.5	8273271	4.12
8205656	6.4		7.1.1		7.1		4.12.1
	6.5	8223444	2.5		7.3		4.3
	6.7		7.1	8270412	4.1		4.3.1
8205659	6.5		7.1.1		4.5	8273272	4.12
8205661	6.13	8223445	2.5		7.1		4.13
8205667	6.5		7.1.1		7.3		4.12.1
8205668	6.4	8223510	7.4	8270416	4.8		4.13.1
8220008	2.12	8223514	7.1		4.8.1		4.3
	7.1.1	8224016	2.7.1		4.9		4.3.1
8220035	7.1		2.7.2		4.9.1		4.7
8220050	7.1		7.5		7.4	8274012	4.4
	7.1.1		7.6	8270602	7.1	8274021	4.14
	7.2	8224020	2.7.3		7.3	8274022	4.14
	7.2.1	8224024	2.7.3		7.4	8274209	4.14
8220051	7.2	8224025	2.7	8270617	7.3	8274210	4.14
8220060	2.7.2	8224026	2.8		7.4	8274401	7.1
	2.7.3		2.8.1	8272005	4.1		7.3
	5.10	8229215	7.1		4.5	8275212	4.10
	5.10.1		7.1.1	8272009	4.8		4.11
	7.7	8229216	7.1		4.8.1		4.2
8220073	7.4		7.1.1		4.9		4.6
8221011-0600	7.2.1	8229218	7.1		4.9.1	8275240	4.11
	7.2		7.1.1	8273013	4.13	8275247	4.11
	7.1		7.1.1		4.13.1	8275248	4.11
	2.1	8229226	7.1		4.7	8277094	4.1
	1.1		7.1.1	8273017	4.12		4.5
8221020-0600	1.2	8229227	7.2		4.12.1	8277095	7.1
	1.1	8229233	7.1.1		4.3		7.3
8221022-0600	2.12	8229234	7.1.1		4.3.1	8277143	4.1
8220882	7.1.1	8229235	7.1.1		4.7		4.5
8221011-0080	9.3		7.2.1	8273117	4.7		4.8
8223016	7.2	8229415	7.1.1	8273118	4.7		4.8
	7.2.1	8262117	4.1	8273119	4.3		4.8.1
8223024	2.12	8262125	4.5		4.3.1		4.9
	7.1	8262127	4.9	8273237	4.13		4.9.1
	7.1.1		4.9.1		4.13.1		7.1
8223025	7.2	8262129	4.8		4.7		7.3
	7.2.1		4.8.1	8273238	4.13		7.4
8223216	7.1	8270014	7.1		4.13.1	8278007	4.1
	7.3		7.3		4.7		4.5
	7.4		7.4	8273240	4.13		4.8
8223217	5.10	8270217	7.1		4.13.1		4.8.1
	5.10.1	8270219	4.8		4.7		4.9
	7.1		4.9	8273241	4.12		4.9.1
	7.3		7.3		4.13	8278008	4.1
	7.4		7.4		4.12.1		4.5
8223220	2.5	8270220	4.1		4.13.1		4.8
	7.1		4.8		4.3		4.8.1
	7.1.1		4.8.1		4.3.1		4.9
8223405	2.5		4.9		4.7		4.9.1
	7.1		4.9.1	8273266	4.12		5.6
	7.1.1	8270221	4.1		4.12.1		5.6.1
8223419	7.2		4.5		4.3		5.6.2
	7.2.1		4.8		4.3.1		5.6.3
8223436	7.1		4.8.1	8273267	4.12	8278009	3.20
			4.9		4.12.1	8278012	3.6

PART NUMBER INDEX

Part Number	Page	Part Number	Page	Part Number	Page	Part Number	Page
8301002	2.14		4.11	8303675	2.4		6.1.1
	2.9		4.2		5.10		9.10
8301210	2.10		4.4		5.6.2	8303728	5.5.3
8301402	2.14		4.5		5.6.3		5.8
	2.9		4.8	8303679	2.7.2		5.6.3
8301410	2.10		4.9		4.8.1		5.8.1
8301439	2.13		5.2		4.9.1		5.9.3
	2.7	8303622	4.1		9.1	8303729	2.1
	2.8		4.5		9.1.1	8303731	1.1
8301443	2.13.1		4.6		9.2	8303738	9.1
	2.8.1		4.8		9.3		9.1.1
8301456	9.11		4.8.1	8303681	9.1		9.2
8302147	2.1		4.9		9.1.1		9.3
8302449	2.14		4.9.1		9.2	8303739	1.2
	2.9	8303624	3.19		9.3		2.7.2
8302470	2.13.1		3.8	8303686	4.1		2.7.3
	2.8.1		4.1		4.5		4.12.1
8303034	1.2		4.4		4.8		4.13.1
	2.1		4.5		4.8.1		4.3.1
	2.5		9.2		4.9		5.4
	2.8	8303625	5.2		4.9.1		5.4.1
	2.8.1	8303626	5.2	8303690	5.8		5.4.2
8303082	5.6		5.2.1		5.8.1		9.1
8303090	2.7.2		5.2.2	8303692	3.19		9.1.1
	2.7.3		5.2.3		3.19.1		9.9
	5.6		5.2.4		3.6		9.9.1
	5.6.1		9.11		3.8		9.9.2
8303106	2.6	8303628	9.1	8303697	2.13		9.9.3
8303119	2.7.1		9.1.1		2.13.1	8303742	2.10
	2.7.2	8303629	9.9		2.13.1		2.14
	2.7.3		9.9.1		2.4		2.9
8303534	2.1	8303632	7.2.1		4.12	8303743	5.4
	2.10	8303633	1.1		4.13		5.4.1
8303540	2.2	8303634	9.10		4.12.1		5.4.2
	2.6		9.5		4.13.1		5.8
	2.8		9.6		4.3		5.8.1
	2.8.1		9.7		4.3.1		5.8.2
8303602	5.2.1		9.9.2		4.7	8303744	4.8.1
	5.2.2		9.9.3		7.4		4.9.1
	5.2.3	8303638	2.1		9.1		5.10.1
	5.2.4		9.4		9.1.1	8303745	2.4
8303604	2.4	8303640	4.1	8303703	2.7.2	8303746	5.6
	4.1		4.5		5.6.2		5.6.1
	4.5		4.8	8303705	2.1	8303752	5.3
8303615	2.12		4.8.1		2.14		5.3.1
	2.7.2		4.9		4.1		5.4
	2.7.3		4.9.1		4.14		5.3.2
	7.3	8303655	1.1		4.5		5.4.1
	7.4		9.1		4.8		5.4.2
8303620	3.2		9.1.1		4.8.1	8303755	4.10
	3.2.1	8303657	9.2		4.9	8303757	5.6.2
	5.10	8303659	3.20		4.9.1		5.6.3
	5.8		3.6	8303707	3.20	8303758	2.13
	5.8.1	8303664	3.20	8303712	7.2.1		2.13.1
	7.1		3.6	8303713	5.2	8303770	9.9.1
	7.2	8303666	9.1		5.2.1		9.9.2
8303621	3.20		9.1.1		5.2.2		9.9.3
	3.6		9.5		5.2.3		
	4.1		9.6		5.2.4		
	4.10		9.7	8303715	6.1		

PART NUMBER INDEX

Part Number	Page	Part Number	Page	Part Number	Page	Part Number	Page
8303772	9.1		7.4		4.14		4.5
	9.1.1	8305005	2.13.1		4.5		4.6
	9.5		2.8.1		4.8		4.8
	9.6	8305006	2.11		4.8.1		4.8.1
	9.7		2.4		4.9		4.9
8303776	1.2		2.7.2		4.9.1		4.9.1
	2.11		2.7.3		5.6.2		5.10
	2.2		4.12		5.6.3		5.6.2
8303778	3.20		4.13	8305626	2.4		5.6.3
8303786	5.6.1		4.12.1		5.3		7.2
	5.8.2		4.13.1		5.3.1		9.1
8303790	4.14		4.3		5.4		9.1.1
	4.8		4.3.1		5.3.2		9.2
	4.8.1		4.7		5.4.1		9.3
	4.9		5.6		5.4.2		9.9.1
	4.9.1		5.6.1		5.6.2		9.9.2
8303837	2.14		6.1		5.8		9.9.3
	2.9	8305008	2.1		5.6.3	8305646	9.1
	7.2		2.4		5.8.1		9.1.1
	7.2.1		2.7.2		5.8.2		9.3
8303932	2.7.1		2.7.3		6.1	8305647	2.2
8303981	2.7.2		5.6		6.1.1		9.1
	2.7.3		5.6.1		6.1.2		9.1.1
8303982	2.2		5.6.2		9.9	8305906	1.2
8303987	3.5		5.6.3		9.9.1		2.13
	3.5.1		7.1		9.9.2		2.13.1
	7.3	8305012	9.11		9.9.3		9.1
8304014	2.1	8305014	7.2.1	8305627	7.2		9.1.1
8304042	5.6	8305017	1.1		7.2.1	8305916	2.1
	5.6.1		4.1	8305643	1.1	8307002	1.2
	5.6.2		4.5		3.20		2.1
	5.6.3		4.8		9.1		2.10
8304608	5.6		4.8.1		9.10		2.13
	5.6.1		4.9		9.1.1		2.14
	5.6.2		4.9.1		9.5		2.2
	5.6.3	8305018	9.3		9.6		2.13.1
8304631	5.6	8305021	1.1		9.7		2.5
	5.6.1	8305043	7.3		9.9.2		2.7.2
	5.6.2		7.4		9.9.3		2.8.1
	5.6.3	8305049	2.7.1	8305644	3.6		2.9
8305002	2.14	8305201	7.4		5.2		2.7.3
	2.7.1	8305402	2.13		5.2.1		4.1
	2.7.2		2.14		5.2.2		4.5
	2.9		2.6		5.2.3		4.8
	2.7.3		2.7		5.2.4		4.9
	7.1.1		2.8		9.1		5.6
8305004	1.2		2.9		9.11		5.6.1
	2.10	8305405	2.10		9.1.1		7.1.1
	2.13		7.1		9.2		7.3
	2.14		7.2		9.5		7.4
	2.13.1	8305405	7.2.1		9.6	8307003	2.14
	2.5	8305410	2.10		9.7		2.2
	2.7.2	8305438	7.3		9.9		2.7.1
	2.9		7.4		9.9.1		2.7.2
	2.7.3	8305601	2.2	8305645	2.1		2.9
	5.6		2.6		4.1		2.7.3
	5.6.1	8305619	9.4		4.10		4.14
	7.1	8305624	2.1		4.11		4.4
	7.1.1		2.14		4.2		7.1.1
	7.3		4.1		4.4		

PART NUMBER INDEX

Part Number	Page	Part Number	Page	Part Number	Page	Part Number	Page
8307004	2.13		9.2	8307111	2.7.1		9.1.1
	2.13.1	8307008	7.2.1		7.2	8307918	9.10
	2.7.2	8307009	1.1		7.2.1		9.3
	2.7.3	8307010	1.1	8307112	5.2	8310001	2.7.1
	4.12		2.1		5.2.1		2.8
	4.13		3.20		5.2.2		2.7.2
	4.12.1		3.6		5.2.3		2.8.1
	4.13.1		4.1		5.2.4		2.7.3
	4.3		4.5		9.11	8310002	4.1
	4.3.1		4.8	8307113	2.2		4.5
	4.7		4.8.1		2.4	8310019	9.1
	4.8.1		4.9		2.5		9.1.1
	4.9.1		4.9.1		9.1		9.3
	5.10.1	8307012	1.1		9.1.1	8310020	9.1
	5.6		2.1	8307201	2.2		9.1.1
	5.6.1	8307022	7.3	8307202	1.2	8310022	2.7.2
	6.1		7.4		2.7.2		2.7.3
	6.1.1	8307023	3.20		2.8.1	8310023	2.7.1
	9.1		4.10		2.7.3	8310026	2.7.2
	9.1.1		7.4		4.1		2.8.1
8307005	2.1	8307025	4.14		4.5		2.7.3
	2.10		4.8		4.8	8310027	2.7.2
	2.4		4.8.1		4.9		2.7.3
	2.6		4.9	8307203	1.2	8310028	4.8
	2.7.2		4.9.1		4.12		4.8.1
	2.7.3	8307026	7.1		4.13		4.9
	3.1	8307050	2.7.1		4.12.1		4.9.1
	3.2		2.7.2		4.13.1	8310036	2.1
	3.20		2.7.3		4.3	8310038	3.20
	3.2.1	8307102	5.6		4.3.1	8310041	7.4
	3.6		5.6.1		4.7	8310049	2.1
	5.2	8307104	2.10	8307204	2.2	8310050	2.1
	5.6		9.1		2.7.2	8310051	1.1
	5.6.1		9.1.1		2.7.3	8310066	1.1
	5.6.2		9.3		4.1	8310067	4.1
	5.8	8307104	9.4		4.10		4.5
	5.6.3	8307106	2.4		4.11		4.8
	5.8.1		4.8.1		4.5		4.8.1
	7.1		4.9.1		4.8		4.9
	7.1.1		5.10.1		4.8.1		4.9.1
	9.1		5.6		4.9	8310070	2.1
	9.1.1		5.6.1		4.9.1		5.6.2
	9.2		5.6.2		5.10		5.6.3
	9.3		5.6.3		9.1	8310077	7.4
8307006	2.4		9.1		9.1.1	8310078	7.3
	4.1		9.1.1		9.2		7.4
	4.5	8307107	1.1		9.3	8310081	5.8
	7.1	8307109	2.1	8307206	2.2		5.8.1
8307007	3.19		2.11		7.2.1		5.8.2
	3.19.1		2.13		9.2	8310093	1.1
	3.8		2.14	8307207	2.2	8310112	2.1
	4.1		2.13.1		7.2.1	8310143	2.7
	4.4		2.8	8307222	4.8	8310144	2.7
	4.5		2.8.1		4.8.1	8310160	9.10
	5.2		4.8.1		4.9	8310161	9.10
	5.2.1		4.9.1		4.9.1	8310170	2.10
	5.2.2		7.1	8307904	9.10	8310179	2.7.3
	5.2.3		7.1.1	8307916	9.1	8310180	4.14
	5.2.4	8307110	5.6		9.1.1		4.4
	9.11		5.6.1	8307917	9.1		

PART NUMBER INDEX

Part Number	Page	Part Number	Page	Part Number	Page	Part Number	Page
8310202	7.3		5.2.1		4.5		5.8.1
	7.4		5.2		4.8		5.8.2
8310209	9.2	8403219-1400	4.4		4.8.1		9.10
8310235	9.2		4.14		4.9	8430007	4.14
8310245	9.2	8403214-1290	4.4		4.9.1	8440147	6.3.1
8320240	5.2		4.14	8406105	5.5	8440211	6.2
8320242	4.1	8402020-0025	4.3.1		5.5.1	8464009	6.1
	4.5		4.3		5.5.2		6.1.1
8320250	4.14	8403219-0300	4.4		5.5.3	8464012	6.1
	4.8	8403219-0120	4.14		5.9		6.1.1
	4.8.1	8403217-0080	2.1		5.9.1		6.1.2
	4.9	8403224	4.1		5.9.2		2.5
	4.9.1		4.5		5.9.3		7.1
8320253	4.14		4.8	8420005	9.9.3		7.1.1
	4.8		4.9	8420006	9.9.3	8466305	2.5
	4.8.1	8405007	2.12	8420053	5.8		7.1
	4.9	8405009	4.14		5.8.1		7.1.1
	4.9.1	8405009	4.4		5.8.2	8466307	2.1
8320254	3.1	8405101	4.14		9.10	8467010	2.5
8320255	5.2		4.4		9.9.3		7.1
8320256	6.1	8405104	4.1	8420055	5.8	8467014	2.5
	6.1.1		4.5		5.8.1		7.1.1
	6.1.2		4.8		5.8.2	8468026	7.1
8320262	4.8		4.8.1		9.10		7.3
	4.8.1		4.9		9.9.3	8469028	7.1
	4.9		4.9.1	8420056	5.8		7.1.1
	4.9.1	8405203	4.1		5.8.1	8469030	2.5
8320265	6.1		4.5		9.9	8500009	7.2.1
	6.1.1		4.8		9.9.1	8500036	7.2.1
	6.1.2		4.8.1		9.9.2	8500201	7.2
8320270	4.14		4.9	8420057	5.8		7.2.1
8322022	6.1		4.9.1		5.8.1		9.3
	6.1.1	8405209	5.2		9.9	8520013	6.13
	6.1.2		5.2.1		9.9.1		6.4
8322029	6.1		5.2.2		9.9.2		6.6
	6.1.1		5.2.3	8420058	5.8		6.7
	6.1.2		5.2.4		5.8.1		6.8
8323424	7.2.1	8405211	4.3		9.9	8520021	6.6
8324014	6.1		4.3.1		9.9.1		6.7
	6.1.1	8405212	4.3		9.9.2	8522042	3.14
	6.1.2		4.3.1	8420059	5.8		3.15
8340025	3.16		4.7		5.8.1		3.15.1
8342404	1.2	8405305	4.12		9.9		3.15.2
8342413	2.2		4.13		9.9.1		3.15.3
8342416	1.2		4.12.1		9.9.2	8528036	8.1
8342807	1.2		4.13.1	8420201	2.12	8528040	8.1
	2.1		4.3	8420231	4.14	8528071	8.1
8342808	1.2		4.3.1	8424003	5.2	8528074	8.1
8344010	1.2		4.7		5.2.1	8540001	5.8
8346008	2.3	8405307	4.13		5.2.2		5.8.1
8346009	2.2		4.13.1	8424222	5.2	8540023	2.12
8346010	2.2	8405604	4.10		5.2.1	8540048	5.2
8346011	2.2		4.11		5.2.2		5.2.1
8346013	2.3		4.2		5.2.3		5.2.2
8360005	2.12		4.6		5.2.4	8540214	5.5.2
8360008	2.12	8406002	7.2	8430005	5.8		5.9.2
8401012-1340	2.12	8406005	2.7.2		5.8.1	8540231	2.12
8401004-0470	5.2.4		2.7.3		5.8.2	8540438	3.8
	5.2.3	8406101	4.4		9.10	8541409	6.1
	5.2.2	8406103	4.1	8430006	5.8		

PART NUMBER INDEX

Part Number	Page	Part Number	Page	Part Number	Page	Part Number	Page
8541433	9.9		2.7.3		9.9.1	8760101	5.3
	9.9.1		5.1		9.9.2		5.3.1
	9.9.2		5.1.1		9.9.3		5.3.2
	9.9.3		5.1.2	8642237	9.1	8760102	5.2
8541437	6.1		5.3		9.1.1		5.2.2
	6.1.1		5.3.1		9.3		5.2.4
	6.1.2		5.3.2	8688026	7.1.1	8760107	5.1
8541627	7.1		5.8	8700116	2.14		5.1.1
8546407	5.2		5.8.1		2.9		5.2.1
	5.2.1		5.8.2	8700120	2.10		5.2.2
	5.2.2	8584003	2.7	8702146	2.14		5.4
	5.2.3		2.8	8720014	2.1		5.2.3
	5.2.4		7.1.1	8720015	2.1		5.4.1
8551621	5.2		7.2	8721021	5.1		5.2.4
8551811	6.1		7.2.1		5.1.1		5.4.2
	6.1.1	8584007	5.8	8721023	2.1		5.6
8580110	2.13		5.8.1	8721024	5.1.2		5.6.1
	2.13.1	8584018	2.7.2	8760002	5.2		5.8.1
	2.7		2.7.3	8760005	5.2		5.8.2
	2.8		7.2.1		5.2.3		6.2
	2.8.1	8585133	2.2		5.2.4	8760108	5.2.1
8580111	2.6	8585134	2.2		6.1		5.2.2
8580115	2.2		2.3		6.1.1		5.2.3
8580203	1.2	8585135	2.2	8760008	5.10		5.2.4
8580209	7.2		2.3		5.10.1		5.6
8580309	2.12	8585138	2.2	8760010	5.6		5.6.1
8580311	2.5	8585139	2.2		5.5.2	8760109	5.10
	7.1.1	8585145	5.8.2		5.6.1		5.2
8580312	2.5	8640017	6.11		5.9.2		5.10.1
	7.1.1		6.11.1	8760011	5.5.2		5.2.2
8580313	2.7.1	8640027	5.8		5.5.3		5.3.1
	2.7.2		5.8.1		5.9.2		5.3.2
	2.7.3		9.9		5.9.3		5.2.4
8580315	2.2		9.9.1	8760013	5.6		5.7
	9.10		9.9.2		5.6.1	8760110	5.1
8581007	1.2	8640028	5.8.2	8760015	5.2.3		5.1.1
8582007	7.1.1		9.10		5.2.4		5.1.2
8582406-0090	9.9.3		9.9.3		6.1.1		5.4
	9.9.2	8640029	5.8.2	8760020	5.10		5.4.1
	9.9.1		9.10		5.10.1		5.5
	9.9		9.9.3	8760030	9.9		5.4.2
8582413	1.2	8640032	9.10		9.9.1		5.5.1
8584001	2.12		9.9.3		9.9.2		5.6
	2.7.1	8640208	5.2	8760036	5.5		5.5.2
	2.7.2		5.2.1		5.5.1		5.6.1
	2.7.3		5.2.2		5.5.2		5.5.3
	4.14		5.2.3		5.5.3		5.6.2
	4.4		5.2.4		5.9		5.6.3
	7.1	8642001	9.9		5.9.1		5.9
	7.1.1		9.9.1		5.9.2		5.9.1
	7.2.1		9.9.2		5.9.3		5.9.2
	7.3		9.9.3	8760037	5.3		5.9.3
	7.4	8642207	1.1		5.3.1		9.9.3
	9.10		9.10		5.3.2	8760111	5.1
	9.9		9.9	8760045	5.4		5.1.1
	9.9.1	8642224	1.1		5.4.1		5.2
	9.9.2		9.3		5.4.2	8760112	5.10
	9.9.3	8642234	9.1		5.8		5.10.1
8584002	2.7.1		9.1.1		5.8.1		
	2.7.2	8642235	9.9		5.8.2		

PART NUMBER INDEX

Part Number	Page	Part Number	Page	Part Number	Page	Part Number	Page
8760113	5.5		9.10		5.2.2	8769153	5.4.2
	5.5.1	8760313	5.4		5.3.1		5.8
	5.5.2		5.6	8760534	5.6.2		5.8.1
	5.5.3		5.6.2		5.6.3		5.8.2
	5.6.2		5.6.3	8760535	5.3	8769154	5.4.2
	5.6.3		9.10		5.3.1		5.8
	5.9	8760317	5.10		5.4		5.8.1
	5.9.1	8760322	5.1.2		5.3.2	8769155	5.8
	5.9.2	8760325	5.2	8760545	5.2.1		5.8.1
	5.9.3		5.2.1		5.2.2		5.8.2
	9.10		5.2.2		5.2.3	8769156	5.8
8760115	5.2		5.2.3		5.2.4		5.8.1
8760117	5.1		5.2.4		6.2		5.8.2
	5.1.1	8760407	5.4.1	8760550	5.3.1	8770012	9.10
	5.1.2		5.4.2	8760552	5.2.1	8770016	9.10
	9.9		5.6		5.2.3	8770031	5.4.1
	9.9.1	8760409	9.10	8760553	5.2.1		5.4.2
	9.9.2	8760419	6.14		5.2.2	8780027	3.17
	9.9.3	8760432	5.6	8769122	5.4	8780262	3.17
8760118	5.2.1		5.5.2		5.4.1	8780264	3.17
	5.2.3		5.6.1		5.4.2	8786514	3.17
8760134	5.4		5.9.2	8769123	5.4	8786516	3.14
8760136	5.6.2	8760449	5.1		5.4.1		3.15
	5.6.3		5.1.1		5.4.2		3.15.1
8760140	5.1.2		5.1.2	8769126	5.8		3.15.2
8760142	5.3.1		5.6		5.8.1		3.15.3
	5.8		5.6.1	8769127	5.3	8786543	3.17
	5.8.1	8760455	5.5		5.3.1	8786544	3.17
	5.8.2		5.5.1		5.3.2	8786545	3.17
8760143	5.1.2		5.5.2		5.3.2	8825183	4.4
	5.8		5.5.3	8769128	5.3	8841007	3.6
	5.8.1		5.9		5.3.1	8841011	3.8
	5.8.2		5.9.1		5.4	8841015	3.20
8760254	5.3.1		5.9.2		5.3.2		3.6
	5.3.2		5.9.3		5.4.1	8841016	3.19
8760268	5.4.1	8760457	5.6.2		5.4.2	8841020	3.19.1
	5.4.2		5.6.3		5.8	8841023	3.20
8760303	5.1	8760458	5.4.1		5.8.1	8841314	3.5.1
	5.1.1		5.4.2		5.8.2		5.5.2
	5.3.1		5.6		6.1		5.5.3
	5.4.1	8760460	5.6.2		6.1.1		5.9.2
	5.4.2		5.6.3	8769129	5.4		5.9.3
	5.6.2	8760464	5.6		5.4.1	8864036	2.4
	5.6.3		5.6.1		5.8	8864037	2.4
8760304	5.3	8760475	9.10		5.8.1	8864038	2.1
	5.3.1	8760481	5.3.1	8769132	9.10	8864039	2.4
	5.3.2	8760486	5.3.1	8769139	5.4	8864040	2.4
8760305	5.10	8760488	5.5		5.4.1	8864041	2.4
	5.10.1		5.5.1		5.4.2	8864043	2.4
	5.3		5.5.2		5.8	8864044	2.4
	5.3.1		5.5.3		5.8.1	8864045	2.4
	5.3.2	8760510	5.3		5.8.2	8864046	2.4
	5.7		5.3.1	8769141	2.7.2	8866220	2.11
8760307	5.6		5.4		2.7.3	8866341	4.1
	5.6.2		5.3.2	8769146	5.4		4.5
	5.6.3		5.4.1		5.4.1		4.8
8760308	5.6.2		5.4.2		5.8		4.8.1
	5.6.3		5.6		5.8.1		4.9
8760311	5.2		5.6.1	8769147	2.7.2		4.9.1
	5.6	8760533	5.2.1	8769152	5.8.2	8866347	2.15

PART NUMBER INDEX

Part Number	Page	Part Number	Page	Part Number	Page	Part Number	Page
8866348	2.15	8902247	6.4				
8866349	2.15		6.7				
8866350	2.15	8902473	6.5				
8866351	2.15	8902495	6.10				
8866362	2.15	8902495	6.12				
8866364	2.15		6.14				
8866381	2.11		6.10.1				
8866382	2.11	8902504	6.10				
8866437	2.11		6.12				
8866492	2.11		6.10.1				
8880214	3.7	8902511	6.13				
	3.9		6.8				
8880215	3.7	8902512	6.14				
8880216	3.18	8902523	6.12				
8880217	3.18	8902524	6.12				
8902095	6.14	8902525	6.10				
8902104	6.10		6.12				
8902109	5.6	8902526	6.10				
	5.6.1		6.12				
	5.6.2	8902651	5.6				
	5.6.3		5.6.1				
	6.11		6.11				
	6.11.1	8902655	5.3.1				
8902111	5.6	8902657	5.6.2				
	5.6.1	8902659	5.5.3				
	5.6.2		5.6.3				
	5.6.3		5.9.3				
8902116	5.6		6.11.1				
	5.6.1	8902843	6.4				
	6.11	8903009	6.10.2				
8902119	6.12	8903011	6.10.1				
8902125	5.6.2	8903013	6.10				
	5.6.3	8904001	4.1				
	6.14		4.5				
8902129	6.10.1		4.8				
8902130	6.11		4.8.1				
	7.1		4.9				
8902134	5.5.2	8990147	2.1				
	5.6.1						
	5.9.2						
	6.11						
8902146	6.10.2						
8902151	5.6.2						
	5.6.3						
	6.14						
8902212	6.5						
8902222	6.11						
	6.11.1						
8902224	5.6						
	5.6.1						
	6.11						
8902225	5.6						
	5.6.1						
	6.11						
8902227	5.6.2						
	5.6.3						
	6.11.1						
8902230	5.6						
8902230	6.11						
8902231	6.11						

PARTS FINDER

**Search Website
by Part Number**



**Search Manual
Library For Parts
Manual & Lookup Part
Numbers – Purchase
or Request Quote**

Search Manuals

Enter your information to search for a manual or to purchase a manual or parts.

* Brand:

* Model:

* Serial:

* Part Number:

SEARCH

**Can't Find Part or
Manual? Request Help
by Manufacturer,
Model & Description**

Parts Order Form

Please fill in the following information to request help finding a part or manual.

Manufacturer:

Model:

Description:

Quantity:

Part Number:

Part Name:

Part Description:

Part Category:

Part Location:

Part Status:

Part Condition:

Part Material:

Part Color:

Part Weight:

Part Dimensions:

Part Notes:

Submit

Discount-Equipment.com is your online resource for quality parts & equipment.

Florida: **561-964-4949** Outside Florida TOLL FREE: **877-690-3101**

Need parts?

Click on this link: <http://www.discount-equipment.com/category/5443-parts/> and choose one of the options to help get the right parts and equipment you are looking for. Please have the machine model and serial number available in order to help us get you the correct parts. If you don't find the part on the website or on one of the online manuals, please fill out the request form and one of our experienced staff members will get back to you with a quote for the right part that your machine needs.

We sell worldwide for the brands: Genie, Terex, JLG, MultiQuip, Mikasa, Essick, Whiteman, Mayco, Toro Stone, Diamond Products, Generac Magnum, Airman, Haulotte, Barreto, Power Blanket, Nifty Lift, Atlas Copco, Chicago Pneumatic, Allmand, Miller Curber, Skyjack, Lull, Skytrak, Tsurumi, Husquvarna Target, Stow, Wacker, Sakai, Mi-T-M, Sullair, Basic, Dynapac, MBW, Weber, Bartell, Bennar Newman, Haulotte, Ditch Runner, Menegotti, Morrison, Contec, Buddy, Crown, Edco, Wyco, Bomag, Laymor, EZ Trench, Bil-Jax, F.S. Curtis, Gehl Pavers, Heli, Honda, ICS/PowerGrit, IHI, Partner, Imer, Clipper, MMD, Koshin, Rice, CH&E, General Equipment, Amida, Coleman, NAC, Gradall, Square Shooter, Kent, Stanley, Tamco, Toku, Hatz, Kohler, Robin, Wisconsin, Northrock, Oztec, Toker TK, Rol-Air, APT, Wylie, Ingersoll Rand / Doosan, Innovatech, Con X, Ammann, Mecalac, Makinex, Smith Surface Prep, Small Line, Wanco, Yanmar