

SKYTRAK[®]



Illustrated Parts Manual

Models
6036
6042

SN 0160045066 through 0160069718
including 0160042742, 0160042747
& 0160042755 excluding 0160065792,
0160065798, 0160065824,

31200731

May 22, 2017



Go to Discount-Equipment.com to order your parts

PARTS FINDER

**Search Website
by Part Number**



**Search Manual
Library For Parts
Manual & Lookup Part
Numbers – Purchase
or Request Quote**

**Can't Find Part or
Manual? Request Help
by Manufacturer,
Model & Description**

Discount-Equipment.com is your online resource for quality parts & equipment.

Florida: **561-964-4949** Outside Florida TOLL FREE: **877-690-3101**

Need parts?

Click on this link: <http://www.discount-equipment.com/category/5443-parts/> and choose one of the options to help get the right parts and equipment you are looking for. Please have the machine model and serial number available in order to help us get you the correct parts. If you don't find the part on the website or on one of the online manuals, please fill out the request form and one of our experienced staff members will get back to you with a quote for the right part that your machine needs.

We sell worldwide for the brands: Genie, Terex, JLG, MultiQuip, Mikasa, Essick, Whiteman, Mayco, Toro Stone, Diamond Products, Generac Magnum, Airman, Haulotte, Barreto, Power Blanket, Nifty Lift, Atlas Copco, Chicago Pneumatic, Allmand, Miller Curber, Skyjack, Lull, Skytrak, Tsurumi, Husquvarna Target, Stow, Wacker, Sakai, Mi-T-M, Sullair, Basic, Dynapac, MBW, Weber, Bartell, Bennar Newman, Haulotte, Ditch Runner, Menegotti, Morrison, Contec, Buddy, Crown, Edco, Wyco, Bomag, Laymor, EZ Trench, Bil-Jax, F.S. Curtis, Gehl Pavers, Heli, Honda, ICS/PowerGrit, IHI, Partner, Imer, Clipper, MMD, Koshin, Rice, CH&E, General Equipment, Amida, Coleman, NAC, Gradall, Square Shooter, Kent, Stanley, Tamco, Toku, Hatz, Kohler, Robin, Wisconsin, Northrock, Oztec, Toker TK, Rol-Air, APT, Wylie, Ingersoll Rand / Doosan, Innovatech, Con X, Ammann, Mecalac, Makinex, Smith Surface Prep, Small Line, Wanco, Yanmar

EFFECTIVITY PAGE

April 4, 2012 - A - Original Issue of Manual
August 17, 2012 - B - Revised Manual
March 12, 2013 - C - Revised Manual
June 11, 2013 - D - Revised Manual
September 30, 2013 - E - Revised Manual
April 2, 2014 - F - Revised Manual
September 15, 2014 - G - Revised Manual
July 9, 2015 - H - Revised Manual
August 26, 2016 - I - Revised Manual
November 22, 2016 - J - Revised Manual
April 7, 2017 - K - Revised Manual
May 22, 2017 - L - Revised Manual

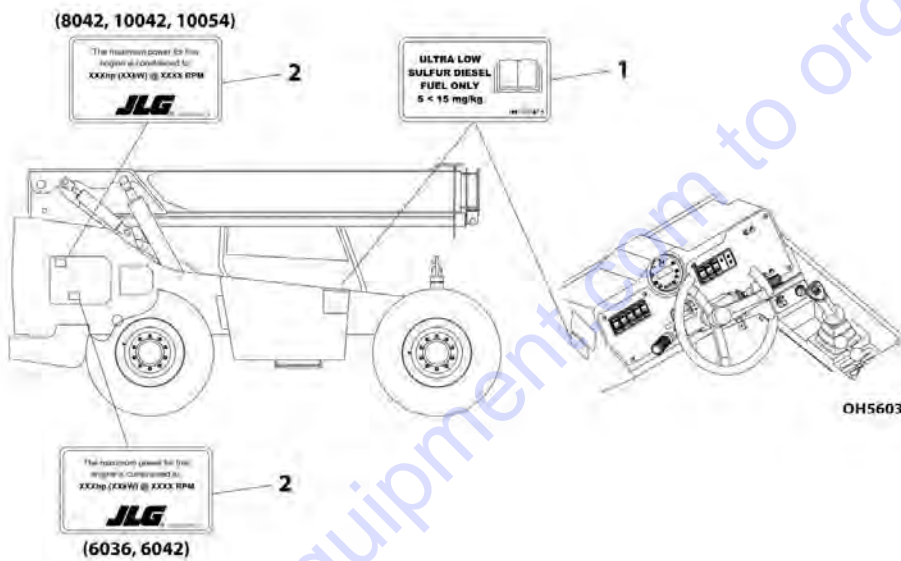
Go to Discount-Equipment.com to order your parts

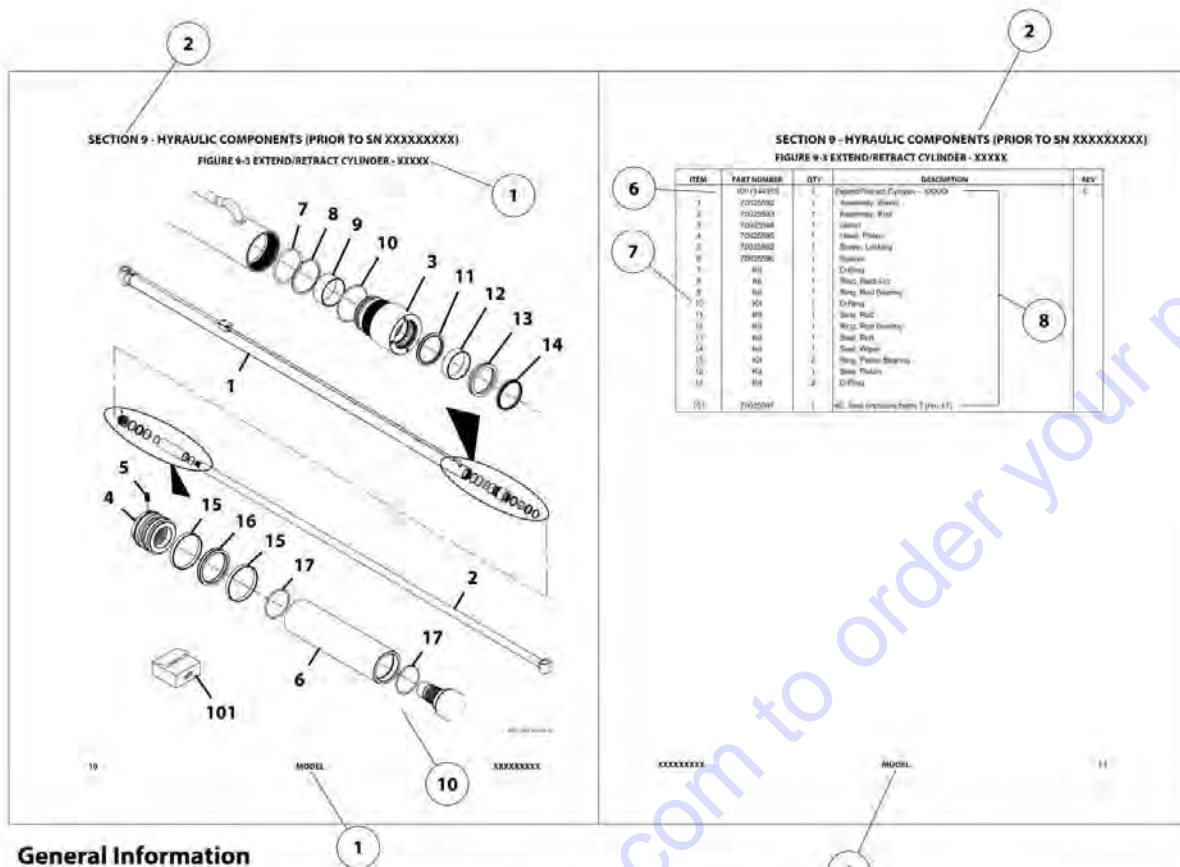
Machine Configuration

Two configurations of each machine are included in this manual. Determine if machine is equipped with Ultra Sulfur Fuel Decal (1) as indicated below.

- If equipped with the Ultra Low Sulfur decal, all specific references to this machine configuration will be referred to as Ultra Low Sulfur (ULS) from this point forward.
- If not equipped with the Ultra Low Sulfur decal, all specific references to this machine configuration will be referred to as Low Sulfur (LS) from this point forward.

Engine horsepower can be found on the decals (2) located inside the engine compartment doors.





General Information

1. MACHINE IDENTIFICATION

Machines are identified by model and in some cases a combination of model, serial number (S/N) or regional standard (e.g. ANSI, CE, CSA, AUS). Components may also be identified by S/N or manufacturer. Common components that may be identified by these characteristics are attachments, engine, transmission and hydraulic components.

2. PARTS MANUAL ORGANIZATION

Product information in this manual is organized under section titles. Frame, Engine and Electrical are a few examples. Each section is organized by Figure and page number. The information within the Figure is then organized by item number, part number, description and corresponding illustration(s).

3. TABLE OF CONTENTS

A table of contents (TOC) is found toward the beginning of the manual. Figure number, description and page number are provided for quick reference to the page containing the related information.

4. RECOMMENDED SPARE PARTS

The Recommended Spare Parts, located near the end of the manual, references most frequently used maintenance parts.

5. PARTS NUMBER INDEX

A numerical index listing all part numbers and the corresponding page number(s) appears at the back of the manual.

6. NON-SERVICED PARTS

In some instances it is necessary to display non-serviced parts, assemblies or installations. In the case of assemblies and installations there will be a Ref in the QTY column and a note after the item description stating what is available for service within. In the case of parts that are not available for service within assemblies or components there will be a NSS (Not Sold Separately) listed in the part number column of the manual.

7. PARTS LIST ITEM NUMBERS

Numbers shown in the Item column correspond to numbers used in the associated illustration(s). Item numbers which are missing from sequence and are not shown in the illustration(s) are not used on that page.

8. INDENTED PART DESCRIPTION

An indented part description is included in the item under which it is indented.

9. ABBREVIATIONS AND SYMBOLS

AC	Alternating Current
A/C	Air Conditioning
ADE	Advanced Design Electronics
AG	Agriculture
AMP	Amperage
ANSI	American National Standards Institute
AR	As Required
ASSY	Assembly
AUS	Australia
AUX	Auxiliary
AWG	American Wire Gauge
CAC	Charge Air Cooler
CE	European Conformity
CM	Centimeter
CONST	Construction
CSA	Canadian Standards Association
DEF	Diesel Exhaust Fluid
DIA	Diameter
DC	Direct Current
DTZ	Decentralized Transmission Zeros
ECU	Electronic Control Unit
EMS	Emergency Stop
FNR	Forward Neutral Reverse
FT	Foot
GA	Gauge
GR	Grade
HBP	High Boom Pivot
HHP	High Horse Power
HOC	Hydraulic Oil Cooler
HVAC	Heating, Ventilating, and Air Conditioning
ID	Inside Diameter
IN	Inch
ISO	International Organization for Standards
ITSDF	Industrial Truck Standards Development Foundation
JIC	Joint Industry Council
KG	Kilogram
KW	Kilowatt
L	Liter

LB	Pound
LBP	Low Boom Pivot
LCD	Liquid Crystal Display
LED	Light Emitting Diode
LH	Left Hand
LHD	Left Hand Drive
LHP	Low Horse Power
LMIS	Load Management Indicator System
LS	Low Sulfur
LSI	Load Stability Indicator
LSS	Load Sensing System
M ³	Cubic Meter
MA	Milliamp
M(m)	Metric/Meter
MM	Millimeter
N	Newton
NACD	North America Construction Division
NLA	No Longer Available
NSS	Not Sold Separately
OD	Outside Diameter
ORB	O-Ring Boss
ORFS	O-Ring Face Seal
OZ	Ounce
PR	Ply Rating
QT	Quart
QTY	Quantity
REF	Reference
REV	Revision
RH	Right Hand
RHD	Right Hand Drive
RHOC	Remote Hydraulic Oil Cooler
RUS	Russia
SAE	Society of Automotive Engineers
SAHR	Spring Applied Hydraulically Released
SN	Serial Number
SPD	Speed
TLU	Torque Lock Up
UGM	Universal Ground Module

10. ILLUSTRATION REFERENCE LETTERS

When necessary, illustrations may contain reference letters that are intended to track information from one point to another in the illustration such as harnesses and hoses or any other information that has been separated in the illustration

Note: Due to continuous product improvements, JLG Industries, Inc. reserves the right to make specification changes without prior notification.

TABLE OF CONTENTS

SECTION 1 - FRAME AND ATTACHING PARTS.....	11
FIGURE 1-1. FRAME AND ATTACHING PARTS	12
FIGURE 1-2. COVERS (Prior to SN 0160053077)	14
FIGURE 1-3. COVERS (SN 0160053077 to Present)	16
SECTION 2 - BOOM.....	19
FIGURE 2-1. BOOM INSTALLATION (6036)	20
FIGURE 2-2. BOOM INSTALLATION (6042)	22
FIGURE 2-3. FIRST BOOM SECTION (6036)	24
FIGURE 2-4. FIRST BOOM SECTION (6042)	26
FIGURE 2-5. SECOND BOOM SECTION (6036).....	28
FIGURE 2-6. SECOND BOOM SECTION (6042).....	30
FIGURE 2-7. THIRD BOOM SECTION (6036).....	32
FIGURE 2-8. THIRD BOOM SECTION (6042).....	34
FIGURE 2-9. QUICK ATTACH ASSEMBLY	36
FIGURE 2-10. BOOM EXTEND CHAINS	38
FIGURE 2-11. BOOM RETRACT CHAIN	40
SECTION 3 - ATTACHMENTS	43
FIGURE 3-1. TILT CARRIAGE	44
FIGURE 3-2. SIDE TILT CARRIAGE.....	46
FIGURE 3-3. 50 IN SIDE SHIFT CARRIAGE	48
FIGURE 3-4. 50 INCH DUAL FORK CARRIAGE	50
FIGURE 3-5. 90, SWING CARRIAGE	52
FIGURE 3-6. SHEET MATERIAL HANDLER	54
FIGURE 3-7. FORKS.....	56
FIGURE 3-8. FORK MOUNTED PLATFORM	58
FIGURE 3-9. LIFTING HOOK.....	60
FIGURE 3-10. FORK PIN LOCK INSTALLATION	62
FIGURE 3-11. BUCKETS	64
FIGURE 3-12. GRAPPLE BUCKET.....	66
FIGURE 3-13. TRUSS BOOM.....	68
FIGURE 3-14. ADJUSTABLE TRUSS BOOM.....	70
FIGURE 3-15. 12 FOOT TRUSS BOOM WITH WINCH.....	72
FIGURE 3-16. 8 FOOT MAST	74
SECTION 4 - ENGINE AND ATTACHING PARTS	79
FIGURE 4-1. ENGINE INSTALLATION.....	80
FIGURE 4-2. ENGINE INSTALLATION.....	84
FIGURE 4-3. ENGINE	88
FIGURE 4-4. ENGINE	90
FIGURE 4-5. FUEL SYSTEM	92
FIGURE 4-6. FUEL SYSTEM	94
FIGURE 4-7. FUEL SYSTEM	96
FIGURE 4-8. RADIATOR AND OIL COOLER MOUNTING.....	98
FIGURE 4-9. RADIATOR AND OIL COOLER MOUNTING.....	102
FIGURE 4-10. AIR CLEANER ASSEMBLY.....	104
FIGURE 4-11. AIR CLEANER ASSEMBLY.....	106
FIGURE 4-12. EXHAUST SYSTEM	108
FIGURE 4-13. EXHAUST SYSTEM	110
FIGURE 4-14. ISOLATION COUPLER.....	112
SECTION 5 - DRIVE TRAIN	115
FIGURE 5-1. DRIVE TRAIN COMPONENTS.....	116
FIGURE 5-2. FRONT AXLE (ZF).....	120
FIGURE 5-3. FRONT AXLE - INPUT (ZF).....	122
FIGURE 5-4. FRONT AXLE - LIMITED SLIP DIFFERENTIAL (ZF)	126
FIGURE 5-5. FRONT AXLE - AXLE CASING (ZF).....	128
FIGURE 5-6. FRONT AXLE - M-DISK BRAKE (ZF).....	130
FIGURE 5-7. FRONT AXLE - BRAKE (ZF)	132
FIGURE 5-8. FRONT AXLE - JOINT HOUSING (ZF).....	134

TABLE OF CONTENTS

FIGURE 5-9. FRONT AXLE - PLANETARY DRIVE (ZF)	136
FIGURE 5-10. FRONT AXLE ASSEMBLY (DANA).....	138
FIGURE 5-11. FRONT AXLE (DANA).....	140
FIGURE 5-12. FRONT AXLE - CENTRAL HOUSING (DANA)	142
FIGURE 5-13. FRONT AXLE - DIFFERENTIAL (DANA)	144
FIGURE 5-14. FRONT AXLE - HUB REDUCTION (DANA).....	146
FIGURE 5-15. FRONT AXLE - BRAKE (DANA)	150
FIGURE 5-16. FRONT AXLE - STEERING (DANA)	152
FIGURE 5-17. FRONT AXLE - TRUNION (DANA)	154
FIGURE 5-18. REAR AXLE (ZF).....	156
FIGURE 5-19. REAR AXLE - INPUT (ZF).....	158
FIGURE 5-20. REAR AXLE - DIFFERENTIAL (ZF)	162
FIGURE 5-21. REAR AXLE - AXLE CASING (ZF).....	164
FIGURE 5-22. REAR AXLE - M-DISK BRAKE (ZF).....	166
FIGURE 5-23. REAR AXLE - JOINT HOUSING (ZF).....	168
FIGURE 5-24. REAR AXLE - PLANETARY DRIVE (ZF)	170
FIGURE 5-25. REAR AXLE ASSEMBLY (DANA).....	172
FIGURE 5-26. REAR AXLE (DANA)	174
FIGURE 5-27. REAR AXLE - CENTRAL HOUSING (DANA).....	176
FIGURE 5-28. REAR AXLE - DIFFERENTIAL (DANA).....	178
FIGURE 5-29. REAR AXLE - HUB REDUCTION (DANA)	180
FIGURE 5-30. REAR AXLE - BRAKE (DANA).....	182
FIGURE 5-31. REAR AXLE - STEERING (DANA).....	184
FIGURE 5-32. REAR AXLE - TRUNION (DANA).....	186
FIGURE 5-33. ZF TRANSMISSION INSTALLATION.....	188
FIGURE 5-34. ZF TRANSMISSION - ENGINE CONNECTION AND CONVERTER	190
FIGURE 5-35. ZF TRANSMISSION - INPUT SHAFTS	192
FIGURE 5-36. ZF TRANSMISSION - GEARBOX HOUSING	194
FIGURE 5-37. ZF TRANSMISSION - COUPLING GROUP 1	196
FIGURE 5-38. ZF TRANSMISSION - COUPLING GROUP 2	198
FIGURE 5-39. ZF TRANSMISSION - COUPLING GROUP 3	200
FIGURE 5-40. ZF TRANSMISSION - COUPLING GROUP 4	202
FIGURE 5-41. ZF TRANSMISSION - REVERSING GEAR GROUP 1.....	204
FIGURE 5-42. ZF TRANSMISSION - REVERSING GEAR GROUP 2.....	206
FIGURE 5-43. ZF TRANSMISSION - OUTPUT	208
FIGURE 5-44. ZF TRANSMISSION - CONTROL UNIT	210
FIGURE 5-45. ZF TRANSMISSION - VALVE HOUSING ASSEMBLY	212
FIGURE 5-46. ZF TRANSMISSION - VALVE BLOCK ASSEMBLY	214
FIGURE 5-47. ZF TRANSMISSION - OIL PUMP AND FILTER	216
FIGURE 5-48. FENDER INSTALLATION	218
FIGURE 5-49. FENDER INSTALLATION (DANA).....	220
FIGURE 5-50. WHEEL ASSEMBLY PNEUMATIC	222
FIGURE 5-51. WHEEL ASSEMBLY FOAM FILLED AND SOLID.....	224
 SECTION 6 - CAB	 227
FIGURE 6-1. CAB INSTALLATION.....	228
FIGURE 6-2. CAB ASSEMBLY	230
FIGURE 6-3. CAB DOOR ASSEMBLY (Prior to SN 0160050424)	234
FIGURE 6-4. CAB DOOR ASSEMBLY (SN 0160050424 to Present).....	236
FIGURE 6-5. SOFT CAB ENCLOSURE	238
FIGURE 6-6. WIPERS	240
FIGURE 6-7. OPERATORS SEAT	244
FIGURE 6-8. CAB HEATER.....	246
FIGURE 6-9. REAR DROPOUT WINDOW INSTALLATION.....	250
 SECTION 7 - CONTROLS.....	 253
FIGURE 7-1. BRAKE	254
FIGURE 7-2. ACCELERATOR.....	256
FIGURE 7-3. STEERING COLUMN.....	258
FIGURE 7-4. BOOM CONTROL	260
FIGURE 7-5. FRAME LEVEL AND ATTACHMENT TILT CONTROL	262
FIGURE 7-6. AUXILIARY HYDRAULIC CONTROL.....	264
 SECTION 8 - HYDRAULIC CIRCUITS	 267

TABLE OF CONTENTS

FIGURE 8-1. SUPPLY CIRCUIT	268
FIGURE 8-2. DUMP CIRCUIT	274
FIGURE 8-3. STEER SELECT CIRCUIT	278
FIGURE 8-4. SERVICE BRAKE CIRCUIT	280
FIGURE 8-5. LIFT CYLINDER CIRCUIT	282
FIGURE 8-6. EXTEND/RETRACT CYLINDER CIRCUIT	284
FIGURE 8-7. TILT AND TILT COMPENSATING CYLINDER CIRCUIT	286
FIGURE 8-8. AUXILIARY HYDRAULIC	290
FIGURE 8-9. FRAME LEVEL CIRCUIT	294
SECTION 9 - HYDRAULIC COMPONENTS	297
FIGURE 9-1. LIFT CYLINDER (6036)	298
FIGURE 9-2. LIFT CYLINDER (6042)	300
FIGURE 9-3. EXTEND/RETRACT CYLINDER	302
FIGURE 9-4. ATTACHMENT TILT CYLINDER	304
FIGURE 9-5. TILT COMPENSATION CYLINDER	306
FIGURE 9-6. FRAME LEVEL CYLINDER (6036)	308
FIGURE 9-7. FRAME LEVEL CYLINDER (6042)	310
FIGURE 9-8. FRAME LEVEL CYLINDER (6042)	312
FIGURE 9-9. STABILI-TRAK CYLINDER	314
FIGURE 9-10. SIDE TILT CARRIAGE CYLINDER (Prior to SN 0160066473, Excluding 0160021284)	316
FIGURE 9-11. SIDE TILT CARRIAGE CYLINDER (SN 0160066473 to Present, Including 0160021284)	318
FIGURE 9-12. 50 IN SIDE SHIFT CARRIAGE CYLINDER	320
FIGURE 9-13. 72 IN 90, SWING CARRIAGE CYLINDER	322
FIGURE 9-14. GRAPPLE BUCKET CYLINDER	324
FIGURE 9-15. MAIN CONTROL VALVE	326
FIGURE 9-16. GEAR PUMP	328
FIGURE 9-17. FUEL/HYDRAULIC TANK ASSEMBLY (Prior to SN 0160069202)	330
FIGURE 9-18. HYDRAULIC/FUEL TANK ASSEMBLY (SN 0160069202 to Present)	332
FIGURE 9-19. DIRECTIONAL CONTROL VALVES	334
FIGURE 9-20. BRAKE VALVE	336
SECTION 10 - ELECTRICAL	339
FIGURE 10-1. ENGINE COMPARTMENT ELECTRICAL INSTALLATION	340
FIGURE 10-2. ENGINE COMPARTMENT ELECTRICAL INSTALLATION	344
FIGURE 10-3. CAB ELECTRICAL INSTALLATION	348
FIGURE 10-4. CAB ELECTRICAL INSTALLATION	352
FIGURE 10-5. CAB SWITCHES	356
FIGURE 10-6. ROAD LIGHTING INSTALLATION	358
FIGURE 10-7. WORK LIGHTING INSTALLATION	362
FIGURE 10-8. ROTATING BEACON INSTALLATION	364
FIGURE 10-9. ENGINE HARNESS	366
FIGURE 10-10. ENGINE HARNESS	370
FIGURE 10-11. CAB POWER DISTRIBUTION HARNESS (Prior to SN 0160065986)	374
FIGURE 10-12. CAB POWER DISTRIBUTION HARNESS (SN 0160065986 to Present)	380
FIGURE 10-13. DASH/THROTTLE HARNESS	386
FIGURE 10-14. ROAD LIGHTING HARNESS	388
FIGURE 10-15. WORK LIGHTING HARNESS	390
FIGURE 10-16. TELEMATICS INSTALLATION, UNITED RENTALS	392
FIGURE 10-17. REVERSE SENSING SYSTEM INSTALLATION	394
FIGURE 10-18. REVERSE SENSOR HARNESS	396
SECTION 11 - DECALS	399
FIGURE 11-1. CAB AND FRAME DECALS	400
FIGURE 11-2. CAB AND FRAME DECALS (DANA)	406
FIGURE 11-3. BOOM DECALS	410
FIGURE 11-4. BOOM DECALS (DANA)	412
SECTION 12 - RECOMMENDED SPARE PARTS	415
FIGURE 12-1. RECOMMENDED SPARE PARTS	416
PART NUMBER INDEX	419

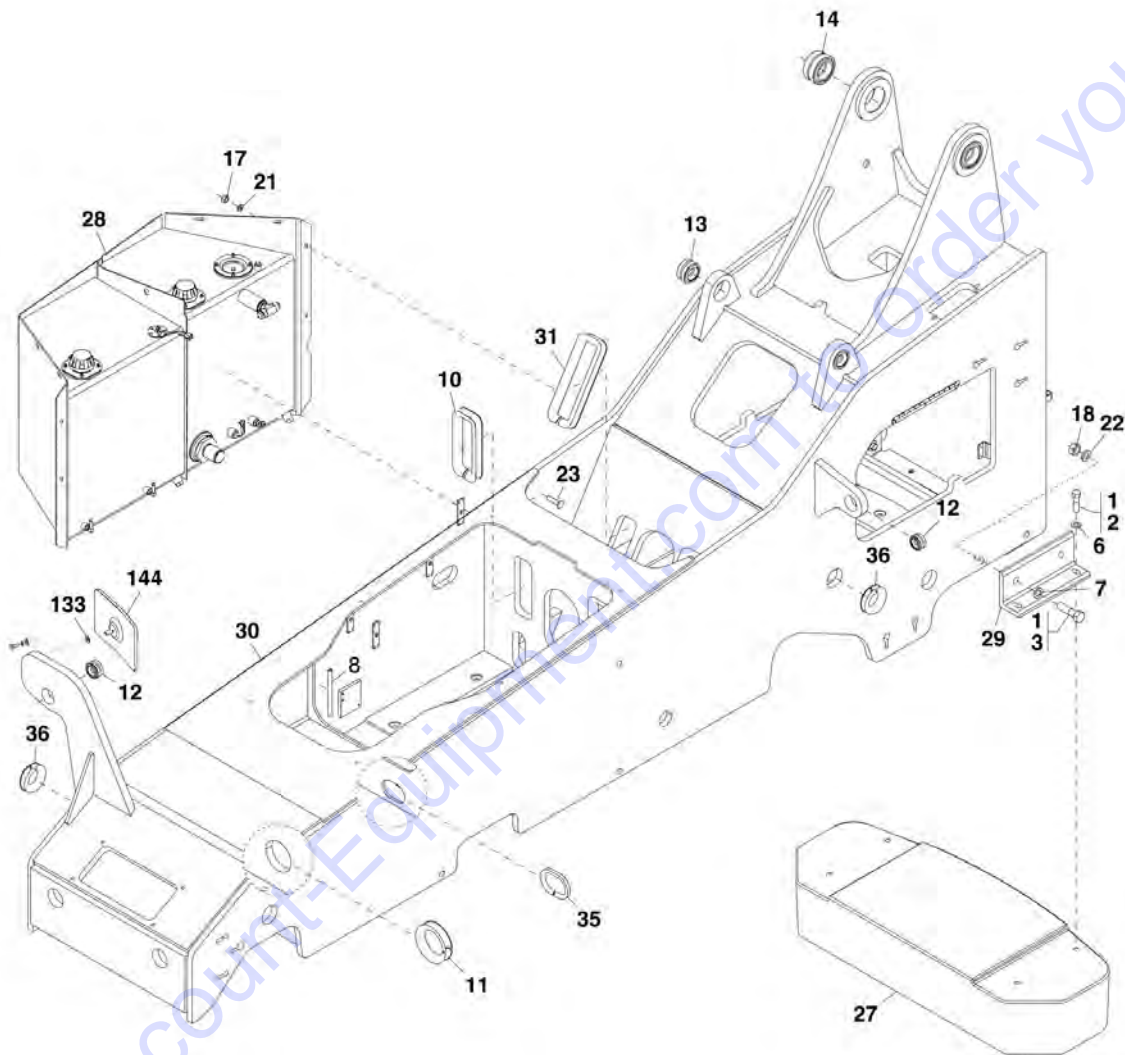
SECTION 1 - FRAME AND ATTACHING PARTS

SECTION 1 - FRAME AND ATTACHING PARTS

Go to Discount-Equipment.com to order your parts

SECTION 1 - FRAME AND ATTACHING PARTS

FIGURE 1-1. FRAME AND ATTACHING PARTS



PA4962

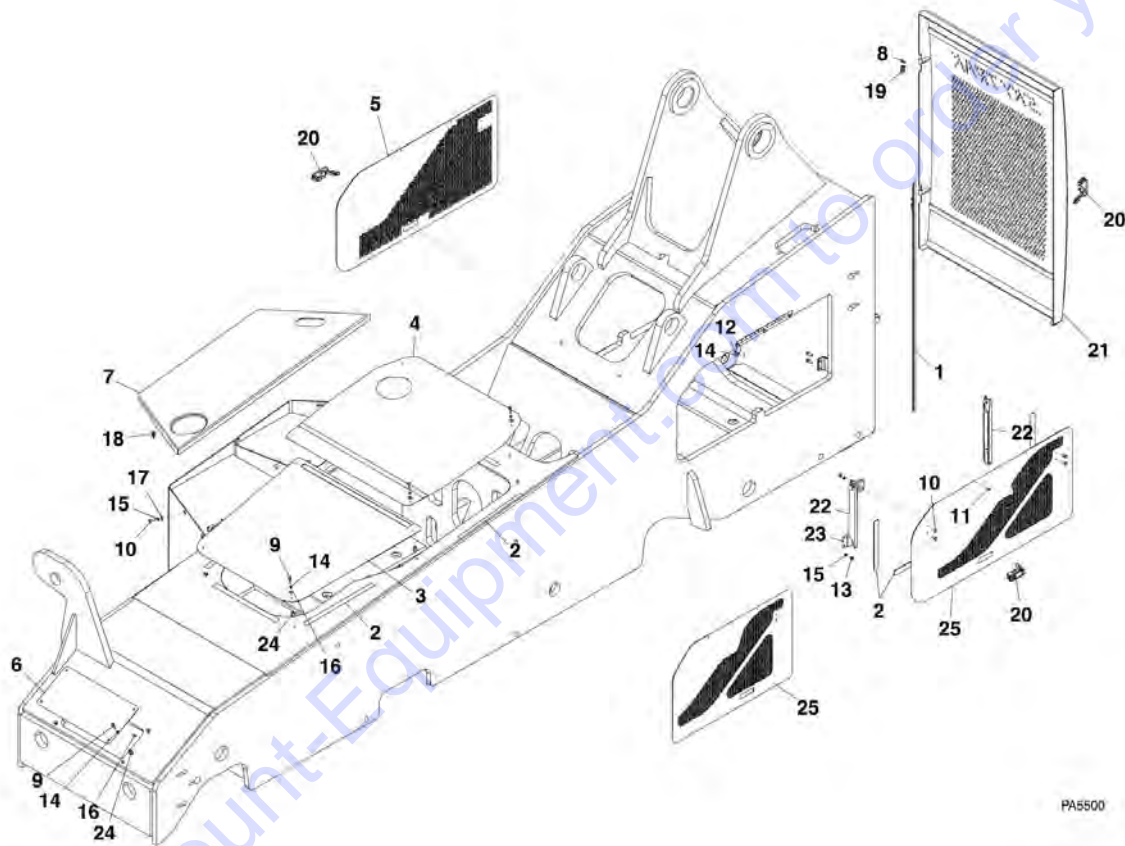
SECTION 1 - FRAME AND ATTACHING PARTS

FIGURE 1-1. FRAME AND ATTACHING PARTS

ITEM	PART NUMBER	QTY	DESCRIPTION	REV
	1001121408	Ref	FRAME INSTALLATION, (ZF) (6036), (not available to order, see items 1 thru 36 for service)	B
	1001149525	Ref	FRAME INSTALLATION, (DANA) (6036), (not available to order, see items 1 thru 36 for service)	A
	1001121444	Ref	FRAME INSTALLATION, (ZF) (6042), (not available to order, see items 1 thru 36 for service)	B
	1001149487	Ref	FRAME INSTALLATION, (DANA) (6042), (not available to order, see items 1 thru 36 for service)	A
1	0100019	AR	LOCTITE 271	
2	0642222	4	HEX HD CAPSCREW, 3/4-10X2-3/4, GR5, (torque to 285 lb-ft)	
3	0642628	4	HEX HD CAPSCREW, 1-8X3 1/2, GR5, (torque to 675 lb-ft)	
6	4892200	4	HARDENED WASHER, 3/4	
7	4892600	2	HARDENED WASHER, 1	
8	7125871	AR	CONDUIT, 0.50X8, (cut to fit)	
9	7137142	4	CYLINDER PIN	
10	7139156	AR	CONDUIT, 1.0X28, (cut to fit)	
11	7139613	AR	CONDUIT, 1.0X18, (cut to fit)	
12	8050001	2	BEARING, (Self Align)	
13	8065640	2	BEARING, (Self Align)	
14	8065641	2	BEARING, (Self Align)	
15	8303752	4	HEX HD CAPSCREW, 5/16-18X3-1/2, GR5	
16	8303782	4	HEX HD CAPSCREW, 1/2-13X4, GR5	
17	8305014	4	HEX NUT, 5/8-11	
18	8305021	4	HEX NUT, 1-8	
19	8305626	4	HEX LOCKNUT, 5/16-18	
20	8305644	4	HEX LOCKNUT, 1/2-13,	
21	8307009	4	LOCKWASHER, 5/8	
22	8307012	4	LOCKWASHER, 1	
23	8310129	4	CARRIAGE BOLT, 5/8-11X2-1/2, (torque to 150 lb-ft)	
24	8520001	2	LUBE FITTING, STRAIGHT, 1/8	
27	1001094784	1	COUNTERWEIGHT, (6036)	
27	1001094783	1	COUNTERWEIGHT, (6042)	
28		Ref	FUEL AND HYDRAULIC TANK, (See HYDRAULIC COMPONENTS SECTION for Breakdown)	
29	1001114112	2	ANGLE COUNTWEIGHT	
30	N.S.S.	1	FRAME WELDMENT	
31	1560028	2	CONDUIT, 1.0 POLY	
35	7124301	AR	CONDUIT, 0.50X15.5, (cut to fit)	
36	7124471	AR	CONDUIT, 1.0X12.5, (cut to fit)	
133	4791500	1	STAR WASHER, 5/16	
144	8866348	1	CONVEX RIGHT SIDE MIRROR ASSEMBLY	

SECTION 1 - FRAME AND ATTACHING PARTS

FIGURE 1-2. COVERS (Prior to SN 0160053077)



PA5500

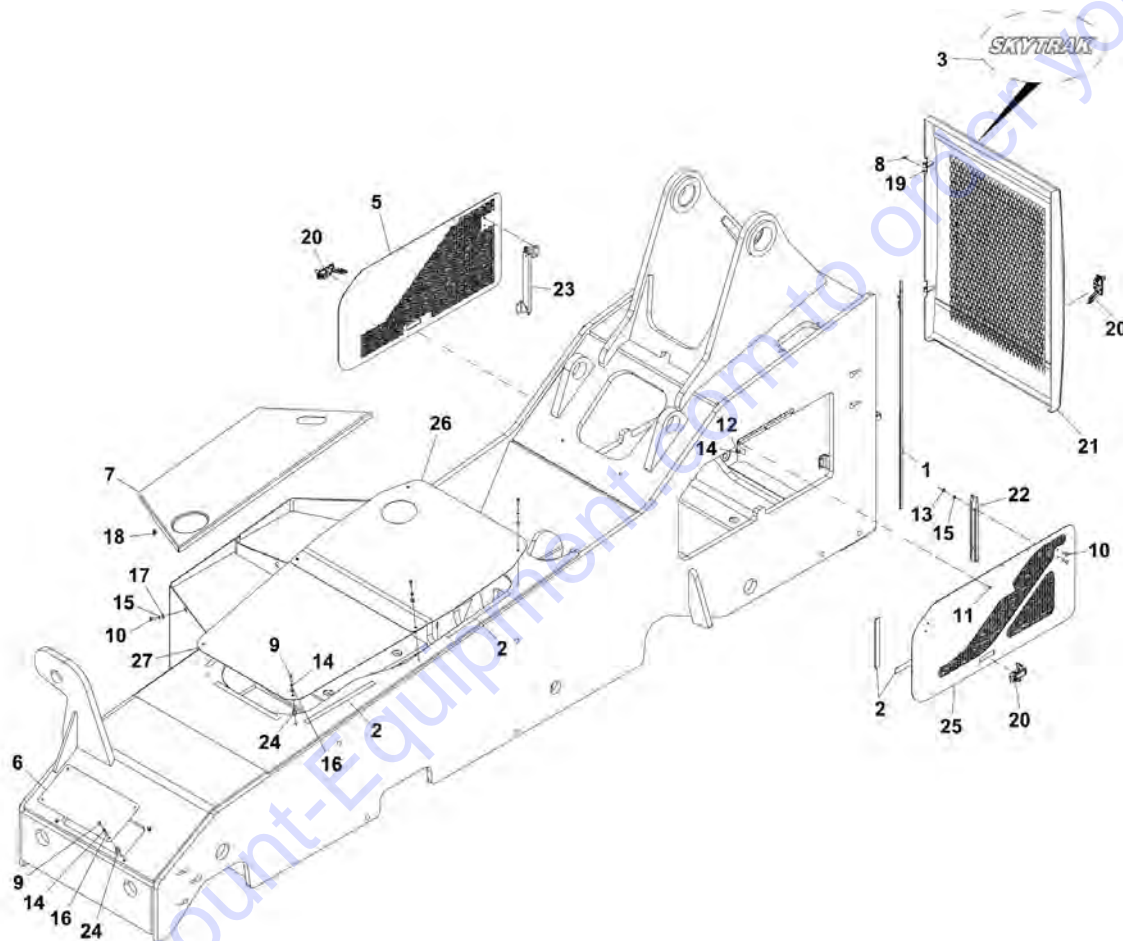
SECTION 1 - FRAME AND ATTACHING PARTS

FIGURE 1-2. COVERS (Prior to SN 0160053077)

ITEM	PART NUMBER	QTY	DESCRIPTION	REV
	1001099496	Ref	FRAME COVERS INSTALLATION, (6036), (not available to order, see items 1 thru 25 for service)	E
	1001099497	Ref	FRAME COVERS INSTALLATION, (6042), (not available to order, see items 1 thru 25 for service)	F
1	90206196	AR	TRIM	
2	4420037	222 in	INSULATION TAPE, (6036)	
2	4420037	214 in	INSULATION TAPE, (6042)	
3	7139406	1	LOWER TRANSMISSION COVER	
4	7139455	1	UPPER TRANSMISSION COVER	
5	1001131244		SIDE ACCESS COVER, (right)	
6	7150608	1	FRONT COVER	
7	7150661	1	FUEL/HYDRAULIC TANK COVER	
8	8302470	2	COTTER PIN	
9	8303615	10	HEX HD CAPSCREW, 1/4-20X1-1/4	
10	8303656	20	HEX HD CAPSCREW, 5/16-18X7/8, (6036)	
10	8303656	16	HEX HD CAPSCREW, 5/16-18X7/8, (6042)	
11	8303729	6	HEX HD CAPSCREW, 1/4-20X5/8	
12	8305004	6	HEX NUT, 1/4-20	
13	8305006	16	HEX NUT, 0.325, (6036)	
13	8305006	12	HEX NUT, 0.325, (6042)	
14	8307002	16	LOCKWASHER, 1/4	
15	8307004	20	LOCKWASHER, 5/1, (6036)	
15	8307004	16	LOCKWASHER, 5/1, (6042)	
16	8307202	10	PLAIN WASHER, 1/4	
17	8307203	4	FLAT WASHER, 5/16	
18	8310658	4	RETAINING NUT, 5/16	
19	10732150	AR	FLAT WASHER, M10	
20	1001131179	3	LATCH ASSY, WITH LOCK AND KEY	
20	8342808	AR	KEY SET	
21	1001131246	1	REAR ACCESS DOOR	
22	7139714	2	SIDE DOOR PROP	
23	7139714	2	SIDE DOOR PROP	
24	8580420	10	WELL NUT	
25	1001131243	1	SIDE DOOR PANEL, (6036), (left)	
25	1001131334	1	SIDE DOOR PANEL, (6042), (left)	

SECTION 1 - FRAME AND ATTACHING PARTS

FIGURE 1-3. COVERS (SN 0160053077 to Present)



PAP29431

SECTION 1 - FRAME AND ATTACHING PARTS

FIGURE 1-3. COVERS (SN 0160053077 to Present)

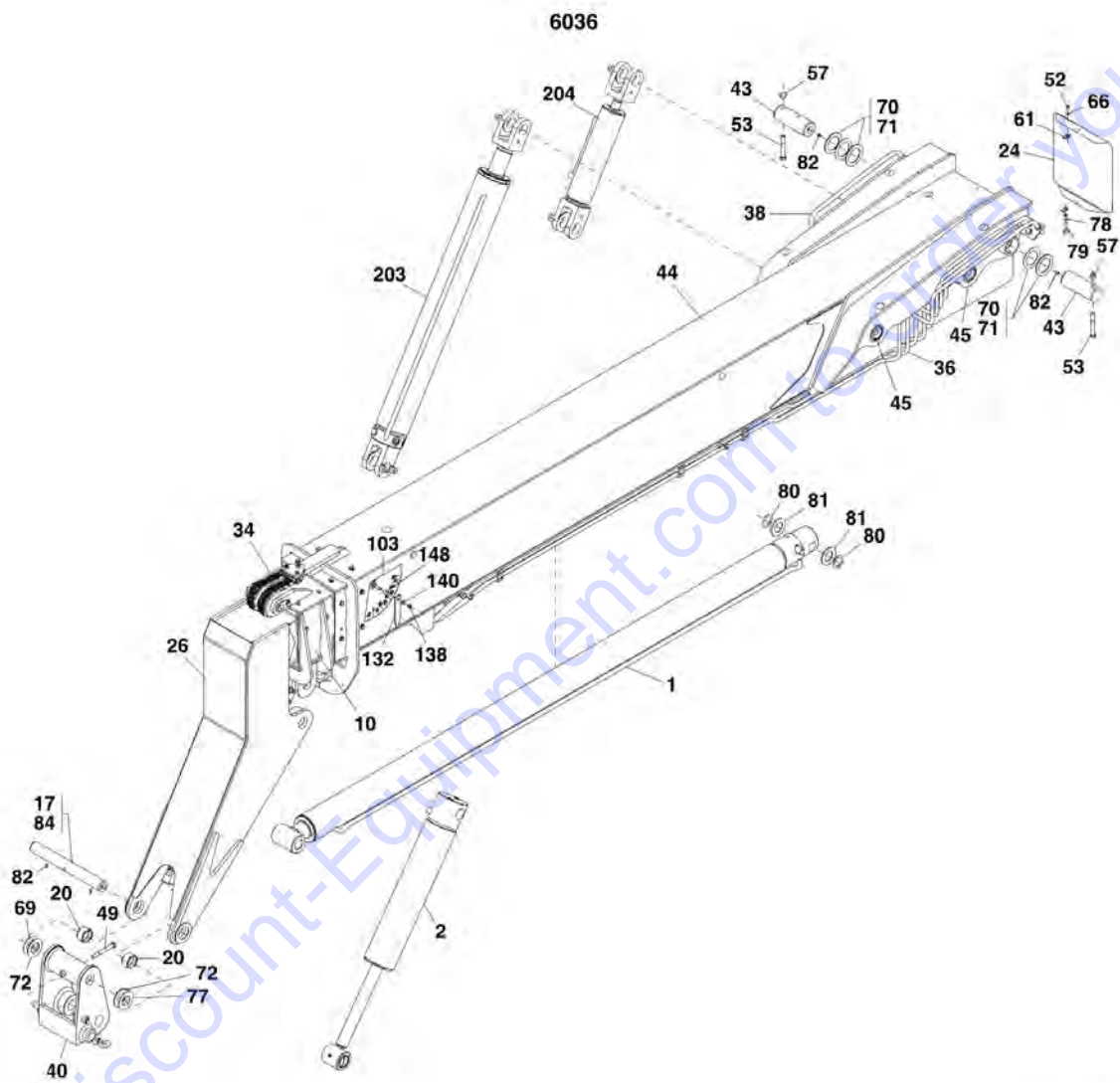
ITEM	PART NUMBER	QTY	DESCRIPTION	REV
	1001152651	Ref	FRAME COVERS INSTALLATION, (6036), (not available to order, see items 1 thru 27 for service)	D
	1001152652	Ref	FRAME COVERS INSTALLATION, (6042), (not available to order, see items 1 thru 27 for service)	D
1	90206196	AR	TRIM	
2	4420037	222 in	INSULATION TAPE, (6036)	
2	4420037	214 in	INSULATION TAPE, (6042)	
3		Ref	REAR DOOR SKYTRAK DECAL, (See DECALS SECTION for Breakdown)	
5	1001150489	1	SIDE ACCESS COVER, (right)	
6	7150608	1	FRONT COVER	
7	1001150492	1	FUEL/HYDRAULIC TANK COVER	
8	8302470	2	COTTER PIN	
9	8303615	10	HEX HD CAPSCREW, 1/4-20X1-1/4	
10	8303656	11	HEX HD CAPSCREW, 5/16-18X7/8	
11	8303729	6	HEX HD CAPSCREW, 1/4-20X5/8	
12	8305004	6	HEX NUT, 1/4-20	
13	8305006	8	HEX NUT, 0.325	
14	8307002	16	LOCKWASHER, 1/4	
15	8307004	11	LOCKWASHER, 5/1	
16	8307202	10	PLAIN WASHER, 1/4	
17	8307203	3	FLAT WASHER, 5/16	
18	8310658	3	RETAINING NUT, 5/16	
19	1001187887	4	WASHER	
20	1001190341	3	LATCH ASSY WITH LOCK AND KEY	
20	8342808	AR	KEY SET	
21	1001150496	1	REAR ACCESS DOOR	
22	7139714	1	SIDE DOOR PROP	
23	7139714	1	SIDE DOOR PROP	
24	8580420	10	WELL NUT	
25	1001150490	1	SIDE DOOR PANEL, (6036), (left)	
25	1001150738	1	SIDE DOOR PANEL, (6042), (left)	
26	7139455	1	UPPER TRANSMISSION COVER	
27	7139406	1	LOWER TRANSMISSION COVER	

SECTION 2 - BOOM

Go to Discount-Equipment.com to order your parts

SECTION 2 - BOOM

FIGURE 2-1. BOOM INSTALLATION (6036)



PA5530

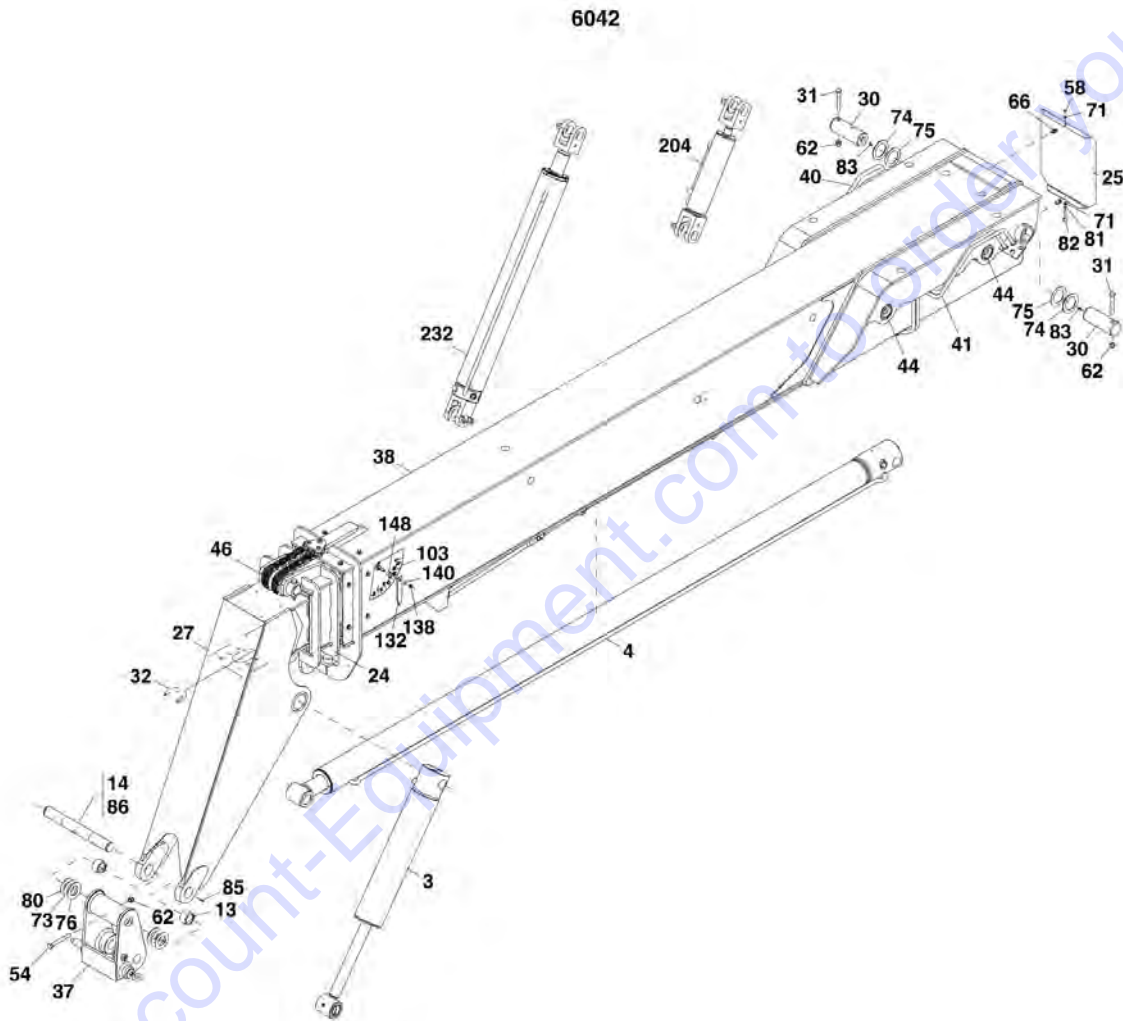
SECTION 2 - BOOM

FIGURE 2-1. BOOM INSTALLATION (6036)

ITEM	PART NUMBER	QTY	DESCRIPTION	REV
1	7302055	Ref	BOOM INSTALLATION, (6036), (includes all items)	J
		Ref	EXTEND/RETRACT CYLINDER AND MOUNTING HARDWARE, (See HYDRAULIC COMPONENTS SECTION for Breakdown)	
2		Ref	FORK TILT CYLINDER AND MOUNTING HARDWARE, (See HYDRAULIC COMPONENTS SECTION for Breakdown)	
10		Ref	SECOND BOOM SECTION, (See SECOND BOOM SECTION for Breakdown)	
17	7083922	1	CARRIAGE PIVOT PIN	
20	7085542	2	QUICK ATTACH PIVOT BUSHING	
24	7116822	1	OUTER BOOM COVER	
26		Ref	FIRST BOOM SECTION, (See FIRST BOOM SECTION for Breakdown)	
34		Ref	BOOM CHAIN ASSY, (See BOOM EXTEND CHAINS for Breakdown)	
36		Ref	TILT CYLINDER HYDRAULICS, (See HYDRAULIC CIRCUITS SECTION for Breakdown)	
38		Ref	EXTEND/RETRACT CYLINDER HYDRAULICS, (See HYDRAULIC CIRCUITS SECTION for Breakdown)	
40		Ref	QUICK ATTACH ASSEMBLY, (See QUICK ATTACH ASSEMBLY for Breakdown)	
43	3423226	2	BOOM PIVOT PIN	
44		Ref	THIRD BOOM SECTION, (See THIRD BOOM SECTION for Breakdown)	
45	8065640	4	SELF ALIGN BEARING	
49	8303666	1	HEX HD CAPSCREW, 5/8-11X5, GR5	
52	8303697	1	HEX HD CAPSCREW, 5/16-18X3/4, GR5	
53	8303655	2	HEX HD CAPSCREW, 5/8-11X4-1/2	
57	8305643	3	HEX LOCKNUT, 5/8-11	
61	8305906	2	NUT RETAINER, 5/16-18	
66	8307106	2	WASHER, 5/16	
69	8307904	AR	SHIM WASHER, 2.0	
70	8307910	AR	SHIM WASHER, 2-3/4	
71	8307911	AR	SHIM WASHER, 2-3/4	
72	8307918	AR	SHIM WASHER, 2.0	
77	8310093	AR	SHIM WASHER, 2.0	
78	8310431	1	LOCKWASHER, 5/16	
79	8310497	1	THUMB SCREW, 5/16-18X1-1/2	
80	8310708	2	WASHER	
81	8310712	2	SHIM	
82	8520001	3	LUBE FITTING, STRAIGHT	
89	8642234	4	RETAINING RING	
103		Ref	BOOM ANGLE INDICATOR DECAL, (See DECALS SECTION for Breakdown)	
132	1001098769	1	BOOM ANGLE INDICATOR PLATE	
138	8305645	1	LOCKNUT, 0.375-16	
140	4711600	1	WASHER, 3/8	
148	1001096404	1	ANGLE INDICATOR SPACER SLEEVE	
203		Ref	LIFT CYLINDER AND MOUNTING HARDWARE, (See HYDRAULIC COMPONENTS SECTION for Breakdown)	
204		Ref	TILT COMPENSATING CYLINDER AND MOUNTING HARDWARE, (See HYDRAULIC COMPONENTS SECTION for Breakdown)	

SECTION 2 - BOOM

FIGURE 2-2. BOOM INSTALLATION (6042)



PAP29410

SECTION 2 - BOOM

FIGURE 2-2. BOOM INSTALLATION (6042)

ITEM	PART NUMBER	QTY	DESCRIPTION	REV
	7302051	Ref	BOOM INSTALLATION, (6042), (includes all items)	J
3		Ref	FORK TILT CYLINDER AND MOUNTING HARDWARE, (See HYDRAULIC COMPONENTS SECTION for Breakdown)	
4		Ref	EXTEND/RETRACT CYLINDER AND MOUNTING HARDWARE, (See HYDRAULIC COMPONENTS SECTION for Breakdown)	
13	7095312	2	QUICK ATTACH PIVOT BUSHING	
14	7095352	1	CARRIAGE PIVOT PIN	
24		Ref	SECOND BOOM SECTION, (See SECOND BOOM SECTION for Breakdown)	
25	7116792	1	OUTER BOOM COVER	
27		Ref	THIRD BOOM SECTION, (See THIRD BOOM SECTION for Breakdown)	
30	3423226	2	BOOM PIVOT PIN	
31	8303655	2	HEX HD CAPSCREW, 5/8-11X4-1/2	
32	7125811	1	CONDUIT, 0.75 IDX8 LG, (cut to fit)	
37		Ref	QUICK ATTACH ASSEMBLY, (See QUICK ATTACH ASSEMBLY for Breakdown)	
38		Ref	FIRST BOOM SECTION, (See FIRST BOOM SECTION for Breakdown)	
40		Ref	EXTEND/RETRACT CYLINDER HYDRAULICS, (See HYDRAULIC CIRCUITS SECTION for Breakdown)	
41		Ref	TILT CYLINDER HYDRAULICS, (See HYDRAULIC CIRCUITS SECTION for Breakdown)	
44	8065640	4	SELF ALIGN BEARING	
46		Ref	BOOM CHAIN ASSEMBLY, (See BOOM EXTEND CHAINS for Breakdown)	
54	8303666	1	HEX HD CAPSCREW, 5/8-11X5, GR5	
58	8303697	1	HEX HD CAPSCREW, 5/16-18X3/4, GR5	
62	8305643	3	HEX LOCKNUT, 5/8-11	
66	8305906	2	NUT RETAINER, 5/16-18	
71	8307106	2	WASHER, 5/16	
73	8307904	AR	SHIM WASHER, 2.0	
74	8307910	AR	SHIM WASHER, 2-3/4	
75	8307911	AR	SHIM WASHER, 2-3/4	
76	8307918	AR	SHIM WASHER, 2.0	
80	8310093	AR	SHIM WASHER, 2.0	
81	8310431	1	LOCKWASHER, 5/16	
82	8310497	1	THUMB SCREW, 5/16-18X1-1/2	
83	8520001	3	LUBE FITTING, STRAIGHT	
85	8520013	2	LUBE FITTING, STRAIGHT	
103		Ref	BOOM ANGLE INDICATOR DECAL, (See DECALS SECTION for Breakdown)	
132	1001098769	1	BOOM ANGLE INDICATOR PLATE	
138	8305645	1	LOCKNUT, 0.375-16	
140	4711600	1	WASHER, 3/8	
148	1001096404	1	ANGLE INDICATOR SPACER SLEEVE	
204		Ref	TILT COMPENSATING CYLINDER AND MOUNTING HARDWARE, (See HYDRAULIC COMPONENTS SECTION for Breakdown)	
232		Ref	LIFT CYLINDER AND MOUNTING HARDWARE, (See HYDRAULIC COMPONENTS SECTION for Breakdown)	

SECTION 2 - BOOM

FIGURE 2-3. FIRST BOOM SECTION (6036)

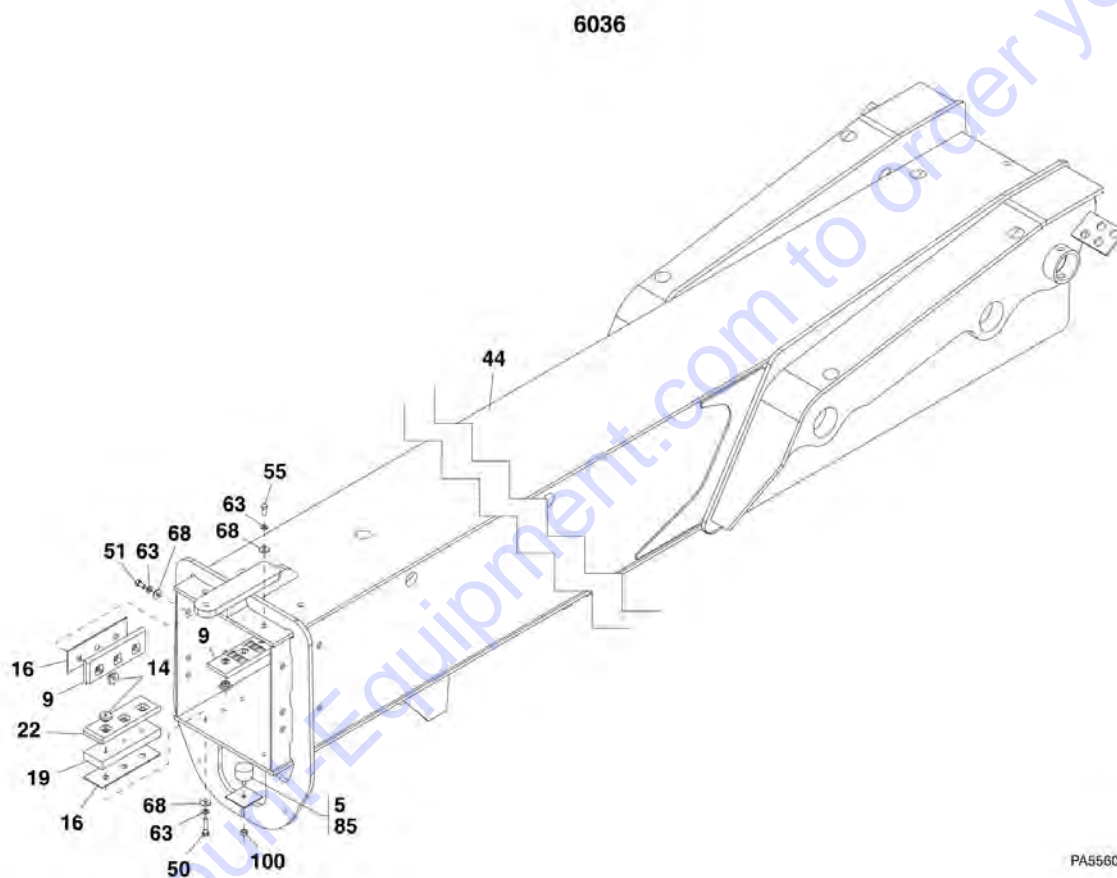
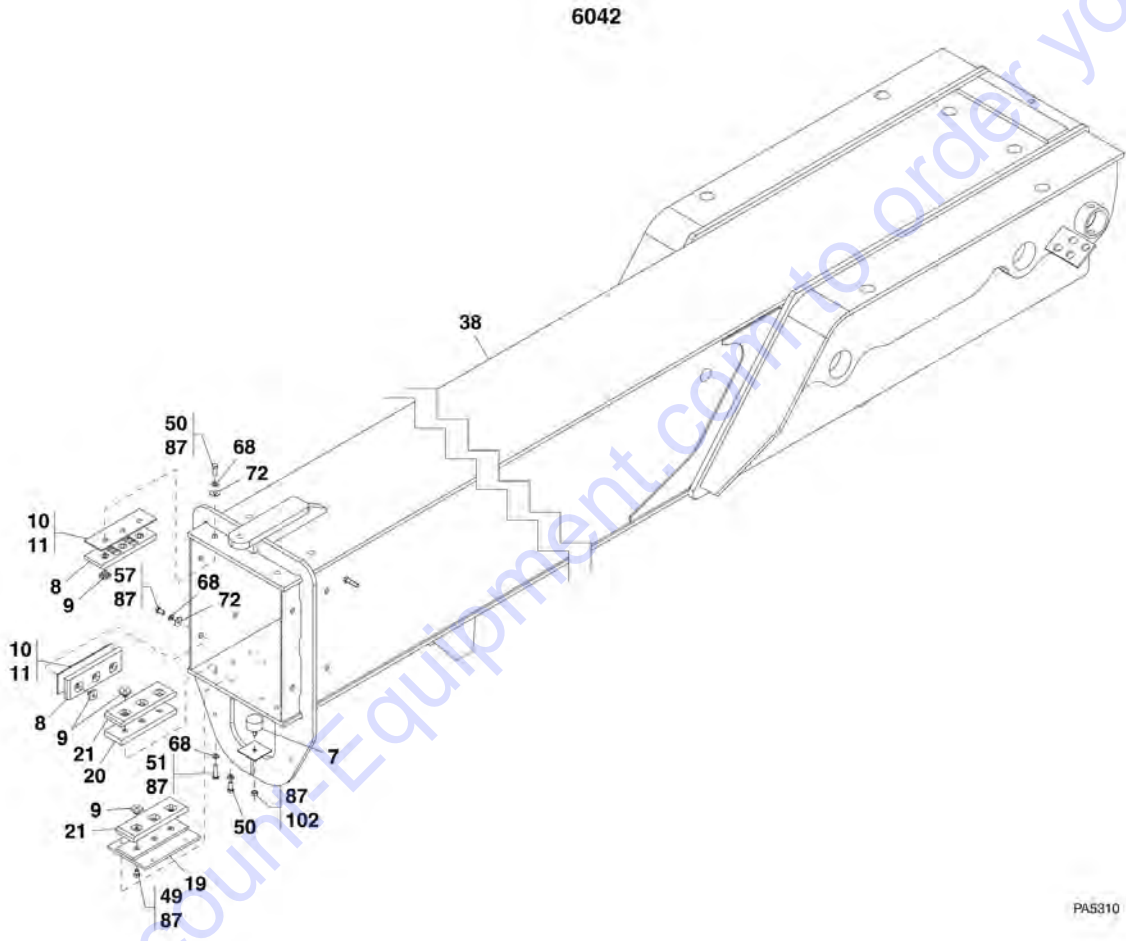


FIGURE 2-3. FIRST BOOM SECTION (6036)

ITEM	PART NUMBER	QTY	DESCRIPTION	REV
5	5724622	1	RUBBER BUMPER	
9	7079572	6	MOLDED WEAR PAD	
14	7082311	18	WEAR PAD INSERT	
16	7082362	6	WEAR PAD SHIM, 0.134	
19	7085442	2	WEAR PAD SPACER, 0.88	
22	7111572	2	HIGH CAPACITY WEAR PAD	
44	7302056	1	FIRST BOOM SECTION	
50	8303679	6	HEX HD CAPSCREW, 3/8-16X1.75, GR5	
51	8303681	8	HEX HD CAPSCREW, 3/8-16X3/4, GR5	
55	8303738	4	HEX HD CAPSCREW, 3/8-16X0.875, GR5	
63	8307005	18	LOCKWASHER, 0.375	
68	8307204	18	WASHER, 3/8	
85	8526007	AR	THREADLOCK	
100	3311601	1	HEX NUT, 3/8-16	
N1	Note	Ref	SHIM PADS WITH SPACERS TO MAINTAIN A TOTAL MINIMUM GAP OF 0.07 TO 0.13 INCHES ON BOTH HORIZONTAL AND VERTICAL DIRECTIONS.	
N2	Note	Ref	APPLY THREADLOCKING COMPOUND (8526007) TO ALL SLIDE PAD SCREWS AND TORQUE TO 28-34 LB-FT, (37.9-46.0 Nm).	
N3	Note	Ref	ALL SLIDE PATHWAYS TO BE FREE OF PROJECTIONS. CHECK PATHWAYS ON UNDERSIDES OF INNER AND INTERMEDIATE BOOMS BY SCRAPING WITH SQUARE EDGE OF WEAR PAD SHIM. SCRAPER MUST NOT SNAG.	
N4	Note	Ref	COAT ALL UNPLATED SHOULDER BOLTS WITH ANTI-SIEZE LUBE (8522012) AND PROTECT HEADS AND THREAD ENDS OF EXTERIOR BOLTS WITH VARNISH (8526406).	

SECTION 2 - BOOM

FIGURE 2-4. FIRST BOOM SECTION (6042)



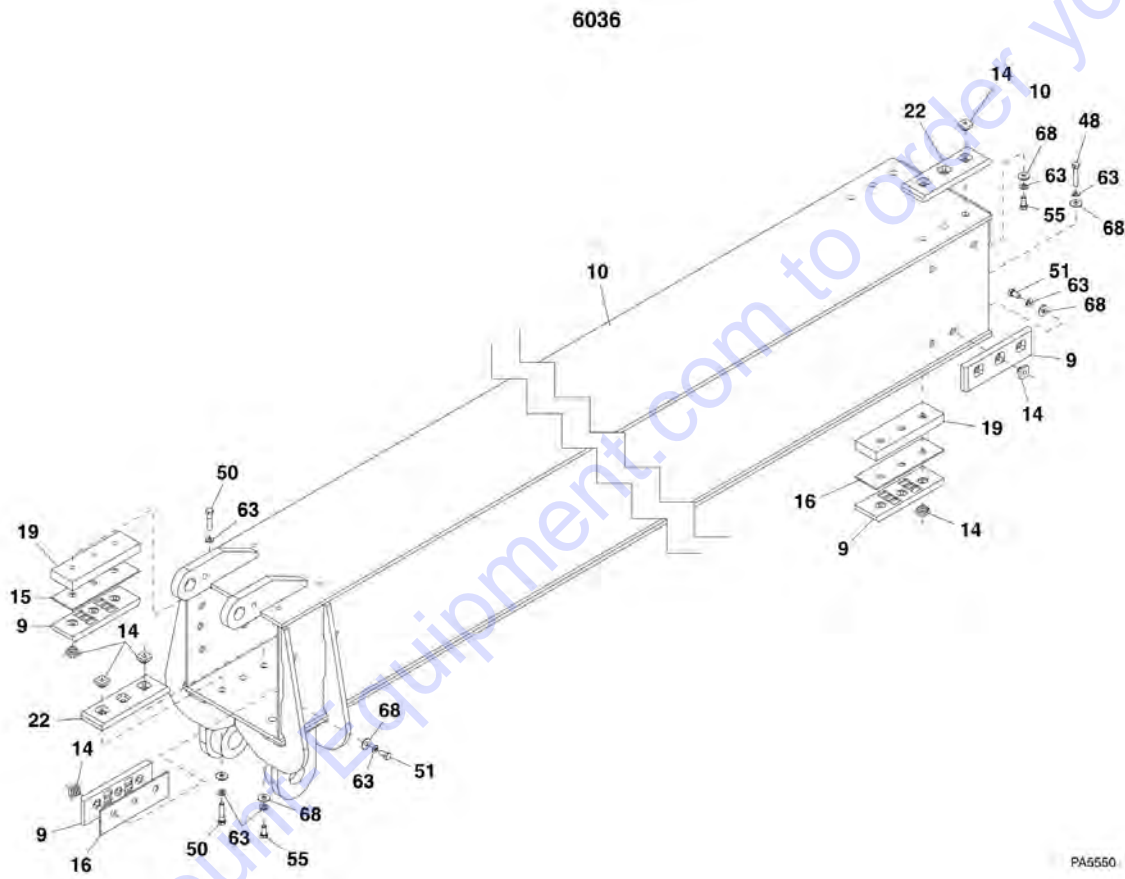
SECTION 2 - BOOM

FIGURE 2-4. FIRST BOOM SECTION (6042)

ITEM	PART NUMBER	QTY	DESCRIPTION	REV
7	5724622	1	RUBBER BUMPER	
8	7079572	6	MOLDED WEAR PAD	
9	7082311	21	WEAR PAD INSERT	
10	7082342	AR	WEAR PAD SHIM, 0.075	
11	7082362	AR	WEAR PAD SHIM, 0.134	
19	7096772	1	SPECIAL WEAR PAD SPACER	
20	7096882	2	WEAR PAD SPACER	
21	7111572	3	HIGH CAPACITY WEAR PAD	
38	7302052	1	FIRST SECTION BOOM	
49	8303041	3	HEX HD CAPSCREW, 3/8-16X1/2. GR5, (Loctite and torque to 28-34 lb-ft)	
50	8303620	10	HEX HD CAPSCREW, 3/8-16X1, GR5, (Loctite and torque to 28-34 lb-ft)	
51	8303621	6	HEX HD CAPSCREW, 3/8-16X1-1/2, GR5, (Loctite and torque to 28-34 lb-ft)	
57	8303681	8	HEX HD CAPSCREW, 3/8-16X3/4, GR5, (Loctite and torque to 28-34 lb-ft)	
68	8307005	22	LOCKWASHER, 3/8	
72	8307204	12	WASHER, 3/8	
87	8526007	AR	THREAD LOCKING COMPOUND	
102	3311601	1	HEX NUT, 3/8-16	
N1	Note	Ref	SHIM PADS WITH SPACERS TO MAINTAIN A TOTAL MINIMUM GAP OF 0.07 TO 0.13 INCHES ON BOTH HORIZONTAL AND VERTICAL DIRECTIONS.	
N2	Note	Ref	APPLY THREADLOCKING COMPOUND (8526007) TO ALL SLIDE PAD SCREWS AND TORQUE TO 28-34 LB-FT, (37.9-46.0 Nm).	
N3	Note	Ref	ALL SLIDE PATHWAYS TO BE FREE OF PROJECTIONS. CHECK PATHWAYS ON UNDERSIDES OF INNER AND INTERMEDIATEBOOMS BY SCRAPING WITH SQUARE EDGE OF WEAR PAD SHIM. SCRAPER MUST NOT SNAG.	
N4	Note	Ref	COAT ALL UNPLATED SHOULDER BOLTS WITH ANTI-SIEZE LUBE (8522012) AND PROTECT HEADS AND THREAD ENDS OF EXTERIOR BOLTS WITH VARNISH (8526406).	

SECTION 2 - BOOM

FIGURE 2-5. SECOND BOOM SECTION (6036)



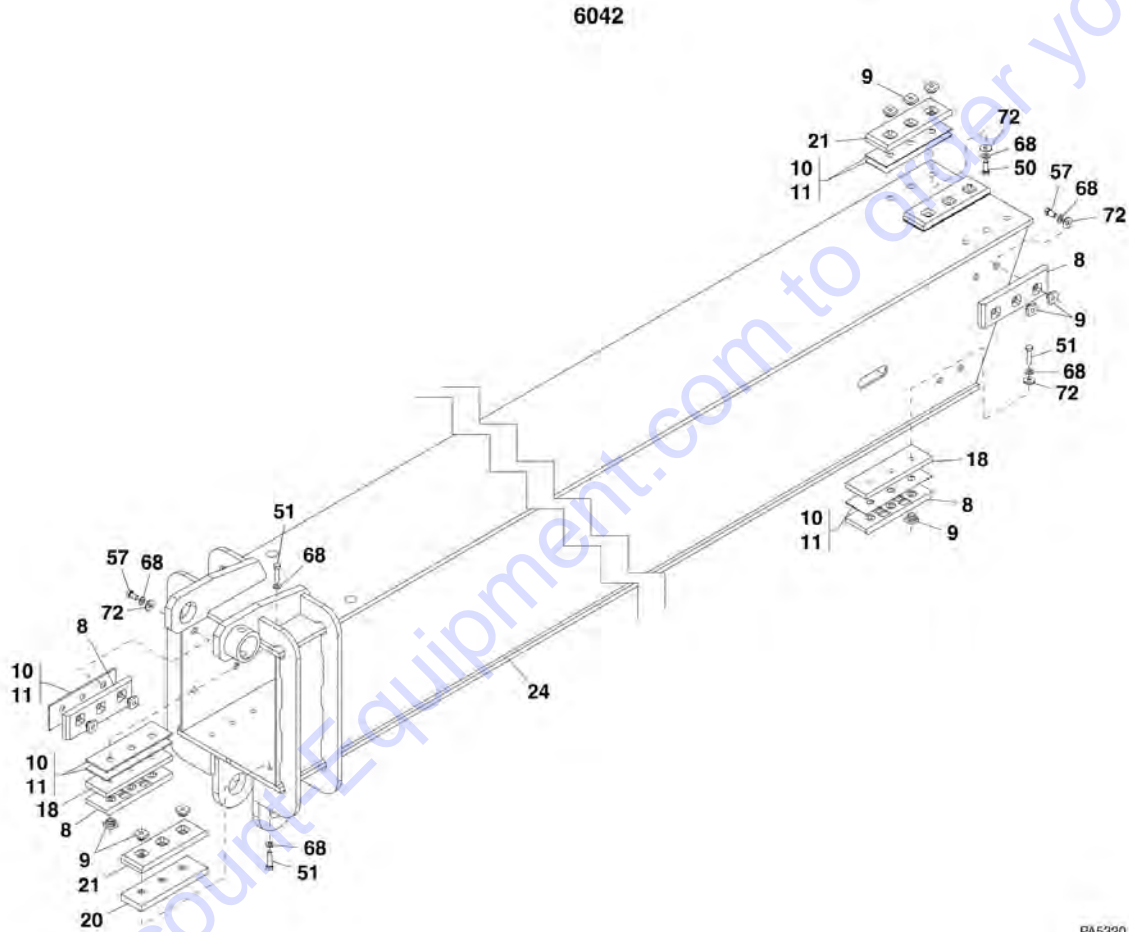
SECTION 2 - BOOM

FIGURE 2-5. SECOND BOOM SECTION (6036)

ITEM	PART NUMBER	QTY	DESCRIPTION	REV
9	7079572	11	MOLDED WEAR PAD	
10	7080244	1	SECOND BOOM SECTION	
14	7082311	36	WEAR PAD INSERT	
15	7082342	2	WEAR PAD SHIM, 0.075	
16	7082362	9	WEAR PAD SHIM, 0.134	
19	7085442	3	WEAR PAD SPACER, 0.88	
22	7111572	4	HIGH CAPACITY WEAR PAD	
48	8303657	2	HEX HD CAPSCREW, 3/8-16X2.00, GR5	
50	8303679	8	HEX HD CAPSCREW, 3/8-16X1.75, GR5	
51	8303681	16	HEX HD CAPSCREW, 3/8-16X3/4, GR5	
55	8303738	8	HEX HD CAPSCREW, 3/8-16X0.875, GR5	
63	8307005	34	LOCKWASHER, 0.375	
68	8307204	30	WASHER, 3/8	
N1	Note	Ref	SHIM PADS WITH SPACERS TO MAINTAIN A TOTAL MINIMUM GAP OF 0.07 TO 0.13 INCHES ON BOTH HORIZONTAL AND VERTICAL DIRECTIONS.	
N2	Note	Ref	APPLY THREADLOCKING COMPOUND (8526007) TO ALL SLIDE PAD SCREWS AND TORQUE TO 28-34 LB-FT, (37.9-46.0 Nm).	
N3	Note	Ref	ALL SLIDE PATHWAYS TO BE FREE OF PROJECTIONS. CHECK PATHWAYS ON UNDERSIDES OF INNER AND INTERMEDIATEBOOMS BY SCRAPING WITH SQUARE EDGE OF WEAR PAD SHIM. SCRAPER MUST NOT SNAG.	
N4	Note	Ref	COAT ALL UNPLATED SHOULDER BOLTS WITH ANTI-SIEZE LUBE (8522012) AND PROTECT HEADS AND THREAD ENDS OF EXTERIOR BOLTS WITH VARNISH (8526406).	

SECTION 2 - BOOM

FIGURE 2-6. SECOND BOOM SECTION (6042)



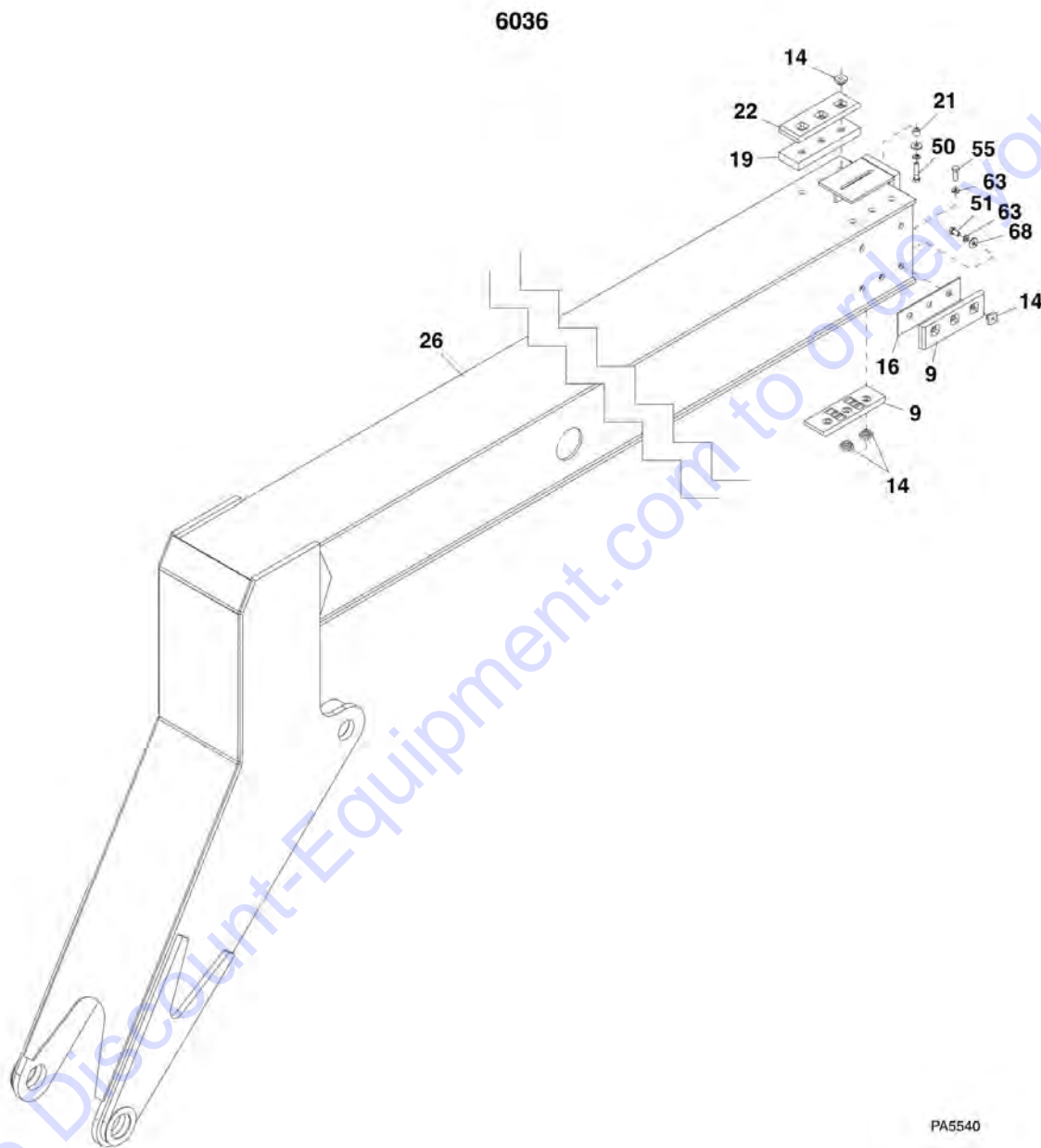
PA5320

FIGURE 2-6. SECOND BOOM SECTION (6042)

ITEM	PART NUMBER	QTY	DESCRIPTION	REV
8	7079572	11	MOLDED WEAR PAD	
9	7082311	36	WEAR PAD INSERT	
10	7082342	AR	WEAR PAD SHIM, .075	
11	7082362	AR	WEAR PAD SHIM, .134	
18	7096702	3	WEAR PAD SPACER	
20	7096882	2	WEAR PAD SPACER	
21	7111572	5	HIGH CAPACITY WEAR PAD	
24	1001098089	1	SECOND BOOM SECTION	
50	8303620	8	HEX HD CAPSCREW, 3/8-16X1, GR5, (Loctite and torque to 28-34 lb-ft)	
51	8303621	12	HEX HD CAPSCREW, 3/8-16X1-1/2, GR5, (Loctite and torque to 28-34 lb-ft)	
57	8303681	14	HEX HD CAPSCREW, 3/8-16X3/4, GR5, (Loctite and torque to 28-34 lb-ft)	
68	8307005	36	LOCKWASHER, 3/8	
72	8307204	32	WASHER, 3/8	
87	8526007	AR	THREAD LOCKING COMPOUND	
N1	Note	Ref	SHIM PADS WITH SPACERS TO MAINTAIN A TOTAL MINIMUM GAP OF 0.07 TO 0.13 INCHES ON BOTH HORIZONTAL AND VERTICAL DIRECTIONS.	
N2	Note	Ref	APPLY THREADLOCKING COMPOUND (8526007) TO ALL SLIDE PAD SCREWS AND TORQUE TO 28-34 LB-FT, (37.9-46.0 Nm).	
N3	Note	Ref	ALL SLIDE PATHWAYS TO BE FREE OF PROJECTIONS. CHECK PATHWAYS ON UNDERSIDES OF INNER AND INTERMEDIATE BOOMS BY SCRAPING WITH SQUARE EDGE OF WEAR PAD SHIM. SCRAPER MUST NOT SNAG.	
N4	Note	Ref	COAT ALL UNPLATED SHOULDER BOLTS WITH ANTI-SIEZE LUBE (8522012) AND PROTECT HEADS AND THREAD ENDS OF EXTERIOR BOLTS WITH VARNISH (8526406).	

SECTION 2 - BOOM

FIGURE 2-7. THIRD BOOM SECTION (6036)



PA5540

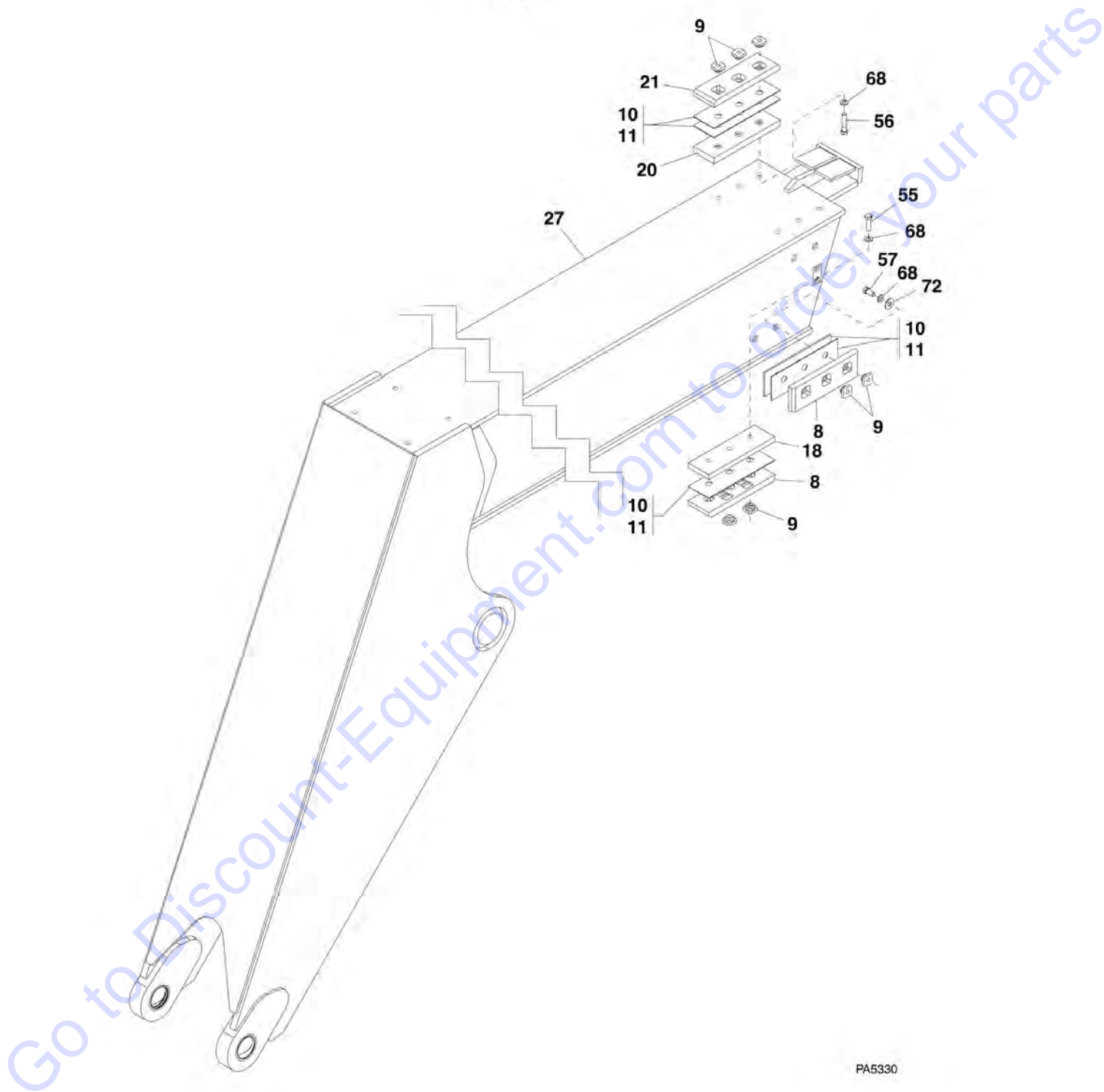
FIGURE 2-7. THIRD BOOM SECTION (6036)

ITEM	PART NUMBER	QTY	DESCRIPTION	REV
9	7079572	5	MOLDED WEAR PAD	
14	7082311	18	WEAR PAD INSERT	
16	7082362	4	WEAR PAD SHIM, 0.134	
19	7085442	2	WEAR PAD SPACER, 0.88	
21	7096491	6	WEAR PAD SCREW SPACER	
22	7111572	2	HIGH CAPACITY WEAR PAD	
26	7117094	1	THIRD BOOM SECTION	
50	8303679	6	HEX HD CAPSCREW, 3/8-16X1.75, GR5	
51	8303681	8	HEX HD CAPSCREW, 3/8-16X3/4, GR5	
55	8303738	2	HEX HD CAPSCREW, 3/8-16X0.875, GR5	
63	8307005	16	LOCKWASHER, 0.375	
68	8307204	14	WASHER, 3/8	
N1	Note	Ref	SHIM PADS WITH SPACERS TO MAINTAIN A TOTAL MINIMUM GAP OF 0.07 TO 0.13 INCHES ON BOTH HORIZONTAL AND VERTICAL DIRECTIONS.	
N2	Note	Ref	APPLY THREADLOCKING COMPOUND (8526007) TO ALL SLIDE PAD SCREWS AND TORQUE TO 28-34 LB-FT, (37.9-46.0 Nm).	
N3	Note	Ref	ALL SLIDE PATHWAYS TO BE FREE OF PROJECTIONS. CHECK PATHWAYS ON UNDERSIDES OF INNER AND INTERMEDIATE BOOMS BY SCRAPING WITH SQUARE EDGE OF WEAR PAD SHIM. SCRAPER MUST NOT SNAG.	
N4	Note	Ref	COAT ALL UNPLATED SHOULDER BOLTS WITH ANTI-SIEZE LUBE (8522012) AND PROTECT HEADS AND THREAD ENDS OF EXTERIOR BOLTS WITH VARNISH (8526406).	

SECTION 2 - BOOM

FIGURE 2-8. THIRD BOOM SECTION (6042)

6042



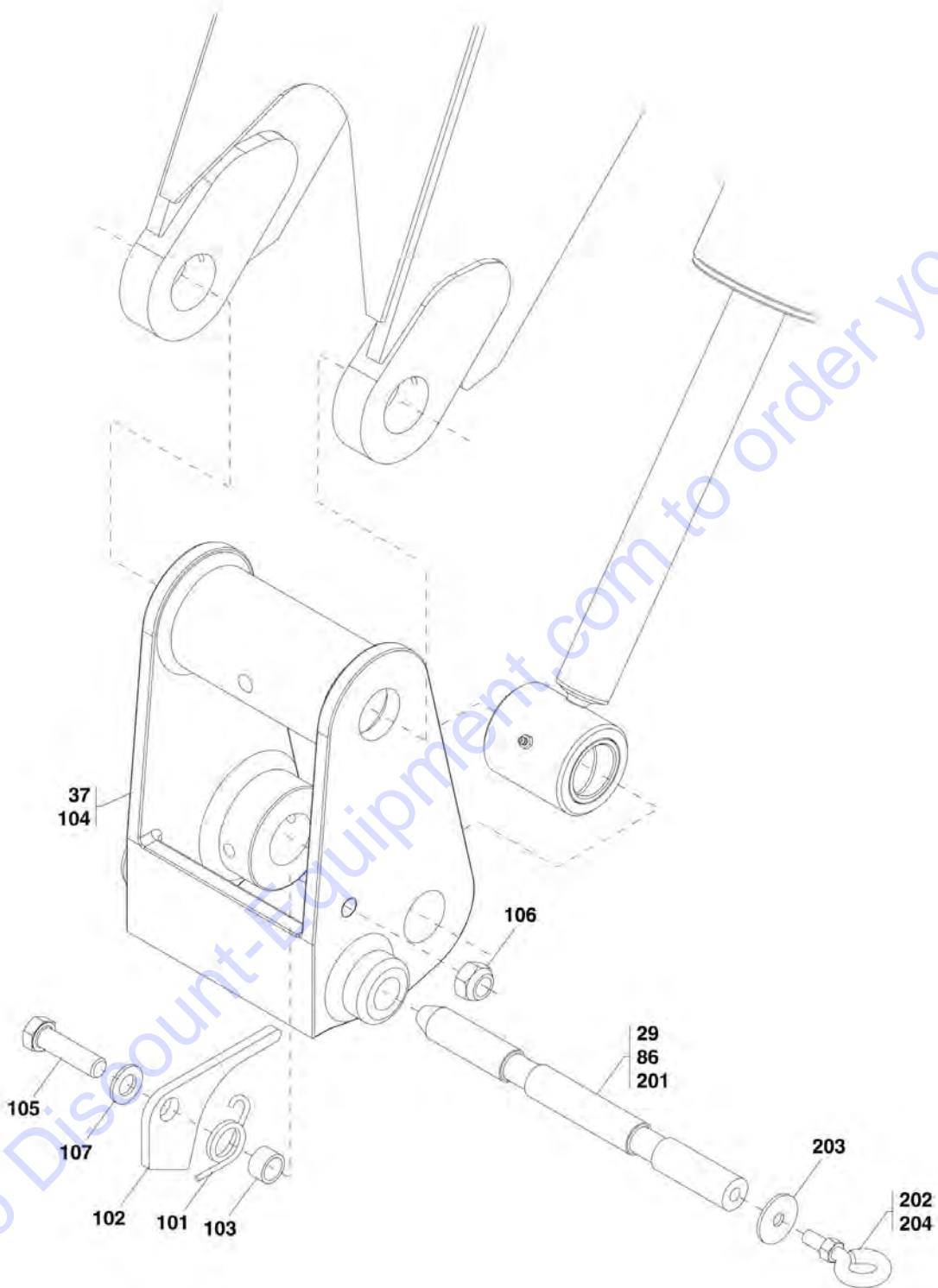
PA5330

FIGURE 2-8. THIRD BOOM SECTION (6042)

ITEM	PART NUMBER	QTY	DESCRIPTION	REV
8	7079572	5	MOLDED WEAR PAD	
9	7082311	16	WEAR PAD INSERT	
10	7082342	AR	WEAR PAD SHIM, .075	
11	7082362	AR	WEAR PAD SHIM, .134	
18	7096702	1	WEAR PAD SPACER	
20	7096882	2	WEAR PAD SPACER	
21	7111572	2	HIGH CAPACITY WEAR PAD	
27	7117113	1	THIRD BOOM SECTION	
55	8303675	2	HEX HD CAPSCREW, 3/8-16X1-1/4, GR5, (Loctite and torque to 28-34 lb-ft)	
56	8303679	6	HEX HD CAPSCREW, 3/8-16X1-3/4, GR5, (Loctite and torque to 28-34 lb-ft)	
57	8303681	8	HEX HD CAPSCREW, 3/8-16X3/4, GR5, (Loctite and torque to 28-34 lb-ft)	
68	8307005	16	LOCKWASHER, 3/8	
72	8307204	8	WASHER, 3/8	
87	8526007	AR	THREAD LOCKING COMPOUND	
N1	Note	Ref	SHIM PADS WITH SPACERS TO MAINTAIN A TOTAL MINIMUM GAP OF 0.07 TO 0.13 INCHES ON BOTH HORIZONTAL AND VERTICAL DIRECTIONS.	
N2	Note	Ref	APPLY THREADLOCKING COMPOUND (8526007) TO ALL SLIDE PAD SCREWS AND TORQUE TO 28-34 LB-FT, (37.9-46.0 Nm).	
N3	Note	Ref	ALL SLIDE PATHWAYS TO BE FREE OF PROJECTIONS. CHECK PATHWAYS ON UNDERSIDES OF INNER AND INTERMEDIATEBOOMS BY SCRAPING WITH SQUARE EDGE OF WEAR PAD SHIM. SCRAPER MUST NOT SNAG.	
N4	Note	Ref	COAT ALL UNPLATED SHOULDER BOLTS WITH ANTI-SIEZE LUBE (8522012) AND PROTECT HEADS AND THREAD ENDS OF EXTERIOR BOLTS WITH VARNISH (8526406).	

SECTION 2 - BOOM

FIGURE 2-9. QUICK ATTACH ASSEMBLY



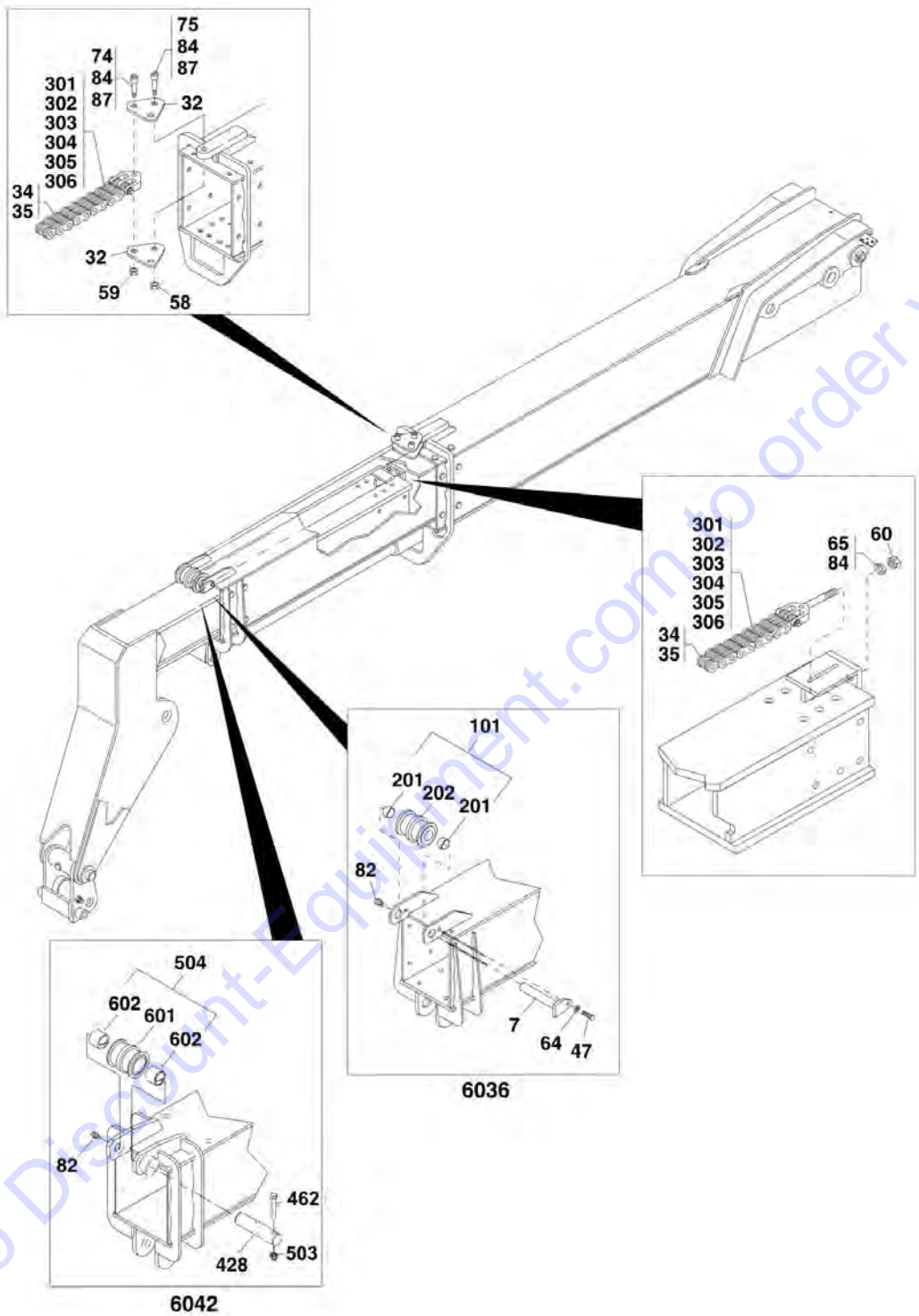
PA3811

FIGURE 2-9. QUICK ATTACH ASSEMBLY

ITEM	PART NUMBER	QTY	DESCRIPTION	REV
29	7118892	1	LOCK PIN ASSY, (includes items 201 thru 204)	B
37	7139864	1	QUICK ATTACH ASSY, (includes items 101 thru 107)	B
86	8522012	AR	ANTI-SEIZE LUBE	
101	7085552	1	TORSION SPRING	
102	7085562	1	LATCH	
103	7085571	1	SPACER	
104	7139863	1	QUICK ATTACH	
105	8303638	1	HEX HD CAPSCREW, 3/4-10X2-3/4	
106	8305619	1	HEX LOCKNUT, 3/4-10	
107	8307104	1	FLAT WASHER, 3/4	
201	7118882	1	PIN	
202	8310266	1	SHANK BOLT EYE, 1/2-13X2	
203	8310276	1	FLAT WASHER, 0.51X1.88X.125	
204	8526007	AR	LOCTITE 242	

SECTION 2 - BOOM

FIGURE 2-10. BOOM EXTEND CHAINS



PAP29420

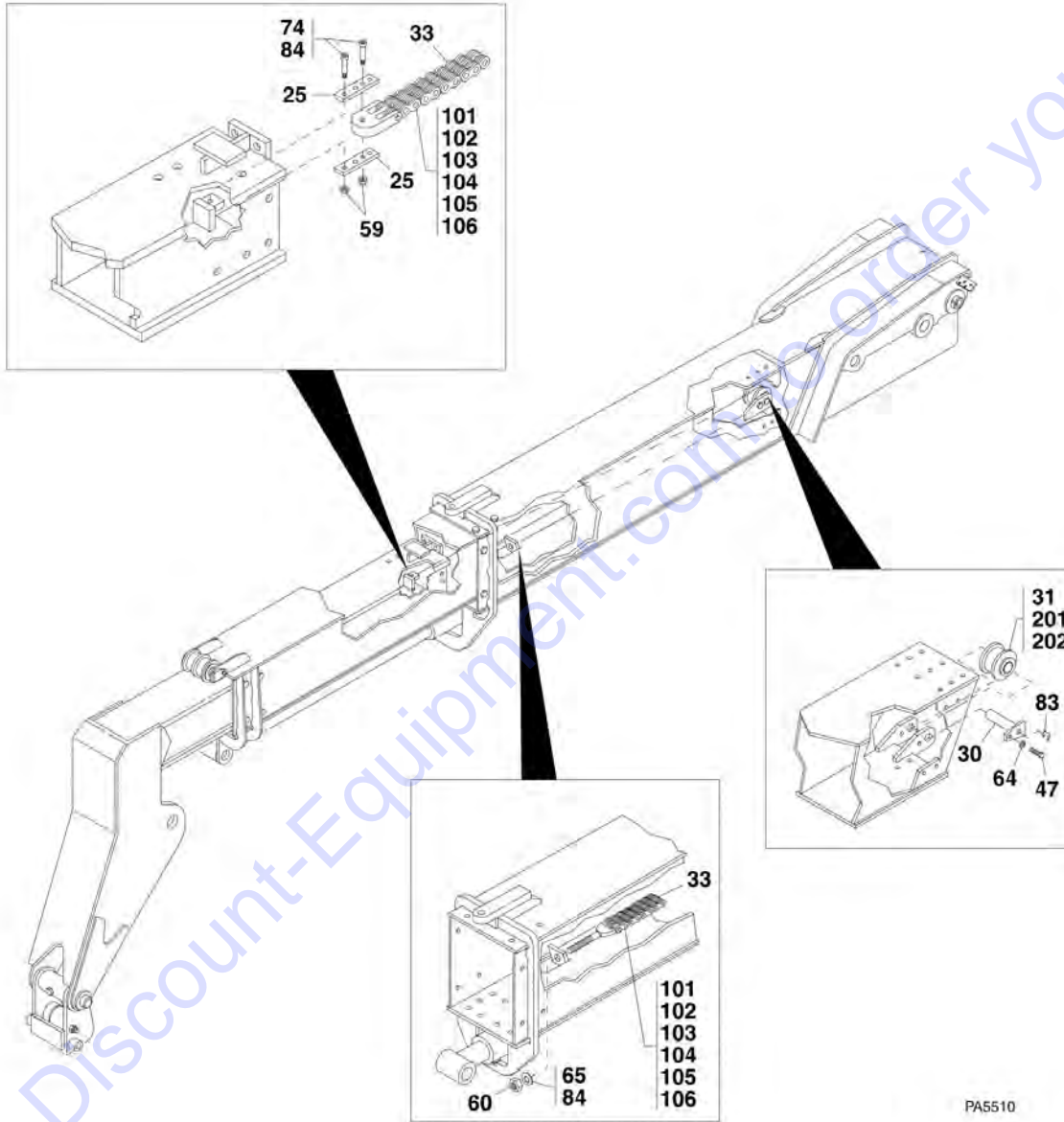
SECTION 2 - BOOM

FIGURE 2-10. BOOM EXTEND CHAINS

ITEM	PART NUMBER	QTY	DESCRIPTION	REV
7	7063432	1	DOUBLE CHAIN SHEAVE PIN	
32	7139180	2	EXTEND CHAIN YOKE	
34	7139692	1	EXTEND CHAIN AND CLEVIS ASSY, (6036), (includes items 301 thru 306)	B
34	7139690	1	EXTEND CHAIN AND CLEVIS ASSY, (6042), (includes items 301 thru 306)	B
35	7139692	1	EXTEND CHAIN AND CLEVIS ASSY, (6036), (includes items 301 thru 306)	B
35	7139690	1	EXTEND CHAIN AND CLEVIS ASSY, (6042), (includes items 301 thru 306)	B
47	8303624	1	HEX HD CAPSCREW, 0.50-13X1	
58	8305644	1	HEX LOCKNUT, 1/2-13	
59	8305645	2	HEX LOCKNUT, 3/8-16	
60	8305646	2	HEX LOCKNUT, 3/4-16	
64	8307007	1	LOCKWASHER, 0.50	
65	8307104	2	WASHER, 3/4	
74	8310019	2	SHOULDER SCREW, 1/2X1-1/2X3/8-16	
75	8310020	1	SHOULDER SCREW, 5/8X1-1/2X1/2-13	
82	8520001	1	LUBE FITTING, STRAIGHT	
84	8522012	AR	ANTI-SEIZE LUBE	
87	8526406	AR	VARNISH SEALANT	
101	1001101861	1	BUSHING SHEAVE INSTALL, (includes items 201 & 202)	A
201	5906392	2	SHEAVE BUSHING	
202	7063452	1	EXTEND CHAIN SHEAVE	
301	7139032	1	LEAF CHAIN CLEVIS, FEMALE, 3/4-6X6	
302	7139416	1	LEAF CHAIN CLEVIS, FEMALE, 6X6	
303	8124138	2	CHAIN CLEVIS PIN	
304	8127024	1	LEAF CHAIN, BL666, (6036)	
304	8127022	1	LEAF CHAIN, BL666, (6042)	
305	8522012	AR	ANTI-SEIZE LUBE	
306	8642237	4	RETAINING RING	
428	1001097735	1	EXTEND CHAIN SHEAVE PIN	
462	8305643	1	HEX LOCKNUT, 0.625-11	
503	8303634	1	HEX HD CAPSCREW, 0.625-11X4.00, GR	
504	1001101845	1	BUSHING SHEAVE INSTALLATION, (includes items 601 thru 602)	A
601	7114112	1	EXTEND CHAIN SHEAVE	
602	7126662	2	SHEAVE BUSHING	

SECTION 2 - BOOM

FIGURE 2-11. BOOM RETRACT CHAIN



SECTION 2 - BOOM

FIGURE 2-11. BOOM RETRACT CHAIN

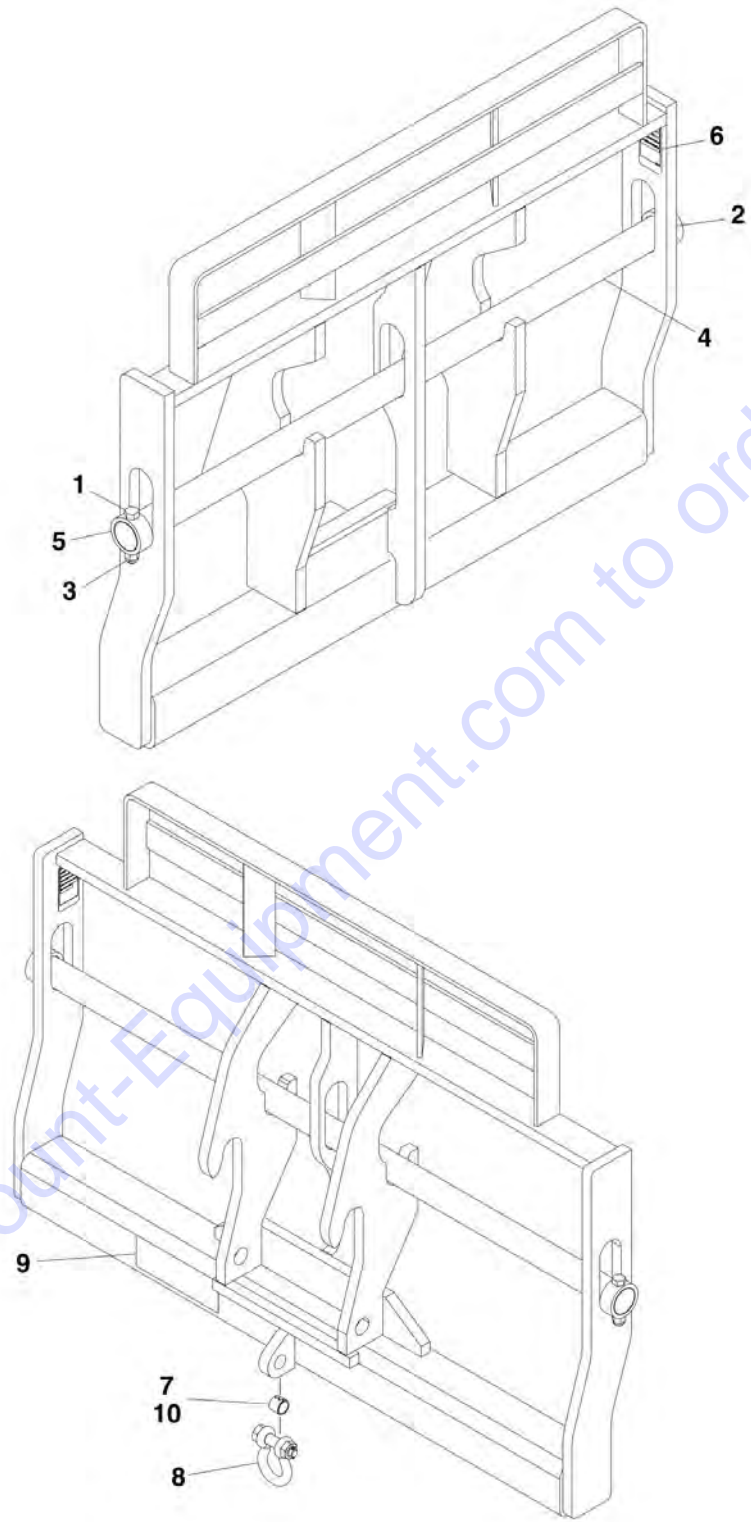
ITEM	PART NUMBER	QTY	DESCRIPTION	REV
25	7117031	2	CHAIN ANCHOR LINK	
30	7138977	1	RETRACT CHAIN SHEAVE PIN	
31	7138986	1	RETRACT CHAIN SHEAVE, (includes items 201 & 202)	
33	7139689	1	RETRACT CHAIN AND CLEVIS ASSY, (6036), (includes items 101 & 106)	B
33	7139692	1	RETRACT CHAIN AND CLEVIS ASSY, (6042), (includes items 101 & 106)	B
47	8303624	1	HEX HD CAPSCREW, 1/2-13X1	
59	8305645	2	HEX LOCKNUT, 0.375-16	
60	8305646	1	HEX LOCKNUT, 3/4-16	
64	8307007	1	LOCKWASHER, 1/2	
65	8307104	1	WASHER, 3/4	
74	8310019	2	SHOULDER SCREW, 1/2X1-1/2X3/8-16	
83	8520003	1	LUBE FITTING, 90	
84	8522012	AR	ANTI SIEZE LUBE	
101	7139032	1	LEAF CHAIN CLEVIS, FEMALE, 3/4-6X6	
102	7139416	1	LEAF CHAIN CLEVIS, FEMALE, 6X6	
103	8124138	2	CHAIN CLEVIS PIN	
104	8127021	1	LEAF CHAIN, BL666, (6036)	
104	8127024	1	LEAF CHAIN, BL666, (6042)	
105	8522012	AR	ANTI SIEZE LUBE	
106	8642237	4	RETAINING RING	
201	7138978	1	RETRACT CHAIN SHEAVE	
202	7138979	1	RETRACT CHAIN SHEAVE BUSHING	

SECTION 3 - ATTACHMENTS

Go to Discount-Equipment.com to order your parts

SECTION 3 - ATTACHMENTS

FIGURE 3-1. TILT CARRIAGE



ART_31200731-3-1

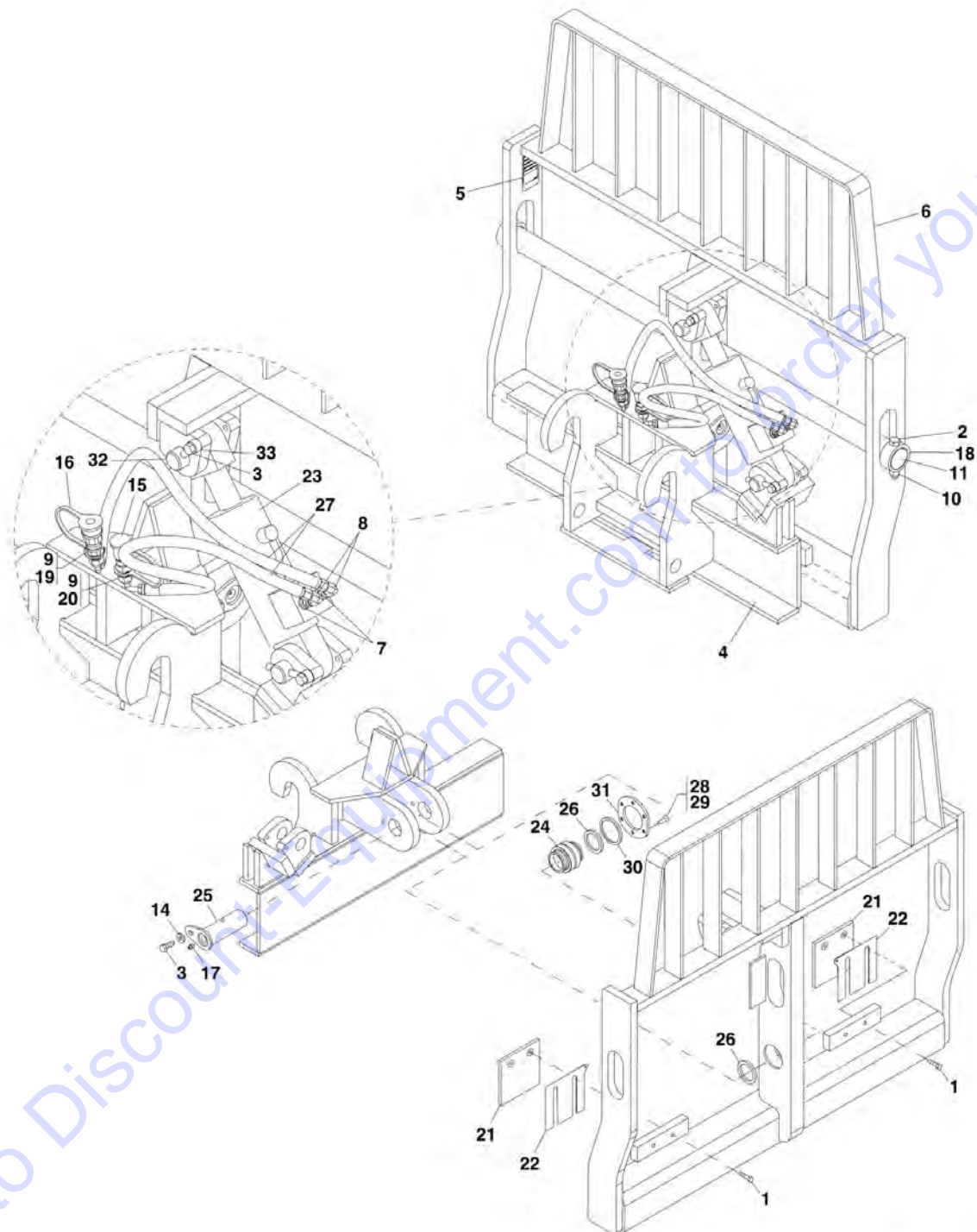
SECTION 3 - ATTACHMENTS

FIGURE 3-1. TILT CARRIAGE

ITEM	PART NUMBER	QTY	DESCRIPTION	REV
	1170021	1	50 IN TILT CARRIAGE, (includes items 1 thru 6) (Prior to SN 0160051825)	E
	1001146084	1	50 IN TILT CARRIAGE, (includes items 1 thru 10) (SN 0160051825 to Present)	A
	1170024	1	60 IN TILT CARRIAGE, (includes items 1 thru 6) (Prior to SN 0160051825)	E
	1001146086	1	60 IN TILT CARRIAGE, (includes items 1 thru 10) (SN 0160051825 to Present)	A
	1001132514	1	72 IN TILT CARRIAGE, (includes items 1 thru 6) (Prior to SN 0160051825)	B
	1001146088	1	72 IN TILT CARRIAGE, (includes items 1 thru 10) (SN 0160051825 to Present)	A
1	0642032	2	HEX HD CAPSCREW, 5/8-11X4, GR5	
2	N.S.S.	1	TILT CARRIAGE	
3	3300240	2	LOCKNUT, 5/8-11	
4	3423275	1	50 IN FORK PIN	
4	3423242	1	60 IN FORK PIN	
4	3423276	1	72 IN FORK PIN	
5	90200003	2	COLLAR	
6	N.S.S.	1	SN PLATE	
7	1001146159	1	SLEEVE, HARDENED STEEL INSERT	
8	1001146160	1	SHACKLE, 3/4 BOLT TYPE	
9	1001151561	1	DECAL, DANGER, SWINGING LOADS	
10	0100063	AR	LOCTITE 609	

SECTION 3 - ATTACHMENTS

FIGURE 3-2. SIDE TILT CARRIAGE



ART_31200731-3-2

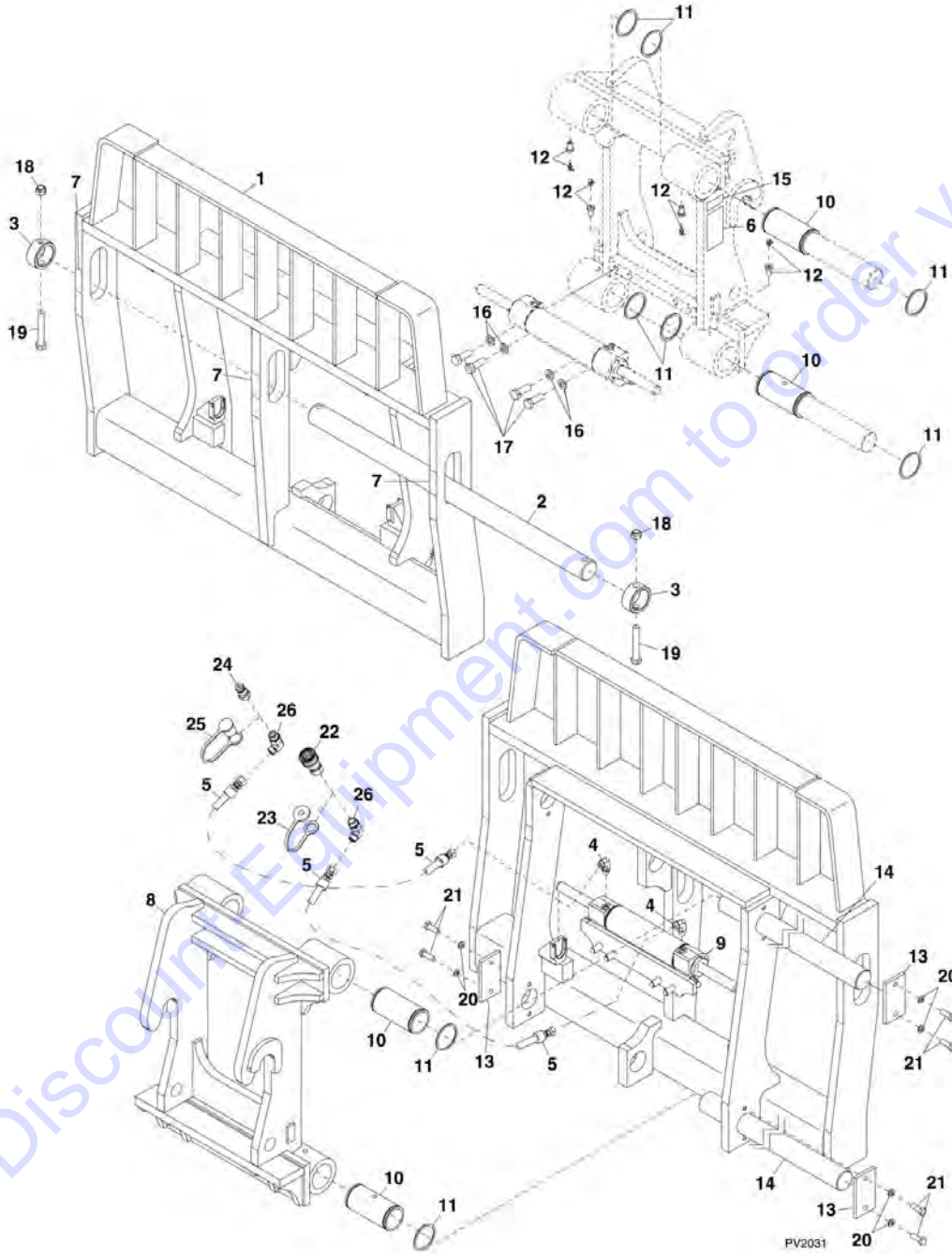
SECTION 3 - ATTACHMENTS

FIGURE 3-2. SIDE TILT CARRIAGE

ITEM	PART NUMBER	QTY	DESCRIPTION	REV
	1170054	1	50 IN SIDE TILT CARRIAGE, (includes all items)	I
	1001101956	1	60 IN SIDE TILT CARRIAGE, (includes all items)	J
	1170057	1	72 IN SIDE TILT CARRIAGE, (includes all items)	I
1	0641612	4	HEX HD CAPSCREW, 3/8-16X1-1/2	
2	0642032	2	HEX HD CAPSCREW, 5/8-11X4	
3	0681810	3	HEX HD CAPSCREW, 1/2-13X1-1/4	
4	1001133072	1	CARRIAGE BASE	
5	N.S.S.	1	SN PLATE	
6	N.S.S.	1	SIDE TILT CARRIAGE	
7	2110606	2	CONNECTOR	
8	2172106	2	ADAPTER, 90	
9	2110808	2	CONNECTOR	
10	3300240	2	LOCK NUT, 5/8-11	
11	3423275	1	50 IN FORK PIN	
11	3423242	1	60 IN FORK PIN	
11	3423276	1	72 IN FORK PIN	
14	4891800	1	WASHER, 1/2	
15	8420053	1	DUST CAP	
16	8420055	1	DUST PLUG	
17	88671001	1	GREASE FITTING	
18	90200003	2	COLLAR	
19	91403413	1	CONNECTOR	
20	91403414	1	CONNECTOR	
21	1001090063	2	WEAR PAD	
22	1001090064	AR	SHIM	
23		Ref	SIDE TILT CARRIAGE CYLINDER AND MOUNTING HARDWARE, (See HYDRAULIC COMPONENT SECTION for Breakdown)	
24	1001090140	1	BEARING	
25	1001099113	1	PIN	
26	1001099115	2	SLEEVE	
27	1001102378	2	HOSE ASSY, 3/8X39	
28	0100011	AR	LOCTITE 242	
29	0741610	6	FLAT HD SOCKET SCREW, 3/8-16X1-1/4	
30	1001120914	1	BEARING RETAINER SHIM	
31	1001120915	1	BEARING RETAINER PLATE	
32	3423307	2	PIN, SIDE TILT CYLINDER	
33	3841203	2	KEEPER, ROD	

SECTION 3 - ATTACHMENTS

FIGURE 3-3. 50 IN SIDE SHIFT CARRIAGE



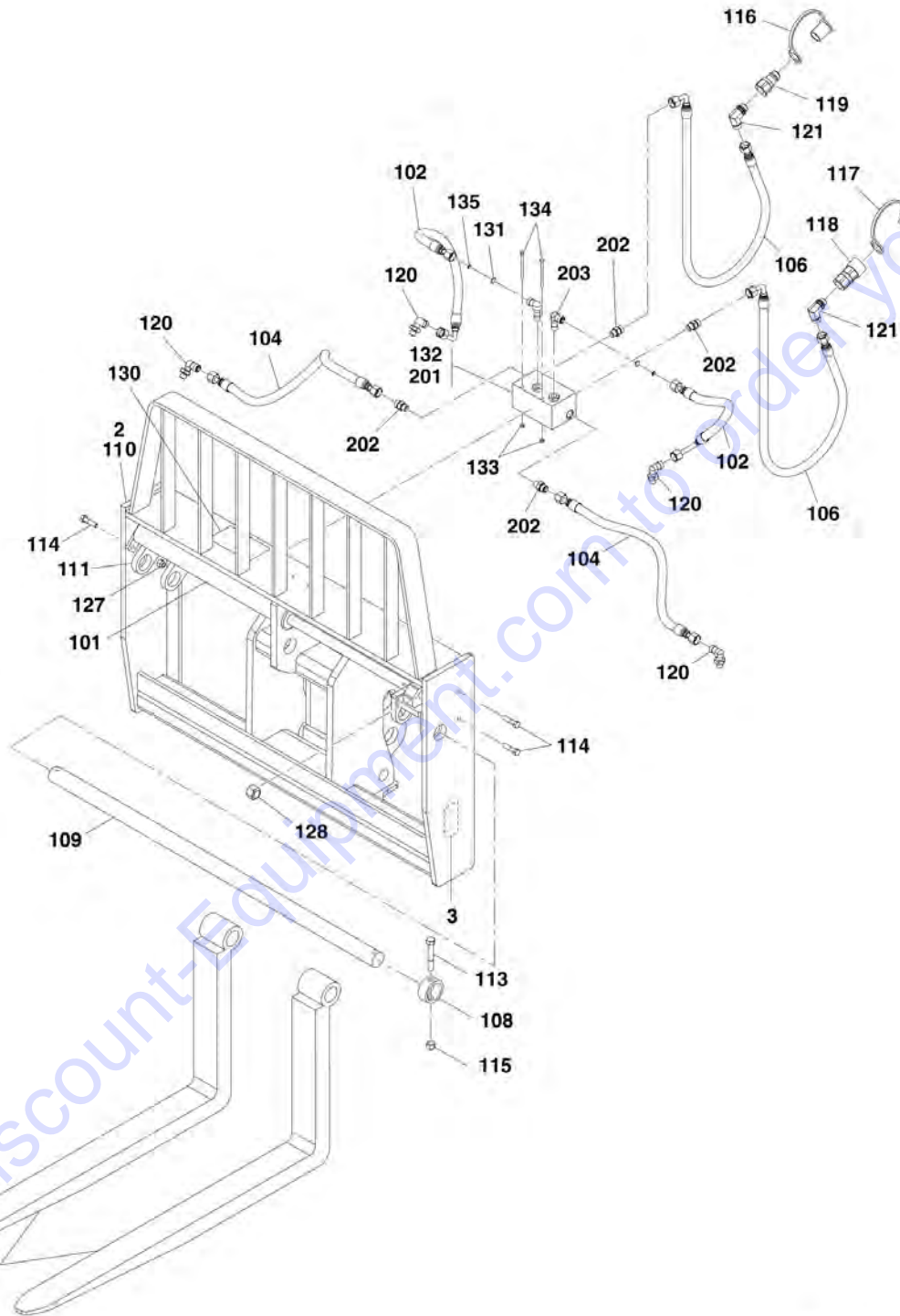
SECTION 3 - ATTACHMENTS

FIGURE 3-3. 50 IN SIDE SHIFT CARRIAGE

ITEM	PART NUMBER	QTY	DESCRIPTION	REV
	1001142790	1	50 IN SIDE SHIFT CARRIAGE, (includes all items)	B
1	N.S.S.	1	WELDMENT	
2	70024535	1	SHAFT	
3	70024536	2	COLLAR	
4	70024123	2	ADAPTER, 90, (includes o-ring)	
5	70024537	2	HOSE ASSEMBLY	
6	N.S.S.	1	SN PLATE	
7	70024538	3	WARNING DECAL	
8	N.S.S.	1	WELDMENT	
9		Ref	50 IN SIDE SHIFT CYLINDER, (See HYDRAULIC COMPONENT SECTION for Breakdown)	
10	70024540	4	BUSHING	
11	70024541	8	CIRCLIP	
12	70024542	4	GREASE FITTING	
13	70024543	4	RETAINER	
14	70024544	2	SHAFT	
15	N.S.S.	1	SN PLATE	
16	70024551	4	LOCKWASHER, 16mm	
17	70024552	4	HEX HD CAPSCREW, M16X45, GR10.9	
18	70024553	2	HEX NUT, M16, GR8	
19	70024554	2	HEX HD CAPSCREW, M16X100, GR10.9	
20	70022997	8	LOCKWASHER, 12mm	
21	70024555	8	HEX HD CAPSCREW, M12X35, GR10.9	
22	91403413	1	FEMALE QUICK DISCONNECT	
23	8420055	1	DUST PLUG	
24	91403414	1	MALE QUICK DISCONNECT	
25	8420053	1	DUST CAP	
26	70024550	2	ADAPTER, 90, (includes o-ring)	
K1	70024545	1	HYDRAULIC REPAIR KIT, (includes items 5, 22 thru 26)	B
K2	70024546	1	RETAINER KIT, (includes items 13, 20 & 21)	B

SECTION 3 - ATTACHMENTS

FIGURE 3-4. 50 INCH DUAL FORK CARRIAGE



ART_7301295-F

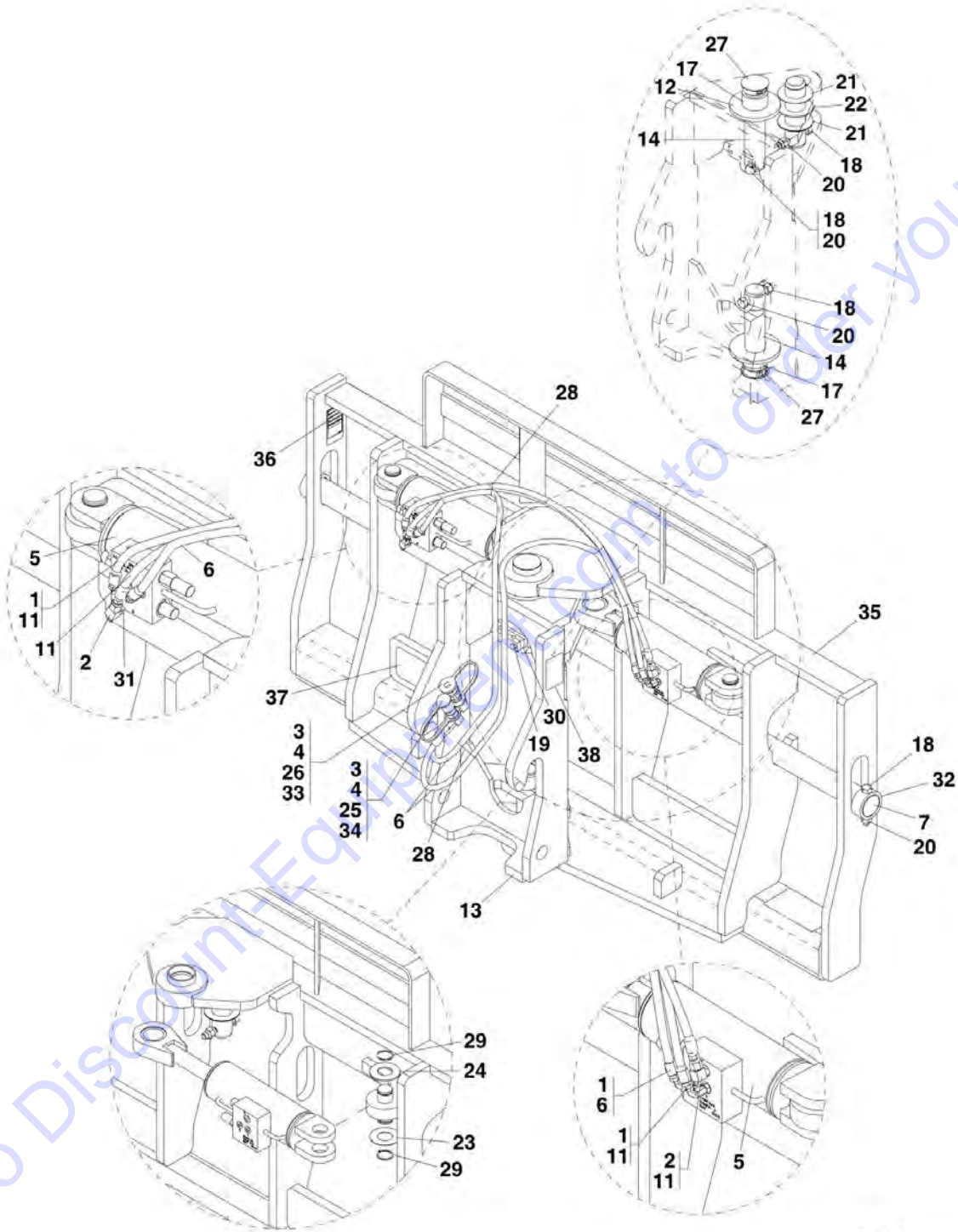
SECTION 3 - ATTACHMENTS

FIGURE 3-4. 50 INCH DUAL FORK CARRIAGE

ITEM	PART NUMBER	QTY	DESCRIPTION	REV
	7301295	1	50 IN DUAL FORK CARRIAGE ASSY, (includes items 1 thru 3)	F
1	N.S.S.	2	PALLET FORK, (60X100X1220MM)	
2	N.S.S.	1	50 IN CARRIAGE, (includes items 101 thru 135)	I
3	N.S.S.	1	SN PLATE	
101	2717283	2	FORK POSITIONING CYLINDER	
102	2717160	2	HOSE ASSY	
104	2717161	2	HOSE ASSY	
106	2717162	2	HOSE ASSY	
108	90200003	2	FORK PIN COLLAR	
109	90451058	1	FORK SHAFT	
110	N.S.S.	1	50 IN CARRIAGE WELDMENT	
111	7301579	2	FORK ADAPTER WELDMENT	
113	8303634	2	HEX HD CAPSCREW, 5/8-11X4, GR5	
114	8303658	4	HEX HD CAPSCREW, 1/2-13X2, GR5	
115	8305643	2	HEX LOCKNUT, 5/8-11	
116	8420053	1	DUST CAP	
117	8420055	1	DUST PLUG	
118	91403413	1	FEMALE QUICK DISCONNECT	
119	91403414	1	MALE QUICK DISCONNECT	
120	2130606	4	ELBOW, 90, (includes o-ring)	
121	2130608	2	ELBOW, 90, (includes o-ring)	
127	8310302	4	HEX LOCKNUT, 1/2-13	
128	10705034	2	HEX LOCKNUT, 1-14	
130	4110473	1	HOSE ROUTING DECAL	
131	7139918	2	ORIFICE DISK	
132	4641502	1	VALVE ASSY, (includes items 201 thru 203)	B
133	8305624	2	HEX LOCKNUT, 1/4-20	
134	8310435	2	HEX HD CAPSCREW, 1/4-20X3-3/4, GR5	
135	8630003	2	O-Ring	
201	4641501	1	FLOW DIVIDER VALVE	
202	2110606	4	CONNECTOR	
203	2130606	2	ELBOW, 90, (includes o-ring)	

SECTION 3 - ATTACHMENTS

FIGURE 3-5. 90, SWING CARRIAGE



PH5140

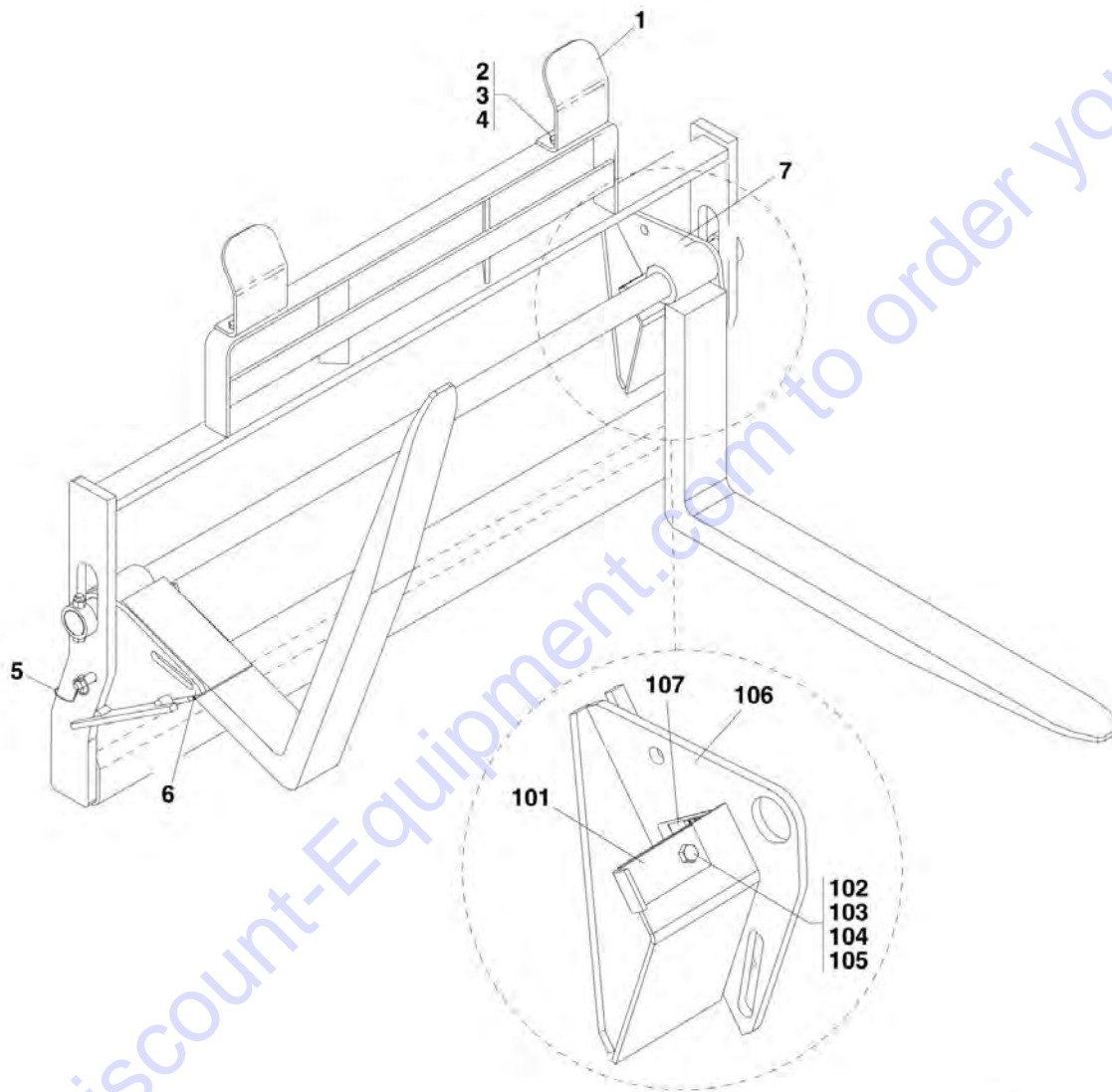
SECTION 3 - ATTACHMENTS

FIGURE 3-5. 90, SWING CARRIAGE

ITEM	PART NUMBER	QTY	DESCRIPTION	REV
	1001095418	1	90, SWING CARRIAGE, 72 IN, (includes all items)	k
1	2220415	4	CONNECTOR	
2	2220473	2	CONNECTOR, 90	
3	2220609	2	CONNECTOR	
4	2220628	2	CONNECTOR, 90	
5		Ref	SWING CARRIAGE CYLINDER AND MOUNTING HARDWARE, (See HYDRAULIC COMPONENT SECTION for Breakdown)	
6	2717287	2	HOSE ASSY	
7	3423276	1	PIN	
11	6604662	2	HOSE ASSY	
12	7062922	1	WASHER	
13	N.S.S.	1	PIVOT WELDMENT	
14	7110702	2	PIVOT PIN	
17	8065062	2	BUSHING	
18	8303634	3	HEX HD CAPSCREW, 5/8-11X4, GR5	
19	8303715	3	HEX HD CAPSCREW, 5/16-18X1-1/2, GR5	
20	8305643	3	HEX NUT, 5/8-11	
21	8307904	AR	SHIM	
22	8307918	AR	SHIM	
23	8310160	AR	SHIM	
24	8310161	AR	SHIM	
25	8420053	1	DUST CAP	
26	8420055	1	DUST PLUG	
27	8580315	2	PLUG	
28	8584001	5	TIE WRAP	
29	8642207	4	RETAINING RING	
30	8769132	2	CLAMP	
31	8770016	2	CONNECTOR	
32	90200003	2	COLLAR	
33	91403413	1	FEMALE QUICK DISCONNECT	
34	91403414	1	MALE QUICK DISCONNECT	
35	N.S.S.	1	CARRIAGE FRAME	
36	N.S.S.	1	SN PLATE	
37	1001110704	1	WARNING CRUSH HAZARD DECAL	
38	1001111190	2	WARNING DECAL	

SECTION 3 - ATTACHMENTS

FIGURE 3-6. SHEET MATERIAL HANDLER



PY1510

SECTION 3 - ATTACHMENTS

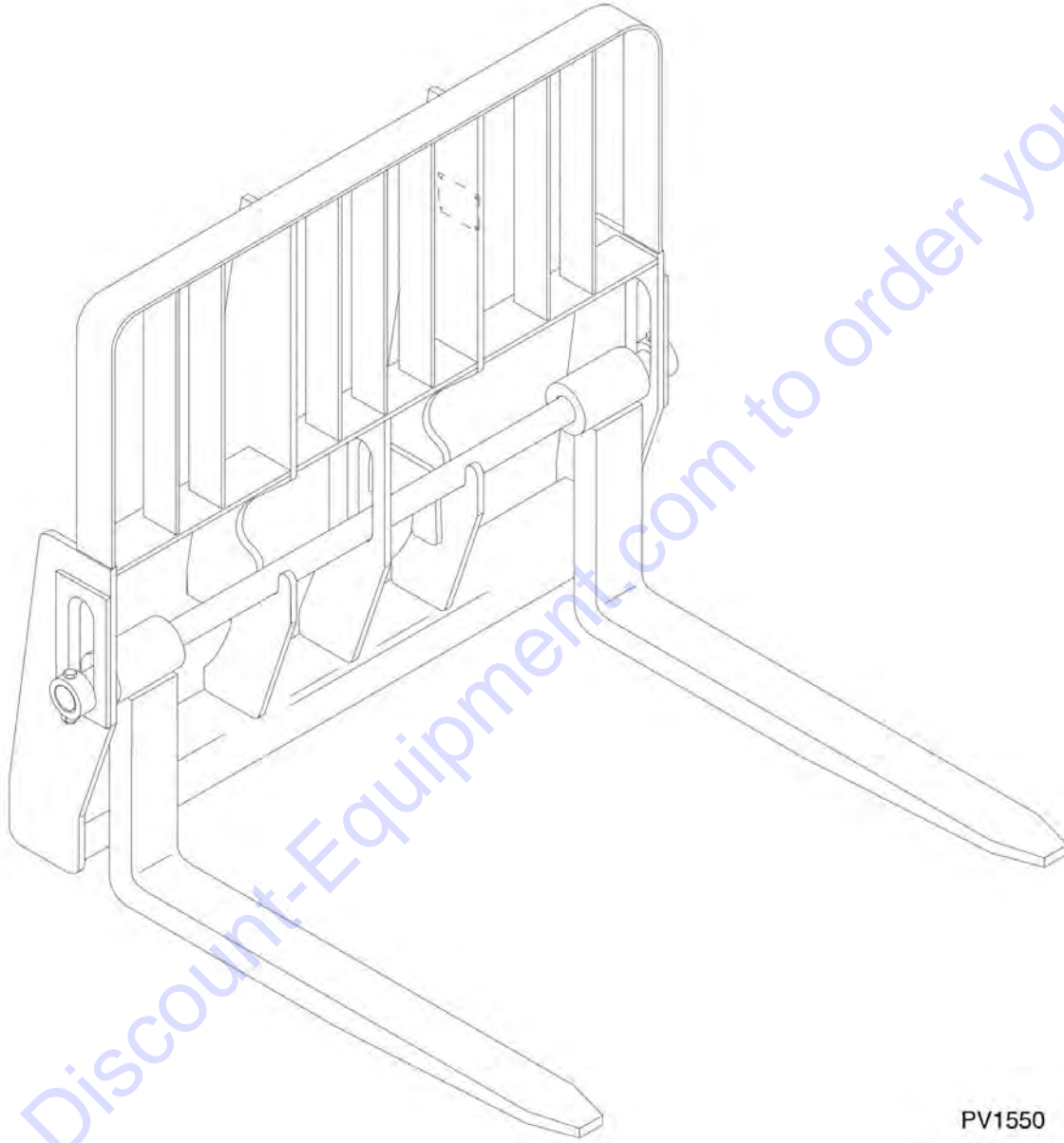
FIGURE 3-6. SHEET MATERIAL HANDLER

ITEM	PART NUMBER	QTY	DESCRIPTION	REV
	1001100227	1	SHEET MATERIAL HANDLER ASSY, (includes all items)	A
1	7112642	2	BACKREST EXTENSION	
2	8303626	4	HEX HD CAPSCREW, 1/2-13X1-1/2, GR5	
3	8305012	4	HEX NUT, 1/2-13	
4	8307007	4	LOCKWASHER, 1/2	
5	1001093377	2	HITCH PIN	
6	1001101115	1	RH FORK SUPPORT ASSY, (includes items 101 thru 107)	A
7	1001101116	1	LH FORK SUPPORT ASSY, (includes items 101 thru 107)	B
101	7114941	1	LOCK BAR	
102	8303626	1	HEX HD CAPSCREW, 1/2-13X1-1/2, GR5	
103	8305644	1	HEX LOCK NUT, 1/2-13	
104	8307007	1	LOCKWASHER, 1/2	
105	8307112	1	WASHER, 1/2	
106	1001100228	1	RH FORK SUPPORT, (not shown)	
106	1001100229	1	LH FORK SUPPORT, (shown)	
107	N.S.S.	1	SN PLATE	

Go to Discount-Equipment.com to order your parts

SECTION 3 - ATTACHMENTS

FIGURE 3-7. FORKS



PV1550

SECTION 3 - ATTACHMENTS

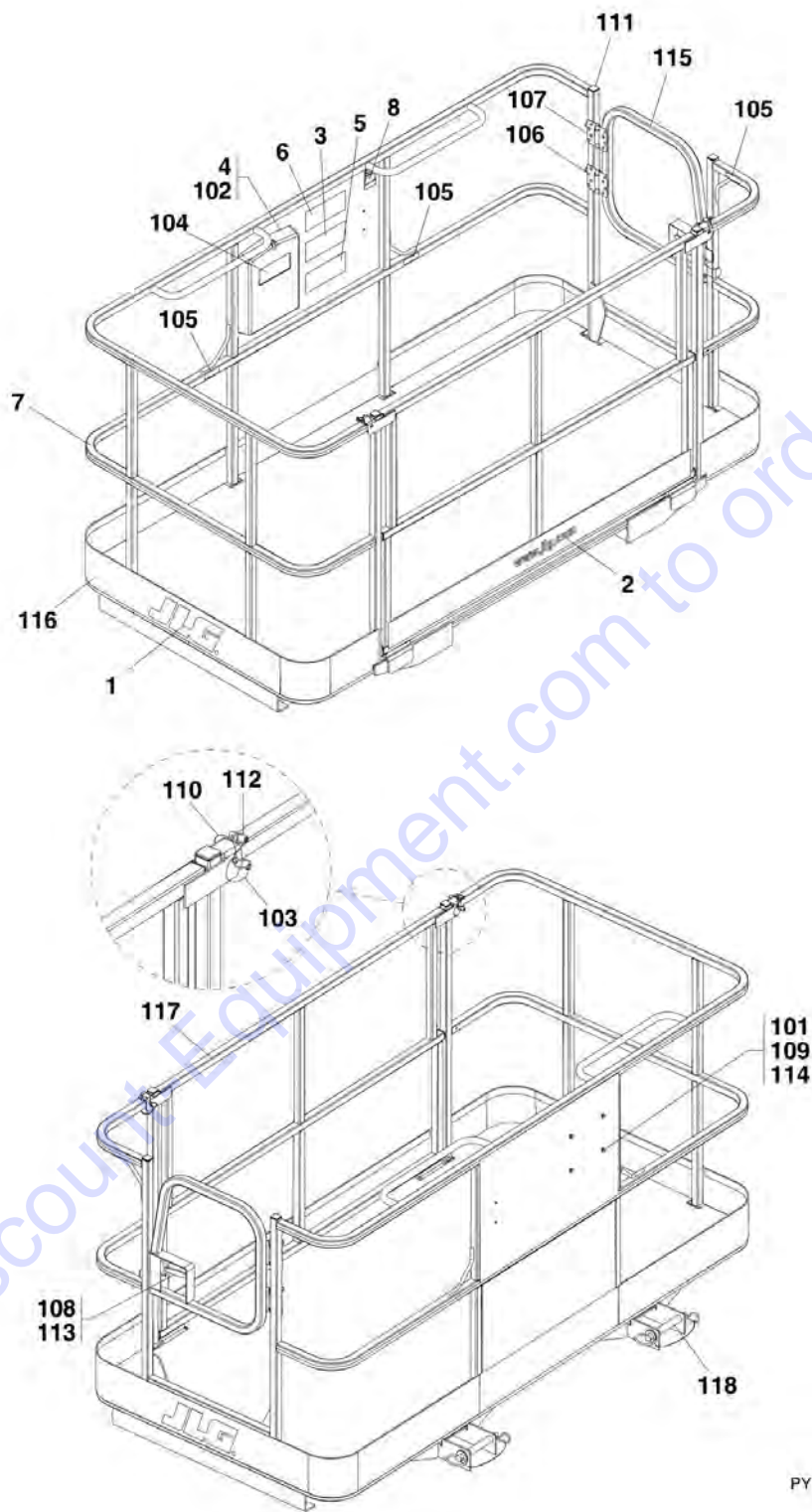
FIGURE 3-7. FORKS

ITEM	PART NUMBER	QTY	DESCRIPTION	REV
	2340037	6	CUBING FORK, 48X2X2, 11,640 LB	A
	2340045	2	PALLET FORK, 48X4X2.36, 10,950 LB	B
	2340038	2	PALLET FORK, 48X5X2.36, 13,700 LB	B
	2340039	2	DUAL TAPER FORK, 60X6X2.36, 16,300 LB	B
	2340046	2	DUAL TAPER FORK, 60X7X1.75, 10,800 LB	B
	1001092391	2	DUAL TAPER FORK, 72X6X2, 11,300 LB	B
	1001137512	2	FORK EXTENSION, 90IN	D
N1	Note	Ref	FORKS RATED LESS THAN THE ATTACHMENT OR MACHINE'S CAPACITY DECREASES CAPACITY OF THE ATTACHMENT OR MACHINE TO THAT OF THE FORKS. FORKS RATED MORE THAN THE ATTACHMENT OR MACHINE'S CAPACITY DO NOT INCREASE ATTACHMENT OR MACHINE'S CAPACITY.	
N2	Note	Ref	PLEASE CONSULT DISCOUNT-EQUIPMENT TO DETERMINE THE CORRECT FORKS APPLICABLE TO YOUR SPECIFIC CARRIAGE ASSEMBLY AND APPLICATION.	

Go to Discount-Equipment.com to order your parts

SECTION 3 - ATTACHMENTS

FIGURE 3-8. FORK MOUNTED PLATFORM



PY1640

SECTION 3 - ATTACHMENTS

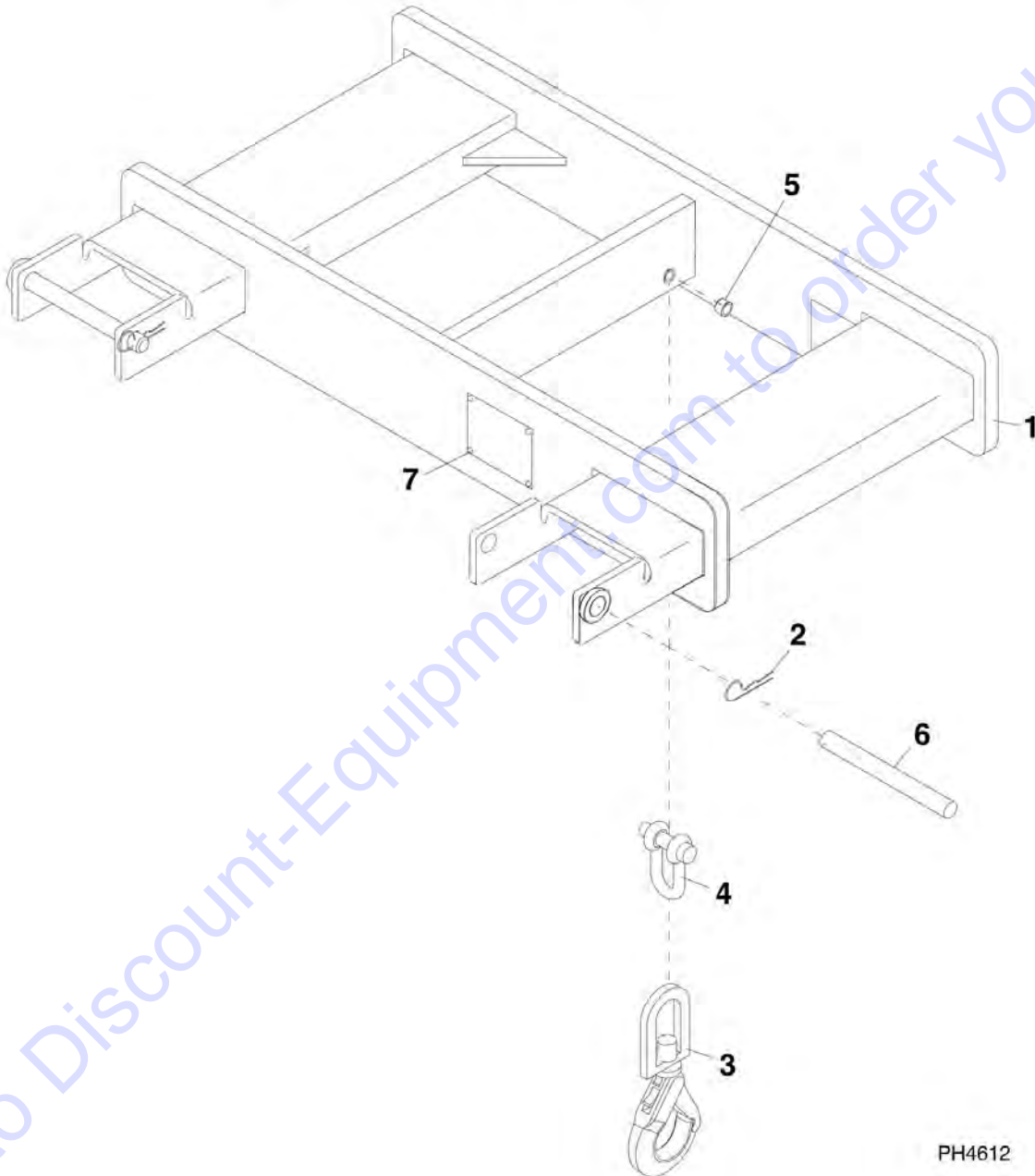
FIGURE 3-8. FORK MOUNTED PLATFORM

ITEM	PART NUMBER	QTY	DESCRIPTION	REV
	1001103637	1	FORK MOUNTED PERSONNEL PLATFORM, (ASME), (includes all items)	D
	1001103730	1	FORK MOUNTED PERSONNEL PLATFORM, (ISO), (includes all items)	D
	1001103736	1	FORK MOUNTED PERSONNEL PLATFORM, (FRENCH), (includes all items)	D
1	1702773	2	JLG DECAL	
2	1704885	1	WEBSITE DECAL	
3	1706892	1	PLATFORM WARNING DECAL, (ASME)	
3	1001096025	1	PLATFORM WARNING DECAL, (ISO)	
3	1001096024	1	PLATFORM WARNING DECAL, (French)	
4	31200160	1	OPERATION AND SAFETY MANUAL, (ASME)	
4	31200387	1	OPERATION AND SAFETY MANUAL, (Spanish)	
4	31200388	1	OPERATION AND SAFETY MANUAL, (Portuguese)	
4	31200336	1	OPERATION AND SAFETY MANUAL, (French)	
5	1001092481	1	WARNING DECAL, (ASME)	
5	1001096021	1	WARNING DECAL, (ISO)	
5	1001096019	1	WARNING DECAL, (French)	
6	1001092482	1	CAPACITY DECAL, (ASME)	
6	1001096023	1	CAPACITY DECAL, (ISO)	
6	1001096020	1	CAPACITY DECAL, (French)	
7	1001096162	1	FORK MOUNTED PLATFORM, (includes items 101 thru 118)	J
8	N.S.S.	1	SN PLATE	
101	0641405	4	HEX HD CAPSCREW, 1/4-20X5/8	
102	0860520	1	MANUAL STORAGE BOX	
103	1060379	2	LANYARD CABLE	
104	1701509	1	MANUAL DECAL	
105	1704277	3	LANYARD ATTACH DECAL	
106	2080040	16	FASTENER	
107	2600281	2	HINGE	
108	2940074	1	LATCH	
109	3311405	4	HEX NUT, 1/4-20	
110	3421453	2	PIN	
111	3520072	10	PLUG	
112	3760170	4	RING	
113	3820020	4	RIVET	
114	4711400	8	WASHER, 1/4	
115	4846452	1	GATE WELDMENT	
116	N.S.S.	1	PLATFORM	
117	1001095810	1	GATE WELDMENT	
118	1001102813	2	HITCH PIN	

SECTION 3 - ATTACHMENTS

FIGURE 3-9. LIFTING HOOK

NOTE: PALLET/LUMBER FORKS OF AN APPROPRIATE LOAD RATING MUST BE USED.



PH4612

SECTION 3 - ATTACHMENTS

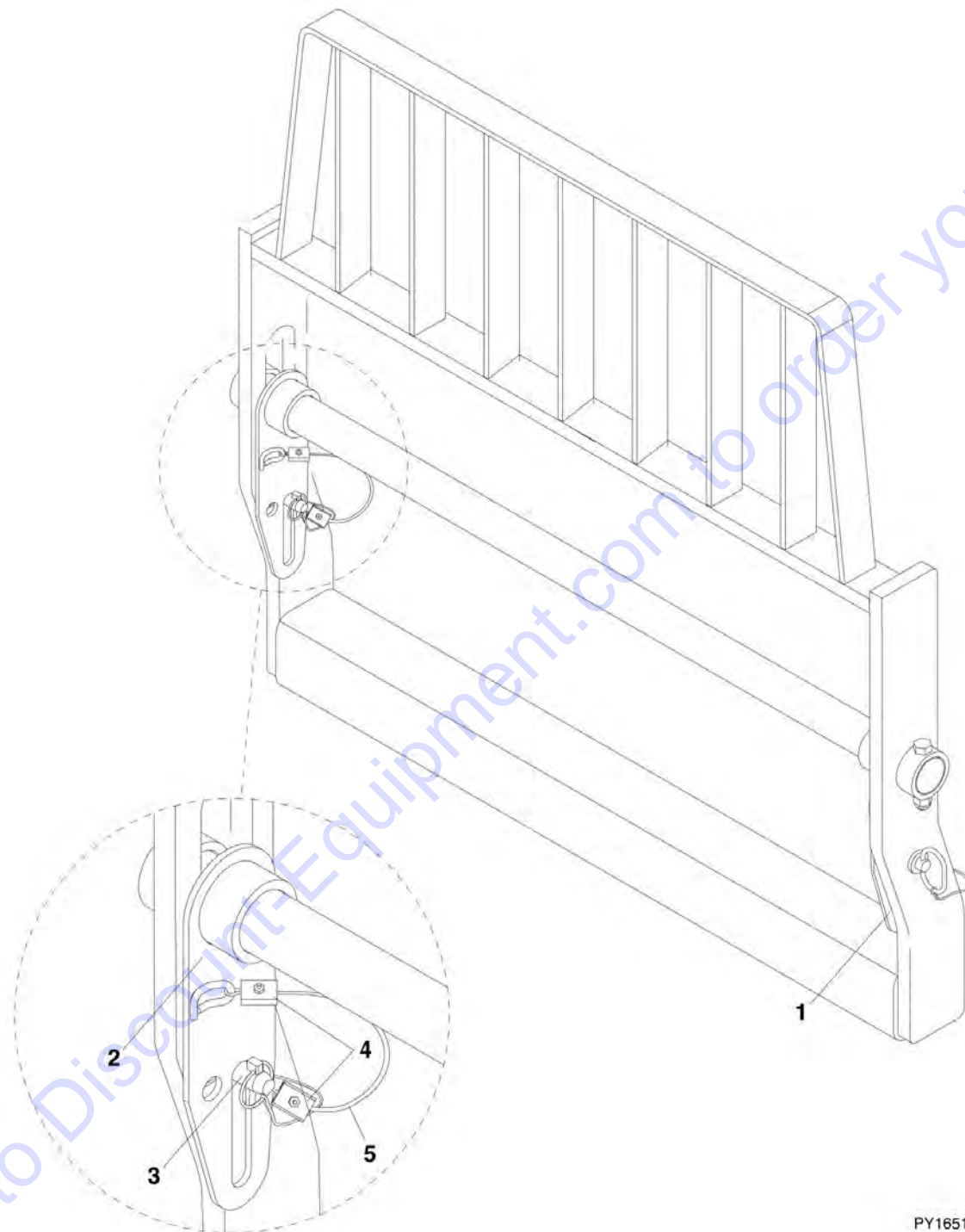
FIGURE 3-9. LIFTING HOOK

ITEM	PART NUMBER	QTY	DESCRIPTION	REV
1	91565094	1	LIFTING HOOK, (includes all items)	F
2	7029520	2	HAIRPIN CLIP	
3	90554080	1	SLING HOOK	
4	7029521	1	CHAIN SHACKLE ASSY, 12,000 LB, (includes pin)	
5	70020555	1	SPRING BUSHING	
6	1001093171	2	PIN	
7	N.S.S.	1	SN PLATE	

Go to Discount-Equipment.com to order your parts

SECTION 3 - ATTACHMENTS

FIGURE 3-10. FORK PIN LOCK INSTALLATION



SECTION 3 - ATTACHMENTS

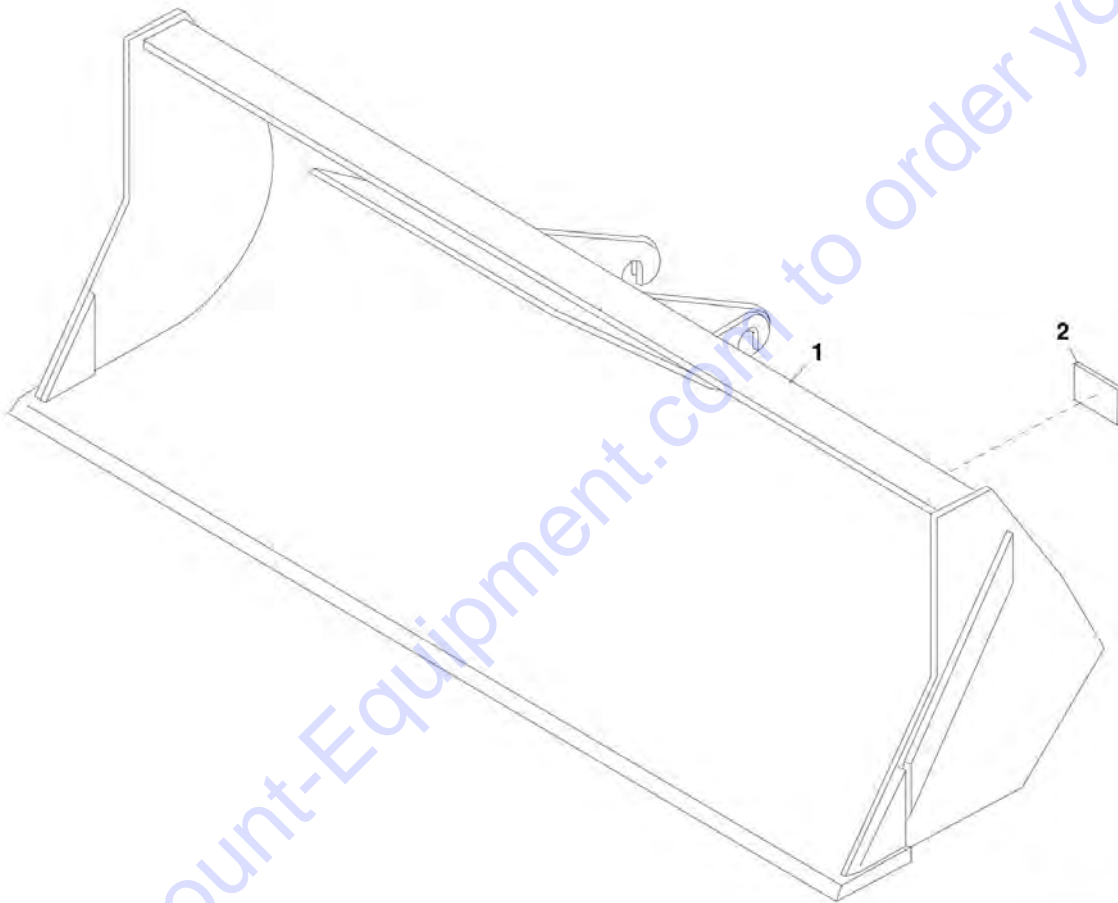
FIGURE 3-10. FORK PIN LOCK INSTALLATION

ITEM	PART NUMBER	QTY	DESCRIPTION	REV
	1001093465	1	FORK PIN LOCK INSTALLATION, (includes all items)	B
1	0240156	1	LH FORK PIN LOCK	
2	1001093273	1	RH FORK PIN LOCK	
3	1001093377	2	HITCH PIN	
4	1001094830	4	CLAMP	
5	1001094330	2	LANYARD	

Go to Discount-Equipment.com to order your parts

SECTION 3 - ATTACHMENTS

FIGURE 3-11. BUCKETS



PH4370

Go to Discount-Equipment.com to order your parts

SECTION 3 - ATTACHMENTS

FIGURE 3-11. BUCKETS

ITEM	PART NUMBER	QTY	DESCRIPTION	REV
1	1001100822	1	72 IN BUCKET, 1.0 YD ³ , (includes item 2)	B
1	1001100823	1	96 IN BUCKET, 1.5 YD ³ , (includes item 2)	B
1	1001100824	1	102 IN BUCKET, 2.0 YD ³ , (includes item 2)	B
2	N.S.S.	1	SN PLATE	

Go to Discount-Equipment.com to order your parts

SECTION 3 - ATTACHMENTS

FIGURE 3-12. GRAPPLE BUCKET



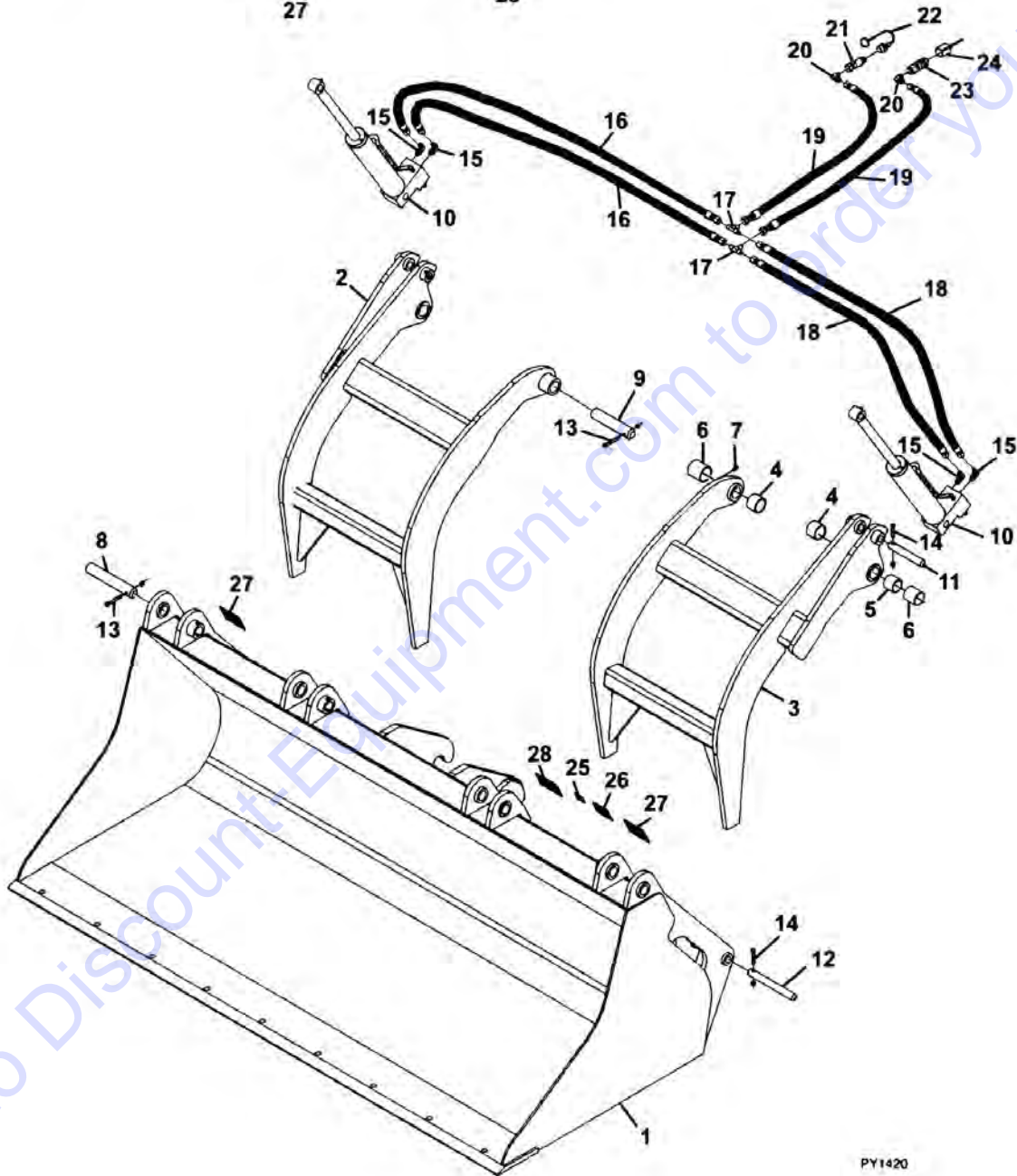
25



27



28



PY1420

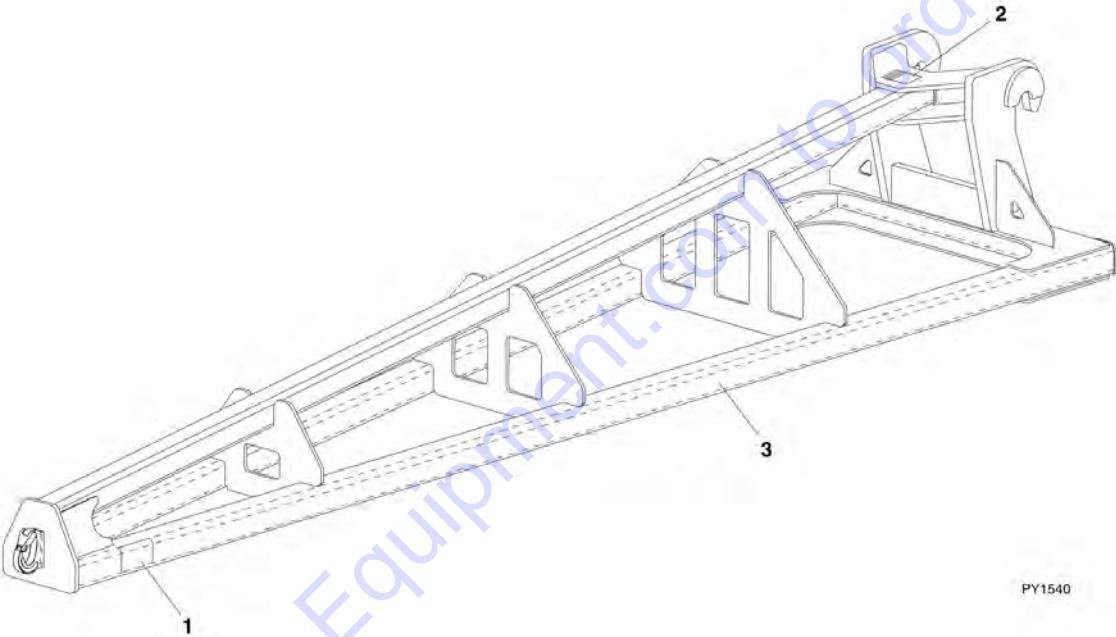
SECTION 3 - ATTACHMENTS

FIGURE 3-12. GRAPPLE BUCKET

ITEM	PART NUMBER	QTY	DESCRIPTION	REV
	0930020	1	GRAPPLE BUCKET, (includes all items)	G
1	N.S.S.	1	BUCKET	
1	70021387	4	HOSE CLAMP	
2	70021391	1	RIGHT GRAPPLE HOOK	
3	70021392	1	LEFT GRAPPLE HOOK	
4	70021358	4	BUSHING	
5	70021359	2	SPACER	
6	70021360	4	BUSHING	
7	7029714	4	GREASE FITTING	
8	70021361	2	OUTER PIVOT PIN	
9	70021362	2	INNER PIVOT PIN	
10		Ref	GRAPPLE BUCKET CYLINDER AND MOUNTING HARDWARE, (See HYDRAULIC COMPONENT SECTION for Breakdown)	
11		Ref	CYLINDER PIN, (base end), (See HYDRAULIC COMPONENT SECTION for Breakdown)	
12		Ref	CYLINDER PIN, (rod end), (See HYDRAULIC COMPONENT SECTION for Breakdown)	
13	70021366	4	HEX HD CAPSCREW, 3/8X2-3/4	
13	70021367	4	LOCK NUT, 3/8	
14		Ref	HEX HD CAPSCREW, 3/8X2-1/4, (See HYDRAULIC COMPONENT SECTION for Breakdown)	
14		Ref	LOCKNUT, 3/8, (See HYDRAULIC COMPONENT SECTION for Breakdown)	
15	90554065	4	ELBOW, 90, (See HYDRAULIC COMPONENT SECTION for Breakdown)	
16	70021980	2	HOSE ASSY, 3/8X73	
17	70020562	2	FITTING, TEE	
18	70021981	2	HOSE ASSY, 3/8X46	
19	70021982	2	HOSE ASSY, 3/8X34	
20	70022527	2	ELBOW, 90	
21	7029692	1	MALE QUICK COUPLER	
22	90554062	1	DUST COVER	
23	70021342	1	FEMALE QUICK COUPLER	
24	90554076	1	DUST COVER	
25	90554016	1	MADE IN USA DECAL	
26	N.S.S.	1	SN PLATE	
27	90554017	2	DANGER PINCH POINT DECAL	
28	90554018	1	WARNING HIGH PRESSURE DECAL	

SECTION 3 - ATTACHMENTS

FIGURE 3-13. TRUSS BOOM



PY1540

Go to Discount-Equipment.com to order your parts

SECTION 3 - ATTACHMENTS

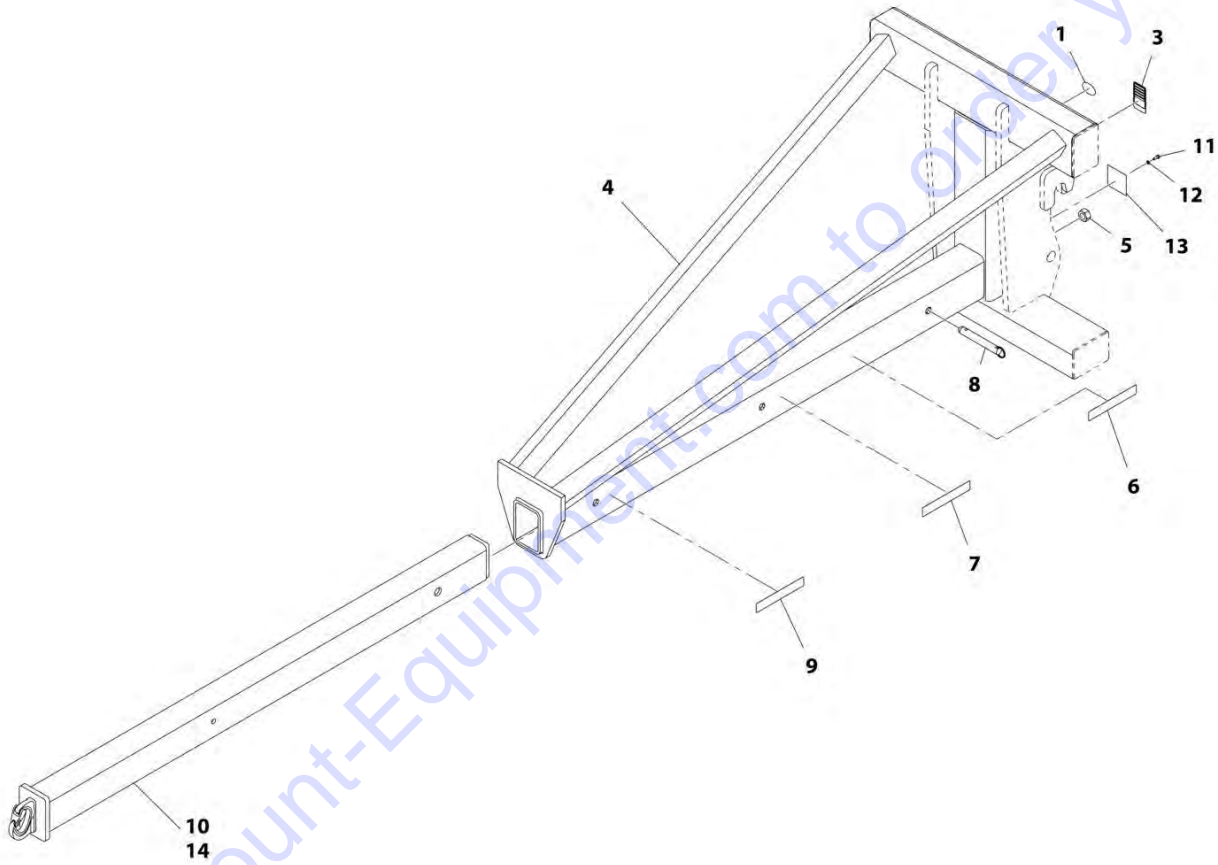
FIGURE 3-13. TRUSS BOOM

ITEM	PART NUMBER	QTY	DESCRIPTION	REV
	1001099902	1	12 FT TRUSS BOOM, (includes all items)	A
	1001099901	1	15 FT TRUSS BOOM, (includes all items)	A
1	4110422	2	WARNING SWINGING LOADS DECAL	
2	N.S.S.	1	SN PLATE	
3	N.S.S.	1	TRUSS BOOM	

Go to Discount-Equipment.com to order your parts

SECTION 3 - ATTACHMENTS

FIGURE 3-14. ADJUSTABLE TRUSS BOOM



ART_1001176515-A

SECTION 3 - ATTACHMENTS

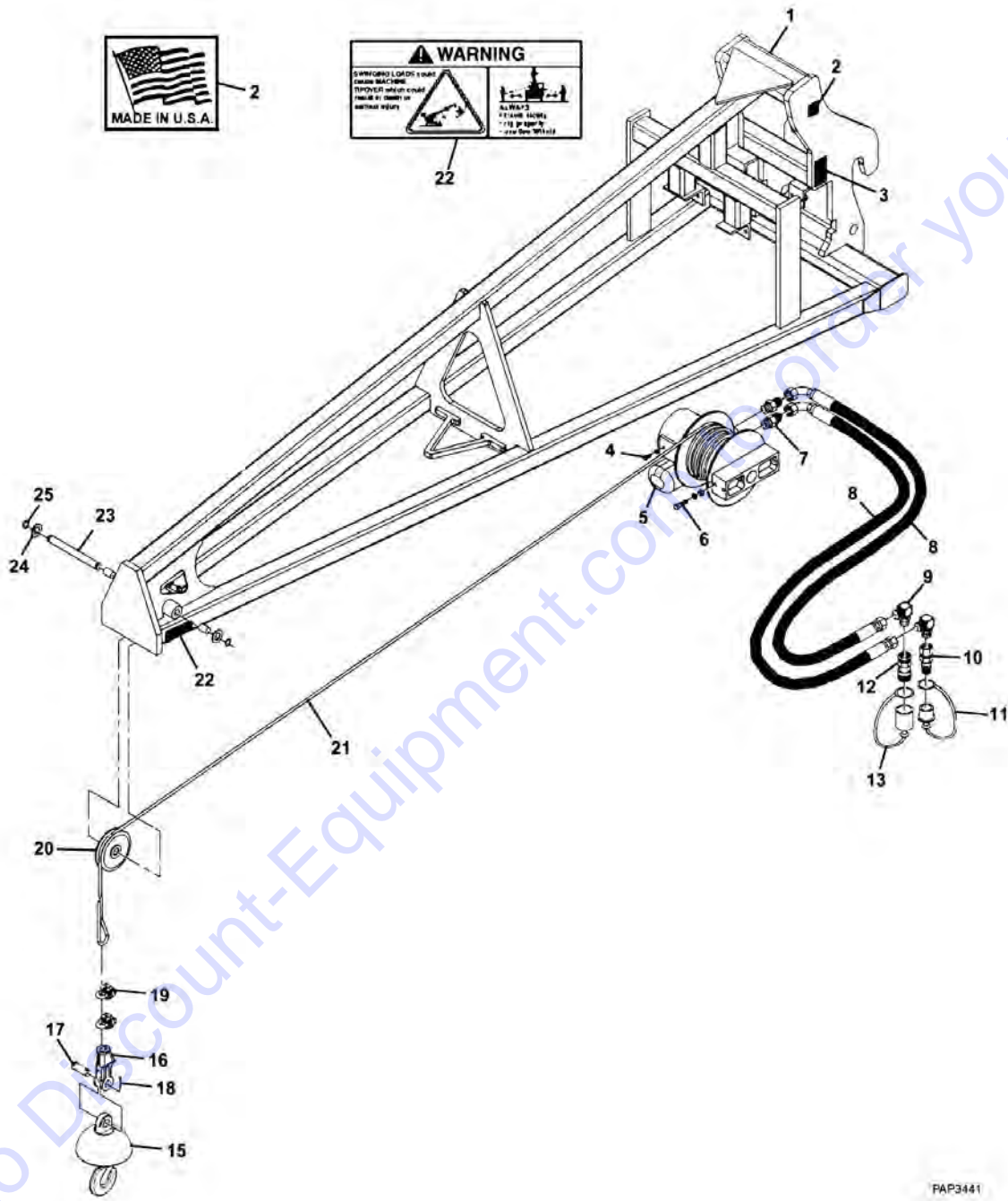
FIGURE 3-14. ADJUSTABLE TRUSS BOOM

ITEM	PART NUMBER	QTY	DESCRIPTION	REV
	1001176515	1	ADJUSTABLE TRUSS BOOM	A
1	90554016	1	DECAL, MADE IN USA	
3	N.S.S.	1	S/N PLATE	
4	N.S.S.	1	TRUSS BOOM, ADJUSTABLE	
5	70021440	1	NUT, LOCK	
6	70024062	2	DECAL, 4000 LBS CAP	
7	70026944	2	DECAL, 3000 LBS CAP	
8	70026946	1	PIN	
9	70026699	2	DECAL, 2000 LBS CAP	
10	70026747	1	STOP ROD, BOOM EXTENSION	
11	90554033	1	BOLT, 3/4X1/4	
12	90554034	1	WASHER, LOCK 1/4	
13	70026948	1	PLATE, STOP	
14	70026949	1	BOOM, TELESCOPIC	

Go to Discount-Equipment.com to order your parts

SECTION 3 - ATTACHMENTS

FIGURE 3-15. 12 FOOT TRUSS BOOM WITH WINCH



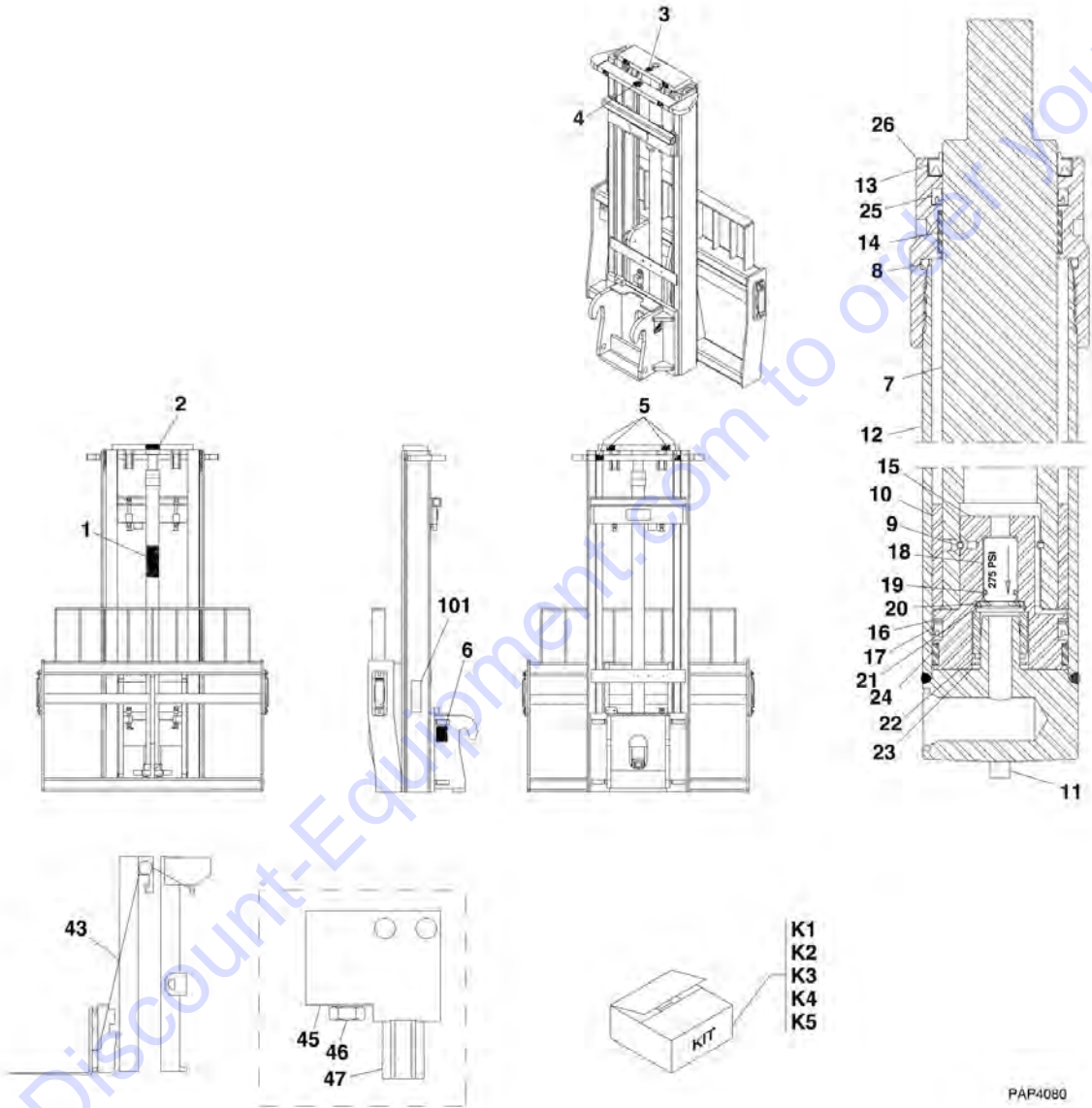
SECTION 3 - ATTACHMENTS

FIGURE 3-15. 12 FOOT TRUSS BOOM WITH WINCH

ITEM	PART NUMBER	QTY	DESCRIPTION	REV
	1001099351	1	12 FT TRUSS BOOM WITH WINCH, (includes all items)	F,C
1	N.S.S.	1	TRUSS BOOM FRAME	
2	90554016	1	MADE IN USA DECAL	
3	N.S.S.	1	SN PLATE	
4	70021349	4	HEX HD CAPSCREW, 3/8X1	
4	90554042	4	LOCKWASHER, 3/8	
5	70021921	1	TRUSS BOOM WINCH MOTOR	
6	N.S.S.	2	HEX HD CAPSCREW, 1/2X1-3/4	
6	90554020	2	LOCKWASHER, 1/2	
6	90554054	2	HEX NUT, 1/2	
7	70021415	2	CONNECTOR	
8	70021977	2	HOSE ASSY, 3/8X32	
9	N.S.S.	2	ELBOW, 90	
10	7029692	1	MALE QUICK COUPLER	
11	90554062	1	DUST CAP	
12	70021342	1	FEMALE QUICK COUPLER	
13	90554076	1	DUST COVER	
15	70021978	1	BALL SWIVEL WITH SAFETY HOOK	
16	70021979	1	SOCKET ASSY	
17	N.S.S.	1	PIN	
18	N.S.S.	1	COTTER PIN	
19	N.S.S.	2	CLAMP	
20	70021935	1	PULLEY	
21	70022028	1	CABLE	
22	4110422	2	WARNING SWINGING LOADS DECAL	
23	N.S.S.	1	PIN	
24	N.S.S.	2	FLAT WASHER, 1	
25	N.S.S.	2	SNAP RING	

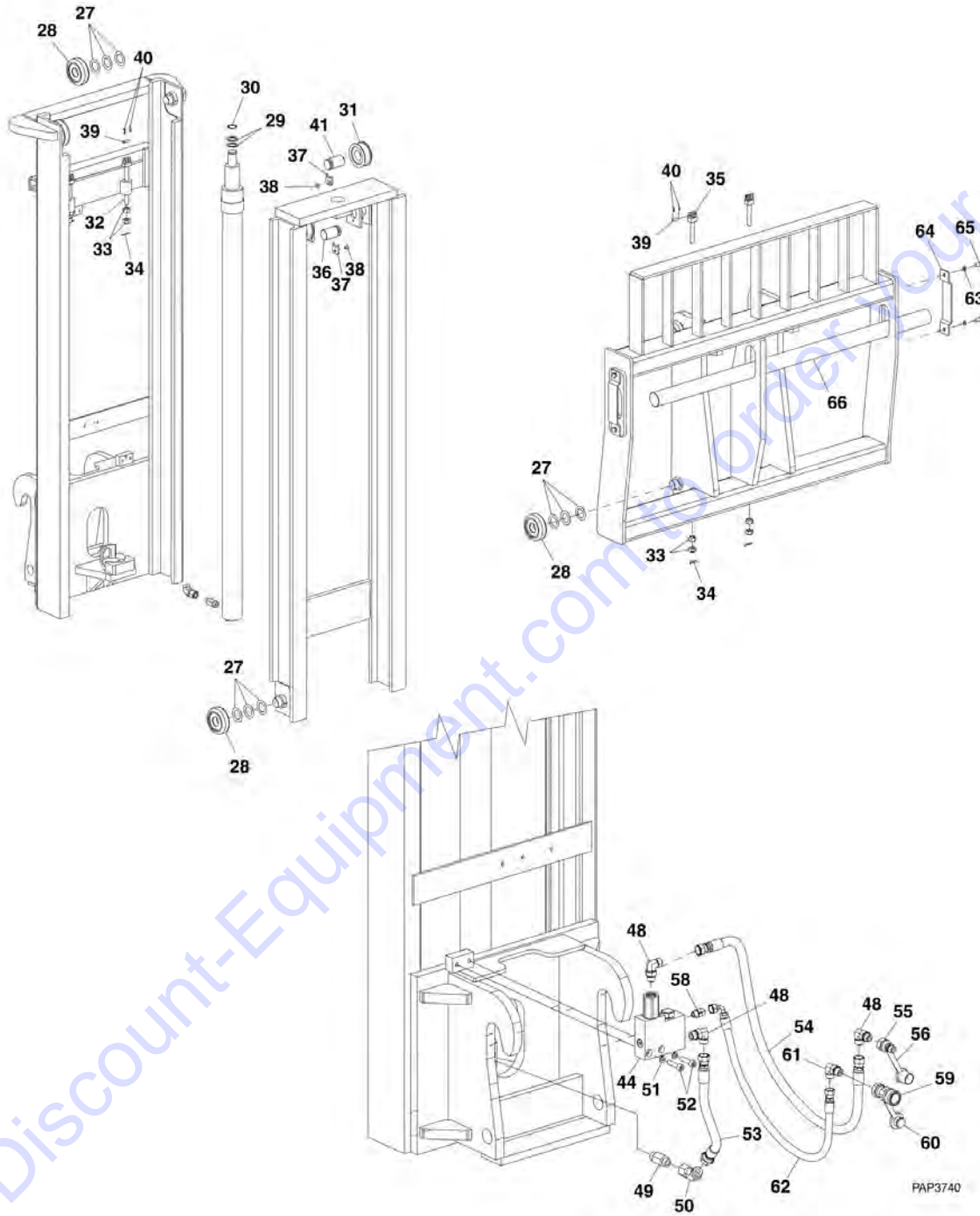
SECTION 3 - ATTACHMENTS

FIGURE 3-16. 8 FOOT MAST



PAP4080

SECTION 3 - ATTACHMENTS



SECTION 3 - ATTACHMENTS

FIGURE 3-16. 8 FOOT MAST

ITEM	PART NUMBER	QTY	DESCRIPTION	REV
	1001108668	1	8 FT MAST ASSY, (4500 LB), (includes all items)	B
1	Kit	1	WARNING DECAL	
2	Kit	1	WARNING DECAL	
3	Kit	1	NO STEP DECAL	
4	Kit	1	NO STEP DECAL	
5	Kit	4	HANDS OFF DECAL	
6	Kit	2	HOSE ROUTING DECAL	
6	70023008	1	MAIN LIFT CYLINDER, (includes items 7 thru 26)	
7	N.S.S.	1	ROD/PLUNGER	
8	Kit	1	O-RING	
9	Kit	1	PULL WIRE	
10	N.S.S.	1	SPACER	
11	N.S.S.	2	ROLL PIN	
12	N.S.S.	1	BARREL	
13	Kit	1	WIPER	
14	Kit	1	BUSHING	
15	N.S.S.	1	BARREL	
16	Kit	1	NYLON RING	
17	Kit	1	PISTON SEAL	
18	Kit	1	CHECK VALVE	
19	Kit	1	O-RING	
20	Kit	1	WASHER	
21	Kit	1	CIRCLIP	
22	N.S.S.	1	SLEEVE	
23	Kit	1	RETAINING RING	
24	Kit	1	WEAR RING	
25	Kit	1	ROD SEAL	
26	70023004	1	RETAINER/GLAND	
27	70023014	24	SHIM	
28	70022987	8	BALL BEARING	
29	Kit	2	WASHER SHIM	
30	70023016	1	SNAP RING	
31	70022969	2	SHEAVE ASSY	
32	70022960	2	CHAIN ANCHOR	
33	70022957	8	NUT, 0.625-18UNF	
34	70022993	4	COTTER PIN	
35	70022995	2	CHAIN ANCHOR	
36	70022984	1	SHEAVE SHAFT	
37	70022970	2	RETAINER BAR	
38	70023003	2	FLAT HD CAPSCREW	
39	70022994	4	CHAIN ANCHOR PIN	
40	70022992	8	COTTER PIN	
41	70022985	1	SHEAVE SHAFT	
43	70023009	2	LIFT CHAIN	
44	70022932	1	PO CHECK VALVE ASSY, (includes items 45, 46 & 47)	
45	N.S.S.	1	MANIFOLD	
46	70022931	1	PO CHECK VALVE CARTRIDGE	
47	70023010	1	PO CHECK	
48	70022934	3	FITTING, 90	
49	70022936	1	FLOW LIMITER	

SECTION 3 - ATTACHMENTS

ITEM	PART NUMBER	QTY	DESCRIPTION	REV
50	70022937	1	FITTING, 45	
51	70022949	2	LOCKWASHER, M10	
52	70022950	2	HEX SOCKET CAPSCREW	
53	70022942	1	HOSE ASSY	
54	70022952	1	HOSE ASSY	
55	91403414	1	MALE QUICK DISCONNECT	
56	91043126	1	DUST CAP	
58	70022939	1	STRAIGHT FITTING, #6	
59	91403413	1	FEMALE QUICK DISCONNECT	
60	91043125	1	DUST PLUG	
61	70022935	1	STRAIGHT THREAD ELBOW	
62	70022946	1	HOSE ASSY	
63	70022949	4	LOCKWASHER, M10	
64	70022980	2	FORK PIN KEEPER	
65	70022998	4	CAPSCREW, M10X20	
66	70022990	1	FORK PIN	
101	N.S.S.	1	SN PLATE	
K1	70023925	1	DECAL KIT, (includes items 1 thru 6)	
K2	70023005	1	MAIN LIFT CYLINDER SEAL KIT, (includes items 8, 9, 13, 14, 16, 17, 19, 21 & 23 thru 25)	
K3	70023006	1	CHECK VALVE KIT, (includes items 18 thru 21 & 23)	
K4	70023007	1	SHIM KIT	
K5	70023015	1	MAST COMMON PARTS KIT, (includes items 27 thru 41)	

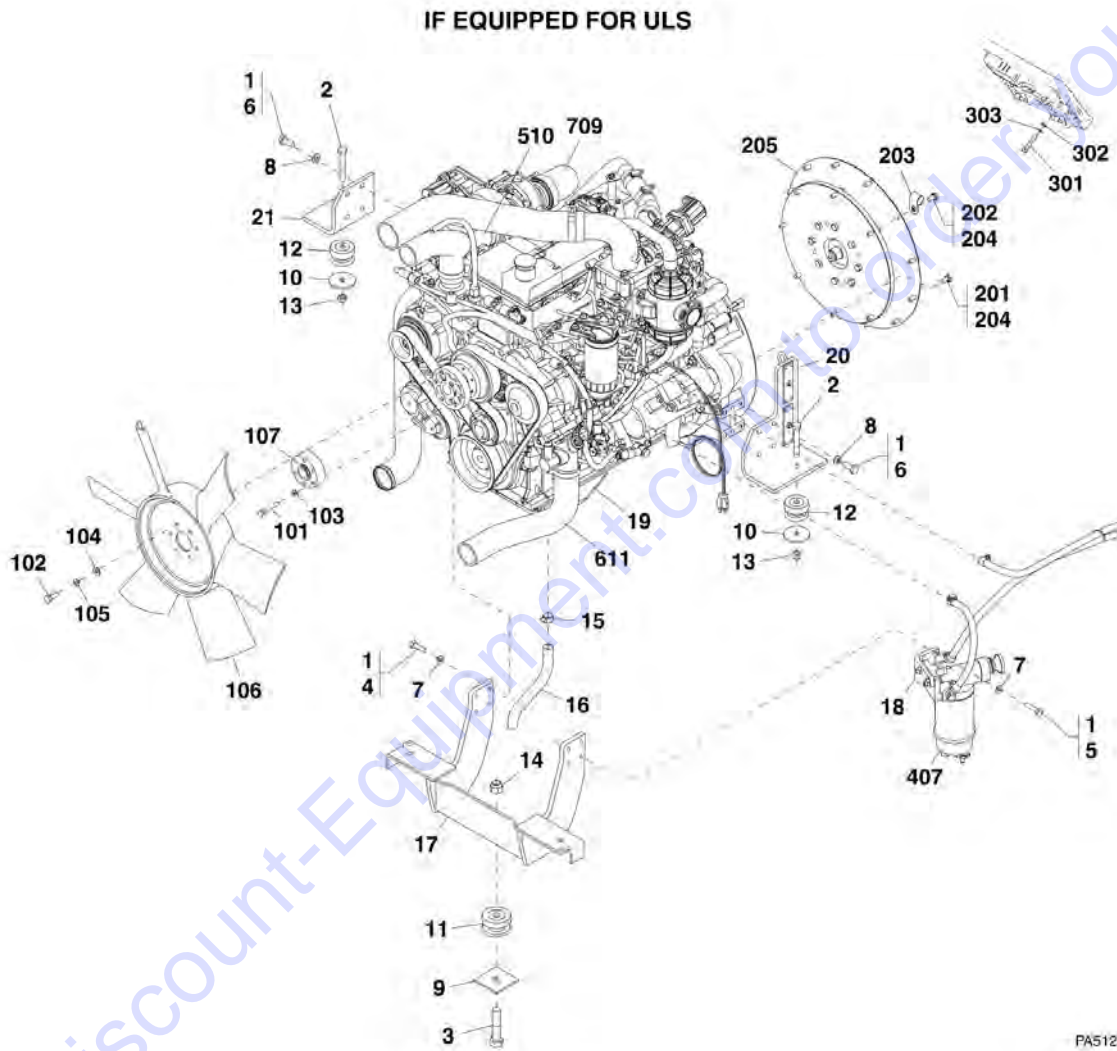
SECTION 4 - ENGINE AND ATTACHING PARTS

SECTION 4 - ENGINE AND ATTACHING PARTS

Go to Discount-Equipment.com to order your parts

SECTION 4 - ENGINE AND ATTACHING PARTS

FIGURE 4-1. ENGINE INSTALLATION



SECTION 4 - ENGINE AND ATTACHING PARTS

FIGURE 4-1. ENGINE INSTALLATION

ITEM	PART NUMBER	QTY	DESCRIPTION	REV
	1001121242	Ref	ENGINE INSTALLATION, (if equipped for ULS), (not available to order, see items 1 thru 21 for service)	B
1	0100011	AR	LOCTITE 242	
2	0681826	2	HEX HD CAPSCREW, 1/2-13X3-1/4, GR8, (torque to 95 lb-ft)	
3	0682228	1	HEX HD CAPSCREW, 3/4-10X3-1/2, GR8, (torque to 340 lb-ft)	
4	0711015	4	HEX HD CAPSCREW, M10X35, GR10.9, (torque to 65 Nm)	
5	0711016	4	HEX HD CAPSCREW, M10X40, GR10.9, (torque to 65 Nm)	
6	0711214	8	HEX HD CAPSCREW, M12X30, GR10.9, (torque to 115 Nm)	
7	4812000	8	WASHER, 10mm	
8	4812100	8	WASHER, 12mm	
9	7054351	1	REBOUND WASHER, LORD BOUNDED MOUNT	
10	7095831	2	REBOUND WASHER	
11	8278007	1	ENGINE MOUNT	
12	8278012	2	ENGINE MOUNT	
13	8305644	2	HEX LOCKNUT, 1/2-13	
14	8310067	1	HEX LOCKNUT, 3/4-10	
15	8405007	1	GEAR CLAMP	
16	1001109536	1	OIL DRAIN HOSE	
17	1001118742	1	ENGINE MOUNT BRACKET, REAR	
18	1001120687	1	PRIMARY FILTER BRACKET	
19		Ref	CUMMINS ENGINE, QSB3.3 85HP, TIER 4, (See ENGINE for Breakdown)	
20	1001121596	1	RH ENGINE MOUNT	
21	1001125495	1	LH FRONT ENGINE MOUNT BRACKET	
	1001121245	Ref	FAN INSTALLATION, (not available to order, see items 101 thru 107 for service)	B
101	0710819	6	HEX HD CAPSCREW, M8X55, GR8.8	
102	0761012	6	HEX HD CAPSCREW, M10X25, GR8.8	
103	4811900	8	WASHER, 8mm	
104	4812000	6	WASHER, 10mm	
105	4832000	6	LOCKWASHER, 10mm	
106	1001121646	1	FAN	
107	1001129191	1	FAN SPACER COUPLER	
	7301500	Ref	COUPLER INSTALLATION, (not available to order, see items 201 thru 205 for service)	AA
201	8303755	8	HEX HD CAPSCREW, M10X1.5X30mm, GR8.8, (torque to 54-61 Nm)	
202	8303784	12	HEX HD CAPSCREW, M10X1.5X20mm, GR8.8, (torque to 54-61 Nm)	
203	8406105	1	TUBE CLIP	
204	8526007	AR	THREAD LOCK	
205		Ref	COUPLER, (See ISOLATION COUPLER for Breakdown)	
	1001120341	Ref	ECM MOUNT INSTALLATION, (not available to order, see items 401 thru 403 for service)	B
301	0641516	4	HEX HD CAPSCREW, 5/16-18X2, GR5	
302	4711500	4	WASHER, 5/16	
303	4761500	4	LOCKWASHER, 5/16	
407		Ref	FUEL PLUMBING INSTALLATION, (See FUEL SYSTEM for Breakdown)	
510		Ref	AIR CLEANER INSTALLATION, (See AIR CLEANER ASSEMBLY for Breakdown)	
611		Ref	RADIATOR AND OIL COOLER INSTALLATION, (See RADIATOR	

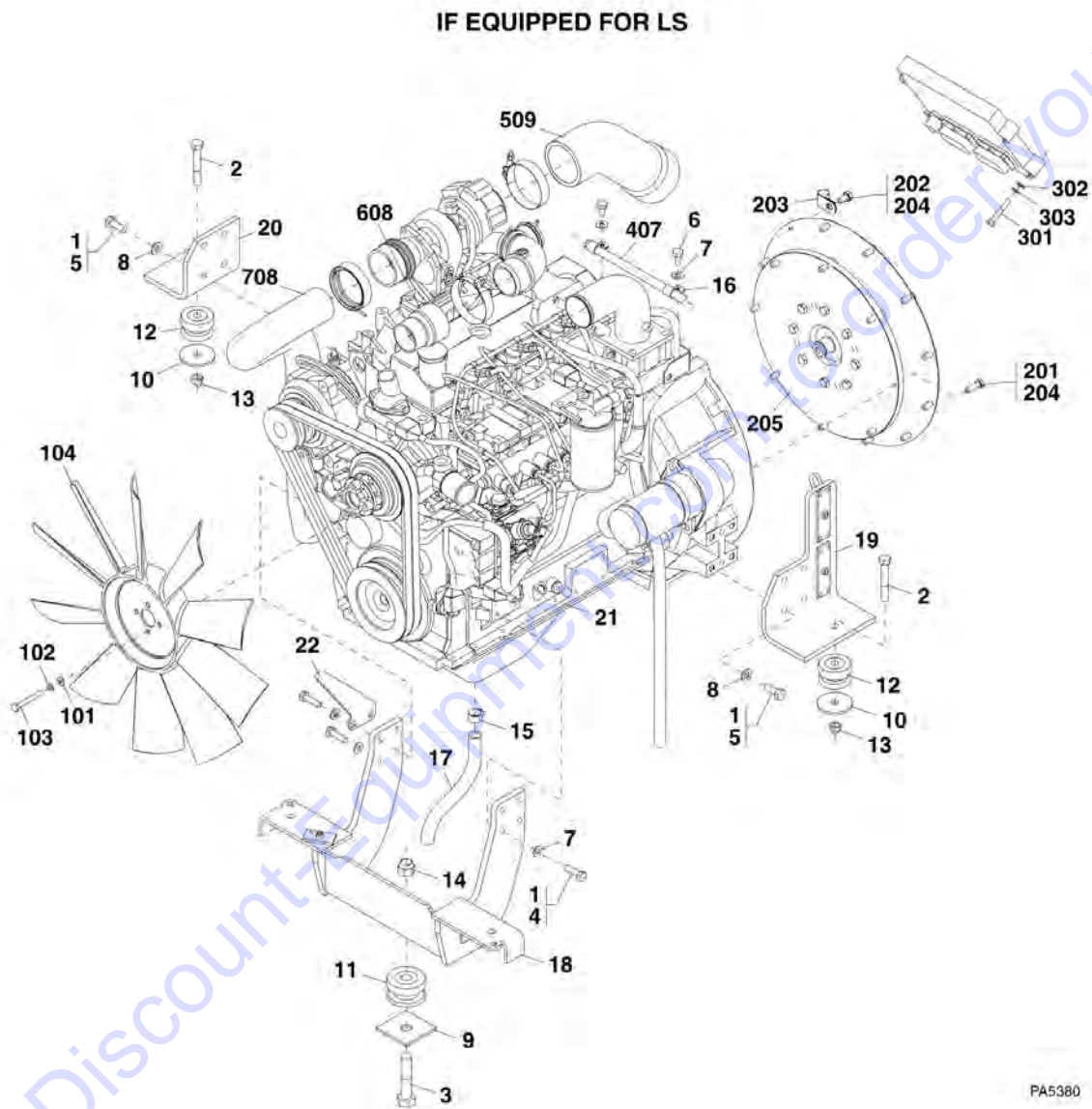
SECTION 4 - ENGINE AND ATTACHING PARTS

ITEM	PART NUMBER	QTY	DESCRIPTION	REV
709		Ref	AND OIL COOLER MOUNTING for Breakdown) EXHAUST SYSTEM, (See EXHAUST SYSTEM for Breakdown)	

Go to Discount-Equipment.com to order your parts

SECTION 4 - ENGINE AND ATTACHING PARTS

FIGURE 4-2. ENGINE INSTALLATION



PA5380

SECTION 4 - ENGINE AND ATTACHING PARTS

FIGURE 4-2. ENGINE INSTALLATION

ITEM	PART NUMBER	QTY	DESCRIPTION	REV
	1001131383	Ref	ENGINE INSTALLATION, (if equipped for LS), (not available to order, see items 1 thru 22 for service)	A
1	0100011	AR	LOCTITE 242	
2	0681826	2	HEX HD CAPSCREW, 1/2-13X3-1/4, GR8, (torque to 95 Nm/70 lb-ft)	
3	0682228	1	HEX HD CAPSCREW, 3/410X3-1/2, GR8, (torque to 460.9 Nm/340 lb-ft)	
4	0711015	8	HEX HD CAPSCREW, M10X35, GR10.9, (torque to 65 Nm/47.9 lb-ft)	
5	0701214	8	HEX HD CAPSCREW, M12X30, GR8.8, (torque to 115 Nm/84.8 lb-ft)	
6	0761010	2	HEX HD CAPSCREW, M10X20, GR8.8	
7	4812000	10	WASHER, 10MM	
8	4812100	8	WASHER, 12MM	
9	7054351	1	REBOUND WASHER, LORD BONDED MOUNT	
10	7095831	2	REBOUND WASHER	
11	8278007	1	RUBBER MOUNT	
12	8278012	2	CENTER BONDED MOUNT	
13	8305644	2	HEX LOCKNUT, 1/2-13	
14	8310067	1	HEX LOCKNUT, 3/4-10	
15	8405007	1	GEAR CLAMP	
16	8406101	2	TUBE CLIP	
17	1001109536	1	OIL DRAIN HOSE	
18	1001118742	1	REAR ENGINE MOUNT BRACKET	
19	1001121596	1	ENGINE MOUNT, RH	
20	1001125495	1	ENGINE MOUNT BRACKET, RH FRONT	
21		Ref	CUMMINS ENGINE, QSB 3.3, (See ENGINE for Breakdown)	
22	1001132004	1	PIPE SUPPORT BRACKET	
	1001131385	Ref	FAN INSTALLATION, (not available to order, see items 101 thru 104 for service)	A
101	4811900	4	WASHER, 8MM	
102	4831900	4	LOCKWASHER, 8MM	
103	10704137	4	HEX HD CAPSCREW, M8X65, GR10.9, (torque to 31 Nm/23 lb-ft)	
104	1001098559	1	FAN	
	7301500	Ref	COUPLER INSTALLATION, (not available to order, see items 201 thru 205 for service)	AA
201	8303755	8	HEX HD CAPSCREW, M10X30, GR8.8, (torque to 54-61 Nm/40-45 lb-ft)	
202	8303784	12	HEX HD CAPSCREW, M10X20, GR8.8, (torque to 54-61 Nm/40-45 lb-ft)	
203	8406105	1	TUBE CLIP	
204	8526007	AR	THREAD LOCK	
205		Ref	COUPLER, (See ISOLATION COUPLER for Breakdown)	
	1001131384	Ref	ECM INSTALLATION MOUNT, (not available to order, See items 401 thru 403 for service)	C
301	0641516	4	HEX HD CAPSCREW, 5/16-18X2, GR5	
302	4711500	4	WASHER, 5/16	
303	4761500	4	LOCKWASHER, 5/16	
407		Ref	FUEL PLUMBING INSTALLATION, (See FUEL SYSTEM for Breakdown)	
509		Ref	AIR CLEANER INSTALLATION, (See AIR CLEANER ASSEMBLY for Breakdown)	

SECTION 4 - ENGINE AND ATTACHING PARTS

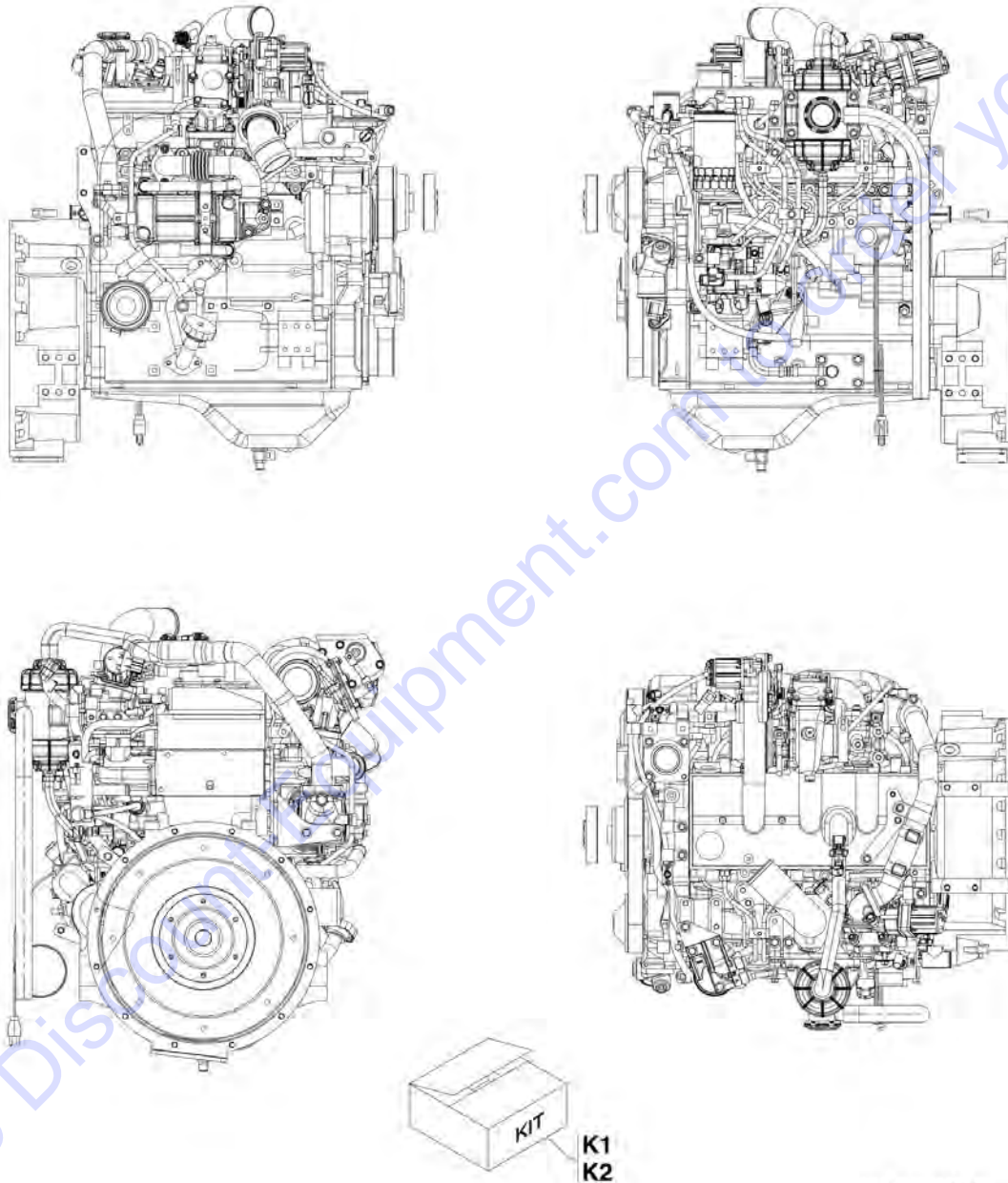
ITEM	PART NUMBER	QTY	DESCRIPTION	REV
608		Ref	RADIATOR AND OIL COOLER INSTALLATION, (See RADIATOR AND OIL COOLER MOUNTING for Breakdown)	
708		Ref	EXHAUST SYSTEM, (See EXHAUST SYSTEM for Breakdown)	

Go to Discount-Equipment.com to order your parts

SECTION 4 - ENGINE AND ATTACHING PARTS

FIGURE 4-3. ENGINE

IF EQUIPPED FOR ULS



ART_PAP26060-B

SECTION 4 - ENGINE AND ATTACHING PARTS

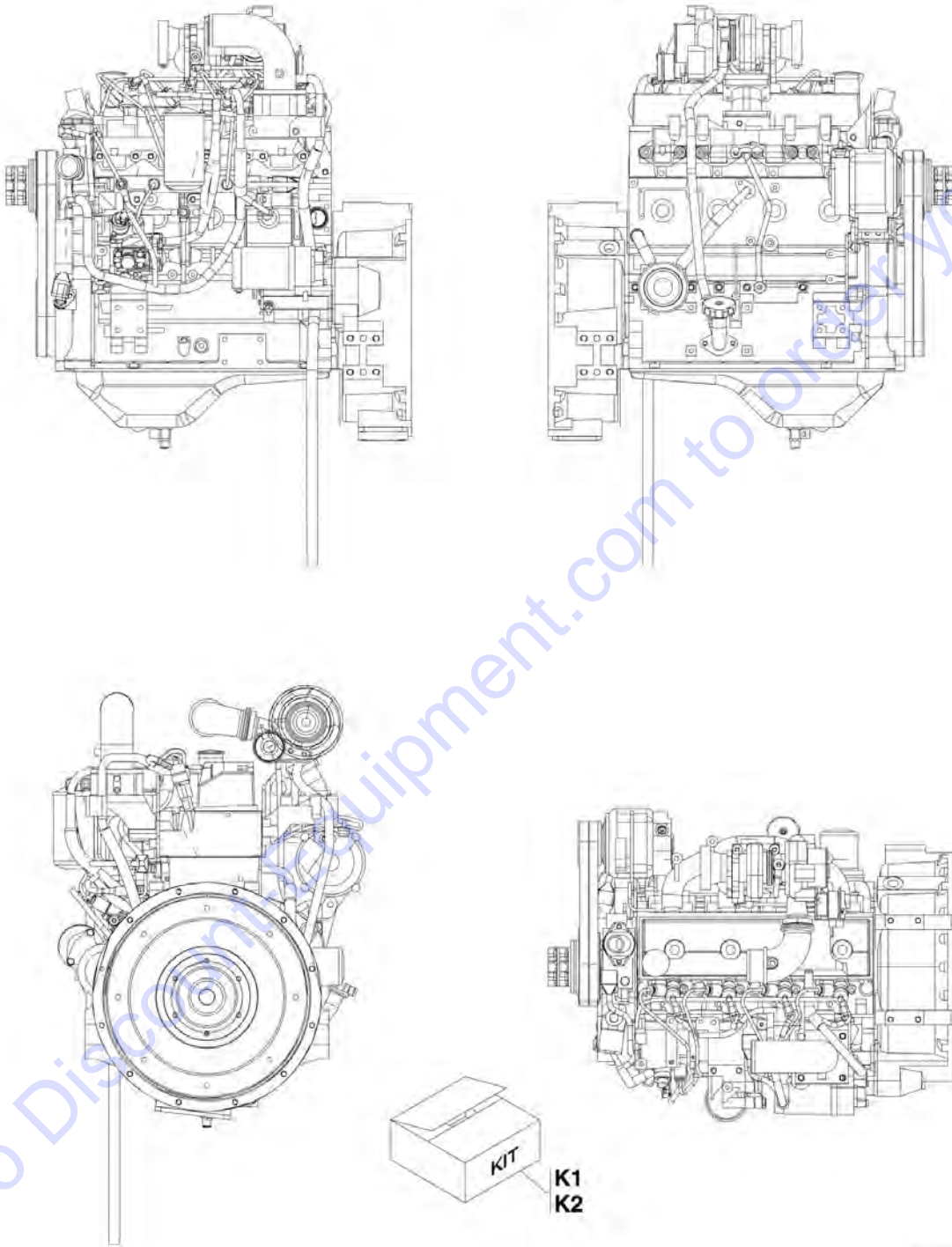
FIGURE 4-3. ENGINE

ITEM	PART NUMBER	QTY	DESCRIPTION	REV
	1001121252	1	ENGINE, QSB 3.3, (85HP), (if equipped for ULS), (includes all items) (Prior to SN 0160068930)	H
	1001182225	1	ENGINE, QSB 3.3, (85HP), (if equipped for ULS), (includes all items) (SN 0160068930 to Present)	B
	70024274	1	FAN BELT	
	70024275	1	FAN SPACER	
	70024276	1	ALTERNATOR	
	70024277	1	STARTER	
	70024278	1	OIL FILTER ELEMENT	
	70024279	1	DIPSTICK	
	70024280	1	DIPSTICK TUBE	
	70022842	1	OIL FILL CAP	
	70024281	1	THERMOSTAT	
	70023812	1	SECONDARY FUEL FILTER	
	70022846	1	PRIMARY FUEL FILTER	
	70022844	1	OIL PAN PLUG	
	70024284	1	CRANKCASE VENT FILTER ELEMENT	
K1	1001150523	1	FILTER KIT, 250 HOUR, (if equipped for ULS), (includes all items)	A
K1	70024278	1	ENGINE OIL FILTER	
K1	70023812	1	SECONDARY FUEL FILTER	
K1	70022846	1	PRIMARY FUEL FILTER	
K1	70024177	1	PRIMARY AIR FILTER ELEMENT	
K1	70024176	1	SECONDARY AIR FILTER ELEMENT	
K2	1001150518	1	FILTER KIT, 1000 HOUR, (if equipped for ULS), (includes all items)	A
K2	70024278	1	ENGINE OIL FILTER	
K2	70023812	1	SECONDARY FUEL FILTER	
K2	70022846	1	PRIMARY FUEL FILTER	
K2	70024177	1	PRIMARY AIR FILTER ELEMENT	
K2	70024176	1	SECONDARY AIR FILTER ELEMENT	
K2	8320265	1	HYDRAULIC RETURN FILTER	
K2	7139077	1	HYDRAULIC BREATHER	
K2	70024284	1	CRANKCASE VENT FILTER ELEMENT	
K2	1319726	1	TRANSMISSION FILTER	

SECTION 4 - ENGINE AND ATTACHING PARTS

FIGURE 4-4. ENGINE

IF EQUIPPED FOR LS



PAP26070

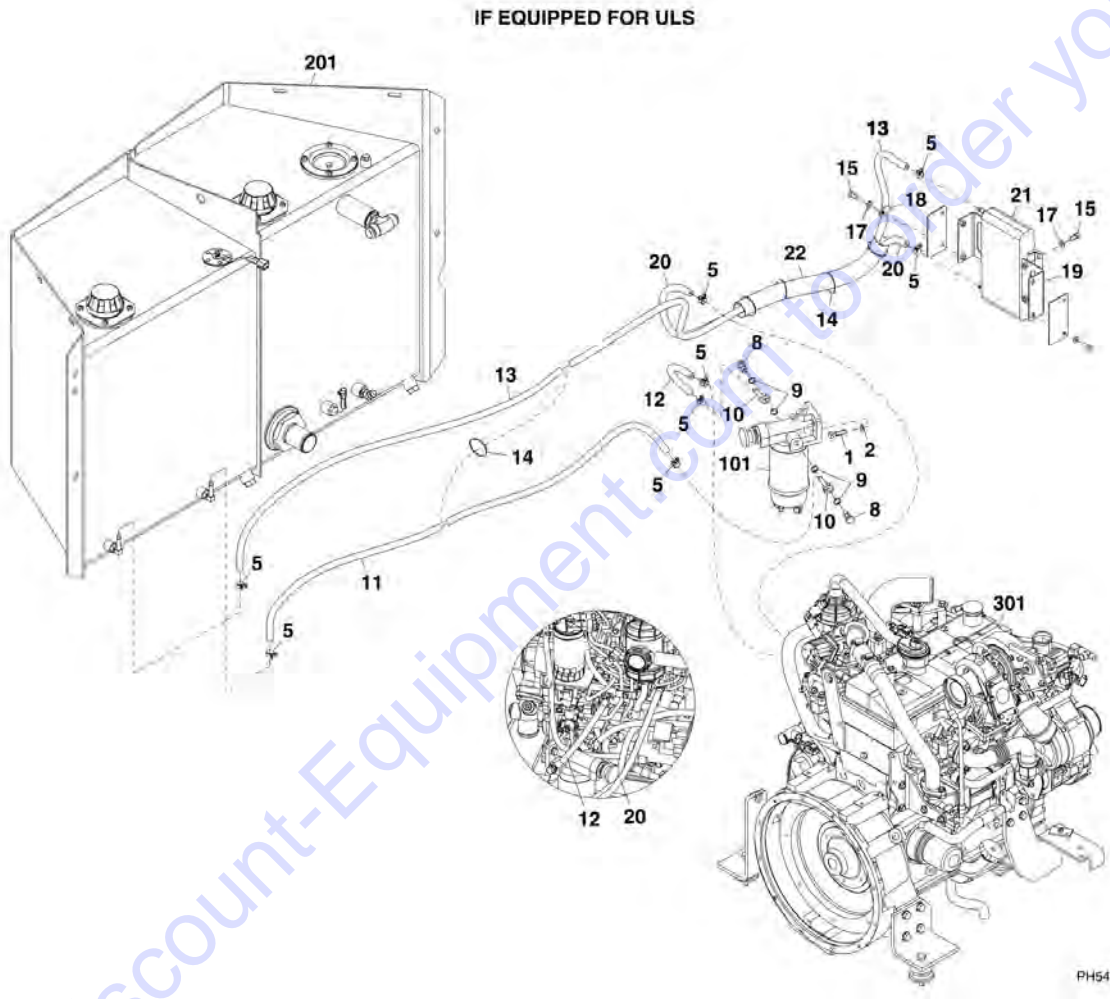
SECTION 4 - ENGINE AND ATTACHING PARTS

FIGURE 4-4. ENGINE

ITEM	PART NUMBER	QTY	DESCRIPTION	REV
	1001131344	1	ENGINE, QSB 3.3, (99HP), (if equipped for LS), (includes all items)	B
	70024285	1	FAN BELT	
	70021849	1	ALTERNATOR	
	70021850	1	STARTER	
	8036204	1	OIL FILTER ELEMENT	
	70021584	1	DIPSTICK	
	70023565	1	DIPSTICK TUBE	
	70022842	1	OIL FILL CAP	
	70024286	1	THERMOSTAT	
	70022846	1	SECONDARY FUEL FILTER	
	70022844	1	OIL PAN PLUG	
	70024156	1	PRIMARY FUEL FILTER	
K1	1001150516	1	FILTER KIT, 250 HOUR, (if equipped for LS), (includes all items)	A
K1	8036204	1	ENGINE OIL FILTER	
K1	70022846	1	SECONDARY FUEL FILTER	
K1	70024156	1	PRIMARY FUEL FILTER	
K1	1101312	1	PRIMARY AIR FILTER ELEMENT	
K1	1101313	1	SECONDARY AIR FILTER ELEMENT	
K2	1001150525	1	FILTER KIT, 1000 HOUR, (if equipped for LS), (includes all items)	A
K2	8036204	1	ENGINE OIL FILTER	
K2	70022846	1	SECONDARY FUEL FILTER	
K2	70024156	1	PRIMARY FUEL FILTER	
K2	1101312	1	PRIMARY AIR FILTER ELEMENT	
K2	1101313	1	SECONDARY AIR FILTER ELEMENT	
K2	7301252	1	HYDRAULIC RETURN FILTER	
K2	7139077	1	HYDRAULIC BREATHER	
K2	1319726	1	TRANSMISSION FILTER	

SECTION 4 - ENGINE AND ATTACHING PARTS

FIGURE 4-5. FUEL SYSTEM



PH5470

SECTION 4 - ENGINE AND ATTACHING PARTS

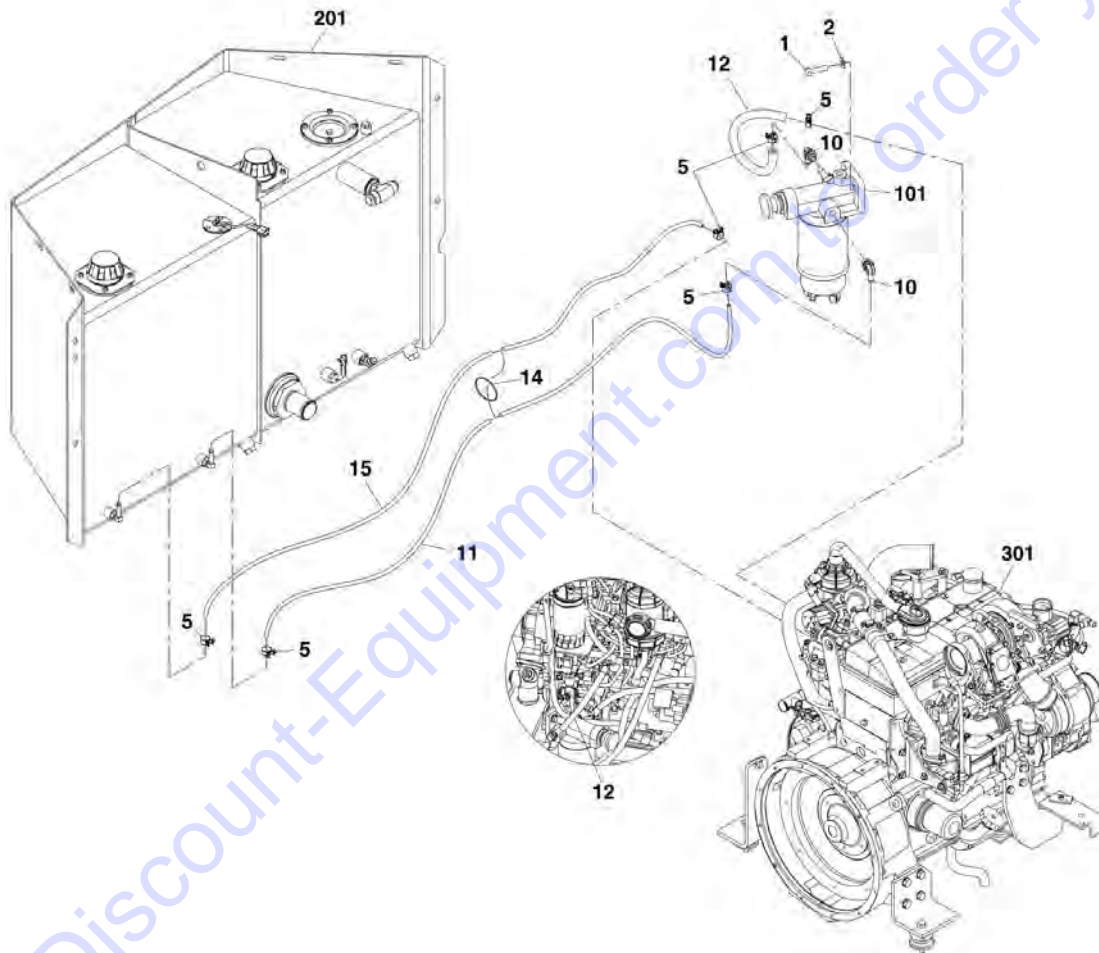
FIGURE 4-5. FUEL SYSTEM

ITEM	PART NUMBER	QTY	DESCRIPTION	REV
	1001121256	Ref	FUEL LINES INSTALLATION, (if equipped for ULS), (not available to order, see items 1 thru 22 for service) (Prior to SN 0160065533)	G
1	0641611	2	HEX HD CAPSCREW, 3/8-16X1-3/8	
2	4711600	2	PLAIN WASHER, 3/8	
5	1001136975	8	FUEL HOSE CLAMP	
8	1001102931	2	BANJO BOLT, M14	
9	1001102933	4	COPPER RING SEAL	
10	1001113511	2	BANJO ADAPTER, M14X3/8	
11	1001125038	1	FUEL SUPPLY FILTER HOSE	
12	1001125039	1	FUEL SUPPLY ENGINE HOSE	
13	1001134467	1	FUEL RETURN HOSE	
14	4240017	5	TIE STRAP	
15	0641506	8	HEX HD CAPSCREW, 5/16-18X3/4	
17	4711500	7	PLAIN WASHER, 5/16	
18	8406101	1	TUBE CLIP, 5/8	
19	1001138700	2	FUEL COOLER BRACKET	
20	1001134466	1	FUEL RETURN HOSE	
21	1001134516	1	FUEL RADIATOR	
22	1001136358	1	ABRASION SLEEVE	
101		Ref	FUEL FILTER, (See ENGINE for Breakdown)	
201		Ref	FUEL AND HYDRAULIC TANK, (See HYDRAULIC COMPONENTS SECTION for Breakdown)	
301		Ref	CUMMINS ENGINE, QSB3.3, 100HP TIER IV, (See ENGINE for Breakdown)	

SECTION 4 - ENGINE AND ATTACHING PARTS

FIGURE 4-6. FUEL SYSTEM

IF EQUIPPED FOR ULS



ART_1001121256-J

SECTION 4 - ENGINE AND ATTACHING PARTS

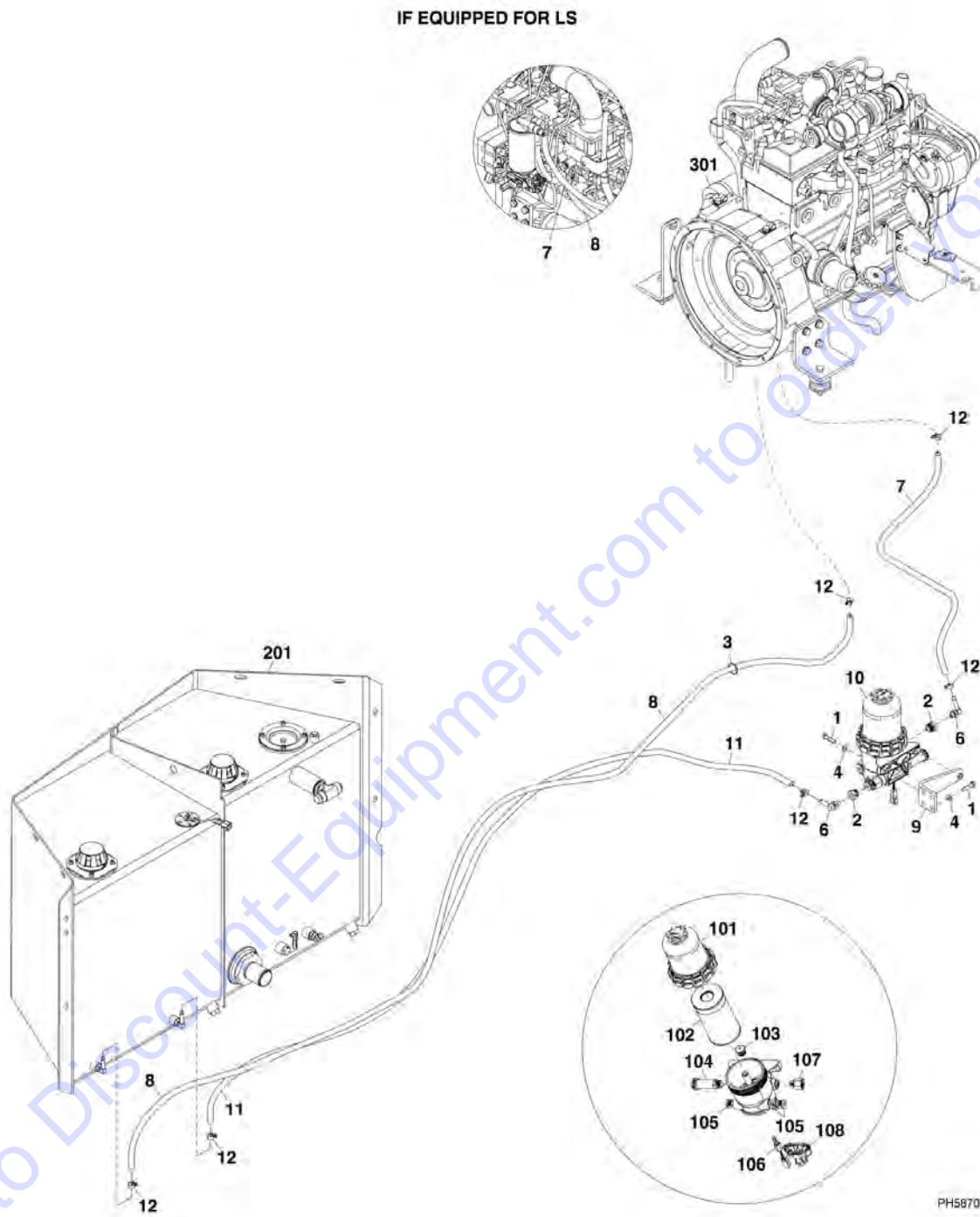
FIGURE 4-6. FUEL SYSTEM

ITEM	PART NUMBER	QTY	DESCRIPTION	REV
	1001121256	Ref	FUEL LINES INSTALLATION, (if equipped for ULS), (not available to order, see items 1 thru 15 for service) (SN 0160065533 to Present)	J
1	0641611	2	HEX HD CAPSCREW, 3/8-16X1-3/8	
2	4711600	2	PLAIN WASHER, 3/8	
5	1001136975	6	FUEL HOSE CLAMP	
10	1001182094	2	ELBOW, HOSE BARB	
11	1001125038	1	FUEL SUPPLY FILTER HOSE	
12	1001125039	1	FUEL SUPPLY ENGINE HOSE	
14	4240017	1	TIE STRAP	
15	1001125040	1	FUEL SUPPLY FILTER HOSE	
101		Ref	FUEL FILTER, (See ENGINE for Breakdown)	
201		Ref	FUEL AND HYDRAULIC TANK, (See HYDRAULIC COMPONENTS SECTION for Breakdown)	
301		Ref	CUMMINS ENGINE, QSB3.3, 100HP TIER IV, (See ENGINE for Breakdown)	

Go to Discount-Equipment.com to order your parts

SECTION 4 - ENGINE AND ATTACHING PARTS

FIGURE 4-7. FUEL SYSTEM



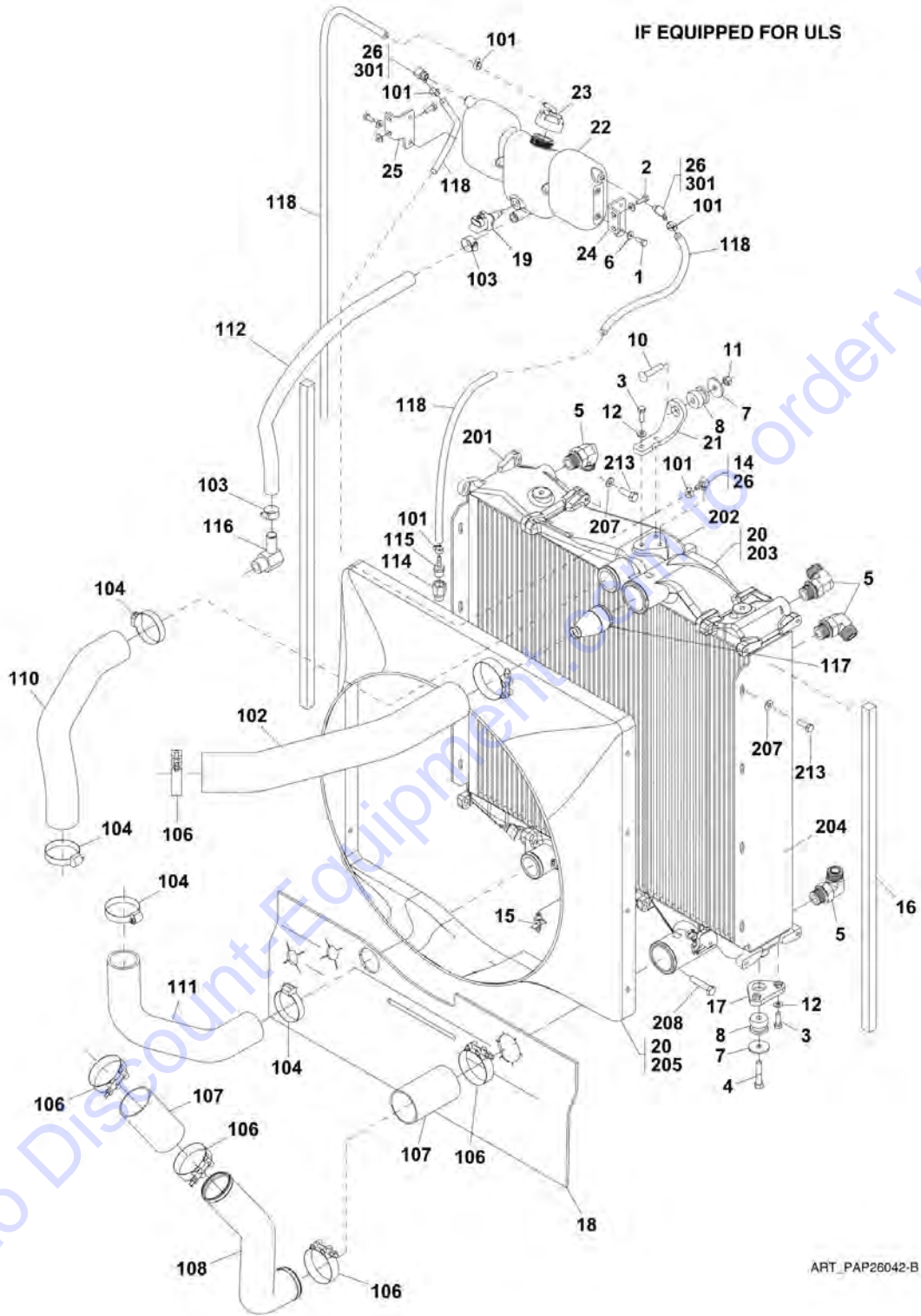
SECTION 4 - ENGINE AND ATTACHING PARTS

FIGURE 4-7. FUEL SYSTEM

ITEM	PART NUMBER	QTY	DESCRIPTION	REV
	1001121257	Ref	FUEL PLUMBING INSTALLATION, (if equipped for LS), (not available to order, see items 1 thru 12 for service)	C
1	0641612	6	HEX HD CAPSCREW, 3/8-16X1-1/2	
2	2220218	2	STRAIGHT ADAPTER, (includes o-ring)	
3	4240017	1	TIE STRAP	
4	4711600	6	PLAIN WASHER, 3/8	
6	8430034	2	ELBOW, 90, (includes o-ring)	
7	1001136157	1	FUEL SUPPLY TO ENGINE HOSE	
8	1001125040	1	FUEL RETURN HOSE	
9	1001132173	1	FUEL FILTER BRACKET	
10	1001133534	1	FUEL FILTER, (includes items 101 thru 108)	
11	1001135011	1	FUEL FILTER HOSE	
12	1001136975	6	FUEL HOSE CLAMP	
101	70024155	1	COVER ASSY, (includes vent cap, vent cap o-ring, collar, cover, cover o-ring and spring)	A
102	70024156	1	FILTER ELEMENT	
103	70024157	1	CHECK VALVE ASSY	
104	70024158	1	PRIMER	
105	70024159	3	PLUG	
106	70024160	1	WATER-IN-FUEL (WIF) SENSOR	
107	70024161	1	CHECK VALVE	
108	70024162	1	BOTTOM BOWL ASSY, (includes bottom bowl seal, bottom bowl screws, drain valve o-ring and drain valve)	
201		Ref	FUEL AND HYDRAULIC TANK, (See HYDRAULIC COMPONENTS SECTION for Breakdown)	
301		Ref	CUMMINS ENGINE, QSB3.3, 110HP TIER III, (See ENGINE for Breakdown)	

SECTION 4 - ENGINE AND ATTACHING PARTS

FIGURE 4-8. RADIATOR AND OIL COOLER MOUNTING



SECTION 4 - ENGINE AND ATTACHING PARTS

FIGURE 4-8. RADIATOR AND OIL COOLER MOUNTING

ITEM	PART NUMBER	QTY	DESCRIPTION	REV
	1001121255	Ref	COOLING INSTALLATION, (6036), (if equipped for ULS), (not available to order, see items 1 thru 26 for service)	F
	1001121254	Ref	COOLING INSTALLATION, (6042), (if equipped for ULS), (not available to order, see items 1 thru 26 for service)	F
1	0641405	4	HEX HD CAPSCREW, 1/4-20X5/8, GR5, (torque to 70 lb-in)	
2	0641406	4	HEX HD CAPSCREW, 1/4-20X3/4, GR5	
3	0641508	6	HEX HD CAPSCREW, 5/16-18X1, GR5	
4	0641614	2	HEX HD CAPSCREW, 3/8-16X1-3/4, GR5	
5	2131212	4	ADAPTER, 90, (includes o-ring)	
6	4711400	8	WASHER, 1/4	
7	7057141	3	REBOUND WASHER	
8	8278020	3	RUBBER ISOLATOR MOUNT	
10	8310281	1	CARRIAGE BOLT, 3/8-16X2-1/4, GR2	
11	8305008	1	HEX NUT, 3/8-16	
12	8307106	6	WASHER, 5/16	
14	8420213	1	ELBOW, 90, (hose barb)	
15	91343011	1	DRAINCOCK	
16	1001109230	2	FOAM GASKET SEAL	
17	1001120869	2	COOLER MOUNT LOWER BRACKET	
18	1001120947	1	AIR DAM PANEL	
19	1001121955	1	COOLANT LEVEL SENSOR	
20	1001127591	1	RADIATOR ASSEMBLY, (includes items 201 thru 213)	I
21	1001127980	1	RADIATOR UPPER MOUNT	
22	1001153912	1	DEAERATION TANK, (includes items 26 & 301)	C
23	1001128341	1	PRESSURE PLUG CAP	
24	1001128342	1	LH TANK BRACKET, (6036)	
24	1001128340	1	LH TANK BRACKET, (6042)	
25	1001128343	1	RH TANK BRACKET, (6036)	
25	1001128339	1	RH TANK BRACKET, (6042)	
26	1001097335	AR	LOCTITE 567	
	1001121271	Ref	COOLER PLUMBING INSTALLATION, (not available to order, see items 101 thru 118 for service)	G
101	1320022	5	WORM GEAR CLAMP	
102	1001127418	1	OUTLET PIPE	
103	8405007	2	GEAR CLAMP	
104	8405201	4	GEAR CLAMP	
106	8405212	7	T-BOLT CLAMP	
107	1001114495	2	HOSE	
108	1001120068	1	INLET PIPE	
110	1001121493	1	UPPER RADIATOR PIPE	
111	1001121494	1	LOWER RADIATOR PIPE	
112	1001122560	1	DRAWDOWN HOSE	
114	1001122801	1	ADAPTER, STRAIGHT	
115	1001122807	1	HOSE BARB COUPLING	
116	1001133871	1	PIPE FITTING, ELBOW, 45	
117	1001140672	1	REDUCER PIPE	
118	1001153913	119 in	VENT HOSE	
201	70024148	1	TRANSMISSION COOLER	
202	70024149	1	WATER/GLYCOL COOLER	
203	70024150	1	CAC COOLER	

PARTS FINDER

**Search Website
by Part Number**



**Search Manual
Library For Parts
Manual & Lookup Part
Numbers – Purchase
or Request Quote**

A screenshot of the "Search Manuals" form. The form is titled "Search Manuals" and includes a search bar, a "Search" button, and a "Clear" button. Below the search bar, there are several input fields for "Find", "Serial Number", "Year", "Make", "Model", "Part Number", "Part Name", "Part Description", and "Part Category". A "Submit" button is located at the bottom of the form.

**Can't Find Part or
Manual? Request Help
by Manufacturer,
Model & Description**

A screenshot of the "Parts Order Form". The form is titled "Parts Order Form" and includes a "Submit" button. Below the button, there are several input fields for "Manufacturer", "Model", "Description", "Part Number", "Part Name", "Part Description", and "Part Category". A "Submit" button is located at the bottom of the form.

Discount-Equipment.com is your online resource for quality parts & equipment.

Florida: **561-964-4949** Outside Florida TOLL FREE: **877-690-3101**

Need parts?

Click on this link: <http://www.discount-equipment.com/category/5443-parts/> and choose one of the options to help get the right parts and equipment you are looking for. Please have the machine model and serial number available in order to help us get you the correct parts. If you don't find the part on the website or on one of the online manuals, please fill out the request form and one of our experienced staff members will get back to you with a quote for the right part that your machine needs.

We sell worldwide for the brands: Genie, Terex, JLG, MultiQuip, Mikasa, Essick, Whiteman, Mayco, Toro Stone, Diamond Products, Generac Magnum, Airman, Haulotte, Barreto, Power Blanket, Nifty Lift, Atlas Copco, Chicago Pneumatic, Allmand, Miller Curber, Skyjack, Lull, Skytrak, Tsurumi, Husquvarna Target, Stow, Wacker, Sakai, Mi-T-M, Sullair, Basic, Dynapac, MBW, Weber, Bartell, Bennar Newman, Haulotte, Ditch Runner, Menegotti, Morrison, Contec, Buddy, Crown, Edco, Wyco, Bomag, Laymor, EZ Trench, Bil-Jax, F.S. Curtis, Gehl Pavers, Heli, Honda, ICS/PowerGrit, IHI, Partner, Imer, Clipper, MMD, Koshin, Rice, CH&E, General Equipment, Amida, Coleman, NAC, Gradall, Square Shooter, Kent, Stanley, Tamco, Toku, Hatz, Kohler, Robin, Wisconsin, Northrock, Oztec, Toker TK, Rol-Air, APT, Wylie, Ingersoll Rand / Doosan, Innovatech, Con X, Ammann, Mecalac, Makinex, Smith Surface Prep, Small Line, Wanco, Yanmar

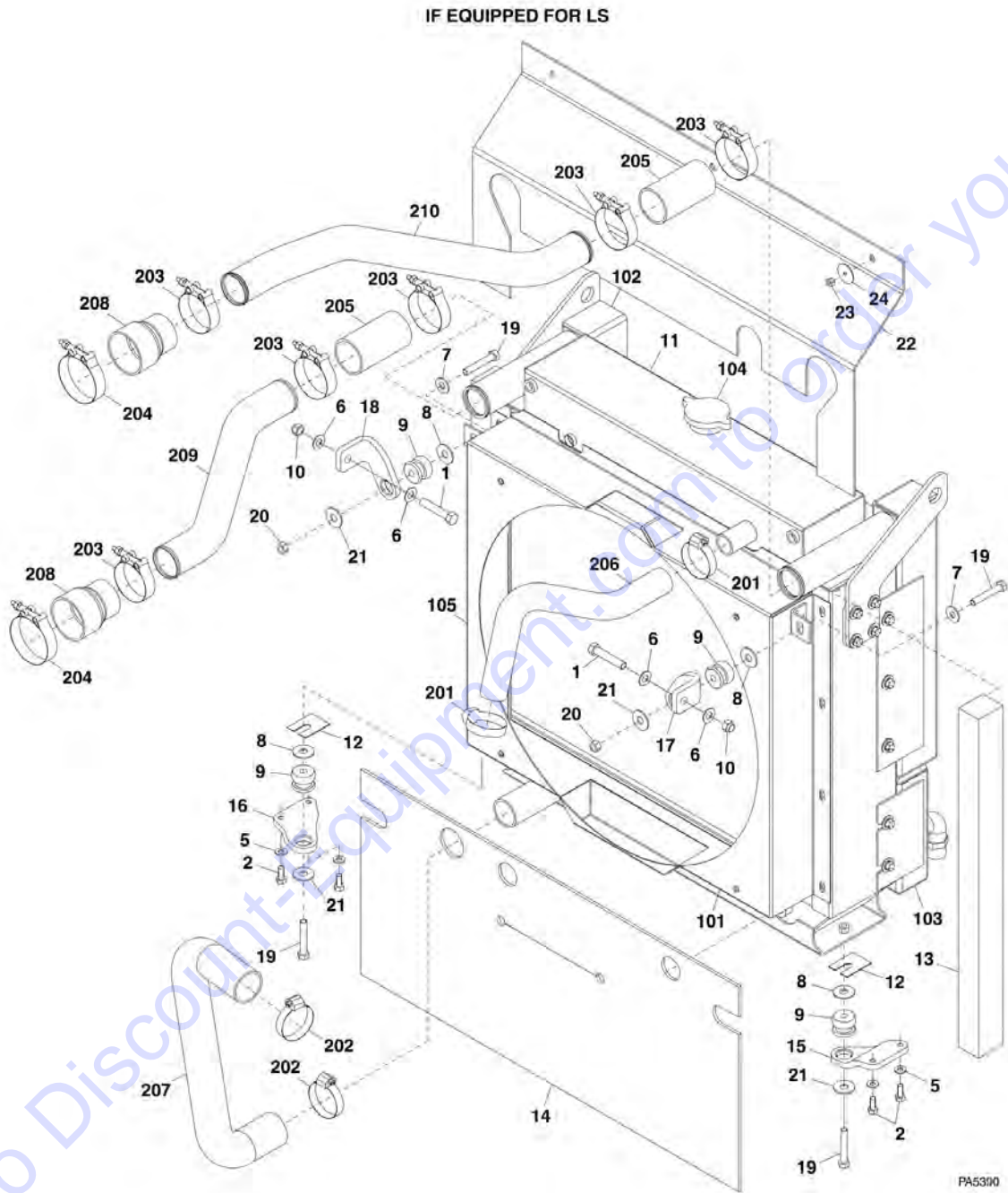
SECTION 4 - ENGINE AND ATTACHING PARTS

ITEM	PART NUMBER	QTY	DESCRIPTION	REV
204	70024151	1	OIL COOLER	
205	70024530	1	FAN SHROUD	
207	70025541	8	FLAT WASHER, 5/16	
208	70025542	1	HEX HD CAPSCREW, 5/16-18X4	
213	70025540	19	FASTENER, 5/16-18X1	
301	8420213	1	ELBOW, 90, (hose barb)	

Go to Discount-Equipment.com to order your parts

SECTION 4 - ENGINE AND ATTACHING PARTS

FIGURE 4-9. RADIATOR AND OIL COOLER MOUNTING



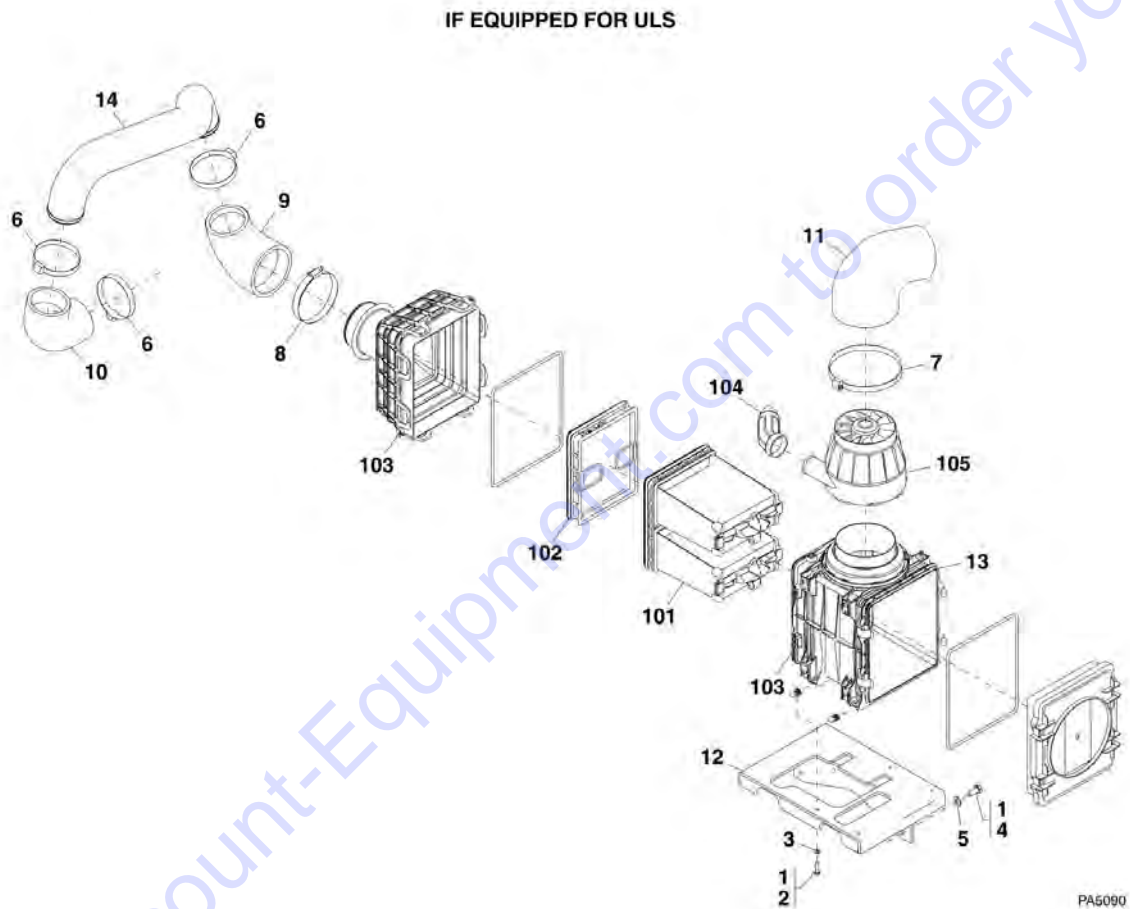
SECTION 4 - ENGINE AND ATTACHING PARTS

FIGURE 4-9. RADIATOR AND OIL COOLER MOUNTING

ITEM	PART NUMBER	QTY	DESCRIPTION	REV
	1001131387	Ref	COOLING INSTALLATION, (if equipped for LS), (not available to order, see items 1 thru 17 for service)	C
1	0641718	2	HEX HD CAPSCREW, 7/16-14X2-1/4	
2	0681506	4	HEX HD CAPSCREW, 5/16-18X3/4	
5	4711500	4	PLAIN WASHER, 5/16	
6	4711700	4	NARROW WASHER, 7/16	
7	4751600	2	PLAIN WASHER, 3/8	
8	4751700	4	PLAIN WASHER, 7/16	
9	8278020	4	RUBBER ISOLATOR MOUNT	
10	8310109	2	HEX LOCKNUT, 7/16-14	
11	1001111821	1	RADIATOR ASSY, (includes items 101 thru 104)	
12	1001114780	2	SHIM, 0.048	
13	1001131594	2	FOAM GASKET SEAL	
14	1001131596	1	AIR DAM PANEL	
15	1001131819	1	RIGHT LOWER COOLER BRACKET	
16	1001131820	1	LEFT LOWER COOLER BRACKET	
17	1001131958	1	LEFT UPPER COOLER BRACKET	
18	1001131959	1	RIGHT UPPER COOLER BRACKET	
19	0641618	4	HEX HD CAPSCREW, 3/8-16X2-1/4	
20	3311605	2	HEX LOCKNUT, 3/8-16, GR2	
21	7057141	4	REBOUND WASHER	
22	1001102212	1	AIR DAM	
23	3311401	3	HEX NUT, 1/4-20	
24	4740362	3	FENDER WASHER	
101	70022694	2	SHROUD	
102	70023600	1	CHARGE AIR COOLER	
103	70023601	1	HYDRAULIC OIL COOLER	
104	70022695	1	CAP	
105	70022696	1	RADIATOR	
	1001121272	Ref	PLUMBING COOLER INSTALLATION, (if equipped for LS), (not available to order, see items 201 thru 210 for service)	C
201	8405104	2	GEAR CLAMP, 2.25 MAX DIA	
202	8405201	2	T-BOLT CLAMP	
203	8933070	6	HEAVY DUTY T-BOLT CLAMP	
204	8405212	2	T-BOLT CLAMP	
205	91563070	2	RUBBER HOSE COUPLING	
206	1001096435	1	UPPER RADIATOR HOSE	
207	1001096436	1	LOWER RADIATOR HOSE	
208	1001117244	2	REDUCER COUPLING	
209	1001131645	1	CAC TO ENGINE PIPE	
210	1001131646	1	TURBO TO CAC PIPE	

SECTION 4 - ENGINE AND ATTACHING PARTS

FIGURE 4-10. AIR CLEANER ASSEMBLY



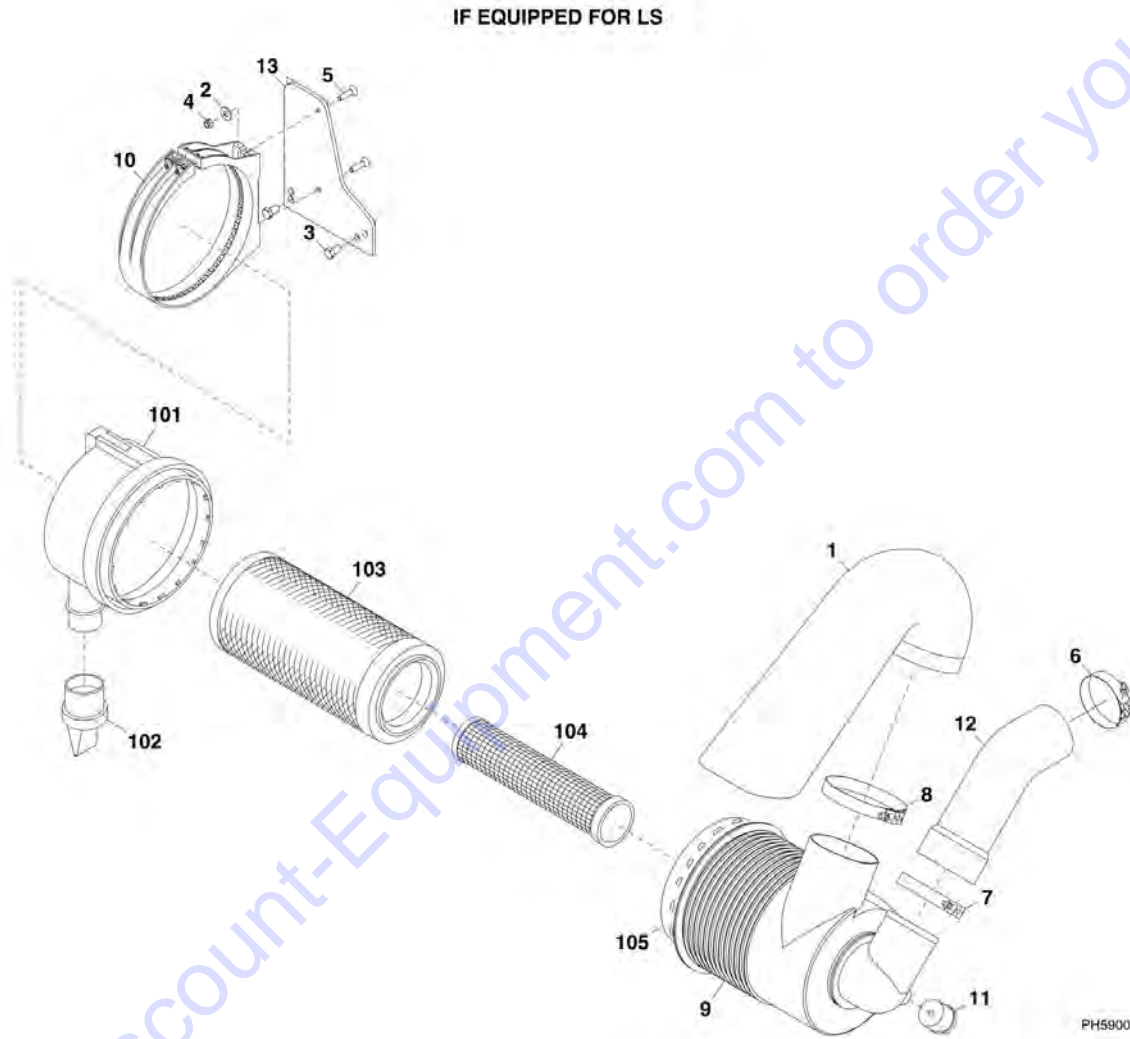
SECTION 4 - ENGINE AND ATTACHING PARTS

FIGURE 4-10. AIR CLEANER ASSEMBLY

ITEM	PART NUMBER	QTY	DESCRIPTION	REV
	1001121246	Ref	AIR CLEANER INSTALLATION, (if equipped for ULS), (not available to order, see items 1 thru 19 for service)	D
1	0100011	AR	LOCTITE 242	
2	0760612	4	HEX HD CAPSCREW, M6X25, GR8.8	
3	4811700	4	WASHER, 6MM	
4	8303798	4	HEX HD CAPSCREW, M10X25, GR8.8	
5	8307221	4	PLAIN WASHER, M10	
6	8405301	3	GEAR CLAMP, 4.00 MAX DIA	
7	8405502	1	GEAR CLAMP, 6.00 MAX DIA	
8	8405402	1	HOSE CLAMP	
9	1001120082	1	AIR INTAKE HOSE	
10	1001120083	1	AIR INTAKE HOSE	
11	1001134843	1	AIR INTAKE HOSE	
12	1001128507	1	AIR FILTER BRACKET WELDMENT	
13	1001128544	1	AIR FILTER, (includes items 101 thru 105)	D
14	1001128808	1	AIR FILTER PIPE	
15	2180104	1	ADAPTER, STRAIGHT	
16	2221301	1	ADAPTER, 90	
17	8420221	2	HOSE BARB COUPLING	
18	91563129	1	RESTRICTION INDICATOR	
19	1001134844	1	AIR RESTRICTION VACUUM HOSE	
101	70024177	1	PRIMARY ELEMENT	
102	70024176	1	SAFETY ELEMENT	
103	70024269	1	COVER	
104	70024270	1	VACUATOR VALVE	
105	70024271	1	PRE-CLEANER	

SECTION 4 - ENGINE AND ATTACHING PARTS

FIGURE 4-11. AIR CLEANER ASSEMBLY



Go to Discount-Equipment.com to order your parts

SECTION 4 - ENGINE AND ATTACHING PARTS

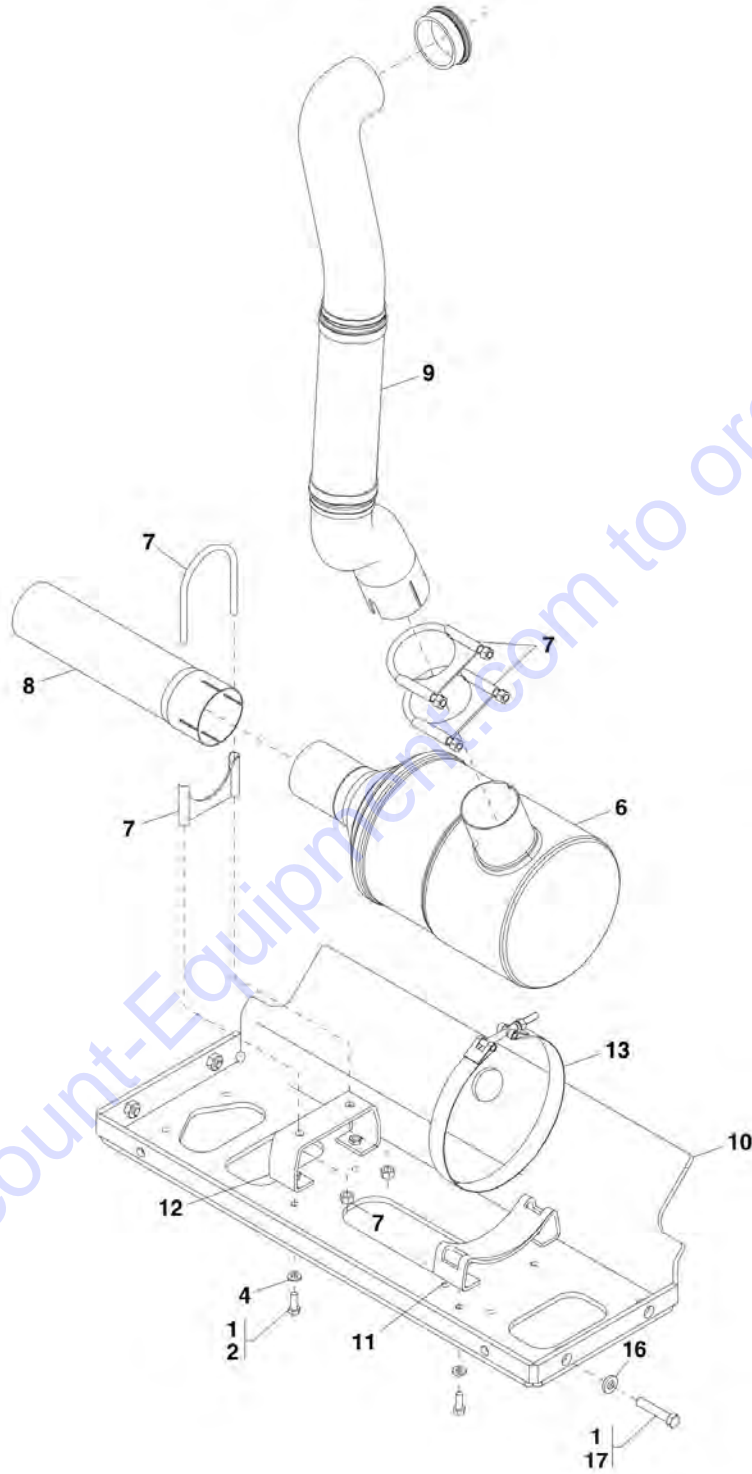
FIGURE 4-11. AIR CLEANER ASSEMBLY

ITEM	PART NUMBER	QTY	DESCRIPTION	REV
	1001121247	Ref	AIR CLEANER INSTALLATION, (if equipped for LS), (not available to order, see items 1 thru 13 for service)	B
1	2720637	1	AIR INTAKE SCOOP	
2	4751500	2	PLAIN WASHER, 5/16	
3	8303784	2	HEX HD CAPSCREW, M10X1.5X20mm, PC8.8	
4	8305626	2	HEX LOCKNUT, 5/16-18	
5	8310494	2	SCREW, 5/16-18X1-1/4, GR8	
6	8405305	1	T-BOLT CLAMP, 3.38 ID	
7	8405505	1	T-BOLT CLAMP, 4.06 ID	
8	8410021	1	T-BOLT CLAMP, 5.00 ID	
9	10268515	1	AIR CLEANER, (includes items 101 thru 105)	C
10	10268516	1	MOUNTING BAND	
11	91563129	1	RESTRICTION INDICATOR	
12	1001098977	1	AIR INTAKE PIPE	
13	1001131488	1	AIR CLEANER MOUNT	
101	91364023	1	COVER ASSY	
102	80373094	1	VACUATOR VALVE	
103	1101312	1	PRIMARY FILTER ELEMENT	
104	1101313	1	SECONDARY FILTER ELEMENT	
105	N.S.S.	1	AIR CLEANER BODY	

SECTION 4 - ENGINE AND ATTACHING PARTS

FIGURE 4-12. EXHAUST SYSTEM

IF EQUIPPED FOR ULS



ART_1001129497.F

SECTION 4 - ENGINE AND ATTACHING PARTS

FIGURE 4-12. EXHAUST SYSTEM

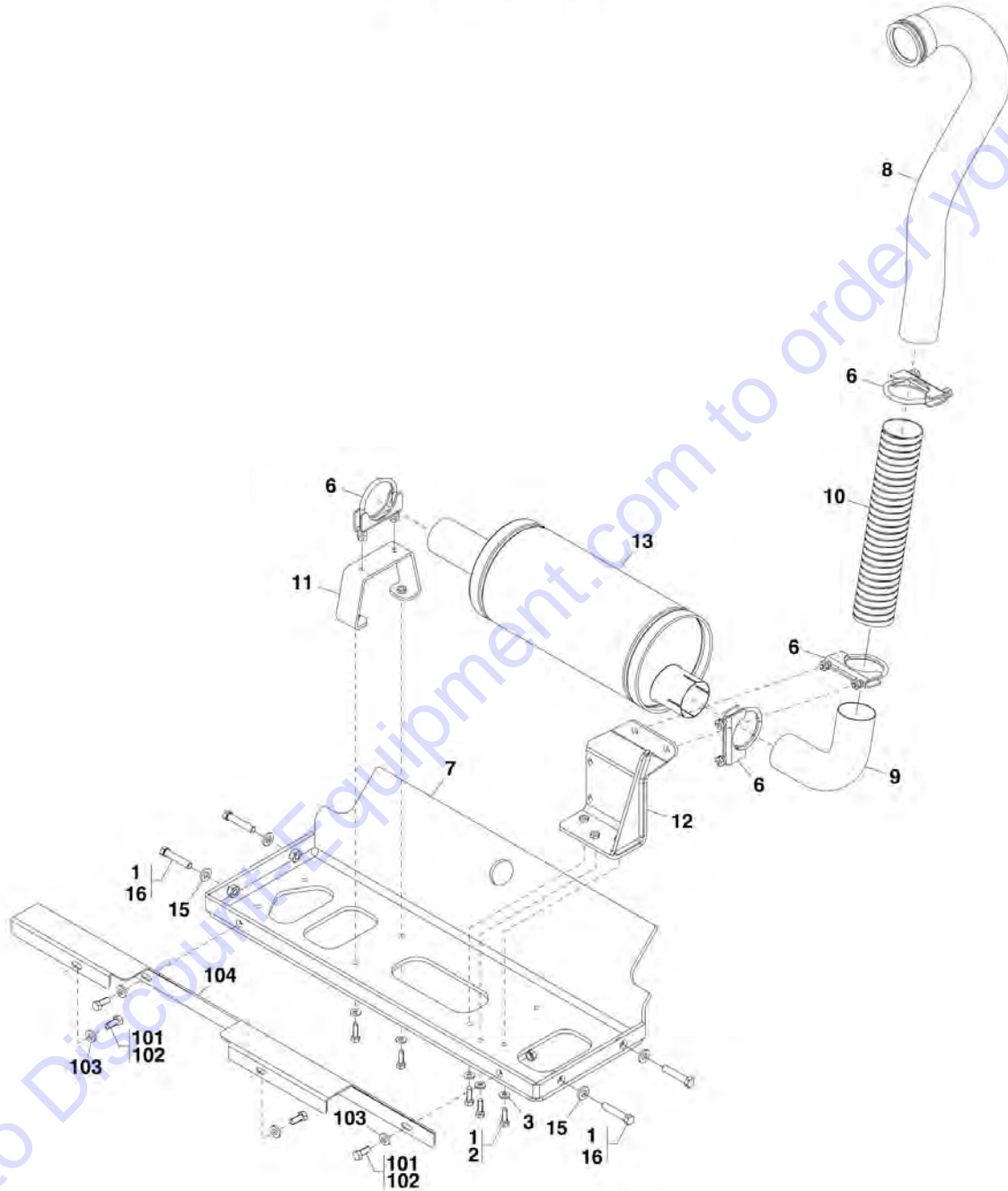
ITEM	PART NUMBER	QTY	DESCRIPTION	REV
	1001129497	Ref	DOC INSTALL, (if equipped for ULS), (not available to order, see items 1 thru 17 for service)	F
1	0100011	AR	LOCTITE 242	
2	0641507	4	HEX HD CAPSCREW, 5/16-18X7/8, GR5, (torque to 20 lb-ft)	
4	4891500	4	WASHER, 5/16	
6	1001127855	1	DOC AFTERTREATMENT	
7	24921332	3	EXHAUST CLAMP	
8	1001127856	1	EXHAUST PIPE	
9	1001127857	1	EXHAUST FLEX PIPE	
10	1001127858	1	DOC MOUNT WELDMENT PLATE	
11	1001128363	1	DOC MOUNT BRACKET ASSY	
12	1001128364	1	DOC PIPE MOUNT BRACKET ASSY	
13	1001128901	1	DOC STRAP CLAMP, (torque to 15 lb-ft)	
16	4891700	4	WASHER, 7/16	
17	10700334	4	SCREW, 0.438-14NCX2.25	

Go to Discount-Equipment.com to order your parts

SECTION 4 - ENGINE AND ATTACHING PARTS

FIGURE 4-13. EXHAUST SYSTEM

IF EQUIPPED FOR LS



ART_1001131485 C

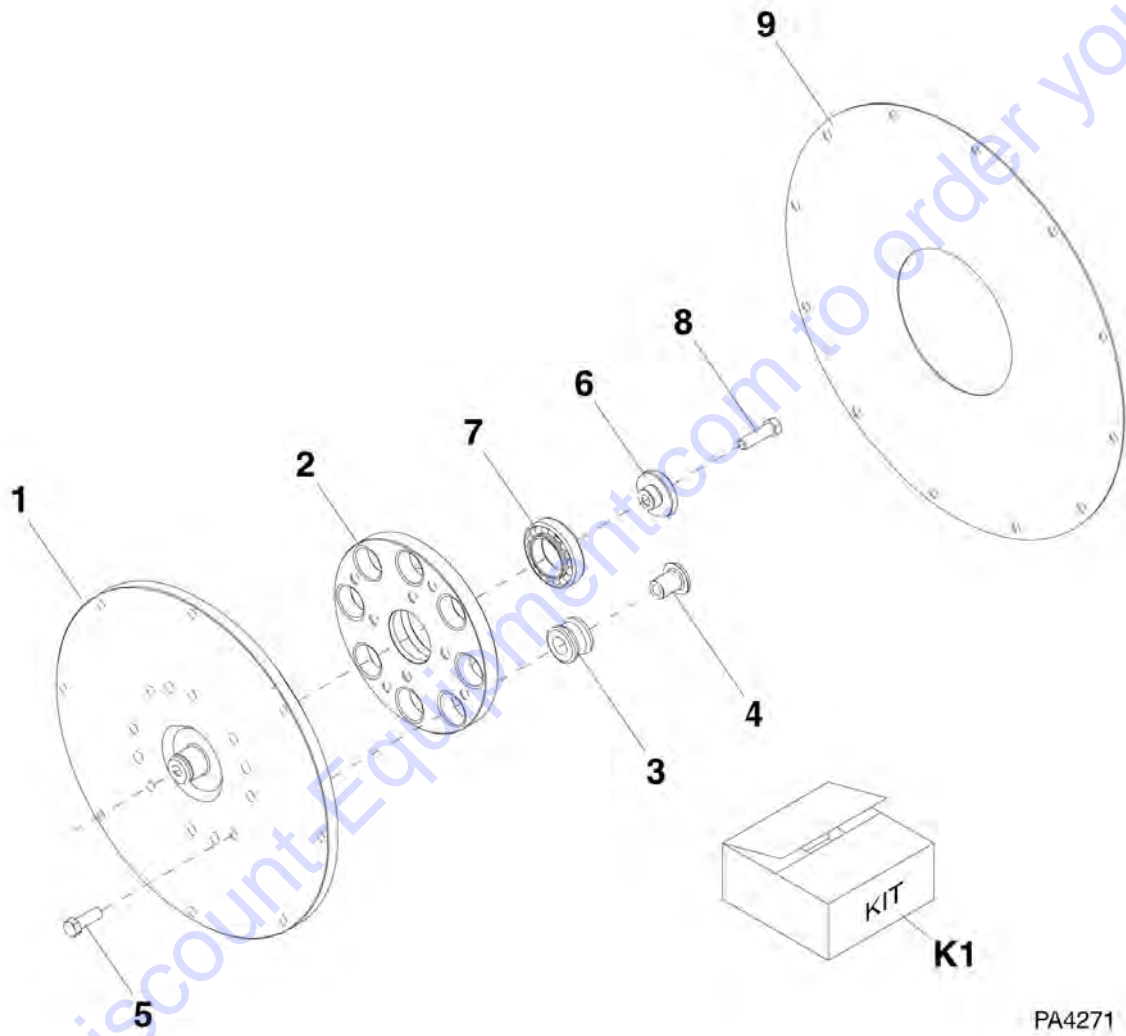
SECTION 4 - ENGINE AND ATTACHING PARTS

FIGURE 4-13. EXHAUST SYSTEM

ITEM	PART NUMBER	QTY	DESCRIPTION	REV
	1001131485	Ref	MUFFLER INSTALLATION, (if equipped for LS), (not available to order, see items 1 thru 14 for service)	C
1	0100011	AR	LOCTITE, 242	
2	0641508	5	HEX HD CAPSCREW, 5/16-18X1, GR5, (torque to	
3	4891500	5	WASHER, 5/16	
6	83683175	4	MUFFLER CLAMP	
7	1001127858	1	DOC MOUNT PLATE	
8	1001131576	1	EXHAUST PIPE	
9	1001131577	1	EXHAUST ELBOW	
10	1001131578	1	EXHAUST FLEX PIPE	
11	1001131772	1	MUFFLER MOUNT	
12	1001131996	1	MUFFLER SUPPORT	
13	1001132154	1	MUFFLER	
15	4891700	4	WASHER, 7/16	
16	10700334	4	SCREW, 0.438-14NCX2.25	
122	1001132004	1	PIPE SUPPORT BRACKET	
	1001127864	Ref	DUST SHIELD INSTALLATION, (not available to order, see items 101 thru 104 for service)	A
101	0100011	AR	LOCTITE 242, (apply to item 102)	
102	0641607	4	HEX HD CAPSCREW, 3/8-16X7/8	
103	4891600	4	WASHER, 3/8	
104	1001127867	1	DUST BAFFLE FRONT PANEL	

SECTION 4 - ENGINE AND ATTACHING PARTS

FIGURE 4-14. ISOLATION COUPLER



PA4271

SECTION 4 - ENGINE AND ATTACHING PARTS

FIGURE 4-14. ISOLATION COUPLER

ITEM	PART NUMBER	QTY	DESCRIPTION	REV
	8841319	1	ISOLATION COUPLER ASSY, (includes all items)	AA
1	N.S.S.	1	FLYWHEEL PLATE, (not sold separately, use 8841319 for replacement)	
2	7029264	1	COUPLING HUB	
3	Kit	8	NEOPRENE INSERT	
4	Kit	8	THREADED BUSHING	
5	Kit	8	HEX HD BOLT, 7/16-20X1-1/4	
6	Kit	1	BUSHING	
7	N.S.S.	1	BALL BEARING, (not sold separately, use 8841319 for replacement)	
8	Kit	5	HEX HD BOLT, 7/16-20X1-1/2	
9	7029265	1	COVER PLATE	
K1	70020228	1	ISOLATION COUPLER SERVICE KIT, (includes items 3, 4, 5, 6, & 8)	

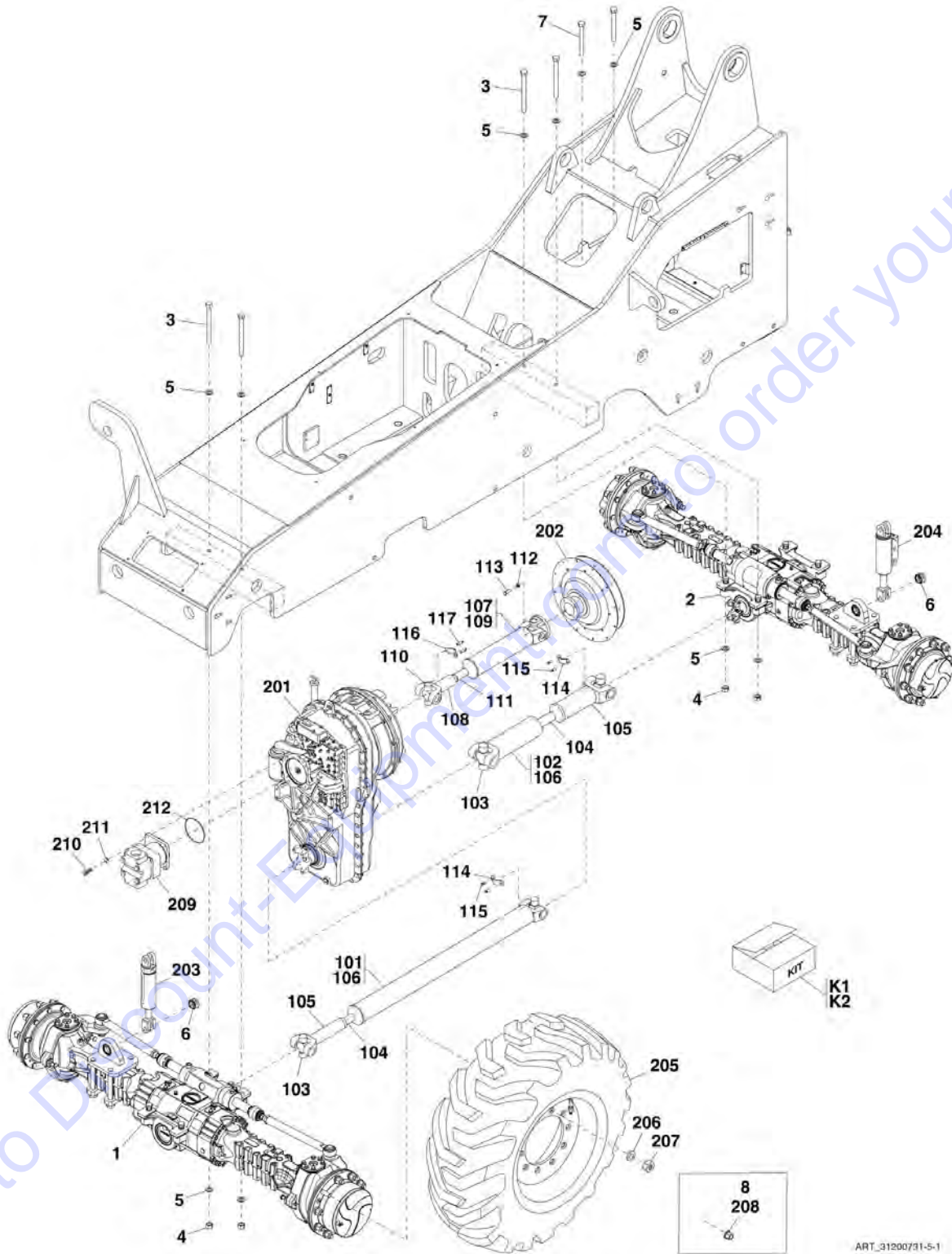
Go to Discount-Equipment.com to order your parts

SECTION 5 - DRIVE TRAIN

Go to Discount-Equipment.com to order your parts

SECTION 5 - DRIVE TRAIN

FIGURE 5-1. DRIVE TRAIN COMPONENTS



ART_31200/31-5-1

SECTION 5 - DRIVE TRAIN

FIGURE 5-1. DRIVE TRAIN COMPONENTS

ITEM	PART NUMBER	QTY	DESCRIPTION	REV
	1001106728	Ref	AXLE INSTALLATION, (ZF) (6036), (not available to order, see items 1 thru 6 for service)	C
	1001147874	Ref	AXLE INSTALLATION, (DANA) (6036), (not available to order, see items 1 thru 5, 7 & 8 for service)	B
	1001104795	Ref	AXLE INSTALLATION, (ZF) (6042), (not available to order, see items 1 thru 6 for service)	C
	1001147875	Ref	AXLE INSTALLATION, (DANA) (6042), (not available to order, see items 1 thru 5, 7 & 8 for service)	B
1		Ref	FRONT AXLE, (See FRONT AXLE for Breakdown)	
2		Ref	REAR AXLE, (See REAR AXLE for Breakdown)	
3	8310479	8	HEX HD CAPSCREW, 1-8X11, GR8, (ZF)	
3	0712040	6	HEX HD CAPSCREW, M20X230, CLS10.9, (DANA)	
4	8310481	8	HEX LOCKNUT, 1-8, (torque to 500-560 lb-ft/678-759 Nm), (ZF)	
4	3332015	8	HEX NUT, M20X2.5, (DANA)	
5	8310061	16	HARDENED WASHER, 1 OD, (ZF)	
5	8310620	16	WASHER, PLAIN HARDENED M20, (DANA)	
6	8050001	1	BEARING, (6036)	
6	8050001	2	BEARING, (6042)	
7	1001150349	2	HEX HD CAPSCREW, M20X180, CLS10.9	
8	91403193	40	LUG NUT, M22X1.5	
	7302341	Ref	DRIVE SHAFT INSTALLATION, (not available to order, see items 101 thru 117 for service)	C
101	7150579	1	FRONT AXLE DRIVE SHAFT, (includes items 103 thru 106)	C
102	7150580	1	REAR AXLE DRIVE SHAFT, (includes items 103 thru 106)	C
103	8036433	4	CROSS AND BEARING KIT	
104	8035779	2	DUST CAP KIT	
105	N.S.S.	1	SLIP JOINT	
106	N.S.S.	1	YOKE SHAFT	
107	7302028	1	DRIVE SHAFT - ENGINE TO TRANSMISSION, (includes items 108 thru 111)	D
108	N.S.S.	1	SLIP JOINT	
109	N.S.S.	1	YOKE SHAFT	
110	7029271	2	CROSS AND BEARING KIT	
111	8033651	1	DUST CAP KIT	
112	8307006	4	LOCKWASHER, 7/16	
113	8310425	4	HEX HD CAPSCREW, 7/16-20X1-1/4, GR8	
114	Kit	8	STRAP, (use kit 8880218 for replacement)	
115	Kit	16	SCREW, (torque to 32-42 lb-ft/43-57 Nm), (must replace when removed, do not re-torque), (use kit 8880218 for replacement)	
116	Kit	2	STRAP, (use kit 8880219 for replacement)	
117	Kit	4	SCREW, (torque to 35 lb-ft/47 Nm), (must replace when removed, do not re-torque), (use kit 8880219 for replacement)	
201		Ref	ZF TRANSMISSION, (See ZF TRANSMISSION INSTALLATION for Breakdown)	
202		Ref	ISOLATION COUPLER, (See ENGINE AND ATTACHING PARTS SECTION for Breakdown)	
203		Ref	FRAME LEVEL CYLINDER AND MOUNTING HARDWARE, (See HYDRAULIC COMPONENT SECTION for Breakdown)	
204		Ref	STABIL-TRAK CYLINDER AND MOUNTING HARDWARE, (See HYDRAULIC COMPONENT SECTION for Breakdown)	
205		Ref	WHEEL ASSY, (See WHEEL ASSEMBLY for Breakdown)	
206	8786573	40	LOCKWASHER, M22, (10 per tire), (not required with Firestone)	

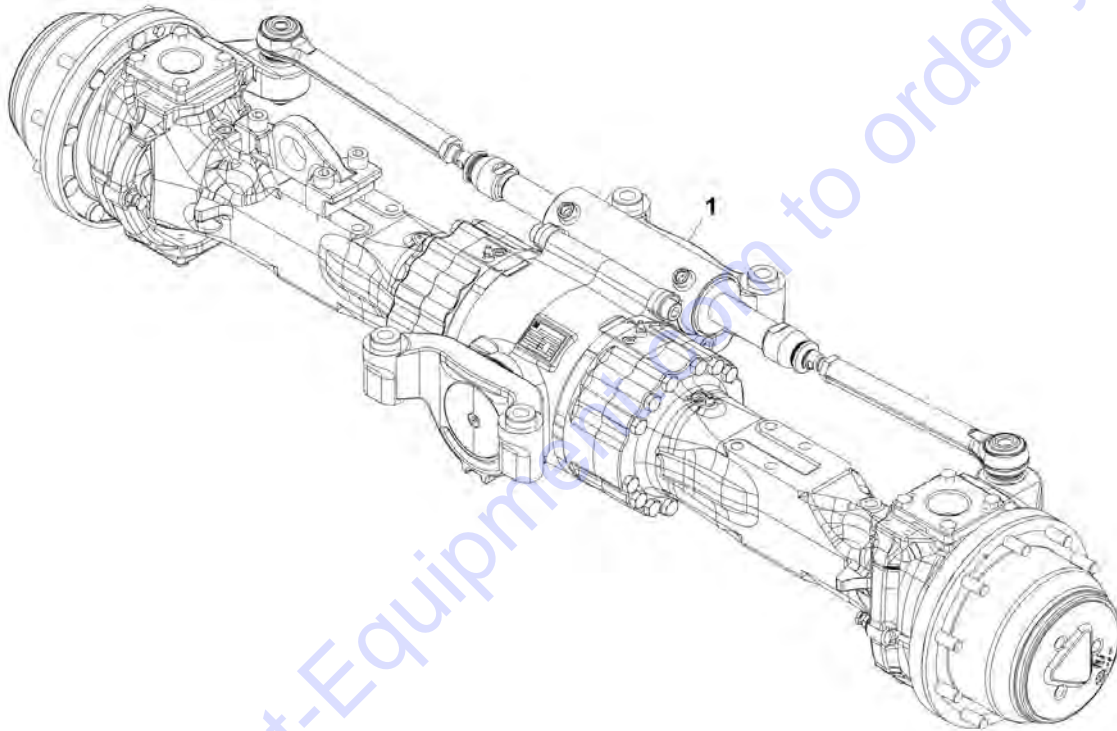
SECTION 5 - DRIVE TRAIN

ITEM	PART NUMBER	QTY	DESCRIPTION	REV
207	8786572	40	370/75-28) WHEEL NUT, (10 per tire), (torque to 425-450 lb-ft/576-610 Nm), (not required with Firestone 370/75-28)	
208	91403193	40	LUG NUT, M22X1-1/2, FREE SPINNING, (10 per tire), (torque to 430-470 lb-ft/583-637 Nm), (if equipped with Firestone 370/75-28)	
209		Ref	GEAR PUMP, (See HYDRAULIC COMPONENT SECTION for Breakdown)	
210	8303519	4	HEX HD CAPSCREW, M12X1-3/4X35mm, PC8.8, (torque to 58-70 lb-ft/79-95 Nm)	
211	8310356	4	HARDENED WASHER, 12MM	
212	8630019	1	O-RING	
K1	8880218	4	STRAP KIT, (includes qty. 2 of item 114 & qty. 4 of item 115)	
K2	8880219	1	STRAP KIT, (includes qty. 2 of item 116 & qty. 4 of item 117)	

Go to Discount-Equipment.com to order your parts

SECTION 5 - DRIVE TRAIN

FIGURE 5-2. FRONT AXLE (ZF)



PAP29440

SECTION 5 - DRIVE TRAIN

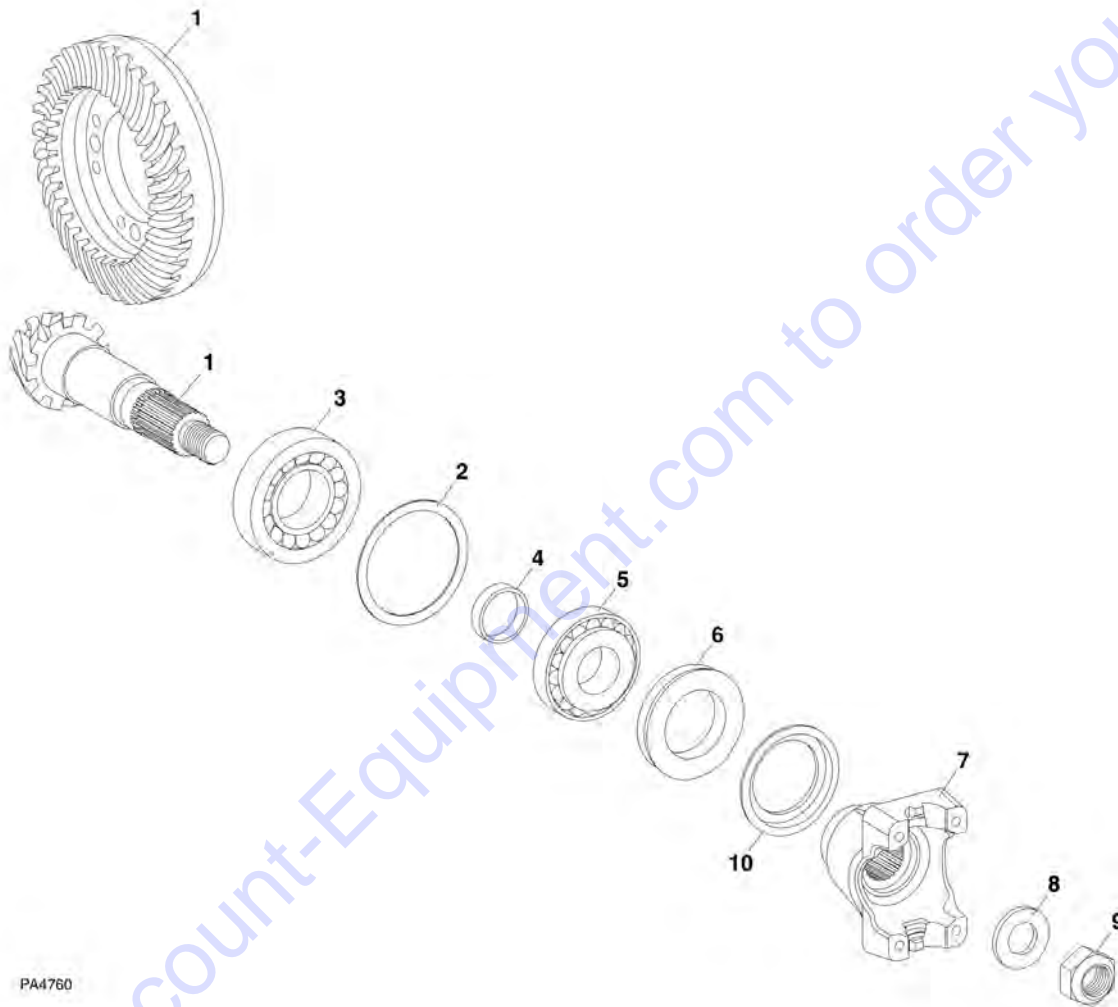
FIGURE 5-2. FRONT AXLE (ZF)

ITEM	PART NUMBER	QTY	DESCRIPTION	REV
1	1001103625	1	FRONT AXLE, (includes all items)	F
		Ref	INPUT, (See FRONT AXLE - INPUT for Breakdown)	
		Ref	LIMITED SLIP DIFFERENTIAL, (See FRONT AXLE - LIMITED SLIP DIFFERENTIAL for Breakdown)	
		Ref	AXLE CASING, (See FRONT AXLE - AXLE CASING for Breakdown)	
		Ref	M-DISK BRAKE, (See FRONT AXLE - M-DISK BRAKE for Breakdown)	
		Ref	BRAKE, (See FRONT AXLE - BRAKE for Breakdown)	
		Ref	JOINT HOUSING, (See FRONT AXLE - JOINT HOUSING for Breakdown)	
		Ref	PLANETARY DRIVE, (See FRONT AXLE - PLANETARY DRIVE for Breakdown)	

Go to Discount-Equipment.com to order your parts

SECTION 5 - DRIVE TRAIN

FIGURE 5-3. FRONT AXLE - INPUT (ZF)



PA4760

SECTION 5 - DRIVE TRAIN

FIGURE 5-3. FRONT AXLE - INPUT (ZF)

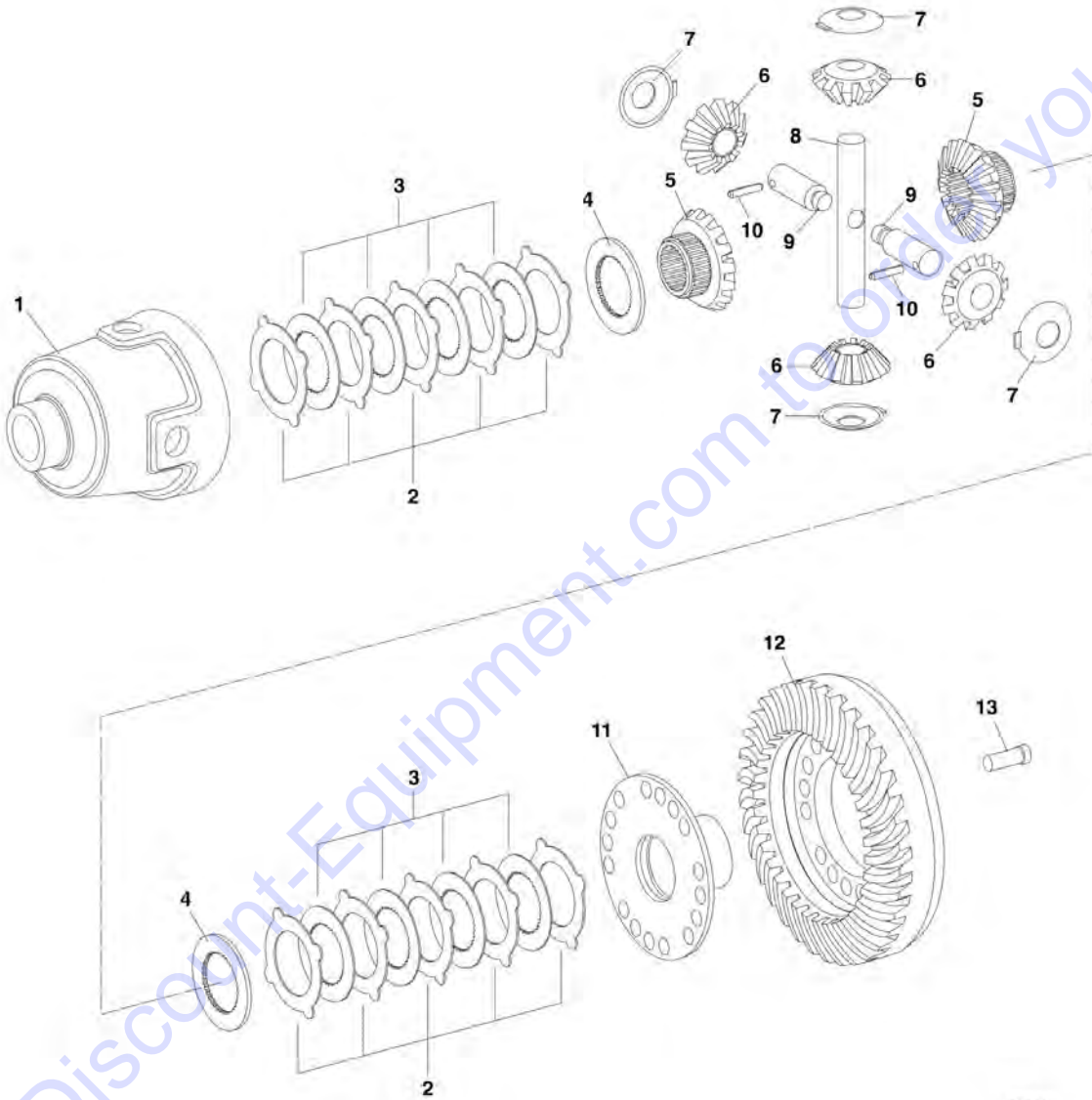
ITEM	PART NUMBER	QTY	DESCRIPTION	REV
1	70022774	1	BEVEL GEAR	
1	70022775	1	PINION	
2	80304169	1	SHIM, S=1.85	
2	80304147	1	SHIM, S=1.9	
2	80304160	1	SHIM, S=0.1	
2	80304159	1	SHIM, S=0.2	
2	80304158	1	SHIM, S=0.3	
2	80304157	1	SHIM, S=0.5	
2	80304156	1	SHIM, S=0.6	
2	80304162	1	SHIM, S=0.65	
2	80304155	1	SHIM, S=0.7	
2	80304161	1	SHIM, S=0.75	
2	80304154	1	SHIM, S=0.8	
2	80304153	1	SHIM, S=0.9	
2	80304152	1	SHIM, S=1.0	
2	80304146	1	SHIM, S=1.2	
2	80304163	1	SHIM, S=1.25	
2	80304151	1	SHIM, S=1.3	
2	80304164	1	SHIM, S=1.35	
2	80304150	1	SHIM, S=1.4	
2	80304165	1	SHIM, S=1.45	
2	80304145	1	SHIM, S=1.5	
2	80304166	1	SHIM, S=1.55	
2	80304149	1	SHIM, S=1.6	
2	80304167	1	SHIM, S=1.65	
2	80304148	1	SHIM, S=1.7	
2	80304168	1	SHIM, S=1.75	
2	80304144	1	SHIM, S=1.8	
3	80304047	1	ROLLER BEARING	
4	80304088	1	RING, S=16.0	
4	80304089	1	RING, S=16.1	
4	80304090	1	RING, S=16.2	
4	80304091	1	RING, S=16.3	
4	80304092	1	RING, S=16.4	
4	80304093	1	RING, S=16.5	
4	80304110	1	RING, S=16.56	
4	80304094	1	RING, S=16.6	
4	80304111	1	RING, S=16.62	
4	80304112	1	RING, S=16.64	
4	80304124	1	RING, S=16.66	
4	80304113	1	RING, S=16.68	
4	80304095	1	RING, S=16.7	
4	70022216	1	RING, S=16.72	
4	80304115	1	RING, S=16.74	
4	80304117	1	RING, S=16.76	
4	80304118	1	RING, S=16.78	
4	80304096	1	RING, S=16.8	
4	80304119	1	RING, S=16.82	
4	80304120	1	RING, S=16.84	
4	80304104	1	RING, S=16.86	

SECTION 5 - DRIVE TRAIN

ITEM	PART NUMBER	QTY	DESCRIPTION	REV
4	80304121	1	RING, S=16.88	
4	80304122	1	RING, S=16.9	
4	80304097	1	RING, S=16.92	
4	80304123	1	RING, S=16.94	
4	80304125	1	RING, S=16.96	
4	80304107	1	RING, S=16.98	
4	80304126	1	RING, S=17.0	
4	80304127	1	RING, S=17.02	
4	80304108	1	RING, S=17.04	
4	80304128	1	RING, S=17.06	
4	80304129	1	RING, S=17.08	
4	80304099	1	RING, S=17.10	
4	80304130	1	RING, S=17.12	
4	80304131	1	RING, S=17.14	
4	80304132	1	RING, S=17.16	
4	80304133	1	RING, S=17.18	
4	80304100	1	RING, S=17.2	
4	80304134	1	RING, S=17.22	
4	80304135	1	RING, S=17.24	
4	80304136	1	RING, S=17.26	
4	80304137	1	RING, S=17.28	
4	80304101	1	RING, S=17.3	
4	80304102	1	RING, S=17.4	
5	1319353	1	ROLLER BEARING	
6	70022220	1	SHAFT SEAL	
7	70022245	1	END YOKE	
8	80304082	1	WASHER	
9	70022213	1	HEX NUT	
10	70022776	1	SCREEN SHEET	

SECTION 5 - DRIVE TRAIN

FIGURE 5-4. FRONT AXLE - LIMITED SLIP DIFFERENTIAL (ZF)



PA3301

SECTION 5 - DRIVE TRAIN

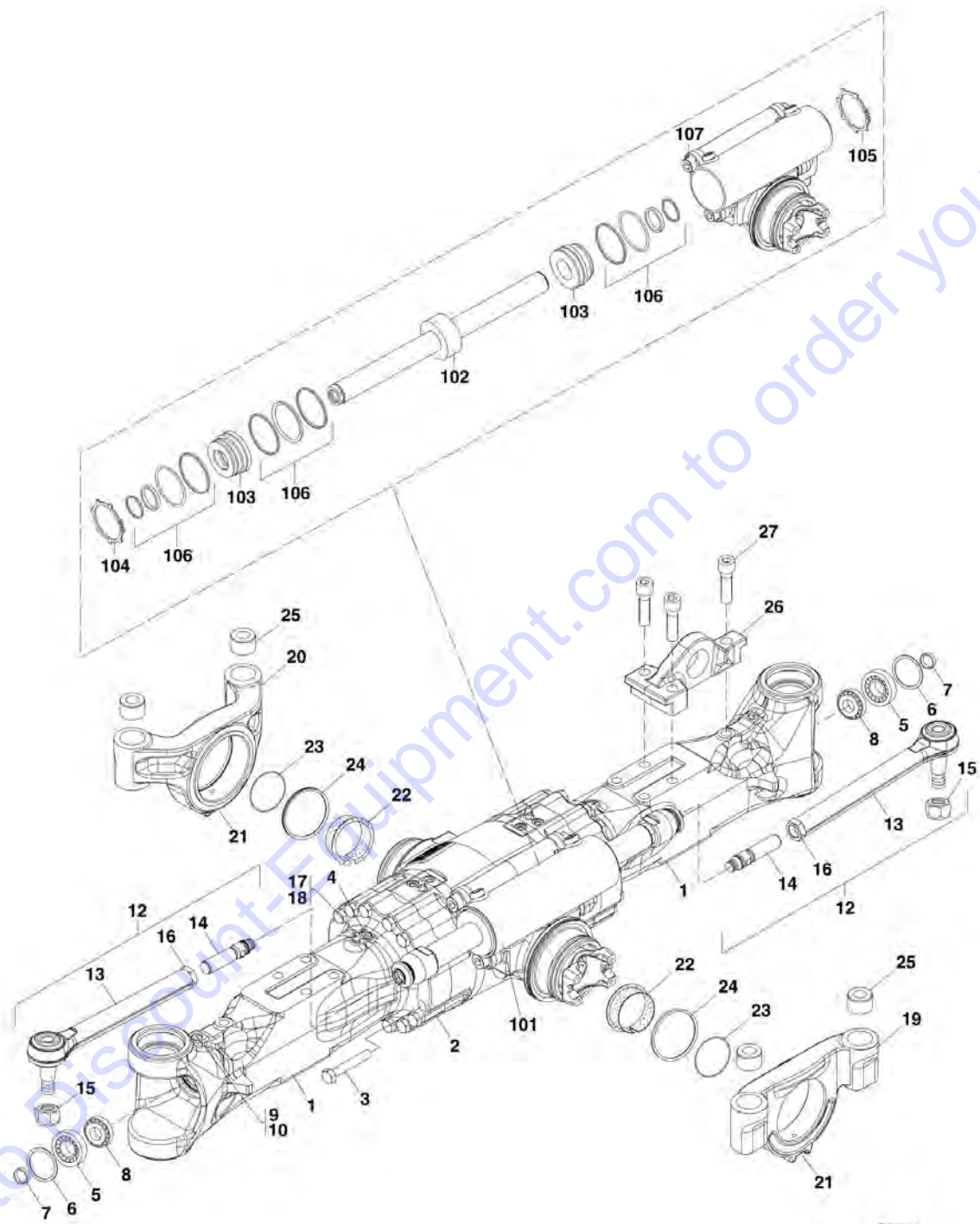
FIGURE 5-4. FRONT AXLE - LIMITED SLIP DIFFERENTIAL (ZF)

ITEM	PART NUMBER	QTY	DESCRIPTION	REV
1	70022226	1	DIFFERENTIAL CASE	
2	70022263	AR	O.CLUTCH DISC, A=1.2	
2	70022264	AR	O.CLUTCH DISC, A=1.3	
3	70022260	8	I.CLUTCH DISC	
4	70022261	2	PRESSURE DISC	
5	70022225	2	AXLE BEVEL GEAR	
6	70022185	4	DIFFERENTIAL BEVEL GEAR	
7	70022262	4	THRUST WASHER	
8	70022227	1	DIFFERENTIAL AXLE	
9	70022228	2	DIFFERENTIAL AXLE	
10	70022200	2	SLOTTED PIN	
11	70022229	1	COVER	
12		Ref	BEVEL GEAR, (See Front Axle - Input for Breakdown)	
13	70022211	16	CAP SCREW, M12X1.5X35	

Go to Discount-Equipment.com to order your parts

SECTION 5 - DRIVE TRAIN

FIGURE 5-5. FRONT AXLE - AXLE CASING (ZF)



PA3312

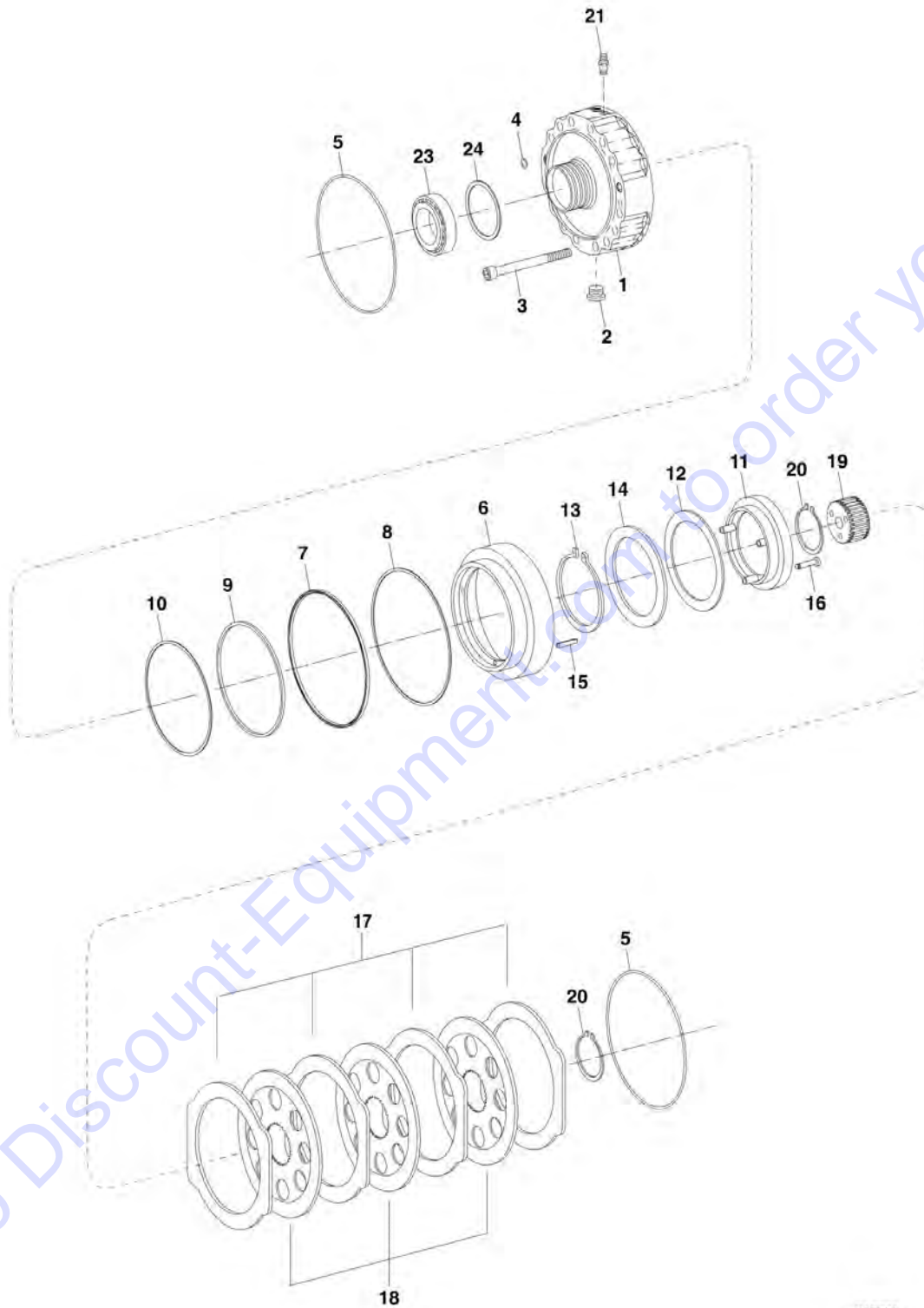
SECTION 5 - DRIVE TRAIN

FIGURE 5-5. FRONT AXLE - AXLE CASING (ZF)

ITEM	PART NUMBER	QTY	DESCRIPTION	REV
1	70022255	2	AXLE CASING	
2	70022259	1	AXLE DRIVE HOUSING	
3	70022206	28	HEX HD CAPSCREW, M18X180	
4	1319578	4	SCREW PLUG	
5	70022241	2	BUSHING	
6	70022204	2	O-RING	
7	70022217	2	RING	
8	10731790	2	BEARING	
9	70022201	2	SET SCREW, M10X1X16	
10	70022777	2	SCREW PLUG	
12	70022174	2	TIE ROD, (includes items 13 thru 16)	
13	70022175	1	BALL JOINT	
14	70022172	1	AXIAL JOINT	
15	8036758	1	LOCKNUT	
16	8036759	1	HEX NUT	
17	1319436	1	BREATHER	
18	8036418	1	SCREW PLUG	
19	70022246	1	BRACKET	
20	70022247	1	BRACKET	
21	1319423	2	GREASE FITTING	
22	70022182	2	FLANGE BUSHING	
23	70022205	2	O-RING	
24	70022219	2	V-RING	
25	1319441	4	BUSHING	
26	70022254	1	BRACKET	
27	1001103619	3	HEX HD CAPSCREW, M22X1.5X80	
101	70022173	1	STEERING CYLINDER, (includes items 102 thru 106)	
102	70022177	1	PISTON ROD	
103	70022184	2	BREAK HEAD	
104	70022181	2	RETAINING RING	
105	70022180	2	RETAINING RING	
106	70022178	1	SEAL KIT	
107	70022789	4	CAPSCREW, M22X1.5X55	

SECTION 5 - DRIVE TRAIN

FIGURE 5-6. FRONT AXLE - M-DISK BRAKE (ZF)



PA3321

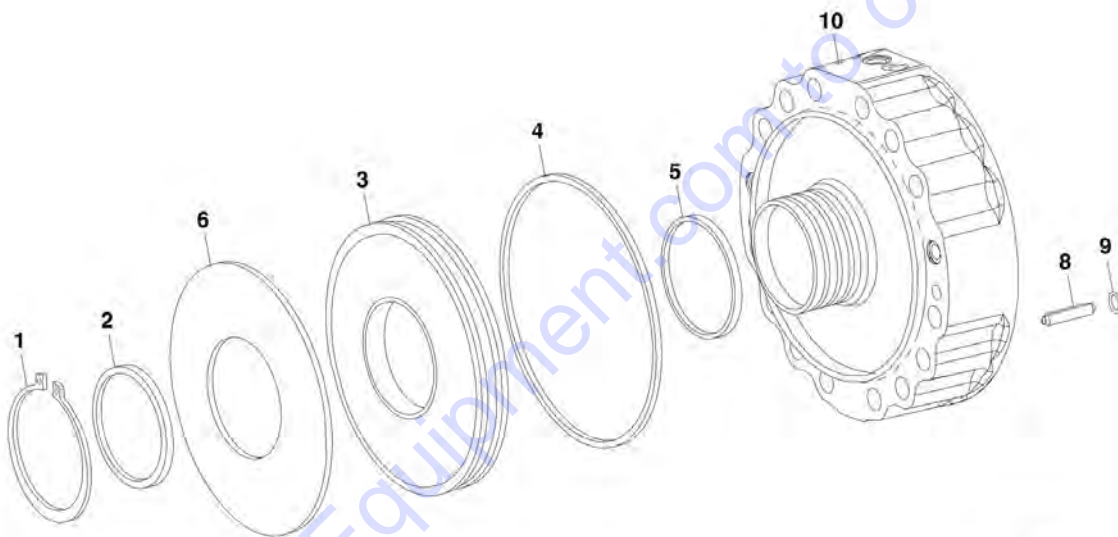
SECTION 5 - DRIVE TRAIN

FIGURE 5-6. FRONT AXLE - M-DISK BRAKE (ZF)

ITEM	PART NUMBER	QTY	DESCRIPTION	REV
1	70022778	2	BRAKE HOUSING	
2	1319578	2	SCREW PLUG	
3	70022209	6	CAP SCREW, M12X105	
4	70022779	10	O-RING	
5	80304462	4	O-RING	
6	70022250	2	PISTON	
7	70022190	2	PISTON PACKING	
8	70022193	2	BACKUP RING	
9	70022189	2	PISTON PACKING	
10	70022194	2	BACKUP RING	
11	70022236	2	RING	
12	70022183	2	CUP SPRING	
13	70022198	2	RETAINING RING	
14	70022235	2	WASHER	
15	70022186	2	SLOT PIN	
16	1319214	6	CAP SCREW, M8X40	
17	70022196	8	O.CLUTCH DISC	
18	70022176	6	I.CLUTCH DISC	
19	70022253	2	DISC CARRIER	
20	10731949	4	RETAINING RING	
21	70022171	2	BREATHER	
22	70022780	2	SCREW PLUG, (not shown)	
23	8036447	2	BEARING	
24	1319537	2	SHIM, A=0.95	
24	1319545	2	SHIM, A=1.05	
24	1319539	2	SHIM, A=1.15	
24	1319540	2	SHIM, A=1.25	
24	1319542	2	SHIM, A=1.35	

SECTION 5 - DRIVE TRAIN

FIGURE 5-7. FRONT AXLE - BRAKE (ZF)



PA3331

SECTION 5 - DRIVE TRAIN

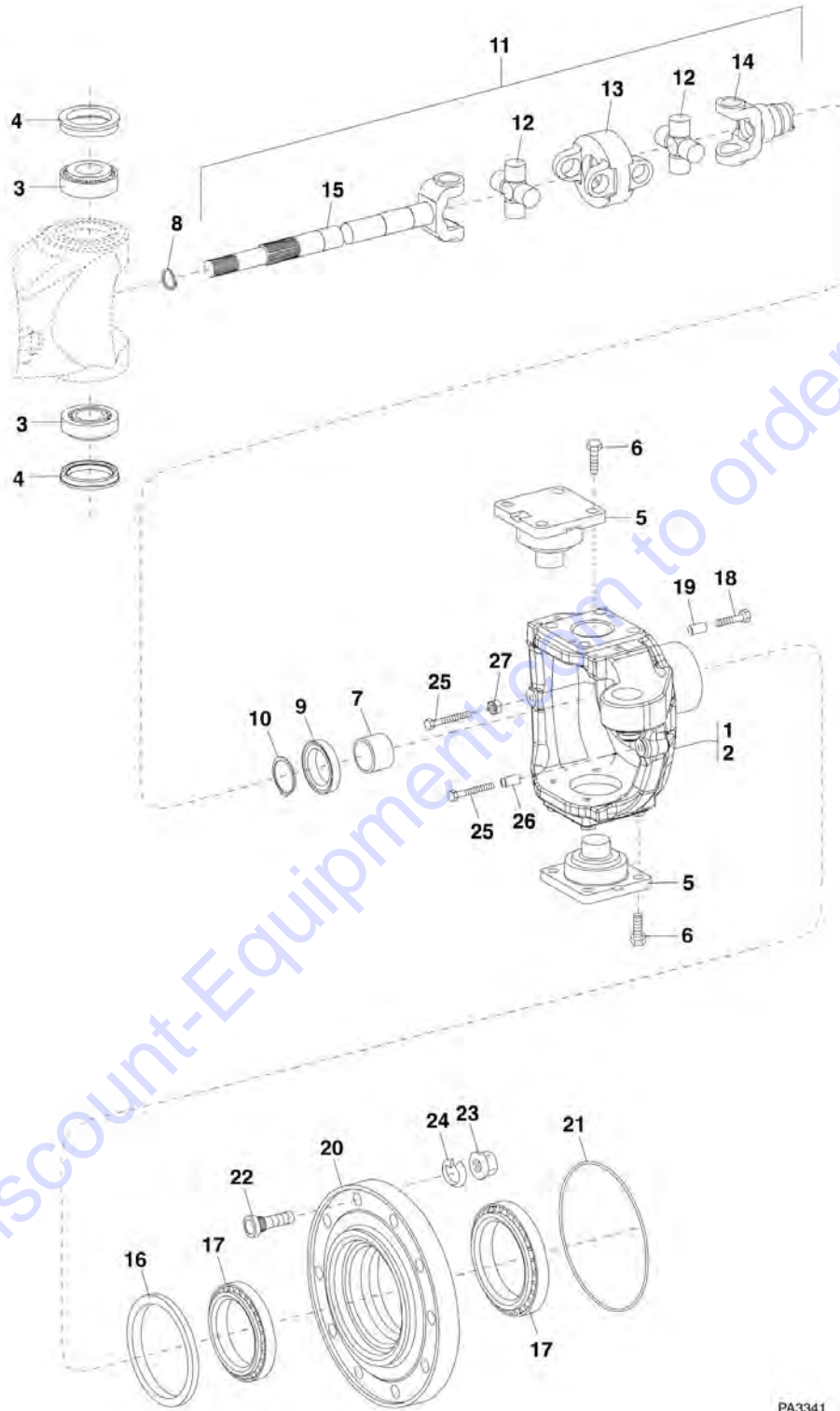
FIGURE 5-7. FRONT AXLE - BRAKE (ZF)

ITEM	PART NUMBER	QTY	DESCRIPTION	REV
1	70022199	2	SNAP RING	
2	70022252	2	WASHER	
3	70022251	2	PISTON	
4	70022191	2	PISTON PACKING	
5	70022192	2	ROD SEAL	
6	70022195	2	CUP SPRING	
7	70022780	2	SCREW PLUG, (not shown)	
8	70022248	14	PRESSURE PIN	
9	70022202	14	O-RING	
10		Ref	BRAKE HOUSING, (See FRONT AXLE - M-DISK BRAKE for Breakdown)	

Go to Discount-Equipment.com to order your parts

SECTION 5 - DRIVE TRAIN

FIGURE 5-8. FRONT AXLE - JOINT HOUSING (ZF)



PA3341

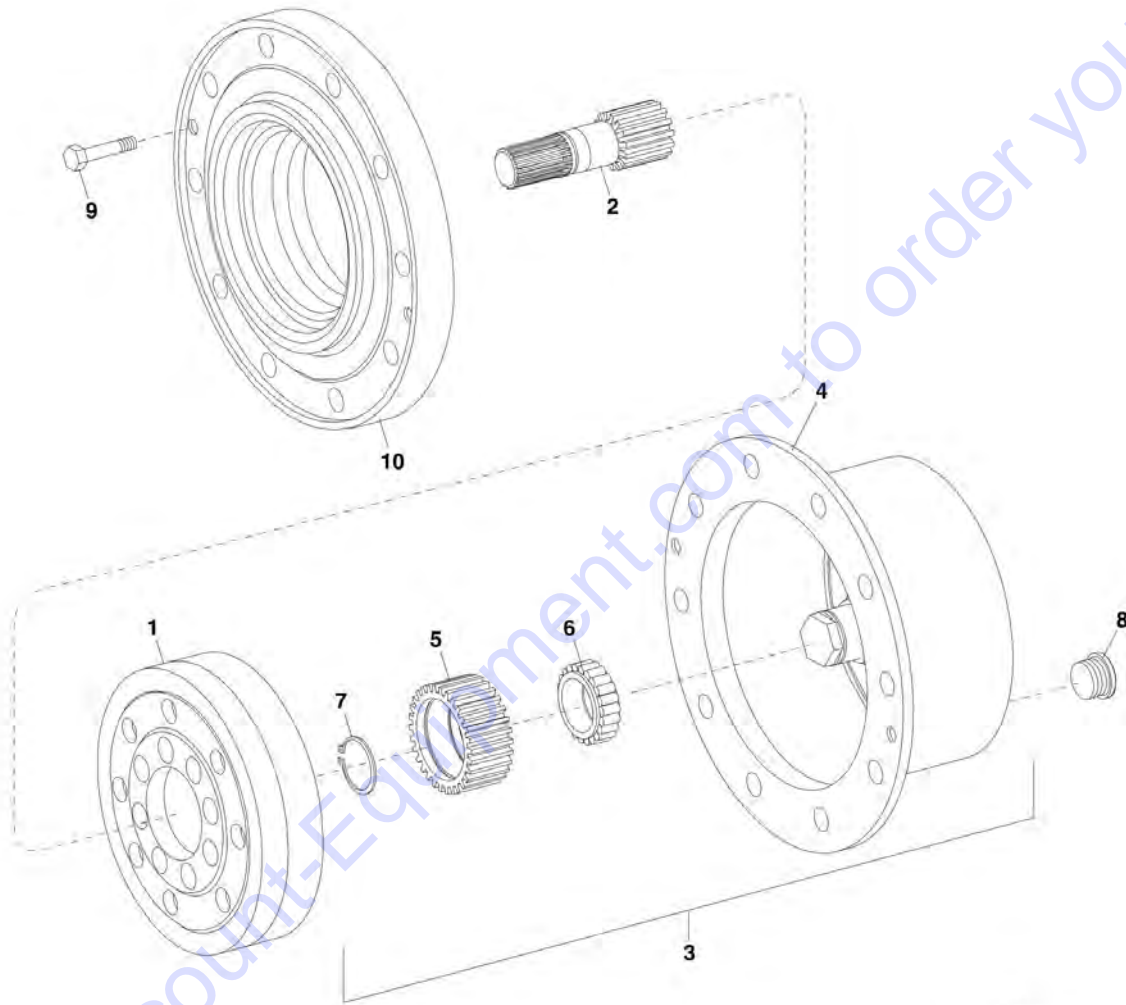
SECTION 5 - DRIVE TRAIN

FIGURE 5-8. FRONT AXLE - JOINT HOUSING (ZF)

ITEM	PART NUMBER	QTY	DESCRIPTION	REV
1	70022237	1	JOINT HOUSING, (left side)	
2	70022238	1	JOINT HOUSING, (right side)	
3	70022223	4	ROLLER BEARING	
4	1319447	4	SHAFT SEAL	
5	70022240	4	BEARING PIN	
6	1319464	16	HEX SCREW, M16X40	
7	70022179	2	BUSHING	
8	10731789	2	RETAINING RING	
9	70022218	2	SHAFT SEAL	
10	1321226	2	RETAINING RING	
11	70022781	2	UNIVERSAL COUPLING DRIVE SHAFT ASSY, (includes items 12 thru 15)	
12	70021554	2	JOINT CROSS	
13	70022782	1	CENTRAL PIECE	
14	70022187	1	FORK SHAFT	
15	70022188	1	FORK SHAFT	
16	80304173	2	SHAFT SEAL	
17	1319472	4	ROLLER BEARING	
18	70022783	16	HEX SCREW, M14X70	
19	70022234	16	CENTERING BUSHING	
20	70022249	2	HUB	
21	70022203	2	O-RING	
22	70022230	20	WHEEL BOLT	
23		Ref	WHEEL NUT, (See DRIVE TRAIN COMPONENTS for Breakdown)	
24		Ref	SPRING WASHER, (See DRIVE TRAIN COMPONENTS for Breakdown)	
25	8036330	4	STOP SCREW, M14X1.5	
26	70022257	2	SPACER TUBE	
27	1319477	2	HEX NUT, M14X1.5	

SECTION 5 - DRIVE TRAIN

FIGURE 5-9. FRONT AXLE - PLANETARY DRIVE (ZF)



PA3351

SECTION 5 - DRIVE TRAIN

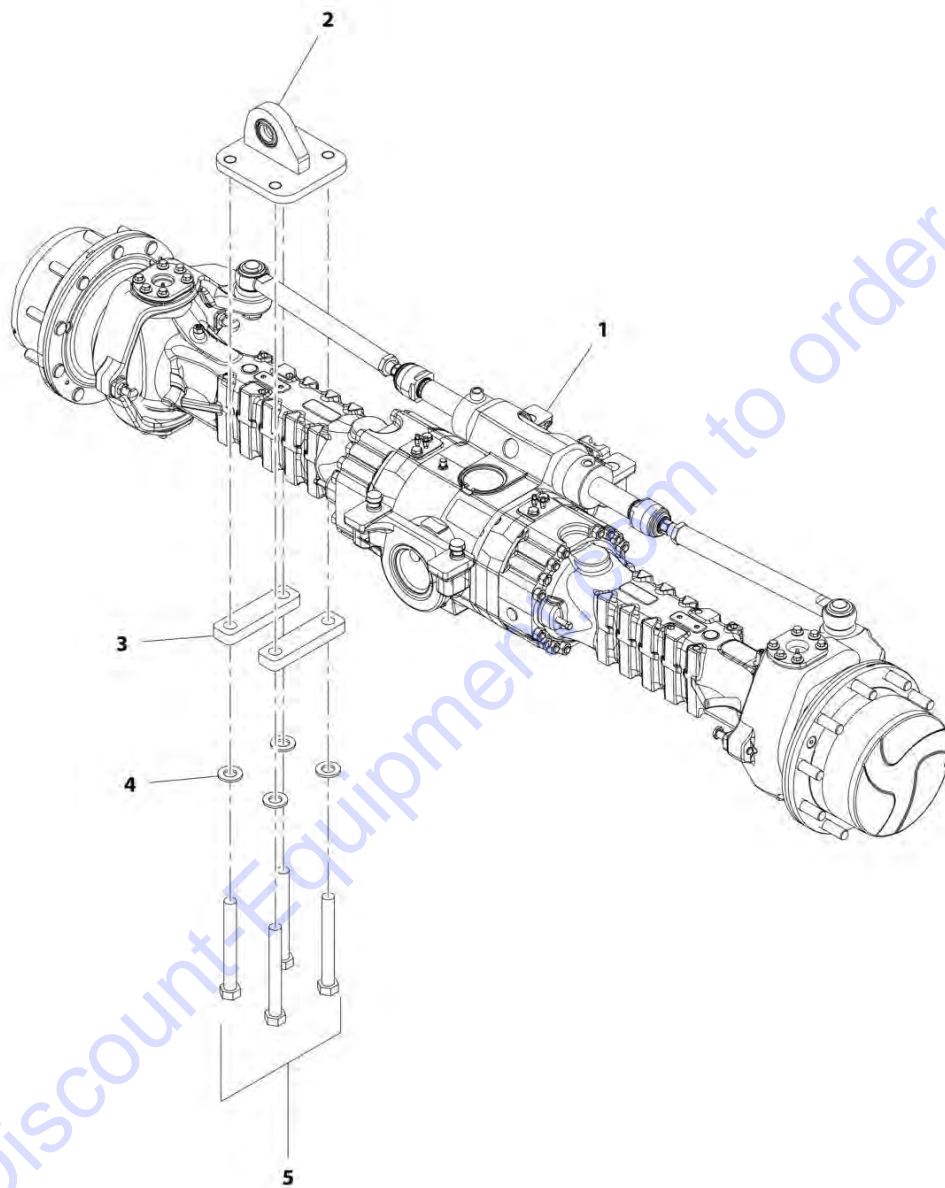
FIGURE 5-9. FRONT AXLE - PLANETARY DRIVE (ZF)

ITEM	PART NUMBER	QTY	DESCRIPTION	REV
1	70022242	1	RING GEAR	
2	70022784	2	SUN GEAR SHAFT	
3	70022233	2	PLANETARY CARRIER ASSY, (includes items 4 thru 7)	
4	70022256	1	PLANETARY CARRIER	
5	70022243	3	PLANETARY GEAR	
6	70022785	3	CYL ROLLER BEARING	
7	70022197	3	RETAINING RING	
8	1319578	2	SCREW PLUG	
9	70022207	4	HEX SCREW, M12X30	
10		Ref	HUB, (See FRONT AXLE - JOINT HOUSING for Breakdown)	

Go to Discount-Equipment.com to order your parts

SECTION 5 - DRIVE TRAIN

FIGURE 5-10. FRONT AXLE ASSEMBLY (DANA)



ART_1001147378-A

SECTION 5 - DRIVE TRAIN

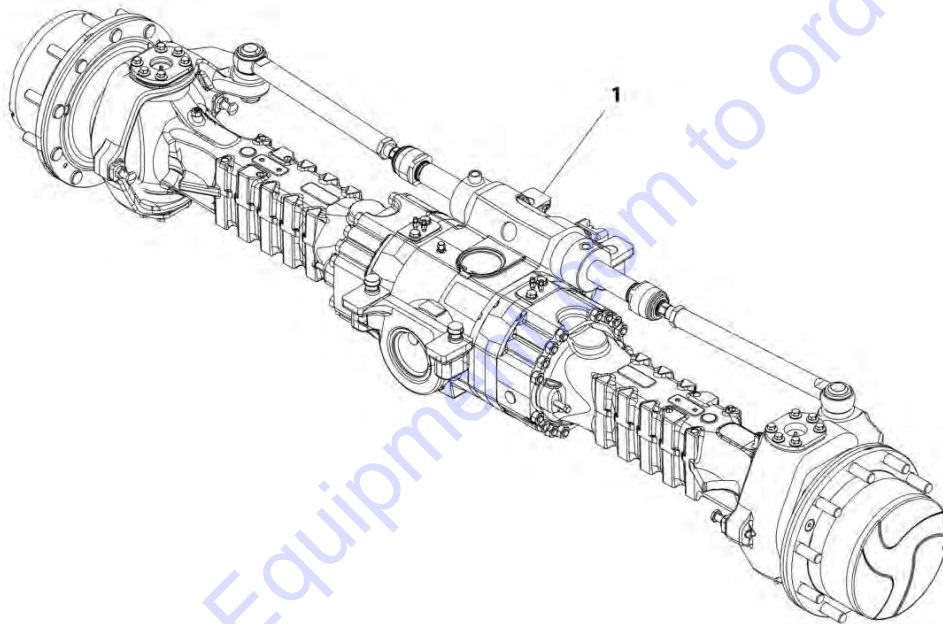
FIGURE 5-10. FRONT AXLE ASSEMBLY (DANA)

ITEM	PART NUMBER	QTY	DESCRIPTION	REV
	1001147378	Ref	FRONT AXLE ASSEMBLY, (includes all items)	A
1		Ref	FRONT AXLE, (See Separate Breakdown in this Section)	
2	1001147265	1	BRACKET, SWAY PIVOT ASSEMBLY	
3	91471213	2	PLATE, RETAINER	
4	90027475	4	WASHER	
5	83201147	4	HEX HD CAP SCREW, 1-8X8-1/2	

Go to Discount-Equipment.com to order your parts

SECTION 5 - DRIVE TRAIN

FIGURE 5-11. FRONT AXLE (DANA)



ART_1001147377-1_B

SECTION 5 - DRIVE TRAIN

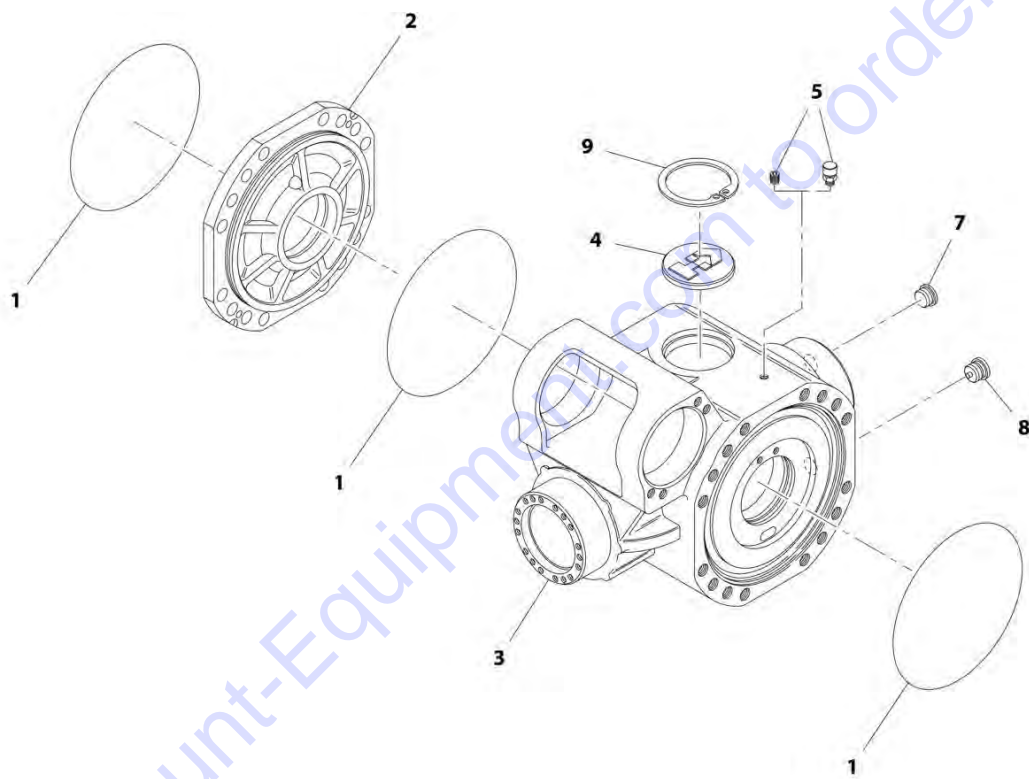
FIGURE 5-11. FRONT AXLE (DANA)

ITEM	PART NUMBER	QTY	DESCRIPTION	REV
1	1001147377	1	FRONT AXLE	B
		Ref	CENTRAL HOUSING, (See Separate Breakdown in this Section)	
		Ref	DIFFERENTIAL, (See Separate Breakdown in this Section)	
		Ref	HUB REDUCTION, (See Separate Breakdown in this Section)	
		Ref	BRAKE, (See Separate Breakdown in this Section)	
		Ref	STEERING, (See Separate Breakdown in this Section)	
		Ref	TRUNION, (See Separate Breakdown in this Section)	

Go to Discount-Equipment.com to order your parts

SECTION 5 - DRIVE TRAIN

FIGURE 5-12. FRONT AXLE - CENTRAL HOUSING (DANA)



ART_1001147377-2

SECTION 5 - DRIVE TRAIN

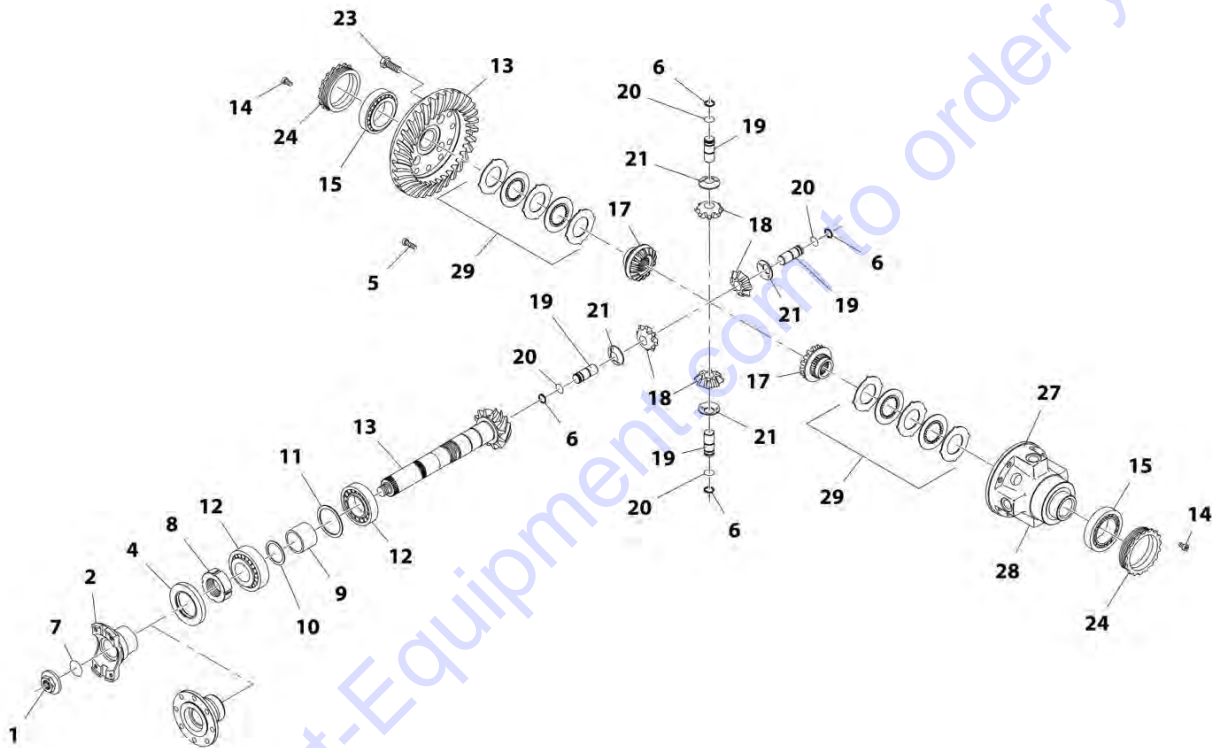
FIGURE 5-12. FRONT AXLE - CENTRAL HOUSING (DANA)

ITEM	PART NUMBER	QTY	DESCRIPTION	REV
1	91474507	3	O-RING	
2	70024872	1	COVER	
3	7029426	1	HOUSING	
4	91514098	1	PLUG	
5	91474512	1	VENT	
7	91514188	1	PLUG	
8	91474513	1	MAGNET PLUG	
9	80204005	1	CIRCLIP	

Go to Discount-Equipment.com to order your parts

SECTION 5 - DRIVE TRAIN

FIGURE 5-13. FRONT AXLE - DIFFERENTIAL (DANA)



ART_1001147377-3

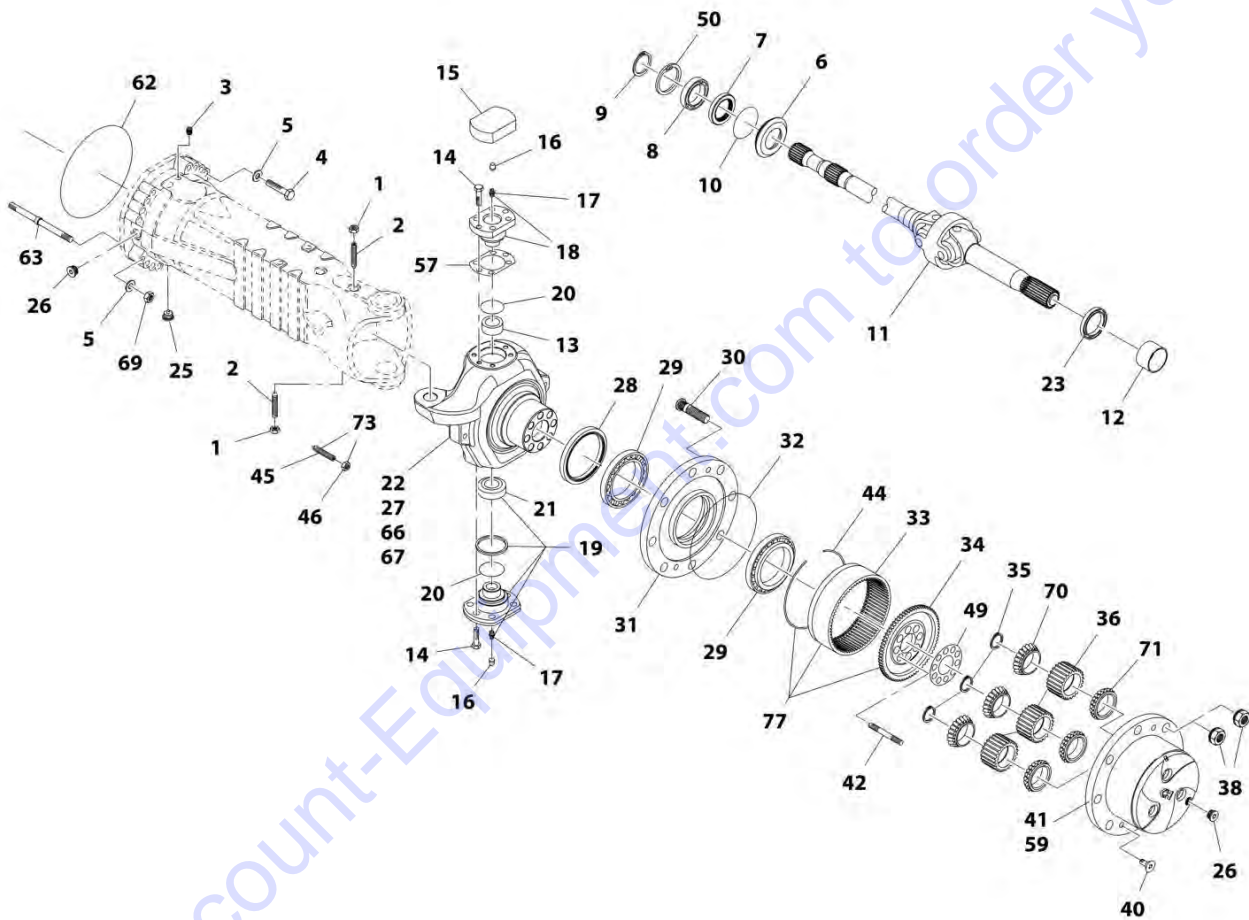
SECTION 5 - DRIVE TRAIN

FIGURE 5-13. FRONT AXLE - DIFFERENTIAL (DANA)

ITEM	PART NUMBER	QTY	DESCRIPTION	REV
1	91474528	1	NUT	
2	70022797	1	FLANGE AND COVER KIT	
4	91474532	1	SEAL	
5	91474591	4	BOLT	
6	91474550	4	CIRCLIP	
7	91474529	1	O-RING	
8	91474533	1	RING NUT	
9	91474539	1	SPACER	
10	91474537	1	SHIM	
11	91474542	1	SHIM	
12	3968141	2	BEARING, TAPER ROLLER	
13	70026134	1	BEVEL GEAR SET	
14	91514134	2	BOLT	
15	70026031	2	ROLLER BEARING	
17	91474549	2	DIFFERENTIAL SIDE GEAR	
18	7029129	4	DIFFERENTIAL PINION	
19	7029131	4	PIN AND CIRCLIP KIT	
20	91474551	4	CIRCLIP	
21	91474553	4	FRICTION WASHER	
23	91514123	12	BOLT	
24	91474547	2	RING NUT	
27	8007751	1	CARRIER, DIFFERENTIAL	
28	7028710	1	SLIP DIFFERENTIAL	
29	8007755	2	CLUTCH DISC KIT	

SECTION 5 - DRIVE TRAIN

FIGURE 5-14. FRONT AXLE - HUB REDUCTION (DANA)



ART_1001147377-4

SECTION 5 - DRIVE TRAIN

FIGURE 5-14. FRONT AXLE - HUB REDUCTION (DANA)

ITEM	PART NUMBER	QTY	DESCRIPTION	REV
1	91514082	2	NUT	
2	91514081	2	BOLT	
3	70026135	2	AXLE CASE	
4	70025548	24	STUD	
5	91514084	32	SEALING WASHER	
6	91514149	2	REDUCTION BUSHING	
7	91514147	2	SEAL	
8	91514146	2	BEARING, BALL	
9	80204071	2	CIRCLIP	
10	91514148	2	O-RING	
11	70026624	2	DOUBLE UNIVERSAL JOINT	
12	91514111	1	THRUST BUSHING	
13	7028714	2	BUSHING	
14	91514123	24	BOLT	
15	91474524	2	COVER	
16	80204117	2	PLUG	
17	91514099	2	GREASE FITTING	
18	91514112	2	PIVOT PIN	
19	7028715	2	PIVOT PIN	
20	7028716	2	DUST EXCLUDER	
21	91514095	2	BEARING	
22	7028717	1	STEERING CASE	
23	70025857	2	SEAL	
25	91474513	2	MAGNET PLUG	
26	91514188	4	PLUG W/SEALING WASHER	
27	7028720	1	STEER CASE, (LF, RR)	
28	7028721	2	SEAL	
29	91474576	4	BEARING	
30	80214120	20	STUD, WHEEL	
31	7028722	2	WHEEL HUB	
32	91514181	2	O-RING	
33	70024147	2	RING GEAR	
34	7028723	2	RING GEAR SUPPORT	
35	7028724	6	CIRCLIP	
36	7028725	6	PINION	
38	91474584	20	NUT	
40	91514189	4	COUNTERSUNK BOLT	
41	7026731	2	CARRIER, PLANET GEAR	
42	70027315	20	STUD	
44	91514175	2	CIRCLIP	
45	91514117	4	BOLT	
46	80204065	4	NUT	
49	91474582	2	LOCKING PLATE	
50	80204005	2	CIRCLIP	
57	91514115	6	SHIM, 0.019	
59	70040710	2	PLANET GEAR CARRIER	
62	91474507	2	O-RING	
63	70025014	8	STUD	
66	7028729	1	POSITION KIT, (RF, LR)	
67	7028730	1	POSITION KIT, (LF, RR)	

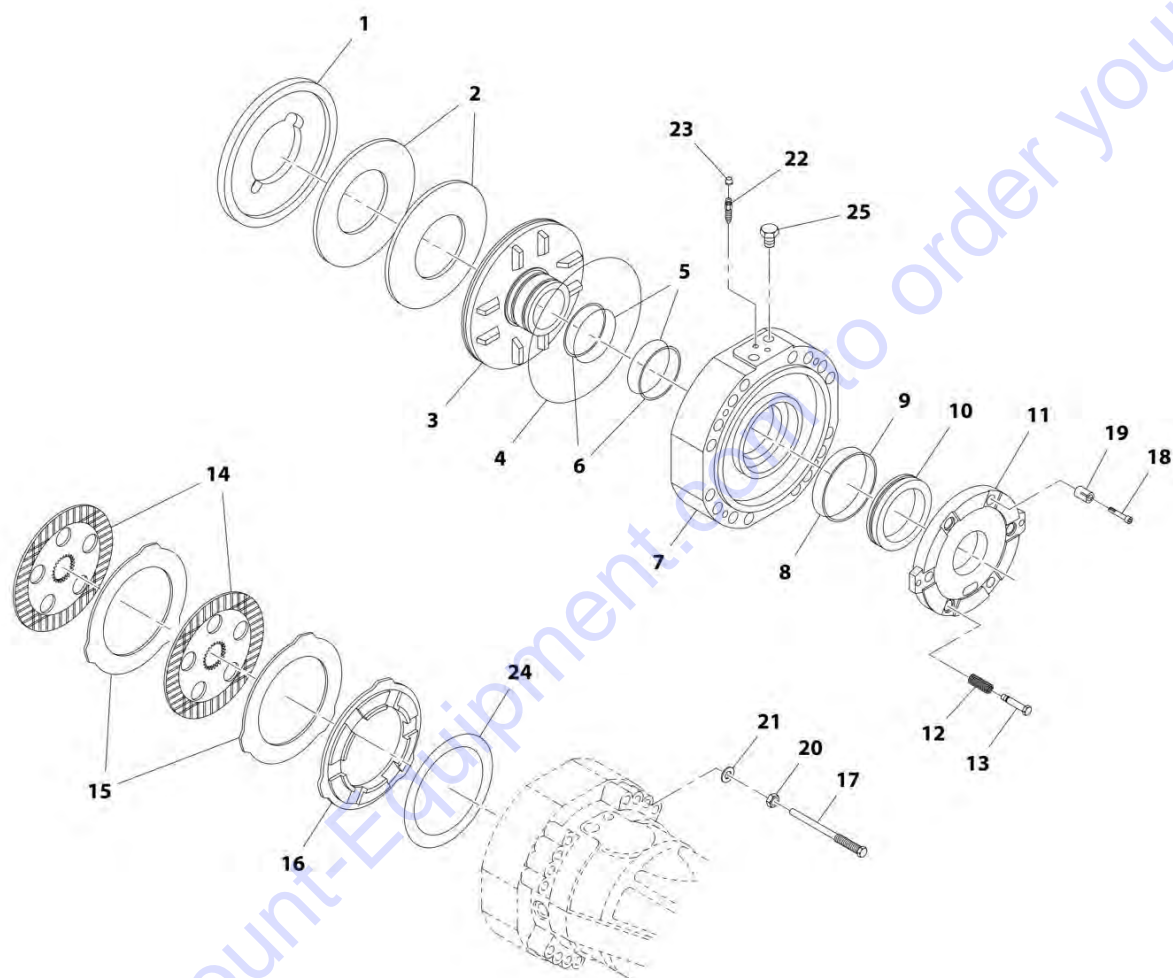
SECTION 5 - DRIVE TRAIN

ITEM	PART NUMBER	QTY	DESCRIPTION	REV
69	91514083	32	NUT	
70	7028731	6	BEARING	
71	7028732	6	BEARING	
73	7028733	4	STEERING BOLT	
77	70025551	2	RING GEAR SUPPORT ASSEMBLY	

Go to Discount-Equipment.com to order your parts

SECTION 5 - DRIVE TRAIN

FIGURE 5-15. FRONT AXLE - BRAKE (DANA)



ART_1001147377-5

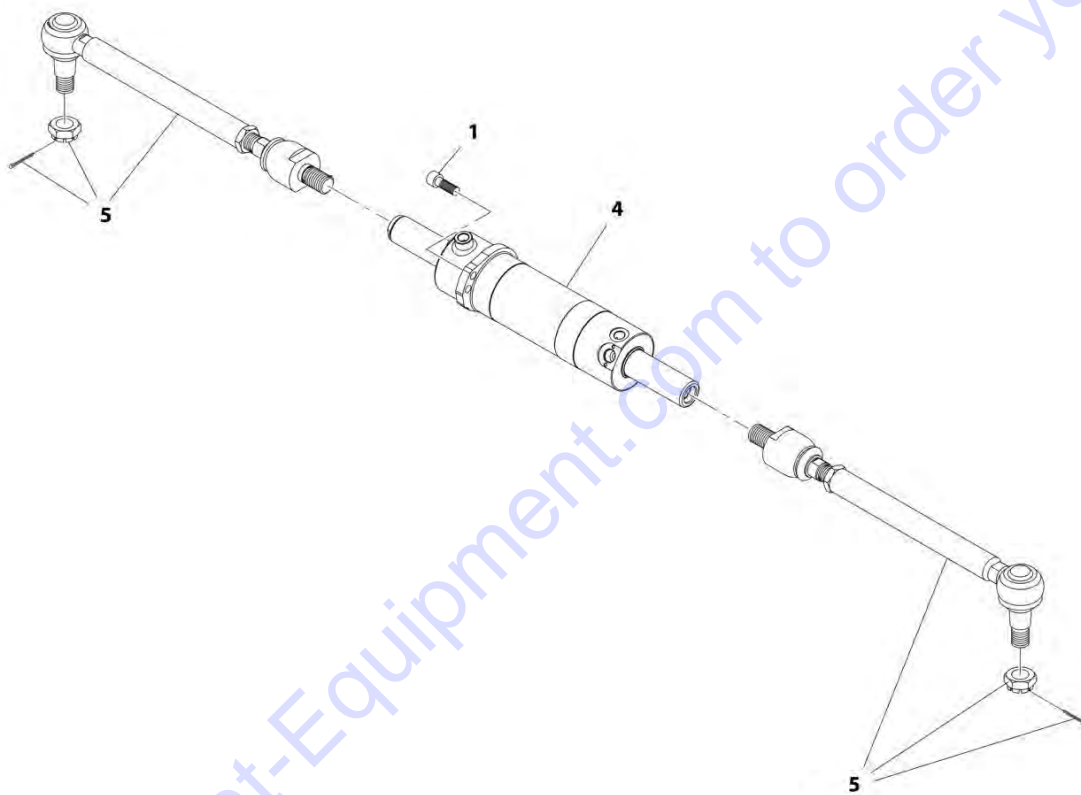
SECTION 5 - DRIVE TRAIN

FIGURE 5-15. FRONT AXLE - BRAKE (DANA)

ITEM	PART NUMBER	QTY	DESCRIPTION	REV
1	7028734	1	SPACER	
2	91474559	4	SPRING	
3	91474560	2	PISTON	
4	91474561	2	O-RING	
5	91514167	4	O-RING	
6	91514153	4	BACK-UP RING	
7	7028735	2	COVER	
8	91474562	2	O-RING	
9	91474563	2	BACK-UP RING	
10	91474564	2	PISTON	
11	91474565	2	BRAKE DISC	
12	91514159	6	SPRING	
13	91514160	6	ADJUSTING BOLT	
14	91474568	8	BRAKE DISC	
15	91474569	8	BRAKE DISC	
16	91474570	2	SPACER	
17	7028736	4	BOLT	
18	7029788	6	ADJUSTING BOLT	
19	91514165	6	FRICTION SPRING	
20	80204060	4	NUT	
21	80204108	4	WASHER, LOCK	
22	80204281	4	BOLT, BLEEDING	
23	80204117	4	PLUG	
24	91474573	2	SHIM, 0.50MM	
25	91514154	4	PLUG W/SEAL WASHER	

SECTION 5 - DRIVE TRAIN

FIGURE 5-16. FRONT AXLE - STEERING (DANA)



ART_1001147377-6

SECTION 5 - DRIVE TRAIN

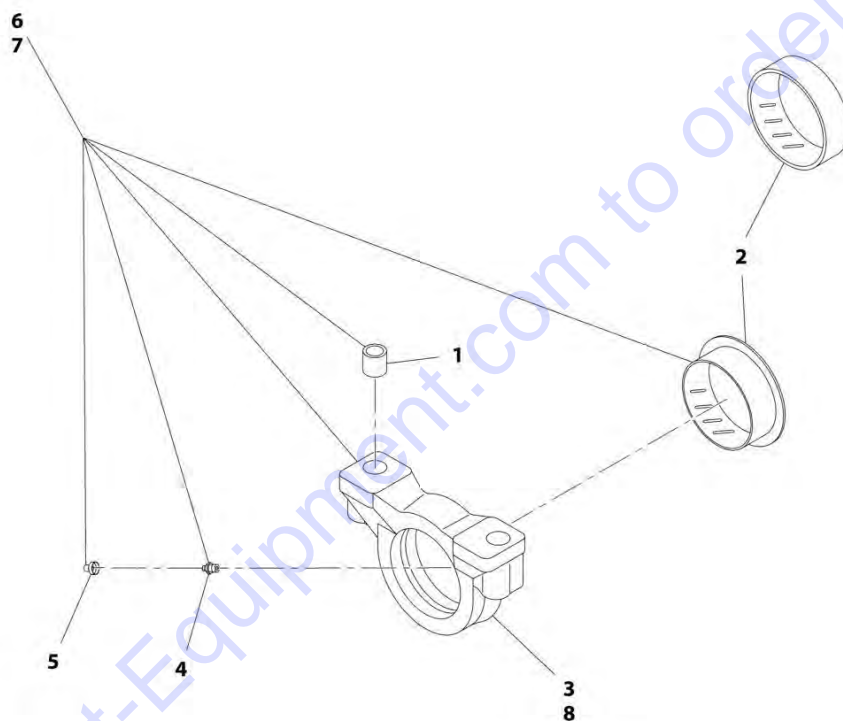
FIGURE 5-16. FRONT AXLE - STEERING (DANA)

ITEM	PART NUMBER	QTY	DESCRIPTION	REV
1	91474522	4	CYLINDER BOLT	
4	70026137	1	CYLINDER	
5	70026138	2	BAR	

Go to Discount-Equipment.com to order your parts

SECTION 5 - DRIVE TRAIN

FIGURE 5-17. FRONT AXLE - TRUNION (DANA)



ART_1001147377-7

SECTION 5 - DRIVE TRAIN

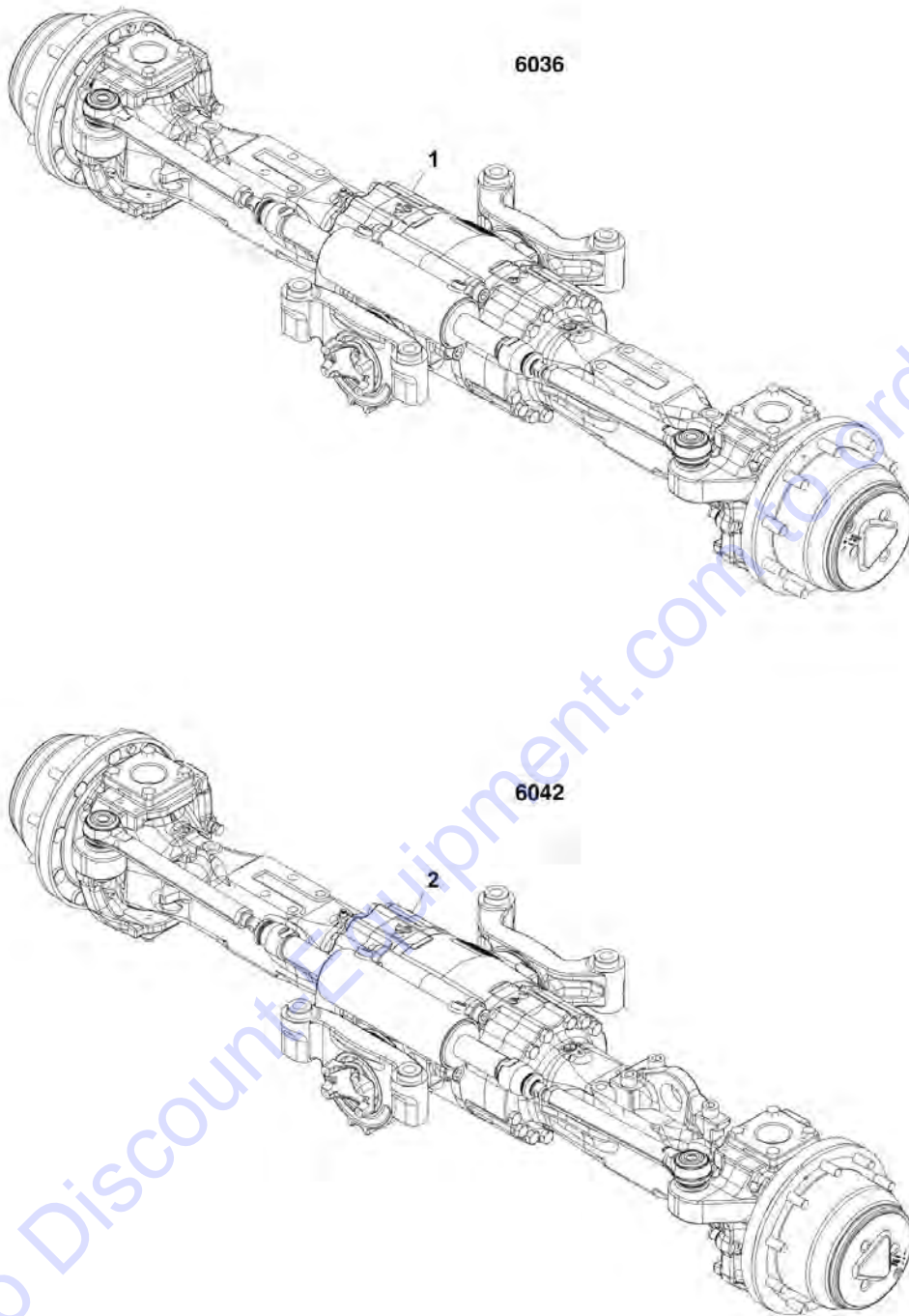
FIGURE 5-17. FRONT AXLE - TRUNION (DANA)

ITEM	PART NUMBER	QTY	DESCRIPTION	REV
1	91474516	2	REDUCTION BUSHING	
2	91474515	1	THRUST BUSHING	
3	NSS	1	SUPPORT, (use 7029282 for replacement)	
4	91514099	1	GREASE FITTING	
5	80204117	1	PLUG	
6	7029282	1	SUPPORT ASSEMBLY	
7	7029283	1	SUPPORT ASSEMBLY	
8	NSS	1	SUPPORT, (use 7029283 for replacement)	

Go to Discount-Equipment.com to order your parts

SECTION 5 - DRIVE TRAIN

FIGURE 5-18. REAR AXLE (ZF)



PAP29450

SECTION 5 - DRIVE TRAIN

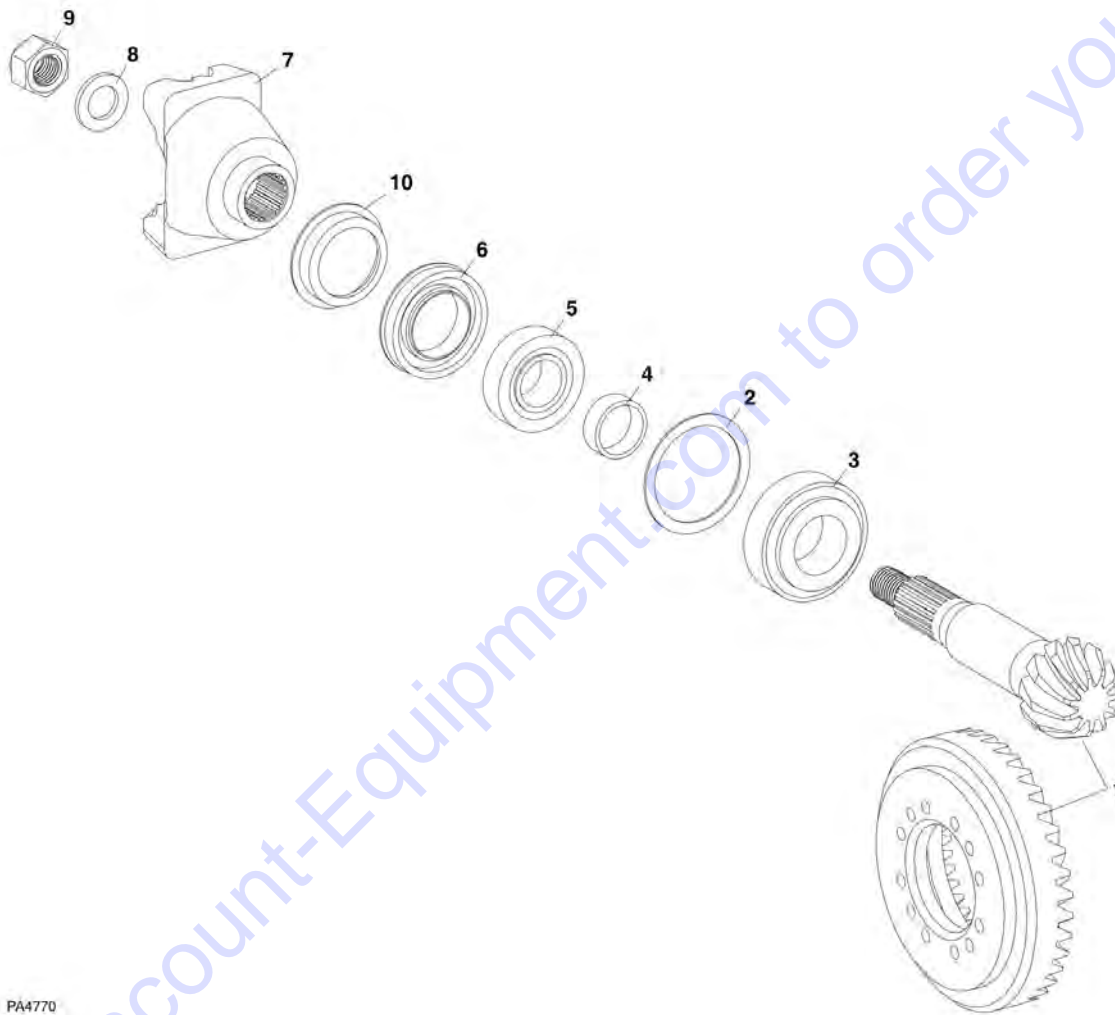
FIGURE 5-18. REAR AXLE (ZF)

ITEM	PART NUMBER	QTY	DESCRIPTION	REV
1	1001106727	1	REAR AXLE, (6036), (includes all items)	F
2	1001103630	1	REAR AXLE, (6042), (includes all items)	F
		Ref	INPUT, (See REAR AXLE - INPUT for Breakdown)	
		Ref	LIMITED SLIP DIFFERENTIAL, (See REAR AXLE - DIFFERENTIAL for Breakdown)	
		Ref	AXLE CASING, (See REAR AXLE - AXLE CASING for Breakdown)	
		Ref	M-DISK BRAKE, (See REAR AXLE - M-DISK BRAKE for Breakdown)	
		Ref	JOINT HOUSING, (See REAR AXLE - JOINT HOUSING for Breakdown)	
		Ref	PLANETARY DRIVE, (See REAR AXLE - PLANETARY DRIVE for Breakdown)	

Go to Discount-Equipment.com to order your parts

SECTION 5 - DRIVE TRAIN

FIGURE 5-19. REAR AXLE - INPUT (ZF)



PA4770

SECTION 5 - DRIVE TRAIN

FIGURE 5-19. REAR AXLE - INPUT (ZF)

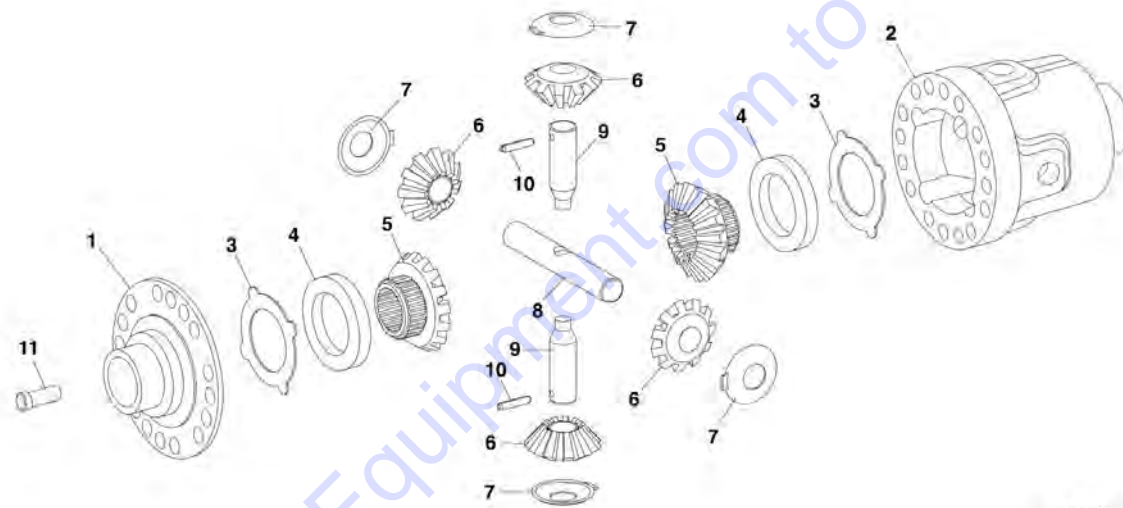
ITEM	PART NUMBER	QTY	DESCRIPTION	REV
1	70022786	1	BEVEL GEAR, (6036)	
1	70022787	1	PINION, (6036)	
1	70022280	1	BEVEL GEAR SET, (6042)	
2	80304160	1	SHIM, S=0.1	
2	80304159	1	SHIM, S=0.2	
2	80304158	1	SHIM, S=0.3	
2	80304157	1	SHIM, S=0.5	
2	80304156	1	SHIM, S=0.6	
2	80304162	1	SHIM, S=0.65	
2	80304155	1	SHIM, S=0.7	
2	80304161	1	SHIM, S=0.75	
2	80304154	1	SHIM, S=0.8	
2	80304153	1	SHIM, S=0.9	
2	80304152	1	SHIM, S=1.0	
2	80304146	1	SHIM, S=1.2	
2	80304163	1	SHIM, S=1.25	
2	80304151	1	SHIM, S=1.3	
2	80304164	1	SHIM, S=1.35	
2	80304150	1	SHIM, S=1.4	
2	80304165	1	SHIM, S=1.45	
2	80304145	1	SHIM, S=1.5	
2	80304166	1	SHIM, S=1.55	
2	80304149	1	SHIM, S=1.6	
2	80304167	1	SHIM, S=1.65	
2	80304148	1	SHIM, S=1.7	
2	80304168	1	SHIM, S=1.75	
2	80304144	1	SHIM, S=1.8	
2	80304169	1	SHIM, S=1.85	
2	80304147	1	SHIM, S=1.9	
2	80304143	1	SHIM, S=2.0	
3	80304047	1	ROLLER BEARING, (6036)	
3	70022231	1	ROLLER BEARING, (6042)	
4	80304088	1	RING, S=16.00	
4	80304089	1	RING, S=16.10	
4	80304090	1	RING, S=16.20	
4	80304091	1	RING, S=16.30	
4	80304092	1	RING, S=16.40	
4	80304093	1	RING, S=16.50	
4	80304094	1	RING, S=16.60	
4	80304095	1	RING, S=16.70	
4	80304096	1	RING, S=16.80	
4	80304097	1	RING, S=16.92	
4	80304099	1	RING, S=17.10	
4	80304100	1	RING, S=17.20	
4	80304101	1	RING, S=17.30	
4	80304102	1	RING, S=17.40	
4	80304104	1	RING, S=16.86	
4	80304107	1	RING, S=16.98	
4	80304108	1	RING, S=17.04	
4	80304110	1	RING, S=16.56	

SECTION 5 - DRIVE TRAIN

ITEM	PART NUMBER	QTY	DESCRIPTION	REV
4	80304111	1	RING, S=16.62	
4	80304112	1	RING, S=16.64	
4	80304113	1	RING, S=16.68	
4	80304114	1	RING, S=16.72	
4	80304115	1	RING, S=16.74	
4	80304117	1	RING, S=16.76	
4	80304118	1	RING, S=16.78	
4	80304119	1	RING, S=16.82	
4	80304120	1	RING, S=16.84	
4	80304121	1	RING, S=16.88	
4	80304122	1	RING, S=16.90	
4	80304123	1	RING, S=16.94	
4	80304124	1	RING, S=16.66	
4	80304125	1	RING, S=16.96	
4	80304126	1	RING, S=17.00	
4	80304127	1	RING, S=17.02	
4	80304128	1	RING, S=17.06	
4	80304129	1	RING, S=17.08	
4	80304130	1	RING, S=17.12	
4	80304131	1	RING, S=17.14	
4	80304132	1	RING, S=17.16	
4	80304133	1	RING, S=17.18	
4	80304134	1	RING, S=17.22	
4	80304135	1	RING, S=17.24	
4	80304136	1	RING, S=17.26	
4	80304137	1	RING, S=17.28	
5	1319353	1	ROLLER BEARING	
6	70022220	1	SEAL SHAFT	
7	70022245	1	END YOKE	
8	80304082	1	WASHER	
9	70022213	1	HEX NUT	
10	70022244	1	SCREEN SHEET	

SECTION 5 - DRIVE TRAIN

FIGURE 5-20. REAR AXLE - DIFFERENTIAL (ZF)



PA4700

SECTION 5 - DRIVE TRAIN

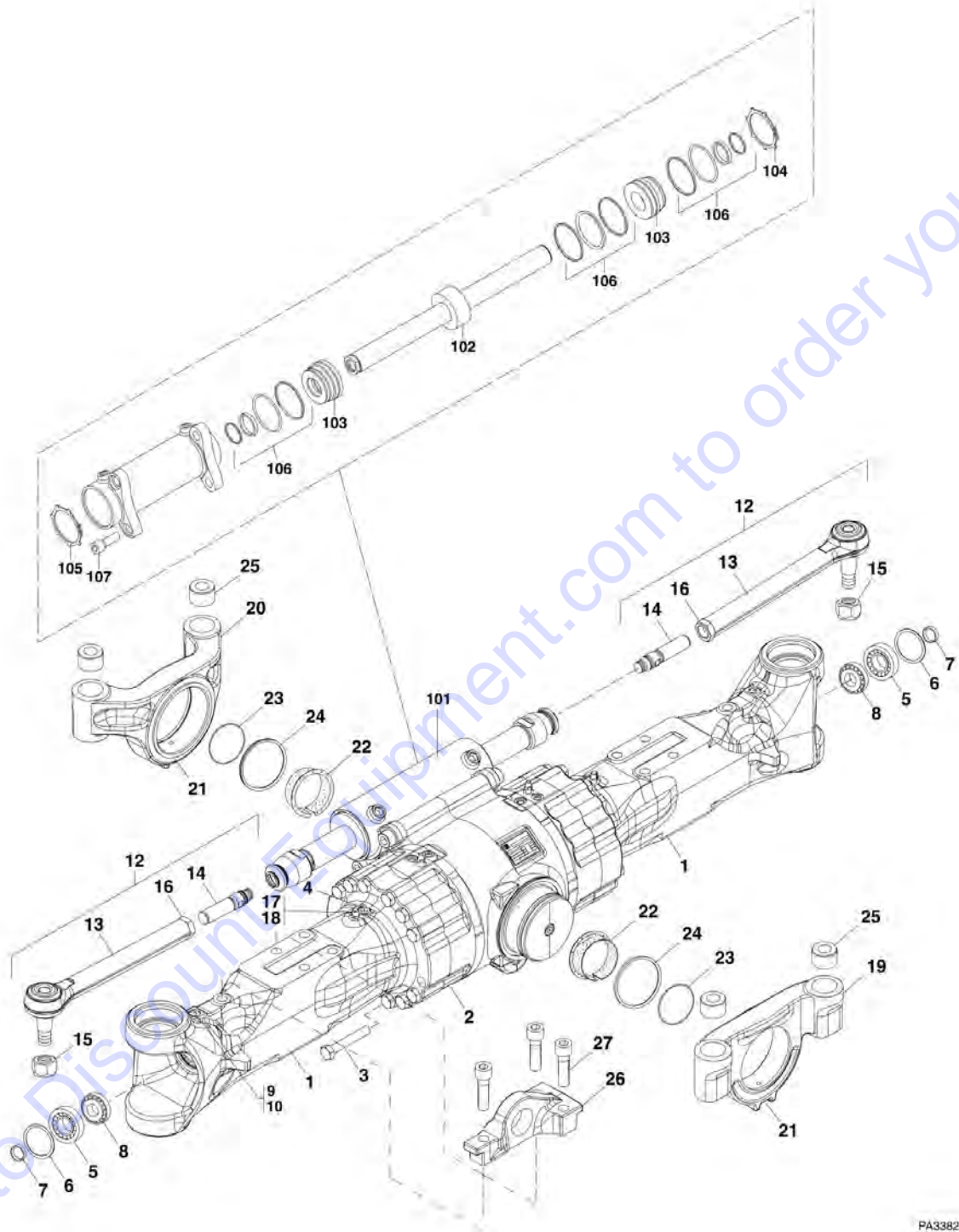
FIGURE 5-20. REAR AXLE - DIFFERENTIAL (ZF)

ITEM	PART NUMBER	QTY	DESCRIPTION	REV
1	70022229	1	COVER	
2	70023910	1	DIFFERENTIAL CASE	
3	70022284	2	THRUST WASHER	
4	70022285	2	DIFFERENTIAL RING, A=15.0	
5	70022225	2	AXLE BEVEL GEAR	
6	70022185	4	DIFFERENTIAL BEVEL GEAR	
7	70022262	4	THRUST WASHER	
8	70022227	1	DIFFERENTIAL AXLE	
9	70022228	2	DIFFERENTIAL AXLE	
10	70023904	2	SLOT PIN	
11	70022211	16	CAPSCREW	

Go to Discount-Equipment.com to order your parts

SECTION 5 - DRIVE TRAIN

FIGURE 5-21. REAR AXLE - AXLE CASING (ZF)



PA3382

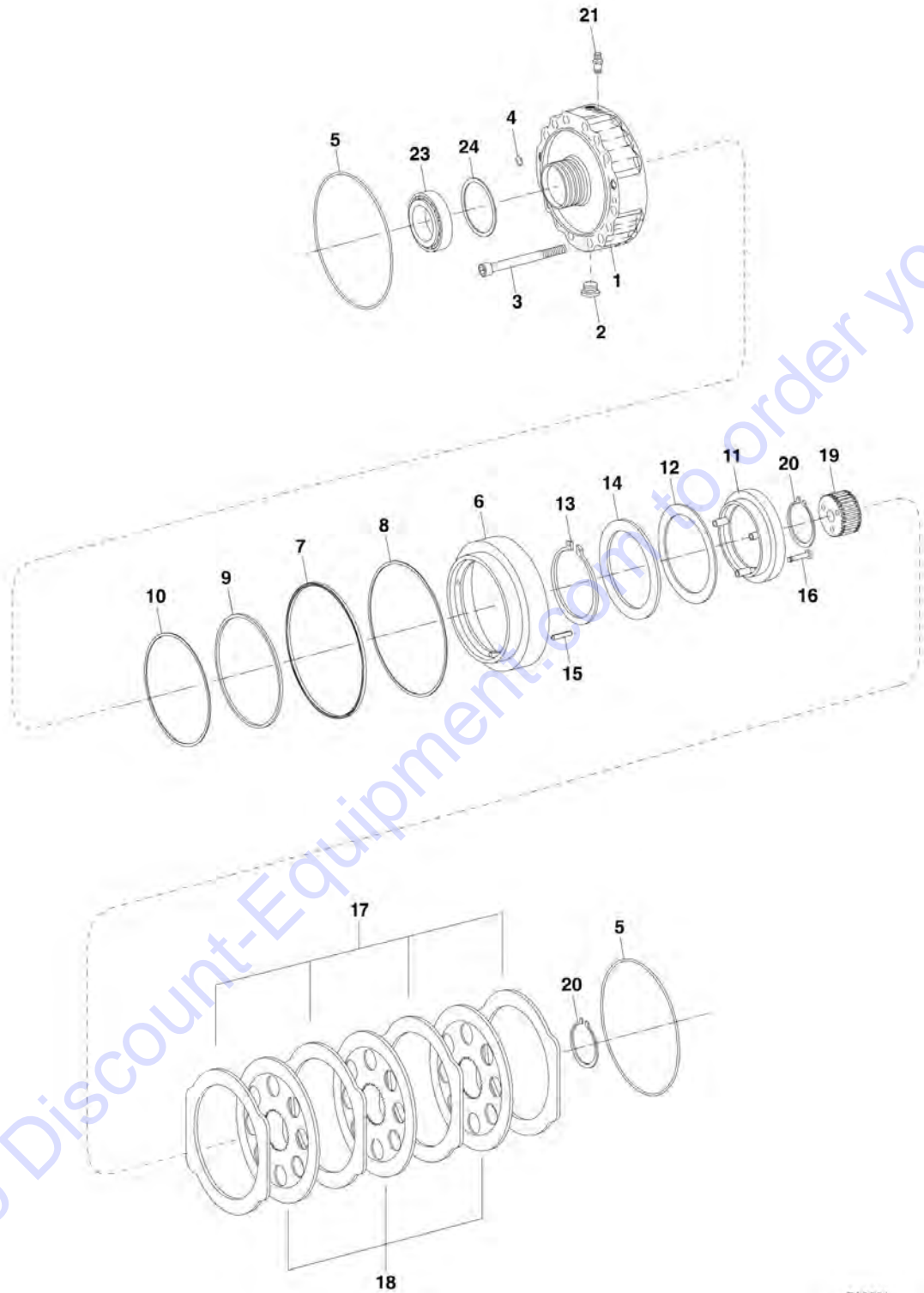
SECTION 5 - DRIVE TRAIN

FIGURE 5-21. REAR AXLE - AXLE CASING (ZF)

ITEM	PART NUMBER	QTY	DESCRIPTION	REV
1	70022255	2	AXLE CASING	
2	70022259	1	AXLE DRIVE HOUSING	
3	70022206	28	HEX HD CAPSCREW, M18X180	
4	1319578	4	SCREW PLUG	
5	70022241	2	BUSHING	
6	70022204	2	O-RING	
7	70022217	2	RING	
8	10731790	2	BEARING	
9	70022201	2	SET SCREW, M10X1X16	
10	70022777	2	SCREW PLUG, (6036)	
10	1319666	2	SCREW PLUG, (6042)	
12	70022174	2	TIE ROD, (includes items 13 thru 16)	
13	70022175	1	BALL JOINT	
14	70022172	1	AXIAL JOINT	
15	8036758	1	LOCKNUT	
16	8036759	1	HEX NUT	
17	1319436	1	BREATHER	
18	8036418	1	SCREW PLUG	
19	70022247	1	BRACKET	
20	70022246	1	BRACKET	
21	1319423	2	GREASE FITTING	
22	70022182	2	FLANGE BUSHING	
23	70022205	2	O-RING	
24	70022219	2	V-RING	
25	1319441	4	BUSHING	
26	70022254	1	BRACKET, (6042)	
27	1001103619	3	HEX HD CAPSCREW, M22X1.5X80, (6042)	
101	70022173	1	STEERING CYLINDER, (includes items 102 thru 106)	
102	70022177	1	PISTON ROD	
103	70022184	2	BREAK HEAD	
104	70022181	2	RETAINING RING	
105	70022180	2	RETAINING RING	
106	70022178	1	SEAL KIT	
107	70022789	4	CAPSCREW, M22X1.5X55, (6036)	
107	70022210	4	CAPSCREW, M22X1.5X55, (6042)	

SECTION 5 - DRIVE TRAIN

FIGURE 5-22. REAR AXLE - M-DISK BRAKE (ZF)



PA3321

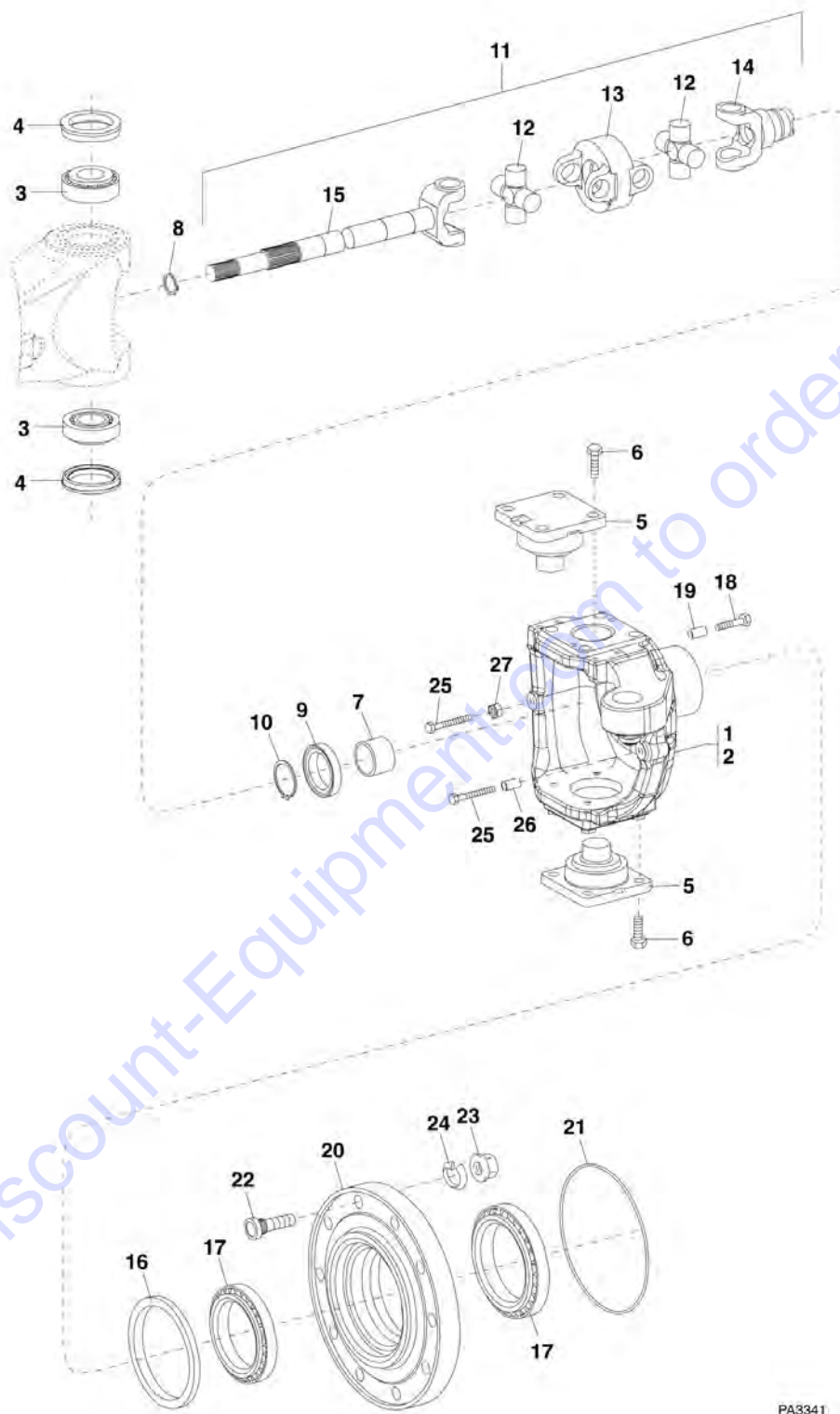
SECTION 5 - DRIVE TRAIN

FIGURE 5-22. REAR AXLE - M-DISK BRAKE (ZF)

ITEM	PART NUMBER	QTY	DESCRIPTION	REV
1	70022788	2	BRAKE HOUSING, (6036)	
1	70022282	2	BRAKE HOUSING, (6042)	
2	1319578	2	SCREW PLUG	
3	70022209	6	CAP SCREW, M12X105	
4	70022779	10	O-RING, (6036)	
4	8036847	10	O-RING, (6042)	
5	80304462	4	O-RING	
6	70022250	2	PISTON	
7	70022190	2	PISTON PACKING	
8	70022193	2	BACKUP RING	
9	70022189	2	PISTON PACKING	
10	70022194	2	BACKUP RING	
11	70022236	2	RING	
12	70022183	2	CUP SPRING	
13	70022198	2	RETAINING RING	
14	70022235	2	WASHER	
15	70022186	8	SLOT PIN	
16	1319214	6	CAP SCREW, M8X40	
17	70022196	8	O.CLUTCH DISC	
18	70022176	6	I.CLUTCH DISC	
19	70022253	2	DISC CARRIER	
20	10731949	4	RETAINING RING	
21	70022171	2	BREATHER	
22	70022280	2	SCREW PLUG, (6036), (not shown)	
22	70022215	2	SCREW PLUG, (6042), (not shown)	
23	8036447	2	BEARING	
24	1319537	AR	SHIM, A=0.95	
24	1319545	AR	SHIM, A=1.05	
24	1319539	AR	SHIM, A=1.15	
24	1319540	AR	SHIM, A=1.25	
24	1319542	AR	SHIM, A=1.35	

SECTION 5 - DRIVE TRAIN

FIGURE 5-23. REAR AXLE - JOINT HOUSING (ZF)



Go to Discount-Equipment.com to order your parts

PA3341

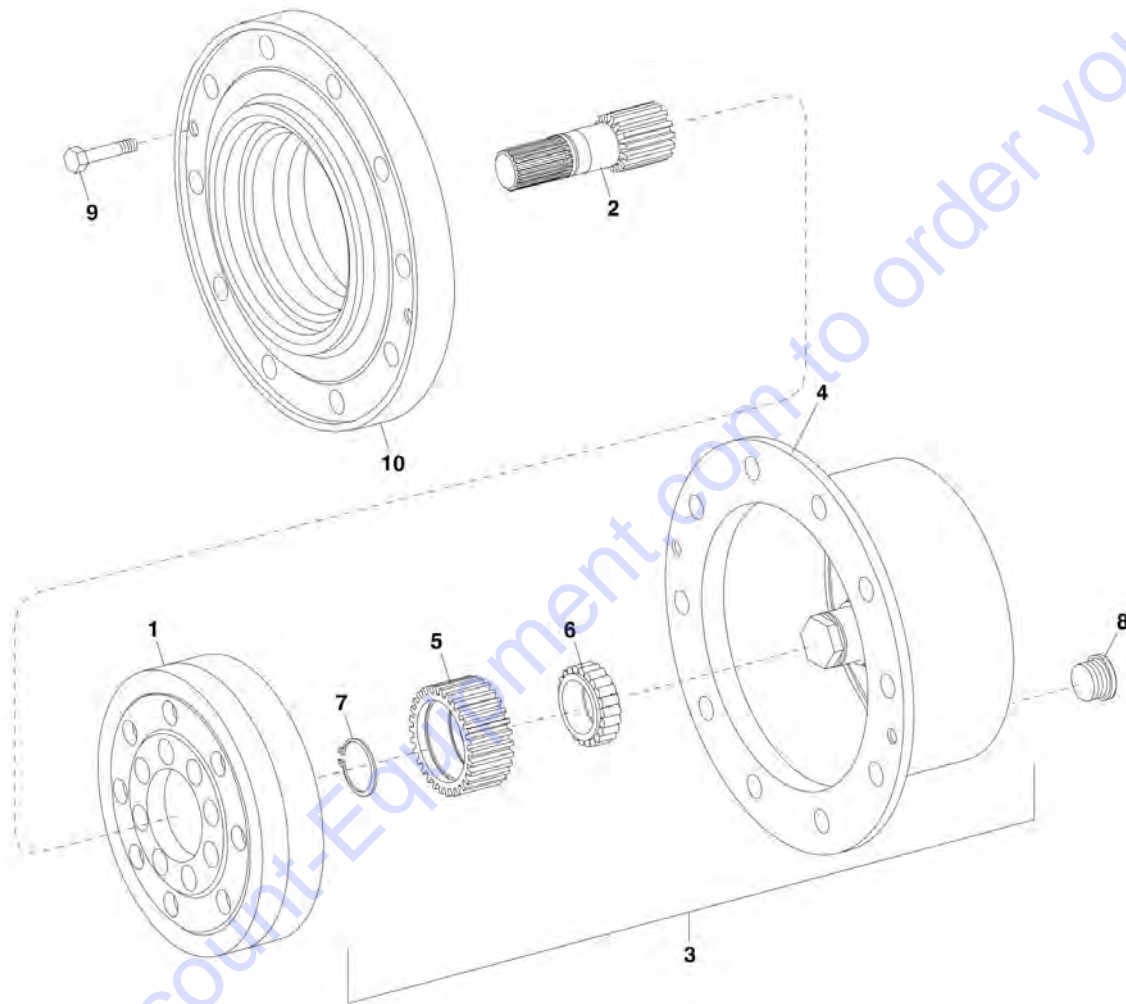
SECTION 5 - DRIVE TRAIN

FIGURE 5-23. REAR AXLE - JOINT HOUSING (ZF)

ITEM	PART NUMBER	QTY	DESCRIPTION	REV
1	70022237	1	JOINT HOUSING, (right side)	
2	70022238	1	JOINT HOUSING, (left side)	
3	70022223	4	ROLLER BEARING	
4	1319447	4	SHAFT SEAL	
5	70022240	4	BEARING PIN	
6	1319464	16	HEX SCREW, M16X40	
7	70022179	2	BUSHING	
8	10731789	2	RETAINING RING	
9	70022218	2	SHAFT SEAL	
10	1321226	2	RETAINING RING	
11	70022781	2	UNIVERSAL COUPLING DRIVE SHAFT ASSY, (6036), (includes items 12 thru 15)	
11	70022170	2	UNIVERSAL COUPLING DRIVE SHAFT ASSY, (6042), (includes items 12 thru 15)	
12	70021554	2	JOINT CROSS	
13	70022782	1	CENTRAL PIECE, (6036)	
13	70021553	1	CENTRAL PIECE, (6042)	
14	70022187	1	FORK SHAFT	
15	70022188	1	FORK SHAFT	
16	80304173	2	SHAFT SEAL	
17	1319472	4	ROLLER BEARING	
18	70022783	16	HEX SCREW, M14X70, (6036)	
18	70022208	16	HEX SCREW, M14X70, (6042)	
19	70022234	16	CENTERING BUSHING	
20	70022249	2	HUB	
21	70022203	2	O-RING	
22	70022230	20	WHEEL BOLT	
23		Ref	WHEEL NUT, (See DRIVE TRAIN COMPONENT for Breakdown)	
24		Ref	SPRING WASHER, (See DRIVE TRAIN COMPONENT for Breakdown)	
25	8036330	4	STOP SCREW, M14X1.5	
26	70022257	2	SPACER TUBE	
27	1319477	2	HEX NUT, M14X1.5	

SECTION 5 - DRIVE TRAIN

FIGURE 5-24. REAR AXLE - PLANETARY DRIVE (ZF)



PA3351

SECTION 5 - DRIVE TRAIN

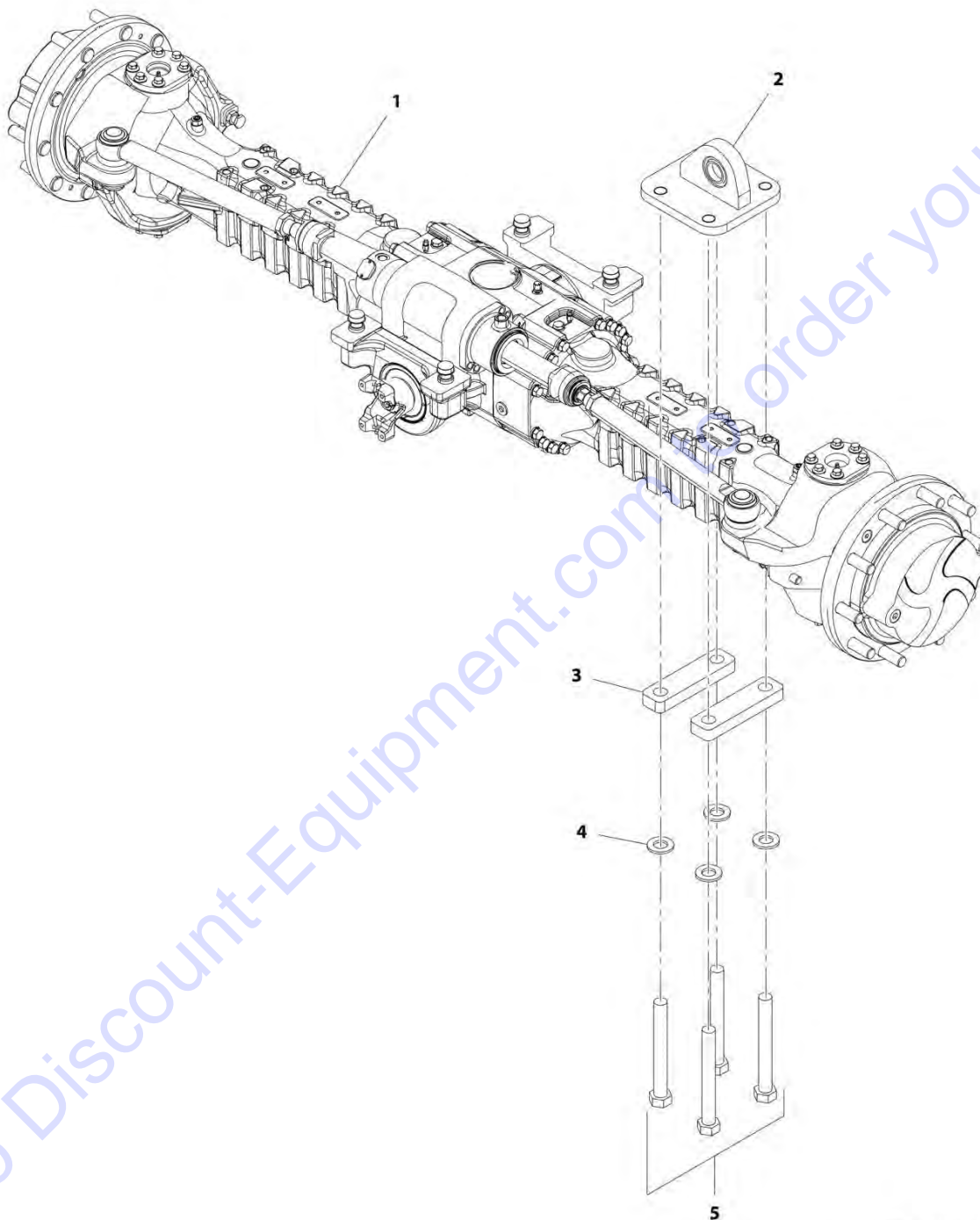
FIGURE 5-24. REAR AXLE - PLANETARY DRIVE (ZF)

ITEM	PART NUMBER	QTY	DESCRIPTION	REV
1	70022242	1	RING GEAR	
2	70022784	2	SUN GEAR SHAFT, (6036)	
2	70022239	2	SUN GEAR SHAFT, (6042)	
3	70022233	2	PLANETARY CARRIER ASSY, (includes items 4 thru 7)	
4	70022256	1	PLANETARY CARRIER	
5	70022243	3	PLANETARY GEAR	
6	70022785	3	CYL ROLLER BEARING, (6036)	
6	70022221	3	CYL ROLLER BEARING, (6042)	
7	70022197	3	RETAINING RING	
8	1319578	2	SCREW PLUG	
9	70022207	4	HEX SCREW, M12X30	
10		Ref	HUB, (See REAR AXLE - JOINT HOUSING for Breakdown)	

Go to Discount-Equipment.com to order your parts

SECTION 5 - DRIVE TRAIN

FIGURE 5-25. REAR AXLE ASSEMBLY (DANA)



ART_1001147380-A

SECTION 5 - DRIVE TRAIN

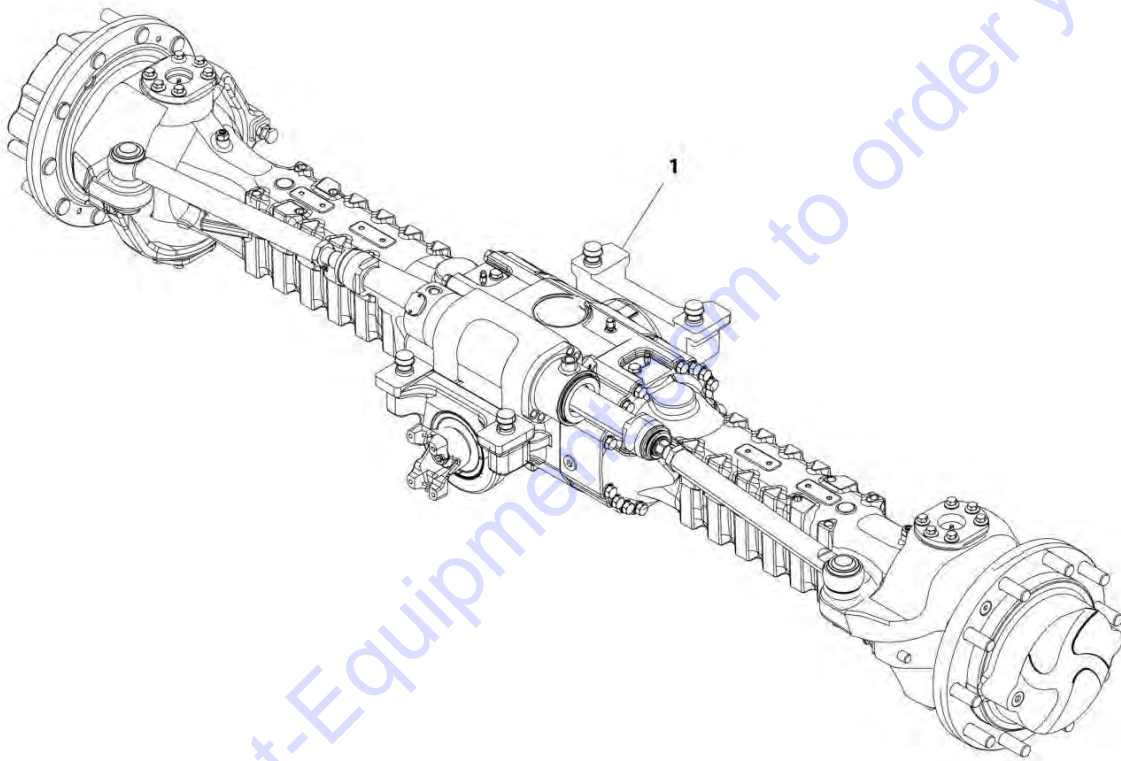
FIGURE 5-25. REAR AXLE ASSEMBLY (DANA)

ITEM	PART NUMBER	QTY	DESCRIPTION	REV
	1001147380	1	REAR AXLE ASSEMBLY, (includes all items)	A
1		Ref	REAR AXLE (See Separate Breakdown in this Section)	
2	1001147265	1	BRACKET, SWAY PIVOT ASSEMBLY	
3	91471213	2	PLATE, RETAINER	
4	90027475	4	WASHER	
5	83201147	4	HEX HD CAP SCREW, 1-8X8-1/2	

Go to Discount-Equipment.com to order your parts

SECTION 5 - DRIVE TRAIN

FIGURE 5-26. REAR AXLE (DANA)



ART_1001147379-1_B

SECTION 5 - DRIVE TRAIN

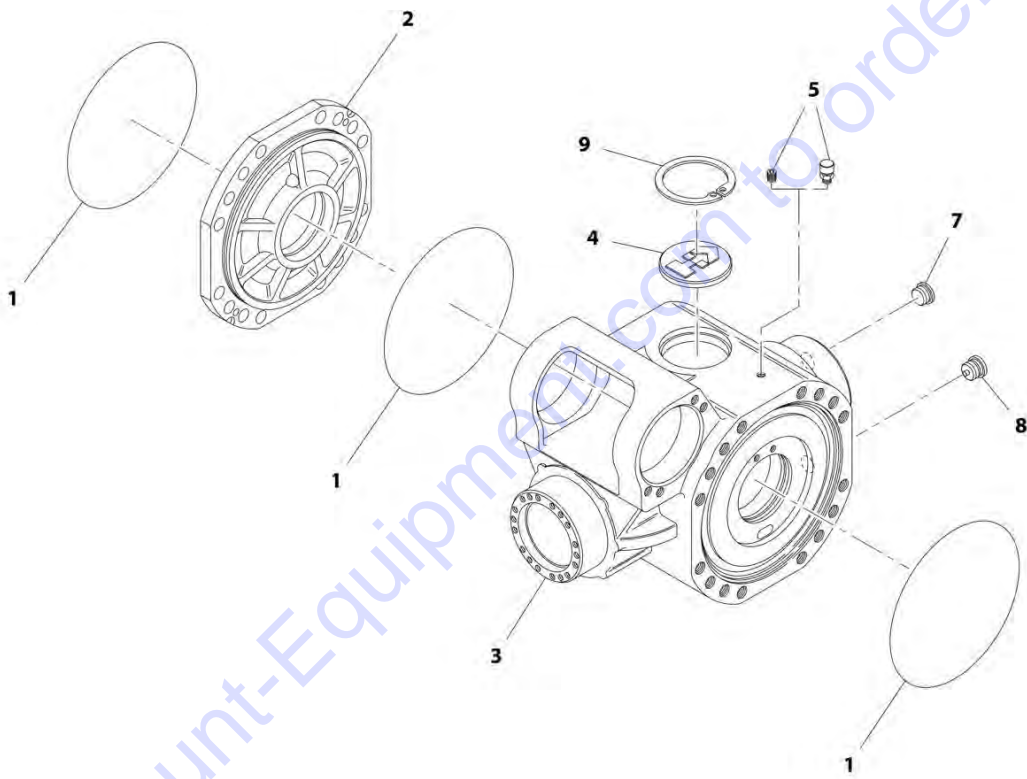
FIGURE 5-26. REAR AXLE (DANA)

ITEM	PART NUMBER	QTY	DESCRIPTION	REV
1	1001147379	1	REAR AXLE	B
		Ref	CENTRAL HOUSING, (See Separate Breakdown in this Section)	
		Ref	DIFFERENTIAL, (See Separate Breakdown in this Section)	
		Ref	HUB REDUCTION, (See Separate Breakdown in this Section)	
		Ref	BRAKE, (See Separate Breakdown in this Section)	
		Ref	STEERING, (See Separate Breakdown in this Section)	
		Ref	TRUNION, (See Separate Breakdown in this Section)	

Go to Discount-Equipment.com to order your parts

SECTION 5 - DRIVE TRAIN

FIGURE 5-27. REAR AXLE - CENTRAL HOUSING (DANA)



ART_1001147379-2

SECTION 5 - DRIVE TRAIN

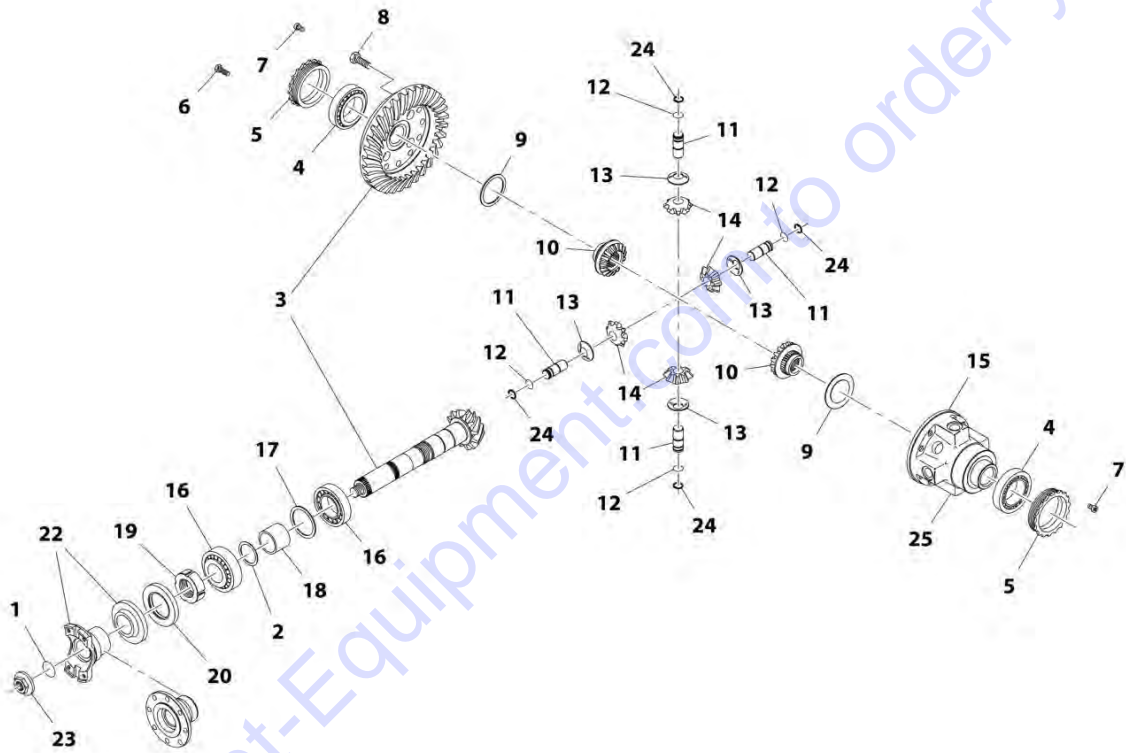
FIGURE 5-27. REAR AXLE - CENTRAL HOUSING (DANA)

ITEM	PART NUMBER	QTY	DESCRIPTION	REV
1	91474507	3	O-RING	
2	70024519	1	COVER	
3	7029426	1	HOUSING	
4	91514098	1	PLUG	
5	91474512	1	VENT	
7	91514188	1	PLUG	
8	91474513	1	MAGNET PLUG	
9	80204005	1	CIRCLIP	

Go to Discount-Equipment.com to order your parts

SECTION 5 - DRIVE TRAIN

FIGURE 5-28. REAR AXLE - DIFFERENTIAL (DANA)



ART_1001147379-3

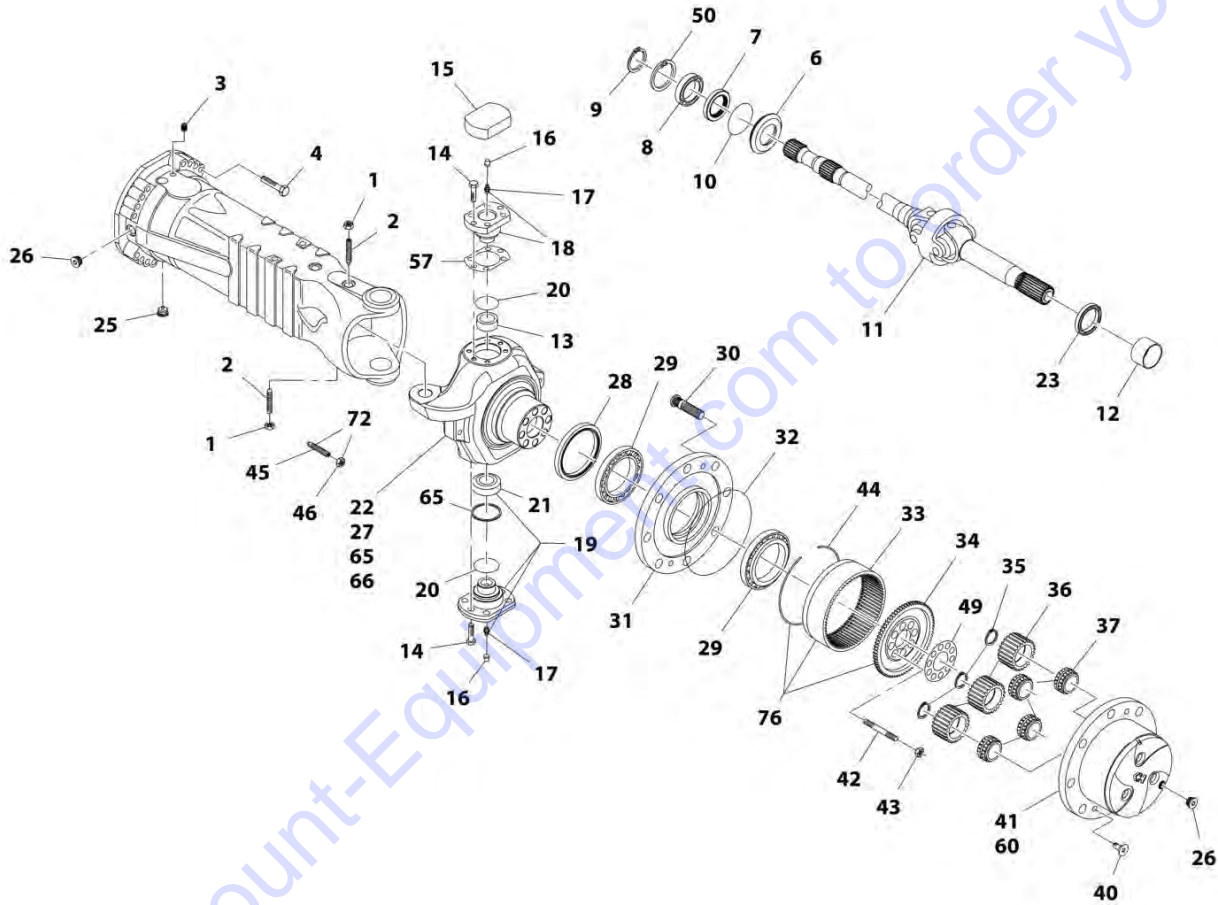
SECTION 5 - DRIVE TRAIN

FIGURE 5-28. REAR AXLE - DIFFERENTIAL (DANA)

ITEM	PART NUMBER	QTY	DESCRIPTION	REV
1	91474529	1	O-RING	
2	91474537	1	SHIM	
3	70026139	1	BEVEL GEAR SET	
4	70026031	2	ROLLER BEARING	
5	91474547	2	RING NUT	
6	91474591	4	BOLT	
7	91514134	2	BOLT	
8	91514123	12	BOLT	
9	91474593	2	FRICTION WASHER	
10	91474594	2	DIFFERENTIAL SIDE GEAR	
11	7029131	4	PIN AND CIRCLIP KIT	
12	91474551	4	CIRCLIP	
13	91474553	4	FRICTION WASHER	
14	7029129	4	DIFFERENTIAL PINION	
15	91474595	1	DIFFERENTIAL CARRIER	
16	3968141	2	BEARING, TAPER ROLLER	
17	91474542	1	SHIM	
18	91474539	1	SPACER	
19	91474533	1	RING NUT	
20	91474532	1	SEAL	
22	70022797	1	FLANGE AND COVER KIT	
23	91474528	1	NUT	
24	91474550	4	CIRCLIP	
25	91474596	1	DIFFERENTIAL KIT	

SECTION 5 - DRIVE TRAIN

FIGURE 5-29. REAR AXLE - HUB REDUCTION (DANA)



ART_1001147379-4

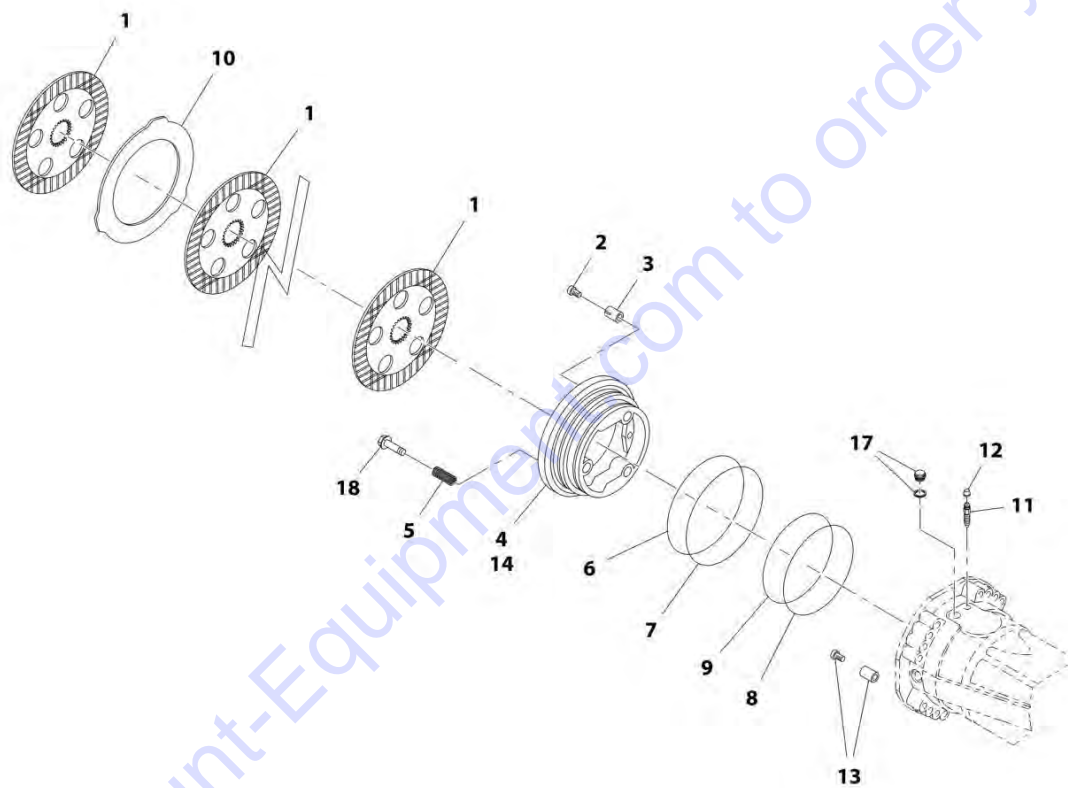
SECTION 5 - DRIVE TRAIN

FIGURE 5-29. REAR AXLE - HUB REDUCTION (DANA)

ITEM	PART NUMBER	QTY	DESCRIPTION	REV
1	91514082	2	NUT	
2	91514081	2	BOLT	
3	70026140	2	AXLE CASE	
4	70022799	32	BOLT	
6	91514149	2	REDUCTION BUSHING	
7	91514147	2	SEAL	
8	91514146	2	BEARING, BALL	
9	80204071	2	CIRCLIP	
10	91514148	2	O-RING	
11	70026141	2	DOUBLE UNIVERSAL JOINT	
12	91514111	1	THRUST BUSHING	
13	7028714	2	BUSHING	
14	91514123	24	BOLT	
15	91474524	2	COVER	
16	80204117	2	PLUG	
17	91514099	2	GREASE FITTING	
18	91514112	2	PIVOT PIN	
19	7028715	2	PIVOT PIN	
20	7028716	2	DUST EXCLUDER	
21	91514095	2	BEARING	
22	7028717	1	STEERING CASE	
23	70025857	2	SEAL	
25	91474513	2	MAGNET PLUG	
26	91514188	4	PLUG W/SEALING WASHER	
27	7028720	1	STEER CASE, (LF, RR)	
28	7028721	2	SEAL	
29	91474576	4	BEARING	
30	80214120	20	STUD, WHEEL	
31	7029737	2	WHEEL HUB	
32	91514181	2	O-RING	
33	91474580	2	RING GEAR	
34	91474581	2	RING GEAR SUPPORT	
35	91474585	8	CIRCLIP	
36	91474586	8	PLANET GEAR	
37	91474587	8	BEARING	
40	91514189	4	COUNTERSUNK BOLT	
41	7029286	2	PLANET GEAR CARRIER	
42	70027315	20	STUD	
43	91474584	20	NUT	
44	91474579	2	CIRCLIP	
45	91514117	4	BOLT	
46	80204065	4	NUT	
49	91474582	2	LOCKING PLATE	
50	80204005	2	CIRCLIP	
57	91514115	2	SHIM, 0.019	
60	7029431	2	PLANET GEAR CARRIER	
65	7028729	1	POSITION KIT, (RF, LR)	
66	7028730	1	POSITION KIT, (LF, RR)	
72	7028733	4	STEERING BOLT	
76	7029736	2	RING GEAR SUPPORT	

SECTION 5 - DRIVE TRAIN

FIGURE 5-30. REAR AXLE - BRAKE (DANA)



ART_1001147379-5

SECTION 5 - DRIVE TRAIN

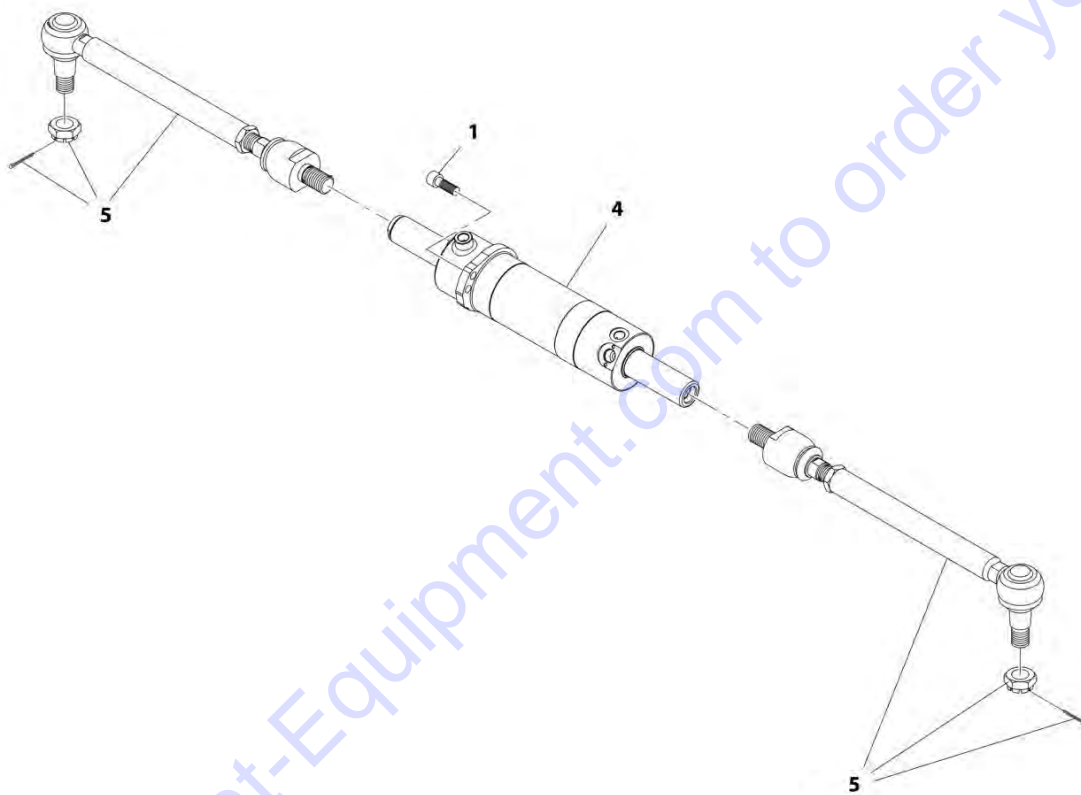
FIGURE 5-30. REAR AXLE - BRAKE (DANA)

ITEM	PART NUMBER	QTY	DESCRIPTION	REV
1	91474568	8	BRAKE DISC	
2	7029786	6	ADJUSTING BOLT	
3	91514165	6	FRICTION SPRING	
4	N.S.S.	2	PISTON, (use 70024525 for replacement)	
5	91514159	6	SPRING	
6	3984436	2	RING, BACK-UP	
7	3984458	2	O-RING	
8	3984447	2	RING, BACK-UP	
9	3984469	2	O-RING	
10	91474569	10	BRAKE DISC	
11	80204281	2	BOLT, BLEEDING	
12	80204117	2	PLUG	
13	70021613	2	PILOT BOLT	
14	70024525	2	PISTON POSITION KIT	
17	91514154	2	PLUG W/SEAL WASHER	
18	91514160	6	ADJUSTING BOLT	

Go to Discount-Equipment.com to order your parts

SECTION 5 - DRIVE TRAIN

FIGURE 5-31. REAR AXLE - STEERING (DANA)



ART_1001147379-6

SECTION 5 - DRIVE TRAIN

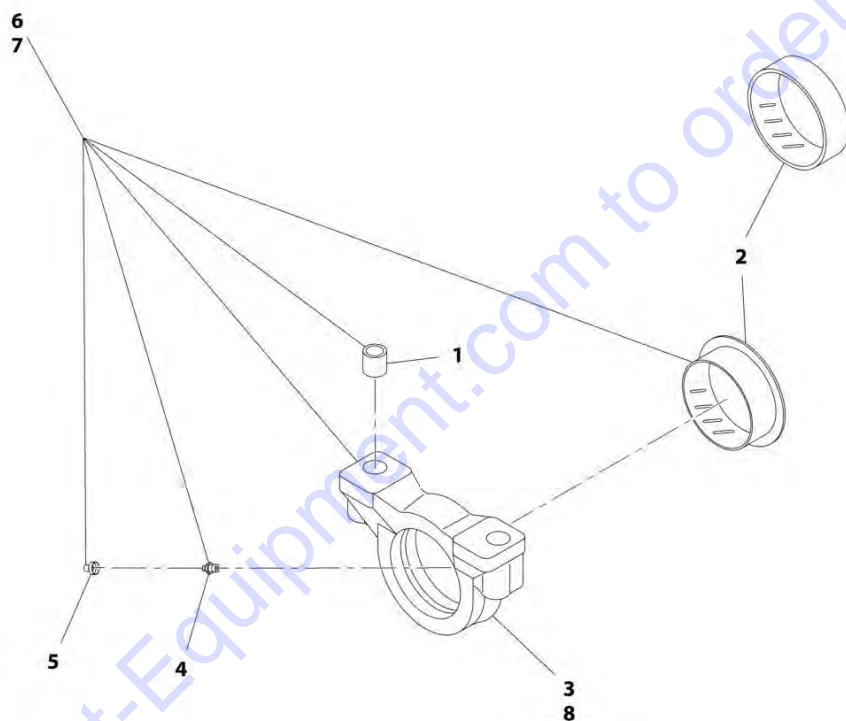
FIGURE 5-31. REAR AXLE - STEERING (DANA)

ITEM	PART NUMBER	QTY	DESCRIPTION	REV
1	91474522	4	CYLINDER BOLT	
4	70026137	1	CYLINDER	
5	70026138	2	BAR	

Go to Discount-Equipment.com to order your parts

SECTION 5 - DRIVE TRAIN

FIGURE 5-32. REAR AXLE - TRUNION (DANA)



ART_1001147379-7

SECTION 5 - DRIVE TRAIN

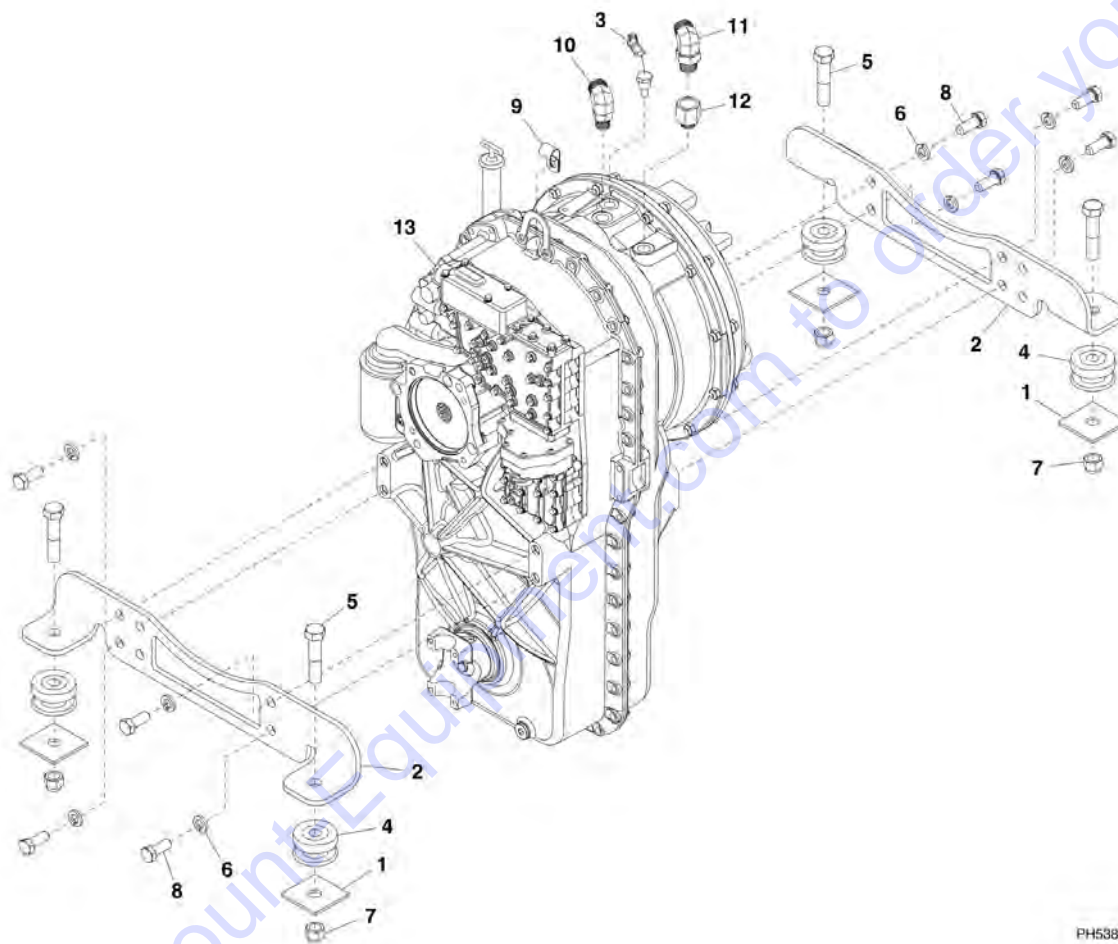
FIGURE 5-32. REAR AXLE - TRUNION (DANA)

ITEM	PART NUMBER	QTY	DESCRIPTION	REV
1	91474516	2	REDUCTION BUSHING	
2	91474515	1	THRUST BUSHING	
3	N.S.S.	1	SUPPORT ASSEMBLY, (use 7029283 for replacement)	
4	91514099	1	GREASE FITTING	
5	80204117	1	PLUG	
6	7029282	1	SUPPORT ASSEMBLY	
7	7029283	1	SUPPORT ASSEMBLY	
8	N.S.S.	1	SUPPORT ASSEMBLY, (use 7029282 for replacement)	

Go to Discount-Equipment.com to order your parts

SECTION 5 - DRIVE TRAIN

FIGURE 5-33. ZF TRANSMISSION INSTALLATION



PH5380

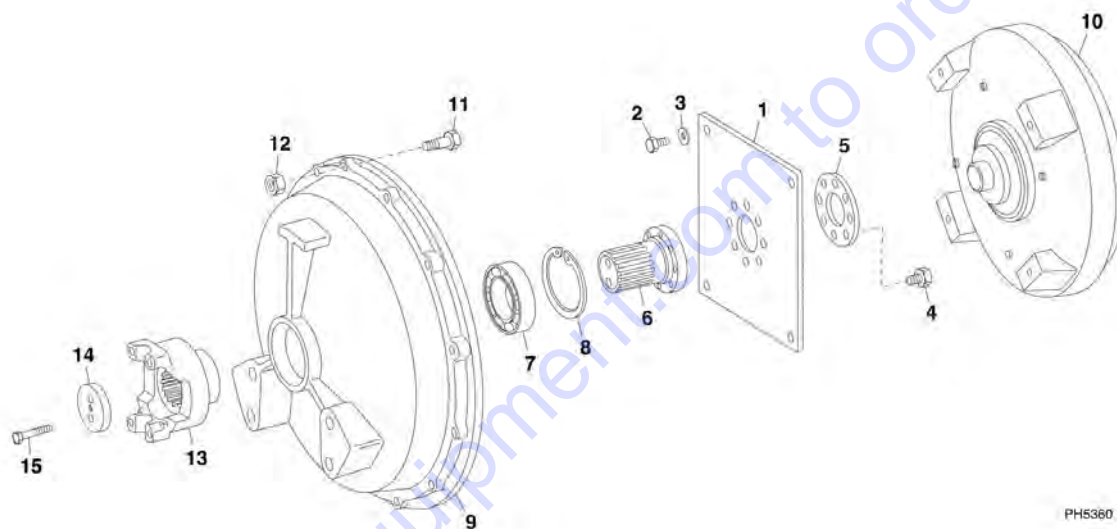
SECTION 5 - DRIVE TRAIN

FIGURE 5-33. ZF TRANSMISSION INSTALLATION

ITEM	PART NUMBER	QTY	DESCRIPTION	REV
	1001108524	Ref	TRANSMISSION INSTALLATION, (not available to order, see items 1 thru 13 for service)	A
1	7054351	4	REBOUND WASHER	
2	7138634	2	TRANSMISSION MOUNT BRACKET	
3	8223232	1	TRANSMISSION TEMPERATURE SWITCH	
4	8278007	4	RUBBER MOUNT	
5	8303724	4	HEX HD CAPSCREW, 3/4-10X3-1/2, (torque to 180-320 ft-lb/244-434 Nm)	
6	8307049	8	LOCKWASHER, M16	
7	8310067	4	HEX LOCK NUT, 3/4-10	
8	8310215	8	HEX HD CAPSCREW, M16X40, GR8.8, (torque to 107-192 lb-ft/145-260 Nm)	
9	8406105	1	TUBE CLIP	
10	2131210	1	ADAPTER, 90, (includes o-ring)	
11	2131212	1	ADAPTER, 90, (includes o-ring)	
12	8760548	1	ADAPTER, STRAIGHT, (includes o-ring)	
13	8841036	1	TRANSMISSION, 4WG98-TC	AA
13		Ref	ENGINE CONNECTION AND CONVERTER, (See ZF TRANSMISSION - ENGINE CONNECTION AND CONVERTER for Breakdown)	
13		Ref	INPUT SHAFTS, (See ZF TRANSMISSION - INPUT SHAFTS for Breakdown)	
13		Ref	GEARBOX HOUSING, (See ZF TRANSMISSION - GEARBOX HOUSING for Breakdown)	
13		Ref	COUPLING GROUP 1, (See ZF TRANSMISSION - COUPLING GROUP 1 for Breakdown)	
13		Ref	COUPLING GROUP 2, (See ZF TRANSMISSION - COUPLING GROUP 2 for Breakdown)	
13		Ref	COUPLING GROUP 3, (See ZF TRANSMISSION - COUPLING GROUP 3 for Breakdown)	
13		Ref	COUPLING GROUP 4, (See ZF TRANSMISSION - COUPLING GROUP 4 for Breakdown)	
13		Ref	REVERSING GEAR GROUP 1, (See ZF TRANSMISSION - REVERSING GEAR GROUP 1 for Breakdown)	
13		Ref	REVERSING GEAR GROUP 2, (See ZF TRANSMISSION - REVERSING GEAR GROUP 2 for Breakdown)	
13		Ref	OUTPUT, (See ZF TRANSMISSION - OUTPUT for Breakdown)	
13		Ref	CONTROL UNIT, (See ZF TRANSMISSION - CONTROL UNIT for Breakdown)	
13		Ref	VALVE HOUSING ASSY, (See ZF TRANSMISSION - VALVE HOUSING ASSEMBLY for Breakdown)	
13		Ref	VALVE BLOCK ASSY, (See ZF TRANSMISSION - VALVE BLOCK ASSEMBLY for Breakdown)	
13		Ref	OIL PUMP AND FILTER, (See ZF TRANSMISSION - OIL PUMP AND FILTER for Breakdown)	

SECTION 5 - DRIVE TRAIN

FIGURE 5-34. ZF TRANSMISSION - ENGINE CONNECTION AND CONVERTER



SECTION 5 - DRIVE TRAIN

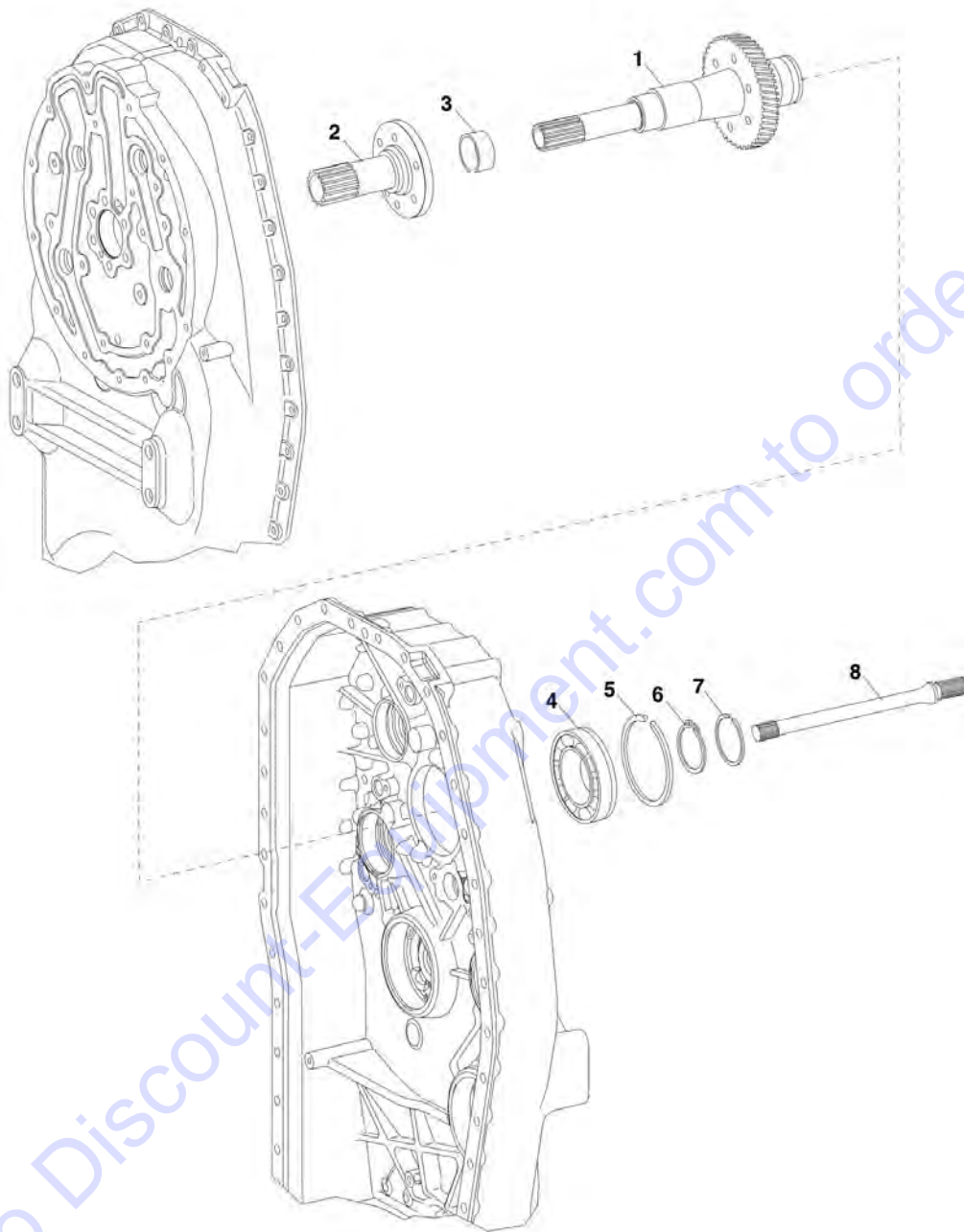
FIGURE 5-34. ZF TRANSMISSION - ENGINE CONNECTION AND CONVERTER

ITEM	PART NUMBER	QTY	DESCRIPTION	REV
1	1319203	1	DIAPHRAGM	
2	1319204	4	HEX HD CAPSCREW, M10X18mm	
3	10732095	4	WASHER, 10.5	
4	10731702	8	HEX HD CAPSCREW, M10X16mm	
5	1319213	1	WASHER	
6	70023482	1	INPUT SHAFT	
7	1319209	1	BALL BEARING	
8	1319210	1	RETAINING RING	
9	8036021	1	COVER	
10	8036022	1	CONVERTER	
11	10731748	12	HEX HD CAPSCREW, M10X45mm	
12	10731751	12	HEX NUT, M10	
13	1319211	1	END YOKE	
14	1319205	1	WASHER	
15	70023483	2	HEX HD CAPSCREW	

Go to Discount-Equipment.com to order your parts

SECTION 5 - DRIVE TRAIN

FIGURE 5-35. ZF TRANSMISSION - INPUT SHAFTS



PA3130

SECTION 5 - DRIVE TRAIN

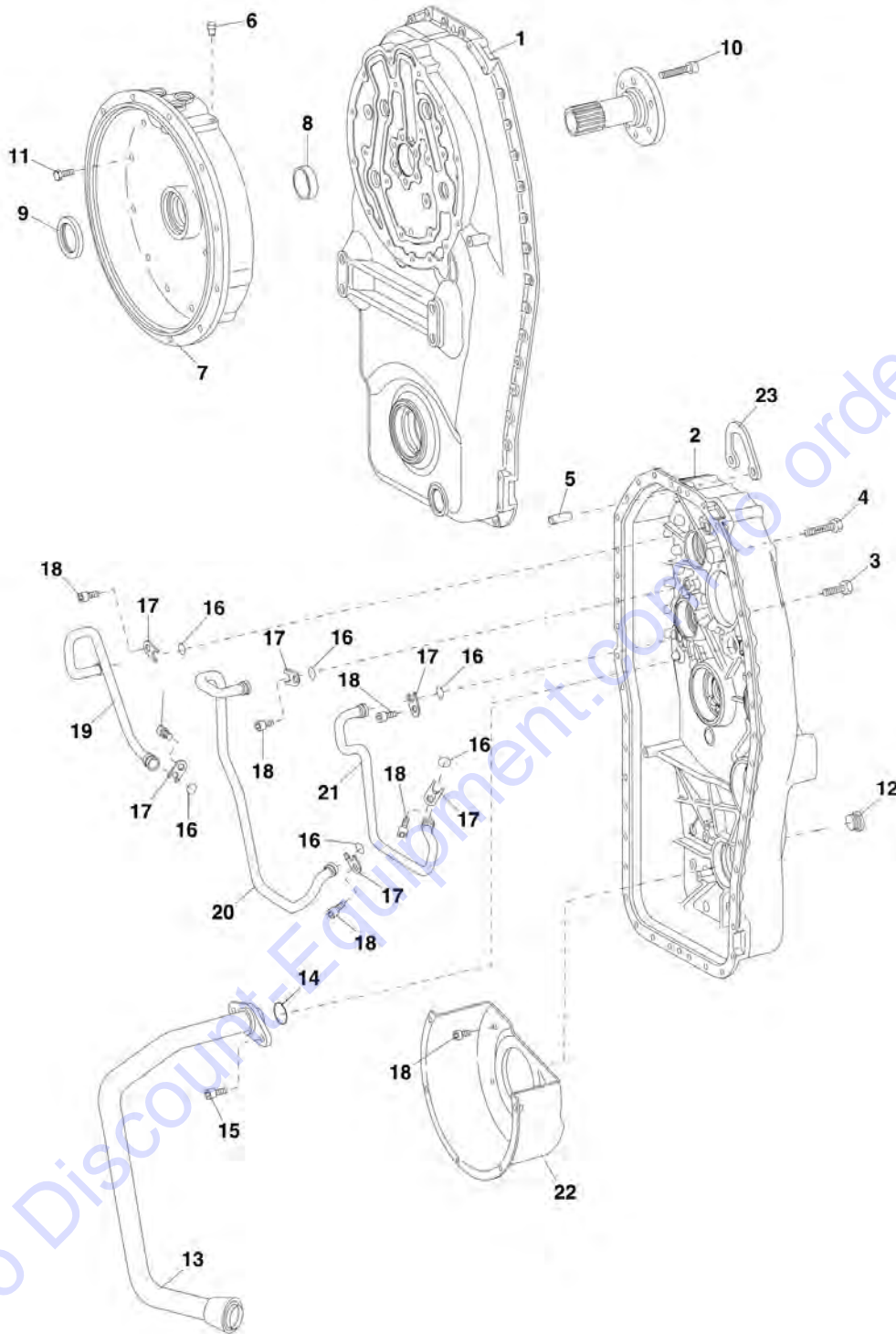
FIGURE 5-35. ZF TRANSMISSION - INPUT SHAFTS

ITEM	PART NUMBER	QTY	DESCRIPTION	REV
1	8036023	1	TURBINE SHAFT	
2	1319557	1	STATOR SHAFT	
3	1319558	1	BEARING BUSHING	
4	1319563	1	BALL BEARING	
5	10731913	1	SNAP RING	
6	80304405	1	RETAINING RING, 55X2.00	
7	1319565	1	PISTON RING, 55X3.00	
8	1319566	1	CENTRAL SHAFT	

Go to Discount-Equipment.com to order your parts

SECTION 5 - DRIVE TRAIN

FIGURE 5-36. ZF TRANSMISSION - GEARBOX HOUSING



PA3140

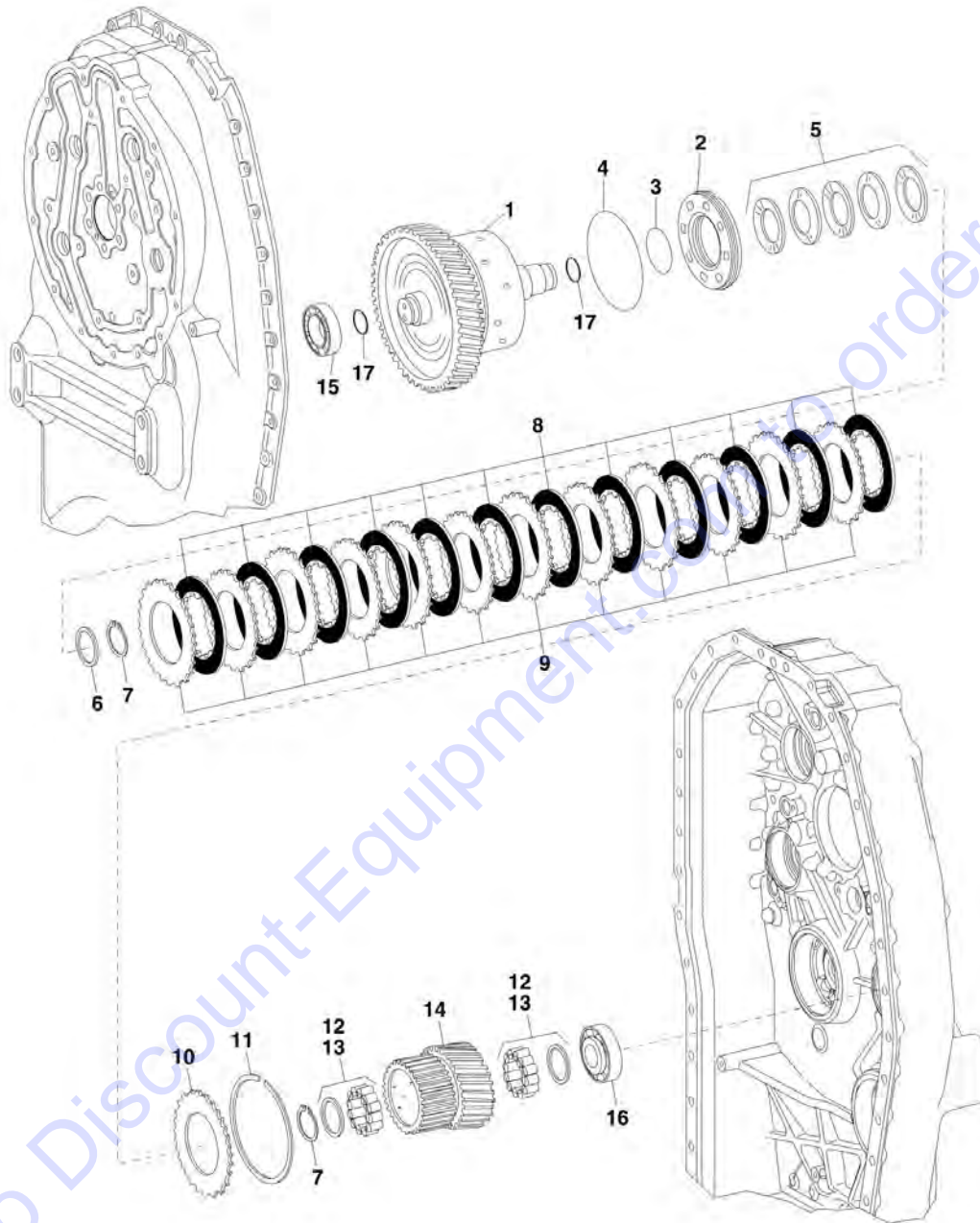
SECTION 5 - DRIVE TRAIN

FIGURE 5-36. ZF TRANSMISSION - GEARBOX HOUSING

ITEM	PART NUMBER	QTY	DESCRIPTION	REV
1	8036024	1	HOUSING I	
2	8036025	1	HOUSING II	
3	1319569	36	HEX HD CAPSCREW, M10X30mm	
4	1319570	6	HEX HD CAPSCREW, M10X50mm	
5	1319571	2	CYLINDRICAL PIN, M6X24mm	
6	10731744	1	BREATHER	
7	1319574	1	CONVERTER BELL	
8	1319575	1	BEARING BUSHING	
9	1319576	1	SHAFT SEAL	
10	1319577	6	SOCKET HD CAPSCREW, M10X50mm	
11	1319569	23	HEX HD CAPSCREW, M10X30mm	
12	1319578	1	DRAIN PLUG, 7/8-14	
13	8036026	1	OIL SUCTION PIPE	
14	1319581	1	O-RING, 30X3.00	
15	1319582	2	SOCKET HD CAPSCREW, M8X20mm	
16	1319583	6	O-RING, 14X2.00	
17	1319584	6	FIXING PLATE	
18	1319585	11	SOCKET HD CAPSCREW, M8X16mm	
19	1319586	1	PIPE	
20	1319587	1	PIPE	
21	8036027	1	PIPE	
22	8036028	1	SCREEN SHEET	
23	1319590	1	BRACKET	

SECTION 5 - DRIVE TRAIN

FIGURE 5-37. ZF TRANSMISSION - COUPLING GROUP 1



PA3150

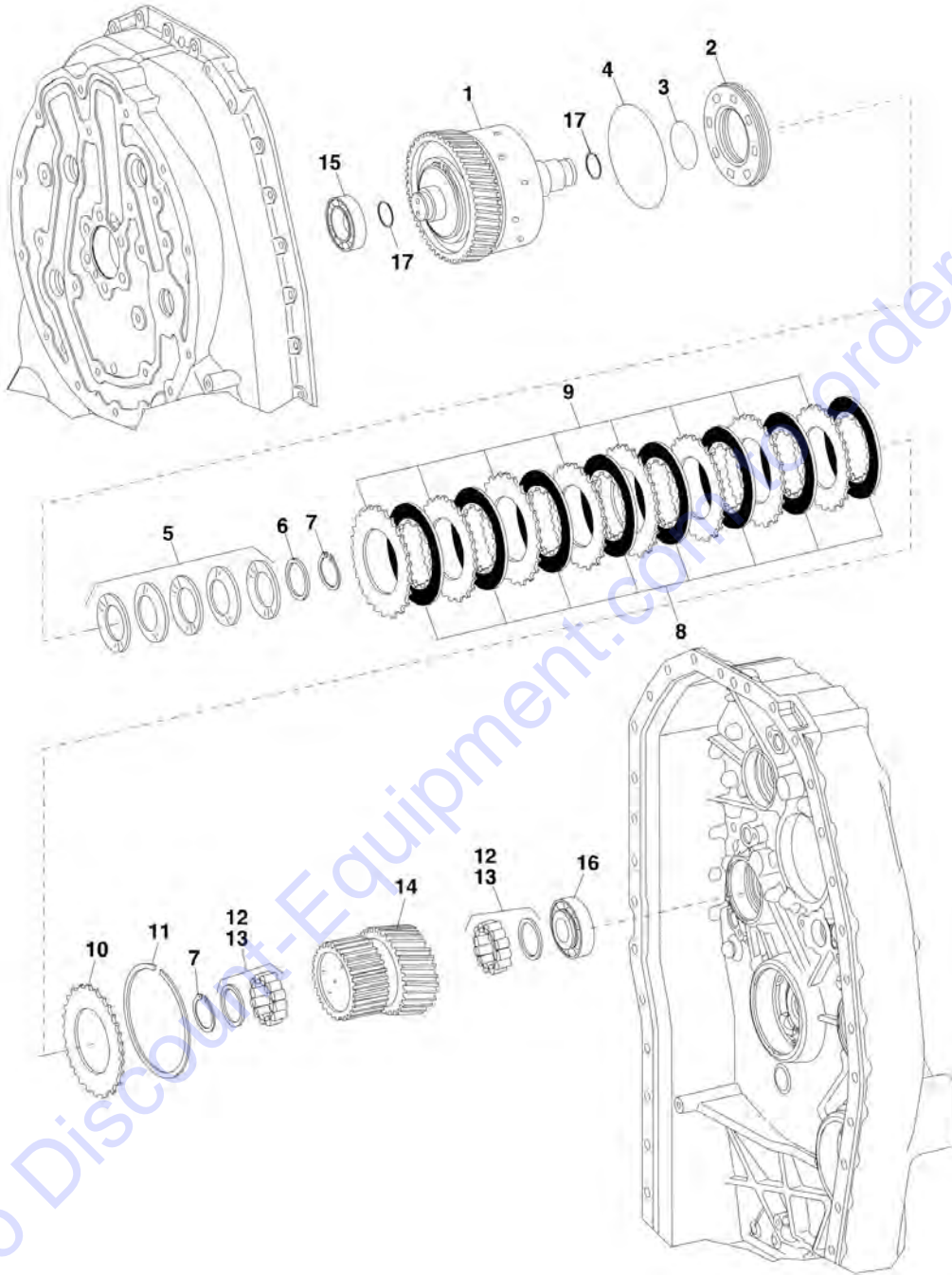
SECTION 5 - DRIVE TRAIN

FIGURE 5-37. ZF TRANSMISSION - COUPLING GROUP 1

ITEM	PART NUMBER	QTY	DESCRIPTION	REV
1	1319591	1	COUPLING	
2	1319592	1	PISTON	
3	1319593	1	O-RING, 52X3.00	
4	1319594	1	O-RING, 115X3.00	
5	1319595	5	CUP SPRING	
6	1319596	1	SHIM, 2.00	
7	10731845	2	RETAINING RING, 40X1.75	
8	7026758	12	LIN. CLUTCH DISC	
9	7026759	12	O. CLUTCH DISC	
10	7026760	1	SHIM, END	
11	1319600	1	SNAP RING, 4.00	
11	1319601	1	SNAP RING, 3.50	
11	1319602	1	SNAP RING, 3.00	
11	1319603	1	SNAP RING, 2.50	
11	1319604	1	SNAP RING, 2.00	
12	1319605	2	ROLLER CAGE	
13	1319606	2	ROLLER CAGE	
14	1319607	1	DISC CARRIER	
15	1319608	1	ROLLER BEARING	
16	1319609	1	ROLLER BEARING	
16	1319610	1	ROLLER BEARING	
16	1319611	1	ROLLER BEARING	
17	1319612	2	PISTON RING, 30X2.00	

SECTION 5 - DRIVE TRAIN

FIGURE 5-38. ZF TRANSMISSION - COUPLING GROUP 2



PA3160

PARTS FINDER

**Search Website
by Part Number**



**Search Manual
Library For Parts
Manual & Lookup Part
Numbers – Purchase
or Request Quote**

**Can't Find Part or
Manual? Request Help
by Manufacturer,
Model & Description**

Discount-Equipment.com is your online resource for quality parts & equipment.

Florida: **561-964-4949** Outside Florida TOLL FREE: **877-690-3101**

Need parts?

Click on this link: <http://www.discount-equipment.com/category/5443-parts/> and choose one of the options to help get the right parts and equipment you are looking for. Please have the machine model and serial number available in order to help us get you the correct parts. If you don't find the part on the website or on one of the online manuals, please fill out the request form and one of our experienced staff members will get back to you with a quote for the right part that your machine needs.

We sell worldwide for the brands: Genie, Terex, JLG, MultiQuip, Mikasa, Essick, Whiteman, Mayco, Toro Stone, Diamond Products, Generac Magnum, Airman, Haulotte, Barreto, Power Blanket, Nifty Lift, Atlas Copco, Chicago Pneumatic, Allmand, Miller Curber, Skyjack, Lull, Skytrak, Tsurumi, Husquvarna Target, Stow, Wacker, Sakai, Mi-T-M, Sullair, Basic, Dynapac, MBW, Weber, Bartell, Bennar Newman, Haulotte, Ditch Runner, Menegotti, Morrison, Contec, Buddy, Crown, Edco, Wyco, Bomag, Laymor, EZ Trench, Bil-Jax, F.S. Curtis, Gehl Pavers, Heli, Honda, ICS/PowerGrit, IHI, Partner, Imer, Clipper, MMD, Koshin, Rice, CH&E, General Equipment, Amida, Coleman, NAC, Gradall, Square Shooter, Kent, Stanley, Tamco, Toku, Hatz, Kohler, Robin, Wisconsin, Northrock, Oztec, Toker TK, Rol-Air, APT, Wylie, Ingersoll Rand / Doosan, Innovatech, Con X, Ammann, Mecalac, Makinex, Smith Surface Prep, Small Line, Wanco, Yanmar

SECTION 5 - DRIVE TRAIN

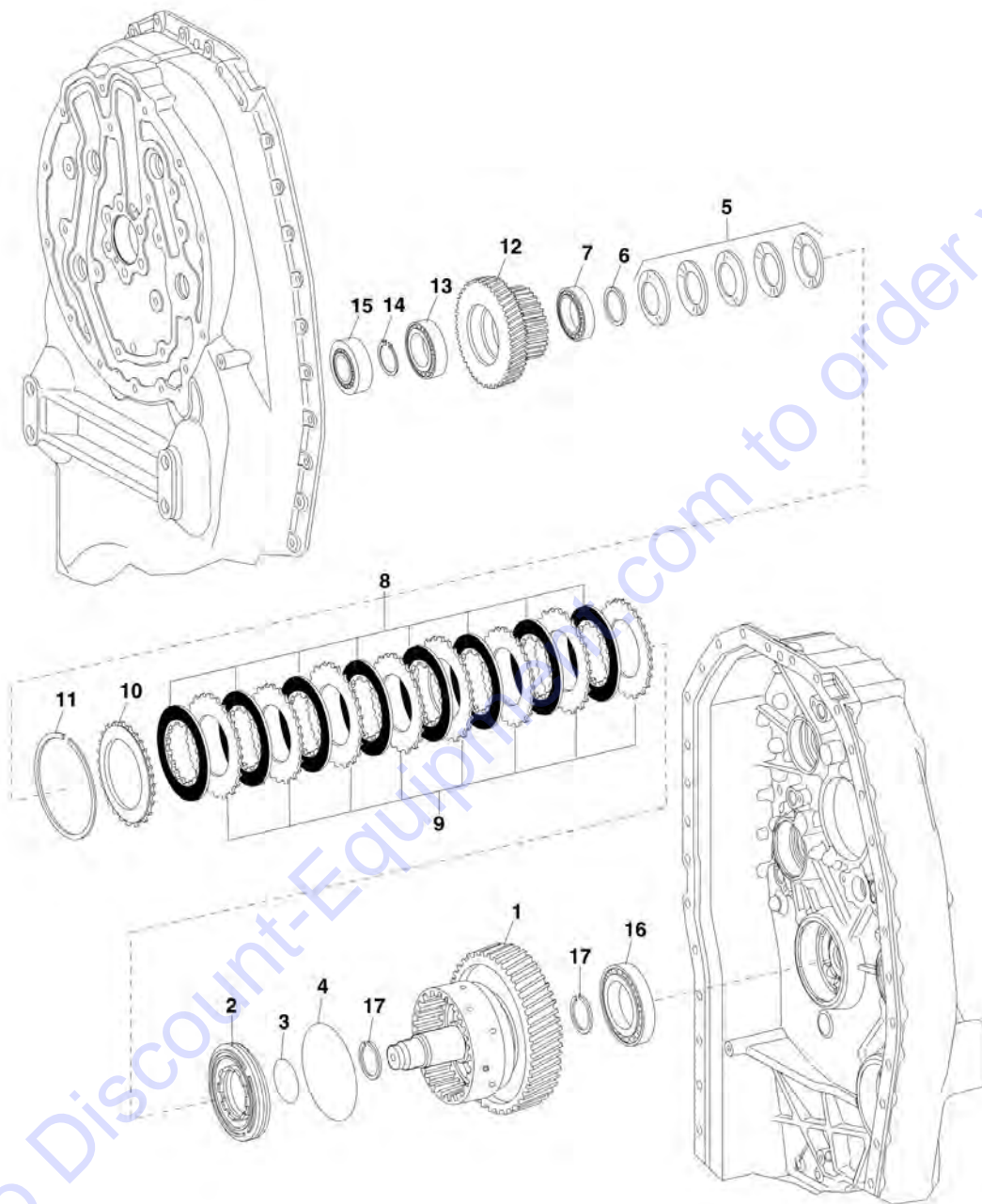
FIGURE 5-38. ZF TRANSMISSION - COUPLING GROUP 2

ITEM	PART NUMBER	QTY	DESCRIPTION	REV
1	1319613	1	COUPLING	
2	8036029	1	PISTON	
3	1319593	1	O-RING, 52X3.00	
4	1319594	1	O-RING, 115X3.00	
5	1319595	5	CUP SPRING	
6	1319596	1	SHIM, 2.00	
7	10731845	2	RETAINING RING, 40X1.75	
8	7026758	8	LIN. CLUTCH DISC	
9	7026759	8	O. CLUTCH DISC	
10	7026760	1	END SHIM	
11	1319600	1	SNAP RING, 4.00	
11	1319601	1	SNAP RING, 3.50	
11	1319602	1	SNAP RING, 3.00	
11	1319603	1	SNAP RING, 2.50	
11	1319604	1	SNAP RING, 2.00	
12	1319605	2	ROLLER CAGE	
13	1319606	2	ROLLER CAGE	
14	1319614	1	DISC CARRIER	
15	1319615	1	ROLLER BEARING	
16	8036190	1	ROLLER BEARING ASSY	
16	7029532	1	OUTER RING	
16	7029533	1	INNER RING	
17	1319612	2	PISTON RING, 30X2.00	

Go to Discount-Equipment.com to order your parts

SECTION 5 - DRIVE TRAIN

FIGURE 5-39. ZF TRANSMISSION - COUPLING GROUP 3



PA3170

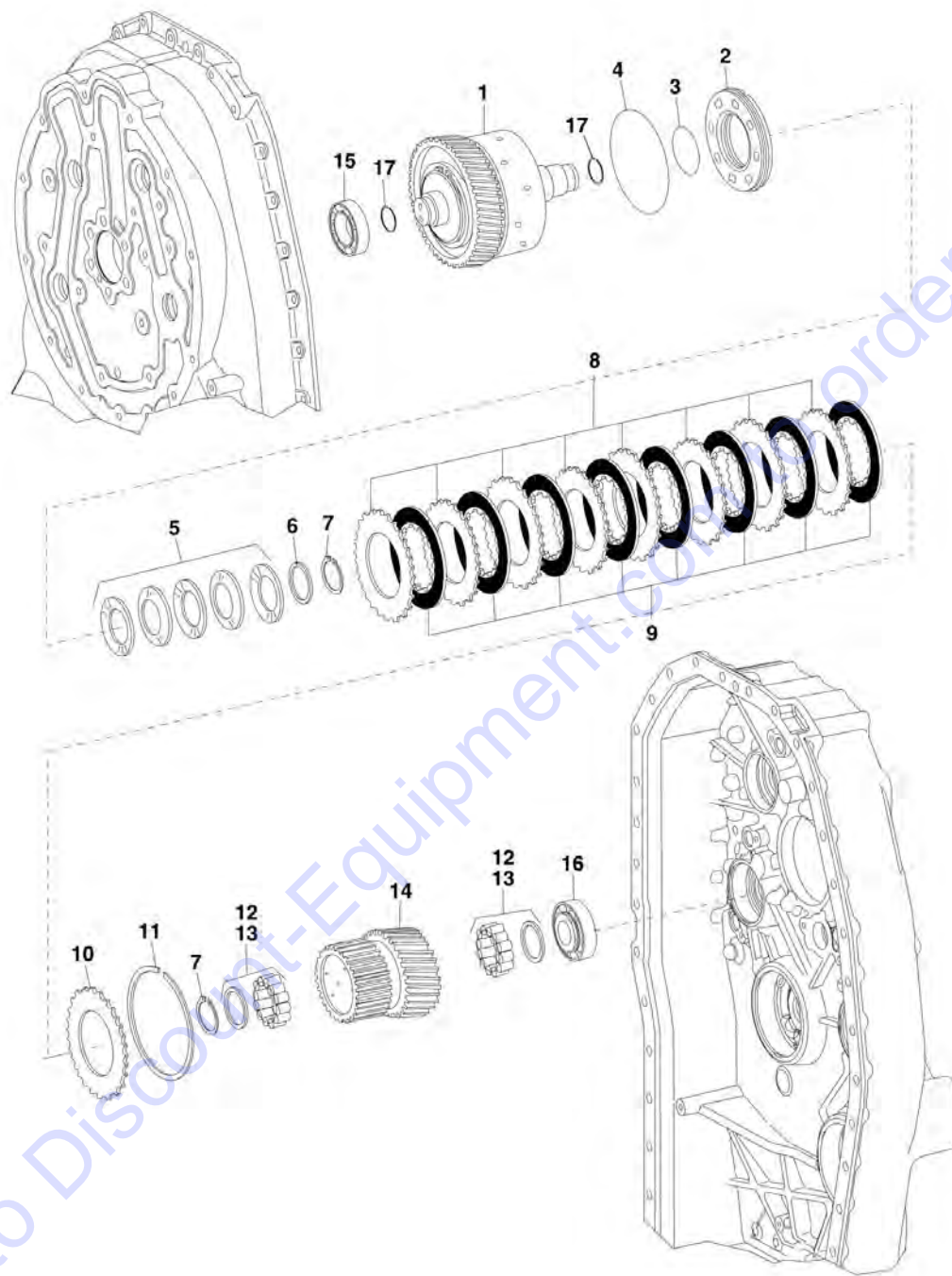
SECTION 5 - DRIVE TRAIN

FIGURE 5-39. ZF TRANSMISSION - COUPLING GROUP 3

ITEM	PART NUMBER	QTY	DESCRIPTION	REV
1	1319616	1	COUPLING	
2	8036029	1	PISTON	
3	1319593	1	O-RING, 52X3.00	
4	1319594	1	O-RING, 115X3.00	
5	1319595	5	CUP SPRING	
6	1319617	1	SUPPORT SHIM	
7	1319618	1	ROLLER BEARING	
8	7026758	8	LIN. CLUTCH DISC	
9	7026759	8	O. CLUTCH DISC	
10	7026760	1	END SHIM	
11	1319600	1	SNAP RING, 4.00	
11	1319601	1	SNAP RING, 3.50	
11	1319602	1	SNAP RING, 3.00	
11	1319603	1	SNAP RING, 2.50	
11	1319604	1	SNAP RING, 2.00	
12	1319619	1	DISC CARRIER	
13	1319620	1	ROLLER BEARING	
14	1319621	1	RETAINING RING, 3.20	
14	1319622	1	RETAINING RING, 3.10	
14	1319623	1	RETAINING RING, 3.00	
14	1319624	1	RETAINING RING, 2.90	
14	1319625	1	RETAINING RING, 2.80	
14	1319626	1	RETAINING RING, 2.70	
14	1319627	1	RETAINING RING, 2.60	
14	1319628	1	RETAINING RING, 38X2.50	
14	1319629	1	RETAINING RING, 38X2.40	
14	1319630	1	RETAINING RING, 38X2.30	
14	1319631	1	RETAINING RING, 38X2.20	
14	1319632	1	RETAINING RING, 38X2.10	
15	8036190	1	ROLLER BEARING ASSY	
15	7029532	1	OUTER RING	
15	7029533	1	INNER RING	
16	1319633	1	ROLLER BEARING	
17	1319612	2	PISTON RING, 30X2.00	

SECTION 5 - DRIVE TRAIN

FIGURE 5-40. ZF TRANSMISSION - COUPLING GROUP 4



PA3180

SECTION 5 - DRIVE TRAIN

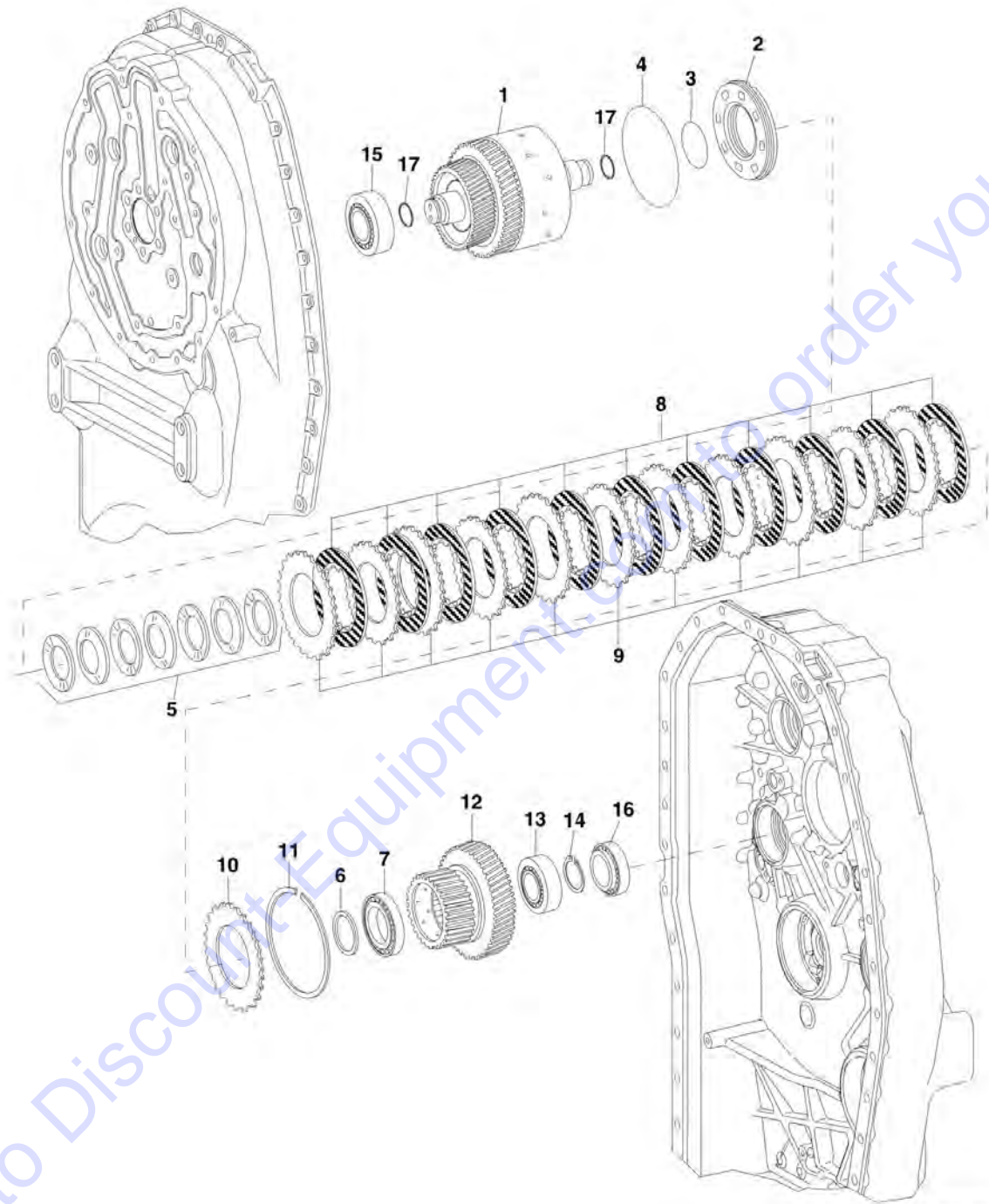
FIGURE 5-40. ZF TRANSMISSION - COUPLING GROUP 4

ITEM	PART NUMBER	QTY	DESCRIPTION	REV
1	1319634	1	COUPLING	
2	8036029	1	PISTON	
3	1319593	1	O-RING	
4	1319594	1	O-RING	
5	1319595	5	CUP SPRING	
6	1319596	1	SHIM, 2.00	
7	10731845	2	RETAINING RING	
8	7026758	8	LIN. CLUTCH DISC	
9	7026759	8	O. CLUTCH DISC	
10	7026760	1	END SHIM	
11	1319600	1	SNAP RING, 4.00	
11	1319601	1	SNAP RING, 3.50	
11	1319602	1	SNAP RING, 3.00	
11	1319603	1	SNAP RING, 2.50	
11	1319604	1	SNAP RING, 2.00	
12	1319605	2	ROLLER CAGE	
13	1319606	2	ROLLER CAGE	
14	1319635	1	DISC CARRIER	
15	1319615	1	ROLLER BEARING	
16	1319636	1	ROLLER BEARING	
17	1319612	2	PISTON RING, 30X2.00	

Go to Discount-Equipment.com to order your parts

SECTION 5 - DRIVE TRAIN

FIGURE 5-41. ZF TRANSMISSION - REVERSING GEAR GROUP 1



PA3190

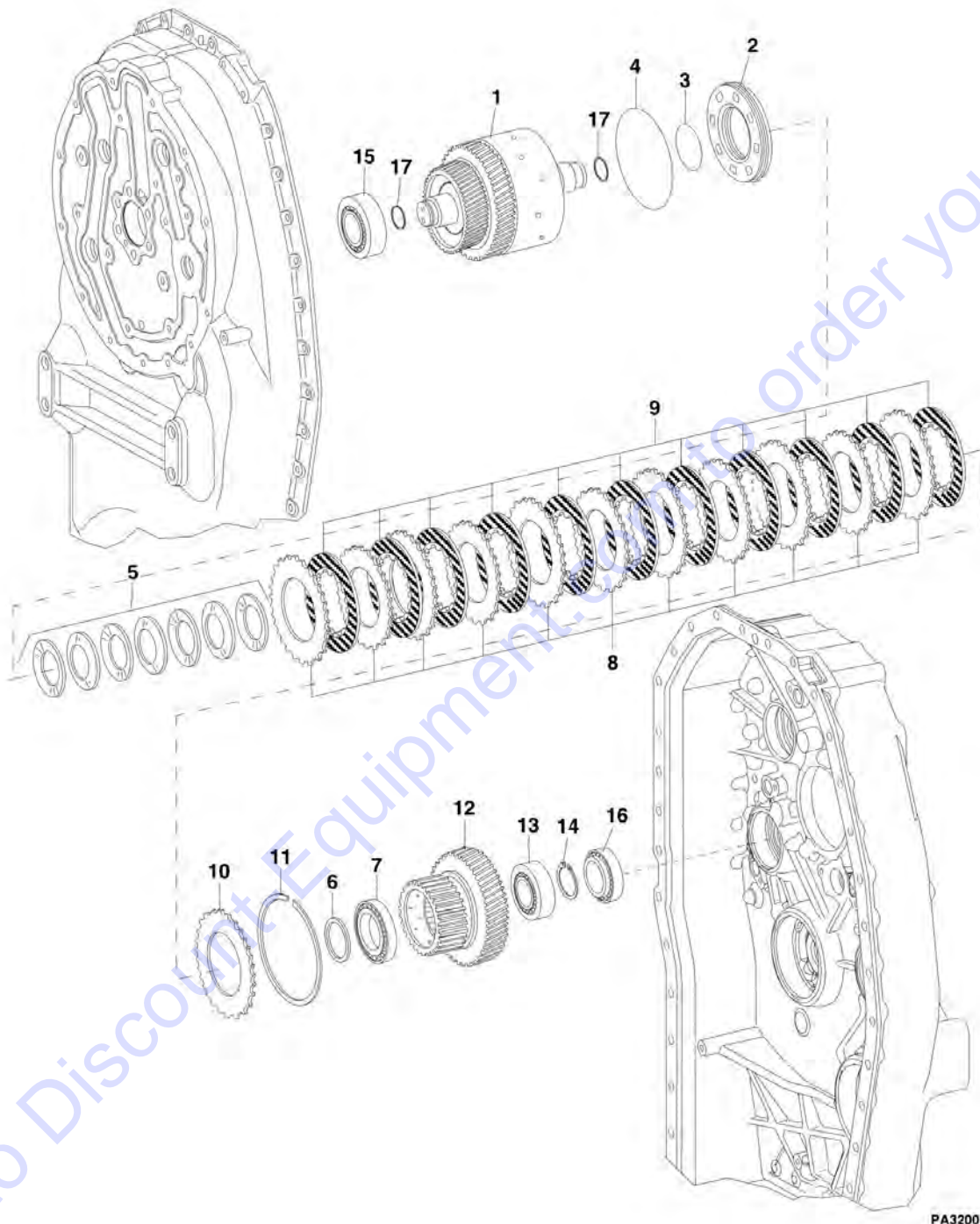
SECTION 5 - DRIVE TRAIN

FIGURE 5-41. ZF TRANSMISSION - REVERSING GEAR GROUP 1

ITEM	PART NUMBER	QTY	DESCRIPTION	REV
1	1319637	1	COUPLING	
2	8036029	1	PISTON	
3	1319593	1	O-RING	
4	1319594	1	O-RING	
5	1319595	7	CUP SPRING	
6	1319617	1	SUPPORT SHIM	
7	1319618	1	ROLLER BEARING	
8	7026758	11	LIN. CLUTCH DISC	
9	7026759	11	O. CLUTCH DISC	
10	7026760	1	END SHIM	
11	1319600	1	SNAP RING, 4.00	
11	1319601	1	SNAP RING, 3.50	
11	1319602	1	SNAP RING, 3.00	
11	1319603	1	SNAP RING, 2.50	
11	1319604	1	SNAP RING, 2.00	
12	1319638	1	DISC CARRIER	
13	1319620	1	ROLLER BEARING	
14	1319621	1	RETAINING RING, 3.20	
14	1319622	1	RETAINING RING, 3.10	
14	1319623	1	RETAINING RING, 3.00	
14	1319624	1	RETAINING RING, 2.90	
14	1319625	1	RETAINING RING, 2.80	
14	1319626	1	RETAINING RING, 2.70	
14	1319627	1	RETAINING RING, 2.60	
14	1319628	1	RETAINING RING, 2.50	
14	1319629	1	RETAINING RING, 2.40	
14	1319630	1	RETAINING RING, 2.30	
14	1319631	1	RETAINING RING, 2.20	
14	1319632	1	RETAINING RING, 2.10	
15	1319615	1	ROLLER BEARING	
16	1319636	1	ROLLER BEARING	
17	1319612	2	PISTON RING, 30X2.00	

SECTION 5 - DRIVE TRAIN

FIGURE 5-42. ZF TRANSMISSION - REVERSING GEAR GROUP 2



PA3200

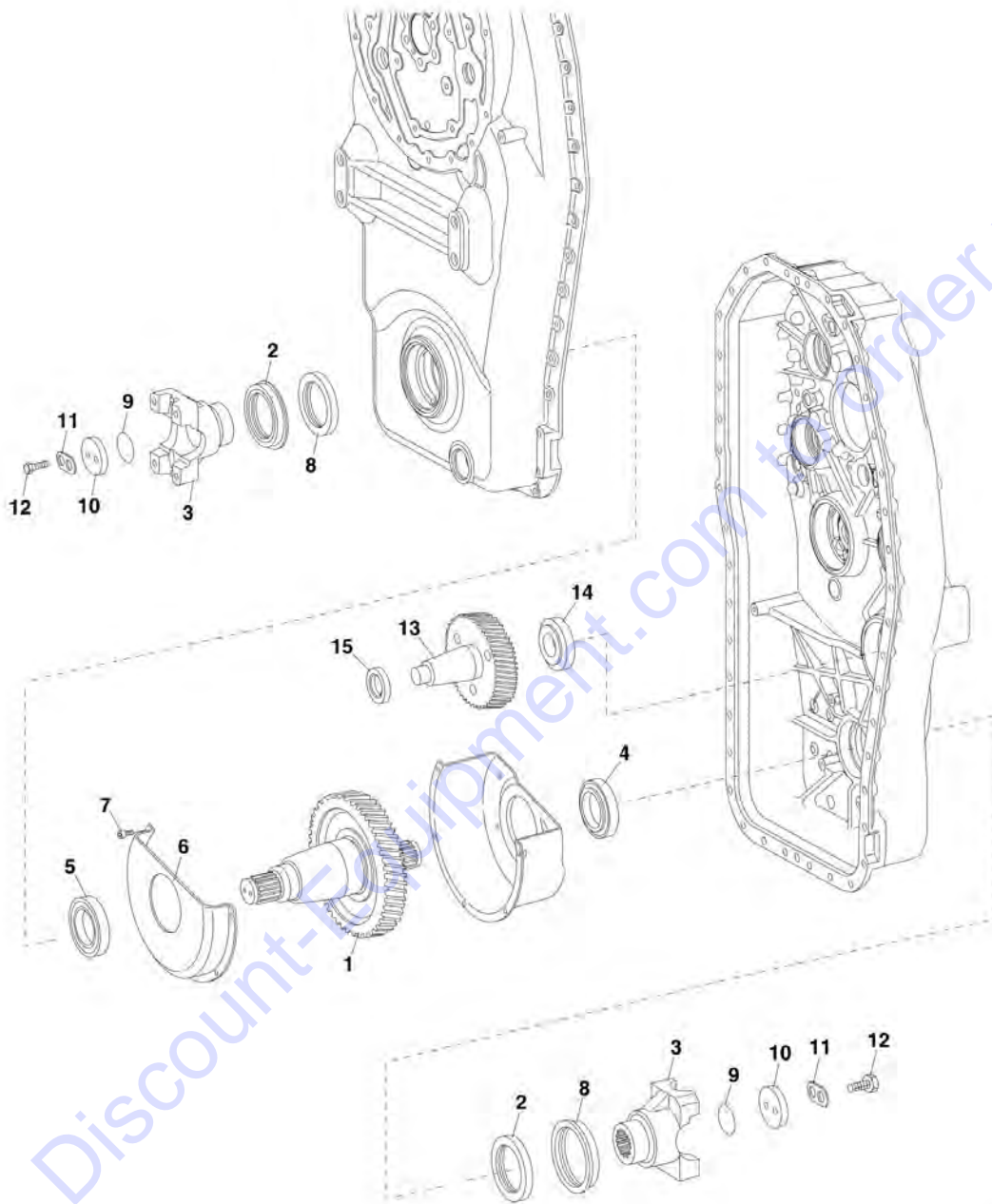
SECTION 5 - DRIVE TRAIN

FIGURE 5-42. ZF TRANSMISSION - REVERSING GEAR GROUP 2

ITEM	PART NUMBER	QTY	DESCRIPTION	REV
1	1319639	1	COUPLING	
2	8036029	1	PISTON	
3	1319593	1	O-RING	
4	1319594	1	O-RING	
5	1319595	7	CUP SPRING	
6	1319617	1	SUPPORT SHIM	
7	1319618	1	ROLLER BEARING	
8	7026758	11	LIN. CLUTCH DISC	
9	7026759	11	O. CLUTCH DISC	
10	7026760	1	END SHIM	
11	1319600	1	SNAP RING, 4.00	
11	1319601	1	SNAP RING, 3.50	
11	1319602	1	SNAP RING, 3.00	
11	1319603	1	SNAP RING, 2.50	
11	1319604	1	SNAP RING, 2.00	
12	1319638	1	DISC CARRIER	
13	1319620	1	ROLLER BEARING	
14	1319621	1	RETAINING RING, 3.20	
14	1319622	1	RETAINING RING, 3.10	
14	1319623	1	RETAINING RING, 3.00	
14	1319624	1	RETAINING RING, 2.90	
14	1319625	1	RETAINING RING, 2.80	
14	1319626	1	RETAINING RING, 2.70	
14	1319627	1	RETAINING RING, 2.60	
14	1319628	1	RETAINING RING, 2.50	
14	1319629	1	RETAINING RING, 2.40	
14	1319630	1	RETAINING RING, 2.30	
14	1319631	1	RETAINING RING, 2.20	
14	1319632	1	RETAINING RING, 2.10	
15	1319608	1	ROLLER BEARING	
16	1319636	1	ROLLER BEARING	
17	1319612	2	PISTON RING, 30X2.00	

SECTION 5 - DRIVE TRAIN

FIGURE 5-43. ZF TRANSMISSION - OUTPUT



PA3210

SECTION 5 - DRIVE TRAIN

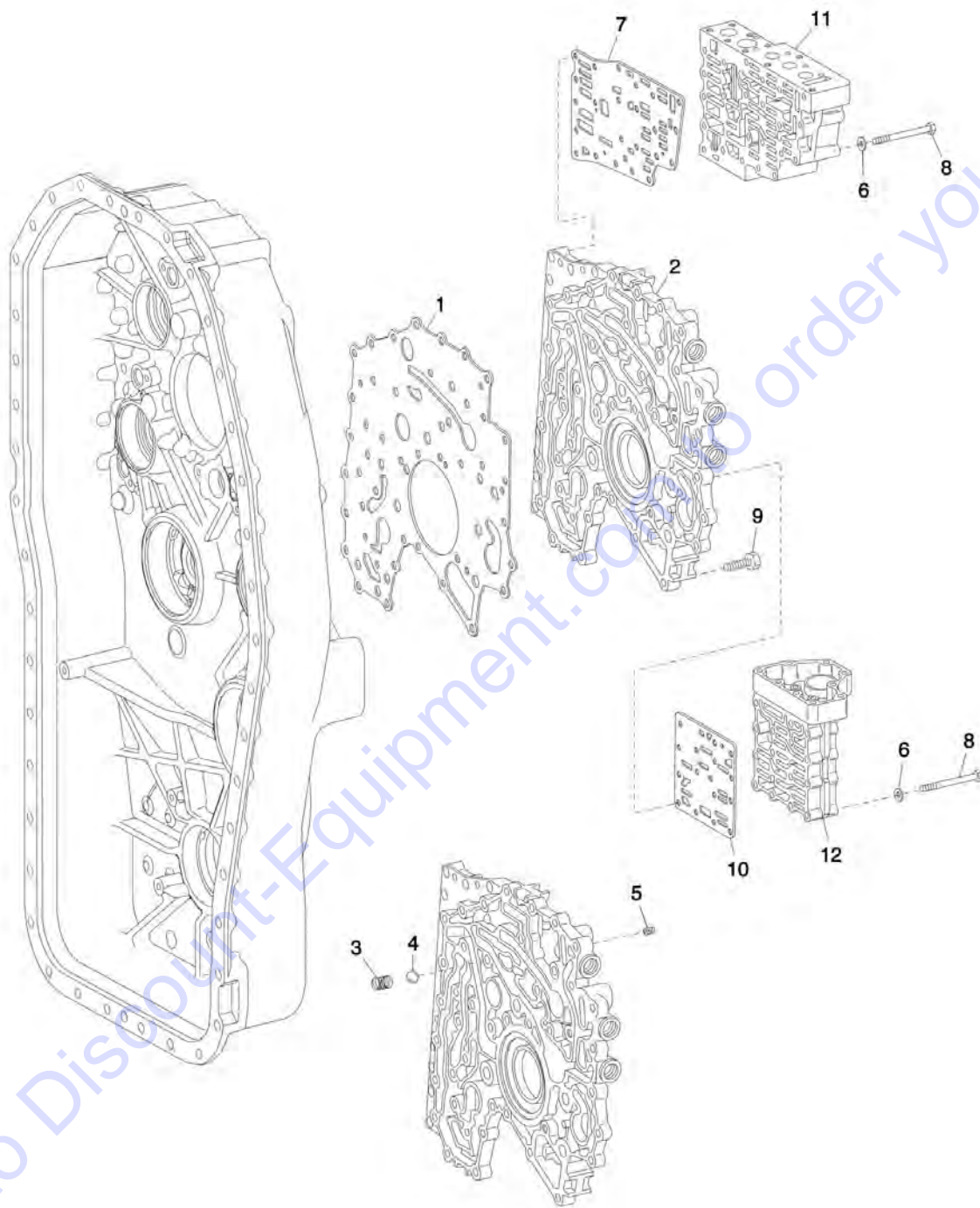
FIGURE 5-43. ZF TRANSMISSION - OUTPUT

ITEM	PART NUMBER	QTY	DESCRIPTION	REV
1	8036030	1	OUTPUT SHAFT	
2	1319641	2	SHAFT SEAL	
3	7027273	2	OUTPUT FLANGE	
4	N.S.S.	1	ROLLER BEARING ASSY	
4	70020430	1	CUP	
4	70020431	1	CONE	
5	1319643	1	ROLLER BEARING	
6	8036031	1	SCREEN SHEET	
7	1319646	5	HEX HD CAPSCREW, M6X10mm	
8	1319647	2	SCREEN SHEET	
9	10839156	2	O-RING	
10	1319648	2	WASHER 10.00	
11	1319649	2	TAB WASHER	
12	10731959	4	HEX HD CAPSCREW, M8X25mm	
13	8036032	1	INTERMEDIATE SHAFT	
14	1319633	1	ROLLER BEARING	
15	8036190	1	ROLLER BEARING ASSY	
15	7029532	1	OUTER RING	
15	7029533	1	INNER RING	

Go to Discount-Equipment.com to order your parts

SECTION 5 - DRIVE TRAIN

FIGURE 5-44. ZF TRANSMISSION - CONTROL UNIT



SECTION 5 - DRIVE TRAIN

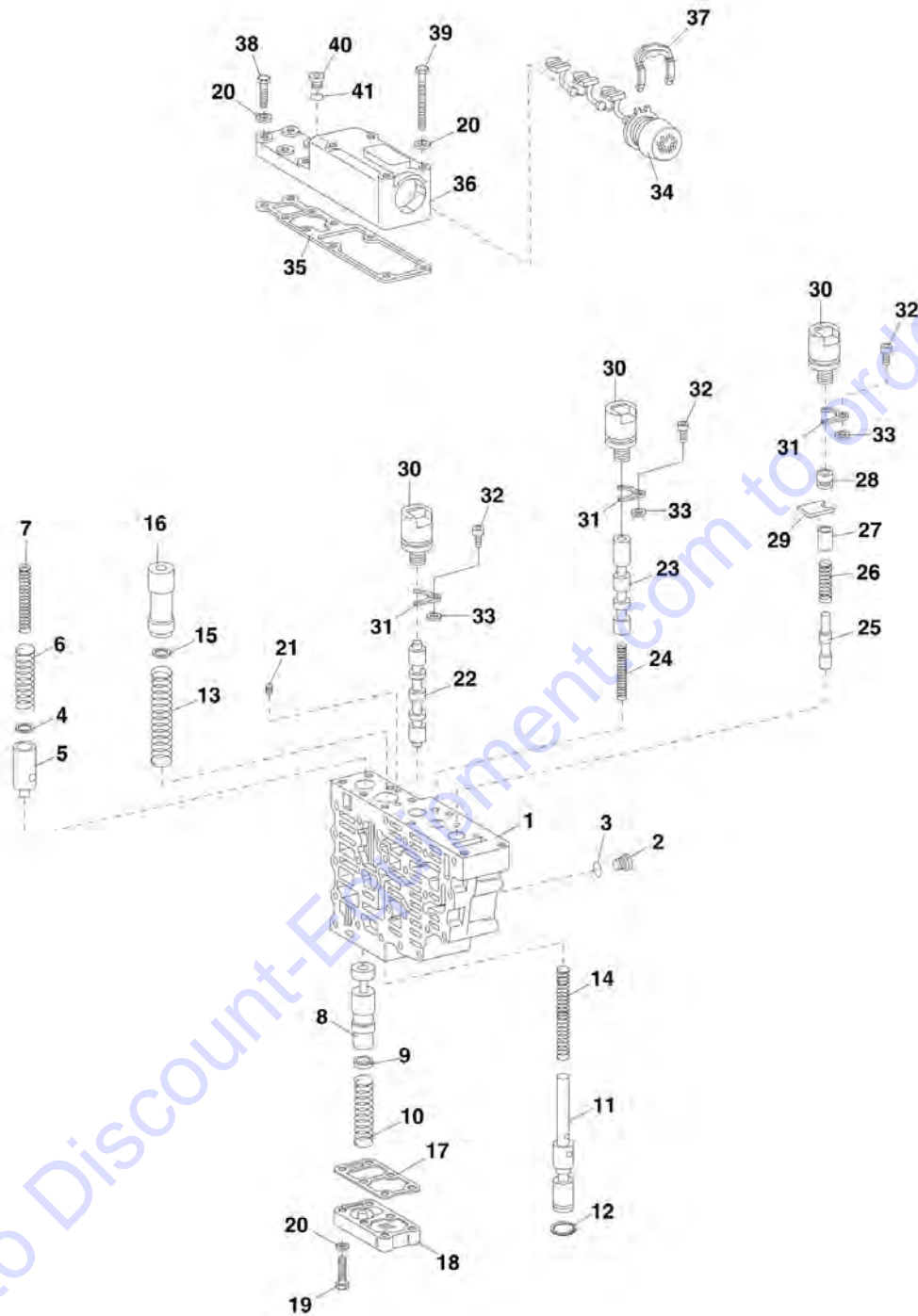
FIGURE 5-44. ZF TRANSMISSION - CONTROL UNIT

ITEM	PART NUMBER	QTY	DESCRIPTION	REV
1	1319650	1	GASKET	
2	8036033	1	DUCT PLATE	
3	10732072	1	COMPRESSION SPRING	
4	10732071	1	BALL	
5	1319652	1	ORIFICE	
6	1319661	19	WASHER, 6.4	
7	70020425	1	INTERM. SHEET	
8	7029037	19	HEX HD CAPSCREW, M6X60MM	
9	1319659	43	TORX SCREW, M8X30mm	
10	70020426	1	INTERM. SHEET	
11		Ref	VALVE HOUSING, (See ZF TRANSMISSION - VALVE HOUSING ASSEMBLY for Breakdown)	
12		Ref	VALVE BLOCK, (See ZF TRANSMISSION - VALVE BLOCK ASSEMBLY for Breakdown)	

Go to Discount-Equipment.com to order your parts

SECTION 5 - DRIVE TRAIN

FIGURE 5-45. ZF TRANSMISSION - VALVE HOUSING ASSEMBLY



PA3230

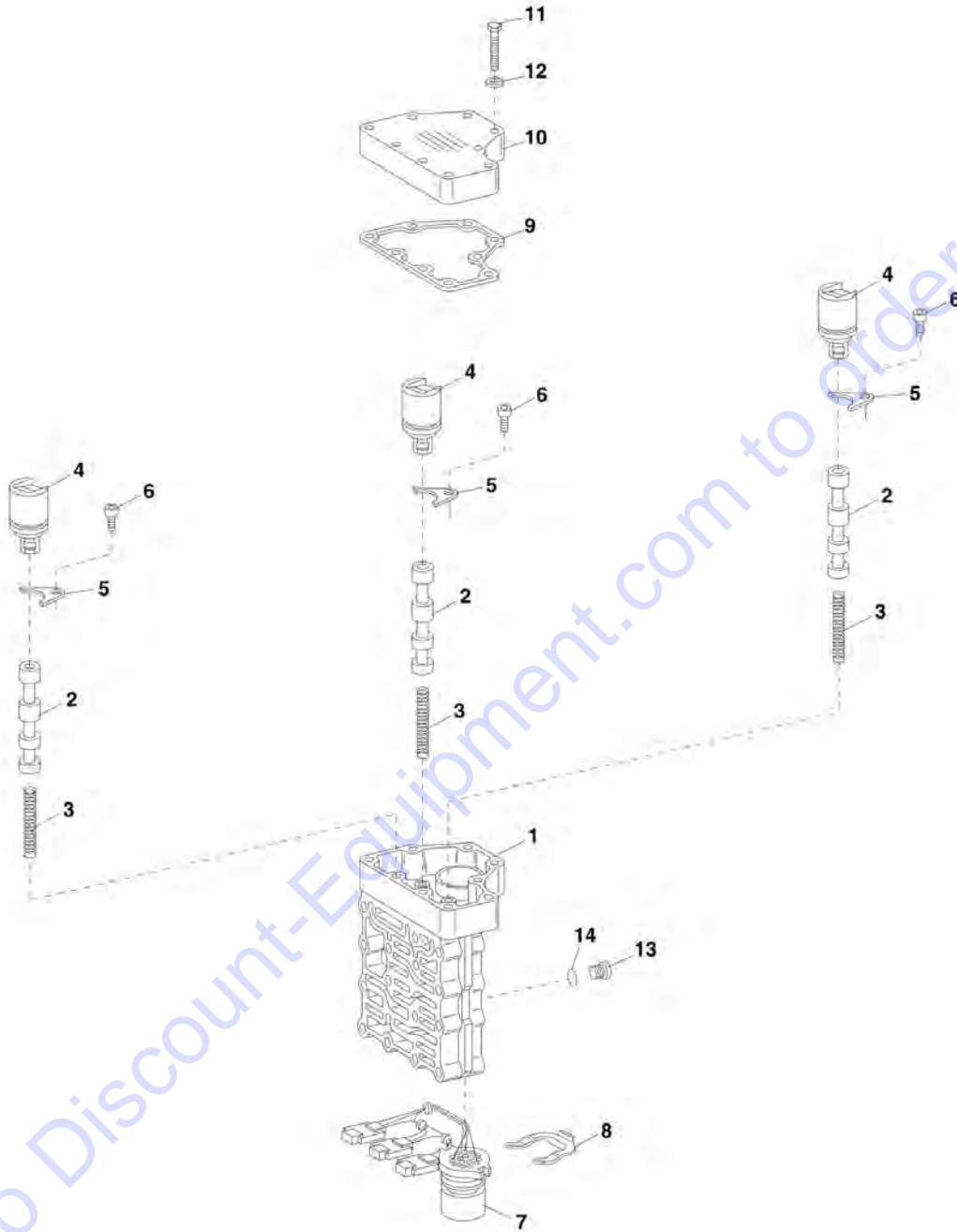
SECTION 5 - DRIVE TRAIN

FIGURE 5-45. ZF TRANSMISSION - VALVE HOUSING ASSEMBLY

ITEM	PART NUMBER	QTY	DESCRIPTION	REV
	8036040	1	VALVE HOUSING ASSY, (includes all items)	
1	1319671	1	VALVE HOUSING	
2	1319670	7	SCREW PLUG, M10X1mm	
3	10731709	7	O-RING	
4	8036036	1	WASHER, 1.00	
5	8036037	1	PISTON	
6	1319673	1	COMPRESSION SPRING	
7	8036038	1	COMPRESSION SPRING	
8	1319674	1	PISTON	
9	1319675	1	WASHER, 3.60	
9	1319676	1	WASHER, 3.20	
9	1319677	1	WASHER, 2.80	
9	1319678	1	WASHER, 2.40	
9	1319679	1	WASHER, 2.00	
10	1319680	1	COMPRESSION SPRING	
11	1319681	1	CONTROL PISTON	
12	1319682	1	LOCKWASHER, 12.0	
13	1319683	1	COMPRESSION SPRING	
14	1319684	1	COMPRESSION SPRING	
15	1319685	1	WASHER, 2.00	
15	1319686	1	WASHER, 1.00	
15	1319687	1	WASHER, 0.50	
15	1319688	1	WASHER, 0.30	
15	1319689	1	WASHER, 0.20	
16	1319690	1	PISTON	
17	1319691	1	SEAL	
18	1319692	1	COVER	
19	1319693	6	SOCKET HD CAPSCREW, M6X25MM	
20	1319661	16	WASHER, 6.4	
21	1319652	1	ORIFICE	
22	1319694	1	VALVE	
23	1319695	1	PISTON	
24	1319696	1	COMPRESSION SPRING	
25	1319697	1	PISTON	
26	1319698	1	COMPRESSION SPRING	
27	1319699	1	SPACER SLEEVE	
28	1319700	1	PLUG	
29	1319701	1	FIXING PLATE	
30	1319702	3	SOLENOID VALVE	
31	10732063	3	FIXING PLATE	
32	1319703	3	HEX HD CAPSCREW, M5X12MM	
33	10732064	3	WASHER, 2.00	
34	1319704	1	WIRING HARNESS	
35	1319705	1	SEAL	
36	8036039	1	COVER	
37	1319707	1	RETAINING CLAMP	
38	1319693	6	HEX HD CAPSCREW, M6X25MM	
39	1319708	4	HEX HD CAPSCREW, M6X60MM	
40	1319670	1	SCREW PLUG, M10X1MM	
41	10731709	1	O-RING, 8X1.5MM	

SECTION 5 - DRIVE TRAIN

FIGURE 5-46. ZF TRANSMISSION - VALVE BLOCK ASSEMBLY



PA3240

SECTION 5 - DRIVE TRAIN

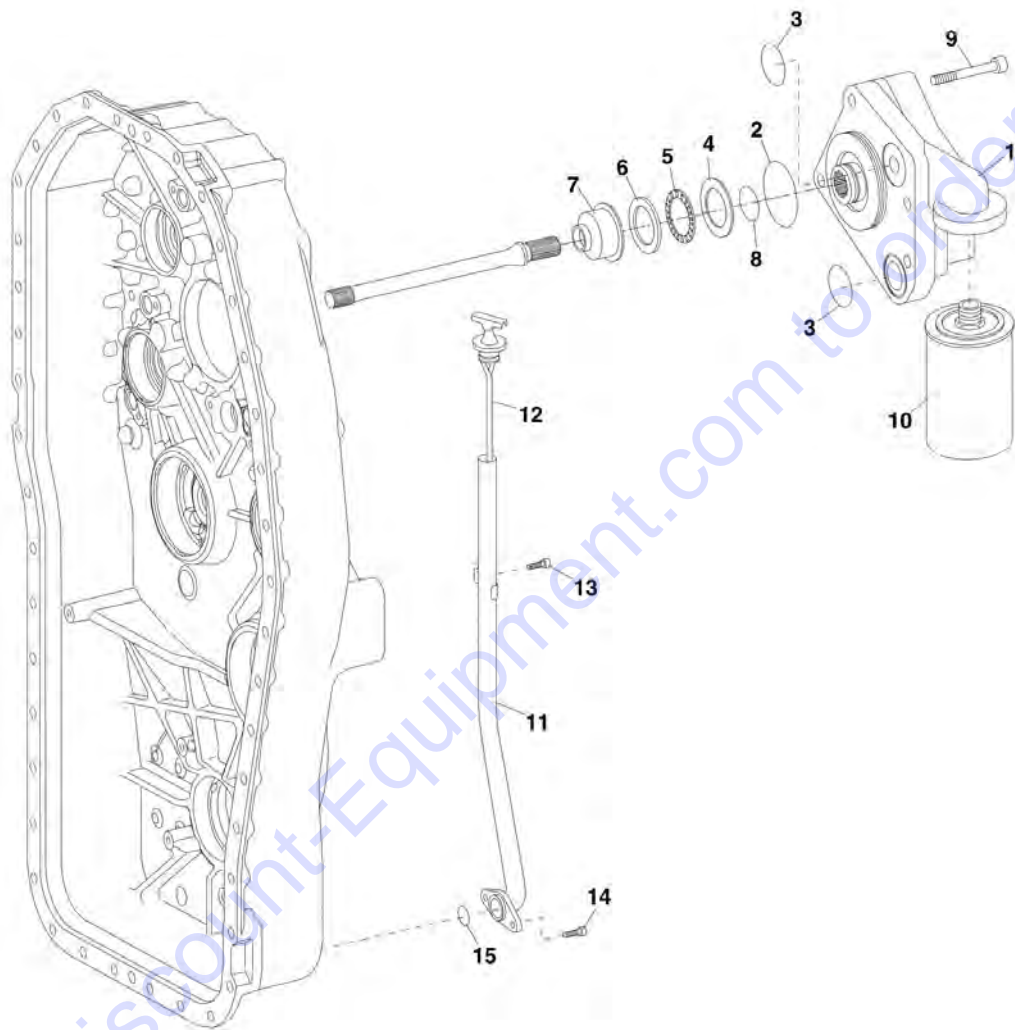
FIGURE 5-46. ZF TRANSMISSION - VALVE BLOCK ASSEMBLY

ITEM	PART NUMBER	QTY	DESCRIPTION	REV
	1319717	1	VALVE BLOCK ASSY, (includes all items), (1-piece gasket design)	
1	70020427	1	VALVE BLOCK	
2	1319710	3	PISTON	
3	1319696	3	COMPRESSION SPRING	
4	1319702	3	SOLENOID VALVE	
5	10732063	3	FIXING PLATE	
6	1319703	3	SOCKET HD CAPSCREW, M5X12MM	
7	1319711	1	WIRING HARNESS	
8	1319707	1	RETAINING CLAMP	
9	1319712	1	GASKET	
10	1319713	1	COVER	
11	1319714	9	HEX HD CAPSCREW, M5X32MM	
12	1319715	9	WASHER, 5.3	
13	1319670	3	SCREW PLUG, M10X1MM	
14	10731709	3	O-RING	

Go to Discount-Equipment.com to order your parts

SECTION 5 - DRIVE TRAIN

FIGURE 5-47. ZF TRANSMISSION - OIL PUMP AND FILTER



PA3250

SECTION 5 - DRIVE TRAIN

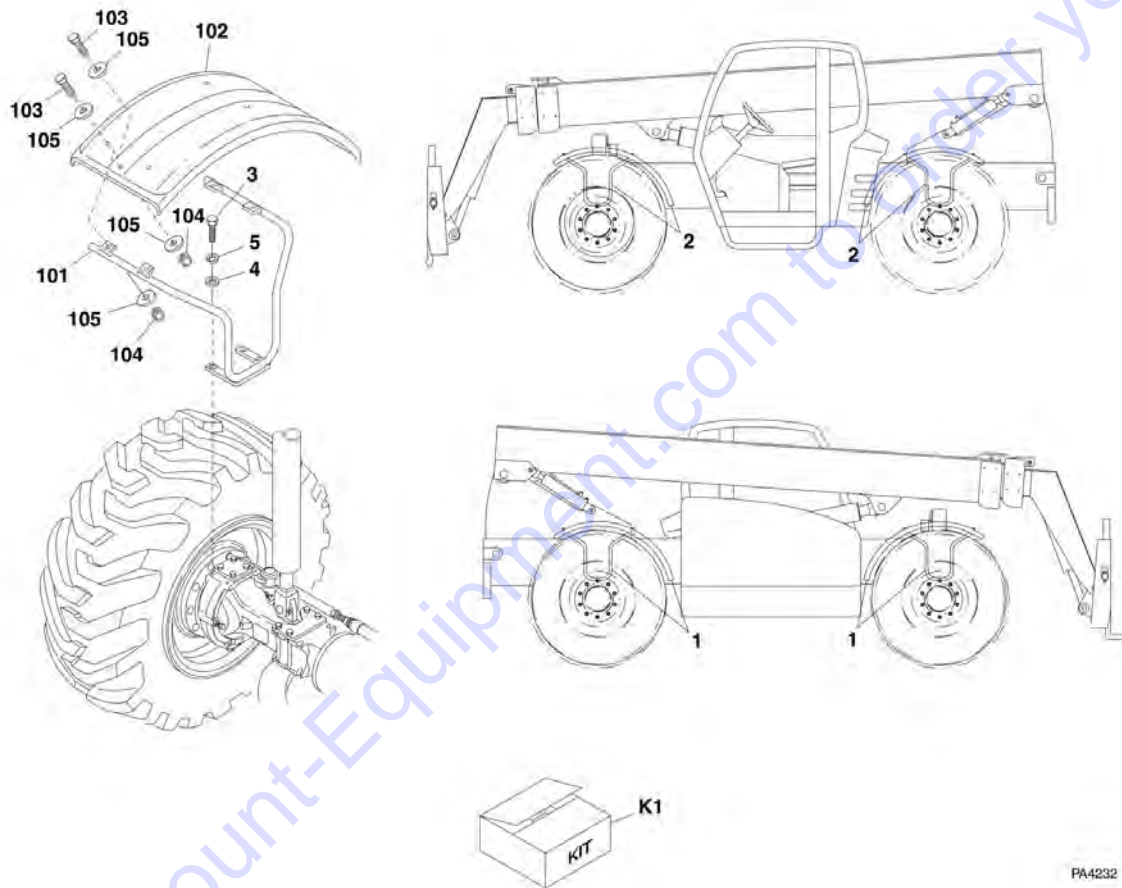
FIGURE 5-47. ZF TRANSMISSION - OIL PUMP AND FILTER

ITEM	PART NUMBER	QTY	DESCRIPTION	REV
1	1319718	1	PUMP, (includes item 2)	
1	7029417	1	O-RING, (between pump halves), (not shown)	
2	8036250	1	O-RING	
3	1319719	2	O-RING	
4	1319720	1	AXIAL WASHER, 40X60X1	
5	1319721	1	AXIAL NEEDLE CAGE	
6	1319722	1	ANGLE DISC	
7	1319723	1	SPACER BUSHING	
8	1319724	1	O-RING	
9	1319725	4	HEX HD CAPSCREW, M12X115MM	
10	1319726	1	TRANSMISSION FILTER	
11	8036041	1	DIPSTICK TUBE	
12	8036042	1	DIPSTICK	
13	1319585	1	SOCKET HD CAPSCREW, M8X16MM	
14	1319582	1	SOCKET HD CAPSCREW, M8X20MM	
15	1319581	1	O-RING	

Go to Discount-Equipment.com to order your parts

SECTION 5 - DRIVE TRAIN

FIGURE 5-48. FENDER INSTALLATION



PA4232

SECTION 5 - DRIVE TRAIN

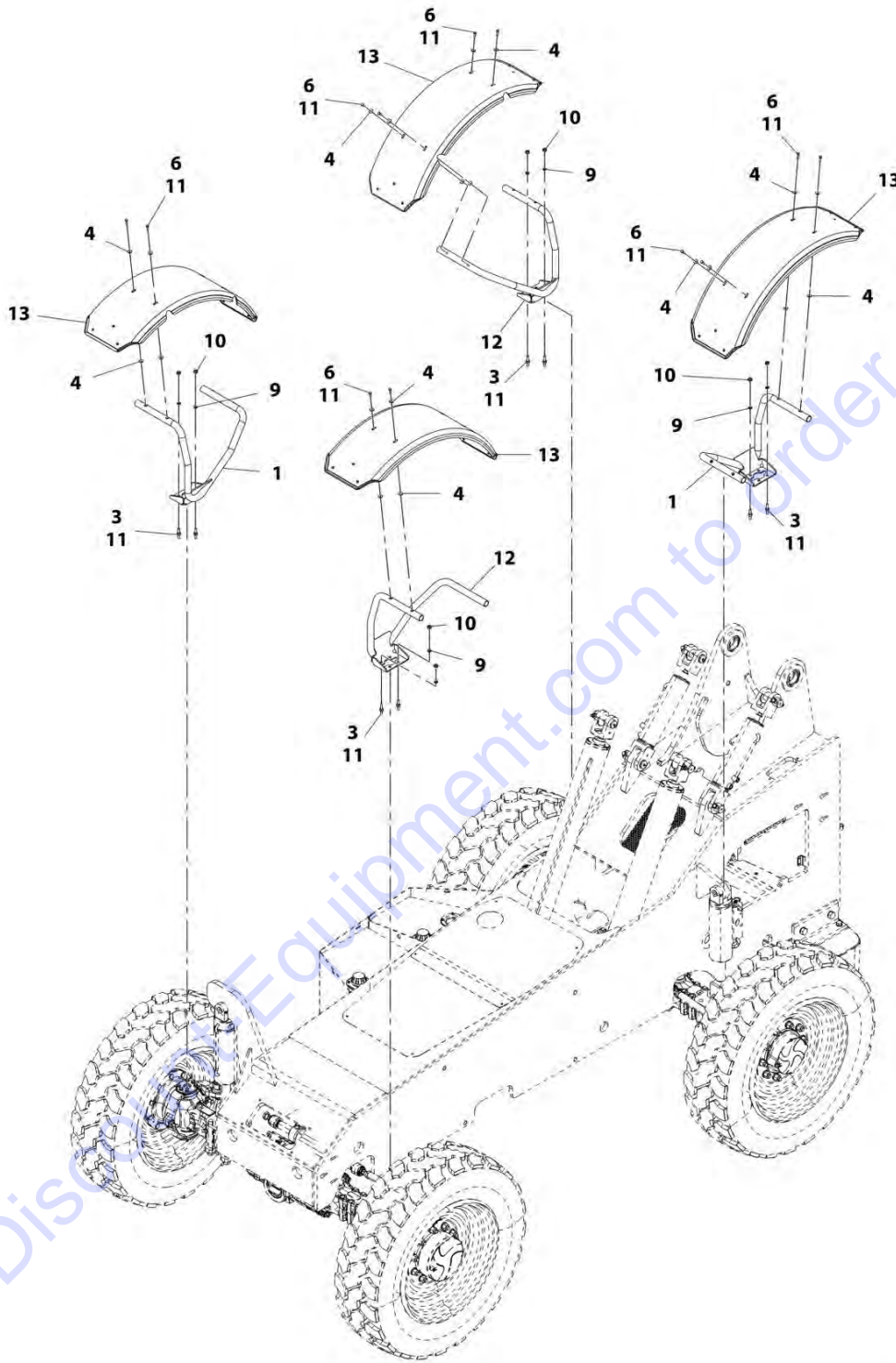
FIGURE 5-48. FENDER INSTALLATION

ITEM	PART NUMBER	QTY	DESCRIPTION	REV
	7150697	1	FENDER INSTALLATION, (includes items 1 thru 5)	C
1	7150696	2	RH FENDER AND BRACKET ASSY, (includes items 101 thru 105)	G
2	7150695	2	LH FENDER AND BRACKET ASSY, (includes items 101 thru 105)	G
3	8310164	16	HEX HD CAPSCREW, M12X1-3/4X40	
4	8307220	16	PLAIN WASHER, M12	
5	8307025	16	LOCKWASHER, M12	
101	0903609	1	FENDER MOUNTING BRACKET	
102	7150706	1	FENDER	
103	8303626	4	HEX HD CAPSCREW, 1/2-13X1-1/2, GR5	
104	8305644	4	HEX LOCKNUT, 1/2-13	
105	8307206	8	PLAIN WASHER, 1/2	
K1	7147400	1	FENDER FIELD KIT, (four wheel installation)	

Go to Discount-Equipment.com to order your parts

SECTION 5 - DRIVE TRAIN

FIGURE 5-49. FENDER INSTALLATION (DANA)



ART_1001150656-B

SECTION 5 - DRIVE TRAIN

FIGURE 5-49. FENDER INSTALLATION (DANA)

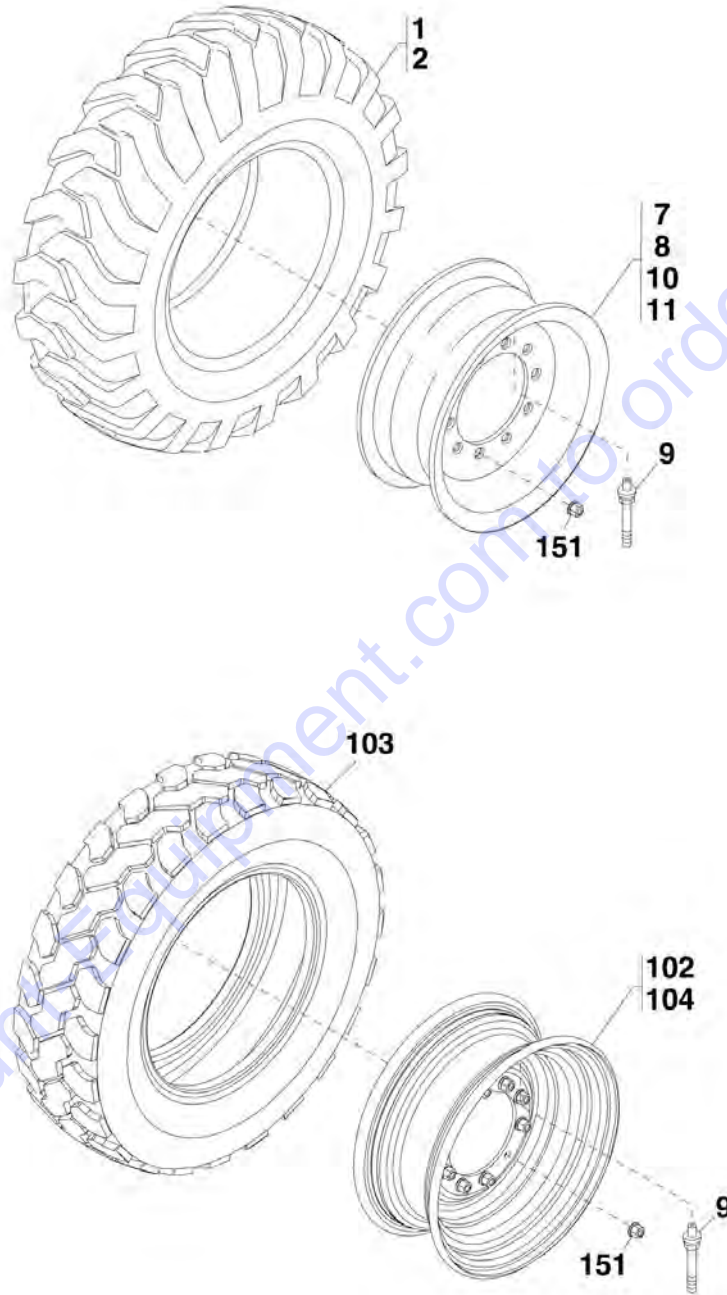
ITEM	PART NUMBER	QTY	DESCRIPTION	REV
	1001150656	1	FENDER INSTALLATION, (includes items 1 thru 13)	B
1	1001150652	2	BRACKET, FENDER WELDMENT	
3	91514118	16	STUD, FENDER	
4	4811902	32	WASHER, M8	
6	0760812	16	HEX HD SCREW, M8X40	
9	83191010	16	LOCKWASHER, M12	
10	91513266	16	HEX NUT, M12X1.25	
11	1001095650	AR	ADHESIVE, LOCTITE 243	
12	1001150655	2	BRACKET, FENDER WELDMENT	
13	1001154055	4	DUNLOFLEX FENDER, WITH FIXING HOLES	

Go to Discount-Equipment.com to order your parts

SECTION 5 - DRIVE TRAIN

FIGURE 5-50. WHEEL ASSEMBLY PNEUMATIC

PNEUMATIC



ART_31200731-5-50

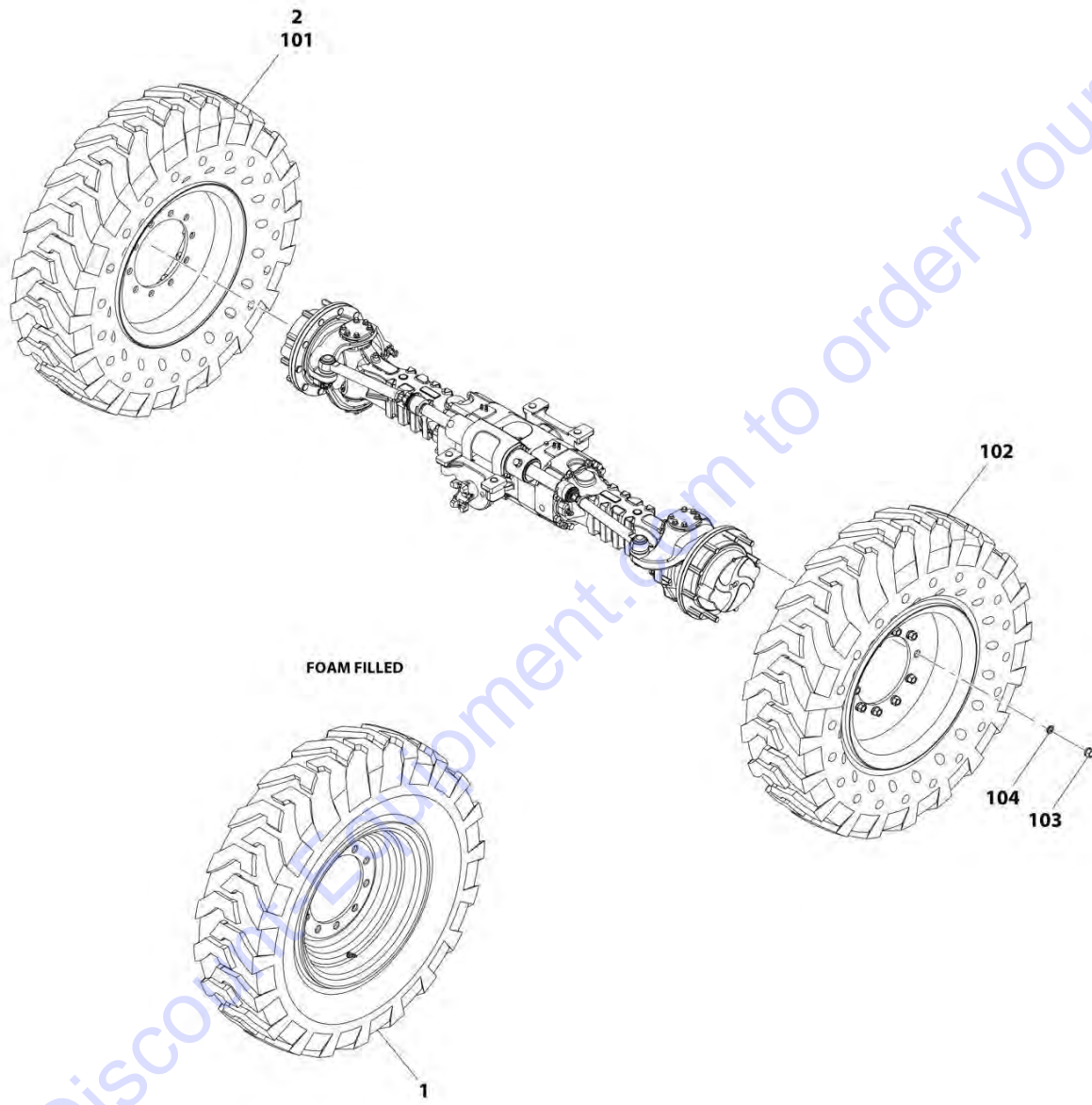
SECTION 5 - DRIVE TRAIN

FIGURE 5-50. WHEEL ASSEMBLY PNEUMATIC

ITEM	PART NUMBER	QTY	DESCRIPTION	REV
	7138658	1	TIRE AND RIM ASSY, (right side), 13.00X24, 12 PLY, G2, (includes items 1, 7 & 9)	D
	7138659	1	TIRE AND RIM ASSY, (left side), 13.00X24, 12 PLY, (includes items 1, 7 & 9)	D
	7138660	1	TIRE AND RIM ASSY, (right side), 15.50X25, 12 PLY, G2, (includes items 2, 8 & 9)	D
	7138661	1	TIRE AND RIM ASSY, (left side), 15.50X25, 12 PLY, G2, (includes items 2, 8 & 9)	E
	1001100324	1	TIRE AND RIM ASSY, 370/75-28, 14 PLY, (includes items 9, 102 & 103)	C
	91405035	1	TIRE AND RIM ASSY, (right side), (DANA), 13.00X24, G2, (includes items 1, 9 & 10)	I
	91405036	1	TIRE AND RIM ASSY, (left side), (DANA), 13.00X24, G2, (includes items 1, 9 & 10)	I
	91475031	1	TIRE AND RIM ASSY, (right side), (DANA), 15.50X25, G2, (includes items 2, 9 & 11)	D
	91475032	1	TIRE AND RIM ASSY, (left side), (DANA), 15.50X25, G2, (includes items 2, 9 & 11)	D
	1001100323	1	TIRE AND RIM ASSY, (DANA), 370/75-28, .219 OFFSET, (includes items 9, 103 & 104)	B
1	8780031	1	TIRE, 13.00X24, 12 PLY	
2	8780036	1	TIRE, 15.50X25, 12 PLY	
7	7301054	1	RIM, 9X24, 1.06 OFFSET	
8	7301056	1	RIM, 13X25, 1.18 OFFSET	
9	8786514	1	VALVE STEM	
10	91473206	1	RIM, 24X9	
11	91473207	1	RIM, 24X13	
102	1001100005	1	RIM, 28X11, 1.18 OFFSET	
103	1001100284	1	TIRE, 370/75-28, 14 PLY	
104	1001099976	1	RIM, 28X11.00	
151		Ref	WHEEL NUT, (See DRIVE TRAIN COMPONENTS for Breakdown)	
N1	Note	Ref	WHEN ORDERING TIRES CONTACT DISCOUNT-EQUIPMENT AND SPECIFY THE BRAND OF TIRE.	

SECTION 5 - DRIVE TRAIN

FIGURE 5-51. WHEEL ASSEMBLY FOAM FILLED AND SOLID



ART_31200731-5-51

SECTION 5 - DRIVE TRAIN

FIGURE 5-51. WHEEL ASSEMBLY FOAM FILLED AND SOLID

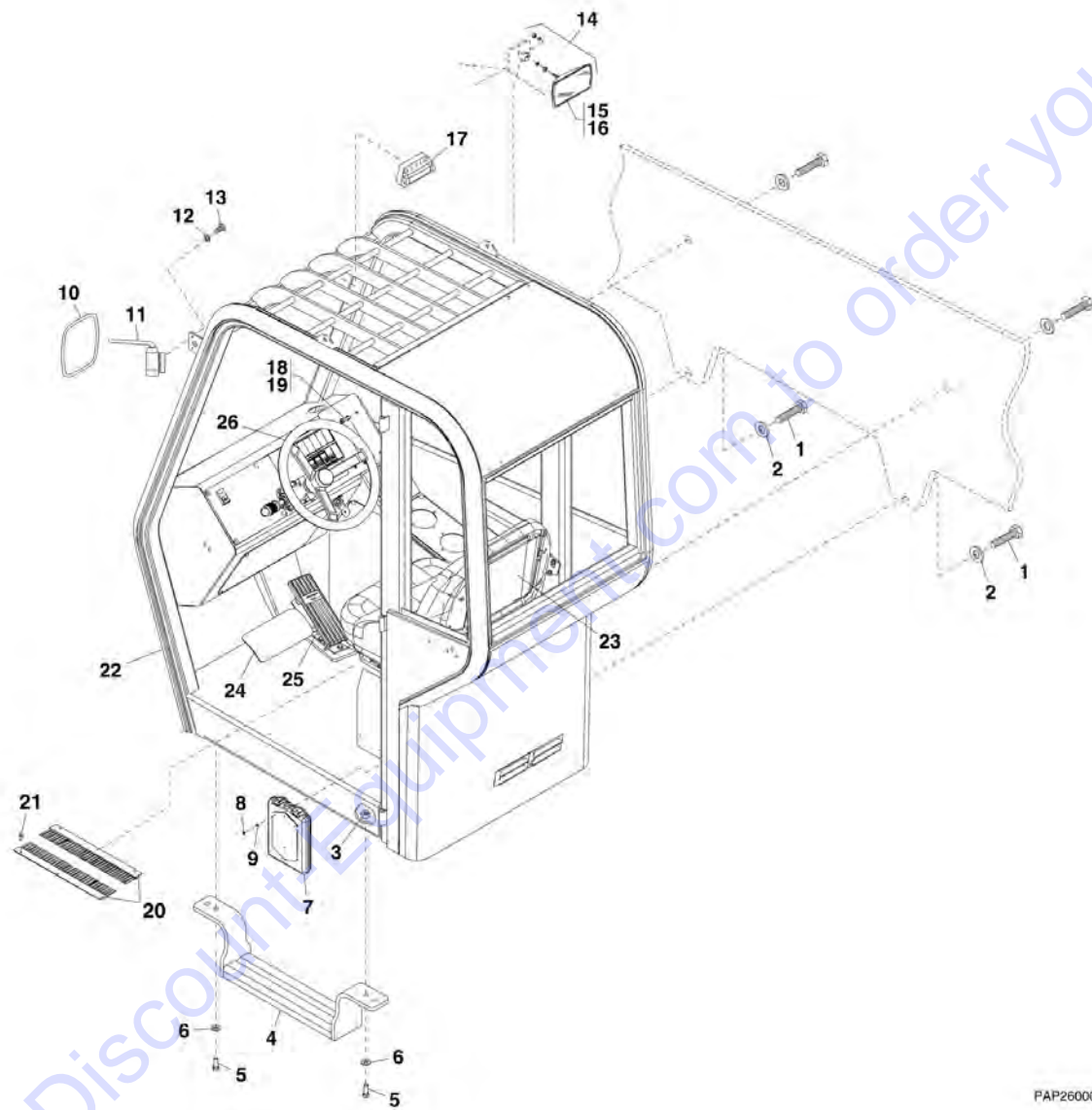
ITEM	PART NUMBER	QTY	DESCRIPTION	REV
1	7139159	1	TIRE AND RIM ASSY, (right side), FOAM FILLED, 13.00X24, 12 PLY, G-2	D
1	7139160	1	TIRE AND RIM ASSY, (left side), FOAM FILLED, 13.00X24, 12 PLY, G-2	D
1	7139161	1	TIRE AND RIM ASSY, (right side), FOAM FILLED, 15.50X25, 12 PLY, L2	C
1	7139162	1	TIRE AND RIM ASSY, (left side), FOAM FILLED, 15.50X25, 12 PLY, L2	C
1	4520319	1	ROCK TIRE AND RIM ASSY, FOAM FILLED, 13.00X24, 12 PLY, G-3, (6042)	B
1	1001121085	1	TIRE AND RIM ASSY, 370/75-28, 14 PLY, FOAM FILLED, 464 lb	A
1	91475054	1	TIRE AND RIM ASSY, (right side), (DANA), FOAM FILLED, 13.00X24, G2	E
1	91475055	1	TIRE AND RIM ASSY, (left side), (DANA), FOAM FILLED, 13.00X24, G2	E
1	4520449	1	TIRE AND RIM ASSY, (right side), (DANA), FOAM FILLED, 15.50X25, G2	A
1	4520450	1	TIRE AND RIM ASSY, (left side), (DANA), FOAM FILLED, 15.50X25, G2	A
1	1001121101	1	TIRE AND RIM ASSY, 370/75-28, (DANA), FOAM FILLED, .219 OFFSET	B
1	91535019	1	TIRE AND RIM ASSY, (DANA), FOAM FILLED, 13.00X24	D
2	4520648	1	SOLID TIRE SET, TY CUSHION, 13.00X24, (includes items 101 thru 104) (Prior to SN 0160060011)	B
2	1001151107	1	SOLIDEAL TIRE SET, 13.00-24, (includes items 101 thru 104)	A
2	1001151106	1	SOLIDEAL TIRE SET, 13.00-24, (DANA), (includes items 101 & 102)	A
101	4520649	2	RH SOLID TIRE AND WHEEL ASSY (Prior to SN 0160060011)	B
101	1001151100	2	RH SOLIDEAL TIRE AND WHEEL ASSY, 13.00-24	A
101	1001151098	2	RH SOLIDEAL TIRE AND WHEEL ASSY, 13.00-24 (DANA)	A
102	4520650	2	LH SOLID TIRE AND WHEEL ASSY (Prior to SN 0160060011)	B
102	1001151099	2	LH SOLIDEAL TIRE AND WHEEL ASSY, 13.00-24	A
102	1001151097	2	LH SOLIDEAL TIRE AND WHEEL ASSY, 13.00-24 (DANA)	A
103		Ref	WHEEL NUT, (See DRIVE TRAIN COMPONENTS for Breakdown)	
104		Ref	LOCK WASHER, (See DRIVE TRAIN COMPONENTS for Breakdown)	
N1	Note	Ref	WHEN ORDERING TIRES CONTACT DISCOUNT-EQUIPMENT AND SPECIFY THE BRAND OF TIRE.	
N1	Note	Ref	ASSEMBLIES MAY REQUIRE BALLAST/FOAM FILLING TO MANUFACTURER'S SPECIFICATIONS PRIOR TO INSTALLING ON A MACHINE. REFER TO OPERATION AND SAFETY OR SERVICE MANUALS. PURCHASE INDIVIDUAL TIRE AND/OR RIM ONLY IF ABLE TO FOAM FILL TIRE AND WHEEL ASSEMBLY, OTHERWISE, PURCHASE COMPLETE ASSEMBLY.	

SECTION 6 - CAB

Go to Discount-Equipment.com to order your parts

SECTION 6 - CAB

FIGURE 6-1. CAB INSTALLATION



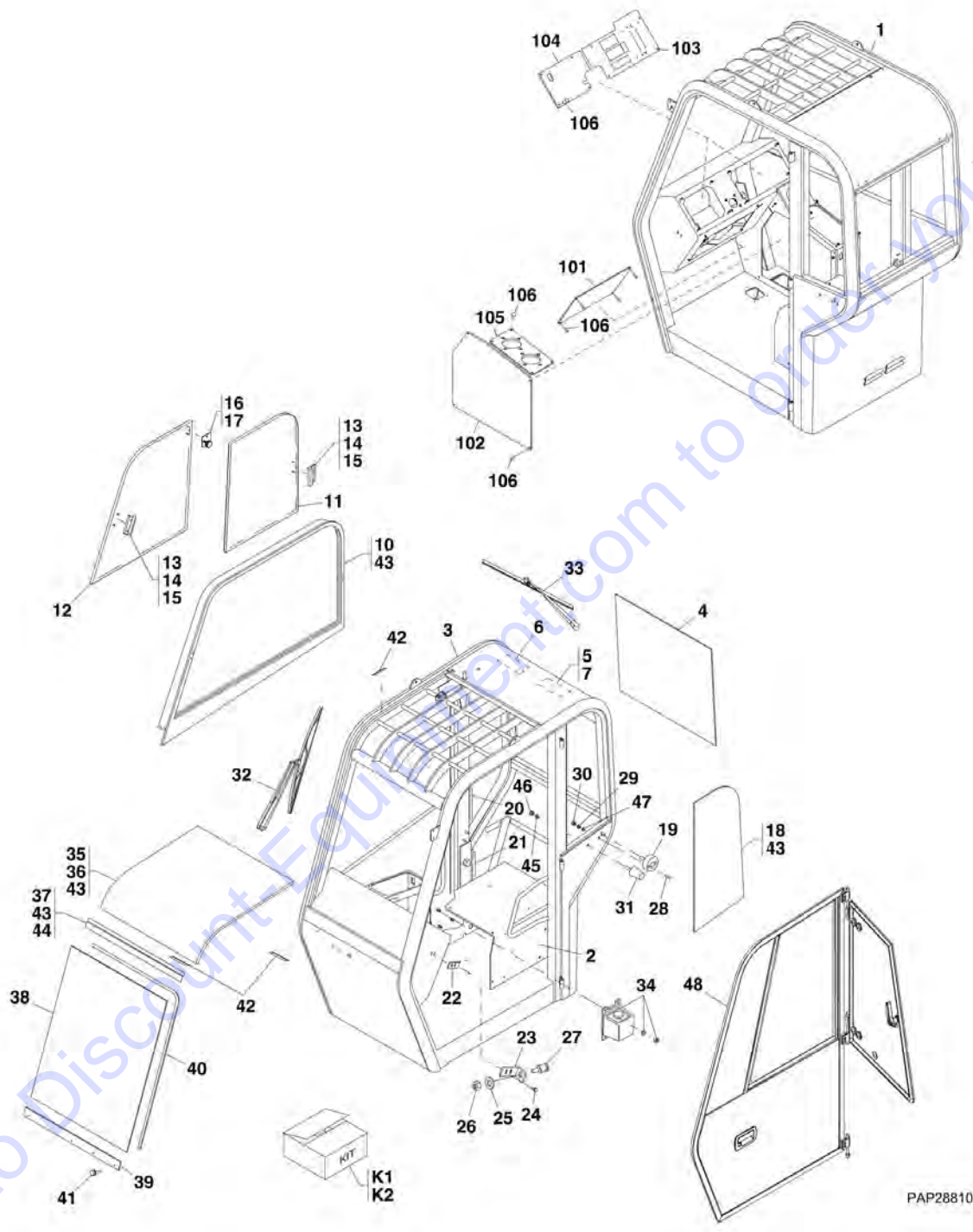
PAP26000

FIGURE 6-1. CAB INSTALLATION

ITEM	PART NUMBER	QTY	DESCRIPTION	REV
	1001121741	Ref	OPEN CAB INSTALLATION, (not available to order, See items 1 thru 23 for service)	E
	1001121742	Ref	ENCLOSED CAB INSTALLATION, (if equipped for ULS), (not available to order, See items 1 thru 23 for service)	D
	1001135038	Ref	ENCLOSED CAB INSTALLATION, (if equipped for LS), (not available to order, See items 1 thru 23 for service)	D
1	8310493	4	HEX HD CAPSCREW, 7/8-9X5-1/2, GR8, (torque to 480 lb-ft/650 Nm)	
2	8307011	4	LOCKWASHER, 7/8	
3	8305644	4	LOCKNUT, 1/2-13	
4	1001141427	1	CAB STEP MOUNT	
5	8303626	4	HEX HD CAPSCREW, 1/2-13X1-1/2	
6	8307112	4	FLAT WASHER, 1/2	
7	8990147	1	MANUAL HOLDER	
8	8310085	3	LOCKNUT, 10-24	
9	8307201	3	FLAT WASHER, 10	
10	1001148177	1	RECTANGULAR MIRROR	
11	1001114675	1	MIRROR ARM	
12	8307024	2	LOCKWASHER, M6	
13	0700610	2	HEX HD CAPSCREW, M6-1X20MM	
14	8866348	1	RIGHT MIRROR, (includes mounting hardware)	
15	8866351	1	CONVEX GLASS REPLACEMENT LENS, 6-1/2X10	
16	4791500	1	STAR LOCKWASHER, 5/16	
17	8466306	1	TILT ANGLE GAUGE	
18	1001102844	2	U-BOLT, 1/4-20X2-1/2	
19	8310382	8	FLANGE NUT, 1/4-20	
20	7138944	2	BRUSH STRIP ASSY	
21	8303982	6	SELF-TAPPING SCREW, 1/4-20X3/4	
22		Ref	CAB ASSY, (See CAB ASSEMBLY for Breakdown)	
23		Ref	SEAT ASSY, (See OPERATORS SEAT for Breakdown)	
24		Ref	BRAKE ASSY, (See CONTROLS SECTION for Breakdown)	
25		Ref	THROTTLE ASSY, (See CONTROLS SECTION for Breakdown)	
26		Ref	STEERING COLUMN ASSY, (See CONTROLS SECTION for Breakdown)	

SECTION 6 - CAB

FIGURE 6-2. CAB ASSEMBLY



PAP28810

FIGURE 6-2. CAB ASSEMBLY

ITEM	PART NUMBER	QTY	DESCRIPTION	REV
	1001122456	1	ENCLOSED CAB WITH HEATER, (includes all items)	D
1	1001122457	1	OPEN CAB, (includes items 101 thru 106)	C
2		Ref	CAB HEATER ASSY, (See CAB HEATER for Breakdown)	
3	7139050	1	ENCLOSED CAB WITH TOP AND FRONT WIPERS, (less heater), (includes 4 thru 48)	F
4	7028737	1	REAR WINDOW	
5	91404301	1	HAMMER	
6	91404299	1	ESCAPE DECAL	
7	91404298	3	RIVET	
10	8036050	1	RIGHT SIDE SLIDER WINDOW, (includes items 11 thru 17)	
11	8036197	1	REAR SLIDE GLASS	
12	8036196	1	FRONT SLIDE GLASS	
13	Kit	1	CAPSCREW	
14	Kit	1	SPACER	
15	Kit	1	LATCH	
16	Kit	1	LOCK BLOCK	
17	Kit	1	KNOB ASSY	
18	8036073	1	LEFT SIDE REAR GLASS	
19	8036069	1	FEMALE DOOR RETAINER	
20	8036057	1	UPPER WIRE DUCT	
21	8036058	1	LOWER WIRE DUCT	
22	8036059	1	STRIKER NUT PLATE WELDMENT	
23	8036060	1	STRIKER BOLT BRACKET	
24	8035437	2	LOCK SCREW, 1/4-20X3/4	
25	8036061	1	FLAT WASHER, 17/32X1.06X0.094	
26	8035639	1	CENTER LOCKNUT, 7/16-14	
27	1001109478	1	STRIKER LATCH	
28	8035487	2	SCREW, 1/4-20X5/8	
29	8035416	2	LOCKWASHER, 1/4X.49ODX.07	
30	8035479	2	ACORN NUT, 1/4-20	
31	8036066	1	RUBBER CONE BUMPER	
32		Ref	FRONT WINDSHIELD WIPER ASSY, (See WIPERS for Breakdown)	
33		Ref	SKYLIGHT WIPER ASSY, (See WIPERS for Breakdown)	
34		Ref	RESERVOIR WITH MOTOR, (See WIPERS for Breakdown)	
35	7139444	1	WINDSHIELD SKYLIGHT KIT, (includes items 36 thru 43)	
36	7138958	1	SKYLIGHT GLASS	
37	7139316	1	UPPER WINDSHIELD CLIP	
38	7138951	1	WINDSHIELD GLASS	
39	7139298	1	LOWER WINDSHIELD PLATE	
40	7139299	1	BULB SEAL, 0.22X0.35X14-3/4	
41	8310529	5	SELF TAPPING SCREW, #10-16X3/4	
42	8035490	8	SETTING BLOCKS	
43	8035523	AR	URETHANE SEALANT, (apply to items 10, 18, 36 & 37)	
44	7139301	AR	FOAM	
45	0835416	1	WASHER, 0.32 IDX0.57 ODX0.09	
46	8035479	1	ACORN NUT, 1/4-20	
47	8035416	2	LOCKWASHER, 1/4X0.49 ODX0.07	
48		Ref	DOOR ASSY, (See CAB DOOR ASSEMBLY for Breakdown)	
101	7302074	1	LOWER CONSOLE PANEL	

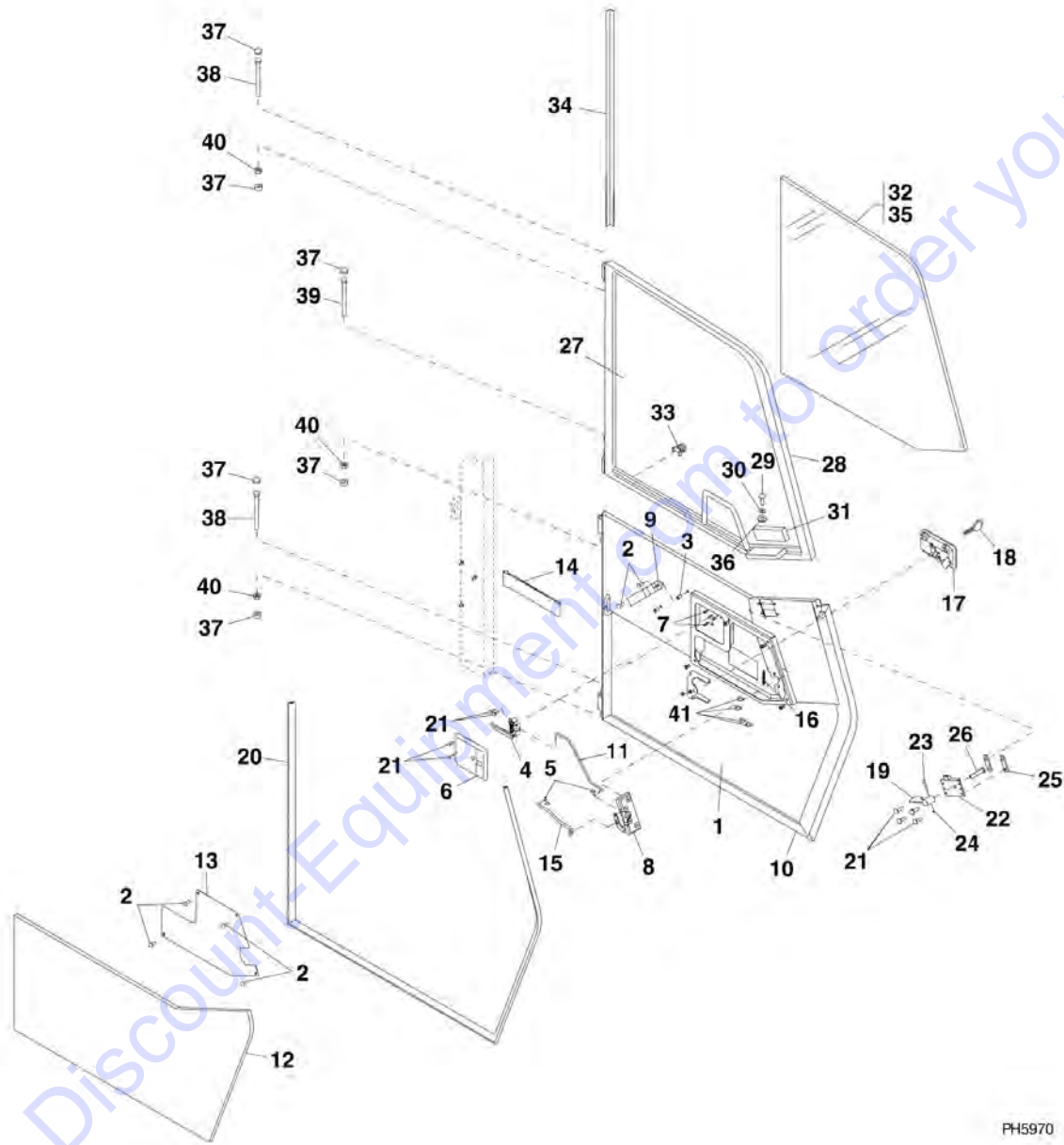
SECTION 6 - CAB

ITEM	PART NUMBER	QTY	DESCRIPTION	REV
102	7302073	1	RIGHT SIDE CONSOLE ACCESS PANEL	
103	1001129610	1	RIGHT FRONT CONSOLE PANEL	
104	7302076	1	LEFT FRONT CONSOLE PANEL	
105	7302077	1	SIDE CONSOLE PANEL	
106	8303034	20	TRUSS HD TORX SCREW, 1/4-20X3/4	
K1	8036199	1	LATCH ASSY KIT, (includes items 13 thru 15)	
K2	8036198	1	FRICTION LOCK ASSY KIT, (includes items 16 & 17)	

Go to Discount-Equipment.com to order your parts

SECTION 6 - CAB

FIGURE 6-3. CAB DOOR ASSEMBLY (Prior to SN 0160050424)



PH5970

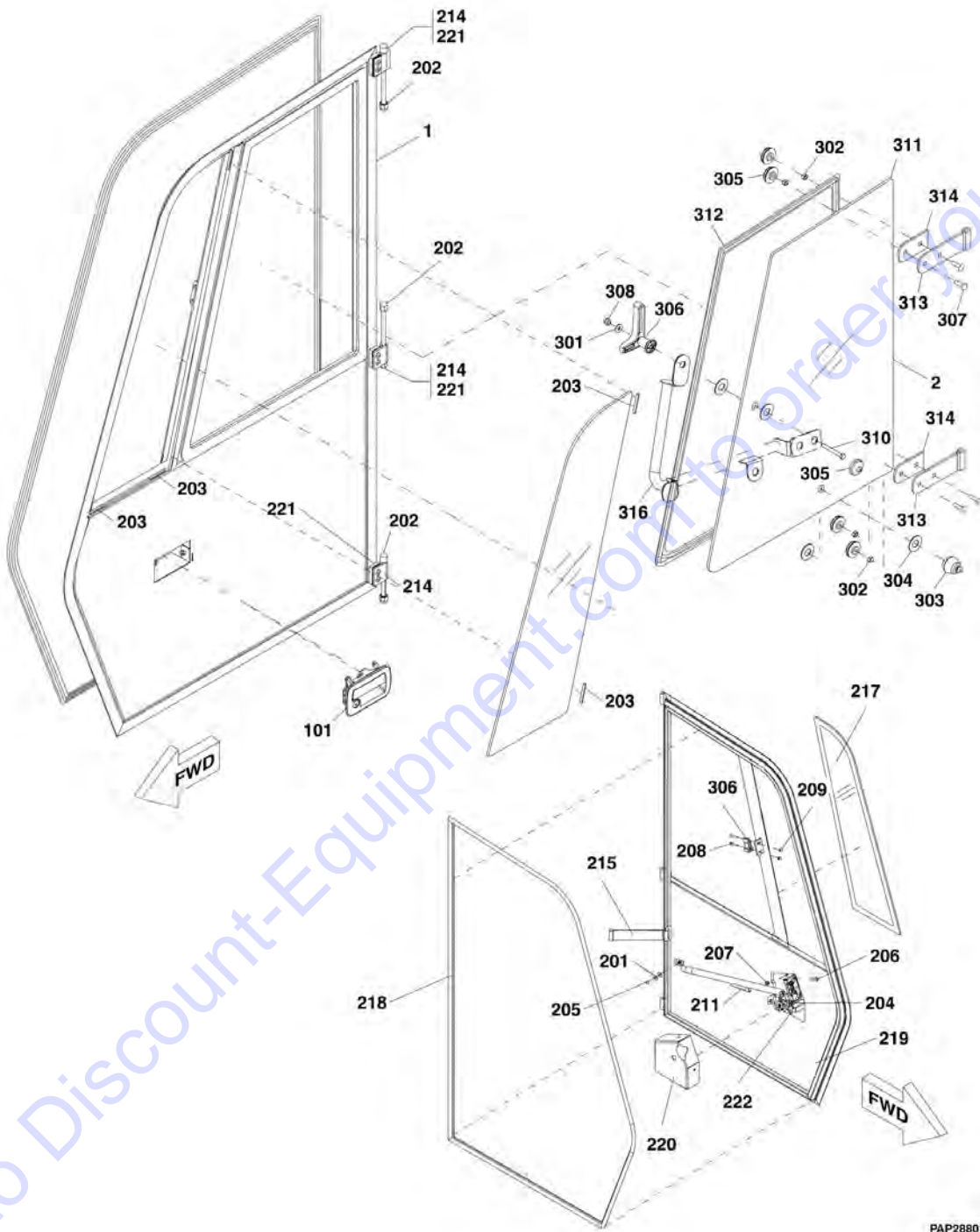
SECTION 6 - CAB

FIGURE 6-3. CAB DOOR ASSEMBLY (Prior to SN 0160050424)

ITEM	PART NUMBER	QTY	DESCRIPTION	REV
1	1001109007	1	LOWER DOOR ASSY, (uses round key), (includes items 2 thru 26 & item 40)	B
2	8033856	6	TORX SCREW, 1/4-20	
3	1001103509	6	HEX RIVNUT, 1/4-20	
4	80384192	1	INNER DOOR HANDLE	
5	80384187	2	ROD END RETAINING CLIP	
6	80384193	1	INSIDE DOOR BEZEL	
7	8036085	4	HEX RIVNUT, #10-24	
8	8035439	1	ROTARY LATCH	
9	91344032	1	INSIDE CAB HANDLE	
10	8036090	1	LOWER DOOR WELDMENT	
11	8036093	1	INTERIOR LATCH LINKAGE	
12	8036094	1	LOWER DOOR FOAM	
13	8036095	1	LATCH BOX ACCESS PLATE	
14	8036096	1	DOOR RESTRAINT STRAP	
15	8036097	1	EXTERIOR LATCH LINKAGE WELDMENT	
16	8036098	1	EXTENSION SPRING, 0.219X1-1/2X0.023	
17	1001105892	1	PADDLE LATCH, (uses rounded key), (includes item 18)	A
18	70021948	1	ROUND KEY	
19	91404315	1	DOOR LEVER RELEASE	
20	8036076	1	BULB SEAL, 15.5mmX10, (cut to fit)	
21	8036088	8	SCREW, #10-24X3/4	
22	91404319	1	SLAM LATCH	
23	91404317	1	SCREW, #8-32X1-1/8	
24	91404318	1	NYLON LOCKNUT, #8-32	
25	8036091	2	SLAM LATCH SPACER	
26	8036092	1	SLAM LATCH SHAFT WELDMENT	
27	1001109406	1	UPPER DOOR ASSY, (includes items 28 thru 36)	B
28	8036077	1	UPPER DOOR WELDMENT	
29	8036105	2	TORX SCREW, 1/4-20	
30	8035416	2	WASHER, 1/4 IDX0.49 OD	
31	8036078	1	SLAM LATCH STRIKER	
32	8036079	1	LEFT SIDE DOOR GLASS	
33	8036080	1	RETAINER	
34	8036076	1	BULB SEAL, 15.5mmX10, (cut to fit)	
35	8035523	AR	URETHANE SEALANT, (apply to item 32)	
36	70020628	2	WASHER	
37	8036065	6	HEX DOME CAP	
38	8035631	2	BOLT, 3/8-16X4-1/2	
39	8036064	1	BOLT, 3/8-16X6-1/2	
40	8035632	3	HEX NUT, 3/8-16	
41	80264074	4	BOLT, 1/4-20X3/4	

SECTION 6 - CAB

FIGURE 6-4. CAB DOOR ASSEMBLY (SN 0160050424 to Present)



PAP28801

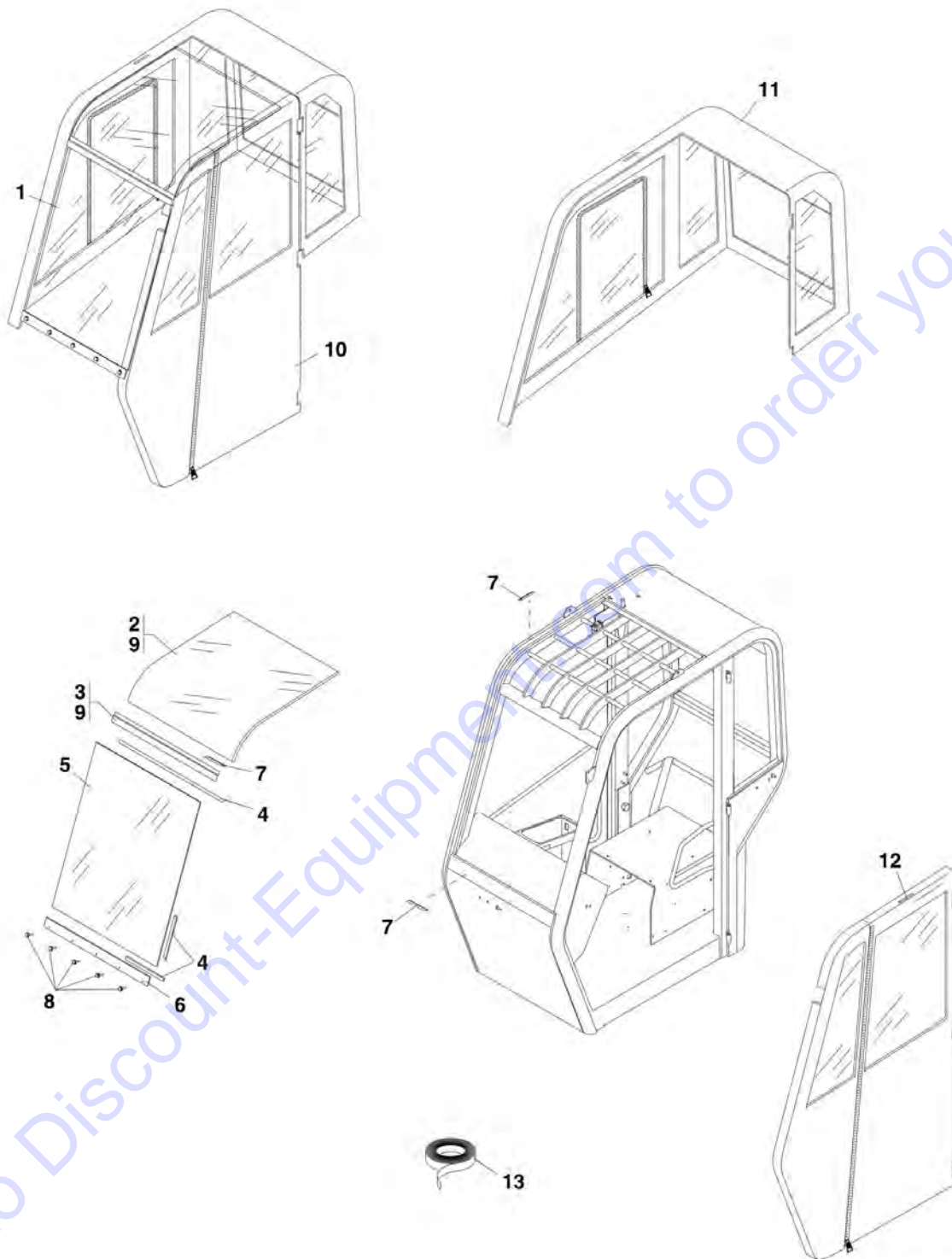
SECTION 6 - CAB

FIGURE 6-4. CAB DOOR ASSEMBLY (SN 0160050424 to Present)

ITEM	PART NUMBER	QTY	DESCRIPTION	REV
	1001145035	1	CAB DOOR ASSEMBLY, (includes items 1 & 2)	B
1	1001150229	1	CAB DOOR, (includes items 101 & items 201 thru 222)	A
2	1001150233	1	CAB DOOR WINDOW, (includes items 301 thru 316)	C
101	1001081241	1	CAB DOOR HANDLE	
201	8034800	2	FLAT WASHER	
202	1001108078	9	TRUSS HD SCREW	
203	8035490	7	SETTING BLOCK	
204	70025354	2	RETAINING CLIP	
205	70021108	1	BOLT	
206	70021077	2	BOLT	
207	70021078	1	HEX NUT	
208	1001108591	2	PAN HD BOLT	
209	1001108603	2	ACORN NUT	
211	1001081247	1	CAM LATCH, LH	
213	70021948	2	CAB KEY, (not shown)	
214	70025347	3	HINGE	
215	8036096	1	DOOR RESTRAINT ATRAP	
217	70024900	1	DOOR GLASS	
218	70024903	1	DOOR SEAL	
219		Ref	DOOR FOAM	
220		Ref	LATCH COVER	
221	70025348	6	DOOR SHIM	
222	8036694	1	EXTERIOR LATCH LINKAGE	
301	80364037	1	WASHER, .375	
302	70021096	4	HEX NUT, M8X1.25, CL10.9	
303	91474492	1	MALE DOOR HOLD OPEN	
304	70021090	3	SEAL	
305	1001081246	5	WINDOW CAP ASSY, M8	
306	1001081244	1	HANDLE LEVER LATCH, (includes pivot lever, lever handle and latch block)	
307	70021092	4	CARRIAGE BOLT, M8X1.25X30	
308	70021093	1	LOCKNUT, M8X1.25	
310	70021095	1	HEX BOLT, M8X65, GR8.8	
311	70024608	1	HINGED DOOR GLASS	
312	70024954	1	HINGED GLASS SEAL	
313	1001081242	2	DUEL MOUNT HINGE	
314	1001081266	2	HINGE SPACER	
315	80364009	1	SIKA URETHANE	
316	1001174264	1	GRAB BAR	

SECTION 6 - CAB

FIGURE 6-5. SOFT CAB ENCLOSURE



PH3270

FIGURE 6-5. SOFT CAB ENCLOSURE

ITEM	PART NUMBER	QTY	DESCRIPTION	REV
	7139250	1	SOFT CAB ENCLOSURE KIT, (includes all items)	AC
1	7139444	1	WINDSHIELD SKYLIGHT KIT, (includes items 2 thru 9)	
2	7138958	1	SKYLIGHT GLASS	
3	7139316	1	UPPER WINDSHIELD CLIP	
4	7139299	1	BLACK BULB SEAL, .22X.35X14.75	
5	7138951	1	WINDSHIELD GLASS	
6	7139298	1	LOWER WINDSHIELD PLATE	
7	8035490	8	SETTING BLOCK, 1/8X1/4X2	
8	8310529	5	SELF TAPPING SCREW, #10-16X3/4	
9	8035523	1	URETHANE SEALANT, (apply to items 2 & 3)	
10	7139290	1	SOFT CAB ENCLOSURE KIT, (includes items 11, 12 & 13)	
11	7139293	1	SOFT REAR SECTION	
12	7139292	1	SOFT DOOR SECTION	
13	7139294	1	VELCRO KIT	
13	7139295	1	VELCRO BRAND HOOK STRIP 1-1/2X10, ORANGE, (not shown)	
13	7139296	3	VELCRO BRAND HOOK STRIP 2X10, ORANGE, (not shown)	

SECTION 6 - CAB

FIGURE 6-6. WIPERS

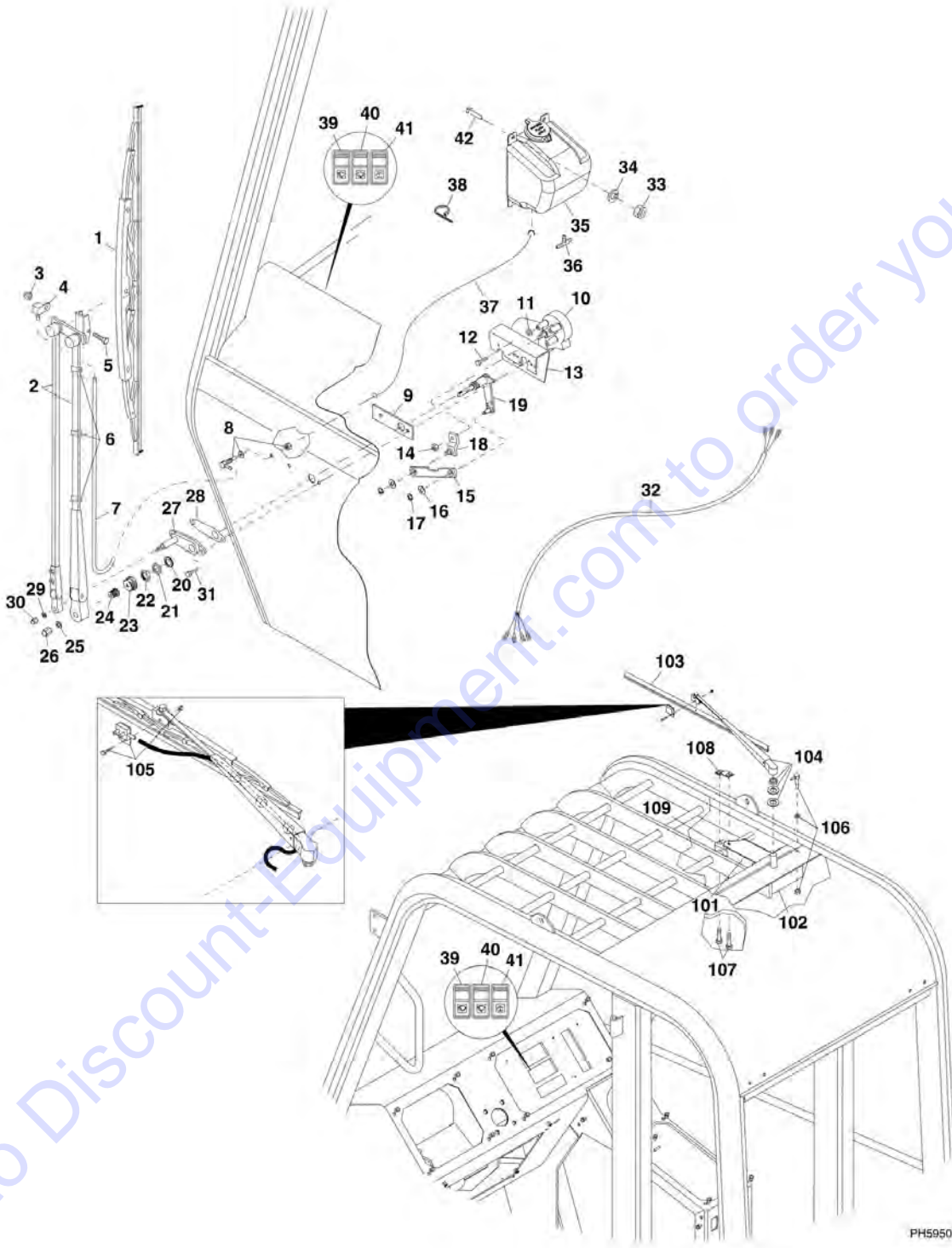


FIGURE 6-6. WIPERS

ITEM	PART NUMBER	QTY	DESCRIPTION	REV
	8036056	1	FRONT WINDSHIELD WIPER ASSY, (includes items 1 thru 31)	
1	8035392	1	28 IN WIPER FLEX BLADE	
2	8035393	1	24 IN FLEX WIPER ARM ASSY, (includes items 3 thru 7)	
3	N.S.S.	1	LOCKNUT	
4	N.S.S.	1	SPRAYER NOZZLE	
5	N.S.S.	1	BOLT	
6	N.S.S.	1	HOSE CLIPS	
7	N.S.S.	1	HOSE	
8	1001081310	1	WET ARM ADAPTOR	
9	8036100	1	FRONT WIPER MOTOR SPACER	
10	7029860	1	WIPER MOTOR ASSY, (includes items 11 thru 17)	
11	N.S.S.	1	FLAT WASHER, 5/16	
12	N.S.S.	1	HEX HD CAPSCREW, 1/4-28X1	
13	N.S.S.	1	WIPER MOTOR BRACKET	
14	N.S.S.	1	NUT	
15	8035409	1	CONNECTING LINK	
16	N.S.S.	1	FLAT WASHER, 0.560X.251X.015	
17	N.S.S.	1	SPRING CLIP	
18	8035411	1	WIPER ARM DRIVE	
19	8036099	1	WIPER SHAFT AND PIVOT ASSY, (includes items 20 thru 26)	
20	N.S.S.	1	RUBBER WASHER	
21	N.S.S.	1	METAL WASHER	
22	N.S.S.	1	HEX JAM NUT, 11/16-18	
23	N.S.S.	1	RUBBER CAP	
24	N.S.S.	1	KNURLED DRIVER	
25	N.S.S.	1	LOCKWASHER, 3/8, (internal tooth)	
26	N.S.S.	1	ACORN NUT, 1/4-28	
27	8034815	1	PANTO ADAPTER ASSY, (includes items 28 thru 30)	
28	N.S.S.	1	GASKET	
29	N.S.S.	1	LOCKWASHER, 1/4, (internal tooth)	
30	N.S.S.	1	ACORN NUT, 1/4-28	
31	80384207	2	HEX HD CAPSCREW, 1/4-28X3/4	
32	8036070	1	WIPER HARNESS	
33	8035479	3	NUT, 1/4-20	
34	8035416	3	LOCKWASHER, 1/4	
35	1001111112	1	RESERVOIR	
35	70025480	1	Pump, Reservoir	
36	8036072	1	WASHER HOSE CONNECTOR TEE	
37	8033075	1	WASHER HOSE, 120	
38	8584001	AR	TY-RAP	
39		Ref	FRONT WINDSHIELD WIPER SWITCH, (See ELECTRICAL SECTION for Breakdown)	
40		Ref	SKYLIGHT WINDSHIELD WIPER SWITCH, (See ELECTRICAL SECTION for Breakdown)	
41		Ref	WINDSHIELD WASHER SWITCH, (See ELECTRICAL SECTION for Breakdown)	
42	80264045	3	SCREW, 1/4-20X5/8	
	8036049	1	SKYLIGHT WIPER ASSY, (includes items 101 thru 109)	
101	8035492	1	SKYLIGHT WIPER MOTOR	
102	8035493	1	WIPER MOTOR COVER	

SECTION 6 - CAB

ITEM	PART NUMBER	QTY	DESCRIPTION	REV
103	8035498	1	WIPER BLADE	
104	8035500	1	WIPER ARM	
105	8035499	1	WET KIT	
106	1001081310	1	WET ARM ADAPTER	
107	8036102	2	MACHINE SCREW, #10-24X1-1/2	
108	8035496	1	PLASTIC CLAMP BLOCK	
109	8036103	1	WIPER MOUNT WELDMENT	

Go to Discount-Equipment.com to order your parts

SECTION 6 - CAB

FIGURE 6-7. OPERATORS SEAT

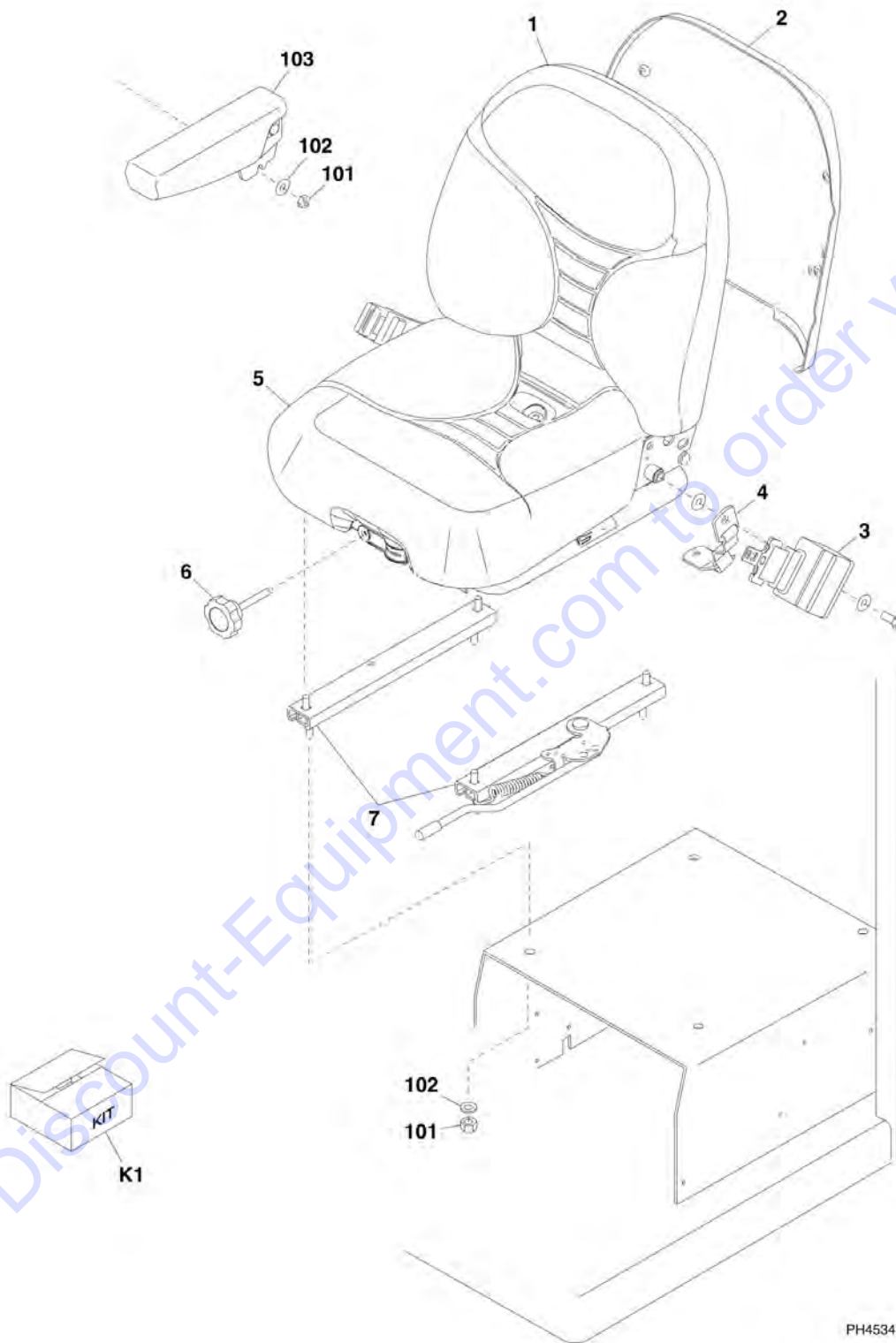


FIGURE 6-7. OPERATORS SEAT

ITEM	PART NUMBER	QTY	DESCRIPTION	REV
	1001101085	1	SUSPENSION SEAT, (includes items 1 thru 7)	D
1	7026900	1	BACK CUSHION KIT	
2	7026902	1	BACK PANEL KIT	
3	7026905	1	SEAT BELT KIT	
3	91565064	1	SEAT BELT, 3IN (California Only), (not included with 1001101085)	
4	7026906	1	TETHER KIT	
5	7026901	1	SEAT CUSHION KIT	
6	7026799	1	KNOB KIT	
7	7026798	1	SLIDE KIT	
8	70023040	1	SHOCK ABSORBER KIT, (not shown), (includes one shock absorber, two shock pins and two hex nuts)	
9	70023041	1	SPRING AND SADDLE KIT, (not shown)	
10	70023890	1	BOOT KIT, (not shown)	
101	8305626	6	HEX LOCKNUT, 5/16-18	
102	8307106	6	PLAIN WASHER, 5/16	
103	7138858	1	ARM REST	
K1	70023139	1	SEAT BELT KIT, 3 IN, (includes female and retractor ends)	

SECTION 6 - CAB

FIGURE 6-8. CAB HEATER

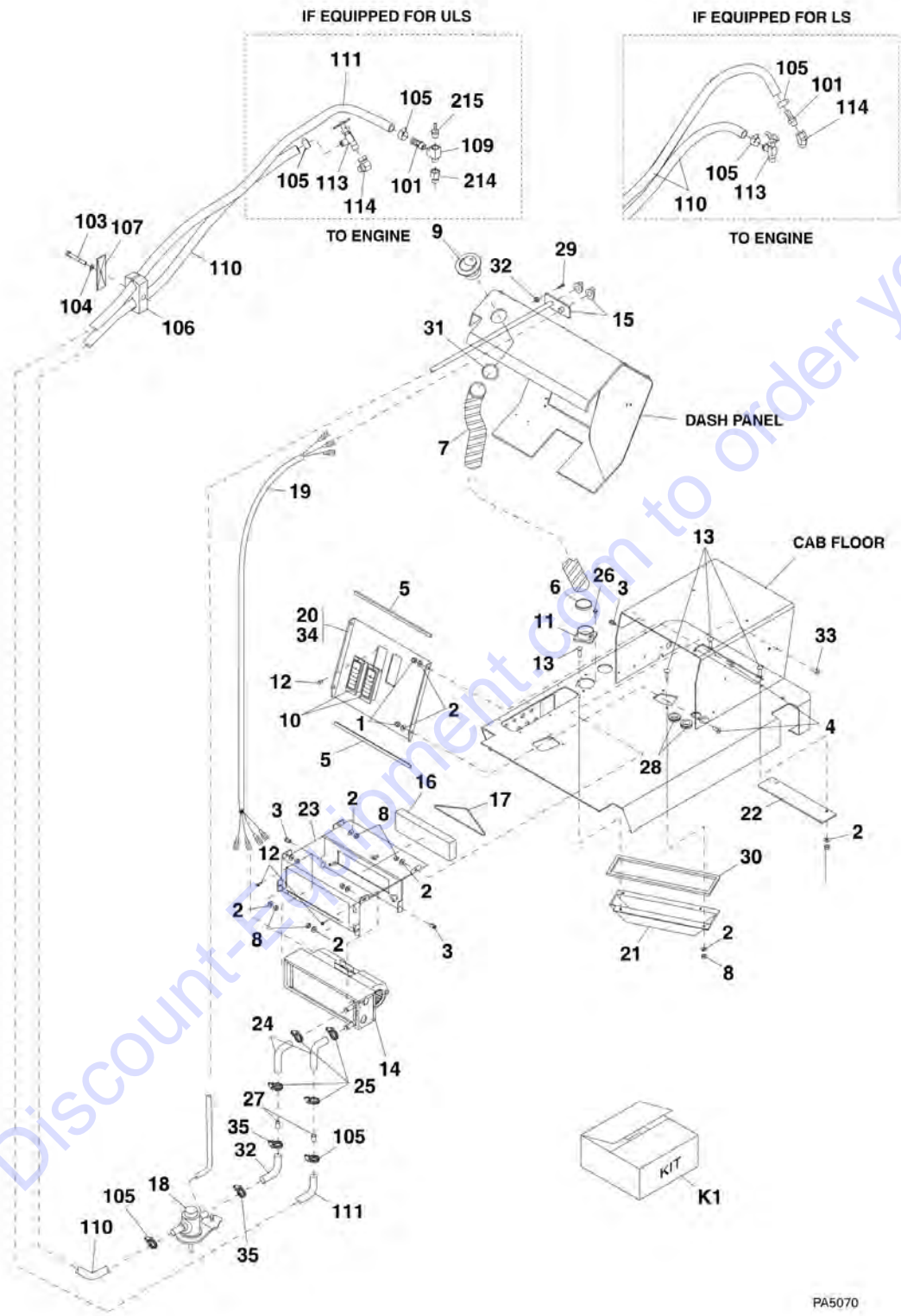


FIGURE 6-8. CAB HEATER

ITEM	PART NUMBER	QTY	DESCRIPTION	REV
	1001125837	1	CAB HEATER KIT, (includes items 1 thru 34)	B
1	8035479	4	ACORN NUT, 1/4-20	
2	8035416	14	LOCKWASHER, 1/4 IDX.49 OD	
3	1001103509	4	HEX PILOT RIVNUT, 1/4-20X.305	
4	91344043	4	BOLT, 1/4-20X.625	
5	80364020	2	SLOT EDGE TRIM, 2.69	
6	8035406	2	WIDE NYLON TIE	
7	8036110	1	HOSE ASSY	
8	8035417	12	HEX NUT, 1/4-20, GR5	
9	8035402	1	4IN ROUND LOUVER, WITH 2-1/2 COLLAR	
10	8035668	2	RECTANGULAR LOUVER, 49mmX121mm	
11	8035431	1	HOSE ADAPTER, 2-1/2	
12	1001081073	8	PAN HEAD SELF TAPPING SCREW, #8-15X1/2	
13	8036112	6	CARRIAGE BOLT, 1/4-20X1	
14	1001125774	1	HEATER	B
15	8036114	1	PANEL/CABLE HEATER CONTROL	
15	8036388	2	POSITIONING KNOB, (includes set screw and brass insert)	
16	1001081375	1	AIR FILTER	
17	1001081376	1	RUBBER O-RING	
18	1001081045	1	HEATER WATER VALVE	
19	8036118	1	HEATER WIRE HARNESS	
20	8036119	1	HEATER LOUVER PANEL	
21	8036120	1	HEATER DUCT	
22	8036121	1	FILTER ACCESS PLATE	
23	8036122	1	HEATER MOUNT WELDMENT	
24	8036124	2	RUBBER HOSE, 90	
25	8410009	4	HOSE CLAMP	
26	91404298	4	POP RIVET	
27	1001081046	2	COPPER SPLICE, 5/8 HEATER HOSE	
28	1001081049	2	SPLIT RUBBER GROMMET	
29	8036128	4	SCREW, #6-32X1/2	
30	8035599	1	FOAM, .25X.5X1	
31	8405202	1	CLAMP	
32	8036129	4	NYLOCK NUT, #6-32	
33	8033856	8	SCREW, 1/4-20X3/4	
34	7139301	2	FOAM, 1/16X1/2X28	
	1001122289	Ref	CAB HEATER HOSE INSTALLATION, (if equipped for ULS), (not available to order, See items 101 thru 114 for service)	C
	1001100221	Ref	CAB HEATER HOSE INSTALLATION, (if equipped for LS), (not available to order, See items 101 thru 114 for service)	E
101	2180535	1	HOSE BARB FITTING	
103	8303757	1	HEX HD CAPSCREW, 5/16-18X2-1/2, GR5	
104	8307004	1	LOCKWASHER, 5/16	
105	8405007	4	GEAR CLAMP, 1.25 DIA MAX	
106	8750024	1	CLAMP SET	
107	8750025	1	COVER PLATE	
109	86983651	1	STREET TEE, 3/8X3/8, (if equipped for ULS)	
110	1001100225	1	CAB HEATER HOSE, (if equipped for ULS)	
110	1001100225	2	CAB HEATER HOSE, (if equipped for LS)	
111	1001122559	1	CAB HEATER HOSE, (if equipped for ULS)	

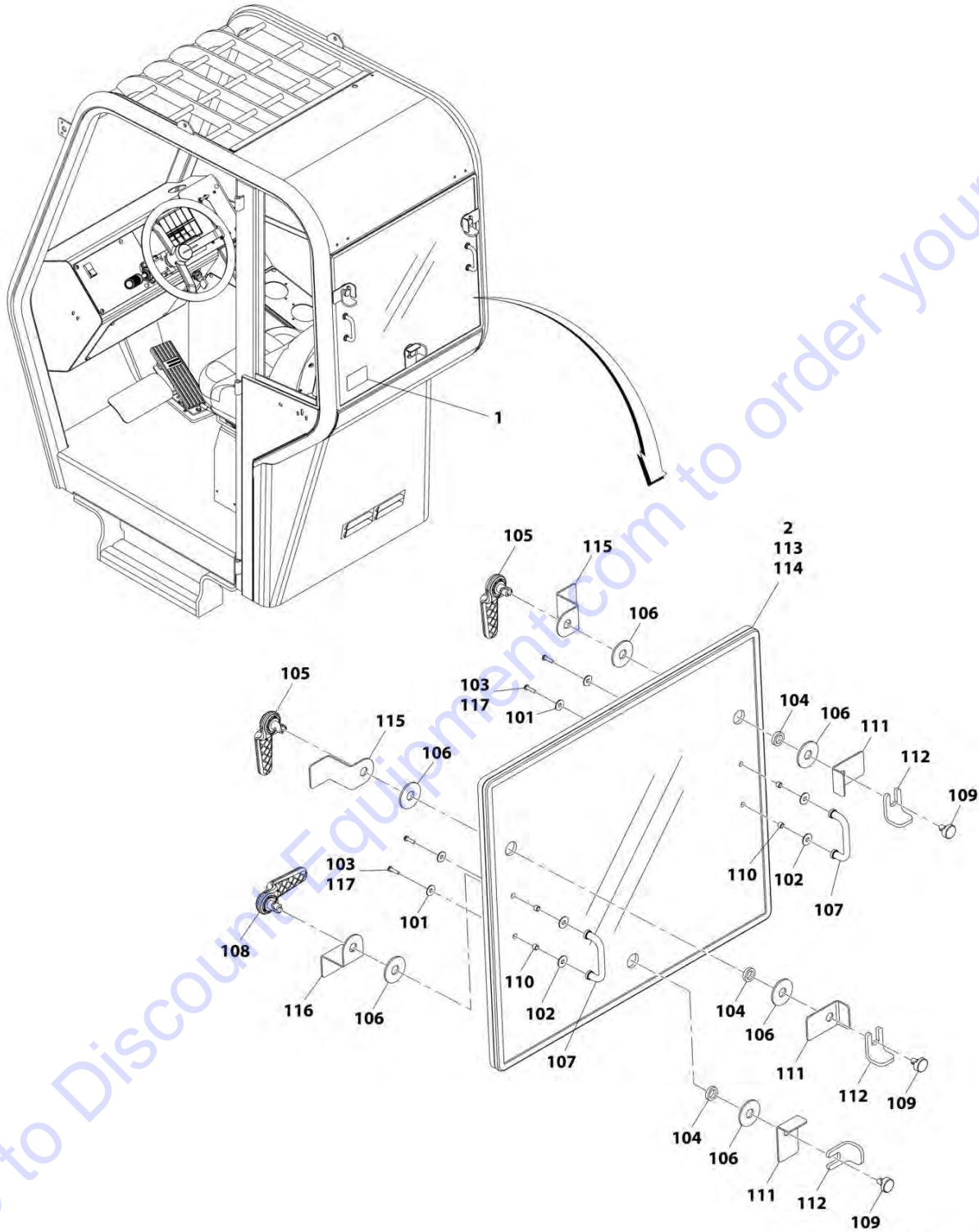
SECTION 6 - CAB

ITEM	PART NUMBER	QTY	DESCRIPTION	REV
113	8360005	1	SHUT OFF VALVE	
114	1001133874	1	ELBOW, 90, (if equipped for ULS)	
114	1001120819	1	ELBOW, 90, (if equipped for LS)	
214		Ref	STRAIGHT ADAPTER, (See ENGINE AND ATTACHING PARTS SECTION for Breakdown)	
215		Ref	HOSE BARB COUPLING, (See ENGINE AND ATTACHING PARTS SECTION for Breakdown)	
K1	7148100	1	FIELD INSTALLATION HEATER KIT, (includes items 1 thru 31, 38, 39 & 50 thru 53)	

Go to Discount-Equipment.com to order your parts

SECTION 6 - CAB

FIGURE 6-9. REAR DROPOUT WINDOW INSTALLATION



ART_31200731-6-9

FIGURE 6-9. REAR DROPOUT WINDOW INSTALLATION

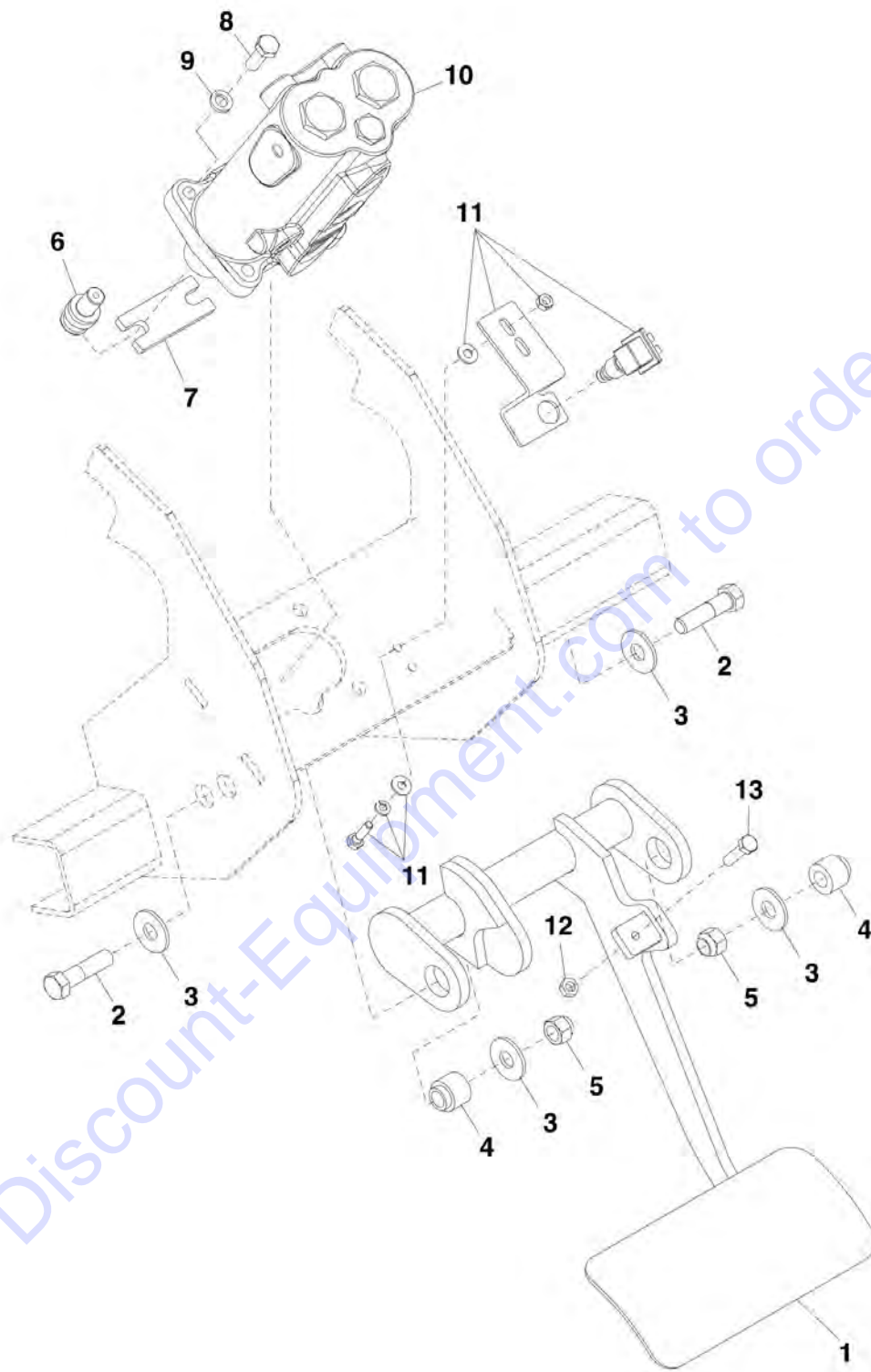
ITEM	PART NUMBER	QTY	DESCRIPTION	REV
	1001162806	Ref	REAR DROPOUT WINDOW INSTALLATION, (ANSI)	A
	1001167250	Ref	REAR DROPOUT WINDOW INSTALLATION,(ENGLISH/FRENCH)	A
	1001167251	Ref	REAR DROPOUT WINDOW INSTALLATION, (ISO)	A
1	1001160071	2	DECAL, REAR EMERGENCY EXIT, (ANSI)	
1	1001160787	2	DECAL, REAR EMERGENCY EXIT, (ENGLISH/FRENCH)	
1	1001160912	2	DECAL, REAR EMERGENCY EXIT, (ISO)	
2	1001162804	1	WINDOW, REAR DROPOUT, (includes items 101 thru 117)	
101	4740553	4	WASHER	
102	8034800	4	WASHER, FLAT	
103	70025901	4	BOLT	
104	70025902	3	WASHER	
105	70025903	2	TURN HANDLE	
106	70025904	6	WASHER	
107	1001162829	2	GRAB HANDLE	
108	70025906	1	TURN HANDLE	
109	70025907	3	RECEPTACLE	
110	N.S.S.	4	SLEEVE	
111	70025911	3	CATCH, OUTSIDE WINDOW	
112	70025912	3	RETAINER CLIP	
113	70026463	1	SEAL	
114	70026464	1	REAR DROP OUT GLASS	
115	70026465	2	CATCH, INSIDE WINDOW	
116	70026466	1	LOWER CATCH, INSIDE WINDOW	
117	91344046	1	ADHESIVE SEALANT	

SECTION 7 - CONTROLS

Go to Discount-Equipment.com to order your parts

SECTION 7 - CONTROLS

FIGURE 7-1. BRAKE



ART_31200731-7-1

SECTION 7 - CONTROLS

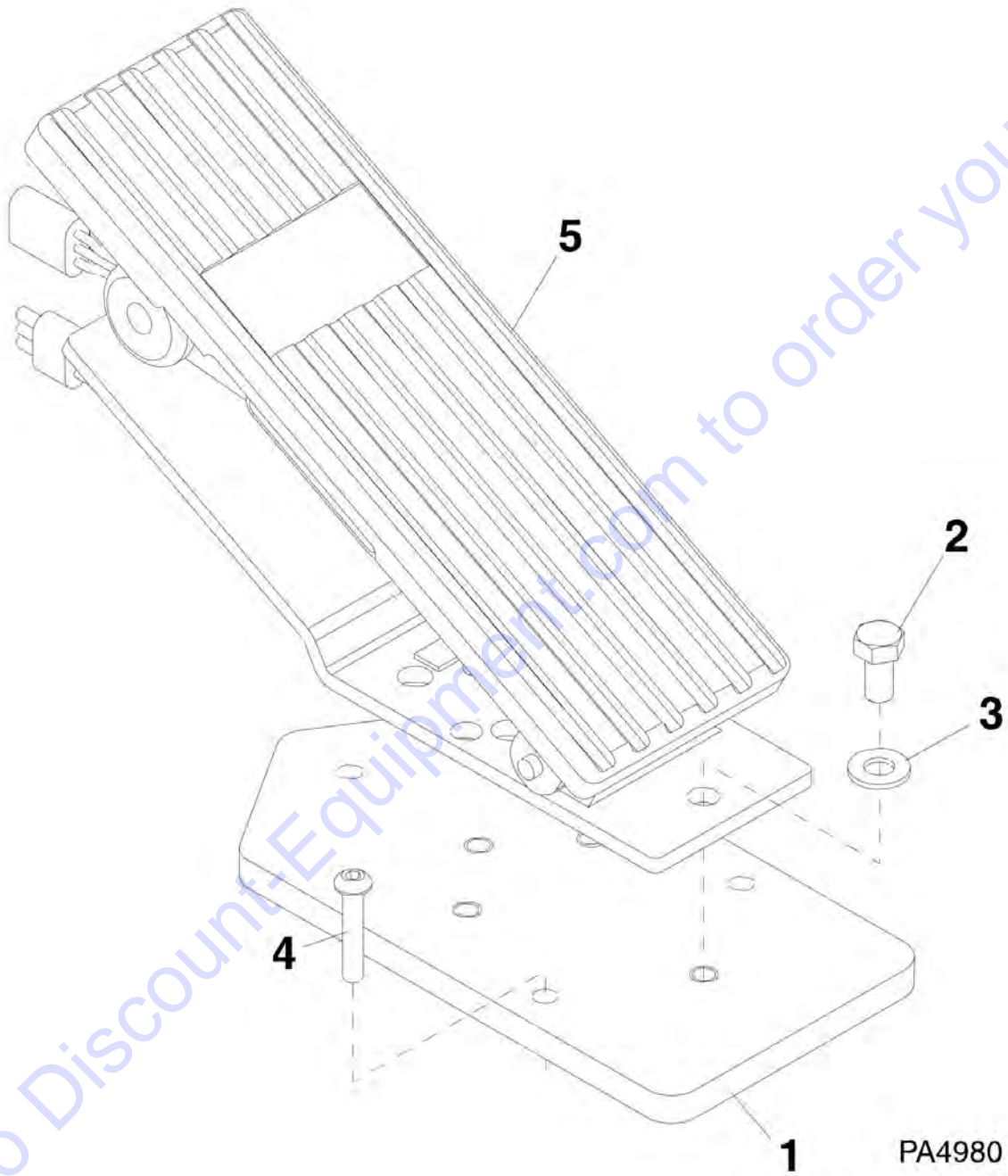
FIGURE 7-1. BRAKE

ITEM	PART NUMBER	QTY	DESCRIPTION	REV
1	1001103113	1	BRAKE PEDAL (Prior to SN 0160054307)	
1	1001143305	1	BRAKE PEDAL (SN 0160054307 to Present)	
2	8303658	2	HEX HD CAPSCREW, 1/2-13X2, GR5	
3	8307206	4	FLAT WASHER, 1/2	
4	7129521	2	BRAKE PEDAL PIVOT	
5	8305644	2	HEX LOCKNUT, 1/2-13	
6	91513180	2	ACTUATOR	
7	91511145	1	TIE BAR	
8	8303755	4	HEX HD CAPSCREW, M10X30mm, GR8.8	
9	8307023	4	LOCK WASHER, M10	
10		Ref	BRAKE VALVE, (See HYDRAULIC COMPONENTS SECTION for Breakdown)	
11		Ref	BRAKE SWITCH, (See ELECTRICAL SECTION for Breakdown)	
12	3311502	1	NUT 5/16 (SN 0160054307 to Present)	
13	8303739	1	HEX HD CAPSCREW, 5/16-18X1-1/4, GR5 (SN 0160054307 to Present)	

Go to Discount-Equipment.com to Order your parts

SECTION 7 - CONTROLS

FIGURE 7-2. ACCELERATOR



SECTION 7 - CONTROLS

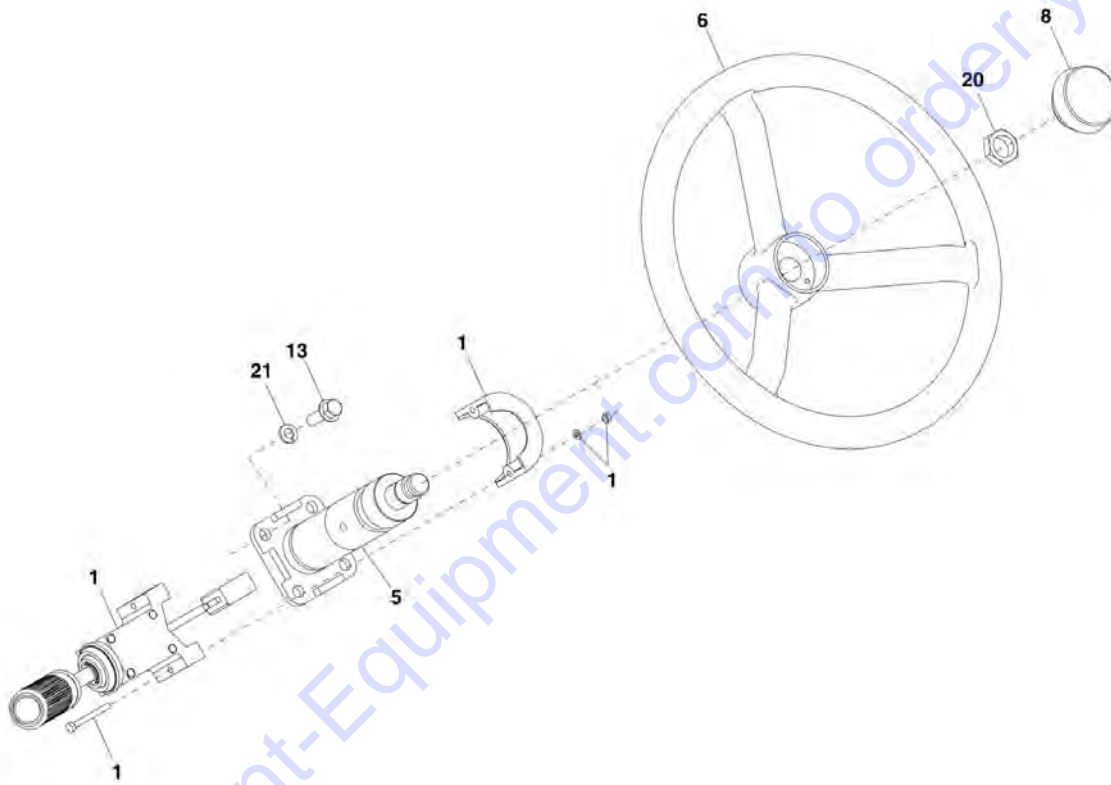
FIGURE 7-2. ACCELERATOR

ITEM	PART NUMBER	QTY	DESCRIPTION	REV
	1001129813	1	THROTTLE PEDAL ADAPTER ASSY, (includes items 1 thru 5)	A
1	3576442	1	THROTTLE ADAPTER PLATE	
2	8303745	4	HEX HD CAPSCREW, 5/16-18X5/8, GR5	
3	8307106	4	FLAT WASHER, 5/16	
4	8310725	3	BUTTON HD CAPSCREW, 1/4-20X1-1/4	
5	1001129870	1	THROTTLE PEDAL ACCELERATOR	

Go to Discount-Equipment.com to order your parts

SECTION 7 - CONTROLS

FIGURE 7-3. STEERING COLUMN



ART_31200731-7-3

SECTION 7 - CONTROLS

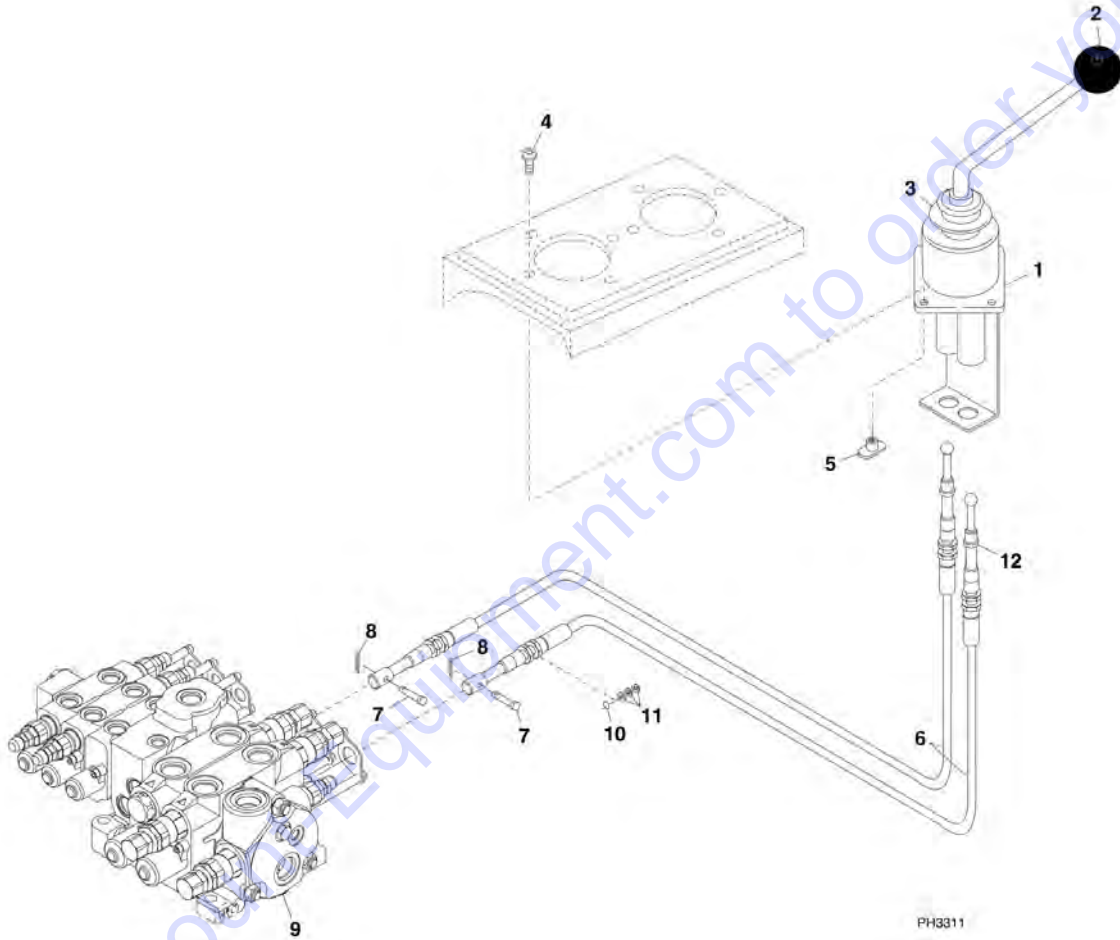
FIGURE 7-3. STEERING COLUMN

ITEM	PART NUMBER	QTY	DESCRIPTION	REV
1	1600429	1	TRANSMISSION RANGE SELECTOR SHIFTER, (torque included mounting hardware to 25 lb-in/2.8 Nm)	
5	7138833	1	STEERING COLUMN	
5	7029367	1	HORN BRUSH KIT	
6	7138836	1	STEERING WHEEL	
8	7138878	1	STEERING WHEEL CAP, (with horn button switch)	
13	8303534	4	FLAT HD CAPSCREW, #10-16X1-1/4, (torque to 13 lb-ft/17.6 Nm)	
20	8305916	1	STEERING COLUMN NUT, (torque to 50 lb-ft/67.79 Nm)	
21	8307005	4	LOCKWASHER, 3/8	

Go to Discount-Equipment.com to order your parts

SECTION 7 - CONTROLS

FIGURE 7-4. BOOM CONTROL



SECTION 7 - CONTROLS

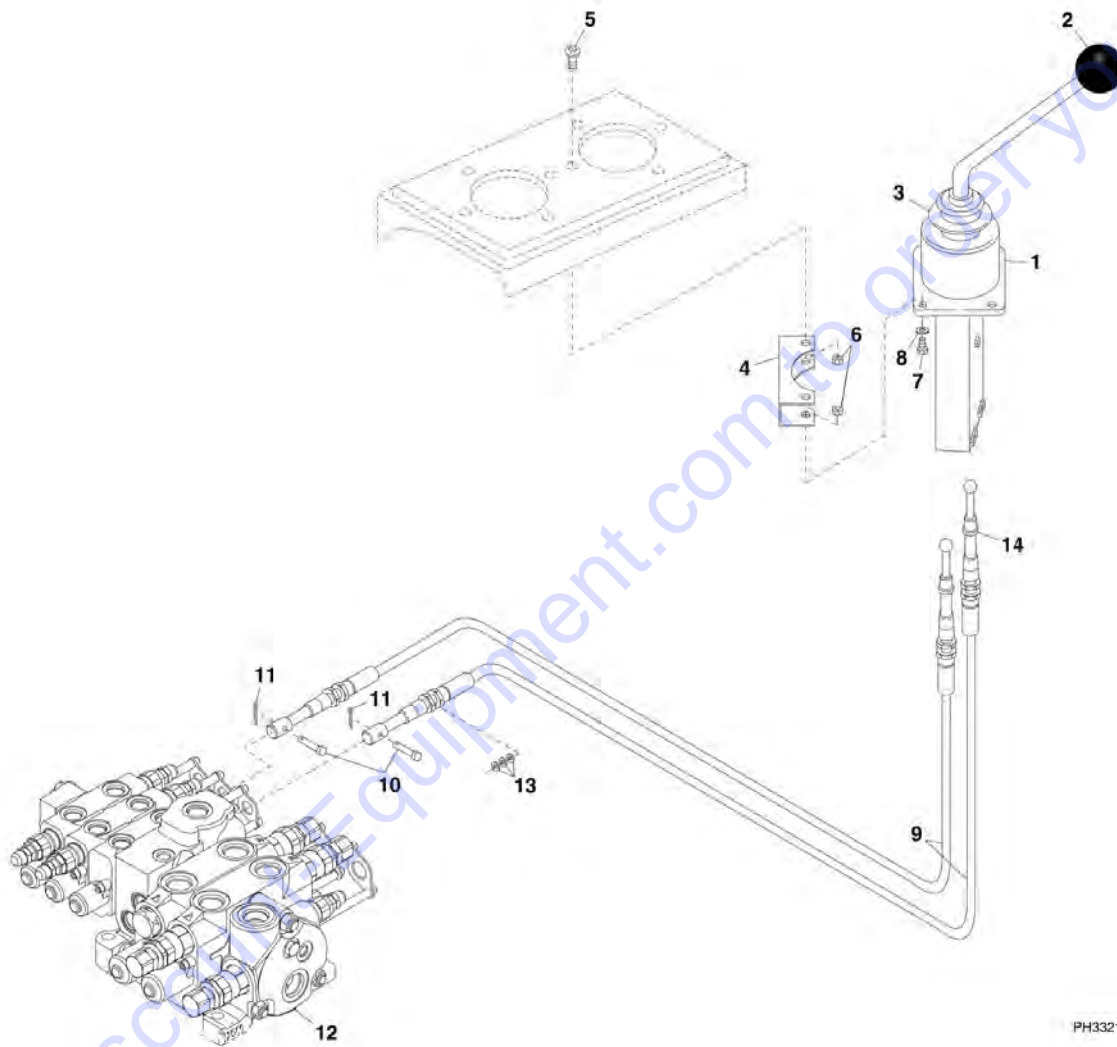
FIGURE 7-4. BOOM CONTROL

ITEM	PART NUMBER	QTY	DESCRIPTION	REV
1	8224045	1	JOYSTICK WITH GATE, (includes items 2 & 3)	AB
2	8580110	1	KNOB	
3	8160419	1	BOOT	
4	8310143	4	TRUSS HD CAPSCREW, 1/4X1	
5	8310144	4	PROP TEE NUT	
6	1001132550	2	CONTROL CABLE	
7	8301443	2	CLEVIS PIN, 3/16X1	
8	8302470	2	HAIR PIN, 3/32	
9		Ref	MAIN CONTROL VALVE, (See HYDRAULIC COMPONENTS SECTION for Breakdown)	
10	8630021	2	O-RING	
11	4812300	6	FLAT WASHER, M16	
12	0100011	AR	LOCTITE 242, (apply to item 6)	

Go to Discount-Equipment.com to order your parts

SECTION 7 - CONTROLS

FIGURE 7-5. FRAME LEVEL AND ATTACHMENT TILT CONTROL



PH3321

SECTION 7 - CONTROLS

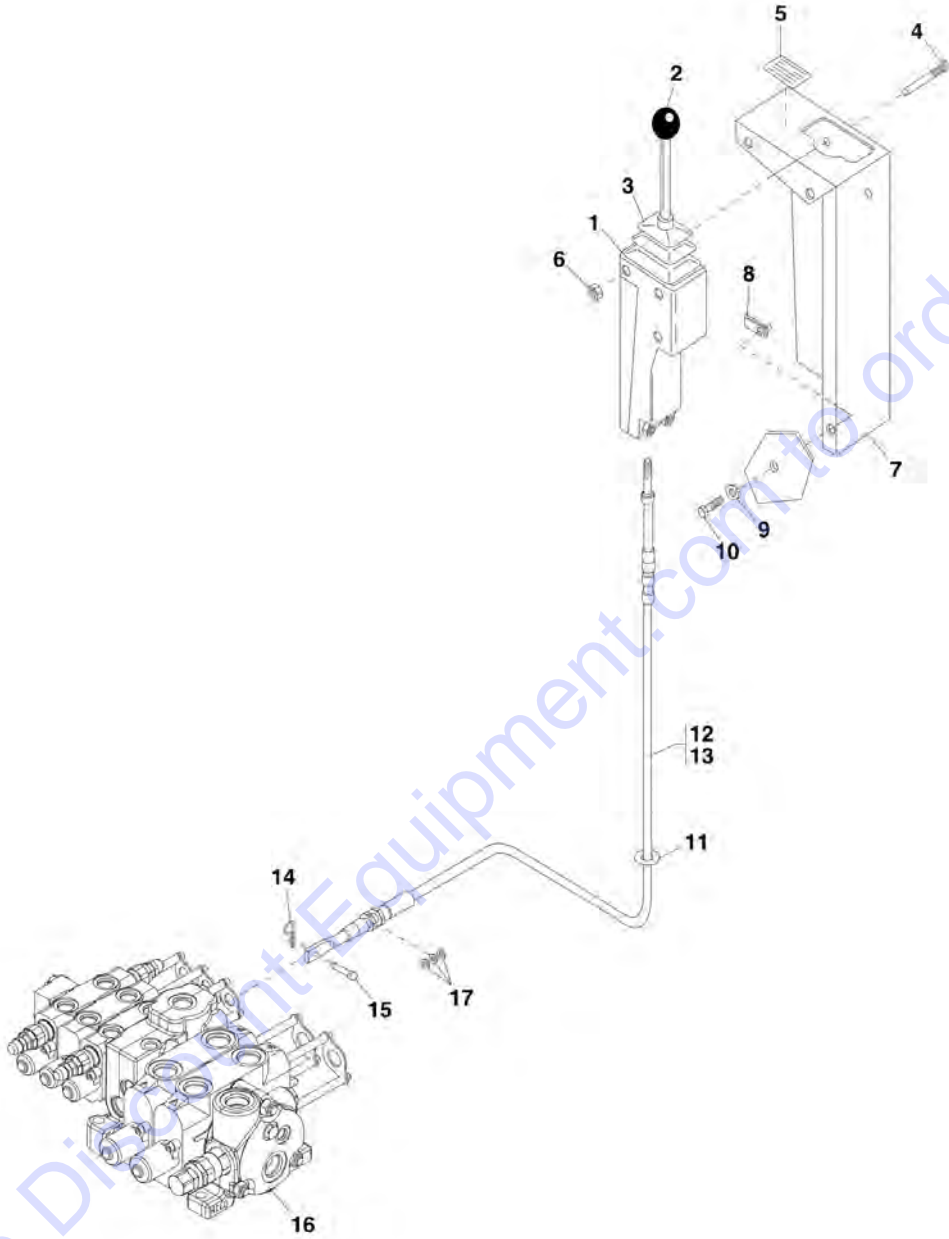
FIGURE 7-5. FRAME LEVEL AND ATTACHMENT TILT CONTROL

ITEM	PART NUMBER	QTY	DESCRIPTION	REV
1	8224047	1	JOYSTICK WITH GATE, (includes items 2 & 3)	AB
2	8580110	1	KNOB	
3	8160419	1	BOOT	
4	7098142	2	SPACER	
5	88261017	4	HEX HD CAPSCREW, 1/4-20X7/8	
6	8310001	8	HEX NUT, 1/4-20	
7	8303540	4	HEX HD CAPSCREW, 1/4X1	
8	8307109	4	FLAT WASHER, 1/4	
9	1001132551	2	CONTROL CABLE	
10	8301443	2	CLEVIS PIN, 3/16X1	
11	8302470	2	HAIR PIN, 3/32	
12		Ref	MAIN CONTROL VALVE, (See HYDRAULIC COMPONENTS SECTION for Breakdown)	
13	4812300	6	FLAT WASHER, M16	
14	0100011	AR	LOCTITE 242, (apply to item 9)	

Go to Discount-Equipment.com to order your parts

SECTION 7 - CONTROLS

FIGURE 7-6. AUXILIARY HYDRAULIC CONTROL



PA3111

SECTION 7 - CONTROLS

FIGURE 7-6. AUXILIARY HYDRAULIC CONTROL

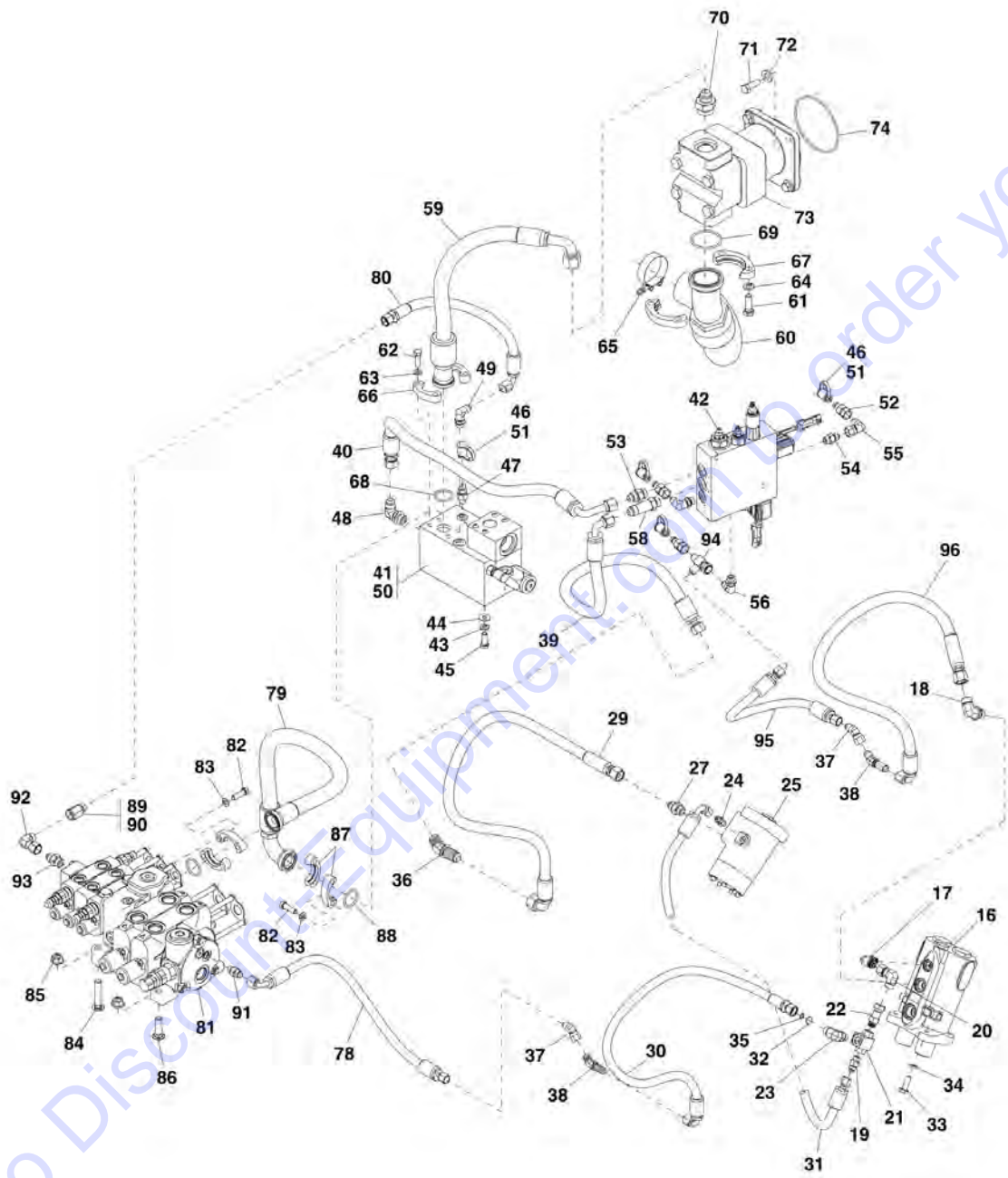
ITEM	PART NUMBER	QTY	DESCRIPTION	REV
1	8160406	1	CONTROLLER, (includes items 2 & 3)	AB
2	8580110	1	KNOB	
3	8160418	1	BOOT	
4	8303758	2	HEX HD CAPSCREW, 1/4-20X2	
5	4105621	1	AUXILIARY CONTROL DECAL	
6	8305004	2	HEX NUT, 1/4-20	
7	7091323	1	CONTROLLER SUPPORT	
8	8305906	3	RETAINING NUT, 5/16-18	
9	8307004	3	LOCKWASHER, 5/16	
10	8303697	3	HEX HD CAPSCREW, 5/16-18X3/4	
11	7125871	AR	CONDUIT, 0.5X8	
12	8024023	1	AUXILIARY HYDRAULICS CONTROL CABLE ASSY, (includes items 13 thru 15)	
13	8160078	1	CONTROL CABLE	
14	8302470	1	HAIR PIN	
15	8301443	1	CLEVIS PIN	
16		Ref	MAIN CONTROL VALVE, (See HYDRAULIC COMPONENTS SECTION for Breakdown)	
17	4812300	3	FLAT WASHER, M16	

SECTION 8 - HYDRAULIC CIRCUITS

Go to Discount-Equipment.com to order your parts

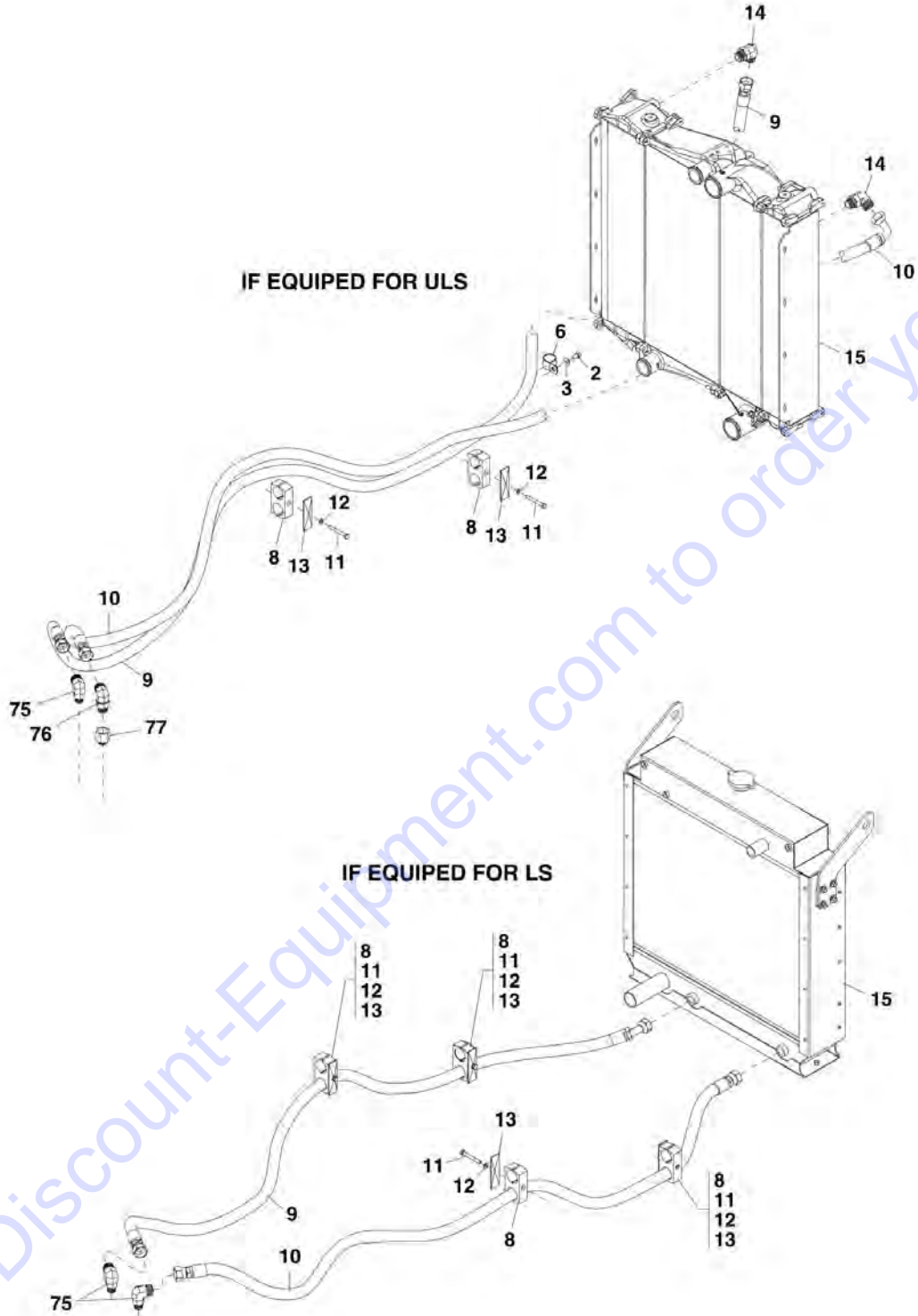
SECTION 8 - HYDRAULIC CIRCUITS

FIGURE 8-1. SUPPLY CIRCUIT



ART_31200731-8-1_1

SECTION 8 - HYDRAULIC CIRCUITS



IF EQUIPED FOR ULS

IF EQUIPED FOR LS

PA5600

SECTION 8 - HYDRAULIC CIRCUITS

FIGURE 8-1. SUPPLY CIRCUIT

ITEM	PART NUMBER	QTY	DESCRIPTION	REV
	1001125136	Ref	HYDRAULIC TRANSMISSION COOLER PLUMBING INSTALLATION, (if equipped for ULS), (not available to order, see items 1 thru 13 for service)	C
	1001131526	Ref	HYDRAULIC TRANSMISSION COOLER PLUMBING INSTALLATION, (if equipped for LS), (not available to order, see items 8 thru 13 for service)	A
2	0641605	1	HEX HD CAPSCREW, 3/8-16X5/8, GR5	
3	4711600	1	WASHER, 3/8	
6	8406302	1	HOSE CLAMP	
8	8750040	2	CLAMP SET, (if equipped for ULS)	
8	8750040	4	CLAMP SET, (if equipped for LS)	
9	1001126385	1	HOSE ASSY, (if equipped for ULS)	
9	1001132545	1	HOSE ASSY, (if equipped for LS)	
10	1001126386	1	HOSE ASSY, (if equipped for ULS)	
10	1001132546	1	HOSE ASSY, (if equipped for LS)	
11	8303757	2	HEX HD CAPSCREW, 5/16-18X2-1/5, GR5, (if equipped for ULS)	
11	8303757	4	HEX HD CAPSCREW, 5/16-18X2-1/5, GR5, (if equipped for LS)	
12	8307004	2	LOCKWASHER, 5/16, (if equipped for ULS)	
12	8307004	4	LOCKWASHER, 5/16, (if equipped for LS)	
13	8750025	2	TWIN COVER PLATE, (if equipped for ULS)	
13	8750025	4	TWIN COVER PLATE, (if equipped for LS)	
14		Ref	ADAPTER, 90, (See ENGINE AND ATTACHING PARTS SECTION for Breakdown)	
15		Ref	RADIATOR, (See ENGINE AND ATTACHING PARTS SECTION for Breakdown)	
16		Ref	POWER BRAKE VALVE, (See HYDRAULIC COMPONENTS SECTION for Breakdown)	
17	8770109	1	ELBOW, 90, (includes o-ring)	
18	8770120	1	ELBOW, 90, (includes o-ring)	
19	2220371	1	ADAPTER, CONNECTOR	
20	2172106	1	ADAPTER, 90, (includes o-ring)	
21	8902175	1	SHUTTLE VALVE	
22	2221123	1	ADAPTER, CONNECTOR, (includes o-ring)	
23	2130606	1	ADAPTER, 90, (includes o-ring)	
24	2220603	1	ADAPTER, CONNECTOR	
25	1001146563	1	STEERING UNIT	
27	8760140	1	INLET CHECK VALVE	
29	2716696	1	HOSE ASSY	
30	2716699	1	HOSE ASSY	
31	2716700	1	HOSE ASSY	
32	7139212	1	ORIFICE DISK	
33	8303755	4	HEX HD CAPSCREW, M10X1.5X30, GR8.8	
34	8307023	4	LOCKWASHER, M10	
35	8630003	1	O-RING	
36	8760237	1	ADAPTER, BULKHEAD FITTING, 45	
37	2220657	2	ADAPTER, 45	
38	8770189	2	ADAPTER, BULKHEAD FITTING, 45	
39	2716769	1	HOSE ASSY	
40	2716771	1	HOSE ASSY	
41	7139523	Ref	UNLOADER VALVE ASSY, (not available to order, see items 46 thru 50 for service)	D

SECTION 8 - HYDRAULIC CIRCUITS

ITEM	PART NUMBER	QTY	DESCRIPTION	REV
42		Ref	SECONDARY FUNCTION MANIFOLD, (See HYDRAULIC COMPONENTS SECTION for Breakdown)	
43	8307005	3	LOCKWASHER, 0.375	
44	8307203	3	WASHER, 0.312	
45	8310525	3	HEX HD CAPSCREW, 3/8-16X10, GR8	
46	8430032	2	DUST CAP	
47	8430033	2	ADAPTER, DIAGNOSTIC CONNECTOR	
48	2220596	1	ADAPTER, 90	
49	2220473	1	ADAPTER, 90	
50		Ref	UNLOADER VALVE, (See HYDRAULIC COMPONENTS SECTION for Breakdown)	
51	8430032	3	DUST CAP	
52	8430046	3	ADAPTER, DIAGNOSTIC FITTING	
53	2220373	1	ADAPTER, STRAIGHT	
54	2220371	1	ADAPTER, STRAIGHT	
55	8760268	1	ADAPTER, 90	
56	2220473	2	ADAPTER, 90	
57	2220238	1	ADAPTER, PLUG, (not shown)	
58	2220381	1	ADAPTER, STRAIGHT, (long)	
	7300914	Ref	HYDRAULIC PUMP ASSY, (not available to order, see items 59 thru 74 for service)	E
59	2716780	1	HOSE ASSY	
60	2716808	1	HOSE ASSY	
61	8303626	4	HEX HD CAPSCREW, 0.5-13X1.50, GR5, (torque to 80-90 lb-ft/108.4-122 Nm)	
62	8303675	4	HEX HD CAPSCREW, 3/8-16X1.25, GR5, (torque to 33-37 lb-ft/44.7-50.1 Nm)	
63	8307005	4	LOCKWASHER, 0.375	
64	8307007	4	LOCKWASHER, 0.5	
65	8405209	1	CLAMP, T-BOLT	
66	8530030	2	FLANGE HALF	
67	10717672	2	FLANGE HALF	
68	8640123	1	O-RING	
69	8640208	1	O-RING	
70	2220435	1	ADAPTER, CONNECTOR	
71	8303519	4	HEX HD CAPSCREW, M12X1.75X35, GR8.8, (torque to 58-70 lb-ft/78.6-94.9 Nm)	
72	8310356	4	WASHER, 12mm	
73		Ref	GEAR PUMP, (See HYDRAULIC COMPONENTS SECTION for Breakdown)	
74	8630019	1	O-RING	
75	2131210	1	ADAPTER, 90, (includes o-ring), (if equipped for ULS)	
75	2131210	2	ADAPTER, 90, (includes o-ring), (if equipped for LS)	
76	2131212	1	ADAPTER, 90, (includes o-ring), (if equipped for ULS)	
77	8760548	1	ADAPTER, CONNECTOR, (if equipped for ULS)	
78	2716762	1	HOSE ASSY	
79	2716781	1	HOSE ASSY	
80	2717033	1	HOSE ASSY	
81		Ref	MAIN CONTROL VALVE, (See HYDRAULIC COMPONENTS SECTION for Breakdown)	
82	8303675	8	HEX HD CAPSCREW, 3/8-16X1.25, GR5	
83	8307005	8	LOCKWASHER, 0.375	
84	8310337	1	CARRIAGE BOLT, 1/2-13X2.50	

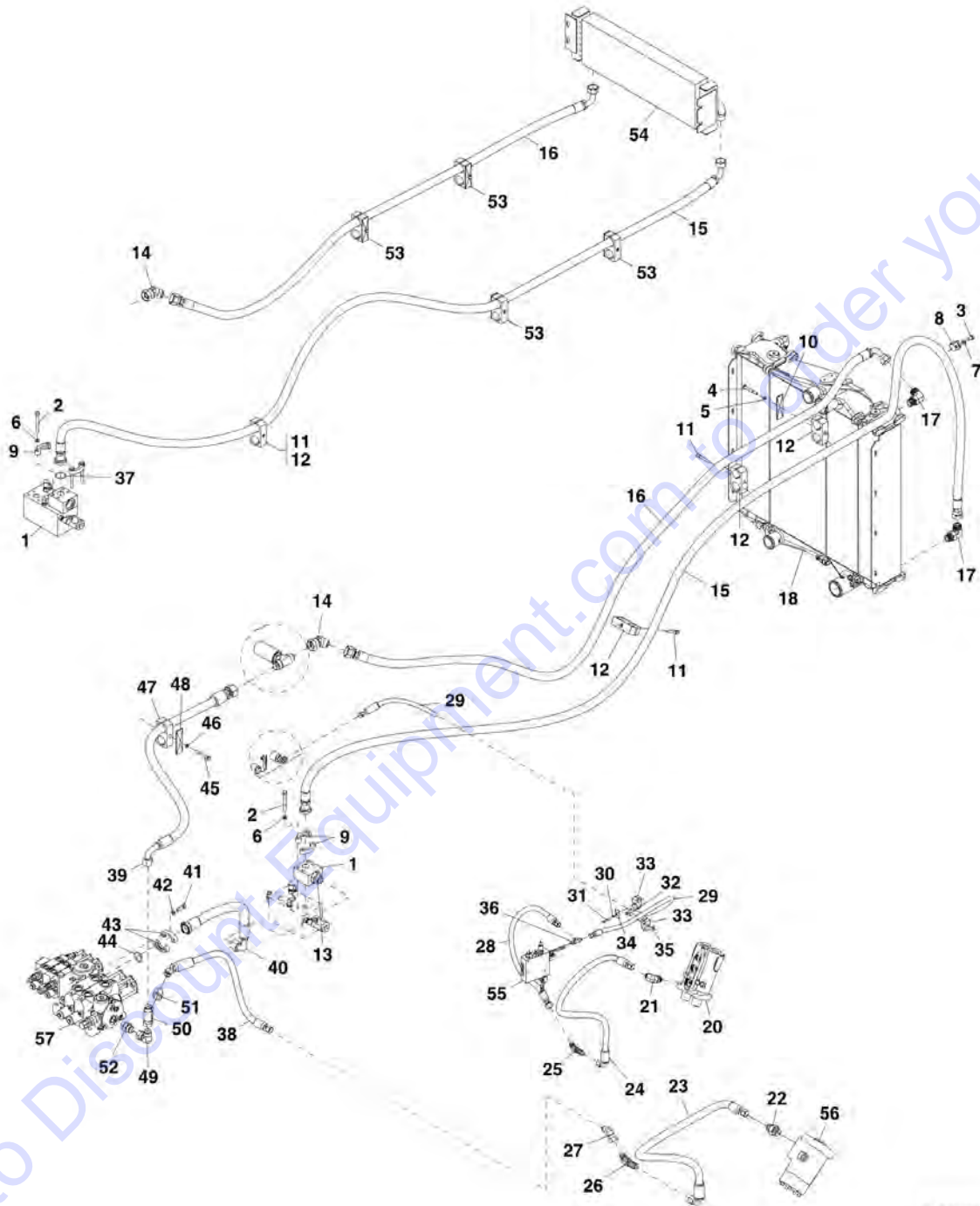
SECTION 8 - HYDRAULIC CIRCUITS

ITEM	PART NUMBER	QTY	DESCRIPTION	REV
85	8310523	3	HEX FLANGE NUT, 0.50-13	
86	8310524	2	CARRIAGE BOLT, 1/2-13X1.75	
87	8530030	4	FLANGE HALF	
88	8640123	2	O-RING	
89	7139993	1	CHECK VALVE	
90	8630003	1	O-RING	
91	2220371	1	ADAPTER, CONNECTOR	
92	2172106	1	ADAPTER, 90, (includes o-ring)	
93	2110606	1	ADAPTER, CONNECTOR, (includes o-ring)	
94	2220635	1	RUN TEE	
95	2716761	1	HOSE ASSY	
96	1001166292	1	HOSE ASSY	

Go to Discount-Equipment.com to order your parts

SECTION 8 - HYDRAULIC CIRCUITS

FIGURE 8-2. DUMP CIRCUIT



PAP26080

SECTION 8 - HYDRAULIC CIRCUITS

FIGURE 8-2. DUMP CIRCUIT

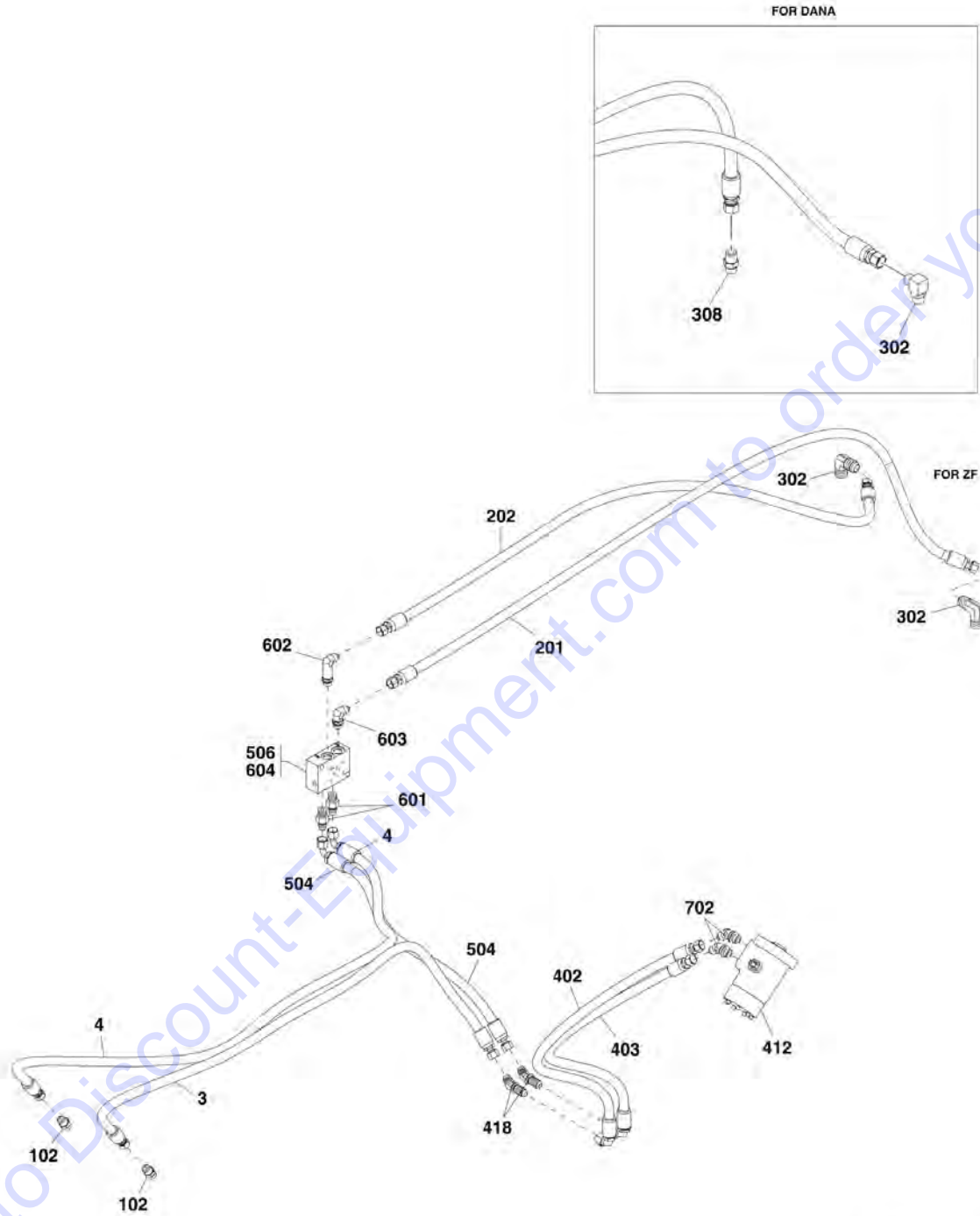
ITEM	PART NUMBER	QTY	DESCRIPTION	REV
	1001125135	Ref	HYDRAULIC COOLER PLUMBING INSTALLATION, (not available to order, see item 1 thru 16 & 58 for service)	C
1	7139788	1	MANIFOLD BLOCK	
2	8303107	4	HEX HD CAPSCREW, 3/8-16X3-1/4, GR5	
3	0641605	1	HEX HD CAPSCREW, 3/8-16X5/8, GR5	
4	8303757	1	HEX HD CAPSCREW, 5/16-18X2-1/5, GR5	
5	8307004	1	LOCKWASHER, 5/16	
6	8307005	4	LOCKWASHER, 3/8	
7	4711600	1	WASHER, 3/8	
8	8406302	2	CLAMP	
9	8530030	2	FLANGE	
10	8750025	1	TWIN COVER PLATE	
11	8750026	2	STACKING BOLT, (if equipped for ULS)	
11	8750026	1	STACKING BOLT, (if equipped for LS)	
12	8750040	3	TWIN CLAMP SET, (if equipped for ULS)	
12	8750040	1	TWIN CLAMP SET, (if equipped for LS)	
13	2220435	1	ADAPTER, STRAIGHT	
14	8760273	1	ADAPTER, 45	
15	1001125275	1	HOSE ASSY, (if equipped for ULS)	
15	1001132573	1	HOSE ASSY, (if equipped for LS)	
16	1001125276	1	HOSE ASSY, (if equipped for ULS)	
16	1001132572	1	HOSE ASSY, (if equipped for LS)	
17		Ref	ADAPTER, 90, (See ENGINE AND ATTACHING PARTS SECTION for Breakdown)	
18		Ref	RADIATOR, (See ENGINE AND ATTACHING PARTS SECTION for Breakdown)	
19		Ref	FUEL/HYDRAULIC TANK ASSY, (not shown), (See HYDRAULIC COMPONENTS SECTION for Breakdown)	
20		Ref	POWER BRAKE VALVE, (See HYDRAULIC COMPONENTS SECTION for Breakdown)	
21	8770175	1	ADAPTER, 90, (includes o-ring)	
22	2220373	1	ADAPTER, STRAIGHT	
23	2716696	1	HOSE ASSY	
24	2754736	1	HOSE ASSY	
25	2230035	1	ADAPTER, 45	
26	8760237	1	ADAPTER, BULKHEAD FITTING, 45	
27	2220683	1	ADAPTER, 45	
28	2754737	1	HOSE ASSY	
29	2716774	1	HOSE ASSY	
30	8307004	1	LOCKWASHER, 0.312	
31	8310009	1	HEX HD CAPSCREW, 0.312-18X2, GR5	
32	8750012	1	STACKING BOLT	
33	8750027	2	TWIN CLAMP SET	
34	8769128	1	TWIN COVER PLATE	
35	8750017	1	CLAMP LOCKING PLATE	
36	2220602	1	ADAPTER, RUN TEE	
37	8640123	1	O-RING, (if equipped for LS)	
38	2716772	1	HOSE ASSY	
39	2716783	1	HOSE ASSY	
40	2716807	1	HOSE ASSY	
41	8303675	4	HEX HD CAPSCREW, 3/8-16X1.25, GR5	

SECTION 8 - HYDRAULIC CIRCUITS

ITEM	PART NUMBER	QTY	DESCRIPTION	REV
42	8307005	4	LOCKWASHER, 0.375	
43	8530030	2	FLANGE HALF	
44	8640123	1	O-RING	
45	8303757	1	HEX HD CAPSCREW, 0.312-18X2.50, GR5	
46	8307004	1	LOCKWASHER, 5/16	
47	8750040	1	CLAMP SET	
48	8750025	1	TWIN COVER PLATE	
49	2220655	2	ADAPTER, 90	
50	2220700	1	ADAPTER, RUN TEE	
51	2220622	1	ADAPTER, CONNECTOR	
52	8770173	1	CHECK VALVE	
53		Ref	HOSE CLAMP SET, (See SUPPLY CIRCUIT for Breakdown)	
54		Ref	HYDRAULIC OIL COOLER, (See ENGINE AND ATTACHING PARTS SECTION for Breakdown)	
55		Ref	SECONDARY FUNCTION MANIFOLD, (See HYDRAULIC COMPONENTS SECTION for Breakdown)	
56		Ref	STEERING UNIT, (See SUPPLY CIRCUIT for Breakdown)	
57		Ref	MAIN CONTROL VALVE, (See HYDRAULIC COMPONENTS SECTION for Breakdown)	
58	8584007	AR	TIE WRAP, (not shown)	

SECTION 8 - HYDRAULIC CIRCUITS

FIGURE 8-3. STEER SELECT CIRCUIT



ART. 31200731-8-3

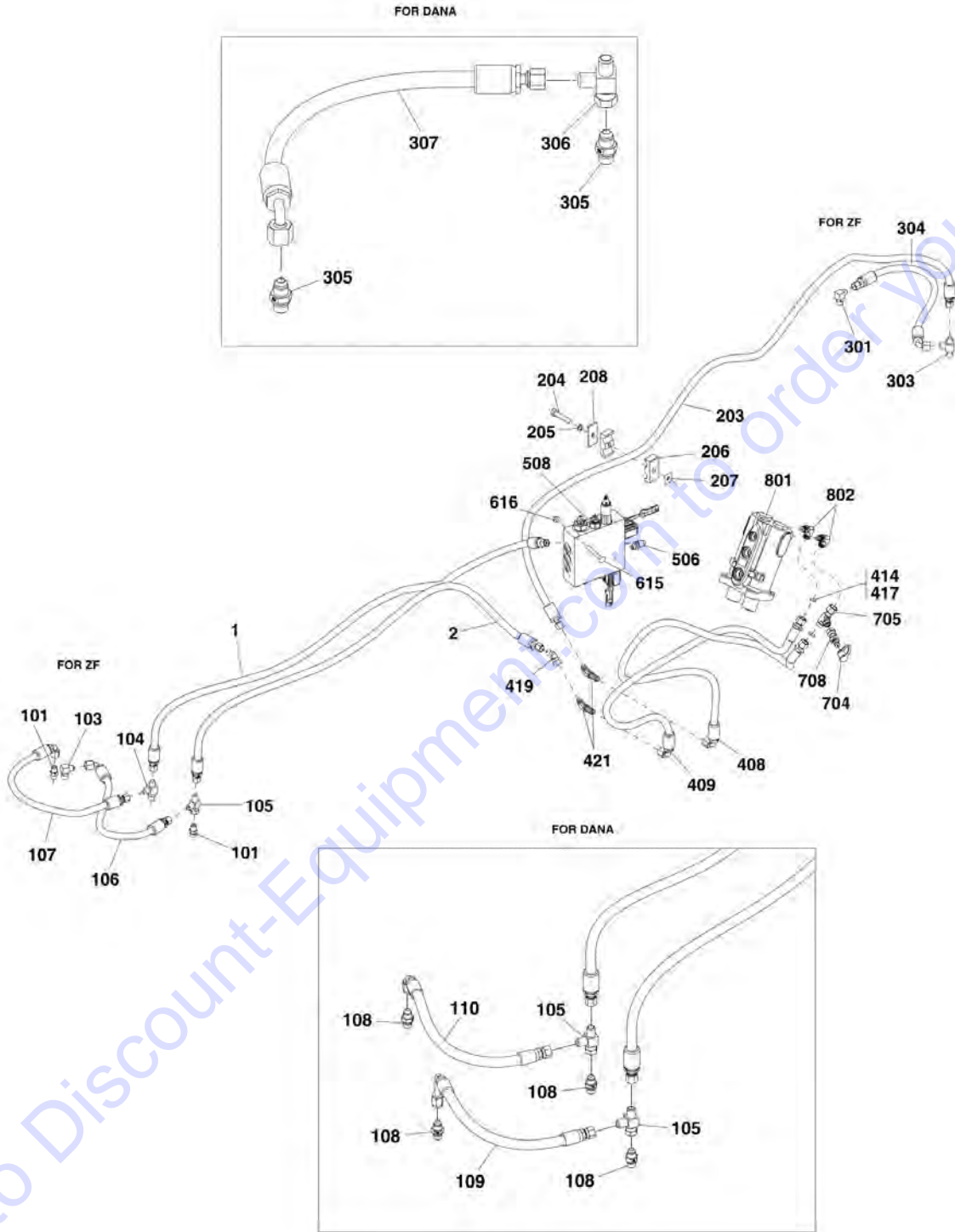
SECTION 8 - HYDRAULIC CIRCUITS

FIGURE 8-3. STEER SELECT CIRCUIT

ITEM	PART NUMBER	QTY	DESCRIPTION	REV
3	2716775	1	HOSE ASSY	
4	2716776	1	HOSE ASSY	
102	2220373	2	ADAPTER, CONNECTOR	
201	2716673	1	HOSE ASSY	
202	2716673	1	HOSE ASSY	
302	2220596	2	ADAPTER, 90, ELBOW (ZF)	
302	2220596	1	ADAPTER, 90, ELBOW (DANA)	
308	2220373	1	CONNECTOR (DANA)	
402	2716696	1	HOSE ASSY	
403	2716696	1	HOSE ASSY	
412		Ref	STEERING UNIT, (See SUPPLY CIRCUIT for Breakdown)	
418	8760237	2	ADAPTER, BULKHEAD, 45	
504	2716773	1	HOSE ASSY	
506	7138942	1	STEER SELECT MANIFOLD ASSY, (includes items 601 thru 604)	C
601	2220373	2	ADAPTER, CONNECTOR	
602	2220474	1	ADAPTER, 90, (long)	
603	2220596	1	ADAPTER, 90	
604		Ref	STEER SELECT VALVE, (See HYDRAULIC COMPONENTS SECTION for Breakdown)	
702	2220500	2	ADAPTER, 45	

SECTION 8 - HYDRAULIC CIRCUITS

FIGURE 8-4. SERVICE BRAKE CIRCUIT



ART_31200731-8-4

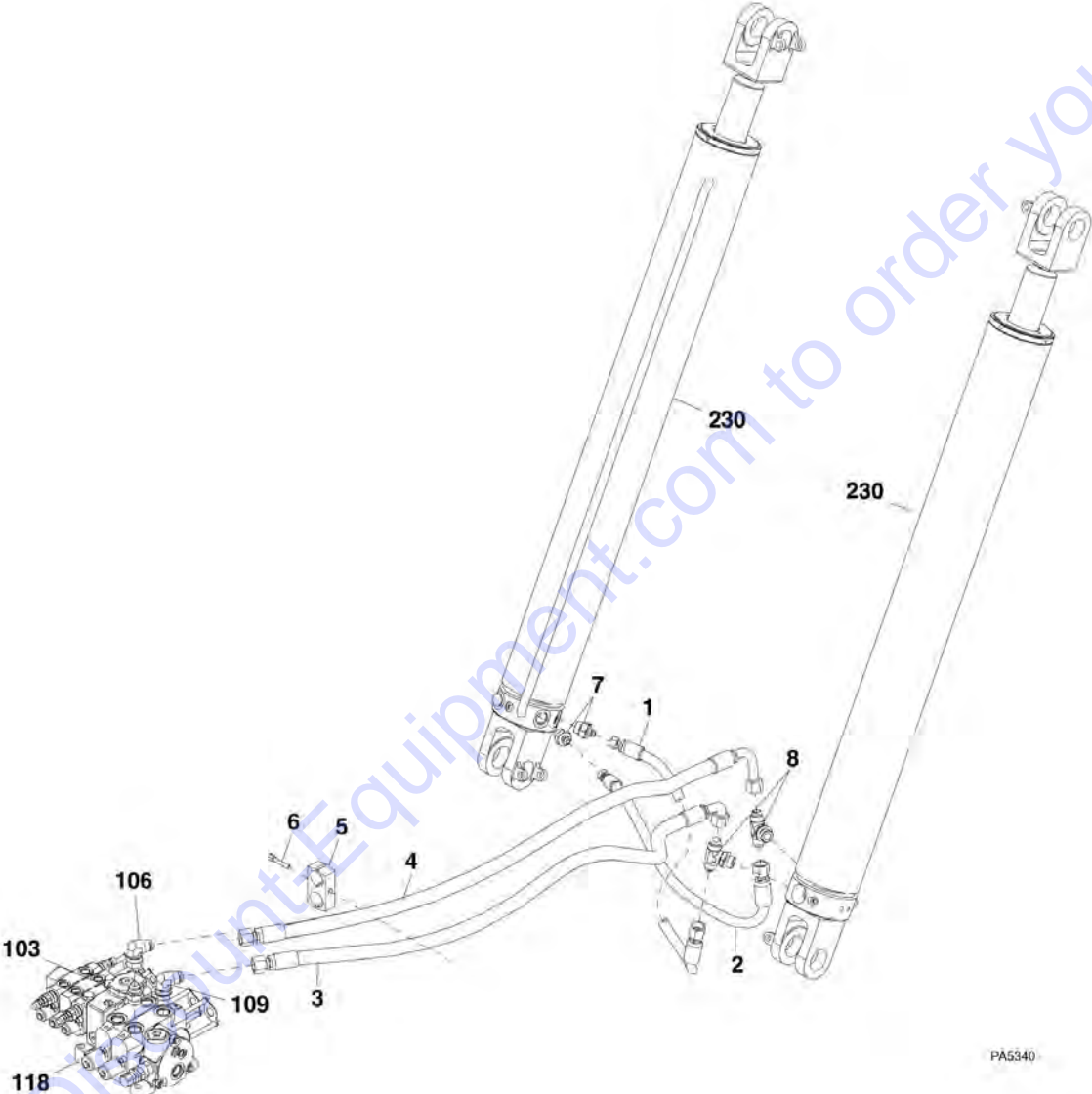
SECTION 8 - HYDRAULIC CIRCUITS

FIGURE 8-4. SERVICE BRAKE CIRCUIT

ITEM	PART NUMBER	QTY	DESCRIPTION	REV
1	2716763	1	HOSE ASSY	
2	2716763	1	HOSE ASSY	
101	2220371	2	CONNECTOR (ZF)	
103	2220473	1	ELBOW, 90 (ZF)	
104	2220606	1	RUN TEE (ZF)	
105	2220635	1	RUN TEE (ZF)	
105	2220635	2	RUN TEE (DANA)	
106	2716670	1	HOSE ASSY (ZF)	
107	2716670	1	HOSE ASSY (ZF)	
108	8770064	4	CONNECTOR (DANA)	
109	1001155016	1	HOSE ASSY (DANA)	
110	1001155017	1	HOSE ASSY (DANA)	
203	2716766	1	HOSE ASSY	
204	8303264	1	HEX HD CAPSCREW, 0.438-14X1.50, GR8	
205	8307004	1	LOCKWASHER, 0.312	
206	8750015	1	CLAMP SE	
207	8750017	1	LOCKING PLATE	
208	8769123	1	TWIN PLATE COVER	
301	2220473	1	ELBOW, 90 (ZF)	
303	2220606	1	RUN TEE (ZF)	
304	2716670	1	HOSE ASSY (ZF)	
305	8770064	2	CONNECTOR (DANA)	
306	2220635	1	RUN TEE (DANA)	
307	1001202628	1	HOSE ASSY (DANA)	
408	2716699	1	HOSE ASSY	
409	2716699	1	HOSE ASSY	
414	7139212	2	ORIFICE DISK	
417	8630003	2	O-RING	
419	2220657	1	ELBOW, 45	
421	8770189	2	BULKHEAD FITTING, 45	
506	2220473	1	ELBOW, 90	
508		Ref	SECONDARY FUNCTION MANIFOLD, (See HYDRAULIC COMPONENTS SECTION for Breakdown)	
615	8310393	2	CARRIAGE BOLT, 5/16-18X2.75, GR2, (torque to 18.5-21 lb-ft/25.0-28.4Nm)	
616	8310420	2	FLANGE-NUT, 0.312-18	
704	8430032	1	DUST CAP	
705	2170706	1	RUN TEE	
708	8430081	1	DIAGNOSTIC FITTING	
801		Ref	POWER BRAKE VALVE, (See HYDRAULIC COMPONENTS SECTION for Breakdown)	
802	8770109	2	ELBOW, 90	

SECTION 8 - HYDRAULIC CIRCUITS

FIGURE 8-5. LIFT CYLINDER CIRCUIT



PA5340

SECTION 8 - HYDRAULIC CIRCUITS

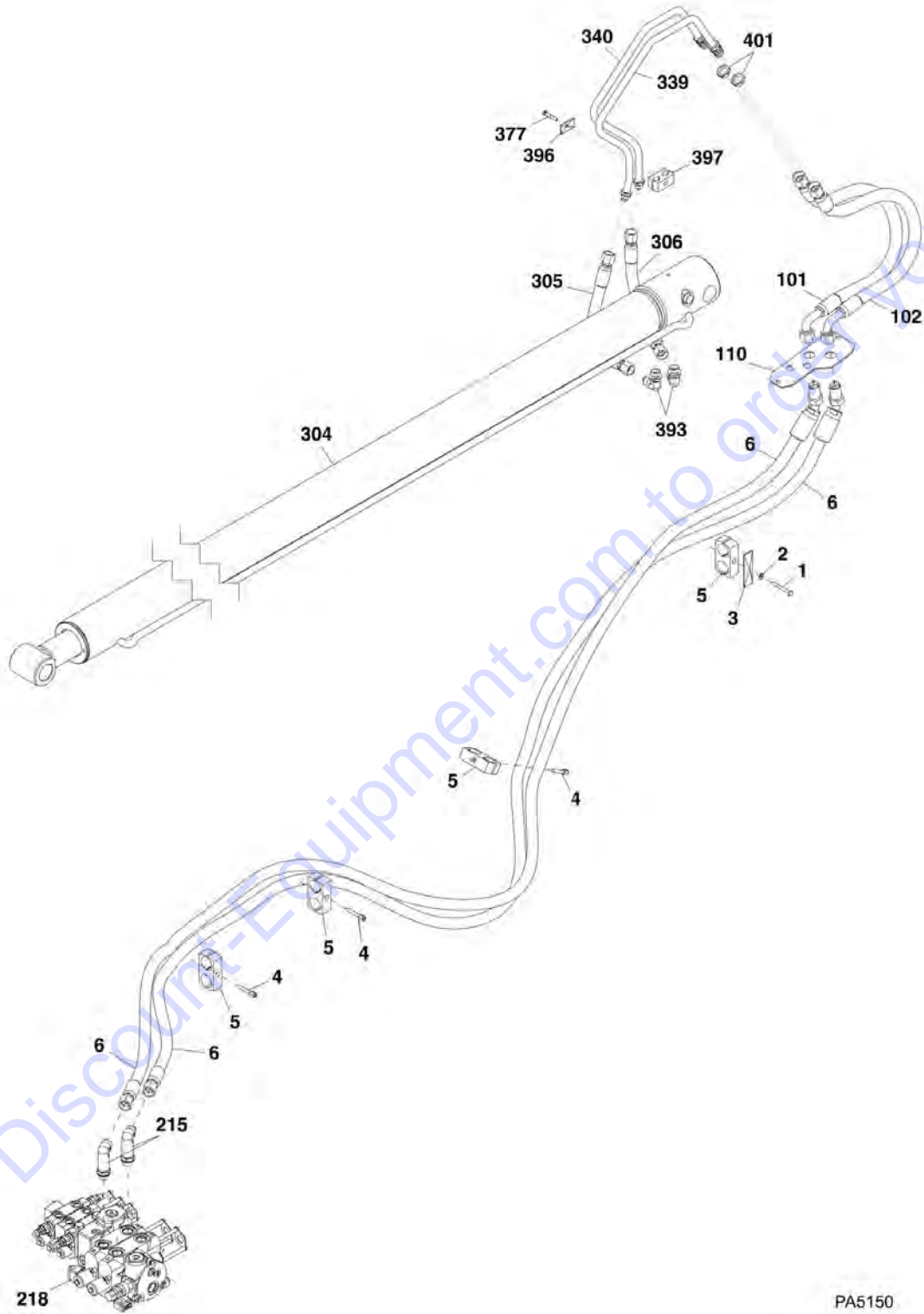
FIGURE 8-5. LIFT CYLINDER CIRCUIT

ITEM	PART NUMBER	QTY	DESCRIPTION	REV
	7300928	Ref	HOIST PLUMBING ASSY INSTALLATION, (not available to order, see items 1 thru 8 for service)	E
1	2716675	1	HOSE ASSY	
2	2716675	1	HOSE ASSY	
3	2716784	1	HOSE ASSY	
4	2716785	1	HOSE ASSY	
5	8750040	1	TWIN CLAMP SET, 1.18 DIA	
6	8750026	1	STACKING BOLT, (torque to 11.6-21 lb-ft)	
7	2220375	2	ADAPTER, STRAIGHT	
8	2220695	2	ADAPTER, RUN TEE	
103	2220451	1	STRAIGHT CONNECTOR	
106	2220655	1	ELBOW, 90, (swivel nut)	
109	2220578	1	ELBOW, 90	
118		Ref	MAIN CONTROL VALVE, (See HYDRAULIC COMPONENTS SECTION for Breakdown)	
230		Ref	LIFT CYLINDER, (See HYDRAULIC COMPONENTS SECTION for Breakdown)	

Go to Discount-Equipment.com to order your parts

SECTION 8 - HYDRAULIC CIRCUITS

FIGURE 8-6. EXTEND/RETRACT CYLINDER CIRCUIT



PA5150

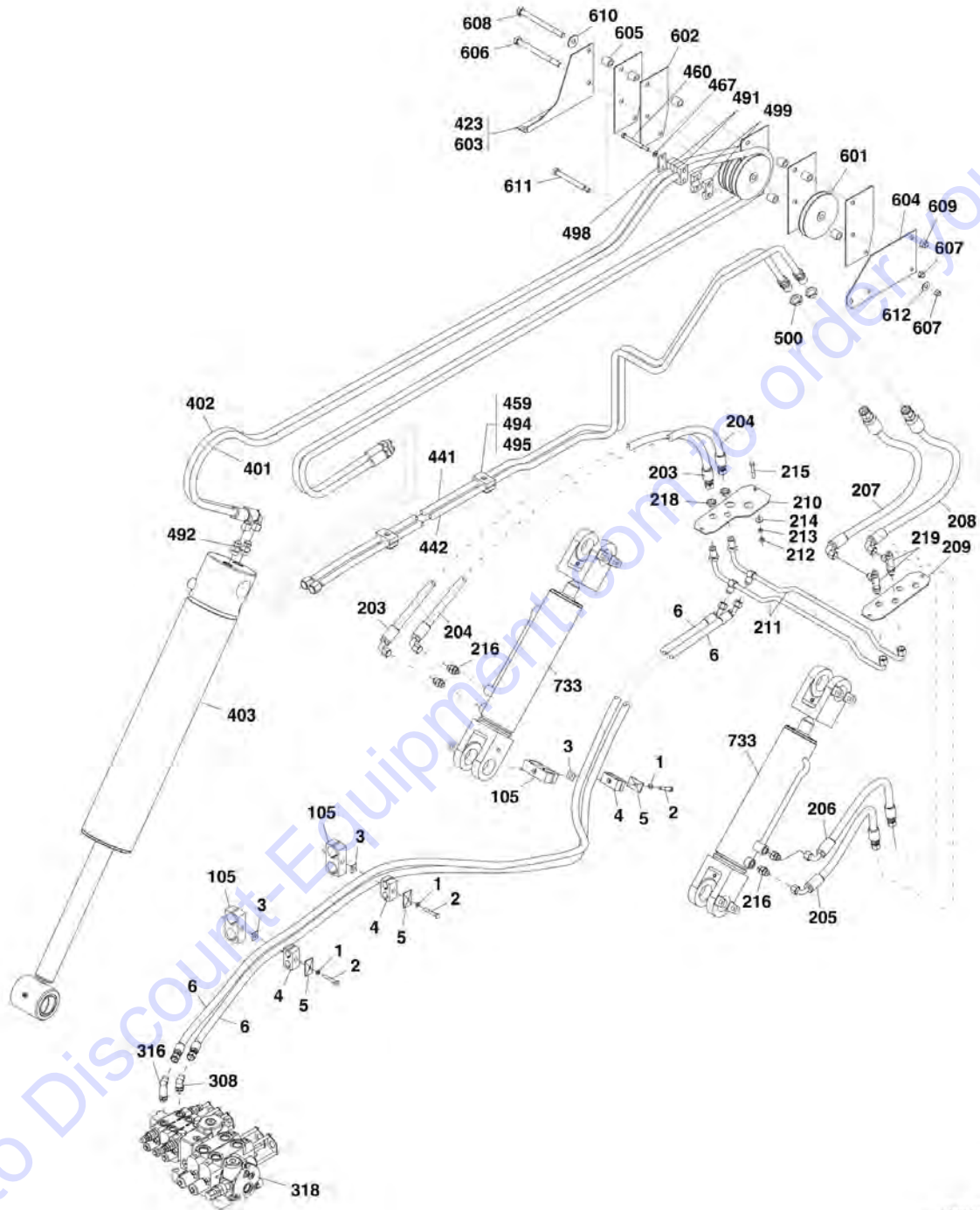
SECTION 8 - HYDRAULIC CIRCUITS

FIGURE 8-6. EXTEND/RETRACT CYLINDER CIRCUIT

ITEM	PART NUMBER	QTY	DESCRIPTION	REV
	1001126178	Ref	HYDRAULIC EXTEND/RETRACT PLUMBING INSTALL, (not available to order, see items 1 thru 6 for service)	A
1	8303757	1	HEX HD CAPSCREW, 0.312-18X2.500, GR5	
2	8307004	1	LOCKWASHER, 5/16	
3	8750025	1	TWIN COVER PLATE	
4	8750026	3	STACKING BOLT	
5	8750040	4	TWIN CLAMP SET	
6	1001114202	2	HOSE ASSY	
101	2755060	1	HOSE ASSY	
102	2755060	1	HOSE ASSY	
110		Ref	BULKHEAD SHEET, RH, (See TILT AND TILT COMPENSATING CYLINDER CIRCUIT for Breakdown)	
215	8770157	2	ELBOW, 90	
218		Ref	MAIN CONTROL VALVE, (See HYDRAULIC COMPONENTS SECTION for Breakdown)	
304		Ref	EXTEND/RETRACT CYLINDER, (See HYDRAULIC COMPONENTS SECTION for Breakdown)	
305	2716760	1	HOSE ASSY, (6036)	
305	2717018	1	HOSE ASSY, (6042)	
306	2716760	1	HOSE ASSY, (6036)	
306	2717018	1	HOSE ASSY, (6042)	
339	7139730	1	TUBE ASSY, (6036)	
339	7300670	1	TUBE ASSY, (6042)	
340	7139731	1	TUBE ASSY, (6036)	
340	7300671	1	TUBE ASSY, (6042)	
377	8303746	1	HEX HD CAPSCREW, 5/16-18X1-3/4	
393	2220567	2	ADAPTER, 90, (6036)	
393	2220578	2	ADAPTER, 90, (6042)	
396	8769128	1	TWIN COVER PLATE	
397	8769139	1	TWIN CLAMP SET, 0.750 DIA	
401	8760468	2	ADAPTER, BULKHEAD NUT	

SECTION 8 - HYDRAULIC CIRCUITS

FIGURE 8-7. TILT AND TILT COMPENSATING CYLINDER CIRCUIT



PA5160

SECTION 8 - HYDRAULIC CIRCUITS

FIGURE 8-7. TILT AND TILT COMPENSATING CYLINDER CIRCUIT

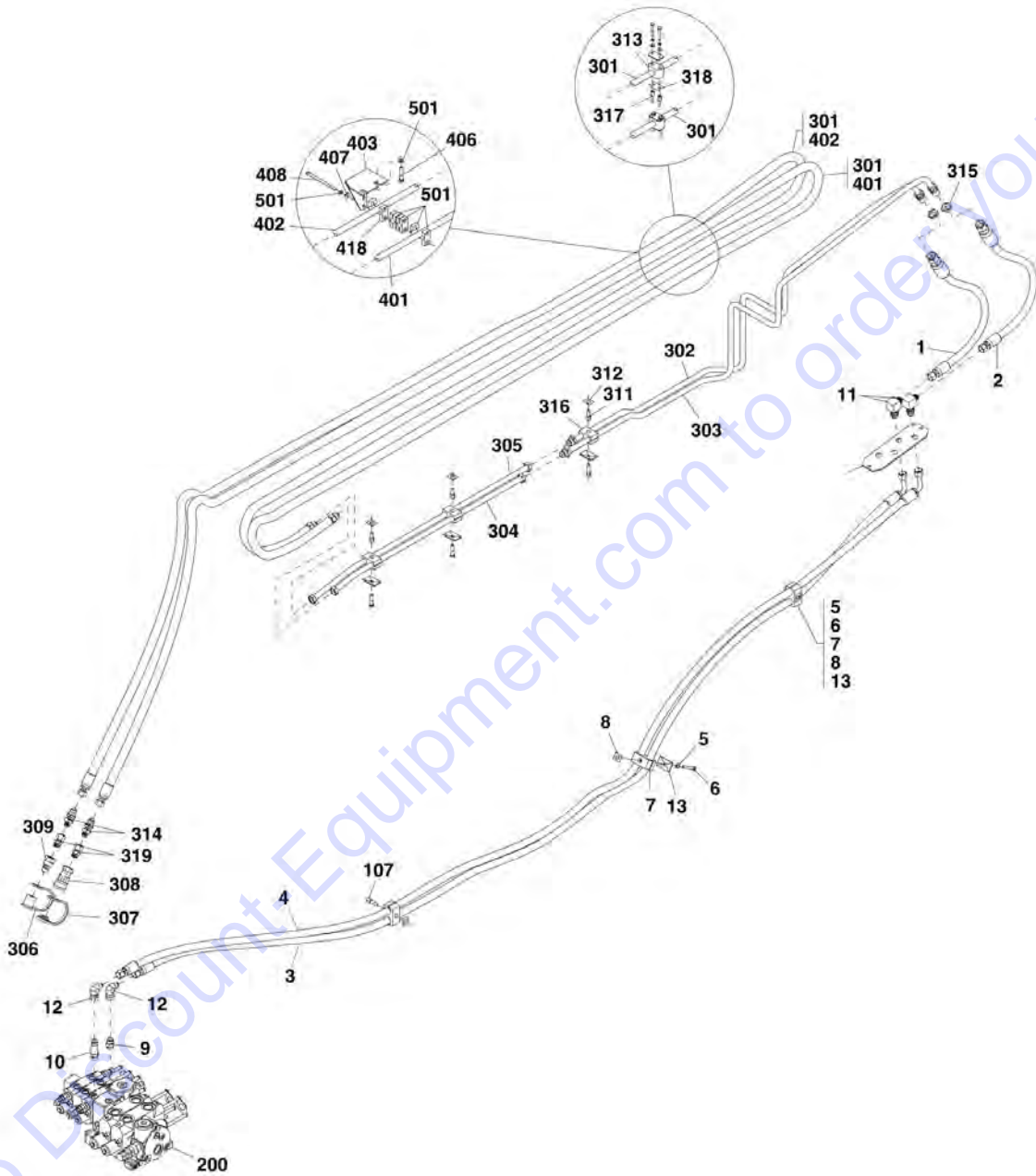
ITEM	PART NUMBER	QTY	DESCRIPTION	REV
	1001126030	Ref	HYDRAULIC FORK PLUMBING INSTALL, (not available to order, see items 1 thru 6 for service)	B
1	8307004	3	LOCKWASHER, 5/16	
2	8310009	3	HEX HD CAPSCREW, 5/16-18X2, GR5	
3	8750017	3	TWIN CLAMP LOCKING PLATE	
4	8750027	3	CLAMP SET	
5	8769128	3	TWIN COVER PLATE	
6	1001126043	2	HOSE ASSY	
105		Ref	TWIN CLAMP SET, (See SUPPLY CIRCUIT for Breakdown)	
203	2716773	1	HOSE ASSY, (6036)	
203	2716684	1	HOSE ASSY, (6042)	
204	2716773	1	HOSE ASSY, (6036)	
204	2716684	1	HOSE ASSY, (6042)	
205	2716773	1	HOSE ASSY, (6036)	
205	2716684	1	HOSE ASSY, (6042)	
206	2716773	1	HOSE ASSY, (6036)	
206	2716684	1	HOSE ASSY, (6042)	
207	2716714	1	HOSE ASSY	
208	2716714	1	HOSE ASSY	
209	7139504	1	BULKHEAD SHEET, LH	
210	7139505	1	BULKHEAD SHEET, RH	
211	7300214	2	TUBE ASSY	
212	8305006	4	HEX NUT, 5/16-18	
213	8307004	4	LOCKWASHER, 5/16	
214	8307203	4	PLAIN WASHER, 0.312	
215	8310009	4	HEX HD CAPSCREW, 5/16-18X2.00	
216	2220373	4	ADAPTER, STRAIGHT	
218	8760463	2	ADAPTER, BULKHEAD LOCKNUT	
219	8760477	2	ADAPTER, BULKHEAD RUN TEE	
308	2220596	1	ELBOW, 90	
316	2220474	1	ELBOW, 90	
318		Ref	MAIN CONTROL VALVE, (See HYDRAULIC COMPONENTS SECTION for Breakdown)	
401	2713452	1	HOSE ASSY	
402	2713452	1	HOSE ASSY	
403		Ref	TILT CYLINDER, (See HYDRAULIC COMPONENTS SECTION for Breakdown)	
423	7116733	1	HOSE PULLEY ASSY	
441	7300672	1	BOOM ATTACHMENT TILT TUBE, (retract)	
442	7300673	1	BOOM ATTACHMENT TILT TUBE, (extend)	
459	8303715	3	HEX HD CAPSCREW, 5/16-18X1-1/4, GR	
460	8303752	2	HEX HD CAPSCREW, 5/16-18X3-1/2, GR5, (6042)	
467	8307004	2	LOCKWASHER, 5/16, (6042)	
491	8750003	4	CLAMP HALF, 5/8, (6042)	
492	2220373	2	CONNECTOR	
494	8769122	3	TWIN CLAMP SET, 5/8	
495	8769123	3	TWIN COVER PLATE	
498	8769149	1	COVER PLATE, (6042)	
499	8769161	2	CLAMP HALF, 3/4, (6042)	
500	8760465	2	BULKHEAD NUT	

SECTION 8 - HYDRAULIC CIRCUITS

ITEM	PART NUMBER	QTY	DESCRIPTION	REV
601	7116812	4	PULLEY ROLLER	
602	7116642	5	DIVIDER	
603	7116652	1	RH BRACKET	
604	7116662	1	LH BRACKET	
605	7116691	10	SPACER	
606	8310235	1	HEX SOCKET SHOULDER SCREW, 1/2X5	
607	8305645	2	LOCKNUT, 3/8-16	
608	8310209	1	HEX HD CAPSCREW, 1/2-13X6	
609	8305644	1	LOCKNUT, 1/2-13	
610	8307206	2	FLAT WASHER, 1/2	
611	8310245	1	HEX SOCKET SHOULDER SCREW, 1/2X4	
612	8307204	1	FLAT WASHER, 3/8	
733		Ref	COMPENSATING CYLINDER, (See HYDRAULIC COMPONENTS SECTION for Breakdown)	

SECTION 8 - HYDRAULIC CIRCUITS

FIGURE 8-8. AUXILIARY HYDRAULIC



ART_31200731-8-8

SECTION 8 - HYDRAULIC CIRCUITS

FIGURE 8-8. AUXILIARY HYDRAULIC

ITEM	PART NUMBER	QTY	DESCRIPTION	REV
	7310011	Ref	FRAME AUXILIARY HYDRAULIC INSTALL, (6036), (not available to order, see items 1 thru 13 for service)	C
	7310022	Ref	FRAME AUXILIARY HYDRAULIC INSTALL, (6042), (not available to order, see items 1 thru 13 & 107 for service)	C
1	2716713	1	HOSE ASSY	
2	2716713	1	HOSE ASSY	
3	2716768	1	HOSE ASSY	
4	2716768	1	HOSE ASSY	
5	8307004	3	LOCKWASHER, 5/16, (6036)	
5	8307004	2	LOCKWASHER, 5/16, (6042)	
6	8310009	3	HEX HD CAPSCREW, 5/16-18X2, (6036)	
6	8310009	2	HEX HD CAPSCREW, 5/16-18X2, (6042)	
7	8750027	3	TWIN CLAMP SET, .84 DIA	
8	8750017	3	SAFETY LOCK SINGLE PLATE	
9	2220373	1	STRAIGHT CONNECTOR	
10	2220381	1	CONNECTOR	
11	2230044	2	BULKHEAD ELBOW, 90	
12	8765204	2	ELBOW, 90, (swivel nut)	
13	8769128	2	TWIN COVER PLATE	
107	8750012	1	STACKING BOLT, (6042)	
200		Ref	MAIN CONTROL VALVE, (See HYDRAULIC COMPONENTS SECTION for Breakdown)	
	7139968	Ref	BOOM AUXILIARY HYDRAULIC INSTALL, (6036), (not available to order, see items 301 thru 319 for service)	F
	7300678	Ref	FRAME AUXILIARY HYDRAULIC INSTALL, (6042), (not available to order, see items 302, 303, 306 thru 312, 314 thru 316 & 319 thru 418 for service)	D
301	2716792	2	HOSE ASSY	
302	7139728	1	TUBE ASSY, (6036)	
302	7300674	1	TUBE ASSY, (6042)	
303	7139729	1	TUBE ASSY, (6036)	
303	7300675	1	TUBE ASSY, (6042)	
304	7150837	1	TUBE ASSY	
305	7150838	1	TUBE ASSY	
306	8420053	1	DUST PLUG, #8	
307	8420055	1	DUST CAP, #8	
308	91403413	1	FEMALE QUICK DISCONNECT	
309	91403414	1	MALE QUICK DISCONNECT	
311	8750011	3	STACKING BOLT, 0.3125	
312	8750017	3	TWIN LOCKING PLATE	
313	8750029	2	CLAMP SET	
314	2230025	2	BULKHEAD STRAIGHT UNION	
315	8760465	2	ADAPTER, BULKHEAD NUT	
316	8769122	3	CLAMP SET	
317	8769155	4	STACKING BOLT, (6036)	
317	8769155	3	STACKING BOLT, (6042)	
318	2230025	2	BULKHEAD STRAIGHT UNION	
319	2220651	2	STRAIGHT CONNECTOR	
401	2713082	1	HOSE ASSY	
402	2713082	1	HOSE ASSY	
403	7111402	1	HOSE CLAMP SUPPORT	

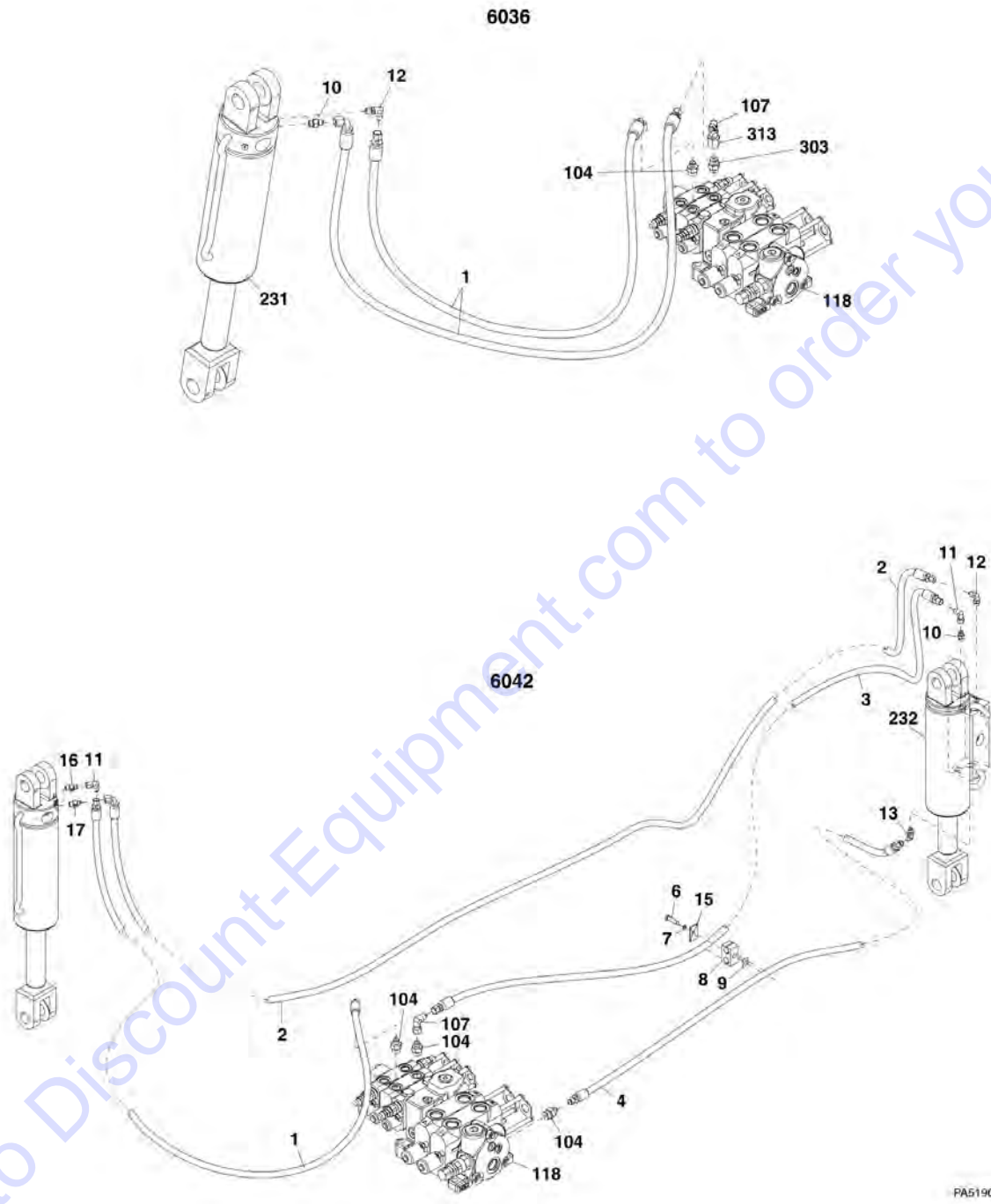
SECTION 8 - HYDRAULIC CIRCUITS

ITEM	PART NUMBER	QTY	DESCRIPTION	REV
406	8303622	2	HEX HD CAPSCREW, 3/8-16X2, GR5	
407	8307203	2	WASHER, 0.312	
408	8310081	2	HEX HD CAPSCREW, 3/8-18X5, GR5	
418	8769161	2	CLAMP HALF	
501		Ref	BOOM HYDRAULIC COMPONENTS, (See TILT AND TILT COMPENSATING CYLINDER CIRCUIT for Breakdown)	

Go to Discount-Equipment.com to order your parts

SECTION 8 - HYDRAULIC CIRCUITS

FIGURE 8-9. FRAME LEVEL CIRCUIT



Go to Discount-Equipment.com to order your parts

PA5190

SECTION 8 - HYDRAULIC CIRCUITS

FIGURE 8-9. FRAME LEVEL CIRCUIT

ITEM	PART NUMBER	QTY	DESCRIPTION	REV
	7300931	Ref	FRAME TILT PLUMBING ASSY INSTALLATION, (not available to order, see items 1 thru 17 for service)	E
1	2716764	2	HOSE ASSY, (6036)	
1	2716764	1	HOSE ASSY, (6042)	
2	2717019	1	HOSE ASSY	
3	2717020	1	HOSE ASSY	
4	2717021	1	HOSE ASSY	
6	8303264	1	HEX HD CAPSCREW, .438-14X1.50, GR8	
7	8307004	1	LOCKWASHER, 5/16	
8	8750027	1	TWIN CLAMP SET, .84 IN DIA	
9	8750017	1	LOCKING PLATE	
10	2220371	1	STRAIGHT CONNECTOR	
11	8760268	3	ELBOW, 90, (swivel nut)	
12	2220473	1	ELBOW, 90	
13	2220501	1	ELBOW, 45	
15	8769128	1	TWIN COVER PLATE	
16	8902857	1	CONNECTOR SPECIAL WITH CHECK VALVE	
17	8902858	1	CONNECTOR SPECIAL WITH CHECK VALVE, (1 black wrench face)	
104	2220372	1	ADAPTER, STRAIGHT, (6036)	
104	2220372	3	ADAPTER, STRAIGHT, (6042)	
107	8760268	1	ADAPTER, 90	
118		Ref	MAIN CONTROL VALVE, (See HYDRAULIC COMPONENTS SECTION for Breakdown)	
231		Ref	FRAME LEVEL CYLINDER, (See HYDRAULIC COMPONENTS SECTION for Breakdown)	
232		Ref	STABILIZER CYLINDER, (See HYDRAULIC COMPONENTS SECTION for Breakdown)	
303	2220373	1	ADAPTER, CONNECTOR, (6036)	
313	2220619	1	ADAPTER, CONNECTOR, (6036)	

SECTION 9 - HYDRAULIC COMPONENTS

Go to Discount-Equipment.com to order your parts

PARTS FINDER

**Search Website
by Part Number**



**Search Manual
Library For Parts
Manual & Lookup Part
Numbers – Purchase
or Request Quote**

**Can't Find Part or
Manual? Request Help
by Manufacturer,
Model & Description**

Discount-Equipment.com is your online resource for quality parts & equipment.

Florida: **561-964-4949** Outside Florida TOLL FREE: **877-690-3101**

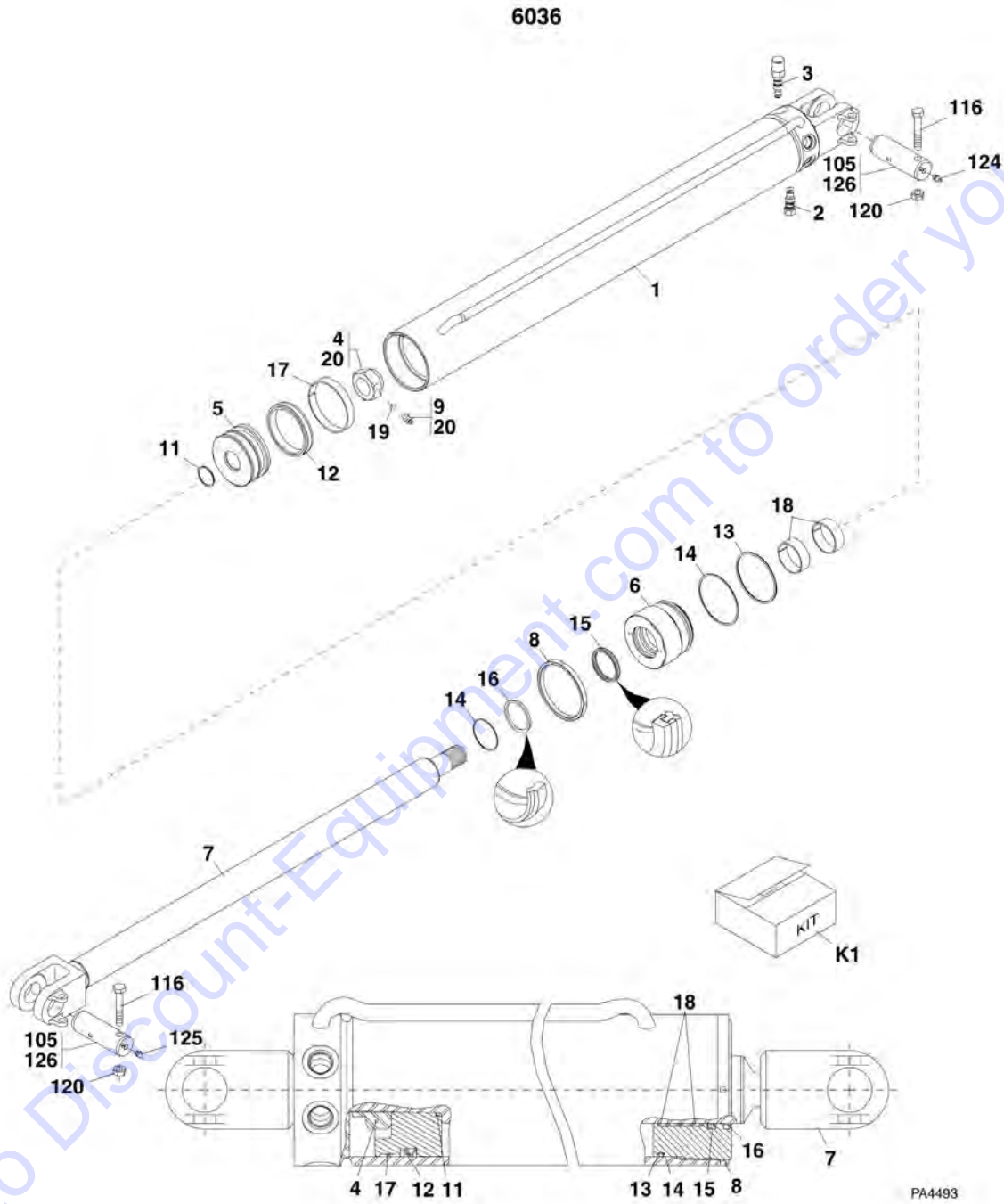
Need parts?

Click on this link: <http://www.discount-equipment.com/category/5443-parts/> and choose one of the options to help get the right parts and equipment you are looking for. Please have the machine model and serial number available in order to help us get you the correct parts. If you don't find the part on the website or on one of the online manuals, please fill out the request form and one of our experienced staff members will get back to you with a quote for the right part that your machine needs.

We sell worldwide for the brands: Genie, Terex, JLG, MultiQuip, Mikasa, Essick, Whiteman, Mayco, Toro Stone, Diamond Products, Generac Magnum, Airman, Haulotte, Barreto, Power Blanket, Nifty Lift, Atlas Copco, Chicago Pneumatic, Allmand, Miller Curber, Skyjack, Lull, Skytrak, Tsurumi, Husquvarna Target, Stow, Wacker, Sakai, Mi-T-M, Sullair, Basic, Dynapac, MBW, Weber, Bartell, Bennar Newman, Haulotte, Ditch Runner, Menegotti, Morrison, Contec, Buddy, Crown, Edco, Wyco, Bomag, Laymor, EZ Trench, Bil-Jax, F.S. Curtis, Gehl Pavers, Heli, Honda, ICS/PowerGrit, IHI, Partner, Imer, Clipper, MMD, Koshin, Rice, CH&E, General Equipment, Amida, Coleman, NAC, Gradall, Square Shooter, Kent, Stanley, Tamco, Toku, Hatz, Kohler, Robin, Wisconsin, Northrock, Oztec, Toker TK, Rol-Air, APT, Wylie, Ingersoll Rand / Doosan, Innovatech, Con X, Ammann, Mecalac, Makinex, Smith Surface Prep, Small Line, Wanco, Yanmar

SECTION 9 - HYDRAULIC COMPONENTS

FIGURE 9-1. LIFT CYLINDER (6036)



PA4493

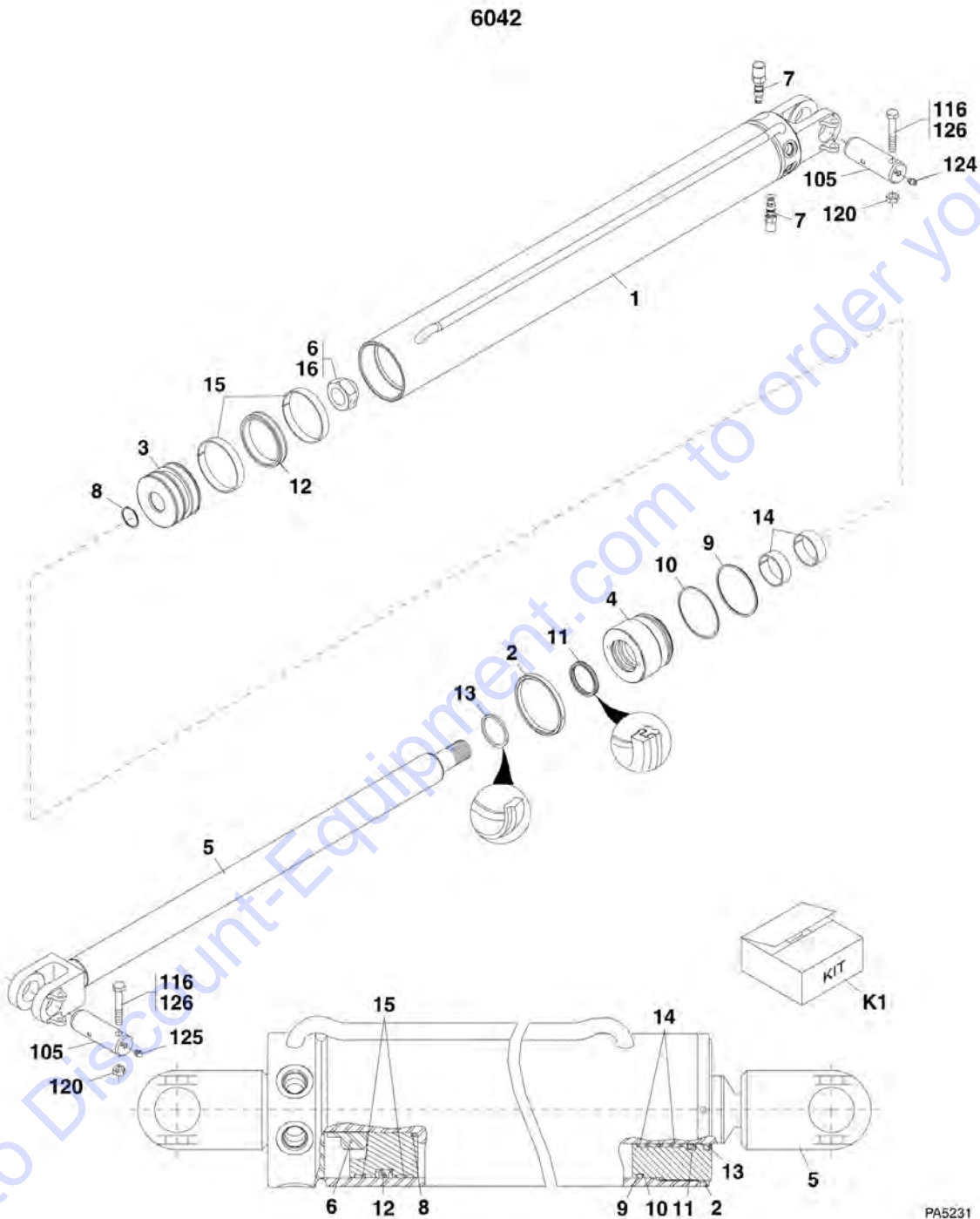
SECTION 9 - HYDRAULIC COMPONENTS

FIGURE 9-1. LIFT CYLINDER (6036)

ITEM	PART NUMBER	QTY	DESCRIPTION	REV
	1684464	2	BOOM LIFT/LOWER CYLINDER, (6036), (includes items 1 thru 19)	B
1	N.S.S.	1	TUBE WELDMENT	
2	7029328	1	PO CHECK VALVE	
2	8025655	1	SEAL KIT	
3	7029327	1	COUNTERBALANCE VALVE, (4000 ± 50 PSI), (torque to 30-35 lb-ft)	
3	7029330	1	SEAL KIT	
4	8036536	1	LOCKNUT, (torque to 1735-1885 lb-ft)	
5	7029336	1	PISTON	
6	7029333	1	GLAND	
7	7029337	1	ROD WELDMENT	
8	7029334	1	LOCKING COLLAR, (torque to 300-400 lb-ft)	
9	8036537	2	SET SCREW, 3/8-16X3/8	
10	7029335	1	O-RING	
11	Kit	1	O-RING	
12	Kit	1	CAPPED T-SEAL	
13	Kit	1	O-RING	
14	Kit	1	BACK-UP RING	
15	Kit	1	DEEP Z-SEAL	
16	Kit	1	WIPER SEAL	
17	Kit	1	PRECISION WEARBAND	
18	Kit	2	PRECISION WEARBAND	
19	Kit	2	NYLON BALL	
20	8526011	1	LOCTITE 27, (apply to item 4)	
105	3423227	1	CYLINDER PIN	
116	8303782	1	HEX HD CAPSCREW, 1/2-13X4, GR5	
120	8305644	1	HEX LOCKNUT, 1/2-13	
124	8520001	1	LUBE FITTING, STRAIGHT	
125	8520003	1	GREASE FITTING, 90	
126	8522012	AR	ANTI SIEZE LUBE	
K1	8036782	1	LIFT/LOWER CYLINDER SEAL KIT, (includes items 11 thru 19)	
N1	Note	Ref	QUANTITIES SHOWN ARE FOR ONE CYLINDER ONLY	

SECTION 9 - HYDRAULIC COMPONENTS

FIGURE 9-2. LIFT CYLINDER (6042)



PA5231

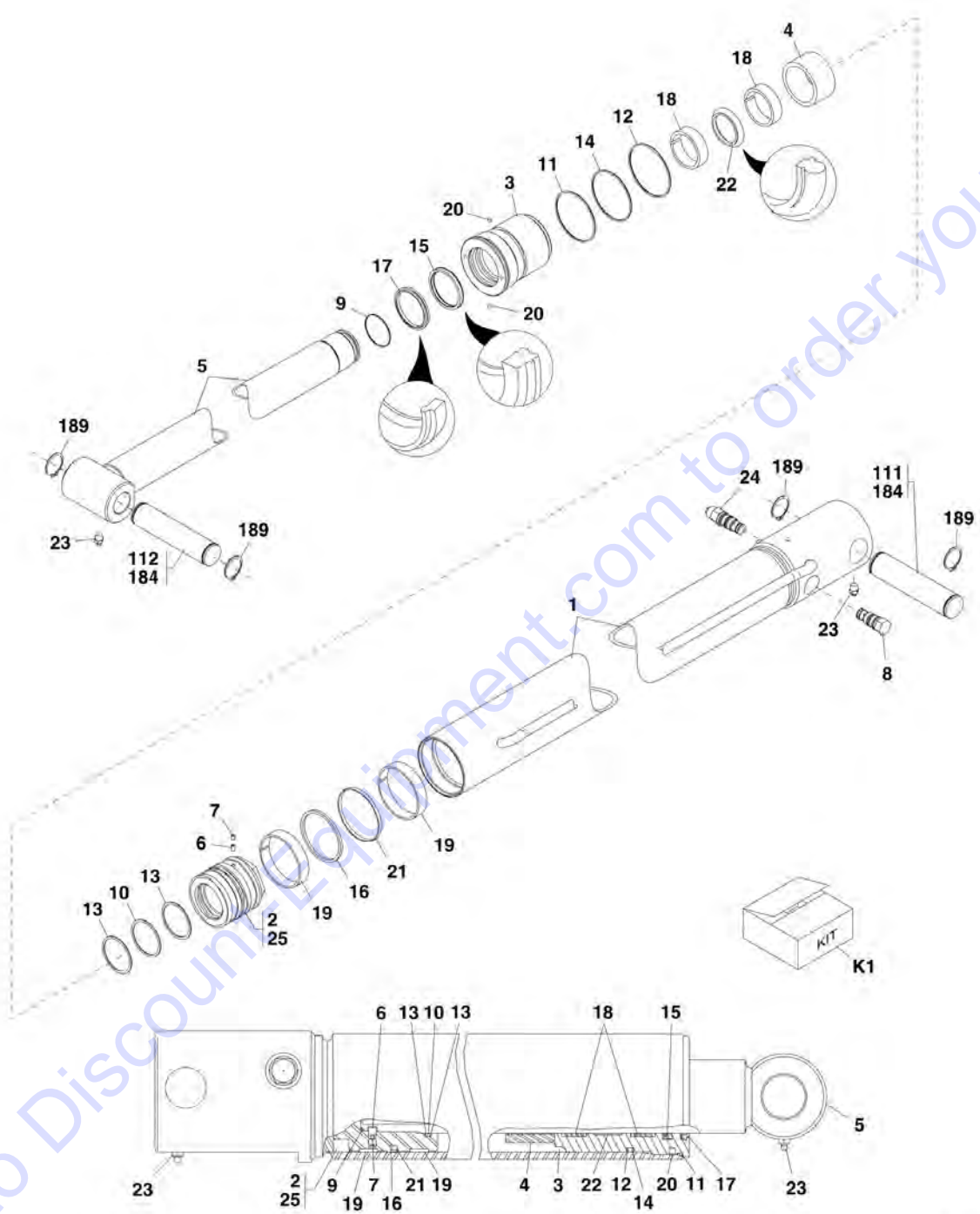
SECTION 9 - HYDRAULIC COMPONENTS

FIGURE 9-2. LIFT CYLINDER (6042)

ITEM	PART NUMBER	QTY	DESCRIPTION	REV
	1684537	2	BOOM LIFT/LOWER CYLINDER, (6042), (includes items 1 thru 15)	B
1	N.S.S.	1	CYLINDER TUBE	
2	8036398	1	LOCKING COLLAR, (torque to 300-400 lb-ft)	
3	8036397	1	PISTON	
4	8036396	1	GLAND	
5	8036489	1	WELDMENT ROD	
6	8036394	1	LOCKNUT, (torque to 1750-2000 lb-ft)	
7	8035321	2	COUNTERBALANCE VALVE, (4000 ± 50 PSI), (torque to 30-35 lb-ft)	
7	8035327	1	SEAL KIT	
8	Kit	1	O-RING	
9	Kit	1	O-RING	
10	Kit	1	BACK-UP RING	
11	Kit	1	DEEP Z-SEAL	
12	Kit	1	CAPPED T-SEAL	
13	Kit	1	WIPER SEAL	
14	Kit	2	PRECISION WEARBAND	
15	Kit	2	PRECISION WEARBAND	
16	8526011	1	LOCTITE 271, (apply to item 6)	
105	3423227	2	CYLINDER PIN	
116	8303782	2	HEX HD CAPSCREW, 1/2-13X4, GR5	
120	8305644	2	HEX LOCKNUT, 1/2-13	
124	8520001	1	LUBE FITTING, STRAIGHT	
125	8520003	1	LUBE FITTING, 90	
126	8522012	AR	ANTI-SEIZE LUBE	
K1	8036132	1	LIFT/LOWER CYLINDER SEAL KIT, (includes items 8 thru 15)	
N1	Note	Ref	QUANTITIES SHOWN ARE FOR ONE CYLINDER ONLY	

SECTION 9 - HYDRAULIC COMPONENTS

FIGURE 9-3. EXTEND/RETRACT CYLINDER



PA4092

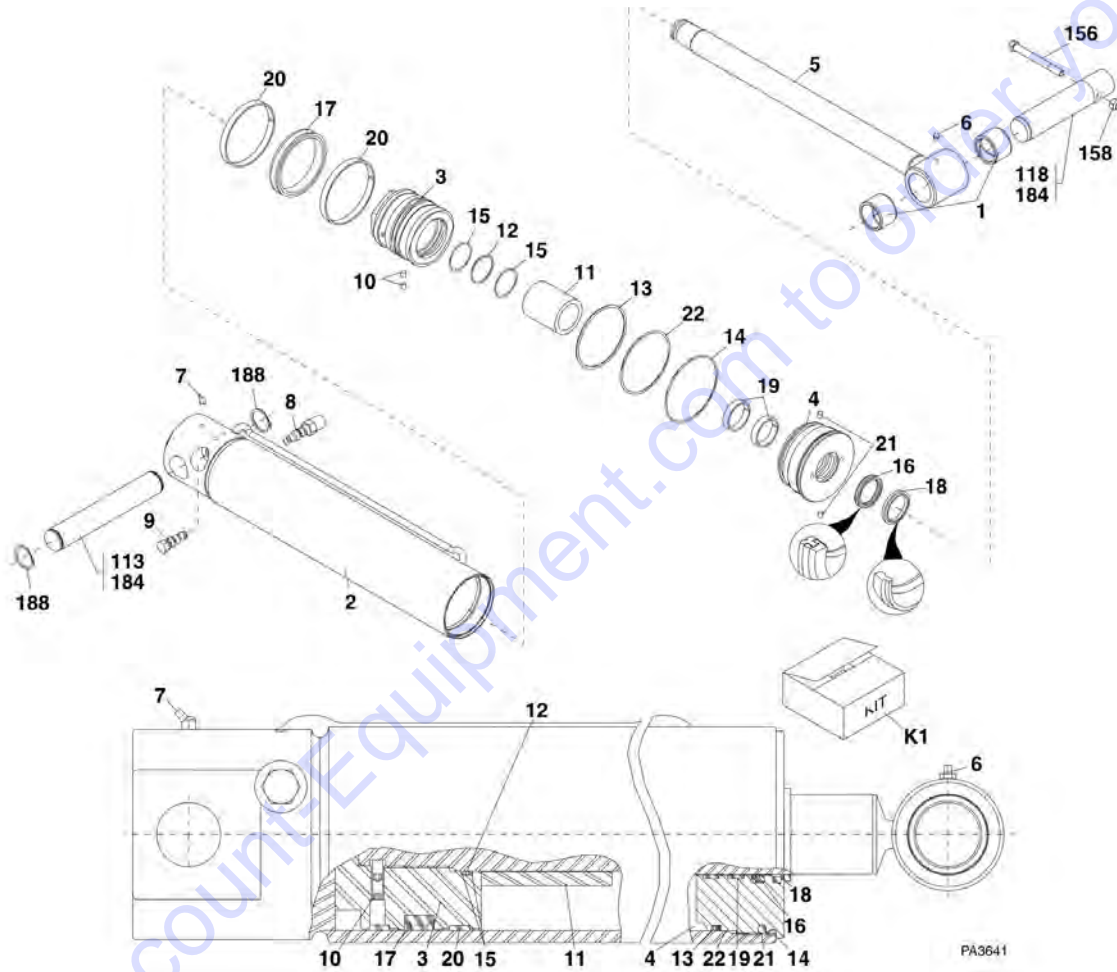
SECTION 9 - HYDRAULIC COMPONENTS

FIGURE 9-3. EXTEND/RETRACT CYLINDER

ITEM	PART NUMBER	QTY	DESCRIPTION	REV
	2717008	1	BOOM EXTEND/RETRACT CYLINDER, (includes items 1 thru 24)	F
1	70020369	1	CYLINDER TUBE	
2	8036402	1	PISTON, (torque to 330-390 lb-ft)	
3	8036403	1	HEAD GLAND, (torque to 300-400 lb-ft)	
4	8036498	1	ROD SPACER	
5	8036499	1	WELDMENT ROD	
6	8035536	1	SETSCREW, 5/16-18X.50, (Loctite 243 and torque to 10-26 lb-ft)	
7	8036406	1	SETSCREW, 5/16-18X.38, (Loctite 243 and torque to 10-12 lb-ft)	
8	8036590	1	COUNTERBALANCE VALVE - NON-ADJUSTABLE SET AT 4,000 PSI, (torque to 40-50 lb-ft)	
8	8205656	1	SEAL KIT	
9	Kit	1	O-RING	
10	Kit	1	O-RING	
11	Kit	1	O-RING	
12	Kit	1	O-RING	
13	Kit	2	BACK-UP RING	
14	Kit	1	BACK-UP RING	
15	Kit	1	WIPER SEAL	
16	Kit	1	PISTON SEAL	
17	Kit	1	WIPER SEAL	
18	Kit	2	WEARBAND	
19	Kit	2	WEARBAND	
20	Kit	2	LOCKING INSERT	
21	Kit	1	SQUARE RING	
22	Kit	1	BUFFER SEAL	
23	8520013	2	STRAIGHT GREASE FITTING	
24	8036229	1	PO CHECK VALVE, (torque to 40-50 lb-ft)	
24	8205656	1	SEAL KIT	
25	8526011	AR	LOCTITE 271, (apply to item 2)	
111	7081621	1	EXTEND CYLINDER BASE PIN, (6036)	
111	7096552	1	EXTEND CYLINDER BASE PIN, (6042)	
112	7081631	1	EXTEND CYLINDER ROD END PIN, (6036)	
112	7096562	1	EXTEND CYLINDER ROD END PIN, (6042)	
184	8522012	AR	ANI SEIZE LUBE	
189	8642234	4	RETAINING RING, (6036)	
189	8642224	4	RETAINING RING, (6042)	
K1	8036502	1	SEAL KIT, (includes items 9 thru 22)	

SECTION 9 - HYDRAULIC COMPONENTS

FIGURE 9-4. ATTACHMENT TILT CYLINDER



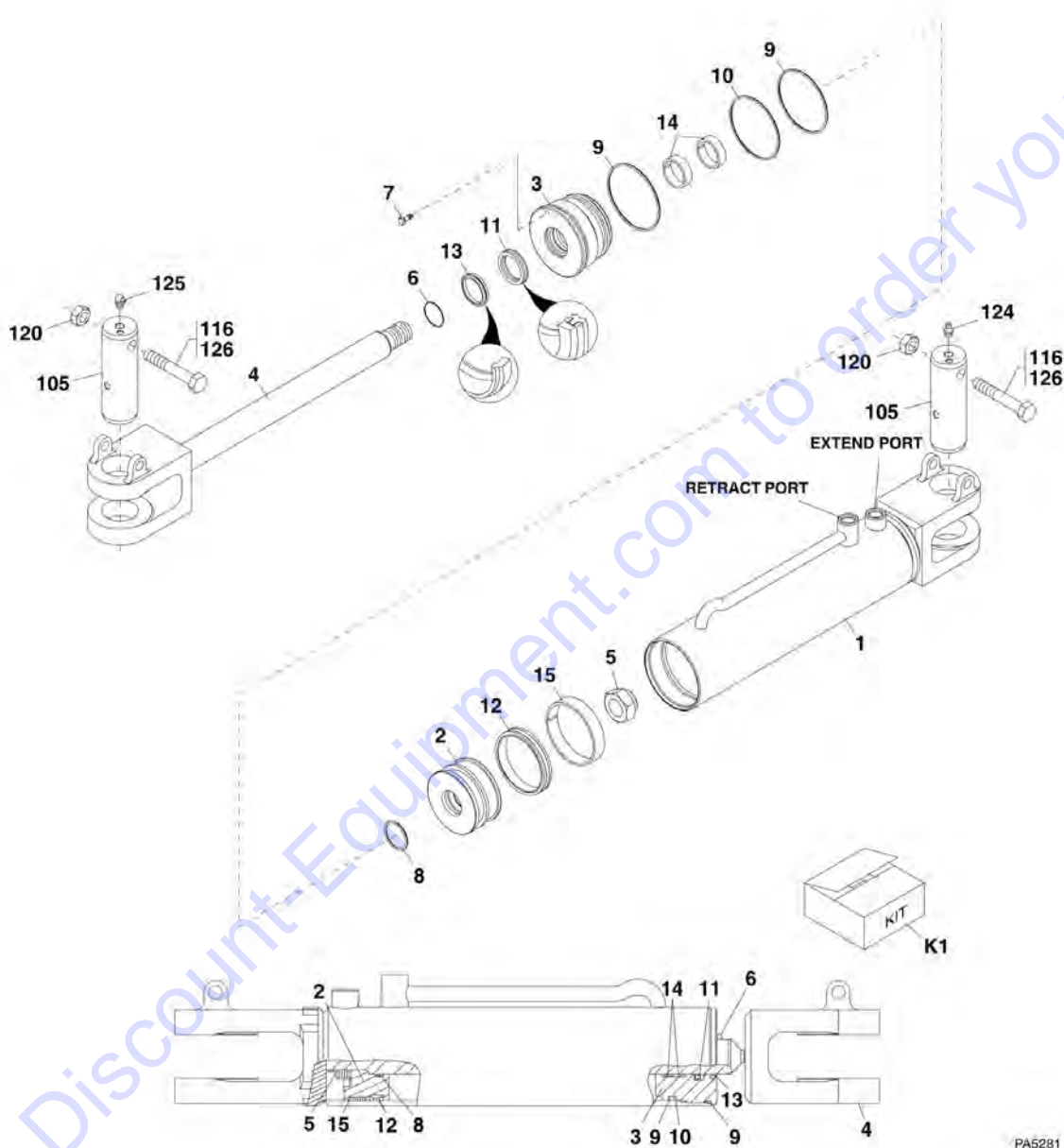
SECTION 9 - HYDRAULIC COMPONENTS

FIGURE 9-4. ATTACHMENT TILT CYLINDER

ITEM	PART NUMBER	QTY	DESCRIPTION	REV
	2716614	1	ATTACHMENT TILT CYLINDER, (includes all items)	E
1	8036149	2	BEARING	
2	70023265	1	WELDMENT TUBE	
3	8036392	1	PISTON, (Loctite 243 and torque to 200-300 lb-ft)	
4	8036391	1	GLAND, (torque to 300-400 lb-ft)	
5	8036389	1	WELDMENT ROD	
6	8036144	1	STRAIGHT LUBE FITTING	
7	8520034	1	LUBE FITTING, 45	
8	8035321	1	COUNTERBALANCE VALVE, (4000 PSI), (torque to 30-35 lb-ft)	
8	8035327	1	SEAL KIT	
9	8036393	1	CHECK VALVE, (torque to 30-35 lb-ft)	
9	8205655	1	SEAL KIT	
10	8035536	2	SET SCREW, 5/16-18X.5, (Loctite 243 and torque to 155-175 lb-ft)	
11	8036390	1	ROD SPACER	
12	Kit	1	O-RING	
13	Kit	1	O-RING	
14	Kit	1	O-RING	
15	Kit	2	DYNAMIC BACK-UP RING	
16	Kit	1	DEEP Z-SEAL	
17	Kit	1	CAPPED T-SEAL	
18	Kit	1	WIPER SEAL	
19	Kit	2	PRECISION WEARBAND	
20	Kit	2	PRECISION WEARBAND	
21	Kit	2	LOCKING INSERT	
22	Kit	1	DYNAMIC BACK-UP RING	
113	7095522	1	FORK TILT CYLINDER BASE PIN	
118	7083992	1	FORK TILT CYLINDER ROD END PIN	
156	8303772	1	HEX HD CAPSCREW, 1/2-13X5, GR5	
158	8305644	1	HEX LOCKNUT, 1/2-13	
184	8522012	AR	ANI SEIZE LUBE	
188	8642234	2	RETAINING RING, (6036)	
188	8642224	2	RETAINING RING, (6042)	
K1	8035720	1	ATTACHMENT TILT CYLINDER SEAL KIT, (includes items 12 thru 22)	

SECTION 9 - HYDRAULIC COMPONENTS

FIGURE 9-5. TILT COMPENSATION CYLINDER



PA5281

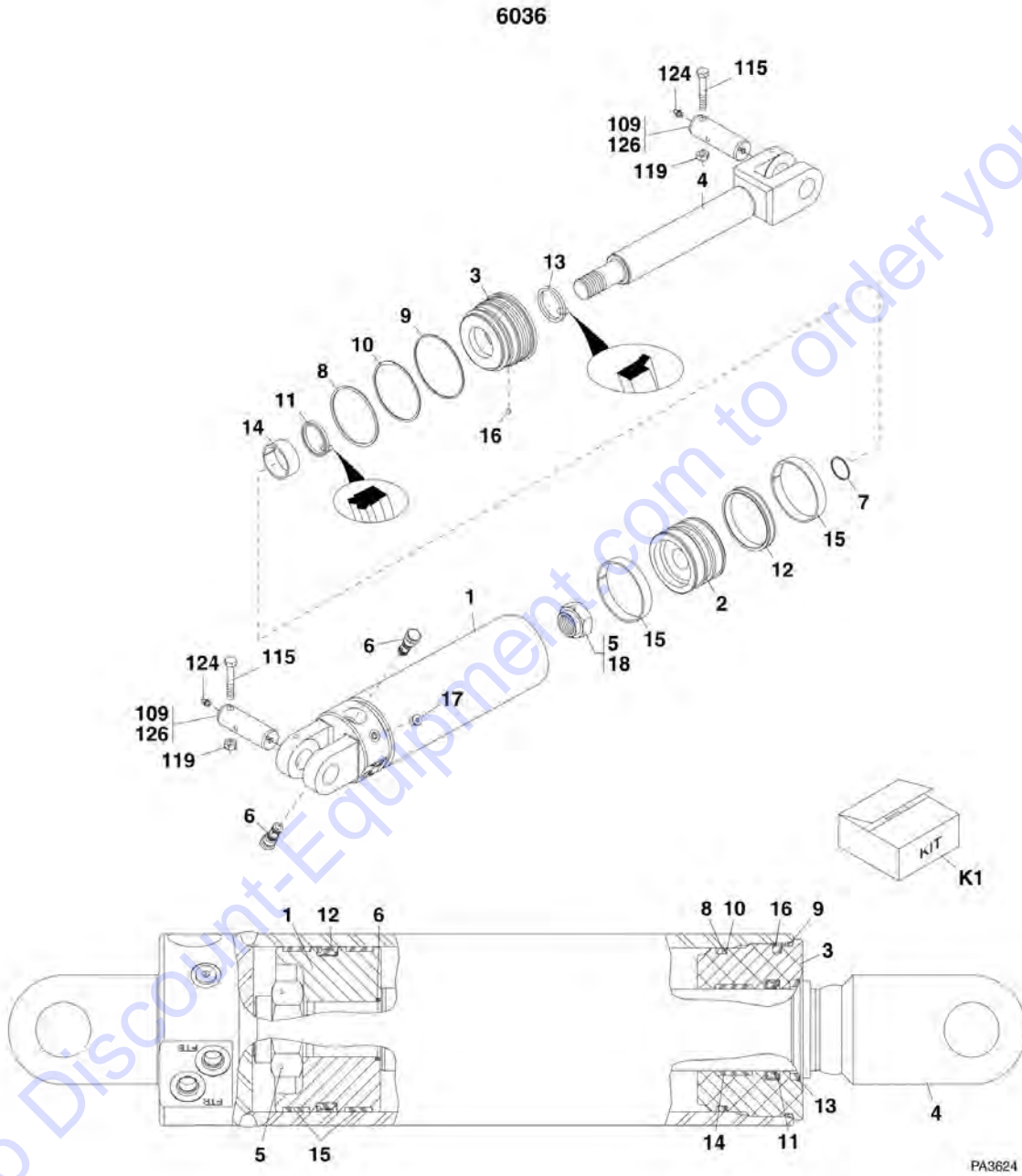
SECTION 9 - HYDRAULIC COMPONENTS

FIGURE 9-5. TILT COMPENSATION CYLINDER

ITEM	PART NUMBER	QTY	DESCRIPTION	REV
	2717260	2	SLAVE CYLINDER, (includes items 1 thru 15)	B
1	N.S.S.	1	CYLINDER TUBE	
2	7029247	1	PISTON	
3	7029250	1	GUIDE, (torque 300-350 lb-ft)	
4	7029251	1	ROD	
5	7017278	1	LOCKNUT, 1-1/8-12, (torque 650-700 lb-ft)	
6	7029249	1	O-RING	
7	7017283	1	HEX SOCKET SET SCREW, 1/4-20X3/8, (torque to 3-4 lb-ft)	
8	Kit	1	O-RING	
9	Kit	2	O-RING	
10	Kit	1	BACK-UP RING	
11	Kit	1	DEEP Z-SEAL	
12	Kit	1	CAPPED T-SEAL	
13	Kit	1	WIPER RING	
14	Kit	2	WEAR RING	
15	Kit	1	WEAR RING	
105	3423227	2	CYLINDER PIN	
116	8303782	2	HEX HD CAPSCREW, 1/2-13X4, GR5	
120	8305644	2	HEX LOCKNUT, 1/2-13	
124	8520001	1	LUBE FITTING, STRAIGHT	
125	8520003	1	LUBE FITTING, 90	
126	8522012	AR	ANTI-SEIZE LUBE	
K1	7028739	1	SEAL KIT, (includes items 8 thru 15)	
N1	Note	Ref	QUANTITIES SHOWN ARE FOR ONE CYLINDER ONLY	

SECTION 9 - HYDRAULIC COMPONENTS

FIGURE 9-6. FRAME LEVEL CYLINDER (6036)



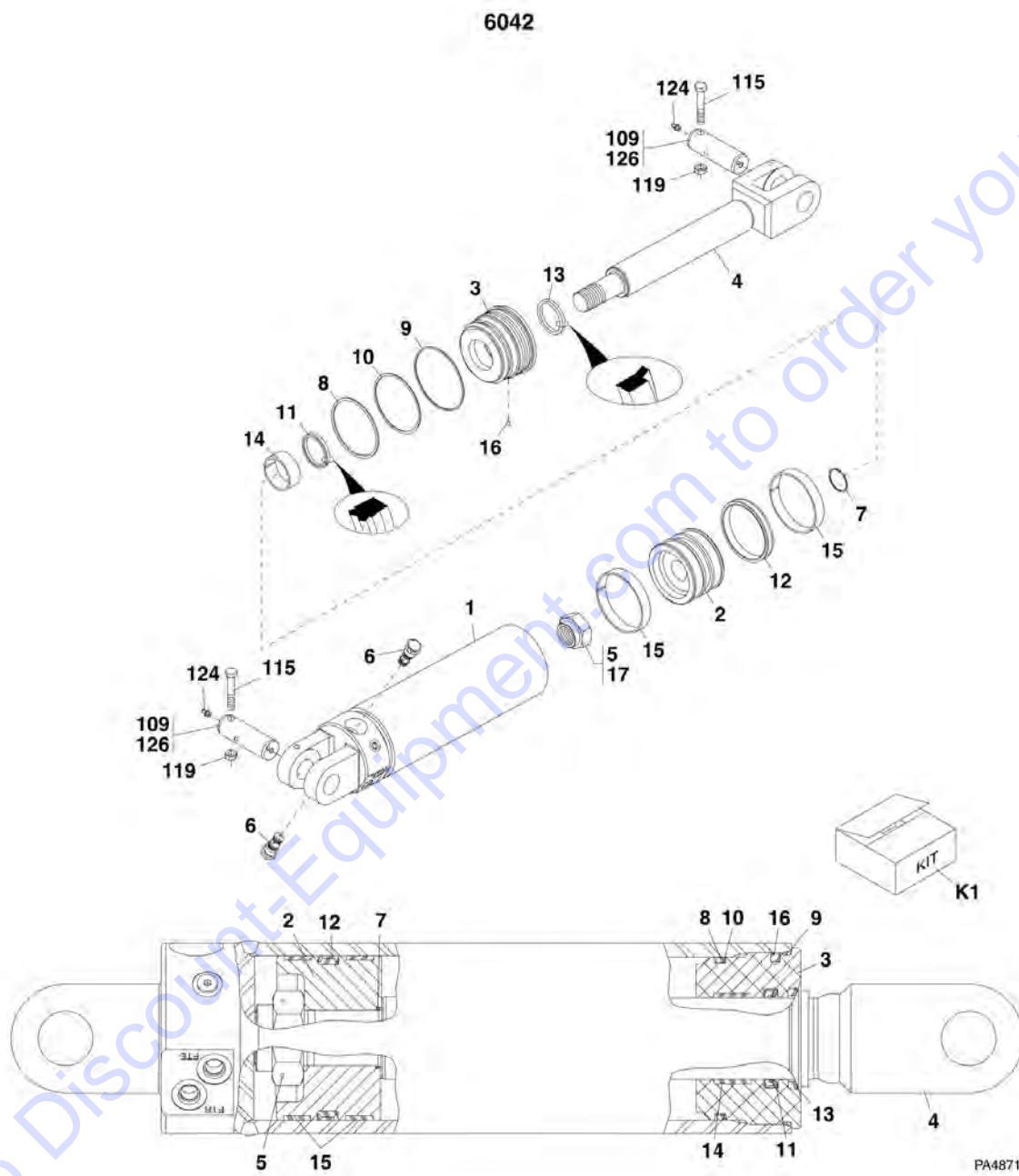
SECTION 9 - HYDRAULIC COMPONENTS

FIGURE 9-6. FRAME LEVEL CYLINDER (6036)

ITEM	PART NUMBER	QTY	DESCRIPTION	REV
	1001091901	1	FRAME LEVEL CYLINDER, (6036), (includes items 1 thru 17)	C
1	N.S.S.	1	TUBE WELDMENT	
2	8035323	1	PISTON	
3	8035324	1	HEAD GLAND, (torque to 300-400 lb-ft)	
4	8035758	1	ROD WELDMENT	
5	8035322	1	HEX LOCKNUT, 1.50-12, (torque to 1100-1250 lb-ft)	
6	1001091885	2	COUNTERBALANCE VALVE - SERIES 10, (torque to 35-40 lb-ft)	
6	70021583	1	SEAL KIT	
7	Kit	1	O-RING	
8	Kit	1	O-RING	
9	Kit	1	O-RING	
10	Kit	1	BACK-UP RING	
11	Kit	1	DEEP Z-SEAL	
12	Kit	1	CAPPED T-SEAL	
13	Kit	1	WIPER SEAL	
14	Kit	1	PRECISION WEARBAND	
15	Kit	2	PRECISION WEARBAND	
16	Kit	1	LOCKING INSERT	
17	8035785	2	HEX PLUG	
18	8526011	AR	LOCTITE TREADLOCKER 271, (apply to item 5)	
109	7137142	2	SLAVE CYLINDER PIN	
115	8303752	2	HEX HD CAPSCREW, 5/16-18X3-1/2, GR5	
119	8305626	2	HEX LOCKNUT, 5/16-18	
124	8520001	2	LUBE FITTING, STRAIGHT	
126	8522012	AR	ANTI SIEZE LUBE	
K1	8035326	1	FRAME LEVEL CYLINDER SEAL KIT, (includes items 7 thru 16)	

SECTION 9 - HYDRAULIC COMPONENTS

FIGURE 9-7. FRAME LEVEL CYLINDER (6042)



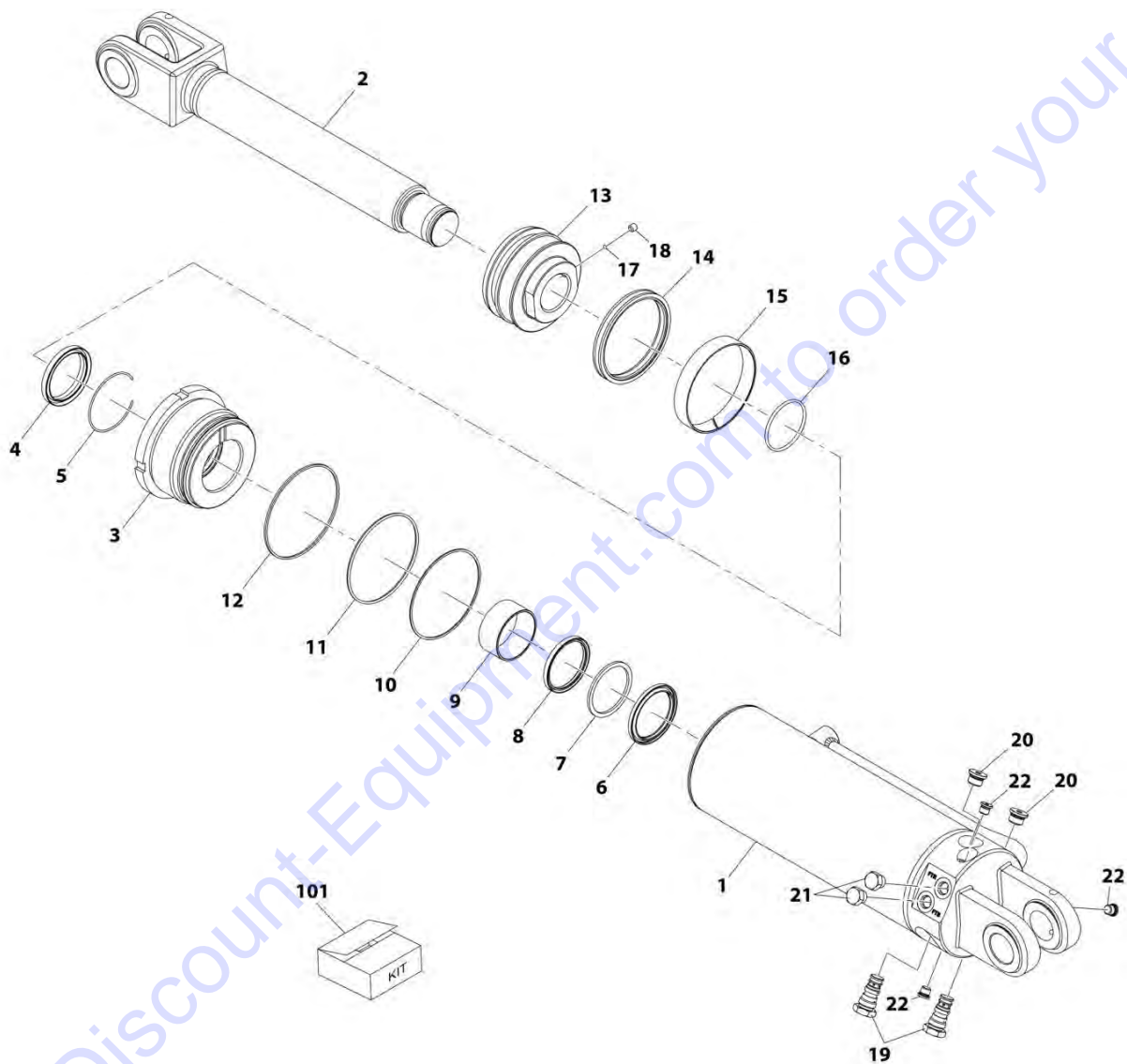
SECTION 9 - HYDRAULIC COMPONENTS

FIGURE 9-7. FRAME LEVEL CYLINDER (6042)

ITEM	PART NUMBER	QTY	DESCRIPTION	REV
	2716563	1	FRAME LEVEL CYLINDER, (6042), (includes items 1 thru 16) (Be sure to check the part number on your cylinder prior to ordering replacement parts)	D
1	N.S.S.	1	WELDMENT TUBE	
2	8035323	1	PISTON	
3	8035324	1	HEAD GLAND, (torque to 300-400 lb-ft)	
4	8035758	1	WELDMENT ROD	
5	8035322	1	HEX LOCKNUT, 1.50-12, (torque to 1100-1250 lb-ft)	
6	8035757	2	PO CHECK VALVE - SERIES 10, (torque to 35-40 lb-ft)	
6	8035327	2	SEAL KIT	
7	Kit	1	O-RING	
8	Kit	1	O-RING	
9	Kit	1	O-RING	
10	Kit	1	BACK-UP RING	
11	Kit	1	DEEP Z-SEAL	
12	Kit	1	CAPPED T-SEAL	
13	Kit	1	WIPER SEAL	
14	Kit	1	PRECISION WEARBAND	
15	Kit	2	PRECISION WEARBAND	
16	Kit	1	LOCKING INSERT	
17	8526011	AR	LOCTITE 271, (apply to item 5)	
109	7137142	2	SLAVE CYLINDER PIN	
115	8303752	2	HEX HD CAPSCREW, 5/16-18X3-1/2, GR5	
119	8305626	2	HEX LOCKNUT, 5/16-18	
124	8520001	2	LUBE FITTING, STRAIGHT	
126	8522012	AR	ANTI SIEZE LUBE	
K1	8035326	1	FRAME LEVEL CYLINDER SEAL KIT, (includes items 7 thru 16)	

SECTION 9 - HYDRAULIC COMPONENTS

FIGURE 9-8. FRAME LEVEL CYLINDER (6042)



ART_1001180762-C

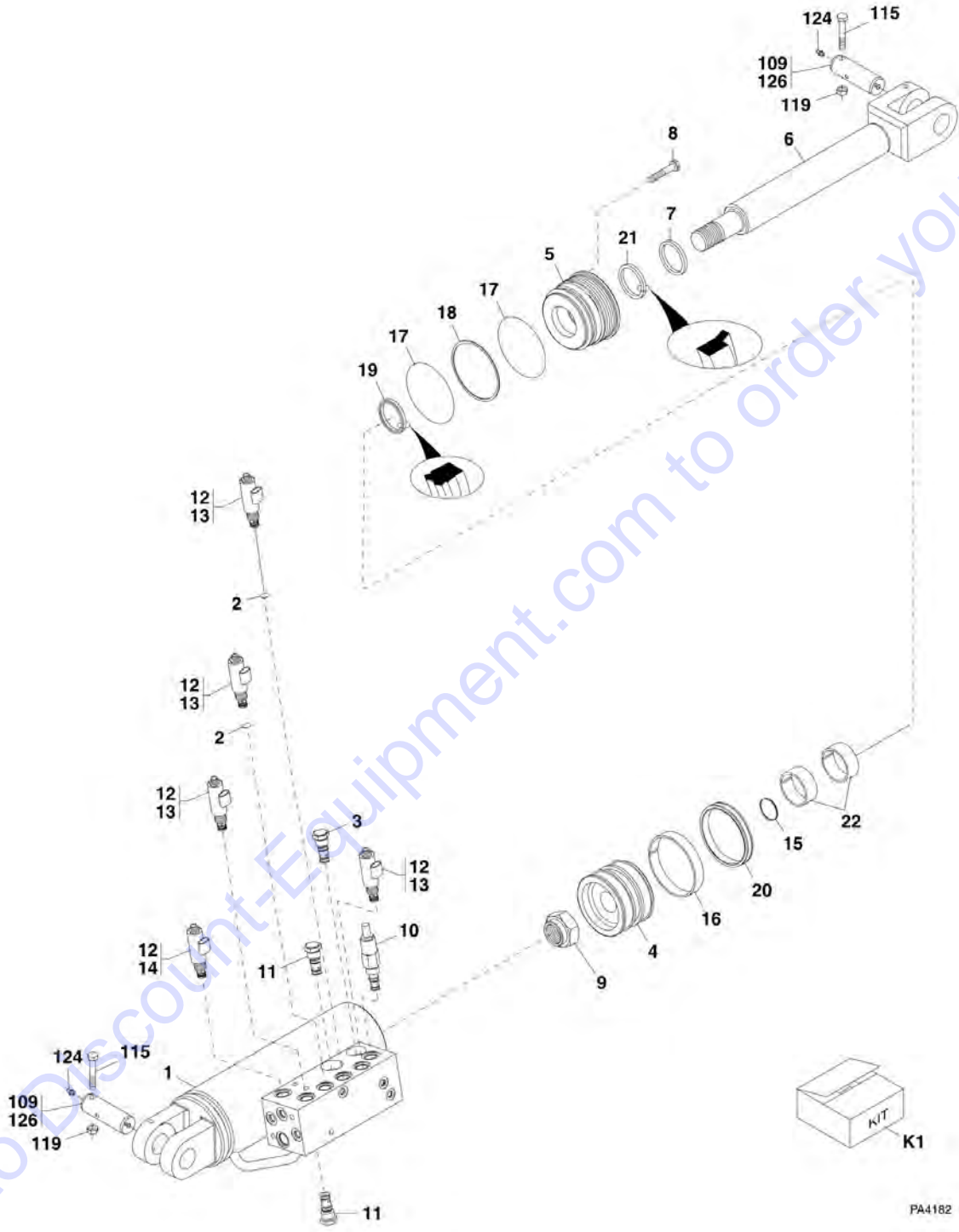
SECTION 9 - HYDRAULIC COMPONENTS

FIGURE 9-8. FRAME LEVEL CYLINDER (6042)

ITEM	PART NUMBER	QTY	DESCRIPTION	REV
	1001180762	Ref	FRAME LEVEL CYLINDER, (6042), (Be sure to check the part number on your cylinder prior to ordering replacement parts)	C
1	70027689	1	TUBE ASSEMBLY	
2	70027690	1	ROD ASSEMBLY	
3	70027691	1	GLAND	
4	Kit	1	DUST WIPER	
5	70027244	1	RETAIN RING	
6	Kit	1	ROD SEAL	
7	Kit	1	BACK UP RING	
8	Kit	1	BUFFER RING	
9	70004637	1	DRY BEARING	
10	Kit	1	O-RING	
11	Kit	1	BACK UP RING	
12	Kit	1	O-RING	
13	70027692	1	PISTON	
14	Kit	1	PISTON SEAL	
15	Kit	1	WEAR RING	
16	Kit	1	O-RING	
17	70022564	1	STEEL BALL	
18	70022563	1	SET SCREW	
19	70027693	2	CHECK VALVE	
20	70027694	2	HEX. SOC. PLUG	
21	70027695	2	HEX. PLUG	
22	2220883	3	HEX. SOC. PLUG	
101	70027696	1	SEAL KIT, (includes items 4, 6, 7, 8, 10, 11, 12, 14 thru 16)	

SECTION 9 - HYDRAULIC COMPONENTS

FIGURE 9-9. STABILI-TRAK CYLINDER



PA4182

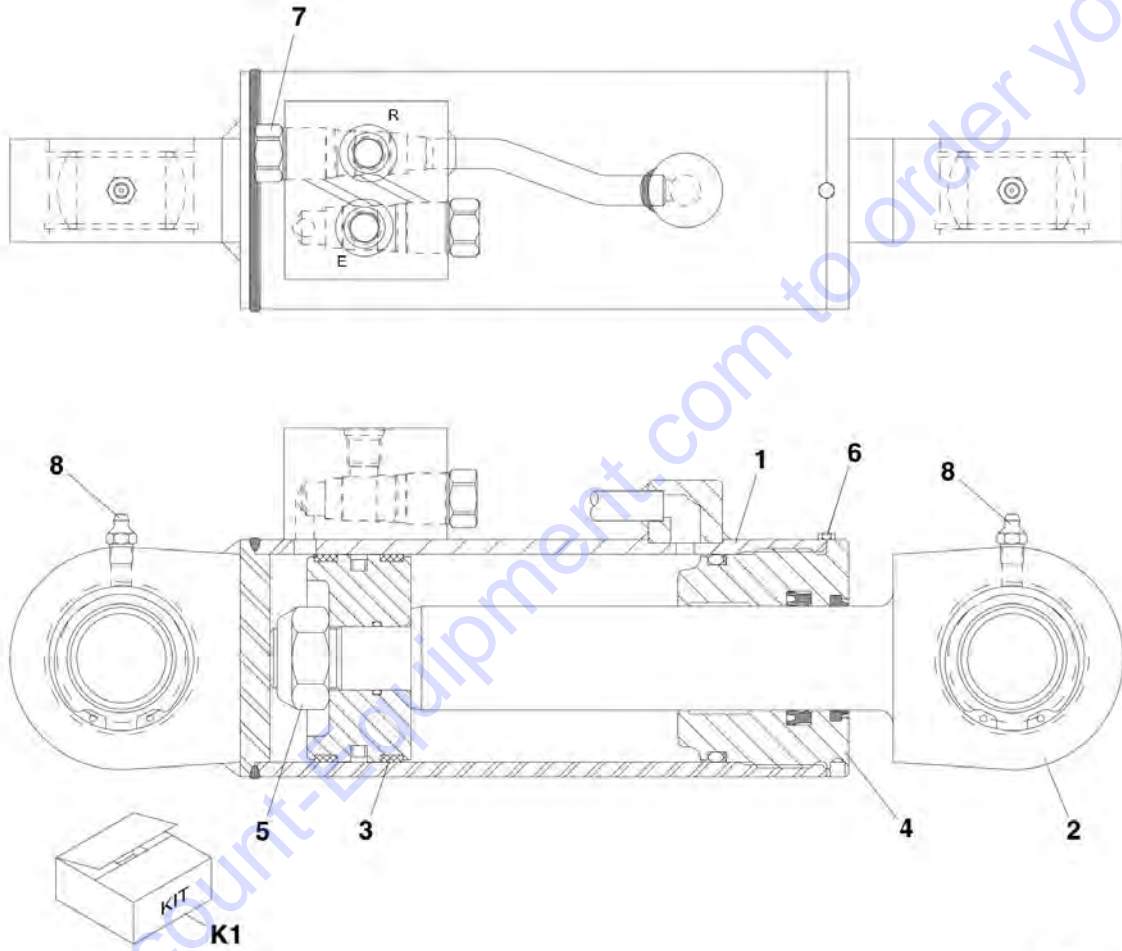
SECTION 9 - HYDRAULIC COMPONENTS

FIGURE 9-9. STABILI-TRAK CYLINDER

ITEM	PART NUMBER	QTY	DESCRIPTION	REV
	2717198	1	STABIL-TRAK CYLINDER, (includes items 1 thru 22)	E
1	N.S.S.	1	WELDMENT TUBE	
2	8035781	2	CONICAL ORIFICE DISK, .060 DIA	
3	8036582	1	CHECK VALVE, (torque to 20-25 lb-ft)	
3	7017496	1	SEAL KIT	
4	8036826	1	PISTON	
5	8036828	1	GUIDE, (torque to 300-350 lb-ft)	
6	8036827	1	ROD WELDMENT	
7	7029153	1	O-RING	
8	8036811	1	HEX SOCKET SET SCREW, 1/4-20X3/8, (torque to 3-4 lb-ft)	
9	8036825	1	LOCKNUT, 1-1/2-12, (torque to 1175-1400 lb-ft)	
10	8035282	1	PRESSURE REDUCING VALVE, (torque to 35-40 lb-ft)	
10	8032994	1	SEAL KIT	
11	8035281	2	PO CHECK VALVE, SERIES 10, (torque to 35-40 lb-ft)	
11	8036192	2	SEAL KIT	
12	7029246	5	SOLENOID COIL, (torque to 25-30 lb-ft)	
13	8036581	4	SOLENOID VALVE, 2 WAY, 12V	
13	7017496	4	SEAL KIT	
14	8036580	1	SOLENOID VALVE, 4 WAY, 12V	
14	7012903	1	SEAL KIT	
15	Kit	1	O-RING	
16	Kit	1	WEAR RING	
17	Kit	2	O-RING	
18	Kit	1	BACK-UP RING	
19	Kit	1	DEEP Z-SEAL	
20	Kit	1	CAPPED T-SEAL	
21	Kit	1	WIPER RING	
22	Kit	2	WEAR RING	
109	7137142	2	SLAVE CYLINDER PIN	
115	8303752	2	HEX HD CAPSCREW, 5/16-18X3-1/2, GR5	
119	8305626	2	HEX LOCKNUT, 5/16-18	
124	8520001	2	LUBE FITTING, STRAIGHT	
126	8522012	AR	ANTI SIEZE LUBE	
K1	8036747	1	SEAL KIT, (includes items 15 thru 22)	

SECTION 9 - HYDRAULIC COMPONENTS

FIGURE 9-10. SIDE TILT CARRIAGE CYLINDER (Prior to SN 0160066473, Excluding 0160021284)



PY1581

SECTION 9 - HYDRAULIC COMPONENTS

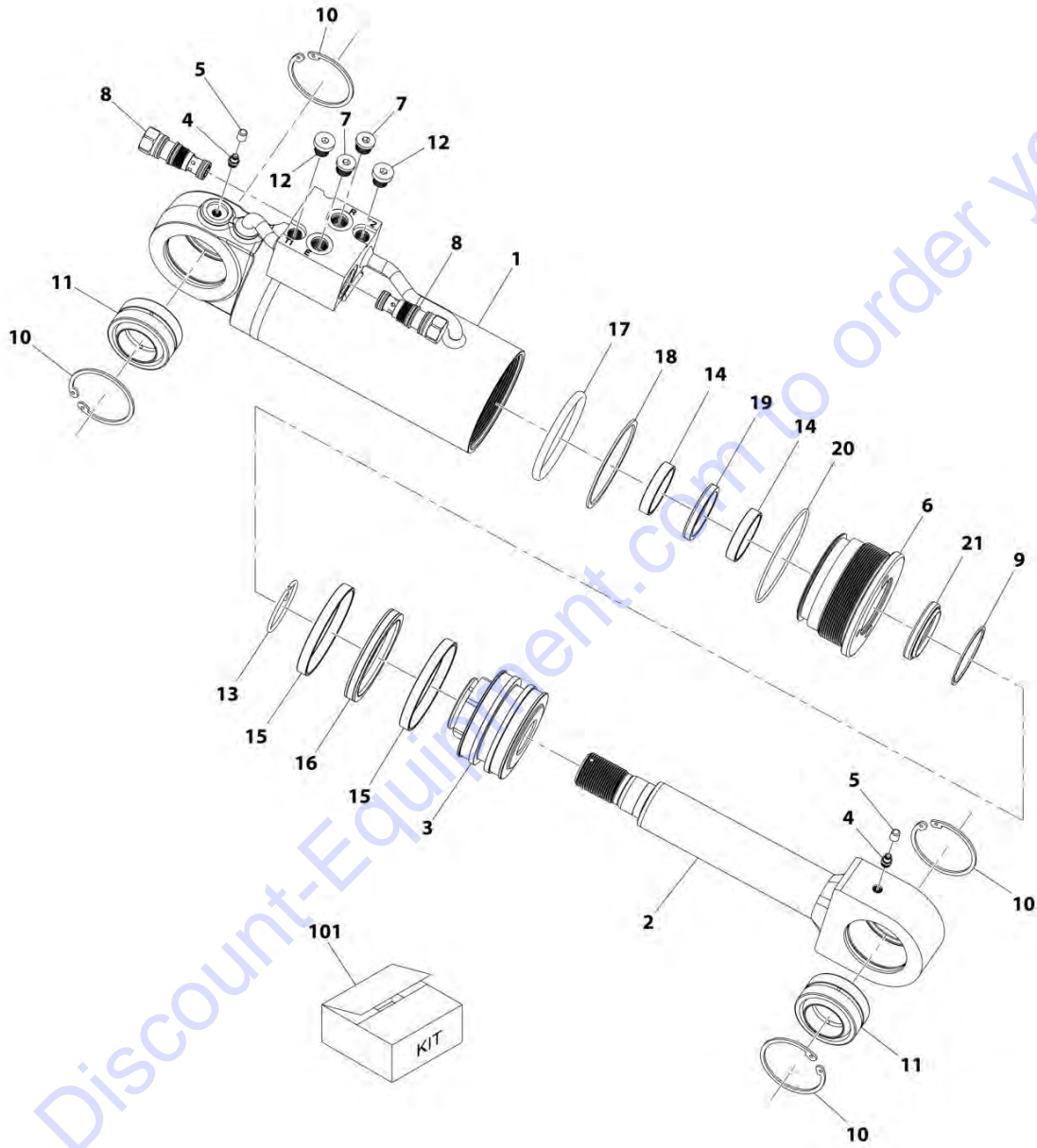
FIGURE 9-10. SIDE TILT CARRIAGE CYLINDER (Prior to SN 0160066473, Excluding 0160021284)

ITEM	PART NUMBER	QTY	DESCRIPTION	REV
	1001090134	1	SIDE TILT CARRIAGE CYLINDER, (includes all items)	C
1	70022038	1	BARREL ASSY	
2	70022039	1	ROD ASSY	
3	70022040	1	PISTON	
3	70022042	1	SEAL KIT	
4	70021908	1	ROD BEARING	
4	70022043	1	SEAL KIT	
5	90022230	1	HEX NUT	
6	7029760	1	CAPSCREW	
7	4640438	2	CHECK VALVE	
7	2900770	1	SEAL KIT	
8	91044080	2	GREASE FITTING	
K1	70022041	1	SEAL KIT, (contains 70022042 & 70022043)	

Go to Discount-Equipment.com to order your parts

SECTION 9 - HYDRAULIC COMPONENTS

FIGURE 9-11. SIDE TILT CARRIAGE CYLINDER (SN 0160066473 to Present, Including 0160021284)



ART_1001163414-A

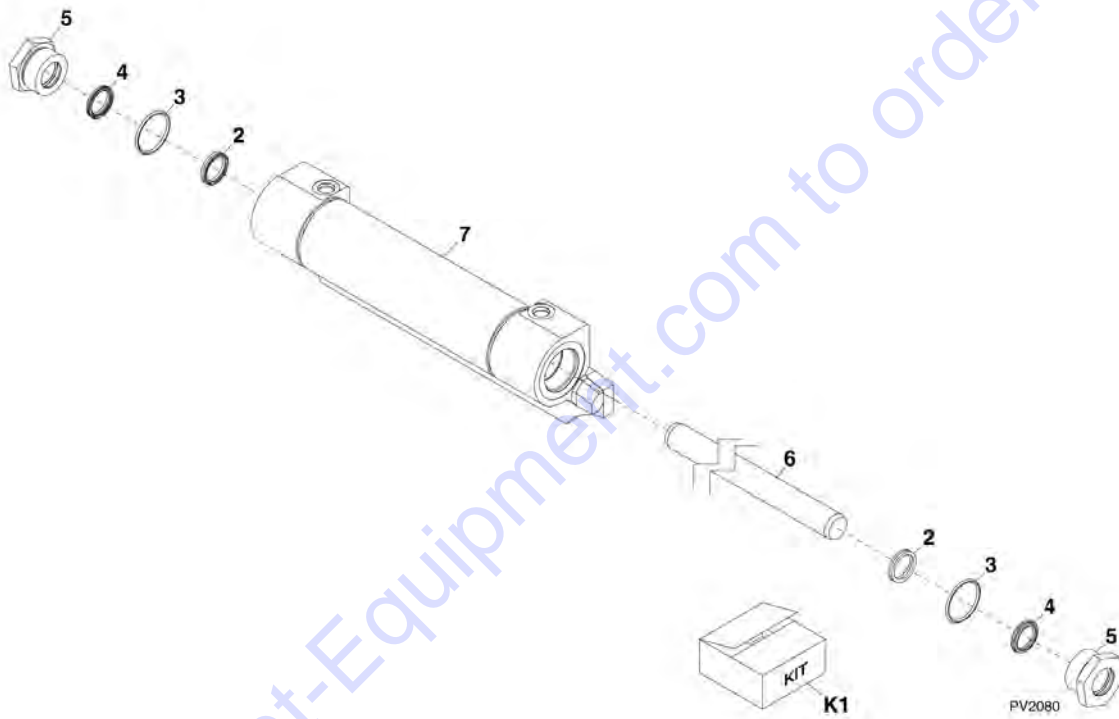
SECTION 9 - HYDRAULIC COMPONENTS

FIGURE 9-11. SIDE TILT CARRIAGE CYLINDER (SN 0160066473 to Present, Including 0160021284)

ITEM	PART NUMBER	QTY	DESCRIPTION	REV
	1001163414	Ref	SIDE TILT CYLINDER	A
1	70026056	1	BARREL	
2	70026057	1	ROD	
3	70026058	1	HEAD, PISTON	
4	70025606	2	NIPPLE, GREASE	
5	70024020	2	FITTING, GREASE	
6	70003849	1	GLAND	
7	70025959	2	PLUG	
8	70026059	2	VALVE, P.O. CHECK	
9	70002219	1	RING, INTERNAL SNAP	
10	70026060	4	RING, INTERNAL SNAP	
11	70026061	2	BEARING, SPHERICAL	
12	70024262	2	PLUG	
13	70002224	1	RING, LOCKING	
14	Kit	2	RING, ROD BEARING	
15	Kit	2	RING, PISTON BEARING	
16	Kit	1	SEAL, PISTON	
17	Kit	1	O-RING	
18	Kit	1	RING, BACK-UP	
19	Kit	1	SEAL, ROD	
20	Kit	1	O-RING	
21	Kit	1	SEAL, WIPER	
101	70026062	1	SEAL KIT, (includes items 14 thru 21)	

SECTION 9 - HYDRAULIC COMPONENTS

FIGURE 9-12. 50 IN SIDE SHIFT CARRIAGE CYLINDER



SECTION 9 - HYDRAULIC COMPONENTS

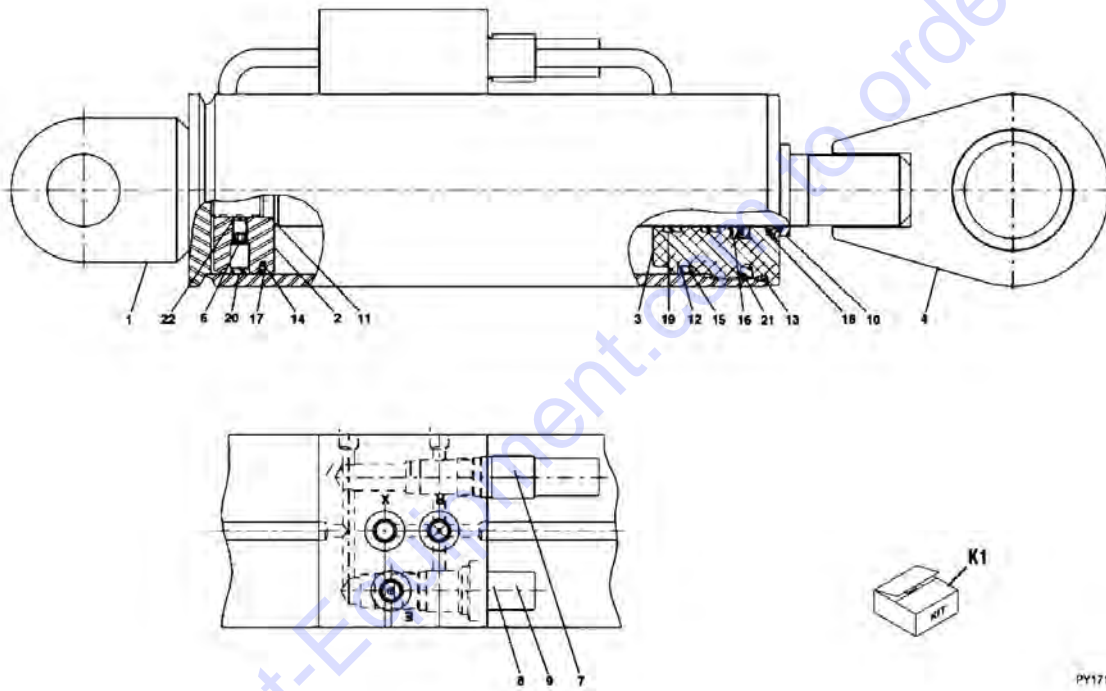
FIGURE 9-12. 50 IN SIDE SHIFT CARRIAGE CYLINDER

ITEM	PART NUMBER	QTY	DESCRIPTION	REV
	70024539	1	50 IN SIDE SHIFT CARRIAGE CYLINDER, (includes all items)	B
2	Kit	2	ROD SEAL	
3	70024547	2	O-RING	
4	Kit	2	ROD WIPER SEAL	
5	70024548	2	RETAINER SEAL	
6	N.S.S.	1	ROD	
7	N.S.S.	1	BARREL	
K1	70024549	1	SEAL KIT, (includes items 2 & 4)	

Go to Discount-Equipment.com to order your parts

SECTION 9 - HYDRAULIC COMPONENTS

FIGURE 9-13. 72 IN 90, SWING CARRIAGE CYLINDER



PV1711

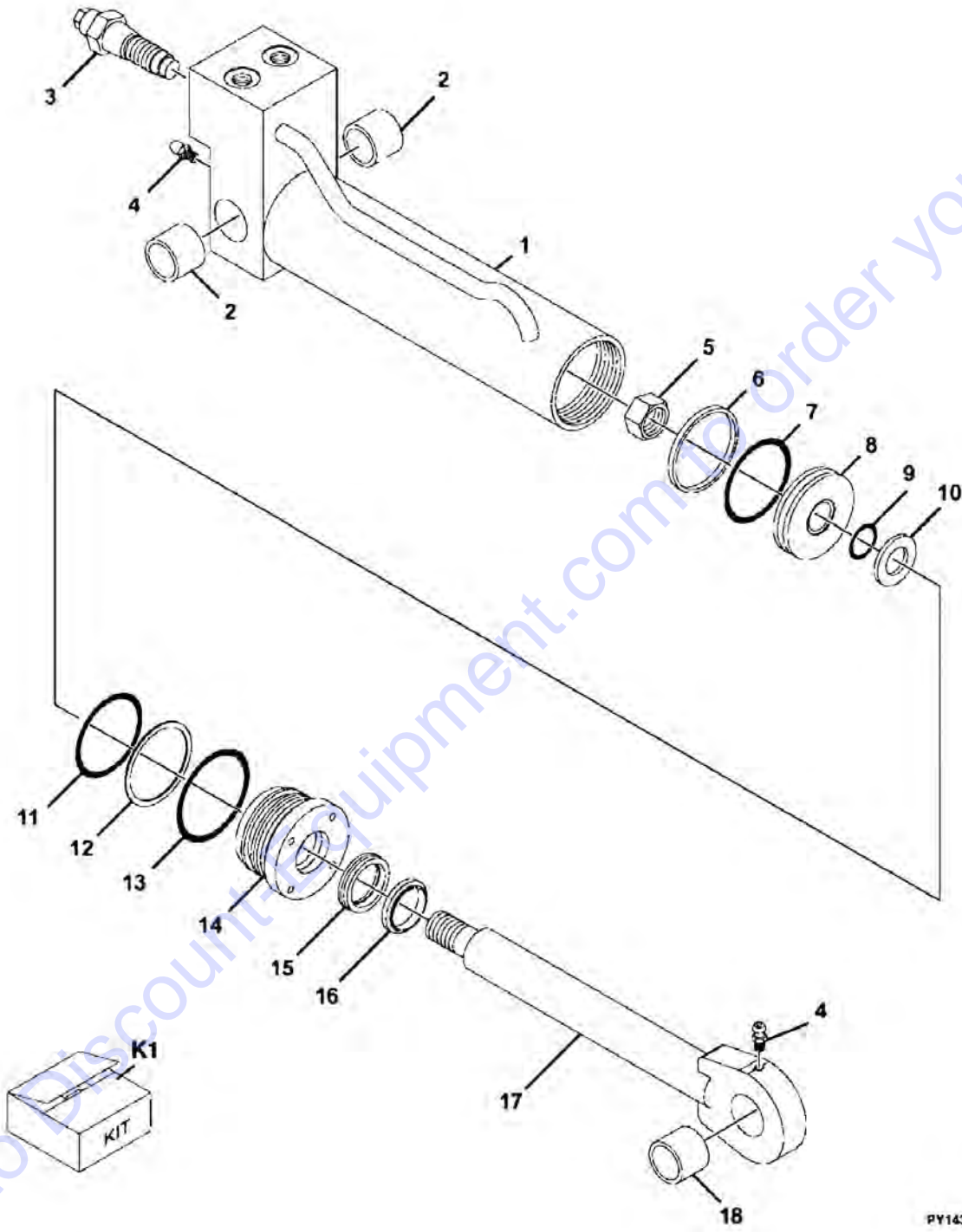
SECTION 9 - HYDRAULIC COMPONENTS

FIGURE 9-13. 72 IN 90, SWING CARRIAGE CYLINDER

ITEM	PART NUMBER	QTY	DESCRIPTION	REV
	1001103182	1	SWING CARRIAGE CYLINDER, (includes items 1 thru 22)	A
1	70022044	1	TUBE ASSY	
2	8035863	1	PISTON	
3	8035862	1	HEAD GLAND	
4	70022045	1	ROD ASSY	
5	70022046	1	BEARING	
6	8035536	2	SET SCREW, 5/16-18X1/2	
7	70020428	1	RELIEF VALVE, (preset to 2000 psi)	
7	7024574	1	SEAL KIT	
8	8033786	1	COUNTER BALANCE VALVE, (preset to 3000 psi)	
8	8205655	1	SEAL KIT	
11	Kit	1	O-RING	
12	Kit	1	O-RING	
13	Kit	1	O-RING	
14	Kit	1	SQUARE RING	
15	Kit	1	BACKUP RING	
16	Kit	1	SEAL	
17	Kit	1	PISTON SEAL	
18	Kit	1	ROD WIPER	
19	Kit	2	WEARBAND	
20	Kit	1	WEARBAND	
21	Kit	2	INSERT	
22	Kit	2	INSERT	
K1	2915023	1	SEAL KIT, (includes items 11 thru 22)	

SECTION 9 - HYDRAULIC COMPONENTS

FIGURE 9-14. GRAPPLE BUCKET CYLINDER



PY1431

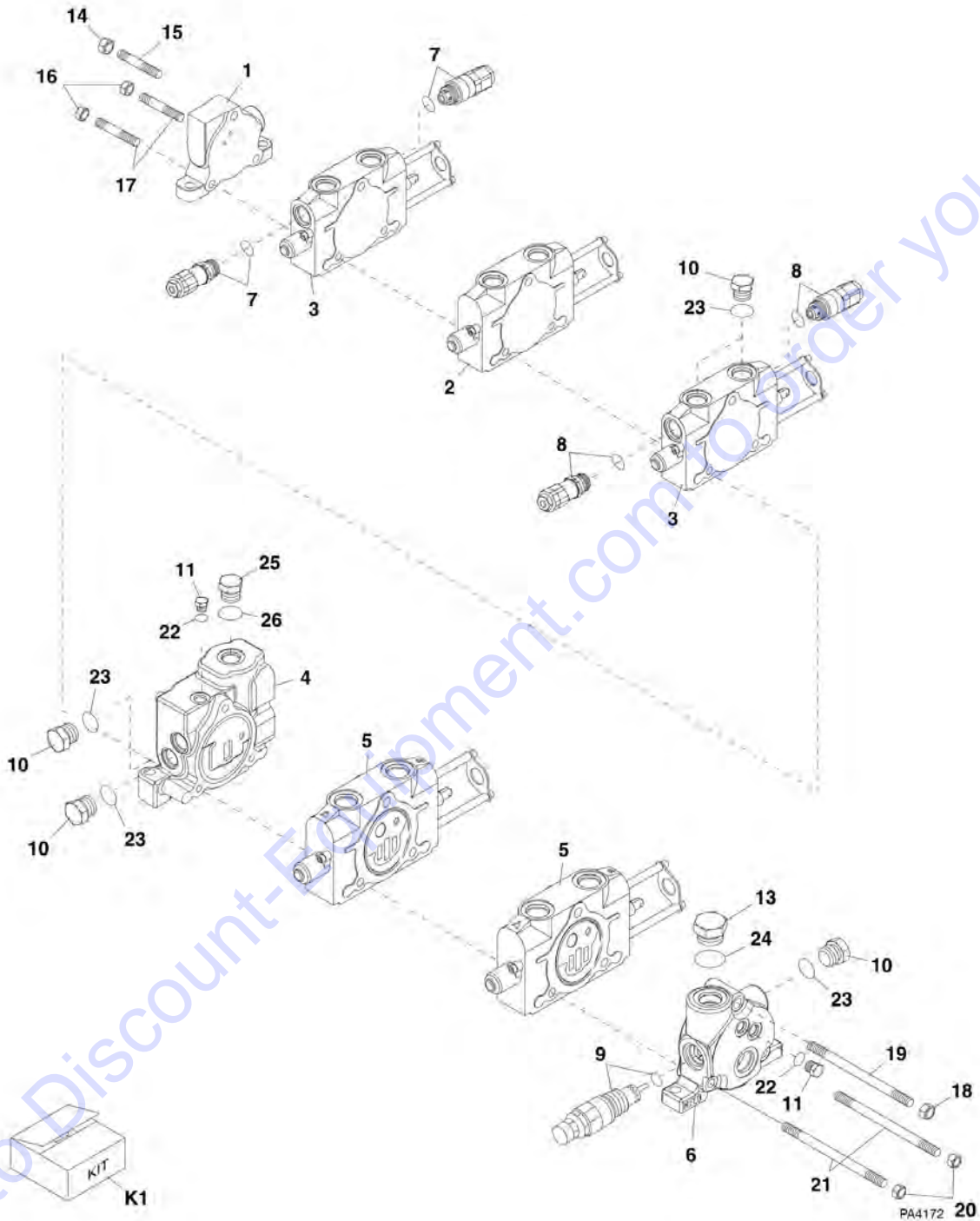
SECTION 9 - HYDRAULIC COMPONENTS

FIGURE 9-14. GRAPPLE BUCKET CYLINDER

ITEM	PART NUMBER	QTY	DESCRIPTION	REV
	70021393	1	GRAPPLE BUCKET CYLINDER, (includes all items)	
1	70021465	1	CYLINDER TUBE	
2	70021448	2	BUSHING	
3	70021464	2	VALVE CARTRIDGE	
4	90554045	2	GREASE FITTING	
5	70021440	1	HEX NUT	
6	Kit	1	PISTON RING	
7	Kit	1	O-RING	
8	70021451	1	PISTON	
9	Kit	1	O-RING	
10	70021444	1	WASHER	
11	Kit	1	O-RING	
12	Kit	1	BACK-UP WASHER	
13	Kit	1	O-RING	
14	70021446	1	CYLINDER GLAND	
15	Kit	1	POLY-PAK SEAL	
16	Kit	1	ROD WIPER	
17	70021466	1	PISTON ROD	
18	70021447	1	BUSHING	
K1	70021452	1	SEAL KIT (includes items 6, 7, 9, 11 thru 13, 15 & 16)	

SECTION 9 - HYDRAULIC COMPONENTS

FIGURE 9-15. MAIN CONTROL VALVE



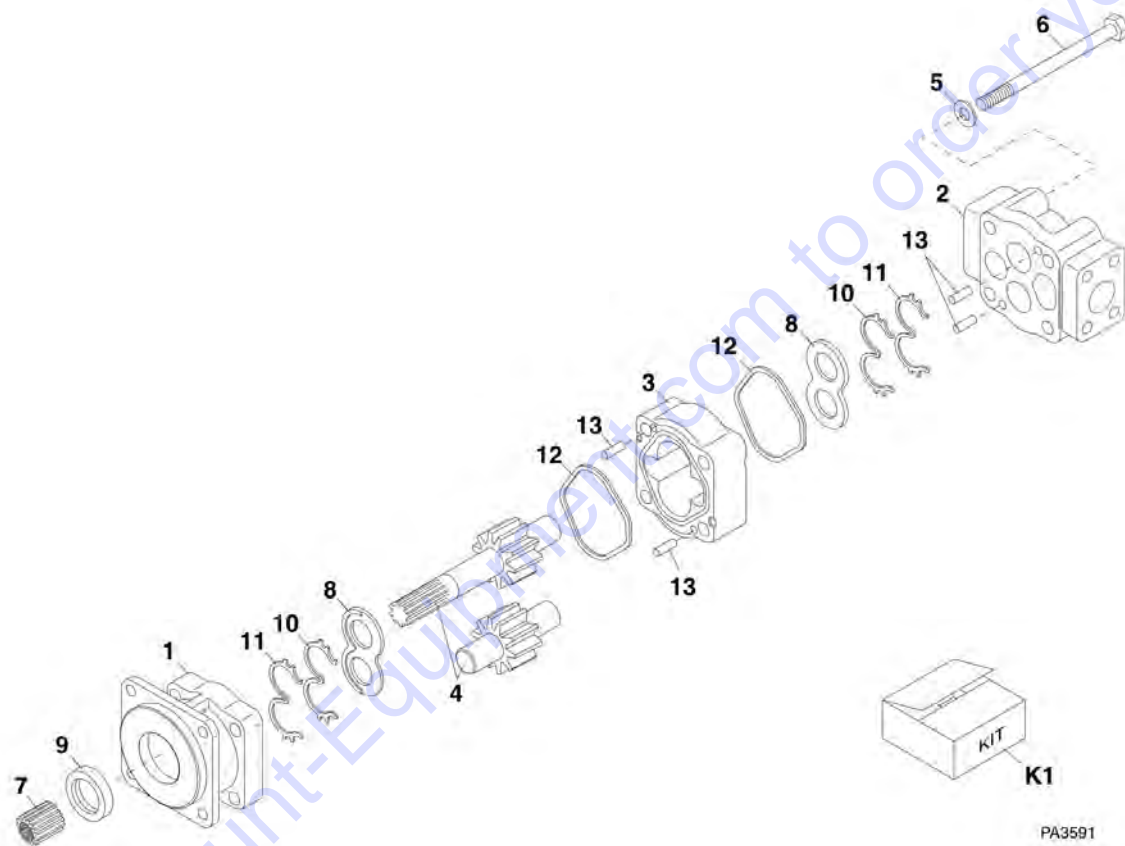
SECTION 9 - HYDRAULIC COMPONENTS

FIGURE 9-15. MAIN CONTROL VALVE

ITEM	PART NUMBER	QTY	DESCRIPTION	REV
	8902187	1	MAIN CONTROL VALVE, (includes all items)	AD
1	8035848	1	OUTLET SECTION ASSY	
2	8036177	1	FRAME LEVEL SECTION ASSY	
3	8036178	2	ATTACHMENT TILT AND AUXILIARY HYDRAULIC SECTION ASSY	
4	8035849	1	MID-INLET SECTION ASSY	
5	8036179	2	BOOM EXTEND/RETRACT AND BOOM LIFT/LOWER SECTION ASSY	
6	8036263	1	EXTEND/RETRACT AND LIFT/LOWER SECTION ASSY OUTLET	
7	8036175	2	RELIEF ASSY VALVE - (Preset at 3250 ± 50 psi) (224 ± 3,4 bar)	
8	8036174	2	RELIEF ASSY VALVE - (Preset at 3250 ± 50 psi) (224 ± 3,4 bar)	
9	8035844	1	MAIN RELIEF VALVE - (Preset at 3500 ± 50 psi) (242 ± 3,4 bar)	
10	8035834	4	PLUG, #10	
11	8035843	2	PLUG	
12	8760419	2	PLUG, #6, (not used on machines with auxiliary hydraulics)	
13	8035835	1	PLUG, #10	
14	8035346	1	NUT	
15	8036283	1	TIE ROAD	
16	8035348	2	NUT	
17	8036284	2	TIE ROAD	
18	8035347	1	NUT	
19	8036282	1	TIE ROAD	
20	8035381	2	NUT	
21	8036281	2	TIE ROAD	
22	8036533	2	O-RING	
23	8036517	4	O-RING	
24	7013903	1	O-RING	
25	7013930	1	PLUG	
26	7013928	1	O-RING	
K1	8036180	1	COMPLETE VALVE SEAL KIT	

SECTION 9 - HYDRAULIC COMPONENTS

FIGURE 9-16. GEAR PUMP



SECTION 9 - HYDRAULIC COMPONENTS

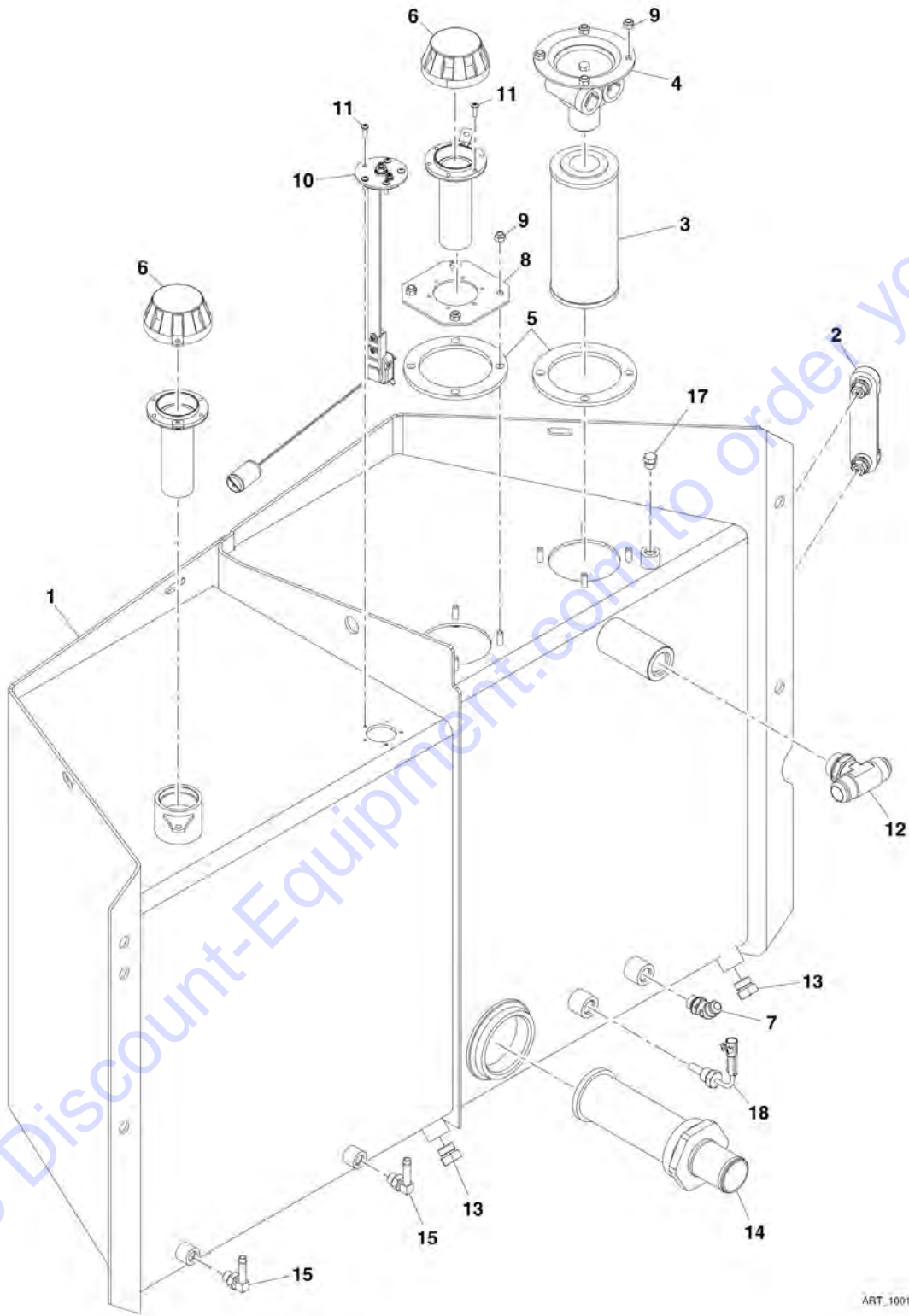
FIGURE 9-16. GEAR PUMP

ITEM	PART NUMBER	QTY	DESCRIPTION	REV
	8440162	1	GEAR PUMP, (includes all items)	AA
1	N.S.S.	1	SEC HOUSING	
2	N.S.S.	1	PEC HOUSING	
3	8036428	1	GEAR HOUSING	
4	8036271	1	GEAR SHAFT SET	
5	N.S.S.	4	WASHER	
6	8035745	4	HEX HD CAPSCREW	
7	8035744	1	SPLINE ADAPTER	
8	N.S.S.	2	THRUST PLATE	
9	Kit	1	LIP SEAL	
10	Kit	2	CHANNEL SEAL	
11	Kit	2	BACK-UP SEAL	
12	Kit	2	SQUARE R SEAL	
13	83671037	4	DOWEL PIN	
K1	8036429	1	GEAR PUMP SEAL KIT, (includes items 9 thru 12)	

Go to Discount-Equipment.com to order your parts

SECTION 9 - HYDRAULIC COMPONENTS

FIGURE 9-17. FUEL/HYDRAULIC TANK ASSEMBLY (Prior to SN 0160069202)



ART_1001100218-L

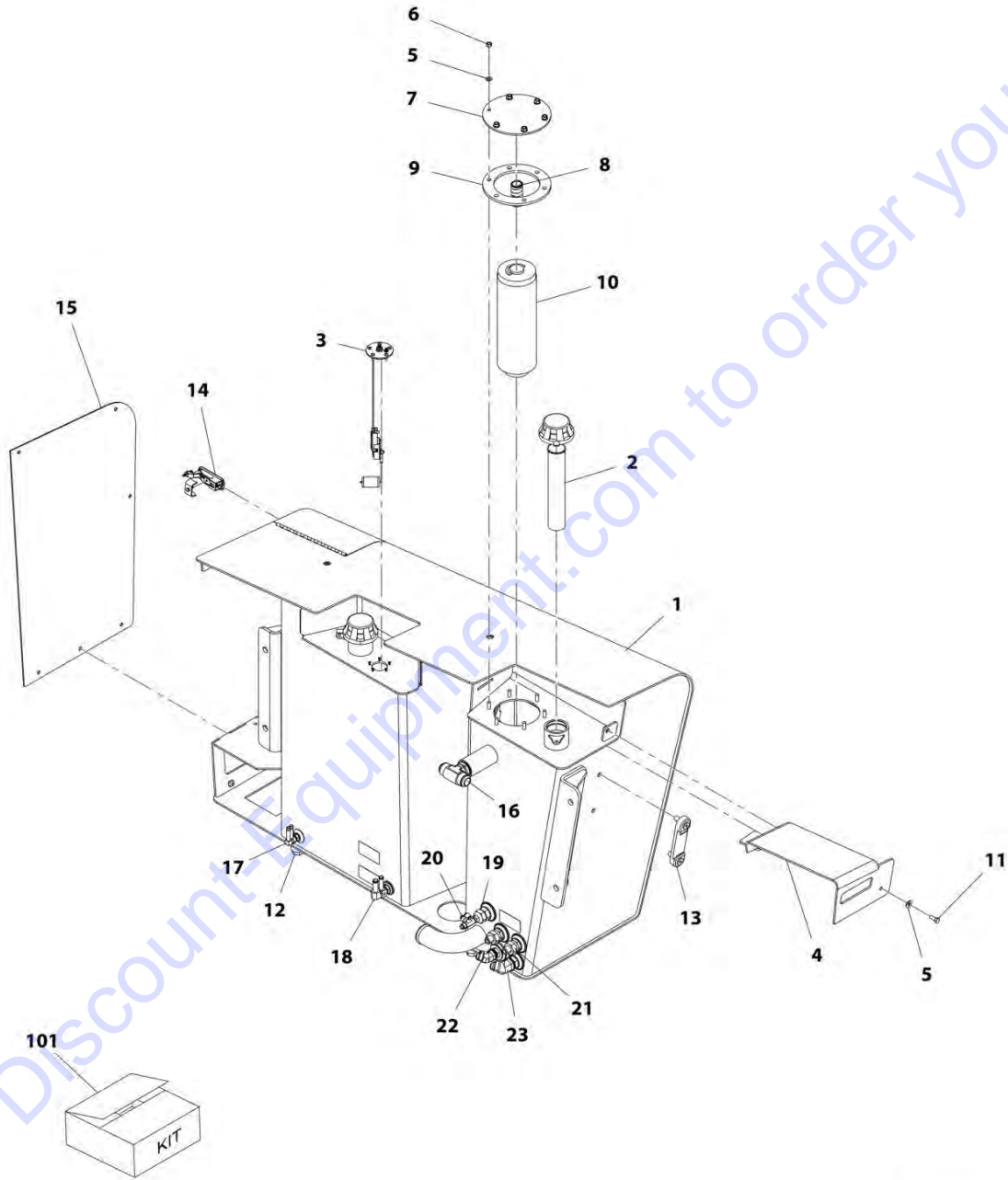
SECTION 9 - HYDRAULIC COMPONENTS

FIGURE 9-17. FUEL/HYDRAULIC TANK ASSEMBLY (Prior to SN 0160069202)

ITEM	PART NUMBER	QTY	DESCRIPTION	REV
	1001100218	1	FUEL/HYDRAULIC TANK ASSEMBLY, (includes all items)	I
1	7301862	1	FUEL/HYDRAULIC TANK	
2	7024441	1	SIGHT GAUGE	
3	7301252	1	RETURN FILTER ELEMENT	
4	1001091752	1	INTAKE FILTER HEAD	
5	7138209	2	HYDRAULIC TANK GASKET	
6	7139077	2	FILLER/BREATHER	
7	2220500	1	ELBOW, 45, (includes o-ring)	
8	7139076	1	PLATE	
9	8305626	8	HEX LOCKNUT, 5/16-18	
10	1001145026	1	FUEL SENDER	
11	8310163	11	PAN HD SCREW, #10-24X5/8	
12	8760552	1	TEE FITTING	
13	2220239	2	PLUG, (includes o-ring)	
14	7138740	1	SUCTION STRAINER	
14	7029716	1	O-RING	
15	8430034	2	ELBOW, 90, (includes o-ring)	
17	2220237	1	HEX HD PLUG, #6, (includes o-ring)	
18	8223226	1	HYDRAULIC TEMPERATURE SWITCH	

SECTION 9 - HYDRAULIC COMPONENTS

FIGURE 9-18. HYDRAULIC/FUEL TANK ASSEMBLY (SN 0160069202 to Present)



ART_1001169466-I

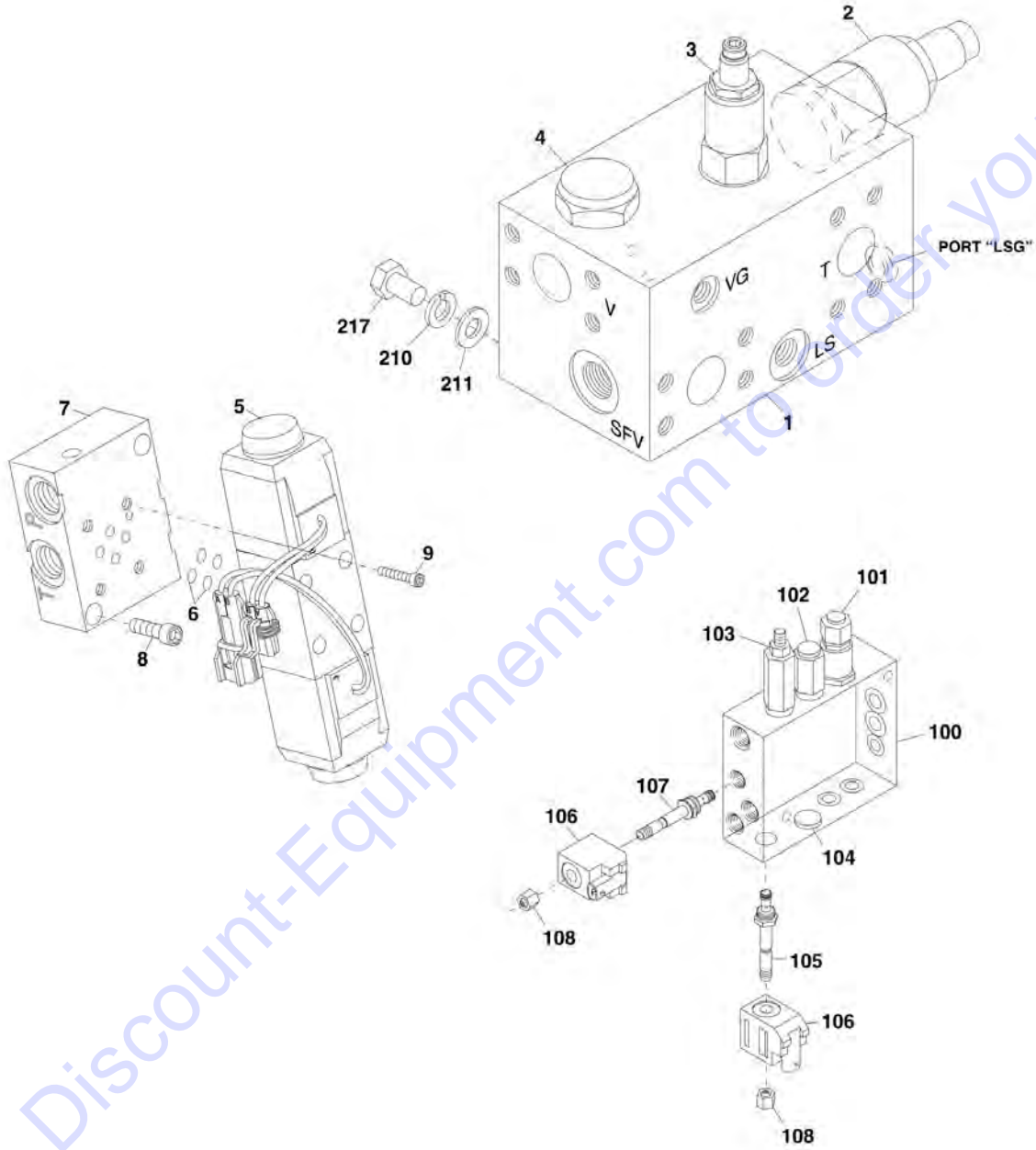
SECTION 9 - HYDRAULIC COMPONENTS

FIGURE 9-18. HYDRAULIC/FUEL TANK ASSEMBLY (SN 0160069202 to Present)

ITEM	PART NUMBER	QTY	DESCRIPTION	REV
	1001169466	1	HYDRAULIC\FUEL TANK ASSEMBLY	1
1	1001199096	1	WELDMENT, HYDRAULIC\FUEL TANK	
2	7139077	2	FILLER\BREATHER	
3	1001145026	1	SENSOR, FUEL	
4	1001199116	1	COVER, HYDRAULIC FILLER	
5	1001170329	1	WASHER, M8	
6	3300429	1	NUT, HEX 5/16-18	
7	1001199135	1	ASSEMBLY, COVER	
8	1001199136	1	SPRING	
9	1001199177	1	GASKET	
10	1001199205	1	ELEMENT, FILTER	
11	8303697	1	BOLT, HEX HD5/16-18X3/4	
12	2220239	2	PLUG	
13	7024441	1	GAUGE, SIGHT	
14	1001199199	1	LATCH	
15	1001199181	1	COVER, DEF TANK	
16	8760552	1	TEE, BRANCH	
17	1001178776	1	ELBOW, 90	
18	1001199210	1	ELBOW, 90	
19	2220577	1	ADAPTER	
20	2220635	1	TEE, RUN	
21	2220375	2	ADAPTER	
22	2220499	1	ELBOW, 45	
23	8770048	1	ELBOW, 45	
101	70024152	1	KIT, FILTER	

SECTION 9 - HYDRAULIC COMPONENTS

FIGURE 9-19. DIRECTIONAL CONTROL VALVES



ART_31200731-9-19

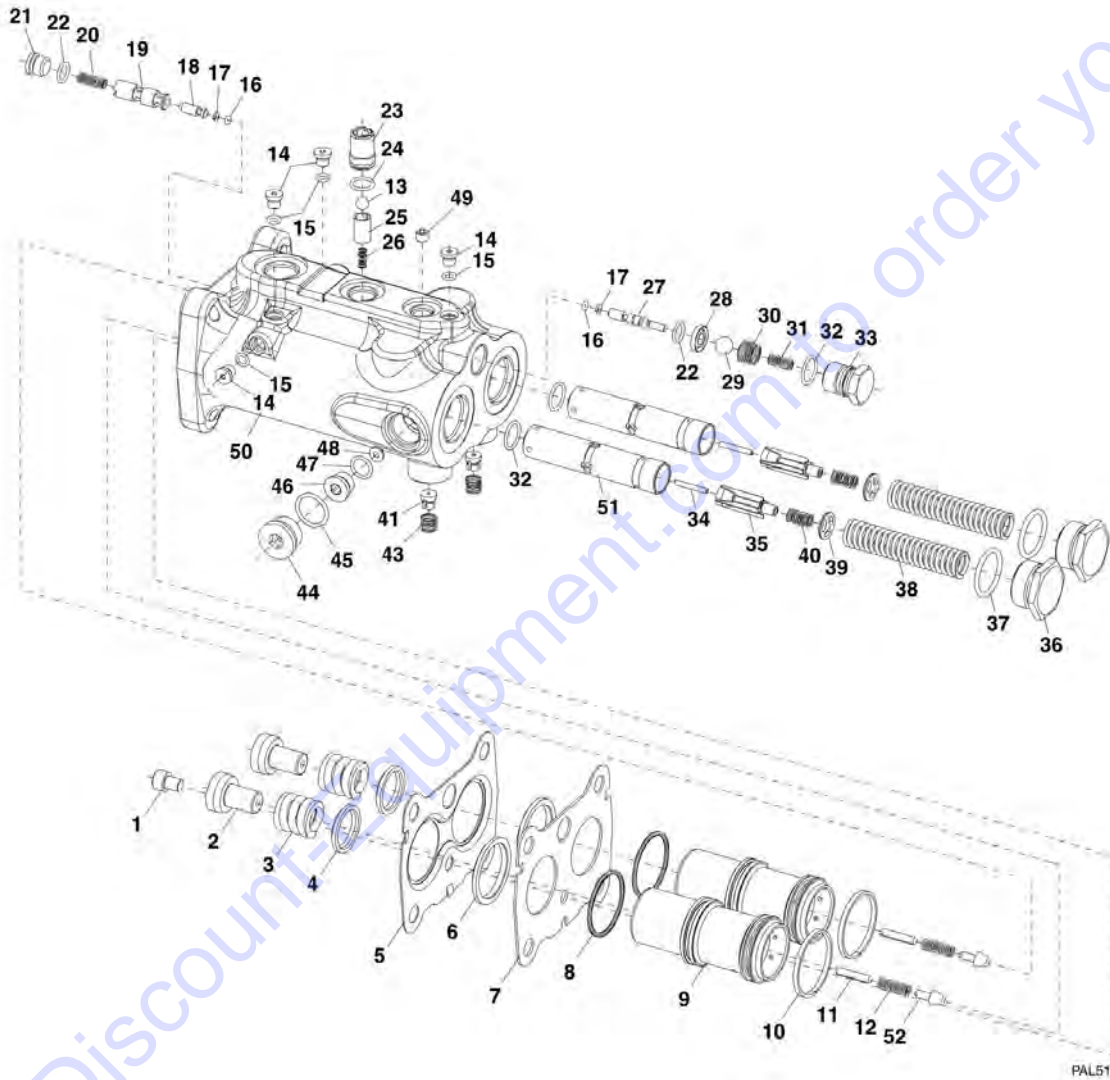
SECTION 9 - HYDRAULIC COMPONENTS

FIGURE 9-19. DIRECTIONAL CONTROL VALVES

ITEM	PART NUMBER	QTY	DESCRIPTION	REV
1	1001103151	1	UNLOADER VALVE, (includes items 2 thru 4)	B
2	70022718	1	DIFFERENTIAL PRESSURE SENSE VALVE, (torque to 60-65 lb-ft)	
2	8034562	1	SEAL KIT	
3	70022717	1	RELIEF VALVE, (2700 PSI, [186 bar]), (torque to 37-41 lb-ft)	
3	8032693	1	SEAL KIT	
4	70022716	1	CHECK VALVE, (180 psi [12,4 bar]), (torque to 40 lb-ft)	
4	7009764	1	SEAL KIT	
5	1001103152	1	STEER SELECT VALVE, (includes item 6) (SN 0160037903 to Present)	
6	8640017	AR	O-RING	
7	8902111	1	STEER SELECT VALVE SUBPLATE	
8	8310326	2	SOCKET HD CAPSCREW, 5/16-18X1.125, (torque to 18.5-21 lb-ft)	
9	8310327	4	SOCKET HD CAPSCREW, #10-24X1.125, (torque to 18.5-21 lb-ft)	
100	1001103149	1	SECONDARY FUNCTION MANIFOLD, (ZF) (includes items 101 thru 108)	C
100	1001150269	1	SECONDARY FUNCTION MANIFOLD, (DANA) (includes items 101 thru 107)	B
101	70022720	1	PRESSURE REDUCING VALVE, (2500 PSI, [172 bar]), (torque to 21 lb-ft)	
101	70027770	1	SEAL KIT	
102	70022719	1	PRESSURE REDUCING VALVE, (ZF) (550 PSI, [38 bar]), (torque to 37-41 lb-ft)	
102	N.S.S.	1	SEAL KIT	
102	70027769	1	PRESSURE REDUCING VALVE (DANA)	
102	8032693	1	SEAL KIT	
103	70022721	1	RELIEF VALVE, (ZF) (650 PSI, [45 bar]), (torque to 37-41 lb-ft)	
103	N.S.S.	1	SEAL KIT	
103	70027771	1	RELIEF VALVE (DANA)	
103	8032693	1	SEAL KIT	
104	91474023	1	CHECK VALVE, (torque to 23-27 lb-ft)	
104	7010769	1	SEAL KIT	
105	70022723	1	SOLENOID VALVE CARTRIDGE, (torque to 23-27 lb-ft)	
105	7010769	1	SEAL KIT	
106	70022724	2	SOLENOID COIL WITH INTEGRATED DIODE	
107	70022722	1	SOLENOID VALVE CARTRIDGE, (torque to 23-27 lb-ft)	
107	7010769	1	SEAL KIT	
108	N.S.S.	2	NUT, (torque to 4-6 lb-ft)	
210	8307005	3	LOCKWASHER, 3/8	
211	8307203	3	WASHER, 5/16	
217	8310525	3	HEX HD CAPSCREW, 3/8-16X1.00, GR8, (torque to 46-52 lb-ft)	

SECTION 9 - HYDRAULIC COMPONENTS

FIGURE 9-20. BRAKE VALVE



PAL5171

SECTION 9 - HYDRAULIC COMPONENTS

FIGURE 9-20. BRAKE VALVE

ITEM	PART NUMBER	QTY	DESCRIPTION	REV
	1001106836	1	BRAKE VALVE, (includes all items)	A
1	91474454	1	SCREW	
2	91474442	2	PIN	
3	70020659	2	SPRING	
4	91474441	2	WIPER	
5	70020660	1	COVER	
6	91474440	2	WIPER	
7	70020661	1	COVER	
8	91474439	2	QUAD RING	
9	70020662	2	PISTON	
10	70020663	2	PISTON RING	
11	70023037	2	PIN	
12	91474438	2	SPRING	
13	91474452	1	BALL	
14	91474450	4	PLUG	
15	91474451	4	O-RING	
16	91474453	2	O-RING	
17	91514199	2	BACKUP RING	
18	91474455	1	DUMP PISTON	
19	91474456	1	DUMP SPOOL	
20	70020665	1	SPRING	
21	91474458	1	PLUG	
22	91514198	2	O-RING	
23	70020666	1	INLET SEAT	
24	70020667	1	O-RING	
25	70020668	1	RETAINER	
26	70020669	1	SPRING	
27	91474447	1	PISTON	
28	91474446	1	SEAT	
29	70020670	1	BALL	
30	70020671	1	SPRING	
31	70020672	1	SPRING	
32	91514197	3	O-RING	
33	91474443	1	PLUG	
34	70020673	2	NEEDLE ROLLER	
35	70020674	2	MAKE-UP CHECK	
36	91474434	2	PLUG	
37	91474435	2	O-RING	
38	70020675	2	SPRING	
39	70020676	2	SPRING GUIDE	
40	70020677	2	SPRING	
41	70020678	2	ORIFICE	
43	70020679	2	SPRING	
44	91474459	1	PLUG	
45	91474460	1	O-RING	
46	70020680	1	PLUG	
47	70020681	1	O-RING	
48	70020682	1	ORIFICE	
49	70023039	1	ORIFICE	
50	N.S.S.	1	HOUSING	

SECTION 9 - HYDRAULIC COMPONENTS

ITEM	PART NUMBER	QTY	DESCRIPTION	REV
51	N.S.S.	2	SPOOL	
52	70023038	2	POPPET	

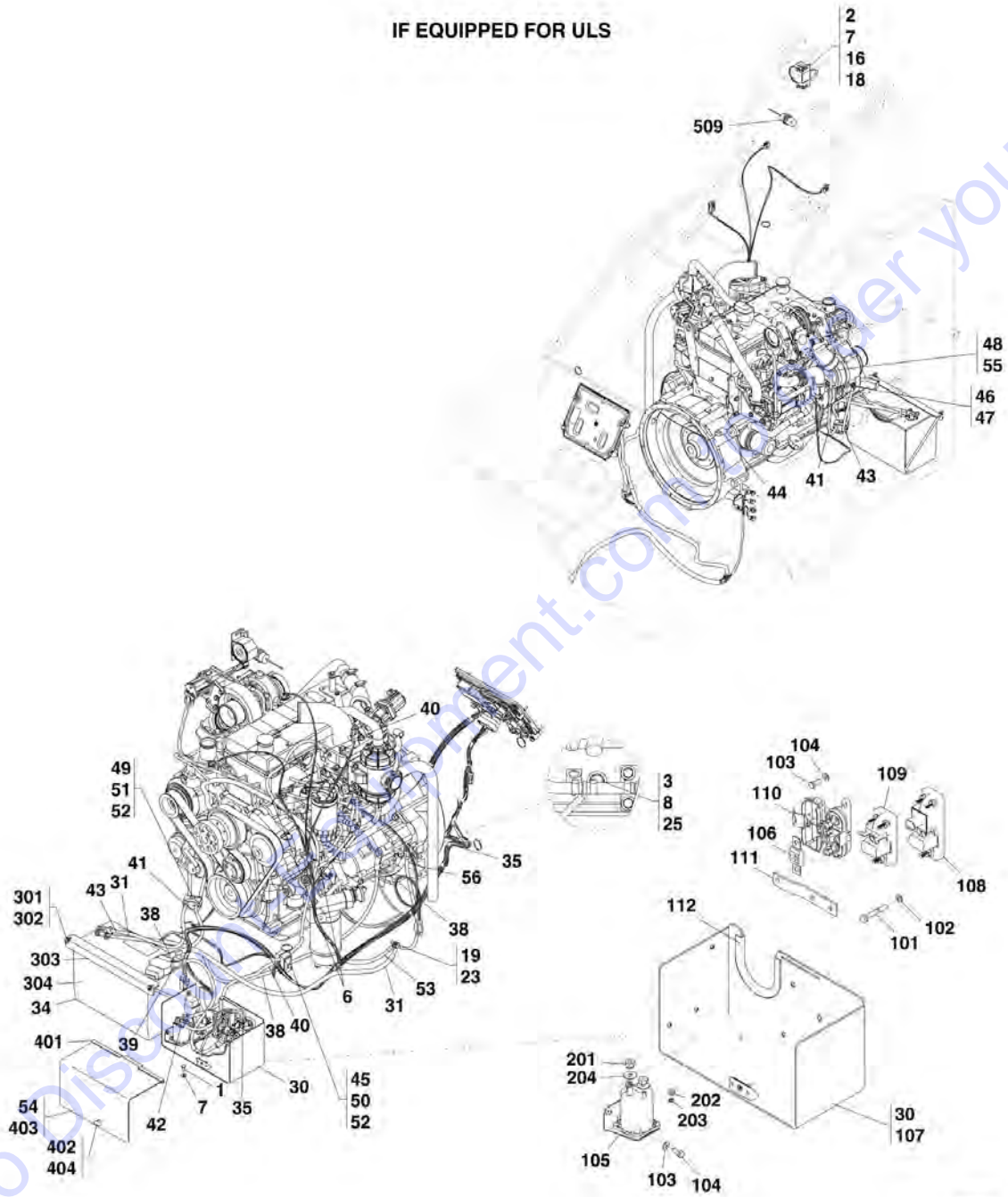
Go to Discount-Equipment.com to order your parts

SECTION 10 - ELECTRICAL

Go to Discount-Equipment.com to order your parts

SECTION 10 - ELECTRICAL

FIGURE 10-1. ENGINE COMPARTMENT ELECTRICAL INSTALLATION



PA5420

SECTION 10 - ELECTRICAL

FIGURE 10-1. ENGINE COMPARTMENT ELECTRICAL INSTALLATION

ITEM	PART NUMBER	QTY	DESCRIPTION	REV
	1001129652	Ref	ELECTRICAL INSTALLATION, (6036), (if equipped for ULS), (not available to order, see items 1 thru 56 on ENGINE COMPARTMENT ELECTRICAL INSTALLATION and items on CAB ELECTRICAL INSTALLATION for Breakdown)	H
	1001129651	Ref	ELECTRICAL INSTALLATION, (6042), (if equipped for ULS), (not available to order, see items 1 thru 56, 509 on ENGINE COMPARTMENT ELECTRICAL INSTALLATION and items on CAB ELECTRICAL INSTALLATION for Breakdown)	I
1	0641404	3	HEX HD CAPSCREW, 1/4-20X1/2, GR5	
2	0641406	2	HEX HD CAPSCREW, 1/4-20X3/4, GR5	
3	0761010	1	HEX HD CAPSCREW, M10X20, GR8.8, (torque to 31 lb-ft/43 Nm)	
6	4240017	7	TIE STRAP	
7	4711400	5	WASHER, 1/4	
8	4812000	1	WASHER, 10MM	
16	8270621	1	BACK-UP ALARM	
18	8305624	2	HEX LOCKNUT, 1/4-20	
19	8305645	1	HEX LOCKNUT, 3/8-16, (torque to 31 lb-ft/43 Nm)	
23	8307110	1	WASHER, 3/8	
25	8310046	1	LOCKWASHER, 10mm	
30	1001127212	Ref	RELAY PANEL INSTALLATION, (includes items 101 thru 112)	E
31	1001128663	1	BATTERY CABLE, NEGATIVE	
34	1001142513	Ref	BATTERY INSTALLATION, (not available to order, see items 301 thru 304 for service)	A
35		Ref	ENGINE/CHASSIS HARNESS, (see ENGINE HARNESS for Breakdown)	
38	1001129768	1	STARTER POWER CABLE	
39	1001129769	1	BUSS POWER CABLE	
40	1001129795	1	GRID HEATER POWER CABLE	
41	1001129796	1	ALTERNATOR POWER CABLE	
42	1001129797	1	HTR FUSE TO HTR RELAY	
43	1001130568	1	ALTERNATOR GROUND CABLE	
44	1001130927	1	TEMPORARY MAF/WIF HARNESS	
45	8750027	1	TWIN CLAMP	
46	3290801	1	HEX NUT, M8X1.25	
47	4831900	1	LOCKWASHER, 8MM	
48	8305652	1	HEX NUT, M6X1	
49	8303739	1	HEX HD CAPSCREW, 0.312-18X1.25, GR5	
50	8303746	1	HEX HD CAPSCREW, 0.312-18X1.750, GR5	
51	8750015	1	TWIN CLAMP SET	
52	8769128	2	TWIN COVER PLATE	
53	1001133172	1	ENGINE GROUND CABLE (Prior to SN 0160046471)	
54	1001134452	Ref	RELAY PANEL COVER INSTALLATION, (not available to order, see items 401 thru 404 for service)	D
55	4831700	1	LOCKWASHER, 6mm	
56	1001135710	1	STARTER GROUND CABLE	
101	0641415	2	HEX HD CAPSCREW, 1/4-20X1-7/8, GR5	
102	4761400	2	LOCKWASHER, 1/4	
103	8303545	5	HEX HD CAPSCREW, M6X14, GR8.8	
104	8307219	5	WASHER, 6mm	
105	1001117308	1	TROMBETTA RELAY, 20 AMP, (includes items 201 thru 204)	A
106	1001118245	1	FUSE, 25 AMP	
107	1001126581	1	RELAY MOUNT BRACKET	

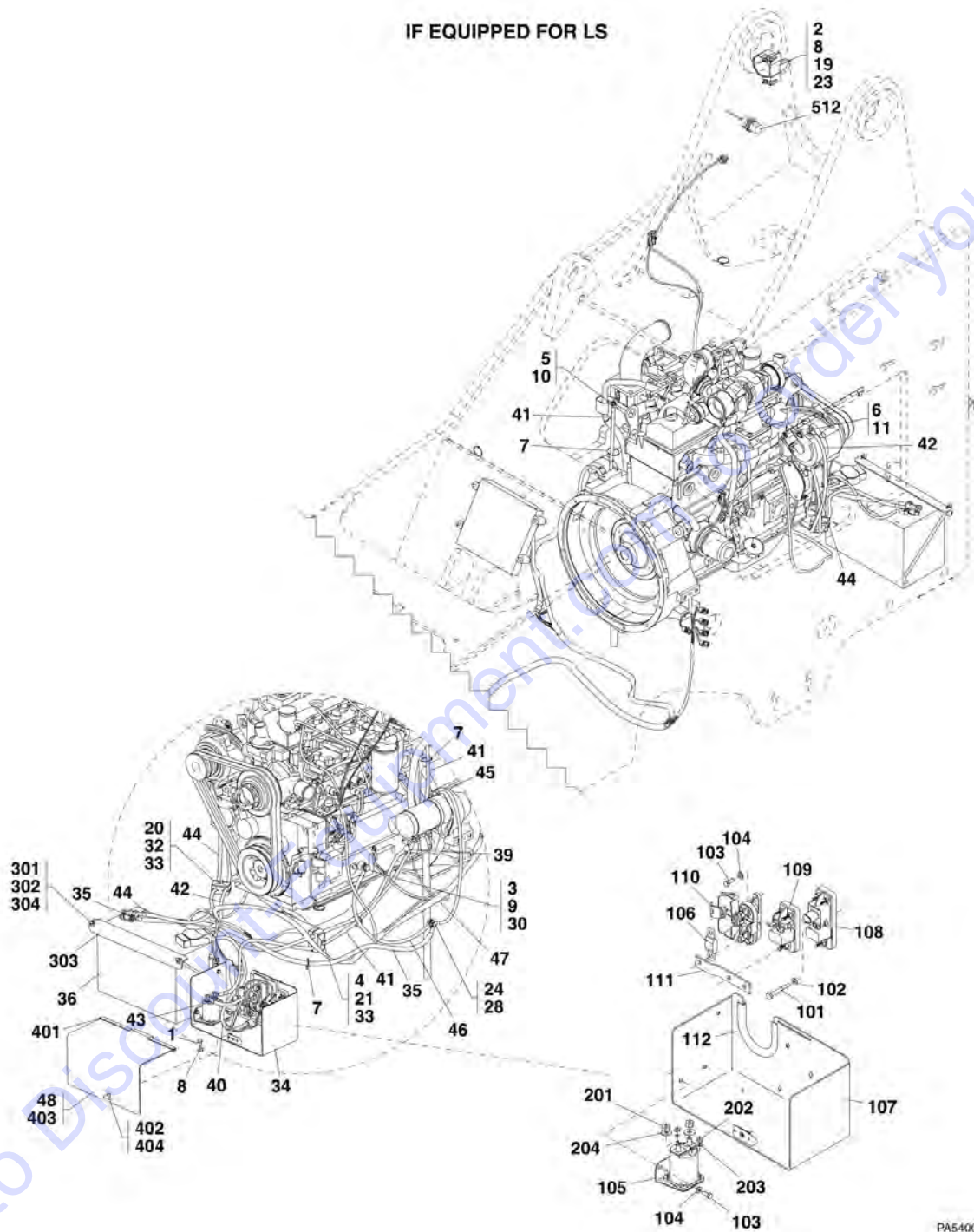
SECTION 10 - ELECTRICAL

ITEM	PART NUMBER	QTY	DESCRIPTION	REV
108	1001163729	1	POWER MODULE RELY, RED	
109	1001127699	1	POWER MODULE FUSE	
110	1001127700	1	AMG FUSE HOLDER	
111	1001129615	1	BUS CONNECTION BAR	
112	90206196	9 in	TRIM-LOK	
201	3300220	2	SPEC WASHER NUT	
202	3321001	2	HEX NUT, #10-32	
203	4761000	2	LOCKWASHER, #10	
204	1001111424	2	COPPER WASHER, 0.312	
301	77143006	2	WHIZ LOCK NUT, 5/16-18	
302	91081640	2	BATTERY HOLD DOWN BOLT	
303	91401281	1	BATTERY HOLD DOWN BRACKET	
304	0400075	1	12V BATTERY	
401	90206196	9 in	VINYL TRIM	
402	1001135770	1	PUSH-ON RETAINER	
403	1001127142	1	RELAY PANEL COVER	
404	1001135777	1	WING HEAD FASTNER ASSEMBLY	
509	1001130307	1	BOOM SENSOR, (6042)	

Go to Discount-Equipment.com to order your parts

SECTION 10 - ELECTRICAL

FIGURE 10-2. ENGINE COMPARTMENT ELECTRICAL INSTALLATION



PA5400

SECTION 10 - ELECTRICAL

FIGURE 10-2. ENGINE COMPARTMENT ELECTRICAL INSTALLATION

ITEM	PART NUMBER	QTY	DESCRIPTION	REV
	1001132988	Ref	ELECTRICAL INSTALLATION, (6036),(if equipped for LS), (not available to order, see items 1 thru 48 on ENGINE COMPARTMENT ELECTRICAL INSTALLATION IF EQUIPPED FOR ULS and items on ENGINE COMPARTMENT ELECTRICAL INSTALLATION IF EQUIPPED FOR LS for Breakdown)	G
	1001132987	Ref	ELECTRICAL INSTALLATION, (6042),(if equipped for LS), (not available to order, see items 1 thru 48 & item 512 on ENGINE COMPARTMENT ELECTRICAL INSTALLATION IF EQUIPPED FOR ULS and items on ENGINE COMPARTMENT ELECTRICAL INSTALLATION IF EQUIPPED FOR LS for Breakdown)	H
1	0641404	3	HEX HD CAPSCREW, 1/4-20X1/2, GR5	
2	0641406	2	HEX HD CAPSCREW, 1/4-20X3/4, GR5	
3	0761010	1	HEX HD CAPSCREW, M10X20, GR8.8, (torque to 31 lb-ft/43 Nm)	
4	8750027	1	TWIN CLAMP	
5	3290601	1	HEX NUT, M6X1	
6	3290801	1	HEX NUT, M8X1.25	
7	4240017	7	TIE STRAP	
8	4711400	5	WASHER, 1/4	
9	4812000	1	WASHER, 10mm	
10	4831700	1	SPRING LOCKWASHER, 6mm	
11	4831900	1	SPRING LOCKWASHER, 8mm	
19	8270621	1	BACK-UP ALARM	
20	8303739	1	HEX HD CAPSCREW, 0.312-18X1.25, GR5	
21	8303746	1	HEX HD CAPSCREW, 0.312-18X1.750, GR5	
23	8305624	2	HEX LOCKNUT, 0.250-20	
24	8305645	1	HEX LOCKNUT, 0.375-16, (torque to 31.71 lb-ft/43Nm)	
28	8307110	1	NARROW WASHER, 0.375	
30	8310046	1	LOCK WASHER, M10	
32	8750015	1	TWIN CLAMP SET	
33	8769128	2	TWIN COVER PLATE	
34	1001127212	1	RELAY PANEL INSTALLATION, (includes items 101 thru 112)	E
35	1001128663	1	BATTERY CABLE, NEGATIVE	
36	1001128783	1	BATTERY INSTALLATION, (includes items 301 thru 304)	B
39	1001129768	1	STARTER POWER CABLE	
40	1001129769	1	BUSS POWER CABLE	
41	1001129795	1	GRID HEATER POWER CABLE	
42	1001129796	1	ALTERNATOR POWER CABLE	
43	1001129797	1	HTR FUSE TO HTR RELAY	
44	1001130568	1	ALTERNATOR GROUND CABLE	
45	1001133171	1	STARTER GROUND CABLE	
46	1001133172	1	ENGINE GROUND CABLE (Prior to SN 0160046471)	
47		Ref	ENGINE/CHASSIS HARNESS, (See ENGINE HARNESS for Breakdown)	
48	1001134452	1	RELAY PANEL COVER ASSY, (includes items 401 thru 404)	D
101	0641415	2	HEX HD CAPSCREW, 1/4-20X1-7/8, GR5	
102	4761400	2	LOCKWASHER, 1/4	
103	8303545	5	HEX HD CAPSCREW, M6X1X14, GR8.8	
104	8307219	5	WASHER, M6	
105	1001117308	1	TROMBETTA RELAY, 20 AMP, (includes items 201 thru 204)	A
106	1001118245	1	FUSE, 25 AMP	
107	1001126581	1	RELAY MOUNT BRACKET	
108	1001163729	1	POWER MODULE RELY, RED	

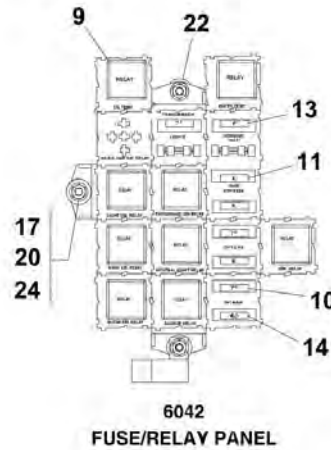
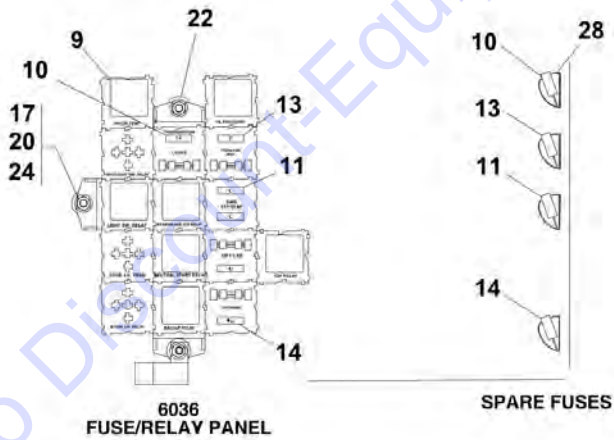
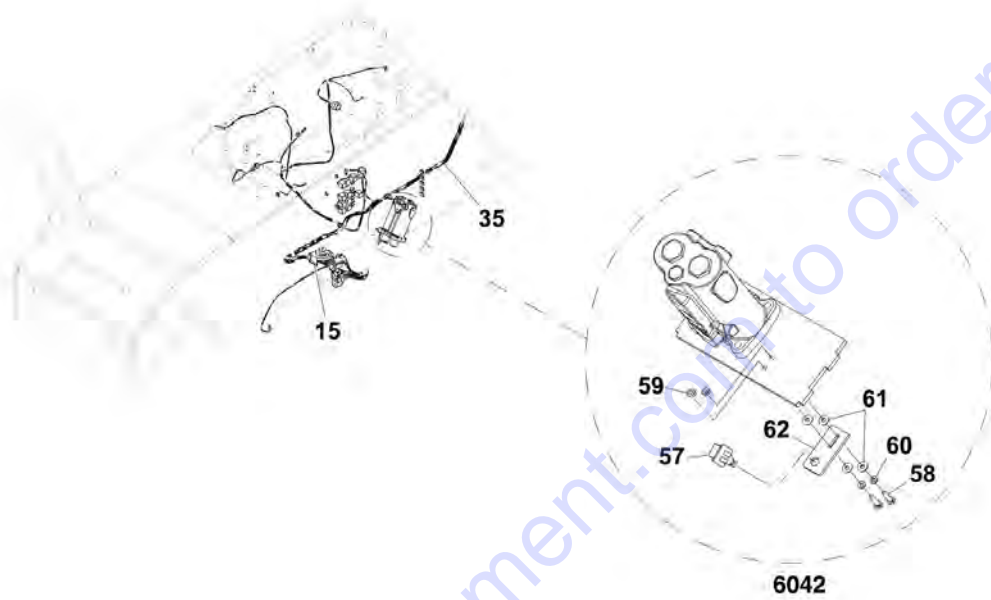
SECTION 10 - ELECTRICAL

ITEM	PART NUMBER	QTY	DESCRIPTION	REV
109	1001127699	1	POWER MODULE FUSE	
110	1001127700	1	AMG FUSE HOLDER	
111	1001129615	1	BUS CONNECTION BAR	
112	90206196	9 in	TRIM-LOK	
201	3300220	2	SPEC WASHER NUT	
202	3321001	2	HEX NUT, #10-32	
203	4761000	2	LOCKWASHER, #10	
204	1001111424	2	COPPER WASHER, 0.312	
301	77143006	2	WHIZ LOCK NUT, 5/16-18	
302	91081640	2	BATTERY HOLD DOWN BOLT	
303	91401281	1	BATTERY HOLD DOWN BRACKET	
304	1001101043	1	BATTERY, GROUP 31, 12 VOLT, (no longer available, use 1001155219 for replacement)	
304	1001155219	1	BATTERY, GROUP 31, 12 VOLT	
401	90206196	9 in	VINYL TRIM	
402	1001135770	1	PUSH-ON RETAINER	
403	1001127142	1	RELAY PANEL COVER	
404	1001135777	1	WING HEAD FASTNER ASSEMBLY	
512	1001130307	1	BOOM SENSOR, (6042)	

SECTION 10 - ELECTRICAL

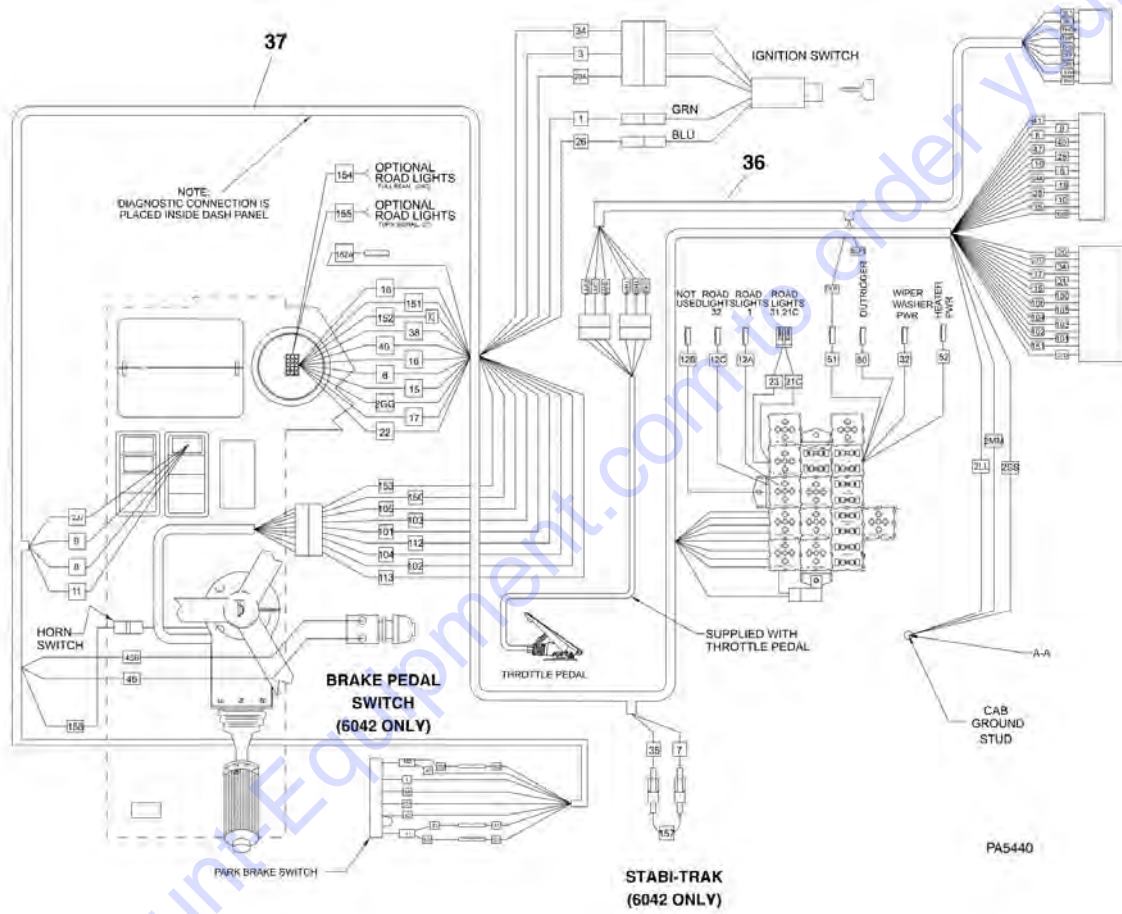
FIGURE 10-3. CAB ELECTRICAL INSTALLATION

IF EQUIPPED FOR ULS



PAP26022

IF EQUIPPED FOR ULS



CAB ELECTRICAL DETAIL

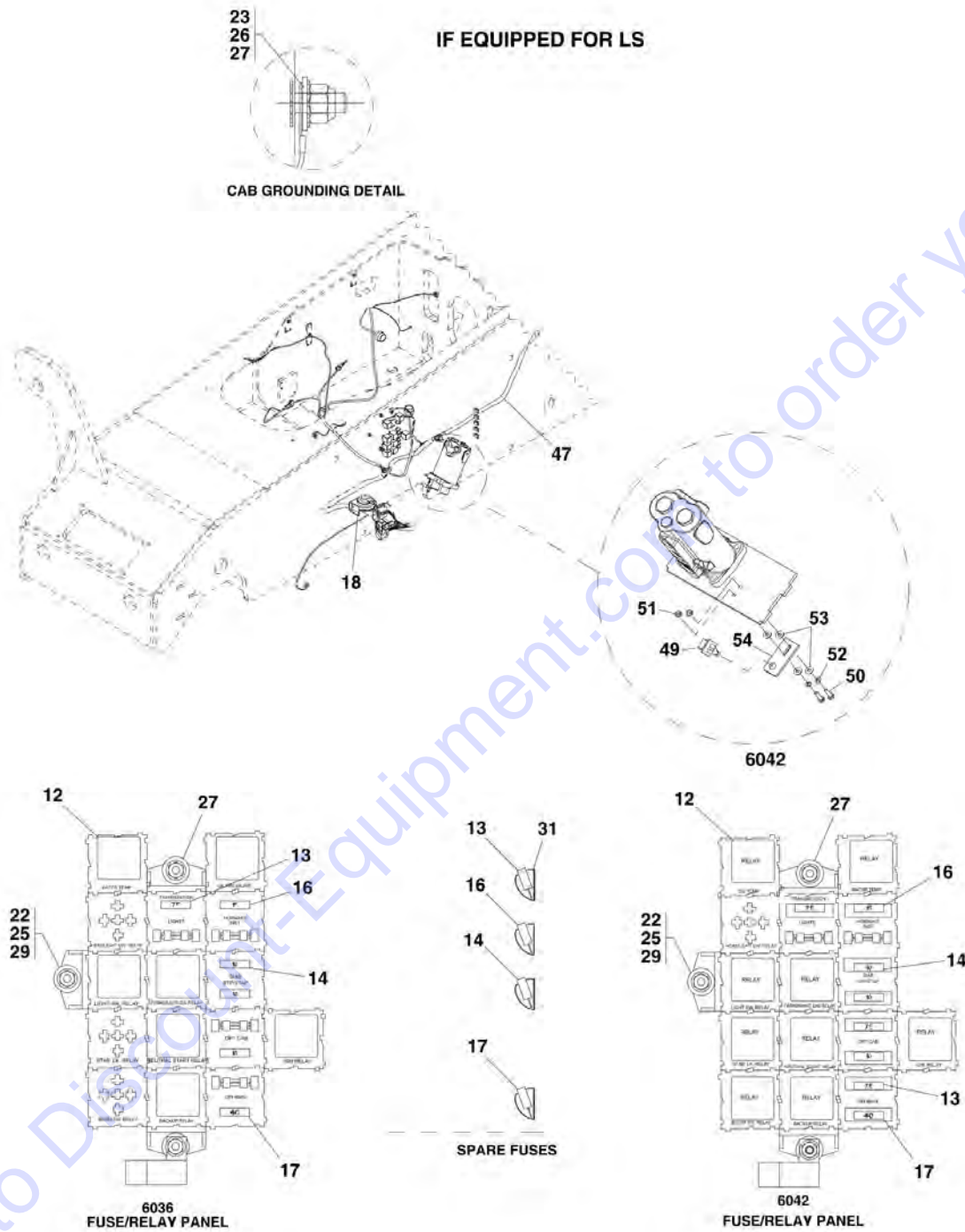
SECTION 10 - ELECTRICAL

FIGURE 10-3. CAB ELECTRICAL INSTALLATION

ITEM	PART NUMBER	QTY	DESCRIPTION	REV
	1001129652	Ref	ELECTRICAL INSTALLATION, (6036), (if equipped for ULS), (not available to order, See items on ENGINE COMPARTMENT ELECTRICAL INSTALLATION IF EQUIPPED FOR ULS and items 9 thru 37 on ENGINE COMPARTMENT ELECTRICAL INSTALLATION IF EQUIPPED FOR LS for Breakdown)	H
	1001129651	Ref	ELECTRICAL INSTALLATION, (6042), (if equipped for ULS), (not available to order, See items on ENGINE COMPARTMENT ELECTRICAL INSTALLATION IF EQUIPPED FOR ULS and items 9 thru 62 on ENGINE COMPARTMENT ELECTRICAL INSTALLATION IF EQUIPPED FOR LS for Breakdown)	I
9	8225119	7	SEALED RELAY, (6036)	
9	8225119	9	SEALED RELAY, (6042)	
10	8229233	2	FUSE, 7.5 AMP, (6036)	
10	8229233	4	FUSE, 7.5 AMP, (6042)	
11	8229234	4	FUSE, 10 AMP	
13	8229237	2	FUSE, 15 AMP	
14	8229238	2	FUSE, 40 AMP	
15	8270620	1	SIGNAL HORN	
17	8305002	3	HEX NUT, #10-24	
18	8305624	1	HEX LOCKNUT, 0.250-20	
20	8307003	3	LOCKWASHER, #10	
21	8307027	2	LOCK WASHER, EXTERNAL TOOTH	
22	8307106	4	WASHER, 0.312	
24	8307111	3	WASHER, #10	
28	8582007	4	SPARE FUSE CLIP	
35		Ref	ENGINE/CHASSIS HARNESS, (See ENGINE HARNESS for Breakdown)	
36		Ref	DASH/THROTTLE HARNESS, (See DASH/THROTTLE HARNESS for Breakdown)	
37		Ref	CAB HARNESS, (See CAB POWER DISTRIBUTION HARNESS for Breakdown)	
57	8223025	1	SERVICE BRAKE SWITCH, (6042)	
58	8303540	2	HEX HD CAPSCREW, 1/4X1	
59	8305004	2	HEX NUT, 1/4-20	
60	8307002	2	LOCKWASHER, 1/4	
61	8307109	2	FLAT WASHER, 1/4	
62	1001143307	1	BRAKE SWITCH BRACKET	

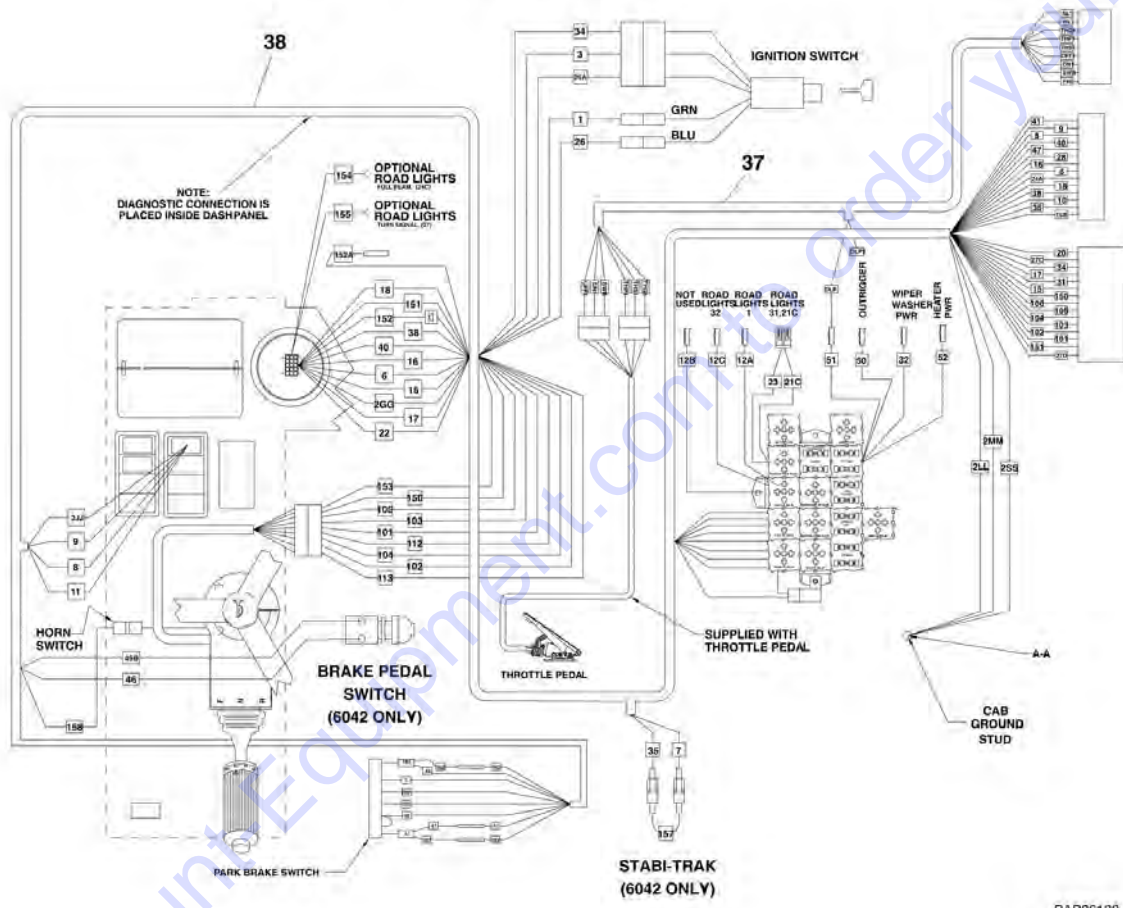
SECTION 10 - ELECTRICAL

FIGURE 10-4. CAB ELECTRICAL INSTALLATION



PAP26031

IF EQUIPPED FOR LS



CAB ELECTRICAL DETAIL

PAP26120

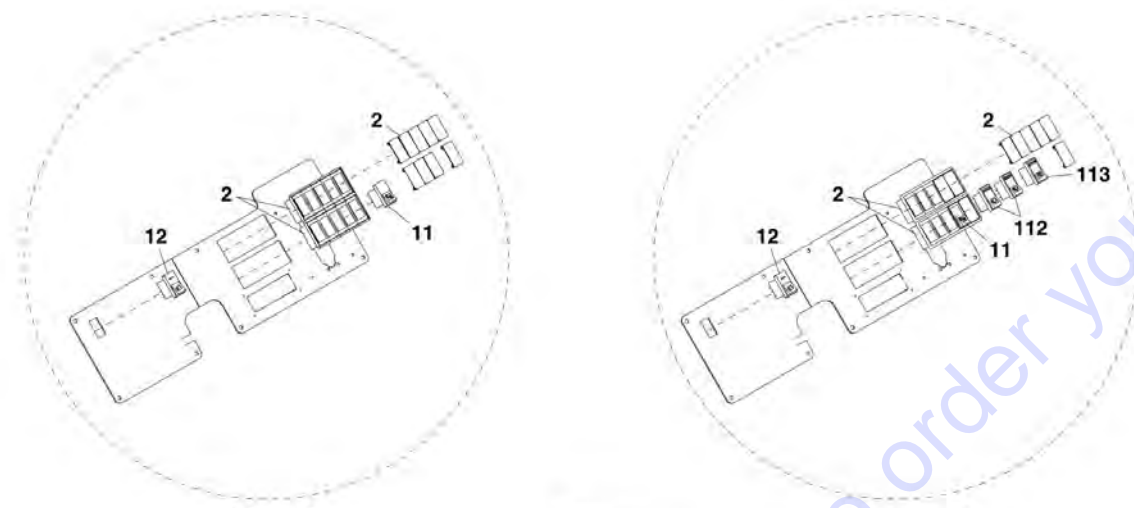
SECTION 10 - ELECTRICAL

FIGURE 10-4. CAB ELECTRICAL INSTALLATION

ITEM	PART NUMBER	QTY	DESCRIPTION	REV
	1001132988	Ref	ELECTRICAL INSTALLATION, (6036), (if equipped for LS), (not available to order, See items on ENGINE COMPARTMENT ELECTRICAL INSTALLATION and items 12 thru 47 on CAB ELECTRICAL INSTALLATION for service)	G
	1001132987	Ref	ELECTRICAL INSTALLATION, (6042), (if equipped for LS), (not available to order, See items on ENGINE COMPARTMENT ELECTRICAL INSTALLATION and items 12 thru 54 on CAB ELECTRICAL INSTALLATION for service)	H
12	8225119	7	SEALED RELAY, (6036)	
12	8225119	9	SEALED RELAY, (6042)	
13	8229233	2	FUSE, 7.5 AMP, (6036)	
13	8229233	4	FUSE, 7.5 AMP, (6042)	
14	8229234	4	FUSE, 10 AMP	
16	8229237	2	FUSE, 15 AMP	
17	8229238	2	FUSE, 40 AMP	
18	8270620	1	SIGNAL HORN	
22	8305002	3	HEX NUT, #10-24	
23	8305624	1	HEX LOCKNUT, 0.250-20	
25	8307003	3	LOCKWASHER, #10	
26	8307027	2	LOCK WASHER, EXTERNAL TOOTH	
27	8307106	4	WASHER, 0.312	
29	8307111	3	WASHER, #10	
31	8582007	4	SPARE FUSE CLIP	
37		Ref	DASH/THROTTLE HARNESS, (See DASH/THROTTLE HARNESS for Breakdown)	
38		Ref	CAB HARNESS, (See CAB POWER DISTRIBUTION HARNESS for Breakdown)	
47		Ref	ENGINE/CHASSIS HARNESS, (See ENGINE HARNESS for Breakdown)	
49	8223025	1	SERVICE BRAKE SWITCH, (6042)	
50	8303540	2	HEX HD CAPSCREW, 1/4X1	
51	8305004	2	HEX NUT, 1/4-20	
52	8307002	2	LOCKWASHER, 1/4	
53	8307109	2	FLAT WASHER, 1/4	
54	1001143307	1	BRAKE SWITCH BRACKET	

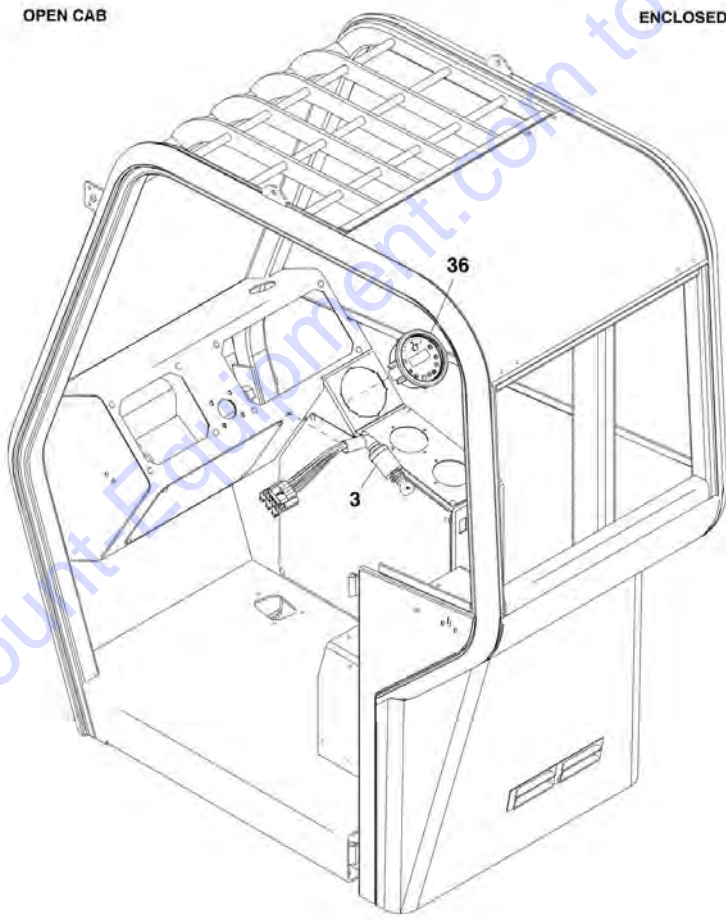
SECTION 10 - ELECTRICAL

FIGURE 10-5. CAB SWITCHES



OPEN CAB

ENCLOSED CAB



PA5020

SECTION 10 - ELECTRICAL

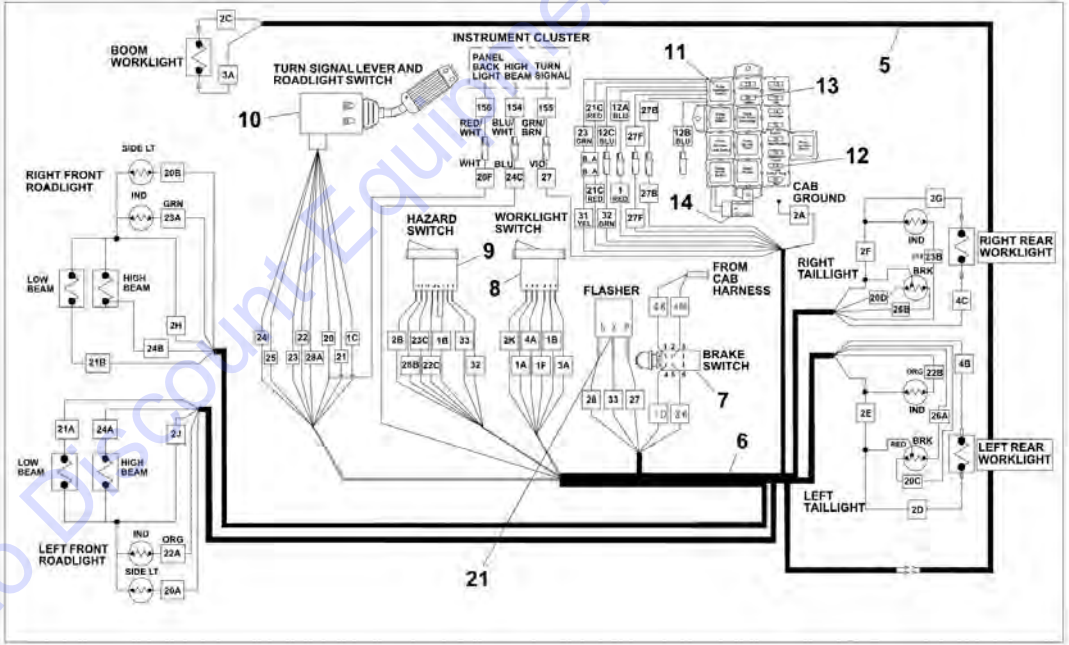
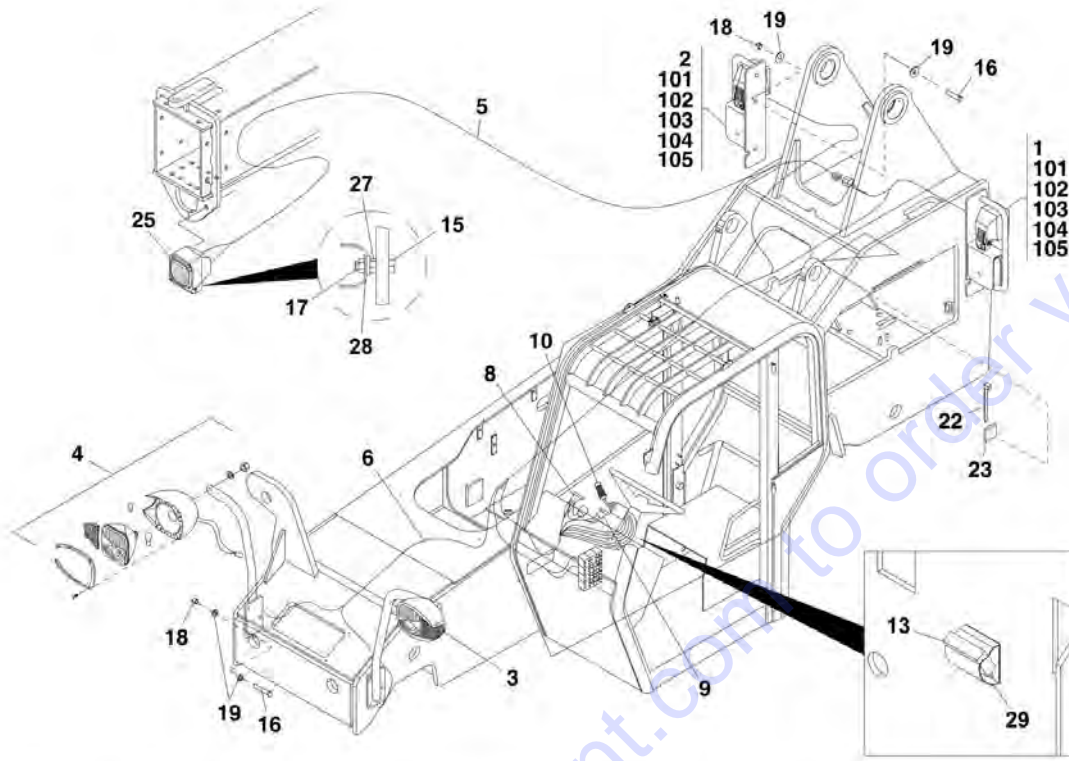
FIGURE 10-5. CAB SWITCHES

ITEM	PART NUMBER	QTY	DESCRIPTION	REV
2	4360569	2	BEZEL SWITCH	
3	4360690	1	IGNITION SWITCH	
3	8035807	AR	KEY, (with cover)	
11	8223037	1	STEER SELECT SWITCH	
12	8223054	1	PARK BRAKE SWITCH	
36	1001126864	1	INSTRUMENT CLUSTER, (includes hourmeter)	
112	8223043	2	WINDSCREEN WIPER SWITCH	
113	8223044	1	WINDSCREEN WASHER SWITCH	

Go to Discount-Equipment.com to order your parts

SECTION 10 - ELECTRICAL

FIGURE 10-6. ROAD LIGHTING INSTALLATION



PAP26541

SECTION 10 - ELECTRICAL

FIGURE 10-6. ROAD LIGHTING INSTALLATION

ITEM	PART NUMBER	QTY	DESCRIPTION	REV
	1001130894	Ref	ROAD LIGHTING INSTALLATION, (not available to order, see items 1 thru 29 for service)	C
1	7150679	1	LH ROADLIGHT ASSY, (includes items 101 thru 105)	C
2	7150689	1	RH ROADLIGHT ASSY, (includes items 101 thru 105)	C
3	7150699	1	LH ROADLIGHT BRACKET ASSY	
3	7150685	1	LH ROADLIGHT BRACKET	
3	7150702	1	FRONT ROADLIGHT, (torque nut to 7-15 lb-ft/9-20 Nm)	
3	8036216	6	HEADLIGHT LENS SCREW	
3	8036212	1	HEADLIGHT LENS	
3	8036213	1	HEADLIGHT BULB, 12V 60/55W	
3	8036214	1	BLINKER BULB, 12V 5W	
3	8036215	1	WIRING HARNESS, (includes 6-way connector)	
3	8036209	1	LEFT AMBER HEADLIGHT LENS	
4	7150716	1	RH ROADLIGHT BRACKET ASSY	
4	7150717	1	RH ROADLIGHT BRACKET	
4	7150703	1	FRONT ROADLIGHT, (torque nut to 7-15 lb-ft/9-20 Nm)	
4	8036210	1	RIGHT AMBER HEADLIGHT LENS	
4	8036216	6	HEADLIGHT LENS SCREW	
4	8036212	1	HEADLIGHT LENS	
4	8036213	1	HEADLIGHT BULB, 12V, 60/55W	
4	8036214	1	BLINKER BULB, 12V, 5W	
4	8036215	1	WIRING HARNESS, (includes 6-way connector)	
5	7150730	1	WORKLIGHT HARNESS	
6		Ref	ROAD LIGHT HARNESS, (See ROAD LIGHTING HARNESS for Breakdown)	J
7	8223057	1	BRAKE LIGHT SWITCH	
8	8223059	1	WORKLIGHT SWITCH	
9	8223060	1	HAZARD SWITCH	
10	8223073	1	TURN SIGNAL LEVER	
11	8225119	1	RELAY	
12	8229233	1	FUSE, 7.5AMP	
13	8229235	2	FUSE, 20AMP	
14	8229238	1	FUSE, 40AMP	
15	0641511	1	HEX HD CAPSCREW, 5/16-18X1-3/8	
16	8303771	10	HEX HD CAPSCREW, 3/8-16X2-1/4, GR5	
17	8305626	1	HEX LOCKNUT, 5/16-18	
18	8305645	10	HEX LOCKNUT, 3/8	
19	8307204	20	FLAT WASHER, 3/8	
21	8500203	1	FLASHER, 12V	
22	8584001	32	TIE WRAP	
23	8584018	2	TIE MOUNT	
25	1001096314	1	WORKLIGHT	
25	8036216	4	WORKLIGHT LENS SCREW	
27	8036218	1	WORKLIGHT HALOGEN BULB	
27	88501005	1	HEX NUT, 5/16-18	
28	4891600	1	STEEL WASHER, 3/8	
29	8582007	1	SPARE FUSE CLIP	
101	7150681	1	LH WORKLIGHT BRACKET ASSY	
101	7150680	1	RH WORKLIGHT BRACKET ASSY	
102	1001096314	1	WORKLIGHT	

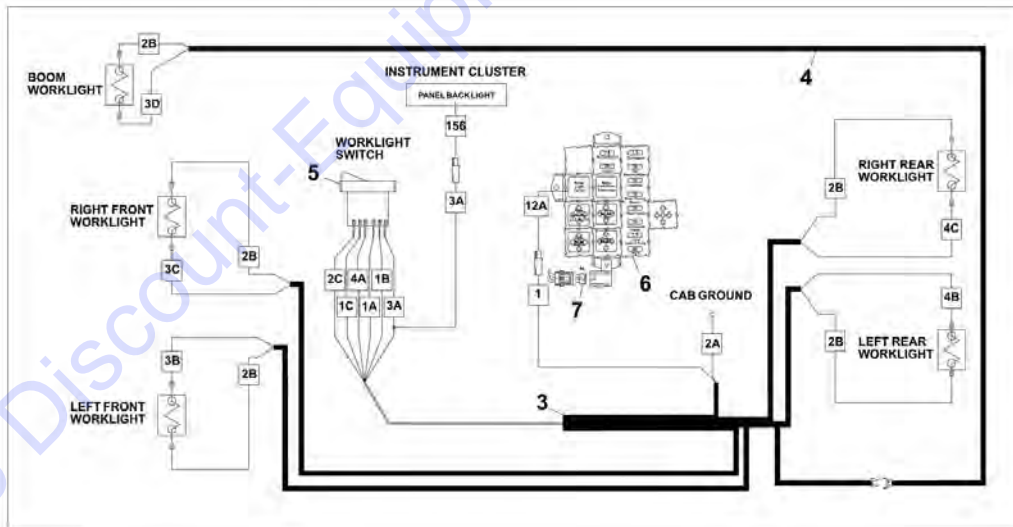
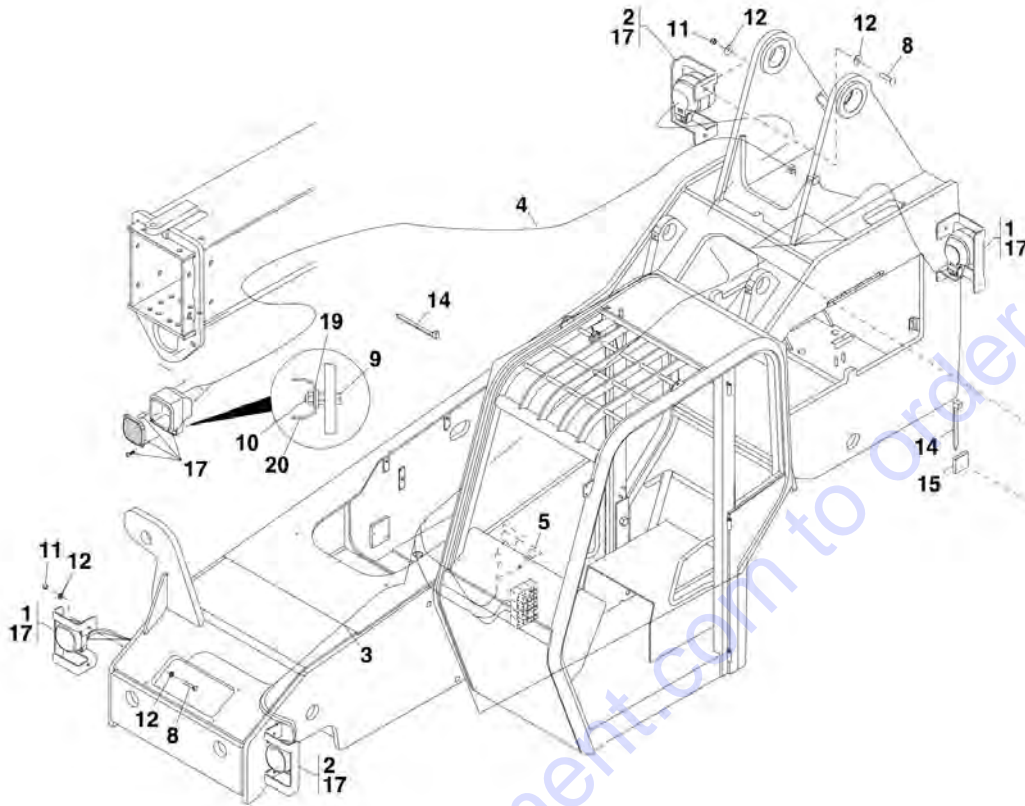
SECTION 10 - ELECTRICAL

ITEM	PART NUMBER	QTY	DESCRIPTION	REV
102	8036216	4	WORKLIGHT LENS SCREW	
102	8036218	1	WORKLIGHT HALOGEN BULB	
103	7150690	1	TAIL/INDICATOR LIGHT	D
103	N.S.S.	1	TAIL LIGHT LENS SCREW	
103	8036219	1	TAIL LIGHT LENS	
103	8036221	1	BLINKER BULB, 12V, 21W	
103	8036222	1	TAIL AND BRAKE LIGHT BULB, 12V, 21/5W	
103	8036220	1	WIRING HARNESS, (includes 4-way connector)	
104	8303745	1	HEX HD CAPSCREW, 5/16-18X5/8	
105	8305626	1	HEX LOCKNUT, 5/16-18	

Go to Discount-Equipment.com to order your parts

SECTION 10 - ELECTRICAL

FIGURE 10-7. WORK LIGHTING INSTALLATION



PAP28950

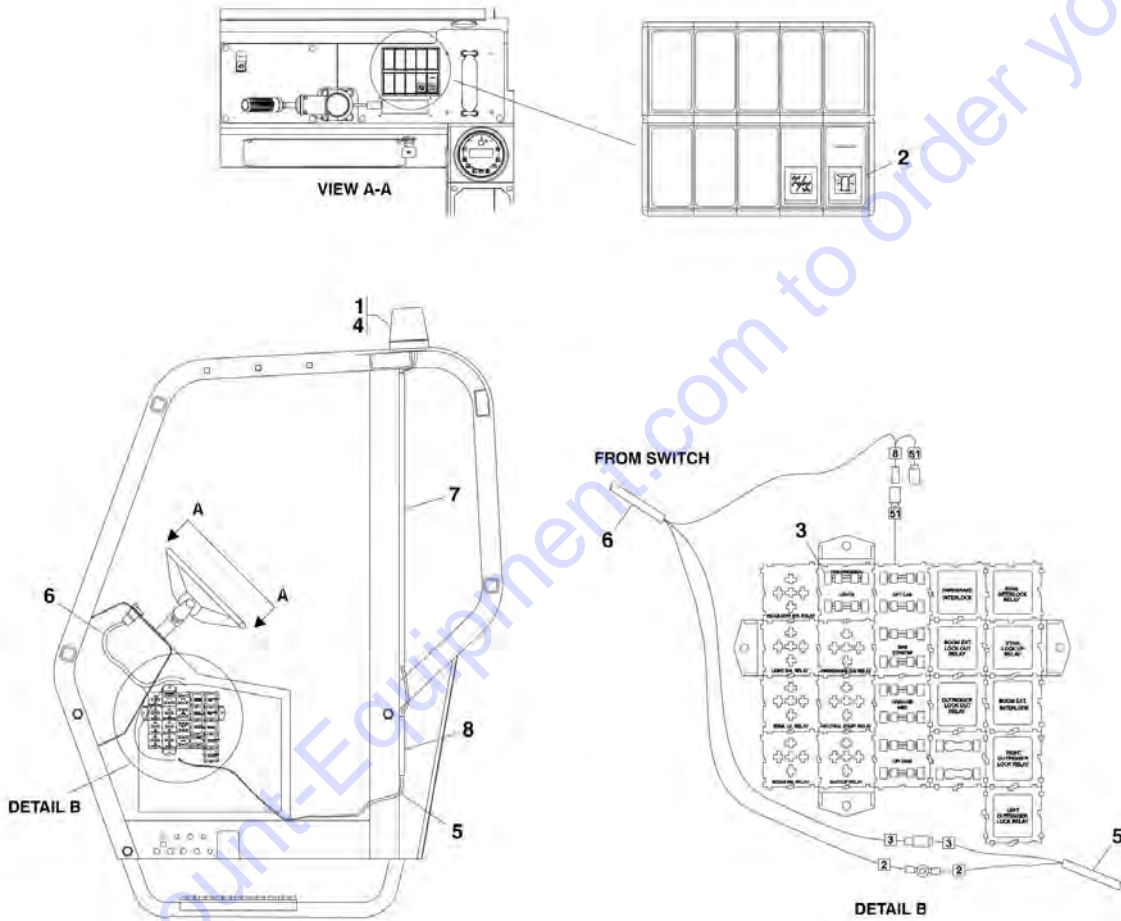
SECTION 10 - ELECTRICAL

FIGURE 10-7. WORK LIGHTING INSTALLATION

ITEM	PART NUMBER	QTY	DESCRIPTION	REV
	1001130896	Ref	WORK LIGHTING INSTALLATION, (not available to order, see items 1 thru 20 for service)	B
1	7150673	2	WORKLIGHT ASSY, (front right and rear left sides), (includes item 13)	D
1	1001097080	2	WORKLIGHT BRACKET, (front right and rear left)	
2	7150688	2	WORKLIGHT ASSY, (front left and rear right), (includes item 13)	D
2	1001097079	2	WORKLIGHT BRACKET, (front left and rear right)	
3		Ref	WORK LIGHTING HARNESS, (See WORK LIGHTING HARNESS for Breakdown)	I
4	7150730	1	BOOM WORKLIGHT HARNESS	
5	8223059	1	WORKLIGHT SWITCH	
6	8229233	1	LIGHT SWITCH FUSE, 7.5 AMP, (Tan)	
7	8229238	1	WORKLIGHT FUSE, 40 AMP, (Orange)	
8	8303771	8	HEX HD CAPSCREW, 3/8-16X2-1/4, GR5	
9	0641511	1	HEX HD CAPSCREW, 5/16-18X1-3/8	
10	8305626	1	LOCKNUT, 5/16-18	
11	8305645	8	HEX NUT, 3/8	
12	8307204	16	FLAT WASHER, 3/8	
14	8584001	32	PLASTIC TIE WRAP	
15	8584018	2	TIE MOUNT	
17	1001096314	1	WORKLIGHT	
17	8036216	4	WORKLIGHT LENS SCREW	
17	8036218	1	WORKLIGHT HALOGEN BULB	
19	88501005	1	HEX NUT, 5/16-18	
20	4891600	1	WASHER, 3/8	

SECTION 10 - ELECTRICAL

FIGURE 10-8. ROTATING BEACON INSTALLATION



SECTION 10 - ELECTRICAL

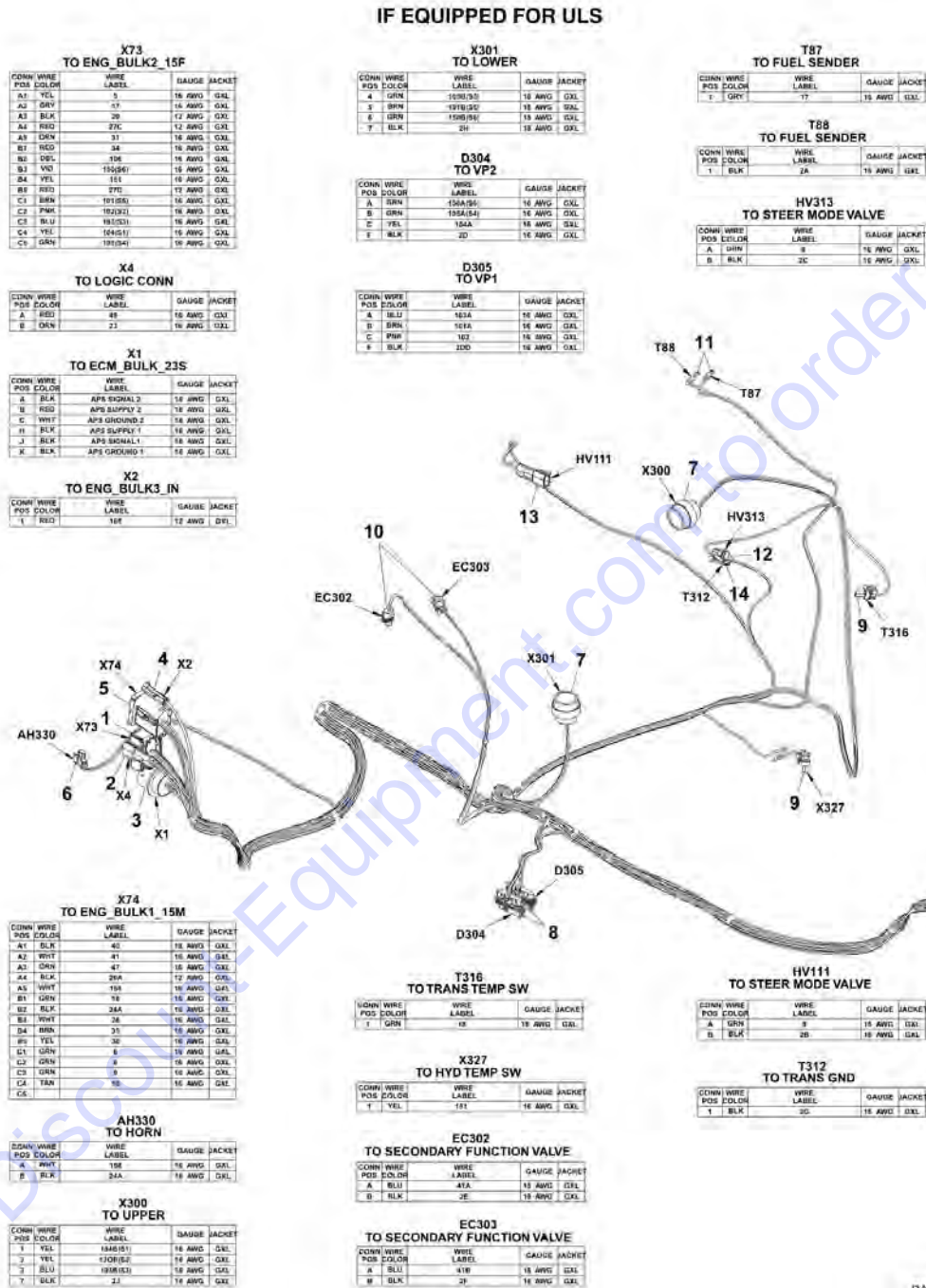
FIGURE 10-8. ROTATING BEACON INSTALLATION

ITEM	PART NUMBER	QTY	DESCRIPTION	REV
	1001130897	1	ROTATING BEACON INSTALLATION, OPEN CAB, (includes all items)	A
	1001130898	1	ROTATING BEACON INSTALLATION, CLOSED CAB, (includes items 1 thru 6)	A
1	0100009	AR	SEALANT	
2	8223038	1	BEACON SWITCH	
3	8229233	1	FUSE, 7.5 AMP	
4	8500066	1	ROTATING BEACON LIGHT	
5	7139263	1	WIRE ASSY	
6	7139269	1	WIRE ASSY FROM SWITCH	
7	7139267	1	UPPER WIRE DUCT	
8	7139268	1	LOWER WIRE DUCT	

Go to Discount-Equipment.com to order your parts

SECTION 10 - ELECTRICAL

FIGURE 10-9. ENGINE HARNESS



PAP26350

SECTION 10 - ELECTRICAL

FIGURE 10-9. ENGINE HARNESS

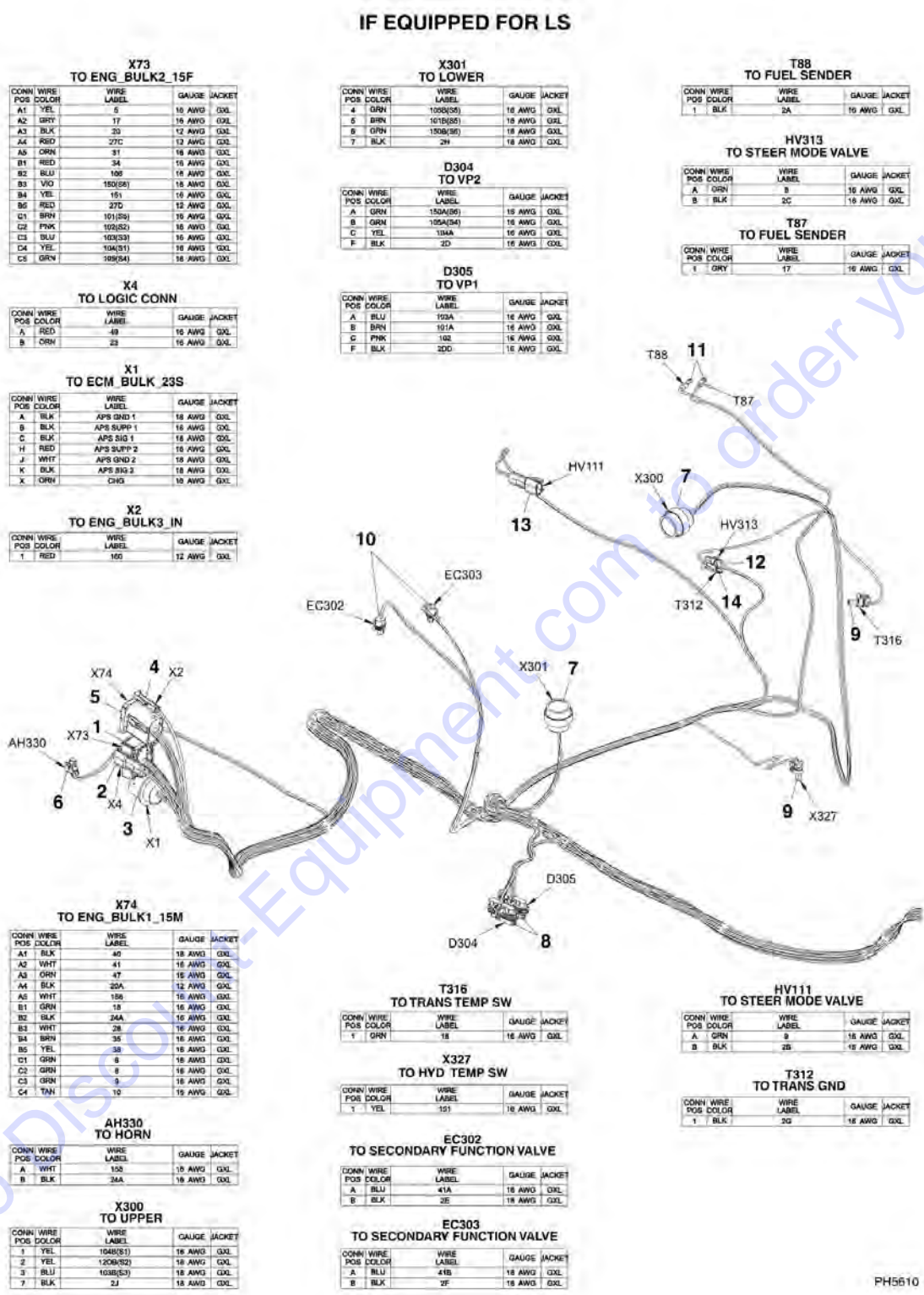
ITEM	PART NUMBER	QTY	DESCRIPTION	REV
	1001129759	1	ENGINE HARNESS, (IF EQUIPPED FOR ULS), (includes all items)	J
1	8220927	1	CONNECTOR	
1	1001116728	11	TERMINAL	
1	4460458	11	SEAL	
1	1001116747	4	TERMINAL	
1	8220089	4	SEAL	
2	4461157	1	CONNECTOR	
2	4460475	2	TERMINAL	
2	4460458	2	SEAL	
3	8220548	1	CONNECTOR	
3	1001116692	6	TERMINAL	
3	4460466	17	PLUG	
4	80963056	1	CONNECTOR	
4	4460850	1	TERMINAL	
4	80963067	1	SEAL	
5	8220929	1	CONNECTOR	
5	1001116729	13	TERMINAL	
5	1001116745	1	TERMINAL	
5	1001116727	1	PLUG	
6	1001117068	1	CONNECTOR	
6	8220124	2	TERMINAL	
7	8220536	2	CONNECTOR	
7	1001129513	4	TERMINAL	
8	4460744	2	CONNECTOR	
8	1001116728	4	TERMINAL	
8	8220081	4	SEAL	
8	1001116727	2	PLUG	
9	1001119004	2	CONNECTOR	
9	1001116728	1	TERMINAL	
10	4460955	7	CONNECTOR	
10	1001116748	2	TERMINAL	
11	4460042	2	RING TERMINAL	
11	4460042	1	RING TERMINAL	
12	1001117021	1	CONNECTOR	
12	1001116728	2	TERMINAL	
12	4460458	2	SEAL	
13	1001117026	1	CONNECTOR	
13	1001116729	2	TERMINAL	
14	4460256	2	RING TERMINAL	
14	4460256	1	RING TERMINAL	
15	1001126208	1	CONNECTOR	
15	1001119619	22	TERMINAL	
15	4460518	38	SEAL PLUG	
16	4461095	1	TERMINAL	
16	4461094	2	TERMINAL	
16	4460466	1	PLUG	
17	8220164	1	RING TERMINAL	
17	8220164	2	RING TERMINAL	
18	4460142	1	RING TERMINAL	
18	1001117111	1	FORK TERMINAL	

SECTION 10 - ELECTRICAL

ITEM	PART NUMBER	QTY	DESCRIPTION	REV
19	4460476	1	CONNECTOR	
19	4460475	3	TERMINAL	
19	4460458	3	PLUG	
20	1001125027	1	METRI-PACK CONNECTOR	
20	8220124	3	TERMINAL	
21	1001117070	1	CONNECTOR	
21	1001116734	2	TERMINAL	
22	4460247	2	RING TERMINAL	
22	4460247	1	RING TERMINAL	
23	1001118282	1	CONNECTOR	
23	1001116734	1	TERMINAL	
23	1001116732	2	TERMINAL	
23	1001116733	1	TERMINAL	
24	1001116950	1	CONNECTOR	
24	4460465	2	SOCKET TERMINAL	
25	4460312	2	RING TERMINAL	
25	4460312	1	RING TERMINAL	
26	1001125748	1	CONNECTOR	
26	1001129773	2	SEAL PLUG	
26	1001125773	1	TERMINAL	
27	1001117021	1	METRI-PACK CONNECTOR	
27	1001116728	2	TERMINAL	
27	8220081	2	SEAL	
28	4460019	1	RING TERMINAL	
28	4460019	2	RING TERMINAL	
29	4460019	4	RING TERMINAL	
29	4460019	1	RING TERMINAL	
30	4460312	1	RING TERMINAL	
30	4460312	2	RING TERMINAL	
31	4460884	1	CONNECTOR	
31	4460465	3	TERMINAL	
31	4460466	1	PLUG	

SECTION 10 - ELECTRICAL

FIGURE 10-10. ENGINE HARNESS



PH5610

SECTION 10 - ELECTRICAL

IF EQUIPPED FOR LS

X52 TO STABILTRAK

CONN WIRE POS COLOR	WIRE LABEL	GAUGE	JACKET
A	BLK	18 AWG	OXL
B	BLK	24	18 AWG OXL

X53 TO STABILTRAK

CONN WIRE POS COLOR	WIRE LABEL	GAUGE	JACKET
A	WHT	18 AWG	OXL
B	BLK	24	18 AWG OXL

X54 TO STABILTRAK

CONN WIRE POS COLOR	WIRE LABEL	GAUGE	JACKET
A	WHT	18 AWG	OXL
B	BLK	24	18 AWG OXL

X55 TO STABILTRAK

CONN WIRE POS COLOR	WIRE LABEL	GAUGE	JACKET
A	WHT	18 AWG	OXL
B	BLK	24	18 AWG OXL

X56 TO STAB FLOAT B

CONN WIRE POS COLOR	WIRE LABEL	GAUGE	JACKET
A	WHT	18 AWG	OXL
B	BLK	24	18 AWG OXL

X325 TO BACK UP ALARM

CONN WIRE POS COLOR	WIRE LABEL	GAUGE	JACKET
A	ORN	18 AWG	OXL
B	BLK	24	18 AWG OXL

X44 TO TERMINATING RESISTOR

CONN WIRE POS COLOR	WIRE LABEL	GAUGE	JACKET
A	VEL	18 AWG	OXL
B	GRN	24	18 AWG OXL

T57 TO ENG GND

CONN WIRE POS COLOR	WIRE LABEL	GAUGE	JACKET
1	BLK	20G	12 AWG OXL
2	BLK	20G	12 AWG OXL

T278 TO BATT+

CONN WIRE POS COLOR	WIRE LABEL	GAUGE	JACKET
1	RED	ECM BATT	12 AWG OXL

T328 TO PWR BUSS

CONN WIRE POS COLOR	WIRE LABEL	GAUGE	JACKET
1	RED	160	12 AWG OXL
2	RED	37C	12 AWG OXL

X324 TO ALTERNATOR

CONN WIRE POS COLOR	WIRE LABEL	GAUGE	JACKET
1	VEL	9	18 AWG OXL
2	GRN	CRD	18 AWG OXL

X344 TO FUEL FILTER

CONN WIRE POS COLOR	WIRE LABEL	GAUGE	JACKET
1	GRD	WATER IN FUEL	18 AWG OXL
2	BLK	WATER IN FUEL RTN	18 AWG OXL

T284 TO ENG BLOCK GND

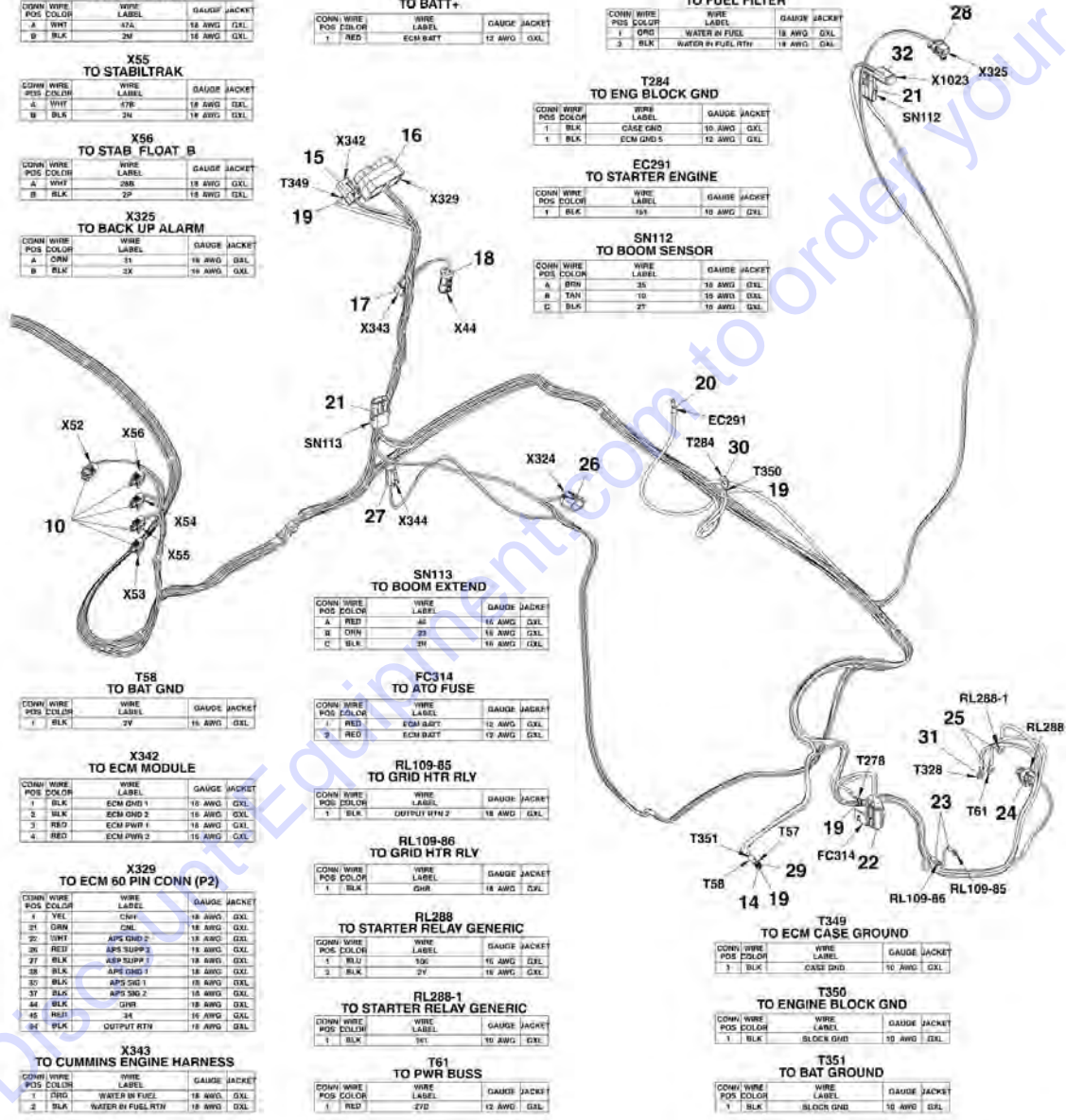
CONN WIRE POS COLOR	WIRE LABEL	GAUGE	JACKET
1	BLK	CASE GND	10 AWG OXL
2	BLK	ECM GND 5	12 AWG OXL

EC291 TO STARTER ENGINE

CONN WIRE POS COLOR	WIRE LABEL	GAUGE	JACKET
1	BLK	58	18 AWG OXL

SN112 TO BOOM SENSOR

CONN WIRE POS COLOR	WIRE LABEL	GAUGE	JACKET
A	BRN	26	18 AWG OXL
B	TAN	10	18 AWG OXL
C	BLK	27	18 AWG OXL



SN113 TO BOOM EXTEND

CONN WIRE POS COLOR	WIRE LABEL	GAUGE	JACKET
A	RED	46	18 AWG OXL
B	ORN	39	18 AWG OXL
C	BLK	39	18 AWG OXL

FC314 TO ATO FUSE

CONN WIRE POS COLOR	WIRE LABEL	GAUGE	JACKET
1	RED	ECM BATT	12 AWG OXL
2	RED	ECM BATT	12 AWG OXL

RL109-85 TO GRID HTR RLY

CONN WIRE POS COLOR	WIRE LABEL	GAUGE	JACKET
1	BLK	OUTPUT W4 2	18 AWG OXL

RL109-86 TO GRID HTR RLY

CONN WIRE POS COLOR	WIRE LABEL	GAUGE	JACKET
1	BLK	GWR	18 AWG OXL

RL288 TO STARTER RELAY GENERIC

CONN WIRE POS COLOR	WIRE LABEL	GAUGE	JACKET
1	BLK	10G	16 AWG OXL
2	BLK	2V	18 AWG OXL

RL288-1 TO STARTER RELAY GENERIC

CONN WIRE POS COLOR	WIRE LABEL	GAUGE	JACKET
1	BLK	161	18 AWG OXL

T61 TO PWR BUSS

CONN WIRE POS COLOR	WIRE LABEL	GAUGE	JACKET
1	RED	27D	12 AWG OXL

T349 TO ECM CASE GROUND

CONN WIRE POS COLOR	WIRE LABEL	GAUGE	JACKET
1	BLK	CASE GND	10 AWG OXL

T350 TO ENGINE BLOCK GND

CONN WIRE POS COLOR	WIRE LABEL	GAUGE	JACKET
1	BLK	BLOCK GND	10 AWG OXL

T351 TO BAT GROUND

CONN WIRE POS COLOR	WIRE LABEL	GAUGE	JACKET
1	BLK	BLOCK GND	10 AWG OXL

1PAP26361

SECTION 10 - ELECTRICAL

FIGURE 10-10. ENGINE HARNESS

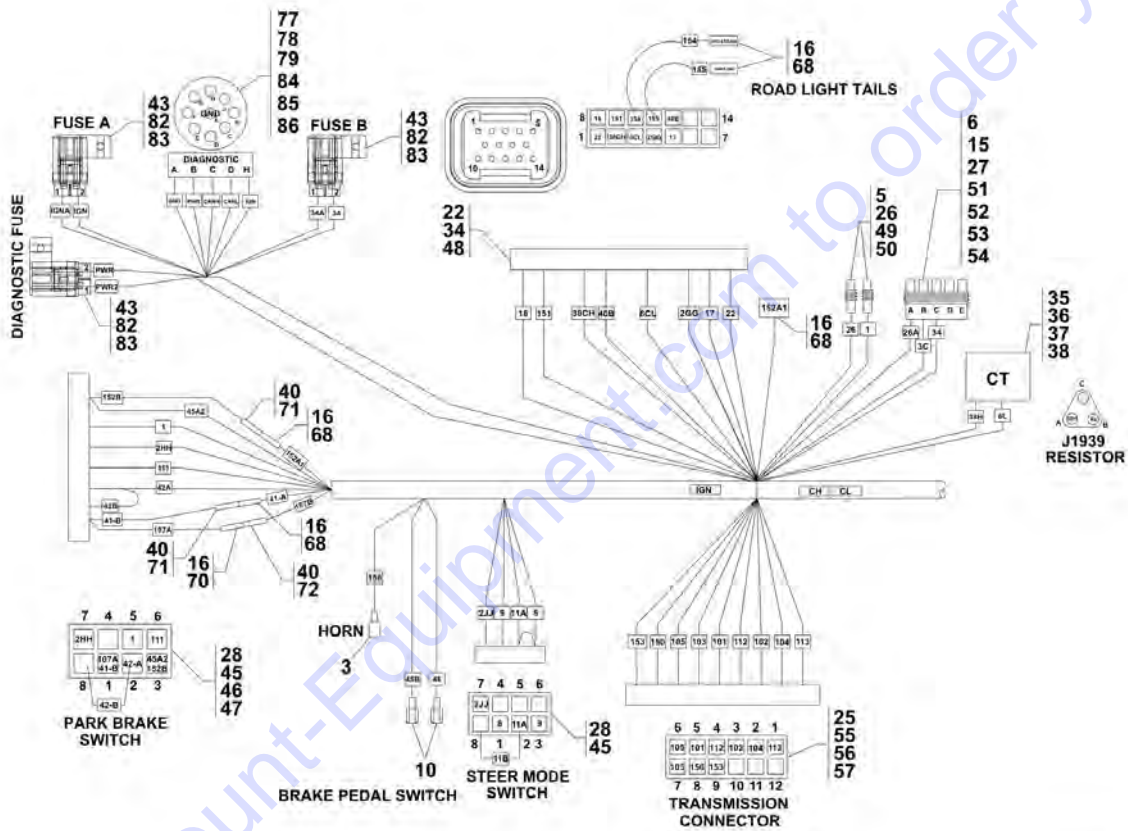
ITEM	PART NUMBER	QTY	DESCRIPTION	REV
	1001133350	1	ENGINE HARNESS, (IF EQUIPPED FOR LS), (includes all items)	H
1	8220927	1	CONNECTOR	
1	1001116728	12	TERMINAL	
1	1001116747	3	TERMINAL	
1	8220081	12	CABLE SEAL, METRI-PACK	
1	8220089	3	CABLE SEAL TERMINAL, METRI-PACK	
2	4461157	1	CONNECTOR	
2	4460475	2	TERMINAL	
2	8220081	2	CABLE SEAL, METRI-PACK	
3	8220548	1	CONNECTOR	
3	1001116692	7	SOCKET TERMINAL	
3	4460466	16	SEALING PLUG TERMINAL	
4	80963056	1	CONNECTOR	
4	4460979	1	TERMINAL	
5	8220929	1	CONNECTOR	
5	1001116729	14	TERMINAL	
6	1001117068	1	METRI-PACK CONNECTOR	
6	8220124	2	TERMINAL	
7	8220536	2	CONNECTOR	
7	1001129513	4	SOCKET TERMINAL	
8	4460744	2	METRI-PACK CONNECTOR	
8	1001116728	4	TERMINAL	
8	1001116727	2	PLUG	
8	8220081	2	CABLE SEAL, METRI-PACK	
9	1001119004	2	METRI-PACK CONNECTOR	
9	1001116728	1	TERMINAL	
10	4460955	7	CONNECTOR	
10	1001116748	2	TERMINAL	
11	4460042	2	RING TERMINAL	
11	4460042	1	RING TERMINAL	
12	1001117021	1	METRI-PACK CONNECTOR	
12	1001116747	2	TERMINAL	
13	1001117026	1	METRI-PACK CONNECTOR	
13	1001116729	2	TERMINAL	
14	4460256	2	RING TERMINAL	
14	4460256	1	RING TERMINAL	
15	1001116810	1	CONNECTOR	
15	4460509	4	SOCKET TERMINAL	
16	1001116831	1	CONNECTOR	
16	1001119619	11	SOCKET TERMINAL	
16	4460518	49	SEALING PLUG TERMINAL	
17	4460897	1	TERMINAL	
17	4460464	2	TERMINAL	
18	4461095	1	CONNECTOR	
18	4460943	2	TERMINAL	
18	4460466	1	SEAL PLUG	
19	4460019	5	RING TERMINAL	
20	4460142	1	RING TERMINAL	
20	1001117111	1	FORK TERMINAL	
21	4460476	2	TERMINAL	

SECTION 10 - ELECTRICAL

ITEM	PART NUMBER	QTY	DESCRIPTION	REV
21	4460475	3	TERMINAL	
22	1001117070	1	METRI-PACK CONNECTOR	
22	1001116734	2	TERMINAL	
23	4460247	2	RING TERMINAL	
23	4460247	1	RING TERMINAL	
24	1001116950	1	AMPSEAL 16 CONNECTOR	
24	4460465	2	SOCKET TERMINAL	
25	4460312	3	RING TERMINAL	
25	4460312	4	RING TERMINAL	
26	1001125748	1	CONNECTOR	
26	1001125773	2	TERMINAL	
27	4460891	1	TERMINAL	
27	4460465	2	SOCKET TERMINAL	
28	1001117021	1	METRI-PACK CONNECTOR	
28	1001116728	2	TERMINAL	
28	8220081	2	CABLE SEAL, METRI-PACK	
29	4460019	1	RING TERMINAL	
29	8220164	1	RING TERMINAL	
30	8220164	1	RING TERMINAL	
30	8220164	2	RING TERMINAL	
31	4460312	1	RING TERMINAL	
31	4460312	2	RING TERMINAL	
32	4460884	1	CONNECTOR	
32	4460465	3	TERMINAL	
32	4460466	1	SEALING PLUG TERMINAL	

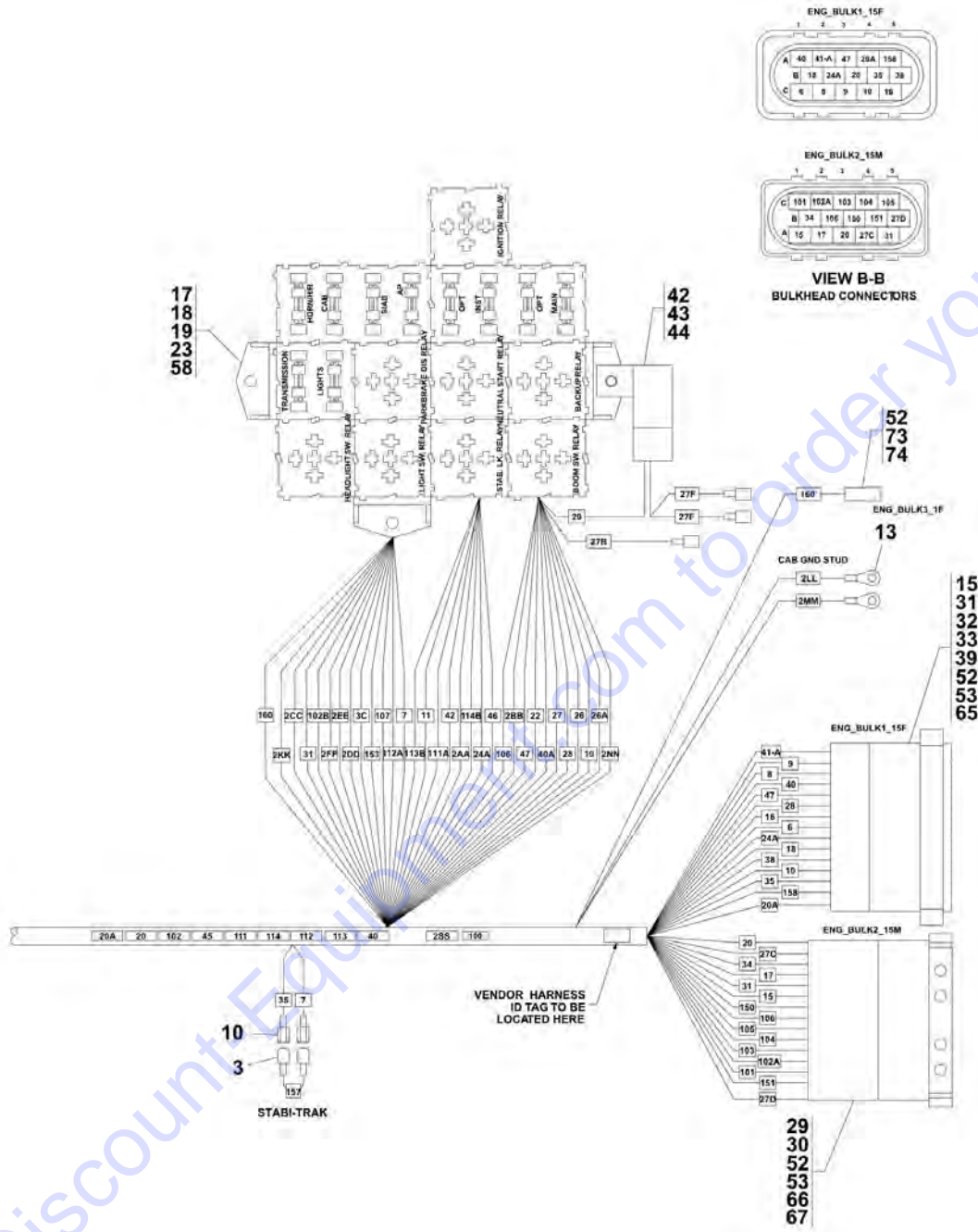
SECTION 10 - ELECTRICAL

FIGURE 10-11. CAB POWER DISTRIBUTION HARNESS (Prior to SN 0160065986)



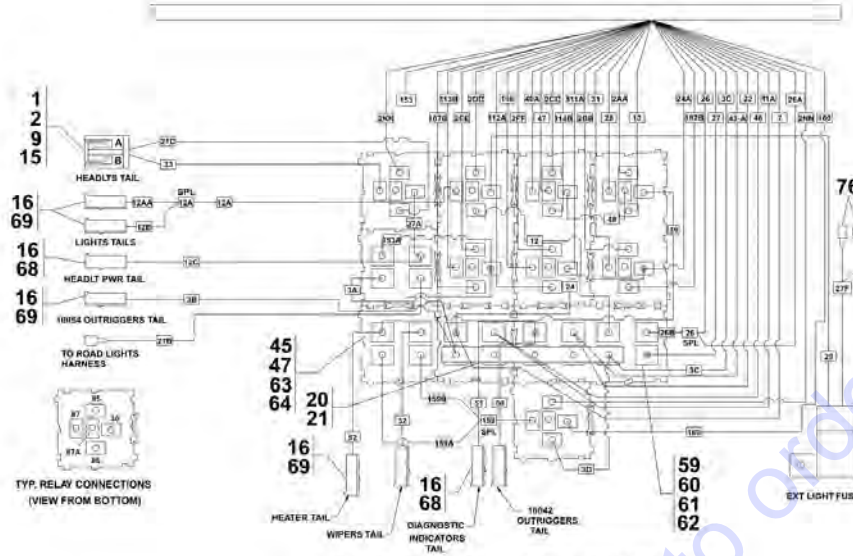
PAP26090

SECTION 10 - ELECTRICAL



PAP26100

SECTION 10 - ELECTRICAL



FUSE BOX DETAIL (VIEW FROM UNDERSIDE)

WIRE NO	COLOR	WIRE GAGE/TYPE	WIRE TO/FROM
100	RED	12 SXL	IGN RELAY PIN 10 - ENG. BULK2, 10F
109D	PURPLE	14 SXL	SPUCE 109 - CAR FUSE
109A	PURPLE	12 SXL	SPUCE 109 - HORN/STR FUSE
109	PURPLE	12 SXL	IGN RELAY PIN 27 - SPUCE 109
153	BLACK	16 SXL	HORN TRM - ENG. BULK1, 10F-A3
157	BROWN	16 SXL	JUMPER W/REL STAB TRACTERM
100A	BLUE	18 SXL	SPUCE 100A FUSE PIN 4
155	GREEN/RED	16 GXL	INSTR PWR PIN 11 - ROADLT TAIL
154	BLUE/WHITE	16 GXL	INSTR PWR PIN 11 - ROADLT TAIL
153A	GREY/WHITE	16 SXL	TRANS FUSE - PWRBK DIS RELAY PIN 35
153	GREY/WHITE	16 SXL	TRANS CONN PIN 3 - PWRBK DIS RELAY PIN 35
152B	BLACK/WHITE	16 SXL	PWRBK SW MALE CONN - PWRBK SW PIN 2
IGN	BLUE	18 SXL	FUSE A PIN 2 DIAGNOSTIC SW H
QND	BLACK	16 SXL	DIAGNOSTIC PIN-A SPUCE 2F
152A1	BLACK/WHITE	16 SXL	DIAGNOSTIC TAIL - PWRBK SW FEM CONN
151	YELLOW/GREEN	16 GXL	INSTR PWR PIN 4 - ENG. BULK2, 10B-B4
186	PURPLE	16 SXL	TRANS CONN PIN 8 - ENG. BULK2, 10B-B3
114B	BLUE/ORANGE	16 SXL	STAB CR RELAY PIN 81 - SPUCE 114
114A	BLUE/ORANGE	16 SXL	SPUCE 112 BHOOK - SPUCE 114
113C	RED	16 SXL	SPUCE 113 - SPUCE 111 RIDGE
113B	RED	16 SXL	SPUCE 113 - PWRBK DIS RELAY PIN 87
113A	RED	16 SXL	SPUCE 111 ODDIE - SPUCE 111
113	RED	16 SXL	TRANS CONN PIN 1 - SPUCE 113
112A	GREY	16 SXL	NEU ST RELAY PIN 16 - SPUCE 112
112	GREY	16 SXL	TRANS CONN PIN 4 - SPUCE 112
111A	RED	12 SXL	SPUCE 111 - NEU ST RELAY PIN 35
111	RED	12 SXL	PWRBK SW PIN 6 - SPUCE 111
107B	BLUE	16 SXL	PWRBK SW MALE CONN - PWRBK DIS RELAY PIN 85
107A	BLUE	16 SXL	PWRBK SW PIN 1 - PWRBK SW FEM CONN
106	BLUE/ORANGE	12 SXL	NEU ST RELAY PIN 87 - ENG. BULK2, 10B-B2
105	GREEN	16 SXL	TRANS CONN PIN 4 - ENG. BULK2, 10B-C5
104	YELLOW	16 SXL	TRANS CONN PIN 2 - ENG. BULK2, 10B-C4
103	BLUE	16 SXL	TRANS CONN PIN 1 - ENG. BULK2, 10B-C3
PWRK2	RED	16 SXL	SPUCE 27 DIAGNOSTIC FUSE PIN 1
CANL	GREEN	18 SXL	DIAGNOSTIC PIN 3 SPUCE 21
CANH	YELLOW	18 SXL	DIAGNOSTIC PIN 4 SPUCE 21
PWR	RED	16 SXL	DIAGNOSTIC PIN 6 DIAGNOSTIC FUSE PIN 2
102B	PINK	16 SXL	SPUCE 102 - BACKUP RELAY PIN 86
102A	PINK	16 SXL	SPUCE 102 - ENG. BULK2, 10B-C2
102	PINK	16 SXL	SPUCE 102 - TRANS CONN PIN 2
101	BROWN	16 SXL	TRANS CONN PIN 1 - ENG. BULK2, 10B-C1

WIRE NO	COLOR	WIRE GAGE/TYPE	WIRE TO/FROM
52	ORANGE	14 SXL	HORN/STR FUSE - HEATER TAIL
51	WHITE/RED	18 SXL	OPT FUSE - DIAG IND TAIL
50	WHITE/YELLOW	16 SXL	OPT FUSE - 10B42 OUTROG TAIL
48	PURPLE/BLACK	16 SXL	STAB RELAY PIN 30 - BOOM SW RELAY PIN 87A
47	ORANGE/WHITE	16 SXL	STAB RELAY PIN 87A - ENG. BULK1, 10F-A3
46	WHITE/ORANGE	16 SXL	STRUT/STAB FUSE - DRANKS P/DRAGW
45B	DK BLUE/ORANGE	16 SXL	SPUCE 45 - BRAKE PED SW
45A2	DK BLUE/ORANGE	16 SXL	SPUCE 45 ODDIE - PWRBK SW PIN 5
45A	DK BLUE/ORANGE	16 SXL	SPUCE 45 ODDIE - SPUCE 45
45	DK BLUE/ORANGE	16 SXL	SPUCE 45 - SPUCE 118
42-B	TAN	18 SXL	PWRBK SW JUMPER PINS 2-4
42-A	TAN	16 SXL	PWRBK SW PIN 2 - INSTR TAIL
41-B	DK BLUE/WHITE	16 SXL	PWRBK SW PIN 1 - PWRBK SW MALE CONN
41-A	DK BLUE/WHITE	16 SXL	PWRBK SW FEM CONN - ENG. BULK1, 10F-A2
40B	BROWN/BLACK	16 SXL	SPUCE 40 - INSTR PWR PIN 12
40A	BROWN/BLACK	16 SXL	SPUCE 40 - STAB CR RELAY PIN 87
40	BROWN/BLACK	16 SXL	SPUCE 40 - ENG. BULK1, 10F-A1
39	RED/GRAY	16 SXL	BOOM SW RELAY PIN 30 - STAB FUSE
38	YELLOW	16 SXL	SPUCE CH - ENG. BULK1, 10F-B5
35	BROWN/WHITE	16 SXL	STAB-TRACTERM - ENG. BULK1, 10F-B4
34	RED/BLACK	16 SXL	FUSE B PIN 2 - ENG. BULK2, 10B-B1
32	GRAY/WHITE	14 SXL	CAD FUSE - WIPERS TAIL
31	ORANGE/RED	16 SXL	BACKUP RELAY PIN 87 - ENG. BULK2, 10B-A5
29	RED	12 SXL	EXT LIGHT FUSE - LIGHT SW RELAY PIN 35
28	PURPLE/WHITE	16 SXL	BOOM SW RELAY PIN 87 - ENG. BULK1, 10F-B3
27F	RED	12 SXL	10V BATTERY - EXT LIGHTS FUSE
27D	RED	12 SXL	SPUCE 27 - ENG. BULK2, 10B-B5
27C	RED	12 SXL	SPUCE 27 - ENG. BULK2, 10B-A4
27B	RED	12 SXL	ROAD LIGHT/HORN CONN - LIGHT FUSE
27A	RED	12 SXL	10K1 SW RELAY PIN 30 - LIGHTS FUSE
27	RED	10 SXL	SPUCE 27 - MAIN FUSE
26B	RED	18 GXL	SPUCE 26 - MAIN FUSE
26A	RED	18 GXL	SPUCE 26 - IGN SWITCH PWR
26	RED	10 GXL	SPUCE 26 - IGN SWITCH
24A	ORANGE/GREEN	14 SXL	800V RELAY PIN 30 - ENG. BULK1, 10F-B2
24	ORANGE/GREEN	14 SXL	BACKUP RELAY PIN 30 - HORN/STR FUSE
23	GREEN	16 SXL	HEADLT CONN PIN 6 - HEADLT SW RELAY PIN 87
22	WHITE	16 GXL	INSTR FUSE ODDIE - INSTR PWR PIN 1
21C	RED	16 SXL	HEADLT CONN PIN 4 - HEADLT SW RELAY PIN 85
20A	BLACK	12 SXL	ENG. BULK1, 10F-A4 - SPUCE 20A

WIRE NO	COLOR	WIRE GAGE/TYPE	WIRE TO/FROM
20	BLACK	12 SXL	ENG. BULK2, 10F-A1 - SPUCE 20
18	GREEN	18 SXL	ENG. BULK1, 10F-B1 - INSTR PWR PIN 4
17	GRAY	16 SXL	ENG. BULK2, 10B-A2 - INSTR PWR PIN 5
38CH	YELLOW	18 SXL	SPUCE CH - INSTR PWR PIN 2
38H	YELLOW	18 SXL	SPUCE CH - CT PIN A
24A	RED/BLK	16 SXL	FUSE B PIN 1 - SPUCE 10B
15	LT. BLUE	16 SXL	ENG. BULK1, 10B-A1 - SPUCE 15B
12AA	DK BLUE	12 SXL	SPUCE 12A - LIGHT OPT/IGN TAIL
12C	DK BLUE	16 SXL	LIGHTS FUSE - HOLIDAY PWR TAIL
12B	DK BLUE	12 SXL	SPUCE 12A - LIGHT OPT/IGN TAIL
12A	DK BLUE	12 SXL	SPUCE 12A - LIGHT SW RELAY PIN 87
12	DK BLUE	18 SXL	OPT FUSE - LIGHT SW RELAY PIN 85
11B	LT. GREEN	16 SXL	STEER-MODE SW PIN 2 - ENG. BULK1, 10F-C3
11A	LT. GREEN	16 SXL	STAB FUSE - TRM-TRACTERM
10	TAN	16 SXL	BOOM SW RELAY PIN 8 - ENG. BULK1, 10F-C4
9	GREEN/BLACK	16 SXL	STEER-MODE SW PIN 2 - ENG. BULK1, 10F-C3
8	GREEN/WHITE	16 SXL	STEER-MODE SW PIN 4 - ENG. BULK1, 10F-C2
7	BROWN	16 SXL	STAB FUSE - TRM-TRACTERM
6	GREEN	18 SXL	SPUCE CL - ENG. BULK1, 10F-C1
3D	PURPLE	18 SXL	IGN RELAY PIN 85 - PWRBK, HEADLAMP
3C	PURPLE	10 SXL	IGN SW PIN 8 - FUSE BUSBAR
3B	PURPLE	10 SXL	FUSE BUSBAR - 10B4 OUTROG TAIL
3A	PURPLE	10 SXL	TRANSMISSION FUSE - FUSE BUSBAR
6CL	GREEN	18 SXL	SPUCE CL - INSTR PWR PIN 3
6L	GREEN	18 SXL	SPUCE CL - CT PIN B
IGNSW	BLUE	16 GXL	IGNITION SWITCH PIN C-SPUCE 10H
29N	BLACK	12 SXL	SPUCE 29 - IGNITION RELAY PIN 85
29B	BLACK	12 SXL	SPUCE 29A - CAR DRIVING STOP
29L	BLACK	12 SXL	SPUCE 29 - CAR DRIVING STOP
29K	BLACK	18 SXL	SPUCE 29 - HEADLIGHT SW RELAY PIN 85
29J	BLACK	18 SXL	SPUCE 29A - STEER-MODE SW PIN 7
29H	BLACK	18 SXL	SPUCE 29A - PWRBK SW PIN 7
29G	BLACK	18 SXL	SPUCE 29A - INSTR PWR PIN 4
29F	BLACK	18 SXL	SPUCE 29 - NEUTRAL START RELAY PIN 85
29E	BLACK	18 SXL	SPUCE 29A - PWRBK DIS RELAY PIN 85
29D	BLACK	18 SXL	SPUCE 29 - LIGHT SW RELAY PIN 85
29C	BLACK	18 SXL	SPUCE 29 - STAB CR RELAY PIN 85
29B	BLACK	18 SXL	SPUCE 29A - BACKUP RELAY PIN 85
29A	BLACK	18 SXL	SPUCE 29 - BOOM RELAY PIN 85
1	WHITE	10 SXL	IGN SW - PWRBK SW PIN 8

PAP26110

SECTION 10 - ELECTRICAL

FIGURE 10-11. CAB POWER DISTRIBUTION HARNESS (Prior to SN 0160065986)

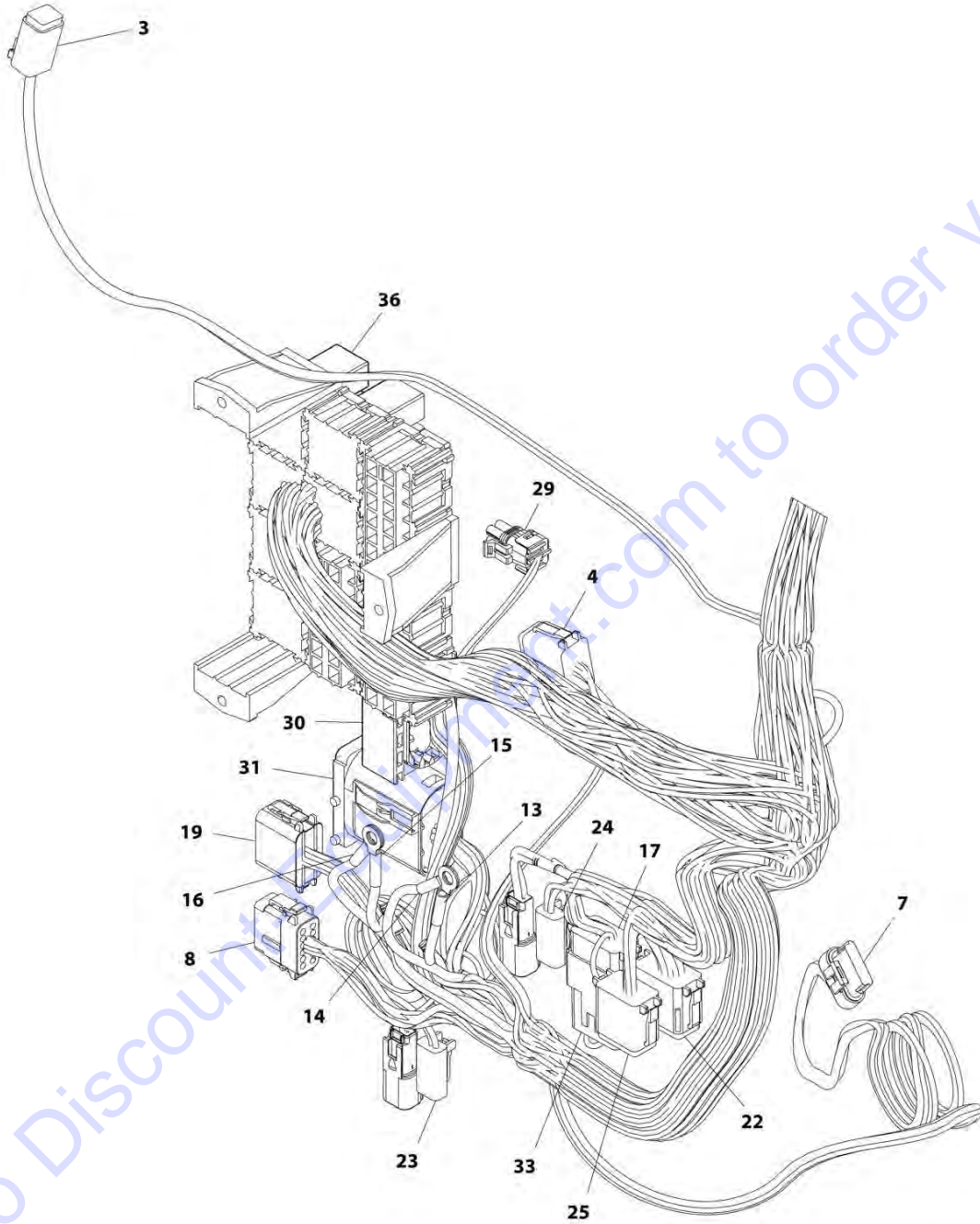
ITEM	PART NUMBER	QTY	DESCRIPTION	REV
	1001129762	1	CAB POWER DISTRIBUTION HARNESS, (includes all items) (Prior to SN 0160065986)	1
1	1001117021	1	PLUG, METRI-PACK, SERIES 280, 2 POSITION	
2	8220890	1	SECONDARY LOCK, 2 WAY, SEALED METRI-PACK	
3	4460206	3	MALE BLADE	
5	1001121728	2	CONNECTOR, FEMALE, 1 POSITION	
6	1001121726	1	PLUG, METRI-PACK, SERIES 280, 5 POSITION	
9	4460458	1	SEAL TERMINAL, METRI-PACK, SERIES 280	
10	70024672	4	FEMALE BLADE TERMINAL	
15	1001116728	15	TERMINAL, METRI-PACK, 280 SERIES	
16	8220970	13	CONNECTOR	
17	70024244	2	4 FUSE MODULE	
18	70024245	3	MOUNTING LEG	
19	4461103	20	LOCKING WEDGE	
20	70024246	1	BUS BAR	
21	70024247	1	BUS BAR INSULATOR	
22	4460872	1	PLUG, AMPSEAL, 14 POSITION	
23	4461101	10	LOCKING WEDGE	
25	80363178	1	CONNECTOR	
26	1001121728	2	CONNECTOR, FEMALE	
27	1001121726	1	CONNECTOR, FEMALE, 5 POSITION, METRI-PACK	
28	7026439	2	CONNECTOR	
29	8220929	11	CONNECTOR, METRI-PACK, 15 POSITION, MALE	
30	70024253	11	TPA LOCK	
31	8220927	1	CONNECTOR, METRI-PACK, 15 POSITION, FEMALE	
32	70024254	1	TPA LOCK	
33	70024255	1	SEAL	
34	4460905	4	HOLE SEAL PLUG TERMINAL, AMPSEAL	
35	91554018	1	CONNECTOR	
36	70020891	3	TERMINAL	
37	8220553	1	RECEPTACLE	
38	70021825	1	WEDGE LOCK	
39	70024256	1	SIDE LOCK	
40	7116562	3	CONNECTOR, MALE	
42	70024257	1	CONNECTOR	
43	1001096134	3	FUSE COVER HOLDER	
44	1001116734	2	TERMINAL, METRI-PACK, FEMALE	
45	70022747	20	TERMINAL	
46	70024258	1	TERMINAL, METRI-PACK, FEMALE	
47	1001116735	7	TERMINAL, METRI-PACK, FEMALE	
48	4460871	8	AMPSEAL SOCKET TERMINAL	
49	1001121730	2	TERMINAL, FEMALE, METRI-PACK	
50	8220160	2	CABLE SEAL TERMINAL, FEMALE, METRI-PACK	
51	8220125	2	TERMINAL, FEMALE, METRI-PACK	
52	8220089	6	CABLE SEAL TERMINAL, METRI-PACK	
53	8220081	18	CABLE SEAL, METRI-PACK	
54	1001116727	2	CAVITY PLUG, METRI-PACK	
55	80363179	1	LOCK WEDGE	
56	4460464	9	TERMINAL	
57	4460466	3	SEALING PLUG TERMINAL	

SECTION 10 - ELECTRICAL

ITEM	PART NUMBER	QTY	DESCRIPTION	REV
58	70024248	1	2 FUSE MODULE	
59	70024249	1	FUSE TERMINAL, WITH SPRING CLIP	
60	70024250	3	FUSE TERMINAL, WITH SPRING CLIP	
61	70024251	9	FUSE TERMINAL, WITH SPRING CLIP	
62	70024252	13	SECONDARY LOCK	
63	4460419	17	TERMINAL, FEMALE, METRI-PACK	
64	4461102	30	SECONDARY LOCK	
65	1001116747	2	TERMINAL, FEMALE, METRI-PACK	
66	1001116745	4	TERMINAL, MALE, METRI-PACK	
67	1001116729	1	TERMINAL, MALE, METRI-PACK	
68	1001116736	9	TERMINAL, FEMALE, UNSEALED	
69	1001116737	4	TERMINAL, FEMALE, UNSEALED	
71	70024259	2	TERMINAL, MALE, METRI-PACK	
72	4461189	1	TERMINAL, MALE, METRI-PACK	
73	80963055	1	CONNECTOR, WEATHER-PACK	
74	4460790	1	TERMINAL, FEMALE SLEEVE SOCKET	
76	70024673	4	FEMALE BLADE TERMINAL	
77	4460466	1	SEAL, PLUG	
78	4460944	1	SOCKET, FEMALE	
79	1001116975	1	CONNECTOR	
82	1001116733	3	TERMINAL, FEMALE	
83	1001117019	3	CONNECTOR, MALE	
84	1001149712	1	CAP AND LANYARD	
85	1001125784	1	LOCKWASHER	
86	1001125785	1	PANEL NUT	
87	70024674	1	MALE BLADE TERMINAL	

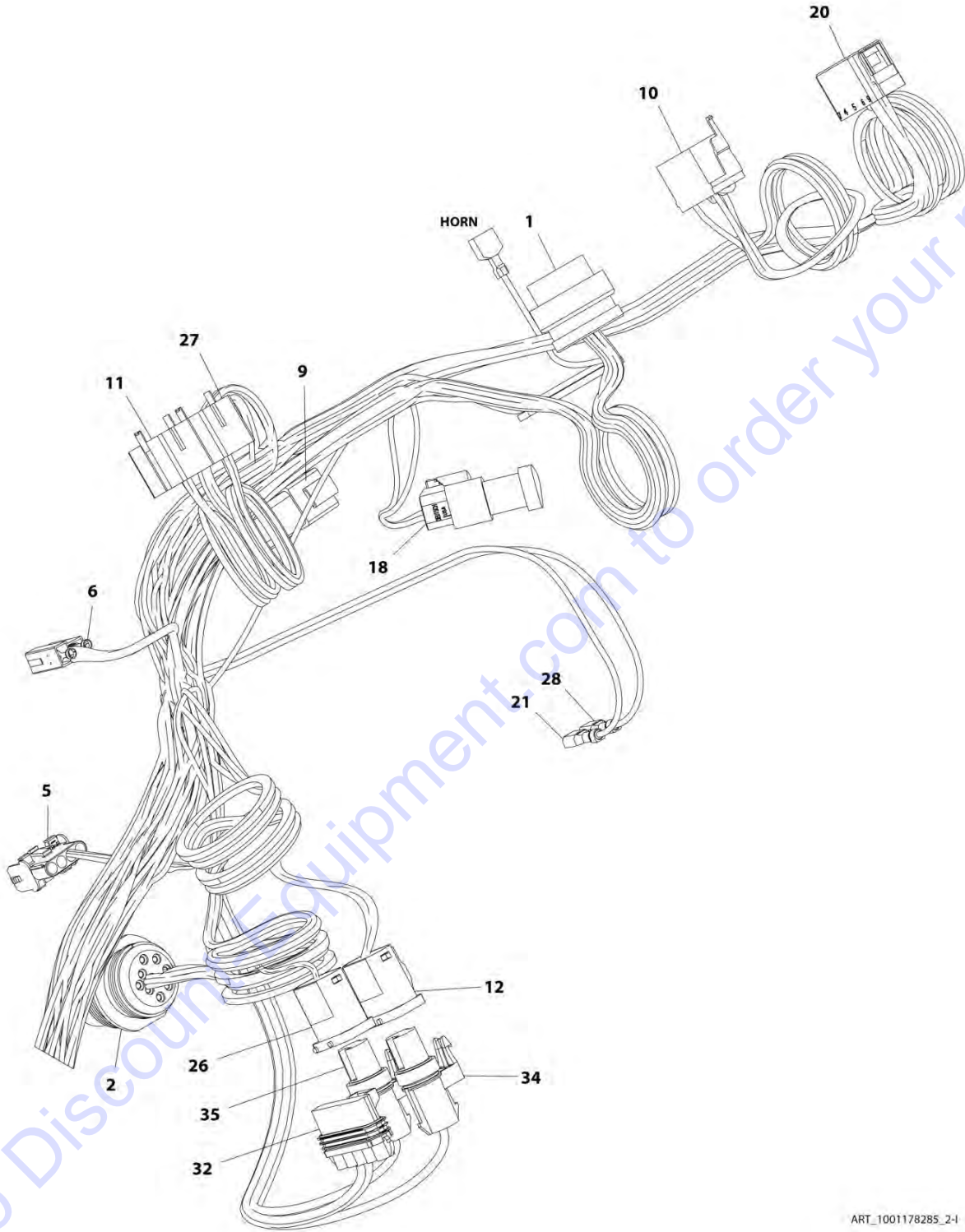
SECTION 10 - ELECTRICAL

FIGURE 10-12. CAB POWER DISTRIBUTION HARNESS (SN 0160065986 to Present)



ART_1001178285_1-I

SECTION 10 - ELECTRICAL



ART_1001178285_2-I

SECTION 10 - ELECTRICAL

FIGURE 10-12. CAB POWER DISTRIBUTION HARNESS (SN 0160065986 to Present)

ITEM	PART NUMBER	QTY	DESCRIPTION	REV
	1001178285	1	CAB POWER DISTRIBUTION HARNESS	I
1	4460872	1	CONNECTOR	
	4460871	10	TERMINAL, SOCKET	
	4460905	4	PLUG, SEAL	
2	1001112612	1	CONNECTOR	
	1001149712	1	CAP	
	1001125784	1	LOCKWASHER	
	1001125785	1	NUT	
	4460464	6	TERMINAL	
	4460466	3	PLUG	
3	4460884	1	CONNECTOR	
	80604021	1	LOCK, WEDGE	
	4460465	4	TERMINAL	
4	4460930	1	CONNECTOR	
	80604025	1	LOCK, WEDGE	
	4460465	6	TERMINAL	
	4460466	2	PLUG	
5	4460761	1	CONNECTOR	
	1001118378	4	TERMINAL	
6	1001200833	1	TERMINAL	
7	1001117064	1	CONNECTOR	
	91554014	6	TERMINAL	
8	1001116808	1	CONNECTOR	
	4460909	1	HOUSING	
	4460915	1	LOCK, WEDGE	
	1001126008	10	TERMINAL, SOCKET	
	4460518	2	TERMINAL, PLUG	
9	4460970	1	CONNECTOR	
	80363179	1	LOCK, WEDGE	
	4460464	9	TERMINAL	
	4460466	3	PLUG	
10	8220904	1	CONNECTOR	
	4460419	6	TERMINAL	
11	1001117119	1	CONNECTOR	
	1001159186	4	TERMINAL	
12	4460891	1	CONNECTOR	
	80604018	1	LOCK, WEDGE	
	1001157890	1	TERMINAL	
	4460942	1	TERMINAL	
13	1001117106	1	TERMINAL, RING	
14	1001117106	1	TERMINAL, RING	
15	1001117106	1	TERMINAL, RING	
16	1001117106	1	TERMINAL, RING	
17	4460836	1	CONNECTOR	
	80604016	1	LOCK, WEDGE	
	4460509	5	TERMINAL, SOCKET	
	4460465	6	TERMINAL	
	4460466	1	PLUG	
18	1001116812	1	CONNECTOR	
	91554019	1	LOCK, WEDGE	

SECTION 10 - ELECTRICAL

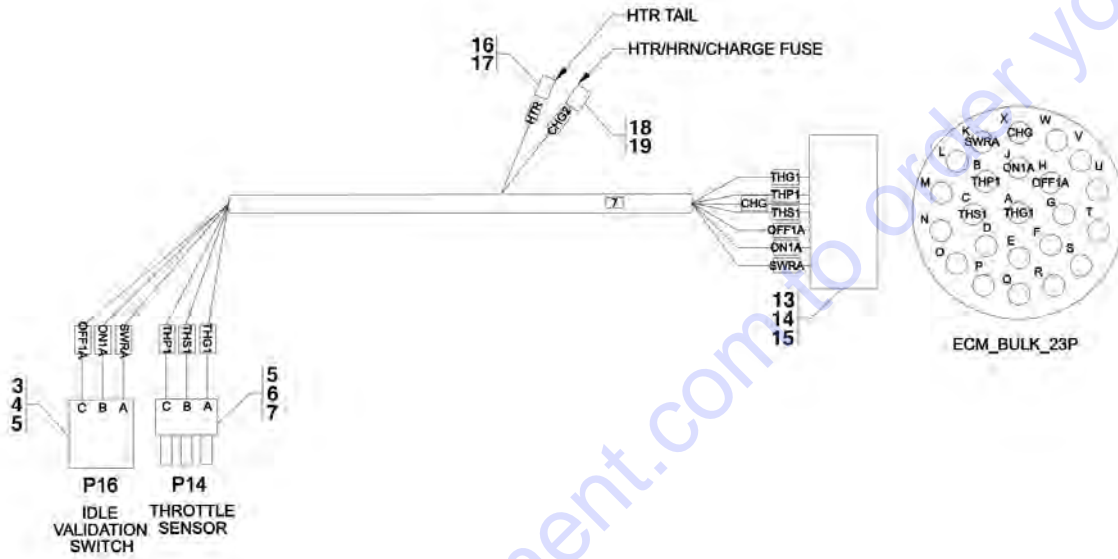
ITEM	PART NUMBER	QTY	DESCRIPTION	REV
	4461070	1	CONNECTOR	
	4460465	2	TERMINAL	
	4460466	1	PLUG	
19	1001116774	1	CONNECTOR	
	4460908	1	HOUSING	
	4460915	1	LOCK, WEDGE	
	1001126008	12	TERMINAL, SOCKET	
20	8220904	1	CONNECTOR	
	4460419	8	TERMINAL	
	1001195760	2	TERMINAL	
21	8220051	1	TERMINAL	
22	4460933	1	CONNECTOR	
	80604016	1	LOCK, WEDGE	
	1001003174	3	TERMINAL, SOCKET	
	4460465	7	TERMINAL	
	4460466	2	TERMINAL	
23	4460897	1	CONNECTOR	
	80604018	1	LOCK, WEDGE	
	4460464	2	TERMINAL	
24	4460891	1	CONNECTOR	
	80604018	1	LOCK, WEDGE	
	4460465	1	TERMINAL	
	1001157890	1	TERMINAL	
25	4460930	1	CONNECTOR	
	8220525	1	LOCK, WEDGE	
	4460465	3	TERMINAL	
	1001157890	2	TERMINAL	
	4460466	3	PLUG	
26	4461017	1	CONNECTOR	
	80604018	1	LOCK, WEDGE	
	4460508	2	TERMINAL, SOCKET	
27	1001117119	1	CONNECTOR	
	1001159186	2	TERMINAL	
28	8220051	1	TERMINAL	
29	80963061	1	CONNECTOR	
	4460790	4	TERMINAL, SOCKET	
	8220089	4	SEAL	
30	8220927	1	CONNECTOR	
	70024256	1	LOCK, SLIDE	
	70024255	1	SEAL, CONNECTOR	
	70024254	1	LOCK, SECONDARY	
	1001116747	12	TERMINAL	
	8220081	12	SEAL	
	4460746	3	TERMINAL	
	4460458	3	SEAL	
31	8220929	1	CONNECTOR	
	70024253	1	LOCK, SECONDARY	
	8220097	12	TERMINAL	
	8220125	2	TERMINAL	
	4460458	14	SEAL	
	1001116727	1	PLUG	

SECTION 10 - ELECTRICAL

ITEM	PART NUMBER	QTY	DESCRIPTION	REV
32	1001121726	1	CONNECTOR	
	70026219	1	LOCK, TPA	
	8220125	2	TERMINAL	
	8220089	2	SEAL	
	1001116726	1	TERMINAL	
	4460458	1	SEAL	
	1001116727	2	PLUG	
	4460970	1	CONNECTOR	
33	80363179	1	LOCK, WEDGE	
	4460466	6	TERMINAL	
	4460464	6	TERMINAL	
34	1001121728	1	CONNECTOR, PACKARD FEMALE, 1POS	
	70026218	1	LOCK, TPA	
	1001121730	1	TERMINAL	
35	1001121728	1	CONNECTOR,PACKARD FEMALE, 1POS	
	70026218	1	LOCK, TPA	
	1001121730	1	TERMINAL	
36	1001200845	3	LEG, MOUNTING	
	1001205172	11	RELAY,MICRO 280, 12V, 35 AMP	
	1001129285	3	FUSE,MINI DIODE	
	1001177198	6	MODULE, 2 FUSE	
	1001187952	3	ASSEMBLY, ELECTRICAL	
	8229261	2	FUSE, TYPE 5 A	
	8229233	4	FUSE, TYPE 7.5 A	
	8229234	7	FUSE, TYPE 10 A	
	8229237	1	FUSE, TYPE 15 A	
	8229235	4	FUSE, TYPE 20 A	
	8229238	1	FUSE, TYPE 40 A	
	1001116710	11	TERMINAL	
	1001116712	3	TERMINAL	
	1001210779	1	TERMINAL	
	1001192050	10	TERMINAL	
	1001210776	4	TERMINAL	
	1001192049	11	TERMINAL	
1001210778	2	TERMINAL		
1001210777	8	TERMINAL		

SECTION 10 - ELECTRICAL

FIGURE 10-13. DASH/THROTTLE HARNESS



WIRELIST FROM/TO INFORMATION

WIRE NAME	SPOOL	GAGE	COLOR	FROM COMPONENT	PIN	TO COMPONENT	PIN
ON1A	GXL16PR	18	PURPLE	ECM_BULK_23P	J	P16	B
OFF1A	GXL18O	18	ORANGE	ECM_BULK_23P	H	P16	C
SWRA	GXL18Y	18	YELLOW	ECM_BULK_23P	K	P16	A
THG1	GXL18BK	18	BLACK	ECM_BULK_23P	A	P14	A
THP1	GXL18R	18	RED	ECM_BULK_23P	B	P14	C
THS1	GXL18W	18	WHITE	ECM_BULK_23P	C	P14	B
CHG	GXL16ORG	16	ORANGE	ECM_BULK_23P	X	7	SPLICE
HTR	GXL12ORG	12	ORANGE	HTR TAIL	1	7	SPLICE
CHG2	GXL12ORG	12	ORANGE	HTR/HRN/CHARGE FUSE	1	7	SPLICE

PH5640

SECTION 10 - ELECTRICAL

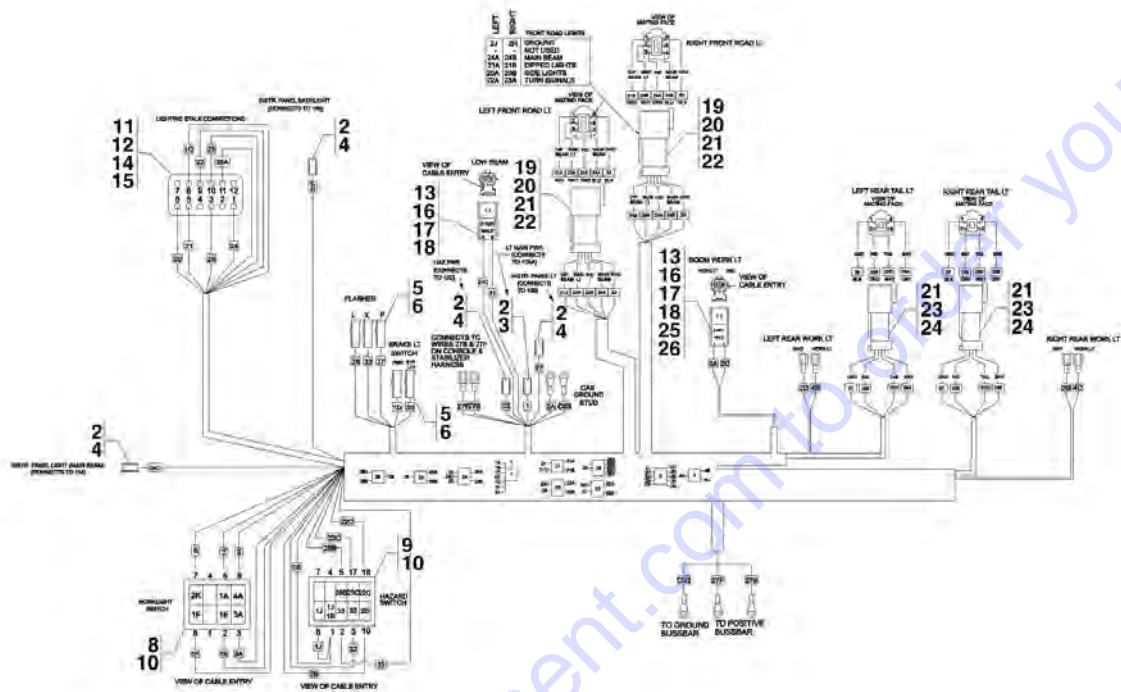
FIGURE 10-13. DASH/THROTTLE HARNESS

ITEM	PART NUMBER	QTY	DESCRIPTION	REV
	1001129760	1	DASH/THROTTLE HARNESS, (includes all items)	B
3	4460476	1	CONNECTOR	
4	4460979	3	TERMINAL	
5	4460458	6	SEAL	
6	4460459	1	CONNECTOR	
7	4460743	3	TERMINAL	
13	8220552	1	CONNECTOR	
14	1001116693	9	TERMINAL	
15	4460466	14	SEALING PLUG TERMINAL	
16	8220970	1	CONNECTOR	
17	1001116737	1	TERMINAL	
18		Ref	CONNECTOR	
19		Ref	TERMINAL	

Go to Discount-Equipment.com to order your parts

SECTION 10 - ELECTRICAL

FIGURE 10-14. ROAD LIGHTING HARNESS



WIRE	COLOR	WIRE GAGE/TYPE	WIRE TO/FROM
2A	LT. BLUE	14 SXL	ROOM W/LT CONN PIN A - WORKLIGHT SW PIN 3
2K	BLACK	18 SXL	SPLICE 2 - WORKLIGHT SW PIN 7
2J	BLACK	18 SXL	SPLICE 2 - LF ROAD LT CONN PIN 8
2H	BLACK	18 SXL	SPLICE 2 - RR ROAD LT CONN PIN 8
2G	BLACK	18 SXL	SPLICE 2 - RR W/LT GND
2F	BLACK	18 SXL	SPLICE 2 - RR TAIL LT CONN PIN 1
2E	BLACK	18 SXL	SPLICE 2 - LR TAIL LT CONN PIN 1
2D	BLACK	18 SXL	SPLICE 2 - LR W/LT GND
2C	BLACK	18 SXL	SPLICE 2 - BOOM W/LT CONN PIN 8
2B	BLACK	18 SXL	SPLICE 2 - HAZ SW PIN 16
2A	BLACK	12 SXL	SPLICE 2 - CAB GND STUD
1J	RED	14 SXL	HAZ SW TERM 1 - HAZ SW PIN 8
1F	RED	14 SXL	SPLICE 1 - WORKLIGHT SW PIN 8
1E	RED	14 SXL	SPLICE 1 - WORKLIGHT SW PIN 2
1D	RED	14 SXL	SPLICE 1 - SW LT SW PIN 8
1C	RED	14 SXL	SPLICE 1 - LSTALK SW CONN PIN C
1B	RED	14 SXL	SPLICE 1 - HAZ SW PIN 1
1A	RED	14 SXL	SPLICE 1 - WORKLIGHT SW PIN 5
1	RED	12 SXL	SPLICE 1 - LT MAIN POWER

WIRE	COLOR	WIRE GAGE/TYPE	WIRE TO/FROM
22C	ORANGE	18 SXL	SPLICE 22 - HAZ SW PIN 18
22B	ORANGE	18 SXL	SPLICE 22 - LR ROADLT CONN PIN 2
22A	ORANGE	18 SXL	SPLICE 22 - LF ROADLT CONN PIN 2
22	ORANGE	18 SXL	SPLICE 22 - LSTALK SW CONN PIN 5
21C	RED	18 SXL	SPLICE 21 - LOWBEAM CONN PIN A
21B	RED	18 SXL	SPLICE 21 - RR ROADLT CONN PIN 1
21A	RED	18 SXL	SPLICE 21 - LF ROADLT CONN PIN 1
21	RED	18 SXL	SPLICE 21 - HAZ SW CONN PIN 8
20F	WHITE	18 SXL	SPLICE 20 - INSTR. PNL BACKLIGHT
20D	WHITE	18 SXL	SPLICE 20 - RR TAIL LT CONN PIN 3
20C	WHITE	18 SXL	SPLICE 20 - LR TAIL LT CONN PIN 3
20B	WHITE	18 SXL	SPLICE 20 - RR ROADLT CONN PIN 2
20A	WHITE	18 SXL	SPLICE 20 - LF ROADLT CONN PIN 2
20	WHITE	18 SXL	SPLICE 20 - LSTALK SW CONN PIN A
4C	YELLOW	14 SXL	RR WORK LT PWR - SPLICE 4
4B	YELLOW	14 SXL	LR WORK LT PWR - SPLICE 4
4A	YELLOW	14 SXL	WORKLIGHT SW PIN 6 - SPLICE 4

WIRE	COLOR	WIRE GAGE/TYPE	WIRE TO/FROM
003	BLACK	12 SXL	CAB GND STUD - GND BUSSBAR
33	PURPLE	18 SXL	FLASHER X TERM - HAZ SW CONN PIN 2
32	GREEN	14 SXL	HAZ PWR - HAZ SW CONN PIN 3
31	YELLOW	18 SXL	LOWBEAM CONN PIN 5 - SPLICE 1
29B	PURPLE	18 SXL	SPLICE 25 - HAZ SW CONN TERM 5
28A	PURPLE	16 SXL	SPLICE 25 - LSTALK SW CONN PIN F
28	PURPLE	16 SXL	SPLICE 25 - FLASHER L TERM
27F	RED	12 SXL	LIGHTS FUSE - POSITIVE BUSSBAR
27B	RED	12 SXL	FELTS FUSE - POSITIVE BUSSBAR
27	PURPLE/WHITE	18 SXL	FLASHER P TERM - INSTR. PNL TURN SIGNAL
26B	GREY	18 SXL	SPLICE 26 - RR TAIL LT CONN PIN 4
26A	GREY	18 SXL	SPLICE 26 - LR TAIL LT CONN PIN 4
26	GREY	18 SXL	SPLICE 26 - BRAKE LT SW STP LTS
25	PINK	18 SXL	SPLICE 24 - LSTALK SW CONN PIN B
24C	DARK BLUE	18 SXL	SPLICE 24 - INSTR. PNL MAIN BGM
24B	DARK BLUE	18 SXL	SPLICE 24 - RR ROADLT CONN PIN 4
24A	DARK BLUE	18 SXL	SPLICE 24 - LF ROADLT CONN PIN 4
24	DARK BLUE	18 SXL	SPLICE 24 - HAZ SW CONN PIN A
23C	GREEN	18 SXL	SPLICE 25 - HAZ SW PIN 17
23B	GREEN	18 SXL	SPLICE 25 - RR TAIL LT CONN PIN 2
23A	GREEN	18 SXL	SPLICE 25 - LF ROADLT CONN PIN 2
23	GREEN	18 SXL	SPLICE 25 - LSTALK SW CONN PIN D

RH5710

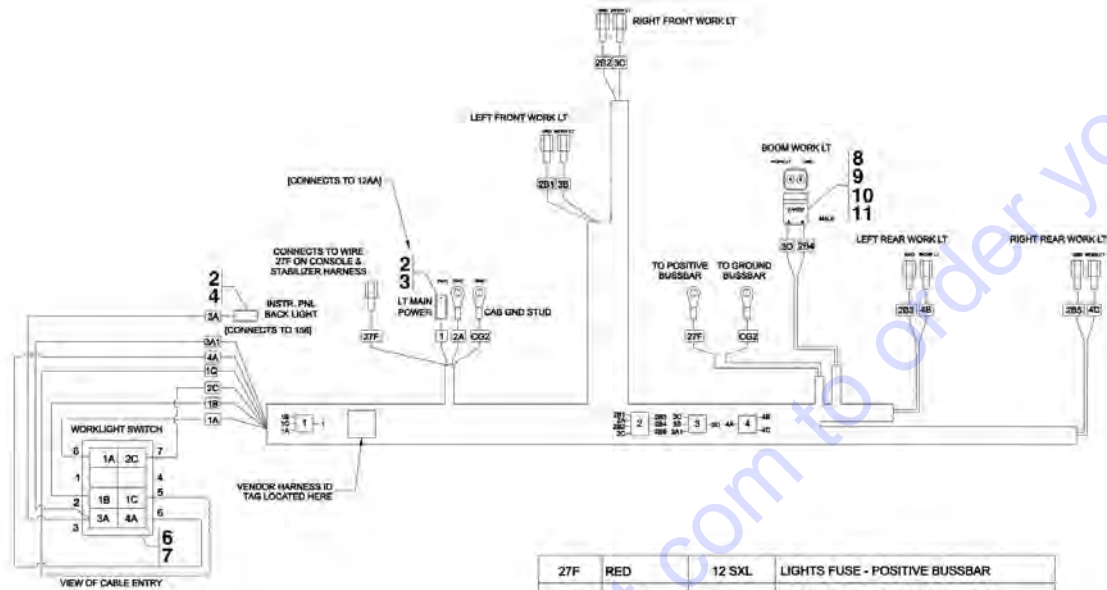
SECTION 10 - ELECTRICAL

FIGURE 10-14. ROAD LIGHTING HARNESS

ITEM	PART NUMBER	QTY	DESCRIPTION	REV
	7150741	1	ROAD LIGHTING HARNESS, (includes all items)	J
2	8220971	5	CONNECTOR	
3	1001116737	1	UNSEALED TERMINAL, FEMALE	
4	70024259	4	TERMINAL, MALE, METRI-PACK	
5	8220970	5	CONNECTOR	
6	1001116736	5	UNSEALED TERMINAL	
8	7026439	1	CONNECTOR	
9	1001117079	1	CONNECTOR	
10	4460419	14	METRI-PACK TERMINAL	
11	4460933	1	CONNECTOR PLUG	
12	4460465	8	SOCKET CONNECTOR	
13	8220081	3	SEAL	
14	80604016	1	WEDGE LOCK	
15	4460466	4	SEALING PLUG TERMINAL	
16	1001117026	2	METRI-PACK SEALED CONNECTOR	
17	8220890	2	SECONDARY LOCK	
18	1001116745	3	METRI-PACK TERMINAL	
19	4460894	2	PLUG CONNECTOR	
20	80604023	2	WEDGE LOCK	
21	70020888	18	TERMINAL SOCKET	
22	4460466	2	SEALING PLUG TERMINAL	
23	4460884	2	PLUG CONNECTOR	
24	80604021	2	WEDGE LOCK	
25	8220089	1	SEAL	
26	1001116729	1	METRI-PACK TERMINAL	

SECTION 10 - ELECTRICAL

FIGURE 10-15. WORK LIGHTING HARNESS



WIRE	COLOR	WIRE GAGE/TYPE	WIRE TO/FROM
27F	RED	12 SXL	LIGHTS FUSE - POSITIVE BUSSBAR
CG2	BLACK	12 SXL	CAB GND STUD - GROUND BUSSBAR
4C	YELLOW	14 SXL	RR WORK LT PWR - SPLICE 4
4B	YELLOW	14 SXL	LR WORK LT PWR - SPLICE 4
4A	YELLOW	14 SXL	WORKLIGHT SW PIN 6 - SPLICE 4
3D	LT. BLUE	14 SXL	SPLICE 3 - BOOM WK LT CONN PIN A
3C	LT. BLUE	14 SXL	SPLICE 3 - RF WRK LT PWR
3B	LT. BLUE	14 SXL	SPLICE 3 - LF WRK LT PWR
3A1	LT. BLUE	14 SXL	SPLICE 3 - WORKLIGHT SW PIN 3
3A	LT. BLUE	14 SXL	INSTR. PNL BACKLT - WORKLIGHT SW PIN 3
2C	BLACK	14 SXL	SPLICE 2 - WORKLIGHT SW PIN 7
2B5	BLACK	14 SXL	SPLICE 2 - RR WRK LT GND
2B4	BLACK	14 SXL	SPLICE 2 - BOOM WK CONN PIN B
2B3	BLACK	14 SXL	SPLICE 2 - LR WRK LT GND
2B2	BLACK	14 SXL	SPLICE 2 - RF WRK LT GND
2B1	BLACK	14 SXL	SPLICE 2 - LF WRK LT GND
2A	BLACK	12 SXL	SPLICE 2 - CAB GND STUD
1C	RED	14 SXL	SPLICE 1 - WORKLIGHT SW PIN 5
1B	RED	14 SXL	SPLICE 1 - WORKLIGHT SW PIN 2
1A	RED	14 SXL	SPLICE 1 - WORKLIGHT SW PIN 8
1	RED	12 SXL	SPLICE 1 - LT MAIN POWER
WIRE	COLOR	WIRE GAGE/TYPE	WIRE TO/FROM

PH5720

SECTION 10 - ELECTRICAL

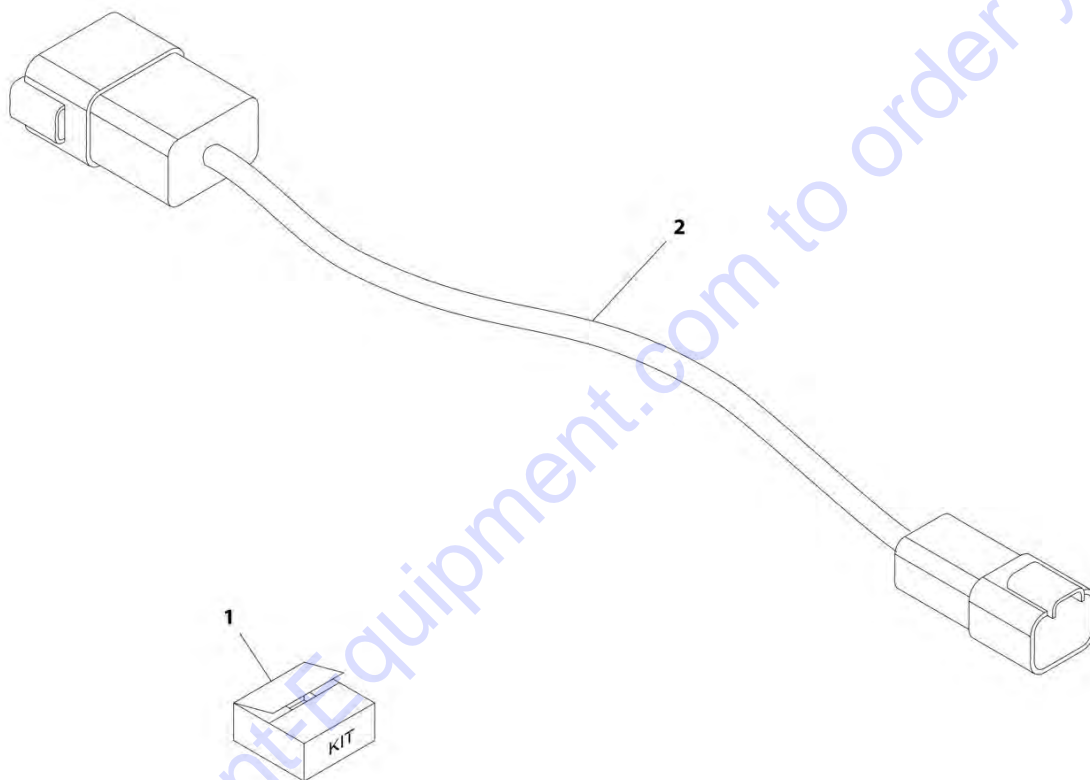
FIGURE 10-15. WORK LIGHTING HARNESS

ITEM	PART NUMBER	QTY	DESCRIPTION	REV
	7150707	1	WORK LIGHTING HARNESS, (includes all items)	1
2	8220971	2	CONNECTOR	
3	1001116737	1	TERMINAL, FEMALE, UNSEALED	
4	70024259	1	TERMINAL, MALE, METRI-PACK	
6	7026439	1	CONNECTOR	
7	4460419	6	METRI-PACK, TERMINAL, FEMALE	
8	1001117026	1	METRI-PACK SEALED CONNECTOR, 2 POSITION	
9	8220890	1	SECONDARY LOCK	
10	8220081	2	CABLE SEAL, WEATHER/METRI-PACK	
11	1001116729	2	TERMINAL, MALE, METRI-PACK	

Go to Discount-Equipment.com to order your parts

SECTION 10 - ELECTRICAL

FIGURE 10-16. TELEMATICS INSTALLATION, UNITED RENTALS



ART_1001195610-A

SECTION 10 - ELECTRICAL

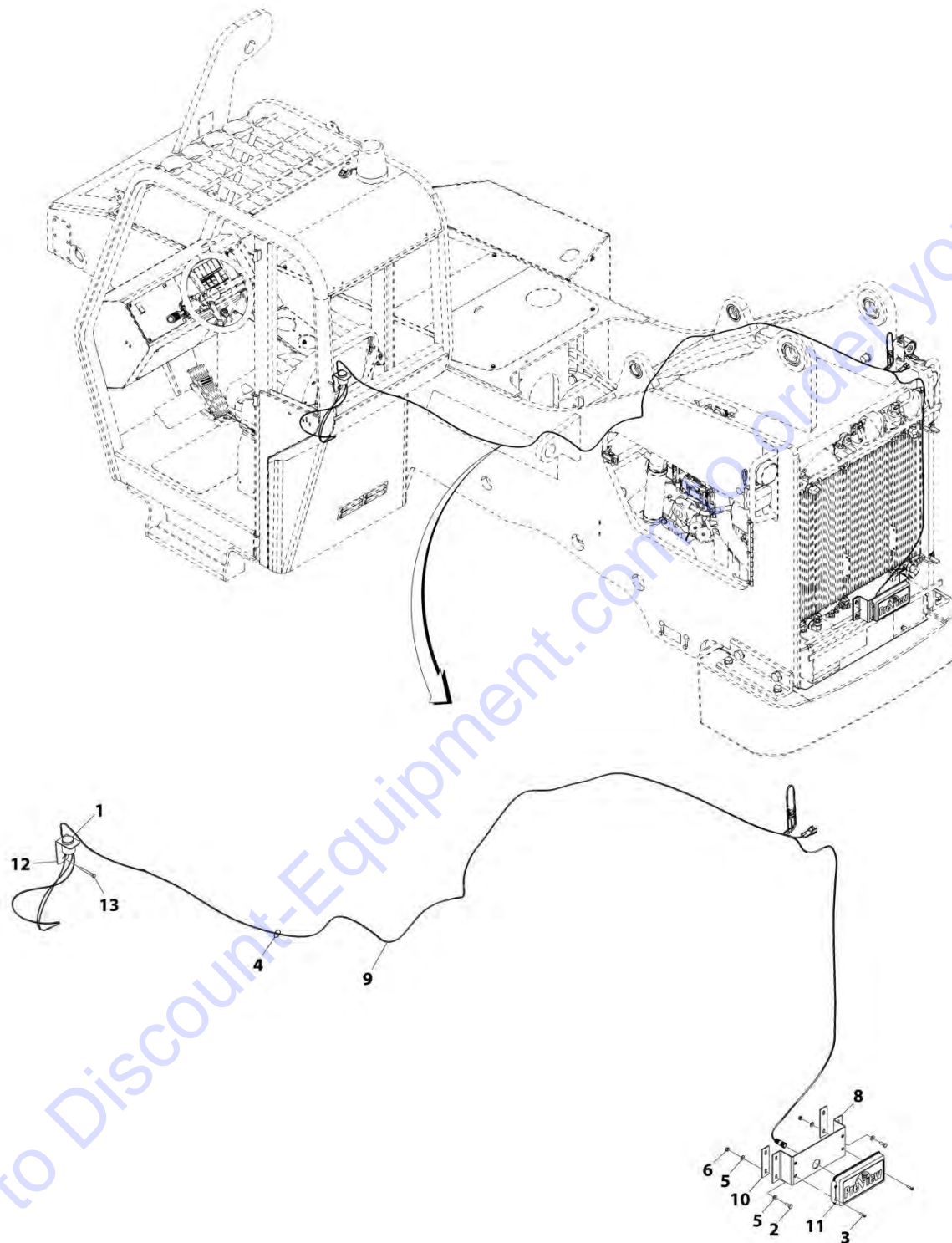
FIGURE 10-16. TELEMATICS INSTALLATION, UNITED RENTALS

ITEM	PART NUMBER	QTY	DESCRIPTION	REV
	1001195610	Ref	TELEMATICS INSTALLATION, UNITED RENTALS	A
1	N.S.S.	1	TELEMATICS KIT	
2	1001195423	1	HARNESS, JUMPER	

Go to Discount-Equipment.com to order your parts

SECTION 10 - ELECTRICAL

FIGURE 10-17. REVERSE SENSING SYSTEM INSTALLATION



ART_1001154331-B

SECTION 10 - ELECTRICAL

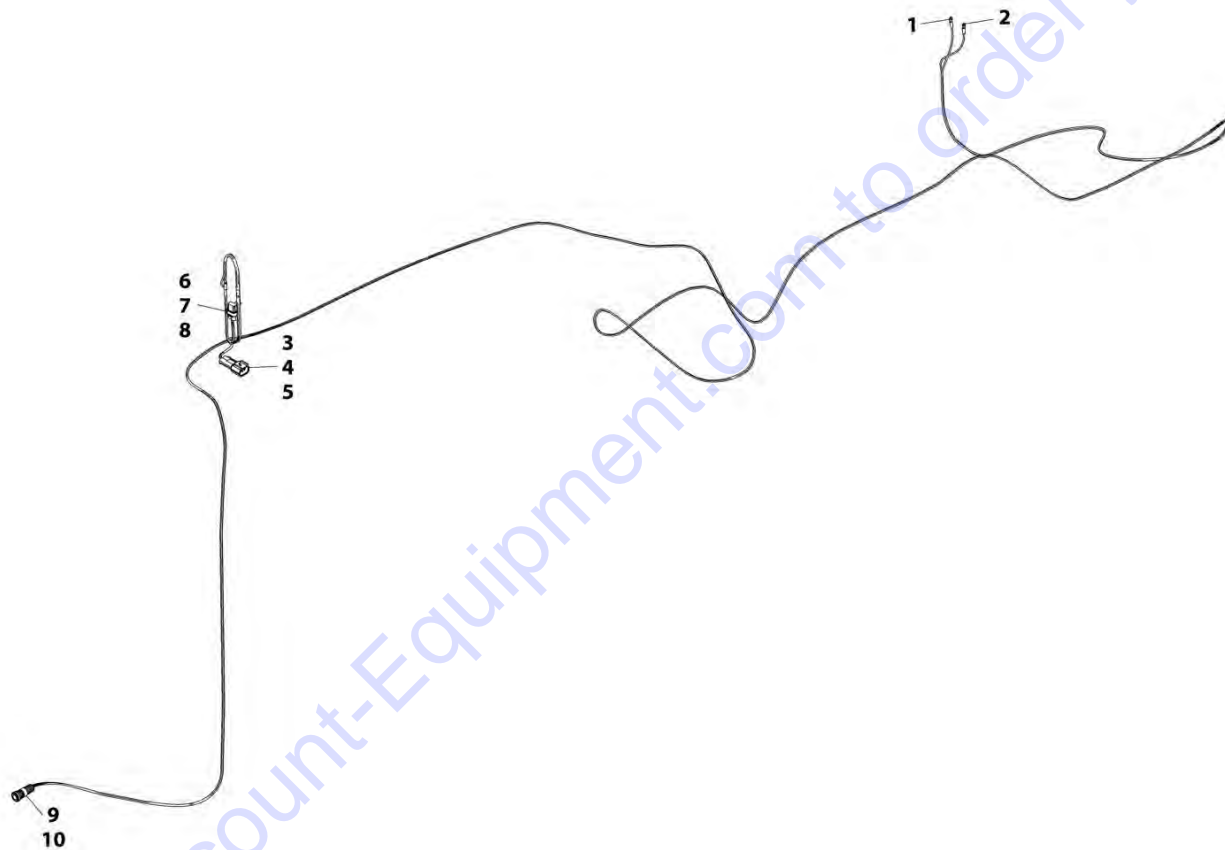
FIGURE 10-17. REVERSE SENSING SYSTEM INSTALLATION

ITEM	PART NUMBER	QTY	DESCRIPTION	REV
	1001154331	1	REVERSE SENSING SYSTEM INSTALLATION, (includes all items)	B
1	0140011	1	ALARM	
2	0641406	4	HEX HD CAPSCREW, 1/4-20X3/4, GR5	
3	3931012	4	SOCKET HD CAPSCREW, 10-24X3/4	
4	4240033	AR	WIRE TIE	
5	4711400	8	WASHER, 1/4	
6	8305004	4	HEX NUT, 1/4-20	
8	1001154375	1	BRACKET	
9	1001159876	1	REVERSE SENSOR HARNESS, (see Separate Breakdown in this section)	
10	1001161023	2	PLATE	
11	1001182358	1	REVERSE SENSOR CONTROL	
12	1001182863	1	ALARM BRACKET	
13	0641418	1	HEX HD CAPSCREW, 1/4-20X2-3/4, GR5	

Go to Discount-Equipment.com to order your parts

SECTION 10 - ELECTRICAL

FIGURE 10-18. REVERSE SENSOR HARNESS



ART_1001159876-B

PARTS FINDER

**Search Website
by Part Number**



**Search Manual
Library For Parts
Manual & Lookup Part
Numbers – Purchase
or Request Quote**

**Can't Find Part or
Manual? Request Help
by Manufacturer,
Model & Description**

Discount-Equipment.com is your online resource for quality parts & equipment.

Florida: **561-964-4949** Outside Florida TOLL FREE: **877-690-3101**

Need parts?

Click on this link: <http://www.discount-equipment.com/category/5443-parts/> and choose one of the options to help get the right parts and equipment you are looking for. Please have the machine model and serial number available in order to help us get you the correct parts. If you don't find the part on the website or on one of the online manuals, please fill out the request form and one of our experienced staff members will get back to you with a quote for the right part that your machine needs.

We sell worldwide for the brands: Genie, Terex, JLG, MultiQuip, Mikasa, Essick, Whiteman, Mayco, Toro Stone, Diamond Products, Generac Magnum, Airman, Haulotte, Barreto, Power Blanket, Nifty Lift, Atlas Copco, Chicago Pneumatic, Allmand, Miller Curber, Skyjack, Lull, Skytrak, Tsurumi, Husquvarna Target, Stow, Wacker, Sakai, Mi-T-M, Sullair, Basic, Dynapac, MBW, Weber, Bartell, Bennar Newman, Haulotte, Ditch Runner, Menegotti, Morrison, Contec, Buddy, Crown, Edco, Wyco, Bomag, Laymor, EZ Trench, Bil-Jax, F.S. Curtis, Gehl Pavers, Heli, Honda, ICS/PowerGrit, IHI, Partner, Imer, Clipper, MMD, Koshin, Rice, CH&E, General Equipment, Amida, Coleman, NAC, Gradall, Square Shooter, Kent, Stanley, Tamco, Toku, Hatz, Kohler, Robin, Wisconsin, Northrock, Oztec, Toker TK, Rol-Air, APT, Wylie, Ingersoll Rand / Doosan, Innovatech, Con X, Ammann, Mecalac, Makinex, Smith Surface Prep, Small Line, Wanco, Yanmar

SECTION 10 - ELECTRICAL

FIGURE 10-18. REVERSE SENSOR HARNESS

ITEM	PART NUMBER	QTY	DESCRIPTION	REV
	1001159876	1	REVERSE SENSOR HARNESS, (includes all items)	B
1	1001098122	1	RING TERMINAL	
2	1001098122	1	RING TERMINAL	
3	1001117026	1	CONNECTOR	
4	1001116745	2	TERMINAL	
5	4460458	2	SEAL	
6	1001117021	1	CONNECTOR	
7	1001116728	2	TERMINAL	
8	4460458	2	SEAL	
9	1001175733	1	CONNECTOR	
10	N.S.S.	3	PLUG	

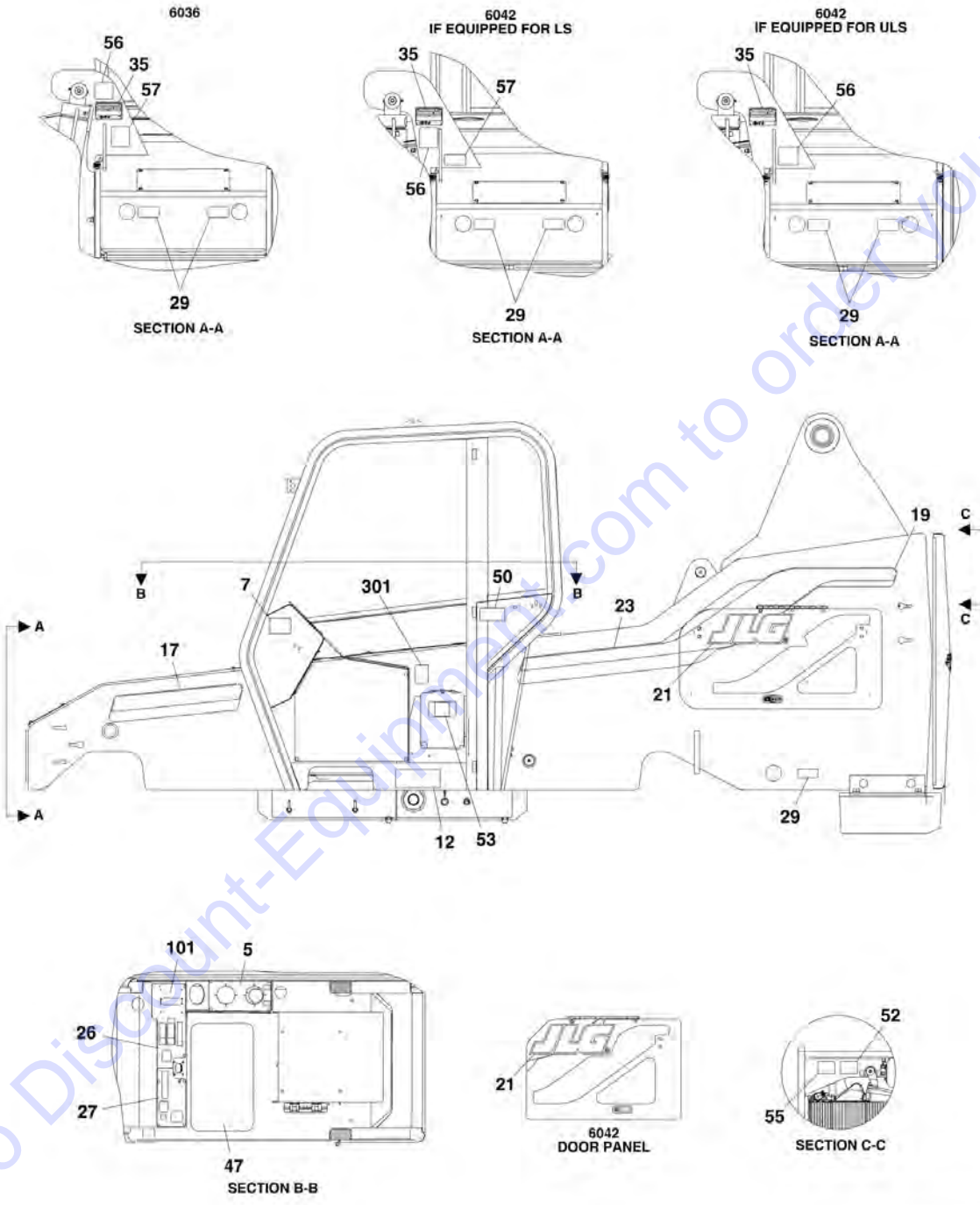
Go to Discount-Equipment.com to order your parts

SECTION 11 - DECALS

Go to Discount-Equipment.com to order your parts

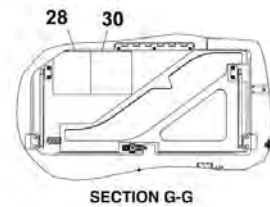
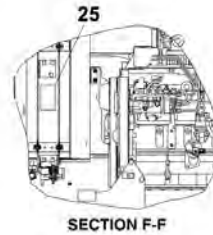
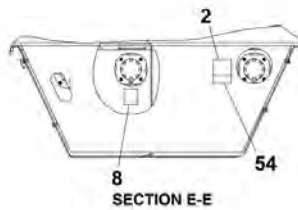
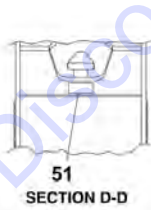
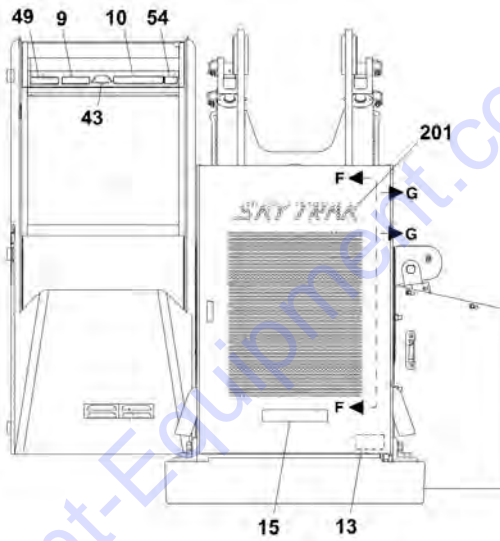
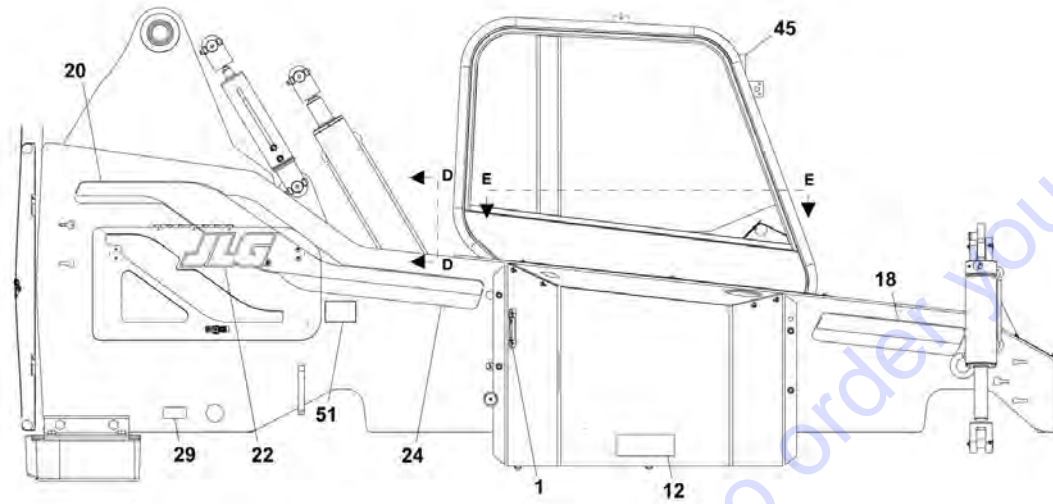
SECTION 11 - DECALS

FIGURE 11-1. CAB AND FRAME DECALS



ART_31200731-11-1_1

SECTION 11 - DECALS



ART_PAP26011-B

SECTION 11 - DECALS

FIGURE 11-1. CAB AND FRAME DECALS

ITEM	PART NUMBER	QTY	DESCRIPTION	REV
	1001142442	Ref	DECAL INSTALLATION, (6036), (ZF), (ISO), (if equipped for LS), (not available to order, see items 1 thru 53, 56 & 57 on CAB AND FRAME DECALS and items on BOOM DECALS for service)	E
	1001125357	Ref	DECAL INSTALLATION, (6036), (ZF), (ISO), (if equipped for ULS), (not available to order, see items 1 thru 57 on CAB AND FRAME DECALS and items on BOOM DECALS for service)	F
	1001125356	Ref	DECAL INSTALLATION, (6036), (ZF), (ANSI), (not available to order, see items 1 thru 57 on CAB AND FRAME DECALS and items on BOOM DECALS for service)	G
	1001163641	Ref	DECAL INSTALLATION, (6036), (ENGLISH/ FRENCH), (not available to order, see items 1 thru 56 on CAB AND FRAME DECALS and items on BOOM DECALS for service)	A
	1001142441	Ref	DECAL INSTALLATION, (6042), (ZF), (ISO), (if equipped for LS), (not available to order, see items 1 thru 53, 56 & 57 on CAB AND FRAME DECALS and items on BOOM DECALS for service)	D
	1001125359	Ref	DECAL INSTALLATION, (6042), (ZF), (ISO), (if equipped for ULS), (not available to order, see items 1 thru 56 on CAB AND FRAME DECALS and items on BOOM DECALS for service)	E
	1001125358	Ref	DECAL INSTALLATION, (6042), (ZF), (ANSI), (not available to order, see items 1 thru 56 on CAB AND FRAME DECALS and items on BOOM DECALS for service)	F
	1001163643	Ref	DECAL INSTALLATION, (6042), (ENGLISH/ FRENCH), (not available to order, see items 1 thru 56 on CAB AND FRAME DECALS and items on BOOM DECALS for service)	A
1	4108302	1	HYDRAULIC OIL LEVEL DECAL, (6036)	
1	4100181	1	HYDRAULIC OIL LEVEL DECAL, (6042)	
2	4105171	1	DIESEL FUEL FILL DECAL	
5	4107462	1	SIDE CONSOLE DECAL	
7	3251813	1	USA DECAL	
8	4100181	1	HYDRAULIC OIL FILL DECAL, (6036)	
8	4108302	1	HYDRAULIC OIL FILL DECAL, (6042)	
9	1706284	1	ELECTROCUTION HAZARD DECAL, (ISO)	
9	1706299	1	ELECTROCUTION HAZARD DECAL, (ANSI)	
9	1001163210	1	DECAL, ELECTROCUTION HAZARD , (ENGLISH/ FRENCH)	
10	1706288	1	TIP HAZARD DECAL, (ISO)	
10	1706306	1	TIP HAZARD DECAL, (ANSI)	
10	1001163285	1	DECAL, TIP OVER WARNING, (ENGLISH/ FRENCH)	
12	1706171	2	MODEL NUMBER DECAL, (6036)	
12	1706172	2	MODEL NUMBER DECAL, (6042)	
13	1706281	1	BATTERY WARNING DECAL, (ISO)	
13	1706296	1	BATTERY WARNING DECAL, (ANSI)	
13	1001163174	1	DECAL, BATTERY WARNING, (ENGLISH/ FRENCH)	
15	1704885	1	WEBSITE DECAL	
17	4110176	1	FRONT FRAME STRIPE LH SIDE DECAL	
18	4110177	1	FRONT FRAME STRIPE RH SIDE DECAL	
19	4110178	1	LEFT REAR FRAME STRIPE DECAL, (6036)	
19	4110362	1	LEFT REAR FRAME STRIPE DECAL, (6042)	
20	4110179	1	REAR FRAME STRIP RH SIDE DECAL	
21	1706202	1	LH ENGINE DOOR STRIPE DECAL, (6036)	
21	1001162590	1	LH ENGINE DOOR STRIPE DECAL, (6036). (ANSI)	
21	1706204	1	LH ENGINE DOOR STRIPE DECAL, (6042)	
22	1706203	1	RH ENGINE DOOR STRIPE DECAL	
22	1001162591	1	RH ENG DOOR STRIPE DECAL, (ANSI), (ENGLISH/ FRENCH)	

SECTION 11 - DECALS

ITEM	PART NUMBER	QTY	DESCRIPTION	REV
23	4110182	1	MID FRAME STRIPE DECAL, (6036)	
23	4110364	1	MID FRAME STRIPE DECAL, (6042)	
23	1001151083	1	DECAL, MID FRAME STRIPE (ENGLISH/ FRENCH)	
24	4110183	1	MID FRAME RH SIDE STRIPE DECAL	
25	1706285	2	MOVING PARTS WARNING DECAL, (ISO)	
25	1706301	2	MOVING PARTS WARNING DECAL, (ANSI)	
25	1001163222	2	DECAL, MOVING PARTS (ENGLISH/ FRENCH)	
26	1001129767	1	OVERLAY RH DECAL, (ISO)	
26	1001129766	1	OVERLAY RH DECAL, (ANSI)	
26	1001165771	1	OVERLAY RIGHT HAND, (ENGLISH/ FRENCH)	
27	1001110282	1	OVERLAY LH DECAL, (ISO)	
27	4110188	1	OVERLAY LH DECAL, (ANSI)	
27	1001165804	1	OVERLAY LEFT HAND, (ENGLISH/ FRENCH)	
28	1001109597	1	LUBRICATION CHART DECAL, (6036)	
28	1001109598	1	LUBRICATION CHART DECAL, (6042)	
29	4110226	4	LIFT POINT/TIE DOWN DECAL	
30	1001143904	1	MAINTENANCE CHART DECAL, (ANSI), (ISO), (if equipped for ULS)	
30	1001109596	1	DECAL, MAINTENANCE CHART, (ENGLISH/ FRENCH), (ISO), (if equipped for LS)	
30	1001154700	1	DECAL, MAINTENANCE CHART, (6042), (ENGLISH/ FRENCH)	
35	N.S.S.	1	SN PLATE	
43	8466306	1	TILT ANGLE GAUGE	
45		Ref	RECTANGULAR MIRROR, (See CAB SECTION for Breakdown)	
47	10139087	1	ANTI SLIP ADHESIVE STRIP	
49	1001092877	1	CRUSH HAZARD WARNING DECAL, (ISO)	
49	1706850	1	CRUSH HAZARD WARNING DECAL, (ANSI)	
49	1001163304	1	DECAL, CRUSH HAZARD WARNING,, (ENGLISH/ FRENCH)	
50	1001092878	1	NO RIDERS DECAL, (ISO)	
50	1706768	1	NO RIDERS DECAL, (ANSI)	
50	1001163300	1	DECAL, NO RIDERS, (ENGLISH/ FRENCH)	
51	1706098	2	ETHER STARTING WARNING DECAL, (ISO)	
51	1706300	2	ETHER STARTING WARNING DECAL, (ANSI)	
51	1001163212	2	DECAL,WARNING NO EITHER, (ENGLISH/ FRENCH)	
52	1001109053	1	COOLANT FILL DECAL	
53	1701640	1	MANUAL DECAL	
54	1001125387	2	ULTRA LOW SULFUR DECAL	
54	1001163355	2	DECAL, ULTRA LOW SULFUR FUEL (ENGLISH/ FRENCH)	
55	1001139578	1	HOT FLUID WARNING DECAL	
55	1001163323	1	DECAL, HOT FLUID WARNING, (ENGLISH/ FRENCH)	
56	1001131271	1	TELEHANDLERS PATENT DECAL	
57	1001143852	1	EXPORT DECAL, (if equipped for LS)	
58	1702631	1	DECAL,BAR CODE ASSY	
101	1001106012	1	CAPACITY CHART BOOKLET, (6036), (ANSI)	
101	1001127753	1	CAPACITY CHART BOOKLET, (6036), (ISO)	
101	1001110412	1	OPTIONAL CAPACITY CHART BOOKLET, (6036), (ANSI)	
101	1001127755	1	OPTIONAL CAPACITY CHART BOOKLET, (6036), (ISO)	
101	1001106013	1	CAPACITY CHART BOOKLET, (6042), (ANSI)	
101	1001127593	1	CAPACITY CHART BOOKLET, (6042), (ISO)	
101	1001110413	1	OPTIONAL CAPACITY CHART BOOKLET, (6042), (ANSI)	
101	1001127594	1	OPTIONAL CAPACITY CHART BOOKLET, (6042), (ISO)	
201	1001153473	1	REAR DOOR SKYTRAK DECAL (SN 0160053077 to Present)	

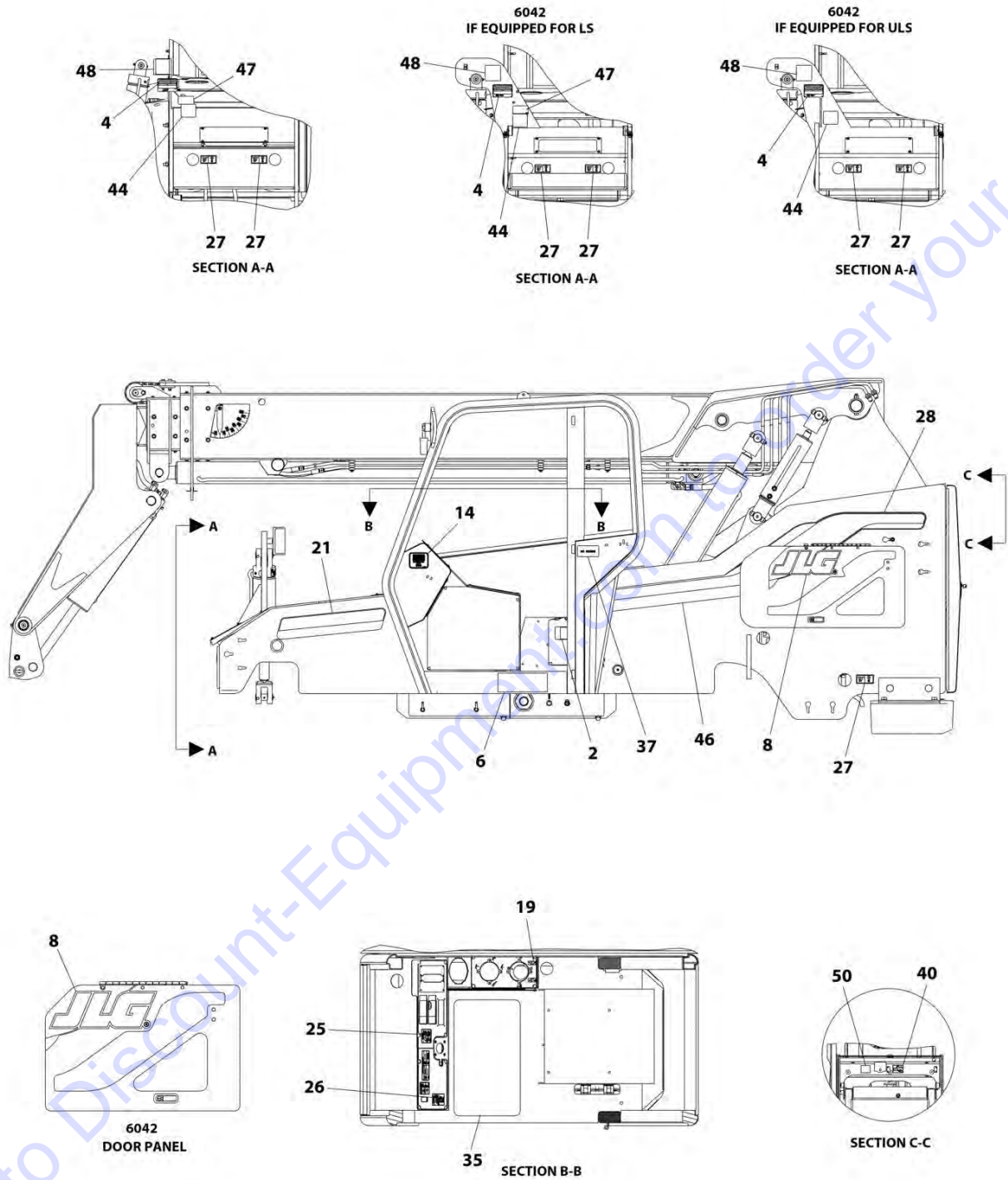
SECTION 11 - DECALS

ITEM	PART NUMBER	QTY	DESCRIPTION	REV
301	1001160072	1	REVERSE SENSING SYSTEM DECAL, (ANSI)	
301	1001160945	1	REVERSE SENSING SYSTEM DECAL, (ENGLISH/FRENCH)	
301	1001160916	1	REVERSE SENSING SYSTEM DECAL, (ISO)	

Go to Discount-Equipment.com to order your parts

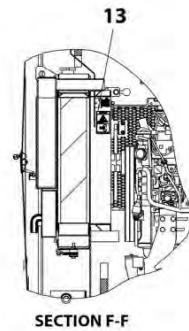
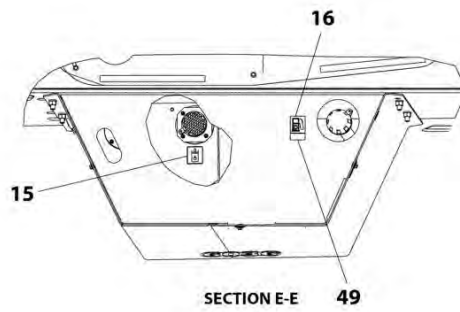
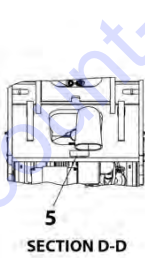
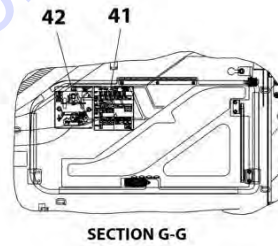
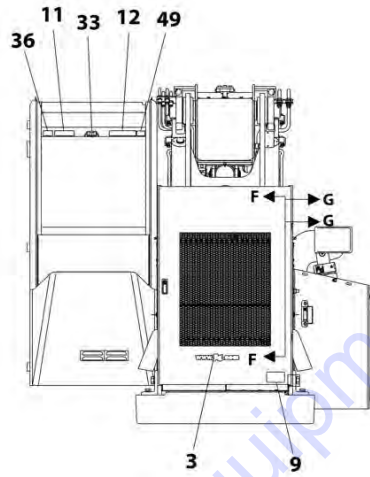
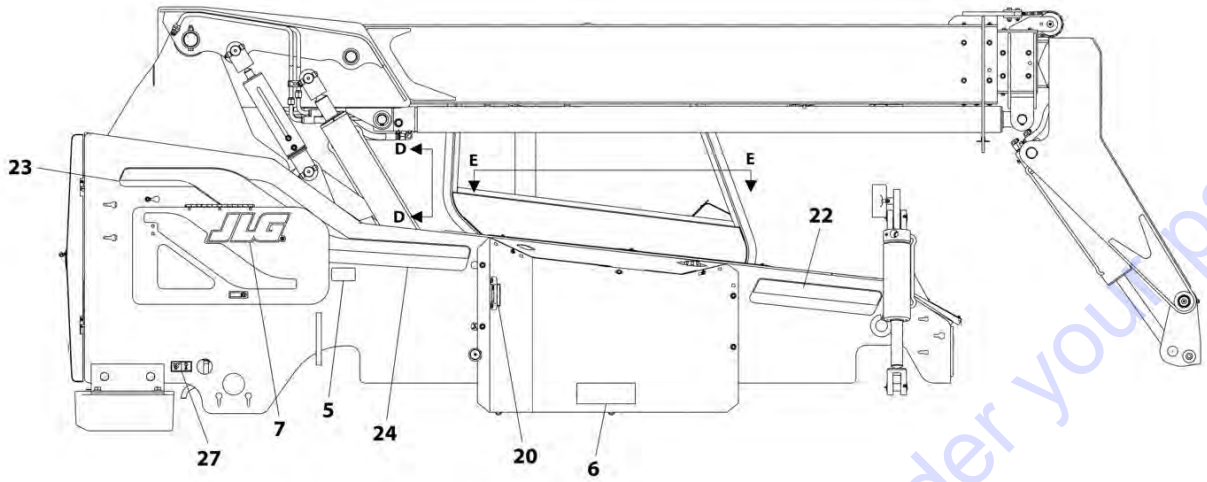
SECTION 11 - DECALS

FIGURE 11-2. CAB AND FRAME DECALS (DANA)



ART_31200731-11-2_1

SECTION 11 - DECALS



ART_31200731-11-2_2

SECTION 11 - DECALS

FIGURE 11-2. CAB AND FRAME DECALS (DANA)

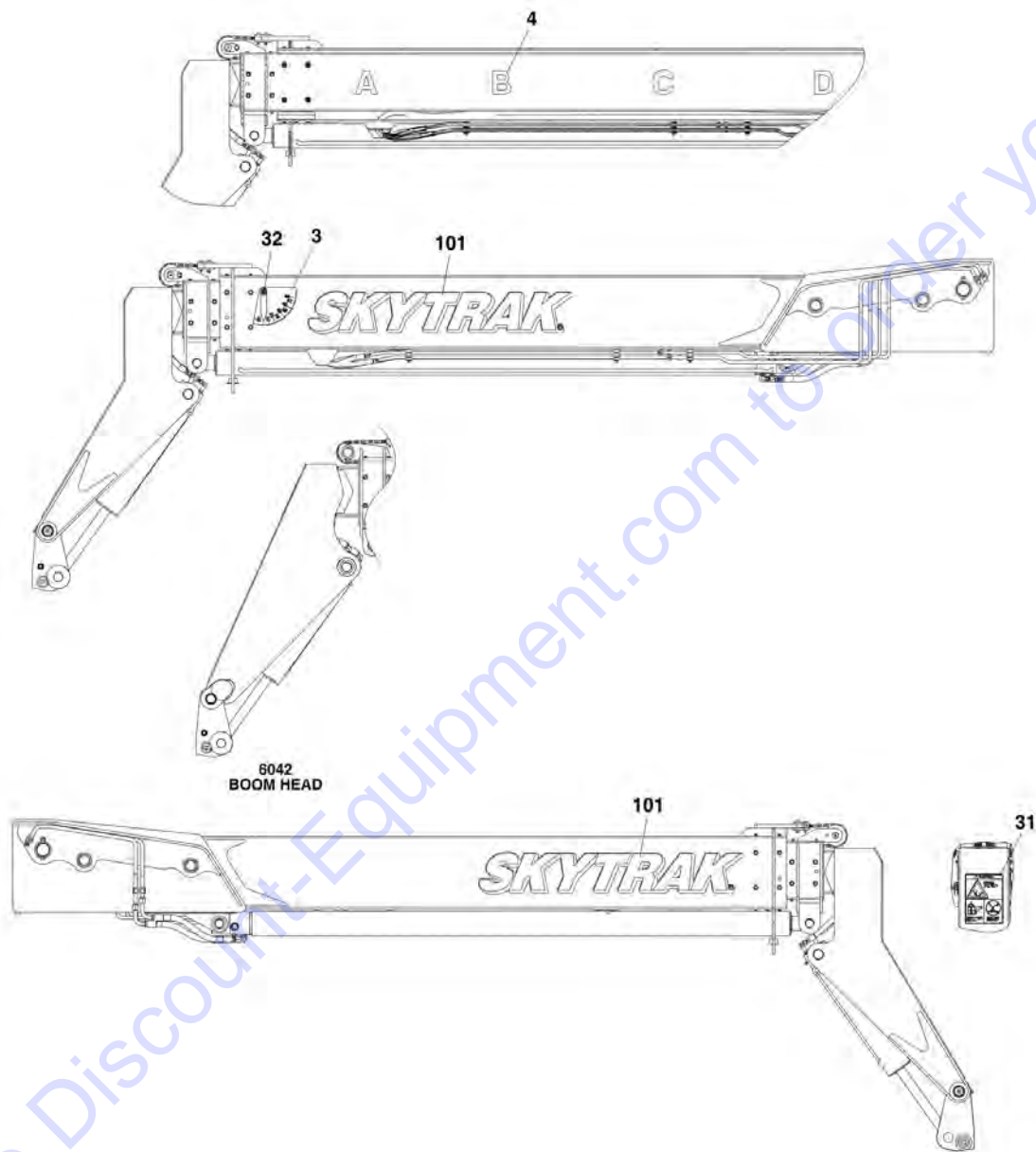
ITEM	PART NUMBER	QTY	DESCRIPTION	REV
	1001151375	Ref	DECAL INSTALLATION, (6036), (ISO), (if equipped for LS), (not available to order, see items 2 thru 48 on CAB AND FRAME DECALS and items on BOOM DECALS for service)	E
	1001151374	Ref	DECAL INSTALLATION, (6036), (ISO), (if equipped for ULS), (not available to order, see items 2 thru 46 & 48 thru 50 on CAB AND FRAME DECALS and items on BOOM DECALS for service)	F
	1001151373	Ref	DECAL INSTALLATION, (6036), (ANSI), (not available to order, see items 2 thru 46 & 48 thru 50 CAB AND FRAME DECALS and items on BOOM DECALS for service)	E
	1001155466	Ref	DECAL INSTALLATION, (6042), (ISO), (if equipped for LS), (not available to order, see items 2 thru 48 on CAB AND FRAME DECALS and items on BOOM DECALS for service)	D
	1001155465	Ref	DECAL INSTALLATION, (6042), (ISO), (if equipped for ULS), (not available to order, see items 2 thru 46 & 48 thru 50 on CAB AND FRAME DECALS and items on BOOM DECALS for service)	D
	1001155464	Ref	DECAL INSTALLATION, (6042), (ANSI), (not available to order, see items 2 thru 46 & 48 thru 50 on CAB AND FRAME DECALS and items on BOOM DECALS for service)	D
2	1701640	1	MANUAL DECAL	
3	1704885	1	WEBSITE DECAL	
4	N.S.S.	1	SN PLATE	
5	1706098	2	ETHER STARTING WARNING DECAL, (ISO)	
5	1706300	2	ETHER STARTING WARNING DECAL, (ANSI)	
6	1706171	2	MODEL NUMBER DECAL, (6036)	
6	1706172	2	MODEL NUMBER DECAL, (6042)	
7	1001162591	1	RH ENG DOOR STRIPE DECAL	
8	1001162590	1	LH ENGINE DOOR STRIPE DECAL, (6036)	
8	1706204	1	LH ENGINE DOOR STRIPE DECAL, (6042)	
9	1706281	1	BATTERY WARNING DECAL, (ISO)	
9	1706296	1	BATTERY WARNING DECAL, (ANSI)	
11	1706284	1	ELECTROCUTION HAZARD DECAL, (ISO)	
11	1706299	1	ELECTROCUTION HAZARD DECAL, (ANSI)	
12	1706288	1	TIP HAZARD DECAL, (ISO)	
12	1706306	1	TIP HAZARD DECAL, (ANSI)	
13	1706285	2	MOVING PARTS WARNING DECAL, (ISO)	
13	1706301	2	MOVING PARTS WARNING DECAL, (ANSI)	
14	3251813	1	USA DECAL	
15	4100181	1	HYDRAULIC OIL FILL DECAL, (ISO)	
15	4108302	1	HYDRAULIC OIL FILL DECAL, (ANSI)	
16	4105171	1	DIESEL FUEL FILL DECAL	
19	4107462	1	SIDE CONSOLE DECAL	
20	4108302	1	HYDRAULIC OIL LEVEL DECAL	
21	4110176	1	FRONT FRAME STRIPE LH SIDE DECAL	
22	4110177	1	FRONT FRAME STRIPE RH SIDE DECAL	
23	4110179	1	REAR FRAME STRIP RH SIDE DECAL	
24	4110183	1	MID FRAME RH SIDE STRIPE DECAL	
25	1001129767	1	OVERLAY RH DECAL, (ISO)	
25	1001129766	1	OVERLAY RH DECAL, (ANSI)	
26	1001110282	1	OVERLAY LH DECAL, (ISO)	
26	4110188	1	OVERLAY LH DECAL, (ANSI)	
27	4110226	4	LIFT POINT/TIE DOWN DECAL	
28	4110362	1	LEFT REAR FRAME STRIPE DECAL	

SECTION 11 - DECALS

ITEM	PART NUMBER	QTY	DESCRIPTION	REV
33	8466306	1	TILT ANGLE GAUGE	
35	10139087	1	ANTI SLIP ADHESIVE STRIP	
36	1001092877	1	CRUSH HAZARD WARNING DECAL, (ISO)	
36	1706850	1	CRUSH HAZARD WARNING DECAL, (ANSI)	
37	1001092878	1	NO RIDERS DECAL, (ISO)	
37	1706768	1	NO RIDERS DECAL, (ANSI)	
40	1001109053	1	COOLANT FILL DECAL	
41	1001154701	1	MAINTENANCE CHART DECAL, (if equipped for LS)	
41	1001154700	1	MAINTENANCE CHART DECAL, (ANSI), (ISO), (if equipped for ULS)	
42	1001109597	1	LUBRICATION CHART DECAL, (6036)	
42	1001109598	1	LUBRICATION CHART DECAL, (6042)	
44	1001131271	1	TELEHANDLERS PATENT DECAL	
46	1001151083	1	DECAL, MID FRAME STRIPE, (6036)	
46	4110364	1	MID FRAME STRIPE DECAL, (6042)	
47	1001143852	1	EXPORT DECAL	
48	1702631	1	DECAL,BAR CODE ASSY	
49	1001125387	2	ULTRA LOW SULFUR DECAL	
50	1001139578	1	HOT FLUID WARNING DECAL	

SECTION 11 - DECALS

FIGURE 11-3. BOOM DECALS



ART_PA5470-B

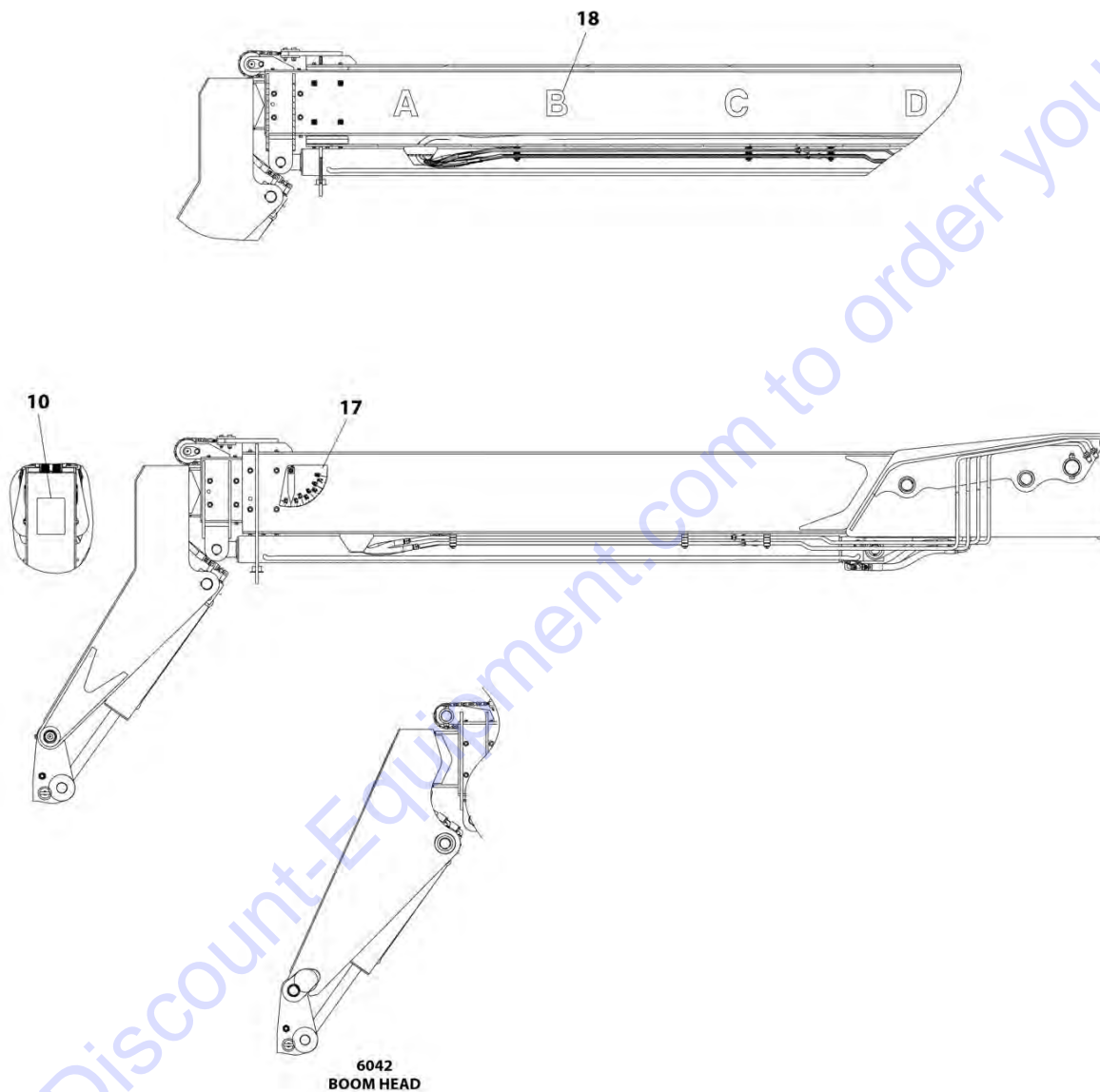
SECTION 11 - DECALS

FIGURE 11-3. BOOM DECALS

ITEM	PART NUMBER	QTY	DESCRIPTION	REV
	1001142442	Ref	DECAL INSTALLTION, (6036), (ISO), (if equipped for LS), (not available to order, see items 3 thru 31 on BOOM DECALS and items on CAB AND FRAME DECALS for service)	E
	1001125357	Ref	DECAL INSTALLTION, (6036), (ISO), (if equipped for ULS), (not available to order, see items 3 thru 31 on BOOM DECALS and items on CAB AND FRAME DECALS for service)	F
	1001125356	Ref	DECAL INSTALLTION, (6036), (ANSI), (not available to order, see items 3 thru 31 on BOOM DECALS and items on CAB AND FRAME DECALS for service)	G
	1001142441	Ref	DECAL INSTALLTION, (6042), (ISO), (if equipped for LS), (not available to order, see items 3 thru 31 on BOOM DECALS and items on CAB AND FRAME DECALS for service)	D
	1001125359	Ref	DECAL INSTALLTION, (6042), (ISO), (if equipped for ULS), (not available to order, see items 3 thru 31 on BOOM DECALS and items on CAB AND FRAME DECALS for service)	E
	1001125358	Ref	DECAL INSTALLTION, (6042), (ANSI), (not available to order, see items 3 thru 31 on BOOM DECALS and items on CAB AND FRAME DECALS for service)	F
3	4105262	1	BOOM ANGLE INDICATOR DECAL	
4	4107442	1	BOOM EXTEND LETTERS DECAL	
31	1706282	1	CARRYING PERSONNEL DECAL, (ISO)	
31	1706298	1	CARRYING PERSONNEL DECAL, (ANSI)	
31	1001163206	1	DECAL, CARRY PERSONNEL, (ENGLISH/ FRENCH)	
32		Ref	BOOM ANGLE INDICATOR PLATE AND MOUNTING HARDWARE, (See BOOM SECTION for Breakdown)	
	0274067	Ref	SKYTRAK DECAL INSTALLATION, (not available to order, (6036), see item 101 for service)	B
	0274038	Ref	SKYTRAK DECAL INSTALLATION, (not available to order, (6042), see item 101 for service)	B
101	1706176	2	BOOM DECAL, SKYTRAK	

SECTION 11 - DECALS

FIGURE 11-4. BOOM DECALS (DANA)



ART_31200731-11-4

SECTION 11 - DECALS

FIGURE 11-4. BOOM DECALS (DANA)

ITEM	PART NUMBER	QTY	DESCRIPTION	REV
	1001151375	Ref	DECAL INSTALLATION, (6036), (ISO), (if equipped for LS), (not available to order, see items 10 thru 18 on BOOM DECALS and items on CAB AND FRAME DECALS for service)	E
	1001151374	Ref	DECAL INSTALLATION, (6036), (ISO), (if equipped for ULS), (not available to order, see items 10 thru 18 on BOOM DECALS and items on CAB AND FRAME DECALS for service)	F
	1001151373	Ref	DECAL INSTALLATION, (6036), (ANSI), (not available to order, see items 10 thru 18 on BOOM DECALS and items on CAB AND FRAME DECALS for service)	E
	1001155466	Ref	DECAL INSTALLATION, (6042), (ISO), (if equipped for LS), (not available to order, see items 10 thru 18 on CAB AND FRAME DECALS and items on BOOM DECALS for service)	D
	1001155465	Ref	DECAL INSTALLATION, (6042), (ISO), (if equipped for ULS), (not available to order, see items 10 thru 18 on BOOM DECALS and items on CAB AND FRAME DECALS for service)	D
	1001155464	Ref	DECAL INSTALLATION, (6042), (ANSI), (not available to order, see items 10 thru 18 on BOOM DECALS and items on CAB AND FRAME DECALS for service)	D
10	1706282	1	CARRYING PERSONNEL DECAL, (ISO)	
10	1706298	1	CARRYING PERSONNEL DECAL, (ANSI)	
17	4105262	1	BOOM ANGLE INDICATOR DECAL	
18	4107442	1	BOOM EXTEND LETTERS DECAL	

SECTION 12 - RECOMMENDED SPARE PARTS

SECTION 12 - RECOMMENDED SPARE PARTS

Go to Discount-Equipment.com to order your parts

SECTION 12 - RECOMMENDED SPARE PARTS

FIGURE 12-1. RECOMMENDED SPARE PARTS

ITEM	PART NUMBER	QTY	DESCRIPTION	REV
	Note	Ref	NOTE: THE FOLLOWING LIST WILL SERVICE FLEETS OF MACHINES (BUILT TO CURRENT PRODUCTION PER DATE ON THE FRONT COVER) WITH REPAIR PARTS WHICH CAN BE INSTALLED IN THE FIELD. PARTS FROM THE LIST SHOULD BE REPLACED WHEN INVENTORY IS DEPLETED TO KEEP SERVICE PARTS STOCK SUPPLIED. FOR FURTHER INFORMATION, CONTACT DISCOUNT-EQUIPMENT.	
		Ref	BOOM ASSEMBLY	
	2713452	2	TILT CYLINDER HOSE	
	2716714	2	BOOM HOSE	
	7079572	AR	WEAR PAD	
	7111572	AR	HIGH CAPACITY WEAR PAD	
	7082311	AR	INSERT, WEAR PAD	
	7082342	AR	SHIM, 0.075	
	7082362	AR	SHIM, 0.134	
	7096702	AR	WEAR PAD SPACER, 0.50	
	7096772	AR	WEAR PAD SPACER, 0.62	
	7096882	AR	WEAR PAD SPACER, 0.62	
	7085442	AR	WEAR PAD SPACER, 0.88	
		Ref	ENGINE	
	713977	1	FILLER BREATHER ASSEMBLY	
	1001121646	1	FAN, (if equipped for ULS)	
	1001098559	1	FAN, (if equipped for LS)	
	70024274	1	FAN BELT, (if equipped for ULS)	
	70024285	1	FAN BELT, (if equipped for LS)	
		Ref	DRIVE TRAIN	
	1600429	1	TRANSMISSION SELECTOR CONTROL	
	1319726	1	TRANSMISSION FILTER	
	1319472	8	WHEEL HUB BEARING	
		Ref	HYDRAULIC SYSTEM	
	8224045	1	BOOM JOYSTICK ASSEMBLY	
	8036502	1	BOOM EXTEND/RETRACT CYLINDER SEAL KIT	
	8036782	1	BOOM LIFT/LOWER CYLINDER SEAL KIT, (6036)	
	8036132	1	BOOM LIFT/LOWER CYLINDER SEAL KIT, (6042)	
	8035326	1	FRAME LEVEL CYLINDER SEAL KIT	
	8035720	1	ATTACHMENT TILT CYLINDER SEAL KIT	
	8036747	1	STABIL-TRAK CYLINDER SEAL KIT	
	7028739	1	TILT COMPENSATION CYLINDER SEAL KIT	
	2915023	1	SWING CARRIAGE CYLINDER SEAL KIT	
	70022041	1	SIDE TILT CARRIAGE CYLINDER SEAL KIT	
	70021452	1	GRAPPLE BUCKET CYLINDER SEAL KIT	
	7138740	1	TANK STRAINER	
	7139077	1	FILLER/BREATHER	
	7024441	1	FLUID LEVEL SIGHT GAUGE	
		Ref	ELECTRICAL	
	7118222	1	FUEL LEVEL SENDER ASSEMBLY	
	8270621	1	BACKUP ALARM	
	4360690	1	IGNITION SWITCH	
	70024276	1	ALTERNATOR, (if equipped for ULS)	

SECTION 12 - RECOMMENDED SPARE PARTS

ITEM	PART NUMBER	QTY	DESCRIPTION	REV
	70021849	1	ALTERNATOR, (if equipped for LS)	
	8270620	1	HORN	
		Ref	MISC.	
	8035807	1	IGNITION KEY WITH COVER	
	8342808	1	ENGINE COVER KEY	
	70021948	1	DOOR KEY	
	80904003	1	HYDRAULIC TEST KIT	
	31200749	1	OPERATION AND SAFETY MANUAL	
	31200796	1	SERVICE MANUAL	
		Ref	SPECIAL TOOLS	
	80304484	1	PRY BAR SET, ZF AXLE	
	80304480	1	TWO-ARMED PULLER, ZF AXLE	
	7025854	1	TWO-ARMED PULLER, ZF AXLE	
	70010241	1	THREADED RING, M105X3, ZF AXLE	
	70010239	1	TWO-ARMED PULLER, 160-150MM, ZF AXLE AND TRANSMISSION	
	70023172	1	GRIPPING INSERT SUPER, ZF AXLE	
	70023173	1	BACK-OFF INSERT, REAR ZF AXLE	
	70023174	1	EYE BOLT ASSORTMENT, ZF AXLE AND TRANSMISSION	
	70022872	1	INTERNAL EXTRACTOR, 45-58MM, ZF AXLE AND TRANSMISSION	
	70022873	1	INTERNAL EXTRACTOR, 70-100MM, ZF AXLE	
	70022871	1	COUNTER SUPPORT, REAR, ZF AXLE AND TRANSMISSION	
	7029740	1	DRIVER, ZF AXLE	
	7029739	1	DRIVER, ZF AXLE	
	7029738	1	DRIVER, ZF AXLE	
	70010244	1	INTERNAL EXTRACTOR, ZF AXLE	
	70010245	1	COUNTER SUPPORT, ZF AXLE	
	70022866	1	SPANNER, ZF AXLE	
	70022867	1	TORQUE SPANNER, 5-45NM, ZF AXLE	
	80304492	1	WHEEL BOLT PULLER BASIC SET, ZF AXLE	
	70110101	1	DRIVER, ZF AXLE	
	80304498	1	HANDLE, ZF AXLE	
	70010281	1	SLOTTED NUT WRENCH, ZF AXLE	
	70010283	1	INSTALLER, ZF AXLE	
	70010284	1	INSTALLER, ZF AXLE	
	80304497	1	HP-PUMP, ZF AXLE	
	7025856	1	STRIKER, ZF AXLE	
	70010243	1	MEASURING HUB, 9/16IN-18UNF	

PART NUMBER INDEX

Go to Discount-Equipment.com to order your parts

PART NUMBER INDEX

0100009.....365	1001090064 47	1001101115 55	1001116728..... 368, 369,
0100011..47, 81, 85, 105,	1001090134 317	1001101116 55	372, 373, 377, 397
109, 111, 261, 263	1001090140 47	1001101845 39	1001116729..... 368, 372,
0100019..... 13	1001091752 331	1001101861 39	378, 389, 391
0100063.....45	1001091885 309	1001101956 47	1001116732..... 369
0140011.....395	1001091901 309	1001102212 103	1001116733..... 369, 378
0240156.....63	1001092391 57	1001102378 47	1001116734..... 369, 373,
0274038.....411	1001092481 59	1001102813 59	377
0274067.....411	1001092482 59	1001102844 229	1001116735..... 377
0400075.....342	1001092877 403, 409	1001102931 93	1001116736..... 378, 389
0641404.....341, 345	1001092878 403, 409	1001102933 93	1001116737..... 378, 387,
0641405.....59, 99	1001093171 61	1001103113 255	389, 391
0641406.....99, 341, 345,	1001093273 63	1001103149 335	1001116745..... 368, 378,
395	1001093377 55, 63	1001103151 335	389, 397
0641415.....341, 345	1001093465 63	1001103152 335	1001116747..... 368, 372,
0641418.....395	1001094330 63	1001103182 323	378, 383
0641506.....93	1001094783 13	1001103509 235, 247	1001116748..... 368, 372
0641507.....109	1001094784 13	1001103619 129, 165	1001116774..... 383
0641508.....99, 111	1001094830 63	1001103625 121	1001116808..... 382
0641511.....359, 363	1001095418 53	1001103630 157	1001116810..... 372
0641516.....81, 85	1001095650 221	1001103637 59	1001116812..... 382
0641605.....270, 275	1001095810 59	1001103730 59	1001116831..... 372
0641607.....111	1001096019 59	1001103736 59	1001116950..... 369, 373
0641611.....93, 95	1001096020 59	1001104795 117	1001116975..... 378
0641612.....47, 97	1001096021 59	1001105892 235	1001117019..... 378
0641614.....99	1001096023 59	1001106012 403	1001117021..... 368, 369,
0641618.....103	1001096024 59	1001106013 403	372, 373, 377, 397
0641718.....103	1001096025 59	1001106727 157	1001117026..... 368, 372,
0642032.....45, 47	1001096134 377	1001106728 117	389, 391, 397
0642222.....13	1001096162 59	1001106836 337	1001117064..... 382
0642628.....13	1001096314 359, 363	1001108078 237	1001117068..... 368, 372
0681506.....103	1001096404 21, 23	1001108524 189	1001117070..... 369, 373
0681810.....47	1001096435 103	1001108591 237	1001117079..... 389
0681826.....81, 85	1001096436 103	1001108603 237	1001117106..... 382
0682228.....81, 85	1001097079 363	1001108668 76	1001117111..... 368, 372
0700610.....229	1001097080 363	1001109007 235	1001117119..... 382, 383
0701214.....85	1001097335 99	1001109053 403, 409	1001117244..... 103
0710819.....81	1001097735 39	1001109230 99	1001117308..... 341, 345
0711015.....81, 85	1001098089 31	1001109406 235	1001118245..... 341, 345
0711016.....81	1001098122 397	1001109478 231	1001118282..... 369
0711214.....81	1001098559 85, 416	1001109536 81, 85	1001118378..... 382
0712040.....117	1001098769 21, 23	1001109596 403	1001118742..... 81, 85
0741610.....47	1001098977 107	1001109597 403, 409	1001119004..... 368, 372
0760612.....105	1001099113 47	1001109598 403, 409	1001119619..... 368, 372
0760812.....221	1001099115 47	1001110282 403, 408	1001120068..... 99
0761010.....85, 341, 345	1001099351 73	1001110412 403	1001120082..... 105
0761012.....81	1001099496 15	1001110413 403	1001120083..... 105
0835416.....231	1001099497 15	1001110704 53	1001120341..... 81
0860520.....59	1001099901 69	1001111112 241	1001120687..... 81
0903609.....219	1001099902 69	1001111190 53	1001120819..... 248
0930020.....67	1001099976 223	1001111424 342, 346	1001120869..... 99
1001003174.....383	1001100005 223	1001111821 103	1001120914..... 47
1001081045.....247	1001100218 331	1001112612 382	1001120915..... 47
1001081046.....247	1001100221 247	1001113511 93	1001120947..... 99
1001081049.....247	1001100225 247	1001114112 13	1001121085..... 225
1001081073.....247	1001100227 55	1001114202 285	1001121101..... 225
1001081241.....237	1001100228 55	1001114495 99	1001121242..... 81
1001081242.....237	1001100229 55	1001114675 229	1001121245..... 81
1001081244.....237	1001100284 223	1001114780 103	1001121246..... 105
1001081246.....237	1001100323 223	1001116692 368, 372	1001121247..... 107
1001081247.....237	1001100324 223	1001116693 387	1001121252..... 89
1001081266.....237	1001100822 65	1001116710 384	1001121254..... 99
1001081310.....241, 242	1001100823 65	1001116712 384	1001121255..... 99
1001081375.....247	1001100824 65	1001116726 384	1001121256..... 93, 95
1001081376.....247	1001101043 346	1001116727 368, 372,	1001121257..... 97
1001090063.....47	1001101085 245	377, 383, 384	1001121271..... 99

PART NUMBER INDEX

1001121272.....	103	1001128340.....	99	1001132004.....	85, 111	1001150269.....	335
1001121408.....	13	1001128341.....	99	1001132154.....	111	1001150349.....	117
1001121444.....	13	1001128342.....	99	1001132173.....	97	1001150489.....	17
1001121493.....	99	1001128343.....	99	1001132514.....	45	1001150490.....	17
1001121494.....	99	1001128363.....	109	1001132545.....	270	1001150492.....	17
1001121596.....	81, 85	1001128364.....	109	1001132546.....	270	1001150496.....	17
1001121646.....	81, 416	1001128507.....	105	1001132550.....	261	1001150516.....	91
1001121726.....	377, 384	1001128544.....	105	1001132551.....	263	1001150518.....	89
1001121728.....	377, 384	1001128663.....	341, 345	1001132572.....	275	1001150523.....	89
1001121730.....	377, 384	1001128783.....	345	1001132573.....	275	1001150525.....	91
1001121741.....	229	1001128808.....	105	1001132987.....	345, 354	1001150652.....	221
1001121742.....	229	1001128901.....	109	1001132988.....	345, 354	1001150655.....	221
1001121955.....	99	1001129191.....	81	1001133072.....	47	1001150656.....	221
1001122289.....	247	1001129285.....	384	1001133171.....	345	1001150738.....	17
1001122456.....	231	1001129497.....	109	1001133172.....	341, 345	1001151083.....	403, 409
1001122457.....	231	1001129513.....	368, 372	1001133350.....	372	1001151097.....	225
1001122559.....	247	1001129610.....	232	1001133534.....	97	1001151098.....	225
1001122560.....	99	1001129615.....	342, 346	1001133871.....	99	1001151099.....	225
1001122801.....	99	1001129651.....	341, 350	1001133874.....	248	1001151100.....	225
1001122807.....	99	1001129652.....	341, 350	1001134452.....	341, 345	1001151106.....	225
1001125027.....	369	1001129759.....	368	1001134466.....	93	1001151107.....	225
1001125038.....	93, 95	1001129760.....	387	1001134467.....	93	1001151373.....	408, 413
1001125039.....	93, 95	1001129762.....	377	1001134516.....	93	1001151374.....	408, 413
1001125040.....	95, 97	1001129766.....	403, 408	1001134843.....	105	1001151375.....	408, 413
1001125135.....	275	1001129767.....	403, 408	1001134844.....	105	1001151561.....	45
1001125136.....	270	1001129768.....	341, 345	1001135011.....	97	1001152651.....	17
1001125275.....	275	1001129769.....	341, 345	1001135038.....	229	1001152652.....	17
1001125276.....	275	1001129773.....	369	1001135710.....	341	1001153473.....	403
1001125356.....	402, 411	1001129795.....	341, 345	1001135770.....	342, 346	1001153912.....	99
1001125357.....	402, 411	1001129796.....	341, 345	1001135777.....	342, 346	1001153913.....	99
1001125358.....	402, 411	1001129797.....	341, 345	1001136157.....	97	1001154055.....	221
1001125359.....	402, 411	1001129813.....	257	1001136358.....	93	1001154331.....	395
1001125387.....	403, 409	1001129870.....	257	1001136975.....	93, 95, 97	1001154375.....	395
1001125495.....	81, 85	1001130307.....	342, 346	1001137512.....	57	1001154700.....	403, 409
1001125748.....	369, 373	1001130568.....	341, 345	1001138700.....	93	1001154701.....	409
1001125773.....	369, 373	1001130894.....	359	1001139578.....	403, 409	1001155016.....	281
1001125774.....	247	1001130896.....	363	1001140672.....	99	1001155017.....	281
1001125784.....	378, 382	1001130897.....	365	1001141427.....	229	1001155219.....	346
1001125785.....	378, 382	1001130898.....	365	1001142441.....	402, 411	1001155464.....	408, 413
1001125837.....	247	1001130927.....	341	1001142442.....	402, 411	1001155465.....	408, 413
1001126008.....	382, 383	1001131179.....	15	1001142513.....	341	1001155466.....	408, 413
1001126030.....	287	1001131243.....	15	1001142790.....	49	1001157890.....	382, 383
1001126043.....	287	1001131244.....	15	1001143305.....	255	1001159186.....	382, 383
1001126178.....	285	1001131246.....	15	1001143307.....	350, 354	1001159876.....	395, 397
1001126208.....	368	1001131271.....	403, 409	1001143852.....	403, 409	1001160071.....	251
1001126385.....	270	1001131334.....	15	1001143904.....	403	1001160072.....	404
1001126386.....	270	1001131344.....	91	1001145026.....	331, 333	1001160787.....	251
1001126581.....	341, 345	1001131383.....	85	1001145035.....	237	1001160912.....	251
1001126864.....	357	1001131384.....	85	1001146084.....	45	1001160916.....	404
1001127142.....	342, 346	1001131385.....	85	1001146086.....	45	1001160945.....	404
1001127212.....	341, 345	1001131387.....	103	1001146088.....	45	1001161023.....	395
1001127418.....	99	1001131485.....	111	1001146159.....	45	1001162590.....	402, 408
1001127591.....	99	1001131488.....	107	1001146160.....	45	1001162591.....	402, 408
1001127593.....	403	1001131526.....	270	1001146563.....	270	1001162804.....	251
1001127594.....	403	1001131576.....	111	1001147265.....	139, 173	1001162806.....	251
1001127699.....	342, 346	1001131577.....	111	1001147377.....	141	1001162829.....	251
1001127700.....	342, 346	1001131578.....	111	1001147378.....	139	1001163174.....	402
1001127753.....	403	1001131594.....	103	1001147379.....	175	1001163206.....	411
1001127755.....	403	1001131596.....	103	1001147380.....	173	1001163210.....	402
1001127855.....	109	1001131645.....	103	1001147874.....	117	1001163212.....	403
1001127856.....	109	1001131646.....	103	1001147875.....	117	1001163222.....	403
1001127857.....	109	1001131772.....	111	1001148177.....	229	1001163285.....	402
1001127858.....	109, 111	1001131819.....	103	1001149487.....	13	1001163300.....	403
1001127864.....	111	1001131820.....	103	1001149525.....	13	1001163304.....	403
1001127867.....	111	1001131958.....	103	1001149712.....	378, 382	1001163323.....	403
1001127980.....	99	1001131959.....	103	1001150229.....	237	1001163355.....	403
1001128339.....	99	1001131996.....	111	1001150233.....	237	1001163414.....	319

PART NUMBER INDEX

1001163641.....	402	10732071.....	211	1319602 ...	197, 199, 201, 203, 205, 207	1319685.....	213
1001163643.....	402	10732072.....	211	1319603 ...	197, 199, 201, 203, 205, 207	1319686.....	213
1001163729.....	342, 345	10732095.....	191	1319604 ...	197, 199, 201, 203, 205, 207	1319687.....	213
1001165771.....	403	10732150.....	15	1319605 ...	197, 199, 203	1319688.....	213
1001165804.....	403	10839156.....	209	1319606 ...	197, 199, 203	1319689.....	213
1001166292.....	272	1101312.....	91, 107	1319607.....	197	1319690.....	213
1001167250.....	251	1101313.....	91, 107	1319608.....	197, 207	1319691.....	213
1001167251.....	251	1170021.....	45	1319609.....	197	1319692.....	213
1001169466.....	333	1170024.....	45	1319610.....	197	1319693.....	213
1001170329.....	333	1170054.....	47	1319611.....	197	1319694.....	213
1001174264.....	237	1170057.....	47	1319612 ...	197, 199, 201, 203, 205, 207	1319695.....	213
1001175733.....	397	1319203.....	191	1319613.....	199	1319696.....	213, 215
1001176515.....	71	1319204.....	191	1319614.....	199	1319697.....	213
1001177198.....	384	1319205.....	191	1319615 ...	199, 203, 205	1319698.....	213
1001178285.....	382	1319209.....	191	1319616.....	201	1319699.....	213
1001178776.....	333	1319210.....	191	1319617 ...	201, 205, 207	1319700.....	213
1001180762.....	313	1319211.....	191	1319618 ...	201, 205, 207	1319701.....	213
1001182094.....	95	1319213.....	191	1319619.....	201	1319702.....	213, 215
1001182225.....	89	1319214.....	131, 167	1319620 ...	201, 205, 207	1319703.....	213, 215
1001182358.....	395	1319353.....	124, 160	1319621 ...	201, 205, 207	1319704.....	213
1001182863.....	395	1319423.....	129, 165	1319622 ...	201, 205, 207	1319705.....	213
1001187887.....	17	1319436.....	129, 165	1319623 ...	201, 205, 207	1319707.....	213, 215
1001187952.....	384	1319441.....	129, 165	1319624 ...	201, 205, 207	1319708.....	213
1001190341.....	17	1319447.....	135, 169	1319625 ...	201, 205, 207	1319710.....	215
1001192049.....	384	1319464.....	135, 169	1319626 ...	201, 205, 207	1319711.....	215
1001192050.....	384	1319472 ...	135, 169, 416	1319627 ...	201, 205, 207	1319712.....	215
1001195423.....	393	1319477.....	135, 169	1319628 ...	201, 205, 207	1319713.....	215
1001195610.....	393	1319537.....	131, 167	1319629 ...	201, 205, 207	1319714.....	215
1001195760.....	383	1319539.....	131, 167	1319630 ...	201, 205, 207	1319715.....	215
1001199096.....	333	1319540.....	131, 167	1319631 ...	201, 205, 207	1319717.....	215
1001199116.....	333	1319542.....	131, 167	1319632 ...	201, 205, 207	1319718.....	217
1001199135.....	333	1319545.....	131, 167	1319633.....	201, 209	1319719.....	217
1001199136.....	333	1319557.....	193	1319634.....	203	1319720.....	217
1001199177.....	333	1319558.....	193	1319635.....	203	1319721.....	217
1001199181.....	333	1319563.....	193	1319636 ...	203, 205, 207	1319722.....	217
1001199199.....	333	1319565.....	193	1319637.....	205	1319723.....	217
1001199205.....	333	1319566.....	193	1319638.....	205, 207	1319724.....	217
1001199210.....	333	1319569.....	195	1319639.....	207	1319725.....	217
1001200833.....	382	1319570.....	195	1319641.....	209	1319726.89, 91, 217, 416	
1001200845.....	384	1319571.....	195	1319643.....	209	1320022.....	99
1001202628.....	281	1319574.....	195	1319646.....	209	1321226.....	135, 169
1001205172.....	384	1319575.....	195	1319647.....	209	1560028.....	13
1001210776.....	384	1319576.....	195	1319648.....	209	1600429.....	259, 416
1001210777.....	384	1319577.....	195	1319649.....	209	1684464.....	299
1001210778.....	384	1319578 ...	129, 131, 137, 165, 167, 171, 195	1319650.....	211	1684537.....	301
1001210779.....	384	1319581.....	195, 217	1319652.....	211, 213	1701509.....	59
10139087.....	403, 409	1319582.....	195, 217	1319655.....	211	1701640.....	403, 408
10268515.....	107	1319583.....	195	1319659.....	211	1702631.....	403, 409
10268516.....	107	1319584.....	195	1319661.....	211, 213	1702773.....	59
1060379.....	59	1319585.....	195, 217	1319666.....	165	1704277.....	59
10700334.....	109, 111	1319586.....	195	1319670.....	213, 215	1704885.....	59, 402, 408
10704137.....	85	1319587.....	195	1319671.....	213	1706098.....	403, 408
10705034.....	51	1319590.....	195	1319673.....	213	1706171.....	402, 408
10717672.....	271	1319591.....	197	1319674.....	213	1706172.....	402, 408
10731702.....	191	1319592.....	197	1319675.....	213	1706176.....	411
10731709.....	213, 215	1319593 ...	197, 199, 201, 203, 205, 207	1319676.....	213	1706202.....	402
10731744.....	195	1319594 ...	197, 199, 201, 203, 205, 207	1319677.....	213	1706203.....	402
10731748.....	191	1319595 ...	197, 199, 201, 203, 205, 207	1319678.....	213	1706204.....	402, 408
10731751.....	191	1319596 ...	197, 199, 203	1319679.....	213	1706281.....	402, 408
10731789.....	135, 169	1319600 ...	197, 199, 201, 203, 205, 207	1319680.....	213	1706282.....	411, 413
10731790.....	129, 165	1319601 ...	197, 199, 201, 203, 205, 207	1319681.....	213	1706284.....	402, 408
10731845 ...	197, 199, 203	1319602 ...	197, 199, 201, 203, 205, 207	1319682.....	213	1706285.....	403, 408
10731913.....	193	1319603 ...	197, 199, 201, 203, 205, 207	1319683.....	213	1706288.....	402, 408
10731949.....	131, 167	1319604 ...	197, 199, 201, 203, 205, 207	1319684.....	213	1706296.....	402, 408
10731959.....	209	1319605 ...	197, 199, 203			1706298.....	411, 413
10732063.....	213, 215	1319606 ...	197, 199, 203			1706299.....	402, 408
10732064.....	213	1319607.....	197			1706300.....	403, 408

PART NUMBER INDEX

1706301 403, 408	2713082 291	3311401 103	4460466 368, 369, 372,
1706306 402, 408	2713452 287, 416	3311405 59	373, 377, 378, 382,
1706768 403, 409	2716563 311	3311502 255	383, 384, 387, 389
1706850 403, 409	2716614 305	3311601 25, 27	4460475 368, 369, 372,
1706892 59	2716670 281	3311605 103	373
2080040 59	2716673 279	3321001 342, 346	4460476 369, 372, 387
2110606 47, 51, 272	2716675 283	3332015 117	4460508 383
2110808 47	2716684 287	3421453 59	4460509 372, 382
2130606 51, 270	2716696 270, 275, 279	3423226 21, 23	4460518 368, 372, 382
2130608 51	2716699 270, 281	3423227 299, 301, 307	4460743 387
2131210 189, 271	2716700 270	3423242 45, 47	4460744 368, 372
2131212 99, 189, 271	2716713 291	3423275 45, 47	4460746 383
2170706 281	2716714 287, 416	3423276 45, 47, 53	4460761 382
2172106 47, 270, 272	2716760 285	3423307 47	4460790 378, 383
2180104 105	2716761 272	3520072 59	4460836 382
2180535 247	2716762 271	3576442 257	4460850 368
2220218 97	2716763 281	3760170 59	4460871 377, 382
2220237 331	2716764 295	3820020 59	4460872 377, 382
2220238 271	2716766 281	3841203 47	4460884 369, 373, 382,
2220239 331, 333	2716768 291	3931012 395	389
2220371 ... 270, 271, 272,	2716769 270	3968141 145, 179	4460891 373, 382, 383
281, 295	2716771 270	3984436 183	4460894 389
2220372 295	2716772 275	3984447 183	4460897 372, 383
2220373 ... 271, 275, 279,	2716773 279, 287	3984458 183	4460905 377, 382
287, 291, 295	2716774 275	3984469 183	4460908 383
2220375 283, 333	2716775 279	4100181 402, 408	4460909 382
2220381 271, 291	2716776 279	4105171 402, 408	4460915 382, 383
2220415 53	2716780 271	4105262 411, 413	4460930 382, 383
2220435 271, 275	2716781 271	4105621 265	4460933 383, 389
2220451 283	2716783 275	4107442 411, 413	4460942 382
2220473 53, 271, 281,	2716784 283	4107462 402, 408	4460943 372
295	2716785 283	4108302 402, 408	4460944 378
2220474 279, 287	2716792 291	4110176 402, 408	4460955 368, 372
2220499 333	2716807 275	4110177 402, 408	4460970 382, 384
2220500 279, 331	2716808 271	4110178 402	4460979 372, 387
2220501 295	2717008 303	4110179 402, 408	4461017 383
2220567 285	2717018 285	4110182 403	4461070 383
2220577 333	2717019 295	4110183 403, 408	4461094 368
2220578 283, 285	2717020 295	4110188 403, 408	4461095 368, 372
2220596 271, 279, 287	2717021 295	4110226 403, 408	4461101 377
2220602 275	2717033 271	4110362 402, 408	4461102 378
2220603 270	2717160 51	4110364 403, 409	4461103 377
2220606 281	2717161 51	4110422 69, 73	4461157 368, 372
2220609 53	2717162 51	4110473 51	4461189 378
2220619 295	2717198 315	4240017 .. 93, 95, 97, 341,	4520319 225
2220622 276	2717260 307	345	4520449 225
2220628 53	2717283 51	4240033 395	4520450 225
2220635 272, 281, 333	2717287 53	4360569 357	4520648 225
2220651 291	2720637 107	4360690 357, 416	4520649 225
2220655 276, 283	2754736 275	4420037 15, 17	4520650 225
2220657 270, 281	2754737 275	4460019 369, 372, 373	4640438 317
2220683 275	2755060 285	4460042 368, 372	4641501 51
2220695 283	2900770 317	4460142 368, 372	4641502 51
2220700 276	2915023 323, 416	4460206 377	4711400 59, 99, 341, 345,
2220883 313	2940074 59	4460247 369, 373	395
2221123 270	31200160 59	4460256 368, 372	4711500 .. 81, 85, 93, 103
2221301 105	31200336 59	4460312 369, 373	4711600 21, 23, 93, 95,
2230025 291	31200387 59	4460419 378, 382, 383,	97, 270, 275
2230035 275	31200388 59	389, 391	4711700 103
2230044 291	31200749 417	4460458 368, 369, 377,	4740362 103
2340037 57	31200796 417	383, 384, 387, 397	4740553 251
2340038 57	3251813 402, 408	4460459 387	4751500 107
2340039 57	3290601 345	4460464 372, 377, 382,	4751600 103
2340045 57	3290801 341, 345	383, 384	4751700 103
2340046 57	3300220 342, 346	4460465 369, 373, 382,	4761000 342, 346
24921332 109	3300240 45, 47	383, 389	4761400 341, 345
2600281 59	3300429 333		4761500 81, 85

PART NUMBER INDEX

4791500.....	13, 229	70020891.....	377	70022176.....	131, 167	70022248.....	133
4811700.....	105	70021077.....	237	70022177.....	129, 165	70022249.....	135, 169
4811900.....	81, 85	70021078.....	237	70022178.....	129, 165	70022250.....	131, 167
4811902.....	221	70021090.....	237	70022179.....	135, 169	70022251.....	133
4812000.....	81, 85, 341, 345	70021092.....	237	70022180.....	129, 165	70022252.....	133
4812100.....	81, 85	70021093.....	237	70022181.....	129, 165	70022253.....	131, 167
4812300.....	261, 263, 265	70021095.....	237	70022182.....	129, 165	70022254.....	129, 165
4831700.....	341, 345	70021096.....	237	70022183.....	131, 167	70022255.....	129, 165
4831900.....	85, 341, 345	70021108.....	237	70022184.....	129, 165	70022256.....	137, 171
4832000.....	81	70021342.....	67, 73	70022185.....	127, 163	70022257.....	135, 169
4846452.....	59	70021349.....	73	70022186.....	131, 167	70022259.....	129, 165
4891500.....	109, 111	70021358.....	67	70022187.....	135, 169	70022260.....	127
4891600.....	111, 359, 363	70021359.....	67	70022188.....	135, 169	70022261.....	127
4891700.....	109, 111	70021360.....	67	70022189.....	131, 167	70022262.....	127, 163
4891800.....	47	70021361.....	67	70022190.....	131, 167	70022263.....	127
4892200.....	13	70021362.....	67	70022191.....	133	70022264.....	127
4892600.....	13	70021366.....	67	70022192.....	133	70022280.....	159, 167
5724622.....	25, 27	70021367.....	67	70022193.....	131, 167	70022282.....	167
5906392.....	39	70021387.....	67	70022194.....	131, 167	70022284.....	163
6604662.....	53	70021391.....	67	70022195.....	133	70022285.....	163
70002219.....	319	70021392.....	67	70022196.....	131, 167	70022527.....	67
70002224.....	319	70021393.....	325	70022197.....	137, 171	70022563.....	313
70003849.....	319	70021415.....	73	70022198.....	131, 167	70022564.....	313
70004637.....	313	70021440.....	71, 325	70022199.....	133	70022694.....	103
70010239.....	417	70021444.....	325	70022200.....	127	70022695.....	103
70010241.....	417	70021446.....	325	70022201.....	129, 165	70022696.....	103
70010243.....	417	70021447.....	325	70022202.....	133	70022716.....	335
70010244.....	417	70021448.....	325	70022203.....	135, 169	70022717.....	335
70010245.....	417	70021451.....	325	70022204.....	129, 165	70022718.....	335
70010281.....	417	70021452.....	325, 416	70022205.....	129, 165	70022719.....	335
70010283.....	417	70021464.....	325	70022206.....	129, 165	70022720.....	335
70010284.....	417	70021465.....	325	70022207.....	137, 171	70022721.....	335
70020228.....	113	70021466.....	325	70022208.....	169	70022722.....	335
70020369.....	303	70021553.....	169	70022209.....	131, 167	70022723.....	335
70020425.....	211	70021554.....	135, 169	70022210.....	165	70022724.....	335
70020426.....	211	70021583.....	309	70022211.....	127, 163	70022747.....	377
70020427.....	215	70021584.....	91	70022213.....	124, 160	70022774.....	123
70020428.....	323	70021613.....	183	70022215.....	167	70022775.....	123
70020430.....	209	70021825.....	377	70022216.....	123	70022776.....	124
70020431.....	209	70021849.....	91, 417	70022217.....	129, 165	70022777.....	129, 165
70020555.....	61	70021850.....	91	70022218.....	135, 169	70022778.....	131
70020562.....	67	70021908.....	317	70022219.....	129, 165	70022779.....	131, 167
70020628.....	235	70021921.....	73	70022220.....	124, 160	70022780.....	131, 133
70020659.....	337	70021935.....	73	70022221.....	171	70022781.....	135, 169
70020660.....	337	70021948.....	235, 237, 417	70022223.....	135, 169	70022782.....	135, 169
70020661.....	337	70021977.....	73	70022225.....	127, 163	70022783.....	135, 169
70020662.....	337	70021978.....	73	70022226.....	127	70022784.....	137, 171
70020663.....	337	70021979.....	73	70022227.....	127, 163	70022785.....	137, 171
70020665.....	337	70021980.....	67	70022228.....	127, 163	70022786.....	159
70020666.....	337	70021981.....	67	70022229.....	127, 163	70022787.....	159
70020667.....	337	70021982.....	67	70022230.....	135, 169	70022788.....	167
70020668.....	337	70022028.....	73	70022231.....	159	70022789.....	129, 165
70020669.....	337	70022038.....	317	70022233.....	137, 171	70022797.....	145, 179
70020670.....	337	70022039.....	317	70022234.....	135, 169	70022799.....	181
70020671.....	337	70022040.....	317	70022235.....	131, 167	70022842.....	89, 91
70020672.....	337	70022041.....	317, 416	70022236.....	131, 167	70022844.....	89, 91
70020673.....	337	70022042.....	317	70022237.....	135, 169	70022846.....	89, 91
70020674.....	337	70022043.....	317	70022238.....	135, 169	70022866.....	417
70020675.....	337	70022044.....	323	70022239.....	171	70022867.....	417
70020676.....	337	70022045.....	323	70022240.....	135, 169	70022871.....	417
70020677.....	337	70022046.....	323	70022241.....	129, 165	70022872.....	417
70020678.....	337	70022170.....	169	70022242.....	137, 171	70022873.....	417
70020679.....	337	70022171.....	131, 167	70022243.....	137, 171	70022931.....	76
70020680.....	337	70022172.....	129, 165	70022244.....	160	70022932.....	76
70020681.....	337	70022173.....	129, 165	70022245.....	124, 160	70022934.....	76
70020682.....	337	70022174.....	129, 165	70022246.....	129, 165	70022935.....	77
70020888.....	389	70022175.....	129, 165	70022247.....	129, 165	70022936.....	76

PART NUMBER INDEX

70022937 77	70024160 97	70024954 237	7012903 315
70022939 77	70024161 97	70025014 147	7013903 327
70022942 77	70024162 97	70025347 237	7013928 327
70022946 77	70024176 89, 105	70025348 237	7013930 327
70022949 77	70024177 89, 105	70025354 237	7017278 307
70022950 77	70024244 377	70025480 241	7017283 307
70022952 77	70024245 377	70025540 100	7017496 315
70022957 76	70024246 377	70025541 100	7024441 331, 333, 416
70022960 76	70024247 377	70025542 100	7024574 323
70022969 76	70024248 378	70025548 147	7025854 417
70022970 76	70024249 378	70025551 148	7025856 417
70022980 77	70024250 378	70025606 319	7026439 377, 389, 391
70022984 76	70024251 378	70025857 147, 181	7026731 147
70022985 76	70024252 378	70025901 251	7026758 197, 199, 201, 203, 205, 207
70022987 76	70024253 377, 383	70025902 251	7026759 197, 199, 201, 203, 205, 207
70022990 77	70024254 377, 383	70025903 251	7026760 197, 199, 201, 203, 205, 207
70022992 76	70024255 377, 383	70025904 251	7026798 245
70022993 76	70024256 377, 383	70025906 251	7026799 245
70022994 76	70024257 377	70025907 251	7026900 245
70022995 76	70024258 377	70025911 251	7026901 245
70022997 49	70024259 .. 378, 389, 391	70025912 251	7026902 245
70022998 77	70024262 319	70025959 319	7026905 245
70023003 76	70024269 105	70026031 145, 179	7026906 245
70023004 76	70024270 105	70026056 319	7027273 209
70023005 77	70024271 105	70026057 319	7028710 145
70023006 77	70024274 89, 416	70026058 319	7028714 147, 181
70023007 77	70024275 89	70026059 319	7028715 147, 181
70023008 76	70024276 89, 416	70026060 319	7028716 147, 181
70023009 76	70024277 89	70026061 319	7028717 147, 181
70023010 76	70024278 89	70026062 319	7028720 147, 181
70023014 76	70024279 89	70026134 145	7028721 147, 181
70023015 77	70024280 89	70026135 147	7028722 147
70023016 76	70024281 89	70026137 153, 185	7028723 147
70023037 337	70024284 89	70026138 153, 185	7028724 147
70023038 338	70024285 91, 416	70026139 179	7028725 147
70023039 337	70024286 91	70026140 181	7028729 147, 181
70023040 245	70024519 177	70026141 181	7028730 147, 181
70023041 245	70024525 183	70026218 384	7028731 148
70023139 245	70024530 100	70026219 384	7028732 148
70023172 417	70024535 49	70026463 251	7028733 148, 181
70023173 417	70024536 49	70026464 251	7028734 151
70023174 417	70024537 49	70026465 251	7028735 151
70023265 305	70024538 49	70026466 251	7028736 151
70023482 191	70024539 321	70026624 147	7028737 231
70023483 191	70024540 49	70026699 71	7028739 307, 416
70023565 91	70024541 49	70026747 71	7029037 211
70023600 103	70024542 49	70026944 71	7029129 145, 179
70023601 103	70024543 49	70026946 71	7029131 145, 179
70023812 89	70024544 49	70026948 71	7029153 315
70023890 245	70024545 49	70026949 71	7029246 315
70023904 163	70024546 49	70027244 313	7029247 307
70023910 163	70024547 321	70027315 147, 181	7029249 307
70023925 77	70024548 321	70027689 313	7029250 307
70024020 319	70024549 321	70027690 313	7029251 307
70024062 71	70024550 49	70027691 313	7029264 113
70024123 49	70024551 49	70027692 313	7029265 113
70024147 147	70024552 49	70027693 313	7029271 117
70024148 99	70024553 49	70027694 313	7029282 155, 187
70024149 99	70024554 49	70027695 313	7029283 155, 187
70024150 99	70024555 49	70027696 313	7029286 181
70024151 100	70024608 237	70027769 335	7029327 299
70024152 333	70024672 377	70027770 335	7029328 299
70024155 97	70024673 378	70027771 335	7029330 299
70024156 91, 97	70024674 378	70040710 147	7029333 299
70024157 97	70024872 143	7009764 335	
70024158 97	70024900 237	7010769 335	
70024159 97	70024903 237	70110101 417	

PART NUMBER INDEX

7029334.....	299	7116642.....	288	7139316.....	231, 239	7301500.....	81, 85
7029335.....	299	7116652.....	288	7139406.....	15, 17	7301579.....	51
7029336.....	299	7116662.....	288	7139416.....	39, 41	7301862.....	331
7029337.....	299	7116691.....	288	7139444.....	231, 239	7302028.....	117
7029367.....	259	7116733.....	287	7139455.....	15, 17	7302051.....	23
7029417.....	217	7116792.....	23	7139504.....	287	7302052.....	27
7029426.....	143, 177	7116812.....	288	7139505.....	287	7302055.....	21
7029431.....	181	7116822.....	21	7139523.....	270	7302056.....	25
7029520.....	61	7117031.....	41	7139613.....	13	7302073.....	232
7029521.....	61	7117094.....	33	7139689.....	41	7302074.....	231
7029532.....	199, 201, 209	7117113.....	35	7139690.....	39	7302076.....	232
7029533.....	199, 201, 209	7118222.....	416	7139692.....	39, 41	7302077.....	232
7029692.....	67, 73	7118882.....	37	7139714.....	15, 17	7302341.....	117
7029714.....	67	7118892.....	37	7139728.....	291	7310011.....	291
7029716.....	331	7124301.....	13	7139729.....	291	7310022.....	291
7029736.....	181	7124471.....	13	7139730.....	285	77143006.....	342, 346
7029737.....	181	7125811.....	23	7139731.....	285	8007751.....	145
7029738.....	417	7125871.....	13, 265	7139777.....	416	8007755.....	145
7029739.....	417	7126662.....	39	7139788.....	275	80204005..	143, 147, 177, 181
7029740.....	417	7129521.....	255	7139863.....	37	80204060.....	151
7029760.....	317	7137142.....	13, 309, 311, 315	7139864.....	37	80204065.....	147, 181
7029786.....	183	7138209.....	331	7139918.....	51	80204071.....	147, 181
7029788.....	151	7138634.....	189	7139968.....	291	80204108.....	151
7029860.....	241	7138658.....	223	7139993.....	272	80204117..	147, 151, 155, 181, 183, 187
7054351.....	81, 85, 189	7138659.....	223	7147400.....	219	80204281.....	151, 183
7057141.....	99, 103	7138660.....	223	7148100.....	248	80214120.....	147, 181
7062922.....	53	7138661.....	223	7150579.....	117	8024023.....	265
7063432.....	39	7138661.....	223	7150580.....	117	8025655.....	299
7063452.....	39	7138740.....	331, 416	7150608.....	15, 17	80264045.....	241
7079572.....	25, 27, 29, 31, 33, 35, 416	7138833.....	259	7150661.....	15	80264074.....	235
7080244.....	29	7138836.....	259	7150673.....	363	80304047.....	123, 159
7081621.....	303	7138858.....	245	7150679.....	359	80304082.....	124, 160
7081631.....	303	7138878.....	259	7150680.....	359	80304088.....	123, 159
7082311.....	25, 27, 29, 31, 33, 35, 416	7138892.....	279	7150681.....	359	80304089.....	123, 159
7082342.....	27, 29, 31, 35, 416	7138944.....	229	7150685.....	359	80304090.....	123, 159
7082362.....	25, 27, 29, 31, 33, 35, 416	7138951.....	231, 239	7150688.....	363	80304091.....	123, 159
7083922.....	21	7138958.....	231, 239	7150689.....	359	80304092.....	123, 159
7083992.....	305	7138977.....	41	7150690.....	360	80304093.....	123, 159
7085442.....	25, 29, 33, 416	7138978.....	41	7150695.....	219	80304094.....	123, 159
7085542.....	21	7138979.....	41	7150696.....	219	80304094.....	123, 159
7085552.....	37	7138986.....	41	7150697.....	219	80304095.....	123, 159
7085562.....	37	7139032.....	39, 41	7150699.....	359	80304096.....	123, 159
7085571.....	37	7139050.....	231	7150702.....	359	80304097.....	124, 159
7091323.....	265	7139076.....	331	7150703.....	359	80304097.....	124, 159
7095312.....	23	7139077	89, 91, 331, 333, 416	7150706.....	219	80304099.....	124, 159
7095352.....	23	7139156.....	13	7150707.....	391	80304100.....	124, 159
7095522.....	305	7139159.....	225	7150716.....	359	80304101.....	124, 159
7095831.....	81, 85	7139160.....	225	7150717.....	359	80304102.....	124, 159
7096491.....	33	7139161.....	225	7150730.....	359, 363	80304104.....	123, 159
7096552.....	303	7139162.....	225	7150741.....	389	80304107.....	124, 159
7096562.....	303	7139180.....	39	7150837.....	291	80304108.....	124, 159
7096702.....	31, 35, 416	7139212.....	270, 281	7150838.....	291	80304110.....	123, 159
7096772.....	27, 416	7139250.....	239	7300214.....	287	80304111.....	123, 160
7096882.....	27, 31, 35, 416	7139263.....	365	7300670.....	285	80304112.....	123, 160
7098142.....	263	7139267.....	365	7300671.....	285	80304113.....	123, 160
7110702.....	53	7139267.....	365	7300672.....	287	80304114.....	160
7111402.....	291	7139268.....	365	7300673.....	287	80304115.....	123, 160
7111572.....	25, 27, 29, 31, 33, 35, 416	7139269.....	365	7300674.....	291	80304117.....	123, 160
7112642.....	55	7139290.....	239	7300675.....	291	80304118.....	123, 160
7114112.....	39	7139292.....	239	7300678.....	291	80304119.....	123, 160
7114941.....	55	7139293.....	239	7300914.....	271	80304120.....	123, 160
7116562.....	377	7139294.....	239	7300928.....	283	80304121.....	124, 160
		7139295.....	239	7300931.....	295	80304122.....	124, 160
		7139296.....	239	7301054.....	223	80304123.....	124, 160
		7139298.....	231, 239	7301056.....	223	80304124.....	123, 160
		7139299.....	231, 239	7301252.....	91, 331	80304125.....	124, 160
		7139301.....	231, 247	7301295.....	51	80304126.....	124, 160

PART NUMBER INDEX

80304127 124, 160	8035392 241	8036050 231	8036215 359
80304128 124, 160	8035393 241	8036056 241	8036216 359, 360, 363
80304129 124, 160	8035402 247	8036057 231	8036218 359, 360, 363
80304130 124, 160	8035406 247	8036058 231	8036219 360
80304131 124, 160	8035409 241	8036059 231	8036220 360
80304132 124, 160	8035411 241	8036060 231	8036221 360
80304133 124, 160	8035416 ... 231, 235, 241,	8036061 231	8036222 360
80304134 124, 160	247	8036064 235	8036229 303
80304135 124, 160	8035417 247	8036065 235	8036250 217
80304136 124, 160	8035431 247	8036066 231	8036263 327
80304137 124, 160	8035437 231	8036069 231	8036271 329
80304143 159	8035439 235	8036070 241	8036281 327
80304144 123, 159	8035479 ... 231, 241, 247	8036072 241	8036282 327
80304145 123, 159	8035487 231	8036073 231	8036283 327
80304146 123, 159	8035490 ... 231, 237, 239	8036076 235	8036284 327
80304147 123, 159	8035492 241	8036077 235	80363178 377
80304148 123, 159	8035493 241	8036078 235	80363179 .. 377, 382, 384
80304149 123, 159	8035496 242	8036079 235	8036330 135, 169
80304150 123, 159	8035498 242	8036080 235	8036388 247
80304151 123, 159	8035499 242	8036085 235	8036389 305
80304152 123, 159	8035500 242	8036088 235	8036390 305
80304153 123, 159	8035523 ... 231, 235, 239	8036090 235	8036391 305
80304154 123, 159	8035536 ... 303, 305, 323	8036091 235	8036392 305
80304155 123, 159	8035599 247	8036092 235	8036393 305
80304156 123, 159	8035631 235	8036093 235	8036394 301
80304157 123, 159	8035632 235	8036094 235	8036396 301
80304158 123, 159	8035639 231	8036095 235	8036397 301
80304159 123, 159	8035668 247	8036096 235, 237	8036398 301
80304160 123, 159	8035720 305, 416	8036097 235	80364009 237
80304161 123, 159	8035744 329	8036098 235	8036402 303
80304162 123, 159	8035745 329	8036099 241	80364020 247
80304163 123, 159	8035757 311	8036100 241	8036403 303
80304164 123, 159	8035758 309, 311	8036102 242	80364037 237
80304165 123, 159	8035779 117	8036103 242	8036406 303
80304166 123, 159	8035781 315	8036105 235	8036418 129, 165
80304167 123, 159	8035785 309	8036110 247	8036428 329
80304168 123, 159	8035807 357, 417	8036112 247	8036429 329
80304169 123, 159	8035834 327	8036114 247	8036433 117
80304173 135, 169	8035835 327	8036118 247	8036447 131, 167
80304405 193	8035843 327	8036119 247	8036489 301
80304462 131, 167	8035844 327	8036120 247	8036498 303
80304480 417	8035848 327	8036121 247	8036499 303
80304484 417	8035849 327	8036122 247	8036502 303, 416
80304492 417	8035862 323	8036124 247	8036517 327
80304497 417	8035863 323	8036128 247	8036533 327
80304498 417	8036021 191	8036129 247	8036536 299
8032693 335	8036022 191	8036132 301, 416	8036537 299
8032994 315	8036023 193	8036144 305	8036580 315
8033075 241	8036024 195	8036149 305	8036581 315
8033651 117	8036025 195	8036174 327	8036582 315
8033786 323	8036026 195	8036175 327	8036590 303
8033856 235, 247	8036027 195	8036177 327	8036694 237
8034562 335	8036028 195	8036178 327	8036747 315, 416
8034800 237, 251	8036029 ... 199, 201, 203,	8036179 327	8036758 129, 165
8034815 241	205, 207	8036180 327	8036759 129, 165
8035281 315	8036030 209	8036190 199, 201, 209	8036782 299, 416
8035282 315	8036031 209	8036192 315	8036811 315
8035321 301, 305	8036032 209	8036196 231	8036825 315
8035322 309, 311	8036033 211	8036197 231	8036826 315
8035323 309, 311	8036036 213	8036198 232	8036827 315
8035324 309, 311	8036037 213	8036199 232	8036828 315
8035326 309, 311, 416	8036038 213	8036204 91	8036847 167
8035327 301, 305, 311	8036039 213	8036209 359	80373094 107
8035346 327	8036040 213	8036210 359	80384187 235
8035347 327	8036041 217	8036212 359	80384192 235
8035348 327	8036042 217	8036213 359	80384193 235
8035381 327	8036049 241	8036214 359	80384207 241

PART NUMBER INDEX

8050001.....13, 117	8229238350, 354, 359, 363, 384	8305624 51, 341, 345, 350, 354	8310143.....261
80604016...382, 383, 389	8229261 384	8305626 13, 107, 245, 309, 311, 315, 331, 359, 360, 363	8310144.....261
80604018.....382, 383	8270620 350, 354, 417	8305643 ... 21, 23, 39, 51, 53	8310160.....53
80604021.....382, 389	8270621 341, 345, 416	8305644 ... 13, 39, 55, 81, 85, 219, 229, 255, 288, 299, 301, 305, 307	8310161.....53
80604023.....389	8278007 81, 85, 189	8305645 ... 21, 23, 39, 41, 288, 341, 345, 359, 363	8310163.....331
80604025.....382	8278012 81, 85	8305646 39, 41	8310164.....219
8065062.....53	8278020 99, 103	8305652 341	8310209.....288
8065640..... 13, 21, 23	8301443 261, 263, 265	8305906 21, 23, 265	8310215.....189
8065641..... 13	8302470 15, 17, 261, 263, 265	8305916 259	8310235.....288
80904003.....417	8303034 232	8307002 15, 17, 350, 354	8310245.....288
80963055.....378	8303041 27	8307003 350, 354	8310266.....37
80963056.....368, 372	8303107 275	8307004 15, 17, 247, 265, 270, 275, 276, 281, 285, 287, 291, 295	8310276.....37
80963061.....383	8303264 281, 295	8307005 ... 25, 27, 29, 31, 33, 35, 259, 271, 275, 276, 335	8310281.....99
80963067.....368	8303519 118, 271	8307006 117	8310302.....51
8124138..... 39, 41	8303534 259	8307007 .. 39, 41, 55, 271	8310326.....335
8127021.....41	8303540 263, 350, 354	8307009 13	8310327.....335
8127022.....39	8303545 341, 345	8307011 229	8310337.....271
8127024.....39, 41	8303615 15, 17	8307012 13	8310356..... 118, 271
8160078.....265	8303620 27, 31	8307023 255, 270	8310382.....229
8160406.....265	8303621 27, 31	8307024 229	8310393.....281
8160418.....265	8303622 292	8307025 219	8310420.....281
8160419.....261, 263	8303624 39, 41	8307027 350, 354	8310425.....117
8205655.....305, 323	8303626 55, 219, 229, 271	8307049 189	8310431.....21, 23
8205656.....303	8303634 39, 51, 53	8307104 37, 39, 41	8310435.....51
8220051.....383	8303638 37	8307106 . 21, 23, 99, 245, 257, 350, 354	8310479.....117
8220081368, 369, 372, 373, 377, 383, 389, 391	8303655 21, 23	8307109 263, 350, 354	8310481.....117
8220089....368, 372, 377, 383, 384, 389	8303656 15, 17	8307110 341, 345	8310493.....229
8220097.....383	8303657 29	8307111 350, 354	8310494.....107
8220124368, 369, 372	8303658 51, 255	8307112 55, 229	8310497.....21, 23
8220125.....377, 383, 384	8303666 21, 23	8307201 229	8310523.....272
8220160.....377	8303675 35, 271, 275	8307202 15, 17	8310524.....272
8220164.....368, 373	8303679 25, 29, 33, 35	8307203 15, 17, 271, 287, 292, 335	8310525.....271, 335
8220525.....383	830368125, 27, 29, 31, 33, 35	8307204 ... 25, 27, 29, 31, 33, 35, 288, 359, 363	8310529.....231, 239
8220536.....368, 372	8303697 .21, 23, 265, 333	8307206 219, 255, 288	8310620.....117
8220548.....368, 372	8303715 53, 287	8307219 341, 345	8310658..... 15, 17
8220552.....387	8303724 189	8307220 219	8310708.....21
8220553.....377	8303729 15, 17	8307221 105	8310712.....21
8220890.....377, 389, 391	8303738 25, 29, 33	8307904 21, 23, 53	8310725.....257
8220904.....382, 383	8303739 255, 341, 345	8307910 21, 23	83191010.....221
8220927368, 372, 377, 383	8303745 257, 360	8307911 21, 23	83201147..... 139, 173
8220929....368, 372, 377, 383	8303746 285, 341, 345	8307918 21, 23, 53	8320265.....89
8220970.....377, 387, 389	8303752 13, 287, 309, 311, 315	8310001 263	8342808..... 15, 17, 417
8220971389, 391	8303755 .81, 85, 255, 270	8310009 275, 287, 291	8360005.....248
8223025.....350, 354	8303757247, 270, 275, 276, 285	8310019 39, 41	83671037.....329
8223037357	8303758 265	8310020 39	83683175.....111
8223038.....365	8303771 359, 363	8310046 341, 345	8405007...81, 85, 99, 247
8223043.....357	8303772 305	8310061 117	8405104.....103
8223044.....357	8303782 13, 299, 301, 307	8310067 81, 85, 189	8405201.....99, 103
8223054.....357	8303784 81, 85, 107	8310081 292	8405202.....247
8223057.....359	8303798 105	8310085 229	8405209.....271
8223059.....359, 363	8303982 229	8310093 21, 23	8405212.....99, 103
8223060.....359	8305002 350, 354	8310109 103	8405301.....105
8223073.....359	8305004 15, 17, 265, 350, 354, 395	8310129 13	8405305.....107
8223226.....331	8305006 15, 17, 287		8405402.....105
8223232.....189	8305008 99		8405502.....105
8224045.....261, 416	8305012 55		8405505.....107
8224047.....263	8305014 13		8406101.....85, 93
8225119..... 350, 354, 359	8305021 13		8406105.....81, 85, 189
8229233....350, 354, 359, 363, 365, 384	8305619 37		8406302.....270, 275
8229234..... 350, 354, 384			8410009.....247
8229235..... 359, 384			8410021.....107
8229237 350, 354, 384			8420053....47, 49, 51, 53, 291

PART NUMBER INDEX

8430032 271, 281	8760463 287	91044080 317	91474559 151
8430033 271	8760465 287, 291	91081640 342, 346	91474560 151
8430034 97, 331	8760468 285	91343011 99	91474561 151
8430046 271	8760477 287	91344032 235	91474562 151
8430081 281	8760548 189, 271	91344043 247	91474563 151
8440162 329	8760552 331, 333	91344046 251	91474564 151
8466306 229, 403, 409	8765204 291	91364023 107	91474565 151
8500066 365	8769122 287, 291	91401281 342, 346	91474568 151, 183
8500203 359	8769123 281, 287	91403193 117, 118	91474569 151, 183
8520001 ... 13, 21, 23, 39, 299, 301, 307, 309, 311, 315	8769128 ... 275, 285, 287, 291, 295, 341, 345	91403413 .. 47, 49, 51, 53, 77, 291	91474570 151
8520003 41, 299, 301, 307	8769132 53	91403414 .. 47, 49, 51, 53, 77, 291	91474573 151
8520013 23, 303	8769139 285	91404298 231, 247	91474576 147, 181
8520034 305	8769149 287	91404299 231	91474579 181
8522012 .. 37, 39, 41, 299, 301, 303, 305, 307, 309, 311, 315	8769155 291	91404301 231	91474580 181
8526007 ... 25, 27, 31, 35, 37, 81, 85	8769161 287, 292	91404315 235	91474581 181
8526011 ... 299, 301, 303, 309, 311	8770016 53	91404317 235	91474582 147, 181
8526406 39	8770048 333	91404318 235	91474584 147, 181
8530030 ... 271, 272, 275, 276	8770064 281	91404319 235	91474585 181
8580110 261, 263, 265	8770109 270, 281	91404319 235	91474586 181
8580315 53	8770120 270	91405035 223	91474587 181
8580420 15, 17	8770157 285	91405036 223	91474591 145, 179
8582007 350, 354, 359	8770173 276	91471213 139, 173	91474593 179
8584001 53, 241, 359, 363	8770175 275	91473206 223	91474594 179
8584007 276	8770189 270, 281	91473207 223	91474595 179
8584018 359, 363	8780031 223	91474023 335	91474596 179
8630003 51, 270, 272, 281	8780036 223	91474434 337	91475031 223
8630019 118, 271	8786514 223	91474435 337	91475032 223
8630021 261	8786572 118	91474438 337	91475054 225
8640017 335	8786573 117	91474439 337	91475055 225
8640123 ... 271, 272, 275, 276	88261017 263	91474440 337	91511145 255
8640208 271	8841036 189	91474441 337	91513180 255
8642207 53	8841319 113	91474442 337	91513266 221
8642224 303, 305	88501005 359, 363	91474443 337	91514081 147, 181
8642234 21, 303, 305	8866348 13, 229	91474446 337	91514082 147, 181
8642237 39, 41	8866351 229	91474447 337	91514083 148
86983651 247	88671001 47	91474450 337	91514084 147
8750003 287	8880218 118	91474451 337	91514095 147, 181
8750011 291	8880219 118	91474452 337	91514098 143, 177
8750012 275, 291	8902111 335	91474453 337	91514099 .. 147, 155, 181, 187
8750015 ... 281, 341, 345	8902175 270	91474454 337	91514111 147, 181
8750017 ... 275, 281, 287, 291, 295	8902187 327	91474455 337	91514112 147, 181
8750024 247	8902857 295	91474456 337	91514115 147, 181
8750025 ... 247, 270, 275, 276, 285	8902858 295	91474458 337	91514117 147, 181
8750026 275, 283, 285	8933070 103	91474459 337	91514118 221
8750027 ... 275, 287, 291, 295, 341, 345	8990147 229	91474460 337	91514123 .. 145, 147, 179, 181
8750029 291	90022230 317	91474492 237	91514134 145, 179
8750040 ... 270, 275, 276, 283, 285	90027475 139, 173	91474507 ... 143, 147, 177	91514146 147, 181
8760140 270	90200003 .. 45, 47, 51, 53	91474512 143, 177	91514147 147, 181
8760237 270, 275, 279	90206196 15, 17, 342, 346	91474513 .. 143, 147, 177, 181	91514148 147, 181
8760268 271, 295	90451058 51	91474515 155, 187	91514149 147, 181
8760273 275	90554016 67, 71, 73	91474516 155, 187	91514153 151
8760419 327	90554017 67	91474522 153, 185	91514154 151, 183
	90554018 67	91474524 147, 181	91514159 151, 183
	90554020 73	91474528 145, 179	91514160 151, 183
	90554033 71	91474529 145, 179	91514165 151, 183
	90554034 71	91474532 145, 179	91514167 151
	90554042 73	91474533 145, 179	91514175 147
	90554045 325	91474537 145, 179	91514181 147, 181
	90554054 73	91474539 145, 179	91514188 .. 143, 147, 177, 181
	90554062 67, 73	91474542 145, 179	91514189 147, 181
	90554065 67	91474547 145, 179	91514197 337
	90554076 67, 73	91474549 145	91514198 337
	90554080 61	91474550 145, 179	91514199 337
	91043125 77	91474551 145, 179	91535019 225
	91043126 77	91474553 145, 179	

PART NUMBER INDEX

91554014.....	382	91563070.....	103	91565094.....	61
91554018.....	377	91563129.....	105, 107	N.S.S. 71, 251, 393, 397,	
91554019.....	382	91565064.....	245	408	

Go to Discount-Equipment.com to order your parts

PARTS FINDER

**Search Website
by Part Number**



**Search Manual
Library For Parts
Manual & Lookup Part
Numbers – Purchase
or Request Quote**

**Can't Find Part or
Manual? Request Help
by Manufacturer,
Model & Description**

Discount-Equipment.com is your online resource for quality parts & equipment.

Florida: **561-964-4949** Outside Florida TOLL FREE: **877-690-3101**

Need parts?

Click on this link: <http://www.discount-equipment.com/category/5443-parts/> and choose one of the options to help get the right parts and equipment you are looking for. Please have the machine model and serial number available in order to help us get you the correct parts. If you don't find the part on the website or on one of the online manuals, please fill out the request form and one of our experienced staff members will get back to you with a quote for the right part that your machine needs.

We sell worldwide for the brands: Genie, Terex, JLG, MultiQuip, Mikasa, Essick, Whiteman, Mayco, Toro Stone, Diamond Products, Generac Magnum, Airman, Haulotte, Barreto, Power Blanket, Nifty Lift, Atlas Copco, Chicago Pneumatic, Allmand, Miller Curber, Skyjack, Lull, Skytrak, Tsurumi, Husquvarna Target, Stow, Wacker, Sakai, Mi-T-M, Sullair, Basic, Dynapac, MBW, Weber, Bartell, Bennar Newman, Haulotte, Ditch Runner, Menegotti, Morrison, Contec, Buddy, Crown, Edco, Wyco, Bomag, Laymor, EZ Trench, Bil-Jax, F.S. Curtis, Gehl Pavers, Heli, Honda, ICS/PowerGrit, IHI, Partner, Imer, Clipper, MMD, Koshin, Rice, CH&E, General Equipment, Amida, Coleman, NAC, Gradall, Square Shooter, Kent, Stanley, Tamco, Toku, Hatz, Kohler, Robin, Wisconsin, Northrock, Oztec, Toker TK, Rol-Air, APT, Wylie, Ingersoll Rand / Doosan, Innovatech, Con X, Ammann, Mecalac, Makinex, Smith Surface Prep, Small Line, Wanco, Yanmar