

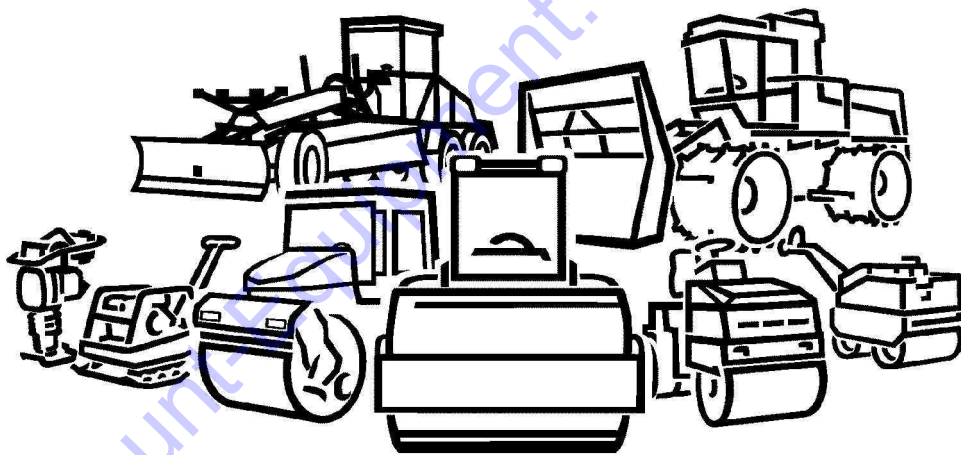
BOMAG

FAYAT GROUP

Spare Parts Catalogue

BT 65/4

S/N 101540581001 > 101540582183
Honda



Vibratory tamper



www.discount-equipment.com

Catalogue number
00824171

01.09.2012 - 01.07.2013

PARTS FINDER

**Search Website
by Part Number**



**Search Manual
Library For Parts
Manual & Lookup Part
Numbers – Purchase
or Request Quote**

Search Manuals

Enter your information to help us find the right parts manual for your machine.

* Brand:

* Model:

* Serial:

* Part Number:

SEARCH

**Can't Find Part or
Manual? Request Help
by Manufacturer,
Model & Description**

Parts Order Form

Please fill in the following information to help us find the right part for your machine.

Manufacturer:	<input type="text"/>
Model:	<input type="text"/>
Description:	<input type="text"/>
Part Number:	<input type="text"/>
Quantity:	<input type="text"/>
Notes:	<input type="text"/>

Submit

Discount-Equipment.com is your online resource for quality parts & equipment.

Florida: **561-964-4949** Outside Florida TOLL FREE: **877-690-3101**

Need parts?

Click on this link: <http://www.discount-equipment.com/category/5443-parts/> and choose one of the options to help get the right parts and equipment you are looking for. Please have the machine model and serial number available in order to help us get you the correct parts. If you don't find the part on the website or on one of the online manuals, please fill out the request form and one of our experienced staff members will get back to you with a quote for the right part that your machine needs.

We sell worldwide for the brands: Genie, Terex, JLG, MultiQuip, Mikasa, Essick, Whiteman, Mayco, Toro Stone, Diamond Products, Generac Magnum, Airman, Haulotte, Barreto, Power Blanket, Nifty Lift, Atlas Copco, Chicago Pneumatic, Allmand, Miller Curber, Skyjack, Lull, Skytrak, Tsurumi, Husquvarna Target, Stow, Wacker, Sakai, Mi-T-M, Sullair, Basic, Dynapac, MBW, Weber, Bartell, Bennar Newman, Haulotte, Ditch Runner, Menegotti, Morrison, Contec, Buddy, Crown, Edco, Wyco, Bomag, Laymor, EZ Trench, Bil-Jax, F.S. Curtis, Gehl Pavers, Heli, Honda, ICS/PowerGrit, IHI, Partner, Imer, Clipper, MMD, Koshin, Rice, CH&E, General Equipment, Amida, Coleman, NAC, Gradall, Square Shooter, Kent, Stanley, Tamco, Toku, Hatz, Kohler, Robin, Wisconsin, Northrock, Oztec, Toker TK, Rol-Air, APT, Wylie, Ingersoll Rand / Doosan, Innovatech, Con X, Ammann, Mecalac, Makinex, Smith Surface Prep, Small Line, Wanco, Yanmar

© 2013 Bomag GmbH

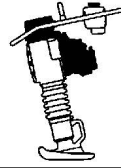
The reproduction, distribution and utilization of this document as well as the communication of its contents to others without express authorization is prohibited. Offenders will be held liable for the payment of damages. All rights reserved in the event of the grant of a patent, utility model or design.

[Go to Discount-Equipment.com](http://Discount-Equipment.com) to order your parts

Preface and Instructions

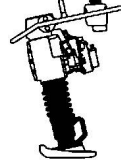


Engine / Fitting Parts



10

Power Transmission / Actuation



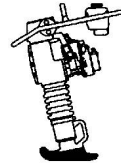
20

Frame with Attachment Parts



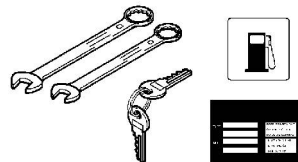
50

Plate / Foot



65

Accessories



100

Special Equipment

Option

110

Go to Discount-Equipment.com to order your parts

Table of Contents

Foreword

Ordering Conditions

Structure of Spare Parts Catalogue

Frequently Used Parts

Spare Parts Catalogue

Numerical Index

Go to Discount-Equipment.com to order your parts

- Only the use of ORIGINAL SPARE PARTS guarantees the correct function of the machine. The use of non-original spare parts results in the loss of all claims, regarding warranty as well as product liability.
- The relevant warranty conditions are valid for all spare parts deliveries.

The listing of parts and part numbers is in accordance with economical and technical aspects. Further spare parts are not recommended.

- Our branch offices and dealers have well sorted spare parts stores. Therefore, first of all contact our nearest activity when ordering spare parts.
- We reserve the right for technical modifications without prior notification.

Please fill in when receiving the machine

Type	
_____	_____
Serial number	Engine type
_____	_____
Date of delivery	Engine number
Key-numbers:	
Ignition switch _____	Cabin door _____
Engine cover _____	Hydraulic tank lock _____
Burglary protection _____	Rear flap _____
Fuel tank lock _____	Others _____

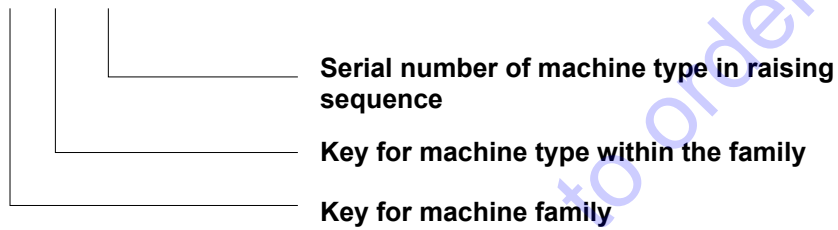
- Texts and illustrations from this catalogue must not be copied and distributed, nor must they be used for cometicitive purposes. All rights referring to the copyright law remain expressly reserved.

BOMAG

Please state the following when
ordering spare parts:

1. Machine type

2. Serial number 101 400 04 0101



3. Engine type and number resp. component number

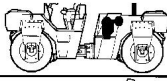
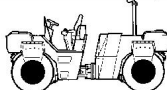

4. Part number

USE ONLY ORIGINAL SPARE PARTS!

Go to Discount-Equipment.com to order your parts

Structure of Spare Parts Catalogue

BOMAG

Motor / Anbauteile Pièces de montage Accesorios de montaje		10
Position / Actuations Bedienung / Betätigungen Comando / Commandes Accionamientos		20
Brake System Bremsensystem		30

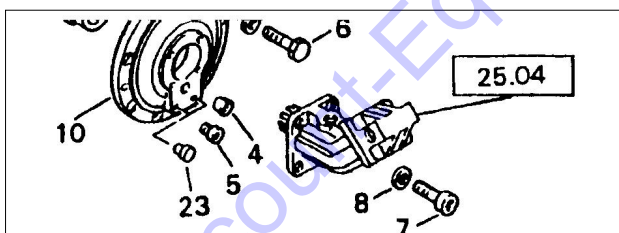
1. Subdivision of the catalogue main assembly groups

11.00	ENGINE PARTS LIST	MOTOREN-ERSATZTEILLISTE
11.01	Crankcase	Kurbelgehäuse
11.02	Front cover	Vorderer Deckel
11.04	Oil pan	Ölwanne
11.05	Cylinder and piston	Zylinder und Kolben
11.06	Crankshaft	Kurbelwelle
11.08	Cylinder head	Zylinderkopf
11.10	Control pieces	Steuerungsteile

2. Subdivision of the main assembly groups.

51.03	BC 671 RB	S/N 1015703
	Frame Rear Rahmen hinten Chassis Arriere Chasis Trasero	
Page Seite	1 / 3	

3. Assembly group consists of several pages. Page 1 of 3 pages.



4. 25.04 = Reference to another assembly group.

161 A	S/N 101640000101 ▶
VIBR.ROLLER DRUM IN FRONT VIBRATIONS BANDAGE VORN BANDAGE DE VIBR.AVANT	

5. Serial number

S/N 101 570 32 1001 ▶ = from serial number.

▶ S/N 101 570 32 1062 = up to serial number.

(Important for spare parts orders!)

05815244	1	TRAVEL MOTOR	FAHRMOTOR
05815976	1	>SEAL KIT	>DICHTUNGSSATZ
05815981	1	>DISTRIBUTOR	>VERTEILER
05815982	1	>>COVER	>>DECKEL
07231649	16	>>SOCKET-HEAD CAP SCRE	>>ZYLINDERSCHRAUBI
05815698	1	>>SEAL/O-RING	>>DICHTRING
07230802	1	>>SOCKET-HEAD CAP SCRE	>>ZYLINDERSCHRAUBI
	1	>>>LOOP RING	>>>RUNDDICHTRING
	1	>>>LOOP RING	>>>RUNDDICHTRING
	1	>>>LOOP RING	>>>RUNDDICHTRING

6. ">" ">>" ">>>" :Parts marked with one or more additional ">" indicate, that one or more parts belong to a higher assembly group.

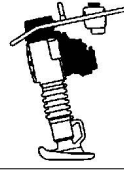
0	05801177	1	CONNECTING PLATE	ANSCHLUSSPLA
18		1	>CONNECTING PLATE	>ANSCHLUSSPLA
19	05801185	1	>COUPLING HUB	>KUPPLUNGSNA
20		4	>SPRING SLEEVE	>FEDERHUELSE
21		4	>PRESSURE SPRING	>DRUCKFEDER
22		4	>SOCKET-HEAD CAP SCRE	>ZYLINDERSCHF
23	06220983	1	>LOOP RING	>RUNDDICHTRI
24	06220821	1	>LOOP RING	>RUNDDICHTRI
25	06220109	1	>LOOP RING	>RUNDDICHTRI
26	06220083	4	>LOOP RING	>RUNDDICHTRI

7. Index: List of Part-No. with reference to the assembly group and position.

	BT 65/4	S/N 101540581001 ▶ S/N 101540582183
	Frequently used parts	
BOMAG		

Description	Part no.	see
Filter Elements		
Filter element	05748269	11.22/1
Filter cartridge	05821205	12.13/1
Filter element,air	05727224	12.15/1
Filter element,air	05727224	194.08/1
Filter element	05748269	194.08/1
Filter cartridge	05821205	194.08/1
Seals		
Gasket	05747129	11.02/1
Gasket, oil dip stick	05747388	11.02/1
Radial seal	05748160	11.02/1
Radial seal	05748162	11.02/1
Radial seal	05748160	11.07/1
Sealing compound	05748234	11.07/1
Toothed belt	05748180	11.09/1
Dust seal ring	05748265	11.53/1
Gasket	05747129	194.08/1
Sealing ring	09331128	194.08/1
Sealing ring	09331746	194.08/1
Loop ring	06221008	29.10/1
Loop ring	06221040	29.10/1
Loop ring	06221202	29.10/1
Sealing ring	09331128	29.10/1
Sealing ring	09331746	29.10/1
Radial seal	09312442	52.14/1
Loop ring	06221953	52.19/1
Spark plug		
Spark plug	05748175	11.07/1
Spark plug spanner	05748277	11.07/1
Spark plug socket	05748332	11.46/1
Spark plug	05748175	194.08/1

Go to Discount-Equipment.com to order your parts



Go to Discount-Equipment.com to order your parts

10.00	Engine / Fitting Parts
Page /	
BOMAG	

For this catalogue group no illustration.

Go to Discount-Equipment.com to order your parts

Engine / Fitting Parts

10.00

Page /

BOMAG

Pos. Description

- 11.00 Engine Parts List
- 11.02 Front Cover
- 11.07 Crankcase and cyl. head
- 11.09 Camshaft
- 11.19 Crankshaft And Piston
- 11.22 Dry Air Filter
- 11.25 Throttle Control
- 11.26 Silencer
- 11.31 Recoil Starter
- 11.36 Electrical Equipment
- 11.44 Covering
- 11.46 Contact Breaker/Ign.Coil
- 11.53 Carburetor
- 12.13 Engine
- 12.15 Air Filter
- 19.07 Centrifugal Clutch

Go to Discount-Equipment.com to order your parts

	Engine no.	S/N GCAGK1325721 ▶
11.00	Engine Parts List	GX100U-KR-GA-SD
Page 1 / 1		
BOMAG		

For this catalogue group no illustration.

Go to Discount-Equipment.com to order your parts

Engine no.	S/N GCAGK1325721 ▶	
Engine Parts List	GX100U-KR-GA-SD	11.00
		Page 1 / 1
	1001 E	BOMAG

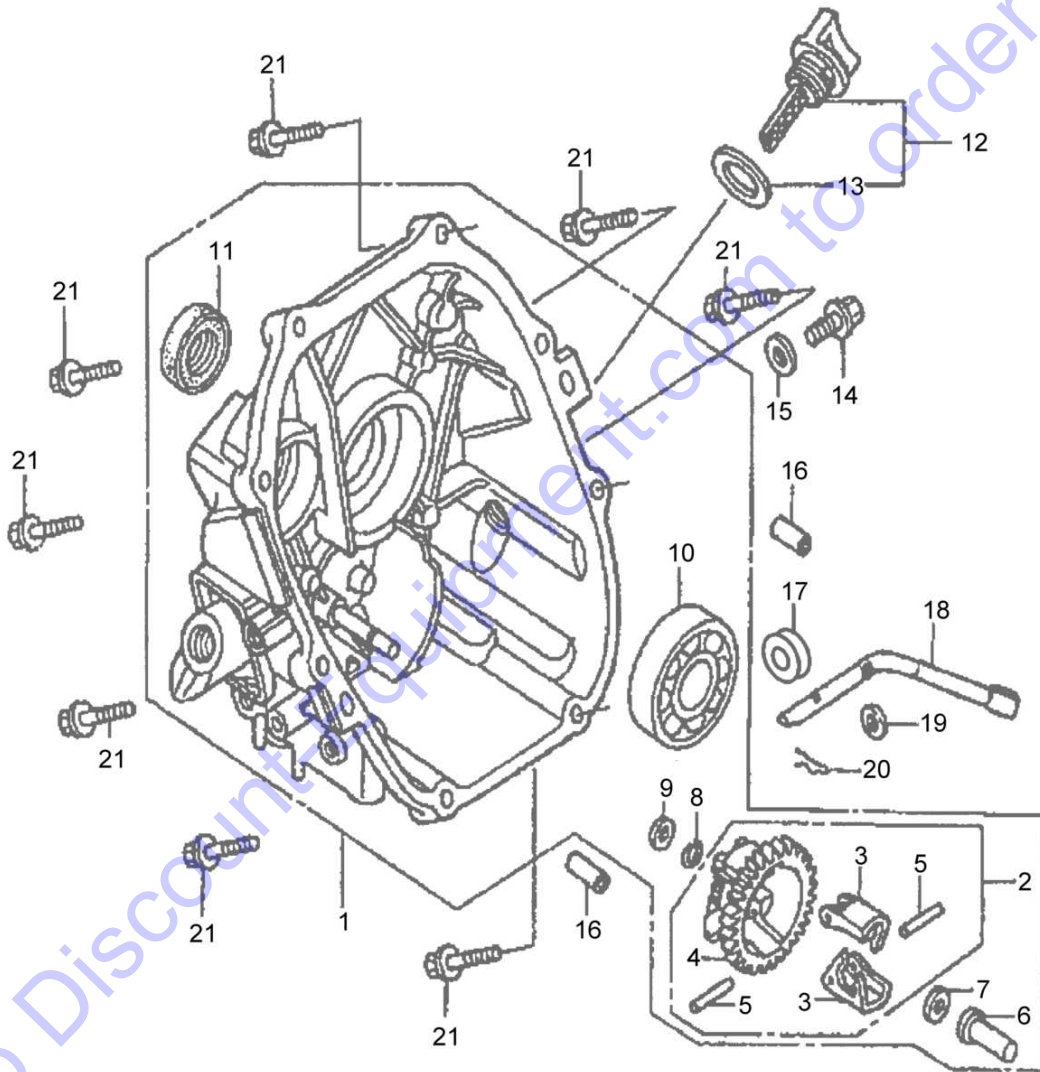
Pos. Part no. Qty. Description

1 05747026 1 Four-stroke engine

Go to Discount-Equipment.com to order your parts

11.02

Front Cover



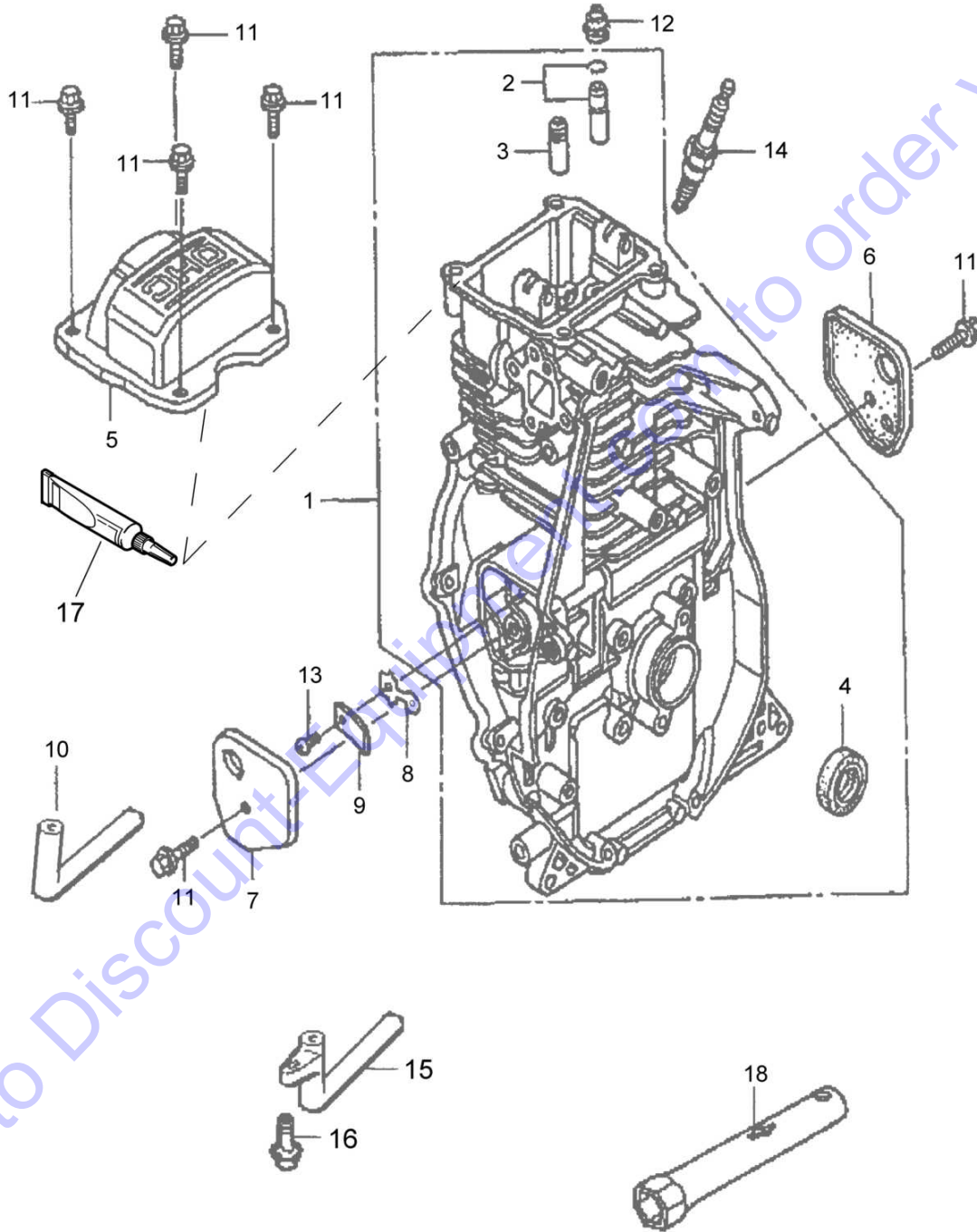
Engine no.	S/N GCAGK1325721 ▶	
Front Cover		11.02
		Page 1 / 1
	MOT011900 1001 E	BOMAG

Pos.	Part no.	Qty.	Description
1	05748525	1	Crank case cover
2	05748156	1	>Governor kit
3	05748157	2	>>Governor weight
4	05748158	1	>>Governor support
5	05747346	2	>>Pin
6	05747226	1	>Spool valve
7	05747233	1	>Thrust disc
8	05747377	1	>Spring ring
9	05747348	1	>Washer
10	05748163	1	>Bearing, ball
11	05748160	1	>Radial seal
12	05748526	1	Filler cap
13	05747388	1	>Gasket, oil dip stick
14	05747180	1	Drain plug
15	05747129	1	Gasket
16	05748161	2	Pin
17	05748162	1	Radial seal
18	05748159	1	Arm governor
19	05747348	1	Washer
20	05747349	1	Spring cotter
21	05747395	8	Screw

Go to Discount-Equipment.com to order your parts

11.07

Crankcase and cyl. head

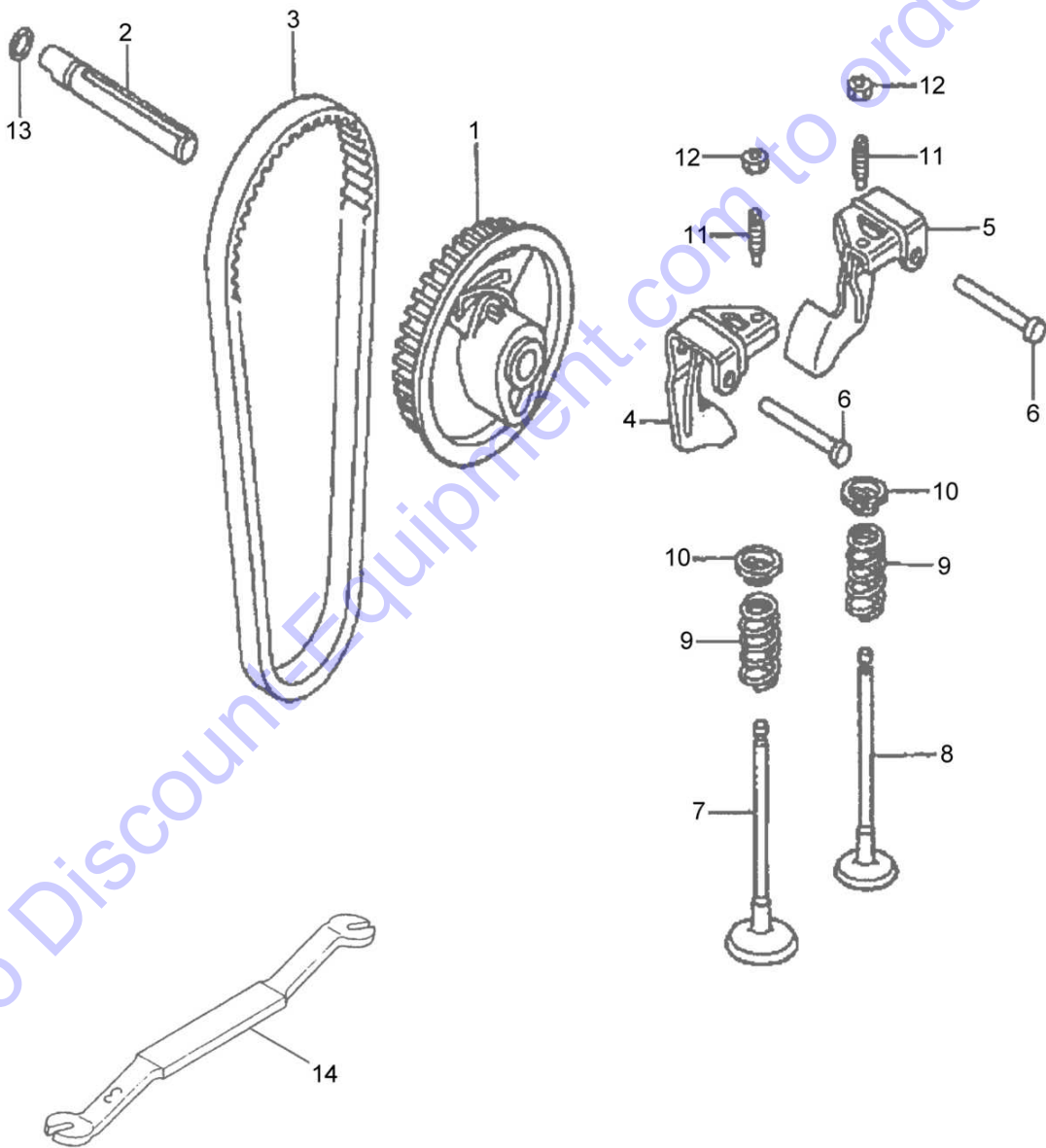


Engine no.	S/N GCAGK1325721 ▶	
Crankcase and cyl. head		11.07
		Page 1 / 1
	MOT011901 1001 E	BOMAG

Pos.	Part no.	Qty.	Description
1	05748164	1	Crankcase
2	05748165	1	>Valve guide Exhaust
3	05748166	1	>Valve guide Intake
4	05748160	1	>Radial seal
5	05748168	1	Valve cover
6	05748169	1	Cover
7	05748170	1	Cover
8	05748171	1	Oil drain valve
9	05748172	1	Plate
10	05748673	1	Bleeding tube
11	05747995	6	Screw
12	05748167	1	Valve stem seal
13	05748174	1	Screw
14	05748175	1	Spark plug
15	05748176	1	Suction pipe
16	05748177	1	Screw
			Service Parts
17	05748234	1	Sealing compound
18	05748277	1	Spark plug spanner

Go to Discount-Equipment.com to order your parts

	Engine no.	S/N GCAGK1325721 ▶
11.09	Camshaft	
Page 1 / 1		
BOMAG	MOT011902_000_00	



Engine no.	S/N GCAGK1325721 ▶	
Camshaft		11.09
		Page 1 / 1 Seite 1 / 1
	MOT011902 1001 E	BOMAG

Pos.	Part no.	Qty.	Description
------	----------	------	-------------

1	05748283	1	Belt pulley
2	05748179	1	Camshaft
3	05748180	1	Toothed belt
4	05748181	1	Rocker lever,inlet
5	05748182	1	Rocker lever,outlet
6	05748183	2	Rocker lever axle
7	05748184	1	Inlet valve
8	05748185	1	Outlet valve
9	05748186	2	Valve spring
10	05748187	2	Valve plate
11	05748188	2	Setscrew
12	05748189	2	Adjustment nut
13	05748190	1	O-ring
			Service Parts
14	05748590	1	Key,special

Go to Discount-Equipment.com to order your parts

Engine no.

S/N GCAGK1325721 ▶

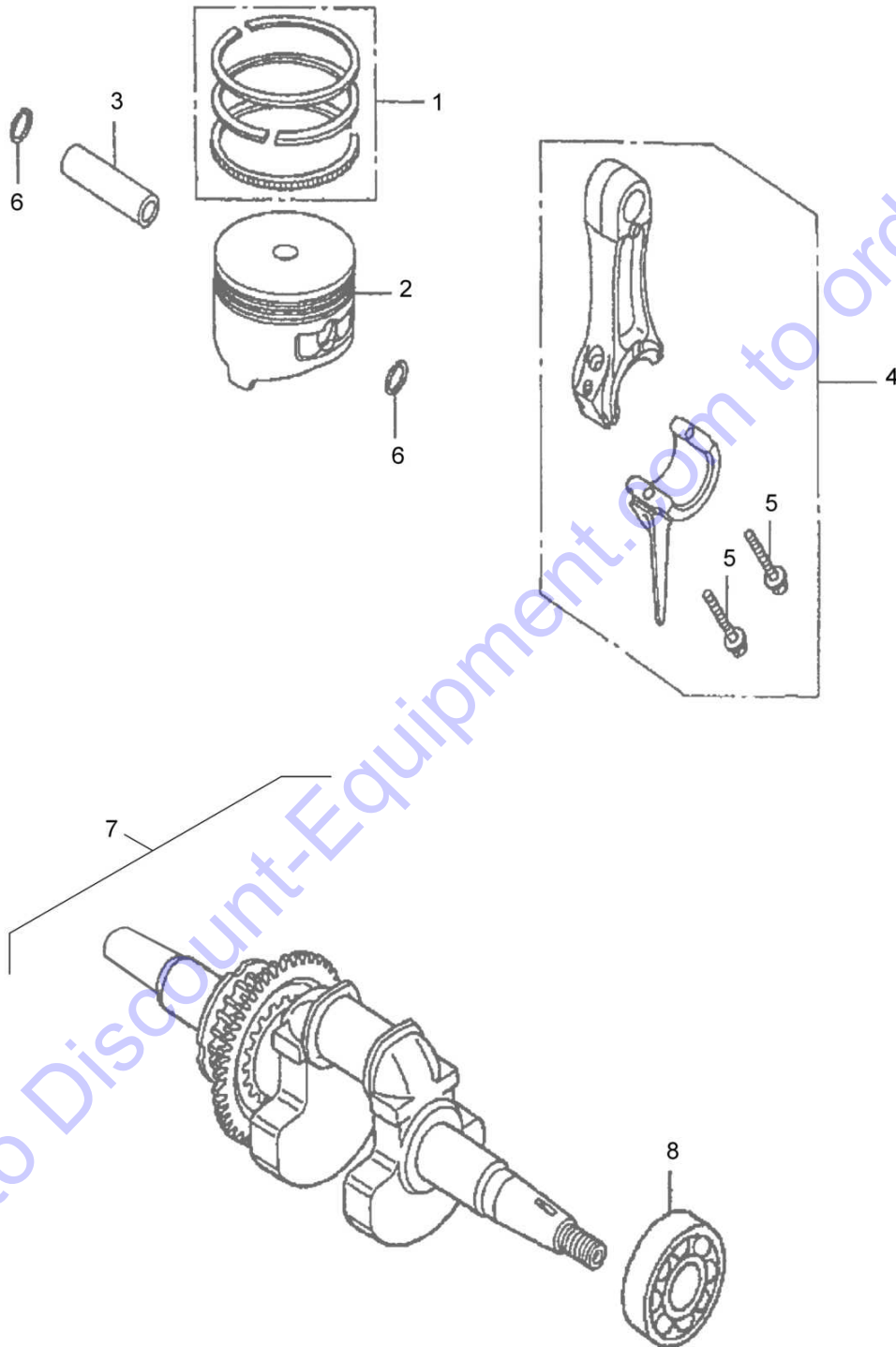
11.19

Crankshaft And Piston

Page **1 / 1**

BOMAG

MOT011903_000_00



mot011903_000

Engine no.	S/N GCAGK1325721 ▶	
Crankshaft And Piston		11.19
		Page 1 / 1
	MOT011903 1001 E	BOMAG

Pos.	Part no.	Qty.	Description
------	----------	------	-------------

1	05748191	1	Piston ring set
2	05748192	1	Piston
3	05747134	1	Floating wrist pin
4	05748193	1	Piston rod
5	05748195	2	>Screw
6	05747396	2	Spring ring
7	05748196	1	Crankshaft
8	05748197	1	>Bearing, ball

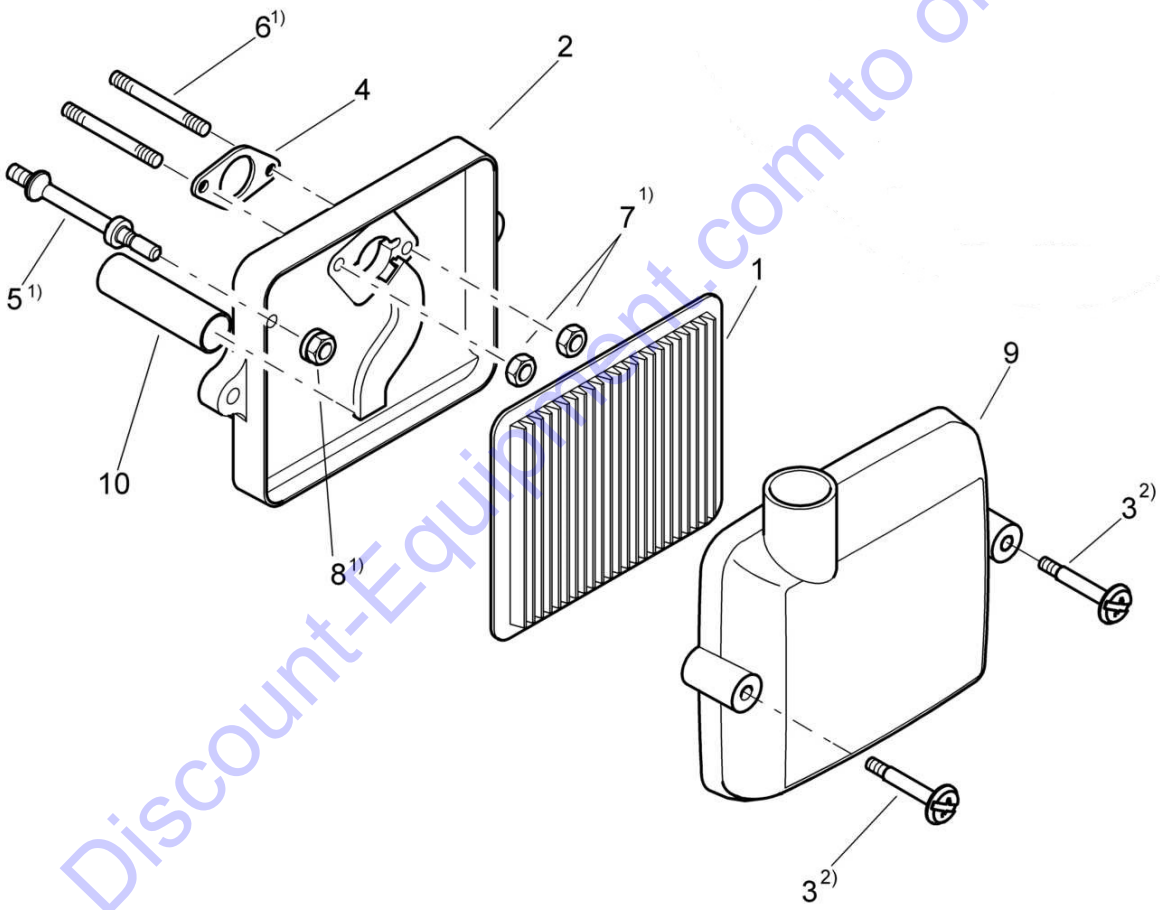
Go to Discount-Equipment.com to order your parts

11.22

BOMAG

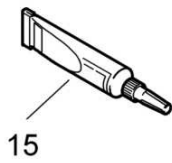
Dry Air Filter

MOT011904_000_00



1) Torque value: 6 Nm

2) Torque value: 2,3 Nm



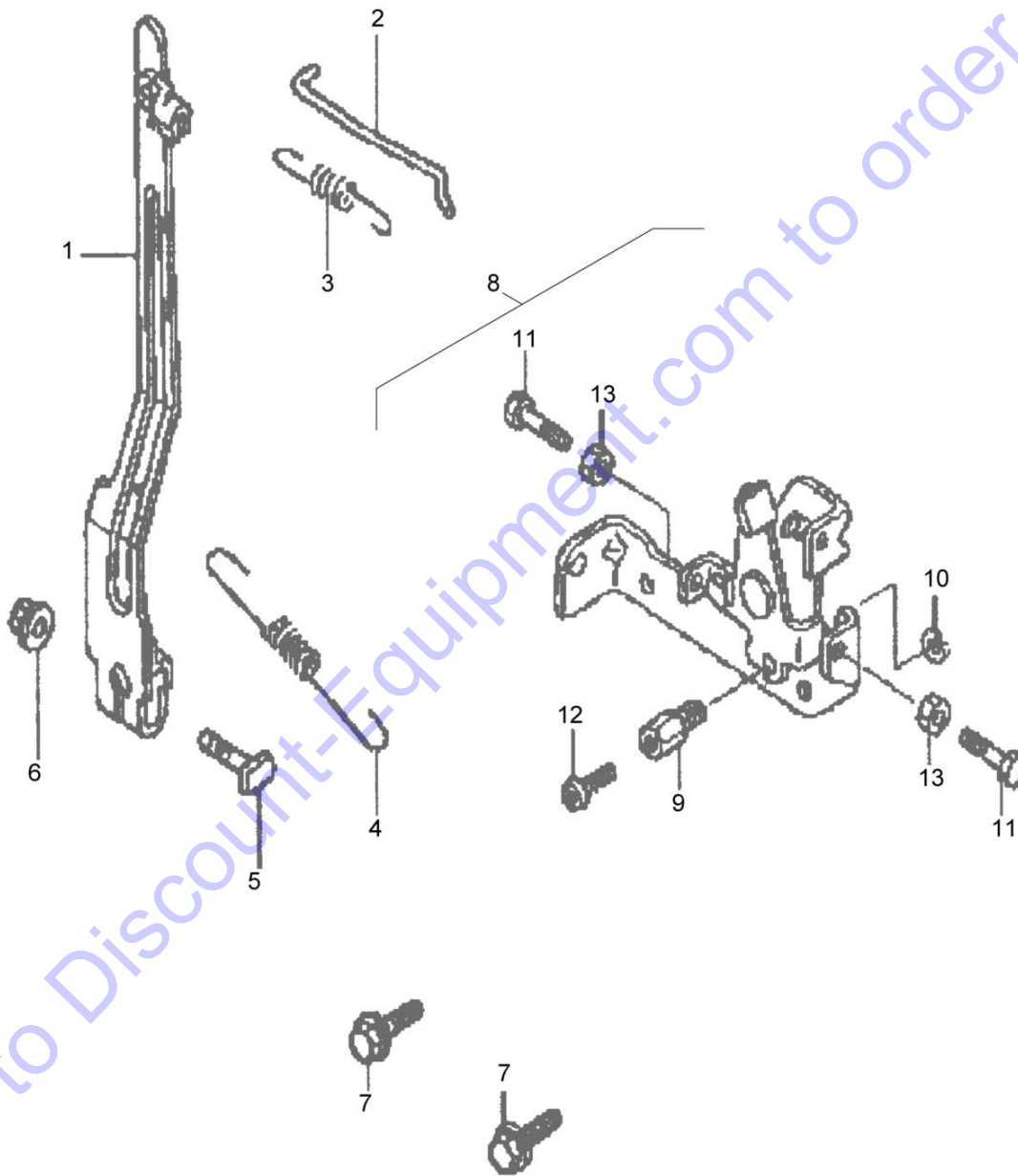
Engine no.	S/N GCAGK1325721 ▶	
Dry Air Filter		11.22
		Page 1 / 1
	MOT011904 1001 E	BOMAG

Pos.	Part no.	Qty.	Description
1	05748269	1	Filter element
2	05748270	1	Housing part
3	05748272	2	Screw
4	05748211	1	Gasket
5	05748674	1	Stud
6	05748675	2	Stud
7	05747578	2	Collar nut
8	05747312	1	Collar nut
9	05748657	1	Housing, front part
10	05748275	1	Bleeding tube
11	54101002	1	Cover, air filter, assembled
12	05748321	1	>Cover, air filter
13	05748995	1	>Decal, indication
14	05748319	1	>External filter
			Service Parts
15	00978001	1,00 kg	Screw lock, high strength

Go to Discount-Equipment.com to order your parts

11.25

Throttle Control



Go to Discount-Equipment.com to order your parts

Engine no.	S/N GCAGK1325721 ▶	
Throttle Control		11.25
		Page 1 / 1
	MOT011905 1001 E	BOMAG

Pos.	Part no.	Qty.	Description	Benennung
------	----------	------	-------------	-----------

1	05748528	1	Arm governor	
2	05748207	1	Governor rod	
3	05748530	1	Return spring	
4	05748208	1	Governor spring	
5	05747423	1	Screw	
6	05747312	1	Collar nut	
7	05747995	2	Screw	
8	05748529	1	Control assy.	
9	05747332	1	>Wire holder	
10	05747333	1	>Spring ring	
11	05747810	2	>Screw	
12	05747334	1	>Screw	
13	05747812	2	>Nut	

Go to Discount-Equipment.com to order your parts

Engine no.

S/N GCAGK1325721 ▶

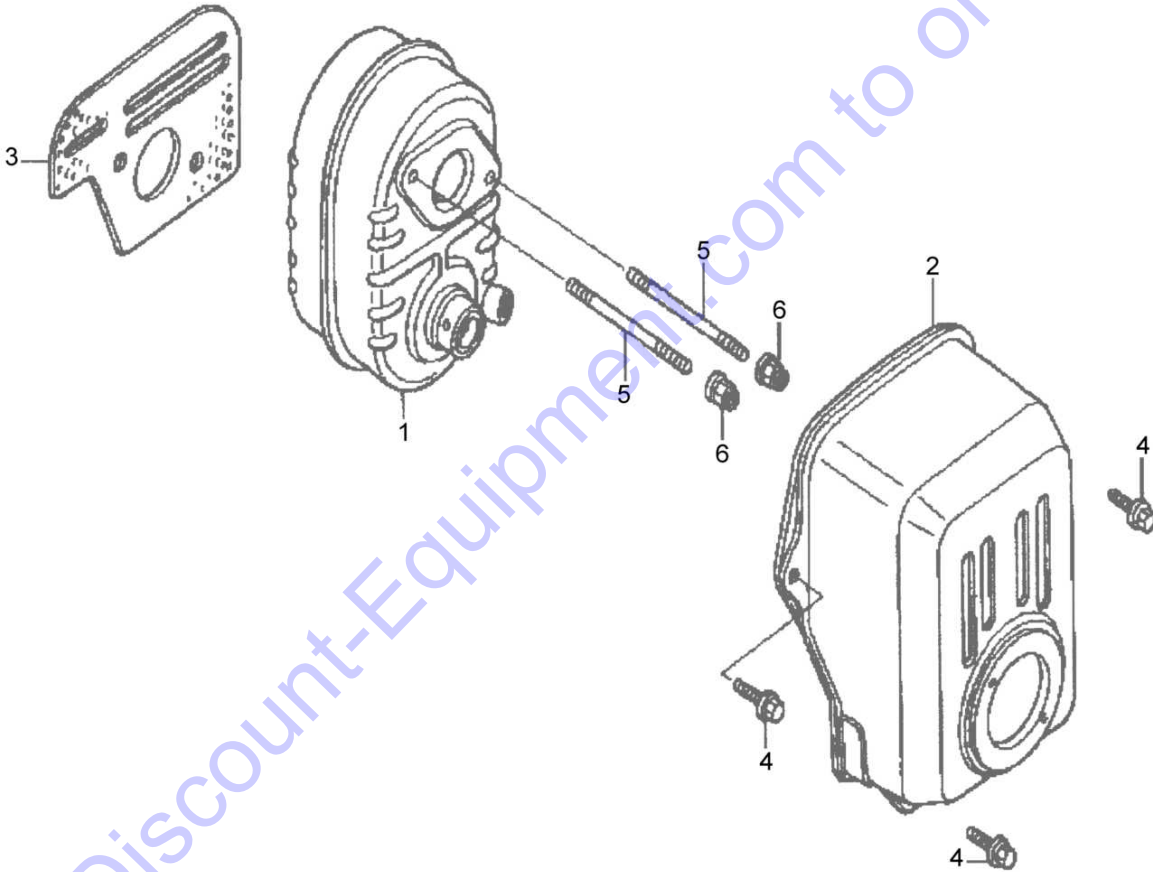
11.26

Silencer

Page 1 / 1

BOMAG

MOT011906_000_00



mot011906_000

Engine no.	S/N GCAGK1325721 ▶	
Silencer		11.26
		Page 1 / 1
	MOT011906 1001 E	BOMAG

Pos.	Part no.	Qty.	Description
------	----------	------	-------------

1	05748212	1	Exhaust silencer
2	05748213	1	Muffler guard
3	05748214	1	Exhaust gasket
4	05747995	3	Screw
5	05748215	2	Stud
6	05748216	2	Safety nut

Go to Discount-Equipment.com to order your parts

Engine no.

S/N GCAGK1325721 ▶

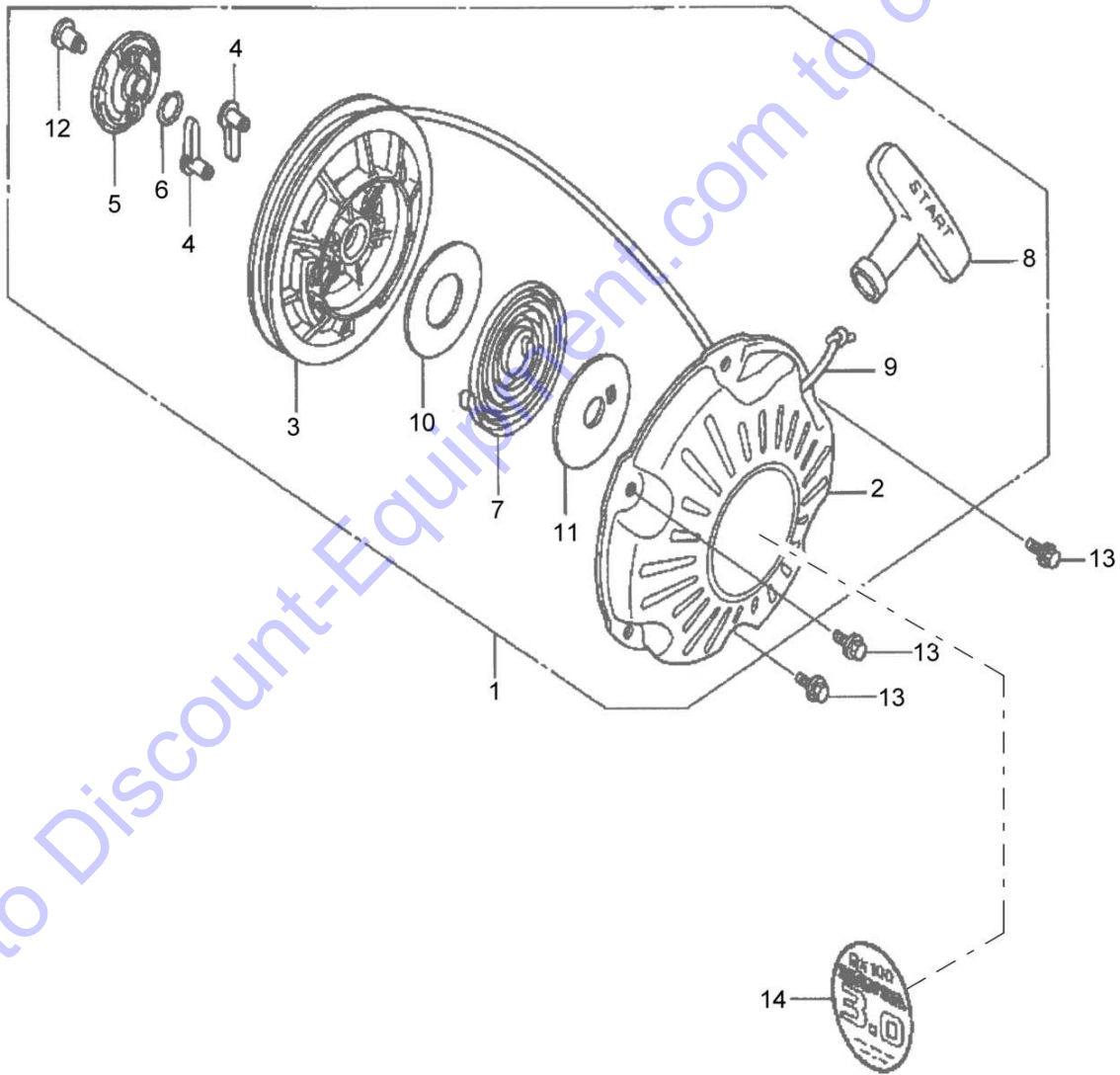
11.31

Recoil Starter

Page **1 / 1**

BOMAG

MOT011907_000_00



mot011907_000

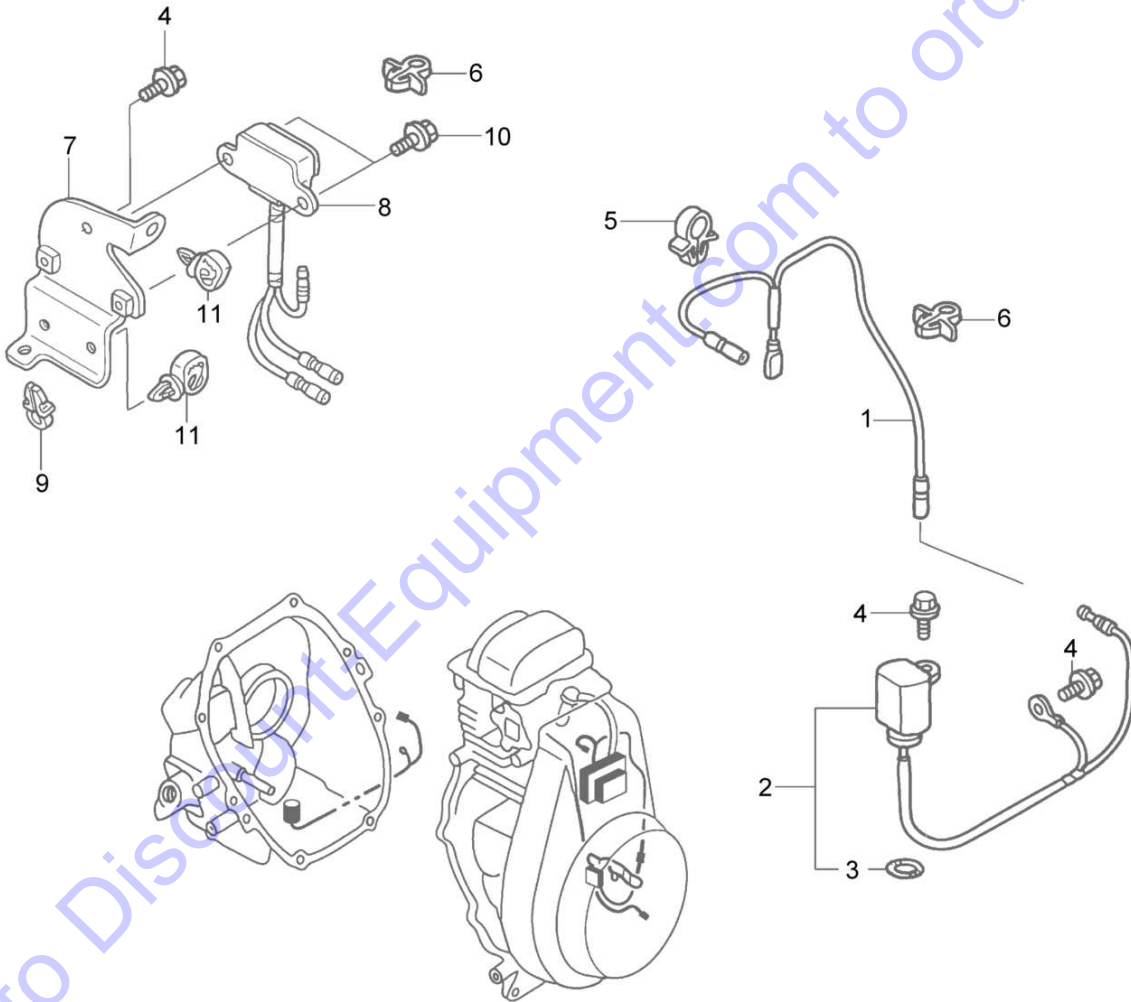
Engine no.	S/N GCAGK1325721 ▶	
Recoil Starter		11.31
		Page 1 / 1 Seite 1 / 1
	MOT011907 1001 E	BOMAG

Pos.	Part no.	Qty.	Description
1	05748531	1	Recoil starter
2	05748676	1	>Starter housing
3	05748220	1	>Rope pulley
4	05747736	2	>Ratchet
5	05747737	1	>Guide,ratchet
6	05748221	1	>Spring
7	05747293	1	>Return spring
8	05747295	1	>Knob
9	05748546	1	>Starter rope
10	05748223	1	>Washer
11	05748224	1	>Washer
12	05747297	1	>Locking screw
13	05747318	3	Screw
14	05748594	1	Label

Go to Discount-Equipment.com to order your parts

11.36

Electrical Equipment



Engine no.	S/N GCAGK1325721 ▶	
Electrical Equipment		11.36
		Page 1 / 1
	MOT011908 1001 E	BOMAG

Pos.	Part no.	Qty.	Description
1	05748532	1	Connecting cable
2	05748533	1	Switch
3	05748535	1	>O-ring
4	05747995	4	Screw
5	05748124	1	Hose clip
6	05748534	2	Cable clamp
7	05748536	1	Pillow block
8	05748595	1	Oil alarm unit
9	05748431	1	Holder
10	05748538	2	Screw
11	05748596	1	Clamp

Go to Discount-Equipment.com to order your parts

Engine no. S/N GCAGK1325721 ▶

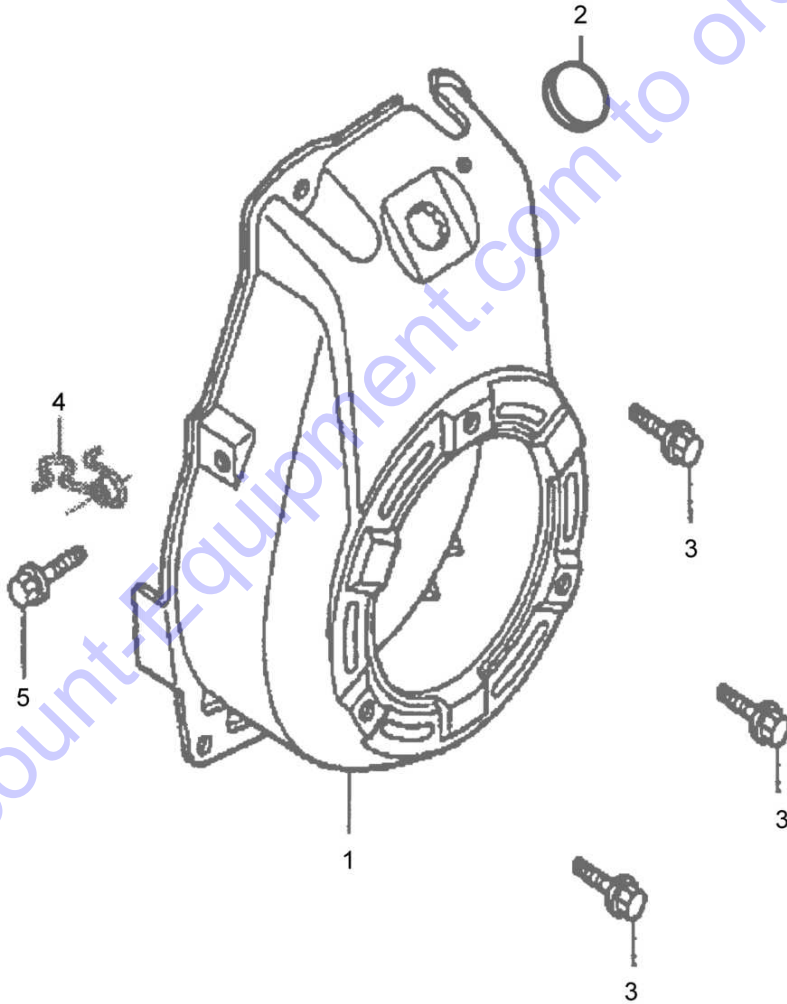
11.44

Page 1 / 1

BOMAG

Covering

MOT011909_000_00



mot011909_000

Engine no.	S/N GCAGK1325721 ▶	
Covering		11.44
		Page 1 / 1
	MOT011909 1001 E	BOMAG

Pos.	Part no.	Qty.	Description
------	----------	------	-------------

1	05748540	1	Housing cover
2	05747658	1	Rubber grommet
3	05747995	3	Screw
4	05748677	1	Wire holder
5	05748078	1	Screw

Go to Discount-Equipment.com to order your parts

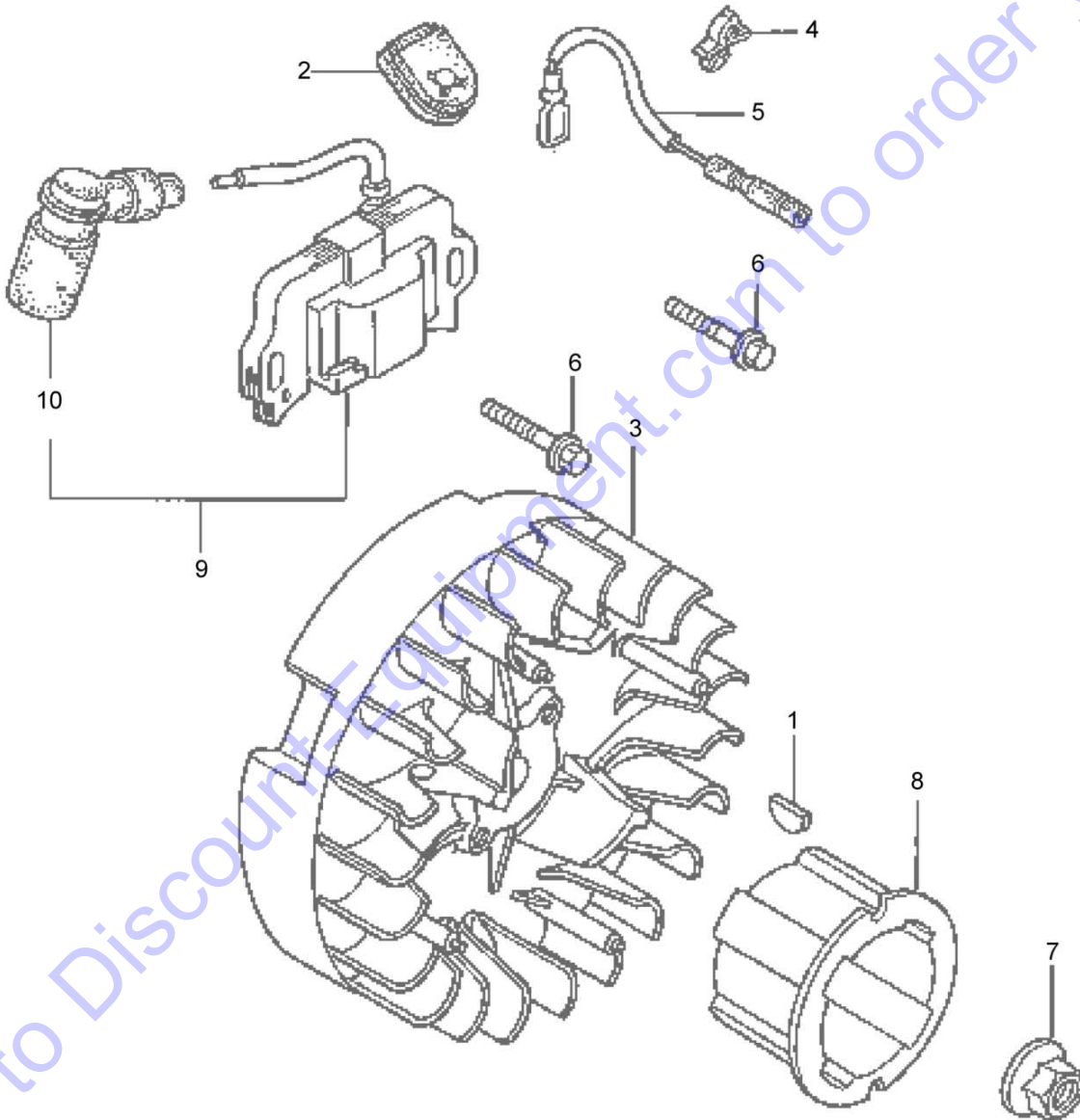
11.46

Page 1 / 1

BOMAG

Contact Breaker/Ign. Coil

MOT011910_000_00



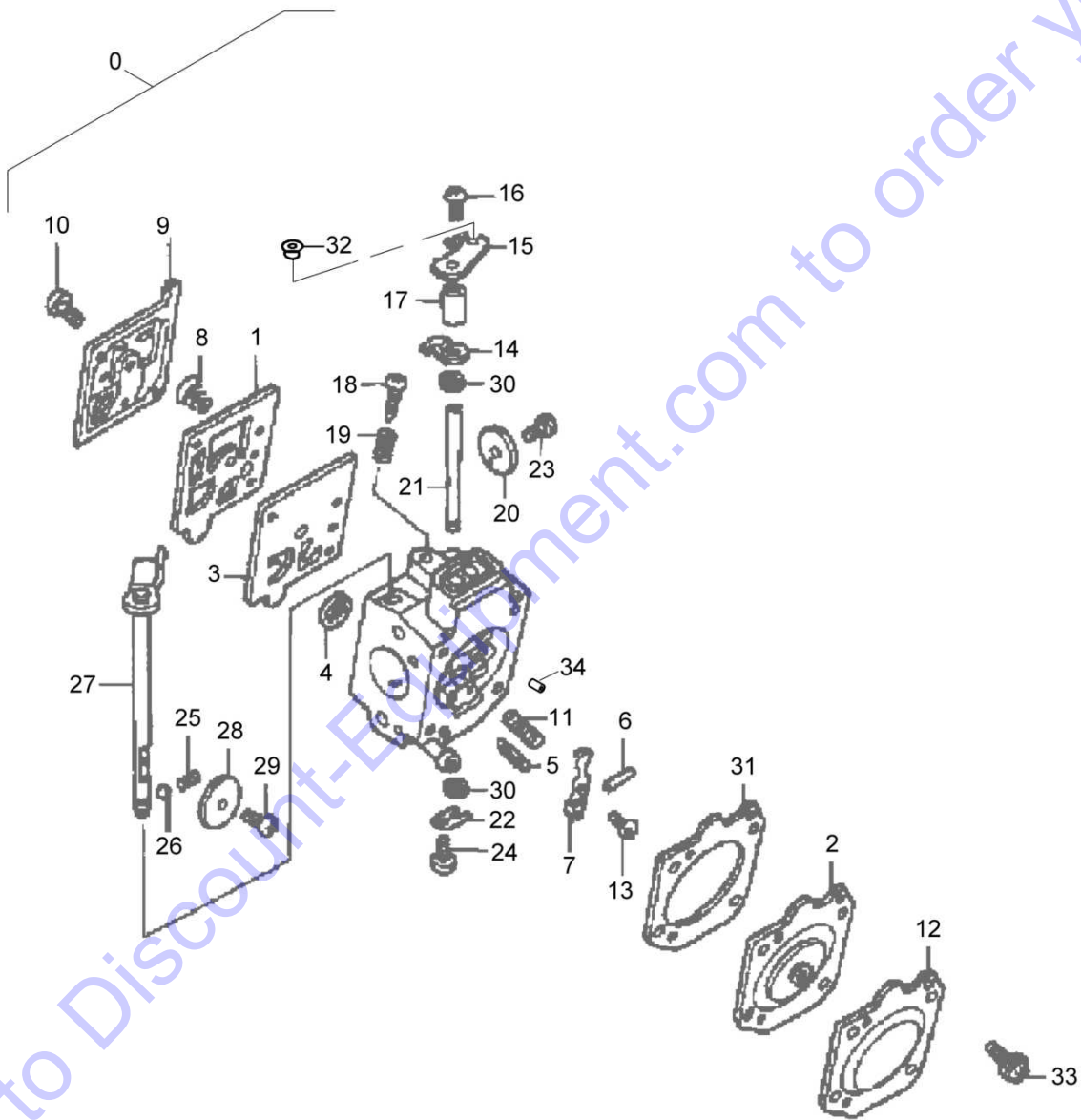
Engine no.	S/N GCAGK1325721 ▶	
		11.46
		Page 1 / 1
Contact Breaker/Ign. Coil		BOMAG
	MOT011910 1001 E	

Pos.	Part no.	Qty.	Description
1	05748225	1	Tepered disc
2	05748227	1	Grommet
3	05748228	1	Fan
4	05747561	1	Holder
5	05748229	1	Shut down rope
6	05747325	2	Screw
7	05747695	1	Nut
8	05748230	1	Starting pulley
9	05748226	1	Coil,ignition
10	05748332	1	Spark plug socket

Go to Discount-Equipment.com to order your parts

11.53

Carburetor



Go to Discount-Engine.com to order your parts

Engine no.	S/N GCAGK1325721 ▶	
Carburetor		11.53
		Page 1 / 2
	MOT011911 1001 E	BOMAG

Pos. Part no. Qty. Description

0	05748683	1	Carburetor
1	05748236	1	>Gasket
2	05748679	1	>Diaphragm plate
3	05748238	1	>Membrane
4	05748239	1	>Screen
5	05748240	1	>Needle valve
6	05748241	1	>Pin
7	05748242	1	>Lever
8	05748243	1	>Spring
9	05748680	1	>Cover
10	05748245	1	>Screw
11	05748246	1	>Spring
12	05748681	1	>Cover
13	05748682	1	>Screw
14	05748249	1	>Stop
15	05748543	1	>Lever
16	05748258	1	>Screw
17	05748252	1	>Spacer piece
18	05748686	1	>Screw
19	05748254	1	>Spring
20	05748255	1	>Flow control valve
21	05748256	1	>Shaft
22	05748257	1	>Clamp
23	05748258	1	>Screw
24	05748259	1	>Screw
25	05748260	1	>Spring
26	05748261	1	>Ball
27	05748545	1	>Shaft
28	05748263	1	>Choke
29	05748264	1	>Screw
30	05748265	2	>Dust seal ring
31	05748678	1	>Gasket
32	05747661	1	>Sleeve
33	05748687	4	>Screw
34	05748684	1	>Nozzle #56 Standard
34	05748232	1	>Main nozzle #52
34	05748267	1	>Nozzle #54
34	05748685	1	>Nozzle #58

Go to Discount-Equipment.com to order your parts

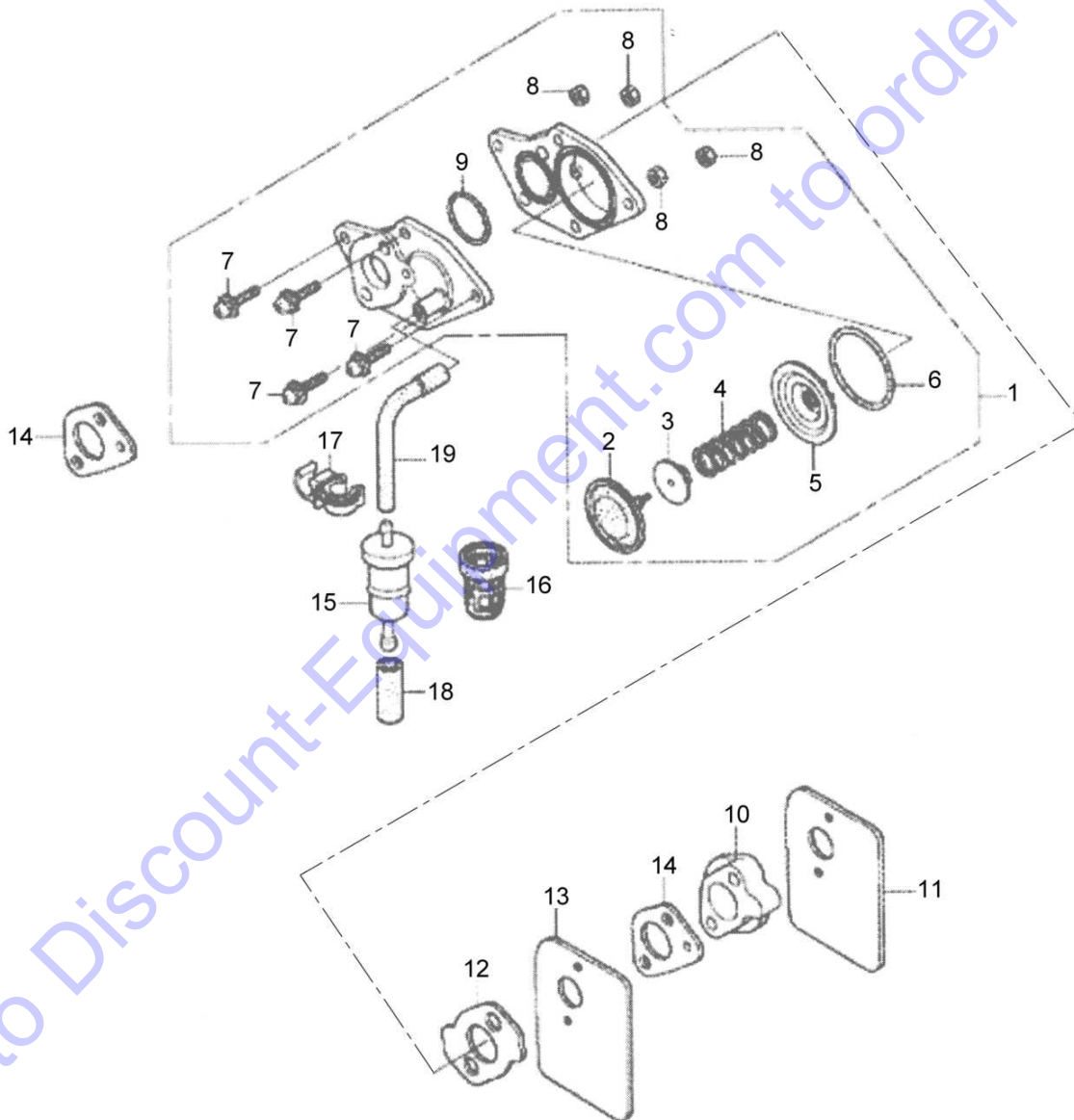
11.53

Page **2 / 2**

BOMAG

Carburetor

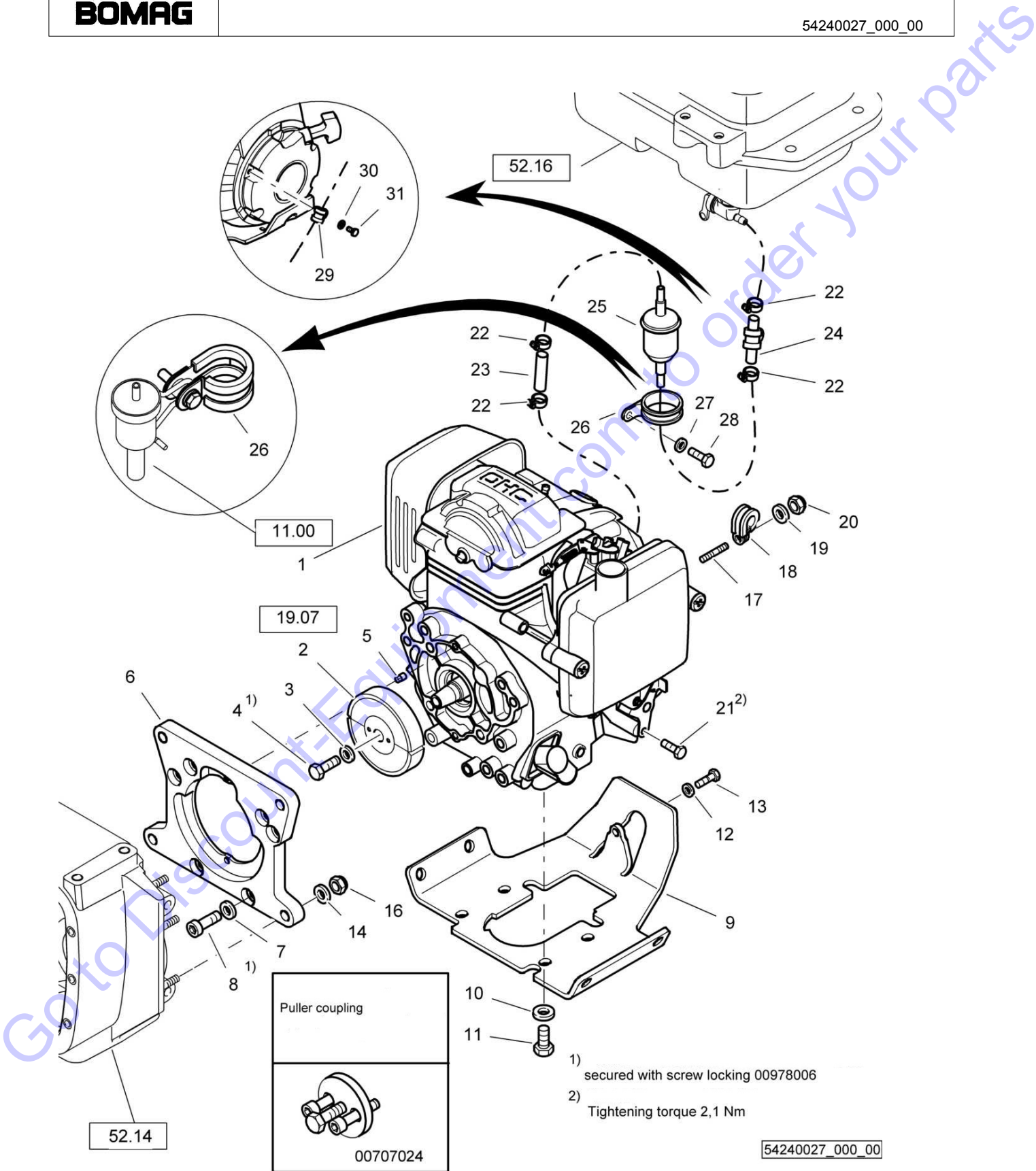
MOT011912_000_00



Engine no.	S/N GCAGK1325721 ▶	
Carburetor		11.53
		Page 2 / 2
	MOT011912 1001 E	BOMAG

Pos.	Part no.	Qty.	Description
1	05748688	1	Pump complete
2	05748689	1	>Diaphragm pump
3	05748690	1	>Pillow block
4	05748691	1	>Spring
5	05748692	1	>Pillow block
6	05748693	1	>O-ring
7	05748694	4	>Screw
8	05748695	4	>Nut
9	05748701	1	>O-ring
10	05748199	1	Insulator
11	05748200	1	Insulator gasket
12	05748697	1	Gasket
13	05748203	1	Plate
14	05748698	2	Gasket,carburetor
15	05748699	1	Strainer,fuel
16	05748700	1	Screen
17	05748702	1	Hose clip
18	05748703	1	Hose
19	05748696	1	Air hose

Go to Discount-Equipment.com to order your parts



Puller coupling



00707024

1) secured with screw locking 00978006

2) Tightening torque 2,1 Nm

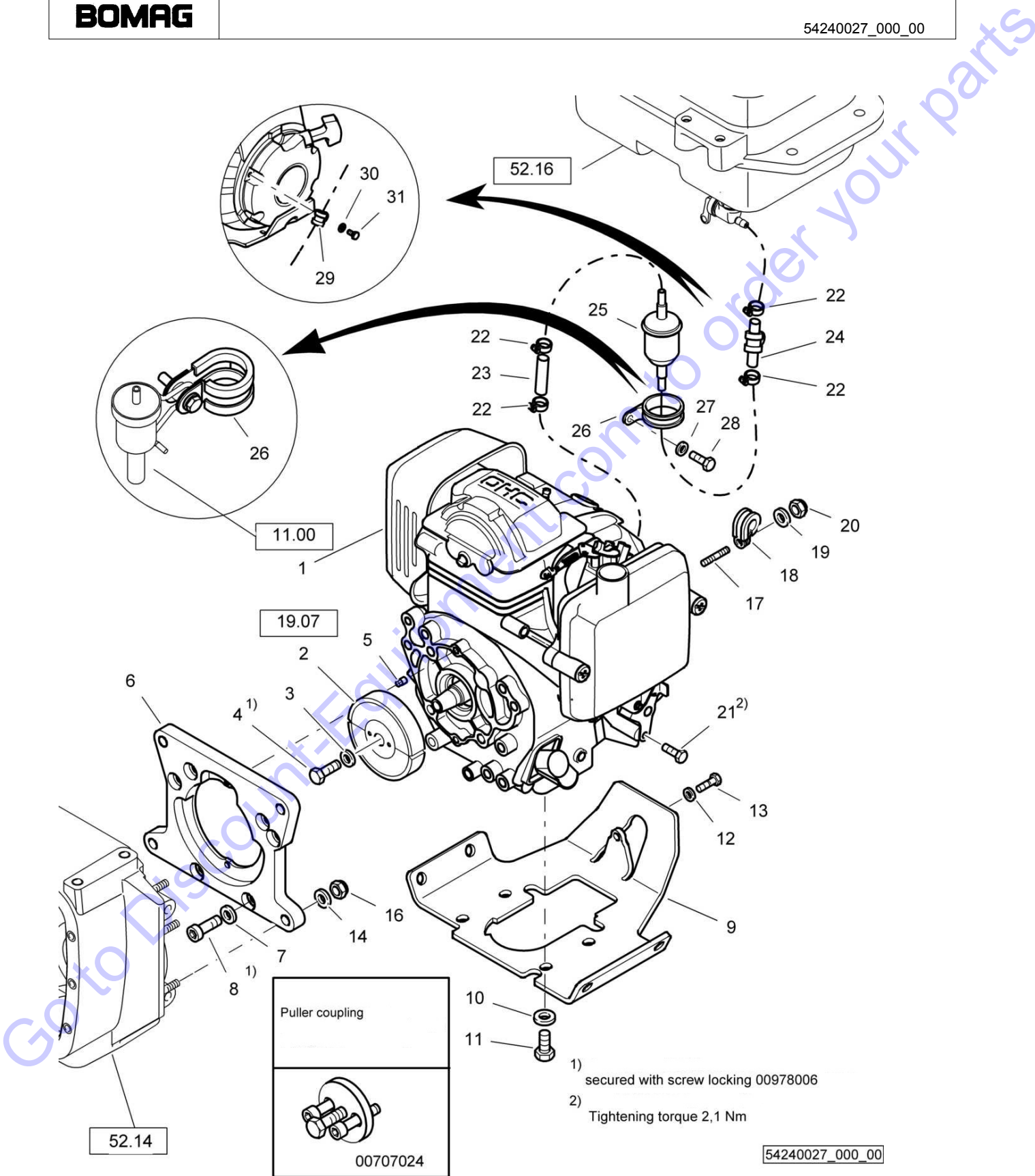
BT 65/4	
S/N 101540581794 ▶	
Engine	12.13
	Page 1 / 1
	BOMAG
	54240027 1001 1

Pos.	Part no.	Qty.	Description
1	05747026	1	Four-stroke engine
2	05650112	1	Centrifugal clutch
3	08500823	1	Round anchor plate
4	07140834	1	Hexagon bolt
5	54240177	2	Centering pin
6	54240176	1	Adapter
7	08510817	6	Washer
8	07240812	6	Socket-head cap screw
9	54240181	1	Guard
10	08510817	4	Washer
11	07140842	4	Hexagon bolt
12	08510612	1	Washer
13	07140626	1	Hexagon bolt
14	08511021	4	Washer
16	08131016	4	Safety nut
17	07510604	1	Pin screw
18	05551944	1	Tube clamp
19	08510612	1	Washer
20	08130611	1	Safety nut
21	07140403	1	Hexagon bolt
22	05551401	4	Hose clip
23	00661098	1,60 dm	Fuel hose
24	00661098	5,00 dm	Fuel hose
25	05821205	1	Filter cartridge
26	05551907	1	Tube clamp
27	08510612	1	Washer
28	07140649	1	Hexagon bolt
29	05551944	1	Tube clamp
30	08510612	1	Washer
31	07140622	1	Hexagon bolt

Go to Discount-Equipment.com to order your parts

12.13

Engine



BT 65/4	S/N 101540581037 ▶ S/N 101540581793	12.13
Engine		
	54240027 1001 1	Page 1 / 1
		BOMAG

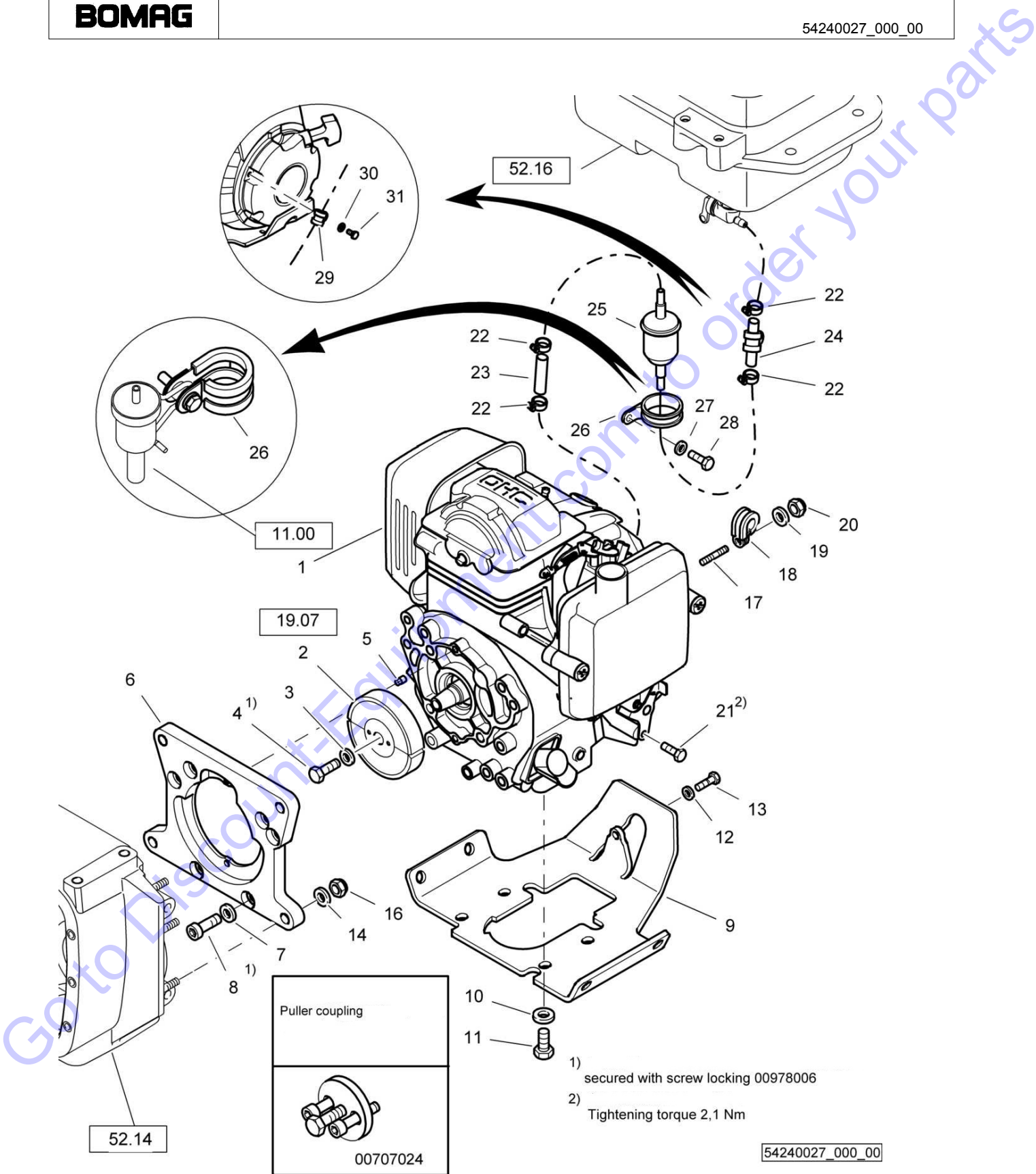
Pos.	Part no.	Qty.	Description
1	05747026	1	Four-stroke engine
2	05650112	1	Centrifugal clutch
3	08500823	1	Round anchor plate
4	07140834	1	Hexagon bolt
5	54240177	2	Centering pin
6	54240176	1	Adapter
7	08510817	6	Washer
8	07240812	6	Socket-head cap screw
9	54240181	1	Guard
10	08510817	4	Washer
11	07140842	4	Hexagon bolt
12	08510612	1	Washer
13	07140626	1	Hexagon bolt
14	08511021	4	Washer
16	08131016	4	Safety nut
17	07510604	1	Pin screw
18	05551944	1	Tube clamp
19	08510612	1	Washer
20	08130611	1	Safety nut
21	07140403	1	Hexagon bolt
22	05551401	4	Hose clip
23	00661098	2,10 dm	Fuel hose
24	00661098	5,00 dm	Fuel hose
25	05821205	1	Filter cartridge
26	05551907	1	Tube clamp
27	08510612	1	Washer
28	07140649	1	Hexagon bolt
29	05551944	1	Tube clamp
30	08510612	1	Washer
31	07140622	1	Hexagon bolt

Go to Discount-Equipment.com to order your parts

12.13

BOMAG

Engine



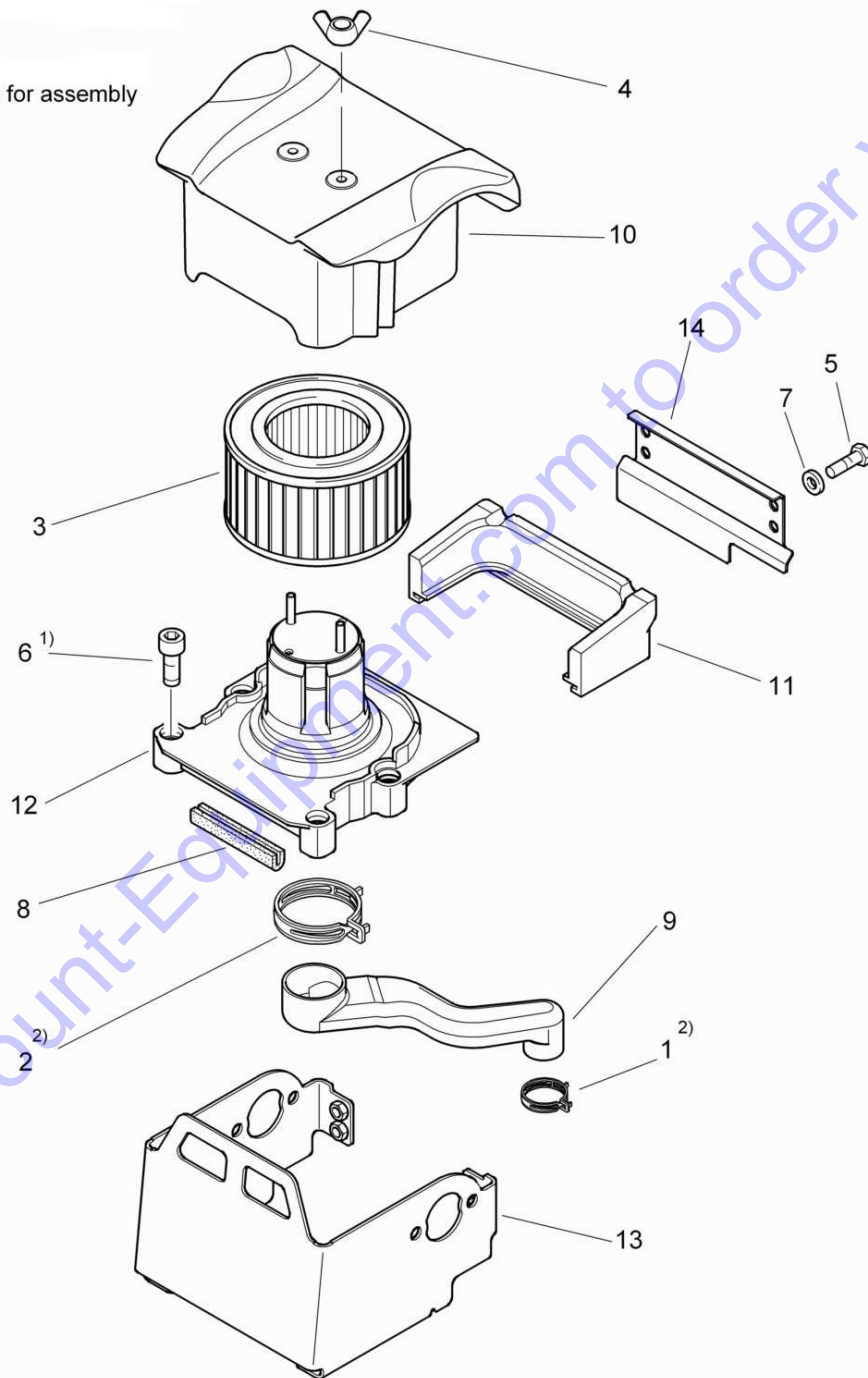
BT 65/4	S/N 101540581001 ▶ S/N 101540581036	12.13
Engine		
	54240027 1001 1	Page 1 / 1
		BOMAG

Pos.	Part no.	Qty.	Description
1	05747026	1	Four-stroke engine
2	05650112	1	Centrifugal clutch
3	08500823	1	Round anchor plate
4	07140834	1	Hexagon bolt
5	54240177	2	Centering pin
6	54240176	1	Adapter
7	08510817	6	Washer
8	07240812	6	Socket-head cap screw
9	54240181	1	Guard
10	08510817	4	Washer
11	07140842	4	Hexagon bolt
12	08510612	1	Washer
13	07140626	1	Hexagon bolt
14	08511021	4	Washer
16	08131016	4	Safety nut
17	07510604	1	Pin screw
18	05551944	1	Tube clamp
19	08510612	1	Washer
20	08130611	1	Safety nut
21	07140403	1	Hexagon bolt
22	05551401	4	Hose clip
23	00661098	1,50 dm	Fuel hose
24	00661098	5,00 dm	Fuel hose
25	05821205	1	Filter cartridge
26	05551907	1	Tube clamp
27	08510612	1	Washer
28	07140649	1	Hexagon bolt
29	05551944	1	Tube clamp
30	08510612	1	Washer
31	07140622	1	Hexagon bolt

Go to Discount-Equipment.com to order your parts

12.15**Air Filter**Page **1 / 1****BOMAG**

54250009_000_00

1)
Torque value: 50 Nm2)
use only special tools for assembly

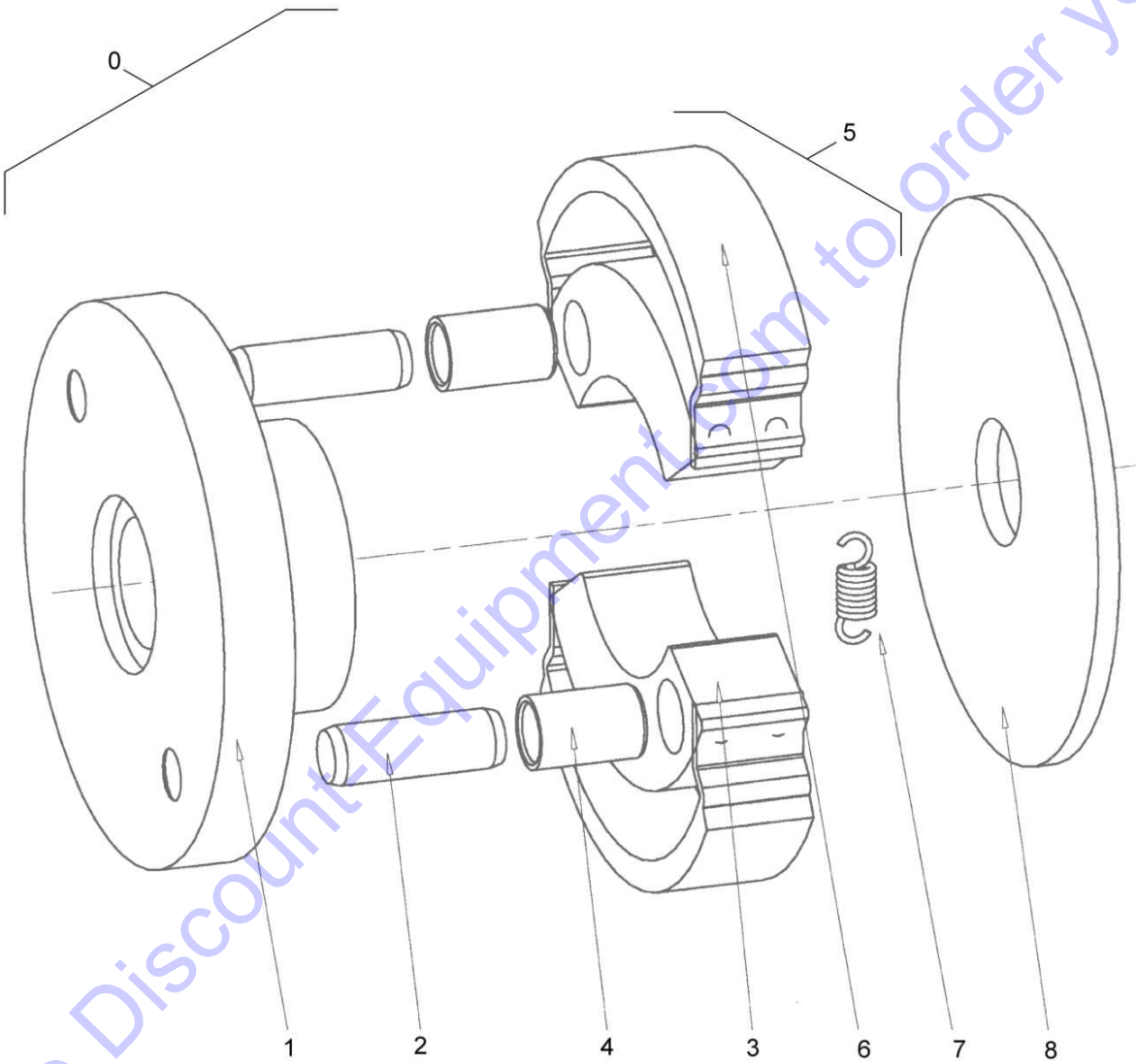
54250009_000_00

BT 65/4	
S/N 101540581001 ▶	12.15
Air Filter	Page 1 / 1
54250009 1001 1	BOMAG

Pos.	Part no.	Qty.	Description
1	05551421	1	Spring band clamp
2	05551439	1	Spring band clamp
3	05727224	1	Filter element,air
4	08316610	2	Wing nut
5	07140818	4	Hexagon bolt
6	07231034	4	Socket-head cap screw
7	08510817	4	Washer
8	00652012	1,28 dm	Sealing section
9	54250124	1	Suction pipe
10	54250182	1	Cover, air filter
11	54250117	1	Insert
12	54250119	1	Air filter base
13	54250160	1	Console
14	54250121	1	Strut

Go to Discount-Equipment.com to order your parts

	BT 65/4	
19.07		S/N 101540581001 ▶
	Centrifugal Clutch	
Page 1 / 1		
BOMAG		EA002203_000_00



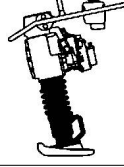
Go to DiscountEquipment.com to order your parts

BT 65/4	
S/N 101540581001 ▶	19.07
Centrifugal Clutch	Page 1 / 1
	BOMAG
EA002203 1001 E	

Pos.	Part no.	Qty.	Description
0	05650112	1	Centrifugal clutch
1	05660161	1	>Coupling hub
2	05660162	2	>Pin,cylindric
3	05660163	2	>Centrifugal weight
4	05660138	2	>Bushing
5	05660175	1	>Repair Kit
6	05660174	2	>>Support with lining
7	05660364	2	>>Tension spring
8	05660164	1	>Cover disc

Go to Discount-Equipment.com to order your parts

Power Transmission / Actuation



20

Go to Discount-Equipment.com to order your parts

20.00

Power Transmission / Actuation

Page /

BOMAG

For this catalogue group no illustration.

[Go to Discount-Equipment.com](http://Discount-Equipment.com) to order your parts

Power Transmission / Actuation	20.00
	Page /
	BOMAG

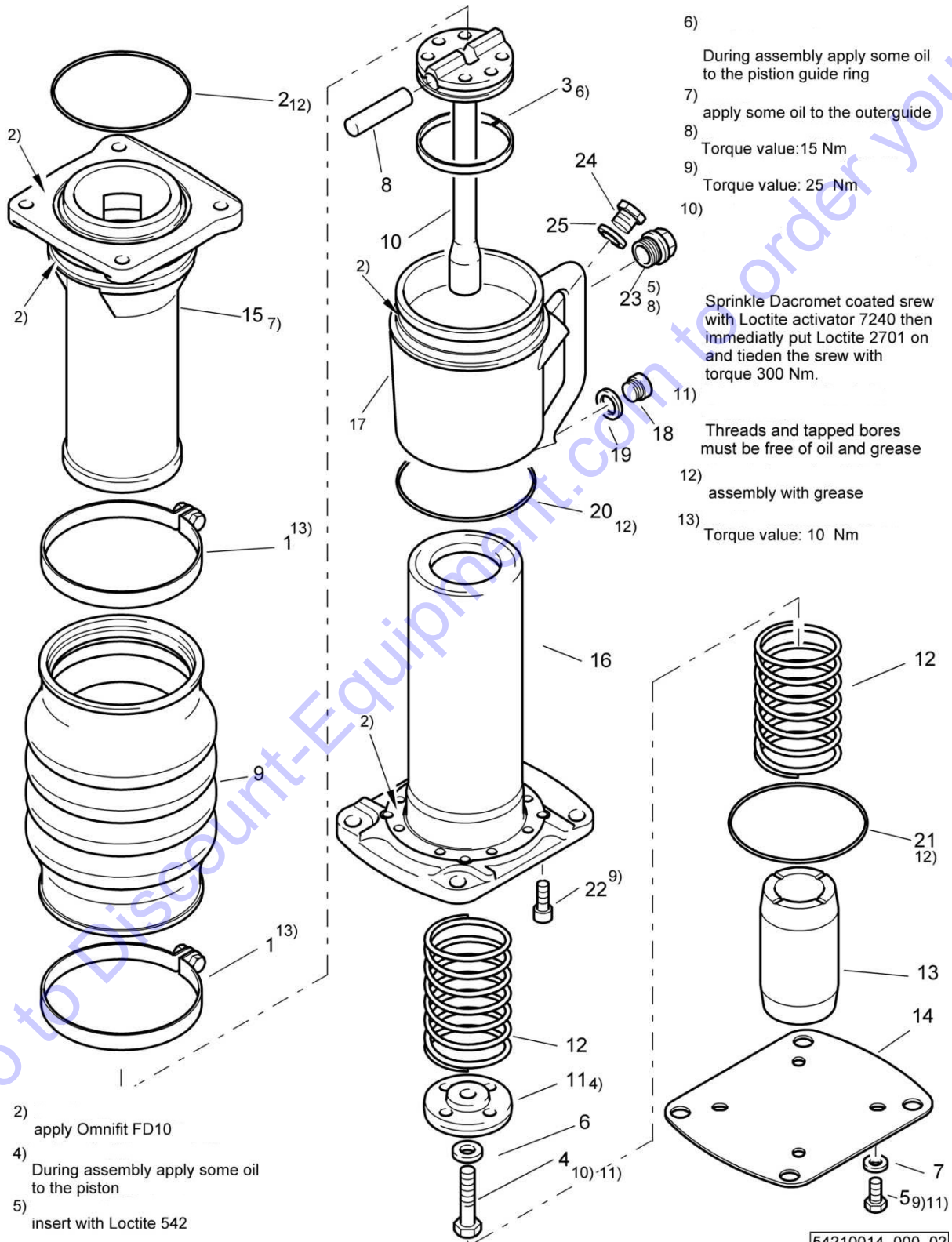
Pos. Description

29.10 Spring And Guide Unit

Go to Discount-Equipment.com to order your parts

29.10**Spring And Guide Unit**Page **1 / 1****BOMAG**

54210014_000_02

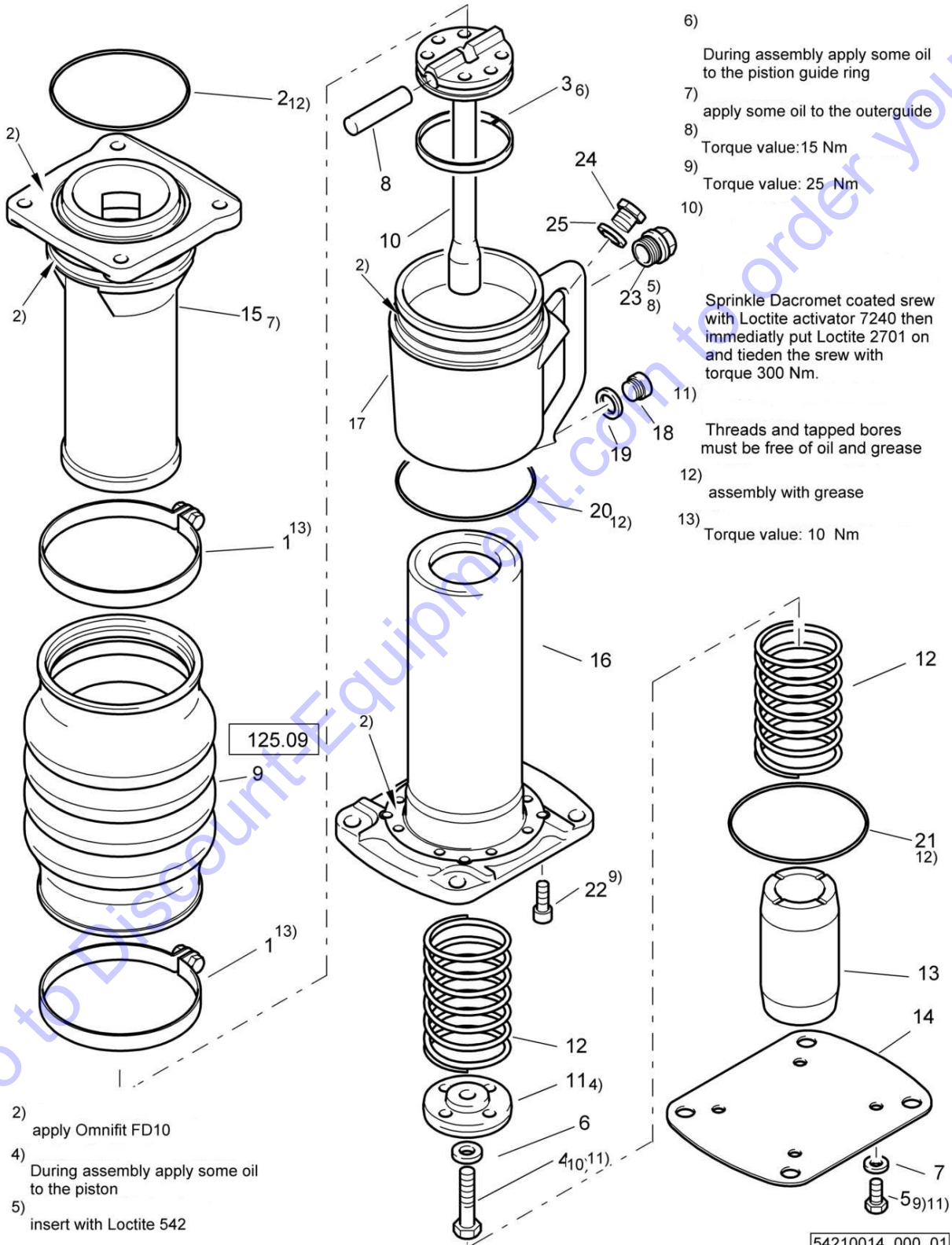


54210014_000_02

BT 65/4	
S/N 101540581984 ▶	29.10
Spring And Guide Unit	Page 1 / 1
54210014 1001 1	BOMAG

Pos.	Part no.	Qty.	Description
1	05551490	2	Hose clip
2	06221202	1	Loop ring
3	06245030	1	Piston guiding ring
4	07131621	1	Hexagon bolt
5	07140834	4	Hexagon bolt
6	08511730	1	Washer
7	08752084	4	Spring washer
8	54020402	1	Floating wrist pin
9	54020501	1	Bellows
10	54210111	1	Piston rod
11	54210123	1	Piston
12	54210135	2	Pressure spring
13	54210141	1	Stop
14	54210244	1	Cover plate
15	54210170	1	Outer guide
16	54210164	1	Inner guide
17	54210181	1	Foot cup
18	07621416	1	Screw plug
19	09331128	1	Sealing ring
20	06221008	1	Loop ring
21	06221040	1	Loop ring
22	07230827	8	Socket-head cap screw
23	05973134	1	Oil level gauge
24	07632015	1	Screw plug
25	09331746	1	Sealing ring

Go to Discount-Equipment.com to order your parts



BT 65/4	S/N 101540581001 ▶ S/N 101540581983	29.10
Spring And Guide Unit		
		Page 1 / 1
	54210014 1001 1	BOMAG

Pos.	Part no.	Qty.	Description
1	05551490	2	Hose clip
2	06221202	1	Loop ring
3	06245030	1	Piston guiding ring
4	07131621	1	Hexagon bolt
5	07140834	4	Hexagon bolt
6	08511730	1	Washer
7	08752084	4	Spring washer
8	54020402	1	Floating wrist pin
9	54020501	1	Bellows
10	54210111	1	Piston rod
11	54210123	1	Piston
12	54210135	2	Pressure spring
13	54210141	1	Stop
14	54210142	1	Plate
15	54210170	1	Outer guide
16	54210164	1	Inner guide
17	54210181	1	Foot cup
18	07621416	1	Screw plug
19	09331128	1	Sealing ring
20	06221008	1	Loop ring
21	06221040	1	Loop ring
22	07230827	8	Socket-head cap screw
23	05973134	1	Oil level gauge
24	07632015	1	Screw plug
25	09331746	1	Sealing ring

Go to Discount-Equipment.com to order your parts

Frame with Attachment Parts



50

Go to Discount-Equipment.com to order your parts

50.00

Frame with Attachment Parts

Page /

BOMAG

For this catalogue group no illustration.

Go to Discount-Equipment.com to order your parts

Frame with Attachment Parts	50.00
	Page /
	BOMAG

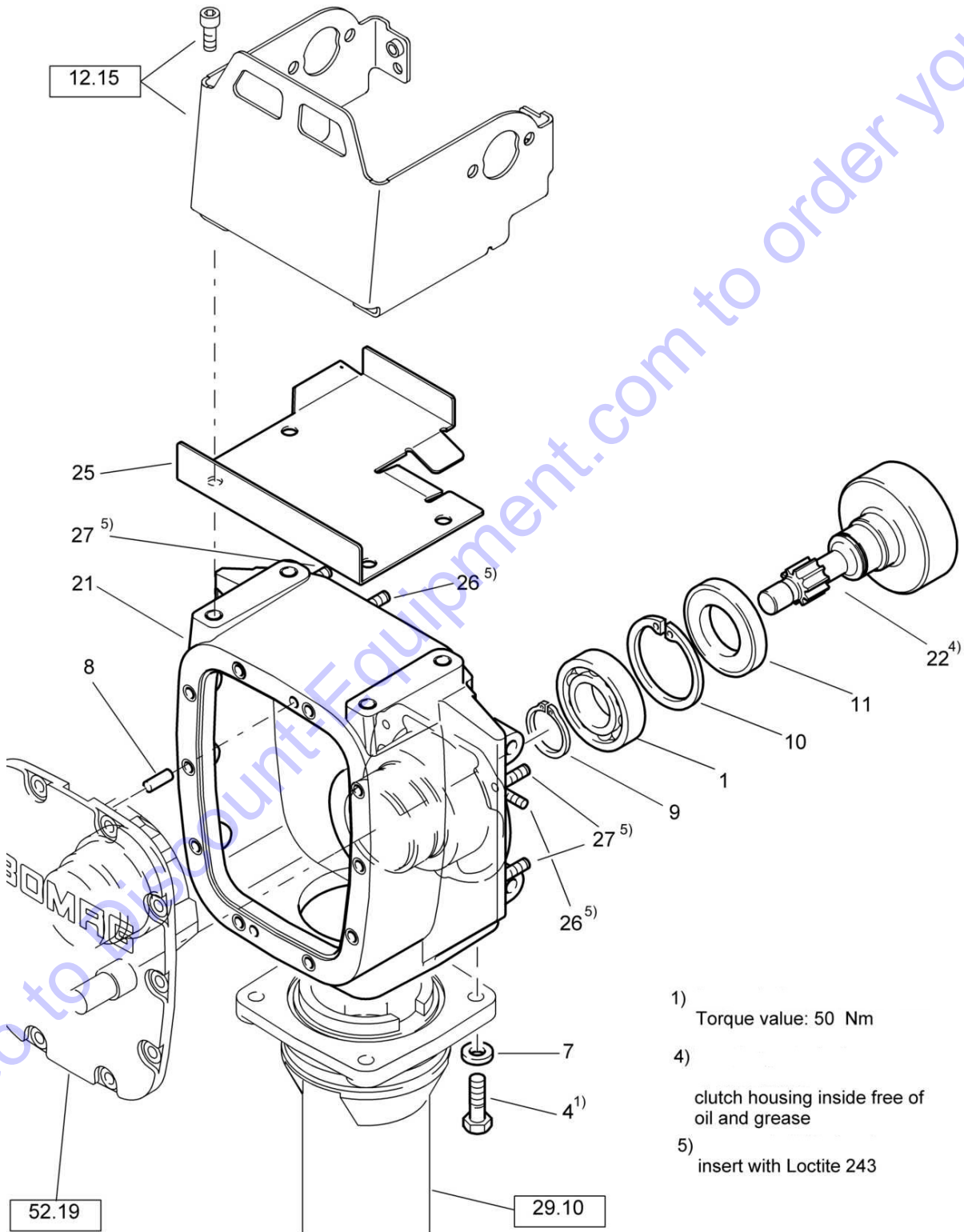
Pos. Description

- 52.14 Housing
- 52.16 Steering Handle
- 52.19 Transmission Cover
- 53.05 Protection Plate
- 53.06 Engine protect.plate,assembled
- 53.07 Cover plate, assembled

Go to Discount-Equipment.com to order your parts



	BT 65/4	
52.14		S/N 101540581001 ▶
	Housing	
Page 1 / 1		
BOMAG		54220007_000_04



1) Torque value: 50 Nm

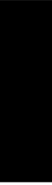
4) clutch housing inside free of oil and grease

5) insert with Loctite 243

BT 65/4	
S/N 101540581001 ▶	
Housing	52.14
	Page 1 / 1
	BOMAG
	54220007 1001 1

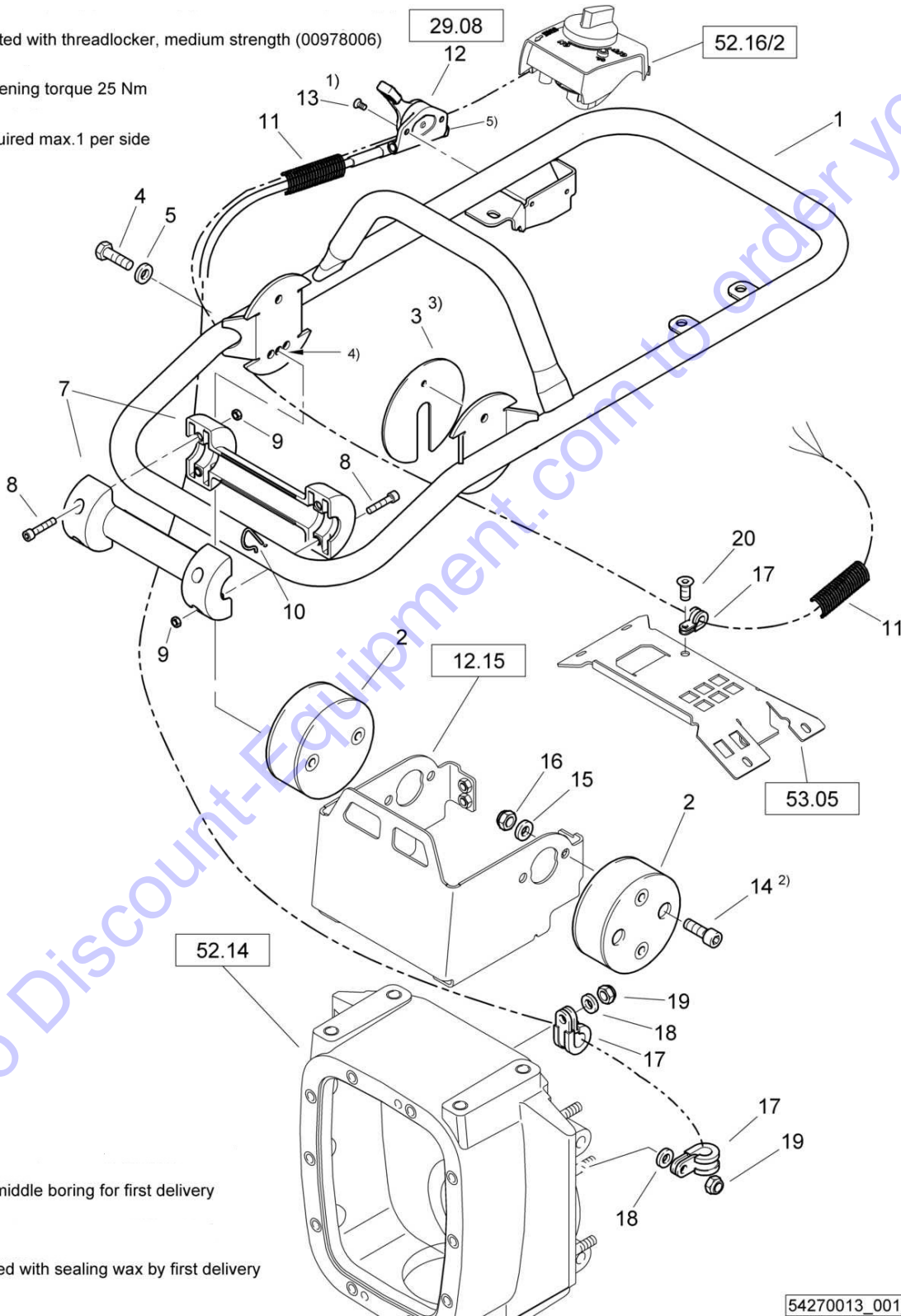
Pos.	Part no.	Qty.	Description
1	05114077	1	Ball bearing,grooved
4	07141039	4	Hexagon bolt
7	08511021	4	Washer
8	09120812	2	Pin,cylindric
9	09212100	1	Circlip,external
10	09223700	1	Circlip,internal
11	09312442	1	Radial seal
21	54220137	1	Housing
22	54220146	1	Drive shaft
25	54220148	1	Air guide
26	07510604	2	Pin screw
27	07511020	4	Pin screw

Go to Discount-Equipment.com to order your parts



	BT 65/4	
52.16		S/N 101540581001 ▶
	Steering Handle	
Page 1 / 2		
BOMAG		54270013_001_00

- 1) Inserted with threadlocker, medium strength (00978006)
- 2) Tightening torque 25 Nm
- 3) If required max.1 per side



- 4) Use middle boring for first delivery
- 5) marked with sealing wax by first delivery

BT 65/4	
S/N 101540581001 ▶	
Steering Handle	52.16
	Page 1 / 2
	BOMAG
	54270013 1001 1

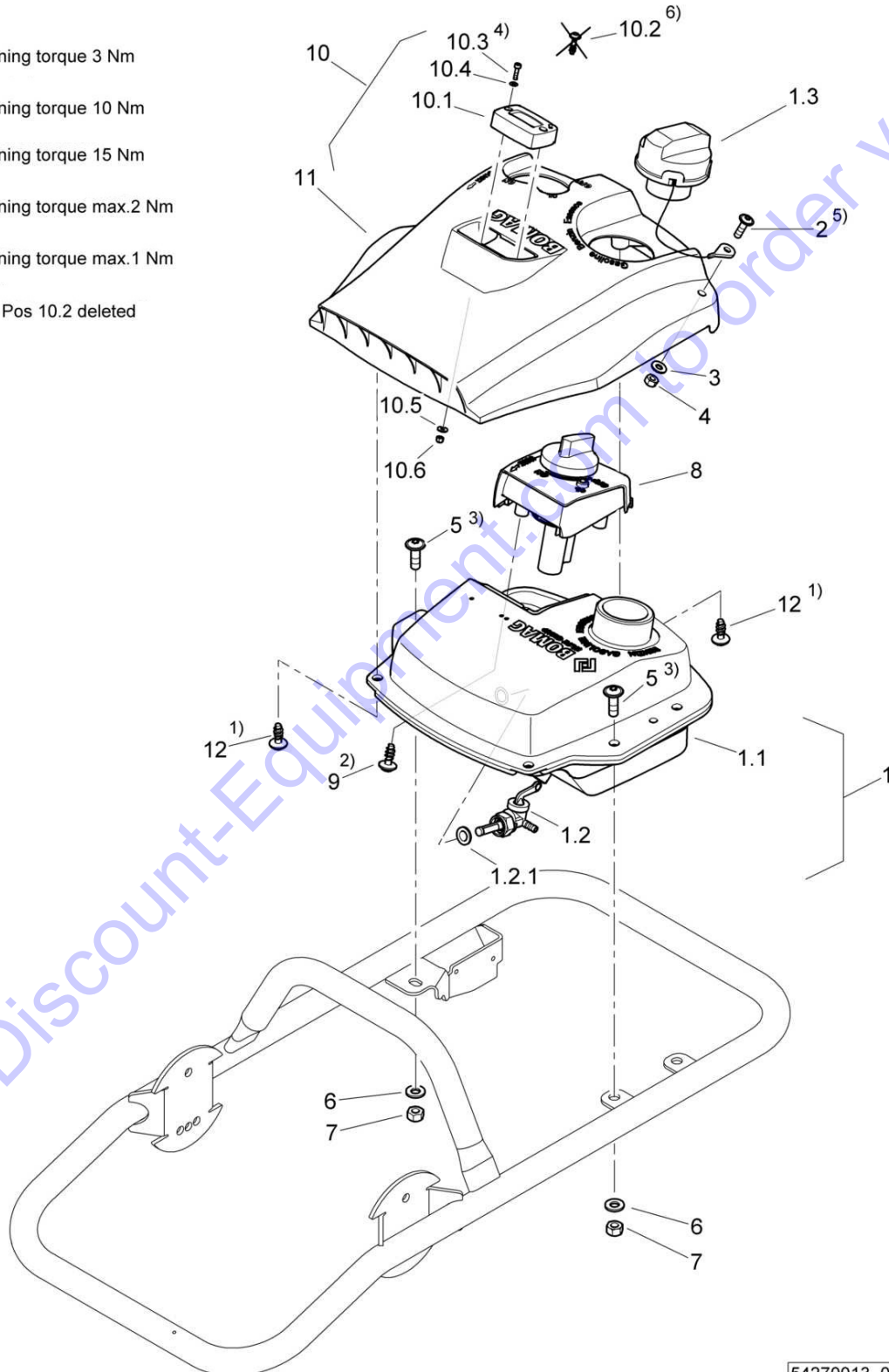
Pos.	Part no.	Qty.	Description
1	54270217	1	Steering handle
2	06180301	2	Rubber buffer
3	48230106	1	Shim
4	07140834	4	Hexagon bolt
5	08621084	4	Washer
7	54270114	2	roller
8	07230692	4	Socket-head cap screw
9	08130611	4	Safety nut
10	54270141	1	Spring cotter
11	00665604	6,50 dm	Protection hose
12	05561617	1	Throttle control
13	07310512	2	Countersunk screw
14	07230831	4	Socket-head cap screw
15	08510817	4	Washer
16	08130813	4	Safety nut
17	05551944	3	Tube clamp
18	08510612	2	Washer
19	08130611	2	Safety nut
20	07210609	1	Lens head screw

Go to Discount-Equipment.com to order your parts

52.16**Steering Handle**Page **2 / 2****BOMAG**

54270013_002_02

- 1) Tightening torque 3 Nm
- 2) Tightening torque 10 Nm
- 3) Tightening torque 15 Nm
- 4) Tightening torque max.2 Nm
- 5) Tightening torque max.1 Nm
- 6) ~~Screw Pos 10.2 deleted~~



BT 65/4	
S/N 101540581421 ▶	
Steering Handle	52.16
	Page 2 / 2
	BOMAG
	54270013 1001 1

Pos. Part no. Qty. Description

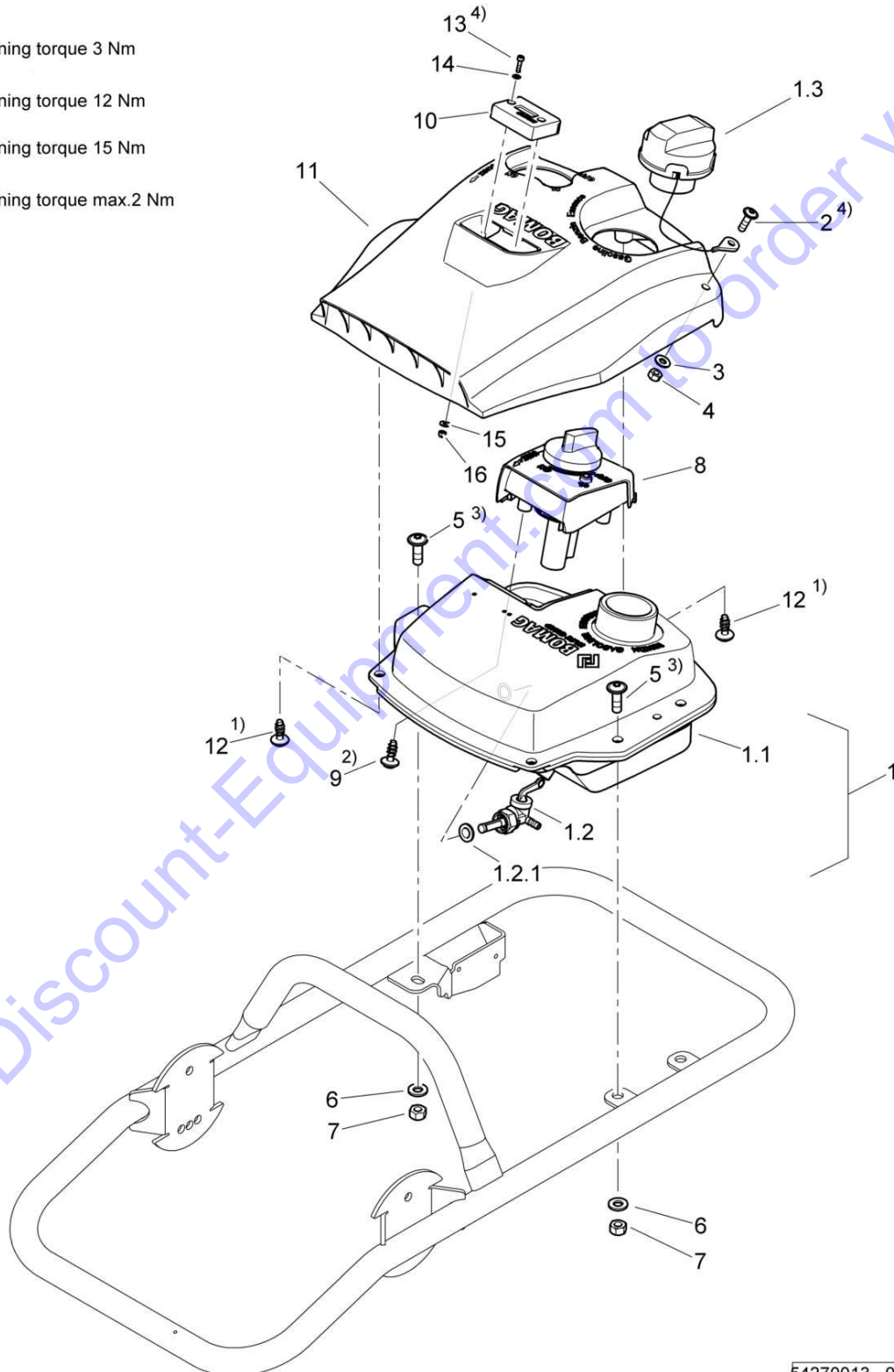
1	54270215	1	Fuel tank, assembled
1.1	54270214	1	Fuel tank
1.2	05824209	1	Fuel cock
1.2.1	05824225	1	Gasket
1.3	05950900	1	Tank cover
2	07210892	1	Lens head screw
3	08751064	1	Spring washer
4	08130611	1	Safety nut
5	07210825	3	Lens head screw
6	08510817	3	Washer
7	08130813	3	Safety nut
8	54270174	1	Shut down device
9	07815008	3	Screw
10	54203022	1	Operating hourmeter,assembled
10.1	05767407	1	Hourmeter and rpm meter
10.2	07815003	2	Fallow drop screw
10.3	07230312	2	Socket-head cap screw
10.4	08510307	2	Washer
10.5	08590309	2	Washer
10.6	08130305	2	Safety nut
11	54203019	1	Cover
12	07815008	3	Screw

Go to Discount-Equipment.com to order your parts

52.16**Steering Handle**Page **2 / 2****BOMAG**

54270013_002_01

- 1) Tightening torque 3 Nm
- 2) Tightening torque 12 Nm
- 3) Tightening torque 15 Nm
- 4) Tightening torque max.2 Nm



BT 65/4	S/N 101540581107 ▶ S/N 101540581420	52.16
Steering Handle		
	54270013 1001 1	Page 2 / 2
		BOMAG

Pos. Part no. Qty. Description

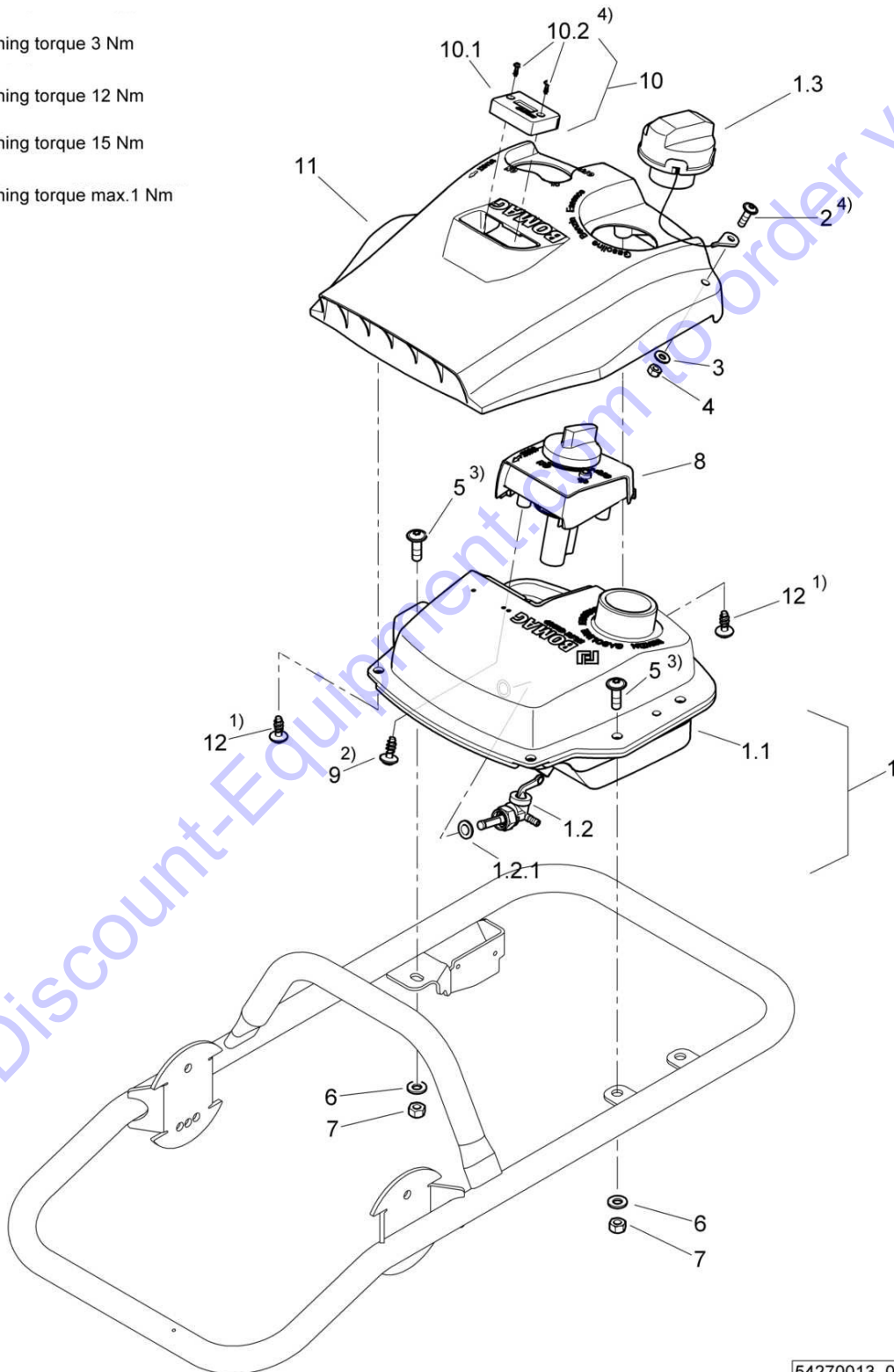
1	54270215	1	Fuel tank, assembled
1.1	54270214	1	Fuel tank
1.2	05824209	1	Fuel cock
1.2.1	05824225	1	Gasket
1.3	05950900	1	Tank cover
2	07210892	1	Lens head screw
3	08751064	1	Spring washer
4	08130611	1	Safety nut
5	07210825	3	Lens head screw
6	08510817	3	Washer
7	08130813	3	Safety nut
8	54270174	1	Shut down device
9	07815008	3	Screw
10	54203016	1	Operating hourmeter,assembled
11	54203019	1	Cover
12	07815008	3	Screw
13	07230312	2	Socket-head cap screw
14	08510307	2	Washer
15	08590309	2	Washer
16	08130305	2	Safety nut

Go to Discount-Equipment.com to order your parts

52.16**Steering Handle**Page **2 / 2****BOMAG**

54270013_002_00

- 1) Tightening torque 3 Nm
- 2) Tightening torque 12 Nm
- 3) Tightening torque 15 Nm
- 4) Tightening torque max.1 Nm



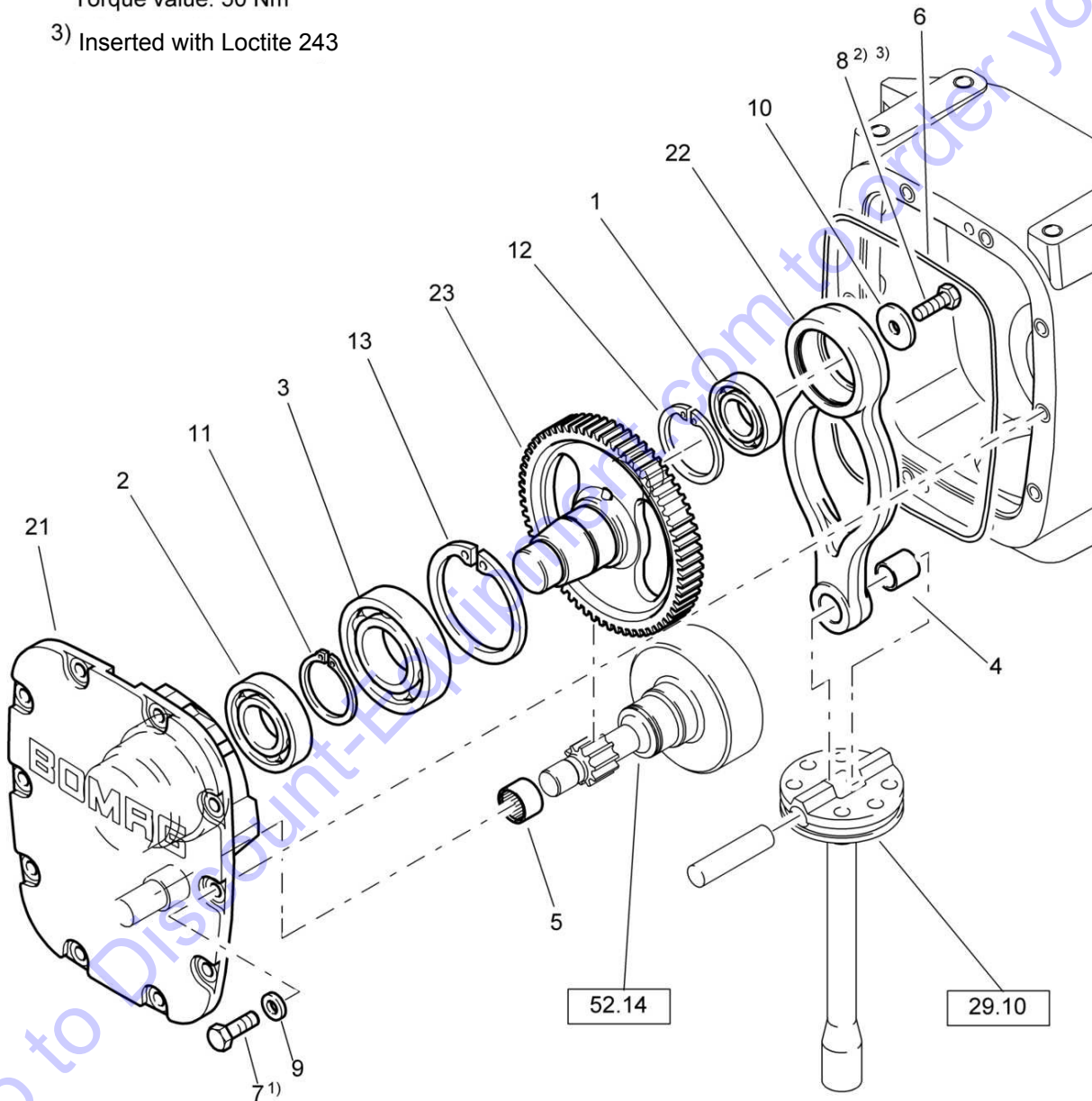
BT 65/4	S/N 101540581001 ▶ S/N 101540581106	52.16
Steering Handle		
		Page 2 / 2
	54270013 1001 1	BOMAG

Pos.	Part no.	Qty.	Description
1	54270215	1	Fuel tank, assembled
1.1	54270214	1	Fuel tank
1.2	05824209	1	Fuel cock
1.2.1	05824225	1	Gasket
1.3	05950900	1	Tank cover
2	07210892	1	Lens head screw
3	08751064	1	Spring washer
4	08130611	1	Safety nut
5	07210825	3	Lens head screw
6	08510817	3	Washer
7	08130813	3	Safety nut
8	54270174	1	Shut down device
9	07815008	3	Screw
10	54203016	1	Operating hourmeter,assembled
11	54203018	1	Cover
12	07815008	3	Screw

Go to Discount-Equipment.com to order your parts

	BT 65/4	
52.19		S/N 101540581001 ▶
	Transmission Cover	
Page 1 / 1		
BOMAG	54230006_000_00	

- 1) Torque value: 25 Nm
- 2) Torque value: 50 Nm
- 3) Inserted with Loctite 243



Go to Dispart-Engine.com to order your parts

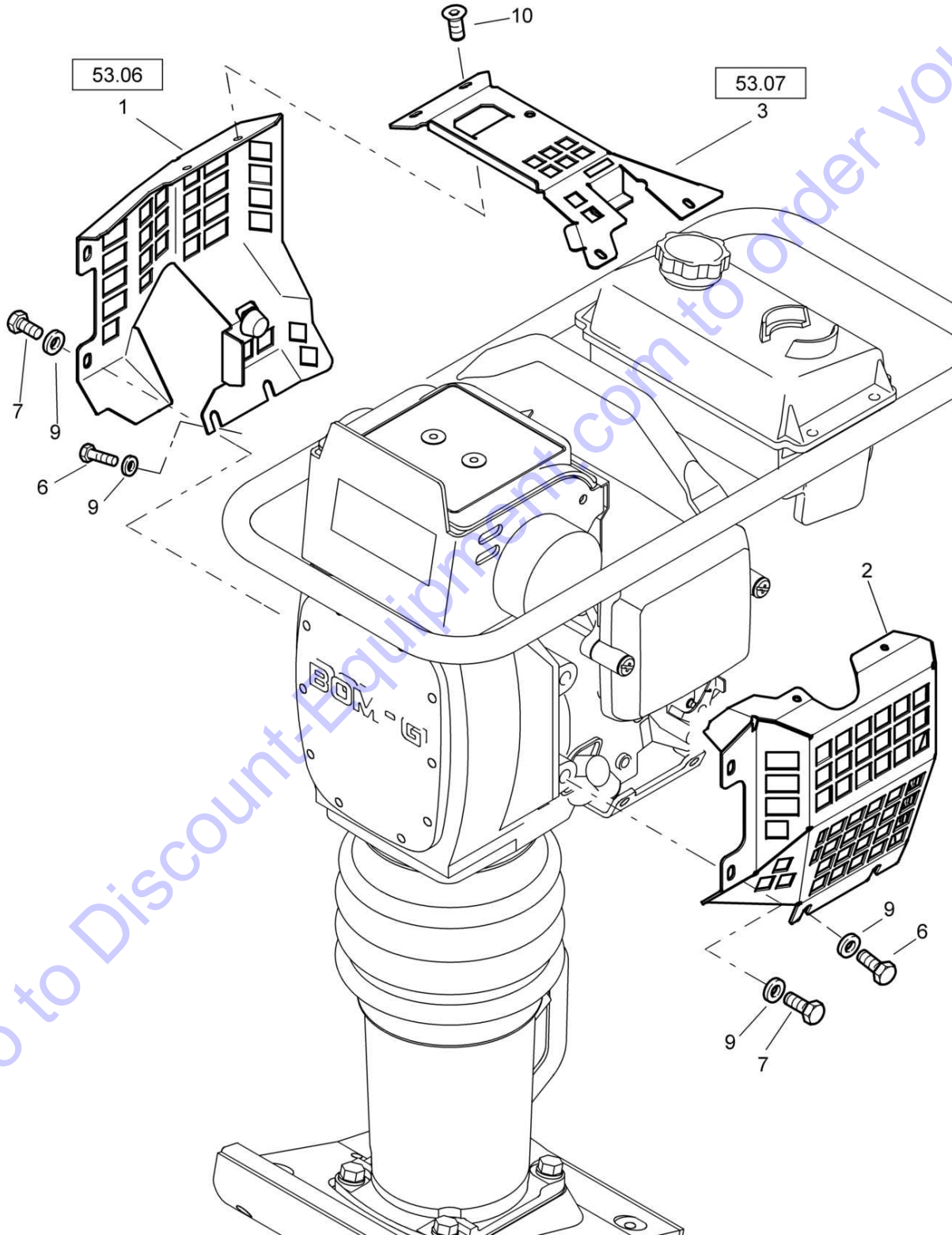
BT 65/4	
S/N 101540581001 ▶	
Transmission Cover	52.19
	Page 1 / 1
	BOMAG
	54230006 1001 1

Pos.	Part no.	Qty.	Description
1	05114005	1	Ball bearing,grooved
2	05114076	1	Ball bearing,grooved
3	05114078	1	Ball bearing,grooved
4	05428042	1	Inner ring
5	05441816	1	Needle bearing
6	06221953	1	Loop ring
7	07140834	10	Hexagon bolt
8	07141032	1	Hexagon bolt
9	08510817	10	Washer
10	08621105	1	Washer
11	09212400	1	Circlip,external
12	09222900	1	Circlip,internal
13	09224000	1	Circlip,internal
21	54230101	1	Transmission cover
22	54230103	1	Conrod
23	54230118	1	Crankshaft

Go to Discount-Equipment.com to order your parts

53.05

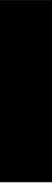
Protection Plate



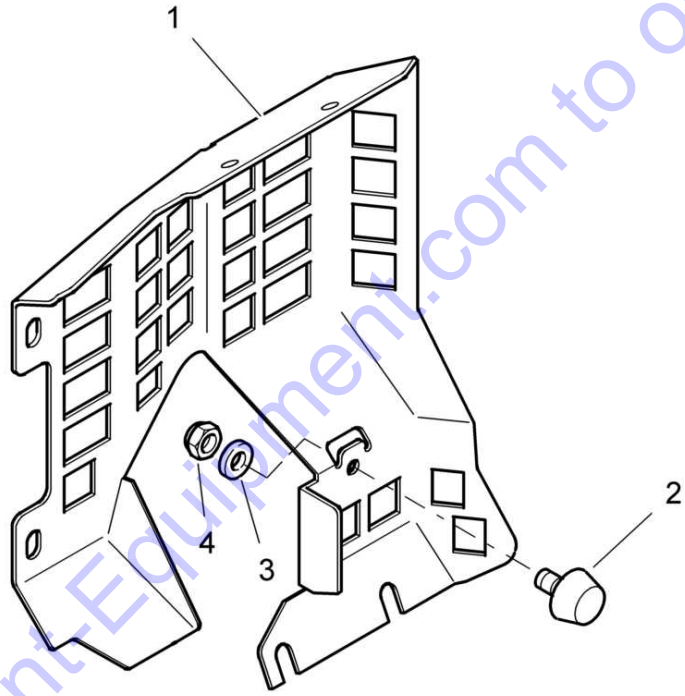
BT 65/4	
S/N 101540581001 ▶	
Protection Plate	53.05
	Page 1 / 1
	BOMAG
	54260009 1001 1

Pos.	Part no.	Qty.	Description
1	54260151	1	Engine protect.plate,assembled
2	54260155	1	Engine protector plate
3	54260152	1	Cover plate, assembled
6	07140818	4	Hexagon bolt
7	07140834	4	Hexagon bolt
9	08510817	8	Washer
10	07210609	4	Lens head screw

Go to Discount-Equipment.com to order your parts



	BT 65/4
53.06	S/N 101540581001 ▶
	Engine protect plate, assembled
Page 1 / 1	
BOMAG	54260151_000_00

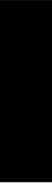


Go to DiscountEquipment.com to order your parts

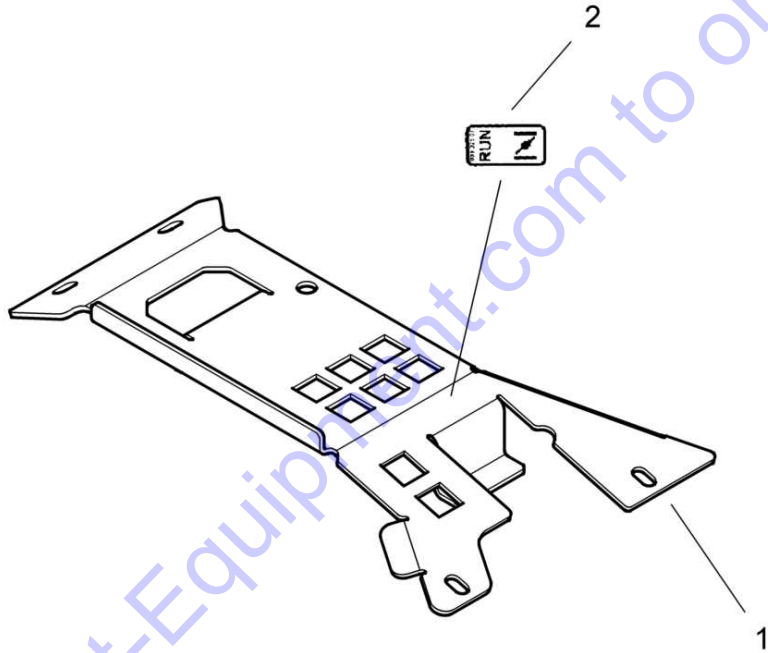
BT 65/4	
S/N 101540581001 ▶	
Engine protect plate, assembled	53.06
	Page 1 / 1
54260151 1001 1	BOMAG

Pos.	Part no.	Qty.	Description
1	54260145	1	Engine protector plate
2	06140926	1	Stop buffer
3	08590617	1	Washer
4	08130611	1	Safety nut

Go to Discount-Equipment.com to order your parts



	BT 65/4
53.07	S/N 101540581001 ▶
	Cover plate, assembled
Page 1 / 1	
BOMAG	54260152_000_00

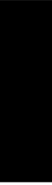


Go to Discount-Equipment.com to order your parts

BT 65/4	
S/N 101540581001 ▶	
Cover plate, assembled	53.07
	Page 1 / 1
	BOMAG
54260152 1001 1	

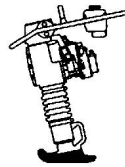
Pos.	Part no.	Qty.	Description
1	54003077	1	Cover plate
2	00832507	1	Decal,indication

Go to Discount-Equipment.com to order your parts



Go to Discount-Equipment.com to order your parts

Plate / Foot



65

65.00	Plate / Foot
Page /	
BOMAG	

For this catalogue group no illustration.

Go to Discount-Equipment.com to order your parts

Plate / Foot	65.00
	Page /
	BOMAG

Pos. Description

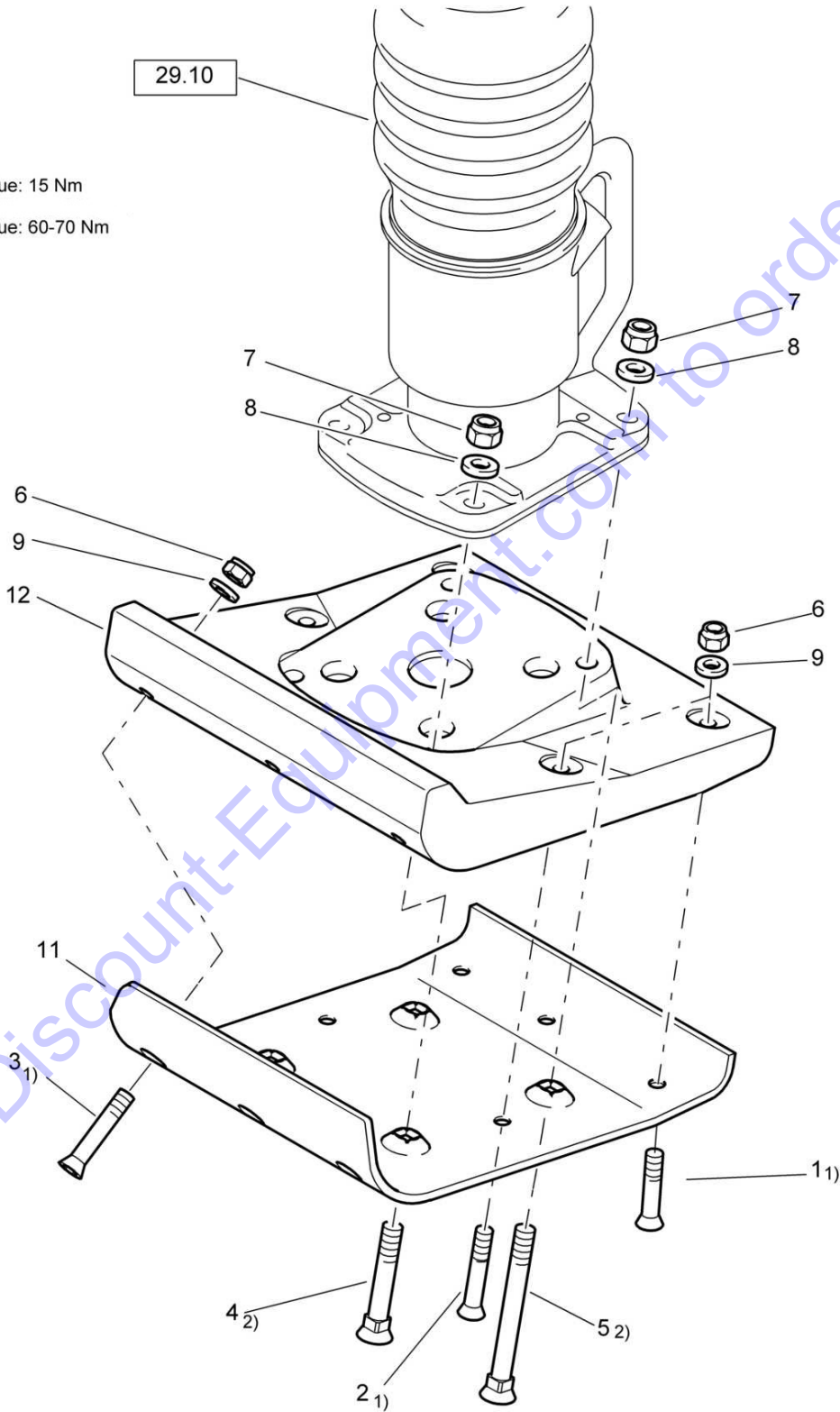
65.11 Tamper Foot

Go to Discount-Equipment.com to order your parts



	BT 65/4	
65.11		S/N 101540581001 ▶
	Tamper Foot	
Page 1 / 1		
BOMAG		5420005_000_00

- 1) Torque value: 15 Nm
- 2) Torque value: 60-70 Nm



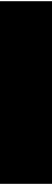
Go to Discount-Equipment.com to order your parts

BT 65/4	
S/N 101540581001 ▶	
Tamper Foot	65.11
	Page 1 / 1
	BOMAG
54200005 1001 1	

Pos. Part no. Qty. Description

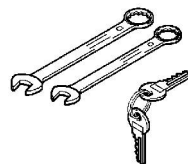
1	07320830	3	Countersunk screw
2	07320832	2	Countersunk screw
3	07320836	3	Countersunk screw
4	07361227	2	Countersunk screw
5	07361239	2	Countersunk screw
6	08130813	8	Safety nut
7	08131218	4	Safety nut
8	08752130	4	Spring washer
9	08611095	8	Washer
11	54200105	1	Base plate
12	54200108	1	Tamping plate

Go to Discount-Equipment.com to order your parts



Go to Discount-Equipment.com to order your parts

Accessories



100.00	Accessories
Page /	
BOMAG	

For this catalogue group no illustration.

[Go to Discount-Equipment.com](http://Discount-Equipment.com) to order your parts

Accessories	100.00
	Page /
	BOMAG

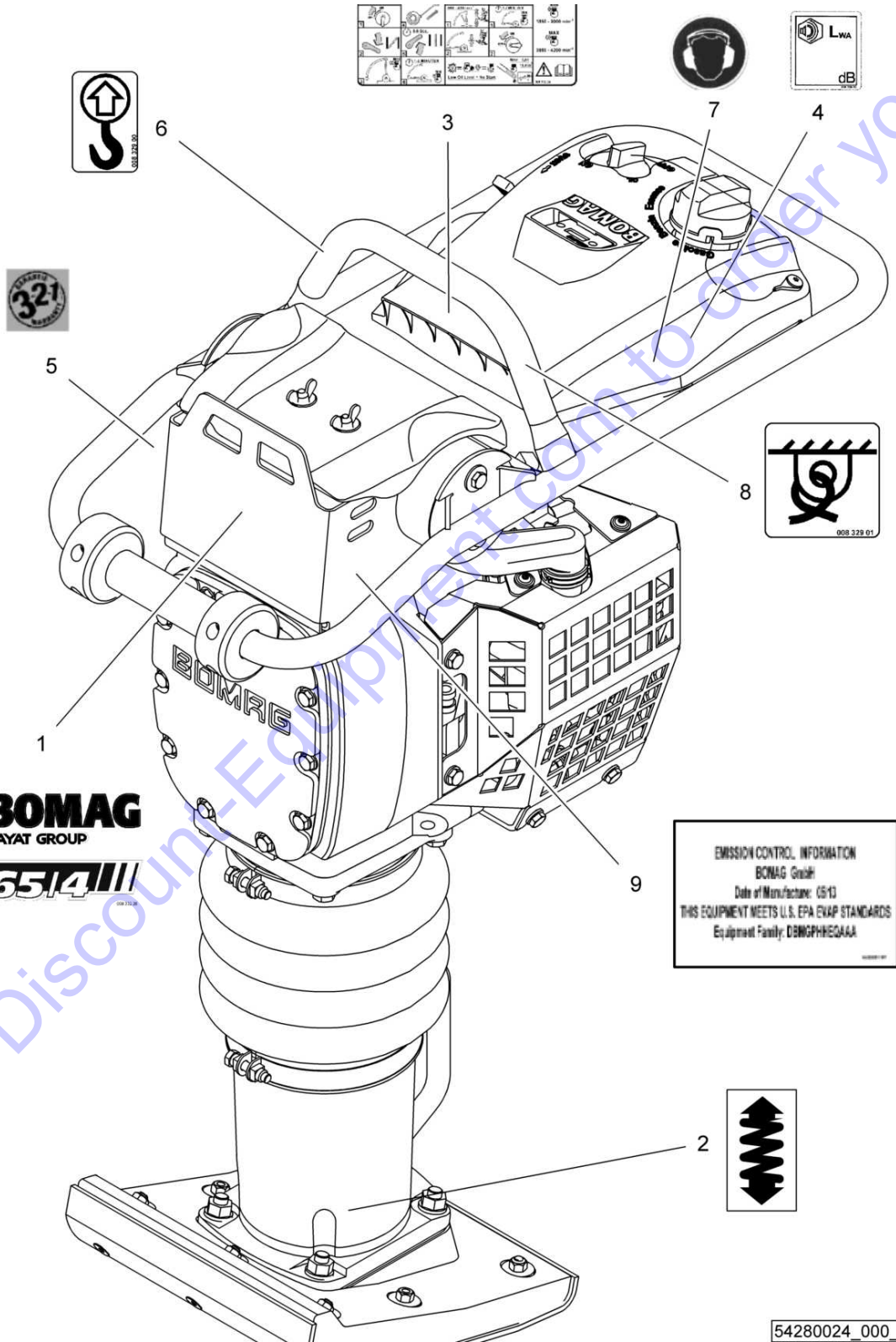
Pos. Description

101.03 Decals

Go to Discount-Equipment.com to order your parts



	BT 65/4	
101.03		S/N 101540581794 ▶
	Decals	
Page 1 / 1		
BOMAG		54280024_000_02



BOMAG
FAYAT GROUP
BT 65/4 III

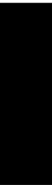
EMISSION CONTROL INFORMATION
BOMAG GmbH
Date of Manufacture: 05/13
THIS EQUIPMENT MEETS U.S. EPA EXAP STANDARDS
Equipment Family: DBMGPHHQA0AA

Go to Discount-Equipment.com to order your parts

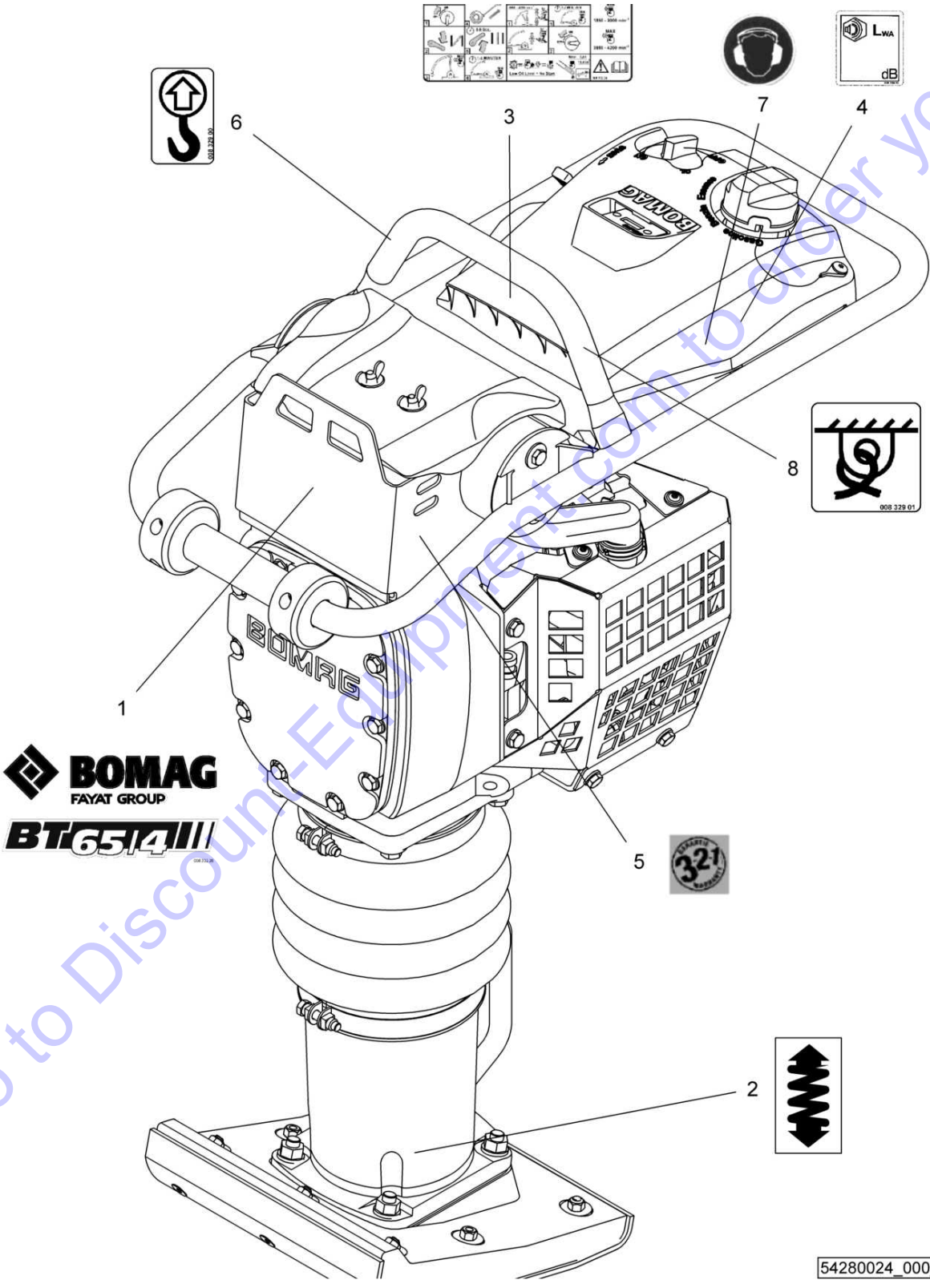
BT 65/4	
S/N 101540581794 ▶	
Decals	101.03
	Page 1 / 1
	BOMAG
54280024 1001 1	

Pos.	Part no.	Qty.	Description
1	00833228	1	Type designation
2	00832132	1	Decal,indication
3	00833224	1	Decal,operation
4	00832654	1	Decal,indication
5	00832996	1	Label
6	00832900	1	Decal,indication
7	00833226	1	Decal,indication
8	00832901	1	Decal,indication
9	54280127	1	Label

Go to Discount-Equipment.com to order your parts



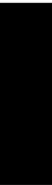
	BT 65/4	S/N 101540581237 ▶ S/N 101540581793
101.03	Decals	
Page 1 / 1		
BOMAG		54280024_000_01



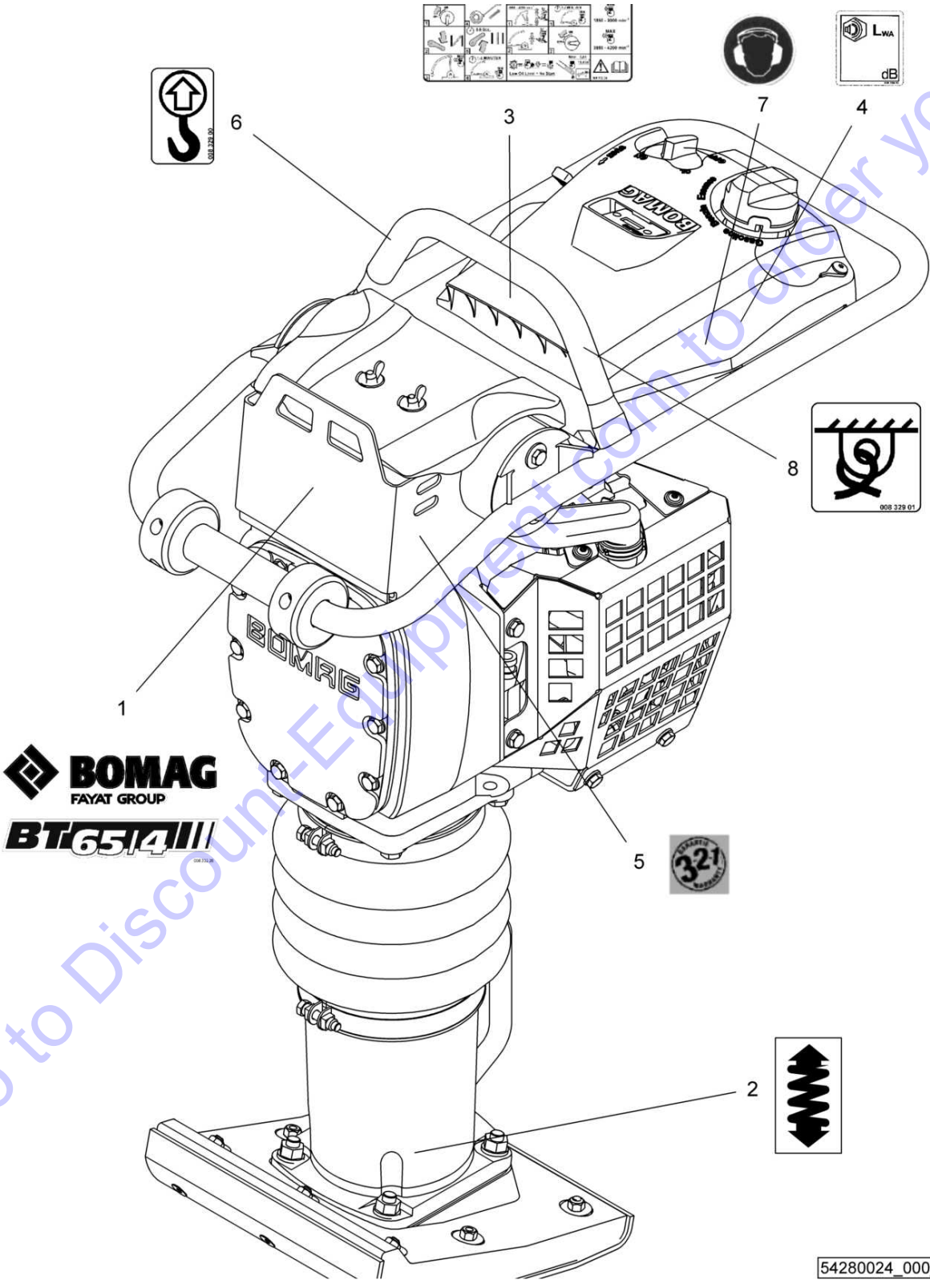
BT 65/4	
S/N 101540581237 ▶ S/N 101540581793	
Decals	101.03
	Page 1 / 1
	BOMAG
54280024 1001 1	

Pos.	Part no.	Qty.	Description
1	00833228	1	Type designation
2	00832132	1	Decal,indication
3	00833224	1	Decal,operation
4	00832654	1	Decal,indication
5	00892018	1	Label
6	00832900	1	Decal,indication
7	00833226	1	Decal,indication
8	00832901	1	Decal,indication

Go to Discount-Equipment.com to order your parts



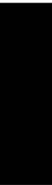
	BT 65/4	S/N 101540581037 ▶ S/N 101540581236
101.03	Decals	
Page 1 / 1		
BOMAG		54280024_000_01



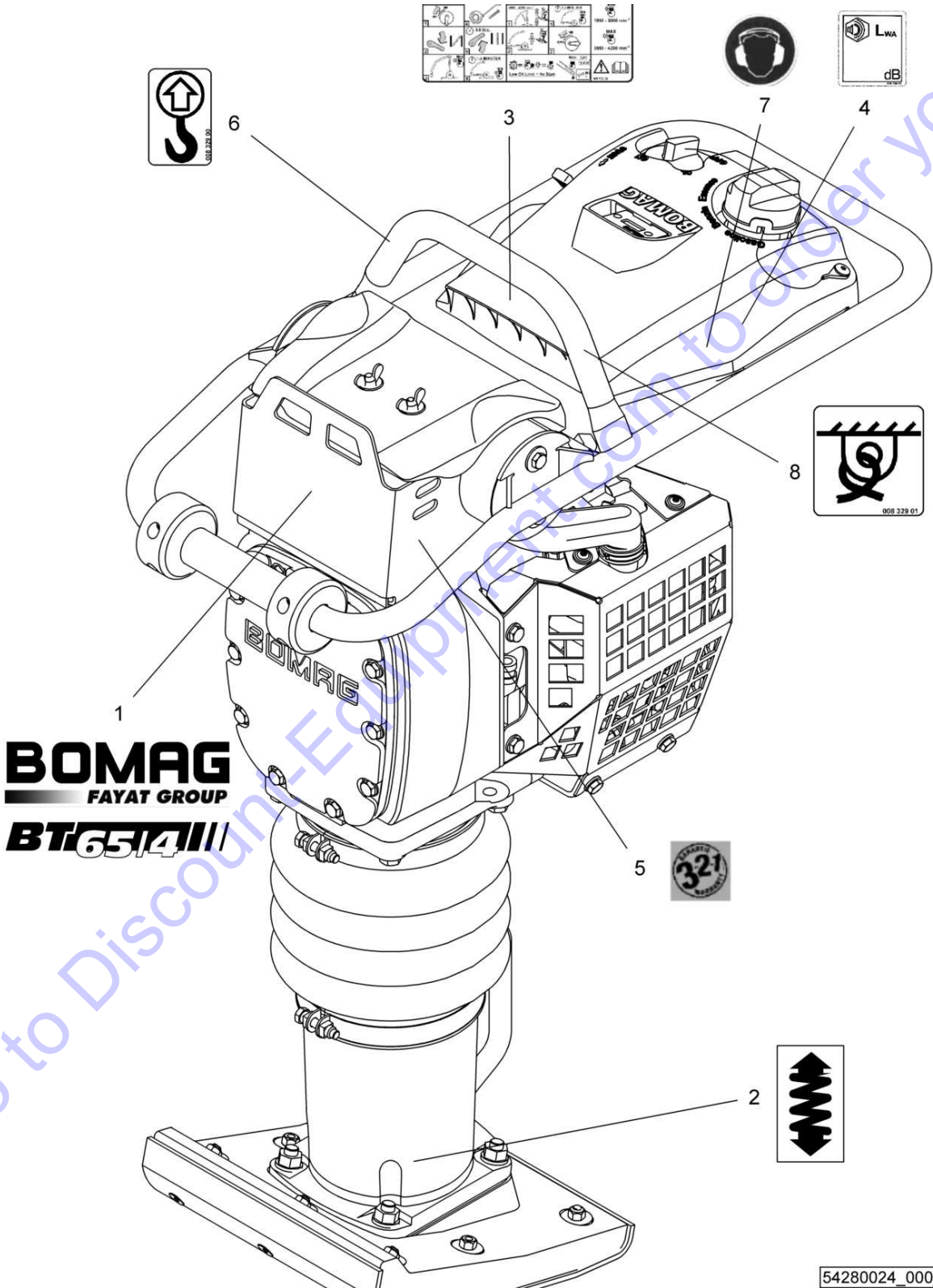
BT 65/4	
S/N 101540581037 ▶ S/N 101540581236	
Decals	101.03
	Page 1 / 1
	BOMAG
54280024 1001 1	

Pos.	Part no.	Qty.	Description
1	00833228	1	Type designation
2	00832132	1	Decal,indication
3	00833224	1	Decal,operation
4	00832653	1	Decal,indication
5	00892018	1	Label
6	00832900	1	Decal,indication
7	00833226	1	Decal,indication
8	00832901	1	Decal,indication

Go to Discount-Equipment.com to order your parts



	BT 65/4	S/N 101540581001 ▶ S/N 101540581036
101.03	Decals	
Page 1 / 1		
BOMAG		54280024_000_00



This block contains several technical icons and symbols:

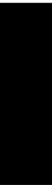
- Callout 6: A hook symbol with an upward arrow and the number '6'.
- Callout 3: A grid of 16 small technical symbols.
- Callout 7: A hearing aid symbol.
- Callout 4: An LWA dB symbol.
- Callout 8: A safety symbol showing a person falling from a height.
- Callout 2: A spring symbol.

BOMAG
FAYAT GROUP
BT 65/4 III

BT 65/4	
S/N 101540581001 ▶ S/N 101540581036	
Decals	101.03
	Page 1 / 1
	BOMAG
54280024 1001 1	

Pos.	Part no.	Qty.	Description
1	00833044	1	Type designation
2	00832132	1	Decal,indication
3	00833224	1	Decal,operation
4	00832653	1	Decal,indication
5	00892018	1	Label
6	00832900	1	Decal,indication
7	00833226	1	Decal,indication
8	00832901	1	Decal,indication

Go to Discount-Equipment.com to order your parts



Go to Discount-Equipment.com to order your parts

Special Equipment

Option

110

110.00	Special Equipment
Page /	
BOMAG	

For this catalogue group no illustration.

[Go to Discount-Equipment.com](http://Discount-Equipment.com) to order your parts

Special Equipment	110.00
	Page /
	BOMAG

Pos. Description

- 112.66 SP4-Exhaust directive
- 154.69 SL30-Special paint red,RAL3020
- 154.70 SL31-Spec.paint orange,RAL2004
- 154.71 SL32-Spec. paint white,RAL9010
- 163.11 X8-Foot plate 330mm
- 163.12 X9-Foot plate 230mm
- 163.21 X15-Foot extension, 366x150
- 163.22 X18-Foot extension, 366x100
- 165.17 X21-Foot plate 280mm 13°
- 165.18 X22-Foot plate 230mm 13°
- 165.19 X23-Foot plate 330mm 13°
- 165.20 X24-Foot plate 290mm 13°
- 165.21 X25-Foot plate 240mm 13°
- 165.22 X26-Foot plate 200mm 13°
- 165.23 X27-Foot plate 160mm 13°
- 166.03 T94-Transport wheels,failsave
- 194.08 SW10-Service kit

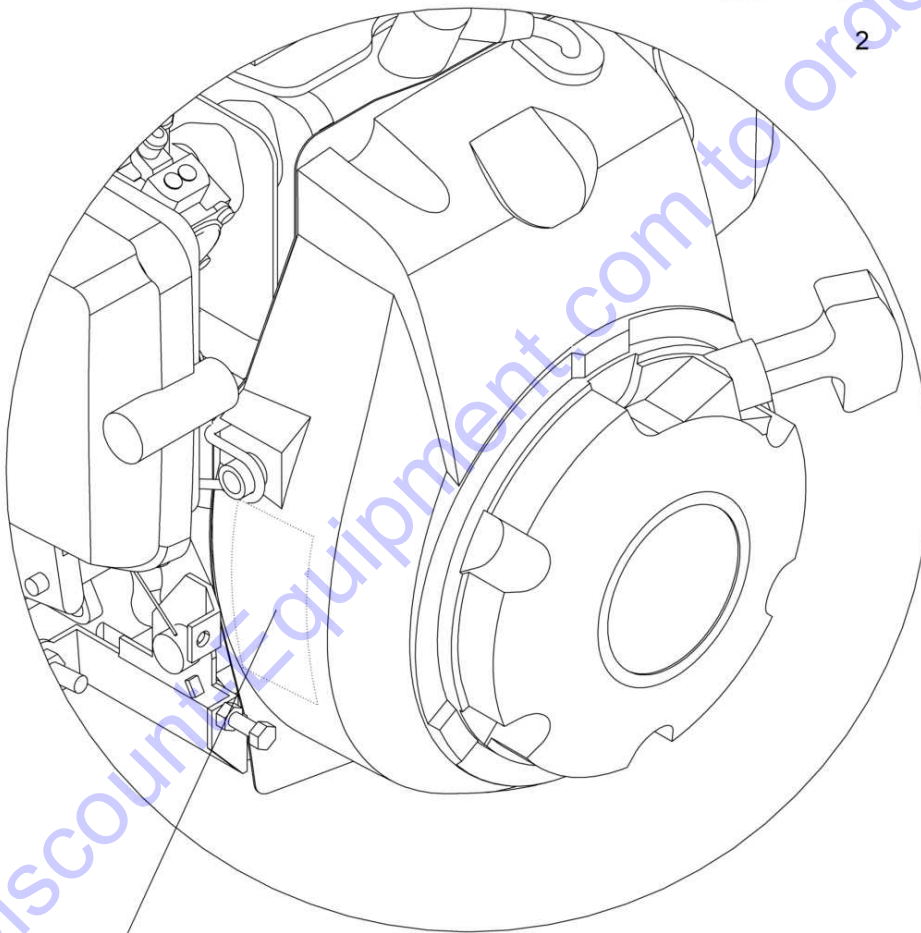
Go to Discount-Equipment.com to order your parts



	BT 65/4	
112.66		S/N 101540581001 ▶
	SP4-Exhaust directive	
Page 1 / 1		
BOMAG		54000900_000_00



2



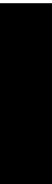
1

警告	
	汽油容易起火及爆炸。 加油前请关闭汽油机，并使之冷却。
	汽油机运转中会释放一氧化碳等有毒气体。请勿在密闭的空间中运转汽油机。
	使用前请仔细阅读该使用说明书。
Honda Motor Co., Ltd. MADE IN JAPAN (CH)	

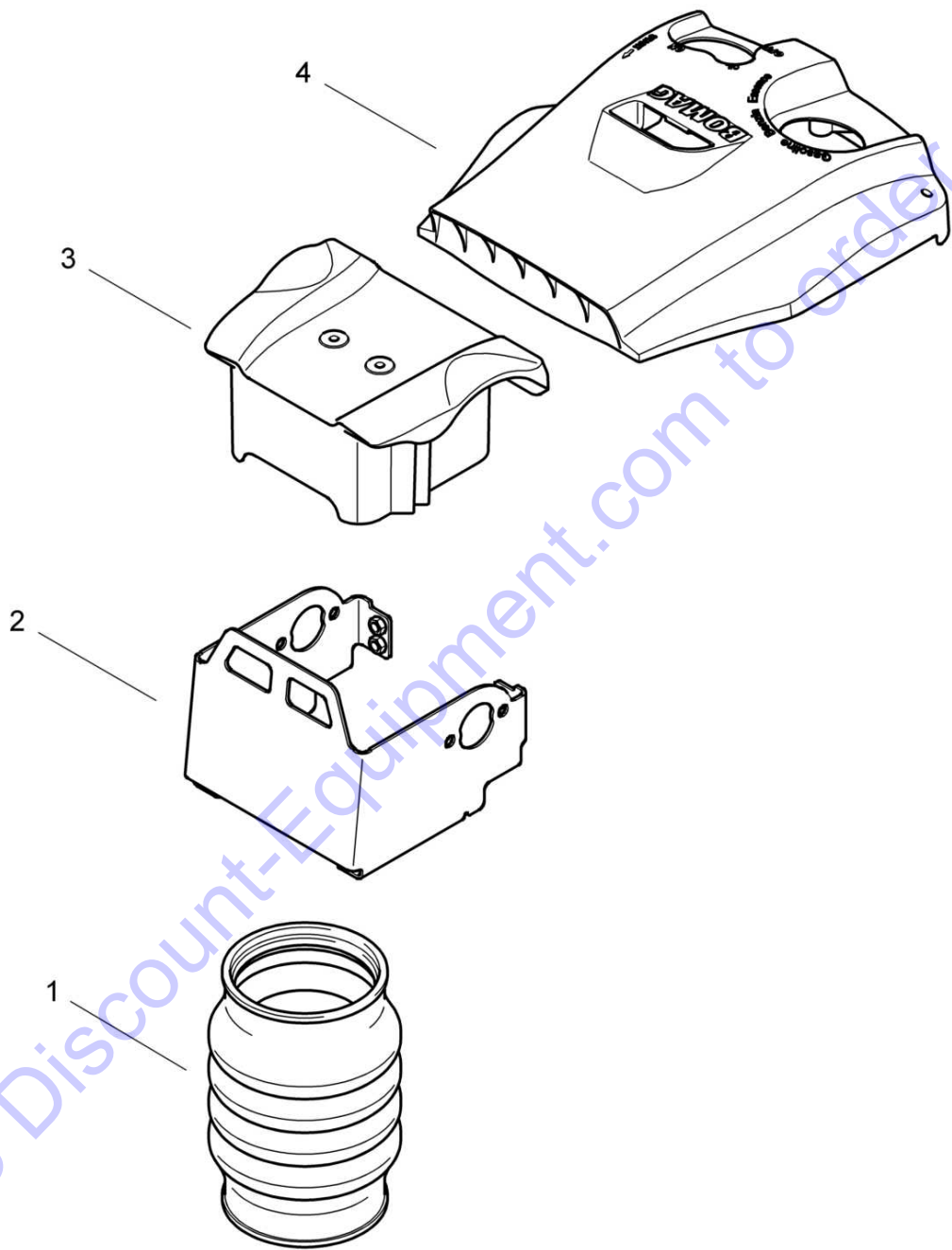
BT 65/4	
S/N 101540581001 ▶	
SP4-Exhaust directive	112.66
	Page 1 / 1
	BOMAG
54000900 1001 1	

Pos.	Part no.	Qty.	Description
1	00833219	1	Label
2	00801395	1	BA_ZH - Operatating Maintenance Instructions

Go to Discount-Equipment.com to order your parts



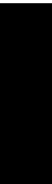
	BT 65/4	S/N 101540581107 ▶
154.69	SL30-Special paint red, RAL3020	
Page 1 / 1		
BOMAG	54200693_000_00	



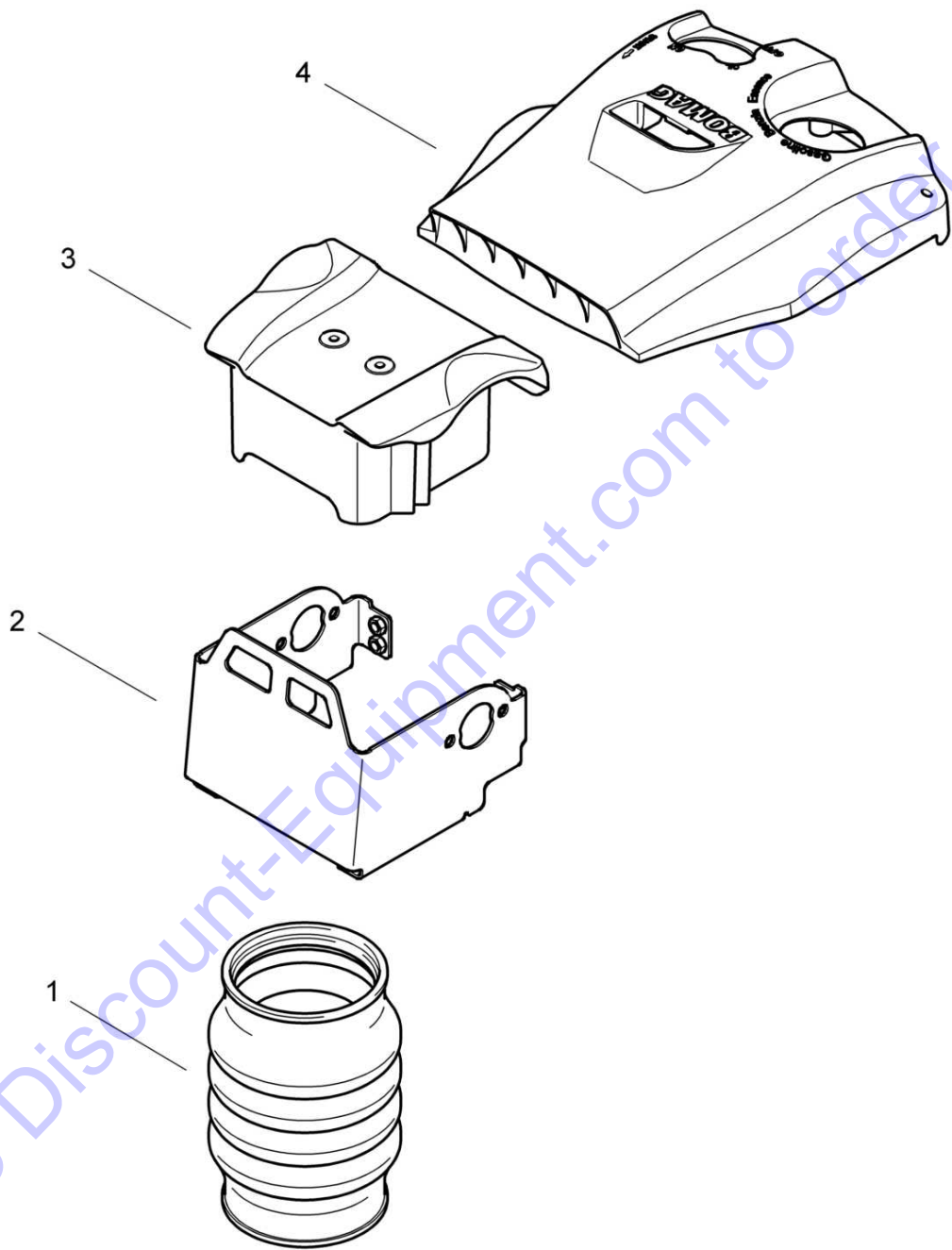
BT 65/4	
S/N 101540581107 ▶	
SL30-Special paint red, RAL3020	154.69
	Page 1 / 1
54200693 1001 1	BOMAG

Pos.	Part no.	Qty.	Description
1	54003081	1	Bellows
2	54203008	1	Console
3	54203017	1	Cover, air filter
4	54270222	1	Cover

Go to Discount-Equipment.com to order your parts



	BT 65/4	S/N 101540581001 ▶ S/N 101540581106
154.69	SL30-Special paint red, RAL3020	
Page 1 / 1		
BOMAG	54200693_000_00	

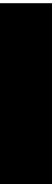


BT 65/4	
S/N 101540581001 ▶ S/N 101540581106	
SL30-Special paint red, RAL3020	154.69
	Page 1 / 1
54200693 1001 1	BOMAG

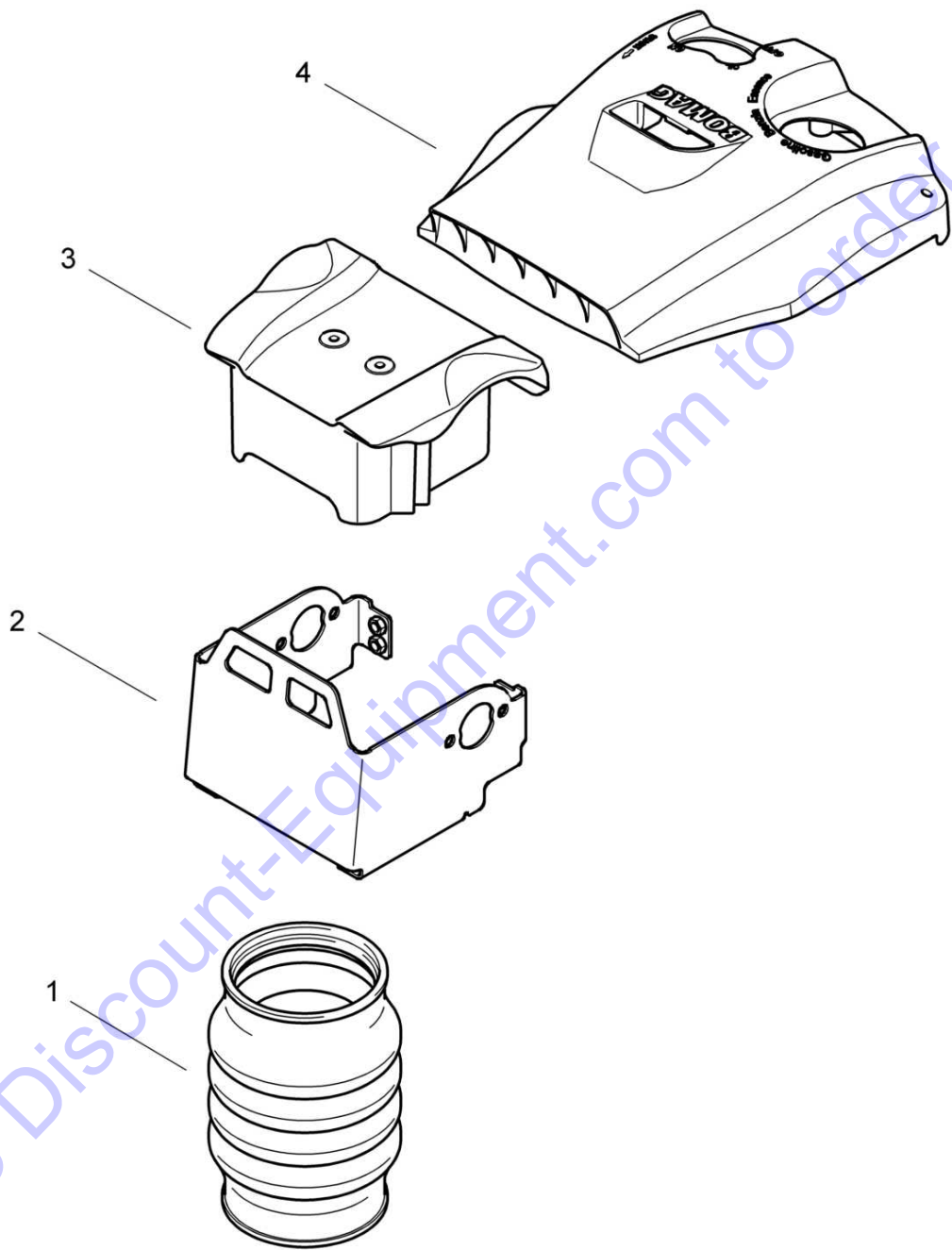
Pos.	Part no.	Qty.	Description
------	----------	------	-------------

1	54003081	1	Bellows
2	54203008	1	Console
3	54203017	1	Cover, air filter
4	54270216	1	Cover

Go to Discount-Equipment.com to order your parts



	BT 65/4	S/N 101540581107 ▶
154.70	SL31-Spec. paint orange, RAL2004	
Page 1 / 1		
BOMAG	54200695_000_00	

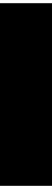


BT 65/4	
S/N 101540581107 ▶	
SL31-Spec. paint orange, RAL2004	154.70
	Page 1 / 1
54200695 1001 1	BOMAG

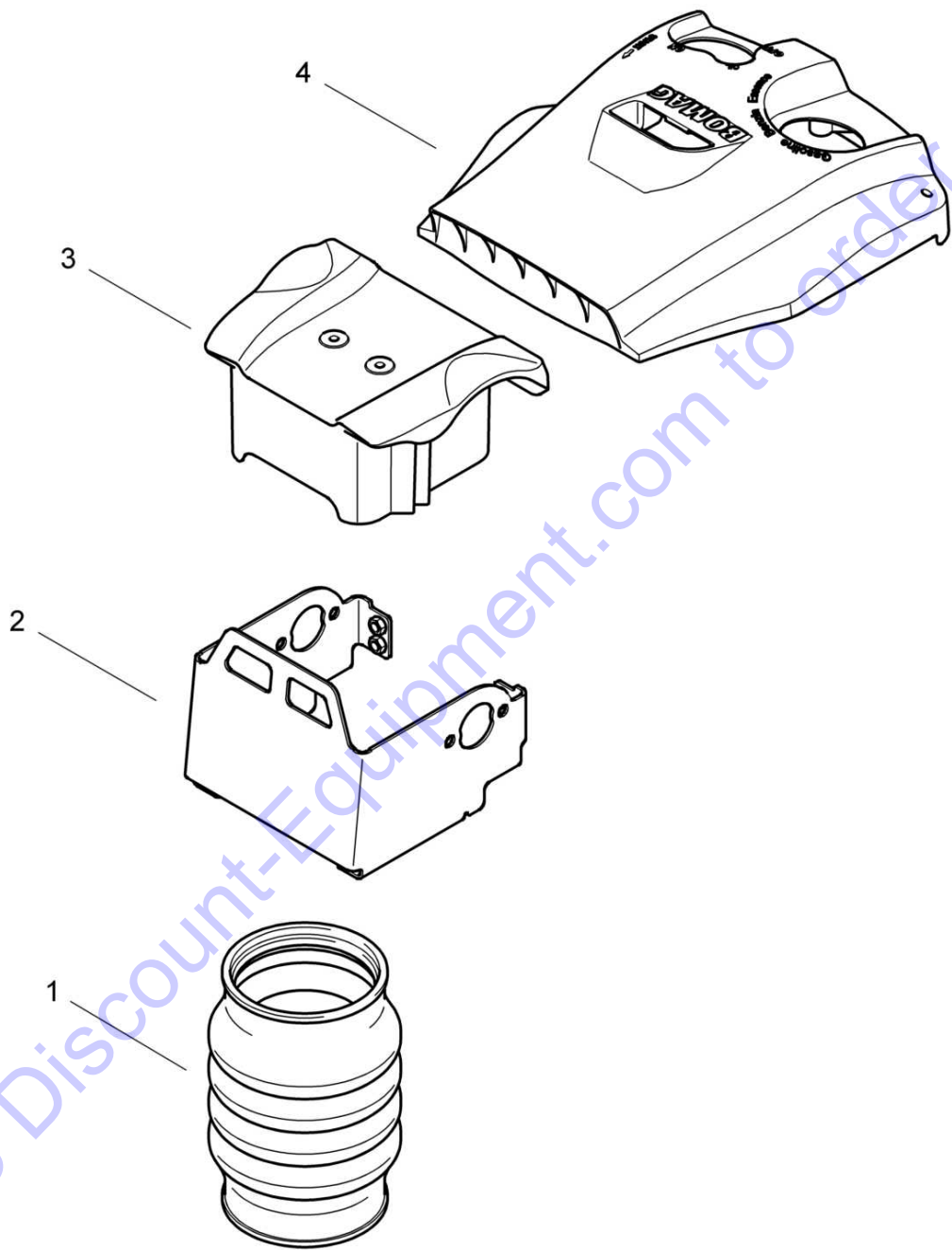
Pos. Part no. Qty. Description

1	54003095	1	Bellows
2	54203009	1	Console
3	54203017	1	Cover, air filter
4	54270222	1	Cover

Go to Discount-Equipment.com to order your parts



	BT 65/4	S/N 101540581001 ▶ S/N 101540581106
154.70	SL31-Spec. paint orange, RAL2004	
Page 1 / 1		
BOMAG	54200695_000_00	

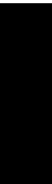


BT 65/4	
S/N 101540581001 ▶ S/N 101540581106	154.70
SL31-Spec. paint orange, RAL2004	Page 1 / 1
54200695 1001 1	BOMAG

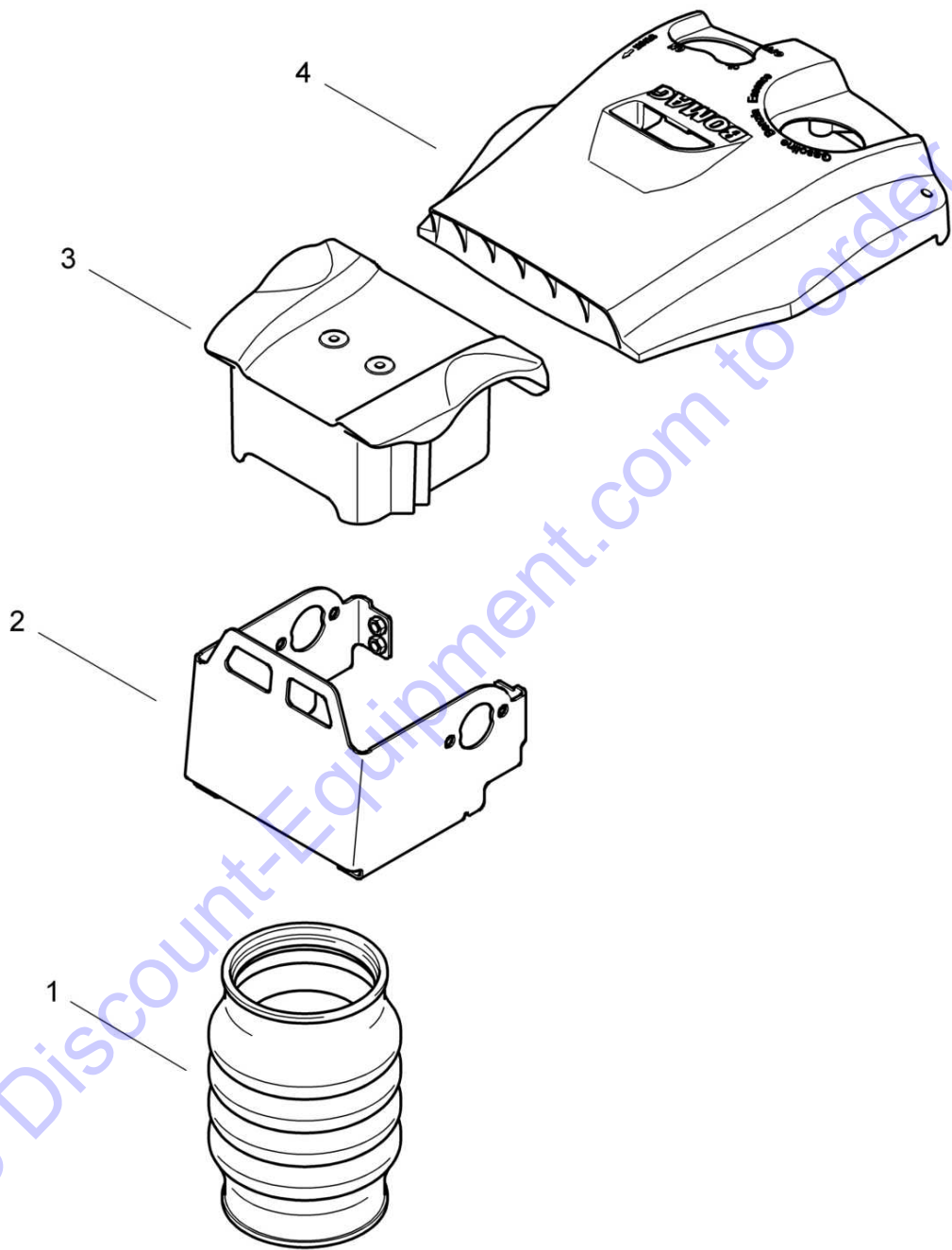
Pos. Part no. Qty. Description

1	54003095	1	Bellows
2	54203009	1	Console
3	54203017	1	Cover, air filter
4	54270216	1	Cover

Go to Discount-Equipment.com to order your parts



	BT 65/4	S/N 101540581107 ▶
154.71	SL32-Spec. paint white, RAL9010	
Page 1 / 1		
BOMAG	54200697_000_00	

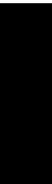


BT 65/4	
S/N 101540581107 ▶	
SL32-Spec. paint white, RAL9010	154.71
	Page 1 / 1
54200697 1001 1	BOMAG

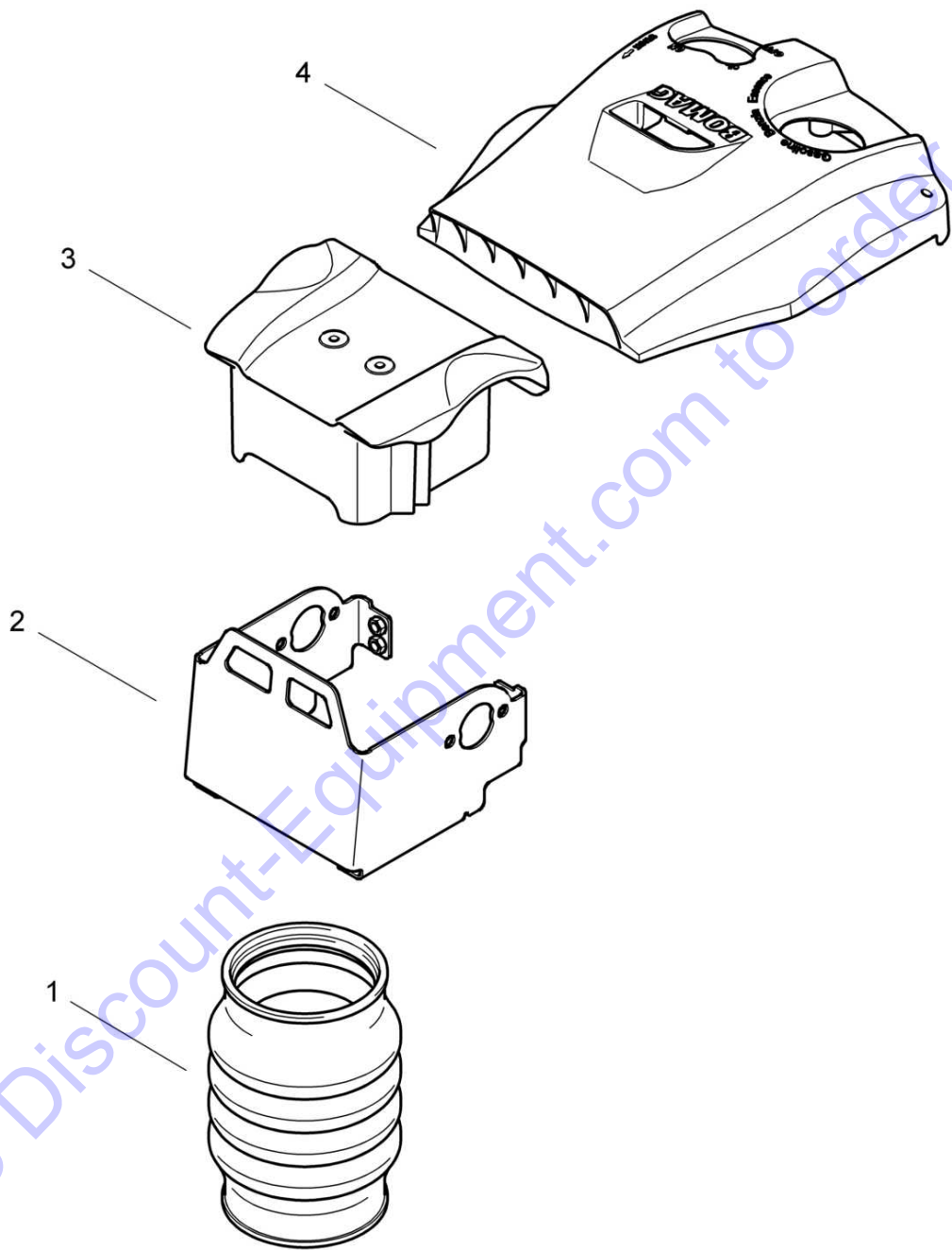
Pos.	Part no.	Qty.	Description
------	----------	------	-------------

1	54003102	1	Bellows
2	54203010	1	Console
3	54203017	1	Cover, air filter
4	54270222	1	Cover

Go to Discount-Equipment.com to order your parts



	BT 65/4	S/N 101540581001 ▶ S/N 101540581106
154.71	SL32-Spec. paint white, RAL9010	
Page 1 / 1		
BOMAG	54200697_000_00	

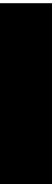


BT 65/4	S/N 101540581001 ▶ S/N 101540581106	154.71
SL32-Spec. paint white, RAL9010	54200697 1001 1	
		Page 1 / 1 Seite 1 / 1
		BOMAG

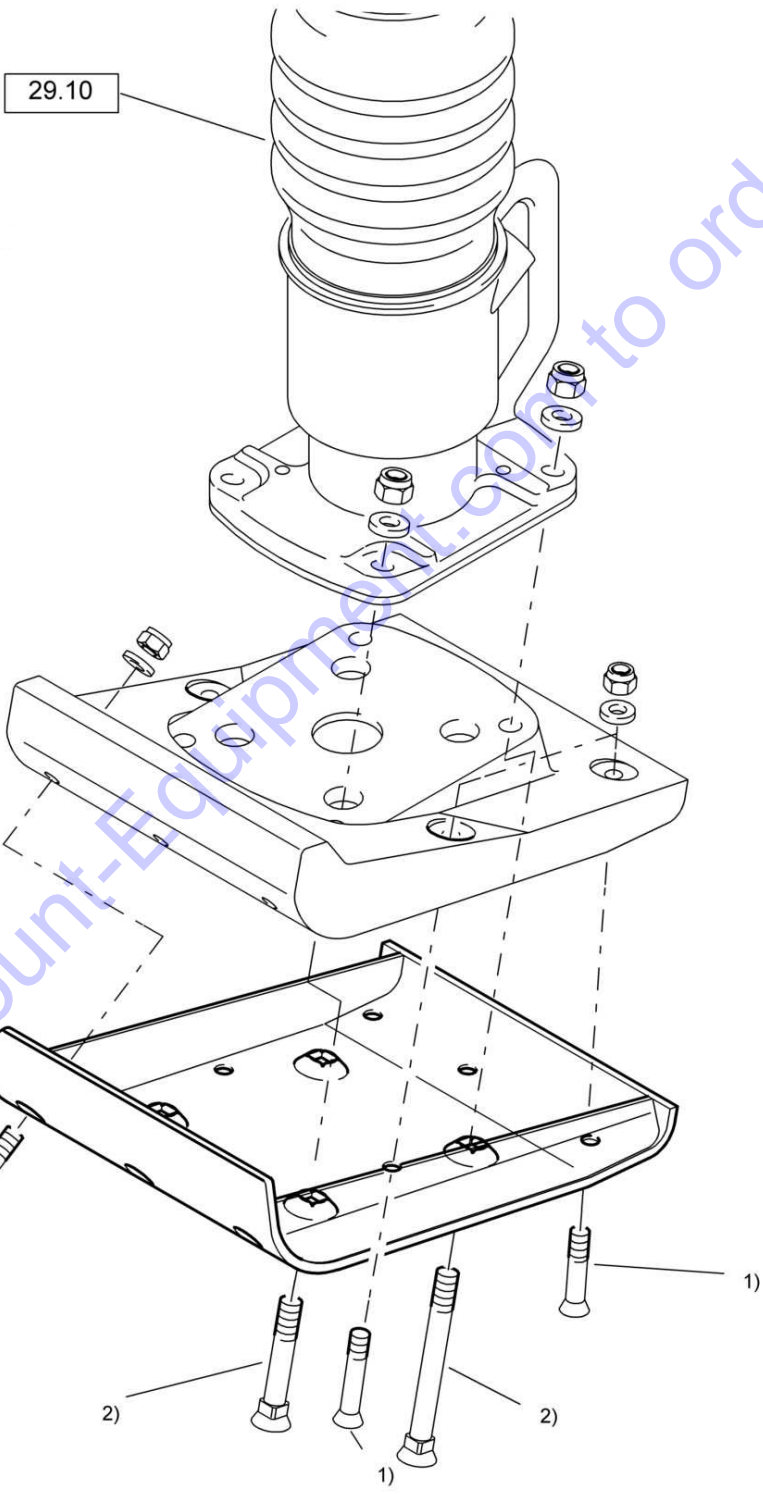
Pos. Part no. Qty. Description

1	54003102	1	Bellows
2	54203010	1	Console
3	54203017	1	Cover, air filter
4	54270216	1	Cover

Go to Discount-Equipment.com to order your parts



	BT 65/4	
163.11		S/N 101540581001 ▶
	X8-Foot plate 330mm	X8-foot plate 330mm
Page 1 / 1		
BOMAG		54000416_000_00



- 1) Torque value: 15 Nm
- 2) Torque value: 60-70 Nm

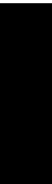
Go to Discount-Equipment.com to order your parts

BT 65/4		
S/N 101540581001 ▶		
X8-Foot plate 330mm	X8-foot plate 330mm	163.11
		Page 1 / 1
54000416 1001 1		BOMAG

Pos. Part no. Qty. Description

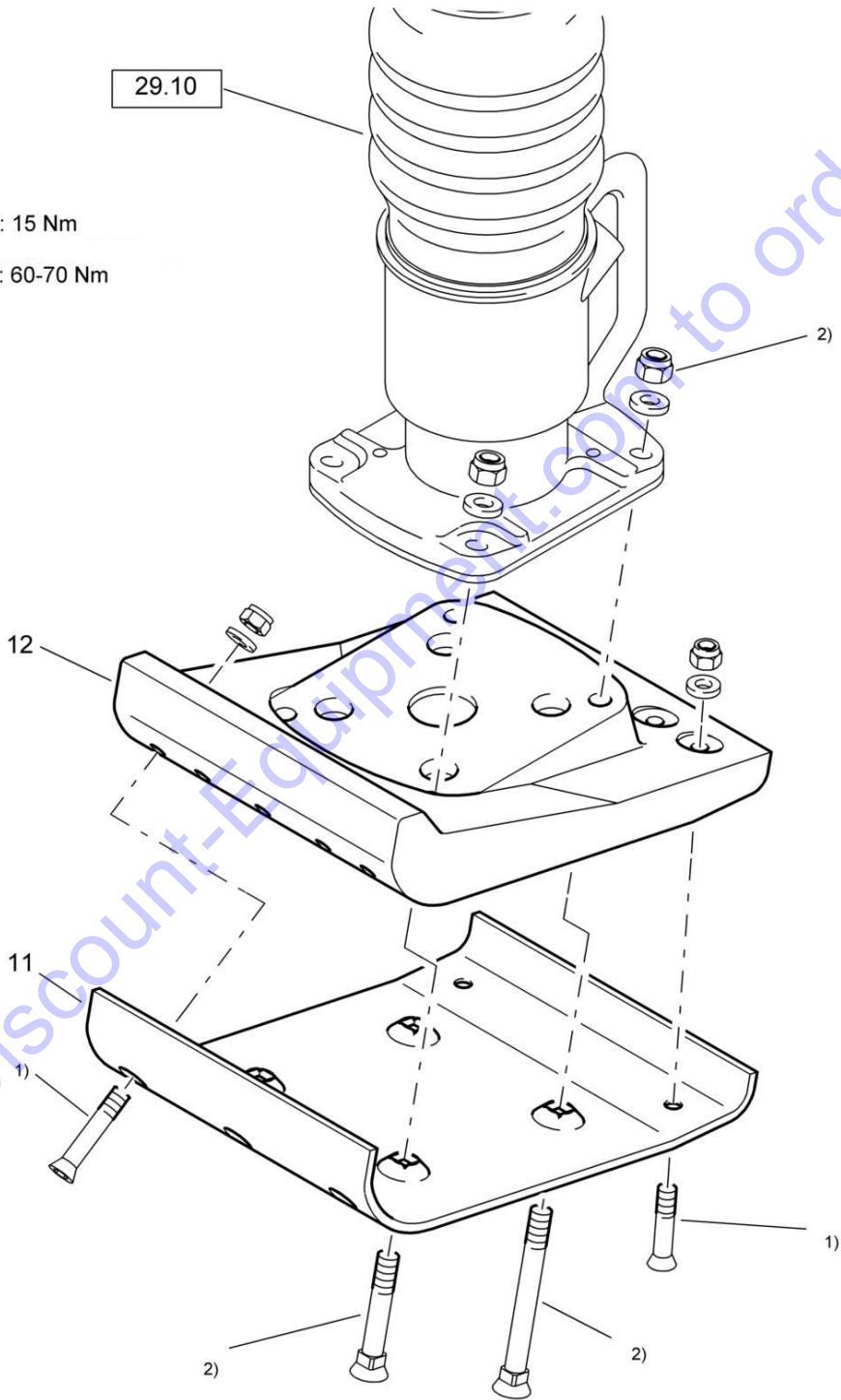
11 54003049 1 Base plate

Go to Discount-Equipment.com to order your parts



	BT 65/4	
163.12		S/N 101540581001 ▶
	X9-Foot plate 230mm	X9-foot plate 230mm
Page 1 / 1		
BOMAG		54000420_000_00

- 1) Torque value: 15 Nm
- 2) Torque value: 60-70 Nm



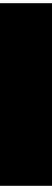
Go to Discount-Equipment.com to order your parts

BT 65/4		
S/N 101540581001 ▶		163.12
X9-Foot plate 230mm	X9-foot plate 230mm	
		Page 1 / 1
54000420 1001 1		BOMAG

Pos.	Part no.	Qty.	Description
------	----------	------	-------------

11	54200106	1	Base plate
12	54200107	1	Tamping plate

Go to Discount-Equipment.com to order your parts



BT 65/4

S/N 101540581001 ▶

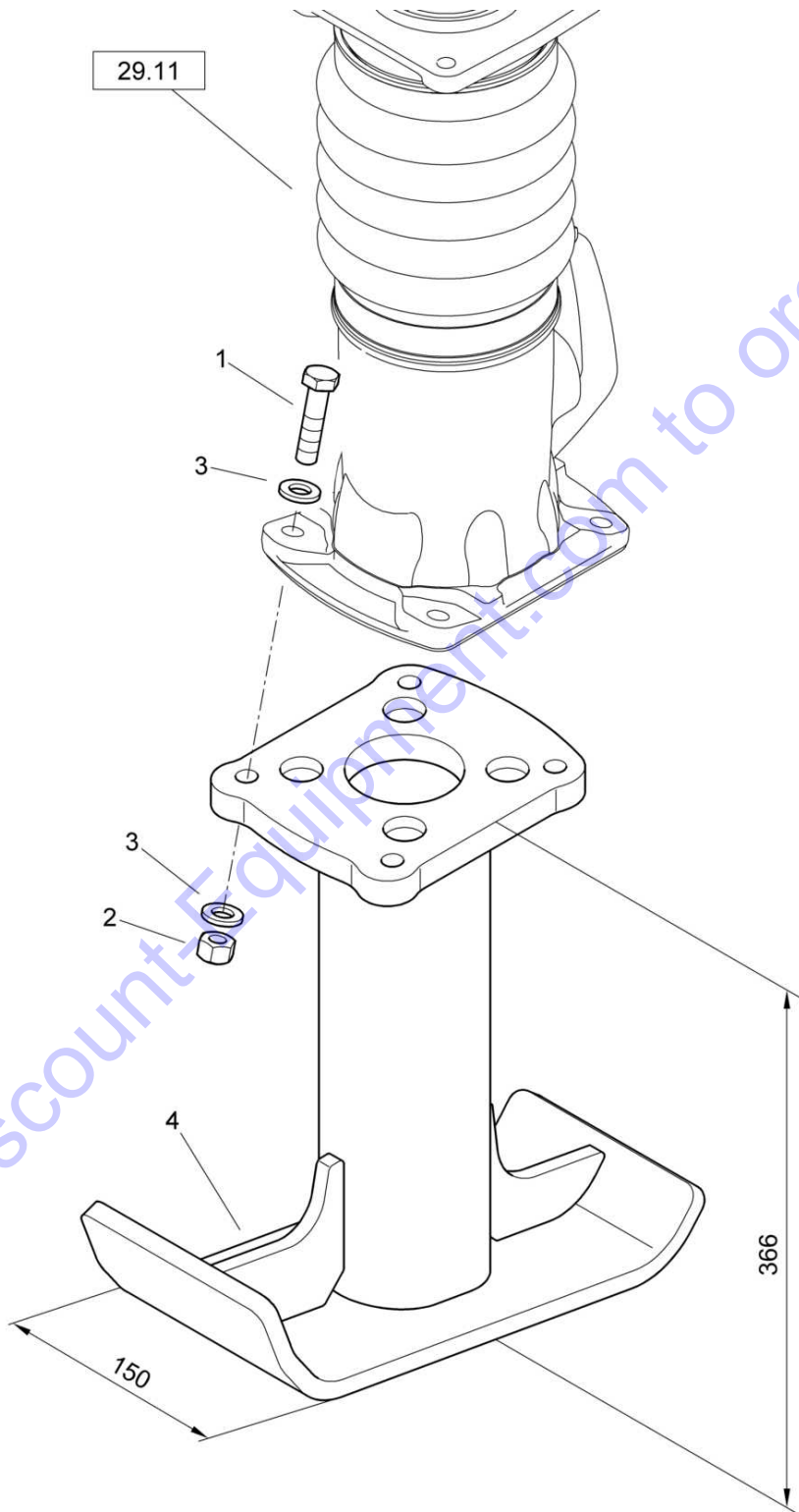
163.21

X15-Foot extension, 366x150

Page **1 / 1**

BOMAG

54102002_000_00

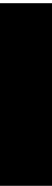


54102002_000_00

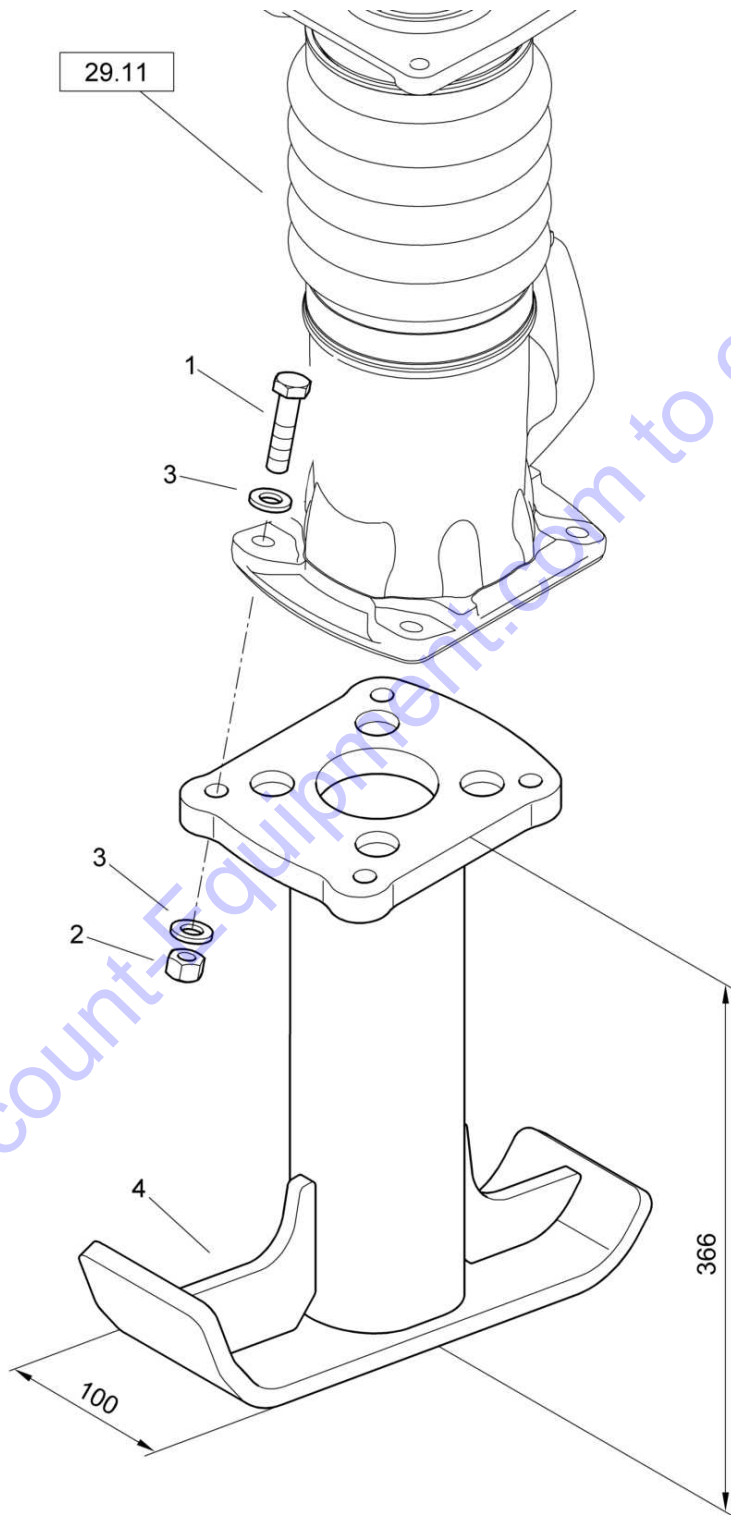
BT 65/4	
S/N 101540581001 ▶	
X15-Foot extension, 366x150	163.21
	Page 1 / 1
	BOMAG
54102002 1001 1	

Pos.	Part no.	Qty.	Description
0	54102002	1	X15-Foot extension, 366x150
1	07141248	4	Hexagon bolt
2	08131218	4	Safety nut
3	08511324	8	Washer
4	54103003	1	Foot extension

Go to Discount-Equipment.com to order your parts



	BT 65/4	S/N 101540581001 ▶
163.22	X18-Foot extension, 366x100	
Page 1 / 1		
BOMAG	54102003_000_00	

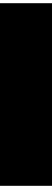


54102003_000_00

BT 65/4	
S/N 101540581001 ▶	
X18-Foot extension, 366x100	163.22
	Page 1 / 1
	BOMAG
54102003 1001 1	

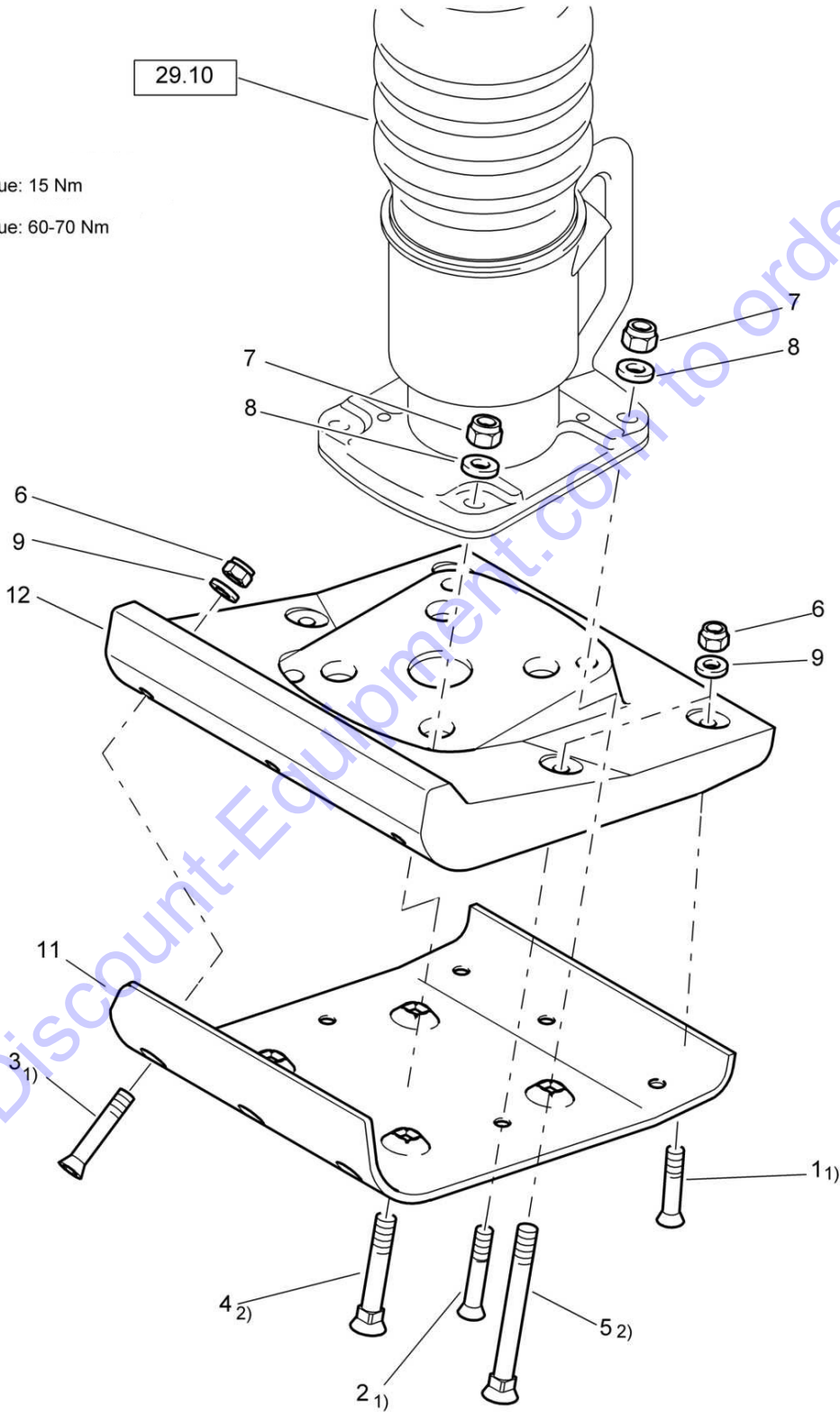
Pos.	Part no.	Qty.	Description
0	54102003	1	X18-Foot extension, 366x100
1	07141248	4	Hexagon bolt
2	08131218	4	Safety nut
3	08511324	8	Washer
4	54103004	1	Foot extension

Go to Discount-Equipment.com to order your parts



	BT 65/4	S/N 101540581001 ▶
165.17	X21-Foot plate 280mm 13°	
Page 1 / 1		
BOMAG	54002090_000_00	

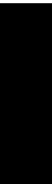
- 1) Torque value: 15 Nm
- 2) Torque value: 60-70 Nm



BT 65/4	
S/N 101540581001 ▶	
X21-Foot plate 280mm 13°	165.17
	Page 1 / 1
	BOMAG
54002090 1001 1	

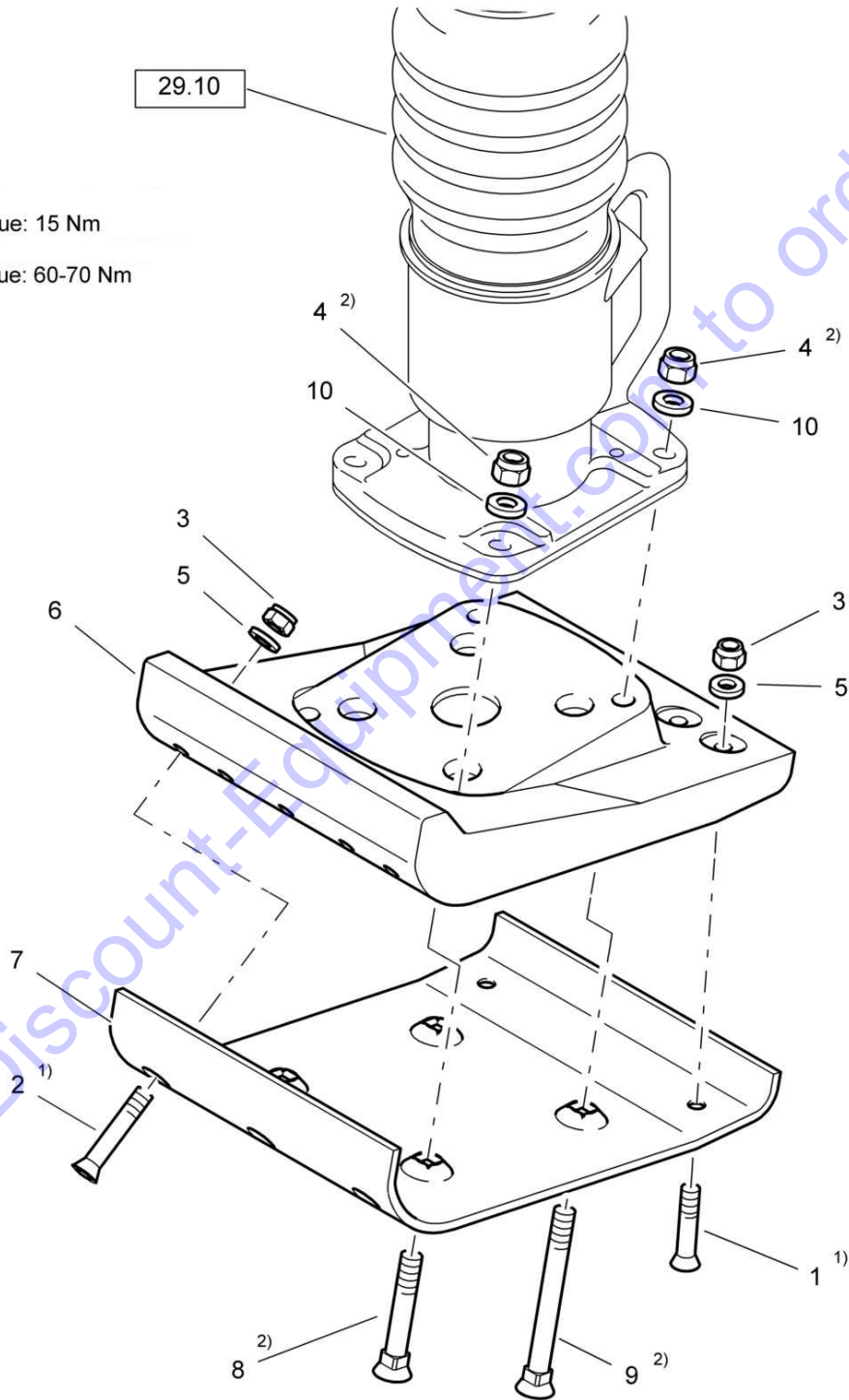
Pos.	Part no.	Qty.	Description
0	54002090	1	X21-Foot plate 280mm
1	07320830	3	Countersunk screw
2	07320832	2	Countersunk screw
3	07320836	3	Countersunk screw
4	07361227	2	Countersunk screw
5	07361239	2	Countersunk screw
6	08130813	8	Safety nut
7	08131218	4	Safety nut
8	08752130	4	Spring washer
9	08611095	8	Washer
11	54200105	1	Base plate
12	54200108	1	Tamping plate

Go to Discount-Equipment.com to order your parts



	BT 65/4	
165.18		S/N 101540581001 ▶
	X22-Foot plate 230mm 13°	
Page 1 / 1		
BOMAG		54002091_000_00

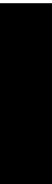
- 1) Torque value: 15 Nm
- 2) Torque value: 60-70 Nm



BT 65/4	
S/N 101540581001 ▶	
X22-Foot plate 230mm 13°	165.18
	Page 1 / 1
	BOMAG
54002091 1001 1	

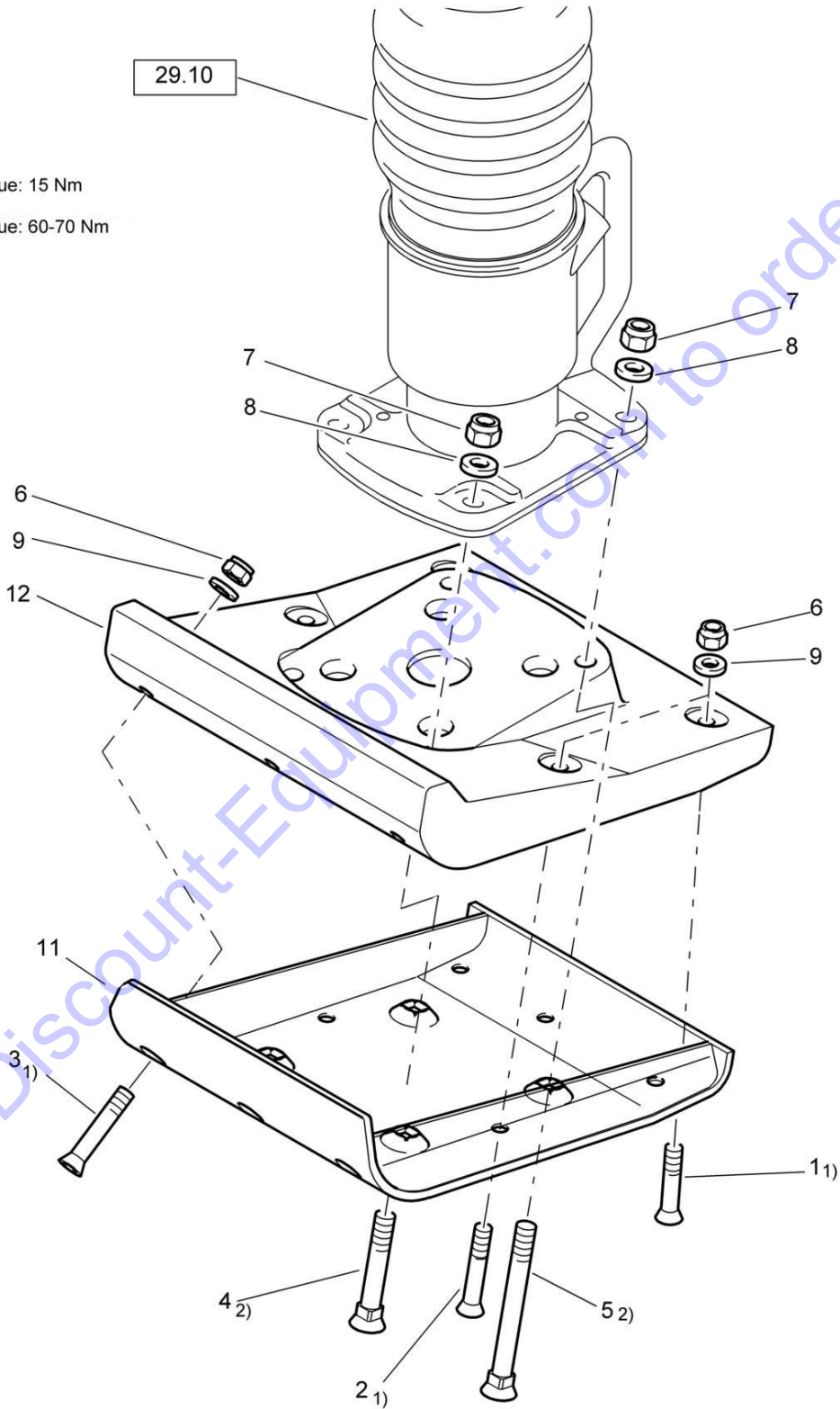
Pos.	Part no.	Qty.	Description
0	54002091	1	X22-Foot plate 230mm
1	07320830	2	Countersunk screw
2	07320836	3	Countersunk screw
3	08130813	5	Safety nut
4	08131218	4	Safety nut
5	08611095	5	Washer
6	54200107	1	Tamping plate
7	54200106	1	Base plate
8	07361227	2	Countersunk screw
9	07361239	2	Countersunk screw
10	08752130	4	Spring washer

Go to Discount-Equipment.com to order your parts



	BT 65/4	
165.19		S/N 101540581001 ▶
	X23-Foot plate 330mm 13°	
Page 1 / 1		
BOMAG		54002092_000_00

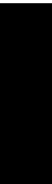
- 1) Torque value: 15 Nm
- 2) Torque value: 60-70 Nm



BT 65/4	
S/N 101540581001 ▶	
X23-Foot plate 330mm 13°	165.19
	Page 1 / 1
	BOMAG
54002092 1001 1	

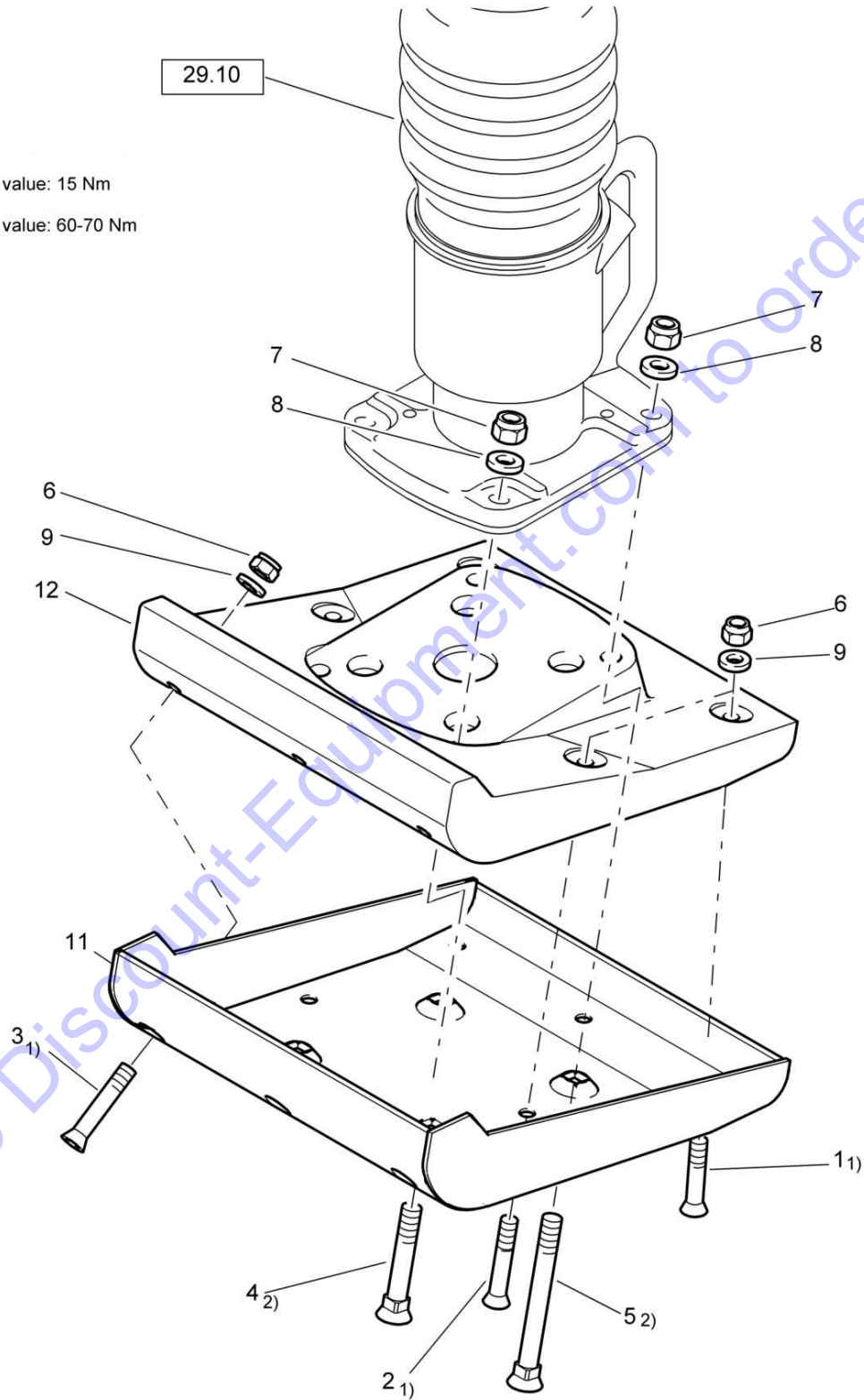
Pos.	Part no.	Qty.	Description
0	54002092	1	X23-Foot plate 330mm
1	07320830	3	Countersunk screw
2	07320832	2	Countersunk screw
3	07320836	3	Countersunk screw
4	07361227	2	Countersunk screw
5	07361239	2	Countersunk screw
6	08130813	8	Safety nut
7	08131218	4	Safety nut
8	08752130	4	Spring washer
9	08611095	8	Washer
11	54003049	1	Base plate
12	54200108	1	Tamping plate

Go to Discount-Equipment.com to order your parts



	BT 65/4	
165.20		S/N 101540581001 ▶
	X24-Foot plate 290mm 13°	
Page 1 / 1		
BOMAG		54002093_000_00

- 1) Torque value: 15 Nm
- 2) Torque value: 60-70 Nm

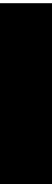


Go to Discount-Equipment.com to order your parts

BT 65/4	
S/N 101540581001 ▶	
X24-Foot plate 290mm 13°	165.20
	Page 1 / 1
	BOMAG
54002093 1001 1	

Pos.	Part no.	Qty.	Description
0	54002093	1	X24-Foot plate 290mm
1	07320830	3	Countersunk screw
2	07320832	2	Countersunk screw
3	07320836	3	Countersunk screw
4	07361227	2	Countersunk screw
5	07361239	2	Countersunk screw
6	08130813	8	Safety nut
7	08131218	4	Safety nut
8	08752130	4	Spring washer
9	08611095	8	Washer
11	54003048	1	Base plate
12	54200108	1	Tamping plate

Go to Discount-Equipment.com to order your parts

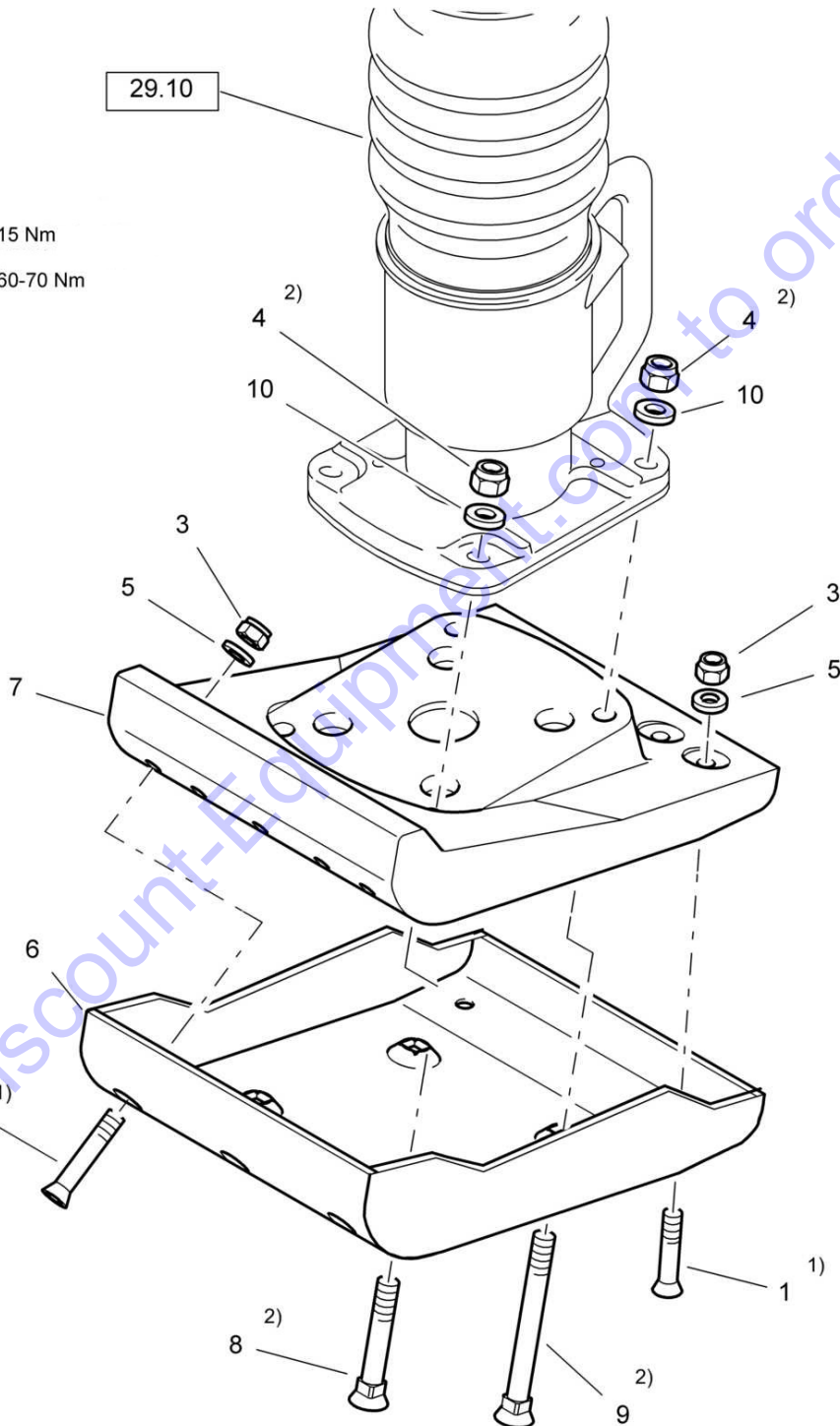


165.21

X25-Foot plate 240mm 13°

29.10

- 1) Torque value: 15 Nm
- 2) Torque value: 60-70 Nm

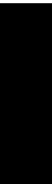


Go to Discount-Equipment.com to order your parts

BT 65/4	
S/N 101540581001 ▶	
X25-Foot plate 240mm 13°	165.21
	Page 1 / 1
	BOMAG
54002094 1001 1	

Pos.	Part no.	Qty.	Description
0	54002094	1	X25-Foot plate 240mm
1	07320830	2	Countersunk screw
2	07320836	3	Countersunk screw
3	08130813	5	Safety nut
4	08131218	4	Safety nut
5	08611095	5	Washer
6	54003046	1	Base plate
7	54200107	1	Tamping plate
8	07361227	2	Countersunk screw
9	07361239	2	Countersunk screw
10	08752130	4	Spring washer

Go to Discount-Equipment.com to order your parts



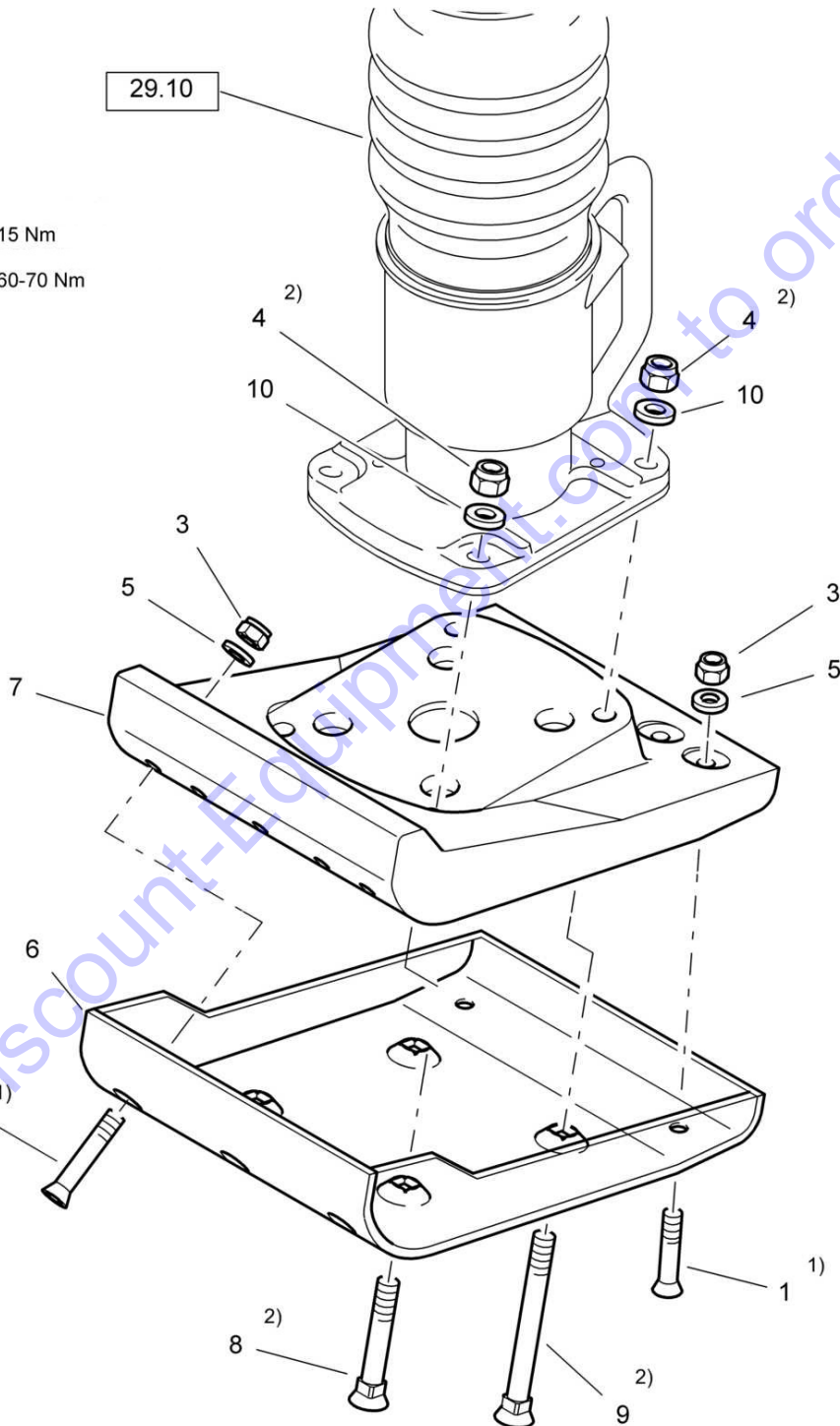
165.22

X26-Foot plate 200mm 13°

BOMAG

29.10

- 1) Torque value: 15 Nm
- 2) Torque value: 60-70 Nm

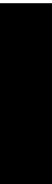


Go to Discount-Equipment.com to order your parts

BT 65/4	
S/N 101540581001 ▶	
X26-Foot plate 200mm 13°	165.22
	Page 1 / 1
	BOMAG
54002095 1001 1	

Pos.	Part no.	Qty.	Description
0	54002095	1	X26-Foot plate 200mm
1	07320830	2	Countersunk screw
2	07320836	3	Countersunk screw
3	08130813	5	Safety nut
4	08131218	4	Safety nut
5	08611095	5	Washer
6	54003087	1	Base plate
7	54003089	1	Tamping plate
8	07361227	2	Countersunk screw
9	07361239	2	Countersunk screw
10	08752130	4	Spring washer

Go to Discount-Equipment.com to order your parts

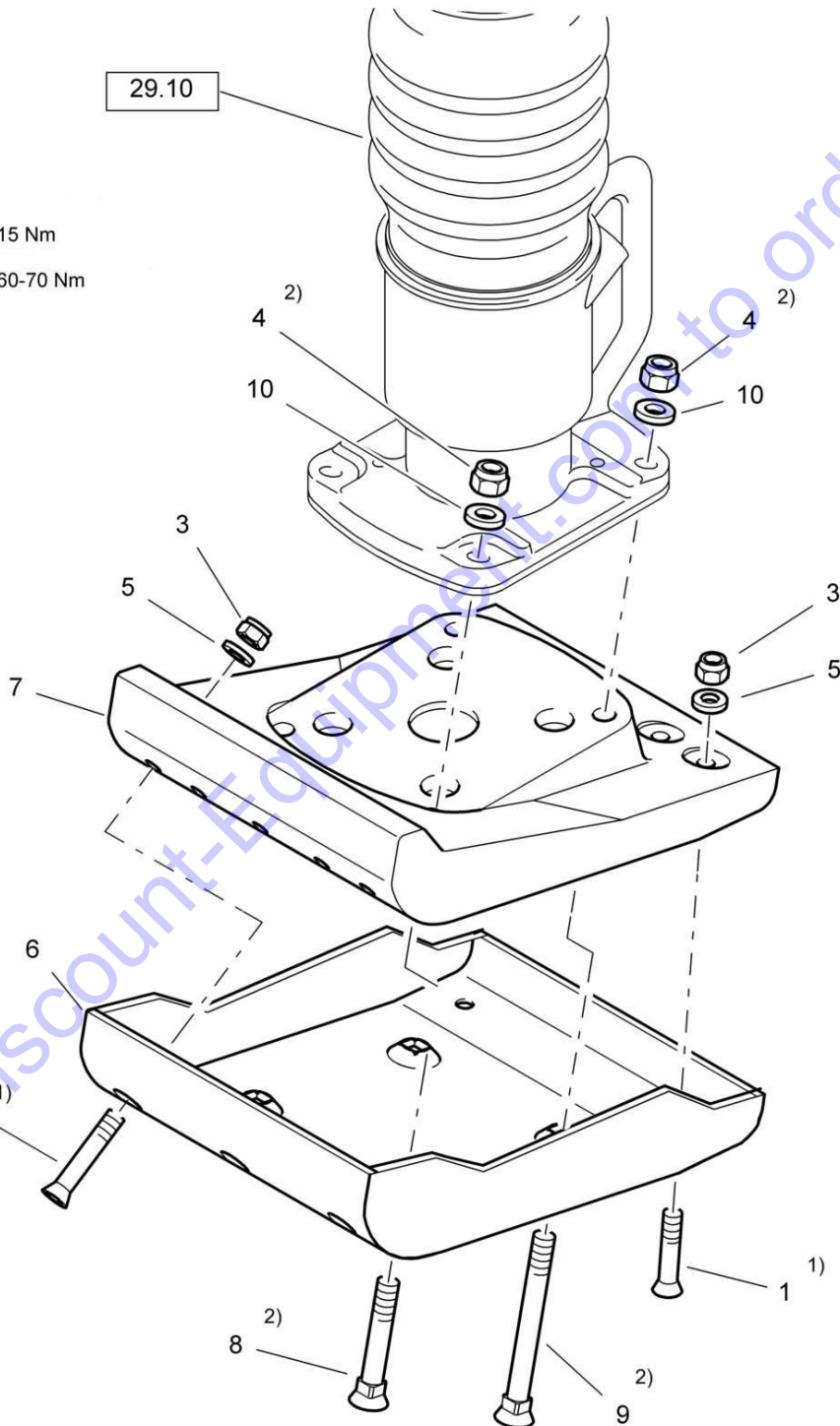


165.23

X27-Foot plate 160mm 13°

29.10

- 1) Torque value: 15 Nm
- 2) Torque value: 60-70 Nm

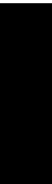


Go to Discount-Equipment.com to order your parts

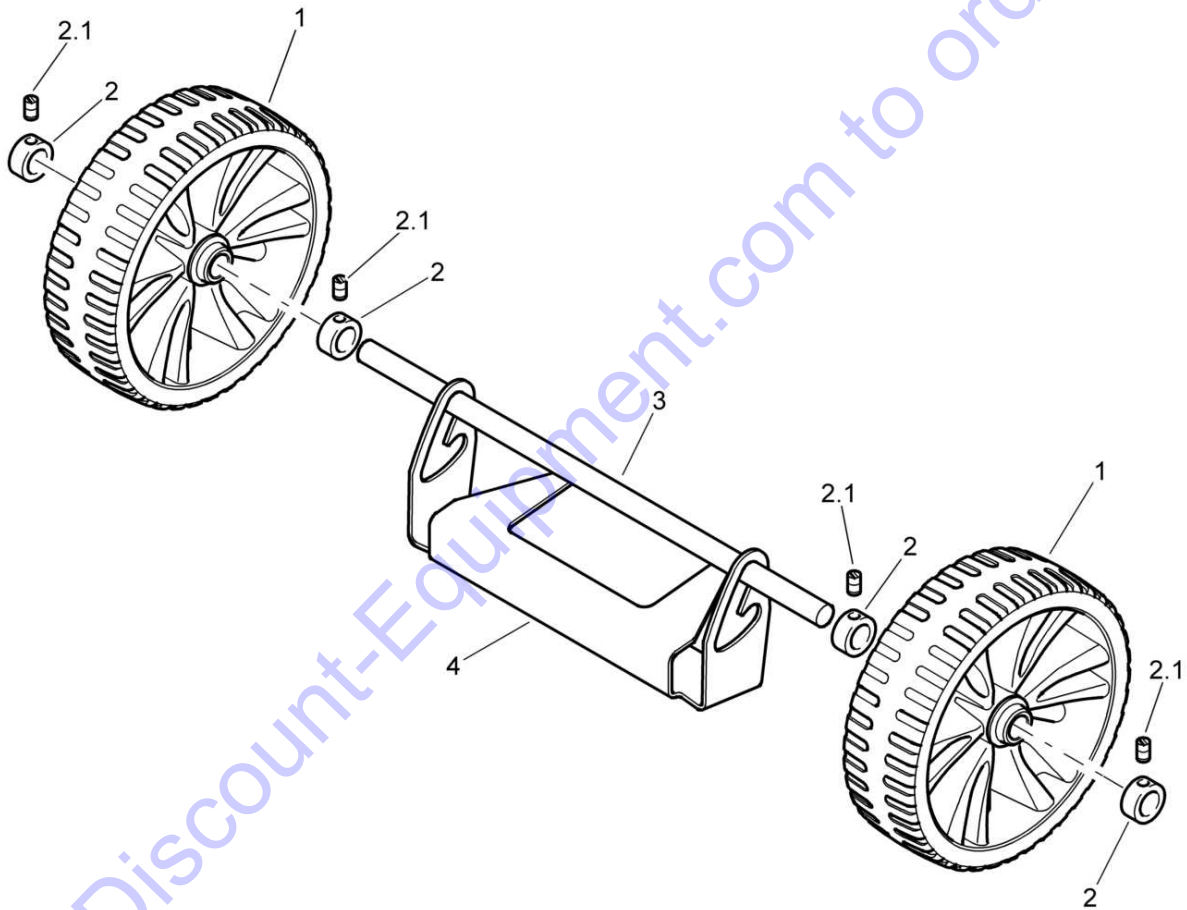
BT 65/4	
S/N 101540581001 ▶	
X27-Foot plate 160mm 13°	165.23
	Page 1 / 1
	BOMAG
54002096 1001 1	

Pos.	Part no.	Qty.	Description
0	54002096	1	X27-Foot plate 160mm
1	07320830	2	Countersunk screw
2	07320836	3	Countersunk screw
3	08130813	5	Safety nut
4	08131218	4	Safety nut
5	08611095	5	Washer
6	54003032	1	Base plate
7	54003089	1	Tamping plate
8	07361227	2	Countersunk screw
9	07361239	2	Countersunk screw
10	08752130	4	Spring washer

Go to Discount-Equipment.com to order your parts



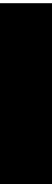
	BT 65/4	
166.03		S/N 101540581001 ▶
	T94-Transport wheels, failsave	
Page 1 / 1		
BOMAG	54102005_000_00	



BT 65/4	
S/N 101540581001 ▶	
T94-Transport wheels, failsave	166.03
	Page 1 / 1
54102005 1001 1	BOMAG

Pos.	Part no.	Qty.	Description
0	54102005	1	T94-Transport wheels,failsave
1	06704509	2	Rubber tyre
2	09201020	4	Adjusting ring
2.1	07760600	1	Tapped pin
3	54003090	1	Axle
4	54003091	1	Plate

Go to Discount-Equipment.com to order your parts



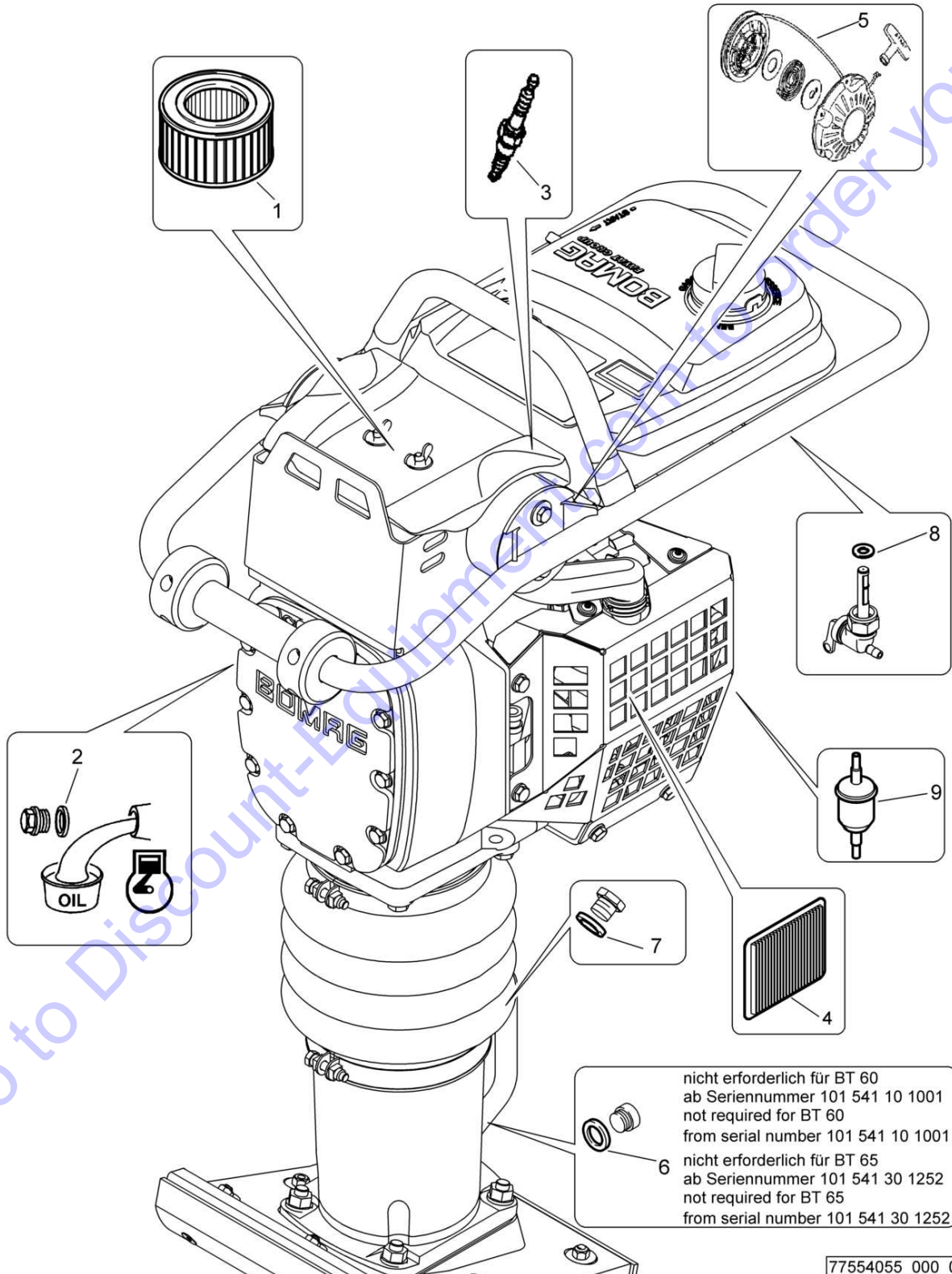
194.08

SW10-Service kit

Page 1 / 1

BOMAG

77554055_000_02

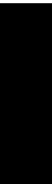


77554055_000_02

BT 65/4	
S/N 101540581237 ▶	
SW10-Service kit	194.08
	Page 1 / 1
	BOMAG
77554055 1001 1	

Pos.	Part no.	Qty.	Description
0	77554055	1	SW10-Service kit
1	05727224	1	Filter element,air
2	05747129	1	Gasket
3	05748175	1	Spark plug
4	05748269	1	Filter element
5	05748546	1	Starter rope
6	09331128	1	Sealing ring
7	09331746	1	Sealing ring
8	05824225	1	Gasket
9	05821205	1	Filter cartridge

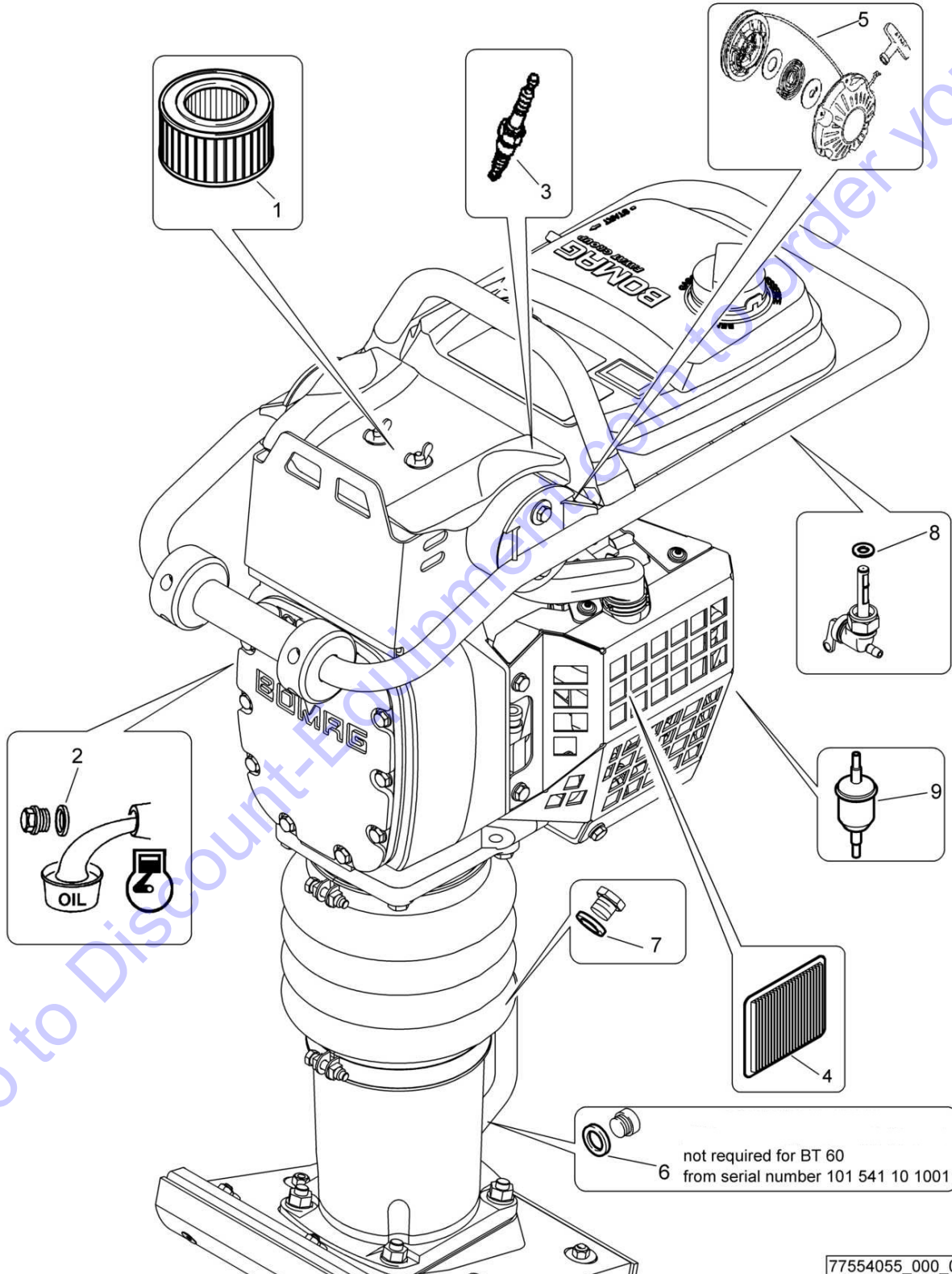
Go to Discount-Equipment.com to order your parts



194.08

SW10-Service kit

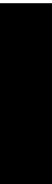
BOMAG



BT 65/4	
S/N 101540581001 ▶ S/N 101540581236	
SW10-Service kit	194.08
	Page 1 / 1
77554055 1001 1	BOMAG

Pos.	Part no.	Qty.	Description
0	77554055	1	SW10-Service kit
1	05727224	1	Filter element,air
2	05747129	1	Gasket
3	05748175	1	Spark plug
4	05748269	1	Filter element
5	05748546	1	Starter rope
6	09331128	1	Sealing ring
7	09331746	1	Sealing ring
8	05824225	1	Gasket
9	05821205	1	Filter cartridge

Go to Discount-Equipment.com to order your parts



INDEX

BOMAG

Part no.	Group	Pos.	Part no.	Group	Pos.	Part no.	Group	Pos.
00652012	12.15/1	8	05747134	11.19/1	3	05748166	11.07/1	3
00661098	12.13/1	23	05747180	11.02/1	14	05748167	11.07/1	12
00661098	12.13/1	24	05747226	11.02/1	6	05748168	11.07/1	5
00665604	52.16/1	11	05747233	11.02/1	7	05748169	11.07/1	6
00801395	112.66/1	2	05747293	11.31/1	7	05748170	11.07/1	7
00832132	101.03/1	2	05747295	11.31/1	8	05748171	11.07/1	8
00832507	53.07/1	2	05747297	11.31/1	12	05748172	11.07/1	9
00832653	101.03/1	4	05747312	11.22/1	8	05748174	11.07/1	13
00832654	101.03/1	4	05747312	11.25/1	6	05748175	11.07/1	14
00832900	101.03/1	6	05747318	11.31/1	13	05748175	194.08/1	3
00832901	101.03/1	8	05747325	11.46/1	6	05748176	11.07/1	15
00832996	101.03/1	5	05747332	11.25/1	9	05748177	11.07/1	16
00833044	101.03/1	1	05747333	11.25/1	10	05748179	11.09/1	2
00833219	112.66/1	1	05747334	11.25/1	12	05748180	11.09/1	3
00833224	101.03/1	3	05747346	11.02/1	5	05748181	11.09/1	4
00833226	101.03/1	7	05747348	11.02/1	19	05748182	11.09/1	5
00833228	101.03/1	1	05747348	11.02/1	9	05748183	11.09/1	6
00892018	101.03/1	5	05747349	11.02/1	20	05748184	11.09/1	7
00978001	11.22/1	15	05747377	11.02/1	8	05748185	11.09/1	8
05114005	52.19/1	1	05747388	11.02/1	13	05748186	11.09/1	9
05114076	52.19/1	2	05747395	11.02/1	21	05748187	11.09/1	10
05114077	52.14/1	1	05747396	11.19/1	6	05748188	11.09/1	11
05114078	52.19/1	3	05747423	11.25/1	5	05748189	11.09/1	12
05428042	52.19/1	4	05747561	11.46/1	4	05748190	11.09/1	13
05441816	52.19/1	5	05747578	11.22/1	7	05748191	11.19/1	1
05551401	12.13/1	22	05747658	11.44/1	2	05748192	11.19/1	2
05551421	12.15/1	1	05747661	11.53/1	32	05748193	11.19/1	4
05551439	12.15/1	2	05747695	11.46/1	7	05748195	11.19/1	5
05551490	29.10/1	1	05747736	11.31/1	4	05748196	11.19/1	7
05551907	12.13/1	26	05747737	11.31/1	5	05748197	11.19/1	8
05551944	12.13/1	18	05747810	11.25/1	11	05748199	11.53/2	10
05551944	12.13/1	29	05747812	11.25/1	13	05748200	11.53/2	11
05551944	52.16/1	17	05747995	11.07/1	11	05748203	11.53/2	13
05561617	52.16/1	12	05747995	11.25/1	7	05748207	11.25/1	2
05650112	12.13/1	2	05747995	11.26/1	4	05748208	11.25/1	4
05650112	19.07/1	0	05747995	11.36/1	4	05748211	11.22/1	4
05660138	19.07/1	4	05747995	11.44/1	3	05748212	11.26/1	1
05660161	19.07/1	1	05748078	11.44/1	5	05748213	11.26/1	2
05660162	19.07/1	2	05748124	11.36/1	5	05748214	11.26/1	3
05660163	19.07/1	3	05748156	11.02/1	2	05748215	11.26/1	5
05660164	19.07/1	8	05748157	11.02/1	3	05748216	11.26/1	6
05660174	19.07/1	6	05748158	11.02/1	4	05748220	11.31/1	3
05660175	19.07/1	5	05748159	11.02/1	18	05748221	11.31/1	6
05660364	19.07/1	7	05748160	11.02/1	11	05748223	11.31/1	10
05727224	12.15/1	3	05748160	11.07/1	4	05748224	11.31/1	11
05727224	194.08/1	1	05748161	11.02/1	16	05748225	11.46/1	1
05747026	11.00/1	1	05748162	11.02/1	17	05748226	11.46/1	9
05747026	12.13/1	1	05748163	11.02/1	10	05748227	11.46/1	2
05747129	11.02/1	15	05748164	11.07/1	1	05748228	11.46/1	3
05747129	194.08/1	2	05748165	11.07/1	2	05748229	11.46/1	5

INDEX**BOMAG**

Part no.	Group	Pos.	Part no.	Group	Pos.	Part no.	Group	Pos.
05748230	11.46/1	8	05748540	11.44/1	1	06140926	53.06/1	2
05748232	11.53/1	34	05748543	11.53/1	15	06180301	52.16/1	2
05748234	11.07/1	17	05748545	11.53/1	27	06221008	29.10/1	20
05748236	11.53/1	1	05748546	11.31/1	9	06221040	29.10/1	21
05748238	11.53/1	3	05748546	194.08/1	5	06221202	29.10/1	2
05748239	11.53/1	4	05748590	11.09/1	14	06221953	52.19/1	6
05748240	11.53/1	5	05748594	11.31/1	14	06245030	29.10/1	3
05748241	11.53/1	6	05748595	11.36/1	8	06704509	166.03/1	1
05748242	11.53/1	7	05748596	11.36/1	11	07131621	29.10/1	4
05748243	11.53/1	8	05748657	11.22/1	9	07140403	12.13/1	21
05748245	11.53/1	10	05748673	11.07/1	10	07140622	12.13/1	31
05748246	11.53/1	11	05748674	11.22/1	5	07140626	12.13/1	13
05748249	11.53/1	14	05748675	11.22/1	6	07140649	12.13/1	28
05748252	11.53/1	17	05748676	11.31/1	2	07140818	12.15/1	5
05748254	11.53/1	19	05748677	11.44/1	4	07140818	53.05/1	6
05748255	11.53/1	20	05748678	11.53/1	31	07140834	12.13/1	4
05748256	11.53/1	21	05748679	11.53/1	2	07140834	29.10/1	5
05748257	11.53/1	22	05748680	11.53/1	9	07140834	52.16/1	4
05748258	11.53/1	16	05748681	11.53/1	12	07140834	52.19/1	7
05748258	11.53/1	23	05748682	11.53/1	13	07140834	53.05/1	7
05748259	11.53/1	24	05748683	11.53/1	0	07140842	12.13/1	11
05748260	11.53/1	25	05748684	11.53/1	34	07141032	52.19/1	8
05748261	11.53/1	26	05748685	11.53/1	34	07141039	52.14/1	4
05748263	11.53/1	28	05748686	11.53/1	18	07141248	163.21/1	1
05748264	11.53/1	29	05748687	11.53/1	33	07141248	163.22/1	1
05748265	11.53/1	30	05748688	11.53/2	1	07210609	52.16/1	20
05748267	11.53/1	34	05748689	11.53/2	2	07210609	53.05/1	10
05748269	11.22/1	1	05748690	11.53/2	3	07210825	52.16/2	5
05748269	194.08/1	4	05748691	11.53/2	4	07210892	52.16/2	2
05748270	11.22/1	2	05748692	11.53/2	5	07230312	52.16/2	10.3
05748272	11.22/1	3	05748693	11.53/2	6	07230312	52.16/2	13
05748275	11.22/1	10	05748694	11.53/2	7	07230692	52.16/1	8
05748277	11.07/1	18	05748695	11.53/2	8	07230827	29.10/1	22
05748283	11.09/1	1	05748696	11.53/2	19	07230831	52.16/1	14
05748319	11.22/1	14	05748697	11.53/2	12	07231034	12.15/1	6
05748321	11.22/1	12	05748698	11.53/2	14	07240812	12.13/1	8
05748332	11.46/1	10	05748699	11.53/2	15	07310512	52.16/1	13
05748431	11.36/1	9	05748700	11.53/2	16	07320830	65.11/1	1
05748525	11.02/1	1	05748701	11.53/2	9	07320830	165.17/1	1
05748526	11.02/1	12	05748702	11.53/2	17	07320830	165.18/1	1
05748528	11.25/1	1	05748703	11.53/2	18	07320830	165.19/1	1
05748529	11.25/1	8	05748995	11.22/1	13	07320830	165.20/1	1
05748530	11.25/1	3	05767407	52.16/2	10.1	07320830	165.21/1	1
05748531	11.31/1	1	05821205	12.13/1	25	07320830	165.22/1	1
05748532	11.36/1	1	05821205	194.08/1	9	07320830	165.23/1	1
05748533	11.36/1	2	05824209	52.16/2	1.2	07320832	65.11/1	2
05748534	11.36/1	6	05824225	52.16/2	1.2.1	07320832	165.17/1	2
05748535	11.36/1	3	05824225	194.08/1	8	07320832	165.19/1	2
05748536	11.36/1	7	05950900	52.16/2	1.3	07320832	165.20/1	2
05748538	11.36/1	10	05973134	29.10/1	23	07320836	65.11/1	3

INDEX

BOMAG

Part no.	Group	Pos.	Part no.	Group	Pos.	Part no.	Group	Pos.
07320836	165.17/1	3	08131218	65.11/1	7	08752130	165.20/1	8
07320836	165.18/1	2	08131218	163.21/1	2	08752130	165.21/1	10
07320836	165.19/1	3	08131218	163.22/1	2	08752130	165.22/1	10
07320836	165.20/1	3	08131218	165.17/1	7	08752130	165.23/1	10
07320836	165.21/1	2	08131218	165.18/1	4	09120812	52.14/1	8
07320836	165.22/1	2	08131218	165.19/1	7	09201020	166.03/1	2
07320836	165.23/1	2	08131218	165.20/1	7	09212100	52.14/1	9
07361227	65.11/1	4	08131218	165.21/1	4	09212400	52.19/1	11
07361227	165.17/1	4	08131218	165.22/1	4	09222900	52.19/1	12
07361227	165.18/1	8	08131218	165.23/1	4	09223700	52.14/1	10
07361227	165.19/1	4	08316610	12.15/1	4	09224000	52.19/1	13
07361227	165.20/1	4	08500823	12.13/1	3	09312442	52.14/1	11
07361227	165.21/1	8	08510307	52.16/2	10.4	09331128	29.10/1	19
07361227	165.22/1	8	08510307	52.16/2	14	09331128	194.08/1	6
07361227	165.23/1	8	08510612	12.13/1	12	09331746	29.10/1	25
07361239	65.11/1	5	08510612	12.13/1	19	09331746	194.08/1	7
07361239	165.17/1	5	08510612	12.13/1	27	48230106	52.16/1	3
07361239	165.18/1	9	08510612	12.13/1	30	54002090	165.17/1	0
07361239	165.19/1	5	08510612	52.16/1	18	54002091	165.18/1	0
07361239	165.20/1	5	08510817	12.13/1	10	54002092	165.19/1	0
07361239	165.21/1	9	08510817	12.13/1	7	54002093	165.20/1	0
07361239	165.22/1	9	08510817	12.15/1	7	54002094	165.21/1	0
07361239	165.23/1	9	08510817	52.16/1	15	54002095	165.22/1	0
07510604	12.13/1	17	08510817	52.16/2	6	54002096	165.23/1	0
07510604	52.14/1	26	08510817	52.19/1	9	54003032	165.23/1	6
07511020	52.14/1	27	08510817	53.05/1	9	54003046	165.21/1	6
07621416	29.10/1	18	08511021	12.13/1	14	54003048	165.20/1	11
07632015	29.10/1	24	08511021	52.14/1	7	54003049	163.11/1	11
07760600	166.03/1	2.1	08511324	163.21/1	3	54003049	165.19/1	11
07815003	52.16/2	10.2	08511324	163.22/1	3	54003077	53.07/1	1
07815008	52.16/2	12	08511730	29.10/1	6	54003081	154.69/1	1
07815008	52.16/2	9	08590309	52.16/2	10.5	54003087	165.22/1	6
08130305	52.16/2	10.6	08590309	52.16/2	15	54003089	165.22/1	7
08130305	52.16/2	16	08590617	53.06/1	3	54003089	165.23/1	7
08130611	12.13/1	20	08611095	65.11/1	9	54003090	166.03/1	3
08130611	52.16/1	19	08611095	165.17/1	9	54003091	166.03/1	4
08130611	52.16/1	9	08611095	165.18/1	5	54003095	154.70/1	1
08130611	52.16/2	4	08611095	165.19/1	9	54003102	154.71/1	1
08130611	53.06/1	4	08611095	165.20/1	9	54020402	29.10/1	8
08130813	52.16/1	16	08611095	165.21/1	5	54020501	29.10/1	9
08130813	52.16/2	7	08611095	165.22/1	5	54101002	11.22/1	11
08130813	65.11/1	6	08611095	165.23/1	5	54102002	163.21/1	0
08130813	165.17/1	6	08621084	52.16/1	5	54102003	163.22/1	0
08130813	165.18/1	3	08621105	52.19/1	10	54102005	166.03/1	0
08130813	165.19/1	6	08751064	52.16/2	3	54103003	163.21/1	4
08130813	165.20/1	6	08752084	29.10/1	7	54103004	163.22/1	4
08130813	165.21/1	3	08752130	65.11/1	8	54200105	65.11/1	11
08130813	165.22/1	3	08752130	165.17/1	8	54200105	165.17/1	11
08130813	165.23/1	3	08752130	165.18/1	10	54200106	163.12/1	11
08131016	12.13/1	16	08752130	165.19/1	8	54200106	165.18/1	7

	BT 65/4
Page 4 / 4	INDEX
BOMAG	

Part no.	Group	Pos.	Part no.	Group	Pos.	Part no.	Group	Pos.
54200107	163.12/1	12	54270216	154.69/1	4			
54200107	165.18/1	6	54270216	154.70/1	4			
54200107	165.21/1	7	54270216	154.71/1	4			
54200108	65.11/1	12	54270217	52.16/1	1			
54200108	165.17/1	12	54270222	154.69/1	4			
54200108	165.19/1	12	54270222	154.70/1	4			
54200108	165.20/1	12	54270222	154.71/1	4			
54203008	154.69/1	2	54280127	101.03/1	9			
54203009	154.70/1	2	77554055	194.08/1	0			
54203010	154.71/1	2						
54203016	52.16/2	10						
54203017	154.69/1	3						
54203017	154.70/1	3						
54203017	154.71/1	3						
54203018	52.16/2	11						
54203019	52.16/2	11						
54203022	52.16/2	10						
54210111	29.10/1	10						
54210123	29.10/1	11						
54210135	29.10/1	12						
54210141	29.10/1	13						
54210142	29.10/1	14						
54210164	29.10/1	16						
54210170	29.10/1	15						
54210181	29.10/1	17						
54210244	29.10/1	14						
54220137	52.14/1	21						
54220146	52.14/1	22						
54220148	52.14/1	25						
54230101	52.19/1	21						
54230103	52.19/1	22						
54230118	52.19/1	23						
54240176	12.13/1	6						
54240177	12.13/1	5						
54240181	12.13/1	9						
54250117	12.15/1	11						
54250119	12.15/1	12						
54250121	12.15/1	14						
54250124	12.15/1	9						
54250160	12.15/1	13						
54250182	12.15/1	10						
54260145	53.06/1	1						
54260151	53.05/1	1						
54260152	53.05/1	3						
54260155	53.05/1	2						
54270114	52.16/1	7						
54270141	52.16/1	10						
54270174	52.16/2	8						
54270214	52.16/2	1.1						
54270215	52.16/2	1						

GS-Plant-Equipment.com to order your parts

PARTS FINDER

**Search Website
by Part Number**



**Search Manual
Library For Parts
Manual & Lookup Part
Numbers – Purchase
or Request Quote**

Search Manuals

Enter your information to help us find the right parts manual for your machine.

* Brand:

* Model:

* Serial:

* Part Number:

SEARCH

**Can't Find Part or
Manual? Request Help
by Manufacturer,
Model & Description**

Parts Order Form

Please fill in the following information to help us find the right part for your machine.

Manufacturer:	<input type="text"/>
Model:	<input type="text"/>
Description:	<input type="text"/>
Part Number:	<input type="text"/>
Quantity:	<input type="text"/>
Notes:	<input type="text"/>

Submit

Discount-Equipment.com is your online resource for quality parts & equipment.

Florida: **561-964-4949** Outside Florida TOLL FREE: **877-690-3101**

Need parts?

Click on this link: <http://www.discount-equipment.com/category/5443-parts/> and choose one of the options to help get the right parts and equipment you are looking for. Please have the machine model and serial number available in order to help us get you the correct parts. If you don't find the part on the website or on one of the online manuals, please fill out the request form and one of our experienced staff members will get back to you with a quote for the right part that your machine needs.

We sell worldwide for the brands: Genie, Terex, JLG, MultiQuip, Mikasa, Essick, Whiteman, Mayco, Toro Stone, Diamond Products, Generac Magnum, Airman, Haulotte, Barreto, Power Blanket, Nifty Lift, Atlas Copco, Chicago Pneumatic, Allmand, Miller Curber, Skyjack, Lull, Skytrak, Tsurumi, Husquvarna Target, Stow, Wacker, Sakai, Mi-T-M, Sullair, Basic, Dynapac, MBW, Weber, Bartell, Bennar Newman, Haulotte, Ditch Runner, Menegotti, Morrison, Contec, Buddy, Crown, Edco, Wyco, Bomag, Laymor, EZ Trench, Bil-Jax, F.S. Curtis, Gehl Pavers, Heli, Honda, ICS/PowerGrit, IHI, Partner, Imer, Clipper, MMD, Koshin, Rice, CH&E, General Equipment, Amida, Coleman, NAC, Gradall, Square Shooter, Kent, Stanley, Tamco, Toku, Hatz, Kohler, Robin, Wisconsin, Northrock, Oztec, Toker TK, Rol-Air, APT, Wylie, Ingersoll Rand / Doosan, Innovatech, Con X, Ammann, Mecalac, Makinex, Smith Surface Prep, Small Line, Wanco, Yanmar