



# SERVICE / PARTS MANUAL

**MODELS: WolfPac™ 3100**  
**WolfPac™ 3100R (ROPS Option)**



## ASPHALT ROLLER

A 100% employee-owned American manufacturer



# TABLE of CONTENTS

WolfPac™ 3100 / WolfPac™ 3100R

<b>FOREWORD / WARRANTY INFORMATION .....</b>	<b>5</b>
<b>LIMITED WARRANTY .....</b>	<b>6</b>
<b>SECTION 1 - TECHNICAL DATA .....</b>	<b>7 - 9</b>
1.1 Specifications .....	8 - 9
1.2 Machine Sound Level Test .....	9
<b>SECTION 2 - HEALTH &amp; SAFETY - Safety Precautions .....</b>	<b>11 - 16</b>
<b>SECTION 3 - MAINTENANCE .....</b>	<b>17 - 31</b>
3.1 Important Maintenance .....	18
3.2 Maintenance Chart .....	19
3.3 Roll Over Protective Structures (ROPS) .....	20
3.3.1 Inspection/Maintenance of ROPS/Seat Belts .....	20
3.4 Additional Service Information .....	20
3.5 Fuel Filter .....	20
3.6 Fuel Tank .....	20
3.7 Fuel Lines .....	21
3.8 Engine Oil And Filter .....	21
3.9 Air Cleaner .....	21
3.10 Spark Plugs .....	21
3.11 Engine RPM .....	21
3.12 Cooling System .....	22
3.13 Valve Clearance .....	22
3.14 Hydraulic Oil .....	22
3.15 Hydraulic Oil Filter .....	22
3.16 Hydraulic Breather Cap .....	22
3.17 Grease Fittings .....	23
3.18 Forward/Reverse/Neutral Adjustment .....	23
3.19 Neutral Interlock .....	23
3.20 Control Cables .....	23
3.21 Throttle Lever .....	23 - 24
3.22 Parking Brake .....	24
3.23 Water Tank .....	24
3.24 Sprinklers .....	24
3.25 Scraper Maintenance/Adjustment .....	24
3.26 Eccentrics .....	24
3.27 Engine Mounting .....	24
3.28 Hardware .....	24
3.29 Loctite .....	24
3.30 Battery .....	25
3.30.1 Servicing Battery .....	25
3.30.2 Battery Installation .....	26
3.31 Jump Starting .....	26

# TABLE of CONTENTS

WolfPac™ 3100 / WolfPac™ 3100R

3.32	Charge System .....	26
3.33	Switch Box/Fuse 25A .....	26
3.34	Specified Fuse: 25A .....	26
3.35	Ignition System .....	26
3.36	Storage .....	26
3.37	Troubleshooting .....	27 - 30
3.38	Service Record .....	31

## **SECTION 4 - EXPLODED DIAGRAMS AND PARTS LIST ..... 33 - 71**

4.1	Hardware Key .....	35
4.2	Torque Guidelines and Torque Charts .....	36 - 37
4.3	Front Frame .....	38 - 41
4.4	Front Drum .....	42 - 45
4.5	Rear Frame .....	46 - 51
4.6	Rear Drum .....	52 - 53
4.7	Pivot .....	54 - 55
4.8	Power Pac .....	56 - 59
4.9	Water Tank .....	60 - 61
4.10	Piping Diagram .....	62 - 65
4.11	Hydraulic Schematic .....	66 - 67
4.12	Wire Schematic .....	68 - 69
4.13	Decals .....	70 - 71

## **CALIFORNIA PROPOSITION 65 WARNING ..... 75**

# Foreword / Warranty Information

These instructions include:

- Safety regulations
- Operating instructions
- Maintenance instructions

**These instructions have been prepared for operation on the construction site and for the maintenance engineer.**

These instructions are intended to simplify operation of the machine and to avoid malfunctions through improper operation.

Observing the maintenance instructions will increase the reliability and service life of the machine when used on the construction site and reduce repair costs and downtimes.

**Always keep these instructions at the place of use of the machine.**

**Only operate the machine as instructed and follow these instructions.**

**Observe the safety regulations as well as the guidelines of the civil engineering trade association. Observe the safety rules for the operation of road rollers and compactors and the pertinent regulations for the prevention of accidents.**

Stone Construction Equipment, Inc. is not liable for the function of the machine when used in an improper manner and for other than the intended purpose.

Operating errors, improper maintenance and the use of incorrect operating materials are not covered by the warranty.

The above information does not extend the warranty and liability conditions of business of Stone Construction Equipment, Inc.

## Warranty Information

Please enter the following data. This will help expedite any service or warranty work.

1. Machine Type: \_\_\_\_\_

Machine S/N: \_\_\_\_\_

2. Engine Type: \_\_\_\_\_

Engine S/N: \_\_\_\_\_

3. VIN: \_\_\_\_\_

4. Purchase Date: \_\_\_\_\_

5. Dealer/Distributor Information:

Name: \_\_\_\_\_

Address: \_\_\_\_\_

\_\_\_\_\_

Phone #: \_\_\_\_\_

Fax #: \_\_\_\_\_

6. Battery  
Manufacturer: \_\_\_\_\_

Battery Type: \_\_\_\_\_

Battery S/N: \_\_\_\_\_

### *Location of above information:*

1. Information on S/N tag.
2. Information on engine tag.
3. Information on S/N tag - if applicable.
4. Date you purchased machine.
5. Dealer machine was purchased from.
6. Information on battery and battery warranty card.

---

Stone Construction Equipment, Inc.  
P.O. Box 150, Honeoye, New York 14471  
Phone: (800) 888-9926  
Fax: (585) 229-2363

# Limited Warranty

The Manufacturer warrants that products manufactured shall be free from defects in material and workmanship that develop under normal use for a period of 90 days for concrete vibrators and electric pumps, one year for Rhino®, Bulldog®, WolfPac Rollers™, trowels, Stompers®, saws, forward plates, engine powered pumps, Lift Jockey™, Mortar Buggy™ and 6 months for all other products from the date of shipment. The foregoing shall be the exclusive remedy of the buyer and the exclusive liability of the Manufacturer. Our warranty excludes normal replaceable wear items, i.e. gaskets, wear plates, seals, O-rings, V-belts, drive chains, clutches, etc. Any equipment, part or product which is furnished by the Manufacturer but manufactured by another, bears only the warranty given by such other manufacturer. (The Manufacturer extends the warranty period to "Lifetime" for the drum bearings and seals for the mortar mixers, and agrees to furnish, free of charge, the bearings and seals only upon receipt of the defective parts. The warranty is two years for eccentric bearings on the forward plate compactors, mortar and plaster mixer drums, trowel gearboxes and five years on the Bulldog trench roller eccentric bearings.) A Warranty Evaluation Form must accompany all defective parts. Warranty is voided by product abuse, alterations, and use of equipment in applications for which it was not intended, use of non-manufacturer parts, or failure to follow documented service instructions. The foregoing warranty is exclusive of all other warranties whether written or oral, expressed or implied. No warranty of merchantability or fitness for a particular purpose shall apply. The agents, dealer and employees of Manufacturer are not authorized to make modification to this warranty, or additional warranties binding on Manufacturer. Therefore, additional statements, whether oral or written, do not constitute warranty and should not be relied upon.

The Manufacturer's sole responsibility for any breach of the foregoing provision of this contract, with respect to any product or part not conforming to the Warranty or the description herein contained, is at its option (a) to repair, replace or refund such product or parts upon the prepaid return thereof to location designated specifically by the Manufacturer. Product returns not shipped prepaid or on an economical transportation basis will be refused (b) as an alternative to the foregoing modes of settlement - the Manufacturer's dealer to repair defective units with reimbursement for expenses, except labor, and be reviewed with the Manufacturer prior to repair. A Warranty Evaluation Form must accompany all warranty claims.

Except as set forth hereinabove and without limitation of the above, there are no warranties or other affirmations which extends beyond the description of the products and the fact hereof, or as to operational efficiency, product reliability or maintainability or compatibility with products furnished by others. In no event whether as a result of breach of contract or warranty or alleged negligence, shall the Manufacturer be liable for special or consequential damages including but not limited to: Loss of profits or revenues, loss of use of the product or any associated product, cost of capital, cost of substitute products, facilities or services or claims of customers.

No claim will be allowed for products lost or damaged in transit. Such claims should be filed with the carrier within fifteen days.

Effective September 2001.



*Bred Tough, Technology Born To Work.  
The Way It Ought To Be.*

Stone Construction Equipment, Inc.  
8662 Main Street, P.O. Box 150  
Honeoye, NY 14471-0150

Phone: 1-800-888-9926 • 1-585-229-5141  
Fax: 1-585-229-2363

www.stone-equip.com • e-mail: sceny@mcimail.com

# **1. TECHNICAL DATA**

# 1. TECHNICAL DATA

WolfPac™ 3100 / WolfPac™ 3100R



## 1.1 Stone WolfPac 3100 - Specifications

MODEL	STONE WolfPac 3100	STONE WolfPac 3100R
<b>Dimensions</b>		
Dry Wt.	2240 lbs. / 1018 kg.	2515 lbs. / 1140 kg.
Operating Wt.	2890 lbs. / 1314 kg.	3082 lbs. / 1398 kg.
Ballasted Wt.	3100 lbs. / 1409 kg.	3292 lbs. / 1493 kg.
L x W x H	84 x 36 x 56 (in.) / 213 x 91 x 142 (cm.)	84 x 36 x 94 (in.) / 213 x 91 x 239 (cm.)
Drum Width	35.4 in. / 90 cm.	35.4 in. / 90 cm.
Drum Diameter	22 in. / 56 cm.	22 in. / 56 cm.
Side Wall Clearance	1.8 in. / 4.6 cm.	1.8 in. / 4.6 cm.
Curb Clearance	16 in. / 41 cm.	16 in. / 41 cm.
Front /Rear Wall Clearance	3 in. / 9 in. -- 8 cm. / 23 cm.	3 in. / 9 in. -- 8 cm. / 23 cm.
<b>Operating System</b>		
Engine	18 hp / 13.4 kW Honda Twin	18 hp / 13.4 kW Honda Twin
Fuel Capacity	8 gallons / 30.3 liters	8 gallons / 30.3 liters
Drive	Hydrostatic Dual Drum	Hydrostatic Dual Drum
Steering	CP Articulating Hydrostatic	CP Articulating Hydrostatic
Water Tank Capacity	40 gallons - 151 liters	40 gallons - 151 liters
<b>Performance</b>		
Vibrating Drum	Front	Front
Centrifugal Force	3000 lbs. / 1364 kg.	3000 lbs. / 1364 kg.
Frequency	3900 vpm	3900 vpm
Gradeability	30%	30%
Outside Turning Radius	In - 6.6 ft. Out - 9.5 ft. / In - 2 m. Out - 2.9 m.	In - 6.6 ft. Out - 9.5 ft. / In - 2 m. Out - 2.9 m.
Infinitely Variable Speed	0 - 5.0 mph / 0 - 8 km/h	0 - 5.0 mph / 0 - 8 km/h
<b>Standards</b>	Hour Meter, Ignition Switch, Safety Neutral Switch, Transport Link, Lifting Points, Anti-Vandal Prot., 2 Scrapers per drum, Adj. Sliding Seat, Hydraulic Seat, Hydraulic Transmission By-Pass, Hydraulic Press Test Points	Hour Meter, Ignition Switch, Safety Neutral Switch, Transport Link, Lifting Points, Anti-Vandal Prot., 2 Scrapers per drum, Adj. Sliding Seat, Hydraulic Seat, Hydraulic Transmission By-Pass, Hydraulic Press Test Points



# 1. TECHNICAL DATA

WolfPac™ 3100 / WolfPac™ 3100R

## 1.1 SPECIFICATIONS Continued

BRAKES: SERVICE PARKING	hydrostatic manual operation friction
RECOMMENDED FUEL	gasoline 86 octane min.
ELECTRIC	12 volt system battery BCI group 70 550 cca 25 amp charge system
HYDRAULIC OIL	Mobilfluid 424 (VI-152) SUS225 55CST ISO VG55 capacity 12 gallons /45.4 liters
ECCENTRIC OIL	Mobil Delvac 1230 30W, 12 ounces (.36 liters)
ENGINE OIL	Mobil Delvac 1200 10W30, approximately 1.3 quart/1.2 liters (check engine manual)
SPARK PLUGS	NGK BPR6ES, NIPPONDENSO W20EPR-U gap .028-.031 inches (.70-.80 mm)
GREASE FITTINGS	Mobilgrease XHP222 (NLGI 2EP Lithium Complex)
BATTERY	12 Volt – Standard duty battery BCI group 70 – 550CCA

## 1.2 MACHINE SOUND LEVEL TEST

Machine Type:	WP3100
Sound Level Meter Calibration Date:	December 19, 1995
Meter Type:	Simpson Model 886-2 Type 2
Test Date:	December 19, 1995
Test Conditions:	
Temperature:	60 degrees Fahrenheit
Ambient Sound:	60 dba slow mode
Soil Condition:	Silts and clays
Engine Speed:	3400 rpm
Frequency:	3900 rpm
Test Site:	Honeoye, New York USA
Sound Level at Operator Position:	88 dba 92 dba with vibe



## **2. HEALTH & SAFETY**

## 2. HEALTH & SAFETY

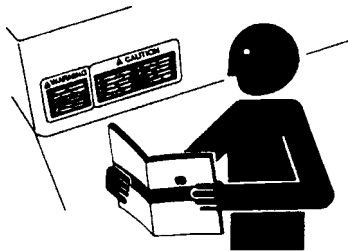
### Safety Precautions

Before using this equipment, study this entire manual to become familiar with its operation. Do not allow untrained or unauthorized personnel, especially children, to operate this equipment. Use only factory authorized parts for service.

When warning decals are destroyed or missing, contact the Manufacturer immediately at 1-800-888-9926 for replacement. For the safety of yourself and others, it is imperative that the following rules are observed. Failure to do so may result in serious injury or death.

#### FOLLOW SAFETY INSTRUCTIONS

Carefully read all safety messages and decals in this manual and on your machine safety signs. Keep decals in good condition. Replace missing or damaged decals. Be sure new equipment components and repair parts include the current safety signs. Replacement safety signs and decals are available through your dealer.



Learn how to operate the machine and how to use controls properly. Do not let anyone operate without instruction.

Keep your machine in proper working condition. Unauthorized modifications to the machine may impair the function and/or safety and affect machine life.

If you do not understand any part of this manual and need assistance, contact your dealer.

---

**▲ DANGER**

**▲ WARNING**

**▲ CAUTION**

#### UNDERSTAND SIGNAL WORDS

A signal word – DANGER, WARNING, or CAUTION – is used with the safety-alert symbol. DANGER identifies the most serious hazards.

DANGER or WARNING safety signs are located near specific hazards. General precautions are listed on CAUTION safety signs. CAUTION also calls attention to safety messages in this manual.



This notation appears before warnings in the text. It means that the step which follows must be carried out to avoid the possibility of personal injury or death. These warnings are intended to help the technician avoid any potential hazards encountered in the normal service procedures. We strongly recommend that the reader takes advantage of the information provided to prevent personal injury or injury to others.

## 2. HEALTH & SAFETY

### Safety Precautions



#### USE COMMON SENSE WHEN HANDLING FUELS

- Transport and handle fuel only when contained in approved safety container.
- Do not smoke when refueling or during any other fuel handling operation.
- Do not refuel while the engine is running or while it is still hot.
- If fuel is spilled during refueling, wipe it off from the engine immediately and discard the rag in a safe place.
- Do not operate the equipment if fuel or oil leaks exist - repair immediately.
- Never operate this equipment in an explosive atmosphere.



- Operator must always be seated when roller is running.
- Never allow more than one person on roller.
- Always turn engine off before dismounting from roller.
- Always apply parking brake when not in use.
- Never park roller on a hill.
- Never operate roller on slope greater than 15 degrees.
- Do not operate the roller in standing water.



- Ear protection required when operating this equipment.
- Exposure to loud noise can cause impairment or loss of hearing.



#### HOT SURFACES

- Muffler, engine, and engine shroud may be hot.
- Allow all components in the engine compartment to cool before performing any service work.



- Never operate unit in a poorly ventilated or enclosed area.
- Avoid prolonged breathing of exhaust gases.
- Engine exhaust fumes can cause sickness or death.

## 2. HEALTH & SAFETY

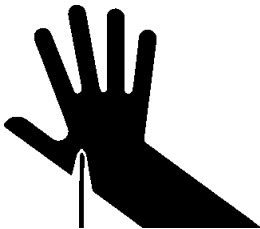
### Safety Precautions



- Qualified personnel only. No untrained operators. Serious injury may occur.
- Users must be trained to operate this roller. Read the Operator's Manual and Engine Owner's Manual. Learn to operate this roller safely.
- Do not articulate on grades larger than 15°, roller may tip over.
- Do not operate across the sides of hills, roller may tip over.
- Do not operate at the edge of mats or roads, roller may tip over.
- Do not stand, be seated when roller is running.
- Do not park the roller on hills.
- Always turn off engine and apply brake before dismounting.



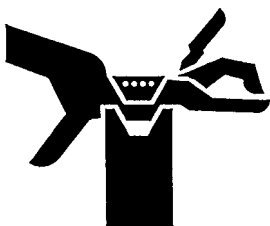
- Hydraulic system produces high pressures--incorrect hose replacement can cause serious personal injury. When performing service, refer to Operator's Manual for hose identification and connections.



- Caution: Escaping hydraulic fluid under pressure can have sufficient force to penetrate the skin, causing serious personal injury.
- Hydraulic fluid escaping under pressure from a very small hole can be almost invisible. Use a piece of cardboard or wood to search for possible leaks.
- Never use your hands to detect pressure leaks.
- Hydraulic tank temperature can reach 180° F maximum.



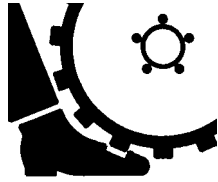
- Pressurized release of fluids from hydraulic system can cause serious burns.
- Shut off engine. Only remove filler cap when cool enough to touch with bare hands. Slowly loosen cap to first stop to relieve pressure before removing completely.



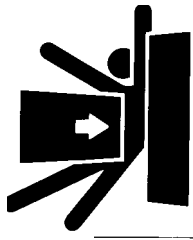
- Never perform any work on the roller while it is running. Before working on the roller, stop the engine and disconnect the spark plug wire(s) to prevent accidental starting, block drums to prevent rolling.
- Keep engine cover closed during the operation.
- Keep hands, clothing and jewelry away from all moving parts.
- Keep all guards in place.

## 2. HEALTH & SAFETY

### Safety Precautions



- Keep feet clear of all drums.
- Keep work area free of bystanders.
- For foot protection, wear steel toe shoes or toe pads.



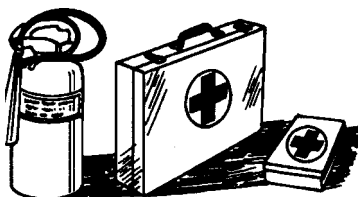
- Caution: Keep away from the machine's articulation area when the engine is running.
- Only start engine from operator's seat.
- Before starting machine, make sure that there are no persons or obstacles near or under machine.

### PRACTICE SAFE MAINTENANCE



- Understand service procedure before doing work. Keep area clean and dry.
- Never lubricate, service or adjust machine while it is moving. Keep hands, feet, and clothing from power-driven parts. Disengage all power and operate controls to relieve pressure. Lower equipment to the ground. Stop the engine. Remove the key. Allow machine to cool.
- Securely support any machine elements that must be raised for service work.
- Keep all parts in good condition and properly installed. Fix damage immediately. Replace worn or broken parts. Remove any buildup of grease, oil, or debris.
- Disconnect battery ground cable (-) before making adjustments on electrical systems or welding on machine.

### PREPARE FOR EMERGENCIES



- Be prepared if a fire starts.
- Keep a first aid kit and fire extinguisher handy.
- Keep emergency numbers for doctors, ambulance service, hospital, and fire department near your telephone.

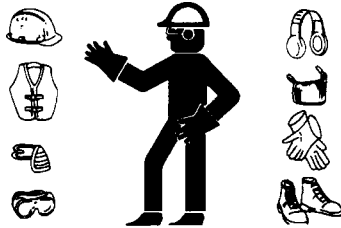
## 2. HEALTH & SAFETY

### Safety Precautions



- Starting fluid (ether) is highly flammable, do not use or an explosion or fire may result.

### WEAR PROTECTIVE CLOTHING



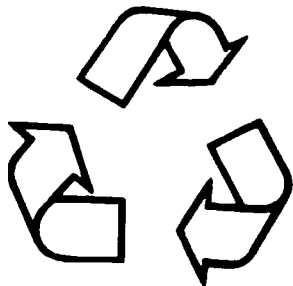
- Wear close fitting clothing and safety equipment appropriate to the job.
- Prolonged exposure to loud noise can cause impairment or loss of hearing.
- Wear a suitable hearing protective device such as earmuffs or earplugs to protect against objectionable or uncomfortable loud noises.
- Operating equipment safely requires the full attention of the operator. Do not wear radio or music headphones while operating machine.



### PREVENT BYPASS STARTING

- Avoid possible injury or death from engine runaway.
- Do not start engine by shorting across starter terminal. Engine will start with PTO engaged if normal circuitry is bypassed.
- Start engine only from operator's station with PTO disengaged or in neutral.

### DISPOSE OF WASTE PROPERLY



- Improperly disposing of waste can threaten the environment and ecology. Potentially harmful waste used with equipment include such items as oil, fuel, coolant, brake fluid, filters, and batteries.
- Use leakproof containers when draining fluids. Do not use food or beverage containers that may mislead someone into drinking from them.
- Do not pour waste onto the ground, down a drain, or into any water source.
- Air conditioning refrigerants escaping into the air can damage the Earth's atmosphere. Government regulations may require a certified air conditioning service center to recover and recycle used air conditioning refrigerants.
- Inquire on the proper way to recycle or dispose of waste from your local environmental or recycling center.



# **3. MAINTENANCE**

## 3. MAINTENANCE

WolfPac™ 3100 / WolfPac™ 3100R



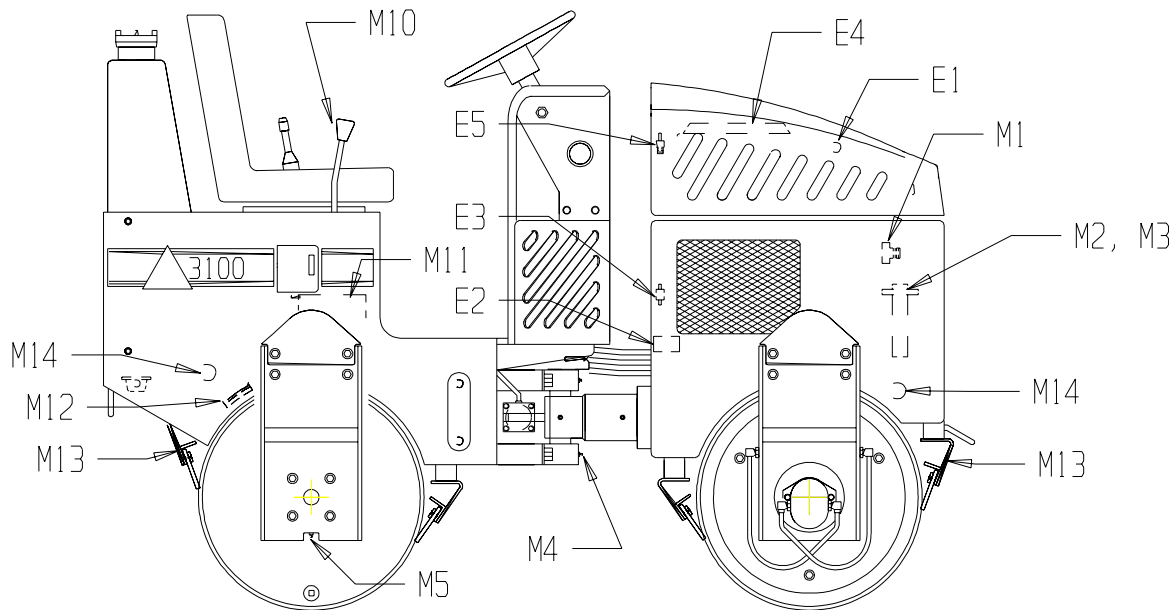
### 3.1 IMPORTANT

The person attempting *any* of the following maintenance tasks must be authorized to do so and have read *and* understood *all* sections within this manual.

# 3. MAINTENANCE

WolfPac™ 3100 / WolfPac™ 3100R

## 3.2 MAINTENANCE CHART



✓ CHECK/ADJUST ○ CLEAN/REPLACE	DAILY	WEEKLY	OTHER	INSTRUCTIONS
ENGINE #				READ EMISSION WARRANTY, OPERATING & ENGINE OWNER'S MANUAL
E1 OIL LEVEL	✓		○	REPLACE AT 20 HRS, THEN EVERY 100 HRS SAE 10W-30 SH DR SJ
E2 OIL FILTER			○	REPLACE EVERY 200 HRS P/N 31230
E3 A. IN-LINE FUEL FILTER			○	CHECK EVERY 100 HRS REPLACE EVERY 300 HRS P/N 38856
E3 B. HONDA FUEL FILTER			○	REPLACE EVERY 300 HRS P/N 31231
E4 A. PRECLEANER	✓		○	CLEAN EVERY 50 HRS REPLACE EVERY 300 HRS P/N 31335
E4 B. AIR FILTER	✓		○	CLEAN EVERY 50 HRS REPLACE EVERY 300 HRS P/N 31336
E5 SPARK PLUGS			○	CLEAN, GAP .028 EVERY 100 HRS REPLACE EVERY 300 HRS P/N 31234
E6 ENGINE RPM #			○	CHECK IDLE & FULL SPEED RPM EVERY 300 HRS
E7 COOLING SYSTEM		✓	○	CLEAN/BLOW OUT AIR INLETS, ENGINE FINS & DUCTING
E8 VALVE CLEARANCE ##			✓	CHECK/ADJUST EVERY 300 HRS
MACHINE				IMPORTANT READ OPERATING MANUAL & ENGINE OWNER'S MANUAL
M1 HYDRAULIC OIL LEVEL	✓		○	REPLACE EVERY 800 HRS MOBIL 424
M2 HYDRAULIC FILTER			○	REPLACE EVERY 100 HRS P/N 39740
M3 HYDRAULIC BREATHER			○	REPLACE EVERY 800 HRS P/N 39741
M4 PIVOT (4 PLACES)			○	LUBE WEEKLY WITH LITHIUM BASE GREASE
M5 RIGHT REAR BEARING			○	LUBE WEEKLY WITH LITHIUM BASE GREASE
M6 ECCENTRIC OIL			○	CHANGE EVERY 500 HOURS SAE 30
M7 FUEL TANK #			○	FLUSH/CLEAN FUEL TANK EVERY YEAR
M8 FUEL LINES & CLAMPS			✓	CHECK WEEKLY/REPLACE EVERY 2 YEARS P/N 46186
M10 CONTROLS	✓			CHECK OPERATION, LIGHTLY OIL CABLES & LEVERS EVERY 200 HRS
M11 BATTERY/CHARGE SYSTEM			○	CHECK & CLEAN MONTHLY/CHECK FOR 13-14 VOLTS AT FULL RPM
M12 PARKING BRAKE	✓			CLEAN UNIT & INSPECT
M13 SCRAPERS/MOUNTS	✓			CLEAN UNIT & INSPECT
M14 SPRINKLERS	✓			CLEAN UNIT & INSPECT
M15 LEAKS OIL & FUEL	✓			CLEAN UNIT & INSPECT
M16 HARDWARE/ENGINE	✓			CLEAN UNIT & INSPECT
# IMPORTANT READ HONDA EMISSION WARRANTY STATEMENT, STONE & ENGINE OWNER'S MANUAL				
## SEE AUTHORIZED ENGINE SERVICE DEALER AND/OR REFER TO ENGINE SHOP MANUAL FOR PROCEDURES 55401B				

# 3. MAINTENANCE

WolfPac™ 3100 / WolfPac™ 3100R

## 3.3 ROLL OVER PROTECTIVE STRUCTURES (ROPS)

Proper inspection and maintenance procedures can ensure that the ROPS will perform the lifesaving function they are designed for and expected to do. Make regular, periodic inspections to ensure that the ROPS are damage-free and thus capable of functioning in an upset.

Generally ROPS structures are not intended as external load carrying members and must not be used to mount attachments such as pull hooks, winches, side brooms, etc. without the manufacturer's approval.

Modifications to basic design should be avoided as recertification is required.

### 3.3.1 Inspection/Maintenance of ROPS/Seat Belts

Scheduled, frequent visual checks of mounting hardware by the operator or service personnel are recommended. Inspection with regular service intervals is suggested. During the inspection check for the following:

- Worn, damaged, or missing resilient mounts. Excessive motion or rattling during operation are indications of a problem.
- Loose, missing, or damaged mounting hardware (bolts, nuts, washers, etc.). Bolts should be checked for proper torque.
- Cracks in ROPS structure and mounting system. The machine should be cleaned, as necessary, to allow inspection for cracks in the structure and mounting system. Rust lines should be taken as indications of cracks and verified by inspection. Some cracks will badly affect the ROPS function. If in doubt, consult the manufacturer.
- Corrosion. Extensive paint peeling and rust should be noted and corrective action taken.

- Seat belt. The presence and operability of a seat belt should be noted. The belt should be clean, free of dirt and grease, and the latch should function smoothly. The structure should be inspected following a roll over, collision, or fire.

## WARNING

**DO NOT REPAIR, MODIFY, OR ADD ATTACHMENTS TO ROPS UNLESS AUTHORIZED IN WRITING BY THE MANUFACTURER.**

## 3.4 ADDITIONAL SERVICE INFORMATION

This is not a detailed engine service manual. If you want more detailed service information refer to engine manuals:

- 56237 Manual Engine Gx610/Gx620
- 56238 Manual Shop Gx610/Gx620

## WARNING

**BEFORE MAKING ANY ADJUSTMENTS, BE SURE THE ROLLER IS PARKED ON LEVEL GROUND, PARKING BRAKE IS ON AND DRUMS ARE BLOCKED. DISCONNECT BATTERY TO AVOID ACCIDENTAL IGNITION OF ENGINE. SEVERE PERSONAL INJURY MAY OCCUR.**

**IMPORTANT:** Read Honda Emission Warranty Statement and Engine Manual before operating or performing maintenance.

## 3.5 FUEL FILTER

Remove the Honda control cover and inspect fuel filter, replace if water or dirt sediment is found. In-line filter should be replaced at scheduled maintenance.

## 3.6 FUEL TANK

Drain and flush the fuel tank yearly.

# 3. MAINTENANCE

WolfPac™ 3100 / WolfPac™ 3100R

## 3.7 FUEL LINES

Inspect fuel line condition and clamps weekly.  
Replace fuel lines every 2 years.

## 3.8 ENGINE OIL AND FILTER

- Replace oil at 20 hours, then change oil every 100 hours. Change the oil filter every 200 hours.
- Remove the oil filler cap, drain bolt (and oil filter when required). Drain oil into a suitable container.
- Clean and install the drain bolt, tighten securely. When required install new oil filter, lightly oil filter seal.
- Fill with the recommended oil, fill to the upper limit mark on the dipstick, and tighten the oil filler cap securely.
- Run engine for 2 – 3 minutes, stop engine and check oil level and check for leaks.

**NOTE:** Please dispose of used motor oil and filter in a manner that doesn't harm the environment.

**Under heavy loads, change engine oil and filter more frequently.**

## 3.9 AIR CLEANER

Foam Pre-cleaner: Clean in warm soapy water, rinse and dry thoroughly. Apply oil to the foam and squeeze out excess oil. The engine will smoke if too much oil is left in the foam.

Paper Element: Tap the element lightly on a hard surface to remove excess dirt or blow pressurized air (30 psi max.) through the filter from the air cleaner cover side. Do not brush the dirt off.

Replace elements if damaged or excessively dirty.

## 3.10 SPARK PLUGS

Recommended spark plug:  
BPR6ES (NGK)  
W20EPR-U (NIPPONDENSO)

To ensure proper engine operation, the spark plug must be properly gapped and free of deposits.

Clean and replace at scheduled maintenance. Clean engine before removing spark plugs. Visually inspect the spark plug, discard if insulator or tip is damaged. Check that the spark plug washer is in good condition. If spark plug is to be reused, clean with a wire brush and set plug gap .028 - .031 in (.70 - .80mm). Thread the spark plug in by hand to prevent cross threading. After the spark plug is seated, tighten with a spark plug wrench to compress the washer.

- If installing a new spark plug, tighten 1/2 turn after the spark plug seats to compress the washer.
- If reinstalling a used spark plug, tighten 1/8 – 1/4 turn after the spark plug seats to compress the washer.

### **NOTICE:**

- The spark plug must be securely tightened. An improperly tightened spark plug can become very hot and may cause engine damage.
- Use only the recommended spark plug or equivalent. A spark plug that has an improper heat range may cause engine damage.

## 3.11 ENGINE RPM

Start the engine and allow it to warm up to normal operating temperature, check the idle speed  $1,400 \pm 100$ , and adjust idle stop screw as required.

Check the full speed, Honda  $3,400 \pm 100$  and adjust full speed stop screw as required.

Notice the idle and full speed RPM setting should not be modified or eccentric system may be damaged. See Eccentric for proper operating speed.

## 3. MAINTENANCE

WolfPac™ 3100 / WolfPac™ 3100R

### 3.12 COOLING SYSTEM

The machine should be cleaned at scheduled maintenance. This should include cleaning the air inlet screens and the engine cooling fins. Wash machine with warm soapy water, rinse off mud and dirt with water, and use pressurized air (30-psi max.) to blow dirt and debris from engine.

### 3.13 VALVE CLEARANCE

Due to special tool requirements and training, an authorized engine dealer should perform this service unless the owner has the proper tools and proper shop manuals.

### 3.14 HYDRAULIC OIL

## WARNING

**ESCAPING HYDRAULIC FLUID UNDER PRESSURE CAN HAVE SUFFICIENT FORCE TO PENETRATE THE SKIN, CAUSING SERIOUS PERSONAL INJURY.**

**HYDRAULIC FLUID ESCAPING UNDER PRESSURE FROM A VERY SMALL HOLE CAN BE ALMOST INVISIBLE. USE A PIECE OF CARDBOARD OR WOOD TO SEARCH FOR POSSIBLE LEAKS. NEVER USE YOUR HANDS TO DETECT PRESSURE LEAKS. IF YOU ARE INJURED BY ESCAPING HYDRAULIC FLUIDS, SEE A DOCTOR AT ONCE. SERIOUS INFECTION OR REACTION CAN DEVELOP IF PROPER MEDICAL TREATMENT IS NOT ADMINISTERED IMMEDIATELY.**

Do not mix hydraulic oils. Check oil level daily, replace hydraulic oil every 800 hours.

- Remove return filter cap slowly.
- Remove drain plug and drain into suitable container.

- Clean drain plug, apply thread sealant to the plug, install and tighten.
- Add fresh hydraulic oil until level is visible in the sight gauge. A 1/4 – 1/2 air bubble will be seen at the top of the gauge.
- Install and tighten return filter cap.
- Idle engine 2-3 minutes, stop engine and check for proper hydraulic oil level and leaks.

**CAUTION:** If hoses, filter and/or hydraulic components were changed, start the engine and purge the air from the system prior to checking the oil level. To do this, idle the engine for three minutes with control lever in neutral position. Slowly engage forward to reverse. This allows fluid to replace air introduced with the filter change. If this procedure is not followed, partial or complete failure of the pump may result.

**NOTE:** When changing the hydraulic oil, it is recommended to also change the hydraulic oil filter.

### 3.15 HYDRAULIC OIL FILTER

Replace every 100 hours or when clog indicator needle is between 2 and 5. Never let the filter be completely clogged.

**CAUTION:** Never overfill the hydraulic tank. Use the sight gage located on the hydraulic tank. A 1/4-1/2" air bubble will be seen at the top of the gauge showing the fluid level. Before disconnecting any hydraulic lines, be sure engine is shut off and relieve all pressure. Before applying pressure to system, be sure all connections are tight and lines, fittings and hoses are not damaged.

### 3.16 HYDRAULIC BREATHER CAP

Replace every 800 hours or yearly. To replace breather, pry it out with a flat head screw driver. To install breather, push it in with fingers.

# 3. MAINTENANCE

WolfPac™ 3100 / WolfPac™ 3100R

## 3.17 GREASE FITTINGS

Use a grease gun to grease fittings. Remove the blue protection cap off fitting before greasing.

- Hinge (4) fittings
- Left rear bearing (1) fitting

## 3.18 FORWARD/REVERSE/NEUTRAL ADJUSTMENT

The forward/reverse lever should be aligned with "NEUTRAL" on the console when the roller is not moving forward or backward with the engine running. If the lever is not aligned, adjust it as follows:

- Shut off the engine with the forward/reverse lever left in operating neutral position, the position when the roller moves neither forward nor reverse. Apply the parking brake.
- Open the engine hood of the machine.
- Disconnect the linkage from the hydrostatic transmission from the clevis. Do this by removing the lock nut from the clevis pin and removing the pin.
- Now screw clevis in or out to adjust.
- Secure the clevis to the transmission lever with the clevis pin, secure with the lock nut and tighten clevis nut.

Linkage play must be minimal at both connections. Replace clevis and/or link if required.

## 3.19 NEUTRAL INTERLOCK

The purpose of the neutral interlock switch is to prevent engine starting when the forward/reverse lever is not in the neutral position.

- Disconnect battery cables from battery.
- a. Disconnect (2) wires from neutral interlock switch and connect it to leads from an ohmmeter.

b. When switch is actuated, ohmmeter should read zero resistance.

- Adjustments must be made at transmission.
- Disconnect ohmmeter and reconnect interlock wires and battery cables.

## 3.20 CONTROL CABLES

Forward/reverse, brake, throttle, and choke. Lubricate all cable ends every 200 hours with penetrating oil.

### **WARNING**

**DO NOT ADJUST THE CONTROL CABLE WITH THE POWER ON OR THE ENGINE RUNNING. SERIOUS INJURY OR DEATH COULD RESULT.**

**A GRADUAL OR SUDDEN INCREASE IN THE NO-LOAD FRICTION (CABLE DISCONNECT AT BOTH ENDS) OF A CONTROL CABLE IS AN INDICATION OF A PENDING OR PRESENT PERFORMANCE PROBLEM. THE CONTROL CABLE SHOULD BE REPLACED, OTHERWISE SERIOUS INJURY OR DEATH COULD RESULT.**

**A GRADUAL OR SUDDEN DECREASE IN THE USABLE STROKE IS AN INDICATION OF A PENDING OR PRESENT PERFORMANCE PROBLEM.**

**THE CONTROL CABLE SHOULD BE REPLACED, OTHERWISE SERIOUS INJURY OR DEATH COULD RESULT. CONTROL CABLES WHICH HAVE MOISTURE INSIDE OF THEM AND/OR HAVE FROZEN SHOULD BE REPLACED. DO NOT APPLY HEAT TO THAW OR DRY CONTROL CABLES.**

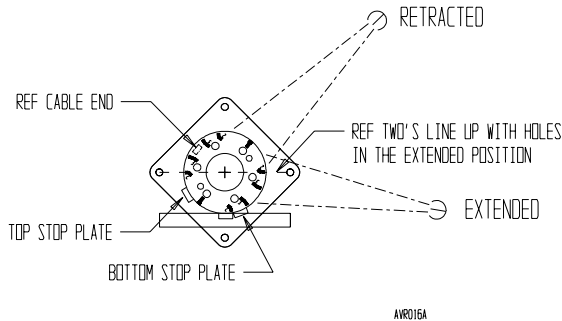
## 3.21 THROTTLE LEVER

Throttle should operate smoothly and hold engine at full RPM. Throttle should require 10 lbs. to operate. To adjust tension, loctite locknut and tighten until 10 lbs. is required to move from full to idle position.

# 3. MAINTENANCE

WolfPac™ 3100 / WolfPac™ 3100R

Refer to illustration below for assembly information travel 1 1/8".



## 3.22 PARKING BRAKE

It should take a force of 25-35 pounds, applied at the end of the brake lever, to apply the brake lever. The brake should prevent the roller from moving when applied. Turn knob on brake lever to adjust. Clockwise will increase the force, counterclockwise will decrease it.

## 3.23 WATER TANK

The water tank is polyethylene to prevent corrosion. The water tank holds 40 US gallons. Dirty water will clog the sprinkler bars. If the water tank is subject to freezing temperatures, all the water lines and the water tank must be drained by drawing through sprinkler tubes or removing the cover at the rear of the machine to gain access to the water tank, flush and drain plug.

## 3.24 SPRINKLERS

The sprinkler tube assemblies are PVC to prevent corrosion. The sprinkler tube assemblies are equipped with a clean out plug for cleaning when required.

## 3.25 SCRAPER MAINTENANCE/ADJUSTMENT

Scrapers must make uniform contact across entire width of drum to ensure even application of water from the sprinkler system. Tension is adjusted by sliding slotted brackets in or away from drum surface.

- Loosen the 2 bolts that hold item to the frame and slide away or towards the drum and retighten.

## 3.26 ECCENTRICS

When vibratory compaction is necessary, engage eccentrics by actuating eccentric switch. Operator may vary the frequency and therefore the centrifugal force by varying engine RPM. Eccentrics should be turned off whenever the roller is stopped, or stopped to change direction. Do not run the eccentric on any non-yielding surface, such as concrete or aged asphalt.

**NOTE:** Test vibration with front drum on soft ground. Run engine at full RPM to obtain vib speed  $3900 \pm 100$ —check per below.

To check vibration with a vibrotach, place the vibrotach on the vibrating member surface, record reading when the wire reaches maximum movement. (Vibrotach P/N 37891). Adjust engine RPM to obtain proper eccentric speed.

When checking vibration with a strobe light, place a horizontal line on the vibrating member surface. Check with strobe light—record reading when the line reaches minimum movement.

## 3.27 ENGINE MOUNTING

Check weekly—tighten all mounting hardware for proper torque, refer to parts illustrations for proper torque.

## 3.28 HARDWARE

Inspect all hardware for tightness. Refer to parts illustrations for proper torque.

## 3.29 LOCTITE

Loctite 262 threadlocker is required to prevent hardware from loosening.

Refer to exploded diagrams and parts list for \* where loctite is required.



## 3. MAINTENANCE

WolfPac™ 3100 / WolfPac™ 3100R

### 3.30 BATTERY

#### 3.30.1 Servicing Battery

## WARNING

**BATTERY GAS CAN EXPLODE. KEEP SPARKS AND FLAMES AWAY FROM BATTERIES. USE A FLASHLIGHT TO CHECK BATTERY ELECTROLYTE LEVEL.**

**NEVER CHECK BATTERY CHARGE BY PLACING A METAL OBJECT ACROSS THE POSTS. USE A VOLTMETER OR HYDROMETER.**

**ALWAYS REMOVE GROUNDED NEGATIVE (-) BATTERY CLAMP FIRST AND REPLACE IT LAST.**

- On regular batteries, check electrolyte level. Fill each cell to bottom of filler neck with distilled water.
- Keep batteries clean by wiping them with a damp cloth. Keep all connections clean and tight. Remove any corrosion, and wash terminals with a solution of 1 part baking soda and 4 parts water. Tighten all connections securely.

**NOTE:** Coat battery terminals and connectors with a mixture of petroleum jelly and baking soda to retard corrosion.

- Keep battery fully charged, especially during cold weather. If a battery charger is used, turn charger off before connecting charger to battery(ies). Attach POSITIVE (+) battery post. Then attach NEGATIVE (-) battery charger lead to a good ground.

Once a month, check the battery for proper charge of 12.5 volts. Check for proper fluid level. Use distilled water when adding and run 30 minutes to mix. Clean battery, posts and terminals. Disconnect battery cables before charging to avoid damage to the electrical system.

## WARNING

**SULFURIC ACID IN BATTERY ELECTROLYTE IS POISONOUS. IT IS STRONG ENOUGH TO BURN SKIN, EAT HOLES IN CLOTHING AND CAUSE BLINDNESS IF SPLASHED INTO EYES.**

**Avoid the hazard by:**

- Filling batteries in a well-ventilated area.
- Wearing eye protection and rubber gloves.
- Avoiding breathing fumes when electrolyte is added.
- Avoiding spilling or dripping electrolyte.
- Use proper jump start procedure.

**If you spill acid on yourself:**

- Flush your skin with water.
- Apply baking soda or lime to help neutralize the acid.
- Flush your eyes with water for 10 – 15 minutes. Get medical attention immediately.

**If acid is swallowed:**

- Drink large amounts of water or milk.
- Then drink milk of magnesia, beaten eggs, or vegetable oil.
- Get medical attention immediately.

In freezing weather, run engine at least 30 minutes to assure thorough mixing after adding water to battery.

If necessary to replace battery(ies), replacements must meet or exceed the recommended capabilities. See Technical Data section for battery specifications.

# 3. MAINTENANCE

WolfPac™ 3100 / WolfPac™ 3100R

## 3.30.2 Battery Installation

### **WARNING**

**ALWAYS CONNECT GROUNDED CABLE LAST. CLEAN AND SECURELY CONNECT EACH CABLE TO BATTERY TERMINAL OF THE SAME POLARITY. BATTERY SHOULD BE SECURELY FASTENED WITH PROPERLY INSTALLED HOLD-DOWNS.**

## 3.31 JUMP STARTING

**CAUTION:** Do not let vehicles touch. Put emergency brake ON. Set both vehicles in PARK (NEUTRAL if manual transmission) and turn ignition and electrical accessories off.

Attach jumper cables in this order:

1. dead positive block to
2. good positive
3. good negative to
4. engine block or frame of dead car. Start GOOD vehicle and let run a few minutes. Then start DEAD VEHICLE. Remove cables in reverse order 4, 3, 2, 1.

## 3.32 CHARGE SYSTEM

Charge system should be checked every month. With the engine running at full speed voltage should be 13 – 14 volts.

## 3.33 SWITCH BOX/FUSE 25A

If charge system fails, check the fuse located at the key switch box. If fuse fails frequently, it usually indicates a short circuit or an overload in the electrical system. Refer to wiring diagram and inspect wires.

**NOTICE:** Electrical system is not designed for field add-on electrical options, do not modify the electrical system. Contact your authorized dealer.

## 3.34 SPECIFIED FUSE: 25A

Turn the engine switch OFF and remove the key before checking or replacing fuses to prevent accidental short-circuiting.

To replace fuse pull the old fuse out of the clips with your finger. Push a new fuse into the clips.

**NOTICE:** Never use a fuse with a different rating from that specified. Serious damage to the electrical system or a fire may result.

## 3.35 IGNITION SYSTEM

The 18 hp Honda is equipped with electronic ignition. Checking and replacing the spark plug is the only ignition system maintenance required.

When cleaning machine, caution should be used around regulator area. Direct spraying of the regulator is not good. (Regulator should be covered or protected if direct spraying will happen). Excessive water pressure may also loosen wire connections or start terminals corroding. After cleaning, all terminals should be dried if wet and connections checked for proper seating.

## 3.36 STORAGE

- Store the roller on level ground with drums blocked and parking brake on.
- Remove the key. Operations of roller by untrained persons could result in personal injury.
- In freezing climates, drain the water from the water tank, sprinkler tubes and drums.
- During extended storage, drums should be coated with any type of oil or grease to prevent rusting.
- Storage instructions for the engine are stated in the Engine Manual and should be carried out.

# 3. MAINTENANCE

WolfPac™ 3100 / WolfPac™ 3100R

## 3.37 TROUBLESHOOTING

PROBLEM	CAUSE	REMEDY
<b>Engine will not start</b>	Forward/Reverse lever not in neutral position.	Place lever in neutral position.
	Battery not fully charged.	Charge or replace.
	Loose battery or starter cables.	Check and tighten.
	Ignition fuse blown.	Replace 25A only.
	Faulty solenoid starter switch.	Replace
	Faulty or improperly adjusted neutral interlock switch.	Make sure neutral switch wires are secured. See neutral interlock adjustment.
	Faulty engine starting circuit.	See Honda Manual for troubleshooting.
<b>Engine will not start but cranks over</b>	Low on fuel or oil.	Add fuel and/or oil.
	Fuel filter plugged.	Check fuel filter, replace if necessary.
	Spark plug wire (2) disconnected.	Connect.
	Spark plug fouled.	Clean or replace.
	No spark at plug.	Check engine ignition system. See Honda manual for troubleshooting.
<b>Engine starts but does not keep running</b>	No fuel to carburetor.	Check fuel lines. Drain fuel system.
	Water/dirt in fuel.	Check Honda fuel filter for water accumulation or sediment.
	Choke remains on.	Adjust choke cable. Clean choke linkage.
	Carburetor improperly adjusted.	Adjust as per Honda Shop Manual PN 56238.
	Fuel on pump drawing in air.	Check fuel lines or replace.

# 3. MAINTENANCE

WolfPac™ 3100 / WolfPac™ 3100R

## 3.37 CONT'D TROUBLESHOOTING

PROBLEM	CAUSE	REMEDY
<b>Roller will not move forward or reverse</b>	Objects in front of drums.	Remove.
	Loose or broken forward/reverse linkage.	Readjust linkage or replace worn arm linkage.
	Low hydraulic oil.	Check oil level gage. Add if required.
	Faulty hydraulic pump or drive motor.	See section F-11.
<b>Unit lacks power moving forward-but OK in reverse or vice versa</b>	Improperly adjusted forward/reverse linkage.	Adjust linkage so that lever travel is the same in either direction from neutral.
<b>Unit lacks power</b>	Engine not properly warmed up.	Idle before operating to achieve operating temperature.
	Air cleaner restricted.	Clean or replace.
	Low hydraulic oil level.	Add.
	Engine RPM too low.	Check throttle linkage for proper actuation (3400 RPM).
	Plugged hydraulic filter.	Replace.
	Valve Clearance incorrect.	Consult Honda shop manual.
	Dirty fuel filter.	Replace.
	Fuel pump drawing in air.	Check fuel lines or replace.
	Too much oil in crankcase.	Drain and check.
	Faulty hydraulic pump or drive motor.	Test hydraulic pressure for 3000 PSI at full load on drive motors with engine at full RPM.  Replace pump if pressure is not in specified range in hydraulic motor drive circuit.

# 3. MAINTENANCE

WolfPac™ 3100 / WolfPac™ 3100R

## 3.37 CONT'D TROUBLESHOOTING

PROBLEM	CAUSE	REMEDY
<b>Unit lacks power (cont'd)</b>	Bearings seized up.	Check drums for resistance.
<b>Oil Consumption</b>	Too much oil in crankcase.	Drain.
	Loose oil filter or sending unit.	Tighten.
	Loose bolts.	Tighten.
<b>Blue Smoke</b>	Worn valves.	Replace.
	Worn cylinder & piston rings.	Replace.
	Too much oil in crankcase.	Drain-Fill to proper level.
<b>Overheated</b>	Crankcase oil level low.	Fill to proper level.
	Restricted exhaust.	Clean or replace.
	Cooling fins dirty.	Clean.
<b>Unit will not steer</b>	Cylinder-leaking.	Replace hydraulic cylinder.
	Piston rod bent.	Replace hydraulic cylinder.
	Missing hydraulic cylinder pin.	Replace.
	Kinked or broken hoses.	Replace.
	Low hydraulic fluid.	Add fluid.
	Faulty hydraulic pump.	Check hydraulic steering circuit for max. pressure of 1450 PSI at 3400 engine RPM. Replace or repair by authorized Service Center.

# 3. MAINTENANCE

WolfPac™ 3100 / WolfPac™ 3100R

## 3.37 CONT'D TROUBLESHOOTING

PROBLEM	CAUSE	REMEDY
<b>Brakes do not hold properly</b>	Brakes not adjusted.	Adjust by turning knob at end of brake lever, handle or additional adjustment required at linkage.
	Loose or broken brake linkage.	Make sure linkage is secure. Replace if necessary.
	Brakes worn out.	Replace.
<b>Asphalt sticks to roller</b>	Insufficient water supply on drums.	Fill tank & adjust flow.
		Check & clean sprinkler tubes.
		Check & clean water tank. Check hoses for kinks or dirt.
		Urethane scrapers not making contact allowing water to leak past. Adjust or replace if necessary.
	Rusty or scored drums.	Sand/replace.

PN 56237  
PN 56238

Manual Honda Owners GX610  
Manual Honda Shop GX610

# 3. MAINTENANCE

WolfPac™ 3100 / WolfPac™ 3100R

## 3.38 SERVICE RECORD

Model No. \_\_\_\_\_ Serial No. \_\_\_\_\_

Service Area	Engine Oil	Hyd Oil	Fuel Filter	Engine Oil Filter	Hyd Oil Filter	Hyd Breather	
Date	Hours	100 hrs	800 hrs	100 hrs	200 hrs	100 hrs	800 hrs






# **4. EXPLODED VIEWS WITH PARTS**

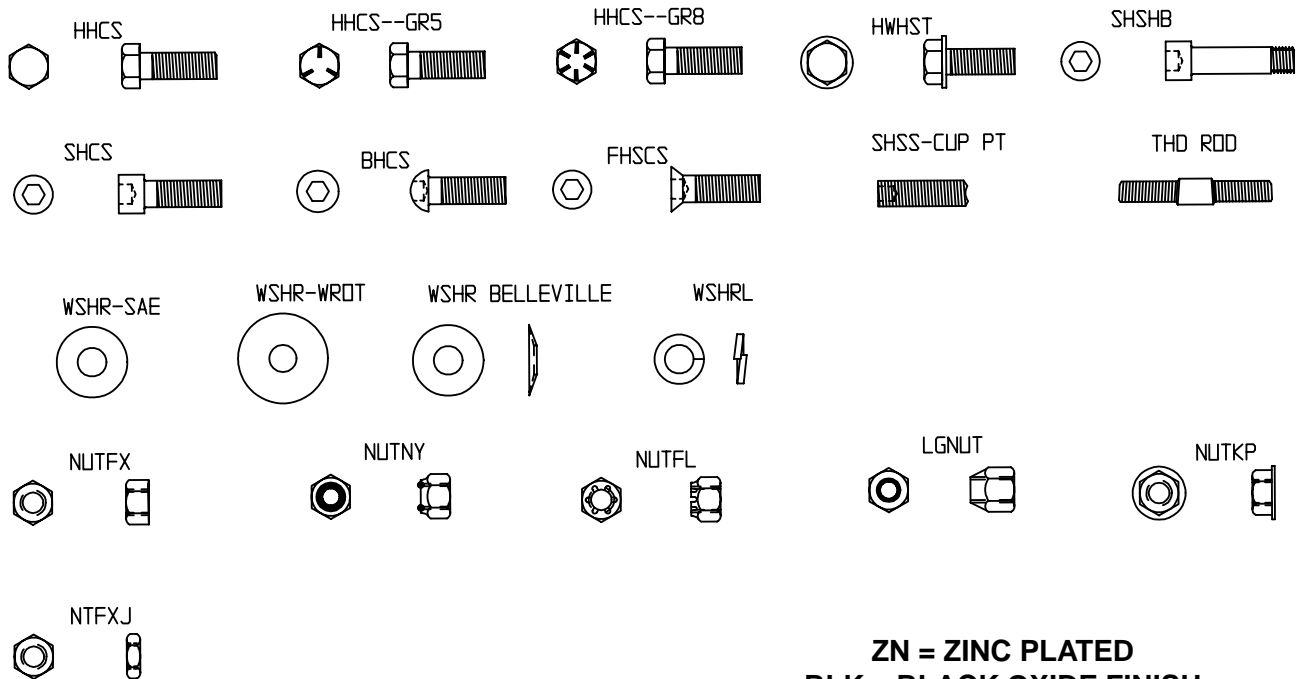


# 4. PARTS LIST

Exploded Views with Parts

4.1	Hardware Key .....	35
4.2	Torque Guidelines and Torque Charts .....	36 - 37
4.3	Front Frame .....	38 - 41
4.4	Front Drum .....	42 - 45
4.5	Rear Frame .....	46 - 51
4.6	Rear Drum .....	52 - 53
4.7	Pivot .....	54 - 55
4.8	Power Pac .....	56 - 59
4.9	Water Tank .....	60 - 61
4.10	Piping Diagram .....	62 - 65
4.11	Hydraulic Schematic .....	66 - 67
4.12	Wire Schematic .....	68 - 69
4.13	Decals .....	70 - 71

## 4.1 HARDWARE KEY



**ZN = ZINC PLATED**  
**BLK = BLACK OXIDE FINISH**

# 4. PARTS LIST

## 4.2 Torque Charts

### 4.2 TORQUE GUIDELINES

DO NOT use these values if a different torque value or tightening procedure is given for a specific application. Torque values listed are for general use only. Check tightness of fasteners periodically.

Shear bolts are designed to fail under predetermined loads. Always replace shear bolts with identical grade.

Fasteners should be replaced with the same or higher grade. If higher grade fasteners are used, these should only be tightened to the strength of the original.

Make sure fasteners threads are clean and that you properly start thread engagement. This will prevent them from failing when tightening.

SAE GRADE 5 Coarse Thread, Zinc-Plated		
SIZE	TORQUE	
	ft. lbs.	Nm
1/4 - 20 (.250)	6	8
5/16 - 18 (.3125)	13	18
3/8 - 16 (.375)	23	31
7/16 - 14 (.4375)	37	50
1/2 - 13 (.500)	57	77
9/16 - 12 (.5625)	82	111
5/8 - 11 (.625)	112	152
3/4 - 10 (.750)	200	271
7/8 - 9 (.875)	322	436.5
1 - 8 (1.000)	483	655

SAE GRADE 8 Coarse Thread, Zinc-Plated		
SIZE	TORQUE	
	ft. lbs.	Nm
1/4 - 20 (.250)	9	12
5/16 - 18 (.3125)	18	24
3/8 - 16 (.375)	33	45
7/16 - 14 (.4375)	52	70
1/2 - 13 (.500)	80	108
9/16 - 12 (.5625)	115	156
5/8 - 11 (.625)	159	215
3/4 - 10 (.750)	282	382
7/8 - 9 (.875)	454	615
1 - 8 (1.000)	682	925

SAE GRADE 5 Fine Thread, Zinc-Plated		
SIZE	TORQUE	
	ft. lbs.	Nm
1/4 - 28 (.250)	7	10
5/16 - 24 (.3125)	14	19
3/8 - 24 (.375)	26	35
7/16 - 20 (.4375)	41	56
1/2 - 20 (.500)	64	87
9/16 - 18 (.5625)	91	123
5/8 - 18 (.625)	128	173
3/4 - 16 (.750)	223	302
7/8 - 14 (.875)	355	481
1 - 12 (1.000)	529	717
1 - 14 (1.000)	541	733

SAE GRADE 8 Fine Thread, Zinc-Plated		
SIZE	TORQUE	
	ft. lbs.	Nm
1/4 - 28 (.250)	10	14
5/16 - 24 (.3125)	20	27
3/8 - 24 (.375)	37	50
7/16 - 20 (.4375)	58	79
1/2 - 20 (.500)	90	122
9/16 - 18 (.5625)	129	175
5/8 - 18 (.625)	180	244
3/4 - 16 (.750)	315	427
7/8 - 9 (.875)	501	679
1 - 12 (1.000)	746	1011
1 - 14 (1.000)	764	1036

# 4. PARTS LIST

## 4.2 Torque Charts

### Property Class 8.8

ZINC-PLATED

SIZE	Coarse Thread		Fine Thread	
	Nm	ft. lbs.	Nm	ft. lbs.
M6	9.9	7	10	7
M8	24	18	25	18
M10	48	35	49	36
M12	83	61	88	65
M14	132	97	140	103
M16	200	148	210	155
M20	390	288	425	313
M24	675	498	720	531

### Property Class 10.9

ZINC-PLATED

SIZE	Coarse Thread		Fine Thread	
	Nm	ft. lbs.	Nm	ft. lbs.
M6	14	10	14	10
M8	34	25	35	26
M10	67	49	68	50
M12	117	86	125	92
M14	185	136	192	142
M16	285	210	295	218
M20	550	406	600	443
M24	950	701	1000	738

### Property Class 12.9

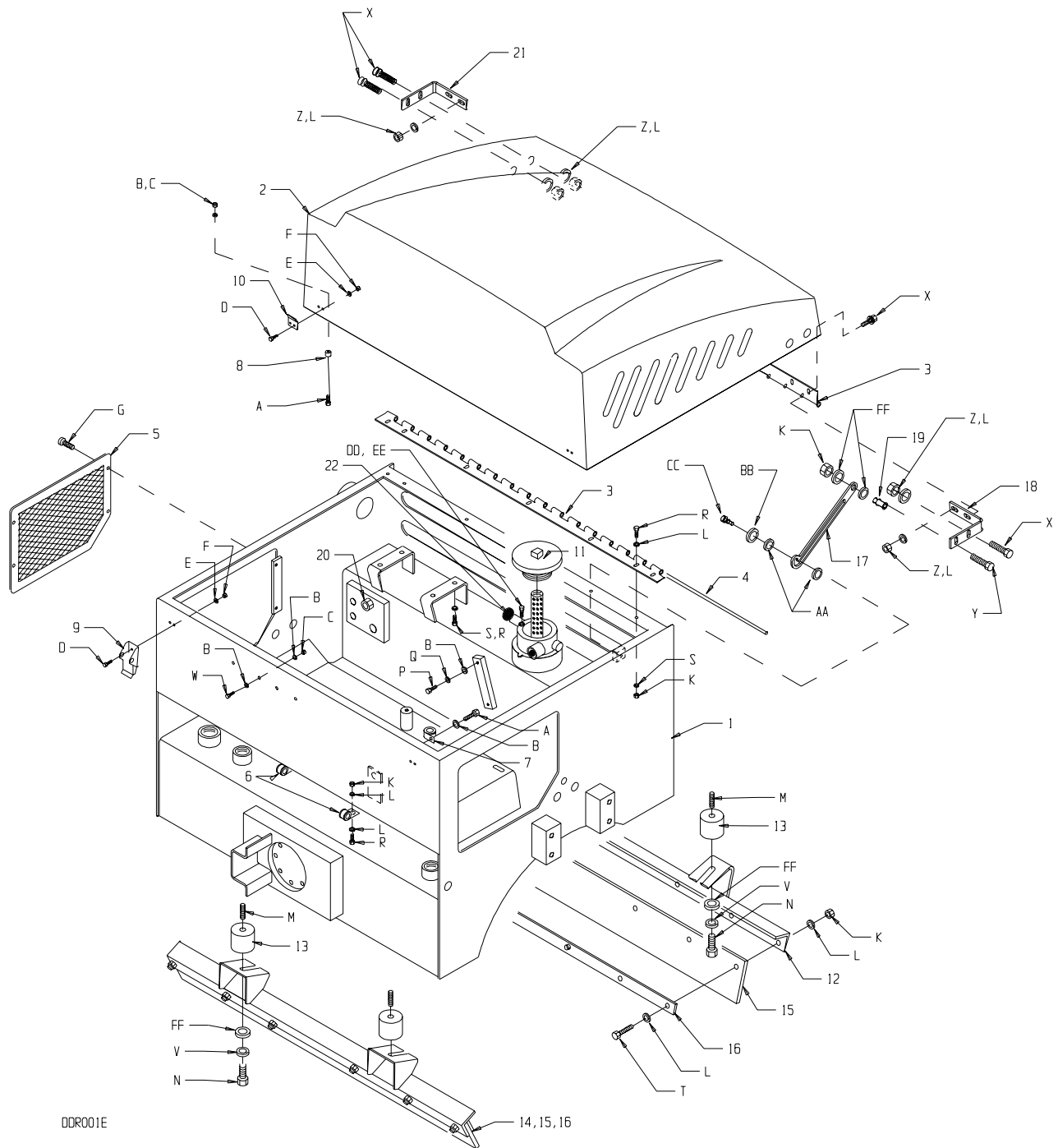
ZINC-PLATED

SIZE	Coarse Thread		Fine Thread	
	Nm	ft. lbs.	Nm	ft. lbs.
M6	16.5	12	16.5	12
M8	40	30	42	31
M10	81	60	82	60
M12	140	103	150	111
M14	220	162	235	173
M16	340	251	350	258
M20	660	487	720	531
M24	1140	841	1200	885

Conversion Factor: 1 ft. lb. = 1.3558 Nm

# 4. PARTS LIST

## 4.3 Front Frame



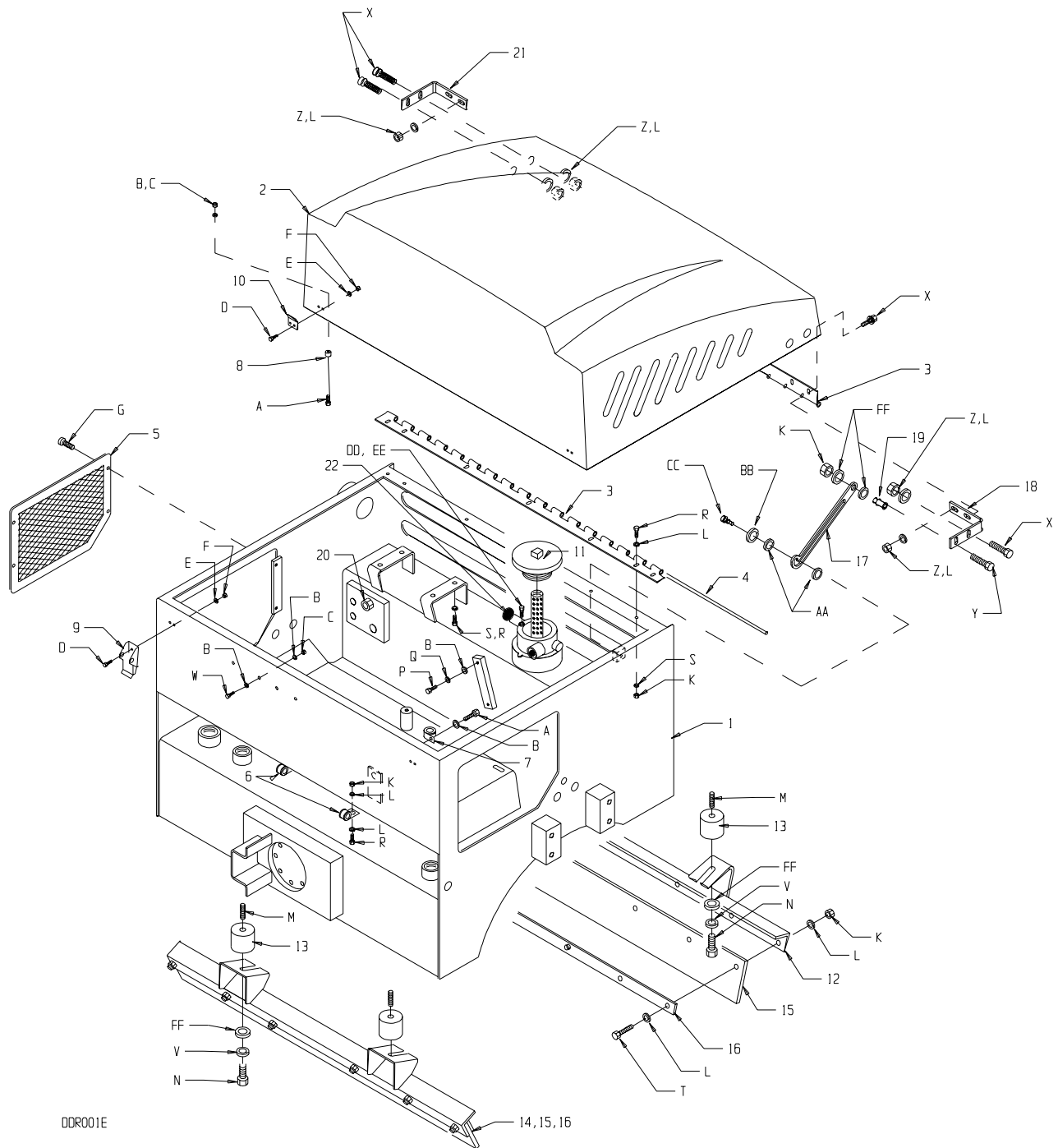
# 4. PARTS LIST

## 4.3 Front Frame

ITEM	PART NO.	DESCRIPTION	QTY.
1	39729-2	Front Frame	1
2	39757	Hood Plastic Assembly	1
3	39701-2	Hinge Leaf	2
4	39702	Pin	1
5	43608-2	Panel LH	1
6	36448	Clamp 5/8 RBR	3
7	39200	Clamp 1/4 RBR	1
8	41016	Bumper 1" x 9/16 H	2
9	47373	Latch	2
10	47374	Keeper	2
11	32463	Kit Filter In-Tank WP3100	1
12	43597-2	Scraper Outer	1
13	47382	Shock Mount	4
14	43587-2	Scraper Inner	1
15	43591	Urethane	2
16	43596-2	Backer	2
17	39700-2	Link Hood	1
18	39708-2	Bracket Hood Pivot RH	1
19	39736-2	Spacer Hood Link	1
20	32300	Sightglass 3/4	1
20a	32299	O-Ring 5/8 ID x 3/32	1
21	39755	Bracket Hood Pivot LH	1
22	46595	Clamp Hose 1"	1

# 4. PARTS LIST

## 4.3 Front Frame Cont'd.



00R001E



# 4. PARTS LIST

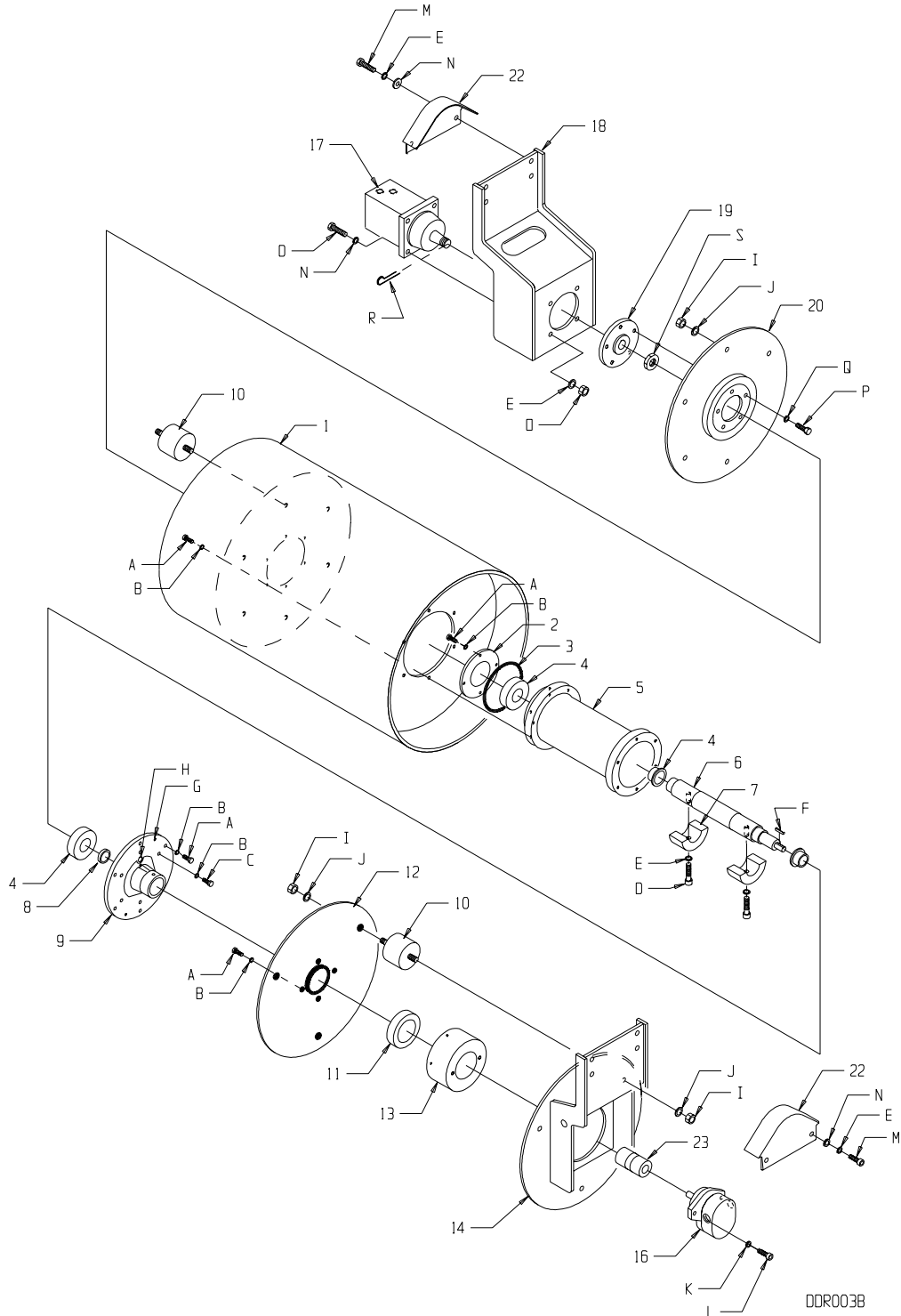
## 4.3 Front Frame Cont'd.

ITEM	PART NO.	DESCRIPTION	QTY.	DIN	TORQUE	
					FT.LBS.	Nm
A *	80836	HHCS M6 x 16 8.8 ZN	5	933	7	10
B	80856	WSHR M6 x 120D ZN	15	125A	-	-
C	80851	NUTNY M6 ZN OD	8	985	-	-
D	80877	HHCS M4 x 16 8.8 ZN	8	----	-	-
E	80880	WSHR M4 x 9 OD ZN	4	125A	-	-
F	80878	NUTNY M4 ZN	4	985	-	-
G	80847	BHSCS M6 x 20	4	----	-	-
H *	80434	HHCS 1/4 20 x 3/4	2	----	6	8
I	80116	WSHRL 1/4 SPLIT ZN	2	----	-	-
J	80571	WSHR 1/4 SAE ZN	2	----	-	-
K	80817	NUTNY M 8 - 1.25 ZN	20	985	-	-
L	80857	WSHR M8 x 160D ZN	43	125A	-	-
M *	80874	SHSS M12 x 30 BLK	4	913	-	-
N *	80808	HHCS M12 x 20 8.8ZN	4	933	61	83
P *	80881	HHCS M6 x 50 8.8ZN	2	933	7	10
Q	80860	WSHRL M6 SPLIT ZN	2	127B	-	-
R *	80406	HHCS M8 x 20 8.8ZN	11	933	18	24
S	80812	WSHRL M8 SPLIT ZN	9	127B	-	-
T *	80892	HHCS M8 x 35 8.8ZN	12	933	18	24
V	80806	WSHRL M12 SPLIT ZN	4	127B	-	-
W *	80811	HHCS M6 x 25 8.8ZN	4	933	7	10
X	80958	CRBLT M8 x 20 4.6 ZN	10	603Mu	-	-
Y	80959	CRBLT M8 x 50 4.6 ZN	1	603Mu	-	-
Z	80814	NUTFX M8 - 1.25 ZN	9	934	-	-
AA	80960	WSHR 3/8 x 3/4 NYLON	2	-	-	-
BB	80806	WSHR M8 ZN	1	125A	-	-
CC	80285	SHSHB 3/8 x 1/2 BLK	1	-	-	-
DD	80087	SHCS M10 x 25 8.8 ZN	2	933	-	-
EE	80876	WSHR CURVED M10	2	137A	-	-
FF	80807	WSHR M12 x 224 OD ZN	6	-	-	-

\* Loctite Required

# 4. PARTS LIST

## 4.4 Front Drum



DDR003B

# 4. PARTS LIST

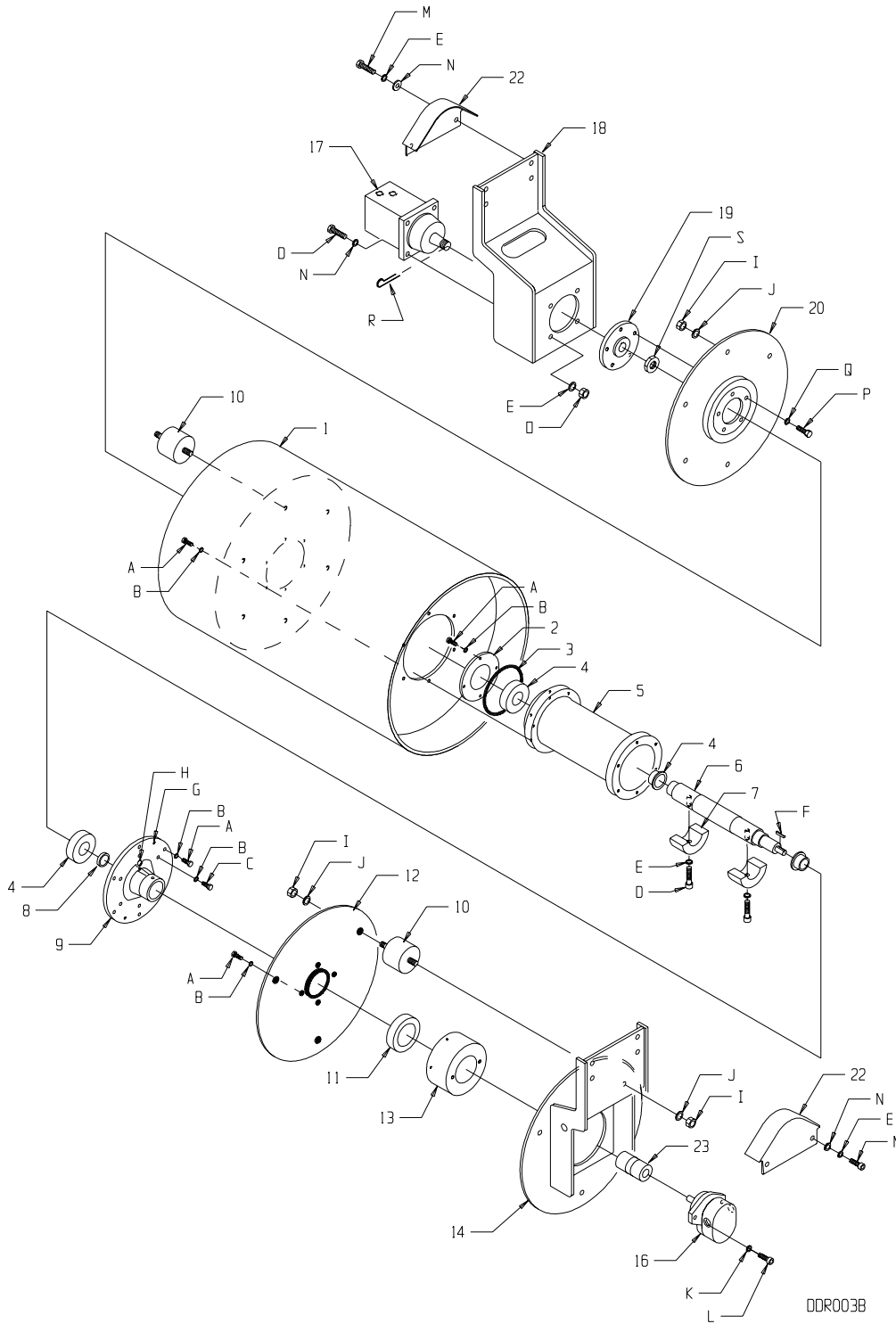
## 4.4 Front Drum

ITEM	PART NO.	DESCRIPTION	QTY.
1	43556-2	Drum	1
2	43561	Cap LH	1
3	32292	O-Ring	1
4	32279	BRG Roller	2
5	43560	ECC Tube	1
6	43567	ECC Shaft	1
7	43568	Weight	2
8	32291	Seal	1
9	43562	Cap RH	1
10	47368	S-Mount	10
11	32280	BRG Ball	1
12	43564-2	Plate RH	1
13	43557-2	HSG BRG RH	1
14	43579-2	Hanger Front RH	1
16	39810	Motor ECC	1
16a	36788	Kit Seal Eccentric Motor	1
16b	39222	Key ECC Motor	1
17	39804	Wheel Motor Front	1
17a	46730	Key Wheel Motor	1
18	43578-2	Hanger LH	1
19	43551R	Hub Dico	1
20	43683-2	Drive Plate Front	1
22	43668-2	Cover Side	2
23	41014	Coupling Set	1
23a	41031	Hub Motor	1
23b	41032	Hub ECC Shaft	1
23c	41033	Coupler Nylon	
24^	47494	Wheel Motor Seal Kit (for re-build)	1

^ Not Shown

# 4. PARTS LIST

## 4.4 Front Drum Cont'd.



DDR003B

# 4. PARTS LIST

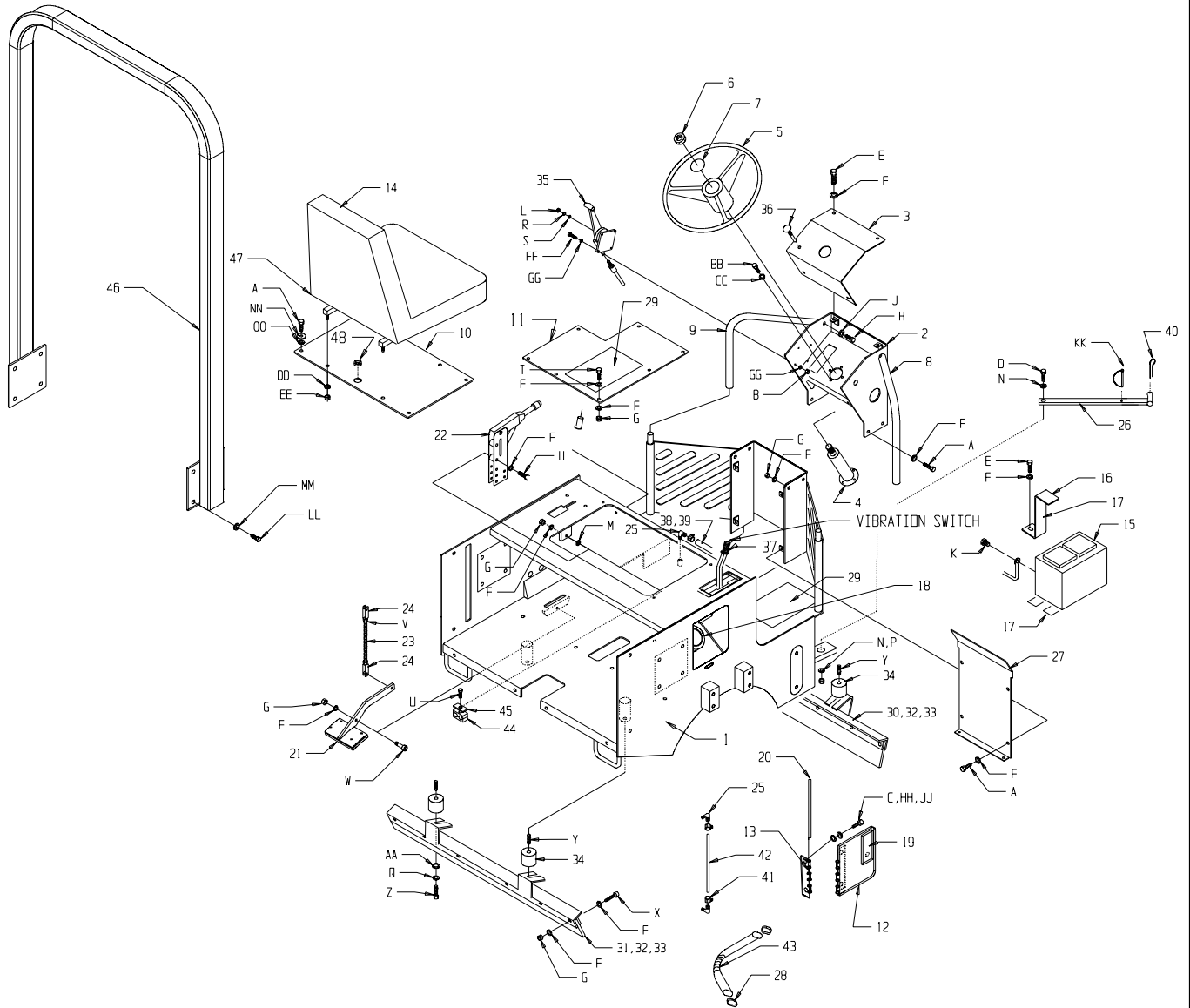
## 4.4 Front Drum Cont'd.

ITEM	PART NO.	DESCRIPTION	QTY.	DIN	TORQUE	
					FT. LBS.	Nm
A*	80087	HHCS M8 x 25 8.8 ZN	20	933	18	24
B	80812	WSHRL M8 SPLIT ZN	26	127B	-	-
C*	80869	HHCS M8 x 40 8.8 ZN	6	933	18	24
D*	80844	HHCS M12 x 50 8.8 ZN	6	933	61	83
E	80805	WSHRL M12 SPLIT ZN	14	127B	-	-
F	80595	KEY SQ 3/16 x 1	1	----	-	-
G*	80868	SHSS M8 x 10	4	913	-	-
H	46732	PLUG 3/8 NPT HEX SOL	1	----	-	-
I	80051	NUTNY 1/2 - 13 ZN	14	----	76	103
J	80343	WSHR 1/2 SAE ZN	14	----	-	-
K	80804	WSHRL M10 SPLIT ZN	2	127B	-	-
L*	80872	SHCS M10 x 30 8.8 ZN	2	912	35	48
M*	80873	HHCS M12 x 30 10.9 ZN	8	933	86	117
N	80807	WSHR M12 x 24 OD ZN	12	125A	-	-
O	80830	NUTNY M12 ZN	4	----	-	-
P*	80594	HHCS 7/16 - 20 x 1GR5 ZN	5	----	41	56
Q	80335	WSHRL 7/16 SPLIT ZN	5	----	-	-
R	80316	PINCT 3/16 x 1-1/2	1	----	-	-
S*	46729	NUT WHEEL MOTOR	1	----	150	203

\* Loctite Required

# 4. PARTS LIST

## 4.5 Rear Frame



DDR025C

# 4. PARTS LIST

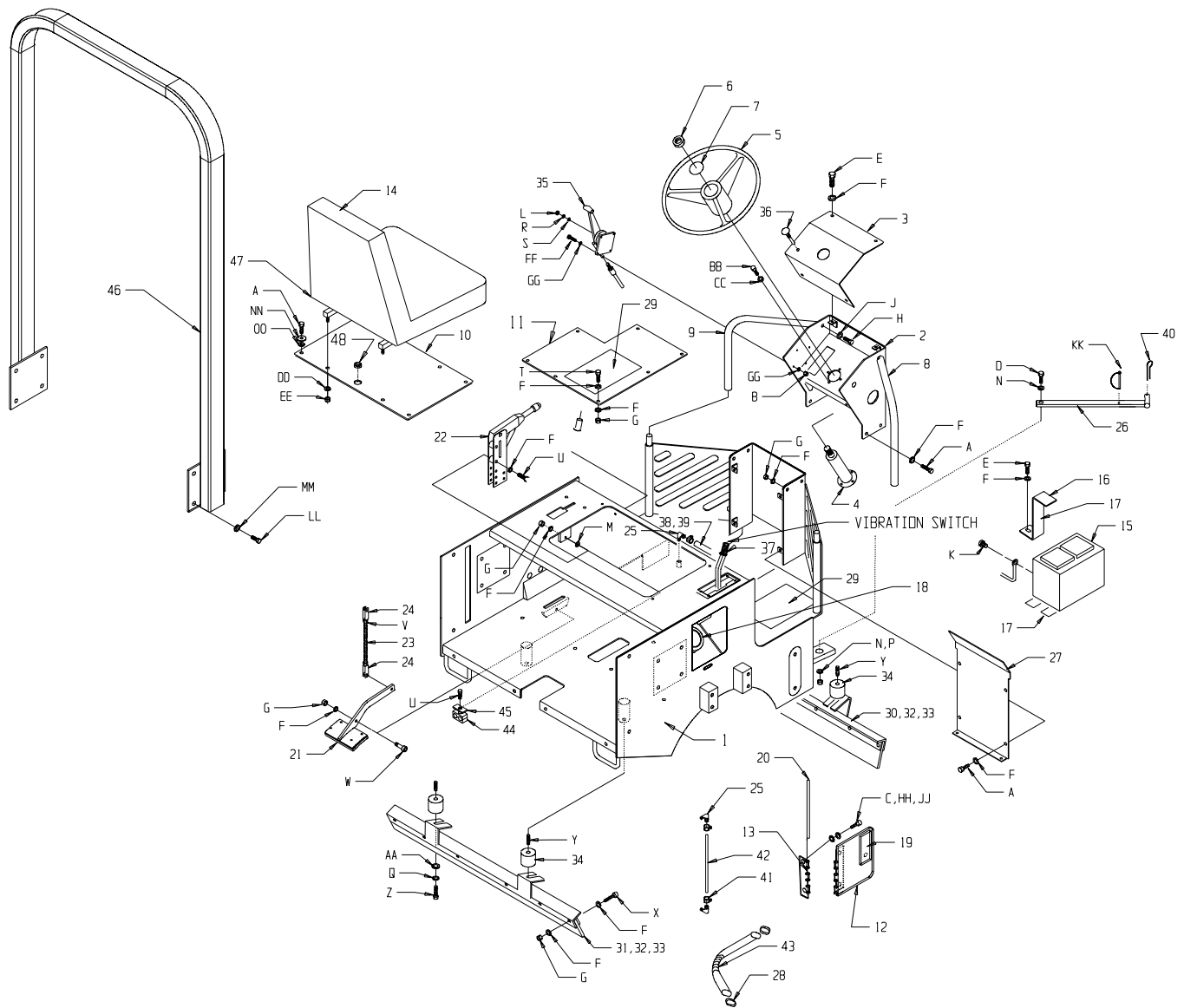
## 4.5 Rear Frame

ITEM	PART NO.	DESCRIPTION	QTY.
1	39728-2	Frame Rear	1
1a+	44618-2	Frame Rear ROPS	1
2	43640-2	Steering Frame	1
3	39725-2	Cover Steering	1
3a+	44620-2	Cover Steering Horn	1
4	46664	Steering Column	1
5	41017	Steering Wheel	1
6	46656	Nut MG AVR/SR	1
7	47218	Cap Steering Wheel	1
8	43644-2	Grab Bar RH	1
9	43645-2	Grab Bar LH	1
10	43530	Panel Seat	1
11	39716-2	Panel Floor	1
12	39718-2	Door Fuel	1
13	39747	Hinge	1
14	47195	Seat	1
14a+	48424	Seat Assy with Switch	1
15	38543	Battery	1
16	43638-2	Strap Battery	1
17	47244	Rubber 1.5x6.75	3
18	46059	Cap Fuel	1
19	41023	Latch	1
19a	41024	Key Fuel Door	1
20	39748	Pin Fuel Door	1
21	43621-2	Brake Assy	1
22	38095	Brake Lever	1
23	43625	Rod 5/16-24x9-1/2	1
24	35925	Clevis 5/16-24x5/16 Pin	2
25	46896	Fitting Elbow	3
26	43580-2	Link Transport	1
27	43648-2	Panel Lower	1
28	47511	Clamp Hose #36 SST	2
29	43674	Skid Proof	3
30	43587-2	Scraper Inner	1
31	43597-2	Scraper Outer	1
32	43591	Urethane	2
33	43596-2	Backer	2

+ WP3100R only

# 4. PARTS LIST

## 4.5 Rear Frame Cont'd.



DDR025C



# 4. PARTS LIST

## 4.5 Rear Frame Cont'd.

34	47382	Shock Mount	4
35	39197	Throttle Assy	1
35a	39201	Throttle Only	1
35b	39202	Cable Only	1
36	38761	Cable Choke	1
37	39738	Control FWD/RVS	1
37a	48459	Cap Boot	1
37b	36789	Push Button Control FWD/RVS	1
37c	38601	Cable FWD/RVS	1
38	34089	Clamp	1
39	46186	Hose	4 Ft
40	47381	Hairpin	1
41	34089	Clamp Hose 5/8	2
42	39743	Hose Sight Gauge	1
43	44995	Hose Fuel	1
44	47455	Clamp Split, Dual Hose	1
45	47456	Cover Plate, Dual Hose	1
46+	44617	Weld ROPS	1
47+	47439	Seatbelt Lap ROPS	1
48+	47257	Grommet .69 ID x 1.00 OD	1

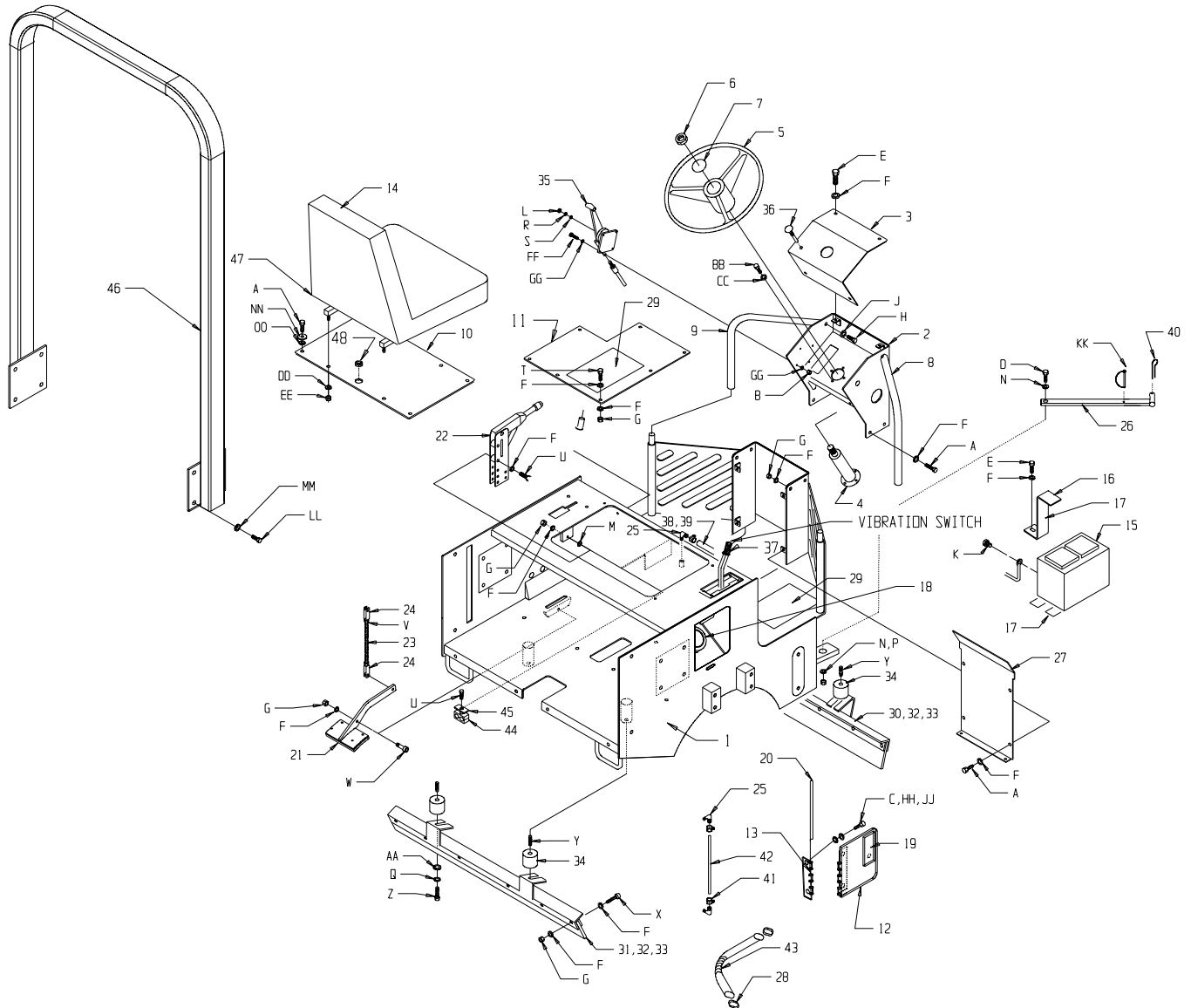
ITEM	PART NO.	DESCRIPTION	QTY.	DIN	TORQUE	
					FT. LBS.	Nm
A*	80087	HHCS M8 x 25 8.8 ZN	12	933	17	24
B	80850	NUTNY M5 ZN	4	985	-	-
C*	80865	HHCS M6 x 10 8.8 ZN	2	933	17	24
D*	80844	HHCS M12 x 50 8.8 ZN	1	933	61	83
E*	80406	HHCS M8 x 20 8.8 ZN	3	933	17	24
F	80857	WSHR M8 x 1700	52	125A	-	-
G	80817	NUTNY M8 - 1.25 ZN	21	985	-	-
H*	80886	HHCS M10 x 20 8.8 ZN	2	933	35	48
J	80804	WSHRL M10 Split ZN	2	127B	-	-
K	39355	Set Bolts Battery	1	----	-	-
L	80897	NUTFL M6 ZN	1	980V	-	-
M	26325	WSHR 3/8 x 1 x 3/16 ZN	1	----	-	-
N	80807	WSHR M12 x 2400	2	125A	-	-
P	80830	NUTNY M12 ZN	1	985	-	-
Q	80805	WSHRL M12 Split ZN	4	127B	-	-

\* Loctite

+ WP3100R only

# 4. PARTS LIST

## 4.5 Rear Frame Cont'd.



DDR025C

# 4. PARTS LIST

## 4.5 Rear Frame Cont'd.

R	39203	WSHR Flattened	1	-	-	-
S	39204	WSHR Nylon	1	-	-	-
T	80802	HWHST M8 x 25 8.8 ZN	4	7500D	17	24
U	80883	HHCS M8 x 50 8.8 ZN	3	933	17	24
V	80247	NUTFX 5/16 - 24 ZN	2	-	-	-
W	80885	SHSHB 10/M8 x 30	1	1359	-	-
X	80892	HHCS M8 x 35 8.8 ZN	12	933	17	24
Y	80874	SHSS M12 x 30 BLK	4	913	-	-
Z	80808	HHCS M12 x 20 8.8 ZN	4	933	61	83
AA	80891	WSHR M12 x 28 OD	4	125A	-	-
BB	80811	HHCS M6 x 25 8.8ZN	4	933	7	10
CC	80860	WSHRL M6 ZN	4	127B	-	-
DD	80348	WSHR 5/16 WROT ZN	4	-	-	-
EE	80114	NUTNY 5/16 ZN	4	-	-	-
FF	81002	HHCS M5 x 16 ZN	4	933	-	-
GG	80855	WSHR M5 x 10 OD ZN	8	125A	-	-
HH	80347	WSHR 1/4 ZN	2	-	-	-
JJ	80860	WSHRL M6 ZN	2	-	-	-
KK	80962	PIN SAFETY SNAP ZN	1	-	-	-
LL+	80887	HHCS M12 - 1.75 x 25 8.8 ZN	8	933	61	83
MM+	80805	WSHRL M12 Split ZN	8	127B	-	-
NN+	80813	WSHR M8 Flat 2400 ZN	2	9021B	-	-
OO+	80812	WSHRL M8 Split ZN	4	127B	-	-
PP+	80877	HHCS M4 - .7 x 16 8.8 ZN	2	-	-	-
QQ+ ^	80878	NUTNY M4 - .7 ZN	2	-	-	-
RR+ ^	80880	WSHR M4 Flat ZN	2	-	-	-

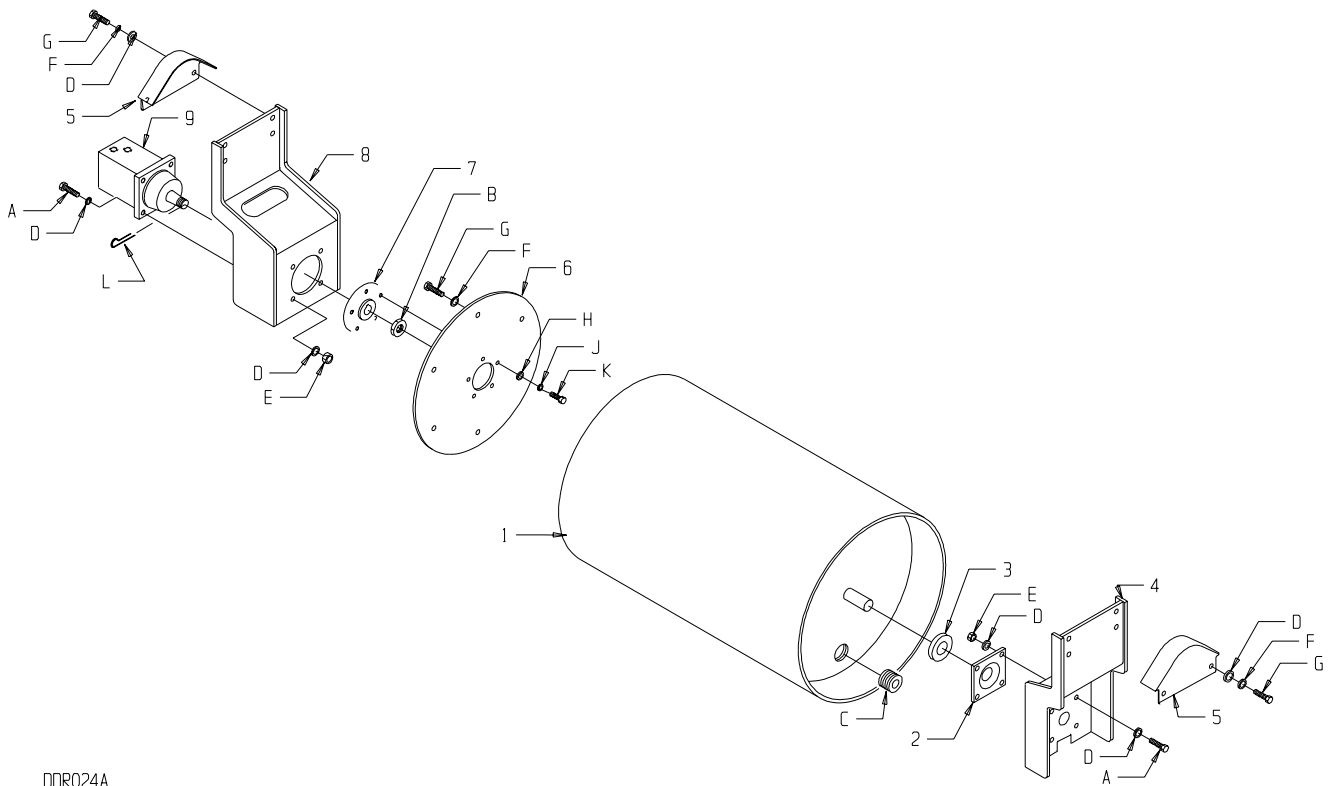
^ Not Shown

\* Loctite

+ WP3100R only

# 4. PARTS LIST

## 4.6 Rear Drum



DDR024A

# 4. PARTS LIST

## 4.6 Rear Drum

ITEM	PART NO.	DESCRIPTION	QTY.
1	43583-2	Drum Rear	1
2	32206	BRG Flange	1
3	42138	Spacer	1
4	43574-2	Hanger RH Rear	1
5	43668-2	Cover Side	2
6	43552-2	Drive Plate Rear	1
7	43551R	Hub Dico	1
8	43688-2	Hanger LH Rear	1
9	39805	Wheel Motor Rear	1
10^	47494	Wheel Motor Seal Kit (for re-build)	1

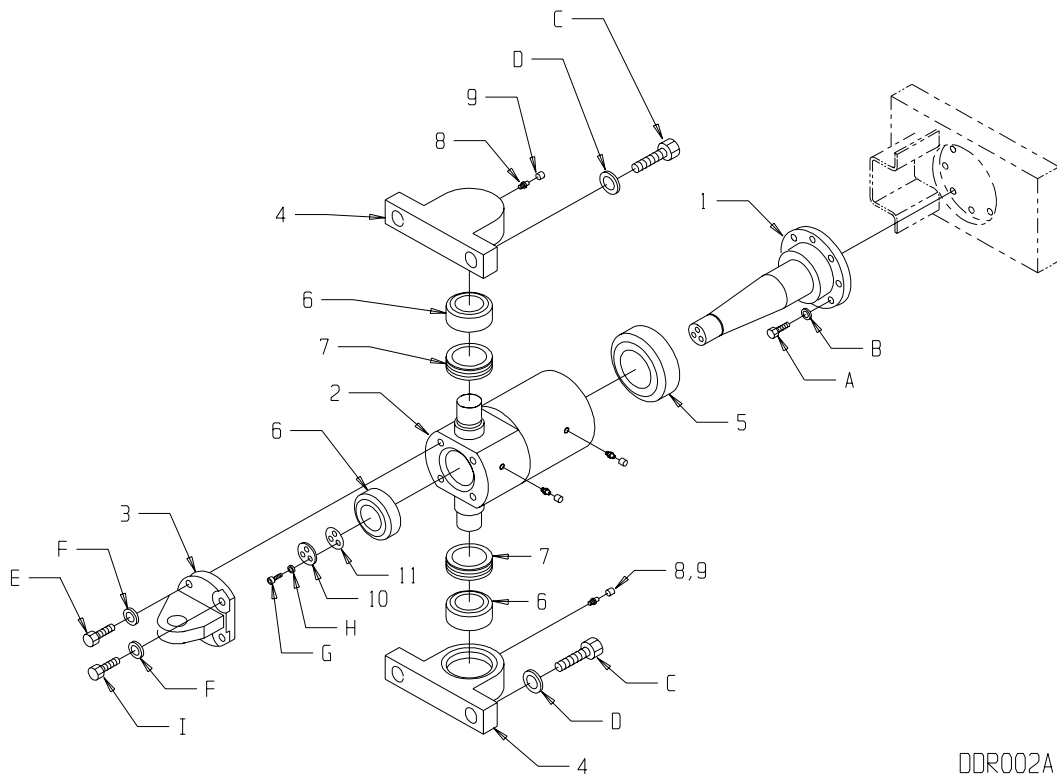
ITEM	PART NO.	DESCRIPTION	QTY.	DIN	TORQUE	
					FT. LBS.	Nm
A	80844	HHCS M12 x 50 8.8 ZN	8	933	61	83
B*	46729	NUT WHEEL MOTOR	1	----	150	203
C	46172	PLUG 1" NPT SOC HD	2	----	-	-
D	80807	WSHR M12 x 2400	24	125A	-	-
E	80830	NUTNY M12 ZN	8	985	-	-
F	80805	WSHRL M12 SPLIT ZN	14	127B	-	-
G	80873	HHCS M12 x 30 10.9 ZN	14	933	86	117
H	80043	WSHR 3/8 WROT	5	----	-	-
J	80594	HHCS 7/16 - 20 x 1 GR5	5	----	41	56
K	80335	WSHRL 7/16 SPLIT ZN	5	----	-	-
L	80316	PINCT 3/16 x 1-1/2	1	----	-	-

\* Loctite Required

^ Not Shown

# 4. PARTS LIST

4.7 Pivot



DDR002A

# 4. PARTS LIST

4.7 Pivot

ITEM	PART NO.	DESCRIPTION	QTY.
1	43517-2	Pin Pivot	1
2	43523-2	Tube Pivot	1
3	43524-2	Tab Cylinder	1
4	43518-2	Pillow Block	2
5	32278	BRG Pivot 2.00	1
6	32277	BRG Pivot 1.25	3
7	32281	Seal Triple Lip	2
8	46042	Fitting Grease	4
9	47001	Cap Grease	4
10	43521	Retainer Pin	1
11	43658	Shim Pin	As Required

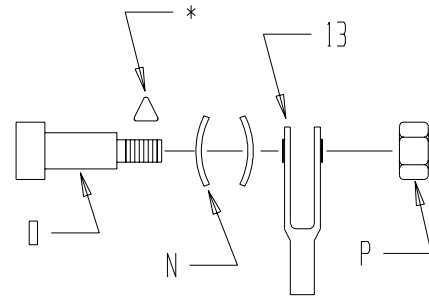
ITEM	PART NO.	DESCRIPTION	QTY.	DIN	TORQUE	
					FT. LBS.	Nm
A*	80872	SHCS M10 x 30	6	912	35	48
B	80804	WSHRL M10 SPLIT	6	127B	-	-
C*	80870	HHCS M20 x 50 8.8 ZN	4	933	250	339
D	80871	WSHRL M20 SPLIT ZN	4	127B	-	-
E*	80815	HHCS M10 x 30 8.8 ZN	2	933	35	48
F	80820	WSHRL M10 SPLIT ZN	4	127B	-	-
G*	80810	SHCS M8 x 20 8.8 ZN	3	912	18	24
H	80828	WSHRL M8 SPLIT ZN	3	127B	-	-
I*	80886	HHCS M10 x 20 8.8 ZN	2	933	35	48

\*Loctite Required

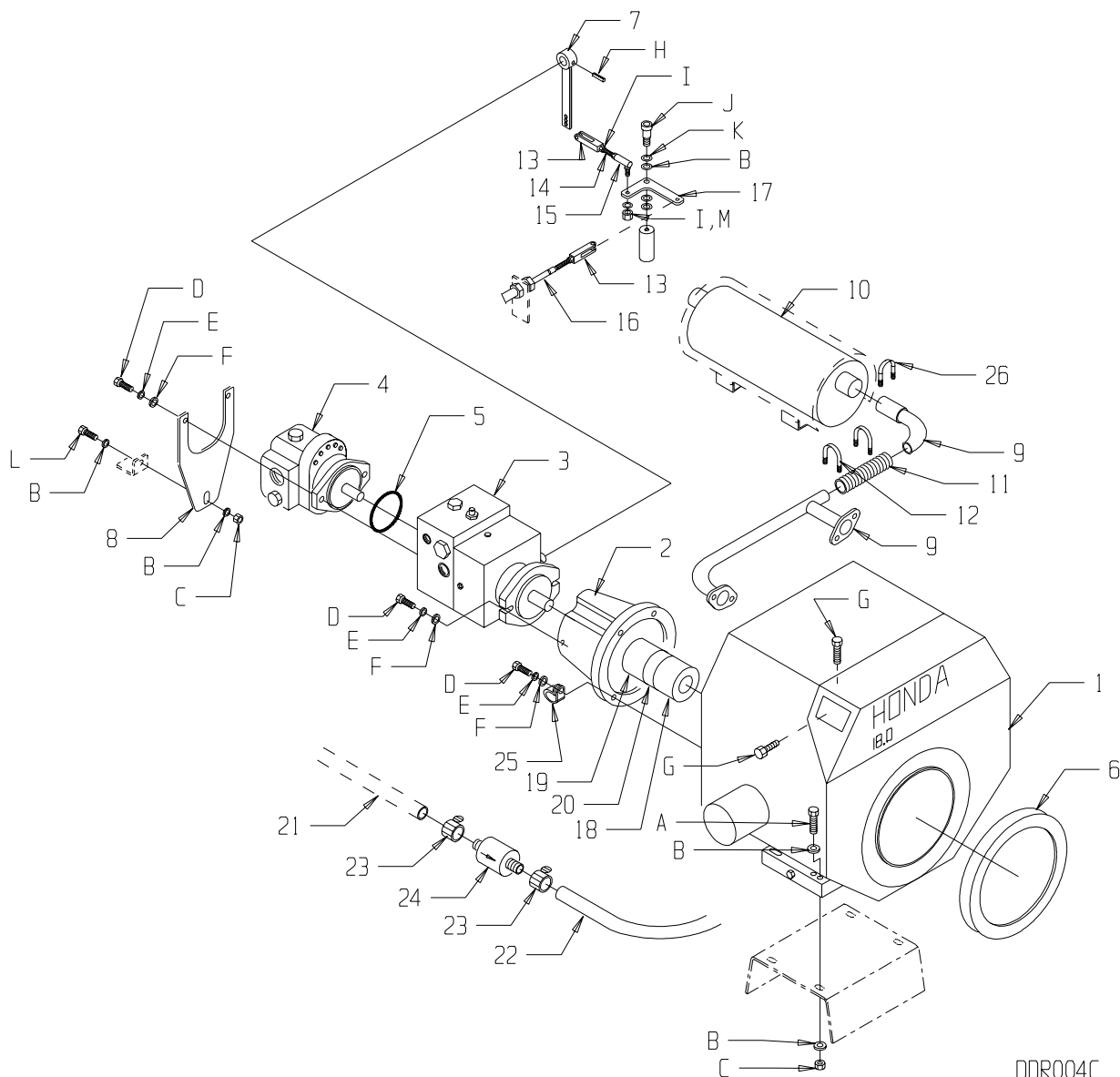
# 4. PARTS LIST

4.8 Power Pac

Clevis assembly type two places



DDR016A.hpg



DDR004C



# 4. PARTS LIST

4.8 Power Pac

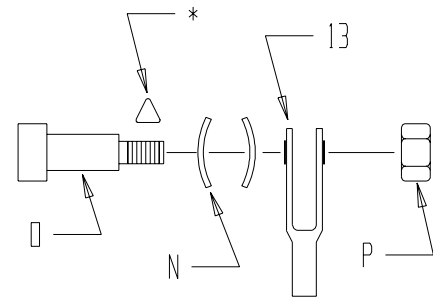
ITEM	PART NO.	DESCRIPTION	QTY.
1	30348	Engine 18 Honda	1
1a	56237	Manual Owners GX610	1
1b	56238	Manual Shop GX610	1
2	39093	Adaptor	1
3	39811	Pump Var. Disp.	1
4	39086	Pump Gear	1
5	47301	O-Ring 31/4 ID 1/16 CS	1
6	32286	Seal Inlet 24"	1
7	43542-2	Lever FWD/RVS	1
8	43628-2	Support Pump	1
9/10	31322	Manifold, Elbow, Muffler	1
11	43651	Flex Pipe	1
12	47380	Clamp	2
13	38561	Clevis	2
14	43594	Thdrd 1/4-28 x 3	1
15	39099	Peabody Conn.	1
16	38602	Cable FWD/RVS	1
17	43592-2	ARM FWD/RVS	1
18	39094	Coupling Engine	1
19	39095	Coupling Pump	1
20	39096	Insert	1
21	46186	Fuel Line	4 FT
22	46186	Fuel Line	1FT
23	34089	Clamp	3
24	38856	Filter	1
25	36732	Clamp Loop 1.25	1
26	36786	Clamp Muffler 1-1/4	1

**NOTE:** For engine service parts, please refer to the Maintenance Chart in the Maintenance Section of this manual.

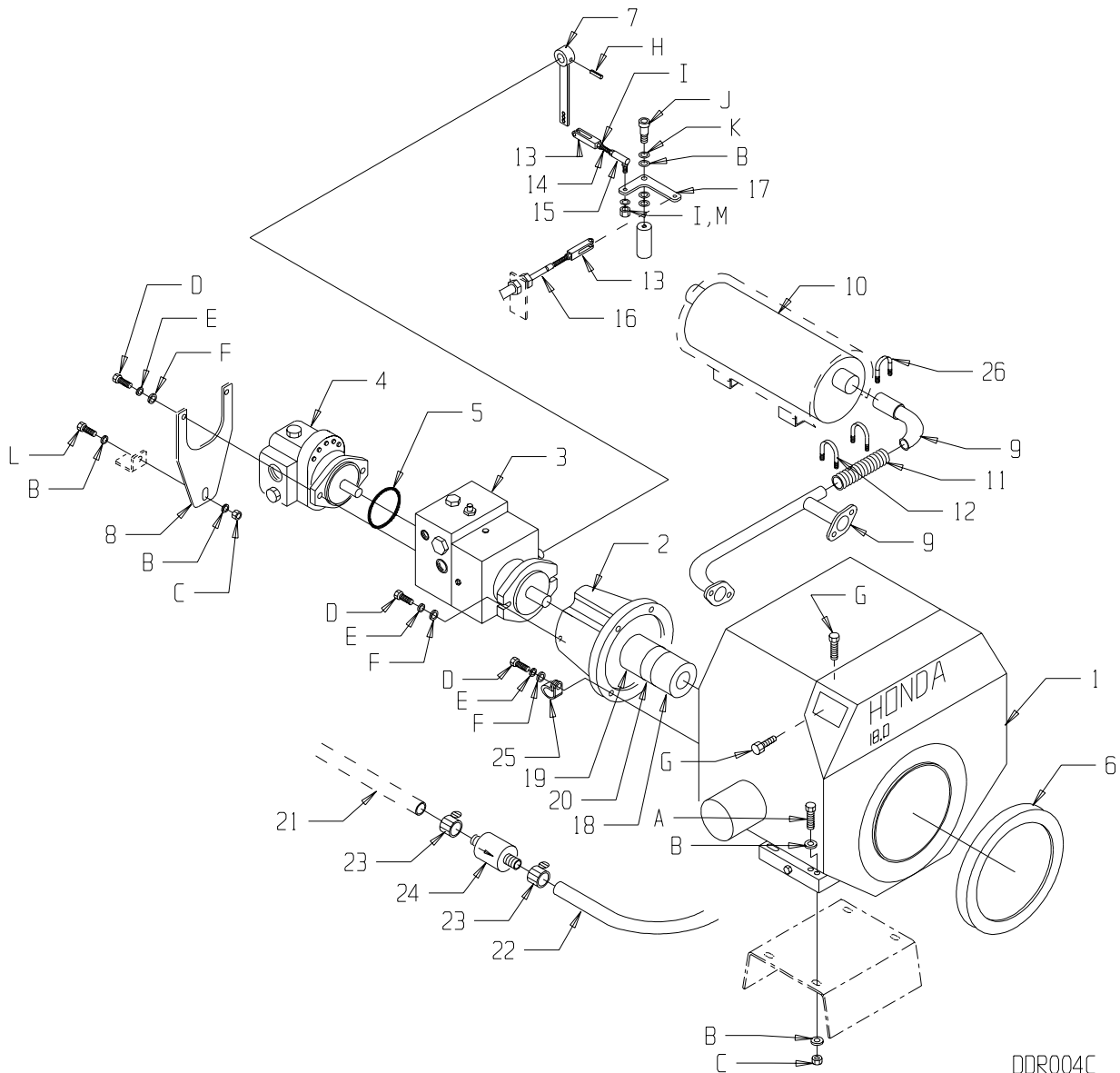
# 4. PARTS LIST

## 4.8 Power Pac Cont'd.

Clevis assembly type two places



DDR016A.hpg



DDR004C

# 4. PARTS LIST

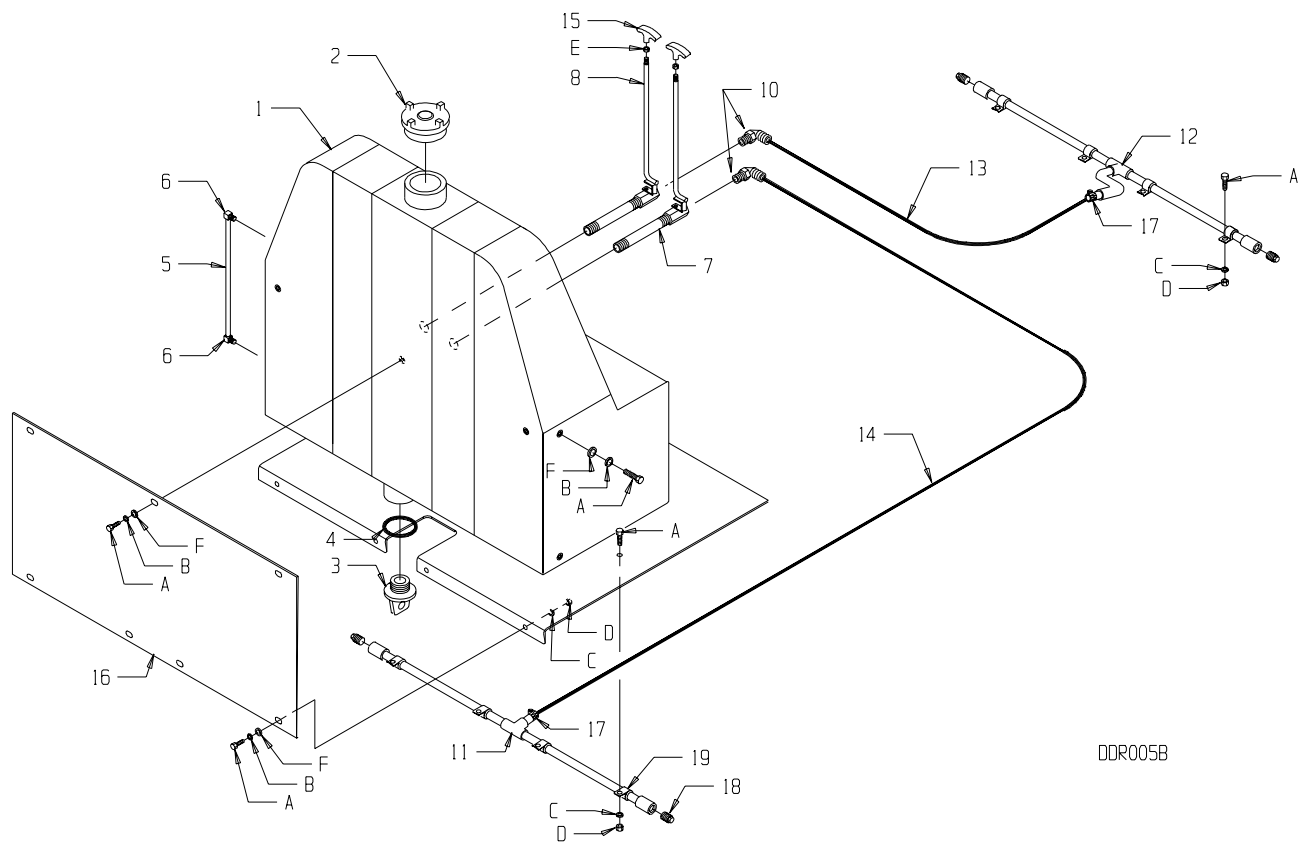
4.8 Power Pac Cont'd.

ITEM	PART NO.	DESCRIPTION	QTY.	DIN	TORQUE	
					FT. LBS.	Nm
A*	80838	HHCS M10 x 50 8.8ZN	4	933	35	48
B	80806	WSHR M10 x 20 OD ZN	12	125A	-	-
C	80833	NUTNY M10 ZN	5	985	-	-
D*	80476	HHCS 3/8 - 16 x 1-1/2 GR5	8	----	23	31
E	80058	WSHRL 3/8 SPLIT ZN	8	----	-	-
F	80043	WSHR 3/8 SAE	8	----	-	-
G	80890	HHCS M5 x 30 8.8 ZN	2	933	-	-
H	80775	PINSP 1/4 x 11/4 ZN	1	----	-	-
I	80237	NUTFX 1/4 - 28 ZN	3	----	-	-
J*	80875	SHSHB 10/M8 x 12	1	----	18	24
K	80876	WSHR CURVED M10	2	137A	-	-
L*	80815	HHCS M10 x 30 8.8 ZN	1	----	35	48
M	80116	WSHRL 1/4 SPLIT ZN	1	----	-	-
N	80788	WSHR SPR 1/4 ID 1/2 OD SST	4	----	-	-
O*	80771	SHSHB 1/4 x 5/8 ZN	2	----	-	-
P	80693	NUTNY 10 - 24 ZN	2	----	-	-

\*Loctite Required

# 4. PARTS LIST

## 4.9 Water Tank



DDR005B

# 4. PARTS LIST

## 4.9 Water Tank

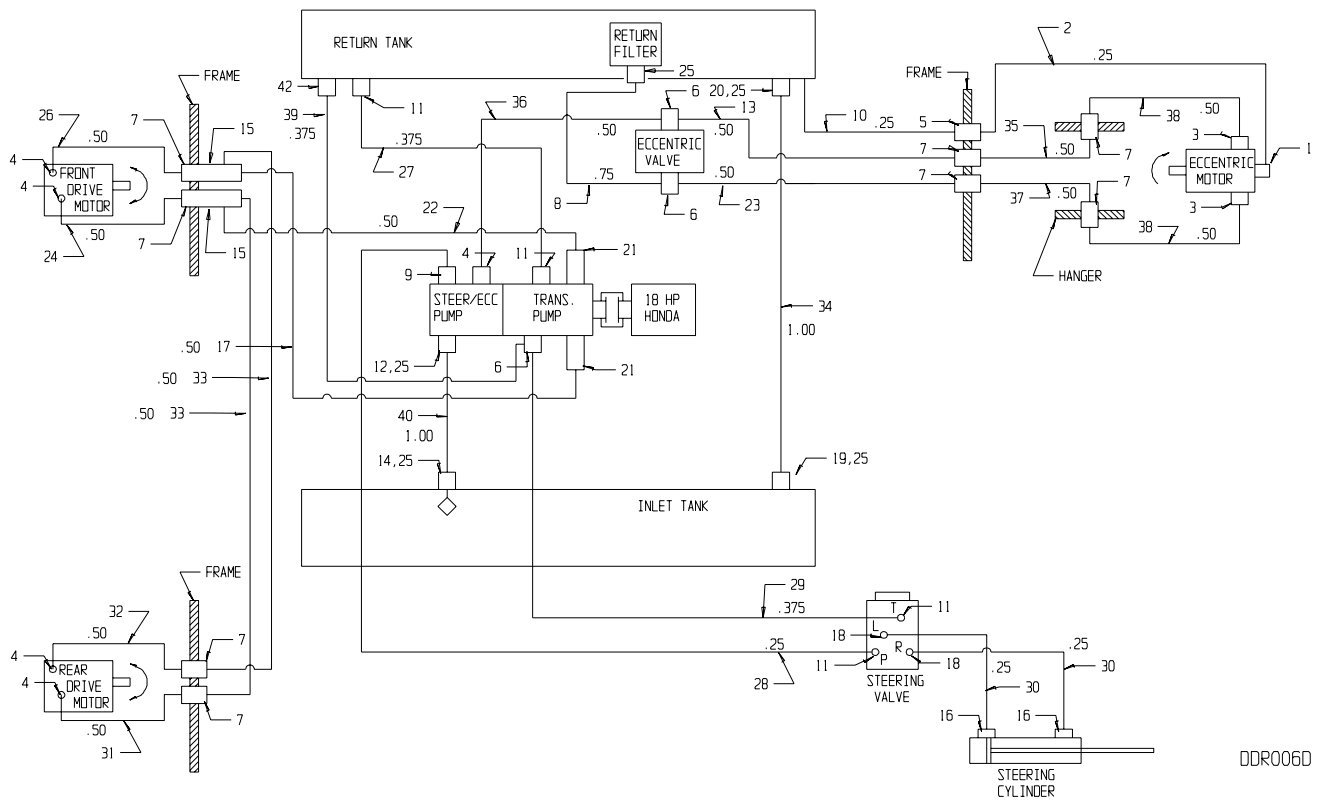
ITEM	PART NO.	DESCRIPTION	QTY.
1	43600	Tank Water	1
2	47241	Cap Water Tank	1
3	37866	Plug Water Tank	1
4	37867	O-Ring	1
5	46727	Tube Water Level	1
6	46896	Fitting Elbow	2
7	46671	Nipple 1/2NPT x 7" LG	2
8	43630-2	Valve/Rod Assy	2
10	46725	FTG 90 degree 5/8H	2
11	43632	Sprinkler Assy Rear	1
12	43687	Sprinkler Assy Front	1
13	46722	Hose Water Front	1
14	46721	Hose Water Rear	1
15	47379	Knob Water Valve	2
16	43634-2	Panel Rear	1
17	46691	Clamp Water Hose	4
18^	46113	Plug 3/8 NPT	4
19^	35448	Clamp 5/8 RBR Loop	8

ITEM	PART NO.	DESCRIPTION	QTY.	DIN	TORQUE	
					FT. LBS.	Nm
A	80087	HHCS M8 x 25 8.8 ZN	17	933	13	18
B	80812	WSHRL M8 SPLIT ZN	11	127B	-	-
C	80857	WSHR M8 x 17OD ZN	12	125A	-	-
D	80817	NUTNY M8 - 1.25 ZN	12	985	-	-
E	80246	NUTKP 5/16 - 18 ZN	2	----	-	-
F	80806	WSHR M10 x 20 OD	11	125A	-	-

^Included with sprinkler assy.

# 4. PARTS LIST

## 4.10 Piping Diagram



DDR006D

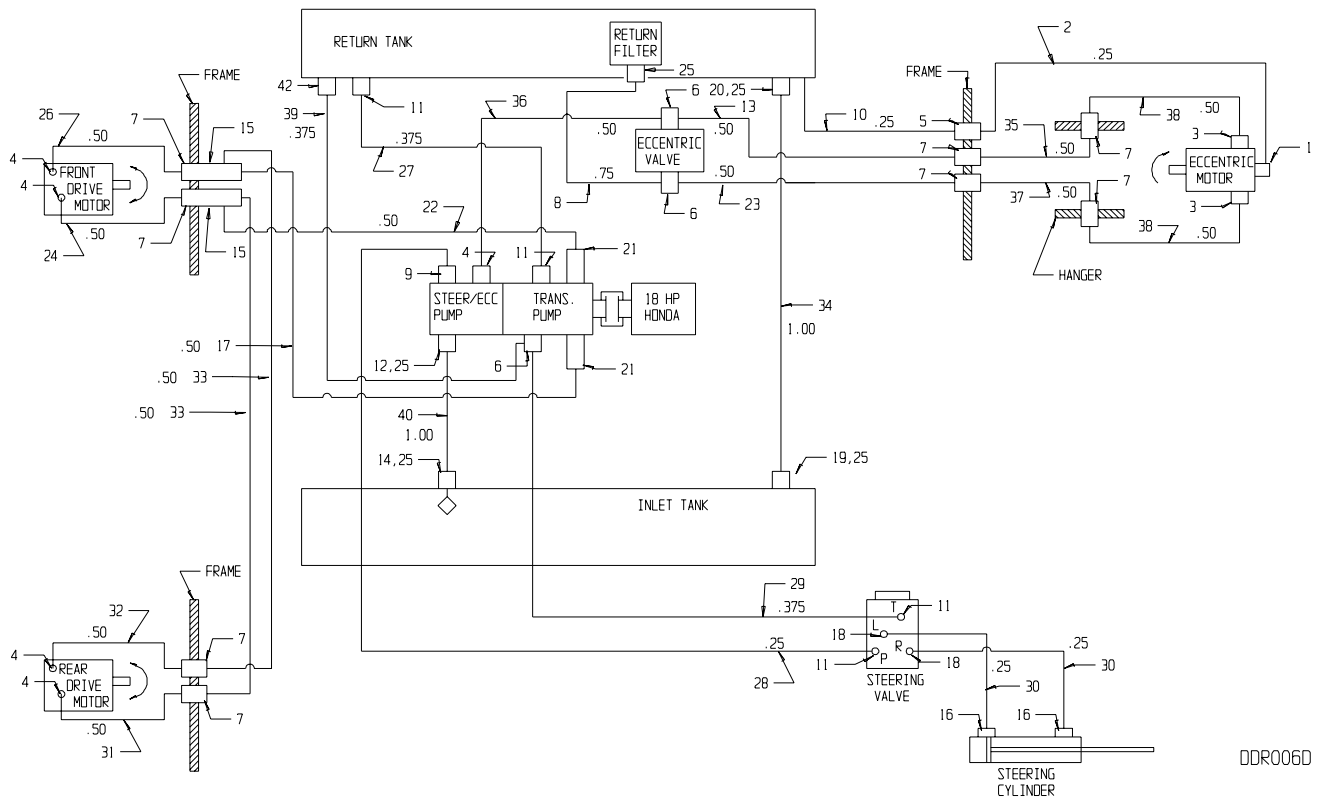
# 4. PARTS LIST

## 4.10 Piping Diagram

ITEM	PART NO.	DESCRIPTION	QTY.
1	46848	FTG ST 9/16ORF 9/16ORF	1
2	46849	HOSE 1/4" 9/16OF90T 9/16OF90T 37.5"	1
3	46850	FTG 90 13/16ORF 1-1/16OR	2
4	46851	FTG ST 13/16ORF 7/8OR	5
5	46852	BLKHD ST 9/16ORF 9/16ORF	1
6	46853	TEE 13/16ORF 13/16ORF 3/4OR	3
7	46854	BLKHD 90 13/16 ORF 13/16ORF	6
8	46855	HOSE 3/4 13/16OF 90T 1 END 16"	1
9	46856	FTG ST 9/16ORF 3/4OR	1
10	46857	HOSE 1/4" 1/4NPT 9/16OF90T	1
11	46858	FTG ST 11/16ORF 9/16OR	4
12	46859	FTG 45 1-5/16OR 1" HOSE BARB	1
13	46707	TUBE	1
14	46861	FTG SUCTION 45 1" HOSE 3/4NPT	1
15	46862	TEE 13/16ORF 13/16ORF 13/16ORF SWIVEL	2
16	46863	FTG ST 11/16ORF 3/8NPT	2
17	46864	HOSE 1/2" 13/16OF90T 13/16OF45T 17.5"	1
18	46965	FTG ST 9/16ORF 9/16ORF	2
19	46866	FTG 90 1"NPT 1" HOSE BARB	1
20	46867	FTG ST 1"NPT 1" HOSE BARB	1
21	46868	FTG ST 13/16ORF 1-1/16OR	2
22	46869	HOSE 1/2" 13/16OF90T 13/16OFT 29"	1
23	46708	TUBE	1
24	46713	TUBE	1
25	46872	CLAMP 1" HOSE	5
26	46714	TUBE	1
27	46874	HOSE 3/8" 11/16OF90T 11/16OF45T 14.5"	1
28	46875	HOSE 1/4" 11/16OF90T 9/16OF90T 49.5"	1
29	46876	HOSE 3/8" 13/16OF45T 11/16OF90T 45.5"	1
30	46877	HOSE 1/4" 9/16OF90T 11/16OF45T 60.5"	2

# 4. PARTS LIST

## 4.10 Piping Diagram Cont'd.



DDR006D



# 4. PARTS LIST

## 4.10 Piping Diagram Cont'd.

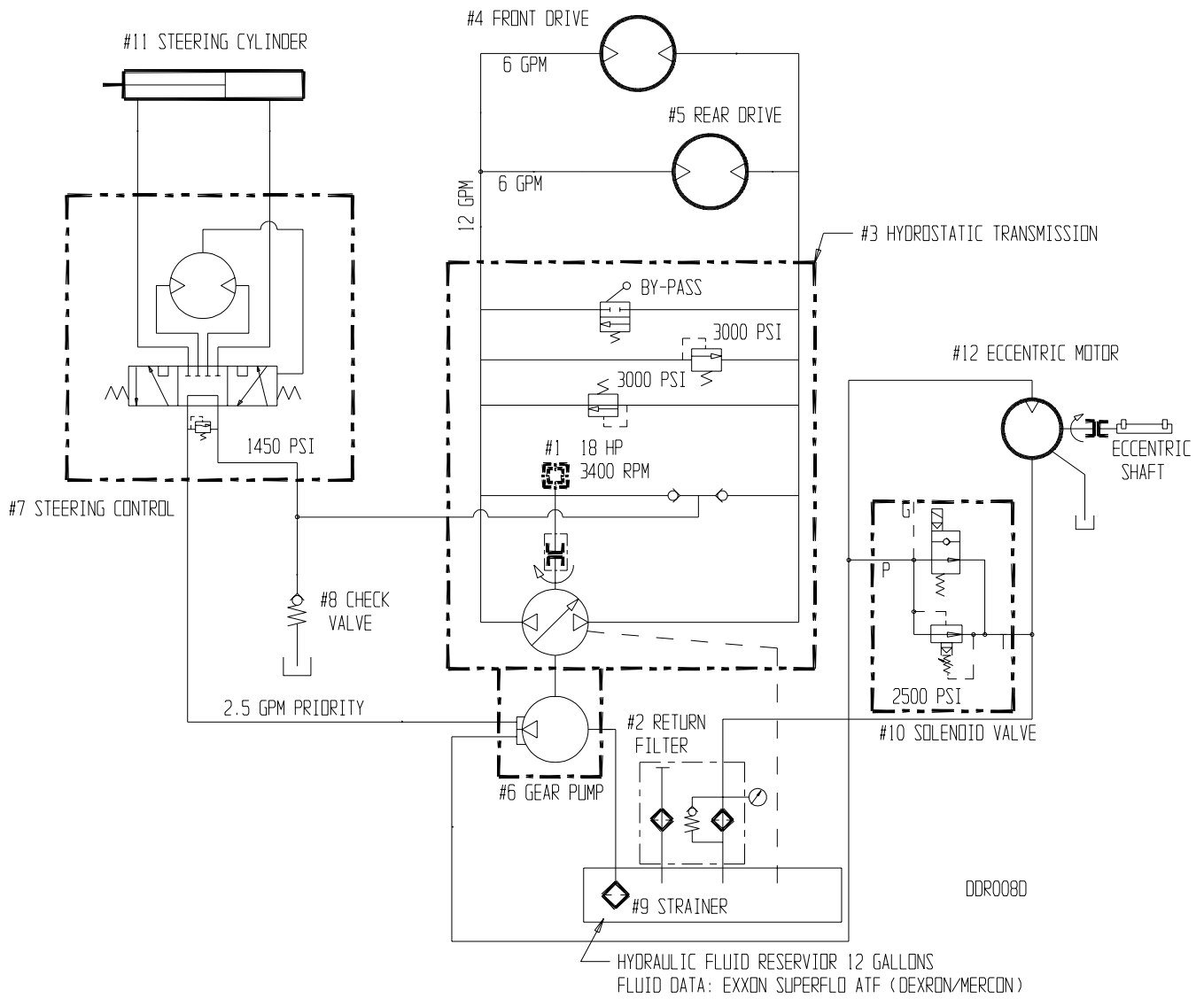
ITEM	PART NO.	DESCRIPTION	QTY.
31	46715	TUBE	1
32	46716	TUBE	1
33	46880	HOSE 1/2" 13/16OF45T 13/16OFT 67.5"	2
34	46881	HOSE LOW PRESS 1" x 16.5" BLK	1
35	46717	TUBE	1
36	46883	HOSE 1/2" 13/16OFT 13/16OFT 19"	1
37	46718	TUBE	1
38	46885	HOSE 1/2" 13/16OFT 13/16OF45T 20"	2
39	46886	HOSE 3/8" 13/16OF45T 11/16OFT 15.5"	1
40	46887	HOSE LOW PRESS 1" x 7"LG	1
41	46898	FTG 90 13/16ORF 13/16ORF SWIVEL	1
42	46888	CLAMP HOSE 1/2"	4
43	46889	FTG 90 NYLON 1/2NPT 5/8 HOSE BARB	2
44	46890	HOSE WATER 5/8" x 19 BLK	1
45	46891	HOSE WATER 5/8" x 60" BLK	1
46	46892	HOSE FUEL 1/4" 60"LG	1
47	46893	VALVE BALL 1/2NPT	2
48	46894	TUBE TEFLON 1/4" 13"LG	1
49	46895	NIPPLE PIPE 1/2NPT x 7"LG	2
50	46896	FTG 90 1/8NPT 1/4 HOSE BARB	4
51	46897	TUBE TEFLON 1/4" 6" LG	1

### Part Numbers for Replacement O-Rings

32301	O-RING - 4 TUBE .30 ID	-
32302	O-RING - 6 TUBE .36 ID	-
32303	O-RING - 8 TUBE .49 ID	-

# 4. PARTS LIST

## 4.11 Hydraulic Schematic



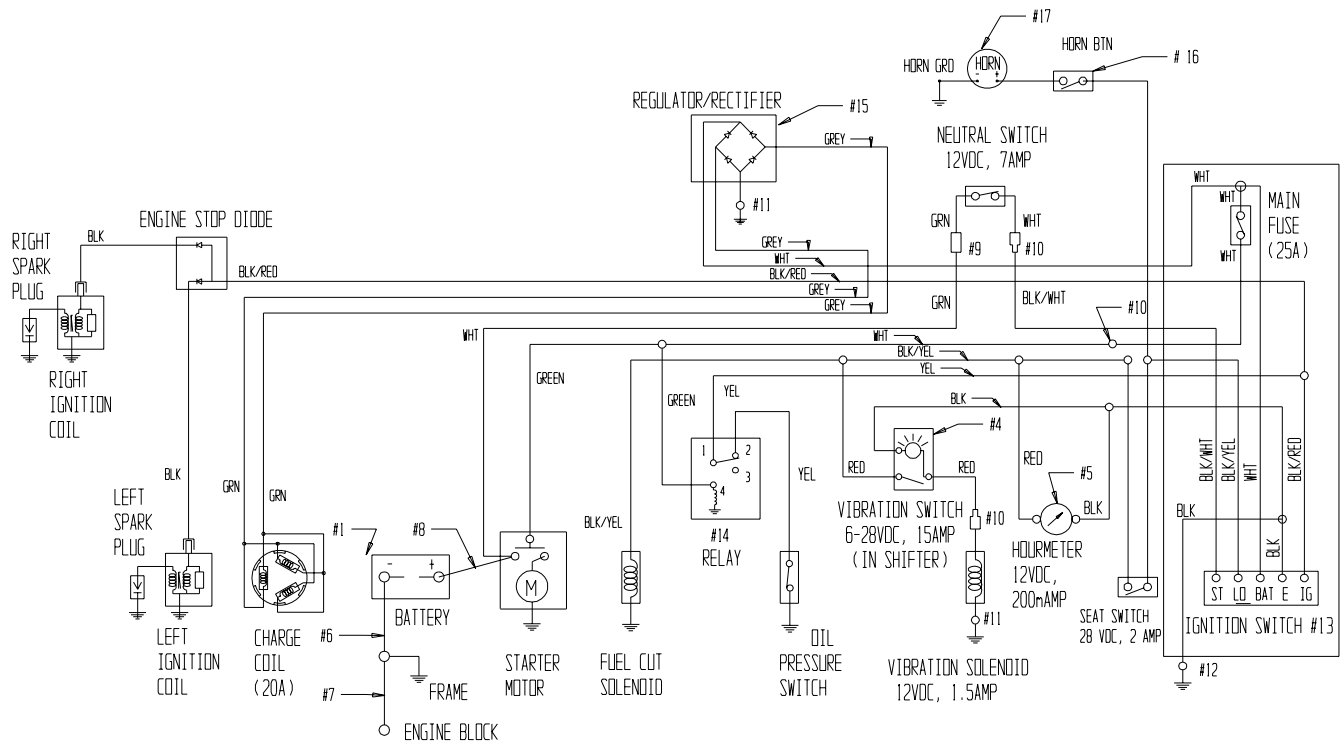
# 4. PARTS LIST

## 4.11 Hydraulic Schematic

ITEM	PART NO.	DESCRIPTION	QTY.
1	30348	Engine Honda 18HP	1
2	39739	Filter Assy	1
2a	39740	Element Oil Filter	1
2b	39741	Element Breather	1
2c	39745	Manometer (clog indicator)	1
3	39811	Pump Vari. Disp.	1
4	39804	Wheelmotor Front	1
5	39805	Wheelmotor Rear	1
6	39086	Pump Gear	1
7	46665	Control Steering	1
8	39814	Valve Check	1
9	39088	Strainer 10GPM	1
10	39089	Valve Solenoid	1
10a	39232	Cartridge Relief	1
11	39750	Cylinder 2 x 4	1
12	39810	Motor Gear	1

# 4. PARTS LIST

## 4.12 Wire Schematic



DOR011E

# 4. PARTS LIST

## 4.12 Wire Schematic

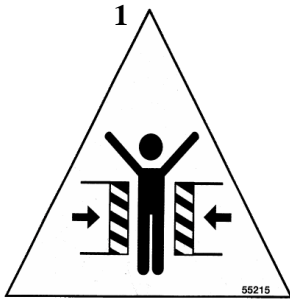
ITEM	PART NO.	DESCRIPTION	QTY.
1	38543	Battery	1
2^	39746	Harness	1
3^ +	48446	Harness Wire (ROPS Only)	1
4	39116	Vibration Switch - Located on FWD/RVS Control	1
5	36268	Hourmeter	1
6	48284	Cable 24"	2
7	48331	Cable 36"	1
8	48444	Cable 66"	1
9	48278	Term Female .25F - insul 14-16	1
10	48285	Term Male .25F - insul 14-16	3
11	36115	Term 5/16 Ring insul 14-16	2
12	36116	Term 1/4 Ring insul 14-16	1
13	31276	Ignition Switch Assembly	1
13a	46363	Key Ignition Switch	1
13b	36399	Fuse 25A Ignition	1
14	48364	Relay Power 12 VDC	1
15	39759	Regulator / Rectifier Assembly	1
16+	48423	Horn Button	1
17+	38667	Horn 12V dB(A)	1

+ WP3100R only

^ Not Shown

# 4. PARTS LIST

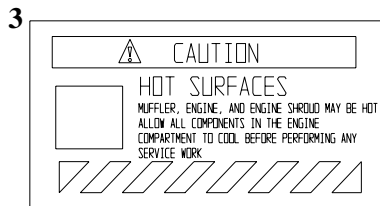
## 4.13 Decal Identification



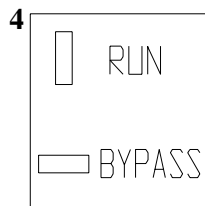
55215  
LOCATION RH/LH SIDES



55408  
LOCATION BELOW FILLER NECK



55398  
LOCATION INSIDE HOOD



55297  
LOCATION  
MAIN PUMP



55395



55422



Kit 55410



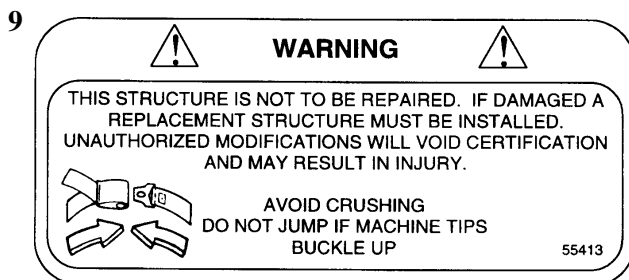
Kit 55410



55446



Kit 55410



55413  
LOCATION ROLLBAR ON ROPS

# 4. PARTS LIST

## 4.13 Decal Identification

ITEM	PART NO.	DESCRIPTION
1	55215	Decal Warning Pinch Point
2	55408	Decal Unleaded Fuel Only
3	55398	Decal Warning Hot Surfaces
4	55297	Decal Bypass
5	55395	Decal Grease Weekly
6	55422	Decal Hydraulic Fluid Mobil 424
7	55410	Kit Decal WolfPac
7a		<i>Includes:</i> Forward/Reverse
7b		Water Sprinkler
7c		Parking Brake
8	55446	Decal Gasoline WP3100
9+	55413	Decal Warning ROPS
10^	55156	Decal Notice
11^	55308	Decal Logo Stripe 33
12^	55309	Decal WolfPac 3100 LH
13^	55311	Decal Wolf Head
14^	55399	Decal WolfPac console
15^	55400	Decal Vib Button
16^	55401	Decal Maintenance Chart
17^	55407	Decal WolfPac 3100 RH

+ WP3100R only

^ Not Shown









**CALIFORNIA PROPOSITION 65 WARNING:  
Operation of this equipment and/or engine exhaust  
from this product contains chemicals known to the  
State of California to cause cancer, birth defects,  
and other reproductive harm.**



*Bred Tough. Technology Born to Work.  
The Way It Ought To Be.*

Stone Construction Equipment, Inc.  
P.O. Box 150, Honeoye, New York 14471  
Phone: (800) 888-9926  
Fax: 585-229-2363  
e-mail: [sceny@mcimail.com](mailto:sceny@mcimail.com)  
www: [stone-equip.com](http://stone-equip.com)

A 100% employee-owned American manufacturer

© 1996 Stone Construction Equipment, Inc.  
Printed in U.S.A.

GP1M