



BOMAG
FAYAT GROUP

Vibratory Tamper BT60/4 BT65/4



Easy service: hour and rpm meter with integrated service indicator.



All around engine protection.



Dual air filter system helps extend the life of the engine.

**Discount
Equipment**

www.discount-equipment.com

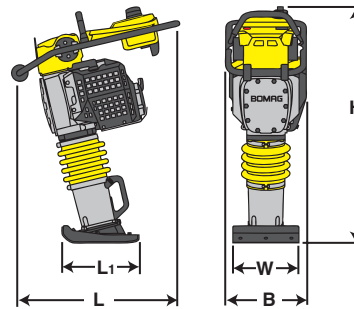


Technical Specifications

BT60/4 BT65/4

Shipping dimensions in cubic feet (m³)

BT60/4	19.3	(0.547)
BT65/4	19.3	(0.547)



Standard Equipment

- Reliable Honda 4-stroke engine
- Meets EPA 2013 requirements
- Engine protection covers and guards
- Splash oil lubrication
- Acceleration pump
- Hour / Tachometer with integrated service indicator
- Corrosion-free plastic fuel tank
- Polyethylene shoe with steel wear plate
- Centrifugal clutch
- Infinitely variable frequency
- Anti-vibration handle
- On-off switch with combined engine shut down and fuel shut off
- Dual self cleaning air filter system
- Dual fuel filter system
- Diaphragm carburetor
- Recoil starter with integral guard
- Ergonomic handle, height adjustable

Optional Equipment

- Transport wheels
- Interchangeable Shoe Kits
6", 9", 11", 13"
- 15" Tall Tamper Foot Extension Kits
4" or 6" shoe widths
- Service kit

Dimensions

	B	H	L	L ₁	W
BT60/4	13.8 (350)	37.8 (960)	28.9 (735)	13.2 (335)	11.0 (280)
BT65/4	13.8 (350)	39.4 (1000)	28.9 (735)	13.2 (335)	11.0 (280)

Technical data

	BOMAG BT60/4	BOMAG BT65/4
--	-----------------	-----------------

Weights

Basic weight	134 (61) lbs (kg)	148 (67)
Operating weight	137 (62) lbs (kg)	150 (68)

Driving characteristics (depending on site conditions)

Working speed max	66 (20) ft/min (m/min)	66 (20)
-------------------	------------------------	---------

Drive

Engine manufacturer	Honda	Honda
Type	GX 100 (4-cycle)	GX 100 (4-cycle)
Cooling	air	air
Number of cylinders	1	1
Performance ISO 9249	3.4 (2.5) hp (kW)	3.4 (2.5)
Speed	4200	4200
Fuel	gasoline	gasoline
Fuel consumption max	0.2 (0.8) gal/h (l/h)	0.2 (0.8)
Starting device	recoil	recoil

Vibratory System

Drive system	mechanical	mechanical
Frequency	600-708 (10-11.8) bpm (Hz)	600-708 (10-11.8)
Jumping height	2.4 in (mm)	(60) 2.8 (70)
Impact force	3035 (13.5) lbs (kN)	3642 (16.2)

Capacities

Fuel	0.8 (3) gal (l)	0.8 (3)
------	-----------------	---------

Technical modifications reserved. Machine may be shown with options.



Easy rolling with optional transport wheels



Easy to load and unload



Combined engine shut down and fuel shut off



www.discount-equipment.com

TO PURCHASE THIS PRODUCT PLEASE CONTACT US



**Equipment Financing and
Extended Warranties Available**



**Discount-Equipment.com is your online resource for
commercial and industrial quality parts and equipment sales.**

561-964-4949

visit us on line @ www.discount-equipment.com

Select an option below to find your Equipment

Search by Manufacturer

Search by Product Type

Request a Quote

We sell worldwide for the brands: Genie, Terex, JLG, MultiQuip, Mikasa, Essick, Whiteman, Mayco, Toro Stone, Diamond Products, Generac Magnum, Airman, Haulotte, Barreto, Power Blanket, Nifty Lift, Atlas Copco, Chicago Pneumatic, Allmand, Miller Curber, Skyjack, Lull, Skytrak, Tsurumi, Husquvarna Target, Stow, Wacker, Sakai, Mi-T-M, Sullair, Basic, Dynapac, MBW, Weber, Bartell, Bennar Newman, Haulotte, Ditch Runner, Menegotti, Morrison, Contec, Buddy, Crown, Edco, Wyco, Bomag, Laymor, EZ Trench, Bil-Jax, F.S. Curtis, Gehl Pavers, Heli, Honda, ICS/PowerGrit, IHI, Partner, Imer, Clipper, MMD, Koshin, Rice, CH&E, General Equipment, Amida, Coleman, NAC, Gradall, Square Shooter, Kent, Stanley, Tamco, Toku, Hatz, Kohler, Robin, Wisconsin, Northrock, Oztec, Toker TK, Rol-Air, APT, Wylie, Ingersoll Rand / Doosan, Innovatech, Con X, Ammann, Mecalac, Makinex, Smith Surface Prep, Small Line, Wanco, Yanmar