



SERVICE/PARTS MANUAL

MODELS: 95CMP & 95CMPED



CONCRETE MIXER

A 100% employee-owned American manufacturer

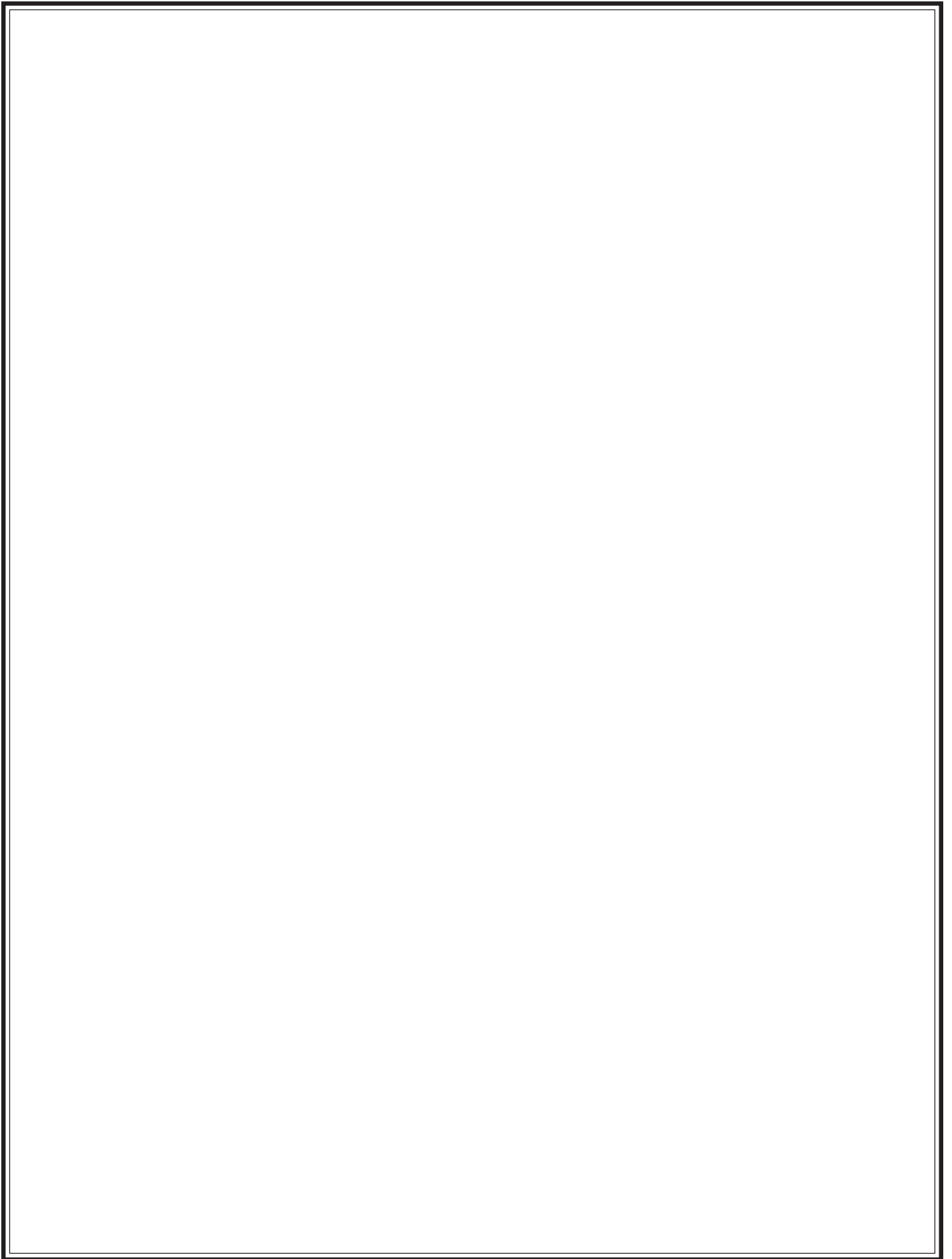


Table of Contents

95CMP & 95CMPED

| | |
|--|----------------|
| FOREWORD | 4 |
| Limited WARRANTY | 5 |
| | |
| TECHNICAL DATA | 6 - 8 |
| Specifications | 6 |
| Imperial Torque Chart | 7 |
| Metric Torque Chart | 8 |
| | |
| HEALTH & SAFETY | 9 - 13 |
| | |
| MAINTENANCE | 14 - 15 |
| Maintenance & Lubrication | 14 |
| Cleaning | 14 |
| Towing | 14 |
| Maintenance Schedule | 15 |
| | |
| HARDWARE IDENTIFICATION | 16 |
| | |
| EXPLODED DIAGRAM AND PARTS LIST | 18 - 41 |
| 95CMP Frame & Drum Assembly | 18 - 21 |
| 95CMPED Frame & Drum Assembly | 22 - 25 |
| Tilt Mechanism | 26 - 27 |
| 95CMP & 95CMPED Gas/Diesel Drive | 28 - 31 |
| Grounding Switch | 32 - 33 |
| 95CMP & 95CMPED Electric Drive | 34 - 35 |
| Electric Wiring | 36 - 37 |
| Trailer Lights Ooption | 38 - 39 |
| Spring Axle Assembly | 40 - 41 |
| Decal Identification | 42 - 43 |
| | |
| CALIFORNIA PROPOSITION 65 WARNING | IBC |

User Information

Forward

These instructions include:

- Safety regulations
- Operating instructions
- Maintenance instructions

These instructions have been prepared for operation on the construction site and for the maintenance engineer.

These instructions are intended to simplify operation of the machine and to avoid malfunctions through improper operation.

Observing the maintenance instructions will increase the reliability and service life of the machine when used on the construction site and reduce repair costs and downtimes.

Always keep these instructions at the place of use of the machine.

Only operate the machine as instructed and follow these instructions.

Observe the safety regulations as well as the guidelines of the civil engineering trade association. Observe the safety rules for operation and the pertinent regulations for the prevention of accidents.

Stone Construction Equipment, Inc. is not liable for the function of the machine when used in an improper manner or for other than the intended purpose.

Operating errors, improper maintenance and the use of incorrect operating materials are not covered by the warranty.

The above information does not extend the warranty and liability conditions of business of Stone Construction Equipment, Inc.

1. Machine Type: _____

Machine S/N: _____

2. Engine Type: _____

Engine S/N: _____

3. VIN: _____

4. Purchase Date: _____

5. Dealer/Distributor Information:

Name: _____

Address: _____

Phone #: _____

Fax #: _____

6. Battery
Manufacturer: _____

Battery Type: _____

Battery S/N: _____

Location of above information:

1. Information on S/N tag.
2. Information on engine tag.
3. Information on S/N tag - if applicable.
4. Date you purchased machine.
5. Dealer machine was purchased from.
6. Information on battery and battery warranty card.

Stone Construction Equipment, Inc.
P.O. Box 150, Honeoye, New York 14471
Phone: (800) 888-9926
Fax: (585) 229-2363

L i m i t e d W a r r a n t y

The Manufacturer warrants that products manufactured shall be free from defects in material and workmanship that develop under normal use for a period of 90 days for concrete vibrators and electric pumps, one year for Rhino®, Bulldog®, WolfPac Rollers™, trowels, Stompers®, saws, forward plates, engine powered pumps, Lift Jockey™, Mortar Buggy™ and 6 months for all other products from the date of shipment. The foregoing shall be the exclusive remedy of the buyer and the exclusive liability of the Manufacturer. Our warranty excludes normal replaceable wear items, i.e. gaskets, wear plates, seals, O-rings, V-belts, drive chains, clutches, etc. Any equipment, part or product which is furnished by the Manufacturer but manufactured by another, bears only the warranty given by such other manufacturer. (The Manufacturer extends the warranty period to "Lifetime" for the drum bearings and seals for the mortar mixers, and agrees to furnish, free of charge, the bearings and seals only upon receipt of the defective parts. The warranty is two years for eccentric bearings on the forward plate compactors, mortar and plaster mixer drums, trowel gearboxes and five years on the Bulldog trench roller eccentric bearings.) A Warranty Evaluation Form must accompany all defective parts. Warranty is voided by product abuse, alterations, and use of equipment in applications for which it was not intended, use of non-manufacturer parts, or failure to follow documented service instructions. The foregoing warranty is exclusive of all other warranties whether written or oral, expressed or implied. No warranty of merchantability or fitness for a particular purpose shall apply. The agents, dealer and employees of Manufacturer are not authorized to make modification to this warranty, or additional warranties binding on Manufacturer. Therefore, additional statements, whether oral or written, do not constitute warranty and should not be relied upon.

The Manufacturer's sole responsibility for any breach of the foregoing provision of this contract, with respect to any product or part not conforming to the Warranty or the description herein contained, is at its option (a) to repair, replace or refund such product or parts upon the prepaid return thereof to location designated specifically by the Manufacturer. Product returns not shipped prepaid or on an economical transportation basis will be refused (b) as an alternative to the foregoing modes of settlement - the Manufacturer's dealer to repair defective units with reimbursement for expenses, except labor, and be reviewed with the Manufacturer prior to repair. A Warranty Evaluation Form must accompany all warranty claims.

Except as set forth hereinabove and without limitation of the above, there are no warranties or other affirmations which extends beyond the description of the products and the fact hereof, or as to operational efficiency, product reliability or maintainability or compatibility with products furnished by others. In no event whether as a result of breach of contract or warranty or alleged negligence, shall the Manufacturer be liable for special or consequential damages including but not limited to: Loss of profits or revenues, loss of use of the product or any associated product, cost of capital, cost of substitute products, facilities or services or claims of customers.

No claim will be allowed for products lost or damaged in transit. Such claims should be filed with the carrier within fifteen days.

Effective July 2002.

Stone Construction Equipment, Inc. • 8662 Main Street, P. O. Box 150 • Honeoye, NY 14471-0150
Phone: 1-800-888-9926 • 1-585-229-5141 Fax: 1-585-229-2363
www.stone-equip.com • e-mail: sceny@stone-equip.com

TECHNICAL DATA

Specifications

Stone 95CMP & 95CMPED Mixer – Specifications

| | 95CMP | 95CMPED |
|-----------------------------|--|---|
| <u>Dimensions</u> | | |
| Operating Wt. | 837 lbs. (w/ 8 hp Honda) 380 kg | 875 lbs. (w/ 8 hp Honda) 396.9 kg |
| Batch Capacity (Bags) | 1 - 1 1/2 bags | 1 - 1 1/2 bags |
| Batch Capacity (cu. ft.) | 9 cu. ft. / .255 cu. m. | 9 cu. ft. / .255 cu. m. |
| Total Volume | 15.1 cu. ft. / .43 cu. m. | 15.1 cu. ft. / .43 cu. m. |
| L x W x H | 84 x 56 x 65 (in) 213.4 x 142.2 x 165.1 (cm) | 85 x 85 x 71 (in) 215.9 x 215.9 x 180.3 (cm) |
| Power Source | 1 1/2 hp / 1.1 kW Electric 6 hp / 4.5 kW Diesel 8.5 hp / 6.3 kW Robin 8 hp / 6 kW B&S Kool Bore 8 hp / 5.9 kW B&S I/P 8 hp / 6 kW Honda 10 hp / 7.5 kW B&S I/P | 1 1/2 hp / 1.1 kW Electric 6 hp / 4.5 kW Yanmar Diesel 8.5 hp / 6.3 kW Robin 8 hp / 6 kW B&S Kool Bore 8 hp / 5.9 kW B&S I/P 8 hp / 6 kW Honda 10 hp / 7.5 kW B&S I/P |

TECHNICAL DATA

Imperial Torque Chart

| SAE GRADE 5 Coarse Thread, Zinc-Plated | | |
|---|----------|-------|
| SIZE | TORQUE | |
| | ft. lbs. | Nm |
| 1/4 - 20 (.250) | 6 | 8 |
| 5/16 - 18 (.3125) | 13 | 18 |
| 3/8 - 16 (.375) | 23 | 31 |
| 7/16 - 14 (.4375) | 37 | 50 |
| 1/2 - 13 (.500) | 57 | 77 |
| 9/16 - 12 (.5625) | 82 | 111 |
| 5/8 - 11 (.625) | 112 | 152 |
| 3/4 - 10 (.750) | 200 | 271 |
| 7/8 - 9 (.875) | 322 | 436.5 |
| 1 - 8 (1.000) | 483 | 655 |

| SAE GRADE 8 Coarse Thread, Zinc-Plated | | |
|---|----------|-----|
| SIZE | TORQUE | |
| | ft. lbs. | Nm |
| 1/4 - 20 (.250) | 9 | 12 |
| 5/16 - 18 (.3125) | 18 | 24 |
| 3/8 - 16 (.375) | 33 | 45 |
| 7/16 - 14 (.4375) | 52 | 70 |
| 1/2 - 13 (.500) | 80 | 108 |
| 9/16 - 12 (.5625) | 115 | 156 |
| 5/8 - 11 (.625) | 159 | 215 |
| 3/4 - 10 (.750) | 282 | 382 |
| 7/8 - 9 (.875) | 454 | 615 |
| 1 - 8 (1.000) | 682 | 925 |

| SAE GRADE 5 Fine Thread, Zinc-Plated | | |
|---|----------|-----|
| SIZE | TORQUE | |
| | ft. lbs. | Nm |
| 1/4 - 28 (.250) | 7 | 10 |
| 5/16 - 24 (.3125) | 14 | 19 |
| 3/8 - 24 (.375) | 26 | 35 |
| 7/16 - 20 (.4375) | 41 | 56 |
| 1/2 - 20 (.500) | 64 | 87 |
| 9/16 - 18 (.5625) | 91 | 123 |
| 5/8 - 18 (.625) | 128 | 173 |
| 3/4 - 16 (.750) | 223 | 302 |
| 7/8 - 14 (.875) | 355 | 481 |
| 1 - 12 (1.000) | 529 | 717 |
| 1 - 14 (1.000) | 541 | 733 |

| SAE GRADE 8 Fine Thread, Zinc-Plated | | |
|---|----------|------|
| SIZE | TORQUE | |
| | ft. lbs. | Nm |
| 1/4 - 28 (.250) | 10 | 14 |
| 5/16 - 24 (.3125) | 20 | 27 |
| 3/8 - 24 (.375) | 37 | 50 |
| 7/16 - 20 (.4375) | 58 | 79 |
| 1/2 - 20 (.500) | 90 | 122 |
| 9/16 - 18 (.5625) | 129 | 175 |
| 5/8 - 18 (.625) | 180 | 244 |
| 3/4 - 16 (.750) | 315 | 427 |
| 7/8 - 9 (.875) | 501 | 679 |
| 1 - 12 (1.000) | 746 | 1011 |
| 1 - 14 (1.000) | 764 | 1036 |

t-chrt_i.doc

TECHNICAL DATA

Metric Torque Chart

Property Class 8.8

ZINC-PLATED

| SIZE | Coarse Thread | | Fine Thread | |
|------|---------------|----------|-------------|----------|
| | Nm | ft. lbs. | Nm | ft. lbs. |
| M6 | 9.9 | 7 | NA | NA |
| M8 | 24 | 18 | 25 | 18 |
| M10 | 48 | 35 | 49 | 36 |
| M12 | 83 | 61 | 88 | 65 |
| M14 | 132 | 97 | 140 | 103 |
| M16 | 200 | 148 | 210 | 155 |
| M20 | 390 | 288 | 425 | 313 |
| M24 | 675 | 498 | 720 | 531 |

Property Class 10.9

ZINC-PLATED

| SIZE | Coarse Thread | | Fine Thread | |
|------|---------------|----------|-------------|----------|
| | Nm | ft. lbs. | Nm | ft. lbs. |
| M6 | 14 | 10 | NA | NA |
| M8 | 34 | 25 | 35 | 26 |
| M10 | 67 | 49 | 68 | 50 |
| M12 | 117 | 86 | 125 | 92 |
| M14 | 185 | 136 | 192 | 142 |
| M16 | 285 | 210 | 295 | 218 |
| M20 | 550 | 406 | 600 | 443 |
| M24 | 950 | 701 | 1000 | 738 |

Property Class 12.9

ZINC-PLATED

| SIZE | Coarse Thread | | Fine Thread | |
|------|---------------|----------|-------------|----------|
| | Nm | ft. lbs. | Nm | ft. lbs. |
| M6 | 16.5 | 12 | NA | NA |
| M8 | 40 | 30 | 42 | 31 |
| M10 | 81 | 60 | 82 | 60 |
| M12 | 140 | 103 | 150 | 111 |
| M14 | 220 | 162 | 235 | 173 |
| M16 | 340 | 251 | 350 | 258 |
| M20 | 660 | 487 | 720 | 531 |
| M24 | 1140 | 841 | 1200 | 885 |

Conversion Factor: 1 ft. lb. = 1.3558 Nm

HEALTH & SAFETY

Safety Precautions

Before using this equipment, study this entire manual to become familiar with its operation. Do not allow untrained or unauthorized personnel, especially children, to operate this equipment. Use only factory authorized parts for service.

When warning decals are destroyed or missing, contact the Manufacturer immediately at 1-800-888-9926 for replacement. For the safety of yourself and others, it is imperative that the following rules are observed. Failure to do so may result in serious injury or death.

FOLLOW SAFETY INSTRUCTIONS

Carefully read all safety messages and decals in this manual and on your machine safety signs. Keep decals in good condition. Replace missing or damaged decals. Be sure new equipment components and repair parts include the current safety signs. Replacement safety signs and decals are available through your dealer.



Learn how to operate the machine and how to use controls properly. Do not let anyone operate without instruction.

Keep your machine in proper working condition. Unauthorized modifications to the machine may impair the function and/or safety and affect machine life.

If you do not understand any part of this manual and need assistance, contact your dealer.

▲ DANGER

▲ WARNING

▲ CAUTION

UNDERSTAND SIGNAL WORDS

A signal word – DANGER, WARNING, or CAUTION – is used with the safety-alert symbol. DANGER identifies the most serious hazards.

DANGER or WARNING safety signs are located near specific hazards. General precautions are listed on CAUTION safety signs. CAUTION also calls attention to safety messages in this manual.



This notation appears before warnings in the text. It means that the step which follows must be carried out to avoid the possibility of personal injury or death. These warnings are intended to help the technician avoid any potential hazards encountered in the normal service procedures. We strongly recommend that the reader takes advantage of the information provided to prevent personal injury or injury to others.

HEALTH & SAFETY

Safety Precautions

USE COMMON SENSE WHEN HANDLING FUELS



- Transport and handle fuel only when contained in approved safety container.
- Do not smoke when refueling or during any other fuel handling operation.
- Do not refuel while the engine is running or while it is still hot.
- If fuel is spilled during refueling, wipe it off from the engine immediately and discard the rag in a safe place.
- Do not operate the equipment if fuel or oil leaks exist - repair immediately.
- Never operate this equipment in an explosive atmosphere.



- Always use the proper size grounded extension cord, conforming to the National Electric Code and Local Ordinances.
- Inspect all extensions and electrical cords for cuts, frayed wire and broken connectors before use. Do not use cords if not in good condition.
- Do not route extension cords through standing water.
- Do not operate the mixer in standing water.
- When cleaning the mixer, never spray water on the electric motor.



HOT SURFACES

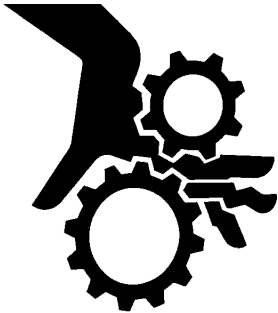
- Avoid contact with hot exhaust systems and engines.
- Allow all components in the engine compartment to cool before performing any service work.

WARNING

- Never leave mixer unattended while running.
- Mix only concrete.

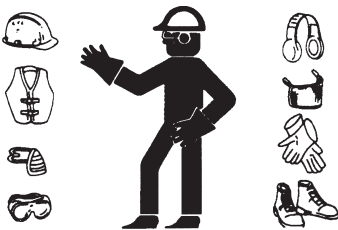
HEALTH & SAFETY

Safety Precautions

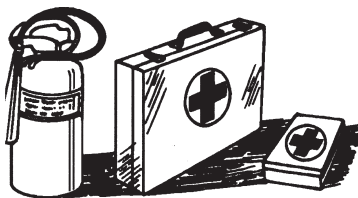


- Never perform any work on the mixer while it is running.
- Before working on the mixer, stop the engine and disconnect the spark plug wire(s) to prevent accidental starting. On electric models, disconnect the electric cord at the mixer.
- Keep cowl closed and latched during the operation, close and latch cowl immediately after starting.
- Keep hands, clothing and jewelry away from all moving parts.
- Keep all guards in place, including drum guards.
- Never place your hands or any solid object into the drum while the mixer is in operation.

WEAR PROTECTIVE CLOTHING



- Wear close fitting clothing and safety equipment appropriate to the job.
- Prolonged exposure to loud noise can cause impairment or loss of hearing.
- Wear a suitable hearing protective device such as earmuffs or earplugs to protect against objectionable or uncomfortable loud noises.
- Operating equipment safely requires the full attention of the operator. Do not wear radio or music headphones while operating machine.



PREPARE FOR EMERGENCIES

- Be prepared if a fire starts.
- Keep a first aid kit and fire extinguisher handy.
- Keep emergency numbers for doctors, ambulance service, hospital, and fire department near your telephone.

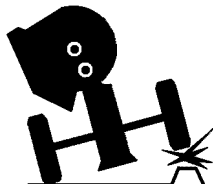
HEALTH & SAFETY

Safety Precautions



Warning-Eye Protection

- Always wear splash goggles when operating mixer.



Warning-Towing

- Warning: Do not tow the mixer with the drum in the dump position. Mixer may become unstable and tip over when hitting a curb, pothole, or other obstruction.



- Warning: Always properly attach safety chains before mixer is towed. Maximum towing speed 55 m.p.h. (90 km/hr). Reduce speed according to highway conditions.



DANGER

1. Check vehicle hitch, ball, and coupler for signs of wear or damage. Replace any parts that are worn or damaged before towing.



**BEFORE
TOWING**

2. Use only the ball diameter indicated on your coupler. Use of any other ball diameter will create an extremely and dangerous condition which can result in separation of the coupler and ball or ball failure.
3. Be sure the coupler is secured to the hitch ball and the lock lever is down tight and locked. Assure that the ball clamp is properly nested under the ball and not sitting on top of the ball. Recheck tightness again after towing about 50 miles.
4. Check that trailer safety chains are properly connected.
5. Check that all trailer lighting is hooked up and working correctly.



- Never operate unit in a poorly ventilated or enclosed area.
- Avoid prolonged breathing of exhaust gases.
- Engine exhaust fumes can cause sickness or death.

HEALTH & SAFETY

Safety Precautions

PRACTICE SAFE MAINTENANCE

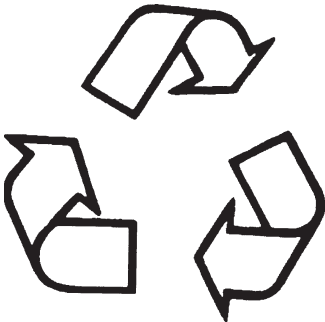


- Understand service procedure before doing work. Keep area clean and dry.
- Never lubricate, service or adjust machine while it is moving. Keep hands, feet, and clothing from power-driven parts. Disengage all power and operate controls to relieve pressure. Lower equipment to the ground. Stop the engine. Remove the key. Allow machine to cool.
- Securely support any machine elements that must be raised for service work.
- Keep all parts in good condition and properly installed. Repair damage immediately. Replace worn or broken parts. Remove any buildup of grease, oil, or debris.
- Disconnect battery ground cable (-) before making adjustments on electrical systems or welding on machine.



- Starting fluid (ether) is highly flammable, do not use or an explosion or fire may result.

DISPOSE OF WASTE PROPERLY



- Improperly disposing of waste can threaten the environment and ecology. Potentially harmful waste used with equipment include such items as oil, fuel, coolant, brake fluid, filters, and batteries.
- Use leakproof containers when draining fluids. Do not use food or beverage containers that may mislead someone into drinking from them.
- Do not pour waste onto the ground, down a drain, or into any water source.
- Air conditioning refrigerants escaping into the air can damage the Earth's atmosphere. Government regulations may require a certified air conditioning service center to recover and recycle used air conditioning refrigerants.
- Inquire on the proper way to recycle or dispose of waste from your local environmental or recycling center.

SAFETY DECALS - FOR THE SAFETY OF YOURSELF AND OTHERS REPLACE ANY DAMAGED OR MISSING SAFETY DECALS.

- Warning Decal (SN-92) P/N 55011
- Safety Instruction Decal (SN-67A) P/N 55046
- Warning Decal (SN-8) P/N 55127
- Safety Chain Decal (Front Post, SN-66) P/N 55121

MAINTENANCE

Maintenance and Lubrication/ Drum, Spindle, Bearing Re- placement/Cleaning/Towing

MAINTENANCE AND LUBRICATION

To get long and trouble-free service from this mixer, it is essential that you perform periodic maintenance on the engine and machine mechanisms. Follow the guide lines listed below:

REPLACEMENT OF DRUM, SPINDLE & BEARINGS

The Pipe Plug (Item 1) is sealed in the bearing house with loctite 262. It may be necessary to apply heat to the housing for removal. Apply loctite 262 upon reassembly to ensure proper locking and sealing.

Note that all adjustments must be made with drum in the vertical (drum-up) position. Impact drivers may not be used as they will return incorrect torque readings.

65/75/95/105CM--Loosen side bolt and retighten finger-tight. Torque spindle bolt to 40 ft. lbs. Loosen spindle bolt one (1) turn and re-torque to 25 ft. lbs. Loosen side bolt one (1) turn and re-torque to 30 ft. lbs.

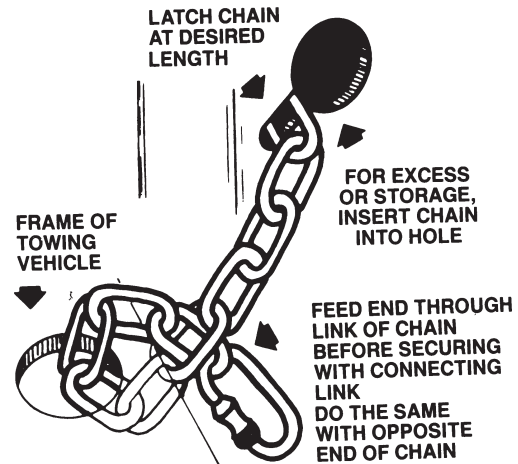
HARDWARE

Periodically inspect all hardware on the mixer and engine / motor. Loose hardware can contribute to early component failure and poor performance.

TOWING

Before attempting to tow this mixer, check the state and local laws that apply to your intended route and check the following:

1. Hitch attached to the towing vehicle securely.
2. Towpole fully extended and bolted to mixer securely.
3. Safety chain hooked up properly (see illustration below or decal on mixer front post).
4. Lug nuts, wheel nuts and axle mount nuts tight.



5. Main axle springs and small snubber springs and bolts not broken or cracked.
6. Tires in good shape and at proper inflation as follows:
Tire size B78 x 13 @ 35 P.S.I.

Refer to FRAME AND DRUM ASSEMBLY and AXLE ASSEMBLY sections of this manual for parts identification and location.

WARNING

DO NOT EXCEED A TOWING SPEED OF 55 MILES/HR (90 KM/HR). FOR POOR ROAD CONDITIONS OR INCLEMENT WEATHER, REDUCE SPEED ACCORDINGLY.

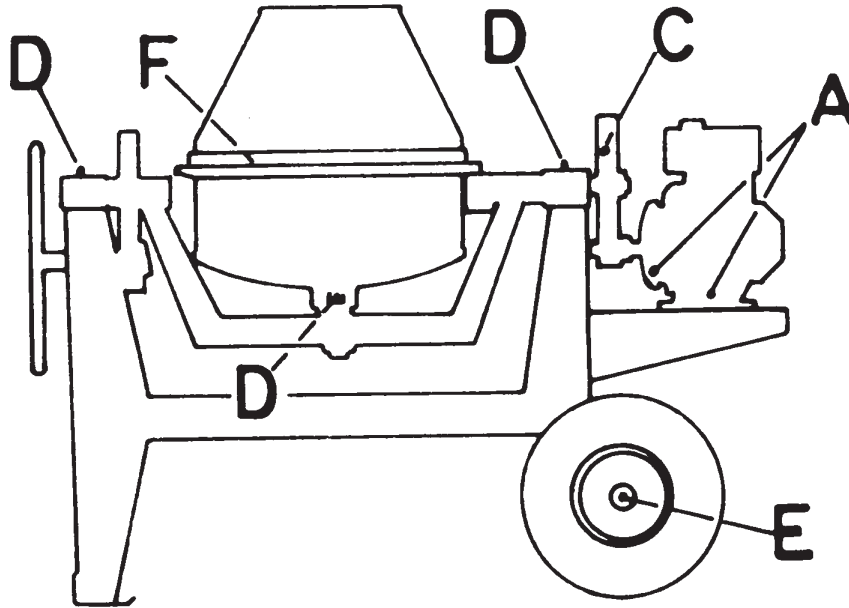


**Recommended Coupler
Maintenance
Read Entire Owners Manual**

1. Smear ball socket and clamp face with chassis grease. Periodically, oil pivot points and sliding surfaces of coupler with SAE 30 wt. motor oil.
2. When parking or storing your trailer, keep the coupler off the ground so dirt will not build up in the ball socket.
3. Replacement instructions:
 - Use (2) 1/2 inch grade 5 through bolts and locknuts, torque to 57 ft. lbs.

MAINTENANCE

Schedule



NOTE: Cowl removed for clarity. Do not operate mixer with cowl removed.

A. ENGINE - Daily check the oil levels in the engine and engine reduction unit. The engine warranty is **void** if run without oil. Since there are many options available on this mixer, consult the ENGINE MANUAL for specific recommendations as to oil level, oil type required and frequency of oil changes required. For maximum service life from the engine, follow those recommendations.

B. * WEEKLY - Grease idler shaft pillow block bearings on electric drive models.

***WEEKLY** - Check diesel gearbox oil level. Oil level should be visible at pipe plug. Lubricate diesel gearbox with SAE30W to SAE80W oil as needed.

C. WEEKLY - Lubricate chain and sprockets on chain drive models with a few drips of SAE 30 motor oil or any spray chain lube.

D. MONTHLY - Grease trunnions (2) places and drum spindle (2) places.

E. YEARLY - Repack (4) tapered roller bearings in wheel hubs and replace wheel seals. Install washer and nut. Torque to 20 ft. lbs. back off one turn, torque to 7 ft. lbs. back off to first slot in nut and insert cotter key.

F. DO NOT lubricate pinion and ring gear. They will collect abrasive materials and accelerate wear.

Lubricate diesel gearbox with SAE30W oil as needed.

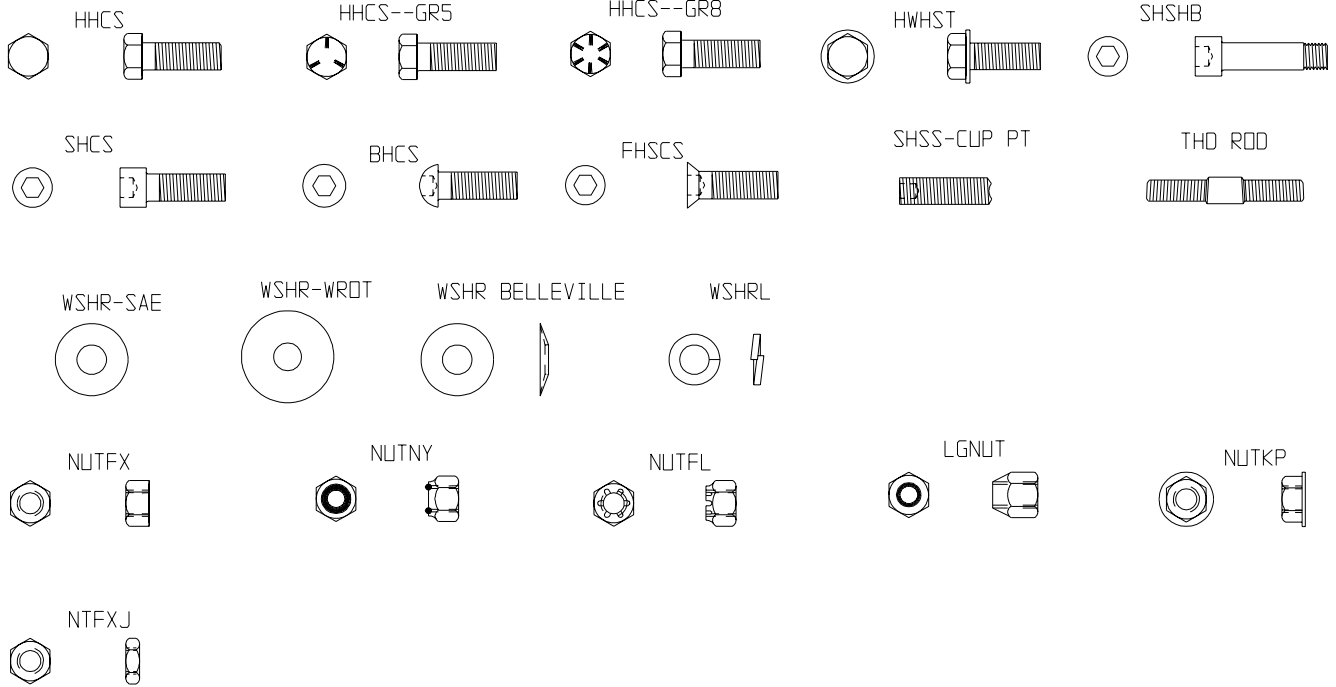
Use any Grade #1 lithium base grease for the above applications.

* See Exploded Views with Parts Section of this manual for exact location.

* Gearbox gasket kit P/N 23197.

MAINTENANCE

Hardware Identification



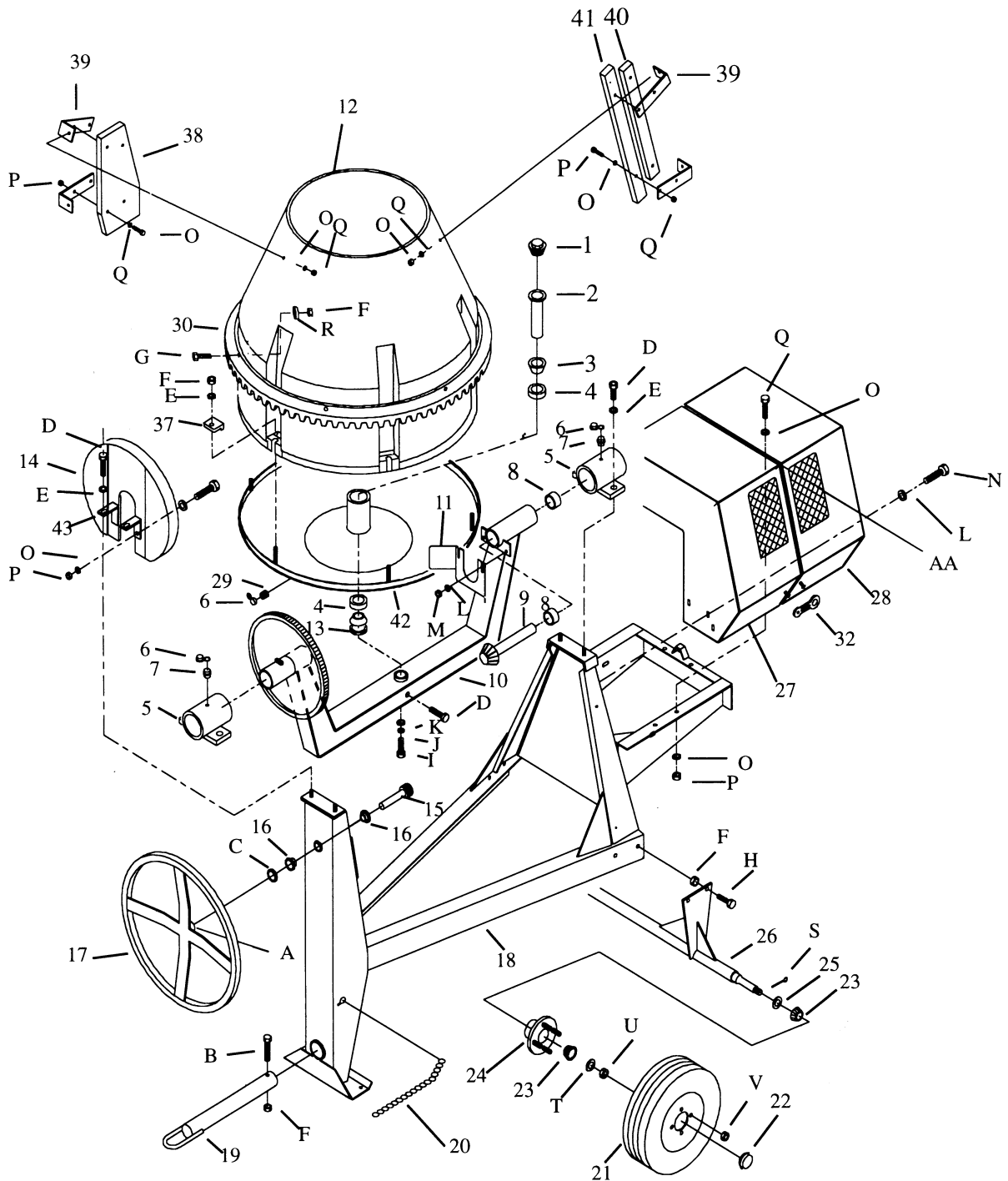
PARTS LIST

Exploded Views with Parts

| | |
|--|---------|
| 95CMP Frame & Drum Assembly | 18 - 21 |
| 95CMPED Frame & Drum Assembly | 22 - 25 |
| Tilt Mechanism | 26 - 27 |
| 95CMP & 95CMPED Gas/Diesel Drive | 28 - 31 |
| Grounding Switch | 32 - 33 |
| 95CMP & 95CMPED Electric Drive | 34 - 35 |
| Electric Wiring | 36 - 37 |
| Trailer Lights Option | 38 - 39 |
| Spring Axle Assembly | 40 - 41 |
| Decal Identification | 42 - 43 |

PARTS LIST

95CMP Frame and Drum Assembly



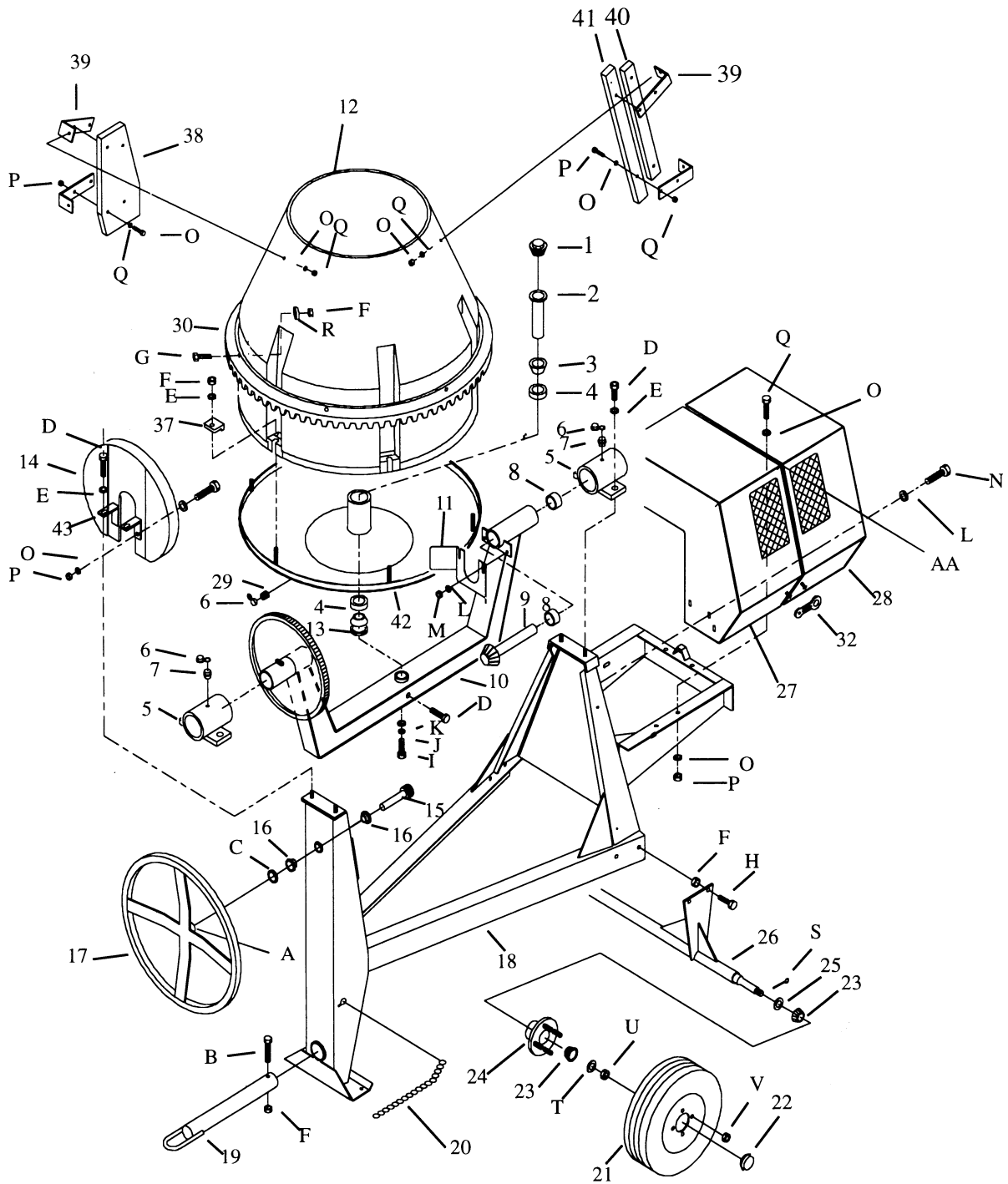
PARTS LIST

95CMP Frame and Drum Assembly

| ITEM | PART NO. | DESCRIPTION | QTY. |
|------|-----------|---|------|
| 1 | 46022 | Pipe Plug | 1 |
| 2 | 27267 | Spindle Assembly | 1 |
| 3 | 32086 | Bearing | 1 |
| 4 | 32160 | Race | 2 |
| 5 | 24349-SLV | Trunnion | 2 |
| 6 | 47001 | Caplug Blue | 3 |
| 7 | 46042 | Grease Fitting | 2 |
| 8 | 32039 | Bearing | 2 |
| 9 | 21487 | Shaft Drive Assembly | 1 |
| 10 | 21840-SLV | Yoke | 1 |
| 11 | 27144-SLV | Pinion Guard | 1 |
| 12 | 42820 | Assembly Drum & Gear | 1 |
| 13 | 32161 | Bearing w/Seal | 1 |
| 14 | 27617 | Guard Brake Upper | 1 |
| 15 | 22029 | Shaft Tilt (lubricate with low viscosity oil at assembly) | 1 |
| 16 | 32032 | Bushing Nylon | 2 |
| 17 | 22096-SLV | Handwheel | 1 |
| 18 | 22026-SLV | Frame | 1 |
| 19 | 26096-2 | Tow Pole | 1 |
| 20 | 21655 | Kit Safety Chain | 1 |
| 21 | 34134 | Tire and Rim | 2 |
| 22 | 34573 | Dust Cap | 2 |
| 23 | 32051 | Bearing Cone | 4 |
| 24 | 34501 | Hub | 2 |
| 25 | 32052 | Seal Wheel Hub | 2 |
| 26 | 21460-SLV | Axle | 1 |
| 27 | 44406-2 | Cowl Stationary | 1 |
| 28 | 44383-2 | Cowl Moveable | 1 |
| 29 | 46057 | Fitting C9-616 | 1 |
| 30 | 26317-SLV | Ring Gear (included in item 12--can be sold separately.) | 1 |
| 32 | 47182 | Latch Rubber | 3 |
| 37 | 42781-2 | Clamp Drum | 6 |
| 38 | 47340 | Paddle Large | 2 |
| 39 | 42810-2 | Bracket Paddle | 8 |
| 40 | 47341 | Paddle 22 Inch | 2 |

PARTS LIST

95CMP Frame and Drum Assembly



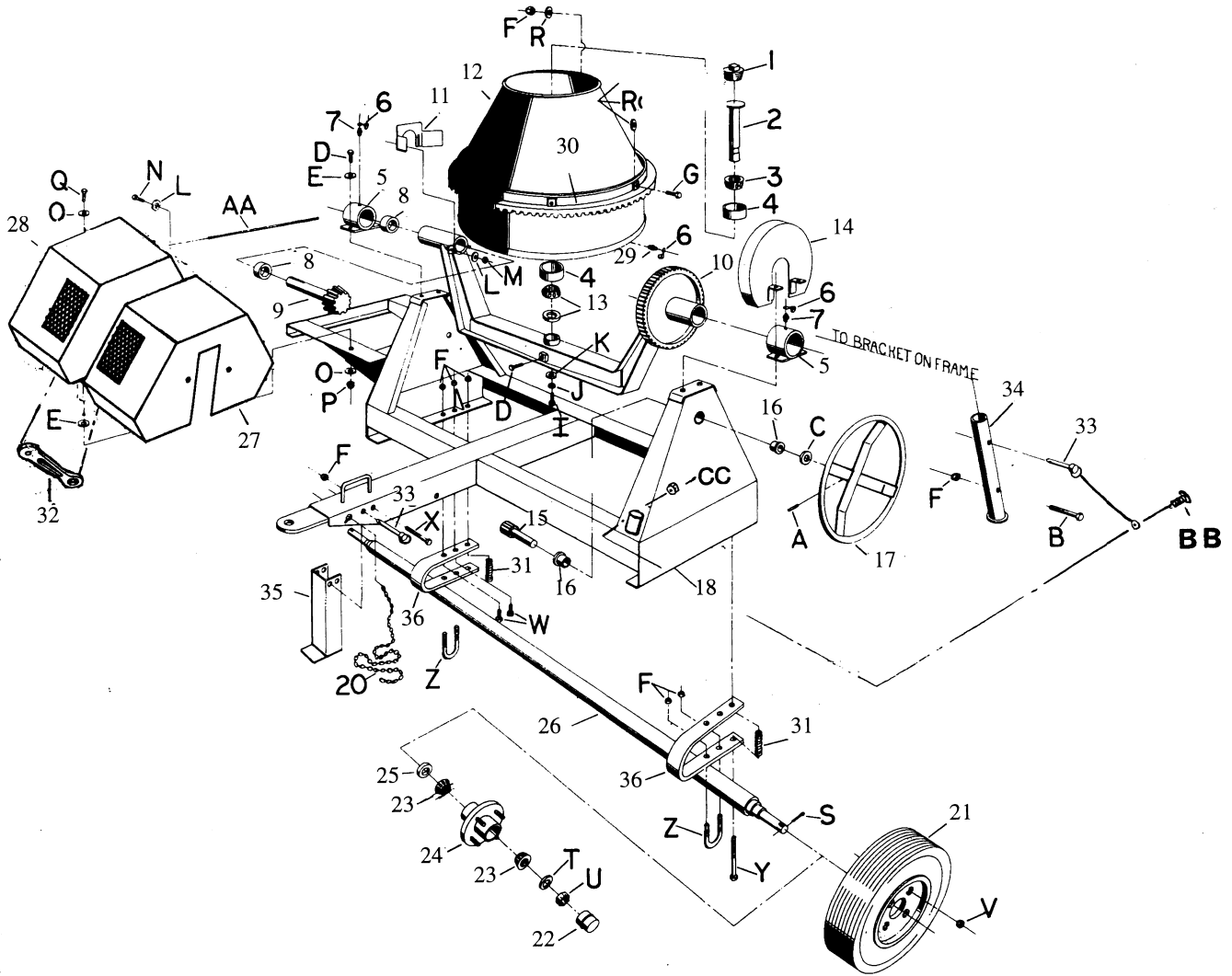
PARTS LIST

95CMP Frame and Drum Assembly

| ITEM | PART NO. | DESCRIPTION | QTY. |
|------|----------|--|------|
| 41 | 47342 | Paddle 26 Inch | 1 |
| 42 | 42780-2 | Dish Weld | 1 |
| 43 | 42811-2 | Brkt Mtg Guard | 2 |
| 44^ | 22199-2 | Tow Pole Ball Hitch (optional tow poles not shown.) | 1 |
| 45^ | 27549-2 | Tole Pole Pin Hitch (optional tow poles not shown.) | 1 |
| 46^ | 22069 | Axle Assembly (axle/hub assembly includes Items 22, 23, 24, 25, 26, S, T, and U) | 1 |
| 47^ | 23228 | Kit Cowl Full (includes Items 27, 28, 32, AA, and decals.) | 1 |
| 48^ | 23221 | Kit Cowl Moveable (includes Items 28, 32, and decals.) | 1 |
| A | 80077 | PINSP 5/16 x 2 | 1 |
| B | 80197 | HHCS 1/2 - 13 x 4 | 1 |
| C | 24622 | WSHR 1-1/32 ID x 1-1/2 OD x 1/8 | 1 |
| D | 80031 | HWHST 1/2 - 13 x 1-1/2 | 5 |
| E | 80118 | WSHR 1/2 WROT ZN | 12 |
| F | 80051 | NUTNY 1/2 - 13 | 11 |
| G | 80732 | HHCS 1/2 - 13 x 2 | 6 |
| H | 80104 | HHCS 1/2 - 13 x 1-1/4 | 4 |
| I | 80204 | HHCS 5/8 - 11 x 1-1/2 | 1 |
| J | 80337 | WSHRL 5/8 | 1 |
| K | 27413 | WSHR 11/16 x 1-3/4 x 1/4 | 1 |
| L | 80348 | WSHR 5/16 | 4 |
| M | 80114 | NUTNY 5/16 - 18 | 2 |
| N | 80085 | HWHST 5/16 - 18 x 1 | 2 |
| O | 80342 | WSHR 3/8 SAE | 8 |
| P | 80056 | NUTNY 3/8 - 16 | 2 |
| Q | 80145 | HHCS 3/8 - 16 x 1-1/4 | 4 |
| R | 26326 | WSHR 9/16 x 1-3/4 x 1/4 | 6 |
| S | 80316 | PINCT 1/8 x 1-1/2 | 2 |
| T | 80054 | WSHR 3/4 | 2 |
| U | 80344 | NUTFX 3/4 - 16 | 2 |
| V | 80045 | LGNUT 1/2 - 20 | 8 |
| AA | 44368 | PIN HINGE | 1 |

PARTS LIST

95CMPED Frame and Drum Assembly



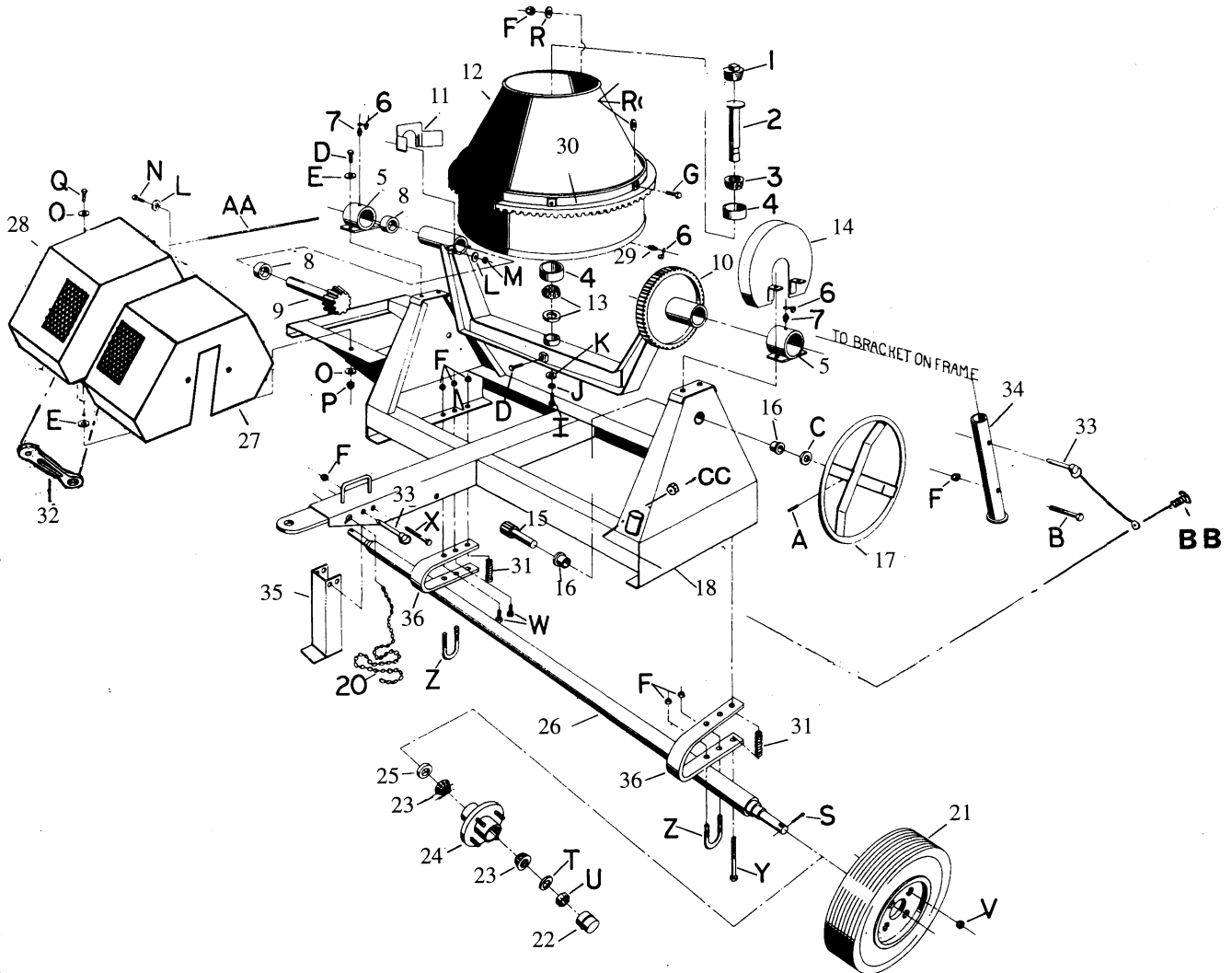
PARTS LIST

95CMPED Frame and Drum Assembly

| ITEM | PART NO. | DESCRIPTION | QTY. |
|------|-----------|---|------|
| 1 | 46022 | Pipe Plug | 1 |
| 2 | 27267 | Spindle Assembly | 1 |
| 3 | 32086 | Bearing | 1 |
| 4 | 32160 | Race | 2 |
| 5 | 24349-SLV | Trunnion | 2 |
| 6 | 47001 | Caplug Blue | 3 |
| 7 | 46042 | Grease Fitting | 2 |
| 8 | 32039 | Bearing | 2 |
| 9 | 21487 | Shaft Drive Assembly | 1 |
| 10 | 21840-SLV | Yoke | 1 |
| 11 | 27144-2 | Pinion Guard | 1 |
| 12 | 42820 | Assembly Drum & Gear | 1 |
| 13 | 32161 | Bearing w/Seal | 1 |
| 14 | 27617-SLV | Guard Brake Upper | 1 |
| 15** | 22029 | Shaft Tilt (lubricate with low viscosity oil at assembly) | 1 |
| 16 | 32032 | Bushing Nylon | 2 |
| 17 | 22096-SLV | Handwheel | 1 |
| 18 | 22046-SLV | Frame | 1 |
| 20 | 21655 | Kit Safety Chain | 1 |
| 21 | 34134 | Tire and Rim | 2 |
| 22 | 34573 | Dust Cap | 2 |
| 23 | 32051 | Bearing Cone | 4 |
| 24 | 34501 | Hub | 2 |
| 25 | 32052 | Seal Wheel Hub | 2 |
| 26 | 21873-SLV | Axle | 1 |
| 27 | 44406-2 | Cowl Stationary | 1 |
| 28 | 44383-2 | Cowl Moveable | 1 |
| 29 | 46057 | Fitting C9-616 | 1 |
| 30* | 26317-SLV | Ring Gear (included in Item 12--can be sold separately.) | 1 |
| 31 | 34972 | Coil Spring | 2 |
| 32 | 47182 | Latch Rubber | 3 |
| 33 | 80039 | Clevis Pin & Lanyard | 2 |
| 34 | 21874-2 | Stab Leg | 2 |
| 35 | 21875-2 | Front Post | 1 |
| 36 | 26971-2 | Spring | 2 |
| 37 | 42781-2 | Clamp | 6 |
| 38 | 47340 | Paddle Large | 2 |

PARTS LIST

95CMPED Frame and Drum Assembly



PARTS LIST

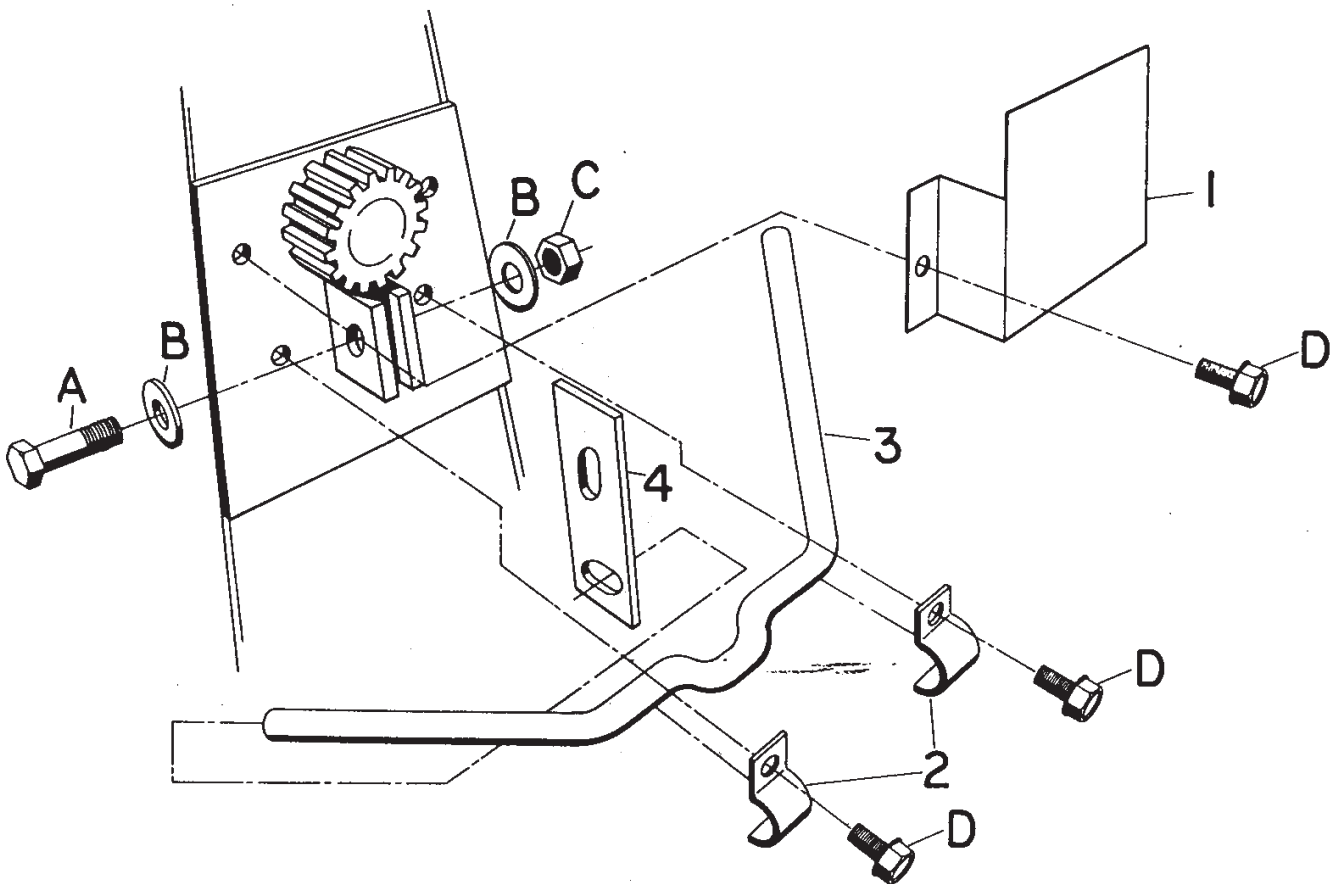
95CMPED Frame and Drum Assembly

| ITEM | PART NO. | DESCRIPTION | QTY. |
|------|----------|--|------|
| 39 | 42810-2 | Bracket Paddle | 8 |
| 40 | 47341 | Paddle 22 Inch | 2 |
| 41 | 47342 | Paddle 26 Inch | 1 |
| 42 | 42780-2 | Dish | 1 |
| 43 | 42811-2 | Brkt Mtg Guard | 2 |
| 44^ | 22052 | Axle Assembly (axle/hub assembly includes Items 22, 23, 24, 25, 26, S, T, and U) | 1 |
| 45^ | 23228 | Kit Cowl Full (includes Items 27, 28, 32, AA, and decals) | 1 |
| 46^ | 23221 | Kit Cowl Moveable (includes Items 28, 32, and decals) | 1 |
| A | 80077 | PINSP 5/16 x 2 | 1 |
| B | 80197 | HHCS 1/2 - 13 x 4 | 2 |
| C | 24622 | WSHR 1-1/32 ID x 1-1/2 OD x 1/8 | 1 |
| D | 80031 | HWHST1/2 - 13 x 1-1/2 | 5 |
| E | 80118 | WSHR 1/2 WROT ZN | 10 |
| F | 80051 | NUTNY 1/2 - 13 | 19 |
| G | 80732 | HHCS 1/2 - 13 x 2 | 6 |
| I | 80204 | HHCS 5/8 - 11 x 1-1/2 | 1 |
| J | 80337 | WSHRL 5/8 | 1 |
| K | 27413 | WSHR 11/16 x 1-3/4 x 1/4 | 1 |
| L | 80348 | WSHR 5/16 | 4 |
| M | 80114 | NUTNY 5/16 - 18 | 2 |
| N | 80085 | HWHST 5/16 - 18 x 1 | 2 |
| O | 80342 | WSHR 3/8 SAE | 8 |
| P | 80056 | NUTNY 3/8 - 16 | 2 |
| Q | 80145 | HHCS 3/8 - 16 x 1-1/4 | 4 |
| R | 26326 | WSHR 9/16 x 1-3/4 x 1/4 | 6 |
| S | 80316 | PINCT 1/8 x 1-1/2 | 2 |
| T | 80054 | WSHR 3/4 | 2 |
| U | 80344 | NUTFX 3/4 - 16 | 2 |
| V | 80045 | LGNUT 1/2 - 20 | 8 |
| W | 80075 | HHCS 1/2 x 1-1/2 ZN | 4 |
| X | 80106 | HHCS 1/2 - 13 x 5 ZN | 1 |
| Y | 80052 | HHCS 1/2 - 13 x 6-1/2 ZN | 2 |
| Z | 26195 | U-BOLT | 2 |
| AA | 44368 | PIN HINGE | 1 |
| BB | 80527 | PPHMS 10 - 24 x 5/8 ZN | 3 |
| CC | 80693 | NUTNY 10 - 24 ZN | 3 |

Note: ^ not shown

PARTS LIST

Tilt Mechanism



PARTS LIST

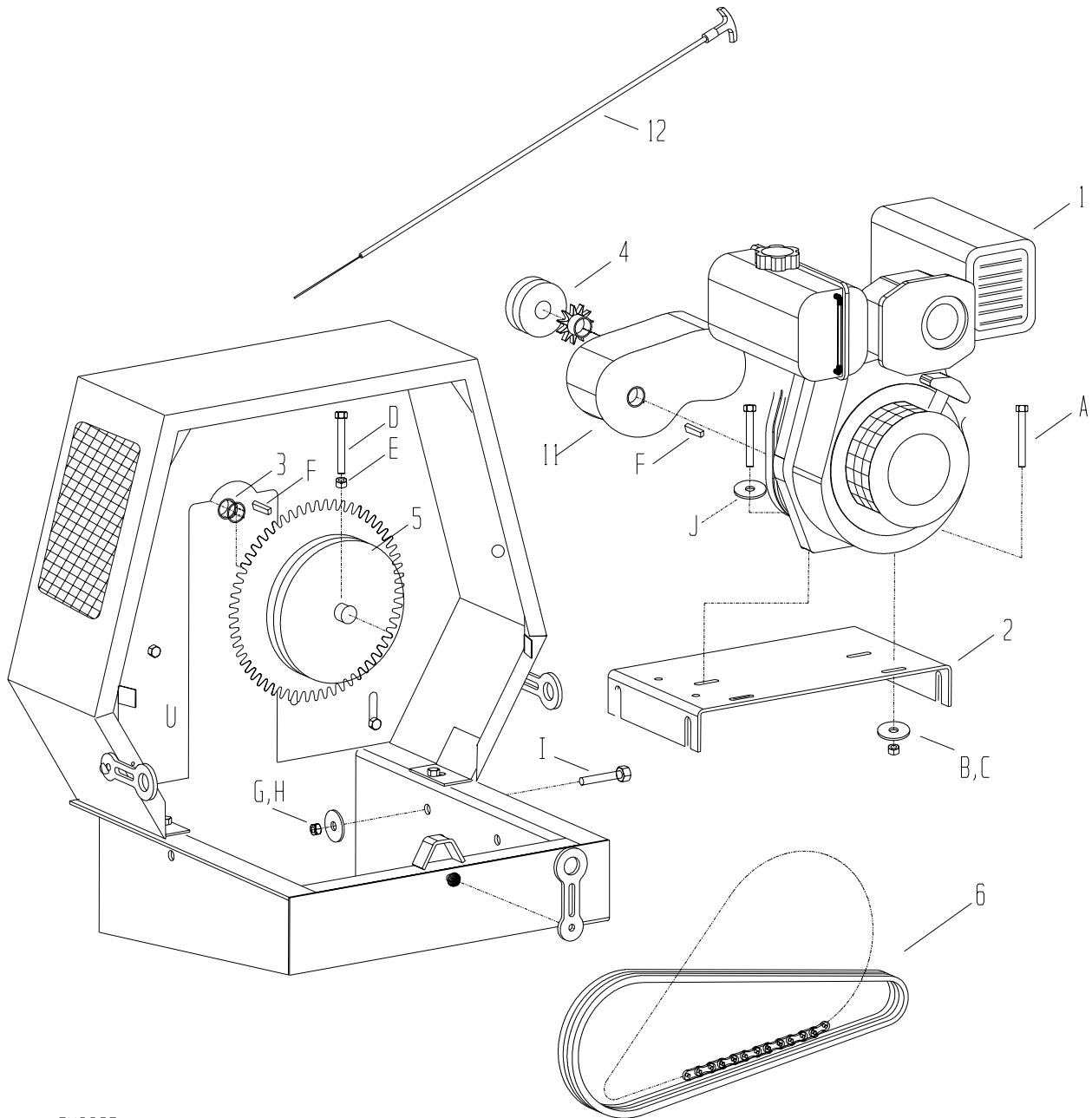
Tilt Mechanism

| ITEM | PART NO. | DESCRIPTION | QTY. |
|------|-----------|--------------------------|------|
| 1 | 27618-SLV | Guard Brake - Lower | 1 |
| 2 | 27559-SLV | Brkt Clutch Handle | 2 |
| 3 | 27621-SLV | Brake Handle | 1 |
| 4 | 27619-2 | Dog, Brake | 1 |
| A | 80145 | HHCS 3/8 - 16 x 1-1/4 ZN | 1 |
| B | 80342 | WSHR 3/8 SAE ZN | 2 |
| C | 80056 | NUTNY 3/8 - 16 ZN | 1 |
| D | 80085 | HWHST 5/16 - 18 x 1 ZN | 4 |

NOTE: When servicing tilt mechanism, bolt A should be tightened so approximately 17 - 18 pounds of force is required to disengage the tilt dog.

PARTS LIST

Gas/Diesel Belt Drive Components



CM002B

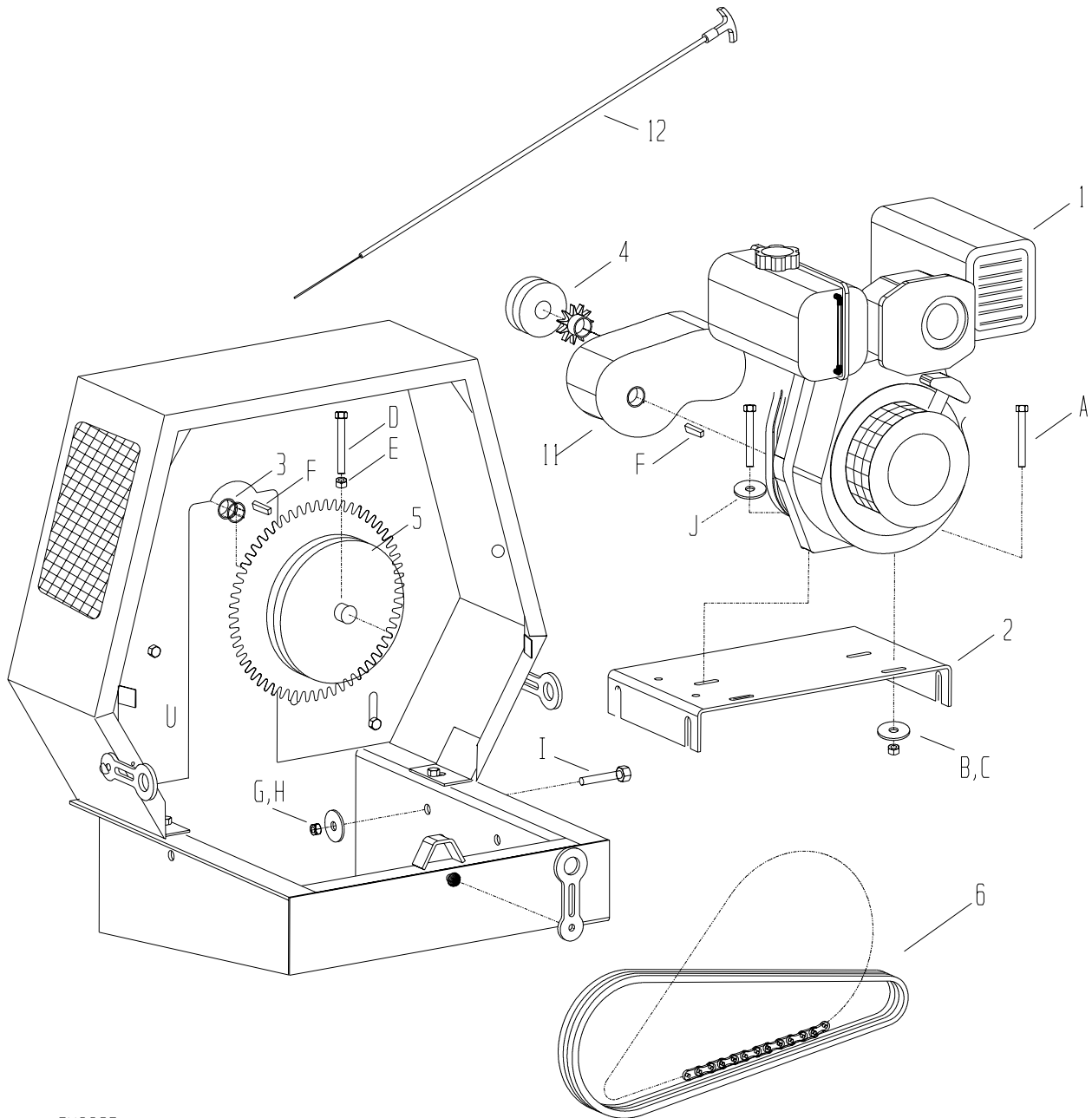
PARTS LIST

Gas/Diesel Belt Drive Components

| ITEM | PART NO. | DESCRIPTION | QTY. |
|------|----------|--|------|
| 1 | 37093 | Engine (8hp B&S) | 1 |
| 1a | 37098 | Engine (8hp B&S I/P) | 1 |
| 1b | 30597 | Engine (8.5hp Robin) | 1 |
| 1c | 30155 | Engine (8hp Honda) | 1 |
| 1d | 42999 | Engine (10hp B&S I/P) | 1 |
| 1e | 30245 | Engine (6hp Yanmar Diesel) | 1 |
| 2 | 28045-2 | 95CM Motor Base (All except Yanmar) | 1 |
| 2a | 39664-2 | 95CM Motor Base (6hp Yanmar Diesel) | 1 |
| 3 | 32176 | Collar Locking | 1 |
| 4 | 34984 | Sheave 2AK 30 x 1 | 1 |
| 5 | 34986 | Sheave 2AK 94 x 1-3/16 | 1 |
| 6 | 35934 | V-Belt A37 (8hp Honda, 6hp Yanmar Diesel) | 2 |
| 6a | 35279 | V-Belt A38 (8hp B&S) | 2 |
| 6b | 35280 | V-Belt A39 (8.5hp Robin, 10hp B&S I/P) | 2 |
| A | 80169 | HHCS 5/16 - 18 x 2 ZN (8hp B&S, 10hp B&S I/P) | 4 |
| A1 | 80178 | HHCS 3/8 - 16 x 2 ZN (8hp Honda, 6hp Yanmar Diesel, 8.5 Robin) | 4 |
| B | 80114 | NUTNY 5/16 - 18 ZN (8hp B&S, 10hp B&S I/P) | 4 |
| B1 | 80056 | NUTNY 3/8 - 16 ZN (8.5hp Robin, 8hp Honda, 6hp Yanmar Diesel) | 4 |
| C | 26325 | WSHR .375 ID x 1.00 OD x .187 | 4 |
| D | 80259 | SQHSS 5/16 - 18 x 1-1/2 ZN | 1 |
| E | 80245 | NUTFX 5/16 - 18 ZN | 1 |
| F | 80100 | KEY 1/4 x 1/4 x 1 | 2 |
| G | 80051 | NUTNY 1/2 - 13 ZN | 4 |
| H | 80118 | WSHR 1/2 WROT ZN | 4 |

PARTS LIST

Gas/Diesel Chain Drive Components



CM002B

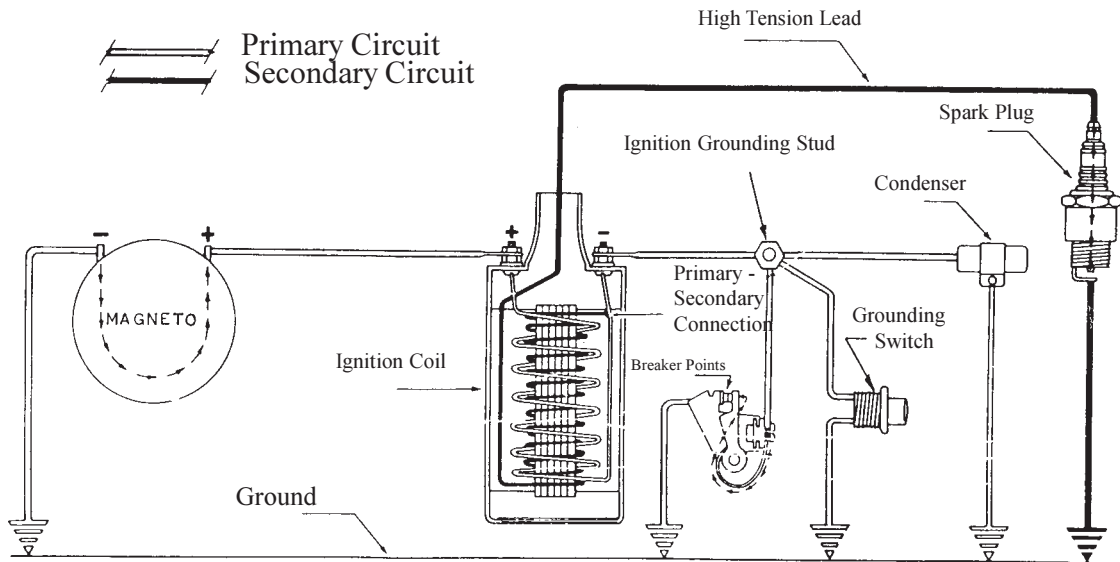
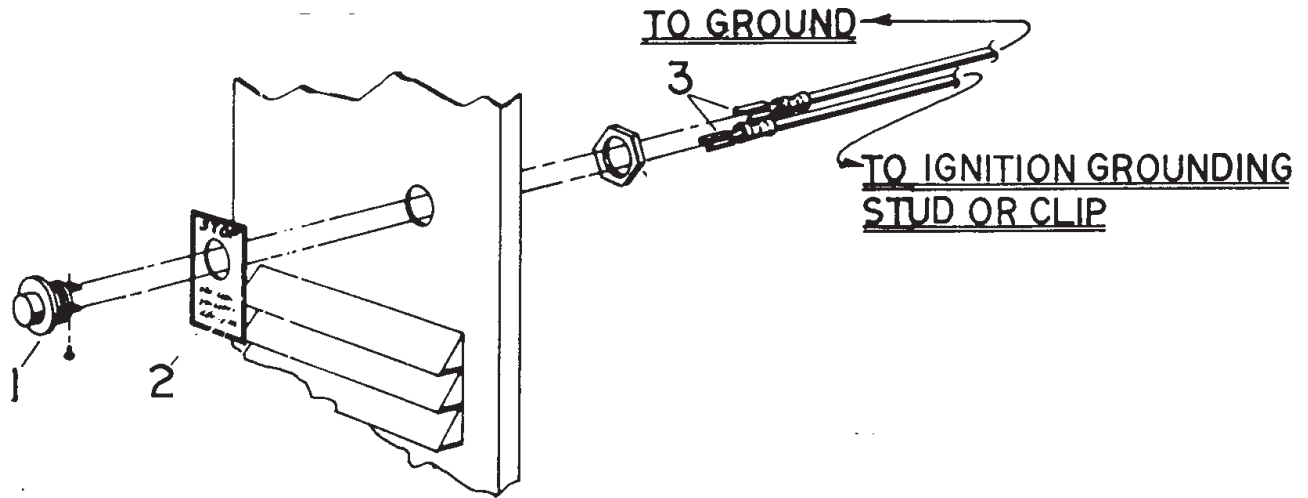
PARTS LIST

Gas/Diesel Chain Drive Components

| ITEM | PART NO. | DESCRIPTION | QTY. |
|------|----------|--|------|
| 1 | 37093 | Engine (8hp B&S) | 1 |
| 1a | 37098 | Engine (8hp B&S I/P) | 1 |
| 1b | 30597 | Engine (8.5hp Robin) | 1 |
| 1c | 30155 | Engine (8hp Honda) | 1 |
| 1d | 42999 | Engine (10hp B&S I/P) | 1 |
| 1e | 30245 | Engine (6hp Yanmar Diesel) | 1 |
| 2 | 28045-2 | 95CM Motor Base (all except Yanmar) | 1 |
| 2a | 39664-2 | 95CM Motor Base (6hp Yanmar Diesel) | 1 |
| 3 | 32176 | Collar Locking | 1 |
| 4 | 35284 | Sprocket 50B11 x 1 | 1 |
| 5 | 34099 | Sprocket 50B38 x 1-3/16 | 1 |
| 6 | 22040 | Set CHN 56 Pitches (8hp B&S, 8hp Honda, 6hp Yanmar Diesel) | 1 |
| 6a | 22041 | Set CHN 60 Pitches (8.5hp Robin, 10hp B&S I/P) | 1 |
| 11 | 39667 | Gear Reduction Oil (6hp Yanmar Diesel) | 1 |
| 12 | 35346 | Throttle Diesel (6hp Yanmar Diesel) | 1 |
| A | 80169 | HHCS 5/16 - 18 x 2 ZN (8hp B&S, 10hp B&S I/P) | 4 |
| A1 | 80178 | HHCS 3/8 - 16 x 2 ZN (8hp Honda, 6hp Yanmar Diesel, 8.5hp Robin) | 4 |
| B | 80114 | NUTNY 5/16 - 18 ZN (8hp B&S, 10hp B&S I/P) | 4 |
| B1 | 80056 | NUTNY 3/8 - 16 ZN (8.5hp Robin, 8hp Honda, 6hp Yanmar Diesel) | 4 |
| C | 26325 | WSHR .375 ID x 1.00 OD x .187 | 4 |
| D | 80259 | SQHSS 5/16 - 18 x 1-1/2 ZN | 1 |
| E | 80245 | NUTFX 5/16 - 18 ZN | 1 |
| F | 80100 | KEY 1/4 x 1/4 x 1 | 2 |
| G | 80051 | NUTNY 1/2 - 13 ZN | 4 |
| H | 80118 | WSHR 1/2 WROT ZN | 4 |

PARTS LIST

Grounding Switch



PARTS LIST

Grounding Switch

| ITEM | PART NO. | DESCRIPTION | QTY. |
|------|----------|-------------------|------|
| 1 | 37136 | Grounding Switch | 1 |
| 2 | 55054 | Decal Engine Stop | 1 |
| 3 | 21930 | Lead Ground 110 | 2 |

Your new Stone concrete mixer comes equipped with an outside grounding switch** in addition to the normal grounding button or tab found on most gas engines. This added feature is for your convenience and safety.

The switch is a single pull single throw (SPST) normally open, momentary contacts push button which grounds out the ignition voltage when pressed. To stop the engine, depress the button and hold in until the engine comes to a complete stop.

Periodically inspect the grounding switch and associated wiring to make sure the system is operating properly. Make sure that there are no loose connections or bare / broken wires. Also make sure that the grounding switch wires are fastened securely out of the way of hot exhaust and engine parts, moving drive components, and pinch points.

** On gasoline powered models only.

PARTS LIST

Electric Drive

| ITEM | PART NO. | DESCRIPTION | QTY. |
|------|----------|--|-------|
| 1 | 30315 | Motor Assembly 1.5hp Electric | 1 |
| 3 | 48344 | Cord 10/3 SO | 1 ft. |
| 4 | 28051-2 | Motor Base/Electric 1.5 Electric | 1 |
| 5 | 34068 | Sheave 2AK23 - 7/8 (primary drive includes items 5, 6, & 7) | 1 |
| 6 | 35278 | Sheave 2AK61 x 1 (primary drive includes items 5, 6, & 7) | 1 |
| 7 | 34617 | V-Belt A28 (primary drive includes items 5, 6, & 7) | 2 |
| 8 | 32208 | Pillow Block | 2 |
| 9 | 46042 | Fitting | 2 |
| 10 | 47001 | Caplug Blue | 2 |
| 11 | 22509 | Shaft Assembly | 1 |
| 12 | 34984 | Sheave 2AK30 x 1 (belt drive only--secondary drive incl 12, 13, & 14.) | 1 |
| 12a | 35284 | Sprocket 50B11 x 1 (chain drive only--secondary drive incl 12, 13, & 14.) | 1 |
| 13 | 34992 | Sheave 2AK114 x 1-3/16 (belt drive only--secondary drive incl 12, 13, & 14.) | 1 |
| 13a | 34099 | Sprocket 50B38 x 1-3/16 (chain drive only--secondary drive incl 12, 13, & 14.) | 1 |
| 14 | 34989 | V-Belt A51 (belt drive only) | 2 |
| 14a | 22048 | Set CHN RC50 72 Pitches (chain drive only--secondary drive incl 12, 13, & 14.) | 1 |
| 14b^ | 34104 | Link Conn (chain drive only--included with 22048 Chain Set.) | 1 |
| 15 | 29138 | Spacer Pillow Block | 1 |
| 16 | 38122 | Washer Retainer Pin | 1 |
| A | 80259 | SQHSS 5/16 - 18 x 1-1/2 ZN | 1 |
| B | 80245 | NUTFX 5/16 - 18 ZN | 1 |
| C | 80100 | KEY 1/4 x 1/4 x 1 | 3 |
| D | 80118 | WSHR 1/2 WROT ZN | 4 |
| E | 80051 | NUTNY 1/2 - 13 ZN | 5 |
| F | 80713 | HHCS 1/2 - 13 x 1-1/2 ZN | 4 |
| G | 80072 | HHCS 3/8 - 16 x 1-3/4 ZN | 4 |
| H | 80348 | WSHR 5/16 WROT ZN | 4 |
| I | 26325 | WSHR .375 ID x 1.00 OD x .187 | 8 |
| J | 80119 | WSHRLT 3/8 INT/EXT | 8 |
| K | 80146 | NUTNY 3/8 - 16 ZN | 8 |
| L | 80145 | HHCS 3/8 - 16 x 1-1/4 ZN | 4 |
| M | 80061 | KEY 1/4 x 1/4 x 1-1/2 | 1 |

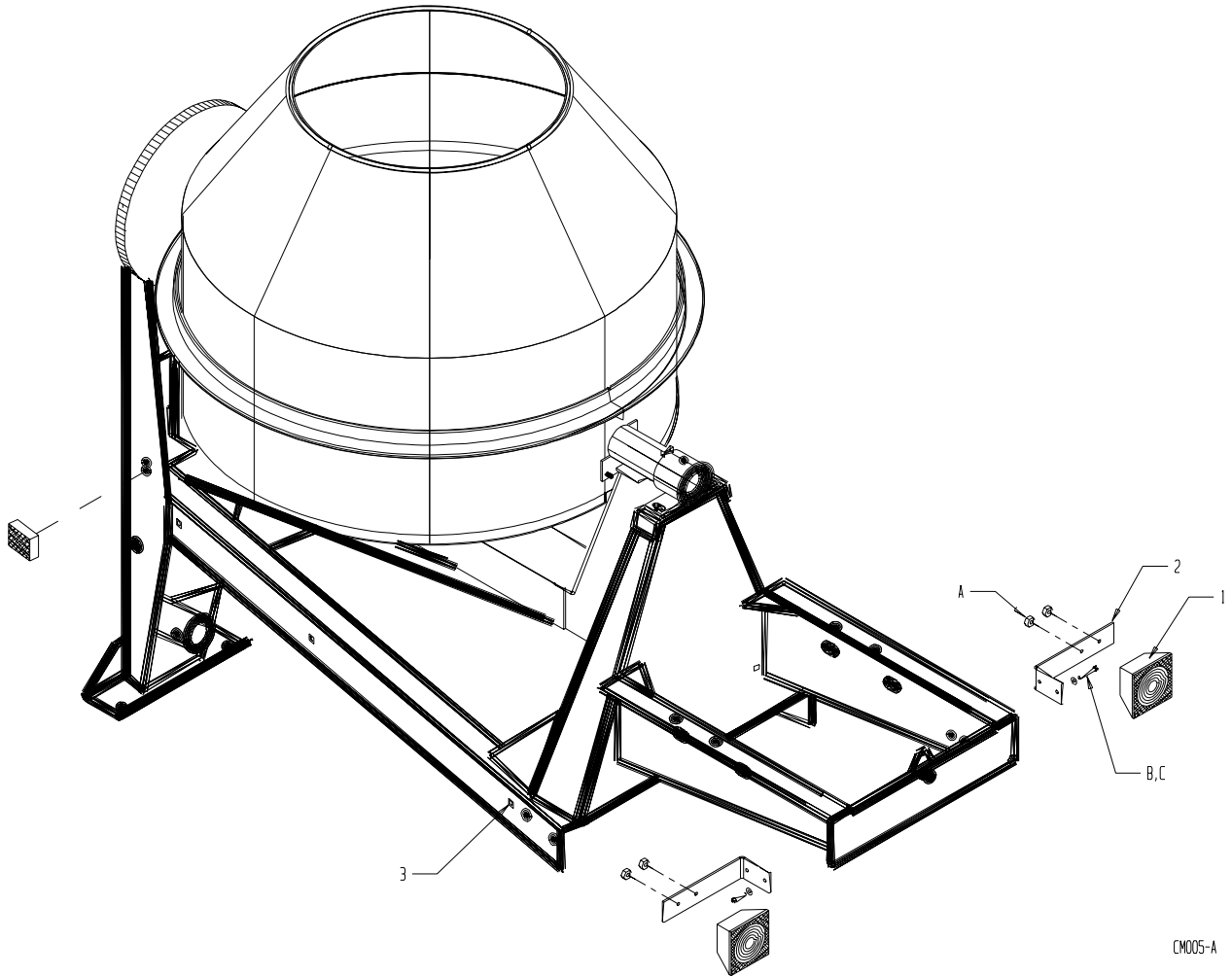
PARTS LIST

Electric Wiring

| ITEM | PART NO. | DESCRIPTION | QTY. |
|------|----------|----------------------------|-------|
| 1 | 30315 | Motor 1-1/2hp 115/230V 1PH | 1 |
| 2 | 36379 | Switch 30AC-2 | 1 |
| 3 | 36381 | Cover Switch PVC | 1 |
| 4 | 36380 | Box Switch | 1 |
| 5 | 48344 | Cord 10/3 SO | 1 ft. |
| 6 | 36383 | Cord Grip | 2 |
| 7 | 48241 | Wire Nut Red | 2 |
| 8 | 48346 | Term Spade #10 Insul 12-10 | 6 |

PARTS LIST

Trailer Lights Option--95CMP Only



CM005-A

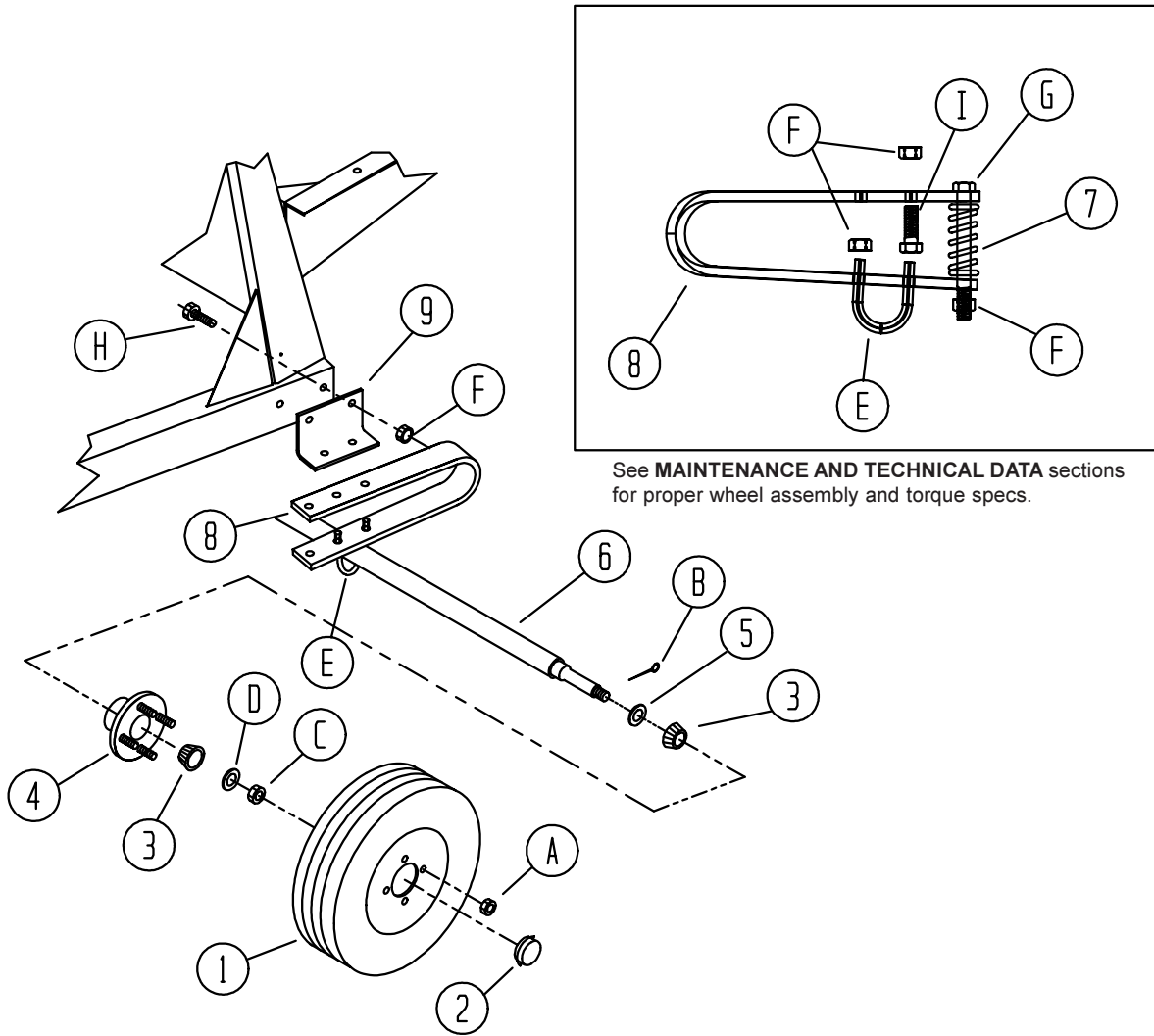
PARTS LIST

Trailer Lights Option--95CMP Only

| ITEM | PART NO. | DESCRIPTION | QTY. |
|------|----------|--|------|
| 1 | 36002 | Trailer Lights | 1 |
| 2 | 36003 | Bracket Trailer Lights | 2 |
| 3 | 48329 | Tie Holder | 10 |
| 4^ | 32087 | Bushing Nylon 5/16 ID x 3/8 OD | 1 |
| 5^ | 47303 | Tie Tyton 4 inch Black | 10 |
| 6^ | 48278 | Term Fem .25 F-insul 14-16 gage | 4 |
| 7^ | 48285 | Term Male .25 F-insul 14-16 gage | 4 |
| 8^ | 36001 | Kit Trailer Lights (Includes 1,2,3,4,5,6,7,8,A,B,C) | 1 |
| A | 80236 | NUTKP 1/4 - 20 ZN | 10 |
| B | 80347 | WSHR 1/4 WROT ZN PL | 4 |
| C | 80354 | HHCS 1/4-20 x 1.00 ZN | 4 |

PARTS LIST

Spring Axle Assembly



See MAINTENANCE AND TECHNICAL DATA sections for proper wheel assembly and torque specs.

PARTS LIST

Spring Axle Assembly

| ITEM | PART NO. | DESCRIPTION | QTY. |
|------|-----------|-----------------------|------|
| 1 | 32307 | Tire and Rim B78 x 13 | 2 |
| 2 | 34573 | Dust Cap | 2 |
| 3 | 32051 | Bearing Cone | 4 |
| 4 | 34501 | Hub | 2 |
| 5 | 32052 | Seal, Wheel Hub | 2 |
| 6 | 21460-SLV | Axle 56" Spg | 1 |
| 7 | 34972 | Coil Spring | 2 |
| 8 | 26971-SLV | Spring | 2 |
| 9 | 26949-SLV | Srkt Spg | 2 |
| A | 80045 | LGNUT 1/2 - 20 ZN | 8 |
| B | 80315 | PINCT 3/16 x 2 ZN | 2 |
| C | 80054 | NTSFX 3/4 - 16 ZN | 2 |
| D | 80344 | WSHR 3/4 SAE ZN | 2 |
| E | 26195 | U-BOLT | 2 |
| F | 80051 | NUTNY 1/2 - 13 ZN | 14 |
| G | 80052 | HHCS 1/2 - 13 x 6-1/2 | 2 |
| H | 80104 | HHCS 1/2 - 13 x 1-1/4 | 4 |
| I | 80075 | HHCS 1/2 - 13 x 1-1/2 | 4 |

PARTS LIST

Decal Identification

CAUTION

FOR YOUR SAFETY

- Read owner's service manual before operating or servicing this machine.
- Always keep unauthorized, inexperienced, untrained people away from this machine.
- Rotating and moving parts will cause injury if contacted. Make sure guards and safety devices are in place before this machine is operated.
- Make sure engine is shut down and spark plug wire disconnected before servicing the machine or approaching the moving parts-if electric motor, disconnect plug.
- Never leave machine unattended when operating. Always stop engine or motor before adding fuel or oil.

55388

STOP

DEPRESS BUTTON AND HOLD TO STOP ENGINE

55054

DANGER DIESEL

Stop engine & extinguish all flames & smoking materials before refueling! Use a safety can!

DANGER GASOLINE

Stop engine and extinguish all flames and smoking materials before refueling. Use a safety can.

55388

WARNING

Always stop engine when cleaning or adjusting machine. If electric motor pull plug.

55388

WARNING

Shut off machine to service or clean.

55388

WARNING

Do not run machine with cover open.

55388

This engine has been tested with fuel treated with **STA-BIL®** to prevent gum and varnish residue in tank.

55214

IDLE ENGINE 5 MINUTES BEFORE STOPPING TO IMPROVE SERVICE LIFE

55417

NOTICE
CONTACT THE MANUFACTURER IMMEDIATELY AT 1-800-888-9926 IF SAFETY OR HAZARD DECALS OR OWNER'S MANUAL ARE MISSING FROM THIS EQUIPMENT.

55156

SAFETY CHAIN
"PATENT #4180281"
CROSS CHAIN UNDER TOW POLE WITH 4" - 5" VERTICAL SLACK
LATCH CHAIN AT DESIRED LENGTH

CAUTION
READ OPERATING INSTRUCTIONS BEFORE RUNNING MIXER

55121

SAFETY INSTRUCTION

CAUTION: READ OWNER'S SERVICE MANUAL BEFORE OPERATING OR SERVICING THIS MACHINE.

CAUTION: ALWAYS KEEP UNAUTHORIZED, INEXPERIENCED, UNTRAINED PEOPLE AWAY FROM THIS MACHINE.

CAUTION: ROTATING AND MOVING PARTS WILL CAUSE INJURY IF CONTACTED. MAKE SURE GUARDS AND SAFETY DEVICES ARE IN PLACE BEFORE THIS MACHINE IS OPERATED. MAKE SURE ENGINE IS SHUT DOWN AND SPARK PLUG WIRE DISCONNECTED BEFORE SERVICING THE MACHINE OR APPROACHING THE MOVING PARTS-IF ELECTRIC MOTOR, DISCONNECT PLUG.

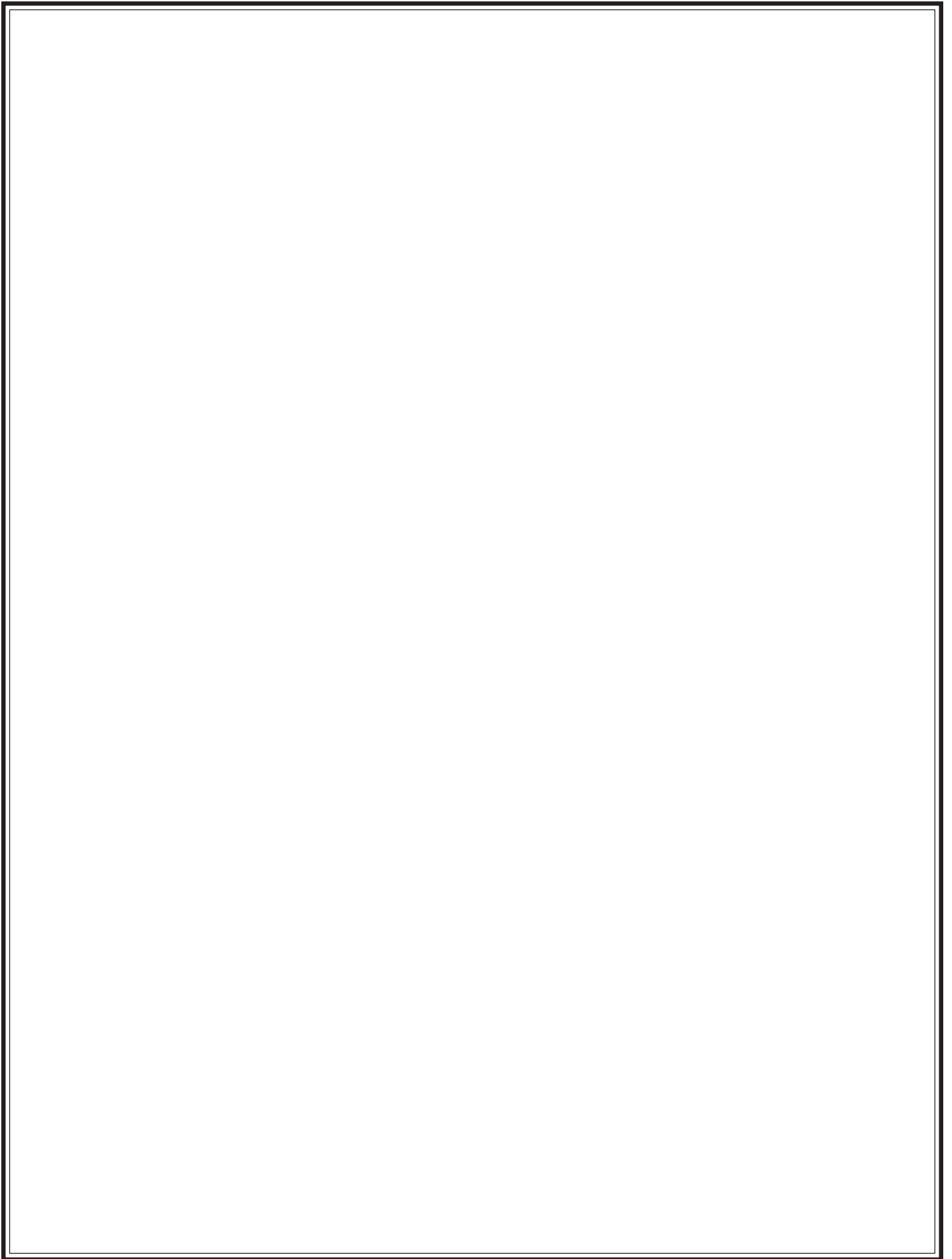
CAUTION: NEVER LEAVE MACHINE UNATTENDED WHEN OPERATING. ALWAYS STOP ENGINE OR MOTOR BEFORE ADDING FUEL OR OIL.

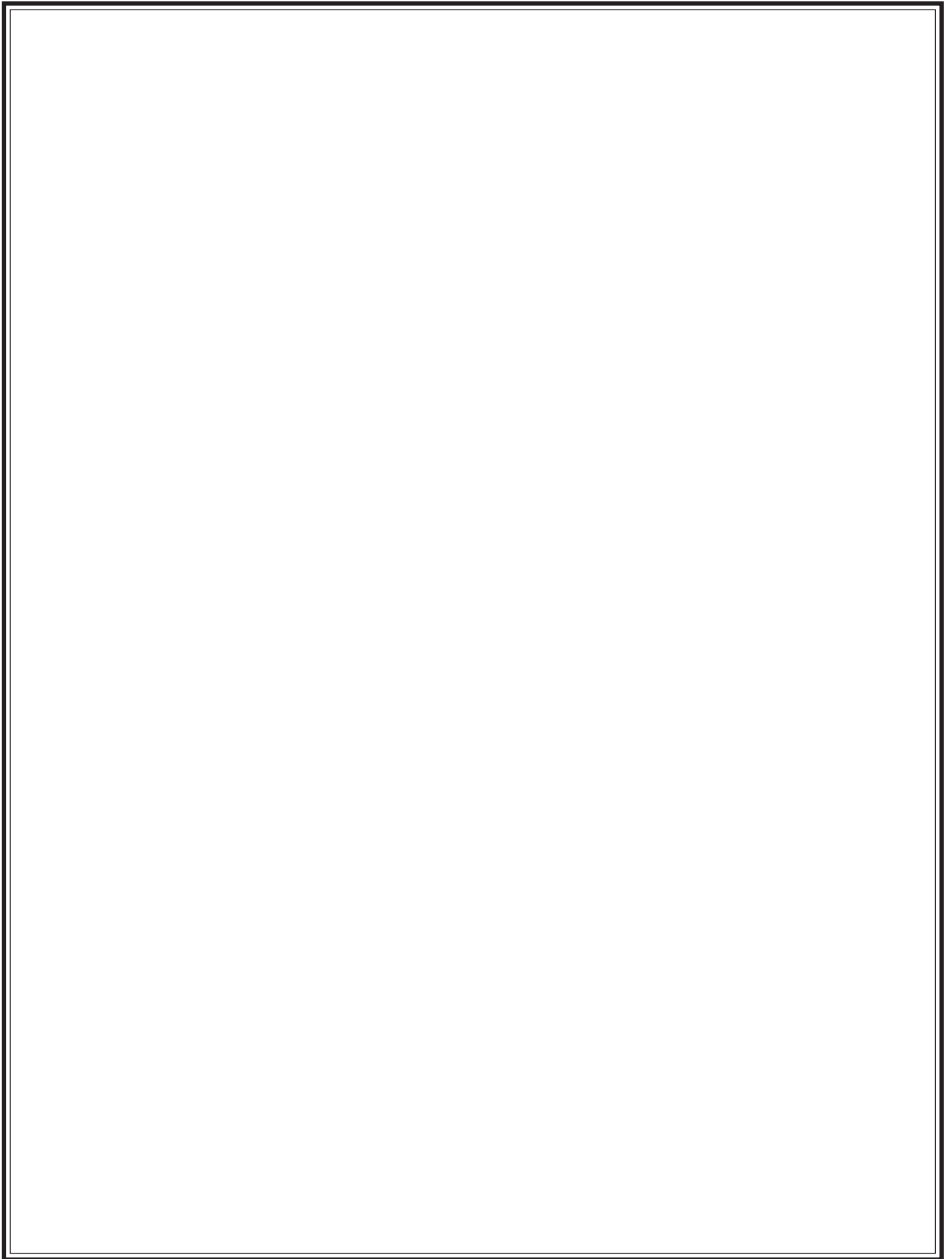
55046

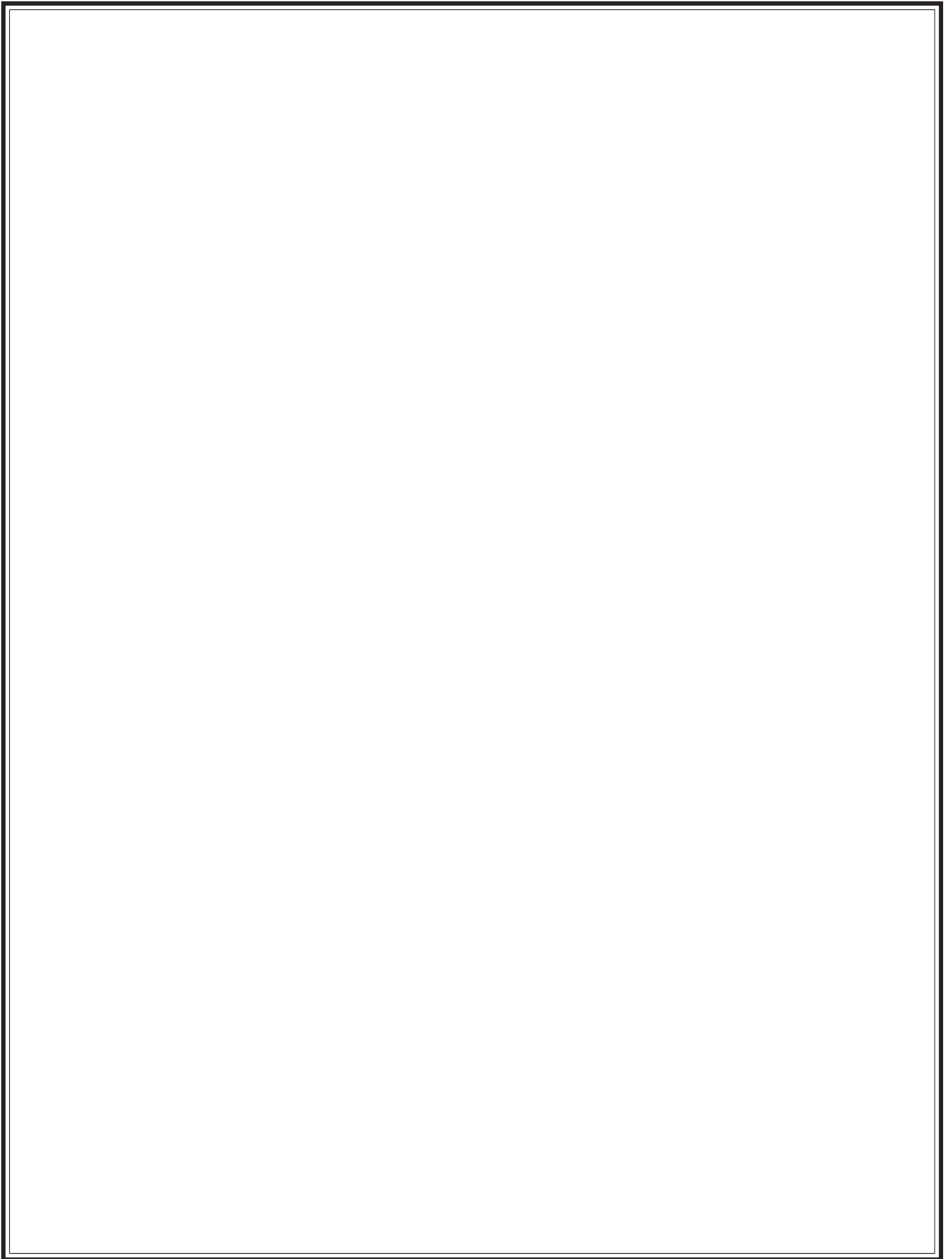
PARTS LIST

Decal Identification

| ITEM | PART NO. | DESCRIPTION | QTY. |
|------|----------|--|------|
| 1 | 55388 | Decal Set PM Safety | 1 |
| 2 | 55054 | Decal Engine Stop | 1 |
| 3 | 55214 | Decal Sta-Bil | 1 |
| 4 | 55417 | Decal Idle Engine | 1 |
| 5 | 55156 | Decal Notice | 1 |
| 6 | 55121 | Decal Safety Chain | 1 |
| 7 | 55046 | Decal Safety Instructions | 1 |
| 8 | 55148 | Decal Warning Diesel (for Diesel engines only) | 1 |







CALIFORNIA PROPOSITION 65 WARNING: Engine exhaust from this product contains chemicals known to the State of California to cause cancer, birth defects, or other reproductive harm.



***Bred Tough. Technology Born to Work.
The Way It Ought To Be.***

Stone Construction Equipment, Inc.
P.O. Box 150, Honeoye, New York 14471
Phone: (800) 888-9926
Fax: 585-229-2363
e-mail: sceny@stone-equip.com
www: stone-equip.com

A 100% employee-owned American manufacturer

© 1994 Stone Construction Equipment, Inc.
Printed in U.S.A.