



OPERATOR & SERVICE MANUAL

MODEL: 25CMP Wheelbarrow, 25CMPT Pedestal & 25CMPC Combination



CHAMPION® PLASTIC CONCRETE MIXER

A 100% employee-owned American manufacturer

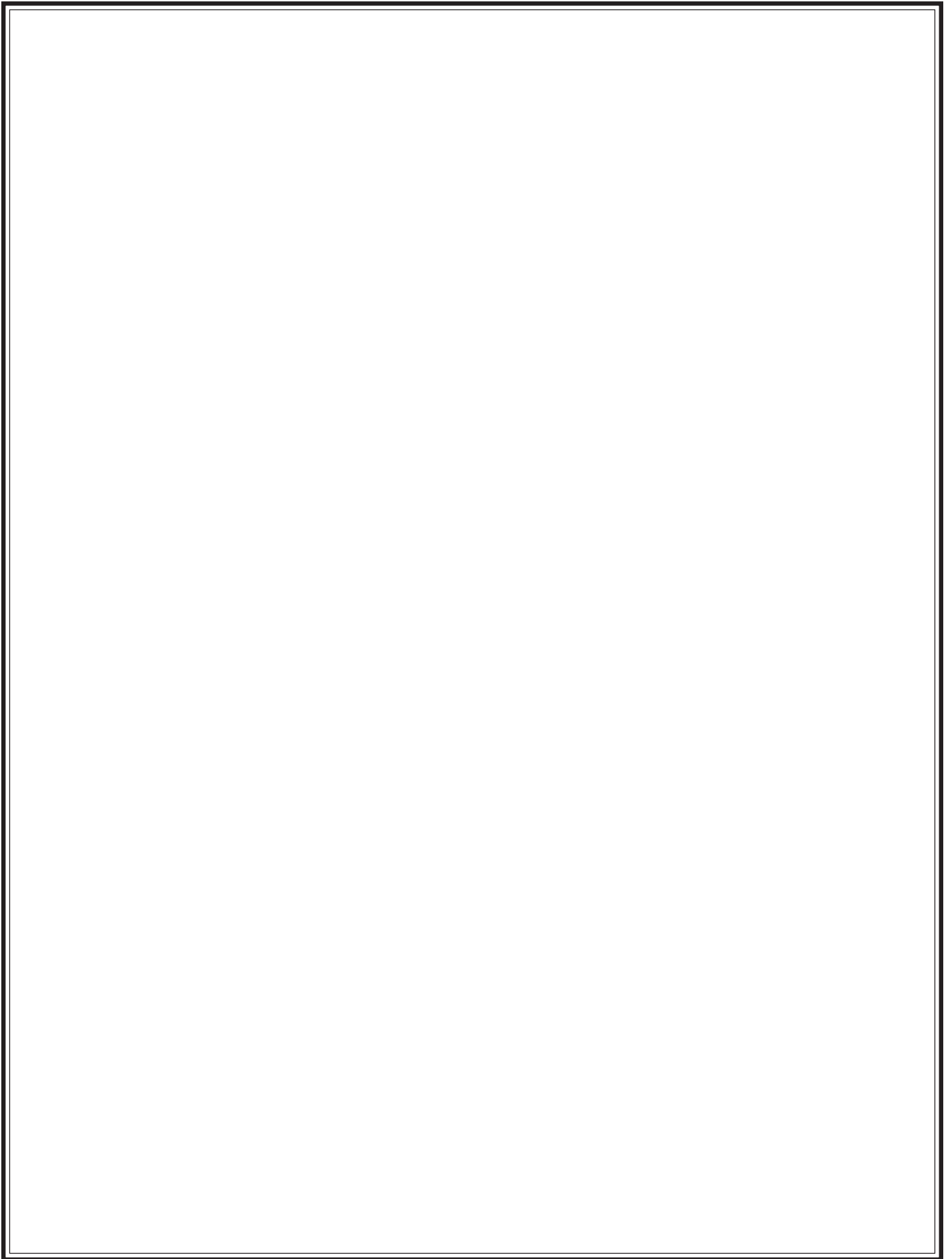


Table of Contents

25CMPT/25CMP/
25CMPC

FOREWORD	4
LIMITED WARRANTY	5
TECHNICAL DATA	6-9
Specifications	6
25CMPT Pedestal Dimensions	7
25CMP Wheelbarrow Dimensions	7
25CMPC Combination Dimensions	7
Imperial Torque Chart	8
Hardware Identification	9
HEALTH & SAFETY	10-14
OPERATION	15-16
Before Starting	15
Hardware	15
To Start/To Stop the Electric Motor	15
Operation.....	15
Capacities.....	15
How to Mix Concrete/How to Mix Sand & Gravel	16
Maintenance and Lubrication	16
MAINTENANCE	17-23
Pedestal Model Assembly	17
Grease	17
Lubrication	17
25CMP Wheel & Frame Assembly	18
25CMP--Electric Motor Assembly	19
25CMP--Pulley & Ring Gear Assembly	20
25CMP--Drum & Ring Gear Assembly	21
25CMP--Drum Installation Assembly.....	22
25CMP--Wheelbarrow Final Assembly	23
25CMPC--Combination Final Assembly	24-25
EXPLODED DIAGRAM AND PARTS LIST	26-39
25CMPT Frame, Drum, & Motor Assembly	28-31
25CMP Frame, Drum, & Motor Assembly	32-33
25CMPC Frame, Drum, & Motor Assembly	34-37
Decal Identification	38-39
CALIFORNIA PROPOSITION 65 WARNING	IBC

User Information

Foreword

These instructions include:

Safety regulations
Operating instructions
Maintenance instructions

These instructions have been prepared for operation on the construction site and for the maintenance engineer.

These instructions are intended to simplify operation of the machine and to avoid malfunctions through improper operation.

Observing the maintenance instructions will increase the reliability and service life of the machine when used on the construction site and reduce repair costs and downtimes.

Always keep these instructions at the place of use of the machine.

Only operate the machine as instructed and follow these instructions.

Observe the safety regulations as well as the guidelines of the civil engineering trade association. Observe the safety rules for operation and the pertinent regulations for the prevention of accidents.

Stone Construction Equipment, Inc. is not liable for the function of the machine when used in an improper manner or for other than the intended purpose.

Operating errors, improper maintenance and the use of incorrect operating materials are not covered by the warranty.

The above information does not extend the warranty and liability conditions of business of Stone Construction Equipment, Inc.

1. Machine Type: _____

Machine S/N: _____

2. Engine Type: _____

Engine S/N: _____

3. VIN: _____

4. Purchase Date: _____

5. Dealer/Distributor Information:

Name: _____

Address: _____

Phone #: _____

Fax #: _____

6. Battery
Manufacturer: _____

Battery Type: _____

Battery S/N: _____

Location of above information:

1. Information on S/N tag.
2. Information on engine tag.
3. Information on S/N tag - if applicable.
4. Date you purchased machine.
5. Dealer machine was purchased from.
6. Information on battery and battery warranty card.

Stone Construction Equipment, Inc.
P.O. Box 150, Honeoye, New York 14471
Phone: (800) 888-9926
Fax: (585) 229-2363

Limited Warranty

The Manufacturer warrants that products manufactured shall be free from defects in material and workmanship that develop under normal use for a period of 90 days for concrete vibrators and electric pumps, one year for Rhino®, Bulldog®, WolfPac Rollers™, trowels, Stompers®, saws, forward plates, engine powered pumps, Lift Jockey™, Mortar Buggy™ and 6 months for all other products from the date of shipment. The foregoing shall be the exclusive remedy of the buyer and the exclusive liability of the Manufacturer. Our warranty excludes normal replaceable wear items, i.e. gaskets, wear plates, seals, O-rings, V-belts, drive chains, clutches, etc. Any equipment, part or product which is furnished by the Manufacturer but manufactured by another, bears only the warranty given by such other manufacturer. (The Manufacturer extends the warranty period to "Lifetime" for the drum bearings and seals for the mortar mixers, and agrees to furnish, free of charge, the bearings and seals only upon receipt of the defective parts. The warranty is two years for eccentric bearings on the forward plate compactors, mortar and plaster mixer drums, trowel gearboxes, three years on the Bulldog trench roller microprocessor (ECIB) and five years on the Bulldog trench roller eccentric bearings.) A Warranty Evaluation Form must accompany all defective parts. Warranty is voided by product abuse, alterations, and use of equipment in applications for which it was not intended, use of non-manufacturer parts, or failure to follow documented service instructions. The foregoing warranty is exclusive of all other warranties whether written or oral, expressed or implied. No warranty of merchantability or fitness for a particular purpose shall apply. The agents, dealer and employees of Manufacturer are not authorized to make modification to this warranty, or additional warranties binding on Manufacturer. Therefore, additional statements, whether oral or written, do not constitute warranty and should not be relied upon.

The Manufacturer's sole responsibility for any breach of the foregoing provision of this contract, with respect to any product or part not conforming to the Warranty or the description herein contained, is at its option (a) to repair, replace or refund such product or parts upon the prepaid return thereof to location designated specifically by the Manufacturer. Product returns not shipped prepaid or on an economical transportation basis will be refused (b) as an alternative to the foregoing modes of settlement - the Manufacturer's dealer to repair defective units with reimbursement for expenses, except labor, and be reviewed with the Manufacturer prior to repair. A Warranty Evaluation Form must accompany all warranty claims.

Except as set forth hereinabove and without limitation of the above, there are no warranties or other affirmations which extends beyond the description of the products and the fact hereof, or as to operational efficiency, product reliability or maintainability or compatibility with products furnished by others. In no event whether as a result of breach of contract or warranty or alleged negligence, shall the Manufacturer be liable for special or consequential damages including but not limited to: Loss of profits or revenues, loss of use of the product or any associated product, cost of capital, cost of substitute products, facilities or services or claims of customers.

No claim will be allowed for products lost or damaged in transit. Such claims should be filed with the carrier within fifteen days.

Effective January 2004.

Stone Construction Equipment, Inc. • 8662 Main Street, P. O. Box 150 • Honeoye, NY 14471-0150
Phone: 1-800-888-9926 • 1-585-229-5141 Fax: 1-585-229-2363
www.stone-equip.com • e-mail: sceny@stone-equip.com

TECHNICAL DATA

Specifications

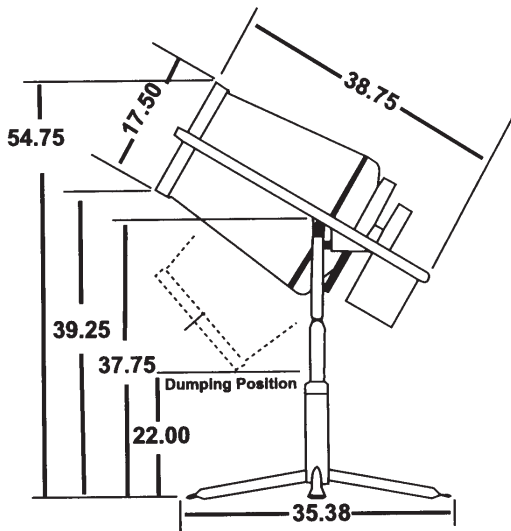
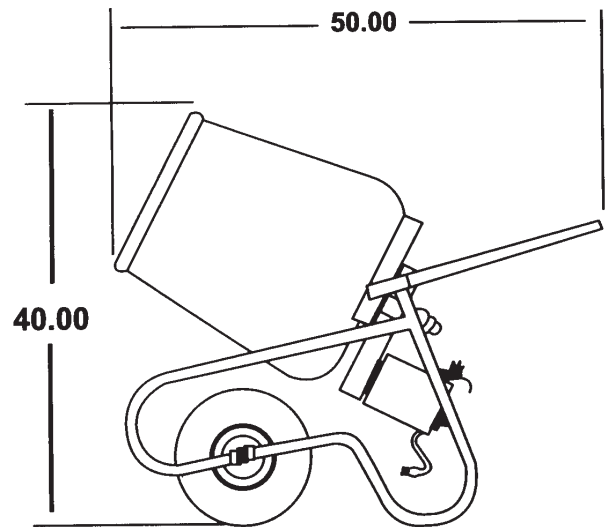
25CMPT/25CMP/25CMPC Mixer – Specifications

	25CMPT (Pedestal)	25CMP (Wheelbarrow)	25CMPC (Combination)
Operating Weight (lbs.)	113	123	123
Batch Capacity (bags)	¼ bag	¼ bag	¼ bag
Batch Capacity: Total Volume of empty drum	3.5 cu. ft.	3.5 cu. ft.	3.5 cu. ft.
Capacity: Concrete Volume Total (wet)	2 cu. ft.	2 cu. ft.	2 cu. ft.
L x W x H	-	-	-
Motor H.P.	1/3 Electric 6 amp	1/3 Electric 6 amp	1/3 Electric 6 amp
Motor RPM	1725	1725	1725
Voltage	115	115	115
Frequency (Hz)	60	60	60
Phase	Single	Single	Single
Drum RPM	31	31	31
V-Belt (4L Section) Length	25"	28"	28"
Drum Diameter x Opening	-	-	-
Drum Type	Polyethylene Drum	Polyethylene Drum	Polyethylene Drum
Structure	Pedestal	Wheelbarrow	Pedestal / Wheelbarrow
Portability	Separates into 4- pieces	Wheeled Frame	Wheeled Frame Separates into 4- pieces

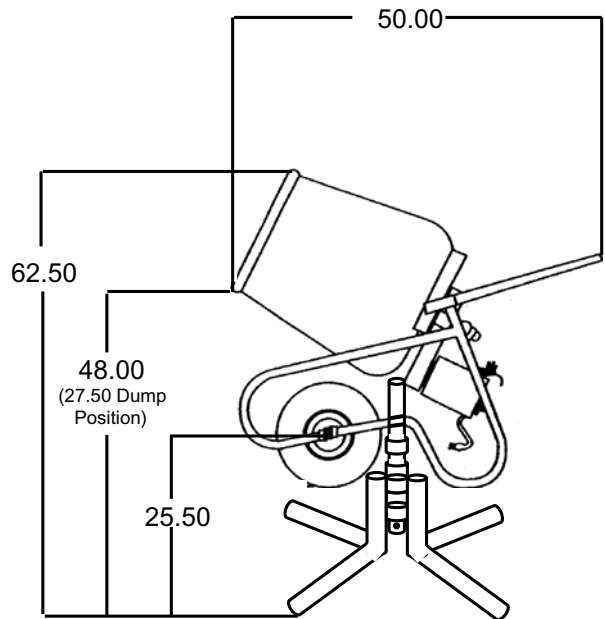
TECHNICAL DATA

Dimensions

25CMP Wheelbarrow
Dimensions



25CMPT Pedestal
Dimensions



25CMPC Combination
Wheelbarrow/Pedestal
Dimensions

TECHNICAL DATA

Imperial Torque Chart

SAE GRADE 5 Coarse Thread, Zinc-Plated		
SIZE	TORQUE	
	ft. lbs.	Nm
1/4 - 20 (.250)	6	8
5/16 - 18 (.3125)	13	18
3/8 - 16 (.375)	23	31
7/16 - 14 (.4375)	37	50
1/2 - 13 (.500)	57	77
9/16 - 12 (.5625)	82	111
5/8 - 11 (.625)	112	152
3/4 - 10 (.750)	200	271
7/8 - 9 (.875)	322	436.5
1 - 8 (1.000)	483	655

SAE GRADE 8 Coarse Thread, Zinc-Plated		
SIZE	TORQUE	
	ft. lbs.	Nm
1/4 - 20 (.250)	9	12
5/16 - 18 (.3125)	18	24
3/8 - 16 (.375)	33	45
7/16 - 14 (.4375)	52	70
1/2 - 13 (.500)	80	108
9/16 - 12 (.5625)	115	156
5/8 - 11 (.625)	159	215
3/4 - 10 (.750)	282	382
7/8 - 9 (.875)	454	615
1 - 8 (1.000)	682	925

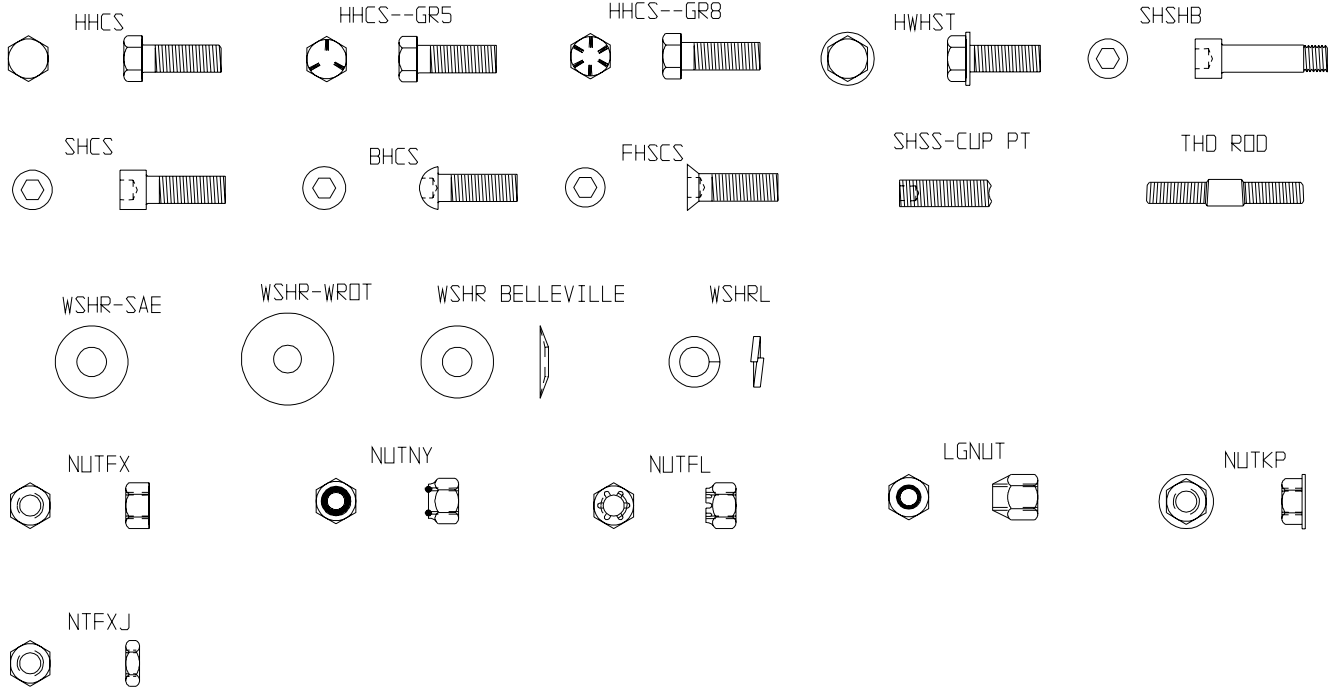
SAE GRADE 5 Fine Thread, Zinc-Plated		
SIZE	TORQUE	
	ft. lbs.	Nm
1/4 - 28 (.250)	7	10
5/16 - 24 (.3125)	14	19
3/8 - 24 (.375)	26	35
7/16 - 20 (.4375)	41	56
1/2 - 20 (.500)	64	87
9/16 - 18 (.5625)	91	123
5/8 - 18 (.625)	128	173
3/4 - 16 (.750)	223	302
7/8 - 14 (.875)	355	481
1 - 12 (1.000)	529	717
1 - 14 (1.000)	541	733

SAE GRADE 8 Fine Thread, Zinc-Plated		
SIZE	TORQUE	
	ft. lbs.	Nm
1/4 - 28 (.250)	10	14
5/16 - 24 (.3125)	20	27
3/8 - 24 (.375)	37	50
7/16 - 20 (.4375)	58	79
1/2 - 20 (.500)	90	122
9/16 - 18 (.5625)	129	175
5/8 - 18 (.625)	180	244
3/4 - 16 (.750)	315	427
7/8 - 9 (.875)	501	679
1 - 12 (1.000)	746	1011
1 - 14 (1.000)	764	1036

t-chrt_i.doc

TECHNICAL DATA

Hardware Identification



HEALTH & SAFETY

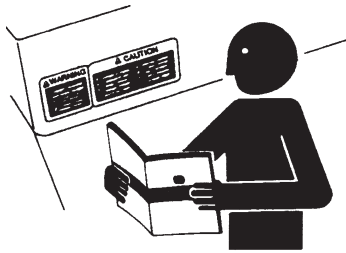
Safety Precautions

Before using this equipment, study this entire manual to become familiar with its operation. Do not allow untrained or unauthorized personnel, especially children, to operate this equipment. Use only factory authorized parts for service.

When warning decals are destroyed or missing, contact the Manufacturer immediately at 1-800-888-9926 for replacement. For the safety of yourself and others, it is imperative that the following rules are observed. Failure to do so may result in serious injury or death.

FOLLOW SAFETY INSTRUCTIONS

Carefully read all safety messages and decals in this manual and on your machine safety signs. Keep decals in good condition. Replace missing or damaged decals. Be sure new equipment components and repair parts include the current safety signs. Replacement safety signs and decals are available through your dealer.



Learn how to operate the machine and how to use controls properly. Do not let anyone operate without instruction.

Keep your machine in proper working condition. Unauthorized modifications to the machine may impair the function and/or safety and affect machine life.

If you do not understand any part of this manual and need assistance, contact your dealer.



This notation appears before warnings in the text. It means that the step which follows must be carried out to avoid the possibility of personal injury or death. These warnings are intended to help the technician avoid any potential hazards encountered in the normal service procedures. We strongly recommend that the reader takes advantage of the information provided to prevent personal injury or injury to others.

▲ DANGER

▲ WARNING

▲ CAUTION

UNDERSTAND SIGNAL WORDS

A signal word – DANGER, WARNING, or CAUTION – is used with the safety-alert symbol. DANGER identifies the most serious hazards.

DANGER or WARNING safety signs are located near specific hazards. General precautions are listed on CAUTION safety signs. CAUTION also calls attention to safety messages in this manual.

HEALTH & SAFETY

Safety Precautions

USE COMMON SENSE WHEN HANDLING FUELS



- Transport and handle fuel only when contained in approved safety container.
- Do not smoke when refueling or during any other fuel handling operation.
- Do not refuel while the engine is running or while it is still hot.
- If fuel is spilled during refueling, wipe it off from the engine immediately and discard the rag in a safe place.
- Do not operate the equipment if fuel or oil leaks exist - repair immediately.
- Never operate this equipment in an explosive atmosphere.



- Always use the proper size grounded extension cord, conforming to the National Electric Code and Local Ordinances.
- Inspect all extensions and electrical cords for cuts, frayed wire and broken connectors before use. Do not use cords if not in good condition.
- Do not route extension cords through standing water.
- Do not operate the mixer in standing water.
- When cleaning the mixer, never spray water on the electric motor.



HOT SURFACES

- Avoid contact with hot exhaust systems and engines.
- Allow all components in the engine compartment to cool before performing any service work.

WARNING

- Never leave mixer unattended while running.
- Mix only concrete.

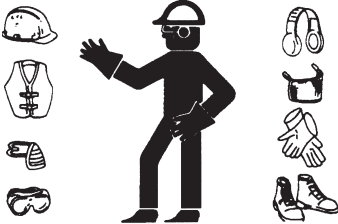
HEALTH & SAFETY

Safety Precautions



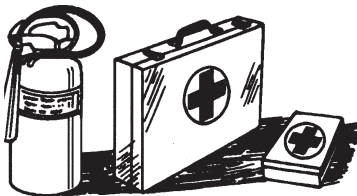
- Never perform any work on the mixer while it is running.
- Before working on the mixer, stop the engine and disconnect the spark plug wire(s) to prevent accidental starting. On electric models, disconnect the electric cord at the mixer.
- Keep cowl closed and latched during the operation, close and latch cowl immediately after starting.
- Keep hands, clothing and jewelry away from all moving parts.
- Keep all guards in place, including drum guards.
- Never place your hands or any solid object into the drum while the mixer is in operation.

WEAR PROTECTIVE CLOTHING



- Wear close fitting clothing and safety equipment appropriate to the job.
- Prolonged exposure to loud noise can cause impairment or loss of hearing.
- Wear a suitable hearing protective device such as earmuffs or earplugs to protect against objectionable or uncomfortable loud noises.
- Operating equipment safely requires the full attention of the operator. Do not wear radio or music headphones while operating machine.

PREPARE FOR EMERGENCIES



- Be prepared if a fire starts.
- Keep a first aid kit and fire extinguisher handy.
- Keep emergency numbers for doctors, ambulance service, hospital, and fire department near your telephone.

HEALTH & SAFETY

Safety Precautions



Warning-Eye Protection

- Always wear splash goggles when operating mixer.
-



- Starting fluid (ether) is highly flammable, do not use or an explosion or fire may result.
-



- Never operate unit in a poorly ventilated or enclosed area.
- Avoid prolonged breathing of exhaust gases.
- Engine exhaust fumes can cause sickness or death.

HEALTH & SAFETY

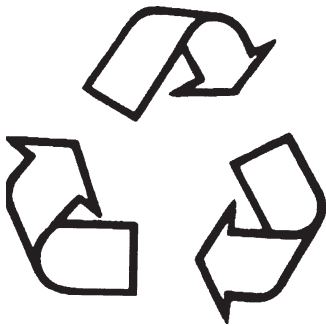
Safety Precautions



PRACTICE SAFE MAINTENANCE

- Understand service procedure before doing work. Keep area clean and dry.
- Never lubricate, service or adjust machine while it is moving. Keep hands, feet, and clothing from power-driven parts. Disengage all power and operate controls to relieve pressure. Lower equipment to the ground. Stop the engine. Remove the key. Allow machine to cool.
- Securely support any machine elements that must be raised for service work.
- Keep all parts in good condition and properly installed. Repair damage immediately. Replace worn or broken parts. Remove any buildup of grease, oil, or debris.
- Disconnect battery ground cable (-) before making adjustments on electrical systems or welding on machine.

DISPOSE OF WASTE PROPERLY



- Improperly disposing of waste can threaten the environment and ecology. Potentially harmful waste used with equipment include such items as oil, fuel, coolant, brake fluid, filters, and batteries.
- Use leakproof containers when draining fluids. Do not use food or beverage containers that may mislead someone into drinking from them.
- Do not pour waste onto the ground, down a drain, or into any water source.
- Air conditioning refrigerants escaping into the air can damage the Earth's atmosphere. Government regulations may require a certified air conditioning service center to recover and recycle used air conditioning refrigerants.
- Inquire on the proper way to recycle or dispose of waste from your local environmental or recycling center.

SAFETY DECALS - FOR THE SAFETY OF YOURSELF AND OTHERS REPLACE ANY DAMAGED OR MISSING SAFETY DECALS.

- Decal Safety Instructions (CMPT) PN 55046
- Decal Safety Instructions (25CMP) PN 55491
- Decal Instruction Mix (25CMP) PN 55490
- Decal Grease PN 55492
- Decal Warning PN 55493

OPERATION

Before Starting/Hardware/Start & Stop Electric Motor

BEFORE STARTING

The 25CMP mixer is shipped completely assembled and ready for operation.

WARNING

TO PREVENT ANY ACCIDENTAL STARTING, MAKE SURE THE ELECTRIC CORD IS DISCONNECTED

HARDWARE

Check all hardware on mixer before starting. Consult the TORQUE CHART section of this manual and tighten any loose hardware accordingly.

TO START THE ELECTRIC MOTOR

- Use the proper size (3) wire (grounded) extension cord, conforming to the National Electric Code and Local Ordinances. **DO NOT** use (2) wire extension cords. Check any extension cord which you plan on using carefully for broken connectors, bare wires, or damaged insulation. **DO NOT** use any cord found to be in poor condition. Make sure the extension cord is not routed through standing water and that all connections are tight. Use the shortest extension cord possible.
- Plug into any 115 single phase, 60-cycle, fused outlet.
- Turn motor on.
- Check belt tension and tracking .

TO STOP THE ELECTRIC MOTOR

- Turn motor off.
- Disconnect the power cord.

OPERATION

Start the motor as instructed.

With drum operating between 25-30 RPM, the mixer is now ready for the addition of the concrete mix. For best results proceed as follows:

1. Pour the required amount of water into drum.
2. Add the required amount of gravel.
3. Add the required amount of cement.
4. Add the required amount of sand.

By adding the water and gravel first the drum will be kept clean and a good tumbling action will be maintained when cement and sand are added. Discharge the mixer and immediately pour in the required water for the next batch.

Total Drum Volume	3.5 cu. ft.
Max Batch Size*	2 cu. ft.

CAPACITIES

* Maximum batch size depends on mix and type of aggregate used.

OPERATION

How to Mix /How to Mix Sand & Gravel/Maintenance & Lubrication

How to Mix Concrete

1. You will need approximately 2-1/2 gallons of water
2. 2-80 lb. bags of pre-mix concrete
3. Start mixer in motion
4. Put in 2-gallons of water
5. Add 1-80 lb. bag of pre-mix concrete

Note: Mixture will be very sloppy

6. Slowly add second bag of concrete
7. Add ½ gallon of water slowly to obtain desired thickness

How to Mix Sand and Gravel

1. Use an 8-1/2 x 12-inch square point shovel
2. Portland cement, gravel or round stone and masonry sand
3. Start mixer in motion
4. Put in 2 gallons of water
5. Add 6 shovels full of gravel or round stone
6. Add 2 shovels full of Portland Cement
7. Slowly add 4 shovels full masonry sand

Note: Water will vary according to moisture content of sand and gravel

WARNING

NEVER POUR OR SPRAY WATER ON THE MOTOR.

NEVER PLACE HANDS OR ANY OBJECT INTO THE DRUM WHILE THE MOTOR IS RUNNING.

ALWAYS DISCONNECT THE ELECTRIC CORD WHEN CLEANING INSIDE THE DRUM.

MAINTENANCE and LUBRICATION

To get long and trouble-free service from this mixer, it is essential that you perform periodic maintenance.

Adjust belt as required by loosening the (4) motor mount bolts and moving motor as necessary. Retighten these bolts after adjustment. The belt should deflect approximately 1/4 inch at the halfway point when 5-10 lbs of pressure is applied.

Adjust pinion/gear mesh as required by loosening the two (2) pinion jackshaft bolts and moving jackshaft as necessary. Retighten these bolts after adjustment.

Grease after each use through the (2) fittings provided. Use any Grade #1 lithium based grease. **DO NOT** grease or oil the gear. This will attract sand and cause excessive wear.

PEDESTAL MODEL ASSEMBLY

WARNING

WHENEVER ASSEMBLING, LUBRICATING OR ADJUSTING ANY PART OF THE MIXER, DISCONNECT THE POWER PLUG.

To attach motor (6) to frame assembly (4), line up motor to match the four holes on the side motor mount. Attach the V-belt (8) to the motor pulley (7). Using the four 5/16 x 3/4 in Hex Flange Screws (31) and four 5/16 Hex Flange Lock Nuts (32), secure the motor in place. The V-belt should be tightened until the belt deflects approximately 1/4 in when 5-10 pounds of force is applied centrally between the pulleys. Assemble base legs (1 and 2). Assemble Yoke (3) to assembled base and pin (29). Using two people, lift and place Frame Assembly (4) onto Yoke (3) pivot pins and insert pins (26). Slide dump handle Grip (19) over the end of the Dump Handle (18) and insert the Handle in the Frame Assembly (4).

GREASE

Using a grease gun, apply grease to the Fitting (24) on the Jackshaft Tube if not already greased at factory. Plug in the Power Cord. Let the motor run for about 5 to 8 minutes, then turn off motor. This will 'break-in' the jackshaft bushings.

WARNING

KEEP HANDS AND CLOTHING AWAY FROM MOVING JACKSHAFT AND GEAR.

Place Thrust Washer (25) onto Drum Shaft (15) and lightly grease the shaft. Using two people, carefully slide the Drum assembly with shaft into the tube located centrally on the Frame (4). Check to see that the Jackshaft Gear (10) is properly meshing with the Drum Main Gear (14). Place locking Collar (17) onto Shaft (15) and tighten setscrew.

Grease the Fitting (24) on the Drum Shaft tube until grease appears near the locking Collar (17) and the Thrust Washer (30).

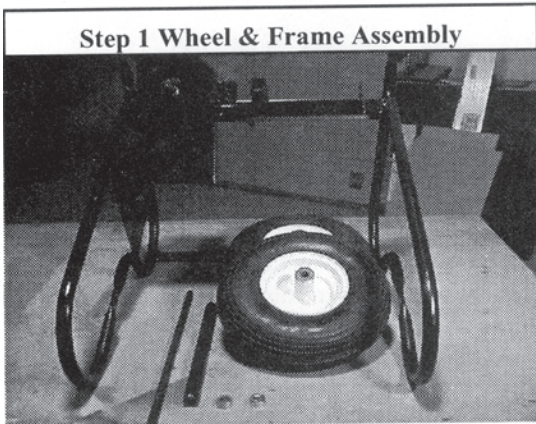
Check the clearance of Gear Guard (21) and the Drum (5) to make sure there is no contact between the rotating Drum and the Guard.

LUBRICATION

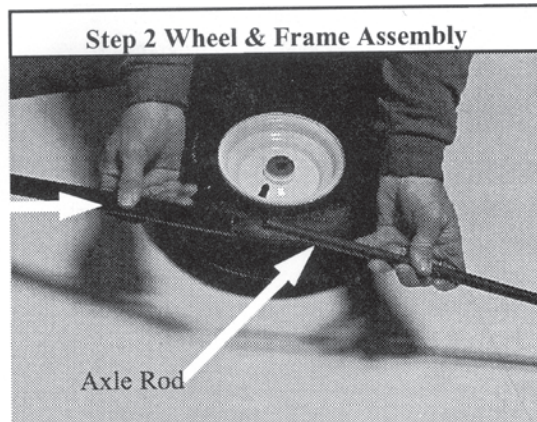
Any grease fittings (Item 24) require an application of any type EP grease after each use. Apply grease until grease begins to come out of the bushings. Lubricate before each use of the mixer.

Maintenance

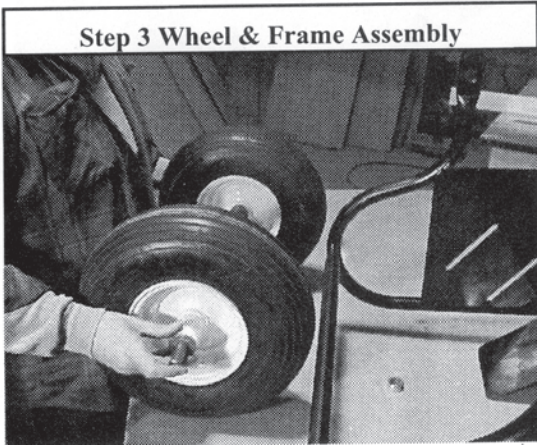
25CMP Wheelbarrow-- Wheel & Frame Assembly



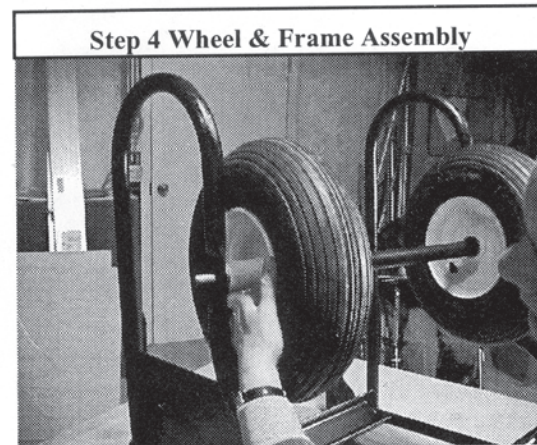
Wheel & Frame Assembly



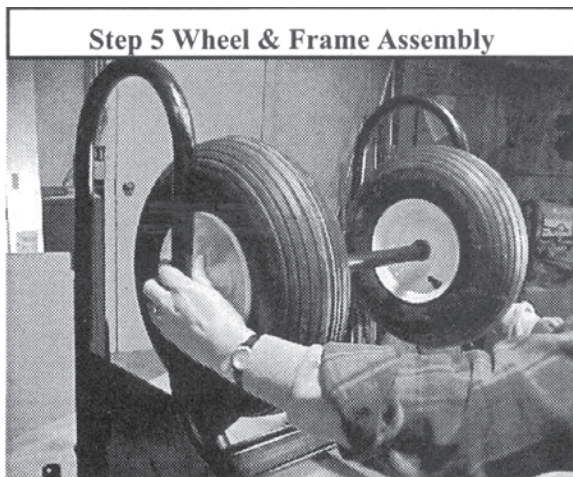
Slide Spacer on axle rod.



Put wheels on each axle rod end with hub out and stem inside



Push axle shaft so that axle extends out of frame hole.



Place other end of axle assembly into frame.

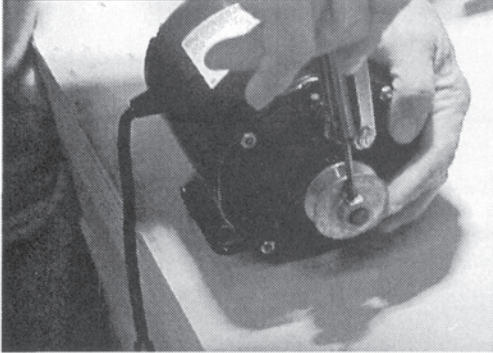


Place lock collars on axle shaft and tighten with Allen Wrench.

Maintenance

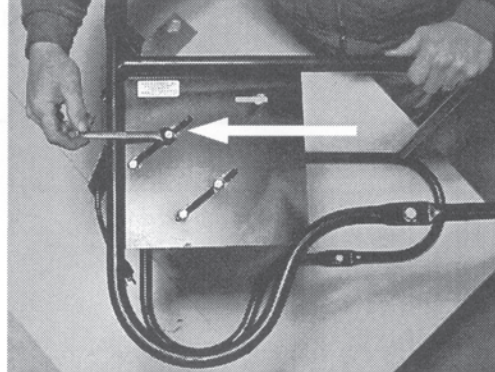
25CMP Wheelbarrow-- Electric Motor Assembly

Step 1 Electric Motor Assembly



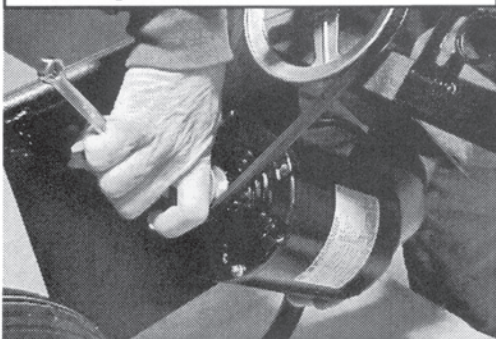
Electric Motor Assembly: Slide pulley onto motor shaft and tighten with Allen Wrench.

Step 2 Electric Motor Assembly



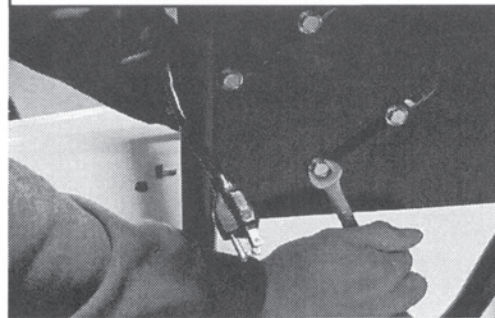
Attach electric motor to mounting plate with hex screws 35 and hex flange locknuts. Tighten screw shown snug so motor will pivot. Leave other 3 screws loose to allow motor to pivot for tension adjustment.

Step 3 Electric Motor Assembly



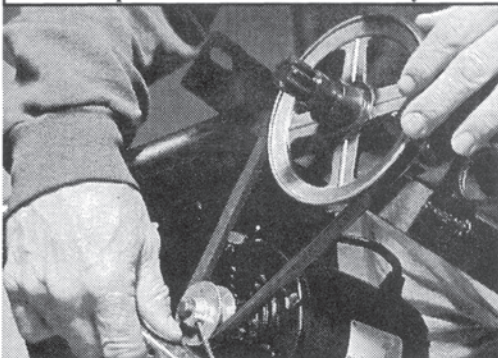
After installing belt onto 2" pulley on motor and 6" pulley on frame, tighten belt by sliding motor assembly down away from 6" pulley. Tighten hex screws with 1/2" wrench.

Step 4 Electric Motor Assembly



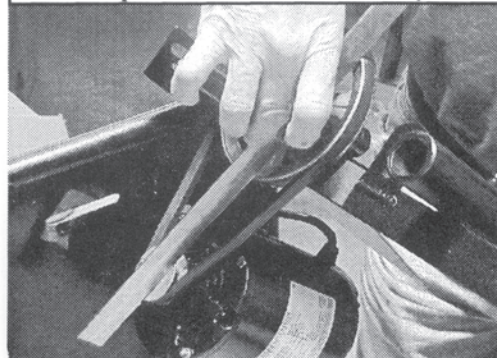
Tighten upper and lower screws on motor mounting plate.

Step 5 Electric Motor Assembly



To adjust alignment of belt, loosen the 2" pulley on the motor.

Step 6 Electric Motor Assembly

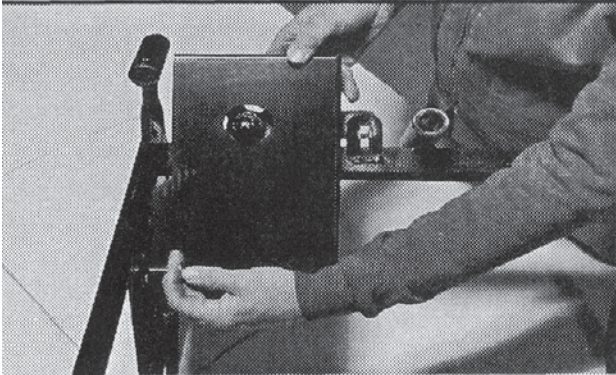


Use a straight edge to help attain proper alignment. Once alignment has been achieved, tighten set screws on the 2" pulley. Do not adjust 6" pulley, pre-adjusted at factory.

Maintenance

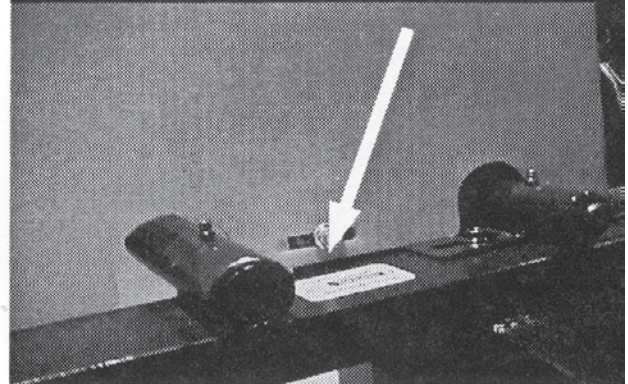
25CMP Wheelbarrow-- Pulley & Ring Gear Assembly

Step 1 Pulley & Ring Gear Guard Assembly



Install pulley guard (26W) using (4) 5/16" hex screws and nuts. Tighten guard securely.

Step 2 Pulley & Ring Gear Guard Assembly

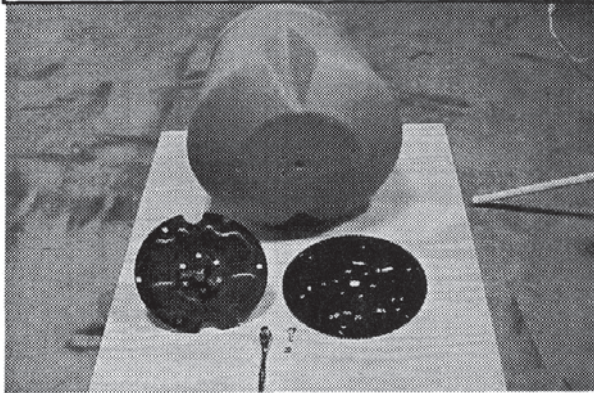


Install poly ring gear guard (18). Put center screw all the way through housing. Do not tighten screws securely at this time.

Maintenance

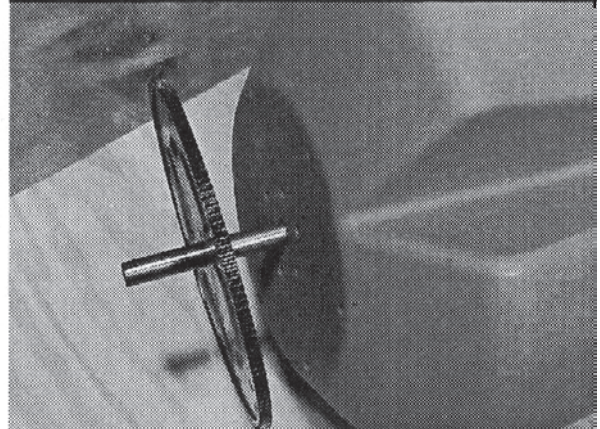
25CMP Wheelbarrow---- Drum & Ring Gear Assembly

Step 1 Drum & Ring Gear Assembly



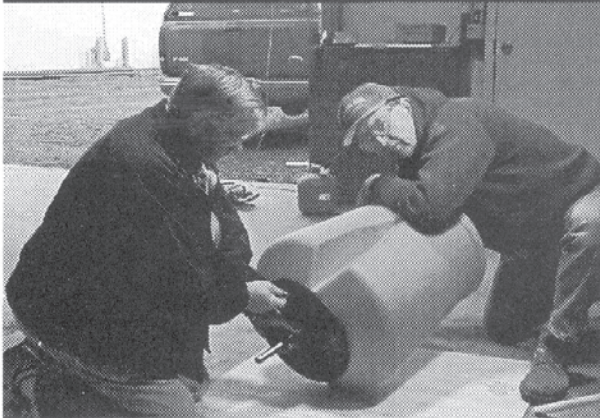
Drum plate and shaft assembly
(Best performed with 2 people)

Step 2 Drum & Ring Gear Assembly



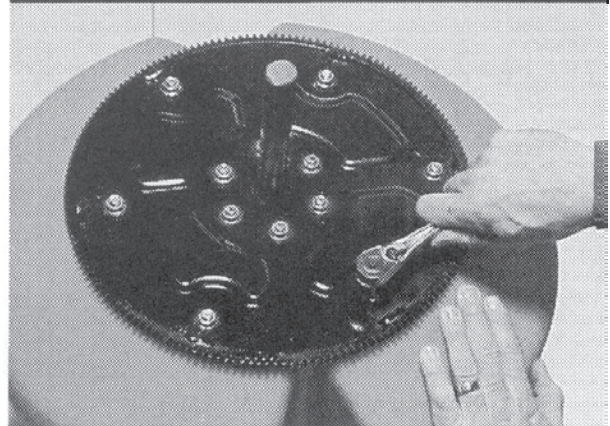
Slide drum plate and shaft onto drum shaft.
Rotate until shaft slides into bottom of drum
smoothly. Non-painted side facing drum.

Step 3 Drum & Ring Gear Assembly



With ring gear plated side out, slide drum shaft
against drum and secure with 12 screws and
nuts.

Step 4 Drum & Ring Gear Assembly

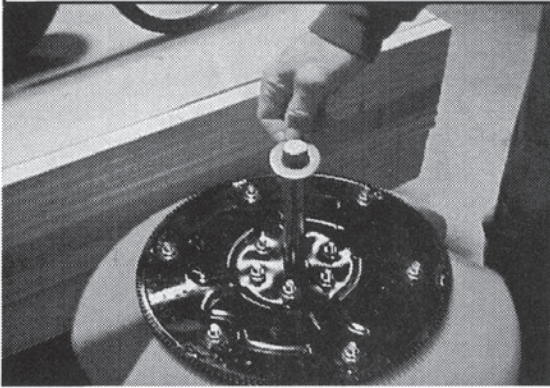


Tighten ring gear screws evenly. Torque to 23
foot pounds, or so 1/4" of thread is extending
through the nut.

Maintenance

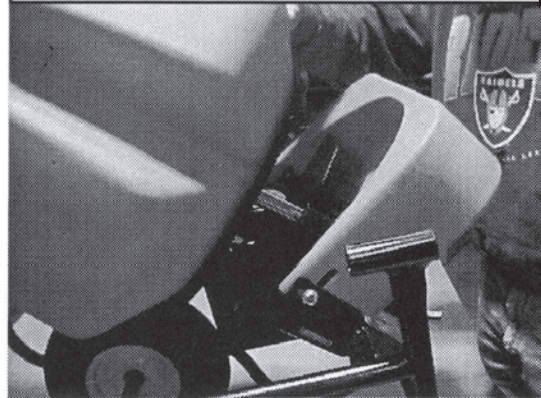
25CMP Wheelbarrow-- Drum Installation Assembly

Step 1 Drum Installation



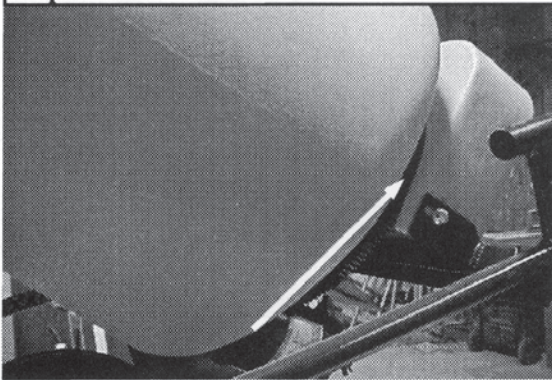
Put thrust washer (21) on main shaft.

Step 2 Drum Installation



Place drum into drum shaft hole until ring gear engages with pinion gear.

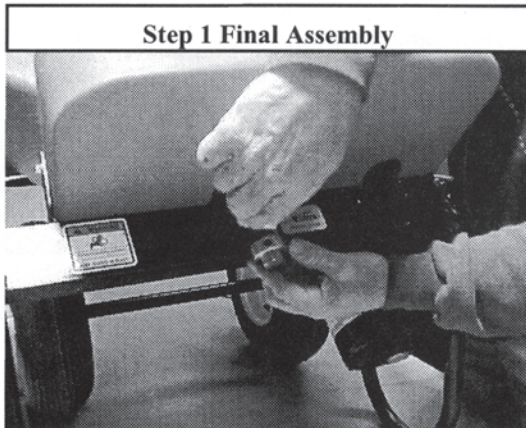
Step 3 Drum Installation



Adjust poly ring gear guard within 1/4" of drum and tighten screws until secure.

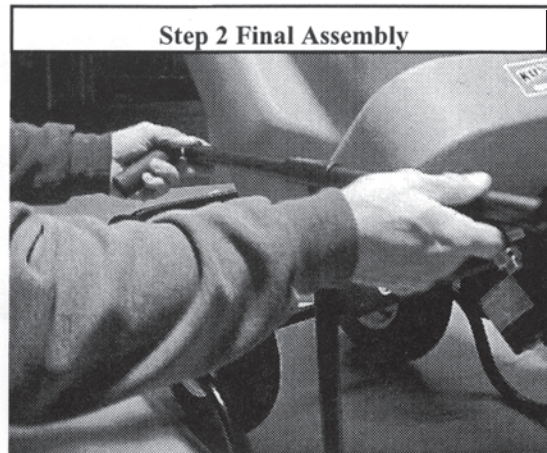
Maintenance

25CMP Wheelbarrow-- Final Assembly



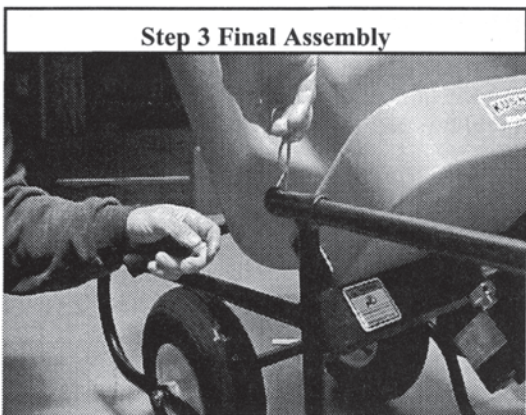
Step 1 Final Assembly

Install locking collar (20) to drum shaft.



Step 2 Final Assembly

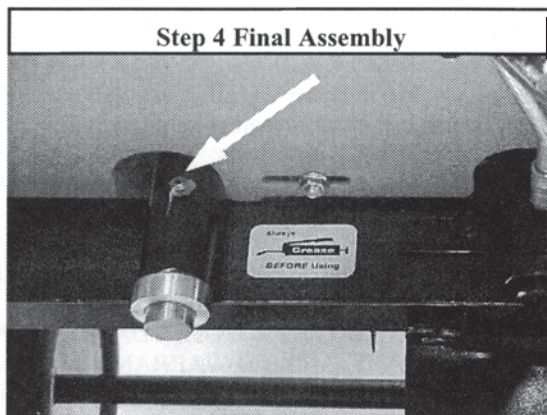
Attach handlebars. Slide from front to back.



Step 3 Final Assembly

Attach lock pins to each side.

1. Turn on Motor
2. While motor is running, add grease to both grease fittings until grease begins to come out of the bushings.



Step 4 Final Assembly

Grease fittings. **(Very Important)**

Extension Cord: Use only outdoor approved grounded extension cords. The cords must be 14 gauge or larger.

*** Grease two (2) fittings before every use.**

Maintenance

25CMPC Combination-- Final Assembly

Pedestal Stand Assembly

1. Place two halves of the support legs together and insert pivot tube through the center of the legs to join together. (Figure 1)
2. Insert locking pin through bottom of pivot tube.

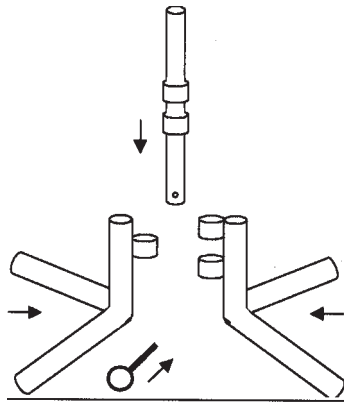


Figure 1 - Stand Assembly

1. Tip mixer, as if dumping contents, and place squarely on opening of drum. The pivot mount plate will rotate freely about the wheel axle from its wheelbarrow stowed position. (Figure 2)

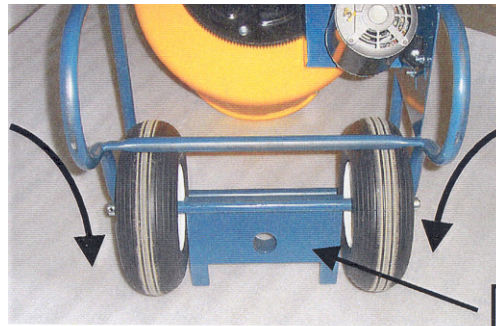


Figure 2 - Tip mixer up, Pivot Mount Plate freely rotates down

Pivot Mount Plate

Attaching Pedestal Stand to Mixer

⚠ WARNING

Pivot mount plate will rotate freely about axle when tipping mixer onto opening of drum. Stand clear of wheel axle or personal injury could occur.

2. Rotate pivot mount plate away from drum and onto frame stop. Back off thumbscrew to allow clearance for inserting pivot tube on stand through tube. (Figure 3)

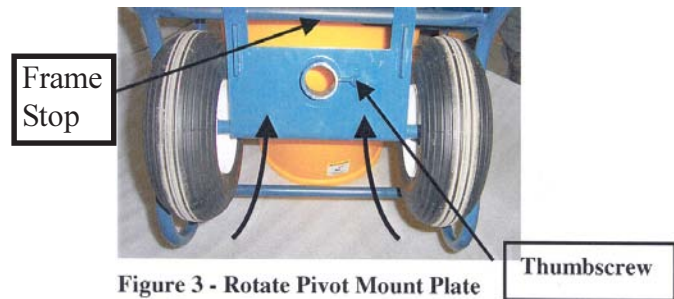


Figure 3 - Rotate Pivot Mount Plate onto Frame Stop

Thumbscrew

Maintenance

25CMPC Combination-- Final Assembly

3. Insert pivot tube of pedestal stand assembly through pivot mount and tighten thumbscrew. (Figure 4)

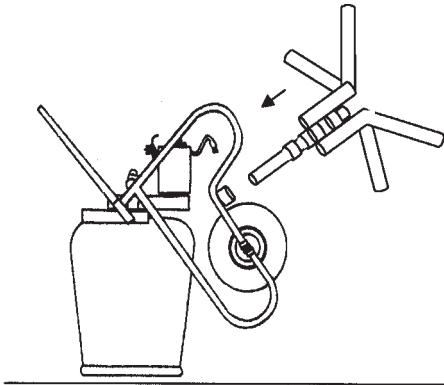


Figure 4 - Insert Pedestal Stand Assembly through Pivot Mount Plate

⚠️ WARNING

Do not tilt mixer upright onto stand on a wet, uneven or slippery surface. Failure to follow this instruction could result in personal injury or damage to equipment.

4. Once the stand has been attached, move to the opening side of the drum and begin tilting the mixer upright onto the stand. Always bend your knees and use correct posture for lifting. Always tilt from the front of the mixer. (Figure 5)

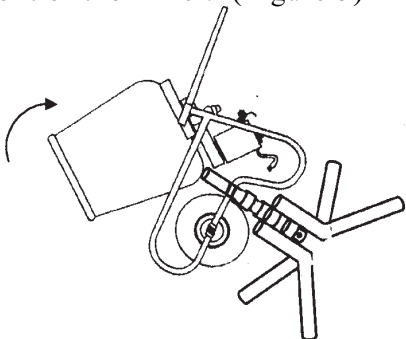


Figure 5 - Tilt mixer upright onto stand

5. Once mixer has been tilted upright onto the stand, the mixer should be tipped back into mixing position before operating. (Figure 6)

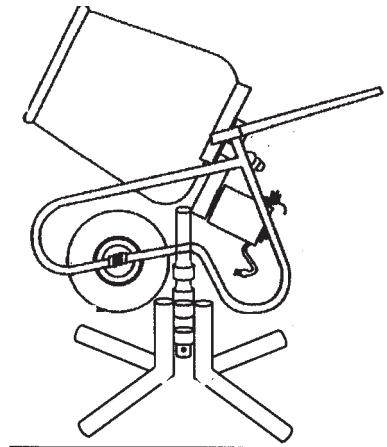


Figure 6 - Unit ready for mixing

Converting unit back to Wheelbarrow from Stand

To convert unit back to wheelbarrow operation follow the directions for assembling and attaching the pedestal stand to the unit in reverse. Make sure to tighten thumbscrew and rotate the pivot mount plate about the axle to its wheelbarrow stowed position before using the unit in its wheelbarrow function. (Figure 7)

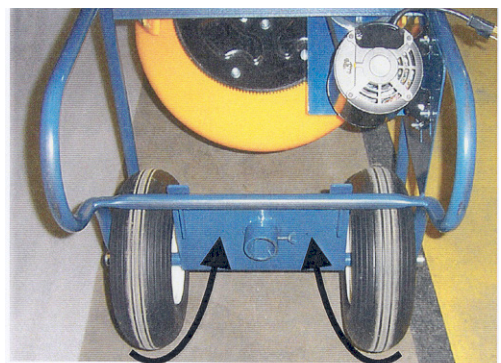


Figure 7 - Rotate Pivot Mount Plate to wheelbarrow stowed position

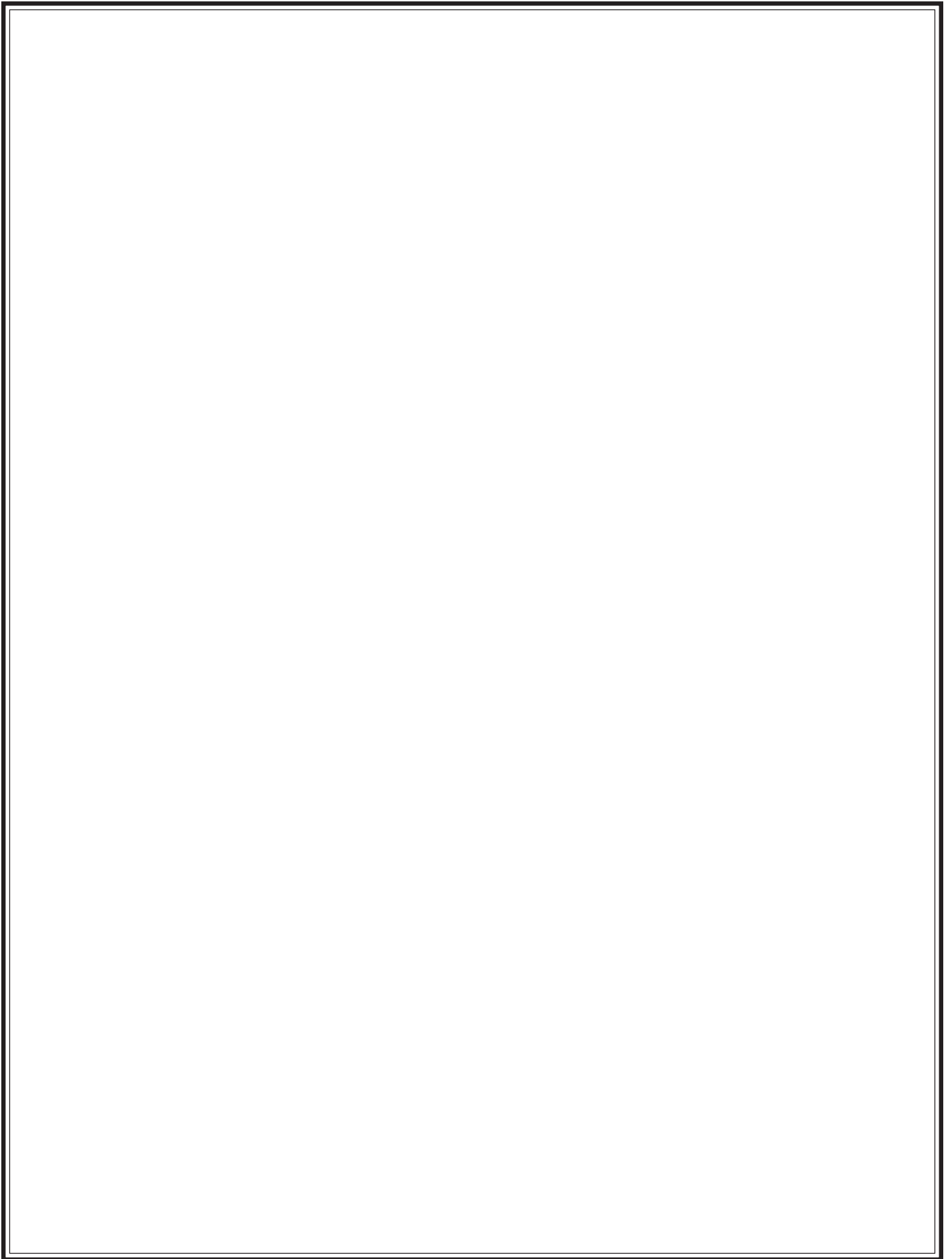


Table of Contents

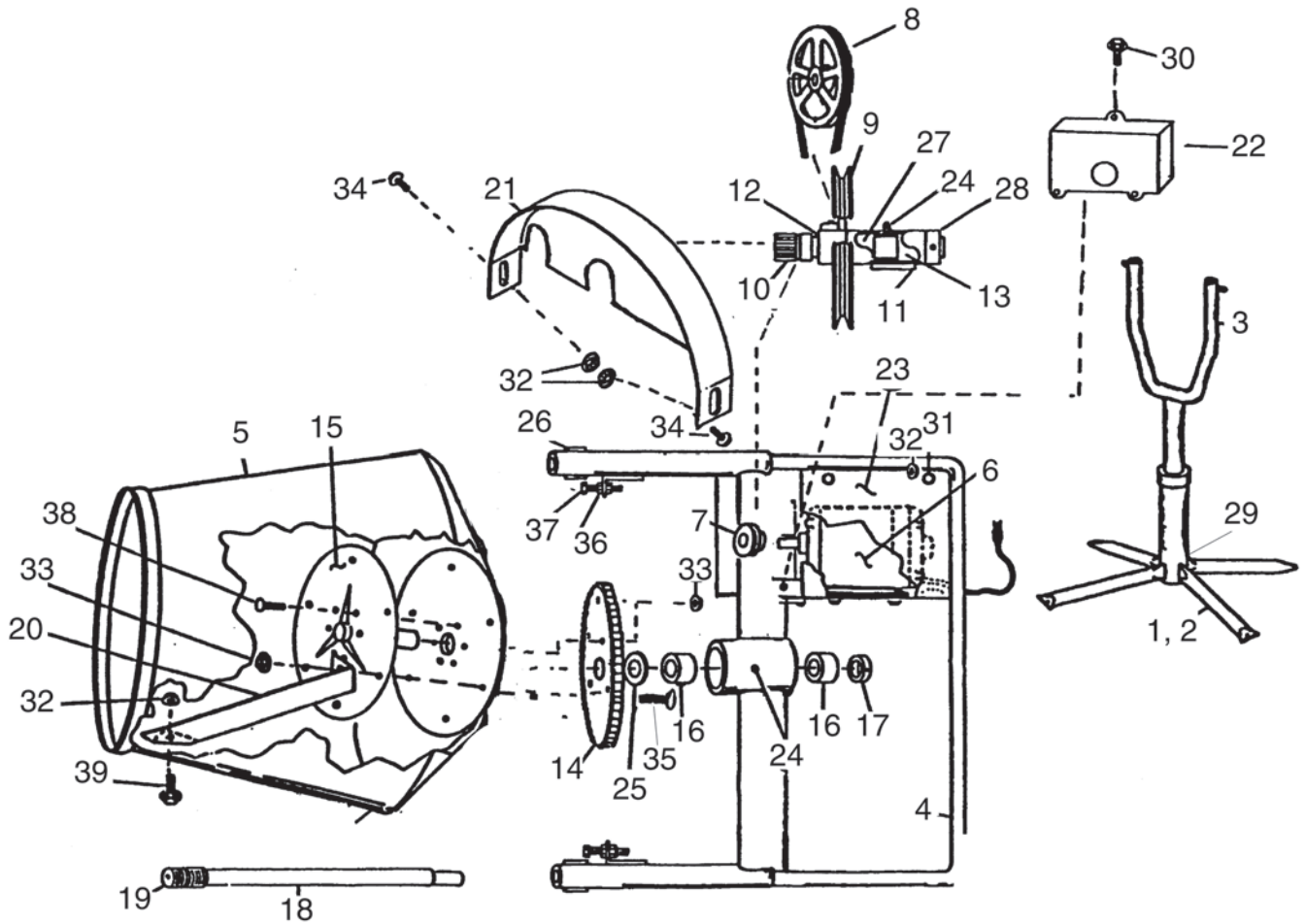
25CMPT/25CMP/
25CMPC

Exploded Views with Parts

Frame, Dum and Motor Assemnbly--Pedestal CMPT	28-31
Frame, Dum and Motor Assemnbly--Wheelbarrow CMP	32-33
Frame, Drum and Motor Assembly--Combination 25CMPC	34-37
Decal Identification	38-39

PARTS LIST

Frame, Drum, and Motor Assembly-Pedestal



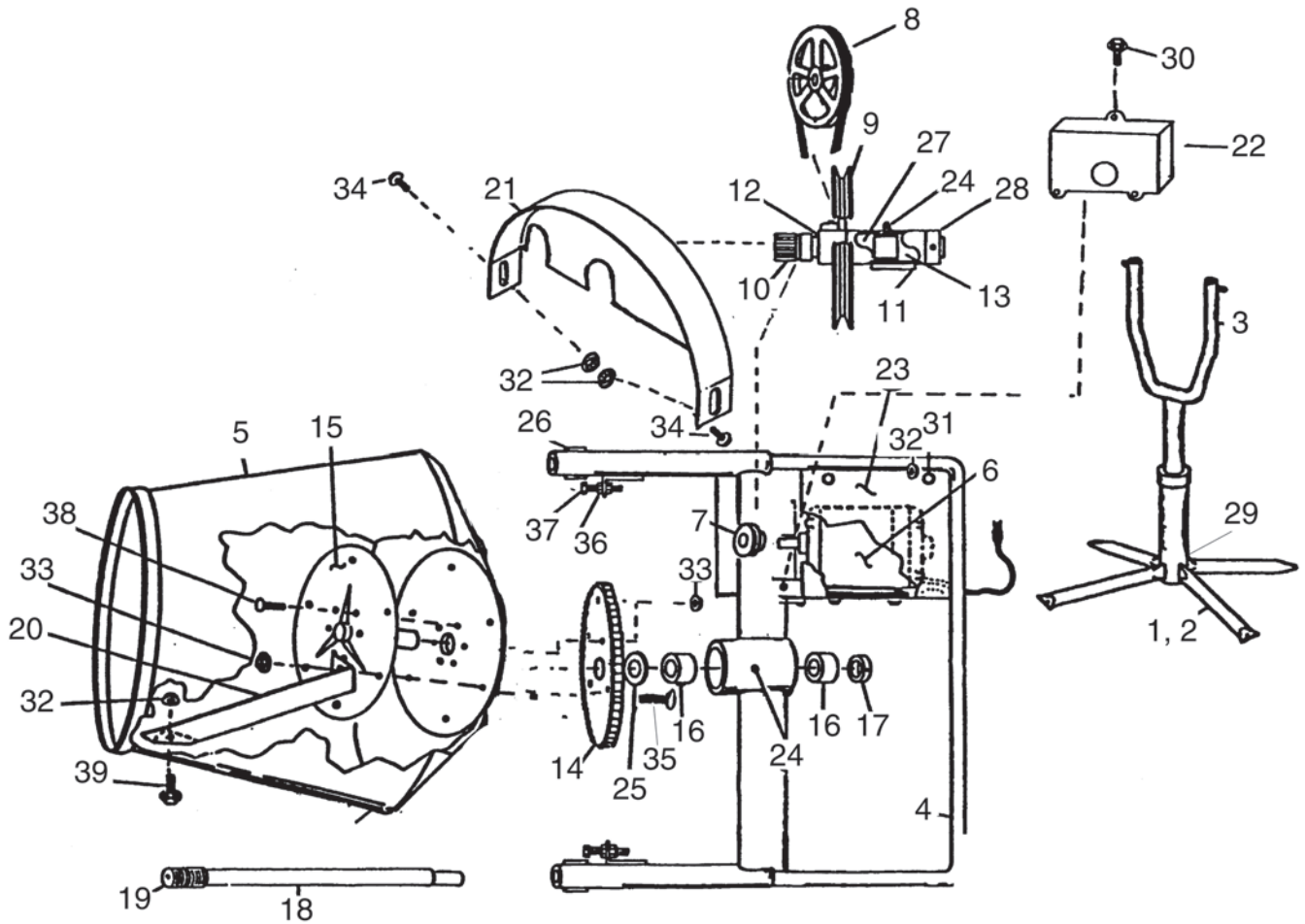
PARTS LIST

Frame, Drum, and Motor Assembly-Pedestal

Item	Part No.	Description	Qty.
1	63846	Base Leg 2 Sleeve Pedestal	1
2	63847	Base Leg 1 Sleeve Pedestal	1
3	63773	Yoke Pedestal	1
4	63774	Asm Frame Pedestal	1
5+	63775	Drum Polyethylene	1
5a	63776	Asm Drum Polyethylene	1
6	63777	Motor Electric 1/3 hp	1
7	63778	Pulley 2 in	1
8	63788	V-Belt 25 in	1
9	63790	Pulley 6 in	1
10	63792	Asm Jackshaft Pinion	1
11	63793	Housing Jackshaft	1
12	63794	Key Square 3/16	1
13	63795	Bushing Jackshaft	1
14+	63796	Asm Ring Gear and Plate	1
15+	63797	Asm Drum Plate and Shaft	1
16	63779	Bushing Drum Shaft	2
17	63780	Collar Locking 1 in	1
18	63783	Handle Dump Pedestal	1
19	63784	Grip Handle Square	1
20+	63808	Mixing Blades	3
21	63809	Guard Poly Gear Pedestal	1
22	63787	Guard Pulley	1
23	63798	Cover Motor Pedestal	1
24	63802	Fitting Grease	2
25	63803	Washer Thrust	1
26	63804	Pin Locking	2
27	63805	Bushing Jackshaft Flange	1
28	63807	Collar Locking 3/4 in	1
29	63845	Asm Pin Clevis Ring	1
30	81146	HWHST 1/4-20 x 1/2 ZN	4
31	81142	HRFB 5/16-18 x 3/4 Gr 5 ZN	6
32+	81145	NUTRF 5/16-18 ZN	9
33+	81143	NUTRF 3/8-16 ZN	14
34	81157	HRFB 3/8-16 x 3/4 GR5 ZN	2

PARTS LIST

Frame, Drum, and Motor Assembly-Pedestal



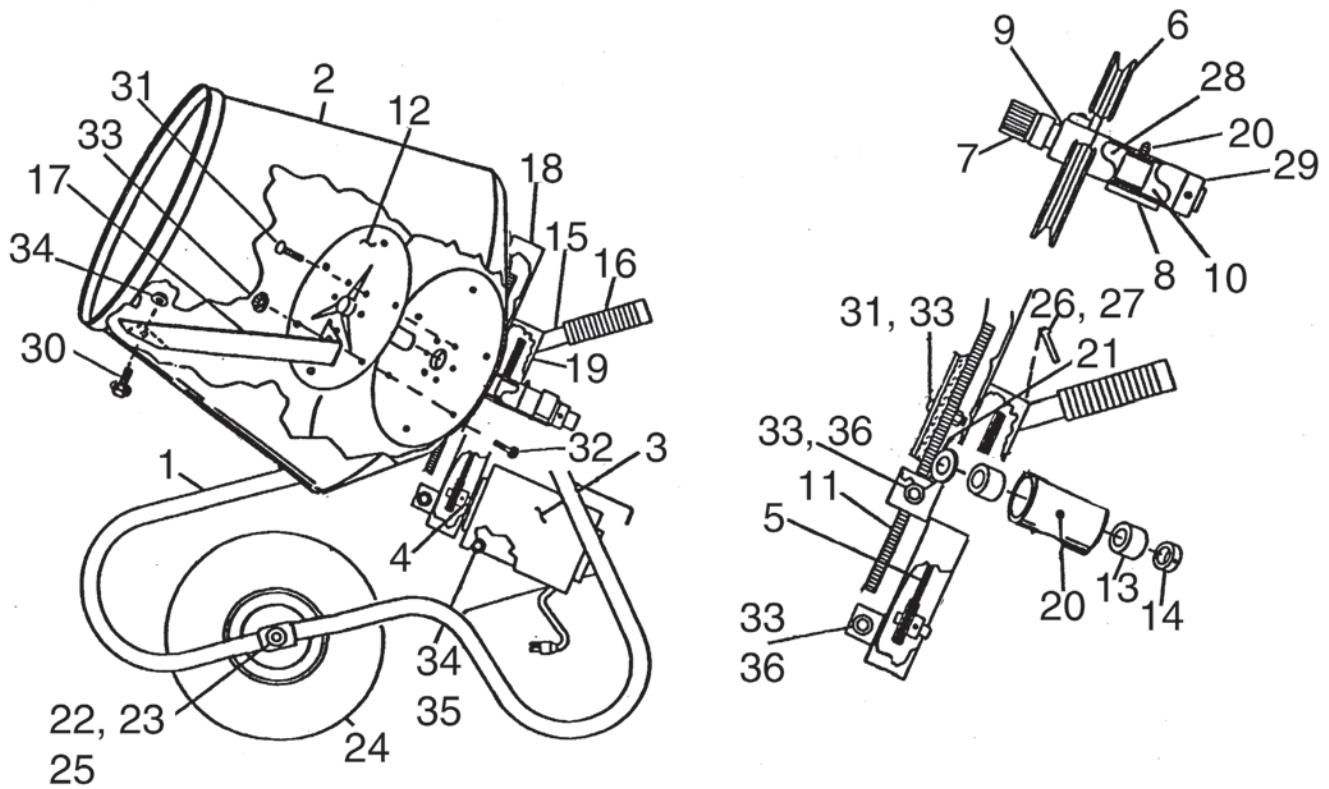
PARTS LIST

Frame, Drum, and Motor Assembly-Pedestal

Item	Part No.	Description	Qty.
35+	80210	CRBLT 3/8-16 x 1-1/2	3
36	80563	NTFXJ 1/2-13 ZN	4
37	81140	HHTB 1/2 - 13 x 2-1/2 ZN	2
38+	80041	CRBLT 3/8-16 x 1-1/4 ZN	9
39+	81144	HRFB 5/16-18 x 1 Gr 5 ZN	3

PARTS LIST

Frame, Drum, and Motor Assembly-Wheelbarrow



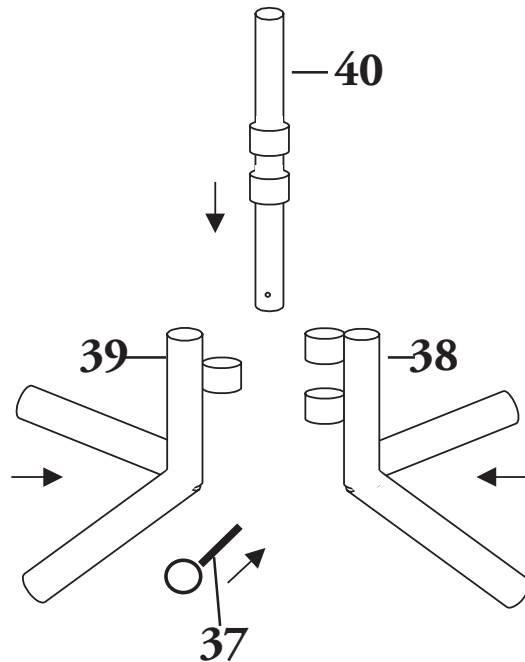
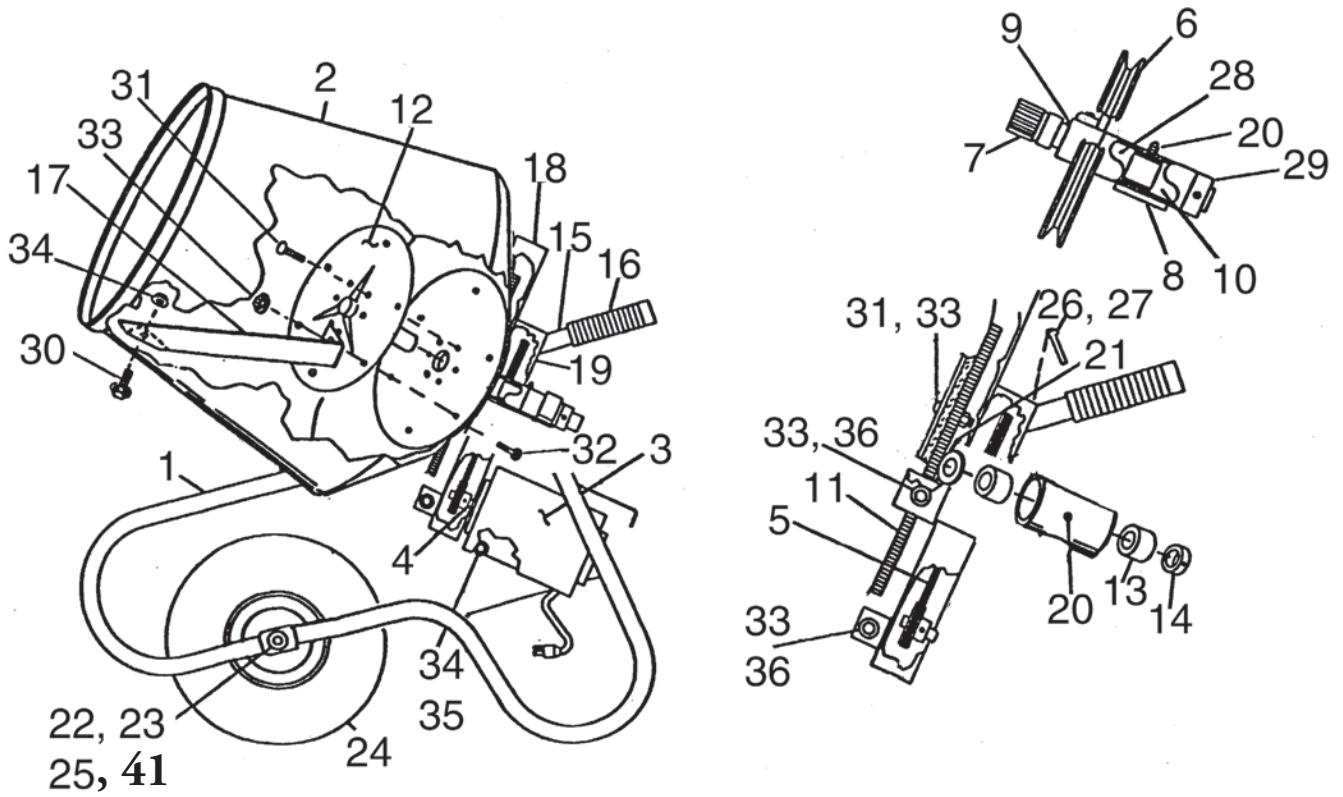
PARTS LIST

Frame, Drum, and Motor Assembly-Wheelbarrow

Item	Part No.	Description	Qty.
1	63791	Asm Frame	1
2+	63775	Drum Polyethylene	1
2a	63776	Asm Drum Polyethylene	1
3	63777	Motor Electric 1/3 hp	1
4	63778	Pulley 2 in	1
5	63789	V-Belt 28 in	1
6	63790	Pulley 6 in	1
7	63792	Asm Jackshaft Pinion	1
8	63793	Housing Jackshaft	1
9	63794	Key Square 3/16	1
10	63795	Bushing Jackshaft	1
11+	63796	Asm Ring Gear and Plate	1
12+	63797	Asm Drum Plate and Shaft	1
13	63779	Bushing Drum Shaft	2
14	63780	Collar Locking 1 in	1
15	63781	Handle Wheelbarrow	2
16	63782	Grip Handle Wheelbarrow	2
17+	63808	Blades Mixing	3
18	63785	Guard Ring Gear Poly	1
19	63786	Guard Pulley	1
20	63802	Fitting Grease	2
21	63803	Washer Thrust	1
22	63799	Axle Wheelbarrow	1
23	63800	Tube Axle Spacer	1
24	63801	Wheel 400 x 6	2
25	63806	Collar Locking 5/8 in	2
26	63843	Asm Ring Pin Detent	2
27	63844	Lanyard	2
28	63805	Bushing Jackshaft Flange	1
29	63807	Collar Locking 3/4 in	1
30+	81144	HRFB 5/16-18 x 1 Gr 5 ZN	3
31+	80041	CRBLT 3/8-16 x 1-1/4 ZN	9
32+	80210	CRBLT 3/8-16X1-1/2	3
33+	81143	NUTRF 3/8-16 ZN	15
34+	81145	NUTRF 5/16-18 ZN	10
35	81142	HRFB 5/16-18 x 3/4 Gr 5 ZN	7
36	81157	HRFB 3/8-16 x 3/4 GR5 ZN	3

PARTS LIST

Frame, Drum, and Motor Assembly- Combination CMPC



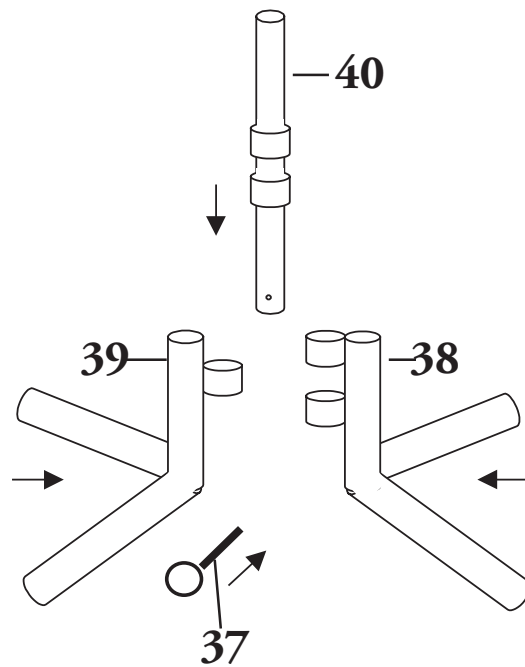
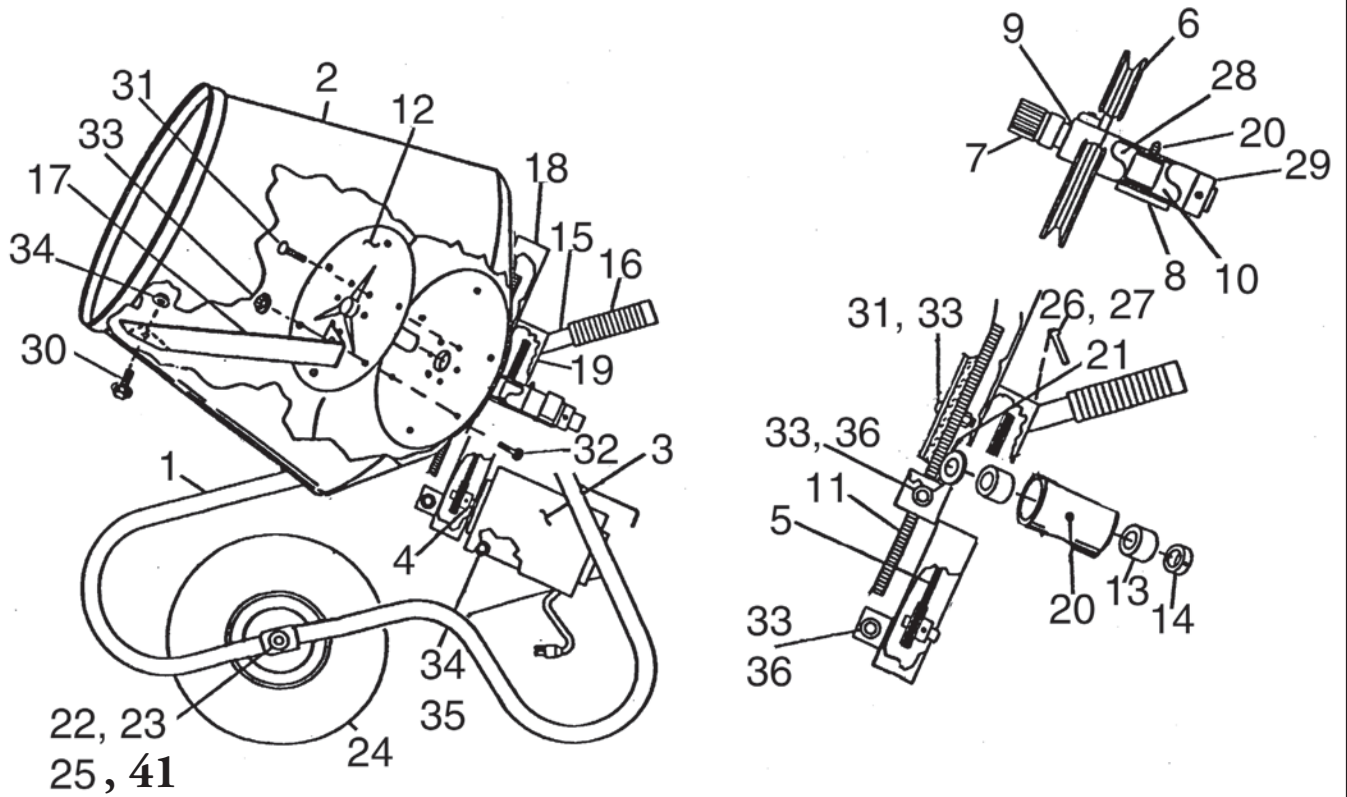
PARTS LIST

Frame, Drum, and Motor Assembly- Combination CMPC

Item	Part No.	Description	Qty.
1	64074	Asm Frame	1
2+	63775	Drum Polyethylene	1
2a	63776	Asm Drum Polyethylene	1
3	63777	Motor Electric 1/3 hp	1
4	63778	Pulley 2 in	1
5	63789	V-Belt 28 in	1
6	63790	Pulley 6 in	1
7	63792	Asm Jackshaft Pinion	1
8	63793	Housing Jackshaft	1
9	63794	Key Square 3/16	1
10	63795	Bushing Jackshaft	1
11+	63796	Asm Ring Gear and Plate	1
12+	63797	Asm Drum Plate and Shaft	1
13	63779	Bushing Drum Shaft	2
14	63780	Collar Locking 1 in	1
15	63781	Handle Wheelbarrow	2
16	63782	Grip Handle Wheelbarrow	2
17+	63808	Blades Mixing	3
18	63785	Guard Ring Gear Poly	1
19	63786	Guard Pulley	1
20	63802	Fitting Grease	2
21	63803	Washer Thrust	1
22	63799	Axle Wheelbarrow	1
23	64076	Plate Mount Pivot	1
24	63801	Wheel 400 x 6	2
25	63806	Collar Locking 5/8 in	2
26	63843	Asm Ring Pin Detent	2
27	63844	Lanyard	2
28	63805	Bushing Jackshaft Flange	1
29	63807	Collar Locking 3/4 in	1

PARTS LIST

Frame, Drum, and Motor Assembly- Combination CMPC



PARTS LIST

Frame, Drum, and Motor Assembly- Combination CMPC

Item	Part No.	Description	Qty.
30+	81144	HRFB 5/16-18 x 1 Gr 5 ZN	3
31+	80041	CRBLT 3/8-16 x 1-1/4 ZN	9
32+	80210	CRBLT 3/8-16X1-1/2	3
33+	81143	NUTRF 3/8-16 ZN	15
34+	81145	NUTRF 5/16-18 ZN	10
35	81142	HRFB 5/16-18 x 3/4 Gr 5 ZN	7
36	81157	HRFB 3/8-16 x 3/4 GR5 ZN	3
37	63845	Asm Pin Clevis Ring	1
38	63846	Base Leg 2-Sleeve Pedestal	1
39	63847	Base Leg 1-Sleeve Pedestal	1
40	64075	Tube Pivot	1
41	64077	THBSC 5/16-18 x 1 GR5 ZN	1

PARTS LIST

Decal Identification

How to Mix Concrete

- You will need approximately 2-1/2 gallons water
- 2 – 80 pound bags pre-mix concrete
- Start mixer in motion
- Put in 2 gallons of water
- Add 1- 80 pound bag of pre-mix concrete

NOTE: MIXTURE WILL BE VERY SLOPPY

- Slowly add 2nd bag of 80 pound pre-mix concrete
- Add 1/2 gallon water slowly to obtain desired thickness

WILL YIELD 1-1/2 CUBIC FEET CONCRETE

LITTLE CHAMP

NOTICE

CONTACT THE
MANUFACTURER
IMMEDIATELY AT
1-800-888-9926 IF SAFETY OR
HAZARD DECALS OR
OWNER'S MANUAL IS MISSING
FROM THIS EQUIPMENT.

GREASE BEFORE EACH USE!

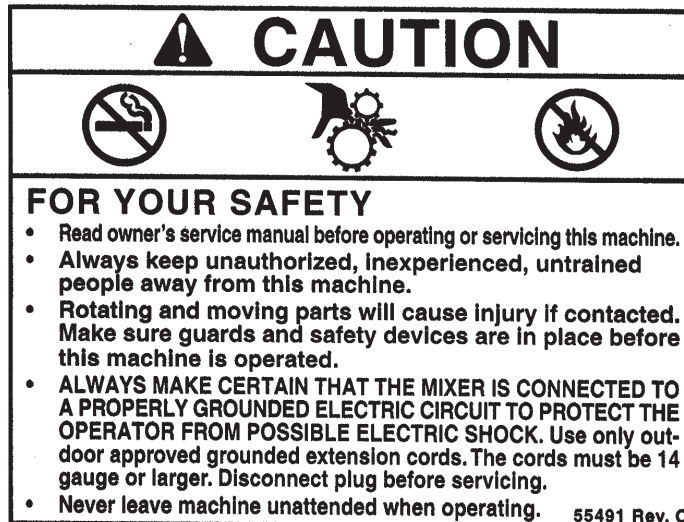
How to Mix Sand & Gravel

- Use an 8-1/2 x 12" square point shovel
- Portland cement, gravel or round stone and masonry sand
- Start mixer in motion
- Put in 2 gallons of water
- Add 6 shovels full of gravel or round stone
- Add 2 shovels full of Portland cement
- Slowly add 4 shovels full masonry sand

NOTE: WATER WILL VARY ACCORDING TO
MOISTURE CONTENT OF SAND & GRAVEL

WILL YIELD 1-1/2 CUBIC FEET CONCRETE

55490

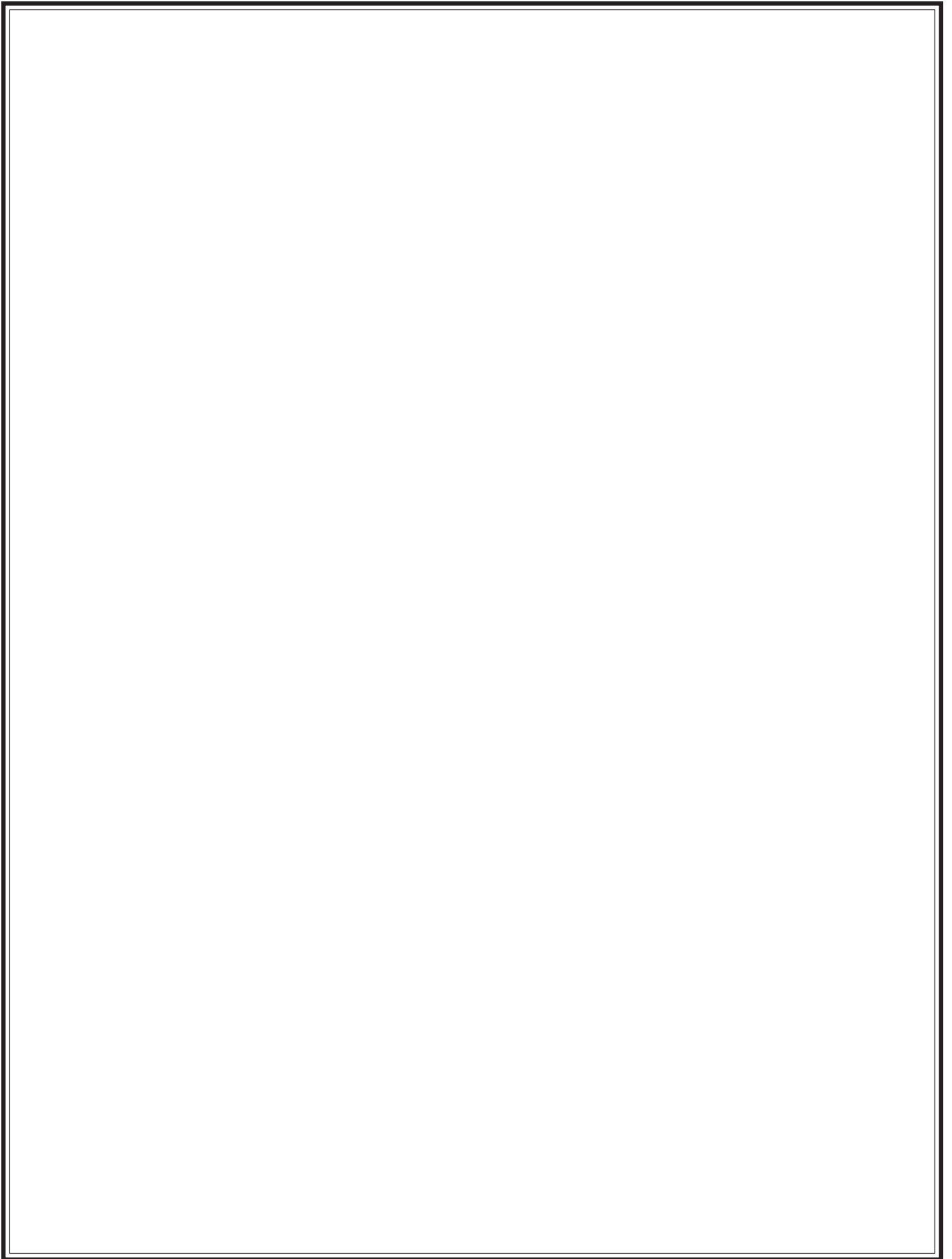


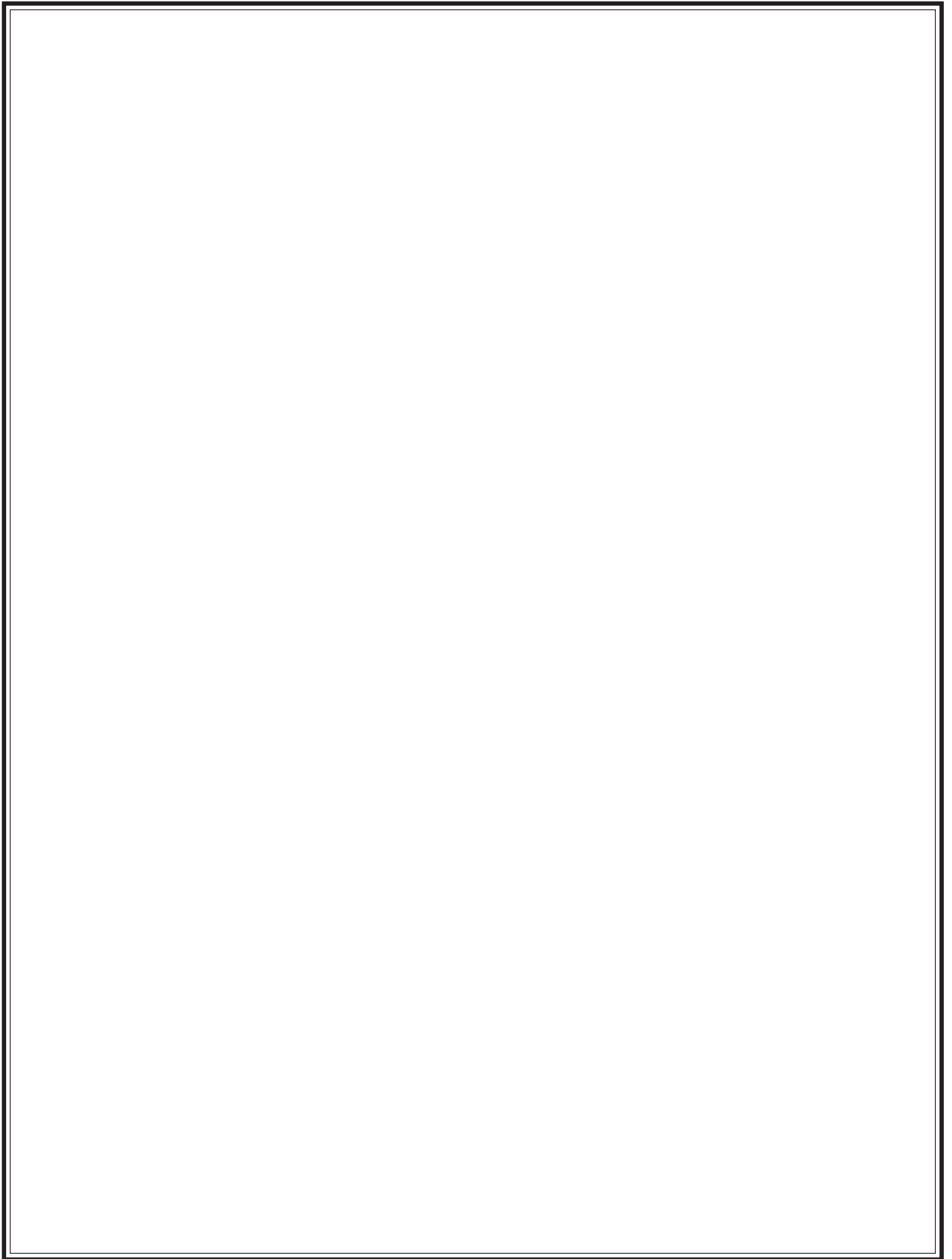
PARTS LIST

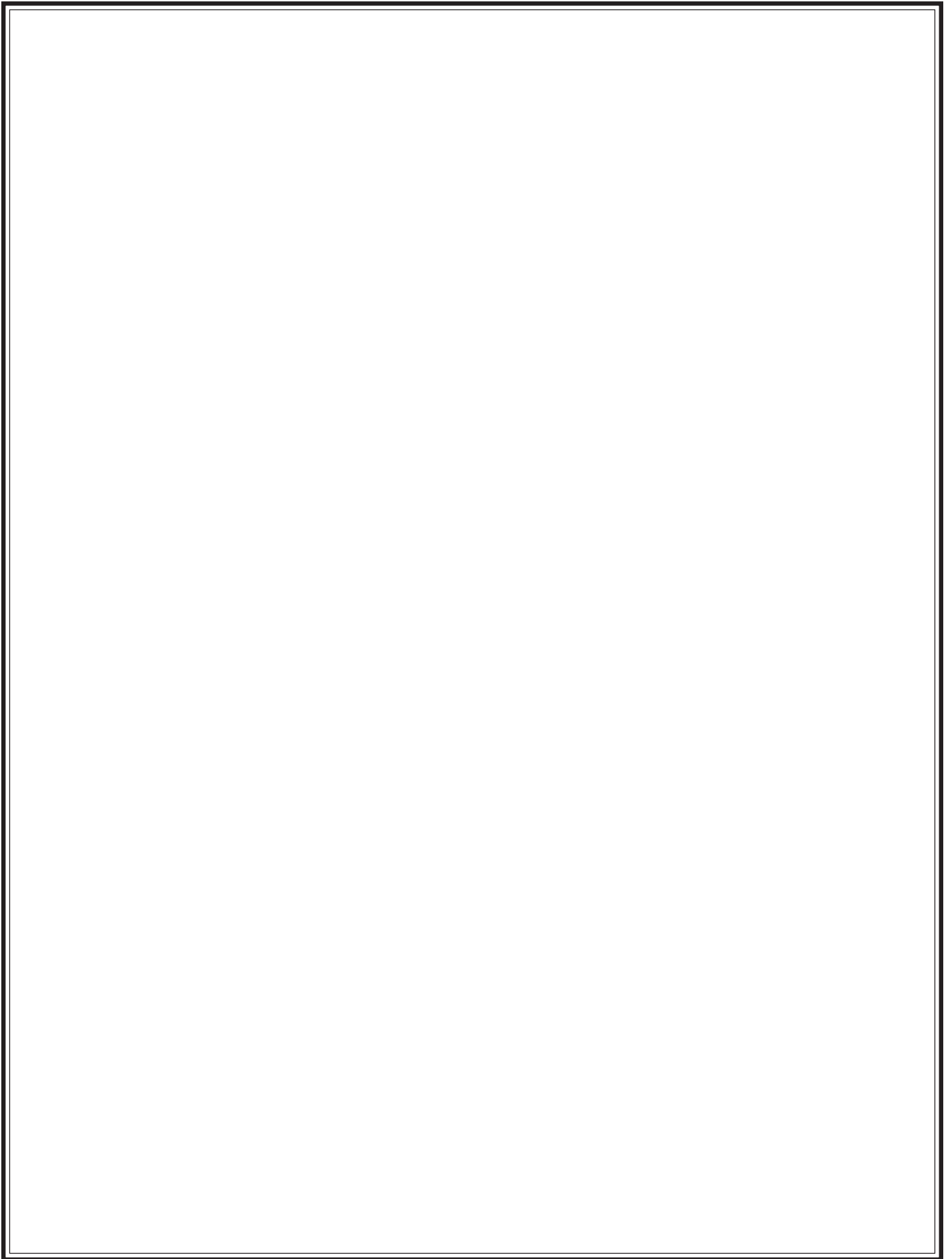
Decal Identification

Item	Part No.	Description	Qty.
1	55491	Decal Safety Instructions	1
2	55490	Decal Instruction Mix	1
3	55492	Decal Grease	1
4	55493	Decal Warning	1
5	55574	Decal Warning Pedestal Stand	1

⚠ WARNING	⚠ ADVERTENCIA
<p>Cut, crush and tip over hazards. Read and understand operator's manual before assembling and using pedestal stand.</p>	<p>Riesgo de corte, prensado y volcado. Lea y comprenda el manual del operador antes de ensamblar y utilizar el pedestal.</p>
55574	







CALIFORNIA PROPOSITION 65 WARNING: Engine exhaust from this product contains chemicals known to the State of California to cause cancer, birth defects, or other reproductive harm.



Stone Construction Equipment, Inc.
P.O. Box 150, Honeoye, New York 14471
Phone: (800) 888-9926
Fax: 585-229-2363
e-mail: sceny@stone-equip.com
www: stone-equip.com

A 100% employee-owned American manufacturer

© 2002 Stone Construction Equipment, Inc.
Printed in U.S.A.