



SERVICE/PARTS MANUAL

MODELS: 65CMED & 95CMED



CONCRETE MIXER

A 100% employee-owned American manufacturer

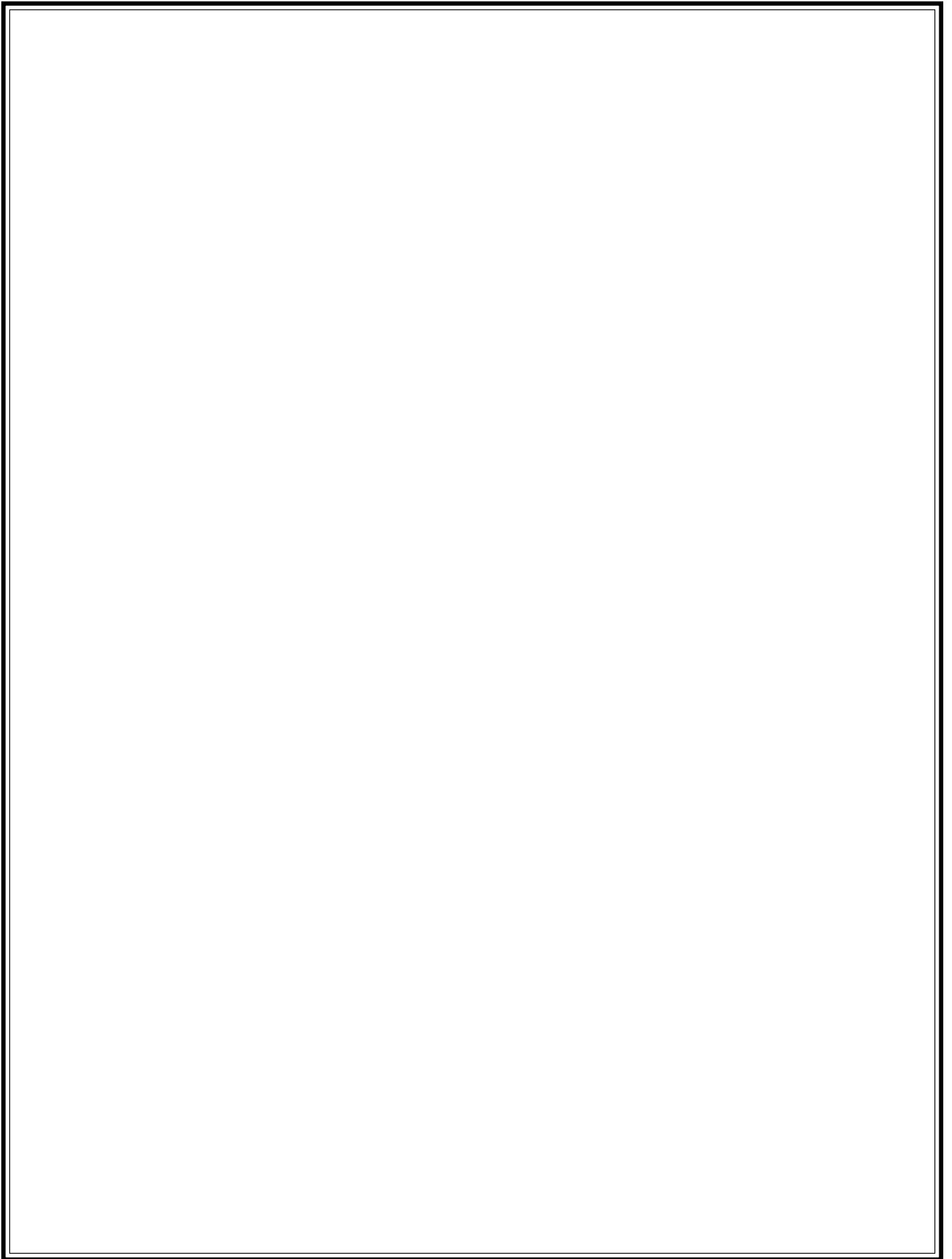


Table of Contents

65CMED & 95CMED

FOREWORD	4
LIMITED WARRANTY	5
TECHNICAL DATA	6 - 8
Specifications	6
Imperial Torque Chart	7
Metric Torque Chart	8
HEALTH & SAFETY	9 - 13
MAINTENANCE	14 - 15
Maintenance and Lubrication	14
Hardware	14
Towing	14
Maintenance Schedule	15
HARDWARE IDENTIFICATION	16
EXPLODED DIAGRAM AND PARTS LIST	17 - 41
Frame and Drum Assembly	18 - 21
Tilt Mechanism	24 - 25
65CMED & 95CMED Gas/Diesel Engine - Chain & Belt Drive	26 - 29
Grounding Switch	30 - 31
65CMED Electric Motor - Chain & Belt Drive	32 - 33
95CMED Electric Motor - Chain & Belt Drive	34 - 35
Electric Wiring	36 - 39
Decal Identification	40 - 41
CALIFORNIA PROPOSITION 65 WARNING	IBC

User Information

These instructions include:

Safety regulations
Operating instructions
Maintenance instructions

These instructions have been prepared for operation on the construction site and for the maintenance engineer.

These instructions are intended to simplify operation of the machine and to avoid malfunctions through improper operation.

Observing the maintenance instructions will increase the reliability and service life of the machine when used on the construction site and reduce repair costs and downtimes.

Always keep these instructions at the place of use of the machine.

Only operate the machine as instructed.

Observe the safety regulations as well as the guidelines of the civil engineering trade association. Observe the safety rules for operation and the pertinent regulations for the prevention of accidents.

Stone Construction Equipment, Inc. is not liable for the function of the machine when used in an improper manner or for other than the intended purpose.

Operating errors, improper maintenance and the use of incorrect operating materials are not covered by the warranty.

The above information does not extend the warranty and liability conditions of business of Stone Construction Equipment, Inc.

Foreword/Service Information

1. Machine Type: _____

Machine S/N: _____

2. Engine Type: _____

Engine S/N: _____

3. VIN: _____

4. Purchase Date: _____

5. Dealer/Distributor Information:

Name: _____

Address: _____

Phone #: _____

Fax #: _____

6. Battery
Manufacturer: _____

Battery Type: _____

Battery S/N: _____

Location of above information:

1. Information on S/N tag.
2. Information on engine tag.
3. Information on S/N tag - if applicable.
4. Date you purchased machine.
5. Dealer machine was purchased from.
6. Information on battery and battery warranty card.

Stone Construction Equipment, Inc.
P.O. Box 150, Honeoye, New York 14471
Phone: (800) 888-9926
Fax: (716) 229-2363

Limited Warranty

The Manufacturer warrants that products manufactured shall be free from defects in material and workmanship that develop under normal use for a period of 90 days for concrete vibrators and electric pumps, one year for Rhino®, Bulldog®, WolfPac Rollers™, trowels, Stompers®, saws, forward plates, engine powered pumps, Lift Jockey™, Mortar Lift™ and 6 months for all other products from the date of shipment. The foregoing shall be the exclusive remedy of the buyer and the exclusive liability of the Manufacturer. Our warranty excludes normal replaceable wear items, i.e. gaskets, wear plates, seals, O-rings, V-belts, drive chains, clutches, etc. Any equipment, part or product which is furnished by the Manufacturer but manufactured by another, bears only the warranty given by such other manufacturer. (The Manufacturer extends the warranty period to "Lifetime" for the drum bearings and seals for the mortar equipments, and agrees to furnish, free of charge, the bearings and seals only upon receipt of the defective parts. The warranty is two years for eccentric bearings on the forward plate compactors, mortar and plaster equipment drums, trowel gearboxes and five years on the Bulldog trench roller eccentric bearings.) A Warranty Evaluation Form must accompany all defective parts. Warranty is voided by product abuse, alterations, and use of equipment in applications for which it was not intended, use of non-manufacturer parts, or failure to follow documented service instructions. The foregoing warranty is exclusive of all other warranties whether written or oral, expressed or implied. No warranty of merchantability or fitness for a particular purpose shall apply. The agents, dealer and employees of Manufacturer are not authorized to make modification to this warranty, or additional warranties binding on Manufacturer. Therefore, additional statements, whether oral or written, do not constitute warranty and should not be relied upon.

The Manufacturer's sole responsibility for any breach of the foregoing provision of this contract, with respect to any product or part not conforming to the Warranty or the description herein contained, is at its option (a) to repair, replace or refund such product or parts upon the prepaid return thereof to location designated specifically by the Manufacturer. Product returns not shipped prepaid or on an economical transportation basis will be refused (b) as an alternative to the foregoing modes of settlement - the Manufacturer's dealer to repair defective units with reimbursement for expenses, except labor, and be reviewed with the Manufacturer prior to repair. A Warranty Evaluation Form must accompany all warranty claims.

Except as set forth hereinabove and without limitation of the above, there are no warranties or other affirmations which extends beyond the description of the products and the fact hereof, or as to operational efficiency, product reliability or maintainability or compatibility with products furnished by others. In no event whether as a result of breach of contract or warranty or alleged negligence, shall the Manufacturer be liable for special or consequential damages including but not limited to: Loss of profits or revenues, loss of use of the product or any associated product, cost of capital, cost of substitute products, facilities or services or claims of customers.

No claim will be allowed for products lost or damaged in transit. Such claims should be filed with the carrier within fifteen days.

Effective September 2001.



Stone Construction Equipment, Inc. Phone: 1-800-888-9926 • 1-716-229-5141
32 East Main Street, P. O. Box 150 Fax: 1-716-229-2363
Honeoye, NY 14471-0150 www.stone-equip.com • e-mail:
sceny@mcimail.com

TECHNICAL DATA

Specifications

Stone 65CMED & 95CMED Mixer – Specifications

	65CMED	95CMED
<u>Dimensions</u>		
Operating Wt.	740 lbs. (w/ 8 hp Honda) 335.7 kg	875 lbs. (w/ 8 hp Honda) 396.9 kg
Batch Capacity (Bags)	1/2 - 1 bags	1 - 1 1/2 bags
Batch Capacity (cu. ft.)	6 cu. ft. / .17 cu. m.	9 cu. ft. / .255 cu. m.
Total Volume	9.0 cu. ft. / .255 cu. m.	15.1 cu. ft. / .43 cu. m.
L x W x H	65 x 82 x 62 (in) 165.1 x 202.3 x 157.5 (cm)	85 x 85 x 71 (in) 215.9 x 215.9 x 180.3 (cm)
Power Source	1 hp / .75 kW Electric 5 hp / 3.7 kW B&S 5.5 hp / 4.1 kW Honda 6 hp / 4.5 kW Robin 6 hp / 4.5 kW Diesel 8.5 hp / 6.3 kW Robin 8 hp / 6 kW B&S Kool Bore 8 hp / 5.9 kW B&S I/P 8 hp / 6 kW Honda 10 hp / 7.5 kW B&S	1 1/2 hp / 1.1 kW Electric 6 hp / 4.5 kW Diesel 8.5 hp / 6.3 kW Robin 8 hp / 6 kW B&S Kool Bore 8 hp / 5.9 kW B&S I/P 8 hp / 6 kW Honda 10 hp / 7.5 kW B&S I/P

TECHNICAL DATA

Imperial Torque Chart

SAE GRADE 5 Coarse Thread, Zinc-Plated		
SIZE	TORQUE	
	ft. lbs.	Nm
1/4 - 20 (.250)	6	8
5/16 - 18 (.3125)	13	18
3/8 - 16 (.375)	23	31
7/16 - 14 (.4375)	37	50
1/2 - 13 (.500)	57	77
9/16 - 12 (.5625)	82	111
5/8 - 11 (.625)	112	152
3/4 - 10 (.750)	200	271
7/8 - 9 (.875)	322	436.5
1 - 8 (1.000)	483	655

SAE GRADE 8 Coarse Thread, Zinc-Plated		
SIZE	TORQUE	
	ft. lbs.	Nm
1/4 - 20 (.250)	9	12
5/16 - 18 (.3125)	18	24
3/8 - 16 (.375)	33	45
7/16 - 14 (.4375)	52	70
1/2 - 13 (.500)	80	108
9/16 - 12 (.5625)	115	156
5/8 - 11 (.625)	159	215
3/4 - 10 (.750)	282	382
7/8 - 9 (.875)	454	615
1 - 8 (1.000)	682	925

SAE GRADE 5 Fine Thread, Zinc-Plated		
SIZE	TORQUE	
	ft. lbs.	Nm
1/4 - 28 (.250)	7	10
5/16 - 24 (.3125)	14	19
3/8 - 24 (.375)	26	35
7/16 - 20 (.4375)	41	56
1/2 - 20 (.500)	64	87
9/16 - 18 (.5625)	91	123
5/8 - 18 (.625)	128	173
3/4 - 16 (.750)	223	302
7/8 - 14 (.875)	355	481
1 - 12 (1.000)	529	717
1 - 14 (1.000)	541	733

SAE GRADE 8 Fine Thread, Zinc-Plated		
SIZE	TORQUE	
	ft. lbs.	Nm
1/4 - 28 (.250)	10	14
5/16 - 24 (.3125)	20	27
3/8 - 24 (.375)	37	50
7/16 - 20 (.4375)	58	79
1/2 - 20 (.500)	90	122
9/16 - 18 (.5625)	129	175
5/8 - 18 (.625)	180	244
3/4 - 16 (.750)	315	427
7/8 - 9 (.875)	501	679
1 - 12 (1.000)	746	1011
1 - 14 (1.000)	764	1036

t-chrt_i.doc

TECHNICAL DATA

Metric Torque Chart

Property Class 8.8

ZINC-PLATED

SIZE	Coarse Thread		Fine Thread	
	Nm	ft. lbs.	Nm	ft. lbs.
M6	9.9	7	NA	NA
M8	24	18	25	18
M10	48	35	49	36
M12	83	61	88	65
M14	132	97	140	103
M16	200	148	210	155
M20	390	288	425	313
M24	675	498	720	531

Property Class 10.9

ZINC-PLATED

SIZE	Coarse Thread		Fine Thread	
	Nm	ft. lbs.	Nm	ft. lbs.
M6	14	10	NA	NA
M8	34	25	35	26
M10	67	49	68	50
M12	117	86	125	92
M14	185	136	192	142
M16	285	210	295	218
M20	550	406	600	443
M24	950	701	1000	738

Property Class 12.9

ZINC-PLATED

SIZE	Coarse Thread		Fine Thread	
	Nm	ft. lbs.	Nm	ft. lbs.
M6	16.5	12	NA	NA
M8	40	30	42	31
M10	81	60	82	60
M12	140	103	150	111
M14	220	162	235	173
M16	340	251	350	258
M20	660	487	720	531
M24	1140	841	1200	885

Conversion Factor: 1 ft. lb. = 1.3558 Nm

HEALTH & SAFETY

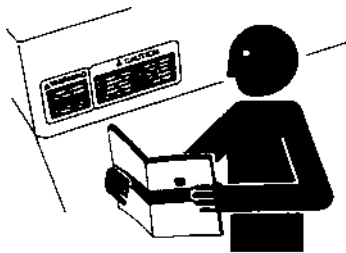
Safety Precautions

Before using this equipment, study this entire manual to become familiar with its operation. Do not allow untrained or unauthorized personnel, especially children, to operate this equipment. Use only factory authorized parts for service.

When warning decals are destroyed or missing, contact the Manufacturer immediately at 1-800-888-9926 for replacement. For the safety of yourself and others, it is imperative that the following rules are observed. Failure to do so may result in serious injury or death.

FOLLOW SAFETY INSTRUCTIONS

Carefully read all safety messages and decals in this manual and on your machine. Keep decals in good condition. Replace missing or damaged decals. Be sure new equipment components and repair parts include the current safety signs. Replacement safety signs and decals are available through your dealer.



Learn how to operate the machine and how to use controls properly. Do not let anyone operate without instruction.

Keep your machine in proper working condition. Unauthorized modifications to the machine may impair the function and/or safety and affect machine life.

If you do not understand any part of this manual and need assistance, contact your dealer.

▲ DANGER

▲ WARNING

▲ CAUTION

UNDERSTAND SIGNAL WORDS

A signal word – DANGER, WARNING, or CAUTION – is used with the safety-alert symbol. DANGER identifies the most serious hazards.

DANGER or WARNING safety signs are located near specific hazards. General precautions are listed on CAUTION safety signs. CAUTION also calls attention to safety messages in this manual.



This notation appears before warnings in the text. It means that the step which follows must be carried out to avoid the possibility of personal injury or death. These warnings are intended to help the technician avoid any potential hazards encountered in the normal service procedures. We strongly recommend that the reader takes advantage of the information provided to prevent personal injury or injury to others.

HEALTH & SAFETY

Safety Precautions



USE COMMON SENSE WHEN HANDLING FUELS

- Transport and handle fuel only when contained in approved safety container.
- Do not smoke when refueling or during any other fuel handling operation.
- Do not refuel while the engine is running or while it is still hot.
- If fuel is spilled during refueling, wipe it off of the engine immediately and discard the rag in a safe place.
- Do not operate the equipment if fuel or oil leaks exist - repair immediately.
- Never operate this equipment in an explosive atmosphere.



- Always use the proper size grounded extension cord, conforming to the National Electric Code and Local Ordinances.
- Inspect all extensions and electrical cords for cuts, frayed wire and broken connectors before use. Do not use cords if not in good condition.
- Do not route extension cords through standing water.
- Do not operate the mixer in standing water.
- When cleaning the mixer, never spray water on the electric motor.



HOT SURFACES

- Avoid contact with hot exhaust systems and engines.
- Allow all components in the engine compartment to cool before performing any service work.

WARNING

- Never leave mixer unattended while running.
- Mix only concrete.

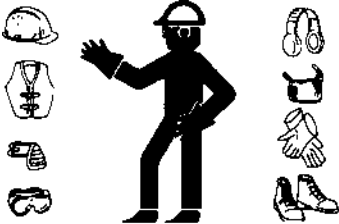
HEALTH & SAFETY

Safety Precautions

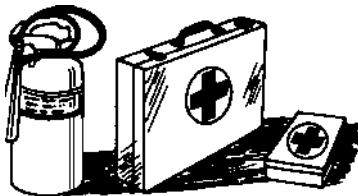


- Never perform any work on the mixer while it is running.
- Before working on the mixer, stop the engine and disconnect the spark plug wire(s) to prevent accidental starting. On electric models, disconnect the electric cord at the mixer.
- Keep cowl closed and latched during the operation, close and latch cowl immediately after starting.
- Keep hands, clothing and jewelry away from all moving parts.
- Keep all guards in place, including drum guards.
- Never place your hands or any solid object into the drum while the mixer is in operation.

WEAR PROTECTIVE CLOTHING



- Wear close fitting clothing and safety equipment appropriate to the job.
- Prolonged exposure to loud noise can cause impairment or loss of hearing.
- Wear a suitable hearing protective device such as earmuffs or earplugs to protect against objectionable or uncomfortable loud noises.
- Operating equipment safely requires the full attention of the operator. Do not wear radio or music headphones while operating machine.



PREPARE FOR EMERGENCIES

- Be prepared if a fire starts.
- Keep a first aid kit and fire extinguisher handy.
- Keep emergency numbers for doctors, ambulance service, hospital, and fire department near your telephone.

HEALTH & SAFETY

Safety Precautions



Warning-Eye Protection

- Always wear splash goggles when operating mixer.
-



Warning-Towing

- Warning: Do not tow the mixer with the drum in the dump position. Mixer may become unstable and tip over when hitting a curb, pothole, or other obstruction.



- Warning: Always properly attach safety chains before mixer is towed. Maximum towing speed 55 m.p.h. (90 km/hr). Reduce speed according to highway conditions.
-



- Starting fluid (ether) is highly flammable, do not use or an explosion or fire may result.
-



- Never operate unit in a poorly ventilated or enclosed area.
- Avoid prolonged breathing of exhaust gases.
- Engine exhaust fumes can cause sickness or death.

HEALTH & SAFETY

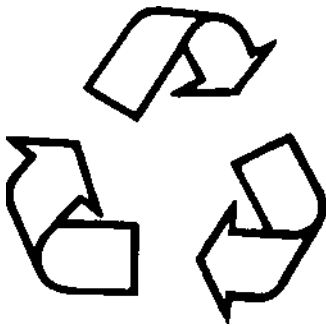
Safety Precautions



PRACTICE SAFE MAINTENANCE

- Understand service procedure before doing work. Keep area clean and dry.
- Never lubricate, service or adjust machine while it is moving. Keep hands, feet, and clothing from power-driven parts. Disengage all power and operate controls to relieve pressure. Lower equipment to the ground. Stop the engine. Remove the key. Allow machine to cool.
- Securely support any machine elements that must be raised for service work.
- Keep all parts in good condition and properly installed. Repair damage immediately. Replace worn or broken parts. Remove any buildup of grease, oil, or debris.
- Disconnect battery ground cable (-) before making adjustments on electrical systems or welding on machine.

DISPOSE OF WASTE PROPERLY



- Improperly disposing of waste can threaten the environment and ecology. Potentially harmful waste used with equipment includes items such as oil, fuel, coolant, brake fluid, filters, and batteries.
- Use leakproof containers when draining fluids. Do not use food or beverage containers that may mislead someone into drinking from them.
- Do not pour waste onto the ground, down a drain, or into any water source.
- Air conditioning refrigerants escaping into the air can damage the Earth's atmosphere. Government regulations may require a certified air conditioning service center to recover and recycle used air conditioning refrigerants.
- Inquire on the proper way to recycle or dispose of waste from your local environmental or recycling center.

SAFETY DECALS - FOR THE SAFETY OF YOURSELF AND OTHERS REPLACE ANY DAMAGED OR MISSING SAFETY DECALS.

- Warning Decal (SN-92) P/N 55011
- Safety Instruction Decal (SN-67A) P/N 55046
- Warning Decal (SN-8) P/N 55127
- Safety Chain Decal (Front Post, SN-66) P/N 55121

MAINTENANCE

Maintenance and Lubrication/ Drum, Spindle, Bearing Re- placement/Cleaning/Towing

MAINTENANCE AND LUBRICATION

To get long and trouble-free service from this mixer, it is essential that you perform periodic maintenance on the engine and machine mechanisms. Follow the guide lines listed below:

REPLACEMENT OF DRUM, SPINDLE & BEARINGS

The Pipe Plug (Item 1) is sealed in the bearing house with loctite 262. It may be necessary to apply heat to the housing for removal. Apply loctite 262 upon reassembly to ensure proper locking and sealing.

Note that all adjustments must be made with drum in the vertical (drum-up) position. Impact drivers may not be used as they will return incorrect torque readings.

65/75/95/105CM--Loosen side bolt and retighten finger-tight. Torque spindle bolt to 40 ft. lbs. Loosen spindle bolt one (1) turn and re-torque to 25 ft. lbs. Loosen side bolt one (1) turn and re-torque to 30 ft. lbs.

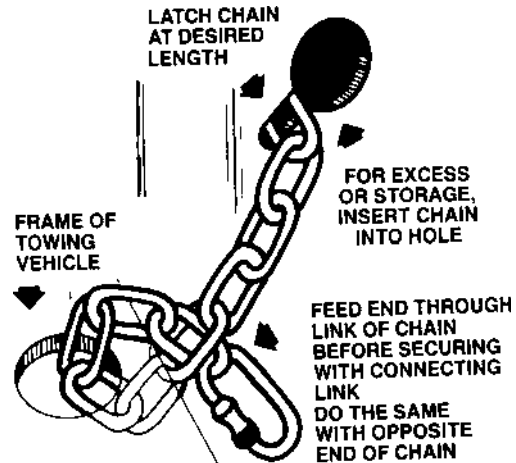
HARDWARE

Periodically inspect all hardware on the mixer and engine / motor. Loose hardware can contribute to early component failure and poor performance.

TOWING

Before attempting to tow this mixer, check the state and local laws that apply to your intended route and check the following:

1. Hitch attached to the towing vehicle securely.
2. Towpole fully extended and bolted to mixer securely.
3. Safety chain hooked up properly (see illustration below or decal on mixer front post).



4. Lug nuts, wheel nuts and axle mount nuts tight.
5. Main axle springs and small snubber springs and bolts not broken or cracked.
6. Tires in good shape and at proper inflation as follows:
Tire size B78 x 13 @ 35 P.S.I.

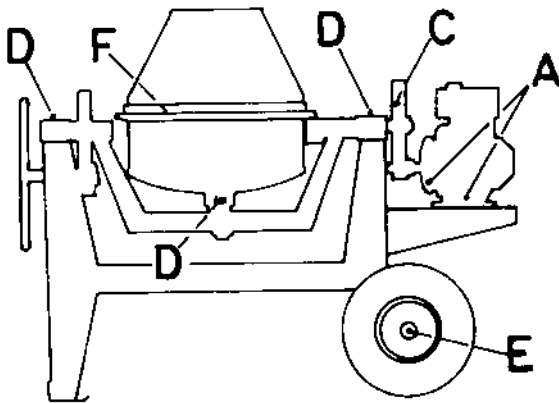
Refer to FRAME AND DRUM ASSEMBLY and AXLE ASSEMBLY sections of this manual for parts identification and location.

⚠ WARNING

DO NOT EXCEED A TOWING SPEED OF 55 MILES/HR (90 KM/HR). FOR POOR ROAD CONDITIONS OR INCLEMENT WEATHER, REDUCE SPEED ACCORDINGLY.

MAINTENANCE

Schedule



NOTE: Cowl removed for clarity. Do not operate mixer with cowl removed.

A. ENGINE - Daily check the oil levels in the engine and engine reduction unit. The engine warranty is **VOID** if run without oil. Since there are many options available on this mixer, consult the **ENGINE MANUAL** for specific recommendations as to oil level, oil type required and frequency of oil changes required. For maximum service life from the engine, follow those recommendations.

B. * WEEKLY - Grease idler shaft pillow block bearings on electric drive models.

***WEEKLY** - Check diesel gearbox oil level. Oil level should be visible at pipe plug. Lubricate diesel gearbox with SAE30W to SAE80W oil as needed.

C. WEEKLY - Lubricate chain and sprockets on chain drive models with a few drips of SAE 30 motor oil or any spray chain lube.

D. MONTHLY - Grease trunnions (2) places and drum spindle (2) places.

E. YEARLY - Repack (4) tapered roller bearings in wheel hubs and replace wheel seals. Install washer and nut. Torque to 20 ft. lbs. back off one turn, torque to 7 ft. lbs. back off to first slot in nut and insert cotter key.

F. DO NOT lubricate pinion and ring gear. They will collect abrasive materials and accelerate wear.

Lubricate diesel gearbox with SAE30W oil as needed.

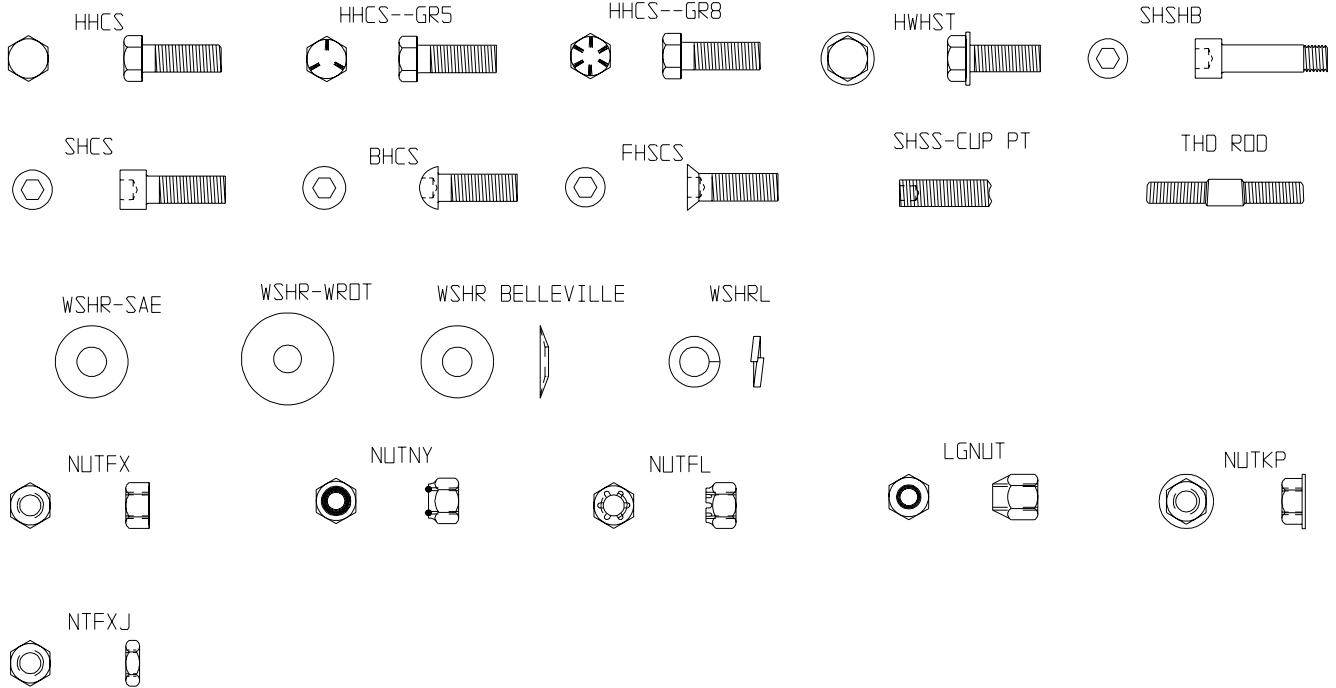
Use any Grade #1 lithium base grease for the above applications.

* See Exploded Views with Parts Section of this manual for exact location.

* Gearbox gasket kit P/N 23197.

MAINTENANCE

Hardware Identification



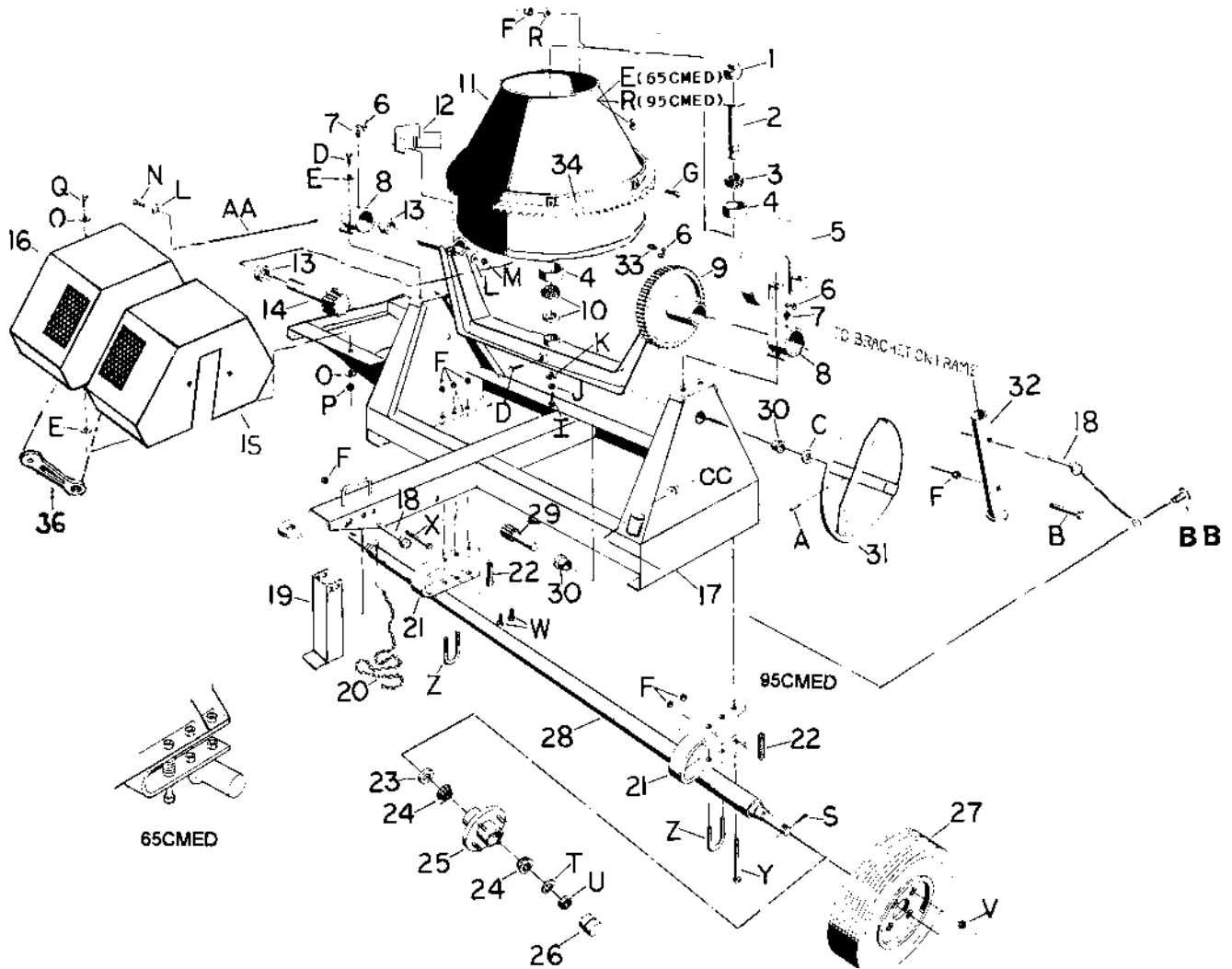
PARTS LIST

Exploded Views with Parts

Frame and Drum Assembly	18 - 23
Tilt Mechanism	24 - 25
Gas/Diesel Engine - Chain & Belt Drive	26 - 29
Grounding Switch	30 - 31
65CMED Electric Motor - Chain & Belt Drive	32 - 33
95CMED Electric Motor - Chain & Belt Drive	34 - 35
Electric Wiring	36 - 39
Decal Identification	40-41

PARTS LIST

Frame and Drum Assembly



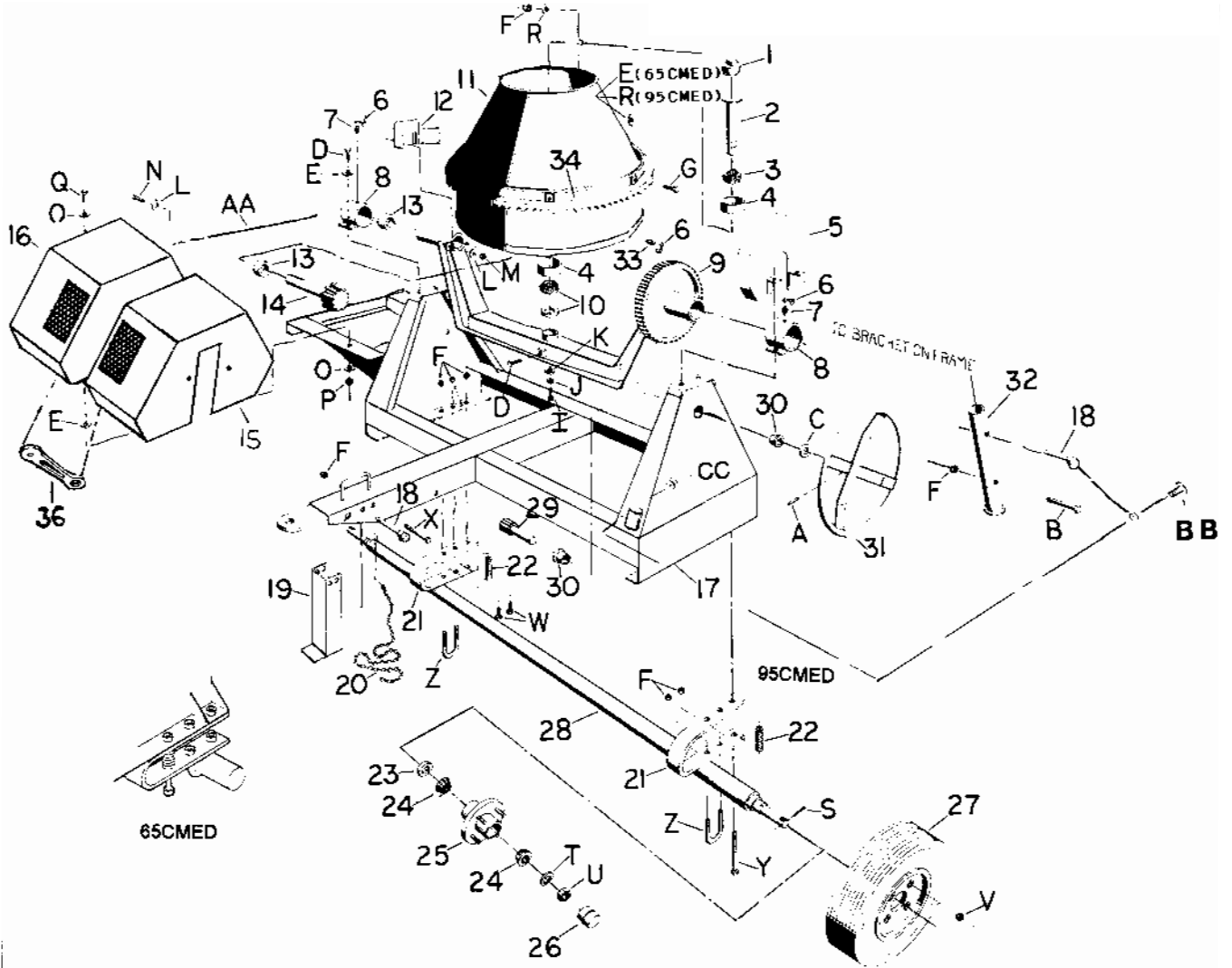
PARTS LIST

Frame and Drum Assembly

ITEM	PART NO.	DESCRIPTION	QTY.
1	46022	Pipe Plug	1
2	27267	Spindle Assembly	1
3	32086	Bearing	1
4	32160	Race	2
5	27617-2	Guard Brake Upper	1
6	47001	Caplug Blue	3
7	46042	Fitting	2
8	24349-2	Trunnion	2
9	21839-2	Yoke 65CMED	1
9b	21840-2	Yoke 95CMED	1
10	32161	Bearing with Seal	1
11	24336-2	Drum & Gear Assembly 65CMED	1
11b	27280-2	Drum & Gear Assembly 95CMED	1
12	27144-2	Pinion Guard	1
13	32039	Bearing	2
14	21487	Shaft Drive Assembly	1
15	44406-2	Cowl STRY	1
16	44383-2	Cowl MVBL	1
17	22045-2	Frame 65CMED	1
17b	22046-2	Frame 95CMED	1
18	80039	Clevis Pin 1/2 x 4-1/2 w/Lanyard	2
19	21875-2	Post Foot	1
20	21655	Kit Safety Chain	1
21	26971-2	Spring	2
22	34972	Coil Spring	2
23	32052	Seal Wheel Hub	2
24	32051	Bearing Cone	4
25	34501	Hub	2
26	34573	Dust Cap	2
27	32307	Tire and Rim 6.5 x 13	2
28	21480-2	Axle Spring 65CMED	1
28b	21873-2	Axle Spring 95CMED	1

PARTS LIST

Frame and Drum Assembly



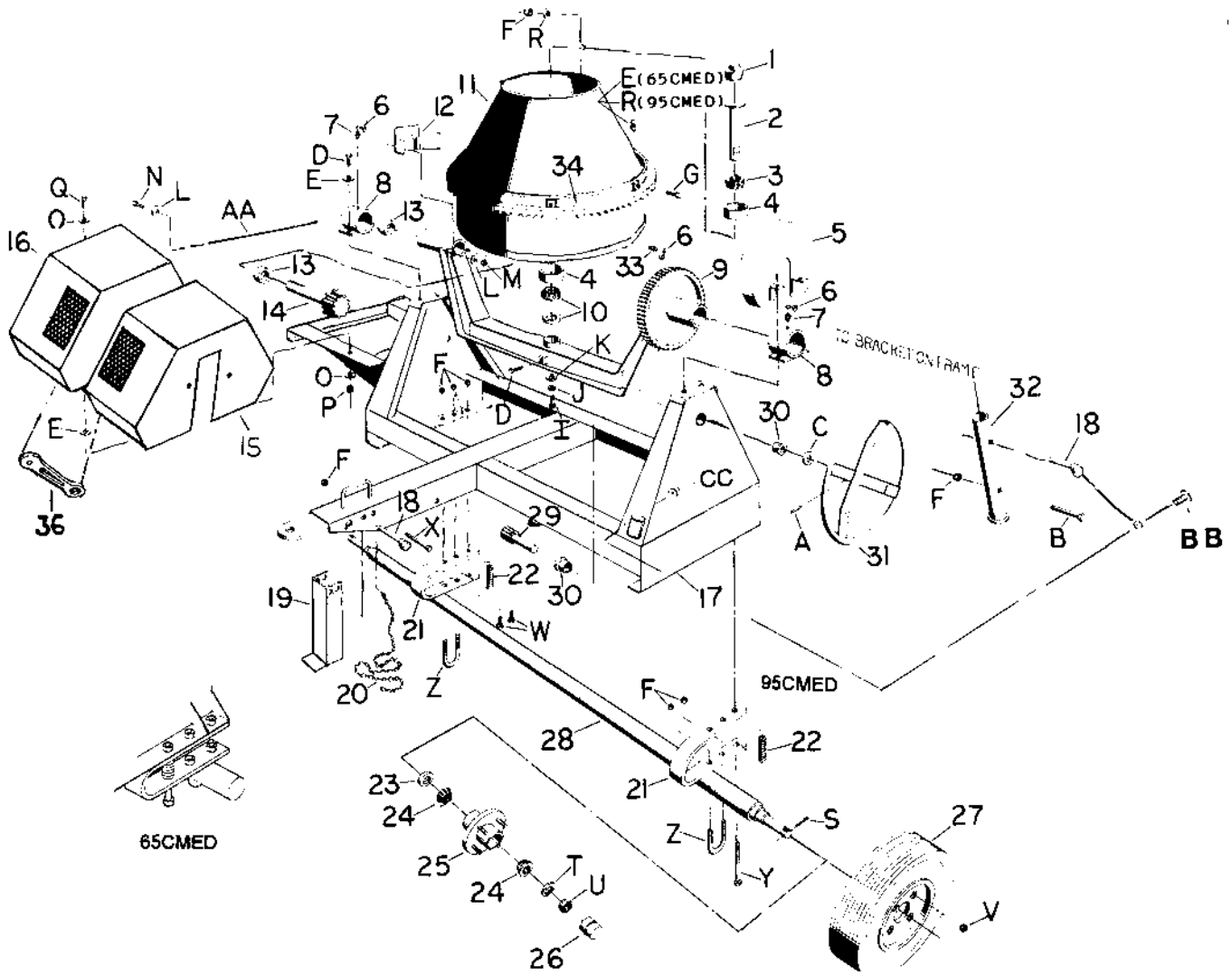
PARTS LIST

Frame and Drum Assembly

ITEM	PART NO.	DESCRIPTION	QTY.
29	22029	Shaft Tilt (lubricate with low viscosity oil in assembly)	1
30	32032	Bushing Nylon	2
31	22096-2	Hand Wheel	1
32	21874-2	Stabilizer Leg Weld 65CMED	1
32b	21874-2	Stabilizer Leg Weld 95CMED	2
33	46057	Fitting C9-616	1
34	26095-2	Ring Gear 65CMED (included in item 11-can be sold separately)	1
34b	26317-2	Ring Gear 95CMED (included in item 11-can be sold separately)	1
36	47182	Latch Rubber	3
37^	21484	Axle Assembly 65CMED (assembly includes items 23, 24, 25, 26, 28)	1
38^	22052	Axle Assembly 95CMED (assembly includes items 23, 24, 25, 26, 28)	1
39^	23228	Kit Cowl Full (includes items 15, 16, 35, 36, AA, and Decals)	1
40^	23221	Kit Cowl MVBL (includes items 16, 36, AA, and Decals)	1

PARTS LIST

Frame and Drum Assembly



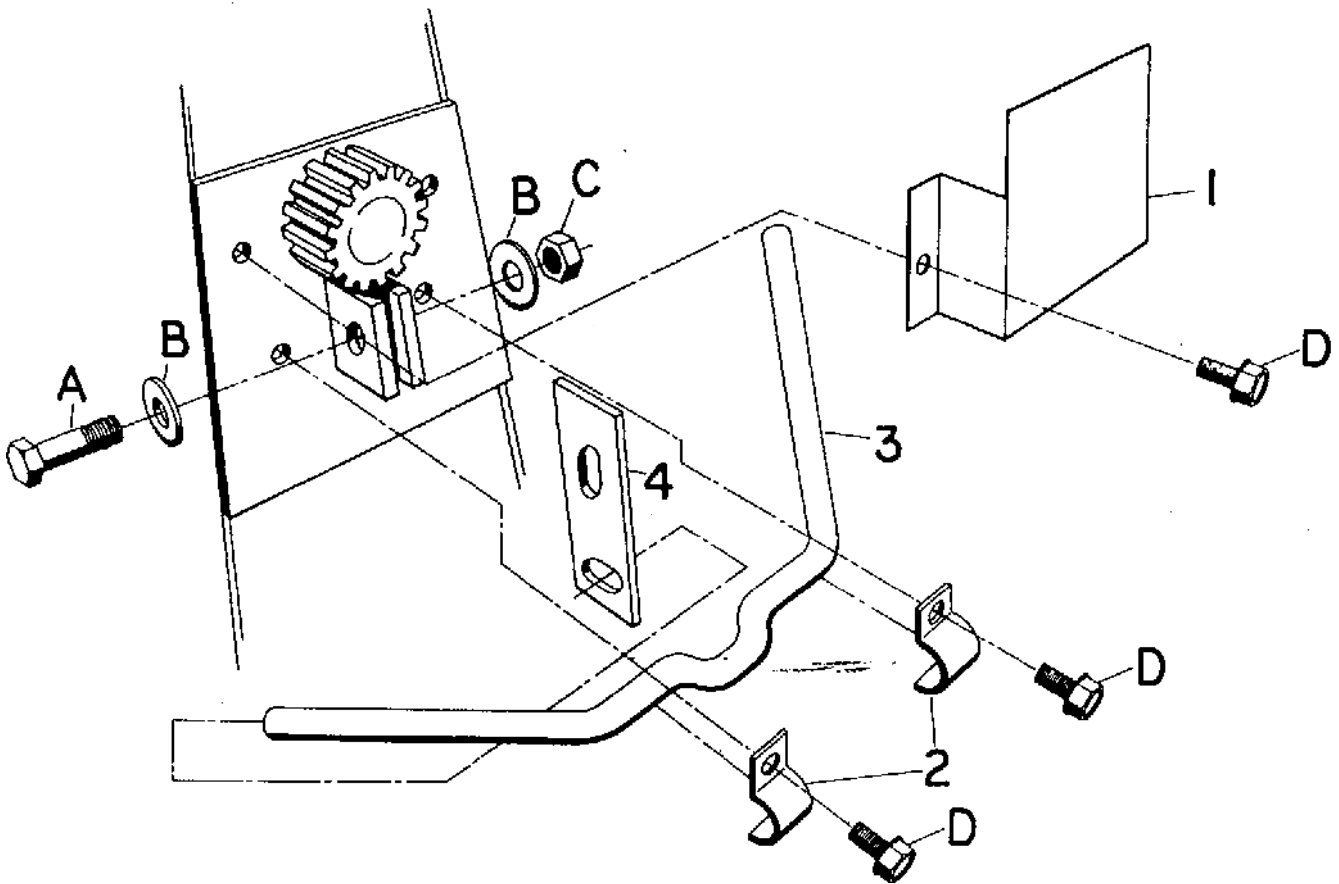
PARTS LIST

Frame and Drum Assembly

ITEM	PART NO.	DESCRIPTION	QTY.
A	80077	PINSP 5/16 x 2 ZN	1
B	80197	HHCS 1/2 - 13 x 4 ZN (65CMED)	1
B2	80197	HHCS 1/2 - 13 x 4 ZN (95CMED)	2
C	24622	WSHR 1-1/32 ID x 1-1/2 OD x 1/8	1
D	80031	HWHST 1/2 - 13 x 1-1/2 ZN	5
E	80118	WSHR 1/2 WROT ZN (65CMED)	6
E2	80118	WSHR 1/2 WROT ZN (95 CMED)	4
F	80051	NUTNY 1/2 - 13 ZN (65CMED)	18
F2	80051	NUTNY 1/2 - 13 ZN (95CMED)	19
G	80089	HHCS 1/2 - 13 x 1-3/4 ZN (65CMED)	6
G2	80732	HHCS 1/2 - 13 x 2 ZN (95CMED)	6
I	80204	HHCS 5/8 - 11 x 1-1/2 ZN	1
J	80337	WSHRL 5/8 ZN	1
K	27413	WSHR 11/16 x 1-3/4 x 1/4	1
L	80348	WSHR 5/16 WROT ZN	4
M	80114	NUTNY 5/16 - 18 ZN	2
N	80085	HWHST 5/16 - 18 x 1 ZN	2
O	80342	WSHR 3/8 SAE ZN	8
P	80056	NUTNY 3/8 - 16 ZN	2
Q	80145	HHCS 3/8 - 16 x 1-1/4 ZN	4
R	26326	WSHR 9/16 x 1-3/4 x 1/4	6
S	80316	PINCT 1/8 x 1-1/2 ZN	2
T	80054	WSHR 3/4 ZN	2
U	80344	NTSFX 3/4 - 16 ZN	2
V	80045	LG NUT 1/2 - 20 ZN	8
W	80075	HHCS 1/2 - 13 x 1-1/2 ZN	4
X	80106	HHCS 1/2 - 13 x 5 ZN	1
Y	80052	HHCS 1/2 - 13 x 6-1/2 ZN	2
Z	26195	U-Bolt	2
AA	44368	Pin Hinge	1
BB	80527	PPHMS 10 - 24 x 5/8 ZN (65CMED)	2
BB2	80527	PPHMS 10 - 24 x 5/8 ZN (95CMED)	3
CC	80693	NUTNY 10 - 24 ZN (65CMED)	2
CC2	80693	NUTNY 10 - 24 ZN (95CMED)	3

PARTS LIST

Tilt Mechanism



PARTS LIST

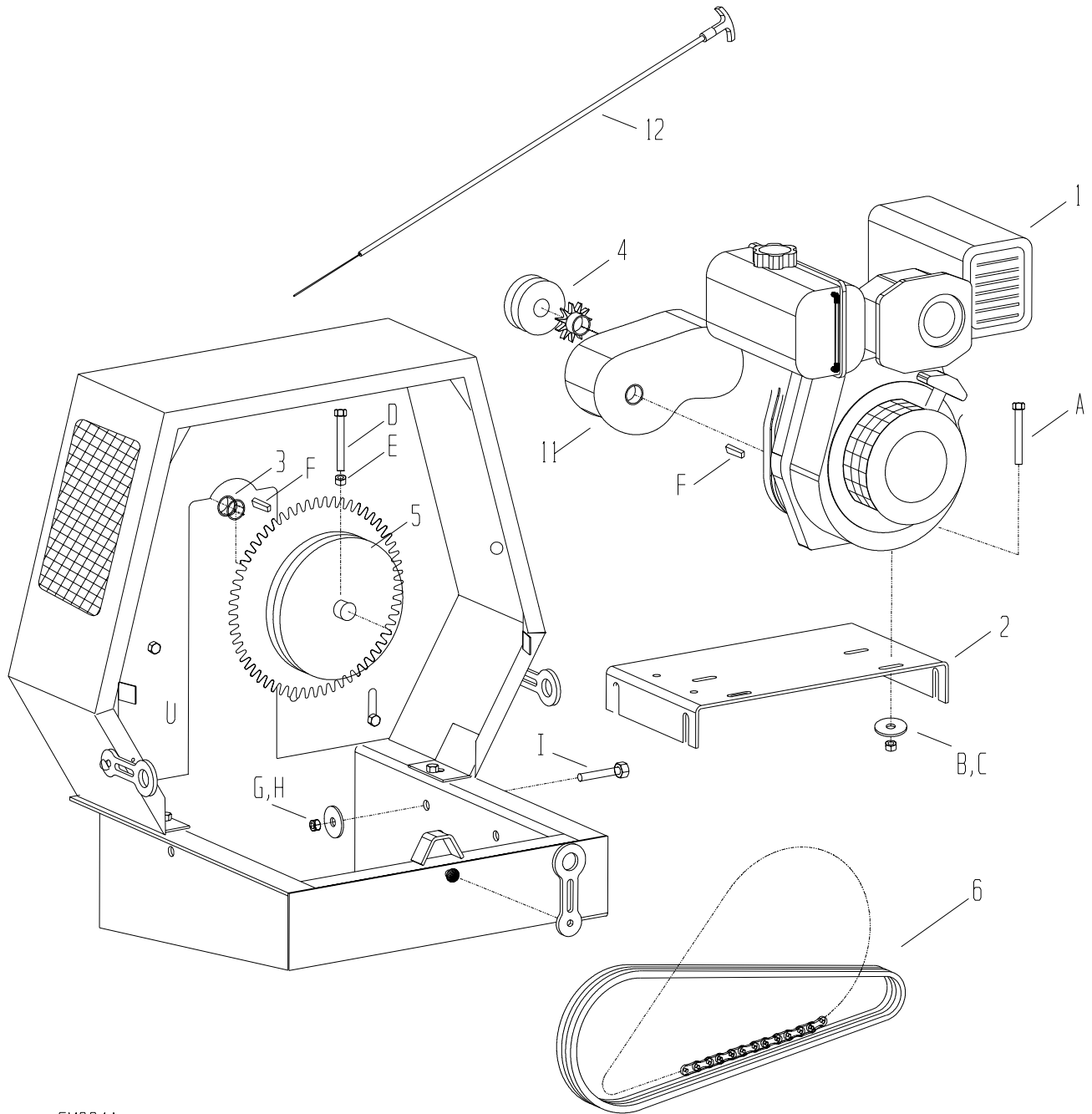
Tilt Mechanism

ITEM	PART NO.	DESCRIPTION	QTY.
1	27618-2	Guard Brake - Lower	1
2	27559-2	Brkt Clutch Handle	2
3	27621-2	Brake Handle	1
4	27619-2	Dog, Brake	1
A	80145	HHCS 3/8 - 16 x 1-1/4 ZN	1
B	80342	WSHR 3/8 SAE ZN	2
C	80056	NUTNY 3/8 - 16 ZN	1
D	80085	HWHTB 5/16 - 18 x 1 ZN	4

NOTE: When servicing tilt mechanism, Bolt A should be tightened so approximately 17 - 18 pounds of force is required to disengage the tilt dog.

PARTS LIST

Gas/Diesel Engine Belt Drive Components



CM004A

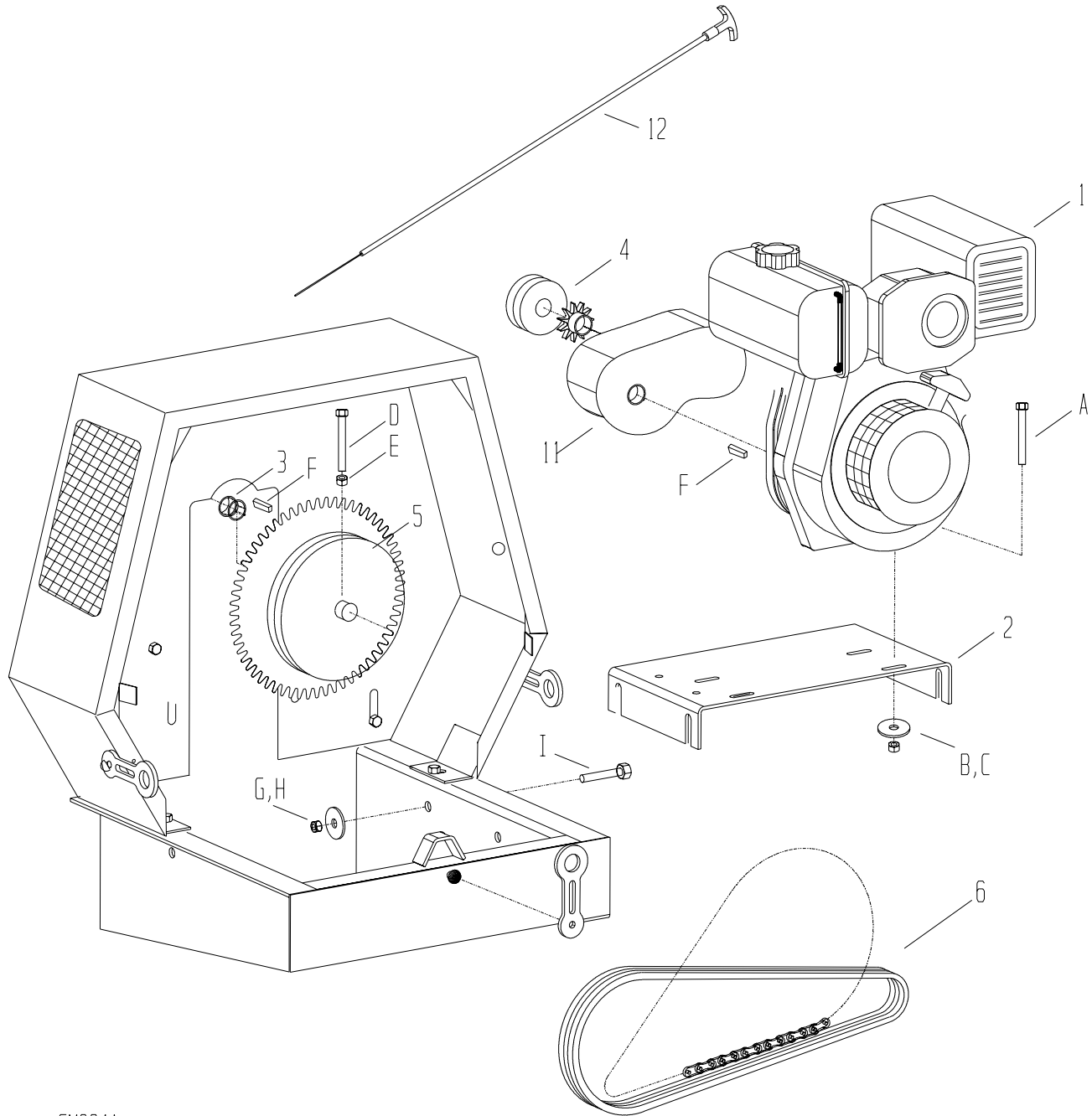
PARTS LIST

Gas/Diesel Engine Belt Drive Components

ITEM	PART NO.	DESCRIPTION	QTY.
1	31213	Engine (5hp Honda)	1
1b	30585	Engine (5hp B&S)	1
1c	30338	Engine (8hp B&S)	1
1d	30596	Engine (6hp Robin)	1
1e	30597	Engine (8.5hp Robin)	1
1f	30155	Engine (8hp Honda)	1
1g	30245	Engine (6hp Yanmar Diesel)	1
1h	30339	Engine (10hp B&S I/P)	1
2	28040-2	Motor Base 65CMED	1
2b	28045-2	Motor Base 95CMED	1
2c	39666-2	Motor Base 65 CMED (6hp Yanmar Diesel)	1
2d	39664-2	Motor Base 95CMED (6hp Yanmar Diesel)	1
3	32176	Collar Locking	1
4	34982	Sheave 2AK30 x 3/4 (5hp Honda, 5hp B&S, 6hp Robin)	1
4b	34984	Sheave 2AK30 x 1 (8 B&S, 8.5Robin, 8 Honda, 11 B&S I/P, 6 Yanmar Diesel)	1
5	34986	Sheave 2AK94 x 1-3/16	1
6	35934	V-Belt A37 (8hp Honda, 6hp Yanmar Diesel)	2
6b	35279	V-Belt A38 (8hp B&S)	2
6c	35280	V-Belt A39 (5hp Honda, 5hp B&S, 8.5hp Robin, 10hp B&S I/P)	2
11	39667	Reducer Gear 6:1 Noram (6hp Yanmar Diesel)	1
12	35346	Cable Assembly Push/Pull	1
A	80467	HHCS 5/16 - 18 x 1-3/4 ZN (5hp Honda, 5hp B&S)	4
A2	80169	HHCS 5/16 - 18 x 2 ZN (8hp B&S, 10hp B&S)	4
A3	80178	HHCS 3/8 - 16 x 2 ZN (8hp Honda, 6hp Yanmar Diesel, 8.5hp Robin)	4
B	80114	NUTNY 5/16 - 18 ZN (5hp Honda, 5hp B&S, 8hp B&S, 10hp B&S)	4
B2	80056	NUTNY 3/8 - 16 ZN (8.5 Robin, 8 Honda, 6Yanmar Diesel)	4
C	26325	WSHR MTR BASE	4
D	80259	SQHSS 5/16 - 18 x 1-1/2 ZN	1
E	80245	NUTFX 5/16 - 18 ZN	1
F	80100	KEY 1/4 x 1/4 x 1 ZN	2
G	80051	NUTNY 1/2 - 13 ZN	4
H	80118	WSHR 1/2 WROT ZN	8
I	80075	HHCS 1/2 - 13 x 1-1/2 ZN	4

PARTS LIST

Gas/Diesel Engine Chain Drive Components



CM004A

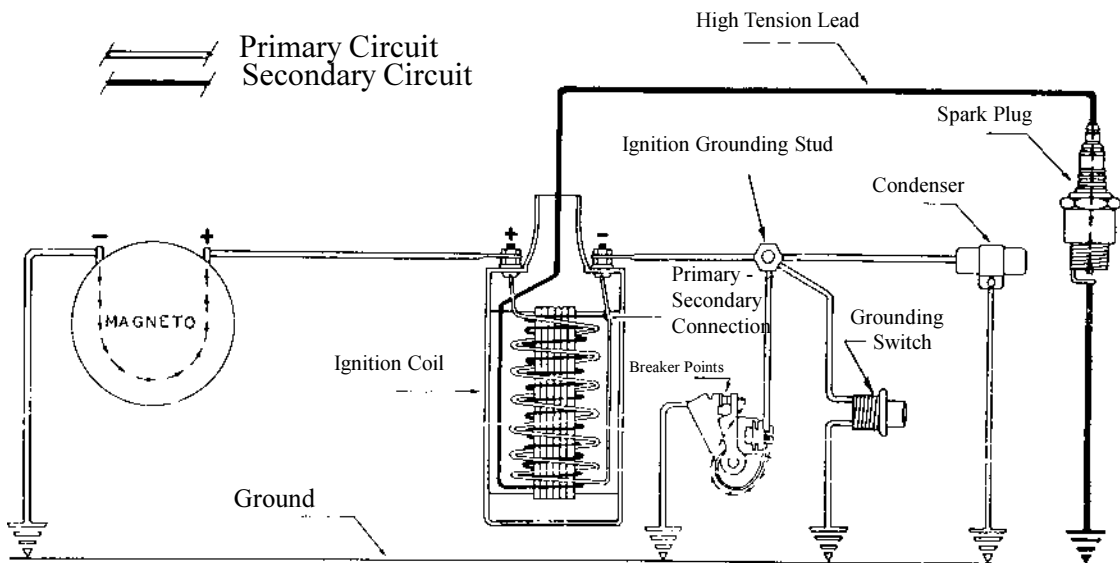
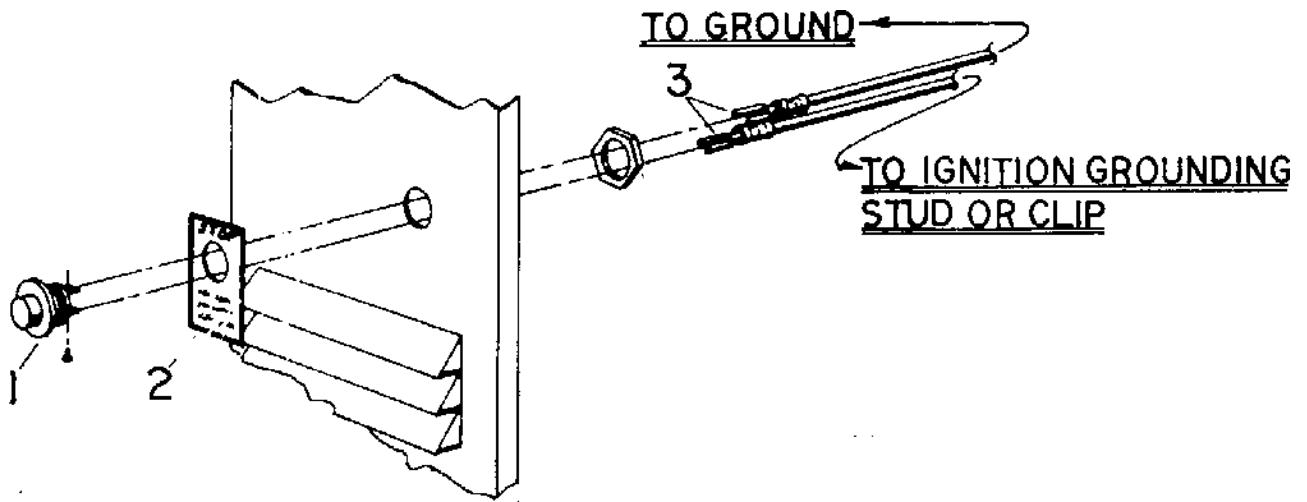
PARTS LIST

Gas/Diesel Engine Chain Drive Components

ITEM	PART NO.	DESCRIPTION	QTY.
1	31213	Engine (5hp Honda)	1
1b	30585	Engine (5hp B&S)	1
1c	30338	Engine (8hp B&S)	1
1d	30596	Engine (6hp Robin)	1
1e	30597	Engine (8.5hp Robin)	1
1f	30155	Engine (8hp Honda)	1
1g	30245	Engine (6hp Yanmar Diesel)	1
1h	30339	Engine (10hp B&S I/P)	1
2	28040-2	Motor Base65CMED	1
2b	28045-2	Motor Base 95CMED	1
2c	39666-2	Motor Base 65 CMED (6hp Yanmar Diesel)	1
2d	39664-2	Motor Base 95CMED (6hp Yanmar Diesel)	1
3	32176	Collar Locking	1
4	35283	Sprocket 50B11 x 3/4 (5hp Honda, 5hp B&S, 6hp Robin)	1
4b	35284	Sprocket 50B11 x 1 (8 B&S, 8.5 Robin, 8 Honda, 11 B&S I/P,6 Yanmar Diesel)	1
5	34099	Sprocket 50B38 x 1-3/16	1
6	22040	Set Chain 56 Pitches (8hp B&S, 8hp Honda, 6hp Yanmar Diesel)	1
6b	22041	Set Chain 60 Pitches (5 Honda, 5B&S, 6 Robin, 8.5Robin, 8 Kohler, 10 B&S I/P)	1
11	39667	Reducer Gear 6:1 Noram (6 Yanmar Diesel)	1
12	35346	Cable Assembly Push/Pull	1
A	80467	HHCS 5/16 - 18 x 1-3/4 ZN (5hp Honda, 5hp B&S, 6hp Robin)	4
A2	80169	HHCS 5/16 - 18 x 2 ZN (7hp B&S, 9hp Vangd.)	4
A3	80072	HHCS 3/8 - 16 x 1-3/4 ZN (7.5hp Robin)	4
A4	80176	HHCS 3/8 - 16 x 1-1/2 ZN (8hp Kohler)	4
A5	80181	HHCS3/8 - 16 x 2-1/2 ZN (7hp Wisc.)	4
A6	80178	HHCS 3/8 - 16 x 2 ZN (8hp Honda, 6hp Yanmar Diesel, 8.5hp Robin)	4
B	80114	NUTNY 5/16 - 18 ZN (5hp Honda, 5hp B&S, 8hp B&S, 10hp B&S, 6hp Robin)	4
B2	80056	NUTNY 3/8 - 16 ZN (8.5 Robin, 8 Honda, 6Yanmar Diesel)	4
C	26325	WSHR MTR BASE	4
D	80259	SQHSS 5/16 - 18 x 1-1/2 ZN	1
E	80245	NUTFX 5/16 - 18 ZN	1
F	80100	KEY 1/4 x 1/4 x 1 ZN	2
G	80051	NUTNY 1/2 - 13 ZN	4
H	80118	WSHR 1/2 WROT ZN	8
I	80075	HHCS 1/2 - 13 x 1-1/2 ZN	4

PARTS LIST

Grounding Switch



PARTS LIST

Grounding Switch

ITEM	PART NO.	DESCRIPTION	QTY.
1	37136	Grounding Switch	1
2	55054	Decal Engine Stop	1
3	21930	Lead Ground 110	2

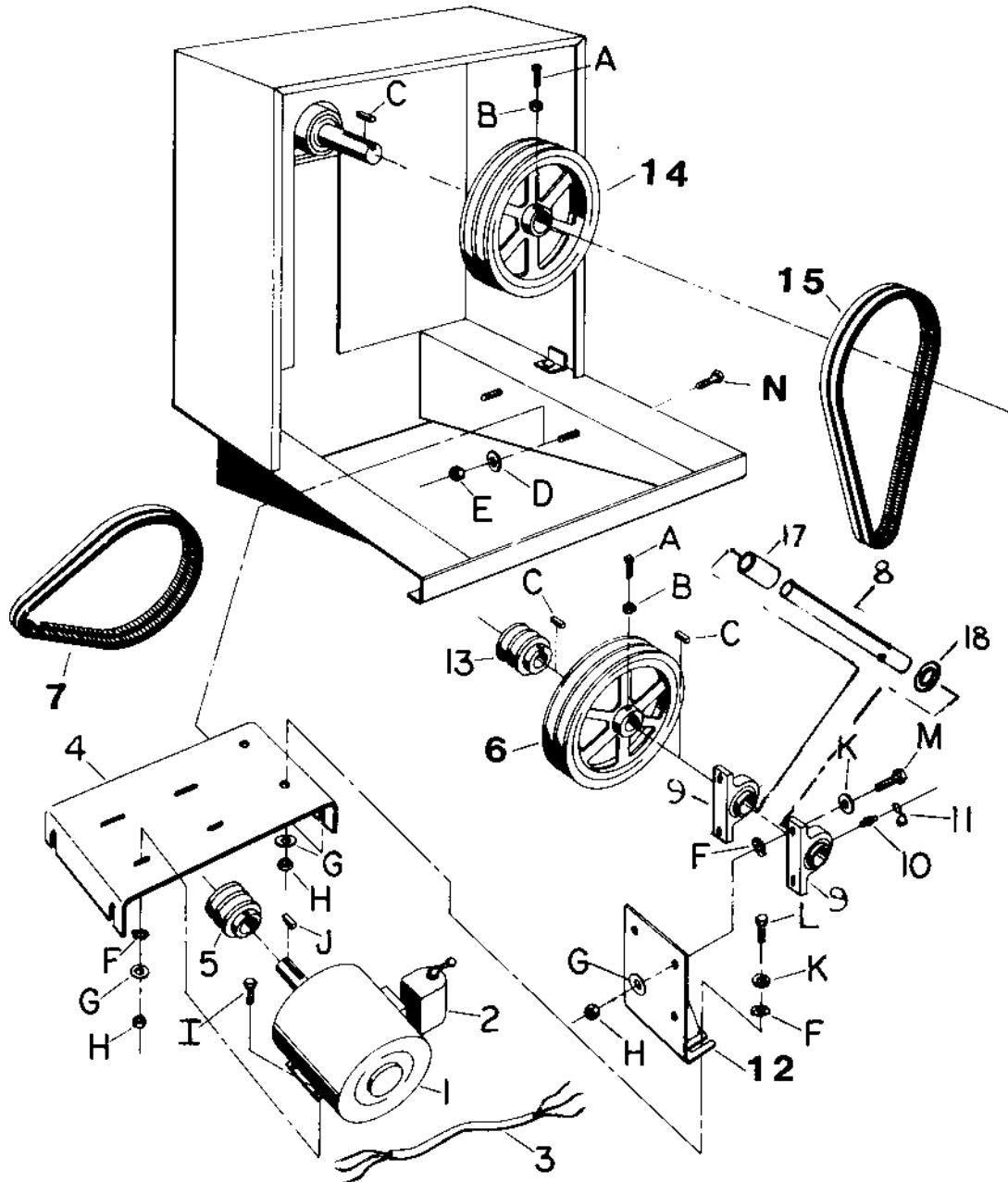
In addition to the normal grounding button or tab found on most gas engines, your new Stone concrete mixer comes equipped with an outside grounding switch (gasoline powered models only). This added feature is for your convenience and safety.

The switch is a single pull single throw (SPST) normally open, momentary contact push button which grounds out the ignition voltage when pressed. To stop the engine, depress the button and hold in until the engine comes to a complete stop.

Periodically inspect the grounding switch and associated wiring to make sure the system is operating properly. Make sure that there are no loose connections or bare / broken wires. Also make sure that the grounding switch wires are fastened securely out of the way of hot exhaust and engine parts, moving drive components, and pinch points.

PARTS LIST

65CMED Electric Motor - Chain & Belt Drive



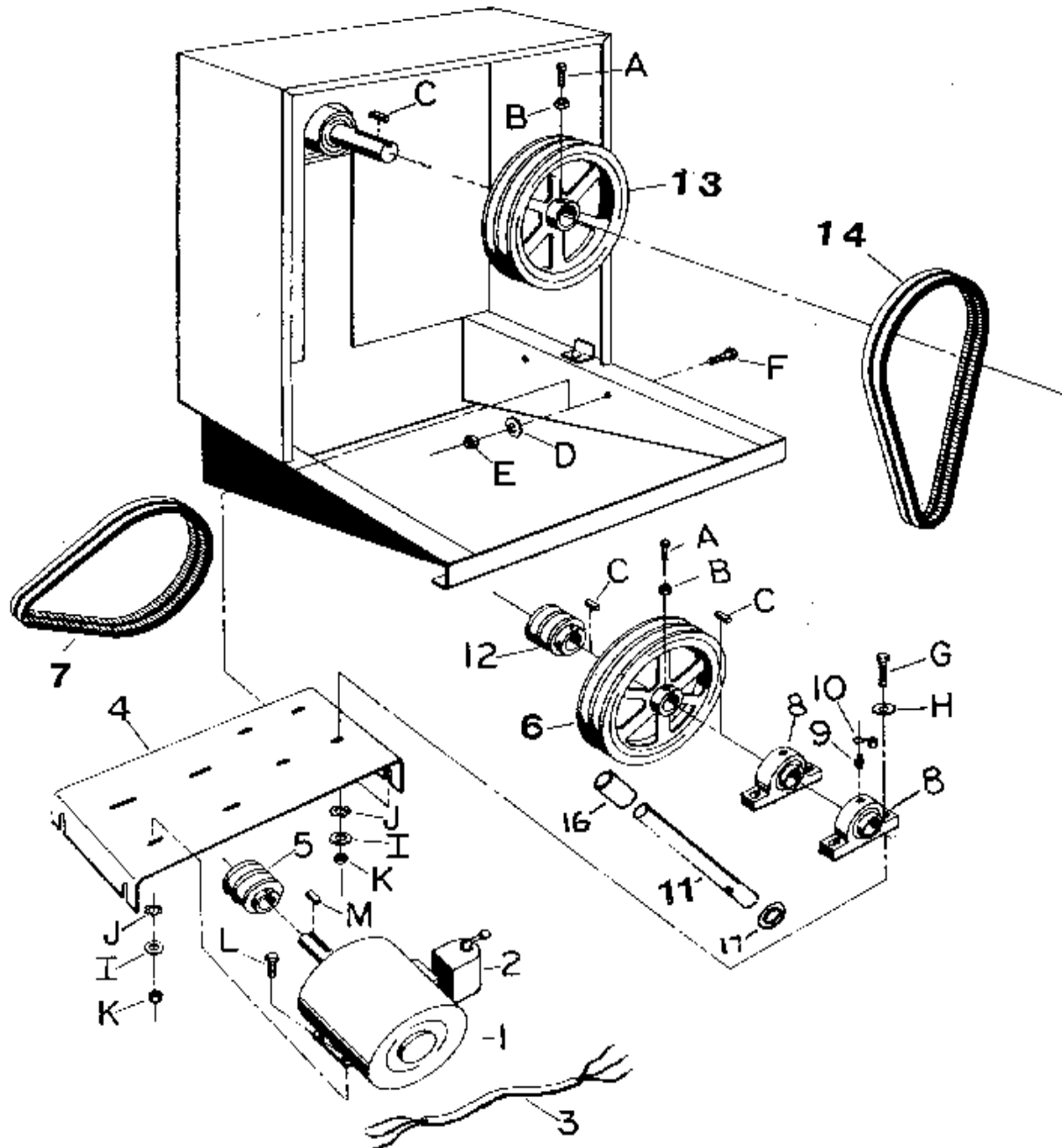
PARTS LIST

65CMED Electric Motor - Chain & Belt Drive

ITEM	PART NO.	DESCRIPTION	QTY.
1	30007	Motor 1hp Electric	1
2	36017	Dual VLTG CNTRL A-17	1
4	28044-2	Motor Base/Electric	1
5	34068	Sheave 2AK23 - 7/8 (primary drive includes 5, 6, & 7)	1
6	35278	Sheave 2AK61 x 1 (primary drive includes 5, 6, & 7)	1
7	35799	V-Belt A-24 (primary drive includes 5, 6, & 7)	1
8	22509	Shaft Assembly	1
9	32208	Pillow Block	2
10	46042	Fitting	2
11	47001	Caplug Blue	2
12	22044-2	Bracket Idler 65/95CM	1
13	34984	Sheave 2AK30 x 1 (Belt Drive Only-secondary drive includes 13, 14, & 15)	1
13b	34126	Sprocket 50B14 x 1 (Chain Drive Only-secondary drive includes 13, 14, & 15)	1
14	34992	Sheave 2AK114 x 1-3/16 (Belt Drive Only-secondary drive includes 13, 14, & 15)	1
14b	34138	Sprocket 50B48 x 1-3/16 (Chain Drive Only-secondary drive incl 13, 14, & 15)	1
15	35277	V-Belt A45 (Belt Drive Only -secondary drive includes 13, 14, & 15)	2
15b	22047	Set Chain RC50 70 Pitches (Chain Drive Only)	1
#	34104	Link Conn #50 (Chain Drive Only-Included with 22047 Chain Set)	1
#	34103	Link Offset #50 (Chain Drive Only-Included with 22047 Chain Set)	1
17	29138	Spacer Pillow Block	1
18	38122	Washer Retainer Pin	1
19^	21170	Motor Assembly Electric 1hp (Includes Items 1 & 2)	1
A	80259	SQHSS 5/16 - 18 x 1-1/2 ZN	2
B	80245	NUTFX 5/16 - 18 ZN	2
C	80100	KEY 1/4 x 1/4 x 1	3
D	80118	WSHR 1/2 WROT ZN	4
E	80051	NUTNY 1/2 - 13 ZN	5
F	80119	WSHRLT 3/8 INT/EXT	10
G	26325	WSHR .375 ID x 1.00 OD x .187 ZN	10
H	80146	NUTNY 3/8 - 16 ZN	10
I	80145	HHCS 3/8 - 16 x 1-1/4 ZN	4
J	80061	KEY 1/4 x 1/4 x 1-1/2	1
K	80348	WSHR 5/16 WROT ZN	6
L	80176	HHCS 3/8 - 16 x 1-1/2 ZN	2
M	80479	HHCS 3/8 - 16 x 1-3/4 ZN	4
N	80713	HHCS 1/2 - 13 x 1-1/2 ZN	4

PARTS LIST

95CMED Electric Motor - Chain & Belt Drive



PARTS LIST

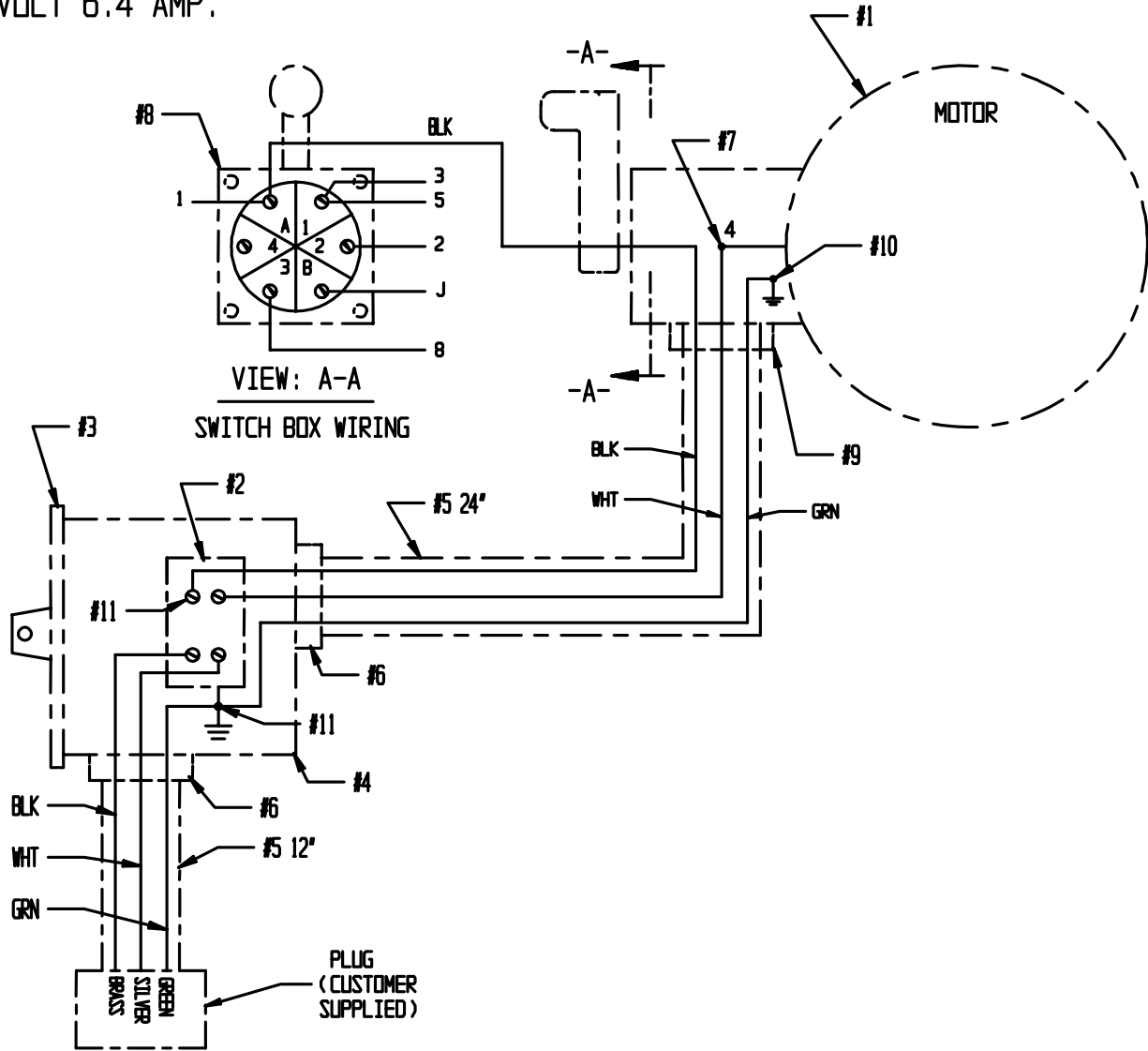
95CMED Electric Motor - Chain & Belt Drive

ITEM	PART NO.	DESCRIPTION	QTY.
1	30167	Motor Assembly 1.5 hp Electric	1
4	28051-2	Motor Base / Electric 1.5 Electric	1
5	34068	Sheave 2AK23 - 7/8 (primary drive includes 5, 6, & 7)	1
6	35278	Sheave 2AK61 x 1 (primary drive includes 5, 6, & 7)	1
7	34617	V-Belt A28 (primary drive includes 5, 6, & 7)	2
8	32208	Pillow Block	2
9	46042	Fitting	2
10	47001	Caplug Blue	2
11	22509	Shaft Assembly	1
12	34984	Sheave 2AK30 x 1 (Belt Drive Only-secondary drive includes 12, 13, & 14)	1
12b	35284	Sprocket 50B11 x 1 (Chain Drive Only-secondary drive includes 12, 13, & 14)	1
13	34992	Sheave 2AK114 x 1-3/16 (Belt Drive Only-secondary drive incl 12, 13, & 14)	1
13b	34099	Sprocket 50B38 x 1-3/16 (Chain Drive Only-secondary drive incl 12, 13, & 14)	1
14	34989	V-Belt A51 (Belt Drive Only-secondary drive includes 12, 13, & 14)	2
14b	22048	Chain RC50 72 Pitches (Chain Drive Only-secondary drive incl 12, 13, & 14)	1
15^	34104	Link Conn #50 (Chain Drive Only-Included with 22048 Chain Set)	1
16^	34103	Link Offset #50 (Chain Drive Only-Included with 22048 Chain Set)	1
16	29138	Spacer Pillow Block	1
17	38122	Washer Retainer Pin	1
A	80259	SQHSS 5/16 - 18 x 1-1/2 ZN	1
B	80245	NUTFX 5/16 - 18 ZN	1
C	80100	KEY 1/4 x 1/4 x 1	3
D	80118	WSHR 1/2 WROT ZN	4
E	80051	NUTNY 1/2 - 13 ZN	5
F	80075	HHCS 1/2 - 13 x 1-1/2 ZN	4
G	80072	HHCS 3/8 - 16 x 1-3/4 ZN	4
H	80348	WSHR 5/16 WROT ZN	4
I	26325	WSHR .375 ID x 1.00 OD x .187 ZN	8
J	80119	WSHRLT 3/8 INT/EXT	8
K	80146	NUTNY 3/8 - 16 ZN	8
L	80145	HHCS 3/8 - 16 x 1-1/4 ZN	4
M	80061	KEY 1/4 x 1/4 x 1-1/2	1

PARTS LIST

Electric Wiring - 1 hp Motor

1 HP ELECTRIC WIRING / 1 PHASE
 115 VOLT 12.8 AMP.
 230 VOLT 6.4 AMP.



USE 12/3 EXTENSION
 CORD OR BETTER FOR
 POWER SUPPLY

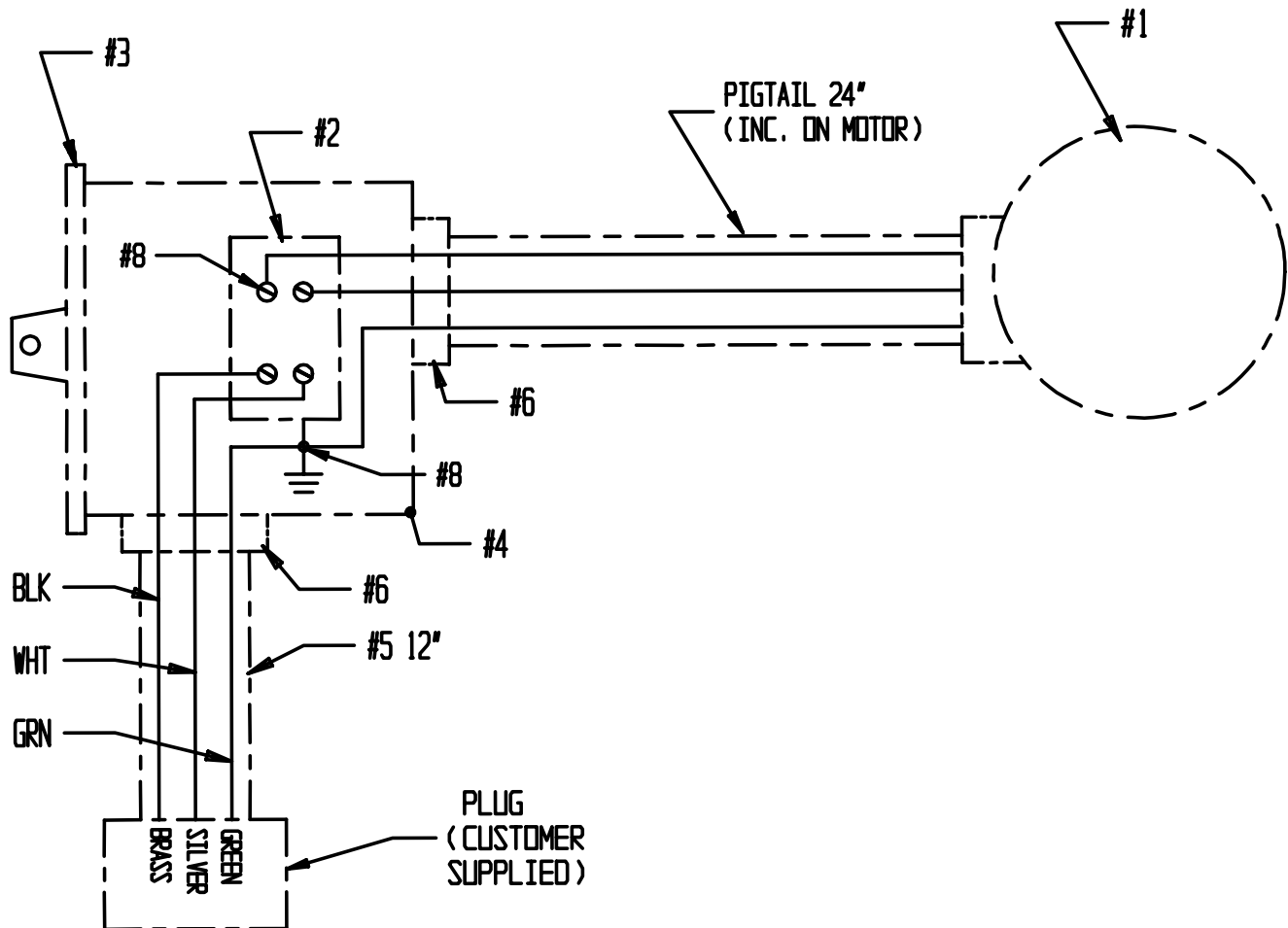
PARTS LIST

Electric Wiring - 1 hp Motor

ITEM	PART NO.	DESCRIPTION	QTY.
1	30007	Motor Baldor L1401M	1
2	36379	Switch 30AC-2	1
3	36381	Cover Switch PVC	1
4	36380	Box Switch	1
5	48016	Cord 12/3 SO	3 ft.
6	36382	Cord Grip	2
7	48241	Wire Nut Red	2
8	36017	Dual Voltage Control	1
9	48014	Cord Grip	1
10	48031	Term Ring #10 Insul 12-10	1
11	48346	Term Spade #10 Insul 12-10	6

PARTS LIST

Electric Wiring - 1.5 hp Motor



USE 10/3 EXTENSION
CORD OR BETTER FOR
POWER SUPPLY

PARTS LIST

Electric Wiring - 1.5 hp Motor

ITEM	PART NO.	DESCRIPTION	QTY.
1	30315	Motor 1-1/2 hp 115/230V 1PH	1
2	36379	Switch 30AC-2	1
3	36381	Cover Switch PVC	1
4	36380	Box Switch	1
5	48344	Cord 10/3 SO	1 ft.
6	36383	Cord Grip	2
7	48241	Wire Nut Red	2
8	48346	Term Spade #10 Insul 12-10	6

PARTS LIST

Decal Identification

CAUTION

FOR YOUR SAFETY

- Read owner's service manual before operating or servicing this machine.
- Always keep unauthorized, inexperienced, untrained people away from this machine.
- Rotating and moving parts will cause injury if contacted. Make sure guards and safety devices are in place before this machine is operated.
- Make sure engine is shut down and spark plug wire disconnected before servicing the machine or approaching the moving parts- if electric motor, disconnect plug.
- Never leave machine unattended when operating. Always stop engine or motor before adding fuel or oil.

55388

WARNING

Always stop engine when cleaning or adjusting machine. If electric motor pull plug.

55388

DANGER

GASOLINE
Stop engine and extinguish all flames and smoking materials before refueling. Use a safety can.

55388

STOP

DEPRESS BUTTON AND HOLD TO STOP ENGINE

55054

WARNING

Shut off machine to service or clean.

55388

WARNING

Do not run machine with cover open.

55388

This engine has been tested with fuel treated with **STAB-IL** to prevent gum and varnish residue in tank.

55214

IDLE ENGINE 5 MINUTES BEFORE STOPPING TO IMPROVE SERVICE LIFE

55015

NOTICE
CONTACT THE MANUFACTURER IMMEDIATELY AT 1-800-888-9926 IF SAFETY OR HAZARD DECALS OR OWNER'S MANUAL ARE MISSING FROM THIS EQUIPMENT.

55156

SAFETY CHAIN
"PATENT #4180281"
CROSS CHAIN UNDER TOW POLE WITH 4" - 5" VERTICAL SLACK
LATCH CHAIN AT DESIRED LENGTH

FOR EXCESS OR STORAGE, INSERT CHAIN INTO HOLE

FEED END THROUGH LINK OF CHAIN BEFORE SECURING WITH CONNECTING LINK DO THE SAME WITH OPPOSITE END OF CHAIN

FRAME OF TOWING VEHICLE

CAUTION
READ OPERATING INSTRUCTIONS BEFORE RUNNING MIXER

55121

SAFETY INSTRUCTION

- CAUTION:** READ OWNER'S SERVICE MANUAL BEFORE OPERATING OR SERVICING THIS MACHINE.
- CAUTION:** ALWAYS KEEP UNAUTHORIZED, INEXPERIENCED, UNTRAINED PEOPLE AWAY FROM THIS MACHINE.
- CAUTION:** ROTATING AND MOVING PARTS WILL CAUSE INJURY IF CONTACTED. MAKE SURE GUARDS AND SAFETY DEVICES ARE IN PLACE BEFORE THIS MACHINE IS OPERATED. MAKE SURE ENGINE IS SHUT DOWN AND SPARK PLUG WIRE DISCONNECTED BEFORE SERVICING THE MACHINE OR APPROACHING THE MOVING PARTS IF ELECTRIC MOTOR. DISCONNECT PLUG.
- CAUTION:** NEVER LEAVE MACHINE UNATTENDED WHEN OPERATING. ALWAYS STOP ENGINE OR MOTOR BEFORE ADDING FUEL OR OIL.

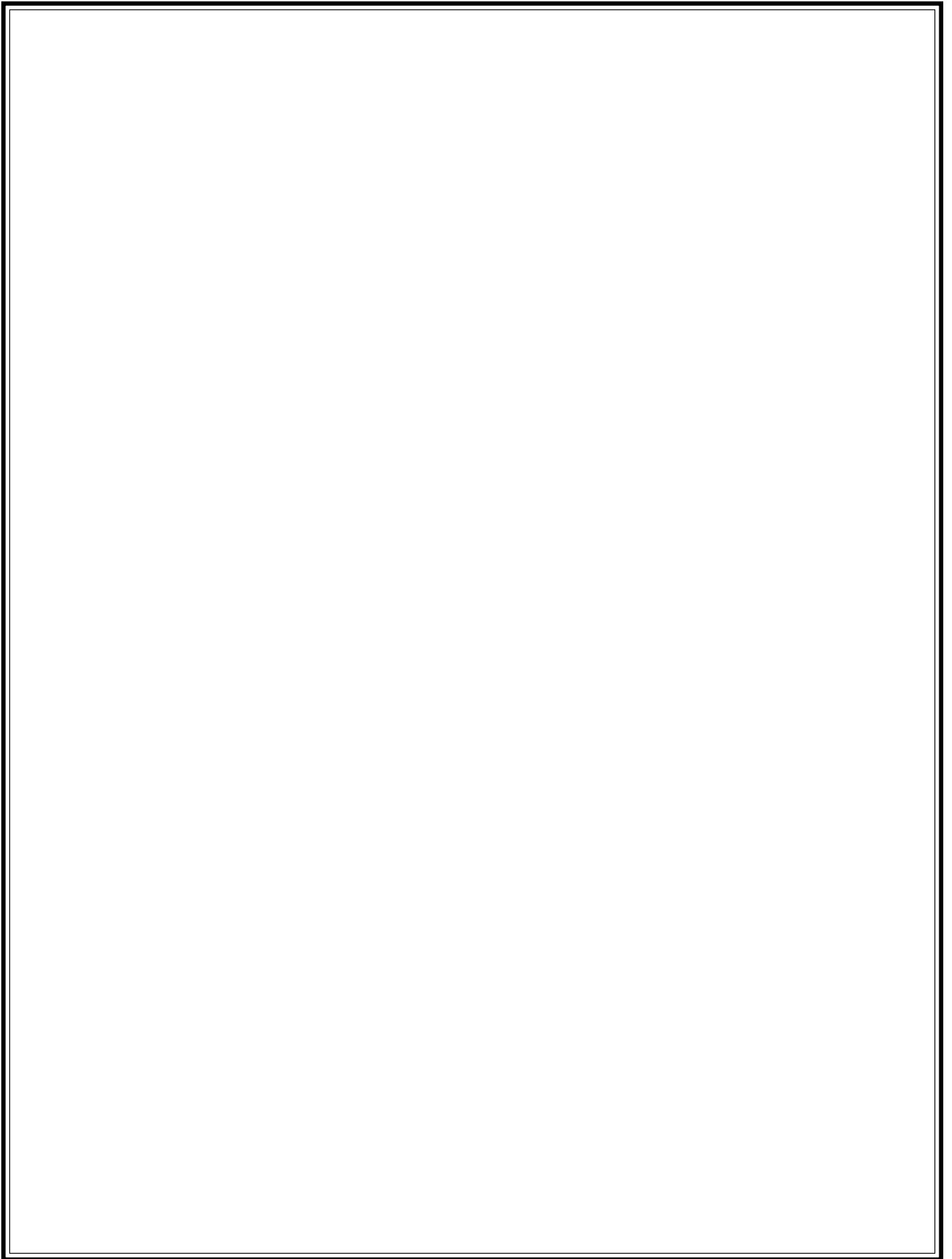
55046

PARTS LIST

Decal Identification

ITEM	PART NO.	DESCRIPTION	QTY.
1	55388	Decal Set CM/PM Safety	1
2	55054	Decal Engine Stop	1
3	55214	Decal Sta-Bil	1
4	55417	Decal Idle Engine	1
5	55156	Decal Notice	1
6	55121	Decal Safety Chain	1
7	55046	Decal Safety Instructions	1
8	55148	Decal Warning Diesel (for Diesel engines only)	1





CALIFORNIA PROPOSITION 65 WARNING: Engine exhaust from this product contains chemicals known to the State of California to cause cancer, birth defects, or other reproductive harm.



*Bred Tough. Technology Born to Work.
The Way It Ought To Be.*

Stone Construction Equipment, Inc.
P.O. Box 150, Honeoye, New York 14471
Phone: (800) 888-9926
Fax: 716-229-2363
e-mail: sceny@mcimail.com
www: stone-equip.com

A 100% employee-owned American manufacturer

© 1987 Stone Construction Equipment, Inc.
Printed in U.S.A.