



Illustrated Parts Manual

Models

3394RT
4394RT

SN 0200239053
to Present

P/N
3121643

September 1, 2018 - Rev G

ANSI



AS/NZS



An Oshkosh Corporation Company

PARTS FINDER

**Search Website
by Part Number**



**Search Manual
Library For Parts
Manual & Lookup Part
Numbers – Purchase
or Request Quote**

**Can't Find Part or
Manual? Request Help
by Manufacturer,
Model & Description**

Discount-Equipment.com is your online resource for quality parts & equipment.

Florida: **561-964-4949** Outside Florida TOLL FREE: **877-690-3101**

Need parts?

Click on this link: <http://www.discount-equipment.com/category/5443-parts/> and choose one of the options to help get the right parts and equipment you are looking for. Please have the machine model and serial number available in order to help us get you the correct parts. If you don't find the part on the website or on one of the online manuals, please fill out the request form and one of our experienced staff members will get back to you with a quote for the right part that your machine needs.

We sell worldwide for the brands: Genie, Terex, JLG, MultiQuip, Mikasa, Essick, Whiteman, Mayco, Toro Stone, Diamond Products, Generac Magnum, Airman, Haulotte, Barreto, Power Blanket, Nifty Lift, Atlas Copco, Chicago Pneumatic, Allmand, Miller Curber, Skyjack, Lull, Skytrak, Tsurumi, Husquvarna Target, Stow, Wacker, Sakai, Mi-T-M, Sullair, Basic, Dynapac, MBW, Weber, Bartell, Bennar Newman, Haulotte, Ditch Runner, Menegotti, Morrison, Contec, Buddy, Crown, Edco, Wyco, Bomag, Laymor, EZ Trench, Bil-Jax, F.S. Curtis, Gehl Pavers, Heli, Honda, ICS/PowerGrit, IHI, Partner, Imer, Clipper, MMD, Koshin, Rice, CH&E, General Equipment, Amida, Coleman, NAC, Gradall, Square Shooter, Kent, Stanley, Tamco, Toku, Hatz, Kohler, Robin, Wisconsin, Northrock, Oztec, Toker TK, Rol-Air, APT, Wylie, Ingersoll Rand / Doosan, Innovatech, Con X, Ammann, Mecalac, Makinex, Smith Surface Prep, Small Line, Wanco, Yanmar

REVISION LOG

January 15, 2015 - A - Original Issue Of Manual (Edited to B/M 1001165100 Revision F)

January 30, 2016 - B - Revised Manual (Edited to B/M 1001165100 Revision L)

August 1, 2016 - C - Revised Manual (Edited to B/M 1001165100 Revision L)

October 28, 2016 - D - Revised Manual (Edited to B/M 1001165100 Revision L)

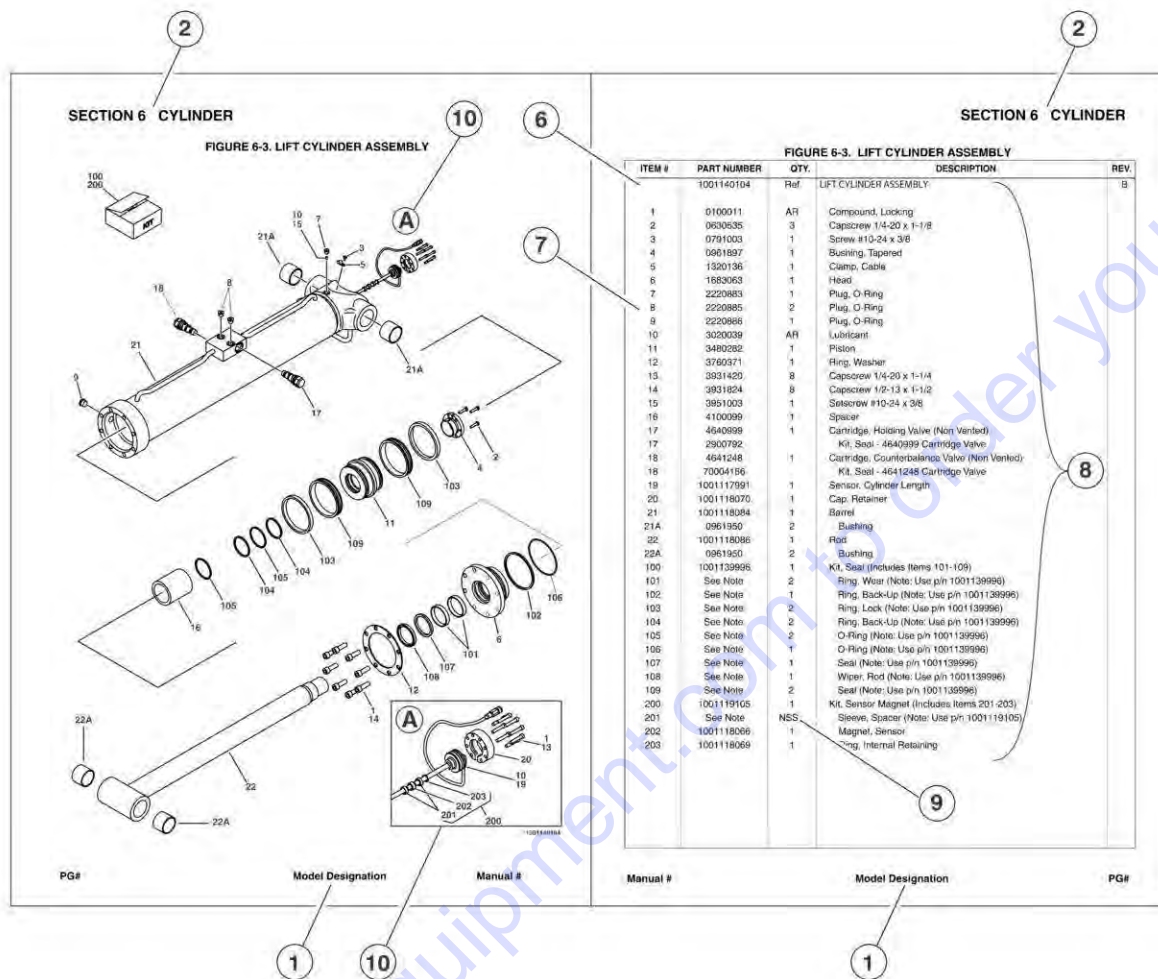
January 27, 2017 - E - Revised Manual (Edited to B/M 1001165100 Revision L)

April 28, 2017 - F - Revised Manual (Edited to B/M 1001165100 Revision L)

September 1, 2018 - G - Revised Manual (Edited to B/M 1001165100 Revision T)

Go to Discount-Equipment.com to order your parts

GENERAL INFORMATION



1) MACHINE IDENTIFICATION

Machines are identified by model and in some cases a combination of models, serial number (SN) or regional standard (i.e ANSI, CE, CSA). Components may also be identified by SN or manufacturer. Common components that may be identified by these characteristics are engines and hydraulic components.

2) PARTS MANUAL ORGANIZATION

Product information in this manual is organized under section titles. Frame, Cylinder, Hydraulic and Electrical are a few examples. Each section is organized by figure and page number. The information within the figure is then organized by item number, part number, description and corresponding illustration(s).

3) TABLE OF CONTENTS

A table of contents is found toward the beginning of the manual. Figure number, description and page number are provided for quick reference to the page containing the related information.

4) RECOMMENDED SPARE PARTS

The Recommended Spare Parts, located near the end of the manual, reference most frequently used maintenance parts.

5) PART NUMBER INDEX

A numerical index listing all part numbers and the corresponding page number(s) appears at the back of the manual.

GENERAL INFORMATION

6) NON-SERVICED PARTS

In some instances, it is necessary to display non-serviced parts, assemblies or installations. In the case of assemblies and installations there will be a Ref in the Qty column. In case of parts that are not available for service within assemblies or components, there will be a NSS (Not Sold Separately) or NLA (No Longer Available) listed in the Qty. column of the manual.

7) PARTS LIST ITEM NUMBERS

Numbers shown in the item# column correspond to numbers used in the associated illustration(s). Item numbers which are missing from the sequence in the parts list are not used on that page.

8) INDENTED PARTS DESCRIPTION

An indented part description is included in the item under which it is indented.

9) ABBREVIATION AND SYMBOLS

AC..... Alternating Current
 ADE..... Advanced Design Electronics
 ANSI..... American National Standards Institute
 AR..... As Required
 ASSY..... Assembly
 AUX..... Auxiliary
 AWG..... American Wire Gauge
 B/M..... Bill of Material
 CE..... European Conformity
 CCW..... Counter Clockwise
 cm..... Centimeter
 CW..... Clockwise
 CSA..... Canadian Standards Association
 CYL..... Cylinder
 DIA..... Diameter
 DC..... Direct Current
 EMS..... Emergency Stop
 ENG..... Engine
 FT (ft)..... Feet
 GA (Ga)..... Gauge
 HYD..... Hydraulic
 Hz..... Hertz
 ID..... Inside Diameter
 in..... inches
 ISO..... International Organization for Standards
 JIC..... Joint Industry Council
 KG..... Kilogram
 L..... Liter
 LB..... Pounds

LCD..... Liquid Crystal Display
 LED..... Light Emitting Diodes
 LH..... Left Hand
 LSS..... Load Sensing System
 M(m)..... Metric/Meter
 MM (mm)..... Millimeter
 mA..... Milliamps
 NLA..... No Longer Available
 NPT..... National Pipe Threads
 NSS..... Not Sold Separately
 OD..... Outside Diameter
 ORB..... O-Ring Boss
 ORFS..... O-Ring Face Seal
 OZ (oz)..... Ounces
 PG..... Page
 P/N..... Part Number
 qt..... Quarts
 QTY..... Quantity
 REF..... Reference
 REV..... Revision Level
 RH..... Right Hand
 SAE..... Society of Automotive Engineers
 SN..... Serial Number
 SPEC(S)..... Specifications
 T/T..... Turntable
 UGM..... Universal Ground Module
 V..... Volts
 W..... Watts
 #..... Number

10) ILLUSTRATION REFERENCE LETTERS

When necessary, illustrations may contain reference letters that are intended to track information (i.e. hoses, harnesses) from one point to another or to track visual enlargement of components to show details that may be located in another area on the illustration.

Note: Due to continuous product improvements, JLG Industries, Inc. reserves the right to make specification changes without prior notification.

TABLE OF CONTENTS

SECTION 1 - FRAME.....	13
FIGURE 1-1. AXLE INSTALLATION	14
FIGURE 1-2. AXLE INSTALLATION	16
FIGURE 1-3. STEERING INSTALLATION	18
FIGURE 1-4. STEERING INSTALLATION	20
FIGURE 1-5. WHEEL DRIVE INSTALLATION	22
FIGURE 1-6. DRIVE HUB ASSEMBLY - FRONT.....	24
FIGURE 1-7. DRIVE HUB AND BRAKE ASSEMBLY - REAR	26
FIGURE 1-8. DRIVE MOTOR ASSEMBLY - SAUER-DANFOSS.....	30
FIGURE 1-9. TIRE AND WHEEL INSTALLATION - IN315/55D20 PNEUMATIC - 3394RT	32
FIGURE 1-10. TIRE AND WHEEL INSTALLATION - 33/1550-16.5 PNEUMATIC - 3394RT	34
FIGURE 1-11. TIRE AND WHEEL INSTALLATION - 31 X 15.50-15 PNEUMATIC - 3394RT	36
FIGURE 1-12. TIRE AND WHEEL INSTALLATION - 12 X 16.5 PNEUMATIC NON-MARKING - 3394RT	38
FIGURE 1-13. TIRE AND WHEEL INSTALLATION - IN315/55D20 FOAM-FILLED - 3394RT/4394RT	40
FIGURE 1-14. TIRE AND WHEEL INSTALLATION - 33/1550-16.5 FOAM-FILLED - 3394RT/4394RT	42
FIGURE 1-15. TIRE AND WHEEL INSTALLATION - 33/16LL X 16.1 FOAM-FILLED - 3394RT	44
FIGURE 1-16. TIRE AND WHEEL INSTALLATION - 12 X 16.5 FOAM-FILLED NON MARKING - 3394RT/4394RT	46
FIGURE 1-17. WHEEL AND COUNTERWEIGHT INSTALLATION - IN315/55D20 PNEUMATIC - 4394RT	48
FIGURE 1-18. WHEEL AND COUNTERWEIGHT INSTALLATION - 33/1550-16.5 PNEUMATIC - 4394RT	50
FIGURE 1-19. WHEEL AND COUNTERWEIGHT INSTALLATION - 12 X 16.5 PNEUMATIC NON-MARKING - 4394RT	52
FIGURE 1-20. BEACON LIGHT INSTALLATION - OPTIONAL.....	54
FIGURE 1-21. LEVELING JACK INSTALLATION - OPTIONAL ON 3394RT - STANDARD ON 4394RT	56
FIGURE 1-22. LEVELING JACK INSTALLATION - OPTIONAL ON 3394RT - STANDARD ON 4394RT	58
FIGURE 1-23. LEVELING JACK VALVE ASSEMBLY.....	60
FIGURE 1-24. LEVELING JACK ASSEMBLY	62
SECTION 2 - GROUND CONTROLS	65
FIGURE 2-1. CONTROL VALVE INSTALLATION.....	66
FIGURE 2-2. CONTROL VALVE INSTALLATION.....	68
FIGURE 2-3. FLOW DIVIDER VALVE ASSEMBLY	70
FIGURE 2-4. MAIN CONTROL VALVE ASSEMBLY	72
FIGURE 2-5. MAIN CONTROL VALVE ASSEMBLY.....	74
FIGURE 2-6. POWERDECK AUXILIARY VALVE INSTALLATION (3394RT ALL SPECS EXCEPT CE SPEC) (SN 0200241796 to Present).....	76
FIGURE 2-7. POWERDECK AUXILIARY VALVE INSTALLATION (3394RT CE SPEC) (SN 0200241796 to Present).....	78
FIGURE 2-8. POWERDECK AUXILIARY VALVE INSTALLATION (4394RT ALL SPECS EXCEPT CE SPEC) (SN 0200241796 to Present).....	80
FIGURE 2-9. POWERDECK AUXILIARY VALVE INSTALLATION (4394RT CE SPEC) (SN 0200241796 to Present).....	82
FIGURE 2-10. GROUND CONTROL BOX INSTALLATION - DEUTZ D2011 ENGINE (ANSI EXPORT & AUSTRALIAN SPECS WITHOUT POWER OPTIONS MODULE).....	84
FIGURE 2-11. GROUND CONTROL BOX INSTALLATION - DEUTZ D2011 ENGINE (ANSI EXPORT SPECS WITHOUT POWER OPTIONS MODULE AND WITH LOW TEMPERATURE CUTOUT)	86
FIGURE 2-12. GROUND CONTROL BOX INSTALLATION - DEUTZ D2011 ENGINE (ANSI EXPORT & AUSTRALIAN SPECS WITH POWER OPTIONS MODULE) (SN 0200239053 through 0200241795)	88
FIGURE 2-13. GROUND CONTROL BOX INSTALLATION - DEUTZ D2011 ENGINE (ANSI EXPORT & AUSTRALIAN SPECS WITH POWER OPTIONS MODULE) (SN 0200241796 to Present).....	90
FIGURE 2-14. GROUND CONTROL BOX INSTALLATION - DEUTZ D2011 ENGINE (ANSI EXPORT SPECS WITH POWER OPTIONS MODULE AND WITH LOW TEMPERATURE CUTOUT)	92
FIGURE 2-15. GROUND CONTROL BOX INSTALLATION - DEUTZ D2011 ENGINE (CE SPECS WITHOUT POWER OPTIONS MODULE) (SN 0200239053 through 0200241795).....	94
FIGURE 2-16. GROUND CONTROL BOX INSTALLATION - DEUTZ D2011 ENGINE (CE SPECS WITHOUT POWER OPTIONS MODULE) (SN 0200241796 to Present).....	96
FIGURE 2-17. GROUND CONTROL BOX INSTALLATION - DEUTZ D2011 ENGINE (CE SPECS WITHOUT POWER OPTIONS MODULE AND WITH LOW TEMPERATURE CUTOUT)	98
FIGURE 2-18. GROUND CONTROL BOX INSTALLATION - DEUTZ D2011 ENGINE (CE SPECS WITH POWER OPTIONS MODULE) (SN 0200239053 through 0200241795).....	100
FIGURE 2-19. GROUND CONTROL BOX INSTALLATION - DEUTZ D2011 ENGINE (CE SPECS WITH POWER OPTIONS MODULE) (SN 0200241796 to Present).....	102
FIGURE 2-20. GROUND CONTROL BOX INSTALLATION - DEUTZ D2011 ENGINE (CE SPECS WITH POWER OPTIONS MODULE AND WITH LOW TEMPERATURE CUTOUT)	104
FIGURE 2-21. GROUND CONTROL BOX INSTALLATION - DEUTZ D2.9L4 ENGINE (ANSI, ANSI EXPORT & CSA SPECS WITHOUT POWER OPTIONS MODULE).....	106
FIGURE 2-22. GROUND CONTROL BOX INSTALLATION - DEUTZ D2.9L4 ENGINE (ANSI & CSA SPECS WITH POWER OPTIONS MODULE).....	108

TABLE OF CONTENTS

FIGURE 2-23. GROUND CONTROL BOX INSTALLATION - GM ENGINE (ANSI, ANSI EXPORT & CSA WITHOUT POWER OPTIONS MODULE).....	110
FIGURE 2-24. GROUND CONTROL BOX INSTALLATION - GM ENGINE (ANSI & CSA SPECS WITHOUT POWER OPTIONS MODULE AND WITH LOW TEMPERATURE CUTOUT).....	112
FIGURE 2-25. GROUND CONTROL BOX INSTALLATION - GM ENGINE (ANSI, ANSI EXPORT & CSA SPECS WITH POWER OPTIONS MODULE).....	114
FIGURE 2-26. GROUND CONTROL BOX INSTALLATION - GM ENGINE (ANSI & CSA SPECS WITH POWER OPTIONS MODULE AND WITH LOW TEMPERATURE CUTOUT).....	116
FIGURE 2-27. GROUND CONTROL BOX ASSEMBLY - DEUTZ ENGINE WITHOUT LOW TEMPERATURE CUTOUT (ALL SPECS WITHOUT CE SPECS).....	118
FIGURE 2-28. GROUND CONTROL BOX ASSEMBLY - DEUTZ ENGINE WITHOUT LOW TEMPERATURE CUTOUT (CE SPEC).....	120
FIGURE 2-29. GROUND CONTROL BOX ASSEMBLY - DEUTZ ENGINE WITH LOW TEMPERATURE CUTOUT (ALL SPECS EXCEPT CE SPEC).....	122
FIGURE 2-30. GROUND CONTROL BOX ASSEMBLY - DEUTZ D2011 ENGINE WITH LOW TEMPERATURE CUTOUT (ANSI EXPORT SPEC).....	124
FIGURE 2-31. GROUND CONTROL BOX ASSEMBLY - GM ENGINE WITHOUT LOW TEMPERATURE CUTOUT.....	126
FIGURE 2-32. GROUND CONTROL BOX ASSEMBLY - GM ENGINE WITH LOW TEMPERATURE CUTOUT.....	128
FIGURE 2-33. GROUND CONTROL BOX COMPONENTS - WITHOUT LOW TEMPERATURE CUTOUT (SN 0200246033 to Present).....	130
FIGURE 2-34. GROUND CONTROL BOX COMPONENTS - WITH LOW TEMPERATURE CUTOUT (SN 0200246033 to Present).....	132
FIGURE 2-35. HORN INSTALLATION.....	134
FIGURE 2-36. MOTION ALARM INSTALLATION.....	136
FIGURE 2-37. TANKS INSTALLATION - DIESEL ENGINE MACHINES.....	138
FIGURE 2-38. TANKS INSTALLATION - GAS ENGINE MACHINES.....	140
FIGURE 2-39. HYDRAULIC OIL TANK ASSEMBLY.....	142
FIGURE 2-40. FUEL CAP INSTALLATION - LOCKABLE - DIESEL MACHINES (OPTIONAL).....	144
FIGURE 2-41. FUEL CAP INSTALLATION - LOCKABLE - GAS MACHINES (OPTIONAL).....	146
FIGURE 2-42. HOODS AND COVERS INSTALLATION - DEUTZ D2011 AND GM ENGINE MACHINES.....	148
FIGURE 2-43. HOODS AND COVERS INSTALLATION - DEUTZ D2.9L4 ENGINE MACHINES.....	152
FIGURE 2-44. LADDER INSTALLATION - 3394RT.....	156
FIGURE 2-45. LADDER INSTALLATION - 4394RT.....	158
SECTION 3 - ENGINE.....	161
FIGURE 3-1. ENGINE INSTALLATION - DEUTZ D2011 ENGINE.....	162
FIGURE 3-2. ENGINE AND PUMP SUB-ASSEMBLY - DEUTZ D2011 ENGINE.....	166
FIGURE 3-3. ENGINE ASSEMBLY - DEUTZ D2011 ENGINE.....	168
FIGURE 3-4. ENGINE COMPONENTS - DEUTZ D2011 ENGINE.....	170
FIGURE 3-5. ENGINE INSTALLATION - DEUTZ D2.9L4 ENGINE (WITHOUT ARCTIC PACKAGE).....	174
FIGURE 3-6. ENGINE AND PUMP SUB-ASSEMBLY - DEUTZ D2.9L4 ENGINE.....	178
FIGURE 3-7. ENGINE ASSEMBLY - DEUTZ D2.9L4 ENGINE (WITHOUT ARCTIC PACKAGE).....	180
FIGURE 3-8. ENGINE INSTALLATION - DEUTZ D2.9L4 ENGINE (WITH ARCTIC PACKAGE).....	186
FIGURE 3-9. ENGINE AND PUMP SUB-ASSEMBLY - DEUTZ D2.9L4 ENGINE (WITH ARCTIC PACKAGE).....	190
FIGURE 3-10. ENGINE ASSEMBLY - DEUTZ D2.9L4 ENGINE (WITH ARCTIC PACKAGE).....	192
FIGURE 3-11. ENGINE COMPONENTS - DEUTZ D2.9L4 ENGINE.....	198
FIGURE 3-12. BRACKET ASSEMBLY (LESS FUEL PUMP AND FILTER).....	202
FIGURE 3-13. PUMP COUPLING KIT.....	204
FIGURE 3-14. MUFFLER KIT - SPARK ARRESTOR (DEUTZ D2011 ENGINE) (OPTIONAL).....	206
FIGURE 3-15. MUFFLER KIT - CATALYTIC MUFFLER (DEUTZ D2011 ENGINE) (OPTIONAL).....	208
FIGURE 3-16. SPARK ARRESTER INSTALLATION (DEUTZ D2.9L4) (OPTIONAL).....	210
FIGURE 3-17. ENGINE INSTALLATION - GM ENGINE (SN 0200239053 through 0200259520).....	212
FIGURE 3-18. ENGINE INSTALLATION - GM ENGINE (SN 0200259521 to Present).....	216
FIGURE 3-19. GM ENGINE AND PUMP SUB-ASSEMBLY (SN 0200239053 through 0200259520).....	220
FIGURE 3-20. GM ENGINE AND PUMP SUB-ASSEMBLY (SN 0200259521 to Present).....	222
FIGURE 3-21. GM ENGINE ASSEMBLY (SN 0200239053 through 0200259520).....	224
FIGURE 3-22. GM ENGINE ASSEMBLY (SN 0200259521 to Present).....	226
FIGURE 3-23. PISTON PUMP ASSEMBLY.....	228
FIGURE 3-24. GENERATOR INSTALLATION - 110V - DEUTZ D2011 ENGINE (OPTIONAL).....	232
FIGURE 3-25. GENERATOR INSTALLATION - 220V - DEUTZ D2011 ENGINE (OPTIONAL).....	236
FIGURE 3-26. GENERATOR INSTALLATION - 110V - DEUTZ D2.9L4 (OPTIONAL).....	240
FIGURE 3-27. GENERATOR INSTALLATION - 7500W - DEUTZ D2.9L4 ENGINE (OPTIONAL).....	244
FIGURE 3-28. JUNCTION BOX ASSEMBLY - 7500W GENERATOR.....	248
FIGURE 3-29. GENERATOR INSTALLATION - 110V - GM ENGINE (OPTIONAL).....	250
SECTION 4 - SCISSORS ARMS.....	253

TABLE OF CONTENTS

FIGURE 4-1. SCISSOR ARMS INSTALLATION - 3394RT (DEUTZ D2011 ENGINE AND GM ENGINE MACHINES)	254
FIGURE 4-2. SCISSOR ARMS ASSEMBLY - 3394RT (DEUTZ D2011 ENGINE AND GM ENGINE MACHINES)	256
FIGURE 4-3. SCISSOR ARMS INSTALLATION - 3394RT (DEUTZ D2.9L4 ENGINE MACHINES)	260
FIGURE 4-4. SCISSOR ARMS ASSEMBLY - 3394RT (DEUTZ D2.9L4 ENGINE MACHINES)	262
FIGURE 4-5. SCISSOR ARMS INSTALLATION - 4394RT (DEUTZ D2011 ENGINE AND GM ENGINE MACHINES)	266
FIGURE 4-6. SCISSOR ARMS ASSEMBLY - 4394RT (DEUTZ D2011 ENGINE AND GM ENGINE MACHINES)	268
FIGURE 4-7. SCISSOR ARMS INSTALLATION - 4394RT (DEUTZ D2.9L4 ENGINE MACHINES)	272
FIGURE 4-8. SCISSORS ARMS ASSEMBLY - 4394RT	274
FIGURE 4-9. ARM GUARDS INSTALLATION - 3394RT (CE SPEC ONLY)	278
FIGURE 4-10. ARM GUARDS INSTALLATION - 4394RT (CE SPEC ONLY)	280
SECTION 5 - PLATFORM	283
FIGURE 5-1. PLATFORM ATTACH INSTALLATIONS - WITHOUT LSS	284
FIGURE 5-2. PLATFORM ATTACH INSTALLATION - WITH LSS	286
FIGURE 5-3. PLATFORM MODULE INSTALLATION - 3394RT	288
FIGURE 5-4. PLATFORM MODULE INSTALLATION - 4394RT	290
FIGURE 5-5. MANUAL SINGLE DECK EXTENSION AND PLATFORM INSTALLATION	292
FIGURE 5-6. MANUAL DUAL DECK EXTENSION AND PLATFORM INSTALLATION	294
FIGURE 5-7. POWER SINGLE DECK EXTENSION AND PLATFORM INSTALLATION - 3394RT	296
FIGURE 5-8. POWER SINGLE DECK EXTENSION AND PLATFORM INSTALLATION - 3394RT	300
FIGURE 5-9. POWER SINGLE DECK EXTENSION AND PLATFORM INSTALLATION - 4394RT	304
FIGURE 5-10. POWER SINGLE DECK EXTENSION AND PLATFORM INSTALLATION - 4394RT	308
FIGURE 5-11. POWER DUAL DECK EXTENSION AND PLATFORM INSTALLATION - 3394RT (WITH 12.6FT/3.8M LENGTH PLATFORM)	312
FIGURE 5-12. POWER DUAL DECK EXTENSION AND PLATFORM INSTALLATION - 3394RT (WITH 12.6FT/3.8M LENGTH PLATFORM)	316
FIGURE 5-13. POWER DUAL DECK EXTENSION AND PLATFORM INSTALLATION - 4394RT (WITH 12.6FT/3.8M LENGTH PLATFORM)	320
FIGURE 5-14. POWER DUAL DECK EXTENSION AND PLATFORM INSTALLATION - 4394RT (WITH 12.6FT/3.8M LENGTH PLATFORM)	324
FIGURE 5-15. POWER DUAL DECK EXTENSION AND PLATFORM INSTALLATION - 3394RT (WITH 15.8FT/4.8M LENGTH MEGADECK PLATFORM) (SN 0200239053 through 0200246956)	328
FIGURE 5-16. POWER DUAL DECK EXTENSION AND PLATFORM INSTALLATION - 3394RT (WITH 15.8FT/4.8M LENGTH MEGADECK PLATFORM) (SN 0200246957 to Present)	332
FIGURE 5-17. PLATFORM AND MANUAL SINGLE DECK EXTENSION ASSEMBLY	336
FIGURE 5-18. PLATFORM AND MANUAL DUAL DECK EXTENSION ASSEMBLY	338
FIGURE 5-19. PLATFORM AND POWER SINGLE DECK EXTENSION ASSEMBLY	340
FIGURE 5-20. PLATFORM AND POWER DUAL DECK EXTENSION ASSEMBLY (WITH 12.6FT/3.8M LENGTH PLATFORM)	342
FIGURE 5-21. PLATFORM AND POWER DUAL DECK EXTENSION ASSEMBLY (WITH 15.8FT/4.8M LENGTH MEGADECK PLATFORM)	344
FIGURE 5-22. POWER DECK AUXILIARY PUMP ASSEMBLY	346
FIGURE 5-23. POWER DECK VALVE ASSEMBLY - SINGLE EXTENSION	348
FIGURE 5-24. POWER DECK VALVE ASSEMBLY - DUAL EXTENSION	350
FIGURE 5-25. POWER DECK VALVE ASSEMBLY - DUAL EXTENSION	352
FIGURE 5-26. RAILS INSTALLATION - CHAIN ENTRY (SINGLE DECK EXTENSION)	354
FIGURE 5-27. RAILS INSTALLATION - CHAIN ENTRY (DUAL DECK EXTENSION)	356
FIGURE 5-28. RAILS INSTALLATION - SWING GATE ENTRY (SINGLE DECK EXTENSION)	358
FIGURE 5-29. RAILS INSTALLATION - SWING GATE ENTRY (DUAL DECK EXTENSION)	360
FIGURE 5-30. RAILS INSTALLATION - SWING GATE ENTRY (MEGADECK EXTENSION - 3394RT) (CE SPEC ONLY)	362
FIGURE 5-31. PLATFORM CONSOLE BOX INSTALLATION - DIESEL MACHINES	364
FIGURE 5-32. PLATFORM CONSOLE BOX INSTALLATION - GAS DUAL FUEL MACHINES	366
FIGURE 5-33. PLATFORM CONSOLE BOX ASSEMBLY - DIESEL MACHINES	368
FIGURE 5-34. PLATFORM CONSOLE BOX ASSEMBLY - GAS DUAL FUEL MACHINES	370
FIGURE 5-35. DRIVE/STEER CONTROLLER ASSEMBLY	372
FIGURE 5-36. LEVELING JACKS SWITCH INSTALLATION	374
FIGURE 5-37. LEVELING JACKS SWITCH INSTALLATION	376
FIGURE 5-38. PIPE RACKS INSTALLATION (RAIL MOUNT)	378
FIGURE 5-39. PIPE RACKS INSTALLATION (SKY POSITIONER)	380
FIGURE 5-40. WORKSTATION WITHOUT DC CONVERTER INSTALLATION	384
SECTION 6 - CYLINDER	387
FIGURE 6-1. AXLE LOCKOUT CYLINDER ASSEMBLY	388
FIGURE 6-2. AXLE LOCKOUT CYLINDER ASSEMBLY	390
FIGURE 6-3. LEVELING JACK CYLINDER ASSEMBLY	392
FIGURE 6-4. LIFT CYLINDER ASSEMBLY	394

TABLE OF CONTENTS

FIGURE 6-5. PLATFORM EXTENSION CYLINDER ASSEMBLY	396
FIGURE 6-6. STEER CYLINDER ASSEMBLY	398
SECTION 7 - HYDRAULIC	401
FIGURE 7-1. HYDRAULIC DIAGRAM	402
FIGURE 7-2. HYDRAULIC DIAGRAM	406
FIGURE 7-3. LEVELING JACK HYDRAULIC DIAGRAM - OPTIONAL ON 3394RT - STANDARD ON 4394RT	410
FIGURE 7-4. LEVELING JACK HYDRAULIC DIAGRAM - OPTIONAL ON 3394RT - STANDARD ON 4394RT	412
FIGURE 7-5. POWER SINGLE DECK EXTENSION HYDRAULIC DIAGRAM	414
FIGURE 7-6. POWER SINGLE DECK EXTENSION HYDRAULIC DIAGRAM	416
FIGURE 7-7. POWER DUAL DECK EXTENSION (12.6FT/3.8M LENGTH PLATFORM) HYDRAULIC DIAGRAM	418
FIGURE 7-8. POWER DUAL DECK EXTENSION (12.6FT/3.8M LENGTH PLATFORM) HYDRAULIC DIAGRAM	422
FIGURE 7-9. POWER DUAL DECK EXTENSION (15.8FT/4.8M LENGTH MEGADECK PLATFORM) HYDRAULIC DIAGRAM (SN 0200239053 through 0200246956)	426
FIGURE 7-10. POWER DUAL DECK EXTENSION (15.8FT/4.8M LENGTH MEGADECK PLATFORM) (SN 0200246957 to Present)	430
FIGURE 7-11. HYDRAULIC DIAGRAM LIST	434
SECTION 8 - ELECTRICAL	435
FIGURE 8-1. ELECTRICAL DIAGRAM LIST	436
FIGURE 8-2. AC BOX AT PLATFORM INSTALLATION - 110V GFI (ANSI, ANSI EXPORT AND CE SPECS)	438
FIGURE 8-3. AC BOX AT PLATFORM INSTALLATION - 110V (IEC 60309 YELLOW) (CE SPEC ONLY)	440
FIGURE 8-4. AC BOX AT PLATFORM INSTALLATION - 220V - NO BOX (ALL SPECS)	442
FIGURE 8-5. AC BOX AT PLATFORM INSTALLATION - 220V (ANSI, ANSI EXPORT AND CSA SPECS)	444
FIGURE 8-6. AC BOX AT PLATFORM INSTALLATION - 220V (IEC 60309 BLUE) (CE SPEC ONLY)	446
FIGURE 8-7. AC BOX AT PLATFORM INSTALLATION - 220V (AFSINT 107 KEYED GROUND 2X4 BOX) (CE SPEC ONLY)	448
FIGURE 8-8. AC BOX AT PLATFORM INSTALLATION - 220V (CEE7 POST GROUND 2X4 BOX) (CE SPEC ONLY)	450
FIGURE 8-9. AC BOX AT PLATFORM INSTALLATION - 220V (CEE7 SIDE GROUND 2X4 BOX) (CE SPEC ONLY)	452
FIGURE 8-10. AC BOX AT PLATFORM INSTALLATION - 220V (CEE7 POST GROUND 70X70 BOX) (CE SPEC ONLY)	454
FIGURE 8-11. AC BOX AT PLATFORM INSTALLATION - 220V (CEE7 SIDE GROUND 70X70 BOX) (CE SPEC ONLY)	456
FIGURE 8-12. AC CORD ASSEMBLY - 2000W & 3500W	458
FIGURE 8-13. BEACON HARNESS ASSEMBLY (OPTIONAL)	460
FIGURE 8-14. BREAKER BOX KIT (CE SPEC)	462
FIGURE 8-15. CONSOLE BOX HARNESS	464
FIGURE 8-16. ENGINE AND VALVE HARNESS - DEUTZ ENGINE MACHINES	466
FIGURE 8-17. ENGINE AND VALVE HARNESS - DEUTZ ENGINE MACHINES	468
FIGURE 8-18. ENGINE AND VALVE HARNESS - GM ENGINE MACHINES	472
FIGURE 8-19. ENGINE HARNESS - DEUTZ D2011 ENGINE	474
FIGURE 8-20. ENGINE HARNESS - DEUTZ D2.9L4 ENGINE	476
FIGURE 8-21. FUEL HARNESS - DEUTZ D2.9L4 ENGINE	480
FIGURE 8-22. GENERATOR HARNESS - DEUTZ D2011 & GM ENGINES	482
FIGURE 8-23. GENERATOR AC CABLE - DEUTZ D2.9L4 ENGINES - 2500W	484
FIGURE 8-24. GENERATOR HARNESS - DEUTZ D2.9L4 ENGINES - 2500W	486
FIGURE 8-25. GENERATOR TO CONTROL BOX HARNESS - DEUTZ D2.9L4 ENGINES - 7500W	488
FIGURE 8-26. GENERATOR TO VEHICLE INTERFACE HARNESS - DEUTZ D2.9L4 ENGINES - 7500W	490
FIGURE 8-27. GROUND CONTROL BOX HARNESS	492
FIGURE 8-28. GROUND TO PLATFORM MODULE HARNESS - 3394RT	494
FIGURE 8-29. GROUND TO PLATFORM MODULE HARNESS - 4394RT	496
FIGURE 8-30. LEVELING JACK HARNESS ASSEMBLY (OPTIONAL ON 3394RT - STANDARD ON 4394RT)	498
FIGURE 8-31. PLATFORM MODULE TO CONSOLE BOX HARNESS	500
FIGURE 8-32. POWER DECK HARNESS	502
FIGURE 8-33. POWER DECK HARNESS	504
FIGURE 8-34. POWER DECK HARNESS	506
FIGURE 8-35. POWER DECK AUXILIARY POWER HARNESS	508
FIGURE 8-36. POWER DECK JUMPER HARNESS INSTALLATION	510
FIGURE 8-37. RECEPTACLE BOX KIT - 110V GFI	512
FIGURE 8-38. RECEPTACLE BOX KIT - 110V IEC YELLOW (CE SPEC)	514
FIGURE 8-39. RECEPTACLE BOX KIT - 220V IEC BLUE (CE SPEC)	516
FIGURE 8-40. RECEPTACLE BOX KIT - 220V AFSINT 107 (CE SPEC)	518
FIGURE 8-41. RECEPTACLE BOX KIT - 220V CEE7 POST GROUND 2X4 BOX (CE SPEC)	520
FIGURE 8-42. RECEPTACLE BOX KIT - 220V CEE7 SIDE GROUND 2X4 BOX (CE SPEC)	522
FIGURE 8-43. RECEPTACLE BOX KIT - CEE7 POST GROUND 70X70 BOX (CE SPEC)	524
FIGURE 8-44. RECEPTACLE BOX KIT - CEE7 SIDE GROUND 70X70 BOX (CE SPEC)	526
FIGURE 8-45. TEMPERATURE SENSOR HARNESS	528

TABLE OF CONTENTS

SECTION 9 - DECALS	531
FIGURE 9-1. DECAL INSTALLATION (ANSI SPEC)	532
FIGURE 9-2. DECAL INSTALLATION (AUSTRALIAN AND CE SPECS)	534
FIGURE 9-3. DECAL INSTALLATION - BRAZIL SPEC (SPANISH/PORTUGUESE)	536
FIGURE 9-4. DECAL INSTALLATION - CHINESE SPEC (ENGLISH/CHINESE)	538
FIGURE 9-5. DECAL INSTALLATION - CSA SPEC (ENGLISH/FRENCH)	540
FIGURE 9-6. DECAL INSTALLATION - KOREAN SPEC (ENGLISH/KOREAN)	542
FIGURE 9-7. DECAL INSTALLATION - LATIN AMERICAN SPEC (ENGLISH/SPANISH)	544
FIGURE 9-8. DECAL INSTALLATION - OPTIONS	546
SECTION 10 - RECOMMENDED SERVICE PARTS STOCK	549
FIGURE 10-1. RECOMMENDED SERVICE PARTS STOCK	550
SECTION 11 - SPECIAL OPTIONS	553
FIGURE 11-1. SPECIAL OPTIONS LIST	554
PART NUMBER INDEX	557

Go to Discount-Equipment.com to order your parts

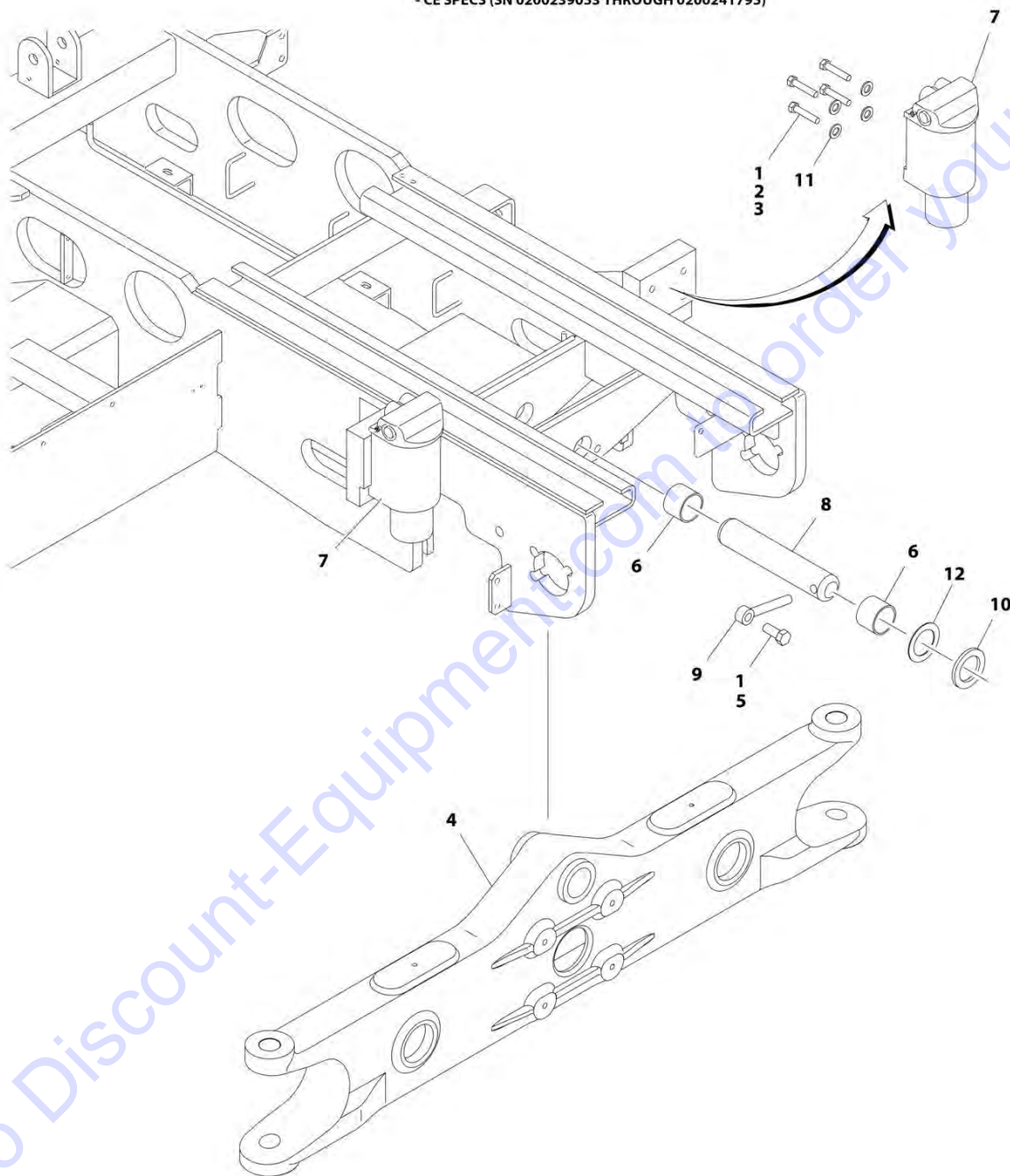
SECTION 1 - FRAME

Go to Discount-Equipment.com to order your parts

SECTION 1 - FRAME

FIGURE 1-1. AXLE INSTALLATION

USAGE CHART:
- ALL SPECS EXCEPT CE SPECS
- CE SPECS (SN 0200239053 THROUGH 0200241795)



ART_1001139626

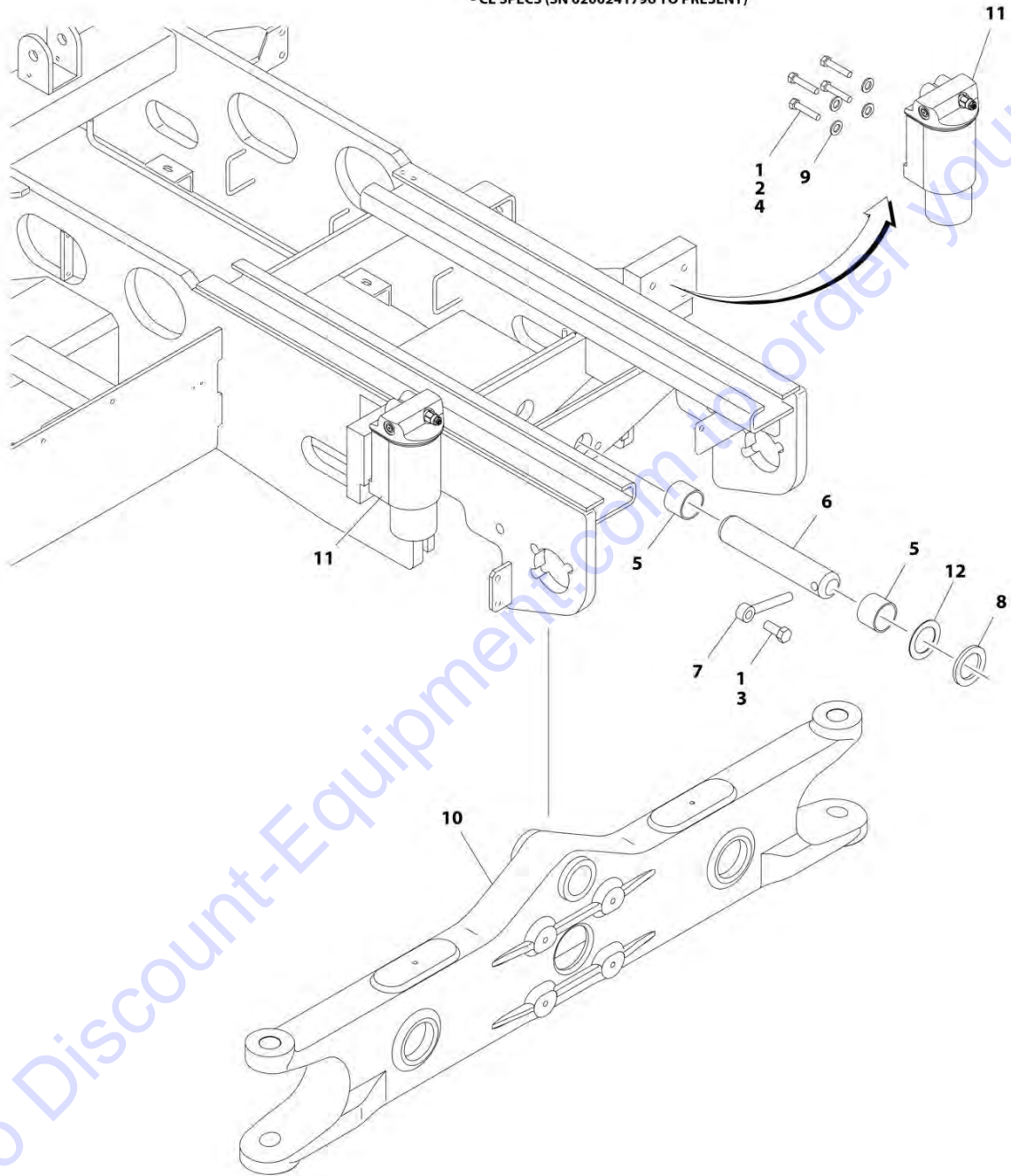
FIGURE 1-1. AXLE INSTALLATION

ITEM	PART NUMBER	QTY	DESCRIPTION	REV
		Ref	USAGE CHART:	
		Ref	- All Specs except CE Specs	
		Ref	- CE Specs (SN 0200239053 through 0200241795)	
	1001139626	Ref	AXLE INSTALLATION	C
1	0100011	AR	Compound, Locking	
2	0641822	8	Bolt 1/2 x 2-3/4	
3	0100038	AR	Primer, Locking	
4	1001098130	1	Axle	
5	0642012	1	Bolt 5/8 x 1-1/2	
6	0961950	2	Bearing	
7	1684465	2	Oscillating Axle Cylinder Assembly (See CYLINDER SECTION for Breakdown)	
8	3422592	1	Pin, Axle Pivot	
9	3841258	1	Keeper, Pin	
10	4740158	1	Washer, Thrust	
11	4891800	8	Washer 1/2	
12	4740541	AR	Washer	

SECTION 1 - FRAME

FIGURE 1-2. AXLE INSTALLATION

USAGE CHART:
- CE SPECS (SN 0200241796 TO PRESENT)



ART_1001188845

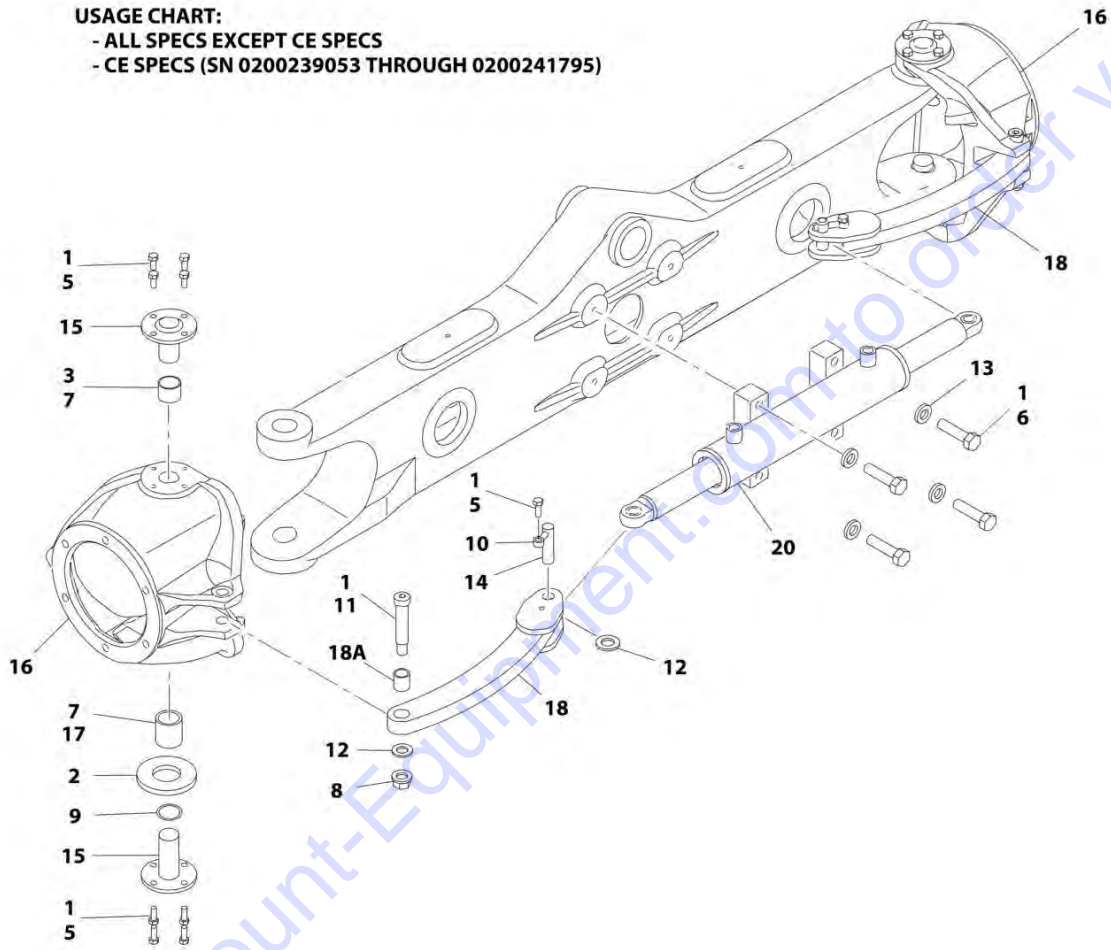
FIGURE 1-2. AXLE INSTALLATION

ITEM	PART NUMBER	QTY	DESCRIPTION	REV
		Ref	USAGE CHART:	
		Ref	- CE Specs (SN 0200241796 to Present)	
	1001188845	Ref	AXLE INSTALLATION	B
1	0100011	AR	Compound, Locking	
2	0100038	AR	Primer, Locking	
3	0642012	1	Bolt 5/8 x 1-1/2	
4	0701222	8	Bolt M12 x 70	
5	0961950	2	Bearing	
6	3422592	1	Pin, Axle Pivot	
7	3841258	1	Keeper, Pin	
8	4740158	1	Washer, Thrust	
9	5241200	8	Washer M12	
10	1001098130	1	Axle	
11	1001163580	2	Oscillating Axle Cylinder Assembly (See CYLINDER SECTION for Breakdown)	
12	4740541	AR	Washer	

SECTION 1 - FRAME

FIGURE 1-3. STEERING INSTALLATION

USAGE CHART:
- ALL SPECS EXCEPT CE SPECS
- CE SPECS (SN 0200239053 THROUGH 0200241795)



ART_1001139935

SECTION 1 - FRAME

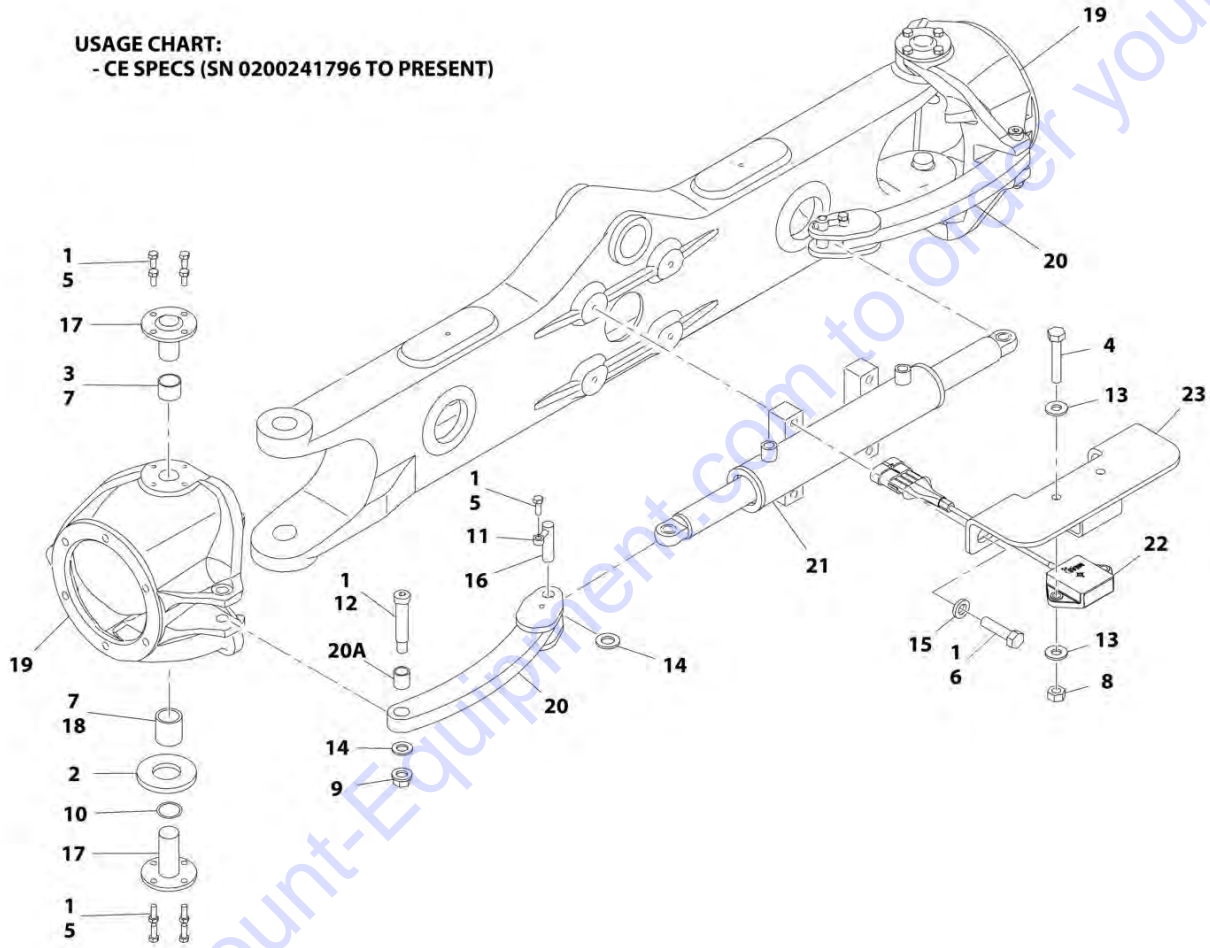
FIGURE 1-3. STEERING INSTALLATION

ITEM	PART NUMBER	QTY	DESCRIPTION	REV
		Ref	USAGE CHART:	
		Ref	- All Specs except CE Specs	
		Ref	- CE Specs (SN 0200239053 through 0200241795)	
	1001139935	Ref	STEERING INSTALLATION	E
1	0100011	AR	Compound, Locking	
2	0440271	2	Washer, Thrust	
3	0440291	2	Bearing	
5	0641607	18	Bolt 3/8 x 7/8	
6	0681820	4	Bolt 1/2 x 2-1/2 Grade 8	
7	3020029	AR	Grease, Bearing	
8	3312008	2	Nut 5/8	
9	3780182	2	O-Ring	
10	3841520	2	Keeper	
11	3900255	2	Screw, Shoulder	
12	4740086	4	Washer, Thrust	
13	4891800	4	Washer 1/2	
14	1001116867	2	Pin, Axle Pivot	
15	1001139141	4	Kingpin	
16	1001139645	2	Spindle	
17	1001139476	2	Bearing	
18	1001139892	2	Tie-Rod	
18A	1001139943	2	Bearing	
20	1001143434	1	Steer Cylinder Assembly (See CYLINDER SECTION for Breakdown)	

SECTION 1 - FRAME

FIGURE 1-4. STEERING INSTALLATION

USAGE CHART:
- CE SPECS (SN 0200241796 TO PRESENT)



ART_1001187880

FIGURE 1-4. STEERING INSTALLATION

ITEM	PART NUMBER	QTY	DESCRIPTION	REV
		Ref	USAGE CHART:	
		Ref	- CE Specs (SN 0200241796 to Present)	
	1001187880	Ref	STEERING INSTALLATION	B
1	0100011	AR	Compound, Locking	
2	0440271	2	Washer, Thrust	
3	0440291	2	Bearing	
4	0641412	2	Bolt 1/4 x 1-1/2	
5	0641607	18	Bolt 3/8 x 7/8	
6	0681822	4	Bolt 1/2 x 2-3/4 Grade 8	
7	3020029	AR	Grease, Bearing	
8	3311405	2	Nut 1/4	
9	3312008	2	Nut 5/8	
10	3780182	2	O-Ring	
11	3841520	2	Keeper	
12	3900255	2	Screw, Shoulder	
13	4711400	4	Washer 1/4	
14	4740086	4	Washer, Thrust	
15	4891800	4	Washer 1/2	
16	1001116867	2	Pin, Axle Pivot	
17	1001139141	4	Kingpin	
18	1001139476	2	Bearing	
19	1001139645	2	Spindle	
20	1001139892	2	Tie-Rod	
20A	1001139943	2	Bearing	
21	1001143434	1	Steer Cylinder Assembly (See CYLINDER SECTION for Breakdown)	
22	1001186467	1	Sensor, Steer	
22	See Note	NSS	Receptacle, Female - 4 Position (Note: Use p/n 1001186467)	
23	1001187695	1	Bracket	

SECTION 1 - FRAME

FIGURE 1-5. WHEEL DRIVE INSTALLATION

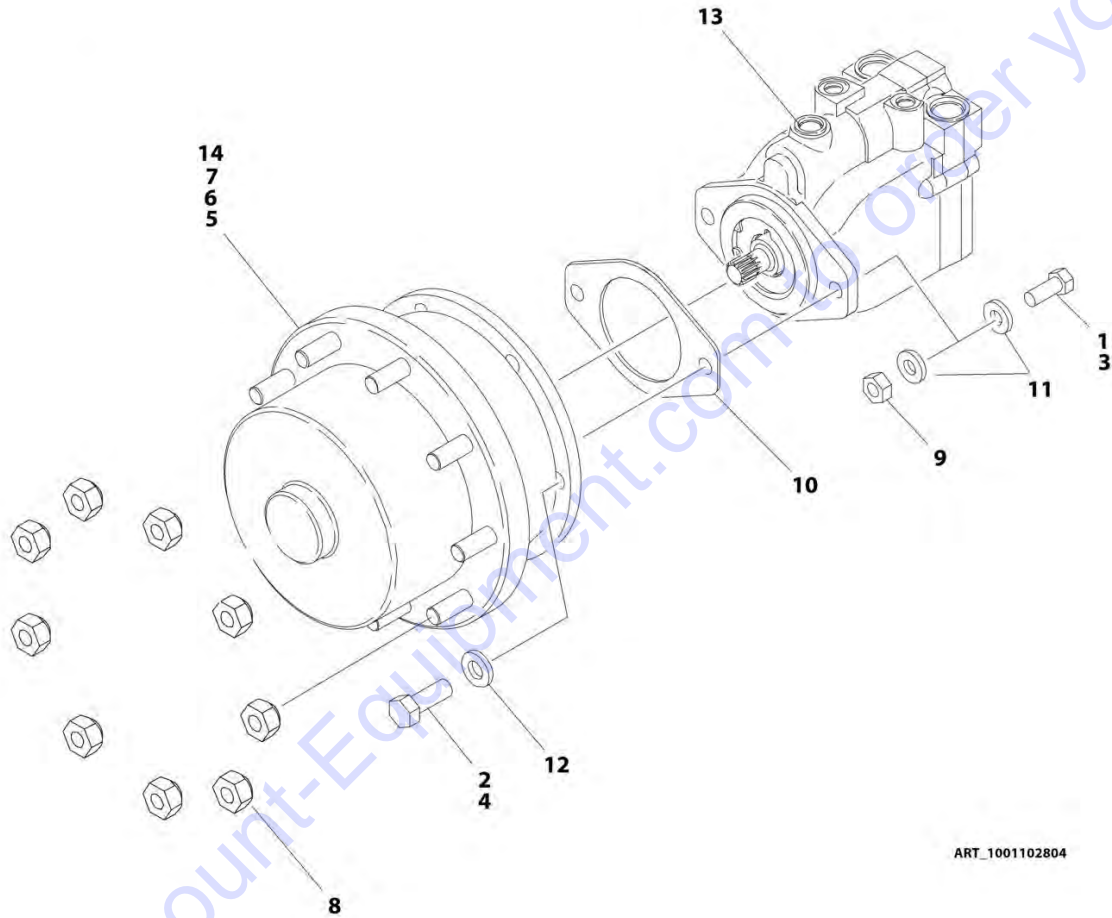
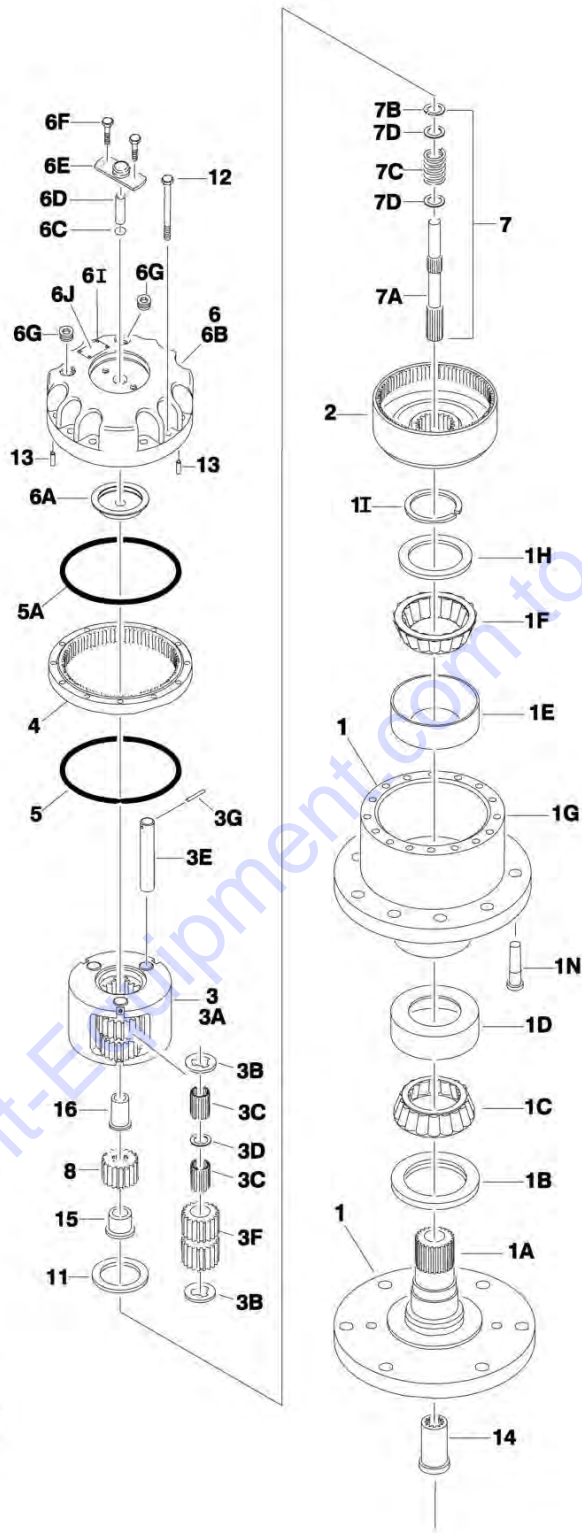


FIGURE 1-5. WHEEL DRIVE INSTALLATION

ITEM	PART NUMBER	QTY	DESCRIPTION	REV
	1001102804	Ref	WHEEL DRIVE INSTALLATION	F
1	0100011	AR	Compound, Locking	
2	0100019	AR	Compound, Locking	
3	0681810	4	Bolt 1/2 x 1-1/4	
4	0682014	24	Bolt 5/8 x 1-3/4	
5	2300016	AR	Fluid, Hydraulic	
6	2780267	2	Drive Hub with Brake Assembly (Rear) (See DRIVE HUB ASSEMBLY - REAR for Breakdown)	
7	2780268	2	Drive Hub without Brake Assembly (Front) (See DRIVE HUB ASSEMBLIES - FRONT for Breakdown)	
8	3300106	36	Lugnut	
9	3311801	4	Nut 1/2	
10	3960526	4	Gasket	
11	4891800	8	Washer 1/2	
12	4892000	24	Washer 5/8	
13	1001102805	4	Drive Motor Assembly (Sauer-Danfoss) (See DRIVE MOTOR ASSEMBLY (SAUER-DANFOSS) for Breakdown)	
14	3020008	AR	Lubricant, Mobilube HD 80W-90	

SECTION 1 - FRAME

FIGURE 1-6. DRIVE HUB ASSEMBLY - FRONT



ART_2780268

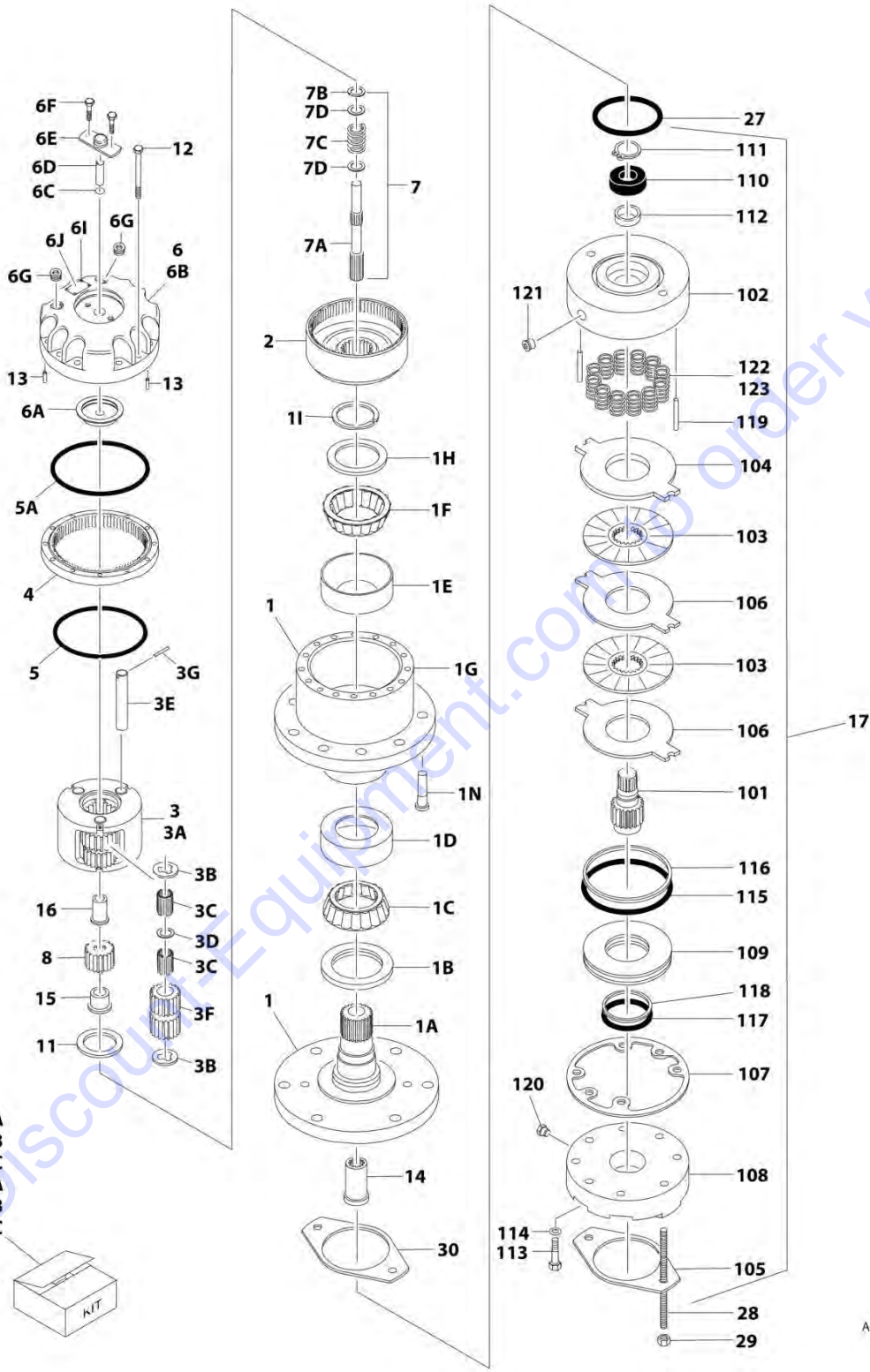
SECTION 1 - FRAME

FIGURE 1-6. DRIVE HUB ASSEMBLY - FRONT

ITEM	PART NUMBER	QTY	DESCRIPTION	REV
	2780268	Ref	DRIVE HUB ASSEMBLY - FRONT	E
1	See Note	NSS	Spindle/Housing Assembly (Note: Purchase Individual Components)	
1A	7017059	1	Spindle	
1B	7001998	1	Seal	
1C	7010429	1	Cone, Bearing (Includes Item 1D)	
1D	7010429	1	Cup, Bearing (Includes Item 1C)	
1E	7000257	1	Cup, Bearing	
1F	7000258	1	Cone, Bearing	
1G	7007601	1	Housing/Ring Gear	
1H	7000232	1	Washer, Thrust	
1I	7000229	1	Ring, Retaining	
1N	7007640	9	Stud, Wheel	
2	7000246	1	Gear, Internal	
3	7024712	1	Carrier Assembly	
3A	See Note	NSS	Carrier (Note: Use p/n 7024712)	
3B	See Note	NSS	Ring, Retaining (Note: Use p/n 7024712)	
3C	See Note	NSS	Bearing, Needle (Note: Use p/n 7024712)	
3D	See Note	NSS	Washer, Thrust (Note: Use p/n 7024712)	
3E	See Note	NSS	Shaft, Planet (Note: Use p/n 7024712)	
3F	See Note	NSS	Gear, Planet (Note: Use p/n 7024712)	
3G	See Note	NSS	Rollpin (Note: Not Available for Purchase)	
4	7000248	1	Ring Gear	
5	7000230	1	O-Ring	
5A	7017070	1	O-Ring	
6	70001349	1	Cover Assembly Kit	
6A	See Note	NSS	Spacer, Thrust (Note: Use p/n 70001349)	
6B	See Note	NSS	Plate, Cover (Note: Use p/n 70001349)	
6C	See Note	NSS	O-Ring (Note: Use p/n 70001349)	
6D	See Note	NSS	Rod, Disconnect (Note: Use p/n 70001349)	
6E	See Note	NSS	Cap, Disengage (Note: Use p/n 70001349)	
6F	See Note	NSS	Bolt (Note: Use p/n 70001349)	
6G	See Note	NSS	Plug, Pipe (Note: Use p/n 70001349)	
6I	See Note	NSS	Rivet (Note: Not Available for Purchase)	
6J	See Note	NSS	Plate, ID (Note: Not Available for Purchase)	
7		Ref	Input Shaft Assembly	
7A	7024714	1	Shaft	
7B	7000261	1	Ring, Retaining	
7C	7000262	1	Spring	
7D	7000263	2	Spacer, Thrust	
8	7024713	1	Gear, Sun	
11	7000253	1	Washer, Thrust	
12	7017067	12	Bolt	
13	7017080	4	Pin, Dowell	
14	7000206	1	Coupling	
15	7024715	1	Spacer, Input	
16	7024716	1	Spacer, Input	
100	70006428	1	Bearing and Seal Kit (Includes Items 1B-1F, 1I, 5, 5A & 12)	
101	70006429	1	Seal Kit (Includes Items 1B, 1I, 5, 5A & 12)	

SECTION 1 - FRAME

FIGURE 1-7. DRIVE HUB AND BRAKE ASSEMBLY - REAR



ART_2780267

SECTION 1 - FRAME

FIGURE 1-7. DRIVE HUB AND BRAKE ASSEMBLY - REAR

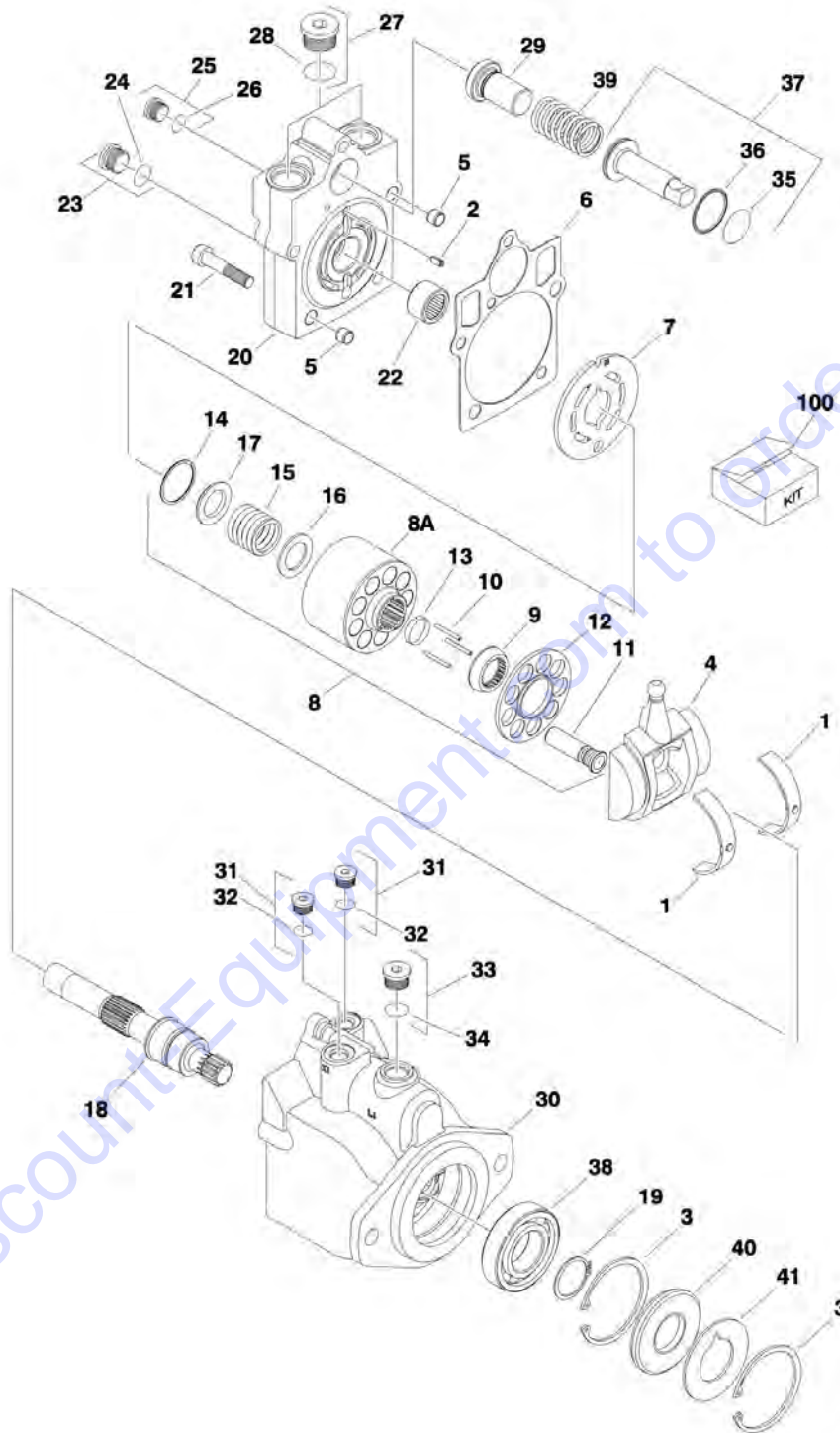
ITEM	PART NUMBER	QTY	DESCRIPTION	REV
	2780267	Ref	DRIVE HUB AND BRAKE ASSEMBLY - REAR	H
1	See Note	NSS	Spindle/Housing Assembly (Note: Purchase Individual Components)	
1A	7017059	1	Spindle	
1B	7001998	1	Seal	
1C	7010429	1	Cone, Bearing (Includes Item 1D)	
1D	7010429	1	Cup, Bearing (Includes Item 1C)	
1E	7000257	1	Cup, Bearing	
1F	7000258	1	Cone, Bearing	
1G	7007601	1	Housing/Ring Gear	
1H	7000232	1	Washer, Thrust	
1I	7000229	1	Ring, Retaining	
1N	7007640	9	Stud, Wheel	
2	7000246	1	Gear, Internal	
3	7024712	1	Carrier Assembly	
3A	See Note	NSS	Carrier (Note: Use p/n 7024712)	
3B	See Note	NSS	Ring, Retaining (Note: Use p/n 7024712)	
3C	See Note	NSS	Bearing, Needle (Note: Use p/n 7024712)	
3D	See Note	NSS	Washer, Thrust (Note: Use p/n 7024712)	
3E	See Note	NSS	Shaft, Planet (Note: Use p/n 7024712)	
3F	See Note	NSS	Gear, Planet (Note: Use p/n 7024712)	
3G	See Note	NSS	Rollpin (Note: Not Available for Purchase)	
4	7000248	1	Ring Gear	
5	7000230	1	O-Ring	
5A	7017070	1	O-Ring	
6	70001349	1	Cover assembly Kit	
6A	See Note	NSS	Spacer, Thrust (Note: Use p/n 70001349)	
6B	See Note	NSS	Plate, Cover (Note: Use p/n 70001349)	
6C	See Note	NSS	O-Ring (Note: Use p/n 70001349)	
6D	See Note	NSS	Rod, Disconnect (Note: Use p/n 70001349)	
6E	See Note	NSS	Cap, Disengage (Note: Use p/n 70001349)	
6F	See Note	NSS	Bolt (Note: Use p/n 70001349)	
6G	See Note	NSS	Plug, Pipe (Note: Use p/n 70001349)	
6I	See Note	NSS	Rivet (Note: Not Available for Purchase)	
6J	See Note	NSS	Plate, ID (Note: Not Available for Purchase)	
7		Ref	Input Shaft Assembly	
7A	7024714	1	Shaft	
7B	7000261	1	Ring, Retaining	
7C	7000262	1	Spring	
7D	7000263	2	Spacer, Thrust	
8	7024713	1	Gear, Sun	
11	7000253	1	Washer, Thrust	
12	7017067	12	Bolt	
13	7017080	4	Pin, Dowell	
14	7000206	1	Coupling	
15	7024715	1	Spacer, Input	
16	7024716	1	Spacer, Input	
17	7024182	1	Brake Assembly (See Items 101-123 for Breakdown)	
27	7024705	1	O-Ring	
28	7024717	2	Rod, Threaded	

SECTION 1 - FRAME

ITEM	PART NUMBER	QTY	DESCRIPTION	REV
29	7024718	2	Nut 1/2-13	
30	70005483	1	Gasket	
	7024182	Ref	BRAKE ASSEMBLY	
101	7024189	1	Shaft	
102	See Note	NSS	Housing (Note: Use p/n 7024182)	
103	See Note	NSS	Plate, Friction (Note: Use p/n 7024193)	
104	See Note	NSS	Plate, Pressure (Note: Use p/n 7024193)	
105	7000731	1	Gasket	
106	See Note	NSS	Plate, Outer (Note: Use p/n 7024193)	
107	See Note	NSS	Gasket (Note: Use Item 200A, 201B or 201C)	
108	7024191	1	Cylinder	
109	7024192	1	Piston	
110	See Note	NSS	Bearing, Ball (Note: Use p/n 7024197)	
111	See Note	NSS	Ring, Retaining (Note: Use p/n 7024197)	
112	See Note	NSS	Seal, Shaft (Note: Use p/n 7024197)	
113	See Note	NSS	Capscrew (Note: Not Available for Purchase)	
114	See Note	NSS	Washer (Note: Not Available for Purchase)	
115	See Note	NSS	O-Ring (Note: Not Available for Purchase)	
116	See Note	NSS	Ring, Back-up (Note: Not Available for Purchase)	
117	See Note	NSS	O-Ring (Note: Not Available for Purchase)	
118	See Note	NSS	Ring, Back-up (Note: Not Available for Purchase)	
119	7024190	2	Pin, Dowel	
120	See Note	NSS	Plug (Note: Not Available for Purchase)	
121	See Note	NSS	Plug (Note: Not Available for Purchase)	
122	See Note	NSS	Spring Kit (Natural) (Note: Use p/n 7024196)	
123	See Note	NSS	Spring Kit (Blue) (Note: Use p/n 7024196)	
		Ref	Kit Options	
200		Ref	Seal Kit Options:	
200A	70006429	1	Seal Kit (Includes Items 1B, 1I, 5, 5A & 12)	
200B	7024194	1	Brake Seal Kit (Includes Items 105, 107 & 115-118)	
200C	70006428	1	Bearing and Seal Kit (Includes Items 1B-1F, 1I, 5, 5A & 12)	
201		Ref	Repair Kit Options:	
201A	7024196	1	Brake Spring Kit (Includes 12 Natural Colored and 2 Blue Colored Springs Items 122 and 123)	
201B	7024193	1	Brake Friction Disc Kit (Includes Items 103, 104, 106 & 107)	
201C	7024197	1	Brake Bearing Kit (Includes Items 107 & 110-112)	

SECTION 1 - FRAME

FIGURE 1-8. DRIVE MOTOR ASSEMBLY - SAUER-DANFOSS



ART_1001102605

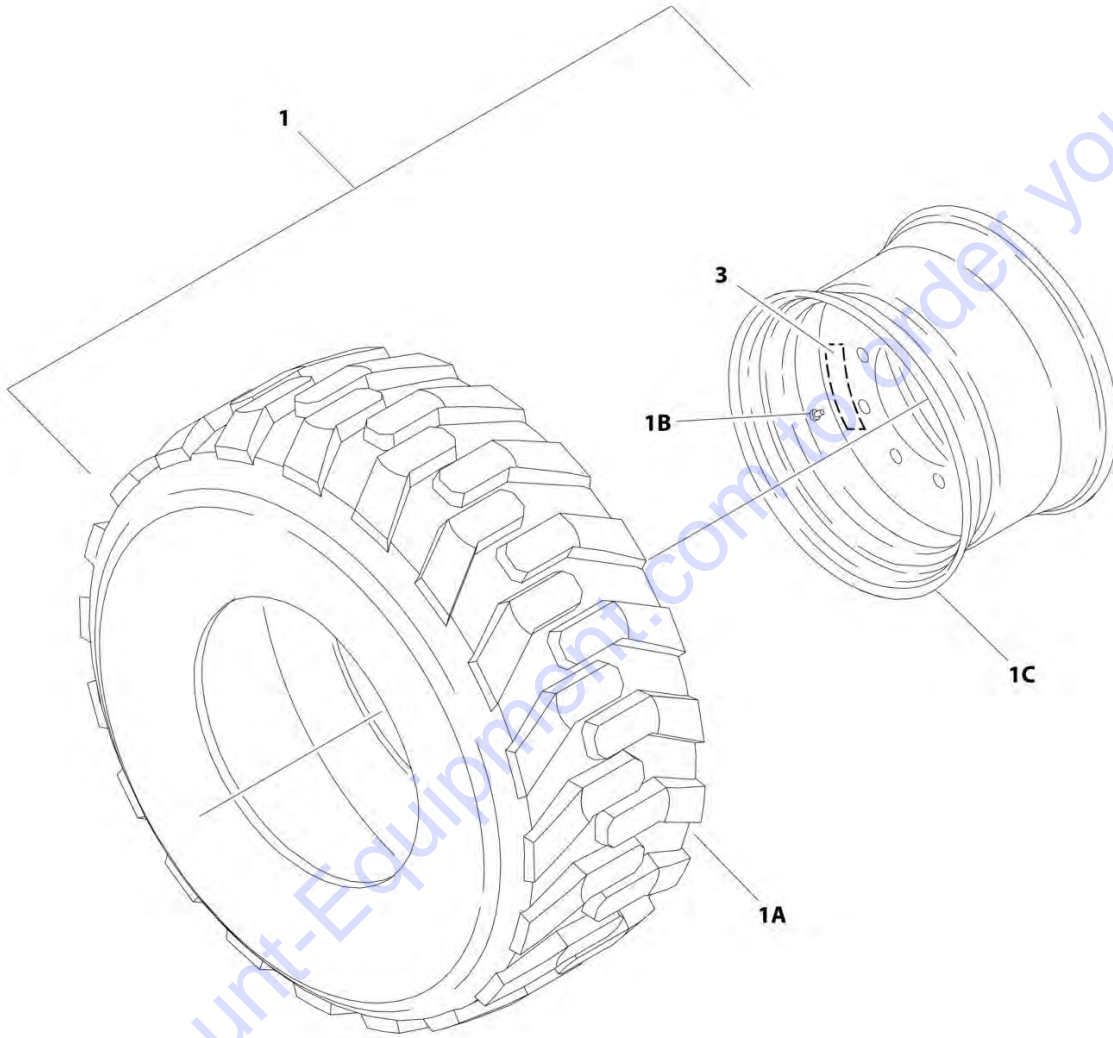
SECTION 1 - FRAME

FIGURE 1-8. DRIVE MOTOR ASSEMBLY - SAUER-DANFOSS

ITEM	PART NUMBER	QTY	DESCRIPTION	REV
	1001102805	Ref	DRIVE MOTOR ASSEMBLY - SAUER-DANFOSS	D
1	7022302	2	Bearing, Journal	
2	7007446	1	Pin	
3	7007438	2	Ring, Retaining	
4	7022305	1	Swashplate	
5	See Note	2	Pin (Note: Not Available for Purchase)	
6	See Note	1	Gasket (Note: Use Item 100)	
7	7024862	1	Plate, Valve	
8	7023907	1	Cylinder Block Kit (Includes Items 8A & 9-17)	
8A	See Note	NSS	Block, Cylinder (Note: Use Item 8)	
9	7021277	1	Guide, Slipper Retainer	
10	7021275	3	Pin, Slipper Hold Down	
11	See Note	NSS	Piston Assembly (Note: Use Item 8)	
12	7021276	1	Retainer, Hold Down Pin	
13	7022310	1	Retainer, Slipper	
14	7022311	1	Ring, Retaining	
15	7022312	1	Spring	
16	7024868	1	Washer	
17	7022314	1	Retainer, Spring	
18	7023910	1	Shaft	
19	7007439	1	Ring, Retaining	
20	70000797	1	Cap, End - Axial	
21	7022368	5	Screw	
22	7021249	1	Bearing, Needle	
23	2220886	1	Plug (Includes Item 24)	
24	See Note	NSS	O-Ring (Note: Use Item 23 or 100)	
25	2220883	1	Plug (Includes Item 26)	
26	See Note	NSS	O-Ring (Note: Use Item 25 or 100)	
27	7027419	2	Plug (Includes Item 28)	
28	See Note	NSS	O-Ring (Note: Use Item 27 or 100)	
29	7022369	1	Seat, Spring	
30	70001932	1	Housing	
31	2220883	2	Plug (Includes Item 32)	
32	See Note	NSS	O-Ring (Note: Use Item 31 or 100)	
33	2220886	1	Plug (Includes Item 34)	
34	See Note	NSS	O-Ring (Note: Use Item 33 or 100)	
35	See Note	NSS	O-Ring (Note: Use Item 100)	
36	See Note	NSS	Ring, Seal (Note: Use Item 100)	
37	7024854	1	Piston, Servo (Includes Items 35 & 36)	
38	7007437	1	Bearing	
39	7022326	1	Spring	
40	See Note	NSS	Seal, Lip (Note: Use Item 100)	
41	7022371	1	Washer, Support	
100	7022328	1	Seal Kit (Includes Items 6, 24, 26, 28, 32, 34, 35, 36 & 40)	

SECTION 1 - FRAME

FIGURE 1-9. TIRE AND WHEEL INSTALLATION - IN315/55D20 PNEUMATIC - 3394RT



ART_1001102190

SECTION 1 - FRAME

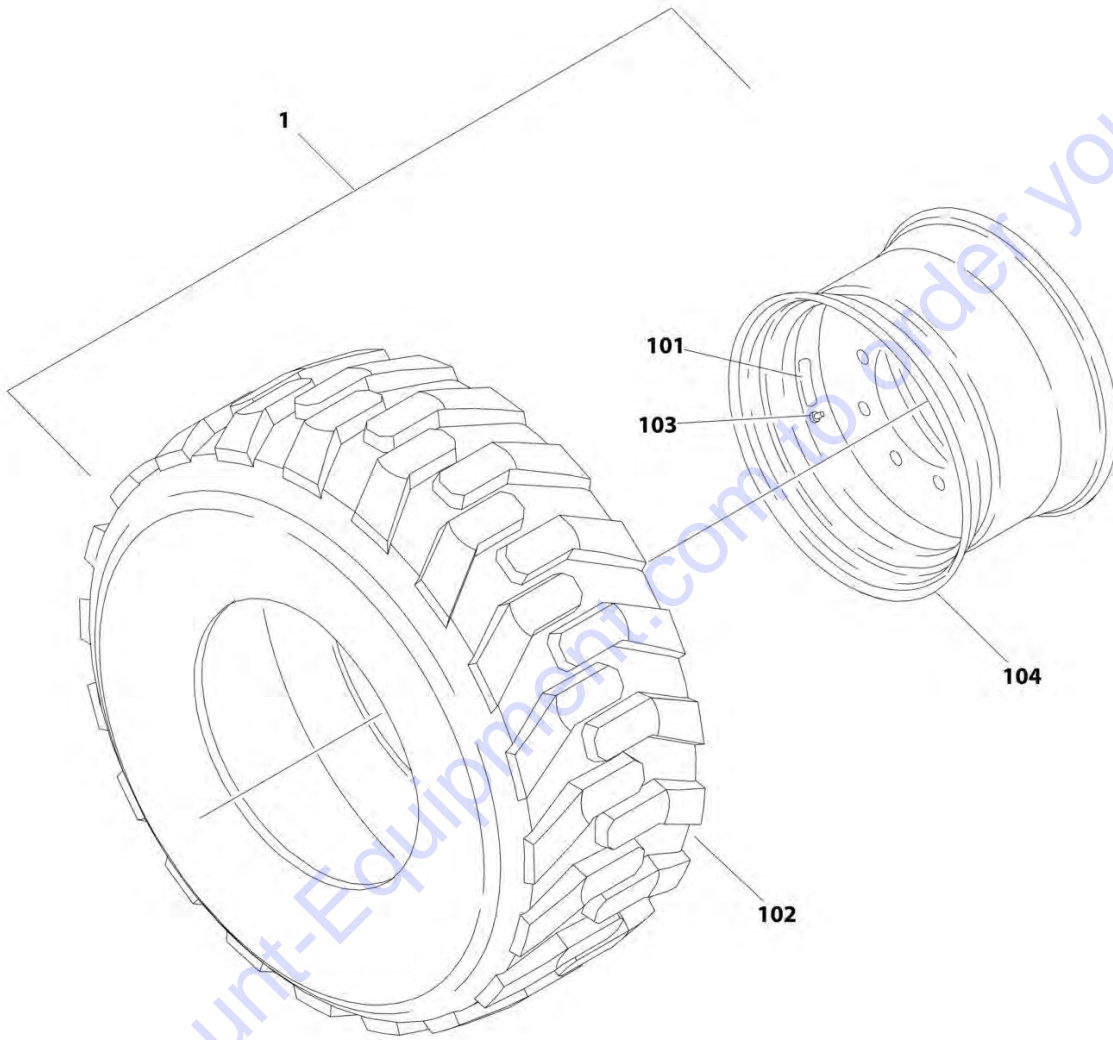
FIGURE 1-9. TIRE AND WHEEL INSTALLATION - IN315/55D20 PNEUMATIC - 3394RT

ITEM	PART NUMBER	QTY	DESCRIPTION	REV
	1001102190	Ref	TIRE AND WHEEL INSTALLATION - IN315/55D20 PNEUMATIC - 3394RT	C
1	1001101512	2	Tire and Wheel Assembly - Left Side	B
1	1001101513	2	Tire and Wheel Assembly - Right Side	B
1A	4520608	1	Tire, IN315/55D20, Lug Tire	
1B	4640113	1	Valve, Air	
1C	1001101511	1	Rim, Wheel - 20 x 11	
3	1001105700	4	Decal - Transport Wheel Warning	

Go to Discount-Equipment.com to order your parts

SECTION 1 - FRAME

FIGURE 1-10. TIRE AND WHEEL INSTALLATION - 33/1550-16.5 PNEUMATIC - 3394RT



ART. 0271718

SECTION 1 - FRAME

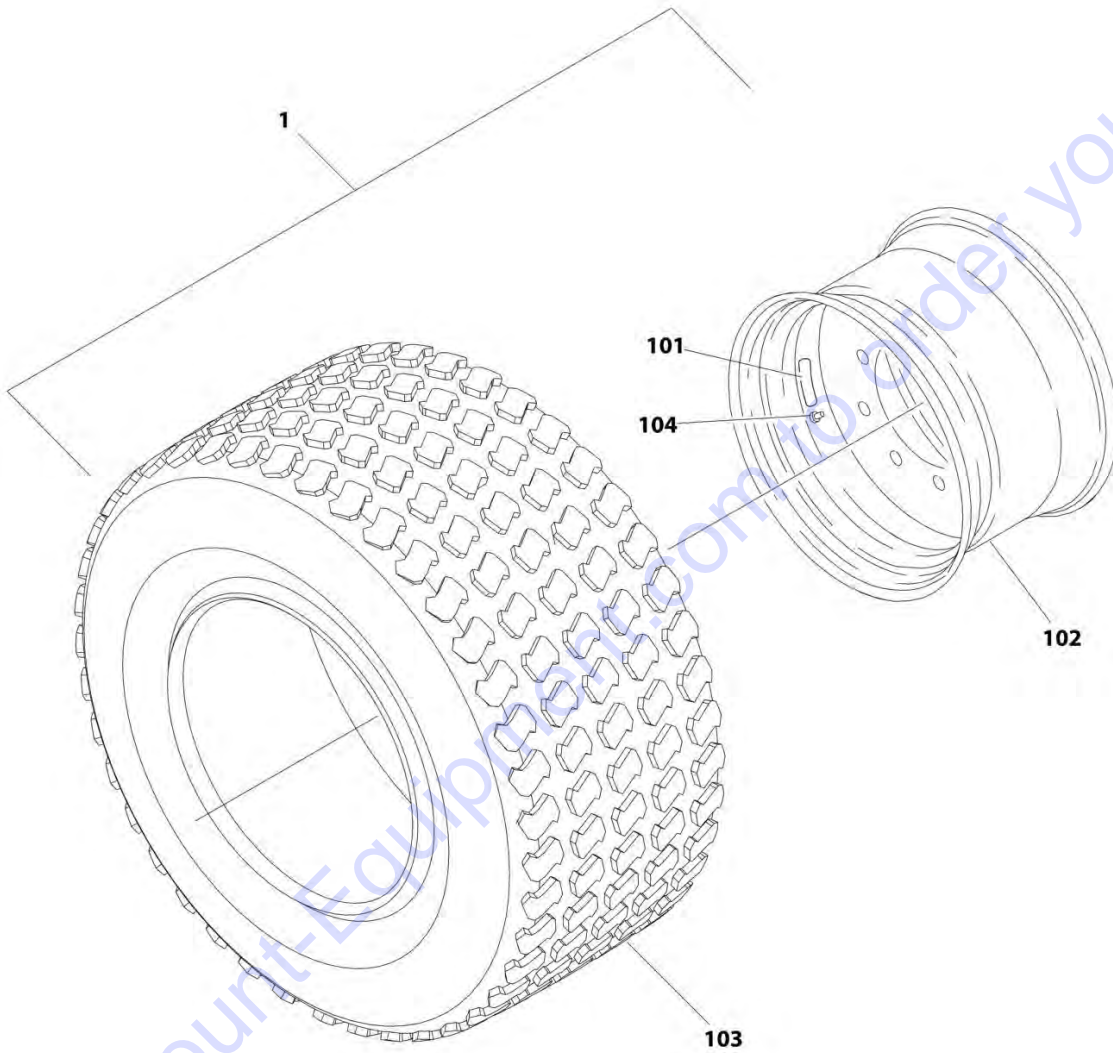
FIGURE 1-10. TIRE AND WHEEL INSTALLATION - 33/1550-16.5 PNEUMATIC - 3394RT

ITEM	PART NUMBER	QTY	DESCRIPTION	REV
	0271718	Ref	TIRE AND WHEEL INSTALLATION - 33/1550-16.5 PNEUMATIC - 3394RT	B
1	0257755	2	Tire and Wheel Assembly - Right Side	E
1	0257756	2	Tire and Wheel Assembly - Left Side	E
101	1702740	1	Decal - Tire Pressure	
102	4520217	1	Tire, 33/1550 x 16.5, Lug Tire	
103	4640113	1	Valve, Air	
104	4860179	1	Rim, Wheel - 16.5 x 12.0	

Go to Discount-Equipment.com to order your parts

SECTION 1 - FRAME

FIGURE 1-11. TIRE AND WHEEL INSTALLATION - 31 X 15.50-15 PNEUMATIC - 3394RT



ART. 0274789

SECTION 1 - FRAME

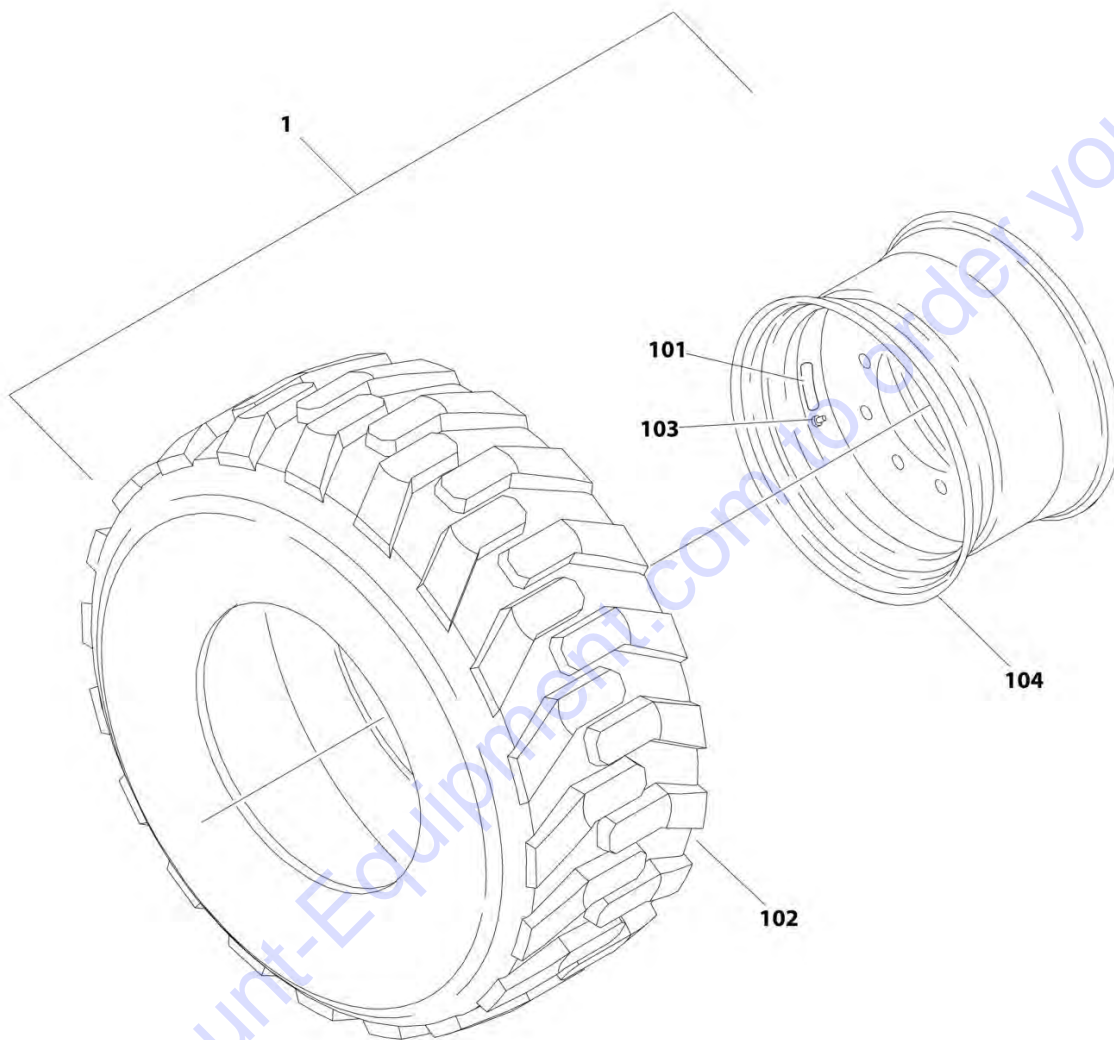
FIGURE 1-11. TIRE AND WHEEL INSTALLATION - 31 X 15.50-15 PNEUMATIC - 3394RT

ITEM	PART NUMBER	QTY	DESCRIPTION	REV
	0274789	Ref	TIRE AND WHEEL INSTALLATION - 31 X 15.50-15 PNEUMATIC - 3394RT	B
1	4520571	4	Tire and Wheel Assembly	C
101	1702137	1	Decal - Tire Pressure	
102	4520570	1	Rim, Wheel - 15 x 13	
103	4520576	1	Tire, 31 x 15.50-15, Grass Tire	
104	4640113	1	Valve, Air	

Go to Discount-Equipment.com to order your parts

SECTION 1 - FRAME

FIGURE 1-12. TIRE AND WHEEL INSTALLATION - 12 X 16.5 PNEUMATIC NON-MARKING - 3394RT



ART. 0270650

SECTION 1 - FRAME

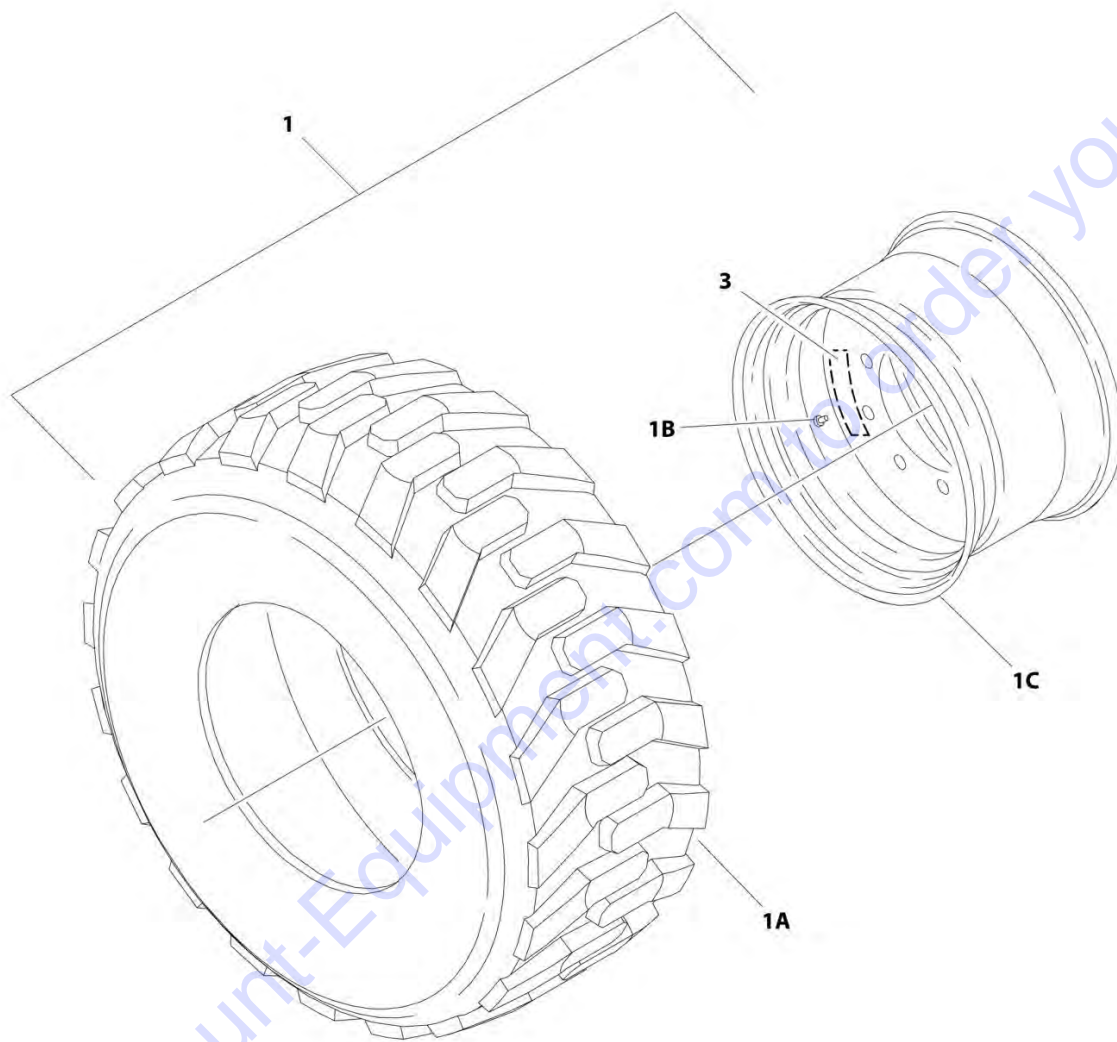
FIGURE 1-12. TIRE AND WHEEL INSTALLATION - 12 X 16.5 PNEUMATIC NON-MARKING - 3394RT

ITEM	PART NUMBER	QTY	DESCRIPTION	REV
	0270650	Ref	TIRE AND WHEEL INSTALLATION - 12 X 16.5 PNEUMATIC NON-MARKING - 3394RT	C
1	1001148867	1	Tire and Wheel Assembly - Right Side	D
1	1001148868	1	Tire and Wheel Assembly - Left Side	D
101	1702740	1	Decal - Tire Pressure	
102	4520240	1	Tire, 12 x 16.5, Non-Marking Tire	
103	4640113	1	Valve, Air	
104	1001147274	1	Rim, Wheel - 16.5 x 9.75	

Go to Discount-Equipment.com to order your parts

SECTION 1 - FRAME

FIGURE 1-13. TIRE AND WHEEL INSTALLATION - IN315/55D20 FOAM-FILLED - 3394RT/4394RT



ART_1001102196

SECTION 1 - FRAME

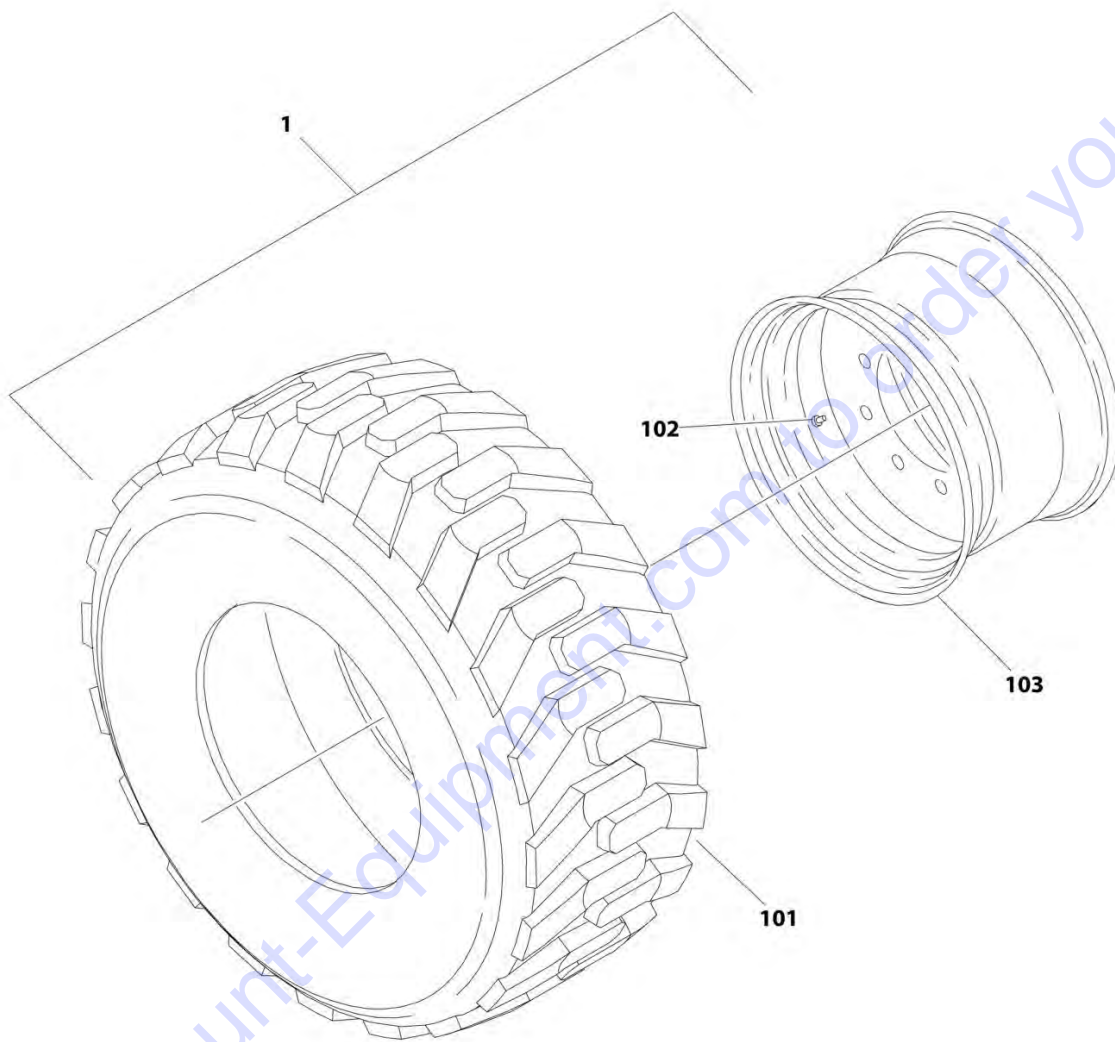
FIGURE 1-13. TIRE AND WHEEL INSTALLATION - IN315/55D20 FOAM-FILLED - 3394RT/4394RT

ITEM	PART NUMBER	QTY	DESCRIPTION	REV
	1001102196	Ref	TIRE AND WHEEL INSTALLATION - IN315/55D20 FOAM-FILLED - 3394RT/4394RT	C
		Ref	Note: Assemblies may require ballast/foam filling to manufacturer's specifications prior to installing on a machine. Refer to Operation and Safety or Service and Maintenance Manuals. Purchase individual tire and/or rim only if able to foam fill tire and wheel assembly, otherwise, purchase complete assembly.	
1	1001102194	2	Tire and Wheel Assembly - Left Side	C
1	1001102195	2	Tire and Wheel Assembly - Right Side	C
1A	4520608	1	Tire, IN315/55D20, Lug Tire	
1B	4640113	1	Valve, Air (SN 0200239053 through 0200249349)	
1B	4641122	1	Valve, Air (SN 0200249350 to Present)	
1C	1001101511	1	Rim, Wheel - 20 x 11	
3	1001105700	4	Decal - Transport Wheel Warning	

Go to Discount-Equipment.com to order your parts

SECTION 1 - FRAME

FIGURE 1-14. TIRE AND WHEEL INSTALLATION - 33/1550-16.5 FOAM-FILLED - 3394RT/4394RT



ART. 0271719

SECTION 1 - FRAME

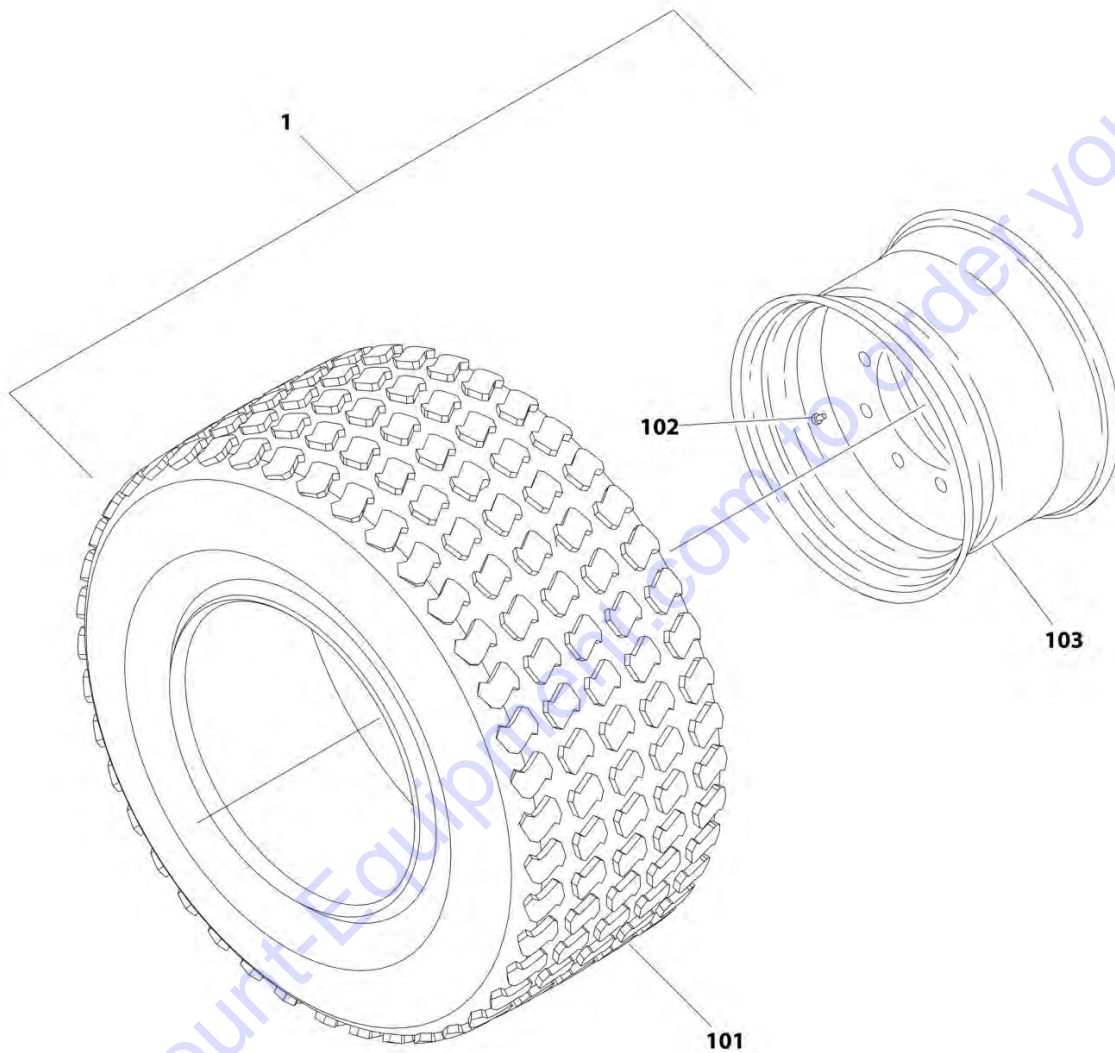
FIGURE 1-14. TIRE AND WHEEL INSTALLATION - 33/1550-16.5 FOAM-FILLED - 3394RT/4394RT

ITEM	PART NUMBER	QTY	DESCRIPTION	REV
	0271719	Ref	TIRE AND WHEEL INSTALLATION - 33/1550-16.5 FOAM-FILLED - 3394RT/4394RT	B
		Ref	Note: Assemblies may require ballast/foam filling to manufacturer's specifications prior to installing on a machine. Refer to Operation and Safety or Service and Maintenance Manuals. Purchase individual tire and/or rim only if able to foam fill tire and wheel assembly, otherwise, purchase complete assembly.	
1	0258011	2	Tire and Wheel Assembly - Right Side	H
1	0258012	2	Tire and Wheel Assembly - Left Side	H
101	4520217	1	Tire, 33/1550 x 16.5, Lug Tire	
102	8786514	1	Valve, Air	
103	4860179	1	Rim, Wheel - 16.5 x 12.0	

Go to Discount-Equipment.com to order your parts

SECTION 1 - FRAME

FIGURE 1-15. TIRE AND WHEEL INSTALLATION - 33/16LL X 16.1 FOAM-FILLED - 3394RT



ART_0271785

SECTION 1 - FRAME

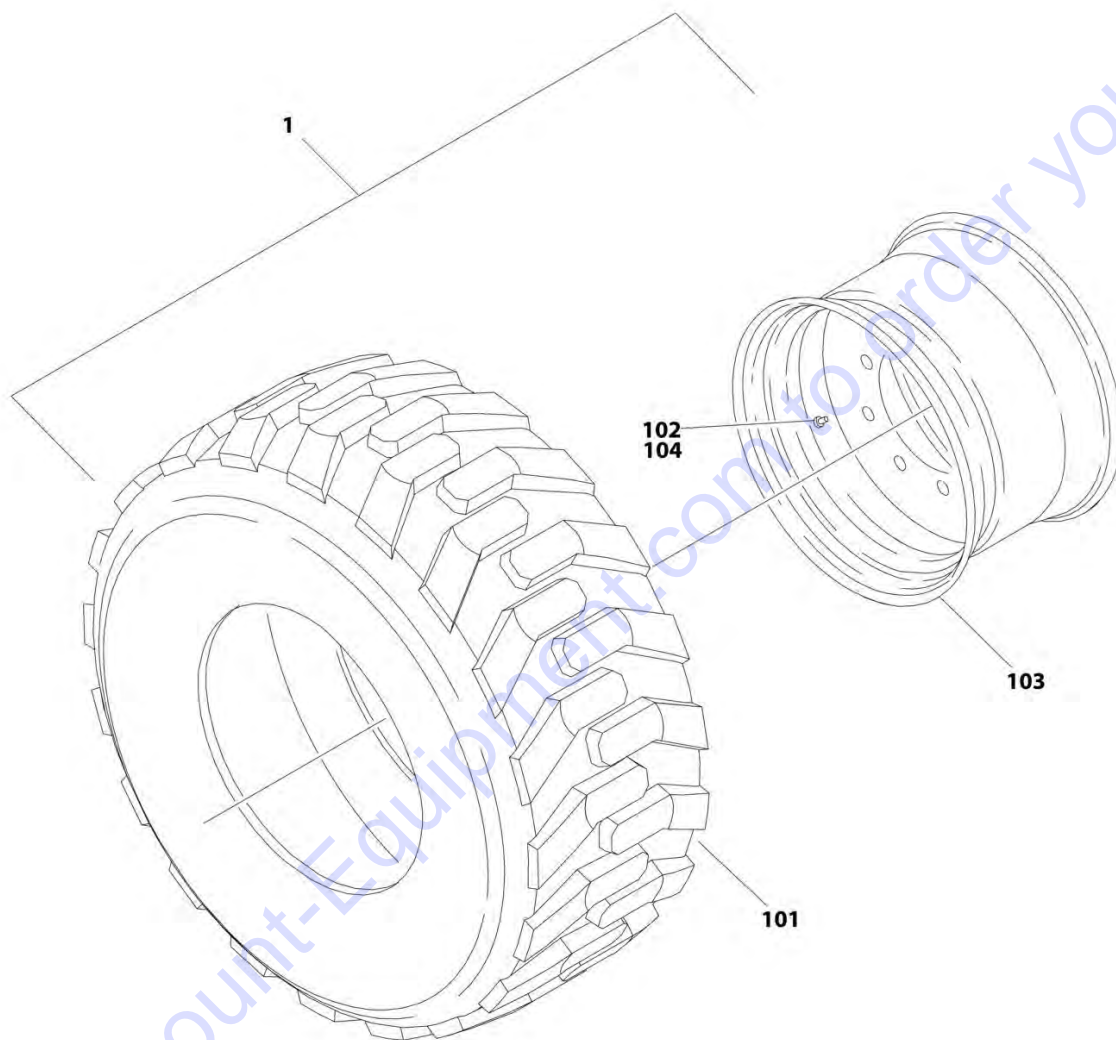
FIGURE 1-15. TIRE AND WHEEL INSTALLATION - 33/16LL X 16.1 FOAM-FILLED - 3394RT

ITEM	PART NUMBER	QTY	DESCRIPTION	REV
	0271785	Ref	TIRE AND WHEEL INSTALLATION - 33/16LL X 16.1 FOAM-FILLED - 3394RT	B
1	0272268	4	Tire and Wheel Assembly	D
101	4520262	1	Tire, 33 x 16LL500, Sand Tire	
102	4640113	1	Valve, Air (SN 0200239053 through 0200249349)	
102	4641122	1	Valve, Air (SN 0200249350 to Present)	
103	4860237	1	Rim, Wheel - 19.5 x 14	

Go to Discount-Equipment.com to order your parts

SECTION 1 - FRAME

FIGURE 1-16. TIRE AND WHEEL INSTALLATION - 12 X 16.5 FOAM-FILLED NON MARKING - 3394RT/4394RT



ART_0270653

SECTION 1 - FRAME

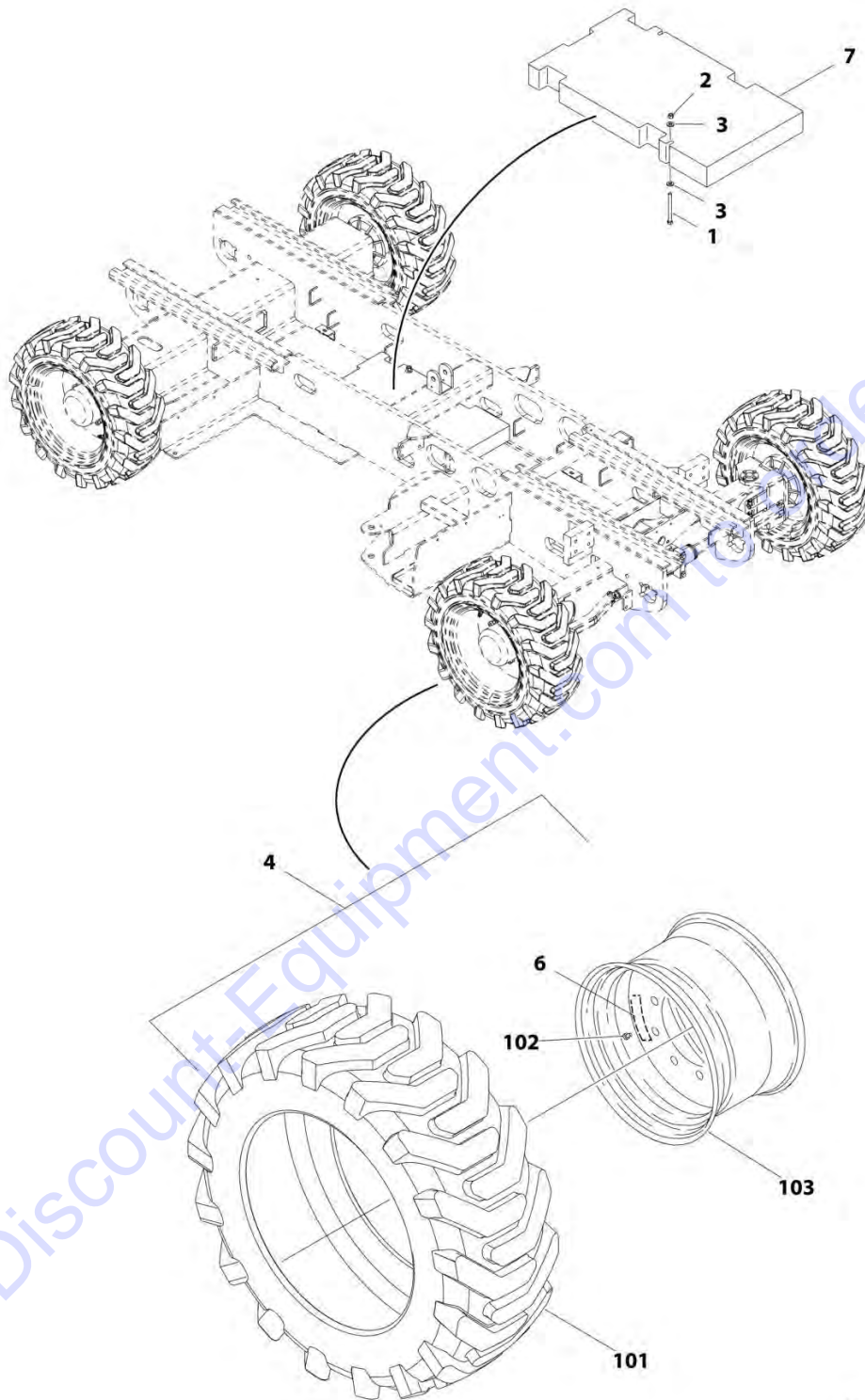
FIGURE 1-16. TIRE AND WHEEL INSTALLATION - 12 X 16.5 FOAM-FILLED NON MARKING - 3394RT/4394RT

ITEM	PART NUMBER	QTY	DESCRIPTION	REV
	0270653	Ref	TIRE AND WHEEL INSTALLATION - 12 X 16.5 FOAM-FILLED NON-MARKING - 3394RT/4394RT	C
		Ref	Note: Assemblies may require ballast/foam filling to manufacturer's specifications prior to installing on a machine. Refer to Operation and Safety or Service and Maintenance Manuals. Purchase individual tire and/or rim only if able to foam fill tire and wheel assembly, otherwise, purchase complete assembly.	
1	1001148869	1	Tire and Wheel Assembly - Right Side	F
1	1001148870	1	Tire and Wheel Assembly - Left Side	F
101	4520240	1	Tire, 12 x 16.5 Non-Marking	
102	4641122	1	Valve, Air Liquid	
103	1001147274	1	Wheel, 16.5 x 9.75	
104	1001149953	1	Cap, Large Bore Dome	

Go to Discount-Equipment.com to order your parts

SECTION 1 - FRAME

FIGURE 1-17. WHEEL AND COUNTERWEIGHT INSTALLATION - IN315/55D20 PNEUMATIC - 4394RT



ART_1001169979

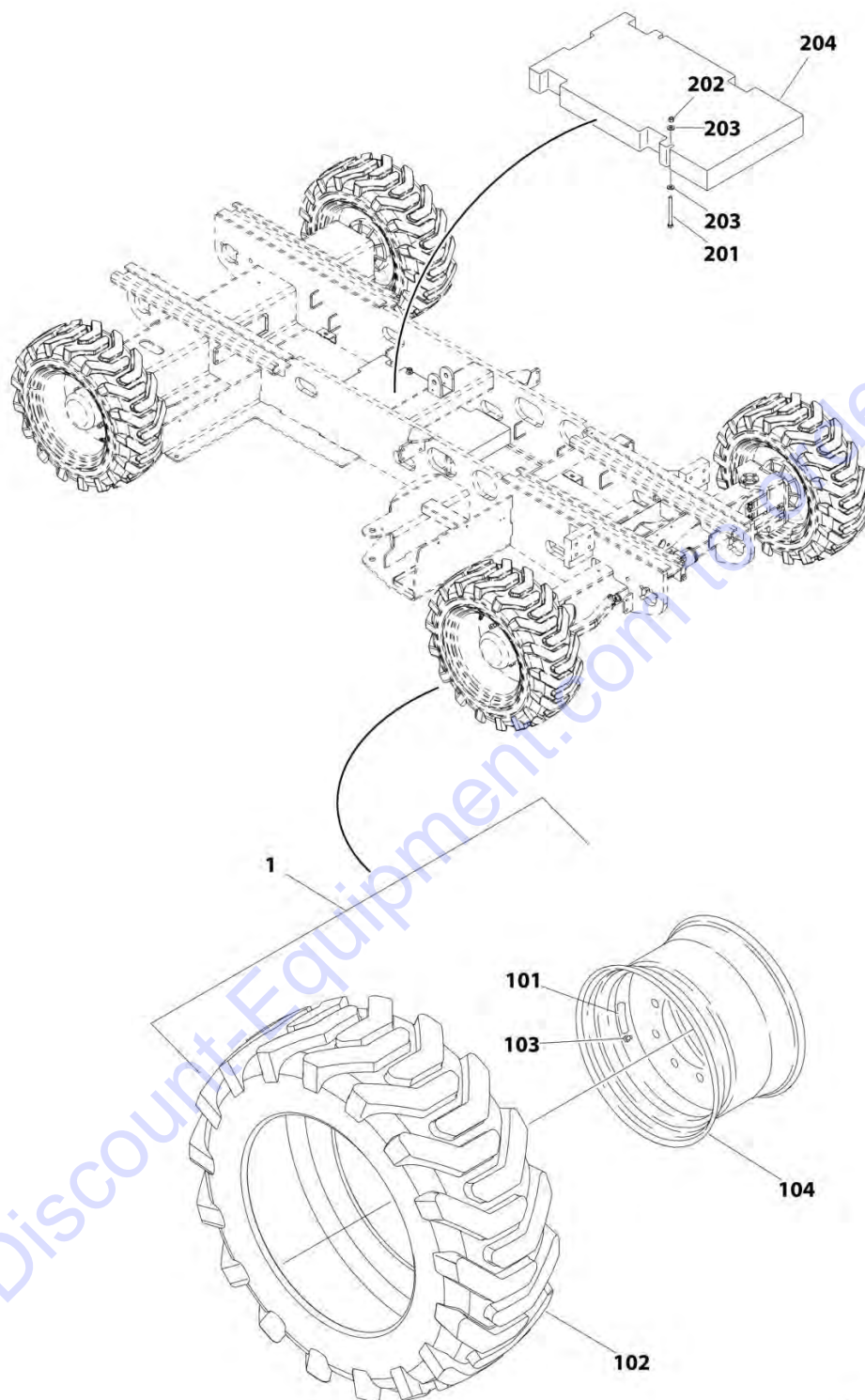
SECTION 1 - FRAME

FIGURE 1-17. WHEEL AND COUNTERWEIGHT INSTALLATION - IN315/55D20 PNEUMATIC - 4394RT

ITEM	PART NUMBER	QTY	DESCRIPTION	REV
	1001169979	Ref	WHEEL AND COUNTERWEIGHT INSTALLATION - IN315/55D20 PNEUMATIC - 4394RT	B
1	0681844	2	Bolt 1/2 x 5-1/2 Grade 8	
2	3271805	2	Nut 1/2 Grade 8	
3	4891800	4	Washer 1/2	
4	1001101512	2	Tire and Wheel Assembly - Left Side (See Items 101-103 for Breakdown)	
4	1001101513	2	Tire and Wheel Assembly - Right Side (See Items 101-103 for Breakdown)	
6	1001105700	4	Decal - Transport Wheels Warning	
7	1001164401	1	Weight, Frame	
	1001101512	Ref	Tire and Wheel Assembly - Left Side	B
	1001101513	Ref	Tire and Wheel Assembly - Right Side	B
101	4520608	1	Tire, IN315/55D20	
102	4640113	1	Valve, Air	
103	1001101511	1	Rim, Wheel - 20 x 11	

SECTION 1 - FRAME

FIGURE 1-18. WHEEL AND COUNTERWEIGHT INSTALLATION - 33/1550-16.5 PNEUMATIC - 4394RT



ART_1001169980

SECTION 1 - FRAME

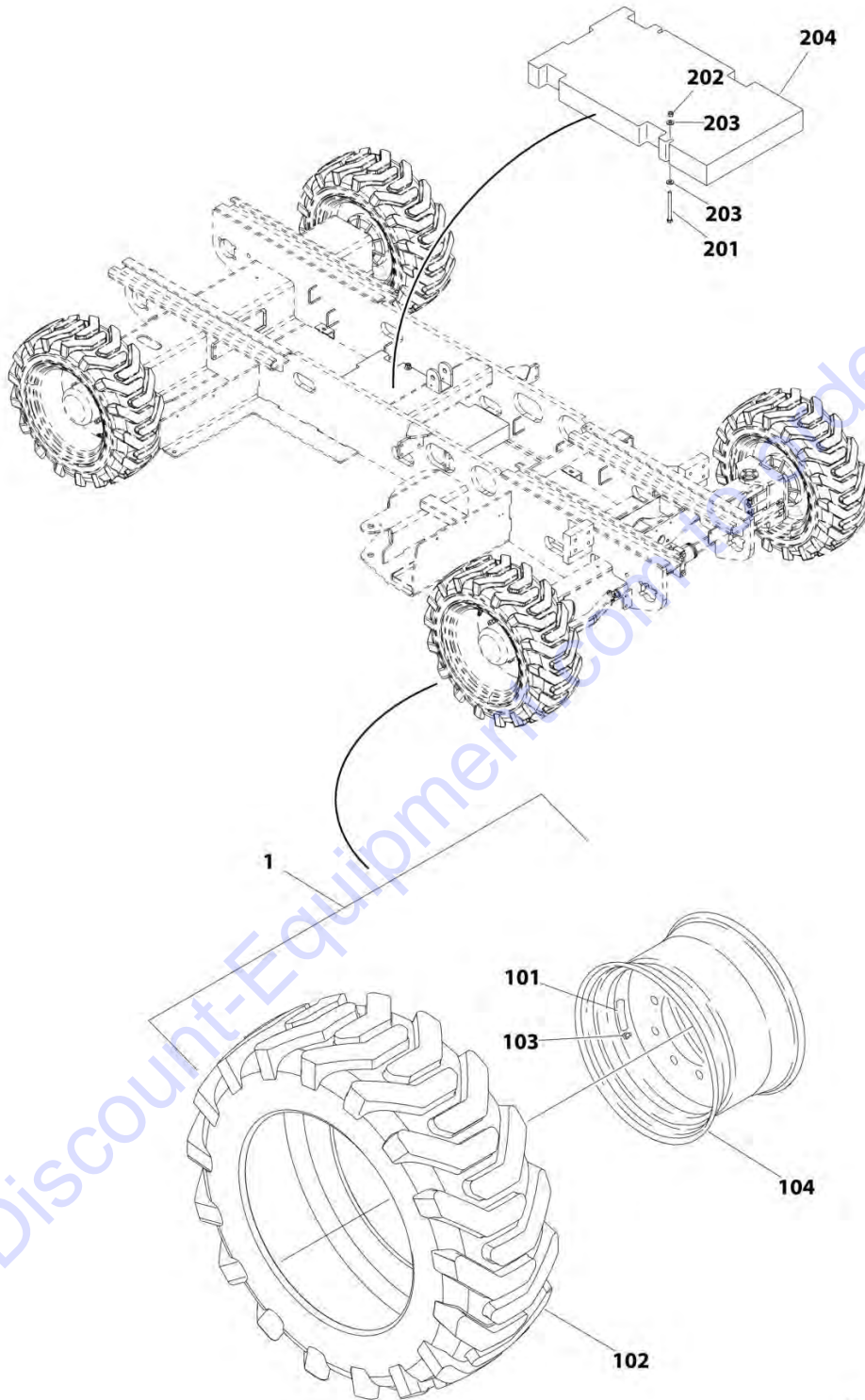
FIGURE 1-18. WHEEL AND COUNTERWEIGHT INSTALLATION - 33/1550-16.5 PNEUMATIC - 4394RT

ITEM	PART NUMBER	QTY	DESCRIPTION	REV
	1001169980	Ref	WHEEL AND COUNTERWEIGHT INSTALLATION - 33/1550-16.5 PNEUMATIC - 4394RT	B
	0271718	Ref	Tire and Wheel Installation	B
1	0257755	2	Tire and Wheel Assembly - Right Side	D
1	0257756	2	Tire and Wheel Assembly - Left Side	D
101	1702740	1	Decal - Tire Pressure	
102	4520217	1	Tire, 33/1550 x 16.5	
103	4640113	1	Valve, Air	
104	4860179	1	Rim, Wheel 16.5 x 12.0	
	1001164185	Ref	Counter Weight Installation	B
201	0681844	2	Bolt 1/2 x 5-1/2 Grade 8	
202	3271805	2	Nut 1/2 Grade 8	
203	4891800	4	Washer 1/2	
204	1001164401	1	Weight, Frame	

Go to Discount-Equipment.com to order your parts

SECTION 1 - FRAME

FIGURE 1-19. WHEEL AND COUNTERWEIGHT INSTALLATION - 12 X 16.5 PNEUMATIC NON-MARKING - 4394RT



ART_1001169981

SECTION 1 - FRAME

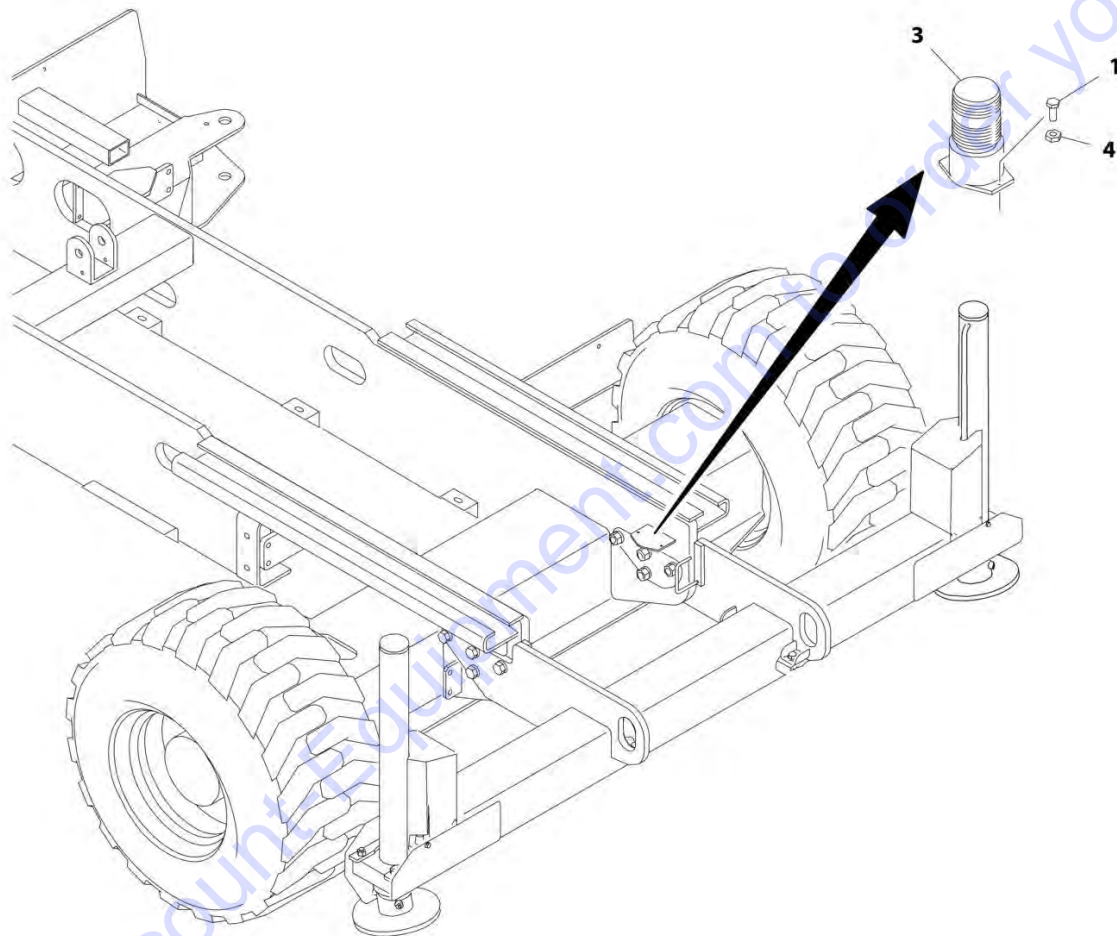
FIGURE 1-19. WHEEL AND COUNTERWEIGHT INSTALLATION - 12 X 16.5 PNEUMATIC NON-MARKING - 4394RT

ITEM	PART NUMBER	QTY	DESCRIPTION	REV
	1001169981	Ref	WHEEL AND COUNTERWEIGHT INSTALLATION - 12 X 16.5 PNEUMATIC NON-MARKING - 4394RT	B
	0270650	Ref	Tire and Wheel Installation	C
1	1001148867	2	Tire and Wheel Assembly - Right Side	D
1	1001148868	2	Tire and Wheel Assembly - Left Side	D
101	1702740	1	Decal - Tire Pressure	
102	4520240	1	Tire, 12 x 16.5, Non-Marking Tire	
103	4640113	1	Valve, Air	
104	1001147274	1	Rim, Wheel - 16.5 x 9.75	
	1001164185	Ref	Counterweight Installation	B
201	0681844	2	Bolt 1/2 x 5-1/2 Grade 8	
202	3271805	2	Nut 1/2 Grade 8	
203	4891800	4	Washer 1/2	
204	1001164401	1	Weight, Frame	

Go to Discount-Equipment.com to order your parts

SECTION 1 - FRAME

FIGURE 1-20. BEACON LIGHT INSTALLATION - OPTIONAL



ART_0271746

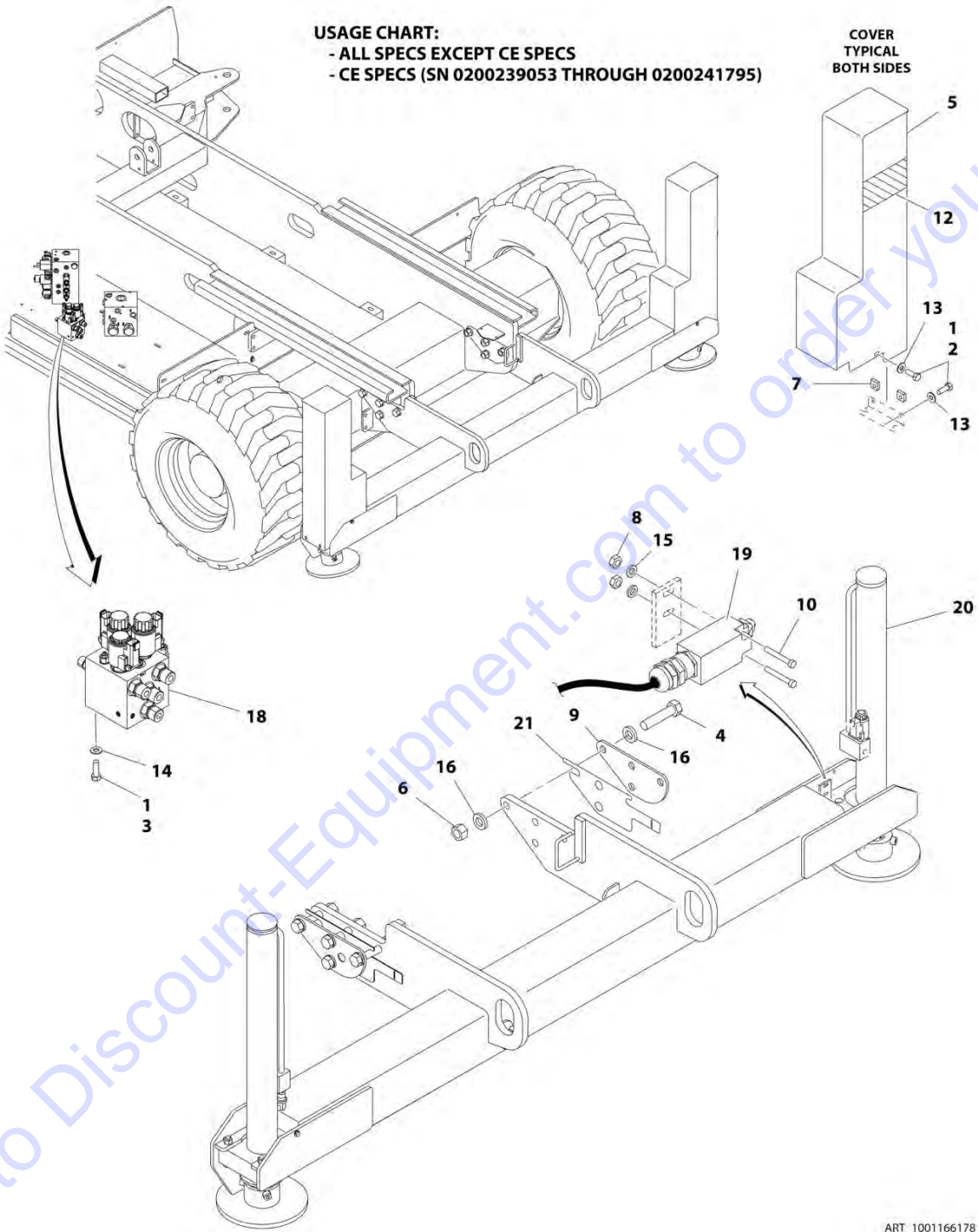
FIGURE 1-20. BEACON LIGHT INSTALLATION - OPTIONAL

ITEM	PART NUMBER	QTY	DESCRIPTION	REV
	0271746	Ref	BEACON LIGHT INSTALLATION - OPTIONAL	C
1	0721004	2	Screw #10 x 1/2	
2	2820018	AR	Heat-Shrink (Not Shown)	
3	2920146	1	Beacon Light Assembly	
3	7016319	1	Bulb, Replacement	
3	7016372	1	Len, Replacement	
4	3311005	2	Nut #10	
5	4922739	1	Harness, Beacon Light (Not Shown - See ELECTRICAL SECTION for Breakdown)	

Go to Discount-Equipment.com to order your parts

SECTION 1 - FRAME

FIGURE 1-21. LEVELING JACK INSTALLATION - OPTIONAL ON 3394RT - STANDARD ON 4394RT



SECTION 1 - FRAME

FIGURE 1-21. LEVELING JACK INSTALLATION - OPTIONAL ON 3394RT - STANDARD ON 4394RT

ITEM	PART NUMBER	QTY	DESCRIPTION	REV
		Ref	USAGE CHART:	
		Ref	- All Specs except CE Specs	
		Ref	- CE Specs (SN 0200239053 through 0200241795)	
	1001166178	Ref	LEVELING JACK INSTALLATION - OPTIONAL ON 3394RT - STANDARD ON 4394RT	D
1	0100011	AR	Compound, Locking	
2	0641407	16	Bolt 1/4 x 7/8	
3	0641508	3	Bolt 5/16 x 1	
4	0682230	16	Bolt 3/4 x 3-3/4 Grade 8	
5	1671165	4	Cover	
6	3272205	16	Nut 3/4 Grade 8	
7	3300353	16	Nut, Tinnerman	
8	3310805	8	Nut #8	
9	3573658	4	Plate	
10	3930820	8	Capscrew #8 x 1-1/4	
12	4420051	8 ft /2.4m	Tape, Safety	
13	4711400	16	Washer 1/4	
14	4711500	3	Washer 5/16	
15	4750800	8	Washer #8	
16	4892200	32	Washer 3/4	
17	1001103552	1	Hydraulic Diagram (Not Shown - See HYDRAULIC SECTION for Breakdown)	
18	1001103762	1	Leveling Jack Valve Assembly (See LEVELING JACK VALVE ASSEMBLY for Breakdown)	
19	1001103801	1	Harness, Leveling Jack (See ELECTRICAL SECTION for Breakdown)	
20	1001166177	2	Leveling Jack Assembly (See LEVELING JACK VALVE ASSEMBLY for Breakdown)	
21	1001166837	AR	Shim	

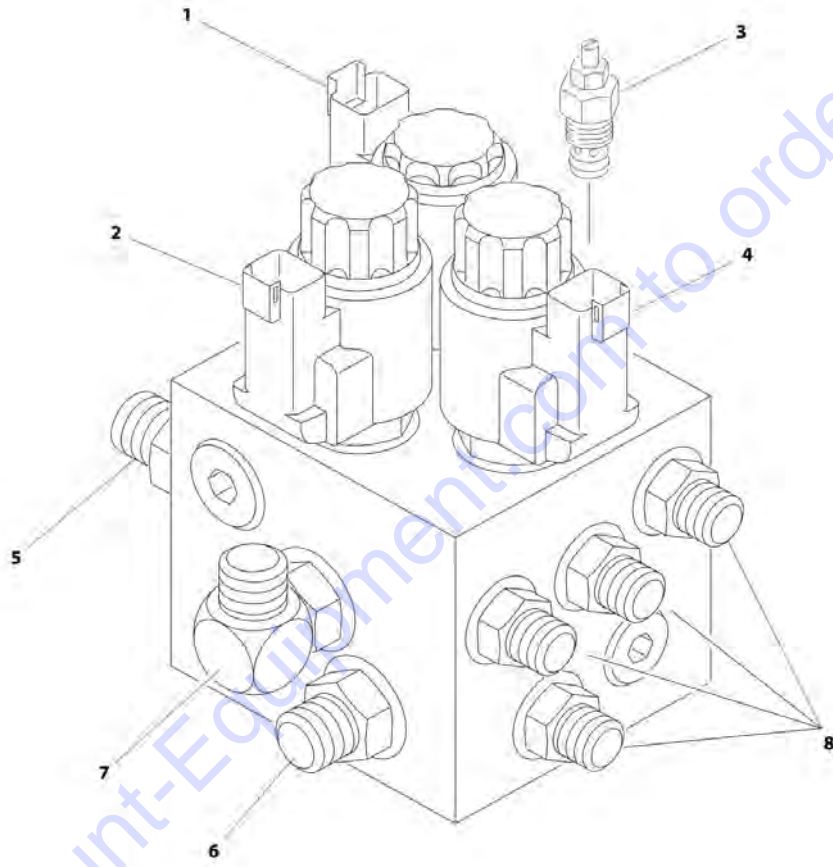
SECTION 1 - FRAME

FIGURE 1-22. LEVELING JACK INSTALLATION - OPTIONAL ON 3394RT - STANDARD ON 4394RT

ITEM	PART NUMBER	QTY	DESCRIPTION	REV
		Ref	USAGE CHART:	
		Ref	- CE Specs (SN 0200241796 to Present)	
	1001188847	Ref	LEVELING JACK INSTALLATION - OPTIONAL ON 3394RT - STANDARD ON 4394RT	A
1	0100011	AR	Compound, Locking	
2	0641407	16	Bolt 1/4 x 7/8	
3	0641508	3	Bolt 5/16 x 1	
4	0682230	16	Bolt 3/4 x 3-3/4 Grade 8	
5	1671165	4	Cover	
6	3272205	16	Nut 3/4 Grade 8	
7	3300353	16	Nut, Tinnerman	
8	3310805	8	Nut #8	
9	3573658	4	Plate	
10	3930820	8	Capscrew #8 x 1-1/4	
12	4420051	8 ft/2.4m	Tape, Safety	
13	4711400	16	Washer 1/4	
14	4711500	3	Washer 5/16	
15	4750800	8	Washer #8	
16	4892200	32	Washer 3/4	
17	1001103762	1	Leveling Jack Valve Assembly (See LEVELING JACK VALVE ASSEMBLY for Breakdown)	
18	1001103801	1	Harness, Leveling Jack (See ELECTRICAL SECTION for Breakdown)	
19	1001166177	2	Leveling Jack Assembly (See LEVELING JACK VALVE ASSEMBLY for Breakdown)	
20	1001166837	AR	Shim	
21	1001188848	1	Hydraulic Diagram (Not Shown - See HYDRAULIC SECTION for Breakdown)	

SECTION 1 - FRAME

FIGURE 1-23. LEVELING JACK VALVE ASSEMBLY



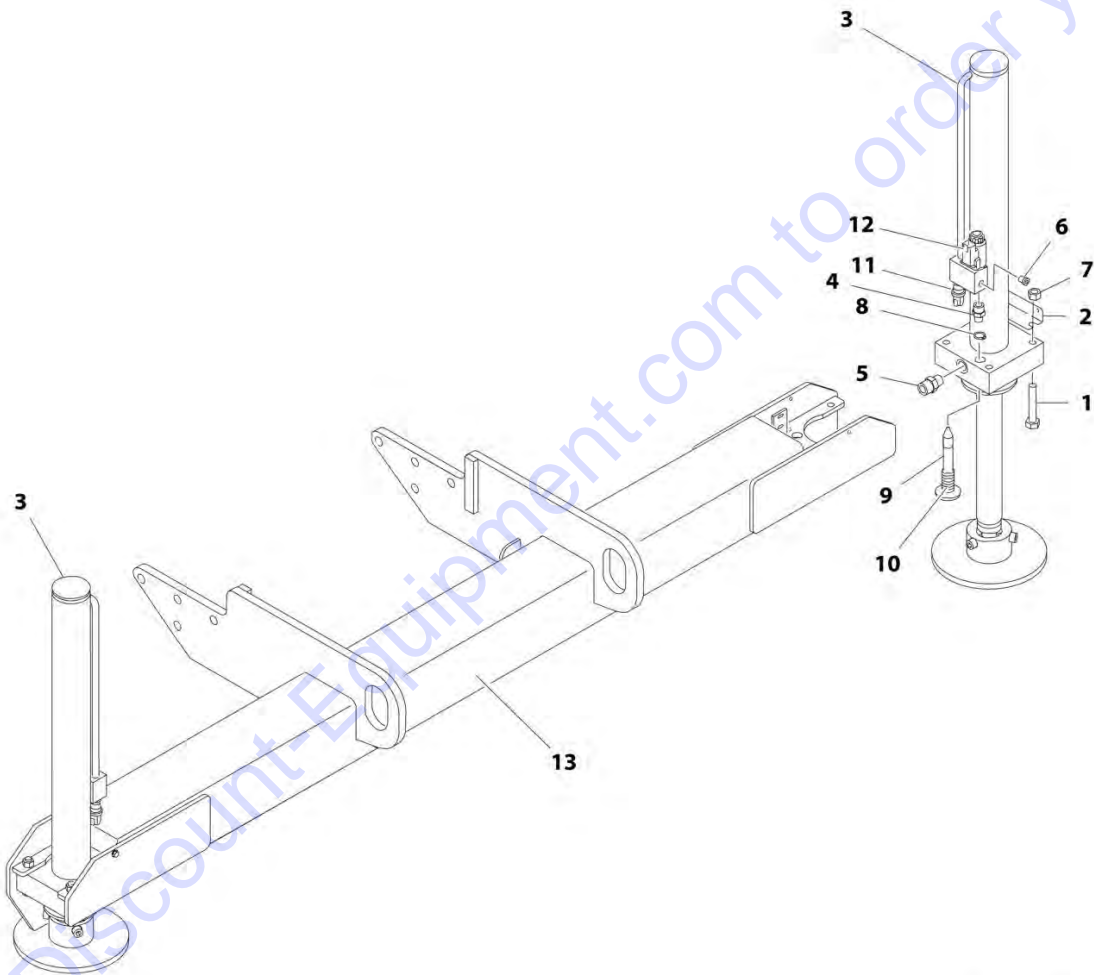
ART_1001103762

FIGURE 1-23. LEVELING JACK VALVE ASSEMBLY

ITEM	PART NUMBER	QTY	DESCRIPTION	REV
	1001103762	Ref	LEVELING JACK VALVE ASSEMBLY	C
1	7024497	1	Cartridge without Coil (Retract)	
1	7024502	1	Seal Kit - 7024497 Cartridge	
1	70001965	1	Coil	
1	7024506	1	Coil Nut Kit	
2	7024498	1	Cartridge without Coil (Extend)	
2	7024503	1	Seal Kit - 7024498 Cartridge	
2	70001965	1	Coil	
2	7024507	1	Coil Nut Kit	
3	7024499	1	Cartridge	
3	7024504	1	Seal Kit - 7024499 Cartridge	
4	7024500	1	Cartridge without Coil	
4	7024505	1	Seal Kit - 7024500 Cartridge	
4	70001965	1	Coil	
4	7024506	1	Coil Nut Kit	
5	2110808	4	Fitting, Straight ORFS/ORB	
6	2110608	1	Fitting, Straight ORFS/ORB	
7	2130608	1	Fitting, 90 ORFS/ORB	
8	2110606	4	Fitting, Straight ORFS/ORB	

SECTION 1 - FRAME

FIGURE 1-24. LEVELING JACK ASSEMBLY



ART_1001166177

FIGURE 1-24. LEVELING JACK ASSEMBLY

ITEM	PART NUMBER	QTY	DESCRIPTION	REV
	1001166177	Ref	LEVELING JACK ASSEMBLY	D
		Ref	Note: Qty shown is for one Level Jack Assembly. Two assemblies required per machine.	
1	0641824	8	Bolt 1/2 x 3	
2	0903054	2	Bracket, Jack Cover	
3	1684406	NLA	Jack Cylinder Assembly (See CYLINDER SECTION for Breakdown)	
4	2110606	2	Fitting, Straight ORFS/ORB	
5	2110808	2	Fitting, Straight ORFS/ORB	
6	2220883	2	Plug	
7	3311805	8	Nut 1/2-13	
8	3760348	2	Ring, Retaining	
9	3841564	2	Rod	
10	4160116	2	Spring	
11	4360518	2	Transducer, Pressure	
12	1001103761	2	Cartridge, Solenoid Valve	
12	7024502	2	Seal Kit - 1001103761 Valve (1 Per Cartridge)	
12	70001965	2	Coil (1 Per Cartridge)	
12	7024506	2	Coil Nut Kit (1 Per Cartridge)	
13	1001166176	1	Mount, Leveling Jack	

SECTION 2 - GROUND CONTROLS

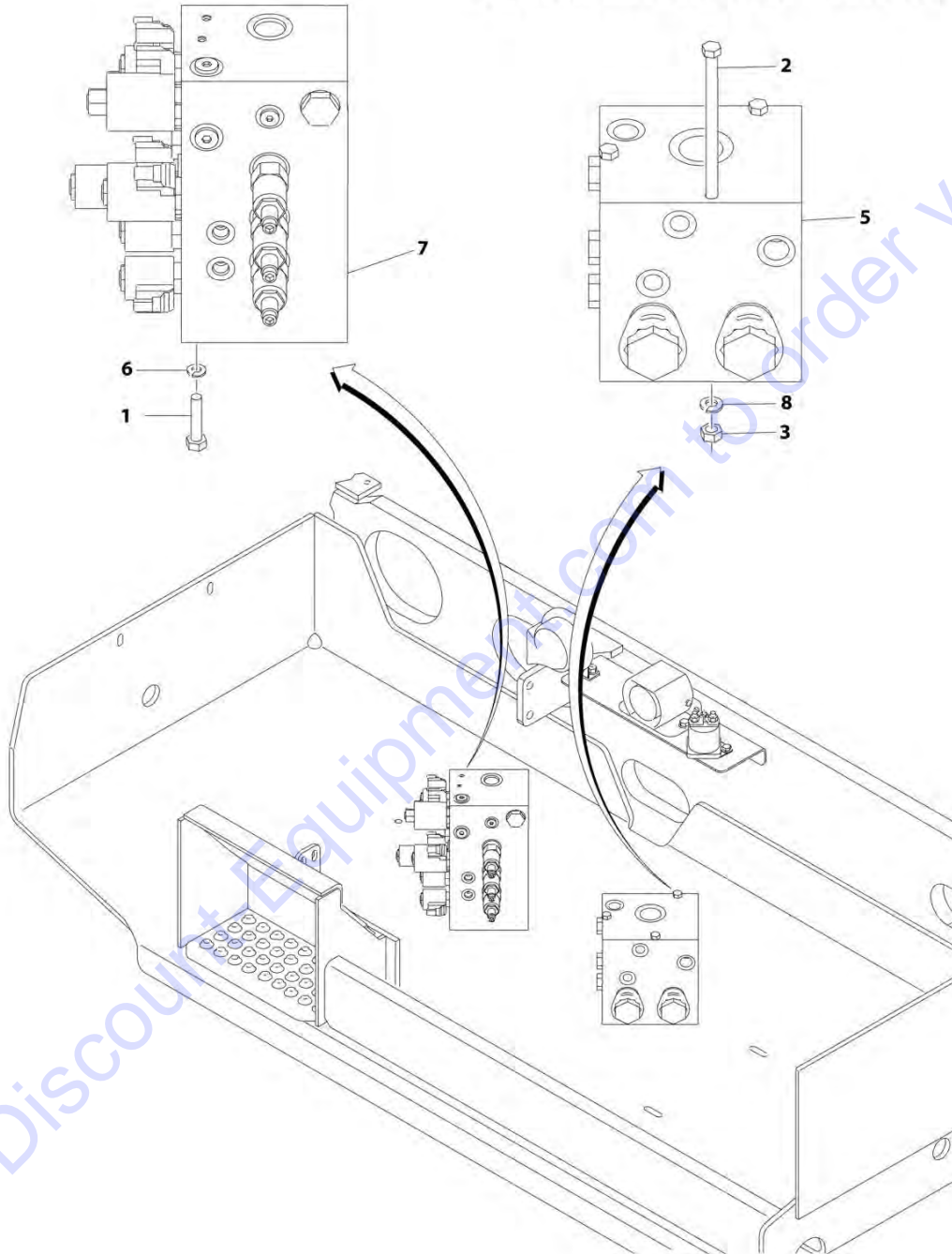
Go to Discount-Equipment.com to order your parts

SECTION 2 - GROUND CONTROLS

FIGURE 2-1. CONTROL VALVE INSTALLATION

USAGE CHART:

- ALL SPECS EXCEPT CE SPECS
- CE SPECS (SN 0200239053 THROUGH 0200241795)



ART_1001102976

SECTION 2 - GROUND CONTROLS

FIGURE 2-1. CONTROL VALVE INSTALLATION

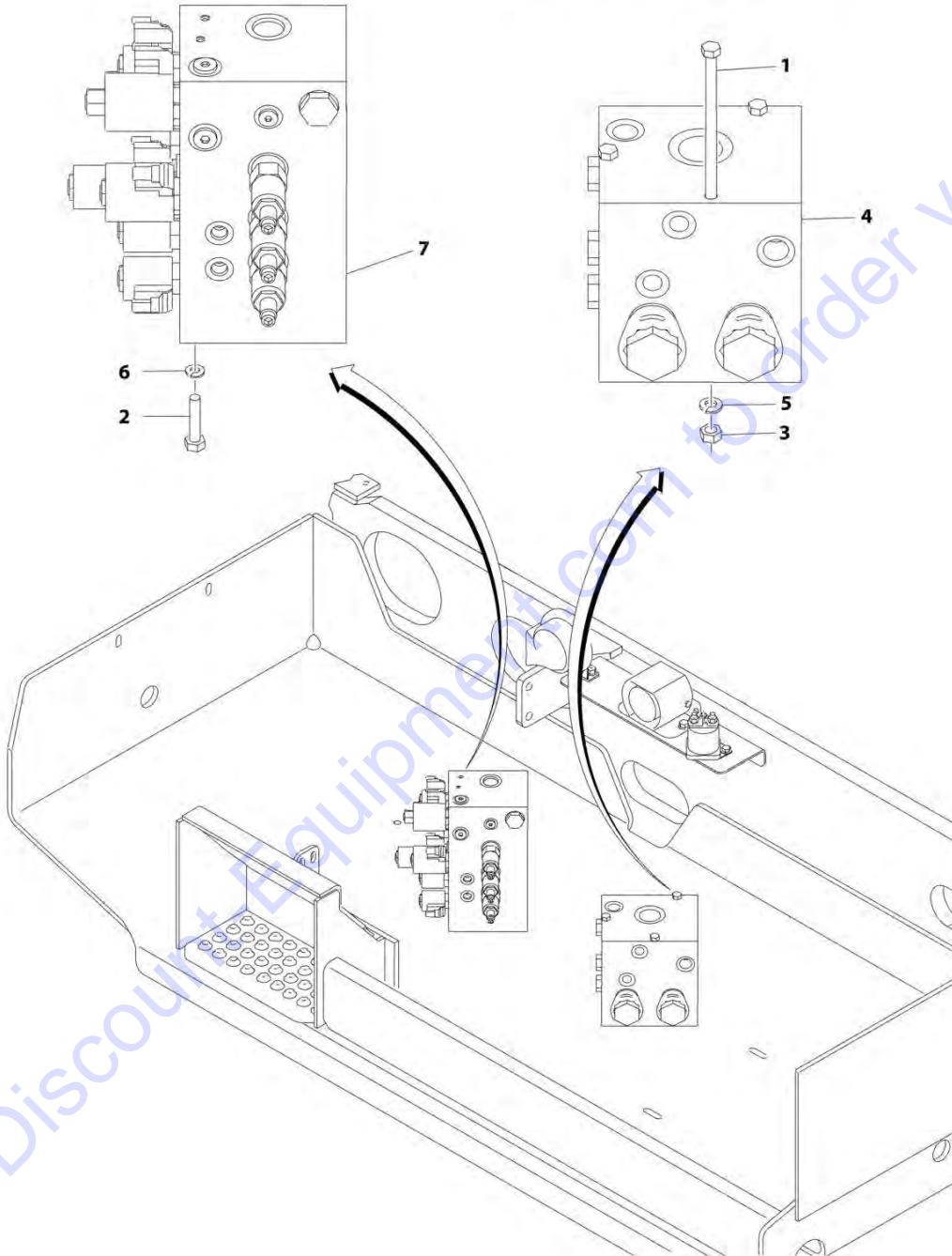
ITEM	PART NUMBER	QTY	DESCRIPTION	REV
		Ref	USAGE CHART:	
		Ref	- All Specs except CE Specs	
		Ref	- CE Specs (SN 0200239053 through 0200241795)	
	1001102976	Ref	CONTROL VALVE INSTALLATION	D
1	0641608	4	Bolt 3/8 x 1	
2	0641560	3	Bolt 5/16 x 7-1/2	
3	3311501	3	Nut 5/16	
5	4641303	1	Flow Divider Valve Assembly (See FLOW DIVIDER VALVE ASSEMBLY for Breakdown)	
6	4761600	4	Washer 3/8	
7	1001105709	1	Main Valve Assembly (See MAIN CONTROL VALVE ASSEMBLY for Breakdown)	
8	4761500	3	Washer 5/16	

Go to Discount-Equipment.com to order your parts

SECTION 2 - GROUND CONTROLS

FIGURE 2-2. CONTROL VALVE INSTALLATION

USAGE CHART:
- CE SPECS (SN 0200241796 TO PRESENT)



ART_1001188990

SECTION 2 - GROUND CONTROLS

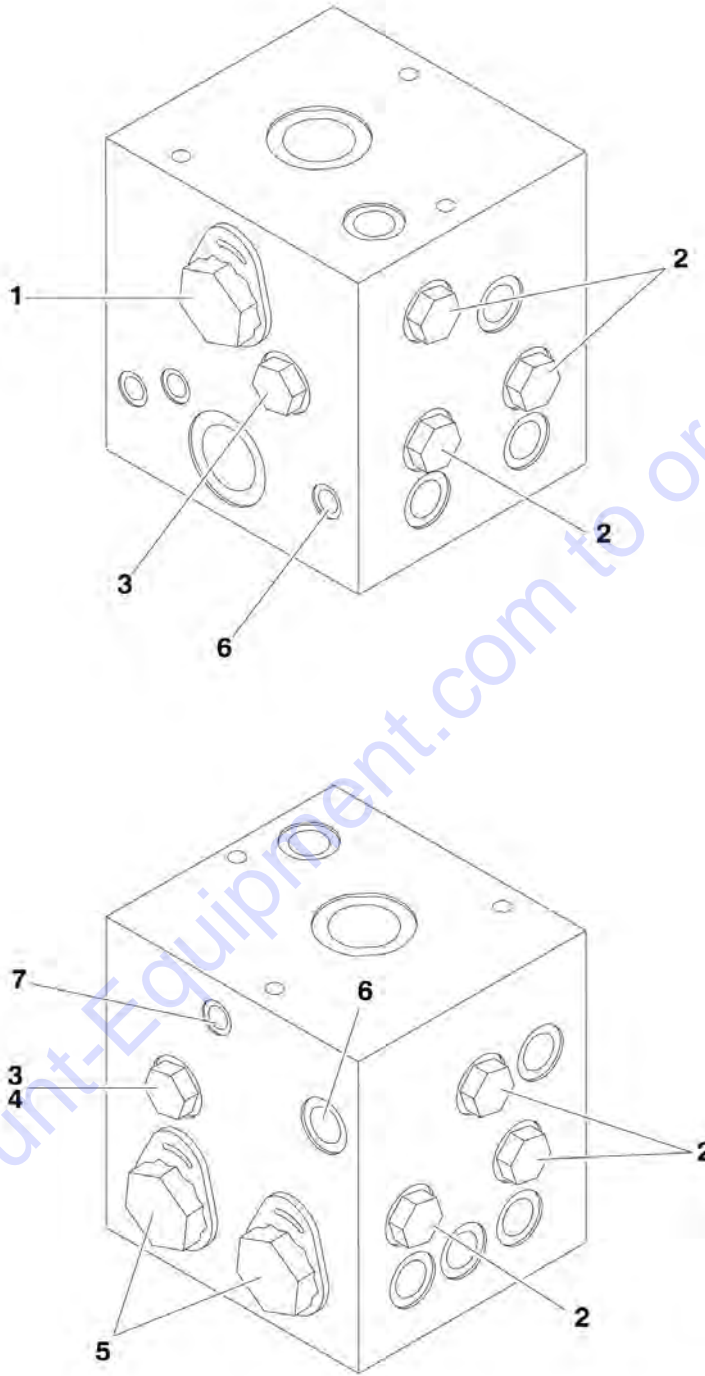
FIGURE 2-2. CONTROL VALVE INSTALLATION

ITEM	PART NUMBER	QTY	DESCRIPTION	REV
		Ref	USAGE CHART:	
		Ref	- CE Specs (SN 0200241796 to Present)	
	1001188990	Ref	CONTROL VALVE INSTALLATION	A
1	0641560	3	Bolt 5/16 x 7-1/2	
2	0641608	4	Bolt 3/8 x 1	
3	3311501	3	Nut 5/16	
4	4641303	1	Flow Divider Valve Assembly (See FLOW DIVIDER VALVE ASSEMBLY for Breakdown)	
5	4761500	3	Washer 5/16	
6	4761600	4	Washer 3/8	
7	1001186552	1	Main Valve Assembly (See MAIN CONTROL VALVE ASSEMBLY for Breakdown)	

Go to Discount-Equipment.com to order your parts

SECTION 2 - GROUND CONTROLS

FIGURE 2-3. FLOW DIVIDER VALVE ASSEMBLY



ART. 4641303

SECTION 2 - GROUND CONTROLS

FIGURE 2-3. FLOW DIVIDER VALVE ASSEMBLY

ITEM	PART NUMBER	QTY	DESCRIPTION	REV
	4641303	Ref	FLOW DIVIDER VALVE ASSEMBLY	C
1	7023933	1	Cartridge, Flow Divider	
1	7021625	1	Seal Kit - 7023933 Cartridge	
2	7022397	6	Cartridge, Check	
2	7022399	6	Seal Kit - 7022397 Cartridge	
3	7021639	2	Cartridge, Check Valves	
3	2900756	2	Seal Kit - 7022398 Cartridge	
4	7024881	1	Piston, Pilot	
5	7023917	2	Cartridge, Flow Divider	
5	7021625	2	Seal Kit - 7023917 Cartridge	
6	70003935	2	Orifice	
7	70003936	1	Orifice	

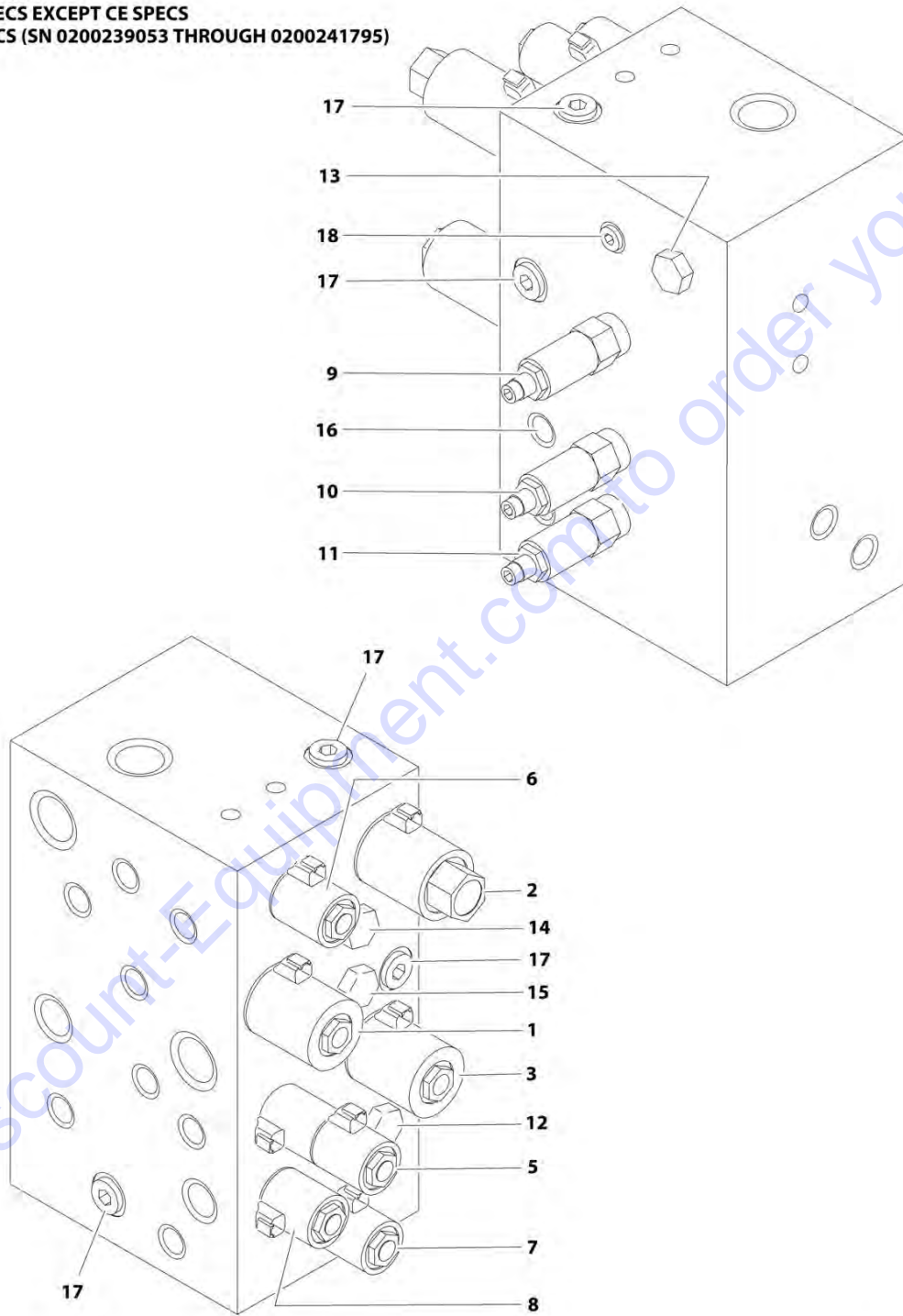
Go to Discount-Equipment.com to order your parts

SECTION 2 - GROUND CONTROLS

FIGURE 2-4. MAIN CONTROL VALVE ASSEMBLY

USAGE CHART:

- ALL SPECS EXCEPT CE SPECS
- CE SPECS (SN 0200239053 THROUGH 0200241795)



ART_1001105709

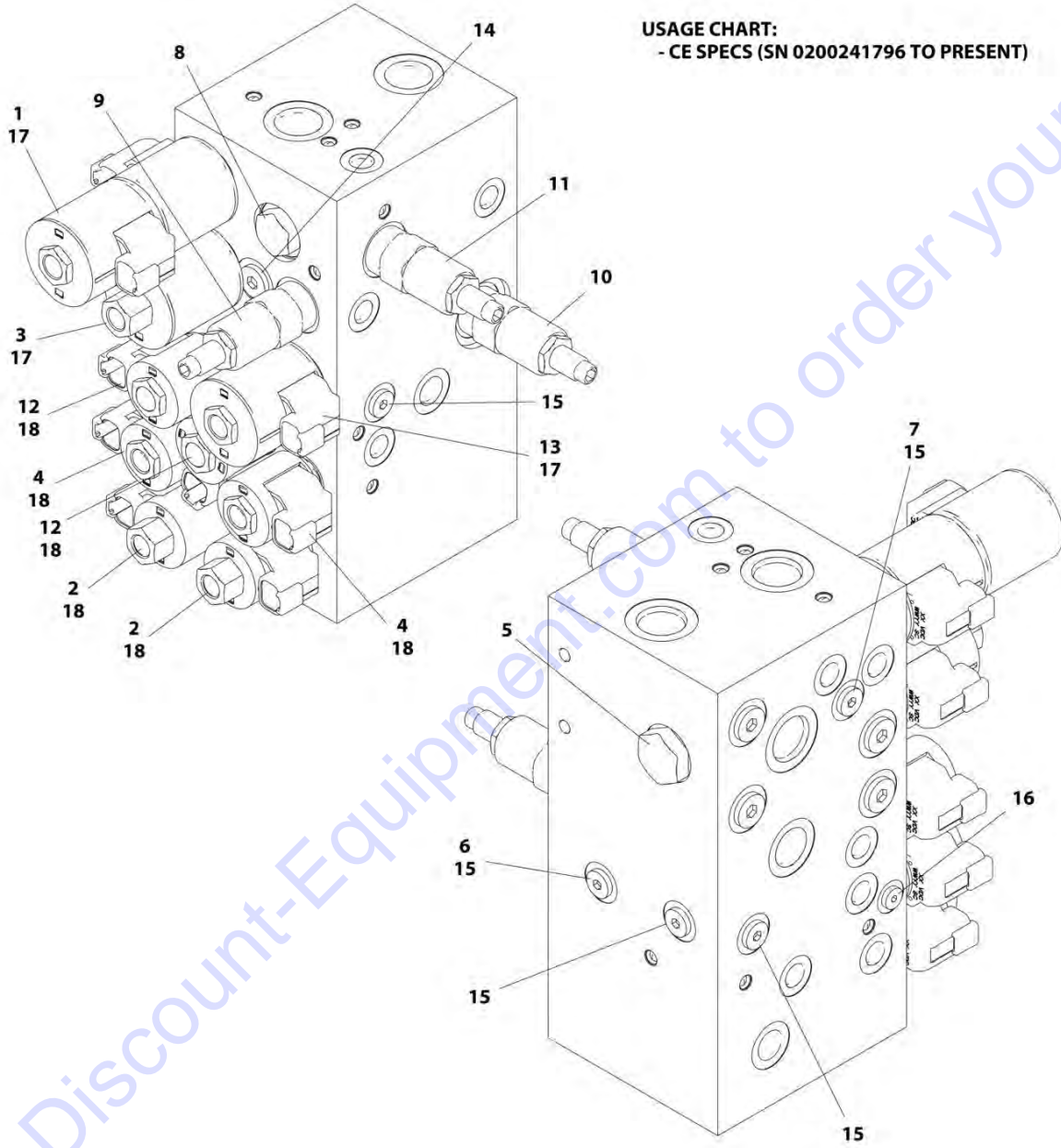
SECTION 2 - GROUND CONTROLS

FIGURE 2-4. MAIN CONTROL VALVE ASSEMBLY

ITEM	PART NUMBER	QTY	DESCRIPTION	REV
		Ref	USAGE CHART:	
		Ref	- All Specs except CE Specs	
		Ref	- CE Specs (SN 0200239053 through 0200241795)	
	1001105709	Ref	MAIN CONTROL VALVE ASSEMBLY	A
1	7012920	1	Cartridge, Solenoid without Coil (Oscillating Axle #2)	
1	7010545	1	Seal Kit - 7012920 Cartridge	
1	70001967	1	Coil	
2	7012910	1	Cartridge, Solenoid without Coil (Dump)	
2	2900708	1	Seal Kit - 7012910 Cartridge	
2	70001967	1	Coil	
3	7010635	1	Cartridge, Solenoid without Coil (Lift Up)	
3	2900708	1	Seal Kit - 7010635 Cartridge	
3	70001967	1	Coil	
5	7017433	1	Cartridge, Solenoid without Coil (Steer)	
5	7017402	1	Seal Kit - 7017433 Cartridge	
5	70001977	2	Coil	
6	7023981	1	Cartridge, Solenoid without Coil (Oscillating Axle #1)	
6	7012905	1	Seal Kit - 7023981 Cartridge	
6	70001977	1	Coil	
7	7012941	1	Cartridge, Solenoid without Coil (2 Speed)	
7	7010543	1	Seal Kit - 7012941 Cartridge	
7	70001977	1	Coil	
8	7012941	1	Cartridge, Solenoid without Coil (Brake)	
8	7010543	1	Seal Kit - 7012941 Cartridge	
8	70001977	1	Coil	
9	70001978	1	Cartridge, Relief	
9	7017496	1	Seal Kit - 70001978 Cartridge	
10	70001979	1	Cartridge, Relief	
10	7017496	1	Seal Kit - 70001979 Cartridge	
11	7023912	1	Cartridge, Relief	
11	7012967	1	Seal Kit - 7023912 Cartridge	
12	7010542	1	Cartridge, Shuttle	
12	7010543	1	Seal Kit - 7010542 Cartridge	
13	4641192	1	Cartridge, Check	
13	7017496	1	Seal Kit - 4641192 Cartridge	
14	70001980	1	Cartridge, Check	
14	7012972	1	Seal Kit - 70001980 Cartridge	
15	70001980	1	Cartridge, Check	
15	7012972	1	Seal Kit - 70001980 Cartridge	
16	See Note	1	Orifice (Note: Not Available for Purchase)	
17	7024844	4	Plug #6	
18	7017406	1	Plug #4	

SECTION 2 - GROUND CONTROLS

FIGURE 2-5. MAIN CONTROL VALVE ASSEMBLY



USAGE CHART:
- CE SPECS (SN 0200241796 TO PRESENT)

ART_T001186552

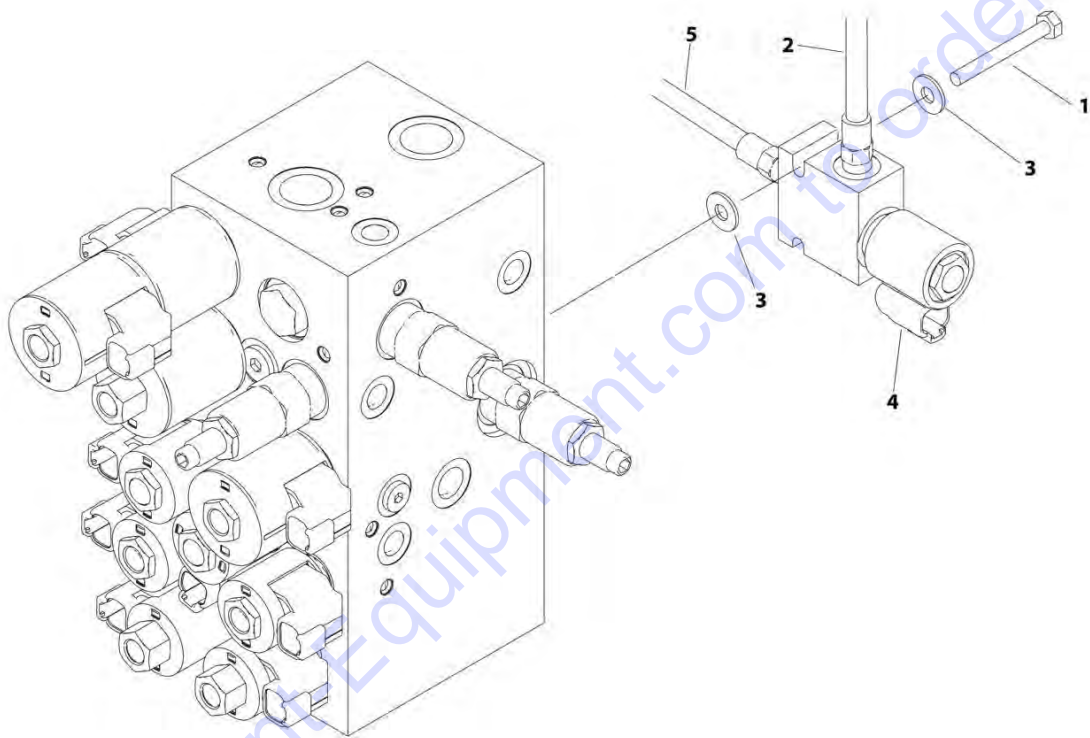
SECTION 2 - GROUND CONTROLS

FIGURE 2-5. MAIN CONTROL VALVE ASSEMBLY

ITEM	PART NUMBER	QTY	DESCRIPTION	REV
		Ref	USAGE CHART:	
		Ref	- CE Specs (SN 0200241796 to Present)	
	1001186552	Ref	MAIN CONTROL VALVE ASSEMBLY	B
1	70005161	1	Cartridge, Solenoid without Coil (Steer)	
1	70005073	1	Seal Kit - 70005161 Cartridge	
1	70003977	1	Nut, Coil	
1	70003024	1	Spacer	
2	70005162	2	Cartridge, Solenoid without Coil (Secondary Axle Release)	
2	7023936	2	Seal Kit - 70005162 Cartridge	
2	70003978	2	Nut, Coil	
3	70005069	1	Cartridge, Solenoid without Coil (Main Dump)	
3	7022399	1	Seal Kit - 70005069 Cartridge	
3	70003977	1	Nut, Coil	
4	70005163	2	Cartridge, Solenoid without Coil (Primary Axle Release)	
4	70005164	2	Seal Kit - 70005163 Cartridge	
4	7022390	2	Nut, Coil	
5	70005100	1	Cartridge, Check Valve	
5	7022399	1	Seal Kit - 70005100 Cartridge	
6	70004389	1	Orifice	
7	7017493	1	Orifice	
8	7022398	1	Cartridge, Load Shuttle	
8	7023900	1	Seal Kit - 7022398 Cartridge	
9	70005080	1	Cartridge, Relief	
9	7022399	1	Seal Kit - 70005080 Cartridge	
10	70005165	1	Cartridge, Relief	
10	7022399	1	Seal Kit - 70005165 Cartridge	
11	70005166	1	Cartridge, Relief	
11	7023936	1	Seal Kit - 70005166 Cartridge	
12	70005167	2	Cartridge, Solenoid Valve without Coil (2 Speed/Brake)	
12	7023900	2	Seal Kit - 7005167 Cartridge	
12	7022390	2	Nut, Coil	
13	70005168	1	Cartridge, Solenoid Valve without Coil (Lift Up)	
13	7022399	1	Seal Kit - 70005168 Cartridge	
13	7022390	1	Nut, Coil	
14	2220885	3	Plug #6	
15	2220883	7	Plug #4	
16	2220881	1	Plug #2	
17	70050516	4	Coil	
18	70002963	6	Coil	

SECTION 2 - GROUND CONTROLS

FIGURE 2-6. POWERDECK AUXILIARY VALVE INSTALLATION (3394RT ALL SPECS EXCEPT CE SPEC) (SN 0200241796 to Present)



ART_1001103751

SECTION 2 - GROUND CONTROLS

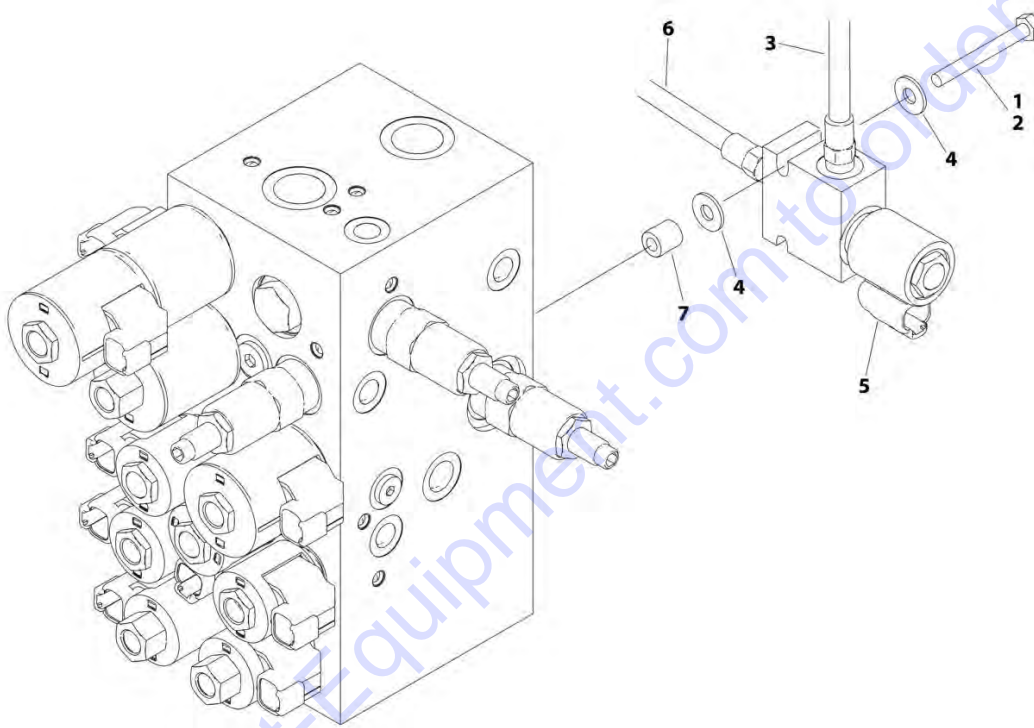
FIGURE 2-6. POWERDECK AUXILIARY VALVE INSTALLATION (3394RT ALL SPECS EXCEPT CE SPEC) (SN 0200241796 to Present)

ITEM	PART NUMBER	QTY	DESCRIPTION	REV
		Ref	Note: All other Powerdeck Components, located in PLATFORM SECTION.	
	1001103751	Ref	POWERDECK AUXILIARY VALVE INSTALLATION (3394RT ALL SPECS EXCEPT CE SPECS) (SN 0200241796 to Present)	A
1	0641412	2	Bolt 1/4 x 1-1/2	
2	2753867	1	Hose	
3	4711400	2	Washer 1/4	
4	1001103340	1	Auxiliary Powerdeck Valve Assembly	
4	7017467	1	Cartridge, Solenoid without Coil	
4	7012967	1	Seal Kit - 7017467 Valve	
4	70001977	1	Coil	
5	1001105320	1	Hose	

Go to Discount-Equipment.com to order your parts

SECTION 2 - GROUND CONTROLS

FIGURE 2-7. POWERDECK AUXILIARY VALVE INSTALLATION (3394RT CE SPEC) (SN 0200241796 to Present)



ART_1001192245

SECTION 2 - GROUND CONTROLS

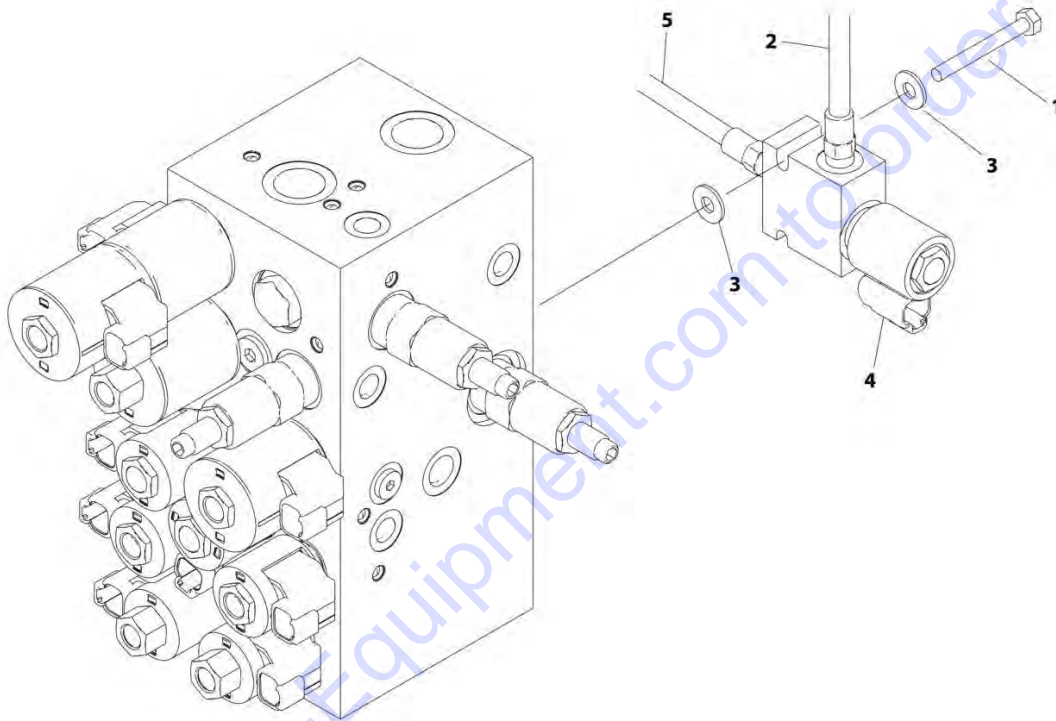
FIGURE 2-7. POWERDECK AUXILIARY VALVE INSTALLATION (3394RT CE SPEC) (SN 0200241796 to Present)

ITEM	PART NUMBER	QTY	DESCRIPTION	REV
		Ref	Note: All other Powerdeck Components, located in PLATFORM SECTION.	
	1001192245	Ref	POWERDECK AUXILIARY VALVE INSTALLATION (3394RT CE SPEC) (SN 0200241796 to Present)	A
1	0100011	AR	Compound, Locking	
2	0641418	2	Bolt 1/4 x 1-1/2	
3	2753867	1	Hose	
4	4751400	2	Washer 1/4	
5	1001103340	1	Auxiliary Powerdeck Valve Assembly	
5	7017467	1	Cartridge, Solenoid without Coil	
5	7012967	1	Seal Kit - 7017467 Valve	
5	70001977	1	Coil	
6	1001105320	1	Hose	
7	1001119141	2	Spacer	

Go to Discount-Equipment.com to order your parts

SECTION 2 - GROUND CONTROLS

FIGURE 2-8. POWERDECK AUXILIARY VALVE INSTALLATION (4394RT ALL SPECS EXCEPT CE SPEC) (SN 0200241796 to Present)



ART_1001103752

SECTION 2 - GROUND CONTROLS

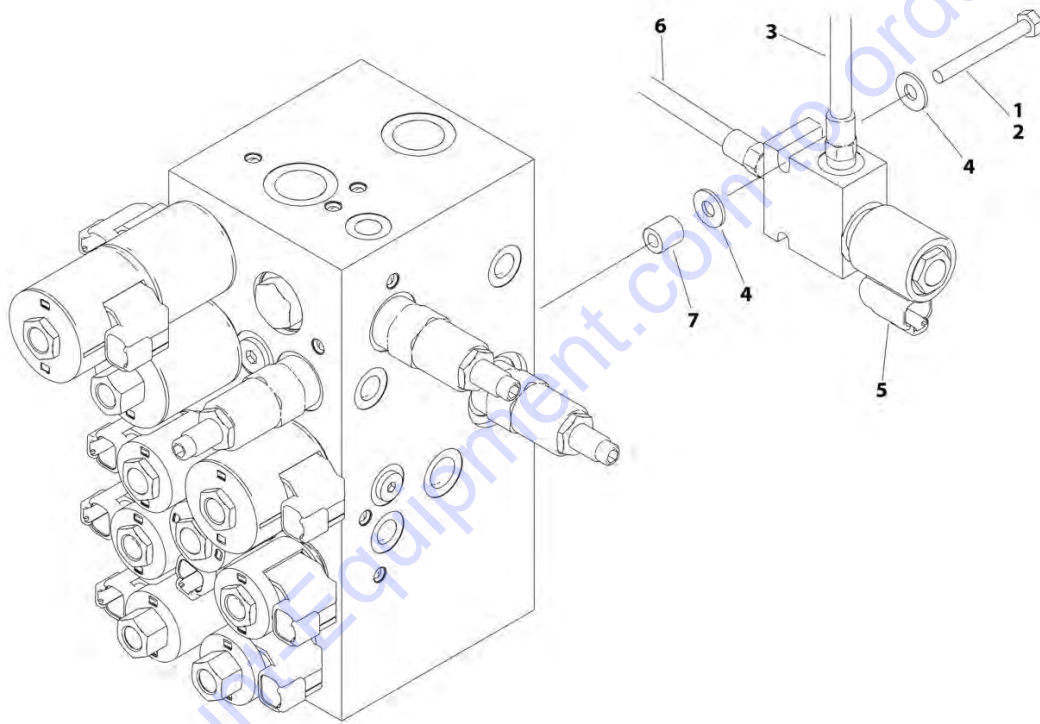
FIGURE 2-8. POWERDECK AUXILIARY VALVE INSTALLATION (4394RT ALL SPECS EXCEPT CE SPEC) (SN 0200241796 to Present)

ITEM	PART NUMBER	QTY	DESCRIPTION	REV
		Ref	Note: All other Powerdeck Components, located in PLATFORM SECTION.	
	1001103752	Ref	POWERDECK AUXILIARY VALVE INSTALLATION (4394RT ALL SPECS EXCEPT CE SPEC) (SN 0200241796 to Present)	A
1	0641412	2	Bolt 1/4 x 1-1/2	
2	2753868	1	Hose	
3	4711400	2	Washer 1/4	
4	1001103340	1	Auxiliary Powerdeck Valve Assembly	
4	7017467	1	Cartridge, Solenoid without Coil	
4	7012967	1	Seal Kit - 7017467 Valve	
4	70001977	1	Coil	
5	1001105328	1	Hose	

Go to Discount-Equipment.com to order your parts

SECTION 2 - GROUND CONTROLS

FIGURE 2-9. POWERDECK AUXILIARY VALVE INSTALLATION (4394RT CE SPEC) (SN 0200241796 to Present)



ART_1001192246

SECTION 2 - GROUND CONTROLS

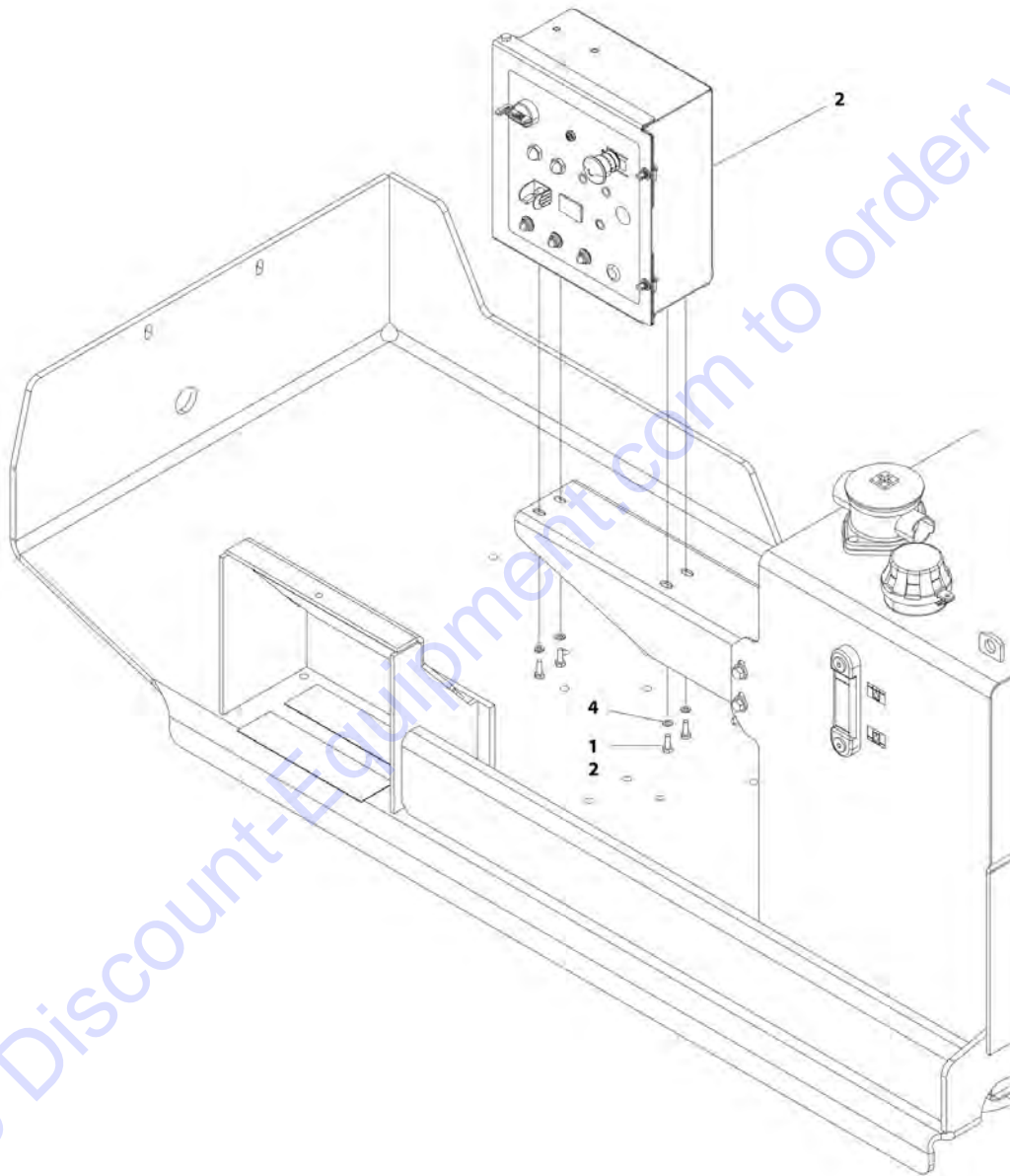
FIGURE 2-9. POWERDECK AUXILIARY VALVE INSTALLATION (4394RT CE SPEC) (SN 0200241796 to Present)

ITEM	PART NUMBER	QTY	DESCRIPTION	REV
		Ref	Note: All other Powerdeck Components, located in PLATFORM SECTION.	
	1001192246	Ref	POWERDECK AUXILIARY VALVE INSTALLATION (4394RT CE SPEC) (SN 0200241796 to Present)	A
1	0100011	AR	Compound, Locking	
2	0641418	2	Bolt 1/4 x 1-1/2	
3	2753868	1	Hose	
4	4751400	2	Washer 1/4	
5	1001103340	1	Auxiliary Powerdeck Valve Assembly	
5	7017467	1	Cartridge, Solenoid without Coil	
5	7012967	1	Seal Kit - 7017467 Valve	
5	70001977	1	Coil	
6	1001105328	1	Hose	
7	1001119141	2	Spacer	

Go to Discount-Equipment.com to order your parts

SECTION 2 - GROUND CONTROLS

FIGURE 2-10. GROUND CONTROL BOX INSTALLATION - DEUTZ D2011 ENGINE (ANSI EXPORT & AUSTRALIAN SPECS WITHOUT POWER OPTIONS MODULE)



ART_1001105904

SECTION 2 - GROUND CONTROLS

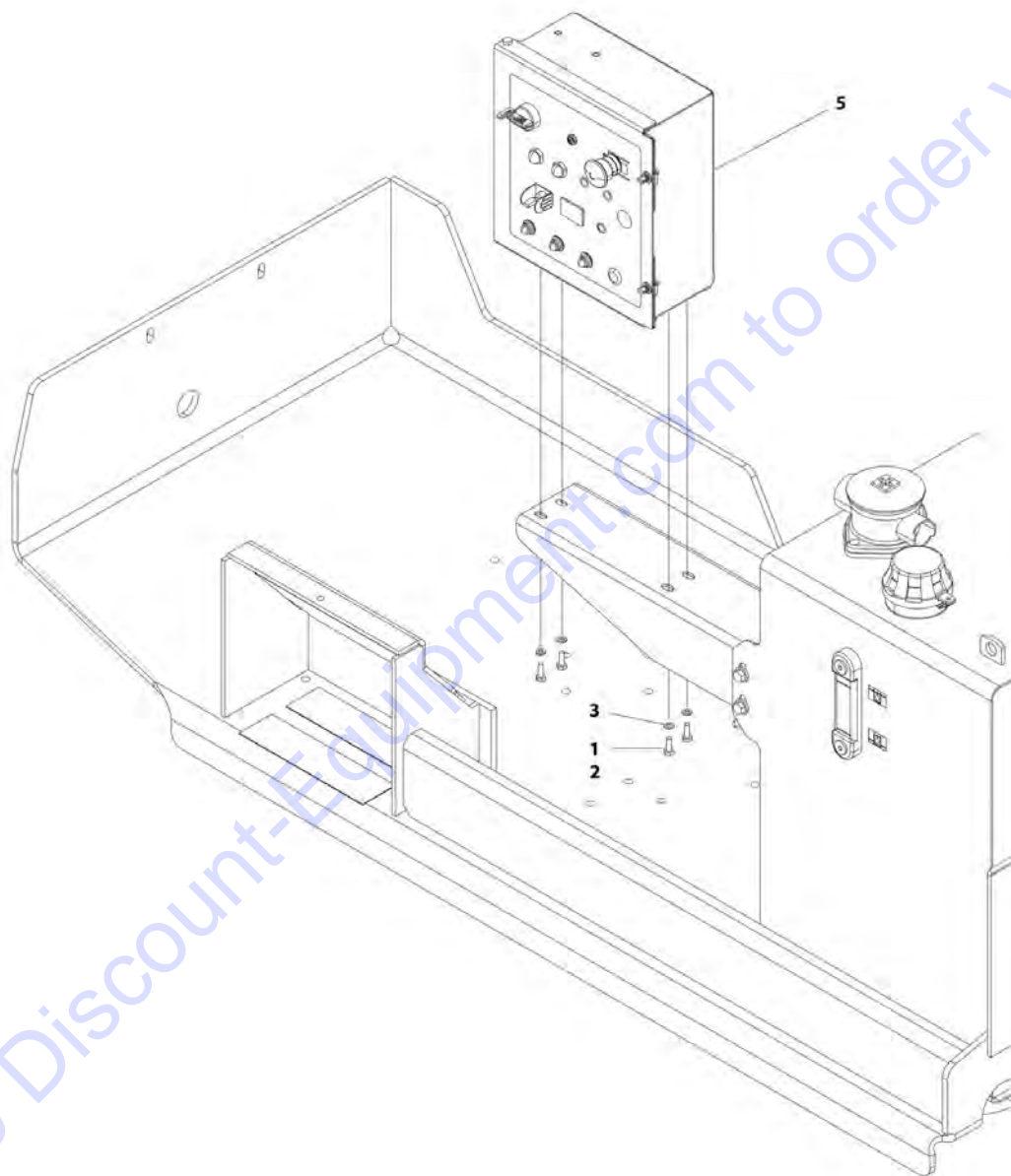
FIGURE 2-10. GROUND CONTROL BOX INSTALLATION - DEUTZ D2011 ENGINE (ANSI EXPORT & AUSTRALIAN SPECS WITHOUT POWER OPTIONS MODULE)

ITEM	PART NUMBER	QTY	DESCRIPTION	REV
	1001105904	Ref	GROUND CONTROL BOX INSTALLATION - DEUTZ D2011 ENGINE (ANSI EXPORT & AUSTRALIAN SPECS WITHOUT POWER OPTIONS MODULE)	D
1	0100011	AR	Compound, Locking	
2	0271813	1	Ground Control Box Assembly (See GROUND CONTROL BOX ASSEMBLY for Breakdown)	
3	0641406	4	Bolt 1/4 x 3/4	
4	4761400	4	Washer 1/4	
5	1001103489	1	Valve and Engine Harness (Not Shown - See ELECTRICAL SECTION for Breakdown)	

Go to Discount-Equipment.com to order your parts

SECTION 2 - GROUND CONTROLS

FIGURE 2-11. GROUND CONTROL BOX INSTALLATION - DEUTZ D2011 ENGINE (ANSI EXPORT SPECS WITHOUT POWER OPTIONS MODULE AND WITH LOW TEMPERATURE CUTOUT)



ART_1001166276

SECTION 2 - GROUND CONTROLS

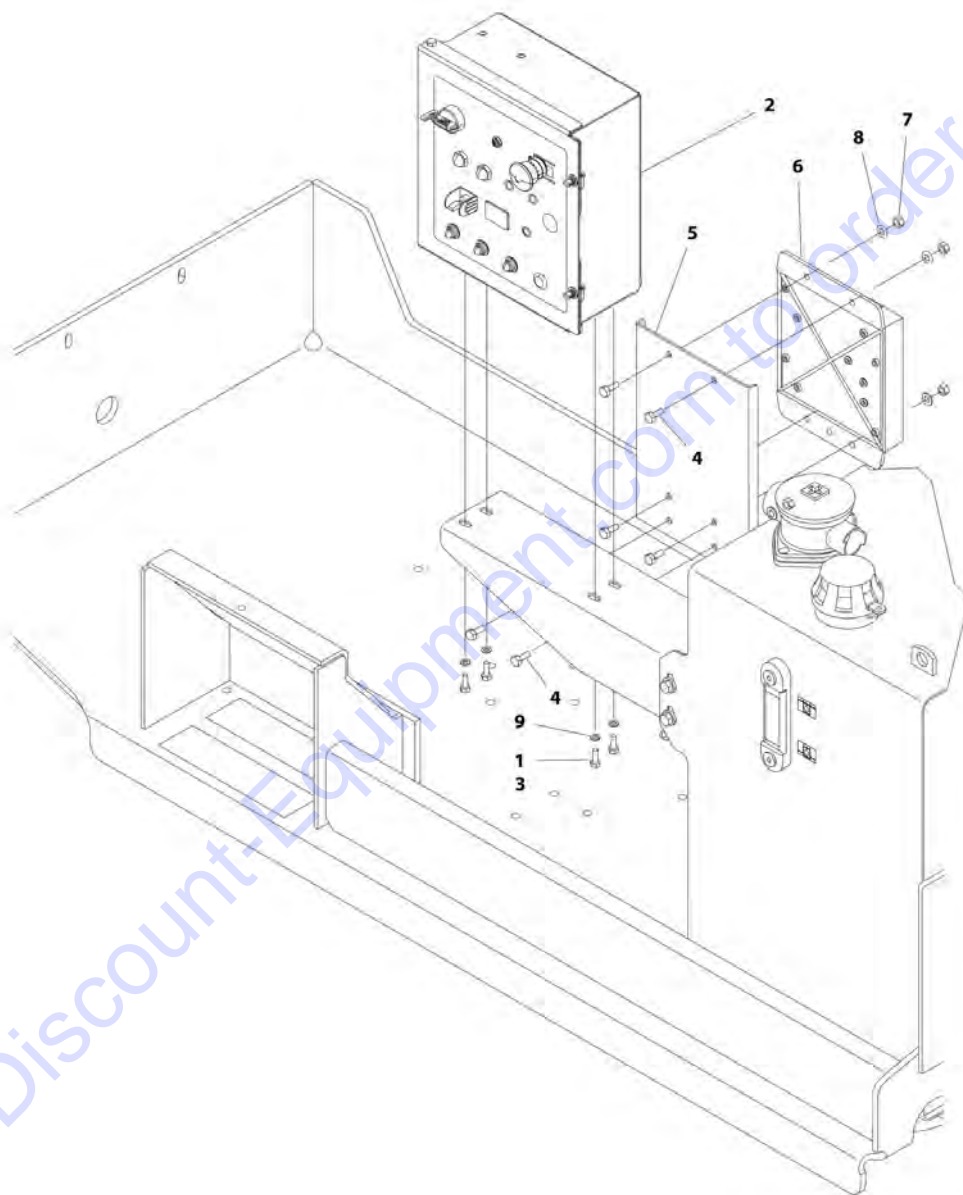
FIGURE 2-11. GROUND CONTROL BOX INSTALLATION - DEUTZ D2011 ENGINE (ANSI EXPORT SPECS WITHOUT POWER OPTIONS MODULE AND WITH LOW TEMPERATURE CUTOUT)

ITEM	PART NUMBER	QTY	DESCRIPTION	REV
	1001166276	Ref	GROUND CONTROL BOX INSTALLATION - DEUTZ D2011 ENGINE (ANSI EXPORT SPECS WITHOUT POWER OPTIONS MODULE AND WITH LOW TEMPERATURE CUTOUT)	C
1	0100011	AR	Compound, Locking	
2	0641406	4	Bolt 1/4 x 3/4	
3	4761400	4	Washer 1/4	
4	1001103489	1	Valve and Engine Harness (Not Shown - See ELECTRICAL SECTION for Breakdown)	
5	1001164393	1	Ground Control Box Assembly (See GROUND CONTROL BOX ASSEMBLY - WITH LOW TEMPERATURE CUTOUT for Breakdown)	

Go to Discount-Equipment.com to order your parts

SECTION 2 - GROUND CONTROLS

FIGURE 2-12. GROUND CONTROL BOX INSTALLATION - DEUTZ D2011 ENGINE (ANSI EXPORT & AUSTRALIAN SPECS WITH POWER OPTIONS MODULE) (SN 0200239053 through 0200241795)



ART_1001168946

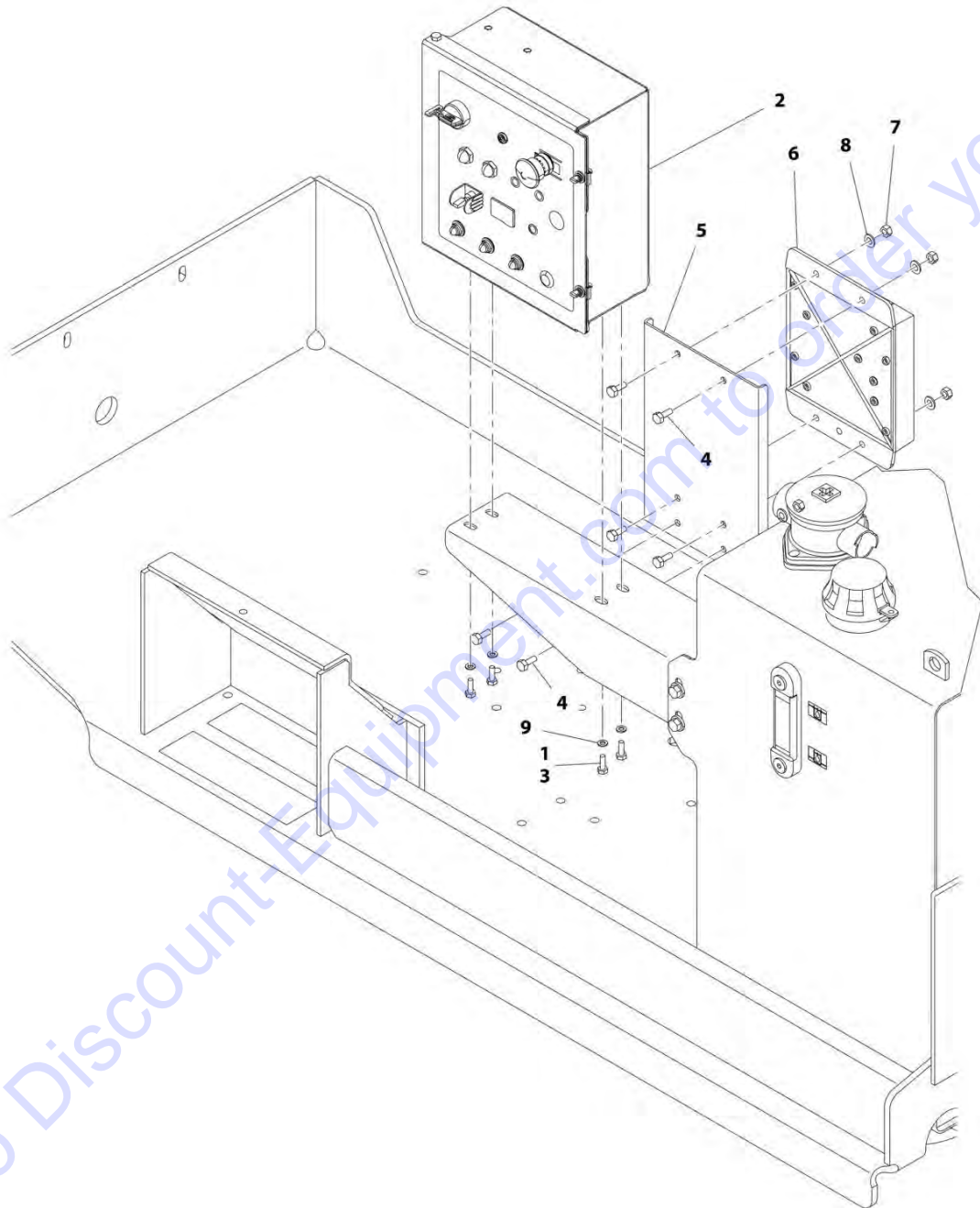
SECTION 2 - GROUND CONTROLS

FIGURE 2-12. GROUND CONTROL BOX INSTALLATION - DEUTZ D2011 ENGINE (ANSI EXPORT & AUSTRALIAN SPECS WITH POWER OPTIONS MODULE) (SN 0200239053 through 0200241795)

ITEM	PART NUMBER	QTY	DESCRIPTION	REV
	1001168946	Ref	GROUND CONTROL BOX INSTALLATION - DEUTZ D2011 ENGINE (ANSI EXPORT & AUSTRALIAN SPECS WITH POWER OPTIONS MODULE) (SN 0200239053 through 0200241795)	G
1	0100011	AR	Compound, Locking	
2	0271813	1	Ground Control Box Assembly (See GROUND CONTROL BOX ASSEMBLY for Breakdown)	
3	0641406	4	Bolt 1/4 x 3/4	
4	0641506	6	Bolt 5/16 x 3/4	
5	0902847	1	Bracket	
6		Ref	Module, Power Options:	
6		Ref	Note: Re-calibration Required when Replaced.	
6	1600336	NLA	Module (Use p/n 1001182481) (SN 0200239053 through 0200241191)	
6	1001182481	1	Module (SN 0200241192 through 0200241795)	
7	3311505	6	Nut 5/16	
8	4711500	6	Washer 5/16	
9	4761400	4	Washer 1/4	
10	1001147974	1	Valve and Engine Harness (Not Shown - See ELECTRICAL SECTION for Breakdown)	

SECTION 2 - GROUND CONTROLS

FIGURE 2-13. GROUND CONTROL BOX INSTALLATION - DEUTZ D2011 ENGINE (ANSI EXPORT & AUSTRALIAN SPECS WITH POWER OPTIONS MODULE) (SN 0200241796 to Present)



ART_1001105907

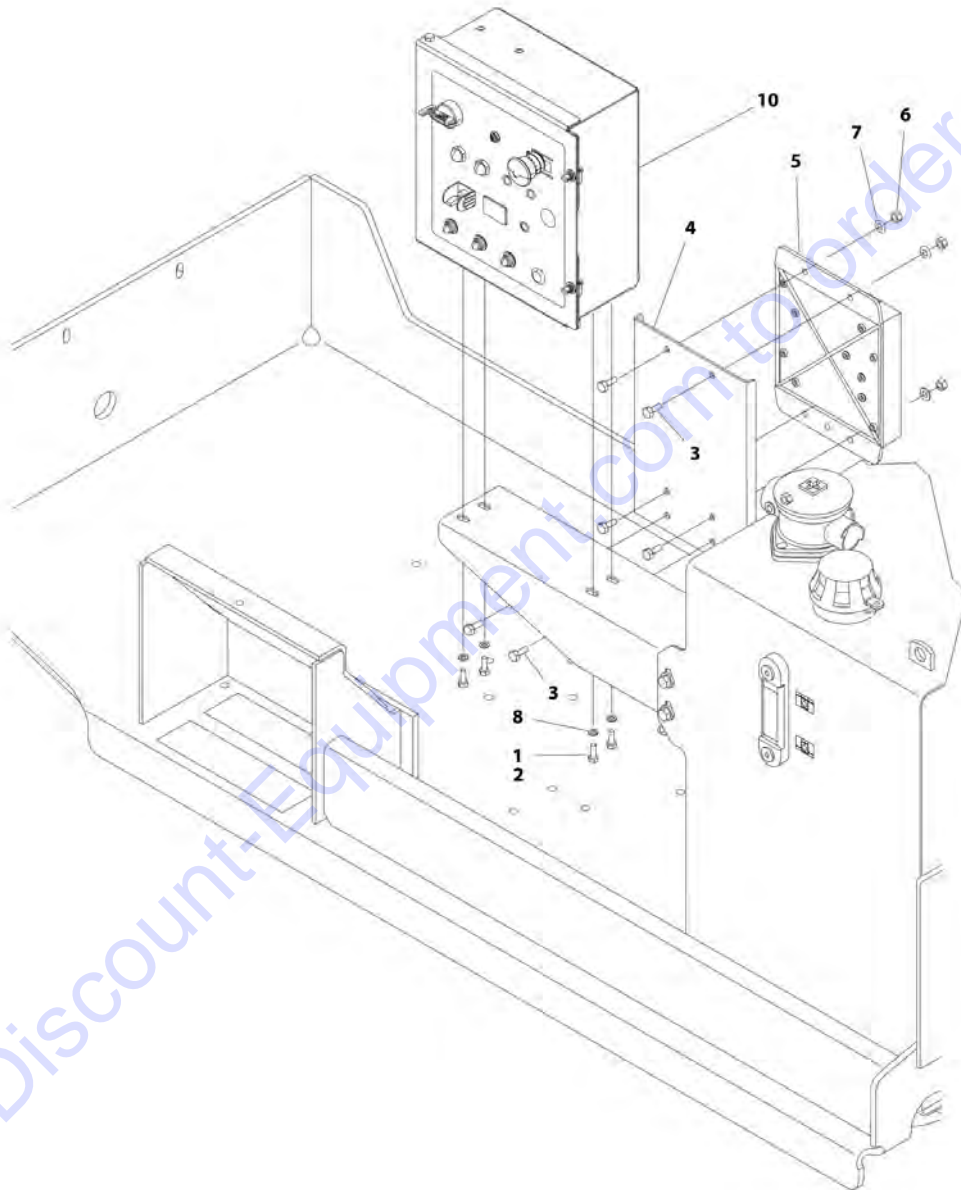
SECTION 2 - GROUND CONTROLS

FIGURE 2-13. GROUND CONTROL BOX INSTALLATION - DEUTZ D2011 ENGINE (ANSI EXPORT & AUSTRALIAN SPECS WITH POWER OPTIONS MODULE) (SN 0200241796 to Present)

ITEM	PART NUMBER	QTY	DESCRIPTION	REV
	1001105907	Ref	GROUND CONTROL BOX INSTALLATION - DEUTZ D2011 ENGINE (ANSI EXPORT & AUSTRALIAN SPECS WITH POWER OPTIONS MODULE) (SN 0200241796 to Present)	B
1	0100011	AR	Compound, Locking	
2	0271813	1	Ground Control Box Assembly (See GROUND CONTROL BOX ASSEMBLY for Breakdown)	
3	0641406	4	Bolt 1/4 x 3/4	
4	0641506	6	Bolt 5/16 x 3/4	
5	0902847	1	Bracket	
6		Ref	Module, Power Options:	
6		Ref	Note: Re-calibration Required when Replaced.	
6	1600336	NLA	Module (Use p/n 1001182481) (SN 0200241796 through 0200251330)	
6	1001182481	1	Module (SN 0200251331 to Present)	
7	3311505	6	Nut 5/16	
8	4711500	6	Washer 5/16	
9	4761400	4	Washer 1/4	
10	1001103489	1	Valve and Engine Harness (Not Shown - See ELECTRICAL SECTION for Breakdown)	

SECTION 2 - GROUND CONTROLS

FIGURE 2-14. GROUND CONTROL BOX INSTALLATION - DEUTZ D2011 ENGINE (ANSI EXPORT SPECS WITH POWER OPTIONS MODULE AND WITH LOW TEMPERATURE CUTOUT)



ART_1001166277

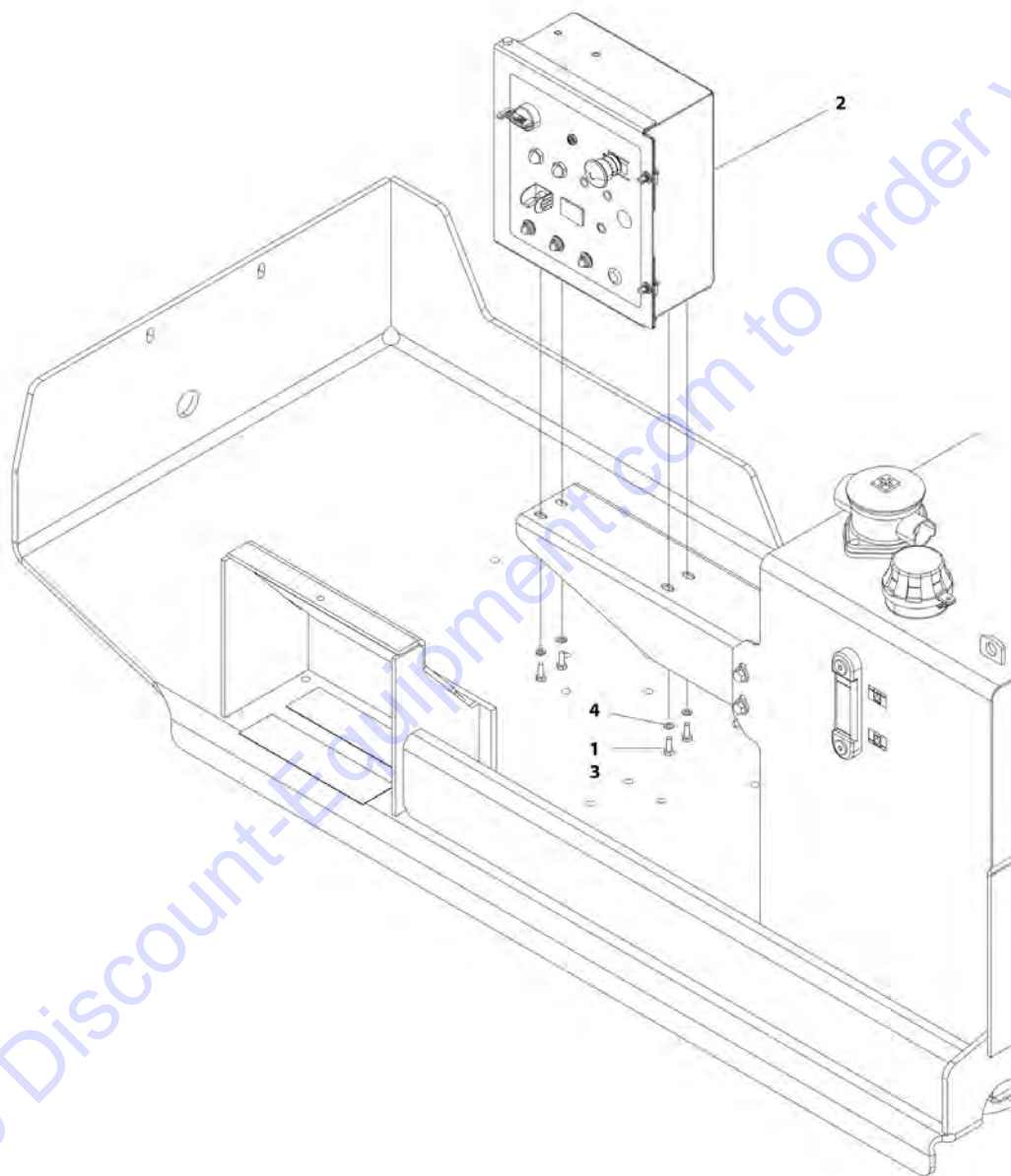
SECTION 2 - GROUND CONTROLS

FIGURE 2-14. GROUND CONTROL BOX INSTALLATION - DEUTZ D2011 ENGINE (ANSI EXPORT SPECS WITH POWER OPTIONS MODULE AND WITH LOW TEMPERATURE CUTOUT)

ITEM	PART NUMBER	QTY	DESCRIPTION	REV
	1001166277	Ref	GROUND CONTROL BOX INSTALLATION - DEUTZ D2011 ENGINE (ANSI EXPORT SPECS WITH POWER OPTIONS MODULE AND WITH LOW TEMPERATURE CUTOUT)	E
1	0100011	AR	Compound, Locking	
2	0641406	4	Bolt 1/4 x 3/4	
3	0641506	6	Bolt 5/16 x 3/4	
4	0902847	1	Bracket	
5		Ref	Module, Power Options:	
5		Ref	Note: Re-calibration Required when Replaced.	
5	1600336	NLA	Module (Use p/n 1001182481) (SN 0200239053 through 0200241191)	
5	1001182481	1	Module (SN 0200241192 to Present)	
6	3311505	6	Nut 5/16	
7	4711500	6	Washer 5/16	
8	4761400	4	Washer 1/4	
9		Ref	Valve and Engine Harness Options (Not Shown - See ELECTRICAL SECTION for Breakdown):	
9	1001147974	1	Harness (SN 0200239053 through 0200246032)	
9	1001103489	1	Harness (SN 0200246033 to Present)	
10	1001164393	1	Ground Control Box Assembly (See GROUND CONTROL BOX ASSEMBLY - WITH LOW TEMPERATURE CUTOUT for Breakdown)	

SECTION 2 - GROUND CONTROLS

FIGURE 2-15. GROUND CONTROL BOX INSTALLATION - DEUTZ D2011 ENGINE (CE SPECS WITHOUT POWER OPTIONS MODULE) (SN 0200239053 through 0200241795)



ART_1001168945

SECTION 2 - GROUND CONTROLS

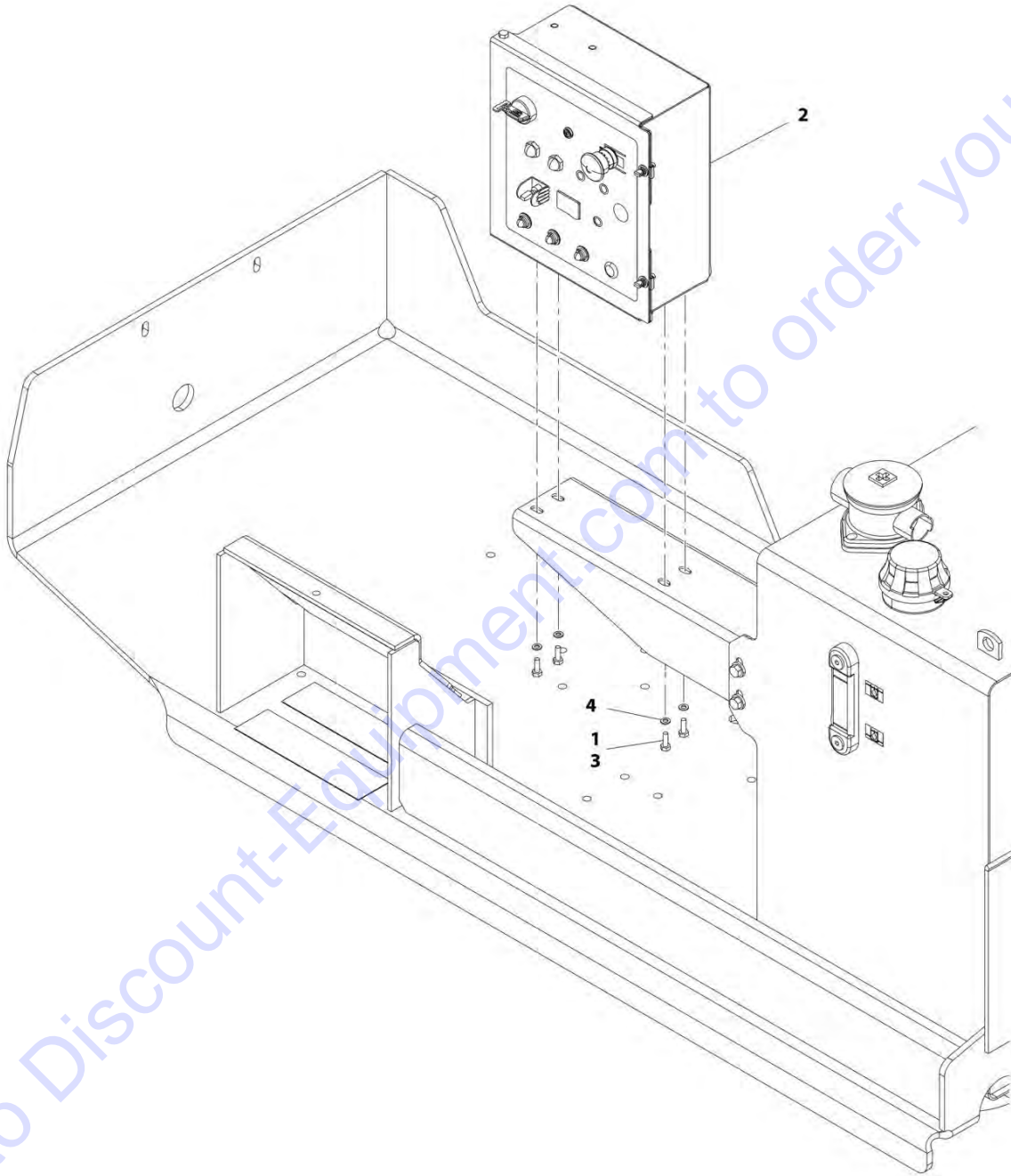
FIGURE 2-15. GROUND CONTROL BOX INSTALLATION - DEUTZ D2011 ENGINE (CE SPECS WITHOUT POWER OPTIONS MODULE) (SN 0200239053 through 0200241795)

ITEM	PART NUMBER	QTY	DESCRIPTION	REV
	1001168945	Ref	GROUND CONTROL BOX INSTALLATION - DEUTZ D2011 ENGINE (CE SPECS WITHOUT POWER OPTIONS MODULE) (SN 0200239053 through 0200241795)	F
1	0100011	AR	Compound, Locking	
2	0271814	1	Ground Control Box Assembly (See GROUND CONTROL BOX ASSEMBLY for Breakdown)	
3	0641406	4	Bolt 1/4 x 3/4	
4	4761400	4	Washer 1/4	
5	1001147974	1	Valve and Engine Harness (Not Shown - See ELECTRICAL SECTION for Breakdown)	

Go to Discount-Equipment.com to order your parts

SECTION 2 - GROUND CONTROLS

FIGURE 2-16. GROUND CONTROL BOX INSTALLATION - DEUTZ D2011 ENGINE (CE SPECS WITHOUT POWER OPTIONS MODULE) (SN 0200241796 to Present)



ART_1001105905

SECTION 2 - GROUND CONTROLS

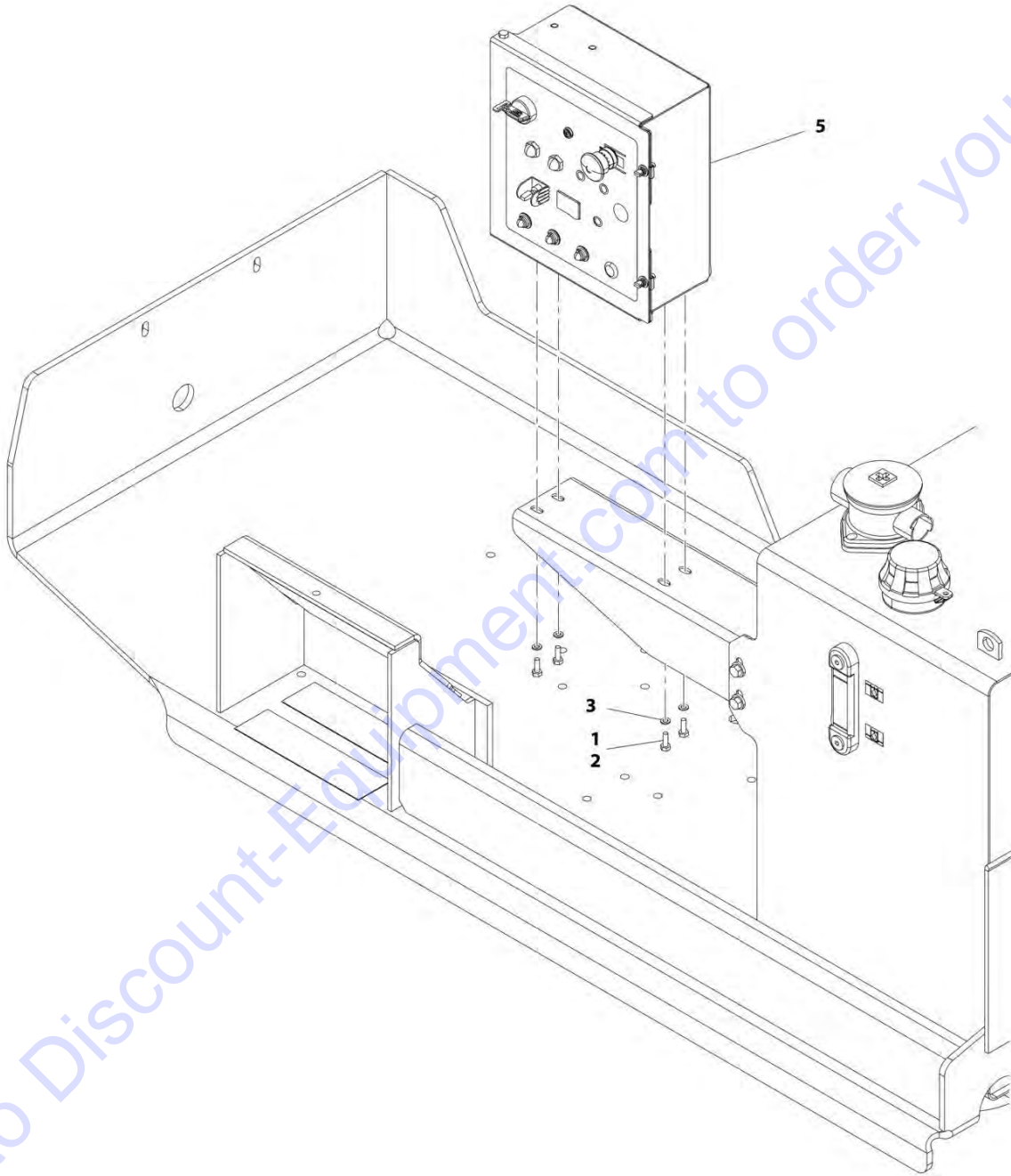
FIGURE 2-16. GROUND CONTROL BOX INSTALLATION - DEUTZ D2011 ENGINE (CE SPECS WITHOUT POWER OPTIONS MODULE) (SN 0200241796 to Present)

ITEM	PART NUMBER	QTY	DESCRIPTION	REV
	1001105905	Ref	GROUND CONTROL BOX INSTALLATION - DEUTZ D2011 ENGINE (CE SPECS WITHOUT POWER OPTIONS MODULE) (SN 0200241796 to Present)	C
1	0100011	AR	Compound, Locking	
2	0271814	1	Ground Control Box Assembly (See GROUND CONTROL BOX ASSEMBLY for Breakdown)	
3	0641406	4	Bolt 1/4 x 3/4	
4	4761400	4	Washer 1/4	
5	1001103489	1	Valve and Engine Harness (Not Shown - See ELECTRICAL SECTION for Breakdown)	

Go to Discount-Equipment.com to order your parts

SECTION 2 - GROUND CONTROLS

FIGURE 2-17. GROUND CONTROL BOX INSTALLATION - DEUTZ D2011 ENGINE (CE SPECS WITHOUT POWER OPTIONS MODULE AND WITH LOW TEMPERATURE CUTOUT)



ART_1001166278

SECTION 2 - GROUND CONTROLS

FIGURE 2-17. GROUND CONTROL BOX INSTALLATION - DEUTZ D2011 ENGINE (CE SPECS WITHOUT POWER OPTIONS MODULE AND WITH LOW TEMPERATURE CUTOUT)

ITEM	PART NUMBER	QTY	DESCRIPTION	REV
	1001166278	Ref	GROUND CONTROL BOX INSTALLATION - DEUTZ D2011 ENGINE (CE SPECS WITHOUT POWER OPTIONS MODULE AND WITH LOW TEMPERATURE CUTOUT)	B
1	0100011	AR	Compound, Locking	
2	0641406	4	Bolt 1/4 x 3/4	
3	4761400	4	Washer 1/4	
4		Ref	Valve and Engine Harness Options (Not Shown - See ELECTRICAL SECTION for Breakdown):	
4	1001147974	1	Harness (SN 0200239053 through 0200246032)	
4	1001103489	1	Harness (SN 0200246033 to Present)	
5	1001164207	1	Ground Control Box Assembly (See GROUND CONTROL BOX ASSEMBLY for Breakdown)	

Go to Discount-Equipment.com to order your parts

PARTS FINDER

**Search Website
by Part Number**



**Search Manual
Library For Parts
Manual & Lookup Part
Numbers – Purchase
or Request Quote**

**Can't Find Part or
Manual? Request Help
by Manufacturer,
Model & Description**

Discount-Equipment.com is your online resource for quality parts & equipment.

Florida: **561-964-4949** Outside Florida TOLL FREE: **877-690-3101**

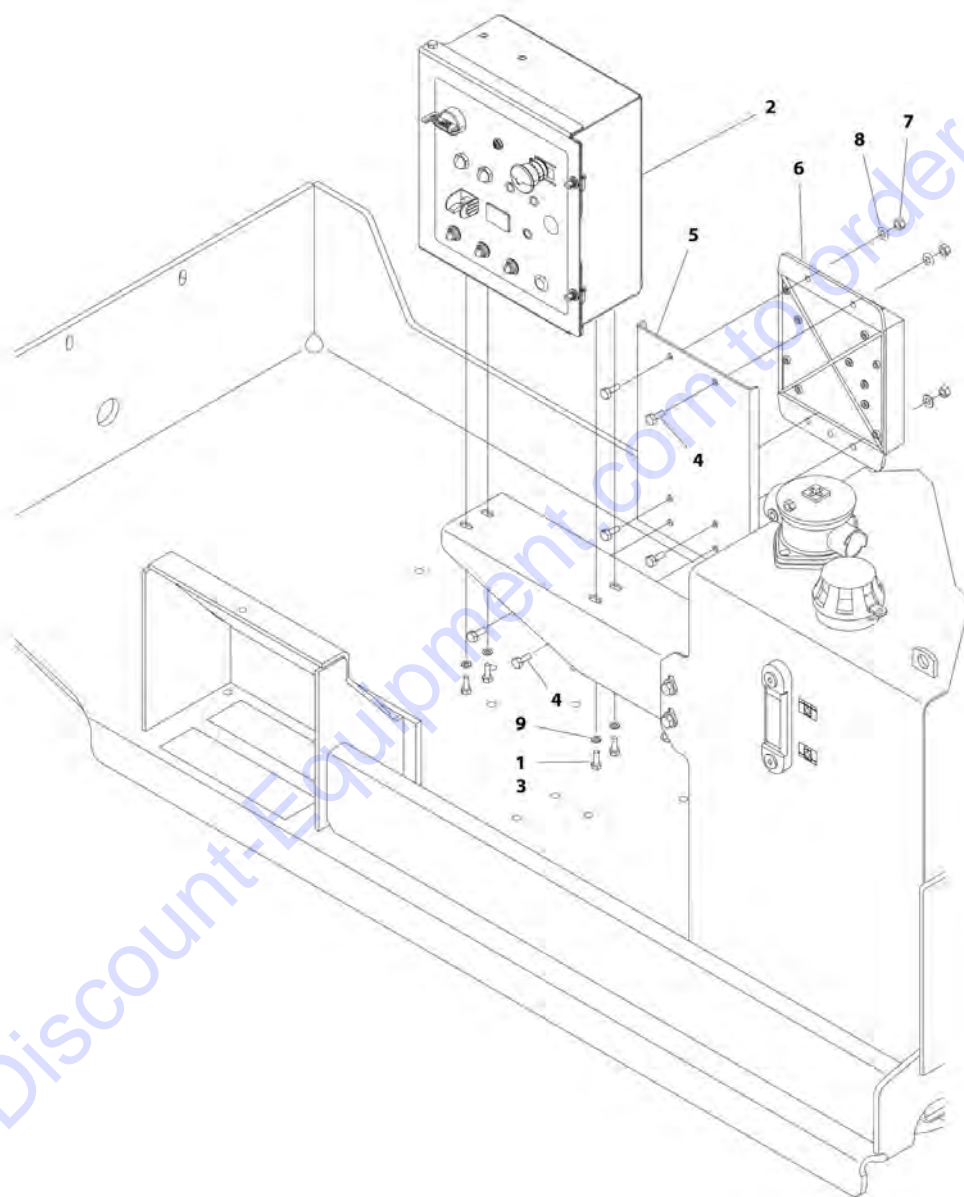
Need parts?

Click on this link: <http://www.discount-equipment.com/category/5443-parts/> and choose one of the options to help get the right parts and equipment you are looking for. Please have the machine model and serial number available in order to help us get you the correct parts. If you don't find the part on the website or on one of the online manuals, please fill out the request form and one of our experienced staff members will get back to you with a quote for the right part that your machine needs.

We sell worldwide for the brands: Genie, Terex, JLG, MultiQuip, Mikasa, Essick, Whiteman, Mayco, Toro Stone, Diamond Products, Generac Magnum, Airman, Haulotte, Barreto, Power Blanket, Nifty Lift, Atlas Copco, Chicago Pneumatic, Allmand, Miller Curber, Skyjack, Lull, Skytrak, Tsurumi, Husquvarna Target, Stow, Wacker, Sakai, Mi-T-M, Sullair, Basic, Dynapac, MBW, Weber, Bartell, Bennar Newman, Haulotte, Ditch Runner, Menegotti, Morrison, Contec, Buddy, Crown, Edco, Wyco, Bomag, Laymor, EZ Trench, Bil-Jax, F.S. Curtis, Gehl Pavers, Heli, Honda, ICS/PowerGrit, IHI, Partner, Imer, Clipper, MMD, Koshin, Rice, CH&E, General Equipment, Amida, Coleman, NAC, Gradall, Square Shooter, Kent, Stanley, Tamco, Toku, Hatz, Kohler, Robin, Wisconsin, Northrock, Oztec, Toker TK, Rol-Air, APT, Wylie, Ingersoll Rand / Doosan, Innovatech, Con X, Ammann, Mecalac, Makinex, Smith Surface Prep, Small Line, Wanco, Yanmar

SECTION 2 - GROUND CONTROLS

FIGURE 2-18. GROUND CONTROL BOX INSTALLATION - DEUTZ D2011 ENGINE (CE SPECS WITH POWER OPTIONS MODULE) (SN 0200239053 through 0200241795)



ART_1001168947

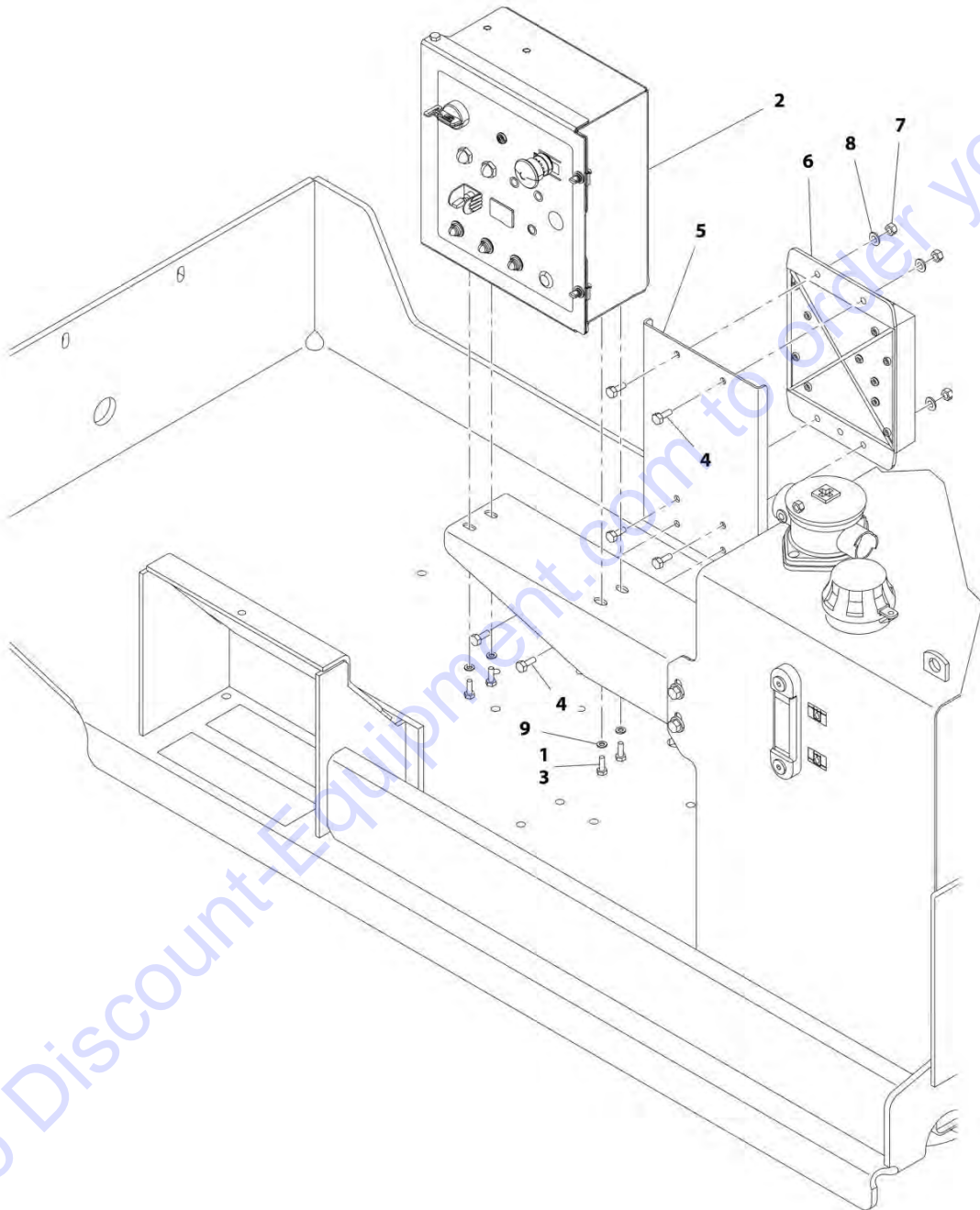
SECTION 2 - GROUND CONTROLS

FIGURE 2-18. GROUND CONTROL BOX INSTALLATION - DEUTZ D2011 ENGINE (CE SPECS WITH POWER OPTIONS MODULE) (SN 0200239053 through 0200241795)

ITEM	PART NUMBER	QTY	DESCRIPTION	REV
	1001168947	Ref	GROUND CONTROL BOX INSTALLATION - DEUTZ D2011 ENGINE (CE SPECS WITH POWER OPTIONS MODULE) (SN 0200239053 through 0200241795)	G
1	0100011	AR	Compound, Locking	
2	0271814	1	Ground Control Box Assembly (See GROUND CONTROL BOX ASSEMBLY for Breakdown)	
3	0641406	4	Bolt 1/4 x 3/4	
4	0641506	6	Bolt 5/16 x 3/4	
5	0902847	1	Bracket	
6		Ref	Module, Power Options:	
6		Ref	Note: Re-calibration Required when Replaced.	
6	1600336	NLA	Module (Use p/n 1001182481) (SN 0200239053 through 0200241191)	
6	1001182481	1	Module (SN 0200241192 through 0200241795)	
7	3311505	6	Nut 5/16	
8	4711500	6	Washer 5/16	
9	4761400	4	Washer 1/4	
10	1001147974	1	Valve and Engine Harness (Not Shown - See ELECTRICAL SECTION for Breakdown)	

SECTION 2 - GROUND CONTROLS

FIGURE 2-19. GROUND CONTROL BOX INSTALLATION - DEUTZ D2011 ENGINE (CE SPECS WITH POWER OPTIONS MODULE) (SN 0200241796 to Present)



ART_1001105908

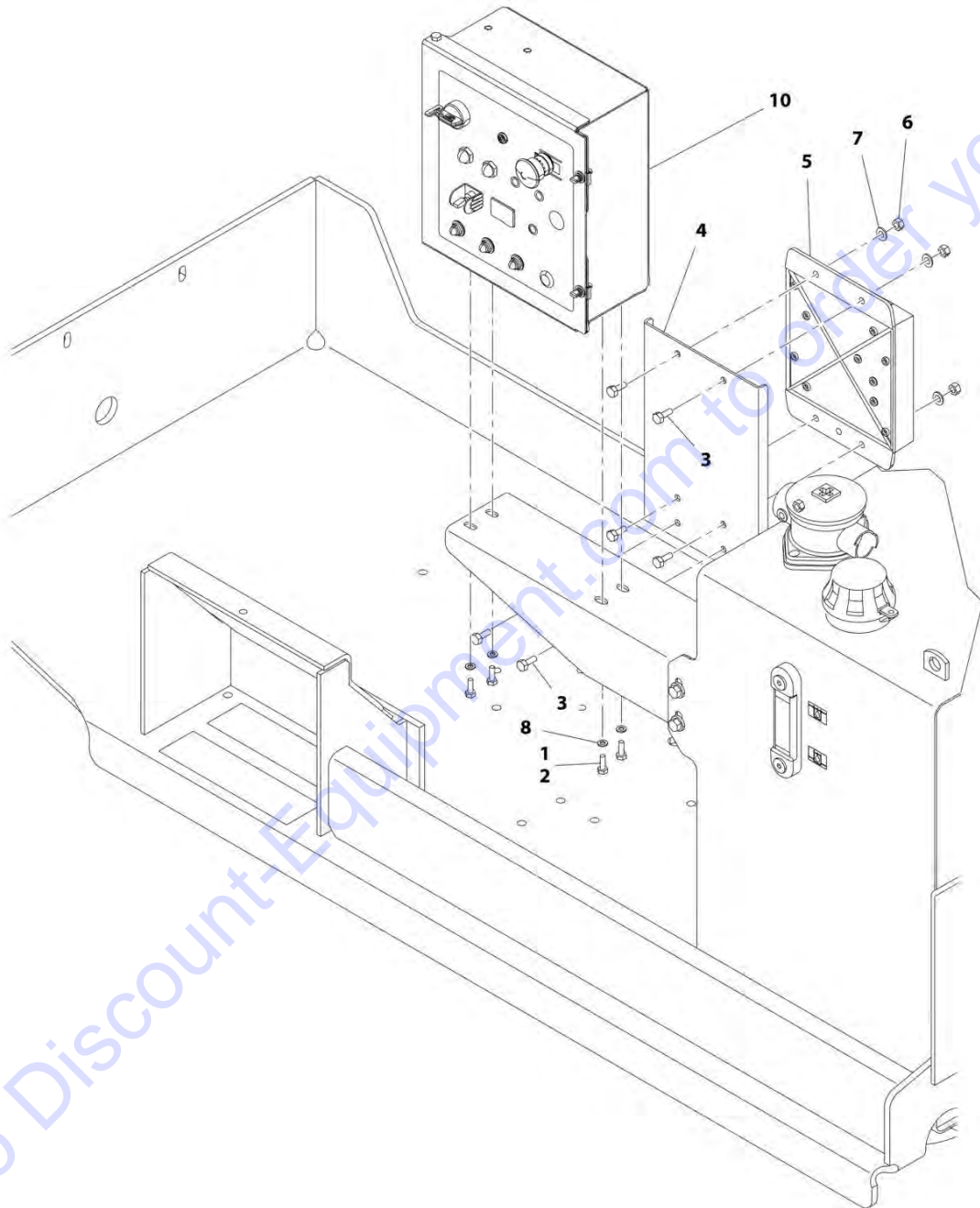
SECTION 2 - GROUND CONTROLS

FIGURE 2-19. GROUND CONTROL BOX INSTALLATION - DEUTZ D2011 ENGINE (CE SPECS WITH POWER OPTIONS MODULE) (SN 0200241796 to Present)

ITEM	PART NUMBER	QTY	DESCRIPTION	REV
	1001105908	Ref	GROUND CONTROL BOX INSTALLATION - DEUTZ D2011 ENGINE (CE SPECS WITH POWER OPTIONS MODULE) (SN 0200241796 to Present)	C
1	0100011	AR	Compound, Locking	
2	0271814	1	Ground Control Box Assembly (See GROUND CONTROL BOX ASSEMBLY for Breakdown)	
3	0641406	4	Bolt 1/4 x 3/4	
4	0641506	6	Bolt 5/16 x 3/4	
5	0902847	1	Bracket	
6		Ref	Module, Power Options:	
6		Ref	Note: Re-calibration Required when Replaced.	
6	1600336	NLA	Module (Use p/n 1001182481) (SN 0200241796 through 0200251330)	
6	1001182481	1	Module (SN 0200251331 to Present)	
7	3311505	6	Nut 5/16	
8	4711500	6	Washer 5/16	
9	4761400	4	Washer 1/4	
10	1001103489	1	Valve and Engine Harness (Not Shown - See ELECTRICAL SECTION for Breakdown)	

SECTION 2 - GROUND CONTROLS

FIGURE 2-20. GROUND CONTROL BOX INSTALLATION - DEUTZ D2011 ENGINE (CE SPECS WITH POWER OPTIONS MODULE AND WITH LOW TEMPERATURE CUTOUT)



ART_1001166279

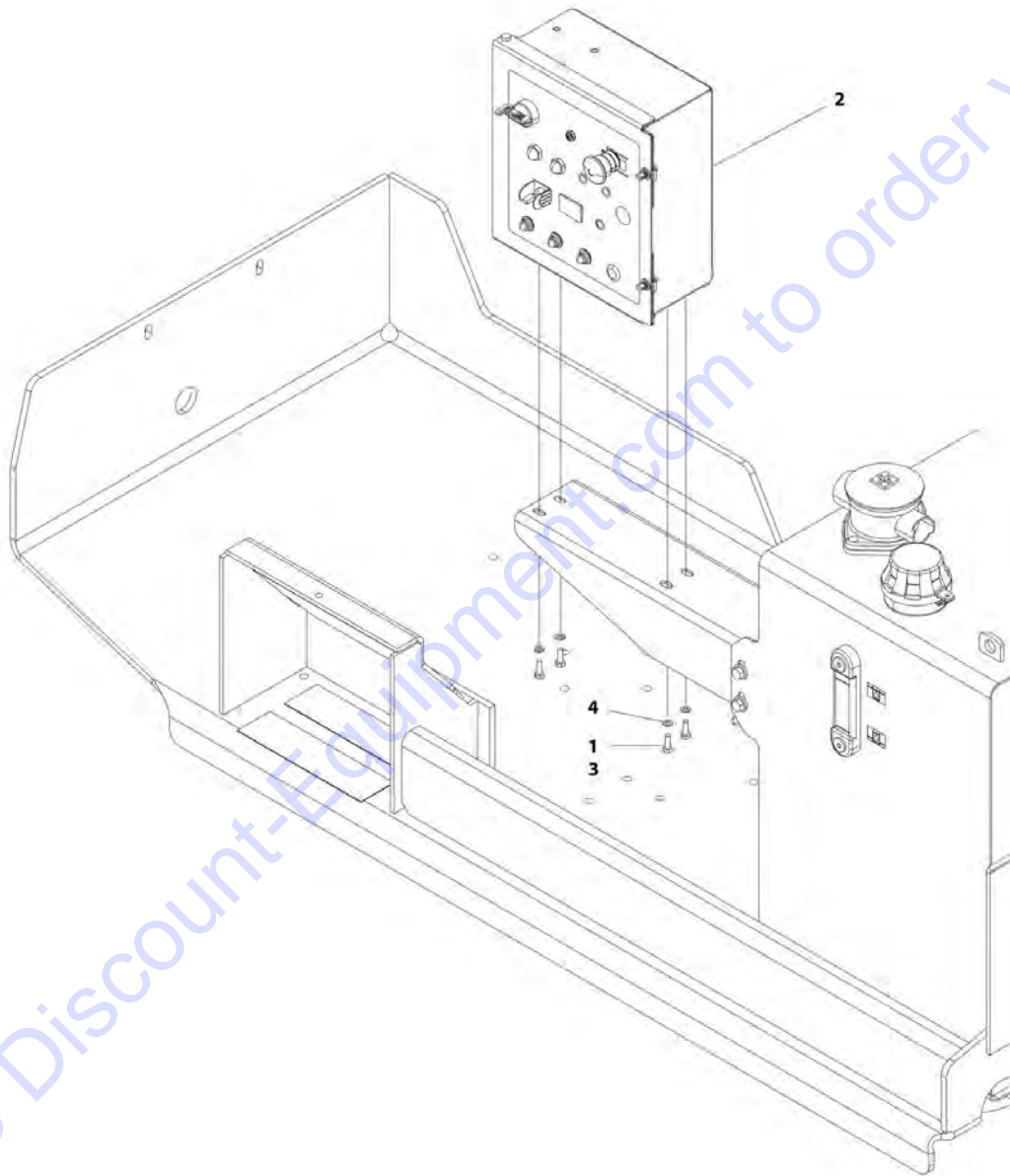
SECTION 2 - GROUND CONTROLS

FIGURE 2-20. GROUND CONTROL BOX INSTALLATION - DEUTZ D2011 ENGINE (CE SPECS WITH POWER OPTIONS MODULE AND WITH LOW TEMPERATURE CUTOUT)

ITEM	PART NUMBER	QTY	DESCRIPTION	REV
	1001166279	Ref	GROUND CONTROL BOX INSTALLATION - DEUTZ D2011 ENGINE (CE SPECS WITH POWER OPTIONS MODULE AND WITH LOW TEMPERATURE CUTOUT)	C
1	0100011	AR	Compound, Locking	
2	0641406	4	Bolt 1/4 x 3/4	
3	0641506	6	Bolt 5/16 x 3/4	
4	0902847	1	Bracket	
5		Ref	Module, Power Options:	
5		Ref	Note: Re-calibration Required when Replaced.	
5	1600336	NLA	Module (Use p/n 1001182481) (SN 0200239053 through 0200241191)	
5	1001182481	1	Module (SN 0200241192 to Present)	
6	3311505	6	Nut 5/16	
7	4711500	6	Washer 5/16	
8	4761400	4	Washer 1/4	
9		Ref	Valve and Engine Harness Options (Not Shown - See ELECTRICAL SECTION for Breakdown):	
9	1001147974	1	Harness (SN 0200239053 through 0200246032)	
9	1001103489	1	Harness (SN 0200246033 to Present)	
10	1001164207	1	Ground Control Box Assembly (See GROUND CONTROL BOX ASSEMBLY for Breakdown)	

SECTION 2 - GROUND CONTROLS

FIGURE 2-21. GROUND CONTROL BOX INSTALLATION - DEUTZ D2.9L4 ENGINE (ANSI, ANSI EXPORT & CSA SPECS WITHOUT POWER OPTIONS MODULE)



ART_1001148077

SECTION 2 - GROUND CONTROLS

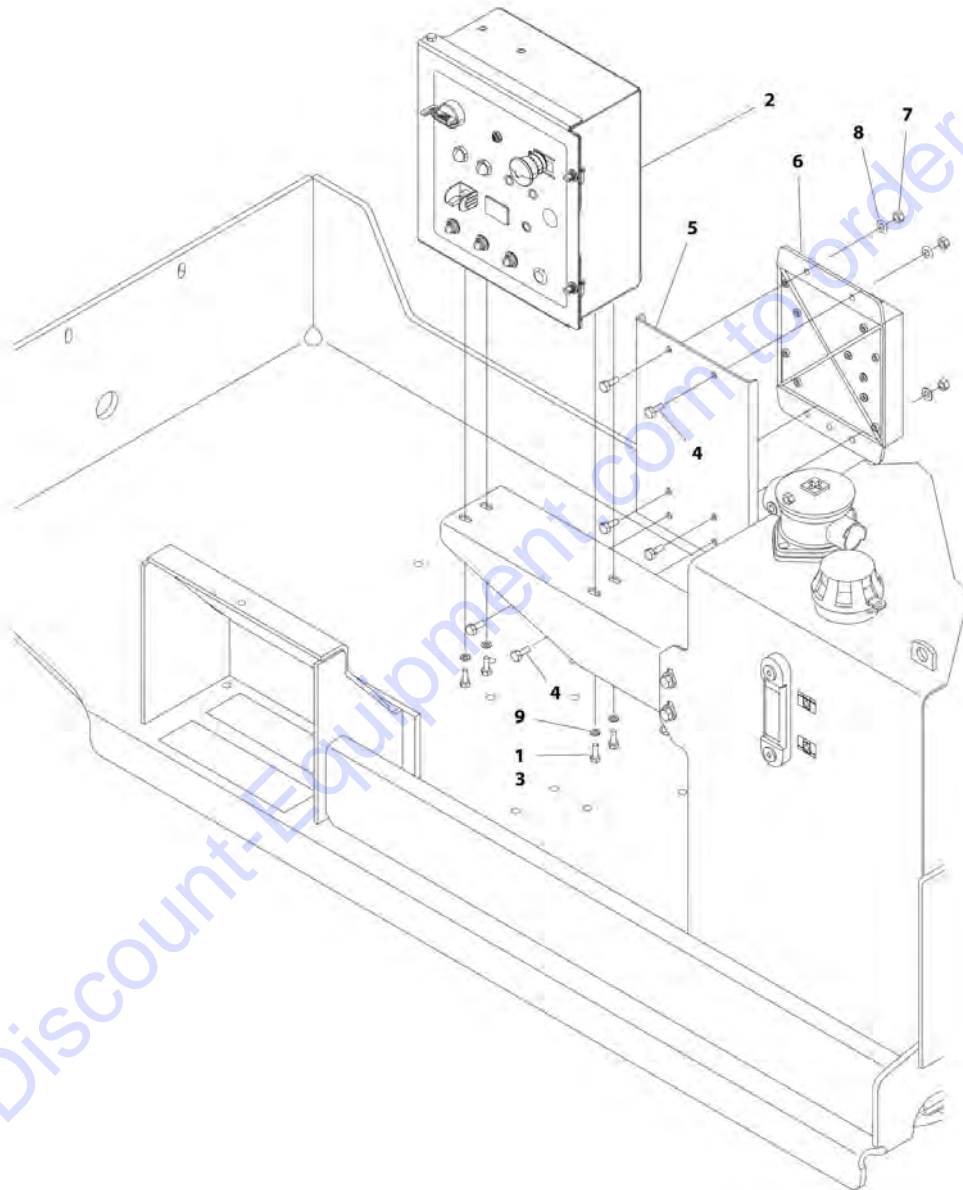
FIGURE 2-21. GROUND CONTROL BOX INSTALLATION - DEUTZ D2.9L4 ENGINE (ANSI, ANSI EXPORT & CSA SPECS WITHOUT POWER OPTIONS MODULE)

ITEM	PART NUMBER	QTY	DESCRIPTION	REV
	1001148077	Ref	GROUND CONTROL BOX INSTALLATION - DEUTZ D2.9L4 ENGINE (ANSI, ANSI EXPORT & CSA SPECS WITHOUT POWER OPTIONS MODULE)	E
1	0100011	AR	Compound, Locking	
2	0271813	1	Ground Control Box Assembly (See GROUND CONTROL BOX ASSEMBLY for Breakdown)	
3	0641406	4	Bolt 1/4 x 3/4	
4	4761400	4	Washer 1/4	
5	1001147974	1	Valve and Engine Harness (Not Shown - See ELECTRICAL SECTION for Breakdown)	

Go to Discount-Equipment.com to order your parts

SECTION 2 - GROUND CONTROLS

FIGURE 2-22. GROUND CONTROL BOX INSTALLATION - DEUTZ D2.9L4 ENGINE (ANSI & CSA SPECS WITH POWER OPTIONS MODULE)



ART_1001156037

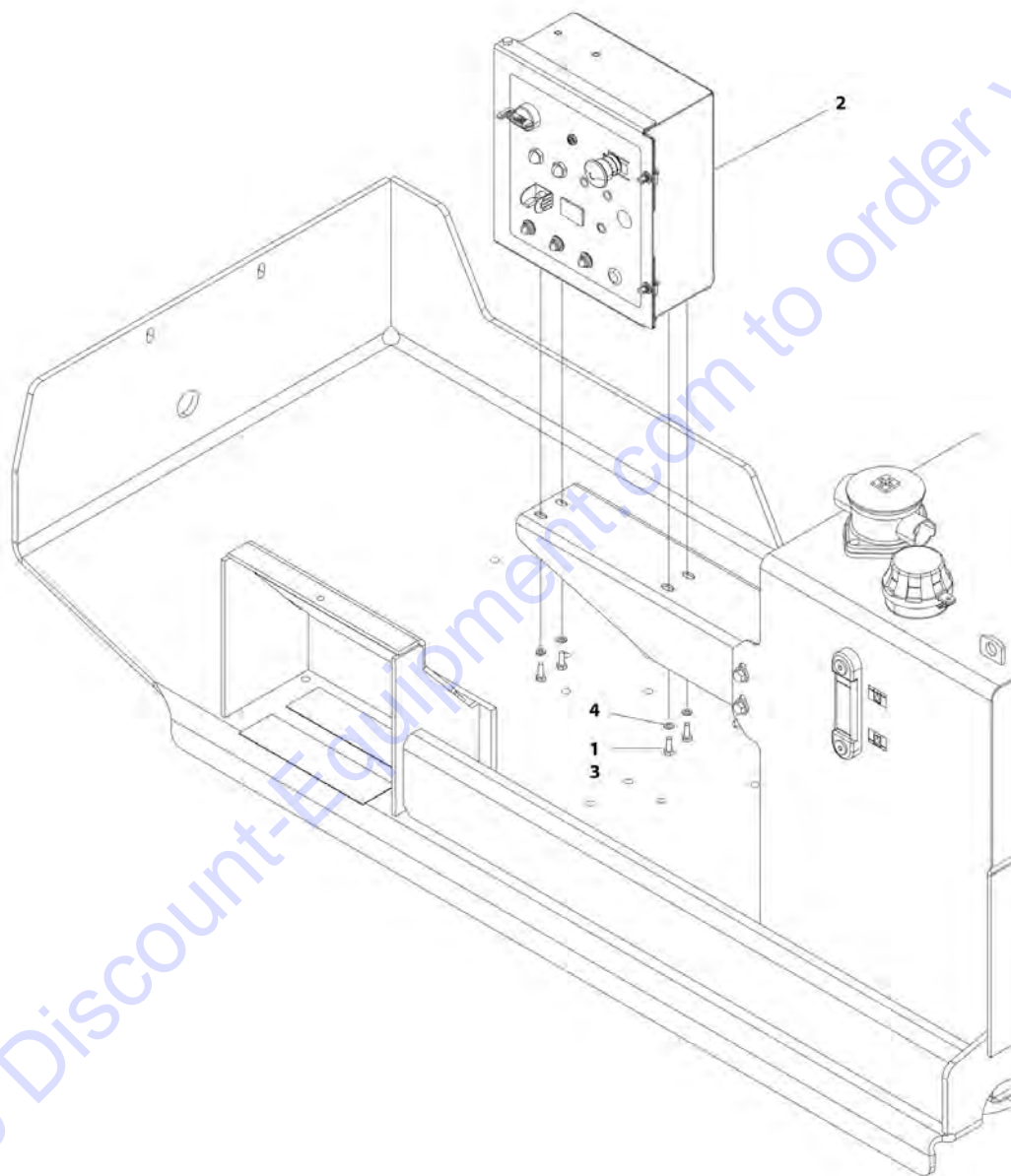
SECTION 2 - GROUND CONTROLS

FIGURE 2-22. GROUND CONTROL BOX INSTALLATION - DEUTZ D2.9L4 ENGINE (ANSI & CSA SPECS WITH POWER OPTIONS MODULE)

ITEM	PART NUMBER	QTY	DESCRIPTION	REV
	1001156037	Ref	GROUND CONTROL BOX INSTALLATION - DEUTZ D2.9L4 ENGINE (ANSI & CSA SPECS WITH POWER OPTIONS MODULE)	E
1	0100011	AR	Compound, Locking	
2	0271813	1	Ground Control Box Assembly (See GROUND CONTROL BOX ASSEMBLY for Breakdown)	
3	0641406	4	Bolt 1/4 x 3/4	
4	0641506	6	Bolt 5/16 x 3/4	
5	0902847	1	Bracket	
6		Ref	Module, Power Options:	
6		Ref	Note: Re-calibration Required when Replaced.	
6	1600336	NLA	Module (Use p/n 1001182481) (SN 0200239053 through 0200241191)	
6	1001182481	1	Module (SN 0200241192 to Present)	
7	3311505	6	Nut 5/16	
8	4711500	6	Washer 5/16	
9	4761400	4	Washer 1/4	
10	1001147974	1	Valve and Engine Harness (Not Shown - See ELECTRICAL SECTION for Breakdown)	

SECTION 2 - GROUND CONTROLS

FIGURE 2-23. GROUND CONTROL BOX INSTALLATION - GM ENGINE (ANSI, ANSI EXPORT & CSA WITHOUT POWER OPTIONS MODULE)



ART_1001105903

SECTION 2 - GROUND CONTROLS

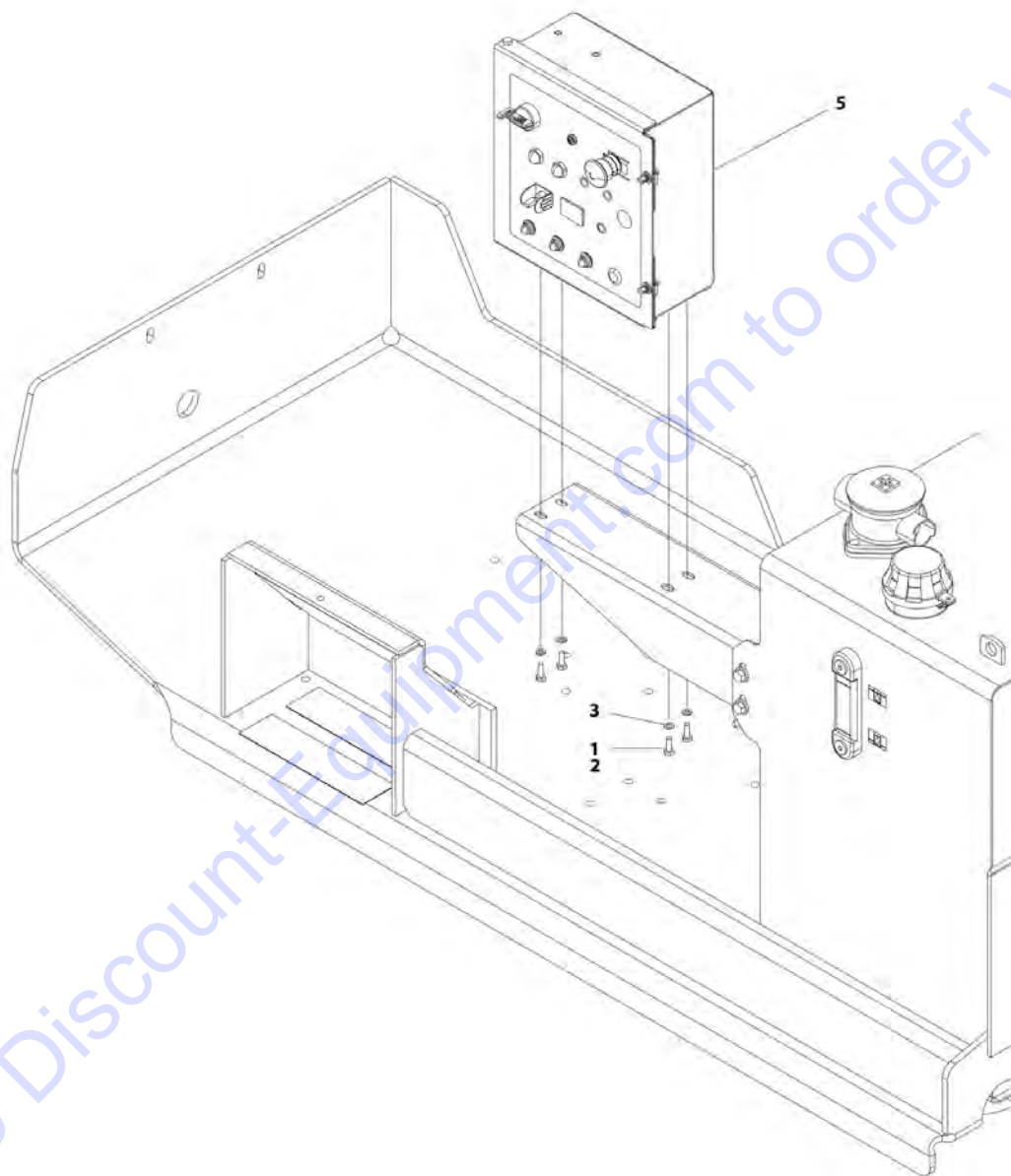
FIGURE 2-23. GROUND CONTROL BOX INSTALLATION - GM ENGINE (ANSI, ANSI EXPORT & CSA WITHOUT POWER OPTIONS MODULE)

ITEM	PART NUMBER	QTY	DESCRIPTION	REV
	1001105903	Ref	GROUND CONTROL BOX INSTALLATION - GM ENGINE (ANSI, ANSI EXPORT & CSA WITHOUT POWER OPTIONS MODULE)	C
1	0100011	AR	Compound, Locking	
2	0271812	1	Ground Control Box Assembly (See GROUND CONTROL BOX ASSEMBLY for Breakdown)	
3	0641406	4	Bolt 1/4 x 3/4	
4	4761400	4	Washer 1/4	
5	1001104890	1	Valve and Engine Harness (Not Shown - See ELECTRICAL SECTION for Breakdown)	

Go to Discount-Equipment.com to order your parts

SECTION 2 - GROUND CONTROLS

FIGURE 2-24. GROUND CONTROL BOX INSTALLATION - GM ENGINE (ANSI & CSA SPECS WITHOUT POWER OPTIONS MODULE AND WITH LOW TEMPERATURE CUTOUT)



ART_1001166274

SECTION 2 - GROUND CONTROLS

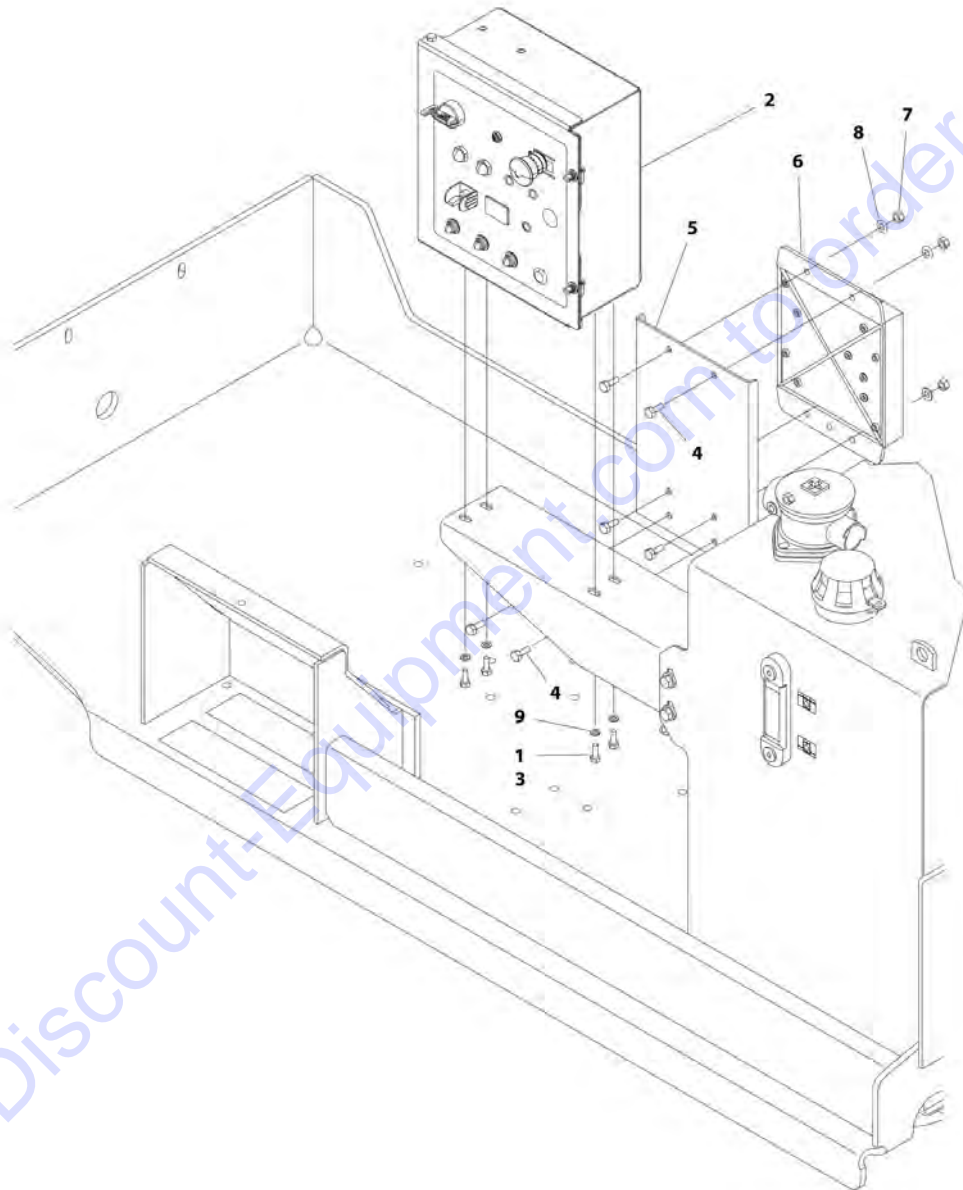
FIGURE 2-24. GROUND CONTROL BOX INSTALLATION - GM ENGINE (ANSI & CSA SPECS WITHOUT POWER OPTIONS MODULE AND WITH LOW TEMPERATURE CUTOUT)

ITEM	PART NUMBER	QTY	DESCRIPTION	REV
	1001166274	Ref	GROUND CONTROL BOX INSTALLATION - GM ENGINE (ANSI & CSA SPECS WITHOUT POWER OPTIONS MODULE AND WITH LOW TEMPERATURE CUTOUT)	B
1	0100011	AR	Compound, Locking	
2	0641406	4	Bolt 1/4 x 3/4	
3	4761400	4	Washer 1/4	
4	1001104890	1	Valve and Engine Harness (Not Shown - See ELECTRICAL SECTION for Breakdown)	
5	1001164188	1	Ground Control Box Assembly (See GROUND CONTROL BOX ASSEMBLY - WITH LOW TEMPERATURE CUTOUT for Breakdown)	

Go to Discount-Equipment.com to order your parts

SECTION 2 - GROUND CONTROLS

FIGURE 2-25. GROUND CONTROL BOX INSTALLATION - GM ENGINE (ANSI, ANSI EXPORT & CSA SPECS WITH POWER OPTIONS MODULE)



ART_1001105906

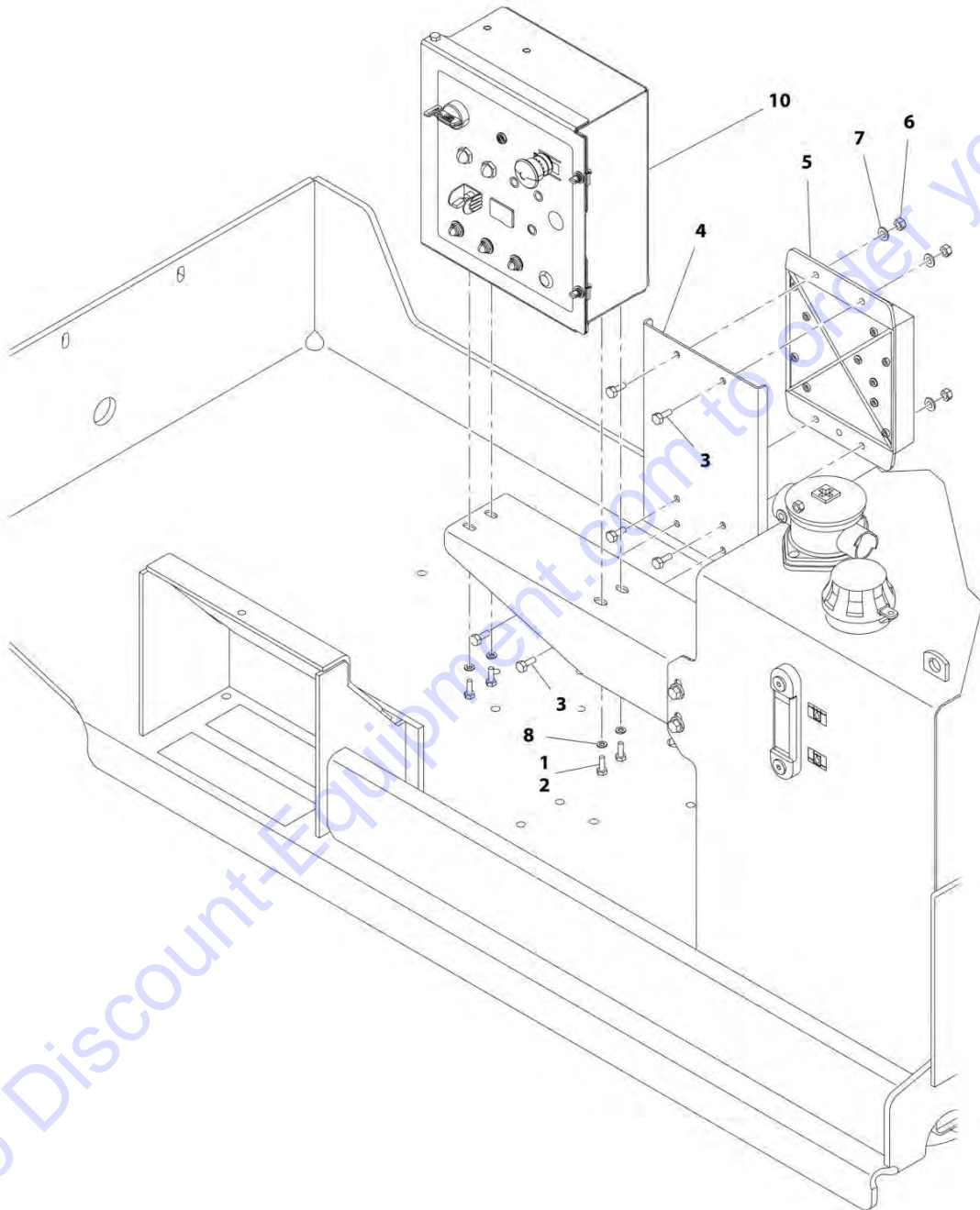
SECTION 2 - GROUND CONTROLS

FIGURE 2-25. GROUND CONTROL BOX INSTALLATION - GM ENGINE (ANSI, ANSI EXPORT & CSA SPECS WITH POWER OPTIONS MODULE)

ITEM	PART NUMBER	QTY	DESCRIPTION	REV
	1001105906	Ref	GROUND CONTROL BOX INSTALLATION - GM ENGINE (ANSI, ANSI EXPORT & CSA SPECS WITH POWER OPTIONS MODULE)	D
1	0100011	AR	Compound, Locking	
2	0271812	1	Ground Control Box Assembly (See GROUND CONTROL BOX ASSEMBLY for Breakdown)	
3	0641406	4	Bolt 1/4 x 3/4	
4	0641506	6	Bolt 5/16 x 3/4	
5	0902847	1	Bracket	
6		Ref	Module, Power Options:	
6		Ref	Note: Re-calibration Required when Replaced.	
6	1600336	NLA	Module (Use p/n 1001182481) (SN 0200239053 through 0200241191)	
6	1001182481	1	Module (SN 0200241192 to Present)	
7	3311505	6	Nut 5/16	
8	4711500	6	Washer 5/16	
9	4761400	4	Washer 1/4	
10	1001104890	1	Valve and Engine Harness (Not Shown - See ELECTRICAL SECTION for Breakdown)	

SECTION 2 - GROUND CONTROLS

FIGURE 2-26. GROUND CONTROL BOX INSTALLATION - GM ENGINE (ANSI & CSA SPECS WITH POWER OPTIONS MODULE AND WITH LOW TEMPERATURE CUTOUT)



ART_1001166275

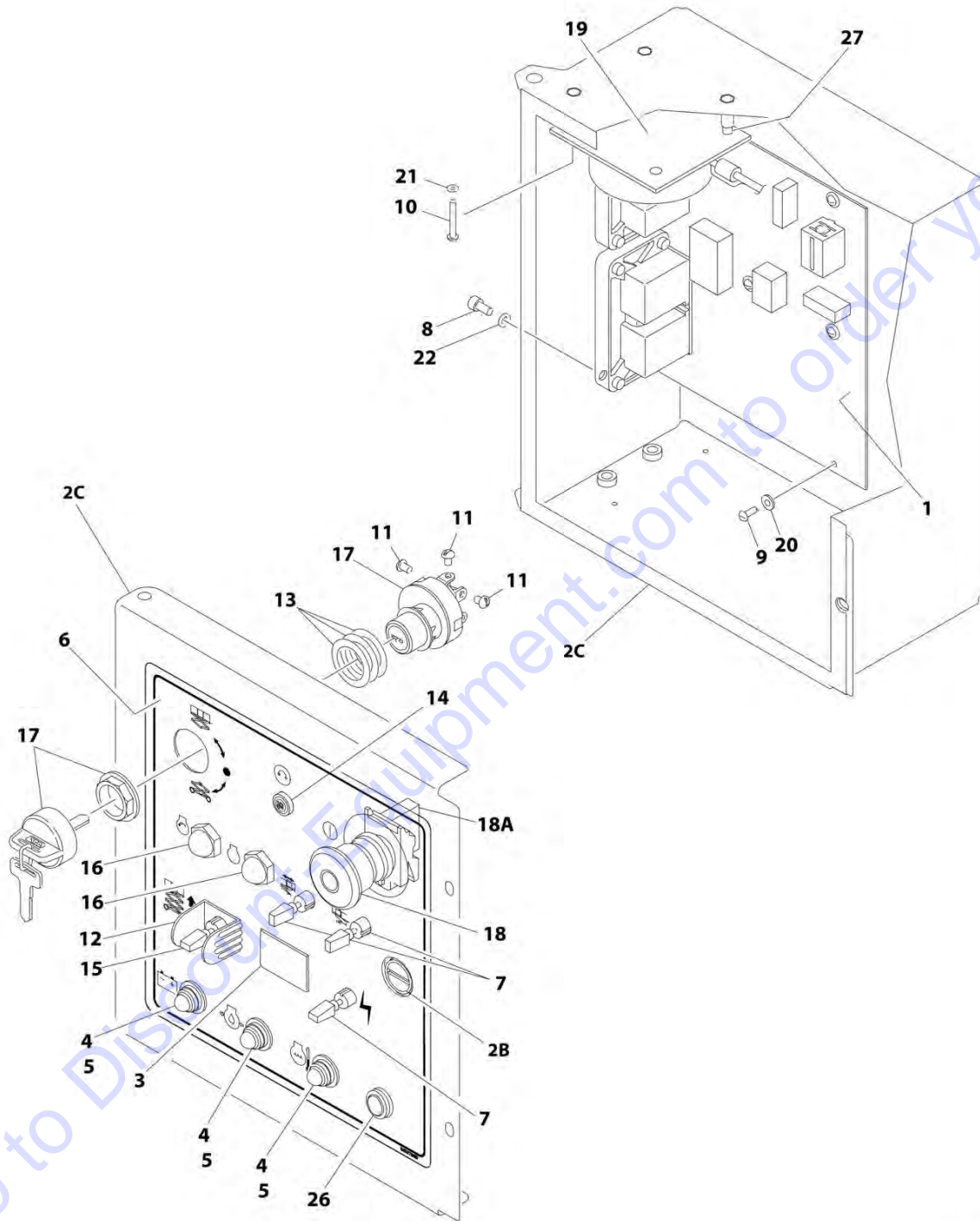
SECTION 2 - GROUND CONTROLS

FIGURE 2-26. GROUND CONTROL BOX INSTALLATION - GM ENGINE (ANSI & CSA SPECS WITH POWER OPTIONS MODULE AND WITH LOW TEMPERATURE CUTOUT)

ITEM	PART NUMBER	QTY	DESCRIPTION	REV
	1001166275	Ref	GROUND CONTROL BOX INSTALLATION - GM ENGINE (ANSI & CSA SPECS WITH POWER OPTIONS MODULE AND WITH LOW TEMPERATURE CUTOUT)	D
1	0100011	AR	Compound, Locking	
2	0641406	4	Bolt 1/4 x 3/4	
3	0641506	6	Bolt 5/16 x 3/4	
4	0902847	1	Bracket	
5		Ref	Module, Power Options:	
5		Ref	Note: Re-calibration Required when Replaced.	
5	1600336	NLA	Module (Use p/n 1001182481) (SN 0200239053 through 0200241191)	
5	1001182481	1	Module (SN 0200241192 to Present)	
6	3311505	6	Nut 5/16	
7	4711500	6	Washer 5/16	
8	4761400	4	Washer 1/4	
9	1001104890	1	Valve and Engine Harness (Not Shown - See ELECTRICAL SECTION for Breakdown)	
10	1001164188	1	Ground Control Box Assembly (See GROUND CONTROL BOX ASSEMBLY - WITH LOW TEMPERATURE CUTOUT for Breakdown)	

SECTION 2 - GROUND CONTROLS

FIGURE 2-27. GROUND CONTROL BOX ASSEMBLY - DEUTZ ENGINE WITHOUT LOW TEMPERATURE CUTOUT (ALL SPECS WITHOUT CE SPECS)



ART_0271813

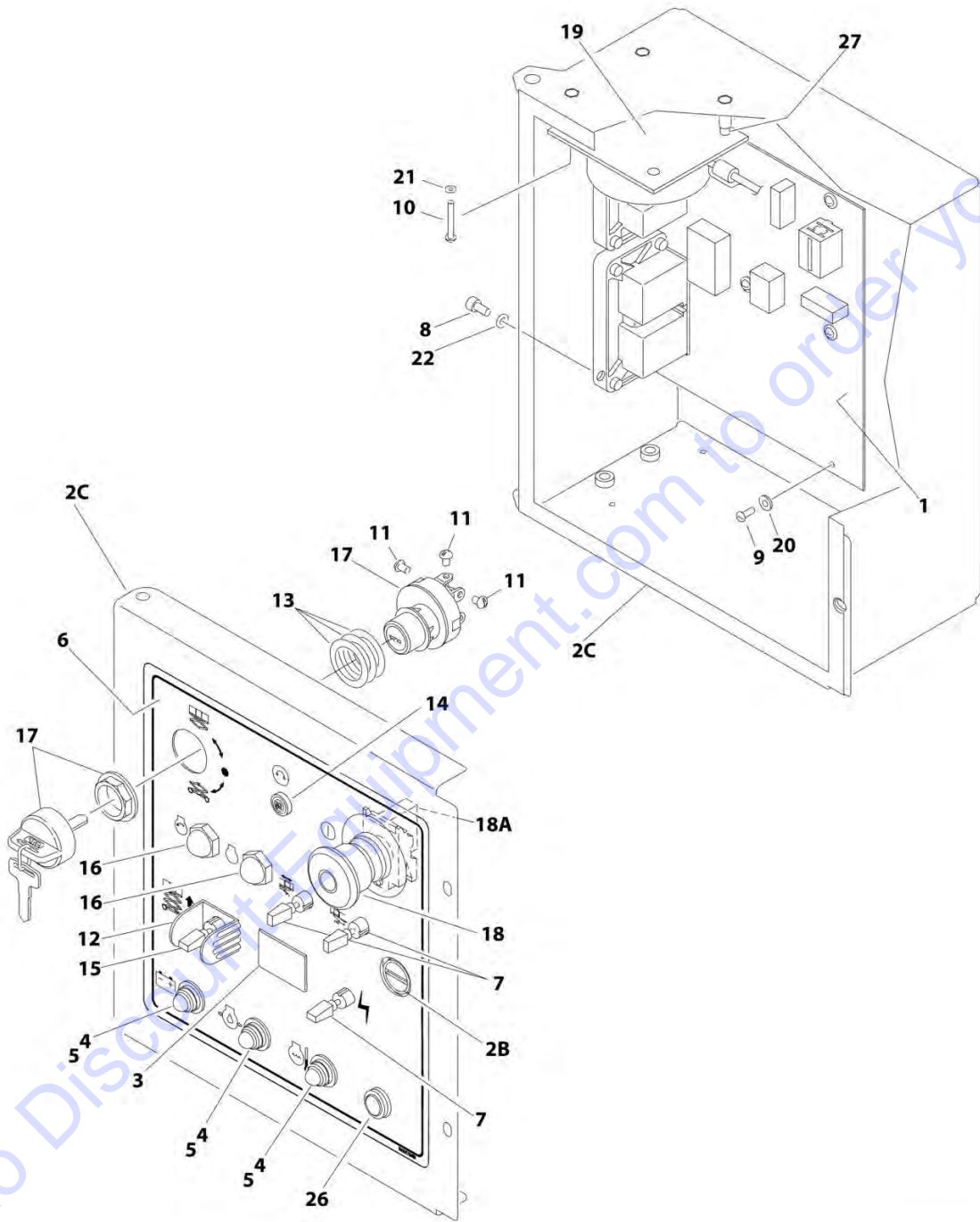
SECTION 2 - GROUND CONTROLS

FIGURE 2-27. GROUND CONTROL BOX ASSEMBLY - DEUTZ ENGINE WITHOUT LOW TEMPERATURE CUTOUT (ALL SPECS WITHOUT CE SPECS)

ITEM	PART NUMBER	QTY	DESCRIPTION	REV
		Ref	Note: For machines with ground control box with cover refer to SPECIAL OPTIONS SECTION.	
	0271813	Ref	GROUND CONTROL BOX ASSEMBLY - DEUTZ ENGINE WITHOUT LOW TEMPERATURE CUTOUT (ALL SPECS WITHOUT CE SPECS)	AE
1		Ref	Module, Ground Control Options:	
1		Ref	Note: Re-calibration Required when Replaced.	
1	1001091731	NLA	Module (Use p/n 1001135570) (SN 0200239053 through 0200246391)	
1	1001135570	1	Module (SN 0200246392 to Present)	
2		Ref	Box Assembly Options:	
2A	0861508	1	Box Assembly (Not Shown) (SN 0200239053 through 0200246032)	
2B	7023212	1	Latch (0861508 Box)	
2C	1001177617	1	Box Assembly (See BOX COMPONENTS for Breakdown) (SN 0200246033 to Present)	
3	2420172	1	Hourmeter	
4	2920026	3	Holder, Lamp	
5	2920029	3	Bulb, Light	
6	1705688	1	Nameplate/Decal	
7	3520028	3	Plug, Hole	
8	3900300	8	Screw	
9	3910606	4	Screw #6 x 3/8	
10	3910616	4	Screw #6 x 1	
11	3910804	3	Screw #8 x 1/4	
12	4060802	1	Guard, Switch	
13	4070987	1	Shim .015	
14	4360070	1	Breaker, Circuit 15Amp	
15	4360328	1	Switch, Toggle	
16	4360387	2	Switch, Push Button	
17	4360469	1	Keyswitch	
17	2860030	1	Key, Replacement	
18	4360475	1	Switch, Push-Pull Emergency Stop	
18	7020175	1	Cap	
18A	7020176	1	Block, Contact	
19	1810140	1	Switch, Dual Axis	
19	4460321	1	Plug, Male - 4 Position	
19	4460267	4	Pin, Male	
20	4750600	4	Washer #6	
21	4760600	4	Washer #6	
22	4761000	8	Washer #10	
24	4922667	1	Ground Control Box Harness (Not Shown - See ELECTRICAL SECTION for Breakdown)	
26	3520193	1	Plug 7/8	
27	1001102512	4	Washer, Spacer	

SECTION 2 - GROUND CONTROLS

FIGURE 2-28. GROUND CONTROL BOX ASSEMBLY - DEUTZ ENGINE WITHOUT LOW TEMPERATURE CUTOUT (CE SPEC)



ART_0271814

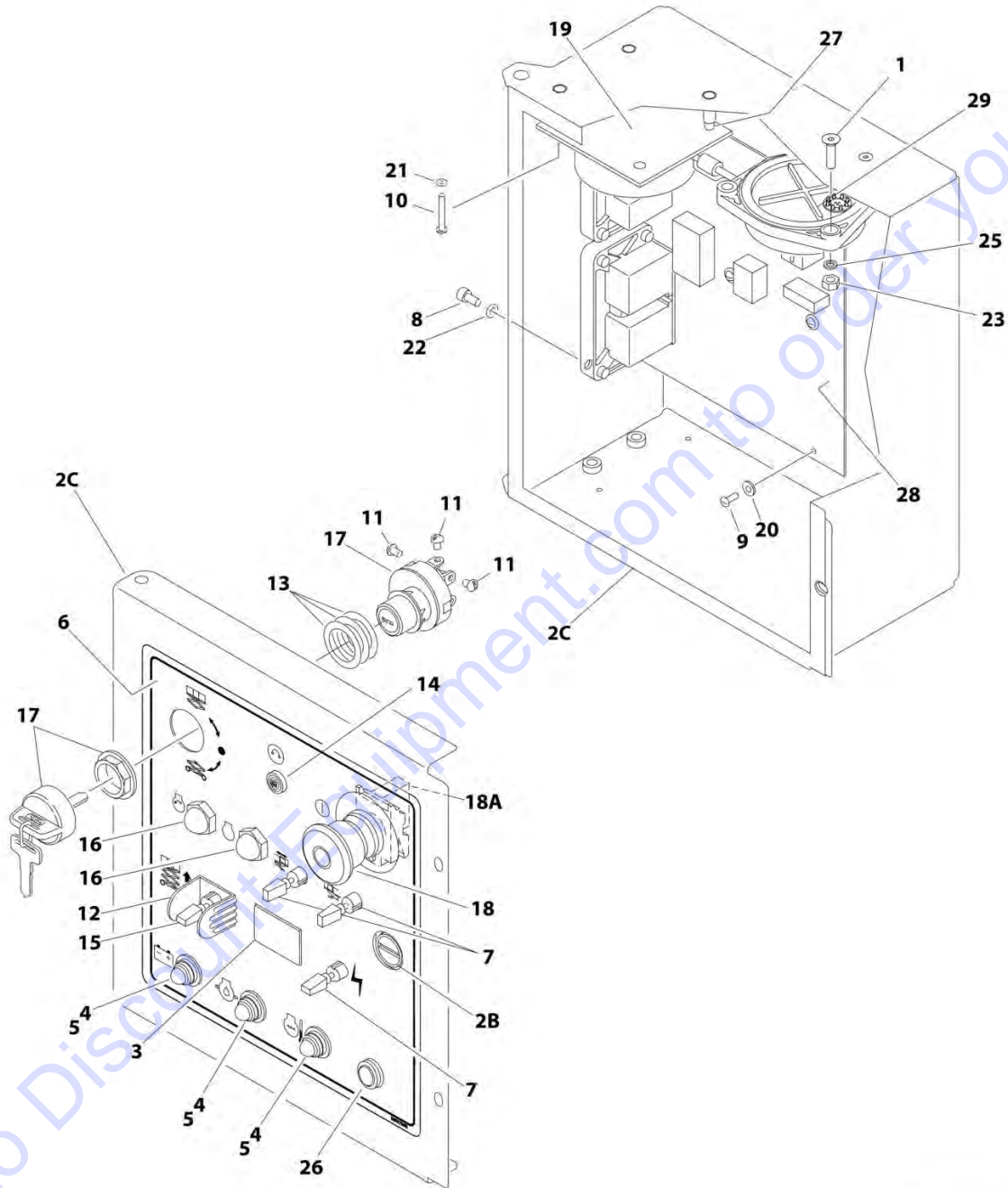
SECTION 2 - GROUND CONTROLS

FIGURE 2-28. GROUND CONTROL BOX ASSEMBLY - DEUTZ ENGINE WITHOUT LOW TEMPERATURE CUTOFF (CE SPEC)

ITEM	PART NUMBER	QTY	DESCRIPTION	REV
		Ref	Note: For machines with ground control box with cover refer to SPECIAL OPTIONS SECTION.	
	0271814	Ref	GROUND CONTROL BOX ASSEMBLY - DEUTZ ENGINE WITHOUT LOW TEMPERATURE CUTOFF (CE SPEC)	AD
1		Ref	Module, Ground Control Options:	
1		Ref	Note: Re-calibration Required when Replaced.	
1	1001091731	NLA	Module (Use p/n 1001135570) (SN 0200239053 through 0200246391)	
1	1001135570	1	Module (SN 0200246392 to Present)	
2		Ref	Box Assembly Options:	
2A	0861508	1	Box Assembly (Not Shown) (SN 0200239053 through 0200246032)	
2B	7023212	1	Latch (0861508 Box)	
2C	1001177617	1	Box Assembly (See BOX COMPONENTS for Breakdown) (SN 0200246033 to Present)	
3	2420172	1	Hourmeter	
4	2920026	3	Holder, Lamp	
5	2920029	3	Bulb, Light	
6	1705688	1	Nameplate/Decal	
7	3520028	3	Plug, Hole	
8	3900300	8	Screw	
9	3910606	4	Screw #6 x 3/8	
10	3910616	4	Screw #6 x 1	
11	3910804	3	Screw #8 x 1/4	
12	4060802	1	Guard, Switch	
13	4070987	1	Shim .015	
14	4360070	1	Breaker, Circuit 15Amp	
15	4360328	1	Switch, Toggle	
16	4360387	2	Switch, Push Button	
17	4360470	1	Keyswitch (SN 0200239053 through 0200246391)	
17	4360469	1	Keyswitch (SN 0200246392 to Present)	
17	2860030	1	Key, Replacement	
18	4360475	1	Switch, Push-Pull Emergency Stop	
18	7020175	1	Cap	
18A	7020176	1	Block, Contact	
19	1810140	1	Switch, Dual Axis	
19	4460321	1	Plug, Male - 4 Position	
19	4460267	4	Pin, Male	
20	4750600	4	Washer #6	
21	4760600	4	Washer #6	
22	4761000	8	Washer #10	
24	4922667	1	Ground Control Box Harness (Not Shown - See ELECTRICAL SECTION for Breakdown)	
26	3520193	1	Plug 7/8	
27	1001102512	4	Washer, Spacer	

SECTION 2 - GROUND CONTROLS

FIGURE 2-29. GROUND CONTROL BOX ASSEMBLY - DEUTZ ENGINE WITH LOW TEMPERATURE CUTOUT (ALL SPECS EXCEPT CE SPEC)



ART_1001164393

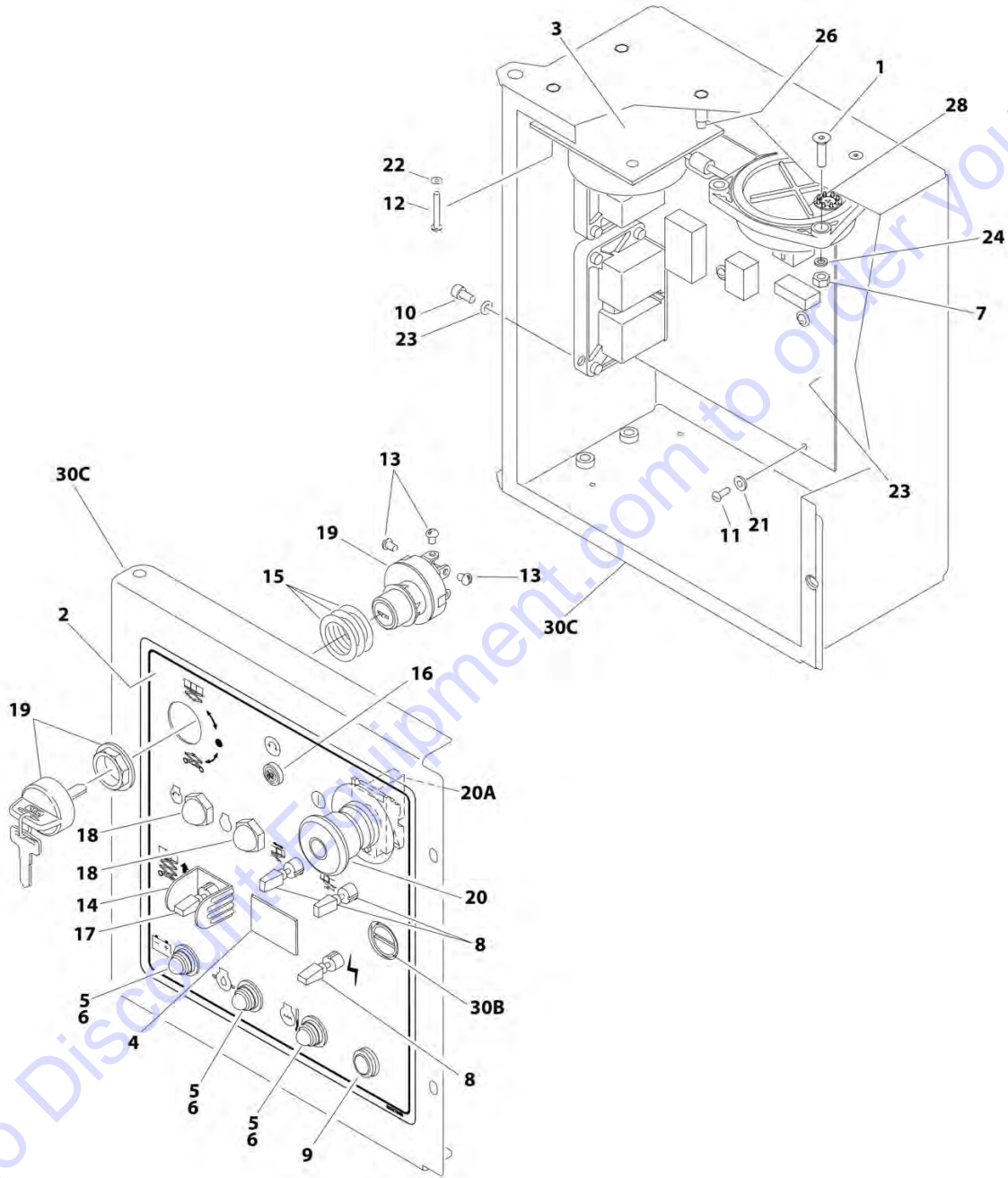
SECTION 2 - GROUND CONTROLS

FIGURE 2-29. GROUND CONTROL BOX ASSEMBLY - DEUTZ ENGINE WITH LOW TEMPERATURE CUTOUT (ALL SPECS EXCEPT CE SPEC)

ITEM	PART NUMBER	QTY	DESCRIPTION	REV
		Ref	Note: For machines with ground control box with cover refer to SPECIAL OPTIONS SECTION.	
	1001164393	Ref	GROUND CONTROL BOX ASSEMBLY - DEUTZ ENGINE WITH LOW TEMPERATURE CUTOUT (ALL SPECS EXCEPT CE SPEC)	D
1	0741408	3	Screw 1/4 x 1	
2		Ref	Box Assembly Options:	
2A	1001164187	1	Box Assembly (Not Shown) (SN 0200239053 through 0200246032)	
2B	7023212	1	Latch (1001164187 Box)	
2C	1001187559	1	Box Assembly (See BOX COMPONENTS for Breakdown) (SN 0200246033 to Present)	
3	2420172	1	Hourmeter	
4	2920026	3	Holder, Lamp	
5	2920029	3	Bulb, Light	
6	1705688	1	Nameplate/Decal	
7	3520028	3	Plug, Hole	
8	3900300	8	Screw	
9	3910606	4	Screw #6 x 3/8	
10	3910616	4	Screw #6 x 1	
11	3910804	3	Screw #8 x 1/4	
12	4060802	1	Guard, Switch	
13	4070987	1	Shim .015	
14	4360070	1	Breaker, Circuit 15Amp	
15	4360328	1	Switch, Toggle	
16	4360387	2	Switch, Push Button	
17	4360469	1	Keyswitch	
17	2860030	1	Key, Replacement	
18	4360475	1	Switch, Push-Pull Emergency Stop	
18	7020175	1	Cap	
18A	7020176	1	Block, Contact	
19	1810140	1	Switch, Dual Axis	
19	4460321	1	Plug, Male - 4 Position	
19	4460267	4	Pin, Male	
20	4750600	4	Washer #6	
21	4760600	4	Washer #6	
22	4761000	8	Washer #10	
23	3271405	3	Nut 1/4	
24	4922667	1	Ground Control Box Harness (Not Shown - See ELECTRICAL SECTION for Breakdown)	
25	4761200	3	Washer #12	
26	3520193	1	Plug 7/8	
27	1001102512	4	Washer, Spacer	
28	1001135570	1	Module, Control (Note: Re-calibration Required when Replaced)	
29	1001163095	1	Sensor, Tilt	
30	1001164103	1	Harness, Temperature Sensor (Not Shown - See ELECTRICAL SECTION for Breakdown)	

SECTION 2 - GROUND CONTROLS

FIGURE 2-30. GROUND CONTROL BOX ASSEMBLY - DEUTZ D2011 ENGINE WITH LOW TEMPERATURE CUTOUT (ANSI EXPORT SPEC)



ART_1001164207

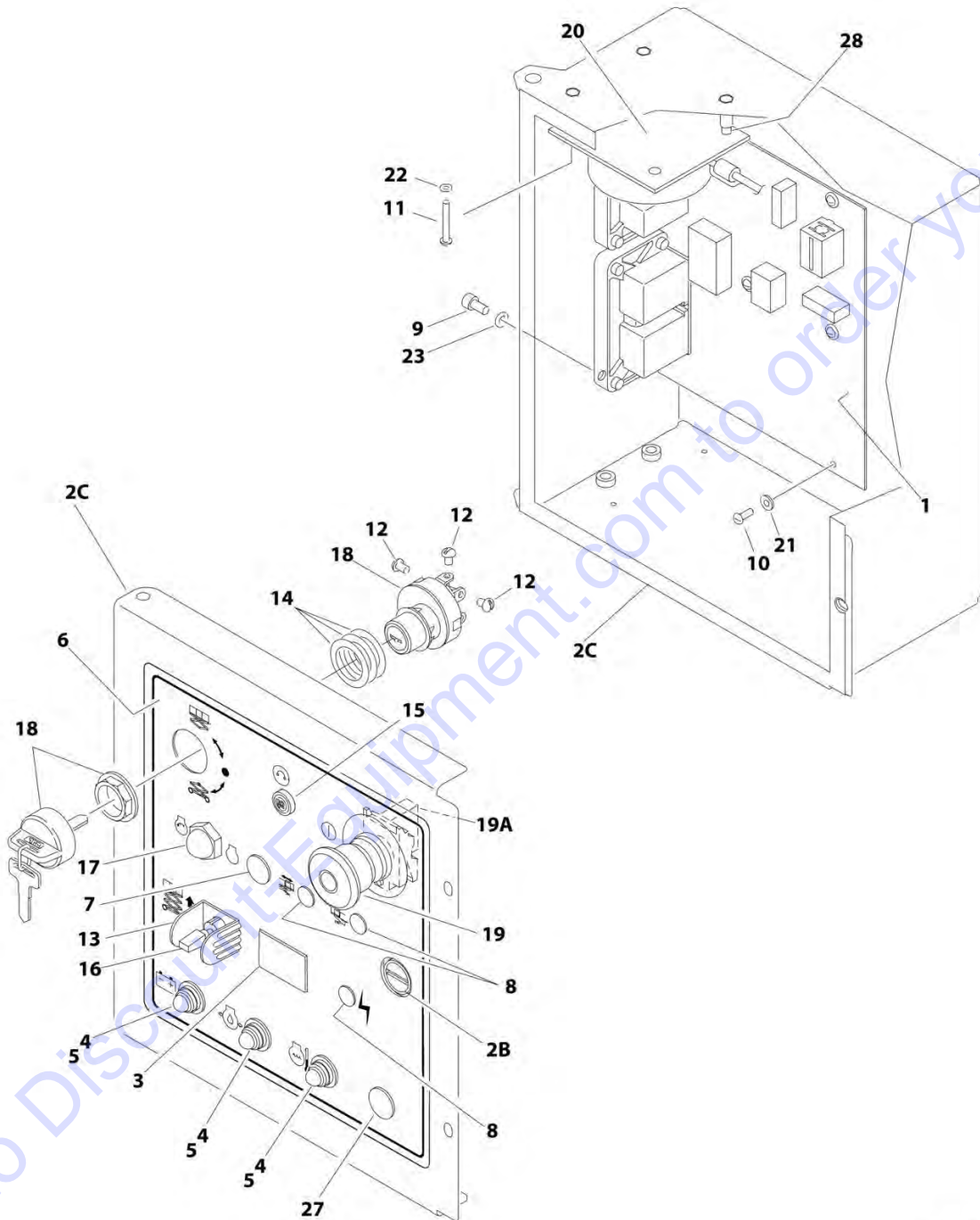
SECTION 2 - GROUND CONTROLS

FIGURE 2-30. GROUND CONTROL BOX ASSEMBLY - DEUTZ D2011 ENGINE WITH LOW TEMPERATURE CUTOUT (ANSI EXPORT SPEC)

ITEM	PART NUMBER	QTY	DESCRIPTION	REV
		Ref	Note: For machines with ground control box with cover refer to SPECIAL OPTIONS SECTION.	
	1001164207	Ref	GROUND CONTROL BOX ASSEMBLY - DEUTZ D2011 ENGINE WITH LOW TEMPERATURE CUTOUT (ANSI EXPORT SPEC)	B
1	0741408	3	Screw 1/4 x 1	
2	1705688	1	Decal - Nameplate	
3	1810140	1	Switch, Dual Axis	
3	4460321	1	Plug, Male - 4 Position	
3	4460267	1	Pin, Male	
4	2420172	1	Hourmeter	
5	2920026	3	Holder, Lamp	
6	2920029	3	Bulb, Light	
7	3271405	3	Nut 1/4	
8	3520028	3	Plug, Hole	
9	3520193	1	Plug 7/8	
10	3900300	8	Screw	
11	3910606	4	Screw #6 x 3/8	
12	3910616	4	Screw #6 x 1	
13	3910804	3	Screw #8 x 1/4	
14	4060802	1	Guard, Switch	
15	4070987	1	Shim .015	
16	4360070	1	Breaker, Circuit 15Amp	
17	4360328	1	Switch, Toggle	
18	4360387	2	Switch, Push Button	
19	4360469	1	Keyswitch	
19	2860030	1	Key, Replacement	
20	4360475	1	Switch, Push-Pull Emergency Stop	
20	7020175	1	Cap	
20A	7020176	1	Block, Contact	
21	4750600	4	Washer #6	
22	4760600	4	Washer #6	
23	4761000	8	Washer #10	
24	4761200	3	Washer #12	
25	4922667	1	Ground Control Box Harness (Not Shown - See ELECTRICAL SECTION for Breakdown)	
26	1001102512	4	Washer, Spacer	
27	1001135570	1	Module, Control (Note: Re-calibration Required when Replaced)	
28	1001163095	1	Sensor, Tilt	
29	1001164103	1	Harness, Temperature Sensor (Not Shown - See ELECTRICAL SECTION for Breakdown)	
30		Ref	Box Assembly Options:	
30A	1001164187	1	Box Assembly (Not Shown) (SN 0200239053 through 0200246032)	
30B	7023212	1	Latch (1001164187 Box)	
30C	1001187559	1	Box Assembly (See BOX COMPONENTS for Breakdown) (SN 0200246033 to Present)	

SECTION 2 - GROUND CONTROLS

FIGURE 2-31. GROUND CONTROL BOX ASSEMBLY - GM ENGINE WITHOUT LOW TEMPERATURE CUTOUT



ART. 0271812

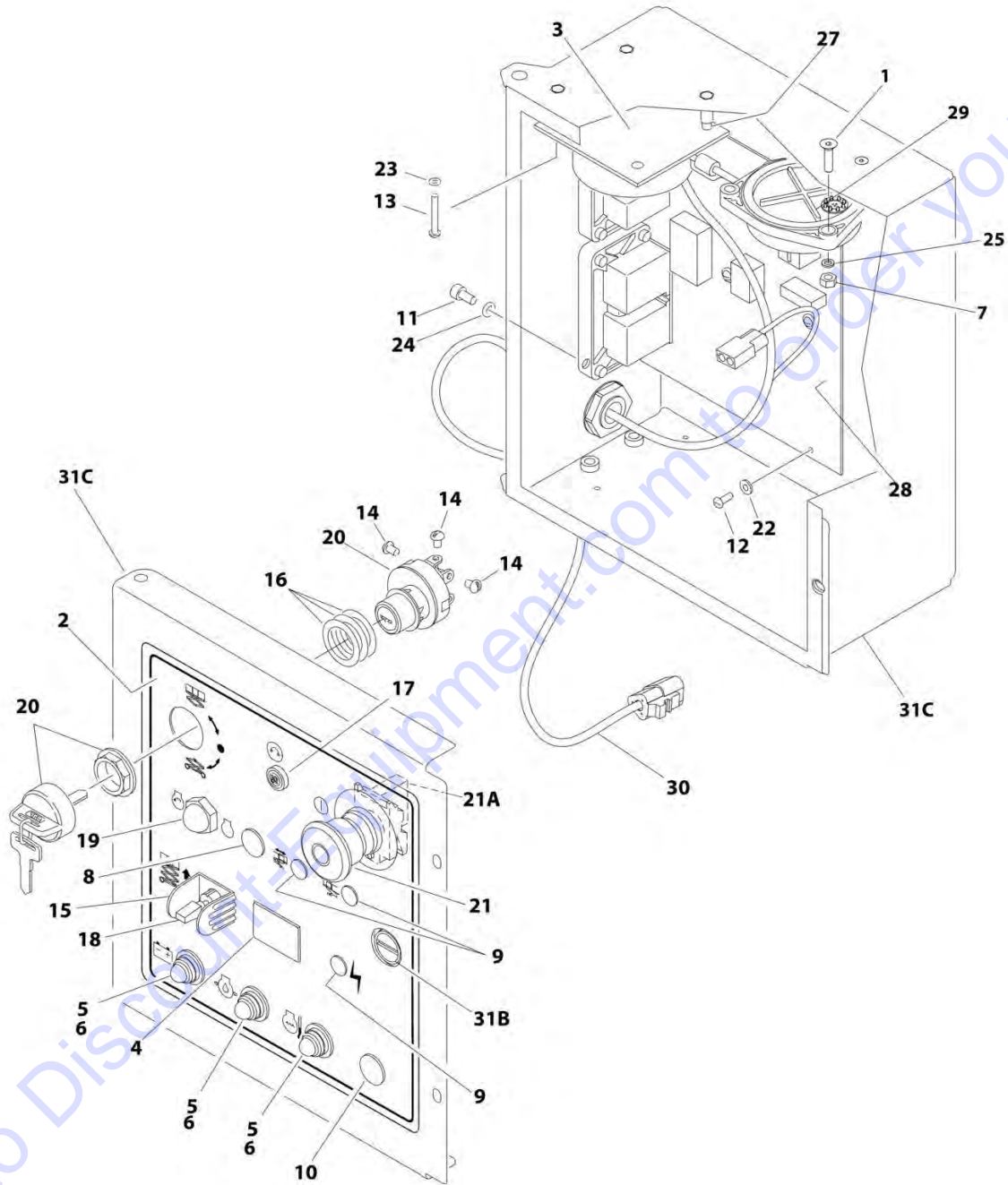
SECTION 2 - GROUND CONTROLS

FIGURE 2-31. GROUND CONTROL BOX ASSEMBLY - GM ENGINE WITHOUT LOW TEMPERATURE CUTOUT

ITEM	PART NUMBER	QTY	DESCRIPTION	REV
		Ref	Note: For machines with ground control box with cover refer to SPECIAL OPTIONS SECTION.	
	0271812	Ref	GROUND CONTROL BOX ASSEMBLY - GM ENGINE WITHOUT LOW TEMPERATURE CUTOUT	AD
1	1001135570	1	Module, Control (Note: Re-calibration Required when Replaced)	
2		Ref	Box Assembly Options:	
2A	0861508	1	Box Assembly (Not Shown) (SN 0200239053 through 0200246032)	
2B	7023212	1	Latch (0861508 Box)	
2C	1001177617	1	Box Assembly (See BOX COMPONENTS for Breakdown) (SN 0200246033 to Present)	
3	2420172	1	Hourmeter	
4	2920026	3	Holder, Lamp	
5	2920029	3	Bulb, Light	
6	1705688	1	Nameplate/Decal	
7	3520026	1	Plug, Hole	
8	3520028	3	Plug, Hole	
9	3900300	8	Screw	
10	3910606	4	Screw #6 x 3/8	
11	3910616	4	Screw #6 x 1	
12	3910804	3	Screw #8 x 1/4	
13	4060802	1	Guard, Switch	
14	4070987	1	Shim .015	
15	4360070	1	Breaker, Circuit 15Amp	
16	4360328	1	Switch, Toggle	
17	4360387	1	Switch, Push Button	
18	4360469	1	Keyswitch	
18	2860030	1	Key, Replacement	
19	4360475	1	Switch, Push-Pull Emergency Stop	
19	7020175	1	Cap	
19A	7020176	1	Block, Contact	
20	1810140	1	Switch, Dual Axis	
20	4460321	1	Plug, Male - 4 Position	
20	4460267	4	Pin, Male	
21	4750600	4	Washer #6	
22	4760600	4	Washer #6	
23	4761000	8	Washer #10	
25	4922667	1	Ground Control Box Harness (Not Shown - See ELECTRICAL SECTION for Breakdown)	
27	3520193	1	Plug 7/8	
28	1001102512	4	Washer, Spacer	

SECTION 2 - GROUND CONTROLS

FIGURE 2-32. GROUND CONTROL BOX ASSEMBLY - GM ENGINE WITH LOW TEMPERATURE CUTOUT



ART_1001164188

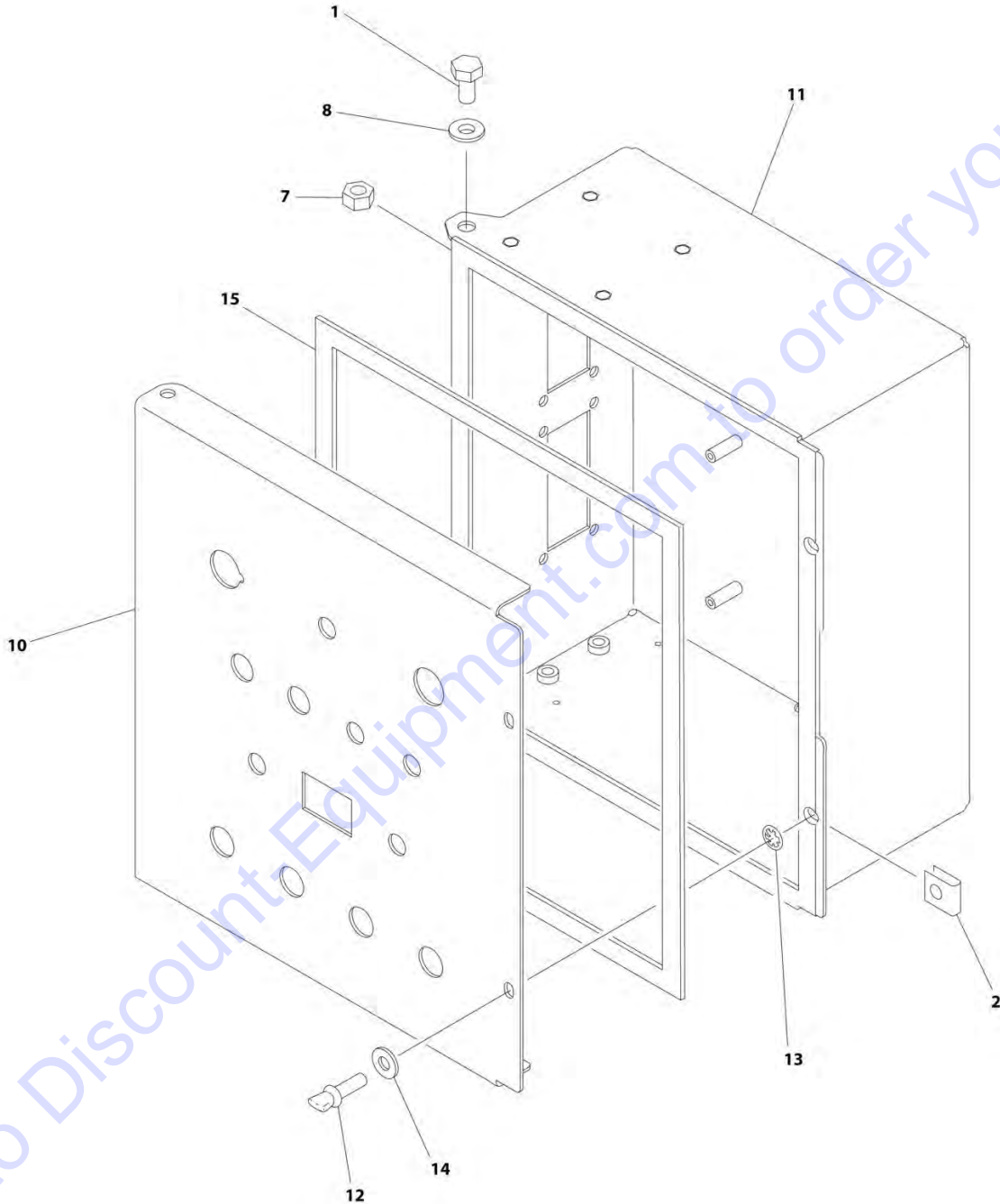
SECTION 2 - GROUND CONTROLS

FIGURE 2-32. GROUND CONTROL BOX ASSEMBLY - GM ENGINE WITH LOW TEMPERATURE CUTOUT

ITEM	PART NUMBER	QTY	DESCRIPTION	REV
		Ref	Note: For machines with ground control box with cover refer to SPECIAL OPTIONS SECTION.	
	1001164188	Ref	GROUND CONTROL BOX ASSEMBLY - GM ENGINE WITH LOW TEMPERATURE CUTOUT	D
1	0741408	3	Screw 1/4 x 1	
2	1705688	1	Decal - Nameplate	
3	1810140	1	Switch, Dual Axis	
3	4460321	1	Plug, Male - 4 Position	
3	4460267	4	Pin, Male	
4	2420172	1	Hourmeter	
5	2920026	3	Holder, Lamp	
6	2920029	3	Bulb, Light	
7	3271405	3	Nut 1/4	
8	3520026	1	Plug, Hole	
9	3520028	3	Plug, Hole	
10	3520193	1	Plug 7/8	
11	3900300	8	Screw	
12	3910606	4	Screw #6 x 3/8	
13	3910616	4	Screw #6 x 1	
14	3910804	3	Screw #8 x 1/4	
15	4060802	1	Guard, Switch	
16	4070987	1	Shim .015	
17	4360070	1	Breaker, Circuit 15Amp	
18	4360328	1	Switch, Toggle	
19	4360387	1	Switch, Push Button	
20	4360469	1	Keyswitch	
20	2860030	1	Key, Replacement	
21	4360475	1	Switch, Push-Pull Emergency Stop	
21	7020175	1	Cap	
21A	7020176	1	Block, Contact	
22	4750600	4	Washer #6	
23	4760600	4	Washer #6	
24	4761000	8	Washer #10	
25	4761200	3	Washer #12	
26	4922667	1	Ground Control Box Harness (Not Shown - See ELECTRICAL SECTION for Breakdown)	
27	1001102512	4	Washer, Spacer	
28	1001135570	1	Module, Control (Note: Re-calibration Required when Replaced)	
29	1001163095	1	Sensor, Tilt	
30	1001164103	1	Harness, Temperature Sensor (See ELECTRICAL SECTION for Breakdown)	
31		Ref	Box Assembly Options:	
31A	1001164187	1	Box Assembly (Not Shown) (SN 0200239053 through 0200246032)	
31B	7023212	1	Latch (1001164187 Box)	
31C	1001187559	1	Box Assembly (See BOX COMPONENTS for Breakdown) (SN 0200246033 to Present)	

SECTION 2 - GROUND CONTROLS

FIGURE 2-33. GROUND CONTROL BOX COMPONENTS - WITHOUT LOW TEMPERATURE CUTOUT
(SN 0200246033 to Present)



ART_1001177617

SECTION 2 - GROUND CONTROLS

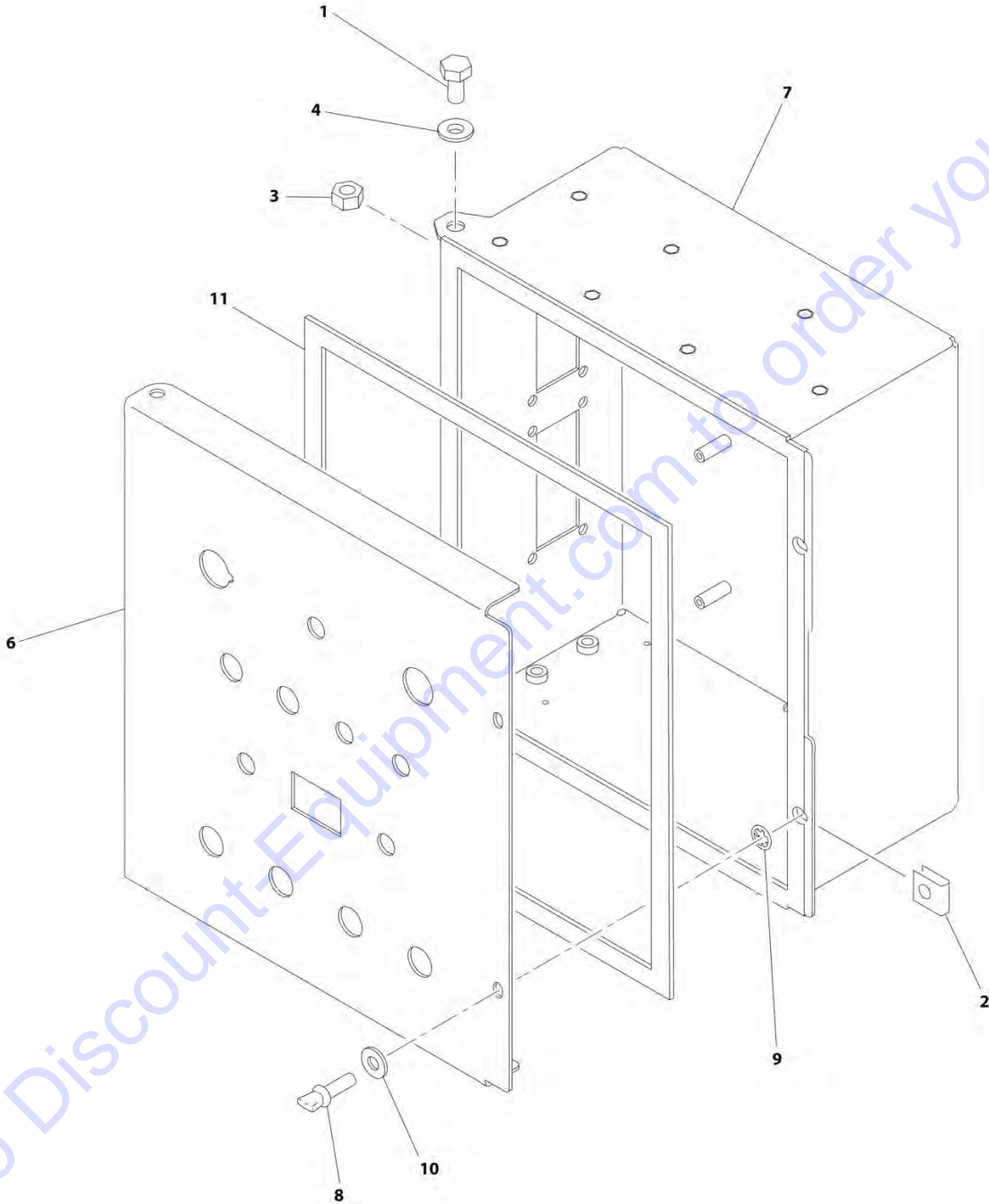
**FIGURE 2-33. GROUND CONTROL BOX COMPONENTS - WITHOUT LOW TEMPERATURE CUTOUT
(SN 0200246033 to Present)**

ITEM	PART NUMBER	QTY	DESCRIPTION	REV
	1001177617	Ref	GROUND CONTROL BOX COMPONENTS - WITHOUT LOW TEMPERATURE CUTOUT (SN 0200246033 to Present)	G
1	0641404	2	Bolt 1/4 x 1/2	
2	3300353	2	Nut, Tinnerman	
7	3311405	2	Nut 1/4	
8	4740518	2	Washer	
10	1001177618	1	Lid	
11	See Note	NSS	Box (Note: Use p/n 1001177617)	
12	1001103308	2	Screw 1/4 x 3/4	
13	1001188874	2	Nut, Push	
14	4711400	2	Washer 1/4	
15	1001165734	44 in/1.1m	Seal (SN 0200250829 to Present)	

Go to Discount-Equipment.com to order your parts

SECTION 2 - GROUND CONTROLS

FIGURE 2-34. GROUND CONTROL BOX COMPONENTS - WITH LOW TEMPERATURE CUTOUT (SN 0200246033 to Present)



ART_1001187559

SECTION 2 - GROUND CONTROLS

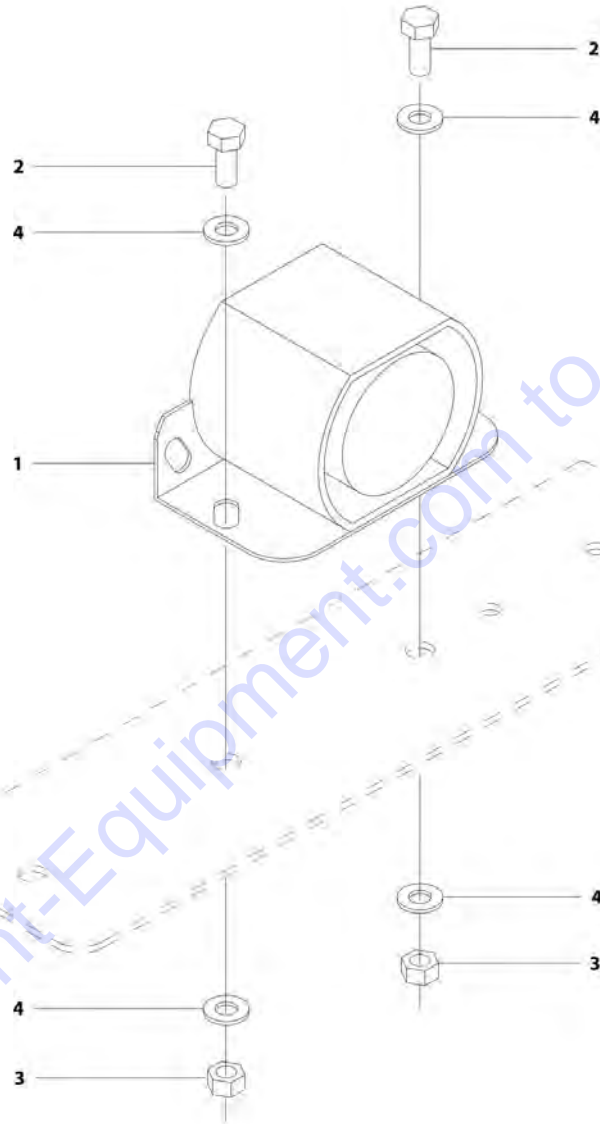
FIGURE 2-34. GROUND CONTROL BOX COMPONENTS - WITH LOW TEMPERATURE CUTOUT (SN 0200246033 to Present)

ITEM	PART NUMBER	QTY	DESCRIPTION	REV
	1001187559	Ref	GROUND CONTROL BOX COMPONENTS - WITH LOW TEMPERATURE CUTOUT (SN 0200246033 to Present)	B
1	0641404	2	Bolt 1/4 x 1/2	
2	3300353	2	Nut, Tinnerman	
3	3311405	2	Nut 1/4	
4	4740518	2	Washer	
6	1001177618	1	Lid	
7	See Note	NSS	Box (Note: Use p/n 1001187559)	
8	1001103308	2	Screw 1/4 x 3/4	
9	1001188874	2	Nut, Push	
10	4711400	2	Washer 1/4	
11	1001165734	44 in/1.1m	Seal (SN 0200250829 to Present)	

Go to Discount-Equipment.com to order your parts

SECTION 2 - GROUND CONTROLS

FIGURE 2-35. HORN INSTALLATION



ART_0273969

SECTION 2 - GROUND CONTROLS

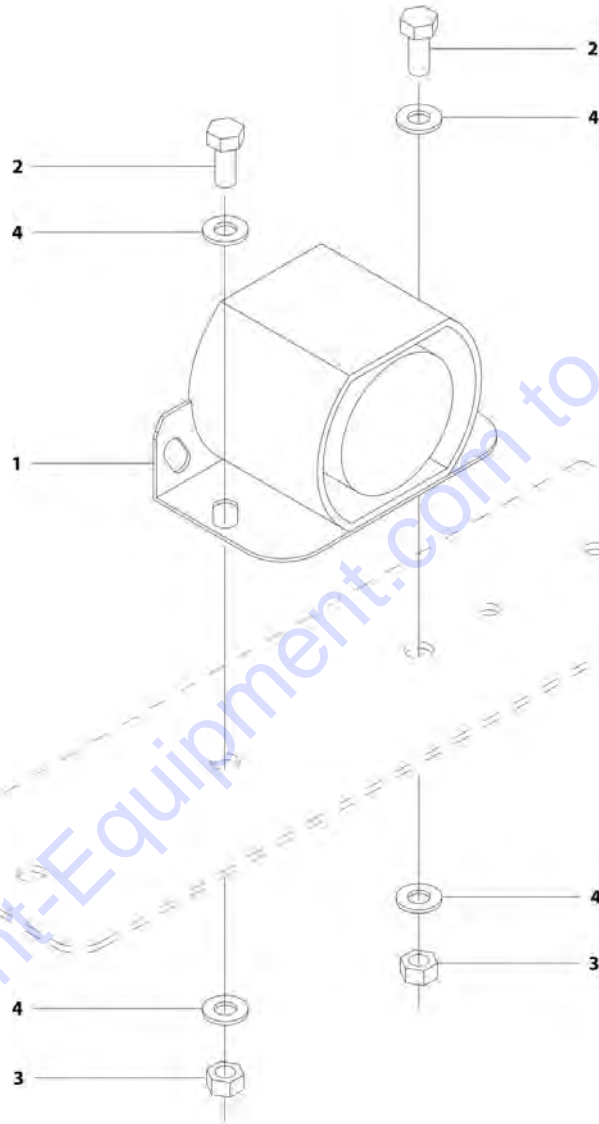
FIGURE 2-35. HORN INSTALLATION

ITEM	PART NUMBER	QTY	DESCRIPTION	REV
	0273969	Ref	HORN INSTALLATION	B
1	0140032	1	Alarm	
2	0641506	2	Bolt 5/16 x 3/4	
3	3311505	2	Nut 5/16	
4	4711500	4	Washer 5/16	

Go to Discount-Equipment.com to order your parts

SECTION 2 - GROUND CONTROLS

FIGURE 2-36. MOTION ALARM INSTALLATION



ART_0271781

SECTION 2 - GROUND CONTROLS

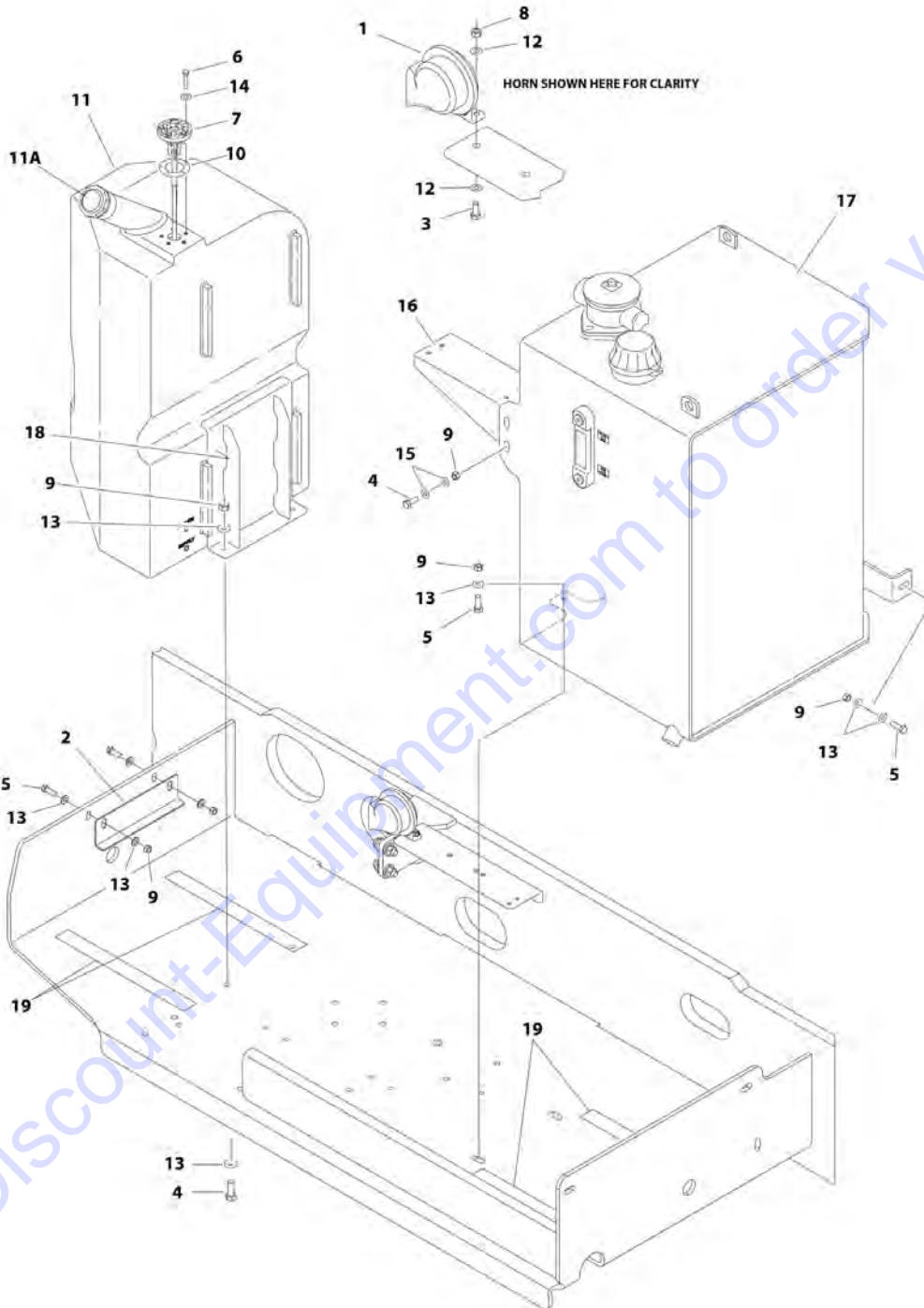
FIGURE 2-36. MOTION ALARM INSTALLATION

ITEM	PART NUMBER	QTY	DESCRIPTION	REV
	0271781	Ref	MOTION ALARM INSTALLATION	C
1	0140032	1	Alarm	
2	0641506	2	Bolt 5/16 x 3/4	
3	3311505	2	Nut 5/16	
4	4711500	4	Washer 5/16	

Go to Discount-Equipment.com to order your parts

SECTION 2 - GROUND CONTROLS

FIGURE 2-37. TANKS INSTALLATION - DIESEL ENGINE MACHINES



ART_1001164722

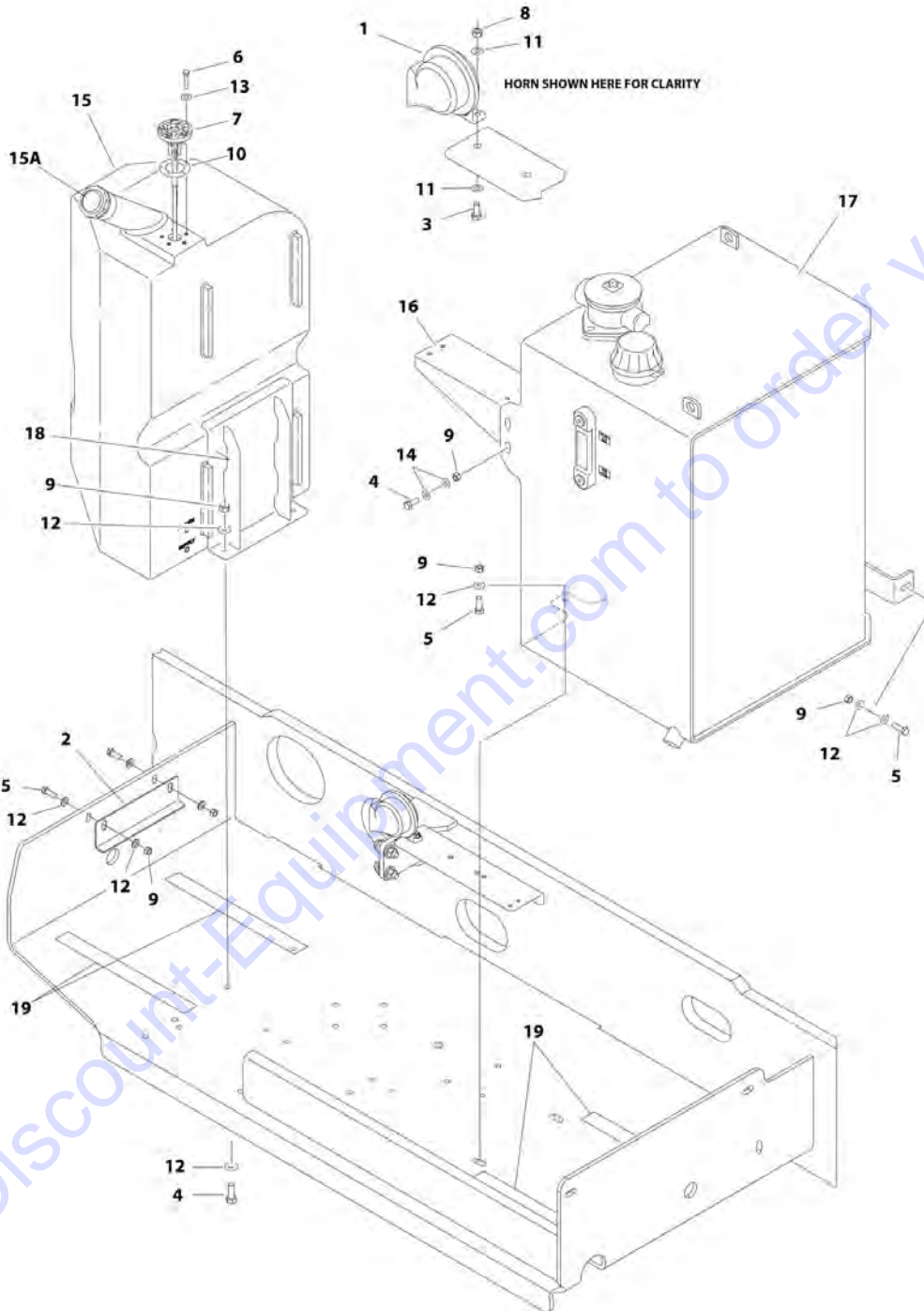
SECTION 2 - GROUND CONTROLS

FIGURE 2-37. TANKS INSTALLATION - DIESEL ENGINE MACHINES

ITEM	PART NUMBER	QTY	DESCRIPTION	REV
	1001164722	Ref	TANKS INSTALLATION - DIESEL ENGINE MACHINES	B
1	0140001	1	Horn	
2	0182033	1	Bracket, Hydraulic Tank Mounting	
3	0641506	1	Bolt 5/16 x 3/4	
4	0641608	6	Bolt 3/8 x 1	
5	0641609	5	Bolt 3/8 x 1-1/8	
6	0731008	5	Screw #10 x 1	
7	2420199	1	Gauge, Fuel Level	
8	3311505	1	Nut 5/16	
9	3311605	11	Nut 3/8	
10	3960525	1	Seal, Gauge	
11	4400436	1	Tank, Fuel	
11A	1120361	1	Cap, Vented Non-Locking	
12	4711500	2	Washer 5/16	
13	4711600	14	Washer 3/8	
14	4751000	5	Washer #10	
15	4891600	8	Washer 3/8	
16	1001102766	1	Bracket, Ground Control Box Mount	
17	1001102823	1	Hydraulic Oil Tank Assembly (See HYDRAULIC OIL TANK ASSEMBLY for Breakdown)	
18	1001164534	1	Bracket, Fuel Tank	
19	4420037	4 ft/1.2m	Tape, Insulation	

SECTION 2 - GROUND CONTROLS

FIGURE 2-38. TANKS INSTALLATION - GAS ENGINE MACHINES



ART_1001166310

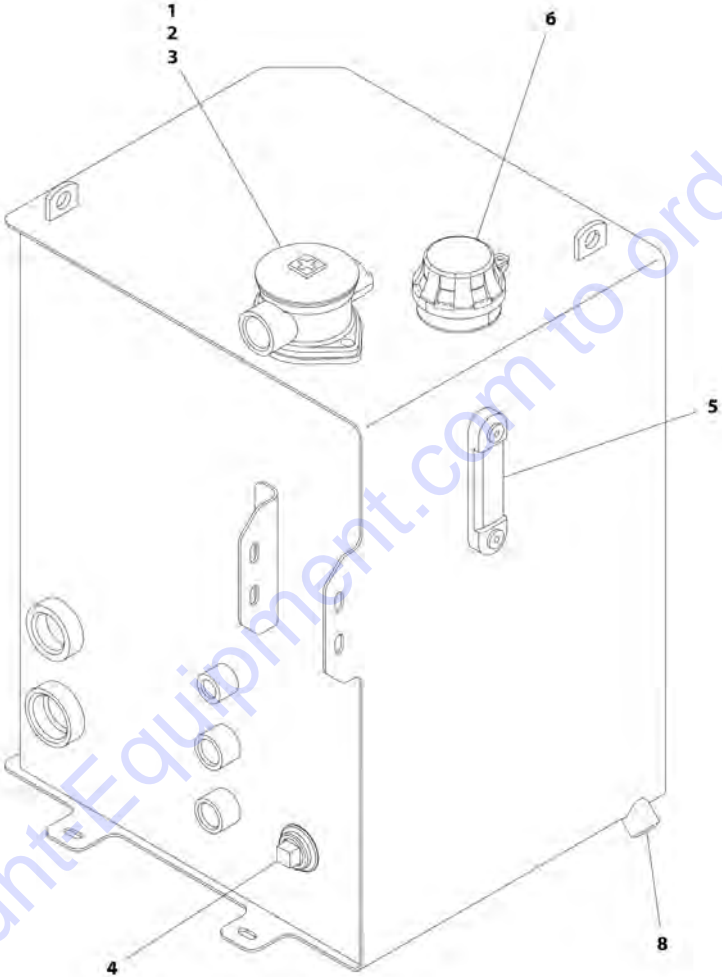
SECTION 2 - GROUND CONTROLS

FIGURE 2-38. TANKS INSTALLATION - GAS ENGINE MACHINES

ITEM	PART NUMBER	QTY	DESCRIPTION	REV
	1001166310	Ref	TANKS INSTALLATION - GAS ENGINE MACHINES	C
1	0140001	1	Horn	
2	0182033	1	Bracket, Hydraulic Tank Mounting	
3	0641506	1	Bolt 5/16 x 3/4	
4	0641608	6	Bolt 3/8 x 1	
5	0641609	5	Bolt 3/8 x 1-1/8	
6	0731008	5	Screw #10 x 1	
7	2420199	1	Gauge, Fuel Level	
8	3311505	1	Nut 5/16	
9	3311605	11	Nut 3/8	
10	3960525	1	Seal, Gauge	
11	4711500	2	Washer 5/16	
12	4711600	14	Washer 3/8	
13	4751000	5	Washer #10	
14	4891600	8	Washer 3/8	
15	1001091564	NLA	Tank, Fuel (Use p/n 1001160561) (SN 0200239053 through 0200241191)	
15	1001160561	1	Tank, Fuel (SN 0200241192 to Present)	
15A	70001103	NLA	Cap, Vented Non-Locking (Use p/n 1001211336)	
15A	1001211336	1	Cap, Vented Non-Locking	
16	1001102766	1	Bracket, Ground Control Box Mount	
17	1001102823	1	Hydraulic Oil Tank Assembly (See HYDRAULIC OIL TANK ASSEMBLY for Breakdown)	
18	1001164534	1	Bracket, Fuel Tank	
19	4420037	4 ft/1.2m	Tape, Insulation	

SECTION 2 - GROUND CONTROLS

FIGURE 2-39. HYDRAULIC OIL TANK ASSEMBLY



ART_1001102823

SECTION 2 - GROUND CONTROLS

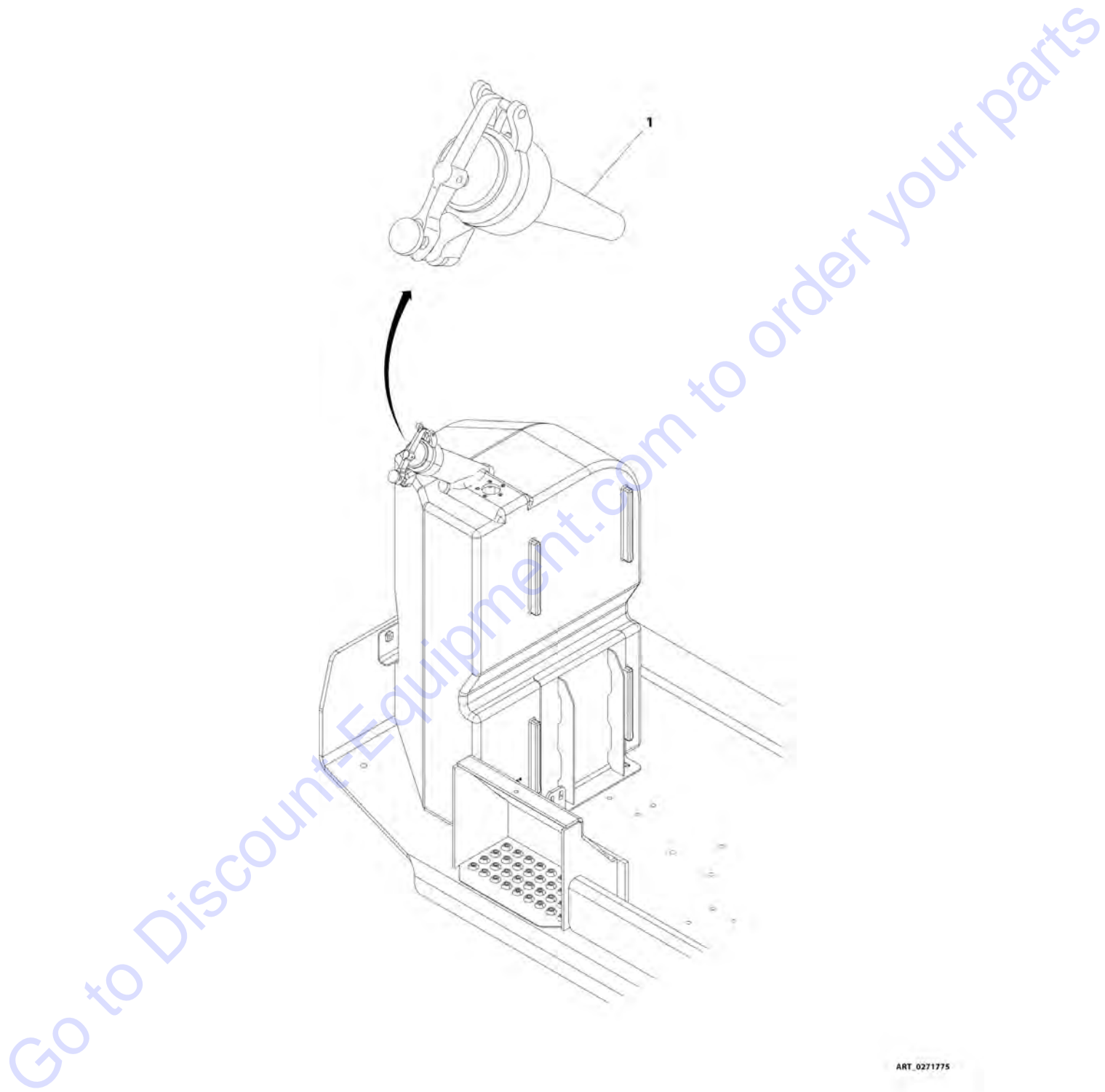
FIGURE 2-39. HYDRAULIC OIL TANK ASSEMBLY

ITEM	PART NUMBER	QTY	DESCRIPTION	REV
	1001102823	Ref	HYDRAULIC TANK ASSEMBLY	C
1	70001959	1	Filter, Return	
1	70001960	1	Element, Filter	
1	70002768	1	Spring, Return Filter Assembly	
2	7023306	1	Seal Between Filter Cover and Head	
3	7023347	1	Gasket Between Tank and Filter Flange	
4	7024446	1	Plug, Magnetic 1in NPT	
5	7024441	1	Gauge, Fluid Level	
6	70002113	1	Breather/Fill Cap	
7	See Note	NSS	Strainer (Note: Not a serviceable item per vendor)	
8	70002112	1	Plug, Magnetic	

Go to Discount-Equipment.com to order your parts

SECTION 2 - GROUND CONTROLS

FIGURE 2-40. FUEL CAP INSTALLATION - LOCKABLE - DIESEL MACHINES (OPTIONAL)



ART_0271775

SECTION 2 - GROUND CONTROLS

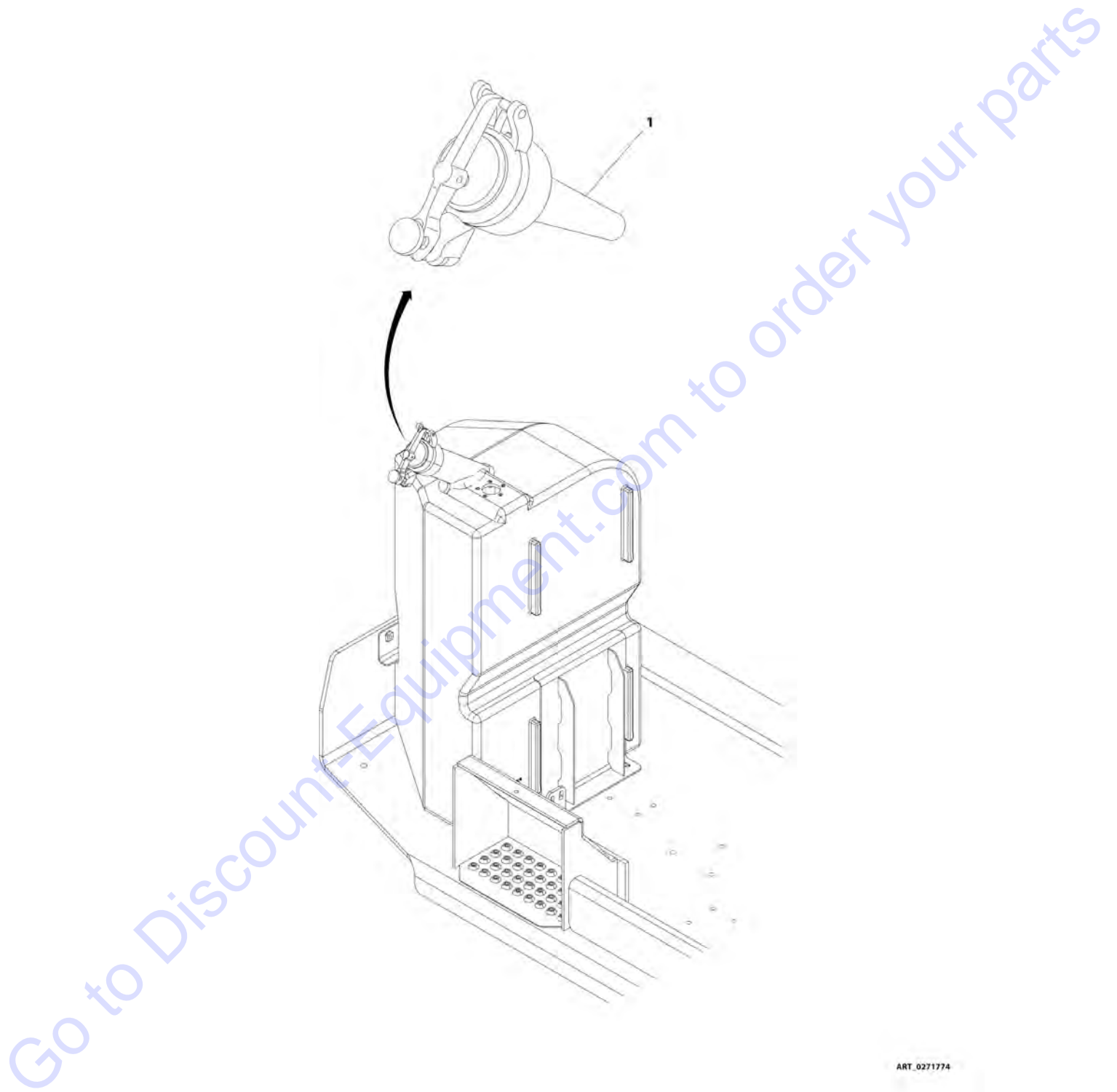
FIGURE 2-40. FUEL CAP INSTALLATION - LOCKABLE - DIESEL MACHINES (OPTIONAL)

ITEM	PART NUMBER	QTY	DESCRIPTION	REV
	0271775	Ref	FUEL CAP INSTALLATION - LOCKABLE - DIESEL MACHINES (OPTIONAL)	B
1	1120558	1	Cap, Lockable (Blue) (Lock not included)	
1		Ref	Note: For Standard Cap, Refer to TANKS INSTALLATION.	

Go to Discount-Equipment.com to order your parts

SECTION 2 - GROUND CONTROLS

FIGURE 2-41. FUEL CAP INSTALLATION - LOCKABLE - GAS MACHINES (OPTIONAL)



ART_0271774

SECTION 2 - GROUND CONTROLS

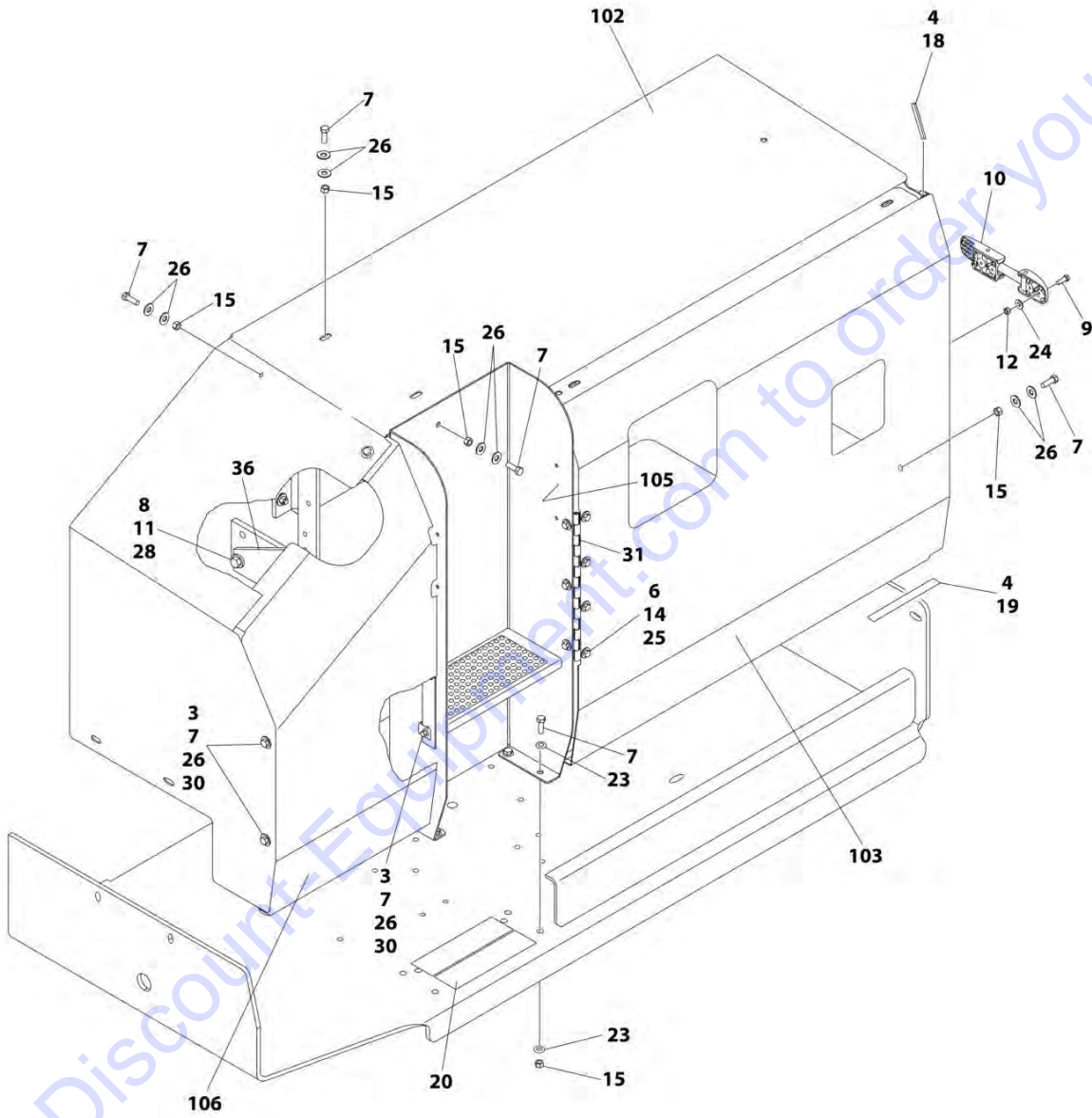
FIGURE 2-41. FUEL CAP INSTALLATION - LOCKABLE - GAS MACHINES (OPTIONAL)

ITEM	PART NUMBER	QTY	DESCRIPTION	REV
	0271774	Ref	FUEL CAP INSTALLATION - LOCKABLE - GAS MACHINES (OPTIONAL)	B
1	1120485	1	Cap, Lockable (Red) (Lock not included)	
1		Ref	Note: For Standard Cap, Refer to TANKS INSTALLATION.	

Go to Discount-Equipment.com to order your parts

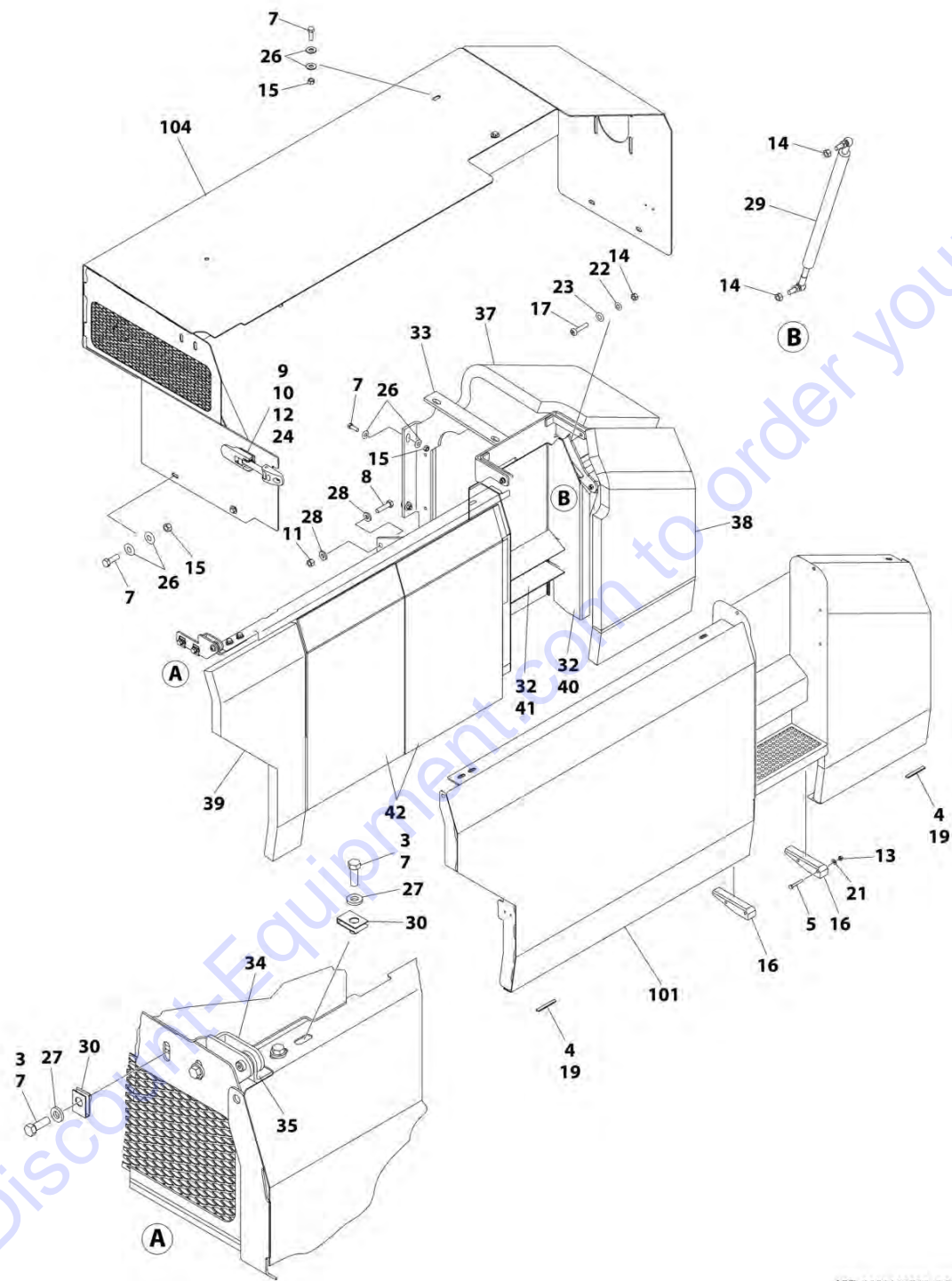
SECTION 2 - GROUND CONTROLS

FIGURE 2-42. HOODS AND COVERS INSTALLATION - DEUTZ D2011 AND GM ENGINE MACHINES



ART_1001166503_10F2

SECTION 2 - GROUND CONTROLS



ART_1001166503_20F2

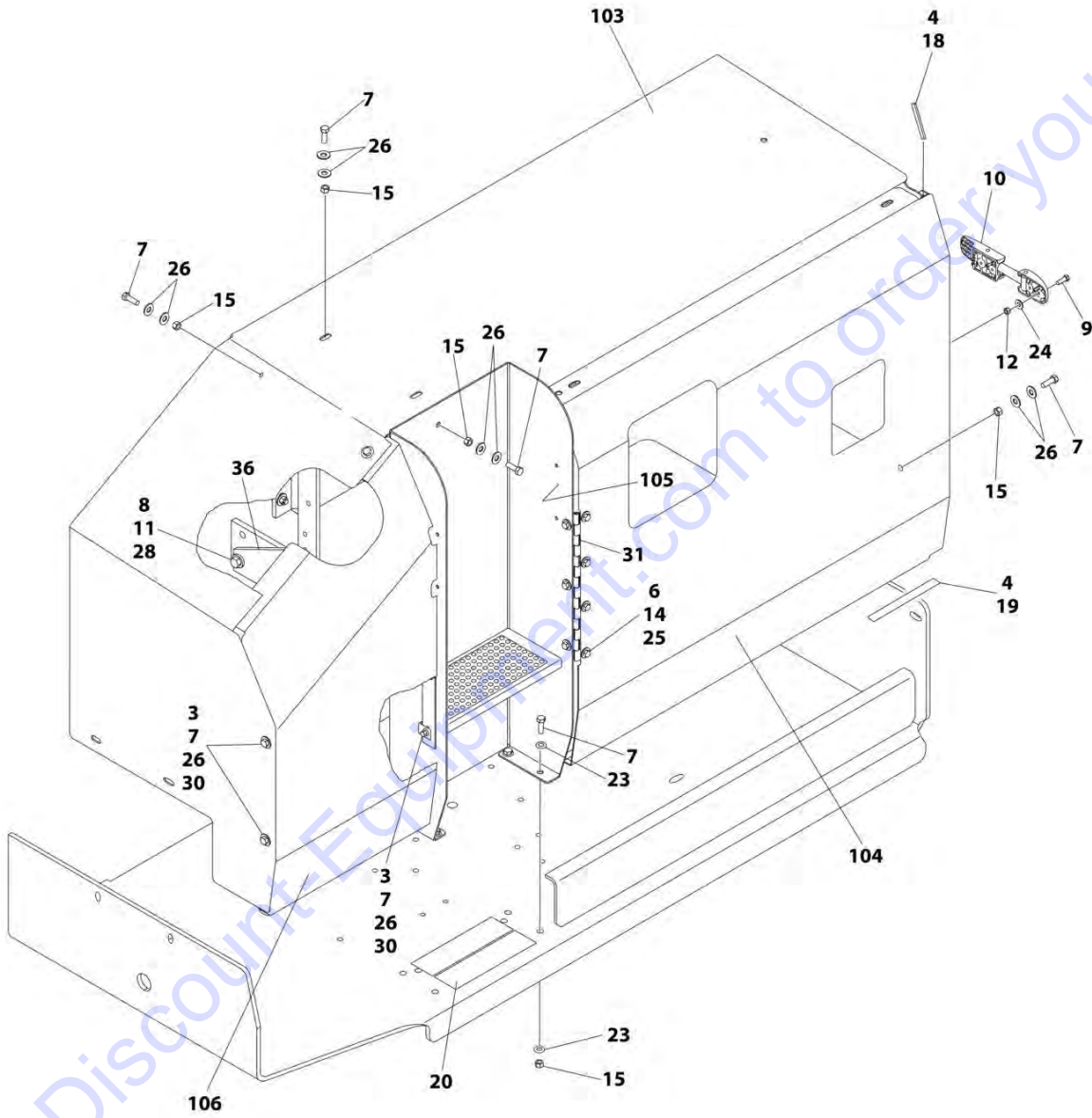
SECTION 2 - GROUND CONTROLS

FIGURE 2-42. HOODS AND COVERS INSTALLATION - DEUTZ D2011 AND GM ENGINE MACHINES

ITEM	PART NUMBER	QTY	DESCRIPTION	REV
	1001166503	Ref	HOODS AND COVERS INSTALLATION - DEUTZ D2011 AND GM ENGINE MACHINES	C
3	0100011	AR	Compound Locking	
4	0100081	AR	Adhesive	
5	0641414	4	Bolt 1/4 x 1-3/4	
6	0641506	7	Bolt 5/16 x 3/4	
7	0641609	28	Bolt 3/8 x 1-1/8	
8	0681816	6	Bolt 1/2 x 2	
9	0721004	12	Bolt #10 x 1/2	
10	2940109	3	Latch	
11	3271805	6	Nut 1/2	
12	3311005	12	Nut #10	
13	3311405	4	Nut 1/4	
14	3311505	12	Nut 5/16	
15	3311605	19	Nut 3/8	
16	3340945	2	Pad, Slide	
17	3900290	3	Screw 3/8 x 1	
18	4060803	6 in/ 15cm	Flex - Trim	
19	4060805	1 ft/ .3m	Flex - Trim	
20	4420080	2	Tape, Tread	
21	4711400	4	Washer 1/4	
22	4711500	3	Washer 5/16	
23	4711600	11	Washer 3/8	
24	4750800	12	Washer #8	
25	4751500	14	Washer 5/16	
26	4751600	35	Washer 3/8	
27	4891600	4	Washer 3/8	
28	4891800	12	Washer 1/2	
29	8702156	1	Spring, Gas	
30	88662523	9	Nut Tinnerman	
31	1001096148	1	Hinge	
32	1001117140	AR	Tape, Aluminized	
33	1001165372	1	Support	
34	1001165377	1	Bracket	
35	1001165384	1	Bracket	
36	1001166248	1	Bracket	
37	1001166423	1	Insulation	
38	1001166424	1	Insulation	
39	1001166425	1	Insulation	
40	1001175556	1	Heat Shield	
41	1001175557	2	Heat Shield	
42	1001190697	2	Heat Shield	
100	1001191228	Ref	Hood, Kit (Not Shown)	
101	1001165374	1	Door	
102	1001165375	1	Hood, Hydraulic Side	
103	1001165376	1	Door	
104	1001166168	1	Hood	
105	1001166245	1	Ladder	
106	1001166247	1	Door	

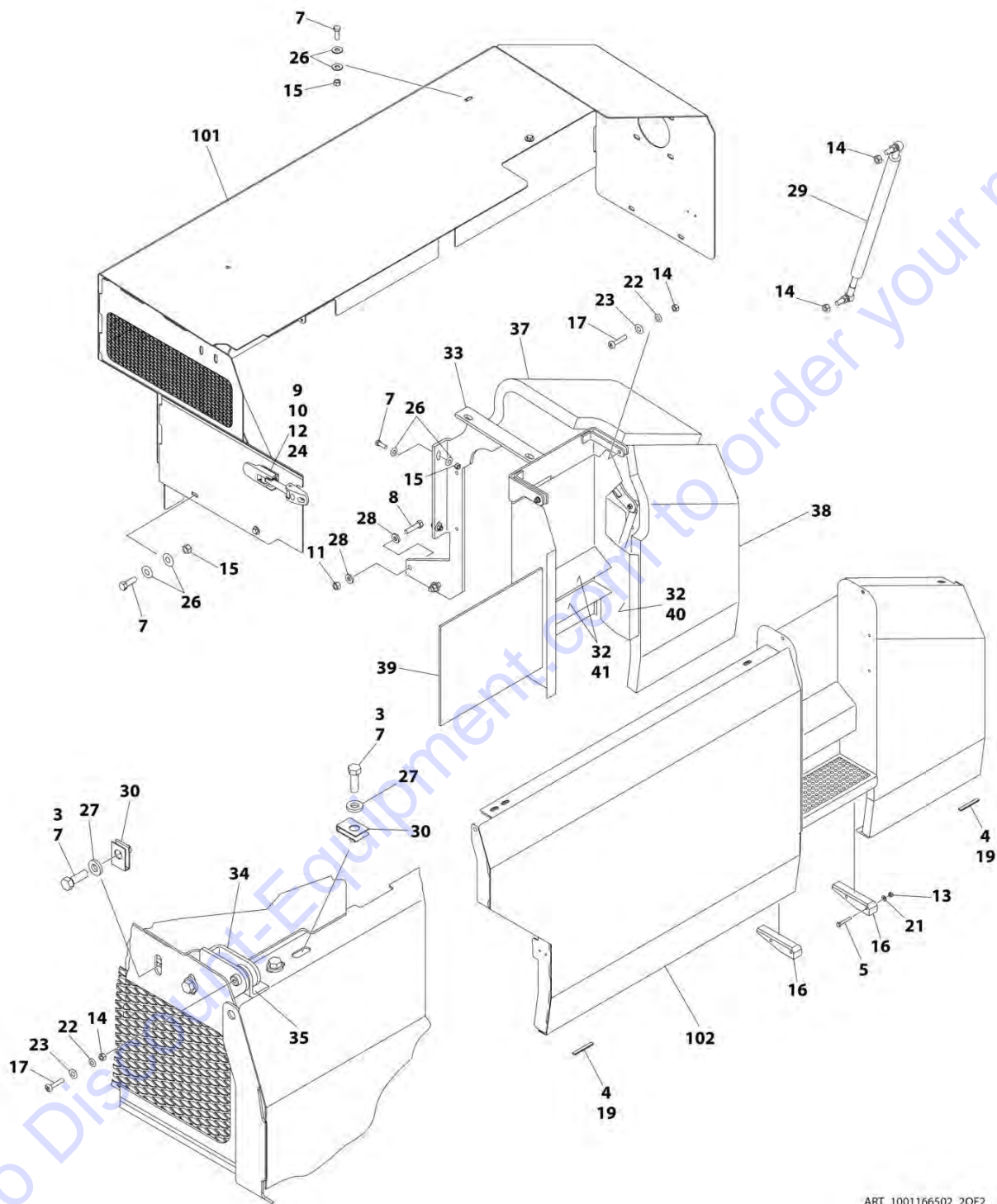
SECTION 2 - GROUND CONTROLS

FIGURE 2-43. HOODS AND COVERS INSTALLATION - DEUTZ D2.9L4 ENGINE MACHINES



ART_1001166502_10F2

SECTION 2 - GROUND CONTROLS



ART_1001166502_20F2

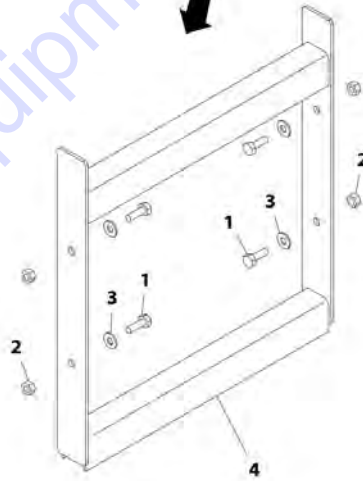
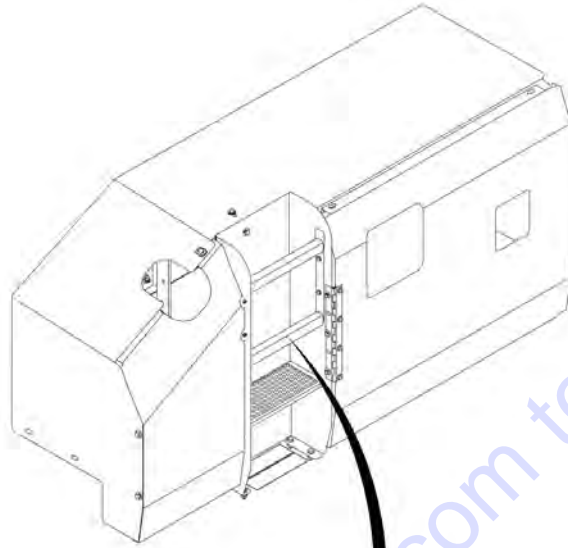
SECTION 2 - GROUND CONTROLS

FIGURE 2-43. HOODS AND COVERS INSTALLATION - DEUTZ D2.9L4 ENGINE MACHINES

ITEM	PART NUMBER	QTY	DESCRIPTION	REV
	1001166502	Ref	HOODS AND COVERS INSTALLATION - DEUTZ D2.9L4 ENGINE MACHINES	C
3	0100011	AR	Compound Locking	
4	0100081	AR	Adhesive	
5	0641414	4	Bolt 1/4 x 1-3/4	
6	0641506	7	Bolt 5/16 x 3/4	
7	0641609	28	Bolt 3/8 x 1-1/8	
8	0681816	6	Bolt 1/2 x 2	
9	0721004	12	Bolt #10 x 1/2	
10	2940109	3	Latch	
11	3271805	6	Nut 1/2	
12	3311005	12	Nut #10	
13	3311405	4	Nut 1/4	
14	3311505	12	Nut 5/16	
15	3311605	19	Nut 3/8	
16	3340945	2	Pad, Slide	
17	3900290	3	Screw 3/8 x 1	
18	4060803	6 in/ 15cm	Flex - Trim	
19	4060805	1 ft/ .3m	Flex - Trim	
20	4420080	2	Tape, Tread	
21	4711400	4	Washer 1/4	
22	4711500	3	Washer 5/16	
23	4711600	11	Washer 3/8	
24	4750800	12	Washer #8	
25	4751500	14	Washer 5/16	
26	4751600	35	Washer 3/8	
27	4891600	4	Washer 3/8	
28	4891800	12	Washer 1/2	
29	8702156	1	Spring, Gas	
30	88662523	9	Nut Tinnerman	
31	1001096148	1	Hinge	
32	1001117140	AR	Tape, Aluminized	
33	1001165372	1	Support	
34	1001165377	1	Bracket	
35	1001165384	1	Bracket	
36	1001166248	1	Bracket	
37	1001166423	1	Insulation	
38	1001166424	1	Insulation	
39	1001166426	1	Heat Shield	
40	1001175556	1	Heat Shield	
41	1001175557	2	Heat Shield	
100	1001191227	Ref	Hood, Kit (Not Shown)	
101	1001165373	1	Hood, Engine Side	
102	1001165374	1	Door	
103	1001165375	1	Hood, Hydraulic Side	
104	1001165376	1	Door	
105	1001166245	1	Ladder	
106	1001166247	1	Door	

SECTION 2 - GROUND CONTROLS

FIGURE 2-44. LADDER INSTALLATION - 3394RT



ART_1001171284

SECTION 2 - GROUND CONTROLS

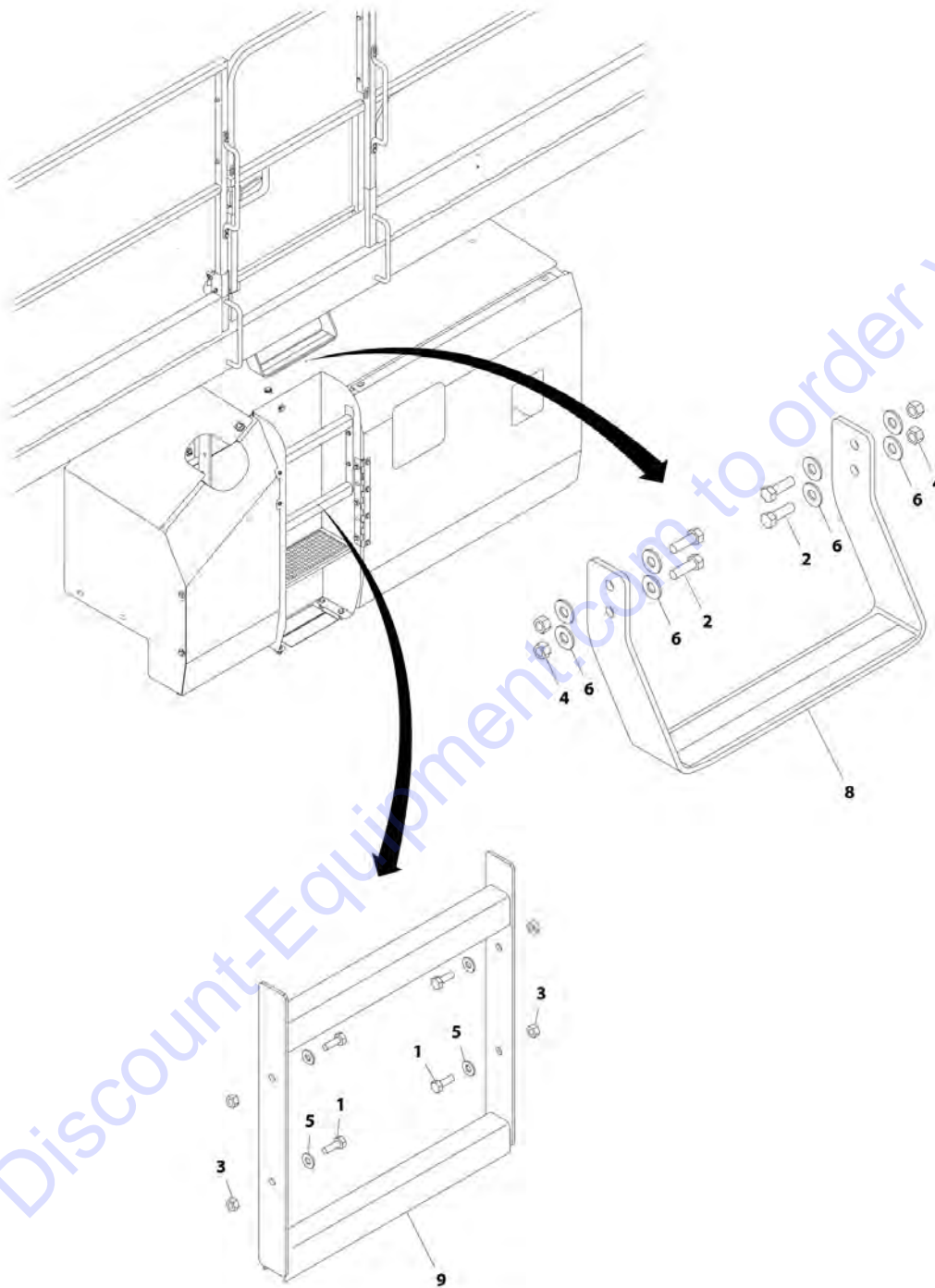
FIGURE 2-44. LADDER INSTALLATION - 3394RT

ITEM	PART NUMBER	QTY	DESCRIPTION	REV
	1001171284	Ref	LADDER INSTALLATION - 3394RT	B
1	0641406	8	Bolt 1/4 x 3/4	
2	3311405	8	Nut 1/4	
3	4711400	16	Washer 1/4	
4	1001171267	2	Ladder	

Go to Discount-Equipment.com to order your parts

SECTION 2 - GROUND CONTROLS

FIGURE 2-45. LADDER INSTALLATION - 4394RT



ART_1001166983

SECTION 2 - GROUND CONTROLS

FIGURE 2-45. LADDER INSTALLATION - 4394RT

ITEM	PART NUMBER	QTY	DESCRIPTION	REV
	1001166983	Ref	LADDER INSTALLATION - 4394RT	E
1	0641406	8	Bolt 1/4 x 3/4	
2	0641609	8	Bolt 3/8 x 1-1/8	
3	3311405	8	Nut 1/4	
4	3311605	8	Nut 5/16	
5	4711400	8	Washer 1/4	
6	4751600	16	Washer 3/8	
8	1001092410	2	Ladder	
9	1001171266	2	Ladder	

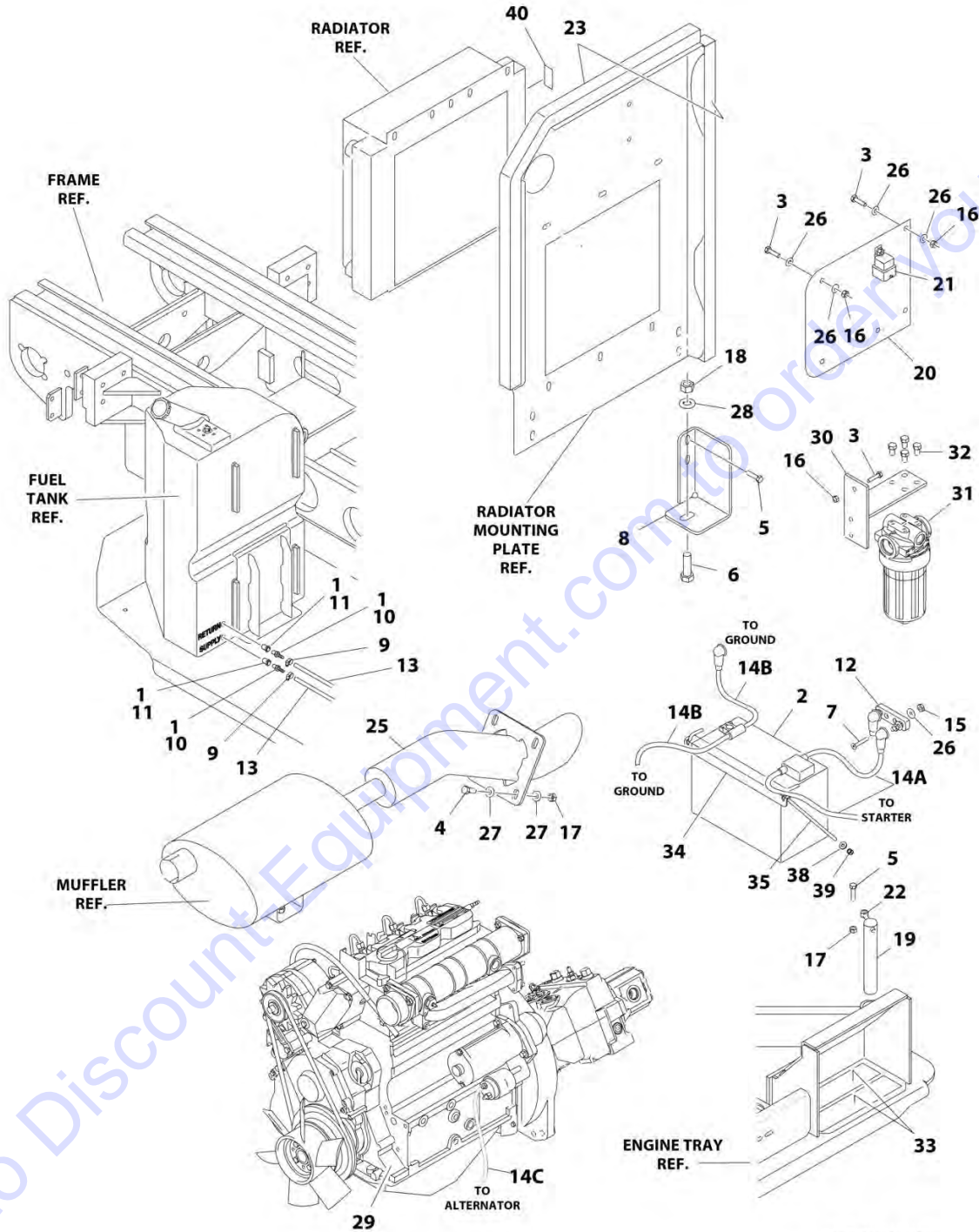
Go to Discount-Equipment.com to order your parts

SECTION 3 - ENGINE

Go to Discount-Equipment.com to order your parts

SECTION 3 - ENGINE

FIGURE 3-1. ENGINE INSTALLATION - DEUTZ D2011 ENGINE



ART_1001166252

SECTION 3 - ENGINE

FIGURE 3-1. ENGINE INSTALLATION - DEUTZ D2011 ENGINE

ITEM	PART NUMBER	QTY	DESCRIPTION	REV
	1001166252	Ref	ENGINE INSTALLATION - DEUTZ D2011 ENGINE	E
1	0100079	AR	Sealant, Pipe	
2	0400075	1	Battery	
3	0641408	9	Bolt 1/4 x 1	
4	0641608	4	Bolt 3/8 x 1	
5	0641612	3	Bolt 3/8 x 1-1/2	
6	0642016	1	Bolt 5/8 x 2	
7	0741010	2	Screw #10 x 1-1/4	
8	0902777	1	Bracket, Latch Mounting	
9	1320022	5	Clamp	
10	2180348	2	Fitting, Straight Barbed	
11	2220250	2	Fitting, Reducer	
12	2400044	1	Fuse, Mounting Block	
13	2720058	24 ft/7.3m	Hose	
14	2902132	1	Battery Cable Kit	C
14A	7024585	1	Cable, Battery (Red) (Battery + to Starter and Fuse Block) (Includes 3 Boots)	
14B	7024586	1	Cable, Battery (Black) (Battery to Ground and Fuse Block) (Includes 1 Boots)	
14C	7024587	1	Cable (Red) (Starter to Alternator)	
15	3300408	2	Nut	
16	3311405	9	Nut 1/4	
17	3311605	5	Nut 3/8	
18	3312005	1	Nut 5/8	
19	3422669	1	Pin (SN 0200239053 through 0200249090)	
19	3422582	1	Pin (SN 0200249091 to Present)	
20	3576003	1	Plate, EMR2 Mounting	
21	3740049	1	Relay	
22	3841143	1	Keeper, Pin	
23	3960468	2	Seal	
25	1001165702	1	Pipe, Exhaust	
26	4711400	14	Washer 1/4	
27	4711600	8	Washer 3/8	
28	4712000	1	Washer 5/8	
29	1001100775	1	Engine Assembly - Deutz D2011 (See ENGINE ASSEMBLY - DEUTZ D2011 for Breakdown)	
30	1001104356	1	Bracket, Filter	
31	1001102987	1	Charge Pump Filter Assembly	
31	70010383	1	Filter Element and O-Ring Kit	
32	0641605	4	Bolt 3/8 x 5/8	
33	4420080	2	Tape, Safety Tread Non-Skid Only	
34	91401281	1	Bracket, Battery Hold-down	
35	1001093382	2	Bolt, J-Bolt	
38	4751500	2	Washer 5/16	
39	88521205	1	Nut 5/16	
40	1704972	1	Decal - Warning Explosion/Fire (ANSI Export Spec)	
40	1706098	1	Decal - Warning Explosion/Fire (Australian and CE Specs)	
40	1706059	1	Decal - Warning Explosion/Fire (Brazil Spec - English/Portuguese)	
40	1706060	1	Decal - Warning Explosion/Fire (Chinese Spec - English/Chinese)	
40	1706061	1	Decal - Warning Explosion/Fire (Korean Spec - English/Korean)	

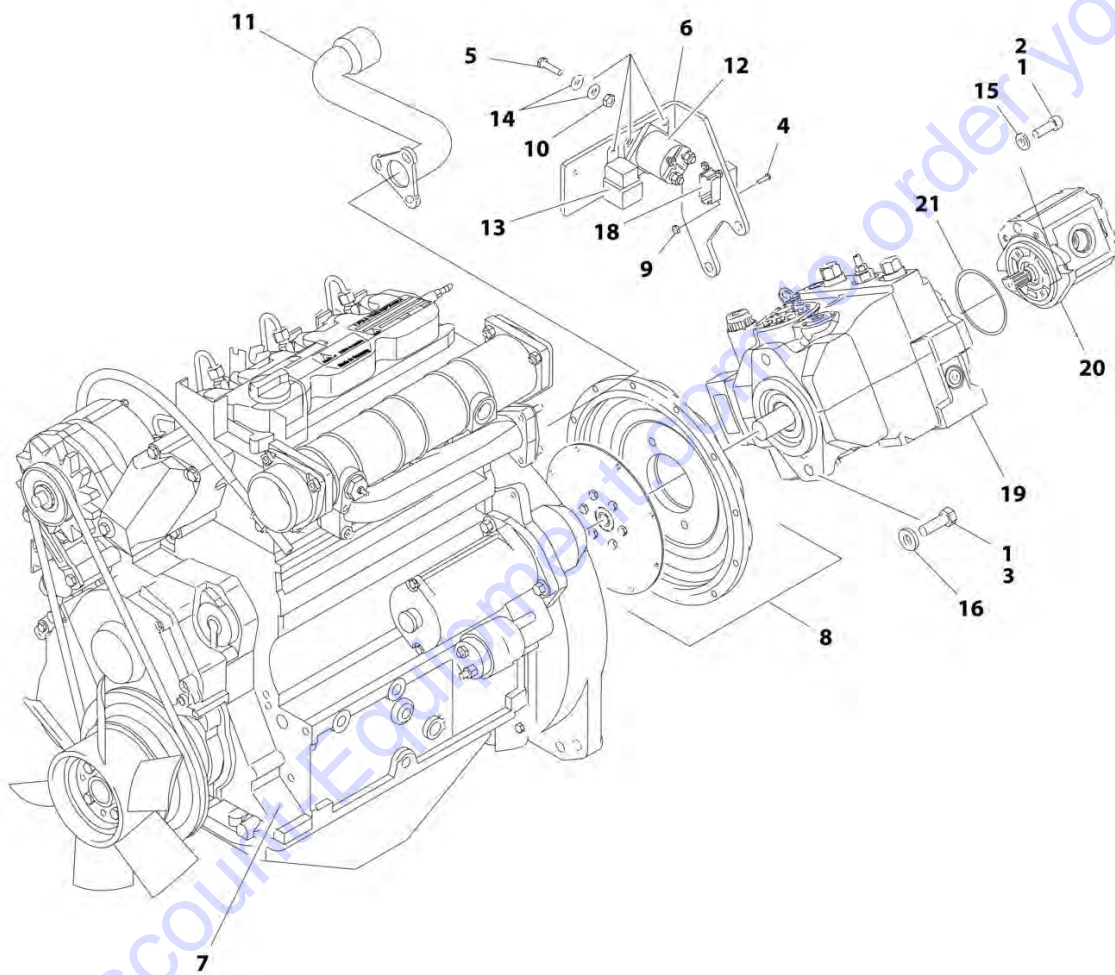
SECTION 3 - ENGINE

ITEM	PART NUMBER	QTY	DESCRIPTION	REV
40	1706063	1	Decal - Warning Explosion/Fire (Latin American - English/Spanish)	

Go to Discount-Equipment.com to order your parts

SECTION 3 - ENGINE

FIGURE 3-2. ENGINE AND PUMP SUB-ASSEMBLY - DEUTZ D2011 ENGINE



ART_1001100775

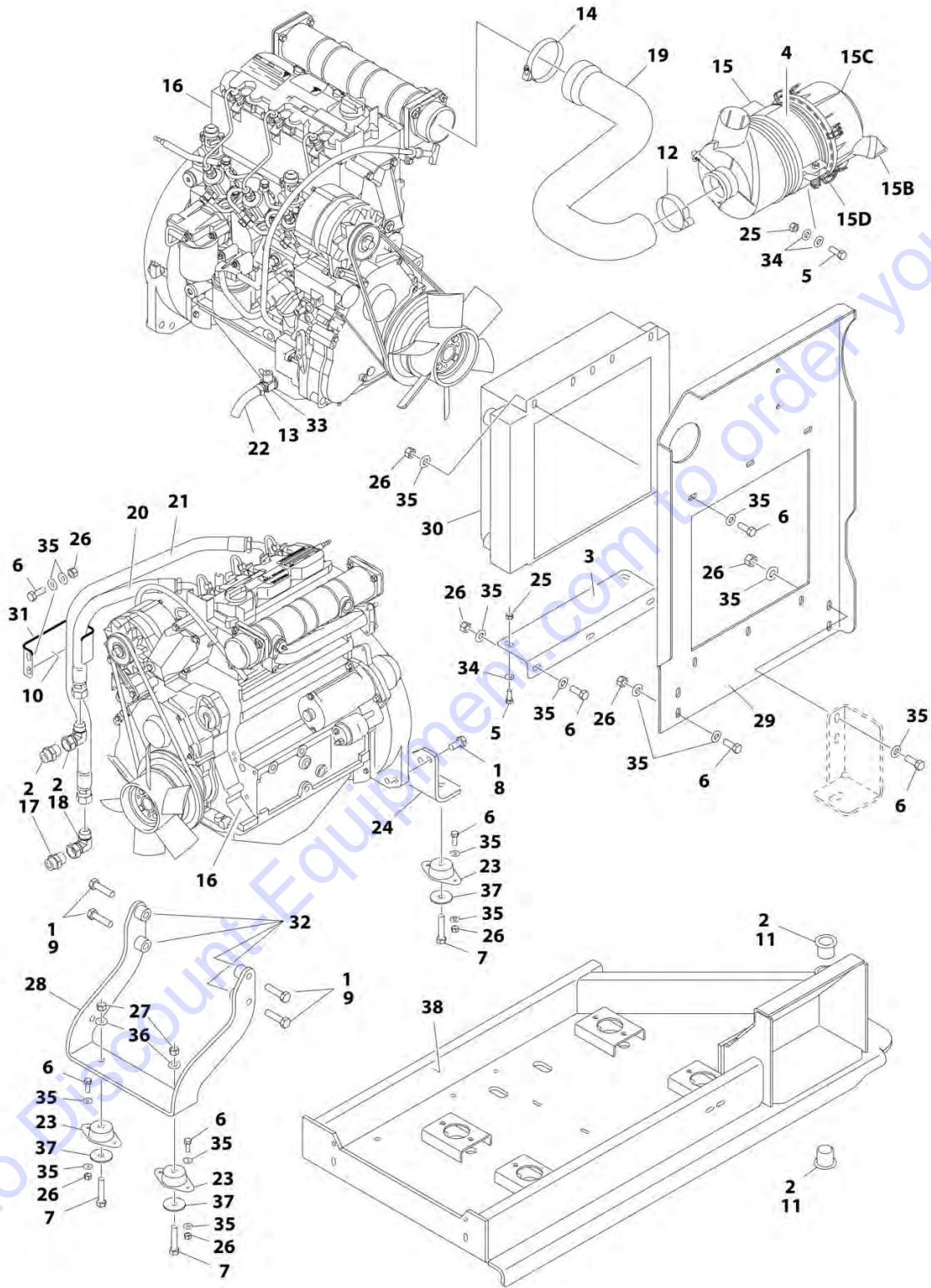
SECTION 3 - ENGINE

FIGURE 3-2. ENGINE AND PUMP SUB-ASSEMBLY - DEUTZ D2011 ENGINE

ITEM	PART NUMBER	QTY	DESCRIPTION	REV
	1001100775	Ref	ENGINE AND PUMP SUB-ASSEMBLY - DEUTZ D2011 ENGINE	N
1	0100011	AR	Compound, Locking	
2	83191040	2	Capscrew M10 x 30	
3	0641814	2	Bolt 1/2 x 1-3/4	
4	0720805	4	Screw #8 x 5/8	
5	0721006	3	Screw #10 x 3/4	
6	0902812	1	Bracket, Relay Mounting	
7	1001104763	1	Engine Assembly - Deutz D2011 Engine (See ENGINE ASSEMBLY - DEUTZ D2011 ENGINE for Breakdown)	
8	2902065	1	Pump Coupling Kit (See PUMP COUPLING KIT for Breakdown)	
9	3310805	4	Nut #8	
10	3311005	3	Nut #10	
11	3460335	1	Pipe, Exhaust	
12	3740067	1	Relay	
13	3740080	1	Relay	
14	4751000	6	Washer #10	
15	4891600	2	Washer 3/8	
16	4891800	2	Washer 1/2	
17	4923386	1	Harness, Deutz Engine (Not Shown - See ELECTRICAL SECTION for Breakdown)	
18	4923478	1	Harness, Deutz Glow Plug	
19	1001101331	1	Piston Pump Assembly (See PISTON PUMP ASSEMBLY for Breakdown)	
20	1001101699	1	Gear Pump Assembly	
20	70002210	1	Seal Kit - 1001101699 Pump (Note: Seal Kit is only service component available.)	
21	3790152	1	O-Ring	

SECTION 3 - ENGINE

FIGURE 3-3. ENGINE ASSEMBLY - DEUTZ D2011 ENGINE



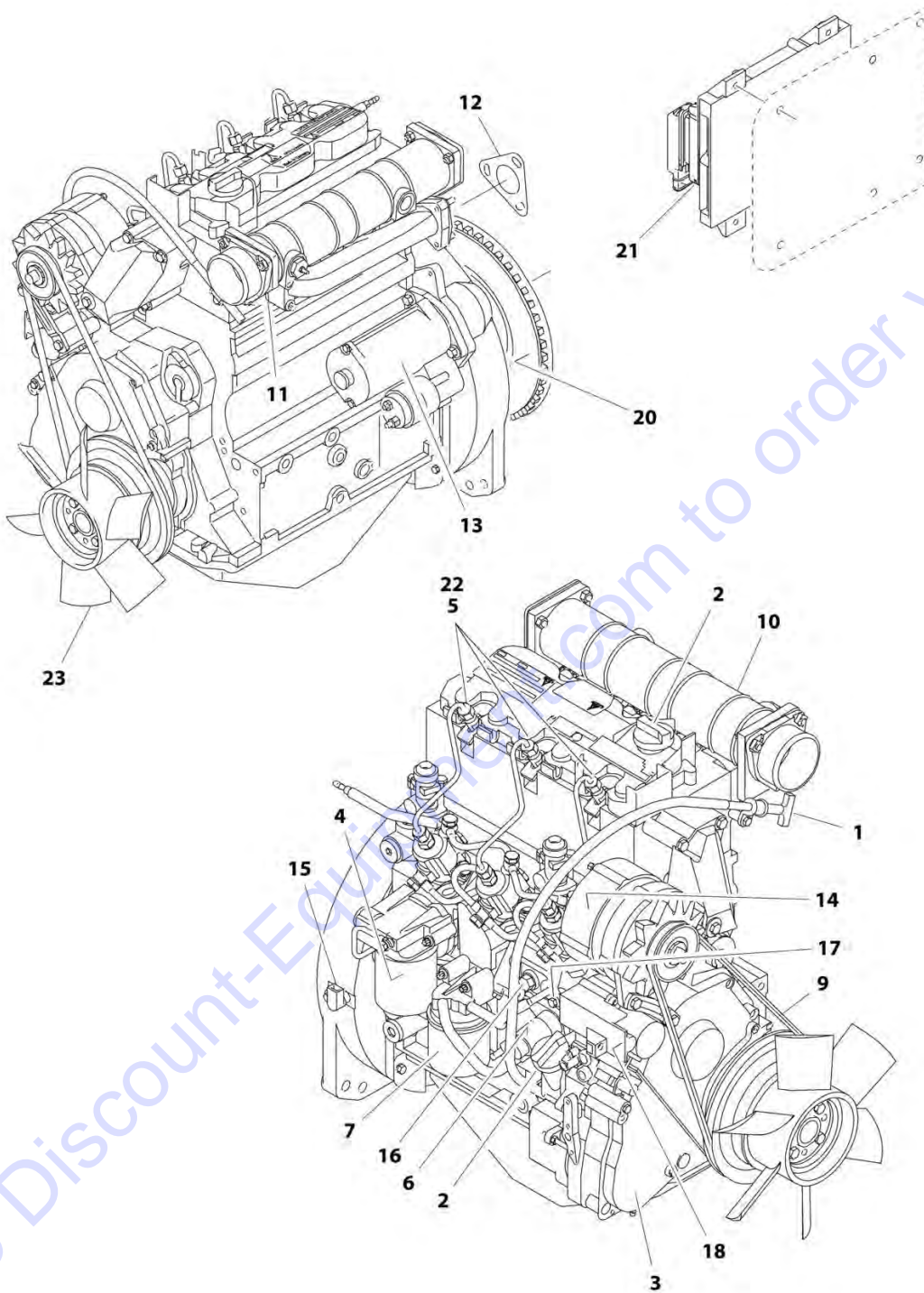
SECTION 3 - ENGINE

FIGURE 3-3. ENGINE ASSEMBLY - DEUTZ D2011 ENGINE

ITEM	PART NUMBER	QTY	DESCRIPTION	REV
	1001104763	Ref	ENGINE ASSEMBLY - DEUTZ D2011 ENGINE	J
1	0100011	AR	Compound, Locking	
2	0100062	AR	Compound, Locking	
3	0182029	1	Angle, Support	
4	0340052	1	Band, Air Cleaner Mounting	
5	0641507	4	Bolt 5/16 x 7/8	
6	0641608	18	Bolt 3/8 x 1	
7	0641820	4	Bolt 1/2 x 2-1/2	
8	0701414	4	Bolt M14 x 30	
9	0701419	4	Bolt M14 x 55	
10	0902786	1	Bracket, Hose Guide	
11	0961986	2	Bushing, Flanged	
12	1320016	1	Clamp	
13	1320022	1	Clamp, Hose	
14	1320058	1	Clamp	
15	1340066	1	Air Cleaner Assembly	
15A	7024438	1	Element, Filter (Not Shown)	
15B	8273291	1	Valve, Actuator	
15C	70001787	1	Cover, Air Cleaner	
15D	70000263	1	Clip	
16	1001092724	1	Engine, Deutz D2011 (See ENGINE COMPONENTS for Breakdown)	
17	2220451	2	Fitting, Straight JIC/ORB	
18	2220655	2	Fitting, 90 JIC/JIC	
19	2720486	1	Hose, Air Cleaner	
20	2720494	1	Hose	
21	2720495	1	Hose	
22	2750532	1 ft/.3m	Hose	
23	3200378	4	Mount, Motor	
24	3200431	1	Plate, Motor Mounting (Rear)	
25	3311505	4	Nut 5/16	
26	3311605	20	Nut 3/8	
27	3311805	4	Nut 1/2	
28	3573288	1	Plate, Motor Mounting (Front)	
29	3573304	1	Plate, Oil Cooler Mounting	
30	3620043	1	Radiator	
31	4060803	4 in/9cm	Flex-Trim	
32	4568398	4	Tube, Spacer	
33	4640751	1	Valve	
34	4711500	4	Washer 5/16	
35	4711600	40	Washer 3/8	
36	4711800	4	Washer 1/2	
37	4740274	4	Washer, Snubbing	
38	1001104765	1	Tray, Engine	

SECTION 3 - ENGINE

FIGURE 3-4. ENGINE COMPONENTS - DEUTZ D2011 ENGINE



ART_1001092724

SECTION 3 - ENGINE

FIGURE 3-4. ENGINE COMPONENTS - DEUTZ D2011 ENGINE

ITEM	PART NUMBER	QTY	DESCRIPTION	REV
	1001092724	Ref	ENGINE COMPONENTS - DEUTZ D2011 ENGINE	E
1	7020026	1	Dipstick	
1	70001002	1	Housing, Dipstick	
2	7020465	2	Cap, Oil Fill	
3	7020495	1	Pump, Oil	
3	7020468	1	Ring, Seal (Oil Pump to Engine Block) (Not Shown)	
4	7016331	1	Filter, Oil	
5		Ref	Pump, Fuel Injection	
5	70000912	3	Pump, Fuel Injection - A	
5	70000913	3	Pump, Fuel Injection - B	
5	70000914	3	Pump, Fuel Injection - C	
5	70000915	3	Pump, Fuel Injection - D	
5	7020447	3	Gasket, Fuel Pump	
6	70000916	1	Pump, Fuel Supply	
6	70000917	1	O-Ring (Not Shown - Fuel Supply Pump to Engine Block)	
6	70000918	1	Ring, Sealing	
6	70000919	1	Handle, Pump	
6	70001435	1	Repair Kit - Fuel Supply Pump	
7	7020023	1	Filter, Spin-On Fuel	
7	7027245	1	Filter, In-Line Fuel (Not Shown)	
9	7020414	1	V-Belt	
10	7027903	1	Air Intake	
10	70001871	3	Gasket (Air Intake to Head)	
10	70003469	1	Flange (Located on End of Air Intake)	
10	70003468	1	O-Ring (Located on End of Air Intake)	
10	3960407	1	Gasket (Located on Breather Side of Air Intake)	
11	7020471	3	Gasket (Exhaust Manifold to Head)	
12	7020486	1	Gasket (Exhaust Manifold to Exhaust Pipe)	
13	7020479	1	Starter	
13	7026608	1	Relay/Solenoid, Starter	
14	7000663	1	Generator	
14	7020494	1	Regulator, Voltage	
15	7024565	1	Sensor, Speed Pick-up	
16	7027790	1	Sensor, Oil Pressure	
17	7027791	1	Sender, Engine Temperature (Located on RH Side of Engine Near #1 Fuel Injector)	
17	7027236	1	Sender, Engine Temperature (Not Shown - Located on RH Side of Engine Near Oil Filter)	
18	7027792	1	Actuator, Throttle	
18	7027276	1	Spring	
18	7027239	1	Solenoid, Throttle Start	
19	70003475	1	Thermostat (Not Shown - Located on RH Side of Engine)	
19	7020460	1	Spring, Thermostat (Not Shown - Located on RH Side of Engine)	
20	70001870	1	Flywheel	
20	7024579	1	Rim, Gear	
21	7027795	1	Deutz EMR2 Controller, Module	
22	70000345	3	Glow Plug	
23	70000783	1	Fan	
24		Ref	Gasket, Head Options (Not Shown):	
24	70003479	1	Gasket - 1 Notch	

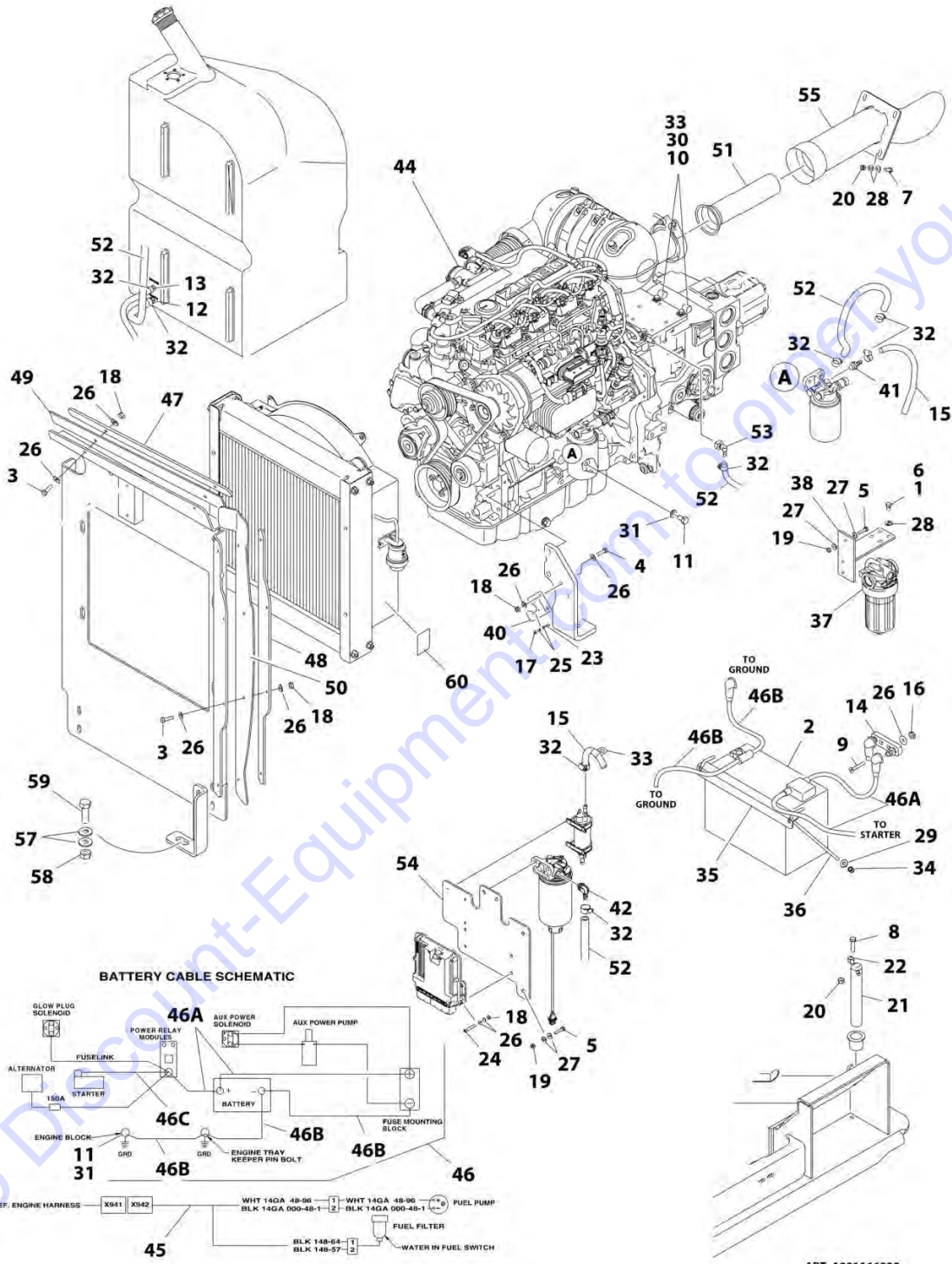
SECTION 3 - ENGINE

ITEM	PART NUMBER	QTY	DESCRIPTION	REV
24	70003480	1	Gasket - 2 Notch	
24	70003481	1	Gasket - 3 Notch	
25	7020430	1	Gasket, Cylinder Head Cover (Not Shown)	

Go to Discount-Equipment.com to order your parts

SECTION 3 - ENGINE

FIGURE 3-5. ENGINE INSTALLATION - DEUTZ D2.9L4 ENGINE (WITHOUT ARCTIC PACKAGE)



SECTION 3 - ENGINE

FIGURE 3-5. ENGINE INSTALLATION - DEUTZ D2.9L4 ENGINE (WITHOUT ARCTIC PACKAGE)

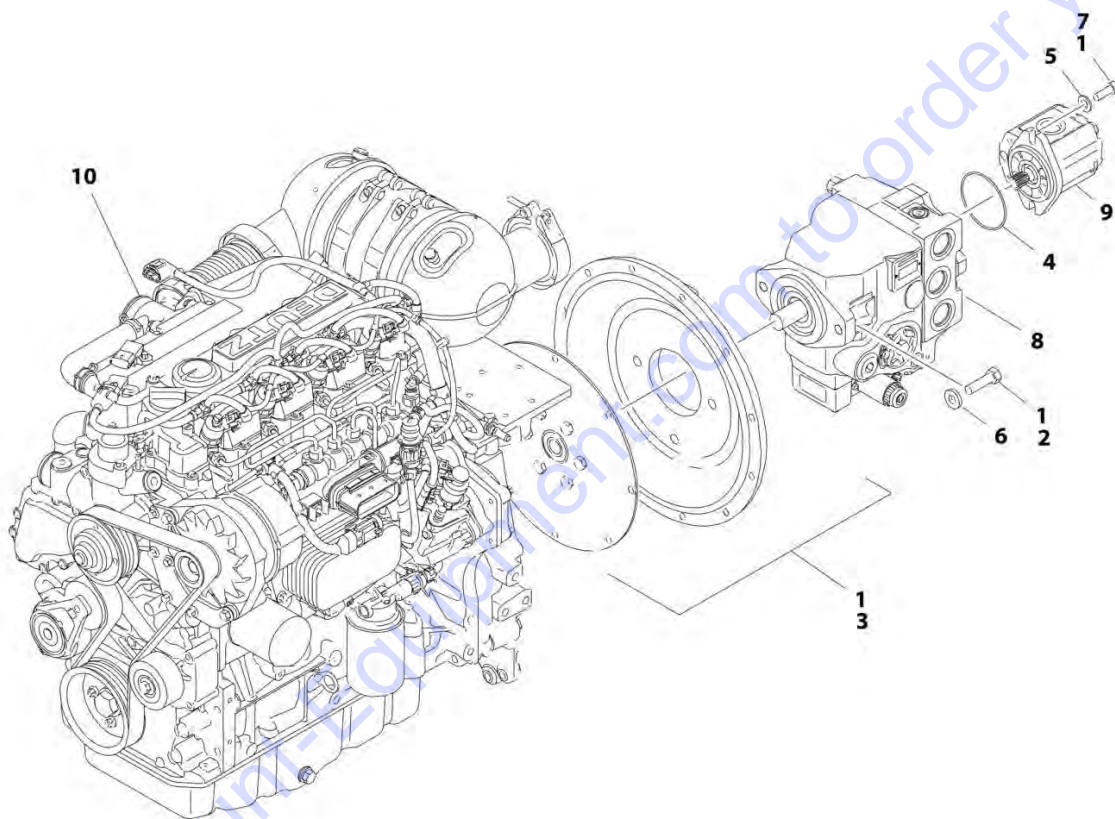
ITEM	PART NUMBER	QTY	DESCRIPTION	REV
	1001166230	Ref	ENGINE INSTALLATION - DEUTZ D2.9L4 ENGINE (WITHOUT ARCTIC PACKAGE)	G
		Ref	Note: Uses RCP Radiator Components. See Special Options Section for machines with Modine Radiator)	
1	0100011	AR	Compound, Locking	
2	0400075	1	Battery	
3	0641407	6	Bolt 1/4 x 7/8	
4	0641408	2	Bolt 1/4 x 1	
5	0641509	5	Bolt 5/16 x 1-1/8	
6	0641605	4	Bolt 3/8 x 5/8	
7	0641608	4	Bolt 3/8 x 1	
8	0641612	1	Bolt 3/8 x 1-1/2	
9	0741010	2	Screw #10 x 1-1/4	
10	0760810	2	Bolt M8 x 20	
11	0771212	1	Bolt M12 x 25 Grade 10.9	
12	2220633	1	Fitting, Barbed	
13	2221114	1	Fitting, Barbed	
14	2400044	1	Fuse, Mounting Block	
15	1001165035	21 ft/6.4m	Hose	
16	3300408	2	Locknut with Nylon Insert	
17	3310401	3	Nut #4	
18	3311405	12	Nut 1/4	
19	3311505	5	Nut 5/16	
20	3311605	5	Nut 3/8	
21	3422669	1	Pin (SN 0200239053 through 0200249090)	
21	3422582	1	Pin (SN 0200249091 to Present)	
22	3841143	1	Keeper, Pin	
23	3910408	3	Screw #4 x 1/2	
24	0641409	4	Bolt 1/4 x 1-1/8	
25	4710400	6	Washer #4	
26	4711400	26	Washer 1/4	
27	4711500	10	Washer 5/16	
28	4711600	12	Washer 3/8	
29	4751500	2	Washer 5/16	
30	4811900	2	Washer M8	
31	4812100	1	Washer M12	
32	8405006	8	Clamp, Gear	
33	8406112	3	Clip	
34	88521205	2	Nut 5/16	
35	91401281	1	Bracket, Battery Hold-down	
36	1001093382	2	Bolt, J-Bolt	
37	1001102987	1	Charge Pump Filter Assembly	
37	70010383	1	Filter Element and O-Ring Kit	
38	1001104356	1	Bracket, Filter	
40	1001139240	1	Bracket	
41	1001141717	1	Fitting, Barbed	
42	1001142501	1	Fitting, Barbed 90	
44	1001146329	1	Engine and Pump Sub-Assembly (See ENGINE AND PUMP SUB-ASSEMBLY for Breakdown)	
45	1001147434	1	Harness, Fuel (See ELECTRICAL SECTION for Breakdown)	

SECTION 3 - ENGINE

ITEM	PART NUMBER	QTY	DESCRIPTION	REV
46	1001147435	1	Battery Cable Kit	B
46A	7027089	1	Cable, Battery (Red) (Battery + to Power Relay and Fuse Block) (Includes 3 Boots)	
46B	7027091	1	Cable, Battery (Black) (Battery to Pivot Pin Ground/Engine and Fuse Block) (Includes 1 Boots)	
46C	7027090	1	Cable (Red) (Power Relay to Starter)	
47	1001147571	1	Plate, Baffle	
48	1001147572	1	Plate, Baffle	
49	1001147629	1	Plate, Baffle	
50	1001147631	1	Plate, Baffle	
51	1001167174	1	Pipe, Exhaust	
52	1001154405	5.5 ft /1.7m	Hose	
53	1001155823	1	Coupling, 90	
54	1001165196	1	Bracket Assembly (Less Filter/Pump (See BRACKET ASSEMBLY (LESS FUEL PUMP AND FILTER) for Breakdown)	
55	1001165702	1	Tube, Exhaust	
57	4712000	2	Washer 5/8	
58	3312005	1	Nut 5/8	
59	0642014	1	Bolt 5/8 x 1-3/4	
60	1704972	1	Decal - Warning Explosion/Fire (ANSI and ANSI Export Specs)	
60	1706064	1	Decal - Warning Explosion/Fire (CSA Spec - French/English)	

SECTION 3 - ENGINE

FIGURE 3-6. ENGINE AND PUMP SUB-ASSEMBLY - DEUTZ D2.9L4 ENGINE



ART_1001146329

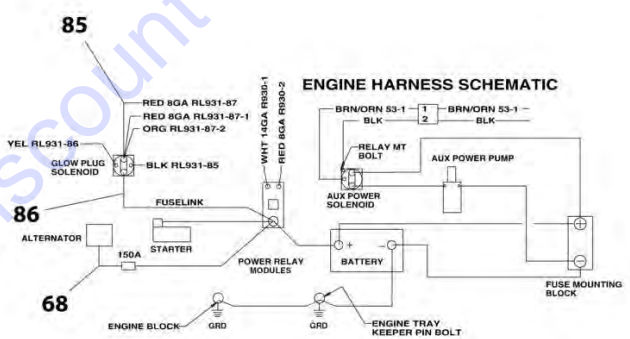
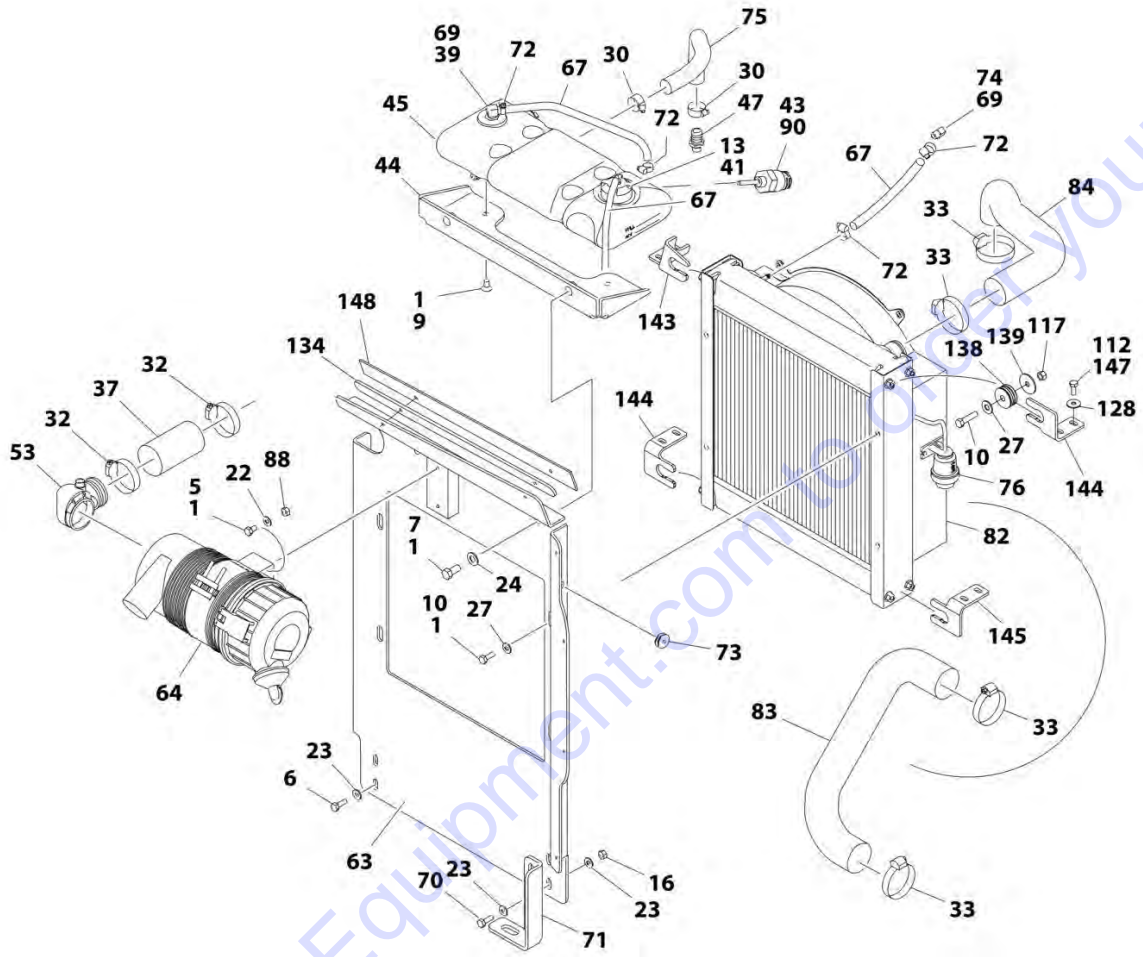
SECTION 3 - ENGINE

FIGURE 3-6. ENGINE AND PUMP SUB-ASSEMBLY - DEUTZ D2.9L4 ENGINE

ITEM	PART NUMBER	QTY	DESCRIPTION	REV
	1001146329	Ref	ENGINE AND PUMP SUB-ASSEMBLY - DEUTZ D2.9L4 ENGINE (WITHOUT ARCTIC PACKAGE)	K
		Ref	Note: Uses RCP Radiator Components. See Special Options Section for machines with Modine Radiator)	
1	0100011	AR	Compound, Locking	
2	0641814	2	Bolt 1/2 x 1-3/4	
3	2902065	1	Pump Coupling Kit (See PUMP COUPLING KIT for Breakdown)	
4	3790152	1	O-Ring	
5	4891600	2	Washer 3/8	
6	4891800	2	Washer 1/2	
7	83191040	2	Capscrew M10 x 30	
8	1001101331	1	Piston Pump Assembly (See PISTON PUMP ASSEMBLY for Breakdown)	
9	1001101699	1	Gear Pump Assembly	
9	70002210	1	Seal Kit - 1001101699 Pump (Note: Seal Kit is only service component available.)	
10	1001146327	1	Engine Assembly - Deutz D2.9L4 Engine (See ENGINE ASSEMBLY - DEUTZ D2.9L4 ENGINE for Breakdown)	

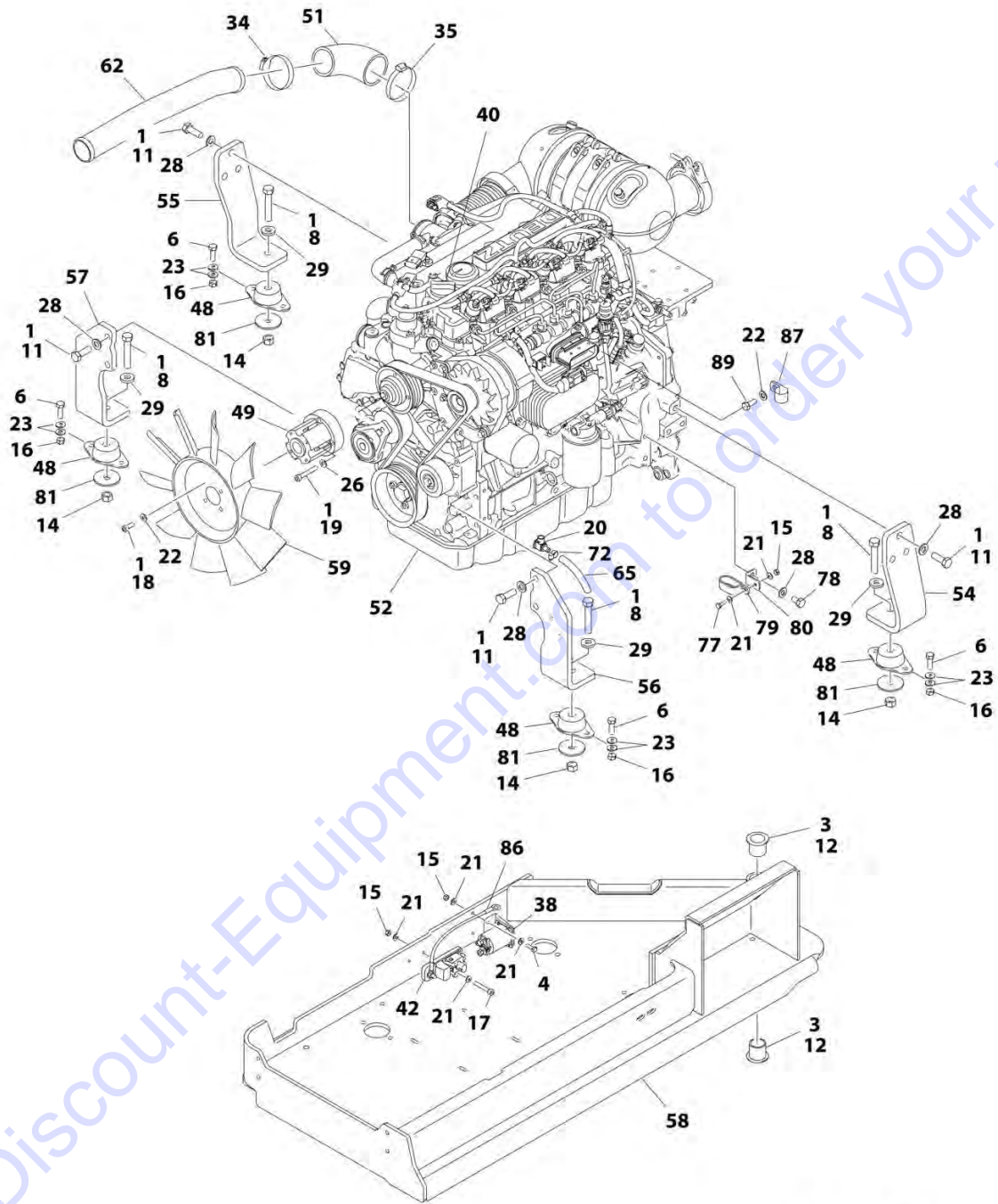
SECTION 3 - ENGINE

FIGURE 3-7. ENGINE ASSEMBLY - DEUTZ D2.9L4 ENGINE (WITHOUT ARCTIC PACKAGE)



ART_1001146327_10F2

SECTION 3 - ENGINE



ART_1001146327_20F2

SECTION 3 - ENGINE

FIGURE 3-7. ENGINE ASSEMBLY - DEUTZ D2.9L4 ENGINE (WITHOUT ARCTIC PACKAGE)

ITEM	PART NUMBER	QTY	DESCRIPTION	REV
	1001146327	Ref	ENGINE ASSEMBLY - DEUTZ D2.9L4 ENGINE (WITHOUT ARCTIC PACKAGE)	N
		Ref	Note: Uses RCP Radiator Components. See Special Options Section for machines with Modine Radiator)	
1	0100011	AR	Compound, Locking	
3	0100062	AR	Compound, Locking	
4	0641407	2	Bolt 1/4 x 7/8	
5	0641506	2	Bolt 5/16 x 3/4	
6	0641609	10	Bolt 3/8 x 1-1/8	
7	0641707	2	Bolt 7/16 x 7/8	
8	0681822	4	Bolt 1/2 x 2-3/4 Grade 8	
9	0741606	2	Screw 3/8 x 3/4	
10	0761008	AR	Bolt M10 x 16	
10	0641612	AR	Bolt 3/8 x 1-1/2	
11	0761215	10	Bolt M12 x 35	
12	0961986	2	Bushing, Flanged	
13	2300004	AR	Coolant	
14	3271801	4	Nut 1/2 Grade 8	
15	3311405	4	Nut 1/4	
16	3311605	12	Nut 3/8	
17	3931436	1	Capscrew 1/4 x 2-1/4	
18	3931512	4	Capscrew 5/16 x 3/4	
19	4031914	4	Bolt M8 x 50	
20	4640751	1	Valve, Oil Drain	
21	4711400	7	Washer 1/4	
22	4711500	7	Washer 5/16	
23	4711600	24	Washer 3/8	
24	4711700	2	Washer 7/16	
26	4811900	4	Washer M8	
27	4812002	AR	Washer M10	
27	4751600	AR	Washer 3/8	
28	4812100	11	Washer M12	
29	4891800	4	Washer 1/2	
30	8405007	2	Clamp, Gear	
32	8405104	2	Clamp, Gear	
33	8405201	4	Clamp, Gear	
34	8405202	1	Clamp, Gear	
35	8410011	1	Clamp, Gear	
37	91563070	1	Coupling, Hose	
38	1001117308	1	Relay	
39	1001134488	1	Fitting, 90 Barbed	
40	1001136079	AR	Oil, Motor	
41	1001136834	1	Cap, Tank	
42	1001138228	1	Relay, Power Module	
42	70023593	1	Fuse - 30Amp (Battery Output)	
42	70023592	1	Fuse - 20Amp (Switched Output)	
43	1001138827	1	Sensor, Coolant Level	
44	1001139303	1	Bracket (RCP Radiator)	
44	1001180314	1	Bracket (Modine Radiator)	
45	1001140535	1	Tank, Surge	

SECTION 3 - ENGINE

ITEM	PART NUMBER	QTY	DESCRIPTION	REV
47	1001143797	1	Fitting, Straight Barbed	
48	1001144112	4	Mount, Motor	
49	1001144116	1	Adapter	
51	1001145006	1	Hose	
52	1001145758	1	Engine, Deutz D2.9L4 (See ENGINE COMPONENTS for Breakdown)	
53	1001146043	1	Coupling, 90	
54	1001146356	1	Support, Engine	
55	1001146357	1	Support, Engine	
56	1001146358	1	Support, Engine	
57	1001146359	1	Support, Engine	
58	1001146360	1	Tray, Engine	
59	1001146396	1	Fan (RCP Radiator)	
59	1001165849	1	Fan (Modine Radiator)	
62	1001146517	1	Tube, Intake	
63	1001146616	1	Support, Radiator (RCP Radiator)	
63	1001179443	1	Support, Radiator (Modine Radiator)	
64	1001144113	1	Air Cleaner Assembly	
64	70003937	1	Element, Filter	
65	2720340	6 in/ 0.152m	Hose	
67	2720015	5.5 ft/ 1.67m	Hose	
68	1001143907	1	Cable, Alternator Power	
69	0100020	AR	Sealant, Pipe	
70	0641611	2	Bolt 3/8 x 1-3/8	
71	1001154334	1	Bracket	
72	8405009	5	Clamp, Gear	
73	1001111341	1	Grommet	
74	1001140564	1	Fitting, 90 Barbed	
75	1001155477	1	Hose	
76	1001144115	1	Indicator, Service	
77	0641406	1	Bolt 1/4 x 3/4	
78	0761210	1	Bolt M12 x 20	
79	1321716	1	Clamp	
80	1001148641	1	Bracket	
81	1001139409	4	Washer, Special	
82	1001155493	1	Radiator (RCP)	
82	1001167043	1	Radiator (Modine)	
83	1001155874	1	Hose (RCP Radiator)	
83	1001179432	1	Hose (Modine Radiator)	
84	1001155875	1	Hose (RCP Radiator)	
84	1001179431	1	Hose (Modine Radiator)	
85	1001145562	1	Harness, Engine (See ELECTRICAL SECTION for Breakdown)	
86	1001141304	1	Wire, Glow Fuse	
87	8406102	1	Clip	
88	3311508	2	Nut 5/16	
89	0760810	1	Bolt M8 x 20	
90	0100020	AR	Sealant, Pipe (SN 0200239052 through 0200257310)	
90	1001182997	AR	Adhesive (SN 0200257311 to Present)	
	1001200380	Ref	MODINE RADIATOR SERVICE KIT	B
112	0760810	8	Bolt M8 x 20	

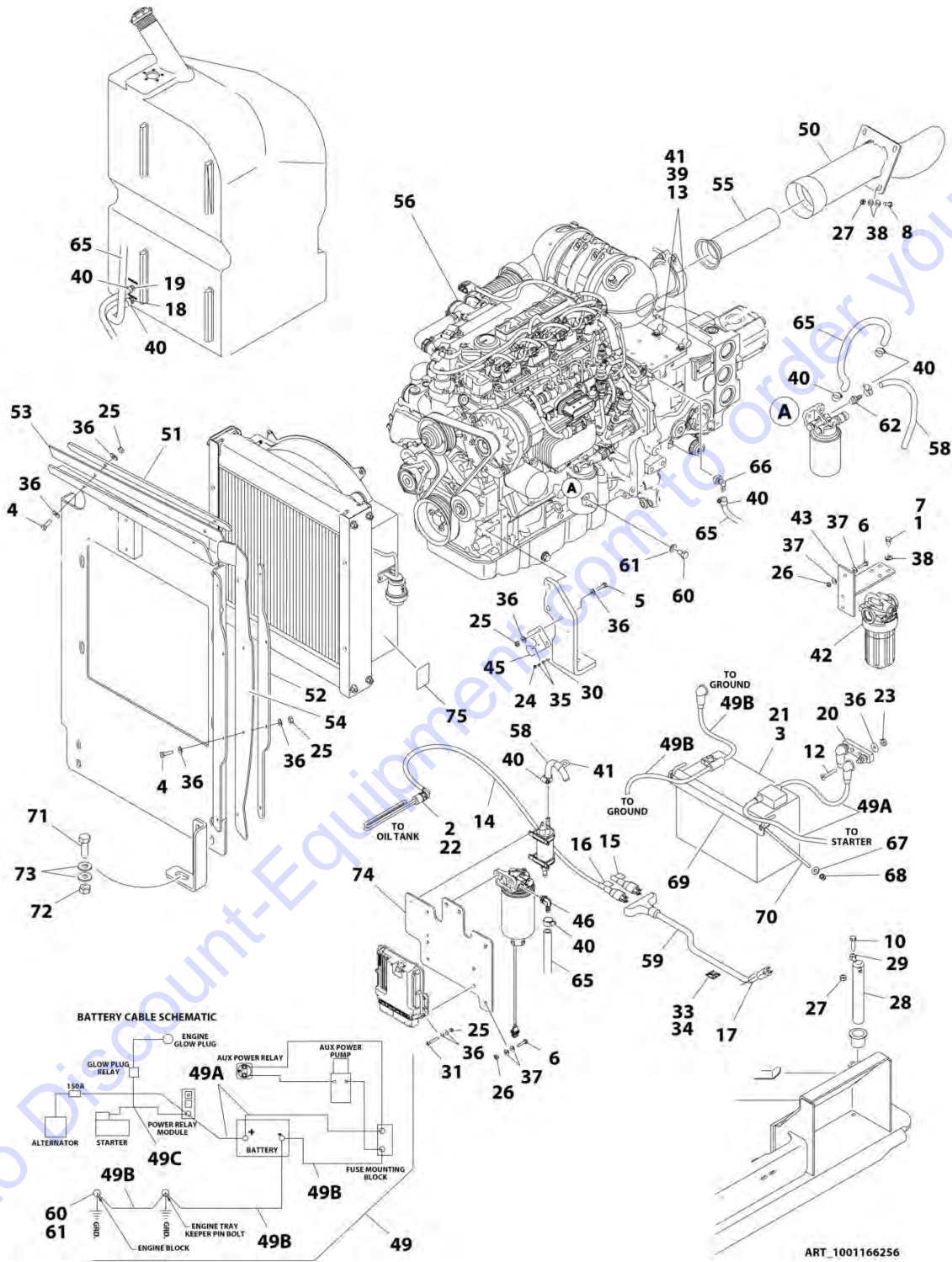
SECTION 3 - ENGINE

ITEM	PART NUMBER	QTY	DESCRIPTION	REV
117	3311605	4	Nut 3/8	
128	4811902	8	Washer M8	
134	1001147571	1	Plate	
138	1001169054	4	Isolator	
139	1001169138	4	Washer	
143	1001179833	1	Bracket	
144	1001179834	2	Bracket	
145	1001179835	1	Bracket	
147	1001180620	AR	Adhesive	
148	1001197068	1	Panel, Baffle	

Go to Discount-Equipment.com to order your parts

SECTION 3 - ENGINE

FIGURE 3-8. ENGINE INSTALLATION - DEUTZ D2.9L4 ENGINE (WITH ARCTIC PACKAGE)



SECTION 3 - ENGINE

FIGURE 3-8. ENGINE INSTALLATION - DEUTZ D2.9L4 ENGINE (WITH ARCTIC PACKAGE)

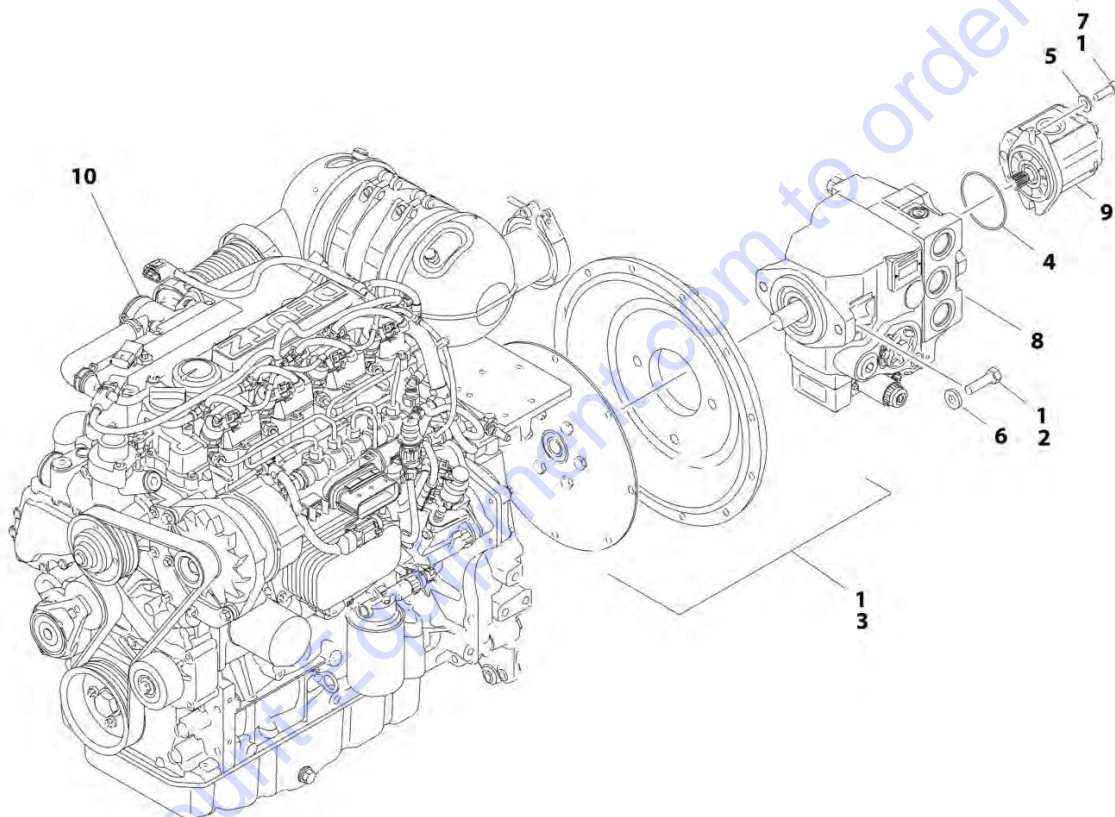
ITEM	PART NUMBER	QTY	DESCRIPTION	REV
	1001166256	Ref	ENGINE INSTALLATION - DEUTZ D2.9L4 ENGINE (WITH ARCTIC PACKAGE)	H
		Ref	Note: Uses RCP Radiator Components. See Special Options Section for machines with Modine Radiator)	
1	0100011	AR	Compound, Locking	
2	0100020	AR	Sealant, Pipe	
3	0400075	1	Battery	
4	0641407	6	Bolt 1/4 x 7/8	
5	0641408	2	Bolt 1/4 x 1	
6	0641509	5	Bolt 5/16 x 1-1/8	
7	0641605	4	Bolt 3/8 x 5/8	
8	0641608	4	Bolt 3/8 x 1	
10	0641612	1	Bolt 3/8 x 1-1/2	
12	0741010	2	Screw #10 x 1-1/4	
13	0760810	2	Bolt M8 x 20	
14	1060625	1	Cable, Immersion Heater (SN 0200239053 through 0200249097)	
14	1001150918	1	Cable, Immersion Heater (SN 0200249098 to Present)	
15	1702941	1	Decal - Battery Heater	
16	1702943	1	Decal - Hydraulic Tank Heater	
17	1702944	1	Decal - Heater Cord	
18	2220633	1	Fitting, Barbed	
19	2221114	1	Fitting, Barbed	
20	2400044	1	Fuse, Mounting Block	
21	2580001	1	Heater, Battery	
22	2580050	1	Heater, Hydraulic Tank (SN 0200239053 through 0200249097)	
22	1001188972	1	Heater, Hydraulic Tank (SN 0200249098 to Present)	
23	3300408	2	Locknut with Nylon Insert	
24	3310401	3	Nut #4	
25	3311405	12	Nut 1/4	
26	3311505	5	Nut 5/16	
27	3311605	5	Nut 3/8	
28	3422669	1	Pin (SN 0200239053 through 0200249090)	
28	3422582	1	Pin (SN 0200249091 to Present)	
29	3841143	1	Keeper, Pin	
30	3910408	3	Screw #4 x 1/2	
31	0641409	4	Bolt 1/4 x 1-1/8	
33	4240099	1	Tie-Strap	
34	4460234	1	Mount, Tie-Strap	
35	4710400	6	Washer #4	
36	4711400	26	Washer 1/4	
37	4711500	10	Washer 5/16	
38	4711600	12	Washer 3/8	
39	4811900	2	Washer M8	
40	8405006	8	Clamp, Gear	
41	8406112	3	Clip	
42	1001102987	1	Charge Pump Filter Assembly	
42	70010383	1	Filter Element and O-Ring Kit	
43	1001104356	1	Bracket, Filter	
45	1001139240	1	Bracket	
46	1001142501	1	Fitting, Barbed 90	

SECTION 3 - ENGINE

ITEM	PART NUMBER	QTY	DESCRIPTION	REV
49	1001147435	1	Battery Cable Kit	B
49A	7027089	1	Cable, Battery (Red) (Battery + to Power Relay and Fuse Block) (Includes 3 Boots)	
49B	7027091	1	Cable, Battery (Black) (Battery to Pivot Pin Ground/Engine and Fuse Block) (Includes 1 Boots)	
49C	7027090	1	Cable (Red) (Power Relay to Starter)	
50	1001165702	1	Tube, Exhaust	
51	1001147571	1	Plate, Baffle	
52	1001147572	1	Plate, Baffle	
53	1001147629	1	Plate, Baffle	
54	1001147631	1	Plate, Baffle	
55	1001167174	1	Pipe, Exhaust	
56	1001148044	1	Engine and Pump Sub-Assembly (See ENGINE AND PUMP SUB-ASSEMBLY for Breakdown)	
58	1001165035	21 ft/6.4m	Hose	
59	1060626	1	Cord, 3-Way Extension	
60	0771212	1	Bolt M12 x 25 Grade 10.9	
61	4812100	1	Washer M12	
62	1001141717	1	Fitting, Barbed	
63	1001147434	1	Harness, Fuel (Not Shown - See ELECTRICAL SECTION for Breakdown)	
65	1001154405	5.5 ft /1.7m	Hose	
66	1001155823	1	Coupling, 90	
67	4751500	2	Washer 5/16	
68	88521205	2	Nut 5/16	
69	91401281	1	Bracket, Battery Hold-down	
70	1001093382	2	Bolt, J-Bolt	
71	0642014	1	Bolt 5/8 x 1-3/4	
72	3312005	1	Nut 5/8	
73	4712000	2	Washer 5/8	
74	1001165196	1	Bracket Assembly (Less Filter/Pump (See BRACKET ASSEMBLY (LESS FUEL PUMP AND FILTER) for Breakdown)	
75	1704972	1	Decal - Warning Explosion/Fire (ANSI and ANSI Export Specs)	
75	1706064	1	Decal - Warning Explosion/Fire (CSA Spec - French/English Specs)	

SECTION 3 - ENGINE

FIGURE 3-9. ENGINE AND PUMP SUB-ASSEMBLY - DEUTZ D2.9L4 ENGINE (WITH ARCTIC PACKAGE)



ART_1001148044

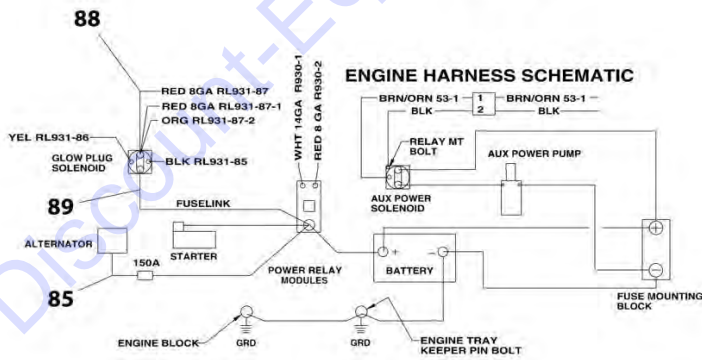
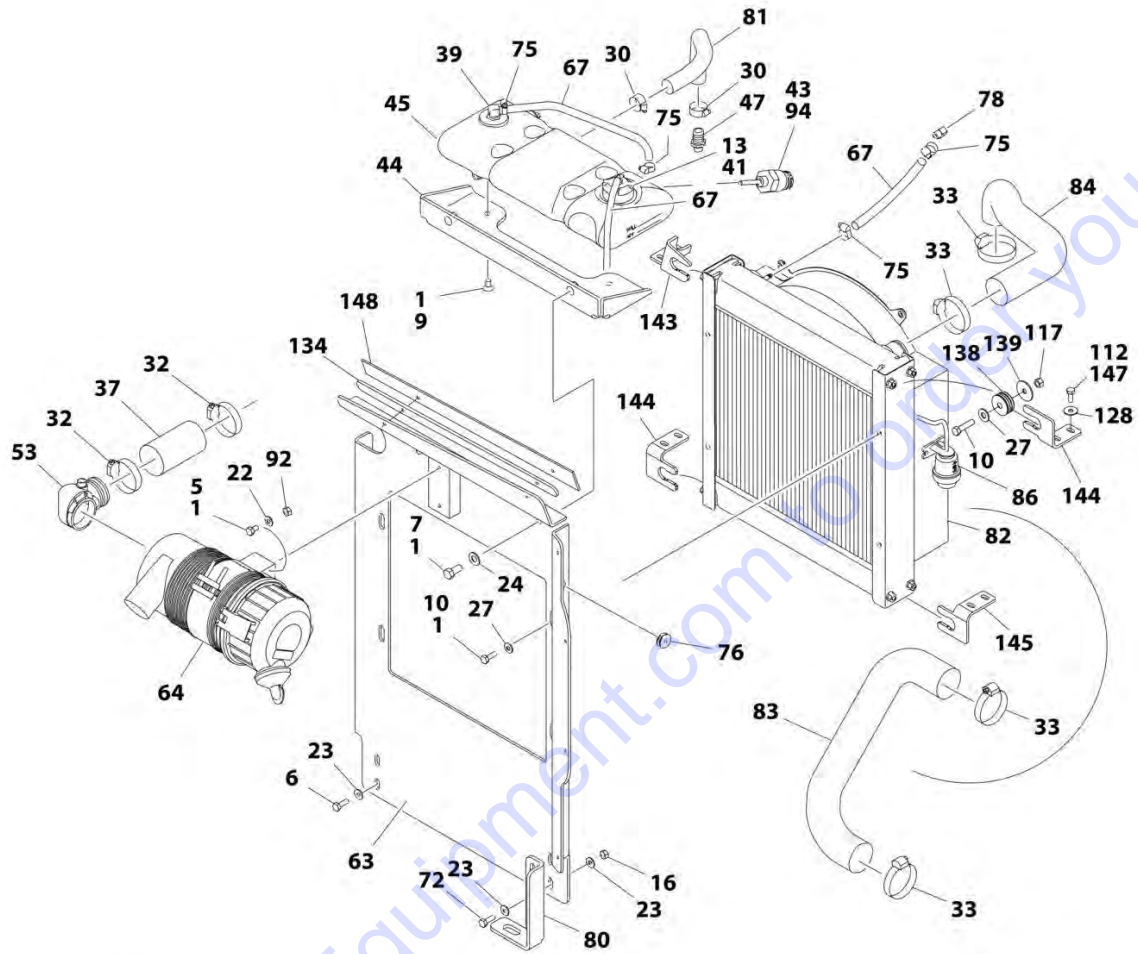
SECTION 3 - ENGINE

FIGURE 3-9. ENGINE AND PUMP SUB-ASSEMBLY - DEUTZ D2.9L4 ENGINE (WITH ARCTIC PACKAGE)

ITEM	PART NUMBER	QTY	DESCRIPTION	REV
	1001148044	Ref	ENGINE AND PUMP SUB-ASSEMBLY - DEUTZ D2.9L4 ENGINE (WITH ARCTIC PACKAGE)	M
		Ref	Note: Uses RCP Radiator Components. See Special Options Section for machines with Modine Radiator)	
1	0100011	AR	Compound, Locking	
2	0641814	2	Bolt 1/2 x 1-3/4	
3	2902065	1	Pump Coupling Kit (See PUMP COUPLING KIT for Breakdown)	
4	3790152	1	O-Ring	
5	4891600	2	Washer 3/8	
6	4891800	2	Washer 1/2	
7	83191040	2	Capscrew M10 x 30	
8	1001101331	1	Piston Pump Assembly (See PISTON PUMP ASSEMBLY for Breakdown)	
9	1001101699	1	Gear Pump Assembly	
9	70002210	1	Seal Kit - 1001101699 Pump (Note: Seal Kit is only service component available.)	
10	1001148043	1	Engine Assembly - Deutz D2.9L4 Engine (See ENGINE ASSEMBLY - DEUTZ D2.9L4 ENGINE for Breakdown)	

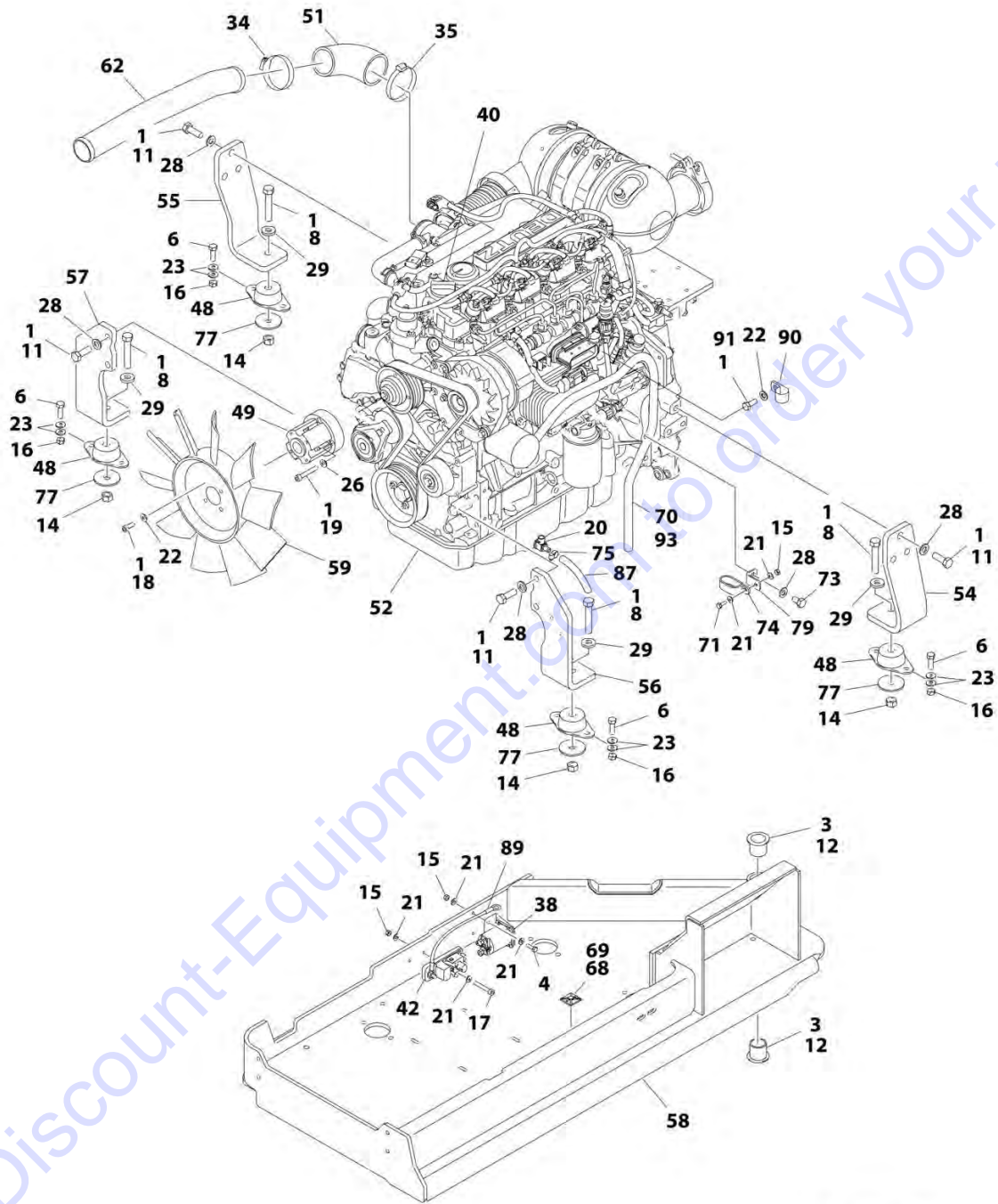
SECTION 3 - ENGINE

FIGURE 3-10. ENGINE ASSEMBLY - DEUTZ D2.9L4 ENGINE (WITH ARCTIC PACKAGE)



ART_1001148043_10F2

SECTION 3 - ENGINE



ART_1001148043_2OF2

SECTION 3 - ENGINE

FIGURE 3-10. ENGINE ASSEMBLY - DEUTZ D2.9L4 ENGINE (WITH ARCTIC PACKAGE)

ITEM	PART NUMBER	QTY	DESCRIPTION	REV
	1001148043	Ref	ENGINE ASSEMBLY - DEUTZ D2.9L4 ENGINE (WITH ARCTIC PACKAGE)	P
		Ref	Note: Uses RCP Radiator Components. See Special Options Section for machines with Modine Radiator)	
1	0100011	AR	Compound, Locking	
3	0100062	AR	Compound, Locking	
4	0641407	2	Bolt 1/4 x 7/8	
5	0641506	2	Bolt 5/16 x 3/4	
6	0641609	10	Bolt 3/8 x 1-1/8	
7	0641707	2	Bolt 7/16 x 7/8	
8	0681822	4	Bolt 1/2 x 2-3/4 Grade 8	
9	0741606	2	Screw 3/8 x 3/4	
10	0761008	AR	Bolt M10 x 16	
10	0641612	AR	Bolt 3/8 x 1-1/2	
11	0761215	10	Bolt M12 x 35	
12	0961986	2	Bushing, Flanged	
13	2300041	1	Coolant	
14	3271801	4	Nut 1/2 Grade 8	
15	3311405	4	Nut 1/4	
16	3311605	12	Nut 3/8	
17	3931436	1	Capscrew 1/4 x 2-1/4	
18	3931512	4	Capscrew 5/16 x 3/4	
19	4031914	4	Bolt M8 x 50	
20	4640751	1	Valve, Oil Drain	
21	4711400	7	Washer 1/4	
22	4711500	7	Washer 5/16	
23	4711600	24	Washer 3/8	
24	4711700	2	Washer 7/16	
26	4811900	4	Washer M8	
27	4812002	AR	Washer M10	
27	4751600	AR	Washer 3/8	
28	4812100	11	Washer M12	
29	4891800	4	Washer 1/2	
30	8405007	2	Clamp, Gear	
32	8405104	2	Clamp, Gear	
33	8405201	4	Clamp, Gear	
34	8405202	1	Clamp, Gear	
35	8410011	1	Clamp, Gear	
37	91563070	1	Coupling, Hose	
38	1001117308	1	Relay	
39	1001134488	1	Fitting, 90 Barbed	
40	1001136172	2.4 gal /9L	Oil, Motor	
41	1001136834	1	Cap, Tank	
42	1001138228	1	Relay, Power Module	
42	70023593	1	Fuse - 30Amp (Battery Output)	
42	70023592	1	Fuse - 20Amp (Switched Output)	
43	1001138827	1	Sensor, Coolant Level	
44	1001139303	1	Bracket (RCP Radiator)	
44	1001180314	1	Bracket (Modine Radiator)	
45	1001140535	1	Tank, Surge	

SECTION 3 - ENGINE

ITEM	PART NUMBER	QTY	DESCRIPTION	REV
47	1001143797	1	Fitting, Straight Barbed	
48	1001144112	4	Mount, Motor	
49	1001144116	1	Adapter	
51	1001145006	1	Hose	
52	1001145758	1	Engine, Deutz D2.9L4 (See ENGINE COMPONENTS for Breakdown)	
53	1001146043	1	Coupling, 90	
54	1001146356	1	Support, Engine	
55	1001146357	1	Support, Engine	
56	1001146358	1	Support, Engine	
57	1001146359	1	Support, Engine	
58	1001146360	1	Tray, Engine	
59	1001146396	1	Fan (RCP Radiator)	
59	1001165849	1	Fan (Modine Radiator)	
62	1001146517	1	Tube, Intake	
63	1001146616	1	Support, Radiator (RCP Radiator)	
63	1001179443	1	Support, Radiator (Modine Radiator)	
64	1001144113	1	Air Cleaner Assembly Filter Element	
67	2720015	5.5 ft/ 1.67m	Hose	
68	4240099	1	Tie-Strap	
69	4460234	1	Mount, Tie-Strap	
70	1001140312	1	Heater, Engine Block	
71	0641406	1	Bolt 1/4 x 3/4	
72	0641611	2	Bolt 3/8 x 1-3/8	
73	0761210	1	Bolt M12 x 20	
74	1321716	1	Clamp	
75	8405009	5	Clamp, Gear	
76	1001111341	1	Grommet	
77	1001139409	4	Washer, Special	
78	1001140564	1	Fitting, 90 Barbed	
79	1001148641	1	Bracket	
80	1001154334	1	Bracket	
81	1001155477	1	Hose	
82	1001155493	1	Radiator (RCP)	
82	1001167043	1	Radiator (Modine)	
83	1001155874	1	Hose (RCP Radiator)	
83	1001179432	1	Hose (Modine Radiator)	
84	1001155875	1	Hose (RCP Radiator)	
84	1001179431	1	Hose (Modine Radiator)	
85	1001143907	1	Cable, Alternator Power	
86	1001144115	1	Indicator, Service	
87	2720340	6 in/ 0.152m	Hose	
88	1001145562	1	Harness, Engine (See ELECTRICAL SECTION for Breakdown)	
89	1001141304	1	Wire, Glow Fuse	
90	8406102	1	Clip	
91	0760810	1	Bolt M8 x 20	
92	3311508	2	Nut 5/16	
93	1001181895	AR	Adhesive	
94	1001182997	AR	Adhesive (SN 0200257311 to Present)	
	1001200380	Ref	MODINE RADIATOR SERVICE KIT	B

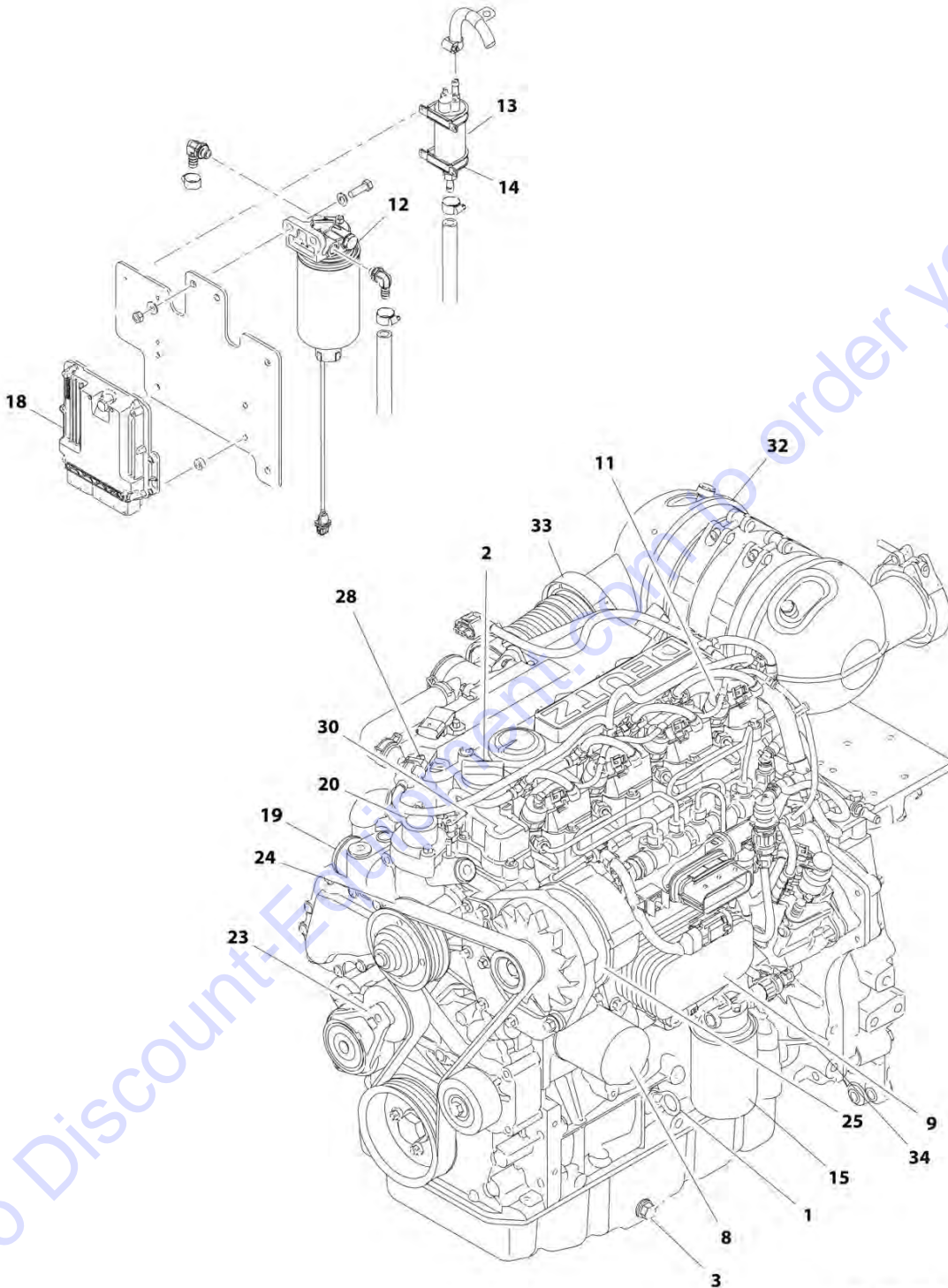
SECTION 3 - ENGINE

ITEM	PART NUMBER	QTY	DESCRIPTION	REV
112	0760810	8	Bolt M8 x 20	
117	3311605	4	Nut 3/8	
128	4811902	8	Washer M8	
134	1001147571	1	Plate	
138	1001169054	4	Isolator	
139	1001169138	4	Washer	
143	1001179833	1	Bracket	
144	1001179834	2	Bracket	
145	1001179835	1	Bracket	
147	1001180620	AR	Adhesive	
148	1001197068	1	Panel, Baffle	

Go to Discount-Equipment.com to order your parts

SECTION 3 - ENGINE

FIGURE 3-11. ENGINE COMPONENTS - DEUTZ D2.9L4 ENGINE



ART_1001145758

PARTS FINDER

**Search Website
by Part Number**



**Search Manual
Library For Parts
Manual & Lookup Part
Numbers – Purchase
or Request Quote**

**Can't Find Part or
Manual? Request Help
by Manufacturer,
Model & Description**

Discount-Equipment.com is your online resource for quality parts & equipment.

Florida: **561-964-4949** Outside Florida TOLL FREE: **877-690-3101**

Need parts?

Click on this link: <http://www.discount-equipment.com/category/5443-parts/> and choose one of the options to help get the right parts and equipment you are looking for. Please have the machine model and serial number available in order to help us get you the correct parts. If you don't find the part on the website or on one of the online manuals, please fill out the request form and one of our experienced staff members will get back to you with a quote for the right part that your machine needs.

We sell worldwide for the brands: Genie, Terex, JLG, MultiQuip, Mikasa, Essick, Whiteman, Mayco, Toro Stone, Diamond Products, Generac Magnum, Airman, Haulotte, Barreto, Power Blanket, Nifty Lift, Atlas Copco, Chicago Pneumatic, Allmand, Miller Curber, Skyjack, Lull, Skytrak, Tsurumi, Husquvarna Target, Stow, Wacker, Sakai, Mi-T-M, Sullair, Basic, Dynapac, MBW, Weber, Bartell, Bennar Newman, Haulotte, Ditch Runner, Menegotti, Morrison, Contec, Buddy, Crown, Edco, Wyco, Bomag, Laymor, EZ Trench, Bil-Jax, F.S. Curtis, Gehl Pavers, Heli, Honda, ICS/PowerGrit, IHI, Partner, Imer, Clipper, MMD, Koshin, Rice, CH&E, General Equipment, Amida, Coleman, NAC, Gradall, Square Shooter, Kent, Stanley, Tamco, Toku, Hatz, Kohler, Robin, Wisconsin, Northrock, Oztec, Toker TK, Rol-Air, APT, Wylie, Ingersoll Rand / Doosan, Innovatech, Con X, Ammann, Mecalac, Makinex, Smith Surface Prep, Small Line, Wanco, Yanmar

SECTION 3 - ENGINE

FIGURE 3-11. ENGINE COMPONENTS - DEUTZ D2.9L4 ENGINE

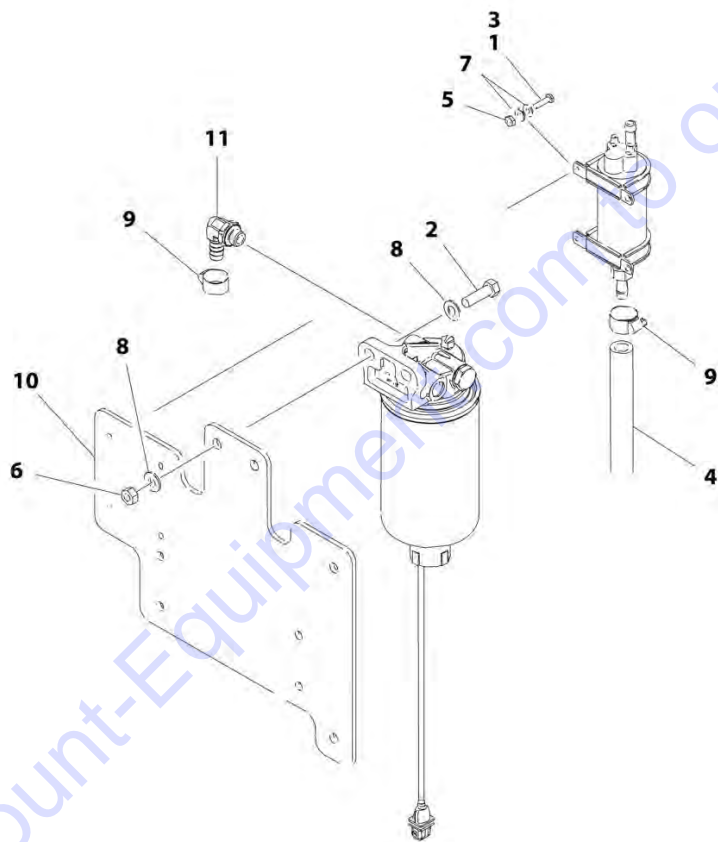
ITEM	PART NUMBER	QTY	DESCRIPTION	REV
	1001145758	Ref	ENGINE COMPONENTS - DEUTZ D2.9L4 ENGINE	I
1	70004274	1	Dipstick (Not Shown - Located On Side Left Front)	
1	70024905	1	Seal	
2	7020465	2	Cap, Oil Fill	
3	70025088	1	Plug	
3	7020404	1	Seal	
4	70001870	1	Flywheel with Ring Gear (Not Shown)	
4	7024579	1	Gear, Ring	
5		Ref	Gasket and Seal Options (Not Shown):	
5	70024906	1	Gasket, Head	
5	70025206	1	Gasket, Small Valve Cover	
5	70025207	1	Gasket, Large Valve Cover	
5	70025208	1	Gasket, Valve Cover to Air Charge Elbow	
5	70002718	1	Seal, Rear Main	
5	70004281	1	Seal, Front Main	
5	70024907	1	Gasket, Front Cover	
5	70025164	1	Gasket, Exhaust Manifold to Head	
5	70025179	1	Gasket, Pipe/Line/Lead to EGR Module	
5	70025180	1	Gasket, Pipe/Line/Lead to EGR Module	
5	70004279	1	Gasket Kit	
6	70025091	1	Plug (Not Shown - Located On Side Left Front)	
6	70025082	1	Seal	
6	70025176	1	Spring	
6	70025076	1	Valve	
7	70025202	1	Pump, Oil Lube (Not Shown - Located Front Left Side)	
7	70025135	1	O-Ring	
7	70025136	1	Seal	
8	7016641	1	Filter, Oil	
9	70004275	1	Cooler, Oil	
9	70024925	1	Gasket	
10	70024924	1	Pump, High Pressure (Not Shown - Located Front Left Side)	
10	70025152	1	O-Ring (Between Pump and Spacer)	
10	70024488	1	Spacer	
10	70024517	1	O-Ring (Between Spacer and Engine Block)	
11	70004281	4	Injector, Fuel	
11	70025140	4	Washer, Sealing	
11	70025146	4	Clamp (Top of Injector)	
11	70025145	4	O-Seal	
11	70025154	4	Shoe, Clamping	
11	70000345	4	Plug, Glow	
11	70025231	1	Harness, Glow Plug (Not Shown)	
12	70025153	NLA	Filter, Fuel (Use p/n 1001225430)	
12	70024961	1	Filter with Head	
12	70025154	1	Filter, Fuel	
12	70024513	1	Cable, Sensor	
12	70025239	1	Seal	
13	70024486	1	Pump, Fuel	
14	70025144	2	Clamp	
15	70025160	1	Filter with Head	
15	70025161	NLA	Filter, Fuel (Use p/n 1001225431)	

SECTION 3 - ENGINE

ITEM	PART NUMBER	QTY	DESCRIPTION	REV
15	70024504	1	Sensor, Pressure	
15	70024920	1	Seal	
17	70025151	1	Rail, Fuel (Not Shown)	
17	70025235	1	Repair Kit	
18	70025210	1	ECU (Engine Control Unit)	
19	70024910	1	Pump, Water	
19	70025200	1	Seal	
19	70025084	2	Plug	
19	7020492	2	Seal	
20	70024473	1	Thermostat	
20	70025143	1	O-Seal	
20	70025142	1	Cover, Thermostat	
21	70025177	1	Pipe (Not Shown)	
21	70025179	2	Gasket	
22	70004283	1	Module, EGR (Not Shown - Located on Left Side)	
23	70025477	1	Tensioner, Belt	
24	70004277	1	Belt, Drive	
25	70024914	1	Alternator	
25	70025149	1	Regulator, Voltage	
26	70024915	1	Starter (Not Shown - Located on Left Side)	
27	70025231	1	Harness, Glow Plug (Not Shown)	
27	70004284	1	Harness, Engine (Not Shown)	
28	70024507	1	Sensor, Pressure	
28	70025120	1	Seal	
29	70024916	2	Sensor, Speed (Not Shown - Located Left Side Front and Flywheel Housing)	
29	70024917	2	Seal	
30	70024918	1	Sender, Temperature	
31	70024504	1	Sensor, Pressure (Not Shown - Located Left Side Front)	
31	70024920	1	Seal	
32	70005446	1	Muffler	
33	70025242	1	Clamp, Exhaust	
33	70025241	1	Gasket, Exhaust (Muffler Inlet to Compensator)	
34	70124530	1	Valve, Pressure Relief	
34	70124538	1	Spring, Compression	
34	70104570	1	Ring, Sealing	
34	70025660	1	Screw	

SECTION 3 - ENGINE

FIGURE 3-12. BRACKET ASSEMBLY (LESS FUEL PUMP AND FILTER)



ART_1001165196

SECTION 3 - ENGINE

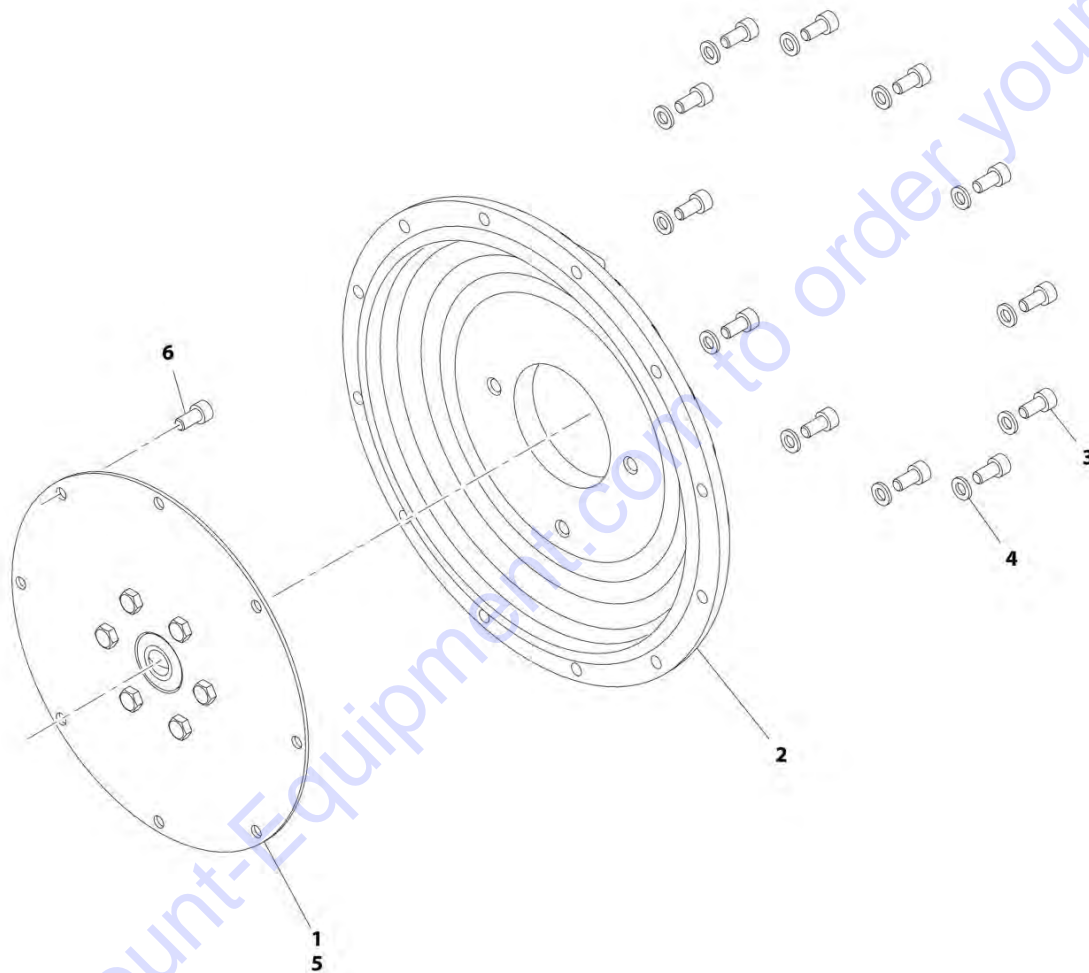
FIGURE 3-12. BRACKET ASSEMBLY (LESS FUEL PUMP AND FILTER)

ITEM	PART NUMBER	QTY	DESCRIPTION	REV
	1001165196	Ref	BRACKET ASSEMBLY (LESS FUEL PUMP AND FILTER)	E
1	0100011	AR	Compound, Locking	
2	0641611	2	Bolt 3/8 x 1-3/8	
3	0721006	4	Bolt #10 x 3/4	
4	1001154405	1.5 ft /0.4m	Hose	
5	3311001	4	Nut #10	
6	3311605	2	Nut 3/8	
7	4711000	8	Washer #10	
8	4711600	4	Washer 3/8	
9	8405006	2	Clamp	
10	1001146974	1	Plate, Fuel Pump Mount	
11	1001142501	1	Fitting, Elbow Barbed	

Go to Discount-Equipment.com to order your parts

SECTION 3 - ENGINE

FIGURE 3-13. PUMP COUPLING KIT



ART_2902065

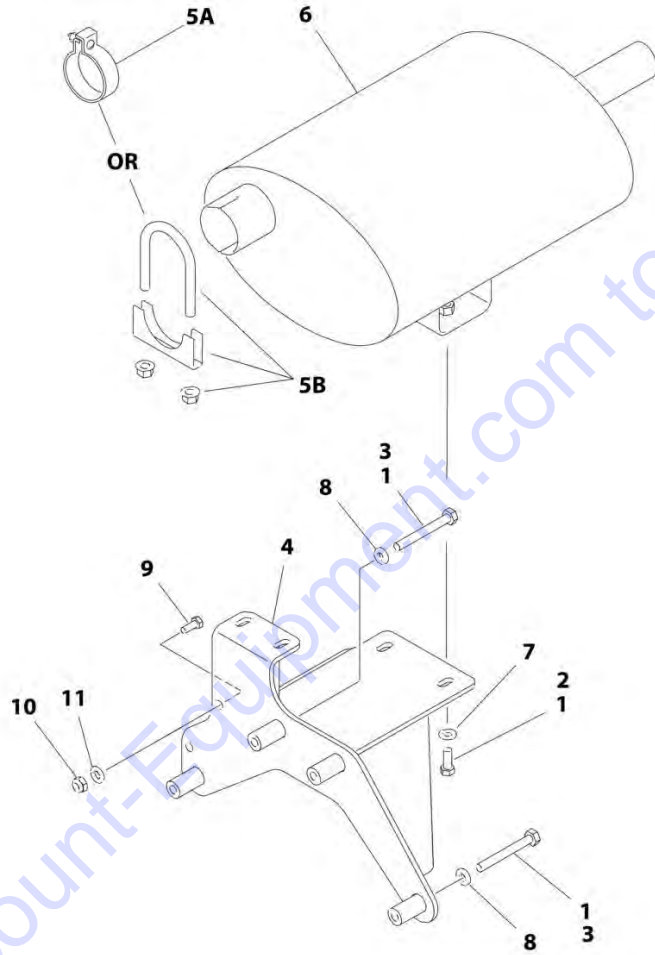
FIGURE 3-13. PUMP COUPLING KIT

ITEM	PART NUMBER	QTY	DESCRIPTION	REV
	2902065	Ref	PUMP COUPLING KIT	K
1	70000793	1	Coupling, Hayes	
2	See Note	NSS	Plate, Pump Adapter (Note: Use p/n 2902065)	
3	See Note	NSS	Capscrew M10 x 30 Grade 10.9 (Note: Use p/n 2902065)	
4	See Note	NSS	Washer M10 (Note: Use p/n 2902065)	
5	3020021	AR	Grease, Coupling	
6	See Note	NSS	Capscrew M10 x 20 Grade 10.9 (Note: Use p/n 2902065)	

Go to Discount-Equipment.com to order your parts

SECTION 3 - ENGINE

FIGURE 3-14. MUFFLER KIT - SPARK ARRESTOR (DEUTZ D2011 ENGINE) (OPTIONAL)



ART_2902243

SECTION 3 - ENGINE

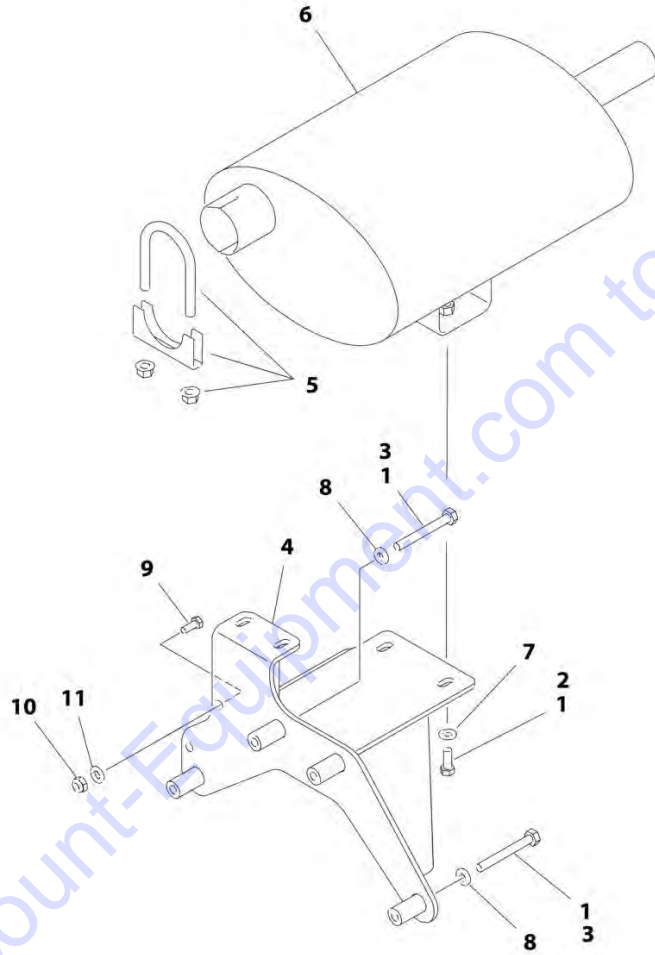
FIGURE 3-14. MUFFLER KIT - SPARK ARRESTOR (DEUTZ D2011 ENGINE) (OPTIONAL)

ITEM	PART NUMBER	QTY	DESCRIPTION	REV
	2902243	Ref	MUFFLER KIT - SPARK ARRESTOR (DEUTZ D2011 ENGINE) (OPTIONAL)	G
1	0100011	AR	Compound, Locking	
2	0641608	2	Bolt 3/8 x 1	
3	0711025	4	Bolt M10 x 85	
4	0902885	1	Bracket, Muffler Mount	
5A	70001017	1	Clamp, Circle (Supplied with Item 6)	
5B	1320019	1	Clamp Saddle (Note: Must be Purchase Separately)	
6	3220129	1	Spark Arrestor (Includes Item 5)	
7	4711600	2	Washer 3/8	
8	4891600	4	Washer 3/8	
9	0701013	2	Bolt M10 x 28	
10	3291005	2	Nut M10	
11	4812000	2	Washer M10	

Go to Discount-Equipment.com to order your parts

SECTION 3 - ENGINE

FIGURE 3-15. MUFFLER KIT - CATALYTIC MUFFLER (DEUTZ D2011 ENGINE) (OPTIONAL)



ART_2902244

SECTION 3 - ENGINE

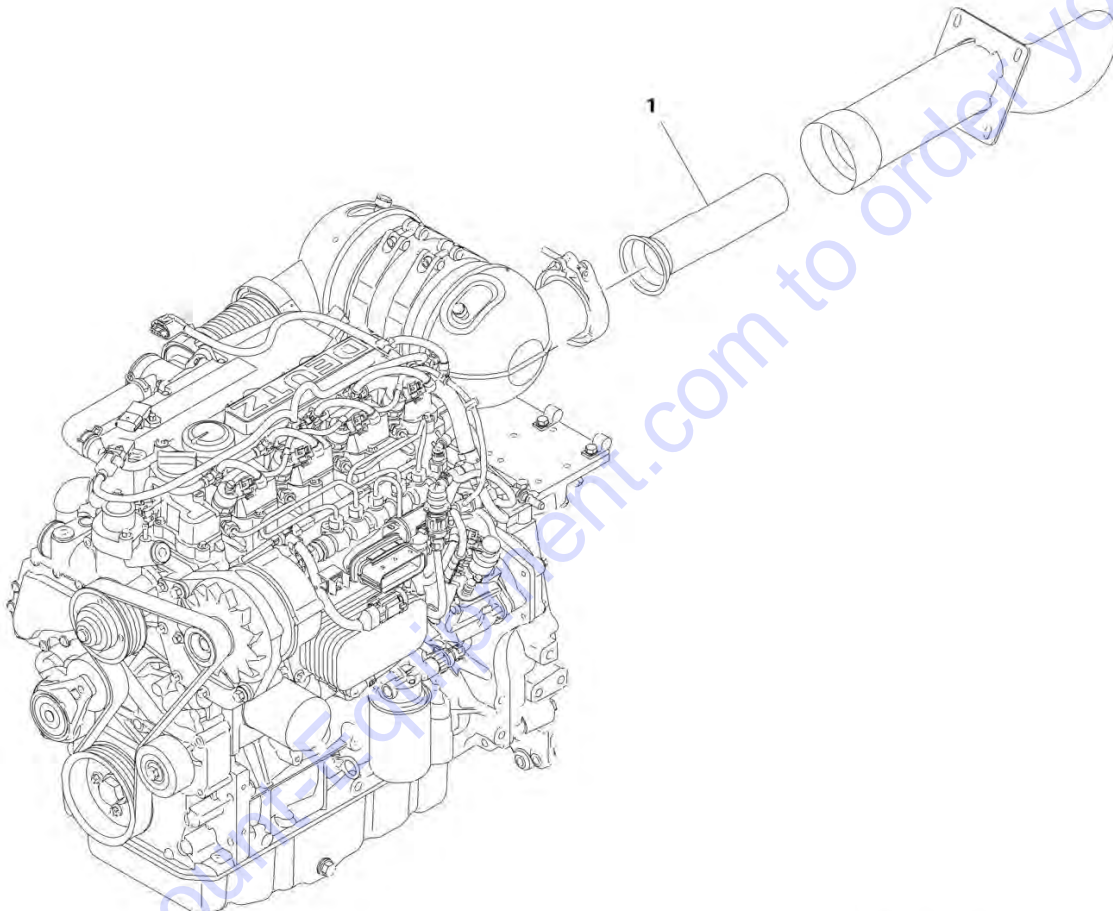
FIGURE 3-15. MUFFLER KIT - CATALYTIC MUFFLER (DEUTZ D2011 ENGINE) (OPTIONAL)

ITEM	PART NUMBER	QTY	DESCRIPTION	REV
	2902244	Ref	MUFFLER KIT - CATALYTIC MUFFLER (DEUTZ D2011 ENGINE) (OPTIONAL)	F
1	0100011	AR	Compound, Locking	
2	0641608	2	Bolt 3/8 x 1	
3	0711025	4	Bolt M10 x 85	
4	0902885	1	Bracket, Muffler Mount	
5	1320019	1	Clamp Saddle (Note: Must be purchased separately)	
6	3220131	1	Catalytic	
7	4711600	2	Washer 3/8	
8	4891600	4	Washer 3/8	
9	0701013	2	Bolt M10 x 28	
10	3291005	2	Nut M10	
11	4812000	2	Washer M10	

Go to Discount-Equipment.com to order your parts

SECTION 3 - ENGINE

FIGURE 3-16. SPARK ARRESTER INSTALLATION (DEUTZ D2.9L4) (OPTIONAL)



ART_1001147783

SECTION 3 - ENGINE

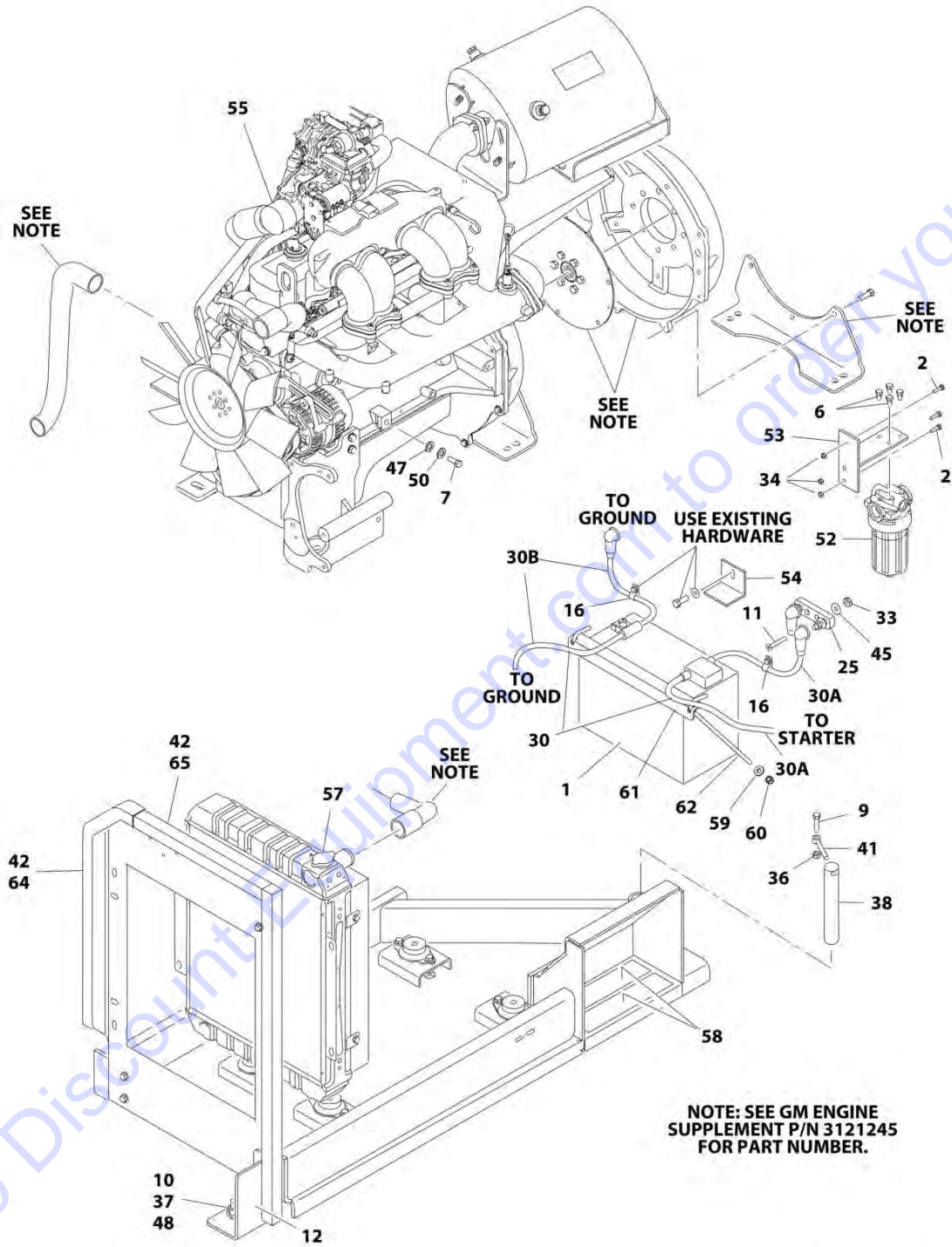
FIGURE 3-16. SPARK ARRESTER INSTALLATION (DEUTZ D2.9L4) (OPTIONAL)

ITEM	PART NUMBER	QTY	DESCRIPTION	REV
1	1001147783	Ref	SPARK ARRESTER INSTALLATION (DEUTZ D2.9L4) (OPTIONAL)	A
	1001147775	1	Arrester, Spark	

Go to Discount-Equipment.com to order your parts

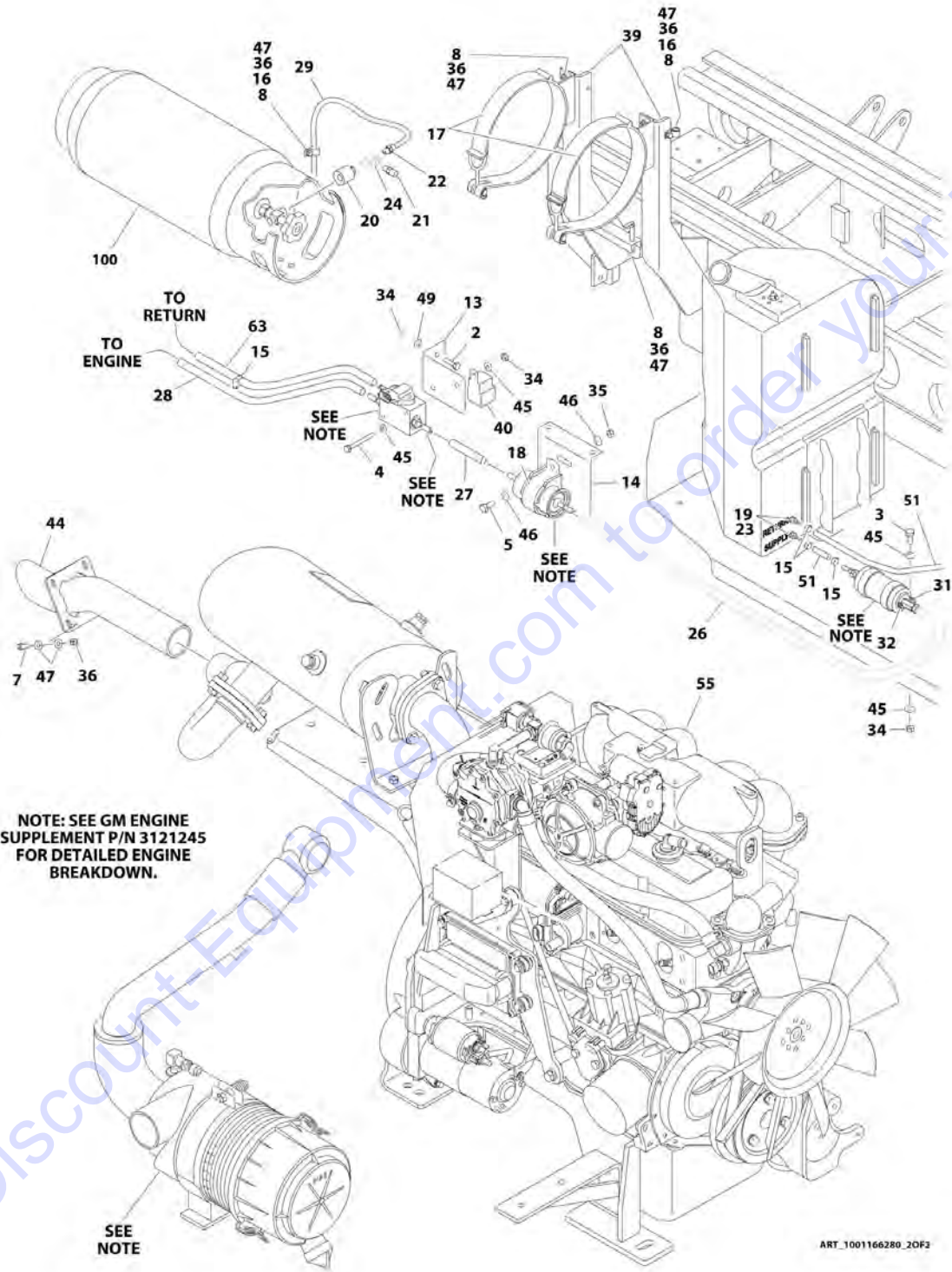
SECTION 3 - ENGINE

FIGURE 3-17. ENGINE INSTALLATION - GM ENGINE (SN 0200239053 through 0200259520)



ART_1001166280_10F2

SECTION 3 - ENGINE



SECTION 3 - ENGINE

FIGURE 3-17. ENGINE INSTALLATION - GM ENGINE (SN 0200239053 through 0200259520)

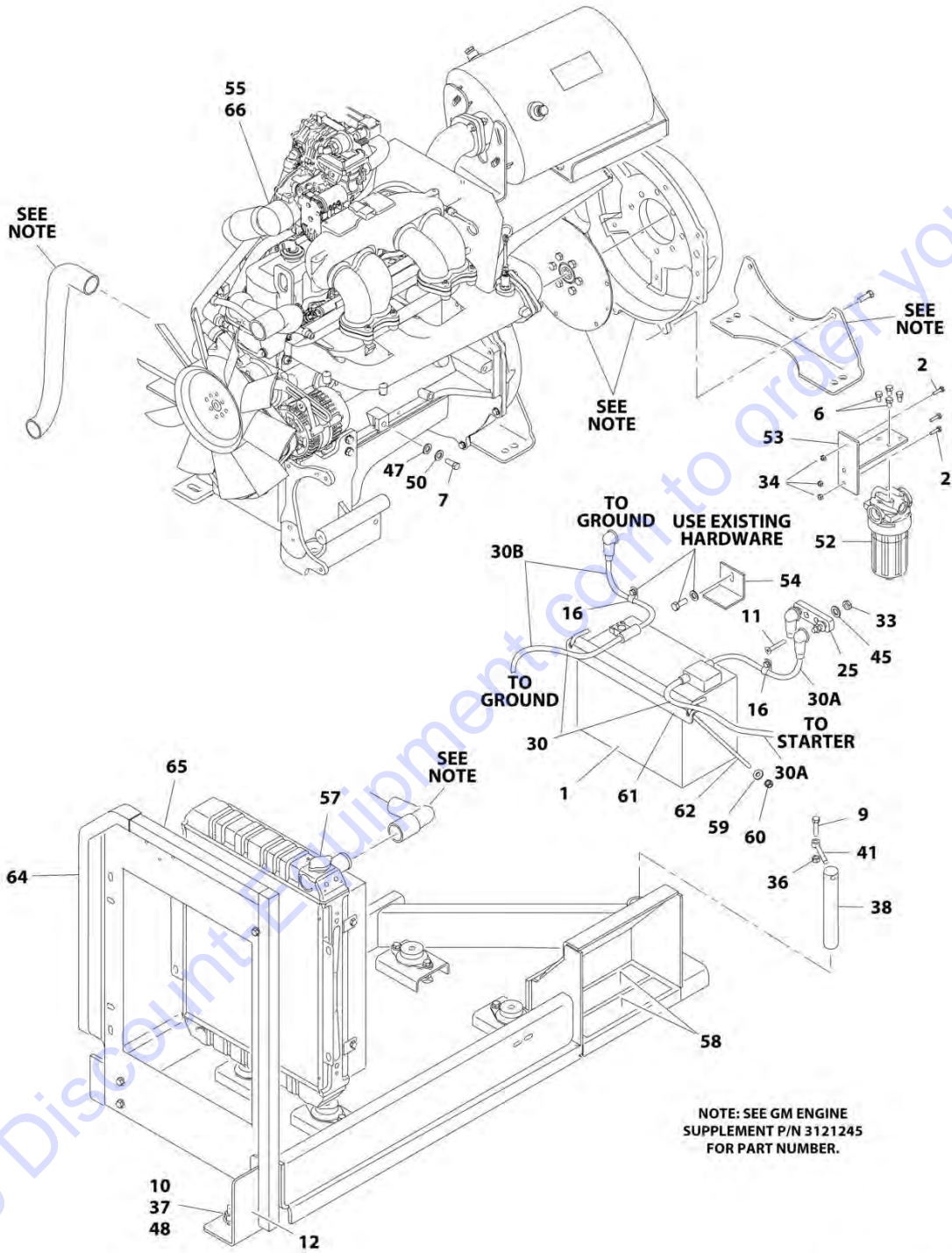
ITEM	PART NUMBER	QTY	DESCRIPTION	REV
	1001166280	Ref	ENGINE INSTALLATION - GM ENGINE (SN 0200239053 through 0200259520)	G
1	0400075	1	Battery	
2	0641408	5	Bolt 1/4 x 1	
3	0641410	2	Bolt 1/4 x 1-1/4	
4	0641418	2	Bolt 1/4 x 2-1/4	
5	0641506	2	Bolt 5/16 x 3/4	
6	0641605	4	Bolt 3/8 x 5/8	
7	0641608	5	Bolt 3/8 x 1	
8	0641610	9	Bolt 3/8 x 1-1/4	
9	0641612	1	Bolt 3/8 x 1-1/2	
10	0642016	1	Bolt 5/8 x 2	
11	0741010	2	Bolt #10 x 1-1/4	
12	0902777	1	Bracket, Engine Tray Latch Mount	
13	0903475	1	Plate, Fuel Regulator	
14	0903476	1	Plate, Fuel Filter	
15	1001174486	2	Clamp	
16	1320061	3	Clamp	
17	1320220	1	Clamp	
18	1320323	1	Clamp	
19	2180348	2	Fitting, Barb	
20	2180387	1	Fitting, LP	
21	2180389	1	Fitting, Relief Valve - LP	
22	2180418	1	Fitting	
23	2220250	2	Fitting, Reducer	
24	2220290	1	Fitting, Tee	
25	2400044	1	Fuse, Mounting Block	
26	1001156820	1	Hose	
27	1001156823	1	Hose	
28	1001156825	1	Hose	
29	2720611	1	Hose, LP	
30	2902534	1	Battery Cable Kit	I
30A	7027019	1	Cable, Battery - Red (Includes 3 Terminal Boots)	
30B	7027020	1	Cable, Battery - Black (Includes 1 Terminal Boots)	
31	3290405	1	Nut M4	
32	3290505	1	Nut M5	
33	3300408	2	Nut	
34	3311405	9	Nut 1/4	
35	3311505	2	Nut 5/16	
36	3311605	14	Nut 3/8	
37	3312005	1	Nut 5/8	
38	3422669	1	Pin (SN 0200239053 through 0200249090)	
38	3422582	1	Pin (SN 0200249091 through 0200259520)	
39	3573440	2	Plate, LP Tank Mount	
40	3740080	1	Relay	
41	3841143	1	Keeper	
42	3960468	1	Seal (SN 0200239053 through 0200249090)	
44	1001165702	1	Tube, Exhaust	
45	4711400	10	Washer 1/4	
46	4711500	4	Washer 5/16	

SECTION 3 - ENGINE

ITEM	PART NUMBER	QTY	DESCRIPTION	REV
47	4711600	27	Washer 3/8	
48	4712000	1	Washer 5/8	
49	4751400	4	Washer 1/4	
50	4761600	1	Washer 3/8	
51	1001177169	1	Hose	
52	1001102987	1	Filter, Charge Pump	
52	70010383	1	Filter Element and O-Ring Kit	
53	1001104356	1	Bracket, Filter	
54	1001104638	1	Bracket, Battery Hold-down	
55	1001114630	1	Engine and Pump Sub-Assembly - GM Engine (See ENGINE AND PUMP SUB-ASSEMBLY for Breakdown)	
56	0100048	AR	Grease, Dielectric (Not Shown)	
57	2300004	AR	Coolant	
58	4420080	2	Tape, Safety Tread Step	
59	4751500	2	Washer 5/16	
60	88521205	2	Nut 5/16	
61	91401281	1	Bracket, Battery Hold-Down	
62	1001093382	2	Bolt, J-Bolt	
63	1001177167	1	Hose	
64	1001191839	1	Seal (SN 0200249091 through 0200259520)	
65	1001191840	1	Seal (SN 0200249091 through 0200259520)	
100	4400420	1	LP Tank Assembly (#43 Steel Tank)	
100	4400275	1	LP Tank Assembly (#43 Aluminum Tank)	

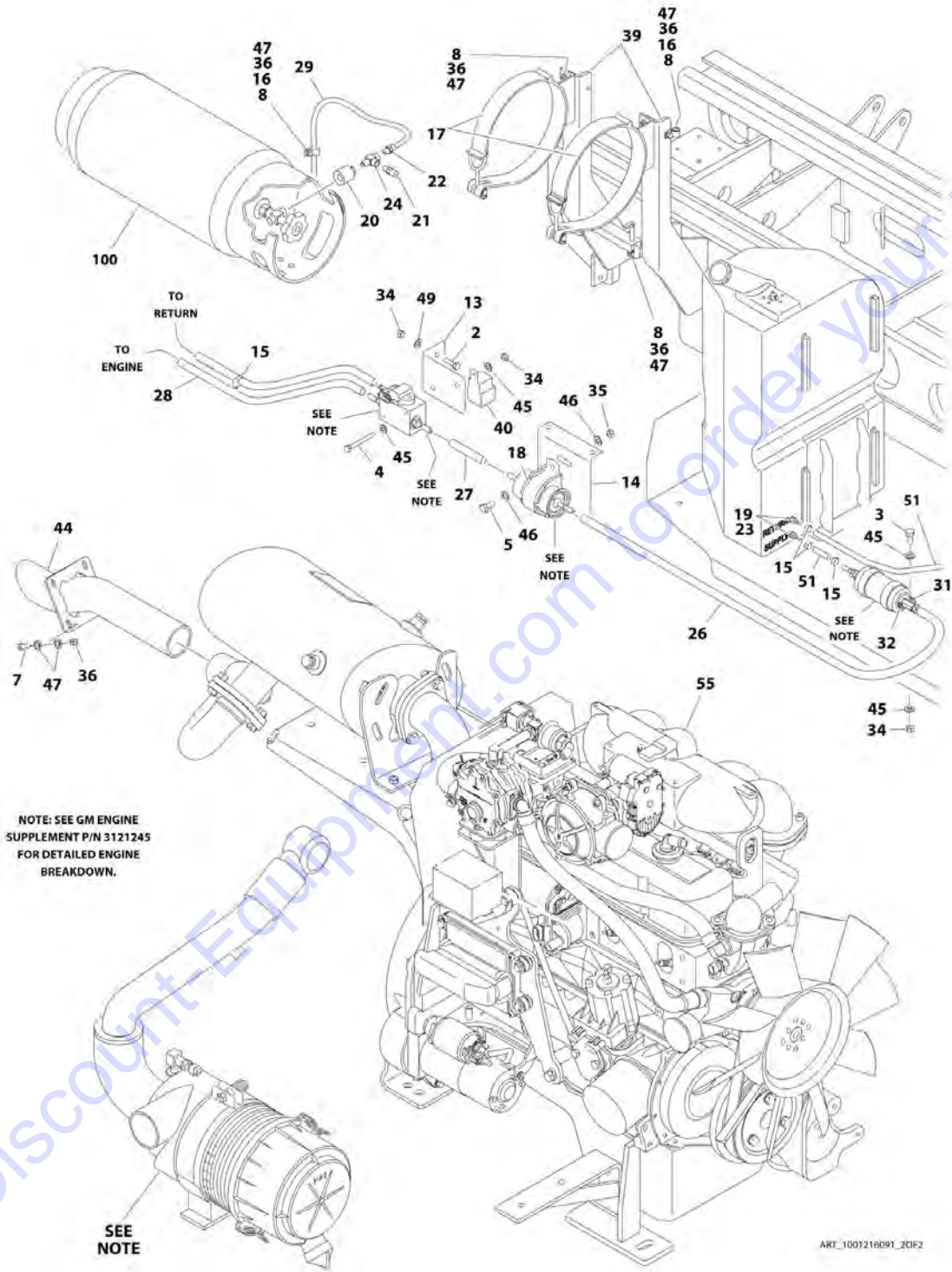
SECTION 3 - ENGINE

FIGURE 3-18. ENGINE INSTALLATION - GM ENGINE (SN 0200259521 to Present)



ART_1001216091_10F2

SECTION 3 - ENGINE



SECTION 3 - ENGINE

FIGURE 3-18. ENGINE INSTALLATION - GM ENGINE (SN 0200259521 to Present)

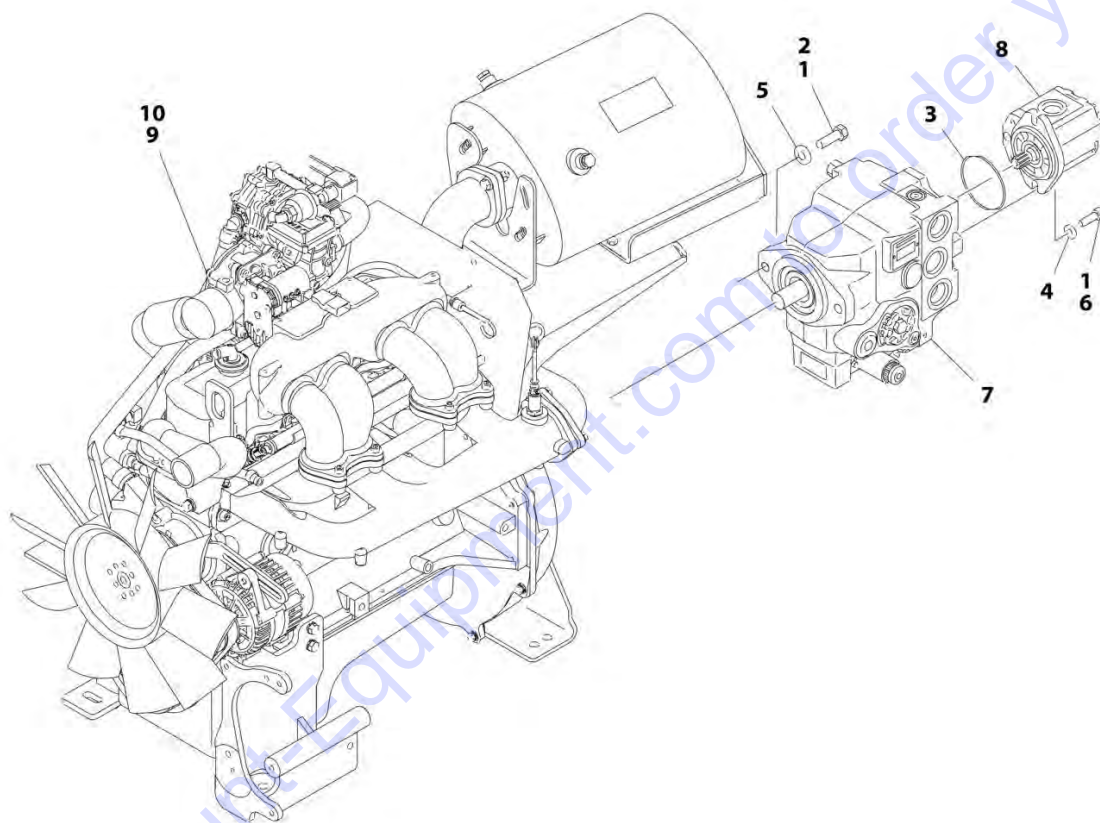
ITEM	PART NUMBER	QTY	DESCRIPTION	REV
	1001216091	Ref	ENGINE INSTALLATION - GM ENGINE (SN 0200259521 to Present)	B
1	0400075	1	Battery	
2	0641408	5	Bolt 1/4 x 1	
3	0641410	2	Bolt 1/4 x 1-1/4	
4	0641418	2	Bolt 1/4 x 2-1/4	
5	0641506	2	Bolt 5/16 x 3/4	
6	0641605	4	Bolt 3/8 x 5/8	
7	0641608	5	Bolt 3/8 x 1	
	0641610	9	Bolt 3/8 x 1-1/4	
9	0641612	1	Bolt 3/8 x 1-1/2	
10	0642016	1	Bolt 5/8 x 2	
11	0741010	2	Bolt #10 x 1-1/4	
12	0902777	1	Bracket, Engine Tray Latch Mount	
13	0903475	1	Plate, Fuel Regulator	
14	0903476	1	Plate, Fuel Filter	
15	1001174486	2	Clamp	
16	1320061	3	Clamp	
17	1320220	1	Clamp	
18	1320323	1	Clamp	
19	2180348	2	Fitting, Barb	
20	2180387	1	Fitting, LP	
21	2180389	1	Fitting, Relief Valve - LP	
22	2180418	1	Fitting	
23	2220250	2	Fitting, Reducer	
24	2220290	1	Fitting, Tee	
25	2400044	1	Fuse, Mounting Block	
26	1001156820	1	Hose	
27	1001156823	1	Hose	
28	1001156825	1	Hose	
29	2720611	1	Hose, LP	
30	2902534	1	Battery, Cable Kit	
30A	7027019	1	Cable, Battery - Red (Includes 3 Terminal Boots)	
30B	7027020	1	Cable, Battery - Black (Includes 1 Terminal Boots)	
31	3290405	1	Nut M4	
32	3290505	1	Nut M5	
33	3300408	2	Nut	
34	3311405	9	Nut 1/4	
35	3311505	2	Nut 5/16	
36	3311605	14	Nut 3/8	
37	3312005	1	Nut 5/8	
38	3422582	1	Pin	
39	3573440	2	Plate, LP Tank Mount	
40	3740080	1	Relay	
41	3841143	1	Keeper	
44	1001165702	1	Tube, Exhaust	
45	4711400	10	Washer 1/4	
46	4711500	4	Washer 5/16	
47	4711600	27	Washer 3/8	
48	4712000	1	Washer 5/8	

SECTION 3 - ENGINE

ITEM	PART NUMBER	QTY	DESCRIPTION	REV
49	4751400	4	Washer 1/4	
50	4761600	1	Washer 3/8	
51	1001177169	1	Hose	
52	1001102987	1	Filter, Charge Pump	
52	70010383	1	Filter, Element and O-Ring Kit	
53	1001104356	1	Bracket, Filter	
54	1001104638	1	Bracket, Battery Hold-Down	
55	1001216090	1	Engine and Pump Sub-Assembly - GM Engine (See ENGINE AND PUMP SUB-ASSEMBLY for Breakdown)	
56	0100048	AR	Grease, Dielectric (Not Shown)	
57	2300004	AR	Coolant	
58	4420080	2	Tape, Safety Tread Step	
59	4751500	2	Washer 5/16	
60	88521205	2	Nut 5/16	
61	91401281	1	Bracket, Battery Hold-Down	
62	1001093382	2	Bolt, J-Bolt	
64	1001191839	1	Seal	
65	1001191840	1	Seal	
66	1001214862	1	Engine, GM 3.0L (See GM Engine Supplement P/N 3121245 for Breakdown of Additional Components)	
100	4400420	1	LP Tank Assembly (#43 Steel Tank)	
100	4400275	1	LP Tank Assembly (#43 Aluminum Tank)	

SECTION 3 - ENGINE

FIGURE 3-19. GM ENGINE AND PUMP SUB-ASSEMBLY (SN 0200239053 through 0200259520)



ART_100114630

SECTION 3 - ENGINE

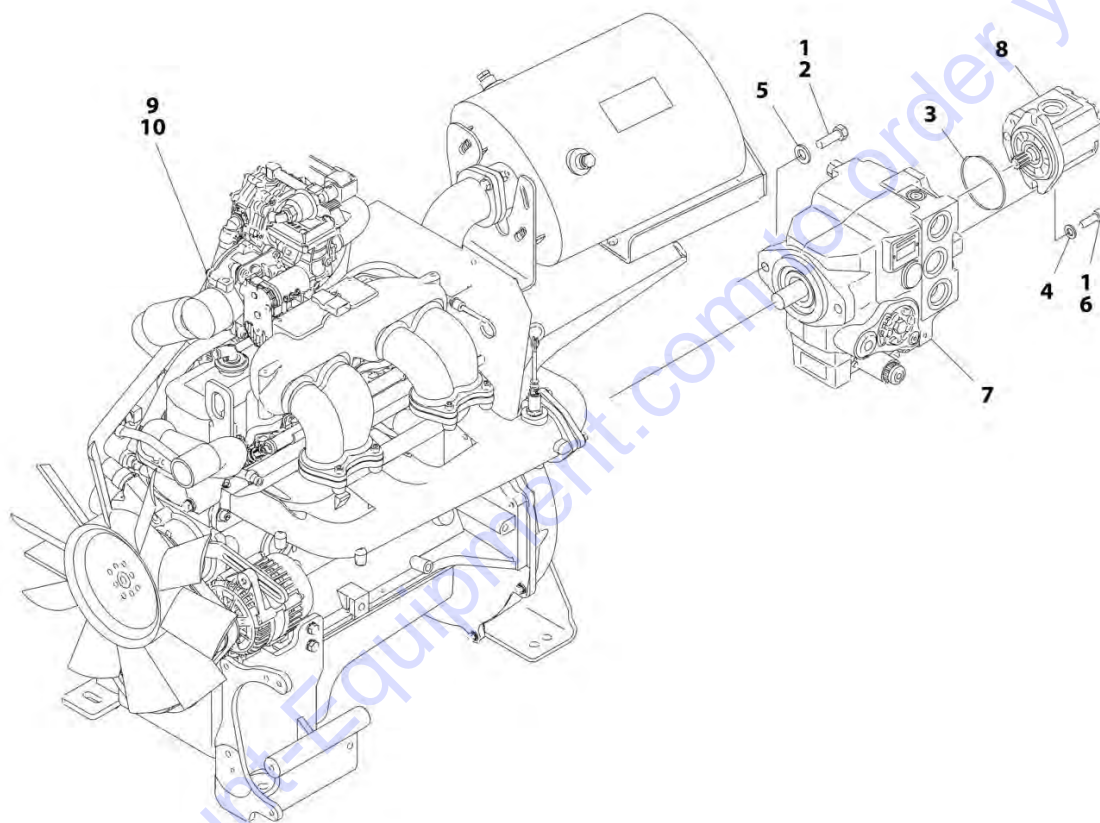
FIGURE 3-19. GM ENGINE AND PUMP SUB-ASSEMBLY (SN 0200239053 through 0200259520)

ITEM	PART NUMBER	QTY	DESCRIPTION	REV
	1001114630	Ref	GM ENGINE AND PUMP SUB-ASSEMBLY (SN 0200239053 through 0200259520)	I
1	0100011	AR	Compound, Locking	
2	0641814	2	Bolt 1/2 x 1-3/4	
3	3790152	1	O-Ring	
4	4891600	2	Washer 3/8	
5	4891800	2	Washer 1/2	
6	83191040	2	Bolt M10 x 30	
7	1001101331	1	Piston Pump Assembly (See PISTON PUMP ASSEMBLY for Breakdown)	
8	1001101699	1	Gear Pump Assembly	
8	70002210	1	Seal Kit - 1001101699 Pump	
		Ref	Note: Seal Kit is only service component available.	
9	1001114629	1	Engine Assembly - GM Engine (See ENGINE ASSEMBLY - GM ENGINE for Breakdown)	
10	1001115930	AR	Oil, Motor 10W-30	

Go to Discount-Equipment.com to order your parts

SECTION 3 - ENGINE

FIGURE 3-20. GM ENGINE AND PUMP SUB-ASSEMBLY (SN 0200259521 to Present)



ART_1001216090

SECTION 3 - ENGINE

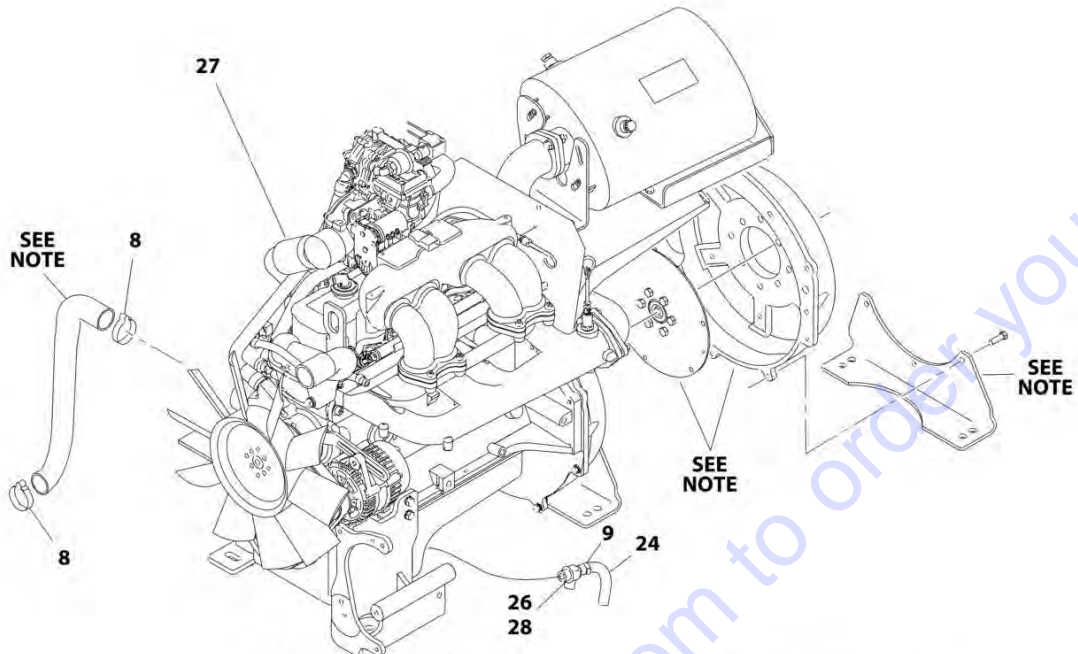
FIGURE 3-20. GM ENGINE AND PUMP SUB-ASSEMBLY (SN 0200259521 to Present)

ITEM	PART NUMBER	QTY	DESCRIPTION	REV
	1001216090	Ref	GM ENGINE AND PUMP SUB-ASSEMBLY (SN 0200259521 to Present)	B
1	0100011	AR	Compound, Locking	
2	0641814	2	Bolt 1/2 x 1-3/4	
3	3790152	1	O-Ring	
4	4891600	2	Washer 3/8	
5	4891800	2	Washer 1/2	
6	83191040	2	Bolt M10 x 30	
7	1001101331	1	Piston Pump Assembly (See PISTON PUMP ASSEMBLY for Breakdown)	
8	1001101699	1	Gear Pump Assembly	
8	70002210	1	Seal Kit - 1001101699 Pump	
		Ref	Note: Seal Kit is only service components available.	
9	1001216089	1	Engine Assembly - GM Engine (See ENGINE ASSEMBLY - GM ENGINE for Breakdown)	
10	1001190775	AR	Oil, Motor 5W-30	

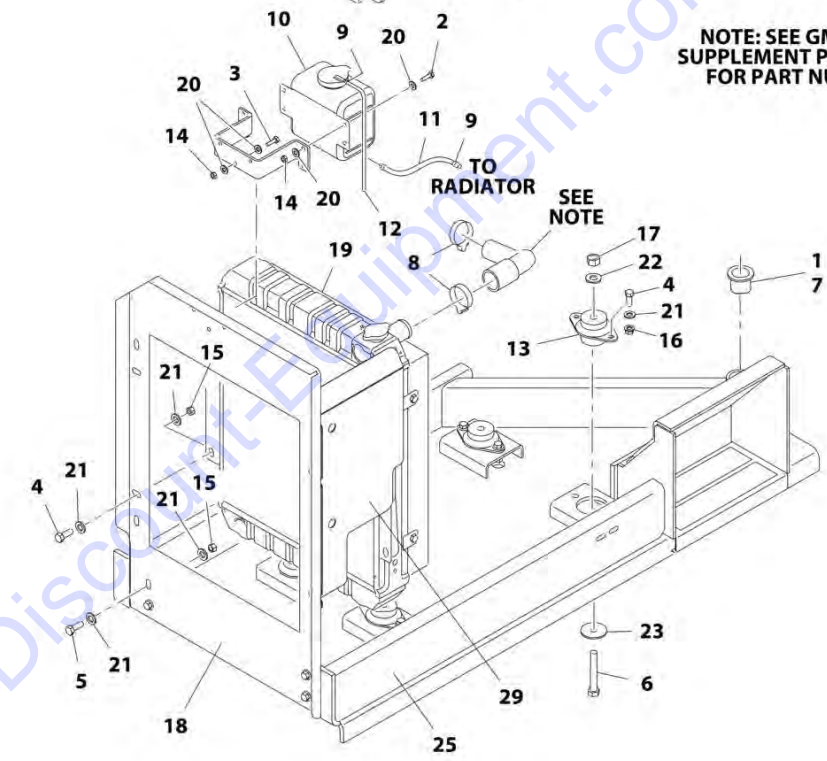
Go to Discount-Equipment.com to order your parts

SECTION 3 - ENGINE

FIGURE 3-21. GM ENGINE ASSEMBLY (SN 0200239053 through 0200259520)



NOTE: SEE GM ENGINE SUPPLEMENT P/N 3121245 FOR PART NUMBERS.



ART_1001114629

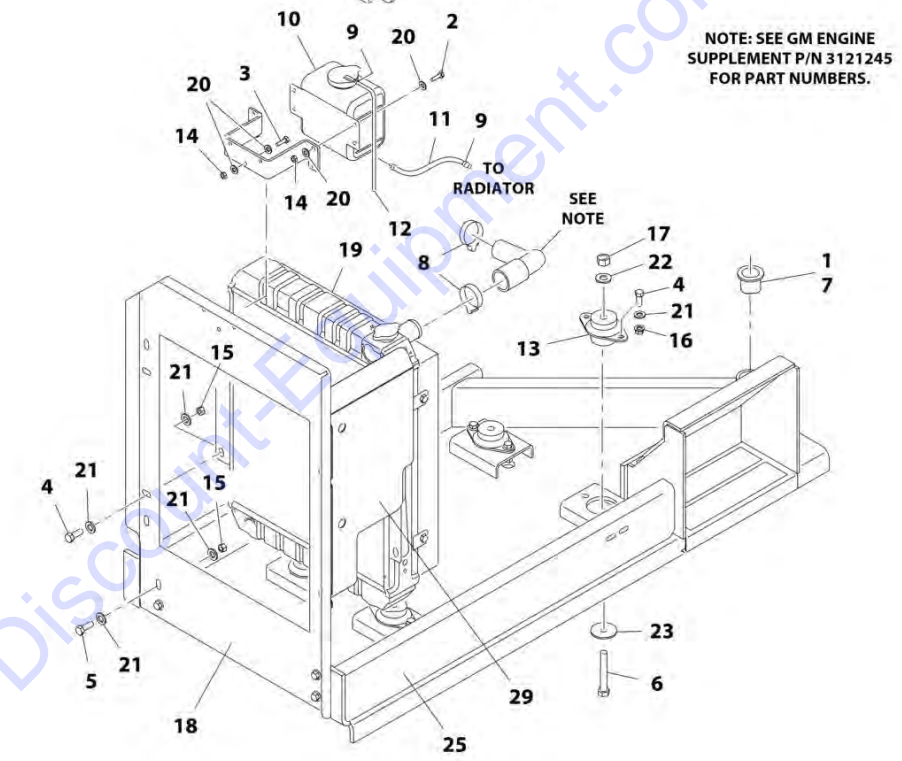
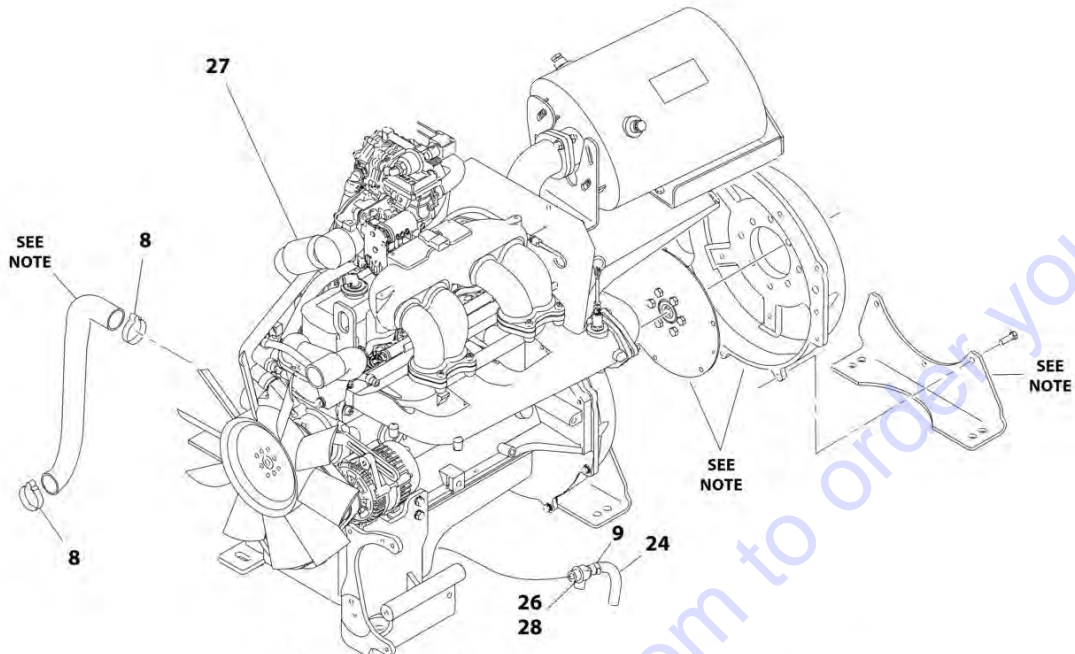
SECTION 3 - ENGINE

FIGURE 3-21. GM ENGINE ASSEMBLY (SN 0200239053 through 0200259520)

ITEM	PART NUMBER	QTY	DESCRIPTION	REV
	1001114629	Ref	GM ENGINE ASSEMBLY (SN 0200239053 through 0200259520)	G
1	0100062	AR	Compound, Locking	
2	0641406	4	Bolt 1/4 x 3/4	
3	0641407	3	Bolt 1/4 x 7/8	
4	0641608	12	Bolt 3/8 x 1	
5	0641609	4	Bolt 3/8 x 1-1/8	
6	0641828	4	Bolt 1/2 x 3-1/2	
7	0961986	2	Flange, Bearing	
8	1320012	4	Clamp	
9	1320022	4	Clamp	
10	1580011	1	Container, Coolant Overflow	
11	2720058	10 in /25.4cm	Hose	
12	2720271	8 in/20cm	Hose	
13	3200362	4	Mount, Resilient Engine	
14	3311405	7	Nut 1/4	
15	3311605	8	Nut 3/8	
16	3311608	8	Nut 3/8	
17	3311805	4	Nut 1/2	
18	3573195	1	Plate, Radiator Mount	
19	3620042	1	Radiator	
19	7027412	1	Cap, Radiator	
20	4711400	14	Washer 1/4	
21	4711600	32	Washer 3/8	
22	4711800	4	Washer 1/2	
23	4740274	4	Washer (Snubbing)	
24	2750532	10 in /25.4cm	Hose	
25	1001105112	1	Support, Engine Tray	
26	4640952	1	Valve, Oil Drain	
27	1001114604	1	Engine, GM 3.0L (See GM Engine Supplement P/N 3121245 for Breakdown of Additional Components)	
27	7027965	1	Filter, Oil	
27	7027972	1	Filter, Fuel - Inlet	
27	70000164	4	Plug, Spark	
27	70002895	1	Module, Engine Control (ECU)	
27	7024438	1	Element, Air Filter	
28	0100020	AR	Sealant, Pipe	
29	1001191842	1	Deflector, Air (SN 0200249091 through 0200259520)	

SECTION 3 - ENGINE

FIGURE 3-22. GM ENGINE ASSEMBLY (SN 0200259521 to Present)



NOTE: SEE GM ENGINE SUPPLEMENT P/N 3121245 FOR PART NUMBERS.

ART_1001216089

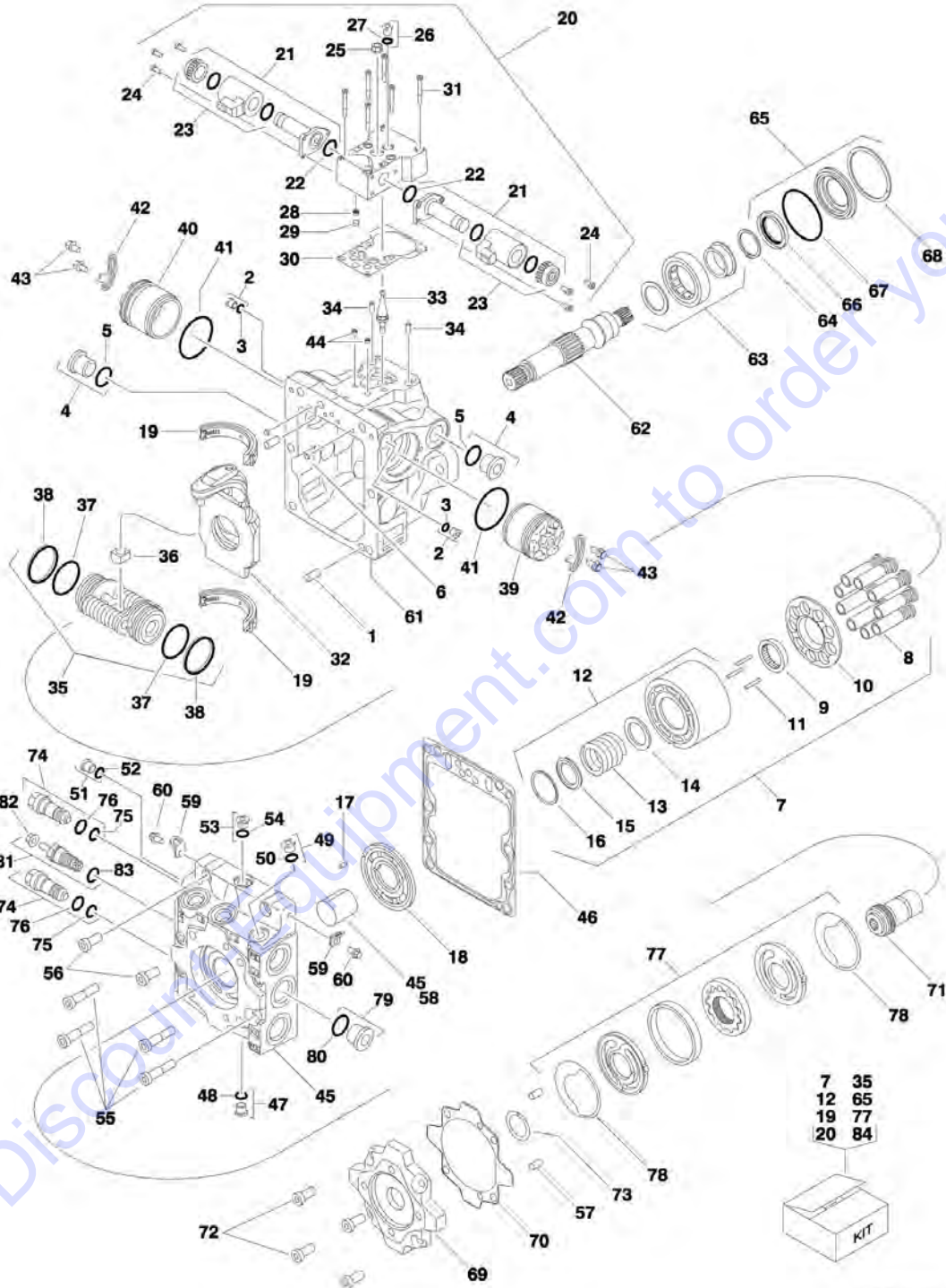
SECTION 3 - ENGINE

FIGURE 3-22. GM ENGINE ASSEMBLY (SN 0200259521 to Present)

ITEM	PART NUMBER	QTY	DESCRIPTION	REV
	1001216089	Ref	GM ENGINE ASSEMBLY (SN 0200259521 to Present)	B
1	0100062	AR	Compound, Locking	
2	0641406	4	Bolt 1/4 x 3/4	
3	0641407	3	Bolt 1/4 x 7/8	
4	0641608	12	Bolt 3/8 x 1	
5	0641609	4	Bolt 3/8 x 1-1/8	
6	0641828	4	Bolt 1/2 x 3-1/2	
7	0961986	2	Flange, Bearing	
8	1320012	4	Clamp	
9	1320022	4	Clamp	
10	1580011	1	Container, Coolant Overflow	
11	2720058	10 in /25.4cm	Hose	
12	2720271	8 in /20cm	Hose	
13	3200362	4	Mount, Resilient Engine	
14	3311405	7	Nut 1/4	
15	3311605	8	Nut 3/8	
16	3311608	8	Nut 3/8	
17	3311805	4	Nut 1/2	
18	3573195	1	Plate, Radiator Mount	
19	3620042	1	Radiator	
19	7027412	1	Cap, Radiator	
20	4711400	14	Washer 1/4	
21	4711600	32	Washer 3/8	
22	4711800	4	Washer 1/2	
23	4740274	4	Washer (Snubbing)	
24	2750532	10 in /25.4cm	Hose	
25	1001105112	1	Support, Engine Tray	
26	4640952	1	Valve, Oil Drain	
27	1001216088	1	Engine, GM 3.0L (See GM Engine Supplement P/N 3121245 for Breakdown of Additional Components)	
27	7027965	1	Filter, Oil	
27	7027972	1	Filter, Fuel - Inlet	
27	70000164	4	Plug, Spark	
27	70002895	1	Module, Engine Control (ECU) (Note: Re-calibration Required when Replaced)	
27	7024438	1	Element, Air Filter	
28	0100020	AR	Sealant, Pipe	
29	1001191842	1	Deflector, Air	

SECTION 3 - ENGINE

FIGURE 3-23. PISTON PUMP ASSEMBLY



ART. 1001101331

SECTION 3 - ENGINE

FIGURE 3-23. PISTON PUMP ASSEMBLY

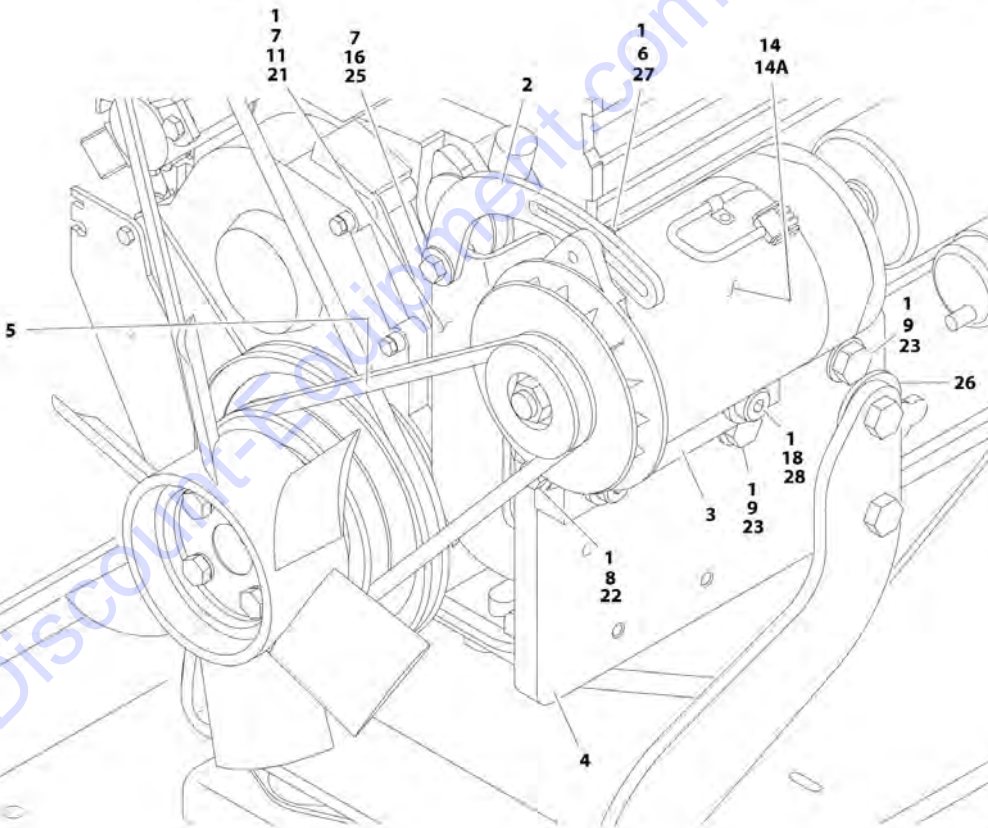
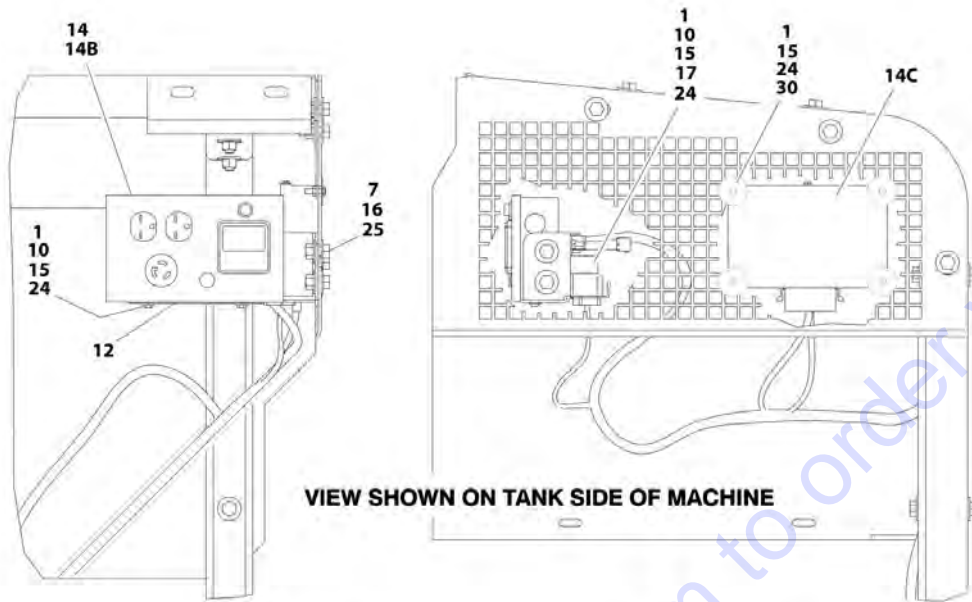
ITEM	PART NUMBER	QTY	DESCRIPTION	REV
	1001101331	Ref	PISTON PUMP ASSEMBLY	D
1	70002132	2	Pin	
2	70002133	2	Plug Assembly (Includes Item 3)	
3	7007207	2	O-Ring (Part of Item 2)	
4	7007419	2	Plug Assembly (Includes Item 5)	
5	7007418	2	O-Ring (Part of Item 4)	
6	70002134	2	Screen	
7	70002135	1	Cylinder Block Kit (Includes Items 8-16)	
8	70002136	1	Piston Assembly Kit (Includes Qty 9 Piston Assemblies) (Part of Item 7)	
9	70002137	1	Guide, Slipper Retainer (Part of Item 7)	
10	70002138	1	Retainer, Slipper (Part of Item 7)	
11	7021275	3	Pin, Slipper Retainer Holddown (Part of Item 7)	
12	70002143	1	Cylinder Block Assembly (Includes Item 13-16) (Part of Item 7)	
13	70002139	1	Spring (Part of Item 12)	
14	70002140	1	Washer (Part of Item 12)	
15	70002141	1	Washer (Part of Item 12)	
16	70002142	1	Ring, Retaining (Part of Item 12)	
17	7007446	1	Pin	
18	70002144	1	Plate, CW Valve	
19	70002145	1	Swashplate Bearing Kit (Includes Qty 2 Bearings)	
20	70002146	1	EDC Kit (Includes Items 21-31)	
21	70002147	2	Solenoid Valve Assembly (Includes Item 22 & 23) (Part of Item 20)	
22	70002148	2	O-Ring (1 Per Valve Assembly) (Part of Item 21)	
23	70002149	2	Coil, Nut and Seals Kit (1 Per Valve Assembly) (Part of Item 21)	
24	70002150	6	Screw (Part of Item 20)	
25	7022301	1	Nut, Seal (Part of Item 20)	
26	70002151	1	Plug Assembly (Part of Item 20) (Includes Item 27)	
27	7007207	1	O-Ring (Part of Item 26)	
28	70002134	1	Screen (Part of Item 20)	
29	70002153	1	Ring, Locking (Part of Item 20)	
30	70002154	1	Gasket, Control (Part of Item 20)	
31	70002156	6	Capscrew (Part of Item 20)	
32	70002152	1	Swashplate	
33	70002155	1	Link, Swashplate	
34	70002157	2	Pin, Dowel	
35	70002158	1	Servo Piston Assembly (Includes Items 36-38)	
36	70002159		Block, Slider (Part of Item 35)	
37	70002160	2	O-Ring (Part of Item 35)	
38	70002161	2	Ring, Piston (Part of Item 35)	
39	70002162	1	Cylinder, Servo	
40	70002162	1	Cylinder, Servo	
41	70002163	2	O-Ring	
42	70002164	2	Plate, Locking	
43	70002165	4	Screw	
44	70002166	2	Orifice	
45	70002167	1	Cap, End (Includes Item 58)	
46	70002168	1	Gasket, End Cap	
47	70001958	1	Plug Assembly (Includes Item 48)	

SECTION 3 - ENGINE

ITEM	PART NUMBER	QTY	DESCRIPTION	REV
48	7021256	1	O-Ring (Part of Item 47)	
49	70001958	1	Plug Assembly (Includes Item 50)	
50	7021256	1	O-Ring (Part of Item 49)	
51	70001958	1	Plug Assembly (Includes Item 52)	
52	7021256	1	O-Ring (Part of Item 51)	
53	70001958	1	Plug Assembly (Includes Item 54)	
54	7021256	1	O-Ring (Part of Item 53)	
55	70002169	4	Capscrew	
56	70002170	2	Capscrew	
57	70002132	2	Pin	
58	70002172	1	Bearing, Journal (Part of Item 45)	
59	7022340	2	Bracket, Lifting	
60	70002165	2	Screw	
61	See Note	1	Housing (Note: Purchase p/n 1001101331)	
62	70002175	1	Shaft	
63	70002176	1	Ball Bearing Kit	
64	70007439	1	Ring, Retaining	
65	70002174	1	Shaft Seal Kit (Includes Items 66-68) (Note: This is a universal kit and will contain extra pieces that are not used on this pump assembly.)	
66	70002177	1	Seal, Lip	
67	70002178	1	O-Ring	
68	70002179	1	Ring, Retaining	
69	70002180	1	Adapter	
70	70002181	1	Seal, Adapter	
71	70002182	1	Coupling	
72	70002185	4	Capscrew	
73	70002186	1	Plate, Thrust	
74	70002188	2	High Pressure Relief Valve Cartridge Assembly (Includes Item 75 & 76)	
75	70002187	2	O-Ring (1 Per Cartridge) (Part of Item 74)	
76	7007415	2	O-Ring (1 Per Cartridge) (Part of Item 74)	
77	70002189	1	Charge Pump Kit (Includes Item 78)	
78	70002190	2	Ring, Seal (Part of Item 77)	
79	7023964	1	Plug Assembly (Includes Item 80)	
80	7007415	1	O-Ring (Part of Item 79)	
81	70002191	1	Charge Relief Valve Cartridge Assembly (Includes Item 82 & 83)	
82	70002187	1	Nut, Seal (Part of Item 81)	
83	7007415	1	O-Ring (Part of Item 81)	
84	70002192	1	Overhaul Seal Kit (Includes Items 3, 5, 22, 27, 30, 37, 38, 41, 48, 50, 52, 54, 66, 67, 70, 75, 76, 78, 82 & 83)	

SECTION 3 - ENGINE

FIGURE 3-24. GENERATOR INSTALLATION - 110V - DEUTZ D2011 ENGINE (OPTIONAL)



ART_0271743

SECTION 3 - ENGINE

FIGURE 3-24. GENERATOR INSTALLATION - 110V - DEUTZ D2011 ENGINE (OPTIONAL)

ITEM	PART NUMBER	QTY	DESCRIPTION	REV
	0271743	Ref	GENERATOR INSTALLATION - 110V - DEUTZ D2011 ENGINE (OPTIONAL)	C
1	0100011	AR	Compound, Locking	
2	0200742	1	Arm, Adjusting	
3	0363082	1	Bar, Generator Adjusting	
4	0363098	1	Bar, Generator Mounting	
5	0480124	1	Belt, Drive	
6	0641508	1	Bolt 5/16 x 1	
7	0641608	6	Bolt 3/8 x 1	
8	0641718	2	Bolt 7/16 x 2-1/4	
9	0701418	2	Bolt M14 x 50	
10	0721006	7	Screw #10 x 3/4	
11	0902813	1	Bracket, Arm Mounting	
12	0902842	1	Bracket, Generator Box Mounting	
13	1061006	1	Cable, AC (See ELECTRICAL SECTION for Breakdown)	
14	2460043	1	Generator and Control Box Assembly	B
14A	2460049	1	Generator Only	
14A	70000122	1	Armature with Slip Rings	
14A	7020108	4	Brushes	
14A	7020109	4	Holder, Brush	
14A	7012513	4	Cap, Brush Holder	
14A	7012514	1	Fan	
14A	7020110	1	Bell, Front	
14A	7020111	1	Bell, Rear	
14A	7020190	2	Bearing	
14A	7027887	1	Key, Pulley Woodruff	
14A	3580134	1	Pulley	
14B	70002241	1	Box, Control Assembly	
		Ref	Note: Replacement 110V Control Box comes with 2 standard Receptacles p/n 4460190. Optional Industrial Twist Lock Receptacles p/n 4460027 must be ordered separately.	
14B	70002240	1	Breaker, Circuit	
14B	2420203	1	Voltmeter	
14B	4460190	1	Receptacle -Standard	
14B	4460027	1	Receptacle - Twist-Lock	
14B	2920162	1	Lamp Assembly	
14B	70002237	1	Diode 6A/600V	
14B	3520028	1	Plug	
14C	7026525	1	Regulator, Voltage	
15	3311001	7	Nut #10	
16	3311605	3	Nut 3/8	
17	3740080	1	Relay	
18	3900322	2	Bolt, Shoulder	
19	4060802	1	Guard, Switch (Not Shown - Located on Platform Console Box)	
20	4360482	1	Switch, Toggle (Not Shown - Located on Platform Console Box)	
21	4711600	3	Washer 3/8	
22	4711700	2	Washer 7/16	
23	4711900	2	Washer 9/16	
24	4751000	10	Washer #10	
25	4751600	6	Washer 3/8	

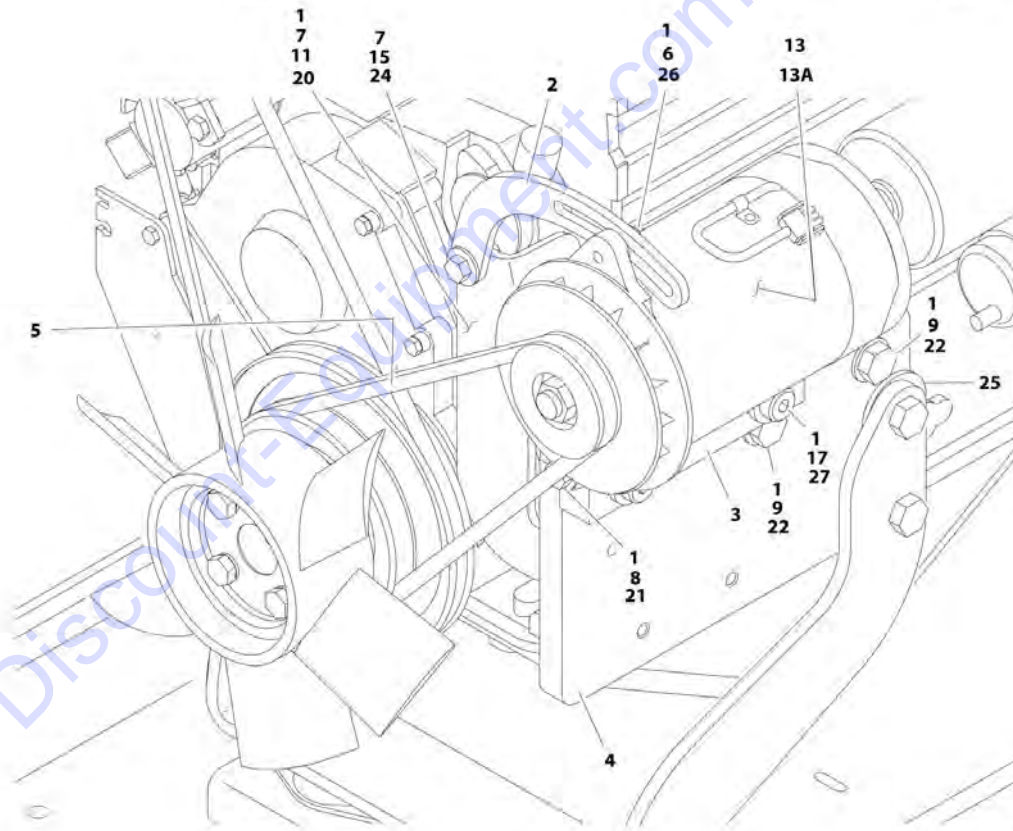
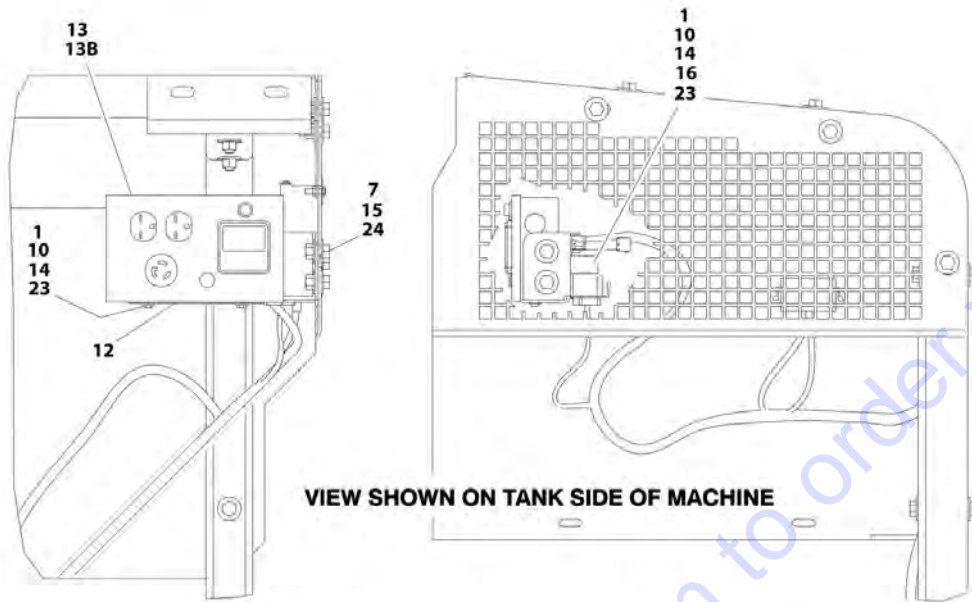
SECTION 3 - ENGINE

ITEM	PART NUMBER	QTY	DESCRIPTION	REV
26	4752200	2	Washer 3/4	
27	4891500	2	Washer 5/16	
28	4892000	2	Washer 5/8	
29	4922800	1	Harness, Generator (Not Shown - See ELECTRICAL SECTION for Breakdown)	
30	4740362	4	Washer, Fender	

Go to Discount-Equipment.com to order your parts

SECTION 3 - ENGINE

FIGURE 3-25. GENERATOR INSTALLATION - 220V - DEUTZ D2011 ENGINE (OPTIONAL)



ART 0271745

SECTION 3 - ENGINE

FIGURE 3-25. GENERATOR INSTALLATION - 220V - DEUTZ D2011 ENGINE (OPTIONAL)

ITEM	PART NUMBER	QTY	DESCRIPTION	REV
	0271745	Ref	GENERATOR INSTALLATION - 220V - DEUTZ D2011 ENGINE (OPTIONAL)	C
1	0100011	AR	Compound, Locking	
2	0200742	1	Arm, Adjusting	
3	0363082	1	Bar, Generator Adjusting	
4	0363098	1	Bar, Generator Mounting	
5	0480124	1	Belt, Drive	
6	0641508	1	Bolt 5/16 x 1	
7	0641608	6	Bolt 3/8 x 1	
8	0641718	2	Bolt 7/16 x 2-1/4	
9	0701418	2	Bolt M14 x 50	
10	0721006	7	Screw #10 x 3/4	
11	0902813	1	Bracket, Arm Mounting	
12	0902842	1	Bracket, Generator Box Mounting	
13	2460047	1	Generator and Control Box Assembly	B
13A	1001100321	1	Generator Only	
13A	70000123	1	Armature with Slip Rings	
13A	7020108	4	Brushes	
13A	7020109	4	Holder, Brush	
13A	7012513	4	Cap, Brush Holder	
13A	7012514	1	Fan	
13A	7020110	1	Bell, Front	
13A	7020111	1	Bell, Rear	
13A	7020190	2	Bearing	
13A	7027887	1	Key, Pulley Woodruff	
13A	3580134	1	Pulley	
13B	70002236	1	Box, Control Assembly	
13B	70000126	1	Breaker, Circuit	
13B	7020192	1	Voltmeter	
13B	70000124	1	Receptacle, Double	
13B	70000125	1	Receptacle, Single	
13B	2920162	1	Lamp Assembly	
13B	70002237	1	Diode 6A/600V	
13B	3520028	1	Plug	
14	3311001	3	Nut #10	
15	3311605	3	Nut 3/8	
16	3740080	1	Relay	
17	3900322	2	Bolt, Shoulder	
18	4060802	1	Guard, Switch (Not Shown - Located on Platform Console Box)	
19	4360482	1	Switch, Toggle (Not Shown - Located on Platform Console Box)	
20	4711600	3	Washer 3/8	
21	4711700	2	Washer 7/16	
22	4711900	2	Washer 9/16	
23	4751000	6	Washer #10	
24	4751600	6	Washer 3/8	
25	4752200	2	Washer 3/4	
26	4891500	2	Washer 5/16	
27	4892000	2	Washer 5/8	
28	4922800	1	Harness, Generator (Not Shown - See ELECTRICAL SECTION for Breakdown)	

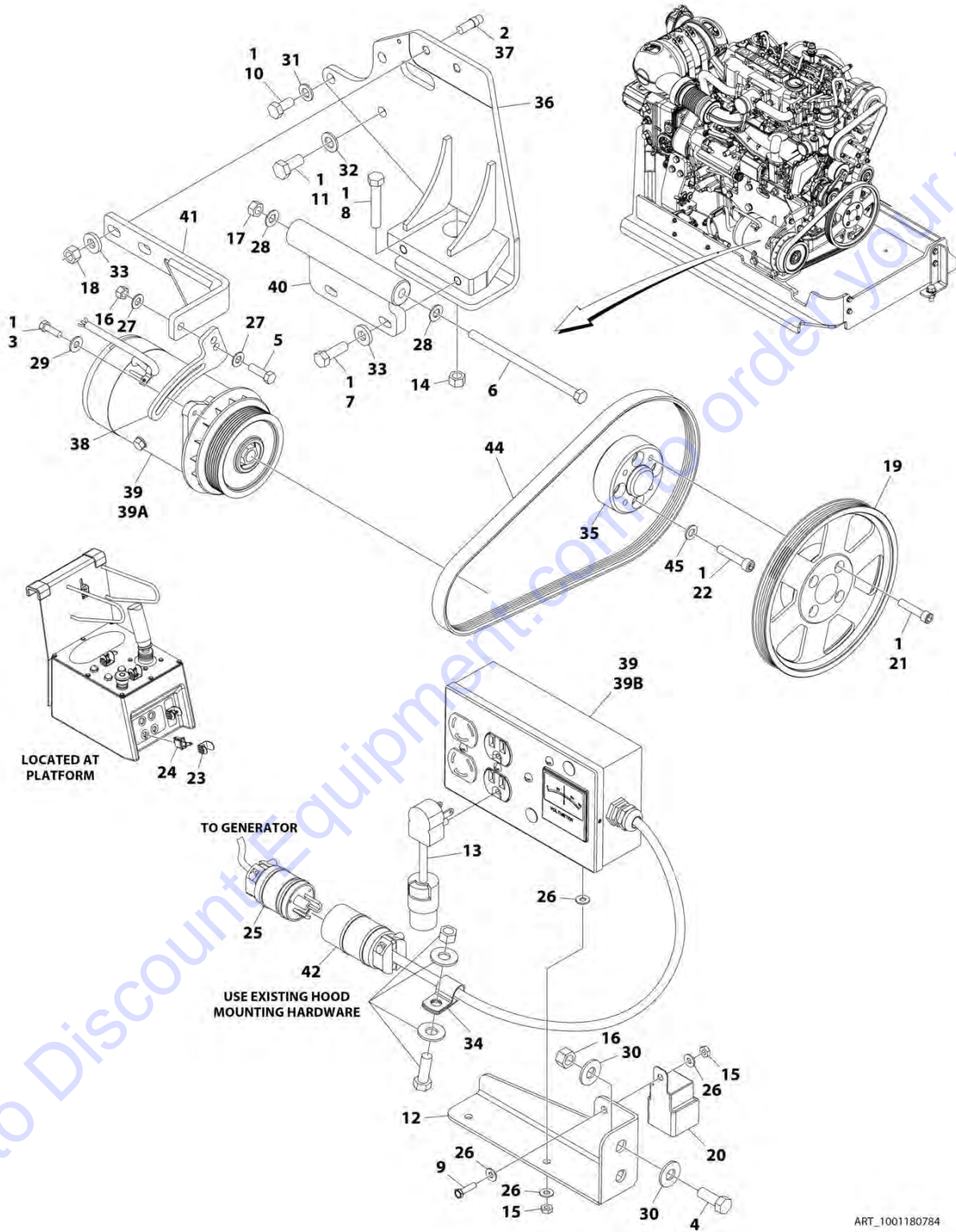
SECTION 3 - ENGINE

ITEM	PART NUMBER	QTY	DESCRIPTION	REV
29	1061006	1	Cable, AC (Not Shown - See ELECTRICAL SECTION for Breakdown)	

Go to Discount-Equipment.com to order your parts

SECTION 3 - ENGINE

FIGURE 3-26. GENERATOR INSTALLATION - 110V - DEUTZ D2.9L4 (OPTIONAL)



ART_1001180784

SECTION 3 - ENGINE

FIGURE 3-26. GENERATOR INSTALLATION - 110V - DEUTZ D2.9L4 (OPTIONAL)

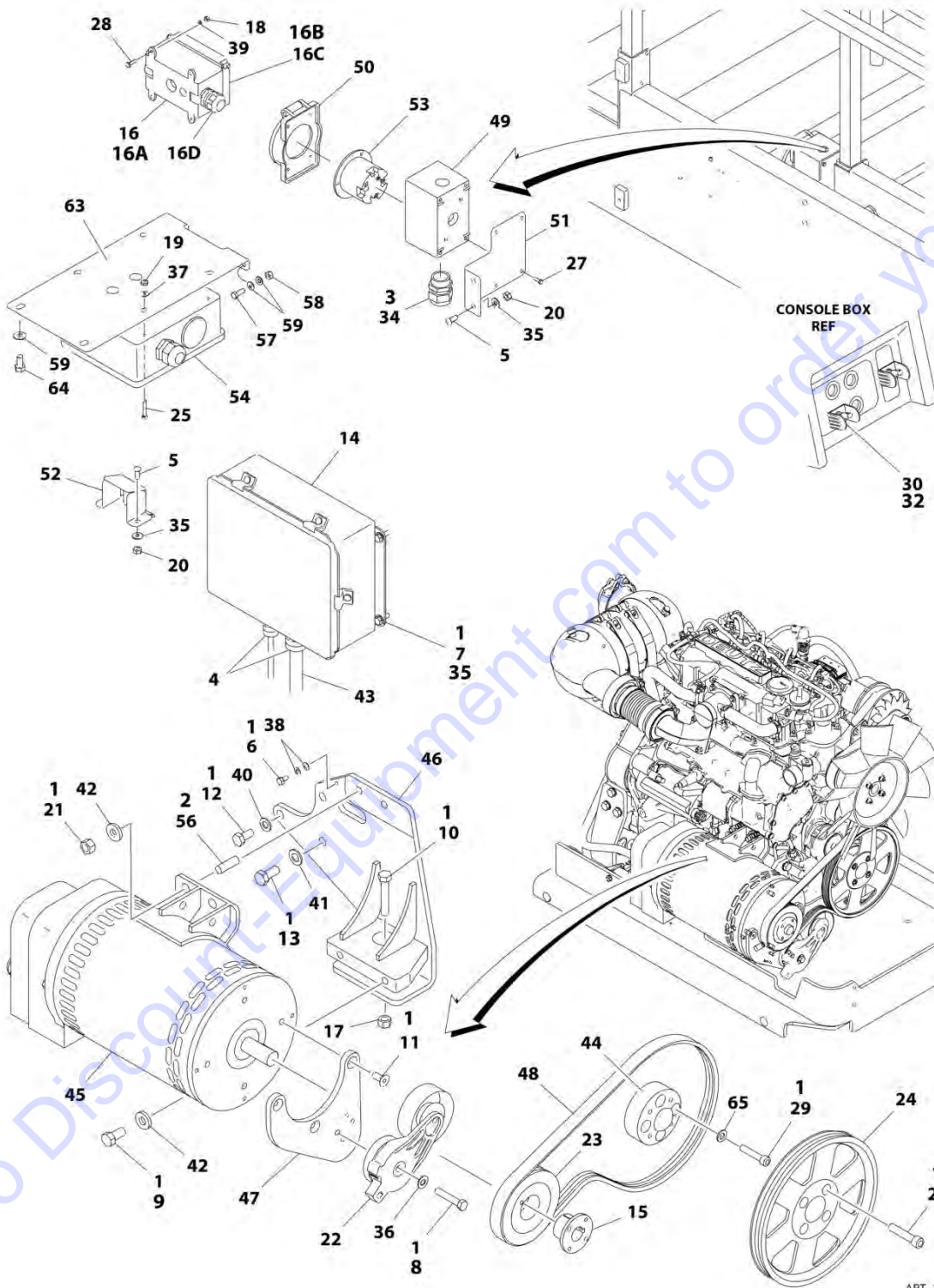
ITEM	PART NUMBER	QTY	DESCRIPTION	REV
	1001180784	Ref	GENERATOR INSTALLATION - 110V - DEUTZ D2.9L4 (OPTIONAL)	B
1	0100011	AR	Compound, Locking	
2	0100019	AR	Compound, Locking	
3	0641508	1	Bolt 5/16 x 1	
4	0641608	2	Bolt 3/8 x 1	
5	0641610	1	Bolt 3/8 x 1-1/4	
6	0641772	1	Bolt 7/16 x 9	
7	0641812	2	Bolt 1/2 x 1-1/2	
8	0681822	1	Bolt 1/2 x 2-3/4	
9	0721006	1	Screw #10 x 3/4	
10	0771212	1	Bolt M12 x 25	
11	0771414	2	Bolt M14 x 30	
12	0902842	1	Bracket, Generator Box	
13	1061006	1	AC Cable (See ELECTRICAL SECTION for Breakdown)	
14	3271801	1	Nut 1/2	
15	3311005	3	Nut #10	
16	3311605	3	Nut 3/8	
17	3311705	1	Nut 7/16	
18	3311801	2	Nut 1/2	
19	3580320	1	Pulley	
20	3740080	1	Relay	
21	3931628	4	Capscrew 3/8 x 1-3/4	
22	4032014	4	Capscrew M10 x 50	
23	4060802	1	Guard, Switch	
24	4360482	1	Switch, Toggle	
25	4460205	1	Plug	
26	4711000	6	Washer #10	
27	4711600	2	Washer 3/8	
28	4711700	2	Washer 7/16	
29	4751500	1	Washer 5/16	
30	4751600	4	Washer 3/8	
31	4812100	1	Washer M12	
32	4812200	2	Washer M14	
33	4891800	4	Washer 1/2	
34	8406101	1	Clamp	
35	1001135679	1	Adapter, Pulley	
36	1001147780	1	Support	
37	1001163599	2	Stud	
38	1001179837	1	Arm, Adjustment	
39	1001180001	1	Generator, 110V-60Hz	
39A	7012558	1	Generator Only	
39A	7026199	1	Armature with Slip Rings	
39A	7020108	4	Brushes	
39A	7020109	4	Holder, Brush	
39A	7012513	4	Cap, Brush Holder	
39A	7012514	1	Fan	
39A	7020110	1	Bell, Front	
39A	7020111	1	Bell, Rear	
39A	7020190	2	Bearing	

SECTION 3 - ENGINE

ITEM	PART NUMBER	QTY	DESCRIPTION	REV
39A	7027887	1	Key, Pulley Woodruff	
39A	3580134	1	Pulley	
39A	7020193	12 ft/3.7m	Cord, Power	
39B	7019680	1	Box, Control Assembly	
		Ref	Note: Replacement 110V Control Box comes with 2 standard Receptacles p/n 4460190. Optional Industrial Twist Lock Receptacles p/n 4460027 must be ordered separately.	
39B	4360542	1	Breaker, Circuit	
39B	2420203	1	Voltmeter	
39B	4460190	1	Receptacle - Standard	
39B	4460027	1	Receptacle - Twist-Lock	
39B	2920162	1	Lamp Assembly	
39B	70002237	1	Diode 6A/600V	
39B	3520028	1	Plug, Hole	
39B	4460961	1	Connector, Harness	
39B	4460705	4	Pin, Male	
40	1001181184	1	Mount, Generator (Lower)	
41	1001183129	1	Mount, Generator (Upper)	
42	1001183913	1	Generator AC Harness (See ELECTRICAL SECTION for Breakdown)	
43	1001183914	1	Generator Harness (Not Shown - See ELECTRICAL SECTION for Breakdown)	
44	1001148138	1	Belt	
45	4812000	AR	Washer M10	

SECTION 3 - ENGINE

FIGURE 3-27. GENERATOR INSTALLATION - 7500W - DEUTZ D2.9L4 ENGINE (OPTIONAL)



SECTION 3 - ENGINE

FIGURE 3-27. GENERATOR INSTALLATION - 7500W - DEUTZ D2.9L4 ENGINE (OPTIONAL)

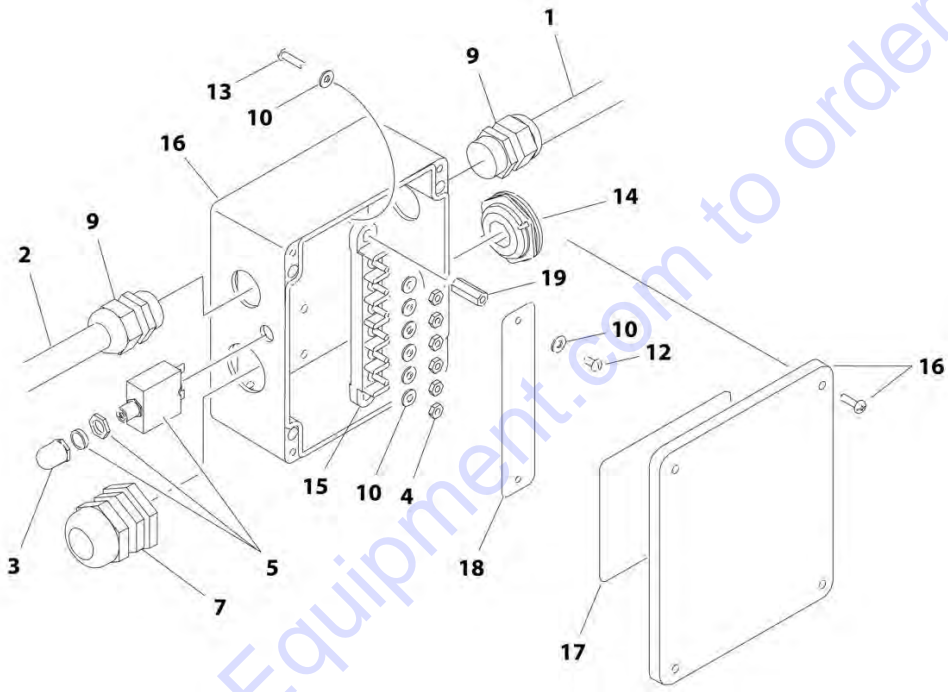
ITEM	PART NUMBER	QTY	DESCRIPTION	REV
	1001167534	Ref	GENERATOR INSTALLATION - 7500W - DEUTZ D2.9L4 ENGINE (OPTIONAL)	F
1	0100011	AR	Compound, Locking	
2	0100019	AR	Compound, Locking	
3	0100020	AR	Sealant, Pipe (Not Shown)	
4	0100048	AR	Grease, Dielectric	
5	0630407	4	Screw 1/4 x 5/8	
6	0641404	1	Bolt 1/4 x 1/2	
7	0641406	4	Bolt 1/4 x 3/4	
8	0641616	1	Bolt 3/8 x 2	
9	0641808	2	Bolt 1/2 x 1	
10	0681822	1	Bolt 1/2 x 2-3/4 Grade 8	
11	0741607	3	Screw 3/8 x 7/8	
12	0771212	1	Bolt M12 x 25 Grade 10.9	
13	0771414	2	Bolt M14 x 30 Grade 10.9	
14	0861538	1	Box, Generator Control	
14	7024488	1	Card, Circuit - Generator Power (Not Shown)	
14	See Note	1	Fuse (Note: Not Available - Purchase Locally)	
14	7024489	1	Card, Circuit - Control (Not Shown)	
14	70000619	1	Harness, Circuit Card	
15	0962520	1	Bushing, Taper	
16	2902431	1	Kit, Receptacle Box	
16A	0861731	1	Box	
16B	1671207	1	Cover	
16C	4460346	1	Receptacle	
16D	4460662	1	Connector, Strain Relief	
17	3271801	1	Nut 1/2 Grade 8	
18	3290405	4	Nut M4	
19	3311005	4	Nut #10	
20	3311405	4	Nut 1/4	
21	3311801	2	Nut 1/2	
22	3580317	1	Tensioner, Belt (Includes Pulley)	
23	3580318	1	Pulley, Generator	
24	3580320	1	Pulley, Engine	
25	3931016	4	Screw #10 x 1	
26	3931628	4	Capscrew 3/8 x 1-3/4	
27	3940804	4	Self-Tapping	
28	4010408	4	Screw M4 x 16	
29	4032014	4	Bolt M10 x 50	
30	4060802	1	Guard, Switch	
31	4240033	AR	Strap, Tie (Not Shown)	
32	4360482	1	Switch, Toggle (Not Shown - Located on Platform Console Box)	
33	4460315	3	Terminal, Spade (Not Shown)	
34	4460612	1	Connector, Strain Relief	
35	4711400	8	Washer 1/4	
36	4711600	1	Washer 3/8	
37	4751000	4	Washer #10	
38	4791400	2	Washer 1/4	
39	4811400	4	Washer M4	
40	4812100	1	Washer M12	

SECTION 3 - ENGINE

ITEM	PART NUMBER	QTY	DESCRIPTION	REV
41	4812200	2	Washer M14	
42	4891800	4	Washer 1/2	
43	4922925	1	Harness (See ELECTRICAL SECTION for Breakdown)	
44	1001135679	1	Spacer, Pulley	
45	1001136104	1	Generator, 7500W (Note: No service parts breakdown at time of printing)	
46	1001147780	1	Support, Mount	
47	1001147972	1	Bracket	
48	1001148138	1	Belt	
49	1001148675	1	Box, Receptacle	
50	1001148676	1	Cover	
51	1001148750	1	Support	
52	1001148844	1	Support	
53	1001148907	1	Connector	
54	1001157593	1	Junction Box Assembly Options (See Items JUNCTION BOX ASSEMBLY for Breakdown)	
55	1001148424	1	7500W Generator Harness (Not Shown - See ELECTRICAL DIAGRAM for Breakdown)	
56	1001163599	2	Stud	
57	0641506	2	Bolt 5/16 x 3/4	
58	3311505	2	Nut 5/16	
59	4711500	6	Washer 5/16	
63	1001148559	1	Support	
64	0641505	2	Bolt 5/16 x 5/8	
65	4812000	AR	Washer M10	

SECTION 3 - ENGINE

FIGURE 3-28. JUNCTION BOX ASSEMBLY - 7500W GENERATOR



ART_1001157593

SECTION 3 - ENGINE

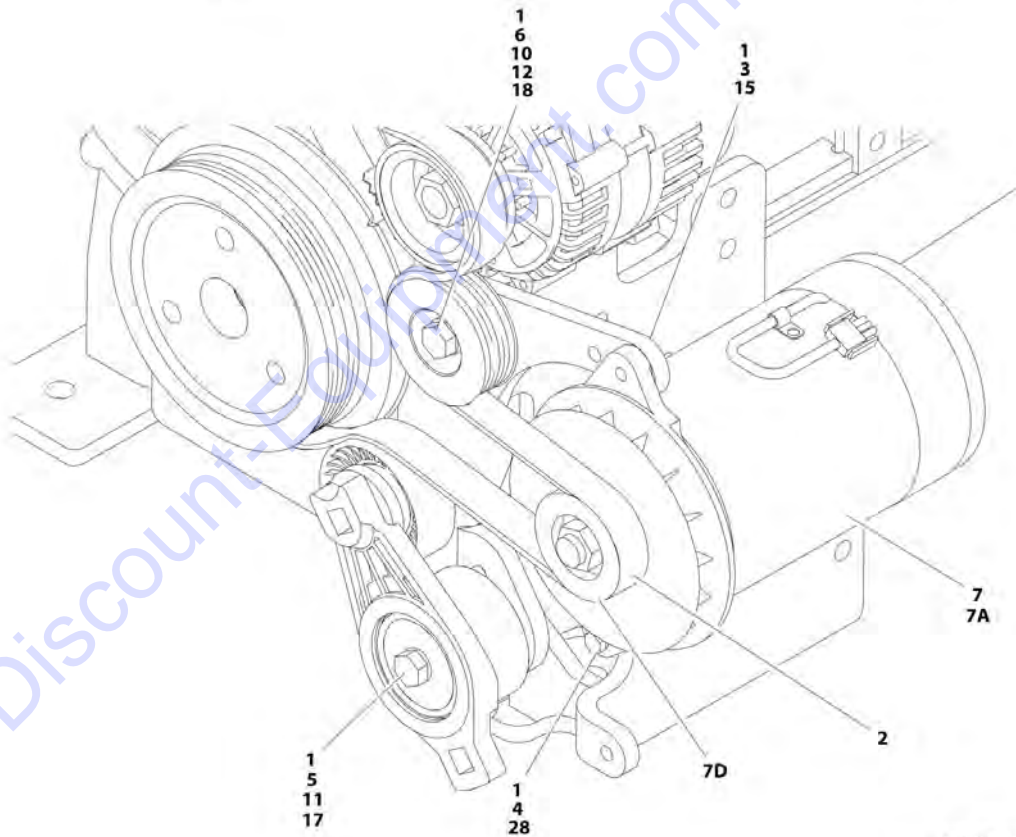
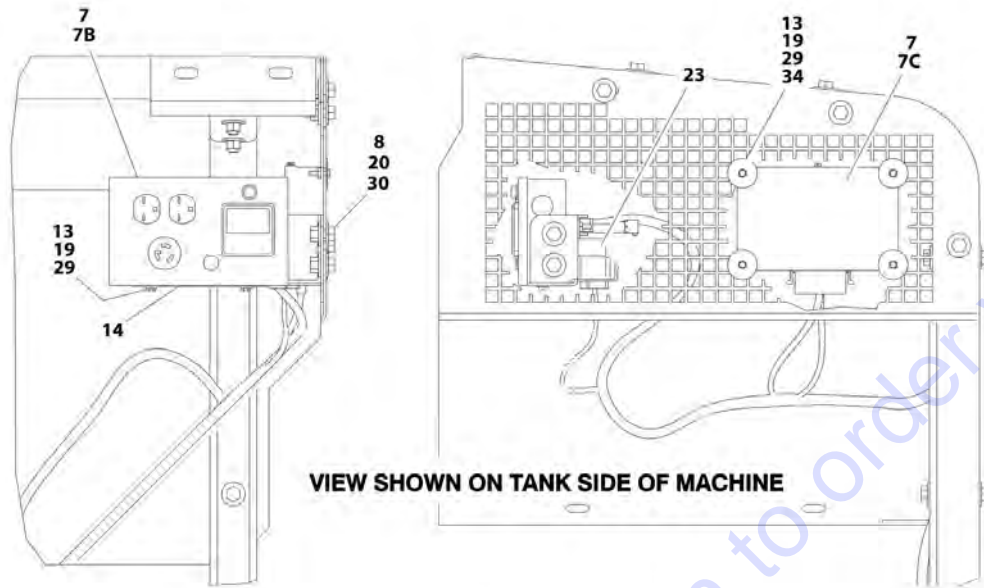
FIGURE 3-28. JUNCTION BOX ASSEMBLY - 7500W GENERATOR

ITEM	PART NUMBER	QTY	DESCRIPTION	REV
	1001157593	Ref	JUNCTION BOX ASSEMBLY - 7500W GENERATOR	C
1	1060394	4.5 ft /1.4m	Cable, Electrical 10/4	
2	1060494	3.5 ft/1m	Cable, Electrical 12/3 (SN 0200239053 through 0200246366)	
2	1001179154	3.5 ft/1m	Cable, Electrical 12/3 (SN 0200246367 to Present)	
3	3300396	1	Cover, Fuse	
4	3311001	6	Nut #10	
5	4360070	1	Circuit Breaker - 15Amp	
7	4460426	1	Connector, Strain Relief	
9	4460425	2	Connector, Strain Relief	
10	4711000	10	Washer #10	
12	10702077	2	Screw #10 x 3/8	
13	10702082	2	Screw #10 x 3/4	
14	1001148648	1	Plug	
15	1001157520	1	Block, Terminal	
16	1001157521	1	Box, Junction	
17	1001157530	1	Decal - Wiring Schematic	
18	1001158007	1	Plate	
19	1001158008	2	Standoff	

Go to Discount-Equipment.com to order your parts

SECTION 3 - ENGINE

FIGURE 3-29. GENERATOR INSTALLATION - 110V - GM ENGINE (OPTIONAL)



ART. 0225141

SECTION 3 - ENGINE

FIGURE 3-29. GENERATOR INSTALLATION - 110V - GM ENGINE (OPTIONAL)

ITEM	PART NUMBER	QTY	DESCRIPTION	REV
	0275141	Ref	110V GENERATOR INSTALLATION (GM ENGINE OPTION)	D
1	0100011	AR	Compound, Locking	
2	0480143	1	Belt, Serpentine	
3	0641510	1	Bolt 5/16 x 1-1/4	
4	0641710	2	Bolt 7/16 x 1-1/4	
5	0700820	1	Bolt M8 x 60	
6	0701016	1	Bolt M10 x 40	
7	2460059	1	Generator and Control Box Assembly	
7A	2460049	1	Generator Assembly	
		Ref	Note: Replacement Generator comes with a 3-1/2in Dia pulley standard, must be changed to p/n 3580324 - 3in pulley (Item 7D) to operate correctly.	
7A	70000122	1	Armature	
7A	7020108	4	Brushes	
7A	7020109	4	Holder, Brush	
7A	7012513	4	Cap, Brush Holder	
7A	7012514	1	Fan	
7A	7020110	1	Bell, Front	
7A	7020111	1	Bell, Rear	
7A	7020190	2	Bearing	
7B	70002241	1	Box, Control Assembly	
		Ref	Note: Replacement 110V Control Box comes with 2 standard Receptacles p/n 4460190. Optional Industrial Twist Lock Receptacles p/n 4460027 must be ordered separately.	
7B	70002240	1	Breaker, Circuit	
7B	2420203	1	Voltmeter	
7B		Ref	Receptacle Options:	
7B	4460190	2	Standard Receptacle	
7B	4460027	2	Twist-Lock Receptacle	
7B	70002237	1	Diode	
7B	3520028	1	Plug	
7C	7026525	1	Regulator, Voltage	
7D	3580324	1	Pulley	
7D	7027887	1	Key, Woodruff	
8	0641606	2	Bolt 3/8 x 3/4	
10	3580312	1	Pulley, Idler	
11	3580348	1	Tensioner, Belt (Includes Pulley)	
12	4568735	1	Tube, Spacer	
13	0721006	7	Screw #10 x 3/4	
14	0902842	1	Bracket, Generator Box Mounting	
15	4751500	AR	Washer 5/16	
16	1061006	1	Cable, AC (See ELECTRICAL SECTION for Breakdown)	
17	4811900	1	Washer M8	
18	4891600	1	Washer 3/8	
19	3311001	7	Nut #10	
20	3311605	2	Nut 3/8	
23	3740080	1	Relay	
25	4060802	1	Guard, Switch (Not Shown - Located on Platform Console Box)	
26	4360482	1	Switch, Toggle (Not Shown - Located on Platform Console Box)	
28	4711700	2	Washer 7/16	

SECTION 3 - ENGINE

ITEM	PART NUMBER	QTY	DESCRIPTION	REV
29	4751000	10	Washer #10	
30	4751600	4	Washer 3/8	
33	4922800	1	Harness, Generator (See ELECTRICAL SECTION for Breakdown)	
34	4740362	4	Washer, Fender	

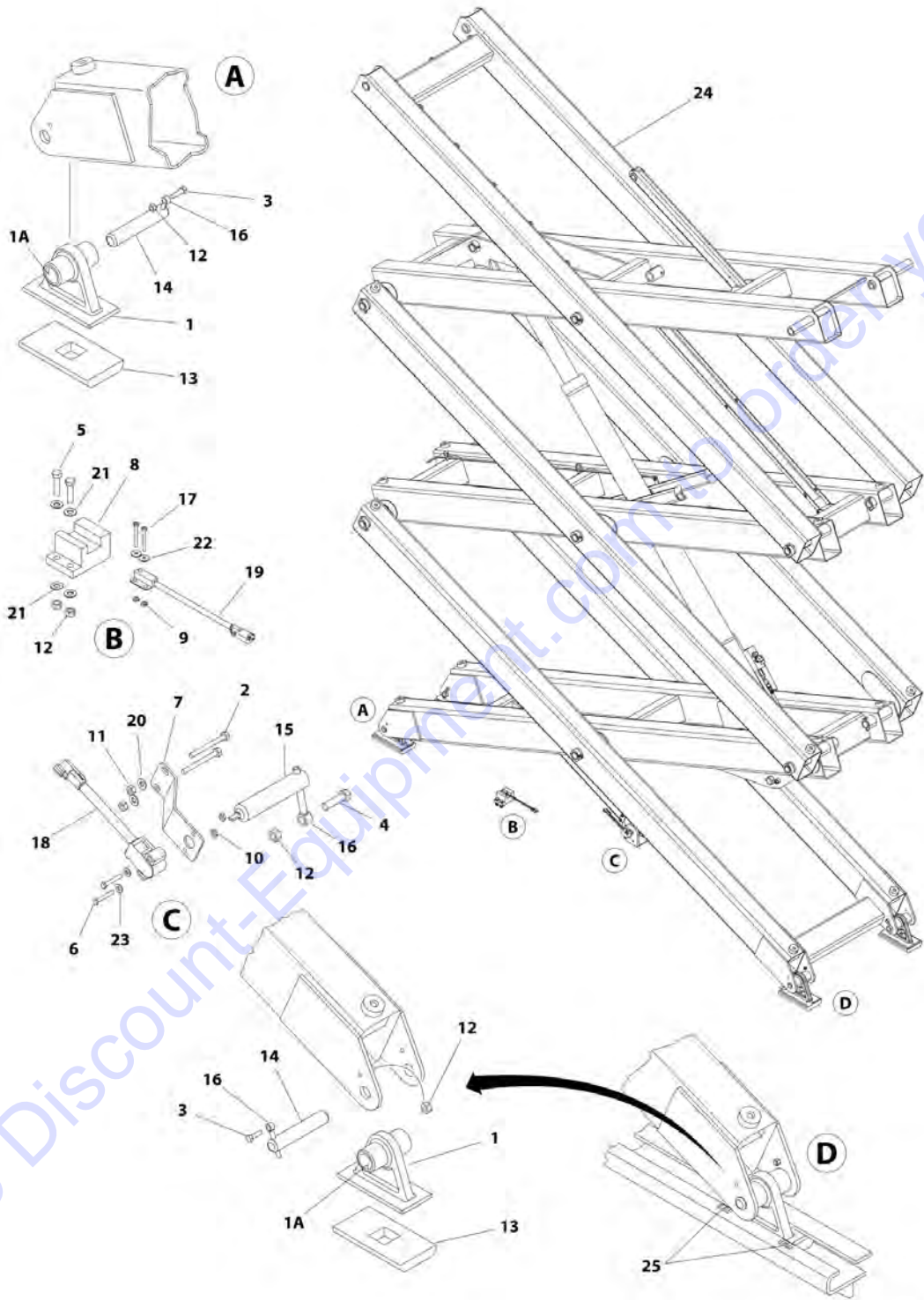
Go to Discount-Equipment.com to order your parts

SECTION 4 - SCISSORS ARMS

Go to Discount-Equipment.com to order your parts

SECTION 4 - SCISSORS ARMS

FIGURE 4-1. SCISSOR ARMS INSTALLATION - 3394RT (DEUTZ D2011 ENGINE AND GM ENGINE MACHINES)



ART_1001103766

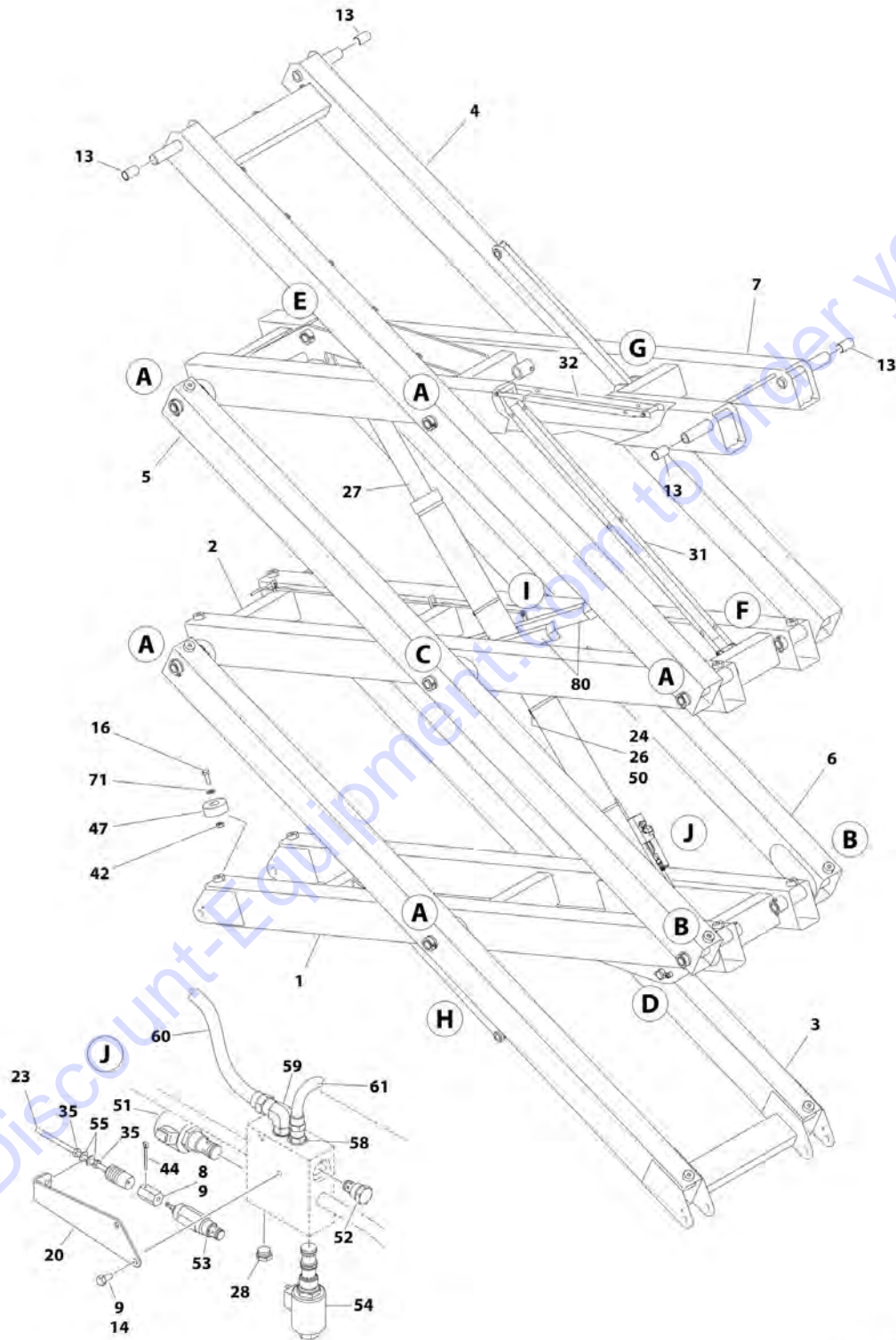
SECTION 4 - SCISSORS ARMS

FIGURE 4-1. SCISSOR ARMS INSTALLATION - 3394RT (DEUTZ D2011 ENGINE AND GM ENGINE MACHINES)

ITEM	PART NUMBER	QTY	DESCRIPTION	REV
	1001103766	Ref	SCISSOR ARMS INSTALLATION - 3394RT (DEUTZ D2011 ENGINE AND GM ENGINE MACHINES)	E
1	1001099623	4	Slider	
1A	0440234	4	Bearing (Qty 2 per Slider)	
2	0641420	2	Bolt 1/4 x 2-1/2	
3	0641610	4	Bolt 3/8 x 1-1/4	
4	0641611	1	Bolt 3/8 x 1-3/8	
5	0641612	2	Bolt 3/8 x 1-1/2	
6	0721010	2	Screw #10 x 1-1/4	
7	0902774	1	Bracket, Switch Mounting	
8	3200447	1	Mount, Proximity Switch	
9	3300455	2	Nut #10	
10	3311005	2	Nut #10	
11	3311405	2	Nut 1/4	
12	3311605	7	Nut 3/8	
13	3340935	4	Pad, Slide	
14	3422961	4	Pin	
15	3422963	1	Pin	
16	3841143	5	Keeper, Pin	
17	3900325	2	Screw #10	
18	4360500	1	Switch, Rotary Angle Sensor	
19	4360502	1	Switch, Proximity Sensor	
20	4711400	2	Washer 1/4	
21	4711600	4	Washer 3/8	
22	4740506	2	Washer #10	
23	4751000	2	Washer #10	
24	1001103765	1	Scissor Arms Assembly (See SCISSOR ARMS ASSEMBLY - 3394RT for Breakdown)	
25	1001125243	1	Decal Kit - Calibration (Includes 2 Decals)	

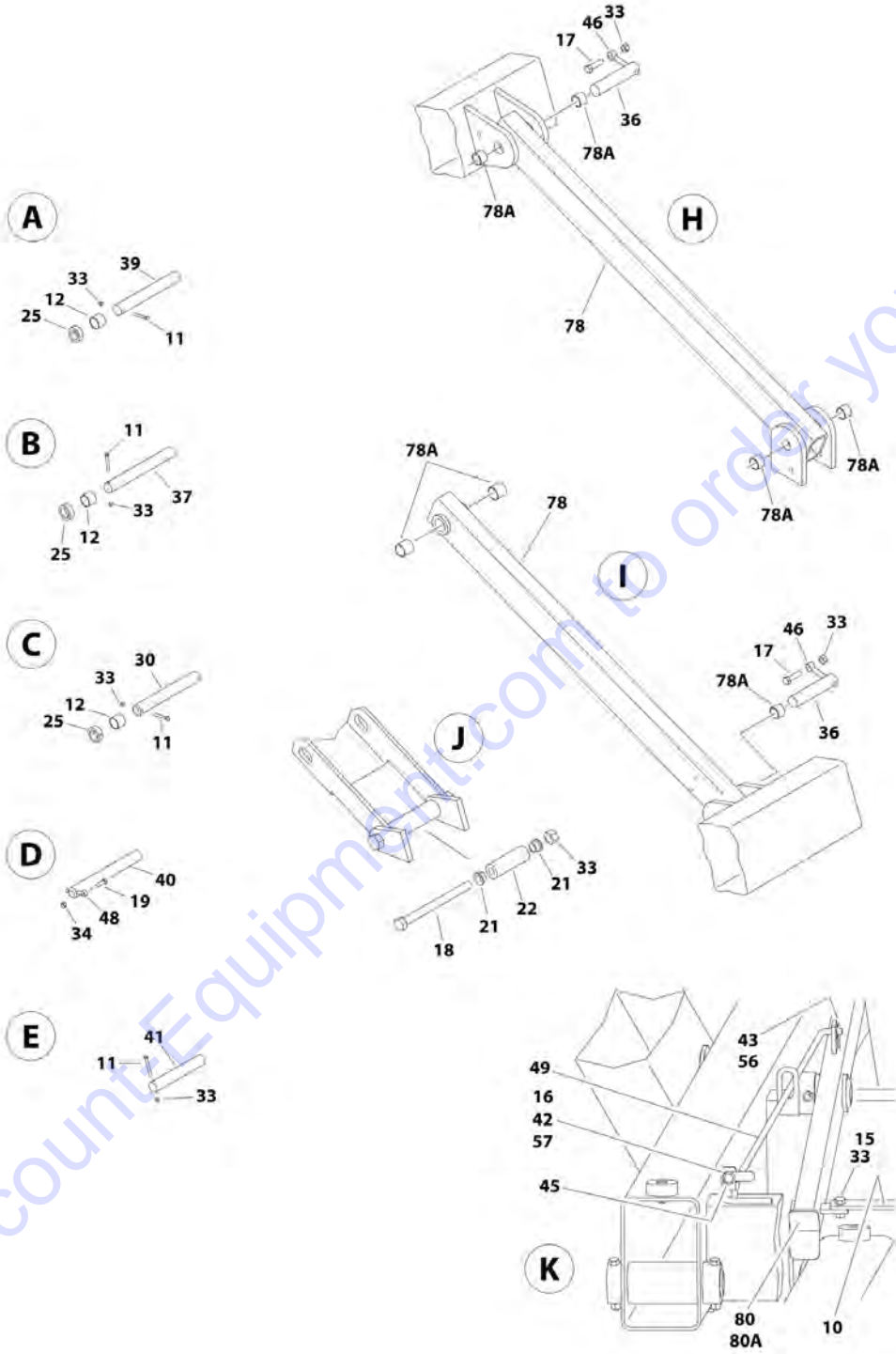
SECTION 4 - SCISSORS ARMS

FIGURE 4-2. SCISSOR ARMS ASSEMBLY - 3394RT (DEUTZ D2011 ENGINE AND GM ENGINE MACHINES)



ART_1001103765_10F2

SECTION 4 - SCISSORS ARMS



ART_1001103765_20F2

SECTION 4 - SCISSORS ARMS

FIGURE 4-2. SCISSOR ARMS ASSEMBLY - 3394RT (DEUTZ D2011 ENGINE AND GM ENGINE MACHINES)

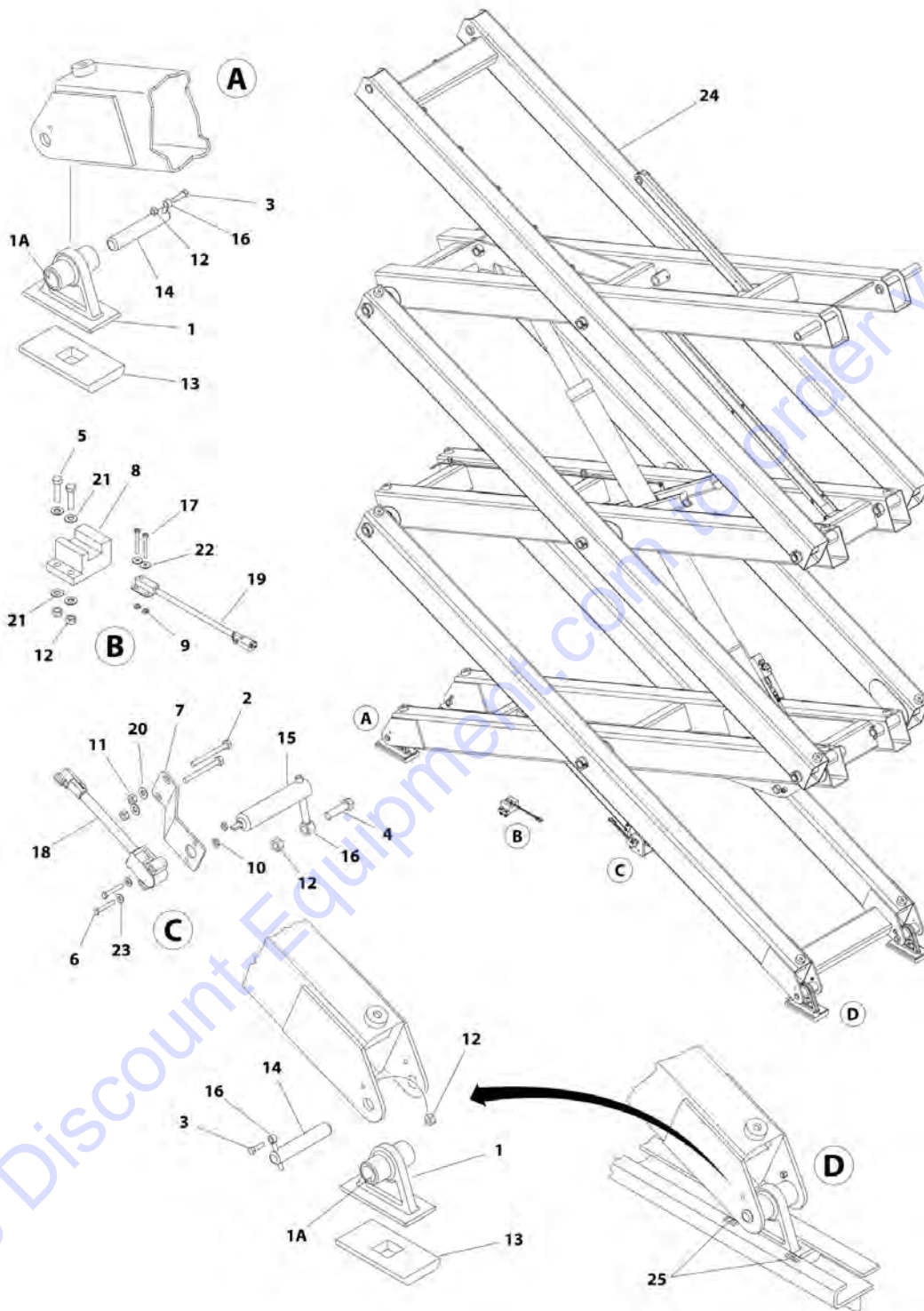
ITEM	PART NUMBER	QTY	DESCRIPTION	REV
	1001103765	Ref	SCISSOR ARMS ASSEMBLY - 3394RT (DEUTZ D2011 ENGINE AND GM ENGINE MACHINES)	D
1	0200712	1	Arm - Lower Inboard	
2	0200713	1	Arm - Mid Inboard	
3	0200716	1	Arm - Lower Outboard	
4	0200717	1	Arm - Upper Inboard	
5	0200718	1	Arm - Mid Outboard (Left Side)	
6	0200719	1	Arm - Mid Outboard (Right Side)	
7	0200723	1	Arm - Upper Outboard	
8	0080190	1	Adapter, Cable	
9	0100011	AR	Compound, Locking	
10	0363050	1	Bar, Prop Attach	
11	0681624	29	Bolt 3/8 x 3 Grade 8	
12	0440236	28	Bearing	
13	0440250	4	Bearing	
14	0641505	2	Bolt 5/16 x 5/8	
15	0681607	2	Bolt 3/8 x 7/8 Grade 8	
16	0641507	16	Bolt 5/16 x 7/8	
17	0681612	2	Bolt 3/8 x 1-1/2 Grade 8	
18	0681632	3	Bolt 3/8 x 4 Grade 8	
19	0681813	1	Bolt 1/2 x 1-5/8 Grade 8	
20	0902773	1	Bracket, Cable Mounting	
21	0962031	8	Bushing, Flanged	
22	0962446	3	Spacer	
23	1060929	1	Cable, Manual Descent	
23	7020218	1	Handle, "T"	
23	7019602	1	Bellow	
23	7020219	1	Washer	
24	1320122	3	Clamp	
25	1440331	14	Collar	
26	1670995	3	Cover, Hose/Cable	
27	1684332	1	Lift Cylinder Assembly (See CYLINDER SECTION for Breakdown)	
28	2220885	1	Plug	
29	2902149	1	Arm Components Kit (Not Shown - Includes Items 1-7, 12, 13, 16, 31, 32, 42, 47, 71, 78 & 80)	
30	3422965	2	Pin	
31	1180371	1	Carrier, Cable	
32	1180372	1	Carrier, Cable	
33	3271605	36	Nut 3/8 Grade 8	
34	3271805	1	Nut 1/2 Grade 8	
35	3321402	2	Nut 1/4	
36	3422943	2	Pin	
37	3422944	2	Pin	
38	2902062	1	Scissor Arm Kit - 3394RT (Not Shown - Includes Items 1-7)	
39	3422945	10	Pin	
40	3422946	1	Pin	
41	3422954	1	Pin	
42	3311505	16	Nut 5/16	
43	3450304	1	Pin, Cotter 3/32 x 1	

SECTION 4 - SCISSORS ARMS

ITEM	PART NUMBER	QTY	DESCRIPTION	REV
44	3450405	1	Pin, Cotter	
45	3573370	1	Plate, Rod Keeper	
46	3841143	2	Keeper, Pin	
47	3340929	16	Pad, Arm	
48	3841203	1	Keeper, Pin	
49	3841556	1	Rod, Prop Actuator	
50	4280295	18 in /46cm	Strip, Protector	
51	1001103760	1	Cartridge, Lift Holding Solenoid	
51	7023923	1	Cartridge - 1001103760 Valve	
51	7023919	1	Seal Kit - 7023923 Valve	
51	70001967	1	Coil - 1001103760 Valve	
52	4641193	1	Cartridge, Check	
52	2900756	1	Seal Kit - 4641193 Valve	
53	4641205	1	Valve, Manual	
53	7017496	1	Seal Kit - 4641205 Valve	
54	4641254	1	Cartridge, Lift Holding Solenoid	
54	7024829	1	Cartridge - 4641254 Valve	
54	7012925	1	Seal Kit - 7024829 Valve	
54	7017451	1	Coil - 4641254 Valve	
55	4711400	2	Washer 1/4	
56	4711600	1	Washer 3/8	
57	4740455	2	Washer, Nylon Shoulder	
58	2110808	1	Fitting, Straight ORFS/ORB	
59	2131008	1	Fitting, 90 ORFS/ORB	
60	2753793	1	Hose	
61	2753794	1	Hose	
62	1060866	1	Cable, Electrical - 12/3	
63	1001103834	1	Ground to Platform Module Harness (See ELECTRICAL SECTION for Breakdown)	
64	4240033	AR	Strap, Tie (Not Shown)	
71	4711500	16	Washer 5/16	
78	0272209	2	Link, Attach	
78A	0962474	8	Bushing (Qty 4 per Link)	
80	0272211	2	Prop, Safety	
80A	0961388	2	Bushing (Qty 1 per Prop)	

SECTION 4 - SCISSORS ARMS

FIGURE 4-3. SCISSOR ARMS INSTALLATION - 3394RT (DEUTZ D2.9L4 ENGINE MACHINES)



ART 1001149320

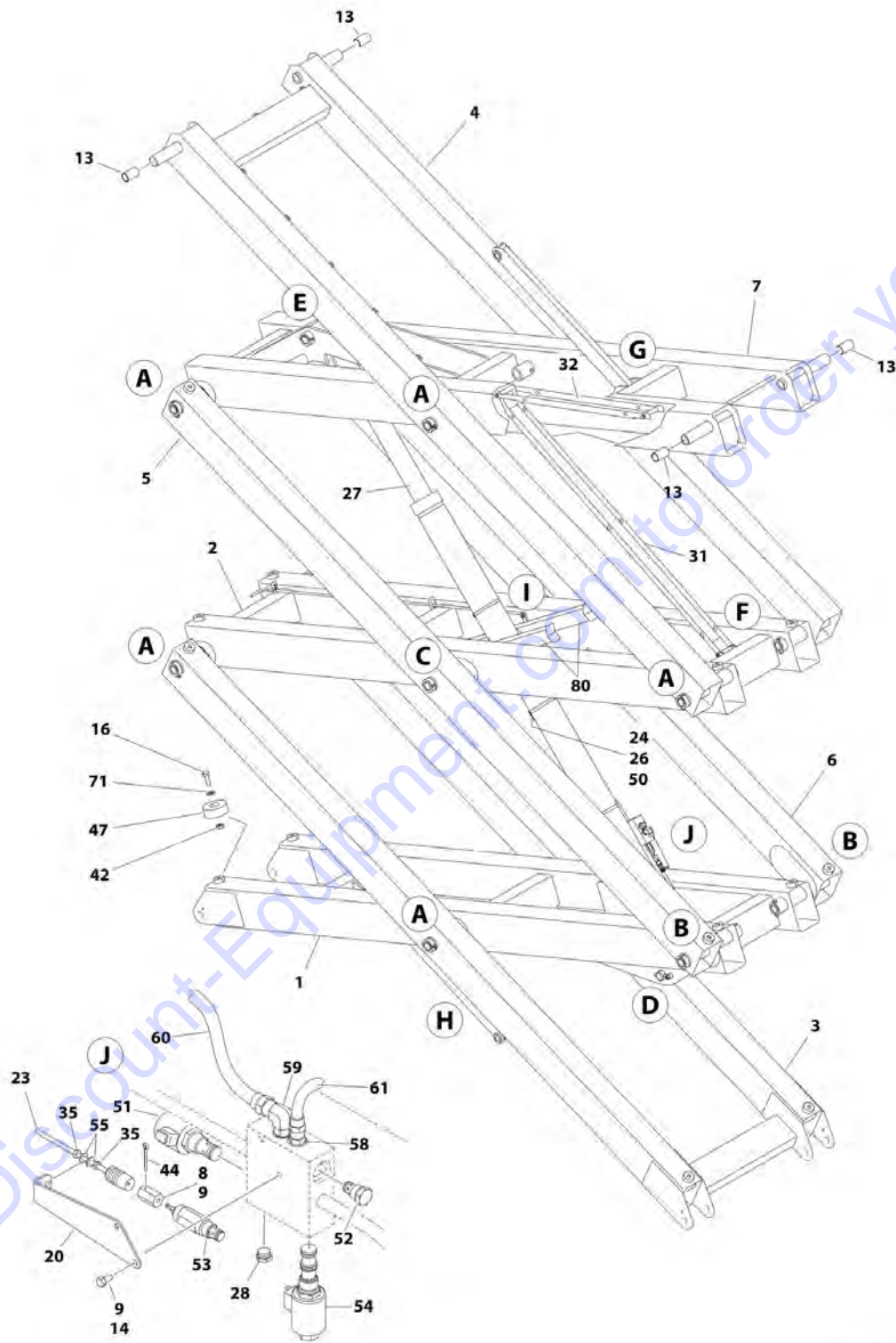
SECTION 4 - SCISSORS ARMS

FIGURE 4-3. SCISSOR ARMS INSTALLATION - 3394RT (DEUTZ D2.9L4 ENGINE MACHINES)

ITEM	PART NUMBER	QTY	DESCRIPTION	REV
	1001149320	Ref	SCISSOR ARMS INSTALLATION - 3394RT (DEUTZ D2.9L4 ENGINE MACHINES)	B
1	1001099623	4	Slider	
1A	0440234	4	Bearing (Qty 2 per Slider)	
2	0641420	2	Bolt 1/4 x 2-1/2	
3	0641610	4	Bolt 3/8 x 1-1/4	
4	0641611	1	Bolt 3/8 x 1-3/8	
5	0641612	2	Bolt 3/8 x 1-1/2	
6	0721010	2	Screw #10 x 1-1/4	
7	0902774	1	Bracket, Switch Mounting	
8	3200447	1	Mount, Proximity Switch	
9	3300455	2	Nut #10	
10	3311005	2	Nut #10	
11	3311405	2	Nut 1/4	
12	3311605	7	Nut 3/8	
13	3340935	4	Pad, Slide	
14	3422961	4	Pin	
15	3422963	1	Pin	
16	3841143	5	Keeper, Pin	
17	3900325	2	Screw #10	
18	4360500	1	Switch, Rotary Angle Sensor	
19	4360502	1	Switch, Proximity Sensor	
20	4711400	2	Washer 1/4	
21	4711600	4	Washer 3/8	
22	4740506	2	Washer #10	
23	4751000	2	Washer #10	
24	1001149319	1	Scissor Arms Assembly (See SCISSOR ARMS ASSEMBLY - 3394RT for Breakdown)	
25	1001125243	1	Decal Kit - Calibration (Includes 2 Decals)	

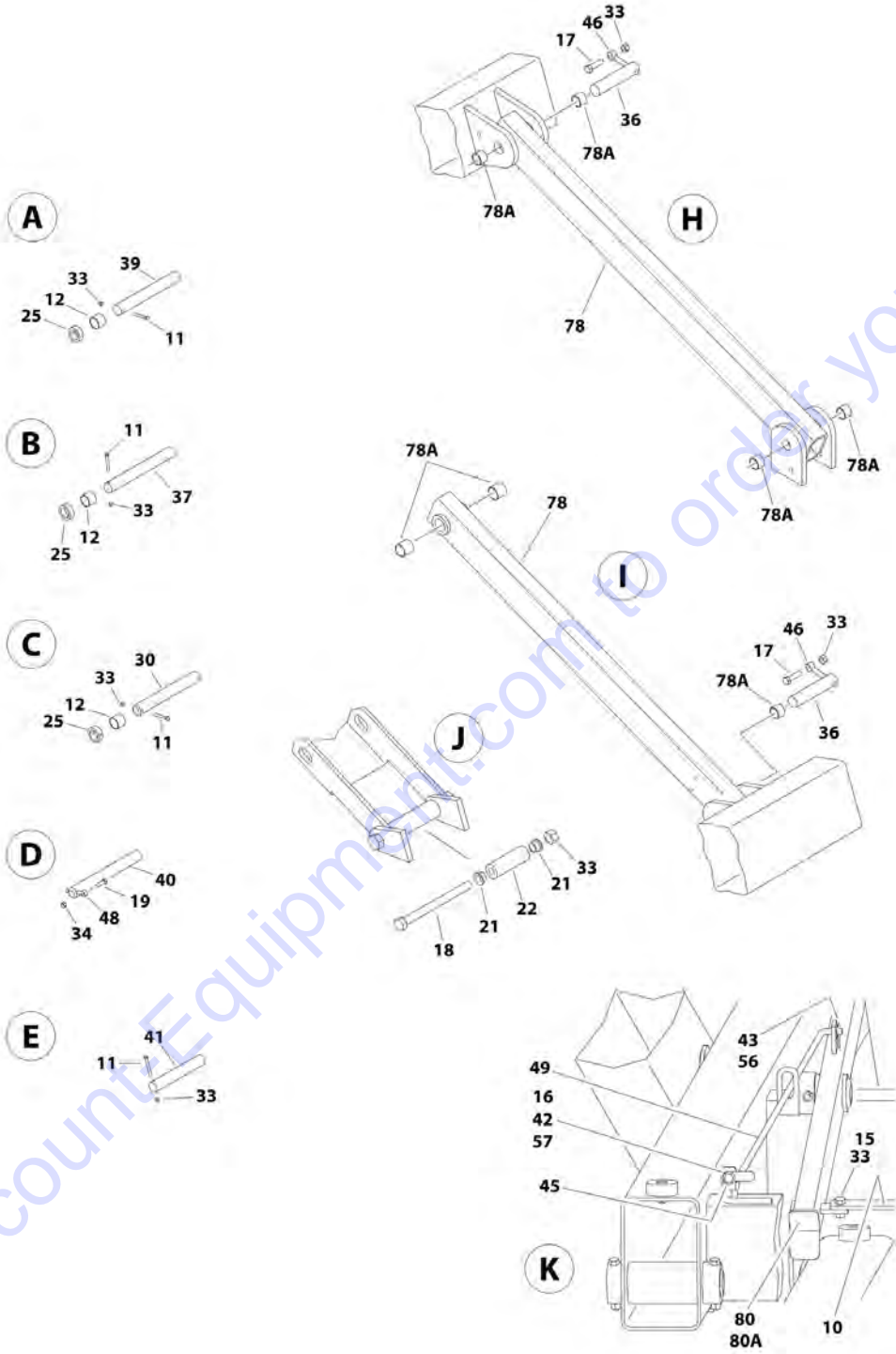
SECTION 4 - SCISSORS ARMS

FIGURE 4-4. SCISSOR ARMS ASSEMBLY - 3394RT (DEUTZ D2.9L4 ENGINE MACHINES)



ART_1001149319_10F2

SECTION 4 - SCISSORS ARMS



ART_1001149319_20F2

SECTION 4 - SCISSORS ARMS

FIGURE 4-4. SCISSOR ARMS ASSEMBLY - 3394RT (DEUTZ D2.9L4 ENGINE MACHINES)

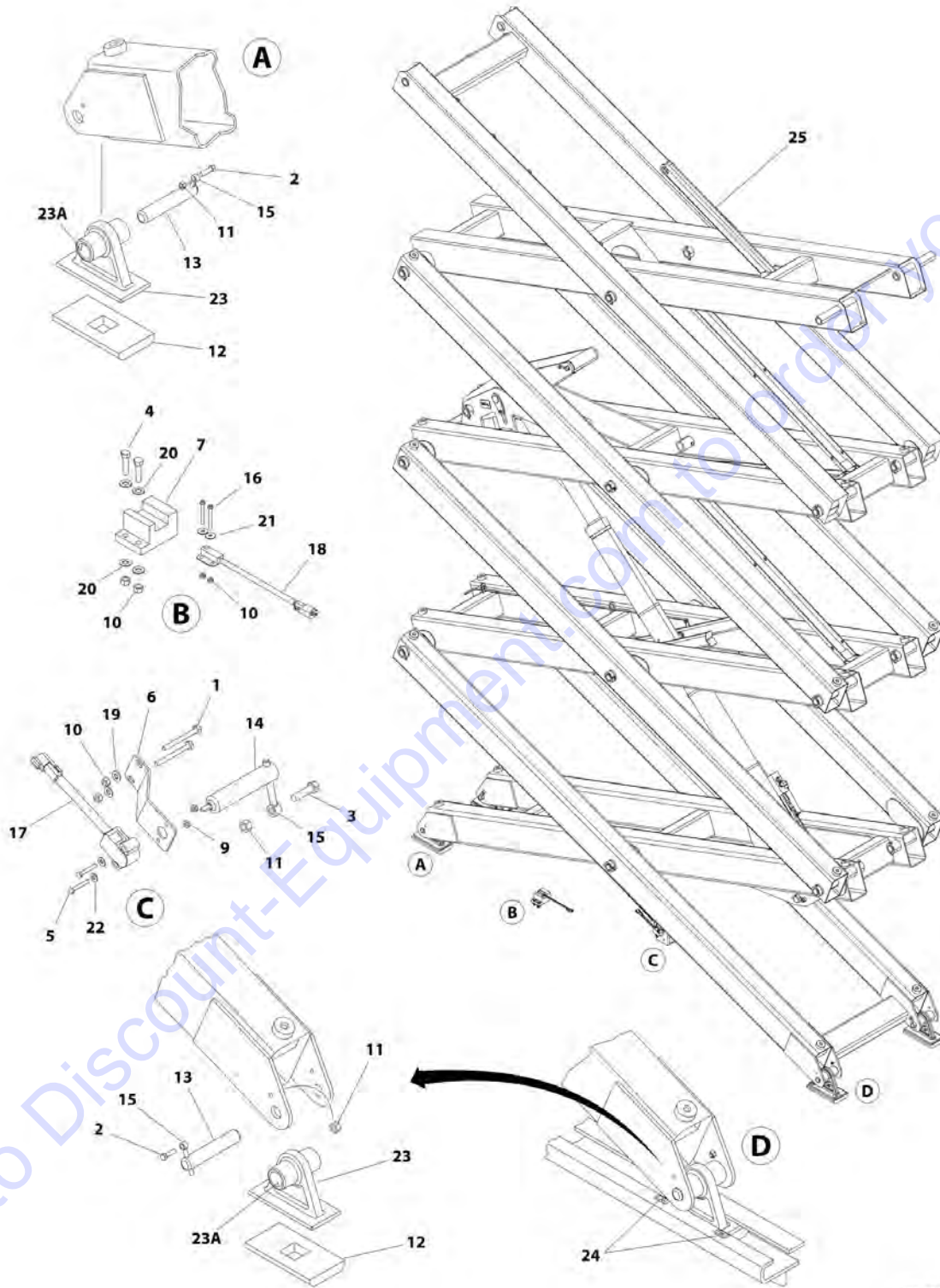
ITEM	PART NUMBER	QTY	DESCRIPTION	REV
	1001149319	Ref	SCISSOR ARMS ASSEMBLY - 3394RT (DEUTZ D2.9L4 ENGINE MACHINES)	C
1	0200712	1	Arm - Lower Inboard	
2	0200713	1	Arm - Mid Inboard	
3	0200716	1	Arm - Lower Outboard	
4	0200717	1	Arm - Upper Inboard	
5	0200718	1	Arm - Mid Outboard (Left Side)	
6	0200719	1	Arm - Mid Outboard (Right Side)	
7	0200723	1	Arm - Upper Outboard	
8	0080190	1	Adapter, Cable	
9	0100011	AR	Compound, Locking	
10	0363050	1	Bar, Prop Attach	
11	0681624	29	Bolt 3/8 x 3 Grade 8	
12	0440236	28	Bearing	
13	0440250	4	Bearing	
14	0641505	2	Bolt 5/16 x 5/8	
15	0681607	2	Bolt 3/8 x 7/8 Grade 8	
16	0641507	16	Bolt 5/16 x 7/8	
17	0681612	2	Bolt 3/8 x 1-1/2 Grade 8	
18	0681632	3	Bolt 3/8 x 4 Grade 8	
19	0681813	1	Bolt 1/2 x 1-5/8 Grade 8	
20	0902773	1	Bracket, Cable Mounting	
21	0962031	8	Bushing, Flanged	
22	0962446	4	Spacer	
23	1060929	1	Cable, Manual Descent	
23	7020218	1	Handle, "T"	
23	7019602	1	Bellow	
23	7020219	1	Washer	
24	1320122	3	Clamp	
25	1440331	14	Collar	
26	1670995	3	Cover, Hose/Cable	
27	1684332	1	Lift Cylinder Assembly (See CYLINDER SECTION for Breakdown)	
28	2220885	1	Plug, ORB	
29	2902149	1	Arm Components Kit (Not Shown - Includes Items 1-7, 12, 13, 16, 31, 32, 42, 47, 71, 78 & 80)	
30	3422965	2	Pin	
31	1180371	1	Carrier, Cable	
32	1180372	1	Carrier, Cable	
33	3271605	36	Nut 3/8 Grade 8	
34	3271805	1	Nut 1/2 Grade 8	
35	3321402	2	Nut 1/4	
36	3422943	2	Pin	
37	3422944	2	Pin	
38	2902062	1	Scissor Arm Kit - 3394RT (Not Shown - Includes Items 1-7)	
39	3422945	10	Pin	
40	3422946	1	Pin	
41	3422954	1	Pin	
42	3311505	16	Nut 5/16	
43	3450304	1	Pin, Cotter 3/32 x 1	
44	3450405	1	Pin, Cotter	

SECTION 4 - SCISSORS ARMS

ITEM	PART NUMBER	QTY	DESCRIPTION	REV
45	3573370	1	Plate, Rod Keeper	
46	3841143	2	Keeper, Pin	
47	3340929	16	Pad, Arm	
48	3841203	1	Keeper, Pin	
49	3841556	1	Rod, Prop Actuator	
50	4280295	18 in /46cm	Strip, Protector	
51	1001103760	1	Cartridge, Lift Holding Solenoid	
51	7023923	1	Cartridge - 1001103760 Valve	
51	7023919	1	Seal Kit - 7023923 Valve	
51	70001967	1	Coil - 1001103760 Valve	
52	4641193	1	Cartridge, Check	
52	2900756	1	Seal Kit - 4641193 Valve	
53	4641205	1	Valve, Manual	
53	7017496	1	Seal Kit - 4641205 Valve	
54	4641254	1	Cartridge, Lift Holding Solenoid	
54	7024829	1	Cartridge - 4641254 Valve	
54	7012925	1	Seal Kit - 7024829 Valve	
54	7017451	1	Coil - 4641254 Valve	
55	4711400	2	Washer 1/4	
56	4711600	1	Washer 3/8	
57	4740455	2	Washer, Nylon Shoulder	
58	2110808	1	Fitting, Straight ORFS/ORB	
59	2131008	1	Fitting, 90 ORFS/ORB	
60	2753793	1	Hose	
61	2753794	1	Hose	
62	1001149324	1	Cable, Electrical - 8/5	
63	1001103834	1	Ground to Platform Module Harness (See ELECTRICAL SECTION for Breakdown)	
64	4240033	AR	Strap, Tie (Not Shown)	
71	4711500	16	Washer 5/16	
78	0272209	2	Link, Attach	
78A	0962474	8	Bushing (Qty 4 per Link)	
80	0272211	2	Prop, Safety	
80A	0961388	2	Bushing (Qty 1 per Prop)	

SECTION 4 - SCISSORS ARMS

FIGURE 4-5. SCISSOR ARMS INSTALLATION - 4394RT (DEUTZ D2011 ENGINE AND GM ENGINE MACHINES)



ART 1001183061

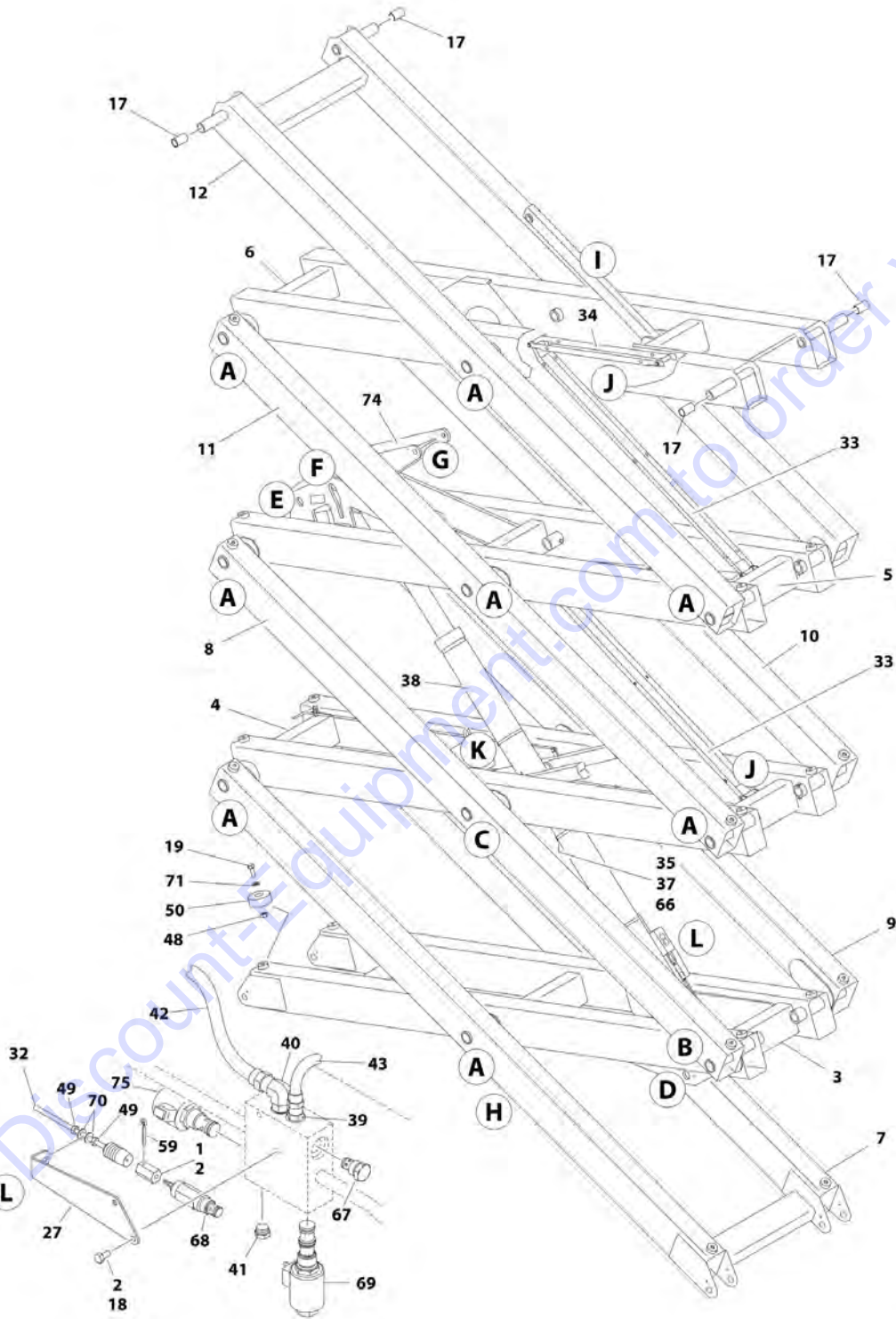
SECTION 4 - SCISSORS ARMS

FIGURE 4-5. SCISSOR ARMS INSTALLATION - 4394RT (DEUTZ D2011 ENGINE AND GM ENGINE MACHINES)

ITEM	PART NUMBER	QTY	DESCRIPTION	REV
	1001183061	Ref	SCISSOR ARMS INSTALLATION - 4394RT (DEUTZ D2011 ENGINE AND GM ENGINE MACHINES)	B
1	0641420	2	Bolt 1/4 x 2-1/2	
2	0641610	4	Bolt 3/8 x 1-1/4	
3	0641611	1	Bolt 3/8 x 1-3/8	
4	0641612	2	Bolt 3/8 x 1-1/2	
5	0721010	2	Screw #10 x 1-1/4	
6	0902774	1	Bracket, Switch Mounting	
7	3200447	1	Mount, Proximity Switch	
8	3300455	2	Nut #10	
9	3311005	2	Nut #10	
10	3311405	4	Nut 1/4	
11	3311605	5	Nut 3/8	
12	3340935	4	Pad, Slide	
13	3422961	4	Pin	
14	3422963	1	Pin	
15	3841143	5	Keeper, Pin	
16	3900325	2	Screw #10	
17	4360500	1	Switch, Rotary Angle Sensor	
18	4360502	1	Switch, Proximity Sensor	
19	4711400	2	Washer 1/4	
20	4711600	4	Washer 3/8	
21	4740506	2	Washer #10	
22	4751000	2	Washer #10	
23	1001099623	4	Slider	
23A	0440234	4	Bearing (Qty 2 per Slider)	
24	1001125242	1	Decal Kit - Calibration (Includes 2 Decals)	
25	1001182989	1	Scissor Arms Assembly (See SCISSOR ARMS ASSEMBLY - 4394RT for Breakdown)	

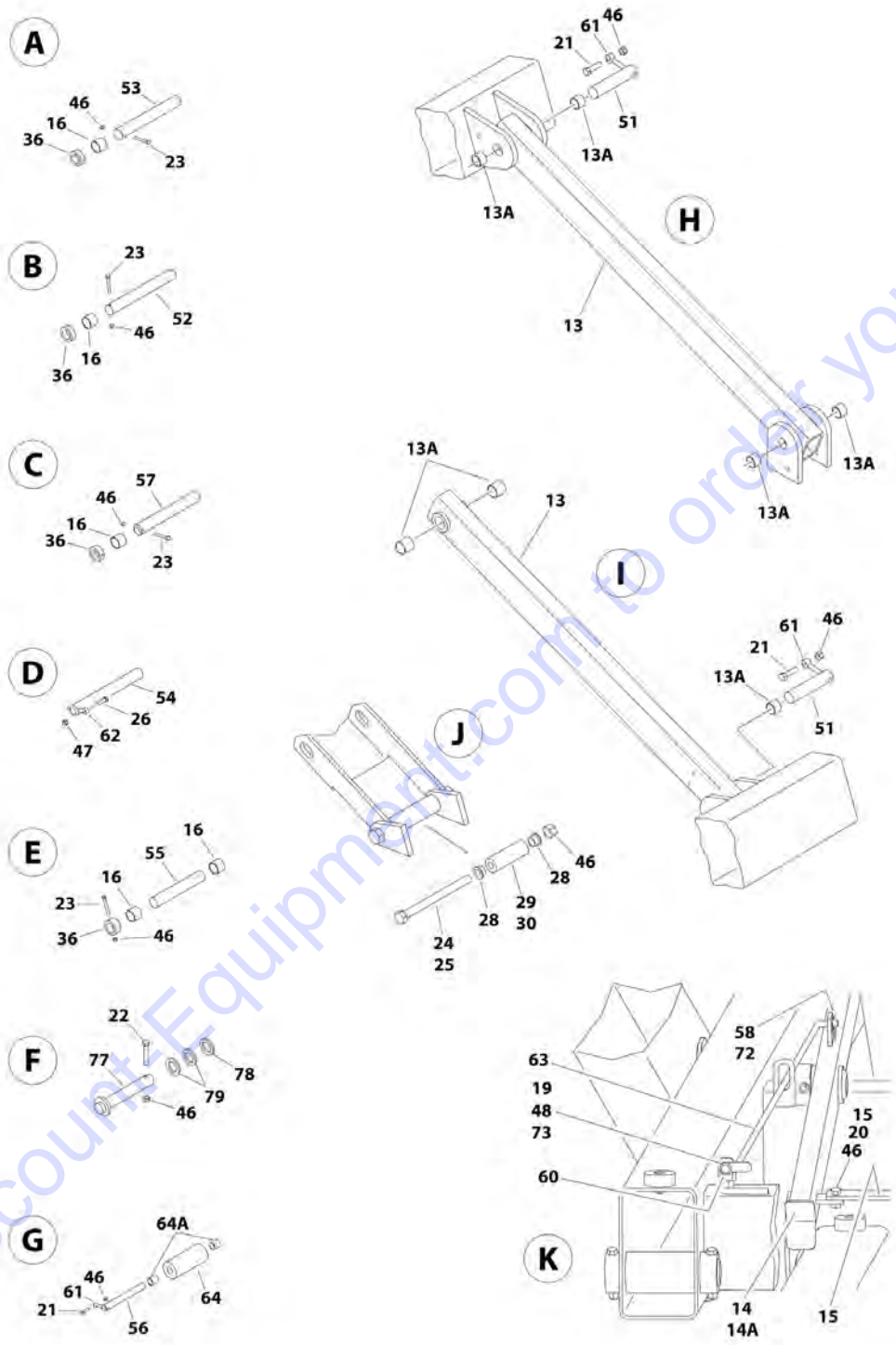
SECTION 4 - SCISSORS ARMS

FIGURE 4-6. SCISSOR ARMS ASSEMBLY - 4394RT (DEUTZ D2011 ENGINE AND GM ENGINE MACHINES)



ART_1001182989_10F2

SECTION 4 - SCISSORS ARMS



ART_I001182089_20F2

SECTION 4 - SCISSORS ARMS

FIGURE 4-6. SCISSOR ARMS ASSEMBLY - 4394RT (DEUTZ D2011 ENGINE AND GM ENGINE MACHINES)

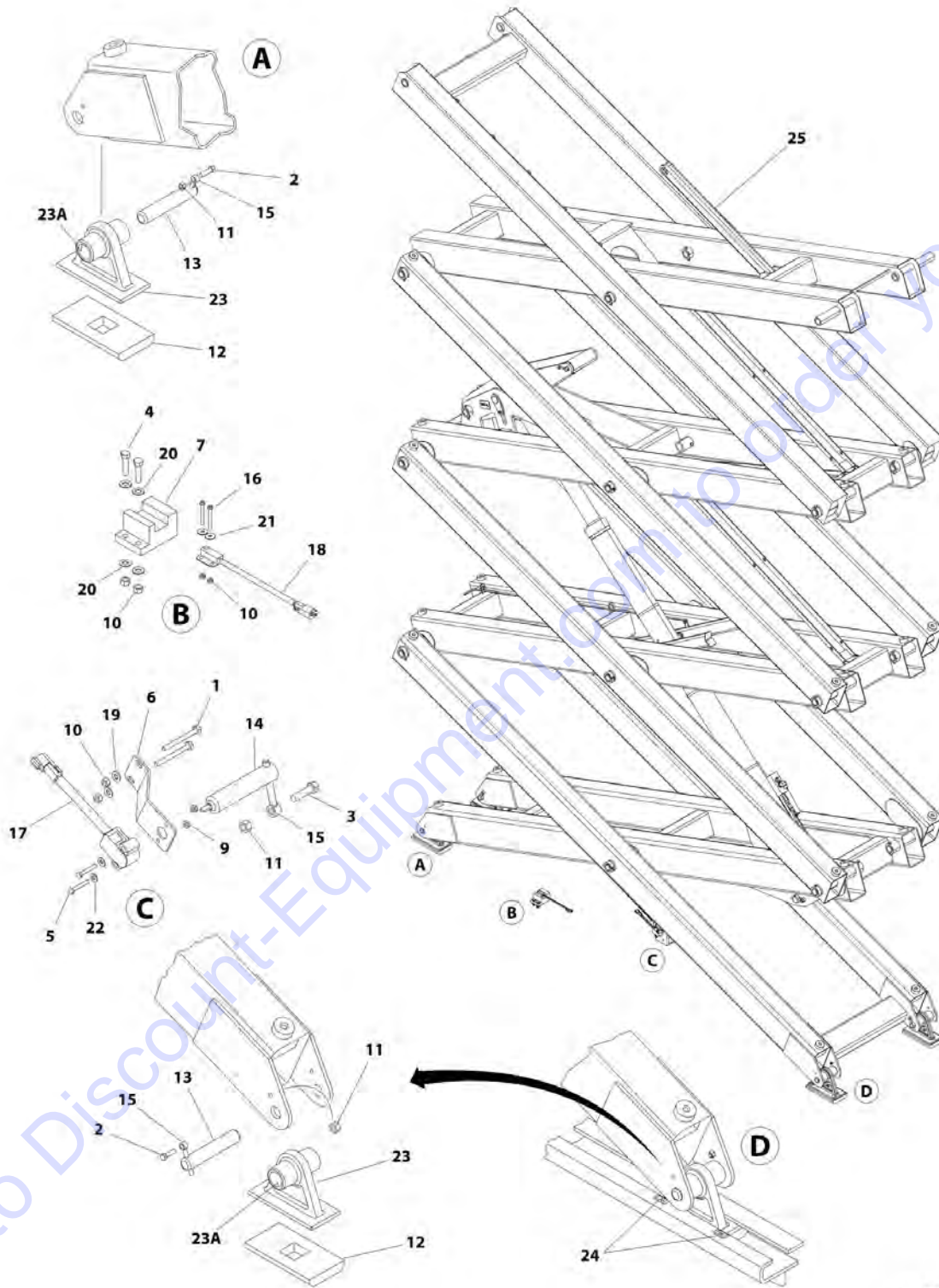
ITEM	PART NUMBER	QTY	DESCRIPTION	REV
	1001182989	Ref	SCISSORS ARMS ASSEMBLY - 4394RT (DEUTZ D2011 ENGINE AND GM ENGINE MACHINES)	B
1	0080190	1	Adapter, Cable	
2	0100011	AR	Compound, Locking	
3	0200712	1	Arm - Lower Inboard	
4	0200713	1	Arm - Upper Mid Inboard	
5	0200714	1	Arm - Upper Mid Inboard	
6	0200715	1	Arm - Upper Inboard	
7	0200716	1	Arm - Lower Outboard	
8	0200718	1	Arm - Lower Mid Outboard (Left Side)	
9	0200719	1	Arm - Lower Mid Outboard (Right Side)	
10	0200720	1	Arm - Upper Mid Outboard (Left Side)	
11	0200721	1	Arm - Upper Mid Outboard (Right Side)	
12	0200722	1	Arm - Upper Outboard	
13	0272209	2	Link, Attach	
13A	0962474	8	Bushing (Qty 4 per Link)	
14	0272211	2	Prop, Safety	
14A	0961388	2	Bushing (Qty 1 per Prop)	
15	0363050	1	Bar, Prop Attach	
16	0440236	42	Bearing	
17	0440250	4	Bearing	
18	0641505	2	Bolt 5/16 x 5/8	
19	0641507	25	Bolt 5/16 x 7/8	
20	0681607	2	Bolt 3/8 x 7/8 Grade 8	
21	0681612	3	Bolt 3/8 x 1-1/2 Grade 8	
22	0681618	1	Bolt 3/8 x 2-1/4 Grade 8	
23	0681624	41	Bolt 3/8 x 3 Grade 8	
24	0681632	4	Bolt 3/8 x 4 Grade 8	
25	0681636	1	Bolt 3/8 x 4-1/2 Grade 8	
26	0681813	1	Bolt 1/2 x 1-5/8 Grade 8	
27	0902773	1	Bracket, Cable Mounting	
28	0962031	16	Bushing, Flanged	
29	0962445	1	Spacer (2.19in Length)	
30	0962446	4	Spacer (2.50in Length)	
31	1060907	1	Cable, Electrical - 12/3 (Not Shown)	
32	1060929	1	Cable, Manual Descent	
32	7020218	1	Handle, "T"	
32	7019602	1	Bellow	
32	7020219	1	Washer	
33	1180371	3	Carrier, Cable	
34	1180372	1	Carrier, Cable	
35	1320122	3	Clamp	
36	1440331	20	Collar	
37	1670995	3	Cover, Hose/Cable	
38	1684332	1	Lift Cylinder Assembly (See CYLINDER SECTION for Breakdown)	
39	2110808	1	Fitting, Straight ORFS/ORB	
40	2131008	1	Fitting, 90 ORFS/ORB	
41	2220885	1	Plug, ORB	
42	2753793	1	Hose	

SECTION 4 - SCISSORS ARMS

ITEM	PART NUMBER	QTY	DESCRIPTION	REV
43	2753794	1	Hose	
44	2902063	1	Scissor Arm Kit - 4394RT (Not Shown - Includes Items 3-12)	
45	2902150	1	Arm Components Kit (Not Shown - Includes Items 3-14, 16, 17, 19, 33, 34, 48,50, 71 & 74)	
46	3271605	52	Nut 3/8 Grade 8	
47	3271805	1	Nut 1/2 Grade 8	
48	3311505	24	Nut 5/16	
49	3321402	2	Nut 1/4	
50	3340929	24	Pad, Arm	
51	3422943	2	Pin	
52	3422944	2	Pin	
53	3422945	16	Pin	
54	3422946	1	Pin	
55	3422948	1	Pin	
56	3422964	1	Pin	
57	3422965	2	Pin	
58	3450304	1	Pin, Cotter 3/32 x 1	
59	3450405	1	Pin, Cotter	
60	3573370	1	Plate, Rod Keeper	
61	3841143	3	Keeper, Pin	
62	3841203	1	Keeper, Pin	
63	3841556	1	Rod, Prop Actuator	
64	3860102	1	Roller	
64A	0962356	2	Bearing	
65	4240033	AR	Strap, Tie (Not Shown)	
66	4280295	18 in /46cm	Strip, Protector	
67	4641193	1	Cartridge, Check	
67	2900756	1	Seal Kit - 4641193 Valve	
68	4641205	1	Valve, Manual	
68	7017496	1	Seal Kit - 4641205 Valve	
69	4641254	1	Cartridge, Lift Holding Solenoid	
69	7024829	1	Cartridge - 4641254 Valve	
69	7012925	1	Seal Kit - 7024829 Valve	
69	7017451	1	Coil - 4641254 Valve	
70	4711400	2	Washer 1/4	
71	4711500	24	Washer 5/16	
72	4711600	1	Washer 3/8	
73	4740455	2	Washer, Nylon Shoulder	
74	4846460	1	Kicker, Arm	
75	1001103760	1	Cartridge, Lift Holding Solenoid	
75	7023923	1	Cartridge - 1001103760 Valve	
75	7023919	1	Seal Kit - 7023923 Valve	
75	70001967	1	Coil - 1001103760 Valve	
76	1001103835	1	Ground to Platform Module Harness (Not Shown - See ELECTRICAL SECTION for Breakdown)	
77	1001174384	1	Pin	
78	1001174386	1	Plate	
79	1001174387	2	Pad, Washer	

SECTION 4 - SCISSORS ARMS

FIGURE 4-7. SCISSOR ARMS INSTALLATION - 4394RT (DEUTZ D2.9L4 ENGINE MACHINES)



ART 1001183070

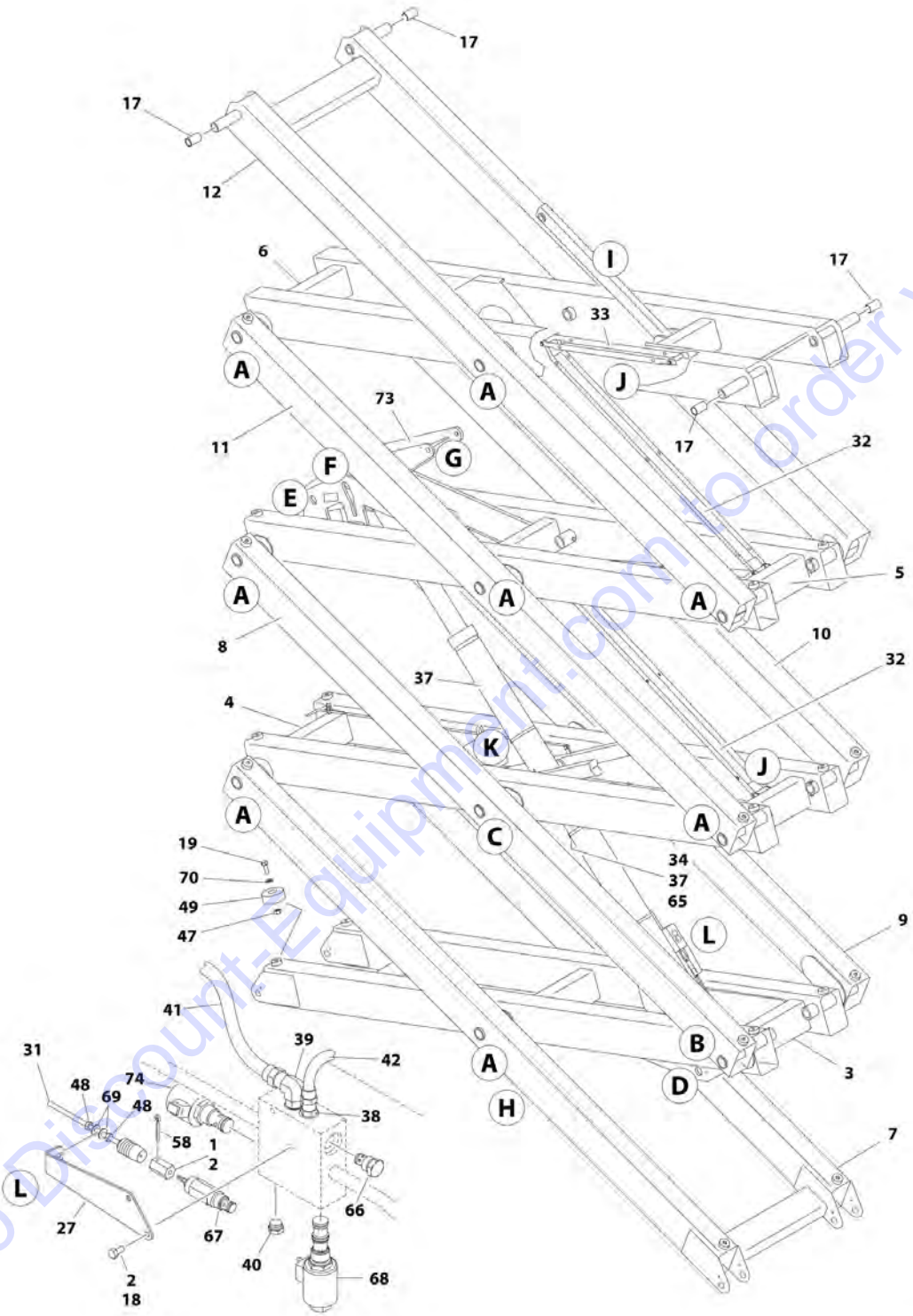
SECTION 4 - SCISSORS ARMS

FIGURE 4-7. SCISSOR ARMS INSTALLATION - 4394RT (DEUTZ D2.9L4 ENGINE MACHINES)

ITEM	PART NUMBER	QTY	DESCRIPTION	REV
	1001183070	Ref	SCISSOR ARMS INSTALLATION - 4394RT (DEUTZ D2.9L4 ENGINE MACHINES)	A
1	0641420	2	Bolt 1/4 x 2-1/2	
2	0641610	4	Bolt 3/8 x 1-1/4	
3	0641611	1	Bolt 3/8 x 1-3/8	
4	0641612	2	Bolt 3/8 x 1-1/2	
5	0721010	2	Screw #10 x 1-1/4	
6	0902774	1	Bracket, Switch Mounting	
7	3200447	1	Mount, Proximity Switch	
8	3300455	2	Nut #10	
9	3311005	2	Nut #10	
10	3311405	4	Nut 1/4	
11	3311605	5	Nut 3/8	
12	3340935	4	Pad, Slide	
13	3422961	4	Pin	
14	3422963	1	Pin	
15	3841143	5	Keeper, Pin	
16	3900325	2	Screw #10	
17	4360500	1	Switch, Rotary Angle Sensor	
18	4360502	1	Switch, Proximity Sensor	
19	4711400	2	Washer 1/4	
20	4711600	4	Washer 3/8	
21	4740506	2	Washer #10	
22	4751000	2	Washer #10	
23	1001099623	4	Slider	
23A	0440234	4	Bearing (Qty 2 per Slider)	
24	1001125242	1	Decal Kit - Calibration (Includes 2 Decals)	
25	1001183060	1	Scissor Arms Assembly (See SCISSOR ARMS ASSEMBLY - 4394RT for Breakdown)	

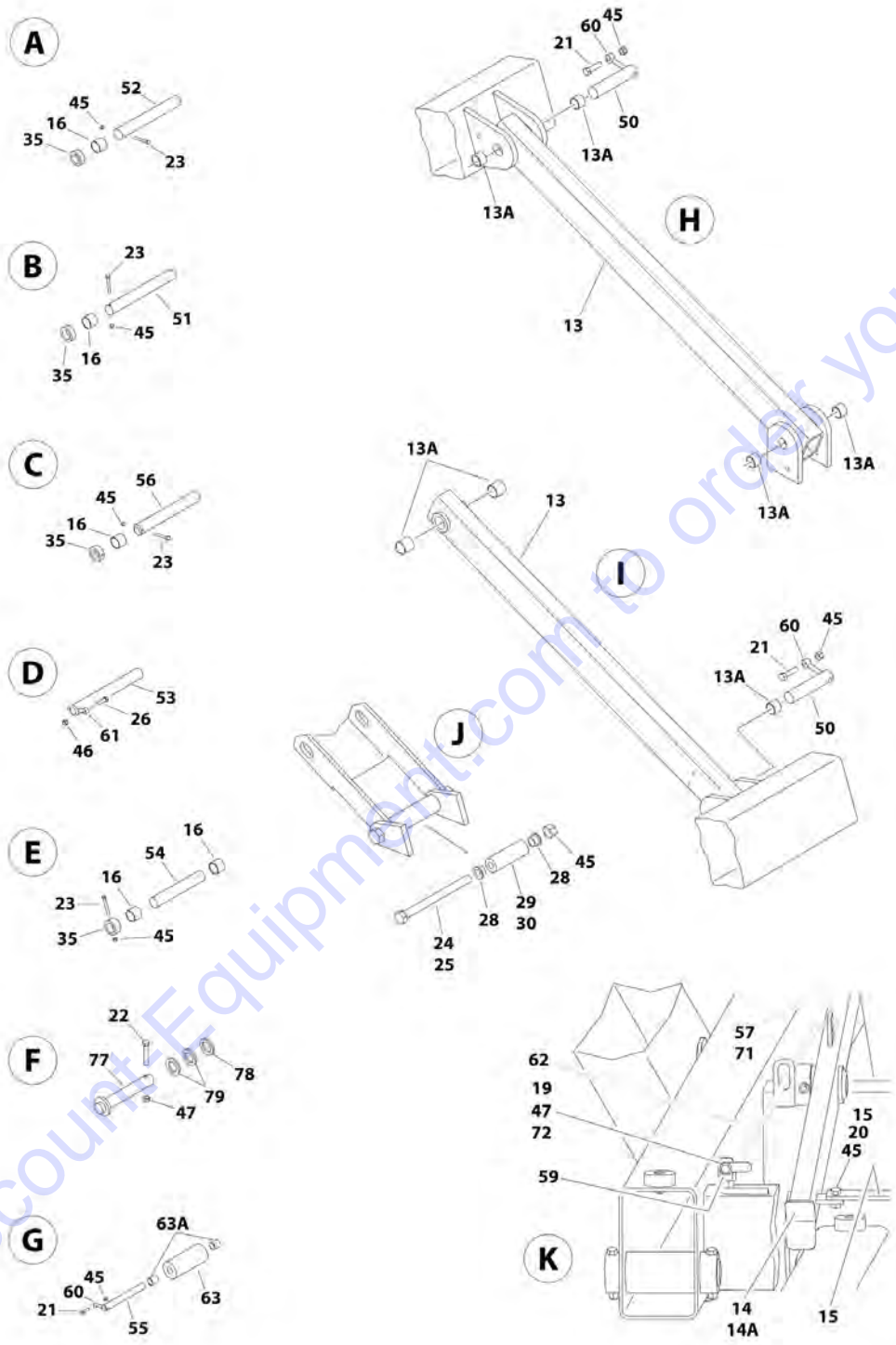
SECTION 4 - SCISSORS ARMS

FIGURE 4-8. SCISSORS ARMS ASSEMBLY - 4394RT



ART_1001183060_10F2

SECTION 4 - SCISSORS ARMS



Go to DiscountEquipment.com to order your parts

ART_1001183060_2OF2

SECTION 4 - SCISSORS ARMS

FIGURE 4-8. SCISSORS ARMS ASSEMBLY - 4394RT (DEUTZ D2.9L4 ENGINE MACHINES)

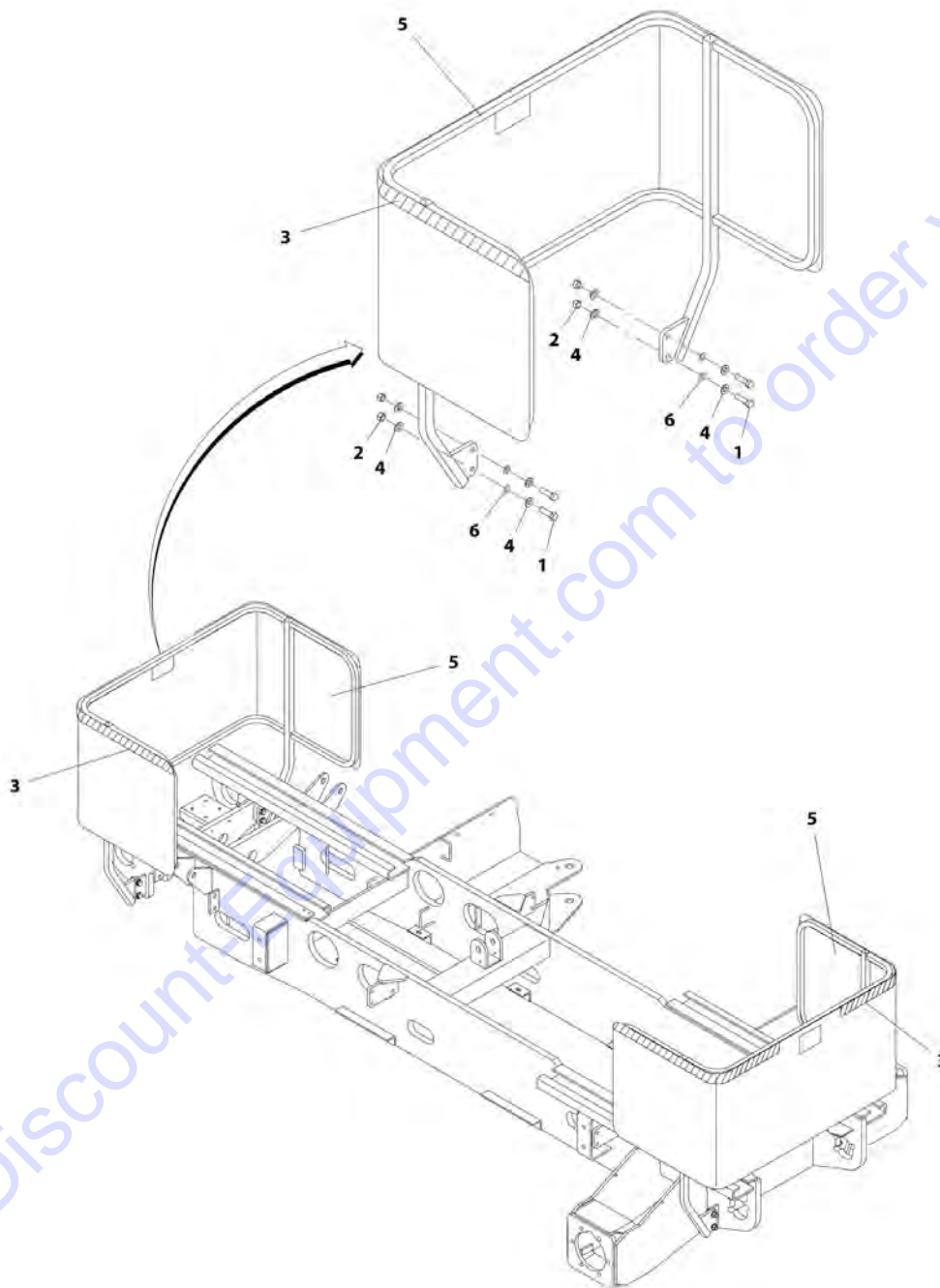
ITEM	PART NUMBER	QTY	DESCRIPTION	REV
	1001183060	Ref	SCISSORS ARMS ASSEMBLY - 4394RT (DEUTZ D2.9L4 ENGINE MACHINES)	B
1	0080190	1	Adapter, Cable	
2	0100011	AR	Compound, Locking	
3	0200712	1	Arm - Lower Inboard	
4	0200713	1	Arm - Upper Mid Inboard	
5	0200714	1	Arm - Upper Mid Inboard	
6	0200715	1	Arm - Upper Inboard	
7	0200716	1	Arm - Lower Outboard	
8	0200718	1	Arm - Lower Mid Outboard (Left Side)	
9	0200719	1	Arm - Lower Mid Outboard (Right Side)	
10	0200720	1	Arm - Upper Mid Outboard (Left Side)	
11	0200721	1	Arm - Upper Mid Outboard (Right Side)	
12	0200722	1	Arm - Upper Outboard	
13	0272209	2	Link, Attach	
13A	0962474	8	Bushing (Qty 4 per Link)	
14	0272211	2	Prop, Safety	
14A	0961388	2	Bushing (Qty 1 per Prop)	
15	0363050	1	Bar, Prop Attach	
16	0440236	42	Bearing	
17	0440250	4	Bearing	
18	0641505	2	Bolt 5/16 x 5/8	
19	0641507	24	Bolt 5/16 x 7/8	
20	0681607	2	Bolt 3/8 x 7/8 Grade 8	
21	0681612	3	Bolt 3/8 x 1-1/2 Grade 8	
22	0681618	1	Bolt 3/8 x 2-1/4 Grade 8	
23	0681624	41	Bolt 3/8 x 3 Grade 8	
24	0681632	4	Bolt 3/8 x 4 Grade 8	
25	0681636	1	Bolt 3/8 x 4-1/2 Grade 8	
26	0681813	1	Bolt 1/2 x 1-5/8 Grade 8	
27	0902773	1	Bracket, Cable Mounting	
28	0962031	16	Bushing, Flanged	
29	0962445	1	Spacer (2.19in Length)	
30	0962446	4	Spacer (2.50in Length)	
31	1060929	1	Cable, Manual Descent	
31	7020218	1	Handle, "T"	
31	7019602	1	Bellow	
31	7020219	1	Washer	
32	1180371	3	Carrier, Cable	
33	1180372	1	Carrier, Cable	
34	1320122	3	Clamp	
35	1440331	20	Collar	
36	1670995	3	Cover, Hose/Cable	
37	1684332	1	Lift Cylinder Assembly (See CYLINDER SECTION for Breakdown)	
38	2110808	1	Fitting, Straight ORFS/ORB	
39	2131008	1	Fitting, 90 ORFS/ORB	
40	2220885	1	Plug, ORB	
41	2753793	1	Hose	
42	2753794	1	Hose	
43	2902063	1	Scissor Arm Kit - 4394RT (Not Shown - Includes Items 3-12)	

SECTION 4 - SCISSORS ARMS

ITEM	PART NUMBER	QTY	DESCRIPTION	REV
44	2902150	1	Arm Components Kit (Not Shown - Includes Items 3-14, 16, 17, 19, 32, 33, 47,49, 70 & 73)	
45	3271605	52	Nut 3/8 Grade 8	
46	3271805	1	Nut 1/2 Grade 8	
47	3311505	24	Nut 5/16	
48	3321402	2	Nut 1/4	
49	3340929	24	Pad, Arm	
50	3422943	2	Pin	
51	3422944	2	Pin	
52	3422945	16	Pin	
53	3422946	1	Pin	
54	3422948	1	Pin	
55	3422964	1	Pin	
56	3422965	2	Pin	
57	3450304	1	Pin, Cotter 3/32 x 1	
58	3450405	1	Pin, Cotter 1/8 x 1-1/4	
59	3573370	1	Plate, Rod Keeper	
60	3841143	3	Keeper, Pin	
61	3841203	1	Keeper, Pin	
62	3841556	1	Rod, Prop Actuator	
63	3860102	1	Roller	
63A	0962356	2	Bearing	
64	4240033	AR	Strap, Tie (Not Shown)	
65	4280295	18 in /46cm	Strip, Protector	
66	4641193	1	Cartridge, Check	
66	2900756	1	Seal Kit - 4641193 Valve	
67	4641205	1	Valve, Manual	
67	7017496	1	Seal Kit - 4641205 Valve	
68	4641254	1	Cartridge, Lift Holding Solenoid	
68	7024829	1	Cartridge - 4641254 Valve	
68	7012925	1	Seal Kit - 7024829 Valve	
68	7017451	1	Coil - 4641254 Valve	
69	4711400	2	Washer 1/4	
70	4711500	24	Washer 5/16	
71	4711600	1	Washer 3/8	
72	4740455	2	Washer, Nylon Shoulder	
73	4846460	1	Kicker, Arm	
74	1001103760	1	Cartridge, Lift Holding Solenoid	
74	7023923	1	Cartridge - 1001103760 Valve	
74	7023919	1	Seal Kit - 7023923 Valve	
74	70001967	1	Coil - 1001103760 Valve	
75	1001103835	1	Ground to Platform Module Harness (Not Shown - See ELECTRICAL SECTION for Breakdown)	
76	1001149325	1	Cable, Electrical - 8/5 (Not Shown)	
77	1001174384	1	Pin	
78	1001174386	1	Plate	
79	1001174387	2	Pad, Washer	

SECTION 4 - SCISSORS ARMS

FIGURE 4-9. ARM GUARDS INSTALLATION - 3394RT (CE SPEC ONLY)



ART_0271747

SECTION 4 - SCISSORS ARMS

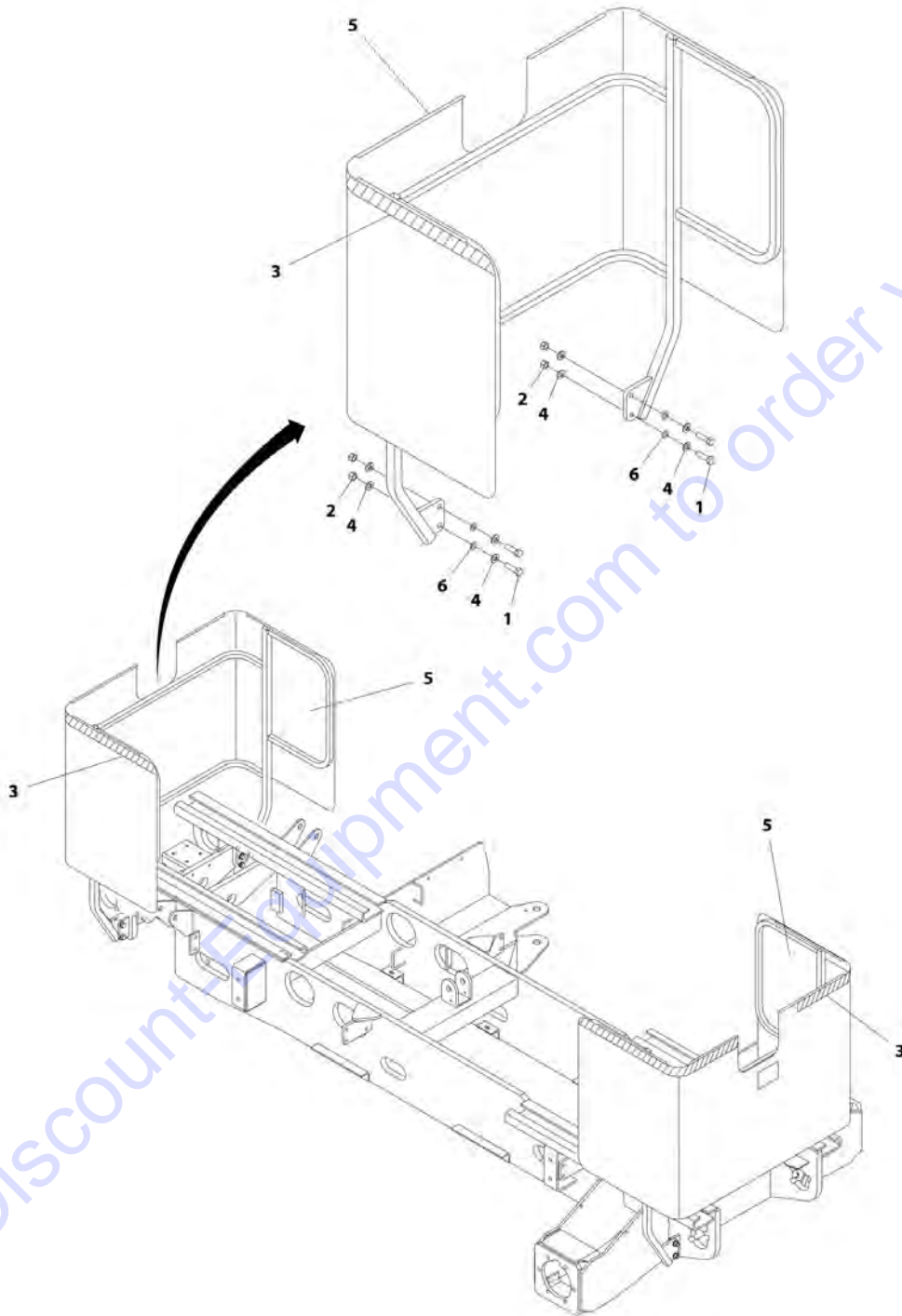
FIGURE 4-9. ARM GUARDS INSTALLATION - 3394RT (CE SPEC ONLY)

ITEM	PART NUMBER	QTY	DESCRIPTION	REV
	0271747	Ref	ARM GUARDS INSTALLATION - 3394RT (CE SPEC ONLY)	F
1	0641814	8	Bolt 1/2 x 1-3/4	
2	3311805	8	Nut 1/2	
3	4420051	14 ft/4.3m	Tape, Safety	
4	4711800	16	Washer 1/2	
5	4061056	2	Guard, Arm	
6	2080072	8	Retainer, Bolt	

Go to Discount-Equipment.com to order your parts

SECTION 4 - SCISSORS ARMS

FIGURE 4-10. ARM GUARDS INSTALLATION - 4394RT (CE SPEC ONLY)



ART_0272351

SECTION 4 - SCISSORS ARMS

FIGURE 4-10. ARM GUARDS INSTALLATION - 4394RT (CE SPEC ONLY)

ITEM	PART NUMBER	QTY	DESCRIPTION	REV
	0272351	Ref	ARM GUARDS INSTALLATION - 4394RT (CE SPEC ONLY)	G
1	0641814	8	Bolt 1/2 x 1-3/4	
2	3311805	8	Nut 1/2	
3	4420051	13.2 ft/4m	Tape, Safety	
4	4711800	16	Washer 1/2	
5	4061057	2	Guard, Arm	
6	2080072	8	Retainer, Bolt	

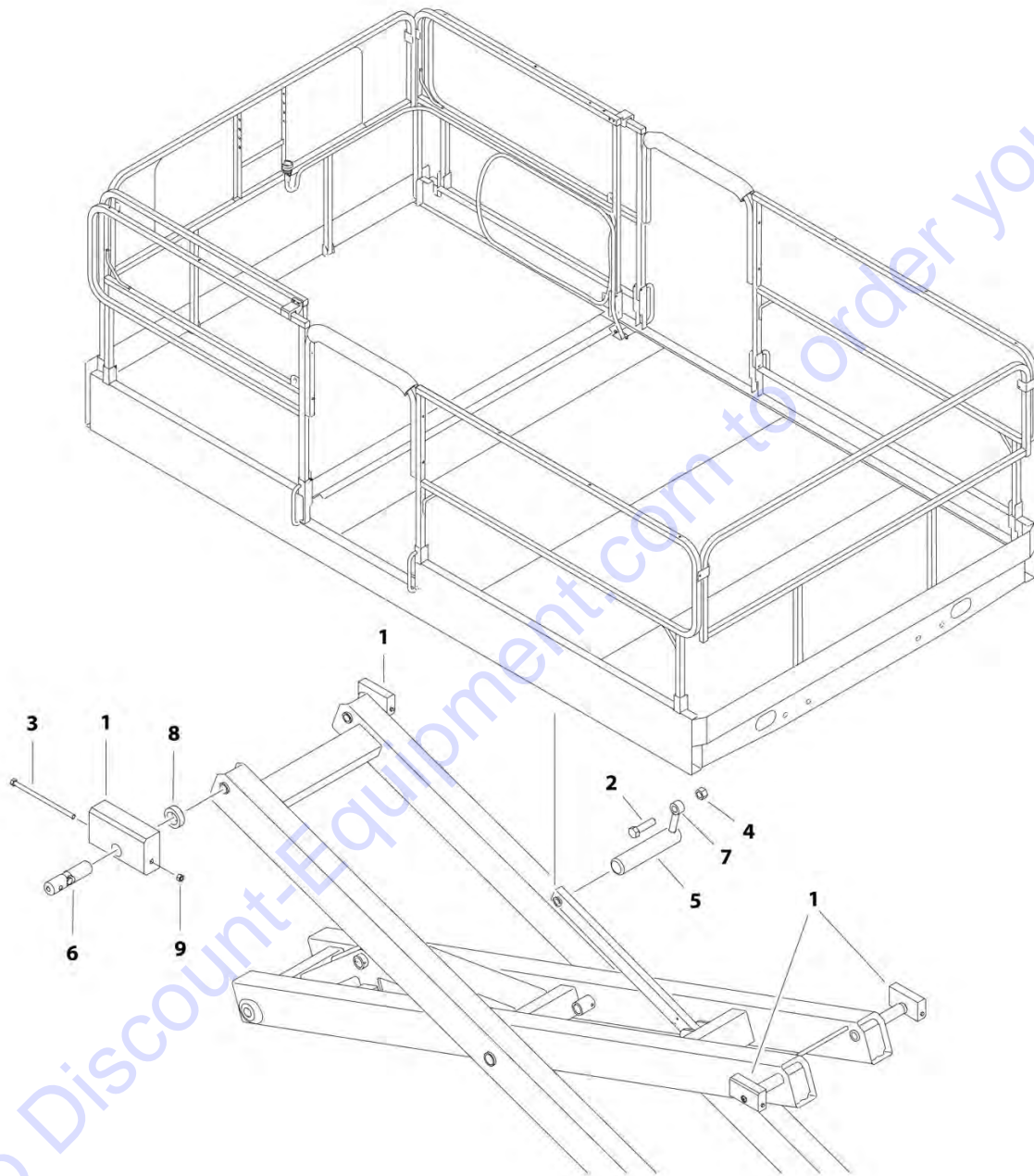
Go to Discount-Equipment.com to order your parts

SECTION 5 - PLATFORM

Go to Discount-Equipment.com to order your parts

SECTION 5 - PLATFORM

FIGURE 5-1. PLATFORM ATTACH INSTALLATIONS - WITHOUT LSS



ART_0271682

SECTION 5 - PLATFORM

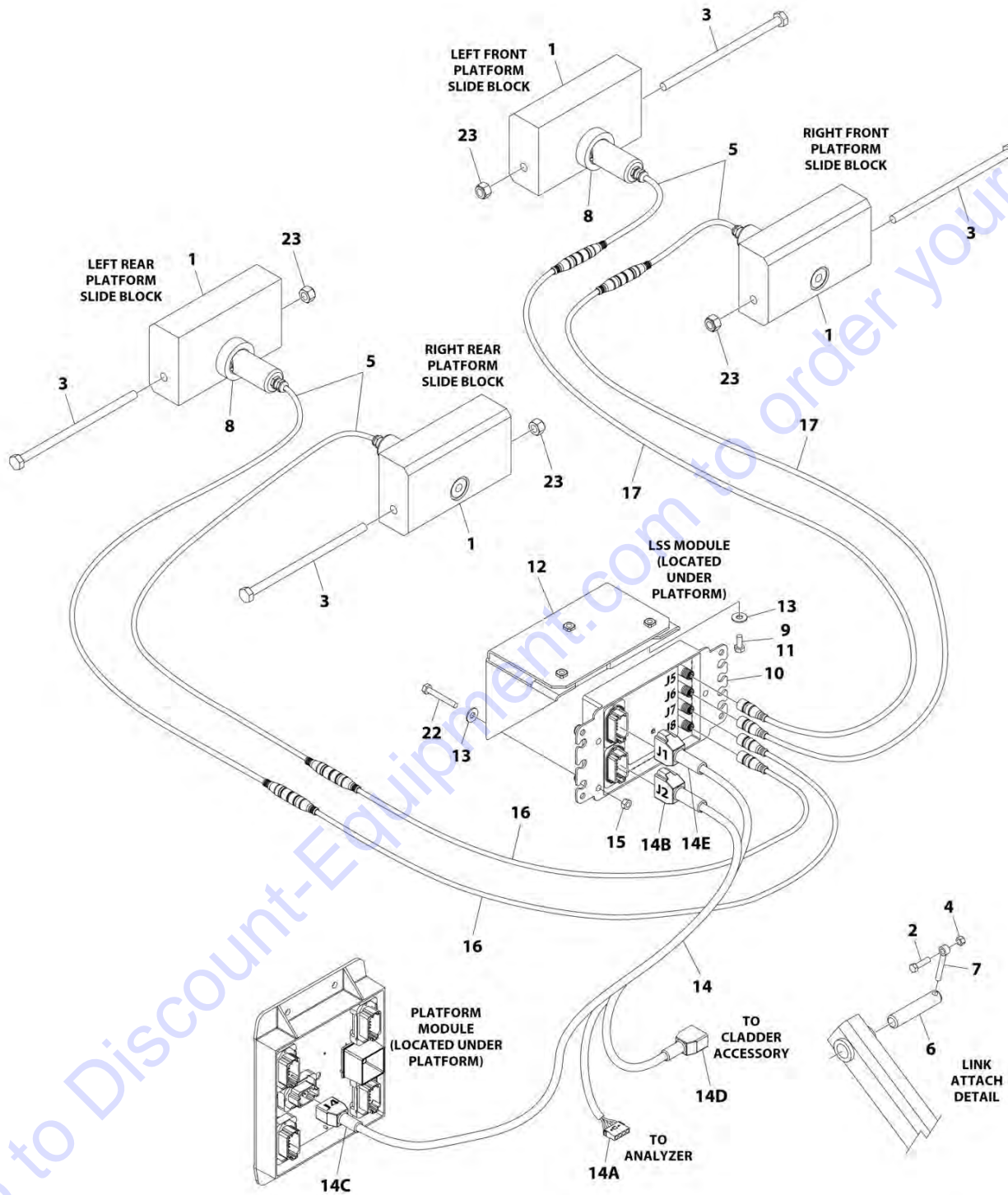
FIGURE 5-1. PLATFORM ATTACH INSTALLATIONS - WITHOUT LSS

ITEM	PART NUMBER	QTY	DESCRIPTION	REV
	0271682	Ref	PLATFORM ATTACH INSTALLATION - WITHOUT LSS	B
1	0561489	4	Block, Slide	
2	0641611	1	Bolt 3/8 x 1-3/8	
3	0701037	4	Bolt M10 x 200	
4	3311605	1	Nut 3/8	
5	3422943	1	Pin	
6	3423049	4	Pin	
7	3841143	1	Keeper, Pin	
8	4568295	4	Tube, Spacer	
9	3291005	4	Nut M10	

Go to Discount-Equipment.com to order your parts

SECTION 5 - PLATFORM

FIGURE 5-2. PLATFORM ATTACH INSTALLATION - WITH LSS



ART_0271683

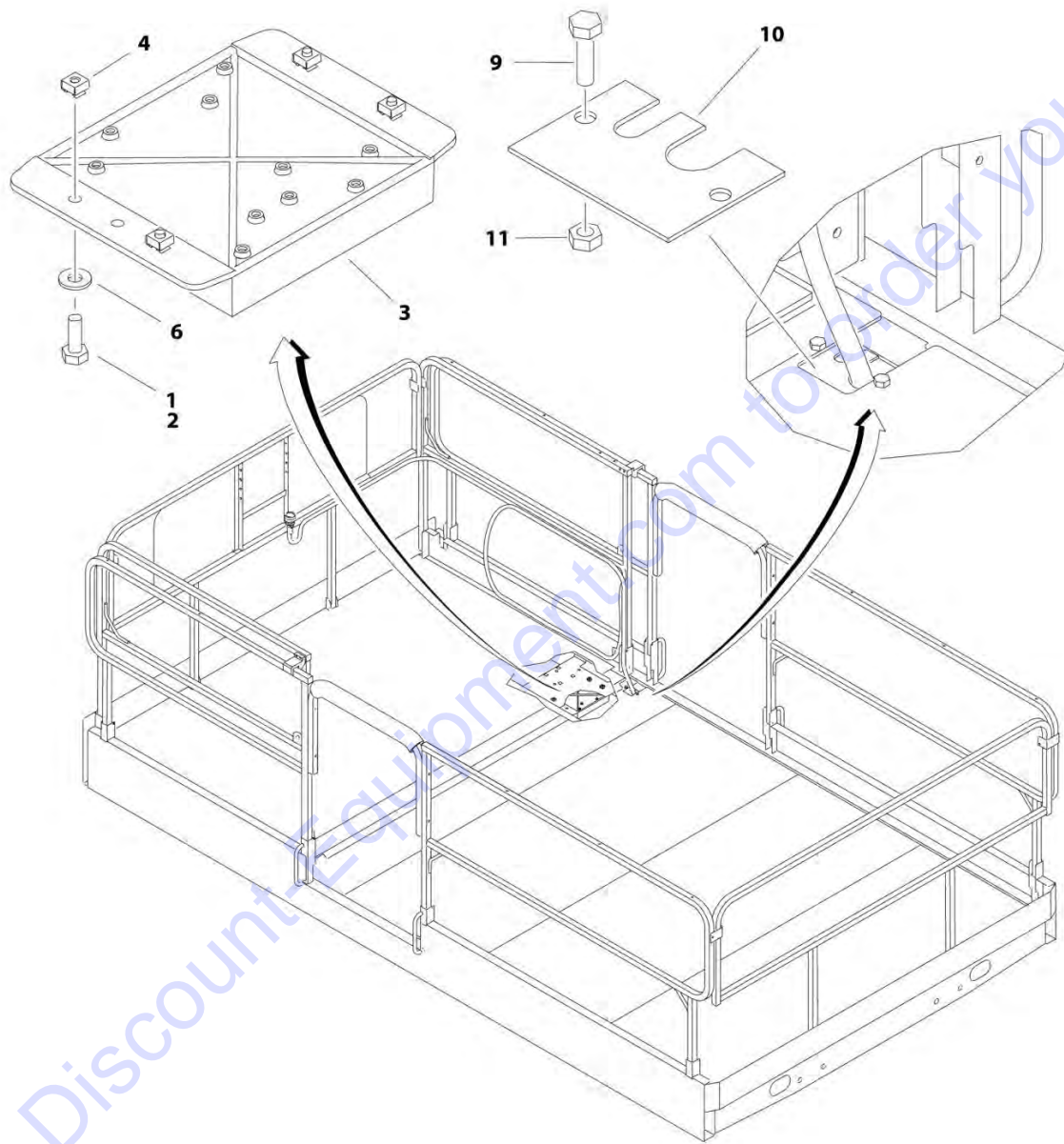
SECTION 5 - PLATFORM

FIGURE 5-2. PLATFORM ATTACH INSTALLATION - WITH LSS

ITEM	PART NUMBER	QTY	DESCRIPTION	REV
	0271683	Ref	PLATFORM ATTACH INSTALLATION - WITH LSS	I
1	0561489	4	Block, Slide	
2	0641611	1	Bolt 3/8 x 1-3/8	
3	0701037	4	Bolt M10 x 200	
4	3311605	1	Nut 3/8	
5	3422938	4	Pin, Load Management (Includes Harness)	
6	3422943	1	Pin	
7	3841143	1	Keeper, Pin	
8	4568295	4	Spacer	
9	0100011	AR	Compound, Locking	
10	1600387	1	Module, LSS (Note: Re-calibration Required when Replaced)	
11	0641405	3	Bolt 1/4 x 5/8	
12	0902837	1	Bracket	
13	4751400	6	Washer 1/4	
14	4922882	1	Module to Analyzer Harness	C
14A	4460761	1	Connector, Female 4 Position	
14A	4460294	4	Pin, Male	
14B	4460836	1	Plug, Male 12 Position	
14B	4460465	8	Socket, Female	
14B	4460466	4	Seal, Plug	
14B	0840055	1	Boot	
14C	4460930	1	Plug, Male 8 Position	
14C	4460465	5	Socket, Female	
14C	4460466	3	Seal, Plug	
14C	0840058	1	Boot	
14D	4460931	1	Connector, Female 8 Position	
14D	4460464	5	Pin, Male	
14D	4460466	3	Seal, Plug	
14D	0840058	1	Boot	
14E	4460933	1	Plug, Male 12 Position	
14E	4460465	2	Socket, Female	
14E	4460466	10	Seal, Plug	
14E	0840055	1	Boot	
15	3311405	3	Nut 1/4	
16	1061020	2	Cable, Extension (1 meter)	
17	1061021	2	Cable, Extension (3 meter)	
18	2920026	1	Light, Indicator (Not Shown - Located on Platform Console)	
19	2920029	1	Bulb, Light (Not Shown - Located on Platform Console)	
20	4240033	AR	Tie-Strap (Not Shown)	
22	0641415	3	Bolt 1/4 x 1-7/8	
23	3291005	4	Nut M10	

SECTION 5 - PLATFORM

FIGURE 5-3. PLATFORM MODULE INSTALLATION - 3394RT



ART_0271708

SECTION 5 - PLATFORM

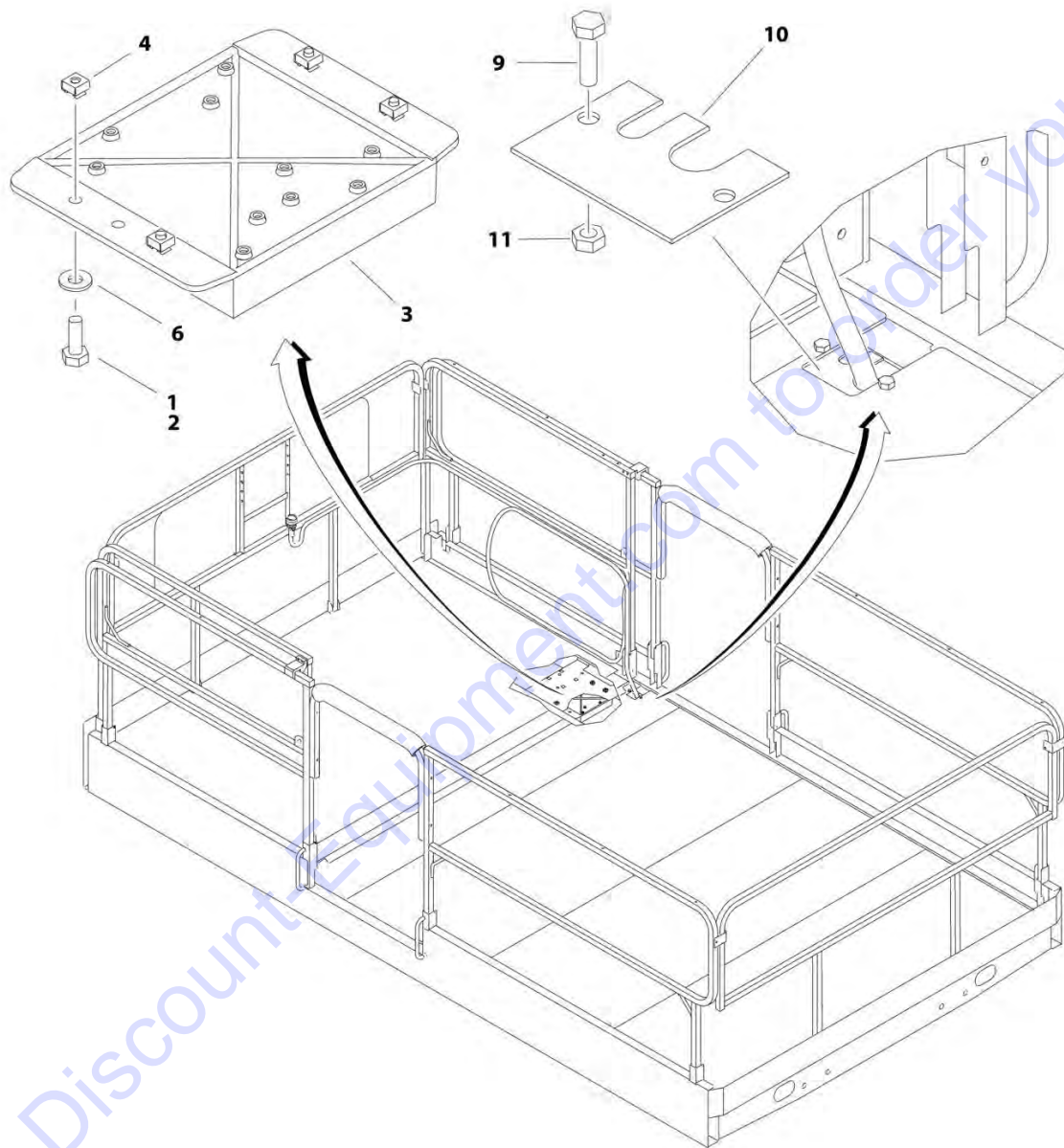
FIGURE 5-3. PLATFORM MODULE INSTALLATION - 3394RT

ITEM	PART NUMBER	QTY	DESCRIPTION	REV
	0271708	Ref	PLATFORM MODULE INSTALLATION - 3394RT	F
1	0100011	AR	Compound, Locking	
2	0641406	4	Bolt 1/4 x 3/4	
3	1001182481	1	Module, Platform (Note: Re-calibration Required when Replaced)	
4	3300182	4	Nut 1/4	
5	4240033	AR	Tie-Strap (Not Shown)	
6	4711400	4	Washer 1/4	
7	4922692	1	Harness, Platform Module (See ELECTRICAL SECTION for Breakdown)	
9	0641404	2	Bolt 1/4 x 1/2	
10	1670988	1	Cover, Cable Access	
11	3311405	2	Nut 1/4	

Go to Discount-Equipment.com to order your parts

SECTION 5 - PLATFORM

FIGURE 5-4. PLATFORM MODULE INSTALLATION - 4394RT



ART_0271709

SECTION 5 - PLATFORM

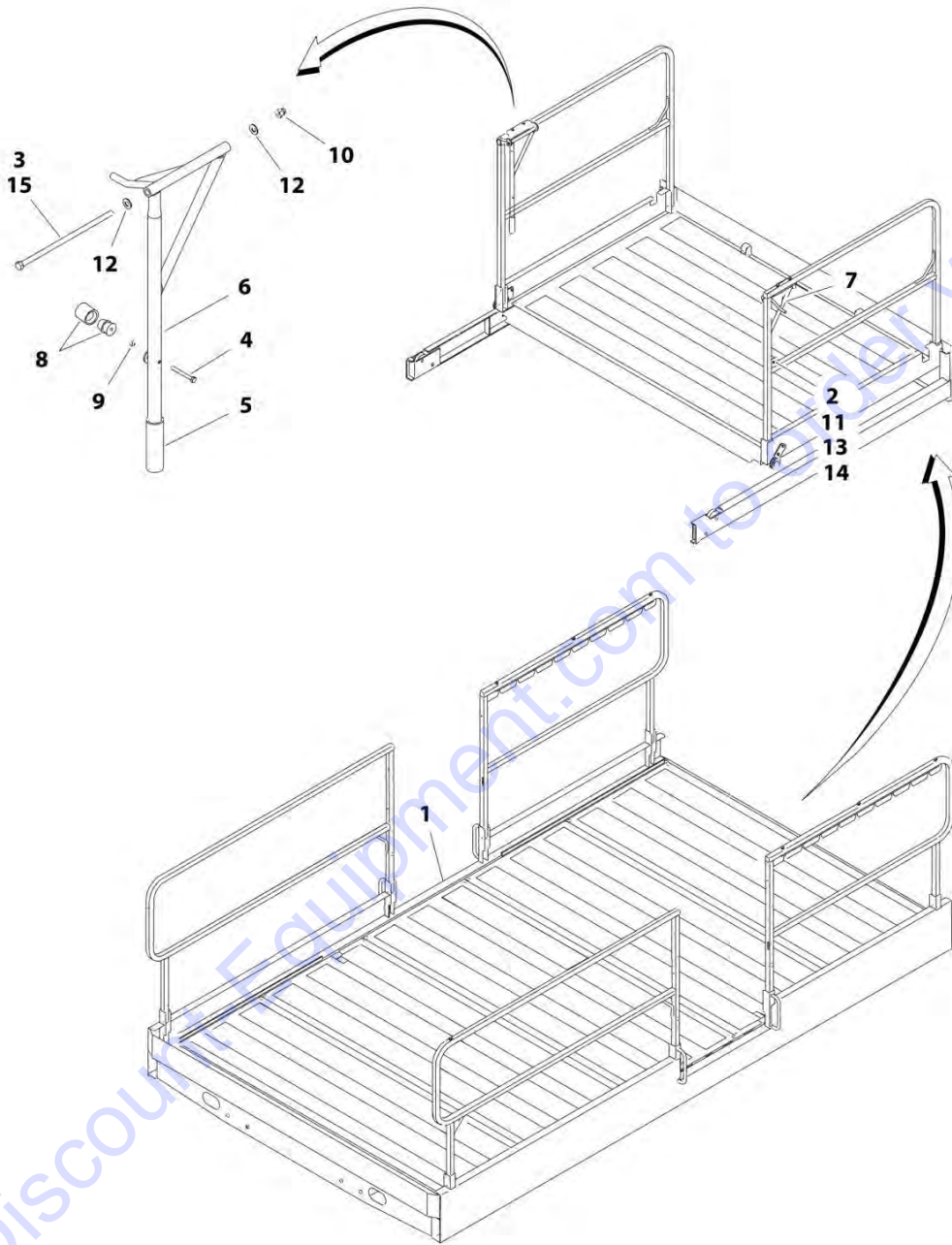
FIGURE 5-4. PLATFORM MODULE INSTALLATION - 4394RT

ITEM	PART NUMBER	QTY	DESCRIPTION	REV
	0271709	Ref	PLATFORM MODULE INSTALLATION - 4394RT	F
1	0100011	AR	Compound, Locking	
2	0641406	4	Bolt 1/4 x 3/4	
3	1001182481	1	Module, Platform (Note: Re-calibration Required when Replaced)	
4	3300182	4	Nut 1/4	
5	4240033	AR	Tie-Strap (Not Shown)	
6	4711400	4	Washer 1/4	
7	4922692	1	Harness, Platform Module (See ELECTRICAL SECTION for Breakdown)	
9	0641404	2	Bolt 1/4 x 1/2	
10	1670988	1	Cover, Cable Access	
11	3311405	2	Nut 1/4	

Go to Discount-Equipment.com to order your parts

SECTION 5 - PLATFORM

FIGURE 5-5. MANUAL SINGLE DECK EXTENSION AND PLATFORM INSTALLATION



ART_0275196

SECTION 5 - PLATFORM

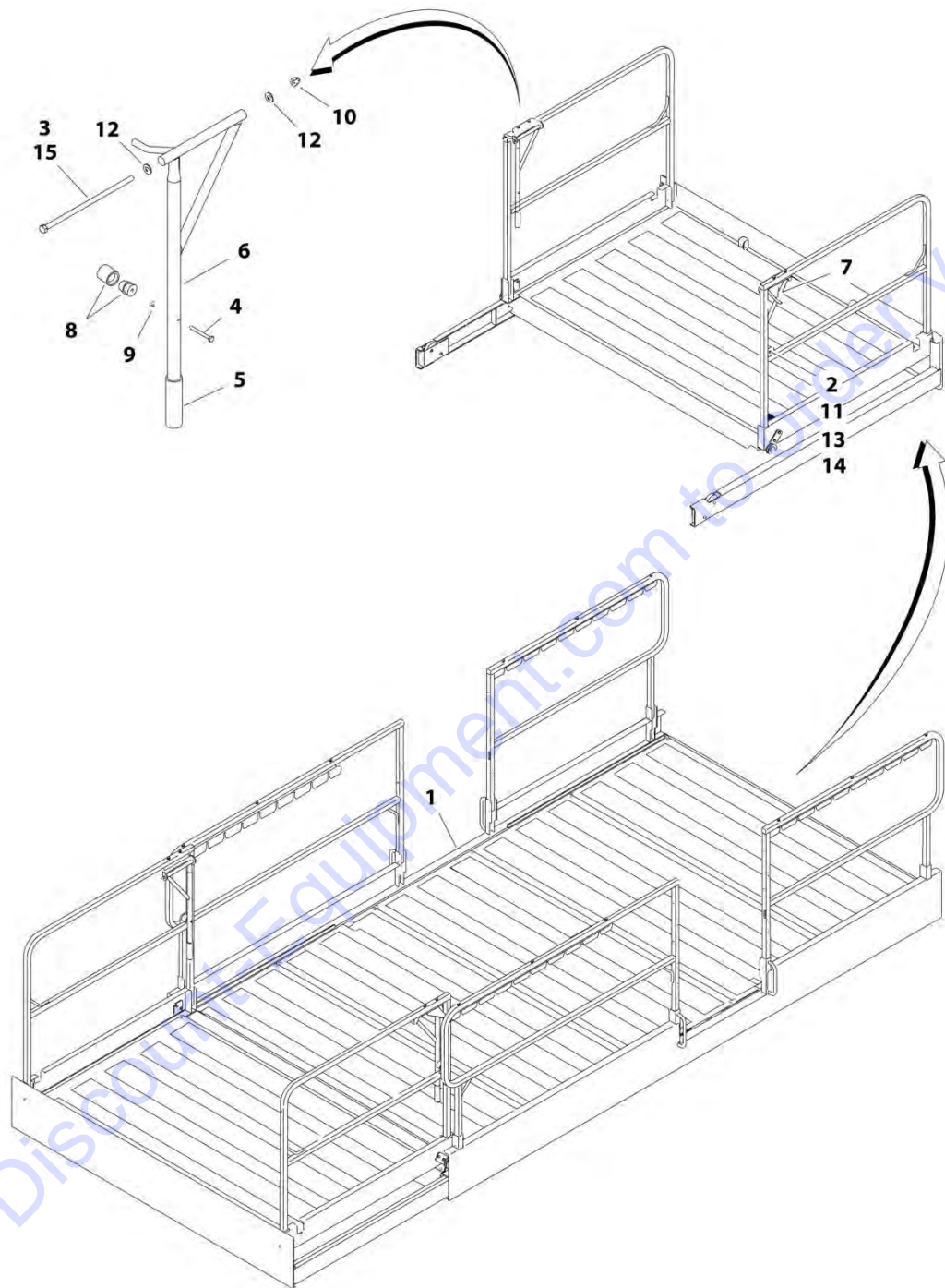
FIGURE 5-5. MANUAL SINGLE DECK EXTENSION AND PLATFORM INSTALLATION

ITEM	PART NUMBER	QTY	DESCRIPTION	REV
	0275196	Ref	MANUAL SINGLE DECK EXTENSION AND PLATFORM INSTALLATION	C
1	0271700	1	Platform and Deck Extension Assembly (See PLATFORM AND MANUAL SINGLE DECK EXTENSION ASSEMBLY for Breakdown)	
2	0641406	2	Bolt 1/4 x 3/4	
3	0641676	2	Bolt 3/8 x 9-1/2	
4	0700619	2	Bolt M6 x 55	
5	2560088	2	Grip, Handle	
6	2560171	1	Handle (Left)	
7	2560172	1	Handle (Right)	
8	2940127	2	Latch	
9	3290601	2	Nut M6	
10	3300467	2	Nut 3/8	
11	3311405	2	Nut 1/4	
12	4711600	4	Washer 3/8	
13	4751400	4	Washer 1/4	
14	4751600	2	Washer 3/8	
15	0100011	AR	Compound, Locking	

Go to Discount-Equipment.com to order your parts

SECTION 5 - PLATFORM

FIGURE 5-6. MANUAL DUAL DECK EXTENSION AND PLATFORM INSTALLATION



ART_0275197

SECTION 5 - PLATFORM

FIGURE 5-6. MANUAL DUAL DECK EXTENSION AND PLATFORM INSTALLATION

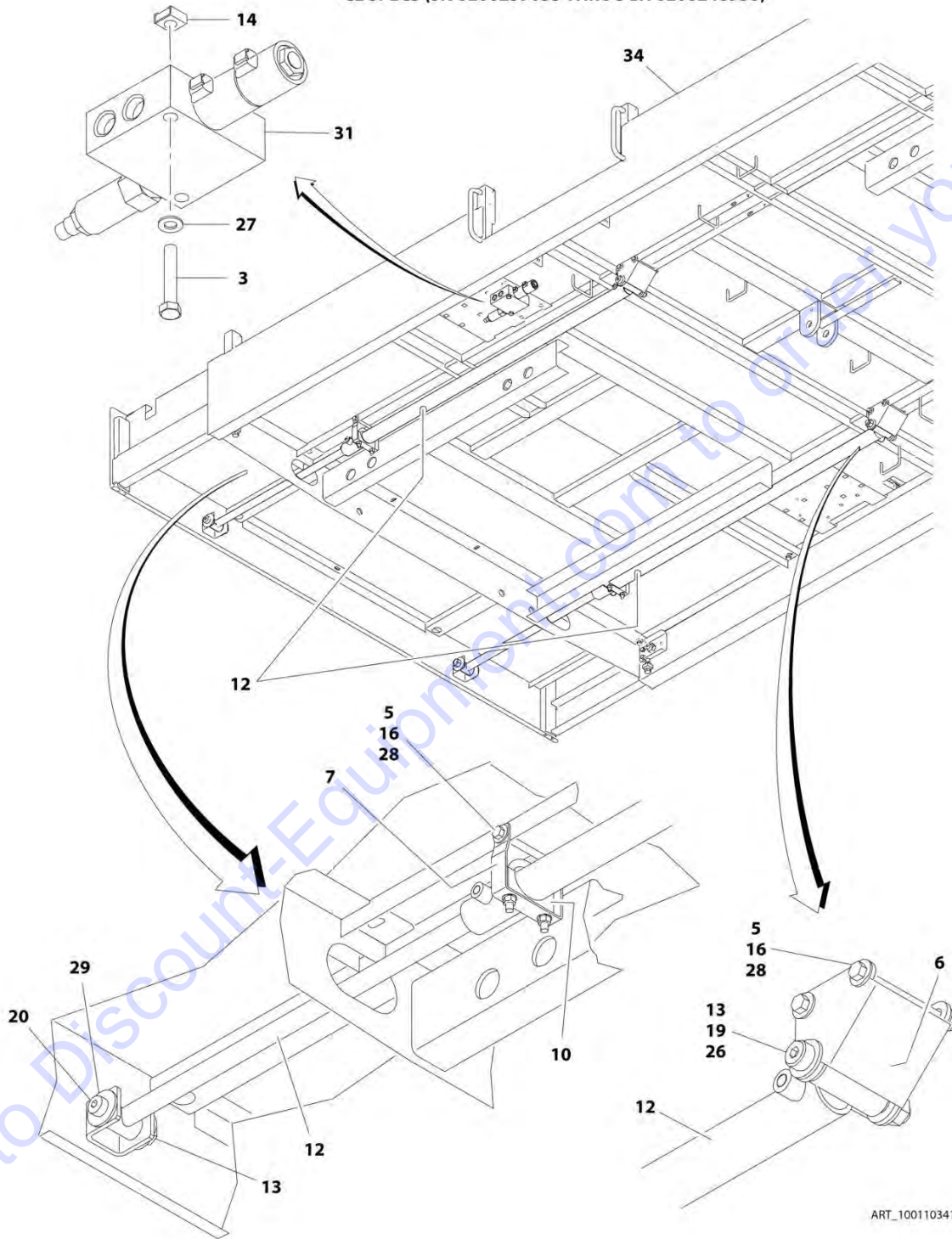
ITEM	PART NUMBER	QTY	DESCRIPTION	REV
	0275197	Ref	MANUAL DUAL DECK EXTENSION AND PLATFORM INSTALLATION	C
1	0271704	1	Platform and Extension Assembly (See PLATFORM AND MANUAL DUAL DECK EXTENSION ASSEMBLY for Breakdown)	
2	0641406	4	Bolt 1/4 x 3/4	
3	0641676	4	Bolt 3/8 x 9-1/2	
4	0700619	4	Bolt M6 x 55	
5	2560088	4	Grip, Handle	
6	2560171	2	Handle (Left)	
7	2560172	2	Handle (Right)	
8	2940127	4	Latch	
9	3290601	4	Nut M6	
10	3300467	4	Nut 3/8	
11	3311405	4	Nut 1/4	
12	4711600	8	Washer 3/8	
13	4751400	8	Washer 1/4	
14	4751600	4	Washer 3/8	
15	0100011	AR	Compound, Locking	

Go to Discount-Equipment.com to order your parts

SECTION 5 - PLATFORM

FIGURE 5-7. POWER SINGLE DECK EXTENSION AND PLATFORM INSTALLATION - 3394RT

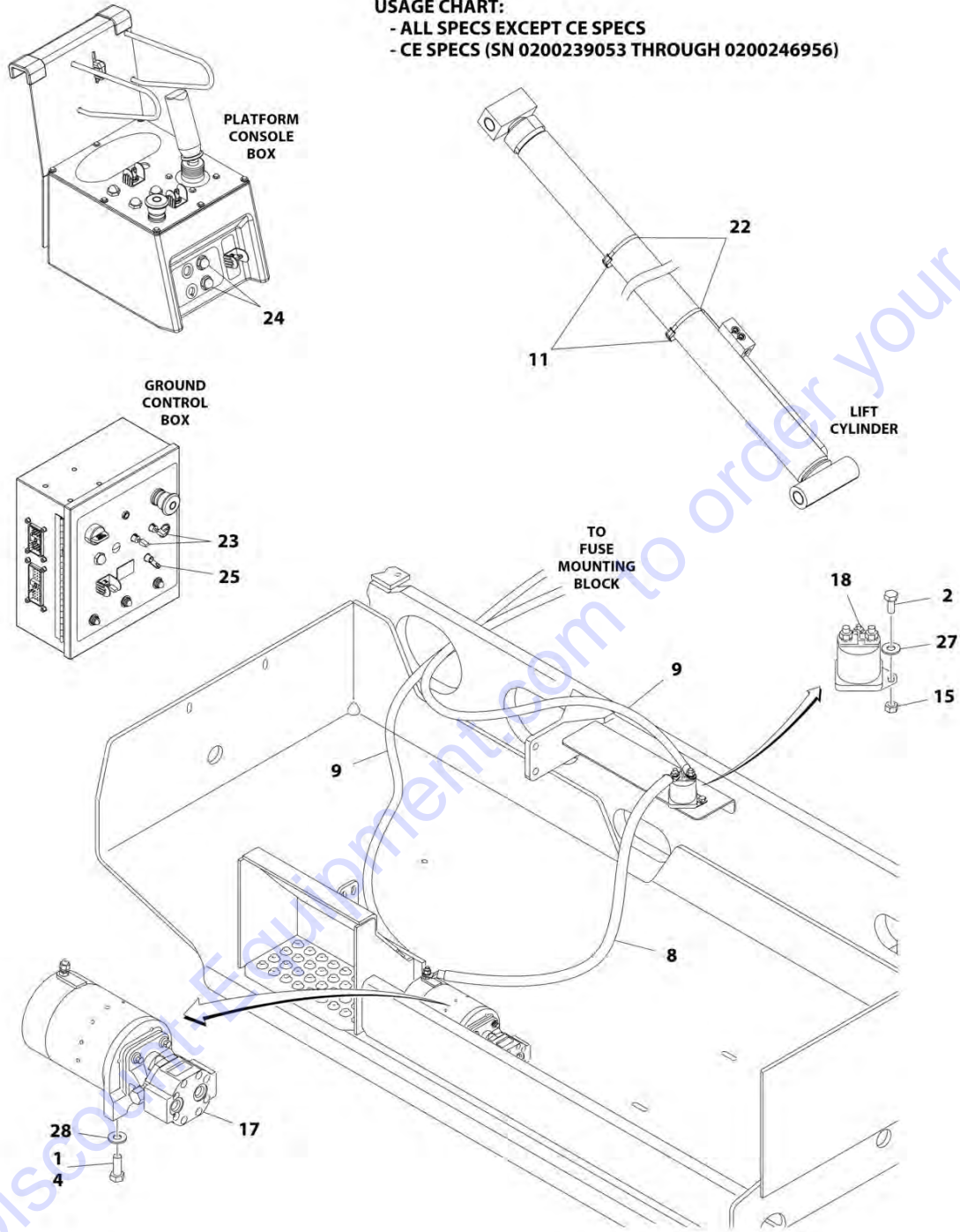
USAGE CHART:
- ALL SPECS EXCEPT CE SPECS
- CE SPECS (SN 0200239053 THROUGH 0200246956)



SECTION 5 - PLATFORM

USAGE CHART:

- ALL SPECS EXCEPT CE SPECS
- CE SPECS (SN 0200239053 THROUGH 0200246956)



ART_1001103410_20F2

PARTS FINDER

**Search Website
by Part Number**



**Search Manual
Library For Parts
Manual & Lookup Part
Numbers – Purchase
or Request Quote**

A screenshot of the "Search Manuals" form. The form has a title "Search Manuals" and a subtitle "Please enter the model number or serial number of the machine you are looking for." Below the subtitle are several input fields: "Find" (with a dropdown menu), "Serial Number" (with a dropdown menu), "Year" (with a dropdown menu), "Make" (with a dropdown menu), "Part Number" (with a dropdown menu), "Part Name" (with a dropdown menu), and "Category" (with a dropdown menu). There is a "Search" button at the bottom of the form.

**Can't Find Part or
Manual? Request Help
by Manufacturer,
Model & Description**

A screenshot of the "Parts Order Form". The form has a title "Parts Order Form" and a subtitle "Please fill out the form below." Below the subtitle are several input fields: "Manufacturer" (with a dropdown menu), "Model" (with a dropdown menu), "Description" (with a dropdown menu), "Part Number" (with a dropdown menu), "Part Name" (with a dropdown menu), "Quantity" (with a dropdown menu), "Price" (with a dropdown menu), "Date" (with a dropdown menu), and "Comments" (with a text area). There is a "Submit" button at the bottom of the form.

Discount-Equipment.com is your online resource for quality parts & equipment.

Florida: **561-964-4949** Outside Florida TOLL FREE: **877-690-3101**

Need parts?

Click on this link: <http://www.discount-equipment.com/category/5443-parts/> and choose one of the options to help get the right parts and equipment you are looking for. Please have the machine model and serial number available in order to help us get you the correct parts. If you don't find the part on the website or on one of the online manuals, please fill out the request form and one of our experienced staff members will get back to you with a quote for the right part that your machine needs.

We sell worldwide for the brands: Genie, Terex, JLG, MultiQuip, Mikasa, Essick, Whiteman, Mayco, Toro Stone, Diamond Products, Generac Magnum, Airman, Haulotte, Barreto, Power Blanket, Nifty Lift, Atlas Copco, Chicago Pneumatic, Allmand, Miller Curber, Skyjack, Lull, Skytrak, Tsurumi, Husquvarna Target, Stow, Wacker, Sakai, Mi-T-M, Sullair, Basic, Dynapac, MBW, Weber, Bartell, Bennar Newman, Haulotte, Ditch Runner, Menegotti, Morrison, Contec, Buddy, Crown, Edco, Wyco, Bomag, Laymor, EZ Trench, Bil-Jax, F.S. Curtis, Gehl Pavers, Heli, Honda, ICS/PowerGrit, IHI, Partner, Imer, Clipper, MMD, Koshin, Rice, CH&E, General Equipment, Amida, Coleman, NAC, Gradall, Square Shooter, Kent, Stanley, Tamco, Toku, Hatz, Kohler, Robin, Wisconsin, Northrock, Oztec, Toker TK, Rol-Air, APT, Wylie, Ingersoll Rand / Doosan, Innovatech, Con X, Ammann, Mecalac, Makinex, Smith Surface Prep, Small Line, Wanco, Yanmar

SECTION 5 - PLATFORM

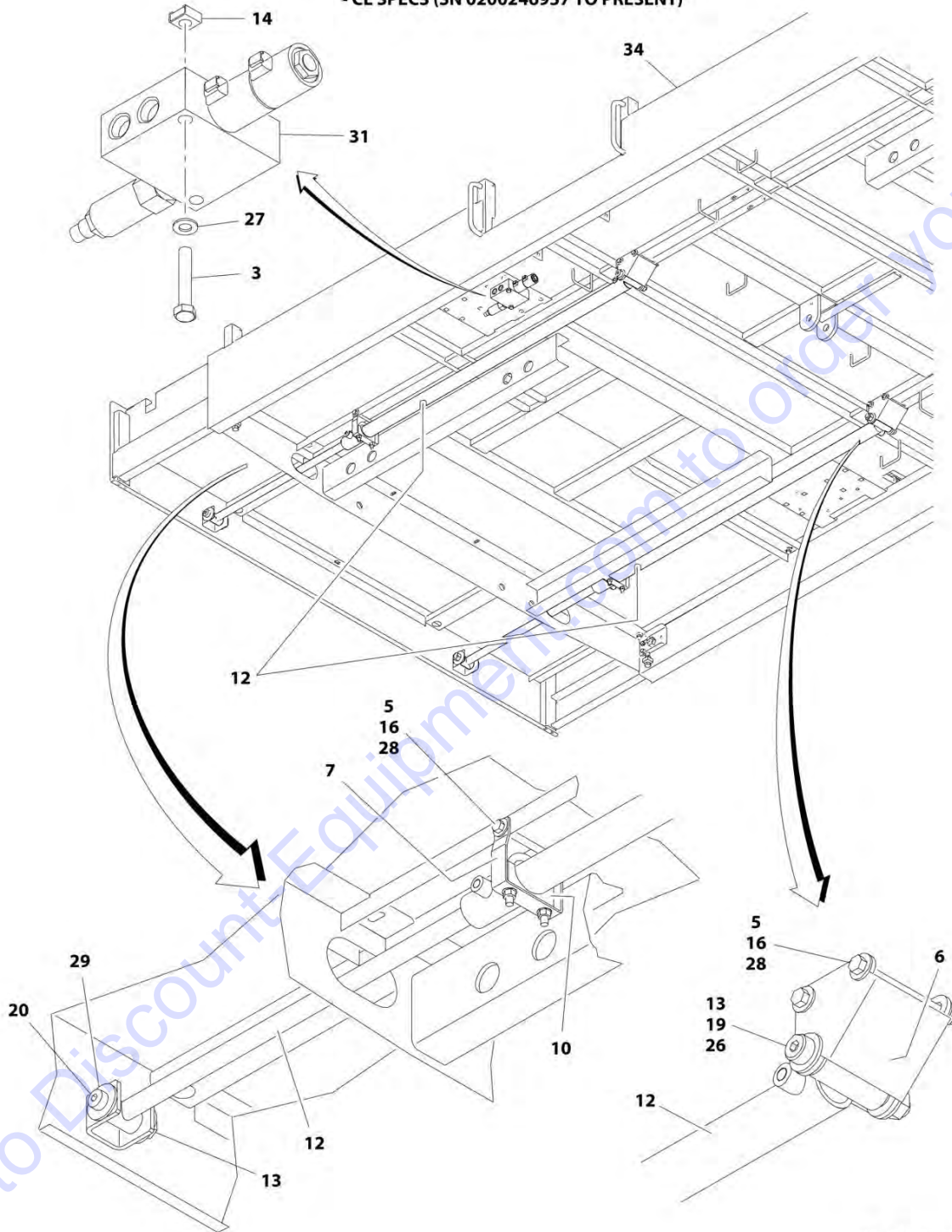
FIGURE 5-7. POWER SINGLE DECK EXTENSION AND PLATFORM INSTALLATION - 3394RT

ITEM	PART NUMBER	QTY	DESCRIPTION	REV
		Ref	USAGE CHART:	
		Ref	- All Specs except CE Specs	
		Ref	- CE Specs (SN 0200239053 through 0200246956)	
	1001103410	Ref	POWER SINGLE DECK EXTENSION AND PLATFORM INSTALLATION - 3394RT	B
		Ref	Note: Replacement Decals Must be Ordered Separately - See DECAL SECTION.	
1	0100011	AR	Compound, Locking	
2	0641405	2	Bolt 1/4 x 5/8	
3	0641413	2	Bolt 1/4 x 1-5/8	
4	0641608	2	Bolt 3/8 x 1	
5	0641636	6	Bolt 3/8 x 4-1/2	
6	0902838	2	Bracket, Cylinder Attach	
7	0902839	4	Bracket, Hanger	
8	1061003	1	Cable, Solenoid	
9	1061004	2	Cable, Solenoid	
10	1320019	4	Clamp	
11	1670995	3	Cover	
12	1684266	2	Extension Cylinder Assembly (See CYLINDER SECTION for Breakdown)	
13	3272005	4	Nut 5/8	
14	3300182	2	Nut 1/4	
15	3311405	2	Nut 1/4	
16	3311605	6	Nut 3/8	
17	3600468	1	Auxiliary Pump Assembly (See POWER DECK AUXILIARY PUMP ASSEMBLY for Breakdown)	
18	3740067	1	Relay	
19	3900254	2	Capscrew 3/4 x 4	
20	3900330	2	Capscrew 3/4 x 2-3/4	
21	4240033	AR	Tie-Strap (Not Shown)	
22	4280295	18 in /46cm	Strip, Protector	
23	4360328	2	Switch, Toggle	
24	4360387	2	Switch, Push Button	
25	4360483	1	Switch, Toggle	
26	4712200	4	Washer 3/4	
27	4751400	6	Washer 1/4	
28	4751600	14	Washer 3/8	
29	4752200	4	Washer 3/4	
30	4922859	1	Auxiliary Power Harness (Not Shown - See ELECTRICAL SECTION for Breakdown)	
31	1001103266	1	Power Deck Valve Assembly (See POWER DECK VALVE ASSEMBLY - SINGLE EXTENSION for Breakdown)	
32	1001103490	1	Power Deck Harness (Not Shown - See ELECTRICAL SECTION for Breakdown)	
33	1001103708	1	Hydraulic Diagram - Power Deck (Not Shown - See HYDRAULIC SECTION for Breakdown)	
34	0272605	1	Platform and Deck Extension Assembly (See PLATFORM AND POWER SINGLE DECK EXTENSION ASSEMBLY for Breakdown)	

SECTION 5 - PLATFORM

FIGURE 5-8. POWER SINGLE DECK EXTENSION AND PLATFORM INSTALLATION - 3394RT

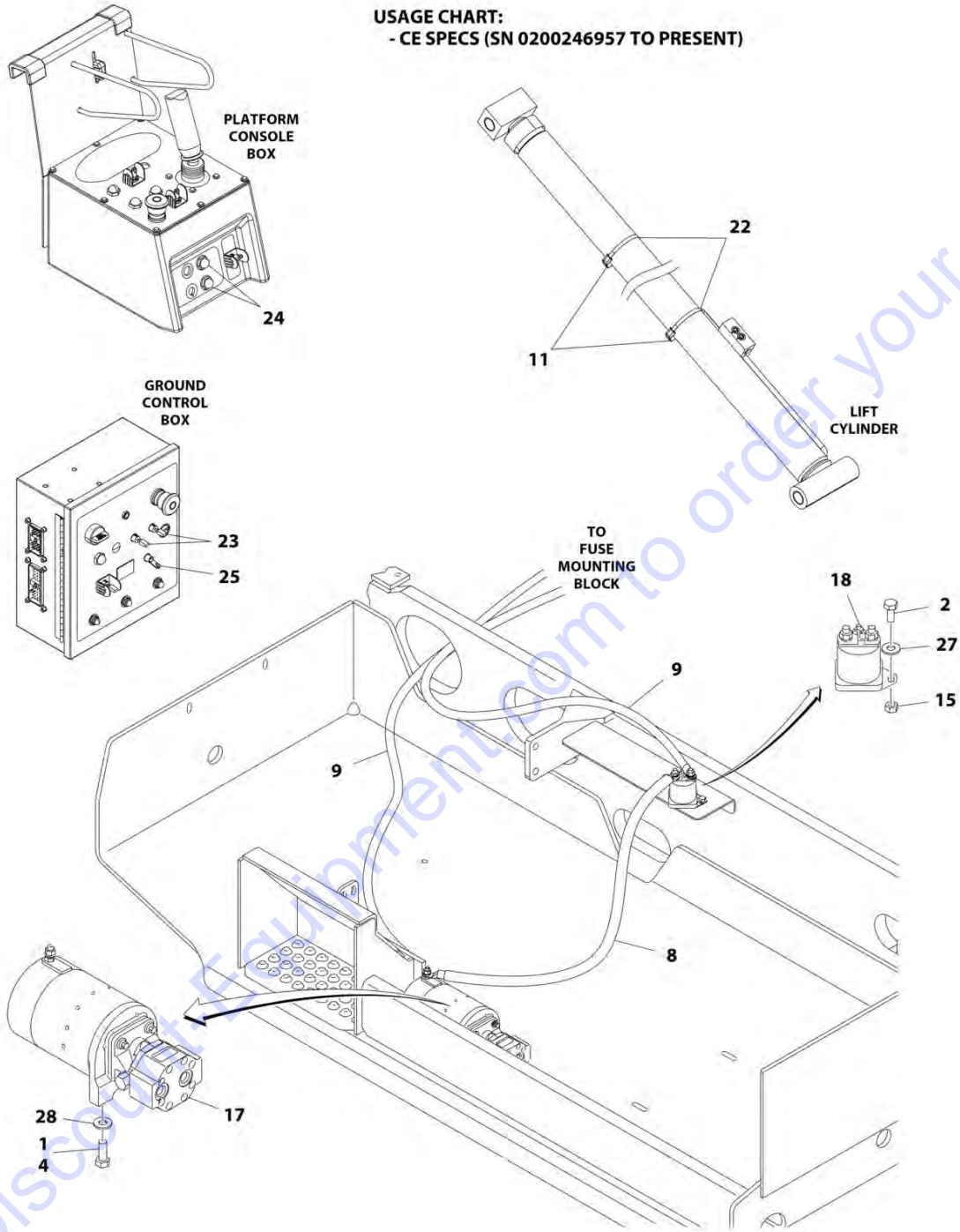
USAGE CHART:
- CE SPECS (SN 0200246957 TO PRESENT)



ART_1001190534_10F2

SECTION 5 - PLATFORM

USAGE CHART:
- CE SPECS (SN 0200246957 TO PRESENT)



ART_1001190534_20F2

SECTION 5 - PLATFORM

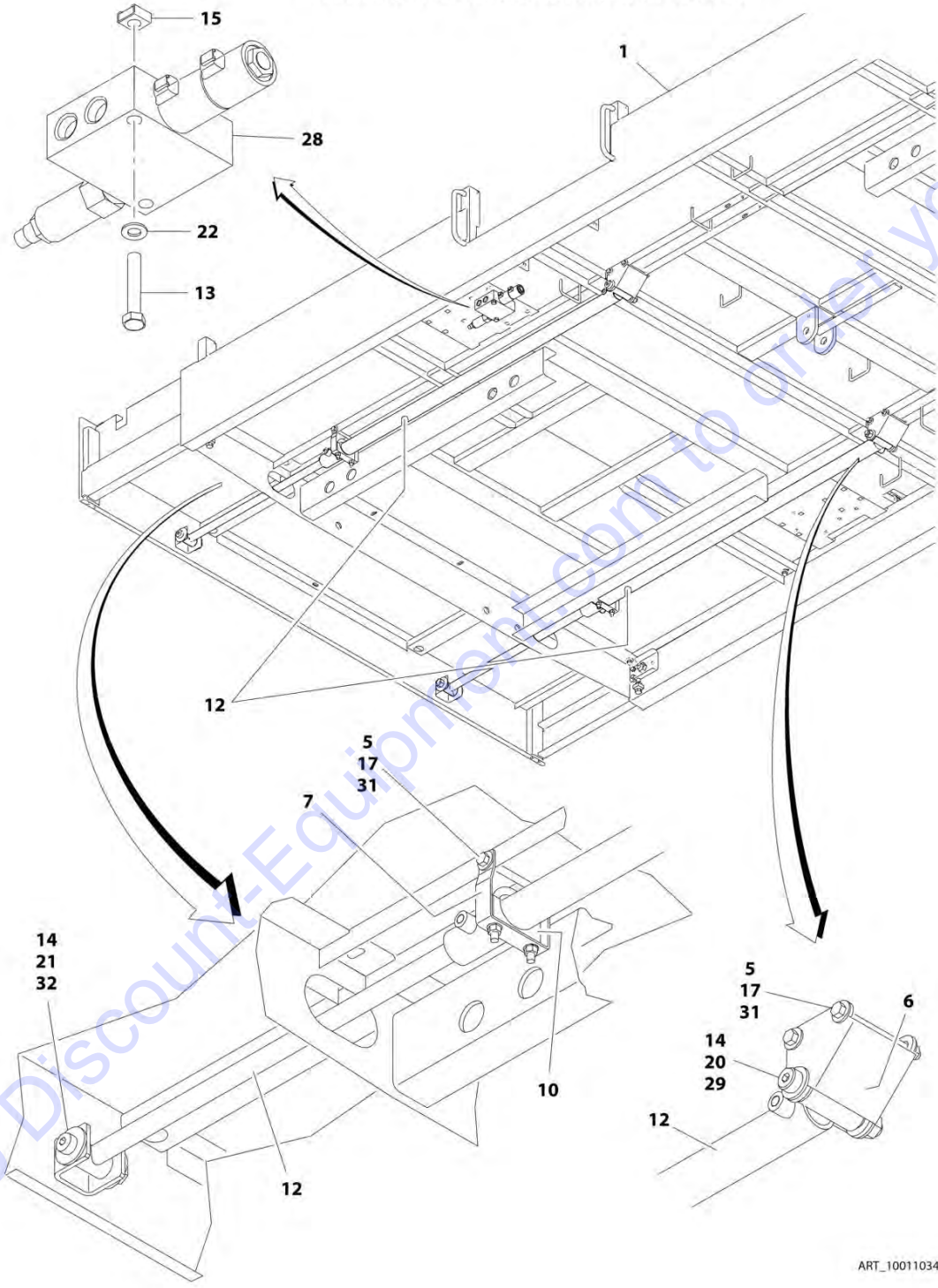
FIGURE 5-8. POWER SINGLE DECK EXTENSION AND PLATFORM INSTALLATION - 3394RT

ITEM	PART NUMBER	QTY	DESCRIPTION	REV
		Ref	USAGE CHART:	
		Ref	- CE Specs (SN 0200246957 to Present)	
	1001190534	Ref	POWER SINGLE DECK EXTENSION AND PLATFORM INSTALLATION - 3394RT	A
		Ref	Note: Replacement Decals Must be Ordered Separately - See DECAL SECTION.	
1	0100011	AR	Compound, Locking	
2	0641405	2	Bolt 1/4 x 5/8	
3	0641413	2	Bolt 1/4 x 1-5/8	
4	0641608	2	Bolt 3/8 x 1	
5	0641636	6	Bolt 3/8 x 4-1/2	
6	0902838	2	Bracket, Cylinder Attach	
7	0902839	4	Bracket, Hanger	
8	1061003	1	Cable, Solenoid	
9	1061004	2	Cable, Solenoid	
10	1320019	4	Clamp	
11	1670995	3	Cover	
12	1684266	4	Extension Cylinder Assembly (See CYLINDER SECTION for Breakdown)	
13	3272005	4	Nut 5/8	
14	3300182	2	Nut 1/4	
15	3311405	2	Nut 1/4	
16	3311605	6	Nut 3/8	
17	3600468	1	Auxiliary Pump Assembly (See POWER DECK AUXILIARY PUMP ASSEMBLY for Breakdown)	
18	3740067	1	Relay	
19	3900254	2	Capscrew 3/4 x 4	
20	3900330	2	Capscrew 3/4 x 2-3/4	
21	4240033	AR	Tie-Strap (Not Shown)	
22	4280295	18 in /46cm	Strip, Protector	
23	4360328	2	Switch, Toggle	
24	4360387	2	Switch, Push Button	
25	4360483	1	Switch, Toggle	
26	4712200	4	Washer 3/4	
27	4751400	6	Washer 1/4	
28	4751600	14	Washer 3/8	
29	4752200	4	Washer 3/4	
30	4922859	1	Auxiliary Power Harness (Not Shown - See ELECTRICAL SECTION for Breakdown)	
31	1001103266	1	Power Deck Valve Assembly (See POWER DECK VALVE ASSEMBLY - SINGLE EXTENSION for Breakdown)	
32	1001103490	1	Power Deck Harness (Not Shown - See ELECTRICAL SECTION for Breakdown)	
33	1001190537	1	Hydraulic Diagram - Power Deck (Not Shown - See HYDRAULIC SECTION for Breakdown)	
34	0272605	1	Platform and Deck Extension Assembly (See PLATFORM AND POWER SINGLE DECK EXTENSION ASSEMBLY for Breakdown)	

SECTION 5 - PLATFORM

FIGURE 5-9. POWER SINGLE DECK EXTENSION AND PLATFORM INSTALLATION - 4394RT

USAGE CHART:
- ALL SPECS EXCEPT CE SPECS
- CE SPECS (SN 0200239053 THROUGH 0200246956)

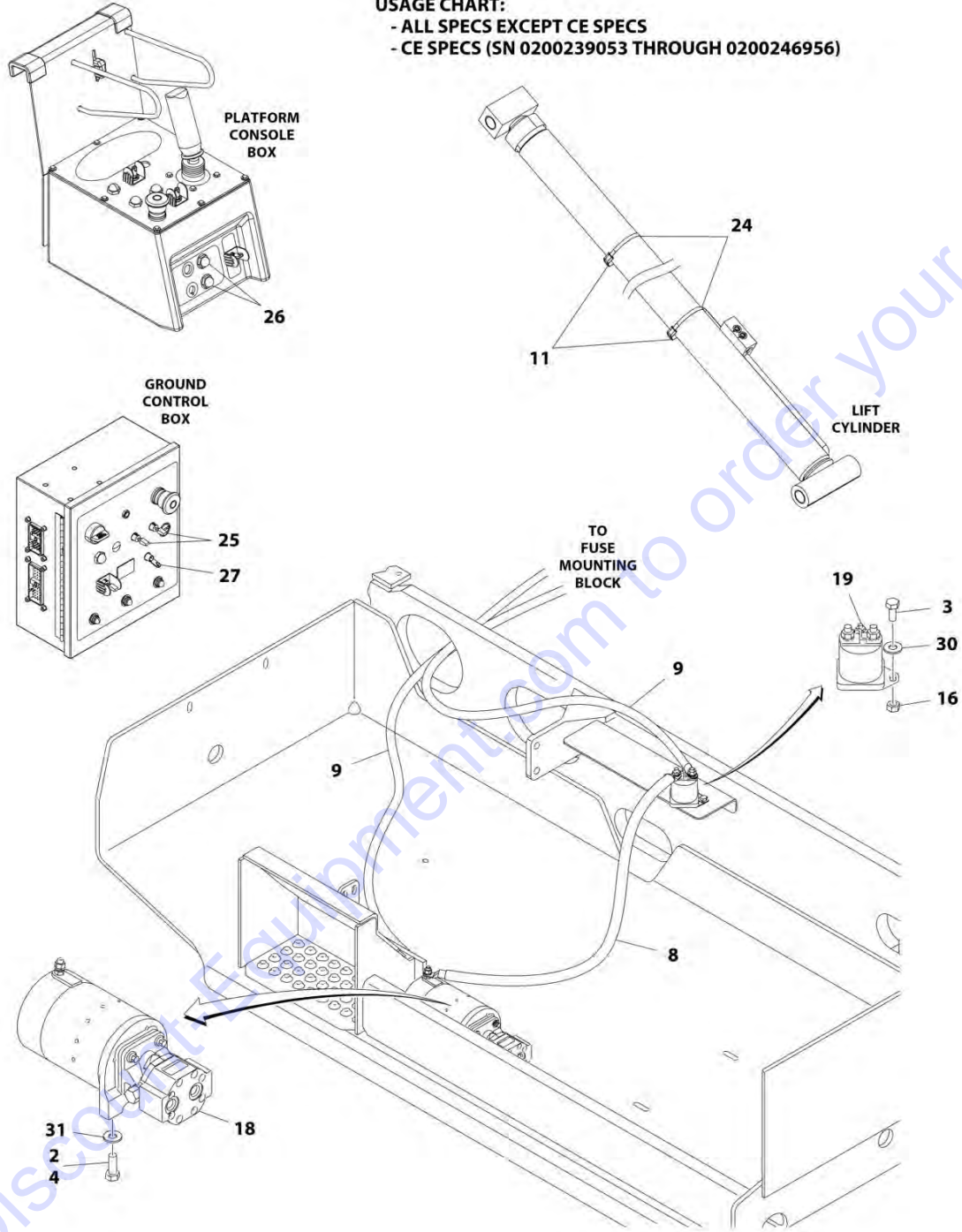


ART_1001103411_10F2

SECTION 5 - PLATFORM

USAGE CHART:

- ALL SPECS EXCEPT CE SPECS
- CE SPECS (SN 0200239053 THROUGH 0200246956)



ART_1001103411_20F2

SECTION 5 - PLATFORM

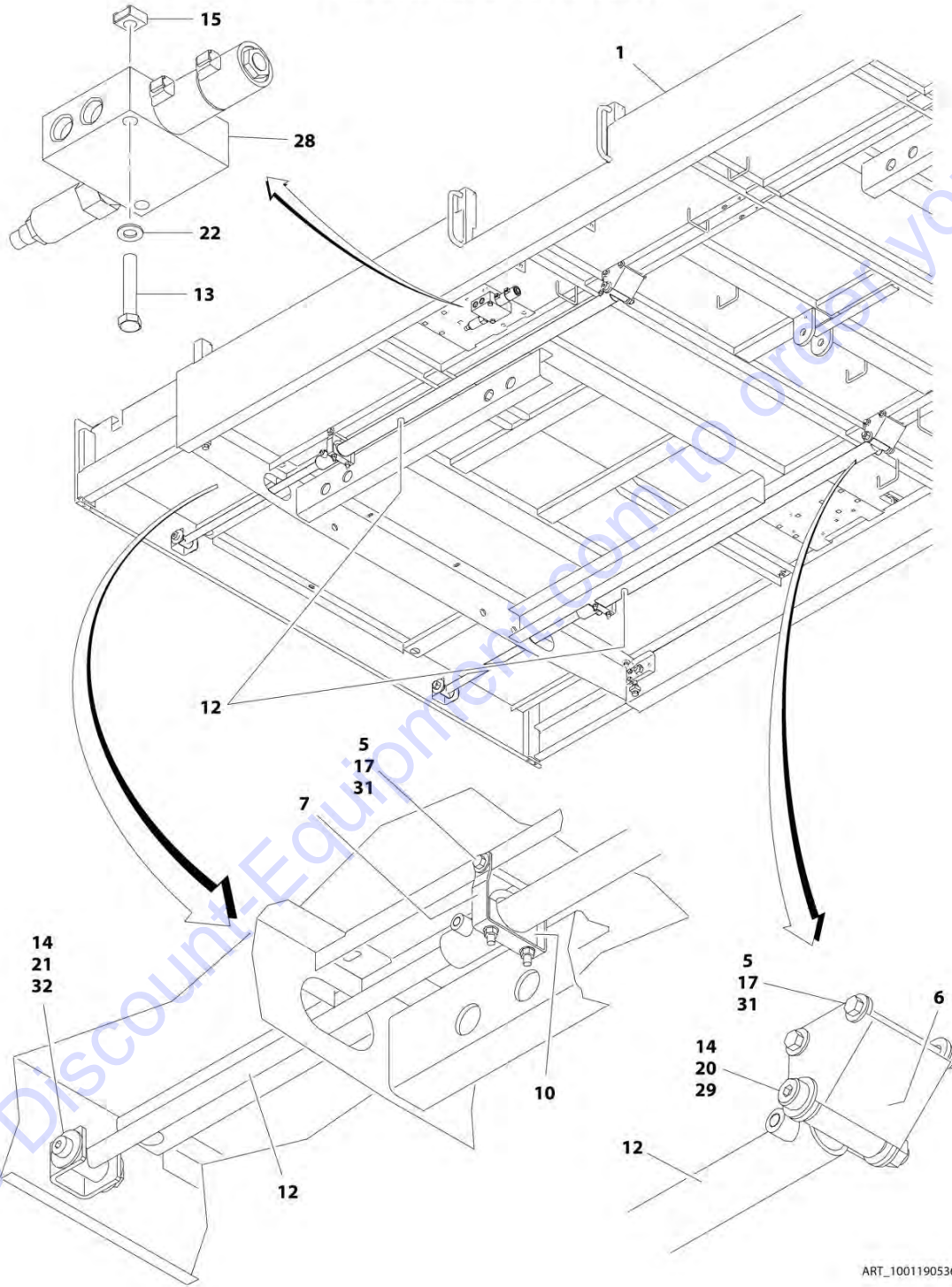
FIGURE 5-9. POWER SINGLE DECK EXTENSION AND PLATFORM INSTALLATION - 4394RT

ITEM	PART NUMBER	QTY	DESCRIPTION	REV
		Ref	USAGE CHART:	
		Ref	- All Specs except CE Spec	
		Ref	- CE Specs (SN 0200239053 through 0200246956)	
	1001103411	Ref	POWER SINGLE DECK EXTENSION AND PLATFORM INSTALLATION - 4394RT	B
		Ref	Note: Replacement Decals Must be Ordered Separately - See DECAL SECTION.	
1	0272605	1	Platform and Deck Extension Assembly (See PLATFORM AND POWER SINGLE DECK EXTENSION ASSEMBLY for Breakdown)	
2	0100011	AR	Compound, Locking	
3	0641405	2	Bolt 1/4 x 5/8	
4	0641608	2	Bolt 3/8 x 1	
5	0641636	6	Bolt 3/8 x 4-1/2	
6	0902838	2	Bracket, Cylinder Attach	
7	0902839	2	Bracket, Hanger	
8	1061003	1	Cable, Solenoid	
9	1061004	2	Cable, Solenoid	
10	1320019	2	Clamp	
11	1670995	3	Cover	
12	1684266	2	Extension Cylinder Assembly (See CYLINDER SECTION for Breakdown)	
13	0641413	2	Bolt 1/4 x 1-5/8	
14	3272005	4	Nut 5/8	
15	3300182	2	Nut 1/4	
16	3311405	2	Nut 1/4	
17	3311605	6	Nut 3/8	
18	3600468	1	Auxiliary Pump Assembly (See POWER DECK AUXILIARY PUMP ASSEMBLY for Breakdown)	
19	3740067	1	Relay	
20	3900254	2	Capscrew 3/4 x 4	
21	3900330	2	Capscrew 3/4 x 2-3/4	
22	4711400	2	Washer 1/4	
23	4240033	AR	Tie-Strap (Not Shown)	
24	4280295	18 in /46cm	Strip, Protector	
25	4360328	2	Switch, Toggle	
26	4360387	2	Switch, Push Button	
27	4360483	1	Switch, Toggle	
28	1001103266	1	Power Deck Valve Assembly (See POWER DECK VALVE ASSEMBLY - SINGLE EXTENSION for Breakdown)	
29	4712200	4	Washer 3/4	
30	4751400	4	Washer 1/4	
31	4751600	14	Washer 3/8	
32	4752200	4	Washer 3/4	
33	1001103570	1	Power Deck Harness (Not Shown - See ELECTRICAL SECTION for Breakdown)	
34	4922859	1	Auxiliary Power Harness (Not Shown - See ELECTRICAL SECTION for Breakdown)	
35	1001103708	1	Hydraulic Diagram - Power Deck (Not Shown - See HYDRAULIC SECTION for Breakdown)	

SECTION 5 - PLATFORM

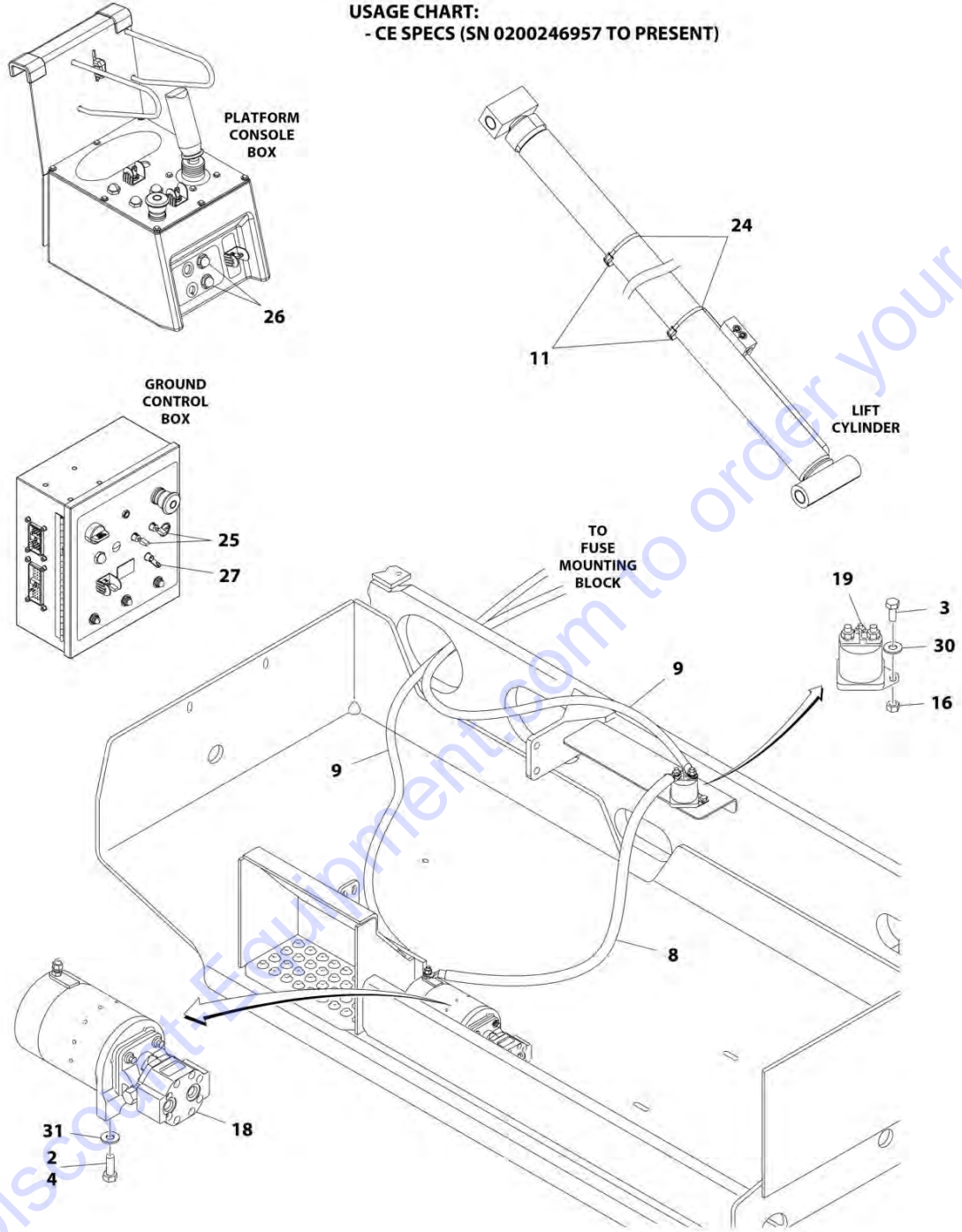
FIGURE 5-10. POWER SINGLE DECK EXTENSION AND PLATFORM INSTALLATION - 4394RT

USAGE CHART:
- CE SPECS (SN 0200246957 TO PRESENT)



SECTION 5 - PLATFORM

USAGE CHART:
- CE SPECS (SN 0200246957 TO PRESENT)



ART_1001190536_20F2

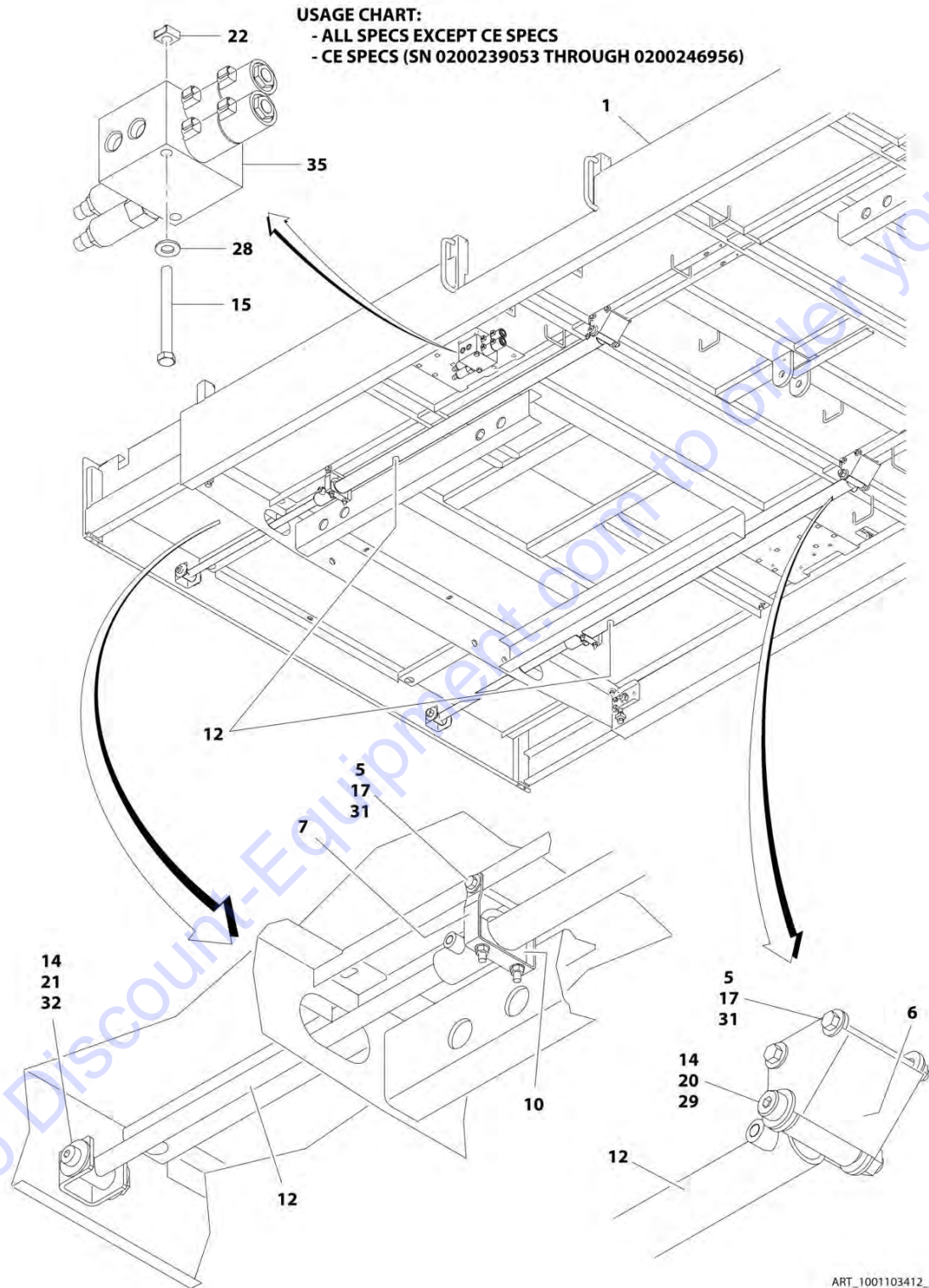
SECTION 5 - PLATFORM

FIGURE 5-10. POWER SINGLE DECK EXTENSION AND PLATFORM INSTALLATION - 4394RT

ITEM	PART NUMBER	QTY	DESCRIPTION	REV
		Ref	USAGE CHART:	
		Ref	- CE Spec (SN 0200246957 to Present)	
	1001190536	Ref	POWER SINGLE DECK EXTENSION AND PLATFORM INSTALLATION - 4394RT	A
		Ref	Note: Replacement Decals Must be Ordered Separately - See DECAL SECTION.	
1	0272605	1	Platform and Deck Extension Assembly (See PLATFORM AND POWER SINGLE DECK EXTENSION ASSEMBLY for Breakdown)	
2	0100011	AR	Compound, Locking	
3	0641405	2	Bolt 1/4 x 5/8	
4	0641608	2	Bolt 3/8 x 1	
5	0641636	6	Bolt 3/8 x 4-1/2	
6	0902838	2	Bracket, Cylinder Attach	
7	0902839	2	Bracket, Hanger	
8	1061003	1	Cable, Solenoid	
9	1061004	2	Cable, Solenoid	
10	1320019	2	Clamp	
11	1670995	3	Cover	
12	1684266	2	Extension Cylinder Assembly (See CYLINDER SECTION for Breakdown)	
13	0641413	2	Bolt 1/4 x 1-5/8	
14	3272005	4	Nut 5/8	
15	3300182	2	Nut 1/4	
16	3311405	2	Nut 1/4	
17	3311605	6	Nut 3/8	
18	3600468	1	Auxiliary Pump Assembly (See POWER DECK AUXILIARY PUMP ASSEMBLY for Breakdown)	
19	3740067	1	Relay	
20	3900254	2	Capscrew 3/4 x 4	
21	3900330	2	Capscrew 3/4 x 2-3/4	
22	4711400	2	Washer 1/4	
23	4240033	AR	Tie-Strap (Not Shown)	
24	4280295	18 in /46cm	Strip, Protector	
25	4360328	2	Switch, Toggle	
26	4360387	2	Switch, Push Button	
27	4360483	1	Switch, Toggle	
28	1001103266	1	Power Deck Valve Assembly (See POWER DECK VALVE ASSEMBLY - SINGLE EXTENSION for Breakdown)	
29	4712200	4	Washer 3/4	
30	4751400	4	Washer 1/4	
31	4751600	14	Washer 3/8	
32	4752200	4	Washer 3/4	
33	1001103570	1	Power Deck Harness (Not Shown - See ELECTRICAL SECTION for Breakdown)	
34	4922859	1	Auxiliary Power Harness (Not Shown - See ELECTRICAL SECTION for Breakdown)	
35	1001190537	1	Hydraulic Diagram - Power Deck (Not Shown - See HYDRAULIC SECTION for Breakdown)	

SECTION 5 - PLATFORM

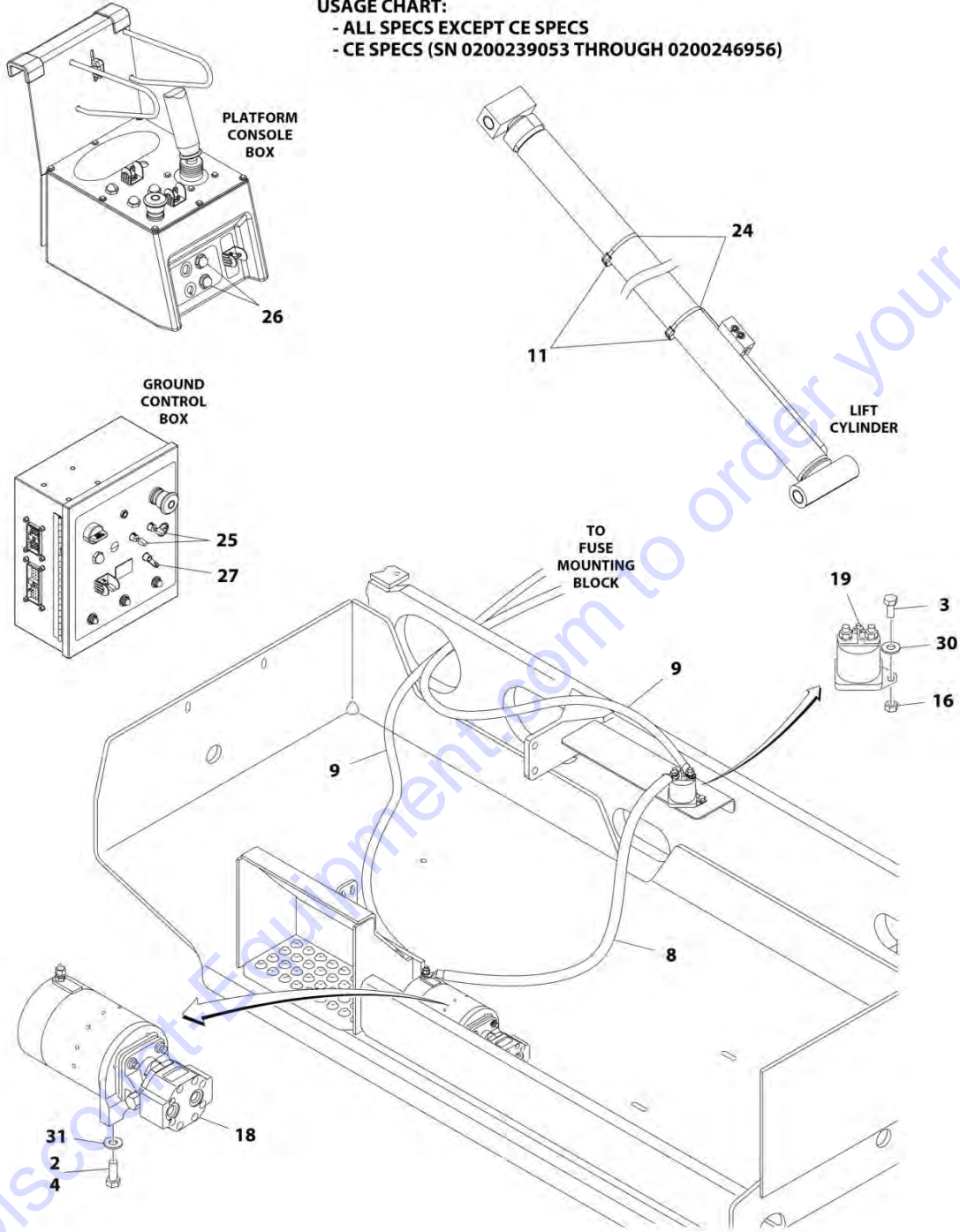
FIGURE 5-11. POWER DUAL DECK EXTENSION AND PLATFORM INSTALLATION - 3394RT (WITH 12.6FT/3.8M LENGTH PLATFORM)



ART_1001103412_10F2

SECTION 5 - PLATFORM

USAGE CHART:
 - ALL SPECS EXCEPT CE SPECS
 - CE SPECS (SN 0200239053 THROUGH 0200246956)



ART_1001103412_20F2

SECTION 5 - PLATFORM

FIGURE 5-11. POWER DUAL DECK EXTENSION AND PLATFORM INSTALLATION - 3394RT (WITH 12.6FT/3.8M LENGTH PLATFORM)

ITEM	PART NUMBER	QTY	DESCRIPTION	REV
		Ref	USAGE CHART:	
		Ref	- All Specs except CE Specs	
		Ref	- CE Specs (SN 0200239053 through 0200246956)	
	1001103412	Ref	POWER DUAL DECK EXTENSION AND PLATFORM INSTALLATION - 3394RT (WITH 12.6FT/3.8M LENGTH PLATFORM)	B
		Ref	Note: Replacement Decals Must be Ordered Separately - See DECAL SECTION.	
1	0272707	1	Platform and Deck Extension Assembly (See PLATFORM AND POWER DUAL DECK EXTENSION ASSEMBLY (WITH 12.6FT/3.8M LENGTH PLATFORM) for Breakdown)	
2	0100011	AR	Compound, Locking	
3	0641405	2	Bolt 1/4 x 5/8	
4	0641608	2	Bolt 3/8 x 1	
5	0641636	12	Bolt 3/8 x 4-1/2	
6	0902838	2	Bracket, Cylinder Attach	
7	0902839	4	Bracket, Hanger	
8	1061003	1	Cable, Solenoid	
9	1061004	2	Cable, Solenoid	
10	1320019	4	Clamp	
11	1670995	3	Cover	
12	1684266	4	Extension Cylinder Assembly (See CYLINDER SECTION for Breakdown)	
14	3272005	8	Nut 5/8	
15	0641426	2	Bolt 1/4 x 3-1/4	
16	3311405	2	Nut 1/4	
17	3311605	12	Nut 3/8	
18	3600468	1	Auxiliary Pump Assembly (See POWER DECK AUXILIARY PUMP ASSEMBLY for Breakdown)	
19	3740067	1	Relay	
20	3900254	4	Capscrew 3/4 x 4	
21	3900330	4	Capscrew 3/4 x 2-3/4	
22	3300182	2	Nut 1/4	
23	4240033	AR	Tie-Strap (Not Shown)	
24	4280295	18 in /46cm	Strip, Protector	
25	4360328	2	Switch, Toggle	
26	4360387	2	Switch, Push Button	
27	4360483	1	Switch, Toggle	
28	4711400	2	Washer 1/4	
29	4712200	4	Washer 3/4	
30	4751400	4	Washer 1/4	
31	4751600	26	Washer 3/8	
32	4752200	8	Washer 3/4	
34	4922859	1	Auxiliary Power Harness (Not Shown - See ELECTRICAL SECTION for Breakdown)	
35	1001103267	1	Power Deck Valve Assembly (See POWER DECK VALVE ASSEMBLY - DUAL EXTENSION for Breakdown)	
36	1001103490	1	Power Deck Harness (Not Shown - See ELECTRICAL SECTION for Breakdown)	
37	1001103709	1	Hydraulic Diagram - Power Deck (Not Shown - See HYDRAULIC	

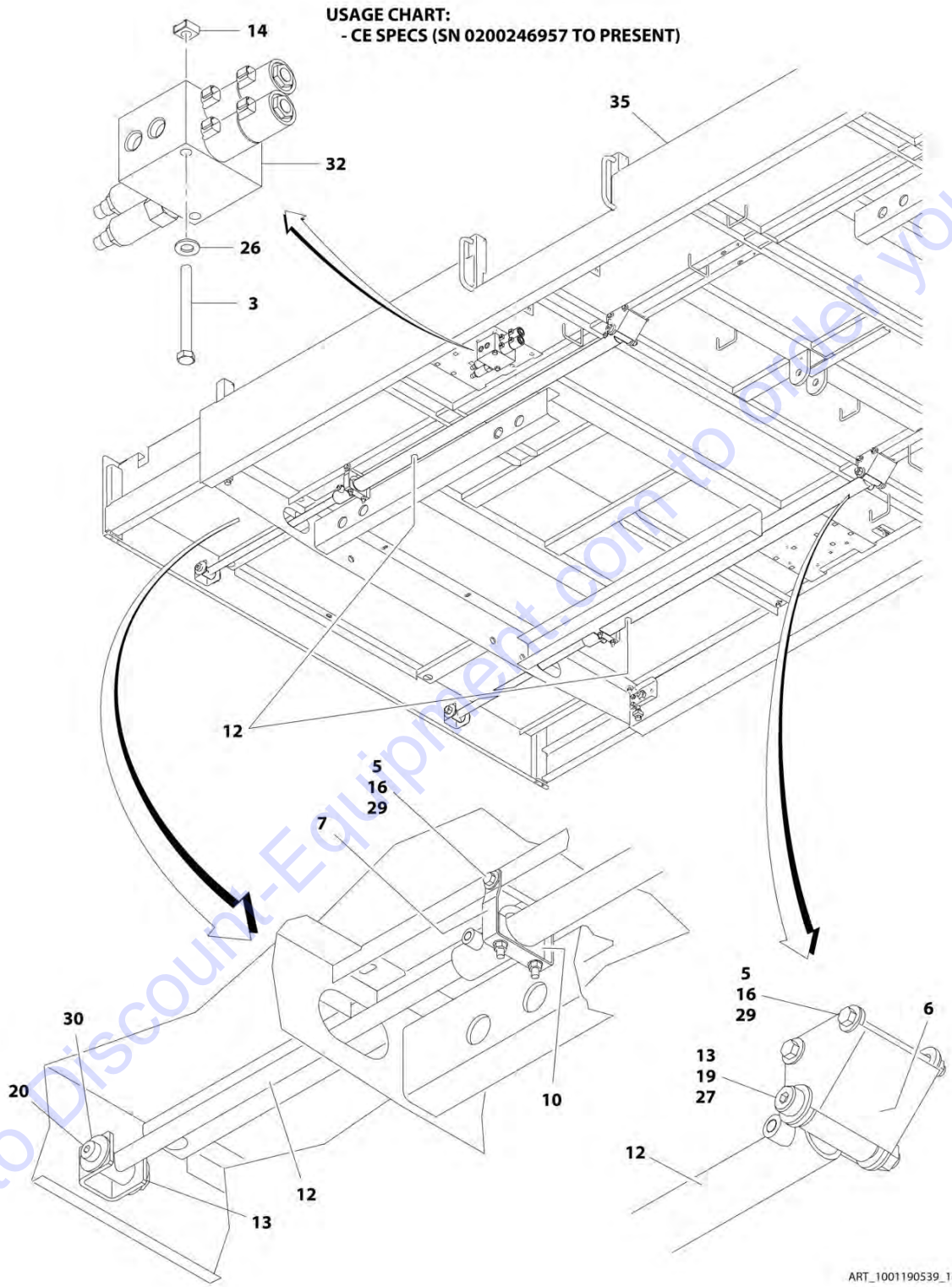
SECTION 5 - PLATFORM

ITEM	PART NUMBER	QTY	DESCRIPTION	REV
			SECTION for Breakdown)	

Go to Discount-Equipment.com to order your parts

SECTION 5 - PLATFORM

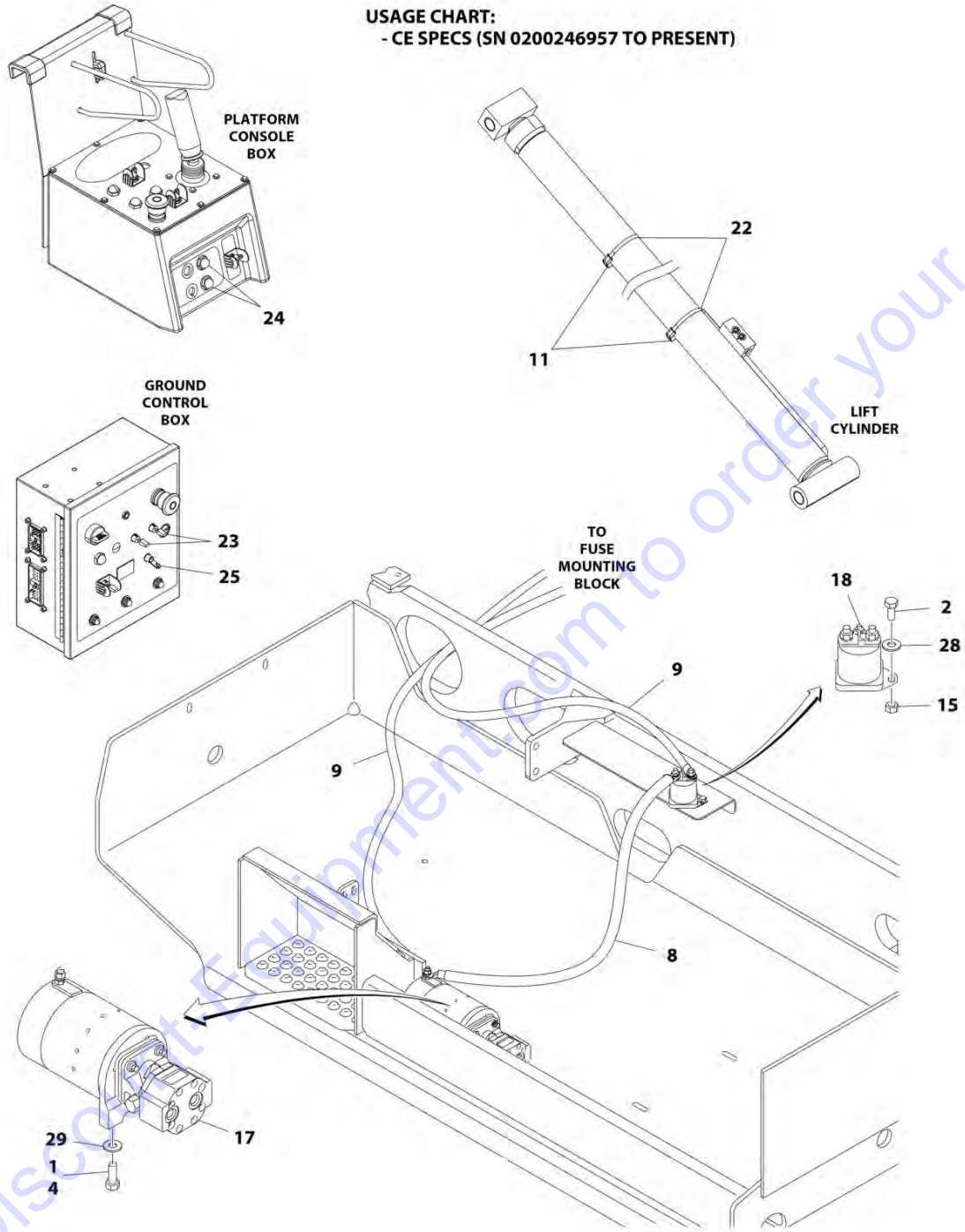
FIGURE 5-12. POWER DUAL DECK EXTENSION AND PLATFORM INSTALLATION - 3394RT (WITH 12.6FT/3.8M LENGTH PLATFORM)



ART_1001190539_10F2

SECTION 5 - PLATFORM

USAGE CHART:
- CE SPECS (SN 0200246957 TO PRESENT)



ART_1001190539_20F2

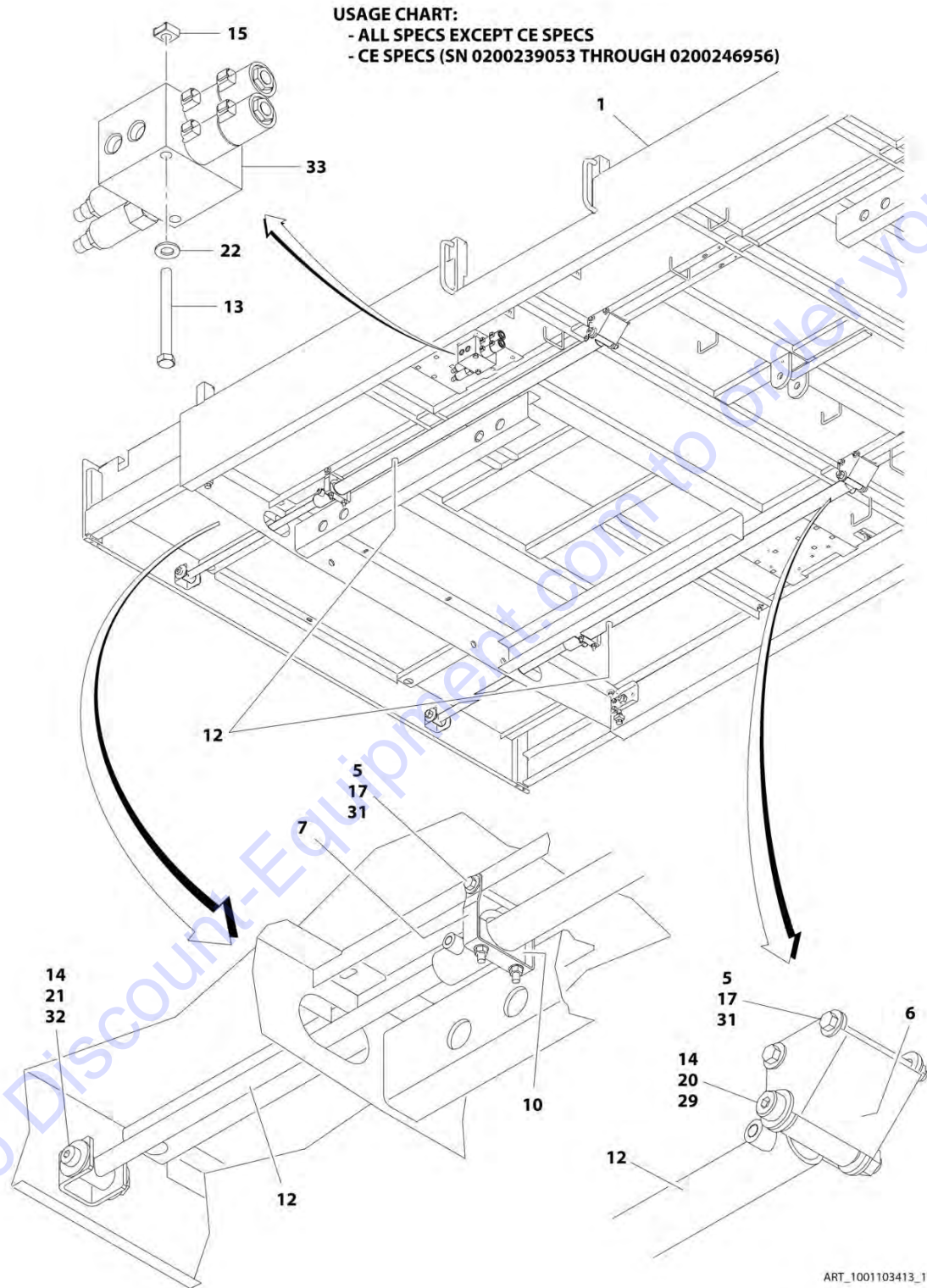
SECTION 5 - PLATFORM

FIGURE 5-12. POWER DUAL DECK EXTENSION AND PLATFORM INSTALLATION - 3394RT (WITH 12.6FT/3.8M LENGTH PLATFORM)

ITEM	PART NUMBER	QTY	DESCRIPTION	REV
		Ref	USAGE CHART:	
		Ref	- CE Specs (SN 0200246957 to Present)	
	1001190539	Ref	POWER DUAL DECK EXTENSION AND PLATFORM INSTALLATION - 3394RT (WITH 12.6FT/3.8M LENGTH PLATFORM)	A
		Ref	Note: Replacement Decals Must be Ordered Separately - See DECAL SECTION.	
1	0100011	AR	Compound, Locking	
2	0641405	2	Bolt 1/4 x 5/8	
3	0641426	2	Bolt 1/4 x 3-1/4	
4	0641608	2	Bolt 3/8 x 1	
5	0641636	12	Bolt 3/8 x 4-1/2	
6	0902838	4	Bracket, Cylinder Attach	
7	0902839	4	Bracket, Hanger	
8	1061003	1	Cable, Solenoid	
9	1061004	2	Cable, Solenoid	
10	1320019	4	Clamp	
11	1670995	3	Cover	
12	1684266	4	Extension Cylinder Assembly (See CYLINDER ASSEMBLY for Breakdown)	
13	3272005	8	Nut 5/8	
14	3300182	2	Nut 1/4	
15	3311405	2	Nut 1/4	
16	3311605	12	Nut 3/8	
17	3600468	1	Auxiliary Pump Assembly (See POWER DECK AUXILIARY PUMP ASSEMBLY for Breakdown)	
18	3740067	1	Relay	
19	3900254	4	Capscrew 3/4 x 4	
20	3900330	4	Capscrew 3/4 x 2-3/4	
21	4240033	12	Tie-Strap (Not Shown)	
22	4280295	18 in /46cm	Strip, Protector	
23	4360328	2	Switch, Toggle	
24	4360387	2	Switch, Push Button	
25	4360483	1	Switch, Toggle	
26	4711400	2	Washer 1/4	
27	4712200	8	Washer 3/4	
28	4751400	4	Washer 1/4	
29	4751600	26	Washer 3/8	
30	4752200	8	Washer 3/4	
31	4922859	1	Auxiliary Power Harness (Not Shown - See ELECTRICAL SECTION for Breakdown)	
32	1001103267	1	Power Deck Valve Assembly (See POWER DECK VALVE ASSEMBLY - DUAL EXTENSION for Breakdown)	
33	1001103490	1	Power Deck Harness (Not Shown - See ELECTRICAL SECTION for Breakdown)	
34	1001190544	1	Hydraulic Diagram - Power Deck (Not Shown - See HYDRAULIC SECTION for Breakdown)	
35	0272707	1	Platform and Deck Extension Assembly (See PLATFORM AND POWER DUAL DECK EXTENSION ASSEMBLY (WITH 12.6FT/3.8M LENGTH PLATFORM) for Breakdown)	

SECTION 5 - PLATFORM

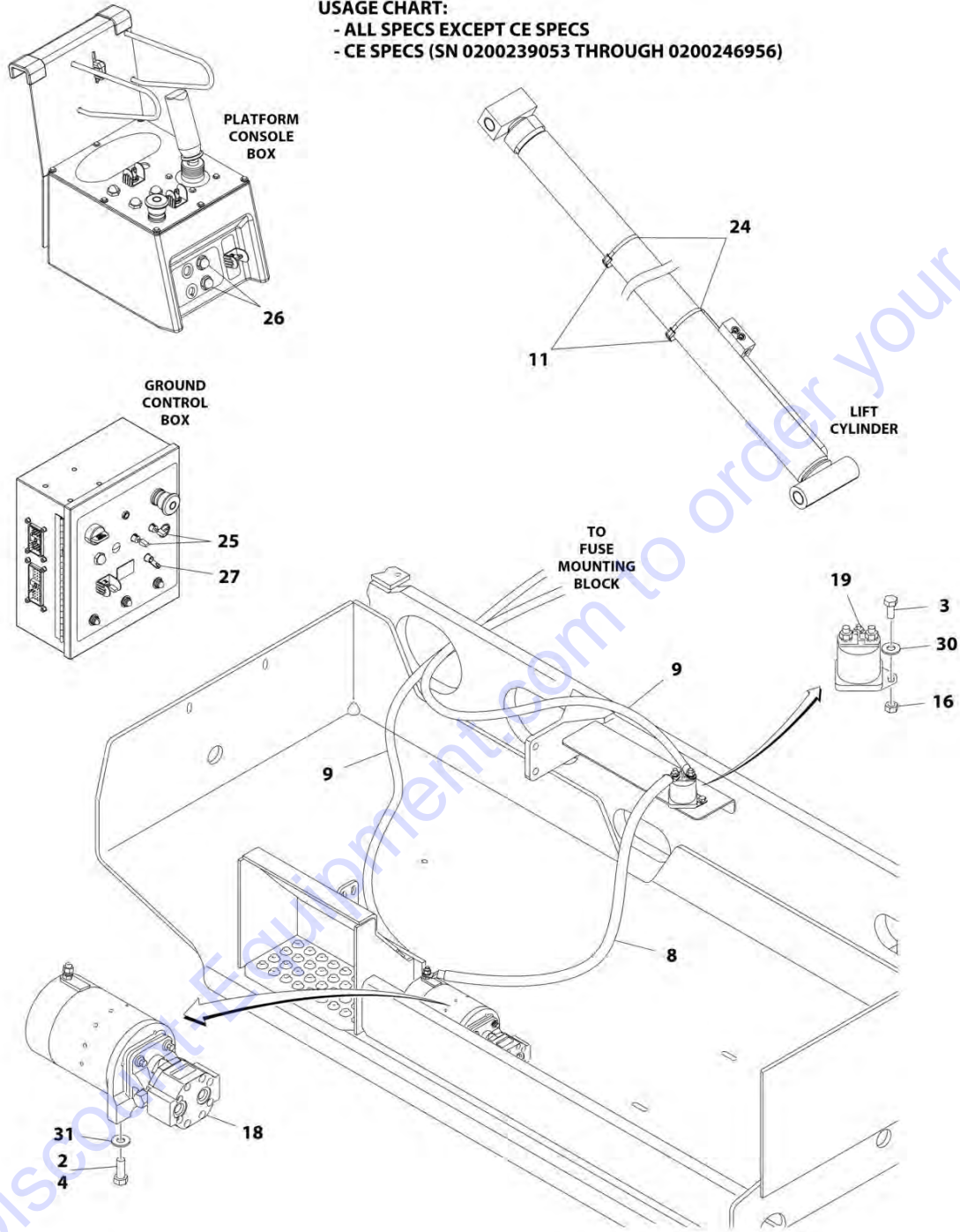
FIGURE 5-13. POWER DUAL DECK EXTENSION AND PLATFORM INSTALLATION - 4394RT (WITH 12.6FT/3.8M LENGTH PLATFORM)



ART_1001103413_1OF2

SECTION 5 - PLATFORM

USAGE CHART:
- ALL SPECS EXCEPT CE SPECS
- CE SPECS (SN 0200239053 THROUGH 0200246956)



ART_1001103413_20F2

SECTION 5 - PLATFORM

FIGURE 5-13. POWER DUAL DECK EXTENSION AND PLATFORM INSTALLATION - 4394RT (WITH 12.6FT/3.8M LENGTH PLATFORM)

ITEM	PART NUMBER	QTY	DESCRIPTION	REV
		Ref	USAGE CHART:	
		Ref	- All Specs except CE Specs	
		Ref	- CE Specs (SN 0200239053 through 0200246956)	
	1001103413	Ref	POWER DUAL DECK EXTENSION AND PLATFORM INSTALLATION - 4394RT (WITH 12.6FT/3.8M LENGTH PLATFORM)	B
		Ref	Note: Replacement Decals Must be Ordered Separately - See DECAL SECTION.	
1	0272707	1	Platform and Deck Extension Assembly (See PLATFORM AND POWER DUAL DECK EXTENSION ASSEMBLY (WITH 12.6FT/3.8M LENGTH PLATFORM) for Breakdown)	
2	0100011	AR	Compound, Locking	
3	0641405	2	Bolt 1/4 x 5/8	
4	0641608	2	Bolt 3/8 x 1	
5	0641636	12	Bolt 3/8 x 4-1/2	
6	0902838	2	Bracket, Cylinder Attach	
7	0902839	4	Bracket, Hanger	
8	1061003	1	Cable, Solenoid	
9	1061004	2	Cable, Solenoid	
10	1320019	4	Clamp	
11	1670995	3	Cover	
12	1684266	4	Extension Cylinder Assembly (See CYLINDER SECTION for Breakdown)	
13	0641426	2	Bolt 1/4 x 3-1/4	
14	3272005	8	Nut 5/8	
15	3300182	2	Nut 1/4	
16	3311405	2	Nut 1/4	
17	3311605	12	Nut 3/8	
18	3600468	1	Auxiliary Pump Assembly (See POWER DECK AUXILIARY PUMP ASSEMBLY for Breakdown)	
19	3740067	1	Relay	
20	3900254	4	Capscrew 3/4 x 4	
21	3900330	4	Capscrew 3/4 x 2-3/4	
22	4711400	2	Washer 1/4	
23	4240033	AR	Tie-Strap (Not Shown)	
24	4280295	18 in /46cm	Strip, Protector	
25	4360328	2	Switch, Toggle	
26	4360387	2	Switch, Push Button	
27	4360483	1	Switch, Toggle	
28	4922859	1	Auxiliary Power Harness (Not Shown - See ELECTRICAL SECTION for Breakdown)	
29	4712200	4	Washer 3/4	
30	4751400	4	Washer 1/4	
31	4751600	26	Washer 3/8	
32	4752200	8	Washer 3/4	
33	1001103267	1	Power Deck Valve Assembly (See POWER DECK VALVE ASSEMBLY - DUAL EXTENSION for Breakdown)	
34	1001103570	1	Power Deck Harness (Not Shown - See ELECTRICAL SECTION for Breakdown)	
35	1001103709	1	Hydraulic Diagram - Power Deck (Not Shown - See HYDRAULIC	

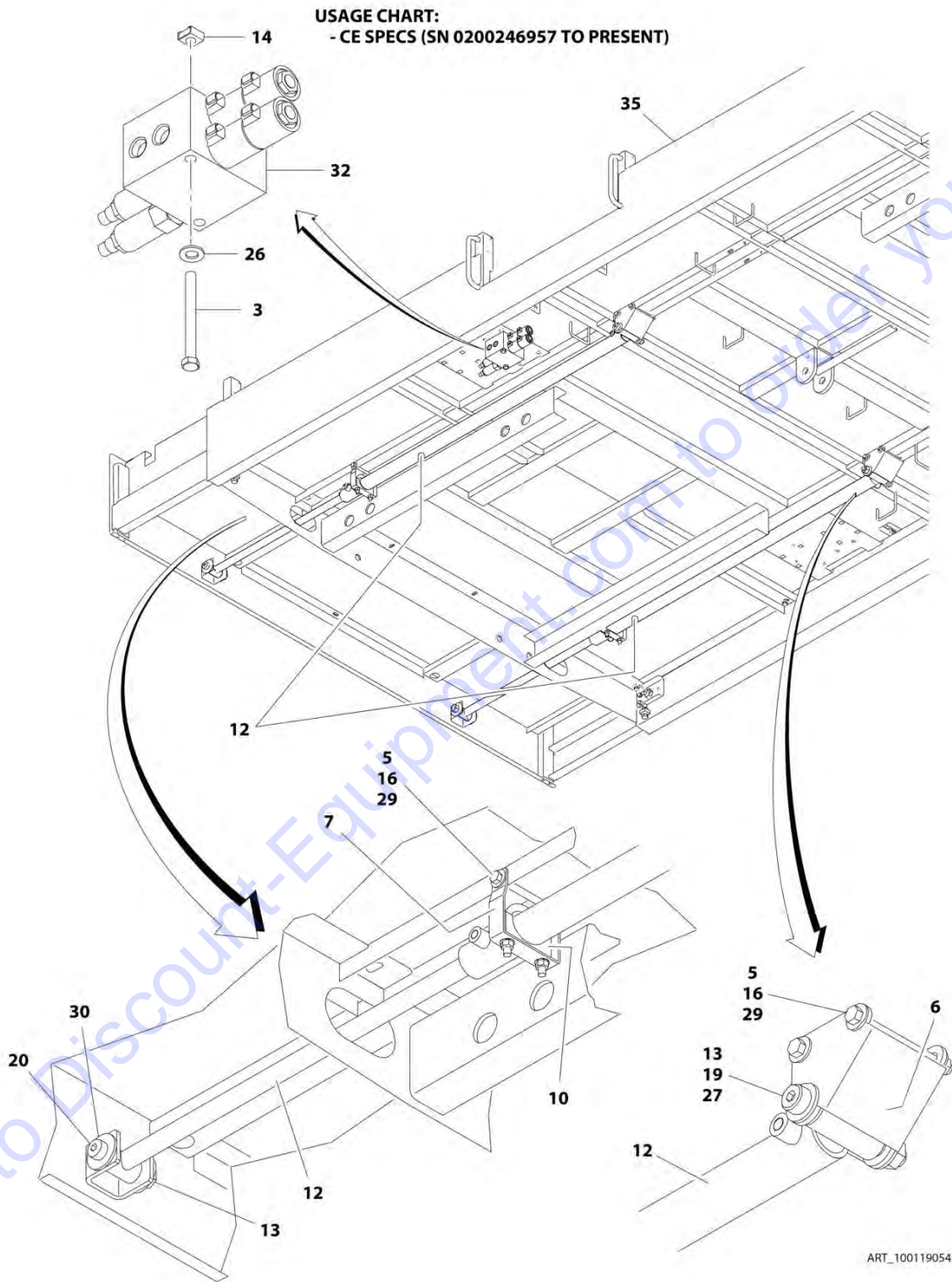
SECTION 5 - PLATFORM

ITEM	PART NUMBER	QTY	DESCRIPTION	REV
			SECTION for Breakdown)	

Go to Discount-Equipment.com to order your parts

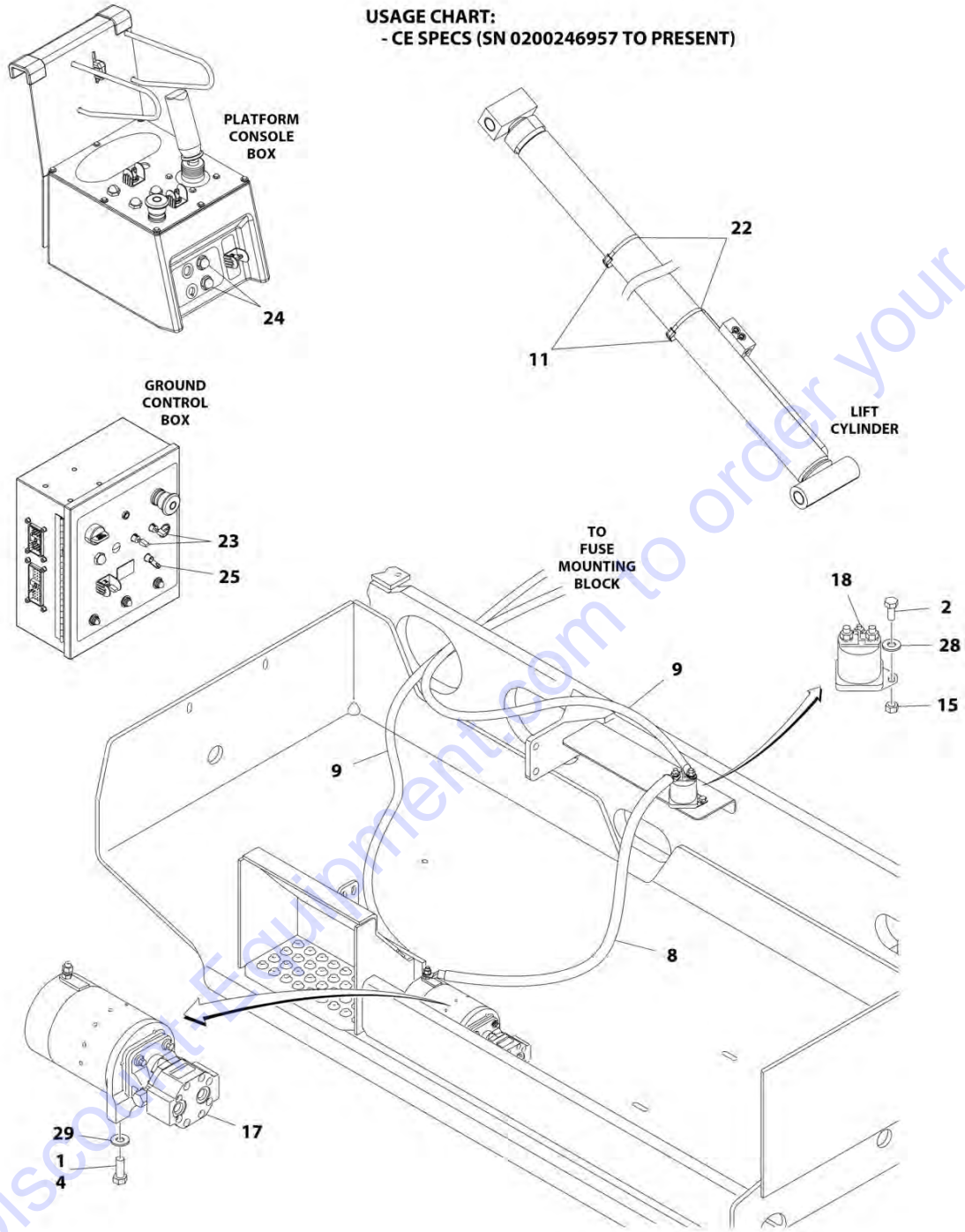
SECTION 5 - PLATFORM

FIGURE 5-14. POWER DUAL DECK EXTENSION AND PLATFORM INSTALLATION - 4394RT (WITH 12.6FT/3.8M LENGTH PLATFORM)



SECTION 5 - PLATFORM

USAGE CHART:
- CE SPECS (SN 0200246957 TO PRESENT)



ART_1001190543_20F2

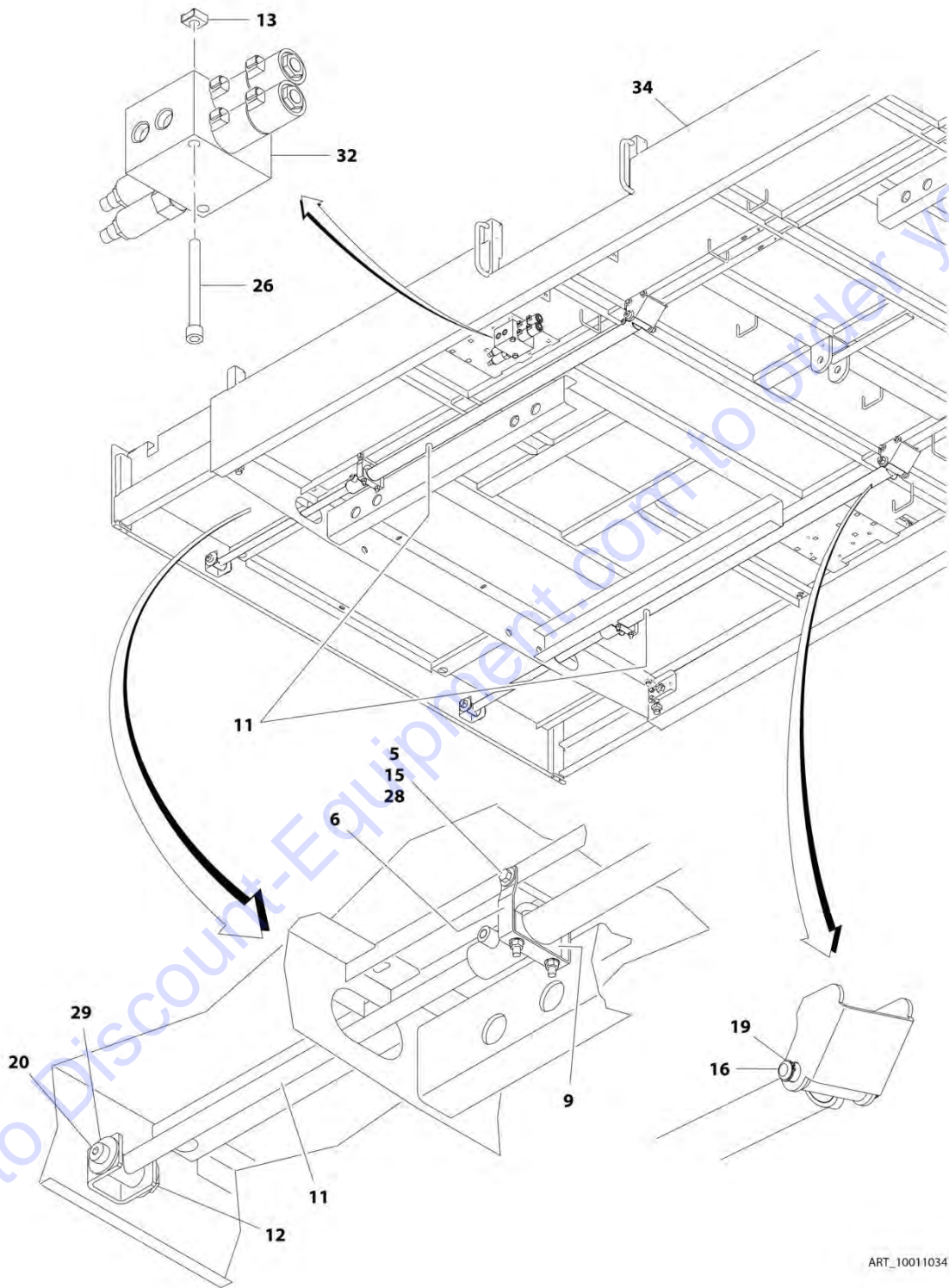
SECTION 5 - PLATFORM

FIGURE 5-14. POWER DUAL DECK EXTENSION AND PLATFORM INSTALLATION - 4394RT (WITH 12.6FT/3.8M LENGTH PLATFORM)

ITEM	PART NUMBER	QTY	DESCRIPTION	REV
		Ref	USAGE CHART:	
		Ref	- CE Specs (SN 0200246957 to Present)	
	1001190543	Ref	POWER DUAL DECK EXTENSION AND PLATFORM INSTALLATION - 4394RT (WITH 12.6FT/3.8M LENGTH PLATFORM)	A
		Ref	Note: Replacement Decals Must be Ordered Separately - See DECAL SECTION.	
1	0100011	AR	Compound, Locking	
2	0641405	2	Bolt 1/4 x 5/8	
3	0641426	2	Bolt 1/4 x 3-1/4	
4	0641608	2	Bolt 3/8 x 1	
5	0641636	12	Bolt 3/8 x 4-1/2	
6	0902838	4	Bracket, Cylinder Attach	
7	0902839	4	Bracket, Hanger	
8	1061003	1	Cable, Solenoid	
9	1061004	2	Cable, Solenoid	
10	1320019	4	Clamp	
11	1670995	3	Cover	
12	1684266	4	Extension Cylinder Assembly (See CYLINDER SECTION for Breakdown)	
13	3272005	8	Nut 5/8	
14	3300182	2	Nut 1/4	
15	3311405	2	Nut 1/4	
16	3311605	12	Nut 3/8	
17	3600468	1	Auxiliary Pump Assembly (See POWER DECK AUXILIARY PUMP ASSEMBLY for Breakdown)	
18	3740067	1	Relay	
19	3900254	4	Capscrew 3/4 x 4	
20	3900330	4	Capscrew 3/4 x 2-3/4	
21	4240033	12	Tie-Strap (Not Shown)	
22	4280295	18 in /46cm	Strip, Protector	
23	4360328	2	Switch, Toggle	
24	4360387	2	Switch, Push Button	
25	4360483	1	Switch, Toggle	
26	4711400	2	Washer 1/4	
27	4712200	8	Washer 3/4	
28	4751400	4	Washer 1/4	
29	4751600	26	Washer 3/8	
30	4752200	8	Washer 3/4	
31	4922859	1	Auxiliary Power Harness (Not Shown - See ELECTRICAL SECTION for Breakdown)	
32	1001103267	1	Power Deck Valve Assembly (See POWER DECK VALVE ASSEMBLY - DUAL EXTENSION for Breakdown)	
33	1001103570	1	Power Deck Harness (Not Shown - See ELECTRICAL SECTION for Breakdown)	
34	1001190544	1	Hydraulic Diagram - Power Deck (Not Shown - See HYDRAULIC SECTION for Breakdown)	
35	0272707	1	Platform and Deck Extension Assembly (See PLATFORM AND POWER DUAL DECK EXTENSION ASSEMBLY (WITH 12.6FT/3.8M LENGTH PLATFORM) for Breakdown)	

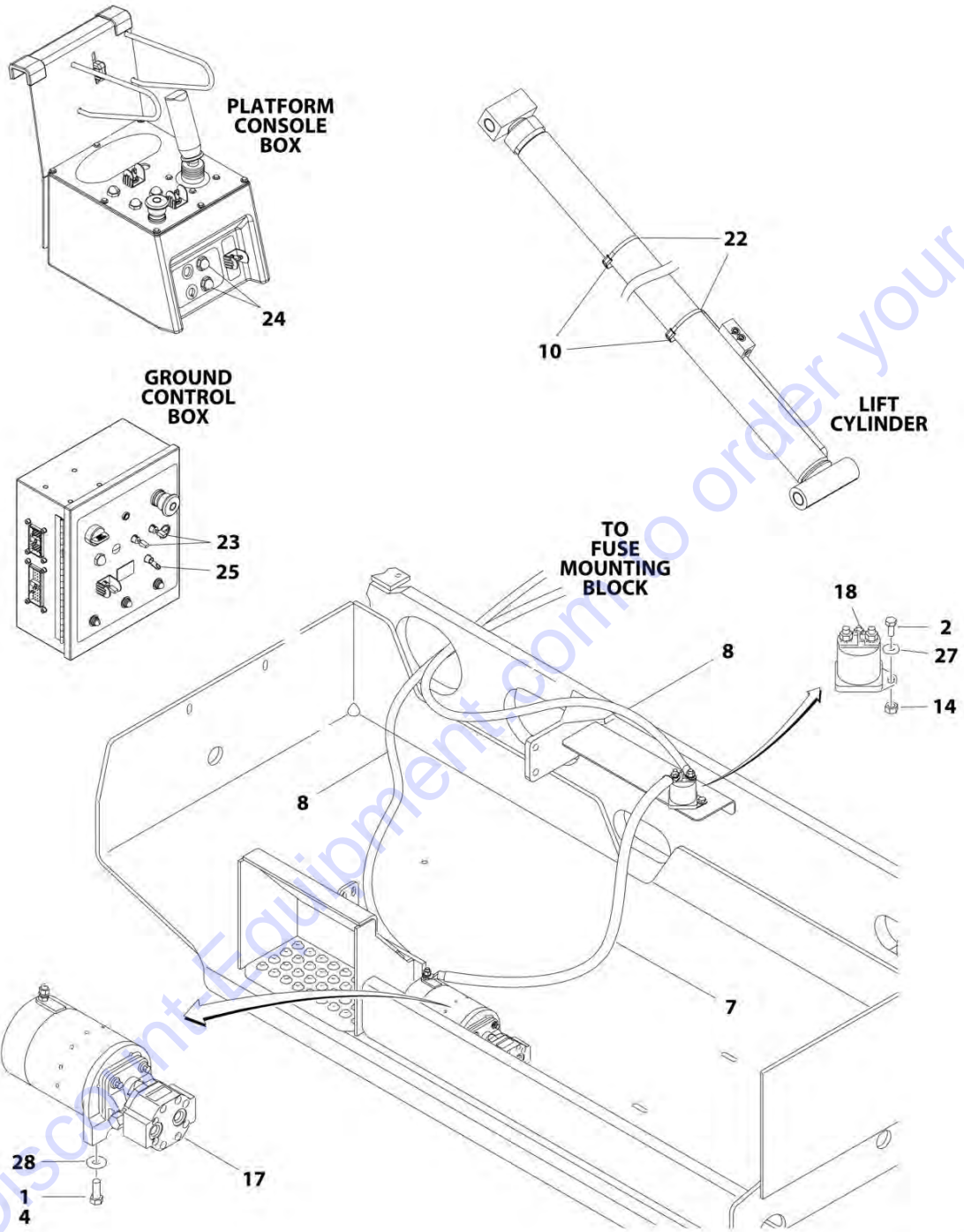
SECTION 5 - PLATFORM

FIGURE 5-15. POWER DUAL DECK EXTENSION AND PLATFORM INSTALLATION - 3394RT (WITH 15.8FT/4.8M LENGTH MEGADECK PLATFORM) (SN 0200239053 through 0200246956)



ART_1001103414_1OF2

SECTION 5 - PLATFORM



ART_1001103414_2OF2

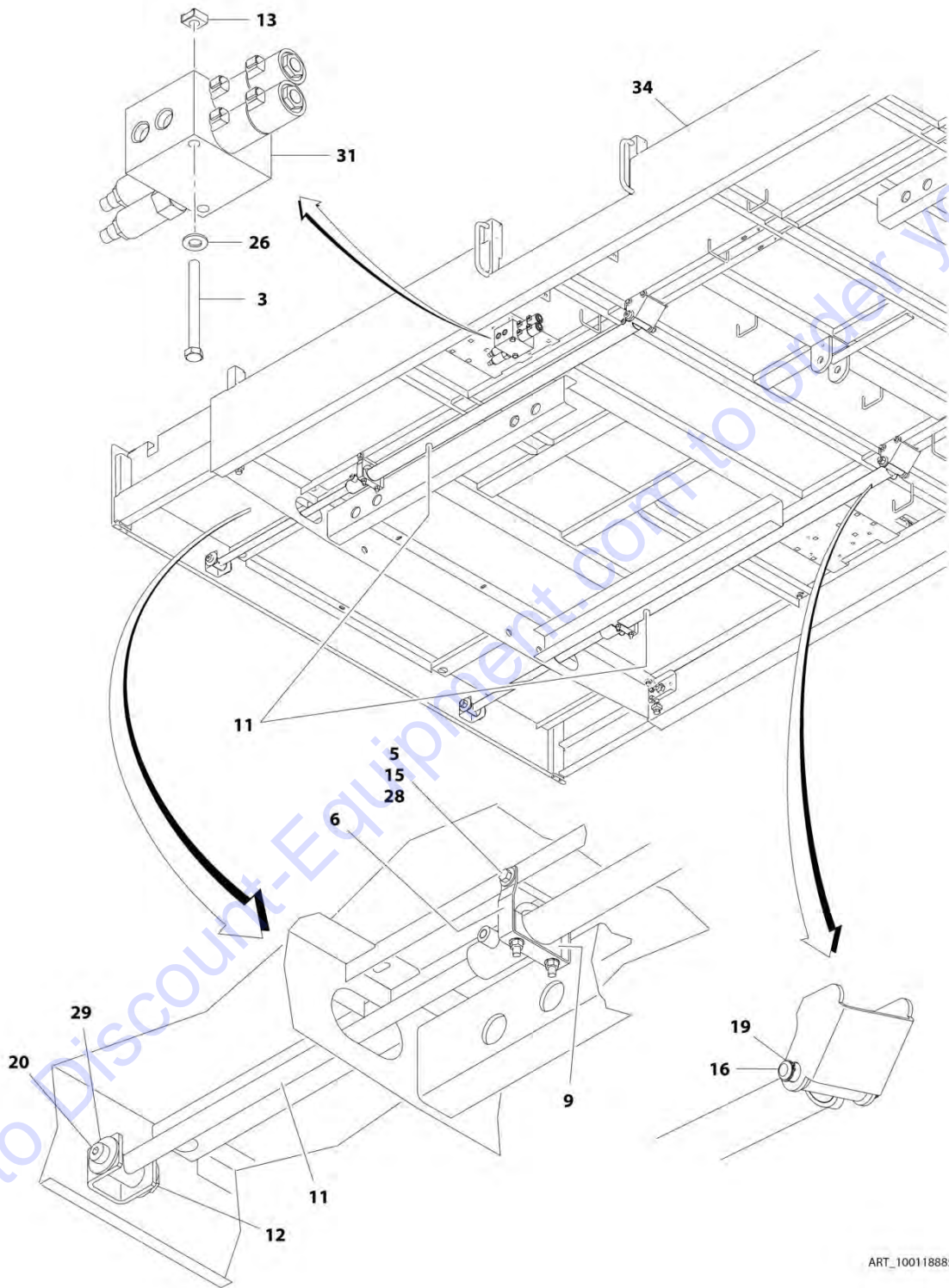
SECTION 5 - PLATFORM

FIGURE 5-15. POWER DUAL DECK EXTENSION AND PLATFORM INSTALLATION - 3394RT (WITH 15.8FT/4.8M LENGTH MEGADECK PLATFORM) (SN 0200239053 through 0200246956)

ITEM	PART NUMBER	QTY	DESCRIPTION	REV
	1001103414	Ref	POWER DUAL DECK EXTENSION AND PLATFORM INSTALLATION - 3394RT (WITH 15.8FT/4.8M LENGTH MEGADECK PLATFORM) (SN 0200239053 through 0200246956)	B
		Ref	Note: Available on CE Spec Only.	
		Ref	Note: Replacement Decals Must be Ordered Separately - See DECAL SECTION.	
1	0100011	AR	Compound, Locking	
2	0641405	2	Bolt 1/4 x 5/8	
3	2792611	1	Hydraulic Diagram - Power Deck (Not Shown - See HYDRAULIC SECTION for Breakdown)	
4	0641608	2	Bolt 3/8 x 1	
5	0641636	4	Bolt 3/8 x 4-1/2	
6	0902839	4	Bracket, Hanger	
7	1061003	1	Cable, Solenoid	
8	1061004	2	Cable, Solenoid	
9	1320019	4	Clamp	
10	1670995	3	Cover	
11	1684266	4	Extension Cylinder Assembly (See CYLINDER SECTION for Breakdown)	
12	3272005	4	Nut 5/8	
13	3300471	8	Nut 3/8	
14	3311405	2	Nut 1/4	
15	3311605	4	Nut 3/8	
16	3423052	4	Pin, Tele Barrel	
17	3600468	1	Auxiliary Pump Assembly (See POWER DECK AUXILIARY PUMP ASSEMBLY for Breakdown)	
18	3740067	1	Relay	
19	3760351	8	Ring, Retaining	
20	3900330	4	Screw, Shoulder	
21	4240033	AR	Tie-Strap (Not Shown)	
22	4280295	18 in /46cm	Strip, Protector	
23	4360328	2	Switch, Toggle	
24	4360387	2	Switch, Push Button	
25	4360483	1	Switch, Toggle	
26	3931664	8	Capscrew 3/8 x 4	
27	4751400	4	Washer 1/4	
28	4751600	10	Washer 3/8	
29	4752200	8	Washer 3/4	
30	4922859	1	Auxiliary Power Harness (Not Shown - See ELECTRICAL SECTION for Breakdown)	
31	4922848	1	Power Deck Harness (Not Shown - See ELECTRICAL SECTION for Breakdown)	
32	1001092957	2	Power Deck Valve Assembly (See POWER DECK VALVE ASSEMBLY - DUAL EXTENSION for Breakdown)	
34	0272990	1	Platform and Deck Extension Assembly (See PLATFORM AND POWER DUAL DECK EXTENSION ASSEMBLY (WITH 15.8FT/4.8M LENGTH MEGADECK PLATFORM) for Breakdown)	

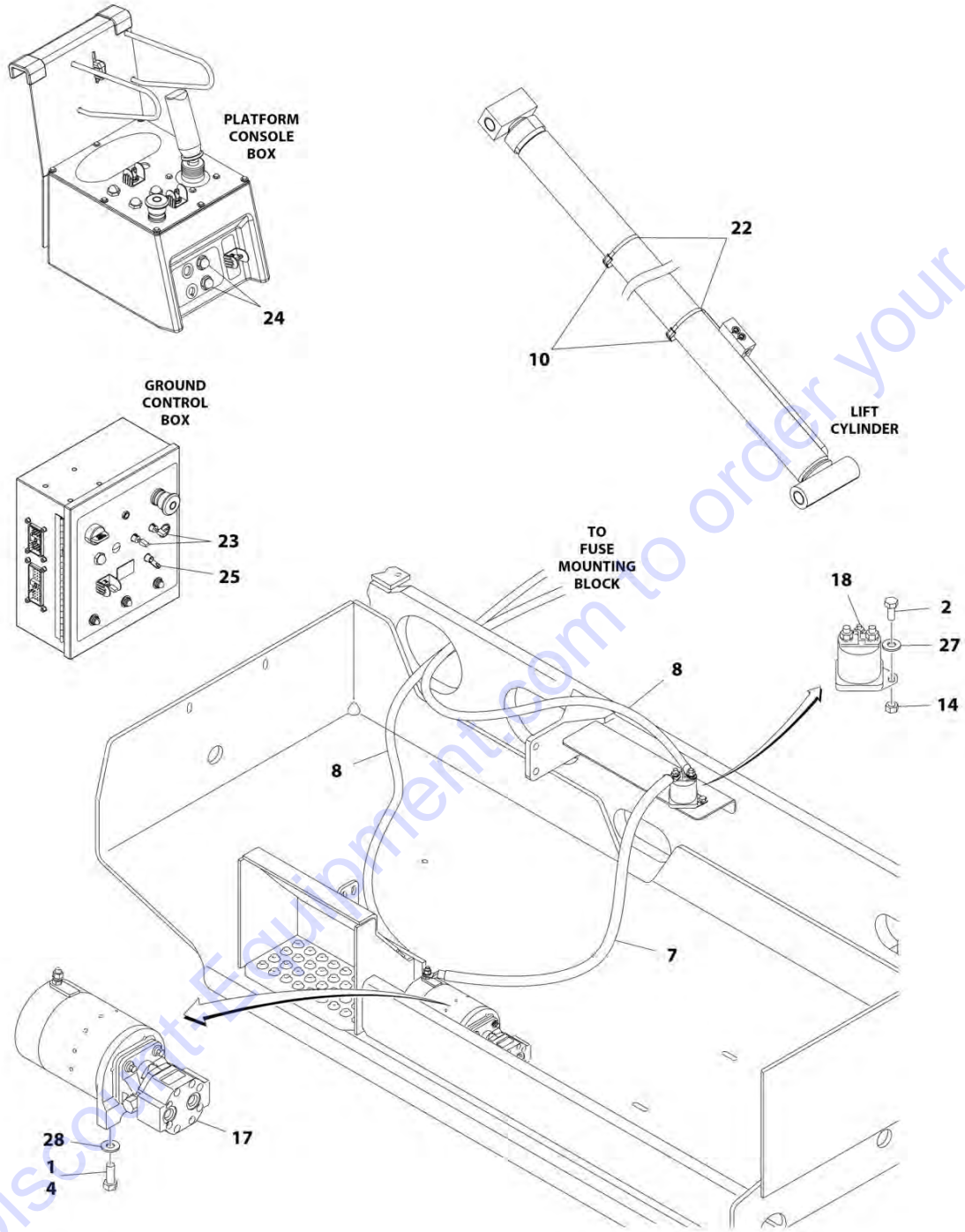
SECTION 5 - PLATFORM

FIGURE 5-16. POWER DUAL DECK EXTENSION AND PLATFORM INSTALLATION - 3394RT (WITH 15.8FT/4.8M LENGTH MEGADECK PLATFORM) (SN 0200246957 to Present)



ART_1001188850_1OF2

SECTION 5 - PLATFORM



ART_1001188850_20F2

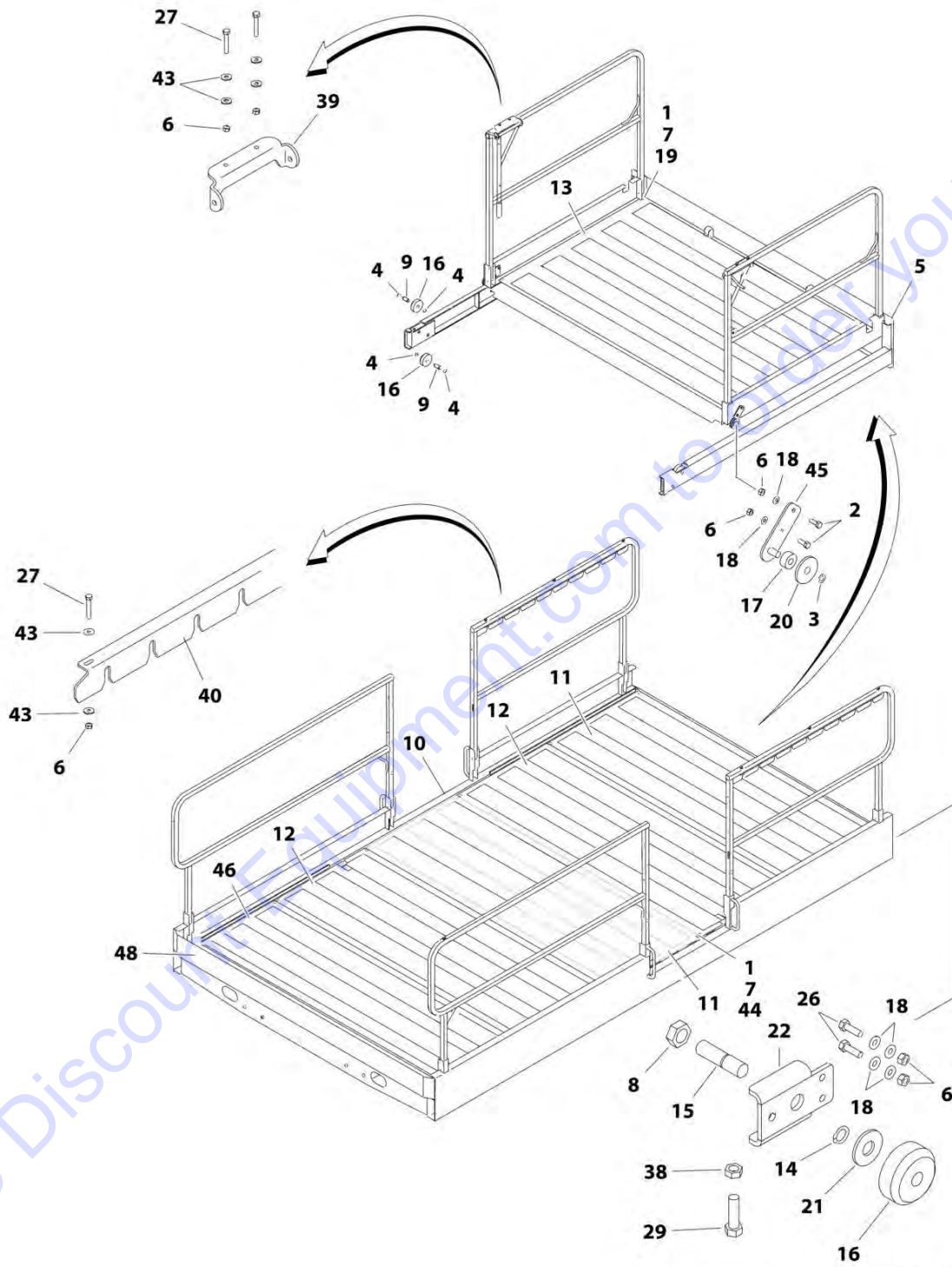
SECTION 5 - PLATFORM

FIGURE 5-16. POWER DUAL DECK EXTENSION AND PLATFORM INSTALLATION - 3394RT (WITH 15.8FT/4.8M LENGTH MEGADECK PLATFORM) (SN 0200246957 to Present)

ITEM	PART NUMBER	QTY	DESCRIPTION	REV
	1001188850	Ref	POWER DUAL DECK EXTENSION AND PLATFORM INSTALLATION - 3394RT (WITH 15.8FT/4.8M LENGTH MEGADECK PLATFORM) (SN 0200246957 to Present)	B
		Ref	Note: Available on CE Spec Only.	
		Ref	Note: Replacement Decals Must be Ordered Separately - See DECAL SECTION.	
1	0100011	AR	Compound, Locking	
2	0641405	2	Bolt 1/4 x 5/8	
3	0641426	2	Bolt 1/4 x 3-1/4	
4	0641608	2	Bolt 3/8 x 1	
5	0641636	4	Bolt 3/8 x 4-1/2	
6	0902839	4	Bracket, Hanger	
7	1061003	1	Cable, Solenoid	
8	1061004	2	Cable, Solenoid	
9	1320019	4	Clamp	
10	1670995	3	Cover	
11	1684266	4	Extension Cylinder Assembly (See CYLINDER SECTION for Breakdown)	
12	3272005	4	Nut 5/8	
13	3300471	8	Nut 3/8	
14	3311405	2	Nut 1/4	
15	3311605	4	Nut 3/8	
16	3423052	4	Pin, Tele Barrel	
17	3600468	1	Auxiliary Pump Assembly (See POWER DECK AUXILIARY PUMP ASSEMBLY for Breakdown)	
18	3740067	1	Relay	
19	3760351	8	Ring, Retaining	
20	3900330	4	Screw, Shoulder	
21	4240033	12	Tie-Strap (Not Shown)	
22	4280295	18 in /46cm	Strip, Protector	
23	4360328	2	Switch, Toggle	
24	4360387	2	Switch, Push Button	
25	4360483	1	Switch, Toggle	
26	4711400	2	Washer 1/4	
27	4751400	4	Washer 1/4	
28	4751600	10	Washer 3/8	
29	4752200	8	Washer 3/4	
30	4922859	1	Auxiliary Power Harness (Not Shown - See ELECTRICAL SECTION for Breakdown)	
31	1001103267	1	Power Deck Valve Assembly (See POWER DECK VALVE ASSEMBLY - DUAL EXTENSION for Breakdown)	
32	1001103570	1	Power Deck Harness (Not Shown - See ELECTRICAL SECTION for Breakdown)	
33	1001188851	1	Hydraulic Diagram - Power Deck (Not Shown - See HYDRAULIC SECTION for Breakdown)	
34	0272990	1	Platform and Deck Extension Assembly (See PLATFORM AND POWER DUAL DECK EXTENSION ASSEMBLY (WITH 15.8FT/4.8M LENGTH MEGADECK PLATFORM) for Breakdown)	

SECTION 5 - PLATFORM

FIGURE 5-17. PLATFORM AND MANUAL SINGLE DECK EXTENSION ASSEMBLY



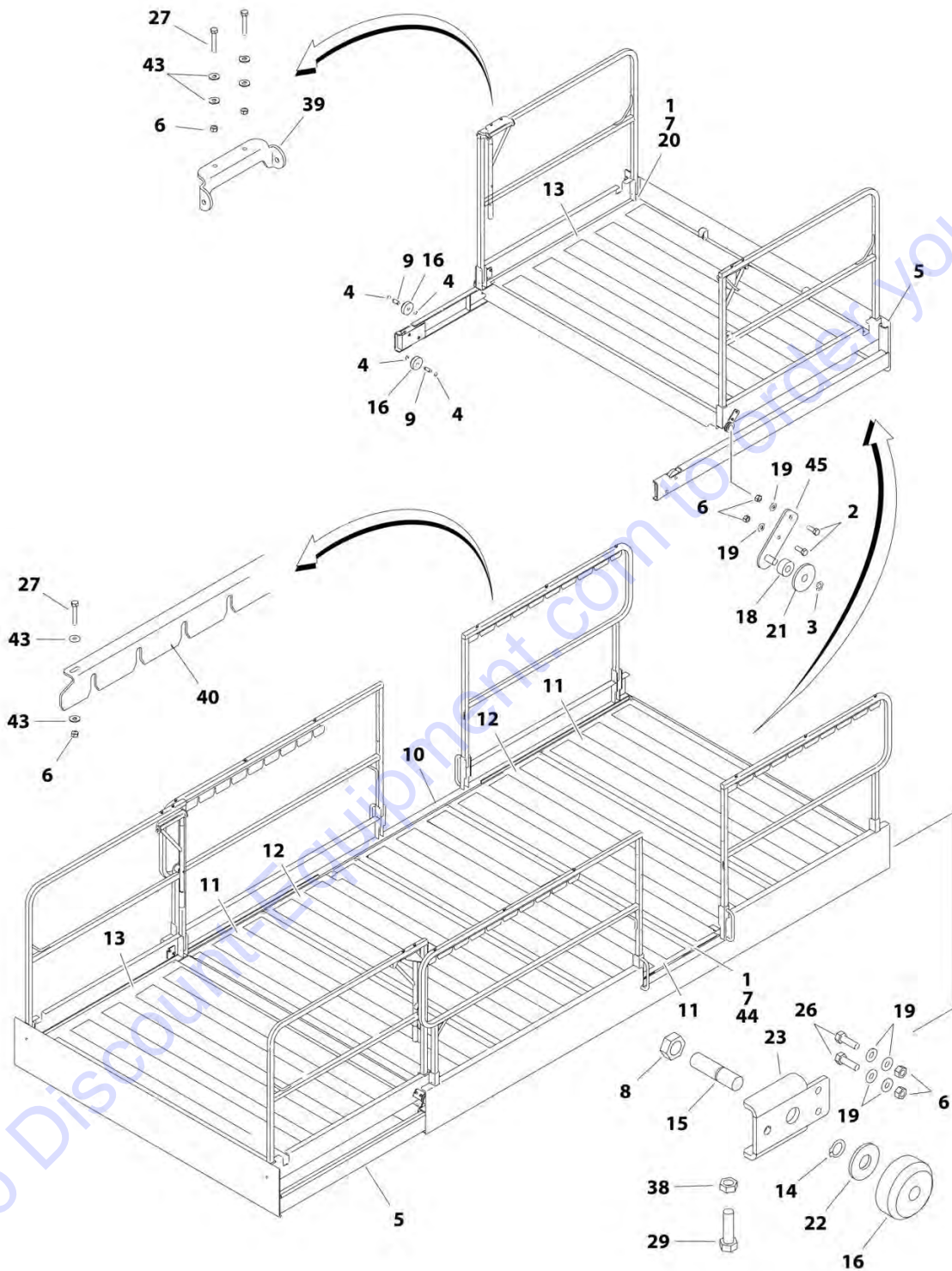
SECTION 5 - PLATFORM

FIGURE 5-17. PLATFORM AND MANUAL SINGLE DECK EXTENSION ASSEMBLY

ITEM	PART NUMBER	QTY	DESCRIPTION	REV
	0271700	Ref	PLATFORM AND MANUAL SINGLE DECK EXTENSION ASSEMBLY	R
		Ref	Note: Replacement Decals Must be Ordered Separately - See DECAL SECTION.	
1	0630485	24	Bolt	
2	0641507	4	Bolt 5/16 x 7/8	
3	1380150	2	E-Clip 1/2	
4	1380151	8	E-Clip 3/4	
5	2020006	1	Deck, Extension	
6	3311505	18	Nut 5/16	
7	3300472	24	Nut 3/8	
8	3322202	2	Nut 3/4	
9	3422966	4	Pin	
10	3510878	1	Platform Weldment	
11	0272241	2	Plate, Floor	
11	4420069	AR	Tape, Safety Tread	
12	0272242	2	Plate, Floor	
12	4420069	AR	Tape, Safety Tread	
13	0272101	1	Plate, Floor	
13	4420069	AR	Tape, Safety Tread	
14	3760348	2	Ring, Retaining	
15	3841233	2	Rod, Roller	
16	3860059	6	Roller, Extension	
17	1001143898	2	Roller	
18	4711500	12	Washer 5/16	
19	4711600	4	Washer 3/8	
20	1001096985	2	Washer	
21	4752200	2	Washer 3/4	
22	4846519	2	Support, Roller	
23	0100048	AR	Grease, Dielectric (Not Shown)	
26	0641508	4	Bolt 5/16 x 1	
27	0641516	10	Bolt 5/16 x 2	
29	0641814	2	Bolt 1/2 x 1-3/4	
38	3311802	2	Nut 1/2	
39	3537609	2	Plate, Pivot	
40	3573438	2	Plate, Latch	
43	4751500	20	Washer 5/16	
44	4751600	20	Washer 3/8	
45	1001143896	2	Mount, Roller	
46	0272243	1	Plate, Floor	
46	4420069	AR	Tape, Safety Tread	
47	4420066	82 ft/25m	Tape, Double Sided (Not Shown - Located Between Floor Plates and Platform Weldment)	
48	4846556		Kickplate	

SECTION 5 - PLATFORM

FIGURE 5-18. PLATFORM AND MANUAL DUAL DECK EXTENSION ASSEMBLY



ART_0271704

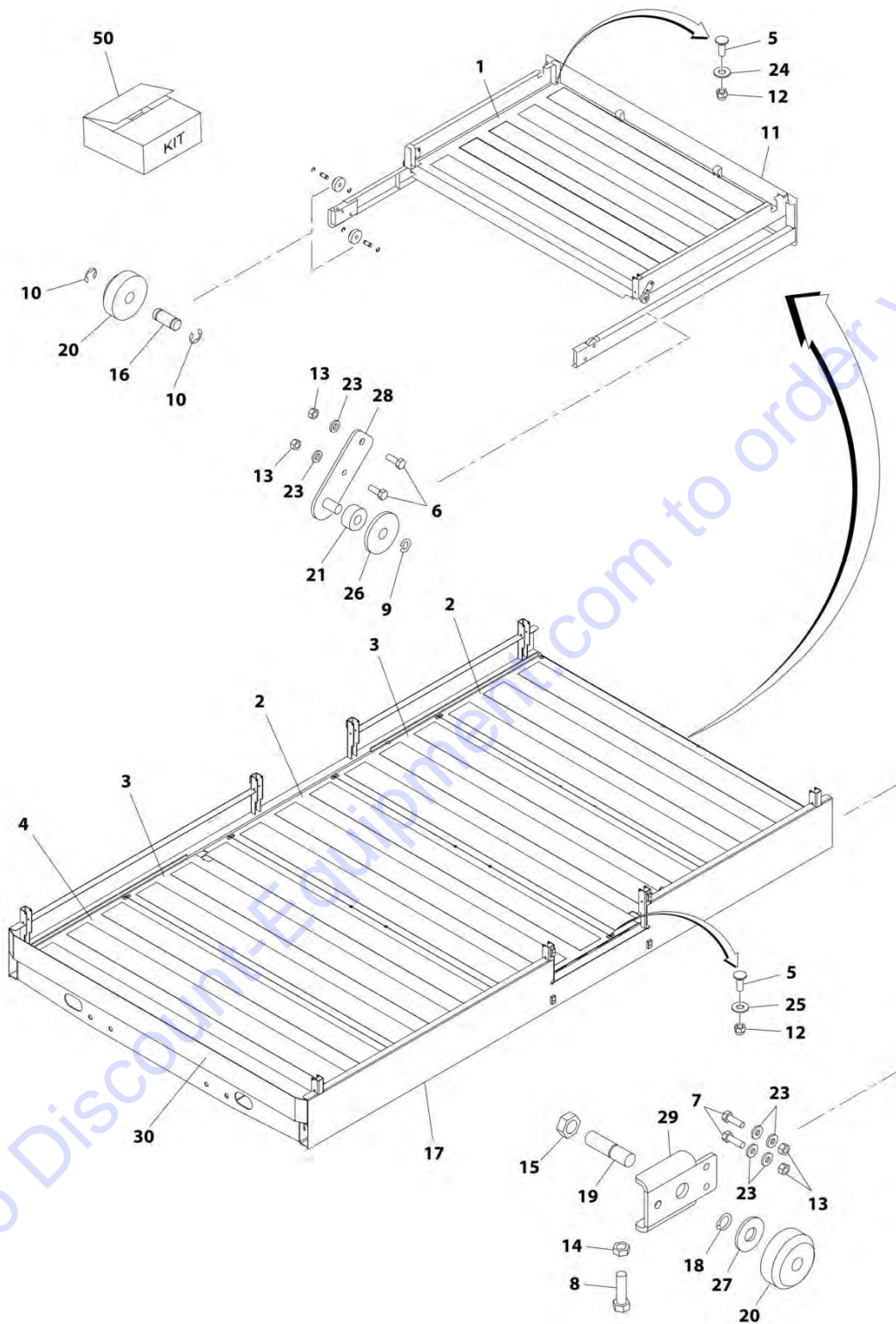
SECTION 5 - PLATFORM

FIGURE 5-18. PLATFORM AND MANUAL DUAL DECK EXTENSION ASSEMBLY

ITEM	PART NUMBER	QTY	DESCRIPTION	REV
	0271704	Ref	PLATFORM AND MANUAL DUAL DECK EXTENSION ASSEMBLY	R
		Ref	Note: Replacement Decals Must be Ordered Separately - See DECAL SECTION.	
1	0630485	28	Bolt	
2	0641507	8	Bolt 5/16 x 7/8	
3	1380150	4	E-Clip 1/2	
4	1380151	16	E-Clip 3/4	
5	2020006	2	Deck, Extension	
6	3311505	36	Nut 5/16	
7	3300472	28	Nut 3/8	
8	3322202	4	Nut 3/4	
9	3422966	8	Pin	
10	3510878	1	Platform Weldment	
11	0272241	3	Plate, Floor	
11	4420069	AR	Tape, Safety Tread	
12	0272242	2	Plate, Floor	
12	4420069	AR	Tape, Safety Tread	
13	0272101	2	Plate, Floor	
13	4420069	AR	Tape, Safety Tread	
14	3760348	4	Ring, Retaining	
15	3841233	4	Rod, Roller	
16	3860059	12	Roller, Extension	
17	0100048	AR	Grease, Dielectric (Not Shown)	
18	1001143898	4	Roller	
19	4711500	24	Washer 5/16	
20	4711600	8	Washer 3/8	
21	1001096985	4	Flatwasher	
22	4752200	4	Washer 3/4	
23	4846519	4	Support, Roller	
26	0641508	8	Bolt 5/16 x 1	
27	0641516	20	Bolt 5/16 x 2	
29	0641814	4	Bolt 1/2 x 1-3/4	
38	3311802	4	Nut 1/2	
39	3537609	4	Plate, Pivot	
40	3573438	4	Plate, Latch	
43	4751500	40	Washer 5/16	
44	4751600	20	Washer 3/8	
45	1001143896	4	Mount, Roller	
46	4420066	97 ft /29.6m	Tape, Double Sided (Not Shown - Located Between Floor Plates and Platform Weldment)	

SECTION 5 - PLATFORM

FIGURE 5-19. PLATFORM AND POWER SINGLE DECK EXTENSION ASSEMBLY



ART_0272605

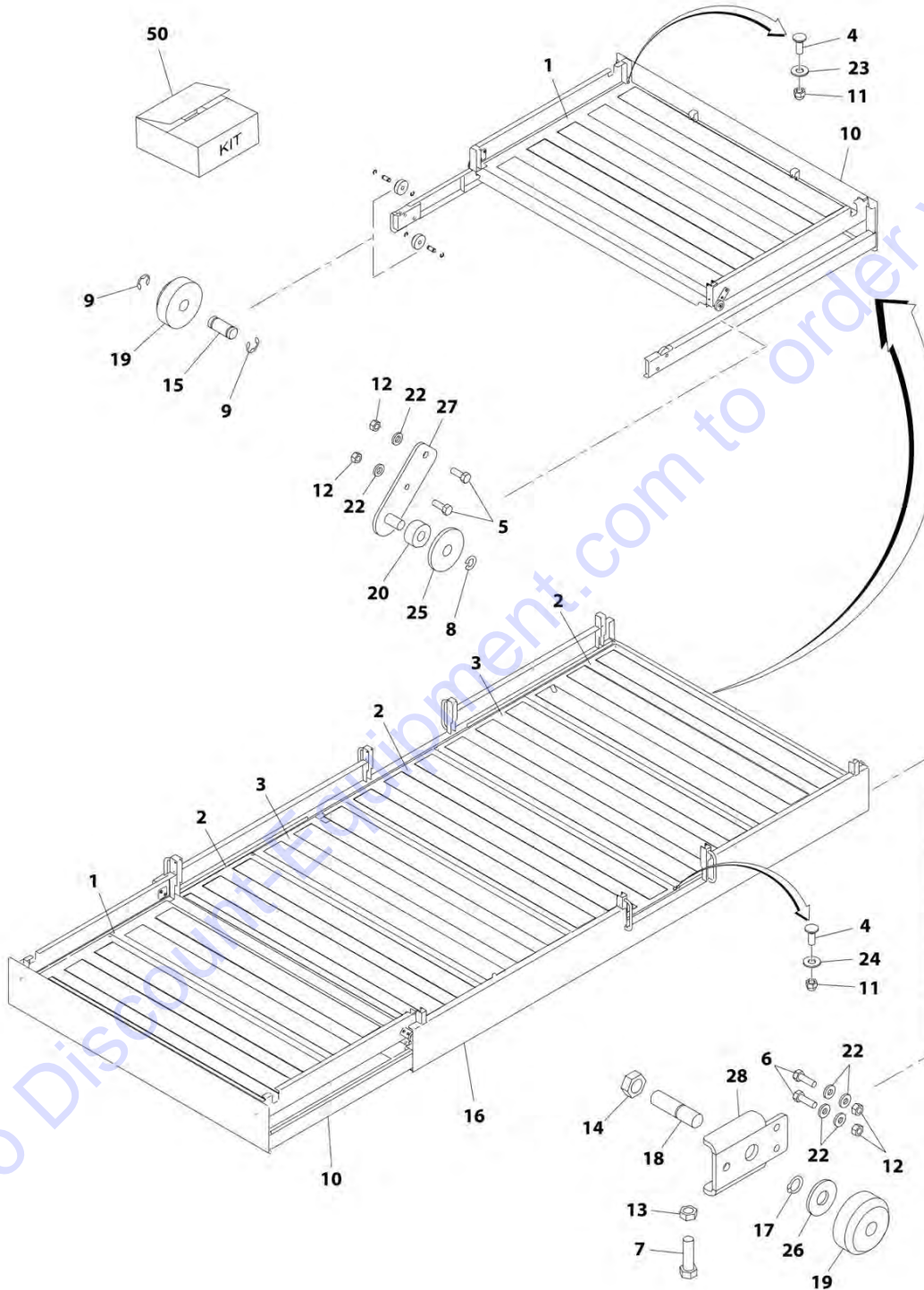
SECTION 5 - PLATFORM

FIGURE 5-19. PLATFORM AND POWER SINGLE DECK EXTENSION ASSEMBLY

ITEM	PART NUMBER	QTY	DESCRIPTION	REV
	0272605	Ref	PLATFORM AND POWER SINGLE DECK EXTENSION ASSEMBLY	I
		Ref	Note: Replacement Decals Must be Ordered Separately - See DECAL SECTION.	
1	0272101	1	Plate, Floor	
1	4420069	30 ft/9m	Tape, Safety Tread	
2	0272241	2	Plate, Floor	
2	4420069	19.5 ft/6m	Tape, Safety Tread	
3	0272242	2	Plate, Floor	
3	4420069	19.5 ft/6m	Tape, Safety Tread	
4	0272243	1	Plate, Floor	
4	4420069	19.5 ft/6m	Tape, Safety Tread	
5	0630485	24	Bolt	
6	0641507	4	Bolt 5/16 x 7/8	
7	0641508	4	Bolt 5/16 x 1	
8	0641814	2	Bolt 1/2 x 1-3/4	
9	1380150	2	E-Clip 1/2	
10	1380151	8	E-Clip 3/4	
11	2020006	1	Deck, Extension	
12	3300472	24	Nut 3/8	
13	3311505	8	Nut 5/16	
14	3311802	2	Nut 1/2	
15	3322202	2	Nut	
16	3422966	4	Pin	
17	3510878	1	Platform	
18	3760348	2	Ring, Retaining	
19	3841233	2	Rod, Roller	
20	3860059	6	Roller, Extension	
21	1001143898	2	Roller	
22	4420066	82 ft/25m	Tape, Double Sided (Not Shown - Located Between Floor Plates and Platform Weldment)	
23	4711500	12	Washer 5/16	
24	4711600	4	Washer 3/8	
25	4751600	20	Washer 3/8	
26	1001096985	2	Washer	
27	4752200	2	Washer 3/4	
28	1001143896	4	Mount, Roller	
29	4846519	2	Support, Roller	
30	4846556	1	Kickplate	
50	1001143909	1	Extension Roller Kit (Includes Items 9, 21, 26 & 28)	

SECTION 5 - PLATFORM

FIGURE 5-20. PLATFORM AND POWER DUAL DECK EXTENSION ASSEMBLY (WITH 12.6FT/3.8M LENGTH PLATFORM)



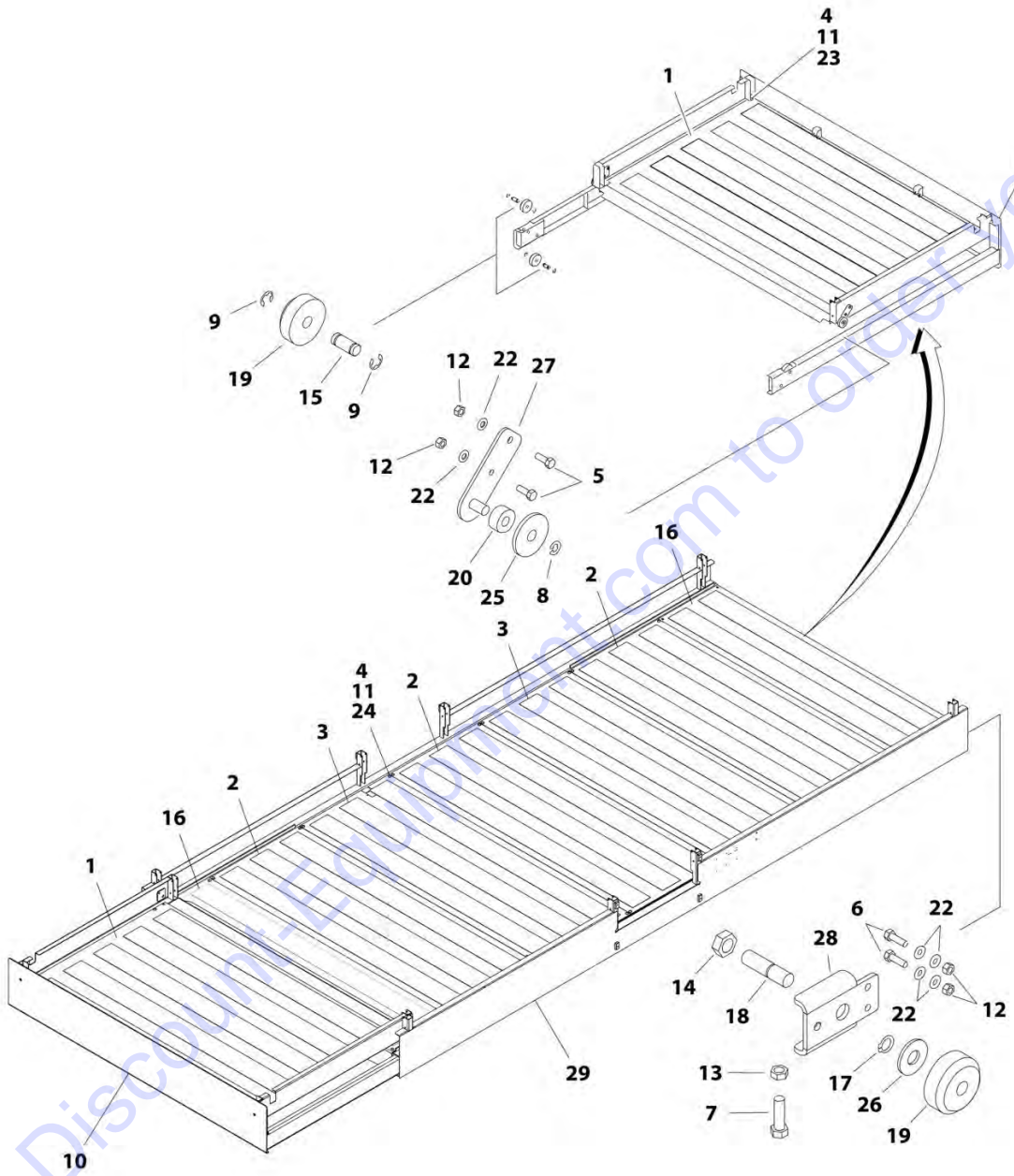
SECTION 5 - PLATFORM

FIGURE 5-20. PLATFORM AND POWER DUAL DECK EXTENSION ASSEMBLY (WITH 12.6FT/3.8M LENGTH PLATFORM)

ITEM	PART NUMBER	QTY	DESCRIPTION	REV
	0272707	Ref	PLATFORM AND POWER DUAL DECK EXTENSION ASSEMBLY (WITH 12.6FT/3.8M LENGTH PLATFORM)	J
		Ref	Note: Replacement Decals Must be Ordered Separately - See DECAL SECTION.	
1	0272101	1	Plate, Floor	
1	4420069	30 ft/9m	Tape, Safety Tread	
2	0272241	3	Plate, Floor	
2	4420069	19.5 ft/6m	Tape, Safety Tread	
3	0272242	2	Plate, Floor	
3	4420069	19.5 ft/6m	Tape, Safety Tread	
4	0630485	28	Bolt	
5	0641507	8	Bolt 5/16 x 7/8	
6	0641508	8	Bolt 5/16 x 1	
7	0641814	4	Bolt 1/2 x 1-3/4	
8	1380150	4	E-Clip 1/2	
9	1380151	16	E-Clip 3/4	
10	2020006	2	Deck, Extension	
11	3300472	28	Nut 3/8	
12	3311505	16	Nut 5/16	
13	3311802	4	Nut 1/2	
14	3322202	4	Nut	
15	3422966	4	Pin	
16	3510878	1	Platform	
17	3760348	4	Ring, Retaining	
18	3841233	4	Rod, Roller	
19	3860059	12	Roller, Extension	
20	1001143898	4	Roller	
21	4420066	97 ft/30m	Tape, Double Sided (Not Shown - Located Between Floor Plates and Platform Weldment)	
22	4711500	24	Washer 5/16	
23	4711600	8	Washer 3/8	
24	4751600	12	Washer 3/8	
25	1001096985	4	Washer	
26	4752200	4	Washer 3/4	
27	1001143896	4	Mount, Roller	
28	4846519	4	Support, Roller	
50	1001143909	1	Extension Roller Kit (Includes Items 8, 20, 25 & 27)	

SECTION 5 - PLATFORM

FIGURE 5-21. PLATFORM AND POWER DUAL DECK EXTENSION ASSEMBLY (WITH 15.8FT/4.8M LENGTH MEGADECK PLATFORM)



ART_0272990

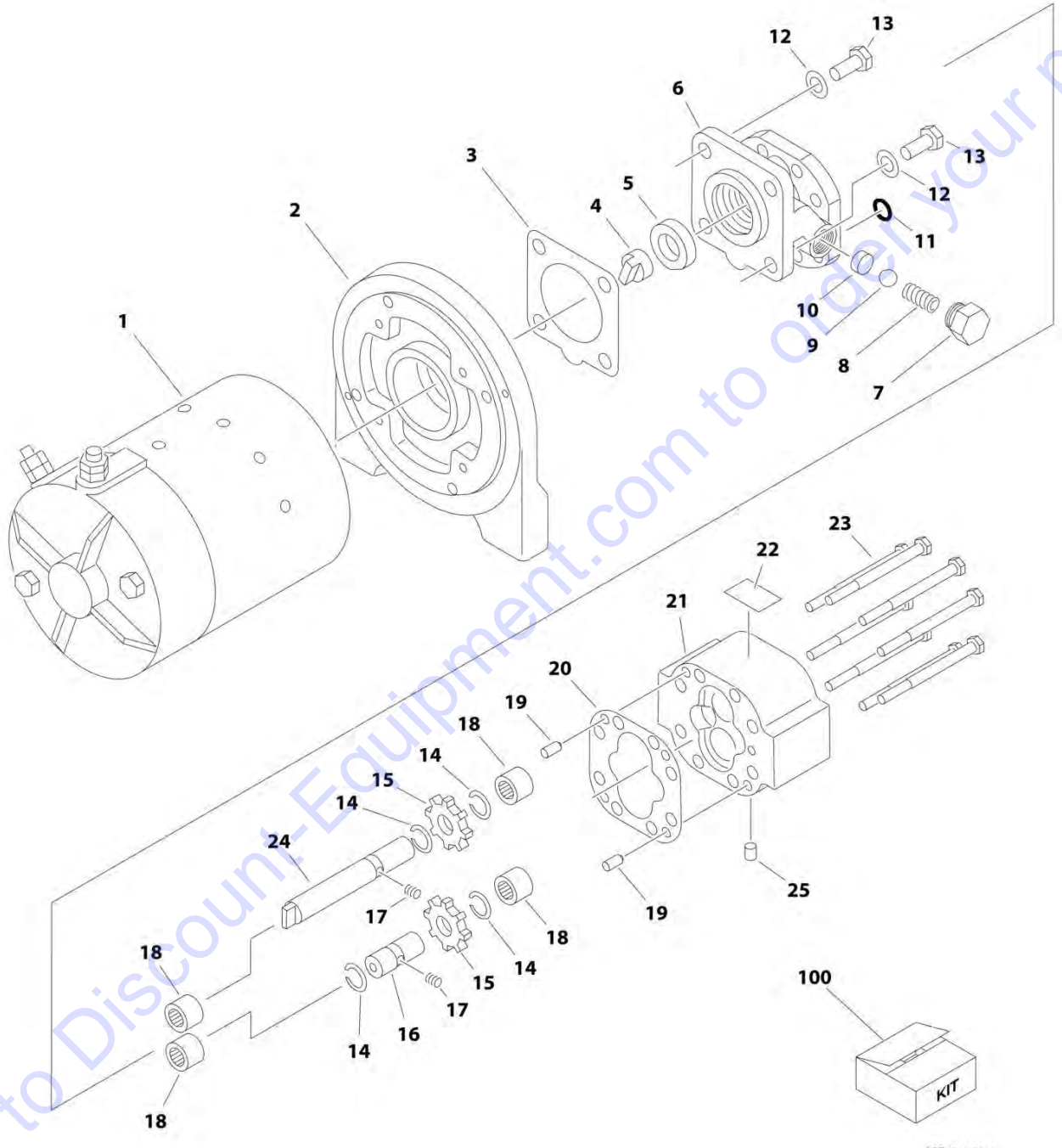
SECTION 5 - PLATFORM

FIGURE 5-21. PLATFORM AND POWER DUAL DECK EXTENSION ASSEMBLY (WITH 15.8FT/4.8M LENGTH MEGADECK PLATFORM)

ITEM	PART NUMBER	QTY	DESCRIPTION	REV
	0272990	Ref	PLATFORM AND POWER DUAL DECK EXTENSION ASSEMBLY (WITH 15.8FT/4.8M LENGTH MEGADECK PLATFORM)	M
		Ref	Note: Replacement Decals Must be Ordered Separately - See DECAL SECTION.	
1	0272101	2	Plate, Floor	
1	4420069	AR	Tape, Safety Tread	
2	0272241	3	Plate, Floor	
2	4420069	AR	Tape, Safety Tread	
3	0272242	2	Plate, Floor	
3	4420069	AR	Tape, Safety Tread	
4	0630485	32	Bolt	
5	0641507	8	Bolt 5/16 x 7/8	
6	0641508	8	Bolt 5/16 x 1	
7	0641814	4	Bolt 1/2 x 1-3/4	
8	1380150	4	E-Clip 1/2	
9	1380151	16	E-Clip 3/4	
10	2020006	2	Deck, Extension	
11	3300472	32	Nut 3/8	
12	3311505	16	Nut 5/16	
13	3311802	4	Nut 1/2	
14	3322202	4	Nut	
15	3422966	8	Pin	
16	0272998	2	Plate, Deck	
16	4420069	AR	Tape, Safety Tread	
17	3760348	4	Ring, Retaining	
18	3841233	4	Rod, Roller	
19	3860059	12	Roller, Extension	
20	1001143898	4	Roller	
21	4420066	113.5 ft /34.60m	Tape, Double Sided (Not Shown - Located Between Floor Plates and Platform Weldment)	
22	4711500	24	Washer 5/16	
23	4711600	8	Washer 3/8	
24	4751600	22	Washer 3/8	
25	1001096985	4	Washer	
26	4752200	4	Washer 3/4	
27	1001143896	4	Mount, Roller	
28	4846519	4	Support, Roller	
29	3510879	1	Platform	

SECTION 5 - PLATFORM

FIGURE 5-22. POWER DECK AUXILIARY PUMP ASSEMBLY



ART_3600468

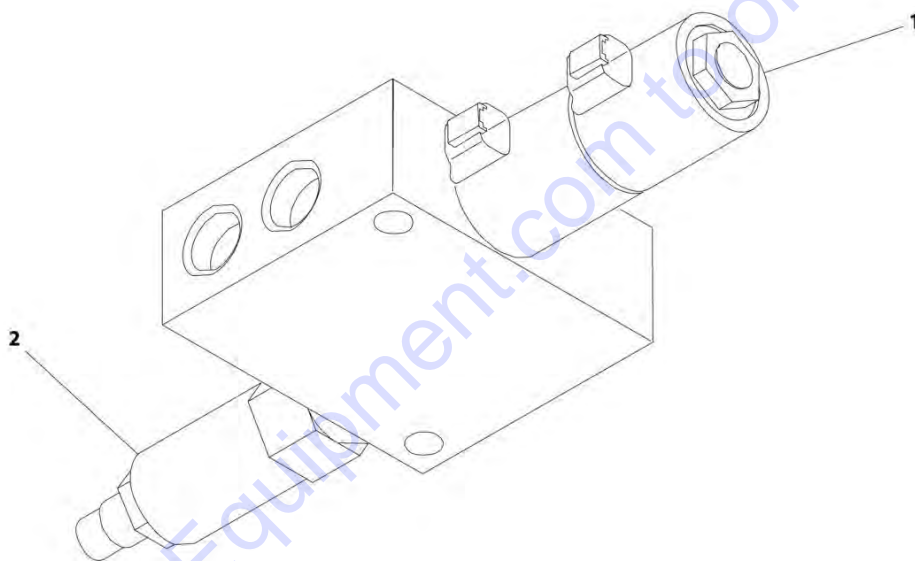
SECTION 5 - PLATFORM

FIGURE 5-22. POWER DECK AUXILIARY PUMP ASSEMBLY

ITEM	PART NUMBER	QTY	DESCRIPTION	REV
	3600468	Ref	POWER DECK AUXILIARY PUMP ASSEMBLY	B
1	7011003	1	Motor	
2	7012576	1	Bracket, Mounting	
3	7011044	1	Gasket, Mounting	
4	7011016	1	Coupling	
5	70000969	1	Seal, Shaft	
6	See Note	NSS	Stator (Note: Use Item 100)	
7	70001079	1	Cap Assembly	
8	70001076	1	Spring	
9	70001081	1	Ball	
10	70001080	1	Seat	
11	7011024	1	Seal	
12	7011048	4	Washer	
13	7011043	4	Screw	
14	70000970	4	Ring, Retaining	
15	70000971	2	Gear	
16	70001112	1	Shaft, Idler	
17	70001065	2	Pin, Drive	
18	70000976	4	Bearing, Needle	
19	7010911	2	Pin, Dowel	
20	70001085	1	Gasket	
21	See Note	NSS	Housing, Gear (Note: Use Item 100)	
22	See Note	NSS	Label (Note: Not Available for Purchase)	
23	70001106	8	Screw	
24	70001107	1	Shaft, Drive	
25	See Note	NSS	Plug (Note: Use Item 100)	
100	70001108	1	Replacement Pump Kit (Includes Items 3-25)	

SECTION 5 - PLATFORM

FIGURE 5-23. POWER DECK VALVE ASSEMBLY - SINGLE EXTENSION



ART_1001103266

SECTION 5 - PLATFORM

FIGURE 5-23. POWER DECK VALVE ASSEMBLY - SINGLE EXTENSION

ITEM	PART NUMBER	QTY	DESCRIPTION	REV
	1001103266	Ref	POWER DECK VALVE ASSEMBLY - SINGLE EXTENSION	A
1	7017433	1	Solenoid Cartridge Valve Assembly	
1	7017402	1	Seal Kit - 7017433 Cartridge	
1	70001977	2	Coil	
2	7017460	1	Relief Valve Assembly	
2	7017461	1	Seal Kit - 7017460 Cartridge	

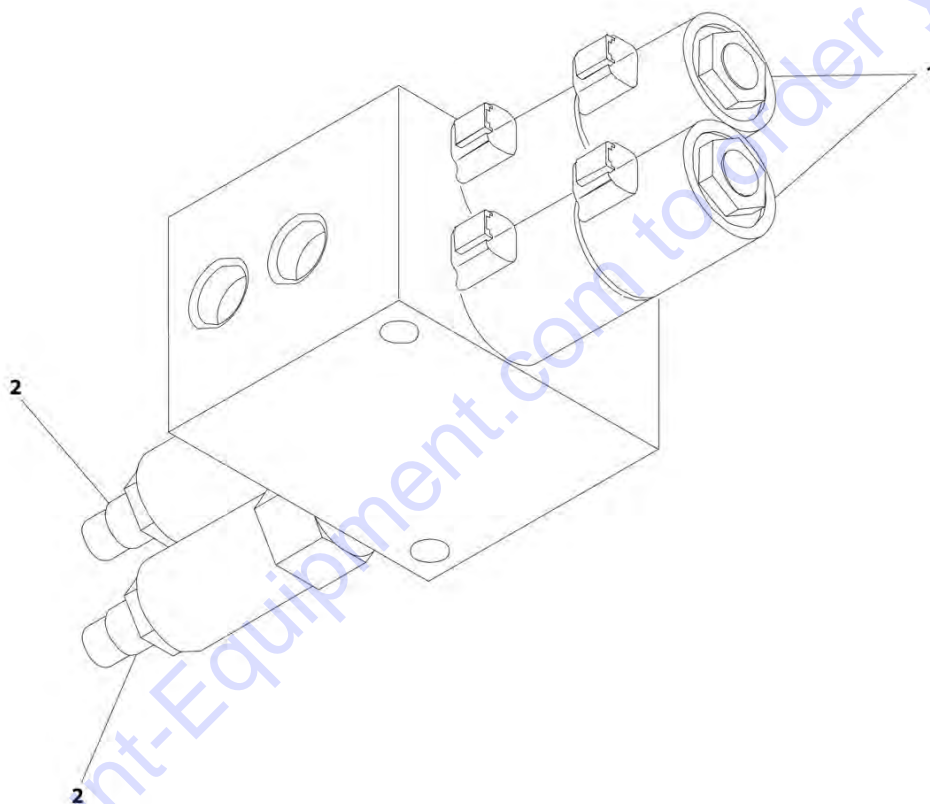
Go to Discount-Equipment.com to order your parts

SECTION 5 - PLATFORM

FIGURE 5-24. POWER DECK VALVE ASSEMBLY - DUAL EXTENSION

USAGE CHART:

- ALL 12.6FT/3.8M LENGTH PLATFORM
- 15.8FT/4.8M LENGTH MEGADECK PLATFORM
(SN 0200246957 TO PRESENT)



ART_1001103267

SECTION 5 - PLATFORM

FIGURE 5-24. POWER DECK VALVE ASSEMBLY - DUAL EXTENSION

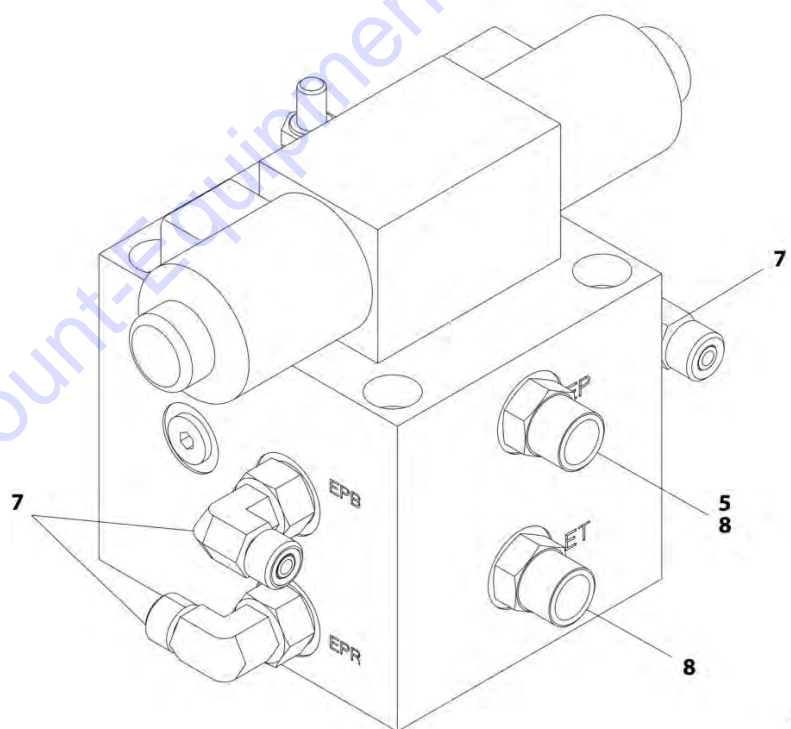
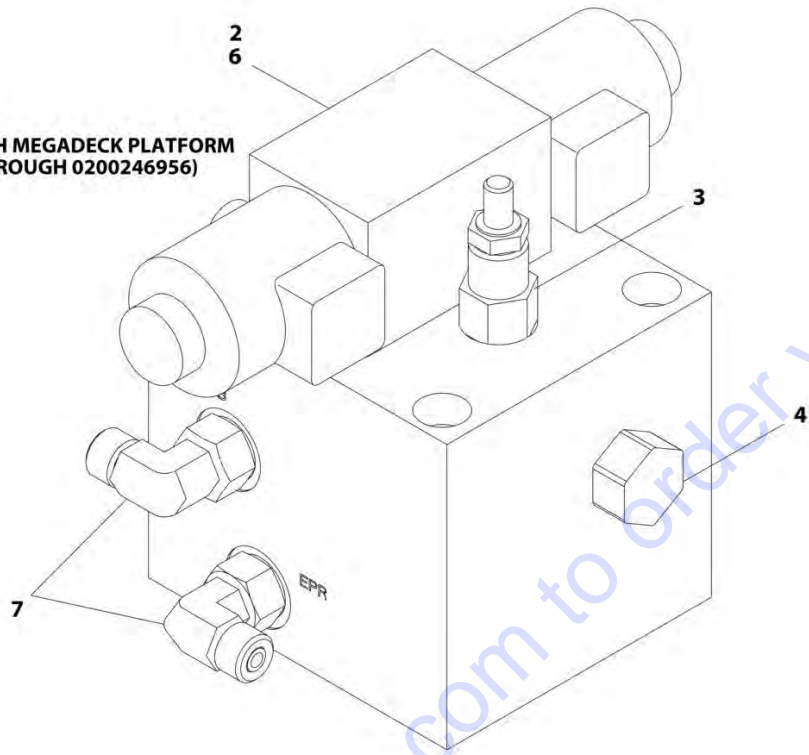
ITEM	PART NUMBER	QTY	DESCRIPTION	REV
		Ref	USAGE CHART:	
		Ref	- All 12.6ft/3.8m Length Platform	
		Ref	- 15.8ft/4.8m Length Megadeck Platform (SN 0200246957 to Present)	
	1001103267	Ref	POWER DECK VALVE ASSEMBLY - DUAL EXTENSION	A
1	7017433	2	Solenoid Cartridge Valve Assembly	
1	7017402	2	Seal Kit - 7017433 Cartridge	
1	70001977	4	Coil	
2	7017460	2	Relief Valve Assembly	
2	7017461	2	Seal Kit - 7017460 Cartridge	

Go to Discount-Equipment.com to order your parts

SECTION 5 - PLATFORM

FIGURE 5-25. POWER DECK VALVE ASSEMBLY - DUAL EXTENSION

USAGE CHART :
- 15.8FT/4.8M LENGTH MEGADECK PLATFORM
(SN 0200239053 THROUGH 0200246956)



ART_1001092957

SECTION 5 - PLATFORM

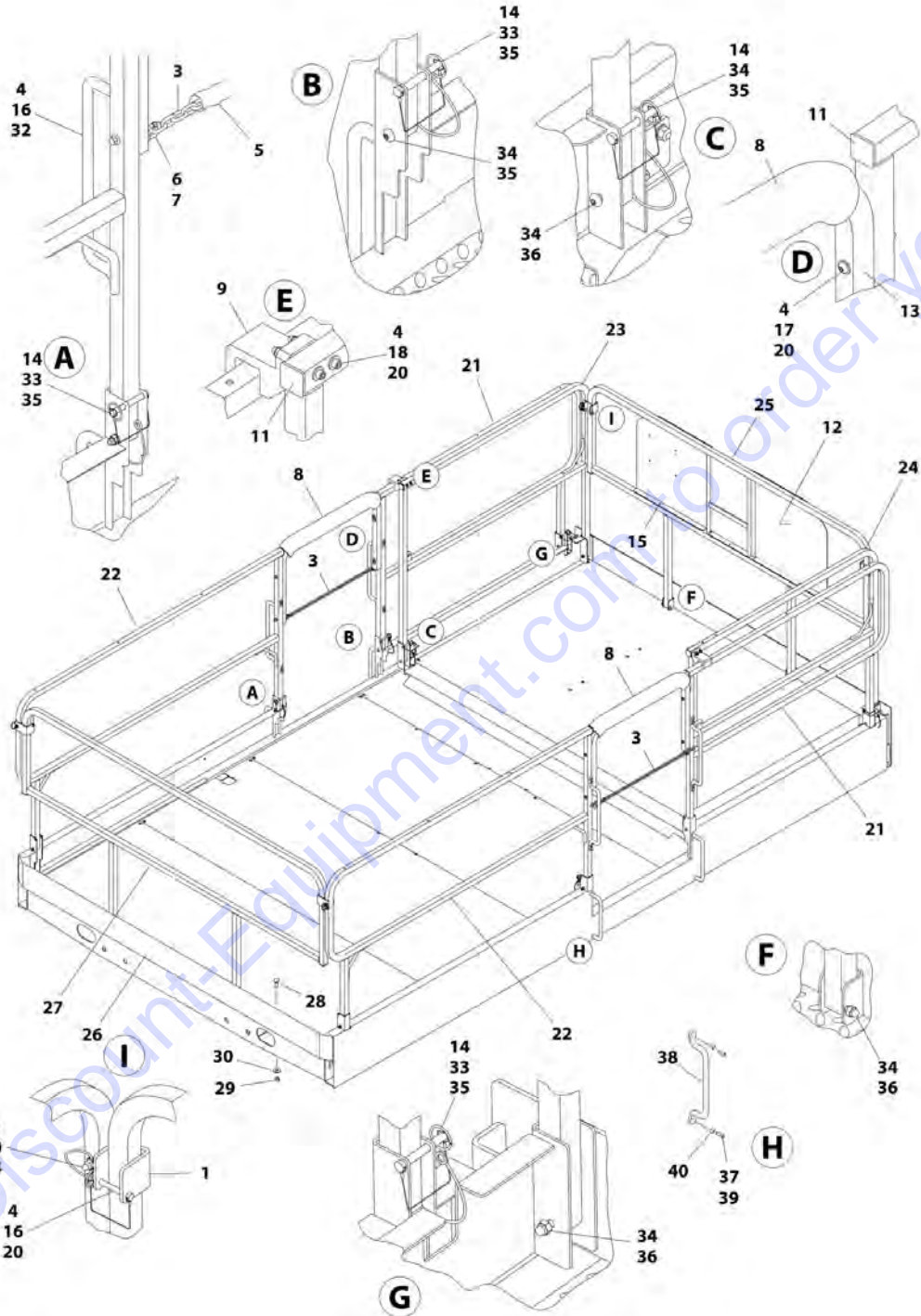
FIGURE 5-25. POWER DECK VALVE ASSEMBLY - DUAL EXTENSION

ITEM	PART NUMBER	QTY	DESCRIPTION	REV
		Ref	USAGE CHART:	
		Ref	- 15.8ft/4.8m Length Megadeck Platform (SN 0200239053 through 0200246956)	
	1001092957	Ref	POWER DECK VALVE ASSEMBLY - DUAL EXTENSION	B
2	70001342	1	Control Valve Assembly	
3	70001343	1	Cartridge, Relief Valve	
3	7011346	1	Seal Kit - 70001343 Valve	
4	7026002	1	Cartridge, Shuttle Valve	
4	2900770	1	Seal Kit - 7026002 Valve	
5	7024926	1	Orifice	
6	7018942	4	Capscrew #10 x 2	
7	2130406	4	Fitting, 90 ORFS/ORB	
8	2110606	2	Fitting, Straight ORFS/ORB	

Go to Discount-Equipment.com to order your parts

SECTION 5 - PLATFORM

FIGURE 5-26. RAILS INSTALLATION - CHAIN ENTRY (SINGLE DECK EXTENSION)



ART_0271694

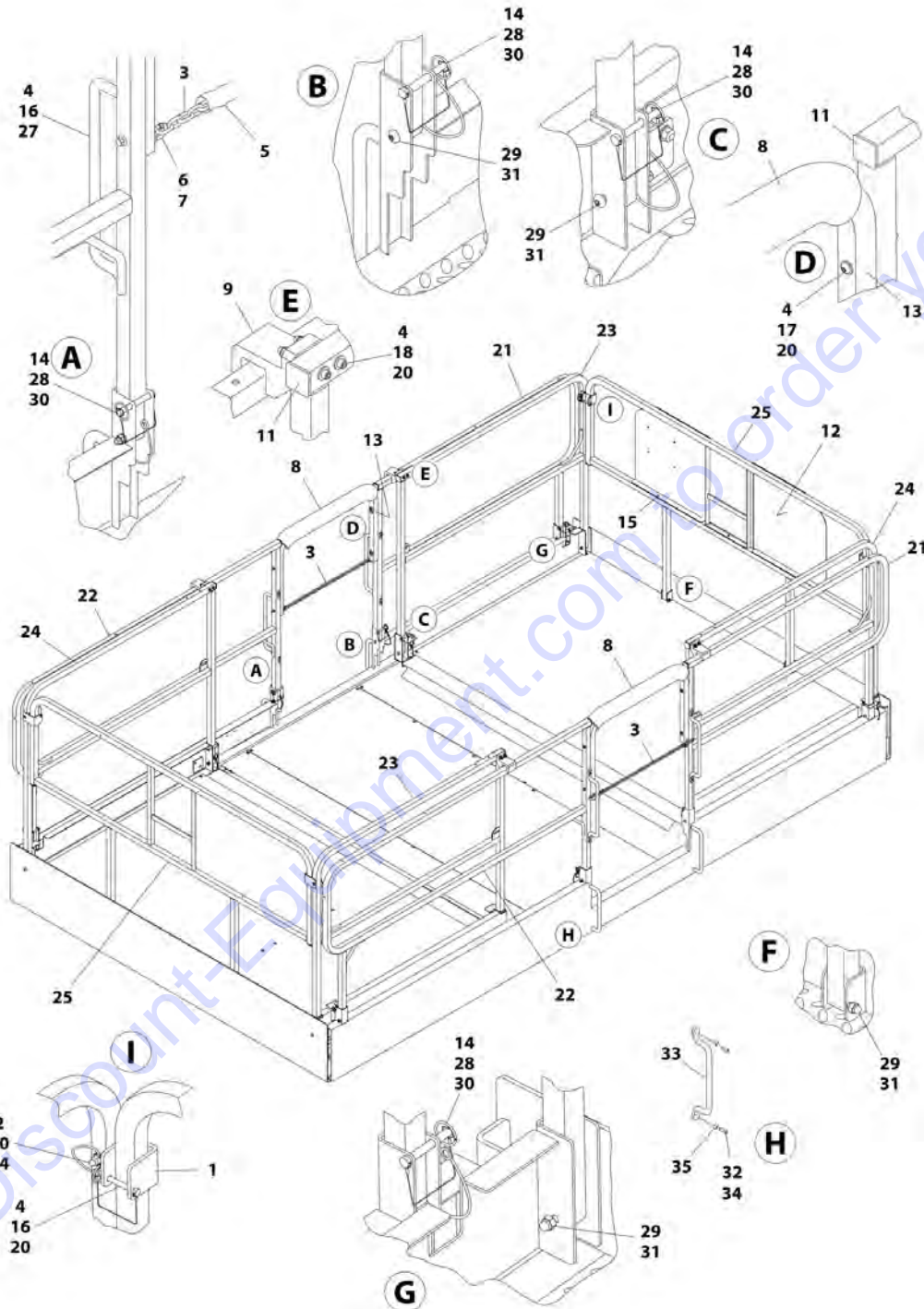
SECTION 5 - PLATFORM

FIGURE 5-26. RAILS INSTALLATION - CHAIN ENTRY (SINGLE DECK EXTENSION)

ITEM	PART NUMBER	QTY	DESCRIPTION	REV
	0271694	Ref	RAILS INSTALLATION - CHAIN ENTRY (SINGLE DECK EXTENSION)	M
1	0901870	4	Bracket	
2	1060379	4	Lanyard	
3	1260136	4 ft /1.2m	Chain	
4	2080063	32	Fastener 1/4	
5	2820097	2	Cover, Chain	
6	2940064	2	Latch, Snap	
7	3010088	4	Link, Repair	
8	3340612	3 ft /0.91m	Cover, Rail	
9	3340937	2	Pad, Slide	
10	3422219	4	Pin, Snap	
11	3520072	10	Plug, Cap	
12	3571862	1	Plate, Placard	
13	4846590	2	Rail	
14	3760170	12	Ring, Split	
15	3820020	7	Rivet	
16	3900318	20	Screw 1/4 x 2	
17	3900319	8	Screw 1/4 x 3	
18	3931436	4	Capscrew 1/4 x 2-1/4	
20	4711400	24	Washer 1/4	
21	4846530	2	Rail, Side	
22	4846531	2	Rail, Side	
23	4846532	1	Rail, Side Extension	
24	4846537	1	Rail, Side Extension	
25	4846542	1	Rail, End Extension	
26	4846556	1	Kickplate	
27	4846557	1	Rail, End	
28	0630485	4	Bolt 3/8	
29	3311605	4	Nut 3/8	
30	4751600	4	Washer 3/8	
31	2902067	1	Rail Kit (Not Shown - Includes Items 12, 13, 15 & 21-27)	
32	2560176	4	Handle	
33	1060808	8	Lanyard	
34	2080064	16	Fastener 5/16	
35	3421565	8	Pin, Snap	
36	3900323	16	Screw 5/16 x 2	
37	0100011	AR	Compound, Locking	
38	2560188	4	Handle	
39	3931512	8	Bolt 5/16 x 3/4	
40	4711500	8	Washer 5/16	

SECTION 5 - PLATFORM

FIGURE 5-27. RAILS INSTALLATION - CHAIN ENTRY (DUAL DECK EXTENSION)



ARE_0271711

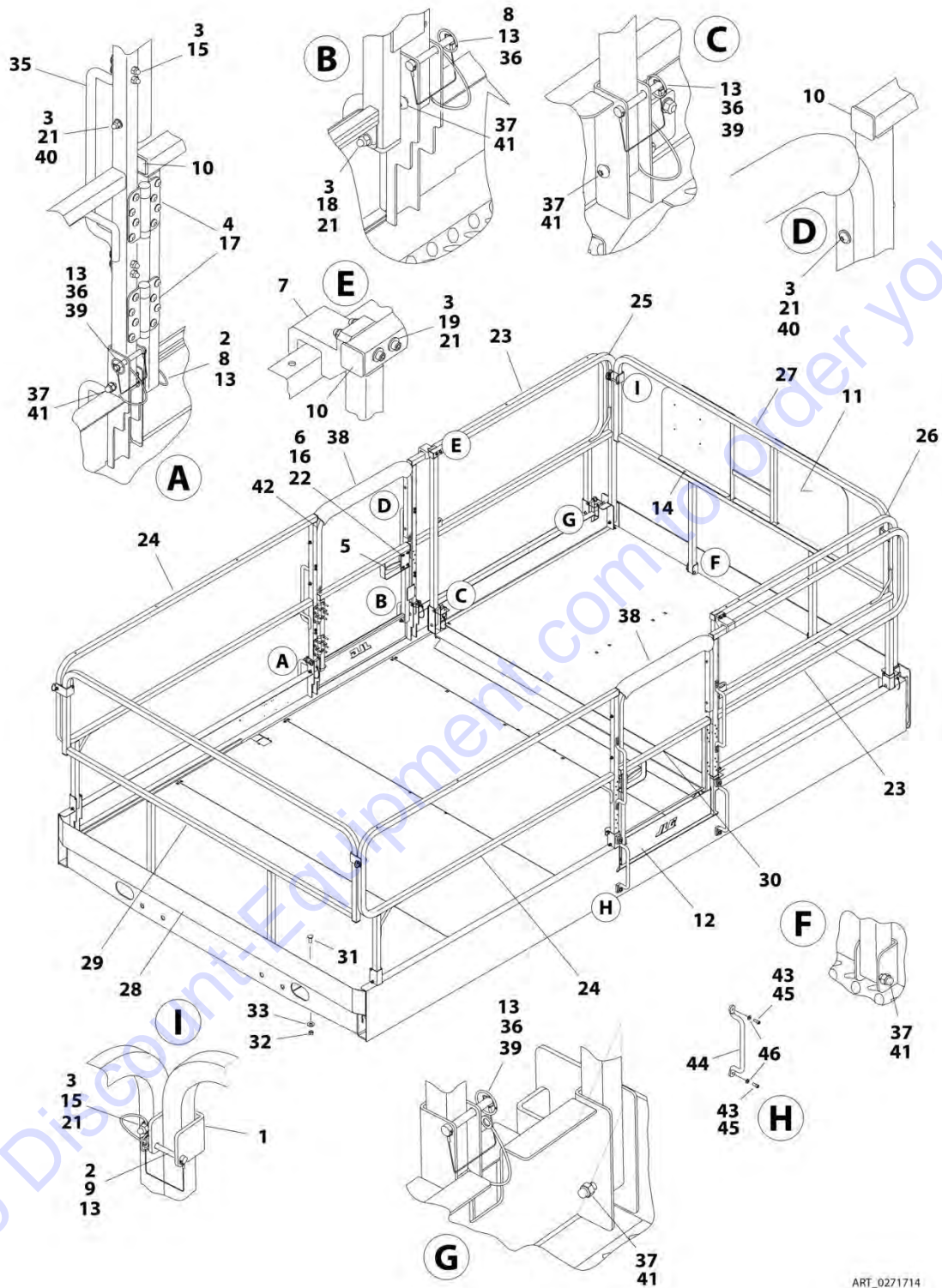
SECTION 5 - PLATFORM

FIGURE 5-27. RAILS INSTALLATION - CHAIN ENTRY (DUAL DECK EXTENSION)

ITEM	PART NUMBER	QTY	DESCRIPTION	REV
	0271711	Ref	RAILS INSTALLATION - CHAIN ENTRY (DUAL DECK EXTENSION)	L
1	0901870	4	Bracket	
2	1060379	4	Lanyard	
3	1260136	4 ft /1.2m	Chain	
4	2080063	36	Fastener 1/4	
5	2820097	2	Cover, Chain	
6	2940064	2	Latch, Snap	
7	3010088	4	Link, Repair	
8	3340612	3 ft /0.91m	Cover, Rail	
9	3340937	4	Pad, Slide	
10	3422219	4	Pin, Snap	
11	3520072	10	Plug, Cap	
12	3571862	1	Plate, Placard	
13	4846590	2	Rail	
14	3760170	16	Ring, Split	
15	3820020	7	Rivet	
16	3900318	20	Screw 1/4 x 2	
17	3900319	8	Screw 1/4 x 3	
18	3931436	8	Capscrew 1/4 x 2-1/4	
20	4711400	32	Washer 1/4	
21	4846530	2	Rail, Side	
22	4846531	2	Rail, Side	
23	4846532	2	Rail, Side Extension	
24	4846537	2	Rail, Side Extension	
25	4846542	2	Rail, End Extension	
26	2902148	1	Rail Kit (Not Shown - Includes Items 12, 13, 15 & 21-25)	
27	2560176	4	Handle	
28	1060808	12	Lanyard	
29	2080064	20	Fastener 5/16	
30	3421565	12	Pin, Snap	
31	3900323	20	Screw 5/16 x 2	
32	0100011	AR	Compound, Locking	
33	2560188	4	Handle	
34	3931512	8	Bolt 5/16 x 3/4	
35	4711500	8	Washer 5/16	

SECTION 5 - PLATFORM

FIGURE 5-28. RAILS INSTALLATION - SWING GATE ENTRY (SINGLE DECK EXTENSION)



ART_0271714

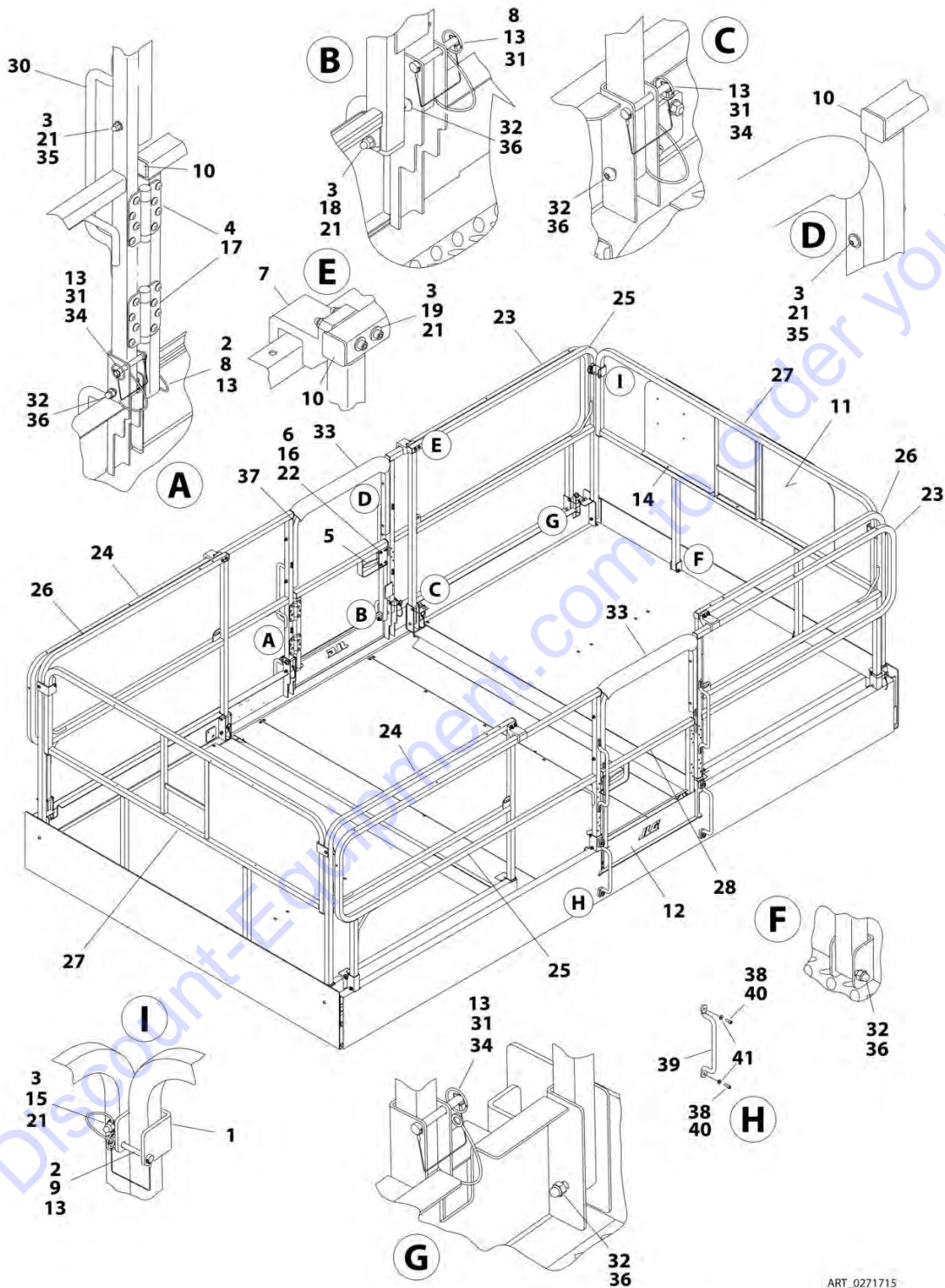
SECTION 5 - PLATFORM

FIGURE 5-28. RAILS INSTALLATION - SWING GATE ENTRY (SINGLE DECK EXTENSION)

ITEM	PART NUMBER	QTY	DESCRIPTION	REV
	0271714	Ref	RAILS INSTALLATION - SWING GATE ENTRY (SINGLE DECK EXTENSION)	K
1	0901870	4	Bracket	
2	1060379	6	Lanyard	
3	2080063	36	Fastener 1/4	
4	2600285	4	Hinge	
5	2940074	2	Latch	
6	3300432	8	Nut #10	
7	3340937	2	Pad, Slide	
8	3421453	4	Pin, Snap	
9	3422219	4	Pin, Snap	
10	3520072	14	Plug, Cap	
11	3571862	1	Plate, Placard	
12	3573472	2	Kickplate	
13	3760170	14	Ring, Split	
14	3820020	7	Rivet	
15	3900318	20	Screw 1/4 x 2	
16	3931010	8	Capscrew #10 x 5/8	
17	2080040	32	Fastener, Huck	
18	3911428	4	Screw 1/4 x 1-3/4	
19	3931436	4	Capscrew 1/4 x 2-1/4	
21	4711400	30	Washer 1/4	
22	4751000	8	Washer #10	
23	4846530	2	Rail, Side	
24	4846531	2	Rail, Side	
25	4846532	1	Rail, Side Extension	
26	4846537	1	Rail, Side Extension	
27	4846542	1	Rail, End Extension	
28	4846556	1	Kickplate	
29	4846557	1	Rail, End	
30	4846570	2	Gate	
31	0630485	4	Bolt	
32	3311605	4	Nut 3/8	
33	4751600	4	Washer 3/8	
34	2902147	1	Rail Kit (Not Shown - Includes Items 11, 12, 14, 23-30 & 42)	
35	2560176	4	Handle	
36	1060808	8	Lanyard	
37	2080064	16	Fastener 5/16	
38	3340612	3 ft /0.91m	Cover, Rail	
39	3421565	6	Pin, Snap	
40	3900319	8	Screw 1/4 x 3	
41	3900323	16	Screw 5/16 x 2	
42	4846590	2	Rail	
43	0100011	AR	Compound, Locking	
44	2560188	4	Handle	
45	3931512	8	Bolt 5/16 x 3/4	
46	4711500	8	Washer 5/16	

SECTION 5 - PLATFORM

FIGURE 5-29. RAILS INSTALLATION - SWING GATE ENTRY (DUAL DECK EXTENSION)



ART_0271715

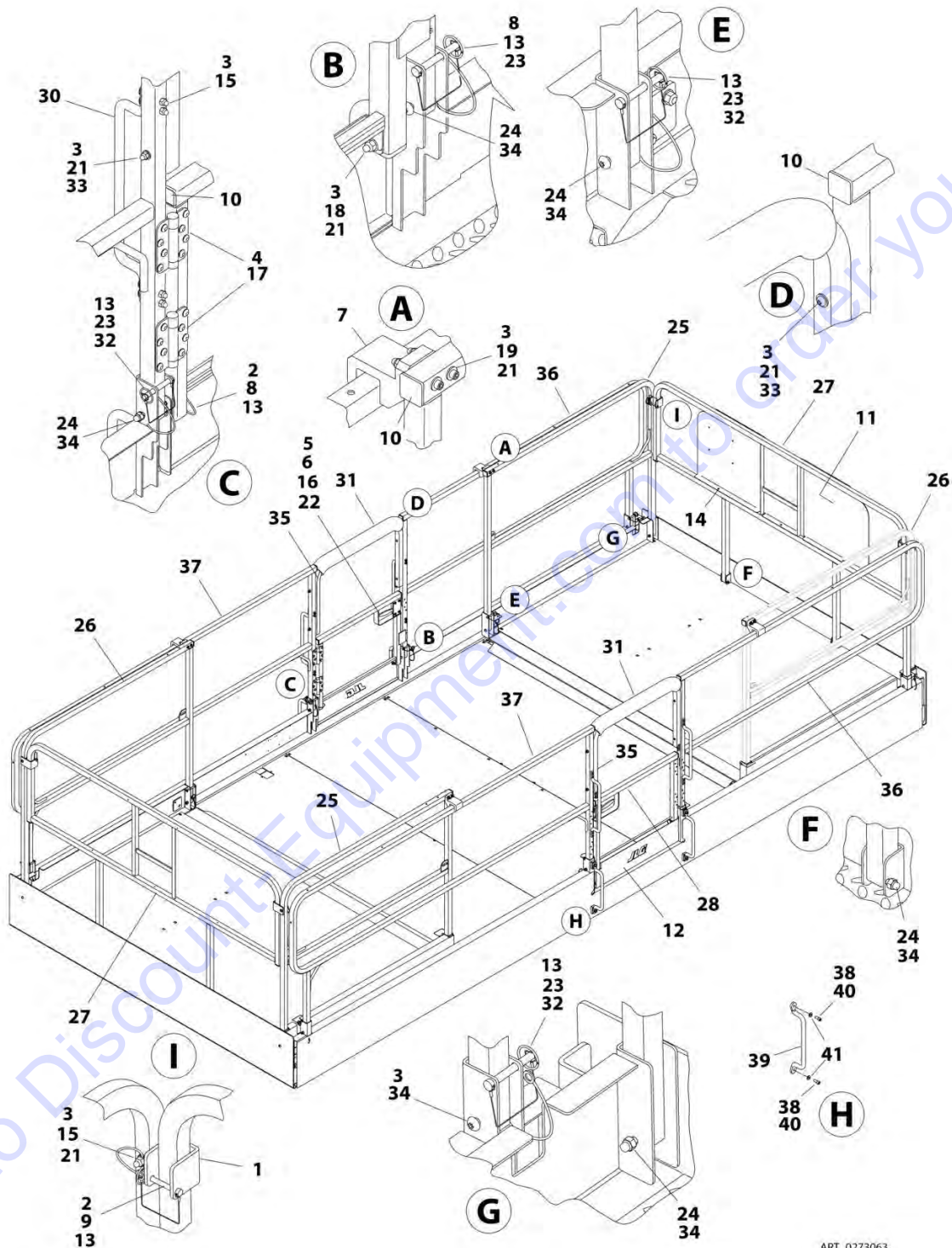
SECTION 5 - PLATFORM

FIGURE 5-29. RAILS INSTALLATION - SWING GATE ENTRY (DUAL DECK EXTENSION)

ITEM	PART NUMBER	QTY	DESCRIPTION	REV
	0271715	Ref	RAILS INSTALLATION - SWING GATE ENTRY (DUAL DECK EXTENSION)	K
1	0901870	4	Bracket	
2	1060379	6	Lanyard	
3	2080063	40	Fastener 1/4	
4	2600285	4	Hinge	
5	2940074	2	Latch	
6	3300432	8	Nut #10	
7	3340937	4	Pad, Slide	
8	3421453	4	Pin, Snap	
9	3422219	4	Pin, Snap	
10	3520072	16	Plug, Cap	
11	3571862	1	Plate, Placard	
12	3573472	2	Kickplate	
13	3760170	18	Ring, Split	
14	3820020	7	Rivet	
15	3900318	20	Screw 1/4 x 2	
16	3931010	8	Capscrew #10 x 5/8	
17	2080040	32	Fastener, Huck	
18	3911428	4	Screw 1/4 x 1-3/4	
19	3931436	8	Capscrew 1/4 x 2-1/4	
21	4711400	38	Washer 1/4	
22	4751000	8	Washer #10	
23	4846530	2	Rail, Side	
24	4846531	2	Rail, Side	
25	4846532	2	Rail, Side Extension	
26	4846537	2	Rail, Side Extension	
27	4846542	2	Rail, End Extension	
28	4846570	2	Gate	
29	2902148	1	Rail Kit (Not Shown - Includes Items 11, 12, 14, 23-28 & 37)	
30	2560176	4	Handle	
31	1060808	12	Lanyard	
32	2080064	20	Fastener 5/16	
33	3340612	3 ft /0.91m	Cover, Rail	
34	3421565	10	Pin, Snap	
35	3900319	8	Screw 1/4 x 3	
36	3900323	20	Screw 5/16 x 2	
37	4846590	2	Rail	
38	0100011	AR	Compound, Locking	
39	2560188	4	Handle	
40	3931512	8	Bolt 5/16 x 3/4	
41	4711500	8	Washer 5/16	

SECTION 5 - PLATFORM

FIGURE 5-30. RAILS INSTALLATION - SWING GATE ENTRY (MEGADECK EXTENSION - 3394RT) (CE SPEC ONLY)



ART_0273063

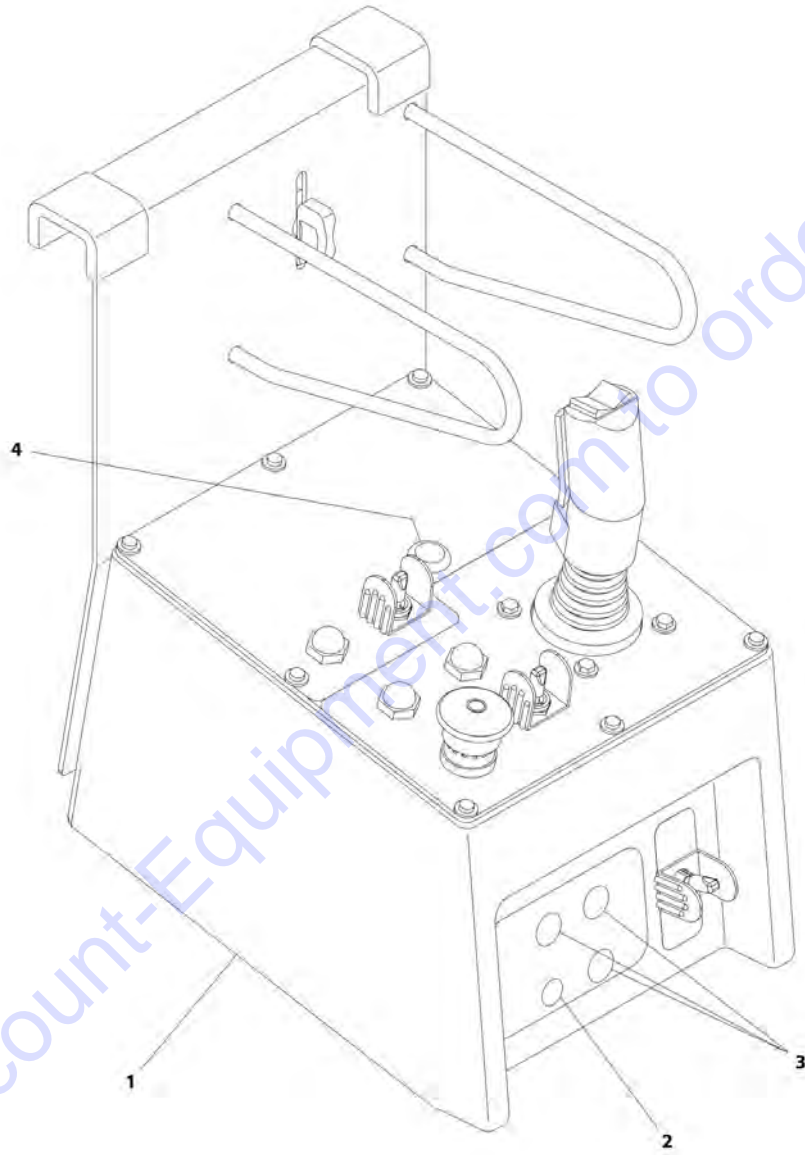
SECTION 5 - PLATFORM

FIGURE 5-30. RAILS INSTALLATION - SWING GATE ENTRY (MEGADECK EXTENSION - 3394RT) (CE SPEC ONLY)

ITEM	PART NUMBER	QTY	DESCRIPTION	REV
	0273063	Ref	RAILS INSTALLATION - SWING GATE ENTRY (MEGADECK EXTENSION - 3394RT) (CE SPEC ONLY)	E
1	0901870	4	Bracket	
2	1060379	6	Lanyard	
3	2080063	40	Fastener 1/4	
4	2600285	4	Hinge	
5	2940074	2	Latch	
6	3300432	8	Nut #10	
7	3340937	4	Pad, Slide	
8	3421453	4	Pin, Snap	
9	3422219	4	Pin, Snap	
10	3520072	16	Plug, Cap	
11	3571862	1	Plate, Placard	
12	3573472	2	Kickplate	
13	3760170	18	Ring, Split	
14	3820020	7	Rivet	
15	3900318	20	Screw 1/4 x 2	
16	3931010	8	Capscrew #10 x 5/8	
17	2080040	32	Fastener, Huck	
18	3911428	4	Screw 1/4 x 1-3/4	
19	3931436	8	Capscrew 1/4 x 2-1/4	
21	4711400	38	Washer 1/4	
22	4751000	8	Washer #10	
23	1060808	12	Lanyard	
24	2080064	20	Fastener 5/16	
25	4846532	2	Rail, Side Extension	
26	4846537	2	Rail, Side Extension	
27	4846542	2	Rail, End Extension	
28	4846570	2	Gate	
29	2902263	1	Rail Kit (Not Shown - Includes Items 11, 12, 14, 25-28 & 35-37)	
30	2560176	4	Handle	
31	3340612	3 ft /0.91m	Cover, Rail	
32	3421565	10	Pin, Snap	
33	3900319	8	Screw 1/4 x 3	
34	3900323	20	Screw 5/16 x 2	
35	4846590	2	Rail	
36	4846843	2	Rail, Side	
37	4846844	2	Rail, Side	
38	0100011	AR	Compound, Locking	
39	2560188	4	Handle	
40	3931512	8	Bolt 5/16 x 3/4	
41	4711500	8	Washer 5/16	

SECTION 5 - PLATFORM

FIGURE 5-31. PLATFORM CONSOLE BOX INSTALLATION - DIESEL MACHINES



ART_0272409

SECTION 5 - PLATFORM

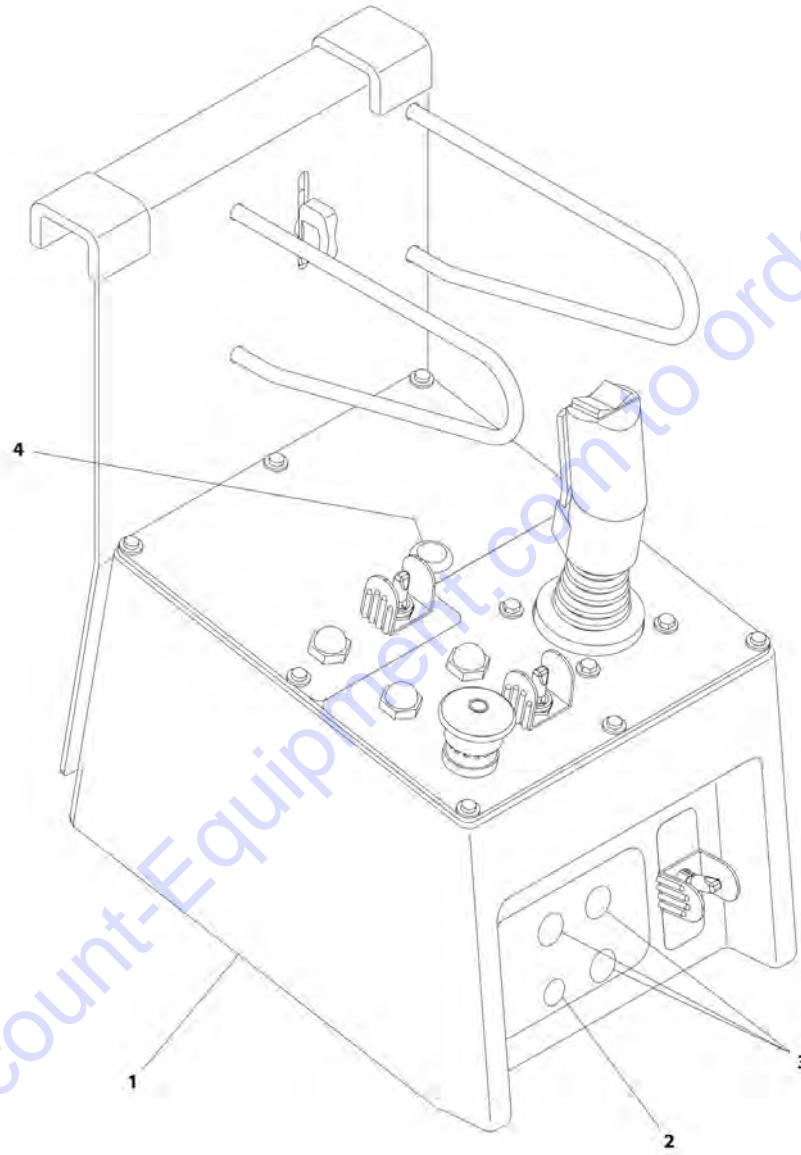
FIGURE 5-31. PLATFORM CONSOLE BOX INSTALLATION - DIESEL MACHINES

ITEM	PART NUMBER	QTY	DESCRIPTION	REV
	0272409	Ref	PLATFORM CONSOLE BOX INSTALLATION - DIESEL MACHINES	C
	See Note	Ref	Note: For machines with platform console box with cover refer to SPECIAL OPTIONS SECTION.	
	See Note	Ref	Note: For machines with platform console box with Turn Signal and Lights refer to SPECIAL OPTIONS SECTION.	
1	0272400	1	Platform Console Box Assembly (See PLATFORM CONSOLE BOX ASSEMBLY - DIESEL MACHINES for Breakdown)	
2	3520079	1	Plug, Hole	
3	3520080	3	Plug, Hole	
4	3520193	1	Plug, Hole	

Go to Discount-Equipment.com to order your parts

SECTION 5 - PLATFORM

FIGURE 5-32. PLATFORM CONSOLE BOX INSTALLATION - GAS DUAL FUEL MACHINES



ART_0272405

SECTION 5 - PLATFORM

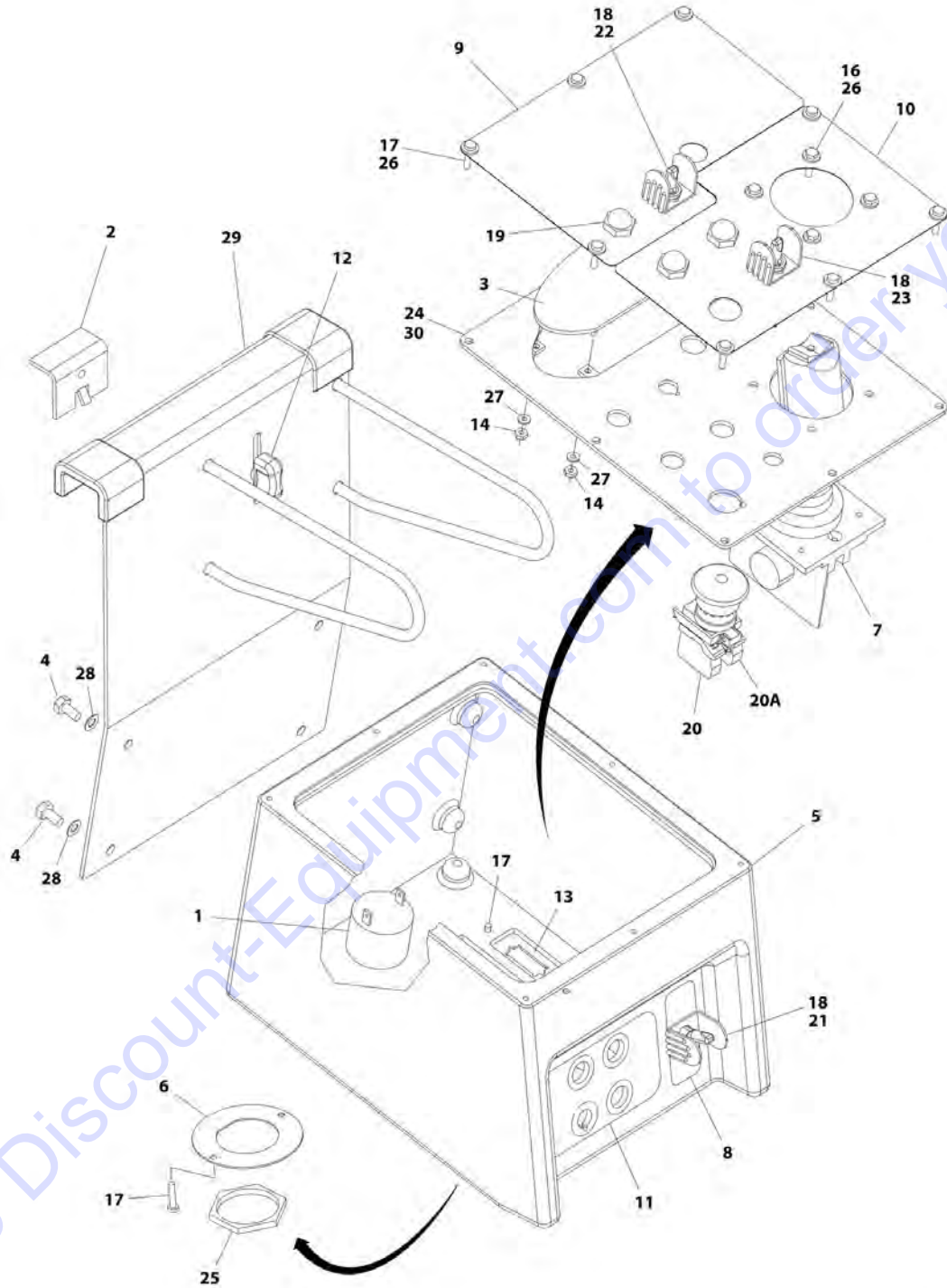
FIGURE 5-32. PLATFORM CONSOLE BOX INSTALLATION - GAS DUAL FUEL MACHINES

ITEM	PART NUMBER	QTY	DESCRIPTION	REV
	0272405	Ref	PLATFORM CONSOLE BOX INSTALLATION - GAS DUAL FUEL MACHINES	C
	See Note	Ref	Note: For machines with platform console box with cover refer to SPECIAL OPTIONS SECTION.	
	See Note	Ref	Note: For machines with platform console box with Turn Signal and Lights refer to SPECIAL OPTIONS SECTION.	
1	0271748	1	Platform Console Box Assembly (See PLATFORM CONSOLE BOX ASSEMBLY - GAS DUAL FUEL MACHINES for Breakdown)	
2	3520079	1	Plug, Hole	
3	3520080	3	Plug, Hole	
4	3520193	1	Plug, Hole	

Go to Discount-Equipment.com to order your parts

SECTION 5 - PLATFORM

FIGURE 5-33. PLATFORM CONSOLE BOX ASSEMBLY - DIESEL MACHINES



ART_0272400

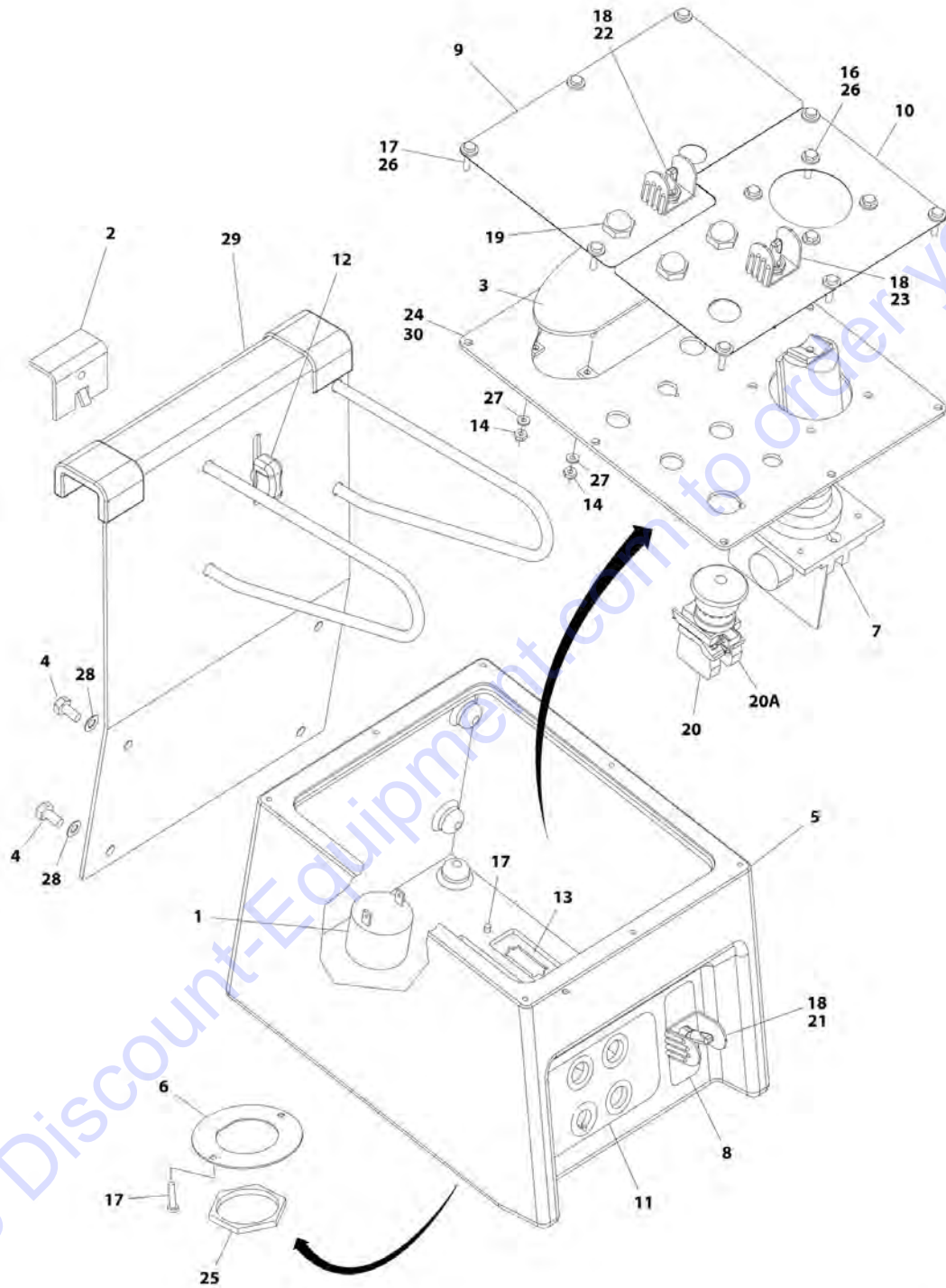
SECTION 5 - PLATFORM

FIGURE 5-33. PLATFORM CONSOLE BOX ASSEMBLY - DIESEL MACHINES

ITEM	PART NUMBER	QTY	DESCRIPTION	REV
	0272400	Ref	PLATFORM CONSOLE BOX ASSEMBLY - DIESEL MACHINES	F
		Ref	Note: For machines with platform console box with cover refer to SPECIAL OPTIONS SECTION.	
		Ref	Note: For machines with platform console box with Turn Signal and Lights refer to SPECIAL OPTIONS SECTION.	
1	0140011	1	Alarm	
2	0181847	1	Angle, Latch	
3	0610169	1	Board, P/C Display	
4	0641404	4	Bolt 1/4 x 1/2	
5	0861554	1	Box, Console	
6	0902499	1	Bracket, D-Ring	
7	1600403	1	Drive/Steer Controller Assembly (See DRIVE/STEER CONTROLLER ASSEMBLY for Breakdown)	
8	1704589	1	Decal - Glow Plug	
9	1705913	1	Decal - Platform Lid (Top Half of 2 Pc Decal)	
10	1705914	1	Decal - Platform Lid (Bottom Half of 2 Pc Decal)	
11	1705392	1	Decal - Outrigger Select	
12	2560141	1	Thumbscrew	
13	3200450	1	Mount, Terminal	
14	3310601	4	Nut #6	
16	3900178	4	Screw Plastite #10 x 1/2	
17	3900265	12	Screw #8 x 3/4	
18	4060802	3	Guard, Switch	
19	4360387	3	Switch, Push Button	
20	4360475	1	Switch, Emergency Stop	
20	7020175	1	Cap	
20A	7020176	1	Block, Contact	
21	4360483	1	Switch, Toggle	
22	4360524	1	Switch, Toggle	
23	4360525	1	Switch, Toggle	
24	4420008	38 in/1m	Tape, Insulation	
25	4460470	1	Nut, Terminal	
26	4740120	12	Washer, Nylon	
27	4760600	4	Washer #6	
28	4791400	4	Washer 1/4	
29	4845938	1	Bracket, Box Mounting	
30	4846655	1	Lid, Box	
31	4922768	1	Platform Console Box Harness (Not Shown - See ELECTRICAL SECTION for Breakdown)	

SECTION 5 - PLATFORM

FIGURE 5-34. PLATFORM CONSOLE BOX ASSEMBLY - GAS DUAL FUEL MACHINES



ART_0271748

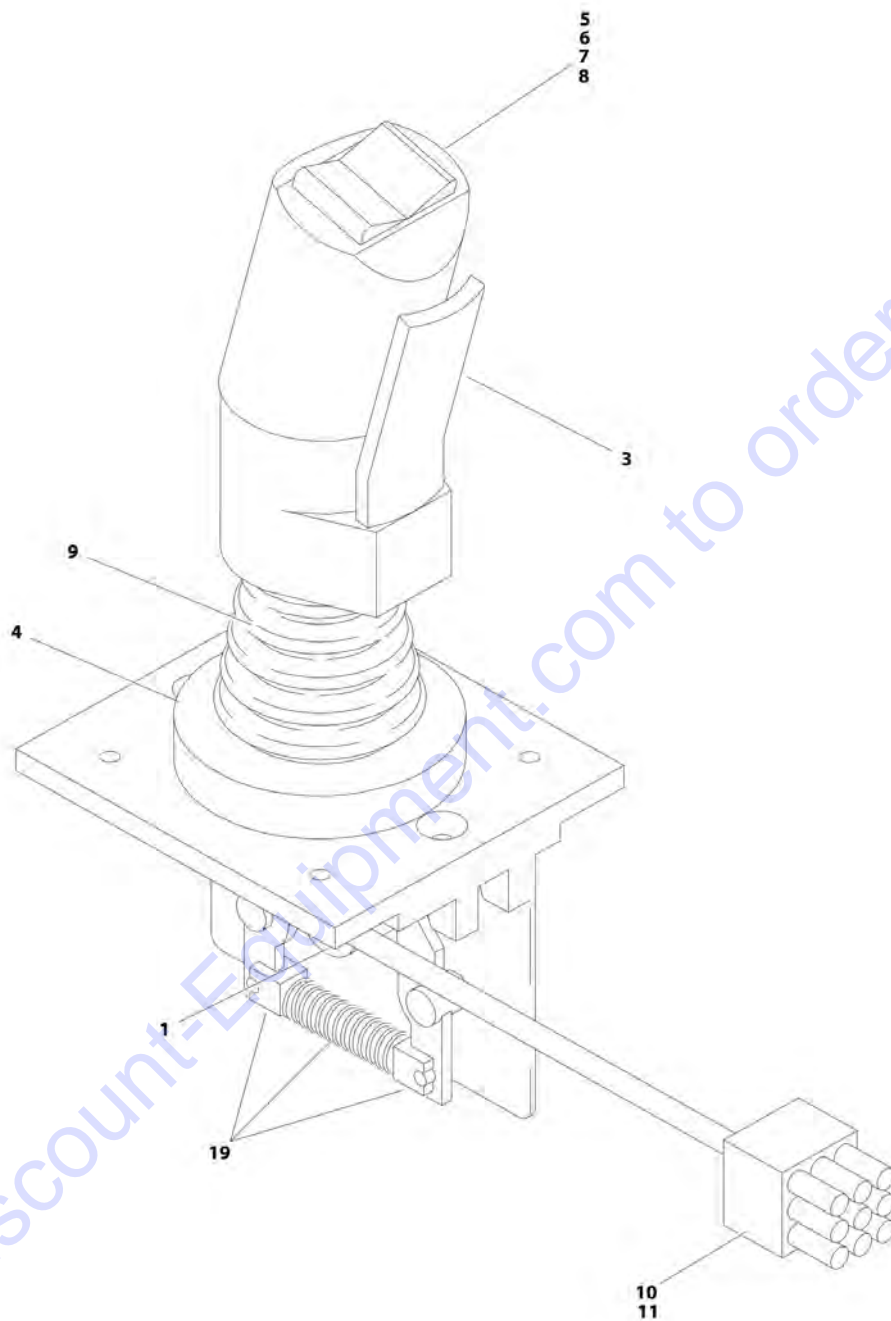
SECTION 5 - PLATFORM

FIGURE 5-34. PLATFORM CONSOLE BOX ASSEMBLY - GAS DUAL FUEL MACHINES

ITEM	PART NUMBER	QTY	DESCRIPTION	REV
	0271748	Ref	PLATFORM CONSOLE BOX ASSEMBLY - GAS DUAL FUEL MACHINES	F
		Ref	Note: For machines with platform console box with cover refer to SPECIAL OPTIONS SECTION.	
		Ref	Note: For machines with platform console box with Turn Signal and Lights refer to SPECIAL OPTIONS SECTION.	
1	0140011	1	Alarm	
2	0181847	1	Angle, Latch	
3	0610169	1	Board, P/C Display	
4	0641404	4	Bolt 1/4 x 1/2	
5	0861554	1	Box, Console	
6	0902499	1	Bracket, D-Ring	
7	1600403	1	Drive/Steer Controller Assembly (See DRIVE/STEER CONTROLLER ASSEMBLY for Breakdown)	
8	1704588	1	Decal - Fuel Select	
9	1705913	1	Decal - Platform Lid (Top Half of 2 Pc Decal)	
10	1705914	1	Platform Lid (Bottom Half of 2 Pc Decal)	
11	1705392	1	Decal - Outrigger Select	
12	2560141	1	Thumbscrew	
13	3200450	1	Mount, Terminal	
14	3310601	4	Nut #6	
16	3900178	4	Screw, Plastite #10 x 1/2	
17	3900265	12	Screw #8 x 3/4	
18	4060802	3	Guard, Switch	
19	4360387	3	Switch, Push Button	
20	4360475	1	Switch, Emergency Stop	
20	7020175	1	Cap	
20A	7020176	1	Block, Contact	
21	4360482	1	Switch, Toggle (Fuel Select)	
22	4360524	1	Switch, Toggle	
23	4360525	1	Switch, Toggle	
24	4420008	38 in/1m	Tape, Insulation	
25	4460470	1	Nut, Terminal	
26	4740120	12	Washer, Nylon	
27	4760600	4	Washer #6	
28	4791400	4	Washer 1/4	
29	4845938	1	Bracket, Box Mounting	
30	4846655	1	Lid, Box	
31	4922768	1	Platform Console Box Harness (See ELECTRICAL SECTION for Breakdown)	

SECTION 5 - PLATFORM

FIGURE 5-35. DRIVE/STEER CONTROLLER ASSEMBLY



ART_1600403

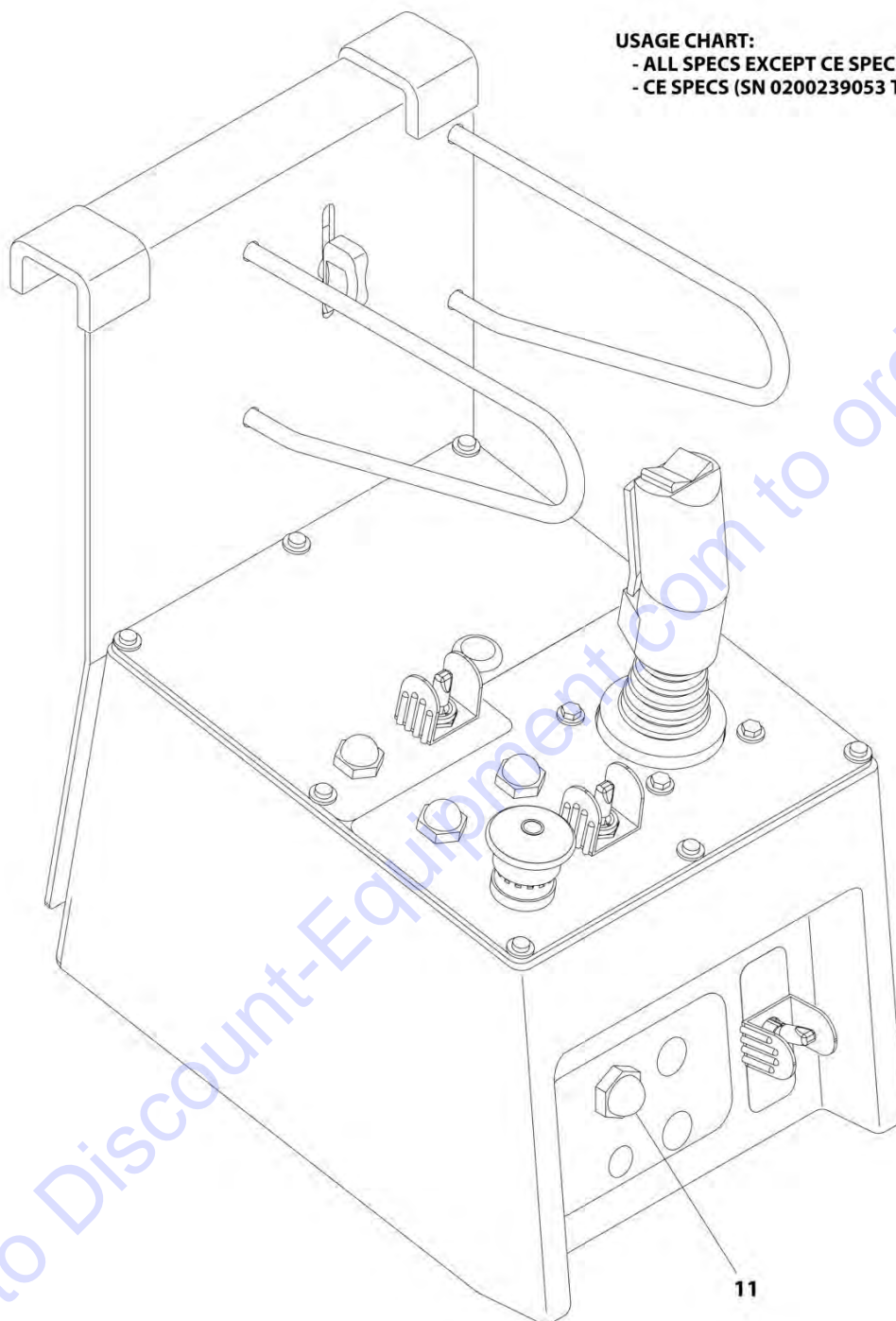
SECTION 5 - PLATFORM

FIGURE 5-35. DRIVE/STEER CONTROLLER ASSEMBLY

ITEM	PART NUMBER	QTY	DESCRIPTION	REV
	1600403	Ref	DRIVE/STEER CONTROLLER ASSEMBLY	F
1	70000081	1	Potentiometer	
1	70005484	1	Gear, Potentiometer	
1	70005485	1	Screw (Attaches Potentiometer Gear to Shaft)	
2	7027367	1	Switch, Push Button (Not Shown - Located Behind #3)	
3	7027765	1	Lever, Enabler	
4	7027766	1	Ring, Retaining	
5	70000082	1	Microswitch	
6	70000083	1	Coupler, Microswitch	
7	70000084	1	Cap, Rubber	
8	7027365	1	Actuator, Switch	
9	70000085	1	Boot, Rubber	
10	4460265	1	Plug, Male - 9 Pin	
11	4460226	8	Socket, Female	
12	70000685	AR	Washer, Plastic (Not Shown)	
13	70000684	AR	Screw, Handle (Not Shown)	
14	See Note	NSS	Nut, Handle (Not Shown) (Note: Not available for purchase)	
15	70000683	AR	Washer, Neoprene (Not Shown)	
16	70000686	AR	Screw, Handle (Not Shown)	
17	4460266	1	Connector, Receptacle - 9 Pin (Not Shown - Part of Console Harness)	
18	4460267	8	Pin, Male (Not Shown - Part of Console Harness)	
19	70004194	1	Return Spring Kit	
	70003650	1	Handle Repair Kit (Includes handle gasket, push button, lever, front handle half, back handle half, top actuator, boot and hardware.	

SECTION 5 - PLATFORM

FIGURE 5-36. LEVELING JACKS SWITCH INSTALLATION



USAGE CHART:
- ALL SPECS EXCEPT CE SPECS
- CE SPECS (SN 0200239053 THROUGH 0200241795)

Go to Discount-Equipment.com to order your parts

ART_1001166178_20F2

SECTION 5 - PLATFORM

FIGURE 5-36. LEVELING JACKS SWITCH INSTALLATION

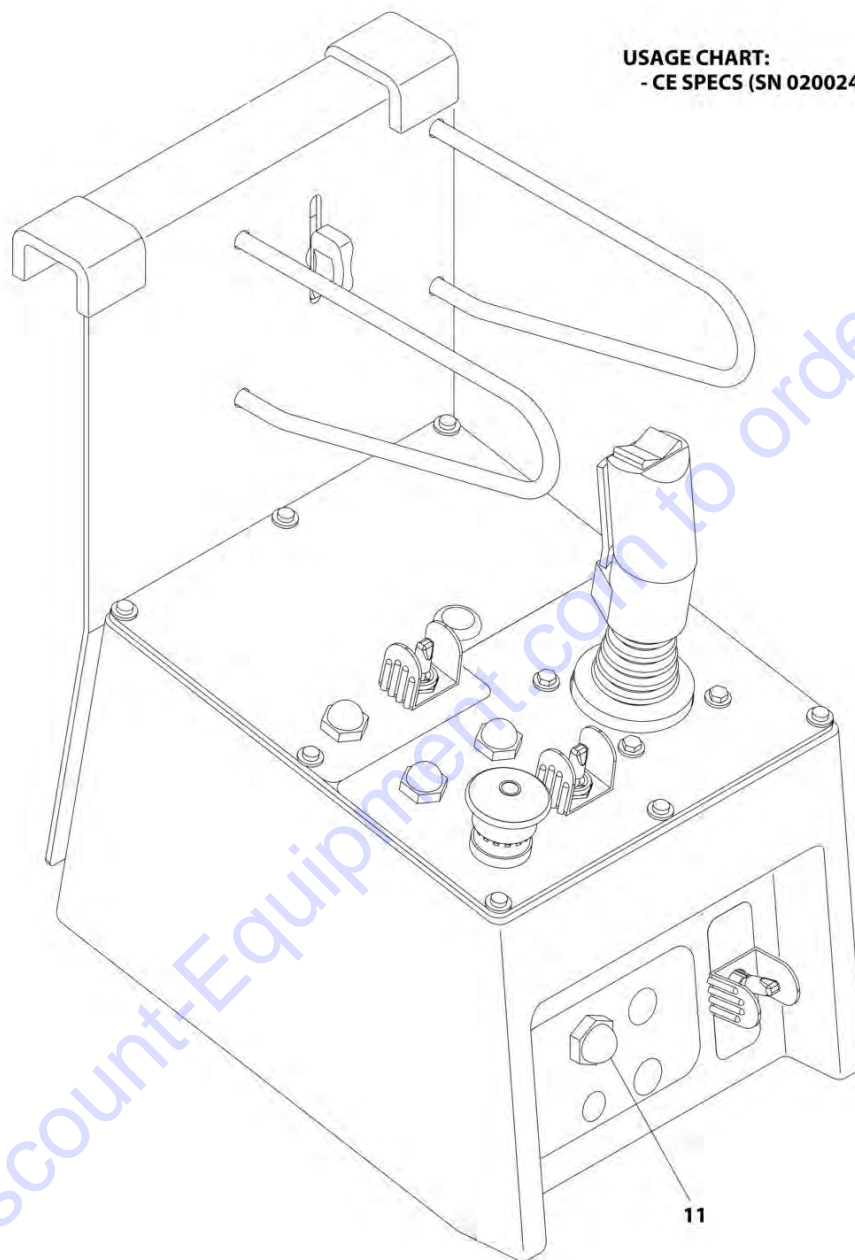
ITEM	PART NUMBER	QTY	DESCRIPTION	REV
		Ref	USAGE CHART:	
		Ref	- All Specs except CE Specs	
		Ref	- CE Specs (SN 0200239053 through 0200241795)	
	1001166178	Ref	LEVELING JACKS SWITCH INSTALLATION	B
11	4360387	1	Switch, Push Button	

Go to Discount-Equipment.com to order your parts

SECTION 5 - PLATFORM

FIGURE 5-37. LEVELING JACKS SWITCH INSTALLATION

USAGE CHART:
- CE SPECS (SN 0200241796 TO PRESENT)



ART_1001188847_20F2

SECTION 5 - PLATFORM

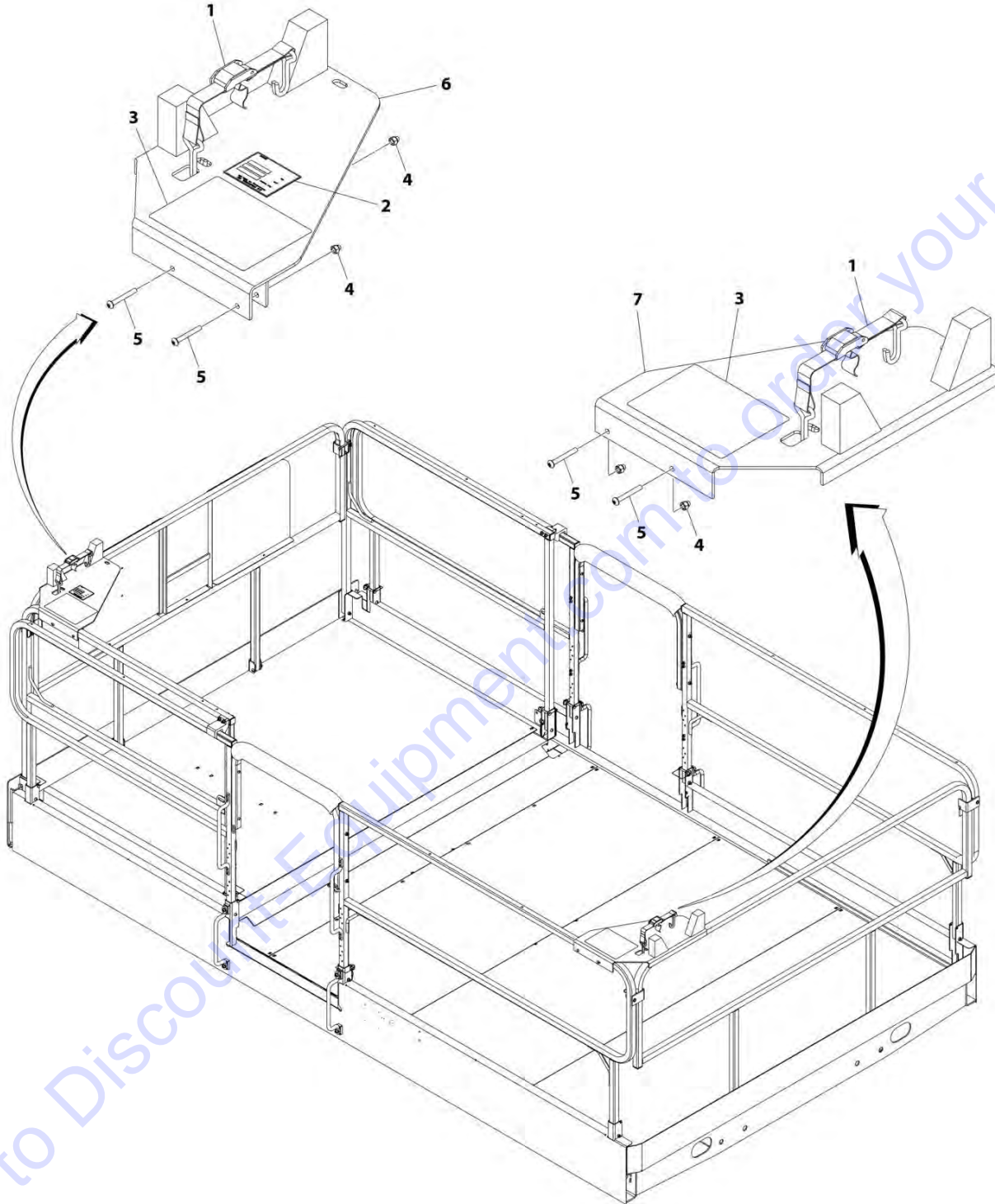
FIGURE 5-37. LEVELING JACKS SWITCH INSTALLATION

ITEM	PART NUMBER	QTY	DESCRIPTION	REV
		Ref	USAGE CHART:	
		Ref	- CE Specs (SN 0200241796 to Present)	
	1001188847	Ref	LEVELING JACKS SWITCH INSTALLATION	A
11	4360387	1	Switch, Push Button	

Go to Discount-Equipment.com to order your parts

SECTION 5 - PLATFORM

FIGURE 5-38. PIPE RACKS INSTALLATION (RAIL MOUNT)



ART_0272829

SECTION 5 - PLATFORM

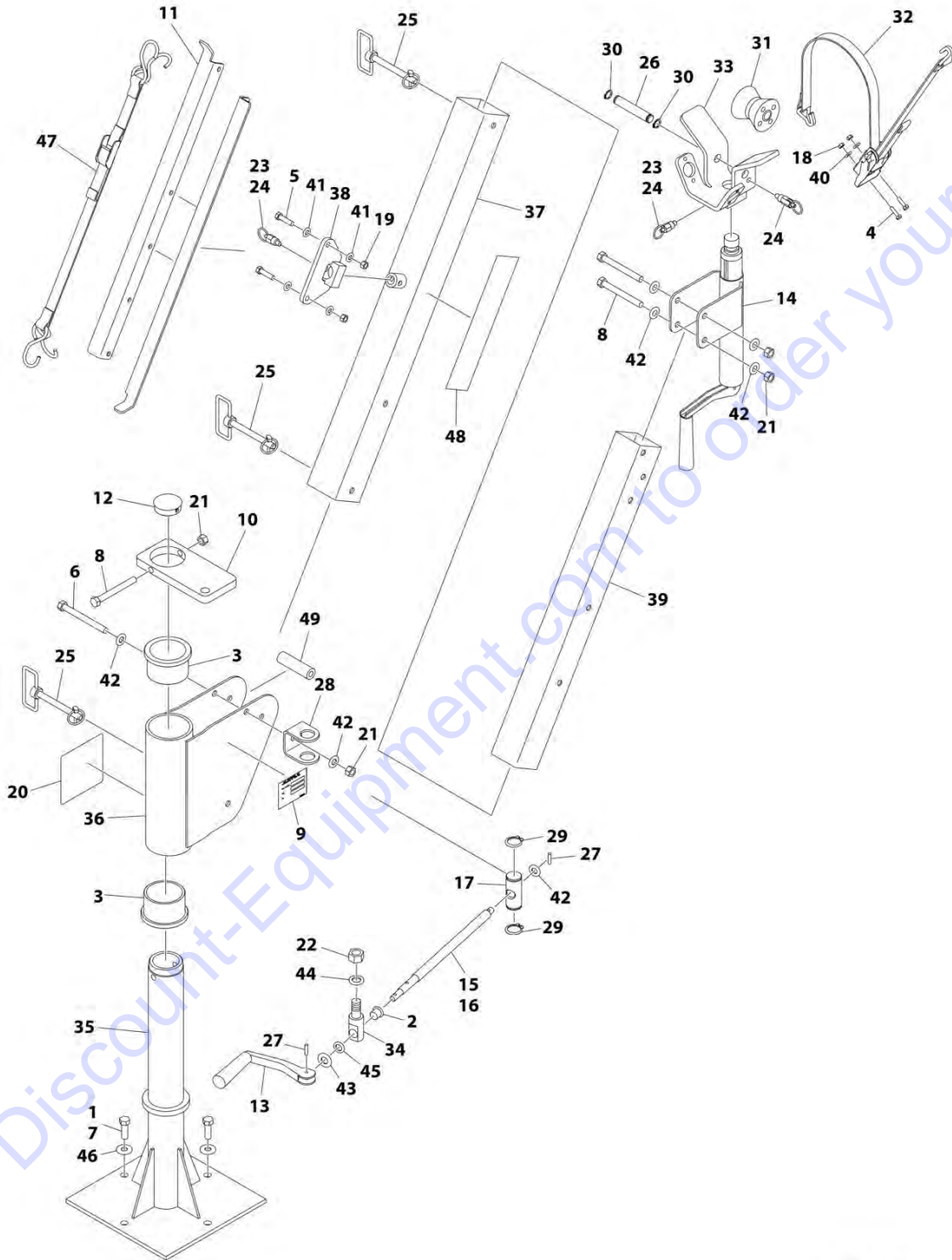
FIGURE 5-38. PIPE RACKS INSTALLATION (RAIL MOUNT)

ITEM	PART NUMBER	QTY	DESCRIPTION	REV
	0272829	Ref	PIPE RACKS INSTALLATION (RAIL MOUNT)	B
1	0480100	2	Belt, Tie Down	
2	See Note	NSS	Nameplate (Note: Not Available for Purchase)	
3	1705637	2	Decal – Pipe Rack Capacity	
4	2080063	4	Fastener 1/4	
5	3900318	4	Screw 1/4 x 2	
6	4845441	1	Support, Pipe Rack	
7	4845442	1	Support, Pipe Rack	

Go to Discount-Equipment.com to order your parts

SECTION 5 - PLATFORM

FIGURE 5-39. PIPE RACKS INSTALLATION (SKY POSITIONER)



ART_0274103

SECTION 5 - PLATFORM

FIGURE 5-39. PIPE RACKS INSTALLATION (SKY POSITIONER)

ITEM	PART NUMBER	QTY	DESCRIPTION	REV
	0274103	Ref	PIPE RACKS INSTALLATION (SKY POSITIONER)	C
1	0100011	AR	Compound, Locking	
2	0440311	2	Bearing, Flanged	
3	0440312	4	Bearing, Flanged	
4	0641408	4	Bolt 1/4 x 1	
5	0641612	4	Bolt 3/8 x 1-1/2	
6	0641840	2	Bolt 1/2 x 5	
7	0641812	8	Bolt 1/2 x 1-1/2	
8	0641836	6	Bolt 1/2 x 4-1/2	
9	See Note	2	Nameplate, Accessory Serial Tag (Note: Not Available for Purchase)	
10	0903095	2	Bracket, Jack Mount	
11	0903104	4	Bracket, Duct Mount	
12	1120580	2	Plug	
13	2560186	2	Handle	
14	2840023	2	Jack, Screw	
15	2840024	2	Screw, Jack	
16	3020035	AR	Lubricant (Not Shown)	
17	3300489	2	Nut 3/4	
18	3311405	4	Nut 1/4	
19	3311605	4	Nut 3/8	
20	1706113	2	Decal - Pipe Rack Capacity	
21	3311805	8	Nut 1/2	
22	3312205	2	Nut 3/4	
23	3423047	4	Pin, Plunger (Use p/n 3423151)	
24	3423151	6	Pin, Locking Plunger	
25	3423179	6	Pin, Hitch	
26	3423180	2	Pin	
27	3440816	4	Pin, Roll	
28	3575597	2	Plate, Jack Mount	
29	3760141	4	Ring, Retaining	
30	3760348	4	Ring, Retaining	
31	3860122	2	Roller	
32	4240170	2	Strap, Ratchet Tie Down	
33	4340922	2	Pipe, Support	
34	4340932	2	Mount, Jack Screw	
35	4340933	2	Mount, Pipe Rack	
36	4340934	2	Support, Pipe Rack Arm	
37	4340948	2	Support, Pipe Rack Outer	
38	4340949	2	Mount, Duct	
39	4569126	2	Tube, Pipe Rack Inner	
40	4711400	4	Washer 1/4	
41	4711600	8	Washer 3/8	
42	4711800	14	Washer 1/2	
43	4712000	2	Washer 5/8	
44	4740415	2	Washer, Special	
45	4740529	2	Washer, Thrust	
46	4751800	8	Washer 1/2	
47	4240171	2	Strap	
48	1706197	2	Decal - Sky Positioner	

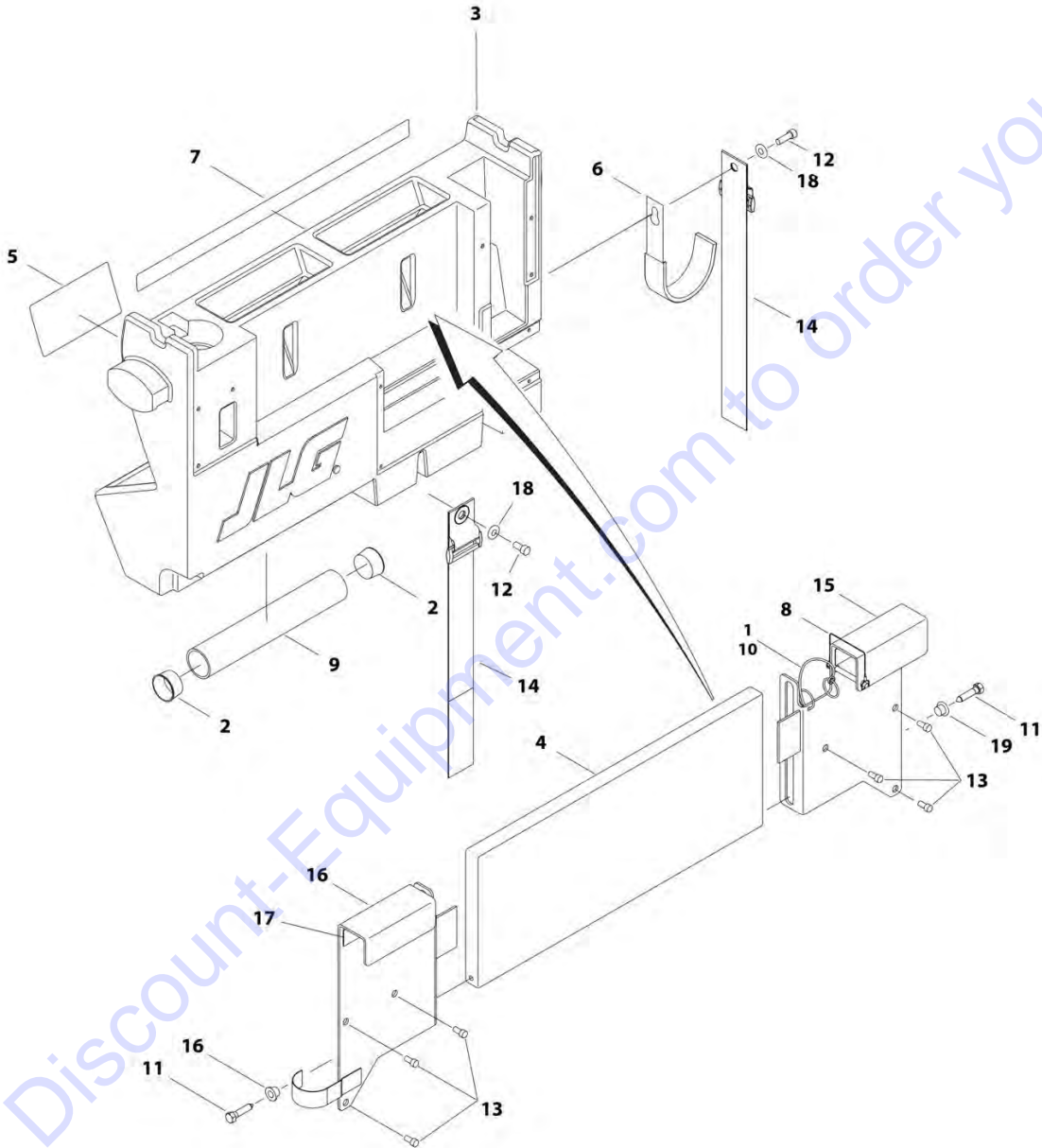
SECTION 5 - PLATFORM

ITEM	PART NUMBER	QTY	DESCRIPTION	REV
49	4569150	2	Tube, Spacer	

Go to Discount-Equipment.com to order your parts

SECTION 5 - PLATFORM

FIGURE 5-40. WORKSTATION WITHOUT DC CONVERTER INSTALLATION



ART_0240087

SECTION 5 - PLATFORM

FIGURE 5-40. WORKSTATION WITHOUT DC CONVERTER INSTALLATION

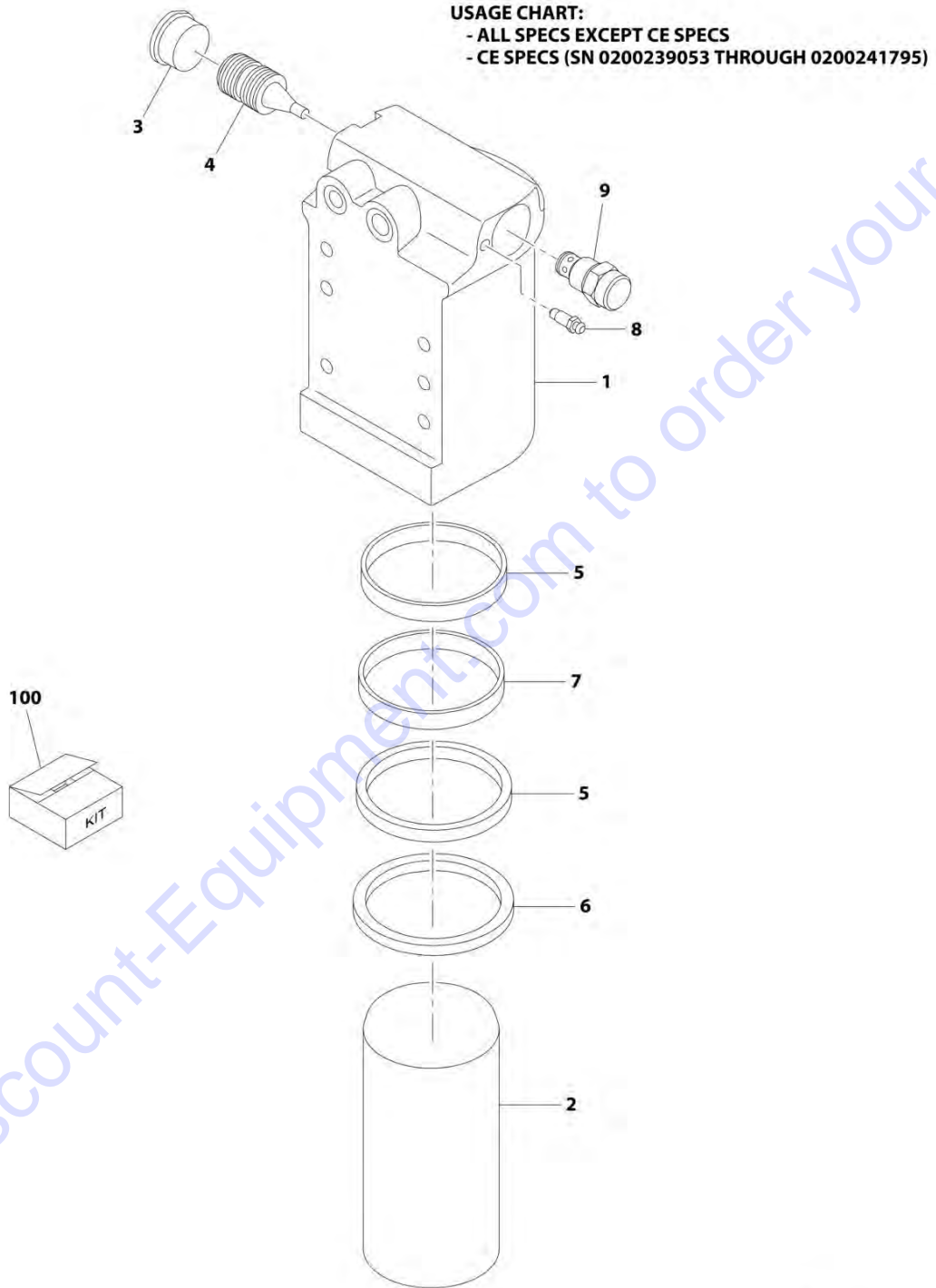
ITEM	PART NUMBER	QTY	DESCRIPTION	REV
	0274260	Ref	WORKSTATION INSTALLATION – REFERENCE CHART	B
	0240087	Ref	WORKSTATION WITHOUT DC CONVERTER INSTALLATION	C
1	1060379	1	Cable, Lanyard	
2	1120555	2	Cap, Manual Storage	
3	1580023	1	Container	
4	1580024	1	Tray	
5	1705997	1	Decal - Workstation	
6	2700100	1	Hook, Hanger	
7	2902348	1	Decal - Workstation Kit	
8	3422219	1	Pin	
9	3460334	1	PVC Pipe	
10	3760170	2	Ring	
11	3900355	2	Screw 5/16 x 1-1/2	
12	3931412	2	Bolt 1/4 x 3/4	
13	3931508	6	Bolt 5/16 x 1/2	
14	4240003	2	Strap	
15	4340853	1	Mount, RH Channel	
16	4340854	1	Mount, LH Channel	
17	4420062	3 ft /0.9m	Tape	
18	4711400	2	Washer 1/4	
19	4740480	2	Insert, Plastic	

SECTION 6 - CYLINDER

Go to Discount-Equipment.com to order your parts

SECTION 6 - CYLINDER

FIGURE 6-1. AXLE LOCKOUT CYLINDER ASSEMBLY



ART_1684465

SECTION 6 - CYLINDER

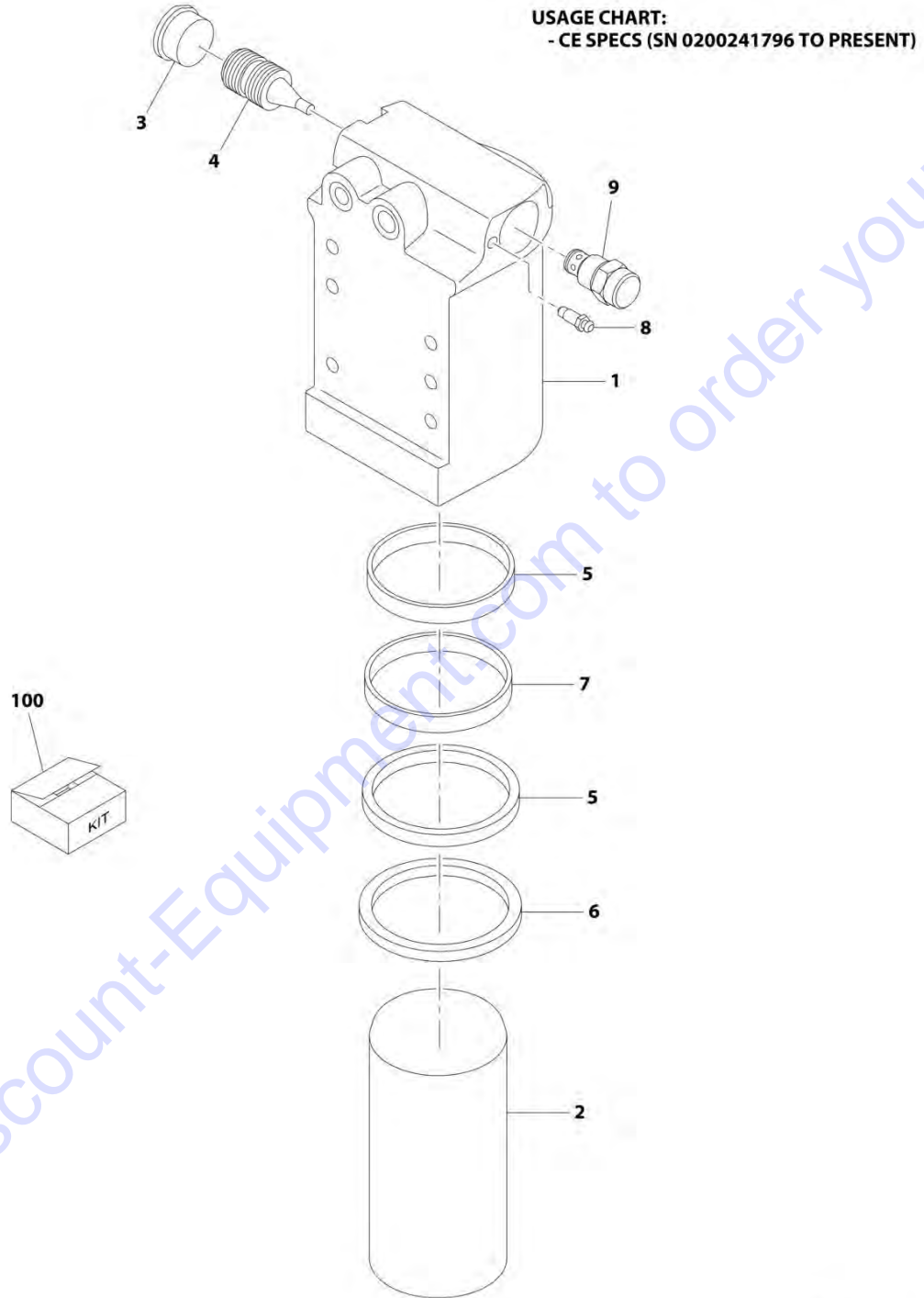
FIGURE 6-1. AXLE LOCKOUT CYLINDER ASSEMBLY

ITEM	PART NUMBER	QTY	DESCRIPTION	REV
		Ref	USAGE CHART:	
		Ref	- All Specs except CE Specs	
		Ref	- CE Specs (SN 0200239053 through 0200241795)	
	1684465	Ref	AXLE LOCKOUT CYLINDER ASSEMBLY	J
1	0370026	1	Barrel	
2	1684290	1	Rod	
3	2220890	1	Plug	
4	3480288	1	Piston, Pilot	
5	See Note	NSS	Ring, Wear (Note: Use Item 100)	
6	See Note	NSS	Wiper (Note: Use Item 100)	
7	See Note	NSS	Seal, Rod (Note: Use Item 100)	
8	4640858	1	Bleeder	
9	4641390	1	Cartridge, Valve	
9	7017496	1	Seal Kit - 4641390 Cartridge	
100	2902266	1	Seal Kit (Includes Items 5-7)	

Go to Discount-Equipment.com to order your parts

SECTION 6 - CYLINDER

FIGURE 6-2. AXLE LOCKOUT CYLINDER ASSEMBLY



ART_1001163580

SECTION 6 - CYLINDER

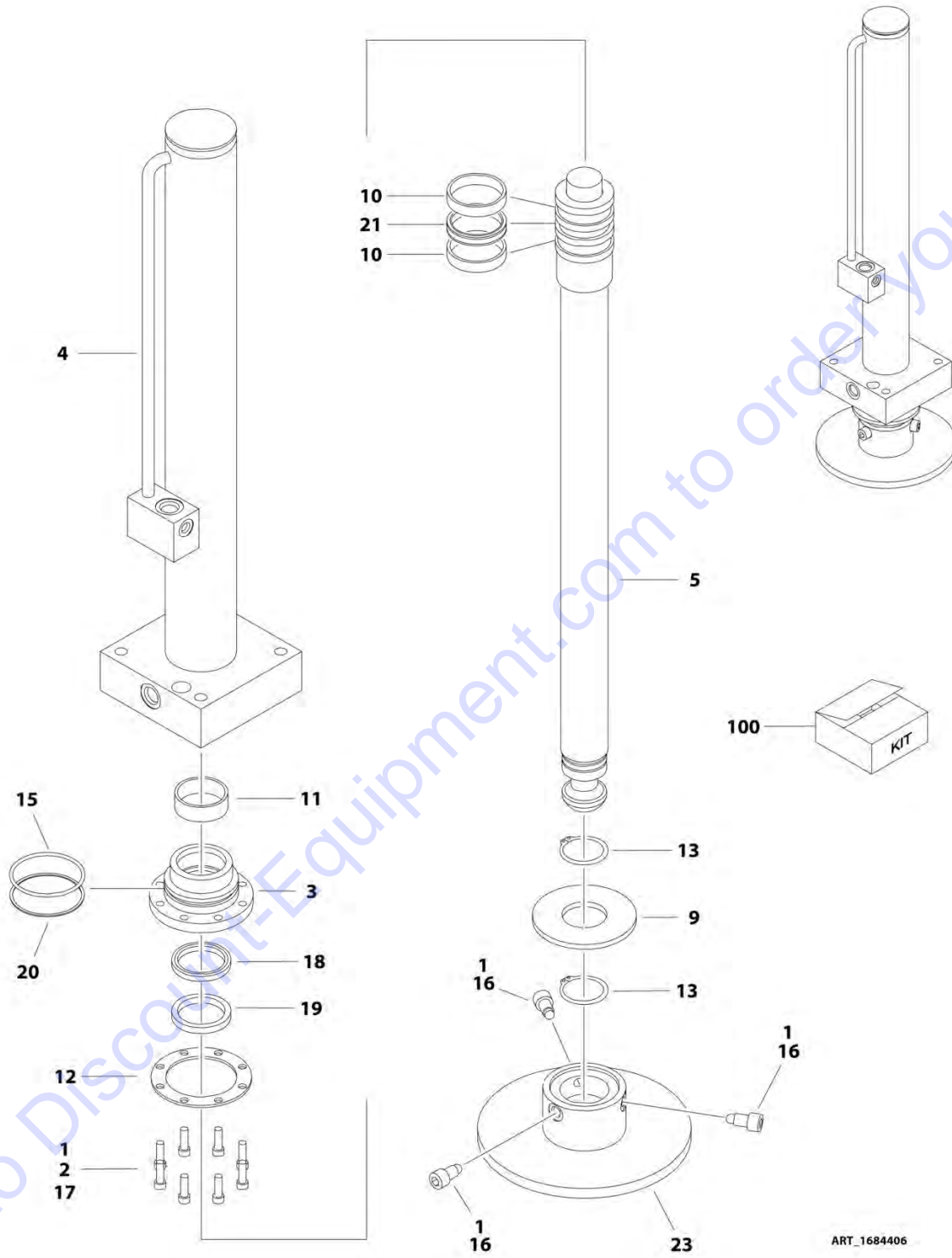
FIGURE 6-2. AXLE LOCKOUT CYLINDER ASSEMBLY

ITEM	PART NUMBER	QTY	DESCRIPTION	REV
		Ref	USAGE CHART:	
		Ref	- CE Specs (SN 0200241796 to Present)	
	1001163580	Ref	AXLE LOCKOUT CYLINDER ASSEMBLY	G
1	0370026	1	Barrel	
2	1684290	1	Rod	
3	2220890	1	Plug	
4	3480288	1	Piston, Pilot	
5	See Note	NSS	Ring, Wear (Note: Use Item 100)	
6	See Note	NSS	Wiper (Note: Use Item 100)	
7	See Note	NSS	Seal, Rod (Note: Use Item 100)	
8	4640858	1	Bleeder	
9	4641390	1	Cartridge, Valve	
9	7017496	1	Seal Kit - 4641390 Cartridge	
100	2902266	1	Seal Kit (Includes Items 5-7)	

Go to Discount-Equipment.com to order your parts

SECTION 6 - CYLINDER

FIGURE 6-3. LEVELING JACK CYLINDER ASSEMBLY



ART_1684406

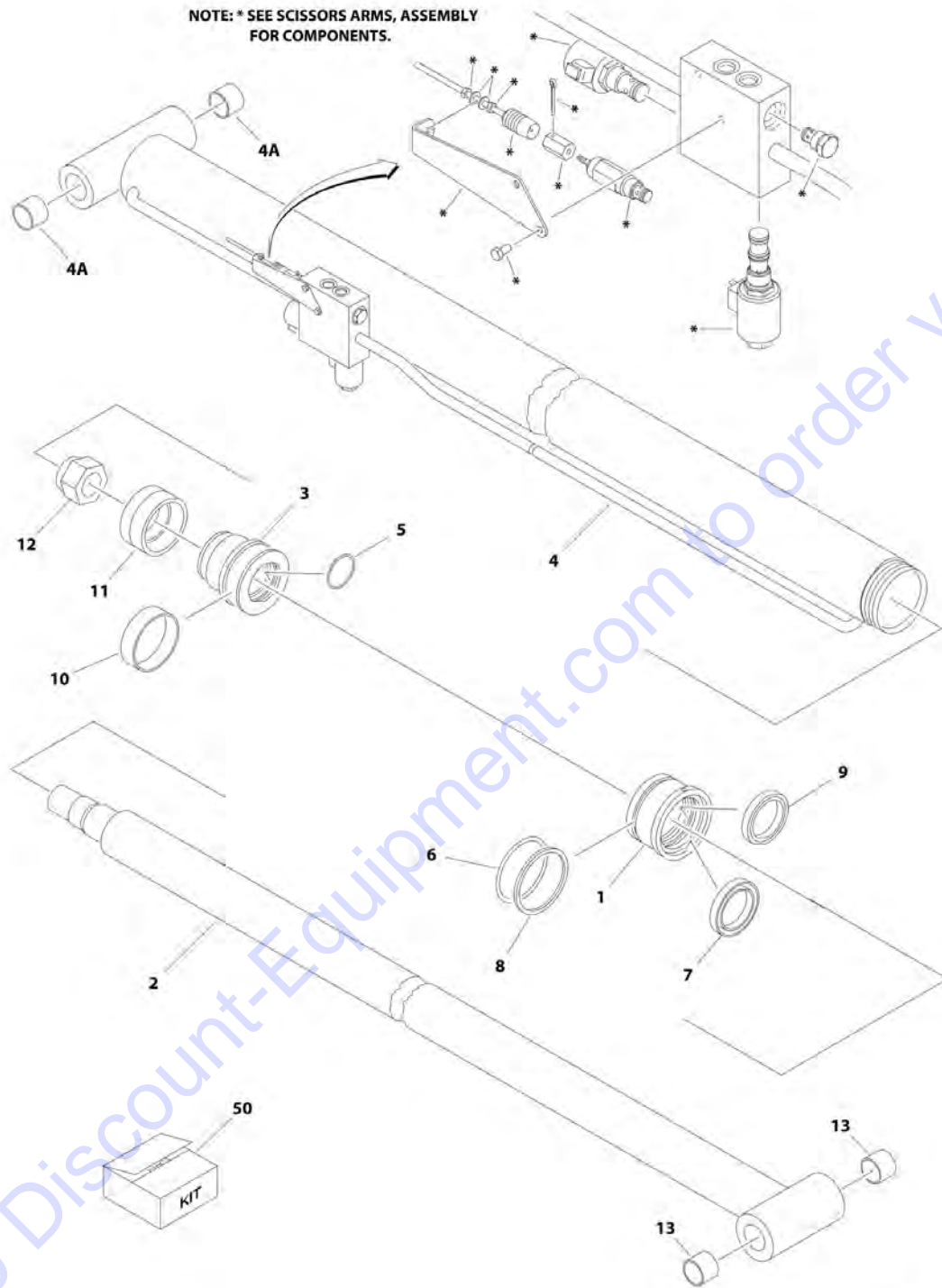
SECTION 6 - CYLINDER

FIGURE 6-3. LEVELING JACK CYLINDER ASSEMBLY

ITEM	PART NUMBER	QTY	DESCRIPTION	REV
	1684406	Ref	LEVELING JACK CYLINDER ASSEMBLY	C
1	0100011	AR	Compound, Locking	
2	0100038	AR	Primer, Locking	
3	1683054	1	Head	
4	0370018	1	Barrel	
5	3850013	1	Rod	
9	3573513	1	Plate, Jack	
10	See Note	NSS	Ring, Lock (Note: Use Item 100)	
11	See Note	NSS	Ring, Wear (Note: Use Item 100)	
12	3760368	1	Ring, Washer	
13	3760460	2	Ring, Retaining	
15	See Note	NSS	O-Ring (Note: Use Item 100)	
16	3900321	3	Screw 1/2 x 1-1/4	
17	3931516	8	Capscrew 5/16 x 1	
18	See Note	NSS	Seal (Note: Use Item 100)	
19	See Note	NSS	Wiper (Note: Use Item 100)	
20	See Note	NSS	Ring, Back-up (Note: Use Item 100)	
21	See Note	NSS	T-Seal (Note: Use Item 100)	
23	4846584	1	Pad, Jack	
100	2902182	1	Seal Kit - 1684406 Cylinder (Includes Items 10, 11, 15 & 18-21)	

SECTION 6 - CYLINDER

FIGURE 6-4. LIFT CYLINDER ASSEMBLY



ART_1684332

SECTION 6 - CYLINDER

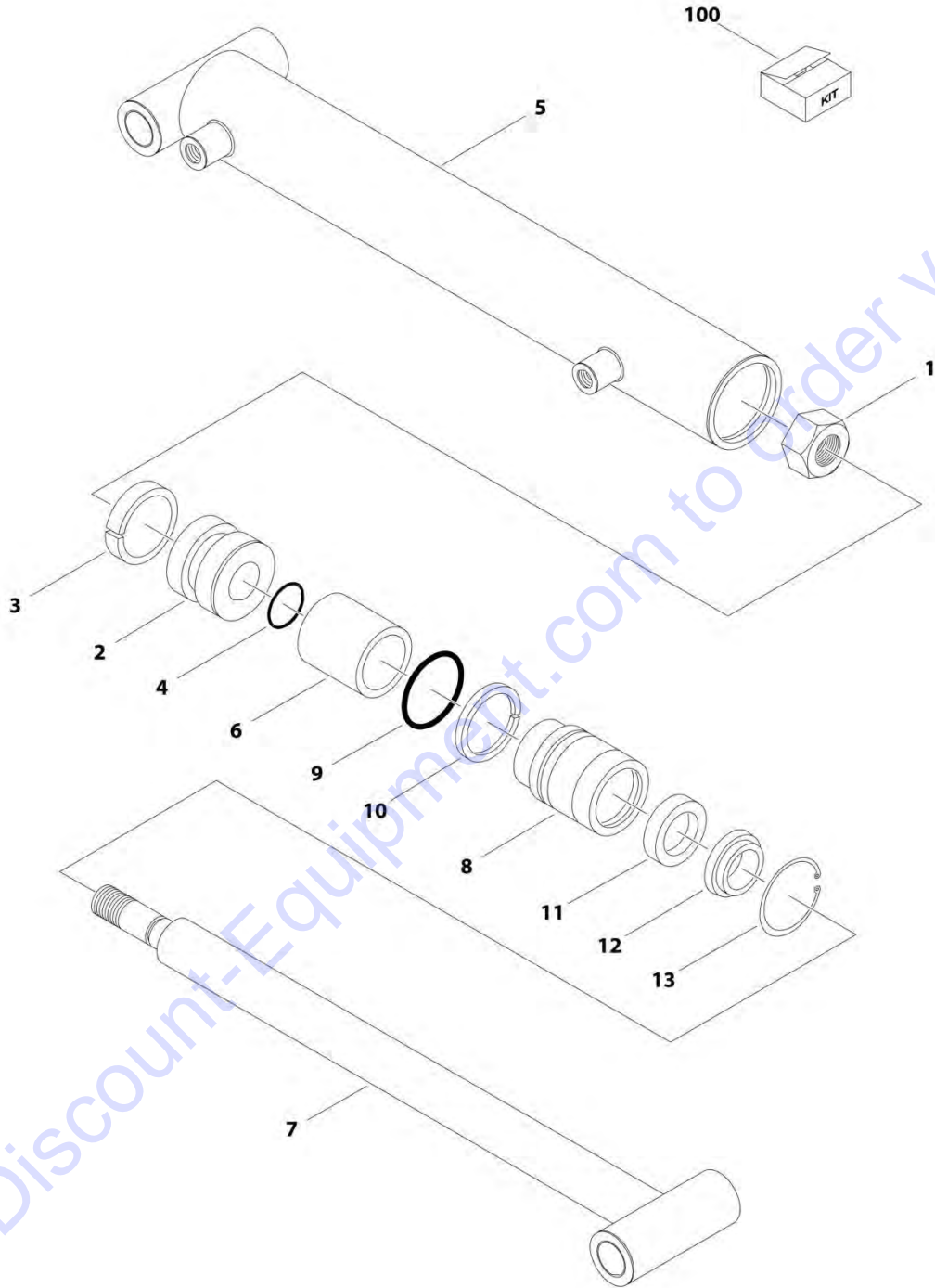
FIGURE 6-4. LIFT CYLINDER ASSEMBLY

ITEM	PART NUMBER	QTY	DESCRIPTION	REV
	1684332	Ref	LIFT CYLINDER ASSEMBLY	D
1	7026585	1	Head	
2	7026584	1	Rod	
3	7026583	1	Piston	
4	7026582	1	Barrel	
4A	70002202	2	Bushing	
5	See Note	NSS	Ring, Back-up (Note: Use Item 50)	
6	See Note	NSS	Seal (Note: Use Item 50)	
7	See Note	NSS	Seal (Note: Use Item 50)	
8	See Note	NSS	Ring, Back-up (Note: Use Item 50)	
9	See Note	NSS	Wiper (Note: Use Item 50)	
10	See Note	NSS	Ring, Wear (Note: Use Item 50)	
11	See Note	NSS	Seal (Note: Use Item 50)	
12	70002203	1	Nut	
13	70002202	2	Bushing	
50	7026586	1	Seal Kit - 1684332 Cylinder (Includes Items 5-11)	

Go to Discount-Equipment.com to order your parts

SECTION 6 - CYLINDER

FIGURE 6-5. PLATFORM EXTENSION CYLINDER ASSEMBLY



ART_1674266

PARTS FINDER

**Search Website
by Part Number**



**Search Manual
Library For Parts
Manual & Lookup Part
Numbers – Purchase
or Request Quote**

**Can't Find Part or
Manual? Request Help
by Manufacturer,
Model & Description**

Discount-Equipment.com is your online resource for quality parts & equipment.

Florida: **561-964-4949** Outside Florida TOLL FREE: **877-690-3101**

Need parts?

Click on this link: <http://www.discount-equipment.com/category/5443-parts/> and choose one of the options to help get the right parts and equipment you are looking for. Please have the machine model and serial number available in order to help us get you the correct parts. If you don't find the part on the website or on one of the online manuals, please fill out the request form and one of our experienced staff members will get back to you with a quote for the right part that your machine needs.

We sell worldwide for the brands: Genie, Terex, JLG, MultiQuip, Mikasa, Essick, Whiteman, Mayco, Toro Stone, Diamond Products, Generac Magnum, Airman, Haulotte, Barreto, Power Blanket, Nifty Lift, Atlas Copco, Chicago Pneumatic, Allmand, Miller Curber, Skyjack, Lull, Skytrak, Tsurumi, Husquvarna Target, Stow, Wacker, Sakai, Mi-T-M, Sullair, Basic, Dynapac, MBW, Weber, Bartell, Bennar Newman, Haulotte, Ditch Runner, Menegotti, Morrison, Contec, Buddy, Crown, Edco, Wyco, Bomag, Laymor, EZ Trench, Bil-Jax, F.S. Curtis, Gehl Pavers, Heli, Honda, ICS/PowerGrit, IHI, Partner, Imer, Clipper, MMD, Koshin, Rice, CH&E, General Equipment, Amida, Coleman, NAC, Gradall, Square Shooter, Kent, Stanley, Tamco, Toku, Hatz, Kohler, Robin, Wisconsin, Northrock, Oztec, Toker TK, Rol-Air, APT, Wylie, Ingersoll Rand / Doosan, Innovatech, Con X, Ammann, Mecalac, Makinex, Smith Surface Prep, Small Line, Wanco, Yanmar

SECTION 6 - CYLINDER

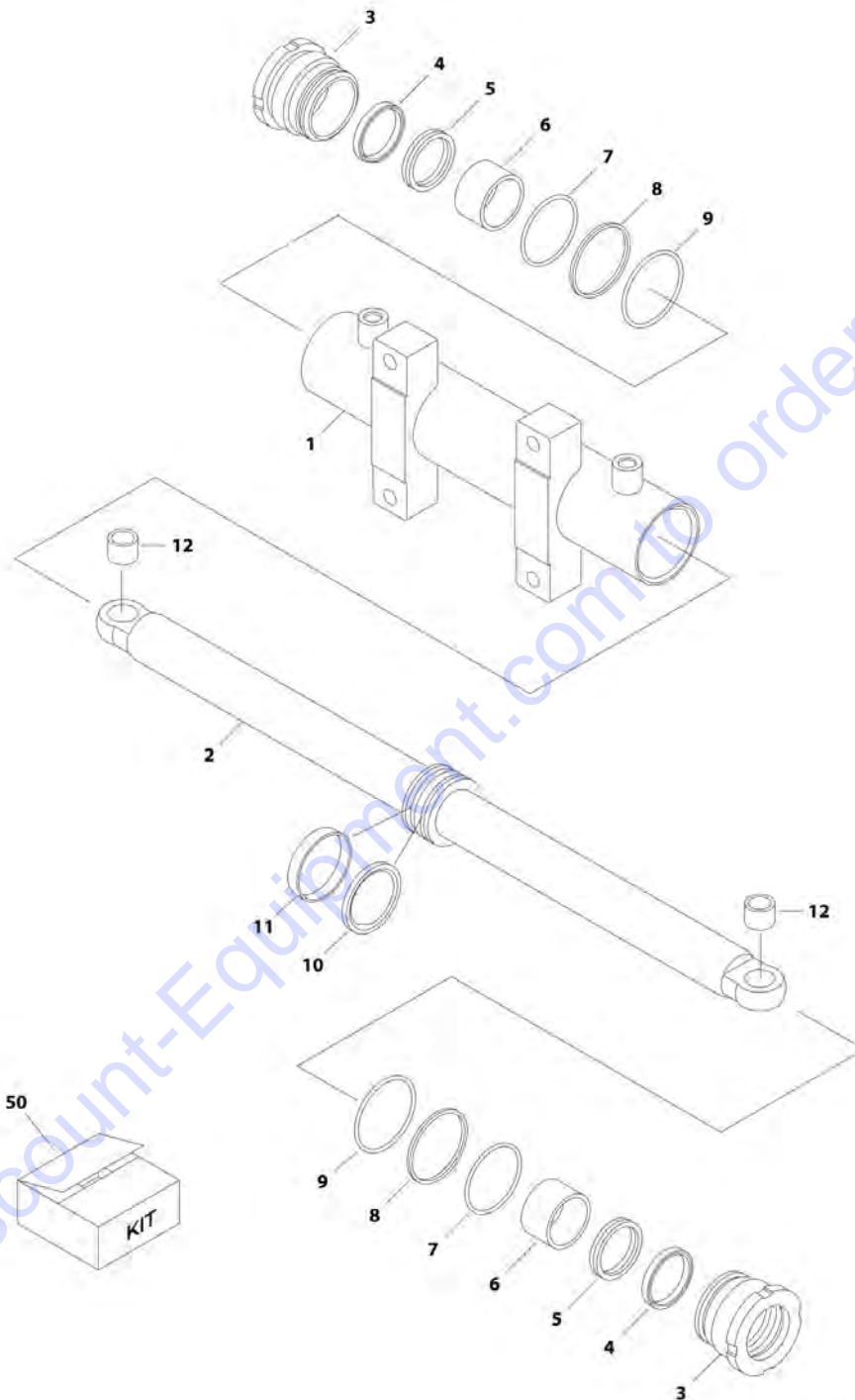
FIGURE 6-5. PLATFORM EXTENSION CYLINDER ASSEMBLY

ITEM	PART NUMBER	QTY	DESCRIPTION	REV
	1684266	Ref	PLATFORM EXTENSION CYLINDER ASSEMBLY	B
1	7001084	1	Locknut	
2	7001610	1	Piston	
3	See Note	NSS	Seal (Note: Use Item 100)	
4	See Note	NSS	O-Ring (Note: Use Item 100)	
5	7023035	1	Barrel	
6	7023036	1	Tube, Spacer	
7	7001617	1	Rod	
8	7001613	1	Head	
9	See Note	NSS	O-Ring (Note: Use Item 100)	
10	See Note	NSS	Ring, Back-up (Note: Use Item 100)	
11	See Note	NSS	Seal (Note: Use Item 100)	
12	See Note	NSS	Ring, Wiper (Note: Use Item 100)	
13	7001614	1	Ring, Retaining	
100	7001608	1	Seal Kit - 1684266 Cylinder (Includes Items 3, 4 & 9-13)	

Go to Discount-Equipment.com to order your parts

SECTION 6 - CYLINDER

FIGURE 6-6. STEER CYLINDER ASSEMBLY



ART_1001143434

SECTION 6 - CYLINDER

FIGURE 6-6. STEER CYLINDER ASSEMBLY

ITEM	PART NUMBER	QTY	DESCRIPTION	REV
	1001143434	Ref	STEER CYLINDER ASSEMBLY	E
1	70003933	1	Barrel	
2	70003934	1	Rod	
3	70003098	2	Head	
4	See Note	NSS	Wiper (Note: Use Item 50)	
5	See Note	NSS	Seal, Rod (Note: Use Item 50)	
6	See Note	NSS	Bearing (Note: Use Item 50)	
7	See Note	NSS	O-Ring (Note: Use Item 50)	
8	See Note	NSS	Ring, Back-up (Note: Use Item 50)	
9	See Note	NSS	O-Ring (Note: Use Item 50)	
10	See Note	NSS	Seal, Piston (Note: Use Item 50)	
11	See Note	NSS	Ring, Wear (Note: Use Item 50)	
12	See Note	NSS	Bearing (Note: Use Item 50)	
50	70003099	1	Seal Kit - 1001143434 Cylinder (Includes Items 4-12)	

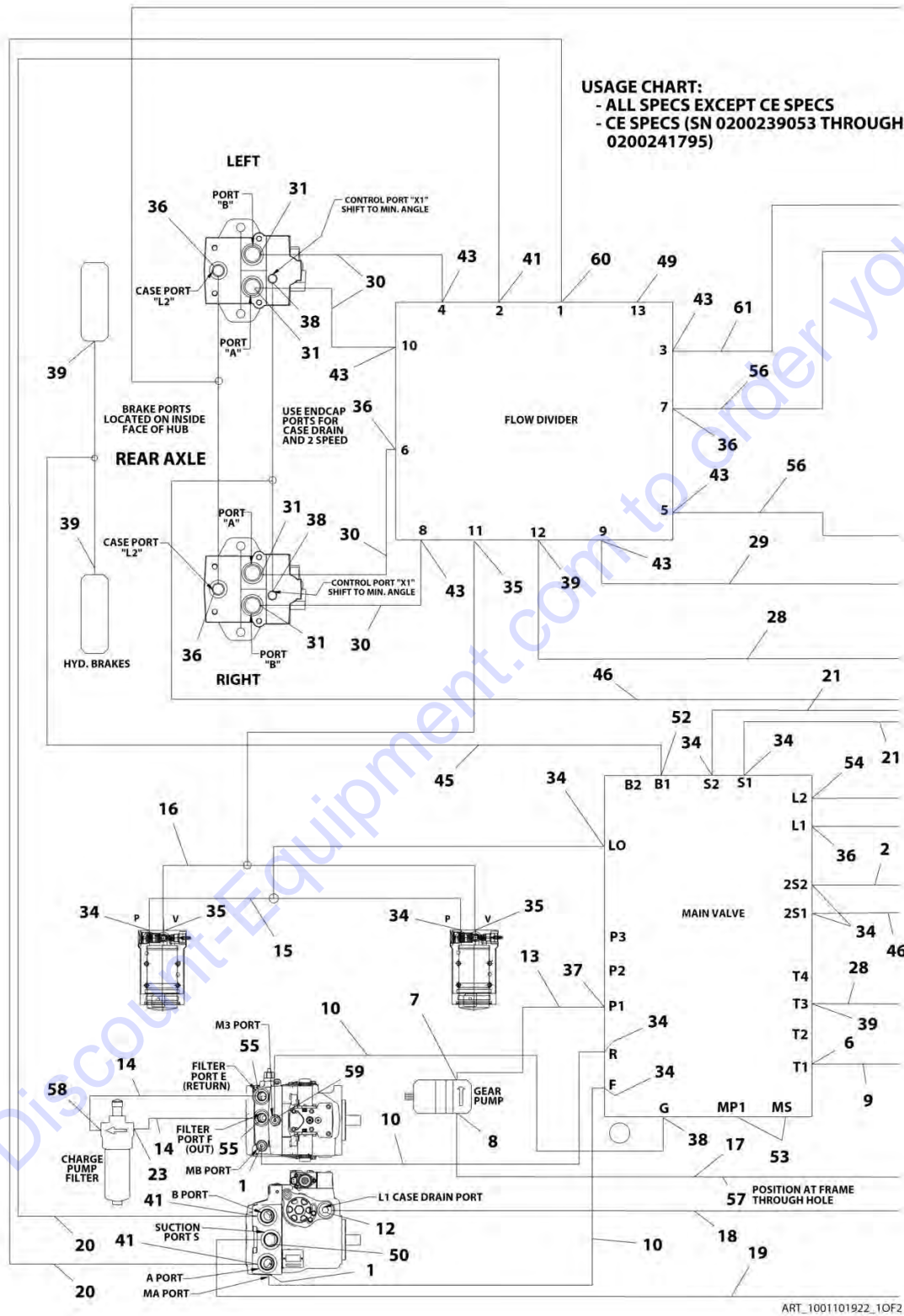
Go to Discount-Equipment.com to order your parts

SECTION 7 - HYDRAULIC

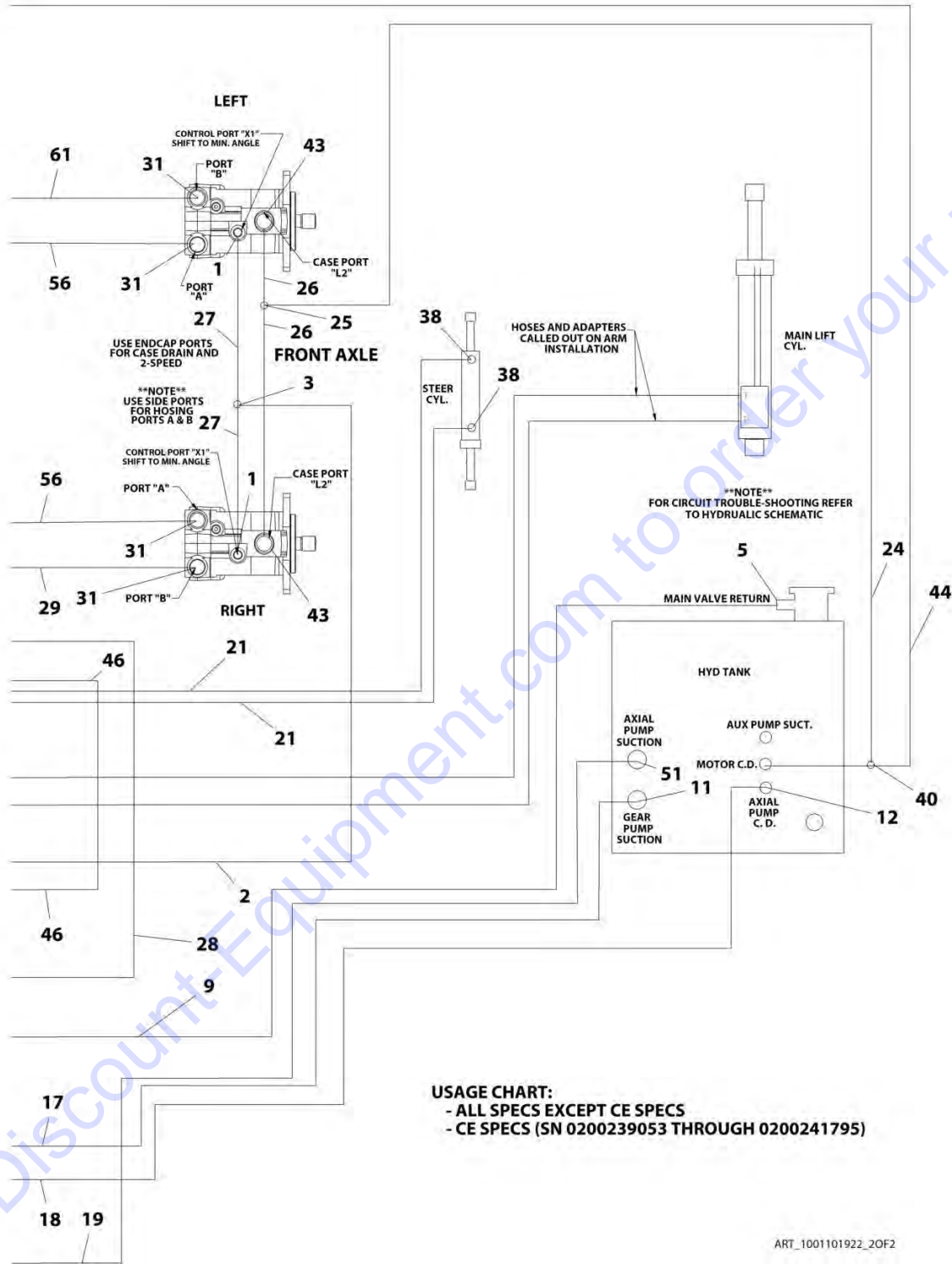
Go to Discount-Equipment.com to order your parts

SECTION 7 - HYDRAULIC

FIGURE 7-1. HYDRAULIC DIAGRAM



SECTION 7 - HYDRAULIC



ART_1001101922_20F2

SECTION 7 - HYDRAULIC

FIGURE 7-1. HYDRAULIC DIAGRAM

ITEM	PART NUMBER	QTY	DESCRIPTION	REV
		Ref	USAGE CHART:	
		Ref	- All Specs except CE Specs	
		Ref	- CE Specs (SN 0200239053 through 0200241795)	
	1001101922	Ref	HYDRAULIC DIAGRAM	J
1	2130406	4	Fitting, 90 ORFS/ORB	
2	2753622	1	Hose	
3	2170504	1	Fitting, Tee ORFS/ORFS/ORFS	
5	2151216	1	Fitting, 45 ORFS/ORB	
6	2111210	1	Fitting, Straight ORFS/ORB	
7	1001103366	1	Valve, Check	
8	2220479	1	Fitting, Straight JIC/ORB	
9	2753704	1	Hose	
10	2753675	3	Hose	
11	8760351	1	Fitting, 45 JIC/ORB	
12	2111212	2	Fitting, Straight ORFS/ORB	
13	2753708	1	Hose	
14	2753582	2	Hose	
15	1001104578	1	Hose	
16	1001104579	1	Hose	
17	1001108128	1	Hose	
18	2753773	1	Hose	
19	1001104581	1	Hose	
20	1001107924	2	Hose	
21	2753784	2	Hose	
23	2130812	1	Fitting, 90 ORFS/ORB	
24	1001104584	1	Hose (SN 0200239053 through 0200249090)	
24	1001202897	1	Hose (SN 0200249091 through 0200251741)	
24	1001104584	1	Hose (SN 0200251742 to Present)	
25	2170508	1	Fitting, Tee ORFS/ORFS/ORFS	
26	2753659	2	Hose (SN 0200239053 through 0200249090)	
26	1001202903	2	Hose (SN 0200249091 to Present)	
27	1001104585	2	Hose (SN 0200239053 through 0200249090)	
27	1001202898	2	Hose (SN 0200249091 to Present)	
28	2753940	1	Hose	
29	1001149199	1	Hose	
30	2753791	4	Hose	
31	2110812	8	Fitting, Straight ORFS/ORB	
34	2110404	9	Fitting, Straight ORFS/ORB	
35	2110606	3	Fitting, Straight ORFS/ORB	
36	2110808	5	Fitting, Straight ORFS/ORB	
37	2111010	1	Fitting, Straight ORFS/ORB	
38	2110406	5	Fitting, Straight ORFS/ORB	
39	2130404	4	Fitting, 90 ORFS/ORB	
40	2221084	1	Fitting, Tee ORFS/ORB/ORFS	
41	2111216	3	Fitting, Straight ORFS/ORB	
43	2130808	8	Fitting, 90 ORFS/ORB	
44	1001104588	1	Hose	
45	1001104589	1	Hose	
46	1001104590	1	Hose	
49	2220238	1	Plug	

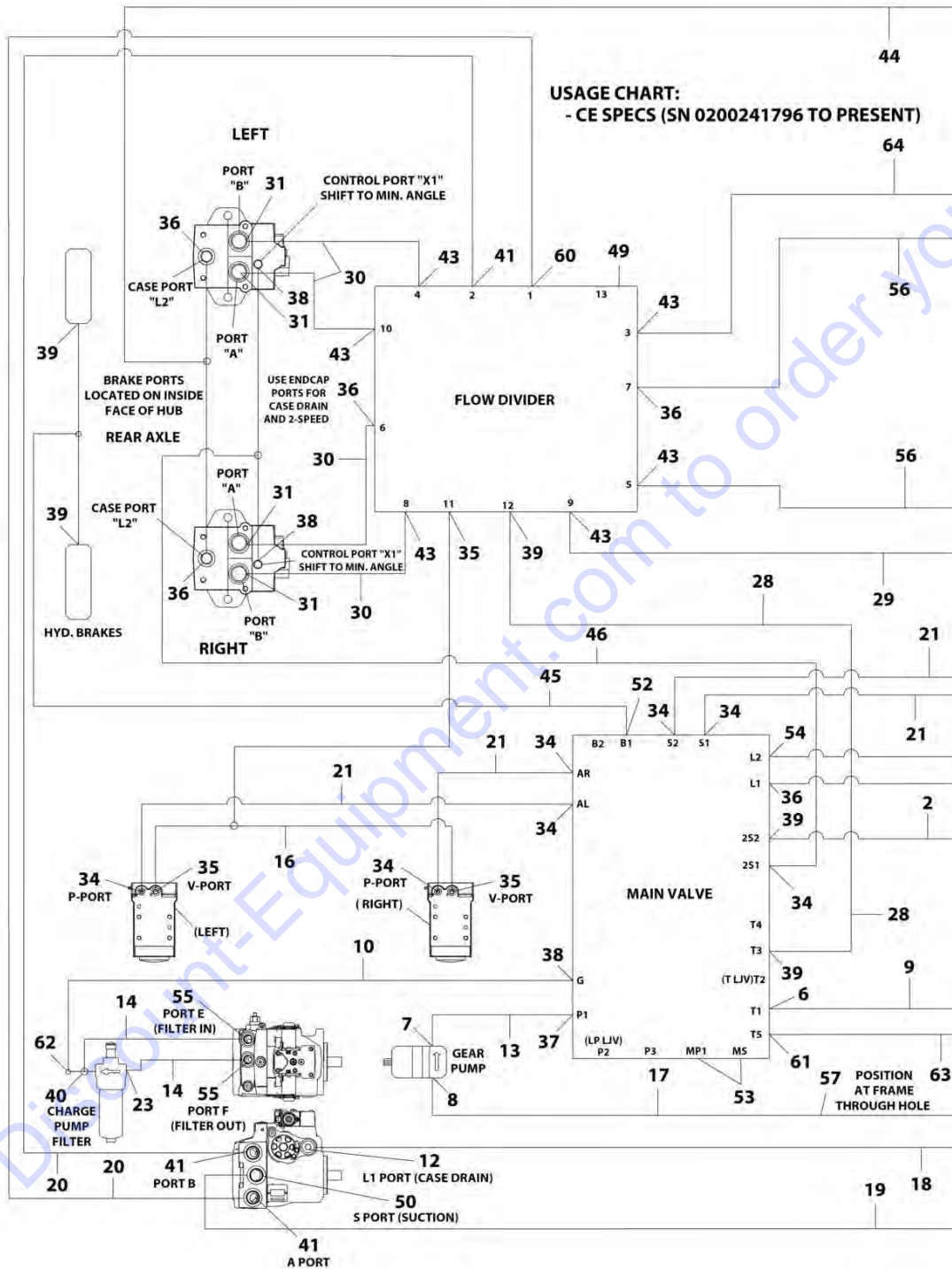
SECTION 7 - HYDRAULIC

ITEM	PART NUMBER	QTY	DESCRIPTION	REV
50	2112016	1	Fitting, Straight ORFS/ORB	
51	2152020	1	Fitting, 45 ORFS/ORB	
52	4641281	1	Valve, Orifice Check	
53	2221086	2	Fitting, Gage Adapter	
54	2151010	1	Fitting, 45 ORFS/ORB	
55	2110810	2	Fitting, Straight ORFS/ORB	
56	1001149107	2	Hose	
57	4061032	1	Guard, Hose	
58	2110812	1	Fitting, Straight ORFS/ORB	
59	2150406	1	Fitting, 45 ORFS/ORB	
60	2131216	1	Fitting, 90 ORFS/ORB	
61	1001149199	1	Hose (SN 0200239053 through 0200249090)	
61	1001202907	1	Hose (SN 0200249091 to Present)	

Go to Discount-Equipment.com to order your parts

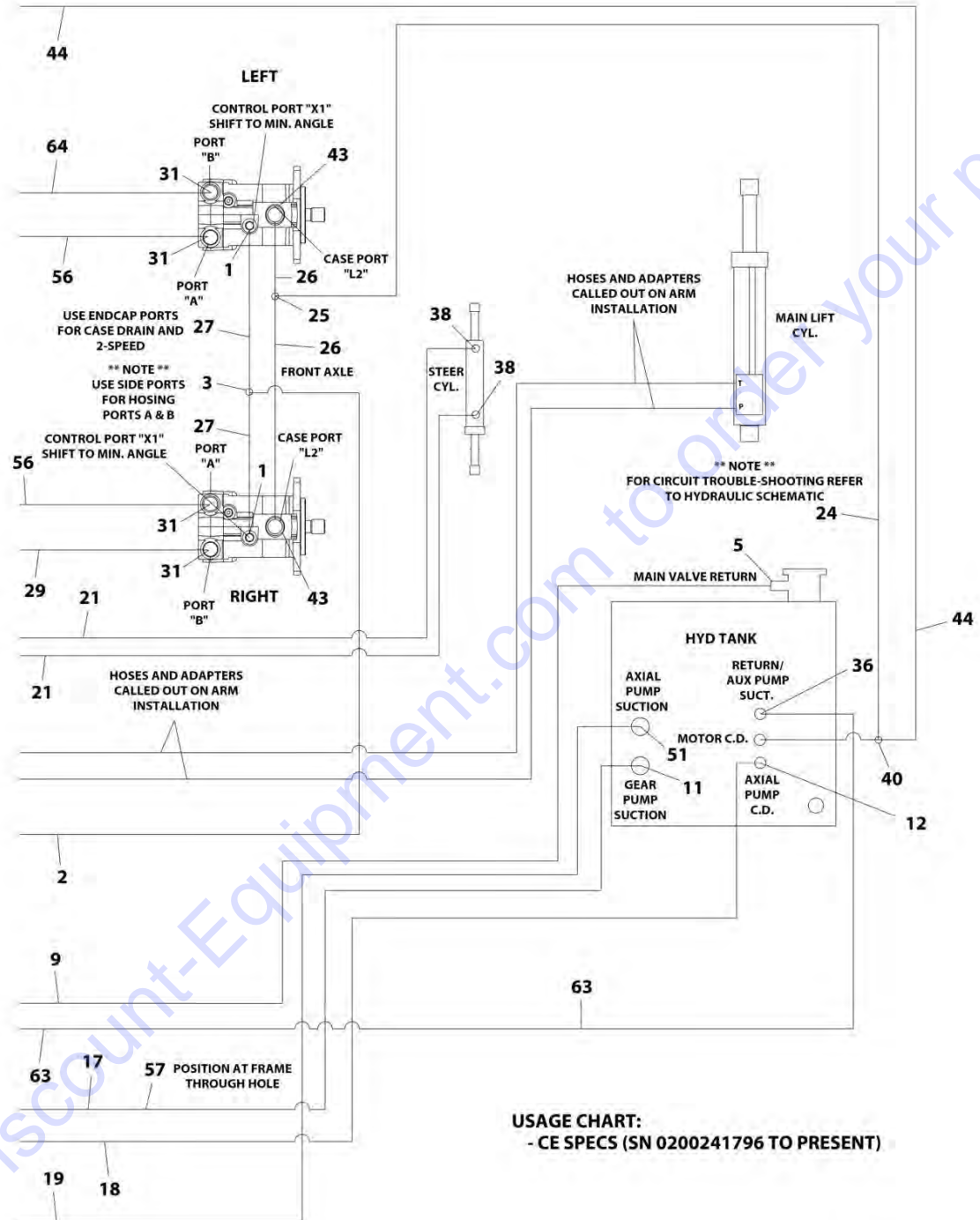
SECTION 7 - HYDRAULIC

FIGURE 7-2. HYDRAULIC DIAGRAM



ART_1001188563_10F2

SECTION 7 - HYDRAULIC



ART_1001188563_20F2

SECTION 7 - HYDRAULIC

FIGURE 7-2. HYDRAULIC DIAGRAM

ITEM	PART NUMBER	QTY	DESCRIPTION	REV
		Ref	USAGE CHART:	
		Ref	- CE Specs (SN 0200241796 to Present)	
	1001188563	Ref	HYDRAULIC DIAGRAM	D
1	2130406	4	Fitting, 90 ORFS/ORB	
2	2753622	1	Hose	
3	2170504	1	Fitting, Tee ORFS/ORFS/ORFS	
5	2151216	1	Fitting, 45 ORFS/ORB	
6	2111210	1	Fitting, Straight ORFS/ORB	
7	1001103366	1	Valve, Check	
8	2220479	1	Fitting, Straight JIC/ORB	
9	2753704	1	Hose	
10	2754263	1	Hose	
11	8760351	1	Fitting, 45 JIC/ORB	
12	2111212	2	Fitting, Straight ORFS/ORB	
13	2753708	1	Hose	
14	2753582	2	Hose	
16	1001104579	1	Hose	
17	1001108128	1	Hose	
18	2753773	1	Hose	
19	1001104581	1	Hose	
20	1001107924	2	Hose	
21	2753784	4	Hose	
23	2130812	1	Fitting, 90 ORFS/ORB	
24	1001104584	1	Hose (SN 0200241796 through 0200249090)	
24	1001202897	1	Hose (SN 0200249091 through 0200251741)	
24	1001104584	1	Hose (SN 0200251742 to Present)	
25	2170508	1	Fitting, Tee ORFS/ORFS/ORFS	
26	2753659	2	Hose (SN 0200241796 through 0200249090)	
26	1001202903	2	Hose (SN 0200249091 to Present)	
27	1001104585	2	Hose (SN 0200241796 through 0200249090)	
27	1001202898	2	Hose (SN 0200249091 to Present)	
28	2753940	1	Hose	
29	1001149199	1	Hose	
30	2753791	4	Hose	
31	2110812	8	Fitting, Straight ORFS/ORB	
34	2110404	7	Fitting, Straight ORFS/ORB	
35	2110606	3	Fitting, Straight ORFS/ORB	
36	2110808	6	Fitting, Straight ORFS/ORB	
37	2111010	1	Fitting, Straight ORFS/ORB	
38	2110406	5	Fitting, Straight ORFS/ORB	
39	2130404	5	Fitting, 90 ORFS/ORB	
40	2221084	2	Fitting, Tee ORFS/ORB/ORFS	
41	2111216	3	Fitting, Straight ORFS/ORB	
43	2130808	8	Fitting, 90 ORFS/ORB	
44	1001104588	1	Hose	
45	1001104589	1	Hose	
46	1001104590	1	Hose	
49	2220238	1	Plug	
50	2112016	1	Fitting, Straight ORFS/ORB	
51	2152020	1	Fitting, 45 ORFS/ORB	

SECTION 7 - HYDRAULIC

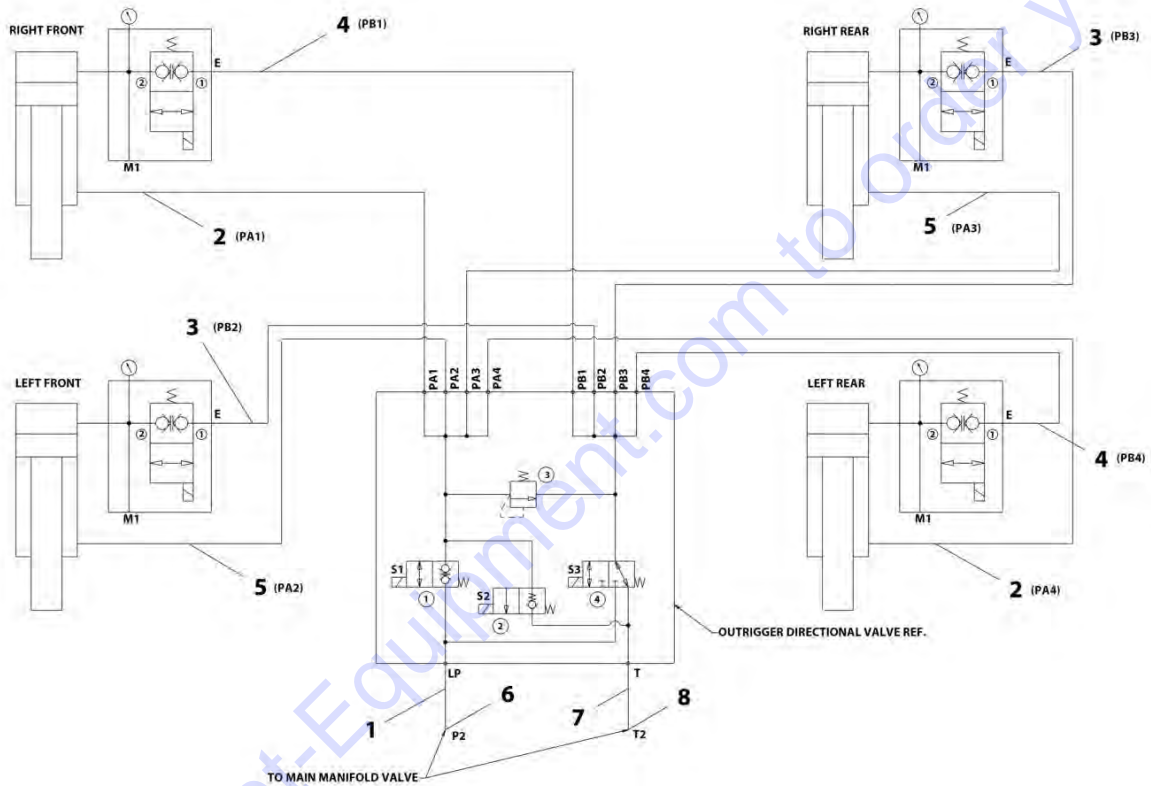
ITEM	PART NUMBER	QTY	DESCRIPTION	REV
52	4641281	1	Valve, Orifice Check	
53	2221086	2	Fitting, Gage Adapter	
54	2151010	1	Fitting, 45 ORFS/ORB	
55	2110810	2	Fitting, Straight ORFS/ORB	
56	1001149107	2	Hose	
57	4061032	1	Guard, Hose	
60	2131216	1	Fitting, 90 ORFS/ORB	
61	2110806	1	Fitting, 90 ORFS/ORB	
62	2221183	1	Fitting, Reducer ORFS/ORFS	
63	2753582	1	Hose	
64	1001149199	1	Hose (SN 0200241796 through 0200249090)	
64	1001202907	1	Hose (SN 0200249091 to Present)	

Go to Discount-Equipment.com to order your parts

SECTION 7 - HYDRAULIC

FIGURE 7-3. LEVELING JACK HYDRAULIC DIAGRAM - OPTIONAL ON 3394RT - STANDARD ON 4394RT

USAGE CHART:
 - ALL SPECS EXCEPT CE SPECS
 - CE SPECS (SN 0200239053 THROUGH 0200241795)



ART_1001103552

SECTION 7 - HYDRAULIC

FIGURE 7-3. LEVELING JACK HYDRAULIC DIAGRAM - OPTIONAL ON 3394RT - STANDARD ON 4394RT

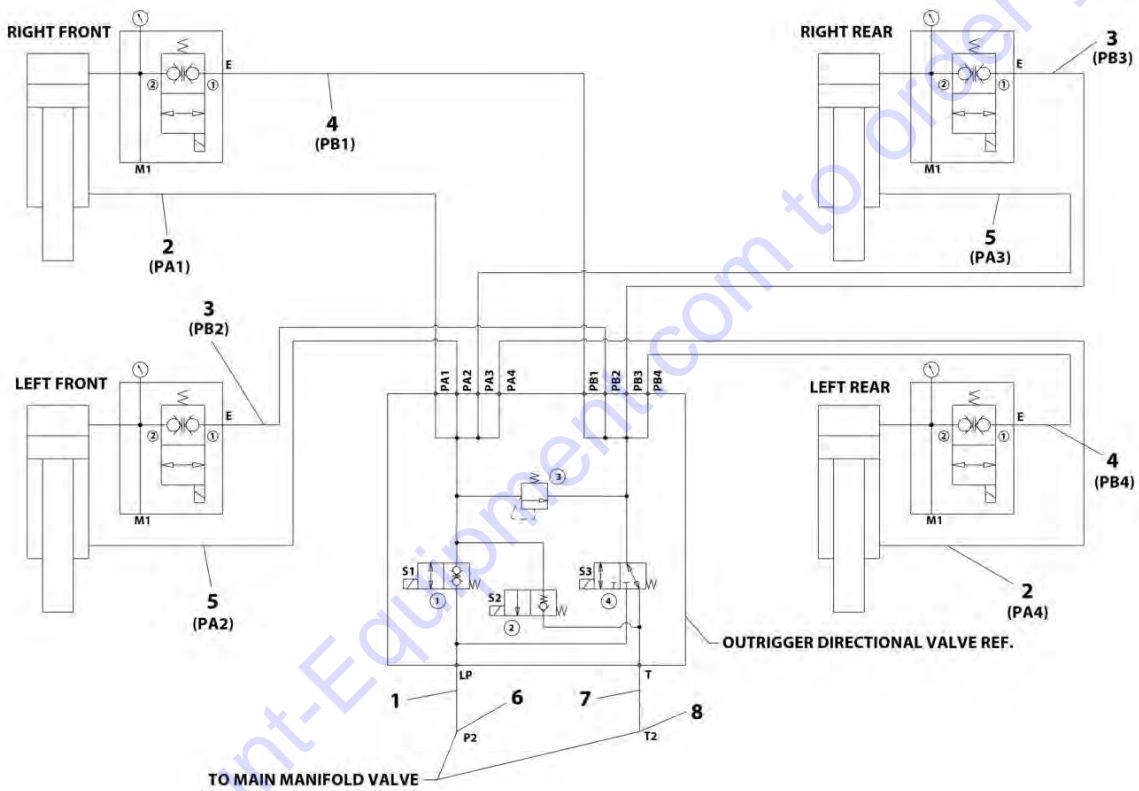
ITEM	PART NUMBER	QTY	DESCRIPTION	REV
		Ref	USAGE CHART:	
		Ref	- All Specs except CE Specs	
		Ref	- CE Specs (SN 0200239053 through 0200241795)	
	1001103552	Ref	LEVELING JACK HYDRAULIC DIAGRAM - OPTIONAL ON 3394RT - STANDARD ON 4394RT	B
1	2753624	1	Hose	
2	2753832	2	Hose	
3	2753833	2	Hose	
4	2753834	2	Hose	
5	2753835	2	Hose	
6	2110606	1	Fitting, Straight ORFS/ORB	
7	2753576	1	Hose	
8	2130606	1	Fitting, 90 ORFS/ORB	

Go to Discount-Equipment.com to order your parts

SECTION 7 - HYDRAULIC

FIGURE 7-4. LEVELING JACK HYDRAULIC DIAGRAM - OPTIONAL ON 3394RT - STANDARD ON 4394RT

USAGE CHART:
- CE SPECS (SN 0200241796 TO PRESENT)



ART_1001188848

SECTION 7 - HYDRAULIC

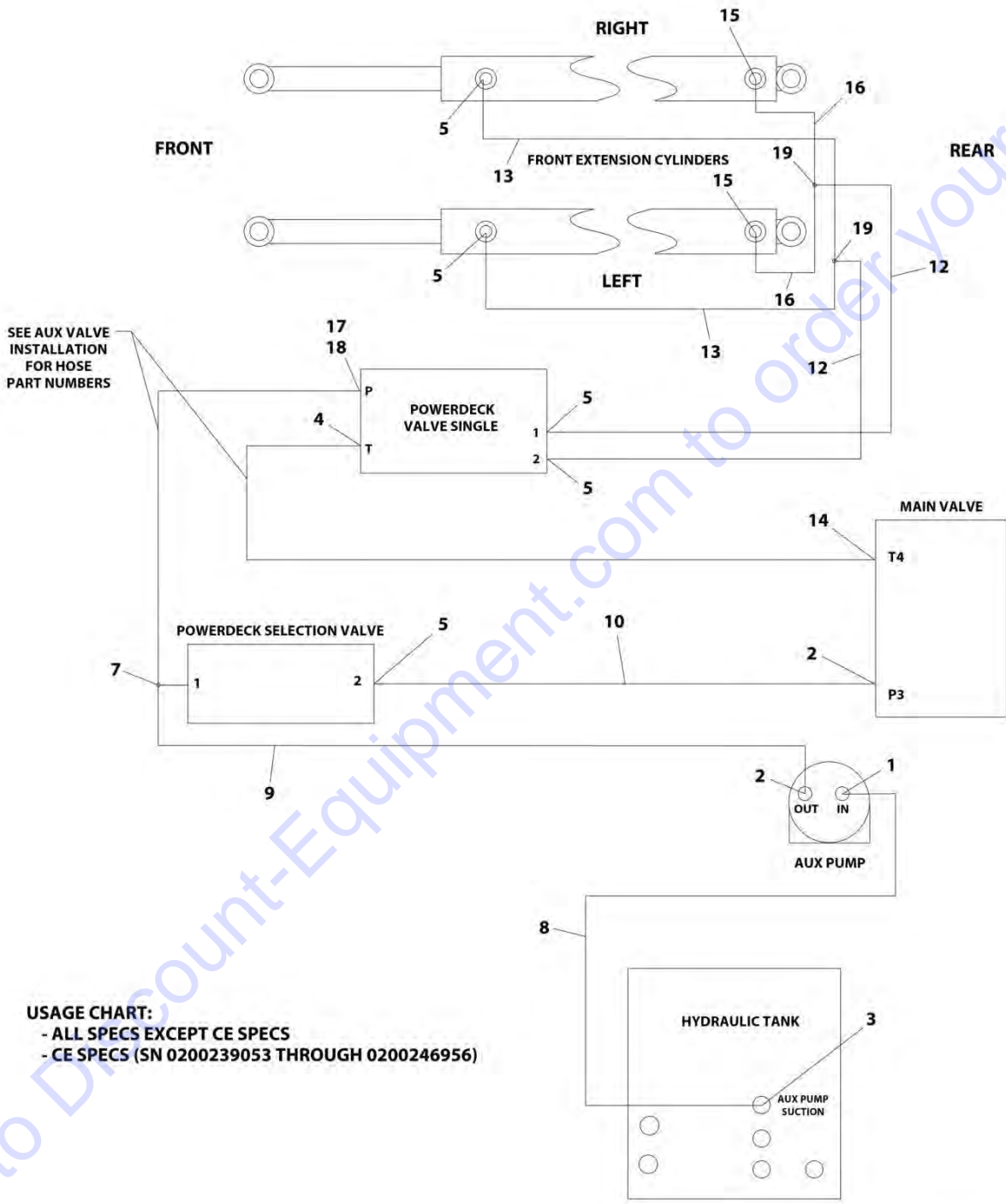
FIGURE 7-4. LEVELING JACK HYDRAULIC DIAGRAM - OPTIONAL ON 3394RT - STANDARD ON 4394RT

ITEM	PART NUMBER	QTY	DESCRIPTION	REV
		Ref	USAGE CHART:	
		Ref	- CE Specs (SN 0200241796 to Present)	
	1001188848	Ref	LEVELING JACK HYDRAULIC DIAGRAM - OPTIONAL ON 3394RT - STANDARD ON 4394RT	A
1	2716960	1	Hose	
2	2753832	2	Hose	
3	2753833	2	Hose	
4	2753834	2	Hose	
5	2753835	2	Hose	
6	2110606	1	Fitting, Straight ORFS/ORB	
7	2753576	1	Hose	
8	2130606	1	Fitting, 90 ORFS/ORB	

Go to Discount-Equipment.com to order your parts

SECTION 7 - HYDRAULIC

FIGURE 7-5. POWER SINGLE DECK EXTENSION HYDRAULIC DIAGRAM



USAGE CHART:
 - ALL SPECS EXCEPT CE SPECS
 - CE SPECS (SN 0200239053 THROUGH 0200246956)

ART_1001103708

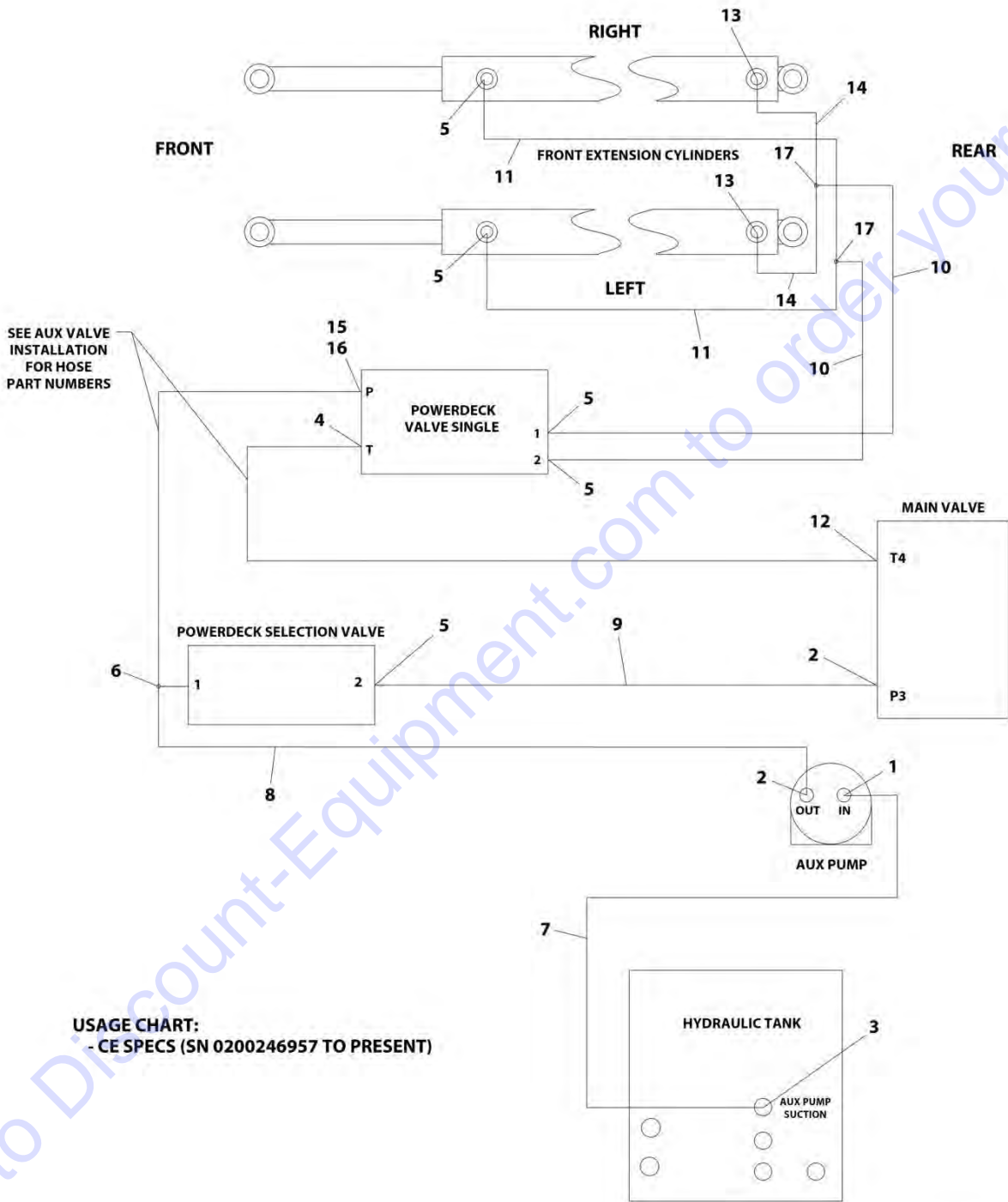
SECTION 7 - HYDRAULIC

FIGURE 7-5. POWER SINGLE DECK EXTENSION HYDRAULIC DIAGRAM

ITEM	PART NUMBER	QTY	DESCRIPTION	REV
		Ref	USAGE CHART:	
		Ref	- All Specs except CE Specs	
		Ref	- CE Specs (SN 0200239053 through 0200246956)	
	1001103708	Ref	POWER SINGLE DECK EXTENSION HYDRAULIC DIAGRAM	B
1	2110806	1	Fitting, Straight ORFS/ORB	
2	2110406	2	Fitting, Straight ORFS/ORB	
3	2110808	1	Fitting, Straight ORFS/ORB	
4	2130604	1	Fitting, 90 ORFS/ORB	
5	2110404	5	Fitting, Straight ORFS/ORB	
7	2170304	1	Fitting, Tee ORFS/ORB/ORFS	
8	2753881	1	Hose	
9	1001105169	1	Hose	
10	2753939	1	Hose	
12	2753550	2	Hose	
13	2753717	2	Hose	
14	2110606	1	Fitting, Straight ORFS/ORB	
15	2170204	2	Fitting, Tee ORFS/ORB	
16	2753555	2	Hose	
17	2180830	1	Orifice (.047)	
18	2172104	1	Fitting, 90 ORFS/FSORFS	
19	2170504	2	Fitting, Tee ORFS/ORFS/ORFS	

SECTION 7 - HYDRAULIC

FIGURE 7-6. POWER SINGLE DECK EXTENSION HYDRAULIC DIAGRAM



USAGE CHART:
- CE SPECS (SN 0200246957 TO PRESENT)

ART_1001190537

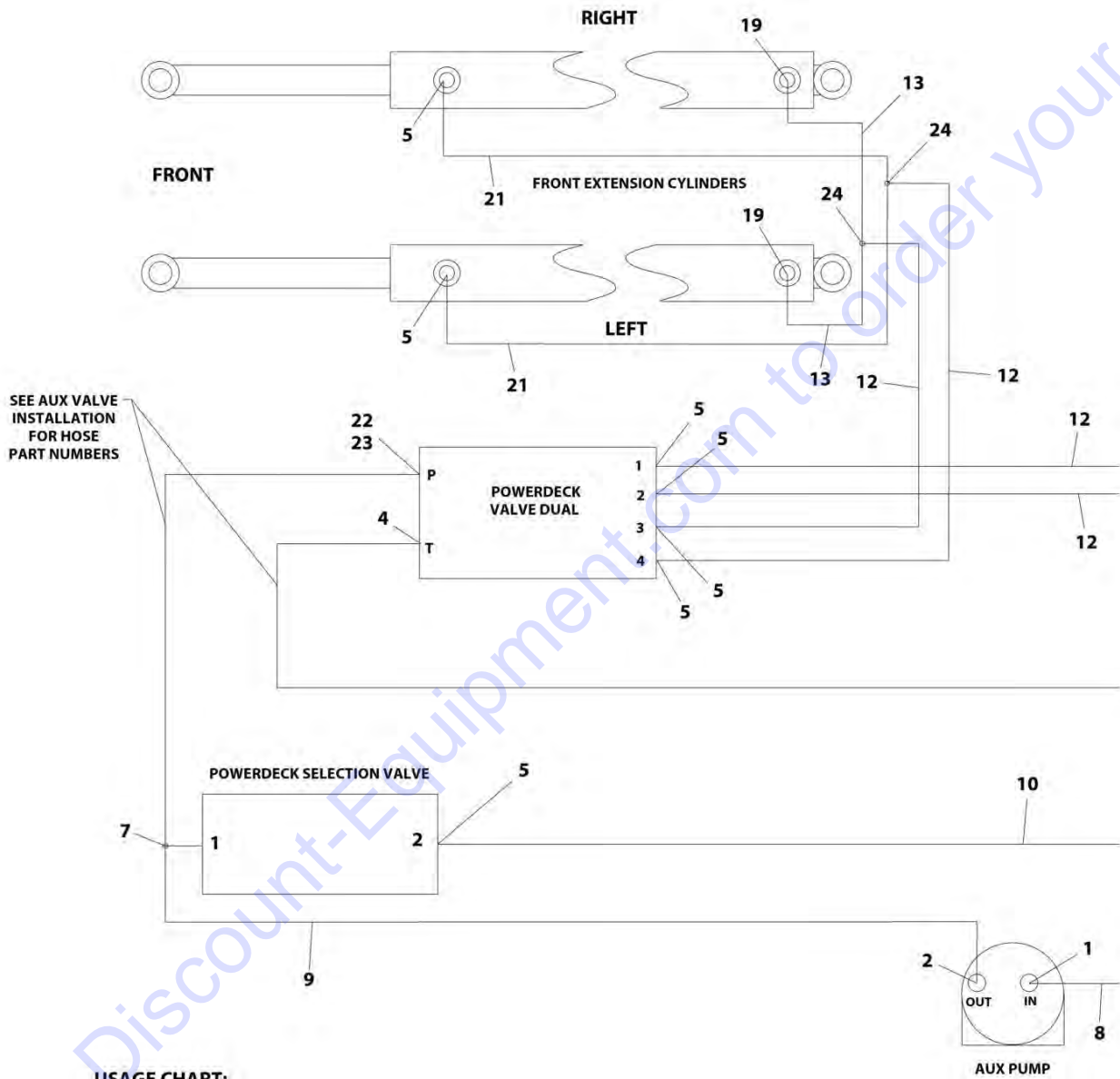
SECTION 7 - HYDRAULIC

FIGURE 7-6. POWER SINGLE DECK EXTENSION HYDRAULIC DIAGRAM

ITEM	PART NUMBER	QTY	DESCRIPTION	REV
		Ref	USAGE CHART:	
		Ref	- CE Specs (SN 0200246957 to Present)	
	1001190537	Ref	POWER SINGLE DECK EXTENSION HYDRAULIC DIAGRAM	A
1	2110806	1	Fitting, Straight ORFS/ORB	
2	2110406	2	Fitting, Straight ORFS/ORB	
3	2170308	1	Fitting, Tee ORFS/ORB/ORFS	
4	2130604	1	Fitting, 90 ORFS/ORB	
5	2110404	5	Fitting, Straight ORFS/ORB	
6	2170304	1	Fitting, Tee ORFS/ORB/ORFS	
7	2753881	1	Hose	
8	1001105169	1	Hose	
9	2753939	1	Hose	
10	2753550	2	Hose	
11	2753717	2	Hose	
12	2110606	1	Fitting, Straight ORFS/ORB	
13	2170204	2	Fitting, 90 ORFS/ORB	
14	2753555	2	Hose	
15	2180830	1	Orifice (.047)	
16	2172104	1	Fitting, Straight ORFS/FSORFS	
17	2170504	2	Fitting, Tee ORFS/ORFS/ORFS	

SECTION 7 - HYDRAULIC

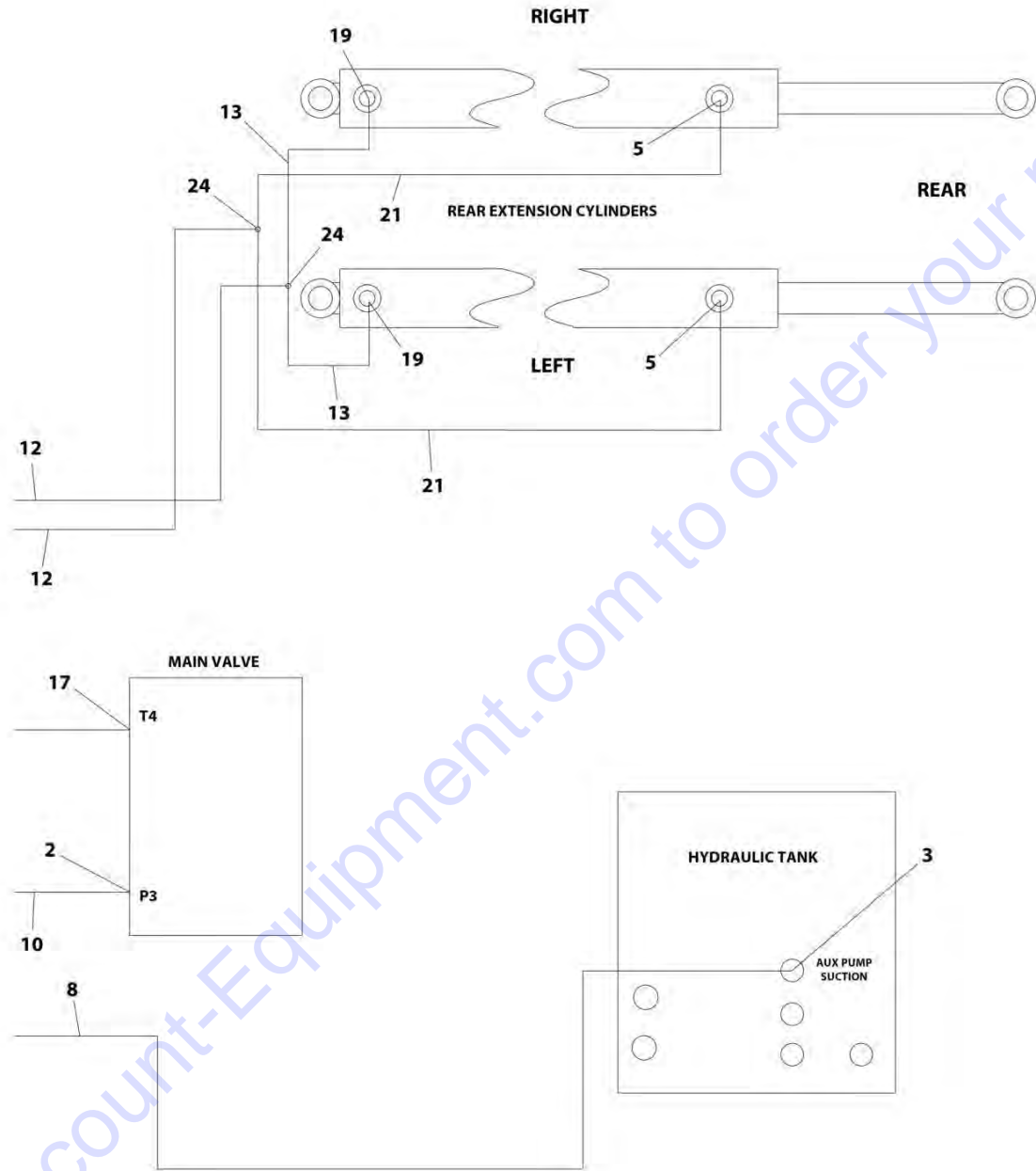
FIGURE 7-7. POWER DUAL DECK EXTENSION (12.6FT/3.8M LENGTH PLATFORM) HYDRAULIC DIAGRAM



USAGE CHART:
 - ALL SPECS EXCEPT CE SPECS
 - CE SPECS (SN 0200239053 THROUGH 0200246956)

ART_1001103709_1OF2

SECTION 7 - HYDRAULIC



USAGE CHART:
 - ALL SPECS EXCEPT CE SPECS
 - CE SPECS (SN 0200239053 THROUGH 0200246956)

ART_1001103709_20F2

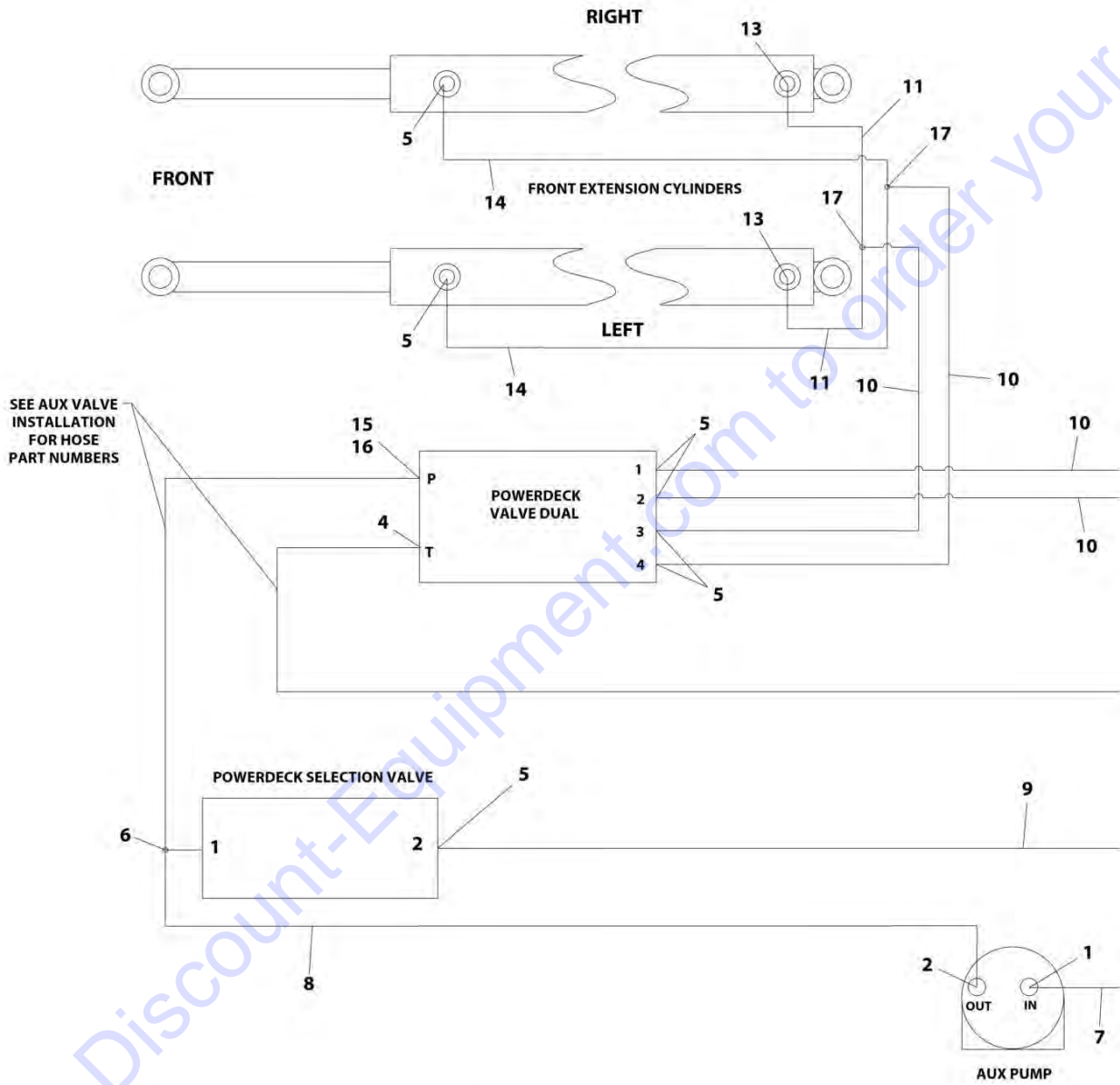
SECTION 7 - HYDRAULIC

FIGURE 7-7. POWER DUAL DECK EXTENSION (12.6FT/3.8M LENGTH PLATFORM) HYDRAULIC DIAGRAM

ITEM	PART NUMBER	QTY	DESCRIPTION	REV
		Ref	USAGE CHART:	
		Ref	- All Specs except CE Specs	
		Ref	- CE Specs (SN 0200239053 through 0200246956)	
	1001103709	Ref	POWER DUAL DECK EXTENSION (12.6FT/3.8M LENGTH PLATFORM) HYDRAULIC DIAGRAM	C
1	2110806	1	Fitting, Straight ORFS/ORB	
2	2110406	2	Fitting, Straight ORFS/ORB	
3	2110808	1	Fitting, Straight ORFS/ORB	
4	2130604	1	Fitting, 90 ORFS/ORB	
5	2110404	9	Fitting, Straight ORFS/ORB	
7	2170304	1	Fitting, Tee ORFS/ORB/ORFS	
8	2753881	1	Hose	
9	1001105169	1	Hose	
10	2753939	1	Hose	
12	2753550	4	Hose	
13	2753554	4	Hose	
17	2110606	1	Fitting, Straight ORFS/ORB	
19	2170204	4	Fitting, 90 ORFS/ORB	
21	2753921	4	Hose	
22	2180830	1	Orifice (.047)	
23	2172104	1	Fitting, 90 ORFS/FSORFS	
24	2170504	4	Fitting, Tee ORFS/ORFS/ORFS	

SECTION 7 - HYDRAULIC

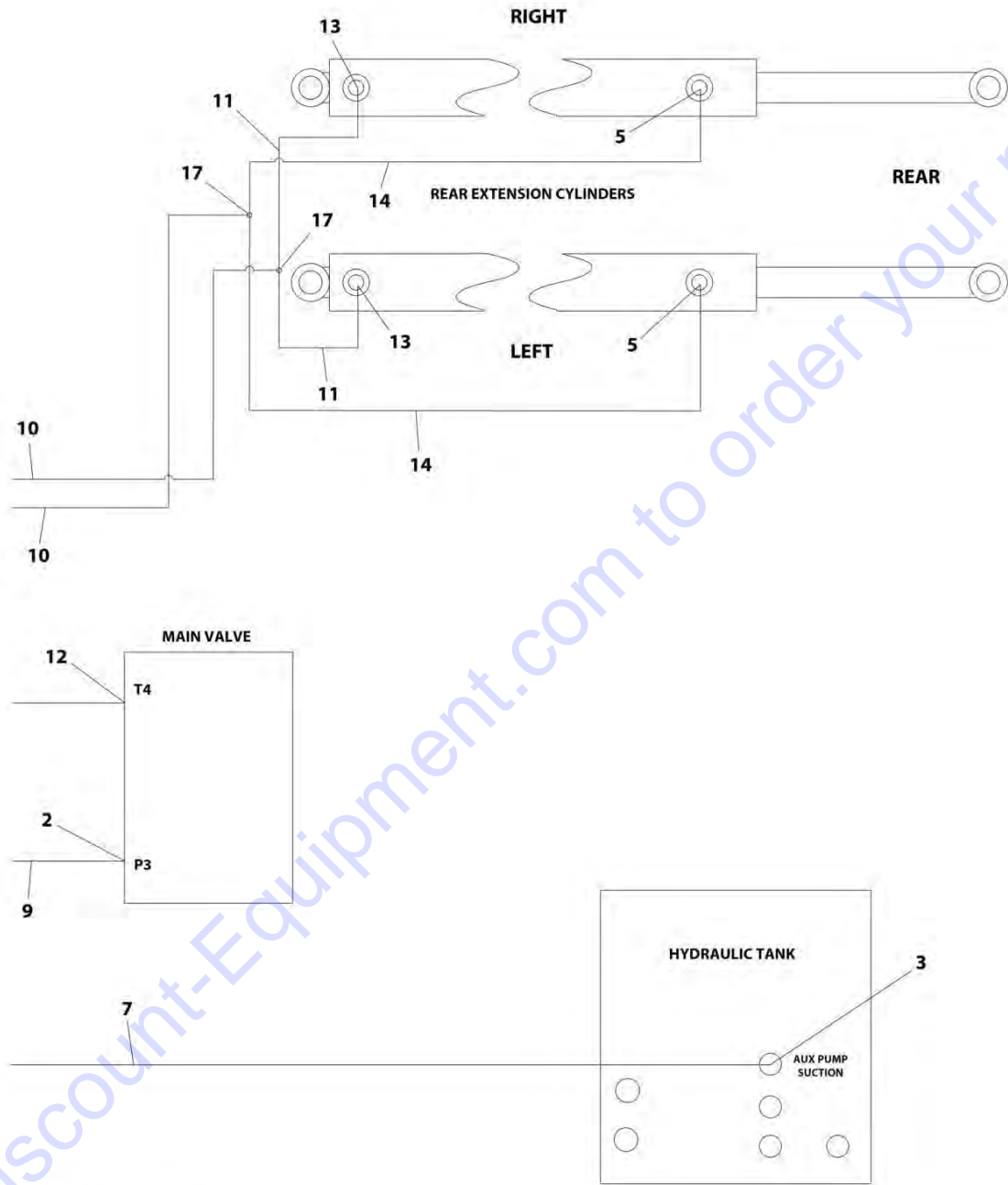
FIGURE 7-8. POWER DUAL DECK EXTENSION (12.6FT/3.8M LENGTH PLATFORM) HYDRAULIC DIAGRAM



USAGE CHART:
- CE SPECS (SN 0200246957 TO PRESENT)

ART_1001190544_1OF2

SECTION 7 - HYDRAULIC



USAGE CHART:
 - CE SPECS (SN 0200246957 TO PRESENT)

ART_1001190544_20F2

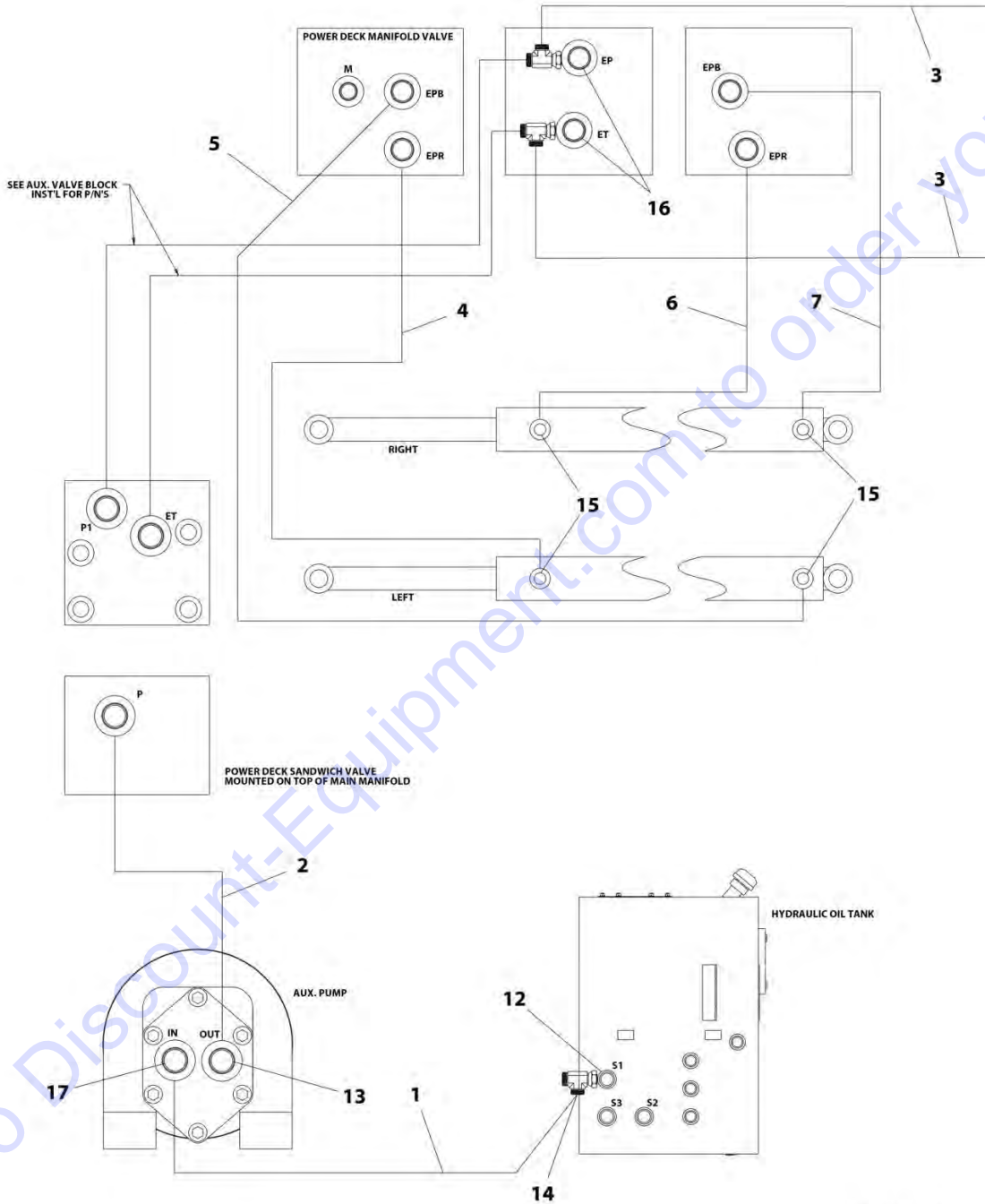
SECTION 7 - HYDRAULIC

FIGURE 7-8. POWER DUAL DECK EXTENSION (12.6FT/3.8M LENGTH PLATFORM) HYDRAULIC DIAGRAM

ITEM	PART NUMBER	QTY	DESCRIPTION	REV
		Ref	USAGE CHART:	
		Ref	- CE Specs (SN 0200246957 to Present)	
	1001190544	Ref	POWER DUAL DECK EXTENSION (12.6FT/3.8M LENGTH PLATFORM) HYDRAULIC DIAGRAM	A
1	2110806	1	Fitting, Straight ORFS/ORB	
2	2110406	2	Fitting, Straight ORFS/ORB	
3	2170308	1	Fitting, Tee ORFS/ORB/ORFS	
4	2130604	1	Fitting, 90 ORFS/ORB	
5	2110404	9	Fitting, Straight ORFS/ORB	
6	2170304	1	Fitting, Tee ORFS/ORB/ORFS	
7	2753881	1	Hose	
8	1001105169	1	Hose	
9	2753939	1	Hose	
10	2753550	4	Hose	
11	2753554	4	Hose	
12	2110606	1	Fitting, Straight ORFS/ORB	
13	2170204	4	Fitting, 90 ORFS/ORB	
14	2753921	4	Hose	
15	2180830	1	Orifice (.047)	
16	2172104	1	Fitting, 90 ORFS/FSORFS	
17	2170504	2	Fitting, Tee ORFS/ORFS/ORFS	

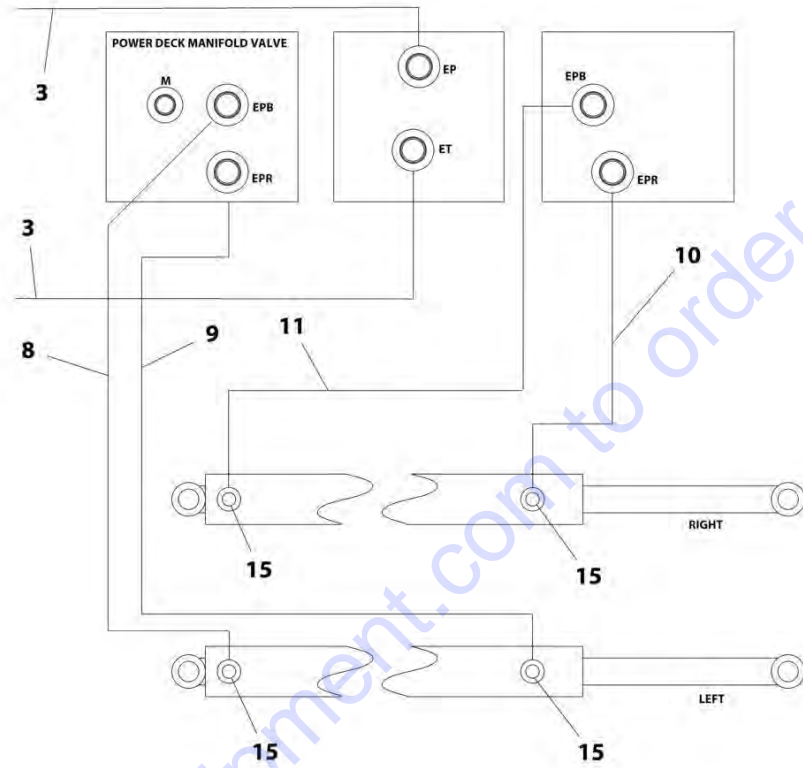
SECTION 7 - HYDRAULIC

**FIGURE 7-9. POWER DUAL DECK EXTENSION (15.8FT/4.8M LENGTH MEGADECK PLATFORM)
HYDRAULIC DIAGRAM (SN 0200239053 through 0200246956)**



ART_2792611_1OF2

SECTION 7 - HYDRAULIC



ART_2792611_20F2

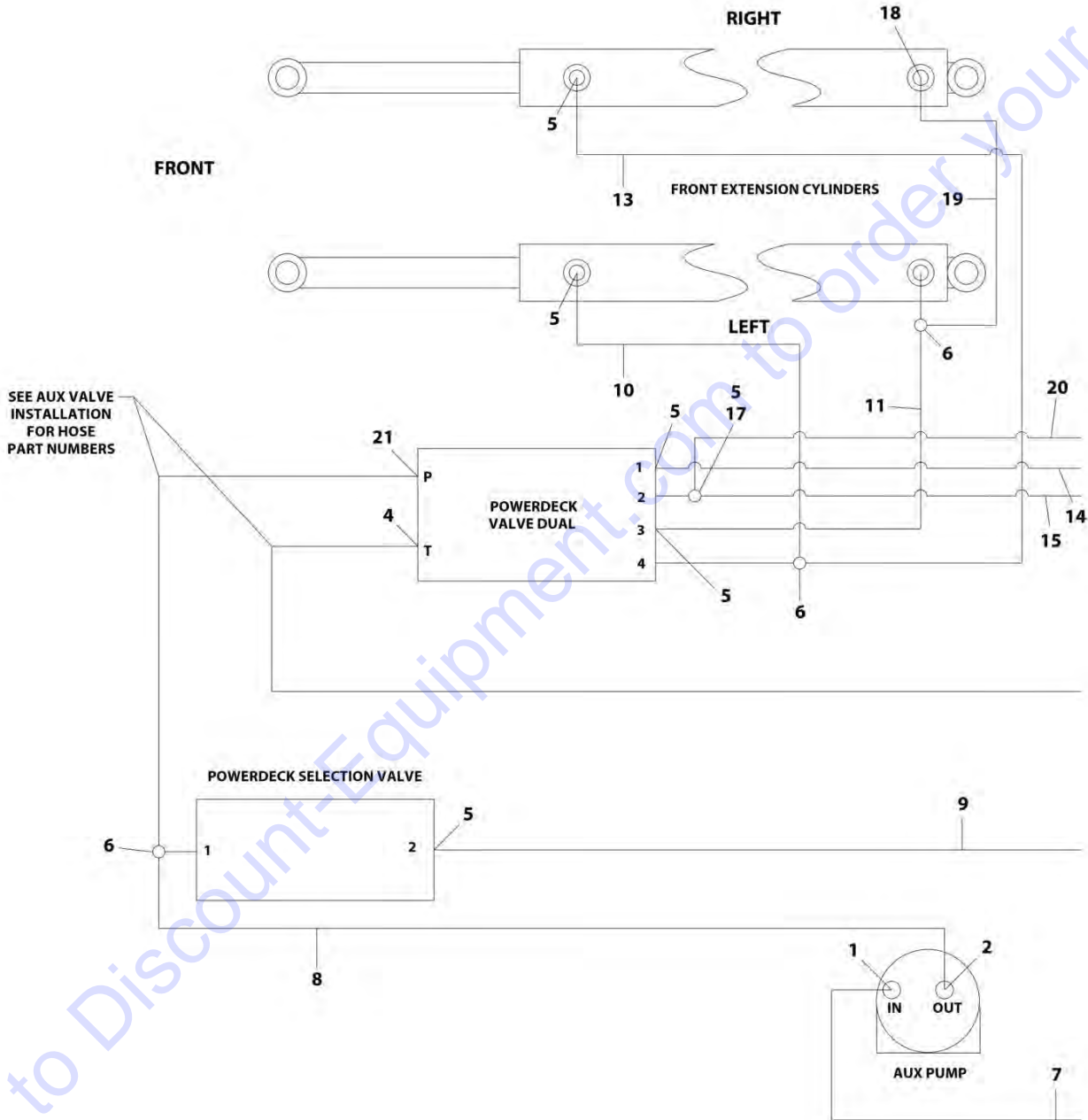
SECTION 7 - HYDRAULIC

**FIGURE 7-9. POWER DUAL DECK EXTENSION (15.8FT/4.8M LENGTH MEGADECK PLATFORM)
HYDRAULIC DIAGRAM (SN 0200239053 through 0200246956)**

ITEM	PART NUMBER	QTY	DESCRIPTION	REV
	2792611	Ref	POWER DUAL DECK EXTENSION (15.8FT/4.8M LENGTH MEGADECK PLATFORM) HYDRAULIC DIAGRAM (SN 0200239053 through 0200246956)	A
1	2753881	1	Hose	
2	2753873	1	Hose	
3	2753879	2	Hose	
4	2753919	1	Hose	
5	2753783	1	Hose	
6	2753920	1	Hose	
7	2753921	1	Hose	
8	2753922	1	Hose	
9	2753878	1	Hose	
10	2753923	1	Hose	
11	2753875	1	Hose	
12	2170716	1	Fitting, Tee ORFS/FSORFS/ORFS	
13	2110606	1	Fitting, Straight ORFS/ORB	
14	2221150	1	Fitting, Reducer ORFS/FSORFS	
15	2110404	8	Fitting, Straight ORFS/ORB	
16	2170706	2	Fitting, Tee ORFS/FSORFS/ORFS	
17	2110806	1	Fitting, Straight ORFS/ORB	

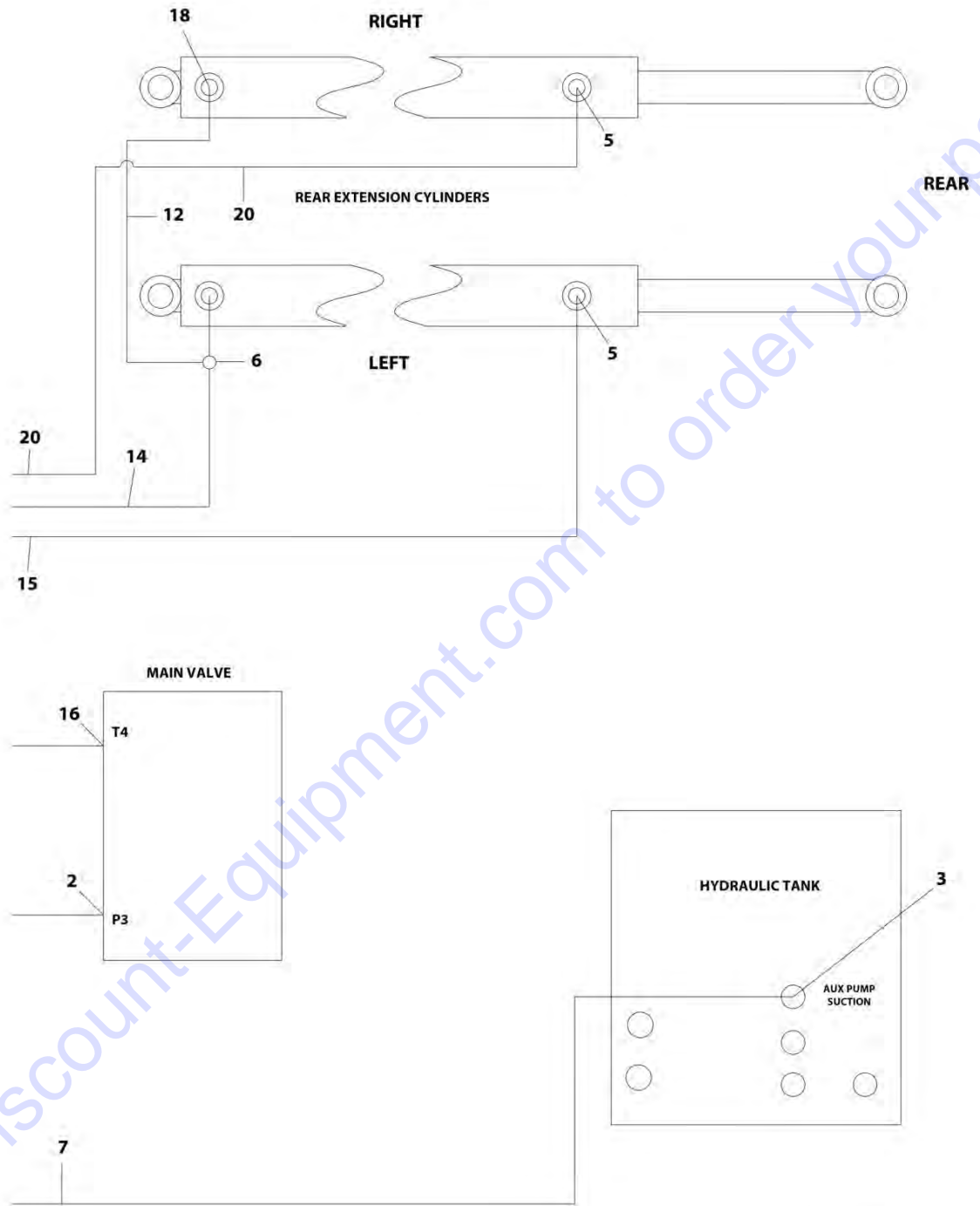
SECTION 7 - HYDRAULIC

FIGURE 7-10. POWER DUAL DECK EXTENSION (15.8FT/4.8M LENGTH MEGADECK PLATFORM) (SN 0200246957 to Present)



ART_1001188851_1OF2

SECTION 7 - HYDRAULIC



ART_1001188851_20F2

SECTION 7 - HYDRAULIC

FIGURE 7-10. POWER DUAL DECK EXTENSION (15.8FT/4.8M LENGTH MEGADECK PLATFORM) (SN 0200246957 to Present)

ITEM	PART NUMBER	QTY	DESCRIPTION	REV
	1001188851	Ref	POWER DUAL DECK EXTENSION (15.8FT/4.8M LENGTH MEGADECK PLATFORM) (SN 0200246957 to Present)	A
1	2110806	1	Fitting, Straight ORFS/ORB	
2	2110406	2	Fitting, Straight ORFS/ORB	
3	2170308	1	Fitting, Tee ORFS/ORB/ORFS	
4	2110604	1	Fitting, Straight ORFS/ORB	
5	2110404	8	Fitting, Straight ORFS/ORB	
6	2170304	4	Fitting, Tee ORFS/ORB/ORFS	
7	2753881	1	Hose	
8	1001105169	1	Hose	
9	2753939	1	Hose	
10	1001105234	1	Hose	
11	1001105235	1	Hose	
12	2753877	1	Hose	
13	1001105236	1	Hose	
14	1001105237	1	Hose	
15	1001105238	1	Hose	
16	2110606	1	Fitting, Straight ORFS/ORB	
17	2170704	1	Fitting, Tee ORFS/FSORFS/ORFS	
18	2170204	2	Fitting, 90 ORFS/ORB	
19	1001105172	1	Hose	
20	1001105239	1	Hose	
21	2180830	1	Orifice (.047)	

SECTION 7 - HYDRAULIC

FIGURE 7-11. HYDRAULIC DIAGRAM LIST

ITEM	PART NUMBER	QTY	DESCRIPTION	REV
		Ref	Note: Information on diagrams not shown are available from Discount-equipment.com. See Service and Maintenance Manual for Schematics.	
		Ref	HYDRAULIC DIAGRAM OPTIONS:	
	1001101922	Ref	Hydraulic Diagram (All Specs except CE Spec)	
	1001101922	Ref	Hydraulic Diagram (CE Specs) (SN 0200239053 through 0200241795)	
	1001188563	Ref	Hydraulic Diagram (CE Specs) (SN 0200241796 to Present)	
		Ref	HYDRAULIC DIAGRAM - LEVELING JACKS OPTIONS:	
	1001103552	Ref	Hydraulic Diagram - Leveling Jacks (All Specs except CE Spec)	
	1001103552	Ref	Hydraulic Diagram - Leveling Jacks (CE Spec) (SN 0200239053 through 0200241795)	
	1001188848	Ref	Hydraulic Diagram - Leveling Jacks (CE Spec) (SN 0200241796 to Present)	
		Ref	HYDRAULIC DIAGRAM - POWER DECK OPTIONS:	
	1001103708	Ref	Hydraulic Diagram - Power Single Deck Extension (All Specs except CE Spec)	
	1001103708	Ref	Hydraulic Diagram - Power Single Deck Extension (CE Spec) (SN 0200239053 through 0200246956)	
	1001190537	Ref	Hydraulic Diagram - Power Single Deck Extension (CE Spec) (SN 0200246957 to Present)	
	1001103709	Ref	Hydraulic Diagram - Power Dual Deck Extension (12.6ft/3.8m Length Platform) (All Specs except CE Spec)	
	1001103709	Ref	Hydraulic Diagram - Power Dual Deck Extension (12.6ft/3.8m Length Platform) (CE Spec) (SN 0200239053 through 0200246956)	
	1001190544	Ref	Hydraulic Diagram - Power Dual Deck Extension (12.6ft/3.8m Length Platform) (CE Spec) (SN 0200246957 to Present)	
	2792611	Ref	Hydraulic Diagram - Power Dual Deck Extension (15.8ft/4.8m Length Megadeck Platform) (SN 0200239053 through 0200246956)	
	1001188851	Ref	Hydraulic Diagram - Power Dual Deck Extension (15.8ft/4.8m Length Megadeck Platform) (SN 0200246957 to Present)	
		Ref	HYDRAULIC SCHEMATIC OPTIONS:	
	1001098823	Ref	Hydraulic Schematic (All Specs except CE Spec)	
	1001098823	Ref	Hydraulic Schematic (CE Spec) (SN 0200239053 through 0200241795)	
	1001188846	Ref	Hydraulic Schematic (CE Spec) (SN 0200241796 to Present)	

SECTION 8 - ELECTRICAL

Go to Discount-Equipment.com to order your parts

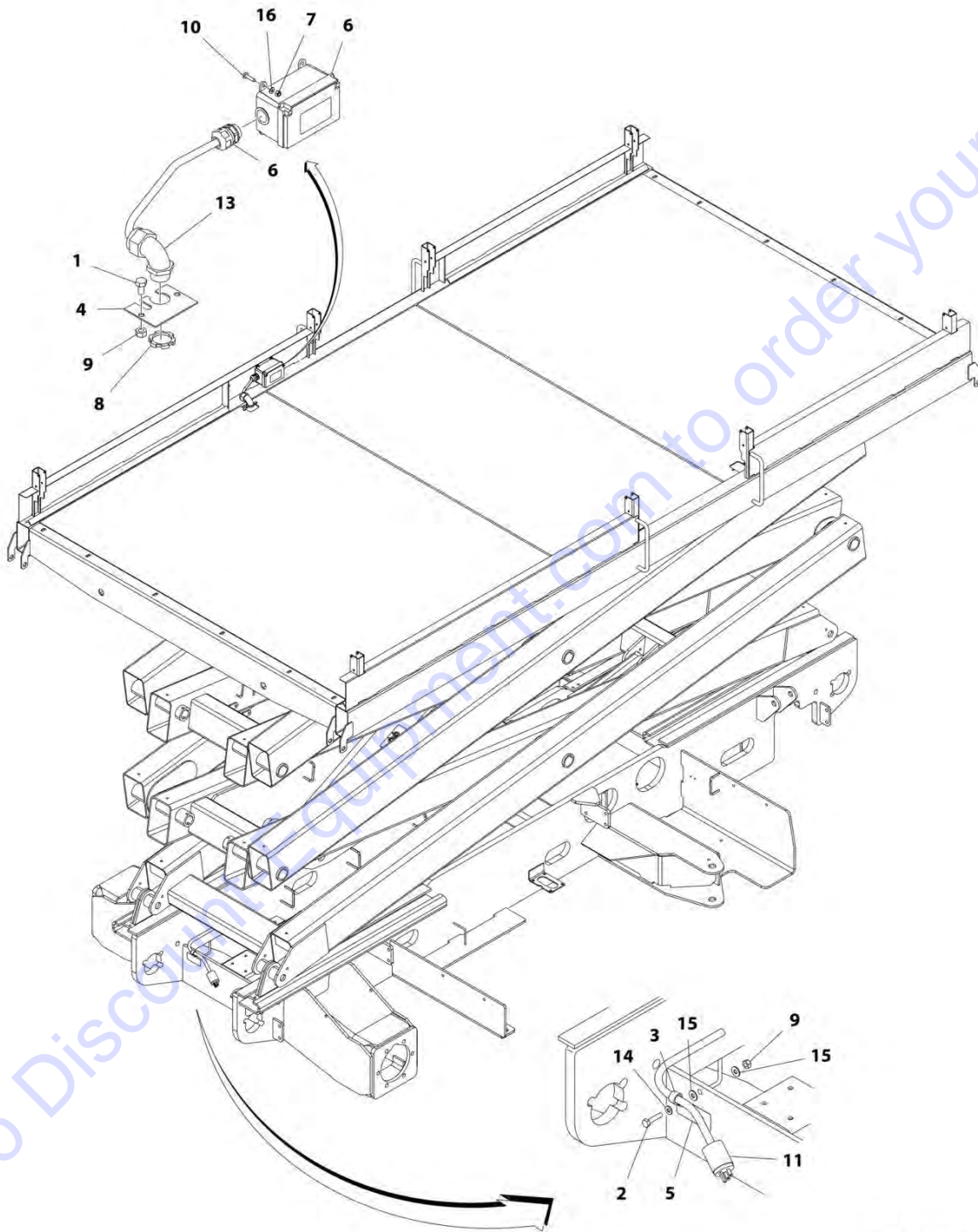
SECTION 8 - ELECTRICAL

FIGURE 8-1. ELECTRICAL DIAGRAM LIST

ITEM	PART NUMBER	QTY	DESCRIPTION	REV
		Ref	ELECTRICAL DIAGRAM LIST	
		Ref	Note: For information, refer to Service Manual or go to Discount-equipment.com	
	1001167526	Ref	AC TO PLATFORM ELECTRICAL DIAGRAM - 220V (CEE7 POST GROUND 2X4 BOX) (CE SPEC)	
	1001167527	Ref	AC TO PLATFORM ELECTRICAL DIAGRAM - 220V (CEE7 SIDE GROUND 2X4 BOX) (CE SPEC)	
	1001167529	Ref	AC TO PLATFORM ELECTRICAL DIAGRAM - 220V (AFSINT 107 KEYED GROUND 2X4 BOX) (CE SPEC)	
	1001167530	Ref	AC BOX AT PLATFORM INSTALLATION - 110V (IEC 60309 YELLOW) (CE SPEC)	
	1001167531	Ref	AC BOX AT PLATFORM INSTALLATION - 220V (IEC 60309 BLUE) (CE SPEC)	
	1001167532	Ref	AC BOX AT PLATFORM INSTALLATION - 220V (CEE7 POST GROUND 70mm X 70mm BOX) (CE SPEC)	
	1001167533	Ref	AC BOX AT PLATFORM INSTALLATION - 220V (CEE7 SIDE GROUND 70mm X 70mm BOX) (CE SPEC)	
	1001103488	Ref	ELECTRICAL SCHEMATIC - DUAL FUEL	
	1001103487	Ref	ELECTRICAL SCHEMATIC - DIESEL	
	1001184074	Ref	2500W/60HZ/110V GENERATOR ELECTRICAL DIAGRAM - DEUTZ D2.9L4 ENGINES	
	1001157771	Ref	7500W/60HZ/110V GENERATOR ELECTRICAL DIAGRAM - DEUTZ D2.9L4 ENGINES	
	1870170	Ref	LSS SCHEMATIC	

SECTION 8 - ELECTRICAL

FIGURE 8-2. AC BOX AT PLATFORM INSTALLATION - 110V GFI (ANSI, ANSI EXPORT AND CE SPECS)



ART_1001167523

SECTION 8 - ELECTRICAL

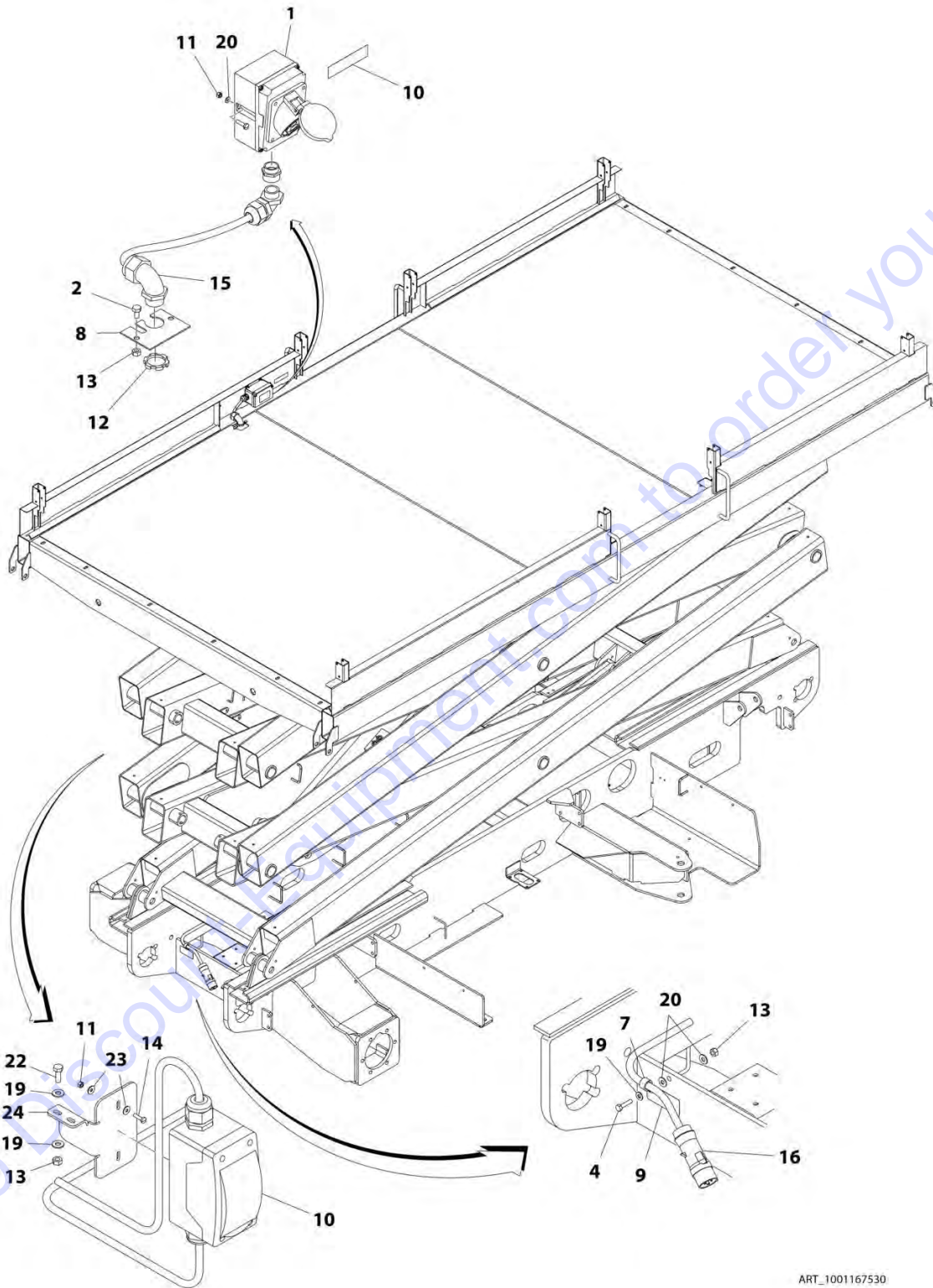
FIGURE 8-2. AC BOX AT PLATFORM INSTALLATION - 110V GFI (ANSI, ANSI EXPORT AND CE SPECS)

ITEM	PART NUMBER	QTY	DESCRIPTION	REV
	1001167523	Ref	AC BOX AT PLATFORM INSTALLATION - 110V GFI (ANSI, ANSI EXPORT AND CE SPECS)	C
1	0641404	2	Bolt 1/4 x 1/2	
2	0641409	1	Bolt 1/4 x 1-1/8	
3	1320224	1	Clamp	
4	1670988	1	Cover, Cable Access	
5	1703464	1	Decal - AC Power (120V-60Hz)	
6	2902431	1	Receptacle Box Kit - 110V GFI (See RECEPTACLE BOX KIT - 110V GFI for Breakdown)	
7	3290405	4	Nut M4	
8	3300048	1	Nut, Conduit	
9	3311405	3	Nut 1/4	
10	4010408	4	Screw M4 x 16	
11	4460138	1	Plug, Male	
12	4460315	3	Terminal, Spade (Not Shown)	
13	4460422	1	Terminal, Strain Relief	
14	4711400	1	Washer 1/4	
15	4751400	2	Washer 1/4	
16	4811400	4	Washer M4	

Go to Discount-Equipment.com to order your parts

SECTION 8 - ELECTRICAL

FIGURE 8-3. AC BOX AT PLATFORM INSTALLATION - 110V (IEC 60309 YELLOW) (CE SPEC ONLY)



ART_1001167530

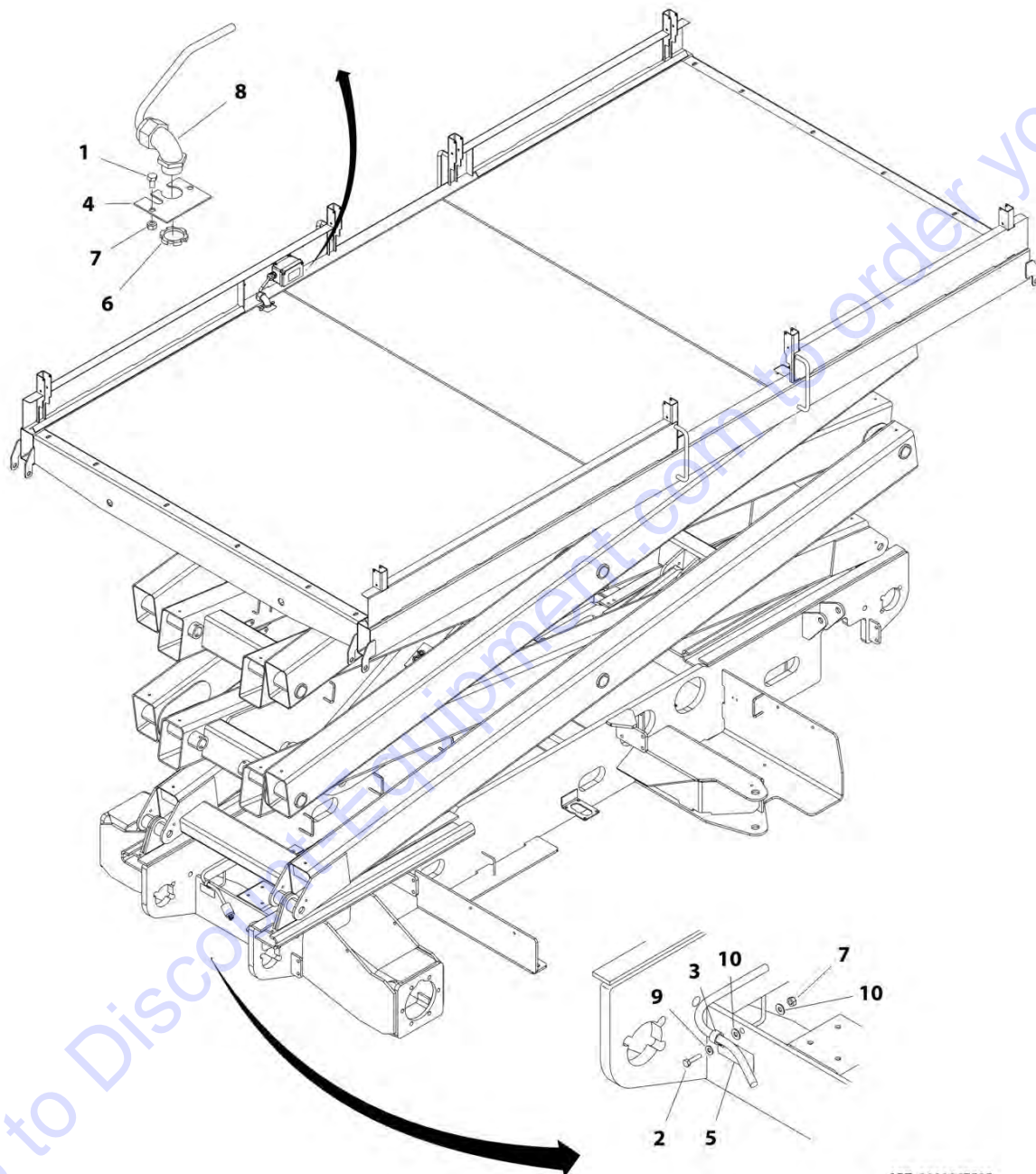
SECTION 8 - ELECTRICAL

FIGURE 8-3. AC BOX AT PLATFORM INSTALLATION - 110V (IEC 60309 YELLOW) (CE SPEC ONLY)

ITEM	PART NUMBER	QTY	DESCRIPTION	REV
	1001167530	Ref	AC BOX AT PLATFORM INSTALLATION - 110V (IEC 60309 YELLOW) (CE SPEC ONLY)	D
1	0275216	1	Receptacle Box Kit (See RECEPTACLE BOX KIT - 110V IEC YELLOW (CE SPEC) for Breakdown)	
2	0641404	2	Bolt 1/4 x 1/2	
4	0641409	1	Bolt 1/4 x 1-1/8	
7	1320224	1	Clamp	
8	1670988	1	Cover, Cable Access	
9	1705325	2	Decal - AC Power (120V-50Hz)	
10	2902549	1	Breaker Box Kit (See BREAKER BOX KIT (CE SPEC) for Breakdown)	
11	3290405	4	Nut M4	
12	3300048	1	Nut, Conduit	
13	3311405	5	Nut 1/4	
14	4010408	4	Screw M4 x 16	
15	4460422	1	Terminal, Strain Relief	
16	4461196	1	Plug, Male	
17	4461257	1	Connector, Strain Relief	
18	4461258	1	Adapter	
19	4711400	5	Washer 1/4	
20	4751400	2	Washer 1/4	
21	4811400	2	Washer M4	
22	0641406	2	Bolt 1/4 x 3/4	
23	1001091102	4	Washer M4	
24	1001094915	1	Bracket	

SECTION 8 - ELECTRICAL

FIGURE 8-4. AC BOX AT PLATFORM INSTALLATION - 220V - NO BOX (ALL SPECS)



SECTION 8 - ELECTRICAL

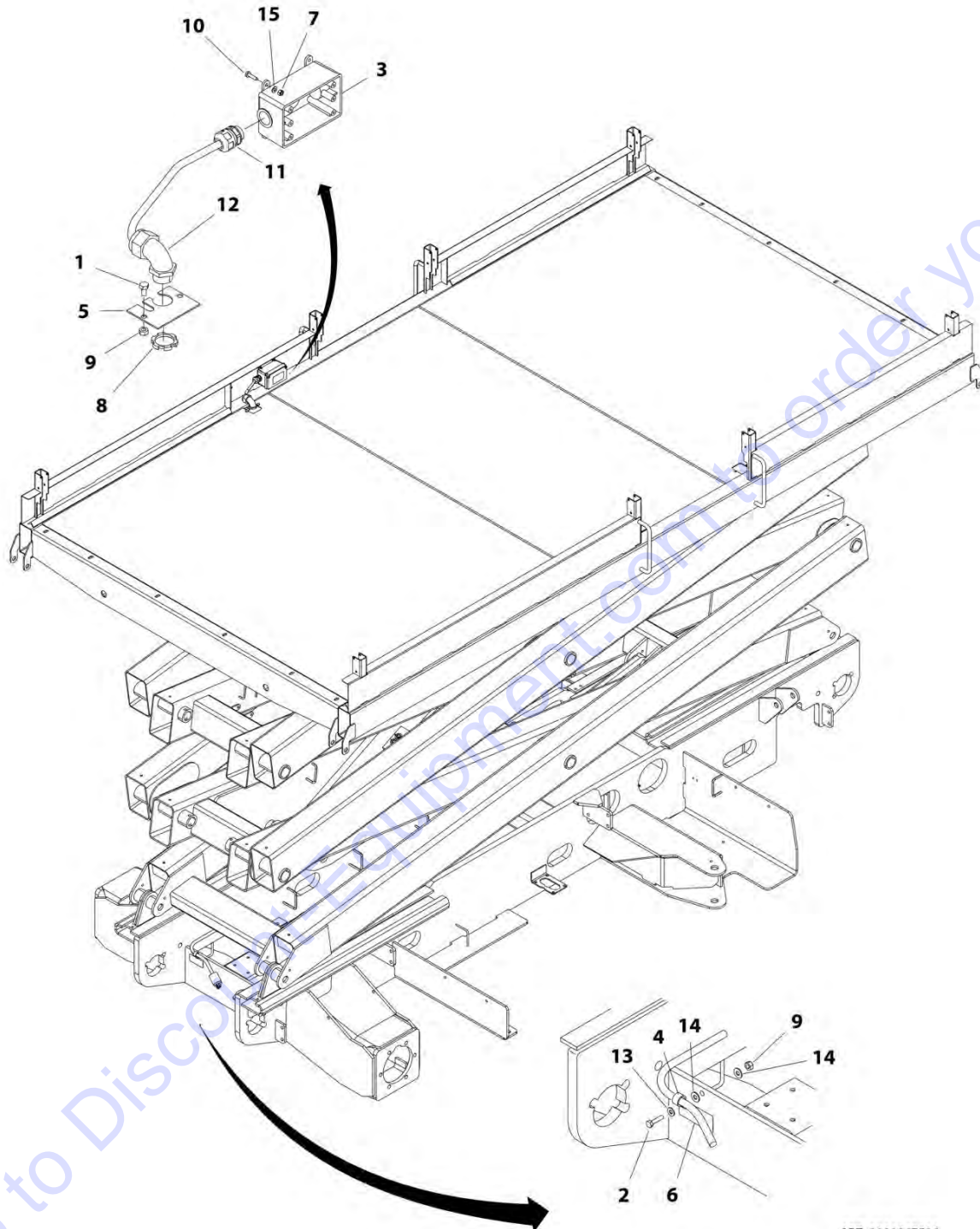
FIGURE 8-4. AC BOX AT PLATFORM INSTALLATION - 220V - NO BOX (ALL SPECS)

ITEM	PART NUMBER	QTY	DESCRIPTION	REV
	1001167525	Ref	AC BOX AT PLATFORM INSTALLATION - 220V - NO BOX (ALL SPECS)	C
1	0641404	2	Bolt 1/4 x 1/2	
2	0641409	1	Bolt 1/4 x 1-1/8	
3	1320224	1	Clamp	
4	1670988	1	Cover, Cable Access	
5	3252507	1	Decal - AC Power (220V-50/60Hz)	
6	3300048	1	Nut, Conduit	
7	3311405	3	Nut 1/4	
8	4460422	1	Terminal, Strain Relief	
9	4711400	1	Washer 1/4	
10	4751400	2	Washer 1/4	

Go to Discount-Equipment.com to order your parts

SECTION 8 - ELECTRICAL

FIGURE 8-5. AC BOX AT PLATFORM INSTALLATION - 220V (ANSI, ANSI EXPORT AND CSA SPECS)



ART_1001167524

SECTION 8 - ELECTRICAL

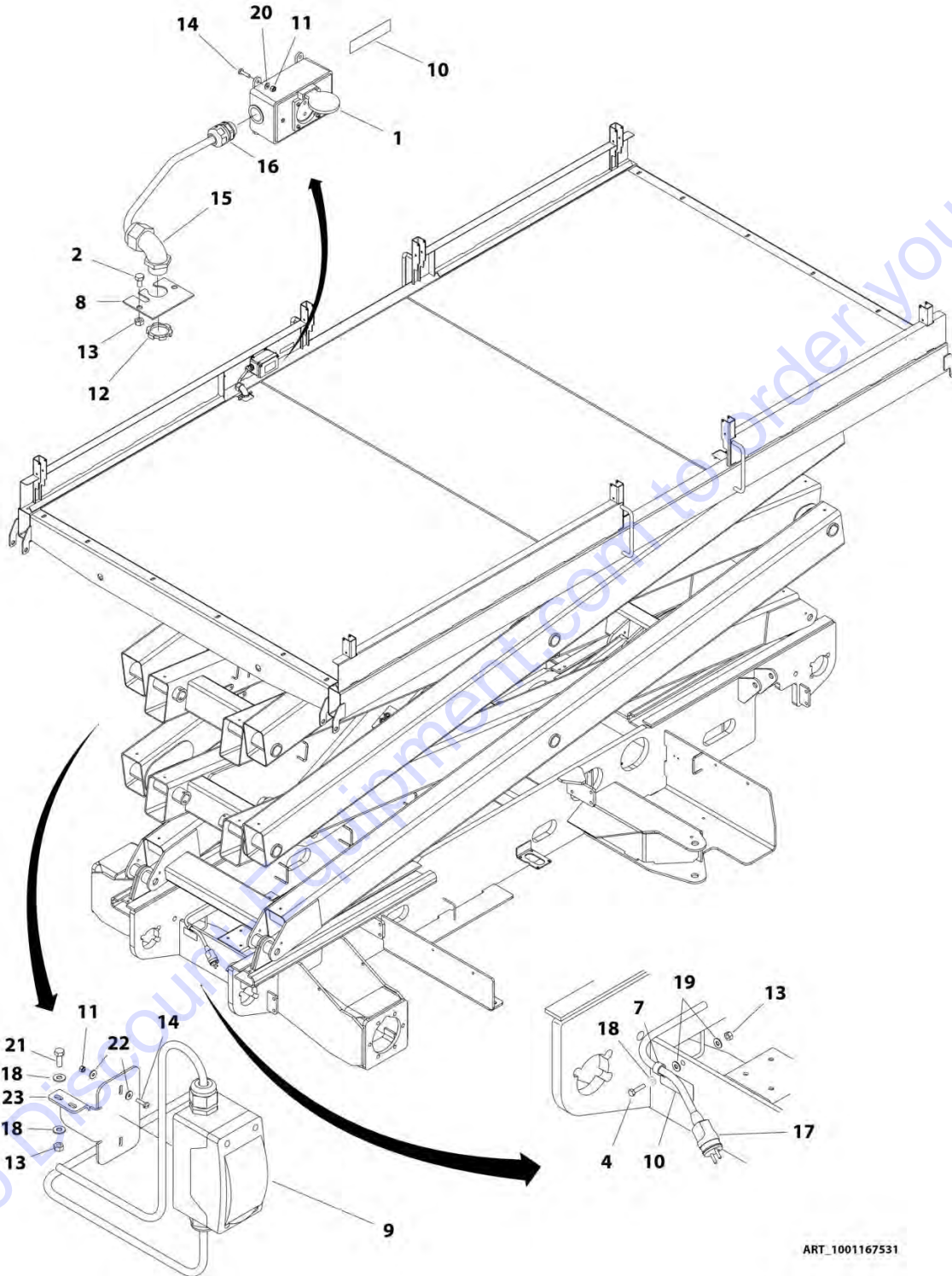
FIGURE 8-5. AC BOX AT PLATFORM INSTALLATION - 220V (ANSI, ANSI EXPORT AND CSA SPECS)

ITEM	PART NUMBER	QTY	DESCRIPTION	REV
	1001167524	Ref	AC BOX AT PLATFORM INSTALLATION - 220V (ANSI, ANSI EXPORT AND CSA SPECS)	D
1	0641404	2	Bolt 1/4 x 1/2	
2	0641409	1	Bolt 1/4 x 1-1/8	
3	0861731	1	Box	
4	1320224	1	Clamp	
5	1670988	1	Cover, Cable Access	
6	3252507	1	Decal - AC Power (220V-50/60Hz)	
7	3290405	4	Nut M4	
8	3300048	1	Nut, Conduit	
9	3311405	3	Nut 1/4	
10	4010408	4	Screw M4 x 16	
11	4460071	1	Connector, Strain Relief (SN 0200239053 through 0200260027)	
11	4460662	1	Connector, Strain Relief (SN 0200260028 to Present)	
12	4460422	1	Terminal, Strain Relief	
13	4711400	1	Washer 1/4	
14	4751400	2	Washer 1/4	
15	4811400	4	Washer M4	

Go to Discount-Equipment.com to order your parts

SECTION 8 - ELECTRICAL

FIGURE 8-6. AC BOX AT PLATFORM INSTALLATION - 220V (IEC 60309 BLUE) (CE SPEC ONLY)



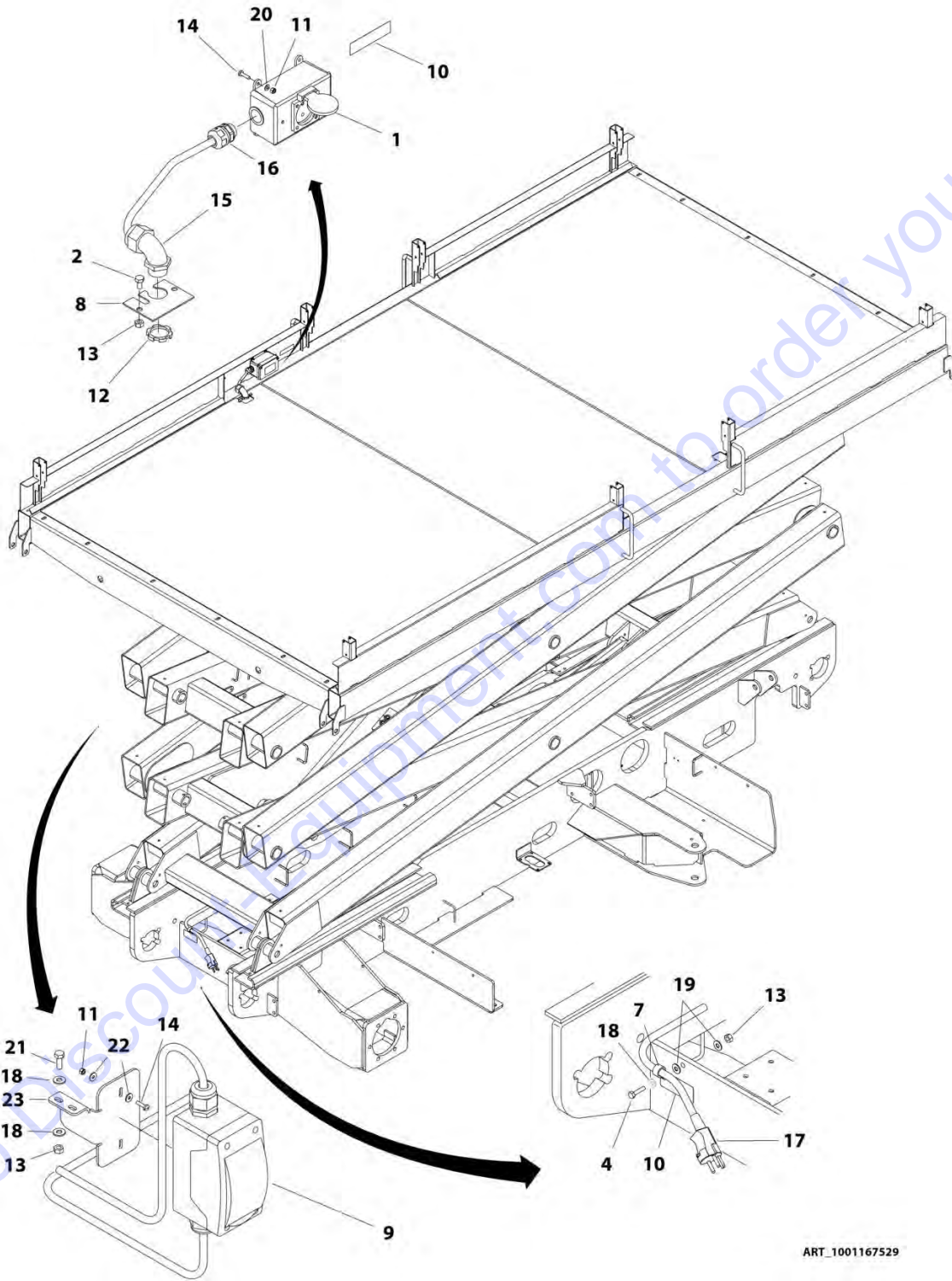
SECTION 8 - ELECTRICAL

FIGURE 8-6. AC BOX AT PLATFORM INSTALLATION - 220V (IEC 60309 BLUE) (CE SPEC ONLY)

ITEM	PART NUMBER	QTY	DESCRIPTION	REV
	1001167531	Ref	AC BOX AT PLATFORM INSTALLATION - 220V (IEC 60309 BLUE) (CE SPEC ONLY)	F
1	0275217	1	Receptacle Box Kit (See RECEPTACLE BOX KIT - 220V IEC BLUE (CE SPEC) for Breakdown)	
2	0641404	2	Bolt 1/4 x 1/2	
4	0641409	1	Bolt 1/4 x 1-1/8	
7	1320224	1	Clamp	
8	1670988	1	Cover, Cable Access	
9	2902549	1	Breaker Box Kit (See BREAKER BOX KIT (CE SPEC) for Breakdown)	
10	3252507	2	Decal - AC Power (220V-50/60Hz)	
11	3290405	6	Nut M4	
12	3300048	1	Nut, Conduit	
13	3311405	5	Nut 1/4	
14	4010408	6	Screw M4 x 16	
15	4460422	1	Terminal, Strain Relief	
16	4460968	1	Connector, Strain Relief (SN 0200239053 through 0200260027)	
16	4460662	1	Connector, Strain Relief (SN 0200260028 to Present)	
17	4461202	1	Plug, Male (SN 0200239052 through 0200256565)	
17	4461205	1	Plug, Male (SN 0200256566 to Present)	
18	4711400	5	Washer 1/4	
19	4751400	2	Washer 1/4	
20	4811400	4	Washer M4	
21	0641406	2	Bolt 1/4 x 3/4	
22	1001091102	4	Washer M4	
23	1001094915	1	Bracket	

SECTION 8 - ELECTRICAL

FIGURE 8-7. AC BOX AT PLATFORM INSTALLATION - 220V (AFSINT 107 KEYED GROUND 2X4 BOX)
(CE SPEC ONLY)



ART_1001167529

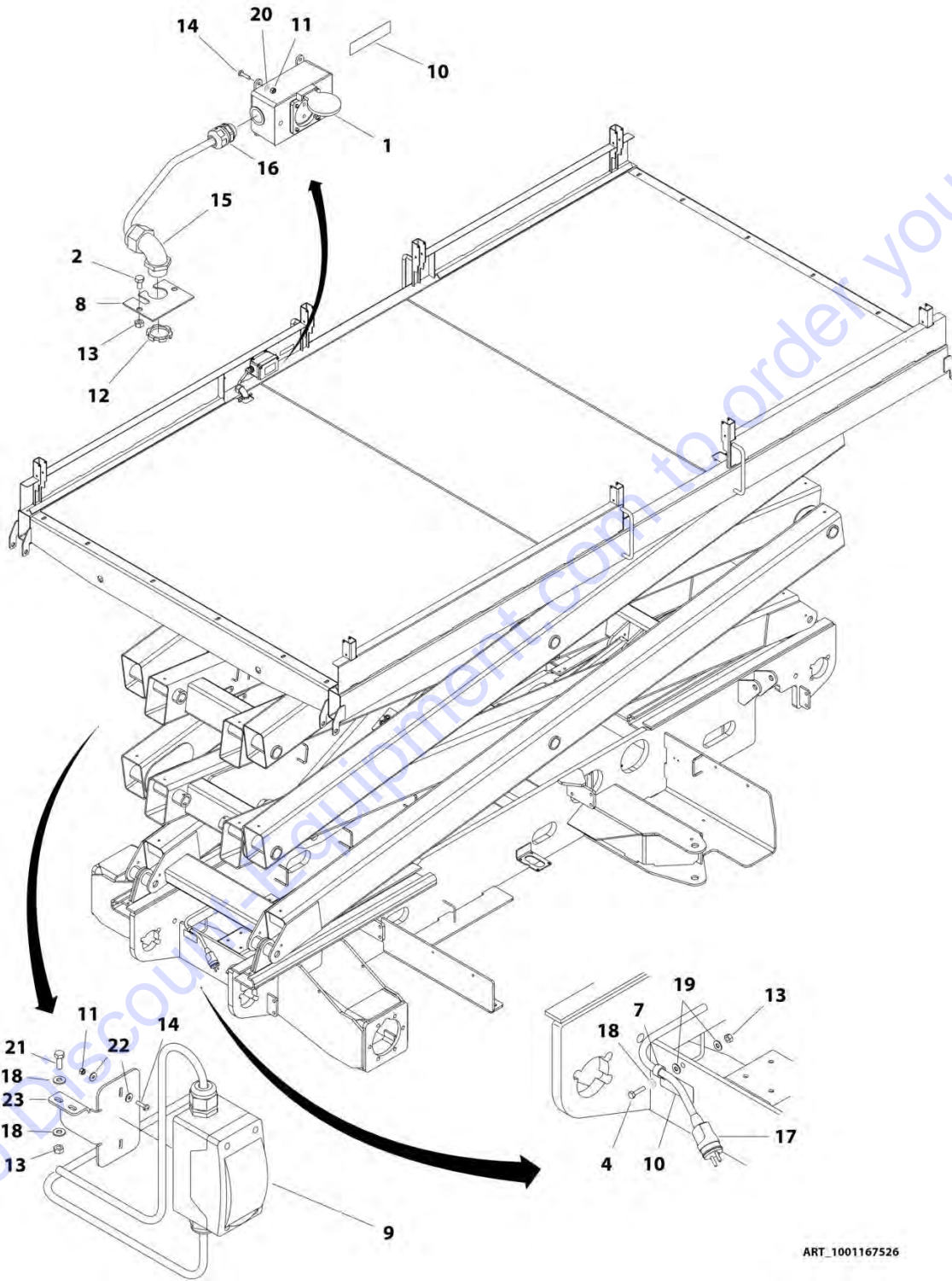
SECTION 8 - ELECTRICAL

**FIGURE 8-7. AC BOX AT PLATFORM INSTALLATION - 220V (AFSINT 107 KEYED GROUND 2X4 BOX)
(CE SPEC ONLY)**

ITEM	PART NUMBER	QTY	DESCRIPTION	REV
	1001167529	Ref	AC BOX AT PLATFORM INSTALLATION - 220V (AFSINT 107 KEYED GROUND 2X4 BOX) (CE SPEC ONLY)	E
1	0275454	1	Receptacle Box Kit (See RECEPTACLE BOX KIT - 220V AFSINT 107 (CE SPEC) for Breakdown)	
2	0641404	2	Bolt 1/4 x 1/2	
4	0641409	1	Bolt 1/4 x 1-1/8	
7	1320224	1	Clamp	
8	1670988	1	Cover, Cable Access	
9	2902549	1	Breaker Box Kit (See BREAKER BOX KIT (CE SPEC) for Breakdown)	
10	3252507	2	Decal - AC Power (220V-50/60Hz)	
11	3290405	6	Nut M4	
12	3300048	1	Nut, Conduit	
13	3311405	5	Nut 1/4	
14	4010408	6	Screw M4 x 16	
15	4460422	1	Terminal, Strain Relief	
16	4460968	1	Connector, Strain Relief (SN 0200239053 through 0200260027)	
16	4460662	1	Connector, Strain Relief (SN 0200260028 to Present)	
17	4461249	1	Plug, Male	
18	4711400	5	Washer 1/4	
19	4751400	2	Washer 1/4	
20	4811400	4	Washer M4	
21	0641406	2	Bolt 1/4 x 3/4	
22	1001091102	4	Washer M4	
23	1001094915	1	Bracket	

SECTION 8 - ELECTRICAL

FIGURE 8-8. AC BOX AT PLATFORM INSTALLATION - 220V (CEE7 POST GROUND 2X4 BOX) (CE SPEC ONLY)



ART_1001167526

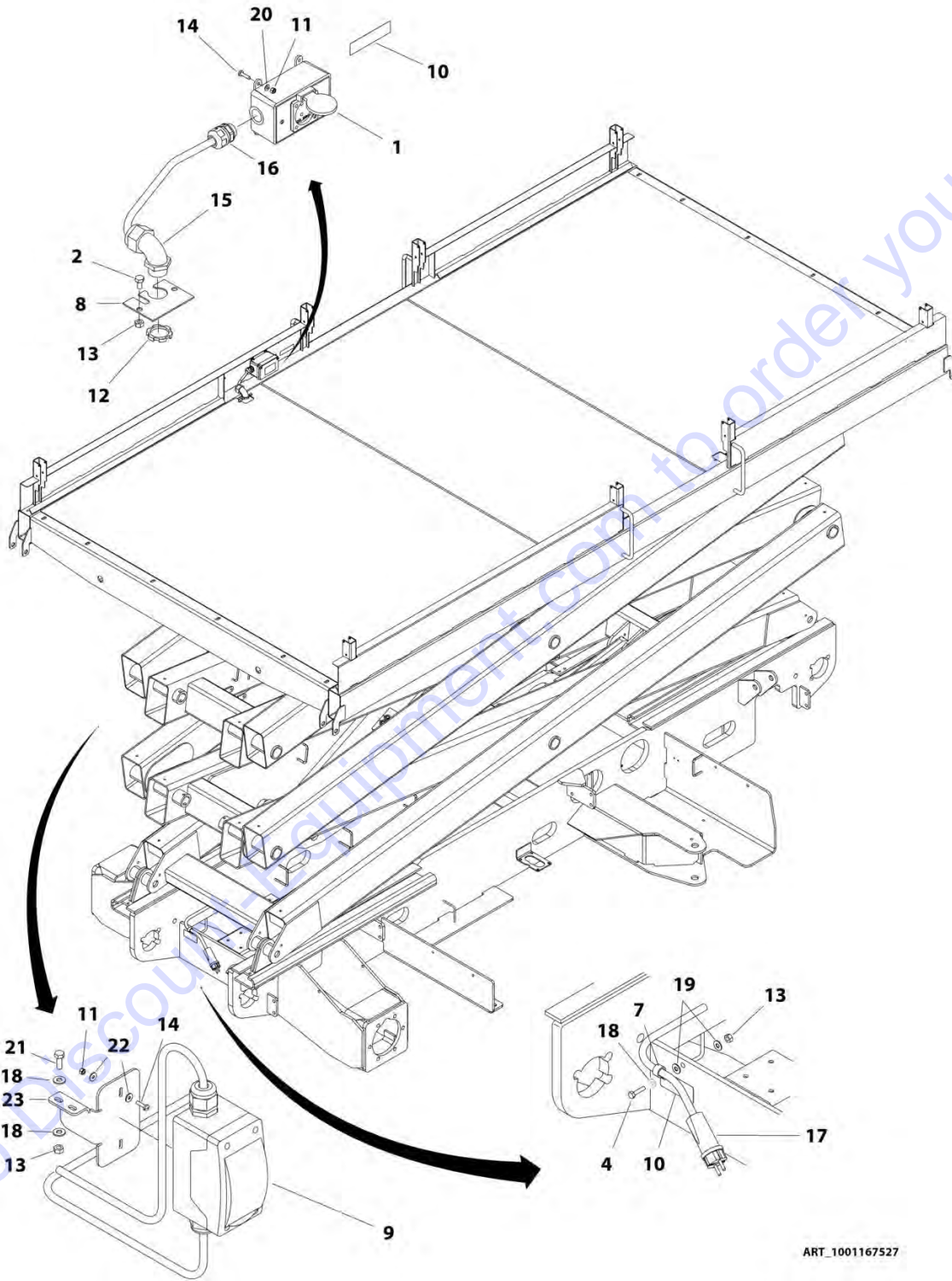
SECTION 8 - ELECTRICAL

FIGURE 8-8. AC BOX AT PLATFORM INSTALLATION - 220V (CEE7 POST GROUND 2X4 BOX) (CE SPEC ONLY)

ITEM	PART NUMBER	QTY	DESCRIPTION	REV
	1001167526	Ref	AC BOX AT PLATFORM INSTALLATION - 220V (CEE7 POST GROUND,2X4 BOX) (CE SPEC ONLY)	F
1	0275452	1	Receptacle Box Kit (See RECEPTACLE BOX KIT - 220V CEE7 POST GROUND 2X4 BOX (CE SPEC) for Breakdown)	
2	0641404	2	Bolt 1/4 x 1/2	
4	0641409	1	Bolt 1/4 x 1-1/8	
7	1320224	1	Clamp	
8	1670988	1	Cover, Cable Access	
9	2902549	1	Breaker Box Kit (See BREAKER BOX KIT (CE SPEC) for Breakdown)	
10	3252507	2	Decal - AC Power (220V-50/60Hz)	
11	3290405	6	Nut M4	
12	3300048	1	Nut, Conduit	
13	3311405	5	Nut 1/4	
14	4010408	6	Screw M4 x 16	
15	4460422	1	Terminal, Strain Relief	
16	4460968	1	Connector, Strain Relief (SN 0200239053 through 0200260027)	
16	4460662	1	Connector, Strain Relief (SN 0200260028 to Present)	
17	4461202	1	Plug, Male (SN 0200239052 through 0200256565)	
17	4461205	1	Plug, Male (SN 0200256566 to Present)	
18	4711400	5	Washer 1/4	
19	4751400	2	Washer 1/4	
20	4811400	4	Washer M4	
21	0641406	2	Bolt 1/4 x 3/4	
22	1001091102	4	Washer M4	
23	1001094915	1	Bracket	

SECTION 8 - ELECTRICAL

FIGURE 8-9. AC BOX AT PLATFORM INSTALLATION - 220V (CEE7 SIDE GROUND 2X4 BOX) (CE SPEC ONLY)



ART_1001167527

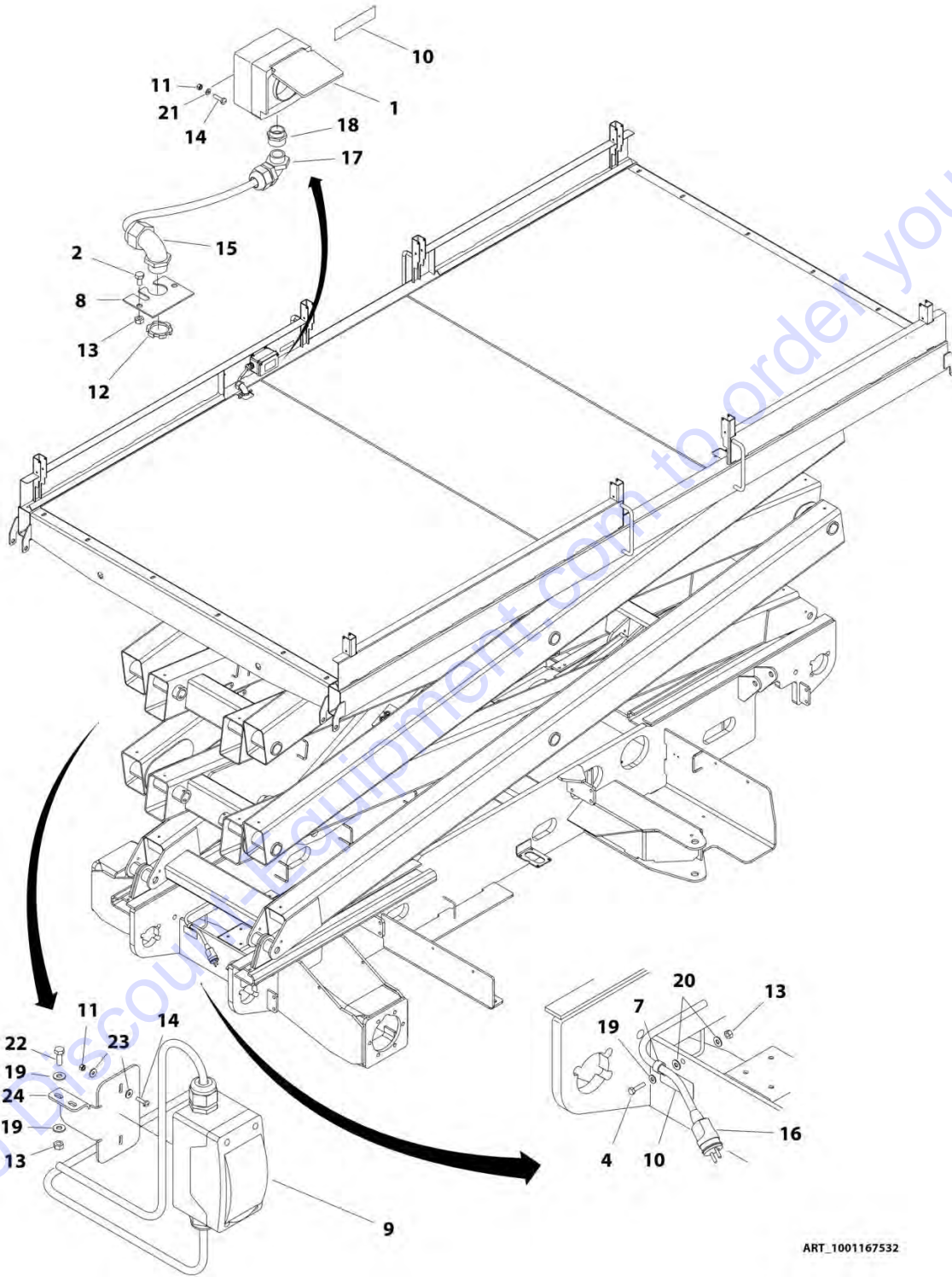
SECTION 8 - ELECTRICAL

FIGURE 8-9. AC BOX AT PLATFORM INSTALLATION - 220V (CEE7 SIDE GROUND 2X4 BOX) (CE SPEC ONLY)

ITEM	PART NUMBER	QTY	DESCRIPTION	REV
	1001167527	Ref	AC BOX AT PLATFORM INSTALLATION - 220V (CEE7 SIDE GROUND,2X4 BOX) (CE SPEC ONLY)	E
1	0275453	1	Receptacle Box Kit (See RECEPTACLE BOX KIT - 220V CEE7 SIDE GROUND 2X4 BOX (CE SPEC) for Breakdown)	
2	0641404	2	Bolt 1/4 x 1/2	
4	0641409	1	Bolt 1/4 x 1-1/8	
7	1320224	1	Clamp	
8	1670988	1	Cover, Cable Access	
9	2902549	1	Breaker Box Kit (See BREAKER BOX KIT (CE SPEC) for Breakdown)	
10	3252507	2	Decal - AC Power (220V-50/60Hz)	
11	3290405	6	Nut M4	
12	3300048	1	Nut, Conduit	
13	3311405	5	Nut 1/4	
14	4010408	6	Screw M4 x 16	
15	4460422	1	Terminal, Strain Relief	
16	4460968	1	Connector, Strain Relief (SN 0200239053 through 0200260027)	
16	4460662	1	Connector, Strain Relief (SN 0200260028 to Present)	
17	4461205	1	Plug, Male	
18	4711400	5	Washer 1/4	
19	4751400	2	Washer 1/4	
20	4811400	4	Washer M4	
21	0641406	2	Bolt 1/4 x 3/4	
22	1001091102	4	Washer M4	
23	1001094915	1	Bracket	

SECTION 8 - ELECTRICAL

FIGURE 8-10. AC BOX AT PLATFORM INSTALLATION - 220V (CEE7 POST GROUND 70X70 BOX) (CE SPEC ONLY)



ART_1001167532

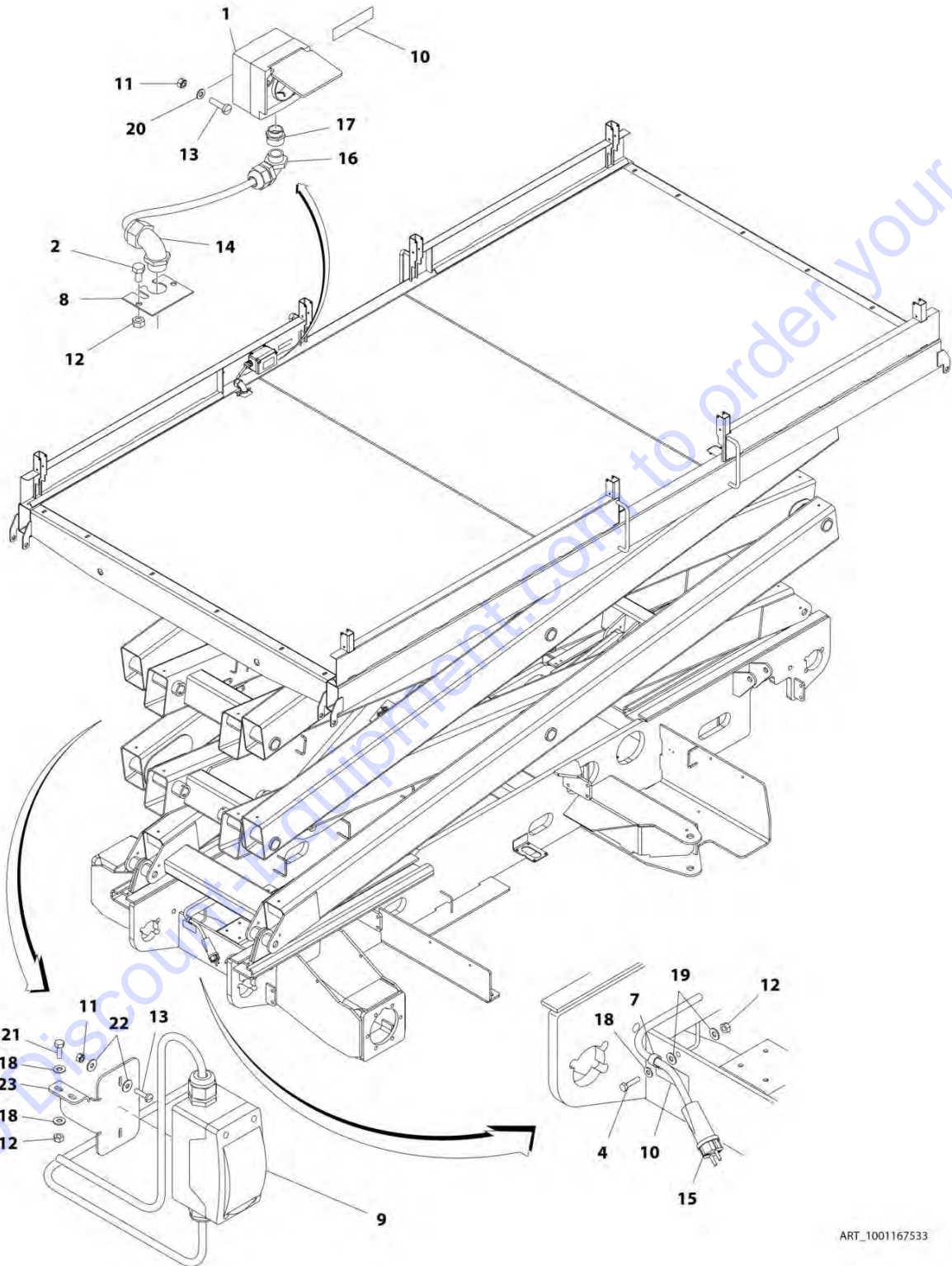
SECTION 8 - ELECTRICAL

FIGURE 8-10. AC BOX AT PLATFORM INSTALLATION - 220V (CEE7 POST GROUND 70X70 BOX) (CE SPEC ONLY)

ITEM	PART NUMBER	QTY	DESCRIPTION	REV
	1001167532	Ref	AC BOX AT PLATFORM INSTALLATION - 220V (CEE7 POST GROUND 70X70 BOX) (CE SPEC ONLY)	E
1	0275218	1	Receptacle Box Kit (See RECEPTACLE BOX KIT - CEE7 POST GROUND 70X70 BOX (CE SPEC) for Breakdown)	
2	0641404	2	Bolt 1/4 x 1/2	
4	0641409	1	Bolt 1/4 x 1-1/8	
7	1320224	1	Clamp	
8	1670988	1	Cover, Cable Access	
9	2902549	1	Breaker Box Kit (See BREAKER BOX KIT (CE SPEC) for Breakdown)	
10	3252507	2	Decal - AC Power (220V-50/60Hz)	
11	3290405	4	Nut M4	
12	3300048	1	Nut, Conduit	
13	3311405	5	Nut 1/4	
14	4010408	4	Screw M4 x 16	
15	4460422	1	Terminal, Strain Relief	
16	4461202	1	Plug, Male (SN 0200239052 through 0200256565)	
16	4461205	1	Plug, Male (SN 0200256566 to Present)	
17	4461257	1	Connector, Strain Relief	
18	4461258	1	Adapter	
19	4711400	5	Washer 1/4	
20	4751400	2	Washer 1/4	
21	4811400	2	Washer M4	
22	0641406	2	Bolt 1/4 x 3/4	
23	1001091102	4	Washer M4	
24	1001094915	1	Bracket	

SECTION 8 - ELECTRICAL

FIGURE 8-11. AC BOX AT PLATFORM INSTALLATION - 220V (CEE7 SIDE GROUND 70X70 BOX) (CE SPEC ONLY)



ART_1001167533

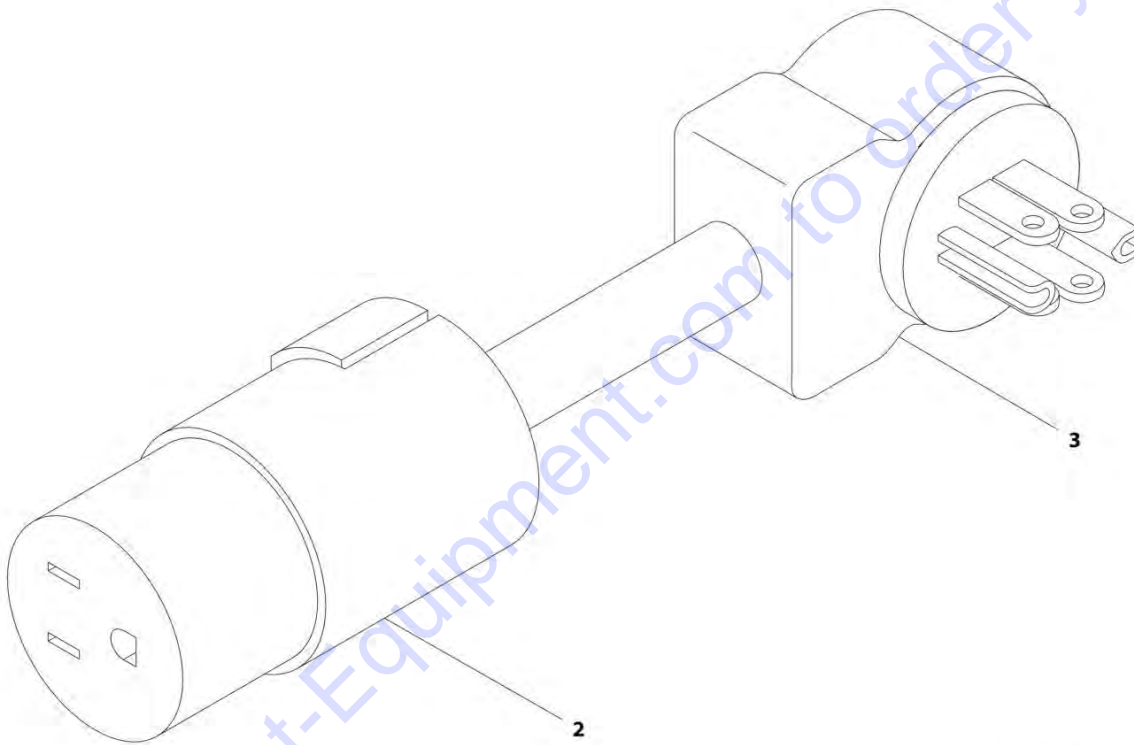
SECTION 8 - ELECTRICAL

FIGURE 8-11. AC BOX AT PLATFORM INSTALLATION - 220V (CEE7 SIDE GROUND 70X70 BOX) (CE SPEC ONLY)

ITEM	PART NUMBER	QTY	DESCRIPTION	REV
	1001167533	Ref	AC BOX AT PLATFORM INSTALLATION - 220V (CEE7 SIDE GROUND 70X70 BOX) (CE SPEC ONLY)	D
1	0275219	1	Receptacle Box Kit (See RECEPTACLE BOX KIT - CEE7 SIDE GROUND 70X70 BOX (CE SPEC) for Breakdown)	
2	0641404	2	Bolt 1/4 x 1/2	
4	0641409	1	Bolt 1/4 x 1-1/8	
7	1320224	1	Clamp	
8	1670988	1	Cover, Cable Access	
9	2902549	1	Breaker Box Kit (See BREAKER BOX KIT (CE SPEC) for Breakdown)	
10	3252507	2	Decal - AC Power (220V-50/60Hz)	
11	3290405	4	Nut M4	
12	3311405	5	Nut 1/4	
13	4010408	4	Screw M4 x 16	
14	4460422	1	Terminal, Strain Relief	
15	4461205	1	Plug, Male	
16	4461257	1	Connector, Strain Relief	
17	4461258	1	Adapter	
18	4711400	5	Washer 1/4	
19	4751400	2	Washer 1/4	
20	4811400	2	Washer M4	
21	0641406	2	Bolt 1/4 x 3/4	
22	1001091102	4	Washer M4	
23	1001094915	1	Bracket	

SECTION 8 - ELECTRICAL

FIGURE 8-12. AC CORD ASSEMBLY - 2000W & 3500W



ART_1061006

SECTION 8 - ELECTRICAL

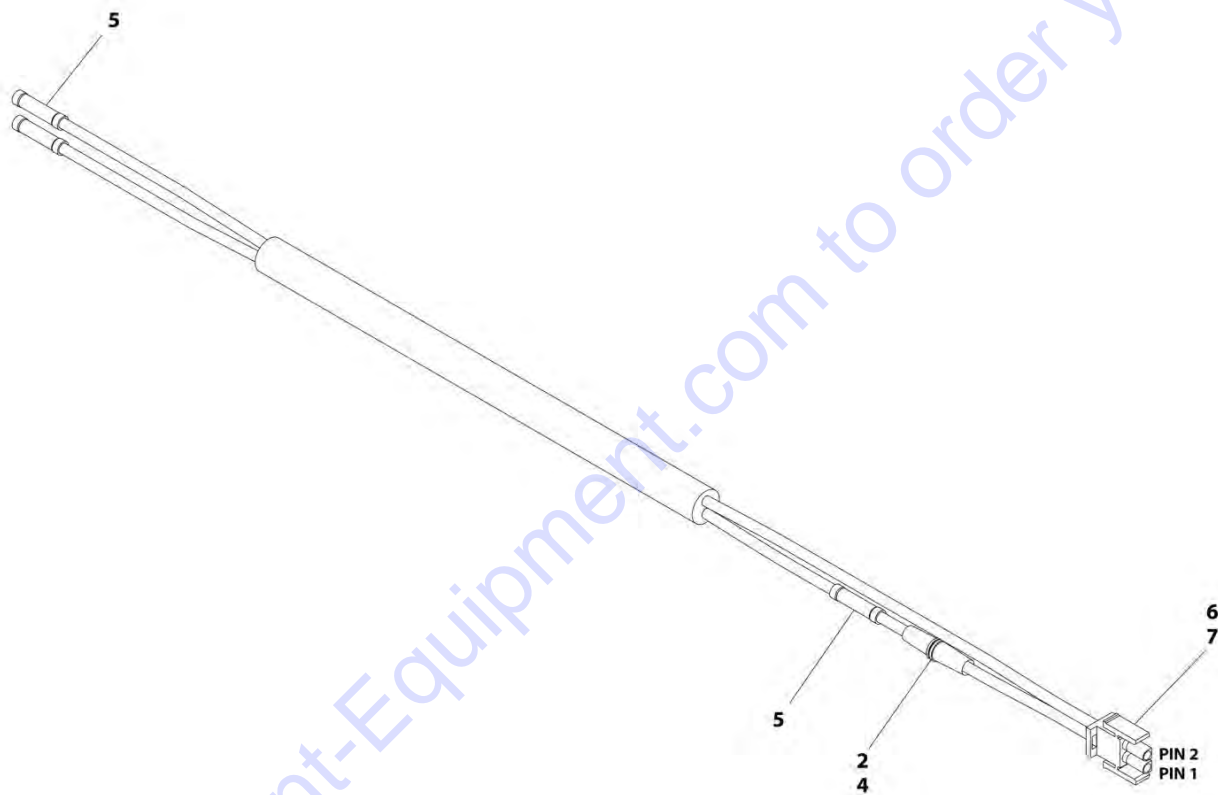
FIGURE 8-12. AC CORD ASSEMBLY - 2000W & 3500W

ITEM	PART NUMBER	QTY	DESCRIPTION	REV
	1061006	Ref	AC CORD ASSEMBLY - 2000W & 3500W	A
2	4460779	1	Receptacle, Female	
3	4460858	1	Plug, 90 Male	

Go to Discount-Equipment.com to order your parts

SECTION 8 - ELECTRICAL

FIGURE 8-13. BEACON HARNES ASSEMBLY (OPTIONAL)



ART_4922739

SECTION 8 - ELECTRICAL

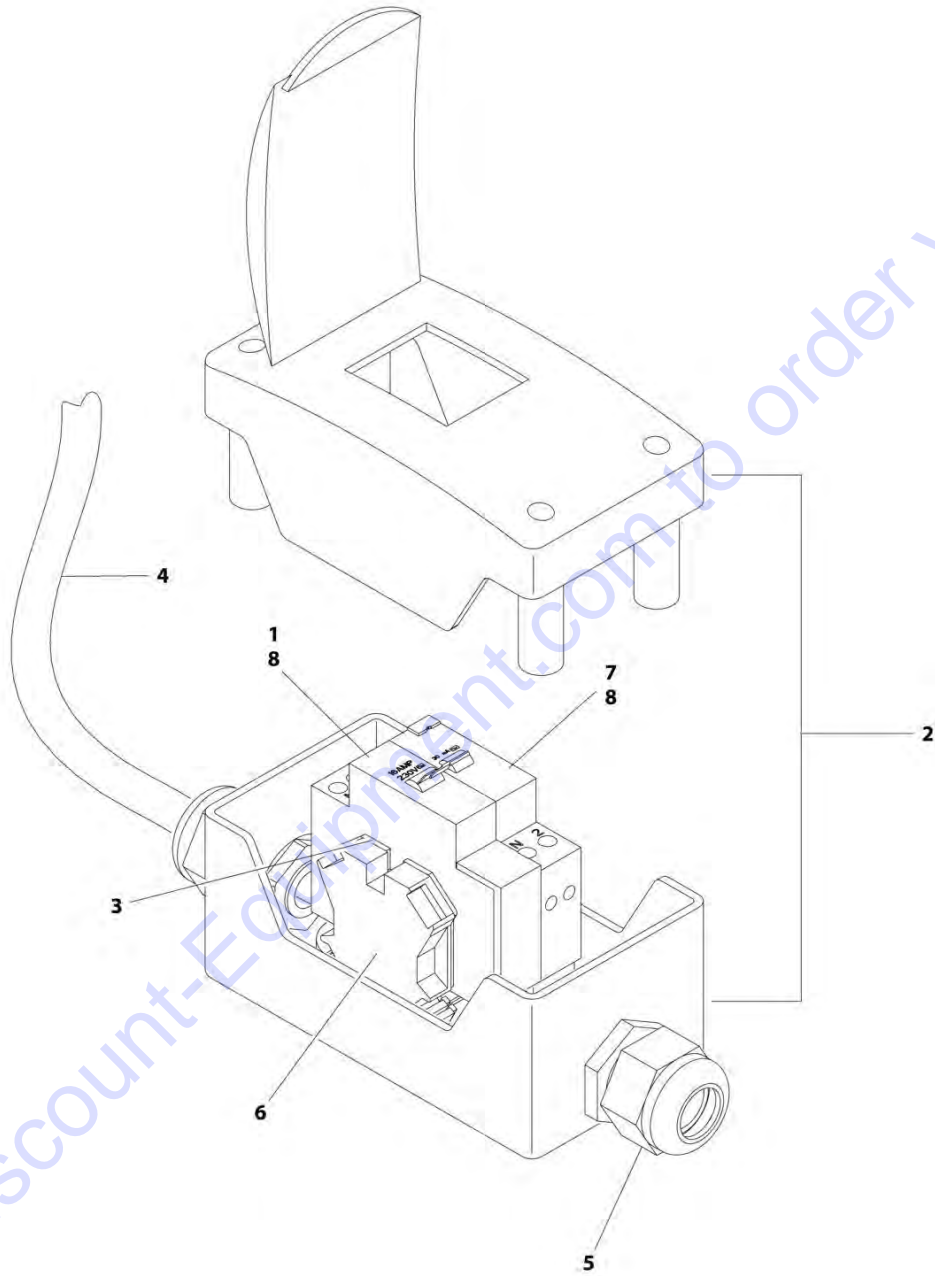
FIGURE 8-13. BEACON HARNESS ASSEMBLY (OPTIONAL)

ITEM	PART NUMBER	QTY	DESCRIPTION	REV
	4922739	Ref	BEACON HARNESS ASSEMBLY (OPTIONAL)	B
2	2400056	1	Fuse - 5Amp	
4	4460044	1	Fuseholder	
5	4460248	3	Terminal	
6	4460267	2	Pin, Male	
7	4460320	1	Connector - 2 Position	

Go to Discount-Equipment.com to order your parts

SECTION 8 - ELECTRICAL

FIGURE 8-14. BREAKER BOX KIT (CE SPEC)



ART_2902549

SECTION 8 - ELECTRICAL

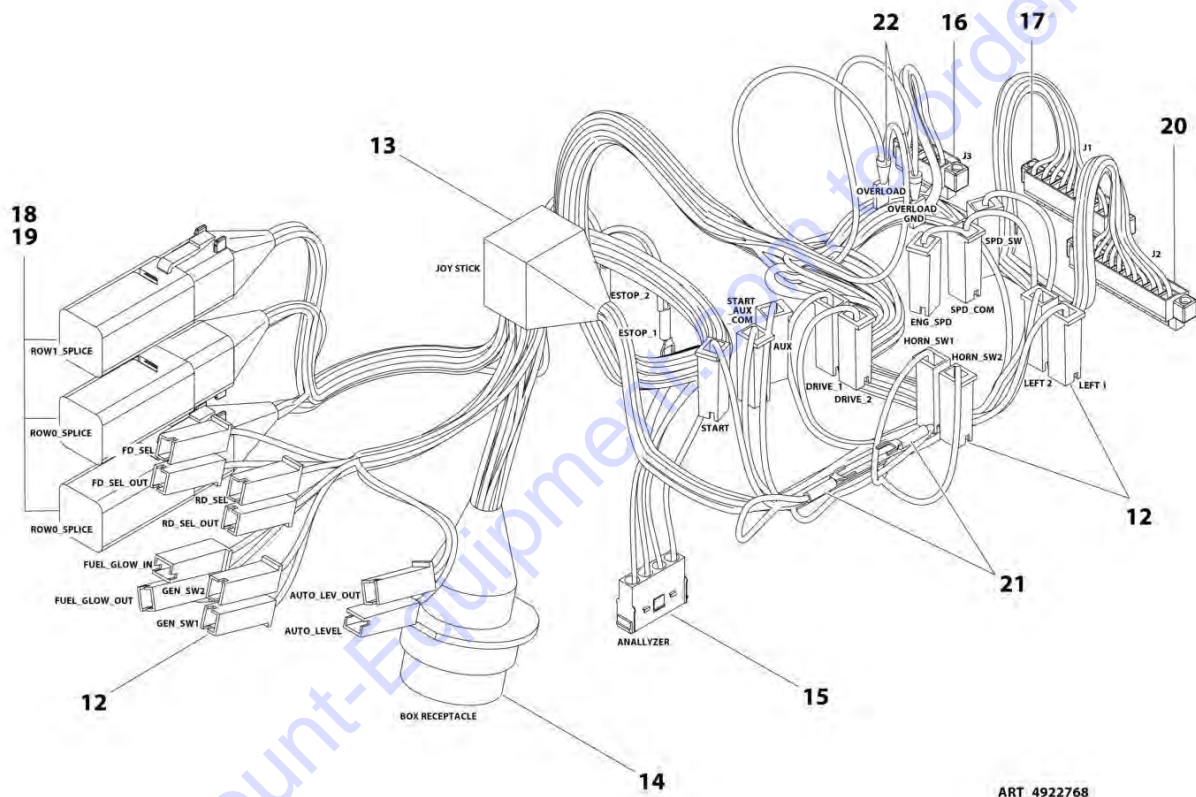
FIGURE 8-14. BREAKER BOX KIT (CE SPEC)

ITEM	PART NUMBER	QTY	DESCRIPTION	REV
	2902549	Ref	BREAKER BOX KIT (CE SPEC)	E
1	1001109475	NLA	Breaker 16Amp (Use p/n 1001181045) (SN 0200239053 through 0200245688)	
2	0861880	1	Box, Breaker	
3	4460956	1	Barrier, Terminal	
4	1060908	6 ft /1.83m	Cable, Electrical 12/3	
5	1001097150	2	Connector, Strain Relief	
6	4460957	1	Block, Terminal	
7	1001109482	NLA	Breaker 30mAmp (Use p/n 1001181045) (SN 0200239053 through 0200246688)	
8	1001181045	1	Breaker 16Amp/30mAmp Combination (SN 0200246689 to Present)	

Go to Discount-Equipment.com to order your parts

SECTION 8 - ELECTRICAL

FIGURE 8-15. CONSOLE BOX HARNESS



ART_4922768

SECTION 8 - ELECTRICAL

FIGURE 8-15. CONSOLE BOX HARNESS

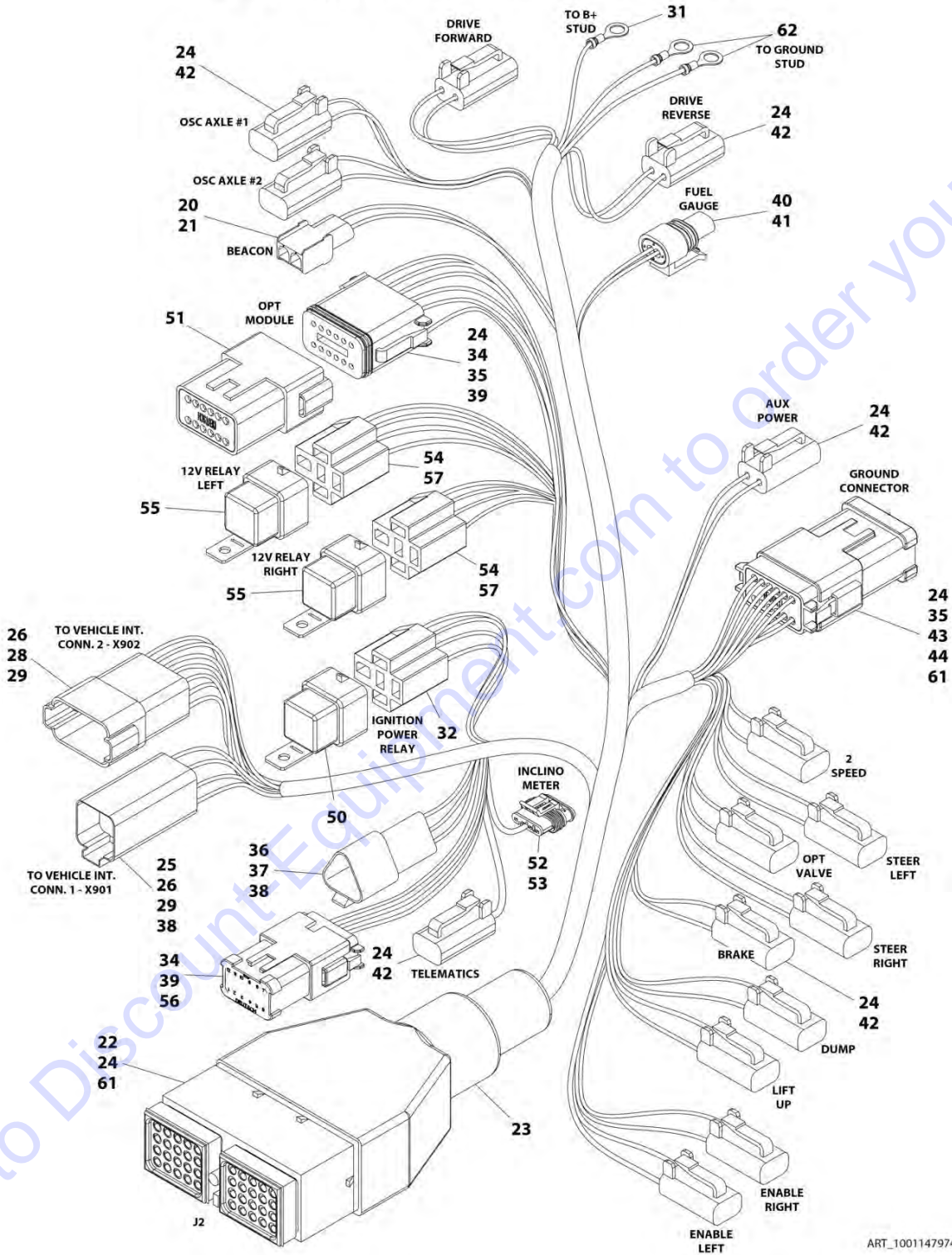
ITEM	PART NUMBER	QTY	DESCRIPTION	REV
	4922768	Ref	CONSOLE BOX HARNESS	B
12	4460260	22	Terminal, Housing	
12	4460259	22	Terminal	
13	4460266	1	Connector - 9 Position	
13	4460267	8	Pin, Male	
14	4460480	1	Connector - 23 Position	
14	4460465	21	Socket, Female	
15	4460761	1	Connector - 4 Position	
15	4460267	4	Pin, Male	
16	4460817	1	Terminal, Male - 5 Position	
17	4460818	1	Terminal, Male - 10 Position	
18	4460892	3	Terminal, Buss Bar - 6 Position	
18	4460894	3	Connector - 6 Position	
18	4460465	15	Socket, Female	
20	4460895	1	Terminal, Male - 12 Position	
21	4460183	4	Terminal, Ring	
22	4460016	2	Terminal, Receptacle	
26	4240032	57	Tie-Strap (Not Shown)	

Go to Discount-Equipment.com to order your parts

SECTION 8 - ELECTRICAL

FIGURE 8-16. ENGINE AND VALVE HARNESS - DEUTZ ENGINE MACHINES

NOTE: SEE USAGE CHART ON PARTS LIST BEFORE ORDERING PARTS.



ART_1001147974

SECTION 8 - ELECTRICAL

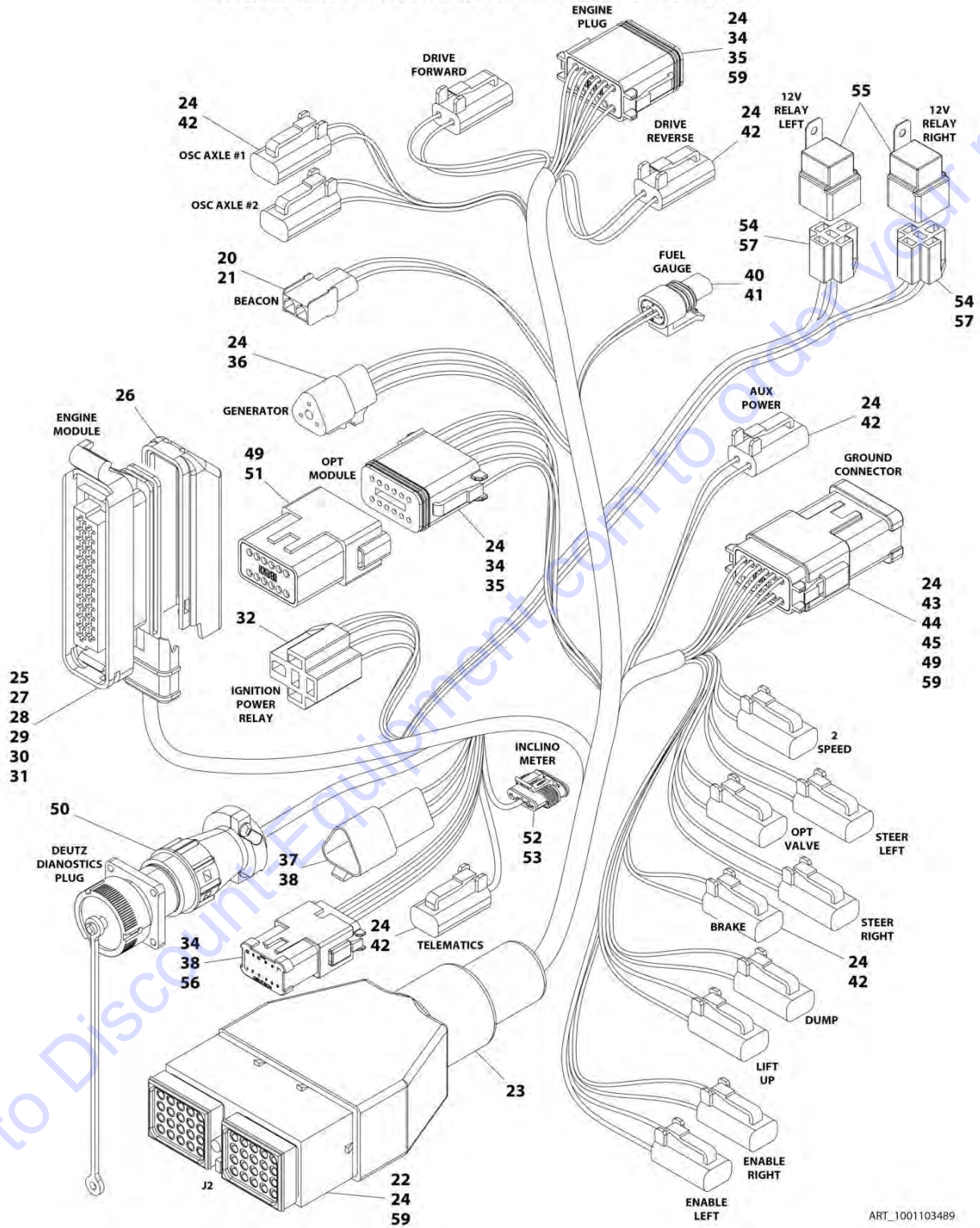
FIGURE 8-16. ENGINE AND VALVE HARNESS - DEUTZ ENGINE MACHINES

ITEM	PART NUMBER	QTY	DESCRIPTION	REV
		Ref	USAGE CHART:	
		Ref	- Machines with Deutz D2011 Engines with Power Options Module ANSI Export and Australian Spec (SN 0200239053 through 0200241795)	
		Ref	- Machines with Deutz D2011 Engines without Power Options Module CE Spec (SN 0200239053 through 0200241795)	
		Ref	- Machines with Deutz D2011 Engines with Power Options Module CE Spec (SN 0200239053 through 0200241795)	
		Ref	- Machines with Deutz D2011 Engines with Low Temperature Cutout (SN 0200239053 through 0200246032)	
		Ref	- Machines with Deutz D2.9L4 Engines	
	1001147974	Ref	ENGINE AND VALVE HARNESS - DEUTZ ENGINE MACHINES	K
20	4460424	1	Connector, Female - 2 Position	
21	4460268	2	Socket, Female	
22	4460814	1	Connector - 40 Position	
23	0840057	1	Boot, Terminal	
24	4460465	AR	Socket, Female	
25	4460899	1	Connector, Male - 6 Position	
26	4460464	7	Pin, Male	
28	4460931	1	Connector, Male - 8 Position	
29	4460466	AR	Seal, Plug	
31	4460670	AR	Terminal, Eyelet	
32	4460741	1	Plug, Male Relay (SN 0200239053 through 0200240770)	
32	4460374	1	Plug, Male Relay (SN 0200240771 to Present)	
32	4460420	4	Terminal, Female (SN 0200239053 through 0200240770)	
32	1001116732	2	Terminal (SN 0200240771 to Present)	
32	1001116734	2	Terminal (SN 0200246392 to Present)	
34	4460933	AR	Connector - 12 Position	
35	0840055	2	Boot, Terminal	
36	4460539	1	Connector - 3 Position (SN 0200239053 through 0200240770)	
37	4460536	1	Connector - 3 Position (SN 0200239053 through 0200246391)	
38	4460943	AR	Pin, Male	
39	4460944	AR	Socket, Female (SN 0200240771 to Present)	
40	4460955	1	Connector - 2 Position	
41	4460842	2	Terminal, Female	
42	4460891	15	Connector - 2 Position	
43	4460836	1	Connector - 12 Position	
44	4460837	1	Connector, Buss Bar - 12 Position	
47	4240032	AR	Tie-Strap (Not Shown)	
48	4240033	AR	Tie-Strap (Not Shown)	
50	3740049	1	Relay (SN 0200239053 through 0200240770)	
50	3740080	1	Relay (SN 0200240771 to Present)	
51	4460970	1	Receptacle, Female	
52	1001103012	1	Connector - 4 Position (SN 0200246392 to Present)	
53	1001107854	4	Socket, Female (SN 0200246392 to Present)	
54	4460375	8	Terminal (SN 0200246392 to Present)	
55	3740080	2	Relay (SN 0200246392 to Present)	
56	1001119020	1	Connector, Buss Bar - 12 Position (SN 0200246392 to Present)	
57	4460374	2	Plug, Relay (SN 0200246392 to Present)	
61	4460942	6	Socket, Female (SN 0200254131 to Present)	
62	4460738	2	Terminal, Eyelet (SN 0200254131 to Present)	

SECTION 8 - ELECTRICAL

FIGURE 8-17. ENGINE AND VALVE HARNESS - DEUTZ ENGINE MACHINES

NOTE: SEE USAGE CHART ON PARTS LIST BEFORE ORDERING PARTS.



ART_1001103489

SECTION 8 - ELECTRICAL

FIGURE 8-17. ENGINE AND VALVE HARNESS - DEUTZ ENGINE MACHINES

ITEM	PART NUMBER	QTY	DESCRIPTION	REV
		Ref	USAGE CHART:	
		Ref	- Machines with Deutz D2011 Engines without Power Options Module ANSI Export and Australian Spec (SN 0200239053 to Present)	
		Ref	- Machines with Deutz D2011 Engines with Power Options Module ANSI Export and Australian Spec (SN 0200241796 to Present)	
		Ref	- Machines with Deutz D2011 Engines without Power Options Module CE Spec (SN 0200241796 to Present)	
		Ref	- Machines with Deutz D2011 Engines with Power Options Module CE Spec (SN 0200241796 to Present)	
		Ref	- Machines with Deutz D2011 Engines with Low Temperature Cutout (SN 0200246033 to Present)	
	1001103489	Ref	ENGINE AND VALVE HARNESS - DEUTZ ENGINE MACHINES	I
20	4460424	1	Connector, Female - 2 Position	
21	4460268	2	Socket, Female	
22	4460814	1	Connector - 40 Position	
23	0840057	1	Boot, Terminal	
24	4460465	AR	Socket, Female	
25	4461052	1	Connector - 25 Position	
26	4461053	1	Cover, Plug	
27	4461005	5	Terminal (Gold)	
28	4461006	5	Seal, Terminal	
29	4461060	2	Terminal (Tin)	
30	4461054	2	Seal, Terminal	
31	4461008	18	Plug, Hole	
32	4460741	1	Plug, Male Relay	
32	4460420	4	Terminal, Female	
34	4460933	3	Connector - 12 Position	
35	0840055	2	Boot, Terminal	
36	4460539	1	Connector - 3 Position	
37	4460536	1	Connector 3- Position (SN 0200239053 through 0200241795)	
38	4460943	AR	Pin, Male (SN 0200239053 through 0200254130)	
38	4460944	AR	Socket, Female (SN 0200254131 to Present)	
40	4460955	1	Connector - 2 Position	
41	4460842	2	Terminal, Female	
42	4460891	15	Connector - 2 Position	
43	4460836	1	Connector - 12 Position	
44	4460837	1	Connector, Buss Bar - 12 Position	
45	0840055	1	Boot, Terminal	
47	4240032	AR	Tie-Strap (Not Shown)	
48	4240033	AR	Tie-Strap (Not Shown)	
49	4460466	AR	Plug, Sealing	
50	2902443	1	Receptacle Kit	
50	4461071	8	Socket, Female	
50	4461072	1	Receptacle	
50	4461073	1	Cap, Dust	
50	4461074	1	Shell, Black	
51	4460970	1	Receptacle, Female	
52	1001103012	1	Connector - 4 Position (SN 0200241796 to Present)	
53	1001107854	4	Socket, Female (SN 0200241796 to Present)	

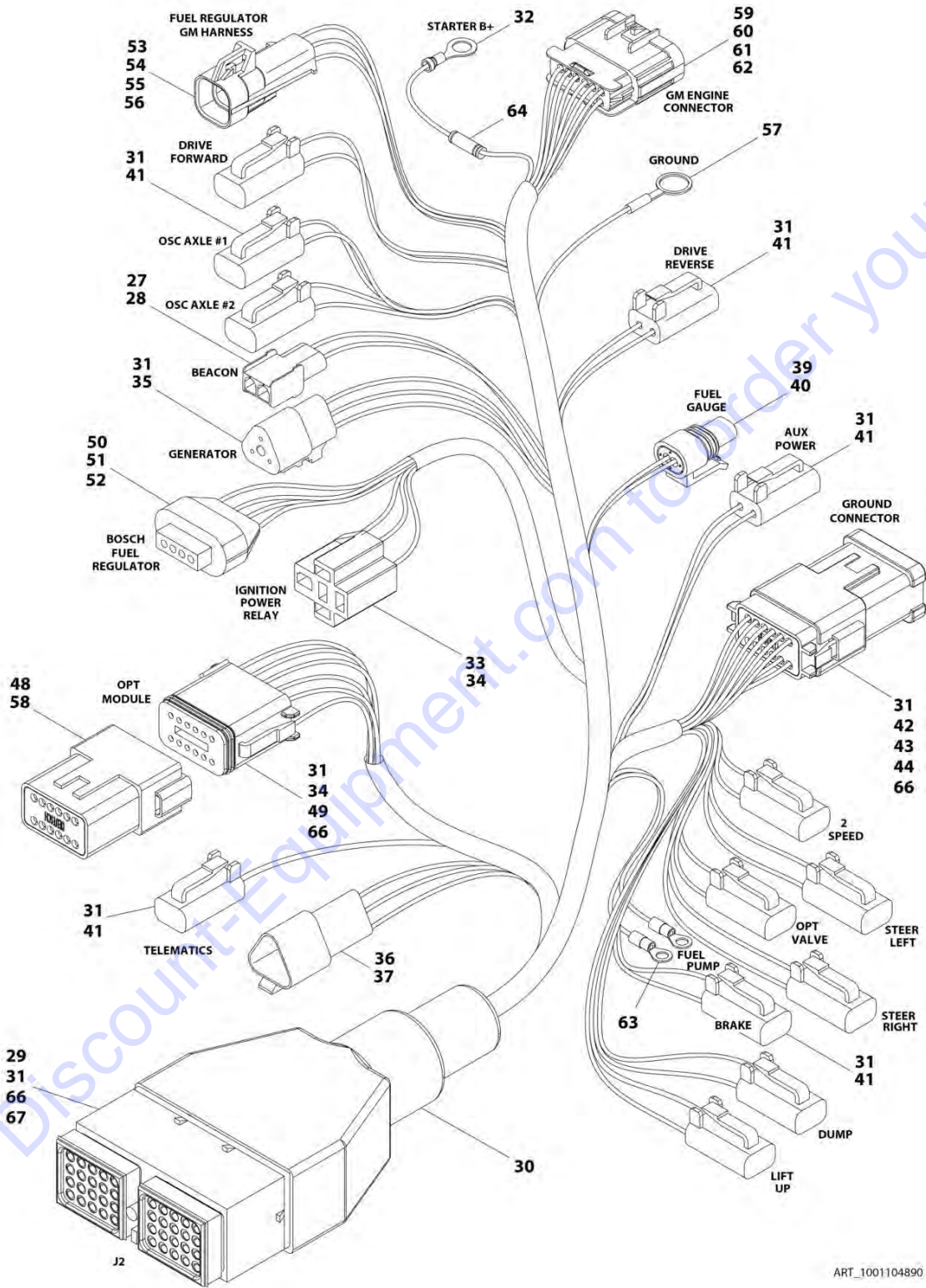
SECTION 8 - ELECTRICAL

ITEM	PART NUMBER	QTY	DESCRIPTION	REV
54	4460375	8	Terminal (SN 0200241796 to Present)	
55	3740080	2	Relay (SN 0200241796 to Present)	
56	1001119020	1	Connector, Buss Bar - 12 Position (SN 0200241796 to Present)	
57	4460374	2	Plug, Relay (SN 0200241796 to Present)	
59	4460942	9	Socket, Female (SN 0200254131 to Present)	

Go to Discount-Equipment.com to order your parts

SECTION 8 - ELECTRICAL

FIGURE 8-18. ENGINE AND VALVE HARNESS - GM ENGINE MACHINES



ART_1001104890

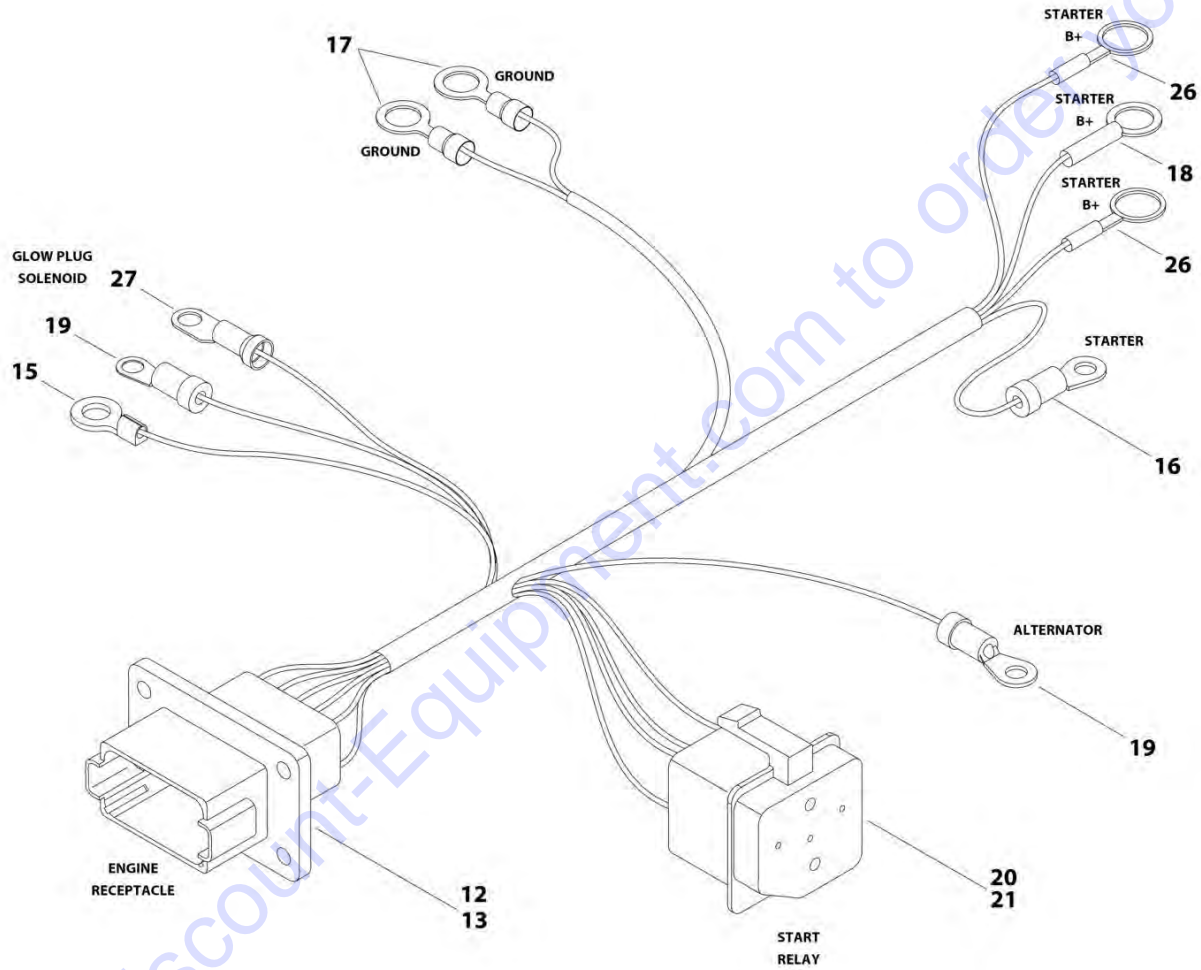
SECTION 8 - ELECTRICAL

FIGURE 8-18. ENGINE AND VALVE HARNESS - GM ENGINE MACHINES

ITEM	PART NUMBER	QTY	DESCRIPTION	REV
	1001104890	Ref	ENGINE AND VALVE HARNESS - GM ENGINE MACHINES	G
27	4460424	1	Connector, Female - 2 Position	
28	4460268	2	Socket, Female	
29	4460814	1	Connector - 40 Position	
30	0840057	1	Boot, Terminal	
31	4460465	69	Socket, Female	
32	4460738	1	Terminal, Eyelet	
33	4460374	1	Plug, Male Relay	
34	4460375	4	Terminal, Female	
35	4460539	1	Plug, Male	
36	4460536	1	Connector 3- Position	
37	4460943	3	Pin, Male	
39	4460955	1	Connector - 2 Position	
40	4460842	2	Terminal, Female	
41	4460891	13	Connector - 2 Position	
42	4460836	1	Connector - 12 Position	
43	4460837	1	Connector, Buss Bar - 12 Position	
44	0840055	2	Boot, Terminal	
46	4240032	AR	Tie-Strap (Not Shown)	
47	4240033	AR	Tie-Strap (Not Shown)	
48	4460466	12	Plug, Sealing	
49	4460933	1	Connector - 12 Position	
50	4461121	1	Connector, Male 4 - Position	
51	4461122	4	Terminal, Female (SN 0200239053 through 0200250623)	
51	1001126484	4	Terminal, Female (SN 0200250624 to Present)	
52	4461123	4	Seal (SN 0200239053 through 0200250263)	
52	1001126485	4	Seal (SN 0200250264 to Present)	
53	4461124	1	Connector, Male 4 - Position	
54	4460693	4	Terminal, Male	
55	4460608	4	Seal	
56	4461161	1	Terminal, Lock	
57	4460019	1	Terminal, Eyelet	
58	4460970	1	Receptacle, Female	
59	4461109	1	Connector - 16 Position	
60	4461111	7	Pin, Male	
61	4461113	7	Seal, Terminal	
62	4461222	9	Terminal, Cavity Plug	
63	4460313	2	Terminal, Eyelet	
64	4460474	1	Terminal, Butt	
66	4460942	6	Socket, Female (SN 0200254131 to Present)	
67	4460944	6	Socket, Female (SN 0200254131 to Present)	

SECTION 8 - ELECTRICAL

FIGURE 8-19. ENGINE HARNESS - DEUTZ D2011 ENGINE



ART_4923386

SECTION 8 - ELECTRICAL

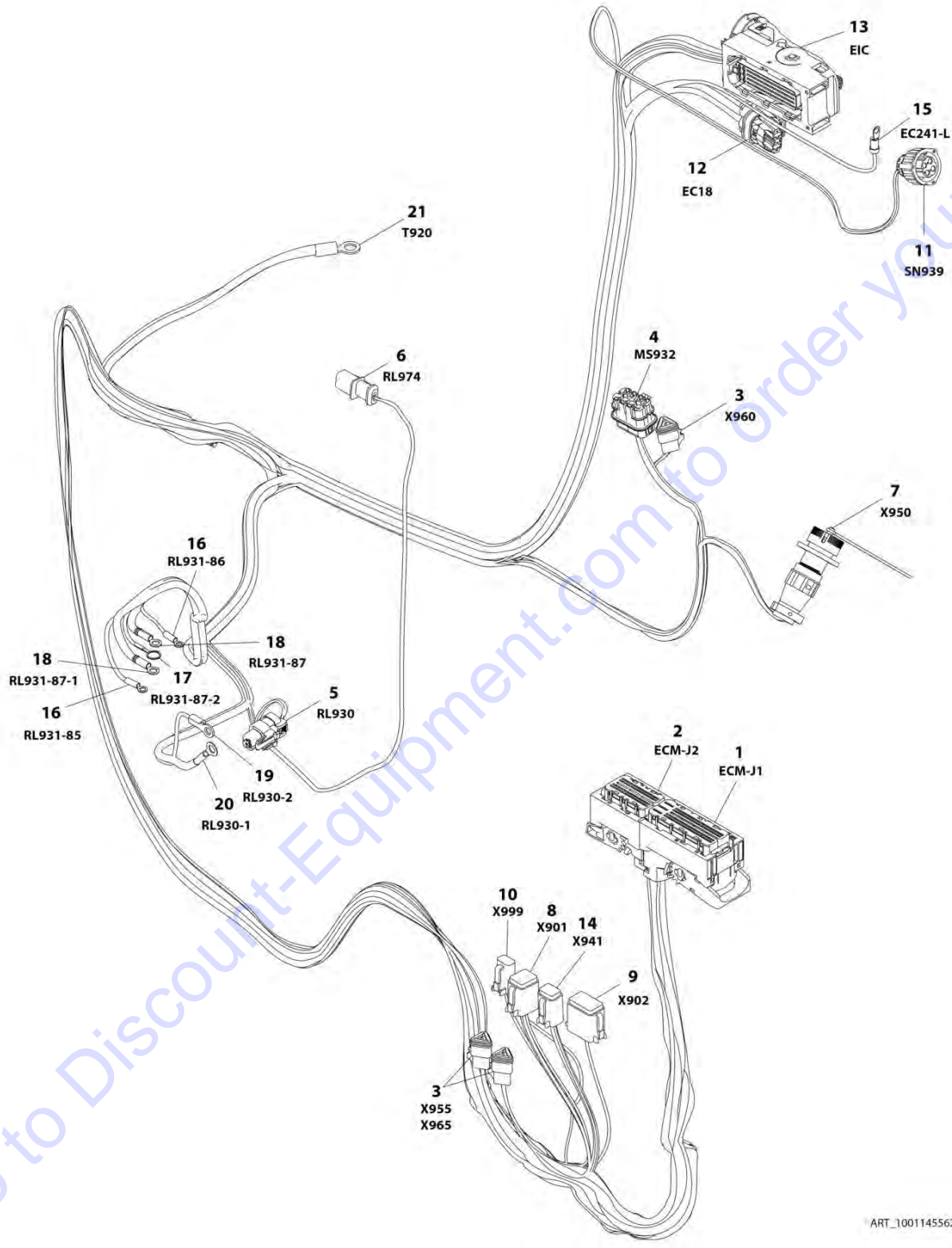
FIGURE 8-19. ENGINE HARNESS - DEUTZ D2011 ENGINE

ITEM	PART NUMBER	QTY	DESCRIPTION	REV
	4923386	Ref	ENGINE HARNESS - DEUTZ D2011 ENGINE	A
12	4460939	1	Connector - 12 Position	
13	4460464	10	Pin, Male	
15	4460312	1	Terminal, Ring	
16	4460142	1	Terminal, Ring	
17	4460981	2	Terminal, Ring	
18	4460256	1	Terminal, Ring	
19	4460042	2	Terminal, Ring	
20	4460374	1	Plug, Male Relay	
21	4460375	4	Terminal, Female	
23	4240032	AR	Tie-Strap (Not Shown)	
24	4240033	AR	Tie-Strap (Not Shown)	
26	4460019	2	Terminal, Ring	
27	4461097	1	Terminal, Ring	

Go to Discount-Equipment.com to order your parts

SECTION 8 - ELECTRICAL

FIGURE 8-20. ENGINE HARNESS - DEUTZ D2.9L4 ENGINE



ART_1001145562

SECTION 8 - ELECTRICAL

FIGURE 8-20. ENGINE HARNESS - DEUTZ D2.9L4 ENGINE

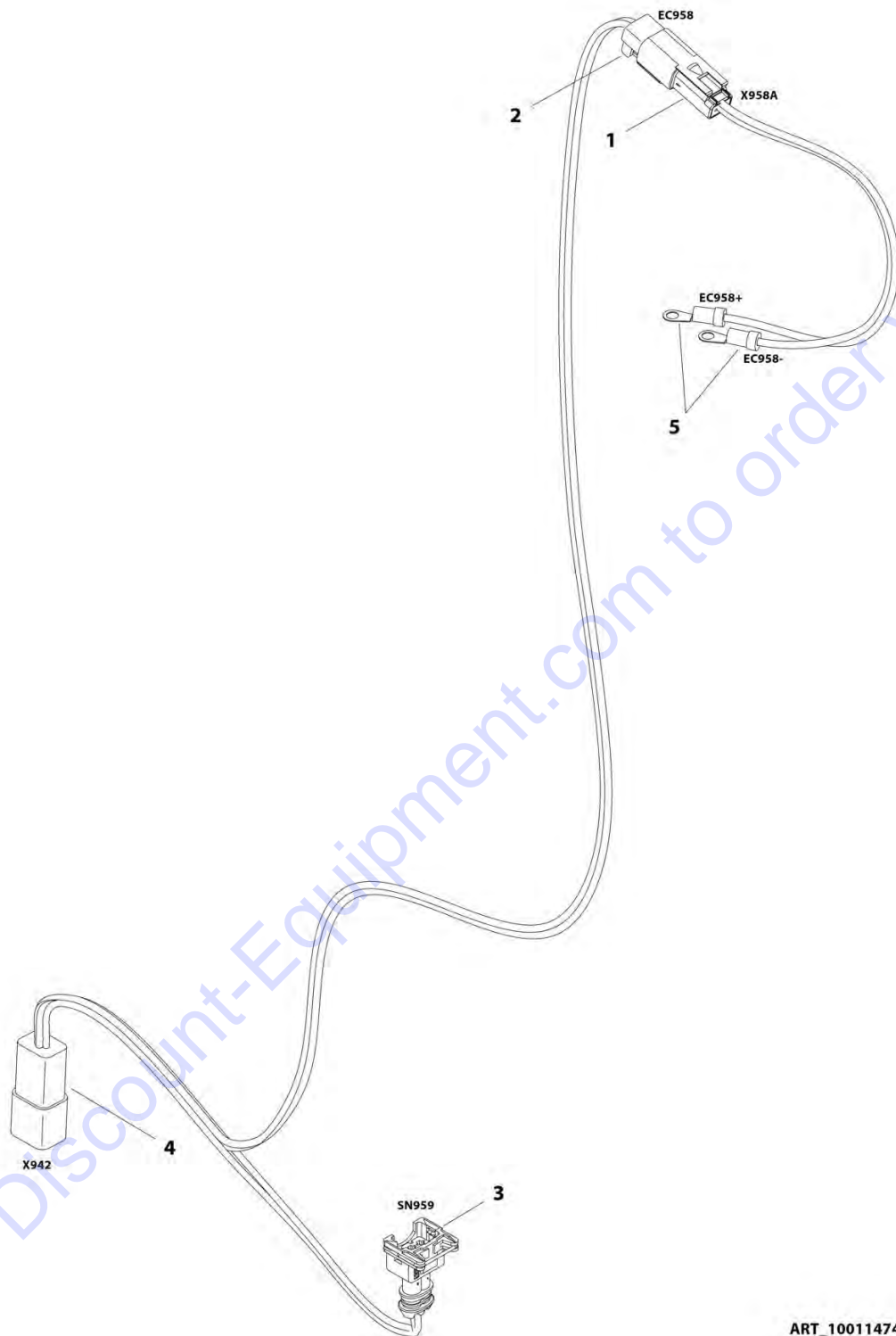
ITEM	PART NUMBER	QTY	DESCRIPTION	REV
	1001145562	Ref	ENGINE HARNESS - DEUTZ D2.9L4 ENGINE	G
1	1001133956	1	Connector (Includes Cover, Locks & Retention Plate)	
1	1001126352	6	Terminal	
1	1001126353	6	Seal, Terminal	
1	1001126384	21	Terminal	
1	1001126351	2	Terminal	
1	1001126356	63	Plug, Seal	
1	1001126357	2	Plug, Seal	
2	1001133957	1	Connector (Includes Cover, Locks & Retention Plate)	
2	1001126384	17	Terminal	
2	1001126351	13	Terminal	
2	1001126356	19	Plug, Seal	
2	1001126357	11	Plug, Seal	
3	4461070	3	Receptacle, Female With Resistor (3 Position)	
3	4461095	3	Plug, Male - 3 Position	
3	4460944	6	Socket, Female	
3	4460466	3	Seal, Plug	
4	80484084	1	Receptacle, Female - 8 Position	
4	8229242	1	Fuse - 5A	
4	80983191	1	Fuse - 10A	
4	1001147264	1	Cap	
4	1001116727	4	Plug	
4	1001116728	4	Terminal	
4	4460458	4	Seal	
5	1001116952	1	Plug, Male - 2 Position	
5	4460465	2	Socket, Female	
6	1001138110	1	Plug, Male - 2 Position	
6	1001138111	2	Socket, Female	
6	1001138113	2	Seal	
7	2902443	1	Kit, Receptacle	
7	4461071	8	Terminal, Female (Gold)	
7	4461072	1	Connector, Flange Mount	
7	4461073	1	Connector, Dust Cap	
7	4461074	1	Connector, Shell	
8	4460894	1	Plug, Male - 6 Position	
8	4460465	3	Socket, Female	
8	4460944	2	Socket, Female	
8	4460466	1	Seal, Plug	
9	4460930	1	Plug, Male - 8 Position	
9	4460465	1	Socket, Female	
9	4460466	7	Seal, Plug	
10	4460897	1	Receptacle, Female - 2 Position	
10	4460464	2	Pin, Male	
10	See Note	1	Resistor - 1.5K Ohm (Note: Not Available at Time of Printing)	
10	4460891	1	Plug, Male - 2 Position	
10	4460465	2	Socket, Female	
11	1001133714	1	Plug, Male - 4 Position	
11	1001133715	3	Terminal, Female	
11	1001135650	3	Seal	
11	1001135651	2	Cavity, Plug	

SECTION 8 - ELECTRICAL

ITEM	PART NUMBER	QTY	DESCRIPTION	REV
12	1001142938	1	Plug, Male - 2 Position	
12	1001142940	2	Terminal, Female	
12	1001142941	2	Seal	
13	1001126362	1	Receptacle, Female - 62 Position	
13	1001126363	33	Terminal	
13	1001126364	33	Seal	
13	1001126391	23	Plug	
13	4461008	4	Plug, Cavity	
13	1001126365	2	Terminal	
13	4461054	2	Seal	
13	1001151856	1	Elbow, Conduit (Not Shown)	
14	4460884	1	Plug, Male - 4 Position (SN 0200239053 through 0200260368)	
14	1001220379	1	Plug, Male - 4 Position (SN 0200260369 to Present)	
14	4460465	2	Socket, Female	
14	4460942	2	Socket, Female	
14	4460932	1	Receptacle, Female - 4 Position (Not Shown)	
14	4460466	4	Plug, Terminal (Not Shown)	
15	4460042	1	Terminal, Ring	
16	4460247	2	Terminal, Ring	
17	4460703	1	Terminal, Ring	
18	1001117107	2	Terminal, Ring	
19	1001117106	1	Terminal, Ring	
20	4460043	1	Terminal, Ring	
21	8220115	1	Terminal, Ring	

SECTION 8 - ELECTRICAL

FIGURE 8-21. FUEL HARNESS - DEUTZ D2.9L4 ENGINE



ART_1001147434

SECTION 8 - ELECTRICAL

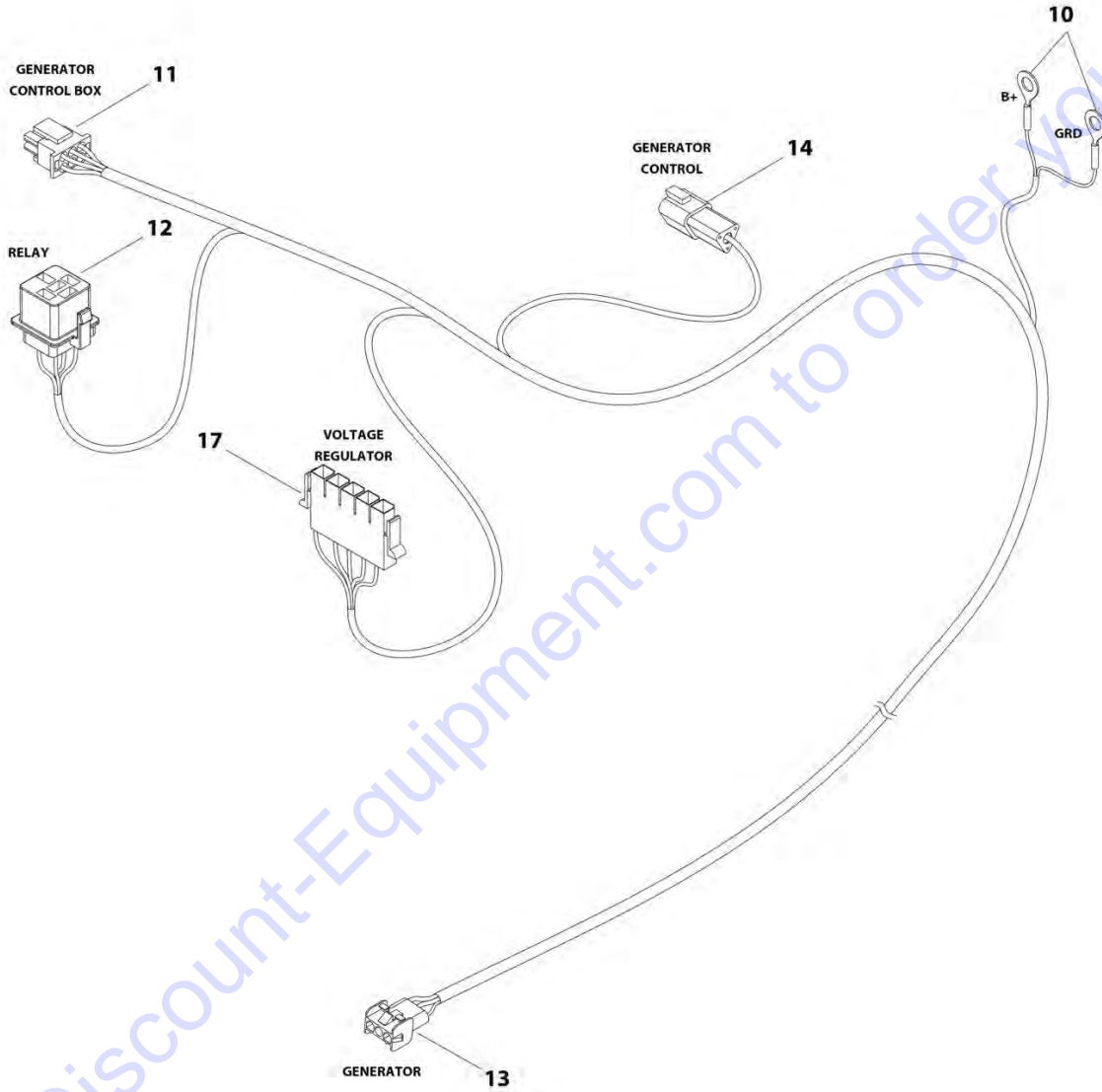
FIGURE 8-21. FUEL HARNESS - DEUTZ D2.9L4 ENGINE

ITEM	PART NUMBER	QTY	DESCRIPTION	REV
	1001147434	Ref	FUEL HARNESS - DEUTZ D2.9L4 ENGINE	C
1	4460897	1	Receptacle, Female - 2 Position	
1	4460941	2	Pin, Male	
2	4460891	1	Plug, Male - 2 Position	
2	4460942	2	Socket, Female	
3	1001116983	1	Receptacle, Female - 2 Position	
3	1001116710	2	Terminal	
4	4460932	1	Receptacle, Female - 4 Position	
4	4460941	2	Pin, Male	
4	4460464	2	Pin, Male	
5	4460042	2	Terminal, Ring	

Go to Discount-Equipment.com to order your parts

SECTION 8 - ELECTRICAL

FIGURE 8-22. GENERATOR HARNESS - DEUTZ D2011 & GM ENGINES



ART_4922800

SECTION 8 - ELECTRICAL

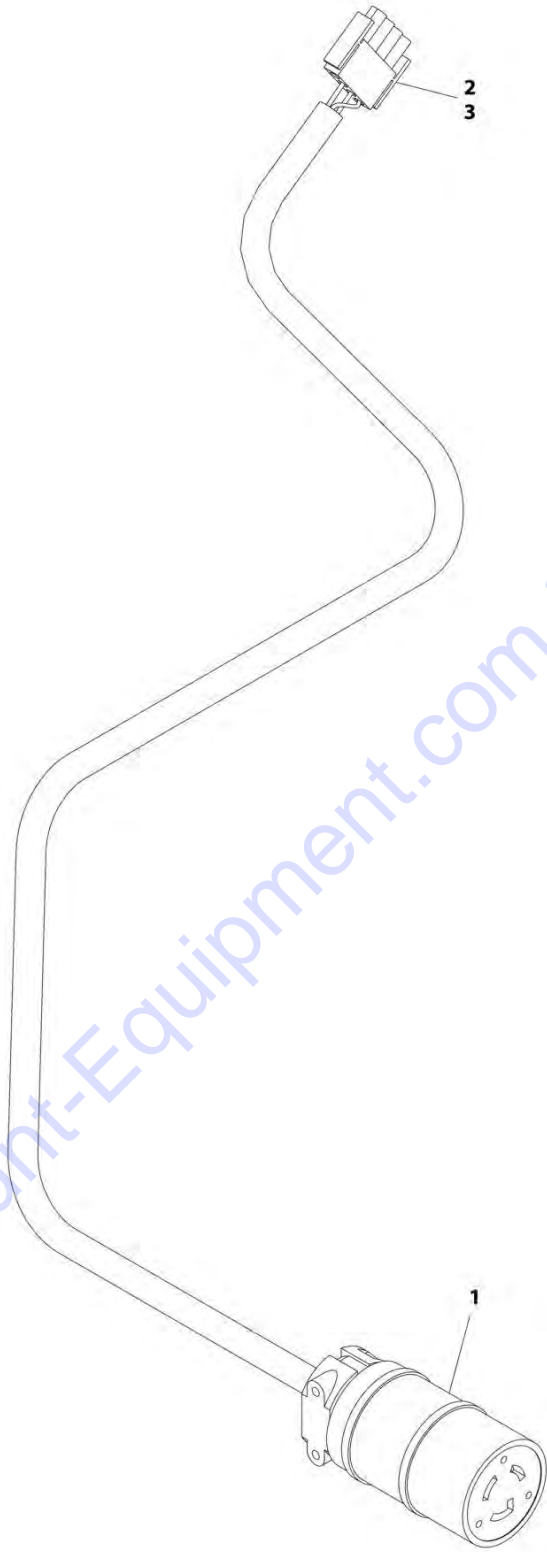
FIGURE 8-22. GENERATOR HARNESS - DEUTZ D2011 & GM ENGINES

ITEM	PART NUMBER	QTY	DESCRIPTION	REV
	4922800	Ref	GENERATOR HARNESS - DEUTZ D2011 & GM ENGINES	C
10	4460019	2	Terminal, Ring	
11	4460225	1	Connector - 6 Position	
11	4460267	1	Pin, Male	
11	4460906	2	Socket, Female	
12	4460374	1	Plug, Relay	
12	4460375	4	Terminal	
13	4460445	1	Connector - 3 Position	
13	4460906	3	Socket, Female	
14	4460536	1	Connector - 3 Position	
14	4460464	2	Pin, Male	
17	4460972	1	Connector - 5 Position	
17	4460974	4	Terminal	
17	4460973	1	Terminal	

Go to Discount-Equipment.com to order your parts

SECTION 8 - ELECTRICAL

FIGURE 8-23. GENERATOR AC CABLE - DEUTZ D2.9L4 ENGINES - 2500W



ART_1001183913

SECTION 8 - ELECTRICAL

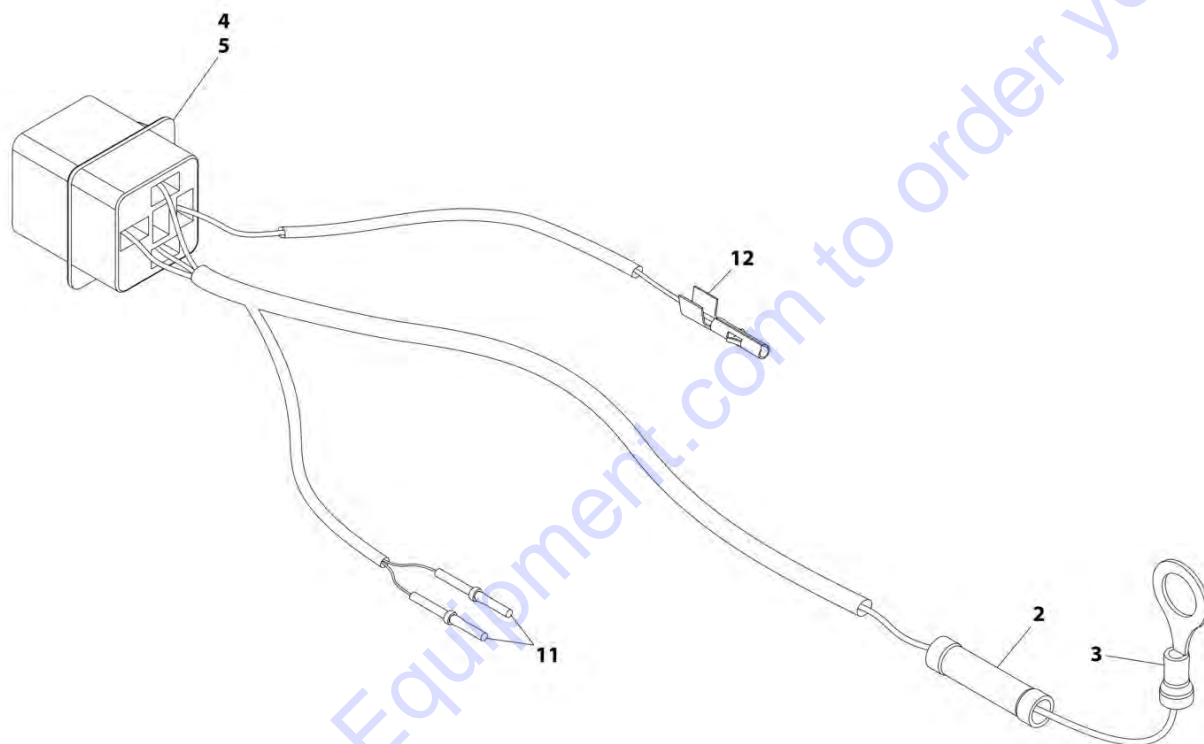
FIGURE 8-23. GENERATOR AC CABLE - DEUTZ D2.9L4 ENGINES - 2500W

ITEM	PART NUMBER	QTY	DESCRIPTION	REV
	1001183913	Ref	GENERATOR AC CABLE - DEUTZ D2.9L4 ENGINES - 2500W	A
1	4460134	1	Connector, Female	
2	4460321	1	Plug, Male - 4 Position	
3	4460906	3	Socket, Female	

Go to Discount-Equipment.com to order your parts

SECTION 8 - ELECTRICAL

FIGURE 8-24. GENERATOR HARNESS - DEUTZ D2.9L4 ENGINES - 2500W



ART_1001183914

SECTION 8 - ELECTRICAL

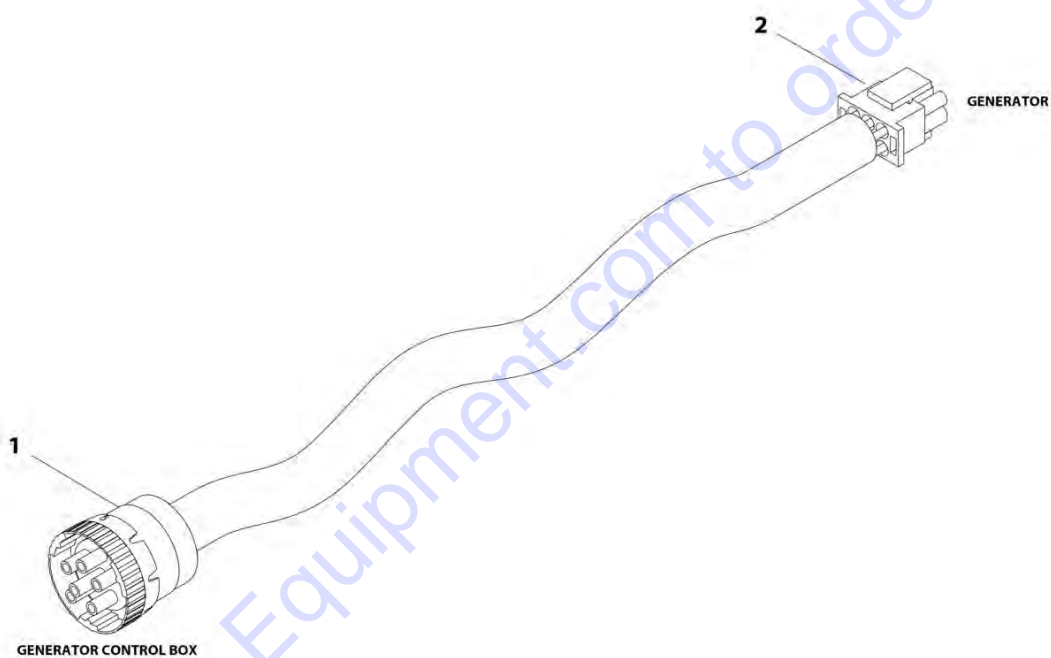
FIGURE 8-24. GENERATOR HARNESS - DEUTZ D2.9L4 ENGINES - 2500W

ITEM	PART NUMBER	QTY	DESCRIPTION	REV
	1001183914	Ref	GENERATOR HARNESS - DEUTZ D2.9L4 ENGINES - 2500W	A
2	4460474	1	Terminal, Connector	
3	4460670	1	Terminal, Ring	
4	4460374	1	Terminal, Plug	
5	4460375	4	Terminal	
11	4460465	2	Socket, Female	
12	4460906	1	Socket, Female	

Go to Discount-Equipment.com to order your parts

SECTION 8 - ELECTRICAL

FIGURE 8-25. GENERATOR TO CONTROL BOX HARNESS - DEUTZ D2.9L4 ENGINES - 7500W



ART 4922925

SECTION 8 - ELECTRICAL

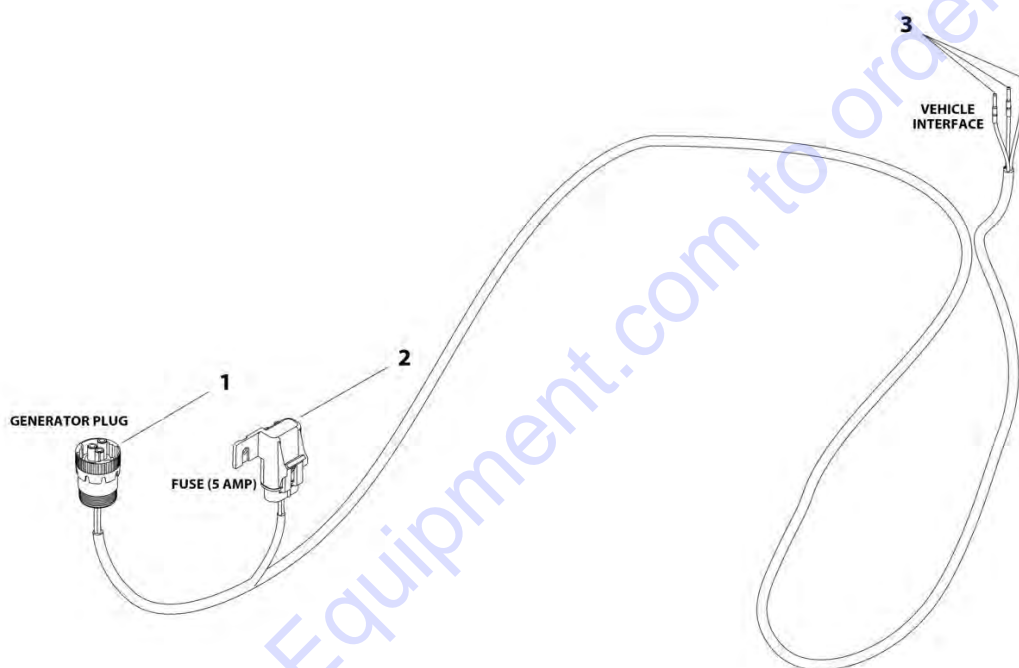
FIGURE 8-25. GENERATOR TO CONTROL BOX HARNESS - DEUTZ D2.9L4 ENGINES - 7500W

ITEM	PART NUMBER	QTY	DESCRIPTION	REV
	4922925	Ref	GENERATOR TO CONTROL BOX HARNESS - DEUTZ D2.9L4 ENGINES - 7500W	C
1	77363233	1	Plug, Male - 6 Position	
1	4460465	6	Socket, Female	
2	4460225	1	Plug, Male - 6 Position	
2	4460226	6	Socket, Female	

Go to Discount-Equipment.com to order your parts

SECTION 8 - ELECTRICAL

FIGURE 8-26. GENERATOR TO VEHICLE INTERFACE HARNESS - DEUTZ D2.9L4 ENGINES - 7500W



ART_1001148424

SECTION 8 - ELECTRICAL

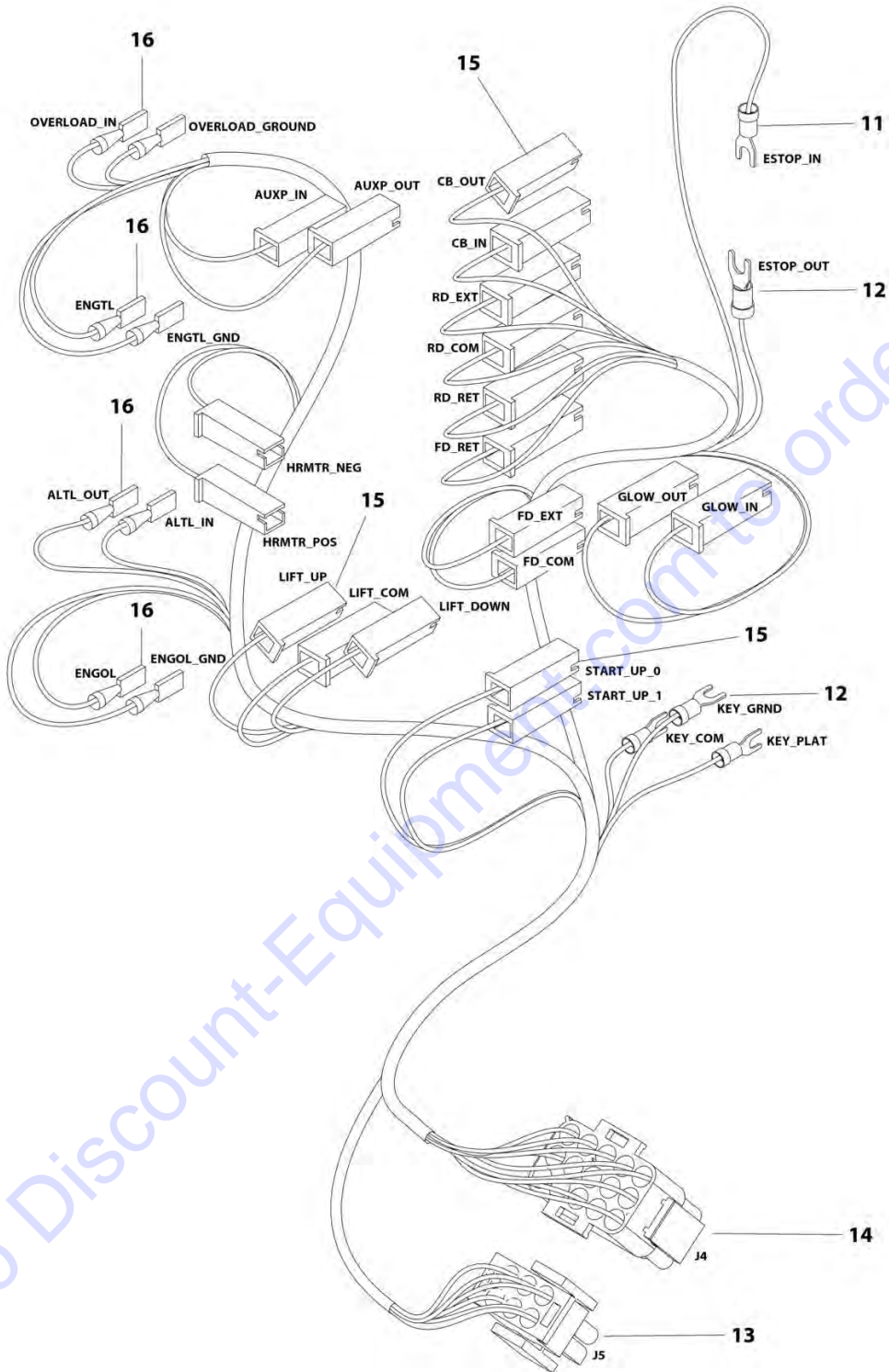
FIGURE 8-26. GENERATOR TO VEHICLE INTERFACE HARNESS - DEUTZ D2.9L4 ENGINES - 7500W

ITEM	PART NUMBER	QTY	DESCRIPTION	REV
	1001148424	Ref	GENERATOR TO VEHICLE INTERFACE HARNESS - DEUTZ D2.9L4 ENGINES - 7500W	A
1	4460967	1	Plug, Male - 3 Position	
1	4460465	3	Socket, Female	
2	1001117078	1	Fuseholder (Includes Fuse and Cap)	
2	See Note	NSS	Fuse 5Amp ATO (Note: Purchase Locally)	
3	4460465	3	Socket, Female	

Go to Discount-Equipment.com to order your parts

SECTION 8 - ELECTRICAL

FIGURE 8-27. GROUND CONTROL BOX HARNESS



ART_4922667

SECTION 8 - ELECTRICAL

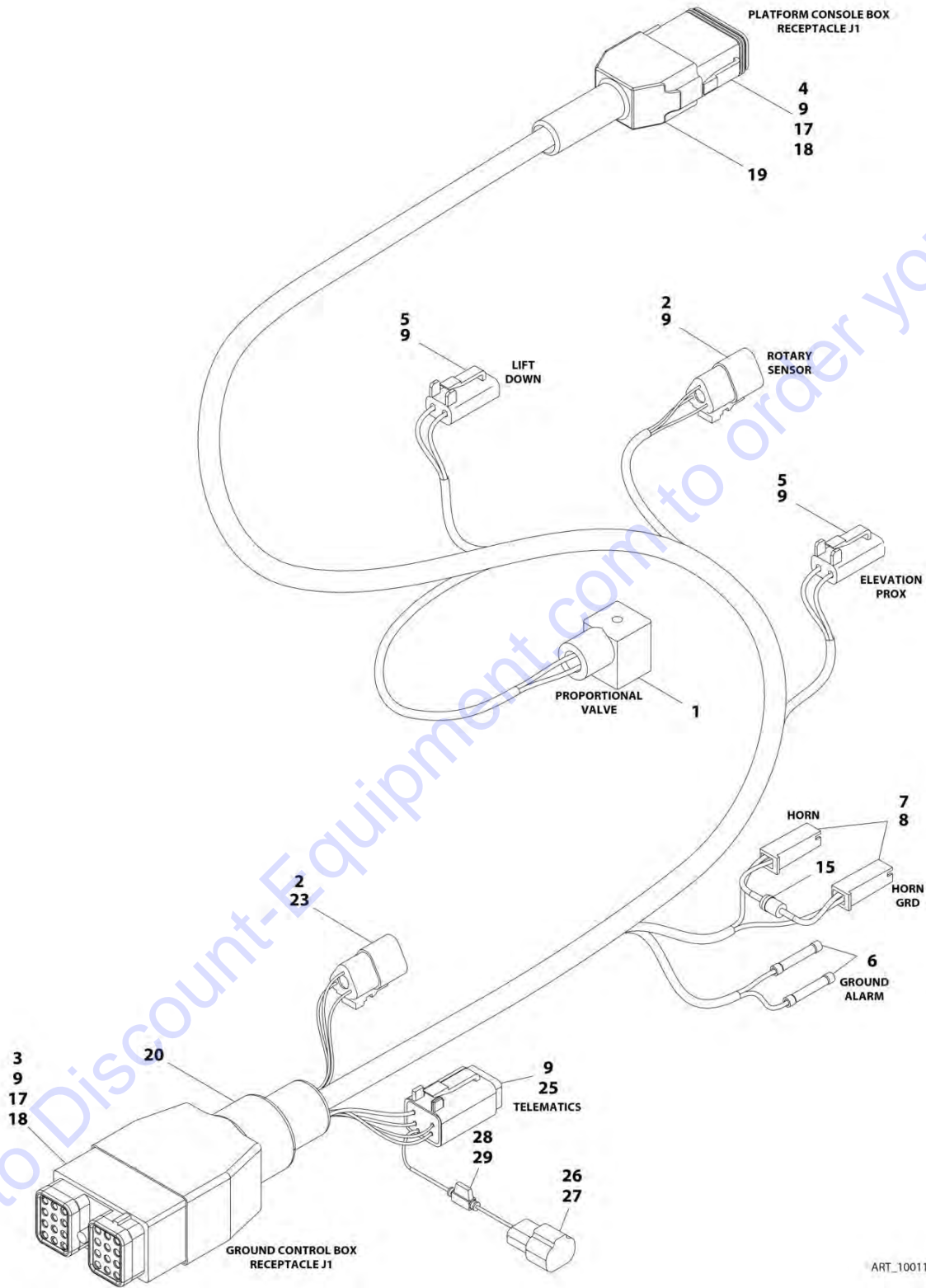
FIGURE 8-27. GROUND CONTROL BOX HARNESS

ITEM	PART NUMBER	QTY	DESCRIPTION	REV
	4922667	Ref	GROUND CONTROL BOX HARNESS	B
11	4460115	1	Terminal, Fork	
12	4460183	4	Terminal, Fork	
13	4460225	1	Connector - 6 Position	
13	4460268	5	Socket, Female	
14	4460434	1	Connector - 15 Position	
14	4460268	15	Socket, Female	
15	4460260	19	Terminal, Housing	
15	4460259	19	Terminal	
16	4460016	1	Terminal, Receptacle	

Go to Discount-Equipment.com to order your parts

SECTION 8 - ELECTRICAL

FIGURE 8-28. GROUND TO PLATFORM MODULE HARNESS - 3394RT



SECTION 8 - ELECTRICAL

FIGURE 8-28. GROUND TO PLATFORM MODULE HARNESS - 3394RT

ITEM	PART NUMBER	QTY	DESCRIPTION	REV
	1001103834	Ref	GROUND TO PLATFORM MODULE HARNESS - 3394RT	B
1	4460499	1	DIN Connector with Diode	
2	4460539	2	Connector - 3 Position	
3	4460812	1	Connector - 24 Position	
4	4460933	1	Connector - 12 Position	
5	4460891	2	Connector - 2 Position	
6	4460248	2	Terminal	
7	4460259	2	Terminal, Positive Lock	
8	4460260	2	Terminal, Housing	
9	4460465	42	Socket, Female	
14	4240033	AR	Strap, Tie (Not Shown)	
15	3990010	1	Diode 6Amp	
17	4460121	2	Cap, Wire	
18	4460466	5	Plug, Sealing	
19	0840055	1	Boot	
20	0840056	1	Boot	
23	4460944	3	Socket, Female	
25	4460884	1	Plug, Male - 4 Position	
26	4460897	1	Receptacle, Female - 2 Position	
27	4460464	1	Pin, Male	
28	2400060	1	Fuseholder with Cover	
29	8229242	1	Fuse 5Amp	

PARTS FINDER

**Search Website
by Part Number**



**Search Manual
Library For Parts
Manual & Lookup Part
Numbers – Purchase
or Request Quote**

**Can't Find Part or
Manual? Request Help
by Manufacturer,
Model & Description**

Discount-Equipment.com is your online resource for quality parts & equipment.

Florida: **561-964-4949** Outside Florida TOLL FREE: **877-690-3101**

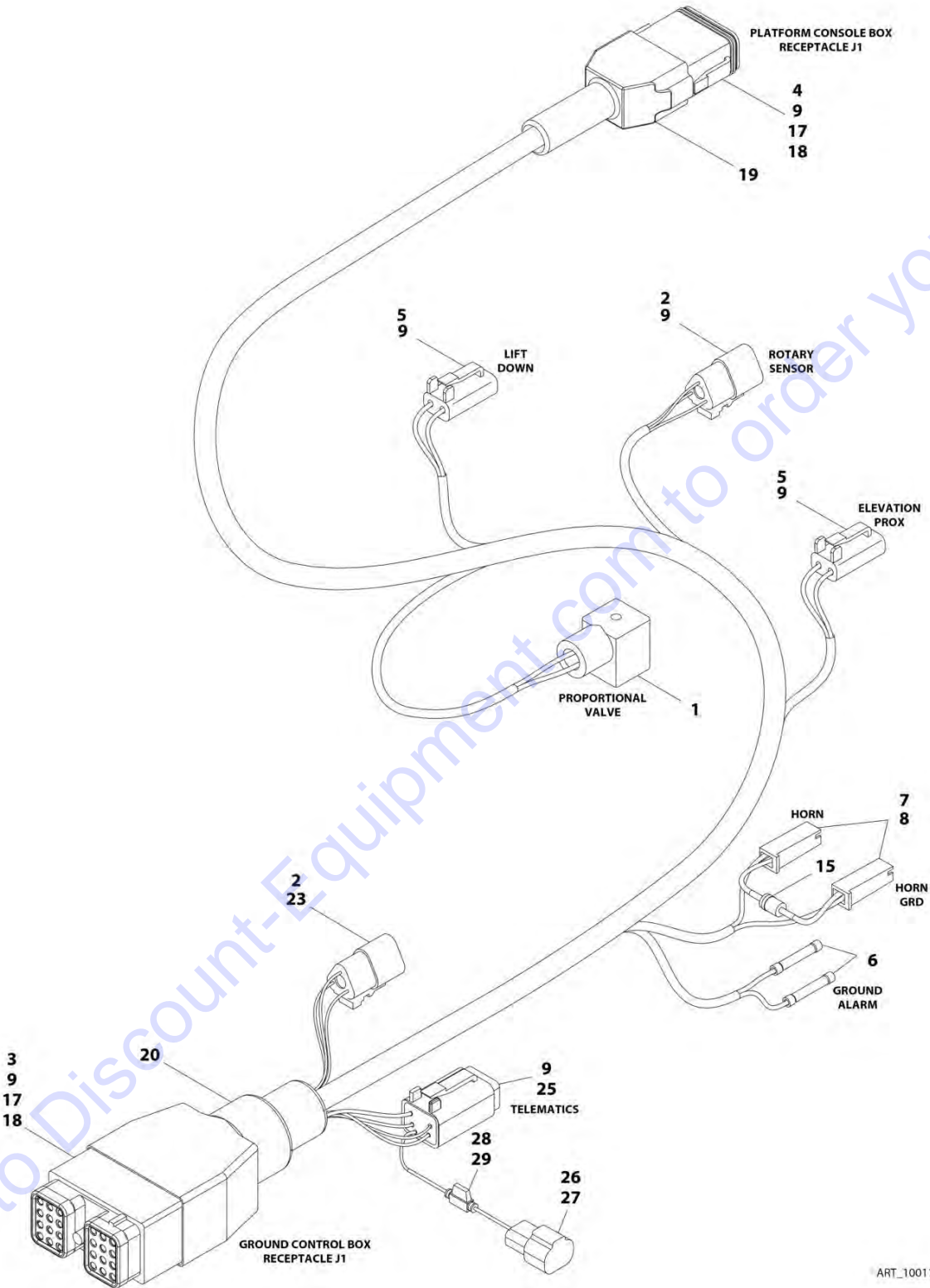
Need parts?

Click on this link: <http://www.discount-equipment.com/category/5443-parts/> and choose one of the options to help get the right parts and equipment you are looking for. Please have the machine model and serial number available in order to help us get you the correct parts. If you don't find the part on the website or on one of the online manuals, please fill out the request form and one of our experienced staff members will get back to you with a quote for the right part that your machine needs.

We sell worldwide for the brands: Genie, Terex, JLG, MultiQuip, Mikasa, Essick, Whiteman, Mayco, Toro Stone, Diamond Products, Generac Magnum, Airman, Haulotte, Barreto, Power Blanket, Nifty Lift, Atlas Copco, Chicago Pneumatic, Allmand, Miller Curber, Skyjack, Lull, Skytrak, Tsurumi, Husquvarna Target, Stow, Wacker, Sakai, Mi-T-M, Sullair, Basic, Dynapac, MBW, Weber, Bartell, Bennar Newman, Haulotte, Ditch Runner, Menegotti, Morrison, Contec, Buddy, Crown, Edco, Wyco, Bomag, Laymor, EZ Trench, Bil-Jax, F.S. Curtis, Gehl Pavers, Heli, Honda, ICS/PowerGrit, IHI, Partner, Imer, Clipper, MMD, Koshin, Rice, CH&E, General Equipment, Amida, Coleman, NAC, Gradall, Square Shooter, Kent, Stanley, Tamco, Toku, Hatz, Kohler, Robin, Wisconsin, Northrock, Oztec, Toker TK, Rol-Air, APT, Wylie, Ingersoll Rand / Doosan, Innovatech, Con X, Ammann, Mecalac, Makinex, Smith Surface Prep, Small Line, Wanco, Yanmar

SECTION 8 - ELECTRICAL

FIGURE 8-29. GROUND TO PLATFORM MODULE HARNESS - 4394RT



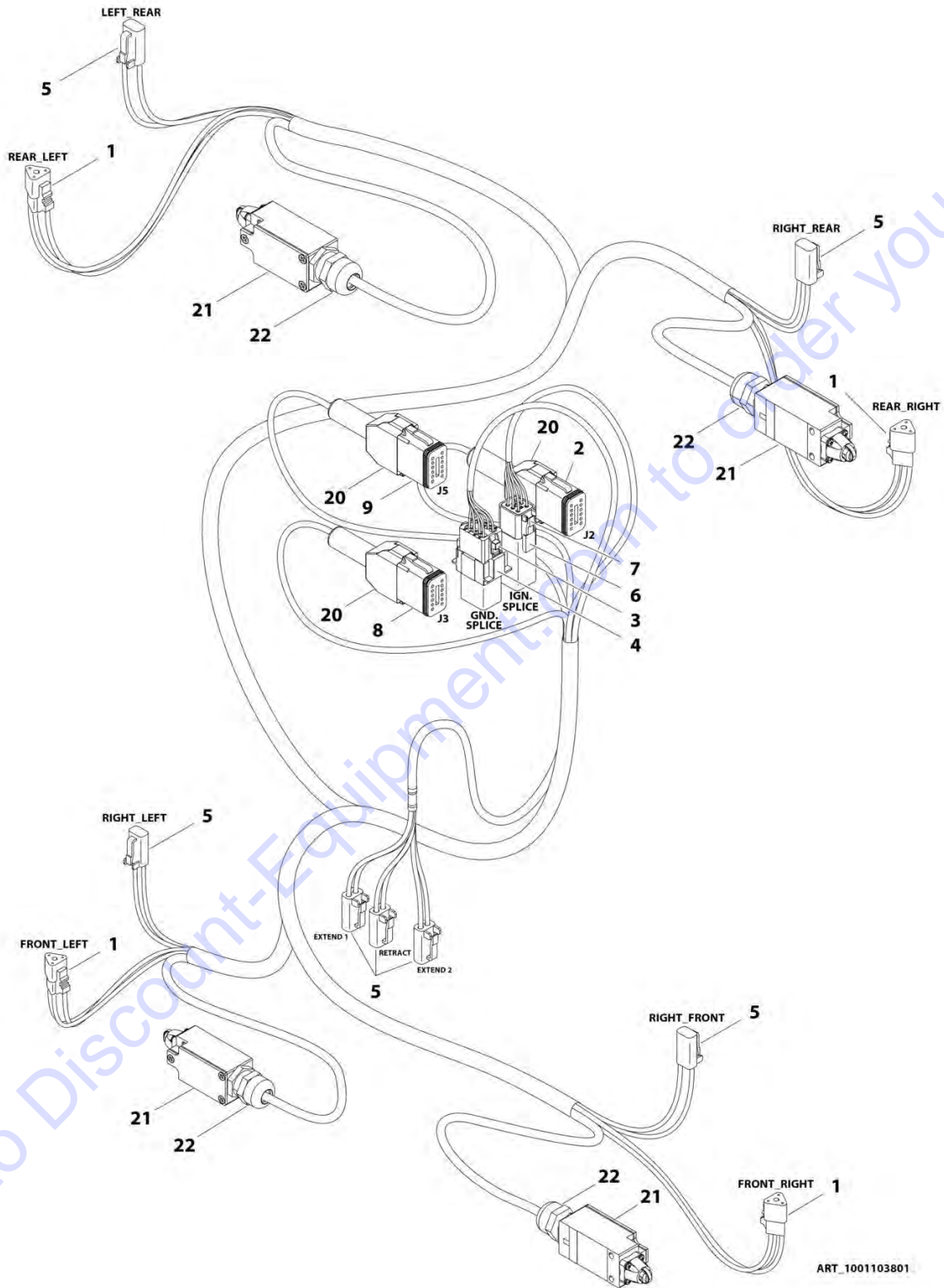
SECTION 8 - ELECTRICAL

FIGURE 8-29. GROUND TO PLATFORM MODULE HARNESS - 4394RT

ITEM	PART NUMBER	QTY	DESCRIPTION	REV
	1001103835	Ref	GROUND TO PLATFORM MODULE HARNESS - 4394RT	B
1	4460499	1	DIN Connector with Diode	
2	4460539	2	Connector - 3 Position	
3	4460812	1	Connector - 24 Position	
4	4460933	1	Connector - 12 Position	
5	4460891	2	Connector - 2 Position	
6	4460248	2	Terminal	
7	4460259	2	Terminal, Positive Lock	
8	4460260	2	Terminal, Housing	
9	4460465	42	Socket, Female	
14	4240033	AR	Strap, Tie (Not Shown)	
15	3990010	1	Diode 6Amp	
17	4460121	2	Cap, Wire	
18	4460466	5	Plug, Sealing	
19	0840055	1	Boot	
20	0840056	1	Boot	
23	4460944	3	Socket, Female	
25	4460884	1	Plug, Male - 4 Position	
26	4460897	1	Receptacle, Female - 2 Position	
27	4460464	1	Pin, Male	
28	2400060	1	Fuseholder with Cover	
29	8229242	1	Fuse 5Amp	

SECTION 8 - ELECTRICAL

FIGURE 8-30. LEVELING JACK HARNESS ASSEMBLY (OPTIONAL ON 3394RT - STANDARD ON 4394RT)



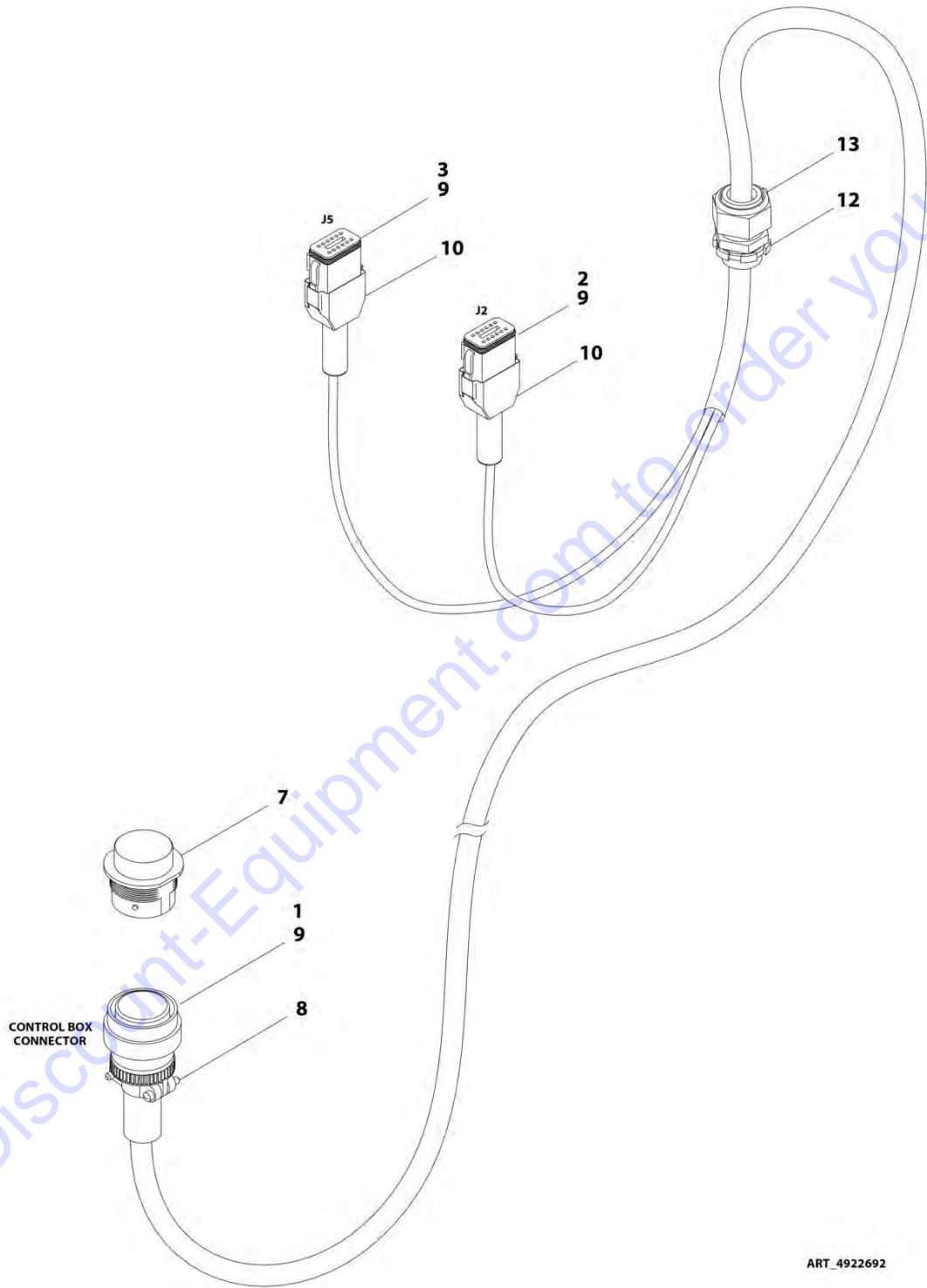
SECTION 8 - ELECTRICAL

FIGURE 8-30. LEVELING JACK HARNESS ASSEMBLY (OPTIONAL ON 3394RT - STANDARD ON 4394RT)

ITEM	PART NUMBER	QTY	DESCRIPTION	REV
	1001103801	Ref	LEVELING JACK HARNESS ASSEMBLY (OPTIONAL ON 3394RT - STANDARD ON 4394RT)	D
1	4460539	4	Connector - 3 Position	
1	4460465	12	Socket, Female	
2	4460836	1	Connector - 12 Position	
2	4460465	7	Socket, Female	
2	4460466	5	Plug	
3	4460851	1	Connector - 8 Position	
3	4460465	8	Socket, Female	
4	4460852	1	Connector, Buss Bar - 8 Position	
5	4460891	7	Connector - 2 Position	
5	4460465	14	Socket, Female	
6	4460892	1	Terminal, Buss Bar - 6 Position	
7	4460894	1	Connector - 6 Position	
7	4460465	6	Socket, Female	
8	4460934	1	Connector - 12 Position	
8	4460465	12	Socket, Female	
9	4460935	1	Connector - 12 Position	
9	4460465	5	Socket, Female	
9	4460466	7	Plug	
20	0840055	3	Boot	
21	4360548	4	Switch, Limit	
22	4460968	4	Connector, Strain Relief	

SECTION 8 - ELECTRICAL

FIGURE 8-31. PLATFORM MODULE TO CONSOLE BOX HARNESS



ART_4922692

SECTION 8 - ELECTRICAL

FIGURE 8-31. PLATFORM MODULE TO CONSOLE BOX HARNESS

ITEM	PART NUMBER	QTY	DESCRIPTION	REV
	4922692	Ref	PLATFORM MODULE TO CONSOLE BOX HARNESS	E
1	4460481	1	Connector - 23 Position	
1	4460464	21	Pin, Male	
2	4460836	1	Connector - 12 Position	
2	4460465	10	Socket, Female	
3	4460935	1	Connector - 12 position	
3	4460465	11	Socket, Female	
7	4460468	1	Cap, Dust	
8	4460473	1	Clamp Assembly	
9	4460466	5	Seal	
10	0840055	2	Boot	
11	4460121	6	Cap, Wire (Not Shown)	
12	3300048	1	Locknut, Conduit	
13	4460051	1	Connector, Strain Relief	

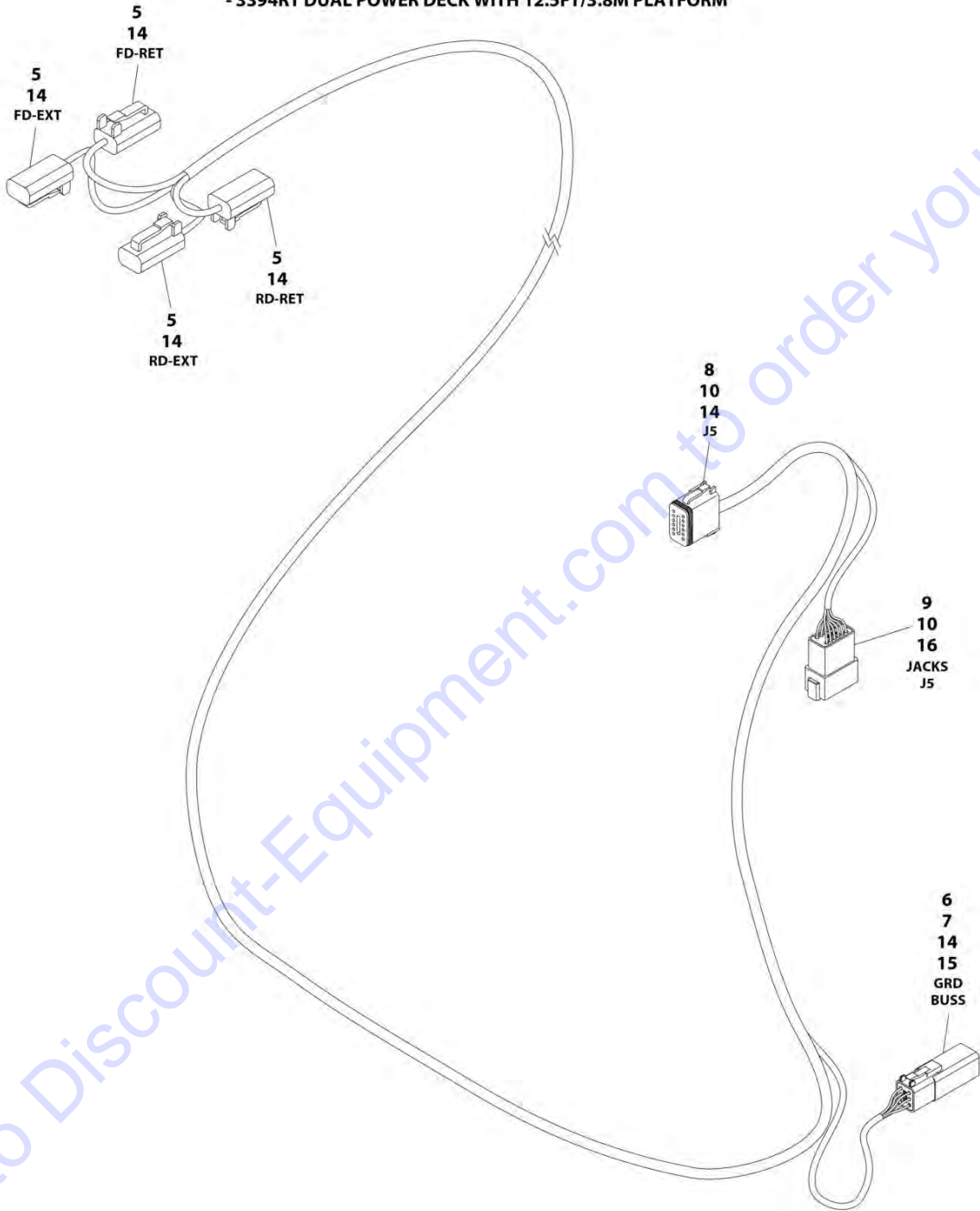
Go to Discount-Equipment.com to order your parts

SECTION 8 - ELECTRICAL

FIGURE 8-32. POWER DECK HARNESS

USAGE CHART:

- 3394RT SINGLE POWER DECK
- 3394RT DUAL POWER DECK WITH 12.5FT/3.8M PLATFORM



ART_1001103490

SECTION 8 - ELECTRICAL

FIGURE 8-32. POWER DECK HARNESS

ITEM	PART NUMBER	QTY	DESCRIPTION	REV
		Ref	USAGE CHART:	
		Ref	- 3394RT Single Power Deck	
		Ref	- 3394RT Dual Power Deck with 12.5ft/3.8m Platform	
	1001103490	Ref	POWER DECK HARNESS	A
5	4460891	4	Plug, Male - 2 Position	
6	4460892	1	Receptacle, Buss Bar - 6 Position	
7	4460894	1	Plug, Male - 6 Position	
8	4460935	1	Plug, Male - 12 Position	
9	4460982	1	Receptacle, Female - 12 Position	
10	0840055	1	Boot	
14	4460465	23	Socket, Female	
15	4460466	10	Plug, Terminal	
16	4460464	5	Pin, Male	

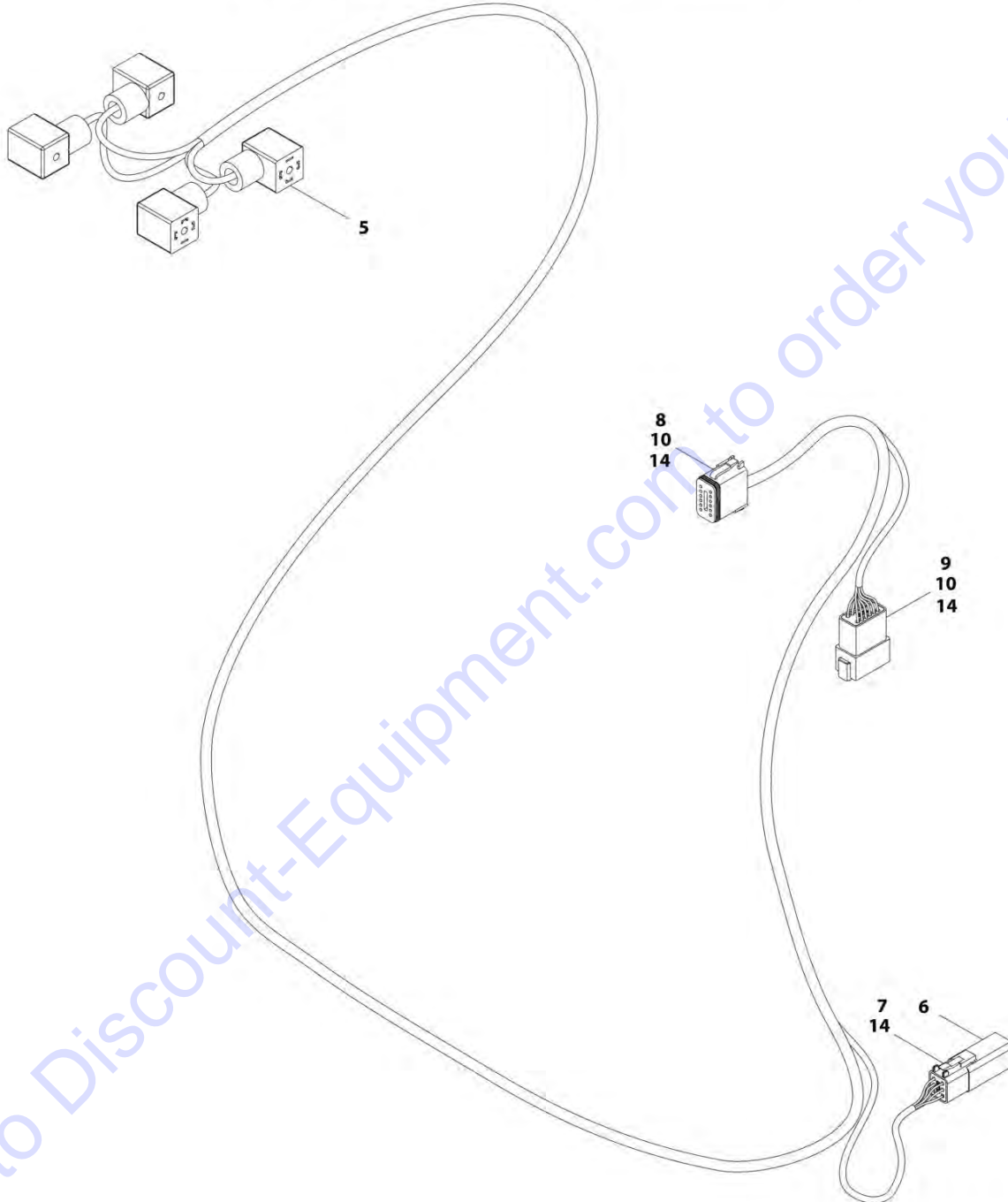
Go to Discount-Equipment.com to order your parts

SECTION 8 - ELECTRICAL

FIGURE 8-33. POWER DECK HARNESS

USAGE CHART:

- 3394RT DUAL POWER DECK WITH 15.8FT/4.8M MEGADECK PLATFORM
(SN 0200239053 THROUGH 0200246956)



ART_4922848

SECTION 8 - ELECTRICAL

FIGURE 8-33. POWER DECK HARNESS

ITEM	PART NUMBER	QTY	DESCRIPTION	REV
		Ref	USAGE CHART:	
		Ref	- 3394RT Dual Power Deck with 15.8ft/4.8m Megadeck Platform (SN 0200239053 through 0200246956)	
	4922848	Ref	POWER DECK HARNESS	B
5	4460499	4	DIN Connector with Diode	
6	4460892	1	Connector, Buss Bar - 6 Position	
7	4460894	1	Connector - 6 Position	
8	4460935	1	Connector - 12 Position	
9	4460982	1	Connector - 12 Position	
10	0840055	2	Boot, Terminal	
13	4240032	AR	Tie-Strap (Not Shown)	
14	4460465	20	Socket, Female	
15	4460466	10	Plug, Sealing (Not Shown)	

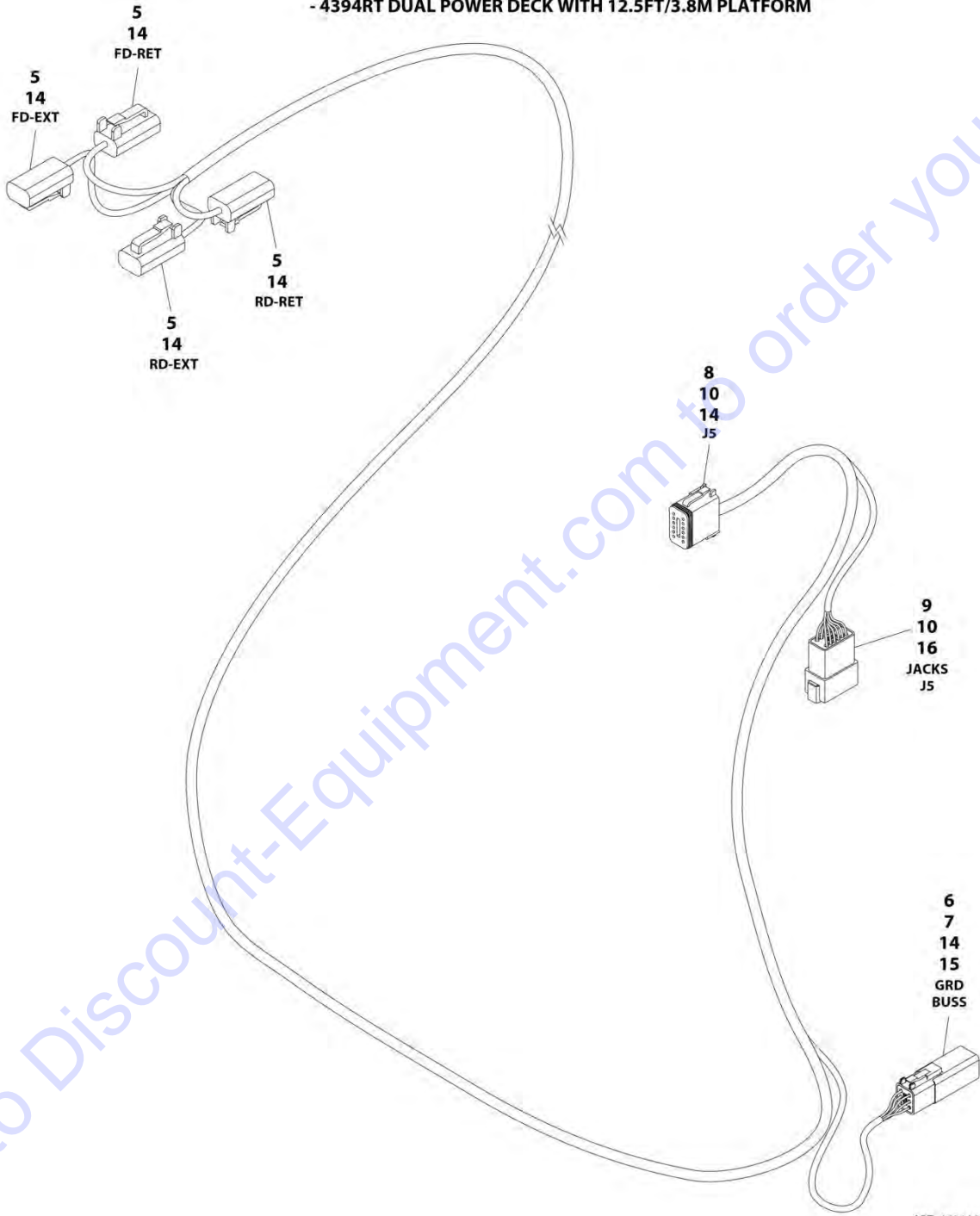
Go to Discount-Equipment.com to order your parts

SECTION 8 - ELECTRICAL

FIGURE 8-34. POWER DECK HARNESS

USAGE CHART:

- 3394RT DUAL POWER DECK WITH 15.8FT/4.8M MEGADECK PLATFORM (SN 0200246957 TO PRESENT)
- 4394RT SINGLE POWER DECK
- 4394RT DUAL POWER DECK WITH 12.5FT/3.8M PLATFORM



ART_1001103570

SECTION 8 - ELECTRICAL

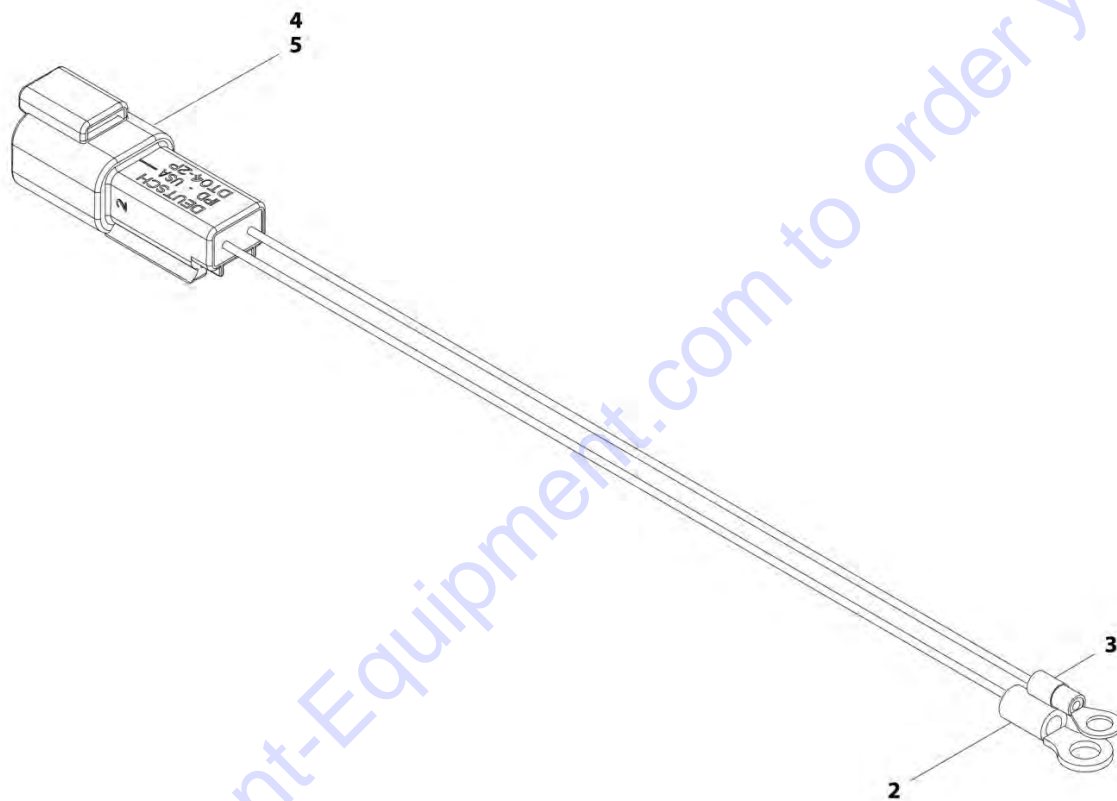
FIGURE 8-34. POWER DECK HARNESS

ITEM	PART NUMBER	QTY	DESCRIPTION	REV
		Ref	USAGE CHART:	
		Ref	- 3394RT Dual Power Deck with 15.8ft/4.8m Megadeck Platform (SN 0200246957 to Present)	
		Ref	- 4394RT Single Power Deck	
		Ref	- 4394RT Dual Power Deck with 12.5ft/3.8m Platform	
	1001103570	Ref	POWER DECK HARNESS	A
5	4460891	4	Plug, Male - 2 Position	
6	4460892	1	Receptacle, Buss Bar - 6 Position	
7	4460894	1	Plug, Male - 6 Position	
8	4460935	1	Plug, Male - 12 Position	
9	4460982	1	Receptacle, Female - 12 Position	
10	0840055	1	Boot	
14	4460465	23	Socket, Female	
15	4460466	10	Plug, Terminal	
16	4460464	5	Pin, Male	

Go to Discount-Equipment.com to order your parts

SECTION 8 - ELECTRICAL

FIGURE 8-35. POWER DECK AUXILIARY POWER HARNESS



ART_4922859

SECTION 8 - ELECTRICAL

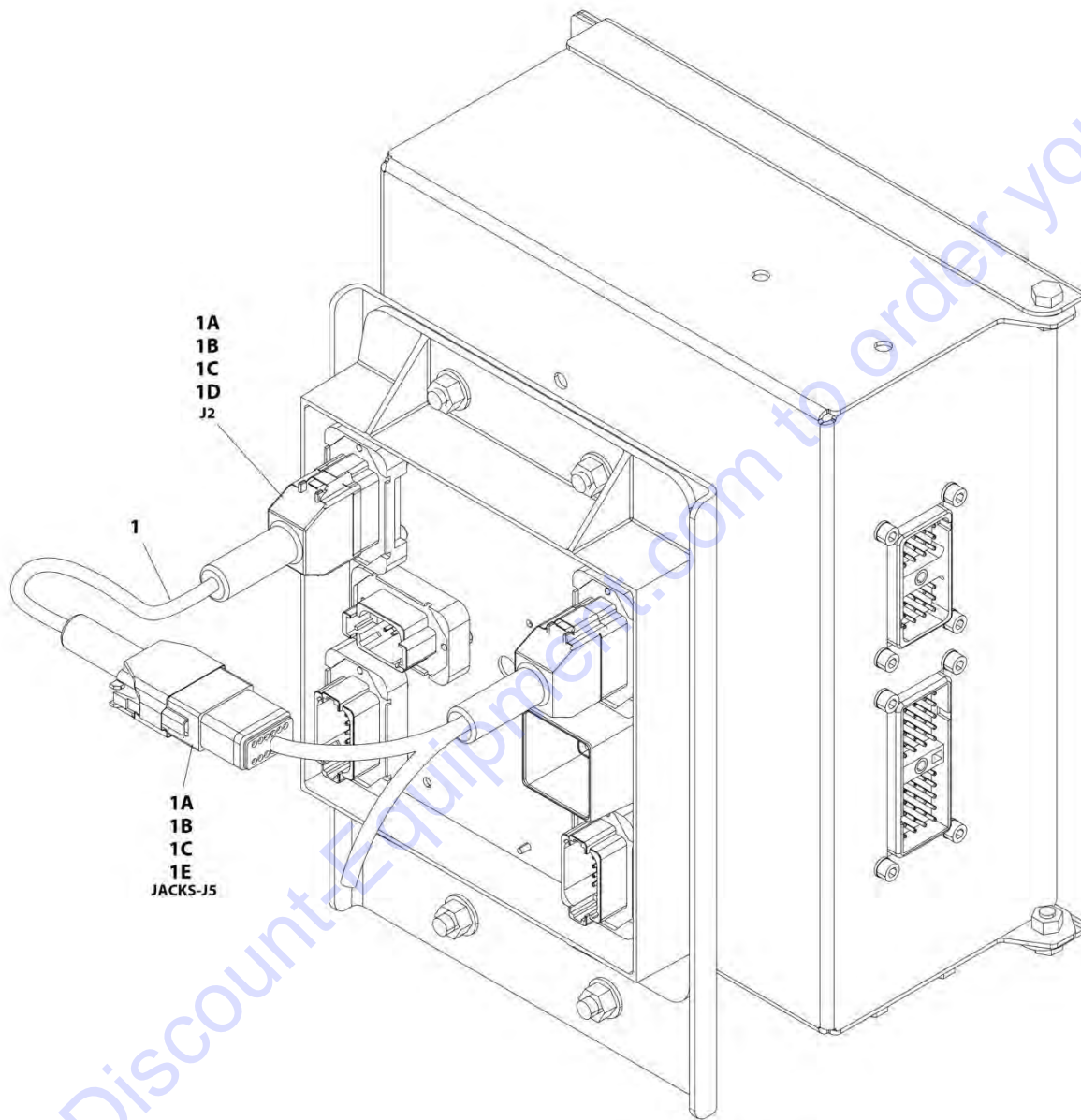
FIGURE 8-35. POWER DECK AUXILIARY POWER HARNESS

ITEM	PART NUMBER	QTY	DESCRIPTION	REV
	4922859	Ref	POWER DECK AUXILIARY POWER HARNESS	A
2	4460043	1	Terminal, Ring	
3	4460313	1	Terminal, Ring	
4	4460464	2	Pin, Male	
5	4460897	1	Connector - 2 Position	

Go to Discount-Equipment.com to order your parts

SECTION 8 - ELECTRICAL

FIGURE 8-36. POWER DECK JUMPER HARNESS INSTALLATION



ACCESSORY POWER MODULE

ART_0275320

SECTION 8 - ELECTRICAL

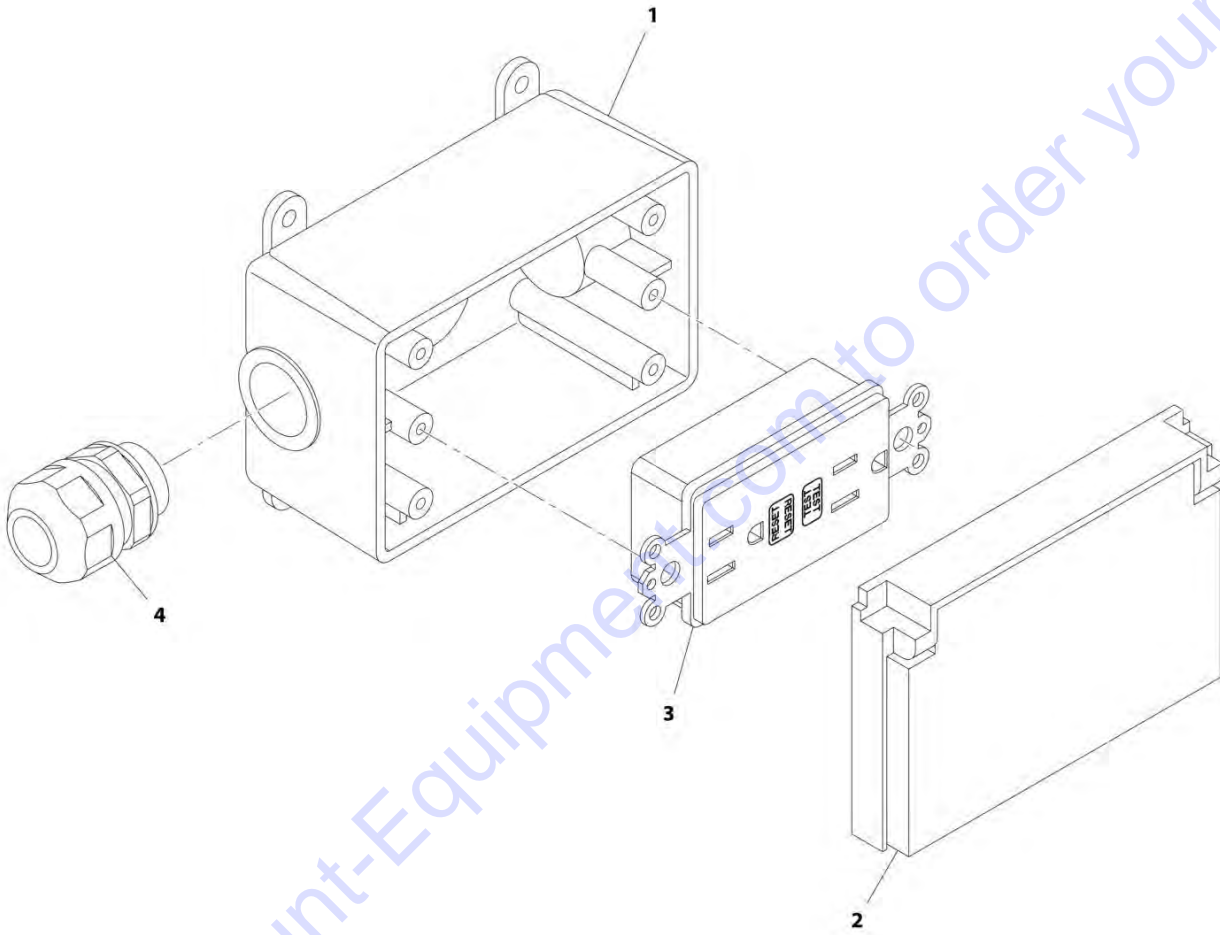
FIGURE 8-36. POWER DECK JUMPER HARNESS INSTALLATION

ITEM	PART NUMBER	QTY	DESCRIPTION	REV
	0275320	Ref	POWER DECK JUMPER HARNESS INSTALLATION	A
		Ref	Note: Used with p/n 1001105906, 1001105907, 1001105908, 1001168946, 1001168947 Ground Control Box Installations Only.	
1	4923507	1	Power Deck Jumper Harness	A
1A	0840055	2	Boot	
1B	4460465	2	Socket, Female	
1C	4460466	22	Plug, Terminal	
1D	4460836	1	Connector - 12 Position	
1E	4460935	1	Connector - 12 Position	

Go to Discount-Equipment.com to order your parts

SECTION 8 - ELECTRICAL

FIGURE 8-37. RECEPTACLE BOX KIT - 110V GFI



ART_2902431

SECTION 8 - ELECTRICAL

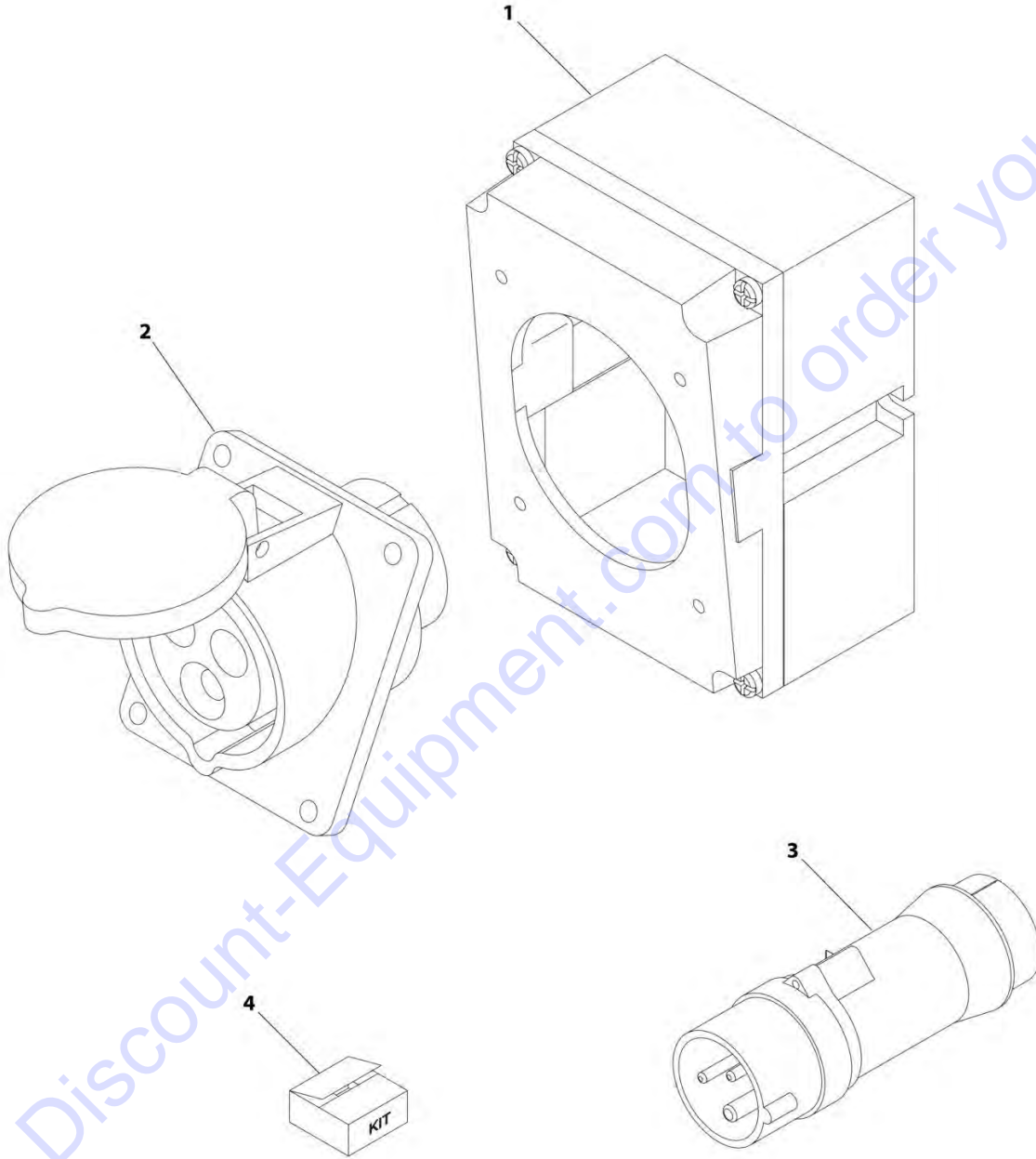
FIGURE 8-37. RECEPTACLE BOX KIT - 110V GFI

ITEM	PART NUMBER	QTY	DESCRIPTION	REV
	2902431	Ref	RECEPTACLE BOX KIT - 110V GFI	C
1	0861731	1	Box, Receptacle	
2	1671207	1	Cover, Receptacle	
3	4460346	1	Receptacle	
4	4460662	1	Connector, Strain Relief	

Go to Discount-Equipment.com to order your parts

SECTION 8 - ELECTRICAL

FIGURE 8-38. RECEPTACLE BOX KIT - 110V IEC YELLOW (CE SPEC)



ART_0275216

SECTION 8 - ELECTRICAL

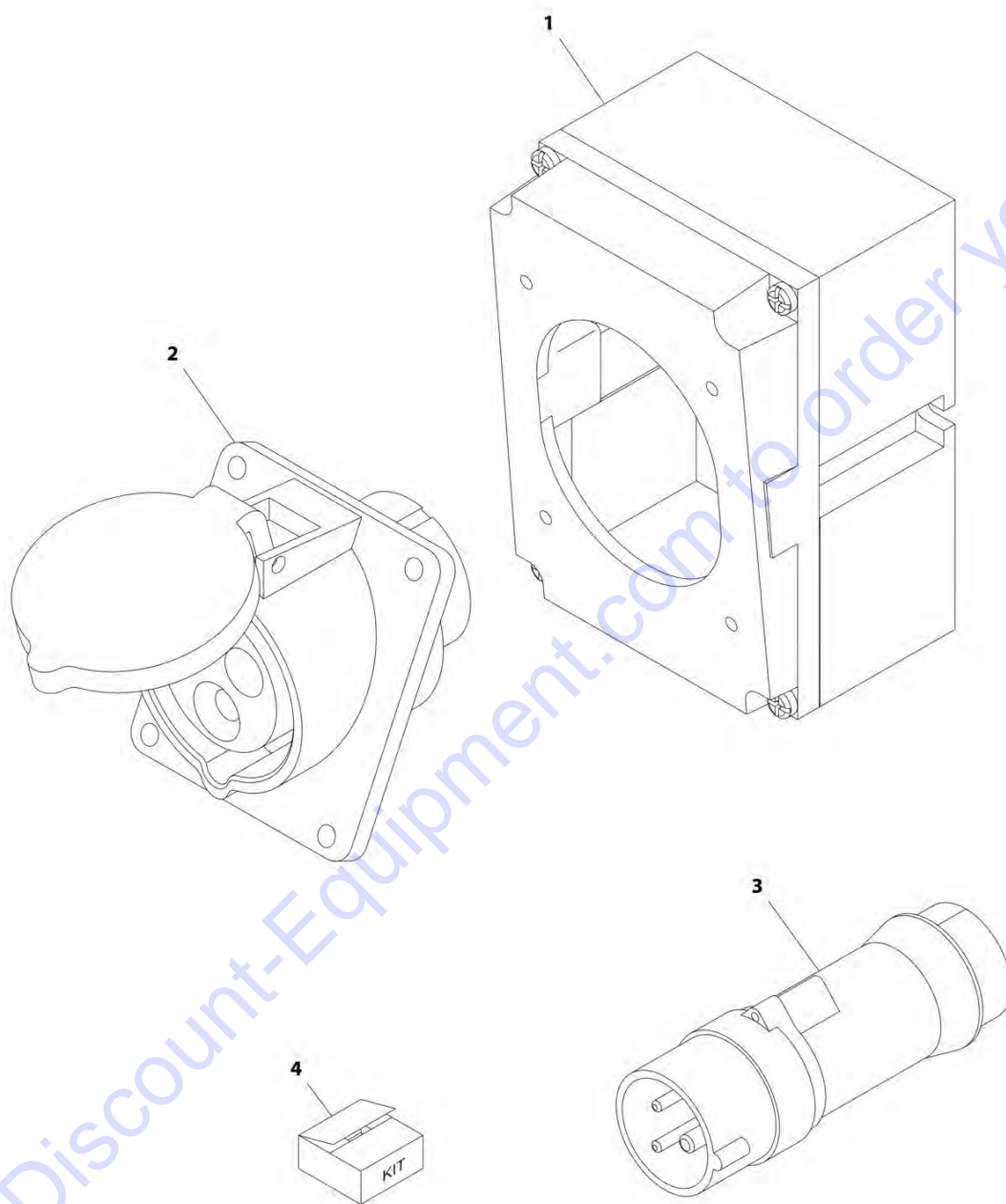
FIGURE 8-38. RECEPTACLE BOX KIT - 110V IEC YELLOW (CE SPEC)

ITEM	PART NUMBER	QTY	DESCRIPTION	REV
	0275216	Ref	RECEPTACLE BOX KIT - 110V IEC YELLOW (CE SPEC)	2
1	0861781	1	Box, Switch	
2	4461198	1	Receptacle	
3	4461196	1	Plug, Male	
4	1001100341	1	Plug and Socket Kit (Includes Items 1-3 and Female Plug p/n 4461197)	

Go to Discount-Equipment.com to order your parts

SECTION 8 - ELECTRICAL

FIGURE 8-39. RECEPTACLE BOX KIT - 220V IEC BLUE (CE SPEC)



ART_0275217

SECTION 8 - ELECTRICAL

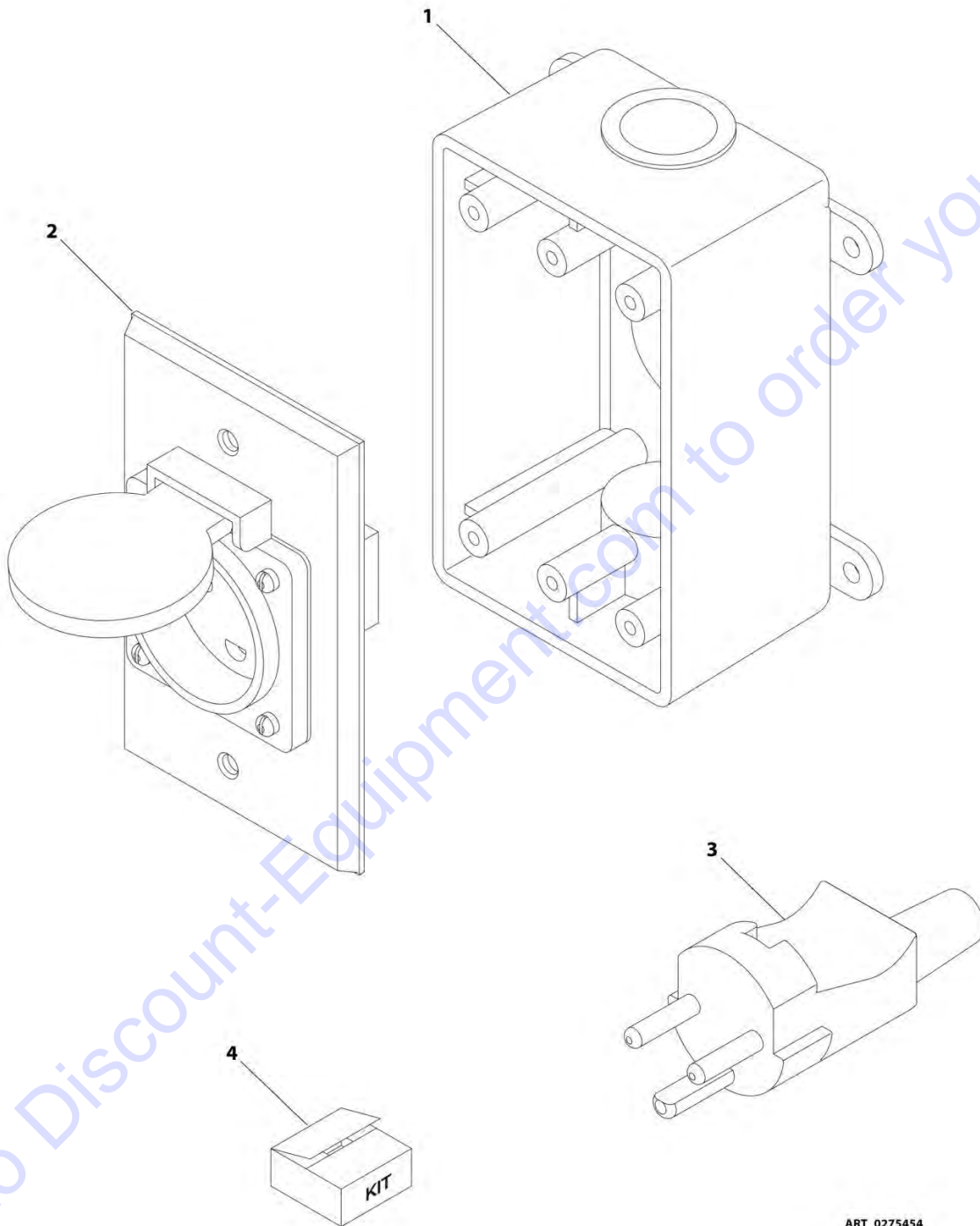
FIGURE 8-39. RECEPTACLE BOX KIT - 220V IEC BLUE (CE SPEC)

ITEM	PART NUMBER	QTY	DESCRIPTION	REV
	0275217	Ref	RECEPTACLE BOX KIT - 220V IEC BLUE (CE SPEC)	2
1	0861781	1	Box, Switch	
2	4461201	1	Receptacle	
3	4461199	1	Plug, Male	
4	1001100342	1	Plug and Socket Kit (Includes Items 1-3 and Female Plug p/n 4461200)	

Go to Discount-Equipment.com to order your parts

SECTION 8 - ELECTRICAL

FIGURE 8-40. RECEPTACLE BOX KIT - 220V AFSINT 107 (CE SPEC)



ART_0275454

SECTION 8 - ELECTRICAL

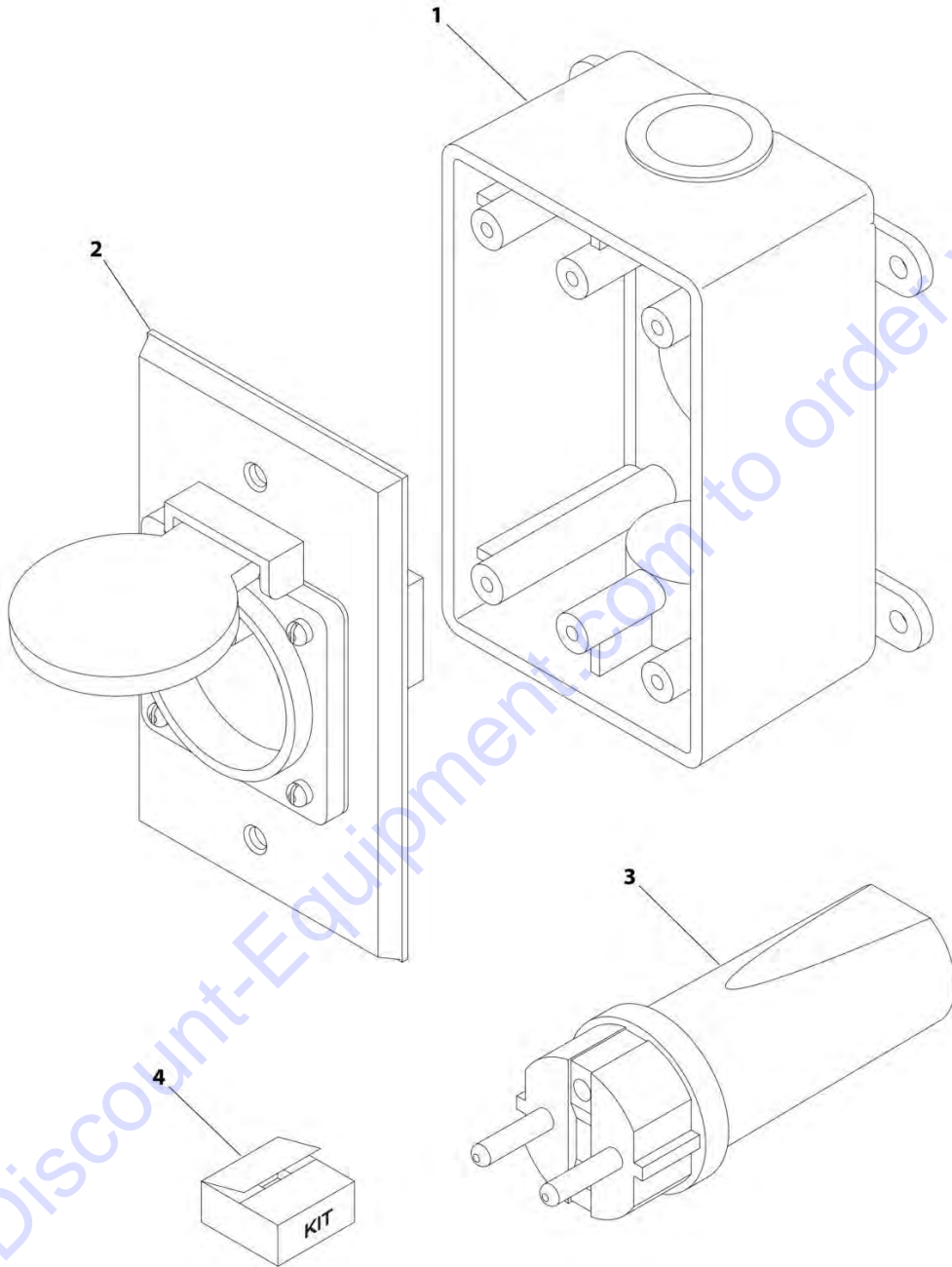
FIGURE 8-40. RECEPTACLE BOX KIT - 220V AFSINT 107 (CE SPEC)

ITEM	PART NUMBER	QTY	DESCRIPTION	REV
	0275454	Ref	RECEPTACLE BOX KIT - 220V AFSINT 107 (CE SPEC)	2
1	0861731	1	Box, Switch	
2	4461246	1	Receptacle	
3	4461249	1	Plug, Male	
4	1001100346	1	Plug and Socket Kit (Includes Items 1-3 and Female Plug p/n 4461250)	

Go to Discount-Equipment.com to order your parts

SECTION 8 - ELECTRICAL

FIGURE 8-41. RECEPTACLE BOX KIT - 220V CEE7 POST GROUND 2X4 BOX (CE SPEC)



ART_0275452

SECTION 8 - ELECTRICAL

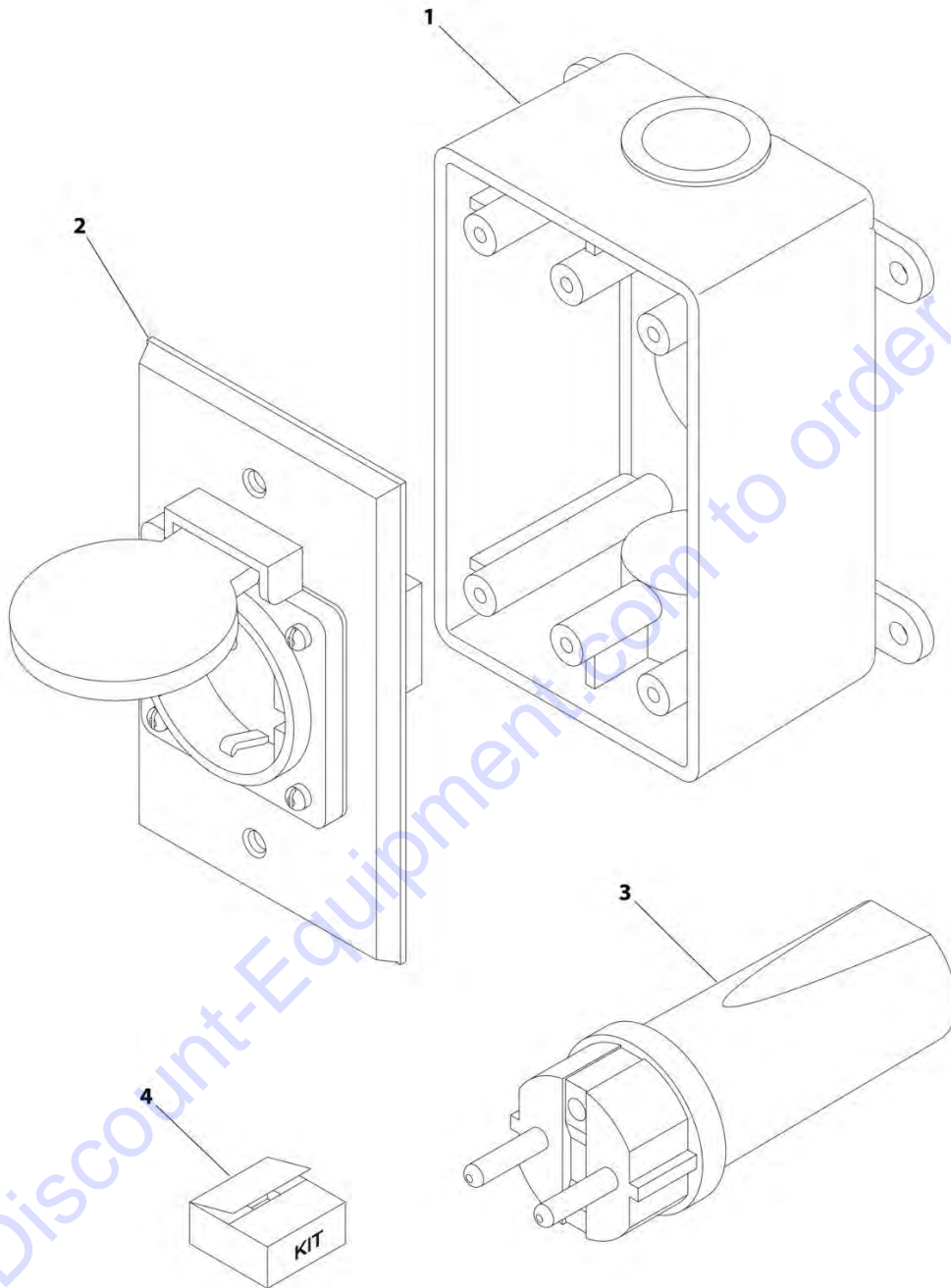
FIGURE 8-41. RECEPTACLE BOX KIT - 220V CEE7 POST GROUND 2X4 BOX (CE SPEC)

ITEM	PART NUMBER	QTY	DESCRIPTION	REV
	0275452	Ref	RECEPTACLE BOX KIT - 220V CEE7 POST GROUND 2X4 BOX (CE SPEC)	2
1	0861731	1	Box, Switch	
2	4461244	1	Receptacle	
3	4461202	1	Plug, Male	
4	1001100345	1	Plug and Socket Kit (Includes Items 1-3 and Female Plug p/n 4461206)	

Go to Discount-Equipment.com to order your parts

SECTION 8 - ELECTRICAL

FIGURE 8-42. RECEPTACLE BOX KIT - 220V CEE7 SIDE GROUND 2X4 BOX (CE SPEC)



ART_0275453

SECTION 8 - ELECTRICAL

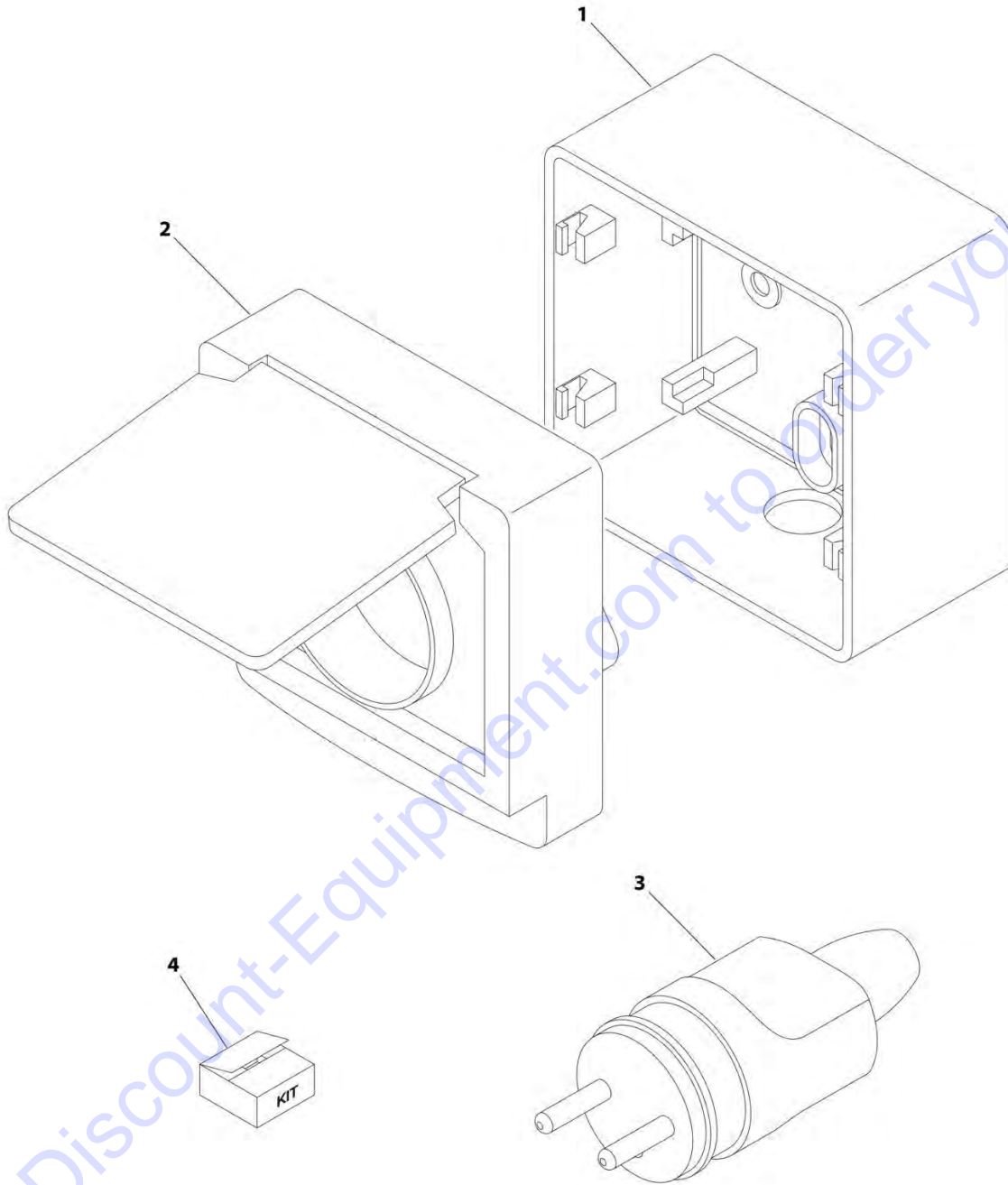
FIGURE 8-42. RECEPTACLE BOX KIT - 220V CEE7 SIDE GROUND 2X4 BOX (CE SPEC)

ITEM	PART NUMBER	QTY	DESCRIPTION	REV
	0275453	Ref	RECEPTACLE BOX KIT - 220V CEE7 SIDE GROUND 2X4 BOX (CE SPEC)	1
1	0861731	1	Box, Switch	
2	4461245	1	Receptacle	
3	4461205	1	Plug, Male	
4	1001100347	1	Plug and Socket Kit (Includes Items 1-3 and Female Plug p/n 4461206)	

Go to Discount-Equipment.com to order your parts

SECTION 8 - ELECTRICAL

FIGURE 8-43. RECEPTACLE BOX KIT - CEE7 POST GROUND 70X70 BOX (CE SPEC)



ART_0275218

SECTION 8 - ELECTRICAL

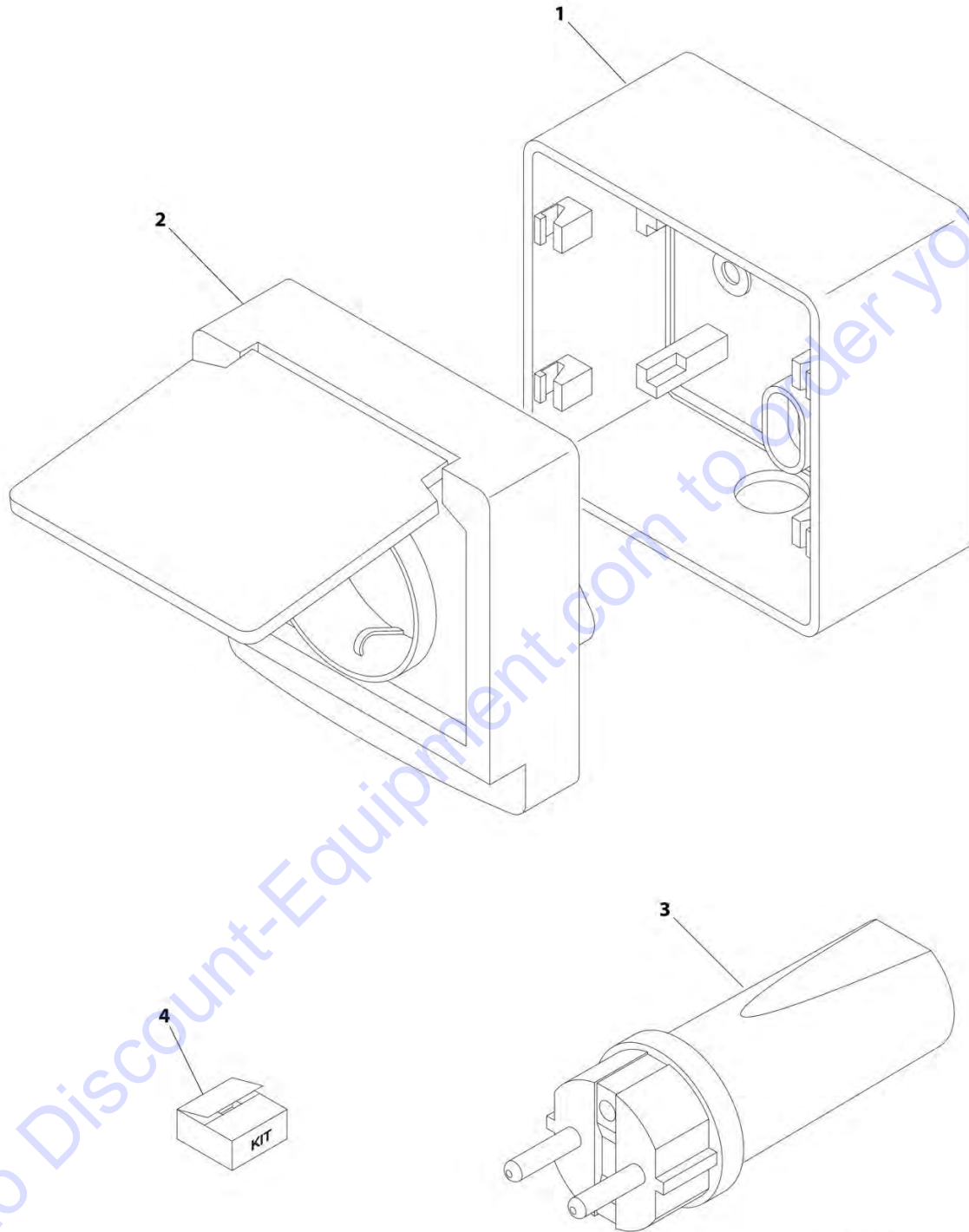
FIGURE 8-43. RECEPTACLE BOX KIT - CEE7 POST GROUND 70X70 BOX (CE SPEC)

ITEM	PART NUMBER	QTY	DESCRIPTION	REV
	0275218	Ref	RECEPTACLE BOX KIT - CEE7 POST GROUND 70X70 BOX (CE SPEC)	B
1	1001141967	1	Box, Switch	
2	1001141968	1	Receptacle	
3	4461202	1	Plug, Male	
4	1001141971	1	Plug and Socket Kit (Includes Items 1-3 and Female Plug p/n 4461206)	

Go to Discount-Equipment.com to order your parts

SECTION 8 - ELECTRICAL

FIGURE 8-44. RECEPTACLE BOX KIT - CEE7 SIDE GROUND 70X70 BOX (CE SPEC)



ART_0275219

SECTION 8 - ELECTRICAL

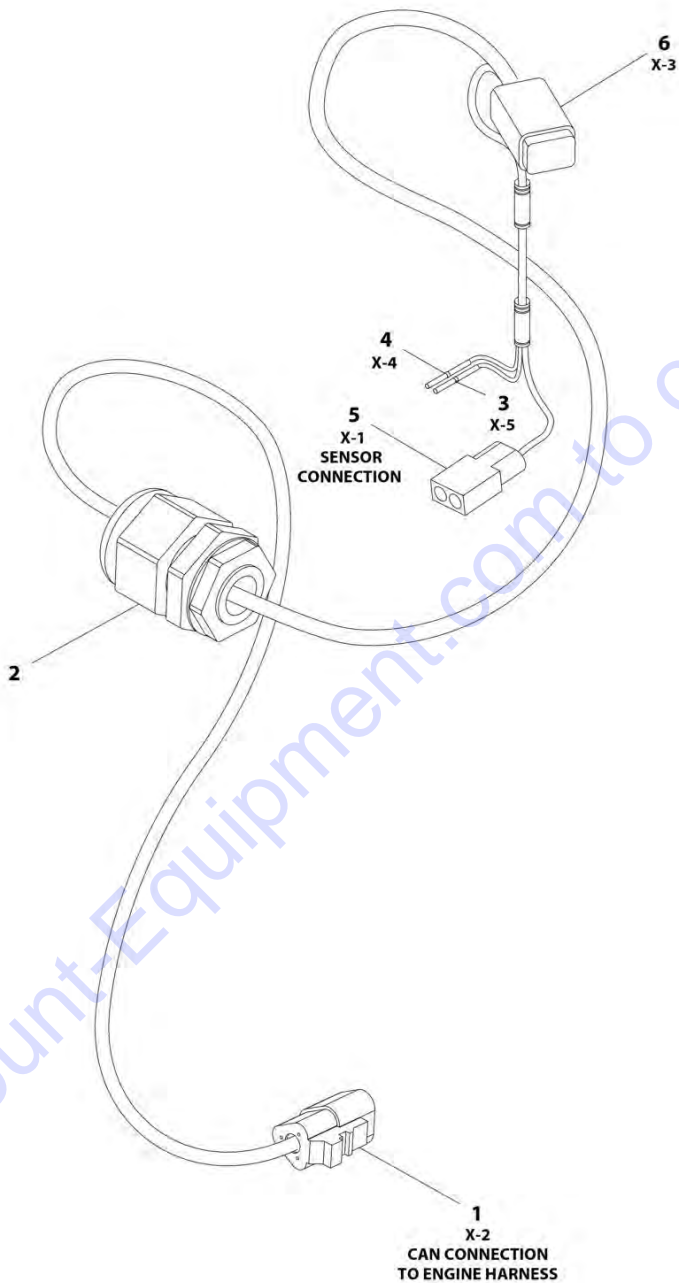
FIGURE 8-44. RECEPTACLE BOX KIT - CEE7 SIDE GROUND 70X70 BOX (CE SPEC)

ITEM	PART NUMBER	QTY	DESCRIPTION	REV
	0275219	Ref	RECEPTACLE BOX KIT - CEE7 SIDE GROUND 70X70 BOX (CE SPEC)	B
1	1001141967	1	Box, Switch	
2	1001141969	1	Receptacle	
3	4461205	1	Plug, Male	
4	1001141970	1	Plug and Socket Kit (Includes Items 1-3 and Female Plug p/n 4461206)	

Go to Discount-Equipment.com to order your parts

SECTION 8 - ELECTRICAL

FIGURE 8-45. TEMPERATURE SENSOR HARNESS



ART_1001164103

SECTION 8 - ELECTRICAL

FIGURE 8-45. TEMPERATURE SENSOR HARNESS

ITEM	PART NUMBER	QTY	DESCRIPTION	REV
	1001164103	Ref	TEMPERATURE SENSOR HARNESS	B
1	4460539	1	Connector - 3 Position	
1	4460944	3	Socket, Female	
2	1001097150	1	Connector, Strain Relief	
3	4460268	1	Socket, Female	
4	4460268	1	Socket, Female	
5	4460424	1	Connector, Female - 2 Position	
5	4460267	2	Pin, Male	
6	4460884	1	Connector - 4 Position	
6	4460465	2	Socket, Female	
6	4460944	2	Socket, Female	

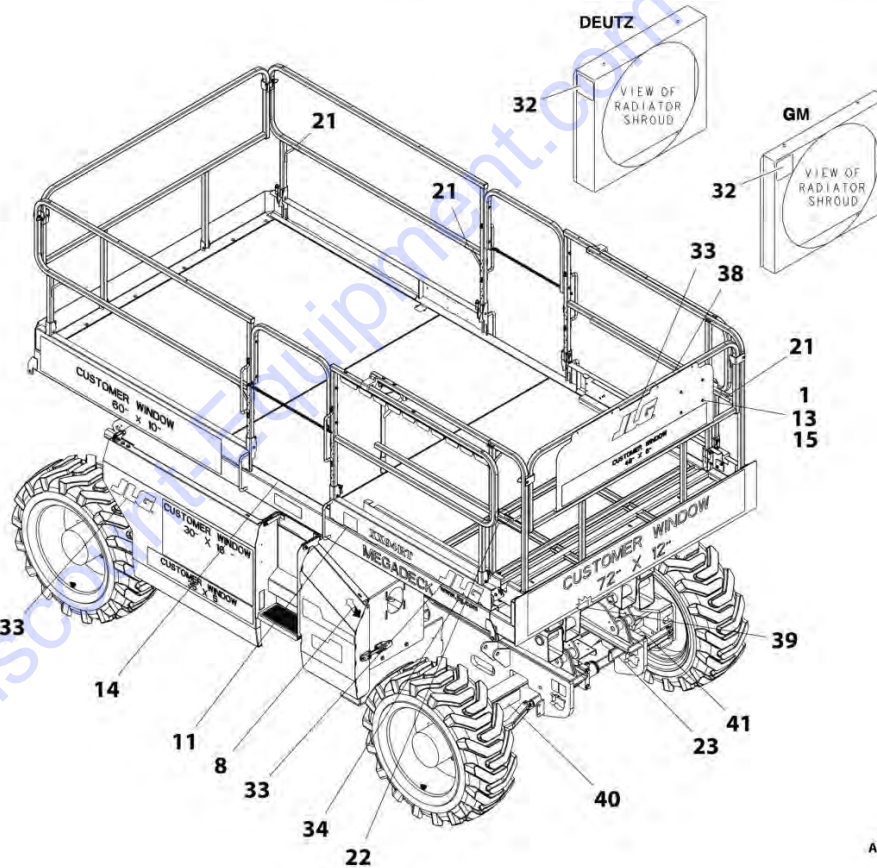
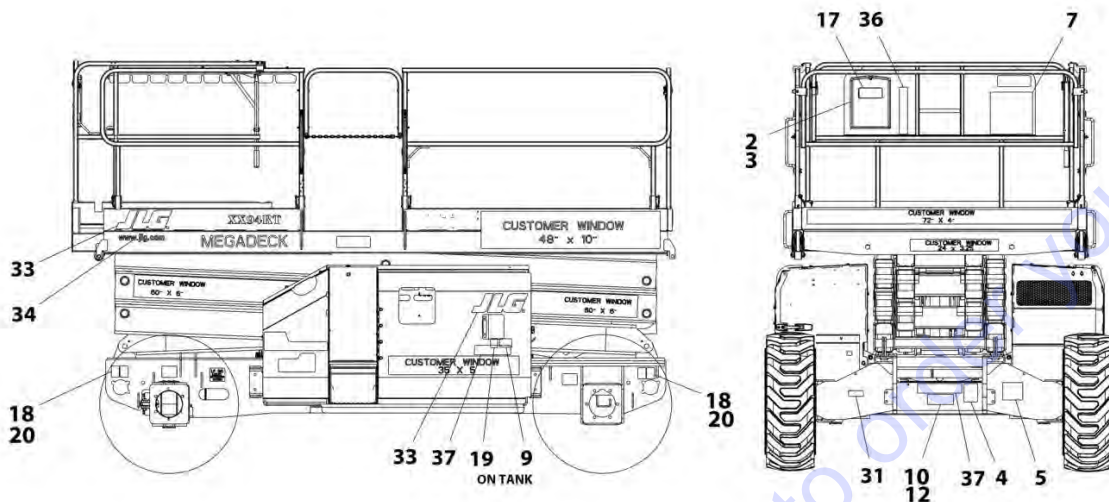
Go to Discount-Equipment.com to order your parts

SECTION 9 - DECALS

Go to Discount-Equipment.com to order your parts

SECTION 9 - DECALS

FIGURE 9-1. DECAL INSTALLATION (ANSI SPEC)



ART_0271752

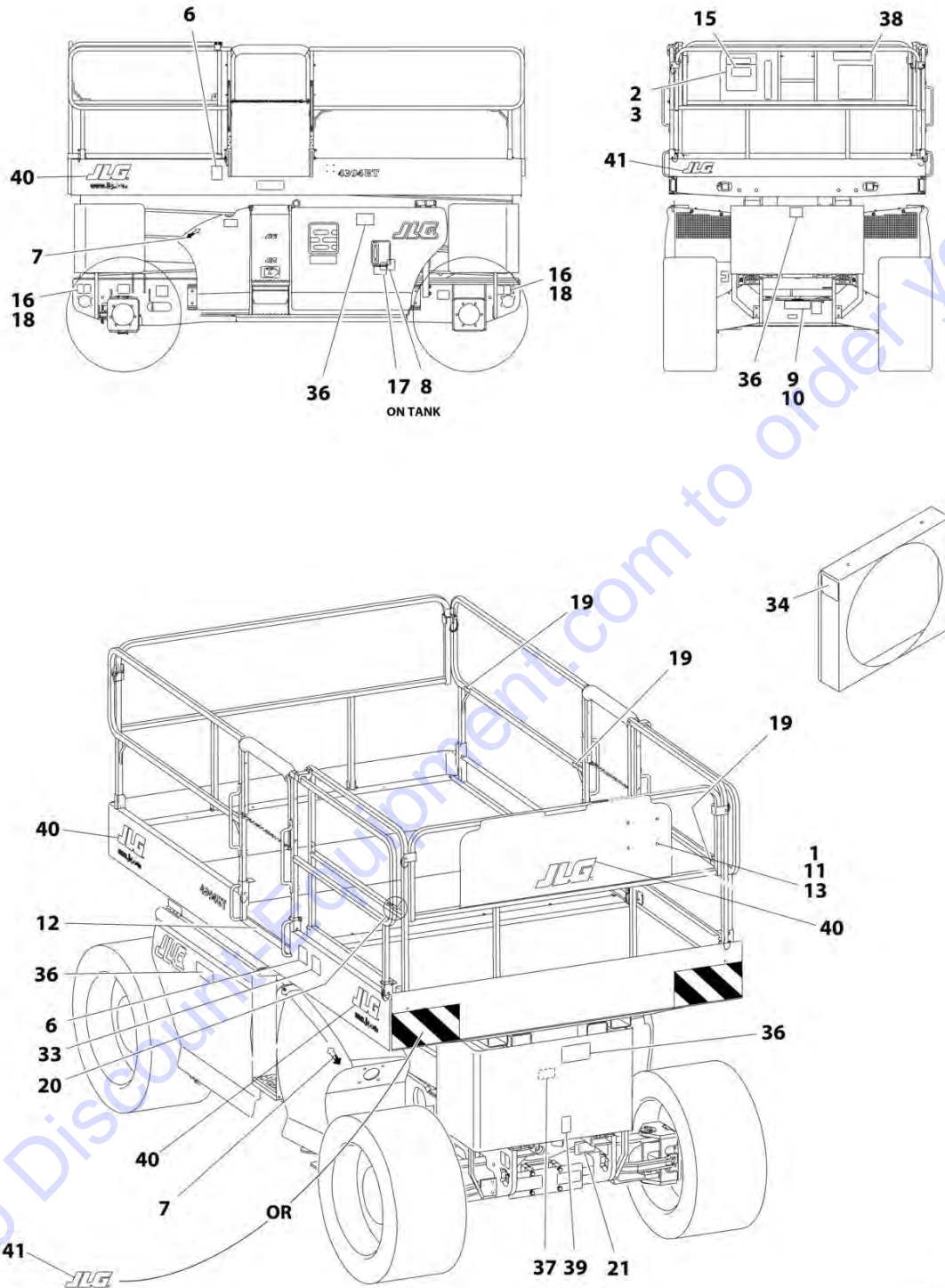
SECTION 9 - DECALS

FIGURE 9-1. DECAL INSTALLATION (ANSI SPEC)

ITEM	PART NUMBER	QTY	DESCRIPTION	REV
	0271752	Ref	DECAL INSTALLATION (ANSI SPEC)	B
		Ref	Note: See DECAL INSTALLATION - OPTIONS for additional decals.	
1	0641405	4	Bolt 1/4 x 5/8	
2	0860520	1	Box, Manual Storage	
3	1060279	1	Cable, Lanyard	
4	1001131270	1	Decal - Patent	
5	1702153	1	Decal - Inspection	
6	See Note	NSS	Decal - Bar Code (Not Shown - Located Near Control Box) (Note: Not Available for Purchase)	
7	1703816	1	Decal - Danger/Warning	
8	1703687	2	Decal - Directional Arrow	
9	1704412	1	Decal - Hydraulic Oil	
10	2080057	4	Fastener	
11	3251813	1	Nameplate - USA	
12	See Note	NSS	Nameplate - Serial Number (Note: Not Available for Purchase)	
13	3311405	4	Nut 1/4	
14	4420067	4 ft/1.2m	Tape, Safety Tread	
15	4711400	8	Washer 1/4	
17	1701509	1	Decal - Manual Reference	
18	1703811	4	Decal - Lifting Lugs	
19	1703812	1	Decal - Oil	
20	1703814	4	Decal - Tie Down	
21	1704277	8	Decal - Attach Lanyard Here	
22	1703819	1	Decal - Directional Arrow	
23	1703822	1	Decal - Manual Descent	
31	1705303	1	Decal - CSA (SN 0200260127 to Present)	
32	1703162	1	Decal - Fan Blade	
33	1702773	5	Decal - JLG	
34	1704885	2	Decal - Website	
36	1705190	1	Decal - Legend	
37	1703818	3	Decal - Crushing Hazard/Danger Electrocutation	
38	1703821	1	Decal - Control Box Location	
39	1705019	1	Decal - Safety Prop	
40	1704432	1	Decal - Warning Crushing	
41	1703823	1	Decal - Danger/Electrical Hazard	

SECTION 9 - DECALS

FIGURE 9-2. DECAL INSTALLATION (AUSTRALIAN AND CE SPECS)



ART_0275086

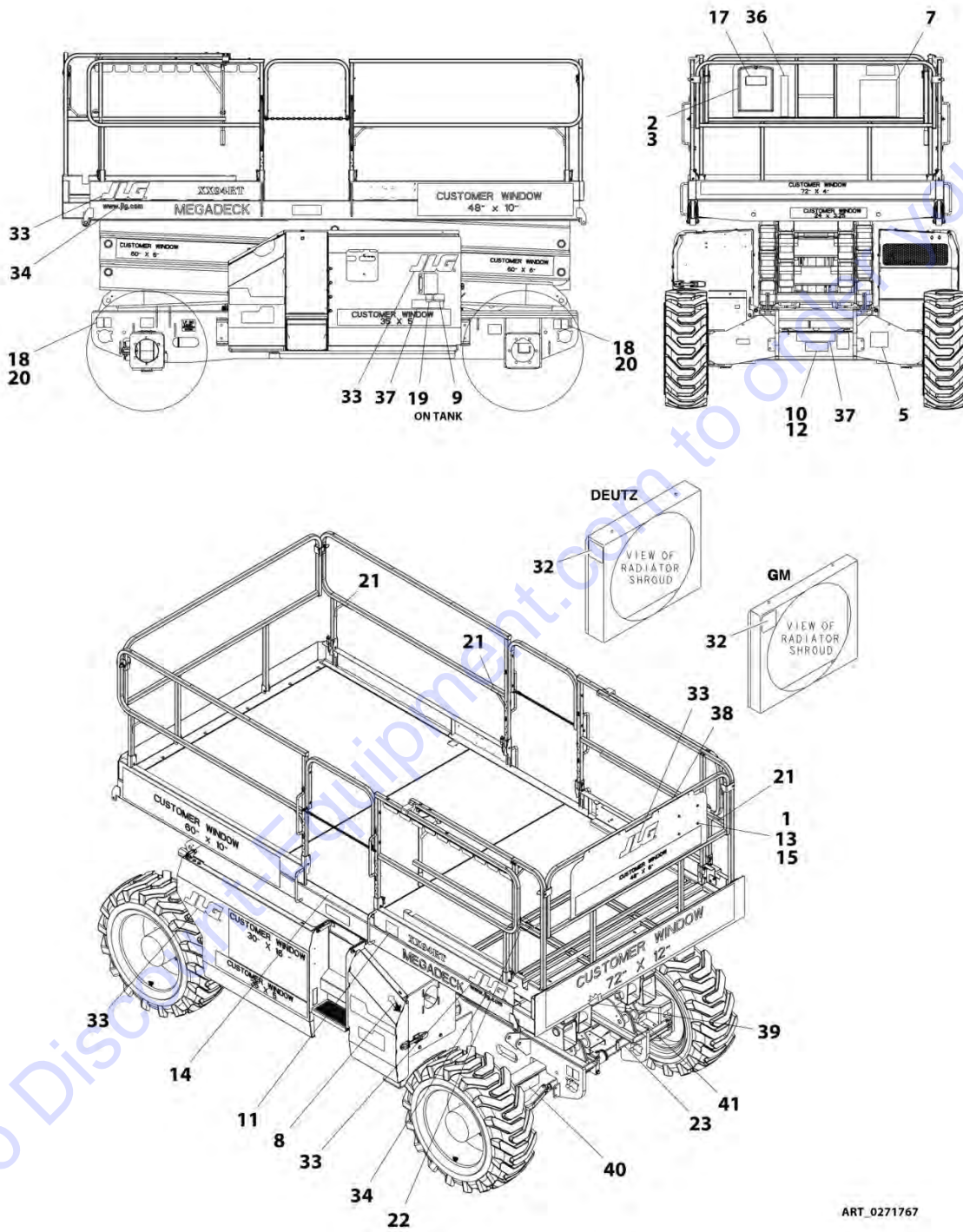
SECTION 9 - DECALS

FIGURE 9-2. DECAL INSTALLATION (AUSTRALIAN AND CE SPECS)

ITEM	PART NUMBER	QTY	DESCRIPTION	REV
	0275086	Ref	DECAL INSTALLATION (AUSTRALIAN AND CE SPECS)	B
		Ref	Note: See DECAL INSTALLATION - OPTIONS for additional decals.	
1	0641405	4	Bolt 1/4 x 5/8	
2	0860520	1	Box, Manual Storage	
3	1060279	1	Cable, Lanyard	
5	See Note	NSS	Decal - Bar Code (Not Shown - Located Near Control Box) (Note: Not Available for Purchase)	
6	1705515	2	Decal - 109db Sound Power Level	
7	1703687	2	Decal - Directional Arrow	
8	1704412	1	Decal - Hydraulic Oil	
9	2080057	2	Fastener	
10	See Note	NSS	Nameplate - Serial Number (Note: Not Available for Purchase)	
11	3311405	4	Nut 1/4	
12	4420067	4 ft/1.2m	Tape, Safety Tread	
13	4711400	8	Washer 1/4	
15	1701509	1	Decal - Manual Reference	
16	1703811	4	Decal - Lifting Lugs	
17	1703812	1	Decal - Oil	
18	1703814	4	Decal - Tie Down	
19	1704277	8	Decal - Attach Lanyard Here	
20	1703819	1	Decal - Directional Arrow	
21	1703822	1	Decal - Manual Descent	
33	3251813	1	Nameplate - USA	
34	1703162	1	Decal - Fan Blade	
36	1706338	4	Decal - Electrocutation/Crushing	
37	1705019	1	Decal - Safety Prop	
38	1705671	1	Decal - Caution	
39	1705372	1	Decal - Heading Crushing	
40	1702773	2	Decal - JLG (5in) (SN 0200259806 to Present)	
41	1701435	2	Decal - JLG (3-1/2in) (SN 0200259806 to Present)	

SECTION 9 - DECALS

FIGURE 9-3. DECAL INSTALLATION - BRAZIL SPEC (SPANISH/PORTUGUESE)



ART_0271767

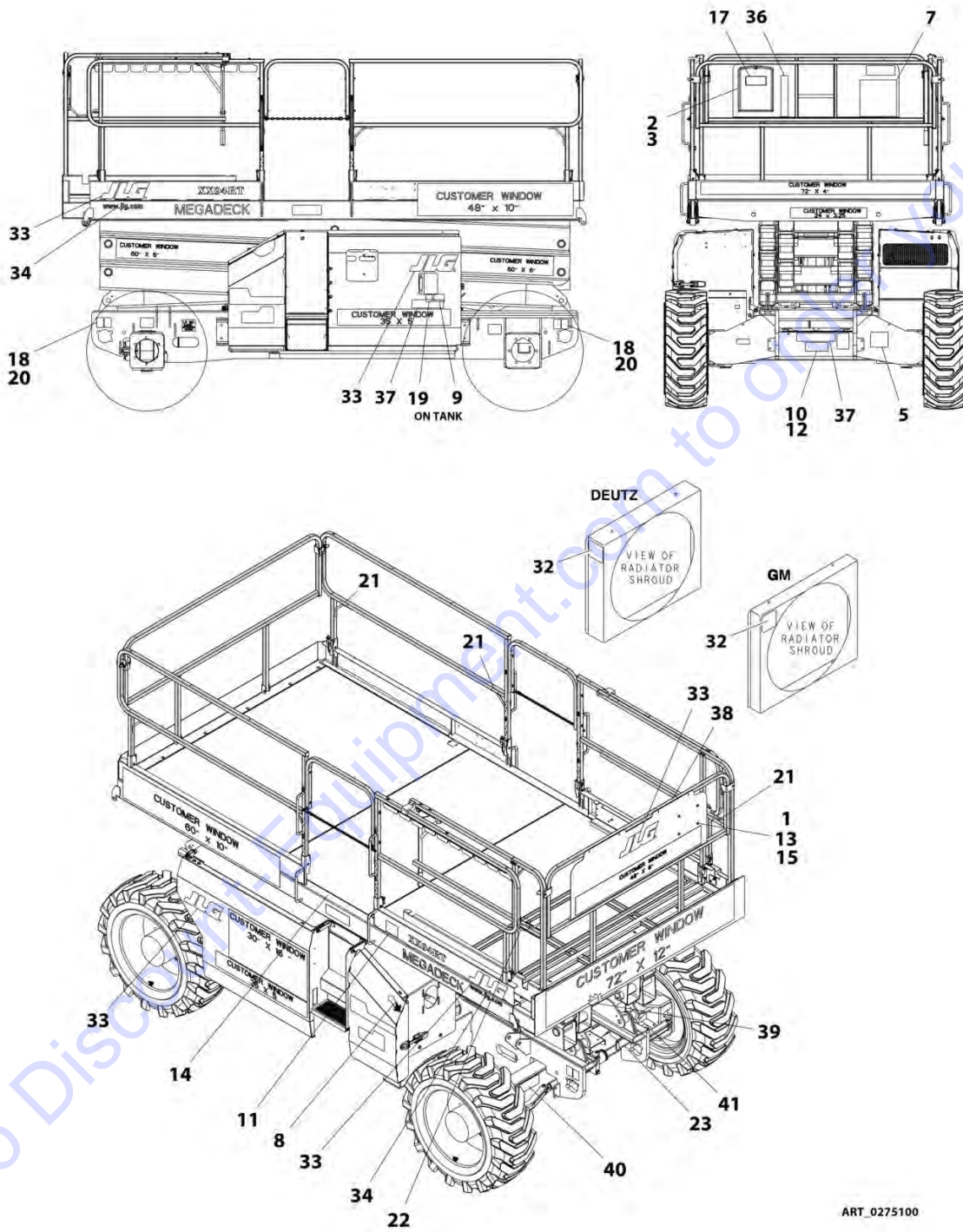
SECTION 9 - DECALS

FIGURE 9-3. DECAL INSTALLATION - BRAZIL SPEC (SPANISH/PORTUGUESE)

ITEM	PART NUMBER	QTY	DESCRIPTION	REV
	0271767	Ref	DECAL INSTALLATION - BRAZIL SPEC (SPANISH/PORTUGUESE)	4
		Ref	Note: See DECAL INSTALLATION - OPTIONS for additional decals.	
1	0641405	4	Bolt 1/4 x 5/8	
2	0860520	1	Box, Manual Storage	
3	1060279	1	Cable, Lanyard	
5	1704008	1	Decal - Inspection	
6	See Note	NSS	Decal - Bar Code (Not Shown - Located Near Control Box) (Note: Not Available for Purchase)	
7	1704699	1	Decal - Danger/Warning	
8	1703687	2	Decal - Directional Arrow	
9	1704412	1	Decal - Hydraulic Oil	
10	2080057	4	Fastener	
11	3251813	1	Nameplate - USA	
12	See Note	NSS	Nameplate - Serial Number (Note: Not Available for Purchase)	
13	3311405	4	Nut 1/4	
14	4420067	4 ft/1.2m	Tape, Safety Tread	
15	4711400	8	Washer 1/4	
17	1701509	1	Decal - Manual Reference	
18	1703811	4	Decal - Lifting Lugs	
19	1703812	1	Decal - Oil	
20	1703814	4	Decal - Tie Down	
21	1704277	8	Decal - Attach Lanyard Here	
22	1703819	1	Decal - Directional Arrow	
23	1703822	1	Decal - Manual Descent	
32	1703162	1	Decal - Fan Blade	
33	1702773	5	Decal - JLG	
34	1704885	2	Decal - Website	
36	1705317	1	Decal - Legend	
37	1704701	4	Decal - Crushing Hazard/Danger Electrocutation	
38	1704702	1	Decal - Control Box Location	
39	1705019	1	Decal - Safety Prop	
40	1705318	1	Decal - Warning Crushing	
41	1705043	1	Decal - Danger/Electrical Hazard	

SECTION 9 - DECALS

FIGURE 9-4. DECAL INSTALLATION - CHINESE SPEC (ENGLISH/CHINESE)



ART_0275100

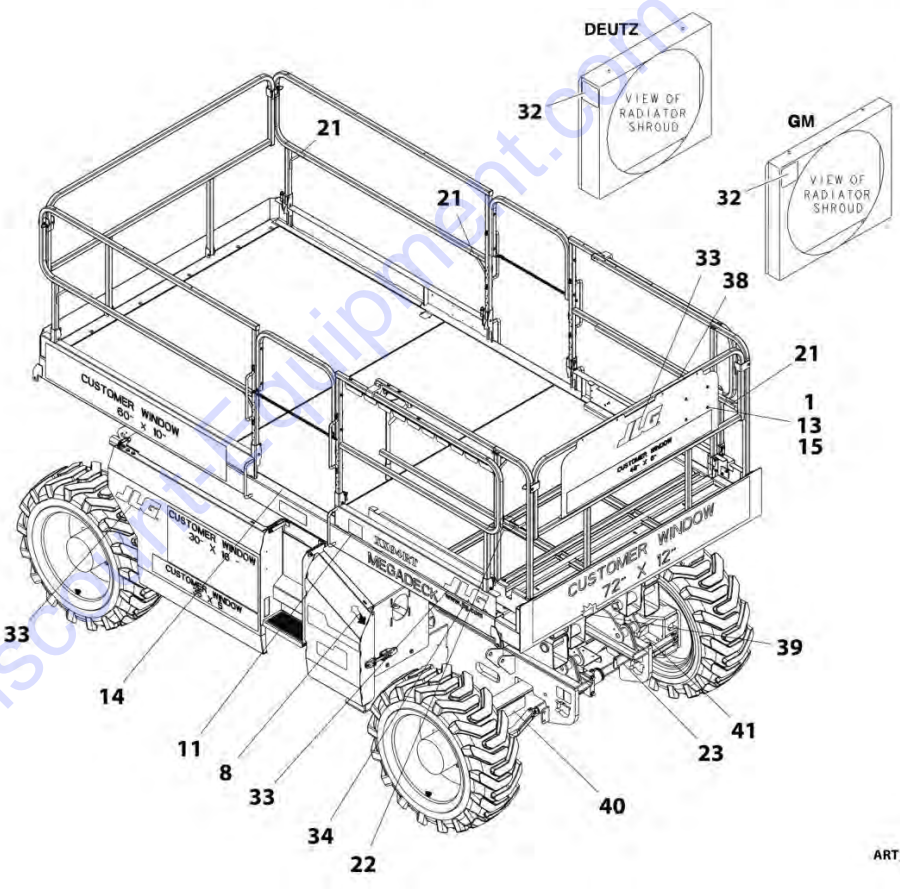
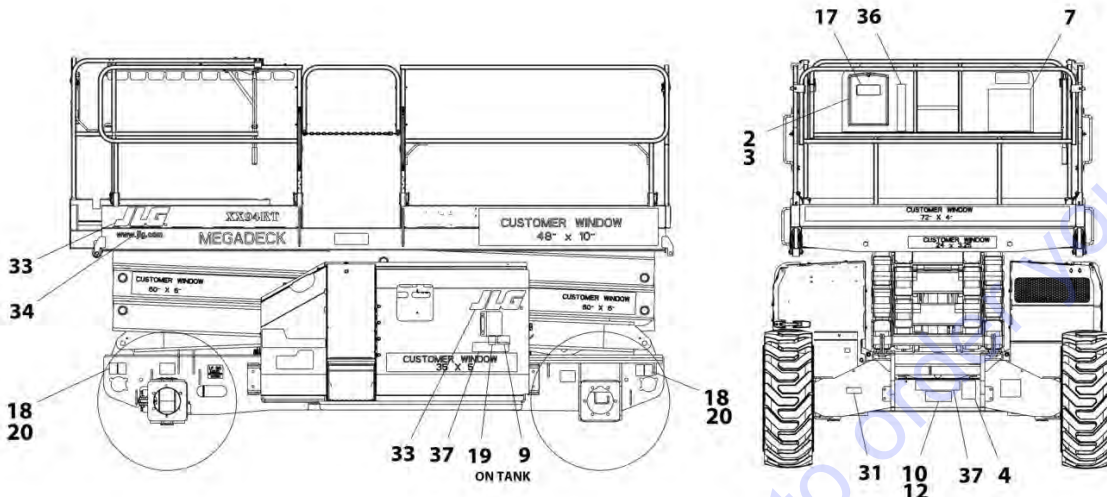
SECTION 9 - DECALS

FIGURE 9-4. DECAL INSTALLATION - CHINESE SPEC (ENGLISH/CHINESE)

ITEM	PART NUMBER	QTY	DESCRIPTION	REV
	0275100	Ref	DECAL INSTALLATION - CHINESE SPEC (ENGLISH/CHINESE)	3
		Ref	Note: See DECAL INSTALLATION - OPTIONS for additional decals.	
1	0641405	4	Bolt 1/4 x 5/8	
2	0860520	1	Box, Manual Storage	
3	1060279	1	Cable, Lanyard	
5	1704607	1	Decal - Inspection	
6	See Note	NSS	Decal - Bar Code (Not Shown - Located Near Control Box) (Note: Not Available for Purchase)	
7	1705195	1	Decal - Danger/Warning	
8	1703687	2	Decal - Directional Arrow	
9	1704412	1	Decal - Hydraulic Oil	
10	2080057	4	Fastener	
11	3251813	1	Nameplate - USA	
12	See Note	NSS	Nameplate - Serial Number (Note: Not Available for Purchase)	
13	3311405	4	Nut 1/4	
14	4420067	4 ft/1.2m	Tape, Safety Tread	
15	4711400	8	Washer 1/4	
17	1701509	1	Decal - Manual Reference	
18	1703811	4	Decal - Lifting Lugs	
19	1703812	1	Decal - Oil	
20	1703814	4	Decal - Tie Down	
21	1704277	8	Decal - Attach Lanyard Here	
22	1703819	1	Decal - Directional Arrow	
23	1703822	1	Decal - Manual Descent	
32	1703162	1	Decal - Fan Blade	
33	1702773	5	Decal - JLG	
34	1704885	2	Decal - Website	
36	1705190	1	Decal - Legend	
37	1705193	3	Decal - Crushing Hazard/Danger Electrocutation	
38	1705194	1	Decal - Control Box Location	
39	1705019	1	Decal - Safety Prop	
40	1705943	1	Decal - Warning Crushing	
41	1705944	1	Decal - Danger/Electrical Hazard	

SECTION 9 - DECALS

FIGURE 9-5. DECAL INSTALLATION - CSA SPEC (ENGLISH/FRENCH)



ART_0271755

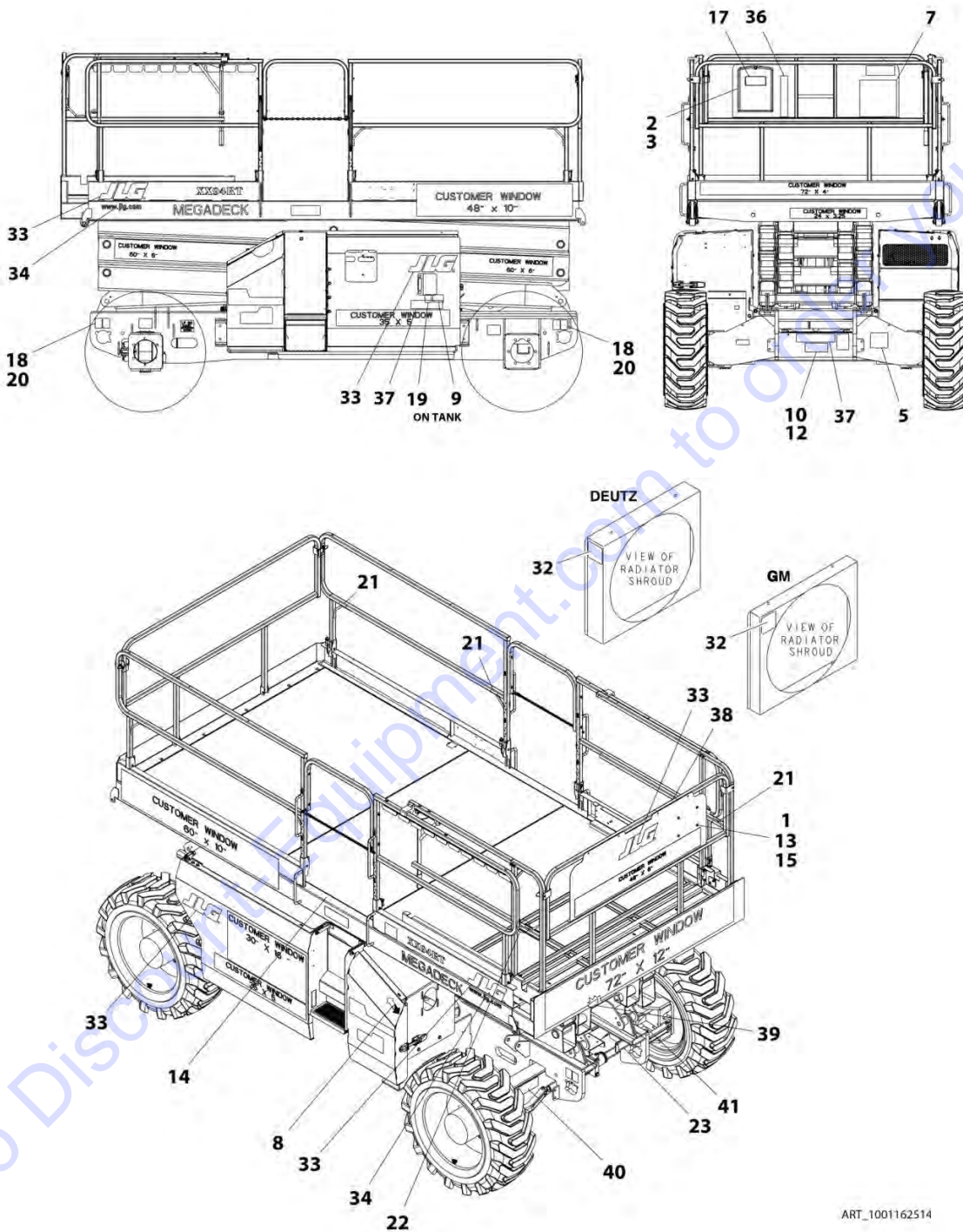
SECTION 9 - DECALS

FIGURE 9-5. DECAL INSTALLATION - CSA SPEC (ENGLISH/FRENCH)

ITEM	PART NUMBER	QTY	DESCRIPTION	REV
	0271755	Ref	DECAL INSTALLATION - CSA SPEC (ENGLISH/FRENCH)	6
		Ref	Note: See DECAL INSTALLATION - OPTIONS for additional decals.	
1	0641405	4	Bolt 1/4 x 5/8	
2	0860520	1	Box, Manual Storage	
3	1060279	1	Cable, Lanyard	
4	1001131270	1	Decal - Patent	
6	See Note	NSS	Decal - Bar Code (Note: Not Available for Purchase)	
7	1704684	1	Decal - Danger/Warning	
8	1703687	2	Decal - Directional Arrow	
9	1704412	1	Decal - Hydraulic Oil	
10	2080057	4	Fastener	
11	3251813	1	Nameplate - USA	
12	See Note	NSS	Nameplate - Serial Number (Note: Not Available for Purchase)	
13	3311405	4	Nut 1/4	
14	4420067	4 ft/1.2m	Tape, Safety Tread	
15	4711400	8	Washer 1/4	
17	1701509	1	Decal - Manual Reference	
18	1703811	4	Decal - Lifting Lugs	
19	1703812	1	Decal - Oil	
20	1703814	4	Decal - Tie Down	
21	1704277	8	Decal - Attach Lanyard Here	
22	1703819	1	Decal - Directional Arrow	
23	1703822	1	Decal - Manual Descent	
31	1705303	1	Decal - CSA	
32	1703162	1	Decal - Fan Blade	
33	1702773	5	Decal - JLG	
34	1704885	2	Decal - Website	
36	1705314	1	Decal - Legend	
37	1704686	3	Decal - Crushing Hazard/Danger Electrocution	
38	1704687	1	Decal - Control Box Location	
39	1705019	1	Decal - Safety Prop	
40	1705311	1	Decal - Warning Crushing	
41	1705040	1	Decal - Danger/Electrical Hazard	

SECTION 9 - DECALS

FIGURE 9-6. DECAL INSTALLATION - KOREAN SPEC (ENGLISH/KOREAN)



ART_1001162514

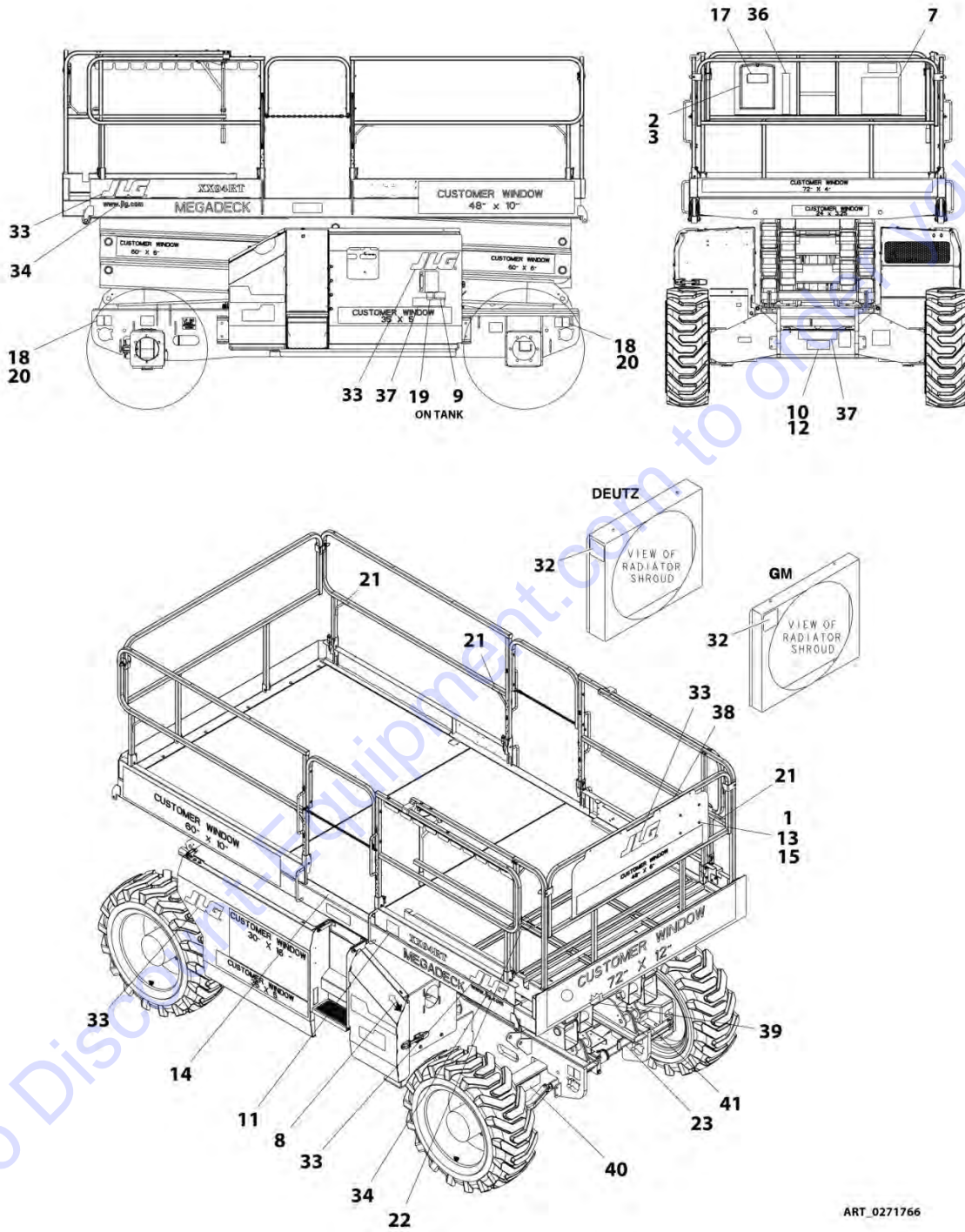
SECTION 9 - DECALS

FIGURE 9-6. DECAL INSTALLATION - KOREAN SPEC (ENGLISH/KOREAN)

ITEM	PART NUMBER	QTY	DESCRIPTION	REV
	1001162514	Ref	DECAL INSTALLATION - KOREAN SPEC (ENGLISH/KOREAN)	A
		Ref	Note: See DECAL INSTALLATION - OPTIONS for additional decals.	
1	0641405	4	Bolt 1/4 x 5/8	
2	0860520	1	Box, Manual Storage	
3	1060279	1	Cable, Lanyard	
5	1704607	1	Decal - Inspection	
6	See Note	NSS	Decal - Bar Code (Not Shown - Located Near Control Box) (Note: Not Available for Purchase)	
7	1001162115	1	Decal - Danger/Warning	
8	1703687	2	Decal - Directional Arrow	
9	1704412	1	Decal - Hydraulic Oil	
10	2080057	4	Fastener	
12	See Note	NSS	Nameplate - Serial Number (Note: Not Available for Purchase)	
13	3311405	4	Nut 1/4	
14	4420067	4 ft/1.2m	Tape, Safety Tread	
15	4711400	8	Washer 1/4	
17	1701509	1	Decal - Manual Reference	
18	1703811	4	Decal - Lifting Lugs	
19	1703812	1	Decal - Oil	
20	1703814	4	Decal - Tie Down	
21	1704277	8	Decal - Attach Lanyard Here	
22	1703819	1	Decal - Directional Arrow	
23	1703822	1	Decal - Manual Descent	
32	1703162	1	Decal - Fan Blade	
33	1702773	4	Decal - JLG	
34	1704885	2	Decal - Website	
36	1001162110	1	Decal - Legend	
37	1001162111	3	Decal - Crushing Hazard/Danger Electrocutation	
38	1001162112	1	Decal - Control Box Location	
39	1705019	1	Decal - Safety Prop	
40	1001162113	1	Decal - Warning Crushing	
41	1001162114	1	Decal - Danger/Electrical Hazard	

SECTION 9 - DECALS

FIGURE 9-7. DECAL INSTALLATION - LATIN AMERICAN SPEC (ENGLISH/SPANISH)



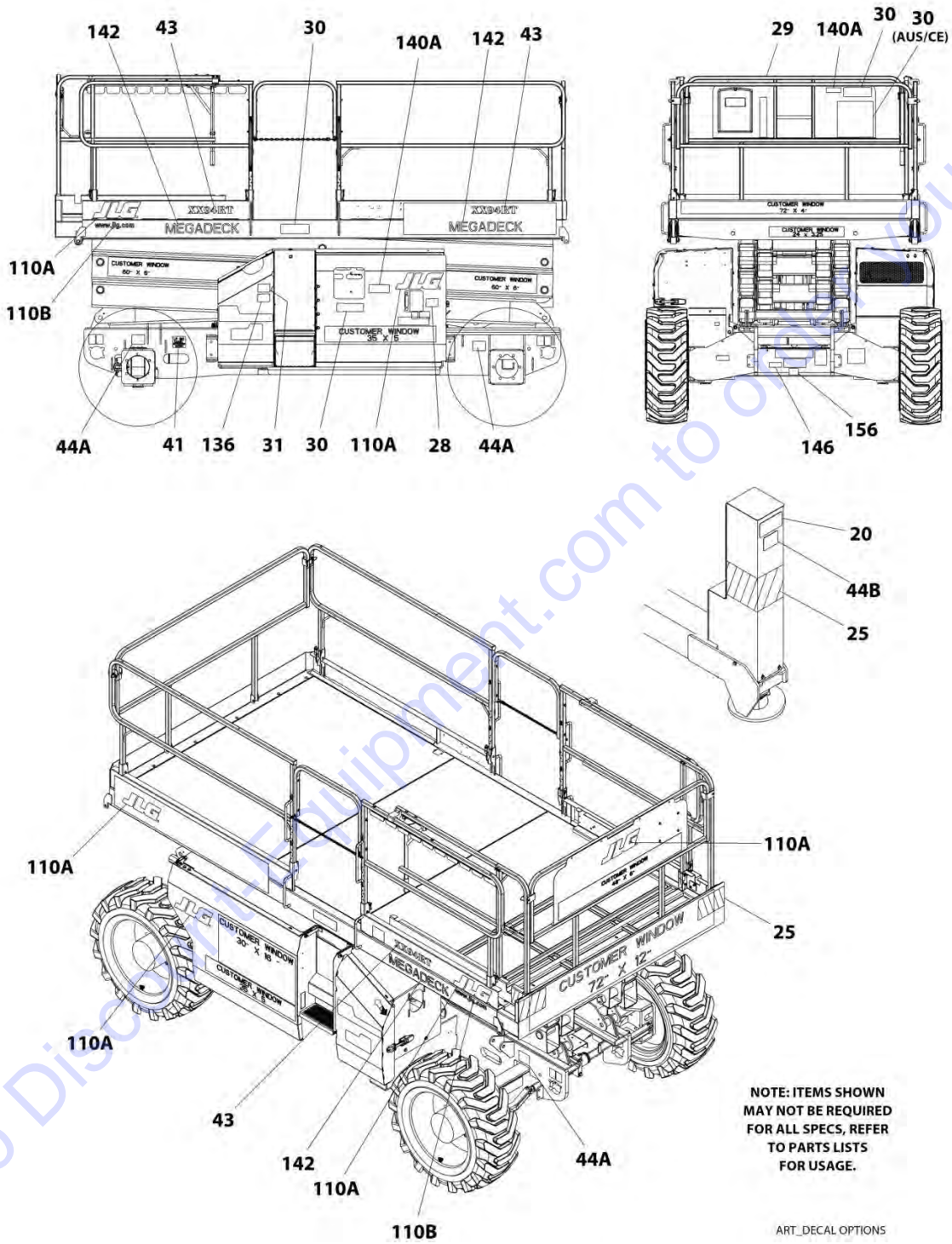
SECTION 9 - DECALS

FIGURE 9-7. DECAL INSTALLATION - LATIN AMERICAN SPEC (ENGLISH/SPANISH)

ITEM	PART NUMBER	QTY	DESCRIPTION	REV
	0271766	Ref	DECAL INSTALLATION - LATIN AMERICAN SPEC (ENGLISH/SPANISH)	5
		Ref	Note: See DECAL INSTALLATION - OPTIONS for additional decals.	
1	0641405	4	Bolt 1/4 x 5/8	
2	0860520	1	Box, Manual Storage	
3	1060279	1	Cable, Lanyard	
6	See Note	NSS	Decal - Bar Code (Not Shown - Located Near Control Box) (Note: Not Available for Purchase)	
7	1704691	1	Decal - Danger/Warning	
8	1703687	2	Decal - Directional Arrow	
9	1704412	1	Decal - Hydraulic Oil	
10	2080057	4	Fastener	
11	3251813	1	Nameplate - USA	
12	See Note	NSS	Nameplate - Serial Number (Note: Not Available for Purchase)	
13	3311405	4	Nut 1/4	
14	4420067	4 ft/1.2m	Tape, Safety Tread	
15	4711400	8	Washer 1/4	
17	1701509	1	Decal - Manual Reference	
18	1703811	4	Decal - Lifting Lugs	
19	1703812	1	Decal - Oil	
20	1703814	4	Decal - Tie Down	
21	1704277	8	Decal - Attach Lanyard Here	
22	1703819	1	Decal - Directional Arrow	
23	1703822	1	Decal - Manual Descent	
32	1703162	1	Decal - Fan Blade	
33	1702773	5	Decal - JLG	
34	1704885	2	Decal - Website	
36	1705315	1	Decal - Legend	
37	1704693	3	Decal - Crushing Hazard/Danger Electrocutation	
38	1704694	1	Decal - Control Box Location	
39	1705019	1	Decal - Safety Prop	
40	1705316	1	Decal - Warning Crushing	
41	1705041	1	Decal - Danger/Electrical Hazard	

SECTION 9 - DECALS

FIGURE 9-8. DECAL INSTALLATION - OPTIONS



SECTION 9 - DECALS

FIGURE 9-8. DECAL INSTALLATION - OPTIONS

ITEM	PART NUMBER	QTY	DESCRIPTION	REV
	1001170776	Ref	DECAL INSTALLATION - REFERENCE CHART (ALL SPECS EXCEPT AUSTRALIAN AND CE SPECS)	A
	1283317	Ref	DECAL INSTALLATION - REFERENCE CHART (AUSTRALIAN AND CE SPECS ONLY)	J
	1001165100	Ref	DECAL INSTALLATION - OPTIONS	
20	1701214	8	Decal - Outrigger Warning (ANSI Spec Only) (English)	
20	1701785	8	Decal - Outrigger Warning (Australian and CE Specs Only) (English)	
20	1704698	8	Decal - Outrigger Warning (Brazilian Spec Only) (Spanish/Portuguese)	
20	1704690	8	Decal - Outrigger Warning (CSA Spec Only) (English/French)	
20	1001215447	1	Decal - Outrigger Warning (Korean Spec Only) (English/Korean)	
20	1704697	8	Decal - Outrigger Warning (Latin American Spec Only) (English/Spanish)	
25	0251642	Ref	Corner Stripes Installation - Single Deck Extension	D
25	0253807	Ref	Corner Stripes Installation - Dual Deck Extension	1
25	4420051	AR	Tape, Safety	
28	1704174	1	Decal - Synthetic Biodegradable Hydraulic Fluid (Optional - All Specs except German Spec)	
28	1702788	1	Decal - Biodegradable Hydraulic Fluid (Optional - All Specs except German Spec)	
28	1704175	1	Decal - Synthetic Biodegradable Hydraulic Fluid (German Spec Only)	
28	1703479	1	Decal - Biodegradable Hydraulic Fluid (German Spec Only)	
29	1702962	1	Decal - Warning Prop (Diesel) (ANSI Spec Only)	
29	1702961	1	Decal - Warning Prop (Gas) (ANSI Spec Only)	
30	1705020	4	Decal - Capacity 2250lbs/909kg (3394RT with Single Deck Extension) (ANSI and ANSI Export Specs Only)	
30	3252757	4	Decal - Capacity 2000lbs/795kg (3394RT with Dual Deck Extension) (ANSI and ANSI Export Specs Only)	
30	1705021	4	Decal - Capacity 1500lbs/681kg (4394RT with Single Deck Extension) (ANSI and ANSI Export Specs Only)	
30	1705022	4	Decal - Capacity 1250lbs/568kg (4394RT with Dual Deck Extension) (ANSI and ANSI Export Specs Only)	
30	1705034	1	Decal - Capacity 1020kg (3394RT with Single Deck Extension) (Australian and CE Specs Only)	
30	1705035	1	Decal - Capacity 905kg (3394RT with Dual Deck Extension) (Australian and CE Specs Only)	
30	1705036	1	Decal - Capacity 680kg (4394RT with Single Deck Extension) (Australian and CE Specs Only)	
30	1705037	1	Decal - Capacity 565kg (4394RT with Dual Deck Extension) (Australian and CE Specs Only)	
31	1701505	1	Decal - Fuel (Diesel)	
31	1701542	1	Decal - Fuel (Gas)	
41	1700818	1	Decal - LP (English Language)	
41	1704271	1	Decal - LP (English/French Language)	
41	1702720	1	Decal - LP (Spanish Language)	
43	1705038	2	Decal - Model Designation (3394RT)	
43	1705039	2	Decal - Model Designation (4394RT)	
44A	1703493	4	Decal - Max Tire Load (Machines without Leveling Jacks)	
44B	1705042	4	Decal - Max Load (Machines with Leveling Jacks)	
110	1001170869	1	JLG Decals Installation (Not Shown)	
110A	1702773	5	Decal - JLG	

SECTION 9 - DECALS

ITEM	PART NUMBER	QTY	DESCRIPTION	REV
110B	1704885	2	Decal - Website	
136	1001125387	1	Decal - Ultra Sulfur Fuel (Deutz D2.9L4 Engine Machines Only)	
140	1001112548	Ref	Decal - Hearing Protection (3394RT Machines Only) (ANSI Spec Only)	
140A	1706837	2	Decal - Hearing Loss	
142	1001142595	2	Decal - Megadeck	
146	1001143852	1	Decal - Emission Compliance (ANSI Export, Australian and CE Specs Only)	
156	1001214029	Ref	Decal - EAC Installation (CIS and Russia Specs)	
156A	1001173703	1	Decal - EAC	

Go to Discount-Equipment.com to order your parts

SECTION 10 - RECOMMENDED SERVICE PARTS STOCK

SECTION 10 - RECOMMENDED SERVICE PARTS STOCK

Go to Discount-Equipment.com to order your parts

SECTION 10 - RECOMMENDED SERVICE PARTS STOCK

FIGURE 10-1. RECOMMENDED SERVICE PARTS STOCK

ITEM	PART NUMBER	QTY	DESCRIPTION	REV
		Ref	Note: The following list will service one machine (built to current production per date on the front cover) with emergency repair parts which can be installed in the field. Parts from the list should be replaced when inventory is depleted to keep service parts stock supplied. For further information, go to Discount-equipment.com	
		Ref	STANDARD PARTS	
	70001965	1	Coil	
	7017451	1	Coil	
	3740067	1	Relay	
	3740080	1	Relay	
	70010383	1	Element, Charge Filter	
	70001960	4	Element, Return Filter	
	70002113	1	Breather, Hydraulic Tank	
	4360070	1	Breaker, Circuit	
	4360328	1	Switch, Toggle	
	4360387	1	Switch, Push Button	
	2860030	1	Key, Replacement	
	4360475	1	Switch, Mushroom, Switch, Mushroom	
	1810140	1	Switch, Dual Axis	
	4360500	1	Switch, Rotary Angle Sensor	
	4360502	1	Switch, Proximity	
	4360524	1	Switch, Toggle	
	4360525	1	Switch, Toggle	
	70000082	1	Microswitch	
	7027367	1	Switch, Push Button	
	70000081	1	Potentiometer	
	3990010	2	Diode	
		Ref	VARIABLE PARTS	
	70001977	1	Coil (All Specs except CE Spec)	
	70001967	1	Coil (All Specs except CE Spec)	
	70050516	1	Coil (CE Spec)	
	70002963	1	Coil (CE Spec)	
	70001977	1	Coil (Machines with Power Deck)	
	7016331	1	Filter, Oil (Deutz D2011 Engine Machines)	
	7020023	4	Filter, Spin On Fuel (Deutz D2011 Engine Machines)	
	7027245	4	Filter, Inline Fuel (Deutz D2011 Engine Machines)	
	7024438	1 doz	Element, Air Cleaner (Deutz D2011 Engine)	
	3740049	1	Relay (Deutz D2011 Engine Machines)	
	7016641	1	Filter, Oil (Deutz D2.9L4 Engine Machines)	
	70025154	1	Filter, Fuel (Deutz D2.9L4 Engine Machines)	
	70025161	1	Filter, Fuel (Deutz D2.9L4 Engine Machines)	
	70003937	1 doz	Element, Air Cleaner (Deutz D2.9L4 Engine)	
	70025210	1	Module, Control (Deutz D2.9L4 Engine Machines)	
	1001138228	1	Module, Power Relay (Deutz D2.9L4 Engine Machines)	
	70023593	2	Fuse - 30Amp (Deutz D2.9L4 Engine Machines)	
	70023592	2	Fuse - 20Amp (Deutz D2.9L4 Engine Machines)	
	7027965	1	Filter, Oil (GM Engine Machines)	
	7027972	4	Filter, Inline Fuel (GM Engine Machines)	

SECTION 10 - RECOMMENDED SERVICE PARTS STOCK

ITEM	PART NUMBER	QTY	DESCRIPTION	REV
	7024438	1 doz	Element, Air Cleaner (GM Engine)	
	1001135570	1	Module, Ground Control	
	1001182481	1	Module (Machines with Power Options)	
	3740067	1	Relay (Machines with Power Deck)	
	4360469	1	Switch, Key (All Specs except CE Spec)	
	4360470	1	Switch, Key (CE Spec)	
	4360483	1	Switch, Toggle (Diesel Machines)	
	4360482	1	Switch, Toggle (Gas Machines)	
	3740080	1	Relay (Machines with Generator)	
	4360482	1	Switch, Toggle (Machines with Generator)	
	4360070	1	Breaker, Circuit (Deutz D2.9L4 with 7500W Generator)	
	2940074	1	Latch (With Swing Gates)	
	1001101076	1	Latch, Snap (With Chain Entry)	
	2400056	2	Fuse - 5Amp (With Beacon Light Option)	
	4360548	1	Switch, Limit (With Leveling Jacks)	
	8229242	2	Fuse - 5Amp (Deutz D2.9L4 Engine Machines)	
	80983191	2	Fuse - 10Amp (Deutz D2.9L4 Engine Machines)	

SECTION 11 - SPECIAL OPTIONS

Go to Discount-Equipment.com to order your parts

SECTION 11 - SPECIAL OPTIONS

FIGURE 11-1. SPECIAL OPTIONS LIST

ITEM	PART NUMBER	QTY	DESCRIPTION	REV
		Ref	Note: This list is to accommodate machines ordered with special equipment. Options may not be applicable to all models. For more specific parts information go to Discount-equipment.com	
	1001233047	Ref	Air Intake Breather Heater Add-on Kit (Deutz T4F Engines)	
	0271782	Ref	Airline to Platform Installation - 1/2in 3394RT	
	0271783	Ref	Airline to Platform Installation - 1/2in 4394RT	
	1001183337	Ref	Circuit Breaker (RCD) Box Installation	
	1001229107	Ref	ClearSky Telematics Installation	
	0271786	Ref	Cold Weather Package Installation (Deutz D2011 Engine Machines)	
	1001151902	Ref	Cold Weather Package Installation (Deutz D2.9L4 Engine Machines)	
	0275149	Ref	Cold Weather Package Installation (GM Engine Machines)	
	1001108500	Ref	Container Shipment Preparation	
		Ref	Decal Installations	
	1001196612	Ref	Decal - Ahern	
	1001196700	Ref	Decal - Blueline (SN 0200239053 through 0200260361)	
	1001224015	Ref	Decal - Blueline (SN 0200260362 to Present)	
	1001229699	Ref	Decal - ClearSky	
	1001200301	Ref	Decal - Customer Supplied Decals	
	1001115671	Ref	Decal - FedEx	
	0274680	Ref	Decal - Head and Engquist Equipment L.L.C (H&E)	
	1001221960	Ref	Decal - Herc Rentals	
	1001128997	Ref	Decal - Hertz	
	1001222118	Ref	Decal - Hertz (Canada)	
	0274249	Ref	Decal - National Equipment Services (NES)	
	1001218718	Ref	Decal - Riwal	
	0272289	Ref	Decal - Sunbelt (SN 0200239053 through 0200246956)	
	1001197868	Ref	Decal - Sunbelt (3394RT) (SN 0200246957 to Present)	
	1001197870	Ref	Decal - Sunbelt (4394RT) (SN 0200246957 to Present)	
	1001151164	Ref	Decal - Titan Rentals	
	0271666	Ref	Decal - United Rentals	
	1001098292	Ref	Decal - UPS	
	1001141644	Ref	Decal - Volvo	
		Ref	Decal Kits	
	1001125243	Ref	Decal Kit - Calibration (3394RT) (Located on Arms)	
	1001125242	Ref	Decal Kit - Calibration (4394RT) (Located on Arms)	
	2902066	Ref	Decal Kit - Country Spec (ANSI)	
	2902912	Ref	Decal Kit - Country Spec (Brazil) (Spanish/Portuguese Languages)	
	2902190	Ref	Decal Kit - Country Spec (CSA) (English/French Languages)	
	1001162116	Ref	Decal Kit - Country Spec (Korea) (English/Korean Languages)	
	2902191	Ref	Decal Kit - Country Spec (Latin America) (English/Spanish Languages)	
	2901912	Ref	Decal Kit - Master	
	1001209222	Ref	Decal Kit - Service (3394RT)	
	1001209221	Ref	Decal Kit - Service (4394RT)	
	2300040	Ref	Diesel Fuel Conditioner	
		Ref	Electrical Connector Kits	
	1001148902	Ref	Amp Connector Kit	

SECTION 11 - SPECIAL OPTIONS

ITEM	PART NUMBER	QTY	DESCRIPTION	REV
	1001148903	Ref	Deutsch DT Connector Kit	
	1001148904	Ref	Deutsch HD Connector Kit	
	1001148905	Ref	Packard Connector Kit	
	1001148906	Ref	Various Connector Kit	
	1001179261	Ref	Engine Installation with Modine Radiator (Without Arctic Package) (Note: Released after production ceased)	
	1001179260	Ref	Engine Sub-Assembly with Pumps with Modine Radiator (Without Arctic Package) (Note: Released after production ceased)	
	1001179259	Ref	Engine Assembly with Modine Radiator (Without Arctic Package) (Note: Released after production ceased)	
	1001179265	Ref	Engine Installation with Modine Radiator (With Arctic Package) (Note: Released after production ceased)	
	1001179264	Ref	Engine Sub-Assembly with Pumps with Modine Radiator (With Arctic Package) (Note: Released after production ceased)	
	1001179263	Ref	Engine Assembly with Modine Radiator (With Arctic Package) (Note: Released after production ceased)	
	1001156953	Ref	Fan Guard (D2.9L4 Engines)	
	1001235569	Ref	Fan & Belt Shield Add-on Kit (Deutz T4i D2011 Engines)	
		Ref	Filter Kits	
		Ref	Deutz Engine	
	1001114030	1	Combined Filter Kit (Hydraulic/Air and Fuel/Engine Oil) (SN 0200239053 through 0200224892)	
	1001181152	1	Combined Filter Kit (Hydraulic/Air and Fuel/Engine Oil) (SN 0200224893 to Present)	
	1001114029	1	Hydraulic/Air Filter	
	1001111685	1	Fuel/Engine Oil Filter	
		Ref	GM Engine	
	1001150357	1	Combined Filter Kit (Hydraulic/Air and Fuel/Engine Oil)	
	1001175145	Ref	Fire Extinguisher Installation	
		Ref	Fluids	
	2300004	Ref	Coolant, Antifreeze (GM Engines)	
	3020008	Ref	Drive Hub Lubricant	
	2300040	Ref	Diesel Fuel Conditioner	
	1001115930	Ref	Engine Oil 10W-30 (Machines With GM Tier III Engines)	
	2300014	Ref	Hydraulic Fluid - Mobil 424	
	2300027	Ref	Hydraulic Fluid - Mobil 224H Bio	
	2300029	Ref	Hydraulic Fluid - Mobil EAL ISO 46 Bio	
	2300016	Ref	Hydraulic Fluid - Mobil DTE 10 EXCEL 32	
	2300021	Ref	Hydraulic Fluid - Union Carbide Ucon HP5046 Fire Resistant	
	2300027	Ref	Hydraulic Fluid - Mobil EAL 224 H	
	2300039	Ref	Hydraulic Fluid - Exxon Univis HVI 26	
	1001112109	Ref	Forklift Pockets Installations	
	1001202749	Ref	Fuel Cap Cover Installation (Black) (Note: Lock p/n 1001102157 Must be Purchased Separately)	
	1001191395	Ref	Fuel Cap Cover Installation (Green) (Diesel Machines) (Note: Lock p/n 1001102157 Must be Purchased Separately)	
	1001191394	Ref	Fuel Cap Cover Installation (Red) (Gas Machines) (Note: Lock p/n 1001102157 Must be Purchased Separately)	
	1001110509	Ref	Ground Control Box Panel Cover Installation	
	1001111280	Ref	Ground Control Box Panel Light Installation	
	0272726	Ref	Headlights and Taillights Installation without Directional Signals	
	1001110538	Ref	Headlights and Taillights Installation with Directional Signals	
	1001190929	Ref	Kits List	
	1001110706	Ref	Platform Console Box with Cover and Lights Installation	

SECTION 11 - SPECIAL OPTIONS

ITEM	PART NUMBER	QTY	DESCRIPTION	REV
	1001151233	Ref	Platform Console Box with Turn Signal and Lights Installation (Dual Fuel Machines)	
	1001151234	Ref	Platform Console Box with Turn Signal and Lights Installation (Diesel Machines)	
	0271750	Ref	Platform Floodlights Installation - 3394RT	
	0271751	Ref	Platform Floodlights Installation - 4394RT	
	1001165122	Ref	Platform Rail Padding with Limit Switches (Dual Extension) (ANSI and ANSI Export)	
	1001148913	Ref	Platform Top Rail Padding Installation (Single Extension)	
	1001149364	Ref	Platform Top Rail Padding Installation (Dual Extension)	
	0271749	Ref	Platform Worklights Installation - 3394RT	
	1001137964	Ref	Platform Worklights Installation - 3394RT (Dual Extension)	
	0273801	Ref	Platform Worklights Installation - 4394RT	
	1001137965	Ref	Platform Worklights Installation - 4394RT (Dual Extension)	
	0274260	Ref	Platform Workstation Installation	
	1001200380	Ref	Radiator Replacement Kit (Replacing RCP Radiator with Modine Radiator) (ANSI-USA & CSA Specs)	
	1001200299	Ref	Telematics Options (Customer Supplied):	
	1001210089	Ref	CAT	
	1001209282	Ref	Loxam	
	1001210090	Ref	Riwal	
	1001195610	Ref	United Rentals - M6	
	1001214463	Ref	United Rentals - M8	
		Ref	Tools for Service	
		Ref	Note: See GM Engine Supplement P/N 3121245 for GM	
		Ref	Engine Tools	
	7002821	1	Crimper, Wire	
	7002823	1	Extractor, Pin - Universal	
	4460467	AR	Extractor, Pin #16 Gauge	
	4460510	AR	Extractor, Pin #12 Gauge	
	7004275	1	Installer, Cylinder Seal - 1in	
	7004276	1	Installer, Cylinder Seal - 1-1/2in	
	7002826	1	Installer, Cylinder Seal - 2in	
	7016654	1	Screwdriver, Magnetic	
	7002822	1	Screwdriver, Potentiometer	
	7002828	1	Stripper, Wire	
	2901443	1	Analyzer Kit	
	1001137005	1	USB to RS232 Drive Installation (Service Kit)	

PART NUMBER INDEX

Go to Discount-Equipment.com to order your parts

PART NUMBER INDEX

0080190....258, 264, 270, 276	0271700..... 293, 337	0275086 535	0641409.... 175, 187, 439, 441, 443, 445, 447, 449, 451, 453, 455, 457
0100011.... 15, 17, 19, 21, 23, 57, 59, 79, 83, 85, 87, 89, 91, 93, 95, 97, 99, 101, 103, 105, 107, 109, 111, 113, 115, 117, 150, 154, 167, 169, 175, 179, 182, 187, 191, 194, 203, 207, 209, 221, 223, 233, 237, 241, 245, 251, 258, 264, 270, 276, 287, 289, 291, 293, 295, 298, 302, 306, 310, 314, 318, 322, 326, 330, 334, 355, 357, 359, 361, 363, 381, 393	0271704 295, 339	0275100 539	0641410..... 214, 218
0100019..... 23, 241, 245	0271708 289	0275141 251	0641412..... 21, 77, 81
0100020.... 183, 187, 225, 227, 245	0271709 291	0275149 554	0641413.... 298, 302, 306, 310
0100038..... 15, 17, 393	0271711 357	0275196 293	0641414..... 150, 154
0100048.... 215, 219, 245, 337, 339	0271714 359	0275197 295	0641415..... 287
0100062.... 169, 182, 194, 225, 227	0271715 361	0275216 441, 515	0641418.79, 83, 214, 218
0100079..... 163	0271718 35, 51	0275217 447, 517	0641420.... 255, 261, 267, 273
0100081..... 150, 154	0271719 43	0275218 455, 525	0641426.... 314, 318, 322, 326, 334
0140001..... 139, 141	0271743 233	0275219 457, 527	0641505.... 246, 258, 264, 270, 276
0140011..... 369, 371	0271745 237	0275320 511	0641506..89, 91, 93, 101, 103, 105, 109, 115, 117, 135, 137, 139, 141, 150, 154, 182, 194, 214, 218, 246
0140032..... 135, 137	0271746 55	0275452 451, 521	0641507.... 169, 258, 264, 270, 276, 337, 339, 341, 343, 345
0181847 369, 371	0271747 279	0275453 453, 523	0641508.57, 59, 233, 237, 241, 337, 339, 341, 343, 345
0182029..... 169	0271748 367, 371	0275454 449, 519	0641509..... 175, 187
0182033..... 139, 141	0271749 556	0340052 169	0641510..... 251
0200712.... 258, 264, 270, 276	0271750 556	0363050 ... 258, 264, 270, 276	0641516..... 337, 339
0200713.... 258, 264, 270, 276	0271751 556	0363082 233, 237	0641560..... 67, 69
0200714..... 270, 276	0271752 533	0363098 233, 237	0641605.... 163, 175, 187, 214, 218
0200715..... 270, 276	0271755 541	0370018 393	0641606..... 251
0200716.... 258, 264, 270, 276	0271766 545	0370026 389, 391	0641607..... 19, 21
0200717..... 258, 264	0271767 537	0400075 ... 163, 175, 187, 214, 218	0641608.67, 69, 139, 141, 163, 169, 175, 187, 207, 209, 214, 218, 225, 227, 233, 237, 241, 298, 302, 306, 310, 314, 318, 322, 326, 330, 334
0200718.... 258, 264, 270, 276	0271774 147	04400234 ... 255, 261, 267, 273	0641609.... 139, 141, 150, 154, 159, 182, 194, 225, 227
0200719.... 258, 264, 270, 276	0271775 145	0440236 ... 258, 264, 270, 276	0641610.... 214, 218, 241, 255, 261, 267, 273
0200720..... 270, 276	0271781 137	0440250 ... 258, 264, 270, 276	0641611.... 183, 195, 203, 255, 261, 267, 273, 285, 287
0200721..... 270, 276	0271782 554	0440271 19, 21	0641612.... 163, 175, 182, 187, 194, 214, 218, 255, 261, 267, 273, 381
0200722..... 270, 276	0271783 554	0440291 19, 21	0641616..... 245
0200723..... 258, 264	0271785 45	0440311 381	0641636.... 298, 302, 306, 310, 314, 318, 322, 326, 330, 334
0200742..... 233, 237	0271786 554	0440312 381	0641676..... 293, 295
0240087 385	0271812 ... 111, 115, 127	0480100 379	0641707..... 182, 194
0251642 547	0271813. 85, 89, 91, 107, 109, 119	0480124 233, 237	0641710..... 251
0253807 547	0271814.95, 97, 101, 103, 121	0480143 251	0641718..... 233, 237
0257755..... 35, 51	0272209 ... 259, 265, 270, 276	0561489 285, 287	0641772..... 241
0257756..... 35, 51	0272211 ... 259, 265, 270, 276	0610169 369, 371	0641808..... 245
0258011..... 43	0272221 ... 337, 339, 341, 343, 345	0630407 245	0641812..... 241, 381
0258012..... 43	0272224 ... 337, 339, 341, 343, 345	0630485 ... 337, 339, 341, 343, 345, 355, 359	
0270650..... 39, 53	0272243 337, 341	0641404 ... 131, 133, 245, 289, 291, 369, 371, 439, 441, 443, 445, 447, 449, 451, 453, 455, 457	
0270653..... 47	0272268 45	0641405 ... 287, 298, 302, 306, 310, 314, 318, 322, 326, 330, 334, 533, 535, 537, 539, 541, 543, 545	
0271666..... 554	0272289 554	0641406 ... 85, 87, 89, 91, 93, 95, 97, 99, 101, 103, 105, 107, 109, 111, 113, 115, 117, 157, 159, 183, 195, 225, 227, 245, 289, 291, 293, 295, 441, 447, 449, 451, 453, 455, 457	
0271682..... 285	0272351 281	0641407.57, 59, 175, 182, 187, 194, 225, 227	
0271683..... 287	0272400 365, 369	0641408 ... 163, 175, 187, 214, 218, 381	
0271694..... 355	0272405 367		
	0272409 365		
	0272605 ... 298, 302, 306, 310, 341		
	0272707 ... 314, 318, 322, 326, 343		
	0272726 555		
	0272829 379		
	0272990 ... 330, 334, 345		
	0272998 345		
	0273063 363		
	0273801 556		
	0273969 135		
	0274103 381		
	0274249 554		
	0274260 385, 556		
	0274680 554		
	0274789 37		

PART NUMBER INDEX

0641814 ... 167, 179, 191, 221, 223, 279, 281, 337, 339, 341, 343, 345	0840058 287	1001098292 554	1001103762 57, 59, 61
0641820 169	0860520 ... 533, 535, 537, 539, 541, 543, 545	1001098823 434	1001103765 255, 258
0641822 15	0861508 119, 121, 127	1001099623 255, 261, 267, 273	1001103766 255
0641824 63	0861538 245	1001100321 237	1001103801 .. 57, 59, 499
0641828 225, 227	0861554 369, 371	1001100341 515	1001103834 259, 265, 495
0641836 381	0861731 ... 245, 445, 513, 519, 521, 523	1001100342 517	1001103835 271, 277, 497
0641840 381	0861781 515, 517	1001100345 521	1001104356 163, 175, 187, 215, 219
0642012 15, 17	0861880 463	1001100346 519	1001104578 404
0642014 176, 188	0901870 ... 355, 357, 359, 361, 363	1001100347 523	1001104579 404, 408
0642016 163, 214, 218	0902499 369, 371	1001100775 163, 167	1001104581 404, 408
0681607 ... 258, 264, 270, 276	0902773 ... 258, 264, 270, 276	1001101076 551	1001104584 404, 408
0681612 ... 258, 264, 270, 276	0902774 ... 255, 261, 267, 273	1001101331 167, 179, 191, 221, 223, 229	1001104585 404, 408
0681618 270, 276	0902777 163, 214, 218	1001101511 33, 41, 49	1001104588 404, 408
0681624 ... 258, 264, 270, 276	0902786 169	1001101512 33, 49	1001104589 404, 408
0681632 ... 258, 264, 270, 276	0902812 167	1001101513 33, 49	1001104590 404, 408
0681636 270, 276	0902813 233, 237	1001101699 167, 179, 191, 221, 223	1001104638 215, 219
0681810 23	0902837 287	1001101922 404, 434	1001104763 167, 169
0681813 ... 258, 264, 270, 276	0902838 ... 298, 302, 306, 310, 314, 318, 322, 326	1001102190 33	1001104765 169
0681816 150, 154	0902839 ... 298, 302, 306, 310, 314, 318, 322, 326, 330, 334	1001102194 41	1001104890 111, 113, 115, 117, 473
0681820 19	0902842 ... 233, 237, 241, 251	1001102195 41	1001105112 225, 227
0681822 21, 182, 194, 241, 245	0902847 . 89, 91, 93, 101, 103, 105, 109, 115, 117	1001102196 41	1001105169 415, 417, 420, 424, 432
0681844 49, 51, 53	0902885 207, 209	1001102766 139, 141	1001105172 432
0682014 23	0903054 63	1001102804 23	1001105234 432
0682230 57, 59	0903095 381	1001102805 23, 31	1001105235 432
0700619 293, 295	0903104 381	1001102823 139, 141, 143	1001105236 432
0700820 251	0903475 214, 218	1001102976 67	1001105237 432
0701013 207, 209	0903476 214, 218	1001102987 163, 175, 187, 215, 219	1001105238 432
0701016 251	0961388 ... 259, 265, 270, 276	1001103012 467, 469	1001105239 432
0701037 285, 287	0961950 15, 17	1001103266 298, 302, 306, 310, 349	1001105320 77, 79
0701222 17	0961986 ... 169, 182, 194, 225, 227	1001103267 314, 318, 322, 326, 334, 351	1001105328 81, 83
0701414 169	0962031 ... 258, 264, 270, 276	1001103308 131, 133	1001105700 ... 33, 41, 49
0701418 233, 237	0962356 271, 277	1001103340 77, 79, 81, 83	1001105709 67, 73
0701419 169	0962445 270, 276	1001103366 404, 408	1001105903 111
0711025 207, 209	0962446 ... 258, 264, 270, 276	1001103410 298	1001105904 85
0720805 167	0962474 ... 259, 265, 270, 276	1001103411 306	1001105905 97
0721004 55, 150, 154	0962520 245	1001103412 314	1001105906 115
0721006 ... 167, 203, 233, 237, 241, 251	1001091102 441, 447, 449, 451, 453, 455, 457	1001103413 322	1001105907 91
0721010 ... 255, 261, 267, 273	1001091564 141	1001103414 330	1001105908 103
0731008 139, 141	1001091731 119, 121	1001103487 436	1001107854 467, 469
0741010 ... 163, 175, 187, 214, 218	1001092410 159	1001103488 436	1001107924 404, 408
0741408 ... 123, 125, 129	1001092724 169, 171	1001103489 85, 87, 91, 93, 97, 99, 103, 105, 469	1001108128 404, 408
0741606 182, 194	1001092957 330, 353	1001103490 298, 302, 314, 318, 503	1001108500 554
0741607 245	1001093382 163, 175, 188, 215, 219	1001103552 . 57, 411, 434	1001109475 463
0760810 ... 175, 183, 187, 195, 196	1001094915 441, 447, 449, 451, 453, 455, 457	1001103570 306, 310, 322, 326, 334, 507	1001109482 463
0761008 182, 194	1001096148 150, 154	1001103708 298, 306, 415, 434	1001110509 555
0761210 183, 195	1001096985 337, 339, 341, 343, 345	1001103709 314, 322, 420, 434	1001110538 555
0761215 182, 194	1001097150 463, 529	1001103751 77	1001110706 555
0771212 ... 175, 188, 241, 245	1001098130 15, 17	1001103752 81	1001111280 555
0771414 241, 245		1001103760 259, 265, 271, 277	1001111341 183, 195
0840055 ... 287, 467, 469, 473, 495, 497, 499, 501, 503, 505, 507, 511		1001103761 63	1001111685 555
0840056 495, 497			1001112109 555
0840057 ... 467, 469, 473			1001112548 548

PART NUMBER INDEX

1001116732.....467	1001140564..... 183, 195	1001148559..... 246	1001164103..... 123, 125, 129, 529
1001116734.....467	1001141304..... 183, 195	1001148641..... 183, 195	1001164185.....51, 53
1001116867..... 19, 21	1001141644..... 554	1001148648..... 249	1001164187..... 123, 125, 129
1001116952.....477	1001141717..... 175, 188	1001148675..... 246	1001164188..... 113, 117, 129
1001116983.....481	1001141967..... 525, 527	1001148676..... 246	1001164207.99, 105, 125
1001117078.....491	1001141968..... 525	1001148750..... 246	1001164393... 87, 93, 123
1001117106.....478	1001141969..... 527	1001148844..... 246	1001164401.....49, 51, 53
1001117107.....478	1001141970..... 527	1001148867..... 39, 53	1001164534..... 139, 141
1001117140..... 150, 154	1001141971..... 525	1001148868..... 39, 53	1001164722..... 139
1001117308..... 182, 194	1001142501..... 175, 187, 203	1001148869..... 47	1001165035..... 175, 188
1001119020.....467, 470	1001142595..... 548	1001148870..... 47	1001165100.....547
1001119141..... 79, 83	1001142938..... 478	1001148902..... 554	1001165122.....556
1001125242.....267, 273, 554	1001142940..... 478	1001148903..... 555	1001165196..... 176, 188, 203
1001125243.....255, 261, 554	1001142941..... 478	1001148904..... 555	1001165372..... 150, 154
1001125387.....548	1001143434... 19, 21, 399	1001148905..... 555	1001165373..... 154
1001126351.....477	1001143797..... 183, 195	1001148906..... 555	1001165374..... 150, 154
1001126352.....477	1001143852..... 548	1001148907..... 246	1001165375..... 150, 154
1001126353.....477	1001143896..... 337, 339, 341, 343, 345	1001148913..... 556	1001165376..... 150, 154
1001126356.....477	1001143898..... 337, 339, 341, 343, 345	1001149107..... 405, 409	1001165377..... 150, 154
1001126357.....477	1001143907..... 183, 195	1001149199..... 404, 405, 408, 409	1001165378..... 150, 154
1001126362.....478	1001143909..... 341, 343	1001149319..... 261, 264	1001165379..... 150, 154
1001126363.....478	1001144112..... 183, 195	1001149320..... 261	1001165384..... 150, 154
1001126364.....478	1001144113..... 183, 195	1001149324..... 265	1001165702..... 163, 176, 188, 214, 218
1001126365.....478	1001144114..... 183, 195	1001149325..... 277	1001165734..... 131, 133
1001126384.....477	1001144115..... 183, 195	1001149364..... 556	1001165849..... 183, 195
1001126391.....478	1001144116..... 183, 195	1001149953..... 47	1001166168..... 150
1001126484.....473	1001145006..... 183, 195	1001150357..... 555	1001166176..... 63
1001126485.....473	1001145562..... 183, 195, 477	1001150918..... 187	1001166177..... 57, 59, 63
1001128997.....554	1001145758..... 183, 195, 199	1001151164..... 554	1001166178..... 57, 375
1001131270..... 533, 541	1001146043..... 183, 195	1001151233..... 556	1001166230..... 175
1001133714.....477	1001146327..... 179, 182	1001151234..... 556	1001166245..... 150, 154
1001133715.....477	1001146329..... 175, 179	1001151856..... 478	1001166247..... 150, 154
1001133956.....477	1001146356..... 183, 195	1001151902..... 554	1001166248..... 150, 154
1001133957.....477	1001146357..... 183, 195	1001154334..... 183, 195	1001166252..... 163
1001134488..... 182, 194	1001146358..... 183, 195	1001154405..... 176, 188, 203	1001166256..... 187
1001135570..... 119, 121, 123, 125, 127, 129, 551	1001146359..... 183, 195	1001155477..... 183, 195	1001166274..... 113
1001135650.....477	1001146360..... 183, 195	1001155493..... 183, 195	1001166275..... 117
1001135651.....477	1001146361..... 183, 195	1001155823..... 176, 188	1001166276..... 87
1001135679..... 241, 246	1001146362..... 183, 195	1001155874..... 183, 195	1001166277..... 93
1001136079..... 182	1001146363..... 183, 195	1001155875..... 183, 195	1001166278..... 99
1001136104..... 246	1001146517..... 183, 195	1001156037..... 109	1001166279..... 105
1001136172..... 194	1001146616..... 183, 195	1001156820..... 214, 218	1001166280..... 214
1001136834..... 182, 194	1001146974..... 203	1001156823..... 214, 218	1001166310..... 141
1001137005.....556	1001147264..... 477	1001156825..... 214, 218	1001166423..... 150, 154
1001137964.....556	1001147274... 39, 47, 53	1001156953..... 555	1001166424..... 150, 154
1001137965.....556	1001147434..... 175, 188, 481	1001157520..... 249	1001166425..... 150
1001138110.....477	1001147435..... 176, 188	1001157521..... 249	1001166426..... 154
1001138111.....477	1001147571..... 176, 184, 188, 196	1001157530..... 249	1001166502..... 154
1001138113.....477	1001147572..... 176, 188	1001157593..... 246, 249	1001166503..... 150
1001138228..... 182, 194, 550	1001147629..... 176, 188	1001157771..... 436	1001166837..... 57, 59
1001138827..... 182, 194	1001147631..... 176, 188	1001158007..... 249	1001166983..... 159
1001139141..... 19, 21	1001147635..... 176, 188	1001158008..... 249	1001167043..... 183, 195
1001139240..... 175, 187	1001147775..... 211	1001160561..... 141	1001167174..... 176, 188
1001139303..... 182, 194	1001147780..... 241, 246	1001162110..... 543	1001167523.....439
1001139409..... 183, 195	1001147783..... 211	1001162111..... 543	1001167524.....445
1001139476..... 19, 21	1001147788..... 211	1001162112..... 543	1001167525.....443
1001139626..... 15	1001147972..... 246	1001162113..... 543	1001167526..... 436, 451
1001139645..... 19, 21	1001147974... 89, 93, 95, 99, 101, 105, 107, 109, 467	1001162114..... 543	1001167527..... 436, 453
1001139892..... 19, 21	1001148043..... 191, 194	1001162115..... 543	1001167529..... 436, 449
1001139935..... 19	1001148044..... 188, 191	1001162116..... 554	1001167530..... 436, 441
1001139943..... 19, 21	1001148077..... 107	1001162514..... 543	1001167531..... 436, 447
1001140312..... 195	1001148138..... 242, 246	1001163095..... 123, 125, 129	1001167532..... 436, 455
1001140535..... 182, 194	1001148424..... 246, 491	1001163580..... 17, 391	1001167533..... 436, 457
		1001163599..... 241, 246	1001167534..... 245

PART NUMBER INDEX

1001168945..... 95	1001188563..... 408, 434	1001233047..... 554	1600336... 89, 91, 93, 101,
1001168946..... 89	1001188845..... 17	1001235569..... 555	103, 105, 109, 115, 117
1001168947..... 101	1001188846..... 434	1060279... 533, 535, 537,	1600387..... 287
1001169054..... 184, 196	1001188847..... 59, 377	539, 541, 543, 545	1600403.... 369, 371, 373
1001169138..... 184, 196	1001188848... 59, 413, 434	1060379.... 355, 357, 359,	1670988... 289, 291, 439,
1001169979..... 49	1001188850..... 334	361, 363, 385	441, 443, 445, 447,
1001169980..... 51	1001188851..... 334, 432,	1060394..... 249	449, 451, 453, 455, 457
1001169981..... 53	434	1060494..... 249	1670995... 258, 264, 270,
1001170776..... 547	1001188874..... 131, 133	1060625..... 187	276, 298, 302, 306,
1001170869..... 547	1001188972..... 187	1060626..... 188	310, 314, 318, 322,
1001171266..... 159	1001188990..... 69	1060808.... 355, 357, 359,	326, 330, 334
1001171267..... 157	1001190534..... 302	361, 363	1671165..... 57, 59
1001171284..... 157	1001190536..... 310	1060866..... 259	1671207..... 245, 513
1001173703..... 548	1001190537.... 302, 310,	1060907..... 270	1683054..... 393
1001174384..... 271, 277	417, 434	1060908..... 463	1684266... 298, 302, 306,
1001174386..... 271, 277	1001190539..... 318	1060929.... 258, 264, 270,	310, 314, 318, 322,
1001174387..... 271, 277	1001190543..... 326	276	326, 330, 334, 397
1001174486..... 214, 218	1001190544.... 318, 326,	1061003.... 298, 302, 306,	1684290..... 389, 391
1001175145..... 555	424, 434	310, 314, 318, 322,	1684332... 258, 264, 270,
1001175556..... 150, 154	1001190697..... 150	326, 330, 334	276, 395
1001175557..... 150, 154	1001190775..... 223	1061004.... 298, 302, 306,	1684406..... 63, 393
1001177167..... 215	1001190929..... 555	310, 314, 318, 322,	1684465..... 15, 389
1001177169..... 215, 219	1001191227..... 154	326, 330, 334	1700818..... 547
1001177617.... 119, 121,	1001191228..... 150	1061006.... 233, 238, 241,	1701214..... 547
127, 131	1001191394..... 555	251, 459	1701435..... 535
1001177618..... 131, 133	1001191395..... 555	1061020..... 287	1701505..... 547
1001179154..... 249	1001191839.... 215, 219	1061021..... 287	1701509... 533, 535, 537,
1001179259..... 555	1001191840.... 215, 219	10702077..... 249	539, 541, 543, 545
1001179260..... 555	1001191842.... 225, 227	10702082..... 249	1701542..... 547
1001179261..... 555	1001192245..... 79	1120361..... 139	1701785..... 547
1001179263..... 555	1001192246..... 83	1120485..... 147	1702137..... 37
1001179264..... 555	1001195610..... 556	1120555..... 385	1702153..... 533
1001179265..... 555	1001196612..... 554	1120558..... 145	1702720..... 547
1001179431..... 183, 195	1001196700..... 554	1120580..... 381	1702740.... 35, 39, 51, 53
1001179432..... 183, 195	1001197068.... 184, 196	1180371.... 258, 264, 270,	1702773... 533, 535, 537,
1001179443..... 183, 195	1001197868..... 554	276	539, 541, 543, 545, 547
1001179833..... 184, 196	1001197870..... 554	1180372.... 258, 264, 270,	1702788..... 547
1001179834..... 184, 196	1001200299..... 556	276	1702941..... 187
1001179835..... 184, 196	1001200301..... 554	1260136..... 355, 357	1702943..... 187
1001179837..... 241	1001200380.... 183, 195,	1283317..... 547	1702944..... 187
1001180001..... 241	556	1320012..... 225, 227	1702961..... 547
1001180314..... 182, 194	1001202749..... 555	1320016..... 169	1702962..... 547
1001180620..... 184, 196	1001202897.... 404, 408	1320019.... 207, 209, 298,	1703162... 533, 535, 537,
1001180784..... 241	1001202898.... 404, 408	302, 306, 310, 314,	539, 541, 543, 545
1001181045..... 463	1001202903.... 404, 408	318, 322, 326, 330, 334	1703464..... 439
1001181152..... 555	1001202907.... 405, 409	1320022.... 163, 169, 225,	1703479..... 547
1001181184..... 242	1001209221..... 554	227	1703493..... 547
1001181895..... 195	1001209222..... 554	1320058..... 169	1703687... 533, 535, 537,
1001182481... 89, 91, 93,	1001209282..... 556	1320061..... 214, 218	539, 541, 543, 545
101, 103, 105, 109,	1001210089..... 556	1320122.... 258, 264, 270,	1703811... 533, 535, 537,
115, 117, 289, 291, 551	1001210090..... 556	276	539, 541, 543, 545
1001182989..... 267, 270	1001211336..... 141	1320220..... 214, 218	1703812... 533, 535, 537,
1001182997..... 183, 195	1001214029..... 548	1320224... 439, 441, 443,	539, 541, 543, 545
1001183060.... 273, 276	1001214463..... 556	445, 447, 449, 451,	1703814... 533, 535, 537,
1001183061..... 267	1001214862..... 219	453, 455, 457	539, 541, 543, 545
1001183070..... 273	1001215447..... 547	1320323..... 214, 218	1703816..... 533
1001183129..... 242	1001216088..... 227	1321716..... 183, 195	1703818..... 533
1001183337..... 554	1001216089.... 223, 227	1340066..... 169	1703819... 533, 535, 537,
1001183913..... 242, 485	1001216090.... 219, 223	1380150.... 337, 339, 341,	539, 541, 543, 545
1001183914..... 242, 487	1001216091..... 218	343, 345	1703821..... 533
1001184074..... 436	1001218718..... 554	1380151.... 337, 339, 341,	1703822... 533, 535, 537,
1001186467..... 21	1001220379..... 478	343, 345	539, 541, 543, 545
1001186552..... 69, 75	1001221960..... 554	1440331.... 258, 264, 270,	1703823..... 533
1001187559.... 123, 125,	1001222118..... 554	276	1704008..... 537
129, 133	1001224015..... 554	1580011..... 225, 227	1704174..... 547
1001187695..... 21	1001229107..... 554	1580023..... 385	1704175..... 547
1001187880..... 21	1001229699..... 554	1580024..... 385	1704271..... 547

PART NUMBER INDEX

1704277.....533, 535, 537, 539, 541, 543, 545	1706098 163	2180348 163, 214, 218	2720611.....214, 218
1704412.....533, 535, 537, 539, 541, 543, 545	1706113 381	2180387 214, 218	2750532..... 169, 225, 227
1704432.....533	1706197 381	2180389 214, 218	2753550....415, 417, 420, 424
1704588.....371	1706338 535	2180418 214, 218	2753554.....420, 424
1704589.....369	1706837 548	2180830 ... 415, 417, 420, 424, 432	2753555.....415, 417
1704607.....539, 543	1810140 ... 119, 121, 123, 125, 127, 129, 550	2220238 404, 408	2753576.....411, 413
1704684.....541	1870170 436	2220250 163, 214, 218	2753582.....404, 408, 409
1704686.....541	2020006 ... 337, 339, 341, 343, 345	2220290 214, 218	2753622.....404, 408
1704687.....541	2080040 359, 361, 363	2220451 169	2753624.....411
1704690.....547	2080057 ... 533, 535, 537, 539, 541, 543, 545	2220479 404, 408	2753659.....404, 408
1704691.....545	2080063 ... 355, 357, 359, 361, 363, 379	2220633 175, 187	2753675.....404
1704693.....545	2080064 ... 355, 357, 359, 361, 363	2220655 169	2753704.....404, 408
1704694.....545	2080072 279, 281	2220881 75	2753708.....404, 408
1704697.....547	2110404 ... 404, 408, 415, 417, 420, 424, 428, 432	2220883 31, 63, 75	2753717.....415, 417
1704698.....547	2110406 ... 404, 408, 415, 417, 420, 424, 432	2220885 75, 258, 264, 270, 276	2753773.....404, 408
1704699.....537	2110604 432	2220886 31	2753783.....428
1704701.....537	211060661, 63, 353, 404, 408, 411, 413, 415, 417, 420, 424, 428, 432	2220890 389, 391	2753784.....404, 408
1704702.....537	2110608 61	2221084 404, 408	2753791.....404, 408
1704885.....533, 537, 539, 541, 543, 545, 548	2110806 ... 409, 415, 417, 420, 424, 428, 432	2221086 405, 409	2753793....259, 265, 270, 276
1704972.....163, 176, 188	211080861, 63, 259, 265, 270, 276, 404, 408, 415, 420	2221114 175, 187	2753794....259, 265, 271, 276
1705019.....533, 535, 537, 539, 541, 543, 545	2110810 405, 409	2221150 428	2753832.....411, 413
1705020.....547	2110812 404, 405, 408	2221183 409	2753833.....411, 413
1705021.....547	2111010 404, 408	2300004 ... 182, 215, 219, 555	2753834.....411, 413
1705022.....547	2111210 404, 408	2300014 555	2753835.....411, 413
1705034.....547	2111212 404, 408	2300016 23, 555	2753867.....77, 79
1705035.....547	2111216 404, 408	2300021 555	2753868.....81, 83
1705036.....547	2112016 405, 408	2300027 555	2753875.....428
1705037.....547	2130404 404, 408	2300029 555	2753877.....432
1705038.....547	2130406 ... 353, 404, 408	2300039 555	2753878.....428
1705039.....547	2130604 ... 415, 417, 420, 424	2300040 554, 555	2753879.....428
1705040.....541	2130606 411, 413	2300041 194	2753881....415, 417, 420, 424, 428, 432
1705041.....545	2130608 61	2400044 ... 163, 175, 187, 214, 218	2753919.....428
1705042.....547	2130808 404, 408	2400056 461, 551	2753920.....428
1705043.....537	2130812 404, 408	2400060 495, 497	2753921....420, 424, 428
1705190.....533, 539	2131008 ... 259, 265, 270, 276	2420172 ... 119, 121, 123, 125, 127, 129	2753922.....428
1705193.....539	2131216 405, 409	2420199 139, 141	2753923.....428
1705194.....539	2150406 405	2420203 233, 242, 251	2753939....415, 417, 420, 424, 432
1705195.....539	2151010 405, 409	2460043 233	2753940.....404, 408
1705303.....533, 541	2151216 404, 408	2460047 237	2754263.....408
1705311.....541	2152020 405, 408	2460049 233, 251	2780267.....23, 27
1705314.....541	2170204 ... 415, 417, 420, 424, 432	2460059 251	2780268.....23, 25
1705315.....545	2170304 ... 415, 417, 420, 424, 432	2560088 293, 295	2792611....330, 428, 434
1705316.....545	2170308 ... 417, 424, 432	2560141 369, 371	2820018.....55
1705317.....537	2170504 ... 404, 408, 415, 417, 420, 424	2560171 293, 295	2820097.....355, 357
1705318.....537	2170508 404, 408	2560172 293, 295	2840023.....381
1705325.....441	2170704 432	2560176 ... 355, 357, 359, 361, 363	2840024.....381
1705372.....535	2170706 428	2560186 381	2860030....119, 121, 123, 125, 127, 129, 550
1705392.....369, 371	2170716 428	2560188 ... 355, 357, 359, 361, 363	2900708.....73
1705515.....535	2172104 ... 415, 417, 420, 424	2580001 187	2900756.....71, 259, 265, 271, 277
1705637.....379	2700285 359, 361, 363	2580050 187	2900770.....353
1705671.....535	2700100 385	2600285 359, 361, 363	2901443.....556
1705688....119, 121, 123, 125, 127, 129	2716960 413	2700100 385	2901912.....554
1705913.....369, 371	2720015 183, 195	2716960 413	2902062.....258, 264
1705914.....369, 371	2720058 163, 225, 227	2720015 183, 195	2902063.....271, 276
1705943.....539	2720271 225, 227	2720340 183, 195	2902065....167, 179, 191, 205
1705944.....539	2720486 169	2720486 169	2902066.....554
1705997.....385	2720494 169	2720494 169	2902067.....355
1706059.....163	2720495 169	2720495 169	2902132.....163
1706060.....163			
1706061.....163			
1706063.....164			
1706064.....176, 188			

PART NUMBER INDEX

2902147 359	3300048 ... 439, 441, 443, 445, 447, 449, 451, 453, 455, 501	3311805.....63, 169, 225, 227, 279, 281, 381	3520028 ... 119, 121, 123, 125, 127, 129, 233, 237, 242, 251
2902148 357, 361	3300106 23	3312005.... 163, 176, 188, 214, 218	3520072... 355, 357, 359, 361, 363
2902149 258, 264	3300182 ... 289, 291, 298, 302, 306, 310, 314, 318, 322, 326	3312008..... 19, 21	3520079 365, 367
2902150 271, 277	3300353 57, 59, 131, 133	3312205..... 381	3520080 365, 367
2902182 393	3300396 249	3321402....258, 264, 271, 277	3520193... 119, 121, 123, 125, 127, 129, 365, 367
2902190 554	3300408 ... 163, 175, 187, 214, 218	3322202....337, 339, 341, 343, 345	3537609 337, 339
2902191 554	3300432 ... 359, 361, 363	3340612....355, 357, 359, 361, 363	3571862... 355, 357, 359, 361, 363
2902243 207	3300455 ... 255, 261, 267, 273	3340929....259, 265, 271, 277	3573195 225, 227
2902244 209	3300467 293, 295	3340935....255, 261, 267, 273	3573288 169
2902263 363	3300471 330, 334	3340937....355, 357, 359, 361, 363	3573304 169
2902266 389, 391	3300472 ... 337, 339, 341, 343, 345	3340945..... 150, 154	3573370 ... 259, 265, 271, 277
2902348 385	3300489 381	3421453....359, 361, 363	3573438 337, 339
2902431 245, 439, 513	3310401 175, 187	3421565....355, 357, 359, 361, 363	3573440 214, 218
2902443 469, 477	3310601 369, 371	3422219....355, 357, 359, 361, 363, 385	3573472 359, 361, 363
2902534 214, 218	3310805 57, 59, 167	3422582.... 163, 175, 187, 214, 218	3573513 393
2902549 ... 441, 447, 449, 451, 453, 455, 457, 463	3311001 ... 203, 233, 237, 249, 251	3422592 15, 17	3573658 57, 59
2902912 554	3311005 55, 150, 154, 167, 241, 245, 255, 261, 267, 273	3422669.... 163, 175, 187, 214	3575597 381
2920026 ... 119, 121, 123, 125, 127, 129, 287	3311405 21, 131, 133, 150, 154, 157, 159, 163, 175, 182, 187, 194, 214, 218, 225, 227, 245, 255, 261, 267, 273, 287, 289, 291, 293, 295, 298, 302, 306, 310, 314, 318, 322, 326, 330, 334, 381, 439, 441, 443, 445, 447, 449, 451, 453, 455, 457, 533, 535, 537, 539, 541, 543, 545	3422938..... 287	3576003 163
2920029 ... 119, 121, 123, 125, 127, 129, 287	3311501 67, 69	3422943....258, 264, 271, 277, 285, 287	3580134 233, 237, 242
2920146 55	3311505 . 89, 91, 93, 101, 103, 105, 109, 115, 117, 135, 137, 139, 141, 150, 154, 169, 175, 187, 214, 218, 246, 258, 264, 271, 277, 337, 339, 341, 343, 345	3422944....258, 264, 271, 277	3580312 251
2920162 233, 237, 242	3311508 183, 195	3422945....258, 264, 271, 277	3580317 245
2940064 355, 357	3311605 ... 139, 141, 150, 154, 159, 163, 169, 175, 182, 184, 187, 194, 196, 203, 214, 218, 225, 227, 233, 237, 241, 251, 255, 261, 267, 273, 285, 287, 298, 302, 306, 310, 314, 318, 322, 326, 330, 334, 355, 359, 381	3422946....258, 264, 271, 277	3580318 245
2940074 ... 359, 361, 363, 551	3311608 225, 227	3422948..... 271, 277	3580320 241, 245
2940109 150, 154	3311705 241	3422954..... 258, 264	3580324 251
2940127 293, 295	3311801 23, 241, 245	3422961....255, 261, 267, 273	3580348 251
3010088 355, 357	3311802 ... 337, 339, 341, 343, 345	3422963....255, 261, 267, 273	3600468 ... 298, 302, 306, 310, 314, 318, 322, 326, 330, 334, 347
3020008 23, 555	3311805 63, 169, 225, 227, 279, 281, 381	3422964..... 271, 277	3620042 225, 227
3020021 205	3311805 63, 169, 225, 227, 279, 281, 381	3422965....258, 264, 271, 277	3620043 169
3020029 19, 21	3311805 63, 169, 225, 227, 279, 281, 381	3422966....337, 339, 341, 343, 345	3740049 163, 467, 550
3020035 381	3311805 63, 169, 225, 227, 279, 281, 381	3423047 381	3740067 ... 167, 298, 302, 306, 310, 314, 318, 322, 326, 330, 334, 550, 551
3200362 225, 227	3311805 63, 169, 225, 227, 279, 281, 381	3423049 285	3740080 ... 167, 214, 218, 233, 237, 241, 251, 467, 470, 550, 551
3200378 169	3311805 63, 169, 225, 227, 279, 281, 381	3423052 330, 334	3760141 381
3200431 169	3311805 63, 169, 225, 227, 279, 281, 381	3423151 381	3760170 ... 355, 357, 359, 361, 363, 385
3200447 ... 255, 261, 267, 273	3311805 63, 169, 225, 227, 279, 281, 381	3423179 381	3760348 63, 337, 339, 341, 343, 345, 381
3200450 369, 371	3311805 63, 169, 225, 227, 279, 281, 381	3423180 381	3760351 330, 334
3220129 207	3311805 63, 169, 225, 227, 279, 281, 381	3440816 381	3760368 393
3220131 209	3311805 63, 169, 225, 227, 279, 281, 381	3450304....258, 264, 271, 277	3760460 393
3251813 ... 533, 535, 537, 539, 541, 545	3311805 63, 169, 225, 227, 279, 281, 381	3450405....259, 264, 271, 277	3780182 19, 21
3252507 ... 443, 445, 447, 449, 451, 453, 455, 457	3311805 63, 169, 225, 227, 279, 281, 381	3460334 385	3790152 ... 167, 179, 191, 221, 223
3252757 547	3311805 63, 169, 225, 227, 279, 281, 381	3460335 167	3820020 ... 355, 357, 359, 361, 363
3271405 123, 125, 129	3311805 63, 169, 225, 227, 279, 281, 381	3480288 389, 391	3841143 ... 163, 175, 187, 214, 218, 255, 259, 261, 265, 267, 271, 273, 277, 285, 287
3271605 ... 258, 264, 271, 277	3311805 63, 169, 225, 227, 279, 281, 381	3510878....337, 339, 341, 343	3841203 ... 259, 265, 271, 277
3271801 ... 182, 194, 241, 245	3311805 63, 169, 225, 227, 279, 281, 381	3510879 345	3841233 ... 337, 339, 341, 343, 345
3271805 . 49, 51, 53, 150, 154, 258, 264, 271, 277	3311805 63, 169, 225, 227, 279, 281, 381	3520026..... 127, 129	3841258 15, 17
3272005 ... 298, 302, 306, 310, 314, 318, 322, 326, 330, 334	3311805 63, 169, 225, 227, 279, 281, 381		3841520 19, 21
3272205 57, 59	3311805 63, 169, 225, 227, 279, 281, 381		
3290405 ... 214, 218, 245, 439, 441, 445, 447, 449, 451, 453, 455, 457	3311805 63, 169, 225, 227, 279, 281, 381		
3290505 214, 218	3311805 63, 169, 225, 227, 279, 281, 381		
3290601 293, 295	3311805 63, 169, 225, 227, 279, 281, 381		
3291005 ... 207, 209, 285, 287	3311805 63, 169, 225, 227, 279, 281, 381		

PART NUMBER INDEX

3841556.....259, 265, 271, 277	4061032..... 405, 409	4420008..... 369, 371	4460445.....483
3841564.....63	4061056..... 279	4420037..... 139, 141	4460458.....477
3850013.....393	4061057..... 281	4420051 57, 59, 279, 281, 547	4460464....287, 467, 475, 477, 481, 483, 495, 497, 501, 503, 507, 509
3860059....337, 339, 341, 343, 345	4070987 ... 119, 121, 123, 125, 127, 129	4420062..... 385	4460465....287, 465, 467, 469, 473, 477, 478, 487, 489, 491, 495, 497, 499, 501, 503, 505, 507, 511, 529
3860102.....271, 277	4160116..... 63	4420066 ... 337, 339, 341, 343, 345	4460466....287, 467, 469, 473, 477, 478, 495, 497, 499, 501, 503, 505, 507, 511
3860122.....381	4240003..... 385	4420067 ... 533, 535, 537, 539, 541, 543, 545	4460467.....556
3900178.....369, 371	4240032 ... 465, 467, 469, 473, 475, 505	4420069 ... 337, 339, 341, 343, 345	4460468.....501
3900254....298, 302, 306, 310, 314, 318, 322, 326	4240033 ... 245, 259, 265, 271, 277, 287, 289, 291, 298, 302, 306, 310, 314, 318, 322, 326, 330, 334, 467, 469, 473, 475, 495, 497	4420080 ... 150, 154, 163, 215, 219	4460470.....369, 371
3900255.....19, 21	4240099..... 187, 195	4460016..... 465, 493	4460473.....501
3900265.....369, 371	4240170..... 381	4460019 473, 475, 483	4460474.....473, 487
3900290.....150, 154	4240171..... 381	4460027 233, 242, 251	4460480.....465
3900300....119, 121, 123, 125, 127, 129	4280295 ... 259, 265, 271, 277, 298, 302, 306, 310, 314, 318, 322, 326, 330, 334	4460042 475, 478, 481	4460481.....501
3900318....355, 357, 359, 361, 363, 379	4340853..... 385	4460043 478, 509	4460499....495, 497, 505
3900319....355, 357, 359, 361, 363	4340854..... 385	4460044 461	4460510.....556
3900321.....393	4340922..... 381	4460051 501	4460536....467, 469, 473, 483
3900322.....233, 237	4340932..... 381	4460071 445	4460539....467, 469, 473, 495, 497, 499, 529
3900323....355, 357, 359, 361, 363	4340933..... 381	4460115 493	4460608.....473
3900325....255, 261, 267, 273	4340934..... 381	4460121 495, 497, 501	4460612.....245
3900330....298, 302, 306, 310, 314, 318, 322, 326, 330, 334	4340948 381	4460134 485	4460662....245, 445, 447, 449, 451, 453, 513
3900355.....385	4340949 381	4460138 439	4460670.....467, 487
3910408.....175, 187	4360070 ... 119, 121, 123, 125, 127, 129, 249, 550, 551	4460142 475	4460693.....473
3910606....119, 121, 123, 125, 127, 129	4360328 ... 119, 121, 123, 125, 127, 129, 298, 302, 306, 310, 314, 318, 322, 326, 330, 334, 550	4460183 465, 493	4460703.....478
3910616....119, 121, 123, 125, 127, 129	4360387 ... 119, 121, 123, 125, 127, 129, 298, 302, 306, 310, 314, 318, 322, 326, 330, 334, 369, 371, 375, 377, 550	4460190 233, 242, 251	4460705.....242
3910804....119, 121, 123, 125, 127, 129	4360469 ... 119, 121, 123, 125, 127, 129, 551	4460205 241	4460738.....467, 473
3911428....359, 361, 363	4360470 121, 551	4460225 483, 489, 493	4460741.....467, 469
3930820.....57, 59	4360475 ... 119, 121, 123, 125, 127, 129, 369, 371, 550	4460226 373, 489	4460761.....287, 465
3931010....359, 361, 363	4360482 ... 233, 237, 241, 245, 251, 371, 551	4460234 187, 195	4460779.....459
3931016.....245	4360483 ... 298, 302, 306, 310, 314, 318, 322, 326, 330, 334, 369, 551	4460247 478	4460812.....495, 497
3931412.....385	4360500 ... 255, 261, 267, 273, 550	4460248 461, 495, 497	4460814....467, 469, 473
3931436....182, 194, 355, 357, 359, 361, 363	4360502 ... 255, 261, 267, 273, 550	4460256 475	4460817.....465
3931508.....385	4360518..... 63	4460259 ... 465, 493, 495, 497	4460818.....465
3931512....182, 194, 355, 357, 359, 361, 363	4360524 369, 371, 550	4460260 ... 465, 493, 495, 497	4460836....287, 467, 469, 473, 499, 501, 511
3931516.....393	4360525 369, 371, 550	4460261 ... 119, 121, 123, 125, 127, 129, 373, 461, 465, 483, 529	4460837....467, 469, 473
3931628.....241, 245	4360542 242	4460262 373, 465	4460842....467, 469, 473
3931664.....330	4360548 499, 551	4460267 ... 119, 121, 123, 125, 127, 129, 373, 461, 465, 483, 529	4460851.....499
3940804.....245	4400275 215, 219	4460268 ... 467, 469, 473, 493, 529	4460852.....499
3960407.....171	4400420 215, 219	4460294 287	4460858.....459
3960468.....163, 214	4400436 139	4460312 475	4460884....478, 495, 497, 529
3960525.....139, 141		4460313 473, 509	4460891....467, 469, 473, 477, 481, 495, 497, 499, 503, 507
3960526.....23		4460315 245, 439	4460892....465, 499, 503, 505, 507
3990010....495, 497, 550		4460320 461	4460894....465, 477, 499, 503, 505, 507
4010408....245, 439, 441, 445, 447, 449, 451, 453, 455, 457		4460321 ... 119, 121, 123, 125, 127, 129, 485	4460895.....465
4031914.....182, 194		4460346 245, 513	4460897....477, 481, 495, 497, 509
4032014.....241, 245		4460374 ... 467, 470, 473, 475, 483, 487	4460899.....467
4060802....119, 121, 123, 125, 127, 129, 233, 237, 241, 245, 251, 369, 371		4460375 ... 467, 470, 473, 475, 483, 487	4460906....483, 485, 487
4060803....150, 154, 169		4460420 467, 469	4460930.....287, 477
4060805.....150, 154		4460422 ... 439, 441, 443, 445, 447, 449, 451, 453, 455, 457	4460931.....287, 467
		4460424 ... 467, 469, 473, 529	4460932.....478, 481
		4460425 249	
		4460426 249	
		4460434 493	

PART NUMBER INDEX

4460933 ... 287, 467, 469, 473, 495, 497	4520576 37	4712200.....298, 302, 306, 310, 314, 318, 322, 326	4812100 ... 175, 182, 188, 194, 241, 245
4460934 499	4520608 33, 41, 49	4740086..... 19, 21	4812200 241, 246
4460935 ... 499, 501, 503, 505, 507, 511	4568295 285, 287	4740120..... 369, 371	4845441 379
4460939 475	4568398 169	4740158..... 15, 17	4845442 379
4460941 481	4569126 381	4740274..... 169, 225, 227	4845938 369, 371
4460942 ... 467, 470, 473, 478, 481	4569150 382	4740362..... 234, 252	4846460 271, 277
4460943 467, 469, 473	4640113 ... 33, 35, 37, 39, 41, 45, 49, 51, 53	4740415..... 381	4846519 ... 337, 339, 341, 343, 345
4460944 ... 467, 469, 473, 477, 495, 497, 529	4640751 ... 169, 182, 194	4740455..... 259, 265, 271, 277	4846530 ... 355, 357, 359, 361
4460955 467, 469, 473	4640858 389, 391	4740480..... 385	4846531 ... 355, 357, 359, 361
4460956 463	4640952 225, 227	4740506..... 255, 261, 267, 273	4846532 ... 355, 357, 359, 361, 363
4460957 463	4641122 41, 45, 47	4740518..... 131, 133	4846537 ... 355, 357, 359, 361, 363
4460961 242	4641192 73	4740529..... 381	4846542 ... 355, 357, 359, 361, 363
4460967 491	4641193 ... 259, 265, 271, 277	4740541..... 15, 17	4846556 ... 337, 341, 355, 359
4460968 ... 447, 449, 451, 453, 499	4641205 ... 259, 265, 271, 277	4750600.... 119, 121, 123, 125, 127, 129	4846557 355, 359
4460970 467, 469, 473	4641254 ... 259, 265, 271, 277	4750800.57, 59, 150, 154	4846570 359, 361, 363
4460972 483	4641281 405, 409	4751000.... 139, 141, 167, 233, 237, 245, 252, 255, 261, 267, 273, 359, 361, 363	4846584 393
4460973 483	4641303 67, 69, 71	475140079, 83, 215, 219, 287, 293, 295, 298, 302, 306, 310, 314, 318, 322, 326, 330, 334, 439, 441, 443, 445, 447, 449, 451, 453, 455, 457	4846590 ... 355, 357, 359, 361, 363
4460974 483	4641390 389, 391	4751500.... 150, 154, 163, 175, 188, 215, 219, 241, 251, 337, 339	4846655 369, 371
4460981 475	4710400 175, 187	4751600.... 150, 154, 159, 182, 194, 233, 237, 241, 252, 293, 295, 298, 302, 306, 310, 314, 318, 322, 326, 330, 334, 337, 339, 341, 343, 345, 355, 359	4846683 363
4460982 503, 505, 507	4711000 203, 241, 249	4751800..... 381	4846844 363
4461005 469	4711400 ... 21, 57, 59, 77, 81, 131, 133, 150, 154, 157, 159, 163, 175, 182, 187, 194, 214, 218, 225, 227, 245, 255, 259, 261, 265, 267, 271, 273, 277, 289, 291, 306, 310, 314, 318, 322, 326, 334, 355, 357, 359, 361, 363, 381, 385, 439, 441, 443, 445, 447, 449, 451, 453, 455, 457, 533, 535, 537, 539, 541, 543, 545	4752200.... 234, 237, 298, 302, 306, 310, 314, 318, 322, 326, 330, 334, 337, 339, 341, 343, 345	4860179 35, 43, 51
4461006 469	4711500 ... 57, 59, 89, 91, 93, 101, 103, 105, 109, 115, 117, 135, 137, 139, 141, 150, 154, 169, 175, 182, 187, 194, 214, 218, 246, 259, 265, 271, 277, 337, 339, 341, 343, 345, 355, 357, 359, 361, 363	4760600.... 119, 121, 123, 125, 127, 129, 369, 371	4860237 45
4461008 469, 478	4711600 ... 139, 141, 150, 154, 163, 169, 175, 182, 187, 194, 203, 207, 209, 215, 218, 225, 227, 233, 237, 241, 245, 255, 259, 261, 265, 267, 271, 273, 277, 293, 295, 337, 339, 341, 343, 345, 381	4761000.... 119, 121, 123, 125, 127, 129	4891500 234, 237
4461052 469	4711700 ... 182, 194, 233, 237, 241, 251	4761200.... 123, 125, 129	4891600 ... 139, 141, 150, 154, 167, 179, 191, 207, 209, 221, 223, 251
4461053 469	4711800 ... 169, 225, 227, 279, 281, 381	4761400.... 85, 87, 89, 91, 93, 95, 97, 99, 101, 103, 105, 107, 109, 111, 113, 115, 117	4891800 ... 15, 19, 21, 23, 49, 51, 53, 150, 154, 167, 179, 182, 191, 194, 221, 223, 241, 246
4461054 469, 478	4711900 233, 237	4761500..... 67, 69	4892000 23, 234, 237
4461060 469	4712000 ... 163, 176, 188, 215, 218, 381	4761600.67, 69, 215, 219	4892200 57, 59
4461070 477		4791400..... 245, 369, 371	4922667 ... 119, 121, 123, 125, 127, 129, 493
4461071 469, 477		4811400.... 245, 439, 441, 445, 447, 449, 451, 453, 455, 457	4922692 289, 291, 501
4461072 469, 477		4811900.... 175, 182, 187, 194, 251	4922739 55, 461
4461073 469, 477		4811902..... 184, 196	4922768 369, 371, 465
4461074 469, 477		4812000.... 207, 209, 242, 246	4922800 ... 234, 237, 252, 483
4461095 477		4812002..... 182, 194	4922848 330, 505
4461097 475			4922859 ... 298, 302, 306, 310, 314, 318, 322, 326, 330, 334, 509
4461109 473			4922882 287
4461111 473			4922925 246, 489
4461113 473			4923386 167, 475
4461121 473			4923478 167
4461122 473			4923507 511
4461123 473			5241200 17
4461124 473			70000081 373, 550
4461161 473			70000082 373, 550
4461196 441, 515			70000083 373
4461198 515			70000084 373
4461199 517			70000085 373
4461201 517			70000122 233, 251
4461202 ... 447, 451, 455, 521, 525			70000123 237
4461205 ... 447, 451, 453, 455, 457, 523, 527			70000124 237
4461222 473			70000125 237
4461244 521			
4461245 523			
4461246 519			
4461249 449, 519			
4461257 441, 455, 457			
4461258 441, 455, 457			
4520217 35, 43, 51			
4520240 39, 47, 53			
4520262 45			
4520570 37			
4520571 37			

PART NUMBER INDEX

70000126.....	237	70002140.....	229	7000262.....	25, 27	70024504.....	200
70000164.....	225, 227	70002141.....	229	7000263.....	25, 27	70024507.....	200
70000263.....	169	70002142.....	229	70002718.....	199	70024513.....	199
70000345.....	171, 199	70002143.....	229	70002768.....	143	70024517.....	199
70000619.....	245	70002144.....	229	70002895.....	225, 227	70024905.....	199
70000683.....	373	70002145.....	229	70002963.....	75, 550	70024906.....	199
70000684.....	373	70002146.....	229	70003024.....	75	70024907.....	199
70000685.....	373	70002147.....	229	70003098.....	399	70024910.....	200
70000686.....	373	70002148.....	229	70003099.....	399	70024914.....	200
70000783.....	171	70002149.....	229	70003468.....	171	70024915.....	200
70000793.....	205	70002150.....	229	70003469.....	171	70024916.....	200
70000797.....	31	70002151.....	229	70003475.....	171	70024917.....	200
70000912.....	171	70002152.....	229	70003479.....	171	70024918.....	200
70000913.....	171	70002153.....	229	70003480.....	172	70024920.....	200
70000914.....	171	70002154.....	229	70003481.....	172	70024924.....	199
70000915.....	171	70002155.....	229	70003650.....	373	70024925.....	199
70000916.....	171	70002156.....	229	70003933.....	399	70024961.....	199
70000917.....	171	70002157.....	229	70003934.....	399	70025076.....	199
70000918.....	171	70002158.....	229	70003935.....	71	70025082.....	199
70000919.....	171	70002159.....	229	70003936.....	71	70025084.....	200
70000969.....	347	70002160.....	229	70003937.....	183, 550	70025088.....	199
70000970.....	347	70002161.....	229	70003977.....	75	70025091.....	199
70000971.....	347	70002162.....	229	70003978.....	75	70025120.....	200
70000976.....	347	70002163.....	229	70004194.....	373	70025135.....	199
70001002.....	171	70002164.....	229	70004274.....	199	70025136.....	199
70001017.....	207	70002165.....	229, 230	70004275.....	199	70025140.....	199
70001065.....	347	70002166.....	229	70004277.....	200	70025142.....	200
70001076.....	347	70002167.....	229	70004279.....	199	70025143.....	200
70001079.....	347	70002168.....	229	70004281.....	199	70025144.....	199
70001080.....	347	70002169.....	230	70004283.....	200	70025145.....	199
70001081.....	347	70002170.....	230	70004284.....	200	70025146.....	199
70001085.....	347	70002172.....	230	70004389.....	75	70025149.....	200
70001103.....	141	70002174.....	230	70005069.....	75	70025151.....	200
70001106.....	347	70002175.....	230	70005073.....	75	70025152.....	199
70001107.....	347	70002176.....	230	70005080.....	75	70025153.....	199
70001108.....	347	70002177.....	230	70005100.....	75	70025154.....	199, 550
70001112.....	347	70002178.....	230	70005161.....	75	70025160.....	199
70001342.....	353	70002179.....	230	70005162.....	75	70025161.....	199, 550
70001343.....	353	70002180.....	230	70005163.....	75	70025164.....	199
70001349.....	25, 27	70002181.....	230	70005164.....	75	70025176.....	199
70001435.....	171	70002182.....	230	70005165.....	75	70025177.....	200
70001787.....	169	70002185.....	230	70005166.....	75	70025179.....	199, 200
70001870.....	171, 199	70002186.....	230	70005167.....	75	70025180.....	199
70001871.....	171	70002187.....	230	70005168.....	75	70025200.....	200
70001932.....	31	70002188.....	230	70005446.....	200	70025202.....	199
70001958.....	229, 230	70002189.....	230	70005483.....	28	70025206.....	199
70001959.....	143	70002190.....	230	70005484.....	373	70025207.....	199
70001960.....	143, 550	70002191.....	230	70005485.....	373	70025208.....	199
70001965.....	61, 63, 550	70002192.....	230	70006428.....	25, 28	70025210.....	200, 550
70001967.....	73, 259, 265, 271, 277, 550	70002202.....	395	70006429.....	25, 28	70025231.....	199, 200
70001977.....	73, 77, 79, 81, 83, 349, 351, 550	70002203.....	395	7000663.....	171	70025235.....	200
70001978.....	73	70002210.....	167, 179, 191, 221, 223	7000731.....	28	70025239.....	199
70001979.....	73	70002236.....	237	70007439.....	230	70025241.....	200
70001980.....	73	70002237.....	233, 237, 242, 251	70010383.....	163, 175, 187, 215, 219, 550	70025242.....	200
7000206.....	25, 27	70002240.....	233, 251	7001084.....	397	70025477.....	200
70002112.....	143	70002241.....	233, 251	7001608.....	397	70025660.....	200
70002113.....	143, 550	7000229.....	25, 27	7001610.....	397	7002821.....	556
70002132.....	229, 230	7000230.....	25, 27	7001613.....	397	7002822.....	556
70002133.....	229	7000232.....	25, 27	7001614.....	397	7002823.....	556
70002134.....	229	7000246.....	25, 27	7001617.....	397	7002826.....	556
70002135.....	229	7000248.....	25, 27	7001998.....	25, 27	7002828.....	556
70002136.....	229	7000248.....	25, 27	70023592.....	182, 194, 550	7004275.....	556
70002137.....	229	7000253.....	25, 27	70023593.....	182, 194, 550	7004276.....	556
70002138.....	229	7000257.....	25, 27	70024473.....	200	70050516.....	75, 550
70002139.....	229	7000258.....	25, 27	70024473.....	200	7007207.....	229
		7000261.....	25, 27	70024486.....	199	7007415.....	230
				70024488.....	199	7007418.....	229

PART NUMBER INDEX

7007419.....	229	7020023.....	171, 550	7023212....	119, 121, 123, 125, 127, 129	7024926.....	353
7007437.....	31	7020026.....	171	7023306.....	143	7026002.....	353
7007438.....	31	7020108 ...	233, 237, 241, 251	7023347.....	143	7026199.....	241
7007439.....	31	7020109 ...	233, 237, 241, 251	7023900.....	75	7026525.....	233, 251
7007446.....	31, 229	7020110 ...	233, 237, 241, 251	7023907.....	31	7026582.....	395
7007601.....	25, 27	7020111 ...	233, 237, 241, 251	7023910.....	31	7026583.....	395
7007640.....	25, 27	7020175 ...	119, 121, 123, 125, 127, 129, 369, 371	7023912.....	73	7026584.....	395
7010429.....	25, 27	7020176 ...	119, 121, 123, 125, 127, 129, 369, 371	7023917.....	71	7026585.....	395
70104570.....	200	7020190 ...	233, 237, 241, 251	7023919....	259, 265, 271, 277	7026586.....	395
7010542.....	73	7020192.....	237	7023923....	259, 265, 271, 277	7026608.....	171
7010543.....	73	7020193.....	242	7023933.....	71	7027019.....	214, 218
7010545.....	73	7020218 ...	258, 264, 270, 276	7023936.....	75	7027020.....	214, 218
7010635.....	73	7020219 ...	258, 264, 270, 276	7023964.....	230	7027089.....	176, 188
7010911.....	347	7020404.....	199	7023981.....	73	7027090.....	176, 188
7011003.....	347	7020414.....	171	7024182.....	27, 28	7027091.....	176, 188
7011016.....	347	7020430.....	172	7024189.....	28	7027236.....	171
7011024.....	347	7020447.....	171	7024190.....	28	7027239.....	171
7011043.....	347	7020460.....	171	7024191.....	28	7027245.....	171, 550
7011044.....	347	7020465.....	171, 199	7024192.....	28	7027276.....	171
7011048.....	347	7020468.....	171	7024193.....	28	7027365.....	373
7011346.....	353	7020471.....	171	7024194.....	28	7027367.....	373, 550
70124530.....	200	7020479.....	171	7024196.....	28	7027412.....	225, 227
70124538.....	200	7020486.....	171	7024197.....	28	7027419.....	31
7012513 ...	233, 237, 241, 251	7020492.....	200	7024438....	169, 225, 227, 550, 551	7027765.....	373
7012514 ...	233, 237, 241, 251	7020494.....	171	7024441.....	143	7027766.....	373
7012558.....	241	7020495.....	171	7024446.....	143	7027790.....	171
7012576.....	347	7021249.....	31	7024488.....	245	7027791.....	171
7012905.....	73	7021256.....	230	7024489.....	245	7027792.....	171
7012910.....	73	7021275.....	31, 229	7024497.....	61	7027795 ...	233, 237, 242, 251
7012920.....	73	7021276.....	31	7024498.....	61	7027903.....	171
7012925 ...	259, 265, 271, 277	7021277.....	31	7024499.....	61	7027965 ...	225, 227, 550
7012941.....	73	7021625.....	71	7024500.....	61	7027972 ...	225, 227, 550
7012967 ...	73, 77, 79, 81, 83	7021639.....	71	7024502.....	61, 63	77363233.....	489
7012972.....	73	7022301.....	229	7024503.....	61	80484084.....	477
7016319.....	55	7022302.....	31	7024504.....	61	80983191.....	477, 551
7016331.....	171, 550	7022305.....	31	7024505.....	61	8220115.....	478
7016372.....	55	7022310.....	31	7024506.....	61, 63	8229242 ...	477, 495, 497, 551
7016641.....	199, 550	7022312.....	31	7024507.....	61	8273291.....	169
7016654.....	556	7022314.....	31	7024565.....	171	83191040.	167, 179, 191, 221, 223
7017059.....	25, 27	7022326.....	31	7024579.....	171, 199	8405006 ...	175, 187, 203
7017067.....	25, 27	7022328.....	31	7024585.....	163	8405007.....	182, 194
7017070.....	25, 27	7022340.....	230	7024586.....	163	8405009.....	183, 195
7017080.....	25, 27	7022368.....	31	7024587.....	163	8405104.....	182, 194
7017402.....	73, 349, 351	7022369.....	31	7024705.....	27	8405201.....	182, 194
7017406.....	73	7022371.....	31	7024712.....	25, 27	8405202.....	182, 194
7017433.....	73, 349, 351	7022390.....	75	7024713.....	25, 27	8406101.....	241
7017451 ...	259, 265, 271, 277, 550	7022397.....	71	7024714.....	25, 27	8406102.....	183, 195
7017460.....	349, 351	7022398.....	75	7024715.....	25, 27	8406112.....	175, 187
7017461.....	349, 351	7022399.....	71, 75	7024716.....	25, 27	8410011.....	182, 194
7017467 ...	77, 79, 81, 83	7023035.....	397	7024717.....	27	8702156.....	150, 154
7017493.....	75	7023036.....	397	7024718.....	28	8760351.....	404, 408
7017496.....	73, 259, 265, 271, 277, 389, 391			7024829....	259, 265, 271, 277	8786514.....	43
7018942.....	353			7024844.....	73	88521205.	163, 175, 188, 215, 219
7019602 ...	258, 264, 270, 276			7024854.....	31	88662523.....	150, 154
7019680.....	242			7024862.....	31	91401281.	163, 175, 188, 215, 219
				7024868.....	31	91563070.....	182, 194
				7024881.....	71		

PARTS FINDER

**Search Website
by Part Number**



**Search Manual
Library For Parts
Manual & Lookup Part
Numbers – Purchase
or Request Quote**

**Can't Find Part or
Manual? Request Help
by Manufacturer,
Model & Description**

Discount-Equipment.com is your online resource for quality parts & equipment.

Florida: **561-964-4949** Outside Florida TOLL FREE: **877-690-3101**

Need parts?

Click on this link: <http://www.discount-equipment.com/category/5443-parts/> and choose one of the options to help get the right parts and equipment you are looking for. Please have the machine model and serial number available in order to help us get you the correct parts. If you don't find the part on the website or on one of the online manuals, please fill out the request form and one of our experienced staff members will get back to you with a quote for the right part that your machine needs.

We sell worldwide for the brands: Genie, Terex, JLG, MultiQuip, Mikasa, Essick, Whiteman, Mayco, Toro Stone, Diamond Products, Generac Magnum, Airman, Haulotte, Barreto, Power Blanket, Nifty Lift, Atlas Copco, Chicago Pneumatic, Allmand, Miller Curber, Skyjack, Lull, Skytrak, Tsurumi, Husquvarna Target, Stow, Wacker, Sakai, Mi-T-M, Sullair, Basic, Dynapac, MBW, Weber, Bartell, Bennar Newman, Haulotte, Ditch Runner, Menegotti, Morrison, Contec, Buddy, Crown, Edco, Wyco, Bomag, Laymor, EZ Trench, Bil-Jax, F.S. Curtis, Gehl Pavers, Heli, Honda, ICS/PowerGrit, IHI, Partner, Imer, Clipper, MMD, Koshin, Rice, CH&E, General Equipment, Amida, Coleman, NAC, Gradall, Square Shooter, Kent, Stanley, Tamco, Toku, Hatz, Kohler, Robin, Wisconsin, Northrock, Oztec, Toker TK, Rol-Air, APT, Wylie, Ingersoll Rand / Doosan, Innovatech, Con X, Ammann, Mecalac, Makinex, Smith Surface Prep, Small Line, Wanco, Yanmar