



Illustrated Parts Manual

**Model
3246R**

P/N
3121752

December 15, 2018 - Rev A

ANSI



AS/NZS



An Oshkosh Corporation Company

PARTS FINDER

**Search Website
by Part Number**



**Search Manual
Library For Parts
Manual & Lookup Part
Numbers – Purchase
or Request Quote**

**Can't Find Part or
Manual? Request Help
by Manufacturer,
Model & Description**

Discount-Equipment.com is your online resource for quality parts & equipment.

Florida: **561-964-4949** Outside Florida TOLL FREE: **877-690-3101**

Need parts?

Click on this link: <http://www.discount-equipment.com/category/5443-parts/> and choose one of the options to help get the right parts and equipment you are looking for. Please have the machine model and serial number available in order to help us get you the correct parts. If you don't find the part on the website or on one of the online manuals, please fill out the request form and one of our experienced staff members will get back to you with a quote for the right part that your machine needs.

We sell worldwide for the brands: Genie, Terex, JLG, MultiQuip, Mikasa, Essick, Whiteman, Mayco, Toro Stone, Diamond Products, Generac Magnum, Airman, Haulotte, Barreto, Power Blanket, Nifty Lift, Atlas Copco, Chicago Pneumatic, Allmand, Miller Curber, Skyjack, Lull, Skytrak, Tsurumi, Husquvarna Target, Stow, Wacker, Sakai, Mi-T-M, Sullair, Basic, Dynapac, MBW, Weber, Bartell, Bennar Newman, Haulotte, Ditch Runner, Menegotti, Morrison, Contec, Buddy, Crown, Edco, Wyco, Bomag, Laymor, EZ Trench, Bil-Jax, F.S. Curtis, Gehl Pavers, Heli, Honda, ICS/PowerGrit, IHI, Partner, Imer, Clipper, MMD, Koshin, Rice, CH&E, General Equipment, Amida, Coleman, NAC, Gradall, Square Shooter, Kent, Stanley, Tamco, Toku, Hatz, Kohler, Robin, Wisconsin, Northrock, Oztec, Toker TK, Rol-Air, APT, Wylie, Ingersoll Rand / Doosan, Innovatech, Con X, Ammann, Mecalac, Makinex, Smith Surface Prep, Small Line, Wanco, Yanmar

REVISION LOG

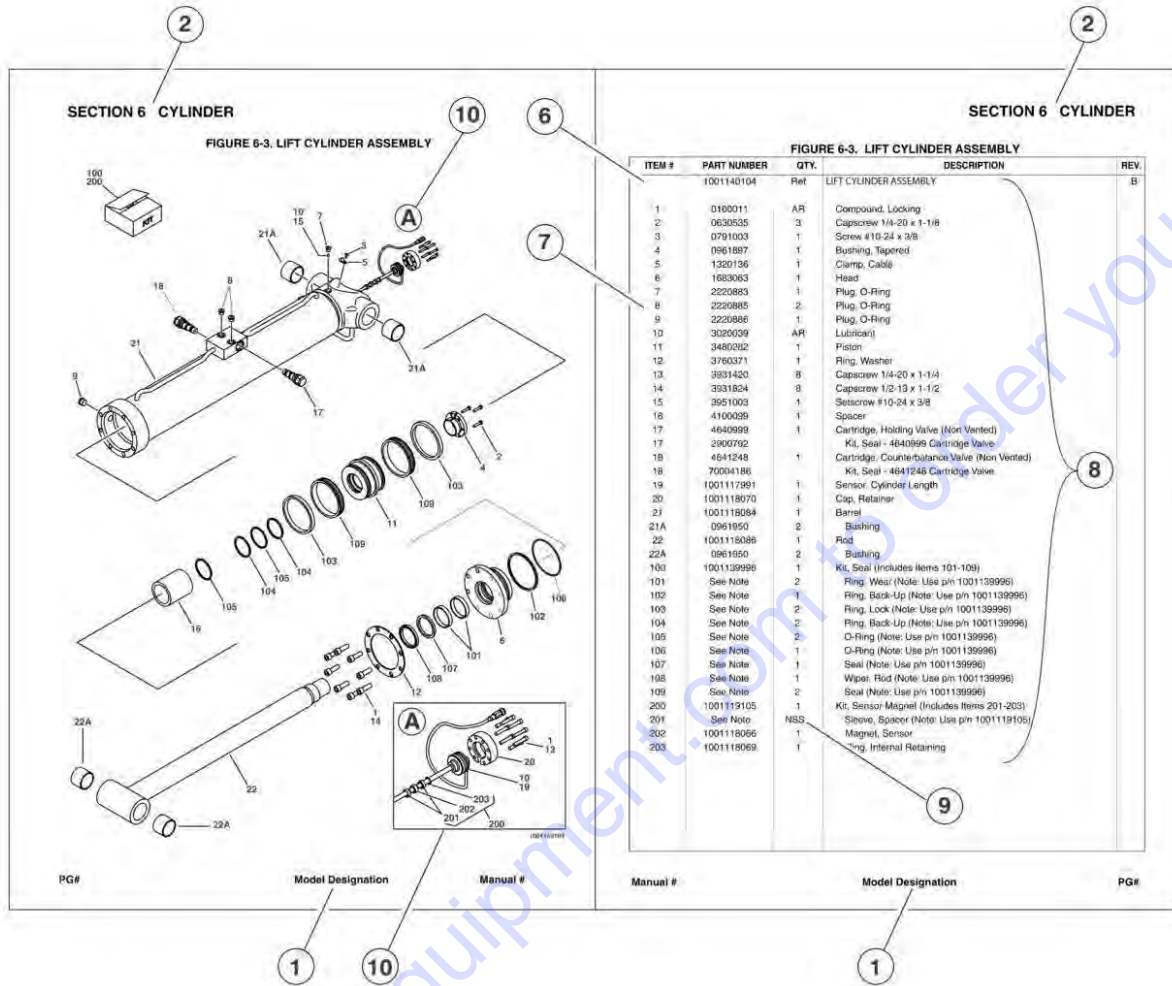
NOTES:

NOTE: Country of Assembly - The R Scissor Lifts are assembled by JLG Industries in the following countries: USA or China. Refer to the Serial Number Tag to identify the country of assembly. R Scissors assembled in USA will have a serial number prefix of 02 (i.e. 02XXXXXXXX), and R Scissors manufactured in China will have a serial number prefix of B2 (i.e. B2XXXXXXXX).

REVISION LOG:

December 15, 2018 - A - Original Issue of Manual (1001380000 Rev E & 1001237967 A) (Revision 1)

GENERAL INFORMATION



1) MACHINE IDENTIFICATION

Machines are identified by model and in some cases a combination of models, serial number (SN) or regional standard (i.e. ANSI, CE, CSA). Components may also be identified by SN or manufacturer. Common components that may be identified by these characteristics are engines and hydraulic components.

2) PARTS MANUAL ORGANIZATION

Product information in this manual is organized under section titles. Frame, Cylinder, Hydraulic and Electrical are a few examples. Each section is organized by figure and page number. The information within the Figure is then organized by item number, part number, description and corresponding illustration (s).

3) TABLE OF CONTENTS

A table of contents is found toward the beginning of the manual. Figure number, description and page number are provided for quick reference to the page containing the related information.

4) RECOMMENDED SPARE PARTS

The Recommended Spare Parts, located near the end of the manual, reference most frequently used maintenance parts.

5) PART NUMBER INDEX

A numerical index listing all part numbers and the corresponding page number(s) appears at the back of the manual.

GENERAL INFORMATION

6) NON-SERVICED PARTS

In some instances, it is necessary to display non-serviced parts, assemblies or installations. In the case of assemblies and installations there will be a Ref in the Qty column. In case of parts that are not available for service within assemblies or components, there will be a NSS (Not Sold Separately) or NLA (No Longer Available) listed in the Qty. column of the manual.

7) PARTS LIST ITEM NUMBERS

Numbers shown in the item# column correspond to numbers used in the associated illustration (s). Item numbers which are missing from the sequence in the parts list are not used on that page

8) INDENTED PARTS DESCRIPTION

An indented part description is included in the item under which it is indented.

9) ABBREVIATION AND SYMBOLS

AC..... Alternating Current
 ADE..... Advanced Design Electronics
 ANSI..... American National Standards Institute
 AR..... As Required
 ASSY..... Assembly
 AUX..... A uxiliary
 AWG..... American Wire Gauge
 B/M..... Bill of Material
 CE..... European Conformity
 CCW..... Counter Clockwise
 cm..... Centimeter
 CW..... Clockwise
 CSA..... Canadian Standards Association
 CYL..... Cylinder
 DIA..... Diameter
 DC..... Direct Current
 EMS..... Emergency Stop
 ENG..... Engine
 FT(ft)..... Feet
 GA(Ga)..... Gauge
 HYD..... Hydraulic
 Hz..... Hertz
 ID..... Inside Diameter
 in..... inches
 ISO..... International Organization for Standards
 JIC..... Joint Industry Council
 KG..... Kilogram
 L..... Liter
 LB..... Pounds

LCD..... Liquid Crystal Display
 LED..... Light Emitting Diodes
 LH..... Left Hand
 LSS..... Load Sensing System
 M(m)..... Metric/Meter
 MM (mm)..... Milimeter
 mA..... Milliamps
 NLA..... No Longer Available
 NPT..... National Pipe Threads
 NSS..... Not Sold Separately
 OD..... Outside Diameter
 ORB..... O-Ring Boss
 ORFS..... O-Ring Face Seal
 OZ (oz)..... Ounces
 PG..... Page
 P/N..... Part Number
 qt..... Quarts
 QTY..... Quantity
 REF..... Reference
 REV..... Revision Level
 RH..... Right Hand
 SAE..... Society of Automotive Engineers
 SN..... Serial Number
 SPEC(S)..... Specifications
 T/T..... Turntable
 UGM..... Universal Ground Module
 V..... Volts
 W..... Watts
 #..... Number

10) ILLUSTRATION REFERENCE LETTERS

When necessary, illustrations may contain reference letters that are intended to track information (i. e. hoses, harnesses) from one point to another or to track visual enlargement of components to show details that may be located in another area on the illustration.

Note: Due to continuous product improvements, JLG Industries, Inc. reserves the right to make specification changes without prior notification.

TABLE OF CONTENTS

SECTION 1 - FRAME.....	9
FIGURE 1-1. STEER INSTALLATION.....	10
FIGURE 1-2. DRIVE/BRAKE INSTALLATION	12
FIGURE 1-3. DRIVE MOTOR ASSEMBLY	14
FIGURE 1-4. TIRE/WHEEL INSTALLATION.....	16
FIGURE 1-5. POTHOLE PROTECTION SYSTEM INSTALLATION	18
FIGURE 1-6. TILT SENSOR INSTALLATION	20
FIGURE 1-7. BATTERY CHARGER INSTALLATION - DELTA-Q (LOCALLY SUPPLIED PLUG).....	22
FIGURE 1-8. BATTERY CHARGER INSTALLATION - DELTA-Q (110V PLUG).....	24
FIGURE 1-9. BATTERY CHARGER INSTALLATION - DELTA-Q (AUSTRALIAN PLUG).....	26
FIGURE 1-10. BATTERY CHARGER INSTALLATION - DELTA-Q (KOREAN PLUG)	28
FIGURE 1-11. BATTERY CHARGER INSTALLATION - EAGLE PERFORMANCE (110V PLUG).....	30
FIGURE 1-12. BATTERY CHARGER INSTALLATION - GREEN POWER (LOCALLY SUPPLIED PLUG).....	32
FIGURE 1-13. BATTERY CHARGER INSTALLATION - GREEN POWER (CHINA PLUG).....	34
FIGURE 1-14. STROBE LIGHT INSTALLATION - SINGLE (AMBER) (WITHOUT GUARD).....	36
FIGURE 1-15. STROBE LIGHT INSTALLATION - DUAL (AMBER) (WITHOUT GUARD).....	38
FIGURE 1-16. STROBE LIGHT INSTALLATION - SINGLE (AMBER) (WITH GUARD).....	40
FIGURE 1-17. STROBE LIGHT INSTALLATION - DUAL (AMBER) (WITH GUARD).....	42
FIGURE 1-18. ALARM INSTALLATION (AMBIENT/WHITE NOISE)	44
FIGURE 1-19. LADDER INSTALLATION	46
FIGURE 1-20. FRAME COVERS INSTALLATION	48
SECTION 2 - GROUND CONTROLS	51
FIGURE 2-1. HYDRAULIC COMPONENTS INSTALLATION	52
FIGURE 2-2. MAIN VALVE ASSEMBLY	54
FIGURE 2-3. ELECTRICAL COMPONENTS INSTALLATION (CHINA BUILT MACHINES)	56
FIGURE 2-4. ELECTRICAL COMPONENTS INSTALLATION - #1 (USA BUILT MACHINES).....	58
FIGURE 2-5. ELECTRICAL COMPONENTS INSTALLATION - #2 (USA BUILT MACHINES).....	60
FIGURE 2-6. MDI INSTALLATION	62
FIGURE 2-7. BATTERIES INSTALLATION - STANDARD 6V-255AH	64
FIGURE 2-8. BATTERIES INSTALLATION - STANDARD 6V-220AH	66
FIGURE 2-9. BATTERIES INSTALLATION - AGM 6V-220AH.....	68
FIGURE 2-10. BATTERIES INSTALLATION - AGM EVCG 6V-220AH.....	70
FIGURE 2-11. BATTERIES INSTALLATION - 6V-220AH (TROJAN)	72
FIGURE 2-12. INVERTER INSTALLATION (OPTIONAL)	74
FIGURE 2-13. DOORS INSTALLATION	76
SECTION 3 - SCISSORS ARMS	79
FIGURE 3-1. SCISSORS ARMS INSTALLATION.....	80
FIGURE 3-2. ARMS GUARD INSTALLATION	84
SECTION 4 - PLATFORM.....	87
FIGURE 4-1. PLATFORM INSTALLATION	88
FIGURE 4-2. PLATFORM EXTENSION INSTALLATION	90
FIGURE 4-3. RAILS INSTALLATION (SIDE BY SIDE)	92
FIGURE 4-4. RAILS INSTALLATION (TUBE IN TUBE)	94
FIGURE 4-5. EXTENSION HANDLES INSTALLATION (OPTIONAL).....	96
FIGURE 4-6. PLATFORM CONSOLE INSTALLATION.....	98
FIGURE 4-7. CONTROLLER ASSEMBLY	100
FIGURE 4-8. GATE LATCH INSTALLATION	102
FIGURE 4-9. PIPE RACKS INSTALLATION (SIDE BY SIDE RAILS) (OPTIONAL).....	104
FIGURE 4-10. PIPE RACKS INSTALLATION (TUBE IN TUBE RAILS) (OPTIONAL)	106
FIGURE 4-11. OVERHEAD PROTECTION INSTALLATION (KOREAN SPECS)	108
SECTION 5 - CYLINDER.....	111
FIGURE 5-1. LIFT CYLINDER ASSEMBLY	112
FIGURE 5-2. STEER CYLINDER ASSEMBLY.....	114
SECTION 6 - HYDRAULIC	117
FIGURE 6-1. HYDRAULIC COMPONENTS INSTALLATION	118

TABLE OF CONTENTS

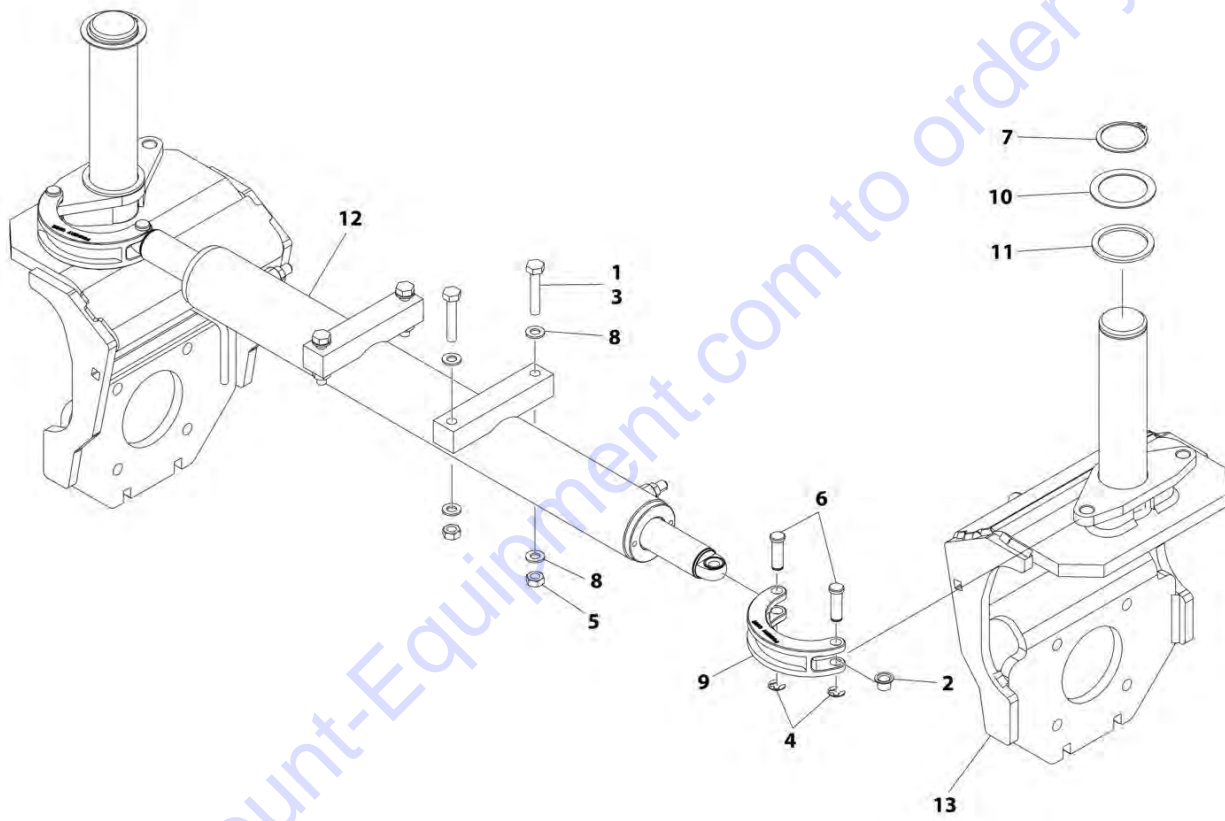
SECTION 7 - ELECTRICAL.....	121
FIGURE 7-1. AC BOX AT PLATFORM INSTALLATION - 110V GFI (ALL SPECS EXCEPT AUSTRALIAN & CE SPECS)	122
FIGURE 7-2. AC BOX AT PLATFORM INSTALLATION - 110V IEC YELLOW (CE SPECS).....	124
FIGURE 7-3. AC BOX AT PLATFORM INSTALLATION - 220V IEC BLUE (CE SPECS)	126
FIGURE 7-4. AC BOX AT PLATFORM INSTALLATION - 220V CEE7 POST GROUND (CE SPECS).....	128
FIGURE 7-5. AC BOX AT PLATFORM INSTALLATION - 220V CEE7 SIDE GROUND (CE SPECS).....	130
FIGURE 7-6. AC BOX AT PLATFORM INSTALLATION - 220V AFSINT 107 (CE SPECS).....	132
FIGURE 7-7. AC BOX AT PLATFORM INSTALLATION - 220V CHINA PLUG (CHINA SPECS).....	134
FIGURE 7-8. AC BOX AT PLATFORM INSTALLATION - 220V LOCALLY SUPPLIED COMPONENTS (ALL SPECS).....	136
FIGURE 7-9. AC BOX AT PLATFORM INSTALLATION - 220V (AUSTRALIAN SPECS).....	138
FIGURE 7-10. BREAKER BOX KIT WITH 1 DOUBLE BREAKER	140
FIGURE 7-11. BREAKER BOX KIT WITH 3 BREAKERS.....	142
FIGURE 7-12. CHASSIS HARNESS.....	144
FIGURE 7-13. GROUND TO PLATFORM CABLE INSTALLATION - WITHOUT PLATFORM COIL CABLE (CHINA BUILT MACHINES).....	148
FIGURE 7-14. GROUND TO PLATFORM CABLE INSTALLATION - WITHOUT PLATFORM COIL CABLE & WITH FOOTSWITCH (CHINA BUILT MACHINES).....	150
FIGURE 7-15. GROUND TO PLATFORM CABLE INSTALLATION - WITH PLATFORM COIL CABLE (CHINA BUILT MACHINES).....	152
FIGURE 7-16. GROUND TO PLATFORM CABLE INSTALLATION - WITH PLATFORM COIL CABLE & FOOTSWITCH (CHINA BUILT MACHINES).....	154
FIGURE 7-17. GROUND TO PLATFORM CABLE INSTALLATION - PLATFORM STRAIGHT CABLE ONLY (USA BUILT MACHINES).....	156
FIGURE 7-18. GROUND TO PLATFORM CABLE INSTALLATION - PLATFORM COIL CABLE ONLY (USA BUILT MACHINES).....	158
FIGURE 7-19. GROUND TO PLATFORM CABLE INSTALLATION - SCISSORS ARMS CABLE ONLY (USA BUILT MACHINES).....	160
FIGURE 7-20. LIFT DOWN HARNESS.....	162
FIGURE 7-21. PLATFORM CONTROL BOX HARNESS.....	164
FIGURE 7-22. RECEPTACLE BOX KIT - 110V GFI.....	166
FIGURE 7-23. RECEPTACLE BOX KIT - 110V IEC YELLOW	168
FIGURE 7-24. RECEPTACLE BOX KIT - 220V IEC BLUE.....	170
FIGURE 7-25. RECEPTACLE BOX KIT - 220V CEE7 POST GROUND 2X4 BOX (CE SPEC)	172
FIGURE 7-26. RECEPTACLE BOX KIT - 220V CEE7 SIDE GROUND.....	174
FIGURE 7-27. RECEPTACLE BOX KIT - 220V AFSINT 107 (CE SPEC)	176
SECTION 8 - DECALS	179
FIGURE 8-1. DECAL INSTALLATION (ANSI SPECS)	180
FIGURE 8-2. DECAL INSTALLATION (AUSTRALIAN SPECS).....	182
FIGURE 8-3. DECAL INSTALLATION (BRAZIL SPECS)	184
FIGURE 8-4. DECAL INSTALLATION (CE SPECS).....	186
FIGURE 8-5. DECAL INSTALLATION (CHINA SPECS).....	188
FIGURE 8-6. DECAL INSTALLATION (CSA SPECS)	190
FIGURE 8-7. DECAL INSTALLATION (KOREAN SPECS).....	192
FIGURE 8-8. DECAL INSTALLATION (LATIN AMERICAN SPECS).....	194
FIGURE 8-9. DECAL INSTALLATION - OPTIONS.....	196
SECTION 9 - RECOMMENDED SERVICE PARTS STOCK.....	199
FIGURE 9-1. RECOMMENDED SERVICE PARTS STOCK.....	200
SECTION 10 - SPECIAL OPTIONS	201
FIGURE 10-1. SPECIAL OPTIONS	202
PART NUMBER INDEX.....	203

SECTION 1 - FRAME

Go to Discount-Equipment.com to order your parts

SECTION 1 - FRAME

FIGURE 1-1. STEER INSTALLATION



ART_1001234316

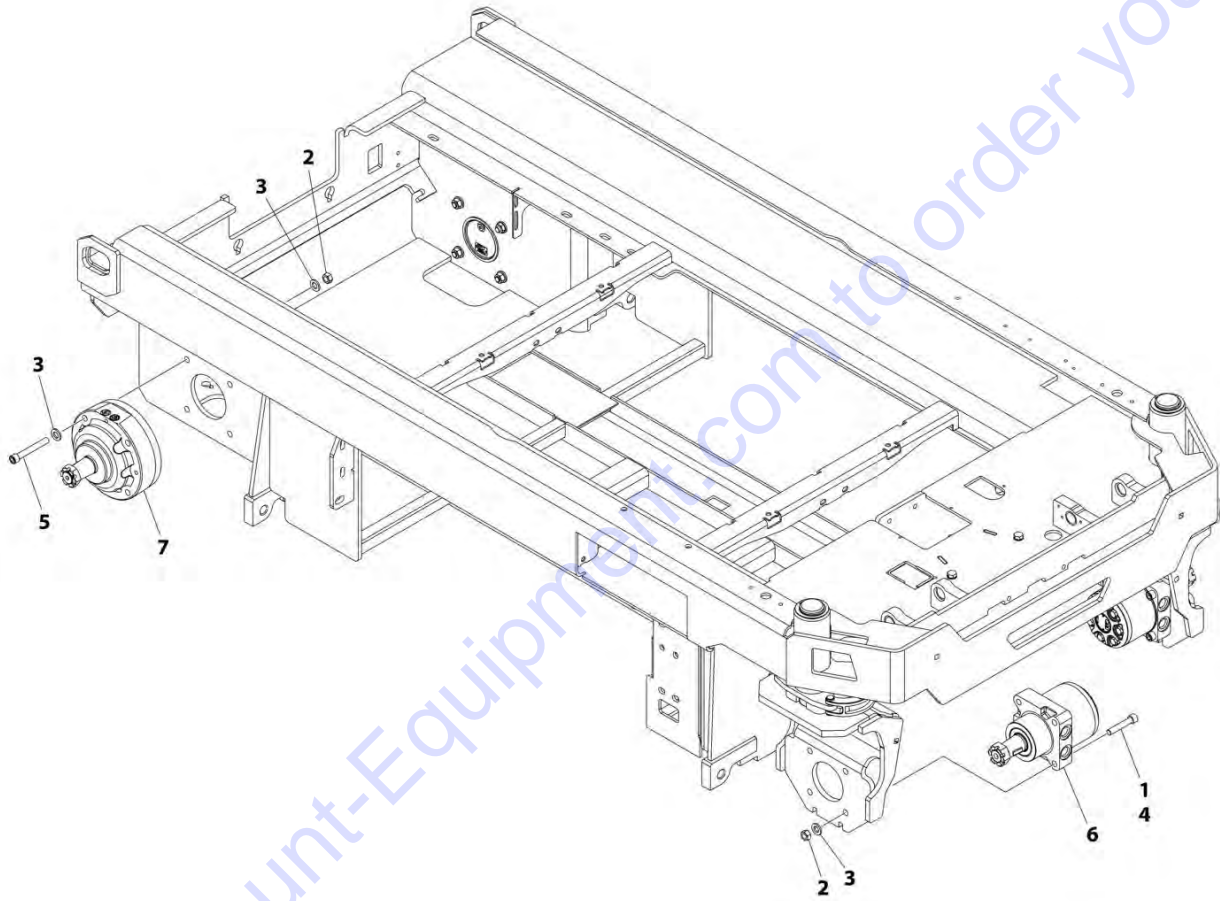
FIGURE 1-1. STEER INSTALLATION

ITEM	PART NUMBER	QTY	DESCRIPTION	REV
	1001234316	Ref	STEER INSTALLATION	B
1	0100011	AR	Compound, Locking	
2	0440259	2	Bearing	
3	0761019	4	Bolt M10 x 55	
4	1380153	4	E-Clip	
5	3291001	4	Nut M10	
6	3423037	4	Pin	
7	3760217	2	Ring, Retaining	
8	4812000	8	Washer M10	
9	4846757	2	Link	
10	1001197396	2	Washer	
11	1001205751	2	Washer	
12	1001233449	1	Steer Cylinder Assembly (See Separate Breakdown in Cylinder Section)	
13	1001234838	2	Spindle	

Go to Discount-Equipment.com to order your parts

SECTION 1 - FRAME

FIGURE 1-2. DRIVE/BRAKE INSTALLATION



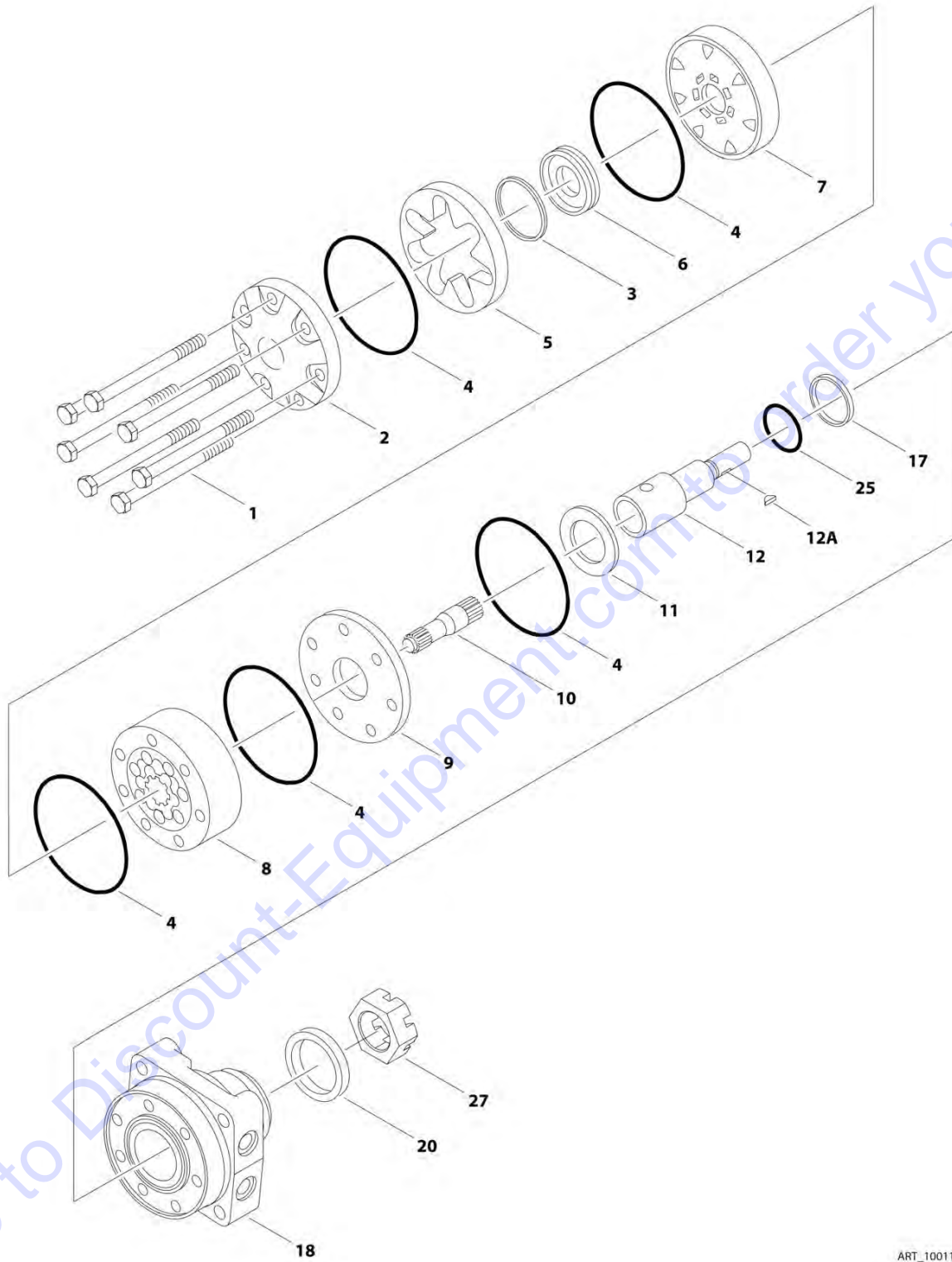
ART_1001234529

FIGURE 1-2. DRIVE/BRAKE INSTALLATION

ITEM	PART NUMBER	QTY	DESCRIPTION	REV
	1001234529	Ref	DRIVE/BRAKE INSTALLATION	B
1	0100011	AR	Compound, Locking	
2	3331211	16	Nut M12	
3	5241200	24	Washer M12	
4	5272117	8	Capscrew M12 x 65	
5	5272122	8	Capscrew M12 x 90	
6	1001199937	2	Drive Motor Assembly (See Separate Breakdown in this Section)	
7	1001202773	2	Drive Brake Assembly (Note: No Internal Service Parts Available)	
7	70005918	1	Key, Shaft	
7	70005919	1	Nut 1-1/8	

SECTION 1 - FRAME

FIGURE 1-3. DRIVE MOTOR ASSEMBLY



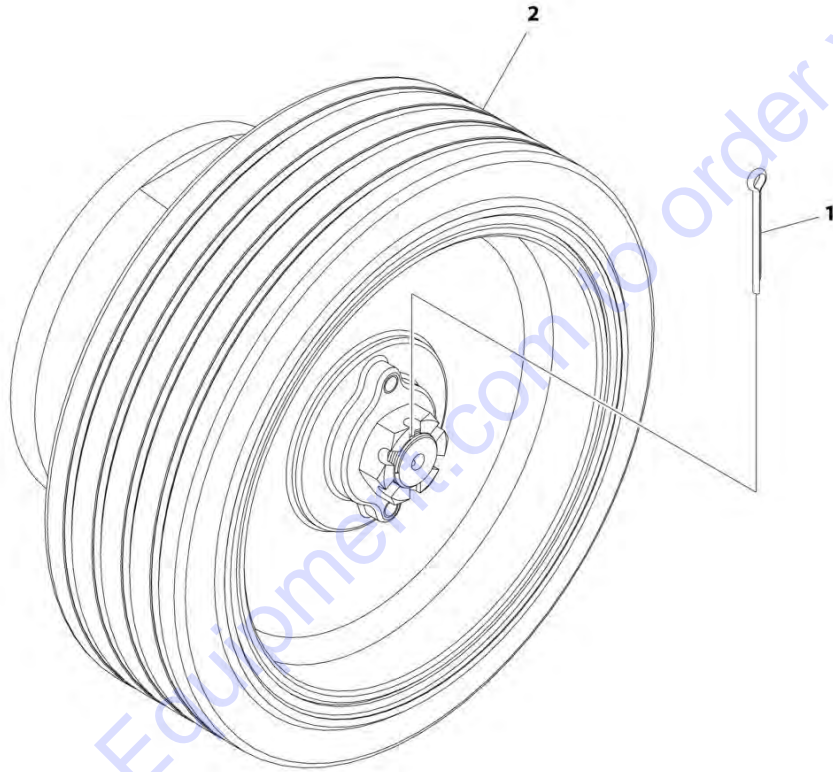
ART_1001199937

FIGURE 1-3. DRIVE MOTOR ASSEMBLY

ITEM	PART NUMBER	QTY	DESCRIPTION	REV
	1001199937	Ref	DRIVE MOTOR ASSEMBLY	D
1	70005806	7	Bolt	
2	7023328	1	Cover	
3	7023318	1	Seal, Commutator	
4	7023310	5	Ring, Seal	
5	7023315	1	Commutator (Includes Item 6)	
6	See Note	NSS	Ring, Commutator (Use p/n 7023315)	
7	70005812	1	Manifold	
8	70000278	1	Rotor Set	
9	7023311	1	Plate, Wear	
10	70005814	1	Link, Drive	
11	7023308	1	Bearing, Thrust	
12	70005813	1	Shaft	
12A	7023324	1	Key, Shaft	
17	70005809	1	Washer, Backup	
18	See Note	NSS	Housing Assembly (Use p/n 1001199937)	
20	70005811	1	Seal, Dirt and Water	
25	70005808	1	Ring, Backup	
27	70005807	1	Nut	

SECTION 1 - FRAME

FIGURE 1-4. TIRE/WHEEL INSTALLATION



ART_1001213928

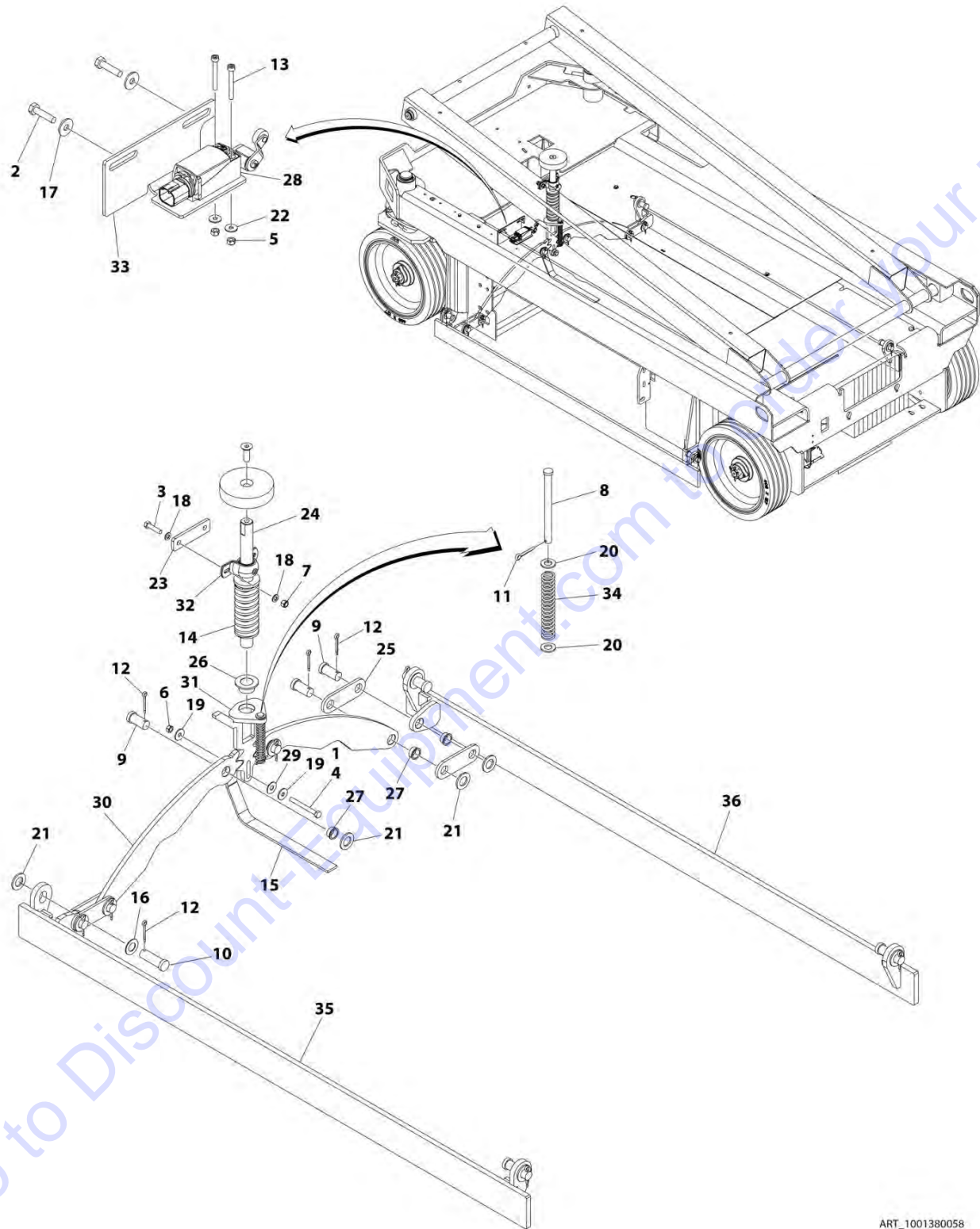
FIGURE 1-4. TIRE/WHEEL INSTALLATION

ITEM	PART NUMBER	QTY	DESCRIPTION	REV
	1001213928	Ref	TIRE AND WHEEL INSTALLATION	A
		Ref	Note: Must Replace Tire and Wheel Assemblies in pairs per axle.	
1	3450508	4	Pin, Cotter 5/32 x 2	
2	1001212187	4	Tire and Wheel	

Go to Discount-Equipment.com to order your parts

SECTION 1 - FRAME

FIGURE 1-5. POTHOLE PROTECTION SYSTEM INSTALLATION



ART_1001380058

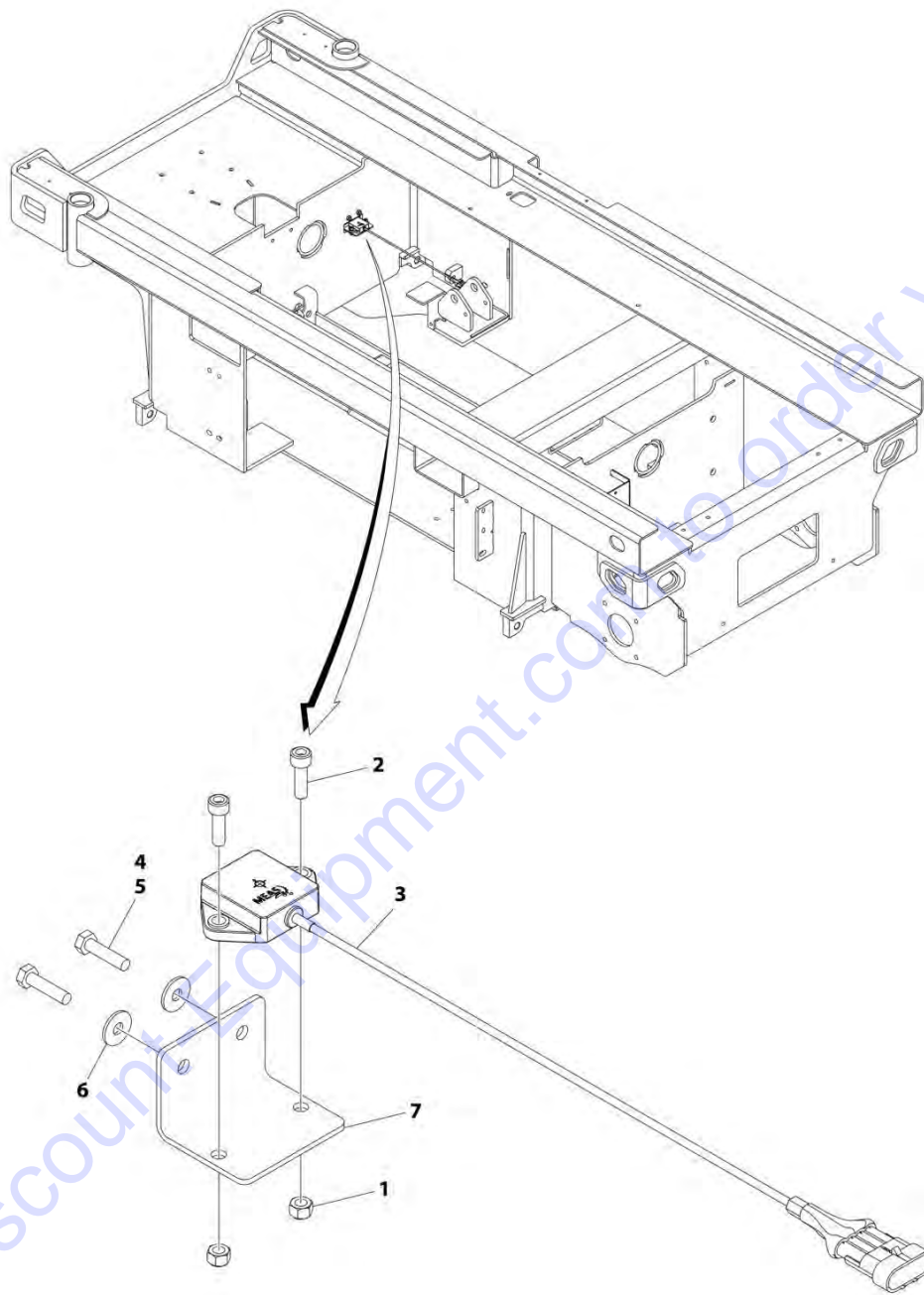
SECTION 1 - FRAME

FIGURE 1-5. POTHOLE PROTECTION SYSTEM INSTALLATION

ITEM	PART NUMBER	QTY	DESCRIPTION	REV
	1001380058	Ref	POTHOLE PROTECTION SYSTEM INSTALLATION	B
1	0100011	AR	Compound, Locking	
2	0700612	2	Bolt M6 x 25	
3	0700815	2	Bolt M8 x 35	
4	0700823	1	Bolt M8 x 75	
5	3290405	2	Nut M4	
6	3290801	1	Nut M8	
7	3290805	2	Nut M8	
8	3430636	1	Pin	
9	3431212	6	Pin	
10	3431218	4	Pin	
11	3450403	1	Pin, Cotter 1/8 x 3/4	
12	3450505	10	Pin, Cotter 5/32 x 1/2	
13	4031511	2	Capscrew M4 x 35	
14	4160202	1	Spring	
15	4240147	1	Strap, Anti-Static	
16	4740086	4	Washer	
17	4811702	2	Washer M6	
18	4811900	4	Washer M8	
19	4811902	2	Washer M8	
20	4812000	2	Washer M10	
21	4812500	10	Washer M20	
22	1001091102	2	Washer M4	
23	1001202987	1	Plate, Mounting	
24	1001202988	1	Actuator (Upper)	
25	1001202999	4	Link	
26	1001203869	1	Bearing	
27	1001203870	6	Bearing	
28	1001203871	1	Switch, Limit	
29	1001203872	1	Washer	
30	1001213597	2	Plate, Pinion	
31	1001214526	1	Actuator (Lower)	
32	1001215953	1	Bearing	
33	1001218307	1	Plate, Sensor Mounting	
34	1001227855	1	Spring	
35	1001234797	1	Bar (LH)	
36	1001234798	1	Bar (RH)	

SECTION 1 - FRAME

FIGURE 1-6. TILT SENSOR INSTALLATION



ART_1001214217

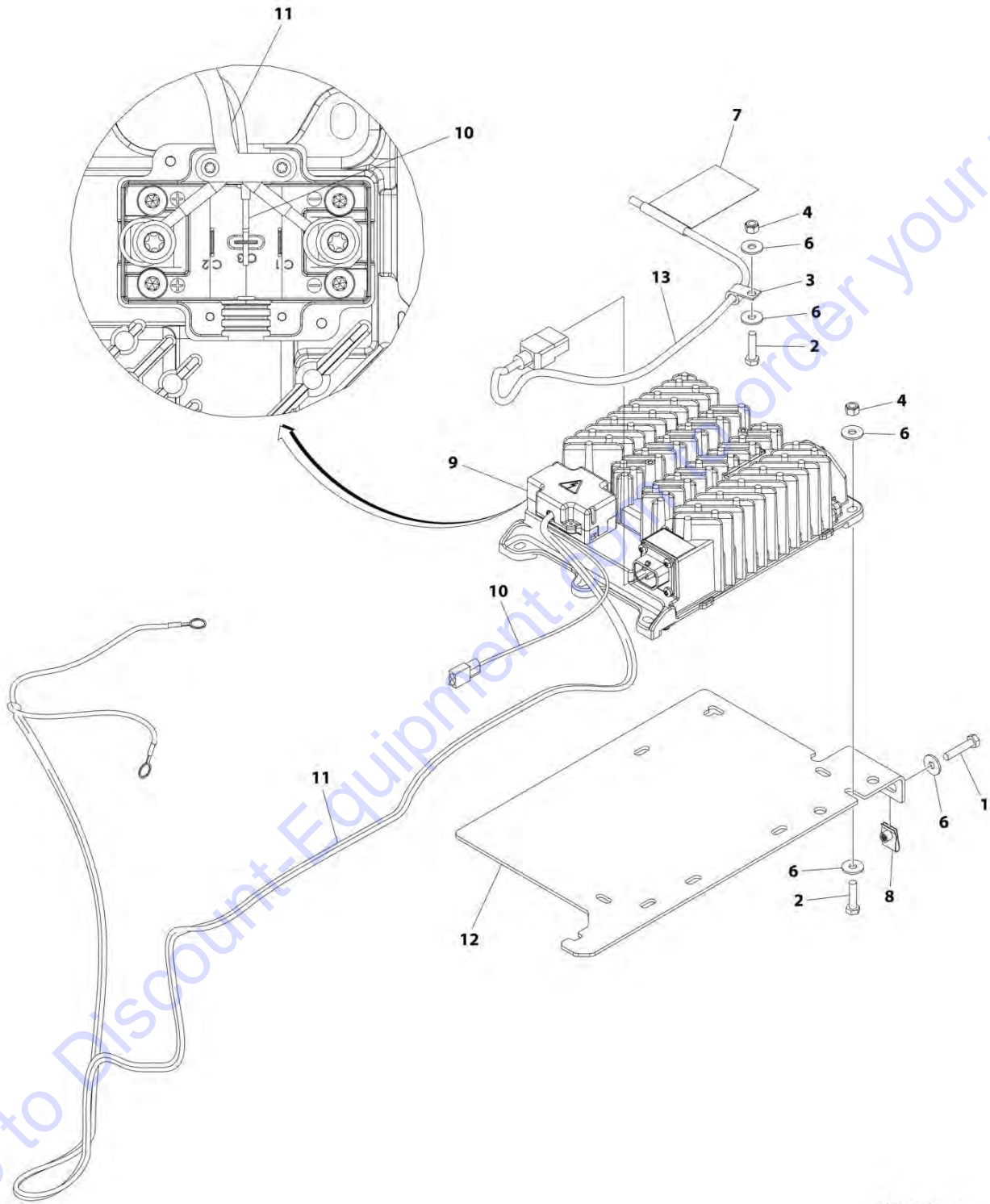
FIGURE 1-6. TILT SENSOR INSTALLATION

ITEM	PART NUMBER	QTY	DESCRIPTION	REV
	1001214217	Ref	TILT SENSOR INSTALLATION	B
1	3290605	2	Nut M6	
2	4031708	2	Capscrew M6 x 20	
3	1001186466	1	Sensor, Tilt	
4	0100011	AR	Compound, Locking	
5	0700612	2	Bolt M6 x 25	
6	4811702	2	Washer M6	
7	1001217059	1	Plate, Mounting	

Go to Discount-Equipment.com to order your parts

SECTION 1 - FRAME

FIGURE 1-7. BATTERY CHARGER INSTALLATION - DELTA-Q (LOCALLY SUPPLIED PLUG)



ART_1001235153

SECTION 1 - FRAME

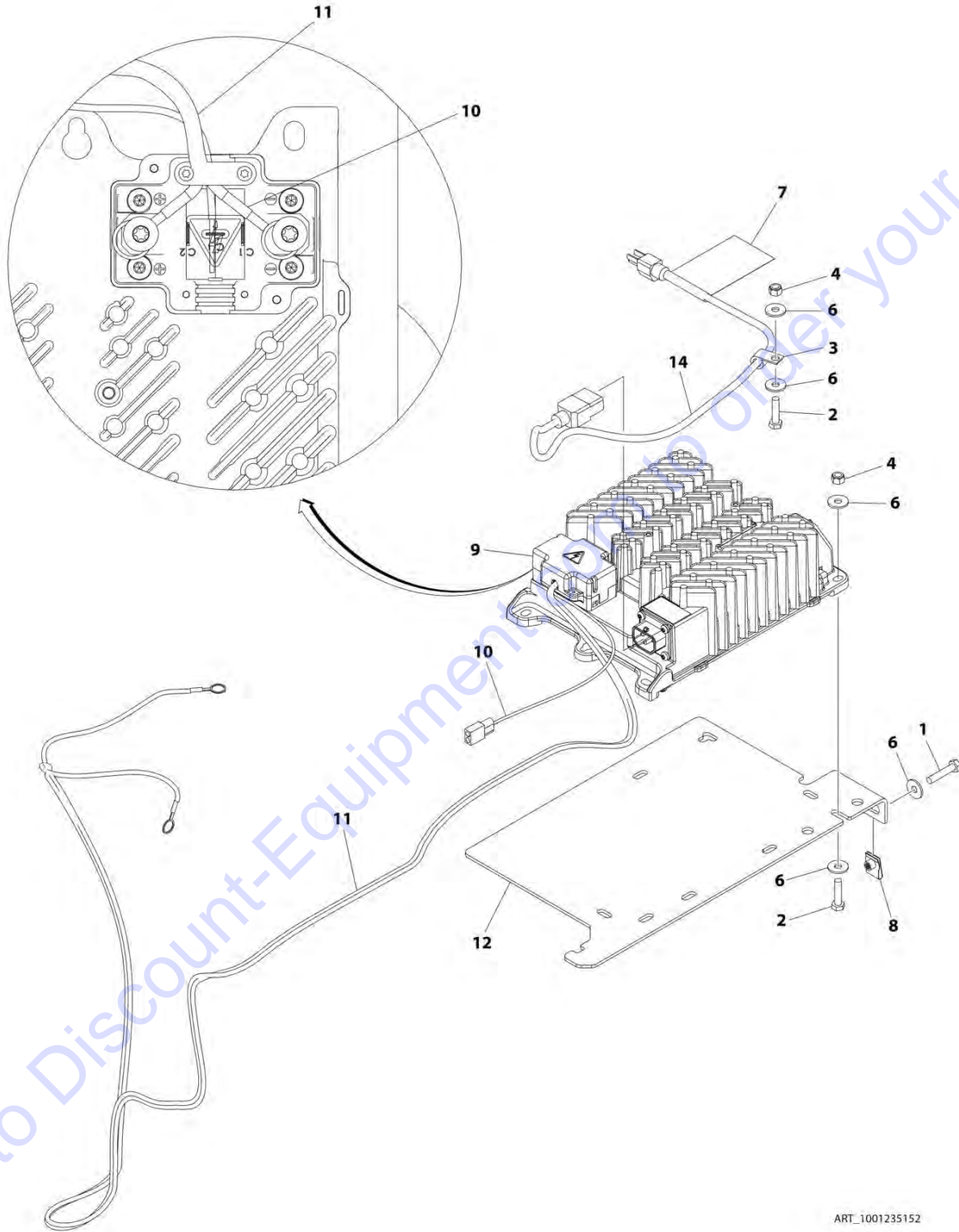
FIGURE 1-7. BATTERY CHARGER INSTALLATION - DELTA-Q (LOCALLY SUPPLIED PLUG)

ITEM	PART NUMBER	QTY	DESCRIPTION	REV
	1001235153	Ref	BATTERY CHARGER INSTALLATION - DELTA-Q (LOCALLY SUPPLIED PLUG)	C
1	0700614	2	Bolt M6 x 30	
2	0760612	3	Bolt M6 x 25	
3	1321293	1	Clamp	
4	3290605	3	Nut M6	
5	4240017	AR	Tie-Strap (Not Shown)	
6	4811702	8	Washer M6	
7	1001102489	1	Decal - Charger	
8	1001130220	2	Nut, Tinnerman M6	
9	1001200561	1	Charger, Battery - Delta-Q	
10	1001207009	1	Charger Interlock Harness	
10	4460424	1	Receptacle, Female - 2 Position	
10	4460227	2	Pin, Male	
11	1001235105	1	Charger DC Connection Harness	
12	1001236139	1	Bracket	
13	1001207974	1	Cable, Charger AC Input	

Go to Discount-Equipment.com to order your parts

SECTION 1 - FRAME

FIGURE 1-8. BATTERY CHARGER INSTALLATION - DELTA-Q (110V PLUG)



ART_1001235152

SECTION 1 - FRAME

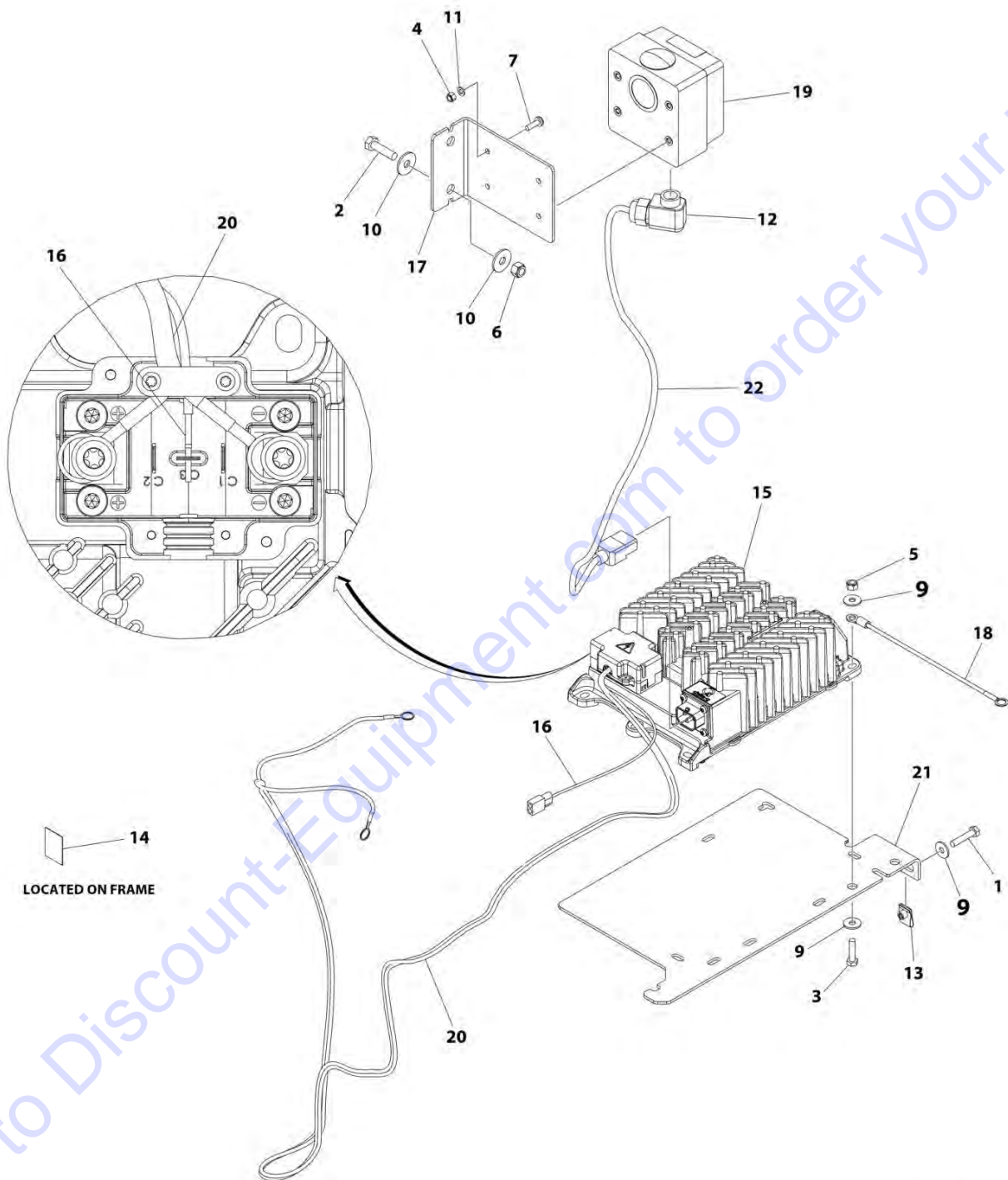
FIGURE 1-8. BATTERY CHARGER INSTALLATION - DELTA-Q (110V PLUG)

ITEM	PART NUMBER	QTY	DESCRIPTION	REV
	1001235152	Ref	BATTERY CHARGER INSTALLATION - DELTA-Q (110V PLUG)	B
1	0700614	2	Bolt M6 x 30	
2	0760612	3	Bolt M6 x 25	
3	1321293	1	Clamp	
4	3290605	3	Nut M6	
5	4240017	AR	Tie-Strap (Not Shown)	
6	4811702	8	Washer M6	
7	1001102489	1	Decal - Charger	
8	1001130220	2	Nut Tinnerman, M6	
9	1001200561	1	Charger, Battery - Delta-Q	
10	1001207009	1	Charger Interlock Harness	
10	4460424	1	Receptacle, Female - 2 Position	
10	4460227	2	Pin, Male	
11	1001235105	1	Charger DC Connection Harness	
12	1001236139	1	Bracket	
14	1001207970	1	Charger AC Input Cable	

Go to Discount-Equipment.com to order your parts

SECTION 1 - FRAME

FIGURE 1-9. BATTERY CHARGER INSTALLATION - DELTA-Q (AUSTRALIAN PLUG)



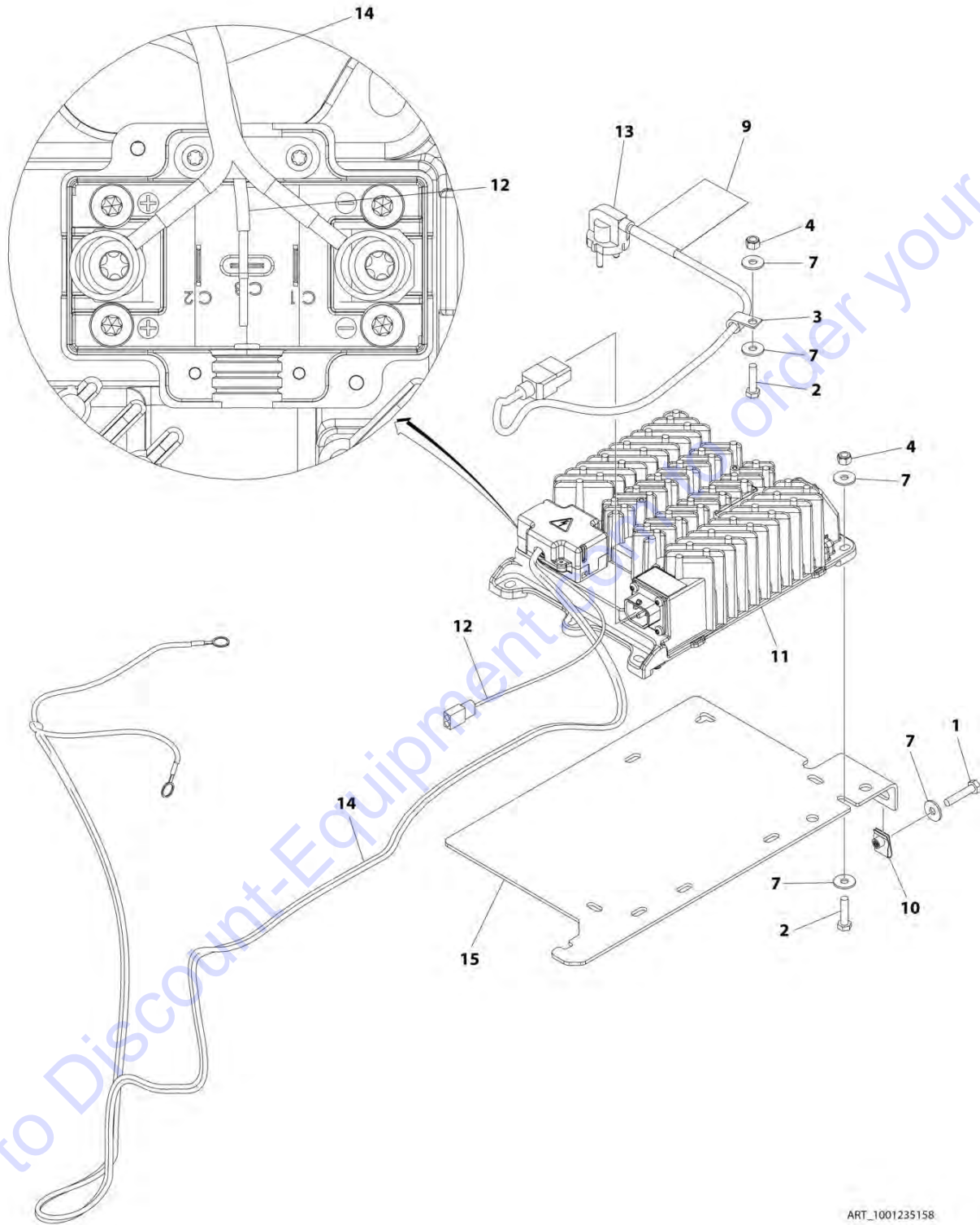
SECTION 1 - FRAME

FIGURE 1-9. BATTERY CHARGER INSTALLATION - DELTA-Q (AUSTRALIAN PLUG)

ITEM	PART NUMBER	QTY	DESCRIPTION	REV
	1001243534	Ref	BATTERY CHARGER INSTALLATION - DELTA-Q (AUSTRALIAN PLUG)	A
1	0700614	2	Bolt M6 x 30	
2	0700814	2	Bolt M8 x 30	
3	0760612	3	Bolt M6 x 25	
4	3290505	4	Nut M5	
5	3290605	3	Nut M6	
6	3290805	2	Nut M8	
7	3900381	4	Screw M5 x 16	
8	4240017	AR	Tie-Strap (Not Shown)	
9	4811702	8	Washer M6	
10	4811902	4	Washer M8	
11	4831600	4	Washer M5	
12	1001103471	1	Connector Strain Relief 90	
13	1001130220	2	Nut Tinnerman M6	
14	1001134280	1	Decal - Charger	
15	1001200561	1	Charger, Battery - Delta-Q	
16	1001207009	1	Charger Interlock Harness	
16	4460424	1	Receptacle, Female - 2 Position	
16	4460227	2	Pin, Male	
17	1001227213	1	Bracket	
18	1001227219	1	Ground Harness	
19	1001227267	1	Receptacle Australian - 230V	
20	1001235105	1	Charger DC Connection Harness	
21	1001236139	1	Bracket	
22	1001207974	1	Cable, Charger AC Input	

SECTION 1 - FRAME

FIGURE 1-10. BATTERY CHARGER INSTALLATION - DELTA-Q (KOREAN PLUG)



ART_1001235158

SECTION 1 - FRAME

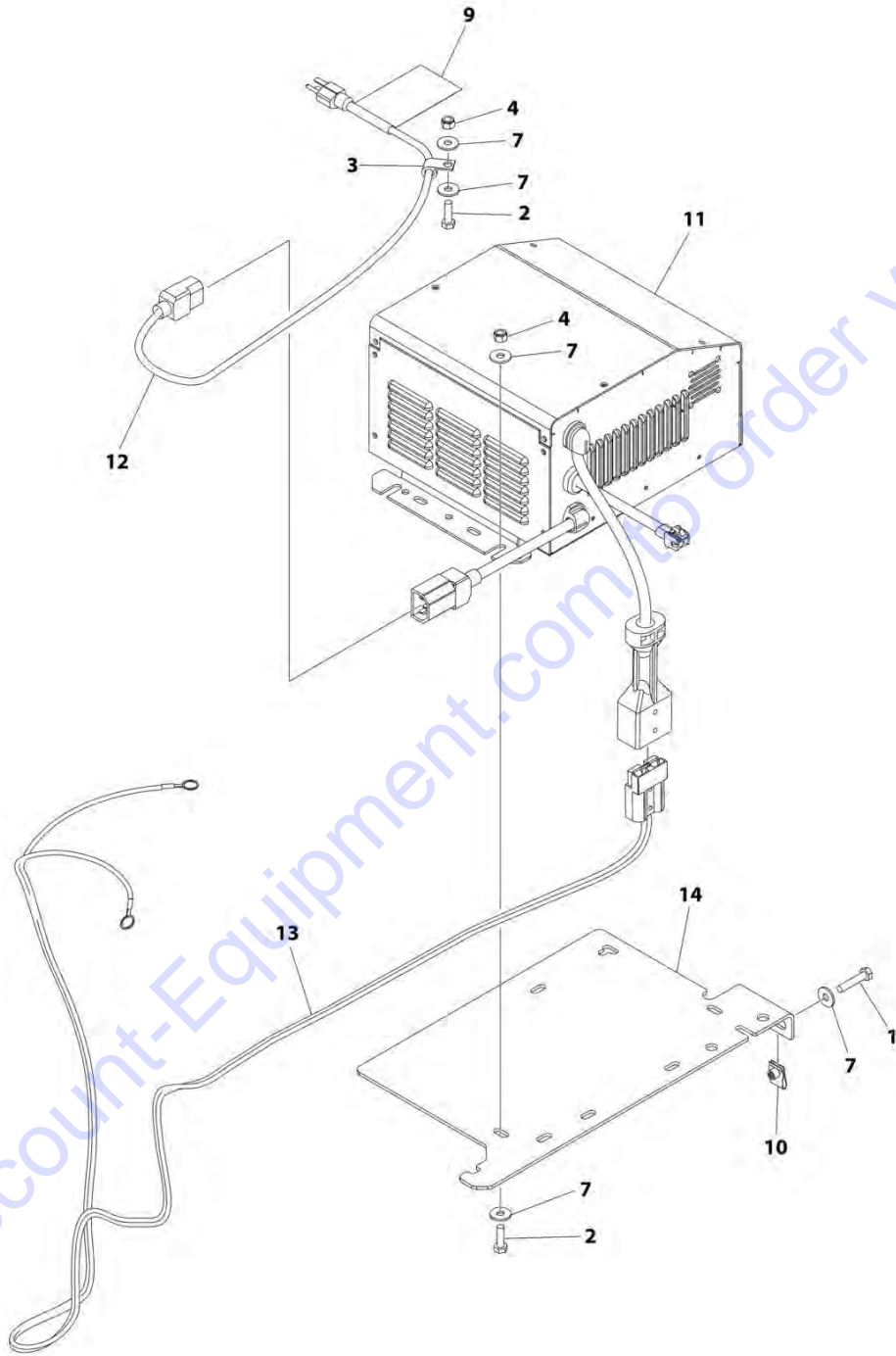
FIGURE 1-10. BATTERY CHARGER INSTALLATION - DELTA-Q (KOREAN PLUG)

ITEM	PART NUMBER	QTY	DESCRIPTION	REV
	1001235158	Ref	BATTERY CHARGER INSTALLATION - DELTA-Q (KOREAN PLUG)	C
1	0700614	2	Bolt M6 x 30	
2	0760612	3	Bolt M6 x 25	
3	1321293	1	Clamp	
4	3290605	3	Nut M6	
6	4240017	AR	Tie-Strap (Not Shown)	
7	4811702	8	Washer M6	
9	1001102489	1	Decal - Charger	
10	1001130220	2	Nut, Tinnerman M6	
11	1001200561	1	Charger, Battery - Delta-Q	
12	1001207009	1	Charger Interlock Harness	
12	4460424	1	Receptacle, Female - 2 Position	
12	4460227	2	Pin, Male	
13	1001221949	1	Cable, Charger AC Input (With Korean Plug)	
14	1001235105	1	Charger DC Connection Harness	
15	1001236139	1	Bracket	

Go to Discount-Equipment.com to order your parts

SECTION 1 - FRAME

FIGURE 1-11. BATTERY CHARGER INSTALLATION - EAGLE PERFORMANCE (110V PLUG)



ART_1001235157

SECTION 1 - FRAME

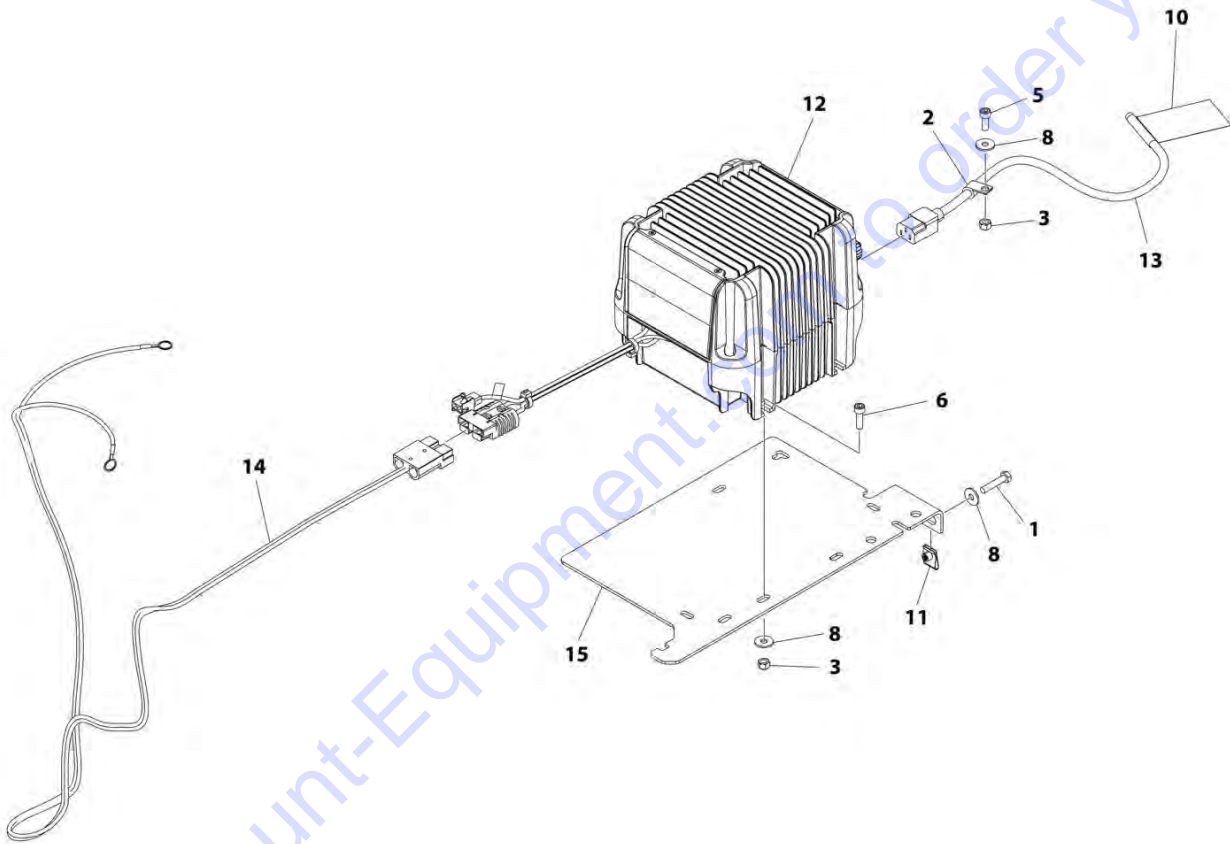
FIGURE 1-11. BATTERY CHARGER INSTALLATION - EAGLE PERFORMANCE (110V PLUG)

ITEM	PART NUMBER	QTY	DESCRIPTION	REV
	1001235157	Ref	BATTERY CHARGER INSTALLATION - EAGLE PERFORMANCE (110V PLUG)	C
1	0700614	2	Bolt M6 x 30	
2	0760610	3	Bolt M6 x 20	
3	1321293	1	Clamp	
4	3290605	3	Nut M6	
6	4240017	AR	Tie-Strap (Not Shown)	
7	4811702	8	Washer M6	
9	1001102489	1	Decal - Charger	
10	1001130220	2	Nut, Tinnerman M6	
11	1001206995	1	Charger, Battery - Eagle Performance	
12	1001207970	1	Cable, Charger AC Input	
13	1001235946	1	Charger DC Connection Harness	
14	1001236139	1	Bracket	

Go to Discount-Equipment.com to order your parts

SECTION 1 - FRAME

FIGURE 1-12. BATTERY CHARGER INSTALLATION - GREEN POWER (LOCALLY SUPPLIED PLUG)



ART_1001235156

SECTION 1 - FRAME

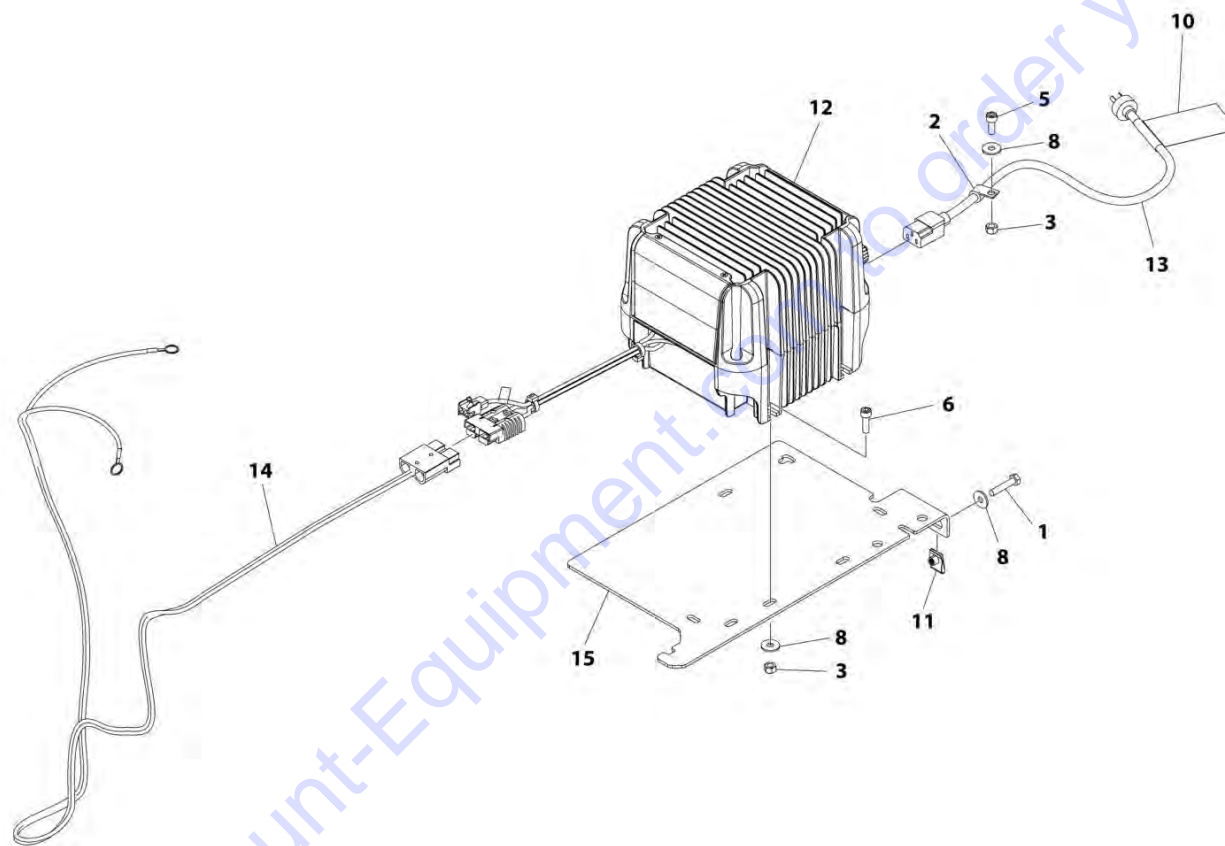
FIGURE 1-12. BATTERY CHARGER INSTALLATION - GREEN POWER (LOCALLY SUPPLIED PLUG)

ITEM	PART NUMBER	QTY	DESCRIPTION	REV
	1001235156	Ref	BATTERY CHARGER INSTALLATION - GREEN POWER (LOCALLY SUPPLIED PLUG)	C
1	0700614	2	Bolt M6 x 30	
2	1321293	1	Clamp, Cable	
3	3290605	4	Nut M6	
5	4031707	1	Capscrew M6 x 16	
6	4031708	3	Capscrew M6 x 20	
7	4240017	AR	Tie-Strap (Not Shown)	
8	4811702	6	Washer M6	
10	1001102489	1	Decal - Charger	
11	1001130220	2	Nut, Tinnerman M6	
12	1001205598	1	Charger, Battery Green Power	
13	1001207974	1	Cable, Charger AC Input	
14	1001235946	1	Charger DC Connection Harness	
15	1001236139	1	Bracket	

Go to Discount-Equipment.com to order your parts

SECTION 1 - FRAME

FIGURE 1-13. BATTERY CHARGER INSTALLATION - GREEN POWER (CHINA PLUG)



ART_1001235154

SECTION 1 - FRAME

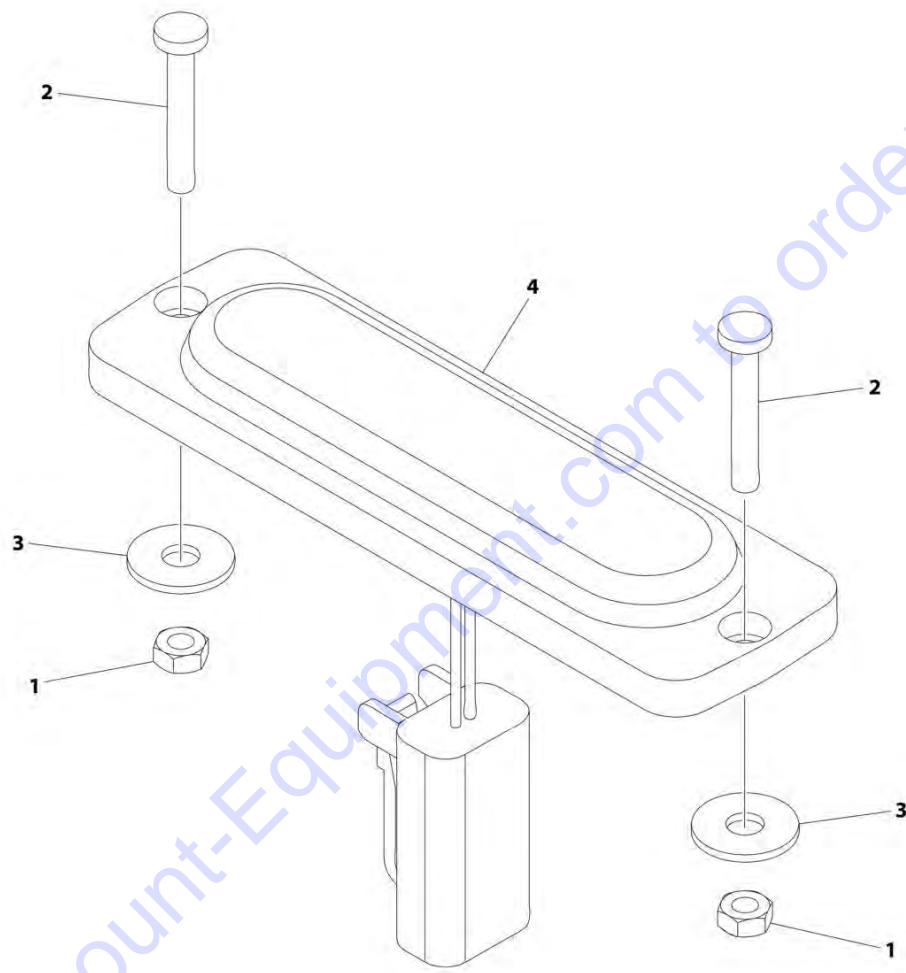
FIGURE 1-13. BATTERY CHARGER INSTALLATION - GREEN POWER (CHINA PLUG)

ITEM	PART NUMBER	QTY	DESCRIPTION	REV
	1001235154	Ref	BATTERY CHARGER INSTALLATION - GREEN POWER (CHINA PLUG)	C
1	0700614	2	Bolt M6 x 30	
2	1321293	1	Clamp, Cable	
3	3290605	4	Nut, M6	
5	4031707	1	Capscrew M6 x 16	
6	4031708	3	Capscrew M6 x 20	
7	4240017	AR	Tie-Strap (Not Shown)	
8	4811702	6	Washer M6	
10	1001102489	1	Decal - Charger	
11	1001130220	2	Nut, Tinnerman M6	
12	1001205598	1	Charger, Battery Green Power	
13	1001207973	1	Cable, Charger AC Input	
14	1001235946	1	Charger DC Connection Harness	
15	1001236139	1	Bracket	

Go to Discount-Equipment.com to order your parts

SECTION 1 - FRAME

FIGURE 1-14. STROBE LIGHT INSTALLATION - SINGLE (AMBER) (WITHOUT GUARD)



Go to Discount-Equipment.com to order your parts

ART_1001242988

SECTION 1 - FRAME

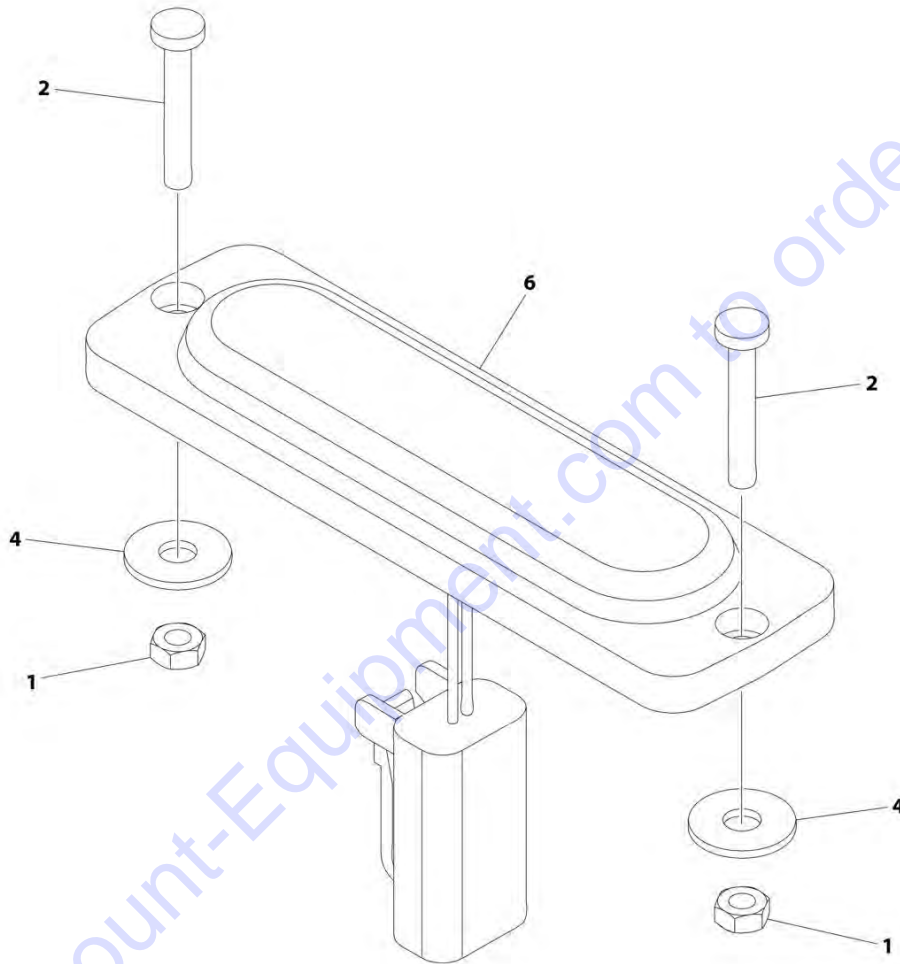
FIGURE 1-14. STROBE LIGHT INSTALLATION - SINGLE (AMBER) (WITHOUT GUARD)

ITEM	PART NUMBER	QTY	DESCRIPTION	REV
	1001242988	Ref	STROBE LIGHT INSTALLATION - SINGLE (AMBER) (WITHOUT GUARD)	C
1	3290305	2	Nut M3	
2	4010310	2	Screw M3 x 20	
3	1001091102	2	Washer M4	
4	1001239224	1	Light, Strobe	
4	4460891	1	Plug, Male - 2 Position	
4	4460465	2	Socket, Female	

Go to Discount-Equipment.com to order your parts

SECTION 1 - FRAME

FIGURE 1-15. STROBE LIGHT INSTALLATION - DUAL (AMBER) (WITHOUT GUARD)



Go to Discount-Equipment.com to order your parts

ART_1001242989

SECTION 1 - FRAME

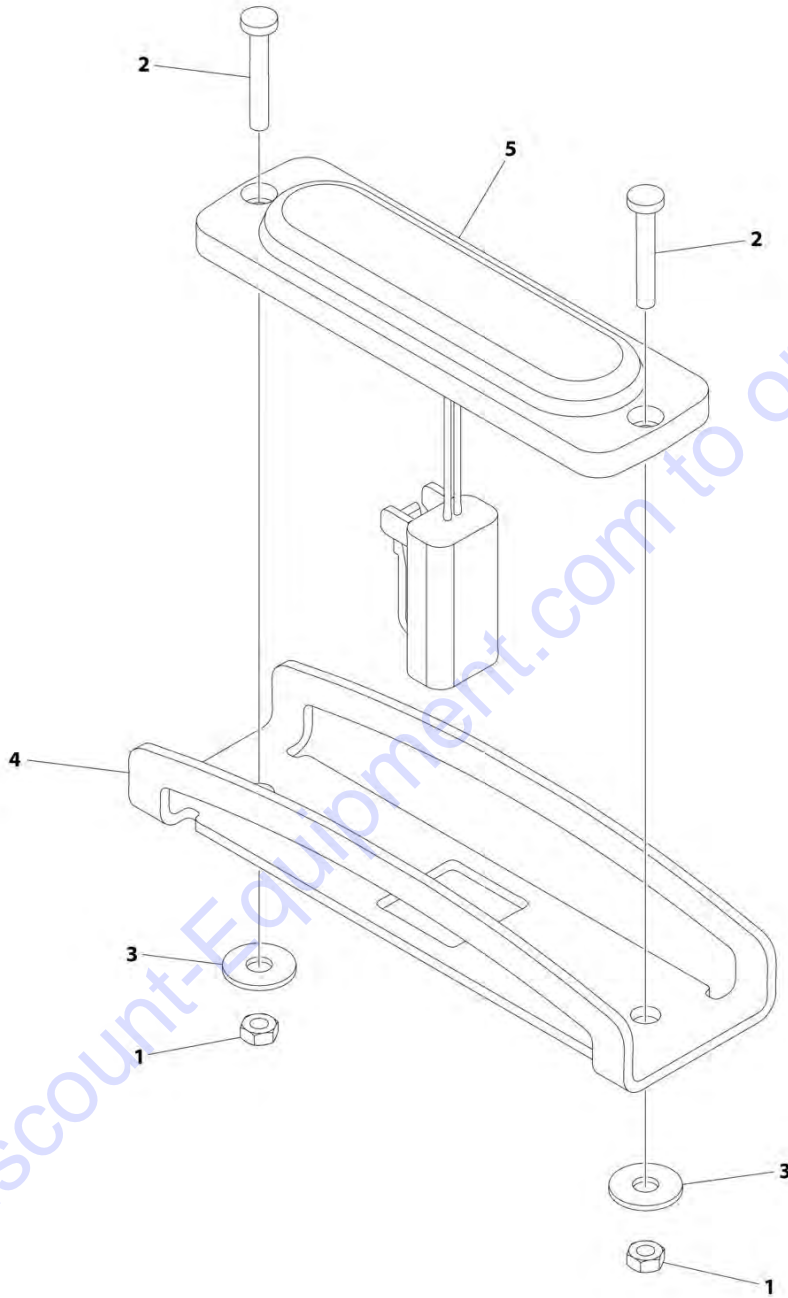
FIGURE 1-15. STROBE LIGHT INSTALLATION - DUAL (AMBER) (WITHOUT GUARD)

ITEM	PART NUMBER	QTY	DESCRIPTION	REV
	1001242989	Ref	STROBE LIGHT INSTALLATION - DUAL (AMBER) (WITHOUT GUARD)	C
1	3290305	4	Nut M3	
2	4010310	4	Screw M3 x 20	
3	4240018	AR	Tie-Strap (Not Shown)	
4	1001091102	4	Washer M4	
5	1001215216	1	Strobe Light Jumper Harness (Not Shown)	
5	4460897	2	Receptacle, Female - 2 Position	
5	4460464	4	Pin, Male	
5	4460891	1	Plug, Male - 2 Position	
5	4460465	2	Socket, Female	
6	1001239224	2	Light, Strobe	
6	4460891	1	Plug, Male - 2 Position	
6	4460465	2	Socket, Female	

Go to Discount-Equipment.com to order your parts

SECTION 1 - FRAME

FIGURE 1-16. STROBE LIGHT INSTALLATION - SINGLE (AMBER) (WITH GUARD)



ART_1001242697

SECTION 1 - FRAME

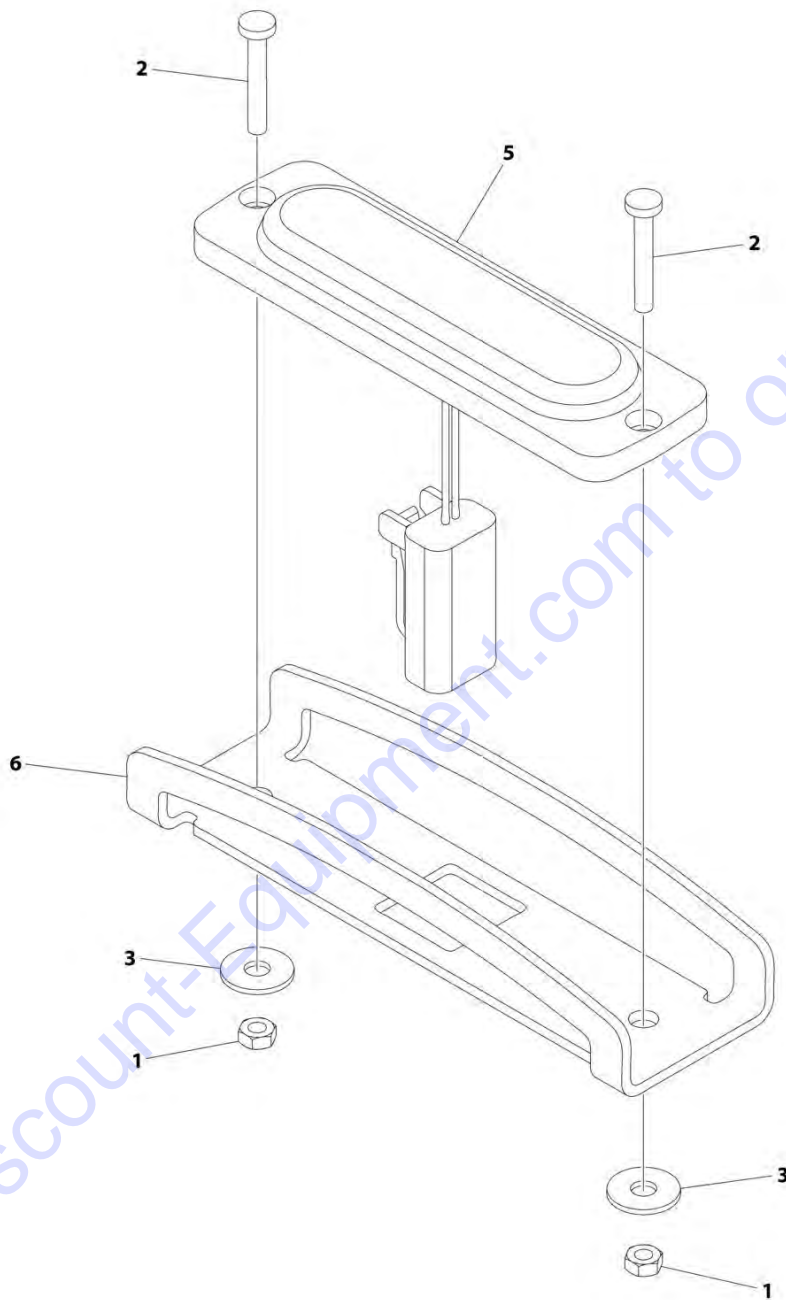
FIGURE 1-16. STROBE LIGHT INSTALLATION - SINGLE (AMBER) (WITH GUARD)

ITEM	PART NUMBER	QTY	DESCRIPTION	REV
	1001242697	Ref	STROBE LIGHT INSTALLATION - SINGLE (AMBER) (WITH GUARD)	C
1	3290305	2	Nut M3	
2	4010310	2	Screw M3 x 20	
3	1001091102	2	Washer M4	
4	1001242539	1	Guard	
5	1001239224	1	Light, Strobe	
5	4460891	1	Plug, Male - 2 Position	
5	4460465	2	Socket, Female	

Go to Discount-Equipment.com to order your parts

SECTION 1 - FRAME

FIGURE 1-17. STROBE LIGHT INSTALLATION - DUAL (AMBER) (WITH GUARD)



ART_1001242990

SECTION 1 - FRAME

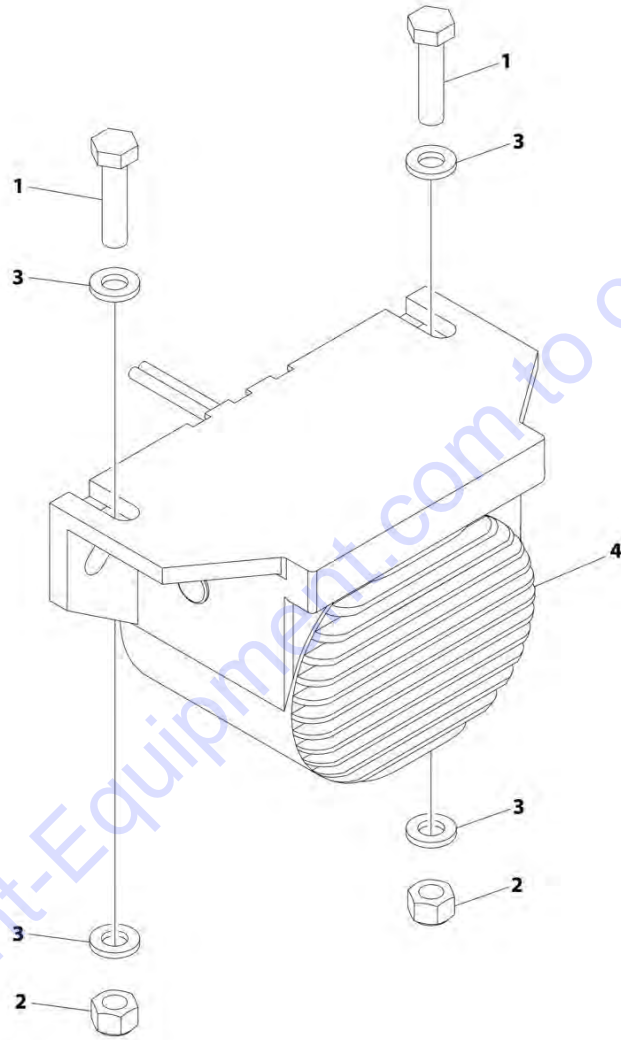
FIGURE 1-17. STROBE LIGHT INSTALLATION - DUAL (AMBER) (WITH GUARD)

ITEM	PART NUMBER	QTY	DESCRIPTION	REV
	1001242990	Ref	STROBE LIGHT INSTALLATION - DUAL (AMBER) (WITH GUARD)	C
1	3290305	4	Nut M3	
2	4010310	4	Screw M3 x 20	
3	1001091102	4	Washer M4	
4	1001215216	1	Strobe Light Jumper Harness (Not Shown)	
4	4460897	2	Receptacle, Female - 2 Position	
4	4460464	4	Pin, Male	
4	4460891	1	Plug, Male - 2 Position	
4	4460465	2	Socket, Female	
5	1001239224	2	Light, Strobe	
5	4460891	1	Plug, Male - 2 Position	
5	4460465	2	Socket, Female	
6	1001242539	2	Guard	
7	4240018	AR	Tie-Strap (Not Shown)	

Go to Discount-Equipment.com to order your parts

SECTION 1 - FRAME

FIGURE 1-18. ALARM INSTALLATION (AMBIENT/WHITE NOISE)



ART_1001204495

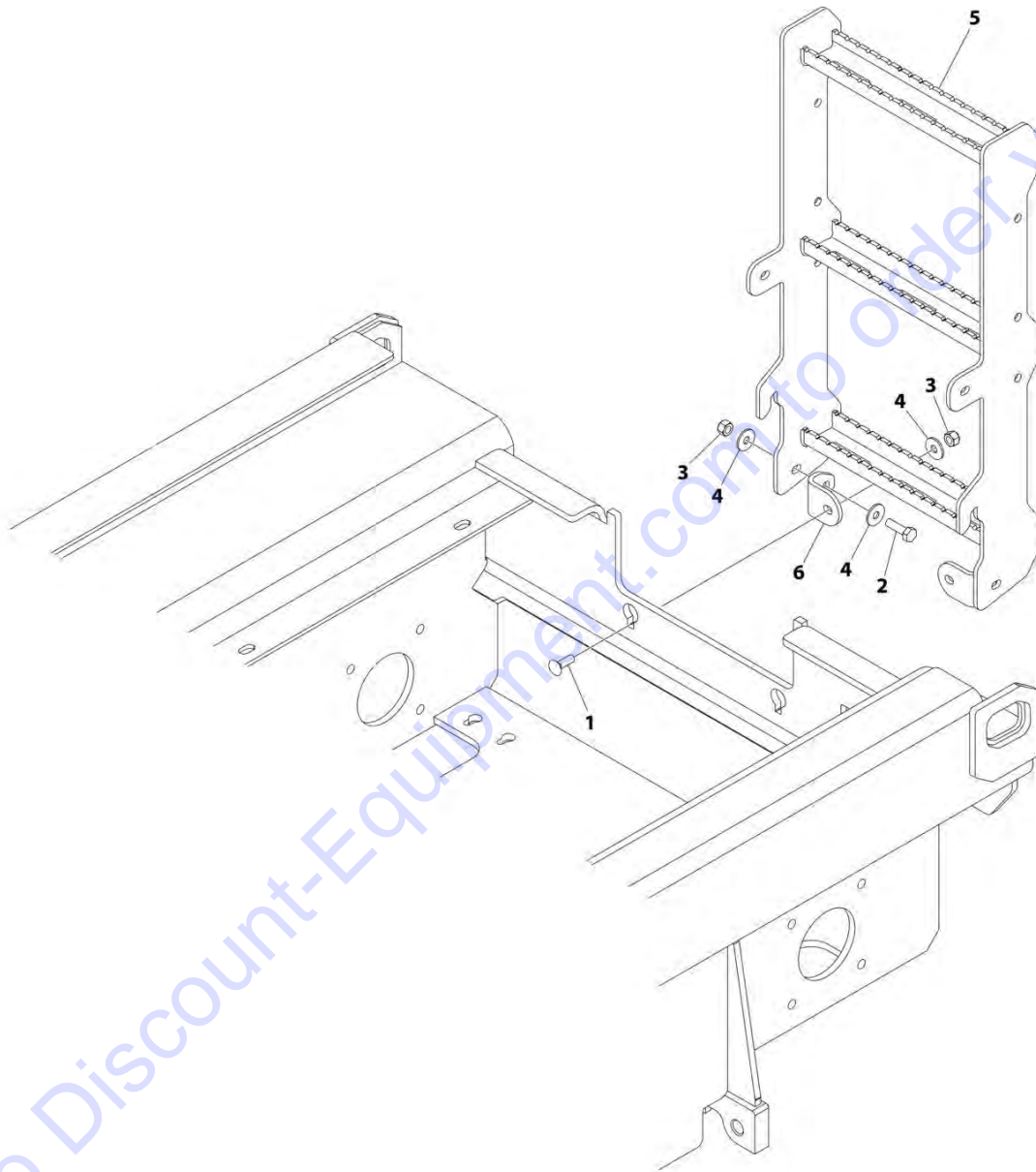
FIGURE 1-18. ALARM INSTALLATION (AMBIENT/WHITE NOISE)

ITEM	PART NUMBER	QTY	DESCRIPTION	REV
	1001204495	Ref	ALARM INSTALLATION (AMBIENT/WHITE NOISE)	B
1	0760612	2	Bolt M6 x 25	
2	3290605	2	Nut M6	
3	4811700	4	Washer M6	
4	1001182806	1	Alarm	
4	4460897	1	Receptacle, Female - 2 Position	
4	4460464	2	Pin, Male	

Go to Discount-Equipment.com to order your parts

SECTION 1 - FRAME

FIGURE 1-19. LADDER INSTALLATION



ART_1001234317

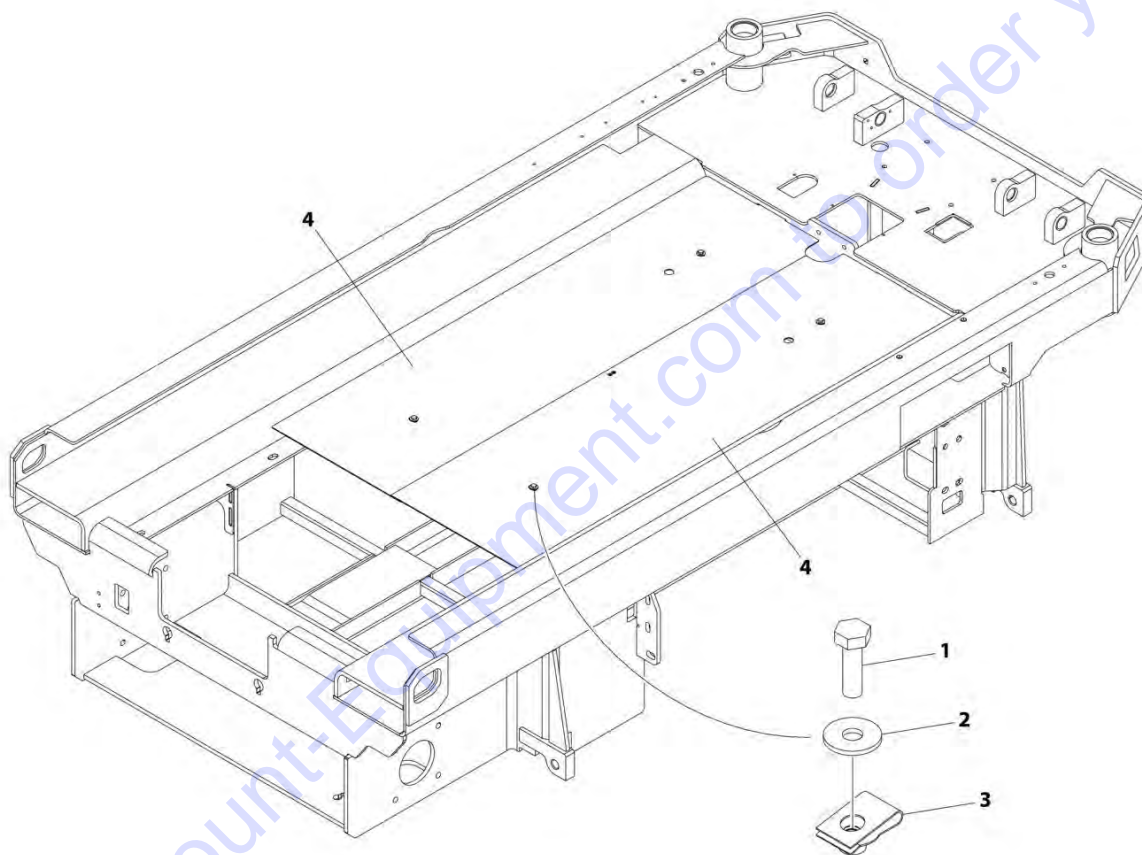
FIGURE 1-19. LADDER INSTALLATION

ITEM	PART NUMBER	QTY	DESCRIPTION	REV
	1001234317	Ref	LADDER INSTALLATION	A
1	0630613	2	Bolt M10 x 30	
2	0761015	2	Bolt M10 x 35	
3	3291005	4	Nut M10	
4	4812002	6	Washer M10	
5	1001234842	1	Ladder	
6	1001235955	2	Bracket	

Go to Discount-Equipment.com to order your parts

SECTION 1 - FRAME

FIGURE 1-20. FRAME COVERS INSTALLATION



ART_1001236968

FIGURE 1-20. FRAME COVERS INSTALLATION

ITEM	PART NUMBER	QTY	DESCRIPTION	REV
	1001236968	Ref	FRAME COVERS INSTALLATION	A
1	0760610	4	Bolt M6 x 20	
2	4811702	4	Washer M6	
3	1001130220	4	Nut, Tinnerman M6	
4	1001236531	2	Cover	

Go to Discount-Equipment.com to order your parts

PARTS FINDER

**Search Website
by Part Number**



**Search Manual
Library For Parts
Manual & Lookup Part
Numbers – Purchase
or Request Quote**

**Can't Find Part or
Manual? Request Help
by Manufacturer,
Model & Description**

Discount-Equipment.com is your online resource for quality parts & equipment.

Florida: **561-964-4949** Outside Florida TOLL FREE: **877-690-3101**

Need parts?

Click on this link: <http://www.discount-equipment.com/category/5443-parts/> and choose one of the options to help get the right parts and equipment you are looking for. Please have the machine model and serial number available in order to help us get you the correct parts. If you don't find the part on the website or on one of the online manuals, please fill out the request form and one of our experienced staff members will get back to you with a quote for the right part that your machine needs.

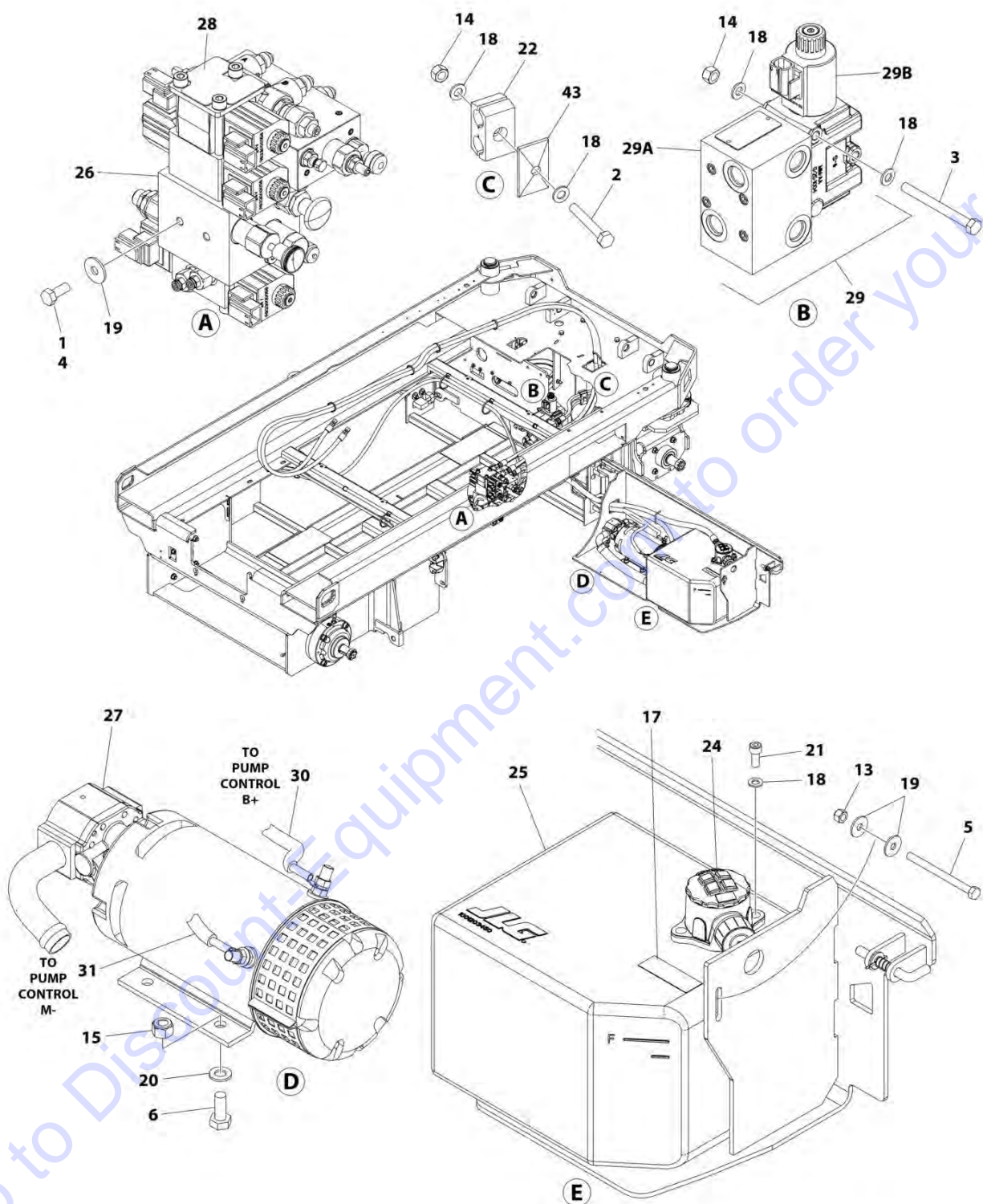
We sell worldwide for the brands: Genie, Terex, JLG, MultiQuip, Mikasa, Essick, Whiteman, Mayco, Toro Stone, Diamond Products, Generac Magnum, Airman, Haulotte, Barreto, Power Blanket, Nifty Lift, Atlas Copco, Chicago Pneumatic, Allmand, Miller Curber, Skyjack, Lull, Skytrak, Tsurumi, Husquvarna Target, Stow, Wacker, Sakai, Mi-T-M, Sullair, Basic, Dynapac, MBW, Weber, Bartell, Bennar Newman, Haulotte, Ditch Runner, Menegotti, Morrison, Contec, Buddy, Crown, Edco, Wyco, Bomag, Laymor, EZ Trench, Bil-Jax, F.S. Curtis, Gehl Pavers, Heli, Honda, ICS/PowerGrit, IHI, Partner, Imer, Clipper, MMD, Koshin, Rice, CH&E, General Equipment, Amida, Coleman, NAC, Gradall, Square Shooter, Kent, Stanley, Tamco, Toku, Hatz, Kohler, Robin, Wisconsin, Northrock, Oztec, Toker TK, Rol-Air, APT, Wylie, Ingersoll Rand / Doosan, Innovatech, Con X, Ammann, Mecalac, Makinex, Smith Surface Prep, Small Line, Wanco, Yanmar

SECTION 2 - GROUND CONTROLS

Go to Discount-Equipment.com to order your parts

SECTION 2 - GROUND CONTROLS

FIGURE 2-1. HYDRAULIC COMPONENTS INSTALLATION



ART_1001380008_10F2

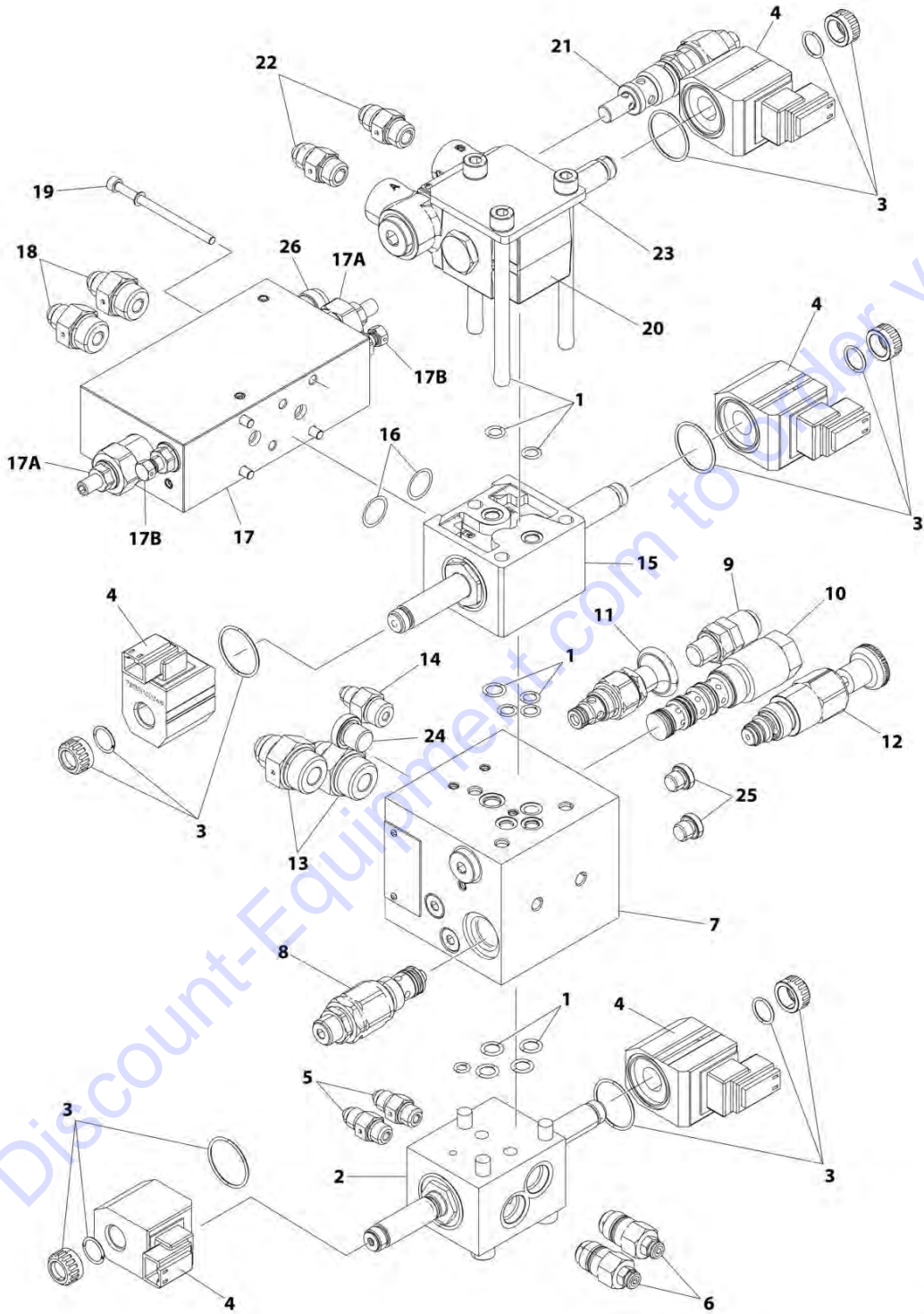
SECTION 2 - GROUND CONTROLS

FIGURE 2-1. HYDRAULIC COMPONENTS INSTALLATION

ITEM	PART NUMBER	QTY	DESCRIPTION	REV
	1001380008	Ref	HYDRAULIC COMPONENTS INSTALLATION	D
1	0100011	AR	Compound, Locking	
2	0700819	2	Bolt M8 x 55	
3	0700825	2	Bolt M8 x 85	
4	0760810	2	Bolt M8 x 20	
5	0760827	1	Bolt M8 x 100	
6	0761012	2	Bolt M8 x 25	
13	3290801	1	Nut M8	
14	3290805	4	Nut M8	
15	3291005	2	Nut M10	
16	4240017	AR	Tie-Strap (Not Shown)	
17	4420062	75 mm	Tape	
18	4811900	AR	Washer M8	
19	4811902	4	Washer M8	
20	4812000	2	Washer M10	
21	5271808	2	Capscrew M8 x 20	
22	8750014	2	Clamp	
24	1001202851	1	Filter, Hydraulic	
24	70005423	1	Filter Element Kit (Includes Element, Cap O-Ring and Bowl O-Ring)	
25	1001203450	1	Tank, Hydraulic	
26	1001215433	1	Main Valve Assembly (See Separate Breakdown in this Section)	
27	1001204719	1	Motor/Pump Assembly	
27	70005815	1	Replacement Motor	
27	70005817	1	Replacement Pump	
27	70005816	1	Seal and Mounting Kit (Includes Shaft Seal, Retaining Ring, Gasket and Pump Mounting Hardware)	
28	1001212294	1	Decal - Manifold	
29	1001215434	1	Traction Valve Assembly	
29	70006295	4	Screw	
29A	70004465	1	Valve, Flow Divider	
29A	70004164	1	Seal Kit - 70004465 Valve	
29B	70006296	1	Valve, Diverter	
29B	70006297	1	Coil	
29B	70006298	1	Seal, Interface	
29B	70006299	1	Coil Seal & Nut Kit	
30	1001234628	1	Cable, Pump (+)	
31	1001234629	1	Cable, Pump (-)	
43	1321752	2	Clamp	

SECTION 2 - GROUND CONTROLS

FIGURE 2-2. MAIN VALVE ASSEMBLY



ART_1001215433

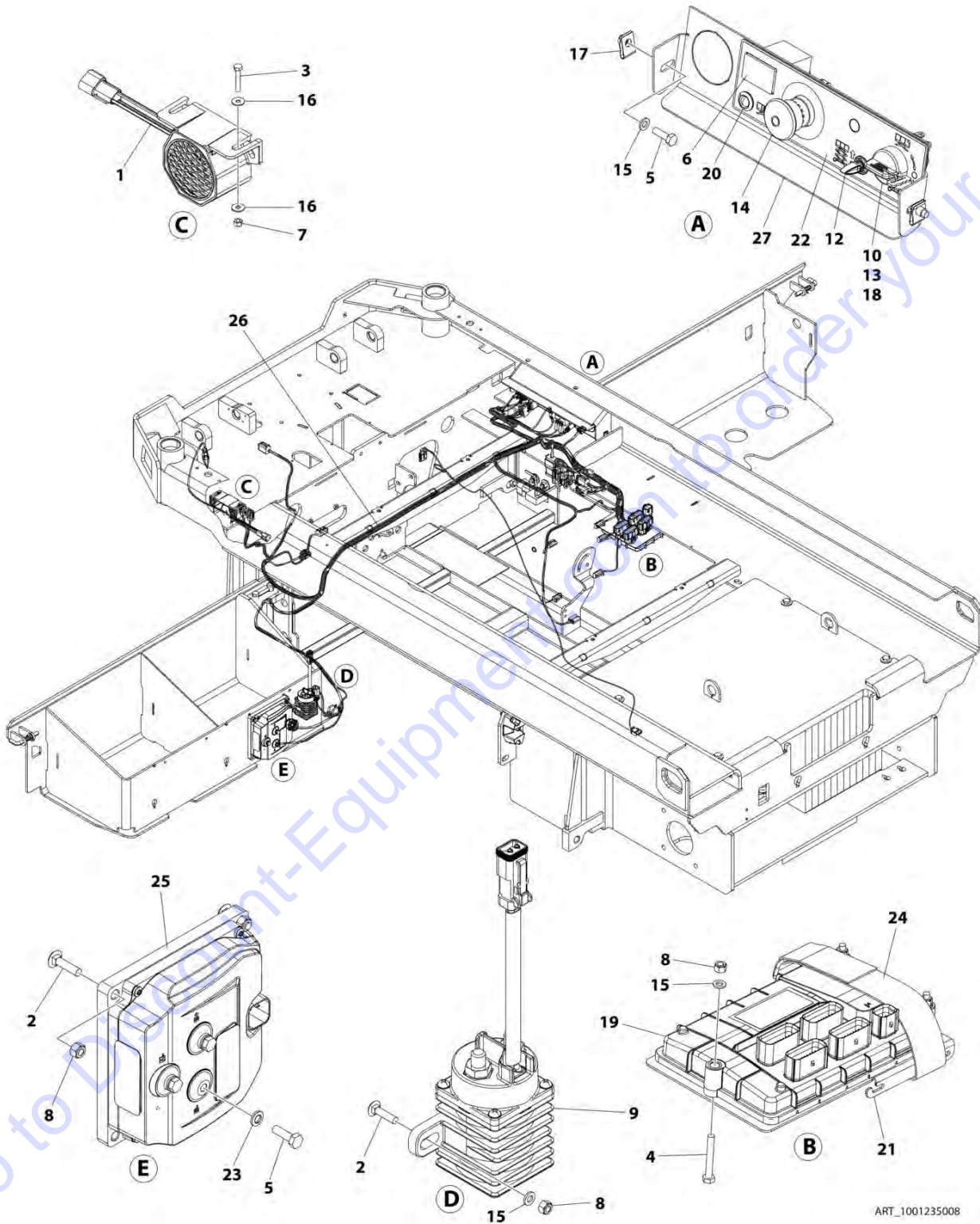
SECTION 2 - GROUND CONTROLS

FIGURE 2-2. MAIN VALVE ASSEMBLY

ITEM	PART NUMBER	QTY	DESCRIPTION	REV
	1001215433	Ref	VALVE ASSEMBLY	A
1	70005891	1	Assembly Kit (Includes Assembly Hardware and Seals Between Valve Blocks)	
2	70006302	1	Valve Assembly Less Coil (Steer)	
3	70021209	5	Coil Retainer Kit	
4	70005893	5	Coil	
5	2220415	2	Fitting, Straight	
6	70006301	3	Valve, Cartridge (Steer)	
7	See Note	NSS	Block, Valve (Entry Valve) (Note: Use p/n 1001215433)	
8	70005896	1	Valve, Cartridge	
9	2221086	1	Fitting, Hydraulic Test	
10	70005898	1	Valve, Cartridge	
11	70005899	1	Valve, Cartridge	
12	70005900	1	Valve, Cartridge	
13	2220374	2	Fitting, Straight JIC/ORB	
14	2220582	1	Fitting, Straight JIC/ORB	
15	70005903	1	Valve Assembly Less Coil (Lower Drive Valve)	
16	70005904	1	Seal Kit	
17	70006300	1	Valve Assembly (Upper Drive Valve)	
17A	See Note	NSS	Valve, Cartridge (Note: Use p/n 70006300)	
17B	See Note	NSS	Valve, Cartridge (Note: Use p/n 70006300)	
18	2220372	2	Fitting, Straight JIC/ORB	
19	70005907	1	Hardware Kit - Valve Mounting	
20	70005908	1	Valve Assembly Less Coil (Lift)	
21	70005909	1	Valve, Cartridge	
22	2220371	2	Fitting, Straight JIC/ORB	
23	70005911	1	Plate, End	
24	70005912	1	Plug	
25	70005913	2	Plug	
26	70005914	1	Valve, Cartridge	

SECTION 2 - GROUND CONTROLS

FIGURE 2-3. ELECTRICAL COMPONENTS INSTALLATION (CHINA BUILT MACHINES)



ART_1001235008

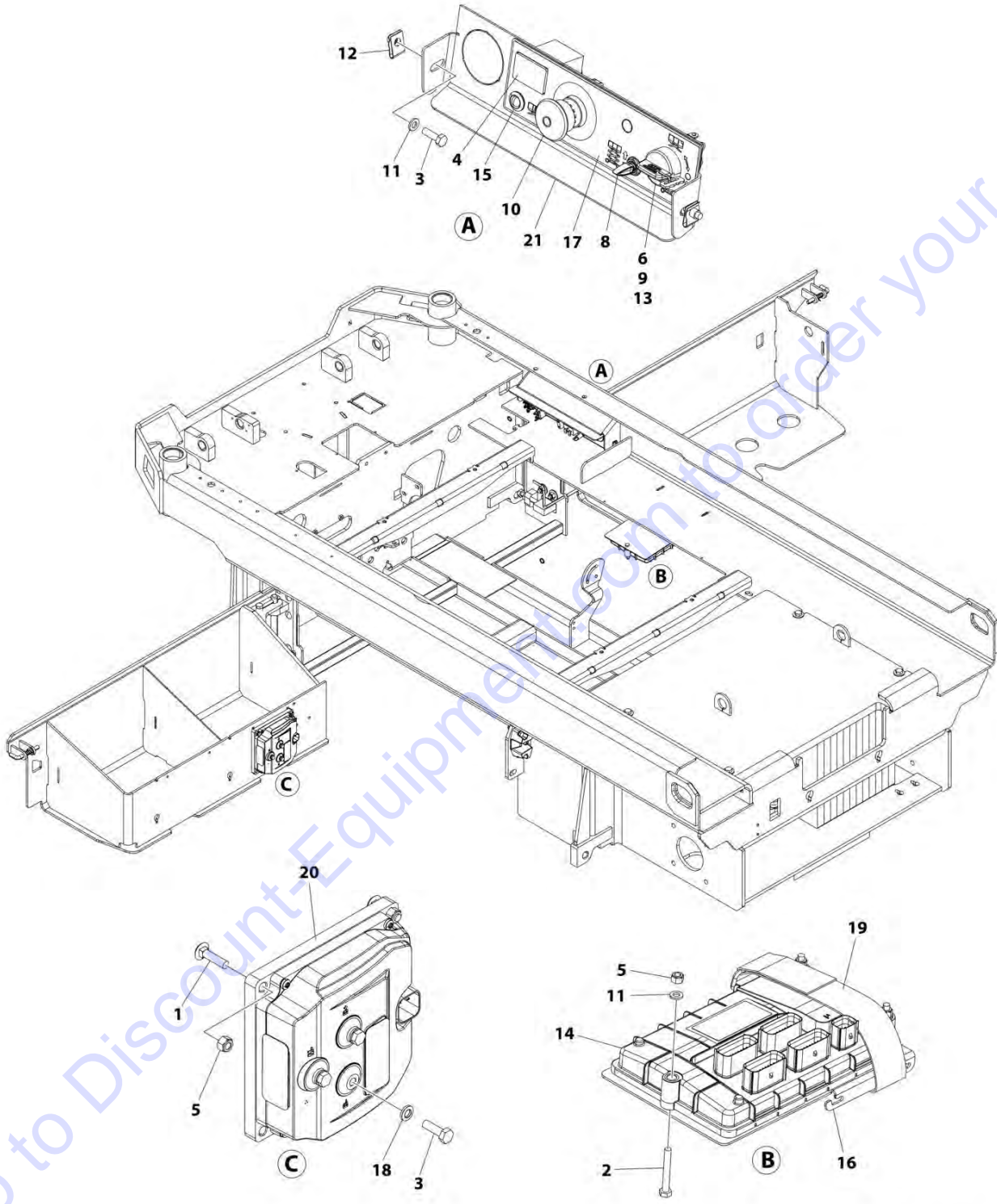
SECTION 2 - GROUND CONTROLS

FIGURE 2-3. ELECTRICAL COMPONENTS INSTALLATION (CHINA BUILT MACHINES)

ITEM	PART NUMBER	QTY	DESCRIPTION	REV
	1001235008	Ref	ELECTRICAL COMPONENTS INSTALLATION	B
1	0140043	1	Alarm	
2	0630587	4	Bolt M6 x 25	
3	0700412	2	Bolt M4 x 25	
4	0700617	3	Bolt M6 x 45	
5	0760610	5	Bolt M6 x 20	
6	2420172	1	Hourmeter	
7	3290405	2	Nut M4	
8	3290605	7	Nut M6	
9	3740150	1	Relay	
10	3910804	3	Screw #8 x 1/4	
11	4240017	AR	Tie-Strap (Not Shown)	
12	4360328	1	Switch, Toggle	
13	4360469	1	Switch, Key	
13	2860030	1 Set	Key, Replacement	
14	4360475	1	Switch, Emergency Stop	
14	7020175	1	Cap	
14	7020176	1	Block, Contact	
15	4811700	7	Washer M6	
16	1001091102	4	Washer M4	
17	1001130220	2	Nut Tinnerman M6	
18	1001130590	1	Plate	
19	1001200629	1	Module, Control (Note: Recalibration Required when Replaced)	
20	1001200631	1	Light, Indicator (Red)	
21	1001207494	1	Bracket	
22	1001209682	1	Decal - Ground Control	
23	1001210966	3	Washer	
24	1001215762	1	Strap, Clinch	
25	1001216062	1	Module, Power (Note: Recalibration Required when Replaced)	
26	1001234479	1	Chassis Harness (See Separate Breakdown in ELECTRICAL SECTION)	
27	1001235559	1	Support	

SECTION 2 - GROUND CONTROLS

FIGURE 2-4. ELECTRICAL COMPONENTS INSTALLATION - #1 (USA BUILT MACHINES)



ART_1001237887

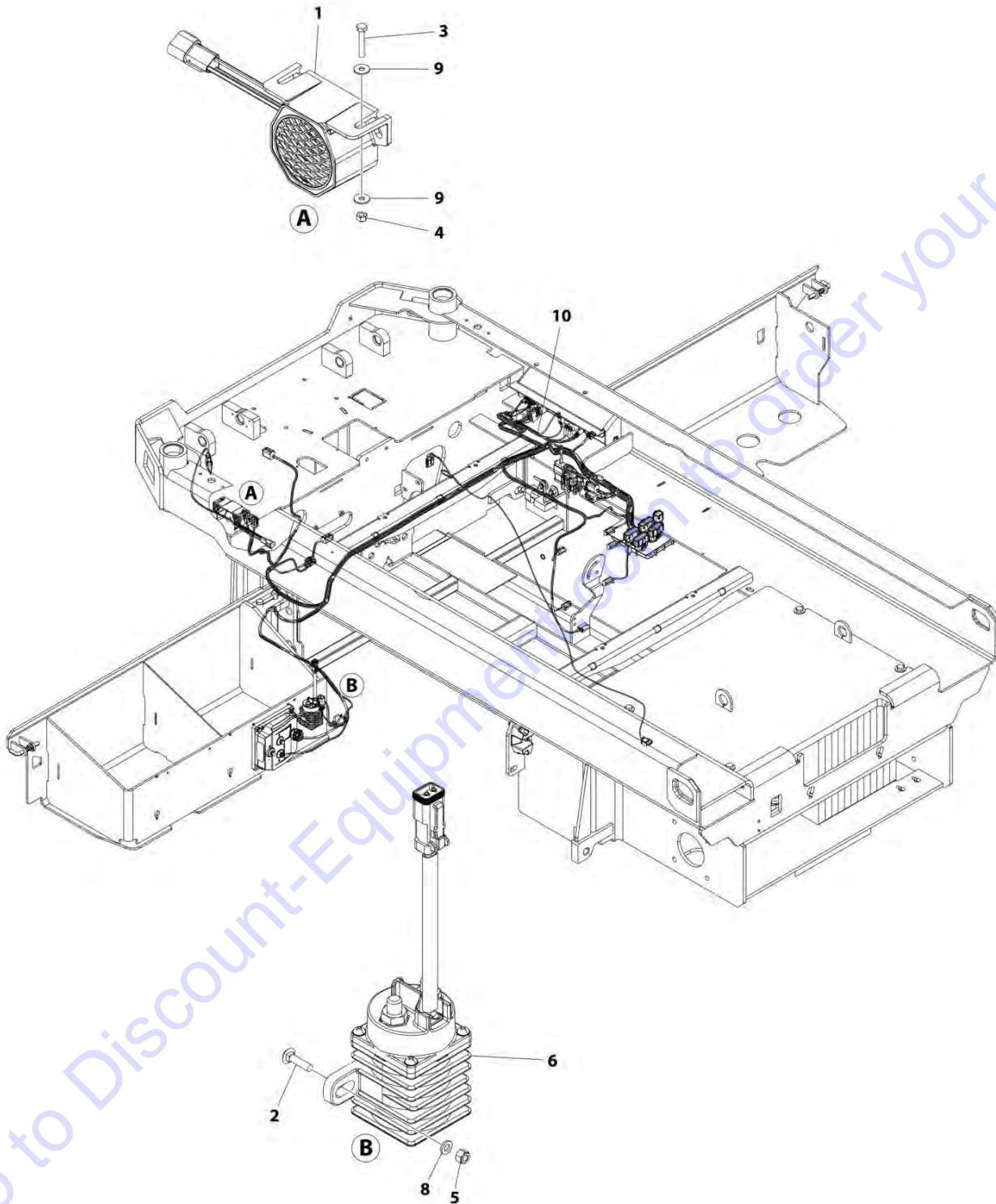
SECTION 2 - GROUND CONTROLS

FIGURE 2-4. ELECTRICAL COMPONENTS INSTALLATION - #1 (USA BUILT MACHINES)

ITEM	PART NUMBER	QTY	DESCRIPTION	REV
	1001237887	Ref	ELECTRICAL COMPONENTS INSTALLATION	A
1	0630587	2	Bolt M6 x 25	
2	0700617	3	Bolt M6 x 45	
3	0760610	5	Bolt M6 x 20	
4	2420172	1	Hourmeter	
5	3290605	5	Nut M6	
6	3910804	3	Screw #8 x 1/4	
7	4240017	AR	Tie-Strap (Not Shown)	
8	4360328	1	Switch, Toggle	
9	4360469	1	Switch, Key	
9	2860030	1 Set	Key, Replacement	
10	4360475	1	Switch, Emergency Stop	
10	7020175	1	Cap	
10	7020176	1	Block, Contact	
11	4811700	5	Washer M6	
12	1001130220	2	Nut Tinnerman M6	
13	1001130590	1	Plate	
14	1001200629	1	Module, Control (Note: Recalibration Required when Replaced)	
15	1001200631	1	Light, Indicator (Red)	
16	1001207494	1	Bracket	
17	1001209682	1	Decal - Ground Control	
18	1001210966	3	Washer	
19	1001215762	1	Strap, Clinch	
20	1001216062	1	Module, Power (Note: Recalibration Required when Replaced)	
21	1001235559	1	Support	

SECTION 2 - GROUND CONTROLS

FIGURE 2-5. ELECTRICAL COMPONENTS INSTALLATION - #2 (USA BUILT MACHINES)



ART_1001239386

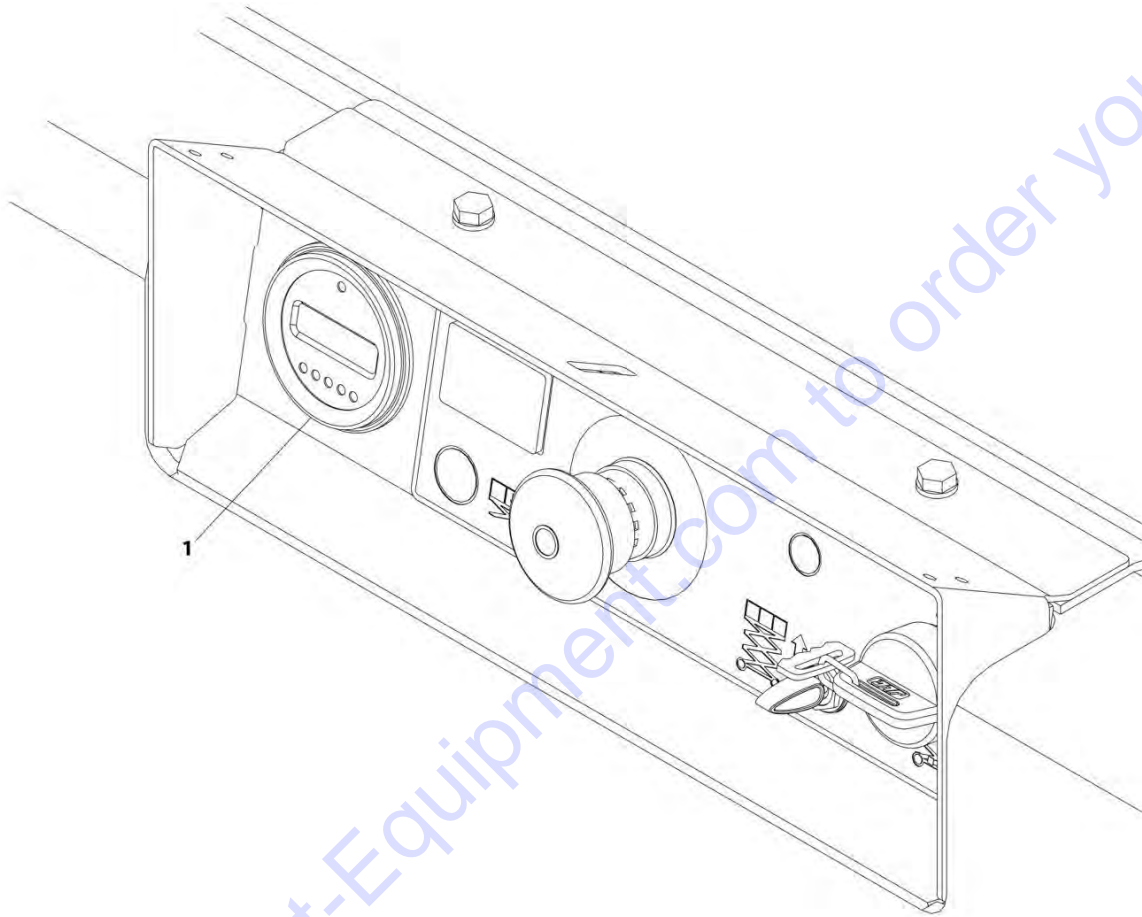
SECTION 2 - GROUND CONTROLS

FIGURE 2-5. ELECTRICAL COMPONENTS INSTALLATION - #2 (USA BUILT MACHINES)

ITEM	PART NUMBER	QTY	DESCRIPTION	REV
	1001239386	Ref	ELECTRICAL COMPONENTS INSTALLATION	A
1	0140043	1	Alarm	
2	0630587	2	Bolt M6 x 25	
3	0700412	2	Bolt M4 x 25	
4	3290405	2	Nut M4	
5	3290605	2	Nut M6	
6	3740150	1	Relay	
7	4240017	AR	Tie-Strap (Not Shown)	
8	4811700	2	Washer M6	
9	1001091102	4	Washer M4	
10	1001234479	1	Chassis Harness (See Separate Breakdown in ELECTRICAL SECTION)	

SECTION 2 - GROUND CONTROLS

FIGURE 2-6. MDI INSTALLATION



ART_1001207293

SECTION 2 - GROUND CONTROLS

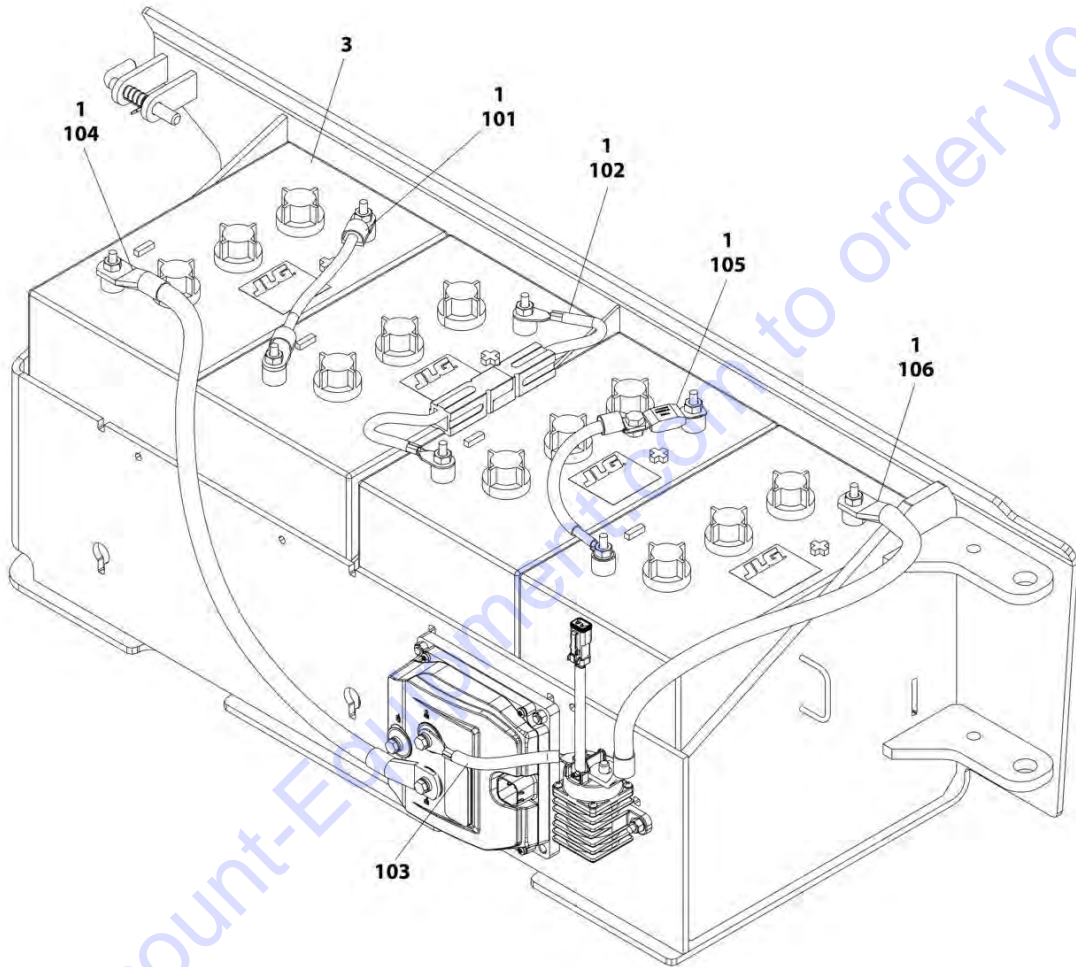
FIGURE 2-6. MDI INSTALLATION

ITEM	PART NUMBER	QTY	DESCRIPTION	REV
1	1001207293	Ref	MDI INSTALLATION	B
	1001200632	1	Gauge, MDI	

Go to Discount-Equipment.com to order your parts

SECTION 2 - GROUND CONTROLS

FIGURE 2-7. BATTERIES INSTALLATION - STANDARD 6V-255AH



ART_1001235834

SECTION 2 - GROUND CONTROLS

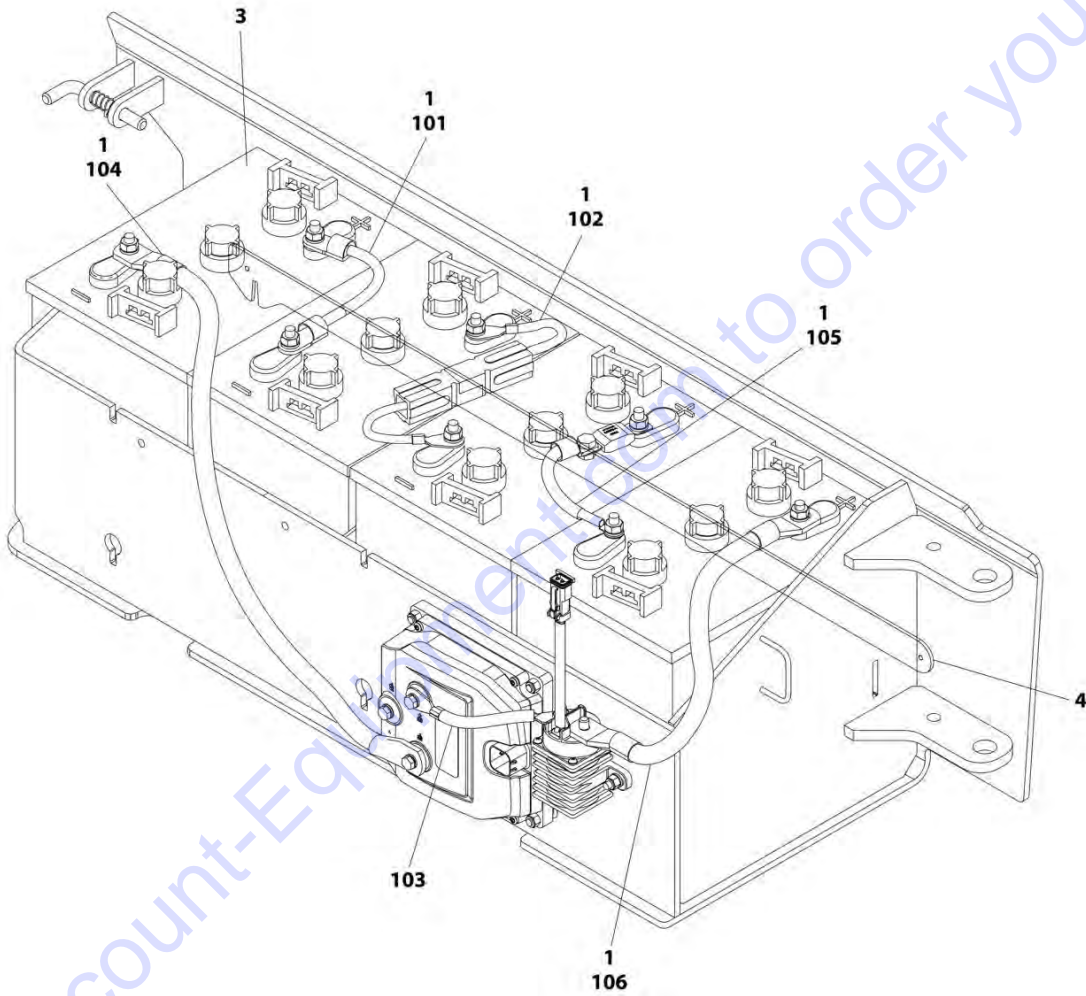
FIGURE 2-7. BATTERIES INSTALLATION - STANDARD 6V-255AH

ITEM	PART NUMBER	QTY	DESCRIPTION	REV
	1001235834	Ref	BATTERIES INSTALLATION	A
1	0100051	AR	Grease, Terminal	
2	4240017	AR	Tie-Strap (Not Shown)	
3	1001235106	4	Battery	
100	1001228123	1	Battery Cable Kit (Not Shown)	
101	1060998	1	Cable, Positive to Negative	
102	4923328	1	Cable, Positive to Negative	
103	1001201708	1	Cable, Contactor to Pump Control B+	
104	1001201711	1	Cable, Battery Negative to Pump Control B-	
105	1001210401	1	Cable, Battery Fuse	
106	1001229110	1	Cable, Battery Positive to Contactor	

Go to Discount-Equipment.com to order your parts

SECTION 2 - GROUND CONTROLS

FIGURE 2-8. BATTERIES INSTALLATION - STANDARD 6V-220AH



ART_1001236632

SECTION 2 - GROUND CONTROLS

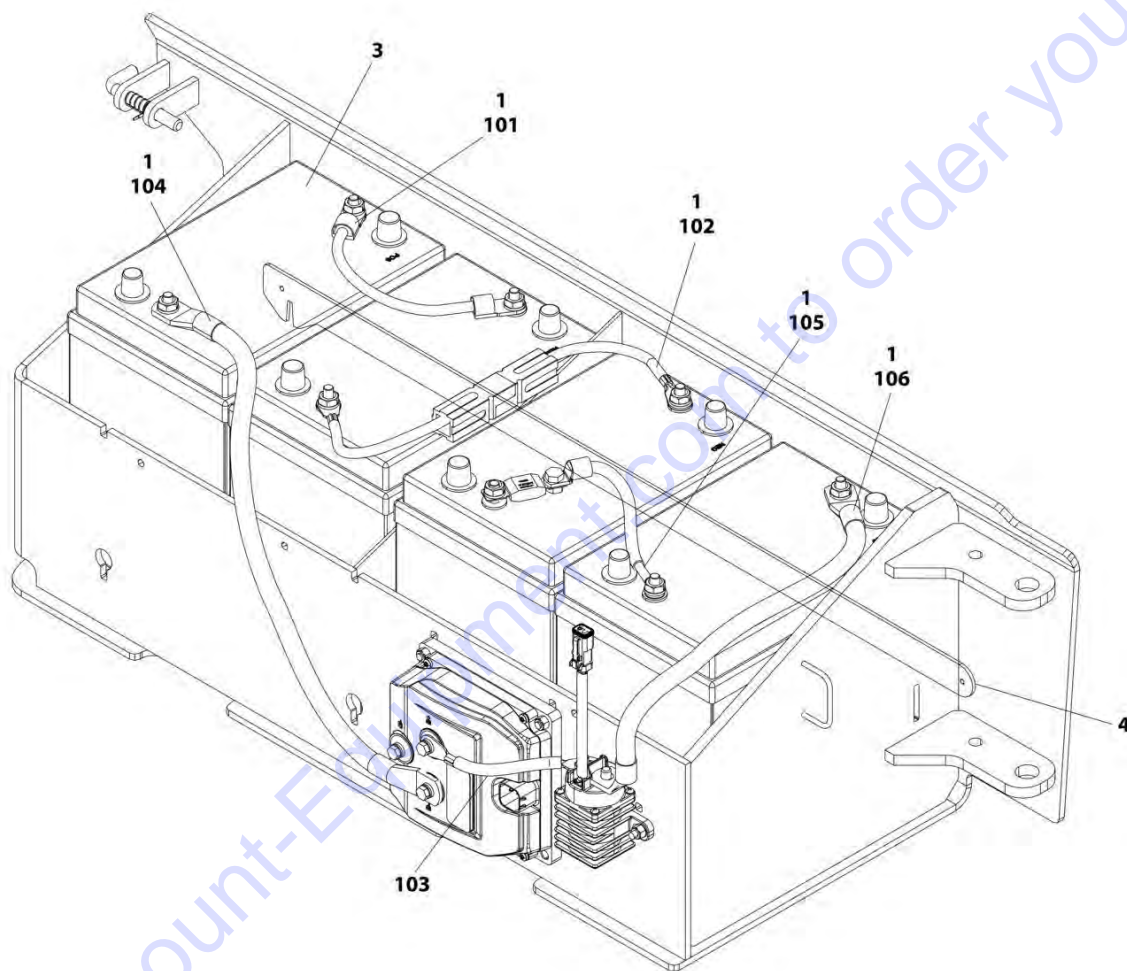
FIGURE 2-8. BATTERIES INSTALLATION - STANDARD 6V-220AH

ITEM	PART NUMBER	QTY	DESCRIPTION	REV
	1001236632	Ref	BATTERIES INSTALLATION	B
1	0100051	AR	Grease, Terminal	
2	4240017	AR	Tie-Strap (Not Shown)	
3	1001216180	4	Battery	
4	1001239269	1	Bar	
100	1001228123	1	Battery Cable Kit (Not Shown)	
101	1060998	1	Cable, Positive to Negative	
102	4923328	1	Cable, Positive to Negative	
103	1001201708	1	Cable, Contactor to Pump Control B+	
104	1001201711	1	Cable, Battery Negative to Pump Control B-	
105	1001210401	1	Cable, Battery Fuse	
106	1001229110	1	Cable, Battery Positive to Contactor	

Go to Discount-Equipment.com to order your parts

SECTION 2 - GROUND CONTROLS

FIGURE 2-9. BATTERIES INSTALLATION - AGM 6V-220AH



ART_1001237989

SECTION 2 - GROUND CONTROLS

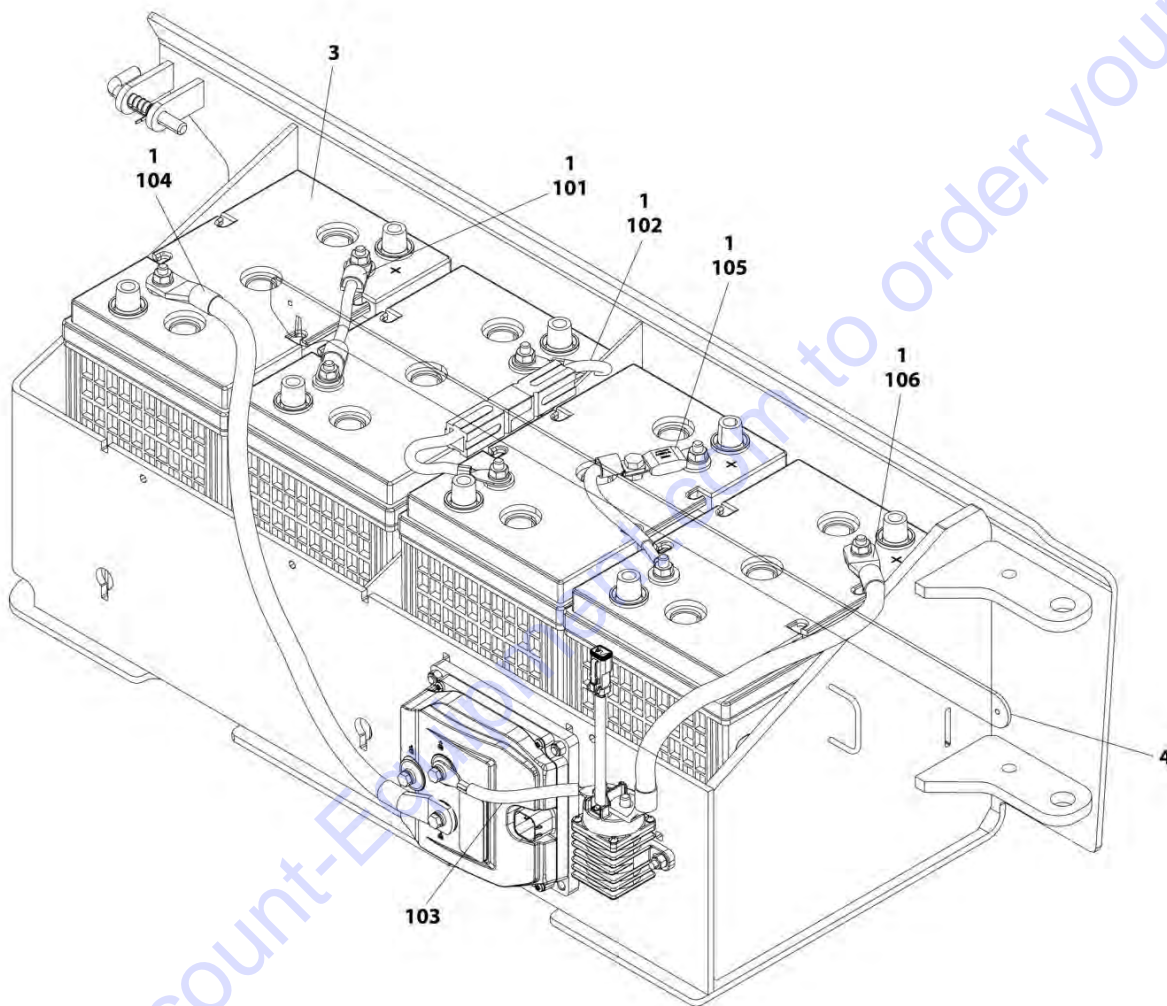
FIGURE 2-9. BATTERIES INSTALLATION - AGM 6V-220AH

ITEM	PART NUMBER	QTY	DESCRIPTION	REV
	1001237989	Ref	BATTERIES INSTALLATION	B
1	0100051	AR	Grease, Terminal	
2	4240017	AR	Tie-Strap (Not Shown)	
3	1001112112	4	Battery	
4	1001239269	1	Bar	
100	1001228123	1	Battery Cable Kit (Not Shown)	
101	1060998	1	Cable, Positive to Negative	
102	4923328	1	Cable, Positive to Negative	
103	1001201708	1	Cable, Contactor to Pump Control B+	
104	1001201711	1	Cable, Battery Negative to Pump Control B-	
105	1001210401	1	Cable, Battery Fuse	
106	1001229110	1	Cable, Battery Positive to Contactor	

Go to Discount-Equipment.com to order your parts

SECTION 2 - GROUND CONTROLS

FIGURE 2-10. BATTERIES INSTALLATION - AGM EVCG 6V-220AH



ART_1001237991

SECTION 2 - GROUND CONTROLS

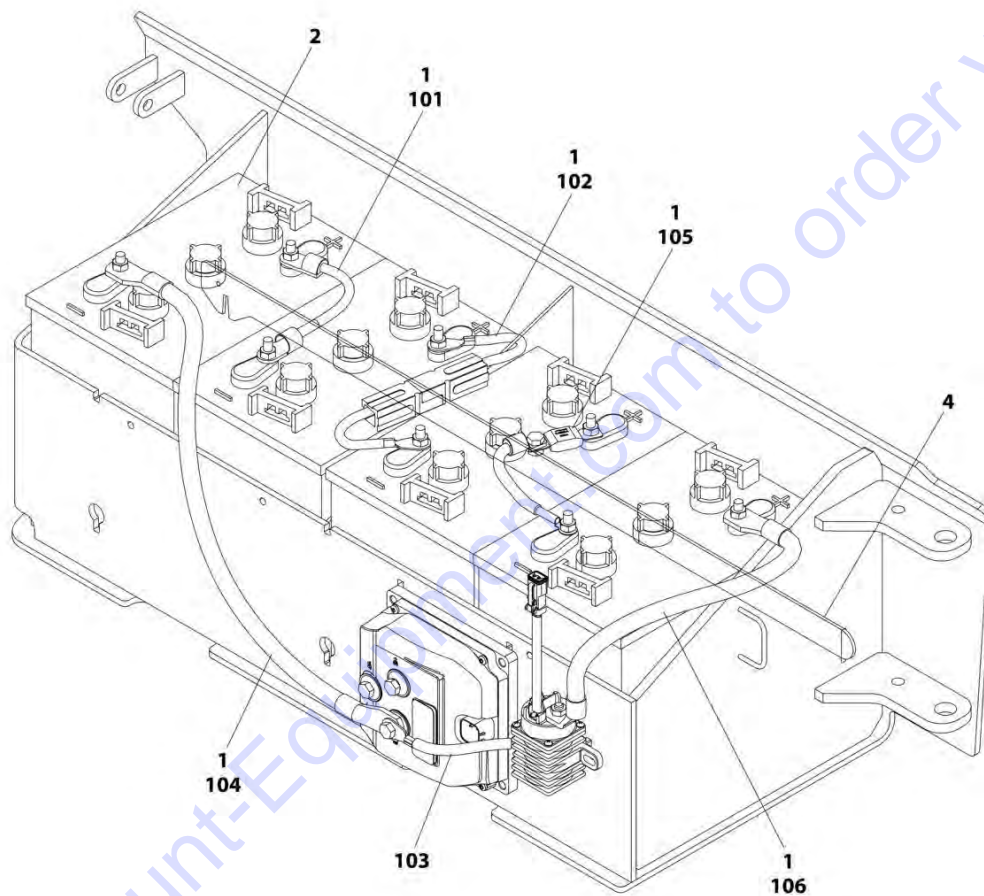
FIGURE 2-10. BATTERIES INSTALLATION - AGM EVCG 6V-220AH

ITEM	PART NUMBER	QTY	DESCRIPTION	REV
	1001237991	Ref	BATTERIES INSTALLATION	B
1	0100051	AR	Grease, Terminal	
2	4240017	AR	Tie-Strap (Not Shown)	
3	1001214347	4	Battery	
4	1001239269	1	Bar	
100	1001228123	1	Battery Cable Kit (Not Shown)	
101	1060998	1	Cable, Positive to Negative	
102	4923328	1	Cable, Positive to Negative	
103	1001201708	1	Cable, Contactor to Pump Control B+	
104	1001201711	1	Cable, Battery Negative to Pump Control B-	
105	1001210401	1	Cable, Battery Fuse	
106	1001229110	1	Cable, Battery Positive to Contactor	

Go to Discount-Equipment.com to order your parts

SECTION 2 - GROUND CONTROLS

FIGURE 2-11. BATTERIES INSTALLATION - 6V-220AH (TROJAN)



ART_1001249054

SECTION 2 - GROUND CONTROLS

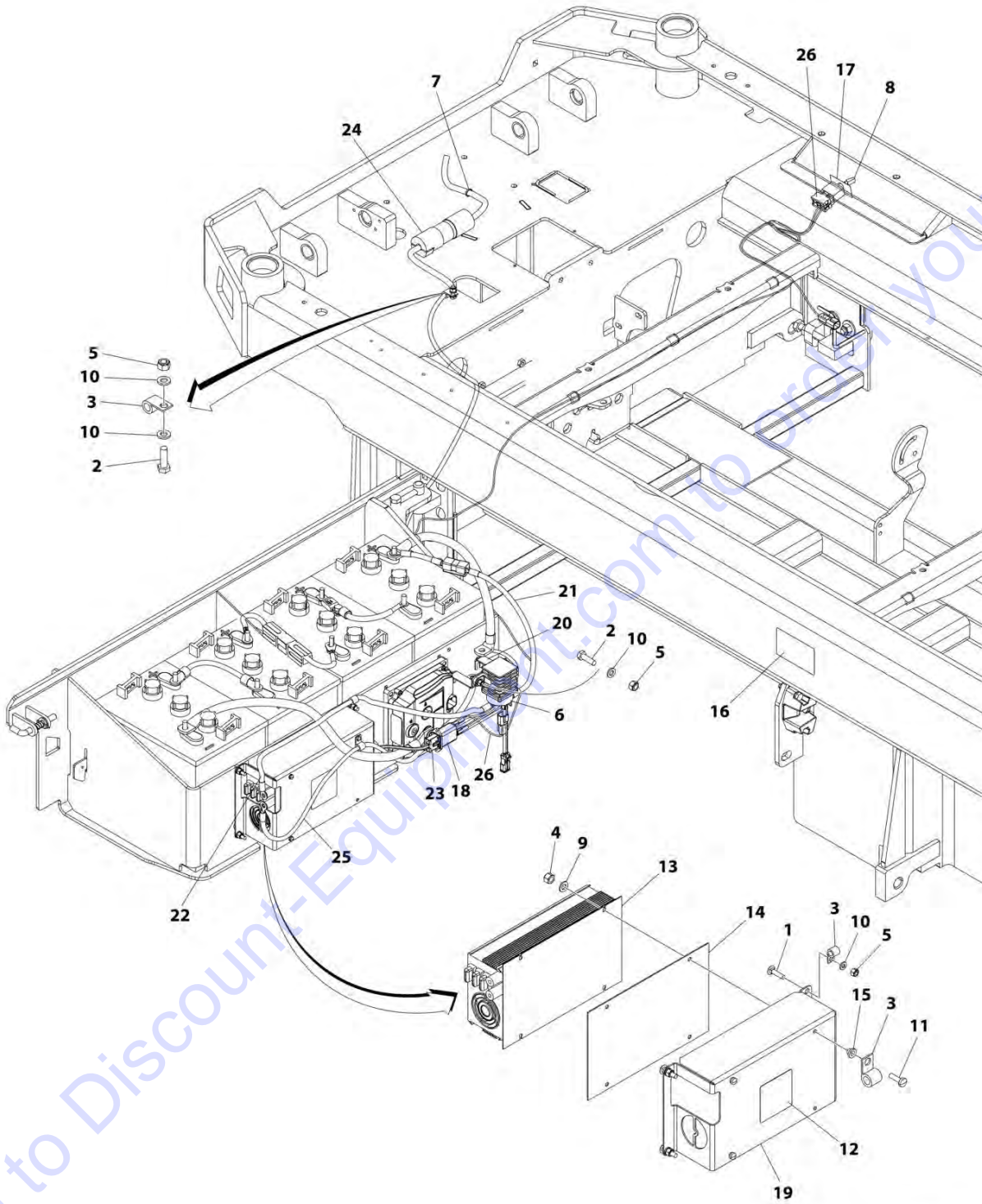
FIGURE 2-11. BATTERIES INSTALLATION - 6V-220AH (TROJAN)

ITEM	PART NUMBER	QTY	DESCRIPTION	REV
	1001249054	Ref	BATTERIES INSTALLATION	A
1	0100051	AR	Grease, Terminal	
2	0400215	4	Battery	
3	4240017	AR	Tie-Strap (Not Shown)	
4	1001239269	1	Bar	
100	1001228123	1	Battery Cable Kit (Not Shown)	
101	1060998	1	Cable, Positive to Negative	
102	4923328	1	Cable, Positive to Negative	
103	1001201708	1	Cable, Contactor to Pump Control B+	
104	1001201711	1	Cable, Battery Negative to Pump Control B-	
105	1001210401	1	Cable, Battery Fuse	
106	1001229110	1	Cable, Battery Positive to Contactor	

Go to Discount-Equipment.com to order your parts

SECTION 2 - GROUND CONTROLS

FIGURE 2-12. INVERTER INSTALLATION (OPTIONAL)



ART_1001236132

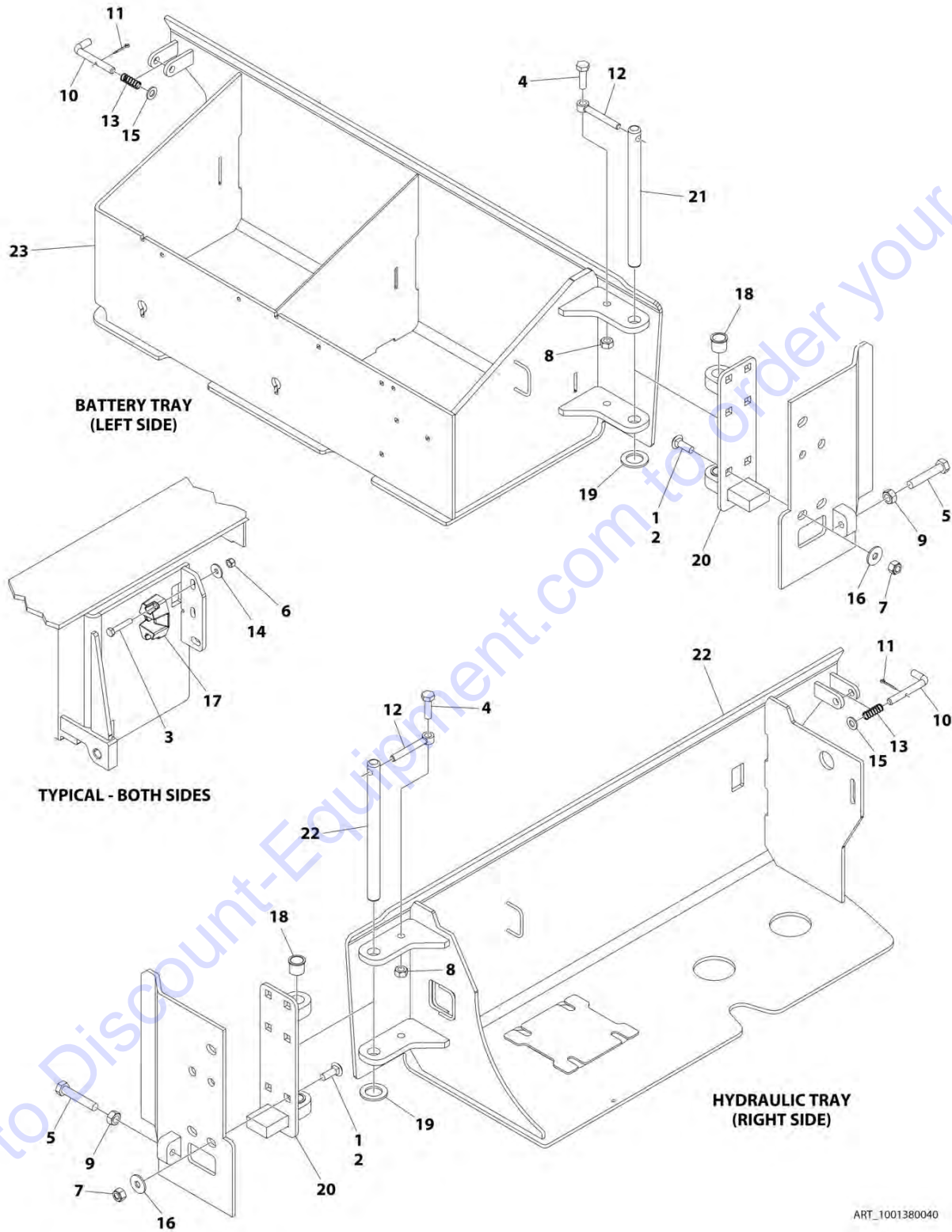
SECTION 2 - GROUND CONTROLS

FIGURE 2-12. INVERTER INSTALLATION (OPTIONAL)

ITEM	PART NUMBER	QTY	DESCRIPTION	REV
	1001236132	Ref	INVERTER INSTALLATION (OPTIONAL)	B
1	0630587	4	Bolt M6 x 25	
2	0760610	3	Bolt M6 x 20	
3	1321293	3	Clamp	
4	3290405	3	Nut M4	
5	3290605	7	Nut M6	
6	3740150	1	Relay	
7	4240017	AR	Tie-Strap	
8	4360336	1	Switch, Toggle	
9	4811400	3	Washer M4	
10	4811700	8	Washer M6	
11	1001101540	3	Screw M4 x 14	
12	1001125483	1	Decal - Pressure Wash	
13	1001136757	1	Inverter	
14	1001142173	1	Insulate	
15	1001142174	3	Washer 1/8	
16	1001143009	1	Decal - Inverter	
17	1001143010	1	Decal - On/Off Inverter	
18	1001157547	1	Filter, AC	
19	1001210440	1	Support	
20	1001210605	1	Support	
21	1001210878	1	Cable, Battery + to Inverter Contactor	
22	1001210879	1	Cable, Inverter Contactor to Inverter +	
23	1001210881	1	Cable, Inverter to AC Filter	
24	1001210882	1	Cable, AC Filter to AC Plug	
25	1001210967	1	Cable, Pump Control B- to Inverter	
26	1001235954	1	Inverter Harness	
26	4460897	2	Receptacle, Female - 2 Position	
26	4460464	3	Pin, Male	
26	4460466	1	Plug, Terminal	
26	4460418	1	Plug, Male - 6 Position	
26	4460419	2	Terminal	

SECTION 2 - GROUND CONTROLS

FIGURE 2-13. DOORS INSTALLATION



ART_1001380040

SECTION 2 - GROUND CONTROLS

FIGURE 2-13. DOORS INSTALLATION

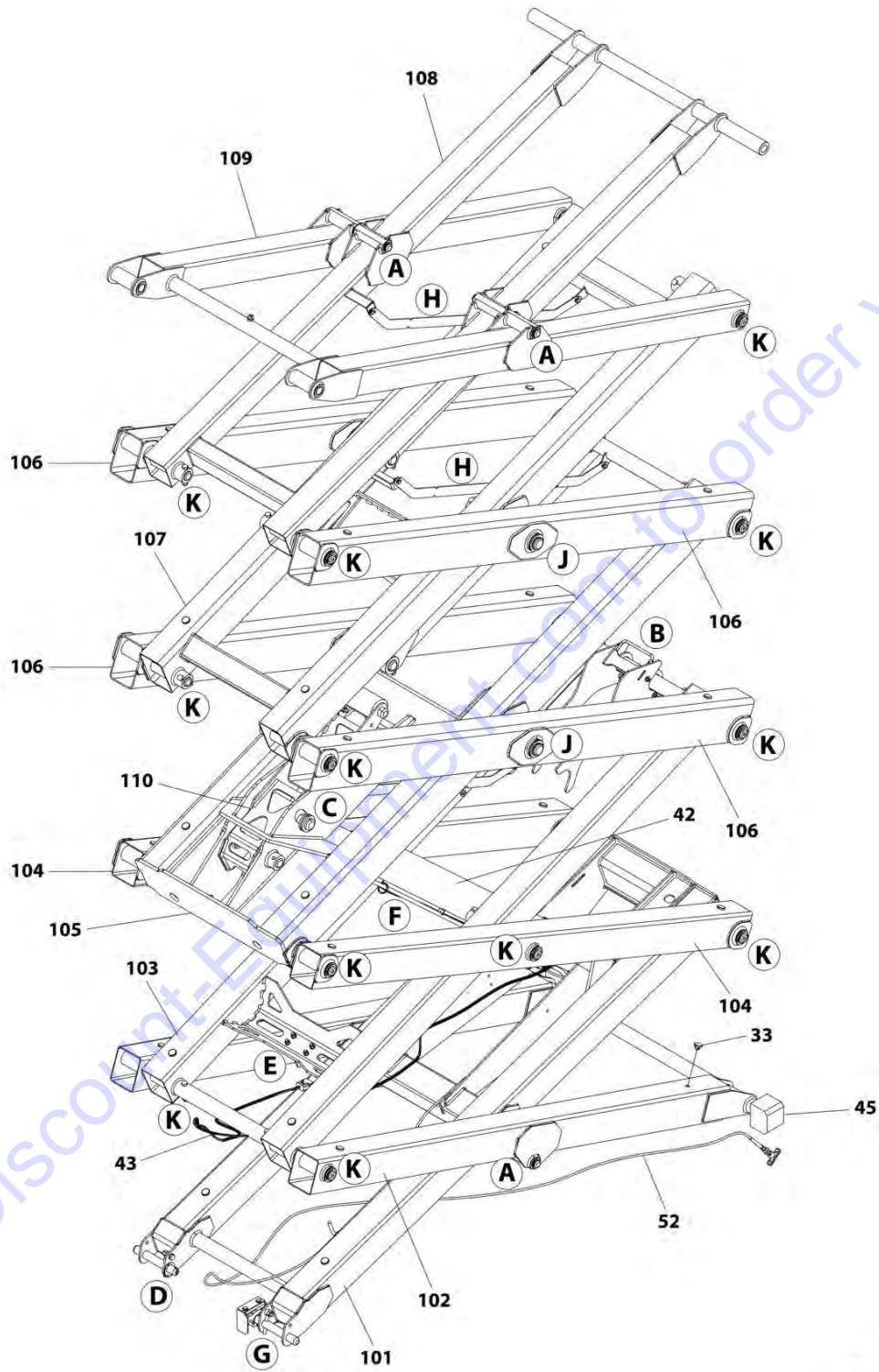
ITEM	PART NUMBER	QTY	DESCRIPTION	REV
	1001380040	Ref	DOORS INSTALLATION	B
1	0100011	AR	Compound, Locking	
2	0630613	10	Bolt M10 x 30	
3	0700817	4	Bolt M8 x 45	
4	0701015	2	Bolt M10 x 35	
5	0761221	2	Bolt M12 x 65	
6	3290805	4	Nut M8	
7	3291005	10	Nut M10	
8	3291007	2	Nut M10	
9	3291201	2	Nut M12	
10	3423243	2	Pin	
11	3450303	2	Pin, Cotter 3/32 x 3/4	
12	3841143	2	Keeper, Pin	
13	4160214	2	Spring	
14	4811902	4	Washer M8	
15	4812000	AR	Washer M10	
16	4812002	10	Washer M10	
17	1001214810	2	Support	
18	1001218573	4	Bearing	
19	1001229792	2	Washer	
20	1001234858	2	Hinge	
21	1001234862	2	Pin	
22	1001380041	1	Tray, Hydraulic	
23	1001380042	1	Tray, Battery	

SECTION 3 - SCISSORS ARMS

Go to Discount-Equipment.com to order your parts

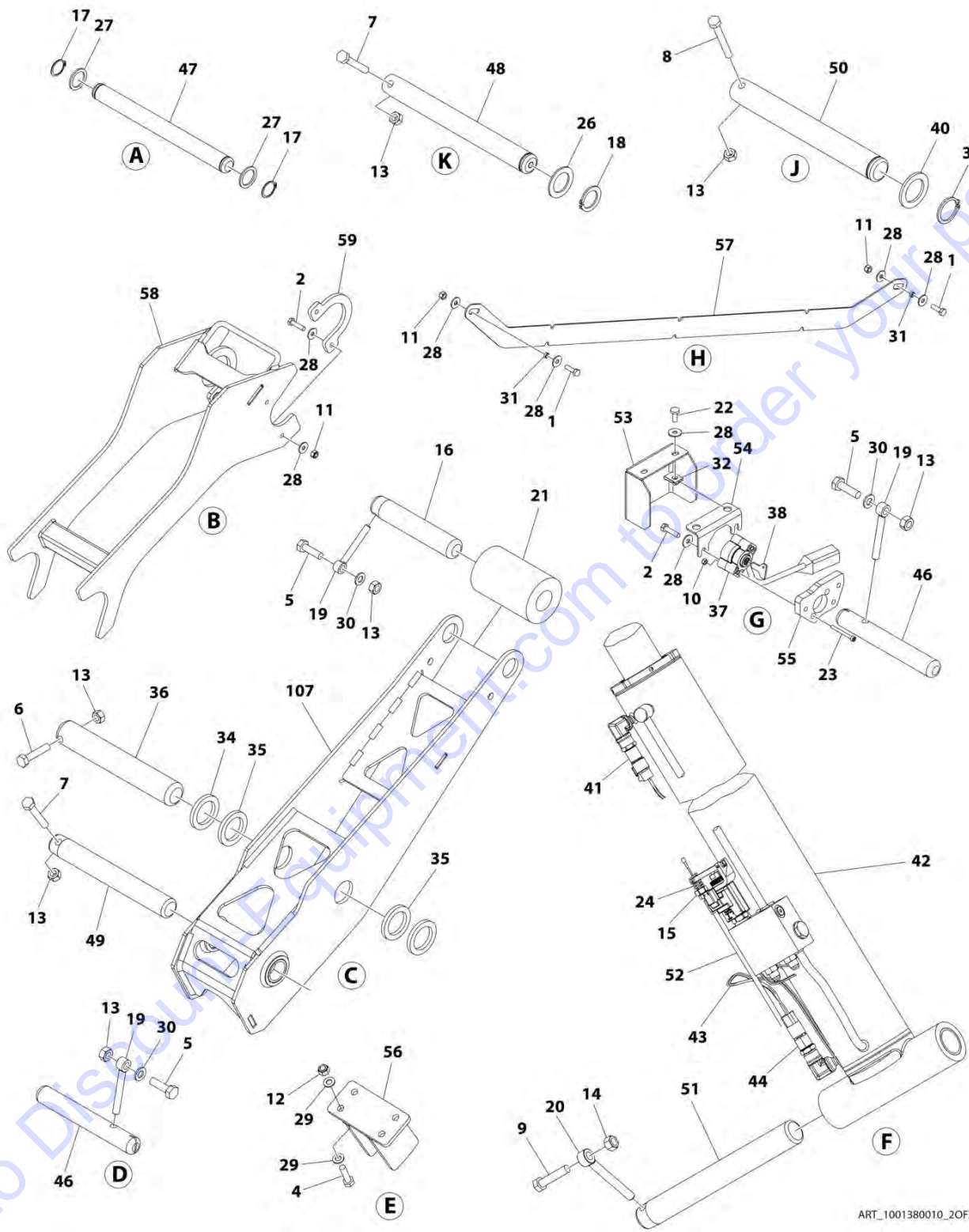
SECTION 3 - SCISSORS ARMS

FIGURE 3-1. SCISSORS ARMS INSTALLATION



ART_1001380010_10F2

SECTION 3 - SCISSORS ARMS



ART_1001380010_20F2

SECTION 3 - SCISSORS ARMS

FIGURE 3-1. SCISSORS ARMS INSTALLATION

ITEM	PART NUMBER	QTY	DESCRIPTION	REV
	1001380010	Ref	SCISSORS ARMS INSTALLATION	D
1	0700610	6	Bolt M6 x 20	
2	0700612	7	Bolt M6 x 25	
4	0700814	4	Bolt M8 x 30	
5	0701015	3	Bolt M10 x 35	
6	0701018	1	Bolt M10 x 50	
7	0701021	19	Bolt M10 x 65	
8	0701024	4	Bolt M10 x 80	
9	0701219	1	Bolt M12 x 55	
10	3290405	2	Nut M4	
11	3290605	10	Nut M6	
12	3290805	4	Nut M8	
13	3291007	27	Nut M10	
14	3291207	1	Nut M12	
15	3321402	1	Nut 1/4	
16	3422998	1	Pin	
17	3760115	8	Ring, Retaining	
18	3760387	18	Ring, Retaining	
19	3841143	3	Keeper, Pin	
20	3841203	1	Keeper, Pin	
21	3860104	1	Roller	
22	4010608	2	Screw M6 x 16	
23	4031512	2	Capscrew M4 x 40	
24	4160078	1	Spring	
25	4240017	AR	Tie-Strap (Not Shown)	
26	4740438	18	Washer	
27	4740531	8	Washer	
28	4811702	25	Washer M6	
29	4811900	8	Washer M8	
30	4812000	3	Washer M10	
31	1001128888	6	Washer	
32	1001130220	2	Nut Tinnerman M6	
33	1001137675	32	Bumper	
34	1001139000	1	Plate	
35	1001139002	2	Pad	
36	1001139003	1	Pin	
37	1001146963	1	Sensor, Angle	
38	1001205345	1	Key	
39	1001214689	4	Ring, Retaining	
40	1001217457	4	Washer	
41	1001225164	1	Sensor, Pressure Transducer	
42	1001244417	1	Lift Cylinder Assembly (See Separate Breakdown in CYLINDER SECTION)	
43	1001233795	1	Lift Down Harness (See Separate Breakdown in ELECTRICAL SECTION)	
44	1001235104	1	Sensor, Pressure Transducer	
45	1001247707	1	Block, Side	
46	1001236165	2	Pin	
47	1001236167	4	Pin	
48	1001236169	18	Pin	

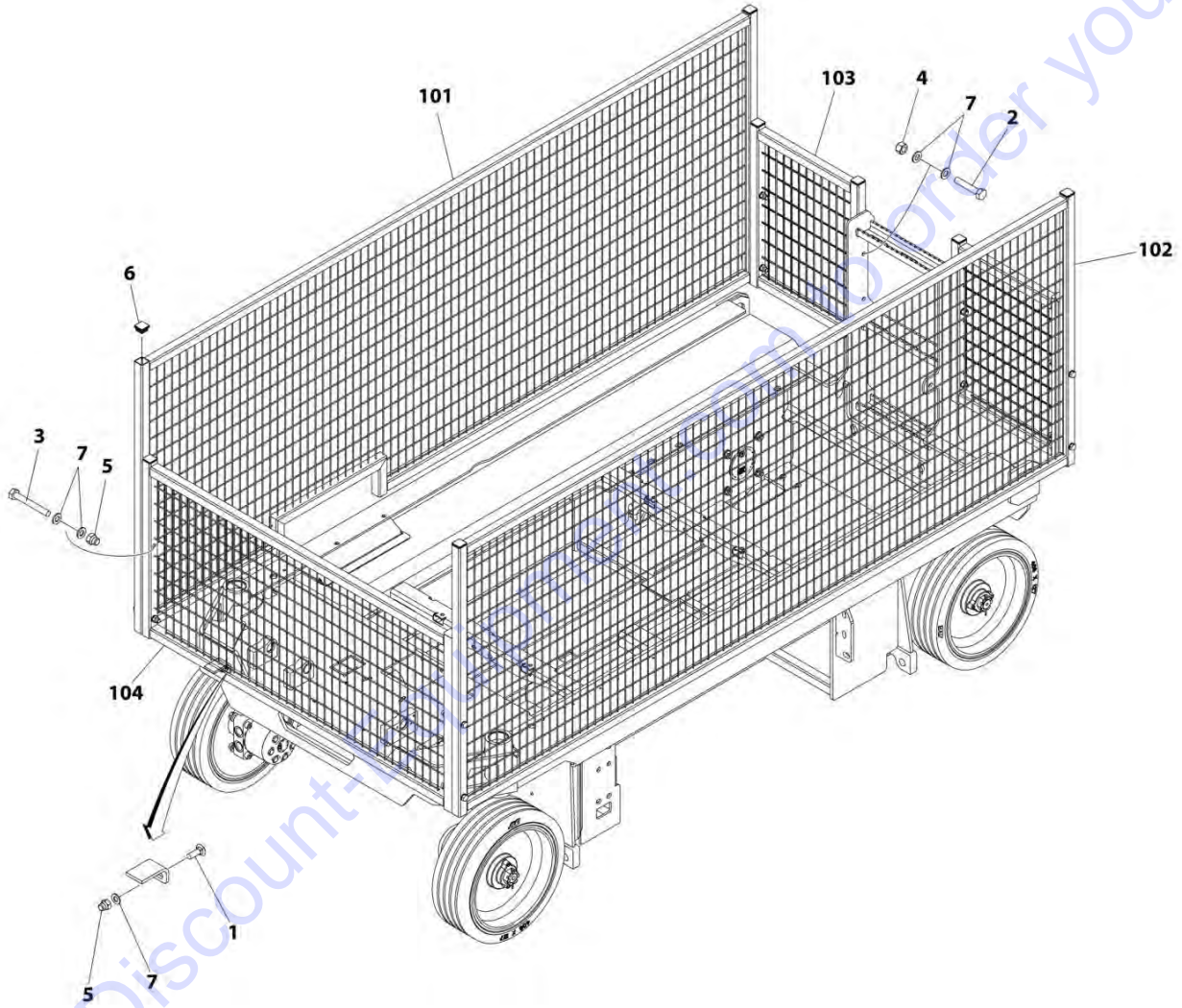
SECTION 3 - SCISSORS ARMS

ITEM	PART NUMBER	QTY	DESCRIPTION	REV
49	1001236170	1	Pin	
50	1001236171	4	Pin	
51	1001236172	1	Pin	
52	1001236269	1	Cable, Manual Descent	
53	1001236486	1	Cover	
54	1001236487	1	Plate	
55	1001236488	1	Plate	
56	1001243348	1	Adapter	
57	1001237824	3	Plate	
58	1001238684	1	Arm, Prop	
59	1001239479	2	Plate	
100	1001236348	1	Arm Kit	
101	1001241662	1	Arm - Inner 1	
102	1001241663	1	Arm - Outer 1	
103	1001241664	1	Arm - Inner 2	
104	1001241665	1	Arm - Outer 2	
105	1001241666	1	Arm - Inner 3	
106	1001241667	2	Arm - Outer 3 and Outer 4	
107	1001241668	1	Arm - Inner 4	
108	1001241669	1	Arm - Inner 5	
109	1001241670	1	Arm - Outer 5	
110	1001241671	1	Kicker	

Go to Discount-Equipment.com to order your parts

SECTION 3 - SCISSORS ARMS

FIGURE 3-2. ARMS GUARD INSTALLATION



ART_1001380024

SECTION 3 - SCISSORS ARMS

FIGURE 3-2. ARMS GUARD INSTALLATION

ITEM	PART NUMBER	QTY	DESCRIPTION	REV
	1001380024	Ref	ARM GUARD INSTALLATION	A
1	0630613	2	Bolt M10 x 30	
2	0701019	4	Bolt M10 x 55	
3	0701024	8	Bolt M10 x 80	
4	3291005	4	Nut M10	
5	3291006	10	Nut M10	
6	3520072	10	Plug	
7	4812000	26	Washer M10	
100	1001239943	1	Arm Guard Kit (Not Shown)	
101	1001239892	1	Guard, Arm (RH)	
102	1001239894	1	Guard, Arm (LH)	
103	1001239899	2	Guard, Arm (Rear)	
104	1001239904	1	Guard, Arm (Front)	

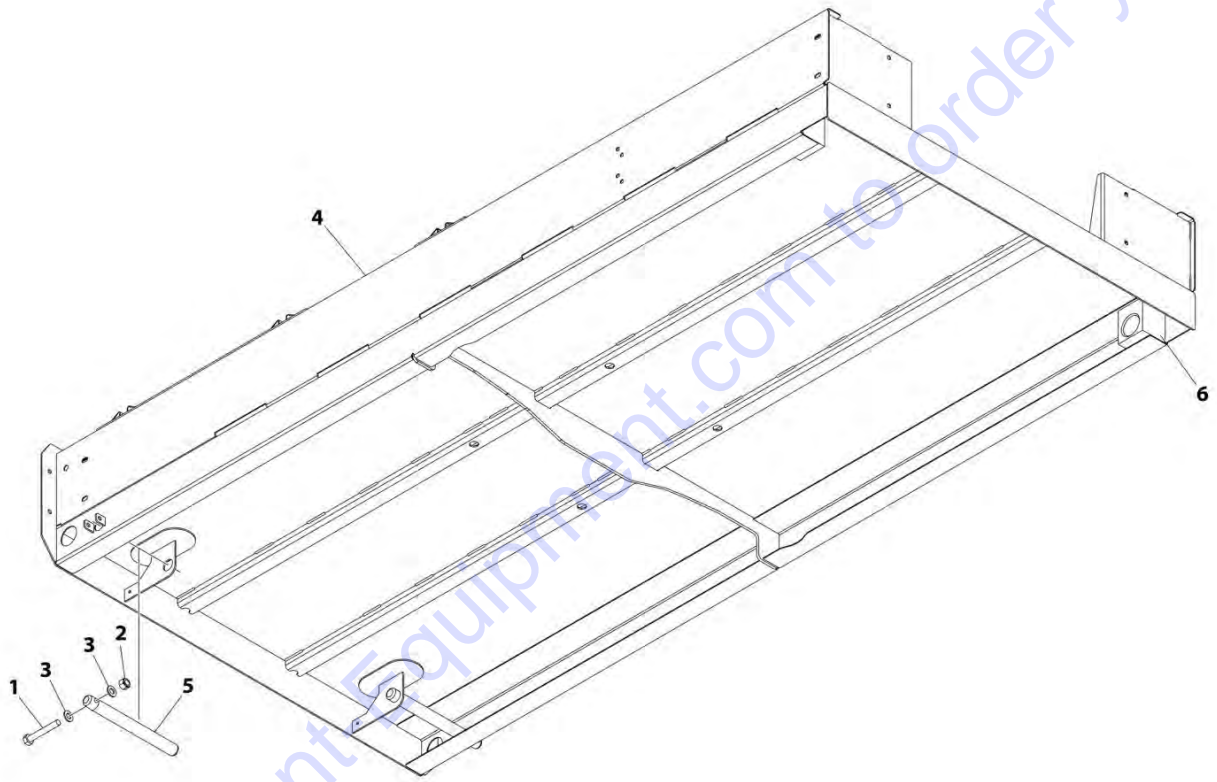
Go to Discount-Equipment.com to order your parts

SECTION 4 - PLATFORM

Go to Discount-Equipment.com to order your parts

SECTION 4 - PLATFORM

FIGURE 4-1. PLATFORM INSTALLATION



ART_1001234380

SECTION 4 - PLATFORM

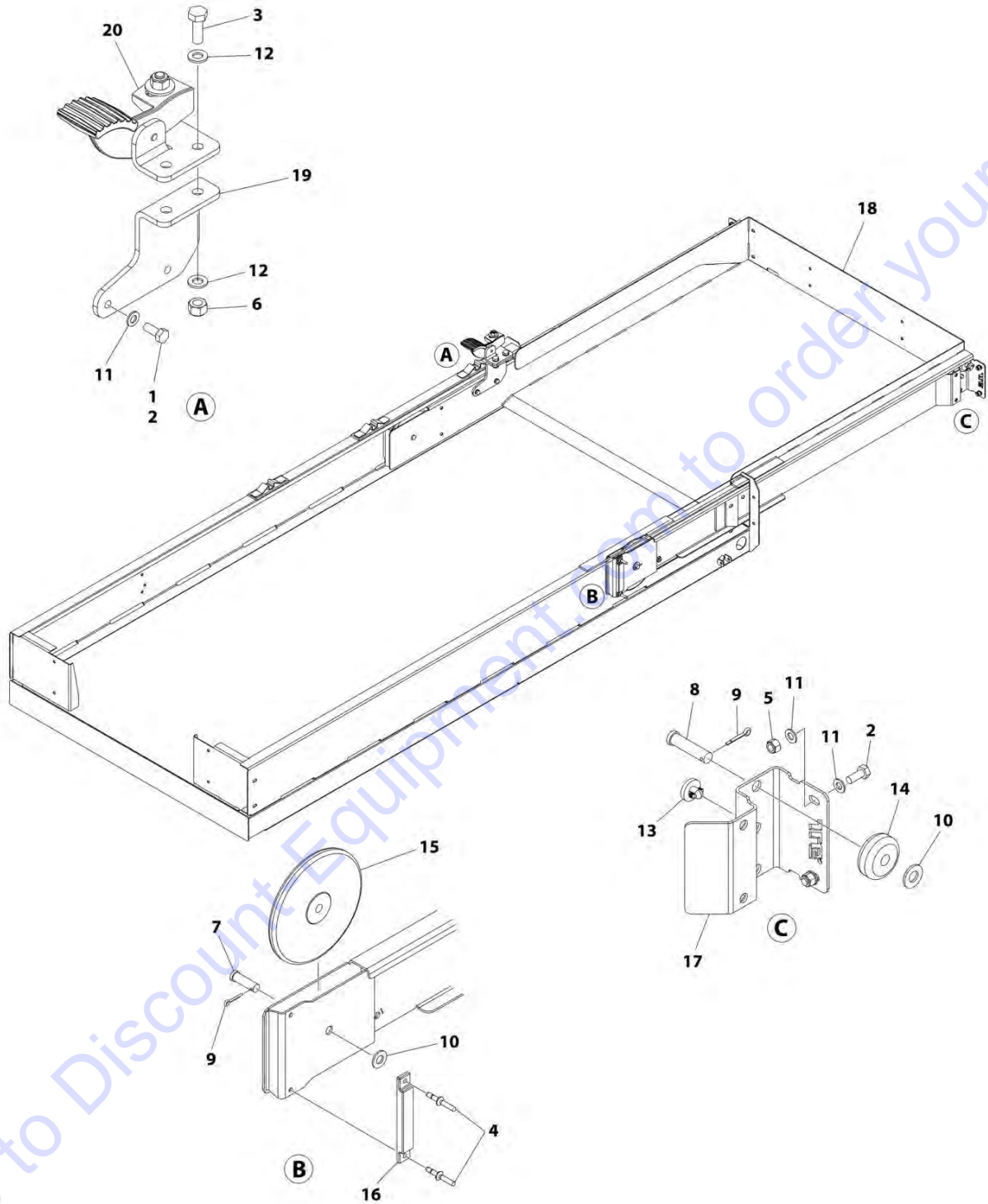
FIGURE 4-1. PLATFORM INSTALLATION

ITEM	PART NUMBER	QTY	DESCRIPTION	REV
	1001234380	Ref	PLATFORM INSTALLATION	C
1	0700819	2	Bolt M8 x 55	
2	3290805	2	Nut M8	
3	4811900	4	Washer M8	
4	1001234336	1	Platform	
5	1001235590	2	Pin	
6	1001235592	NLA	Block, Slide (Use p/n 1001247706) (Prior to SN B200053681)	
6	1001247706	2	Block, Slide (SN B200053681 to Present)	

Go to Discount-Equipment.com to order your parts

SECTION 4 - PLATFORM

FIGURE 4-2. PLATFORM EXTENSION INSTALLATION



ART_1001234381

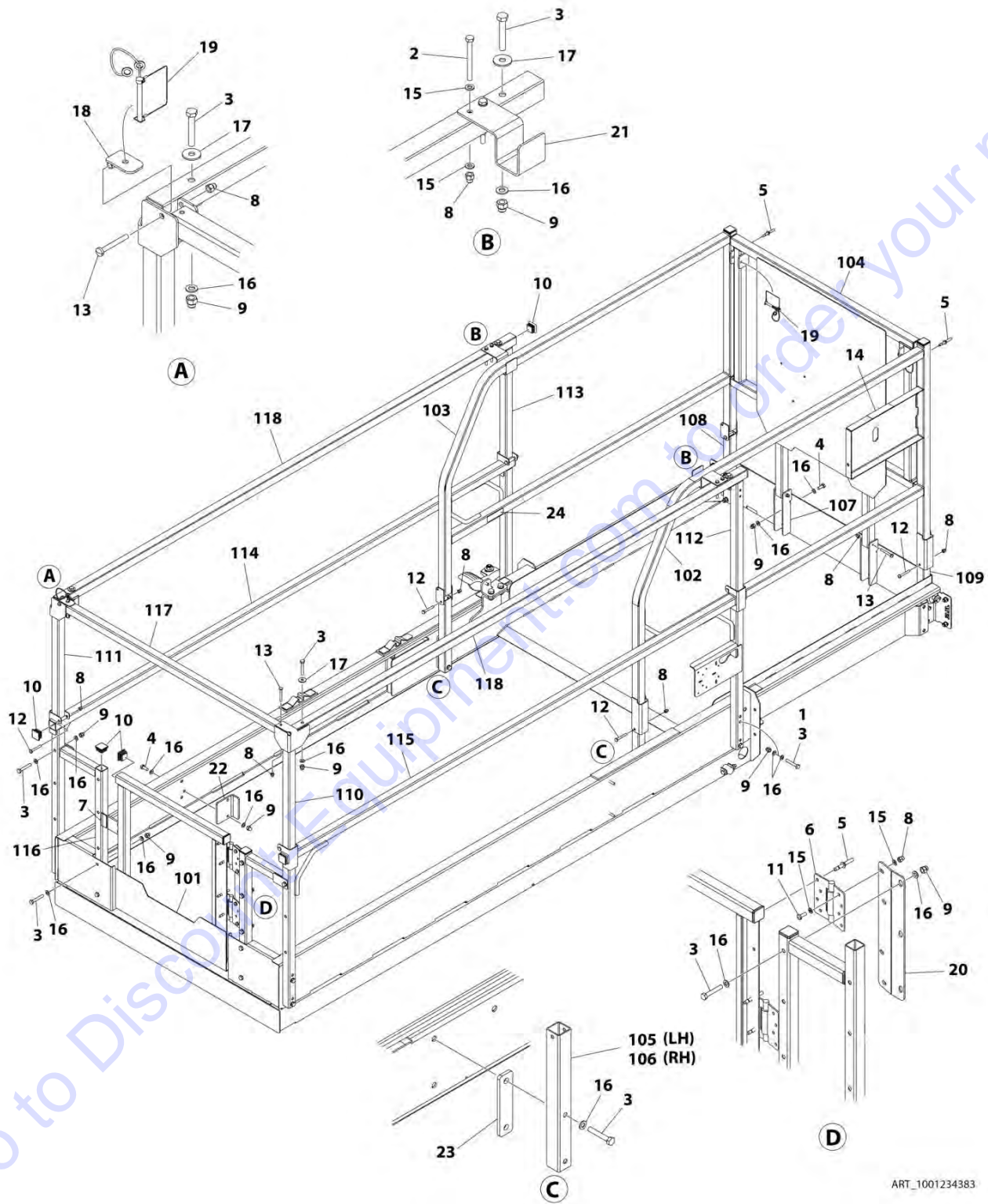
SECTION 4 - PLATFORM

FIGURE 4-2. PLATFORM EXTENSION INSTALLATION

ITEM	PART NUMBER	QTY	DESCRIPTION	REV
	1001234381	Ref	PLATFORM EXTENSION INSTALLATION	B
1	0100011	AR	Compound, Locking	
2	0760810	6	Bolt M8 x 20	
3	0761014	2	Bolt M10 x 30	
4	2080040	4	Fastener	
5	3290805	4	Nut M8	
6	3291005	2	Nut M10	
7	3430813	2	Pin	
8	3430816	2	Pin	
9	3450403	4	Pin, Cotter	
10	4711800	4	Washer 1/2	
11	4811900	10	Washer M8	
12	4812000	4	Washer M10	
13	1001137675	2	Bumper	
14	1001205422	2	Roller (Front)	
15	1001205430	2	Roller (Rear)	
16	1001208852	2	Pad	
17	1001210064	2	Support	
18	1001213470	1	Extension, Platform	
19	1001213838	1	Latch Assembly	
20	1001234407	1	Bracket	

SECTION 4 - PLATFORM

FIGURE 4-3. RAILS INSTALLATION (SIDE BY SIDE)



ART_1001234383

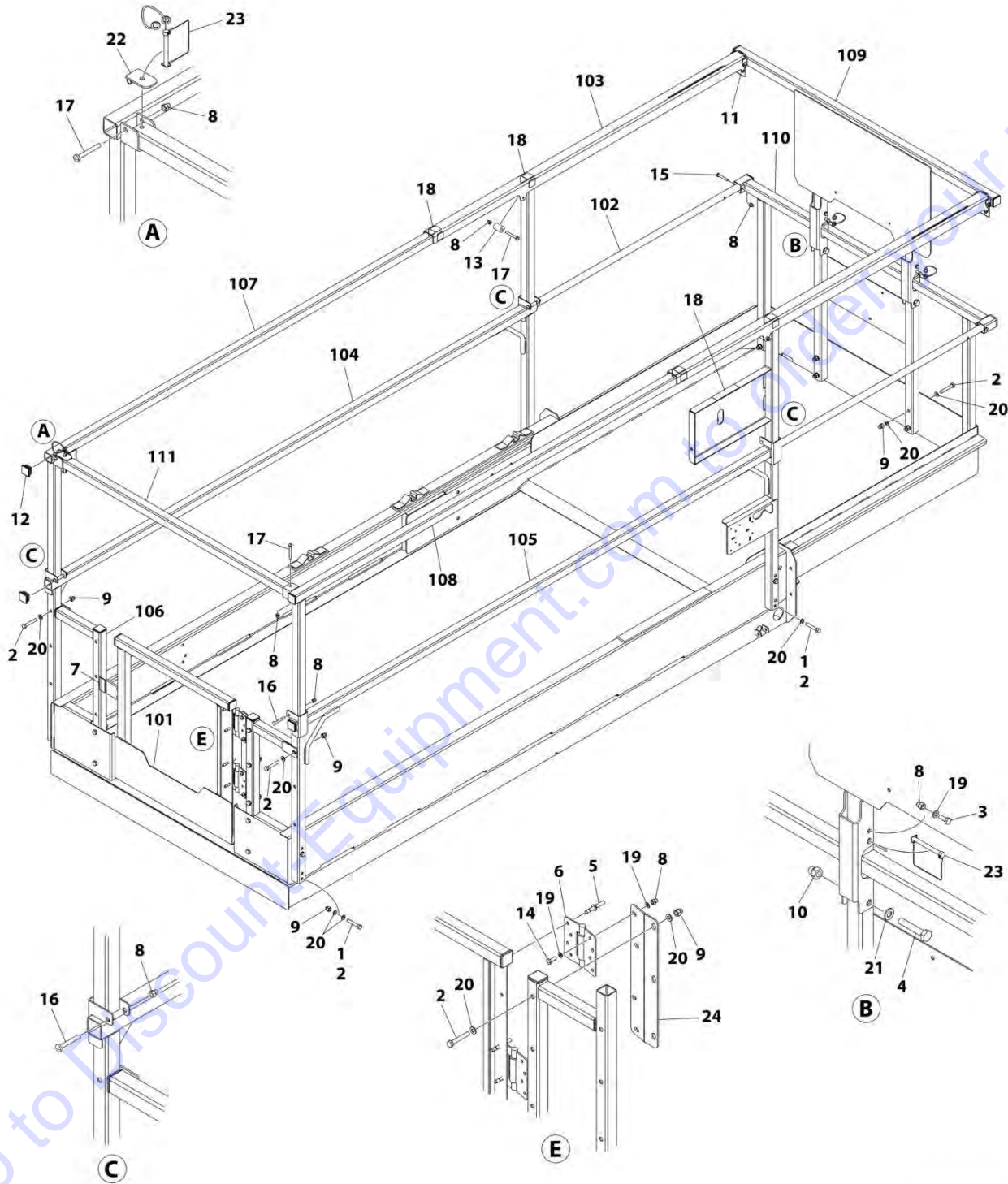
SECTION 4 - PLATFORM

FIGURE 4-3. RAILS INSTALLATION (SIDE BY SIDE)

ITEM	PART NUMBER	QTY	DESCRIPTION	REV
	1001234383	Ref	RAILS INSTALLATION (SIDE BY SIDE)	D
1	0100011	AR	Compound, Locking	
2	0700621	4	Bolt M6 x 65	
3	0700818	29	Bolt M8 x 50	
4	0760810	6	Bolt M8 x 20	
5	2080040	6	Fastener	
6	2600281	2	Hinge	
7	3080007	1	Magnet, Gate	
8	3290606	20	Nut M6	
9	3290806	31	Nut M8	
10	3520072	18	Plug	
11	4010608	4	Screw M6 x 16	
12	4010617	8	Screw M6 x 45	
13	4010618	4	Screw M6 x 50	
14	4420062	4 in/ 10cm	Tape	
15	4811700	16	Washer M6	
16	4811900	62	Washer M8	
17	4811902	4	Washer M8	
18	1001154378	1	Bracket	
19	1001187587	3	Pin, Snap with Lanyard	
20	1001210586	1	Support	
21	1001237911	2	Bracket	
22	1001232622	1	Bracket	
23	1001235287	2	Plate	
24	1704277	2	Decal - Lanyard Attach Graphic	
100	1001235960	1	Rail Kit (Not Shown)	
101	1001210302	1	Gate	
102	1001213915	1	Rail, Extension Side (RH)	
103	1001213916	1	Rail, Extension Side (LH)	
104	1001213931	1	Rail, Extension Front	
105	1001222861	1	Tube Rail (Lower LH)	
106	1001222869	1	Tube Rail (Lower RH)	
107	1001223053	2	Bracket	
108	1001223165	1	Tube, Extension (Lower LH)	
109	1001223166	1	Tube, Extension (Lower RH)	
110	1001229739	1	Rail Rear (Upper RH)	
111	1001229740	1	Rail Rear (Upper LH)	
112	1001229741	1	Rail Front (Upper RH)	
113	1001229742	1	Rail Front (Upper LH)	
114	1001234006	1	Rail Rear (Lower LH)	
115	1001234007	1	Rail Rear (Lower RH)	
116	1001234008	2	Rail, Gate Mount	
117	1001234268	1	Tube, Rear Top	
118	1001235268	2	Rail, Side Top	

SECTION 4 - PLATFORM

FIGURE 4-4. RAILS INSTALLATION (TUBE IN TUBE)



ART_1001234382

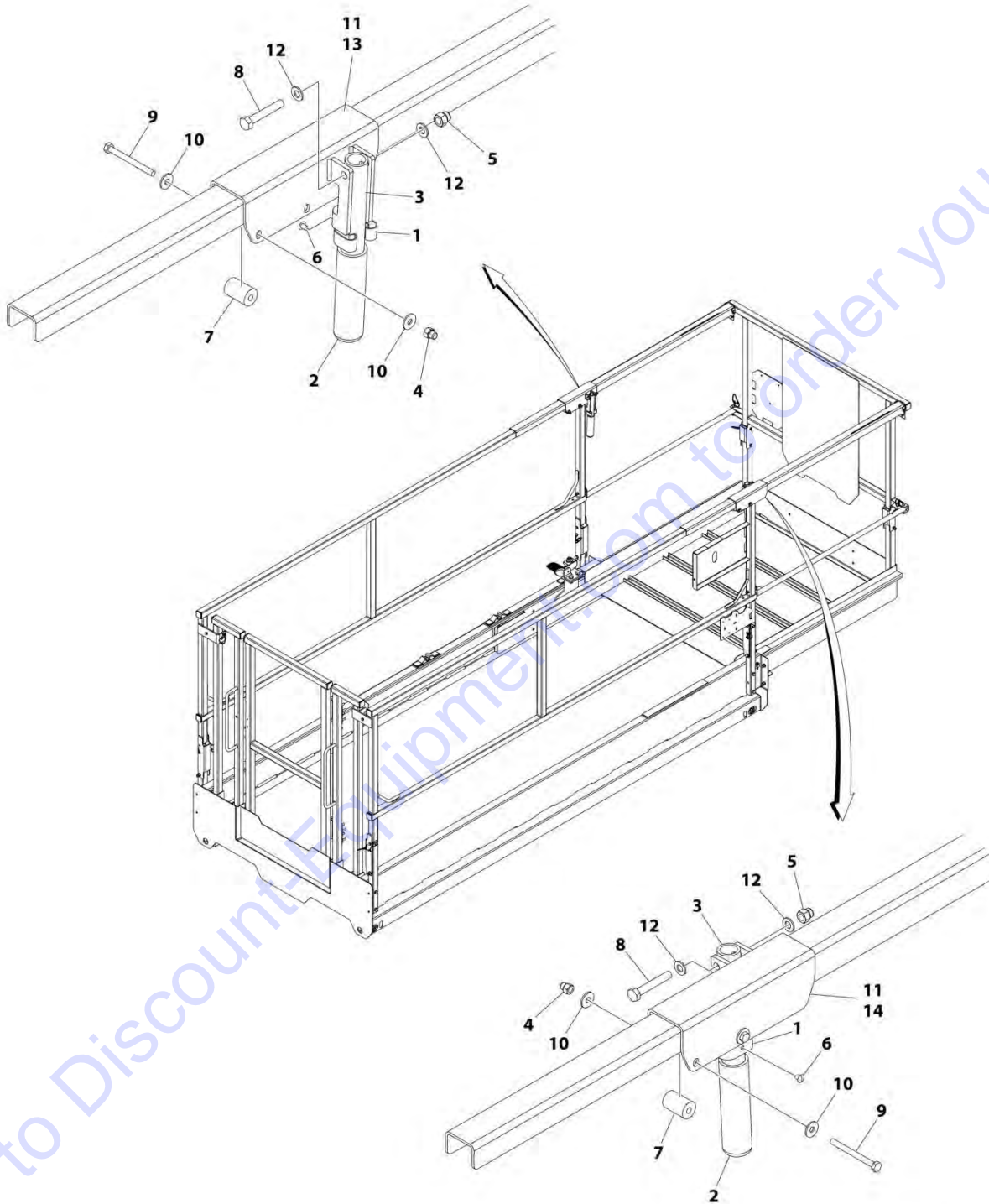
SECTION 4 - PLATFORM

FIGURE 4-4. RAILS INSTALLATION (TUBE IN TUBE)

ITEM	PART NUMBER	QTY	DESCRIPTION	REV
	1001234382	Ref	RAILS INSTALLATION (TUBE IN TUBE)	B
1	0100011	AR	Compound, Locking	
2	0700818	25	Bolt M8 x 50	
3	0760608	2	Bolt M6 x 16	
4	0761019	2	Bolt M10 x 55	
5	2080040	4	Fastener	
6	2600281	2	Hinge	
7	3080007	1	Magnet, Gate	
8	3290606	16	Nut M6	
9	3290806	21	Nut M8	
10	3291006	2	Nut M10	
11	3422219	2	Pin, Snap	
12	3520072	14	Plug	
13	3860111	2	Roller	
14	4010608	4	Screw M6 x 16	
15	4010616	2	Screw M6 x 40	
16	4010617	4	Screw M6 x 45	
17	4010618	4	Screw M6 x 50	
18	4420062	16 in/ 40cm	Tape	
19	4811700	10	Washer M6	
20	4811900	46	Washer M8	
21	4812000	2	Washer M10	
22	1001154378	1	Bracket	
23	1001187587	3	Pin, Snap with Lanyard	
24	1001210586	1	Support	
100	1001235959	1	Rail Kit (Not Shown)	
101	1001210302	1	Gate	
102	1001213415	2	Rod, Extension MID	
103	1001213416	2	Rail, Extension Top	
104	1001234006	1	Rail, Side MID (LH)	
105	1001234007	1	Rail, Side MID (RH)	
106	1001234008	2	Rail, Rear	
107	1001234141	1	Rail, Side Top (LH)	
108	1001234142	1	Rail, Side Top (RH)	
109	1001234266	1	Rail, Extension Top Front	
110	1001234267	1	Rail, Extension MID Front	
111	1001234268	1	Tube, Rear Top	

SECTION 4 - PLATFORM

FIGURE 4-5. EXTENSION HANDLES INSTALLATION (OPTIONAL)



ART_1001215446

SECTION 4 - PLATFORM

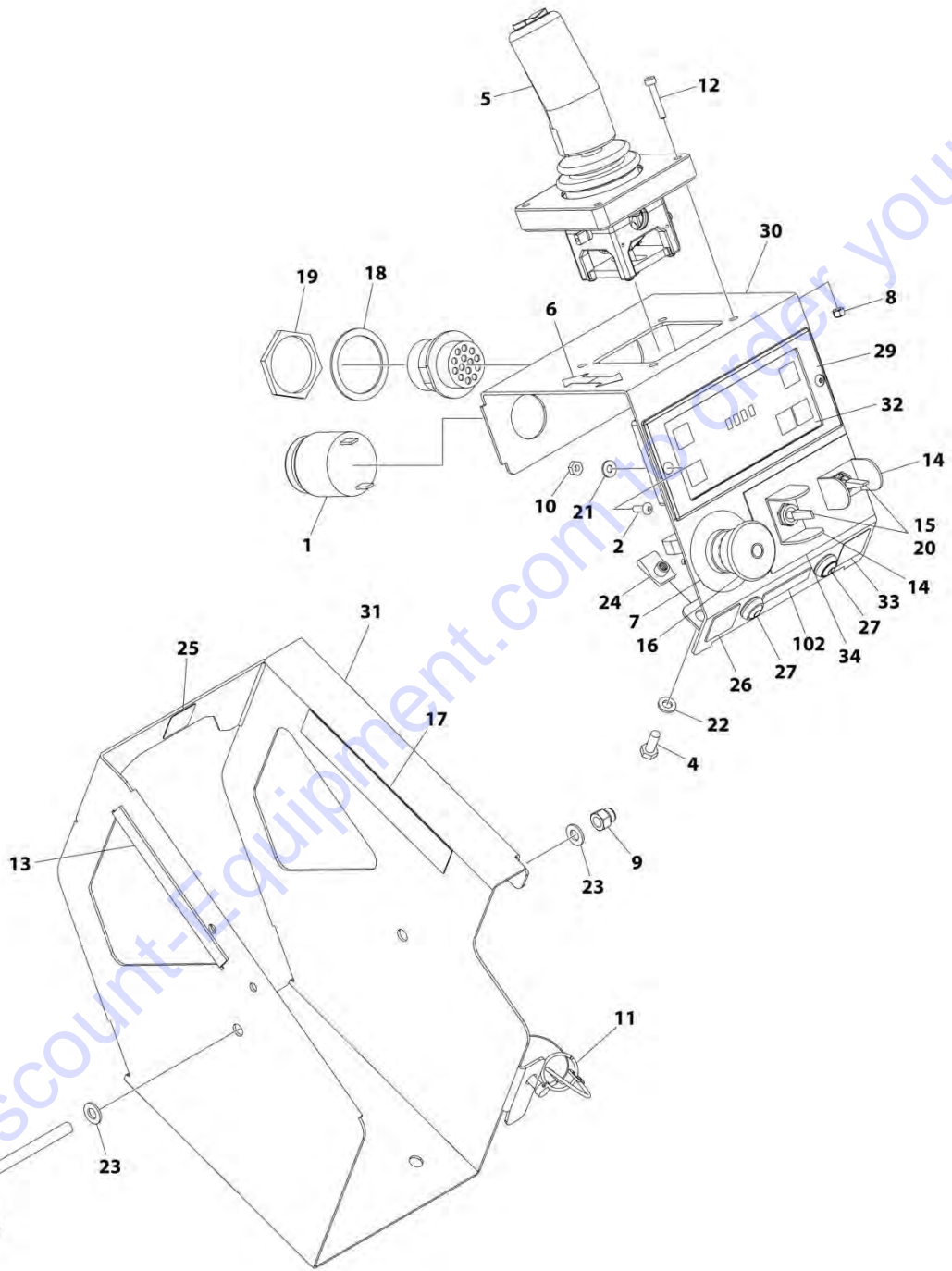
FIGURE 4-5. EXTENSION HANDLES INSTALLATION (OPTIONAL)

ITEM	PART NUMBER	QTY	DESCRIPTION	REV
	1001215446	Ref	EXTENSION HANDLES INSTALLATION (OPTIONAL)	E
1	1380132	2	Clip	
2	2560088	2	Grip	
3	2560190	2	Handle	
4	3290606	2	Nut M6	
5	3290806	2	Nut M8	
6	3820019	2	Rivet	
7	3860111	2	Roller	
8	0700818	AR	Bolt M8 x 50	
9	0700621	AR	Bolt M6 x 65	
10	4811702	AR	Washer M6	
11	1001216823	2	Bracket (Prior to SN 0200267774, SN B200000100 to Present)	
12	4811900	AR	Washer M8	
13	1001235560	1	Bracket (LH) (SN 0200267774 to Present, SN M200000001 to Present)	
14	1001235561	1	Bracket (RH) (SN 0200267774 to Present, SN M200000001 to Present)	

Go to Discount-Equipment.com to order your parts

SECTION 4 - PLATFORM

FIGURE 4-6. PLATFORM CONSOLE INSTALLATION



ART_1001214924

PARTS FINDER

**Search Website
by Part Number**



**Search Manual
Library For Parts
Manual & Lookup Part
Numbers – Purchase
or Request Quote**

A screenshot of the "Search Manuals" form. It includes a "Search Manuals" title, a "Find" dropdown menu, a "Serial Number" input field, a "Part Number" input field, a "Serial" input field, a "Part Number" input field, a "Part Name" input field, and a "Submit" button at the bottom.

**Can't Find Part or
Manual? Request Help
by Manufacturer,
Model & Description**

A screenshot of the "Parts Order Form". It features a title "Parts Order Form" and a "Form" section with several input fields for "Manufacturer", "Model", "Description", "Part Number", "Quantity", "Unit Price", "Total Price", and "Comments". There is a "Submit" button at the bottom.

Discount-Equipment.com is your online resource for quality parts & equipment.

Florida: **561-964-4949** Outside Florida TOLL FREE: **877-690-3101**

Need parts?

Click on this link: <http://www.discount-equipment.com/category/5443-parts/> and choose one of the options to help get the right parts and equipment you are looking for. Please have the machine model and serial number available in order to help us get you the correct parts. If you don't find the part on the website or on one of the online manuals, please fill out the request form and one of our experienced staff members will get back to you with a quote for the right part that your machine needs.

We sell worldwide for the brands: Genie, Terex, JLG, MultiQuip, Mikasa, Essick, Whiteman, Mayco, Toro Stone, Diamond Products, Generac Magnum, Airman, Haulotte, Barreto, Power Blanket, Nifty Lift, Atlas Copco, Chicago Pneumatic, Allmand, Miller Curber, Skyjack, Lull, Skytrak, Tsurumi, Husquvarna Target, Stow, Wacker, Sakai, Mi-T-M, Sullair, Basic, Dynapac, MBW, Weber, Bartell, Bennar Newman, Haulotte, Ditch Runner, Menegotti, Morrison, Contec, Buddy, Crown, Edco, Wyco, Bomag, Laymor, EZ Trench, Bil-Jax, F.S. Curtis, Gehl Pavers, Heli, Honda, ICS/PowerGrit, IHI, Partner, Imer, Clipper, MMD, Koshin, Rice, CH&E, General Equipment, Amida, Coleman, NAC, Gradall, Square Shooter, Kent, Stanley, Tamco, Toku, Hatz, Kohler, Robin, Wisconsin, Northrock, Oztec, Toker TK, Rol-Air, APT, Wylie, Ingersoll Rand / Doosan, Innovatech, Con X, Ammann, Mecalac, Makinex, Smith Surface Prep, Small Line, Wanco, Yanmar

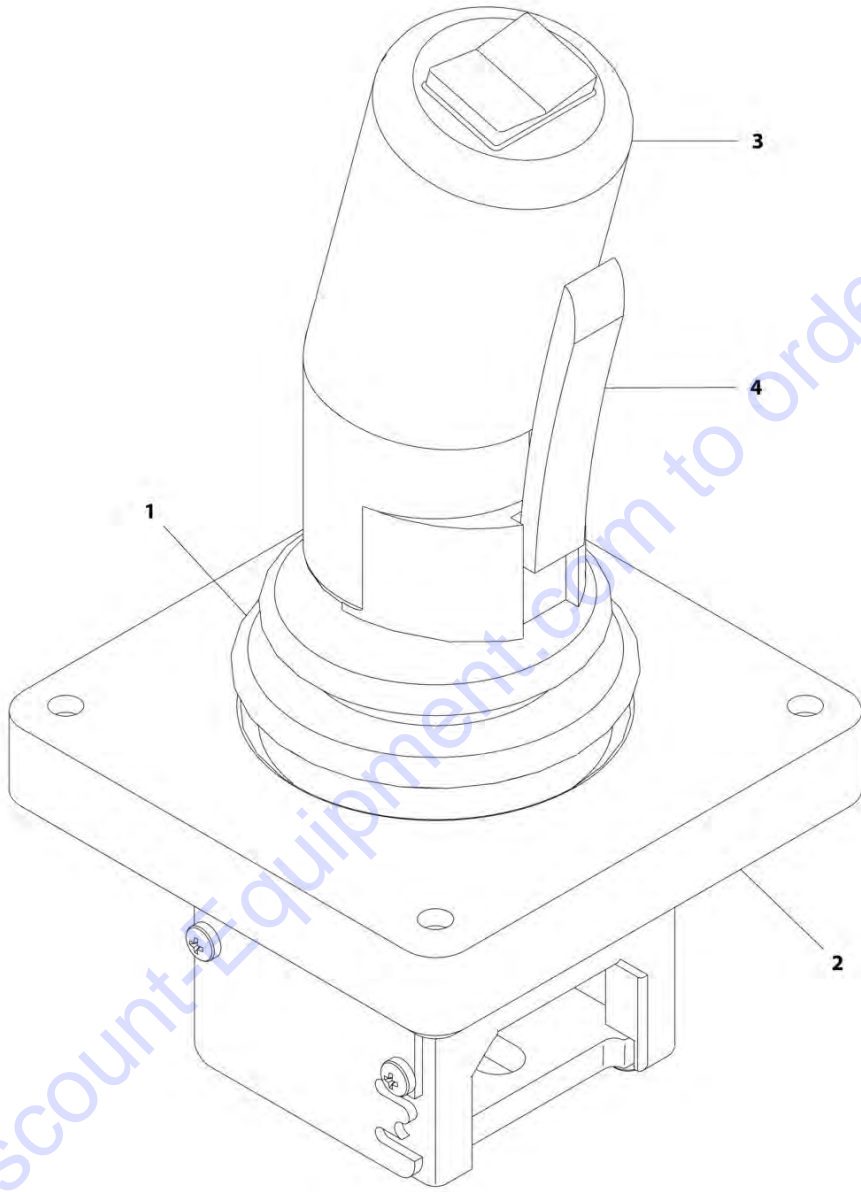
SECTION 4 - PLATFORM

FIGURE 4-6. PLATFORM CONSOLE INSTALLATION

ITEM	PART NUMBER	QTY	DESCRIPTION	REV
	1001214924	Ref	PLATFORM CONSOLE ASSEMBLY	E
1	0140030	1	Alarm	
2	0630473	2	Screw #8 x 1/2	
2	1001047064	2	Screw (Socket Head)	
3	0700835	1	Bolt M8 x 180	
4	0760610	2	Bolt M6 x 20	
5	1600402	1	Controller Assembly (See Separate Breakdown in this Section)	
6	1703819	1	Decal - Arrow	
7	1704260	1	Decal - Emergency Stop	
8	3290405	AR	Nut M4	
9	3290806	1	Nut M8	
10	3310805	AR	Nut #8	
11	3423278	1	Pin, Snap with Lanyard	
12	4031509	4	Capscrew M4 x 25	
13	4060803	6 in /14cm	Flex-Trim	
14	4060906	2	Guard, Switch	
15	4360345	2	Switch, Toggle	
16	4360475	1	Switch, Emergency Stop	
16	7020175	1	Cap	
16	7020176	1	Block, Contact	
17	4420062	12 in/ 30cm	Tape	
18	4460496	1	Washer, Terminal	
19	4460497	1	Nut, Terminal	
20	4711700	2	Washer 7/16	
21	4750800	AR	Washer #8	
21	4811400	AR	Washer 4mm	
22	4811700	2	Washer M6	
23	4811900	2	Washer M8	
24	1001130220	2	Nut, Tinnerman M6	
25	1001132358	1	Decal - Steer	
26	1001132361	1	Decal - Horn	
27	1001226749	2	Switch - Push Button	
28	1001200819	1	Platform Control Box Harness (Not Shown) (See Separate Breakdown in ELECTRICAL SECTION)	
29	1001228112	1	Module, Platform Control	
30	1001209595	1	Plate, Box (Inside)	
31	1001209596	1	Plate, Box (Outside)	
32	1001218285	1	Decal - Platform Control	
33	1001213886	1	Decal - Indoor/Outdoor	
34	1001220893	1	Decal - Lift/Drive Function	
	1001214151	Ref	PLATFORM CONSOLE INSTALLATION	D
102	1001220889	1	Decal - 3246R/4045R	

SECTION 4 - PLATFORM

FIGURE 4-7. CONTROLLER ASSEMBLY



ART_1600402

SECTION 4 - PLATFORM

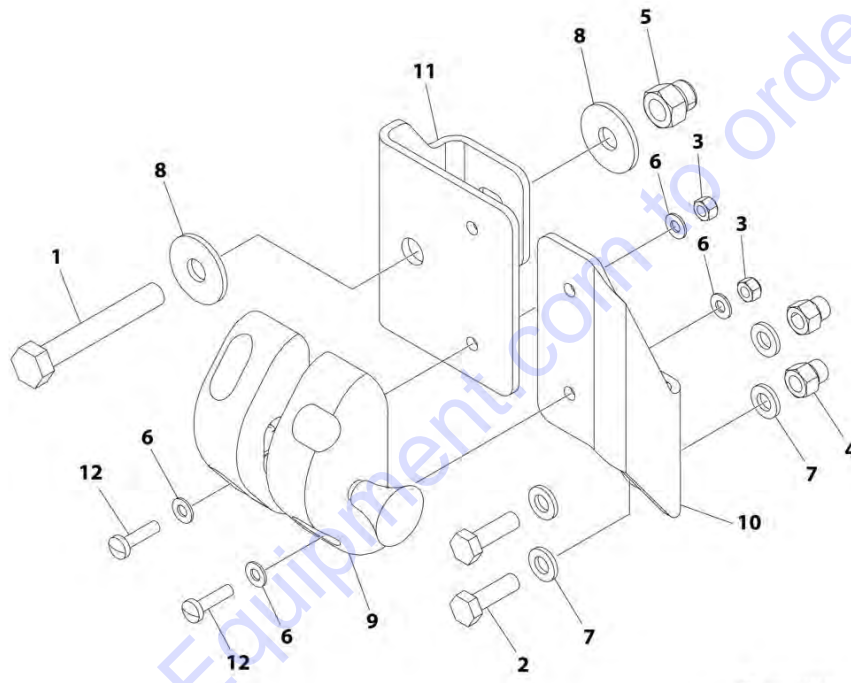
FIGURE 4-7. CONTROLLER ASSEMBLY

ITEM	PART NUMBER	QTY	DESCRIPTION	REV
	1600402	Ref	DRIVE/STEER CONTROLLER ASSEMBLY	A
1	70001250	1	Boot, Panel	
2	70001252	1	Gasket, Mounting	
2	70001251	1	Bezel, Mounting	
3	70003650	1	Handle Repair Kit (Includes handle gasket, item#4 push button and item #4 lever installed in front handle half, back handle half, top actuator, boot and hardware.)	
3	70000084	1	Cap, Rubber	
3	70000082	1	Microswitch	
3	7027766	1	Ring, Retaining	
3	7027365	1	Actuator, Handle	
3	70001253	1	Gasket, Handle	
3	70000683	4	Washer, Neoprene	
3	70000685	2	Spacer, Plastic	
3	70000686	2	Screw (Top)	
3	70000684	2	Screw (Bottom)	
4	7027367	1	Switch, Push Button	
4	7027765	1	Lever, Enable	

Go to Discount-Equipment.com to order your parts

SECTION 4 - PLATFORM

FIGURE 4-8. GATE LATCH INSTALLATION



ART_1001220995

SECTION 4 - PLATFORM

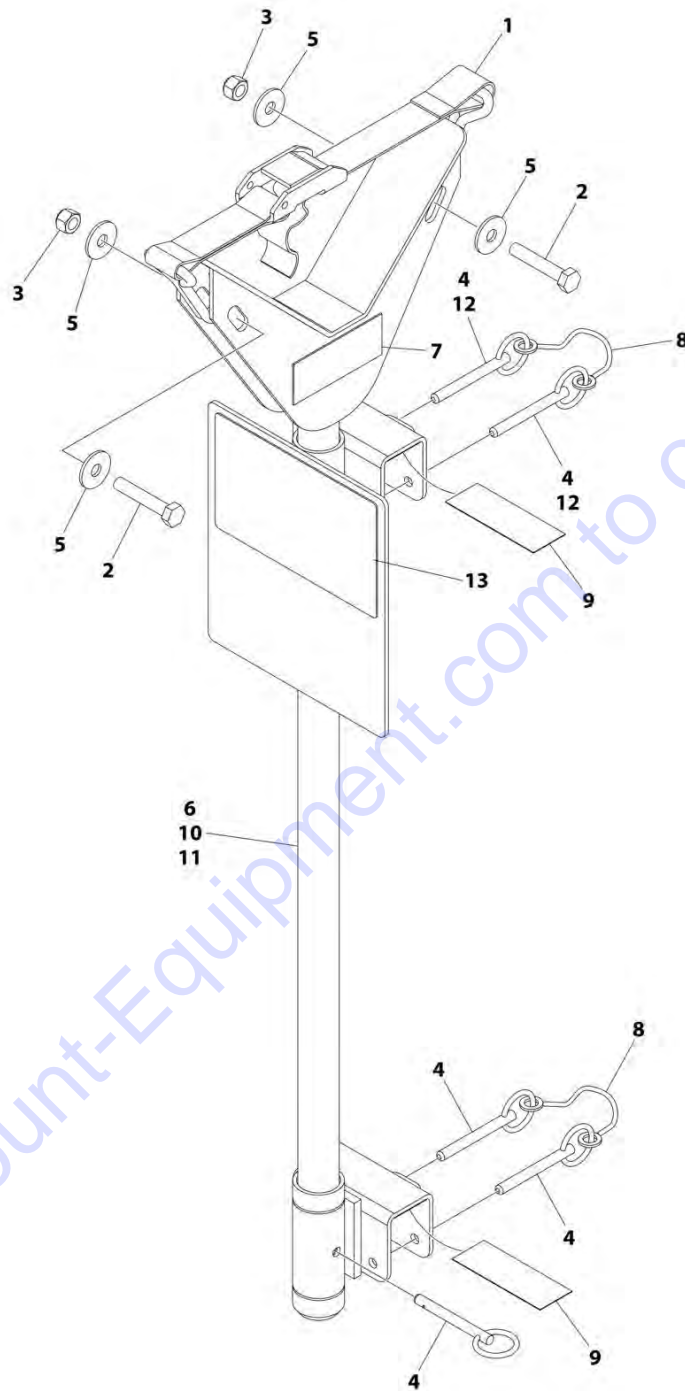
FIGURE 4-8. GATE LATCH INSTALLATION

ITEM	PART NUMBER	QTY	DESCRIPTION	REV
	1001220995	Ref	GATE LATCH INSTALLATION	B
1	0700819	1	Bolt M8 x 55	
2	0760610	2	Bolt M6 x 20	
3	3290405	4	Nut M4	
4	3290606	2	Nut M6	
5	3290806	1	Nut M8	
6	4811400	8	Washer M4	
7	4811700	4	Washer M6	
8	4811902	2	Washer M8	
9	1001134821	1	Latch	
10	1001220409	1	Mount	
11	1001220410	1	Plate	
12	4010408	4	Screw M4 x 16	

Go to Discount-Equipment.com to order your parts

SECTION 4 - PLATFORM

FIGURE 4-9. PIPE RACKS INSTALLATION (SIDE BY SIDE RAILS) (OPTIONAL)



ART_1001214229

SECTION 4 - PLATFORM

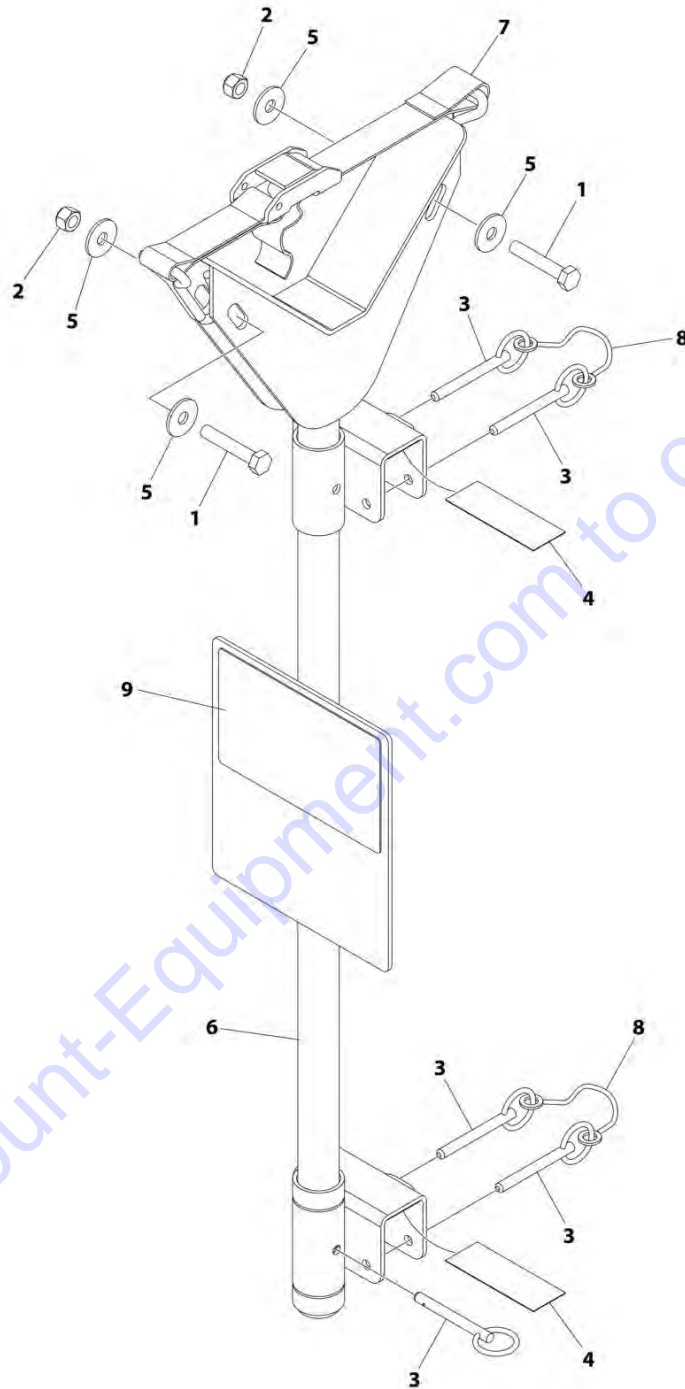
FIGURE 4-9. PIPE RACKS INSTALLATION (SIDE BY SIDE RAILS) (OPTIONAL)

ITEM	PART NUMBER	QTY	DESCRIPTION	REV
	1001214229	Ref	PIPE RACKS INSTALLATION (SIDE BY SIDE RAILS) (OPTIONAL)	B
1	0480100	2	Strap	
2	0700817	4	Bolt M8 x 45	
3	3290805	4	Nut M8	
4	3422661	AR	Pin	
5	4811902	8	Washer M6	
6	4845582	2	Rack, Tube	
7	1001220892	2	Decal - Tube Rack Capacity	
8	1060379	4	Lanyard	
9	4420062	AR	Tape	
10	1001235498	1	Rack, Tube (Rear)	
11	1001235509	1	Rack, Tube (Front)	
12	1001235941	2	Pin	
13	1001236621	2	Decal - Pipe Rack Capacity	

Go to Discount-Equipment.com to order your parts

SECTION 4 - PLATFORM

FIGURE 4-10. PIPE RACKS INSTALLATION (TUBE IN TUBE RAILS) (OPTIONAL)



ART_1001235849

SECTION 4 - PLATFORM

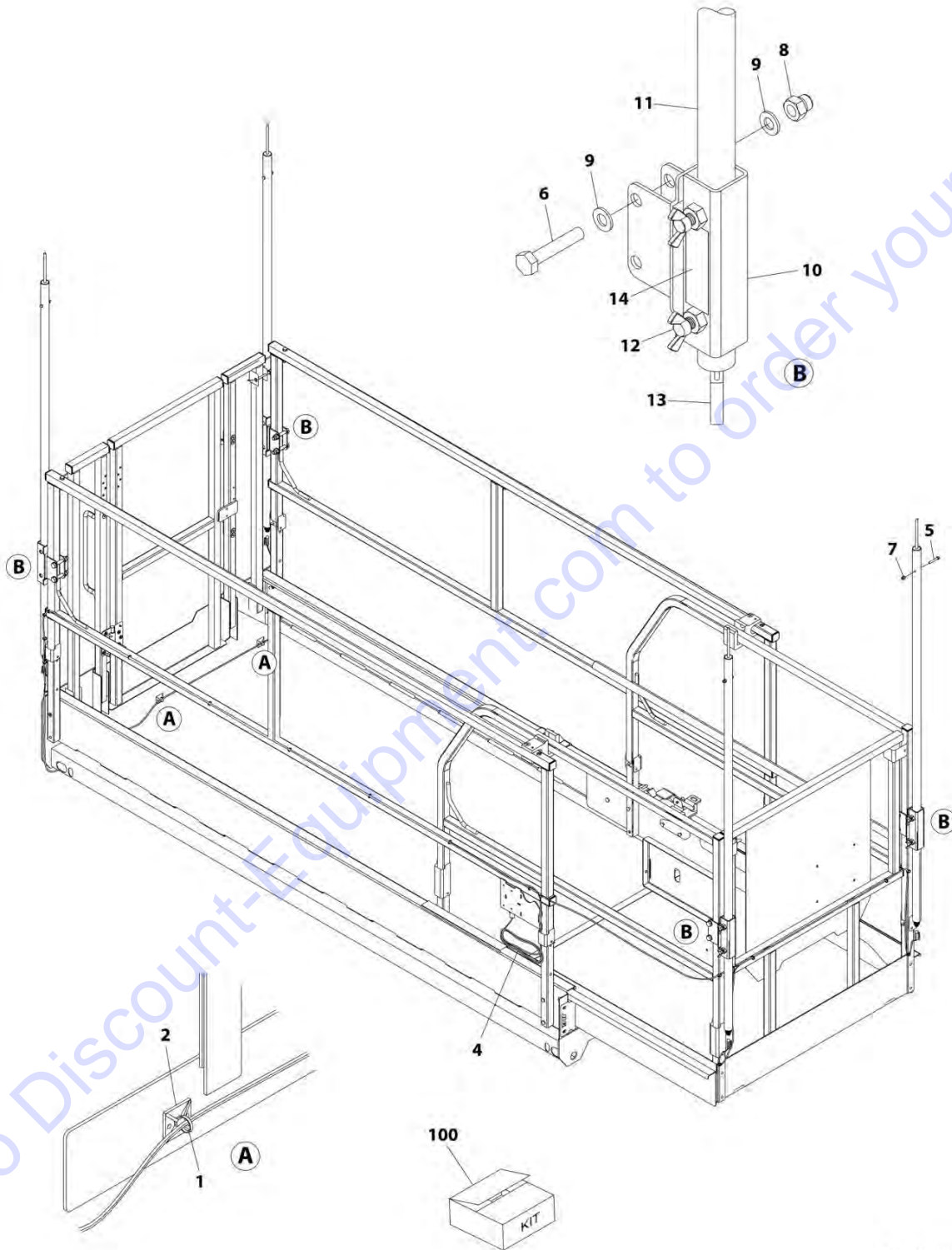
FIGURE 4-10. PIPE RACKS INSTALLATION (TUBE IN TUBE RAILS) (OPTIONAL)

ITEM	PART NUMBER	QTY	DESCRIPTION	REV
	1001235849	Ref	PIPE RACKS INSTALLATION (OPTIONAL)	A
1	0700817	4	Bolt M8 x 45	
2	3290805	4	Nut M8	
3	3422661	10	Pin	
4	4420062	AR	Tape	
5	4811902	8	Washer M6	
6	1001235498	2	Rack, Tube	
7	0480100	2	Strap	
8	1060379	4	Lanyard	
9	1001236621	2	Decal - Tube Rack Capacity	

Go to Discount-Equipment.com to order your parts

SECTION 4 - PLATFORM

FIGURE 4-11. OVERHEAD PROTECTION INSTALLATION (KOREAN SPECS)



ART_1001226901

SECTION 4 - PLATFORM

FIGURE 4-11. OVERHEAD PROTECTION INSTALLATION (KOREAN SPECS)

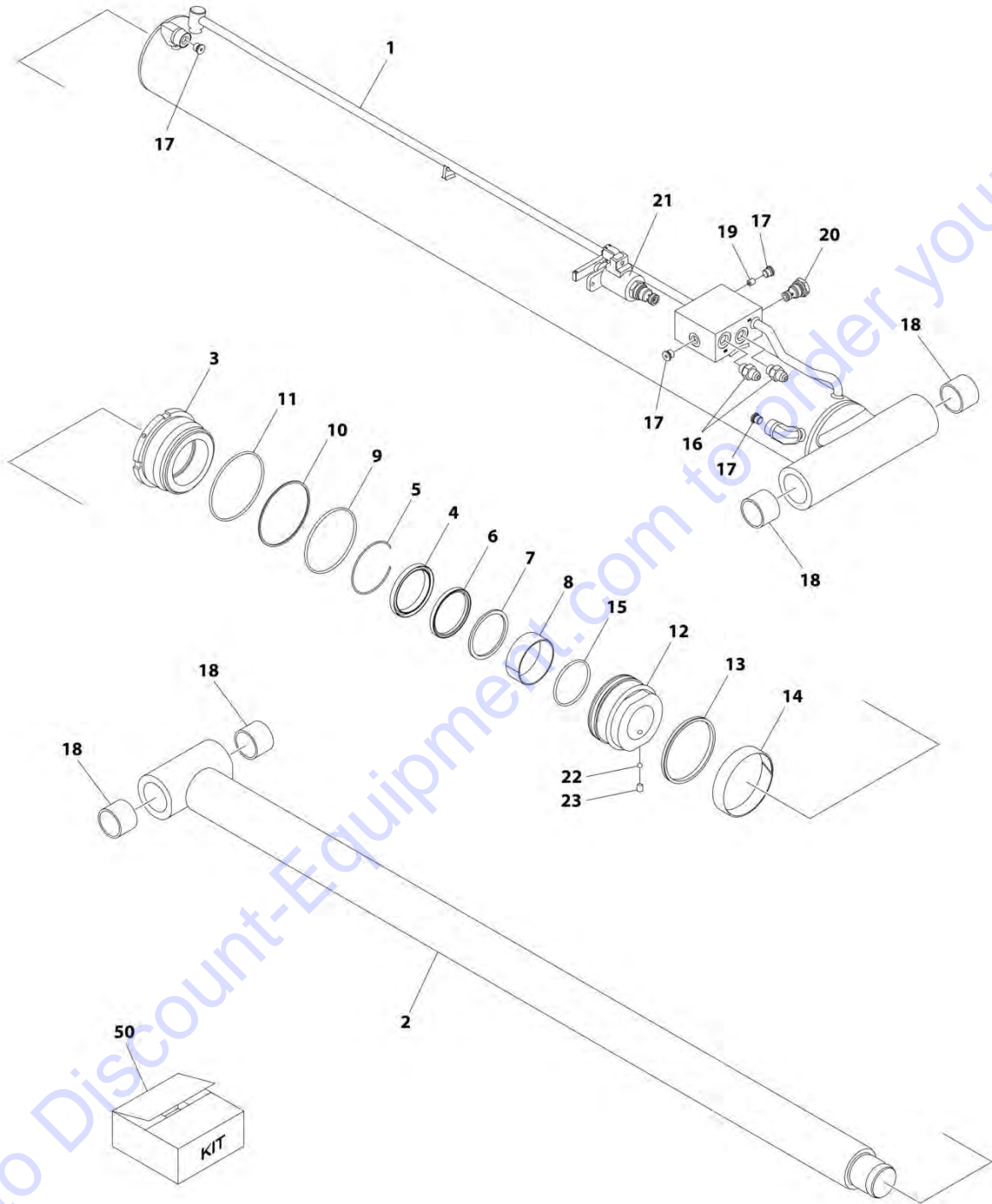
ITEM	PART NUMBER	QTY	DESCRIPTION	REV
	1001226901	Ref	OVERHEAD PROTECTION INSTALLATION (KOREAN SPECS)	A
1	4240017	AR	Tie-Strap	
2	4460234	2	Mount, Tie-Strap	
4	1001227728	1	Overhead Protection Harness	A
4	4460891	4	Plug, Male - 2 Position (X503-X506)	
4	4460465	8	Socket, Female	
4	4460536	1	Receptacle, Female - 3 Position (X507)	
4	4460464	2	Pin, Male	
4	4460466	1	Plug, Terminal	
5	0700616	4	Bolt M6 x 40	
6	0701019	8	Bolt M10 x 55	
7	3290606	4	Nut M6	
8	3291006	8	Nut M10	
9	4812000	16	Washer M10	
10	1001221275	4	Bracket	
11	1001221276	4	Tube	
12	1001222914	8	Thumb Screw	
13	1001226277	4	Switch, Overhead Protection	
14	1001228184	1	Decal - Overhaed Protection Weight	
100	1001221244	1	Overhead Protection Kit (Includes Items 5-14)	

SECTION 5 - CYLINDER

Go to Discount-Equipment.com to order your parts

SECTION 5 - CYLINDER

FIGURE 5-1. LIFT CYLINDER ASSEMBLY



ART_1001244417

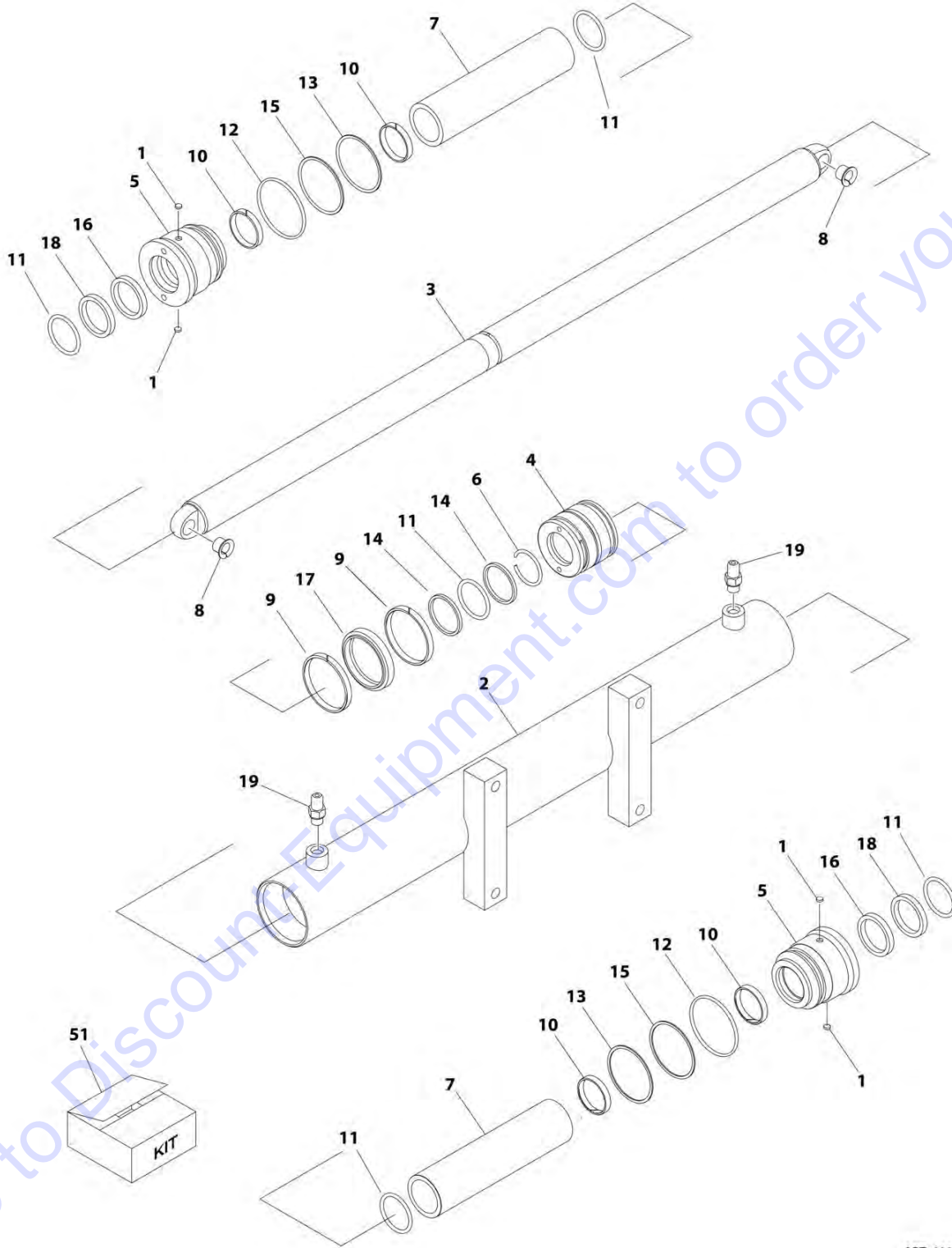
SECTION 5 - CYLINDER

FIGURE 5-1. LIFT CYLINDER ASSEMBLY

ITEM	PART NUMBER	QTY	DESCRIPTION	REV
	1001244417	Ref	LIFT CYLINDER ASSEMBLY	B
1	See Note:	NSS	Barrel (Note: Purchase Complete Part)	
2	70007050	1	Rod	
3	70007051	1	Head	
4	See Note	NSS	Wiper (Note: Use Item 50)	
5	70050795	1	Ring, Retaining	
6	See Note	NSS	Seal, Rod (Note: Use Item 50)	
7	See Note	NSS	Ring, Back-up (Note: Use Item 50)	
8	70007052	1	Bearing	
9	See Note	NSS	O-Ring (Note: Use Item 50)	
10	See Note	NSS	Ring, Back-up (Note: Use Item 50)	
11	See Note	NSS	O-Ring (Note: Use Item 50)	
12	70007053	1	Piston	
13	See Note	NSS	Seal, Piston (Note: Use Item 50)	
14	See Note	NSS	Ring, Wear (Note: Use Item 50)	
15	See Note	NSS	O-Ring (Note: Use Item 50)	
16	70007054	2	Fitting	
17	2220883	4	Plug	
18	0961948	4	Bearing	
19	70007055	1	Orifice	
20	70004585	1	Cartridge, Valve	
21	70005236	1	Cartridge, Solenoid Valve	
22	70022564	1	Ball	
23	70023369	1	Setscrew	
50	70007056	1	Seal Kit - 1001244417 Cylinder (Includes Items 4, 6, 7, 9-11 & 13-15)	

SECTION 5 - CYLINDER

FIGURE 5-2. STEER CYLINDER ASSEMBLY



ART_1001233449

SECTION 5 - CYLINDER

FIGURE 5-2. STEER CYLINDER ASSEMBLY

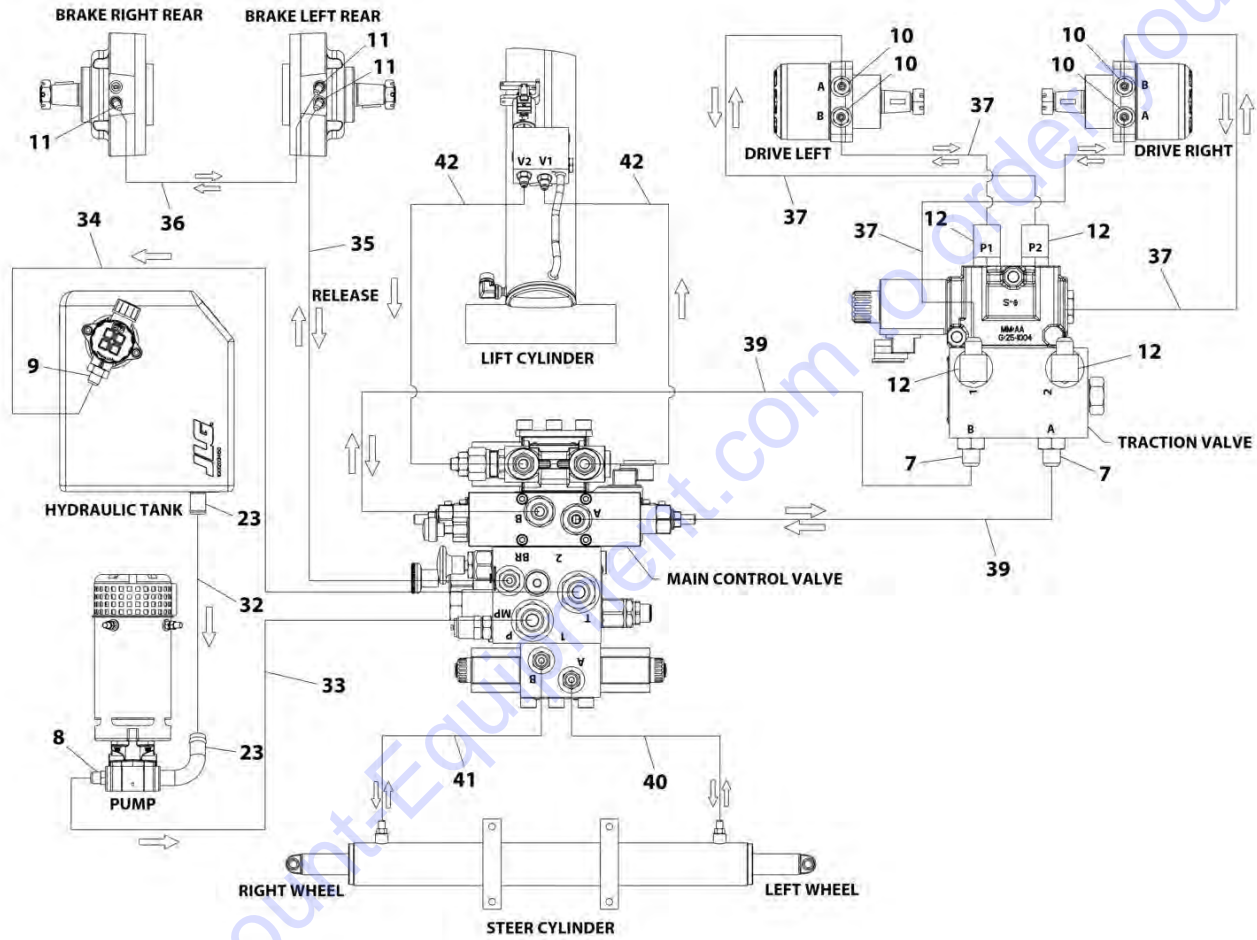
ITEM	PART NUMBER	QTY	DESCRIPTION	REV
	1001233449	Ref	STEER CYLINDER ASSEMBLY	C
1	70003636	4	Lock	
2	See Note	NSS	Barrel (Note: Purchase Complete Assembly)	
3	70007074	1	Rod	
4	70007075	1	Piston	
5	70007076	2	Head	
6	70007077	1	Ring	
7	70007078	2	Spacer	
8	0440259	2	Bearing	
9	See Note	NSS	Ring, Wear (Note: Use Item 51)	
10	See Note	NSS	Ring, Wear (Note: Use Item 51)	
11	See Note	NSS	O-Ring (Note: Use Item 51)	
12	See Note	NSS	O-Ring (Note: Use Item 51)	
13	See Note	NSS	O-Ring (Note: Use Item 51)	
14	See Note	NSS	Ring, Back-Up (Note: Use Item 51)	
15	See Note	NSS	Ring, Back-Up (Note: Use Item 51)	
16	See Note	NSS	Seal (Note: Use Item 51)	
17	See Note	NSS	Seal, Stop (Not Shown) (Note: Use Item 51)	
18	See Note	NSS	Wiper (Note: Use Item 51)	
19	70007079	2	Fitting, Straight	
51	70007080	1	Seal Kit - 1001233449 Cylinder (Includes Items 9-18)	

SECTION 6 - HYDRAULIC

Go to Discount-Equipment.com to order your parts

SECTION 6 - HYDRAULIC

FIGURE 6-1. HYDRAULIC COMPONENTS INSTALLATION



ART_1001380008_20F2

SECTION 6 - HYDRAULIC

FIGURE 6-1. HYDRAULIC COMPONENTS INSTALLATION

ITEM	PART NUMBER	QTY	DESCRIPTION	REV
	1001380008	Ref	HYDRAULIC COMPONENTS INSTALLATION	D
7	2220372	2	Fitting, Straight - JIC/ORB	
8	2220373	1	Fitting, Straight - JIC/ORB	
9	2220375	1	Fitting, Straight - JIC/ORB	
10	2220497	4	Fitting, Straight - JIC/ORB	
11	2220502	3	Fitting, 45 JIC/ORB	
12	2220628	4	Fitting, 90 JIC/ORB	
23	1001143501	2	Clamp, T-Bolt Heavy Duty	
32	1001203835	1	Hose	
33	1001236800	1	Hose	
34	1001236801	1	Hose	
35	1001236802	1	Hose	
36	1001236803	1	Hose	
37	1001236804	4	Hose	
39	1001236806	2	Hose	
40	1001236807	1	Hose	
41	1001236808	1	Hose	
42	1001236809	2	Hose	

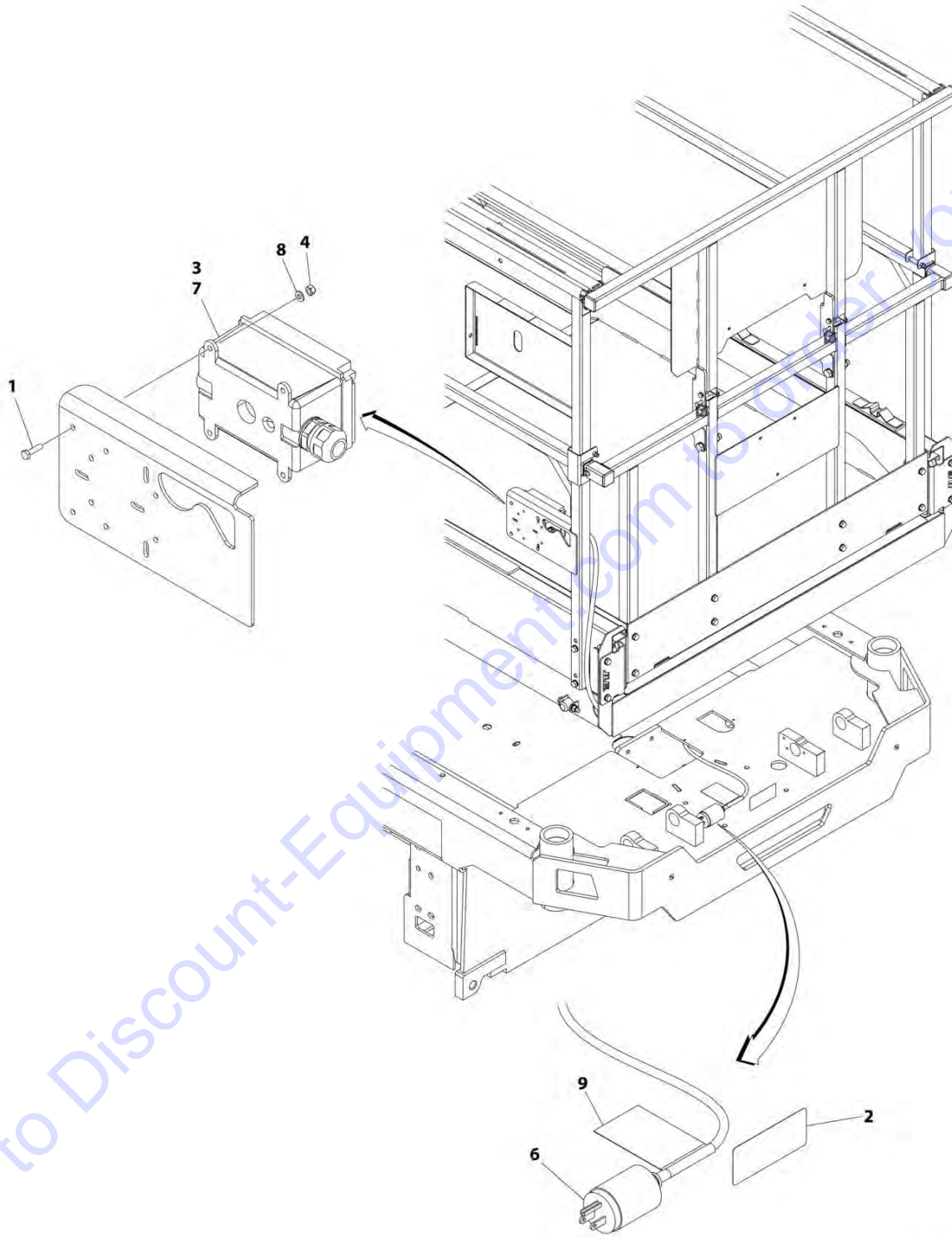
Go to Discount-Equipment.com to order your parts

SECTION 7 - ELECTRICAL

Go to Discount-Equipment.com to order your parts

SECTION 7 - ELECTRICAL

FIGURE 7-1. AC BOX AT PLATFORM INSTALLATION - 110V GFI (ALL SPECS EXCEPT AUSTRALIAN & CE SPECS)



ART_1001237400

SECTION 7 - ELECTRICAL

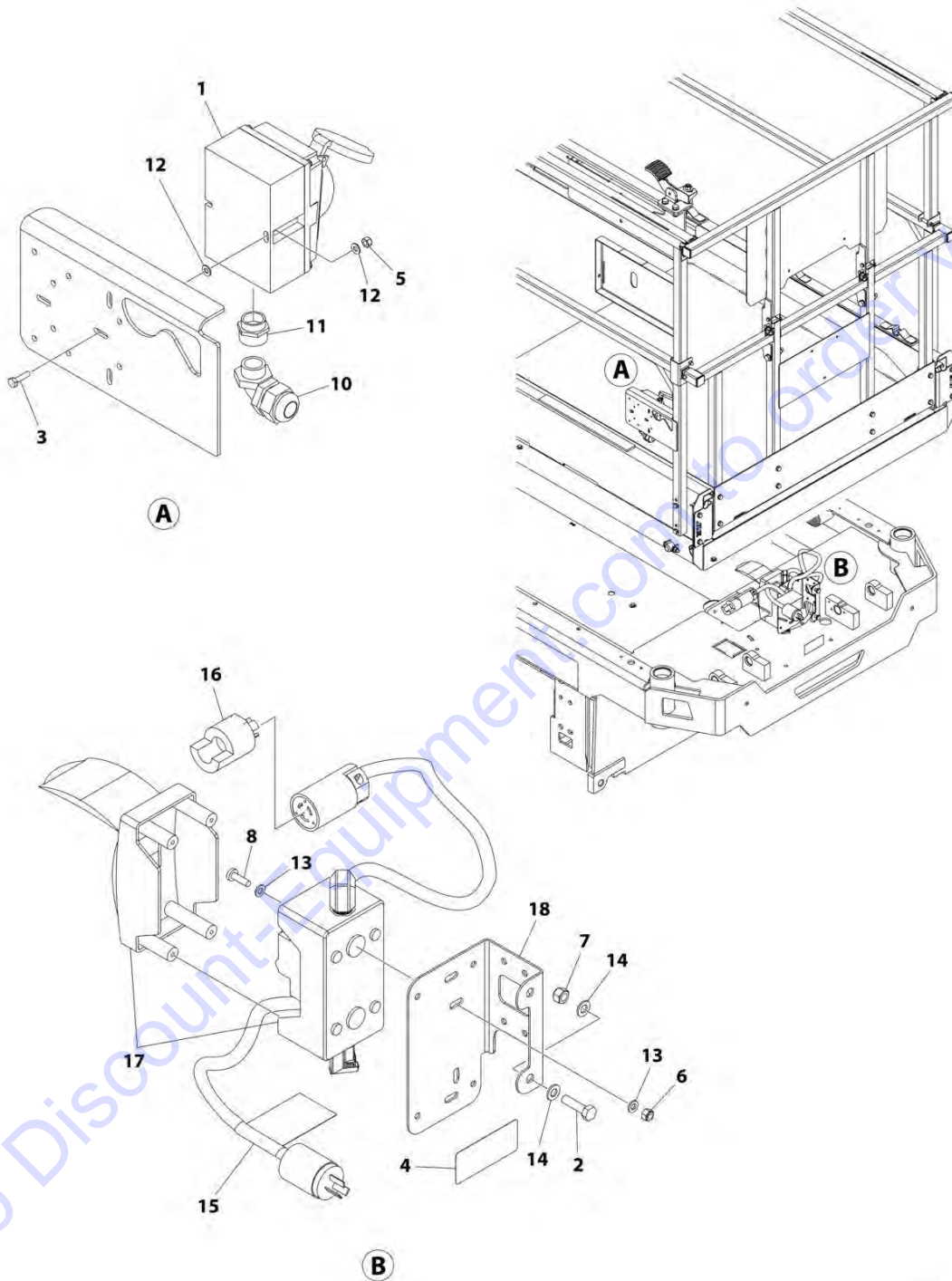
FIGURE 7-1. AC BOX AT PLATFORM INSTALLATION - 110V GFI (ALL SPECS EXCEPT AUSTRALIAN & CE SPECS)

ITEM	PART NUMBER	QTY	DESCRIPTION	REV
	1001237400	Ref	AC BOX AT PLATFORM INSTALLATION - 110V GFI	C
1	0760408	4	Bolt M4 x 16	
2	1703464	1	Decal - AC Power	
3	2902431	1	Receptacle Box Kit (See Separate Breakdown in this Section)	
4	3290405	4	Nut M4	
5	4240017	AR	Tie-Strap (Not Shown)	
6	4460138	1	Plug, Male - AC	
7	4460315	1	Terminal	
8	4811400	4	Washer M4	
9	1001102258	1	Decal - AC Label	

Go to Discount-Equipment.com to order your parts

SECTION 7 - ELECTRICAL

FIGURE 7-2. AC BOX AT PLATFORM INSTALLATION - 110V IEC YELLOW (CE SPECS)



ART_1001238133

SECTION 7 - ELECTRICAL

FIGURE 7-2. AC BOX AT PLATFORM INSTALLATION - 110V IEC YELLOW (CE SPECS)

ITEM	PART NUMBER	QTY	DESCRIPTION	REV
	1001238133	Ref	AC BOX AT PLATFORM INSTALLATION - 110V IEC YELLOW	B
1	0275216	1	Receptacle Box Kit - 110V IEC Yellow (See Separate Breakdown in this Section)	
2	0700814	2	Bolt M8 x 30	
3	0760408	2	Bolt M4 x 16	
4	1703464	1	Decal - AC Power	
5	3290405	2	Nut M4	
6	3290605	2	Nut M6	
7	3290805	2	Nut M8	
8	4010610	2	Screw M6 x 20	
9	4240017	AR	Tie-Strap (Not Shown)	
10	4461257	1	Connector, Strain Relief	
11	4461258	1	Connector, Adapter	
12	4811400	4	Washer M4	
13	4811700	4	Washer M6	
14	4811900	4	Washer M8	
15	1001102258	1	Decal - AC Label	
16	1001120204	1	Plug, Male Twist	
17	1001209776	1	Breaker Box Kit (See Separate Breakdown in this Section)	
18	1001238198	1	Bracket	

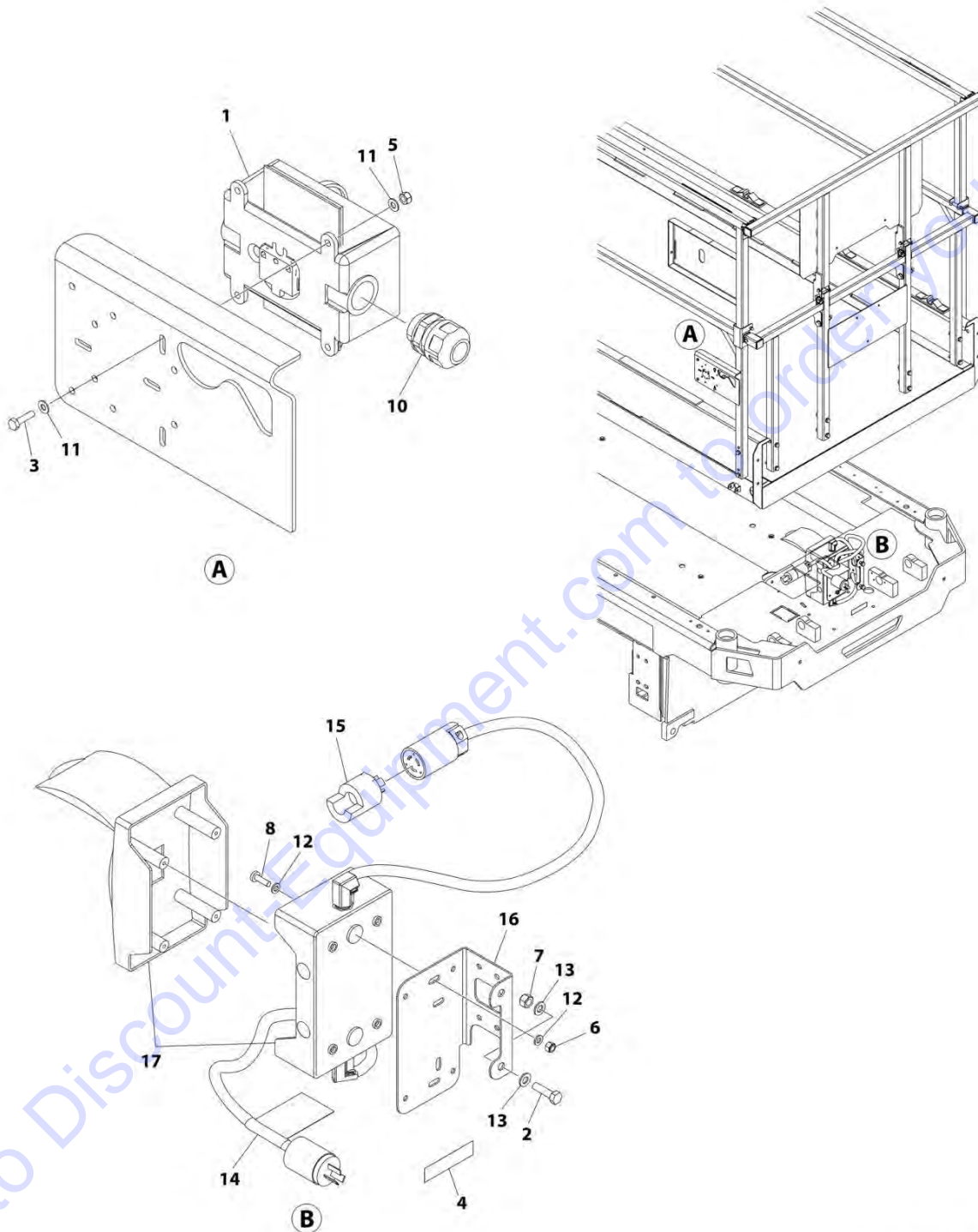
SECTION 7 - ELECTRICAL

FIGURE 7-3. AC BOX AT PLATFORM INSTALLATION - 220V IEC BLUE (CE SPECS)

ITEM	PART NUMBER	QTY	DESCRIPTION	REV
	1001238134	Ref	AC BOX AT PLATFORM INSTALLATION - 220V IEC BLUE	A
1	0275217	1	Receptacle Box Kit - 220V IEC Blue (See Separate Breakdown in this Section)	
2	0700814	2	Bolt M8 x 30	
3	0760408	2	Bolt M4 x 16	
4	3252507	1	Decal - AC Power	
5	3290405	2	Nut M4	
6	3290605	2	Nut M6	
7	3290805	2	Nut M8	
8	4010610	2	Screw M6 x 20	
9	4240017	AR	Tie-Strap (Not Shown)	
10	4461257	1	Connector, Strain Relief	
11	4461258	1	Connector, Adapter	
12	4811400	4	Washer M4	
13	4811700	4	Washer M6	
14	4811900	4	Washer M8	
15	1001102258	1	Decal - AC Label	
16	1001120204	1	Plug, Male Twist	
17	1001209776	1	Breaker Box Kit (See Separate Breakdown in this Section)	
18	1001238198	1	Bracket	

SECTION 7 - ELECTRICAL

FIGURE 7-4. AC BOX AT PLATFORM INSTALLATION - 220V CEE7 POST GROUND (CE SPECS)



ART_1001238130

SECTION 7 - ELECTRICAL

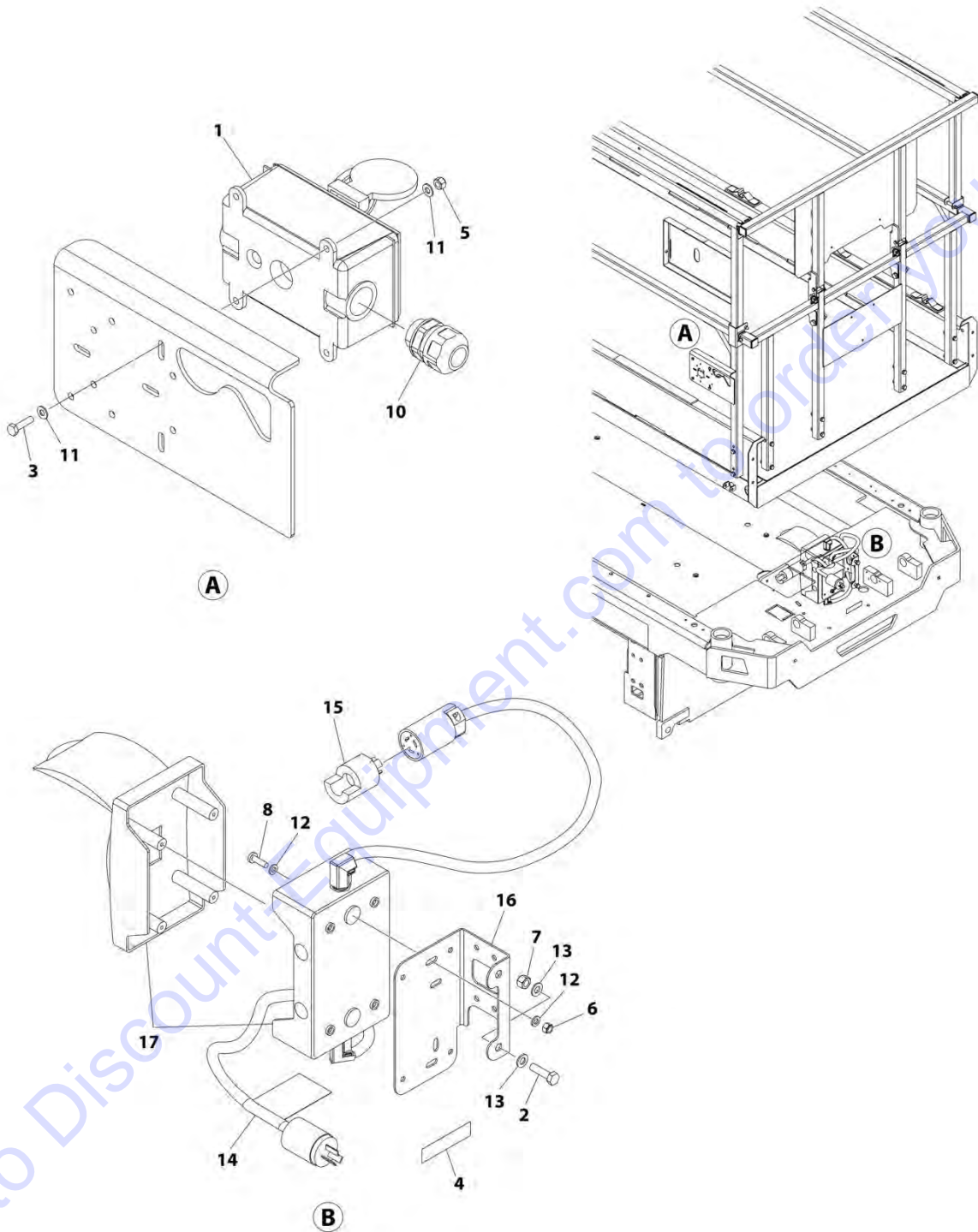
FIGURE 7-4. AC BOX AT PLATFORM INSTALLATION - 220V CEE7 POST GROUND (CE SPECS)

ITEM	PART NUMBER	QTY	DESCRIPTION	REV
	1001238130	Ref	AC BOX AT PLATFORM INSTALLATION - 220V CEE7 POST GROUND	B
1	0275452	1	Receptacle Box Kit - 220V CEE7 Post Ground (See Separate Breakdown in this Section)	
2	0700814	2	Screw M8 x 30	
3	0760408	4	Bolt M4 x 16	
4	3252507	1	Decal - AC Power	
5	3290405	4	Nut M4	
6	3290605	2	Nut M6	
7	3290805	2	Nut M8	
8	4010610	2	Screw M6 x 20	
9	4240017	AR	Tie-Strap (Not Shown)	
10	4460662	1	Connector, Strain Relief	
11	4811400	8	Washer M4	
12	4811700	4	Washer M6	
13	4811900	4	Washer M8	
14	1001102258	1	Decal - AC Label	
15	1001120204	1	Plug, Male Twist	
16	1001238198	1	Bracket	
17	1001209482	1	Breaker Box Kit (See Separate Breakdown in this Section)	

Go to Discount-Equipment.com to order your parts

SECTION 7 - ELECTRICAL

FIGURE 7-5. AC BOX AT PLATFORM INSTALLATION - 220V CEE7 SIDE GROUND (CE SPECS)



ART_1001238131

SECTION 7 - ELECTRICAL

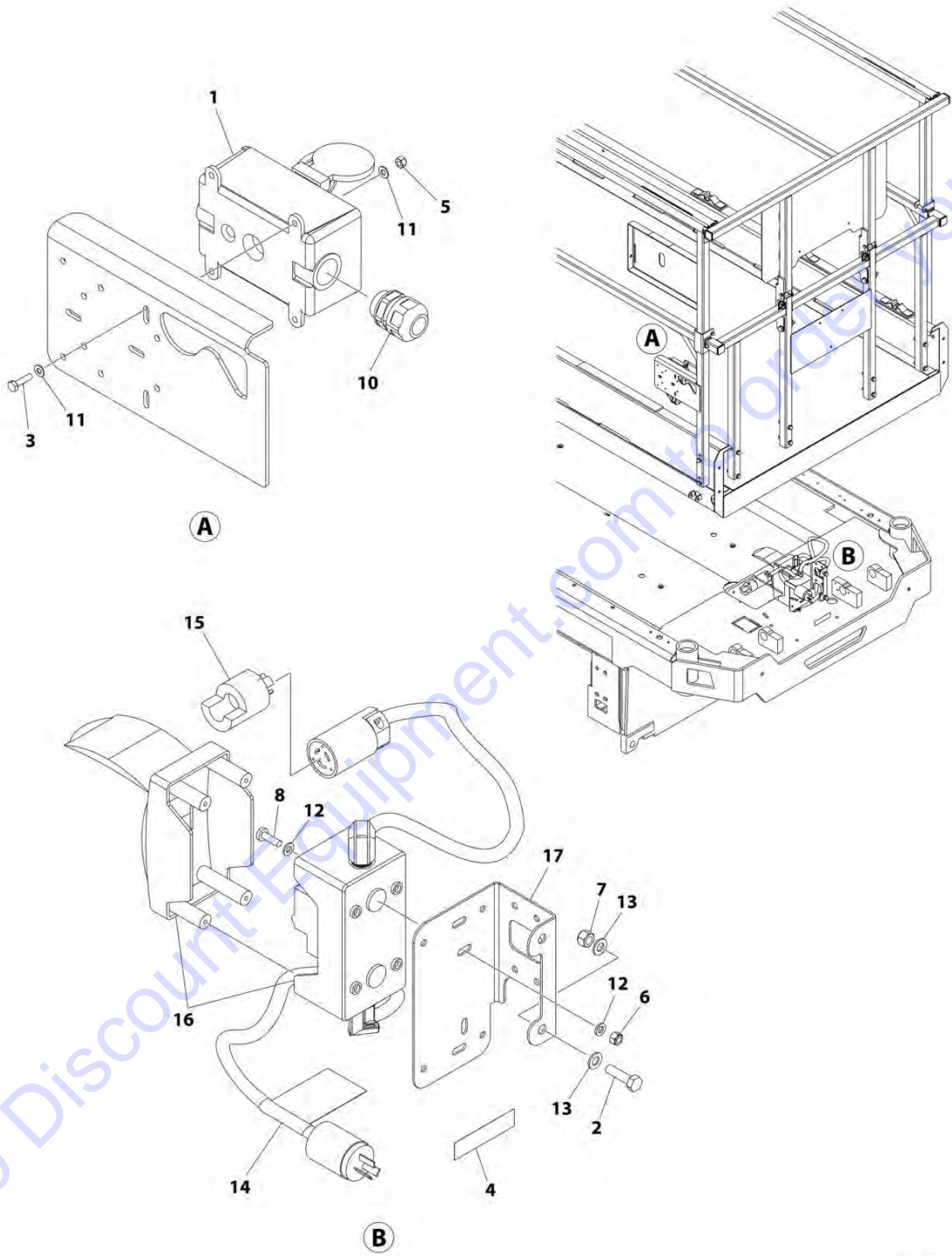
FIGURE 7-5. AC BOX AT PLATFORM INSTALLATION - 220V CEE7 SIDE GROUND (CE SPECS)

ITEM	PART NUMBER	QTY	DESCRIPTION	REV
	1001238131	Ref	AC BOX AT PLATFORM INSTALLATION - 220V CEE7 SIDE GROUND	B
1	0275453	1	Receptacle Box Kit - 220V CEE7 Side Ground (See Separate Breakdown in this Section)	
2	0700814	2	Bolt M8 x 30	
3	0760408	4	Bolt M4 x 16	
4	3252507	1	Decal - AC Power	
5	3290405	4	Nut M4	
6	3290605	2	Nut M6	
7	3290805	2	Nut M8	
8	4010610	2	Screw M6 x 20	
9	4240017	AR	Tie-Strap (Not Shown)	
10	4460662	1	Connector, Strain Relief	
11	4811400	8	Washer M4	
12	4811700	4	Washer M6	
13	4811900	4	Washer M8	
14	1001102258	1	Decal - AC Label	
15	1001120204	1	Plug, Male Twist	
16	1001238198	1	Bracket	
17	1001209482	1	Breaker Box Kit (See Separate Breakdown in this Section)	

Go to Discount-Equipment.com to order your parts

SECTION 7 - ELECTRICAL

FIGURE 7-6. AC BOX AT PLATFORM INSTALLATION - 220V AFSINT 107 (CE SPECS)



ART_1001238132

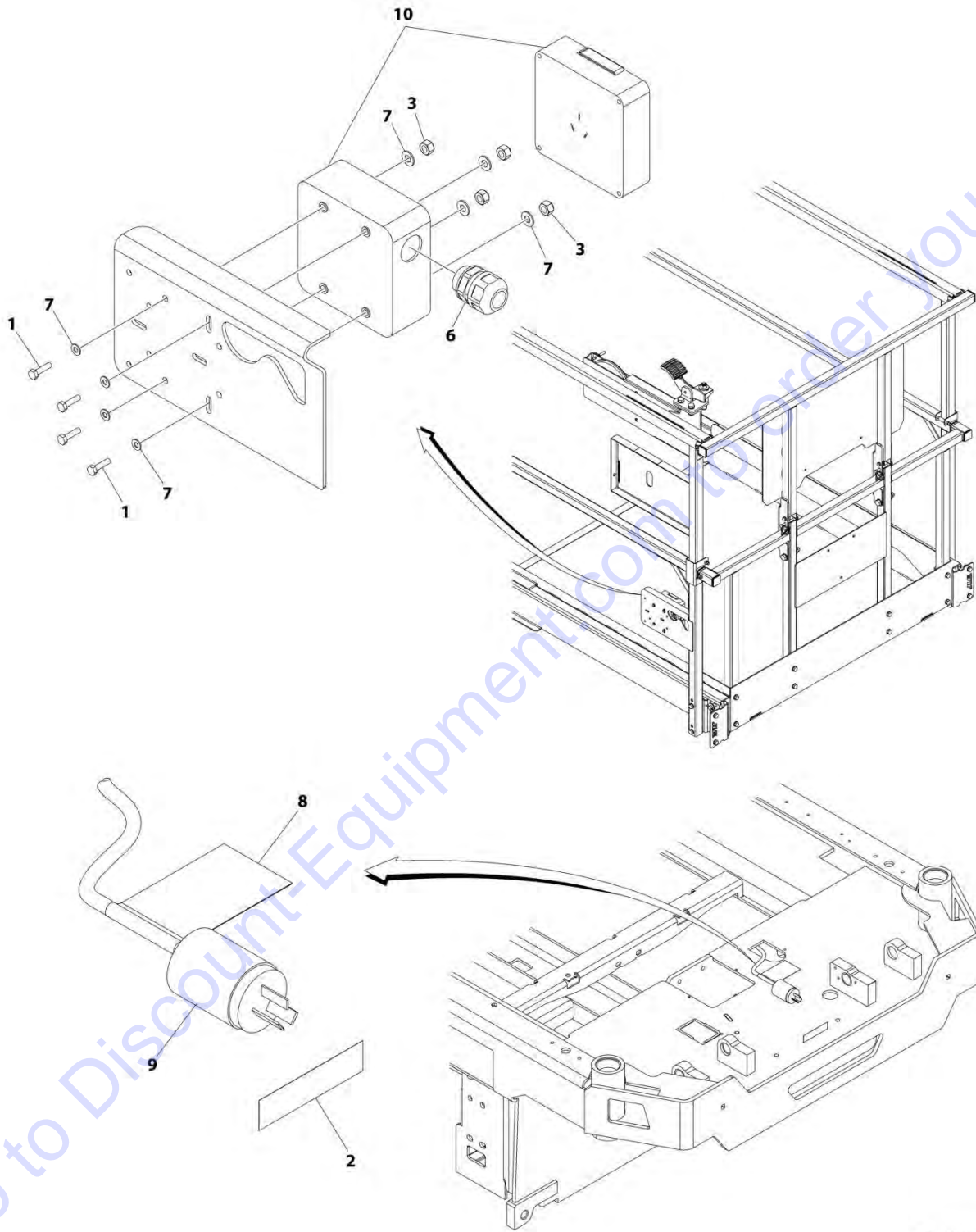
SECTION 7 - ELECTRICAL

FIGURE 7-6. AC BOX AT PLATFORM INSTALLATION - 220V AFSINT 107 (CE SPECS)

ITEM	PART NUMBER	QTY	DESCRIPTION	REV
	1001238132	Ref	AC BOX AT PLATFORM INSTALLATION - 220V AFSINT 107	B
1	0275454	1	Receptacle Box Kit - 220V AFSINT 107 (See Separate Breakdown in this Section)	
2	0700814	2	Bolt M8 x 30	
3	0760408	4	Bolt M4 x 16	
4	3252507	1	Decal - AC Power	
5	3290405	4	Nut M4	
6	3290605	2	Nut M6	
7	3290805	2	Nut M8	
8	4010610	2	Screw M6 x 20	
9	4240017	AR	Tie-Strap (Not Shown)	
10	4460662	1	Connector, Strain Relief	
11	4811400	8	Washer M4	
12	4811700	4	Washer M6	
13	4811900	4	Washer M8	
14	1001102258	1	Decal - AC Label	
15	1001120204	1	Plug, Male Twist	
16	1001209776	1	Breaker Box Kit (See Separate Breakdown in this Section)	
17	1001238198	1	Bracket	

SECTION 7 - ELECTRICAL

FIGURE 7-7. AC BOX AT PLATFORM INSTALLATION - 220V CHINA PLUG (CHINA SPECS)



ART_1001238135

SECTION 7 - ELECTRICAL

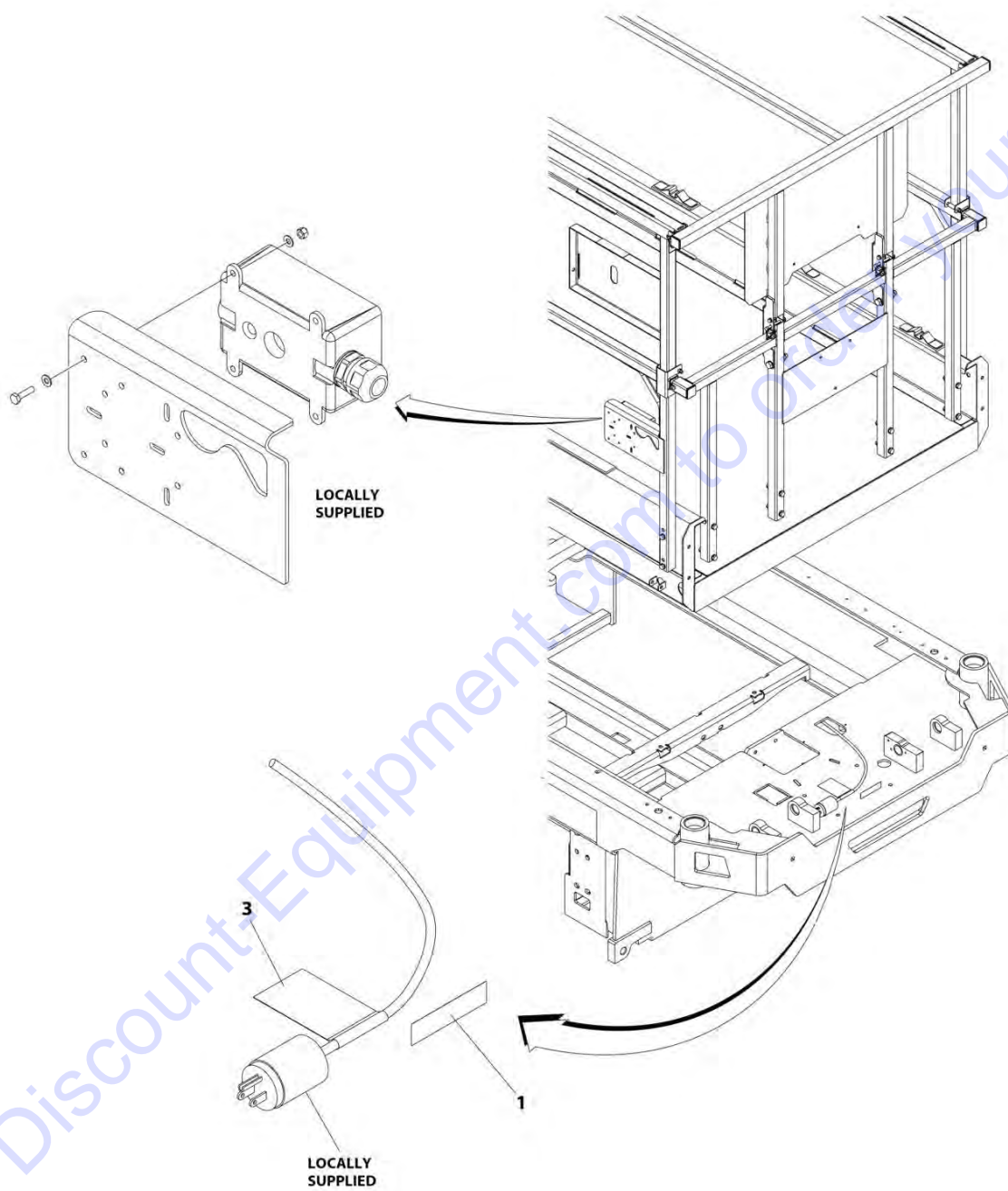
FIGURE 7-7. AC BOX AT PLATFORM INSTALLATION - 220V CHINA PLUG (CHINA SPECS)

ITEM	PART NUMBER	QTY	DESCRIPTION	REV
	1001238135	Ref	AC BOX AT PLATFORM INSTALLATION - 220V CHINA PLUG (CHINA SPECS)	A
1	0760408	4	Bolt M4 x 16	
2	3252507	1	Decal - 220 Volt	
3	3290405	4	Nut M4	
4	4240017	AR	Tie-Strap (Not Shown)	
5	4460315	1	Terminal (Not Shown)	
6	4460968	1	Connector, Strain Relief	
7	4811400	8	Washer M4	
8	1001102258	1	Decal - AC Label	
9	1001187816	1	Plug	
10	1001188116	1	Box	

Go to Discount-Equipment.com to order your parts

SECTION 7 - ELECTRICAL

FIGURE 7-8. AC BOX AT PLATFORM INSTALLATION - 220V LOCALLY SUPPLIED COMPONENTS
(ALL SPECS)



ART_1001237401

SECTION 7 - ELECTRICAL

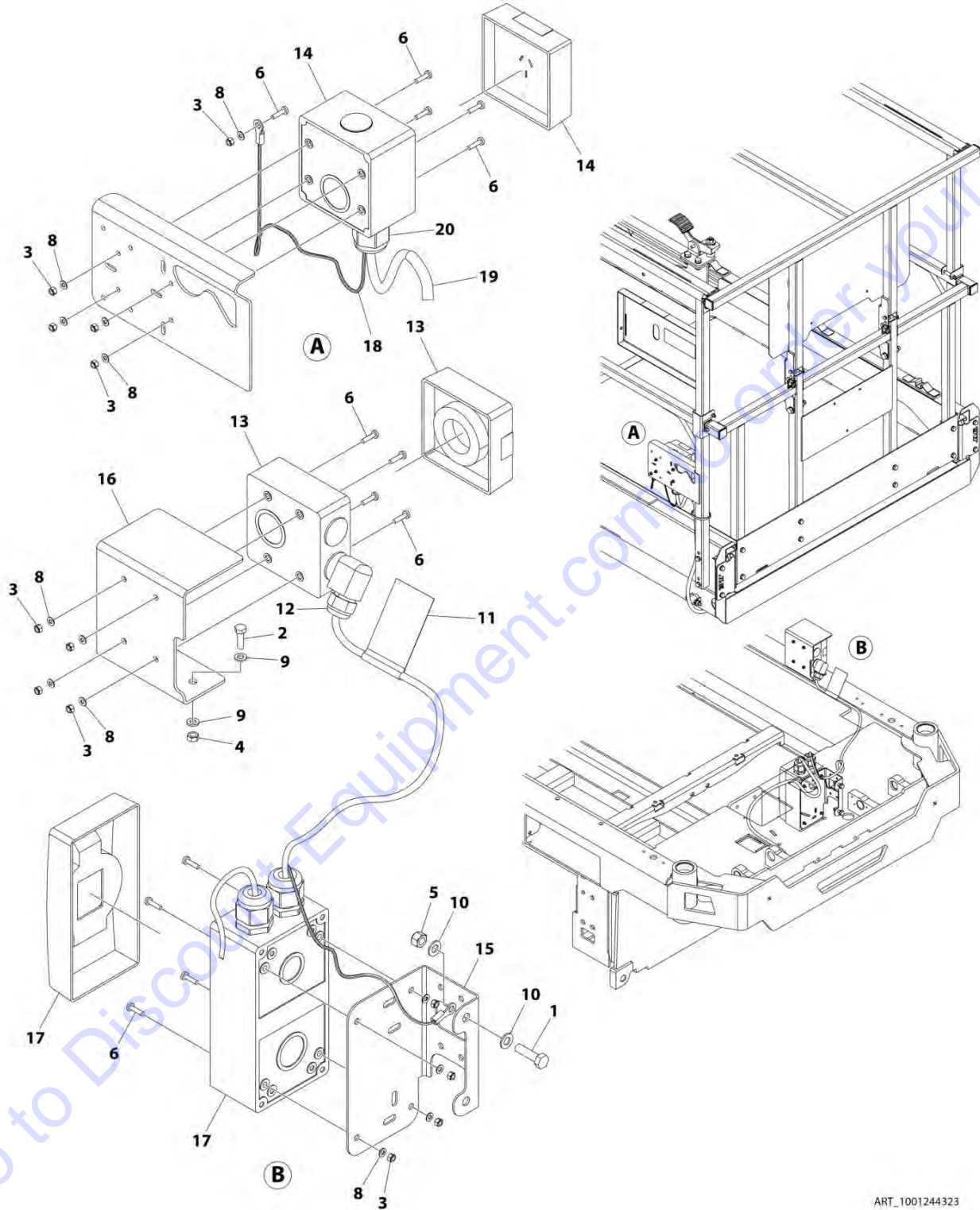
**FIGURE 7-8. AC BOX AT PLATFORM INSTALLATION - 220V LOCALLY SUPPLIED COMPONENTS
(ALL SPECS)**

ITEM	PART NUMBER	QTY	DESCRIPTION	REV
	1001237401	Ref	AC BOX AT PLATFORM INSTALLATION - 220V LOCALLY SUPPLIED COMPONENTS (ALL SPECS)	C
1	3252507	1	Decal - 220 Volt	
2	4240017	AR	Tie-Strap (Not Shown)	
3	1001102258	1	Decal - AC Label	

Go to Discount-Equipment.com to order your parts

SECTION 7 - ELECTRICAL

FIGURE 7-9. AC BOX AT PLATFORM INSTALLATION - 220V (AUSTRALIAN SPECS)



ART_1001244323

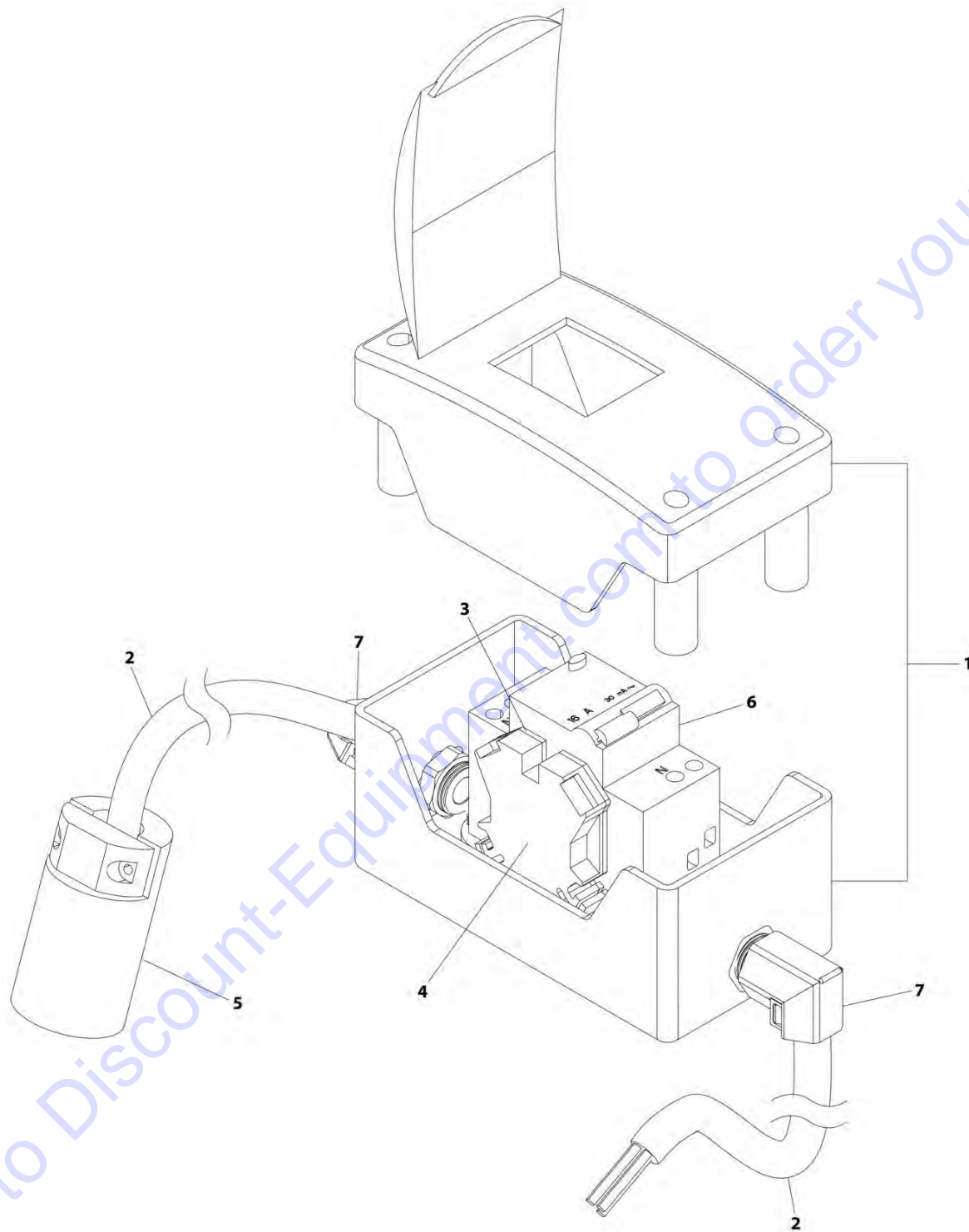
SECTION 7 - ELECTRICAL

FIGURE 7-9. AC BOX AT PLATFORM INSTALLATION - 220V (AUSTRALIAN SPECS)

ITEM	PART NUMBER	QTY	DESCRIPTION	REV
	1001244323	Ref	AC BOX AT PLATFORM INSTALLATION - 220V (AUSTRALIAN SPECS)	B
1	0700814	2	Bolt M8 x 30	
2	0760610	2	Bolt M6 x 20	
3	3290405	13	Nut M4	
4	3290601	2	Nut M6	
5	3290805	2	Nut M8	
6	4010408	13	Screw M4 x 16	
7	4240017	AR	Tie-Strap (Not Shown)	
8	4811400	13	Washer M4	
9	4811700	4	Washer M6	
10	4811900	4	Washer M8	
11	1001102258	1	Decal - AC Label	
12	1001103471	1	Connector Strain Relief 90	
13	1001227267	1	Receptacle Australian - 230V	
14	1001227268	1	Receptacle Australian - 230V	
15	1001238198	1	Bracket	
16	1001244900	1	Bracket	
17	1001245739	1	Box and Breaker Electrical Assembly (See Separate Breakdown in this Section)	
18	1001245744	1	Earth/Ground Link Harness (See Separate Breakdown in this Section)	
19	1001245747	1	Conduit	
20	1001097150	1	Terminal	

SECTION 7 - ELECTRICAL

FIGURE 7-10. BREAKER BOX KIT WITH 1 DOUBLE BREAKER



ART_1001209776

SECTION 7 - ELECTRICAL

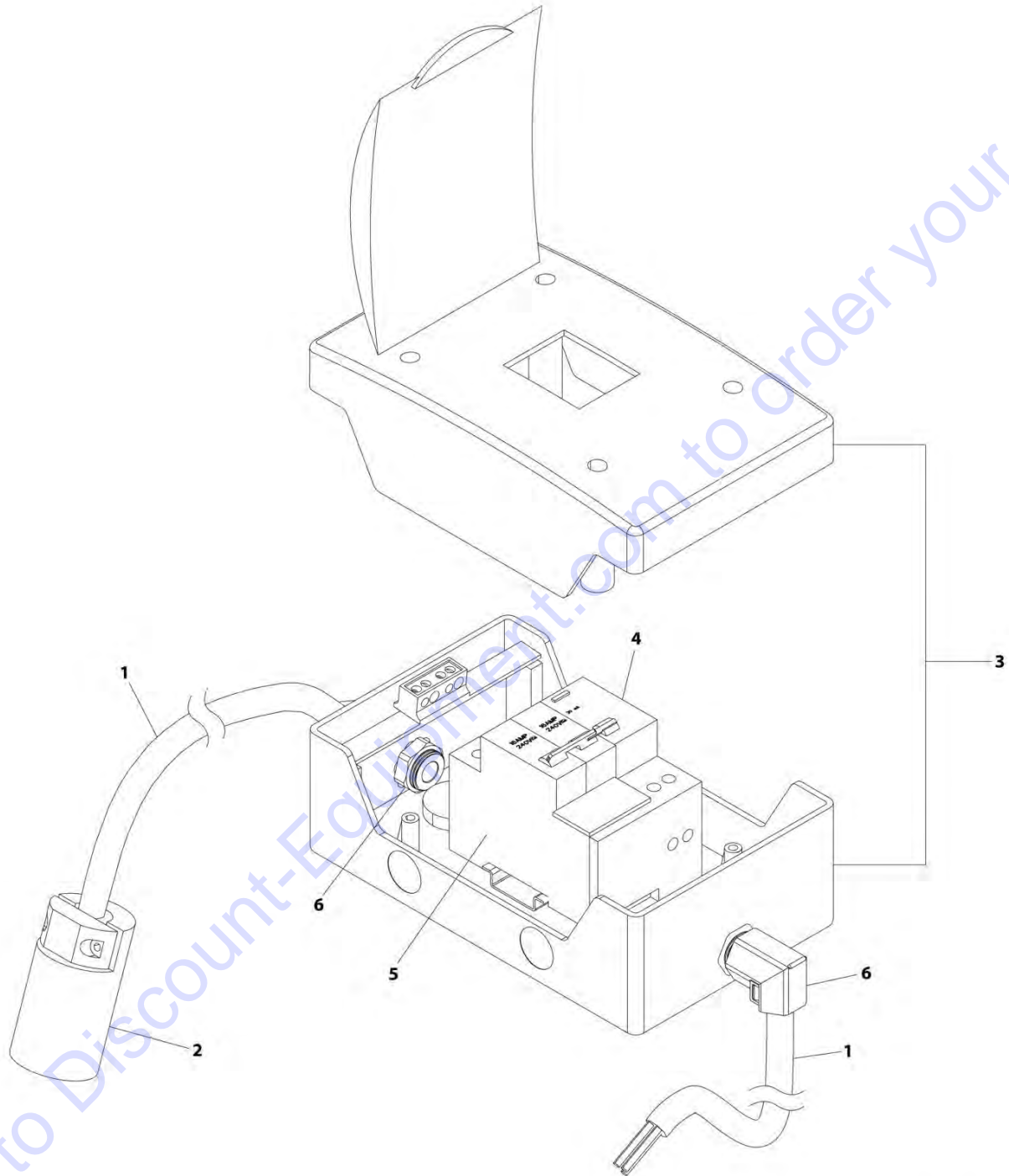
FIGURE 7-10. BREAKER BOX KIT WITH 1 DOUBLE BREAKER

ITEM	PART NUMBER	QTY	DESCRIPTION	REV
	1001209776	Ref	BREAKER BOX KIT WITH 1 DOUBLE BREAKER	C
1	0861880	1	Box	
2	1060908	9.5 ft /2.8m	Cable, 12/3	
3	4460956	1	Barrier, Terminal	
4	4460957	1	Block, Terminal	
5	1001120205	1	Connector, Female Twist	
6	1001181045	1	Breaker 30mAmp/16 Amp	
7	1001217164	2	Connector, Strain Relief 90	

Go to Discount-Equipment.com to order your parts

SECTION 7 - ELECTRICAL

FIGURE 7-11. BREAKER BOX KIT WITH 3 BREAKERS



ART_1001209482

SECTION 7 - ELECTRICAL

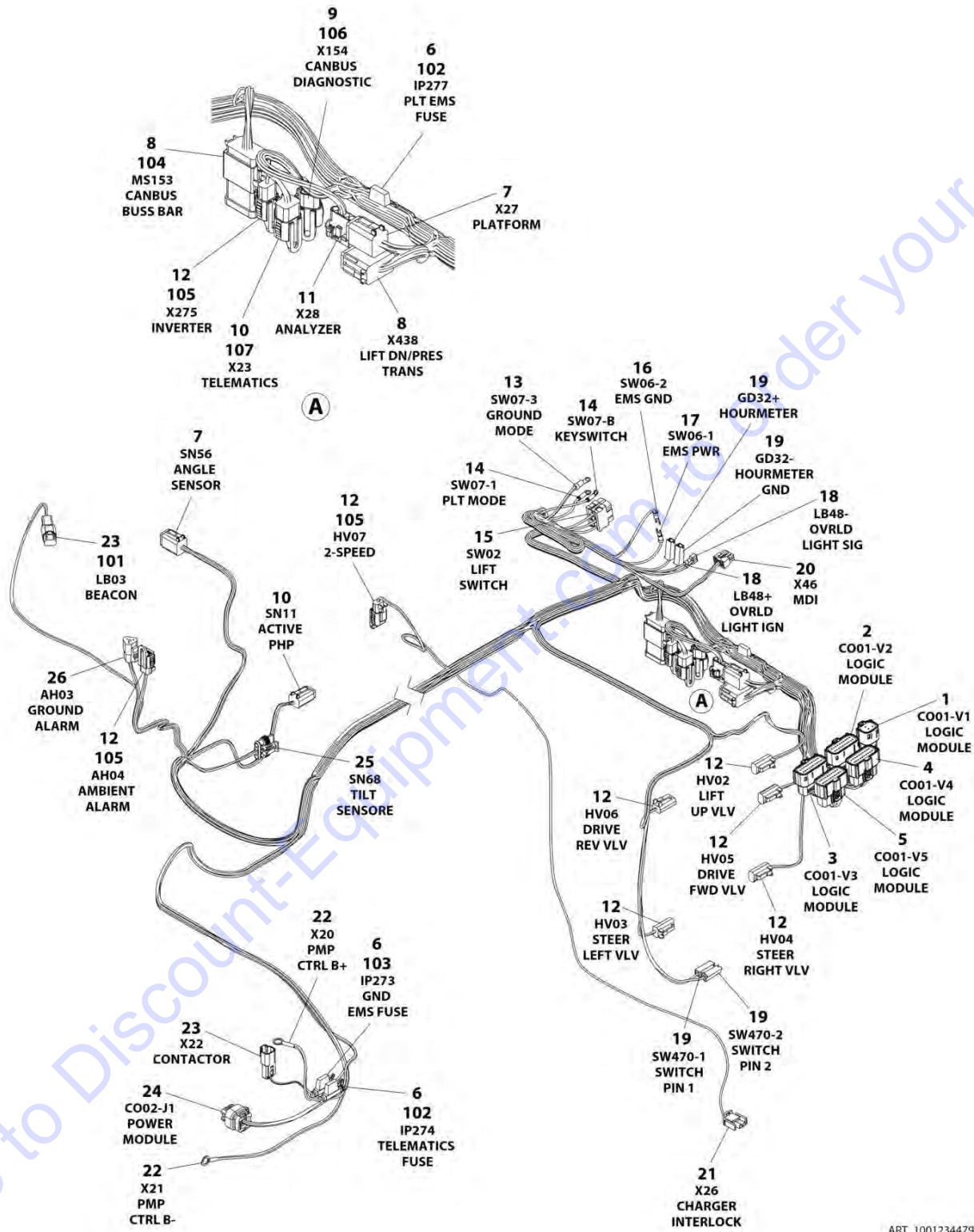
FIGURE 7-11. BREAKER BOX KIT WITH 3 BREAKERS

ITEM	PART NUMBER	QTY	DESCRIPTION	REV
	1001209482	Ref	BREAKER BOX KIT WITH 3 BREAKERS	C
1	1060908	9.5 ft /2.8m	Cable, 12/3	
2	1001120205	1	Connector, Female Twist	
3	1001152483	1	Box	
4	1001189171	1	Breaker, 30mAmp	
5	1001189172	1	Breaker 16 Amp, Double	
6	1001217164	2	Connector, Strain Relief 90	

Go to Discount-Equipment.com to order your parts

SECTION 7 - ELECTRICAL

FIGURE 7-12. CHASSIS HARNESS



ART_1001234479

SECTION 7 - ELECTRICAL

FIGURE 7-12. CHASSIS HARNESS

ITEM	PART NUMBER	QTY	DESCRIPTION	REV
	1001234479	Ref	CHASSIS HARNESS	B
1	1001205409	1	Connector - 8 Position	
1	1001162887	6	Terminal	
1	1001163340	2	Plug, Terminal	
2	1001205410	1	Connector - 20 Position	
2	1001162887	12	Terminal	
2	1001163340	8	Plug, Terminal	
3	1001162886	1	Connector - 20 Position	
3	1001162887	16	Terminal	
3	1001163340	4	Plug, Terminal	
4	1001205411	1	Connector - 20 Position	
4	1001162887	16	Terminal	
4	1001163340	4	Plug, Terminal	
5	1001205412	1	Connector - 20 Position	
5	1001162887	18	Terminal	
5	1001163340	2	Plug, Terminal	
6	2400060	3	Holder/Cover, Fuse	
7	4460894	2	Plug, Male - 6 Position	
7	4460465	10	Socket, Female	
7	4460944	2	Socket, Female	
8	4460933	2	Plug, Male - 12 Position	
8	4460465	22	Socket, Female	
8	4460466	2	Plug, Terminal	
9	1001116812	1	Receptacle, Female - 3 Position	
9	4060944	2	Socket, Female	
9	4460466	1	Plug, Terminal	
10	4460884	2	Plug, Male - 4 Position	
10	4460465	8	Socket, Female	
11	4460761	1	Plug, Male - 4 Position	
11	4460227	4	Socket, Female	
12	4460891	8	Plug, Male - 2 Position	
12	4460465	16	Socket, Female	
12	4460466	1	Plug, Terminal	
13	4460042	1	Terminal, Ring	
14	4460247	2	Terminal, Ring	
15	4460418	1	Connector - 6 Position	
15	1001159186	3	Terminal	
16	4460115	1	Terminal, Ring	
17	4460183	1	Terminal, Ring	
18	1001201885	2	Terminal	
19	4460260	4	Cover, Terminal	
16	4460259	4	Terminal	
20	1001151629	1	Plug, Male - 8 Position	
20	4461023	2	Terminal	
20	4460877	2	Terminal	
21	4460320	1	Plug, Male - 2 Position	
21	4460226	1	Socket, Female	
22	4460256	2	Terminal	
23	4460897	2	Receptacle, Female - 2 Position	
23	4460464	4	Pin, Male	

SECTION 7 - ELECTRICAL

ITEM	PART NUMBER	QTY	DESCRIPTION	REV
24	1001113961	1	Connector - 8 Position	
24	4460871	4	Socket, Female	
24	4460905	4	Plug, Terminal	
25	1001103012	1	Plug, Male - 4 Position	
25	1001196589	4	Terminal	
25	1001104498	4	Seal Terminal	
26	4460539	1	Plug, Male - 3 Position	
26	4460465	3	Socket, Female	
101	4460891	1	Plug, Male - 4 Position	
102	8229242	2	Fuse 5 Amp	
103	8229244	1	Fuse, 15 Amp	
104	1001125677	1	Connector, Bussbar	
105	1001144295	3	Cap - 2 Position	
106	1001144296	1	Cap - 3 Position	
107	1001192401	1	Cap, Dust	

Go to Discount-Equipment.com to order your parts

PARTS FINDER

**Search Website
by Part Number**



**Search Manual
Library For Parts
Manual & Lookup Part
Numbers – Purchase
or Request Quote**

A screenshot of the "Search Manuals" form. It includes a search bar, a "Search" button, and a "Print" button. The form also has a "Manuals" section with a list of manuals and a "Manuals" section with a list of manuals.

**Can't Find Part or
Manual? Request Help
by Manufacturer,
Model & Description**

A screenshot of the "Parts Order Form". It includes a "Manufacturer" field, a "Model" field, a "Description" field, and a "Part Number" field. There are also checkboxes for "Print" and "Email".

Discount-Equipment.com is your online resource for quality parts & equipment.

Florida: **561-964-4949** Outside Florida TOLL FREE: **877-690-3101**

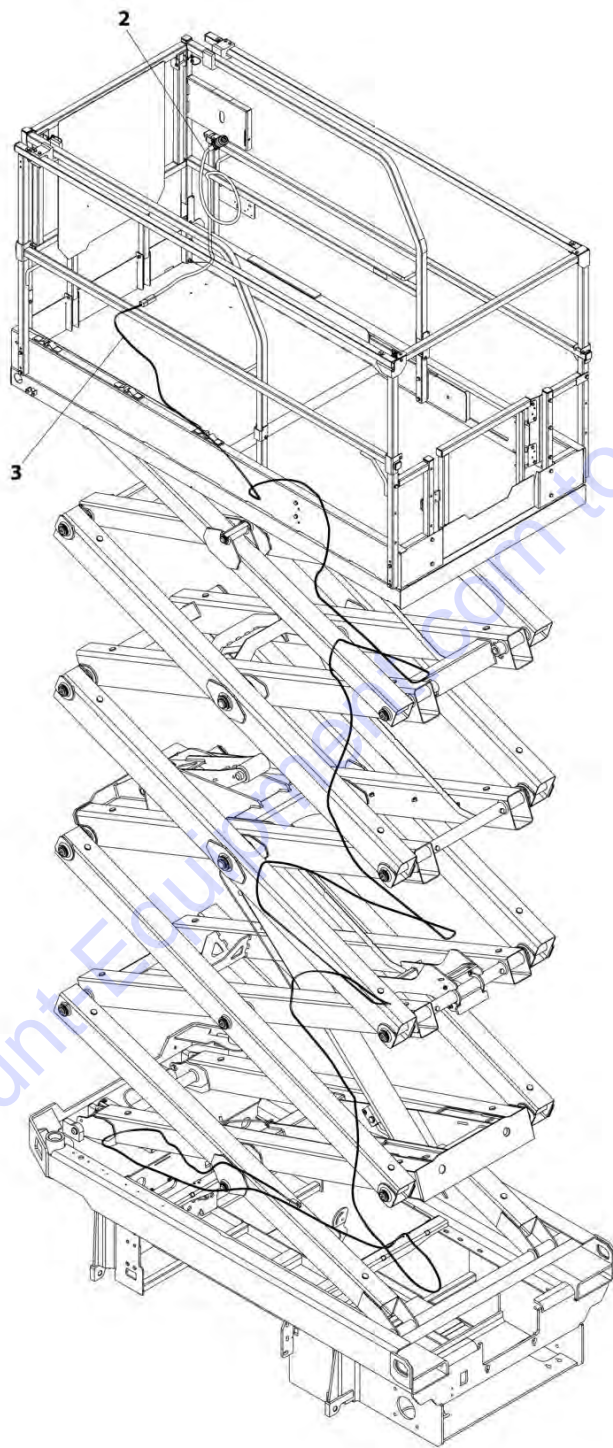
Need parts?

Click on this link: <http://www.discount-equipment.com/category/5443-parts/> and choose one of the options to help get the right parts and equipment you are looking for. Please have the machine model and serial number available in order to help us get you the correct parts. If you don't find the part on the website or on one of the online manuals, please fill out the request form and one of our experienced staff members will get back to you with a quote for the right part that your machine needs.

We sell worldwide for the brands: Genie, Terex, JLG, MultiQuip, Mikasa, Essick, Whiteman, Mayco, Toro Stone, Diamond Products, Generac Magnum, Airman, Haulotte, Barreto, Power Blanket, Nifty Lift, Atlas Copco, Chicago Pneumatic, Allmand, Miller Curber, Skyjack, Lull, Skytrak, Tsurumi, Husquvarna Target, Stow, Wacker, Sakai, Mi-T-M, Sullair, Basic, Dynapac, MBW, Weber, Bartell, Bennar Newman, Haulotte, Ditch Runner, Menegotti, Morrison, Contec, Buddy, Crown, Edco, Wyco, Bomag, Laymor, EZ Trench, Bil-Jax, F.S. Curtis, Gehl Pavers, Heli, Honda, ICS/PowerGrit, IHI, Partner, Imer, Clipper, MMD, Koshin, Rice, CH&E, General Equipment, Amida, Coleman, NAC, Gradall, Square Shooter, Kent, Stanley, Tamco, Toku, Hatz, Kohler, Robin, Wisconsin, Northrock, Oztec, Toker TK, Rol-Air, APT, Wylie, Ingersoll Rand / Doosan, Innovatech, Con X, Ammann, Mecalac, Makinex, Smith Surface Prep, Small Line, Wanco, Yanmar

SECTION 7 - ELECTRICAL

FIGURE 7-13. GROUND TO PLATFORM CABLE INSTALLATION - WITHOUT PLATFORM COIL CABLE
(CHINA BUILT MACHINES)



ART_1001234093

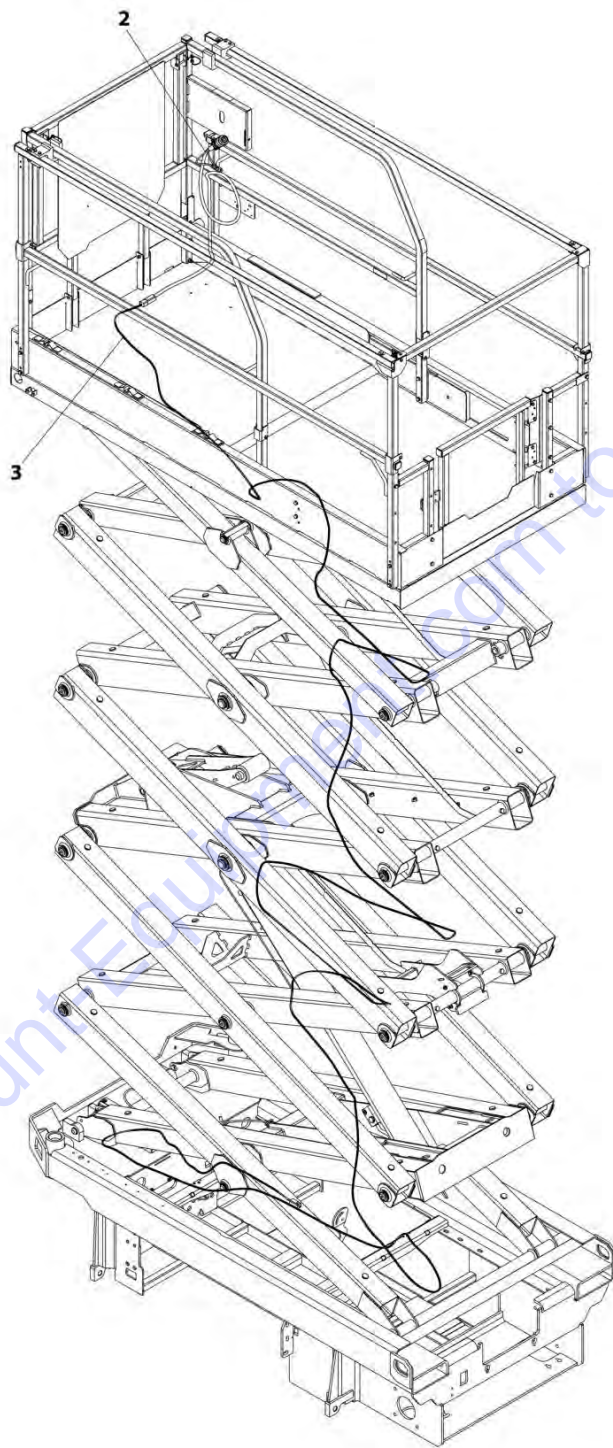
SECTION 7 - ELECTRICAL

**FIGURE 7-13. GROUND TO PLATFORM CABLE INSTALLATION - WITHOUT PLATFORM COIL CABLE
(CHINA BUILT MACHINES)**

ITEM	PART NUMBER	QTY	DESCRIPTION	REV
	1001234093	Ref	GROUND TO PLATFORM CABLE INSTALLATION - WITHOUT PLATFORM COIL CABLE	A
1	4240017	AR	Tie-Strap (Not Shown)	
2	1001200812	1	Platform Harness	
2	4460899	1	Receptacle, Female - 6 Position (To Item 3)	
2	4460464	4	Pin, Male	
2	4460943	2	Pin, Male	
2	4460754	1	Connector - 14 Position (To Console Box)	
2	4460465	8	Socket, Female	
2	4460466	6	Plug, Terminal	
3	1001234631	1	Cable Assembly - Ground to Platform	
3	4460894	1	Plug, Male - 6 Position (To Platform Harness Item 2)	
3	4460465	4	Socket, Female	
3	4460944	2	Socket, Female	
3	4460899	1	Receptacle, Female - 6 Position (To Chassis Harness)	
3	4460464	4	Pin, Male	
3	4460943	2	Pin, Male	

SECTION 7 - ELECTRICAL

FIGURE 7-14. GROUND TO PLATFORM CABLE INSTALLATION - WITHOUT PLATFORM COIL CABLE & WITH FOOTSWITCH (CHINA BUILT MACHINES)



ART_1001234095

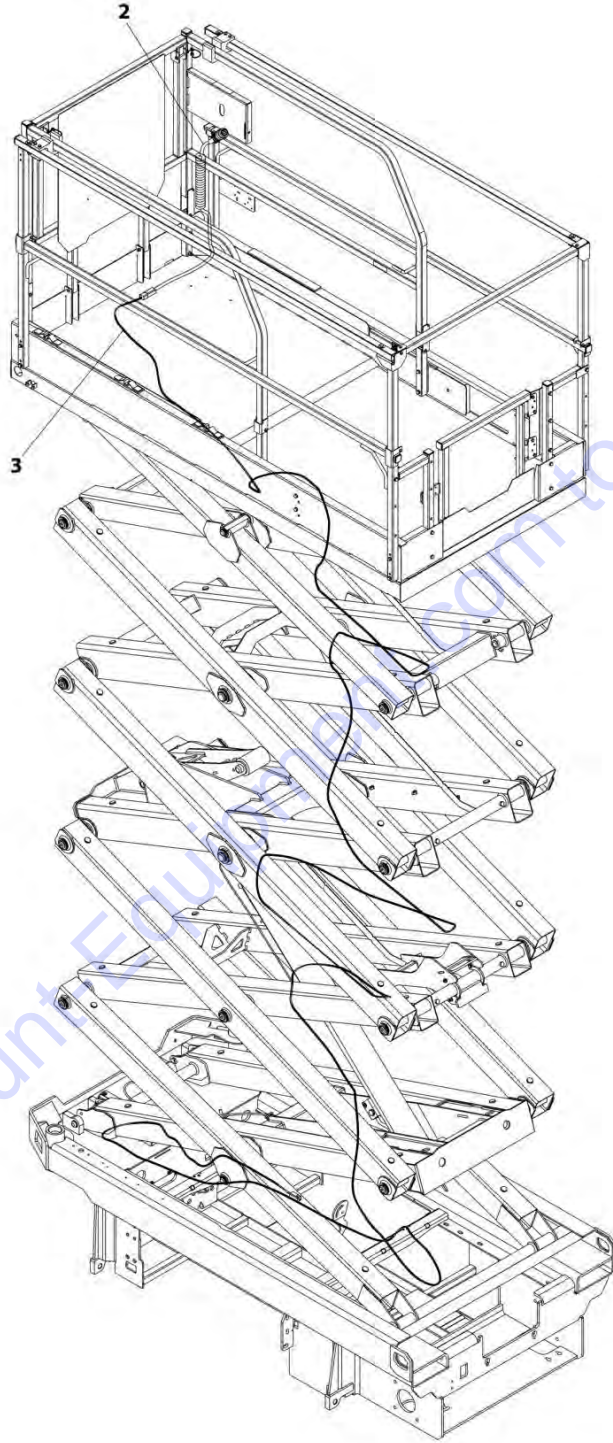
SECTION 7 - ELECTRICAL

FIGURE 7-14. GROUND TO PLATFORM CABLE INSTALLATION - WITHOUT PLATFORM COIL CABLE & WITH FOOTSWITCH (CHINA BUILT MACHINES)

ITEM	PART NUMBER	QTY	DESCRIPTION	REV
	1001234095	Ref	GROUND TO PLATFORM CABLE INSTALLATION - WITHOUT PLATFORM COIL CABLE AND WITH FOOTSWITCH	A
1	4240017	AR	Tie-Strap (Not Shown)	
2	1001223263	1	Platform Harness	
2	4460899	1	Receptacle, Female - 6 Position (To Item 3)	
2	4460464	4	Pin, Male	
2	4460943	2	Pin, Male	
2	4460754	1	Connector - 14 Position (To Console Box)	
2	4460465	8	Socket, Female	
2	4460944	2	Socket, Female	
2	4460466	4	Plug, Terminal	
2	4460891	1	Plug, Male - 2 Position (To Footswitch)	
2	4460465	2	Socket, Female	
2	4460897	1	Receptacle, Female - 2 Position (Footswitch Jumper)	
2	4460464	2	Pin, Male	
2	4460539	1	Plug, Male - 3 Position (To Overhead Switches)	
2	4460465	2	Socket, Female	
2	4460466	1	Plug, Terminal	
3	1001234631	1	Cable Assembly - Ground to Platform	
3	4460894	1	Plug, Male - 6 Position (To Platform Harness Item 2)	
3	4460465	4	Socket, Female	
3	4460944	2	Socket, Female	
3	4460899	1	Receptacle, Female - 6 Position (To Chassis Harness)	
3	4460464	4	Pin, Male	
3	4460943	2	Pin, Male	

SECTION 7 - ELECTRICAL

FIGURE 7-15. GROUND TO PLATFORM CABLE INSTALLATION - WITH PLATFORM COIL CABLE
(CHINA BUILT MACHINES)



ART_1001234094

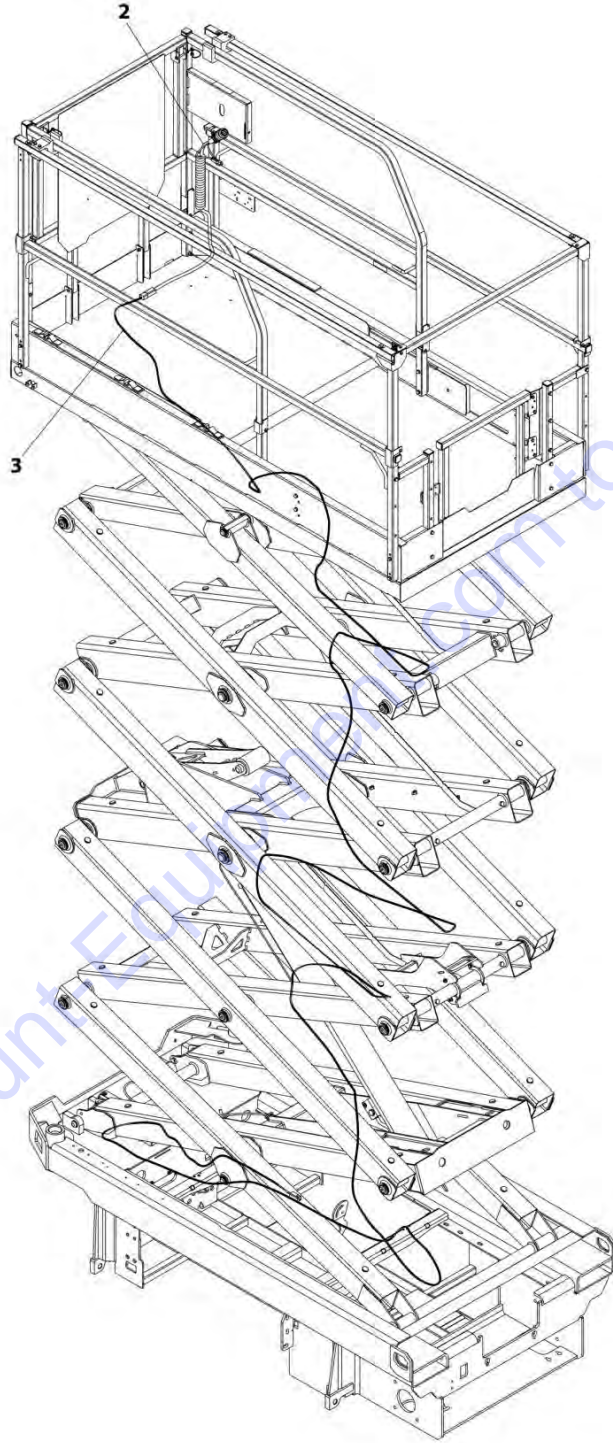
SECTION 7 - ELECTRICAL

**FIGURE 7-15. GROUND TO PLATFORM CABLE INSTALLATION - WITH PLATFORM COIL CABLE
(CHINA BUILT MACHINES)**

ITEM	PART NUMBER	QTY	DESCRIPTION	REV
	1001234094	Ref	GROUND TO PLATFORM CABLE INSTALLATION - WITH PLATFORM COIL CABLE	A
1	4240017	AR	Tie-Strap (Not Shown)	
2	1001202184	1	Platform Harness	
2	4460899	1	Receptacle, Female - 6 Position (To Item 3)	
2	4460464	4	Pin, Male	
2	4460943	2	Pin, Male	
2	4460754	1	Connector - 14 Position (To Console Box)	
2	4460465	8	Socket, Female	
2	4460466	6	Plug, Terminal	
3	1001234631	1	Cable Assembly - Ground to Platform	
3	4460894	1	Plug, Male - 6 Position (To Platform Harness Item 2)	
3	4460465	4	Socket, Female	
3	4460944	2	Socket, Female	
3	4460899	1	Receptacle, Female - 6 Position (To Chassis Harness)	
3	4460464	4	Pin, Male	
3	4460943	2	Pin, Male	

SECTION 7 - ELECTRICAL

FIGURE 7-16. GROUND TO PLATFORM CABLE INSTALLATION - WITH PLATFORM COIL CABLE & FOOTSWITCH (CHINA BUILT MACHINES)



ART_1001234096

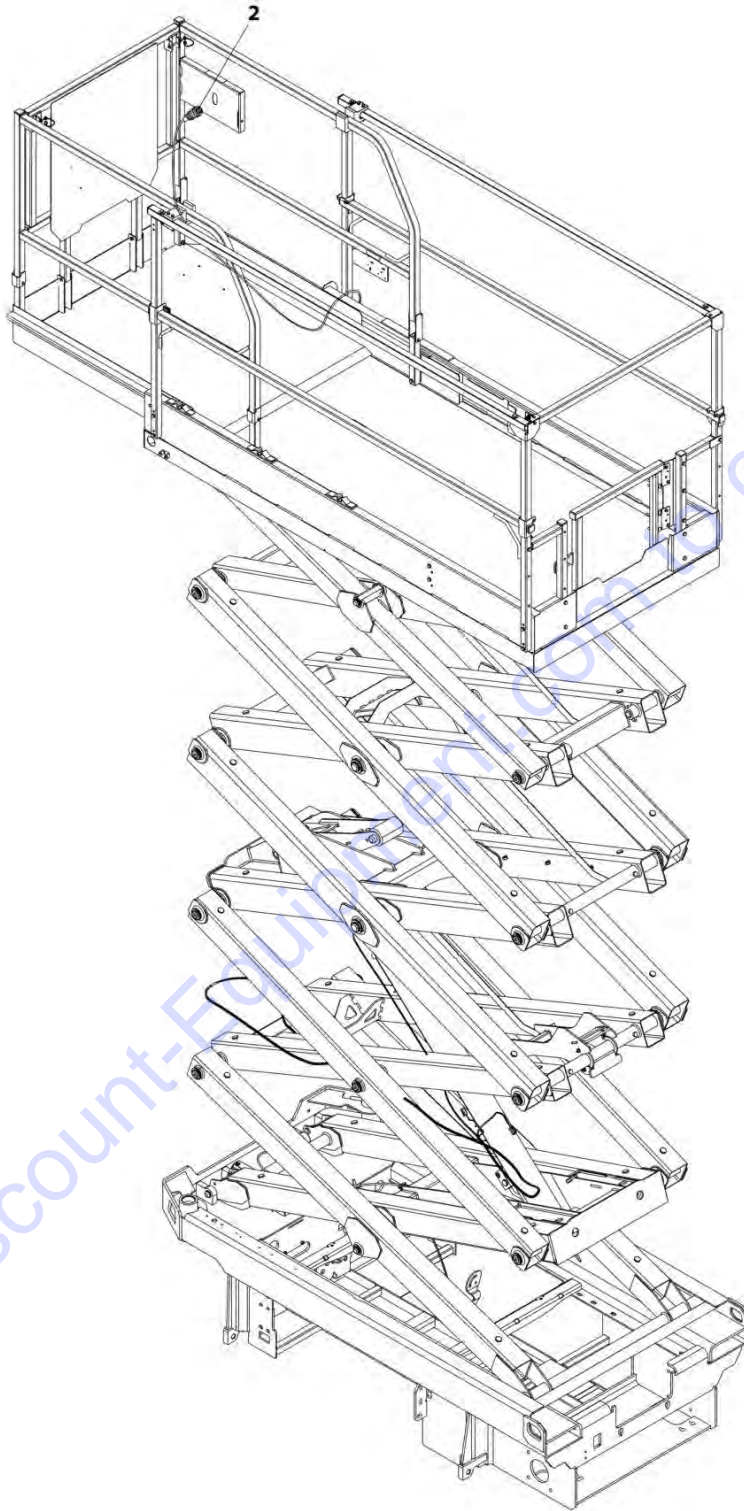
SECTION 7 - ELECTRICAL

FIGURE 7-16. GROUND TO PLATFORM CABLE INSTALLATION - WITH PLATFORM COIL CABLE & FOOTSWITCH (CHINA BUILT MACHINES)

ITEM	PART NUMBER	QTY	DESCRIPTION	REV
	1001234096	Ref	GROUND TO PLATFORM CABLE INSTALLATION - WITH PLATFORM COIL CABLE AND FOOTSWITCH	A
1	4240017	AR	Tie-Strap (Not Shown)	
2	1001223262	1	Platform Harness	
2	4460899	1	Receptacle, Female - 6 Position (To Item 3)	
2	4460464	4	Pin, Male	
2	4460943	2	Pin, Male	
2	4460754	1	Connector - 14 Position (To Console Box)	
2	4460465	8	Socket, Female	
2	4460944	2	Socket, Female	
2	4460466	4	Plug, Terminal	
2	4460891	1	Plug, Male - 2 Position (To Footswitch)	
2	4460465	2	Socket, Female	
2	4460897	1	Receptacle, Female - 2 Position (Footswitch Jumper)	
2	4460464	2	Pin, Male	
2	4460539	1	Plug, Male - 3 Position (To Overhead Switches)	
2	4460465	2	Socket, Female	
2	4460466	1	Plug, Terminal	
3	1001234631	1	Cable Assembly - Ground to Platform	
3	4460894	1	Plug, Male - 6 Position (To Platform Harness Item 2)	
3	4460465	4	Socket, Female	
3	4460944	2	Socket, Female	
3	4460899	1	Receptacle, Female - 6 Position (To Chassis Harness)	
3	4460464	4	Pin, Male	
3	4460943	2	Pin, Male	

SECTION 7 - ELECTRICAL

FIGURE 7-17. GROUND TO PLATFORM CABLE INSTALLATION - PLATFORM STRAIGHT CABLE ONLY (USA BUILT MACHINES)



ART_1001223650

SECTION 7 - ELECTRICAL

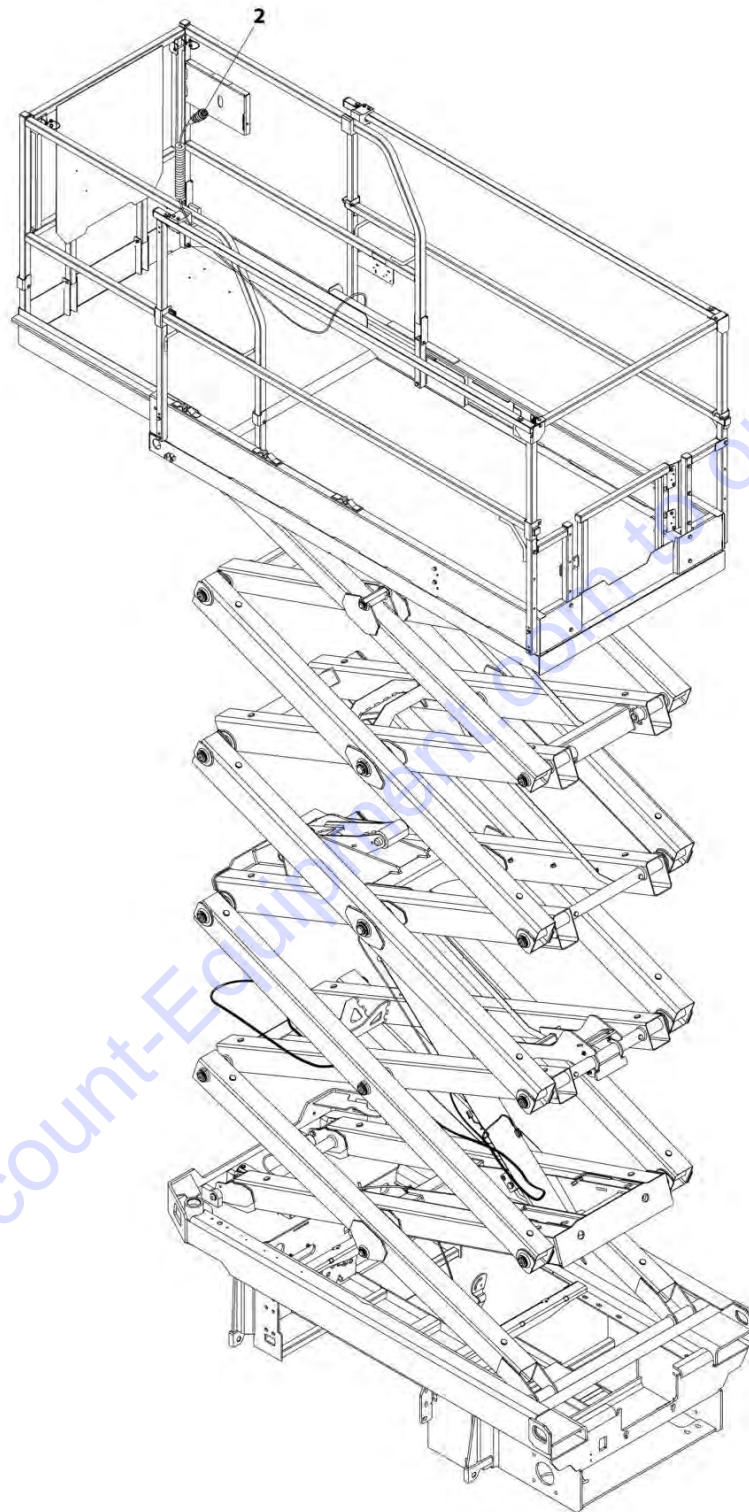
FIGURE 7-17. GROUND TO PLATFORM CABLE INSTALLATION - PLATFORM STRAIGHT CABLE ONLY (USA BUILT MACHINES)

ITEM	PART NUMBER	QTY	DESCRIPTION	REV
	1001223650	Ref	GROUND TO PLATFORM CABLE INSTALLATION - PLATFORM STRAIGHT CABLE ONLY	A
1	4240017	AR	Tie-Strap (Not Shown)	
2	1001200812	1	Platform Harness	
2	4460899	1	Receptacle, Female - 6 Position (To Item 104)	
2	4460464	4	Pin, Male	
2	4460943	2	Pin, Male	
2	4460754	1	Connector - 14 Position (To Console Box)	
2	4460465	8	Socket, Female	
2	4460466	6	Plug, Terminal	

Go to Discount-Equipment.com to order your parts

SECTION 7 - ELECTRICAL

FIGURE 7-18. GROUND TO PLATFORM CABLE INSTALLATION - PLATFORM COIL CABLE ONLY
(USA BUILT MACHINES)



ART_100123651

SECTION 7 - ELECTRICAL

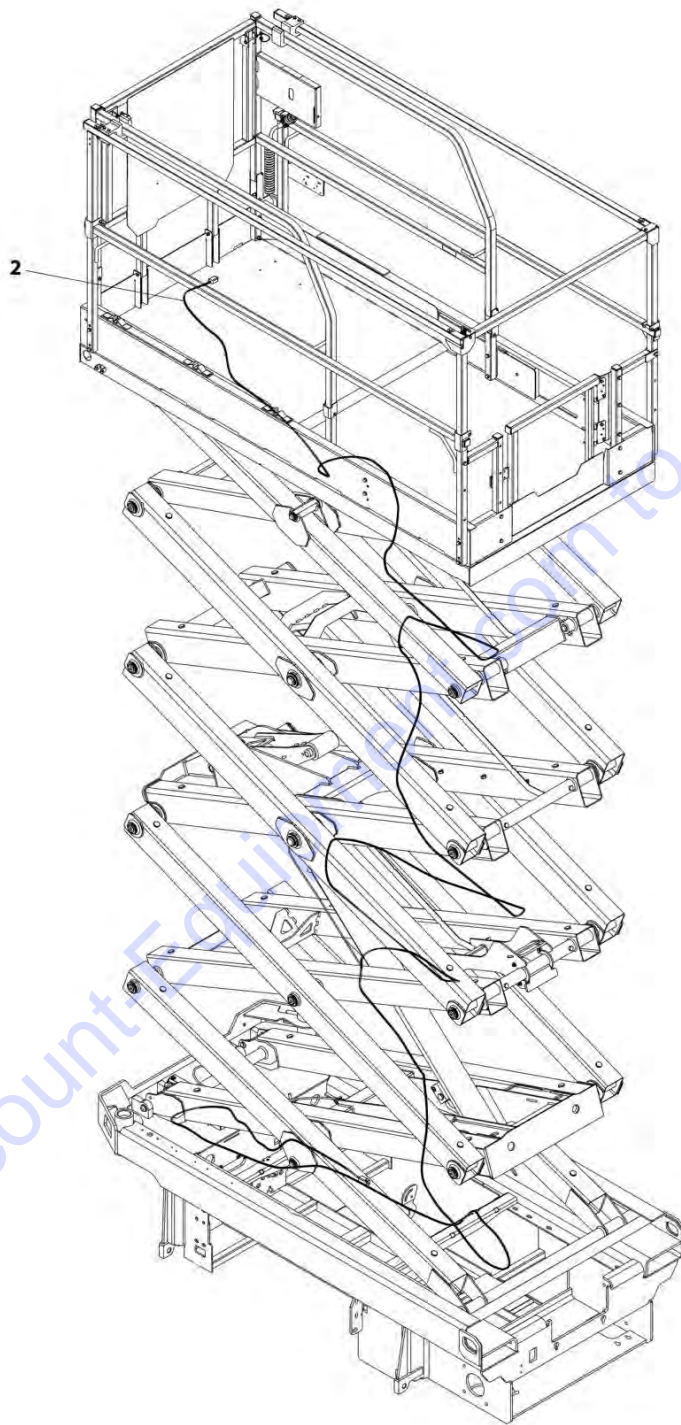
**FIGURE 7-18. GROUND TO PLATFORM CABLE INSTALLATION - PLATFORM COIL CABLE ONLY
(USA BUILT MACHINES)**

ITEM	PART NUMBER	QTY	DESCRIPTION	REV
	1001223651	Ref	GROUND TO PLATFORM CABLE INSTALLATION - PLATFORM COIL CABLE ONLY	A
1	4240017	AR	Tie-Strap (Not Shown)	
2	1001202184	1	Platform Harness	
2	4460899	1	Receptacle, Female - 6 position (To Item 104)	
2	4460464	4	Pin, Male	
2	4460943	2	Pin, Male	
2	4460754	1	Connector - 14 Position (To Console Box)	
2	4460465	8	Socket, Female	
2	4460466	6	Plug, Terminal	

Go to Discount-Equipment.com to order your parts

SECTION 7 - ELECTRICAL

FIGURE 7-19. GROUND TO PLATFORM CABLE INSTALLATION - SCISSORS ARMS CABLE ONLY
(USA BUILT MACHINES)



ART_1001239389

SECTION 7 - ELECTRICAL

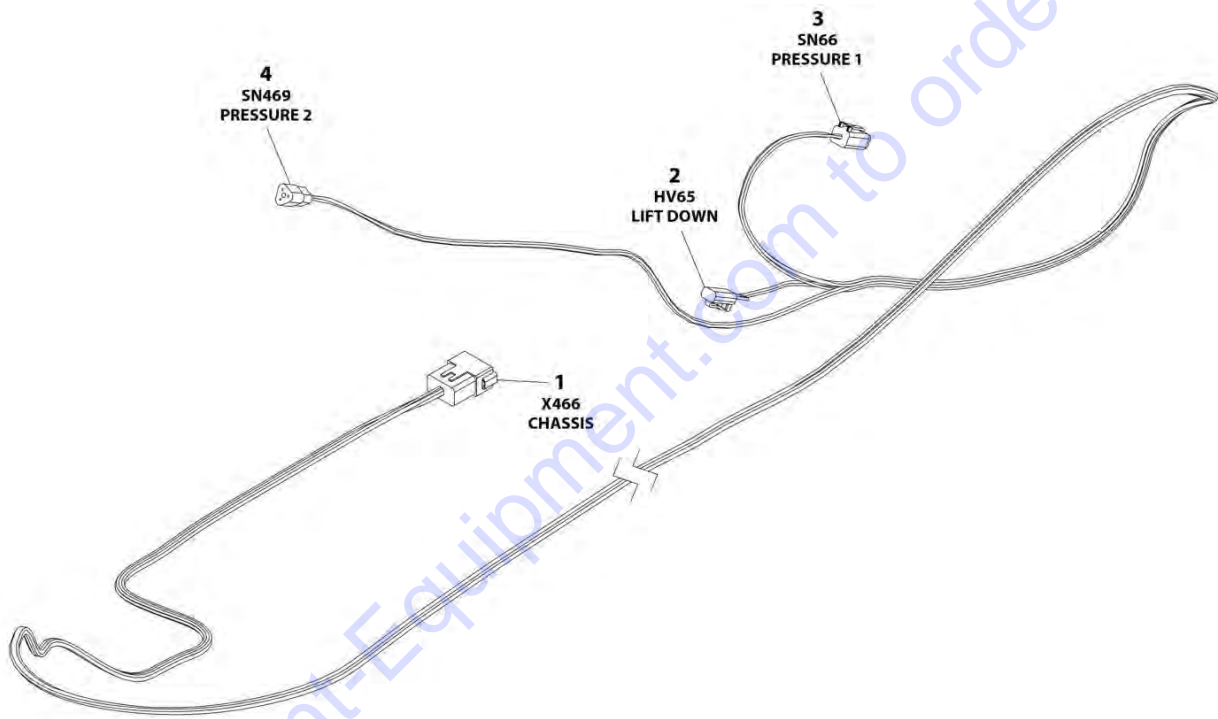
**FIGURE 7-19. GROUND TO PLATFORM CABLE INSTALLATION - SCISSORS ARMS CABLE ONLY
(USA BUILT MACHINES)**

ITEM	PART NUMBER	QTY	DESCRIPTION	REV
	1001239389	Ref	GROUND TO PLATFORM CABLE INSTALLATION	A
1	4240017	AR	Tie-Strap (Not Shown)	
2	1001234631	1	Cable Assembly - Ground to Platform	
2	4460894	1	Plug, Male - 6 Position (To Platform Harness Item 2)	
2	4460465	4	Socket, Female	
2	4460944	2	Socket, Female	
2	4460899	1	Receptacle, Female - 6 Position (To Chassis Harness)	
2	4460464	4	Pin, Male	
2	4460943	2	Pin, Male	

Go to Discount-Equipment.com to order your parts

SECTION 7 - ELECTRICAL

FIGURE 7-20. LIFT DOWN HARNESS



ART_1001233795

SECTION 7 - ELECTRICAL

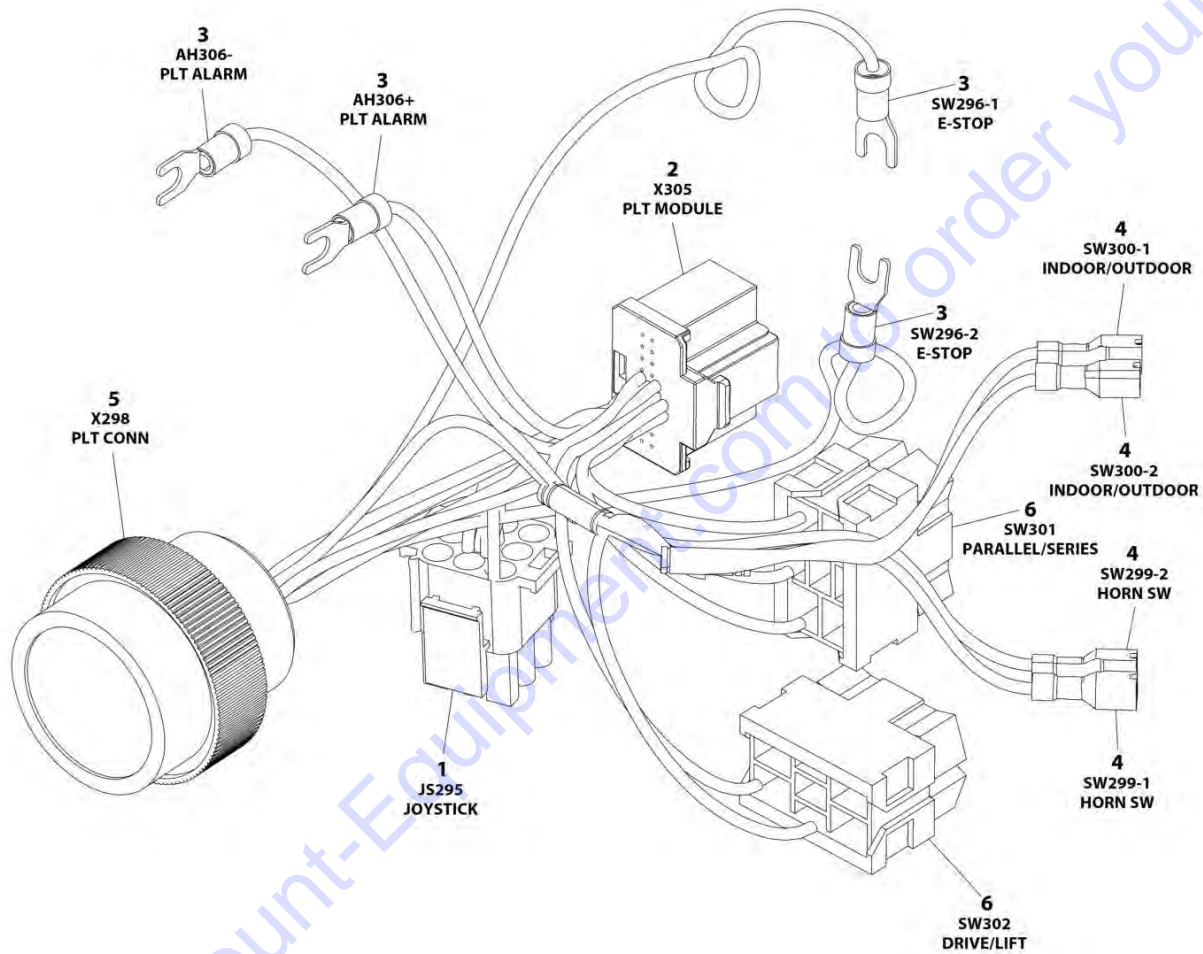
FIGURE 7-20. LIFT DOWN HARNESS

ITEM	PART NUMBER	QTY	DESCRIPTION	REV
	1001233795	Ref	LIFT DOWN HARNESS	C
1	4460970	1	Receptacle, Female - 12 Position	
1	4460464	9	Pin, Male	
1	4460466	3	Plug, Terminal	
2	4460891	1	Plug, Male - 4 Position	
2	4460465	2	Socket, Female	
3	4460884	1	Plug, Male - 4 Position	
3	4460465	4	Socket, Female	
4	4460539	1	Plug, Male - 3 Position	
4	4460465	3	Socket, Female	

Go to Discount-Equipment.com to order your parts

SECTION 7 - ELECTRICAL

FIGURE 7-21. PLATFORM CONTROL BOX HARNESS



ART_1001200819

SECTION 7 - ELECTRICAL

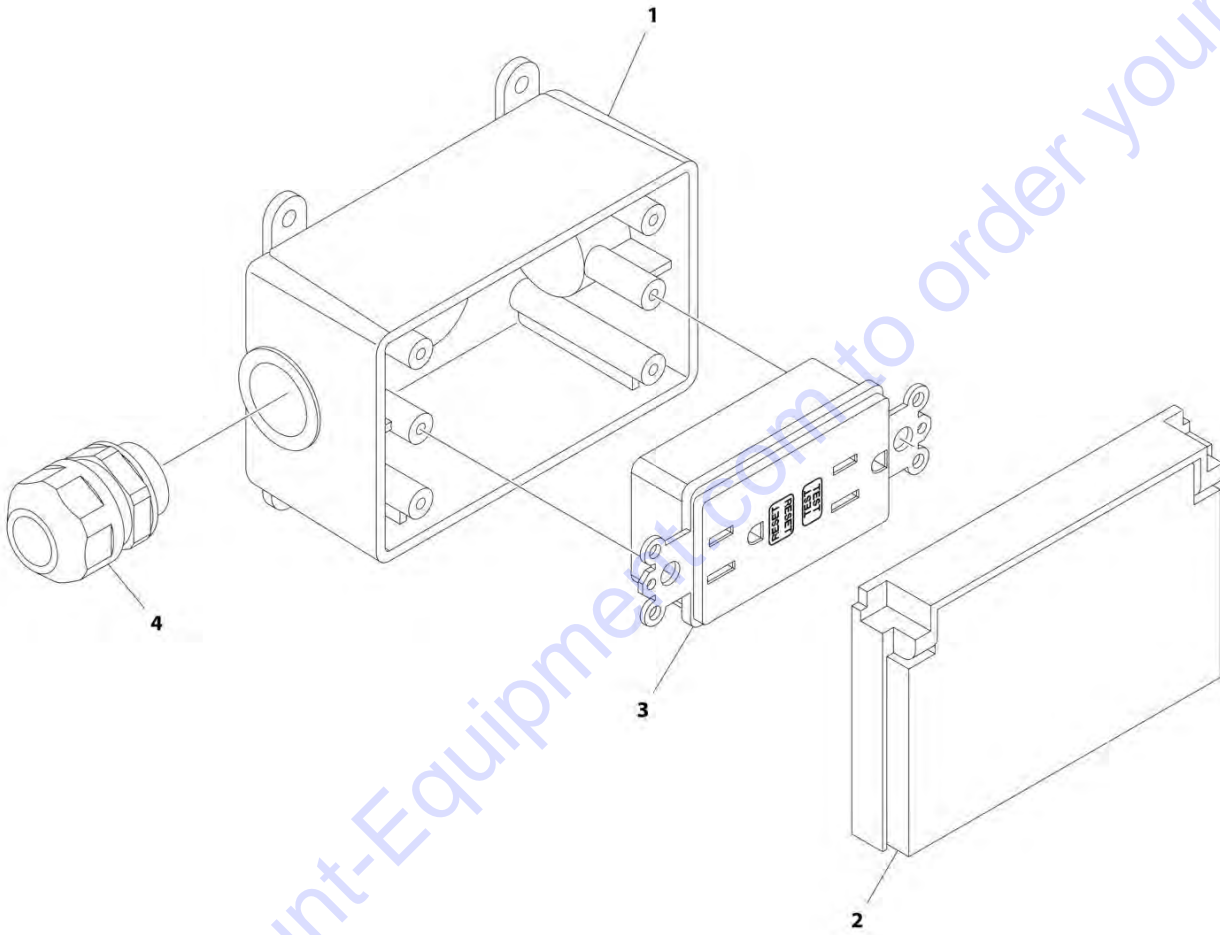
FIGURE 7-21. PLATFORM CONTROL BOX HARNESS

ITEM	PART NUMBER	QTY	DESCRIPTION	REV
	1001200819	Ref	PLATFORM CONTROL BOX HARNESS	C
1	4460265	1	Plug, Male - 9 Position	
1	4460267	6	Pin, Male	
2	1001212036	1	Connector - 20 Position	
2	1001212035	16	Terminal	
3	4460183	4	Terminal, Fork	
4	1001201885	4	Terminal with Cover	
5	4461016	1	Connector - 14 Position	
5	4460464	8	Pin, Male	
5	4460466	6	Plug, Terminal	
6	4460418	2	Connector - 6 Position	
6	1001159186	5	Terminal	

Go to Discount-Equipment.com to order your parts

SECTION 7 - ELECTRICAL

FIGURE 7-22. RECEPTACLE BOX KIT - 110V GFI



ART_2902431

SECTION 7 - ELECTRICAL

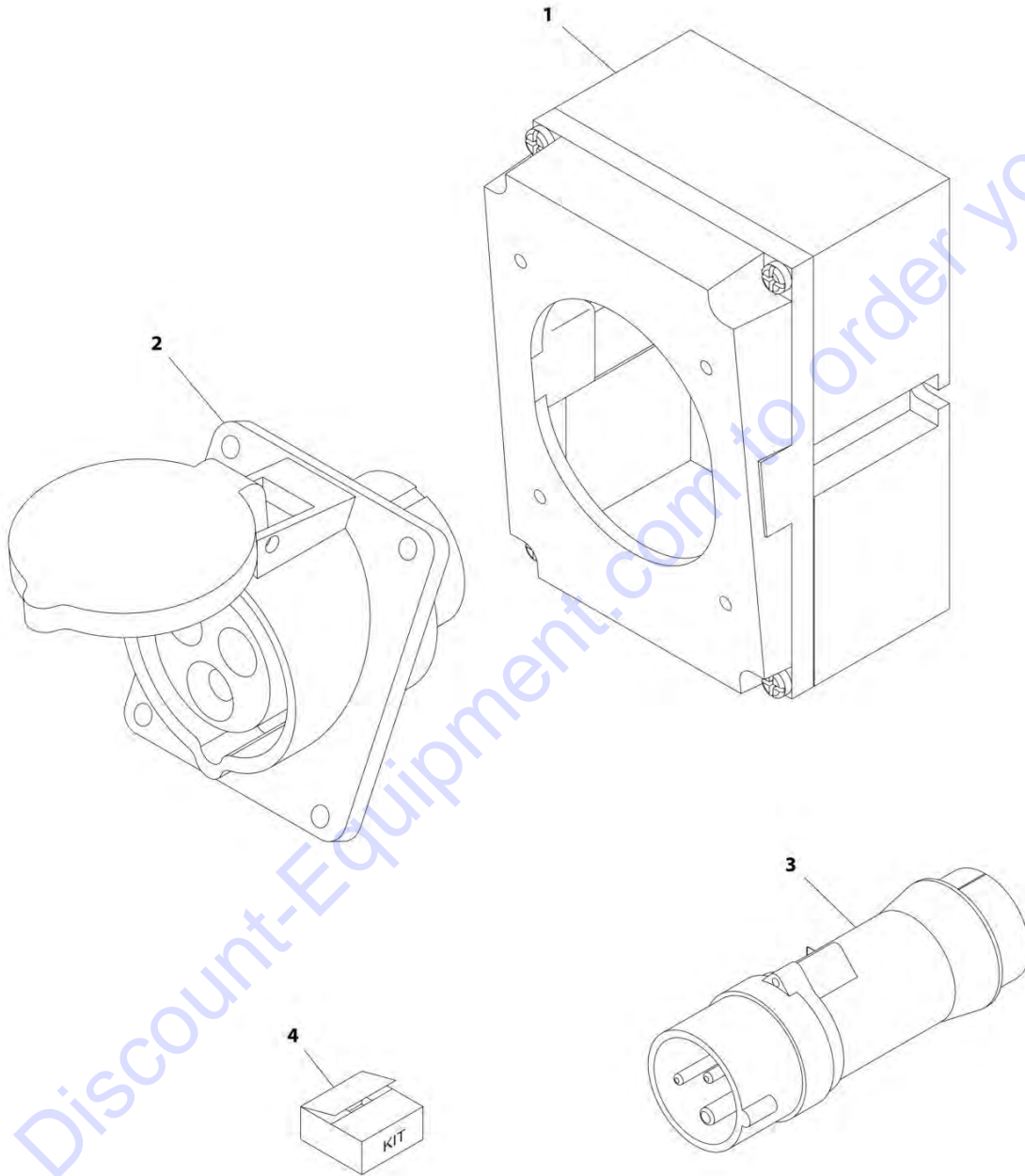
FIGURE 7-22. RECEPTACLE BOX KIT - 110V GFI

ITEM	PART NUMBER	QTY	DESCRIPTION	REV
	2902431	Ref	RECEPTACLE BOX KIT - 110V GFI	D
1	0861731	1	Box, Receptacle	
2	1671207	1	Cover, Receptacle	
3	4460346	1	Receptacle	
4	4460662	1	Connector, Strain Relief	

Go to Discount-Equipment.com to order your parts

SECTION 7 - ELECTRICAL

FIGURE 7-23. RECEPTACLE BOX KIT - 110V IEC YELLOW



ART_0275216

SECTION 7 - ELECTRICAL

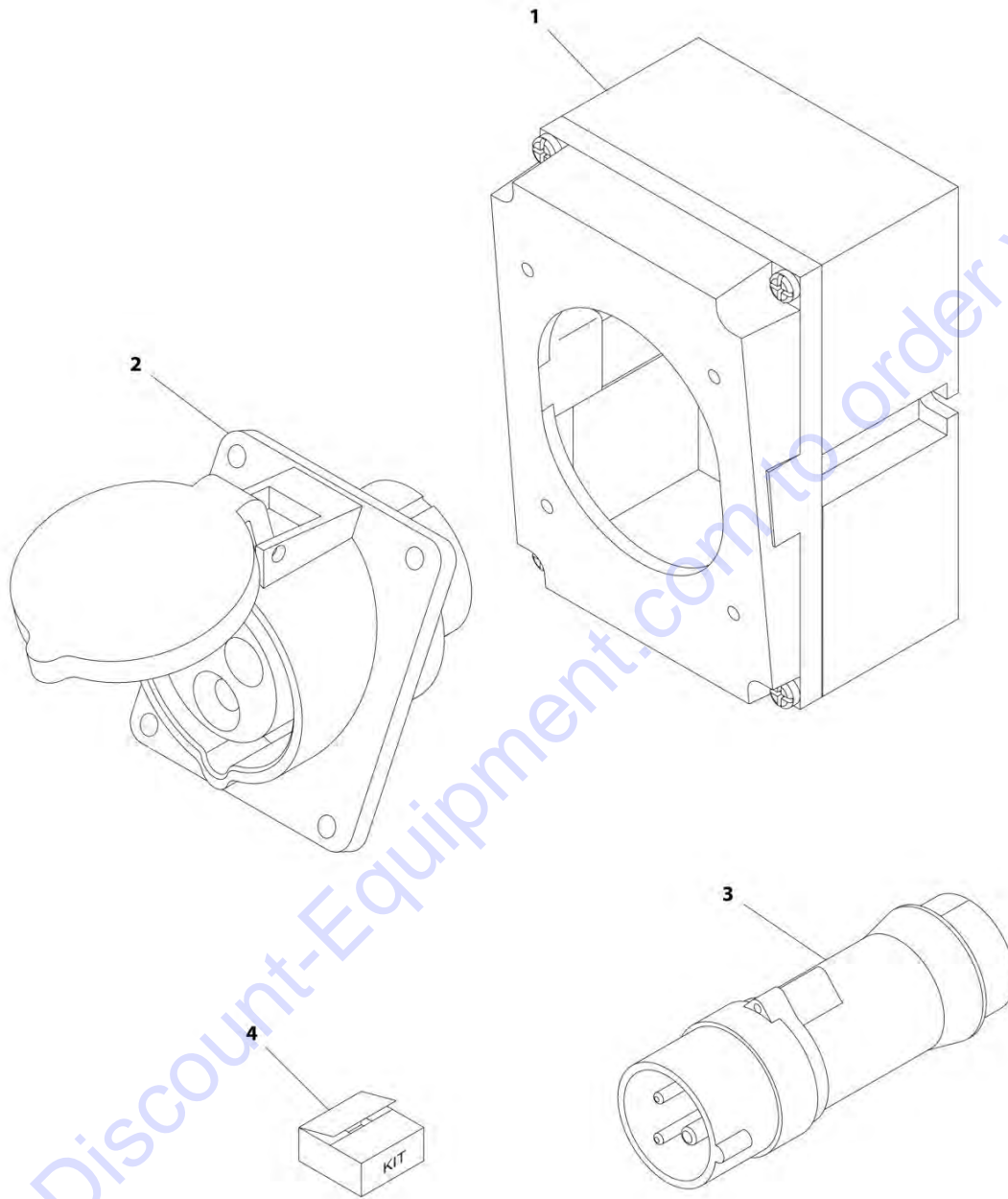
FIGURE 7-23. RECEPTACLE BOX KIT - 110V IEC YELLOW

ITEM	PART NUMBER	QTY	DESCRIPTION	REV
	0275216	Ref	RECEPTACLE BOX KIT - 110V IEC YELLOW	B
1	0861781	1	Box, Switch	
2	4461198	1	Receptacle	
3	4461196	1	Plug, Male	
4	1001100341	1	Plug and Socket Kit (Includes Items 1-3 and Female Plug p/n 4461197)	

Go to Discount-Equipment.com to order your parts

SECTION 7 - ELECTRICAL

FIGURE 7-24. RECEPTACLE BOX KIT - 220V IEC BLUE



ART_0275217

SECTION 7 - ELECTRICAL

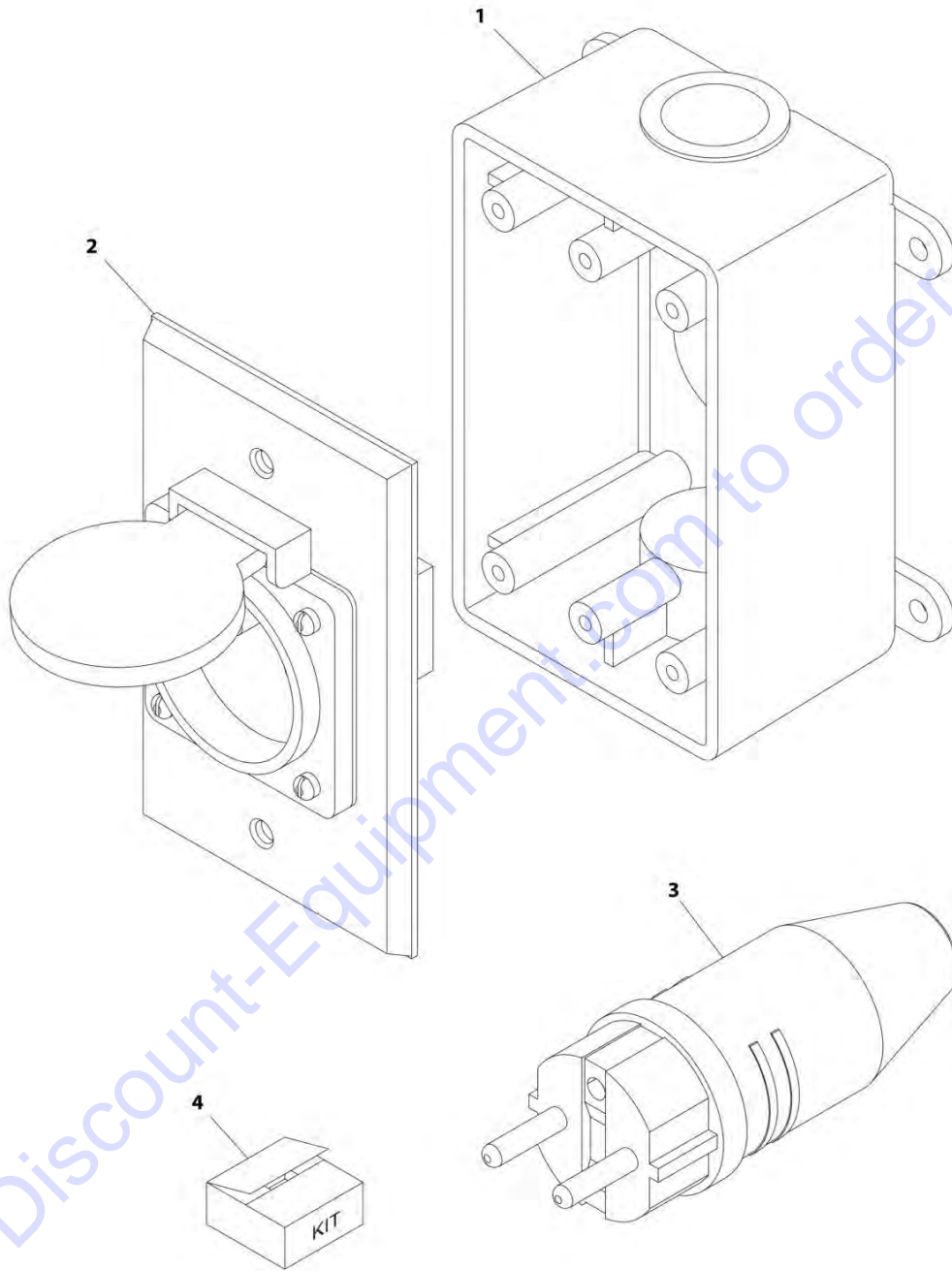
FIGURE 7-24. RECEPTACLE BOX KIT - 220V IEC BLUE

ITEM	PART NUMBER	QTY	DESCRIPTION	REV
	0275217	Ref	RECEPTACLE BOX KIT - 220V IEC BLUE	B
1	0861781	1	Box, Switch	
2	4461201	1	Receptacle	
3	4461199	1	Plug, Male	
4	1001100342	1	Plug and Socket Kit (Includes Items 1-3 and Female Plug p/n 4461200)	

Go to Discount-Equipment.com to order your parts

SECTION 7 - ELECTRICAL

FIGURE 7-25. RECEPTACLE BOX KIT - 220V CEE7 POST GROUND 2X4 BOX (CE SPEC)



ART_0275452-C

SECTION 7 - ELECTRICAL

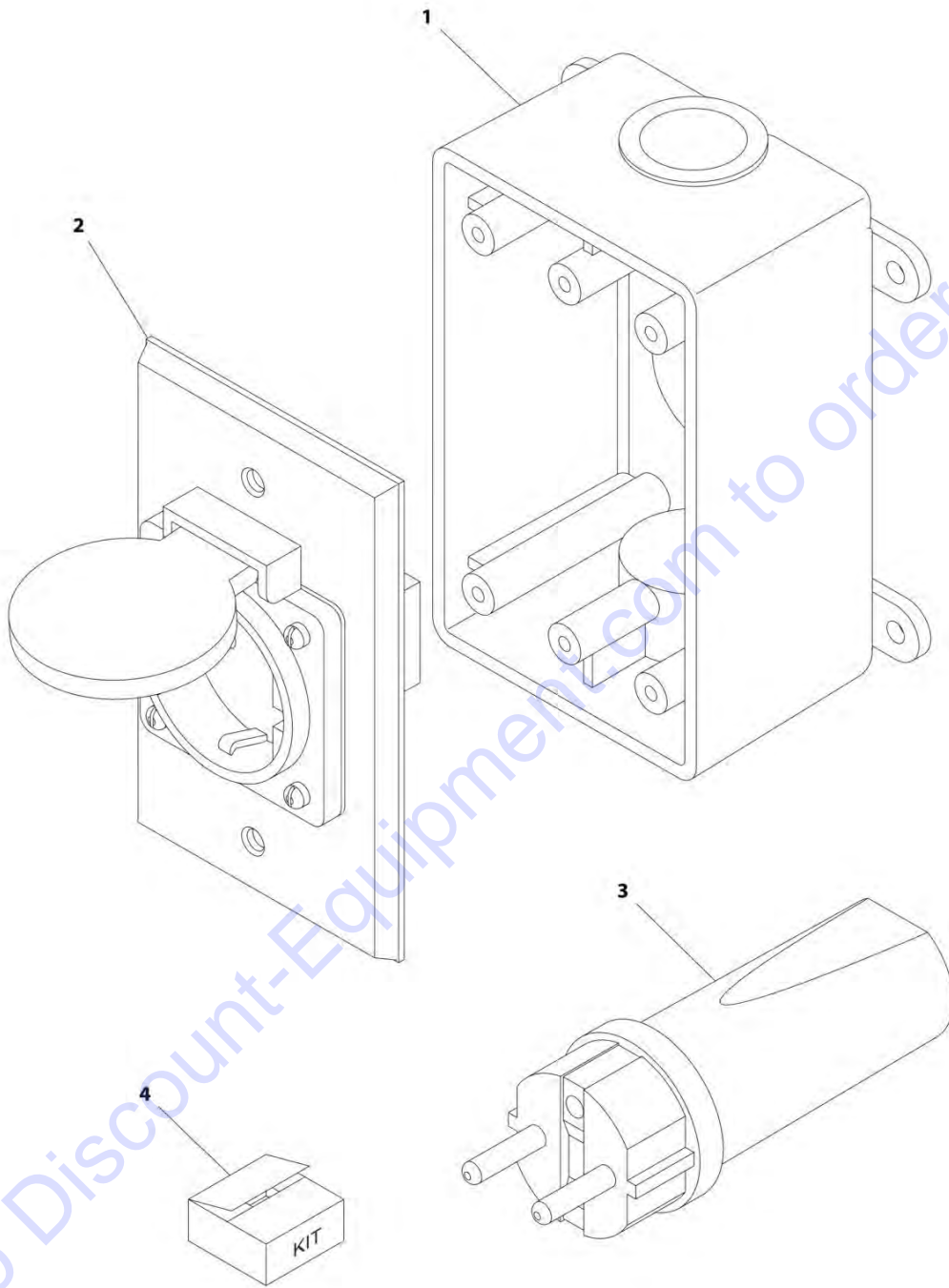
FIGURE 7-25. RECEPTACLE BOX KIT - 220V CEE7 POST GROUND 2X4 BOX (CE SPEC)

ITEM	PART NUMBER	QTY	DESCRIPTION	REV
	0275452	Ref	RECEPTACLE BOX KIT - 220V CEE7 POST GROUND	C
1	0861731	1	Box, Switch	
2	4461244	1	Receptacle	
3	4461205	1	Plug, Male	
4	1001100345	1	Plug and Socket Kit (Includes Items 1-3 and Female Plug p/n 4461206)	

Go to Discount-Equipment.com to order your parts

SECTION 7 - ELECTRICAL

FIGURE 7-26. RECEPTACLE BOX KIT - 220V CEE7 SIDE GROUND



ART_0275453

SECTION 7 - ELECTRICAL

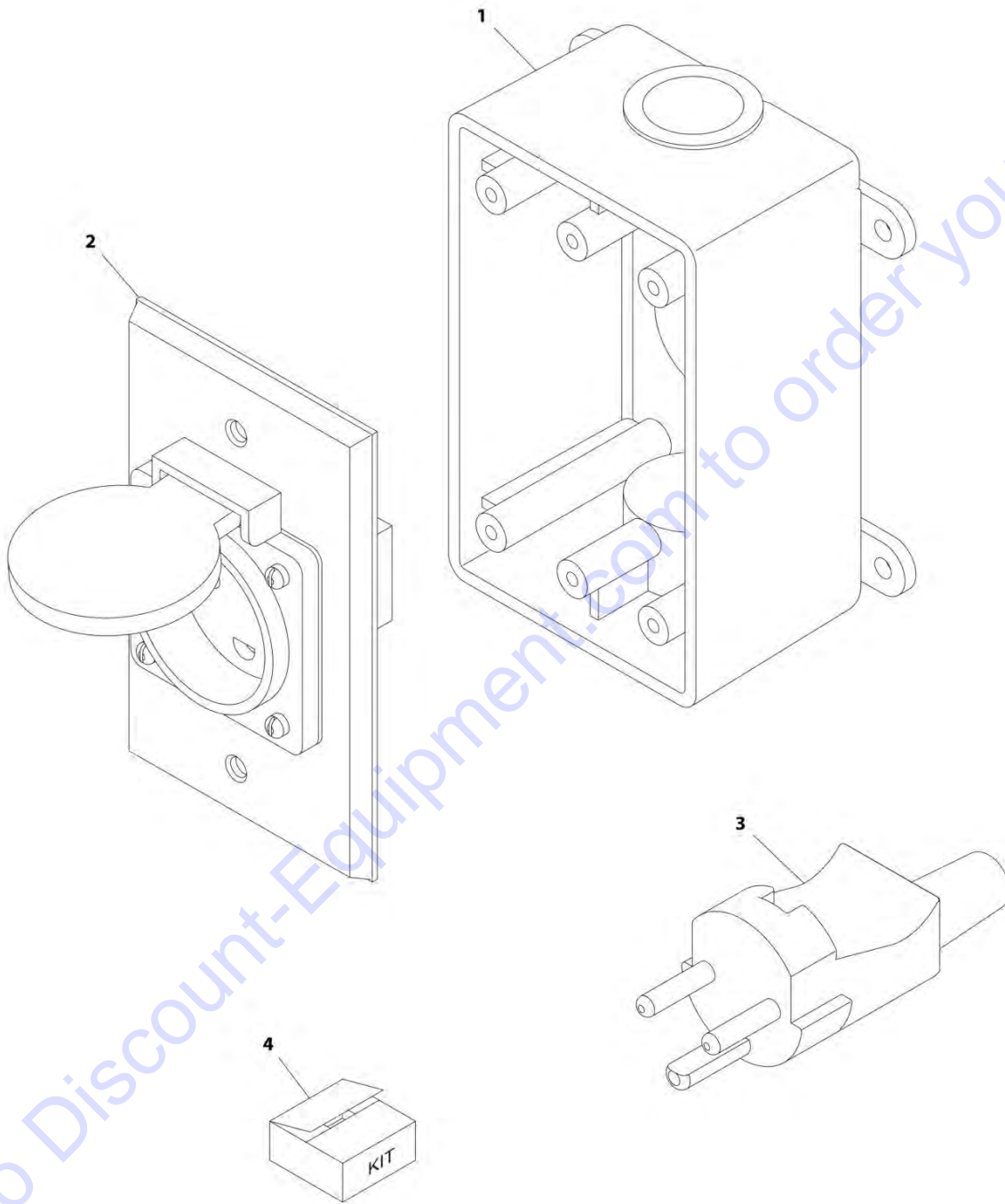
FIGURE 7-26. RECEPTACLE BOX KIT - 220V CEE7 SIDE GROUND

ITEM	PART NUMBER	QTY	DESCRIPTION	REV
	0275453	Ref	RECEPTACLE BOX KIT - 220V CEE7 SIDE GROUND	B
1	0861731	1	Box, Switch	
2	4461245	1	Receptacle	
3	4461205	1	Plug, Male	
4	1001100347	1	Plug and Socket Kit (Includes Items 1-3 and Female Plug p/n 4461206)	

Go to Discount-Equipment.com to order your parts

SECTION 7 - ELECTRICAL

FIGURE 7-27. RECEPTACLE BOX KIT - 220V AFSINT 107 (CE SPEC)



ART_0275454

SECTION 7 - ELECTRICAL

FIGURE 7-27. RECEPTACLE BOX KIT - 220V AFSINT 107 (CE SPEC)

ITEM	PART NUMBER	QTY	DESCRIPTION	REV
	0275454	Ref	RECEPTACLE BOX KIT - 220V AFSINT 107	B
1	0861731	1	Box, Switch	
2	4461246	1	Receptacle	
3	4461249	1	Plug, Male	
4	1001100346	1	Plug and Socket Kit (Includes Items 1-3 and Female Plug p/n 4461250)	

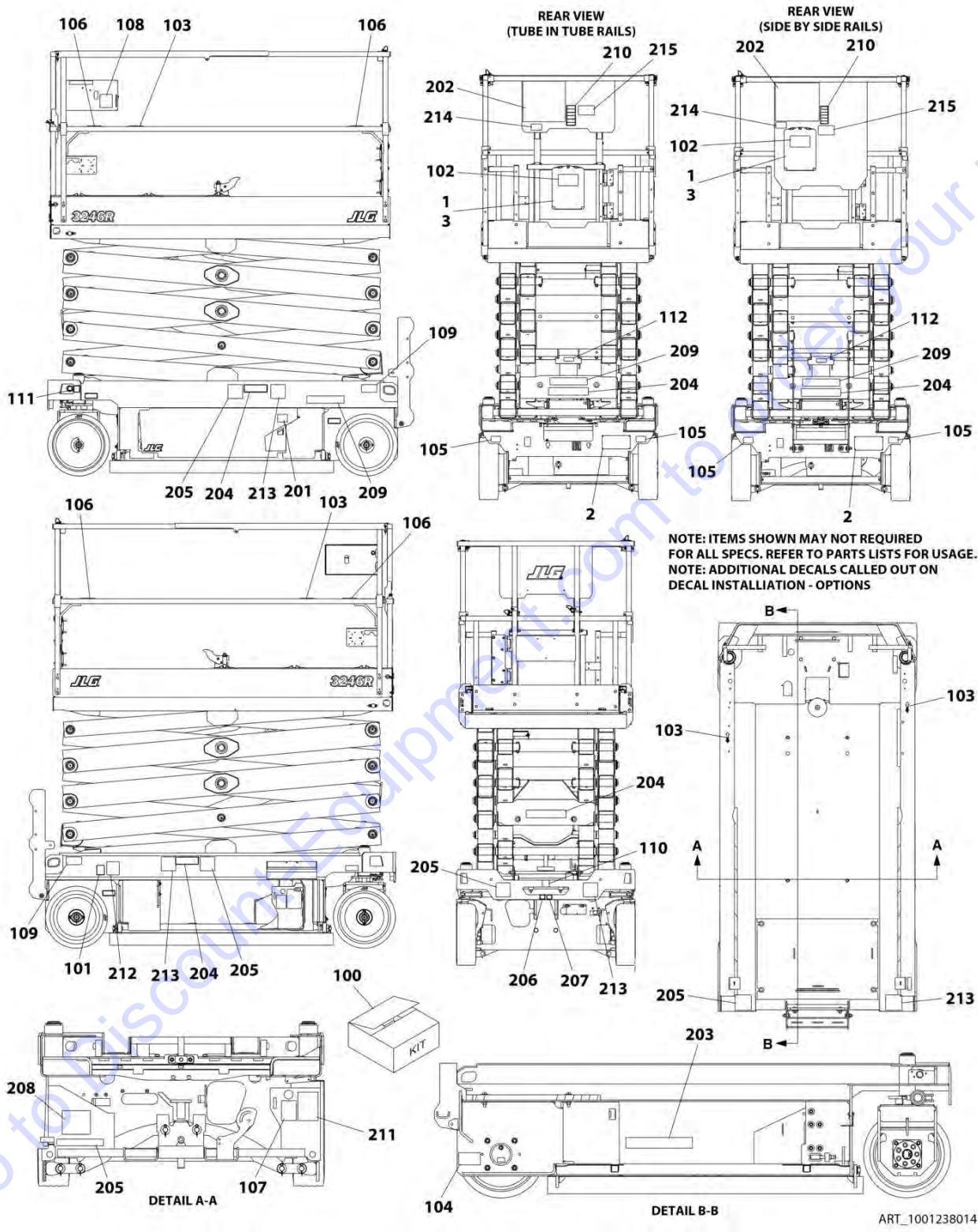
Go to Discount-Equipment.com to order your parts

SECTION 8 - DECALS

Go to Discount-Equipment.com to order your parts

SECTION 8 - DECALS

FIGURE 8-1. DECAL INSTALLATION (ANSI SPECS)



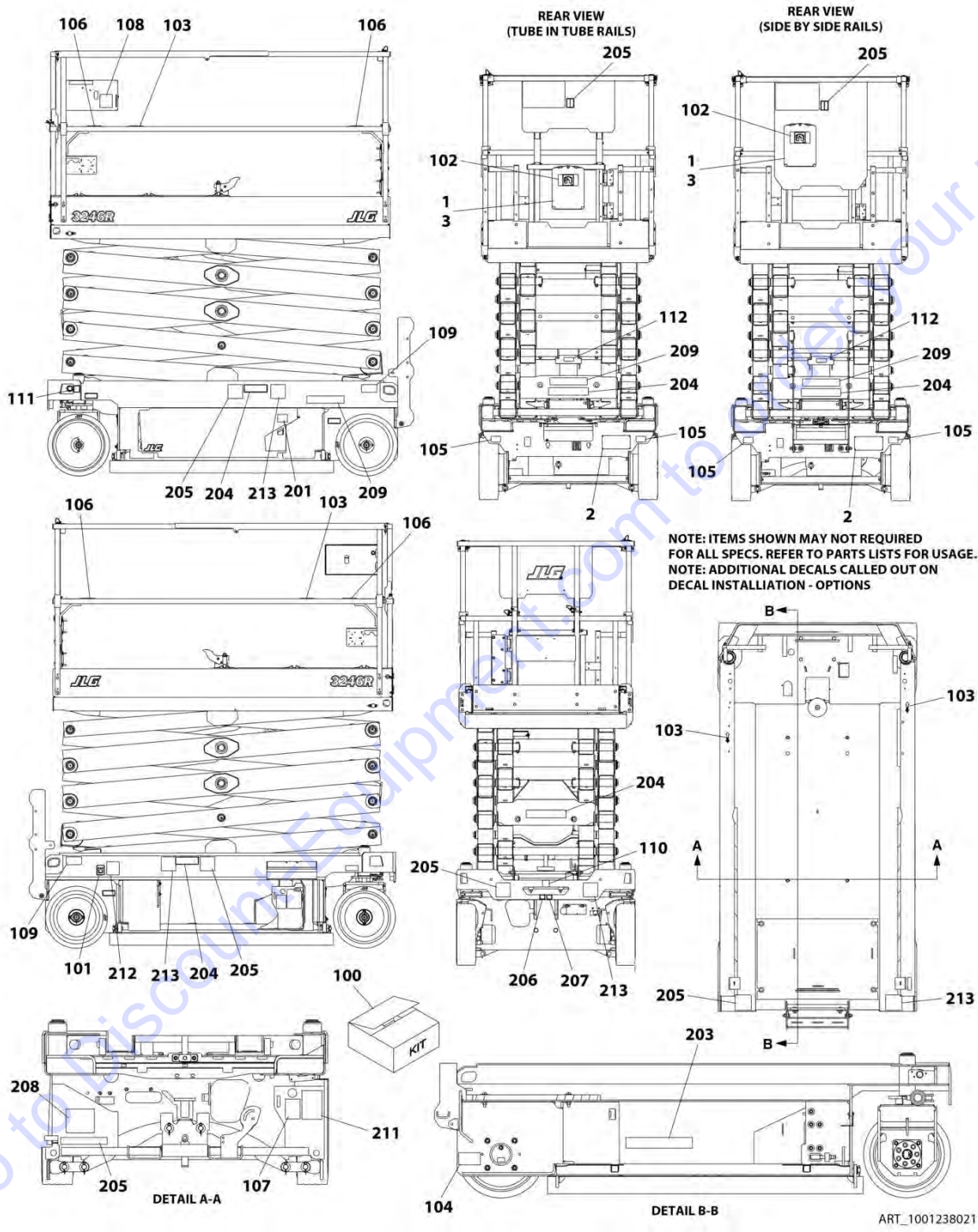
SECTION 8 - DECALS

FIGURE 8-1. DECAL INSTALLATION (ANSI SPECS)

ITEM	PART NUMBER	QTY	DESCRIPTION	REV
	1001238014	Ref	DECAL INSTALLATION (ENGLISH LANGUAGE)	C
1	2080040	3	Fastener	
2	2080057	4	Fastener	
3	8990147	1	Holder, Manual	
100	1001239270	1	Master Decal Kit	C
101	1701504	1	Decal - Hydraulic Oil	
102	1701640	1	Decal - Manual	
103	1703819	4	Decal - Direction Arrow	
104	1703822	1	Decal - Manual Descent Instructions (Prior to SN B200054639)	
104	1001248126	1	Decal - Manual Descent Instructions (SN B200054639 to Present)	
105	1704016	2	Decal - Fork Lift	
106	1704277	4	Decal - Lanyard Attach	
107	1704412	1	Decal - Hydraulic Oil	
108	1001132359	1	Decal - Control Box Locate	
109	1001162864	2	Decal - Lift Point/Tie Down	
110	1001212290	1	Decal - Tie Down	
111	1001212291	2	Decal - Lifting Lug	
112	1001237899	1	Decal - Arms Prop	
201	1702155	1	Decal - Battery Disconnect	
202	1703816	1	Decal - Danger/Warning	
203	1001146794	1	Decal - Battery/Charger Service	
204	1001211777	4	Decal - Crushing Hazard	
205	1001211779	4	Decal - Electrocution	
206	1001212292	1	Decal - No Lifting	
207	1001212293	1	Decal - No Forklift	
208	1001237538	1	Decal - Battery Spacer	
209	1703813	2	Decal - Warning Battery Ventilation	
210	1705686	1	Decal - Legend	
211	1001131270	1	Decal - Patent	
212	1001223055	1	Decal - Yearly Inspection	
214	1001228370	1	Decal - ICES (SN B200054639 to Present)	
215	1001231801	1	Decal - Warning Prop 65 (SN B200054639 to Present)	

SECTION 8 - DECALS

FIGURE 8-2. DECAL INSTALLATION (AUSTRALIAN SPECS)



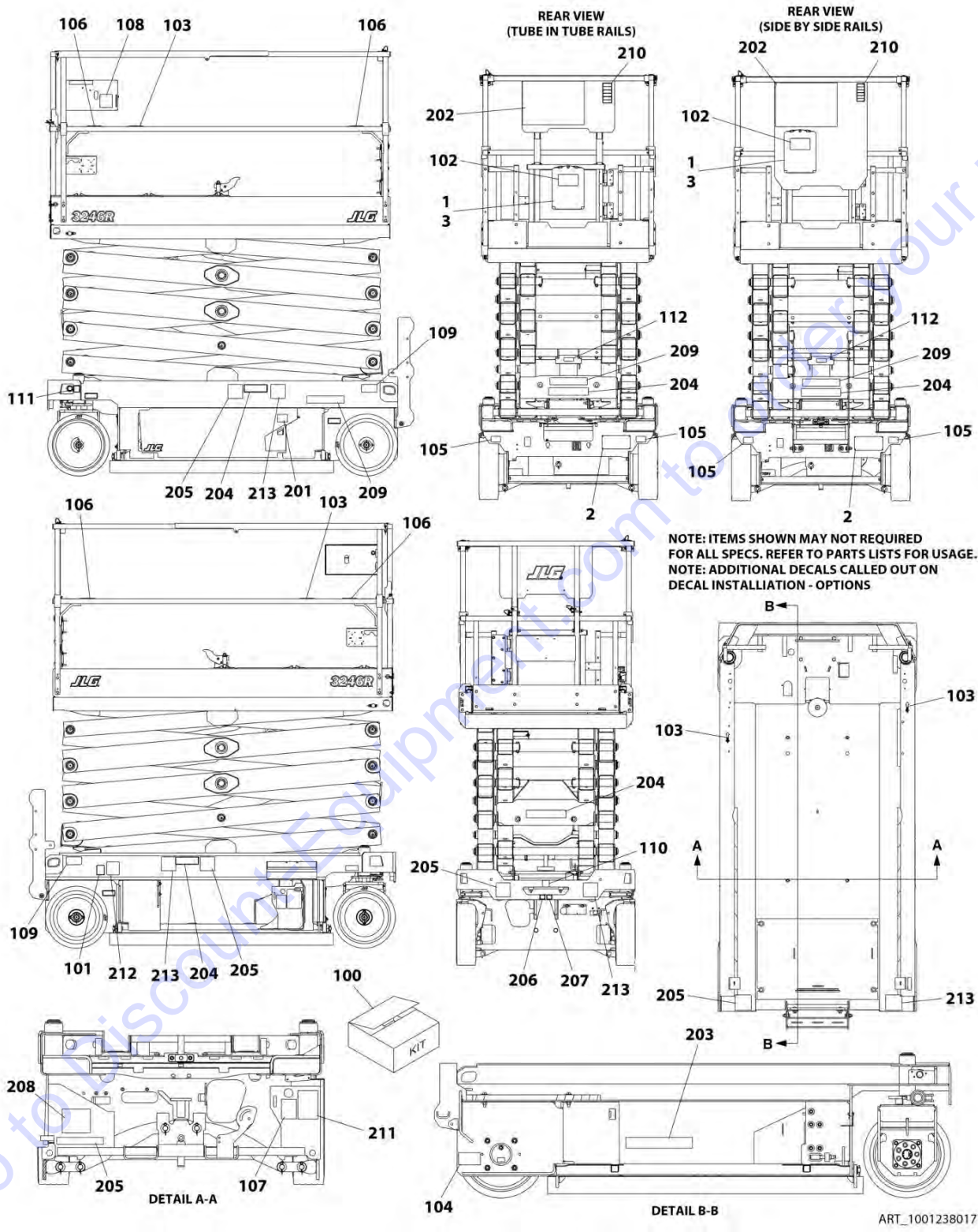
SECTION 8 - DECALS

FIGURE 8-2. DECAL INSTALLATION (AUSTRALIAN SPECS)

ITEM	PART NUMBER	QTY	DESCRIPTION	REV
	1001238021	Ref	DECAL INSTALLATION (ENGLISH LANGUAGE)	C
1	2080040	3	Fasteners	
2	2080057	4	Fasteners	
3	8990147	1	Holder, Manual	
100	1001239270	1	Master Decal Kit	C
101	1701504	1	Decal - Hydraulic Oil	
102	1701640	1	Decal - Manual	
103	1703819	4	Decal - Direction Arrow	
104	1703822	1	Decal - Manual Descent Instructions (Prior to SN B200054639)	
104	1001248126	1	Decal - Manual Descent Instructions (SN B200054639 to Present)	
105	1704016	2	Decal - Fork Lift	
106	1704277	4	Decal - Lanyard Attach Graphic	
107	1704412	1	Decal - Hydraulic Oil	
108	1001132359	1	Decal - Control Box Locate	
109	1001162864	2	Decal - Lift Point/Tie Down	
110	1001212290	1	Decal - Tie Down	
111	1001212291	2	Decal - Lifting Lug	
112	1001237899	1	Decal - Arms Prop	
201	1702155	1	Decal - Battery Disconnect	
203	1001146794	1	Decal - Battery/Charger Service	
204	1705673	4	Decal - Crushing	
205	1705671	5	Decal - Electrocution	
206	1001212292	1	Decal - No Lifting	
207	1001212293	1	Decal - No Forklift	
208	1001237538	1	Decal - Battery Spacer	
209	1705670	2	Decal - Fire Hazard	

SECTION 8 - DECALS

FIGURE 8-3. DECAL INSTALLATION (BRAZIL SPECS)



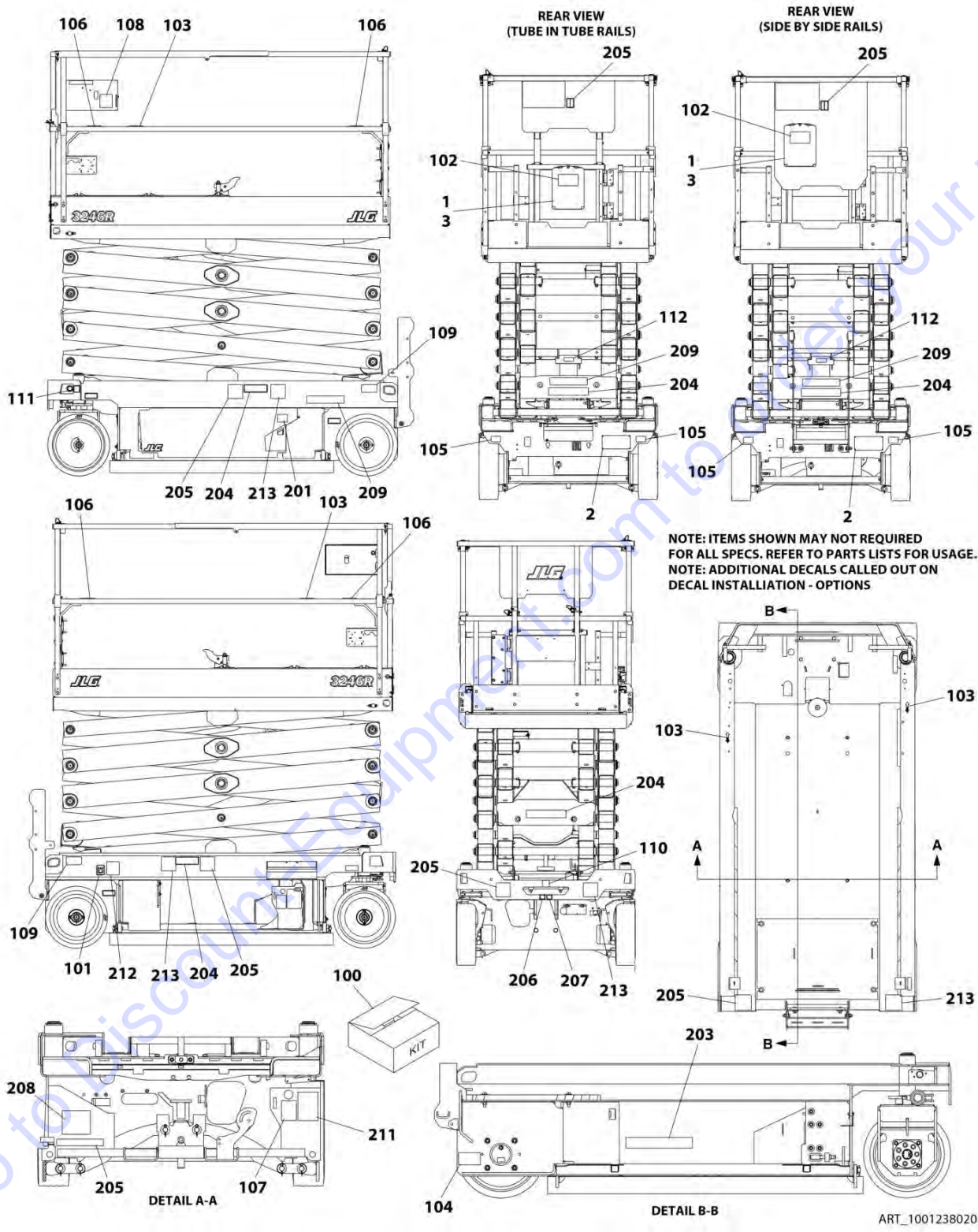
SECTION 8 - DECALS

FIGURE 8-3. DECAL INSTALLATION (BRAZIL SPECS)

ITEM	PART NUMBER	QTY	DESCRIPTION	REV
	1001238017	Ref	DECAL INSTALLATION (SPANISH/PORTUGUESE LANGUAGE)	B
1	2080040	3	Fastener	
2	2080057	4	Fastener	
3	8990147	1	Holder, Manual	
100	1001239270	1	Master Decal Kit	C
101	1701504	1	Decal - Hydraulic Oil	
102	1701640	1	Decal - Manual	
103	1703819	4	Decal - Direction Arrow	
104	1703822	1	Decal - Manual Descent Instructions (Prior to SN B200054639)	
104	1001248126	1	Decal - Manual Descent Instructions (SN B200054639 to Present)	
105	1704016	2	Decal - Fork Lift	
106	1704277	4	Decal - Lanyard Attach	
107	1704412	1	Decal - Hydraulic Oil	
108	1001132359	1	Decal - Control Box Locate	
109	1001162864	2	Decal - Lift Point/Tie Down	
110	1001212290	1	Decal - Tie Down	
111	1001212291	2	Decal - Lifting Lug	
112	1001237899	1	Decal - Arms Prop	
201	1702155	1	Decal - Battery Disconnect	
202	1704699	1	Decal - Danger/Warning	
203	1001146794	1	Decal - Battery/Charger Service	
204	1001216650	4	Decal - Crushing Hazard	
205	1001215748	4	Decal - Electrocution	
206	1001212292	1	Decal - No Lifting	
207	1001212293	1	Decal - No Forklift	
208	1001237538	1	Decal - Battery Spacer	
209	1704341	2	Decal - Warning Battery Ventilation	
210	1705726	1	Decal - Legend	
212	1001224052	1	Decal - Yearly Inspection	
213	1001216648	4	Decal - Danger Electrocution	

SECTION 8 - DECALS

FIGURE 8-4. DECAL INSTALLATION (CE SPECS)



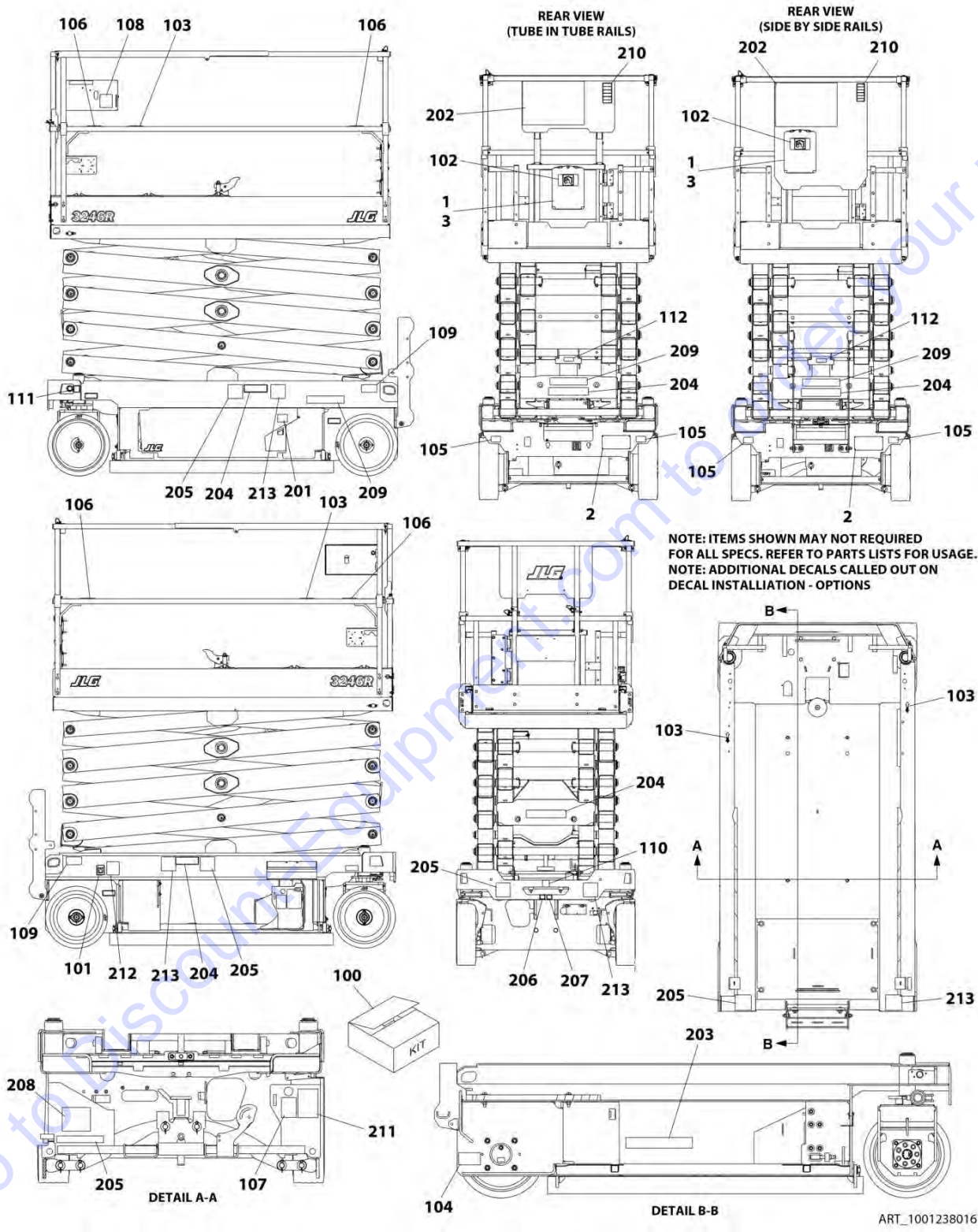
SECTION 8 - DECALS

FIGURE 8-4. DECAL INSTALLATION (CE SPECS)

ITEM	PART NUMBER	QTY	DESCRIPTION	REV
	1001238020	Ref	DECAL INSTALLATION (ENGLISH LANGUAGE)	C
1	2080040	3	Fastener	
2	2080057	4	Fastener	
3	8990147	1	Holder, Manual	
100	1001239270	1	Master Decal Kit	C
101	1701504	1	Decal - Hydraulic Oil	
102	1701640	1	Decal - Manual	
103	1703819	4	Decal - Direction Arrow	
104	1703822	1	Decal - Manual Descent Instructions (Prior to SN B200054639)	
104	1001248126	1	Decal - Manual Descent Instructions (SN B200054639 to Present)	
105	1704016	2	Decal - Fork Lift	
106	1704277	4	Decal - Lanyard Attach	
107	1704412	1	Decal - Hydraulic Oil	
108	1001132359	1	Decal - Control Box Locate	
109	1001162864	2	Decal - Lift Point/Tie Down	
110	1001212290	1	Decal - Tie Down	
111	1001212291	2	Decal - Lifting Lug	
112	1001237899	1	Decal - Arms Prop	
201	1702155	1	Decal - Battery Disconnect	
203	1001146795	1	Decal - Battery/Charger Service	
204	1705673	4	Decal - Crushing	
205	1705671	5	Decal - Electrocution	
206	1001212292	1	Decal - No Lifting	
207	1001212293	1	Decal - No Forklift	
208	1001237538	1	Decal - Battery Spacer	
209	1705670	2	Decal - Fire Hazard	

SECTION 8 - DECALS

FIGURE 8-5. DECAL INSTALLATION (CHINA SPECS)



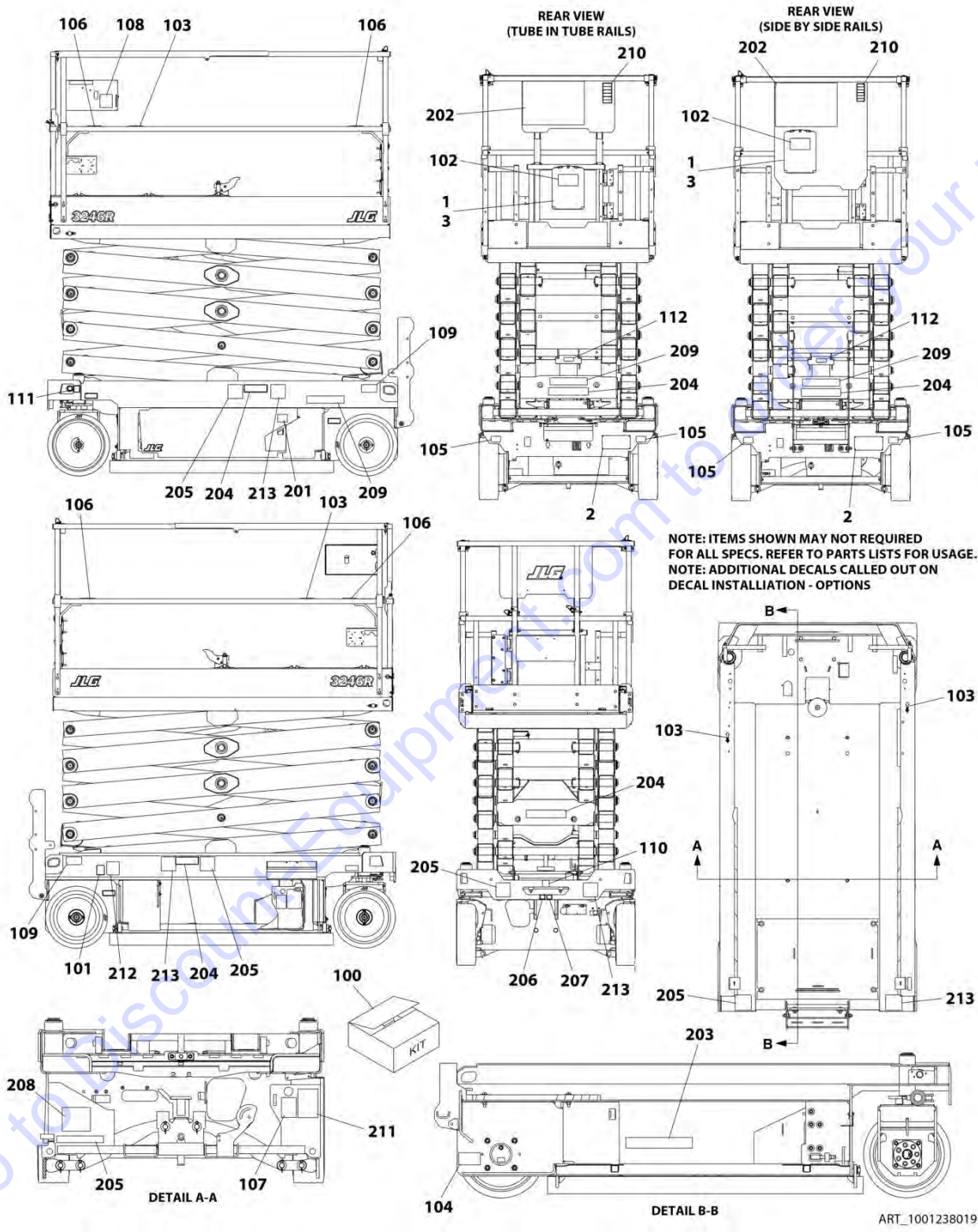
SECTION 8 - DECALS

FIGURE 8-5. DECAL INSTALLATION (CHINA SPECS)

ITEM	PART NUMBER	QTY	DESCRIPTION	REV
	1001238016	Ref	DECAL INSTALLATION (ENGLISH/CHINESE LANGUAGE)	C
1	2080040	3	Fastener	
2	2080057	4	Fastener	
3	8990147	1	Holder, Manual	
100	1001239270	1	Master Decal Kit	C
101	1701504	1	Decal - Hydraulic Oil	
102	1701640	1	Decal - Manual	
103	1703819	4	Decal - Direction Arrow	
104	1703822	1	Decal - Manual Descent Instructions (Prior to SN B200054639)	
104	1001248126	1	Decal - Manual Descent Instructions (SN B200054639 to Present)	
105	1704016	2	Decal - Fork Lift	
106	1704277	4	Decal - Lanyard Attach	
107	1704412	1	Decal - Hydraulic Oil	
108	1001132359	1	Decal - Control Box Locate	
109	1001162864	2	Decal - Lift Point/Tie Down	
110	1001212290	1	Decal - Tie Down	
111	1001212291	2	Decal - Lifting Lug	
112	1001237899	1	Decal - Arms Prop	
201	1702155	1	Decal - Battery Disconnect	
202	1705195	1	Decal - Danger/Warning	
203	1001146794	1	Decal - Battery/Charger Service	
204	1001215752	4	Decal - Crushing Hazard	
205	1001211779	4	Decal - Electrocution	
206	1001212292	1	Decal - No Lifting	
207	1001212293	1	Decal - No Forklift	
208	1001237538	1	Decal - Battery Spacer	
209	1704344	2	Decal - Warning Battery Ventilation	
210	1705946	1	Decal - Legend	
212	1001224051	1	Decal - Yearly Inspection	
213	1001215747	4	Decal - Danger Electrocution	

SECTION 8 - DECALS

FIGURE 8-6. DECAL INSTALLATION (CSA SPECS)



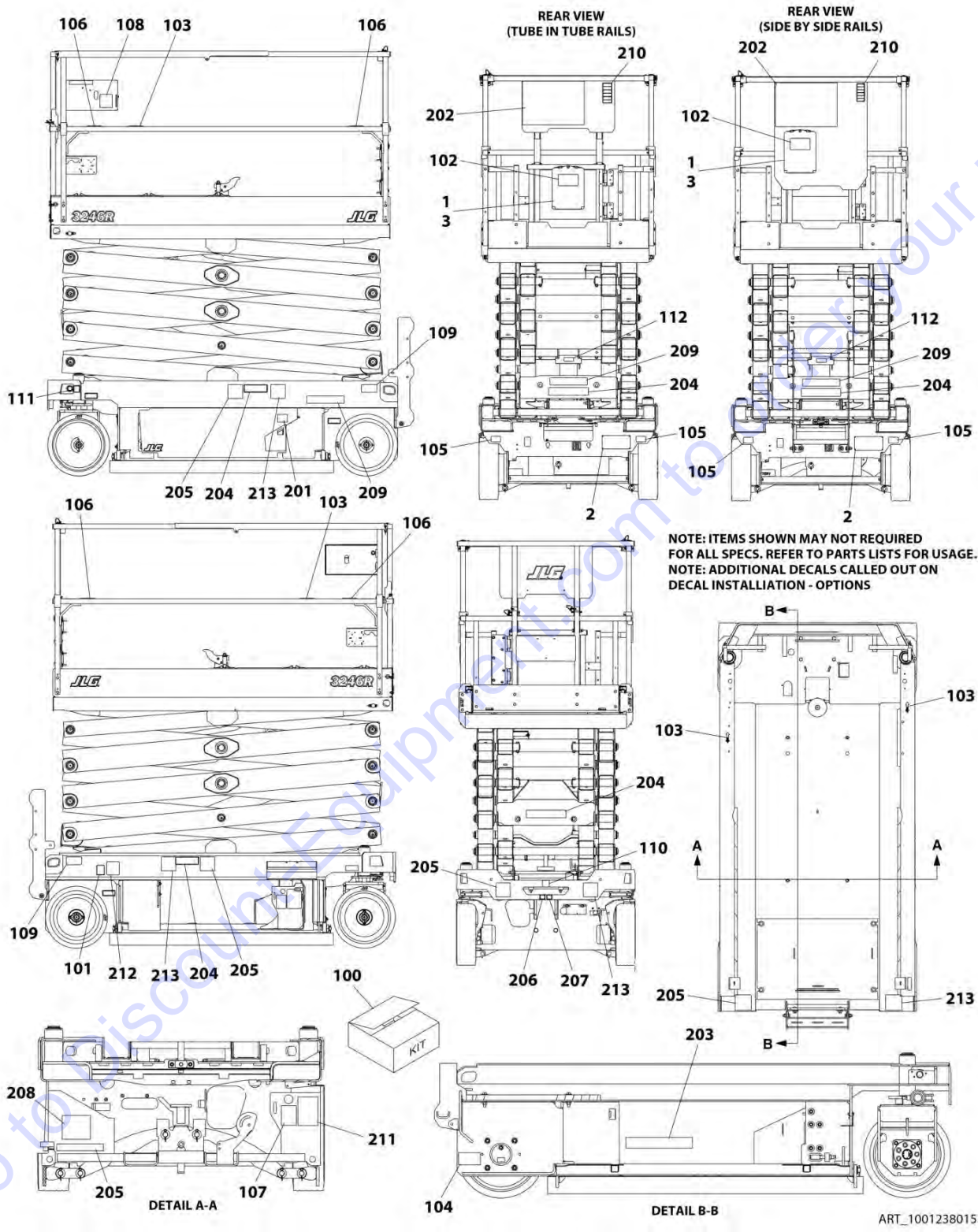
SECTION 8 - DECALS

FIGURE 8-6. DECAL INSTALLATION (CSA SPECS)

ITEM	PART NUMBER	QTY	DESCRIPTION	REV
	1001238019	Ref	DECAL INSTALLATION (ENGLISH/FRENCH LANGUAGE)	B
1	2080040	3	Fastener	
2	2080057	4	Fastener	
3	8990147	1	Holder, Manual	
100	1001239270	1	Master Decal Kit	C
101	1701504	1	Decal - Hydraulic Oil	
102	1701640	1	Decal - Manual	
103	1703819	4	Decal - Direction Arrow	
104	1703822	1	Decal - Manual Descent Instructions (Prior to SN B200054639)	
104	1001248126	1	Decal - Manual Descent Instructions (SN B200054639 to Present)	
105	1704016	2	Decal - Fork Lift	
106	1704277	4	Decal - Lanyard Attach	
107	1704412	1	Decal - Hydraulic Oil	
108	1001132359	1	Decal - Control Box Locate	
109	1001162864	2	Decal - Lift Point/Tie Down	
110	1001212290	1	Decal - Tie Down	
111	1001212291	2	Decal - Lifting Lug	
112	1001237899	1	Decal - Arms Prop	
201	1702155	1	Decal - Battery Disconnect	
202	1704684	1	Decal - Danger/Warning	
203	1001146794	1	Decal - Battery/Charger Service	
204	1705311	4	Decal - Crushing Hazard	
205	1001211779	4	Decal - Electrocution	
206	1001212292	1	Decal - No Lifting	
207	1001212293	1	Decal - No Forklift	
208	1001237538	2	Decal - Battery Spacer	
209	1704340	1	Decal - Warning Battery Ventilation	
210	1705723	1	Decal - Legend	
211	1001131270	1	Decal - Patent	
212	1001223971	1	Decal - Yearly Inspection	
213	1001215749	4	Decal - Danger Electrocution	

SECTION 8 - DECALS

FIGURE 8-7. DECAL INSTALLATION (KOREAN SPECS)



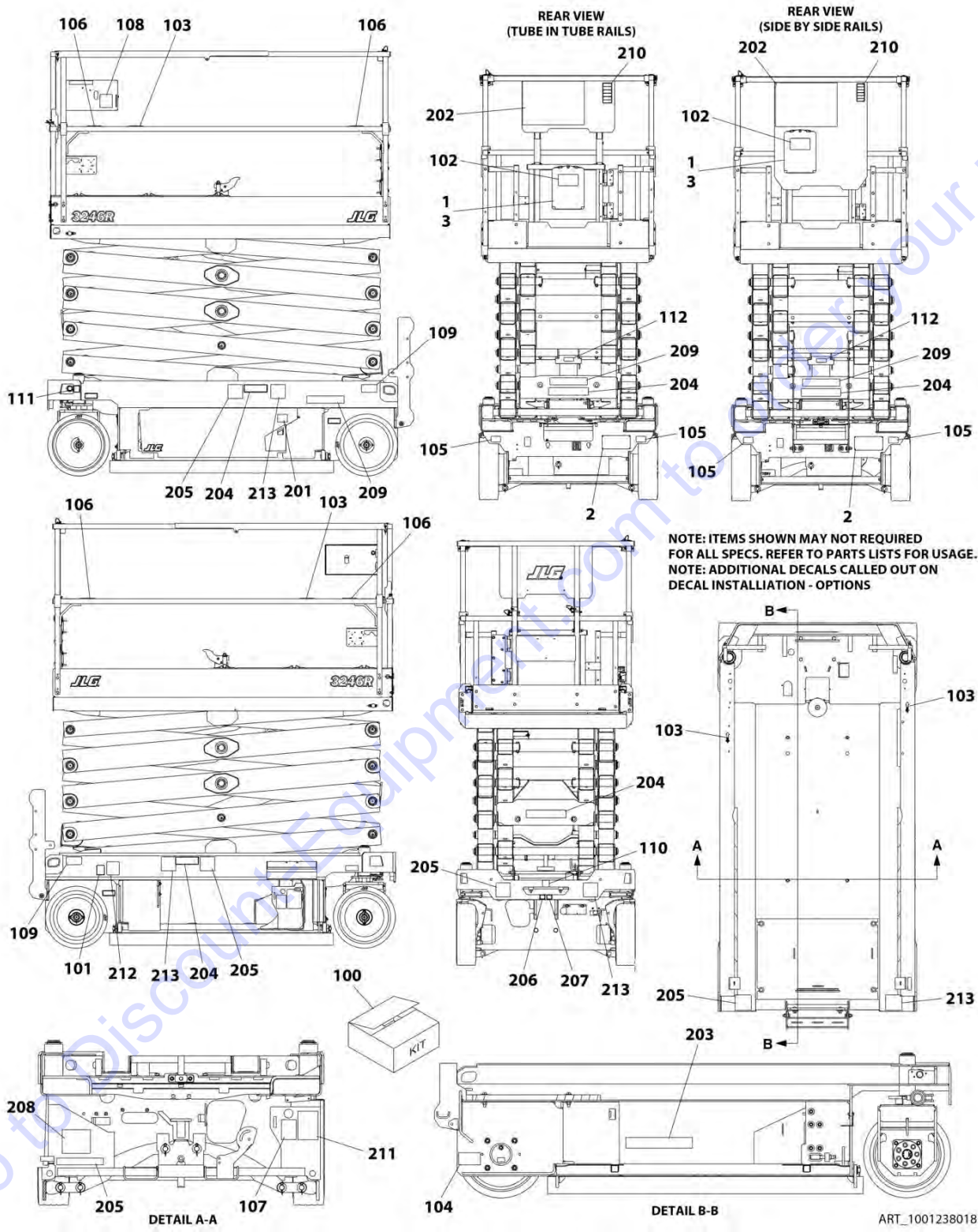
SECTION 8 - DECALS

FIGURE 8-7. DECAL INSTALLATION (KOREAN SPECS)

ITEM	PART NUMBER	QTY	DESCRIPTION	REV
	1001238015	Ref	DECAL INSTALLATION (ENGLISH/KOREAN LANGUAGES)	C
1	2080040	3	Fastener	
2	2080057	4	Fastener	
3	8990147	1	Holder, Manual	
100	1001239270	1	Master Decal Kit	C
101	1701504	1	Decal - Hydraulic Oil	
102	1701640	1	Decal - Manual	
103	1703819	4	Decal - Direction Arrow	
104	1703822	1	Decal - Manual Descent Instructions (Prior to SN B200054639)	
104	1001248126	1	Decal - Manual Descent Instructions (SN B200054639 to Present)	
105	1704016	2	Decal - Fork Lift	
106	1704277	4	Decal - Lanyard Attach	
107	1704412	1	Decal - Hydraulic Oil	
108	1001132359	1	Decal - Control Box Locate	
109	1001162864	2	Decal - Lift Point/Tie Down	
110	1001212290	1	Decal - Tie Down	
111	1001212291	2	Decal - Lifting Lug	
112	1001237899	1	Decal - Arms Prop	
201	1702155	1	Decal - Battery Disconnect	
202	1001162115	1	Decal - Danger/Warning	
203	1001146794	1	Decal - Battery/Charger Service	
204	1001215751	4	Decal - Crushing Hazard	
205	1001211779	4	Decal - Electrocution	
206	1001212292	1	Decal - No Lifting	
207	1001212293	1	Decal - No Forklift	
208	1001237538	1	Decal - Battery Spacer	
209	1707022	2	Decal - Warning Battery Ventilation	
210	1706057	1	Decal - Legend	
212	1001224048	1	Decal - Yearly Inspection	
213	1001215750	4	Decal - Danger Electrocution	

SECTION 8 - DECALS

FIGURE 8-8. DECAL INSTALLATION (LATIN AMERICAN SPECS)



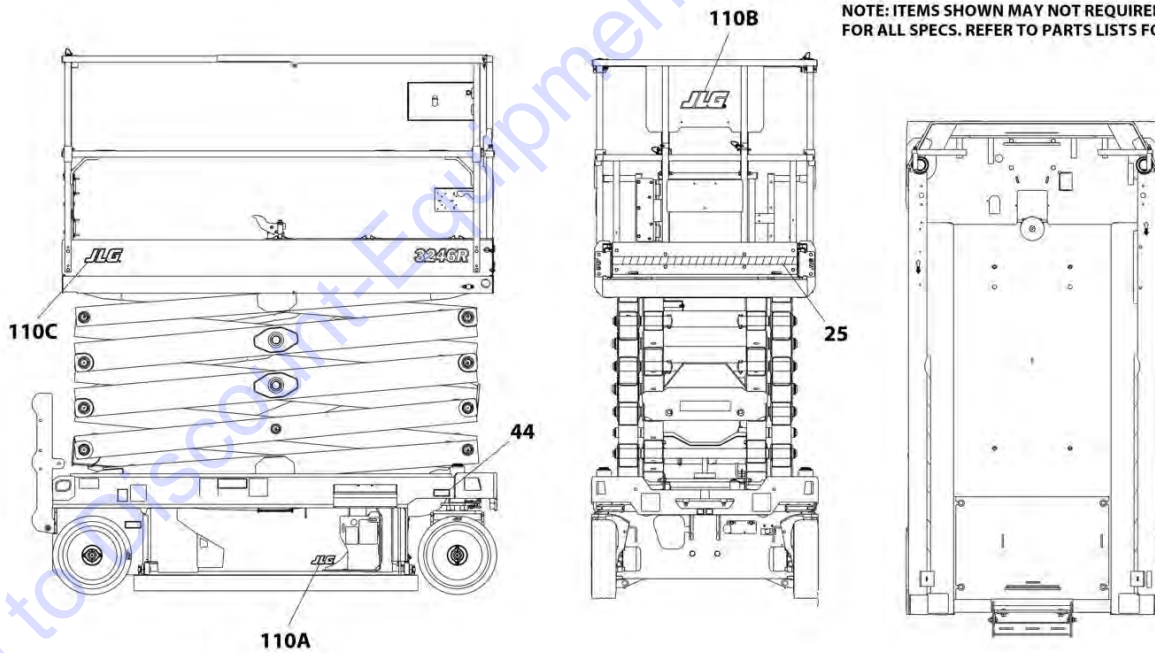
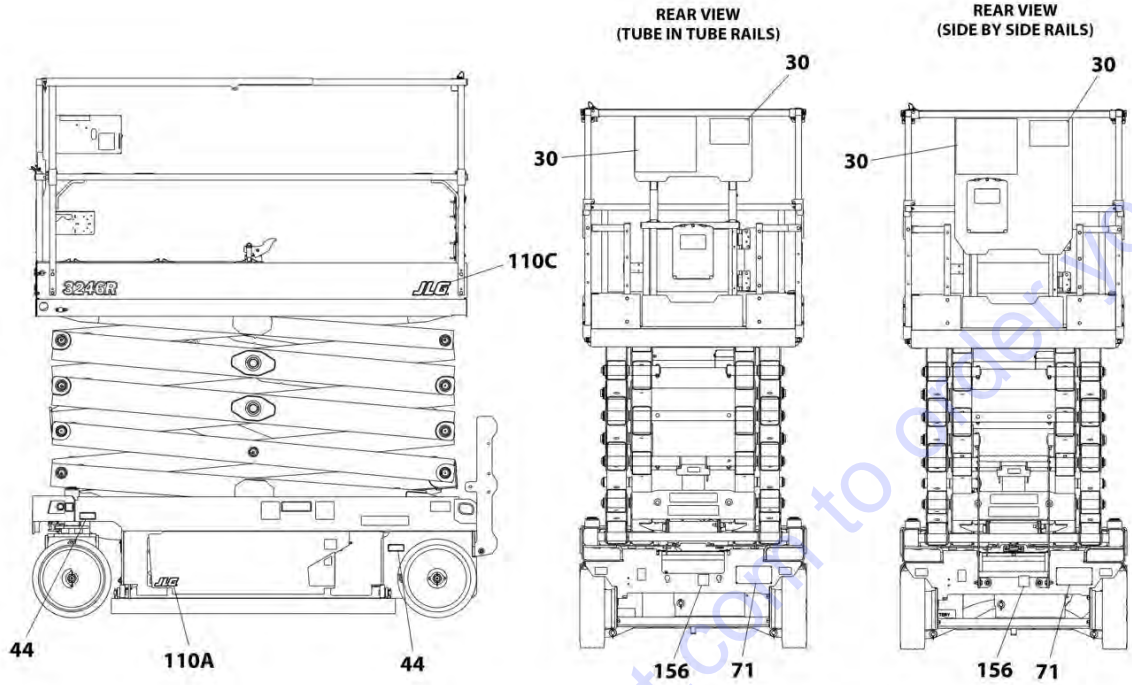
SECTION 8 - DECALS

FIGURE 8-8. DECAL INSTALLATION (LATIN AMERICAN SPECS)

ITEM	PART NUMBER	QTY	DESCRIPTION	REV
	1001238018	Ref	DECAL INSTALLATION (ENGLISH/SPANISH LANGUAGES)	B
1	2080040	3	Fastener	
2	2080057	4	Fastener	
3	8990147	1	Holder, Manual	
100	1001239270	1	Master Decal Kit	C
101	1701504	1	Decal - Hydraulic Oil	
102	1701640	1	Decal - Manual	
103	1703819	4	Decal - Direction Arrow	
104	1703822	1	Decal - Manual Descent Instructions (Prior to SN B200054639)	
104	1001248126	1	Decal - Manual Descent Instructions (SN B200054639 to Present)	
105	1704016	2	Decal - Fork Lift	
106	1704277	4	Decal - Lanyard Attach	
107	1704412	1	Decal - Hydraulic Oil	
108	1001132359	1	Decal - Control Box Locate	
109	1001162864	2	Decal - Lift Point/Tie Down	
110	1001212290	1	Decal - Tie Down	
111	1001212291	2	Decal - Lifting Lug	
112	1001237899	1	Decal - Arms Prop	
201	1702155	1	Decal - Battery Disconnect	
202	1704691	1	Decal - Danger/Warning	
203	1001146794	1	Decal - Battery/Charger Service	
204	1705316	4	Decal - Crushing Hazard	
205	1001211779	4	Decal - Electrocution	
206	1001212292	1	Decal - No Lifting	
207	1001212293	1	Decal - No Forklift	
208	1001237538	1	Decal - Battery Spacer	
209	1704339	2	Decal - Warning Battery Ventilation	
210	1705720	1	Decal - Legend	
212	1001224049	1	Decal - Yearly Inspection	
213	1001215748	4	Decal - Danger Electrocution	

SECTION 8 - DECALS

FIGURE 8-9. DECAL INSTALLATION - OPTIONS



NOTE: ITEMS SHOWN MAY NOT REQUIRED FOR ALL SPECS. REFER TO PARTS LISTS FOR USAGE.

ART_DECAL_OPTIONS

PARTS FINDER

**Search Website
by Part Number**



**Search Manual
Library For Parts
Manual & Lookup Part
Numbers – Purchase
or Request Quote**

**Can't Find Part or
Manual? Request Help
by Manufacturer,
Model & Description**

Discount-Equipment.com is your online resource for quality parts & equipment.

Florida: **561-964-4949** Outside Florida TOLL FREE: **877-690-3101**

Need parts?

Click on this link: <http://www.discount-equipment.com/category/5443-parts/> and choose one of the options to help get the right parts and equipment you are looking for. Please have the machine model and serial number available in order to help us get you the correct parts. If you don't find the part on the website or on one of the online manuals, please fill out the request form and one of our experienced staff members will get back to you with a quote for the right part that your machine needs.

We sell worldwide for the brands: Genie, Terex, JLG, MultiQuip, Mikasa, Essick, Whiteman, Mayco, Toro Stone, Diamond Products, Generac Magnum, Airman, Haulotte, Barreto, Power Blanket, Nifty Lift, Atlas Copco, Chicago Pneumatic, Allmand, Miller Curber, Skyjack, Lull, Skytrak, Tsurumi, Husquvarna Target, Stow, Wacker, Sakai, Mi-T-M, Sullair, Basic, Dynapac, MBW, Weber, Bartell, Bennar Newman, Haulotte, Ditch Runner, Menegotti, Morrison, Contec, Buddy, Crown, Edco, Wyco, Bomag, Laymor, EZ Trench, Bil-Jax, F.S. Curtis, Gehl Pavers, Heli, Honda, ICS/PowerGrit, IHI, Partner, Imer, Clipper, MMD, Koshin, Rice, CH&E, General Equipment, Amida, Coleman, NAC, Gradall, Square Shooter, Kent, Stanley, Tamco, Toku, Hatz, Kohler, Robin, Wisconsin, Northrock, Oztec, Toker TK, Rol-Air, APT, Wylie, Ingersoll Rand / Doosan, Innovatech, Con X, Ammann, Mecalac, Makinex, Smith Surface Prep, Small Line, Wanco, Yanmar

SECTION 8 - DECALS

FIGURE 8-9. DECAL INSTALLATION - OPTIONS

ITEM	PART NUMBER	QTY	DESCRIPTION	REV
		Ref	DECAL INSTALLATION - OPTIONS:	
25	1001217894	Ref	Corner Stripes Installation	
25	4420051	62 in/ 156 cm	Tape, Safety	
30		Ref	Decal - Capacity Options:	
30	1001237115	1	Decal - Capacity (705LB/320KG)	
30	1001245409	Ref	Decal - Capacity (with Dual Languages)	
30	1001237115	1	Decal - Capacity (705LB/320KG)	
30	1001216865	1	Plate, Decal Mounting	
44	1706312	4	Decal - Maximum Tire Load	
71	See Note	NSS	Decal - Manufacturers Serial Number (Note: Not Available for Purchase)	
110	1001214779	Ref	JLG Decals Installation	
110A	1703177	2	Decal - JLG	
110B	1705754	1	Decal - JLG	
110C	1705781	2	Decal - JLG	
156	1001173703	1	Decal - EAC (Russian/CIS Specs)	

SECTION 9 - RECOMMENDED SERVICE PARTS STOCK

SECTION 9 - RECOMMENDED SERVICE PARTS STOCK

Go to Discount-Equipment.com to order your parts

SECTION 9 - RECOMMENDED SERVICE PARTS STOCK

FIGURE 9-1. RECOMMENDED SERVICE PARTS STOCK

ITEM	PART NUMBER	QTY	DESCRIPTION	REV
		Ref	Note: The following list will service one machine (built to current production per date on the front cover) with emergency repair parts which can be installed in the field. Parts from the list should be replaced when inventory is depleted to keep service parts stock supplied. For further information, go to Discount-equipment.com	
		Ref	STANDARD PARTS	
	70005423	6	Hydraulic Filter Service Kit	
	70006297	1	Coil	
	70005893	1	Coil	
	3740150	1	Relay	
	4360328	1	Switch, Toggle	
	4360469	1	Switch, Key	
	2860030	1	Key, Replacement	
	4360475	1	Switch, Mushroom	
	3080007	1	Magnet, Latch	
	1600402	1	Controller, Drive/Steer	
	4360345	1	Switch, Toggle	
	1001226749	1	Switch, Push Button	
	8229242	2	Fuse 5Amp	
	8229244	2	Fuse 15 Amp	
		Ref	VARIABLE PARTS	
	1001203871	1	Switch, Roller	
	1001186466	1	Sensor, Tilt	
	1001200629	1	Module, Control	
	1001216062	1	Module, Power	
	4360336	1	Switch, Toggle (Machines with Inverter)	
	1001225164	1	Sensor, Pressure Transducer	
	1001235104	1	Sensor, Pressure Transducer	
	1001228112	1	Module, Platform	
	1001181045	1	Breaker 30mAmp/16Amp (CE Specs Machines)	
	1001189171	1	Breaker 30mAmp (CE Specs Machines)	
	1001189172	1	Breaker 16Amp Double (CE Specs Machines)	

SECTION 10 - SPECIAL OPTIONS

Go to Discount-Equipment.com to order your parts

SECTION 10 - SPECIAL OPTIONS

FIGURE 10-1. SPECIAL OPTIONS

ITEM	PART NUMBER	QTY	DESCRIPTION	REV
		Ref	Note: This list is to accommodate machines ordered with special equipment. Options may not be applicable to all models. For more specific parts information go to Discount-equipment.com	
		Ref	SPECIAL OPTIONS	
	1001236903	Ref	Antivandalism Package	
		Ref	ClearSky Installation Options:	
	1001229107	Ref	ClearSky Installation - 3-Wire (ANSI & CSA Specs)	
	1001233237	Ref	ClearSky Installation - 3-Wire (ANSI Export & CE Specs)	
	1001235697	Ref	ClearSky Installation - Canbus (ANSI & CSA Specs)	
	1001236982	Ref	ClearSky Installation - Canbus (ANSI Export & CE Specs)	
	1001246530	Ref	ClearSky Installation - Canbus (Australian Specs)	
		Ref	Decal Options:	
	1001236984	Ref	Decal - ClearSky	
		Ref	Decal Kit Options:	
	1001239270	Ref	Decal Kit - Master	
	1001234319	Ref	Drive Motor Covers installation	
		Ref	Electrical Connector Kits	
	1001148902	Ref	Amp/Tyco Electrical Connector Kit	
	1001148903	Ref	Deutsch DT Electrical Connector Kit	
	1001148904	Ref	Deutsch HD Electrical Connector Kit	
	1001148905	Ref	Packard Electrical Connector Kit	
	1001148906	Ref	Various Electrical Connector Kit	
	1001245768	Ref	European Assembly Kit (3246R)	
	1001218728	Ref	Fire Extinguisher Installation	
		Ref	Fluid Options	
	2300014	Ref	Hydraulic Fluid - Mobil 424 (Machines with Standard Oil)	
	2300042	Ref	Hydraulic Fluid - Mobil EAL H 32 (Machines with Biodegradeable Oil)	
	1001236547	Ref	Footswitch Installation (ANSI Export, Japanese & Korean Specs Only)	
	1001220933	Ref	Height Restricter Switch Installation	
	1001234453	Ref	Remote Tow Installation	
	1001224583	Ref	Service Kits List	
		Ref	Tools for Service	
	2901443	1	Analyzer Kit	
	1001232474	1	Benchtop Harness	
	8896941	1	Wire Stripper	
	7002821	1	Wire Crimper (To install wire ends to wires)	
	7002823	1	Pin/Socket Extractor - Universal (To Remove Pins/Sockets from Connectors)	
	4460467	1	Extractor - 16-18 Gauge (For Removal Pins/Sockets from Deutsch Connectors)	
	4460510	1	Extractor - 12-14 Gauge (For Removal of Pins/Sockets from Deutsch Connectors)	
	7002822	1	Screwdriver, Potentiometer (To Adjust Drive Controllers)	
	7016654	1	Screwdriver, Magnetic	
	7004275	1	Seal Installation Tool - 1in	
	7004276	1	Seal Installation Tool - 1-1/2in	
	7002826	1	Seal Installation Tool - 2in	

G

PART NUMBER INDEX

Go to Discount-Equipment.com to order your parts

PART NUMBER INDEX

0100011.....11, 13, 19, 21, 53, 77, 91, 93, 95	1001100346..... 177	1001181045 141, 200	1001210401....65, 67, 69, 71, 73
0100051.....65, 67, 69, 71, 73	1001100347..... 175	1001182806 45	1001210440..... 75
0140030.....99	1001101540..... 75	1001186466 21, 200	1001210586..... 93, 95
0140043.....57, 61	1001102258..... 123, 125, 127, 129, 131, 133, 135, 137, 139	1001187587 93, 95	1001210605..... 75
0275216..... 125, 169	1001102489... 23, 25, 29, 31, 33, 35	1001187816 135	1001210878..... 75
0275217..... 127, 171	1001103012..... 146	1001188116 135	1001210879..... 75
0275452..... 129, 173	1001103471..... 27, 139	1001189171 143, 200	1001210881..... 75
0275453..... 131, 175	1001104498 146	1001189172 143, 200	1001210882..... 75
0275454..... 133, 177	1001112112 69	1001192401 146	1001210966..... 57, 59
0400215.....73	1001113961..... 146	1001196589 146	1001210967..... 75
0440259..... 11, 115	1001116812 145	1001197396 11	1001210967..... 75
0480100..... 105, 107	1001120204.... 125, 127, 129, 131, 133	1001199937 13, 15	1001211777..... 181
0630473.....99	1001120205..... 141, 143	1001200561 ... 23, 25, 27, 29	1001211779..... 181, 189, 191, 193, 195
0630587.....57, 59, 61, 75	1001125483 75	1001200629 .. 57, 59, 200	1001212035..... 165
0630613.....47, 77, 85	1001125677 146	1001200631 57, 59	1001212036..... 165
0700412.....57, 61	1001128888 82	1001200632 63	1001212187..... 17
0700610.....82	1001130220... 23, 25, 27, 29, 31, 33, 35, 49, 57, 59, 82, 99	1001200812 149, 157	1001212290..... 181, 183, 185, 187, 189, 191, 193, 195
0700612..... 19, 21, 82	1001130590 57, 59	1001200819 99, 165	1001212291..... 181, 183, 185, 187, 189, 191, 193, 195
0700614... 23, 25, 27, 29, 31, 33, 35	1001131270 181, 191	1001201708 ... 65, 67, 69, 71, 73	1001212292..... 181, 183, 185, 187, 189, 191, 193, 195
0700616..... 109	1001132358 99	1001201711 ... 65, 67, 69, 71, 73	1001212293..... 181, 183, 185, 187, 189, 191, 193, 195
0700617.....57, 59	1001132359..... 181, 183, 185, 187, 189, 191, 193, 195	1001201885 145, 165	1001212294..... 53
0700621..... 93, 97	1001132361 99	1001202184 153, 159	1001213415..... 95
0700814 27, 82, 125, 127, 129, 131, 133, 139	1001134280 27	1001202773 13	1001213416..... 95
0700815..... 19	1001134821 103	1001202851 53	1001213470..... 91
0700817..... 77, 105, 107	1001136757 75	1001202987 19	1001213597..... 19
0700818..... 93, 95, 97	1001137675 82, 91	1001202988 19	1001213838..... 91
0700819..... 53, 89, 103	1001139000 82	1001202999 19	1001213886..... 99
0700823..... 19	1001139002 82	1001203450 53	1001213915..... 93
0700825..... 53	1001139003 82	1001203835 119	1001213916..... 93
0700835.....99	1001142173 75	1001203869 19	1001213928..... 17
0701015..... 77, 82	1001142174 75	1001203870 19	1001213931..... 93
0701018..... 82	1001143009 75	1001203871 19, 200	1001214151..... 99
0701019..... 85, 109	1001143010 75	1001203872 19	1001214217..... 21
0701021..... 82	1001143501 119	1001203872 19	1001214229..... 105
0701024..... 82, 85	1001144295 146	1001204495 45	1001214347..... 71
0701219..... 82	1001144296 146	1001204719 53	1001214526..... 19
0760408.... 123, 125, 127, 129, 131, 133, 135	1001146794 181, 183, 185, 189, 191, 193, 195	1001205345 82	1001214689..... 82
0760608.....95	1001146795 187	1001205409 145	1001214779..... 197
0760610... 31, 49, 57, 59, 75, 99, 103, 139	1001146963 82	1001205410 145	1001214810..... 77
0760612... 23, 25, 27, 29, 45	1001148902 202	1001205411 145	1001214924..... 99
0760810..... 53, 91, 93	1001148903 202	1001205412 145	1001215216..... 39, 43
0760827..... 53	1001148904 202	1001205422 91	1001215433..... 53, 55
0761012..... 53	1001148905 202	1001205430 91	1001215434..... 53
0761014..... 91	1001148906 202	1001205598 33, 35	1001215446..... 97
0761015..... 47	1001151629 145	1001205751 11	1001215747..... 189
0761019..... 11, 95	1001152483 143	1001206995 31	1001215748..... 185, 195
0761221..... 77	1001154378 93, 95	1001207009 ... 23, 25, 27, 29	1001215749..... 191
0861731... 167, 173, 175, 177	1001157547 75	1001207293 63	1001215750..... 193
0861781..... 169, 171	1001159186 145, 165	1001207494 57, 59	1001215751..... 193
0861880..... 141	1001162115 193	1001207970 25, 31	1001215752..... 189
0961948..... 113	1001162864 181, 183, 185, 187, 189, 191, 193, 195	1001207973 35	1001215762..... 57, 59
1001047064.....99	1001162886 145	1001207974 ... 23, 27, 33	1001215953..... 19
1001091102... 19, 37, 39, 41, 43, 57, 61	1001162887 145	1001208852 91	1001216062... 57, 59, 200
1001097150..... 139	1001163340 145	1001209482 129, 131, 143	1001216180..... 67
1001100341..... 169	1001173703 197	1001209595 99	1001216648..... 185
1001100342..... 171		1001209596 99	1001216650..... 185
1001100345..... 173		1001209682 57, 59	1001216823..... 97
		1001209776 125, 127, 133, 141	
		1001210064 91	
		1001210302 93, 95	

PART NUMBER INDEX

1001216865	197	1001234007.....	93, 95	1001236169.....	82	1001239892	85
1001217059	21	1001234008.....	93, 95	1001236170.....	83	1001239894	85
1001217164	141, 143	1001234093.....	149	1001236171.....	83	1001239899	85
1001217457	82	1001234094.....	153	1001236172.....	83	1001239904	85
1001217894	197	1001234095.....	151	1001236269.....	83	1001239943	85
1001218285	99	1001234096.....	155	1001236348.....	83	1001241662	83
1001218307	19	1001234141.....	95	1001236486.....	83	1001241663	83
1001218573	77	1001234142.....	95	1001236487.....	83	1001241664	83
1001218728	202	1001234266.....	95	1001236488.....	83	1001241665	83
1001220409	103	1001234267.....	95	1001236531.....	49	1001241666	83
1001220410	103	1001234268.....	93, 95	1001236547.....	202	1001241667	83
1001220889	99	1001234316.....	11	1001236621.....	105, 107	1001241668	83
1001220892	105	1001234317.....	47	1001236632.....	67	1001241669	83
1001220893	99	1001234319.....	202	1001236800.....	119	1001241670	83
1001220933	202	1001234336.....	89	1001236801.....	119	1001241671	83
1001220995	103	1001234380.....	89	1001236802.....	119	1001242539	41, 43
1001221244	109	1001234381.....	91	1001236803.....	119	1001242697	41
1001221275	109	1001234382.....	95	1001236804.....	119	1001242988	37
1001221276	109	1001234383.....	93	1001236806.....	119	1001242989	39
1001221949	29	1001234407.....	91	1001236807.....	119	1001242990	43
1001222861	93	1001234453.....	202	1001236808.....	119	1001243348	83
1001222869	93	1001234479... 57, 61, 145		1001236809.....	119	1001243534	27
1001222914	109	1001234529.....	13	1001236903.....	202	1001244323	139
1001223053	93	1001234628.....	53	1001236968.....	49	1001244417	82, 113
1001223055	181	1001234629.....	53	1001236982.....	202	1001244900	139
1001223165	93	1001234631..... 149, 151,		1001236984.....	202	1001245409	197
1001223166	93	153, 155, 161		1001237115.....	197	1001245739	139
1001223262	155	1001234797.....	19	1001237400.....	123	1001245744	139
1001223263	151	1001234798.....	19	1001237401.....	137	1001245747	139
1001223650	157	1001234838.....	11	1001237538..... 181, 183,		1001245768	202
1001223651	159	1001234842.....	47	185, 187, 189, 191,		1001246530	202
1001223971	191	1001234858.....	77	193, 195		1001247706	89
1001224048	193	1001234862.....	77	1001237824.....	83	1001247707	82
1001224049	195	1001235008.....	57	1001237887.....	59	1001248126 181, 183,	
1001224051	189	1001235104..... 82, 200		1001237899..... 181, 183,		185, 187, 189, 191,	
1001224052	185	1001235105.... 23, 25, 27,		185, 187, 189, 191,		193, 195	
1001224583	202	29		193, 195		1001249054	73
1001225164	82, 200	1001235106.....	65	1001237911.....	93	1001380008	53, 119
1001226277	109	1001235152.....	25	1001237989.....	69	1001380010	82
1001226749	99, 200	1001235153.....	23	1001237991.....	71	1001380024	85
1001226901	109	1001235154.....	35	1001238014.....	181	1001380040	77
1001227213	27	1001235156.....	33	1001238015.....	193	1001380041	77
1001227219	27	1001235157.....	31	1001238016.....	189	1001380042	77
1001227267	27, 139	1001235158.....	29	1001238017.....	185	1001380058	19
1001227268	139	1001235268.....	93	1001238018.....	195	1060379	105, 107
1001227728	109	1001235287.....	93	1001238019.....	191	1060908	141, 143
1001227855	19	1001235498..... 105, 107		1001238020.....	187	1060998... 65, 67, 69, 71,	
1001228112	99, 200	1001235509.....	105	1001238021.....	183	73	
1001228123 ... 65, 67, 69,		1001235559..... 57, 59		1001238130.....	129	1321293 ... 23, 25, 29, 31,	
71, 73		1001235560.....	97	1001238131.....	131	33, 35, 75	
1001228184	109	1001235561.....	97	1001238132.....	133	1321752	53
1001228370	181	1001235590.....	89	1001238133.....	125	1380132	97
1001229107	202	1001235592.....	89	1001238134.....	127	1380153	11
1001229110 ... 65, 67, 69,		1001235697.....	202	1001238135.....	135	1600402	99, 101, 200
71, 73		1001235834.....	65	1001238198..... 125, 127,		1671207	167
1001229739	93	1001235849.....	107	129, 131, 133, 139		1701504 ... 181, 183, 185,	
1001229740	93	1001235941.....	105	1001238684.....	83	187, 189, 191, 193, 195	
1001229741	93	1001235946..... 31, 33, 35		1001239224.... 37, 39, 41,		1701640 ... 181, 183, 185,	
1001229742	93	1001235954.....	75	43		187, 189, 191, 193, 195	
1001229792	77	1001235955.....	47	1001239269.... 67, 69, 71,		1702155... 181, 183, 185,	
1001231801	181	1001235959.....	95	73		187, 189, 191, 193, 195	
1001232474	202	1001235960.....	93	1001239270..... 181, 183,		1703177	197
1001232622	93	1001236132.....	75	185, 187, 189, 191,		1703464	123, 125
1001233237	202	1001236139... 23, 25, 27,		193, 195, 202		1703813	181
1001233449	11, 115	29, 31, 33, 35		1001239386.....	61	1703816	181
1001233795	82, 163	1001236165.....	82	1001239389.....	161		
1001234006	93, 95	1001236167.....	82	1001239479.....	83		

PART NUMBER INDEX

1703819.....99, 181, 183, 185, 187, 189, 191, 193, 195	3290405 ... 19, 57, 61, 75, 82, 99, 103, 123, 125, 127, 129, 131, 133, 135, 139	4031707 33, 35	4460754.... 149, 151, 153, 155, 157, 159
1703822.... 181, 183, 185, 187, 189, 191, 193, 195	3290505 27	4031708 21, 33, 35	4460761..... 145
1704016.... 181, 183, 185, 187, 189, 191, 193, 195	3290601 139	4060803 99	4460871..... 146
1704260..... 99	3290605 ... 21, 23, 25, 27, 29, 31, 33, 35, 45, 57, 59, 61, 75, 82, 125, 127, 129, 131, 133	4060906 99	4460877..... 145
1704277..... 93, 181, 183, 185, 187, 189, 191, 193, 195	3290606 . 93, 95, 97, 103, 109	4060944 145	4460884..... 145, 163
1704339..... 195	3290801 19, 53	4160078 82	4460891.... 37, 39, 41, 43, 109, 145, 146, 151, 155, 163
1704340..... 191	3290805 ... 19, 27, 53, 77, 82, 89, 91, 105, 107, 125, 127, 129, 131, 133, 139	4160202 19	4460894.... 145, 149, 151, 153, 155, 161
1704341..... 185	3290806 ... 93, 95, 97, 99, 103	4160214 77	4460897.... 39, 43, 45, 75, 145, 151, 155
1704344..... 189	3291001 11	4240017 ... 23, 25, 27, 29, 31, 33, 35, 53, 57, 59, 61, 65, 67, 69, 71, 73, 75, 82, 109, 123, 125, 127, 129, 131, 133, 135, 137, 139, 149, 151, 153, 155, 157, 159, 161	4460899.... 149, 151, 153, 155, 157, 159, 161
1704412.... 181, 183, 185, 187, 189, 191, 193, 195	3291005 ... 47, 53, 77, 85, 91	4240018 39, 43	4460905..... 146
1704684..... 191	3291006 85, 95, 109	4240147 19	4460933..... 145
1704691..... 195	3291007 77, 82	4360328 57, 59, 200	4460943.... 149, 151, 153, 155, 157, 159, 161
1704699..... 185	3291201 77	4360336 75, 200	4460944.... 145, 149, 151, 153, 155, 161
1705195..... 189	3291207 82	4360345 99, 200	4460956..... 141
1705311..... 191	3310805 99	4360469 57, 59, 200	4460957..... 141
1705316..... 195	3321402 82	4360475 .. 57, 59, 99, 200	4460968..... 135
1705670..... 183, 187	3331211 13	4420051 197	4460970..... 163
1705671..... 183, 187	3422219 95	4420062 ... 53, 93, 95, 99, 105, 107	4461016..... 165
1705673..... 183, 187	3422661 105, 107	4460042 145	4461023..... 145
1705686..... 181	3422998 82	4460115 145	4461196..... 169
1705720..... 195	3423037 11	4460138 123	4461198..... 169
1705723..... 191	3423243 77	4460183 145, 165	4461199..... 171
1705726..... 185	3423278 99	4460226 145	4461201..... 171
1705754..... 197	3430636 19	4460227 ... 23, 25, 27, 29, 145	4461205..... 173, 175
1705781..... 197	3430813 91	4460234 109	4461244..... 173
1705946..... 189	3430816 91	4460247 145	4461245..... 175
1706057..... 193	3431212 19	4460256 145	4461246..... 177
1706312..... 197	3431218 19	4460259 145	4461249..... 177
1707022..... 193	3450303 77	4460260 145	4461257..... 125, 127
2080040... 91, 93, 95, 181, 183, 185, 187, 189, 191, 193, 195	3450403 19, 91	4460265 165	4461258..... 125, 127
2080057.... 181, 183, 185, 187, 189, 191, 193, 195	3450505 19	4460267 165	4711700..... 99
2220371..... 55	3450508 17	4460315 123, 135	4711800..... 91
2220372..... 55, 119	3520072 85, 93, 95	4460320 145	4740086..... 19
2220373..... 119	3740150 ... 57, 61, 75, 200	4460346 167	4740438..... 82
2220374..... 55	3760115 82	4460418 75, 145, 165	4740531..... 82
2220375..... 119	3760217 11	4460419 75	4750800..... 99
2220415..... 55	3760387 82	4460424 ... 23, 25, 27, 29	4811400 75, 99, 103, 123, 125, 127, 129, 131, 133, 135, 139
2220497..... 119	3820019 97	4460464 ... 39, 43, 45, 75, 109, 145, 149, 151, 153, 155, 157, 159, 161, 163, 165	4811700.... 45, 57, 59, 61, 75, 93, 95, 99, 103, 125, 127, 129, 131, 133, 139
2220502..... 119	3841143 77, 82	4460465 ... 37, 39, 41, 43, 109, 145, 146, 149, 151, 153, 155, 157, 159, 161, 163	4811702.... 19, 21, 23, 25, 27, 29, 31, 33, 35, 49, 82, 97
2220582..... 55	3841203 82	4460466 75, 109, 145, 149, 151, 153, 155, 157, 159, 163, 165	4811900.... 19, 53, 82, 89, 91, 93, 95, 97, 99, 125, 127, 129, 131, 133, 139
2220628..... 119	3860104 82	4460467 202	4811902.... 19, 27, 53, 77, 93, 103, 105, 107
2220883..... 113	3860111 95, 97	4460496 99	4812000.... 11, 19, 53, 77, 82, 85, 91, 95, 109
2221086..... 55	3900381 27	4460497 99	4812002..... 47, 77
2300014..... 202	3910804 57, 59	4460510 202	4812500..... 19
2300042..... 202	4010310.... 37, 39, 41, 43	4460536 109	4831600..... 27
2400060..... 145	4010408 103, 139	4460539 ... 146, 151, 155, 163	4845582..... 105
2420172..... 57, 59	4010608 82, 93, 95	4460662 ... 129, 131, 133, 167	4846757..... 11
2560088..... 97	4010610 ... 125, 127, 129, 131, 133		
2560190..... 97	4010616 95		
2600281..... 93, 95	4010617 93, 95		
2860030..... 57, 59, 200	4010618 93, 95		
2901443..... 202	4031509 99		
2902431..... 123, 167	4031511 19		
3080007..... 93, 95, 200	4031512 82		
3252507.... 127, 129, 131, 133, 135, 137			
3290305.... 37, 39, 41, 43			

PART NUMBER INDEX

4923328 ... 65, 67, 69, 71, 73	70005808 15	70006295.....53	7002822 202
5241200 13	70005809 15	70006296.....53	7002823 202
5271808 53	70005811 15	70006297.....53, 200	7002826 202
5272117 13	70005812 15	70006298.....53	7004275 202
5272122 13	70005813 15	70006299.....53	7004276 202
70000082 101	70005814 15	70006300.....55	70050795 113
70000084 101	70005815 53	70006301.....55	7016654 202
70000278 15	70005816 53	70006302.....55	7020175 57, 59, 99
70000683 101	70005817 53	70007050.....113	7020176 57, 59, 99
70000684 101	70005891 55	70007051.....113	7023308 15
70000685 101	70005893 55, 200	70007052.....113	7023310 15
70000686 101	70005896 55	70007053.....113	7023311 15
70001250 101	70005898 55	70007054.....113	7023315 15
70001251 101	70005899 55	70007055.....113	7023318 15
70001252 101	70005900 55	70007056.....113	7023324 15
70001253 101	70005903 55	70007074.....115	7023328 15
70003636 115	70005904 55	70007075.....115	7027365 101
70003650 101	70005907 55	70007076.....115	7027367 101
70004164 53	70005908 55	70007077.....115	7027765 101
70004465 53	70005909 55	70007078.....115	7027766 101
70004585 113	70005911 55	70007079.....115	8229242 146, 200
70005236 113	70005912 55	70007080.....115	8229244 146, 200
70005423 53, 200	70005913 55	70021209.....55	8750014 53
70005806 15	70005914 55	70022564.....113	8896941 202
70005807 15	70005918 13	70023369.....113	8990147 ... 181, 183, 185, 187, 189, 191, 193, 195
	70005919 13	7002821.....202	

PARTS FINDER

**Search Website
by Part Number**



**Search Manual
Library For Parts
Manual & Lookup Part
Numbers – Purchase
or Request Quote**

**Can't Find Part or
Manual? Request Help
by Manufacturer,
Model & Description**

Discount-Equipment.com is your online resource for quality parts & equipment.

Florida: **561-964-4949** Outside Florida TOLL FREE: **877-690-3101**

Need parts?

Click on this link: <http://www.discount-equipment.com/category/5443-parts/> and choose one of the options to help get the right parts and equipment you are looking for. Please have the machine model and serial number available in order to help us get you the correct parts. If you don't find the part on the website or on one of the online manuals, please fill out the request form and one of our experienced staff members will get back to you with a quote for the right part that your machine needs.

We sell worldwide for the brands: Genie, Terex, JLG, MultiQuip, Mikasa, Essick, Whiteman, Mayco, Toro Stone, Diamond Products, Generac Magnum, Airman, Haulotte, Barreto, Power Blanket, Nifty Lift, Atlas Copco, Chicago Pneumatic, Allmand, Miller Curber, Skyjack, Lull, Skytrak, Tsurumi, Husquvarna Target, Stow, Wacker, Sakai, Mi-T-M, Sullair, Basic, Dynapac, MBW, Weber, Bartell, Bennar Newman, Haulotte, Ditch Runner, Menegotti, Morrison, Contec, Buddy, Crown, Edco, Wyco, Bomag, Laymor, EZ Trench, Bil-Jax, F.S. Curtis, Gehl Pavers, Heli, Honda, ICS/PowerGrit, IHI, Partner, Imer, Clipper, MMD, Koshin, Rice, CH&E, General Equipment, Amida, Coleman, NAC, Gradall, Square Shooter, Kent, Stanley, Tamco, Toku, Hatz, Kohler, Robin, Wisconsin, Northrock, Oztec, Toker TK, Rol-Air, APT, Wylie, Ingersoll Rand / Doosan, Innovatech, Con X, Ammann, Mecalac, Makinex, Smith Surface Prep, Small Line, Wanco, Yanmar