



Illustrated Parts Manual

Models
1930ES, 2030ES
2630ES, 2646ES
& 3246ES

SN 0200135154 TO
SN 0200152825 &
SN 1200004293 TO
SN 1200008481

3121247

February 1, 2018

ANSI

CE



An Oshkosh Corporation Company

PARTS FINDER

**Search Website
by Part Number**



**Search Manual
Library For Parts
Manual & Lookup Part
Numbers – Purchase
or Request Quote**

**Can't Find Part or
Manual? Request Help
by Manufacturer,
Model & Description**

Discount-Equipment.com is your online resource for quality parts & equipment.

Florida: **561-964-4949** Outside Florida TOLL FREE: **877-690-3101**

Need parts?

Click on this link: <http://www.discount-equipment.com/category/5443-parts/> and choose one of the options to help get the right parts and equipment you are looking for. Please have the machine model and serial number available in order to help us get you the correct parts. If you don't find the part on the website or on one of the online manuals, please fill out the request form and one of our experienced staff members will get back to you with a quote for the right part that your machine needs.

We sell worldwide for the brands: Genie, Terex, JLG, MultiQuip, Mikasa, Essick, Whiteman, Mayco, Toro Stone, Diamond Products, Generac Magnum, Airman, Haulotte, Barreto, Power Blanket, Nifty Lift, Atlas Copco, Chicago Pneumatic, Allmand, Miller Curber, Skyjack, Lull, Skytrak, Tsurumi, Husquvarna Target, Stow, Wacker, Sakai, Mi-T-M, Sullair, Basic, Dynapac, MBW, Weber, Bartell, Bennar Newman, Haulotte, Ditch Runner, Menegotti, Morrison, Contec, Buddy, Crown, Edco, Wyco, Bomag, Laymor, EZ Trench, Bil-Jax, F.S. Curtis, Gehl Pavers, Heli, Honda, ICS/PowerGrit, IHI, Partner, Imer, Clipper, MMD, Koshin, Rice, CH&E, General Equipment, Amida, Coleman, NAC, Gradall, Square Shooter, Kent, Stanley, Tamco, Toku, Hatz, Kohler, Robin, Wisconsin, Northrock, Oztec, Toker TK, Rol-Air, APT, Wylie, Ingersoll Rand / Doosan, Innovatech, Con X, Ammann, Mecalac, Makinex, Smith Surface Prep, Small Line, Wanco, Yanmar

REVISION LOG

NOTES:

NOTE: The ES Scissor Lifts are manufactured by JLG Industries in the following countries: USA, Belgium or China. Refer to the Serial Number Tag to identify the country of manufacture. The country of manufacture may be determined by the Serial Number. ES Scissors manufactured in the USA will have a serial number prefix of 02 (i.e. 02XXXXXXXX), ES Scissors manufactured in Belgium will have a prefix of 12 (i.e. 12XXXXXXXX) and ES Scissors manufactured in the China will have a serial number prefix of B2 (i.e. B2XXXXXXXX).

NOTE: 1930ES, 2030ES, 2630ES, 2646ES & 3246ES Global Illustrated Parts Manual P/N 3121167 has been replaced by multiple manuals. Review machine SN and use the Global Illustrated Parts Manual for the correct serial number range:

USA Built Machines Prior to SN 0200135154 - Use manual p/n 3121246.

USA Built Machines SN 0200135154 through SN 0200152825 - Use manual p/n 3121247.

USA Built Machines SN 0200152825 through SN 0200198014 - Use manual p/n 3121248.

USA Built Machines SN 0200198014 through SN 0200239380 - Use manual p/n 3121275.

USA Built Machines SN 0200239381 to Present - Use manual p/n 3121681 (1930ES) or 3121683 (2646ES/3246ES).

Belgium Built Machines Prior to SN 1200004293 - Use manual p/n 3121246.

Belgium Built Machines SN 1200004293 through SN 1200008481 - Use manual p/n 3121247.

Belgium Built Machines SN 1200008481 to Present - Use manual p/n 3121248.

China Built Machines SN B200000100 through SN B200020295 - Use manual p/n 3121275.

China Built Machines SN B200020296 to Present - Use manual p/n 3121681 (1930ES) or 3121683 (2646ES/3246ES).

Mexico Built Machines SN M200000100 to Present - Use manual p/n 3121681 (1930ES) or 3121683 (2646ES/3246ES).

MANUAL REVISION LOG:

May 31, 2008 - Original Issue of Manual (Edited to B/M 0010588 Revision 68)

August 1, 2008 - Revised Manual (Edited to B/M 0010588 Revision 69)

March 1, 2009 - Revised Manual

November 15, 2009 - Revised Manual

December 16, 2009 - Revised Manual

March 1, 2010 - Revised Manual

November 1, 2010 - Revised Manual

April 11, 2011 - Revised Manual

July 22, 2011 - Revised Manual

October 7, 2011 - Revised Manual

January 10, 2012 - Revised Manual

REVISION LOG

June 20, 2012 - Revised Manual

August 23, 2012 - Revised Manual

January 10, 2013 - Revised Manual

April 15, 2013 - Revised Manual

July 10, 2013 - Revised Manual

October 9, 2013 - Revised Manual

November 4, 2014 - Revised Manual

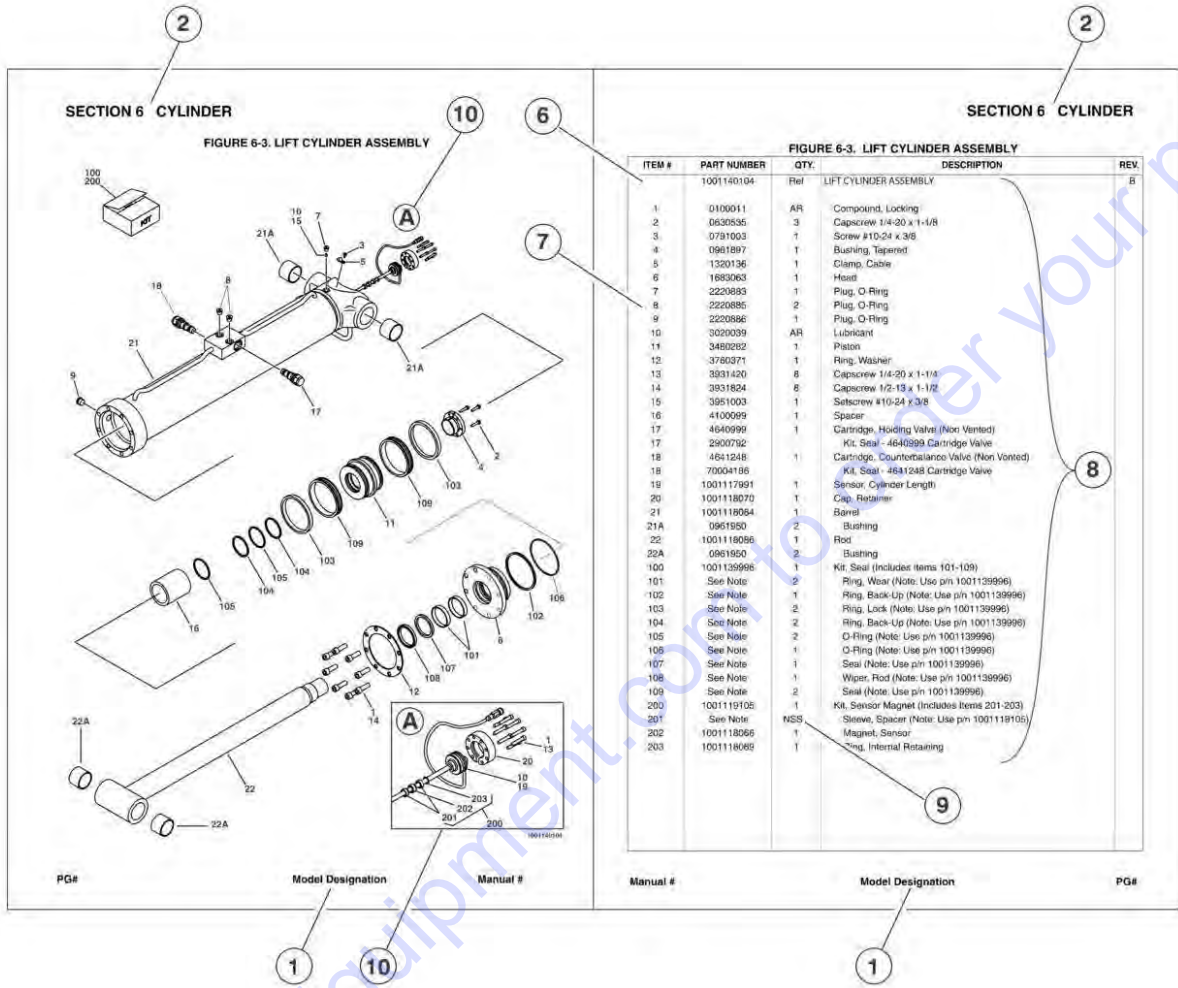
September 15, 2015 - Revised Manual

March 31, 2016 - Revised Manual

February 1, 2018 - Revised Manual

Go to Discount-Equipment.com to order your parts

GENERAL INFORMATION



1) MACHINE IDENTIFICATION

Machines are identified by model and in some cases a combination of models, serial number (SN) or regional standard (i.e. ANSI, CE, CSA). Components may also be identified by SN or manufacturer. Common components that may be identified by these characteristics are engines and hydraulic components.

2) PARTS MANUAL ORGANIZATION

Product information in this manual is organized under section titles. Frame, Cylinder, Hydraulic and Electrical are a few examples. Each section is organized by figure and page number. The information within the Figure is then organized by item number, part number, description and corresponding illustration (s).

3) TABLE OF CONTENTS

A table of contents is found toward the beginning of the manual. Figure number, description and page number are provided for quick reference to the page containing the related information.

4) RECOMMENDED SPARE PARTS

The Recommended Spare Parts, located near the end of the manual, reference most frequently used maintenance parts.

5) PART NUMBER INDEX

A numerical index listing all part numbers and the corresponding page number(s) appears at the back of the manual.

GENERAL INFORMATION

6) NON-SERVICED PARTS

In some instances, it is necessary to display non-serviced parts, assemblies or installations. In the case of assemblies and installations there will be a Ref in the Qty column. In case of parts that are not available for service within assemblies or components, there will be a NSS (Not Sold Separately) or NLA (No Longer Available) listed in the Qty. column of the manual.

7) PARTS LIST ITEM NUMBERS

Numbers shown in the item# column correspond to numbers used in the associated illustration (s). Item numbers which are missing from the sequence in the parts list are not used on that page

8) INDENTED PARTS DESCRIPTION

An indented part description is included in the item under which it is indented.

9) ABB REVIATION AND SYMBOLS

AC.....	Alternating Current	LCD.....	Liquid Crystal Display
ADE.....	Advanced Design Electronics	LED.....	Light Emitting Diodes
ANSI.....	American National Standards Institute	LH.....	Left Hand
AR.....	As Required	LSS.....	Load Sensing System
ASSY.....	Assembly	M(m).....	Metric/Meter
AUX.....	Auxiliary	MM (mm).....	Milimeter
AWG.....	American WireGauge	mA.....	Miliamps
B/M.....	Bill of Material	NLA.....	No Longer Available
CE.....	European Conformity	NPT.....	National Pipe T threads
CCW.....	Counter Clockwise	NSS.....	Not Sold Separately
cm.....	Centimeter	OD.....	Outside Diameter
CW.....	Clockwise	ORB.....	O-Ring Bos s
CSA.....	Canadian Standards Association	ORFS.....	O-Ring Face Seal
CYL.....	Cylinder	OZ (oz).....	Ounces
DIA.....	Diameter	PG.....	Page
DC.....	Direct Current	P/N.....	Part Number
EMS.....	Emergency Stop	qt.....	Quarts
ENG.....	Engine	QTY.....	Quantity
FT (ft).....	Feet	REF.....	Reference
GA (Ga).....	Gauge	REV.....	Revision Level
HYD.....	Hydraulic	RH.....	Right Hand
Hz.....	Hertz	SAE.....	Society of Automotive Engineers
ID.....	Inside Diameter	SN.....	Serial Number
in.....	inches	SPEC(S).....	Specifications
ISO.....	International Organization for Standards	T/T.....	Turntable
JIC.....	Joint Industry Council	UGM.....	Universal Ground Module
KG.....	Kilogram	V.....	Volts
L.....	Liter	W.....	Watts
LB.....	Pounds	#.....	Number

10) ILLUSTRATION REFERENCE LETTERS

When necessary, illustrations may contain reference letters that are intended to track information (i. e. hoses, harnesses) from one point to another or to track visual enlargement of components to show details that may be located in another area on the illustration.

Note: Due to continuous product improvements, JLG Industries, Inc. reserves the right to make specification changes without prior notification.

TABLE OF CONTENTS

SECTION 1 - FRAME.....	9
FIGURE 1-1. STEERING, DRIVE AND REAR AXLE INSTALLATIONS (1930ES SN 0200135154 through 0200150266, SN 1200004293 through 1200007882; 2030ES SN 0200135154 through 0200152825, SN 1200004293 through 1200008481; 2630ES SN 0200135154 through 0200152825, SN 1200004293 through 1200008481; 2646ES SN 0200135154 through 0200151606, SN 1200004293 through 1200008265; 3246ES SN 0200135154 through 0200151606, SN 1200004293 through 1200008265)	10
FIGURE 1-2. STEERING, DRIVE AND REAR AXLE INSTALLATIONS (1930ES SN 0200150266 through 0200152825, SN 1200007882 through 1200008481; 2646ES SN 0200151606 through 0200152825, SN 1200008265 through 1200008481; 3246ES SN 0200151606 through 0200152825, SN 1200008265 through 1200008481)	14
FIGURE 1-3. WHEEL DRIVE ASSEMBLY	18
FIGURE 1-4. FRAME MOUNTED COMPONENTS	22
FIGURE 1-5. POTHOLE PROTECTION INSTALLATION (1930ES/2030ES/2630ES).....	26
FIGURE 1-6. POTHOLE PROTECTION INSTALLATION (2646ES/3246ES)	30
FIGURE 1-7. BATTERY CHARGER ASSEMBLY AND INSTALLATION (MAC CHARGER WITH BREAKERS ON END).....	34
FIGURE 1-8. BATTERY CHARGER ASSEMBLY AND INSTALLATION (DELTA-Q CHARGER).....	38
FIGURE 1-9. BATTERY CHARGER WITH INVERTER ASSEMBLY AND INSTALLATION (OPTIONAL ON ANSI SPEC MACHINES)	42
FIGURE 1-10. LADDERS, BEACON LIGHT AND ROTARY SENSOR COVER INSTALLATION	44
SECTION 2 - GROUND COMPONENTS.....	47
FIGURE 2-1. BATTERIES AND COVERS INSTALLATION	48
FIGURE 2-2. GROUND CONTROL ASSEMBLY AND INSTALLATION	52
FIGURE 2-3. BRAKE DISCONNECT/RELEASE AND MDI (MULTIFUNCTION DIGITAL INDICATOR) GAUGE INSTALLATIONS (OPTIONAL)	54
SECTION 3 - SCISSOR ARMS.....	57
FIGURE 3-1. SCISSOR ARMS INSTALLATION - 1930ES (USA BUILT MACHINES AND BELGIUM BUILT MACHINES) (SN 0200135154 through 0200150265, SN 1200004293 through 1200007881).....	58
FIGURE 3-2. SCISSOR ARMS INSTALLATION - 1930ES (USA BUILT MACHINES AND BELGIUM BUILT MACHINES) (SN 0200150266 through 0200152825, SN 1200007882 through 1200008481).....	60
FIGURE 3-3. SCISSOR ARMS INSTALLATION - 2030ES	62
FIGURE 3-4. SCISSOR ARMS INSTALLATION - 2630ES	64
FIGURE 3-5. SCISSOR ARMS INSTALLATION - 2646ES/3246ES (USA BUILT MACHINES AND BELGIUM BUILT MACHINES BUILT) (SN 0200135154 through 0200151605, SN 1200004293 through 1200008264)	68
FIGURE 3-6. SCISSOR ARMS INSTALLATION - 2646ES/3246ES (USA BUILT MACHINES AND BELGIUM BUILT MACHINES BUILT) (SN 0200151606 through 0200152825, SN 1200008265 through 1200008481)	72
SECTION 4 - PLATFORM.....	77
FIGURE 4-1. PLATFORM INSTALLATION	78
FIGURE 4-2. RAIL (FIXED) INSTALLATION - 1930ES (USA BUILT MACHINES AND BELGIUM BUILT MACHINES) (SN 0200135154 through 0200150265, SN 1200004293 through 1200007881).....	82
FIGURE 4-3. RAIL (FIXED) INSTALLATION - 1930ES (USA BUILT MACHINES AND BELGIUM BUILT MACHINES) (SN 0200150266 through 0200152825, SN 1200007882 through 1200008481).....	86
FIGURE 4-4. RAIL (FOLD-DOWN) INSTALLATION - 1930ES (USA BUILT MACHINES AND BELGIUM BUILT MACHINES) (SN 0200135154 through 0200150265, SN 1200004293 through 1200007881).....	90
FIGURE 4-5. RAIL (FOLD-DOWN) INSTALLATION - 1930ES (USA BUILT MACHINES AND BELGIUM BUILT MACHINES) (SN 0200150266 through 0200152825, SN 1200007882 through 1200008481).....	94
FIGURE 4-6. RAIL INSTALLATION - 2030ES/2630ES	96
FIGURE 4-7. RAIL INSTALLATION - 2646ES/3246ES (USA BUILT MACHINES AND BELGIUM BUILT MACHINES) (SN 0200135154 through 0200151584, SN 1200004293 through 1200008264).....	100
FIGURE 4-8. RAIL INSTALLATION - 2646ES/3246ES (USA BUILT MACHINES AND BELGIUM BUILT MACHINES) (SN 0200151585 through 0200152825, SN 1200008265 through 1200008481).....	104
FIGURE 4-9. PLATFORM CONSOLE BOX INSTALLATION	108
FIGURE 4-10. DRIVE/STEER CONTROLLER ASSEMBLY (ORIGINAL EQUIPMENT).....	112
FIGURE 4-11. DRIVE/STEER CONTROLLER ASSEMBLY (SERVICE REPLACEMENT).....	114
FIGURE 4-12. WORKSTATION INSTALLATION	116
FIGURE 4-13. PACKAGE INSTALLATION (1930ES/2030ES/2630ES).....	118
FIGURE 4-14. PACKAGE INSTALLATION (2646ES/3246ES)	120
FIGURE 4-15. PANEL INSTALLATIONS	124
FIGURE 4-16. QUIK WELDER INSTALLATION.....	128
SECTION 5 - CYLINDER.....	131

TABLE OF CONTENTS

FIGURE 5-1. LIFT CYLINDER ASSEMBLY (1930ES SN 0200135154 through 0200150266, SN 1200004293 through 1200007882; 2030ES SN 0200135154 through 0200152825, SN 1200004293 through 1200008481; 2630ES SN 0200135154 through 0200152825, SN 1200004293 through 1200008481; 2646ES SN 0200135154 through 0200151606, SN 1200004293 through 1200008265; 3246ES SN 0200135154 through 0200151606, SN 1200004293 through 1200008265).....	132
FIGURE 5-2. LIFT CYLINDER ASSEMBLY (1930ES SN 0200150266 through 0200152825, SN 1200007882 through 1200008481; 2646ES SN 0200151606 through 0200152825, SN 1200008265 through 1200008481; 3246ES SN 0200151606 through 0200152825, SN 1200008265 through 1200008481)	138
FIGURE 5-3. STEER CYLINDER ASSEMBLY	144
SECTION 6 - HYDRAULIC	147
FIGURE 6-1. HYDRAULIC DIAGRAM	148
SECTION 7 - ELECTRICAL.....	151
FIGURE 7-1. ELECTRICAL SCHEMATIC	152
FIGURE 7-2. ELECTRICAL SCHEMATIC	154
FIGURE 7-3. ELECTRICAL COMPONENTS INSTALLATION (1930ES SN 0200135154 through 0200150266, SN 1200004293 through 1200007882; 2030ES SN 0200135154 through 0200152825, SN 1200004293 through 1200008481; 2630ES SN 0200135154 through 0200152825, SN 1200004293 through 1200008481; 2646ES SN 0200135154 through 0200151606, SN 1200004293 through 1200008265; 3246ES SN 0200135154 through 0200151606, SN 1200004293 through 1200008265).....	156
FIGURE 7-4. ELECTRICAL COMPONENTS INSTALLATION (1930ES SN 0200150266 through 0200152825, SN 1200007882 through 1200008481; 2646ES SN 0200151606 through 0200152825, SN 1200008265 through 1200008481; 3246ES SN 0200151606 through 0200152825, SN 1200008265 through 1200008481)	166
SECTION 8 - DECALS	179
FIGURE 8-1. DECAL INSTALLATION (ANSI SPEC).....	180
FIGURE 8-2. DECALS INSTALLATIONS (ANSI EXPORT SPEC)	186
FIGURE 8-3. DECAL INSTALLATION (AUSTRALIAN AND CE SPECS).....	192
SECTION 9 - RECOMMENDED SERVICE PARTS STOCK	197
FIGURE 9-1. MODEL ES STANDARD PARTS	198
FIGURE 9-2. MODEL ES VARIABLE PARTS.....	200
FIGURE 9-3. MODEL ES MAINTENANCE KITS	202
SECTION 10 - SPECIAL OPTIONS	203
FIGURE 10-1. SPECIAL OPTIONS LIST.....	204
PART NUMBER INDEX.....	209

SECTION 1 - FRAME

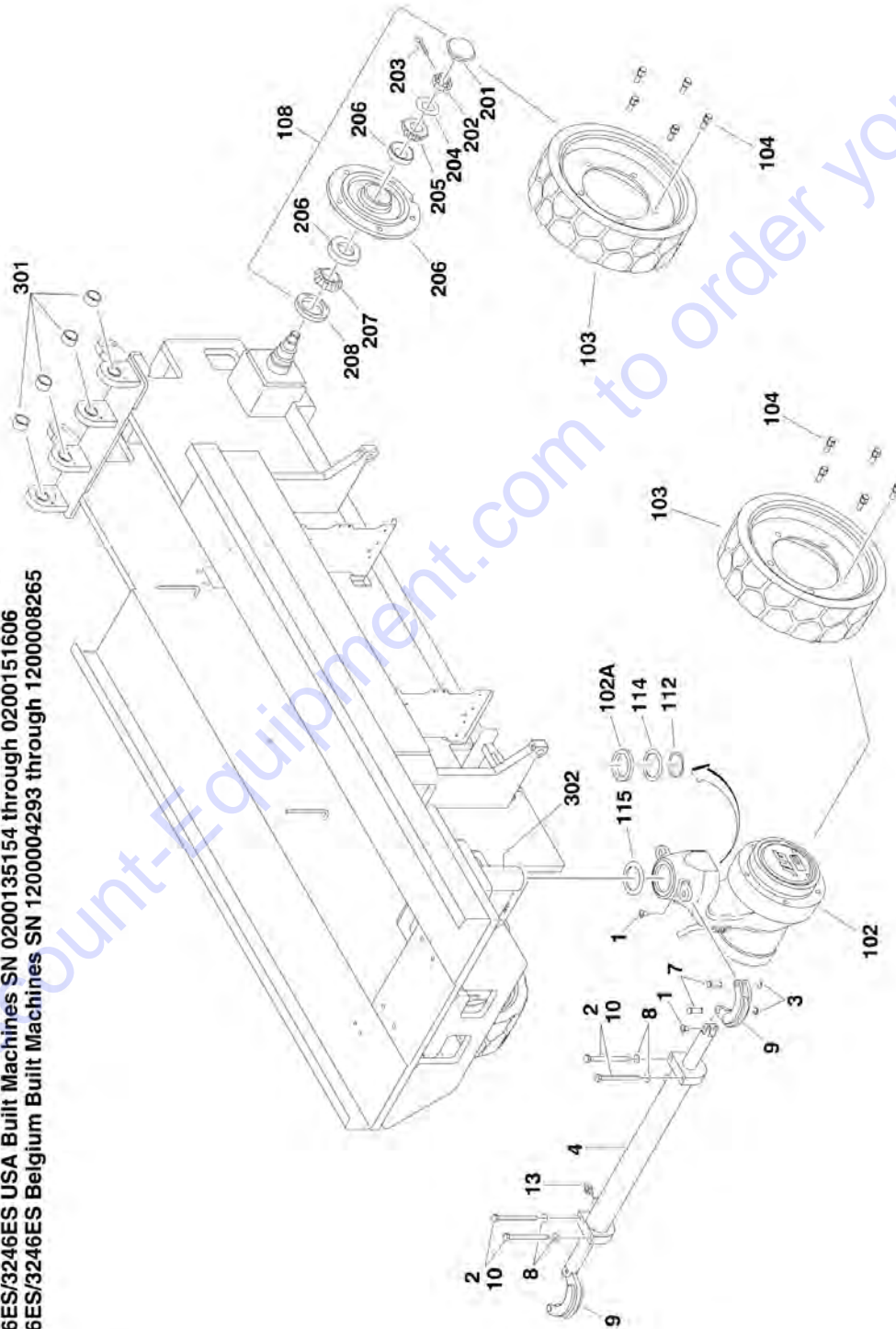
Go to Discount-Equipment.com to order your parts

SECTION 1 - FRAME

FIGURE 1-1. STEERING, DRIVE AND REAR AXLE INSTALLATIONS (1930ES SN 0200135154 through 0200150266, SN 1200004293 through 1200007882; 2030ES SN 0200135154 through 0200152825, SN 1200004293 through 1200008481; 2630ES SN 0200135154 through 0200152825, SN 1200004293 through 1200008481; 2646ES SN 0200135154 through 0200151606, SN 1200004293 through 1200008265; 3246ES SN 0200135154 through 0200151606, SN 1200004293 through 1200008265)

ILLUSTRATION & PARTS LIST USAGE:

- 1930ES USA Built Machines SN 0200135154 through 0200150266
- 1930ES Belgium Built Machines SN 1200004293 through 1200007882
- 2030ES/2630ES USA Built Machines SN 0200135154 through 0200152825
- 2030ES/2630ES Belgium Built Machines SN 1200004293 through 1200008481
- 2646ES/3246ES USA Built Machines SN 0200135154 through 0200151606
- 2646ES/3246ES Belgium Built Machines SN 1200004293 through 1200008265



SECTION 1 - FRAME

FIGURE 1-1. STEERING, DRIVE AND REAR AXLE INSTALLATIONS (1930ES SN 0200135154 through 0200150266, SN 1200004293 through 1200007882; 2030ES SN 0200135154 through 0200152825, SN 1200004293 through 1200008481; 2630ES SN 0200135154 through 0200152825, SN 1200004293 through 1200008481; 2646ES SN 0200135154 through 0200151606, SN 1200004293 through 1200008265; 3246ES SN 0200135154 through 0200151606, SN 1200004293 through 1200008265)

ITEM	PART NUMBER	QTY	DESCRIPTION	REV
		Ref	ILLUSTRATION AND PARTS LIST USAGE:	
		Ref	1930ES USA Built Machines (SN 0200135154 through 0200150266)	
		Ref	1930ES Belgium Built Machines (SN 1200004293 through 1200007882)	
		Ref	2030ES/2630ES USA Built Machines (SN 0200135154 through 0200152825)	
		Ref	2030ES/2630ES Belgium Built Machines (SN 1200004293 through 1200008481)	
		Ref	2646ES/3246ES USA Built Machines (SN 0200135154 through 0200151606)	
		Ref	2646ES/3246ES Belgium Built Machines (SN 1200004293 through 1200008265)	
		Ref	STEERING INSTALLATION	
	0272371	Ref	Steering Installation 1930ES	F
	0273227	Ref	Steering Installation 2030ES/2630ES	C
	0272372	Ref	Steering Installation 2646ES/3246ES USA Built Machines (SN 0200135154 through 0200137093)	G
	0274546	Ref	Steering Installation 2646ES/3246ES USA Built Machines. (SN 0200137094 through 0200151606)	B
	0272372	Ref	Steering Installation 2646ES/3246ES Belgium Built Machines (SN 1200004293 through 1200004607)	G
	0274546	Ref	Steering Installation 2646ES/3246ES Belgium Built Machines (SN 1200004608 through 1200008265)	B
1	0440259	2	Bearing, Flanged	
2		Ref	Bolt M10 Options:	
2	0701016	4	40mm Length	
2	0701020	4	60mm Length	
3	1380153	4	E-Clip	
4		Ref	Steer Cylinder Assembly (See CYLINDER SECTION for Breakdown)	
4	1684237	1	Steer Cylinder Assembly 1930ES/2030ES/2630ES	
4		Ref	Steer Cylinder Assembly 2646ES/3246ES	
4	1684263	1	USA Built Machines (SN 0200135154 through 0200137093)	
4	1684456	1	USA Built Machines (SN 0200137094 through 0200151606)	
4	1684263	1	Belgium Built Machines (SN 1200004293 through 1200004607)	
4	1684456	1	Belgium Built Machines (SN 1200004608 through 1200008265)	
7	3423037	4	Pin, Clevis	
8	4812000	4	Flatwasher M10	
9	4846757	2	Lug, Steer	
10	0100011	AR	Compound, Locking	
13	2110404	2	Fitting, Straight	
		Ref	DRIVE INSTALLATION	
	0272710	Ref	Drive Installation 1930ES	O
	0274224	Ref	Drive Installation 1930ES (UL SPEC)	F
	0272711	Ref	Drive Installation 2030ES/2630ES	O
	0274225	Ref	Drive Installation 2030ES/2630ES (UL SPEC)	F

SECTION 1 - FRAME

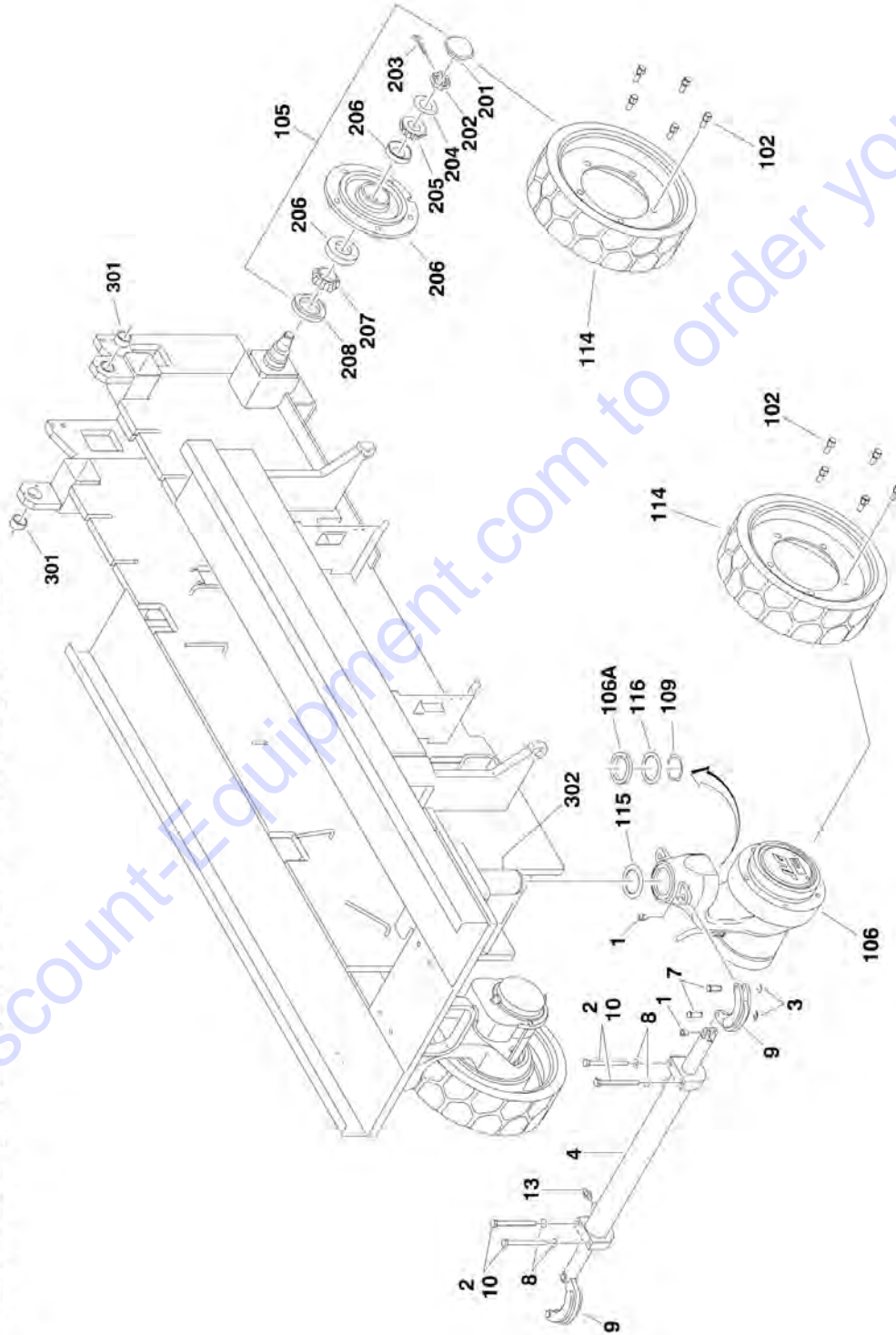
ITEM	PART NUMBER	QTY	DESCRIPTION	REV
	0273008	Ref	Drive Installation 2646ES/3246ES	P
	0274226	Ref	Drive Installation 2646ES/3246ES (UL SPEC)	F
102		Ref	Wheel Drive Assembly Options:	
102	3160306	NLA	Wheel Drive Assembly 1930ES (See WHEEL DRIVE ASSEMBLY for Breakdown) (Use p/n 2915236)	
102	3160307	NLA	Wheel Drive Assembly 2030ES/2630ES/2646ES/3246ES (See WHEEL DRIVE ASSEMBLY for Breakdown) (Use p/n 1001100975)	
102A	3577112	2	Plate, Spacer (Used only on Machines with Kit P/N 2915236 installed)	
103		Ref	Tire and Wheel Assembly Options:	
		Ref	Note: Must replace Tire and Wheel Assemblies in pairs per axle.	
103	4520326	NLA	Tire and Wheel Assembly - 1930ES (Use Kit p/n 2915012)	
103	4520565	NLA	Tire and Wheel Assembly - 1930ES (Use Kit p/n 2915012)	
103	4520327	NLA	Tire and Wheel Assembly - 2030ES/2630ES/2646ES/3246ES (Use Kit p/n 2915013)	
103	4520676	NLA	Tire and Wheel Assembly - 2030ES/2630ES/2646ES/3246ES (Use Kit p/n 2915013)	
104	0630580	20	Bolt, Wheel	
108	2780266	2	Hub Assembly (See Items 201-208 for Breakdown)	
112	3760463	2	Ring, Retaining	
114	4740523	4	Washer, Spindle Retaining	
115	4740524	2	Thrustwasher M60	
	2780266	Ref	HUB ASSEMBLY	B
		Ref	Note: Qtys shown for 1 Assembly. Two Assemblies required per machine.	
201	1001102354	1	Cap, Dust (was p/n 7012524)	
202	3300423	1	Nut, Slotted (was p/n 7010641)	
203	3450406	1	Pin, Cotter 2in x 3/16in (was p/n 7010642)	
204	4740468	1	Washer (was p/n 7019697)	
205	1001102351	1	Bearing, Cone - Outer (was p/n 7026185)	
206	See Note	NSS	Hub (Note: Purchase Complete Hub p/n 2780266)	
207	1001102353	1	Bearing, Cone - Inner (was p/n 7026183)	
208	1001102349	1	Seal (was p/n 7026184)	
		Ref	FRAME WELDMENT	
301		Ref	Bushing Options:	
301	0440264	2	Bushing 1930ES	
301	0440265	4	Bushing 2030ES/2630ES/2646ES/3246ES	
302		Ref	Kingpin Rework Instruction Options (Provides rework procedure for damaged kingpins)	
302	3128601	AR	Kingpin Rework Instruction 1930ES/2030ES/2630ES	
302	3128703	AR	Kingpin Rework Instruction 2646ES/3246ES	

SECTION 1 - FRAME

FIGURE 1-2. STEERING, DRIVE AND REAR AXLE INSTALLATIONS (1930ES SN 0200150266 through 0200152825, SN 1200007882 through 1200008481; 2646ES SN 0200151606 through 0200152825, SN 1200008265 through 1200008481; 3246ES SN 0200151606 through 0200152825, SN 1200008265 through 1200008481)

ILLUSTRATION & PARTS LIST USAGE:

1930ES USA Built Machines SN 0200150266 through 0200152825
 1930ES Belgium Built Machines SN 1200007882 through 1200008481
 2646ES/3246ES USA Built Machines SN 0200151606 through 0200152825
 2646ES/3246ES Belgium Built Machines SN 1200008265 through 1200008481



SECTION 1 - FRAME

FIGURE 1-2. STEERING, DRIVE AND REAR AXLE INSTALLATIONS (1930ES SN 0200150266 through 0200152825, SN 1200007882 through 1200008481; 2646ES SN 0200151606 through 0200152825, SN 1200008265 through 1200008481; 3246ES SN 0200151606 through 0200152825, SN 1200008265 through 1200008481)

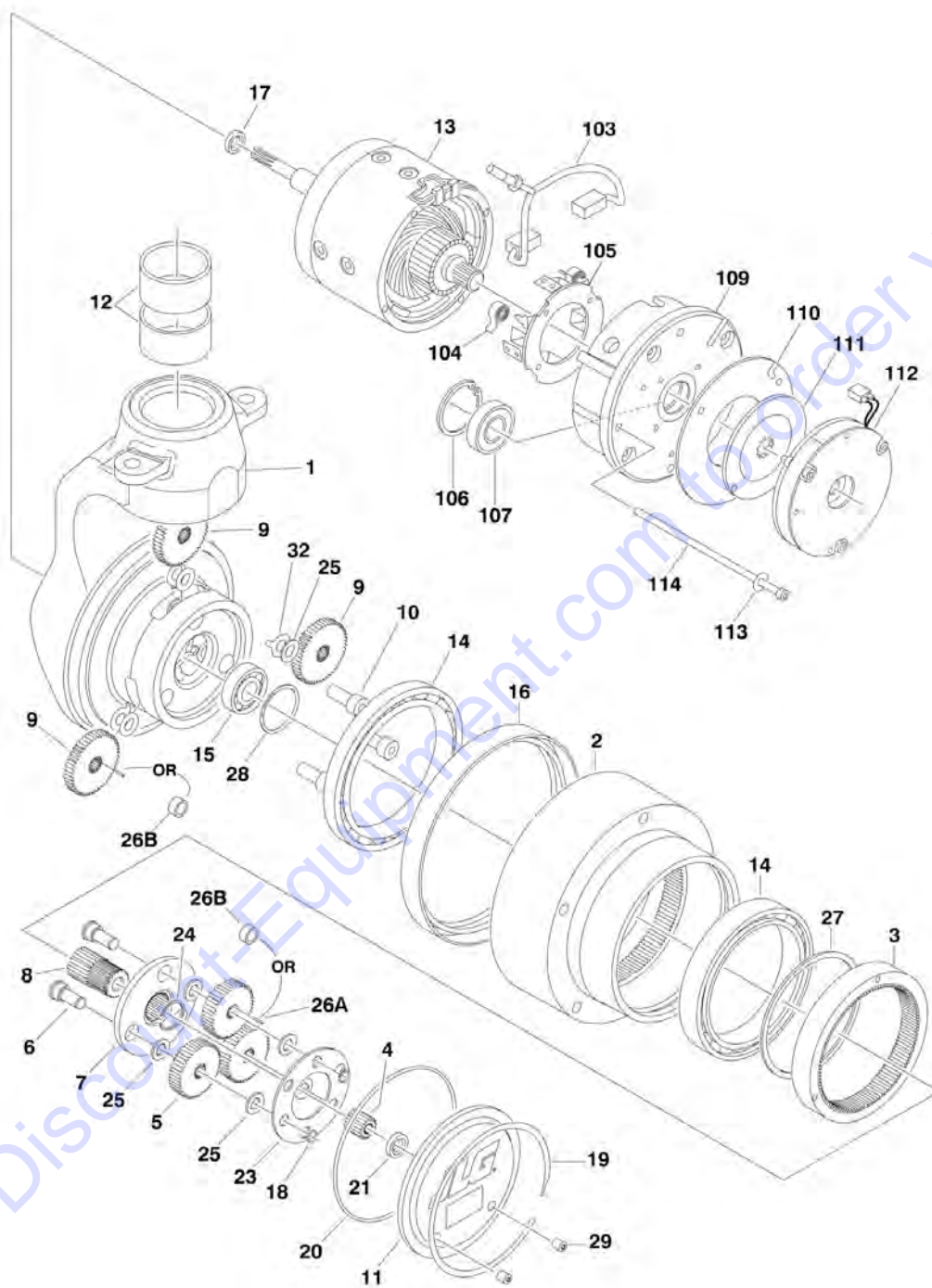
ITEM	PART NUMBER	QTY	DESCRIPTION	REV
		Ref	ILLUSTRATION AND PARTS LIST USAGE:	
		Ref	1930ES USA Built Machines (SN 0200150266 through 0200152825)	
		Ref	1930ES Belgium Built Machines (SN 1200007882 through 1200008481)	
		Ref	2646ES/3246ES USA Built Machines (SN 0200151606 through 0200152825)	
		Ref	2646ES/3246ES Belgium Built Machines (SN 1200008265 through 1200008481)	
		Ref	STEERING INSTALLATION	
	0272371	Ref	Steering Installation 1930ES	F
	0274546	Ref	Steering Installation 2646ES/3246ES	B
1	0440259	2	Bearing, Flanged	
2		Ref	Bolt M10 Options:	
2	0701016	4	40mm Length	
2	0701020	4	60mm Length	
3	1380153	4	E-Clip	
4		Ref	Steer Cylinder Assembly (See CYLINDER SECTION for Breakdown)	
4	1684237	1	Steer Cylinder Assembly 1930ES	
4	1684456	1	Steer Cylinder Assembly 2646ES/3246ES	
7	3423037	4	Pin, Clevis	
8	4812000	4	Flatwasher M10	
9	4846757	2	Lug, Steer	
10	0100011	AR	Compound, Locking	
13	2110404	2	Fitting, Straight	
		Ref	DRIVE INSTALLATION	
	0275185	Ref	Drive Installation 1930ES	B
	0275188	Ref	Drive Installation 1930ES (UL SPEC)	B
	0275187	Ref	Drive Installation 2646ES/3246ES	A
	0275190	Ref	Drive Installation 2646ES/3246ES (UL SPEC)	A
102	0630580	20	Bolt, Wheel	
105	2780266	2	Hub Assembly (See Items 201-208 for Breakdown)	
106		Ref	Wheel Drive Assembly Options (See WHEEL DRIVE ASSEMBLY for Breakdown)	
106	3160306	NLA	Wheel Drive Assembly 1930ES (Use p/n 2915236)	
106	3160307	NLA	Wheel Drive Assembly 2646ES/3246ES (Use p/n 1001100975)	
106A	3577112	2	Plate, Spacer (Used only on Machines with Kit p/n 2915236 installed)	
109	3760463	2	Ring, Retaining	
114		Ref	Tire and Wheel Assembly Options:	
114	4520326	NLA	Tire and Wheel Assembly 1930ES (Use p/n 2915012)	
114	4520565	NLA	Tire and Wheel Assembly 1930ES (Use p/n 2915012)	
114	4520327	NLA	Tire and Wheel Assembly 2646ES/3246ES (Use p/n 2915013)	
114	4520676	NLA	Tire and Wheel Assembly 2646ES/3246ES (Use p/n 2915013)	
115	4740524	2	Thrustwasher M60	
116	4740564	2	Washer, Spindle Retaining	
	2780266	Ref	HUB ASSEMBLY	B

SECTION 1 - FRAME

ITEM	PART NUMBER	QTY	DESCRIPTION	REV
		Ref	Note: Qtys shown for 1 Assembly. Two Assemblies required per machine.	
201	7012524	1	Cap, Dust	
202	7010641	1	Nut, Slotted	
203	7010642	1	Pin, Cotter 2in x 3/16in	
204	7019697	1	Washer	
205	7026185	1	Bearing, Cone - Outer	
206	See Note	NSS	Hub (Note: Purchase Complete Hub p/n 2780266)	
207	7026183	1	Bearing, Cone - Inner	
208	7026184	1	Seal	
		Ref	FRAME WELDMENTS	
301		Ref	Bushing Options:	
301	0440264	2	Bushing 1930ES	
301	0440265	2	Bushing 2646ES/3246ES	
302		Ref	Kingpin Rework Instruction Options (Provides rework procedure for damaged kingpins)	
302	3128601	AR	Kingpin Rework Instruction 1930ES/2030ES/2630ES	
302	3128703	AR	Kingpin Rework Instruction 2646ES/3246ES	

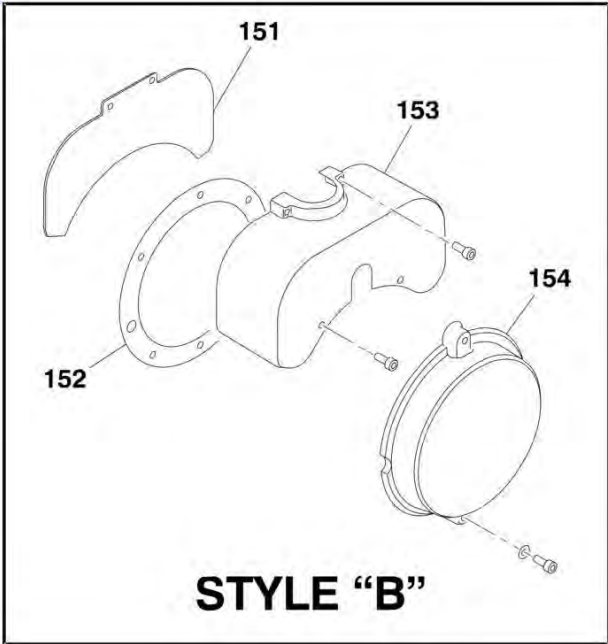
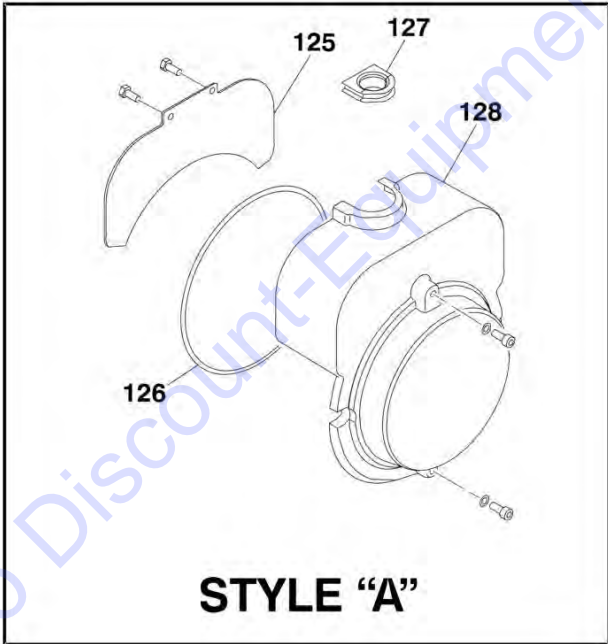
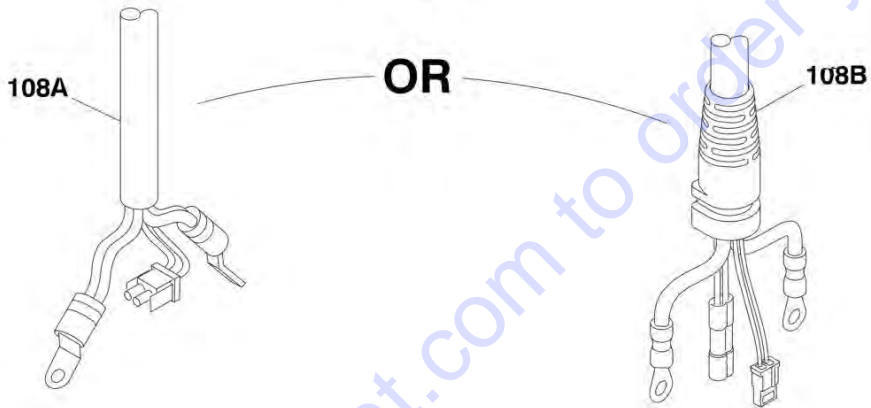
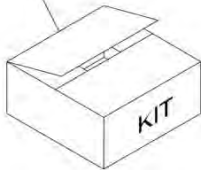
SECTION 1 - FRAME

FIGURE 1-3. WHEEL DRIVE ASSEMBLY



SECTION 1 - FRAME

- 201
- 202
- 203
- 204
- 205A
- 205B
- 205C
- 205D
- 206
- 207
- 208
- 209
- 210A
- 210B
- 211A
- 211B



SECTION 1 - FRAME

FIGURE 1-3. WHEEL DRIVE ASSEMBLY

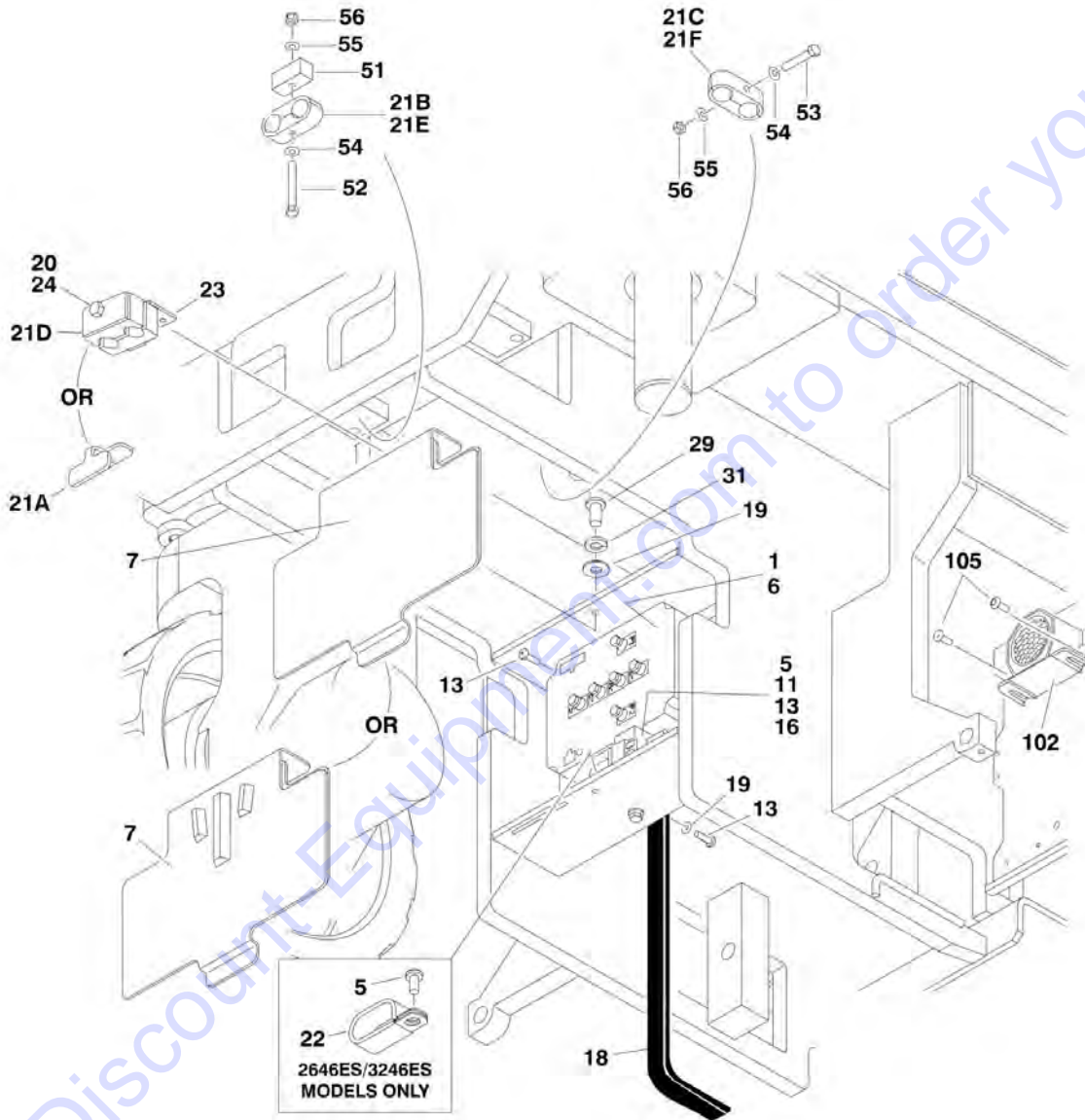
ITEM	PART NUMBER	QTY	DESCRIPTION	REV
		Ref	WHEEL DRIVE ASSEMBLY (ADVANCED)	
	3160306	Ref	Wheel Drive Assembly 1930ES	E
	3160307	Ref	Wheel Drive Assembly 2030ES/2630ES/2646ES/3246ES	E
		Ref	Note: Due to service updates, drive motors may use any of the various parts listed below. Visual identification will be required.	
		Ref	Hub Assembly	
1	See Note	NSS	Spindle (Note: Purchase Complete Assembly)	
2	See Note	NSS	Hub (Note: Use Item 206)	
3	See Note	NSS	Ring, Input (Note: Use Item 204)	
4	See Note	NSS	Gear, Input Sun (Note: Use Item 203)	
5	See Note	NSS	Gear, Input Planet (Note: Use Item 203)	
6	See Note	NSS	Pin, Planet Gear (Note: Use Item 203)	
7	See Note	NSS	Carrier (Note: Use Item 203)	
8	See Note	NSS	Gear, Output Sun (Note: Use Item 203)	
9	See Note	NSS	Gear, Output Planet (Note: Use Item 207)	
10	See Note	NSS	Pin, Output Planet (Note: Use Item 207)	
11	See Note	NSS	Cover (Note: Use Item 201)	
12	7024757	1	Bushing Kit, Kingpin (Includes 2 Bushings)	
13	See Note	NSS	Motor, Electric (Note: Use Item 205A, 205B, 205C or 205D)	
14	See Note	NSS	Bearing, Main (Note: Use Item 202, 204, 206 or 207)	
15	See Note	NSS	Bearing, Shaft (Note: Use Item 207)	
16	70001739	1	Seal, Lip	
17	7024786	1	Seal, Lip	
18	See Note	NSS	Ring, Retaining (Note: Use Item 203)	
19	See Note	NSS	Ring, Retaining (Note: Use Item 201)	
20	70000191	1	O-Ring	
21	See Note	NSS	Thrustwasher (Note: Use Item 201)	
23	See Note	NSS	Plate, Thrust (Note: Use Item 203)	
24	See Note	NSS	Ring, Retaining (Note: Use Item 203)	
25	See Note	NSS	Thrustwasher (Note: Use Item 203 or 207)	
26	See Note	NSS	Bearing/Bushing Options: (Note: Use Item 203 or 207)	
26A	See Note	NSS	Bearing, Needle (Note: Use Item 203)	
26B	See Note	NSS	Bushing (Note: Use Item 203)	
27	See Note	NSS	Ring, Retaining (Note: Use Item 204, 206 or 207)	
28	See Note	NSS	Ring, Retaining (Note: Use Item 207)	
29	See Note	NSS	Plug (Note: Use Item 201)	
32	See Note	NSS	Washer, Tanged (Note: Use Item 207)	
		Ref	Brake and Motor Components	
103	See Note	NSS	Brush and Terminal Assembly (Note: Use Item 208)	
104	70000790	2	Spring, Brush	
105	70000791	1	Box, Brush	
106	See Note	NSS	Ring, Retaining (Note: Use Item 208)	
107	See Note	NSS	Bearing (Note: Use Item 208)	
108		Ref	Harness, Electrical Cable Options:	
108A	1001099628	1	Harness, Electrical Cable 1930ES (was p/n 7024770)	
108A	1001099676	1	Harness, Electrical Cable 2030ES/2630ES/2646ES/3246ES (was p/n 7024770 & 7024775)	
108B	1001091502	1	Harness, Electrical Cable 1930ES	
108B	1001091843	NLA	Harness, Electrical Cable 2030ES/2630ES/2646ES/3246ES	

SECTION 1 - FRAME

ITEM	PART NUMBER	QTY	DESCRIPTION	REV
			(Use p/n 1001134012)	
109	70000792	1	Commutator	
110	See Note	NSS	Disc, Reaction (Note: Use Item 209)	
111	7024785	1	Disc, Friction	
112	See Note	NSS	Brake Assembly (Note: Use Item 209)	
113	See Note	NSS	Flatwasher (Note: Use Item 210A or 210B)	
114	See Note	NSS	Bolt (Note: Use Item 210A or 210B)	
		Ref	Style "A" Brake Cover	
125	See Note	NSS	Plate, Cover (Note: Use Item 211A or 211B)	
126	See Note	NSS	O-Ring (Note: Use Item 210A, 210B, 211A or 211B)	
127	70000383	1	Connector, Strain Relief	
128	See Note	NSS	Cover (Note: Use Item 211A or 211B)	
		Ref	Style "B" Brake Cover	
151	See Note	NSS	Plate, Cover (Note: Use Item 211A or 211B)	
152	70001949	1	Gasket, Cover	
153	See Note	NSS	Cover, Top (Note: Use Item 211A or 211B)	
154	See Note	NSS	Cover, End (Note: Use Item 211A or 211B)	
		Ref	Kit Options	
201	7024747	1	Cover Kit (Includes Items 11, 19, 20, 21 & 29)	
202	7024748	1	Main Seal Kit (Includes Qty 1 of Items 14, 16 & 20)	
203	7024749	1	Input Carrier Kit (Includes Items 4-8, 18, 20 & 23-26)	
204	7024758	1	Input Ring Kit (Includes Items 3, 20, 27 & Qty 1 of Item 14)	
205		Ref	Motor Kit Options (Includes Items 13, 17, 103-114 & 151-154)	
205		Ref	Motors with Item #108A Style Electrical Cable	
205A	1001100819	1	Motors with Item #108A Style Electrical Cable 1930ES (was p/n 7024774)	
205B	1001100820	1	Motors with Item #108A Style Electrical Cable 2030ES/2630ES/2646ES/3246ES (was p/n 7024777)	
205		Ref	Motors with Item #108B Style Electrical Cable	
205C	70001263	1	Motors with Item #108B Style Electrical Cable 1930ES	
205D	70001345	1	Motors with Item #108B Style Electrical Cable 2030ES/2630ES/2646ES/3246ES	
206	7024756	1	Hub Kit (Includes Items 2, 16, 20, 27 & Qty 1 of Item 14)	
207	7024750	1	Output Planet Kit (Includes Items 9, 10, 15, 20, 25-28, 32 & Qty 1 of Item 14)	
208	7024771	1	Motor Brush and Bearing Kit (Includes Items 103, 106 & 107)	
209	7024772	1	Brake Kit (Includes Items 110, 111 & 112)	
210		Ref	Motor Hardware Kit (Includes 113 & 114)	
210A	7024773	1	Motor Hardware Kit 1930ES	
210B	7024776	1	Motor Hardware Kit 2030ES/2630ES/2646ES/3246ES	
211		Ref	Brake Cover Kit Options:	
211A	7024787	1	Style "A" (Includes Items 125-128)	
211B	70001265	1	Style "B" (Includes Items 151-154)	

SECTION 1 - FRAME

FIGURE 1-4. FRAME MOUNTED COMPONENTS



SECTION 1 - FRAME

FIGURE 1-4. FRAME MOUNTED COMPONENTS

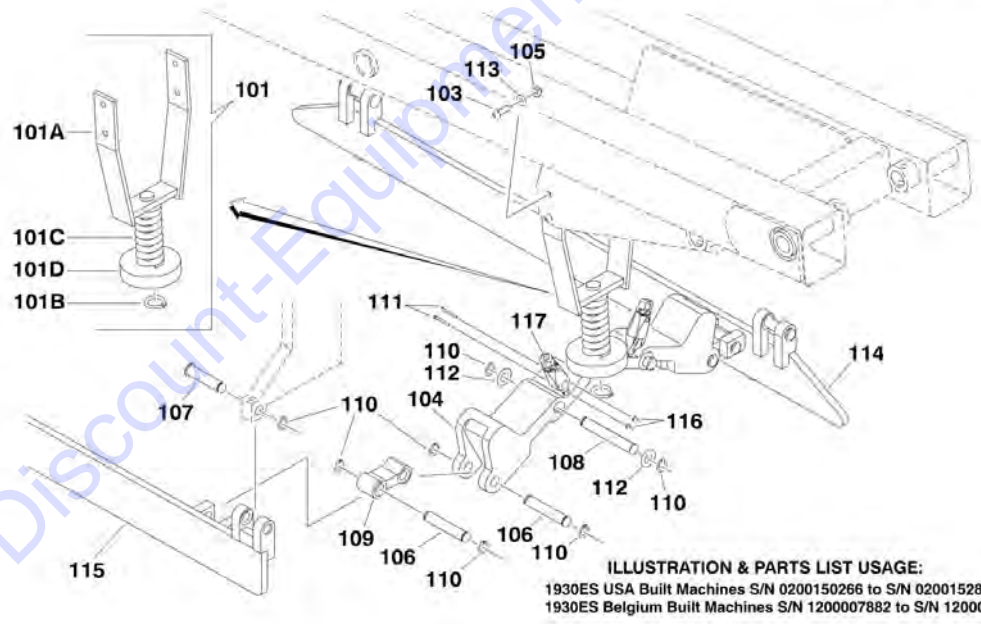
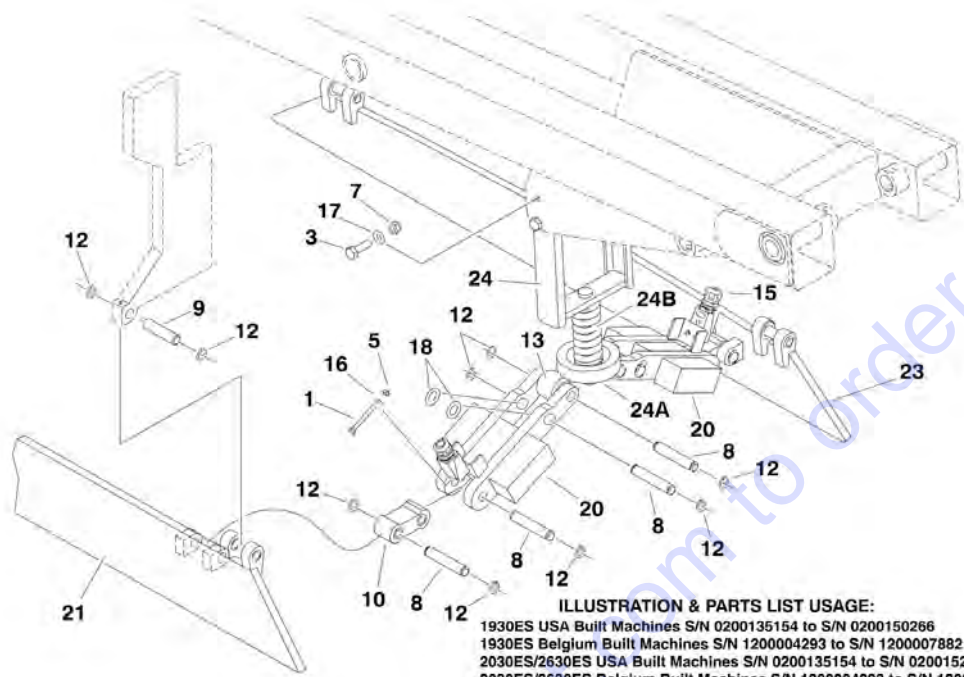
ITEM	PART NUMBER	QTY	DESCRIPTION	REV
		Ref	CONTROLLER INSTALLATION	
		Ref	Controller Installation 1930ES:	
		Ref	All except UL Spec	
	0272710	Ref	USA Built Machines (SN 0200135154 through 0200150265)	O
	0275185	Ref	USA Built Machines (SN 0200150266 through 0200152825)	B
	0272710	Ref	Belgium Built Machines (SN 1200004293 through 1200007881)	O
	0275185	Ref	Belgium Built Machines (SN 1200007882 through 1200008481)	B
		Ref	UL Spec	
	0274224	Ref	USA Built Machines (SN 0200135154 through 0200150265)	F
	0275188	Ref	USA Built Machines (SN 0200150266 through 0200152825)	B
	0274224	Ref	Belgium Built Machines (SN 1200004293 through 1200007881)	F
	0275188	Ref	Belgium Built Machines (SN 1200007882 through 1200008481)	B
		Ref	Controller Installation 2030ES/2630ES:	
	0272711	Ref	All except UL Spec	O
	0274225	Ref	UL Spec	F
		Ref	Controller Installation 2646ES/3246ES:	
		Ref	All except UL Spec	
	0273008	Ref	USA Built Machines (SN 0200135154 through 0200151605)	P
	0275187	Ref	USA Built Machines (SN 0200151606 through 0200152825)	A
	0273008	Ref	Belgium Built Machines (SN 1200004293 through 1200008264)	P
	0275187	Ref	Belgium Built Machines (SN 1200008265 through 1200008481)	A
		Ref	UL Spec	
	0274226	Ref	USA Built Machines (SN 0200135154 through 0200151605)	F
	0275190	Ref	USA Built Machines (SN 0200151606 through 0200152825)	A
	0274226	Ref	Belgium Built Machines (SN 1200004293 through 1200008264)	F
	0275190	Ref	Belgium Built Machines (SN 1200008265 through 1200008481)	A
1	0100083	AR	Grease, Heat Transfer	
5	4191706	AR	Bolt M6 x 12mm	
6	1600346	1	Module, Control	
7		Ref	Cover Options:	
7		Ref	Cover 1930ES/2030ES/2630ES	
7	1671132	1	All except UL Spec	
7	1671181	1	UL Spec	
7		Ref	Cover 2646ES/3246ES	
7	1671133	1	All except UL Spec	
7	1671182	1	UL Spec	
11		Ref	Relay Options:	
11		Ref	All except UL Spec	
11	3740146	NLA	USA Built Machines (Use p/n 2915064) (SN 0200135154 through 0200138062)	
11	3740146	NLA	Belgium Built Machines (Use p/n 2915064) (SN 1200004293 through 120004865)	
11	0903098	1	Mounting Bracket Used on 3740146	
11	3740150	1	USA Built Machines (SN 0200138063 through 0200152825)	

SECTION 1 - FRAME

ITEM	PART NUMBER	QTY	DESCRIPTION	REV
11	3740150	1	Belgium Built Machines (SN 1200004866 through 1200008481)	
11	3740146	1	UL Spec	
11	0903098	1	Mounting Bracket	
		Ref	Note: Relay p/n 3740146 Albright or Curtis brand has 4 terminals and no lead wires. Relay p/n 3740150 is Trombetta brand has 2 terminals and 1 lead wire.	
13	4191708	AR	Bolt M6 x 20mm	
16	4811700	AR	Flatwasher M6	
18	4240147	1	Strap, Anti-Static	
19	4751400	AR	Flatwasher 1/4in Wide	
20	0700819	1	Bolt M8 x 55mm (UL Spec Only)	
21		Ref	Clamp, Cable Options:	
		Ref	Note: Due to service updates, cable clamps may be any of the various designs listed below. Visual identification will be required.	
21		Ref	Non-UL Spec	
21A	3574714	1	Clamp (Available on All Models)	
21B	1001091492	1	Clamp (Used as part of Service Update on 1930ES)	
21C	1001094301	2	Clamp (Used as part of Service Update on 2030ES/2630ES/2646ES/3246ES)	
21		Ref	UL Spec	
21D	1320162	1	Clamp (Available on All Models)	
21E	1001091492	1	Clamp (Used as part of Service Update on 1930ES)	
21F	1001094301	2	Clamp (Used as part of Service Update on 2030ES/2630ES/2646ES/3246ES)	
22	1321283	1	Clamp, Hose (2646ES/3246ES Only)	
23	4340751	1	Mount, Cable Clamp (UL Spec Only)	
24	4811900	1	Flatwasher M8 (UL Spec Only)	
29	4191709	1	Bolt M6 x 25mm	
31	4831700	1	Lockwasher M6	
		Ref	Items 51 - 56 may be used on machines with service update kits.	
51	1001094124	1	Block, Spacer (1930ES Only)	
52	0700624	1	Bolt M6 x 80mm	
53	0700619	2	Bolt M6 x 55mm	
54	4751400	AR	Flatwasher 1/4in Wide	
55	4811700	AR	Flatwasher M6	
56	3290606	AR	Locknut M6	
		Ref	ALARM INSTALLATIONS	
	0272810	Ref	ANSI Spec	F
	0273443	Ref	Australian Spec	B
	0272811	Ref	CE Spec	D
	0272722	Ref	Descent Alarm	A
	0272913	Ref	Motion Alarm	A
102	0140043	1	Alarm	
105	4191706	2	Screw M6 x 12mm	

SECTION 1 - FRAME

FIGURE 1-5. POTHOLE PROTECTION INSTALLATION (1930ES/2030ES/2630ES)



Go to Discount-Equipment.com to order your parts

SECTION 1 - FRAME

FIGURE 1-5. POTHOLE PROTECTION INSTALLATION (1930ES/2030ES/2630ES)

ITEM	PART NUMBER	QTY	DESCRIPTION	REV
		Ref	POTHOLE PROTECTION INSTALLATION	
	0272757	Ref	Pothole Protection Installation 1930ES USA Built Machines (SN 0200135154 through 0200150265)	K
	0272757	Ref	Pothole Protection Installation 1930ES Belgium Built Machines (SN 1200004293 through 1200007881)	K
	0272758	Ref	Pothole Protection Installation 2030ES/2630ES USA Built Machines (SN 0200135154 through 0200152825)	K
	0272758	Ref	Pothole Protection Installation 2030ES/2630ES Belgium Built Machines (SN 1200004293 through 1200008441)	K
1	4010415	4	Screw M4 x 35mm	
3	0701014	4	Screw M10 x 30mm	
5	3290405	4	Locknut M4	
7	3291005	6	Locknut M10	
8	3423045	8	Pin	
9	3423046	NLA	Pin (Use p/n 3423189)	
10	3574176	2	Link	
10	0440263	4	Bushing	
12	3760348	20	Ring, Retaining	
13	3860108	2	Roller	
15	4360536	NLA	Switch, Limit (Use p/n 1001109345)	
15	4360607	NLA	Switch, Limit (Use p/n 1001109345)	
16	4750800	8	Flatwasher (Wide)	
17	4812000	4	Flatwasher M10	
18	4740086	8	Thrustwasher	
20	4846774	2	Link	
21		Ref	Support (Right) Options:	
21	4846775	1	Support (Right) 1930ES	
21	4846816	1	Support (Right) 2030ES/2630ES	
21	0440263	4	Bushing	
23		Ref	Support (Left) Options:	
23	4846861	1	Support (Left) 1930ES	
23	4846863	1	Support (Left) 2030ES/2630ES	
23	0440263	4	Bushing	
24	0060083	1	Actuator Assembly	A
24	4846773	1	Actuator	
24A	1440333	1	Collar, Actuator	
24A	3760115	1	Ring, Retaining	
24B	4160202	1	Spring	
	0275092	Ref	Pothole Protection Installation 1930ES USA Built Machines (SN 0200150266 through 0200152825)	C
	0275092	Ref	Pothole Protection Installation 1930ES Belgium Built Machines (SN 1200007882 through 1200008481)	C
101	0060090	NSS	Actuator Assembly (Note: Purchase Individual Pieces)	A
101A	0060091	1	Actuator Weldment	
101B	3760115	1	Ring, Retaining	
101C	4160202	1	Spring	
101D	4220287	1	Pad	
103	3900351	4	Screw, Button Head M10 x 30mm	
104	3010158	2	Link	
105	3291005	4	Locknut M10	
106	3423045	4	Pin	

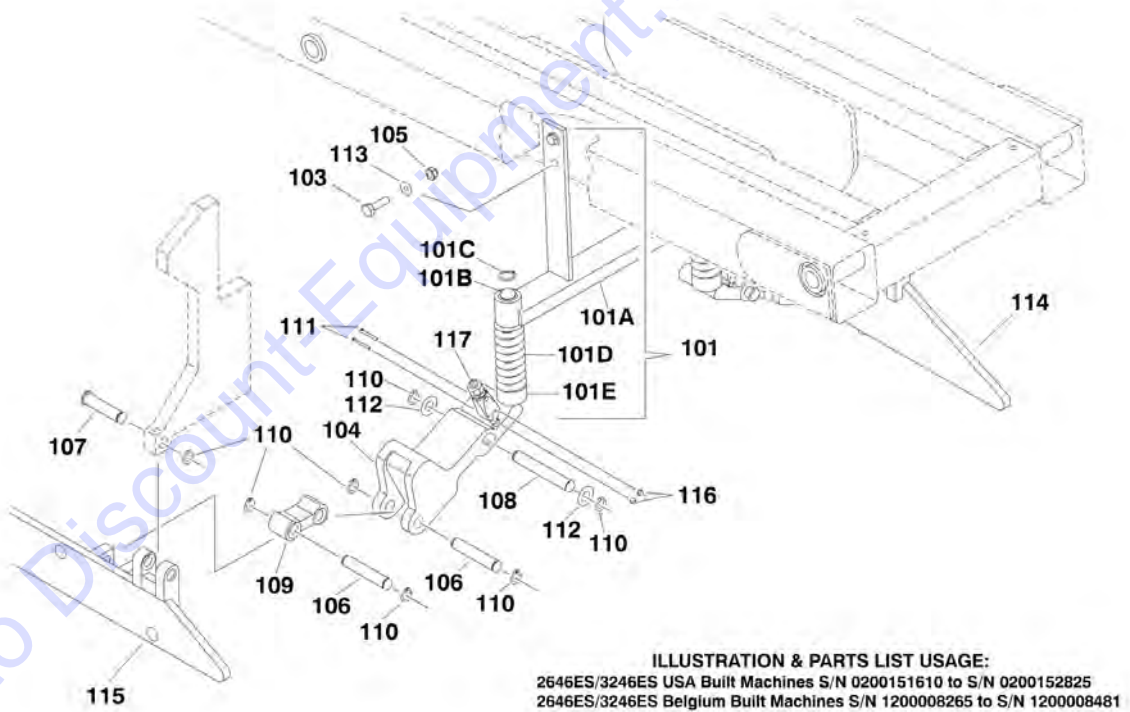
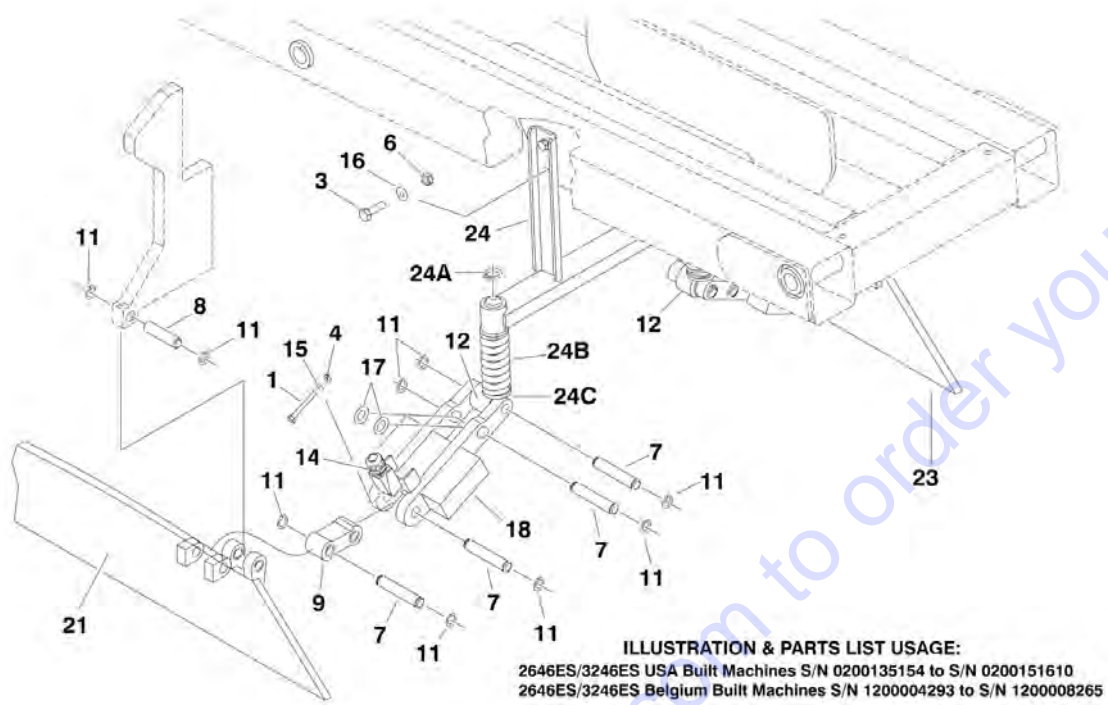
SECTION 1 - FRAME

ITEM	PART NUMBER	QTY	DESCRIPTION	REV
107	3423189	4	Pin	
108	3423267	2	Pin	
109	3574176	2	Link	
109	0440263	4	Bushing	
110	3760348	16	Ring, Retaining	
111	4010415	4	Screw M4 x 35mm	
112	4740086	4	Thrustwasher	
113	4812000	4	Flatwasher M10	
114	4846775	1	Bar, Pothole Support (Right)	
114	0440263	4	Bushing	
115	4846861	1	Bar, Pothole Support (Left)	
115	0440263	4	Bushing	
116	3290405	4	Locknut M4	
117	See Note	2	Switch, Limit (See ELECTRICAL SECTION for Breakdown)	

Go to Discount-Equipment.com to order your parts

SECTION 1 - FRAME

FIGURE 1-6. POTHOLE PROTECTION INSTALLATION (2646ES/3246ES)



SECTION 1 - FRAME

FIGURE 1-6. POTHOLE PROTECTION INSTALLATION (2646ES/3246ES)

ITEM	PART NUMBER	QTY	DESCRIPTION	REV
		Ref	POTHOLE PROTECTION INSTALLATION	
	0272759	Ref	USA Built Machines (SN 0200135154 through 0200151609)	J
	0272759	Ref	Belgium Built Machines (SN 1200004293 through 1200008264)	J
1	4010415	4	Screw M4 x 35mm	
3	0701015	4	Screw M10 x 35mm	
4	3290405	4	Locknut M4	
6	3291005	6	Locknut M10	
7	3423045	8	Pin	
8	3423046	NLA	Pin (Use p/n 3423189)	
9	3574176	2	Link	
9	0440263	4	Bushing	
11	3760348	20	Ring, Retaining	
12	3860108	2	Roller	
14	4360536	NLA	Switch, Limit (Use p/n 1001109345)	
14	4360607	NLA	Switch, Limit (Use p/n 1001109345)	
15	4750800	8	Flatwasher (Wide)	
16	4812000	4	Flatwasher M10	
17	4740086	8	Thrustwasher	
18	4846774	2	Link	
21	4846811	1	Support (Right)	
21	0440263	4	Bushing	
23	4846862	1	Support (Left)	
23	0440263	4	Bushing	
24	0060082	1	Actuator Assembly	A
24	4846810	1	Actuator	
24	0962292	4	Bushing	
24A	3760115	2	Ring, Retaining	
24B	4160202	2	Spring	
24C	4846788	2	Plunger	
	0275094	Ref	USA Built Machines (SN 0200151610 through 0200152825)	C
	0275094	Ref	Belgium Built Machines (SN 1200008265 through 1200008481)	C
101	0060092	NSS	Actuator Assembly (Note: Purchase Individual Components)	B
101A	0060093	1	Actuator	
101B	0962292	4	Bushing	
101B	3423289	2	Pin	
101C	3760115	2	Ring, Retaining	
101D	4160202	2	Spring	
101E	4220293	2	Pad	
103	0701015	4	Screw M10 x 35mm	
104	3010158	2	Link	
105	3291005	4	Locknut M10	
106	3423045	4	Pin	
107	3423189	4	Pin	
108	3423267	2	Pin	
109	3574176	2	Link	
109	0440263	4	Bushing	
110	3760348	16	Ring, Retaining	
111	4010415	4	Screw M4 x 35mm	
112	4740086	4	Thrustwasher	
113	4812000	4	Flatwasher M10	

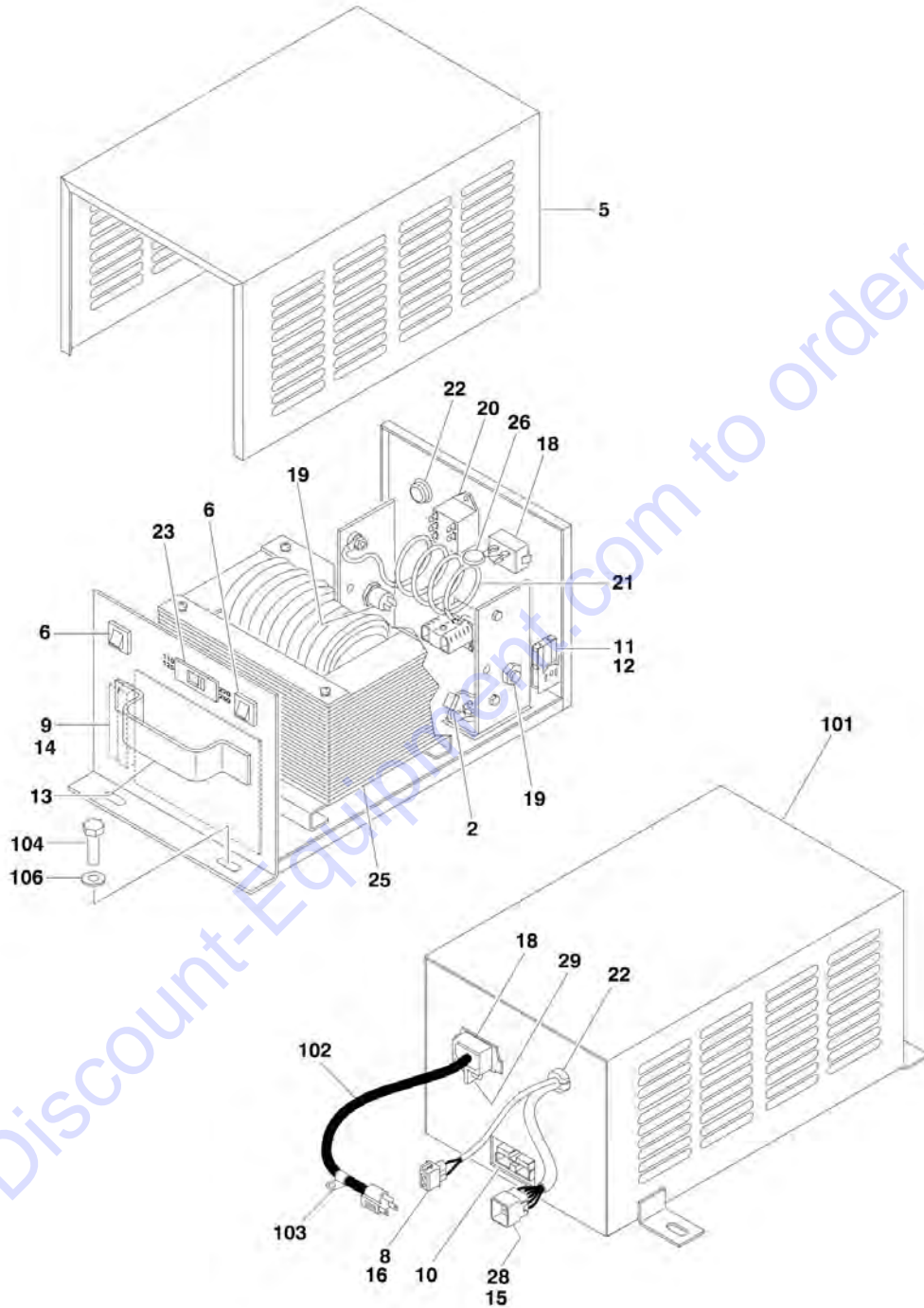
SECTION 1 - FRAME

ITEM	PART NUMBER	QTY	DESCRIPTION	REV
114	4846811	1	Bar, Pothole Support (Right)	
114	0440263	4	Bushing	
115	4846862	1	Bar, Pothole Support (Left)	
115	0440263	4	Bushing	
116	3290405	4	Locknut M4	
117	See Note	2	Switch, Limit (See ELECTRICAL SECTION for Breakdown)	

Go to Discount-Equipment.com to order your parts

SECTION 1 - FRAME

FIGURE 1-7. BATTERY CHARGER ASSEMBLY AND INSTALLATION (MAC CHARGER WITH BREAKERS ON END)



Go to Discount-Equipment.com to order your parts

SECTION 1 - FRAME

FIGURE 1-7. BATTERY CHARGER ASSEMBLY AND INSTALLATION (MAC CHARGER WITH BREAKERS ON END)

ITEM	PART NUMBER	QTY	DESCRIPTION	REV
		Ref	BATTERY CHARGER ASSEMBLY	
	0400220	Ref	All Specs Except Japanese Spec	B
	0400221	Ref	Japanese Specs Only	B
2	7018577	2	Capacitor	
5		Ref	Case Cover, Replacement Options:	
5	7022951	1	All Specs Except Japanese Spec	
5	7022958	1	Japanese Specs Only	
6		Ref	Circuit Breaker, AC Options:	
6	7018514	2	All Specs Except Japanese Spec	
6	7018597	1	Japanese Specs Only	
8	4460227	1	Receptacle, Female -2 Position (was p/n 7011621)	
8	4460267	2	Pin, Male	
9	7022952	1	Control Card, 2500	
10	7022953	1	Cord, DC	
11	7022942	1	Fuse Assembly	
12	7018570	1	Fuse	
13	See Note	NSS	Handle (Note: Purchase Complete Assembly)	
14	7022954	1	Harness	
15	7022955	1	Harness	
16	7022956	1	Interlock Assembly (Includes Item 3)	
18	7022957	1	Plug, Inlet	
19	7020673	1	Rectifier	
20	7018564	1	Relay	
21	7020674	1	Shunt Assembly	
22		Ref	Connector, Strain Relief Options:	
22	7022947	1	All Specs Except Japanese Spec	
22	7011528	1	Japanese Specs Only	
23	7018586	1	Switch, Slide	
25		Ref	Transformer Options:	
25	7022948	1	All Specs Except Japanese Spec	
25	7022959	1	Japanese Specs Only	
26		Ref	Varistor Assembly Options:	
26	7018589	1	All Specs Except Japanese Spec	
26	7020603	1	Japanese Specs Only	
27	See Note	NSS	Varistor (Note: Use Item 26)	
28	4460899	1	Receptacle, Female - 6 Position	
28	4460464	6	Pin, Male	
29	70002271	1	Relief, Strain	
		Ref	BATTERY CHARGER INSTALLATION	
	0272874	Ref	AC Cable Has Factory Supplied Plug (All Specs Except Japanese Specs)	G
	0273681	Ref	AC Cable Has Factory Supplied Plug (Japanese Specs)	B
	0272875	Ref	AC Cable Has Locally Supplied Plug (All Specs)	F
101		Ref	Battery Charger Assembly Options (See Items 1-28 for Breakdown)	
101	0400220	1	All Specs Except Japanese Specs	
101	0400221	1	Japanese Specs Only	
102		Ref	Cable, AC Options:	
102	1060688	1	Factory Supplied Plug	

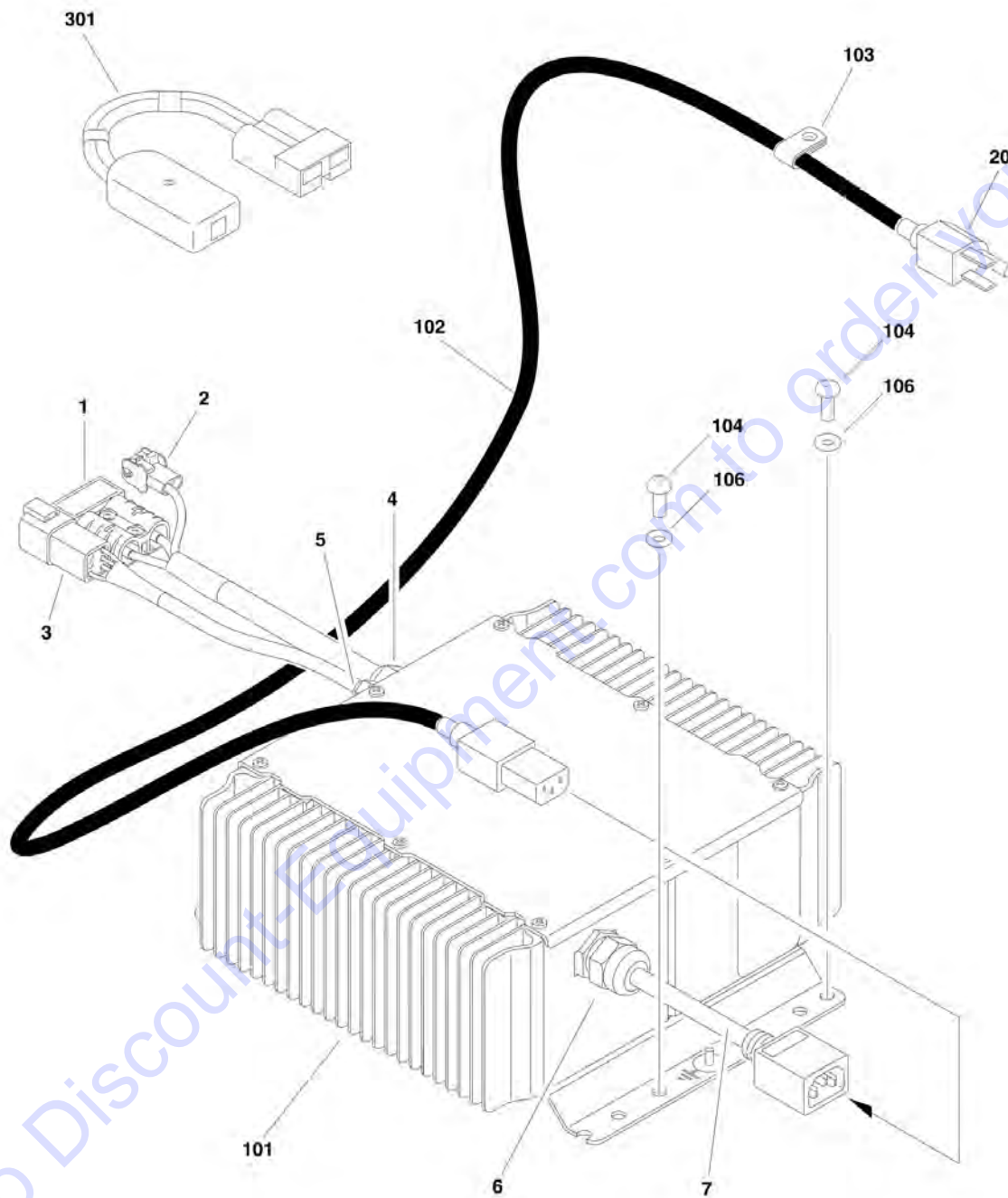
SECTION 1 - FRAME

ITEM	PART NUMBER	QTY	DESCRIPTION	REV
102	1060689	1	Locally Supplied Plug	
103	1321293	1	Clamp	
104	4191707	2	Screw M6 x 16mm	
106	4811700	2	Flatwasher M6	

Go to Discount-Equipment.com to order your parts

SECTION 1 - FRAME

FIGURE 1-8. BATTERY CHARGER ASSEMBLY AND INSTALLATION (DELTA-Q CHARGER)



SECTION 1 - FRAME

FIGURE 1-8. BATTERY CHARGER ASSEMBLY AND INSTALLATION (DELTA-Q CHARGER)

ITEM	PART NUMBER	QTY	DESCRIPTION	REV
	0400238	Ref	BATTERY CHARGER ASSEMBLY	
		Ref	Note: Use Kit p/n 1001128737 Includes Charger p/n 1001112111 and Battery Temperature Sensor Kit.	
1	Not Available	1	Harness with Plug	
1	4460648	1	Plug, Anderson Battery Cable	
2	Not Available	1	Harness with Connector	
2	4460424	1	Connector, Female - 2 Position	
2	4460227	2	Pin, Male	
3	Not Available	1	Harness with Connector	
3	4460899	1	Connector, Female - 6 Position	
3	4460464	6	Pin, Male	
4	Not Available	1	Connector, Strain Relief	
5	Not Available	1	Connector, Strain Relief	
6	Not Available	1	Connector, Strain Relief	
7	Not Available	1	Harness with Connector	
		Ref	BATTERY CHARGER INSTALLATION	
		Ref	Battery Charger Installation 1930ES USA Built Machines (SN 0200135154 through 0200150265)	
		Ref	Battery Charger Installation 1930ES Belgium Built Machines (SN 1200004293 through 1200007881)	
	0272874	Ref	AC Cable Has Factory Supplied Plug	H
	0272875	Ref	AC Cable Has Locally Supplied Plug	H
		Ref	Battery Charger Installation 1930ES USA Built Machines (SN 0200150266 through 0200152825)	
		Ref	Battery Charger Installation 1930ES Belgium Built Machines (SN 1200007882 through 1200008481)	
	0275079	Ref	AC Cable Has Factory Supplied Plug	B
	0275088	Ref	AC Cable Has Locally Supplied Plug	B
		Ref	Battery Charger Installation 2030ES/2630ES/2630ES/2646ES/3246ES:	
	0272874	Ref	AC Cable Has Factory Supplied Plug	H
	0272875	Ref	AC Cable Has Locally Supplied Plug	H
101	0400238	NLA	Battery Charger Assembly (Use Kit p/n 1001128737 Includes Charger p/n 1001112111 and Battery Temperature Sensor Kit)	
102		Ref	Cable, AC Options:	
102	1060688	1	Factory Supplied Plug	
102	1060689	1	Locally Supplied Plug	
103		Ref	Clamp Options:	
103	1320136	1	Insulated Clamp	
103	1321293	1	Non-Insulated Clamp	
104		Ref	Screw M6 Options:	
104	4191706	AR	12mm Length	
104	4191707	AR	16mm Length	
106	4811700	2	Flatwasher M6	
201		Ref	Plug Options:	
201	Not Available	Ref	ANSI Spec Plug (Use Item 102 p/n 1060688)	
201	Not Available	Ref	Australian and Japanese Specs (Purchase Locally)	
201		Ref	CE Spec Options:	
201	0275666	Ref	IEC Yellow Receptacle Installation	A
201	4461196	Ref	Receptacle, IEC Yellow	
201	0275667	Ref	IEC Blue Receptacle Installation	A

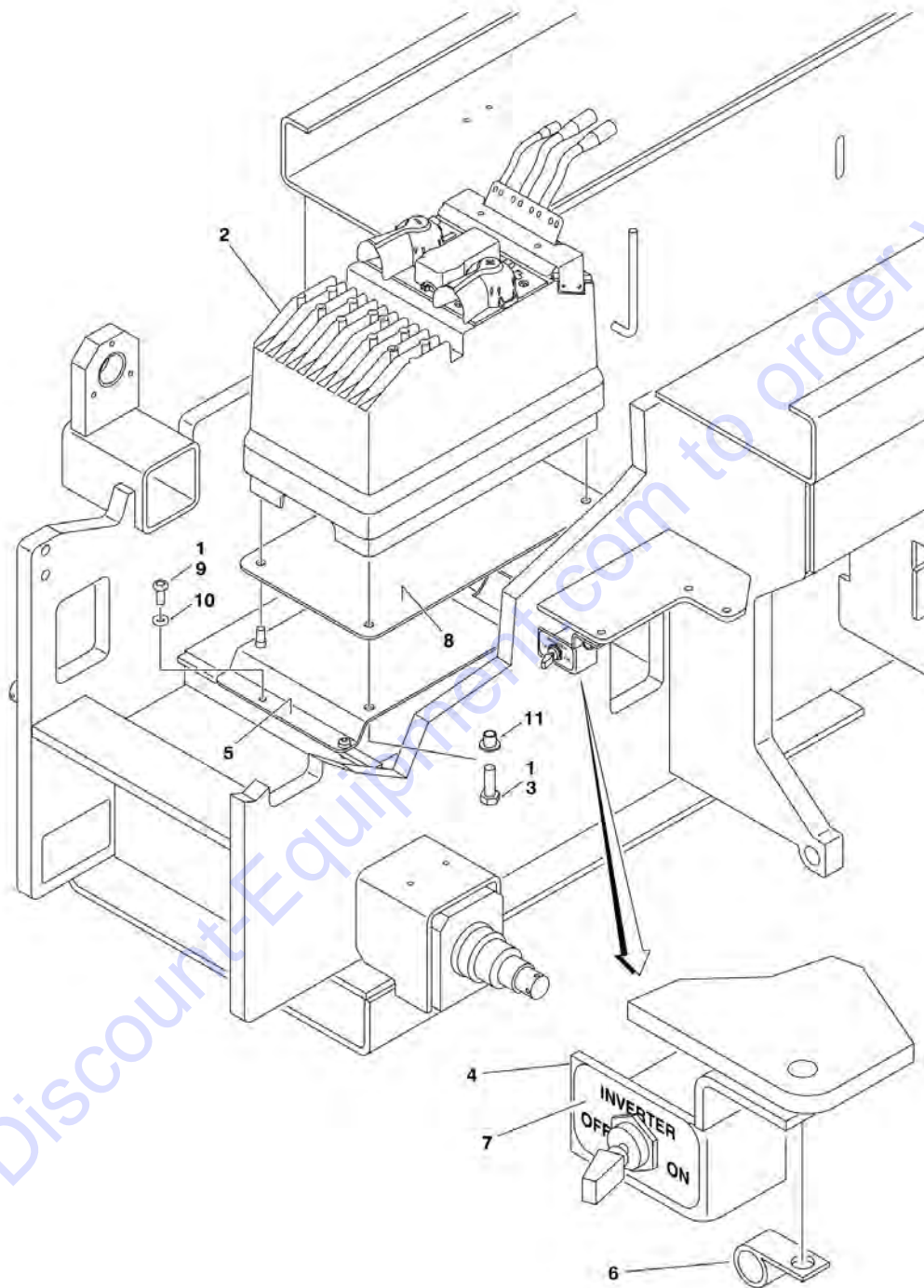
SECTION 1 - FRAME

ITEM	PART NUMBER	QTY	DESCRIPTION	REV
201	4461199	Ref	Receptacle, IEC Blue	
201	0275665	Ref	AFSINT 107 Keyed Ground Receptacle Installation	A
201	4461249	Ref	Receptacle, AFSINT 107 Keyed Ground	
201	0275663	Ref	CEE7 Post Ground Receptacle Installation	A
201	4461202	Ref	Receptacle, CEE7 Post Ground	
201	0275664	Ref	CEE7 Side Ground Receptacle Installation	A
201	4461205	Ref	Receptacle, CEE7 Side Ground	
301	1600466	NLA	BATTERY CHARGER REPROGRAM CONTROLLER KIT (Use p/n 2915230)	

Go to Discount-Equipment.com to order your parts

SECTION 1 - FRAME

FIGURE 1-9. BATTERY CHARGER WITH INVERTER ASSEMBLY AND INSTALLATION (OPTIONAL ON ANSI SPEC MACHINES)



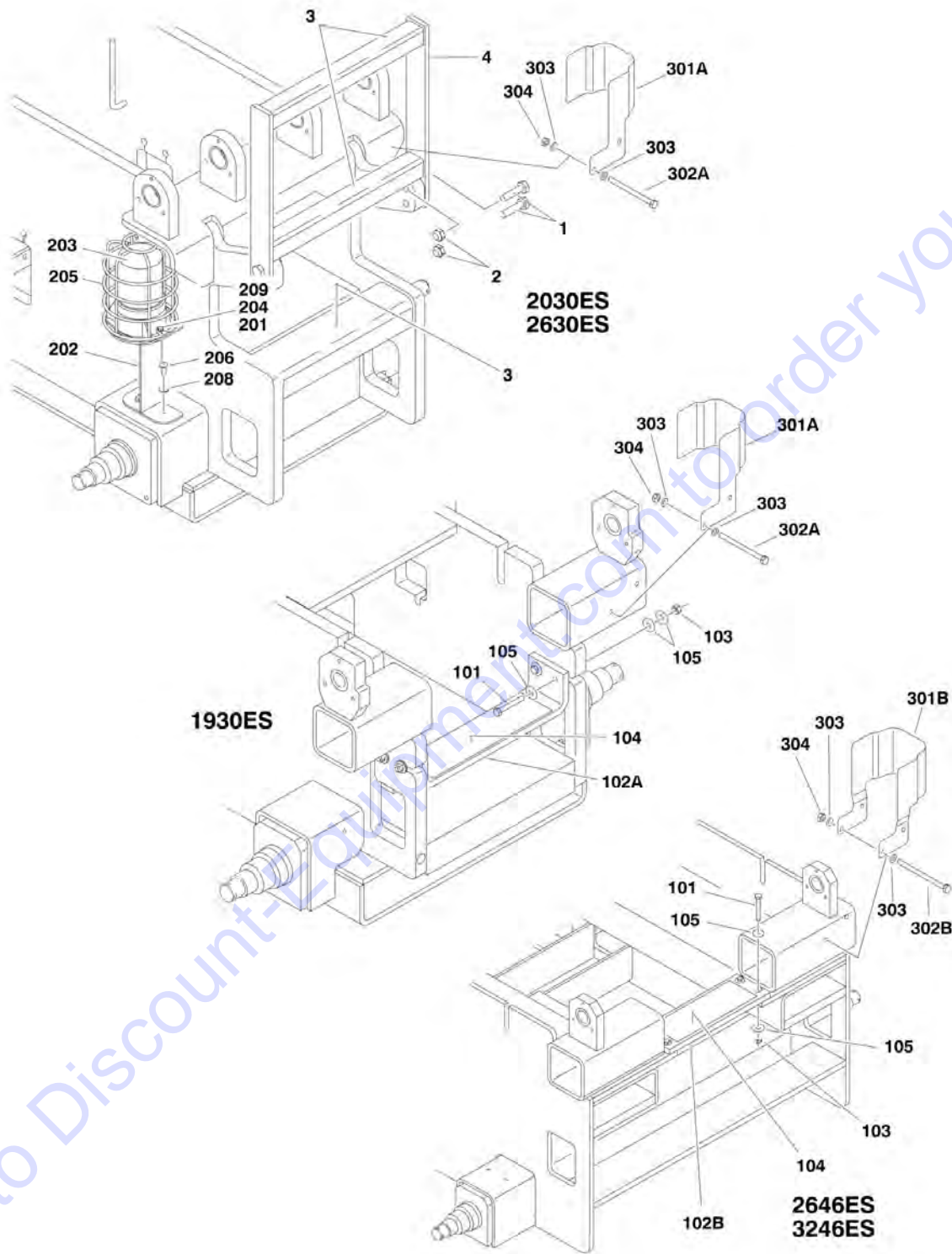
SECTION 1 - FRAME

FIGURE 1-9. BATTERY CHARGER WITH INVERTER ASSEMBLY AND INSTALLATION (OPTIONAL ON ANSI SPEC MACHINES)

ITEM	PART NUMBER	QTY	DESCRIPTION	REV
		Ref	BATTERY CHARGER ASSEMBLY	
	2902502	Ref	Battery Charger Assembly 1930ES USA Built Machines (SN 0200135154 through 0200150265)	A
	0275103	Ref	Battery Charger Assembly 1930ES USA Built Machines (SN 0200150266 through 0200152825)	C
	0275104	Ref	Battery Charger Assembly 2030ES/2630ES	B
	0275105	Ref	Battery Charger Assembly 2646ES/3246ES	B
1	0100011	AR	Compound, Locking	
2	0400237	NLA	Charger/Inverter Assembly (Use p/n 1001093839)	
3		Ref	Hardware Options:	
3	0760812	4	Bolt M8 x 25mm	
3	0760814	4	Bolt M8 x 30mm	
3	3290805	4	Nut M8	
4	0902780	1	Bracket, Mounting (Remote Switch)	
5		Ref	Bracket, Mounting (Charger/Inverter) Options:	
5		Ref	Bracket, Mounting 1930ES	
5	0903410	1	USA Built Machines (SN 0200135154 through 0200150265)	
5	0903444	1	USA Built Machines (SN 0200150266 through 0200152825)	
5	0903319	1	Bracket, Mounting 2030ES/2630ES/2646ES/3246ES	
6	1320043	1	Clamp	
7	1705052	1	Decal - On/Off	
8	2820239	1	Insulation, Charger Mounting	
9		Ref	Screw M6 Options:	
9	4191706	AR	12mm Length	
9	4191707	AR	16mm Length	
10	4811700	2	Flatwasher M6	
11	4740562	4	Washer, Special	
18	1706749	1	Decal - Inverter (Not Shown - Located on Frame Near Inverter)	
19		Ref	Decal - Hazardous Voltage Options (Not Shown - Located on Platform Near AC Box)	
19	1706765	1	English Language	
19	1001136847	1	Spanish Language	

SECTION 1 - FRAME

FIGURE 1-10. LADDERS, BEACON LIGHT AND ROTARY SENSOR COVER INSTALLATION



SECTION 1 - FRAME

FIGURE 1-10. LADDERS, BEACON LIGHT AND ROTARY SENSOR COVER INSTALLATION

ITEM	PART NUMBER	QTY	DESCRIPTION	REV
		Ref	LADDER INSTALLATIONS	
	0272887	Ref	Ladder Installations 2030ES	B
	0272888	Ref	Ladder Installations 2630ES	B
1	0701016	4	Bolt M10 x 40mm	
2	3291005	4	Locknut M10	
3	4420070	3	Tape, Anti-Skid	
4		Ref	Ladder Options:	
4	4846812	1	Ladder Options 2030ES	
4	4846813	1	Ladder Options 2630ES	
		Ref	LADDER INSTALLATIONS	
	0275120	Ref	Ladder Installation 1930ES USA Built Machines (SN 0200150266 through 0200152825)	C
	0275120	Ref	Ladder Installation 1930ES Belgium Built Machines (SN 1200007882 through 1200008481)	C
	0275212	Ref	Ladder Installation 2646ES/3246ES USA Built Machines (SN 0200151606 through 0200152825)	C
	0275212	Ref	Ladder Installation 2646ES/3246ES Belgium Built Machines (SN 1200008265 through 1200008481)	C
101		Ref	Bolt M6 Options:	
101	0700615	4	35mm Length	
101	0700617	4	45mm Length	
102		Ref	Ladder Options:	
102A	2930005	1	Ladder Options 1930ES	
102B	3576349	1	Ladder Options 2646ES/3246ES	
103		Ref	Locknut Options:	
103	3290605	4	Locknut Options 1930ES	
103	3290607	4	Locknut Options 2646ES/3246ES	
104	4420080	1	Tape, Anti-Skid	
105	4751400	AR	Flatwasher 1/4in Wide	
		Ref	BEACON LIGHT INSTALLATIONS	
	0272309	Ref	Beacon Light Installations 1930ES (Not Shown)	D
	0274012	Ref	Beacon Light Installations 2030ES/2630ES	B
	0272980	Ref	Beacon Light Installations 2646ES/3246ES	D
201	0760410	2	Bolt M4 x 20mm	
202		Ref	Bracket Options:	
202	0902905	1	Bracket 1930ES	
202	0903086	1	Bracket 2030ES/2630ES	
202	0902906	1	Bracket 2646ES/3246ES	
203	2920161	1	Light, Beacon	
203	7016319	1	Bulb, Replacement	
203	7016372	1	Len, Replacement	
204	3290405	2	Locknut M4	
205	4060865	1	Guard	
206	4191707	2	Screw M6 x 16mm	
208	4811700	AR	Flatwasher M6	
209	4750800	2	Flatwasher #8 (Wide)	
		Ref	ROTARY ANGLE SENSOR COVER KIT	
		Ref	Note: This kit is an optional Aftermarket add-on for USA Built Machines SN 0200135154 through 0200152825 Only and Belgium Built Machines SN 1200004293 through 1200008481 Only. Not Available on previous SNs due to changes in frame	

SECTION 1 - FRAME

ITEM	PART NUMBER	QTY	DESCRIPTION	REV
			design. Kit also includes instructions. Parts listed below are for service.	
	1001105108	Ref	Rotary Angle Sensor Cover Kit 1930ES/2030ES/2630ES	
	1001105109	Ref	Rotary Angle Sensor Cover Kit 2646ES/3246ES	
301		Ref	Cover Options:	
301A	1001103029	1	Cover for 1930ES/2030ES/2630ES	
301B	1001103030	1	Cover for 2646ES/3246ES	
302		Ref	Bolt M6 Options:	
302A	0760610	2	Bolt 20mm Length for 1930ES/2030ES/2630ES	
302B	0760612	2	Bolt 25mm Length for 2646ES/3246ES	
303	4811700	4	Flatwasher 6mm	
304	3290605	2	Locknut M6	

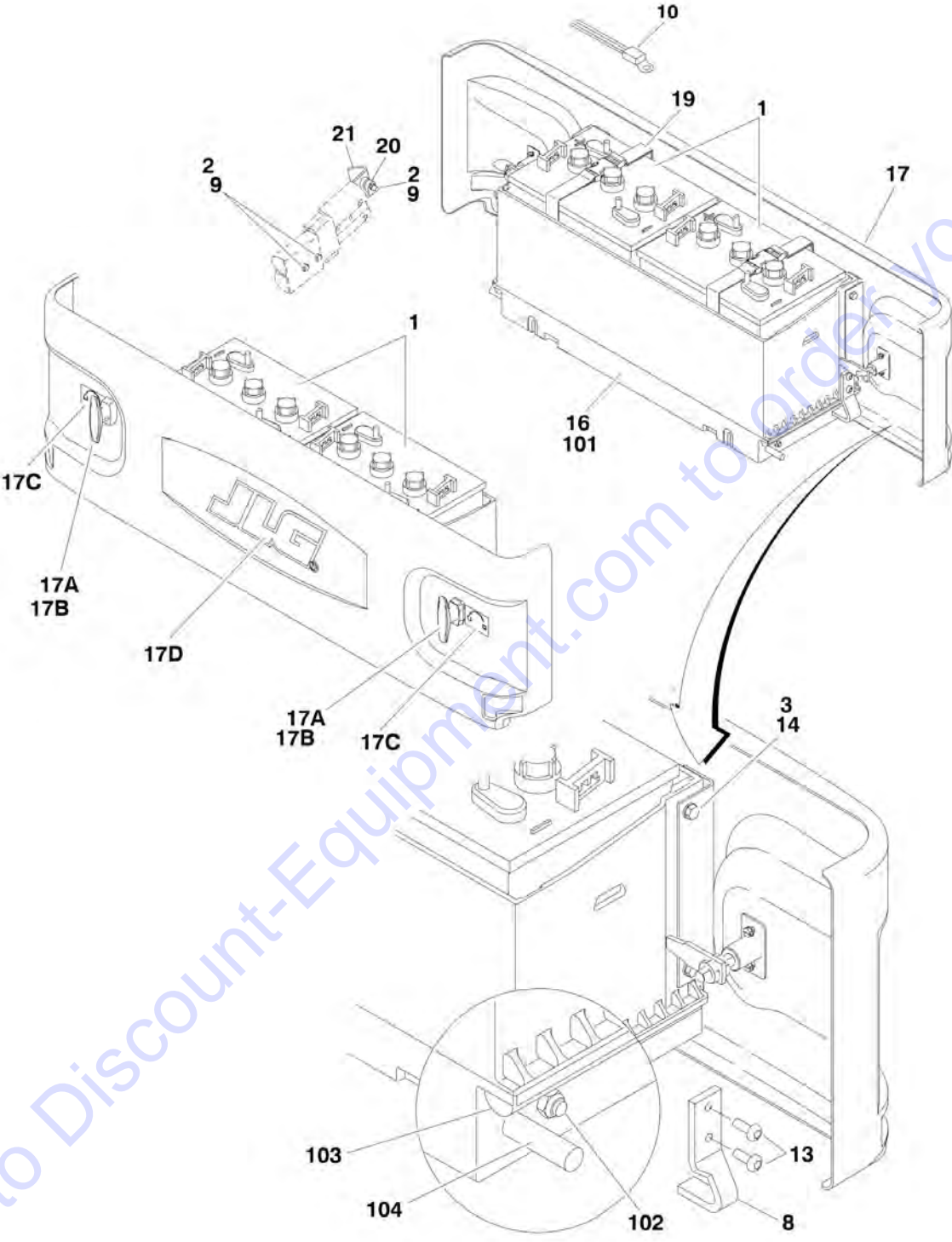
Go to Discount-Equipment.com to order your parts

SECTION 2 - GROUND COMPONENTS

Go to Discount-Equipment.com to order your parts

SECTION 2 - GROUND COMPONENTS

FIGURE 2-1. BATTERIES AND COVERS INSTALLATION



SECTION 2 - GROUND COMPONENTS

FIGURE 2-1. BATTERIES AND COVERS INSTALLATION

ITEM	PART NUMBER	QTY	DESCRIPTION	REV
		Ref	BATTERIES AND COVERS INSTALLATION	
		Ref	GC Type with 225 AH Rating Batteries:	
		Ref	Batteries and Covers Installation, 1930ES with Standard Covers	
	0272719	Ref	USA Built Machines (SN 0200135154 through 0200150265)	M
	0275020	Ref	USA Built Machines (SN 0200150266 through 0200152825)	B
	0272719	Ref	Belgium Built Machines (SN 1200004293 through 1200007881)	M
	0275020	Ref	Belgium Built Machines (SN 1200007882 through 1200008481)	B
		Ref	Batteries and Covers Installation, 1930ES with Locking Covers	
	0274222	Ref	USA Built Machines (SN 0200135154 through 0200150265)	E
	0275022	Ref	USA Built Machines (SN 0200150266 through 0200152825)	B
	0274222	Ref	Belgium Built Machines (SN 1200004293 through 1200007881)	E
	0275022	Ref	Belgium Built Machines (SN 1200007882 through 1200008481)	B
		Ref	Batteries and Covers Installation, 1930ES (UL Spec) with Locking Covers	
	0274221	Ref	USA Built Machines (SN 0200135154 through 0200150265)	E
	0275021	Ref	USA Built Machine - No Belgium Built Machines (SN 0200150266 through 0200152402)	B
	0274221	Ref	Belgium Built Machines (SN 1200004293 through 1200007388)	E
	0275480	Ref	USA Built Machines (SN 0200152403 through 0200152825)	A
	0275480	Ref	Belgium Built Machines (SN 1200007389 through 1200008481)	
		Ref	Batteries and Covers Installation, 2030ES/2630ES/2646ES/3246ES with Standard Covers	
	0272827	Ref	USA Built Machines (SN 0200135154 through 0200151606)	L
	0275020	Ref	USA Built Machines (SN 0200151607 through 0200152825)	B
	0272827	Ref	Belgium Built Machines (SN 1200004293 through 1200008374)	L
	0275020	Ref	Belgium Built Machines (SN 1200008375 through 1200008481)	B
		Ref	Batteries and Covers Installation, 2030ES/2630ES/2646ES/3246ES with Locking Covers	
	0274215	Ref	USA Built Machines (SN 0200135154 through 0200151606)	D
	0275022	Ref	USA Built Machines (SN 0200151607 through 0200152825)	B
	0274215	Ref	Belgium Built Machines (SN 1200004293 through 1200008374)	
	0275022	Ref	Belgium Built Machines (SN 1200008375 through 1200008481)	B
		Ref	Batteries and Covers Installation, 2030ES/2630ES/2646ES/3246ES (UL Spec) with Locking Covers	
	0274214	Ref	USA Built Machines (SN 0200135154 through 0200151606)	D
	0275021	Ref	USA Built Machines (SN 0200151607 through 0200152825)	B
	0274214	Ref	Belgium Built Machines (SN 1200004293 through 1200008374)	D
	0275021	Ref	Belgium Built Machines (SN 1200008375 through 1200008481)	B
		Ref	EV Type with 244 AH Rating Batteries:	

PARTS FINDER

**Search Website
by Part Number**



**Search Manual
Library For Parts
Manual & Lookup Part
Numbers – Purchase
or Request Quote**

A screenshot of the "Search Manuals" form. The form is titled "Search Manuals" and includes a search bar, a "Search" button, and a "Manuals" section with a list of search results. The form is designed to help users find the manual for their equipment.

**Can't Find Part or
Manual? Request Help
by Manufacturer,
Model & Description**

A screenshot of the "Parts Order Form". The form is titled "Parts Order Form" and includes a "Manufacturer" field, a "Model" field, and a "Description" field. The form is designed to help users request help finding a part or manual.

Discount-Equipment.com is your online resource for quality parts & equipment.

Florida: **561-964-4949** Outside Florida TOLL FREE: **877-690-3101**

Need parts?

Click on this link: <http://www.discount-equipment.com/category/5443-parts/> and choose one of the options to help get the right parts and equipment you are looking for. Please have the machine model and serial number available in order to help us get you the correct parts. If you don't find the part on the website or on one of the online manuals, please fill out the request form and one of our experienced staff members will get back to you with a quote for the right part that your machine needs.

We sell worldwide for the brands: Genie, Terex, JLG, MultiQuip, Mikasa, Essick, Whiteman, Mayco, Toro Stone, Diamond Products, Generac Magnum, Airman, Haulotte, Barreto, Power Blanket, Nifty Lift, Atlas Copco, Chicago Pneumatic, Allmand, Miller Curber, Skyjack, Lull, Skytrak, Tsurumi, Husquvarna Target, Stow, Wacker, Sakai, Mi-T-M, Sullair, Basic, Dynapac, MBW, Weber, Bartell, Bennar Newman, Haulotte, Ditch Runner, Menegotti, Morrison, Contec, Buddy, Crown, Edco, Wyco, Bomag, Laymor, EZ Trench, Bil-Jax, F.S. Curtis, Gehl Pavers, Heli, Honda, ICS/PowerGrit, IHI, Partner, Imer, Clipper, MMD, Koshin, Rice, CH&E, General Equipment, Amida, Coleman, NAC, Gradall, Square Shooter, Kent, Stanley, Tamco, Toku, Hatz, Kohler, Robin, Wisconsin, Northrock, Oztec, Toker TK, Rol-Air, APT, Wylie, Ingersoll Rand / Doosan, Innovatech, Con X, Ammann, Mecalac, Makinex, Smith Surface Prep, Small Line, Wanco, Yanmar

SECTION 2 - GROUND COMPONENTS

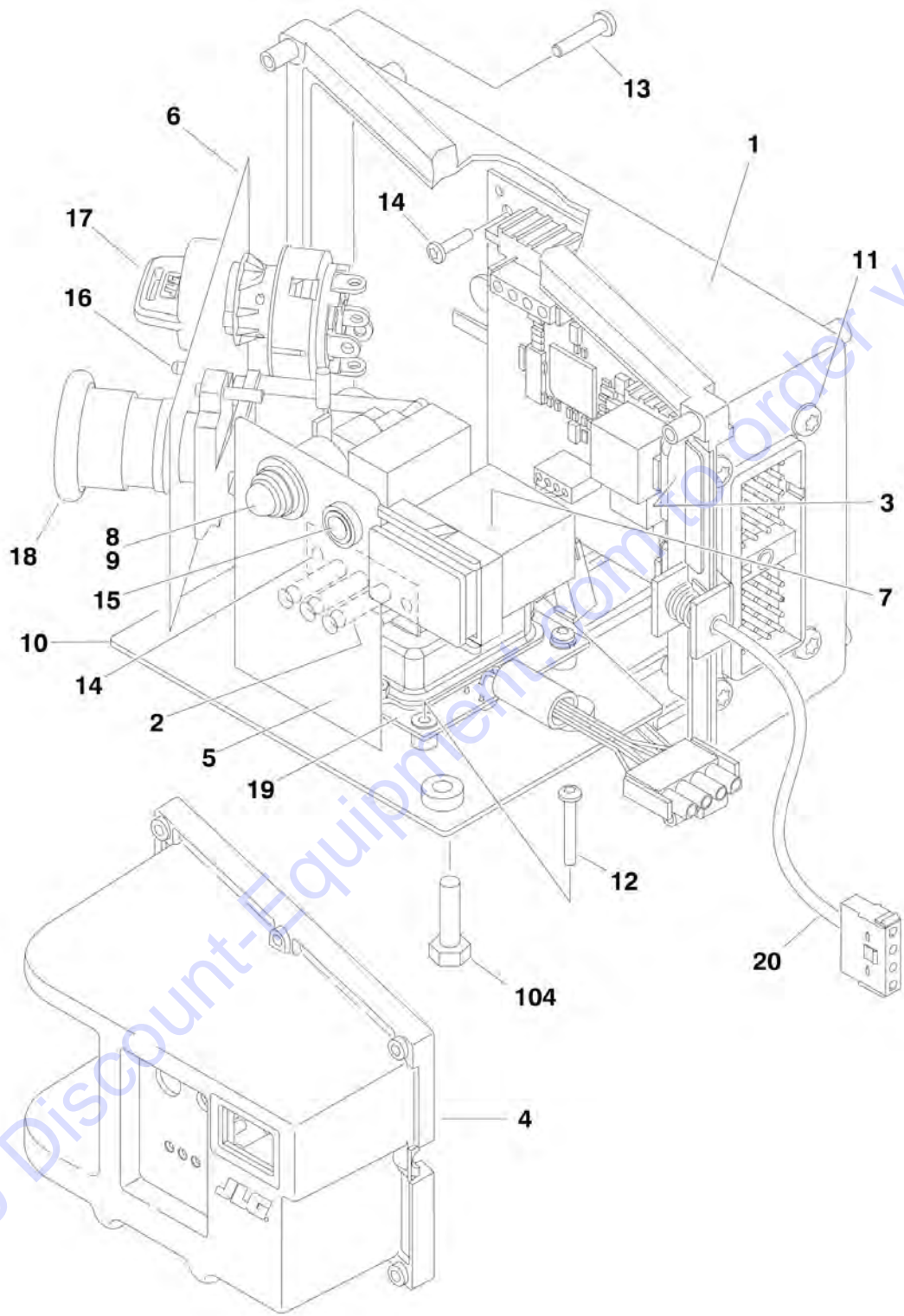
ITEM	PART NUMBER	QTY	DESCRIPTION	REV
		Ref	Batteries and Covers Installation, 2030ES/2630ES/2646ES/3246ES with Standard Covers	
	0272720	Ref	USA Built Machines (SN 0200135154 through 0200151606)	M
	0275042	Ref	USA Built Machines (SN 0200151607 through 0200152825)	C
	0272720	Ref	Belgium Built Machines (SN 1200004293 through 1200008263)	
	0275042	Ref	Belgium Built Machines (SN 1200008264 through 1200008481)	C
		Ref	Batteries and Covers Installation, 2030ES/2630ES/2646ES/3246ES with Locking Covers	
	0274217	Ref	USA Built Machines (SN 0200135154 through 0200151606)	E
	0275044	Ref	USA Built Machines (SN 0200151607 through 0200152825)	C
	0274217	Ref	Belgium Built Machines (SN 1200004293 through 1200008263)	E
	0275044	Ref	Belgium Built Machines (SN 1200008264 through 1200008481)	C
		Ref	Batteries and Covers Installation, 2030ES/2630ES/2646ES/3246ES (UL Spec) with Locking Covers	
	0274216	Ref	USA Built Machines (SN 0200135154 through 0200151606)	E
	0275043	Ref	USA Built Machines (SN 0200151607 through 0200152825)	C
	0274216	Ref	Belgium Built Machines (SN 1200004293 through 1200008263)	E
	0275043	Ref	Belgium Built Machines (SN 1200008264 through 1200008481)	C
1		Ref	Battery Options:	
1	0400215	4	GC Type with 225 AH Rating	
1	0400216	4	EV Type with 244 AH Rating (Not Available on 1930ES)	
2		Ref	Bolt M6 Options:	
2	0700615	AR	35mm Length	
2	4031713	AR	40mm Length	
3	0760610	8	Bolt M6 x 20mm	
8		Ref	Plate, Slide Stop Options:	
8	3574981		Left Side	
8	3574984		Right Side	
9	3290605	AR	Locknut M6	
10	1001127269	1	Temperature Sensor Kit (Includes Sensor, Wire Nut and Instructions)	
10	1001112113	1	Sensor, Temperature (Note: Used on machines with Battery Charger Replacement Kit p/n 1001128737 installed)	
		Ref	(Note: Used on machines with Battery Charger Replacement Kit p/n 1001128737 installed)	
13	4191707	8	Screw M6 x 16mm	
14	4811700	8	Flatwasher M6	
16		Ref	Tray Assembly Options (See Items 101-106 for Breakdown)	
16	0273698	2	USA and Belgium	
16	0861678	2	UL Spec	
17		Ref	Cover Options:	
17	1671202	2	Cover with Decals and Standard Latches	
17	1671204	2	Cover with Decals and Lockable Latches	
17	1671204	2	Cover, UL Spec with Decals and Lockable Latches	
17	1671203	1	Cover, Battery Less Decals and Latches	
		Ref	(Note: Must Purchase Decals and Latches Separately)	
17A		Ref	Latch Options (2 Per Cover)	

SECTION 2 - GROUND COMPONENTS

ITEM	PART NUMBER	QTY	DESCRIPTION	REV
17A	2940174	4	Standard	
17A	2940175	4	Locking	
17A	7027863	4	Key	
17B	4071102	NLA	Shim (2 Per Cover) (Use p/n 4750800)	
17C	1706350	2	Decal - Cover	
17D	1705754	1	Decal - JLG	
19	4240172	4	Strap, Battery (UL Spec)	
20	1321130	1	Clamp (UL Spec) (1930ES Only - USA Built Machines) (SN 0200152403 through 0200152825)	
20	1321130	1	Clamp (UL Spec) (1930ES Only - Belgium Built Machines) (SN 1200007389 through 1200008481)	
21	2560205	1	Handle, Disconnect (UL Spec) (1930ES Only - USA Built Machines) (SN 0200152403 through 0200152825)	
21	2560205	1	Handle, Disconnect (UL Spec) (1930ES Only - Belgium Built Machines) (SN 1200007389 through 1200008481)	
		Ref	TRAY ASSEMBLY OPTIONS:	
	0273698	Ref	USA and Belgium	E
	0861678	Ref	UL Spec	C
101	See Note	1	Tray, Battery (Note: Purchase Item 16)	
102	3290605	2	Locknut	
103	3340975	2	Pad, Wear (Note: Wear Pad not available separately from Tray Assembly on some applications)	
104		Ref	Stop, Battery Box Options:	
		Ref	NOTE: Requires (2) 3820032 Rivet and (1) 4811600 Washer	
104	4220208	NLA	Stop, Battery Box, LH (Use p/n 4220252)	
104	4220208	NLA	Stop, Battery Box, RH (Use p/n 4220253)	
105	3820032	AR	Rivet (Not Shown)	
106	4811600	AR	Washer (Not Shown)	

SECTION 2 - GROUND COMPONENTS

FIGURE 2-2. GROUND CONTROL ASSEMBLY AND INSTALLATION



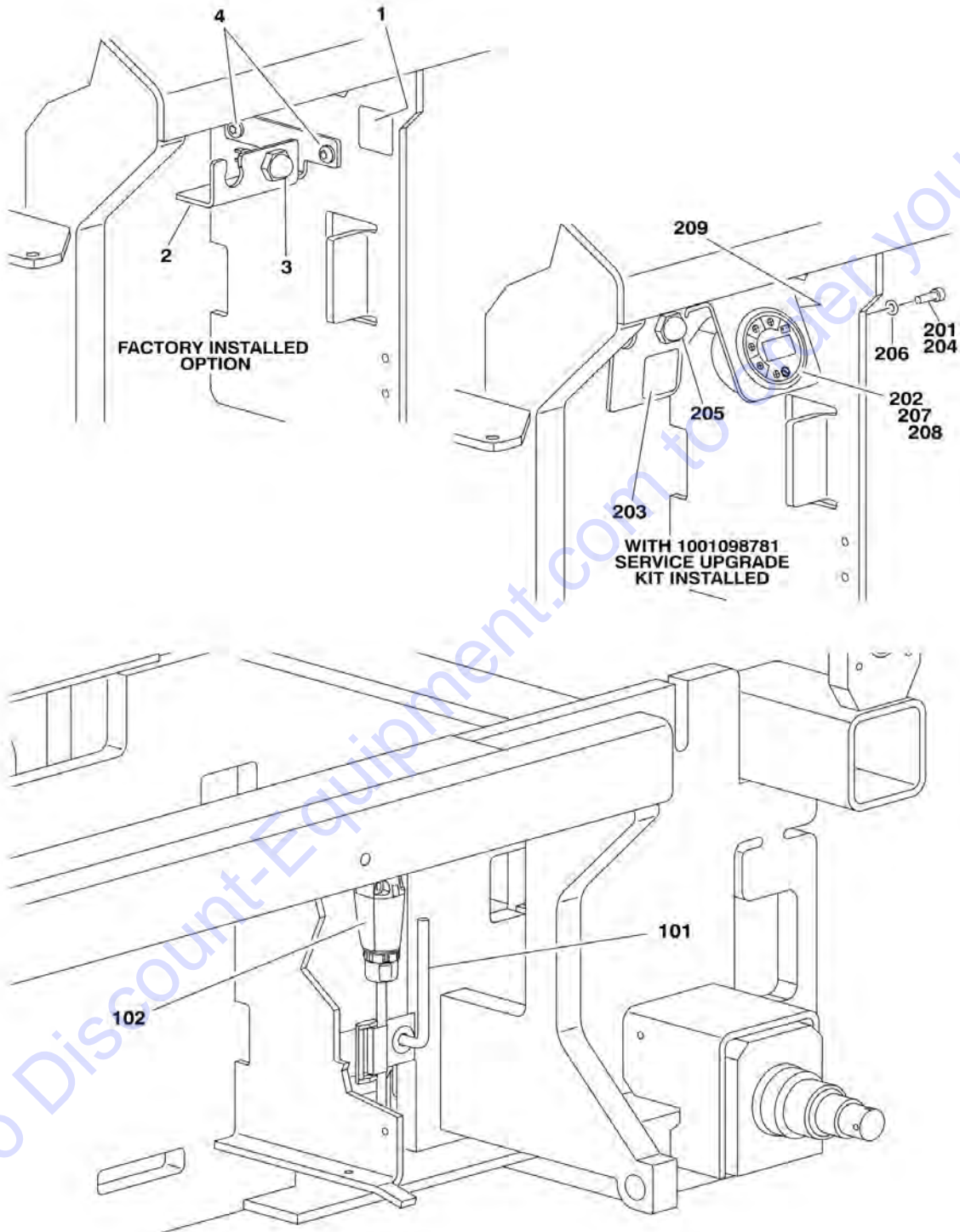
SECTION 2 - GROUND COMPONENTS

FIGURE 2-2. GROUND CONTROL ASSEMBLY AND INSTALLATION

ITEM	PART NUMBER	QTY	DESCRIPTION	REV
		Ref	GROUND CONTROL ASSEMBLY	
	0272780	Ref	ANSI and ANSI Export and UL Specs	R
	0861669	Ref	ANSI Export and Japanese Spec	H
	0273444	Ref	Australian Spec	O
	0272781	Ref	CE Spec	R
1	0380025	1	Box, Ground Control	
2	0610161	1	Board, PC (Battery Charger LED)	
3	1600419	1	Board, PC (Ground Control)	
		Ref	Note: PC Board must be recalibrated when replaced.	
3	2915039	1	Upgrade Kit (Includes Cables, Programming Instructions and CD Software) (Note: Use with p/n 1600419 PC Board. Must be Purchased Separately)	B
4	1671105	1	Cover, Front	
5		Ref	Decal - LED Options:	
5	1705696	1	ANSI/ANSI Export/Australian/UL Specs	
5	1705697	1	ANSI Export/Australian/CE/Japanese Specs	
6	1705698	1	Decal - Function	
7	2420172	1	Hourmeter	
8		Ref	Component Options:	
8	3520193	1	Plug (ANSI/ANSI Export/Australian/UL Specs)	
8	2920026	1	Lamp (ANSI Export/CE/Japanese Specs)	
9		Ref	Bulb Options:	
9	Not Required	0	ANSI/ANSI Export/Australian/UL Specs	
9	2920094	1	ANSI Export/CE/Japanese Specs	
10	4340739	1	Plate, Mounting	
11	3900336	4	Screw, Torx #10-32NF x 1/2in	
12	3900356	4	Screw, Torx M3.5 x 16mm	
13	3900338	6	Screw, Torx M4 x 20mm	
14	3900339	5	Screw, Plastite #6 x 1/2in	
15	4360069	1	Breaker, Circuit - 10 Amp	
16	4360328	1	Switch, Toggle	
17		Ref	Keyswitch Options:	
17	4360469	1	ANSI/ANSI Export/Japanese/UL Spec	
17	4360470	1	Australian/CE Specs	
17	2860030	1	Key, Replacement (Fits All Specs)	
18	4360475	1	Switch, Emergency Stop	
18	7020175	1	Cap	
18	7020176	1	Block, Contact	
19	4000006	NLA	Module, Tilt (Use p/n 1810140)	
20	4922865	1	Harness, Control Box (See ELECTRICAL SECTION for Breakdown)	
		Ref	GROUND CONTROL BOX INSTALLATION	
	0272810	Ref	ANSI and ANSI Export and UL Specs	F
	0273966	Ref	ANSI Export and Japanese Specs	C
	0273443	Ref	Australian Spec	D
	0272811	Ref	CE Spec	F
104	0700615	3	Bolt M6 x 35mm	
	0272878	Ref	Anti-vandalism Package Installation (Not Shown)	A
	1671124	1	Cover, Lockable Ground Control Box	

SECTION 2 - GROUND COMPONENTS

FIGURE 2-3. BRAKE DISCONNECT/RELEASE AND MDI (MULTIFUNCTION DIGITAL INDICATOR) GAUGE INSTALLATIONS (OPTIONAL)



SECTION 2 - GROUND COMPONENTS

FIGURE 2-3. BRAKE DISCONNECT/RELEASE AND MDI (MULTIFUNCTION DIGITAL INDICATOR) GAUGE INSTALLATIONS (OPTIONAL)

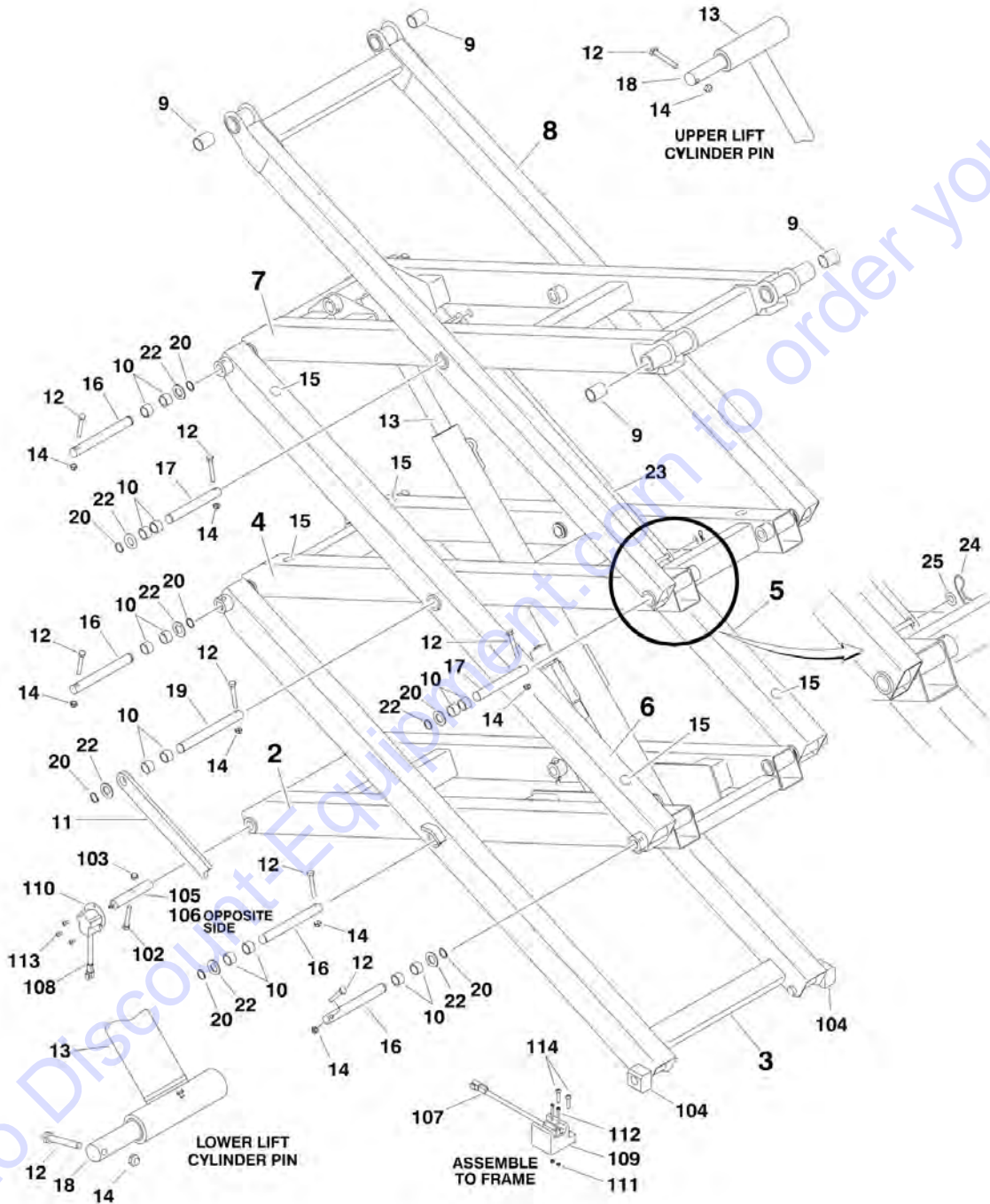
ITEM	PART NUMBER	QTY	DESCRIPTION	REV
		Ref	NOTE: Items 1-4 or 101 and 102 were factory installed options for machines with these S/Ns. Machines may be upgraded to include an MDI (Multifunction Digital Indicator) Gauge by installing p/n 1001098781 (Items 201- 210).	
	0275603	Ref	BRAKE RELEASE SWITCH INSTALLATION	A
1	1706679	1	Decal - Brake Release	
2	0903598	1	Bracket	
3	4360387	1	Switch, Push Button	
4	4191706	2	Screw M6 x 12mm	
	0275432	Ref	BRAKE RELEASE ONLY INSTALLATION	A
101	2902331	1	Mount and Screw Kit	
102	4922944	1	Bracket Disconnect/Release Switch Assembly (See ELECTRICAL SECTION for Breakdown as Design May Vary)	
	1001098781	Ref	MDI (MULTIFUNCTION DIGITAL INDICATOR) GAUGE AND BRAKE RELEASE SERVICE UPGRADE KIT	A
201	0100011	AR	Compound, Locking	
202	0100048	AR	Grease, Dielectric	
203	1706679	1	Decal - Brake Release	
204	4031607	2	Capscrew M5 x 16mm	
205	4360387	1	Switch, Push Button	
206	4811600	2	Flatwasher M5	
207	1001092454	1	Gauge, MDI (Multifunction Digital Indicator)	
208	1001093556	1	MDI Harness (Not Shown - See ELECTRICAL SECTION for Breakdown)	
209	1001094203	1	Bracket	
210	1001094359	1	Decal - Troubleshooting (Not Shown - Located on Platform Placard Plate)	

SECTION 3 - SCISSOR ARMS

Go to Discount-Equipment.com to order your parts

SECTION 3 - SCISSOR ARMS

FIGURE 3-1. SCISSOR ARMS INSTALLATION - 1930ES (USA BUILT MACHINES AND BELGIUM BUILT MACHINES) (SN 0200135154 through 0200150265, SN 1200004293 through 1200007881)



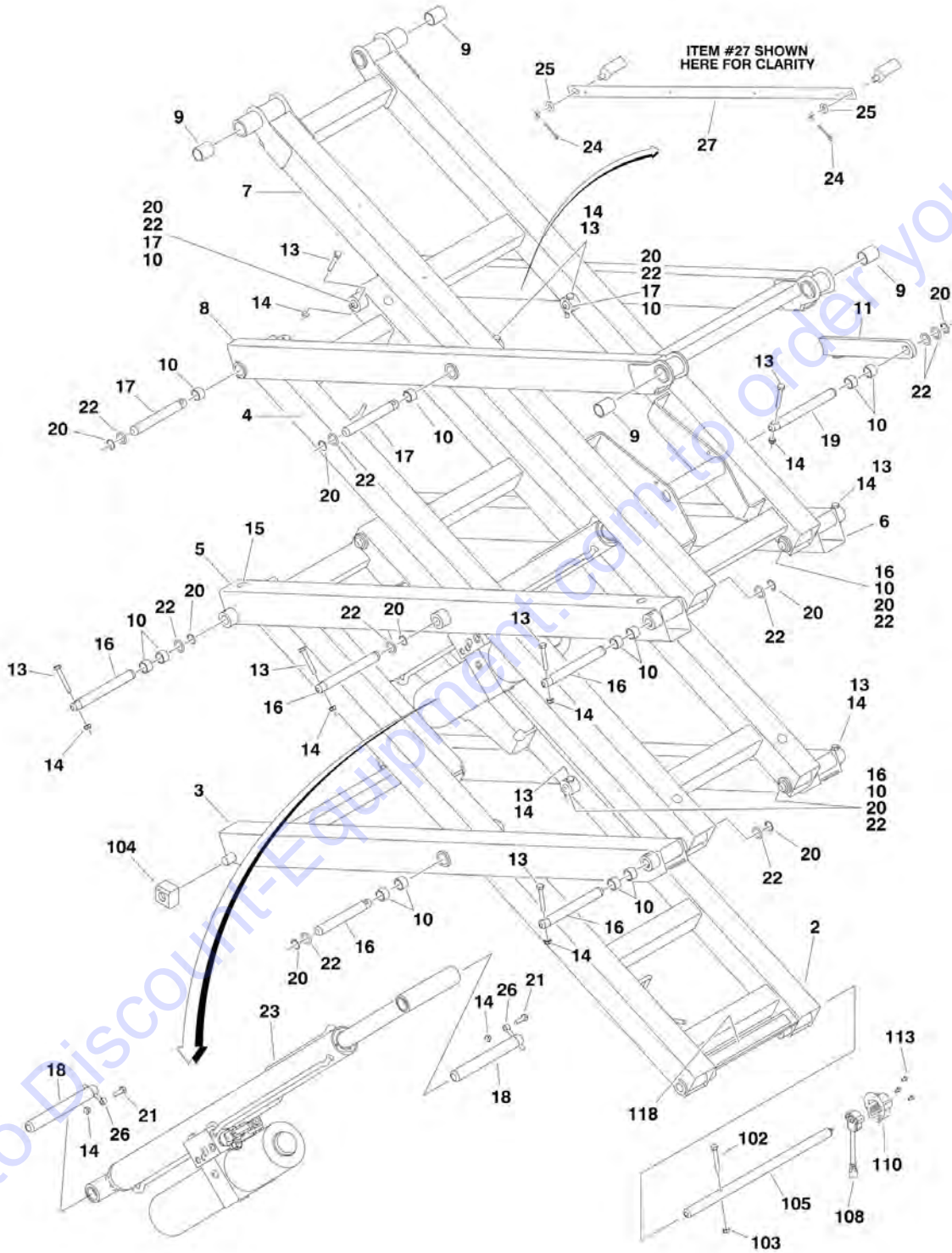
SECTION 3 - SCISSOR ARMS

FIGURE 3-1. SCISSOR ARMS INSTALLATION - 1930ES (USA BUILT MACHINES AND BELGIUM BUILT MACHINES) (SN 0200135154 through 0200150265, SN 1200004293 through 1200007881)

ITEM	PART NUMBER	QTY	DESCRIPTION	REV
	0272701	Ref	SCISSOR ARMS ASSEMBLY - 1930ES	N
2	0200809	1	Arm - Lower Inboard	
3	0200810	1	Arm - Lower Outboard	
4	0200811	1	Arm - Mid Inboard	
5	0200812	1	Arm - Mid Outboard (Left Side)	
6	0200813	1	Arm - Mid Outboard (Right Side)	
7	0200814	1	Arm - Upper Inboard	
8	0200815	1	Arm - Upper Outboard	
9	0440266	4	Bearing	
10	0440264	28	Bearing	
11	3574159	1	Prop, Safety	
12	0701022	16	Bolt M10 x 70mm	
13	1684265	1	Lift Cylinder Assembly (See CYLINDER SECTION for Breakdown)	
14	3291005	16	Locknut M10	
15	3340962	16	Pad	
16	3423031	9	Pin	
17	3423032	4	Pin	
18	3423038	2	Pin	
19	3423042	1	Pin	
20	3760115	14	Ring, Retaining	
22	4740531	15	Washer, Special	
23	1180396	1	Carrier, Cable	
24	3420156	2	Pin, Cotter	
25	4812000	2	Flatwasher M10	
	2902242	1	Arms Kit - 1930ES (Includes Items 2-11 & 23)	P
	0272735	Ref	SCISSOR ARMS INSTALLATIONS - 1930ES	H
102	0701020	2	Bolt M10 x 60mm	
103	3291005	2	Locknut M10	
104	3340964	2	Pad, Slide	
105	3423030	1	Pin, Sensor	
106	3423033	1	Pin	
107	4360502	1	Switch, Proximity Sensor	
108	4360526	NLA	Switch, Rotary Angle Sensor (Use p/n 1001092354)	
109	3200453	1	Mount, Switch	
110	3200454	1	Mount, Switch	
111	3300474	2	Locknut M4	
112	3900334	2	Screw M4	
113	4191708	3	Screw M6 x 12mm	
114	4191709	2	Screw M6 x 25mm	
115	1061036	1	Cable, Manual Descent (Not Shown)	
115	7020218	1	T-Handle (With 1/4in-20 Threads)	
115	70001878	1	T-Handle (With 5mm Threads)	
116	3321402	1	Jam Nut 1/4in-28NF (Not Shown)	
117	4160078	1	Spring, Compression (Not Shown)	
118	4420070	2	Tape, Anti-Skid (Not Shown)	

SECTION 3 - SCISSOR ARMS

FIGURE 3-2. SCISSOR ARMS INSTALLATION - 1930ES (USA BUILT MACHINES AND BELGIUM BUILT MACHINES) (SN 0200150266 through 0200152825, SN 1200007882 through 1200008481)



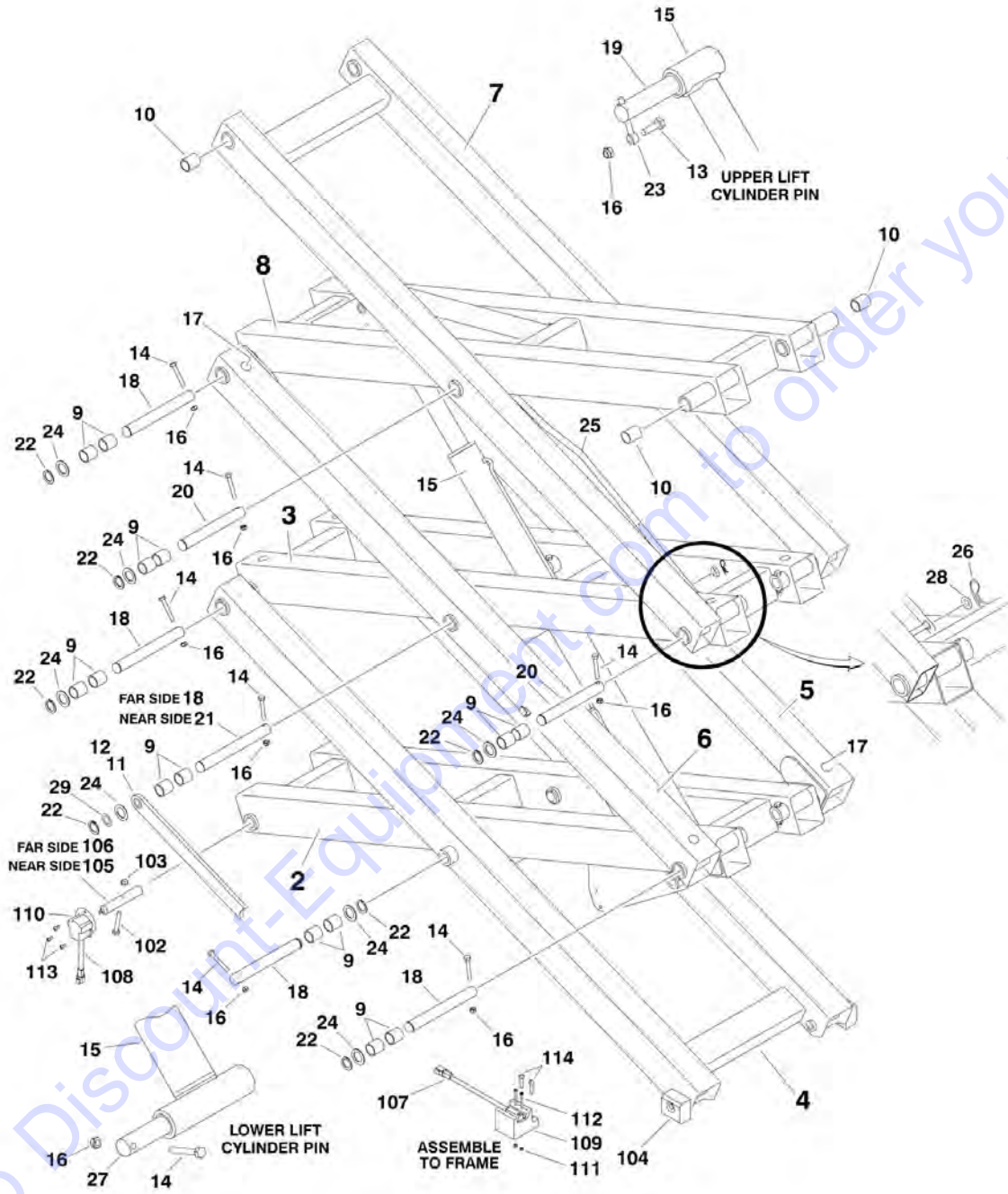
SECTION 3 - SCISSOR ARMS

FIGURE 3-2. SCISSOR ARMS INSTALLATION - 1930ES (USA BUILT MACHINES AND BELGIUM BUILT MACHINES) (SN 0200150266 through 0200152825, SN 1200007882 through 1200008481)

ITEM	PART NUMBER	QTY	DESCRIPTION	REV
		Ref	SCISSOR ARMS ASSEMBLY - 1930ES	
	0274841	Ref	Machines with Standard Hydraulic Oil	B
	0200838	Ref	Machines with Biodegradable Hydraulic Oil	A
2	0200825	1	Arm - Lower Inboard	
3	0200810	1	Arm - Lower Outboard	
4	0200824	1	Arm - Mid Inboard	
5	0200823	1	Arm - Mid Outboard (Left Side)	
6	0200822	1	Arm - Mid Outboard (Right Side)	
7	0200821	1	Arm - Upper Inboard	
8	0200815	1	Arm - Upper Outboard	
9	0440266	4	Bearing	
10	0440264	28	Bearing	
11	3574159	1	Prop, Safety	
13	0701022	14	Bolt M10 x 70mm	
14	3291005	16	Locknut M10	
15	3340962	16	Pad	
16	3423031	9	Pin	
17	3423032	4	Pin	
18	3423038	2	Pin	
19	3423042	1	Pin	
20	3760115	14	Ring, Retaining	
21	0761014	2	Bolt M10 x 30mm	
22	4740531	15	Washer, Special	
23		Ref	Lift Cylinder Assembly Options (See CYLINDER SECTION for Breakdown)	
23	1684484	1	Machines with Standard Hydraulic Oil	
23	1684526	1	Machines with Biodegradable Hydraulic Oil	
24	3450303	2	Pin, Cotter 3/32in x 3/4in	
25	4812000	2	Flatwasher M10	
26	3841143	2	Keeper, Pin	
27	3576093	1	Bar, Cable Carrier	
	2902455	1	Arms Kit - 1930ES (Includes Items 2-11)	E
		Ref	SCISSOR ARMS INSTALLATIONS - 1930ES	
	0274874	Ref	Machines with Standard Hydraulic Oil	C
	0275692	Ref	Machines with Biodegradable Hydraulic Oil	A
102	0701022	1	Bolt M10 x 70mm	
103	3291005	1	Locknut M10	
104	3340964	2	Pad, Slide	
105	3423239	1	Pin, Sensor	
108	4360526	NLA	Switch, Rotary Angle Sensor (Use p/n 1001092354)	
110	3200454	1	Mount, Switch	
113	4191706	3	Screw M6 x 12mm	
115	1061036	1	Cable, Manual Descent (Not Shown)	
115	7020218	1	T-Handle (With 1/4in-20 Threads)	
115	70001878	1	T-Handle (With 5mm Threads)	
116	3321402	1	Jam Nut (Not Shown)	
117	4160078	1	Spring, Compression (Not Shown)	
118	4420070	1	Tape, Anti-Skid	

SECTION 3 - SCISSOR ARMS

FIGURE 3-3. SCISSOR ARMS INSTALLATION - 2030ES



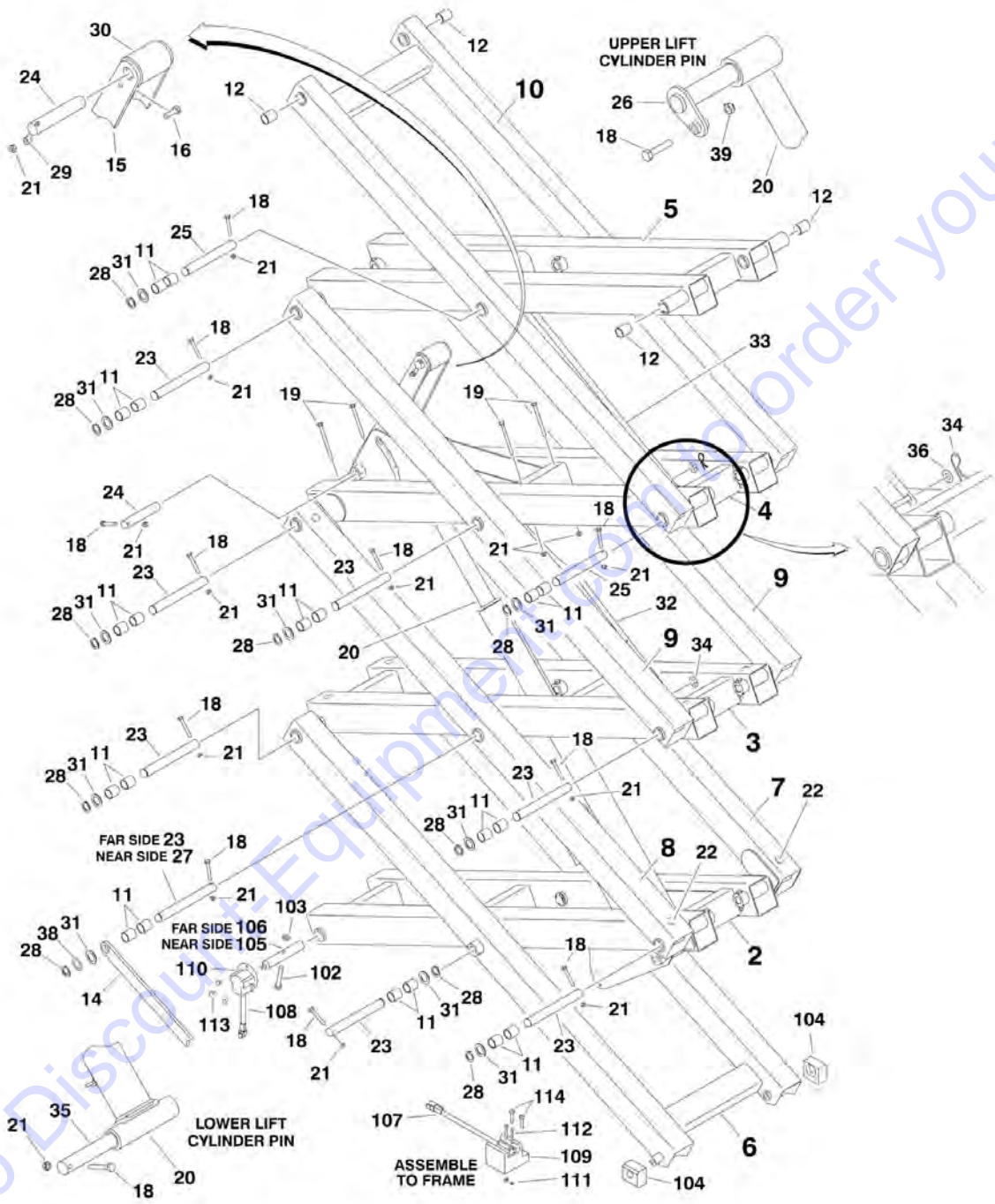
SECTION 3 - SCISSOR ARMS

FIGURE 3-3. SCISSOR ARMS INSTALLATION - 2030ES

ITEM	PART NUMBER	QTY	DESCRIPTION	REV
	0272729	Ref	SCISSOR ARMS INSTALLATIONS - 2030ES	
2	0200798	1	Arm - Lower Inboard	
3	0200799	1	Arm - Mid Inboard	
4	0200802	1	Arm - Lower Outboard	
5	0200803	1	Arm - Mid Outboard (Left Side)	
6	0200804	1	Arm - Mid Outboard (Right Side)	
7	0200807	1	Arm - Upper Outboard	
8	0200816	1	Arm - Upper Inboard	
9	0962006	28	Bearing	
10	0440267	4	Bearing	
11	0440266	1	Bearing	
12	3574161	1	Bar, Prop Attach	
13	0701015	1	Bolt M10 x 35mm	
14	0701022	15	Bolt M10 x 70mm	
15	1684258	1	Lift Cylinder Assembly (See CYLINDER SECTION for Breakdown)	
16	3291005	16	Locknut M10	
17	3340962	16	Pad, Arm	
18	3422997	9	Pin	
19	3423067	1	Pin	
20	3423036	4	Pin	
21	3423014	1	Pin	
22	3760387	14	Ring, Retaining	
23	3841143	1	Keeper, Pin	
24	4740438	14	Washer, Special	
25	1180382	1	Carrier, Cable	
26	3420156	2	Pin, Cotter	
27	3423038	1	Pin	
28	4812000	2	Flatwasher M10	
29	4071094	AR	Shim, Spacer	
	2902241	1	Scissor Arm Kit - 2030ES (Includes Items 2-10, 12 & 25)	N D
	0272730	Ref	LIMIT SWITCHES INSTALLATION	
102	0701022	2	Bolt M10 x 70mm	
103	3291005	2	Locknut M10	
104	3340957	2	Pad, Slide	
105	3423016	1	Pin	
106	3423017	1	Pin	
107	4360502	1	Switch, Proximity Sensor	
108	4360526	NLA	Switch, Rotary Angle Sensor (Use p/n 1001092354)	
109	3200453	1	Mount, Switch	
110	3200454	1	Mount, Switch	
111	3300474	2	Locknut M4	
112	3900334	2	Screw M4	
113	4191706	3	Screw M6 x 12mm	
114	4191709	2	Screw M6 x 25mm	

SECTION 3 - SCISSOR ARMS

FIGURE 3-4. SCISSOR ARMS INSTALLATION - 2630ES



SECTION 3 - SCISSOR ARMS

FIGURE 3-4. SCISSOR ARMS INSTALLATION - 2630ES

ITEM	PART NUMBER	QTY	DESCRIPTION	REV
	0272728	Ref	SCISSOR ARMS INSTALLATIONS - 2630ES	
2	0200798	1	Arm - Lower Inboard	
3	0200799	1	Arm - Lower Mid Inboard	
4	0200800	1	Arm - Upper Mid Inboard	
5	0200801	1	Arm - Upper Inboard	
6	0200802	1	Arm - Lower Outboard	
7	0200803	1	Arm - Lower Mid Outboard (Left Side)	
8	0200804	1	Arm - Lower Mid Outboard (Right Side)	
9	0200805	2	Arm - Upper Mid Outboard	
10	0200807	1	Arm - Upper Outboard	
11	0440267	42	Bearing	
12	0440266	4	Bearing	
14	3574161	1	Bar, Prop Attach	
15	4846752	1	Kicker, Arm	
16	0701015	1	Bolt M10 x 35mm	
17	0701018	1	Bolt M10 x 50mm	
18	0701022	18	Bolt M10 x 70mm	
19	0701029	4	Bolt M10 x 120mm	
20	1684302	1	Lift Cylinder Assembly (See CYLINDER SECTION for Breakdown)	
21	3291005	23	Locknut M10	
22	3340962	24	Pad, Arm	
23	3422997	15	Pin	
24	3422998	1	Pin	
25	3423036	4	Pin	
26	3423039	1	Pin	
27	3423014	1	Pin	
28	3760387	20	Ring, Retaining	
29	3841143	1	Keeper, Pin	
30	3860107	1	Roller	
31	4740438	20	Washer, Special	
32	1180382	1	Carrier, Cable	
33	1180383	1	Carrier, Cable	
34	3420156	2	Pin, Cotter	
35	3423038	1	Pin	
36	4812000	2	Flatwasher M10	
37	3423067		Pin (Not Shown)	
38	4071094	1	Shim, Spacer	
39	3291007	1	Locknut M10	
	2902240	1	Scissor Arm Kit - 2630ES (Includes Items 2-12,14,15, 32 & 33)	O
	0272608	Ref	LIMIT SWITCHES INSTALLATION	D
102	0701022	2	Bolt M10 x 70mm	
103	3291005	2	Locknut M10	
104	3340957	2	Pad, Slide	
105	3423016	1	Pin	
106	3423017	1	Pin	
107	4360502	1	Switch, Proximity Sensor	
108	4360526	NLA	Switch, Rotary Angle Sensor (Use p/n 1001092354)	
109	3200453	1	Mount, Switch	
110	3200454	1	Mount, Switch	
111	3300474	2	Locknut M4	

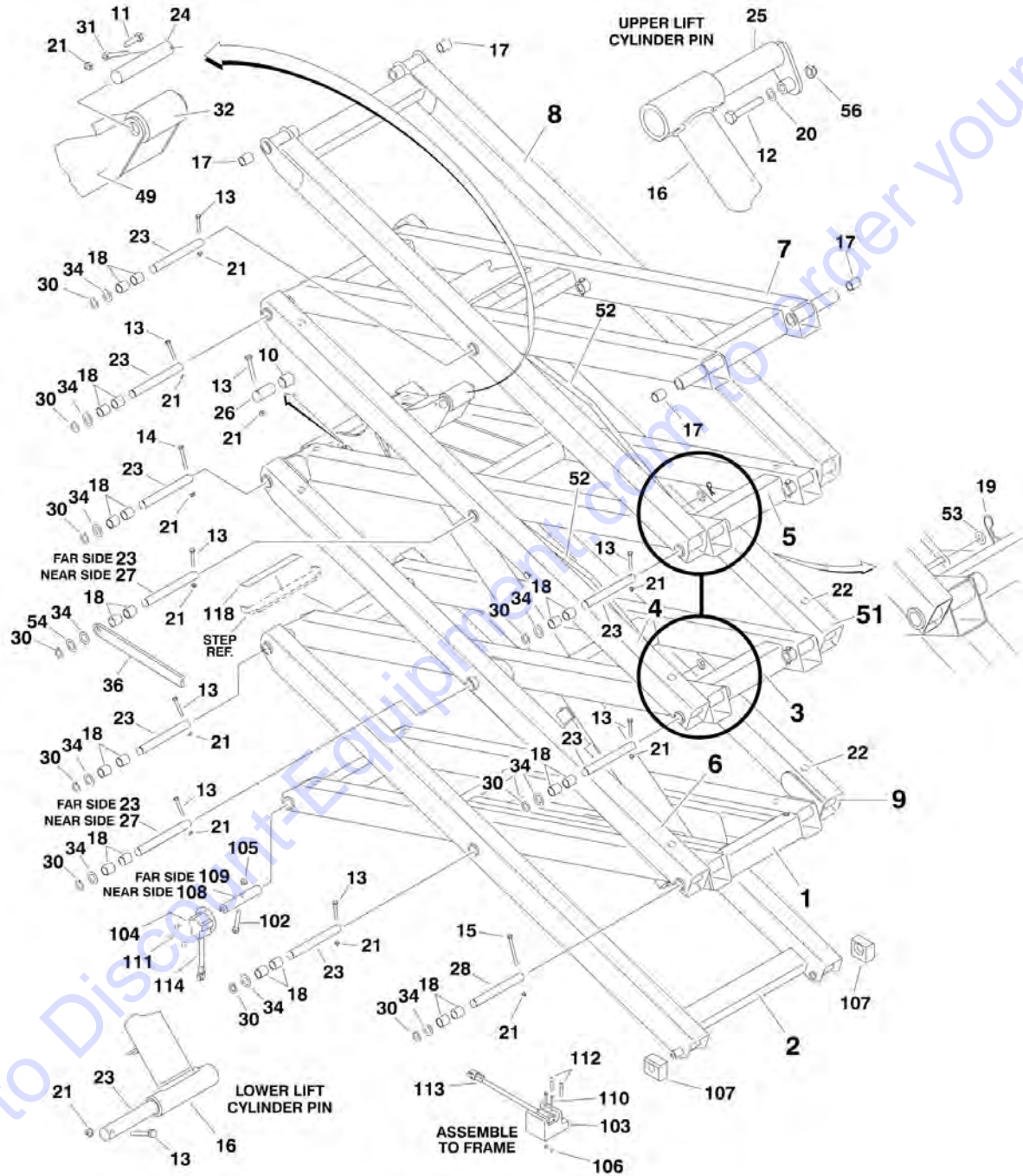
SECTION 3 - SCISSOR ARMS

ITEM	PART NUMBER	QTY	DESCRIPTION	REV
112	3900334	2	Screw M4	
113	4191706	3	Screw M6 x 12mm	
114	4191709	2	Screw M6 x 25mm	

Go to Discount-Equipment.com to order your parts

SECTION 3 - SCISSOR ARMS

FIGURE 3-5. SCISSOR ARMS INSTALLATION - 2646ES/3246ES (USA BUILT MACHINES AND BELGIUM BUILT MACHINES BUILT) (SN 0200135154 through 0200151605, SN 1200004293 through 1200008264)



SECTION 3 - SCISSOR ARMS

FIGURE 3-5. SCISSOR ARMS INSTALLATION - 2646ES/3246ES (USA BUILT MACHINES AND BELGIUM BUILT MACHINES BUILT) (SN 0200135154 through 0200151605, SN 1200004293 through 1200008264)

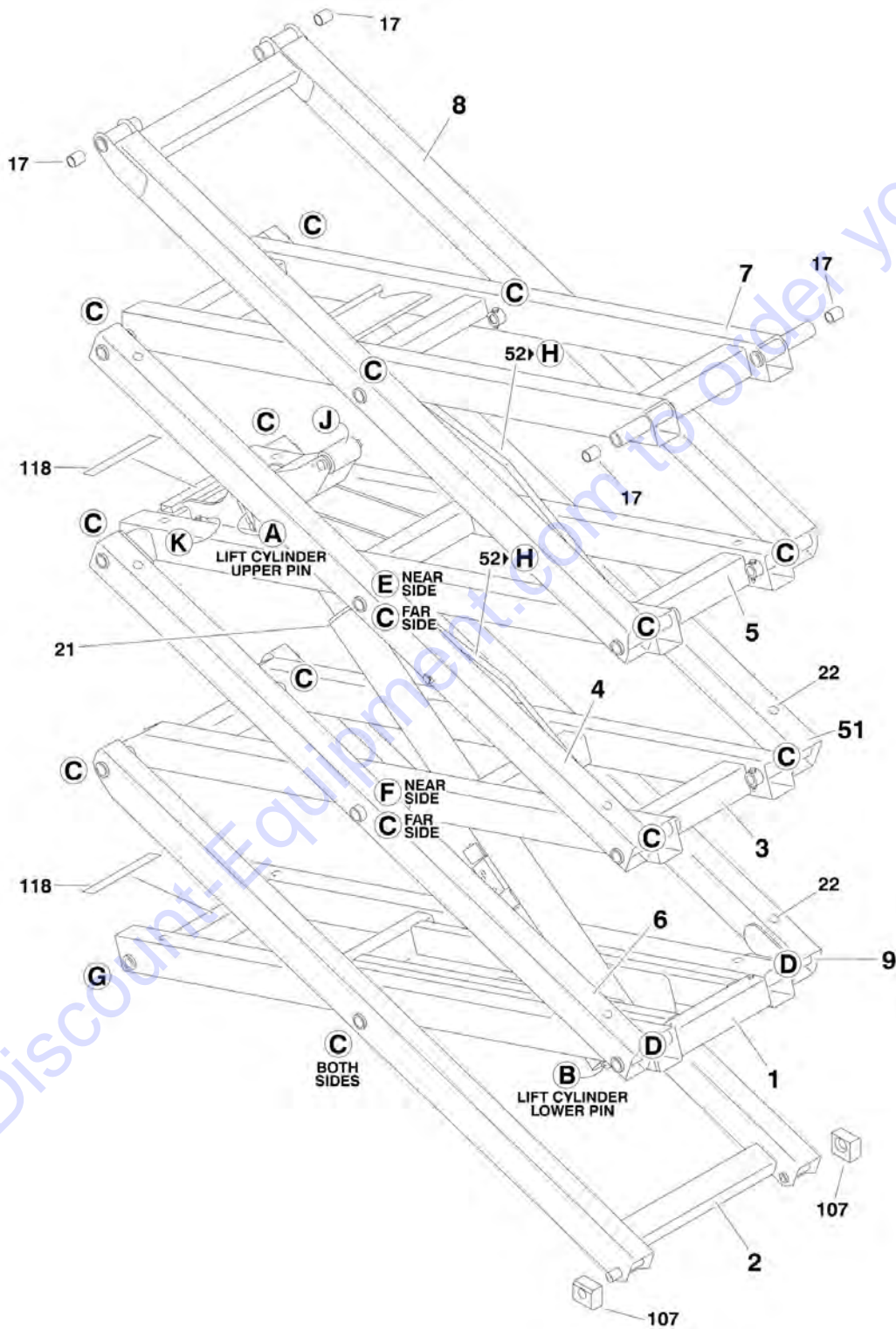
ITEM	PART NUMBER	QTY	DESCRIPTION	REV
		Ref	SCISSOR ARMS ASSEMBLIES - 2646ES/3246ES	
	0272929	Ref	Scissor Arms Assemblies (2646ES)	N
	0272928	Ref	Scissor Arms Assemblies (3246ES)	N
1	0200782	1	Arm - Lower Inboard	
2	0200783	1	Arm - Lower Outboard	
3	0200784	1	Arm - Lower Mid Inboard	
4	0200785	1	Arm - Upper Mid Outboard (Right Side)	
5	0200786	1	Arm - Upper Mid Inboard	
6	0200787	1	Arm - Lower Mid Outboard (Right Side)	
7	0200788	1	Arm - Upper Inboard	
8	0200789	1	Arm - Upper Outboard	
9	0200808	1	Arm - Lower Mid Outboard (Left Side)	
10	0440257	2	Bearing	
11	0701016	1	Bolt M10 x 40mm	
12	0701020	1	Bolt M10 x 60mm	
13	0701022	19	Bolt M10 x 70mm	
14	0701027	2	Bolt M10 x 100mm	
15	0701029	2	Bolt M10 x 120mm	
16		Ref	Lift Cylinder Assembly Options (See CYLINDER SECTION for Breakdown)	
16	1684260	1	Lift Cylinder Assembly (2646ES)	
16	1684257	1	Lift Cylinder Assembly (3246ES)	
17	0962155	4	Bearing	
18	0962006	40	Bearing	
19	3420156	4	Pin, Cotter	
20	4812000	1	Flatwasher M10 (Note: Used as a Shim when Head of p/n 3423009 Pin Rubs p/n 49 Kicker)	
21	3291005	24	Locknut M10	
22	3340962	24	Pad, Arm	
23	3422997	17	Pin	
24	3422998	1	Pin	
25	3423009	1	Pin	
26	3423011	2	Pin	
27	3423014	1	Pin	
28	3423026	2	Pin	
30	3760387	20	Ring, Retaining	
31	3841143	1	Keeper, Pin	
32	3860104	1	Roller	
34	4740438	20	Washer, Special	
36	3574161	1	Prop, Safety	
49	4846684	1	Kicker, Arm	
51	0200817	1	Arm - Upper Mid Outboard (Left Side)	
52	1180380	2	Carrier, Cable	
53	4812000	2	Flatwasher M10	
54	4071094	AR	Shim, Spacer	
55	3423170	1	Pin	
56	3291007	1	Locknut M10	
	2902236	1	Scissor Arm Kit - 2646ES/3246ES (Includes Items 1-10, 17, 18,	L

SECTION 3 - SCISSOR ARMS

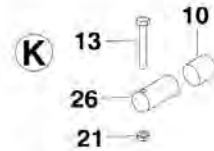
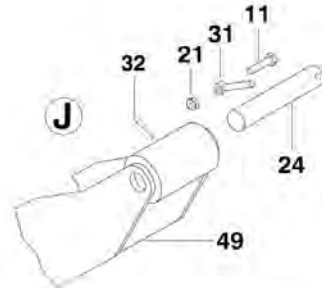
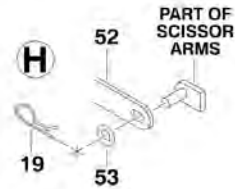
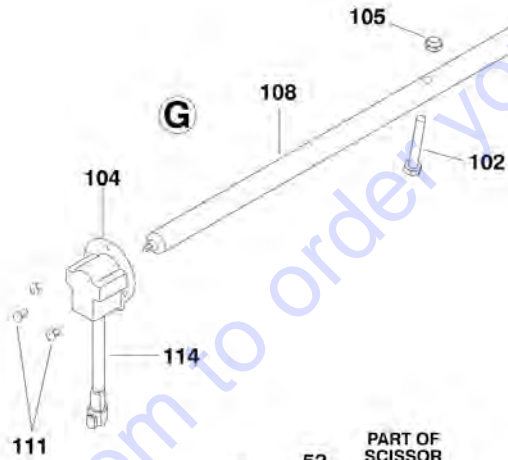
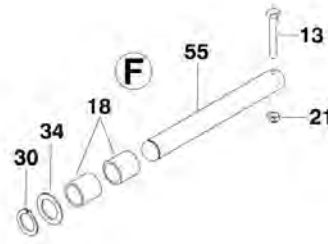
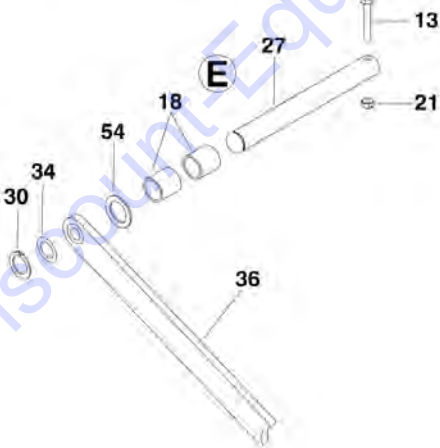
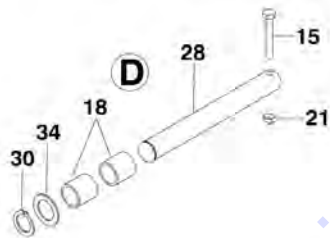
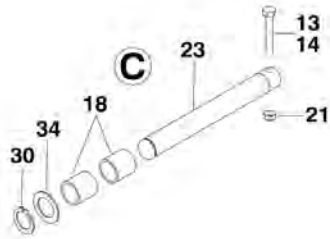
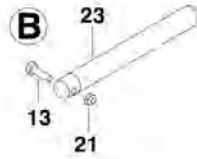
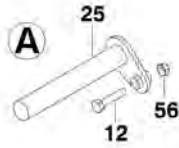
ITEM	PART NUMBER	QTY	DESCRIPTION	REV
			36, 49, 51 & 52)	
		Ref	SCISSOR ARMS INSTALLATIONS - 2646ES/3246ES	
	0272623	Ref	Scissor Arms Installations (2646ES)	D
	0272622	Ref	Scissor Arms Installations (3246ES)	D
102	0701022	2	Bolt M10 x 70mm	
103	3200453	1	Mount, Switch	
104	3200454	1	Mount, Switch	
105	3291005	2	Locknut M10	
106	3300474	2	Locknut M4	
107	3340957	2	Pad, Slide	
108	3423016	1	Pin, Sensor	
109	3423017	1	Pin	
110	3900334	2	Screw M4	
111	4191706	3	Screw M6 x 12mm	
112	4191709	2	Screw M6 x 25mm	
113	4360502	1	Switch, Proximity Sensor	
114	4360526	NLA	Switch, Rotary Angle Sensor (Use p/n 1001092354)	
118	4420070	2	Tape, Anti-Skid	

SECTION 3 - SCISSOR ARMS

FIGURE 3-6. SCISSOR ARMS INSTALLATION - 2646ES/3246ES (USA BUILT MACHINES AND BELGIUM BUILT MACHINES BUILT) (SN 0200151606 through 0200152825, SN 1200008265 through 1200008481)



SECTION 3 - SCISSOR ARMS



SECTION 3 - SCISSOR ARMS

FIGURE 3-6. SCISSOR ARMS INSTALLATION - 2646ES/3246ES (USA BUILT MACHINES AND BELGIUM BUILT MACHINES BUILT) (SN 0200151606 through 0200152825, SN 1200008265 through 1200008481)

ITEM	PART NUMBER	QTY	DESCRIPTION	REV
		Ref	SCISSOR ARMS ASSEMBLIES - 2646ES/3246ES	
	0274878	Ref	Scissor Arms Assemblies (2646ES with Standard Hydraulic Oil)	B
	0200841	Ref	Scissor Arms Assemblies (2646ES with Biodegradable Hydraulic Oil)	A
	0274880	Ref	Scissor Arms Assemblies (3246ES with Standard Hydraulic Oil)	B
	0200842	Ref	Scissor Arms Assemblies (3246ES with Biodegradable Hydraulic Oil)	A
1	0200832	1	Arm - Lower Inboard	
2	0200783	1	Arm - Lower Outboard	
3	0200831	1	Arm - Lower Mid Inboard	
4	0200830	1	Arm - Upper Mid Outboard (Right Side)	
5	0200829	1	Arm - Upper Mid Inboard	
6	0200828	1	Arm - Lower Mid Outboard (Right Side)	
7	0200827	1	Arm - Upper Inboard	
8	0200789	1	Arm - Upper Outboard	
9	0200826	1	Arm - Lower Mid Outboard (Left Side)	
10	0440257	2	Bearing	
11	0701016	1	Bolt M10 x 40mm	
12	0701020	1	Bolt M10 x 60mm	
13	0701022	19	Bolt M10 x 70mm	
14	0701027	2	Bolt M10 x 100mm	
15	0701029	2	Bolt M10 x 120mm	
16		Ref	Lift Cylinder Assembly Options (See CYLINDER SECTION for Breakdown)	
16	1684489	1	Lift Cylinder Assembly (2646ES with Standard Hydraulic Oil)	
16	1684529	1	Lift Cylinder Assembly (2646ES with Biodegradable Hydraulic Oil)	
16	1684490	1	Lift Cylinder Assembly (3246ES with Standard Hydraulic Oil)	
16	1684530	1	Lift Cylinder Assembly (3246ES with Biodegradable Hydraulic Oil)	
17	0440266	4	Bearing	
18	0440267	40	Bearing	
19	3420156	4	Pin, Cotter	
21	3291005	24	Locknut M10	
22	3340962	24	Pad, Arm	
23	3422997	17	Pin	
24	3422998	1	Pin	
25	3423009	1	Pin	
26	3423011	2	Pin	
27	3423014	1	Pin	
28	3423026	2	Pin	
30	3760387	20	Ring, Retaining	
31	3841143	1	Keeper, Pin	
32	3860104	1	Roller	
34	4740438	20	Washer, Special	
36	3574161	1	Prop, Safety	
49	4846684	1	Kicker, Arm	

SECTION 3 - SCISSOR ARMS

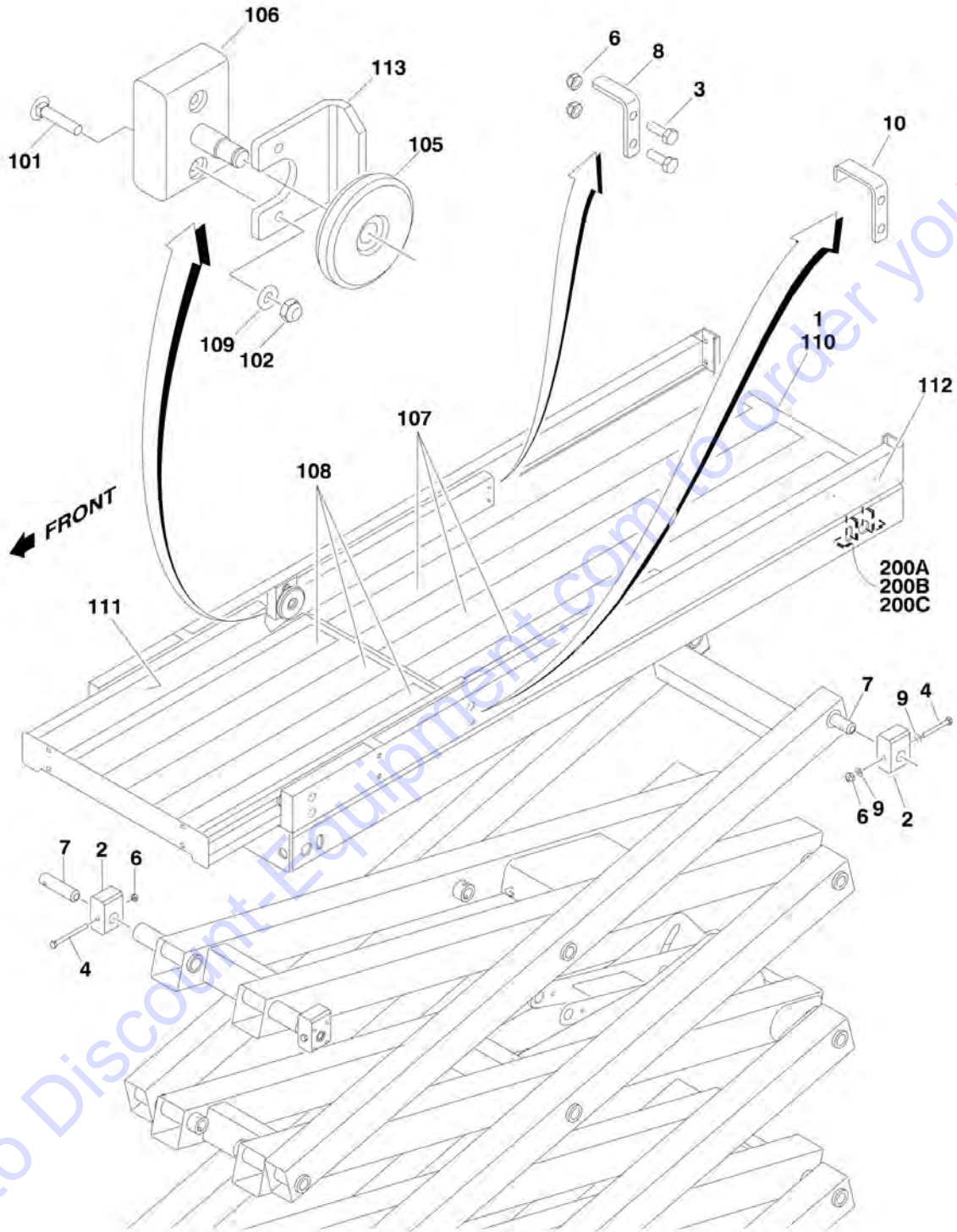
ITEM	PART NUMBER	QTY	DESCRIPTION	REV
51	0200820	1	Arm - Upper Mid Outboard (Left Side)	
52	1180380	2	Carrier, Cable	
53	4812000	4	Flatwasher M10	
54	4071094	AR	Shim, Spacer	
55	3423170	1	Pin	
56	3291007	1	Locknut M10	
	2902475	1	Scissor Arm Kit - 2646ES/3246ES (Includes Items 1-10, 17, 18, 36, 49, 51 & 52)	C
		Ref	SCISSOR ARMS INSTALLATIONS - 2646ES/3246ES	
	0274879	Ref	Scissor Arms Installations (2646ES with Standard Hydraulic Oil)	B
	0275695	Ref	Scissor Arms Installations (2646ES with Biodegradable Hydraulic Oil)	A
	0274881	Ref	Scissor Arms Installations (3246ES with Standard Hydraulic Oil)	B
	0275696	Ref	Scissor Arms Installations (3246ES with Biodegradable Hydraulic Oil)	A
102	0701022	2	Bolt M10 x 70mm	
104	3200454	1	Mount, Switch	
105	3291005	2	Locknut M10	
107	3340957	2	Pad, Slide	
108	3423255	1	Pin, Sensor	
111	4191706	3	Screw M6 x 12mm	
114	4360526	NLA	Switch, Rotary Angle Sensor (Use p/n 1001092354)	
115	1061034	1	Cable, Manual Descent (Not Shown)	
115	7020218	1	T-Handle (With 1/4in-20 Threads)	
115	70001878	1	T-Handle (With 5mm Threads)	
116	3321402	1	Nut, Jam 1/4in-28NF (Not Shown)	
117	4160078	1	Spring, Compression (Not Shown)	
118	4420070	2	Tape, Anti-Skid	

SECTION 4 - PLATFORM

Go to Discount-Equipment.com to order your parts

SECTION 4 - PLATFORM

FIGURE 4-1. PLATFORM INSTALLATION



SECTION 4 - PLATFORM

FIGURE 4-1. PLATFORM INSTALLATION

ITEM	PART NUMBER	QTY	DESCRIPTION	REV
		Ref	PLATFORM INSTALLATIONS	
		Ref	All Specs Except CE and Japanese Specs	
	0272633	Ref	Platform Installations, 1930ES USA Built Machines (SN 0200135154 through 0200150265)	F
	0274817	Ref	Platform Installations, 1930ES USA Built Machines (SN 0200150266 through 0200152825)	E
	0272633	Ref	Platform Installations, 1930ES Belgium Built Machines (Original Equipment) (SN 1200004293 through 1200007881)	
	0274817	Ref	Platform Installations, 1930ES Belgium Built Machines (Original Equipment) (SN 1200007882 through 1200008481)	E
	1001134933	Ref	Platform Installations, 1930ES (Service Replacement)	A
	0272666	Ref	Platform Installations, 2030ES/2630ES	F
	0272698	Ref	Platform Installations, 2646ES/3246ES USA Built Machines (SN 0200135154 through 0200151609)	G
	0274930	Ref	Platform Installations, 2646ES/3246ES USA Built Machines (SN 0200151610 through 0200152825)	B
	0272698	Ref	Platform Installations, 2646ES/3246ES Belgium Built Machines (SN 1200004293 through 1200008264)	G
	0274930	Ref	Platform Installations, 2646ES/3246ES Belgium Built Machines (SN 1200008265 through 1200008481)	B
		Ref	CE and Japanese Specs Only	
	0272836	Ref	Platform Installations, 1930ES USA Built Machines (SN 0200135154 through 0200150265)	M
	0275029	Ref	Platform Installations, 1930ES USA Built Machines (SN 0200150266 through 0200152825)	F
	0272836	Ref	Platform Installations, 1930ES Belgium Built Machines (SN 1200004293 through 1200007881)	M
	0275029	Ref	Platform Installations, 1930ES Belgium Built Machines (SN 1200007882 through 1200008481)	F
	0272837	Ref	Platform Installations, 2030ES/2630ES	N
	0272838	Ref	Platform Installations, 2646ES/3246ES USA Built Machines (SN 0200135154 through 0200151609)	N
	0274931	Ref	Platform Installations, 2646ES/3246ES USA Built Machines (SN 0200151610 through 0200152825)	B
	0272838	Ref	Platform Installations, 2646ES/3246ES Belgium Built Machines (SN 1200004293 through 1200008264)	N
	0274931	Ref	Platform Installations, 2646ES/3246ES Belgium Built Machines (SN 1200008265 through 1200008481)	B
		Ref	Note: All versions are available on ANSI Export Spec.	
1		Ref	Platform Assembly (See Items 101-113 for Breakdown)	
1	0272637	NLA	Platform Assembly 1930ES (Use p/n 1001134934) (SN 0200135154 through 0200150265)	
1	0274818	NLA	Platform Assembly 1930ES (Use p/n 1001134934) (SN 0200150266 through 0200152825)	
1	0272637	NLA	Platform Assembly 1930ES (Use p/n 1001134934) (SN 1200004293 through 1200007881)	
1	0274818	NLA	Platform Assembly (Use p/n 1001134934) (SN 1200007882 through 1200008441)	
1	0272661	1	Platform Assembly 2030ES/2630ES	
1		Ref	Platform Assembly 2646ES/3246ES	
1	0272696	1	USA Built Machines (SN 0200135154 through 0200151609)	
1	0274929	1	USA Built Machines (SN 0200151610 through 0200152825)	
1	0272696	1	Belgium Built Machines (SN 1200004293 through 1200008264)	

SECTION 4 - PLATFORM

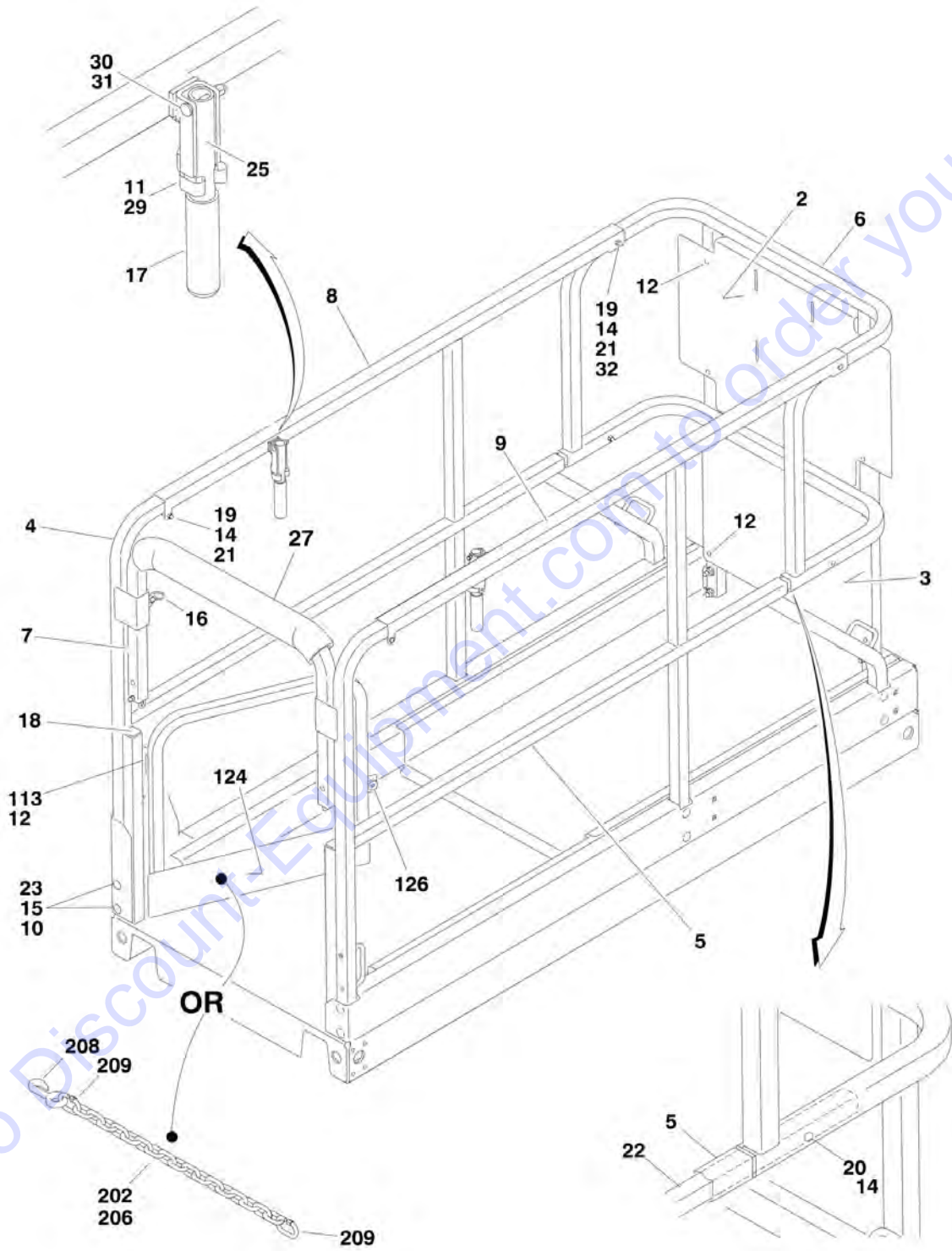
ITEM	PART NUMBER	QTY	DESCRIPTION	REV
1	0274929	1	Belgium Built Machines (SN 1200008265 through 1200008481)	
2		Ref	Block, Slide Options:	
2	3340976	2	Slide Block 1930ES (Front Block)	
2	3340965	2	Slide Block 1930ES (Rear Block)	
2	1001134951	2	Slide Block 1930ES (Spacer Sleeve Used with Rear Block) (Service Replacement Platforms Only)	
2	0561520	4	Slide Block 2030ES/2630ES/2646ES/3246ES	
3	3900351	4	Bolt M10 x 30mm	
4		Ref	Bolt M10 Options:	
4	0701022	2	70mm Length (Front Slide Block - 1930ES)	
4	0701026	NLA	100mm Length (Rear Slide Block - 1930ES) (Use p/n 0701027 - 90mm Length)	
4	0701029	2	120mm Length (Rear Slide Block - 1930ES) (Service Replacement Platform Only)	
4	0701024	2	80mm Length (Front Slide Block - 2030ES/2630ES/2646ES/3246ES)	
4	0701027	2	100mm Length (Rear Slide Block - 2030ES/2630ES/2646ES/3246ES)	
6	3291005	8	Locknut M10	
7		Ref	Pin Options:	
7	3423049	4	All Machines except CE and Japanese Specs	
7	See Note	4	CE and Japanese Spec Machines (Note: Refer to JLG Supplement p/n 3124288)	
8	3574067	2	Plate, Extension Stop	
9	4812000	4	Flatwasher M10	
10		Ref	Bracket, Platform Containment Options:	
10	0903579	2	Bracket (Standard on 2646ES/3246ES - USA Built Machines) (SN 0200135154 through 0200151609)	
10	0903579	1	Bracket (Standard on 2646ES/3246ES -Belgium Built Machines) (SN 1200004293 through 1200008264)	
10	9984279	1	Service Kit to Install Bracket (Includes qty 2 p/n 0903579 Brackets and Instructions) (Suggested installation on ALL ES models if not currently equipped)	
		Ref	PLATFORM ASSEMBLY	
	0272637	Ref	Platform Assembly 1930ES (Original Equipment) (SN 0200135154 through 0200150265)	F
	0274818	Ref	Platform Assembly 1930ES (Original Equipment) (SN 0200150266 through 0200152825)	B
	0272637	Ref	Platform Assembly 1930ES (Original Equipment) (SN 1200004293 through 1200007881)	F
	0274818	Ref	Platform Assembly 1930ES (Original Equipment) (SN 1200007882 through 1200008481)	B
	1001134934	Ref	Platform Assembly 1930ES (Service Replacement)	A
	0272661	Ref	Platform Assembly 2030ES/2630ES	F
	0272696	Ref	Platform Assembly 2646ES/3246ES USA Built Machines (SN 0200135154 through 0200151609)	G
	0274929	Ref	Platform Assembly 2646ES/3246ES USA Built Machines (SN 0200151610 through 0200152825)	A
	0272696	Ref	Platform Assembly 2646ES/3246ES Belgium Built Machines (SN 1200004293 through 1200008264)	G
	0274929	Ref	Platform Assembly 2646ES/3246ES Belgium Built Machines (SN 1200008265 through 1200008481)	A
101	0630565	8	Bolt, Carriage M10 x 50mm	
102	3291005	8	Locknut M10	

SECTION 4 - PLATFORM

ITEM	PART NUMBER	QTY	DESCRIPTION	REV
105	3860118	4	Roller	
106	4340914	4	Mount	
107		Ref	Tape, Anti-Skid Options:	
107	4420071	3	Tape, Anti-Skid 1930ES	
107	4420075	3	Tape, Anti-Skid 2030ES/2630ES	
107	4420073	5	Tape, Anti-Skid 2646ES/3246ES	
108		Ref	Tape, Anti-Skid Options:	
108	4420072	3	Tape, Anti-Skid 1930ES/2030ES/2630ES	
108	4420074	5	Tape, Anti-Skid 2646ES/3246ES	
109	4812000	8	Flatwasher M10	
110		Ref	Platform Weldment Options:	
110		Ref	Platform Weldment 1930ES	
110	4846766	NLA	USA Built Machines (Original Equipment) (Use p/n 1001134935) (SN 0200135154 through 0200150265)	
110	3510888	NLA	USA Built Machines (Original Equipment) (Use p/n 1001134935) (SN 0200150266 through 0200152825)	
110	4846766	NLA	Belgium Built Machines (Original Equipment) (Use p/n 1001134935) (SN 1200004293 through 1200007881)	
110	3510888	NLA	Belgium Built Machines (Original Equipment) (Use p/n 1001134935) (SN 1200007882 through 1200008481)	
110	1001134935	1	Service Replacement	
110	4846789	1	Platform Weldment 2030ES/2630ES	
110		Ref	Platform Weldment 2646ES/3246ES	
110	4846761	1	USA Built Machines (SN 0200135154 through 0200151609)	
110	3510890	1	USA Built Machines (SN 0200151610 through 0200152825)	
110	4846761	1	Belgium Built Machines (SN 1200004293 through 1200008264)	
110	3510890	1	Belgium Built Machines (SN 1200008265 through 1200008481)	
111		Ref	Extension Weldment Options:	
111	4846768	1	Extension Weldment 1930ES/2030ES/2630ES	
111	4846764	1	Extension Weldment 2646ES/3246ES	
112	2540045	1	Grommet	
113	0903574	1	Bracket, Stop (Use with p/n 0274818 & p/n 1001134934 Platform Assemblies Only)	
		Ref	SLIDE BLOCK MOUNT REPAIR KITS	
200		Ref	Fixed Mount Repair Kit (Kit includes components and instructions to repair weld cracks in fixed mounting block supports on aluminum platforms)	
200A	2915241	1	1930ES Fixed Mount Repair Kit	
200B	2915240	1	2030ES/2630ES Fixed Mount Repair Kit	
200C	2915241	1	2646ES/3246ES Fixed Mount Repair Kit	

SECTION 4 - PLATFORM

FIGURE 4-2. RAIL (FIXED) INSTALLATION - 1930ES (USA BUILT MACHINES AND BELGIUM BUILT MACHINES) (SN 0200135154 through 0200150265, SN 1200004293 through 1200007881)



SECTION 4 - PLATFORM

FIGURE 4-2. RAIL (FIXED) INSTALLATION - 1930ES (USA BUILT MACHINES AND BELGIUM BUILT MACHINES) (SN 0200135154 through 0200150265, SN 1200004293 through 1200007881)

ITEM	PART NUMBER	QTY	DESCRIPTION	REV
		Ref	RAIL INSTALLATION - 1930ES	
	0272611	Ref	Rails with Gate Closure	J
	0272910	Ref	Rails with Chain Closure	G
2	3574183	1	Plate, Billboard (Upper)	
3	3574184	1	Plate, Billboard (Lower)	
4	3641480	1	Rail, Side (Left)	
5	3641481	1	Rail, Side (Right)	
6	3641482	1	Rail, Extension Platform (Front)	
7	4568645	1	Rail (Rear)	
8	4846784	1	Rail, Slide (Left)	
9	4846785	1	Rail, Slide (Right)	
10	0630565	16	Bolt, Carriage M10 x 55mm	
11	1380132	2	Clip, Gripper	
12	2080040	AR	Fastener, Huck	
14	3290606	AR	Capnut M6	
15	3291005	16	Locknut M10	
16	3423151	2	Pin, Plunger	
17	2560088	2	Cover, Handle	
18	3520072	2	Cap-Plug	
19	3860111	2	Roller	
20	4010616	AR	Screw M6 x 40mm	
21	4010617	4	Screw M6 x 45mm	
22	3841649	2	Extension, Midrail	
23	4812000	16	Flatwasher M10	
25		Ref	Handle, Extension Options:	
25	4846786	2	USA Built Machines (SN 0200135154 through 0200145593)	
25	2560191	2	USA Built Machines (SN 0200145594 through 0200150266)	
25	4846786	1	Belgium Built Machines (SN 1200008481 through 1200005293)	
25	2560191	1	Belgium Built Machines (SN 1200005294 through 1200007882)	
27	3340612	18 in /46cm	Pad, Rail	
29	3820019	2	Rivet	
30	3900345	2	Screw M8 x 45mm	
31	3290806	2	Capnut M8	
32	4010618	2	Screw M6 x 50mm (USA Built Machines) (SN 0200145594 through 0200150266)	
32	4010618	1	Screw M6 x 50mm (Belgium Built Machines) (SN 1200005294 through 1200007882)	
50		Ref	Rails Kit - 1930ES Options (Not Shown):	
50	2902391	1	Rails with Gate Closure - (Includes Items 2-9, 11, 14, 16, 17, 19, 24-25, 27-32 & 124)	F
50	2902392	1	Rails with Chain Closure - (Includes Items 2-9, 11, 14, 16, 17, 19, 25 & 27-32)	F
	0272611	Ref	GATE CLOSURE COMPONENTS	J
113	2600281	2	Hinge	
124	4846723	1	Gate	
126	3080007	1	Magnet, Gate	
	0272910	Ref	CHAIN CLOSURE COMPONENTS	G

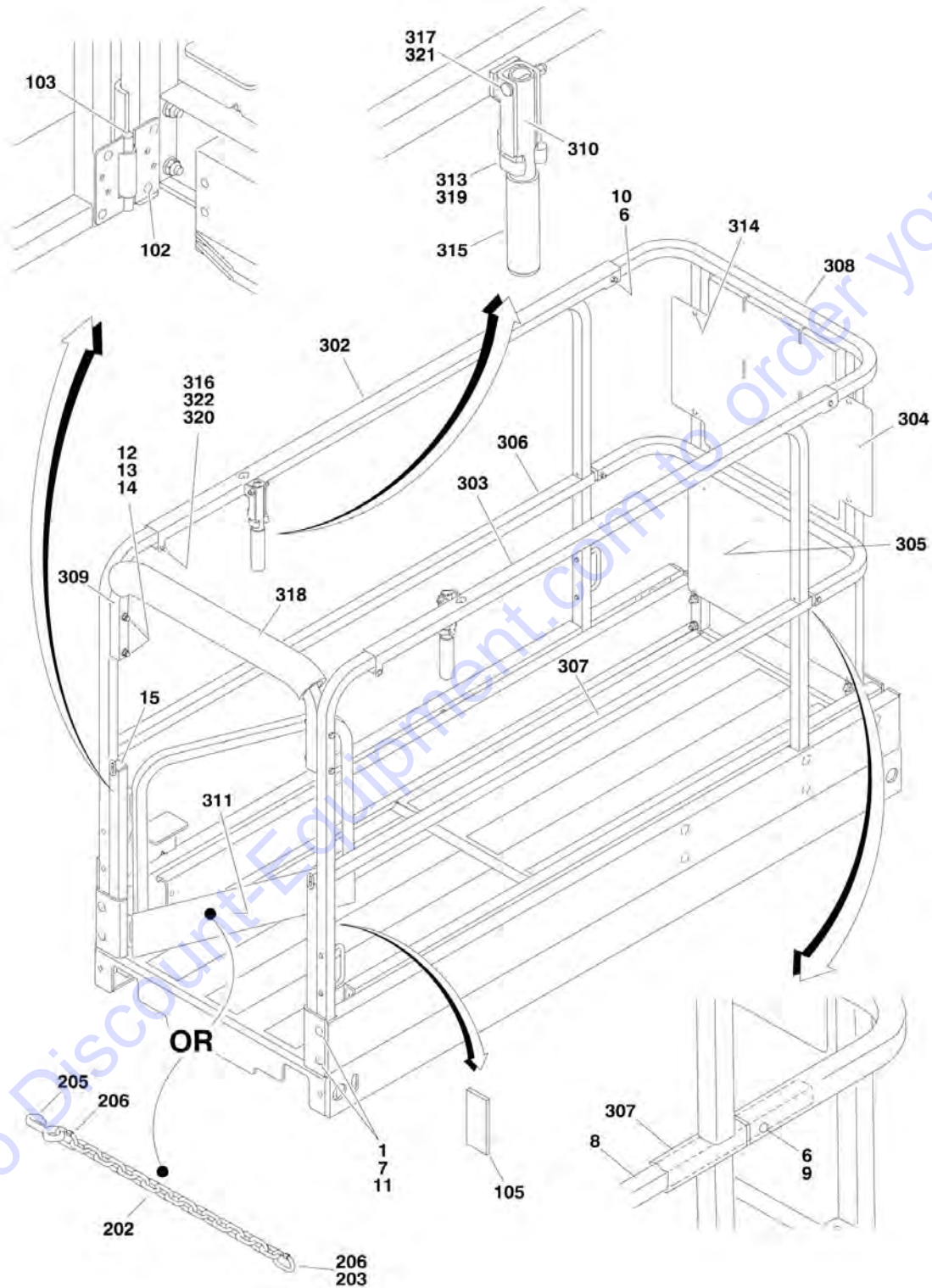
SECTION 4 - PLATFORM

ITEM	PART NUMBER	QTY	DESCRIPTION	REV
202	1260136	2 ft/61cm	Chain	
206	2820097	2 ft/61cm	Cover, Chain	
208	2940064	NLA	Snap Latch (Use Repair Kit p/n 1001101076 - Includes Item 209)	
209	3010088	2	Link	

Go to Discount-Equipment.com to order your parts

SECTION 4 - PLATFORM

FIGURE 4-3. RAIL (FIXED) INSTALLATION - 1930ES (USA BUILT MACHINES AND BELGIUM BUILT MACHINES) (SN 0200150266 through 0200152825, SN 1200007882 through 1200008481)



SECTION 4 - PLATFORM

FIGURE 4-3. RAIL (FIXED) INSTALLATION - 1930ES (USA BUILT MACHINES AND BELGIUM BUILT MACHINES) (SN 0200150266 through 0200152825, SN 1200007882 through 1200008481)

ITEM	PART NUMBER	QTY	DESCRIPTION	REV
		Ref	RAIL INSTALLATION - 1930ES	
	0274985	Ref	Rails with Gate Closure	C
	0274816	Ref	Rails with Chain Closure	D
1	0630565	12	Bolt, Carriage M10 x 55mm	
4		Ref	Rail Assembly Options (Not Shown - See Items 301-322 for Breakdown)	
4	2902448	1	Rails with Gate Closure	
4	2902496	1	Rails with Chain Closure	
6	3290606	4	Capnut M6	
7	3291005	12	Locknut M10	
8	3841716	2	Rod, Fiber Glass	
9	4010616	2	Screw M6 x 40mm	
10	4010618	2	Screw M6 x 50mm	
11	4812000	12	Flatwasher M10	
12	0700823	4	Screw M8 x 75mm	
13	3290806	4	Capnut M8	
14	4811900	4	Flatwasher M8	
15	3520072	2	Cap-Plug	
	0274985	Ref	GATE CLOSURE COMPONENTS	C
102	2080040	8	Fastener, Huck	
103	2600281	2	Hinge	
105	3080007	1	Magnet, Gate	
	0274816	Ref	CHAIN CLOSURE COMPONENTS	D
202	1260136	1.75 ft /53cm	Chain (was 2ft/61cm)	
203	2820097	1.67 ft /51cm	Cover, Chain (was 2ft/61cm)	
205	2940064	NLA	Snap Latch (Use Repair Kit p/n 1001101076 - Includes Item 206)	
206	3010088	2	Link	
		Ref	RAIL ASSEMBLY - 1930ES	
	2902496	Ref	Rails with Gate Closure	M
	2902448	Ref	Rails with Chain Closure	G
302	1271617	1	Rail, Slide (Left)	
303	1271618	1	Rail, Slide (Right)	
304	3576645	1	Plate, Billboard (Upper)	
305	3574184	1	Plate, Billboard (Lower)	
306	3641604	1	Rail, Side (Left)	
307	3641605	1	Rail, Side (Right)	
308	3641606	1	Rail, Extension Platform (Front)	
309	4569305	1	Rail (Rear)	
310	2560191	2	Handle, Extension	
311	4846723	1	Gate (2902496 Rail Assembly Only)	
313	1380132	2	Clip, Gripper	
314	2080040	8	Fastener, Huck	
315	2560088	2	Cover, Handle	
316	3290606	2	Capnut M6	
317	3290806	2	Capnut M8	
318	3340612	18 in /46cm	Pad, Rail	
319	3820019	2	Rivet	

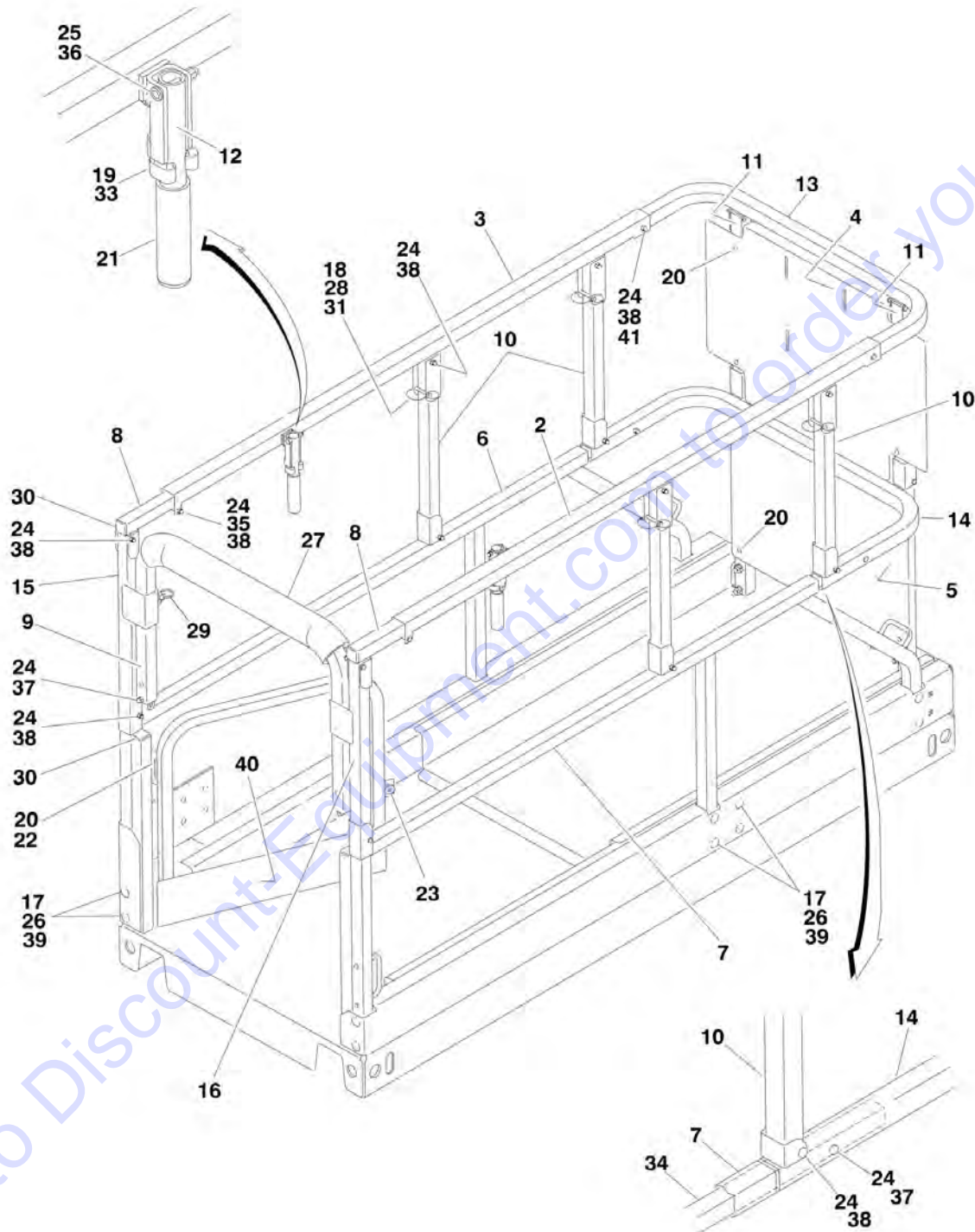
SECTION 4 - PLATFORM

ITEM	PART NUMBER	QTY	DESCRIPTION	REV
320	3860111	2	Roller	
321	3900345	2	Screw M8 x 45mm	
322	4010618	2	Screw M6 x 50m	
323	2902449	1	Rails Kit - 1930ES (Includes Items 302-310) (Not Shown)	J

Go to Discount-Equipment.com to order your parts

SECTION 4 - PLATFORM

FIGURE 4-4. RAIL (FOLD-DOWN) INSTALLATION - 1930ES (USA BUILT MACHINES AND BELGIUM BUILT MACHINES) (SN 0200135154 through 0200150265, SN 1200004293 through 1200007881)



SECTION 4 - PLATFORM

FIGURE 4-4. RAIL (FOLD-DOWN) INSTALLATION - 1930ES (USA BUILT MACHINES AND BELGIUM BUILT MACHINES) (SN 0200135154 through 0200150265, SN 1200004293 through 1200007881)

ITEM	PART NUMBER	QTY	DESCRIPTION	REV
		Ref	RAIL INSTALLATION - 1930ES	
	0273479	Ref	Rails with Gate Closure	F
2	1271571	1	Rail, Slide (Right)	
3	1271572	1	Rail, Slide (Left)	
4	3574183	1	Plate, Bill Board (Upper)	
5	3574184	1	Plate, Bill Board (Lower)	
6	3641534	1	Rail (Left Lower Side)	
7	3641535	1	Rail (Right Lower Side)	
8	3641536	2	Rail (Both Upper Sides)	
9	4568645	1	Rail (Rear Upper)	
10	4568667	4	Tube, Folding (Side)	
11	4568711	2	Tube, Folding (Front)	
12		Ref	Handle, Extension Options:	
12	4846786	2	USA Built Machines (SN 0200135154 through 0200145593)	
12	2560191	2	USA Built Machines (SN 0200145594 through 0200150266)	
12	4846786	1	Belgium Built Machines (SN 1200004293 through 1200005293)	
12	2560191	1	Belgium Built Machines (SN 1200005294 through 1200007882)	
13	4846794	1	Rail (Front Upper)	
14	4846795	1	Rail (Front Mid)	
15	4846796	1	Tube, Folding (Left Rear)	
16	4846797	1	Tube, Folding (Right Rear)	
17	0630565	16	Bolt, Carriage M10 x 55mm	
18	1060379	NLA	Lanyard (Use p/n 3423278)	
19	1380132	2	Clip, Gripper	
20	2080040	16	Fastener, Huck	
21	2560088	2	Cover, Handle	
22	2600281	2	Hinge	
23	3080007	1	Magnet, Gate	
24	3290606	AR	Capnut M6	
25	3290806	2	Capnut M8	
26	3291005	16	Capnut M10	
27	3340612	18 in /46cm	Pad, Rail	
28	3421453	NLA	Pin (Use p/n 3423278)	
29	3423151	2	Pin, Plunger	
30	3520072	4	Cap-Plug	
31	3760170	4	Ring, Split	
33	3820019	2	Rivet	
34	3841649	2	Tube, Slide (Mid)	
35	3860111	2	Roller	
36	3900345	2	Capscrew M8 x 45mm	
37	4010616	AR	Screw M6 x 40mm	
38	4010617	20	Screw M6 x 45mm	
39	4812000	16	Flatwasher M10	
40	4846723	1	Gate	
41	4010618	2	Screw M6 x 50mm (USA Built Machines) (SN 0200145594 through 0200150266)	
41	4010618	1	Screw M6 x 50mm (Belgium Built Machines) (SN 1200005294	

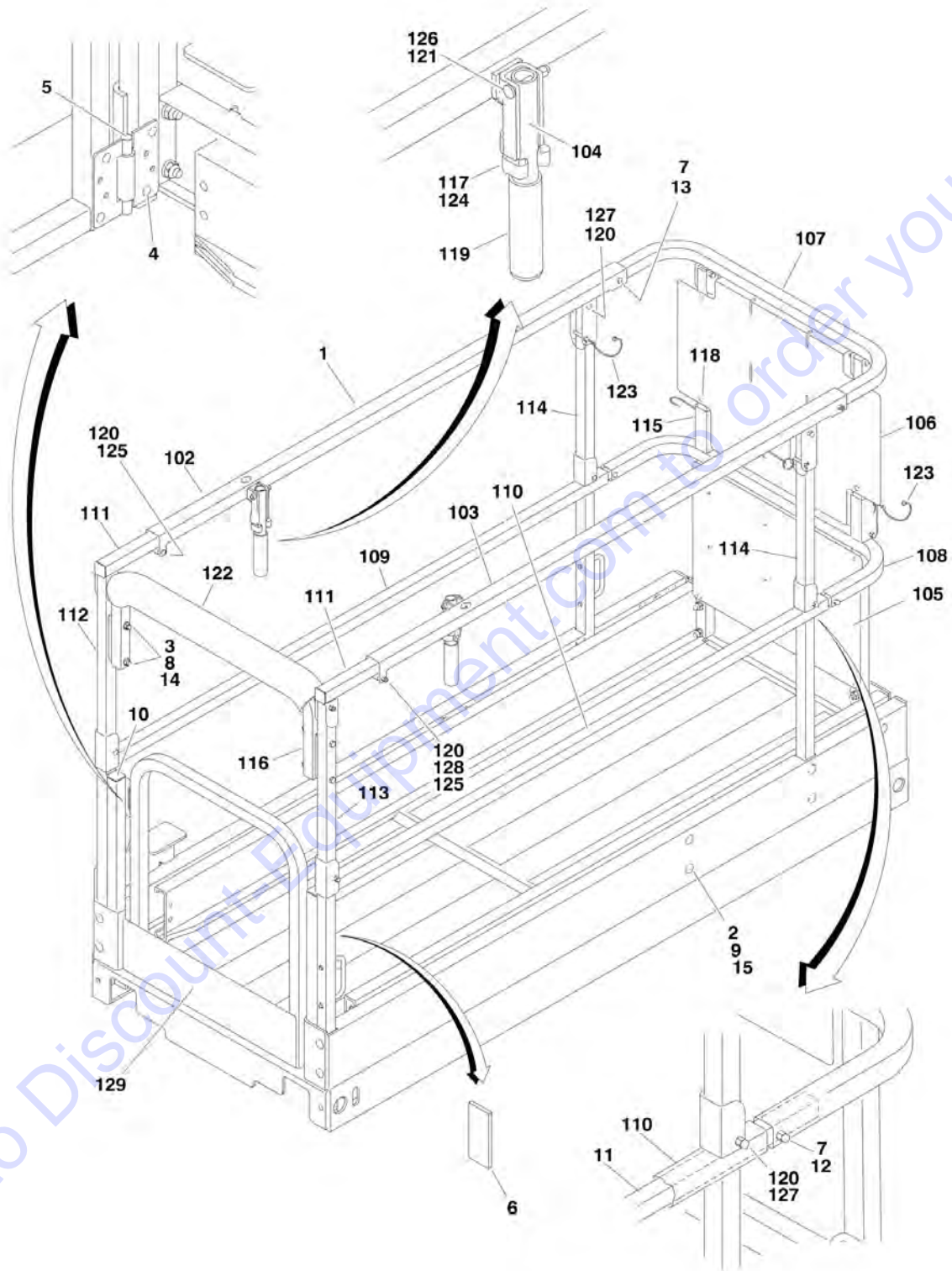
SECTION 4 - PLATFORM

ITEM	PART NUMBER	QTY	DESCRIPTION	REV
50	2902384	1	through 120007882) Rails Kit - 1930ES (Includes Items 2-16, 19, 21, 25, 27-29, 32, 33, 35-36, 38 & 40-41) (Not Shown)	F

Go to Discount-Equipment.com to order your parts

SECTION 4 - PLATFORM

FIGURE 4-5. RAIL (FOLD-DOWN) INSTALLATION - 1930ES (USA BUILT MACHINES AND BELGIUM BUILT MACHINES) (SN 0200150266 through 0200152825, SN 1200007882 through 1200008481)



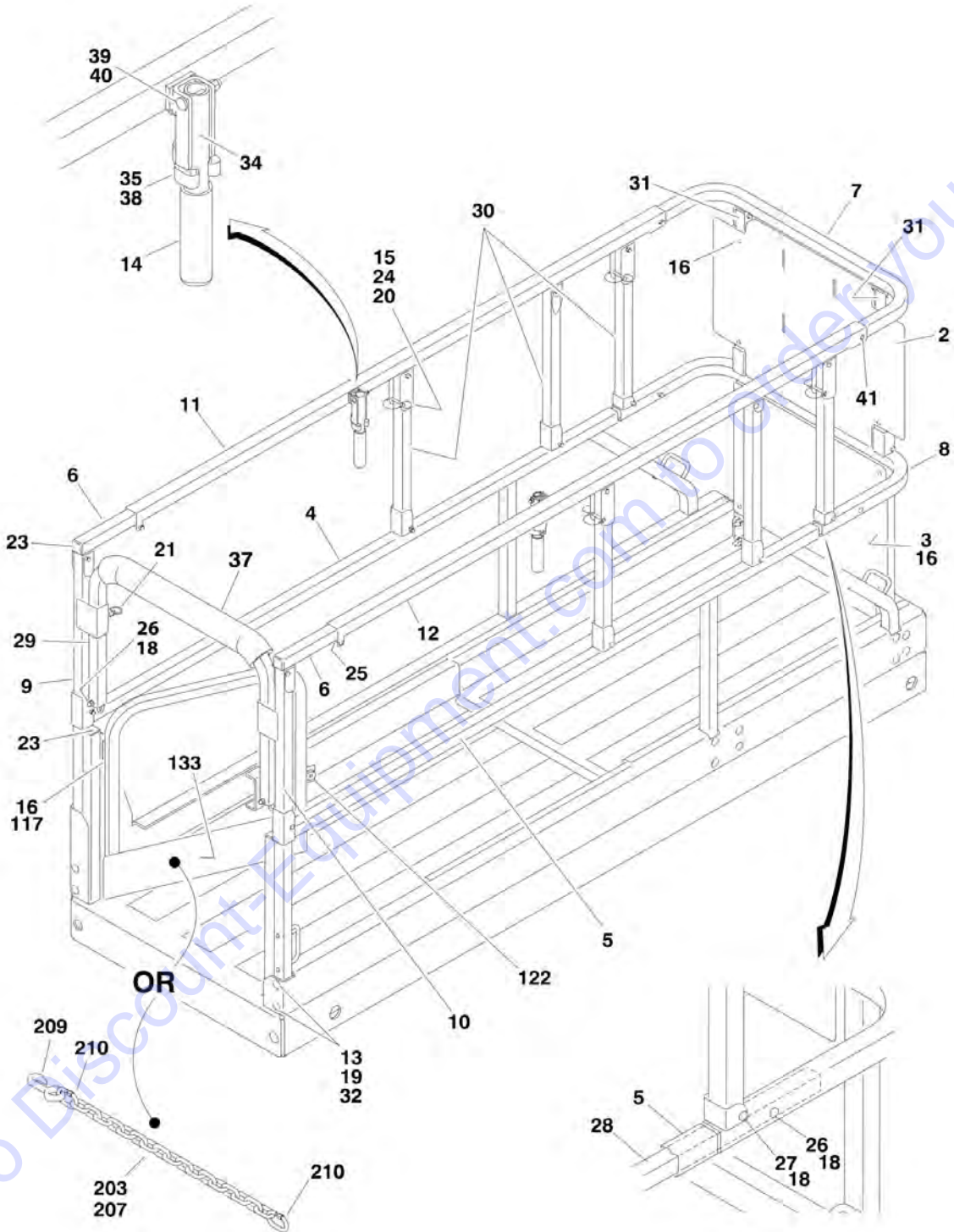
SECTION 4 - PLATFORM

FIGURE 4-5. RAIL (FOLD-DOWN) INSTALLATION - 1930ES (USA BUILT MACHINES AND BELGIUM BUILT MACHINES) (SN 0200150266 through 0200152825, SN 1200007882 through 1200008481)

ITEM	PART NUMBER	QTY	DESCRIPTION	REV
		Ref	RAIL INSTALLATION - 1930ES	
	0275429	Ref	Rails with Gate Closure	B
1	2902535	1	Rail Assembly (See Items 101-129 for Breakdown)	
2	0630565	12	Bolt, Carriage M10 x 55mm	
3	0700825	4	Bolt M8 x 85mm	
4	2080040	8	Fastener, Huck	
5	2600281	2	Hinge	
6	3080007	1	Magnet, Gate	
7	3290606	4	Capnut M6	
8	3290806	4	Capnut M8	
9	3291005	12	Capnut M10	
10	3520072	4	Cap-Plug	
11	3841716	2	Tube, Slide (Mid)	
12	4010616	2	Screw M6 x 40mm	
13	4010618	2	Screw M6 x 50mm	
14	4811900	4	Flatwasher M8	
15	4812000	12	Flatwasher M10	
		Ref	RAIL ASSEMBLY - 1930ES	
	2902535	Ref	Rails with Gate Closure	G
102	1271617	1	Rail, Slide (Left)	
103	1271618	1	Rail, Slide (Right)	
104	2560191	2	Handle, Extension	
105	3574184	1	Plate, Billboard (Lower)	
106	3576932	1	Plate, Billboard (Upper)	
107	3641619	1	Rail (Front Upper)	
108	3641620	1	Rail (Front Mid)	
109	3641650	1	Rail (Left Lower Side)	
110	3641651	1	Rail (Right Lower Side)	
111	3641652	2	Rail (Both Upper Sides)	
112	3641653	1	Rail (Left Rear Upper)	
113	3641654	1	Rail (Right Rear Upper)	
114	4568667	2	Tube, Folding (Both Mid Side)	
115	4569404	2	Tube, Folding (Both Front)	
116	4569428	1	Rail (Rear)	
117	1380132	2	Clip, Gripper	
118	2080040	8	Fastener, Huck	
119	2560088	2	Cover, Handle	
120	3290606	14	Capnut M6	
121	3290806	2	Capnut M8	
122	3340612	18 in /46cm	Pad, Rail	
123	3423278	4	Snap Pin/Lanyard Kit	
124	3820019	2	Rivet	
125	3860111	2	Roller	
126	3900345	2	Capscrew M8 x 45mm	
127	4010617	12	Screw M6 x 45mm	
128	4010618	2	Screw M6 x 50mm	
129	4846723	1	Gate	
200	2902536	1	Rails Kit - 1930ES (Includes Items 102-116) (Not Shown)	H

SECTION 4 - PLATFORM

FIGURE 4-6. RAIL INSTALLATION - 2030ES/2630ES



SECTION 4 - PLATFORM

FIGURE 4-6. RAIL INSTALLATION - 2030ES/2630ES

ITEM	PART NUMBER	QTY	DESCRIPTION	REV
		Ref	RAIL INSTALLATION - 2030ES/2630ES	
	0272667	Ref	Rails with Gate Closure	J
	0272911	Ref	Rails with Chain Closure	H
2	3574183	1	Plate, Billboard (Upper)	
3	3574184	1	Plate, Billboard (Lower)	
4	4846791	1	Rail, Side (Left)	
5	4846792	1	Rail, Side (Right)	
6	4846793	2	Rail, Platform (Top)	
7	4846794	1	Rail, Extension (Top)	
8	4846795	1	Rail, Extension (Mid)	
9	4846796	1	Rail, Upright (Left Rear)	
10	4846797	1	Rail, Upright (Right Rear)	
11	4846799	1	Rail, Slide (Left)	
12	4846800	1	Rail, Slide (Right)	
13	0630565	16	Bolt, Carriage M10 x 55mm	
14	2560088		Handle	
15	1060379	NLA	Lanyard (Use p/n 3423278)	
16	2080040	AR	Fastener, Huck	
18	3290606	AR	Capnut M6	
19	3291005	16	Locknut M10	
20	3421453	NLA	Pin (Use p/n 3423278)	
21	3423151	2	Pin, Plunger	
23	3520072	4	Cap-Plug	
24	3760170	4	Ring, Split	
25	3860085	2	Roller	
26	4010616	AR	Screw M6 x 40mm	
27	4010617	24	Screw M6 x 45mm	
28	3841649	2	Extension, Midrail	
29	4568645	1	Rail (Rear)	
30	4568667	6	Tube, Folding Post (Platform)	
31	4568711	2	Tube, Folding Post (Extension)	
32	4812000	16	Flatwasher M10	
34		Ref	Handle, Extension Options:	
34	4846786	2	USA Built Machines (SN 0200135154 through 0200145593)	
34	2560191	2	USA Built Machines (SN 0200145594 through 0200152825)	
34	4846786	1	Belgium Built Machines (SN 1200004293 through 1200005293)	
34	2560191	1	Belgium Built Machines (SN 1200005294 through 1200008481)	
35	1380132	2	Clip, Gripper	
37	3340612	18 in /46cm	Pad, Rail	
38	3820019	2	Rivet	
39	3900345	2	Screw M8 x 45mm	
40	3290806	2	Capnut M8	
41	4010618	2	Screw M6 x 50mm (USA Built Machines) (SN 0200145594 through 0200152825)	
41	4010618	1	Screw M6 x 50mm (Belgium Built Machines) (SN 1200005294 through 1200008481)	
50		Ref	Rails Kit - 2030ES/2630ES Options (Not Shown):	
50	2902376	1	Rails with Gate Closure (Includes Items 2-12, 14-15, 20-21, 24-	H

SECTION 4 - PLATFORM

ITEM	PART NUMBER	QTY	DESCRIPTION	REV
50	2902382	1	25, 27, 29-31, 33-41 & 133) Rails with Chain Closure (Includes Items 2-12, 14-15, 20-21, 24-25, 27, 29-31 & 33-41)	H
	0272667	Ref	GATE CLOSURE COMPONENTS	J
117	2600281	2	Hinge	
122	3080007	1	Magnet, Gate	
133	4846723	1	Gate	
	0272911	Ref	CHAIN CLOSURE COMPONENTS	H
203	1260136	2 ft/61cm	Chain	
207	2820097	2 ft/61cm	Cover, Chain	
209	2940064	NLA	Snap Latch (Use Repair Kit p/n 1001101076 - Includes Item 210)	
210	3010088	2	Link	

Go to Discount-Equipment.com to order your parts

PARTS FINDER

**Search Website
by Part Number**



**Search Manual
Library For Parts
Manual & Lookup Part
Numbers – Purchase
or Request Quote**

A screenshot of the "Search Manuals" form. The form has a title "Search Manuals" and a subtitle "Please enter the model number or serial number of the machine you are looking for." Below the subtitle are several input fields: "Find" (a dropdown menu), "Serial Number" (a text input field), "Model" (a text input field), "Serial" (a text input field), "Part Number" (a text input field), and "Category" (a dropdown menu). There is a "Search" button at the bottom of the form.

**Can't Find Part or
Manual? Request Help
by Manufacturer,
Model & Description**

A screenshot of the "Parts Order Form". The form has a title "Parts Order Form" and a subtitle "Please fill out the form below." Below the subtitle are several input fields: "Manufacturer" (a dropdown menu), "Model" (a text input field), "Description" (a text input field), "Part Number" (a text input field), "Quantity" (a text input field), "Price" (a text input field), "Date" (a text input field), and "Name" (a text input field). There is a "Submit" button at the bottom of the form.

Discount-Equipment.com is your online resource for quality parts & equipment.

Florida: **561-964-4949** Outside Florida TOLL FREE: **877-690-3101**

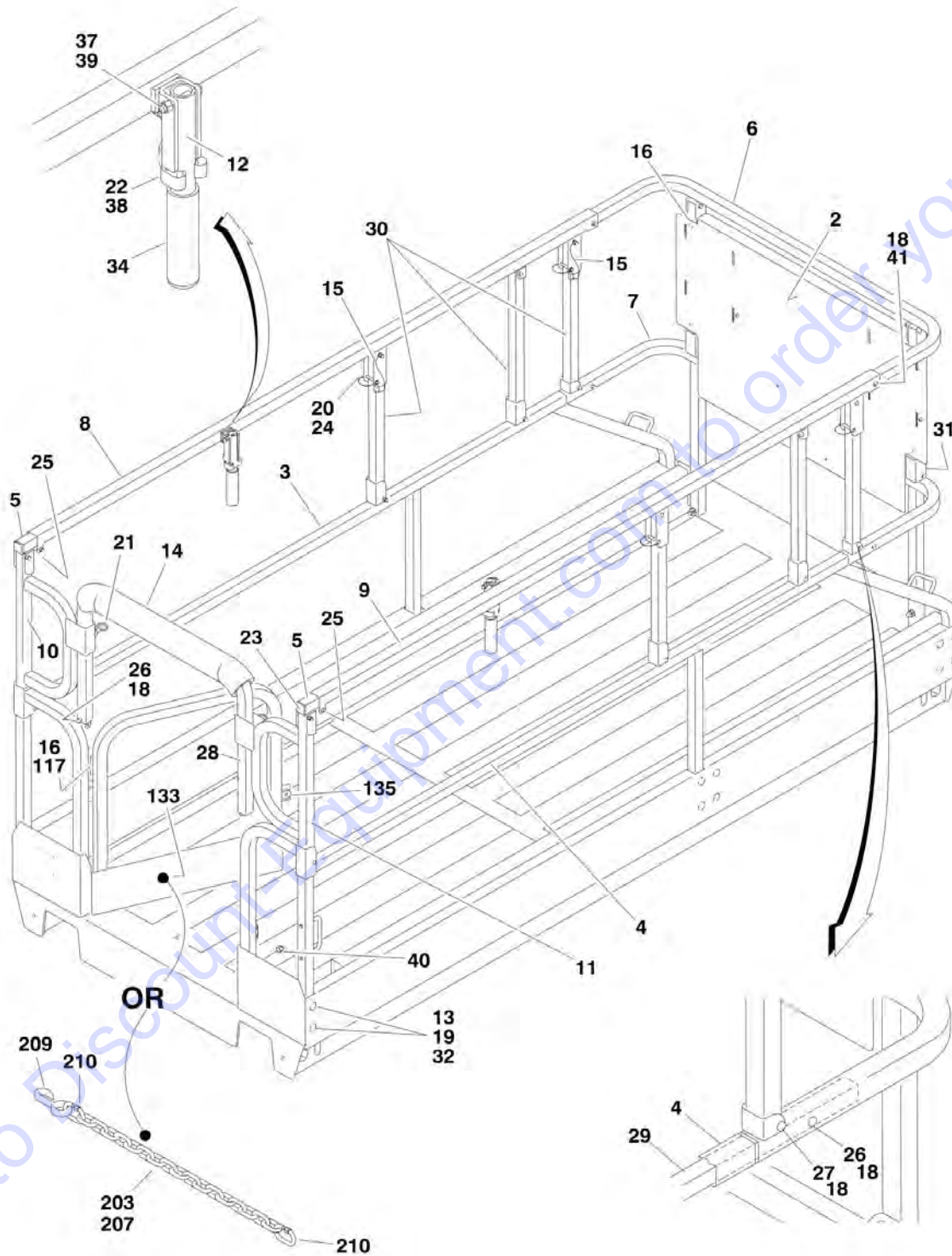
Need parts?

Click on this link: <http://www.discount-equipment.com/category/5443-parts/> and choose one of the options to help get the right parts and equipment you are looking for. Please have the machine model and serial number available in order to help us get you the correct parts. If you don't find the part on the website or on one of the online manuals, please fill out the request form and one of our experienced staff members will get back to you with a quote for the right part that your machine needs.

We sell worldwide for the brands: Genie, Terex, JLG, MultiQuip, Mikasa, Essick, Whiteman, Mayco, Toro Stone, Diamond Products, Generac Magnum, Airman, Haulotte, Barreto, Power Blanket, Nifty Lift, Atlas Copco, Chicago Pneumatic, Allmand, Miller Curber, Skyjack, Lull, Skytrak, Tsurumi, Husquvarna Target, Stow, Wacker, Sakai, Mi-T-M, Sullair, Basic, Dynapac, MBW, Weber, Bartell, Bennar Newman, Haulotte, Ditch Runner, Menegotti, Morrison, Contec, Buddy, Crown, Edco, Wyco, Bomag, Laymor, EZ Trench, Bil-Jax, F.S. Curtis, Gehl Pavers, Heli, Honda, ICS/PowerGrit, IHI, Partner, Imer, Clipper, MMD, Koshin, Rice, CH&E, General Equipment, Amida, Coleman, NAC, Gradall, Square Shooter, Kent, Stanley, Tamco, Toku, Hatz, Kohler, Robin, Wisconsin, Northrock, Oztec, Toker TK, Rol-Air, APT, Wylie, Ingersoll Rand / Doosan, Innovatech, Con X, Ammann, Mecalac, Makinex, Smith Surface Prep, Small Line, Wanco, Yanmar

SECTION 4 - PLATFORM

FIGURE 4-7. RAIL INSTALLATION - 2646ES/3246ES (USA BUILT MACHINES AND BELGIUM BUILT MACHINES) (SN 0200135154 through 0200151584, SN 1200004293 through 1200008264)



SECTION 4 - PLATFORM

FIGURE 4-7. RAIL INSTALLATION - 2646ES/3246ES (USA BUILT MACHINES AND BELGIUM BUILT MACHINES) (SN 0200135154 through 0200151584, SN 1200004293 through 1200008264)

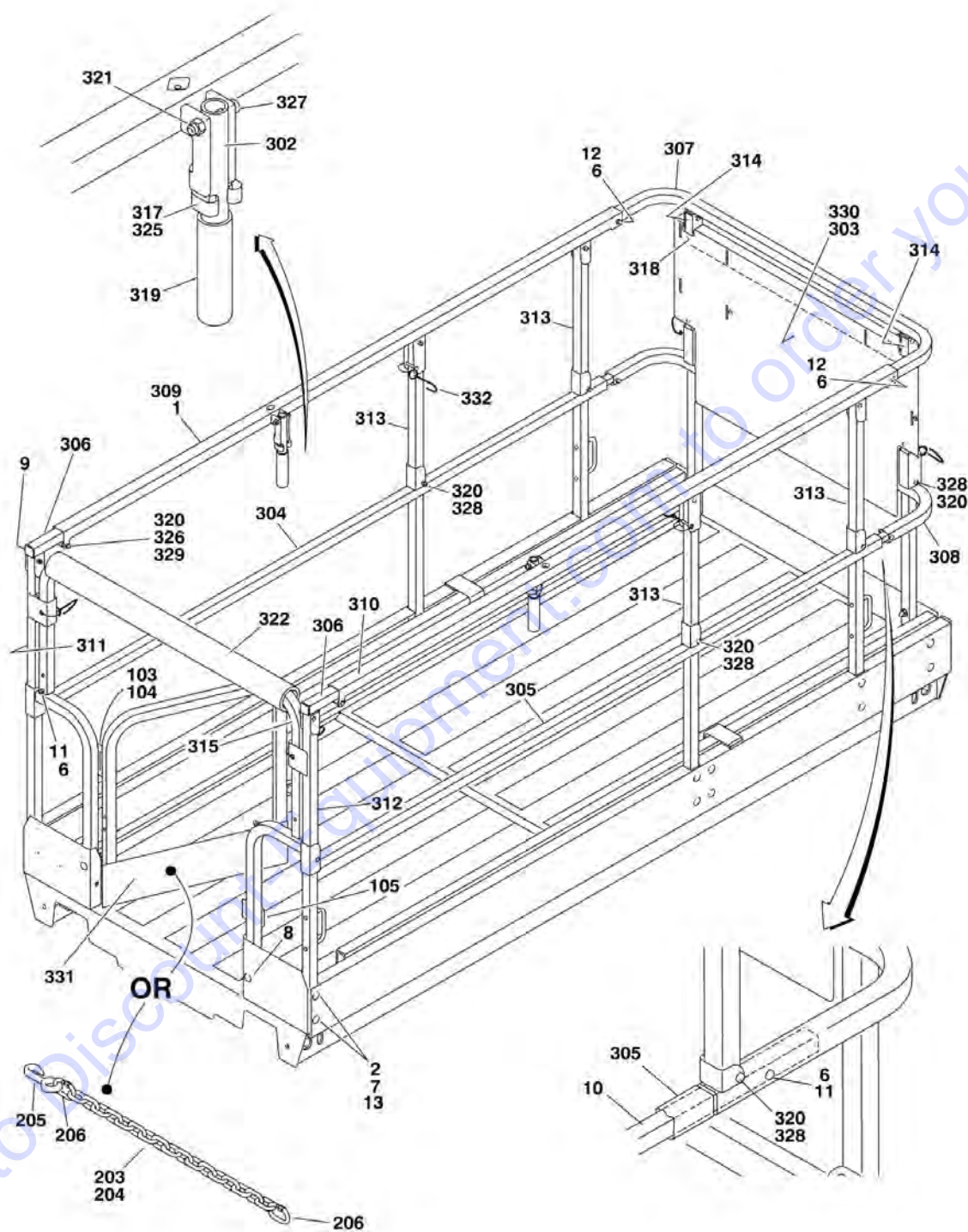
ITEM	PART NUMBER	QTY	DESCRIPTION	REV
		Ref	RAIL INSTALLATION - 2646ES/3246ES	
	0272697	Ref	Gate Entry	K
	0272912	Ref	Chain Entry	I
2	3574150	1	Plate, Bill Board	
3	3641582	1	Rail, Side (Left)	
4	4846771	1	Rail, Side (Right)	
5	4846772	2	Rail, Platform (Top)	
6	4846776	1	Rail, Extension (Top)	
7	4846777	1	Rail, Extension (Mid)	
8	4846778	1	Rail, Slide (Left)	
9	4846779	1	Rail, Slide (Right)	
10	4846780	1	Rail, Upright (Left Rear)	
11	4846781	1	Rail, Upright (Right Rear)	
12		Ref	Handle, Extension Options:	
12	4846786	2	USA Built Machines (SN 0200135154 through 0200145593)	
12	2560191	2	USA Built Machines (SN 0200145594 through 0200151585)	
12	4846786	1	Belgium Built Machines (SN 1200004293 through 1200005293)	
12	2560191	1	Belgium Built Machines (SN 1200005294 through 1200008265)	
13	0630565	18	Bolt, Carriage M10 x 55mm	
14	3340612	18 in /46cm	Pad, Cover	
15	1060379	NLA	Lanyard (Use p/n 3423278)	
16	2080040	AR	Fastener, Huck	
16	2080040	12	Gate Entry	
16	2080040	4	Chain Entry	
18	3290606	AR	Capnut M6	
19	3291005	18	Locknut M10	
20	3421453	NLA	Snap Pin (Use p/n 3423278)	
21	3423151	2	Pin, Plunger	
22	1380132	2	Clip, Gripper	
23	3520072	2	Cap-Plug	
24	3760170	4	Ring, Split	
25	3860111	2	Roller	
26	4010616	AR	Screw M6 x 40mm	
27	4010617	24	Screw M6 x 45mm	
28	4568645	1	Rail (Rear)	
29	3841648	2	Extension, Midrail	
30	4568667	6	Tube, Folding Post (Platform)	
31	4568711	2	Tube, Folding Post (Extension)	
32	4812000	18	Flatwasher M10	
34	2560088	2	Grip, Handle	
37	3290806	2	Capnut M8	
38	3820019	2	Rivet	
39	3900345	2	Screw M8 x 45	
40	3300477	2	Nut, Acorn	
41	4010618	2	Screw M6 x 50mm (USA Built Machines) (SN 0200145594 through 0200151585)	
41	4010618	1	Screw M6 x 50mm (Belgium Built Machines) (SN 1200005294	

SECTION 4 - PLATFORM

ITEM	PART NUMBER	QTY	DESCRIPTION	REV
50		Ref	through 120008265)	
50	2902381	1	Rails Kit - 2646ES/3246ES Options (Not Shown):	
50	2902383	1	Rails with Gate Closure (Includes Items 2-12, 14-15, 20-22, 24-25, 27-28, 30-31, 33-34, 36-39, 41 & 133)	H
	0272697	Ref	Rails with Chain Closure (Includes Items 2-12, 14-15, 20-22, 24-25, 27-28, 30-31, 33-34, 36-39 & 41)	H
117	2600281	2	GATE ENTRY INSTALLATION	K
133	4846723	1	Hinge	
135	3080007	1	Gate	
	0272912	Ref	Magnet, Gate	
203	1260136	2 ft/61m	CHAIN ENTRY INSTALLATION	I
207	2820097	2 ft/61m	Chain	
209	2940064	NLA	Cover, Chain	
210	3010088	2	Snap Latch (Use Repair Kit p/n 1001101076 - Includes Item 210)	
			Link, Repair	

SECTION 4 - PLATFORM

FIGURE 4-8. RAIL INSTALLATION - 2646ES/3246ES (USA BUILT MACHINES AND BELGIUM BUILT MACHINES) (SN 0200151585 through 0200152825, SN 1200008265 through 1200008481)



SECTION 4 - PLATFORM

FIGURE 4-8. RAIL INSTALLATION - 2646ES/3246ES (USA BUILT MACHINES AND BELGIUM BUILT MACHINES) (SN 0200151585 through 0200152825, SN 1200008265 through 1200008481)

ITEM	PART NUMBER	QTY	DESCRIPTION	REV
		Ref	RAIL INSTALLATION - 2646ES/3246ES	
	0274932	Ref	Rails with Gate Closure	A
	0274933	Ref	Rails with Chain Closure	C
1		Ref	Rail Assembly Options (See Items 301-332 for Breakdown)	
1	2902490	1	Rails with Gate Closure	
1	2902491	1	Rails with Chain Closure	
2	0630565	18	Bolt, Carriage M10 x 55mm	
6	3290606	2	Capnut M6	
7	3291005	18	Locknut M10	
8	3300477	2	Nut, Acorn	
9	3520072	2	Cap-Plug	
10	3841716	2	Rod, Fiber Glass	
11	4010616	3	Screw M6 x 40mm	
12	4010618	3	Screw M6 x 50mm	
13	4812000	18	Flatwasher M10	
	0274932	Ref	GATE CLOSURE COMPONENTS	A
103	2080040	8	Fastener, Huck	
104	2600281	2	Hinge	
105	3080007	1	Magnet, Gate	
	0274933	Ref	CHAIN CLOSURE COMPONENTS	C
203	1260136	1.75 ft /53cm	Chain (was 2ft/61cm)	
204	2820097	1.67 ft /51cm	Cover, Chain (was 2ft/61cm)	
205	2940064	NLA	Snap Latch (Use Repair Kit p/n 1001101076 - Includes Item 206)	
206	3010088	2	Link	
		Ref	RAIL ASSEMBLY - 2030ES/2630ES	
	2902490	Ref	Rail Kit with Gate Closure	J
	2902491	Ref	Rail Kit with Chain Closure	J
302	2560191	2	Handle, Extension	
303	3576646	1	Plate, Bill Board	
304	3641607	1	Rail, Side (Left Lower)	
305	3641608	1	Rail, Side (Right Lower)	
306	3641609	2	Rail, Platform (Top)	
307	3641610	1	Rail, Extension (Top)	
308	3641611	1	Rail, Extension (Mid)	
309	3641612	1	Rail, Slide (Left)	
310	3641613	1	Rail, Slide (Right)	
311	3641614	1	Rail, Side (Left Rear)	
312	3641615	1	Rail, Side (Right Rear)	
313	4568667	4	Tube, Folding Post (Platform)	
314	4569404	2	Tube, Folding Post (Extension)	
315	4569310	1	Rail (Rear)	
317	1380132	2	Clip, Gripper	
318	2080040	6	Fastener, Huck	
319	2560088	2	Handle	
320	3290606	18	Capnut M6	
321	3290806	2	Capnut M8	
322	3340612	18	Pad, Rail	

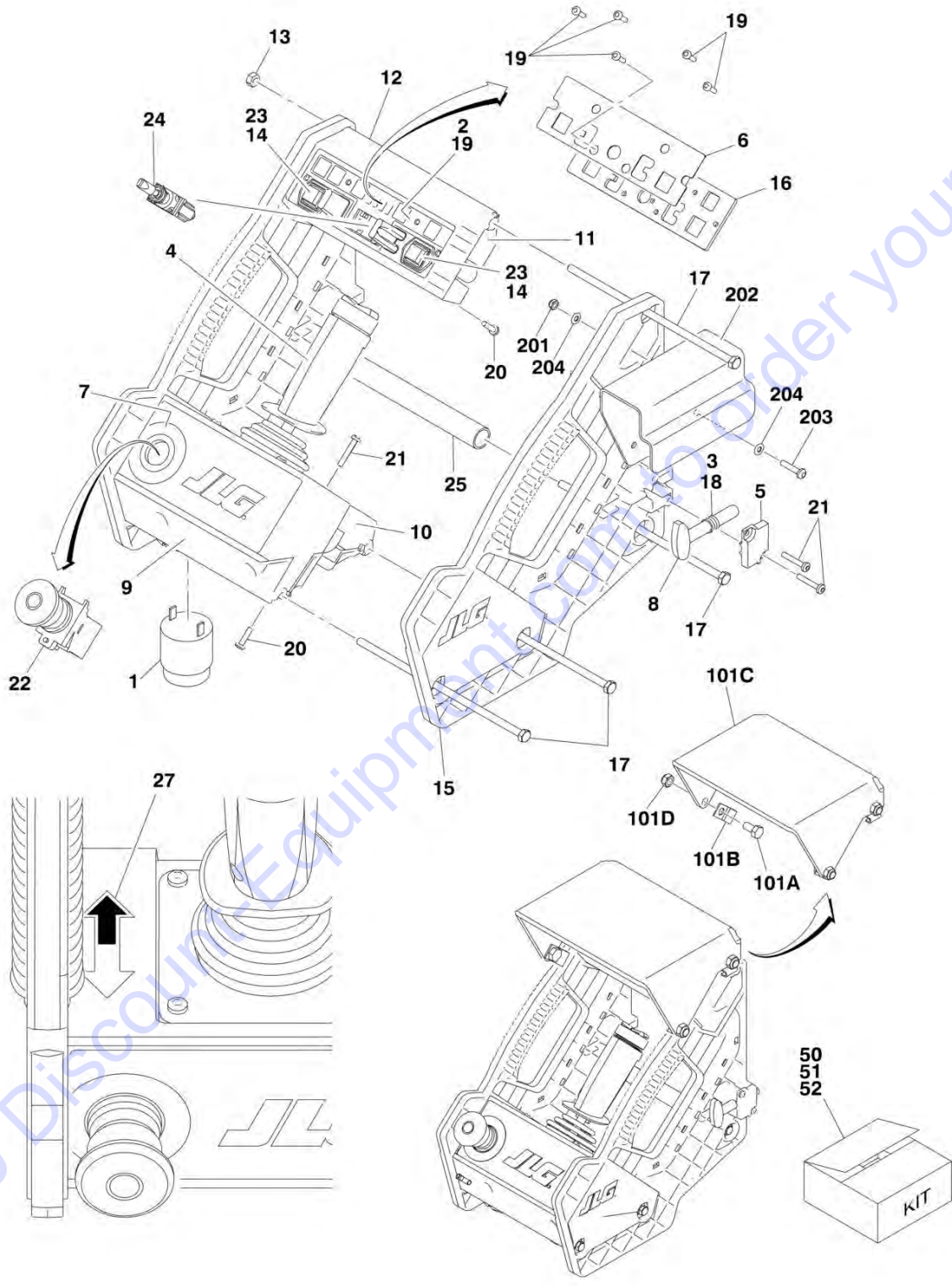
SECTION 4 - PLATFORM

ITEM	PART NUMBER	QTY	DESCRIPTION	REV
		in/46cm		
325	3820019	2	Rivet	
326	3860111	2	Roller	
327	3900345	2	Screw M8 x 45mm	
328	4010617	24	Screw M6 x 45mm	
329	4010618	2	Screw M6 x 50mm	
330	4420037	AR	Tape, Insulation	
331	4846723	1	Gate (2902490 Assembly Only)	
332	3423278	4	Snap Pin/Lanyard Kit	
400	2902489	1	Rails Kit - 2646ES/3246ES (Includes Items 302-315) (Not Shown)	O

Go to Discount-Equipment.com to order your parts

SECTION 4 - PLATFORM

FIGURE 4-9. PLATFORM CONSOLE BOX INSTALLATION



SECTION 4 - PLATFORM

FIGURE 4-9. PLATFORM CONSOLE BOX INSTALLATION

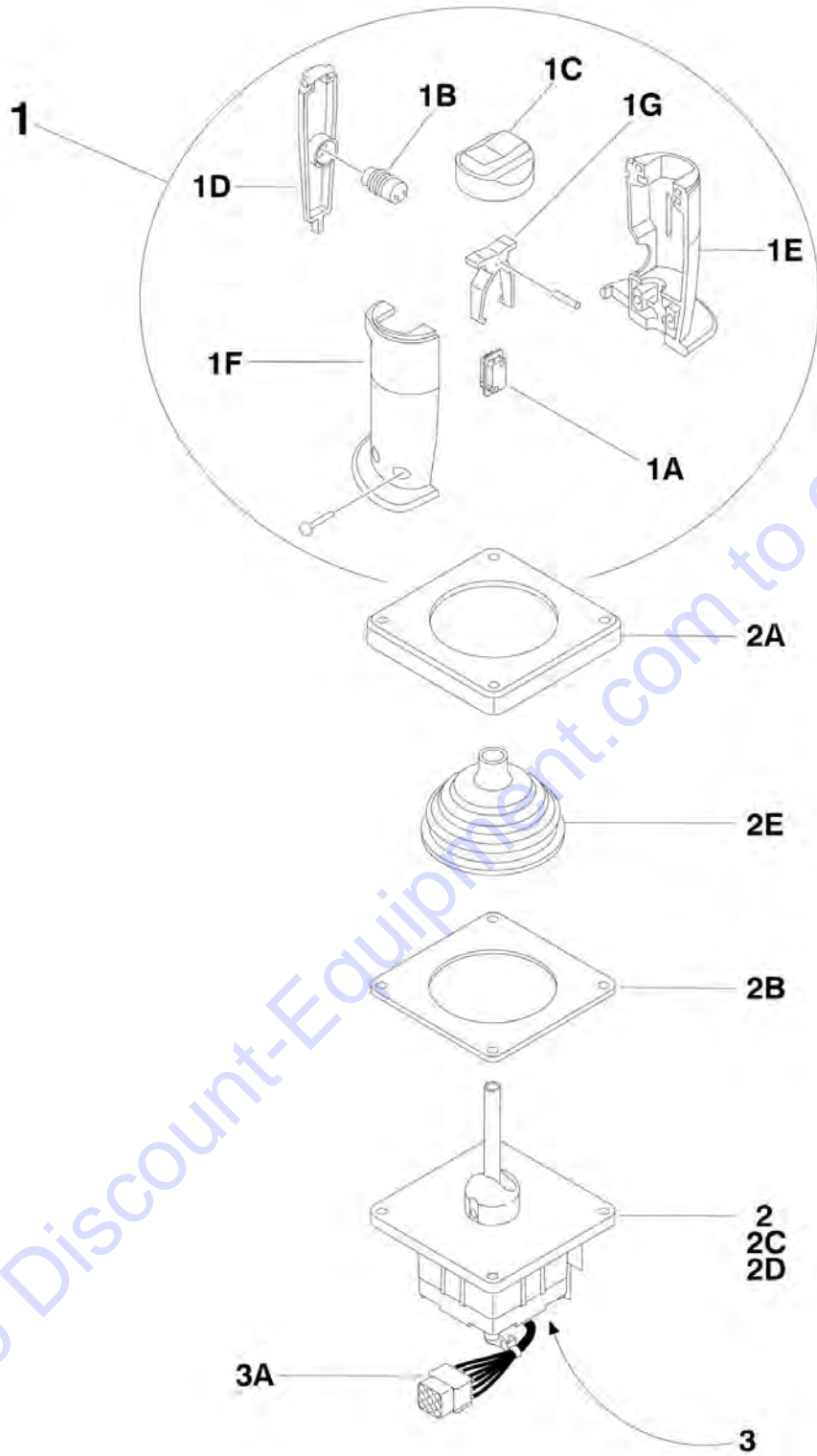
ITEM	PART NUMBER	QTY	DESCRIPTION	REV
		Ref	CONSOLE BOX ASSEMBLY	
	0272778	Ref	All Specs except CE Spec (See Note)	I
	0272779	Ref	CE Spec (See Note)	I
		Ref	Note: When replacing complete assembly, use p/n 1001091153 for All Specs except CE Spec Machines. Use p/n 1001091154 for CE Specs Machines.	
1	0140011	1	Alarm	
2	0610162	NLA	Platform Box Control Module (Note: Use Item 52)	
2	1600439	NLA	Platform Box Control Module (Note: Use Item 52)	
3	1380156	1	E-Clip	
4	1600345	NLA	Drive/Steer Controller Assembly (Use p/n 1001134438) (See DRIVE/STEER CONTROLLER ASSEMBLY for Breakdown)	
5	1671098	1	Latch	
6		Ref	Decal - Icon Options:	
6	1705674	1	All Specs except CE Spec	
6	1705675	1	CE Spec	
7	1705676	1	Decal - Emergency Stop Ring	
8	2560179	1	Handle, Latch	
9	2760113	NLA	Housing, Joystick (Lower) (Use p/n 1001091390)	
10	2760114	NLA	Mount, Joystick (Use p/n 1001091390)	
11	2760115	NLA	Housing, Module Mounting (Lower) (Use p/n 1001091279)	
12	2760116	NLA	Housing, Module Mounting (Upper) (Use Item 51 or 52)	
13	3300473	4	Nut M6	
14	3340968	2	Button (Includes Black Button Only)	
15	3380475	2	Panel, Side	
16	3574249	NLA	Plate, Decal (Use Item 50, 51 or 52)	
17	3900333	4	Screw M6 x 190mm	
18	4160203	1	Spring, Compression	
19	4191306	11	Screw M3.5 x 12mm	
20	4191407	8	Screw M4 x 16mm	
21	4191409	6	Screw M4 x 25mm	
22	4360475	1	Switch, Emergency Stop	
22	7020175	1	Cap	
22	7020176	1	Block, Contact	
23	4360538	2	Strip, Switch and Membrane	
24	4360539	1	Switch, Toggle	
25	4568738	1	Tube, Spacer	
26	4922870	1	Harness, Platform Box (Not Shown - See ELECTRICAL SECTION for Breakdown)	
27	1703819	1	Decal - Directional Arrow	
		Ref	Kit Options:	
50	1001091967	1	Kit 1- Decal Kit for USA Built Machines (Includes Items 6, 16 & 19) (Prior to SN 0200163756)	A
50	1001091967	1	Kit 1- Decal Kit for Belgium Built Machines (Includes Items 6, 16 & 19) (Prior to SN 1200011998)	A
		Ref	Note: Two Item 6's are included in the kit - 1 for All Specs Except CE and 1 for CE Specs. Use decal required for applicable spec. Dispose of the decal not used.	
		Ref	Note: If Housing has been replaced with Kit 1001091393 or Kit 1001091965, use Decal Kit p/n 1001091968	
51	1001091393	1	Kit 2 - Decal and Housing Kit (Includes Items 6, 12, 16 & 19)	A
		Ref	Note: Two Item 6's are included in the kit - 1 for All Specs	

SECTION 4 - PLATFORM

ITEM	PART NUMBER	QTY	DESCRIPTION	REV
52	1001091965	1	Except CE and 1 for CE Specs. Use decal required for applicable spec. Dispose of the decal not used. Kit 3 - Decal, Housing and PC Board Kit (Includes Items 2, 6, 12, 16, 19 & 19)	A
		Ref	Note: Two Item 6's are included in the kit - 1 for All Specs Except CE and 1 for CE Specs. Use decal required for applicable spec. Dispose of the decal not used.	
	0272878	Ref	Anti-vandalism Package Installation (Not Shown)	A
	1671131	1	Cover, Lockable Platform Console Box	
	0273841	Ref	PLATFORM BOX COVER INSTALLATION (Use p/n 100118216 as Replacement)	C
101	2902341	NLA	Kit, Platform Box Shield (Use p/n 100118215)	
101A	0760808	4	Bolt M8 x 16mm	
101B	1380159	4	Clip, Cover Mounting	
101C	1671161	NLA	Cover, Platform Box (Use p/n 100118215)	
101D	3290805	4	Locknut M8	
	0274386	Ref	PLATFORM BOX HANGER INSTALLATION (OPTIONAL)	B
201	3290405	2	Locknut M4	
202	3575794	1	Plate, Bracket	
203	3900338	2	Screw M4 x 20mm	
204	4811400	4	Flatwasher M4	

SECTION 4 - PLATFORM

FIGURE 4-10. DRIVE/STEER CONTROLLER ASSEMBLY (ORIGINAL EQUIPMENT)



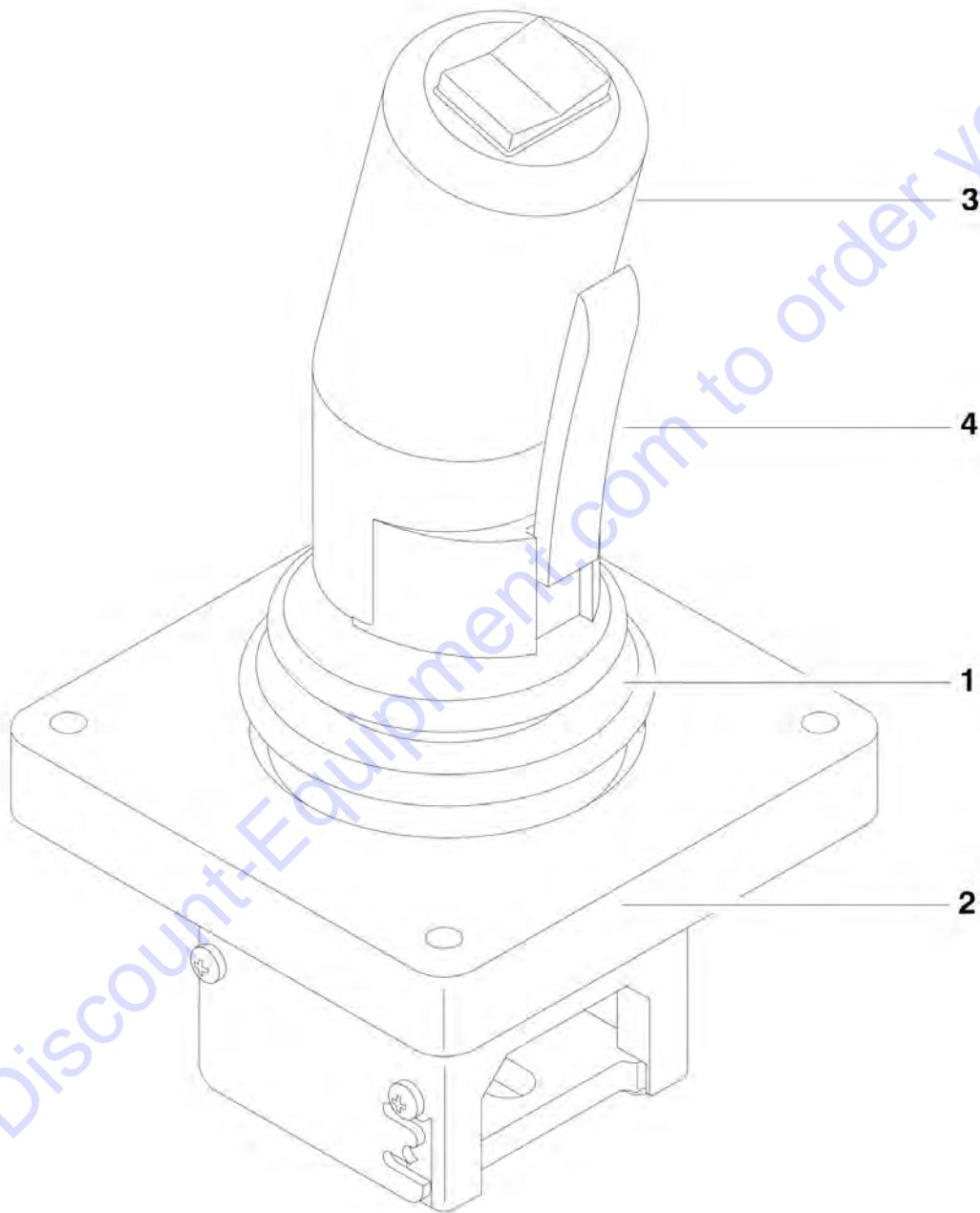
SECTION 4 - PLATFORM

FIGURE 4-10. DRIVE/STEER CONTROLLER ASSEMBLY (ORIGINAL EQUIPMENT)

ITEM	PART NUMBER	QTY	DESCRIPTION	REV
	1600345	Ref	CONTROLLER ASSEMBLY Note: Original Equipment controller p/n 1600345 may have been replaced with Service Replacement controller p/n 1001134438. Visually identify controller before ordering parts.	A
		Ref		
1	7020551	1	Grip Assembly	
1A	7020500	2	Switch, Steer Rocker	
1B	7020501	1	Switch, Enable Push Button	
1C	7003790	1	Cap, Rubber Rocker (Includes Lock Ring)	
1D	7011997	1	Trigger	
1E	See Note	NSS	Grip - Right Half (Note: Use Item 1)	
1F	See Note	NSS	Grip - Left Half (Note: Use Item 1)	
1G	See Note	NSS	Actuator, Switch (Note: Use Item 1)	
2	See Note	NSS	Handle/Housing Assembly (Note: Use p/n 1001134438)	
2A	7020552	1	Bezel	
2B	7020553	1	Gasket	
2C	7020554	1	Spring, Centering	
2D	7020555	1	Foot, Centering	
2E	7020556	1	Boot, Rubber	
3	See Note	NSS	Electrical Assembly (Not Shown) (Note: Use p/n 1001134438)	
3A	4460266	1	Connector, Receptacle - 9 Pin	
3A	4460226	7	Socket, Female	
3A	4460265	1	Plug, Male-9 Position (Part of Platform Box Harness)	
3A	4460227	7	Pin, Male (Part of Platform Box Harness)	

SECTION 4 - PLATFORM

FIGURE 4-11. DRIVE/STEER CONTROLLER ASSEMBLY (SERVICE REPLACEMENT)



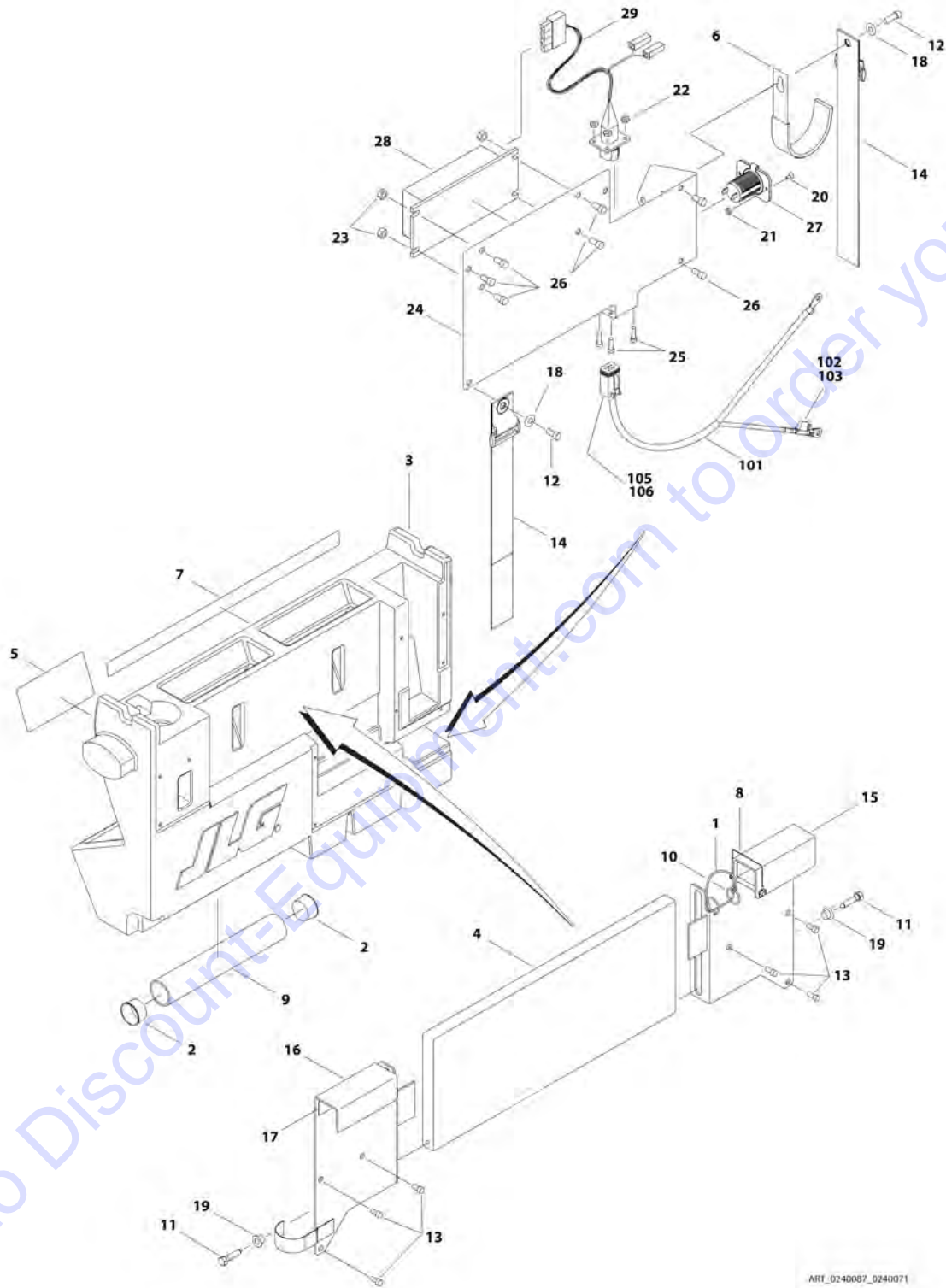
SECTION 4 - PLATFORM

FIGURE 4-11. DRIVE/STEER CONTROLLER ASSEMBLY (SERVICE REPLACEMENT)

ITEM	PART NUMBER	QTY	DESCRIPTION	REV
	1600402	Ref	DRIVE/STEER CONTROLLER ASSEMBLY Note: Use p/n 1001134438 as replacement. Original Equipment was p/n 1600345.	A
		Ref		
1	70001250	1	Boot, Panel	
2	70001252	1	Gasket, Mounting	
2	70001251	1	Bezel, Mounting	
3	70003650	1	Handle Repair Kit (Includes handle gasket, Item#4 push button and Item #4 lever installed in front handle half, back handle half, top actuator, boot and hardware)	
3	70000084	1	Cap, Rubber	
3	70000082	1	Microswitch	
3	7027766	1	Ring, Retaining	
3	7027365	1	Actuator, Handle	
3	70001253	1	Gasket, Handle	
3	70000683	4	Washer, Neoprene	
3	70000685	2	Spacer, Plastic	
3	70000686	2	Screw (Top)	
3	70000684	2	Screw (Bottom)	
4	7027367	1	Switch, Push button	
4	7027765	1	Lever, Enable	

SECTION 4 - PLATFORM

FIGURE 4-12. WORKSTATION INSTALLATION



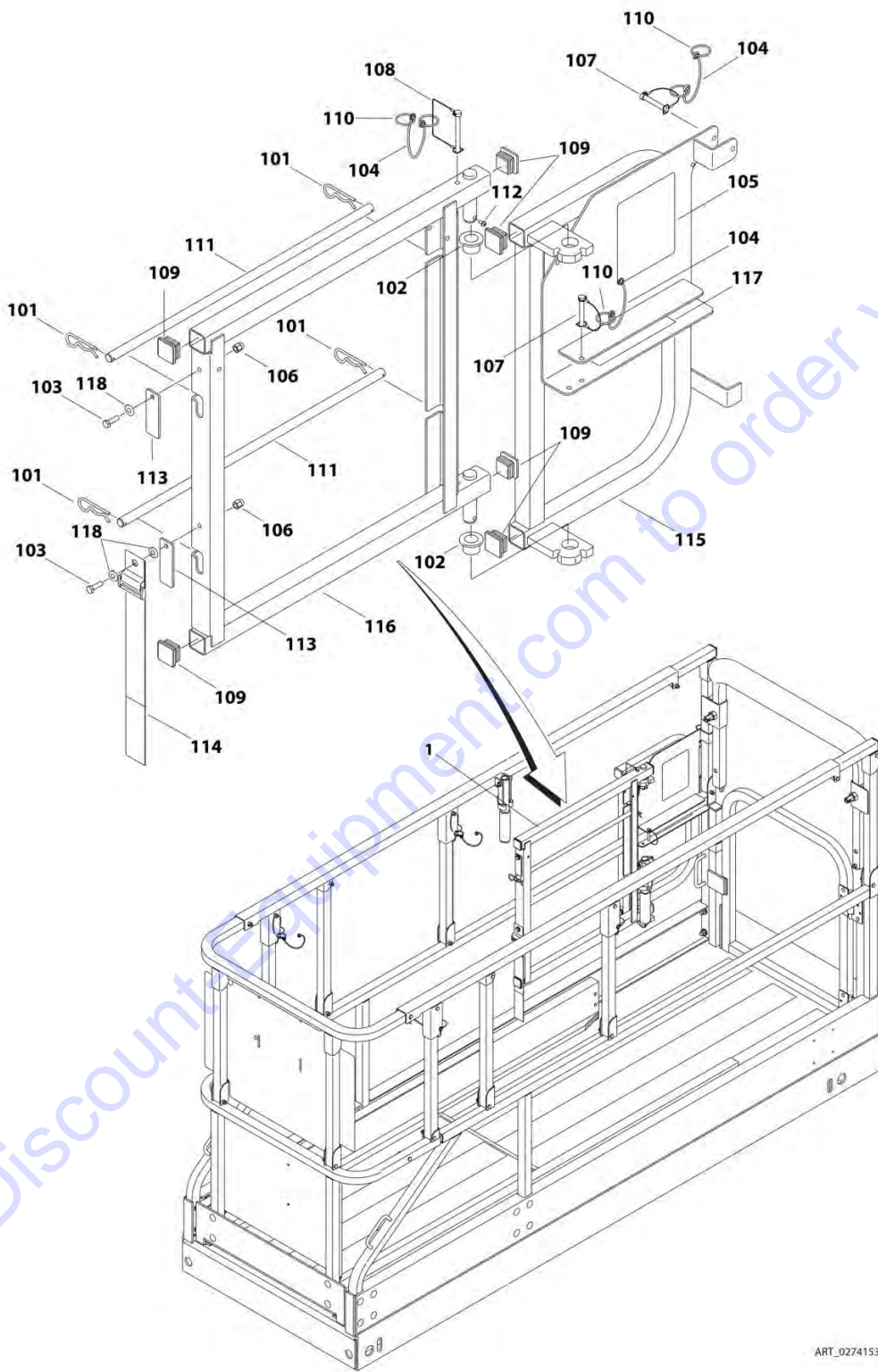
SECTION 4 - PLATFORM

FIGURE 4-12. WORKSTATION INSTALLATION

ITEM	PART NUMBER	QTY	DESCRIPTION	REV
		Ref	WORKSTATION INSTALLATIONS	
	0240087	Ref	Workstation W/O DC Converter	B
	0240071	Ref	Workstation W/DC Converter	B
1	1060379	1	Cable, Lanyard	
2	1120555	2	Cap, Manual Storage	
3	1580023	1	Container	
4	1580024	1	Tray	
5	1705997	1	Decal – Workstation	
6	2700100	1	Hook, Hanger	
7	2902348	1	Decal – Workstation Kit	
8	3422219	1	Pin	
9	3460334	1	PVC Pipe	
10	3760170	2	Ring	
11	3900355	2	Screw 5/16 x 1-1/2	
12	3931412	2	Bolt 1/4 x 3/4	
13	3931508	6	Bolt 5/16 x 1/2	
14	4240003	2	Strap	
15	4340853	1	Mount, RH Channel	
16	4340854	1	Mount, LH Channel	
17	4420062	3 ft/0.9m	Tape	
18	4711400	2	Washer 1/4	
19	4740480	2	Insert, Plastic	
20	0740603	2	Screw #6 x 3/4 (Workstation W/DC Converter Only)	
21	3310601	2	Nut #6 (Workstation W/DC Converter Only)	
22	3311005	4	Locknut #10 (Workstation W/DC Converter Only)	
23	3311405	1	Locknut 1/4 (Workstation W/DC Converter Only)	
24	3380527	1	Panel, Converter/Receptacle (Workstation W/DC Converter Only)	
25	3931010	4	Bolt #10 x 5/8 (Workstation W/DC Converter Only)	
26	3931408	1	Bolt 1/4 x 1/2 (Workstation W/DC Converter Only)	
27	4461012	1	Receptacle (Workstation W/DC Converter Only)	
28	4530026	1	Transformer (Workstation W/DC Converter Only)	
29	4923121	1	Harness, Workstation (Workstation W/DC Converter Only)	
29	4460885	1	Connector – 4 Position	
29	4460464	4	Pin	
29	4460878	1	Connector – 4 Position	
29	4460887	4	Terminal	
		Ref	WORKSTATION POWER CABLE INSTALLATIONS	
	4923114	Ref	1930ES/2030ES	A
	4923115	Ref	2630ES/2646ES/3246ES	A
101	1060331	60 ft/18.3m	Electrical Cable – 16/4 (1930ES/2030ES)	
101	1060331	70 ft/21.3m	Electrical Cable – 16/4 (2630ES/2646ES/3246ES)	
102	2400061	1	Fuse – 10 Amp	
103	2400066	1	Holder, Fuse	
105	4460465	4	Socket, Female	
106	4460884	1	Connector – 4 Position	

SECTION 4 - PLATFORM

FIGURE 4-13. PACKAGE INSTALLATION (1930ES/2030ES/2630ES)



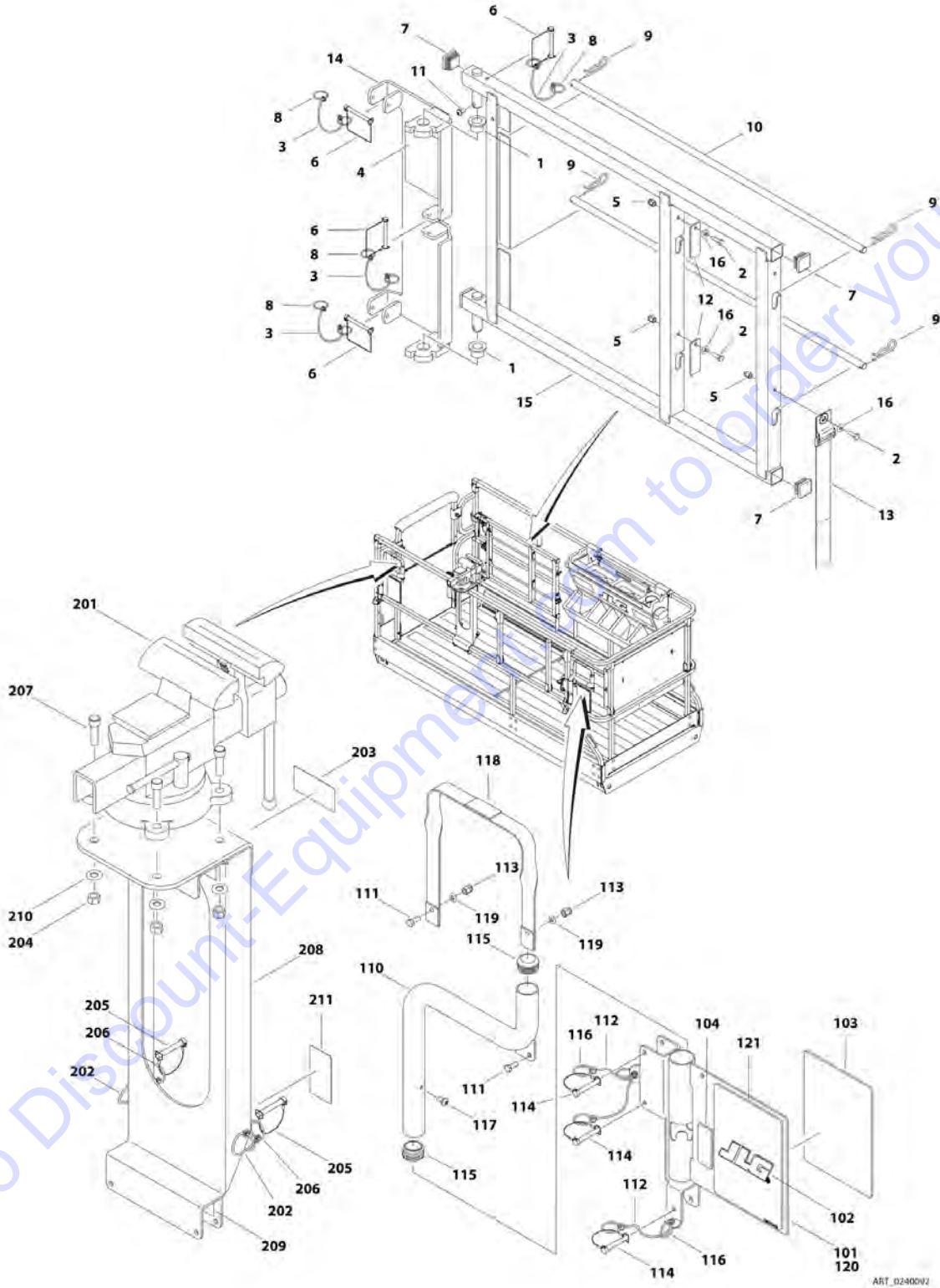
SECTION 4 - PLATFORM

FIGURE 4-13. PACKAGE INSTALLATION (1930ES/2030ES/2630ES)

ITEM	PART NUMBER	QTY	DESCRIPTION	REV
	0274153	Ref	ELECTRICIAN'S TREE INSTALLATION (1930ES/2030ES/2630ES)	A
1	0240102	1	Electrician's Tree (See Items 101-118 for Breakdown)	
	0240102	Ref	ELECTRICIAN'S TREE	A
101	80325	4	Hairpin, Cotter	
102	0440223	2	Bushing	
103	0700610	3	Bolt M6 x 20	
104	1060379	3	Cable, Lanyard	
105	2902386	1	Decal – Electrician's Tree Kit	
106	3290606	3	Nut M6	
107	3421453	2	Pin	
108	3422219	1	Pin	
109	3520072	6	Plug	
110	3760170	5	Ring	
111	3841675	2	Rod, Spool	
112	4191706	1	Screw M6 x 12	
113	4220227	2	Stop, Spool Rod	
114	4240003	1	Strap	
115	4340946	1	Mount, Base Pivot	
116	4340947	1	Mount, Spool Rack	
117	4420062	1	Tape, UHMW	
118	4711400	3	Washer 1/4	

SECTION 4 - PLATFORM

FIGURE 4-14. PACKAGE INSTALLATION (2646ES/3246ES)



ART_02400V2

SECTION 4 - PLATFORM

FIGURE 4-14. PACKAGE INSTALLATION (2646ES/3246ES)

ITEM	PART NUMBER	QTY	DESCRIPTION	REV
	0240092	Ref	ACCESSORY, INSTALLATIONS (ELECTRICAL PACKAGE) (2646ES/3246ES)	B
1	0440223	2	Bushing	
2	0700610	3	Bolt M6 x 20	
3	1060379	4	Cable, Lanyard	
4	2902347	1	Decal – Electrician's Tree Kit	
5	3290606	3	Nut M6	
6	3422219	4	Pin	
7	3520072	4	Plug	
8	3760170	8	Ring	
9	80325	4	Hairpin, Cotter	
10	3841667	2	Rod, Spool	
11	4191706	1	Screw M6 x 12	
12	4220227	2	Stop, Spool Rod	
13	4240003	1	Strap	
14	4340909	1	Mount, Base Pivot	
15	4340910	1	Mount, Spool Rack	
16	4711400	3	Washer 1/4	
	0272884	Ref	ACCESSORY, PIPE RACK INSTALLATIONS (ELECTRICAL, PLUMBERS AND PLANT PACKAGES)	C
101	0240057	2	Accessory, Pipe Rack Tube (See Items 110-121 for Breakdown)	
102	1702010	2	Decal – JLG (SN 0200135154 through 0200148345, SN 1200008481 through 1200006172)	
103		Ref	Decal – Pipe Rack Capacity Options: (SN 0200135154 through 0200148345, SN 1200008481 through 1200006172)	
103	1705931	2	Australian Spec	
103	Not Required		ANSI, ANSI Export and CSA Specs	
103	1705933	2	CE and Japan Specs	
104	8005670	2	Decal – Instruction Read Operators Manual (SN 0200135154 through 0200148345, SN 1200008481 through 1200006172)	
	0240057	Ref	ACCESSORY, PIPE RACK ASSEMBLIES (ELECTRICAL, PLUMBERS AND PLANT PACKAGES)	E
110	0240054	1	Accessory, Pipe Rack Tube	
111	0700608	2	Bolt M6 x 16	
112	1060379	3	Cable, Lanyard	
113	3290606	2	Nut M6	
114	3421453	3	Pin	
115	3520176	2	Plug	
116	3760170	5	Ring	
117	4191706	1	Screw M6 x 12	
118	4240164	1	Strap	
119	4811700	4	Washer M6	
120	4846876	1	Pipe Rack	
121	2902346	2	Decal – Capacity Pipe Rack Kit (SN 0200148345 through 0200152825, SN 1200006172 through 1200008481)	
	0240093	Ref	ACCESSORY, VISE (ELECTRICAL, PLUMBERS AND PLANT PACKAGES)	B
201	0240088	1	Vise	
202	1060379	2	Cable, Lanyard	
203	1705985	1	Decal – Weight	
204	3311605	4	Nut 3/8-16	

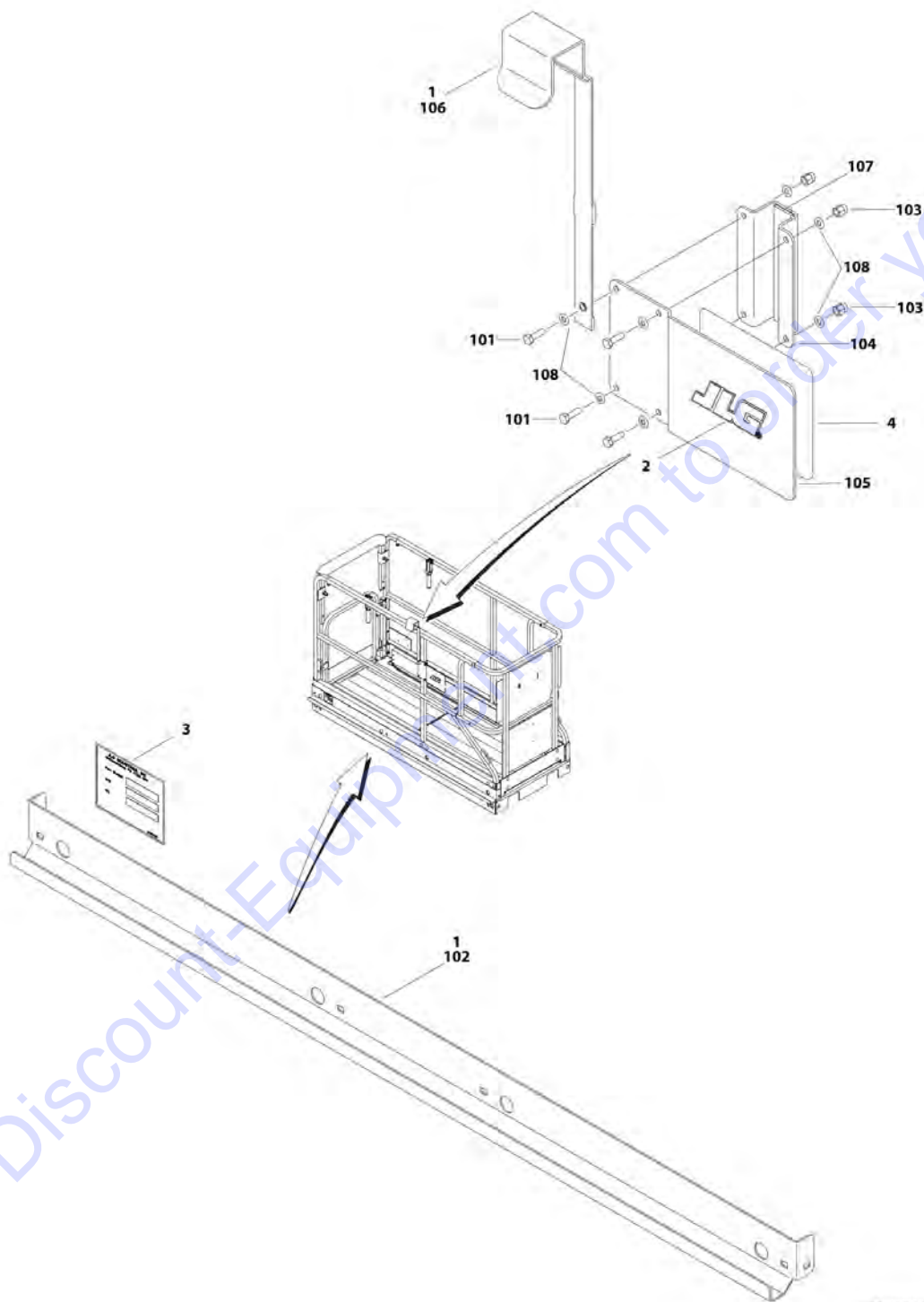
SECTION 4 - PLATFORM

ITEM	PART NUMBER	QTY	DESCRIPTION	REV
205	3421453	2	Pin	
206	3760170	4	Ring	
207	3931620	4	Bolt 3/8 x 1-1/4	
208	4340911	1	Mount	
209	4420062	3 ft/0.9m	Tape, UHMW	
210	4711600	4	Washer 3/8	
211	8005670	1	Decal – Instruction Read Operators Manual	

Go to Discount-Equipment.com to order your parts

SECTION 4 - PLATFORM

FIGURE 4-15. PANEL INSTALLATIONS



ART_0273436

SECTION 4 - PLATFORM

FIGURE 4-15. PANEL INSTALLATIONS

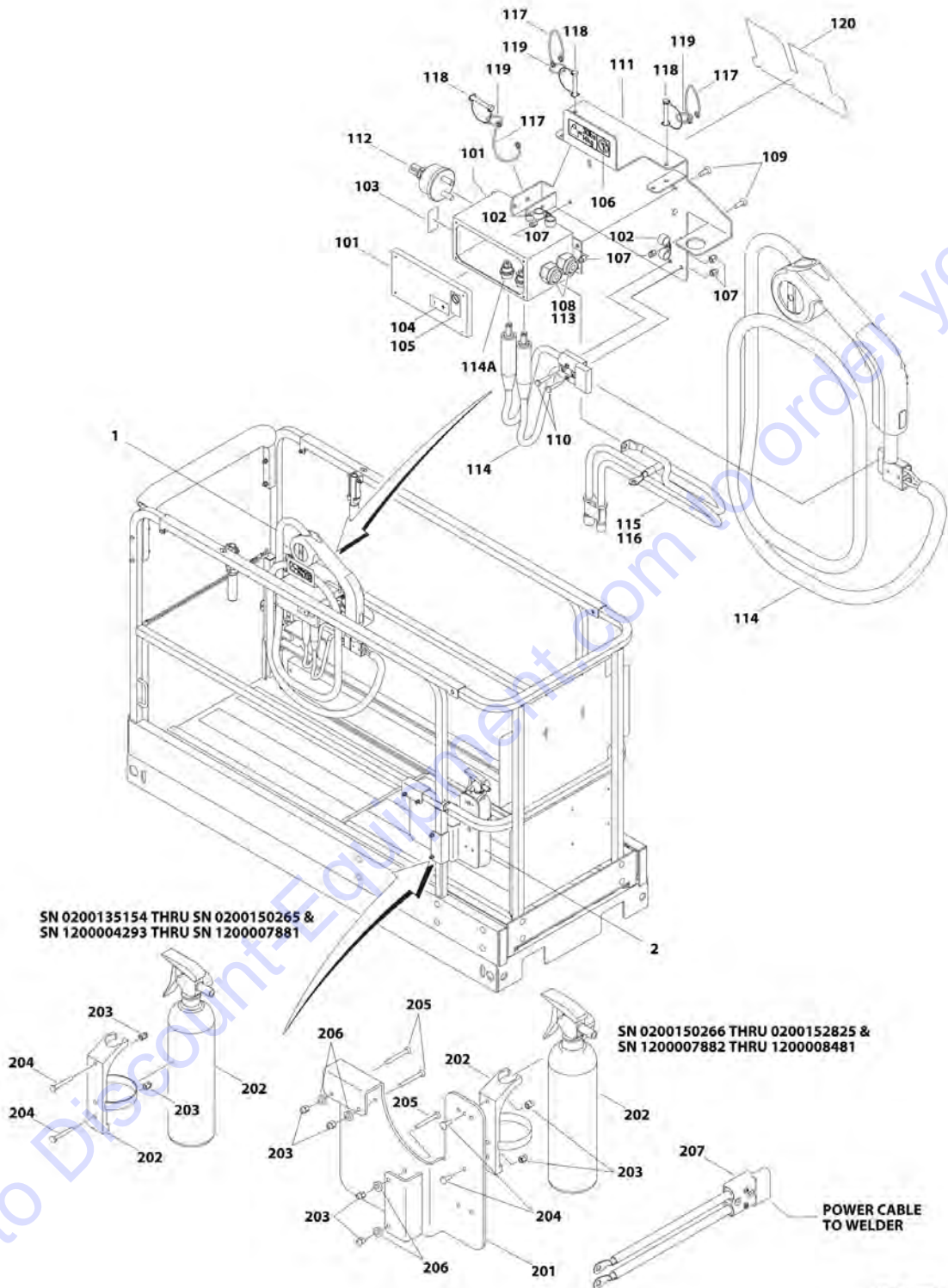
ITEM	PART NUMBER	QTY	DESCRIPTION	REV
		Ref	PANEL CARRIER INSTALLATIONS	
		Ref	1930ES Options:	
	0273436	Ref	ANSI and ANSI Export Specs (SN 0200135154 through 0200150265, SN 1200004293 through 1200007881)	E
	0274970	Ref	ANSI and ANSI Export Specs (SN 0200150266 through 0200452825, SN 1200007882 through 1200008481)	A
	0272858	Ref	Australian, CE and Japan Specs (SN 0200135154 through 0200150265, SN 1200004293 through 1200007881)	E
	0274969	Ref	Australian, CE and Japan Specs (SN 0200150266 through 0200452825, SN 1200007882 through 1200008481)	A
		Ref	2030ES/2630ES Options	
	0273437	Ref	ANSI and ANSI Export Specs (SN 0200135154 through 0200152825, SN 1200004293 through 1200008481)	E
	0272859	Ref	Australian, CE and Japan Specs (SN 0200135154 through 0200152825, SN 1200004293 through 1200008481)	E
		Ref	2646ES/3246ES Options	
	0273438	Ref	ANSI and ANSI Export Specs (SN 0200135154 through 0200150274, SN 1200004293 through 1200006550)	D
	0274980	Ref	ANSI and ANSI Export Specs (SN 0200150275 through 0200152825, SN 1200006551 through 1200008481)	A
	0272860	Ref	Australian, CE and Japan Specs (SN 0200135154 through 0200150274, SN 1200004293 through 1200006550)	C
	0274981	Ref	Australian, CE and Japan Specs (SN 0200150275 through 0200152825, SN 1200006551 through 1200008481)	A
		Ref	Attach, Panel Carrier Options: (See Items 101-108 for Breakdown)	
1	0240060	NLA	1930ES (Use p/n 0240140) (SN 0200135154 through 0200150265, SN 1200004293 through 1200007881)	
1	0240140	1	1930ES (SN 0200150266 through 0200152825, SN 1200007882 through 1200008481)	
1	0240061	1	2030ES/2630ES (SN 0200135154 through 0200152825, SN 1200004293 through 1200008481)	
1	0240062	NLA	2646ES/3246ES (Use p/n 0240142) (SN 0200135154 through 0200150274, SN 1200004293 through 1200006550)	
1	0240142	1	2646ES/3246ES (SN 0200150275 through 0200152825, SN 1200006551 through 1200008481)	
2	1702010	1	Decal – JLG	
3	See Note	1	Nameplate (Note: Not Available for Purchase)	
4		Ref	Decal – Capacity Options:	
4	1705934	1	1930ES/2030ES/2630ES (ANSI and ANSI Export Specs)	
4	1705935	1	1930ES/2030ES/2630ES (Australian, CE and Japan Specs)	
4	1705792	1	2646ES/3246ES (ANSI and ANSI Export Specs)	
4	1705793	1	2646ES/3246ES (Australian, CE and Japan Specs)	
		Ref	PANEL CARRIER ATTACHMENTS	
	0240060	Ref	1930ES (SN 0200135154 through 0200150265, SN 1200004293 through 1200007881)	C
	0240140	Ref	1930ES (SN 0200150266 through 0200152825, SN 1200007882 through 1200008481)	B
	0240061	Ref	2030ES/2630ES (SN 0200135154 through 0200152825, SN 1200004293 through 1200008481)	C
	0240062	Ref	2646ES/3246ES (SN 0200135154 through 0200150274, SN 1200004293 through 1200006550)	C
	0240142	Ref	2646ES/3246ES (SN 0200150275 through 0200152825, SN 1200006551 through 1200008481)	B

SECTION 4 - PLATFORM

ITEM	PART NUMBER	QTY	DESCRIPTION	REV
101	0760610	4	Bolt M6 x 20	
102		Ref	Channel Options:	
102	1271574	NLA	1930ES (Use p/n 1271625) (SN 0200135154 through 0200150265, SN 1200004293 through 1200007881)	
102	1271625	1	1930ES (SN 0200150266 through 0200152825, SN 1200007882 through 1200008481)	
102	1271565	1	2030ES/2630ES (SN 0200135154 through 0200152825, SN 1200004293 through 1200008481)	
102	1271564	1	2646ES/3246ES (Use p/n 1271630) (SN 0200135154 through 0200150274, SN 1200004293 through 1200006550)	
102	1271630	1	2646ES/3246ES (SN 0200150275 through 0200152825, SN 1200006551 through 1200008481)	
103	3290606	4	Nut M6	
104	3574505	1	Plate, Bracket	
105	3574506	1	Plate, Bracket	
106	4240165	1	Strap, Tie Down	
107	4420037	AR	Tape, Insulation	
108	4811700	8	Washer, M6	

SECTION 4 - PLATFORM

FIGURE 4-16. QUIK WELDER INSTALLATION



SECTION 4 - PLATFORM

FIGURE 4-16. QUIK WELDER INSTALLATION

ITEM	PART NUMBER	QTY	DESCRIPTION	REV
		Ref	QUIK WELDER INSTALLATIONS	
	0272879	Ref	1930ES	C
	0272880	Ref	2030ES	C
	0272881	Ref	2630ES	C
	0272882	Ref	2646ES/3246ES	C
1	2902334	1	Kit, Quik Welder (See Items 101-120 for Breakdown)	
2		Ref	Quik Welder Ready Installations (See Items 201-204 for	
2	0274154	1	1930ES (SN 0200135154 through 1022150265, SN 1200004293 through 1200007881)	
2	0275072	1	1930ES (SN 0200150266 through 0200152825, SN 1200007882 through 1200008481)	
2	0274155	1	2030ES (SN 0200135154 through 0200152825, SN 1200004293 through 1200008481)	
2	0274156	1	2630ES (SN 0200135154 through 0200152825, SN 1200004293 through 1200008481)	
2	0274157	1	2646ES/3246ES (SN 0200135154 through 0200151605, SN 1200004293 through 1200008264)	
2	0275075	1	2646ES/3246ES (SN 0200151606 through 0200152825, SN 1200008265 through 1200008481)	
	2902334	Ref	QUIK WELDER KIT	B
101	0861527	1	Box, Welder Disconnect	
102	1320224	4	Clamp	
103	1705213	1	Decal – On/Off	
104	1705214	1	Decal – Plus/Minus	
105	1705305	1	Decal – Weld Lead	
106	1705953	1	Decal – Weight	
107	3290606	8	Nut M6	
108	3300048	2	Nut 3/4	
109	4010608	6	Screw M6 x 16	
110	4010614	2	Screw M6 x 30	
111	4340938	1	Mount, Quik Welder	
112	4360155	1	Switch, Master Disconnect	
113	4460328	2	Terminal, Connector	
114	4530021	1	Welder	
114A	7027303	2	Connector, Female	
115	4923048	1	Cable, Quik Welder Assembly	
116	1060957	1	Cable, Welder	
117	1060379	3	Cable, Lanyard	
118	3421453	3	Pin	
119	3760170	3	Ring	
120	1705754	1	Decal - JLG	
		Ref	QUIK WELDER READY INSTALLATIONS	
	0274154	Ref	1930ES (SN 0200135154 through 0200150265, SN 1200004293 through 1200007881)	B
	0275072	Ref	1930ES (SN 0200150266 through 0200152825, SN 1200007882 through 1200008481)	A
	0274155	Ref	2030ES (SN 0200135154 through 0200152825, SN 1200004293 through 1200008481)	B
	0274156	Ref	2630ES (SN 0200135154 through 0200152825, SN 1200004293 through 1200008481)	B
	0274157	Ref	2646ES/3246ES (SN 0200135154 through 0200151605, SN 1200004293 through 1200008264)	B

SECTION 4 - PLATFORM

ITEM	PART NUMBER	QTY	DESCRIPTION	REV
	0275075	Ref	2646ES/3246ES (SN 0200151606 through 0200152825, SN 1200008265 through 1200008481)	A
201	0903416	1	Bracket, Fire Extinguisher Mount (SN 0200150266 through 0200152825, SN 1200007882 through 1200008481)	
202	2030010	1	Extinguisher, Fire	
203	3290606	6	Nut M6	
204	4010617	2	Screw M6 x 45	
204	4010608	2	Screw M6 x 16	
205	4010618	4	Screw M6 x 50 (SN 0200150266 through 0200152825, SN 1200007882 through 1200008481)	
206	4811700	4	Washer M6 (SN 0200150266 through 0200152825, SN 1200007882 through 1200008481)	
207		Ref	Cable, Quik Welder Power Options:	
207	4923049	1	1930ES	
207	4923050	1	2030ES	
207	4923051	1	2630ES	
207	4923052	1	2646ES/3246ES	

SECTION 5 - CYLINDER

Go to Discount-Equipment.com to order your parts

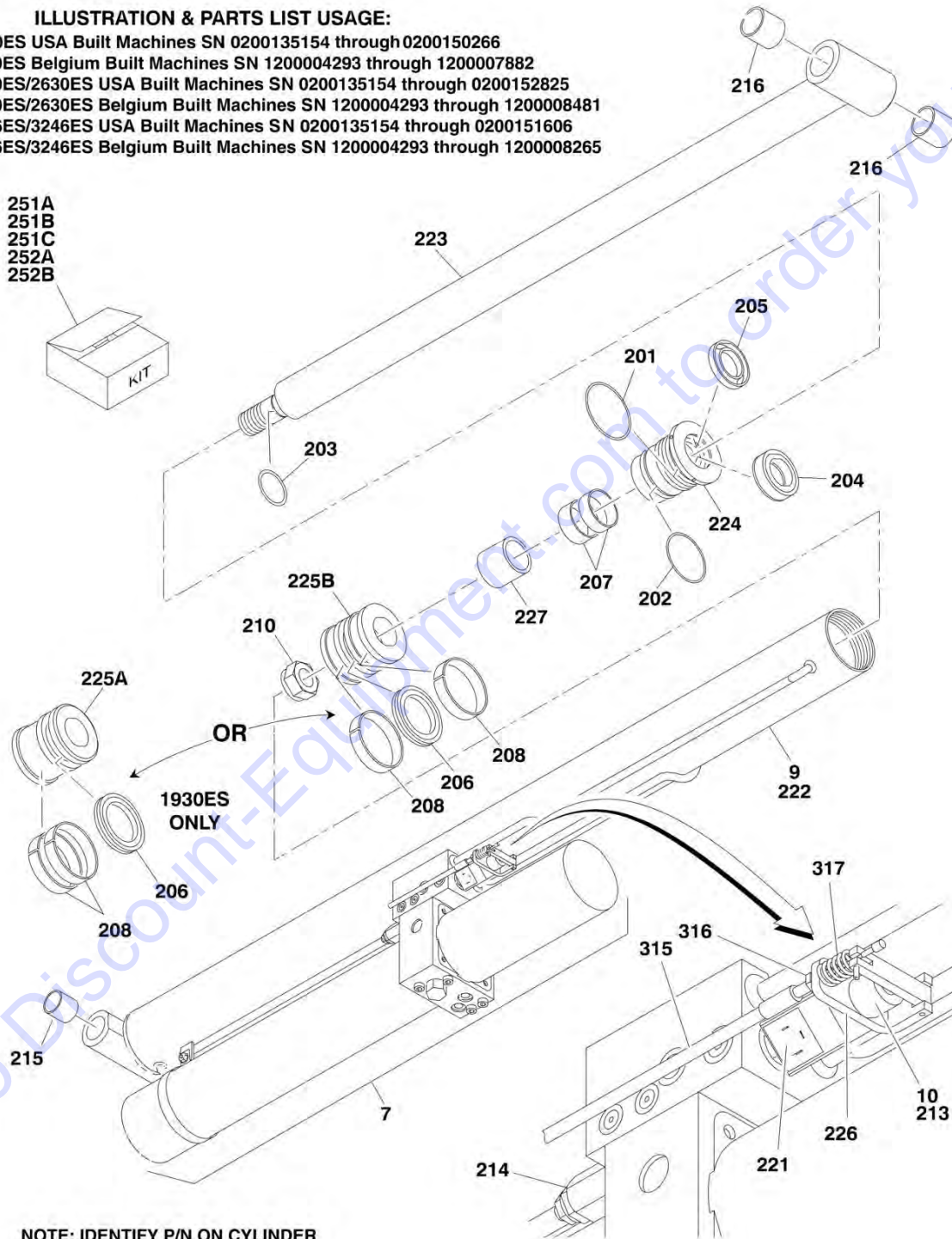
SECTION 5 - CYLINDER

FIGURE 5-1. LIFT CYLINDER ASSEMBLY (1930ES SN 0200135154 through 0200150266, SN 1200004293 through 1200007882; 2030ES SN 0200135154 through 0200152825, SN 1200004293 through 1200008481; 2630ES SN 0200135154 through 0200152825, SN 1200004293 through 1200008481; 2646ES SN 0200135154 through 0200151606, SN 1200004293 through 1200008265; 3246ES SN 0200135154 through 0200151606, SN 1200004293 through 1200008265)

ILLUSTRATION & PARTS LIST USAGE:

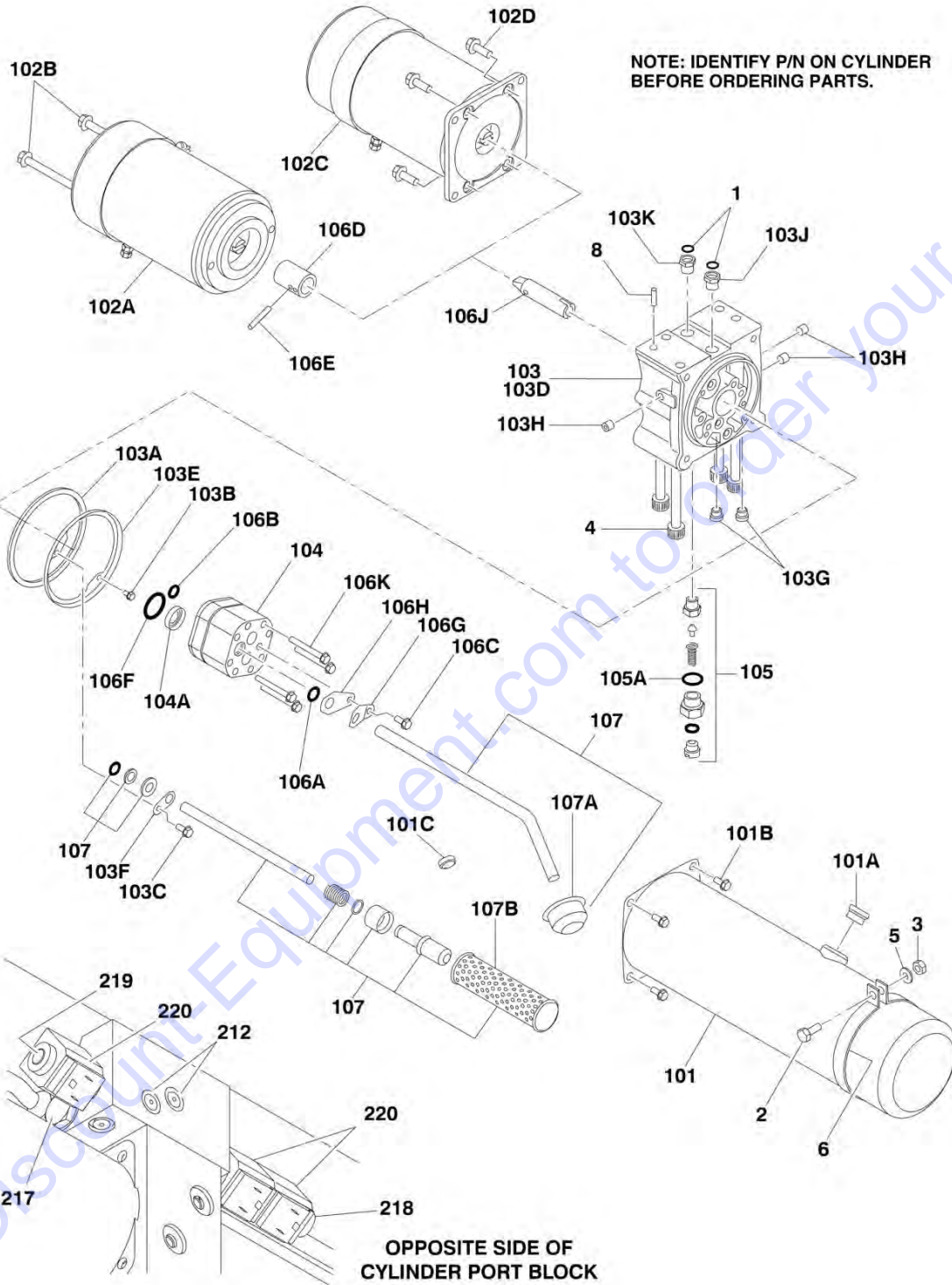
1930ES USA Built Machines SN 0200135154 through 0200150266
 1930ES Belgium Built Machines SN 1200004293 through 1200007882
 2030ES/2630ES USA Built Machines SN 0200135154 through 0200152825
 2030ES/2630ES Belgium Built Machines SN 1200004293 through 1200008481
 2646ES/3246ES USA Built Machines SN 0200135154 through 0200151606
 2646ES/3246ES Belgium Built Machines SN 1200004293 through 1200008265

251A
 251B
 251C
 252A
 252B



NOTE: IDENTIFY P/N ON CYLINDER BEFORE ORDERING PARTS.

SECTION 5 - CYLINDER



SECTION 5 - CYLINDER

FIGURE 5-1. LIFT CYLINDER ASSEMBLY (1930ES SN 0200135154 through 0200150266, SN 1200004293 through 1200007882; 2030ES SN 0200135154 through 0200152825, SN 1200004293 through 1200008481; 2630ES SN 0200135154 through 0200152825, SN 1200004293 through 1200008481; 2646ES SN 0200135154 through 0200151606, SN 1200004293 through 1200008265; 3246ES SN 0200135154 through 0200151606, SN 1200004293 through 1200008265)

ITEM	PART NUMBER	QTY	DESCRIPTION	REV
		Ref	ILLUSTRATION AND PARTS LIST USAGE:	
		Ref	1930ES - USA Built Machines (SN 0200135154 through 0200150266)	
		Ref	1930ES - Belgium Built Machines (SN 1200004293 through 1200007882)	
		Ref	2030ES/2630ES - USA Built Machines (SN 0200135154 through 0200152825)	
		Ref	2030ES/2630ES - Belgium Built Machines (SN 1200004293 through 1200008481)	
		Ref	2646ES/3246ES - USA Built Machines (SN 0200135154 through 0200151606)	
		Ref	2646ES/3246ES - Belgium Built Machines (SN 1200004293 through 1200008265)	
		Ref	LIFT CYLINDER ASSEMBLY	
	1684265	Ref	Lift Cylinder Assembly 1930ES	E
	1684258	Ref	Lift Cylinder Assembly 2030ES	D
	1684302	Ref	Lift Cylinder Assembly 2630ES	C
	1684260	Ref	Lift Cylinder Assembly 2646ES	F
	1684257	Ref	Lift Cylinder Assembly 3246ES	F
1	7023577	2	O-Ring	
2	See Note	NSS	Capscrew (All except 1930ES Models) (Note: Not Available - Purchase Locally)	
3	See Note	NSS	Locknut (All except 1930ES Models) (Note: Not Available - Purchase Locally)	
4	7023589	4	Capscrew	
5	See Note	NSS	Flatwasher (All except 1930ES Models) (Note: Not Available - Purchase Locally)	
6	7023539	1	Clamp (All except 1930ES Models)	
7		Ref	Power Pack Assembly - Complete Options (See Items 101-107B for Breakdown)	
7	7023558	1	Power Pack Assembly 1930ES	
7	7023549	1	Power Pack Assembly 2030ES	
7	7023568	1	Power Pack Assembly 2630ES	
7	7023557	1	Power Pack Assembly 2646ES	
7	7023535	1	Power Pack Assembly 3246ES	
8		Ref	Pin, Alignment Options:	
8	70003646	2	Pin, Dowel	
8	70003645	2	Roll Pin	
9	See Note	NSS	Cylinder Assembly Only (Note: Purchase Individual Components - See Items 201-227 for Breakdown)	
10	See Note	NSS	Plug, Brass (Orifice) (Note: Not Available for Purchase)	
11	7019864	1	Setscrew (1930ES Only) (Not Shown)	
		Ref	POWER PACK ASSEMBLY - COMPLETE	
	7023558	Ref	Power Pack Assembly 1930ES (1684265 Cylinder)	
	7023549	Ref	Power Pack Assembly 2030ES (1684258 Cylinder)	
	7023568	Ref	Power Pack Assembly 2630ES (1684302 Cylinder)	
	7023557	Ref	Power Pack Assembly 2646ES (1684260 Cylinder)	
	7023535	Ref	Power Pack Assembly 3246ES (1684257 Cylinder)	

SECTION 5 - CYLINDER

ITEM	PART NUMBER	QTY	DESCRIPTION	REV
101		Ref	Tank Kit Options (Note: Includes Tank and Items 101A-101C)	
101	7023569	1	Tank Kit 1930ES	
101	7023587	1	Tank Kit 2030ES	
101	7023585	1	Tank Kit 2630ES	
101	7023578	1	Tank Kit 2646ES	
101	7023583	1	Tank Kit 3246ES	
101A	7023593	1	Plug, Fill	
101B	See Note	NSS	Screw (Note: Use Item 101)	
101C	See Note	NSS	Magnet (Note: Use Item 101)	
102		Ref	Motor Options:	
102A	7023570	1	Motor 1930ES/2030ES/2630ES	
102A	70000658	1	Brush Kit - 7023570 Motor	
102B	See Note	NSS	Screw (Note: Use Item 102A)	
102C	7023579	1	Motor 2646ES/3246ES	
102C	70000659	1	Brush Kit - 7023579 Motor	
102D	See Note	NSS	Screw (Note: Use Item 102C)	
102D	See Note	NSS	Washer (Note: Use Item 102C)	
103	7023571	1	Adapter Kit	
103A	70000335	1	O-Ring	
103B	See Note	NSS	Screw (Note: Use Item 103)	
103C	See Note	NSS	Screw (Note: Use Item 103)	
103D	See Note	NSS	Adapter (Note: Use Item 103)	
103E	See Note	NSS	Seal (Note: Use Item 252A or 252B)	
103F	See Note	NSS	Retainer (Note: Use Item 103)	
103G	2220883	2	Plug	
103H	See Note	NSS	Plug (Note: Use Item 103)	
103J	See Note	NSS	Breather 9/16in - 12UNC (Note: Use Item 103)	
103K	See Note	NSS	Breather 9/16in - 18SAE (Note: Use Item 103)	
104		Ref	Pump Options:	
		Ref	Note: Shaft Seal is only Repair Part Available. No Other Service Parts Available - Replace Complete Pump.	
104	7023572	1	Pump 1930ES/2630ES	
104	7023588	1	Pump 2030ES	
104	7023580	1	Pump 2646ES/3246ES	
104A	See Note	NSS	Seal, Shaft (Note: Use Item 252A or 252B)	
105	7023573	1	Relief Valve Assembly	
105A	7023591	1	Sealing Washer	
106		Ref	Power Pack Miscellaneous Service Parts	
106A	See Note	NSS	Seal (Note: Not Available for Purchase)	
106B	See Note	NSS	Seal (Note: Use Item 252A or 252B)	
106C	See Note	NSS	Screw (Note: Not Available for Purchase)	
106D	See Note	NSS	Sleeve (1930ES/2030ES/2630ES Only) (Note: Use Item 106J)	
106E	See Note	NSS	Roll Pin (1930ES/2030ES/2630ES Only) (Note: Use Item 106J)	
106F	See Note	NSS	Seal (Note: Use Item 252A or 252B)	
106G	See Note	NSS	Tab, Locking (Note: Not Available for Purchase)	
106H	See Note	NSS	Retainer, Tube (Note: Not Available for Purchase)	
106J		Ref	Coupler Kit Options:	
106J	7023574	1	Coupler Kit 1930ES/2030ES/2630ES (Includes Items 106D & 106E)	
106J	7023581	1	Coupler Kit 2646ES/3246ES	
106K	See Note	NSS	Screw (Note: Not Available for Purchase)	

SECTION 5 - CYLINDER

ITEM	PART NUMBER	QTY	DESCRIPTION	REV
107		Ref	Tube Kit Options:	
107	7023575	1	Tube Kit 1930ES	
107	7023586	1	Tube Kit 2030ES/2630ES	
107	7023582	1	Tube Kit 2646ES	
107	7023584	1	Tube Kit 3246ES	
107A	See Note	NSS	Strainer (Note: Use Item 107)	
107B	7023576	1	Filter Element (Includes Seal)	
		Ref	CYLINDER ASSEMBLY ONLY COMPONENTS	
201	See Note	NSS	O-Ring (Note: Use Item 251A, 251B or 251C)	
202	See Note	NSS	O-Ring (Note: Use Item 251A, 251B or 251C)	
203	See Note	NSS	O-Ring (Note: Use Item 251A, 251B or 251C)	
204	See Note	NSS	Seal (Note: Use Item 251A, 251B or 251C)	
205	See Note	NSS	Wiper (Note: Use Item 251A, 251B or 251C)	
206	See Note	NSS	Seal (Note: Use Item 251A, 251B or 251C)	
		Ref	(Note: This is a 3 piece seal. Assembly may be required)	
207	See Note	NSS	Ring, Wear (Note: Use Item 251A, 251B or 251C)	
208	See Note	NSS	Ring, Wear (Note: Use Item 251A, 251B or 251C)	
210	70004193	1	Locknut	
211	2220882	4	Plug, Steel (SAE #3) (Not Shown)	
212	2220883	8	Plug, Steel (SAE #4)	
213	7023543	1	Valve, Proportional (Lift Down)	
214	7023542	1	Valve, Relief (Steer)	
215		Ref	Bushing Options:	
215	0962257	2	Bushing 1930ES/2030ES/2630ES	
215	0962006	2	Bushing 2646ES/3246ES	
216		Ref	Bushing Options:	
216	0962257	2	Bushing 1930ES/2030ES/2630ES	
216	0962181	2	Bushing 2646ES/3246ES	
217	7023538	1	Valve, Check	
218	7023537	1	Directional Control Valve (Steer)	
219	7023536	1	Directional Control Valve (Lift Up)	
220	7023541	3	Coil (Steer and Lift Up)	
221	7023540	1	Coil (Lift Down)	
222		Ref	Barrel Options:	
222	7023553	1	Barrel 1930ES	
222	7023548	1	Barrel 2030ES/2630ES	
222	7023556	1	Barrel 2646ES	
222	7023534	1	Barrel 3246ES	
223		Ref	Rod Options:	
223	7023552	1	Rod 1930ES	
223	7023547	1	Rod 2030ES/2630ES	
223	7023555	1	Rod 2646ES	
223	7023533	1	Rod 3246ES	
224		Ref	Head Options:	
224	7023551	1	Head 1930ES	
224	7023546	1	Head 2030ES/2630ES	
224	7023532	1	Head 2646ES/3246ES	
225		Ref	Piston Options:	
225A	7023550	1	Piston 1930ES	
225B	7023545	1	Piston 2030ES/2630ES	
225B	7023531	1	Piston 2646ES/3246ES	

SECTION 5 - CYLINDER

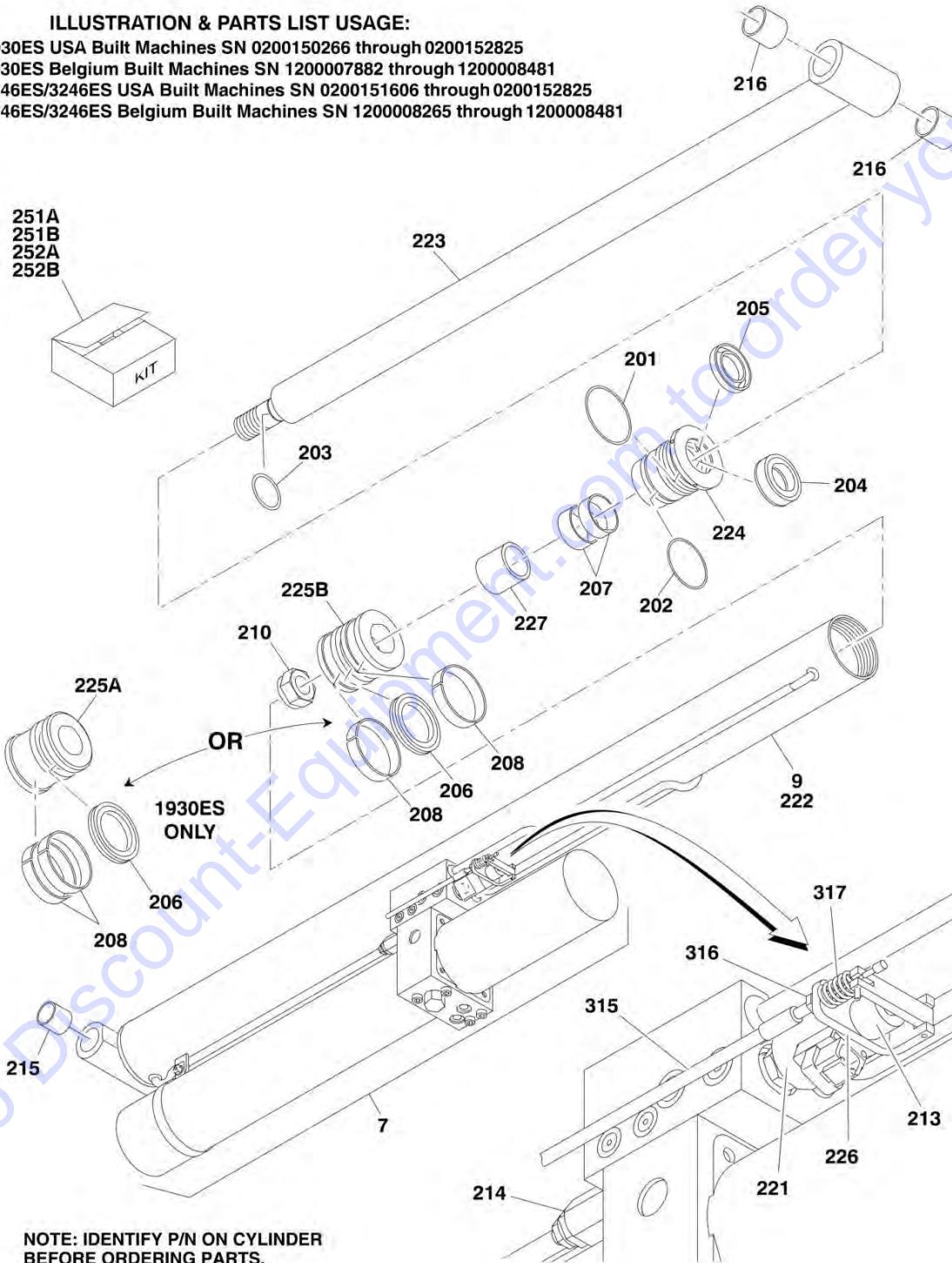
ITEM	PART NUMBER	QTY	DESCRIPTION	REV
226	7023530		Emergency Release Assembly	
227		Ref	Spacer Options:	
227	Not Required	0	Spacer 1930ES/2030ES/2630ES/2646ES	
227	7023529	1	Spacer 3246ES	
		Ref	SEAL KIT OPTIONS	
251		Ref	Seal Kit - Cylinder Options (Includes Items 201-208)	
251A	7023554	1	Seal Kit 1930ES	
251B	7023544	1	Seal Kit 2030ES/2630ES	
251C	7023528	1	Seal Kit 2646ES/3246ES	
252		Ref	Seal Kit - Reservoir/Pump Options (Includes 103A, 103E, 104A, 106B & 106F)	
252A	70001709	1	Seal Kit 1930ES/2030ES/2630ES	
252B	70001982	1	Seal Kit 2646ES/3246ES	
		Ref	MANUAL DESCENT COMPONENTS	
	0272735	Ref	Manual Descent Components 1930ES	H
	0272730	Ref	Manual Descent Components 2030ES	D
	0272608	Ref	Manual Descent Components 2630ES	D
	0272623	Ref	Manual Descent Components 2646ES	F
	0272622	Ref	Manual Descent Components 3246ES	F
315		Ref	Cable, Pull Options:	
315	1061036	1	Cable, Pull 1930ES	
315	1061035	NLA	Cable, Pull 2030ES/2630ES (Use p/n 1061036)	
315	1061034	1	Cable, Pull 2646ES/3246ES	
315	7020218	1	T-Handle (With 1/4in-20 Threads)	
315	70001878	1	T-Handle (With 5mm Threads)	
316	3321402	1	Nut, Jam 1/4in-18NF	
317	4160078	1	Spring	

SECTION 5 - CYLINDER

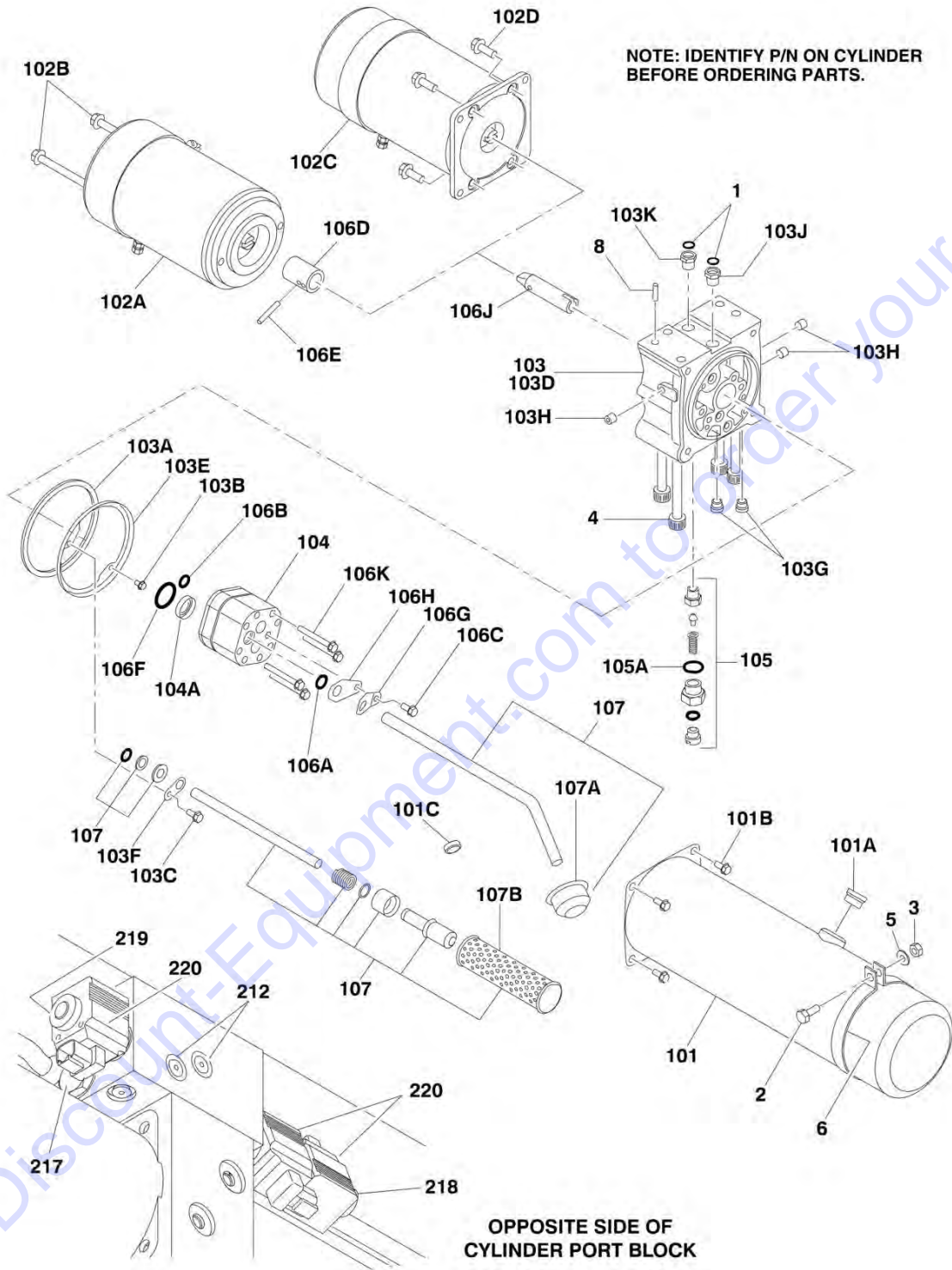
FIGURE 5-2. LIFT CYLINDER ASSEMBLY (1930ES SN 0200150266 through 0200152825, SN 1200007882 through 1200008481; 2646ES SN 0200151606 through 0200152825, SN 1200008265 through 1200008481; 3246ES SN 0200151606 through 0200152825, SN 1200008265 through 1200008481)

ILLUSTRATION & PARTS LIST USAGE:

1930ES USA Built Machines SN 0200150266 through 0200152825
 1930ES Belgium Built Machines SN 1200007882 through 1200008481
 2646ES/3246ES USA Built Machines SN 0200151606 through 0200152825
 2646ES/3246ES Belgium Built Machines SN 1200008265 through 1200008481



SECTION 5 - CYLINDER



SECTION 5 - CYLINDER

FIGURE 5-2. LIFT CYLINDER ASSEMBLY (1930ES SN 0200150266 through 0200152825, SN 1200007882 through 1200008481; 2646ES SN 0200151606 through 0200152825, SN 1200008265 through 1200008481; 3246ES SN 0200151606 through 0200152825, SN 1200008265 through 1200008481)

ITEM	PART NUMBER	QTY	DESCRIPTION	REV
		Ref	ILLUSTRATION AND PARTS LIST USAGE:	
		Ref	1930ES - USA Built Machines (SN 0200150266 through 0200152825)	
		Ref	1930ES - Belgium Built Machines (SN 1200007882 through 1200008481)	
		Ref	2646ES/3246ES - USA Built Machines (SN 0200151606 through 0200152825)	
		Ref	2646ES/3246ES - Belgium Built Machines (SN 1200008265 through 1200008481)	
		Ref	LIFT CYLINDER ASSEMBLY	
	1684484	Ref	Lift Cylinder 1930ES with Standard Hydraulic Oil	C
	1684526	Ref	Lift Cylinder 1930ES with Biodegradable Hydraulic Oil	B
	1684489	Ref	Lift Cylinder 2646ES with Standard Hydraulic Oil	C
	1684529	Ref	Lift Cylinder 2646ES with Biodegradable Hydraulic Oil	B
	1684490	Ref	Lift Cylinder 3246ES with Standard Hydraulic Oil	C
	1684530	Ref	Lift Cylinder 3246ES with Biodegradable Hydraulic Oil	B
1	7023577	2	O-Ring	
2	See Note	NSS	Cap screw (2646ES/3246ES Only) (Note: Not Available - Purchase locally)	
3	See Note	NSS	Locknut (2646ES/3246ES Only) (Note: Not Available - Purchase locally)	
4	7023589	4	Cap screw	
5	See Note	NSS	Flatwasher (2646ES/3246ES Only) (Note: Not Available - Purchase locally)	
6	7023539	1	Clamp (2646ES/3246ES Only)	
7		Ref	Power Pack Assembly - Complete Options (See Items 101-107B for Breakdown)	
7	7023558	1	Power Pack Assembly 1930ES	
7	7023557	1	Power Pack Assembly 2646ES	
7	7023535	1	Power Pack Assembly 3246ES	
8		Ref	Pin, Alignment Options:	
8	70003646	2	Pin, Dowel	
8	70003645	2	Roll Pin	
9	See Note	NSS	Cylinder Assembly Only (Note: Purchase Individual Components - See Items 201-227 for Breakdown)	
		Ref	POWER PACK ASSEMBLY - COMPLETE	
	7023558	Ref	Power Pack Assembly 1930ES (1684484/1684526 Cylinders)	
	7023557	Ref	Power Pack Assembly 2646ES (1684489/1684529 Cylinders)	
	7023535	Ref	Power Pack Assembly 3246ES (1684490/1684530 Cylinders)	
101		Ref	Tank Kit Options (Note: Includes Tank and Item 101A-101C)	
101	7023569	1	Tank Kit 1930ES	
101	7023578	1	Tank Kit 2646ES	
101	7023583	1	Tank Kit 3246ES	
101A	7023593	1	Plug, Fill	
101B	See Note	NSS	Screw (Note: Use Item 101)	
101C	See Note	NSS	Magnet (Note: Use Item 101)	
102		Ref	Motor Options:	
102A	7023570	1	Motor 1930ES	
102A	70000658	1	Brush Kit - 7023570 Motor	

SECTION 5 - CYLINDER

ITEM	PART NUMBER	QTY	DESCRIPTION	REV
102B	See Note	NSS	Screw (Note: Use Item 102A)	
102C	7023579	1	Motor 2646ES/3246ES	
102C	70000659	1	Brush Kit - 7023579 Motor	
102D	See Note	NSS	Screw (Note: Use Item 102C)	
102D	See Note	NSS	Washer (Note: Use Item 102C)	
103	7023571	1	Adapter	
103	7023571	1	Adapter Kit	
103A	70000335	1	O-Ring	
103B	See Note	NSS	Screw (Note: Use Item 103)	
103C	See Note	NSS	Screw (Note: Use Item 103)	
103D	See Note	NSS	Adapter (Note: Use Item 103)	
103E	See Note	NSS	Seal (Note: Use Item 252A or 252B)	
103F	See Note	NSS	Retainer (Note: Use Item 103)	
103G	2220883	2	Plug	
103H	See Note	NSS	Plug (Note: Use Item 103)	
103J	See Note	NSS	Breather 9/16in - 12UNC (Note: Use Item 103)	
103K	See Note	NSS	Breather 9/16in - 18SAE (Note: Use Item 103)	
104		Ref	Pump Options:	
		Ref	Note: Shaft Seal is only Repair Part Available. No Other Service Parts Available - Replace Complete Pump.	
104	7023572	1	Pump 1930ES	
104	7023580	1	Pump 2646ES/3246ES	
104A	See Note	NSS	Seal, Shaft (Note: Use Item 252A or 252B)	
105	7023573	1	Relief Valve Assembly	
105A	7023591	1	Sealing Washer	
106		Ref	Power Pack Miscellaneous Service Parts	
106A	See Note	NSS	Seal (Note: Not Available for Purchase)	
106B	See Note	NSS	Seal (Note: Use Item 252A or 252B)	
106C	See Note	NSS	Screw (Note: Not Available for Purchase)	
106D	See Note	NSS	Sleeve (1930ES Only) (Note: Use Item 106J)	
106E	See Note	NSS	Roll Pin (1930ES Only) (Note: Use Item 106J)	
106F	See Note	NSS	Seal (Note: Use Item 252A or 252B)	
106G	See Note	NSS	Tab, Locking (Note: Not Available for Purchase)	
106H	See Note	NSS	Retainer, Tube (Note: Not Available for Purchase)	
106J		Ref	Coupler Kit Options:	
106J	7023574	1	Coupler Kit 1930ES (Includes Items 106D & 106E)	
106J	7023581	1	Coupler Kit 2646ES/3246ES	
106K	See Note	NSS	Screw (Note: Not Available for Purchase)	
107		Ref	Tube Kit Options:	
107	7023575	1	Tube Kit 1930ES	
107	7023582	1	Tube Kit 2646ES	
107	7023584	1	Tube Kit 3246ES	
107A	See Note	NSS	Strainer (Note: Use Item 107)	
107B	7023576	1	Filter Element (Includes Seal)	
		Ref	CYLINDER ASSEMBLY ONLY COMPONENTS	
201	See Note	NSS	O-Ring (Note: Use Item 251A or 251B)	
202	See Note	NSS	O-Ring (Note: Use Item 251A or 251B)	
203	See Note	NSS	O-Ring (Note: Use Item 251A or 251B)	
204	See Note	NSS	Seal (Note: Use Item 251A or 251B)	
205	See Note	NSS	Wiper (Note: Use Item 251A or 251B)	
206	See Note	NSS	Seal (Note: Use Item 251A or 251B)	
	See Note	Ref	(Note: This is a 3 piece seal. Assembly may be required)	

SECTION 5 - CYLINDER

ITEM	PART NUMBER	QTY	DESCRIPTION	REV
207	See Note	NSS	Ring, Wear (Note: Use Item 251A or 251B)	
208	See Note	NSS	Ring, Wear (Note: Use Item 251A or 251B)	
210	70004193	1	Locknut	
211	2220883	4	Plug, Steel (SAE #4) (Not Shown)	
212	2220882	8	Plug, Steel (SAE #3)	
213	7023543	1	Valve, Proportional (Lift Down)	
214	7023542	1	Valve, Relief (Steer)	
215		Ref	Bushing Options:	
215	0962257	2	Bushing 1930ES	
215	0962006	2	Bushing 2646ES/3246ES	
216		Ref	Bushing Options:	
216	0962257	2	Bushing 1930ES	
216	0962181	2	Bushing 2646ES/3246ES	
217	7023538	1	Valve, Check	
218	7023537	1	Directional Control Valve (Steer)	
219	7023536	1	Directional Control Valve (Lift Up)	
220	70000798	3	Coil (Steer and Lift Up)	
221	70000799	1	Coil (Lift Down)	
222		Ref	Barrel Options:	
222	7023553	1	Barrel 1930ES	
222	7023556	1	Barrel 2646ES	
222	7023534	1	Barrel 3246ES	
223		Ref	Rod Options:	
223	7023552	1	Rod 1930ES	
223	7023533	1	Rod 2646ES/3246ES	
224		Ref	Head Options:	
224	7023551	1	Head 1930ES	
224	7023532	1	Head 2646ES/3246ES	
225		Ref	Piston Options:	
225A	7023550	1	Piston 1930ES	
225B	7023531	1	Piston 2646ES/3246ES	
226	7023530		Emergency Release Assembly	
227		Ref	Spacer Options:	
227	Not Required	0	Spacer 1930ES/2646ES	
227	7023529	1	Spacer 3246ES	
		Ref	SEAL KIT OPTIONS	
251		Ref	Seal Kit - Cylinder Options (Includes Items 201-208)	
251A	7023554	1	Seal Kit 1930ES	
251B	7023528	1	Seal Kit 2646ES/3246ES	
252		Ref	Seal Kit - Reservoir/Pump Options (Includes 103A, 103E, 104A, 106B & 106F)	
252A	70001709	1	Seal Kit 1930ES	
252B	70001982	1	Seal Kit 2646ES/3246ES	
		Ref	MANUAL DESCENT COMPONENTS	
	0274874	Ref	Manual Descent Components 1930ES with Standard Hydraulic Oil	D
	0275692	Ref	Manual Descent Components 1930ES with Biodegradable Hydraulic Oil	B
	0274879	Ref	Manual Descent Components 2646ES with Standard Hydraulic Oil	C
	0275695	Ref	Manual Descent Components 2646ES with Biodegradable Hydraulic Oil	B

SECTION 5 - CYLINDER

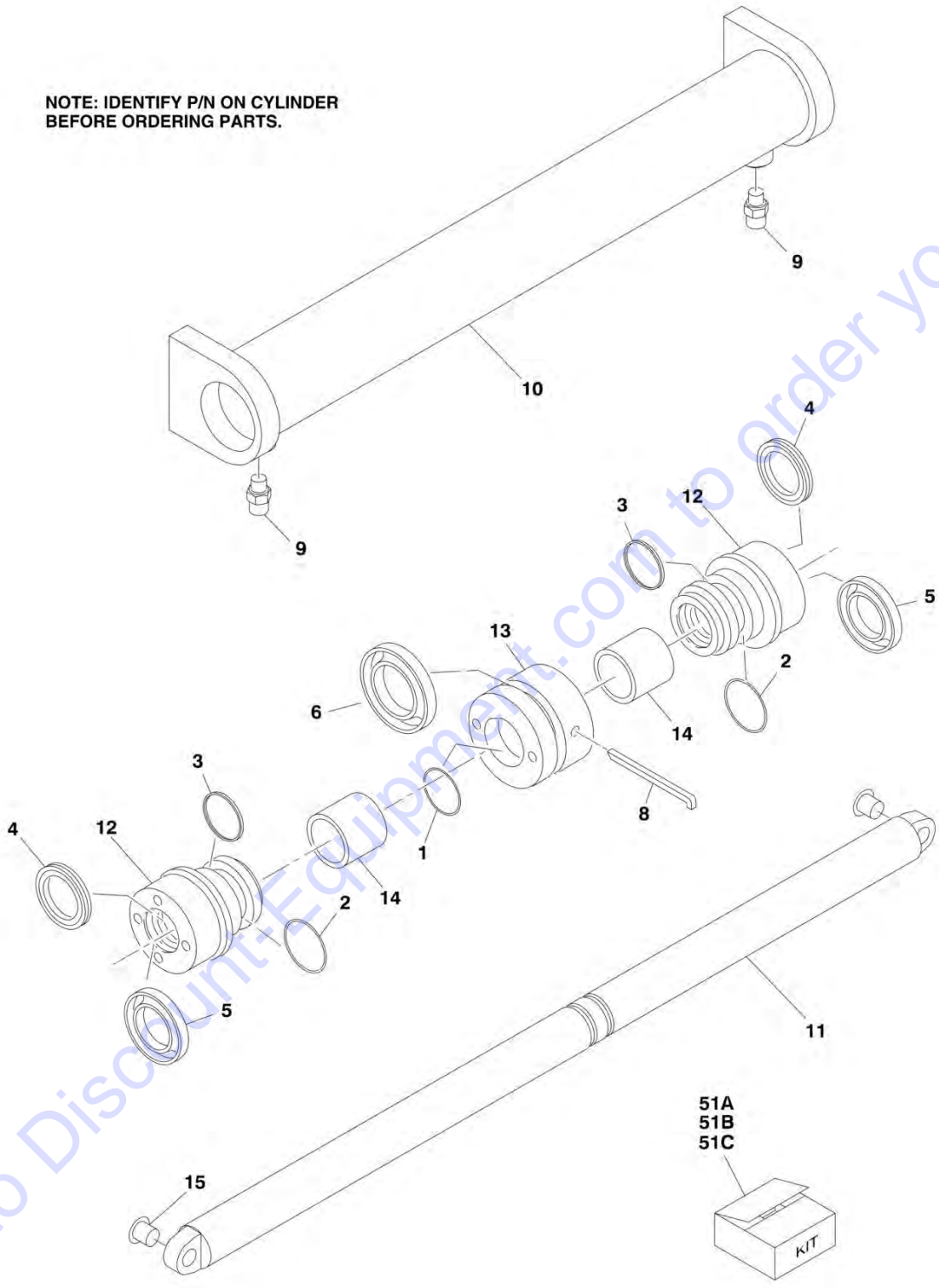
ITEM	PART NUMBER	QTY	DESCRIPTION	REV
	0274881	Ref	Manual Descent Components 3246ES with Standard Hydraulic Oil	C
	0275696	Ref	Manual Descent Components 3246ES with Biodegradable Hydraulic Oil	B
315		Ref	Cable, Pull Options:	
315	1061036	1	9ft/2.74m Length (1930ES)	
315	1061034	1	12.5ft/3.81m Length (2646ES/3246ES)	
315	7020218	1	T-Handle (With 1/4in-20 Threads)	
315	70001878	1	T-Handle (With 5mm Threads)	
316	3321402	1	Nut, Jam 1/4in-18NF	
317	4160078	1	Spring	

Go to Discount-Equipment.com to order your parts

SECTION 5 - CYLINDER

FIGURE 5-3. STEER CYLINDER ASSEMBLY

NOTE: IDENTIFY P/N ON CYLINDER BEFORE ORDERING PARTS.



SECTION 5 - CYLINDER

FIGURE 5-3. STEER CYLINDER ASSEMBLY

ITEM	PART NUMBER	QTY	DESCRIPTION	REV
		Ref	STEER CYLINDER ASSEMBLY	
	1684237	Ref	Steer Cylinder Assembly 1930ES/2030ES/2630ES	D
	1684263	Ref	Steer Cylinder Assembly 2646ES/3246ES USA Built Machines (SN 0200135154 through 0200137093)	E
	1684456	Ref	Steer Cylinder Assembly 2646ES/3246ES USA Built Machines (SN 0200137094 through 0200152825)	A
	1684263	Ref	Steer Cylinder Assembly 2646ES/3246ES Belgium Built Machines (SN 1200004293 through 1200004607)	E
	1684456	Ref	Steer Cylinder Assembly 2646ES/3246ES Belgium Built Machines (SN 1200004608 through 1200008481)	A
1	See Note	NSS	O-Ring, (Note: Use Item 51A, 51B or 51C)	
2	See Note	NSS	O-Ring, (Note: Use Item 51A, 51B or 51C)	
3	See Note	NSS	Ring, Back-up, (Note: Use Item 51A, 51B or 51C)	
4	See Note	NSS	Seal, (Note: Use Item 51A, 51B or 51C)	
5	See Note	NSS	Wiper, (Note: Use Item 51A, 51B or 51C)	
6	See Note	NSS	Seal, (Note: Use Item 51A, 51B or 51C)	
8	7023564	1	Ring, Retaining	
9	2110404	2	Fitting, Straight Adapter	
10		Ref	Tube Assembly Options:	
10	7023563	1	Tube Assembly, 1930ES/2030ES/2630ES	
10	7023567	1	Tube Assembly, 2646ES/3246ES USA Built Machines (SN 0200135154 through 0200137093)	
10	70000108	1	Tube Assembly, 2646ES/3246ES USA Built Machines (SN 0200137094 through 0200152825)	
10	7023567	1	Tube Assembly, 2646ES/3246ES Belgium Built Machines (SN 1200004293 through 1200004607)	
10	70000108	1	Tube Assembly, 2646ES/3246ES Belgium Built Machines (SN 1200004608 through 1200008481)	
11		Ref	Rod Options:	
11	7023562	1	Rod, 1930ES/2030ES/2630ES	
11	7023566	1	Rod, 2646ES/3246ES USA Built Machines (SN 0200135154 through 0200137093)	
11	70000110	1	Rod, 2646ES/3246ES USA Built Machines (SN 0200137094 through 0200152825)	
11	7023566	1	Rod, 2646ES/3246ES Belgium Built Machines (SN 1200004293 through 1200004607)	
11	70000110	1	Rod, 2646ES/3246ES Belgium Built Machines (SN 1200004608 through 1200008481)	
12	7023561	2	Head	
13	7023560	1	Piston	
14		Ref	Spacer Options:	
14	Not Required	0	Spacer, 1930ES/2030ES/2630ES	
14	7023565	2	Spacer, 2646ES/3246ES	
15	0440259	2	Bushing	
51		Ref	Seal Kit - Cylinder Options (Includes Items 1-6)	
51A	7023559	1	Seal Kit, 1930ES/2030ES/2630ES	
51B	7023559	1	Seal Kit, 2646ES/3246ES USA Built Machines (SN 0200135154 through 0200137093)	
51B	70000107	1	Seal Kit, 2646ES/3246ES USA Built Machines (SN 0200137094 through 0200152825)	
51C	7023559	1	Seal Kit, 2646ES/3246ES Belgium Built Machines (SN 1200004293 through 1200004607)	
51C	70000107	1	Seal Kit, 2646ES/3246ES Belgium Built Machines (SN	

SECTION 5 - CYLINDER

ITEM	PART NUMBER	QTY	DESCRIPTION	REV
			1200004608 through 1200008481)	

Go to Discount-Equipment.com to order your parts

SECTION 6 - HYDRAULIC

Go to Discount-Equipment.com to order your parts

PARTS FINDER

**Search Website
by Part Number**



**Search Manual
Library For Parts
Manual & Lookup Part
Numbers – Purchase
or Request Quote**

**Can't Find Part or
Manual? Request Help
by Manufacturer,
Model & Description**

Discount-Equipment.com is your online resource for quality parts & equipment.

Florida: **561-964-4949** Outside Florida TOLL FREE: **877-690-3101**

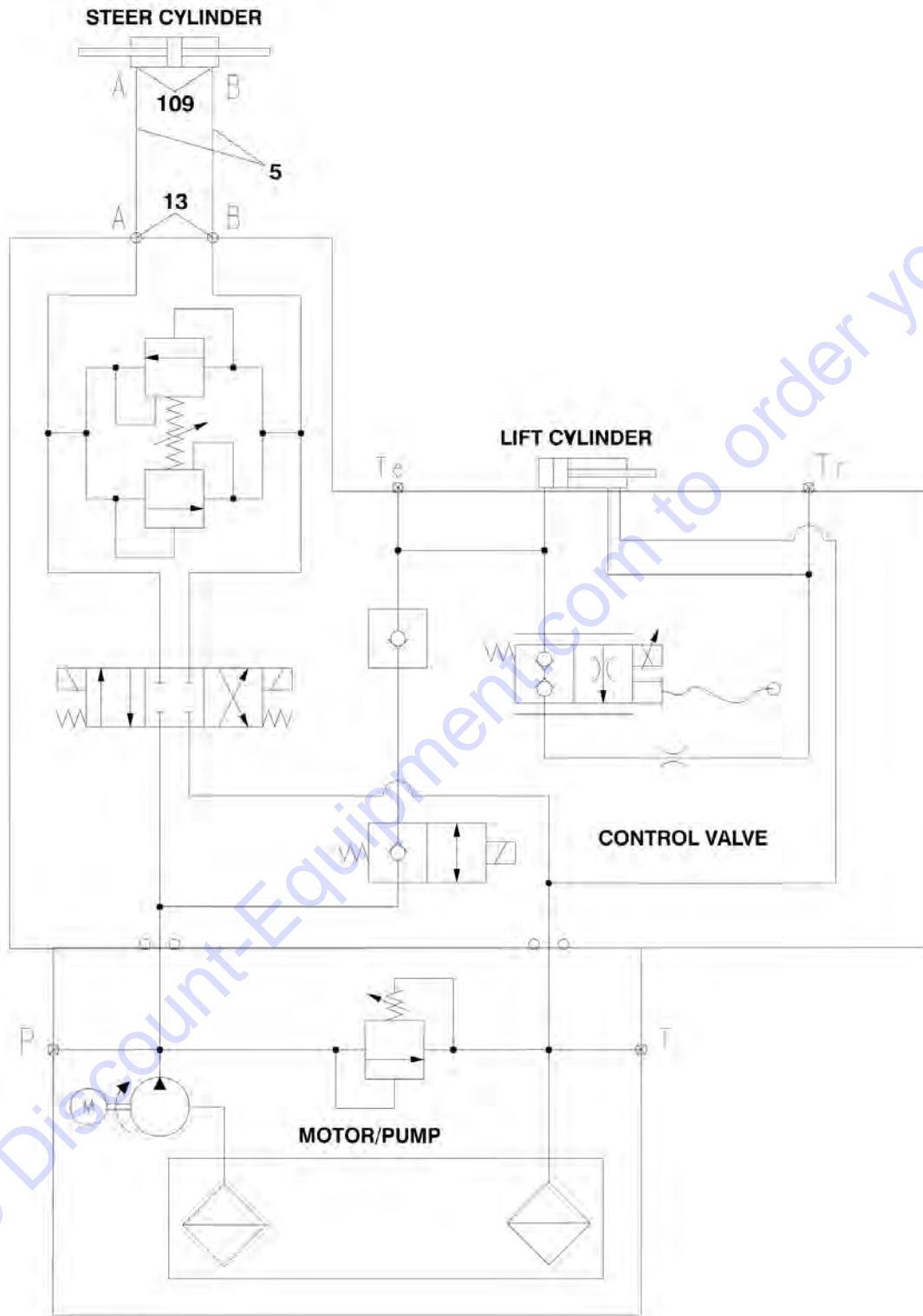
Need parts?

Click on this link: <http://www.discount-equipment.com/category/5443-parts/> and choose one of the options to help get the right parts and equipment you are looking for. Please have the machine model and serial number available in order to help us get you the correct parts. If you don't find the part on the website or on one of the online manuals, please fill out the request form and one of our experienced staff members will get back to you with a quote for the right part that your machine needs.

We sell worldwide for the brands: Genie, Terex, JLG, MultiQuip, Mikasa, Essick, Whiteman, Mayco, Toro Stone, Diamond Products, Generac Magnum, Airman, Haulotte, Barreto, Power Blanket, Nifty Lift, Atlas Copco, Chicago Pneumatic, Allmand, Miller Curber, Skyjack, Lull, Skytrak, Tsurumi, Husquvarna Target, Stow, Wacker, Sakai, Mi-T-M, Sullair, Basic, Dynapac, MBW, Weber, Bartell, Bennar Newman, Haulotte, Ditch Runner, Menegotti, Morrison, Contec, Buddy, Crown, Edco, Wyco, Bomag, Laymor, EZ Trench, Bil-Jax, F.S. Curtis, Gehl Pavers, Heli, Honda, ICS/PowerGrit, IHI, Partner, Imer, Clipper, MMD, Koshin, Rice, CH&E, General Equipment, Amida, Coleman, NAC, Gradall, Square Shooter, Kent, Stanley, Tamco, Toku, Hatz, Kohler, Robin, Wisconsin, Northrock, Oztec, Toker TK, Rol-Air, APT, Wylie, Ingersoll Rand / Doosan, Innovatech, Con X, Ammann, Mecalac, Makinex, Smith Surface Prep, Small Line, Wanco, Yanmar

SECTION 6 - HYDRAULIC

FIGURE 6-1. HYDRAULIC DIAGRAM



Go to Discount-Equipment.com to order your parts

SECTION 6 - HYDRAULIC

FIGURE 6-1. HYDRAULIC DIAGRAM

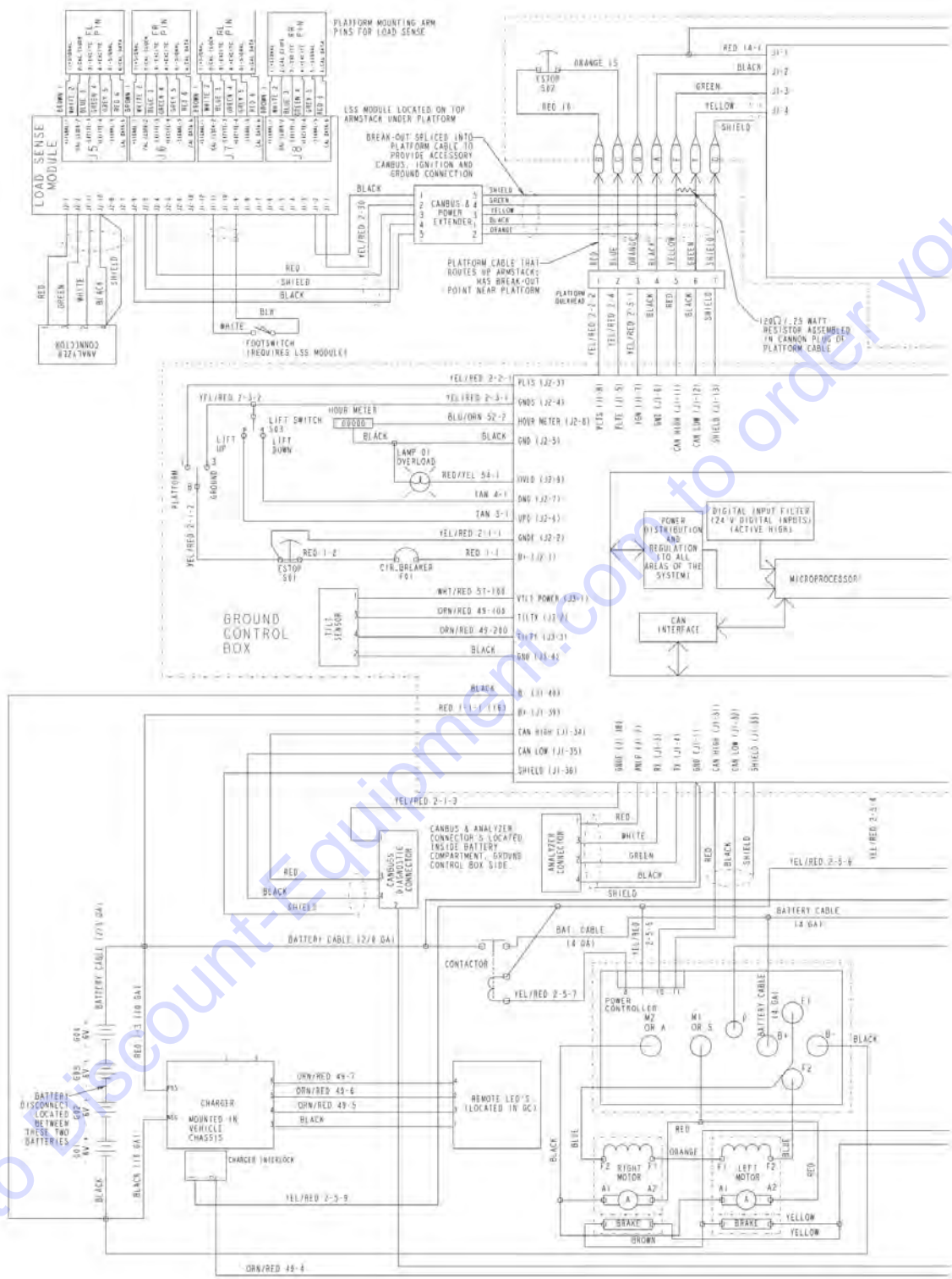
ITEM	PART NUMBER	QTY	DESCRIPTION	REV
		Ref	HYDRAULIC COMPONENTS	
	0272371	Ref	Steer Hydraulics (1930ES)	F
	0273227	Ref	Steer Hydraulics (2030ES/2630ES)	C
	0272372	Ref	Steer Hydraulics (2646ES/3246ES USA Built Machines) (SN 0200135154 through 0200137093)	G
	0274546	Ref	Steer Hydraulics (2646ES/3246ES USA Built Machines) (SN 0200137094 through 0200152825)	B
	0272372	Ref	Steer Hydraulics (2646ES/3246ES Belgium Built Machines) (SN 1200004293 through 1200004586)	G
	0274546	Ref	Steer Hydraulics (2646ES/3246ES Belgium Built Machines) (SN 1200004587 through 1200008481)	B
	2792599	Ref	Hydraulic Schematic	C
5		Ref	Hose Options:	
5	2753882	2	Hose 1930ES/2030ES/2630ES	
5	2753883	2	Hose Options 2646ES/3246ES	
13	2110404	2	Fitting, Straight	
		Ref	STEER CYLINDER ASSEMBLY	
	1684237	Ref	Steer Cylinder Assembly 1930ES/2030ES/2630ES	D
	1684263	Ref	Steer Cylinder Assembly 2646ES/3246ES USA Built Machines (SN 0200135154 through 0200137093)	E
	1684456	Ref	Steer Cylinder Assembly 2646ES/3246ES USA Built Machines (SN 0200137094 through 0200152825)	A
	1684263	Ref	Steer Cylinder Assembly 2646ES/3246ES Belgium Built Machines (SN 1200004293 through 1200004607)	E
	1684456	Ref	Steer Cylinder Assembly 2646ES/3246ES Belgium Built Machines (SN 1200004608 through 1200008481)	A
109	2110404	2	Fitting, Straight Adapter	

SECTION 7 - ELECTRICAL

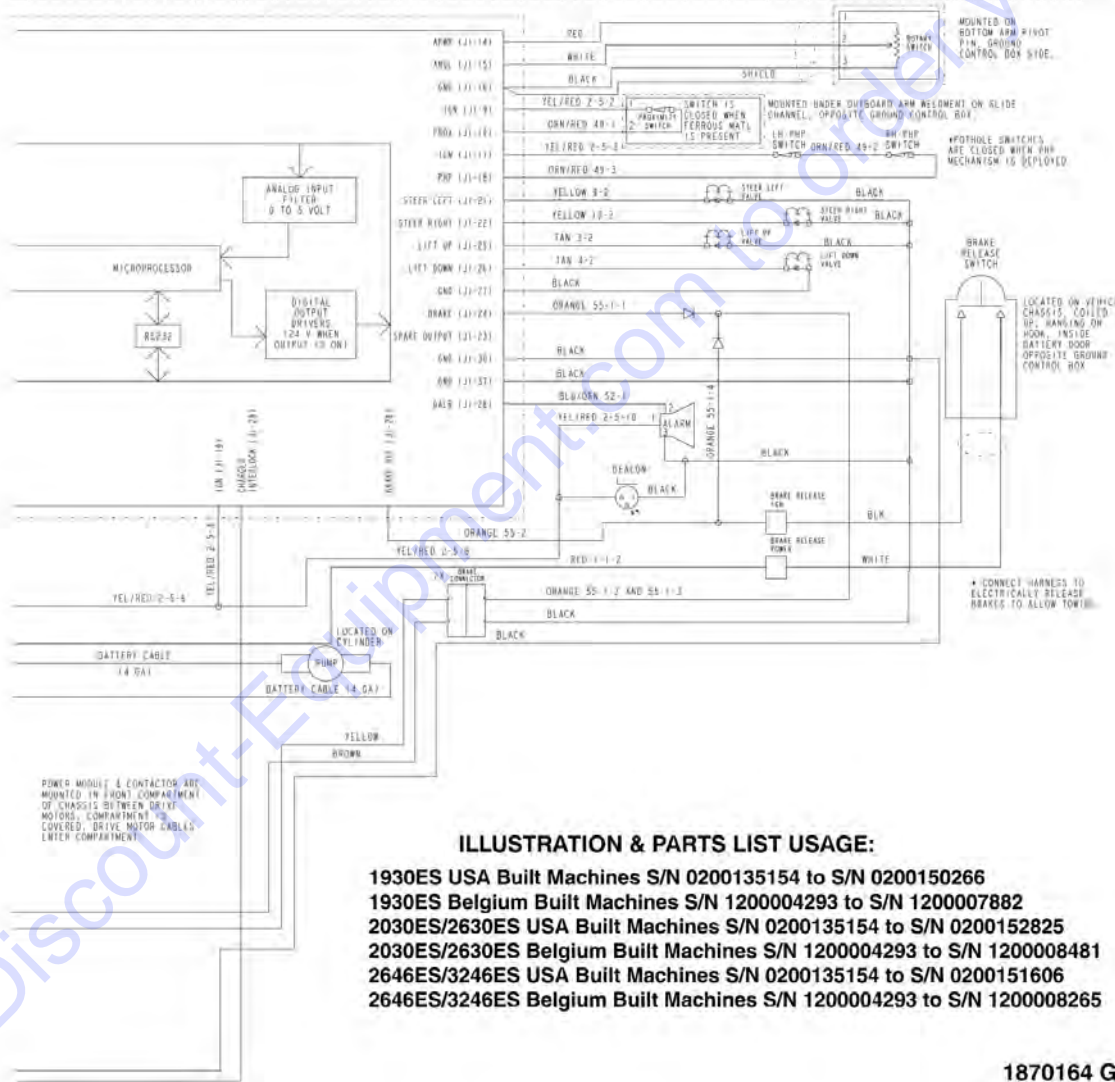
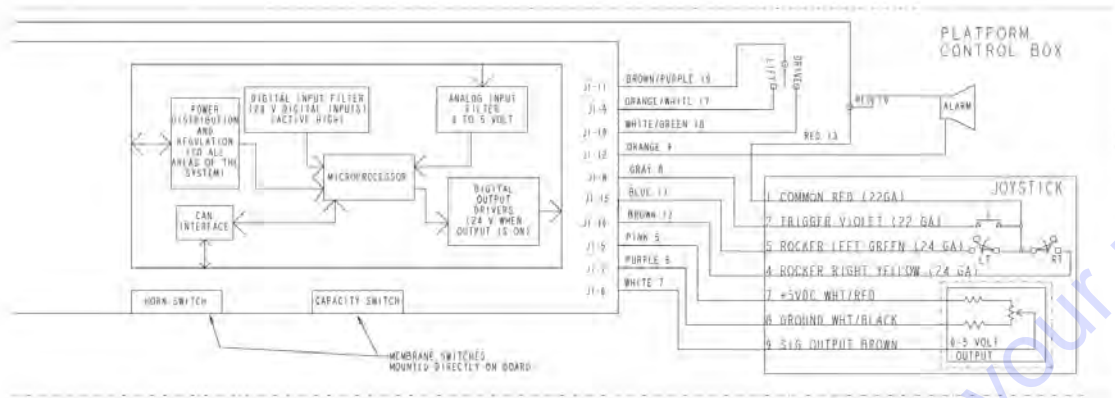
Go to Discount-Equipment.com to order your parts

SECTION 7 - ELECTRICAL

FIGURE 7-1. ELECTRICAL SCHEMATIC

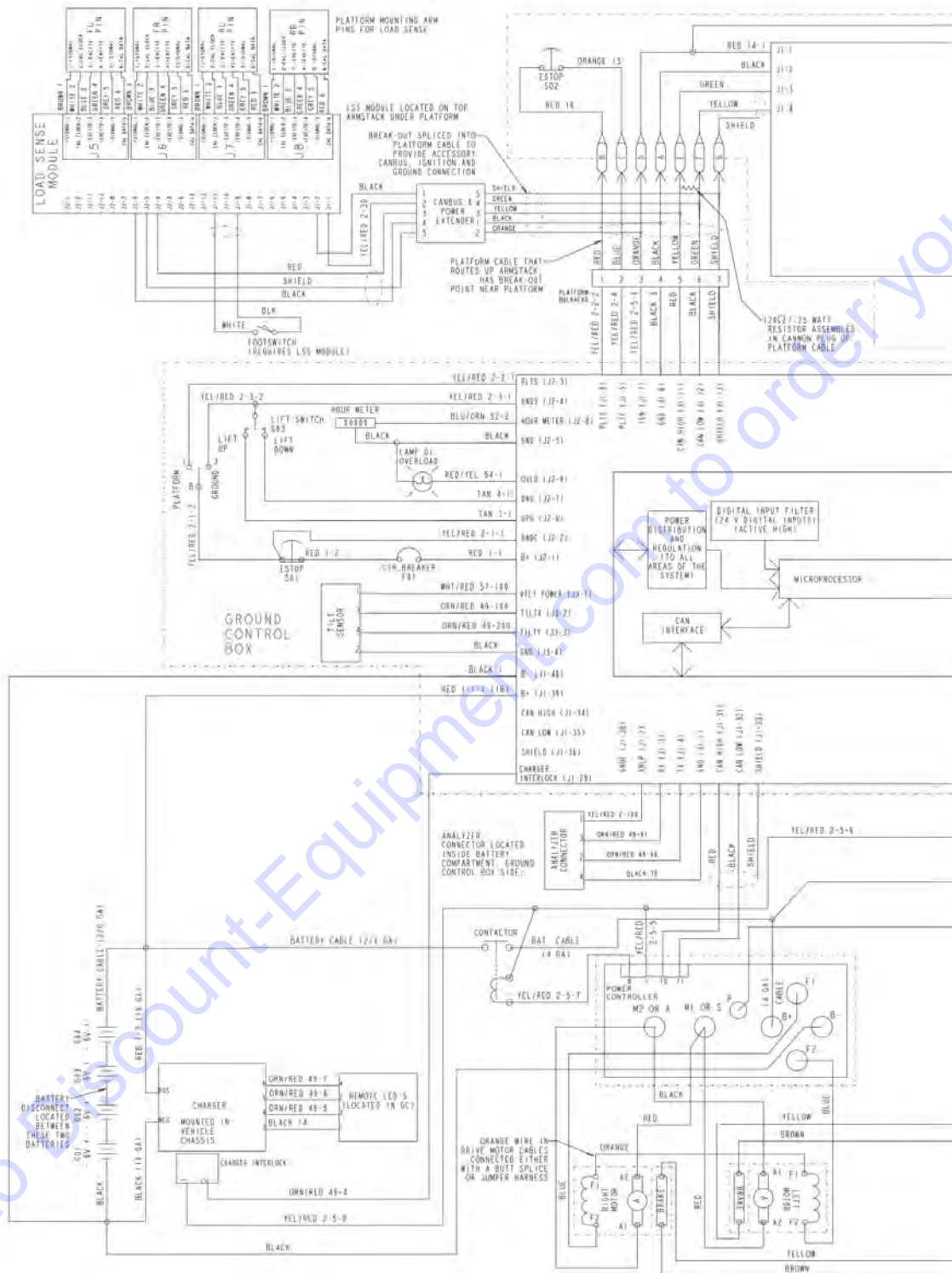


SECTION 7 - ELECTRICAL

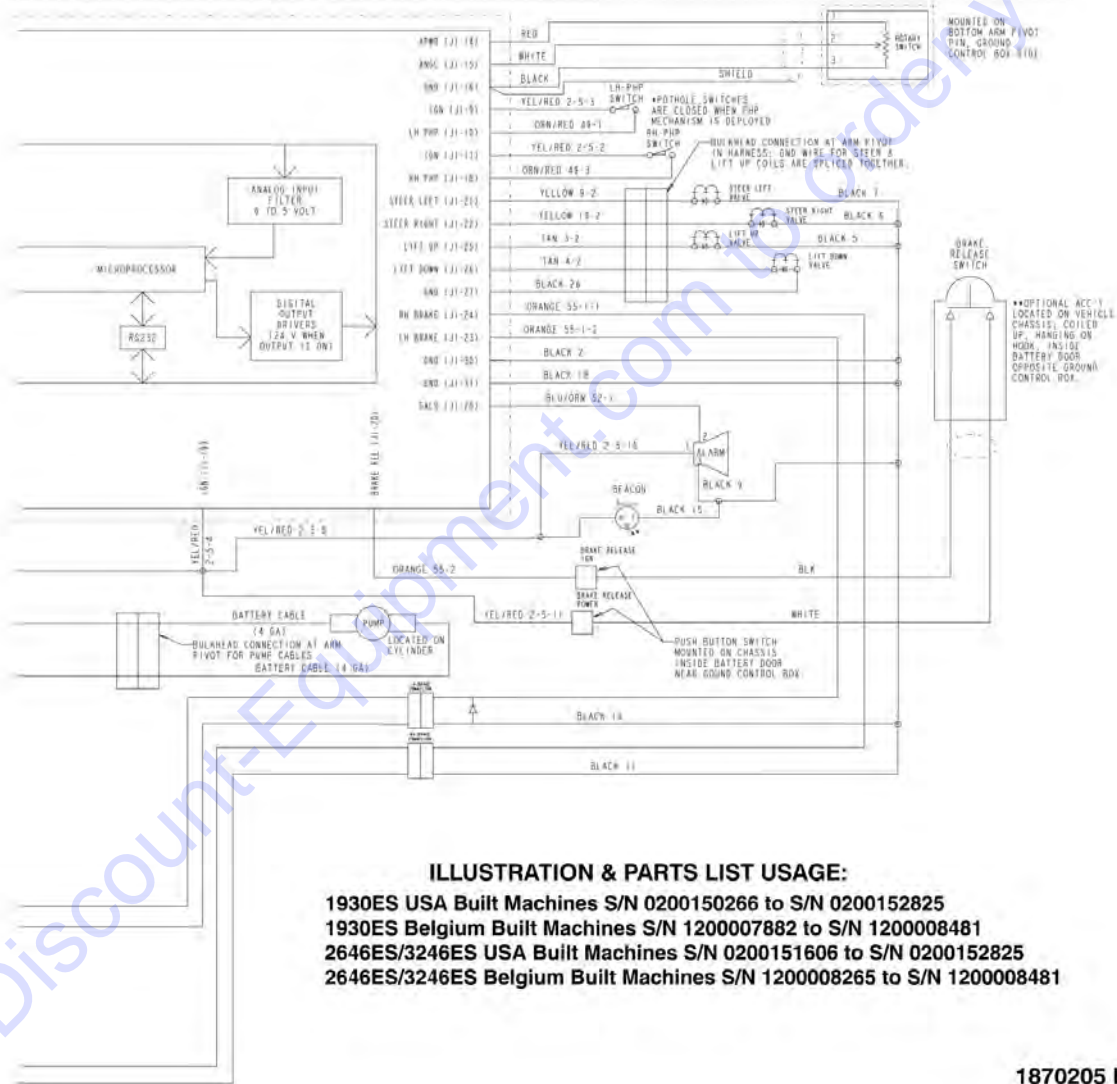
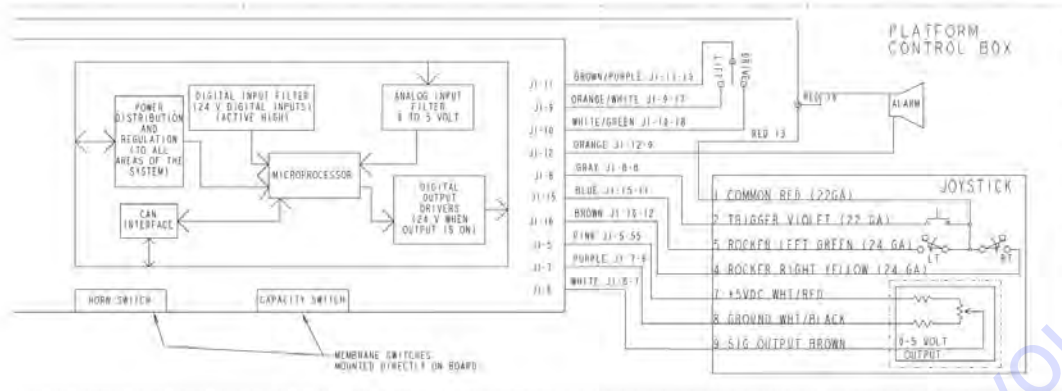


SECTION 7 - ELECTRICAL

FIGURE 7-2. ELECTRICAL SCHEMATIC



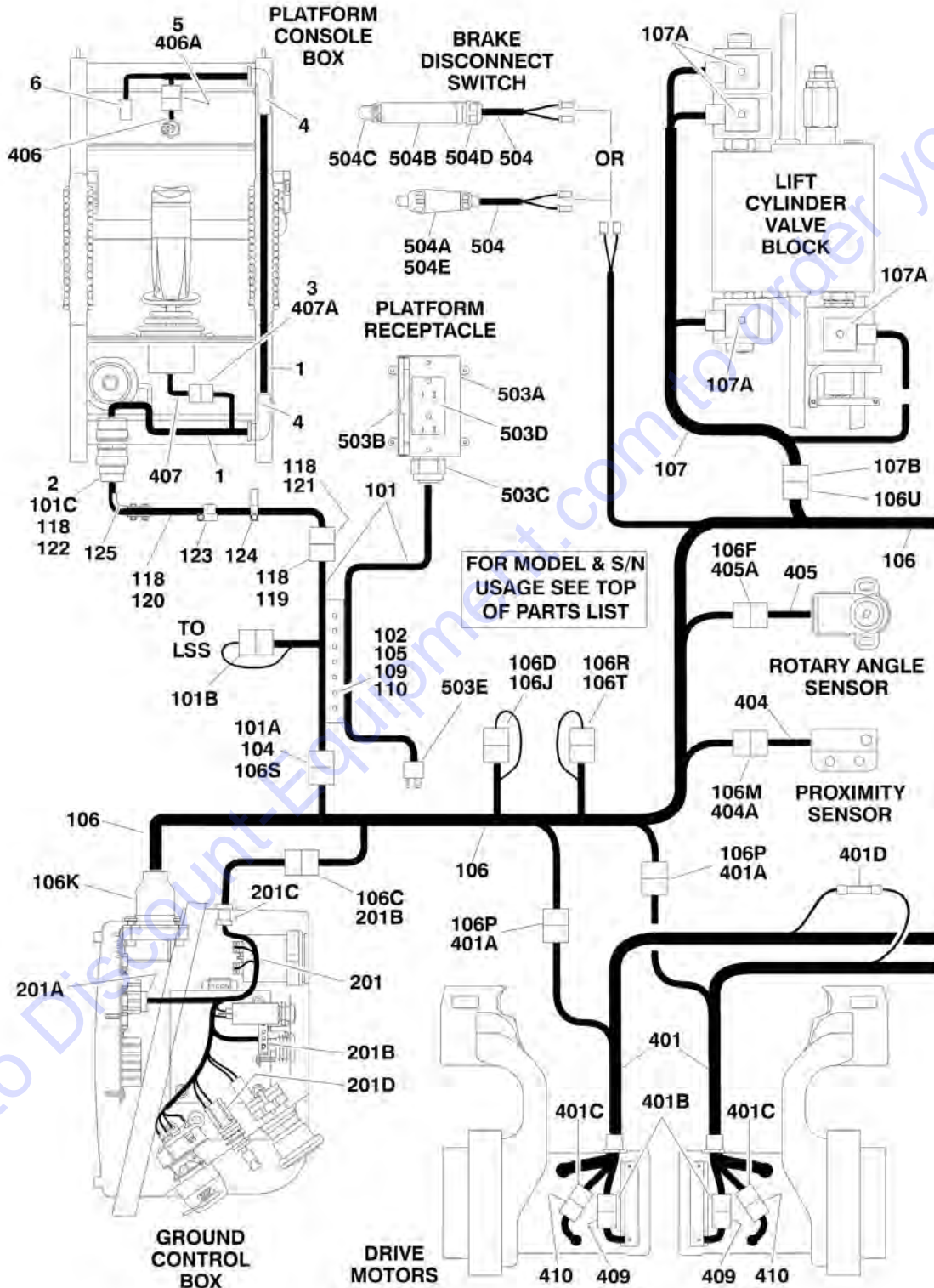
SECTION 7 - ELECTRICAL



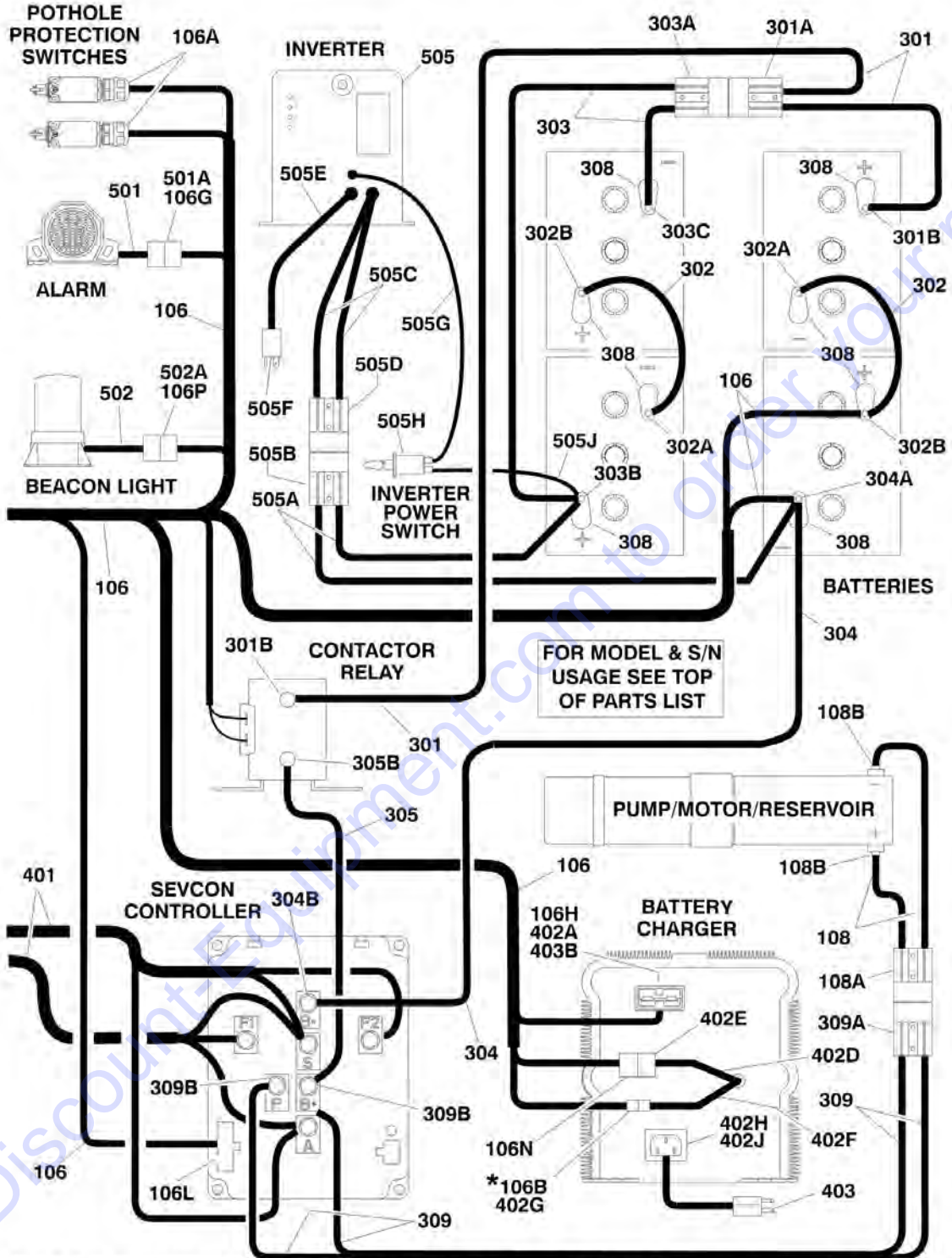
1870205 B

SECTION 7 - ELECTRICAL

FIGURE 7-3. ELECTRICAL COMPONENTS INSTALLATION (1930ES SN 0200135154 through 0200150266, SN 1200004293 through 1200007882; 2030ES SN 0200135154 through 0200152825, SN 1200004293 through 1200008481; 2630ES SN 0200135154 through 0200152825, SN 1200004293 through 1200008481; 2646ES SN 0200135154 through 0200151606, SN 1200004293 through 1200008265; 3246ES SN 0200135154 through 0200151606, SN 1200004293 through 1200008265)



SECTION 7 - ELECTRICAL



*NOTE: THIS CONNECTION USED ONLY WHEN FOOTSWITCH OR BATTERY CHARGER INTERLOCK OPTIONS ARE REQUIRED.

SECTION 7 - ELECTRICAL

FIGURE 7-3. ELECTRICAL COMPONENTS INSTALLATION (1930ES SN 0200135154 through 0200150266, SN 1200004293 through 1200007882; 2030ES SN 0200135154 through 0200152825, SN 1200004293 through 1200008481; 2630ES SN 0200135154 through 0200152825, SN 1200004293 through 1200008481; 2646ES SN 0200135154 through 0200151606, SN 1200004293 through 1200008265; 3246ES SN 0200135154 through 0200151606, SN 1200004293 through 1200008265)

ITEM	PART NUMBER	QTY	DESCRIPTION	REV
		Ref	ILLUSTRATION AND PARTS LIST USAGE:	
		Ref	1930ES USA Built Machines (SN 0200135154 through 0200150266)	
		Ref	1930ES Belgium Built Machines (SN 1200004293 through 1200007882)	
		Ref	2030ES/2630ES USA Built Machines (SN 0200135154 through 0200152825)	
		Ref	2030ES/2630ES Belgium Built Machines (SN 1200004293 through 1200008481)	
		Ref	2646ES/3246ES USA Built Machines (SN 0200135154 through 0200151606)	
		Ref	2646ES/3246ES Belgium Built Machines (SN 1200004293 through 1200008265)	
		Ref	CONSOLE BOX COMPONENTS	
1	4922870	1	Platform Box Harness	B
2	4461016	1	Connector - 14 Position	
2	4460464	5	Pin, Male	
2	4460466	9	Plug, Sealing	
2	4460496	1	Lockwasher	
2	4460497	1	Nut, Panel	
3	4460265	1	Plug, Male - 9 Position	
3	4460267	8	Pin, Male	
4	2540042	2	Grommet 90	
5	See Note	NSS	Receptacle, Female - 3 Position (Note: Not Available for Purchase)	
6	4461057	1	Plug, Male - 16 Position	
		Ref	PLATFORM CABLES INSTALLATION	
	0272832	Ref	Platform Cables Installation 1930ES	I
	0272833	Ref	Platform Cables Installation 2030ES	J
	0272834	Ref	Platform Cables Installation 2630ES	J
	0272835	Ref	Platform Cables Installation 2646ES/3246ES	J
101		Ref	Platform to Ground Harness Options:	
101		Ref	Platform to Ground Harness 1930ES	
101	1061028	NLA	ANSI, ANSI Export, Japanese and UL Specs	
		Ref	(Note: For complete Ground to Platform Control Box Harness, purchase p/ns 1001094154 and Item 118 p/n 1001104466. For Platform to Ground Cable purchase only p/n 1001094154. See Additional notes above Item 101A)	
101	1061028	NLA	Australian and CE Specs	
		Ref	(Note: For complete Ground to Platform Control Box Harness, purchase p/ns 1001094332 and Item 118 p/n 1001104466. For Platform to Ground Cable purchase only p/n 1001094332. See Additional notes above Item 101A)	
101		Ref	Platform to Ground Harness 2030ES	
101	1061029	NLA	ANSI, ANSI Export, Japanese and UL Specs	
		Ref	(Note: For complete Ground to Platform Control Box Harness purchase p/ns 1001094155 and Item 118p/n 1001104467. For Platform to Ground Cable purchase only p/n 1001094155. See Additional notes above Item 101A)	

SECTION 7 - ELECTRICAL

ITEM	PART NUMBER	QTY	DESCRIPTION	REV
101	1061029	NLA Ref	Australian and CE Specs (Note: For complete Ground to Platform Control Box Harness, purchase p/ns 1001094333 and Item 118 p/n 1001104467. For Platform to Ground Cable purchase only p/n 1001094333. See Additional notes above Item 101A)	
101		Ref	Platform to Ground Harness 2630ES	
101	1061030	NLA Ref	ANSI, ANSI Export, Japanese and UL Specs (Note: For complete Ground to Platform Control Box Harness, purchase p/ns 1001094156 and Item 118 p/n 1001104467. For Platform to Ground Cable purchase only p/n 1001094156. See Additional notes above Item 101A)	
101	1061030	NLA Ref	Australian and CE Specs (Note: For complete Ground to Platform Control Box Harness, purchase p/ns 1001094334 and Item 118 p/n 1001104467. For Platform to Ground Cable purchase only p/n 1001094334. See Additional notes above Item 101A)	
101		Ref	Platform to Ground Harness 2646ES/3246ES	
101	1061031	NLA Ref	ANSI, ANSI Export, Japanese and UL Specs (Note: For complete Ground to Platform Control Box Harness, purchase p/ns 1001094157 and Item 118 p/n 1001104468. For Platform to Ground Cable purchase only p/n 1001094157. See Additional notes above Item 101A)	
101	1061031	NLA Ref	Australian and CE Specs (Note: For complete Ground to Platform Control Box Harness, purchase p/ns 1001094335 and Item 118 p/n 1001104468. For Platform to Ground Cable purchase only p/n 1001094335. See Additional notes above Item 101A)	
		Ref	Note: If machine is equipped with platform rail padding limit switches harness p/n 4923250, replace with p/n 4923632 when installing complete Ground to Platform Control Box Harness.	
		Ref	Note: If machine is equipped with overload sensing harness p/n 4922908, replace with p/n 4923228 when installing complete Ground to Platform Control Box Harness.	
		Ref	Note: Items 101A-101C are Components for Original Equipment Platform to Ground Cable. See Items 119-122 if equipped with Replacement Coiled Harness Cable.	
101A	4460930	1	Plug, Male - 8 Position	
101A	4460465	4	Socket, Female	
101A	4460944	3	Socket, Female (Gold)	
101A	4460466	1	Plug, Sealing	
101A	0840058	1	Boot 8 Position	
101B	4460894	1	Plug, Male - 6 Position	
101B	4460899	1	Receptacle, Female - 6 Position	
101B	0840059	1	Boot 6 Position	
101B	4460465	2	Socket, Female	
101B	4460944	9	Socket, Female (Gold)	
101B	4460466	1	Plug, Sealing	
101C	4460754	1	Connector -14 Position	
101C	4460493	1	Cap, Dust	
101C	3730119	1	Resistor	
101C	4460465	4	Socket, Female	
101C	4460944	3	Socket, Female (Gold)	
101C	4460466	5	Plug, Sealing	
102	1380158	AR	Retainer	
103	1320318	AR	Clamp, Hose (1930ES/2646ES/3246ES Only - Not Shown)	

SECTION 7 - ELECTRICAL

ITEM	PART NUMBER	QTY	DESCRIPTION	REV
104	0100048	AR	Grease, Dielectric	
105	4740545	AR	Washer, Spec. Cable	
106		Ref	Chassis Harness Options:	
		Ref	Note: Connection at contactor relay may need changed to match relay currently on machine.	
106	4923194	NLA	Chassis Harness 1930ES/2030ES/2630ES (Use p/n 4923380)	
106	4923335	NLA	Chassis Harness 1930ES/2030ES/2630ES (Use p/n 4923380)	
106	4923195	NLA	Chassis Harness 2646ES/3246ES (Use p/n 4923381)	
106	4923336	NLA	Chassis Harness 2646ES/3246ES (Use p/n 4923381)	
106		Ref	Wiring Diagram Options:	
106	4933315	1	USA Built Machines (Note: This is the wiring diagram for chassis harness p/n 4923194/4923195) (SN 0200135154 through 0200138062)	D
106	4933315	1	Belgium Built Machines (Note: This is the wiring diagram for chassis harness p/n 4923194/4923195) (SN 1200004293 through 1200004865)	D
106	4933344	1	USA Built Machines (Note: This is the wiring diagram for chassis harness p/n 4923335/4923336) (SN 0200138063 through 0200152825)	C
106	4933344	1	Belgium Built Machines (Note: This is the wiring diagram for chassis harness p/n 4923335/4923336) (SN 1200004866 through 1200008481)	C
106	3990010	2	Diode 6 Amp (Not Shown)	
106A	4360607	2	Switch, Limit	
106B	4460320	1	Plug, Male - 2 Position (Note: Connection to this plug used only when footswitch or battery interlock options are required)	
106B	4460226	2	Socket, Female	
106C	4460321	1	Plug, Male - 4 Position	
106C	4460227	4	Pin, Male	
106D	4460321	1	Plug, Male - 4 Position	
106D	4460226	1	Socket, Female	
106F	4460539	1	Plug, Male - 3 Position	
106F	4460465	3	Socket, Female	
106G	4460539	1	Plug, Male - 3 Position	
106G	4460465	2	Socket, Female	
106H	4460648	1	Connector, Anderson	
106J	4460761	1	Receptacle, Female - 4 Position	
106J	4460227	4	Pin, Male	
106K	4460814	1	Plug, Male - 40 Position	
106K	4460465	31	Socket, Female	
106K	4460944	9	Socket, Female (Gold)	
106K	0840057	1	Boot	
106L	4460870	1	Plug, Male - 12 Position	
106L	4460877	4	Pin, Male	
106M	4460891	1	Plug, Male - 2 Position	
106M	4460465	2	Socket, Female	
106N	4460894	1	Plug, Male - 6 Position	
106N	4460465	6	Socket, Female	
106N	0840059	1	Boot	
106P	4460897	3	Receptacle, Female - 2 Position	
106P	4460464	6	Pin, Male	
106R	4460931	1	Receptacle, Female - 8 Position	
106R	4460464	4	Pin, Male	
106S	4460931	1	Receptacle, Female - 8 Position	

SECTION 7 - ELECTRICAL

ITEM	PART NUMBER	QTY	DESCRIPTION	REV
106S	4460943	7	Pin, Male (Gold)	
106S	0840058	1	Boot	
106T	4460930	1	Plug, Male - 8 Position	
106T	4460466	1	Seal, Plug	
106U	4460899	1	Connector, Female - 6 Position	
106U	4460464	6	Pin, Male	
107	4923270	1	Lift Cylinder Harness	B
107A	4460499	4	DIN Connector	
107B	4460894	1	Plug, Male - 6 Position	
107B	4460465	6	Socket, Female	
107B	0840059	1	Boot	
108	4923271	1	Power to Pump Motor Harness	A
108A	See Note	NSS	Connector, Anderson (Note: Use Item 108)	
108B	0840041	2	Boot, Terminal (Red)	
109	0760610	2	Screw M6 x 20mm	
110	3290607	2	Nut M6	
118		Ref	Platform to Platform Control Box Harness Repair Kit with Coiled Cable (Includes Items 119-125)	
118	2915251	NLA	Platform to Platform Control Box Harness 1930ES (Use Repair Kit with Coiled Cable p/n 1001104466)	A
118	2915252	NLA	Platform to Platform Control Box Harness 2030ES/2630ES (Use Repair Kit with Coiled Cable p/n 1001104467)	A
118	2915253	NLA	Platform to Platform Control Box Harness 2646ES/3246ES (Use Repair Kit with Coiled Cable p/n 1001104468)	A
119	4460930	1	Plug, Male - 8 Position	
119	4460465	4	Socket, Female	
119	4460944	3	Socket, Female (Gold)	
119	4460466	1	Plug, Sealing	
119	0840061	1	Boot, 8 Position Plug	
119	2820028	AR	Heat Shrink	
120		Ref	Coiled Cable Harness Assembly Options:	
120	2915251	NLA	Coiled Cable Harness Assembly Options 1930ES (Use p/n 1001096705)	A
120	2915252	NLA	Coiled Cable Harness Assembly Options 2030ES/2630ES (Use p/n 1001096706)	A
120	2915253	NLA	Coiled Cable Harness Assembly Options 2646ES/3246ES (Use p/n 1001096707)	A
121	4460931	1	Receptacle, Female - 8 Position	
121	4460464	4	Pin, Male	
121	4460943	3	Pin, Male (Gold)	
121	4460466	1	Plug, Sealing	
121	0840058	1	Boot, 8 Position Receptacle	
121	2820026	AR	Insulation, Clear Tubing	
121	2820028	AR	Heat Shrink	
122	4460754	1	Plug, Male -14 Position	
122	4460465	4	Socket, Female	
122	4460944	3	Socket, Female	
122	4460466	4	Plug, Sealing	
122	3730119	1	Resistor	
122	4460493	1	Cap, Dust	
122	2820026	AR	Insulation, Clear Tubing	
123	1001094175	AR	Clamp, Post	
123	4010617	AR	Screw M6 x 45mm	

SECTION 7 - ELECTRICAL

ITEM	PART NUMBER	QTY	DESCRIPTION	REV
123	3290606	AR	Nut, Acorn M6	
124	1001094180	4	Clamp, Rail	
124	0760606	4	Screw M6 x 12mm	
124	3290606	4	Nut, Acorn M6	
125	1001104465	AR	Hook, Corner	
125	4010617	AR	Screw M6 x 45mm	
125	3290606	AR	Nut, Acorn M6	
		Ref	GROUND CONTROL BOX COMPONENTS	
201	4922865	1	Control Box Harness	E
201A	4460265	1	Plug, Male - 9 Position	
201A	4460268	9	Socket, Female	
201B	4460761	2	Receptacle, Female - 4 Position	
201B	4460267	8	Pin, Male	
201C	See Note	NSS	Grommet (Note: Molded in Part of Harness)	
201D	4460418	1	Receptacle, Female - 3 Position	
201D	4460419	3	Terminal	
		Ref	BATTERY CABLE KITS	
	2902239	Ref	Battery Cable Kits 1930ES	G
	2902248	Ref	Battery Cable Kits 2030ES/2630ES/2646ES/3246ES	H
301		Ref	Cable, Battery (Contactor and LH Battery to Disconnect)	
301	1060997	1	Cable, Battery 1930ES	D
301	1061008	1	Cable, Battery 2030ES/2630ES/2646ES/3246ES	D
301A	4460618	1	Connector, Anderson	
301A	See Note	NSS	Handle, Connector (Note: Use Item 301)	
301B	See Note	NSS	Boot, Terminal (Red) (Note: Use Item 301)	
302	1060998	2	Cable, Battery (Battery Positive to Battery Negative)	D
302A	See Note	NSS	Boot, Terminal (Black) (1 Per Cable Assembly) (Note: Not Available for Purchase)	
302B	0840041	2	Boot, Terminal (Red) (1 Per Cable Assembly)	
303		Ref	Cable, Battery (RH Batteries to Disconnect)	
303	1060999	1	Cable, Battery 1930ES	D
303	1061010	1	Cable, Battery 2030ES/2630ES/2646ES/3246ES	D
303A	4460618	1	Connector, Anderson	
303B	See Note	NSS	Boot, Terminal (Red) (Note: Not Available for Purchase)	
303C	See Note	NSS	Boot, Terminal (Black) (Note: Not Available for Purchase)	
304		Ref	Cable, Battery (LH Battery to Connector B-)	
304	1061000	1	Cable, Battery 1930ES	D
304	1061009	1	Cable, Battery 2030ES/2630ES/2646ES/3246ES	D
304A	See Note	NSS	Boot, Terminal (Black) (Note: Not Available for Purchase)	
304B	See Note	NSS	Boot, Terminal (Red) (Note: Not Available for Purchase)	
305	1061001	1	Cable, Battery (Contactor to Controller B+)	C
305A	See Note	NSS	Boot, Terminal (Black) (Note: Not Available for Purchase)	
305B	0840041	1	Boot, Terminal (Red)	
308	0840060	8	Boot, Terminal (Gray) (Covers only the Battery Terminal Base)	
309		Ref	Cable, Battery (Power to Pump Motor)	
309	4923272	1	Cable, Battery 1930ES	A
309	4923275	1	Cable, Battery 2030ES/2630ES/2646ES/3246ES	A
309A	See Note	NSS	Connector, Anderson (Note: Use Item 309)	
309B	0840041	1	Boot, Terminal (Red)	
		Ref	STANDARD HARNESSSES	
401	See Note	NSS	Drive Motor/Brake Harness (was p/ns 7024770 & 7024775)	
		Ref	Note: Refer to Figure 1-3 to identify cable.	

SECTION 7 - ELECTRICAL

ITEM	PART NUMBER	QTY	DESCRIPTION	REV
401A	4460891	2	Plug, Male - 2 Position (1 Per Harness)	
401A	4460465	4	Socket, Female (2 Per Harness)	
401B	70001442	2	Plug, Male - 2 Position (1 Per Harness) (To Brake)	
401B	See Note	NSS	Socket, Female (2 Per Harness) (To Brake) (Note: Not Available for Purchase)	
401C	70001443	2	Plug, Male - 2 Position (1 Per Harness) (To Motor)	
401C	70001444	4	Socket, Female (2 Per Harness) (To Motor)	
401D	See Note	NSS	Connector, Butt (Note: Purchase Locally)	
		Ref	Note: P/N 7024770 Harness is equipped with a connector at this location. When replacing, clip connector and butt splice to Drive Harness from opposite side.	
402		Ref	Battery Charger Components	
402A		Ref	DC Harness/Cord Set Options:	
402A	7022953	Ref	MAC Charger	
402A	See Note	NSS	Delta-Q Charger (Note: Not Available for Purchase)	
402B	4460648	1	Plug, Anderson	
402C		Ref	PC Board Internal Harness Options (Not Shown)	
402C	7022954	1	MAC Charger	
402C	See Note	NSS	Delta-Q Charger (Note: Not Available for Purchase)	
402D		Ref	Harness with Connector Options:	
402D	7022955	1	MAC Charger	
402D	See Note	NSS	Delta-Q Charger (Note: Not Available for Purchase)	
402E	4460899	1	Connector, Female - 6 Position	
402E	4460464	6	Pin, Male	
402F		Ref	Harness with Connector Options: (Note: Connection to this plug used only when battery interlock options are required)	
402F	7022956	1	MAC Charger	
402F	See Note	NSS	Delta-Q Charger (Note: Not Available for Purchase)	
402G	4460424	1	Connector, Female - 2 Position (Note: Connection to this plug used only when battery interlock options are required)	
402G	4460227	2	Pin, Male	
402H	See Note	NSS	AC Harness/Cord Set (Note: Not Available for Purchase)	
402J		Ref	Connector, Female Options:	
402J	7018583	1	MAC Charger	
402J	See Note	NSS	Delta-Q Charger (Note: Not Available for Purchase)	
403		Ref	Cable, AC Power to Charger Options:	
403	1060688	1	Factory Supplied Plug	
403	1060689	1	Locally Supplied Plug	
404	4360502	1	Proximity Sensor and Harness (Separate Harness Not Available)	
404A	4460897	1	Receptacle, Female - 2 Position	
404A	4460464	2	Pin, Male	
405	4360526	NLA	Rotary Angle Sensor and Harness (Separate Harness Not Available) (Use p/n 1001092354)	
405A	4460536	1	Receptacle, Female - 3 Position	
405A	4460464	3	Pin, Male	
406	See Note	NSS	Toggle Switch and Harness (Note: No Separate Harness Available)	
406A	4360539	1	Plug, Male - 3 Position	
407	See Note	NSS	Joystick Harness (Note: Purchase Complete Joystick)	
407A	4460266	1	Receptacle, Female - 9 Position	
407A	4460226	8	Socket, Female	
409	See Note	NSS	Harness, Brake (Note: Internal Connections - Purchase Complete Brake)	

SECTION 7 - ELECTRICAL

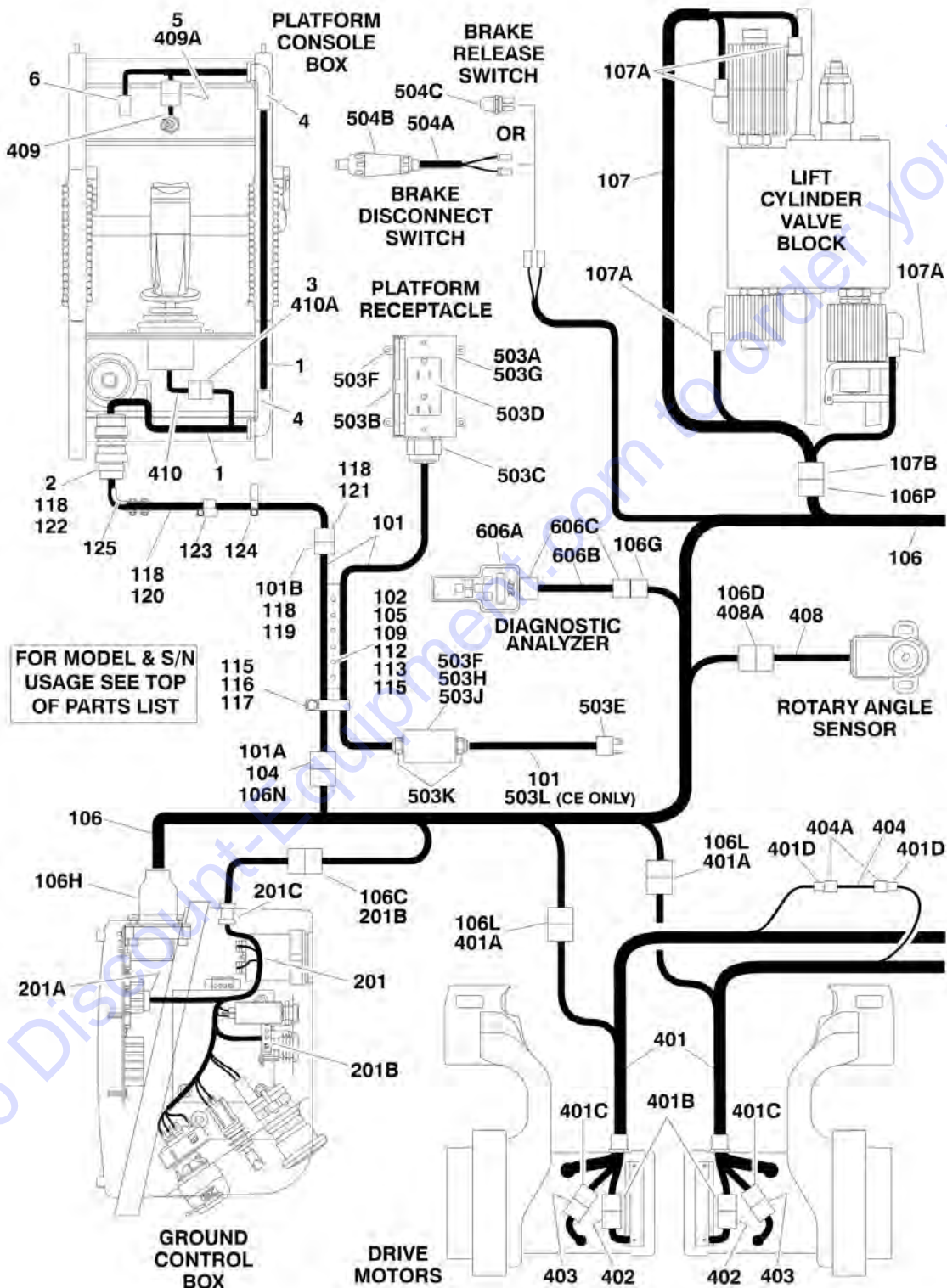
ITEM	PART NUMBER	QTY	DESCRIPTION	REV
409	See Note	NSS	Receptacle, Female - 2 Position (1 Per Harness) (Note: Internal Connections - Purchase Complete Brake)	
409	See Note	NSS	Pin, Male (2 Per Harness) (Note: Internal Connections - Purchase Complete Brake)	
410	See Note	NSS	Harness, Motor (Note: Internal Connections - Purchase Complete Motor)	
410	See Note	NSS	Receptacle, Female - 2 Position (1 Per Harness) (Note: Internal Connections - Purchase Complete Motor)	
410	See Note	NSS	Pin, Male (2 Per Harness) (Note: Internal Connections - Purchase Complete Motor)	
		Ref	OPTIONAL HARNESES	
501	0140043	1	Alarm and Harness (Separate Harness Not Available)	
501A	4460536	1	Receptacle, Female - 3 Position	
501A	4460464	3	Pin, Male	
502	2920161	1	Beacon Light and Harness (Separate Harness Not Available)	
502A	4460891	1	Plug, Male - 2 Position (1 Per Harness)	
502A	4460465	2	Socket, Female (2 Per Harness)	
503		Ref	Platform Electrical Outlet Components	
503	0272839	Ref	ANSI Spec	H
503	0272843	Ref	ANSI Export/Australian/CE Specs	E
503		Ref	Decal - AC Power	
503	1703464	1	ANSI Spec	
503	3252507	1	ANSI Export/Australian/CE Specs	
503A		Ref	Box, Switch Options:	
503A	0861731	1	Poly Box	
503A	See Note	NSS	Switch Box (ANSI Export/Australian/CE Spec Machines) (Note: Purchase Locally)	
503A		Ref	Hardware Options:	
503A	4010408	4	Screw M4 x 16mm	
503A	3290405	4	Locknut M4	
503B		Ref	Cover Options:	
503B	1671207	1	ANSI Spec	
503B	See Note	NSS	ANSI Export/Australian/CE Spec Machines (Note: Purchase Locally)	
503C		Ref	Connector, Strain Relief Options:	
503C	4460662	1	ANSI Spec	
503C	See Note	NSS	ANSI Export/Australian/CE Spec Machines (Note: Purchase Locally)	
503D		Ref	Receptacle, Electrical Options:	
503D	4460346	1	ANSI Spec	
503D	See Note	NSS	ANSI Export/Australian/CE Spec Machines (Note: Purchase Locally)	
503E		Ref	Plug, Male Options:	
503E	4460138	1	ANSI Spec	
503E	See Note	NSS	ANSI Export/Australian/CE Spec Machines (Note: Purchase Locally)	
503G	4460315	1	Terminal, Spade (Not Shown)	
503G	2902431	1	Receptacle Box Kit (Includes Poly Box, Switch Cover, Receptacle and Strain Relief Connector)	
504	4922944	1	Brake Disconnect Harness	E
504	1060680	15 ft/2.7m	Cable, Electrical 18/2	
504		Ref	USA Built Machines	
504A	4360613	1	Switch, Limit	
504		Ref	Belgium Built Machines (SN 1200004293 through	

SECTION 7 - ELECTRICAL

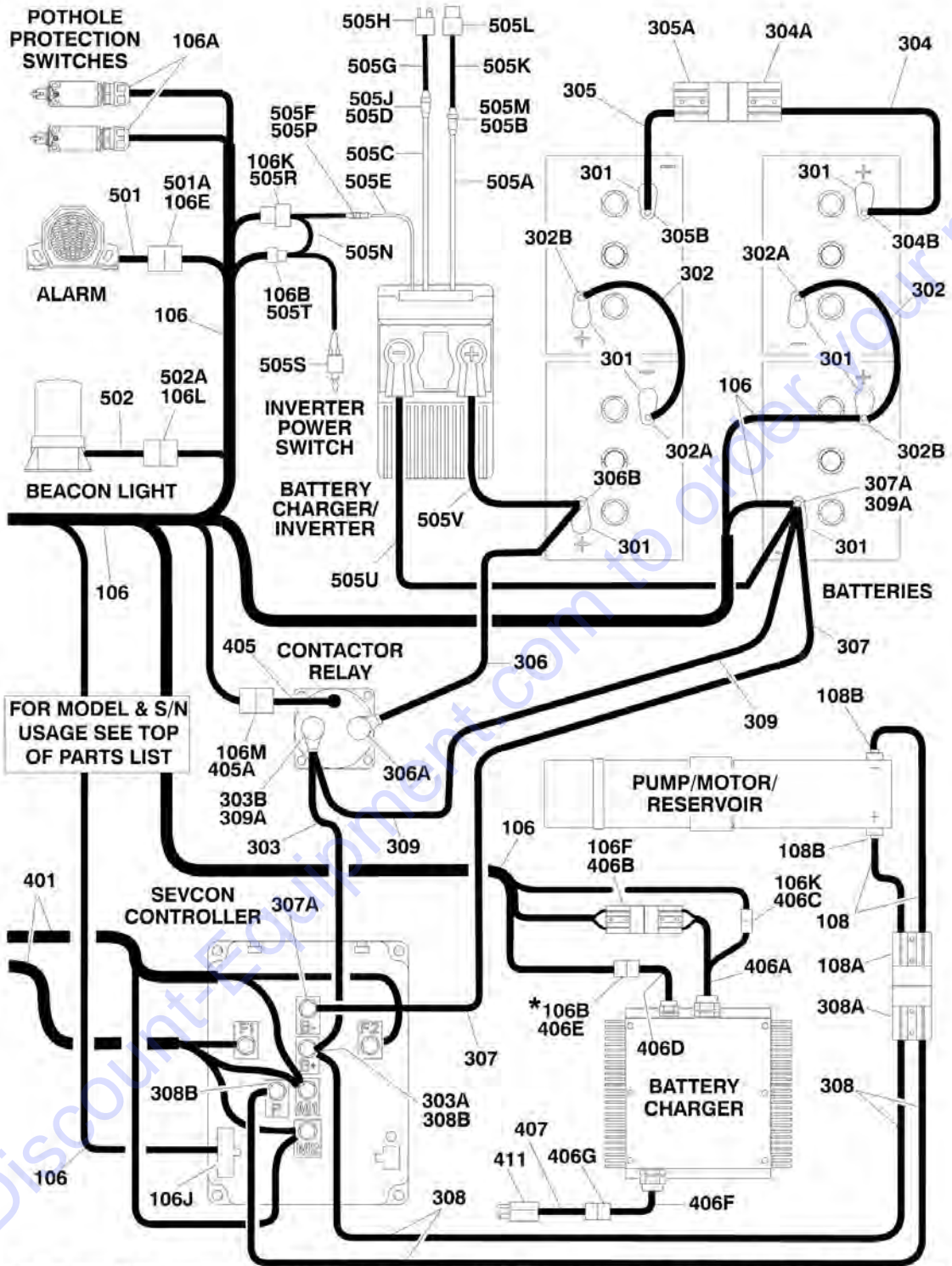
ITEM	PART NUMBER	QTY	DESCRIPTION	REV
			1200004637)	
504B	2560181	1	Handle	
504C	4360387	1	Switch, Push Button	
504D	4460633	1	Connector, Strain Relief	
504		Ref	Belgium Built Machines (SN 1200004638 through 1200008481)	
504E	4360613	1	Switch, Limit	
504E	4240003	1	Strap, Cinch (Not Shown)	
505		Ref	Inverter Electrical Components (See SPECIAL OPTIONS SECTION for Other Components)	
505	0272876	Ref	Inverter Electrical Components 1930ES	B
505	0273070	Ref	Inverter Electrical Components 2030ES/2630ES	B
505	0273071	Ref	Inverter Electrical Components 2646ES/3246ES	B
505A	1061037	1	Cable, Power - DC (8Ga)	B
505B	4460648	1	Connector, Anderson (50Amp)	
505C	See Note	NSS	Cable, Power - DC (8Ga) (Note: Not Available for Purchase)	
505D	4460648	1	Connector, Anderson (50Amp)	
505E	See Note	NSS	Cable, Electrical - 14/3 (Note: Not Available for Purchase)	
505F	4460205	1	Plug, Male 110GFI	
505G	See Note	NSS	Cable, Power (Note: Not Available for Purchase)	
505H	4360482	1	Switch, Toggle	
505J	4922912	1	Harness, Power	A
		Ref	TOOLS FOR SERVICE (NOT SHOWN)	
	7002821	1	Crimper, Wire	
	7002823	1	Extractor, Pin - Universal	
	4460467	AR	Extractor, Pin #16 Gauge	
	4460510	AR	Extractor, Pin #12 Gauge	
	7002828	1	Stripper, Wire	
	2901443	1	Analyzer Kit	
	1600244	1	Analyzer	
	1060633	1	Cable, Analyzer	
	4460321	2	Plug, Male - 4 Position	
	4460226	8	Socket, Female	
	1001137005	1	Software Cables Kit	

SECTION 7 - ELECTRICAL

FIGURE 7-4. ELECTRICAL COMPONENTS INSTALLATION (1930ES SN 0200150266 through 0200152825, SN 1200007882 through 1200008481; 2646ES SN 0200151606 through 0200152825, SN 1200008265 through 1200008481; 3246ES SN 0200151606 through 0200152825, SN 1200008265 through 1200008481)



SECTION 7 - ELECTRICAL



*NOTE: THIS CONNECTION USED ONLY WHEN FOOTSWITCH OR BATTERY CHARGER INTERLOCK OPTIONS ARE REQUIRED.

SECTION 7 - ELECTRICAL

FIGURE 7-4. ELECTRICAL COMPONENTS INSTALLATION (1930ES SN 0200150266 through 0200152825, SN 1200007882 through 1200008481; 2646ES SN 0200151606 through 0200152825, SN 1200008265 through 1200008481; 3246ES SN 0200151606 through 0200152825, SN 1200008265 through 1200008481)

ITEM	PART NUMBER	QTY	DESCRIPTION	REV
		Ref	ILLUSTRATION AND PARTS LIST USAGE:	
		Ref	1930ES USA Built Machines (SN 0200150266 through 0200152825)	
		Ref	1930ES Belgium Built Machines (SN 1200007882 through 1200008481)	
		Ref	2646ES/3246ES USA Built Machines (SN 0200151606 through 0200152825)	
		Ref	2646ES/3246ES Belgium Built Machines (SN 1200008265 through 1200008481)	
		Ref	CONSOLE BOX COMPONENTS	
1	4922870	1	Platform Box Harness	B
2	4461016	1	Connector - 14 Position	
2	4460464	5	Pin, Male	
2	4460466	9	Plug, Sealing	
2	4460496	1	Lockwasher	
2	4460497	1	Nut, Panel	
3	4460265	1	Plug, Male - 9 Position	
3	4460267	8	Pin, Male	
4	2540042	2	Grommet 90	
5	See Note	NSS	Receptacle, Female - 3 Position (Note: Not Available for Purchase)	
6	4461057	1	Plug, Male - 16 Position	
		Ref	PLATFORM CABLES INSTALLATION	
	0274972	Ref	Platform Cables Installation 1930ES (ANSI, ANSI Export, Japanese Spec and UL Specs)	H
	0275541	Ref	Platform Cables Installation 1930ES (Australian and CE Specs)	F
	0274975	Ref	Platform Cables Installation 2646ES/3246ES (ANSI, ANSI Export, Japanese Spec and UL)	H
	0275544	Ref	Platform Cables Installation 2646ES/3246ES (Australian and CE Specs)	F
101		Ref	Platform to Ground Harness Options:	
101		Ref	Platform to Ground Harness 1930ES	
101	4923218	NLA	ANSI, ANSI Export, Japanese and UL Specs	
101	4923587	NLA	ANSI, ANSI Export, Japanese and UL Specs	
		Ref	(Note: For complete Ground to Platform Control Box Harness, purchase p/ns 1001094154 and Item 118 p/n 1001104466. For Platform to Ground Cable purchase only p/n 1001094154. See Additional notes above Item 101A)	
101	4923218	NLA	Australian and CE Specs	
101	4923587	NLA	Australian and CE Specs	
		Ref	(Note: For complete Ground to Platform Control Box Harness, purchase p/ns 1001094332 and Item 118 p/n 1001104466. For Platform to Ground Cable purchase only p/n 1001094332. See Additional notes above Item 101A)	
101		Ref	Platform to Ground Harness 2646ES/3246ES	
101	4923221	NLA	ANSI, ANSI Export, Japanese and UL Specs	
101	4923590	NLA	ANSI, ANSI Export, Japanese and UL Specs	
		Ref	(Note: For complete Ground to Platform Control Box Harness, purchase p/ns 1001094157 and Item 118 p/n	

SECTION 7 - ELECTRICAL

ITEM	PART NUMBER	QTY	DESCRIPTION	REV
101		Ref	1001104468. For Platform to Ground Cable purchase only p/n 1001094157. See Additional notes above Item 101A) Australian and CE Specs	
		Ref	(Note: For complete Ground to Platform Control Box Harness, purchase p/ns 1001094335 and Item 118 p/n 1001104468. For Platform to Ground Cable purchase only p/n 1001094335. See Additional notes above Item 101A)	
		Ref	Note: If machine is equipped with platform rail padding limit switches harness p/n 4923250, replace with p/n 4923632 when installing complete Ground to Platform	
		Ref	Note: If machine is equipped with overload sensing harness p/n 4922908, replace with p/n 4923228 when installing complete Ground to Platform Control Box Harness.	
		Ref	Note: Items 101A-101C are Components for Original Equipment Platform to Ground Cable. See Items 119-122 if equipped with Replacement Coiled Harness Cable.	
101A	4460930	1	Plug, Male - 8 Position	
101A	4460465	4	Socket, Female	
101A	4460944	3	Socket, Female (Gold)	
101A	4460466	1	Plug, Sealing	
101A	0840061	1	Boot 8 Position Plug	
101A	2820026	AR	Insulation, Clear Tubing	
101A	2820028	AR	Heat Shrink	
101B	4460930	1	Plug, Male - 8 Position	
101B	4460465	4	Socket, Female	
101B	4460944	3	Socket, Female (Gold)	
101B	4460466	1	Plug, Sealing	
101B	0840061	1	Boot 8 Position Plug	
101B	2820026	AR	Insulation, Clear Tubing	
101B	2820028	AR	Heat Shrink	
102	1380158	AR	Retainer	
103	1320318	AR	Clamp, Hose (Not Shown)	
104	0100048	AR	Grease, Dielectric	
105	4740545	AR	Washer, Special Cable	
106		Ref	Chassis Harness Options:	
106	4923449	1	Chassis Harness 1930ES	E
106	4923450	1	Chassis Harness 2646ES/3246ES	D
106	4933351		Wiring Diagram - Chassis	C
106	3990013	2	Diode 1 Amp/400V (Not Shown)	
106A	4360633	NLA	Limit Switch Kit (Use p/n 1001109345)	
106B	4460320	1	Plug, Male - 2 Position (Note: Connection to this plug used only when footswitch or battery interlock options are required)	
106B	4460226	2	Socket, Female	
106C	4460321	1	Plug, Male - 4 Position	
106C	4460227	4	Pin, Male	
106D	4460539	1	Plug, Male - 3 Position	
106D	4460465	3	Socket, Female	
106E	4460539	1	Plug, Male - 3 Position	
106E	4460465	2	Socket, Female	
106F	4460648	1	Connector, Anderson	
106G	4460761	1	Receptacle, Female - 4 Position	
106G	4460227	4	Pin, Male	
106H	4460814	1	Plug, Male - 40 Position	
106H	4460465	31	Socket, Female	

SECTION 7 - ELECTRICAL

ITEM	PART NUMBER	QTY	DESCRIPTION	REV
106H	4460944	6	Socket, Female (Gold)	
106H	0840057	1	Boot	
106J	4460870	1	Plug, Male - 12 Position	
106J	4460877	4	Pin, Male	
106K	4460894	1	Plug, Male - 6 Position	
106K	4460465	4	Socket, Female	
106K	0840059	1	Boot	
106L	4460897	3	Receptacle, Female - 2 Position	
106L	4460464	6	Pin, Male	
106M	4460897	1	Receptacle, Female - 2 Position	
106M	4460465	2	Socket, Female	
106N	4460931	1	Receptacle, Female - 8 Position	
106N	4460464	4	Pin, Male	
106N	4460943	3	Pin, Male (Gold)	
106N	0840058	1	Boot	
106P	4460899	1	Connector, Female - 6 Position	
106P	4460464	6	Pin, Male	
107	4923350	1	Lift Cylinder Harness	C
107A	4460891	4	Plug, Male - 2 Position	
107A	4460465	8	Socket, Female	
107B	4460894	1	Plug, Male - 6 Position	
107B	4460465	6	Socket, Female	
107B	0840059	1	Boot	
108	4923271	1	Power to Pump Motor Harness	C
108A		Ref	Connector, Anderson Options:	
108A	See Note	NSS	Red (Note: Use Item 108)	
108A	See Note	NSS	Gray (Note: Use Item 108)	
108B	0840041	2	Boot, Terminal (Red)	
109	0760615	AR	Screw M6 x 35mm	
110	0903339	1	Bracket, Battery Connector (Not Shown) (1930ES Only)	
111		Ref	Battery Cable Kit Options (See Item 301- 309 for Breakdown)	
111	2902476		Battery Cable Kit 1930ES	
111	2902507		Battery Cable Kit 2646ES/3246ES	
112	3290607	4	Nut M6	
113	4811700	2	Flatwasher M6	
115		Ref	Locknut Options:	
115	3291005	AR	Locknut M10 (1930ES)	
115	3290605	AR	Locknut M6 (2646ES/3246ES)	
116		Ref	Screw Options:	
116	3900351	AR	Screw, Button Head M10 x 30mm (1930ES)	
116	4031713	AR	Capscrew, Socket Head M6 x 45mm (2646ES/3246ES)	
117		Ref	Flatwasher Options:	
117	4812000	AR	Flatwasher M10 (1930ES)	
117	4811700	AR	Flatwasher M6 (2646ES/3246ES)	
118		Ref	Platform to Platform Control Box Harness Repair Kit with Coiled Cable (Includes Items 119-125)	
118	2915251	NLA	Platform to Platform Control Box Harness 1930ES (Use Repair Kit with Coiled Cable p/n 1001104466)	A
118	2915252	NLA	Platform to Platform Control Box Harness 2030ES/2630ES (Use Repair Kit with Coiled Cable p/n 1001104467)	A
118	2915253	NLA	Platform to Platform Control Box Harness 2646ES/3246ES (Use Repair Kit with Coiled Cable p/n 1001104468)	A

SECTION 7 - ELECTRICAL

ITEM	PART NUMBER	QTY	DESCRIPTION	REV
119	4460930	1	Plug, Male - 8 Position	
119	4460465	4	Socket, Female	
119	4460944	3	Socket, Female (Gold)	
119	4460466	1	Plug, Sealing	
119	0840061	1	Boot, 8 Position Plug	
119	2820028	AR	Heat Shrink	
120		Ref	Coiled Cable Harness Assembly Options:	
120	2915251	NLA	Coiled Cable Harness Assembly Options 1930ES (Use p/n 1001096705)	A
120	2915252	NLA	Coiled Cable Harness Assembly Options 2030ES/2630ES (Use p/n 1001096706)	A
120	2915253	NLA	Coiled Cable Harness Assembly Options 2646ES/3246ES (Use p/n 1001096707)	A
121	4460931	1	Receptacle, Female - 8 Position	
121	4460464	4	Pin, Male	
121	4460943	3	Pin, Male (Gold)	
121	4460466	1	Plug, Sealing	
121	0840058	1	Boot, 8 Position Receptacle	
121	2820026	AR	Insulation, Clear Tubing	
121	2820028	AR	Heat Shrink	
122	4460754	1	Plug, Male -14 Position	
122	4460465	4	Socket, Female	
122	4460944	3	Socket, Female	
122	4460466	4	Plug, Sealing	
122	3730119	1	Resistor	
122	4460493	1	Cap, Dust	
122	2820026	AR	Insulation, Clear Tubing	
123	1001094175	AR	Clamp, Post	
123	4010617	AR	Screw M6 x 45mm	
123	3290606	AR	Nut, Acorn M6	
124	1001094180	4	Clamp, Rail	
124	0760606	4	Screw M6 x 12mm	
124	3290606	4	Nut, Acorn M6	
125	1001104465	AR	Hook, Corner	
125	4010617	AR	Screw M6 x 45mm	
125	3290606	AR	Nut, Acorn M6	
		Ref	GROUND CONTROL BOX COMPONENTS	
201	4922865	1	Control Box Harness	E
201A	4460265	1	Plug, Male - 9 Position	
201A	4460268	9	Socket, Female	
201B	4460761	2	Receptacle, Female - 4 Position	
201B	4460267	8	Pin, Male	
201C	See Note	NSS	Grommet (Note: Molded in Part of Harness)	
201D	4460418	1	Receptacle, Female - 3 Position	
201D	4460419	3	Terminal	
		Ref	BATTERY CABLE KITS	
	2902476	Ref	Battery Cable Kits 1930ES	B
	2902507	Ref	Battery Cable Kits 2646ES/3246ES	E
301	0840060	8	Boot, Terminal (Gray) (Covers only the Battery Terminal Base)	
302	1060998	2	Cable, Battery (Battery Positive to Battery Negative)	E
302A	See Note	NSS	Boot, Terminal (Black) (1 Per Cable Assembly) (Note: Not Available for Purchase)	

SECTION 7 - ELECTRICAL

ITEM	PART NUMBER	QTY	DESCRIPTION	REV
302B	See Note	NSS	Boot, Terminal (Red) (1 Per Cable Assembly) (Note: Not Available for Purchase)	
303	1061001	1	Cable, Battery (Contactor to Controller B+)	D
303A	See Note	NSS	Boot, Terminal (Black) (Note: Not Available for Purchase)	
303B	See Note	NSS	Boot, Terminal (Red) (Note: Not Available for Purchase)	
304		Ref	Cable, Battery (LH Battery to Disconnect)	
304	4923365	1	Cable, Battery 1930ES	A
304	4923401	1	Cable, Battery 2646ES/3246ES	A
304A		Ref	Connector, Anderson Options:	
304A	See Note	NSS	Connector, Anderson 1930ES Single Pole (Note: Use Item 304)	
304A	4460618	1	Connector, Anderson 2646ES/3246ES Two Pole (Red)	
304A	2560205	1	Handle, Connector (All Models Except 1930ES)	
304B	See Note	NSS	Boot, Terminal (Red) (Note: Not Available for Purchase)	
305		Ref	Cable, Battery (RH Batteries to Disconnect)	
305	4923366	1	Cable, Battery 1930ES	A
305	4923402	1	Cable, Battery 2646ES/3246ES	A
305A		Ref	Connector, Anderson Options:	
305A	See Note	NSS	Connector, Anderson Options 1930ES Single Pole (Purchase p/n 4923366)	
305A	4460618	1	Connector, Anderson Options 2646ES/3246ES Two Pole (Red)	
305B	See Note	NSS	Boot, Terminal (Black) (Note: Not Available for Purchase)	
306		Ref	Cable, Battery (RH Battery to Contactor)	
306	4923367	1	Cable, Battery 1930ES	A
306	4923406	1	Cable, Battery 2646ES/3246ES	A
306A	See Note	NSS	Boot, Terminal (Black) (Note: Not Available for Purchase)	
306B	See Note	NSS	Boot, Terminal (Red) (Note: Not Available for Purchase)	
307		Ref	Cable, Battery (LH Battery to Connector B-)	
307	Not Required	0	Cable, Battery 1930ES	
307	4923409	1	Cable, Battery 2646ES/3246ES	A
307A	See Note	NSS	Boot, Terminal (Black) (2646ES/3246ES) (Note: Not Available for Purchase)	
308		Ref	Cable, Battery (Power to Pump Motor)	
308	4923272	2	Cable, Battery 1930ES	C
308	4923410	2	Cable, Battery 2646ES/3246ES	D
308A		Ref	Connector, Anderson Options:	
308A	See Note	NSS	Red (Note: Use Item 308)	
308A	See Note	NSS	Gray (Note: Use Item 308)	
308B	0840041	1	Boot, Terminal (Red)	
309		Ref	Cable, Battery (LH Battery to Contactor)	
309	4923374	1	Cable, Battery 1930ES	A
309	Not Required	0	Cable, Battery 2646ES/3246ES	
309A	See Note	NSS	Boot, Terminal (Red) (1930ES) (Note: Not Available for Purchase)	
		Ref	STANDARD HARNESSSES	
401	See Note	2	Drive Motor/Brake Harness (was p/ns 7024770 & 7024775)	
		Ref	Note: Refer to Figure 1-3 to identify cable.	
401A	4460891	2	Plug, Male - 2 Position (1 Per Harness)	
401A	4460465	4	Socket, Female (2 Per Harness)	
401B	70001442	2	Plug, Male - 2 Position (1 Per Harness) (To Brake)	
401B	See Note	NSS	Socket, Female (2 Per Harness) (To Brake) (Note: Not Available for Purchase)	

SECTION 7 - ELECTRICAL

ITEM	PART NUMBER	QTY	DESCRIPTION	REV
401C	70001443	2	Plug, Male - 2 Position (1 Per Harness) (To Motor)	
401C	70001444	4	Socket, Female (2 Per Harness) (To Motor)	
401D		Ref	Connector Options:	
401D	See Note	NSS	USA Built Machines - Use Butt Connector (Note: Purchase Locally)	
		Ref	Note: P/N 7024770 Harness is equipped with a connector at this location. When replacing, clip connector and butt splice to Drive Harness from opposite side.	
401D	4461261	1	Belgium Built Machines - Use Plug, Male - 1 Position	
401D	4460509	1	Belgium Built Machines - Use Terminal	
402	See Note	NSS	Harness ,Brake (Note: Internal Connections - Purchase Complete Brake)	
402	See Note	NSS	Receptacle, Female - 2 Position (1 Per Harness) (Note: Internal Connections - Purchase Complete Brake)	
402	See Note	NSS	Pin, Male (2 Per Harness) (Note: Internal Connections - Purchase Complete Brake)	
403	See Note	NSS	Harness, Motor (Note: Internal Connections - Purchase Complete Motor)	
403	See Note	NSS	Receptacle, Female - 2 Position (1 Per Harness) (Note: Internal Connections - Purchase Complete Motor)	
403	See Note	NSS	Pin, Male (2 Per Harness) (Note: Internal Connections - Purchase Complete Motor)	
404	4923602	2	Harness, Field Wire Connection	A
404A	4461260	2	Receptacle, Female - 1 Position	
404A	4460508	2	Terminal	
405	3740150	1	Contact Relay Harness (Includes Relay)	
405A	4460891	1	Plug, Male - 2 Position	
405A	4460465	2	Socket, Female	
406		Ref	Battery Charger Components	
406A	See Note	NSS	DC Harness/Cord Set (Note: Not Available for Purchase)	
406B	4460648	1	Plug, Anderson	
406C	4460899	1	Connector, Female - 6 Position	
406C	4460464	6	Pin, Male	
406D	See Note	NSS	Harness with Connector (Note: Connection to this plug used only when battery interlock options are required. Not Available for Purchase)	
406E	4460424	1	Connector, Female - 2 Position (Note: Connection to this plug used only when battery interlock options are required)	
406E	4460227	2	Pin, Male	
406F	See Note	NSS	AC Harness/Cord Set (Note: Not Available for Purchase)	
406G	See Note	NSS	Connector, Female (Note: Not Available for Purchase)	
407		Ref	Cable, AC Power to Charger Options:	
407	1060688		Cable with Factory Supplied Plug	
407	1060689		Cable without Plug (Locally Supplied Plug)	
408	4360526	NLA	Rotary Angle Sensor and Harness (Separate Harness Not Available) (Use p/n 1001092354)	
408A	4460536	1	Receptacle, Female - 3 Position	
408A	4460464	3	Pin, Male	
409	See Note	NSS	Toggle Switch and Harness (Note: No Separate Harness Available)	
409A	4360539	1	Plug, Male - 3 Position	
410	See Note	NSS	Joystick Harness (Note: Purchase Complete Joystick)	
410A	4460266	1	Receptacle, Female - 9 Position	
410A	4460226	8	Socket, Female	

SECTION 7 - ELECTRICAL

ITEM	PART NUMBER	QTY	DESCRIPTION	REV
411		Ref	Plug Options:	
411	See Note	NLA	ANSI Spec Plug (Note: Use p/n 1060688)	
411	See Note	NSS	Australian and Japanese Specs (Note: Purchase Locally)	
411		Ref	CE Spec Options:	
411	0275666	Ref	IEC Yellow Receptacle Installation	A
411	4461196	Ref	Receptacle, IEC Yellow	
411	0276667	Ref	IEC Blue Receptacle Installation	A
411	4661199	Ref	Receptacle, IEC Blue	
411	0275665	Ref	AFSINT 107 Keyed Ground Receptacle Installation	A
411	4661249	Ref	Receptacle, AFSINT 107 Keyed Ground	
411	0275663	Ref	CEE7 Post Ground Receptacle Installation	A
411	4661202	Ref	Receptacle, CEE7 Post Ground	
411	0275664	Ref	CEE7 Side Ground Receptacle Installation	A
411	4661205	Ref	Receptacle, CEE7 Side Ground	
		Ref	OPTIONAL HARNESES	
501	0140043	1	Alarm and Harness (Separate Harness Not Available)	
501A	4460536	1	Receptacle, Female - 3 Position	
501A	4460464	3	Pin, Male	
502	2920161	1	Beacon Light and Harness (Separate Harness Not Available)	
502A	4460891	1	Plug, Male - 2 Position (1 Per Harness)	
502A	4460465	2	Socket, Female (2 Per Harness)	
503		Ref	Platform Electrical Outlet Components	
503		Ref	ANSI, ANSI Export, CSA, Japanese and UL Specs Options:	
503	0272839	Ref	110V with Receptacle and Plug	H
503	0272843	Ref	220V without Receptacle and Plug (Locally Supplied Components)	F
503		Ref	Australian Spec Options:	
503	0272843	Ref	220V without Receptacle and Plug (Locally Supplied Components)	F
503		Ref	CE Spec Options:	
503	0275487	Ref	110V with IEC Yellow Receptacle and Plug and Circuit Breaker (1930ES was p/n 0275487/2646ES & 3246ES was p/n 0275520)	C
503	0272843	Ref	220V without Receptacle and Plug (Locally Supplied Components) (All Models)	F
503	0275488	Ref	220V with IEC Blue Receptacle and Plug and Circuit Breaker (1930ES was p/n 0275487/2646ES & 3246ES was p/n 0275521)	C
503	0275486	Ref	220V with AFSINT 107 Keyed Ground Receptacle and Plug and Circuit Breaker (1930ES was p/n 0275486/2646ES & 3246ES was p/n 0275519)	C
503	0275472	Ref	220V with CEE7 Post Ground Receptacle and Plug and Circuit Breaker (2x4 Box) (1930ES was p/n 0275472/2646ES & 3246ES was p/n 0275517)	C
503	0275489	Ref	220V with CEE7 Post Ground Receptacle and Plug and Circuit Breaker (70x70 Box) (1930ES was p/n 0275489/2646ES & 3246ES was p/n 0275522)	D
503	0275485	Ref	220V with CEE7 Side Ground Receptacle and Plug and Circuit Breaker (2x4 Single Box) (1930ES was p/n 0275485/2646ES & 3246ES was p/n 0275518)	C
503	1001096628	Ref	220V with CEE7 Side Ground Receptacle and Plug and Circuit Breaker (2x4 Dual Boxes)	A
		Ref	Note: Qty shown is for single Receptacle Box. Double Qty listed for Dual Receptacle Boxes.	
503	0275490	Ref	220V with CEE7 Side Ground Receptacle and Plug and Circuit	D

SECTION 7 - ELECTRICAL

ITEM	PART NUMBER	QTY	DESCRIPTION	REV
			Breaker (70x70 Box) (1930ES was p/n 0275490/2646ES & 3246ES was p/n 0275523)	
503		Ref	Decal - AC Power (Not Shown)	
503	1703464	1	110V	
503	3252507	1	220V	
503A		Ref	Box, Switch Options:	
503A	0861731	1	0272839, 0275472, 0275485, 0275486 & 1001096628 Installations	
503A	See Note	NSS	0272843 Installation (Note: Purchase Locally)	
503A	4460315	1	0272839 Installation (Terminal, Spade) (Not Shown)	
503A	0861781	1	0275487 & 0275488 Installations	
503A	0861782	NLA	0275774/0275775 Installations	
		Ref	(Note: Was p/n 0861782 which is no longer available. Use p/n 1001100344 CEE7 Side Ground Service Kit or p/n 1001100344 CEE7 Post Ground Service Kit. Kits includes Box p/n 1001141967 and Items 503B, 503D & 503E)	
503A	1001141967	1	1001100343, 1001100344, 1001141970 & 1001141971 Service Kits	
503B		Ref	Cover Options:	
503B	1671207	1	0272839 Installation	
503B	See Note	NLA	0272843 Installation (Note: Purchase Locally)	
503B	4461244	1	0275472 Installation (Includes Receptacle)	
503B	4461245	1	0275485 & 1001096628 Installations (Includes Receptacle)	
503B	4461246	1	0275486 Installation (Includes Receptacle)	
503B	4461198	1	0275487 Installation (Includes Receptacle)	
503B	4461201	1	0275488 Installation (Includes Receptacle)	
503B	4461204	NLA	0275489 Installation (Includes Receptacle) (Use p/n 1001100343)	
503B	1001141971	NLA	0275489 Installation (Includes Receptacle) (Use p/n 1001100343)	
503B	4461207	NLA	0275490 Installation (Includes Receptacle) (Use p/n 1001100344)	
503B	1001141970	NLA	0275490 Installation (Includes Receptacle) (Use p/n 1001100344)	
503B	1001141968	1	1001100343 & 1001141971 Service Kit	
503B	1001141969	1	1001100344 & 1001141970 Service Kit	
503C		Ref	Connector, Strain Relief Options:	
503C	4460662	1	0272839, 0275472, 0275485, 0275486 & 1001096628 Installations	
503C	See Note	NLA	0272843 Installation (Note: Purchase Locally)	
503C	4461257	1	0275487, 0275488, 0275489 & 0275490 Installations (90)	
503C	4461258	1	0275487, 0275488, 0275489 & 0275490 Installations (Adapter)	
503C	4460633	1	0275520 & 0275521 Installations	
503C	4460428	1	0275522 & 0275523 Installations	
503D		Ref	Receptacle, Electrical Options:	
503D	4460346	1	0272839 Installation	
503D	See Note	NLA	0272843 Installation (Note: Purchase Locally)	
503D	4461244	1	0275472 Installation (Includes Cover)	
503D	4461245	1	0275485 & 1001096628 Installations (Includes Receptacle)	
503D	4461246	1	0275486 Installation (Includes Cover)	
503D	4461198	1	0275487 Installation (includes Cover)	
503D	4461201	1	0275488 Installation (Includes Cover)	

SECTION 7 - ELECTRICAL

ITEM	PART NUMBER	QTY	DESCRIPTION	REV
503D	4461204	NLA	0275489 Installation (Includes Receptacle) (Use p/n 1001100343)	
503D	1001141971	NLA	0275489 Installation (Includes Receptacle) (Use p/n 1001100343)	
503D	4461207	NLA	0275490 Installation (Includes Receptacle) (Use p/n 1001100344)	
503D	1001141970	NLA	0275490 Installation (Includes Receptacle) (Use p/n 1001100344)	
503D	1001141968	1	1001100343 & 1001141971 Service Kit	
503D	1001141969	1	1001100344 & 1001141970 Service Kit	
503E		Ref	Plug End Options:	
503E	4460138	1	0272839 Installation (Male)	
503E	See Note	NLA	0272843 Installation (Note: Purchase Locally)	
503E	4461202	1	0275472/0275489 Installations and 1001100343/ 1001141971 Service Kit (Male)	
503E	4461203	1	0275472/0275489 Installations and 1001100343/ 1001141971 Service Kit (Female)	
503E	4461205	1	0275485/1001096628 Installations and 1001100344/ 1001141970 Service Kit (Male)	
503E	4461206	1	0275485/1001096628 Installations and 1001100344/ 1001141970 Service Kit (Female)	
503E	4461249	1	0275486 Installation (Male)	
503E	4461250	1	0275486 Installation (Female)	
503E	4461196	1	0275487 Installation (Male)	
503E	4461197	1	0275487 Installation (Female)	
503E	4461199	1	0275488 Installation (Male)	
503E	4461200	1	0275488 Installation (Female)	
503E	4461202	1	0275489 Installation (Male)	
503E	4461203	1	0275489 Installation (Female)	
503E	4461205	1	0275490 Installation (Male)	
503E	4461206	1	0275490 Installation (Female)	
503F		Ref	Hardware Options:	
503F	4010405	AR	Screw M4 x 10mm	
503F	4010408	AR	Screw M4 x 16mm	
503F	4010612	AR	Screw M6 x 16mm	
503F	4191706	AR	Screw M6 x 12mm	
503F	4191708	AR	Screw M6 x 20mm	
503F	0760619	AR	Screw M6 x 55mm	
503F	3290405	AR	Locknut M4	
503F	3290605	AR	Locknut M6	
503F	3290607	AR	Locknut M6	
503F	4811400	AR	Flatwasher M4	
503F	1001091102	AR	Flatwasher M4 Oversize	
503F	4811700	AR	Flatwasher M6	
503G		Ref	Bracket, Receptacle Box Mounting Options:	
503G	Not Required	0	0272839, 0272843, 0275472, 0275485, 0275486 & 1001096628 Installations	
503G	0903569	1	0275487, 0275488, 0275489 & 0275490 Installations	
503G	0903484	1	1001096628 Installation (2nd Receptacle Box Only)	
503H	0903566	1	Bracket, Circuit Breaker Mounting (Required Only on CE Spec Installations Except 0272843 Installation)	
503H	01001096627	1	Bracket, Circuit Breaker Mounting (Required Only on CE Spec 1001096628 Installations)	
503J	2902541	AR	Circuit Breaker Box Assembly (Required Only on CE Spec	E

SECTION 7 - ELECTRICAL

ITEM	PART NUMBER	QTY	DESCRIPTION	REV
		Ref	Installations Except 0272843 Installation) Note: Original box assembly used one single large breaker which is no longer available. Purchase p/n 2902541 as replacement.	
503J		Ref	Parts for Replacement p/n 2902541 Box:	
503J	1001109475	1	Circuit Breaker - 16A	
503J	1001109482	1	Circuit Breaker - 30mA	
503J	4460957	1	Terminal Block	
503J	4460956	1	Barrier, Terminal Block	
503K	1001097150	1	Connector, Strain Relief (Required Only on CE Spec Installations Except 0272843 Installation)	
503L	1060908	55 in/1.4m	Cable, Extension (Required Only on CE Spec Installations Except 0272843 Installation)	
503M	1060908	55 in/1.4m	Cable, Electrical (Required Only on CE Spec 1001096628 Installations) (Not Shown - Connects 2 Receptacle Boxes)	
	2902431	1	Receptacle Box Kit (110V GFI) (Includes Item 503A-503D) (0272839 Installation)	B
	0275216	1	Receptacle, Box and Plug Kit (110V IEC Yellow) (Includes Items 503A, 503B, 503C and Male 503E Plug End) (0275487 Installation)	1
	0275217	1	Receptacle, Box and Plug Kit (220V IEC Blue) (Includes Items 503A, 503B, 503D and Male 503E Plug End) (0275488 Installation)	1
	0275452	1	Receptacle Box Kit (220V CEE7 Post Ground with 2x4 Box) (Includes Items 503A, 503B, 503D and Male 503E Plug End) (0275472 Installation)	1
	1001141971	NLA	Receptacle, Box and Plug Kit (220V CEE7 Post Ground with 70x70 Box) (Includes Items 503A, 503B, 503D and 503E) (0275489 Installation)	B/A
	0275218	NLA	Receptacle, Box and Plug Kit (220V CEE7 Post Ground with 70x70 Box) (Includes Items 503A, 503B, 503D and 503E) (0275489 Installation) (Use p/n 1001141971)	B/A
	0275453	1	Receptacle Box Kit (220V CEE7 Side Ground with 2x4 Box) (Includes Items 503A, 503B, 503D and Male 503E Plug End) (0275485 & 1001096628 Installations)	1
	1001141970	NLA	Receptacle, Box and Plug Kit (220V CEE7 Side Ground with 70x70 Box) (Includes Items 503A, 503B, 503D & 503E) (0275490 Installation)	B/A
	0275219	NLA	Receptacle, Box and Plug Kit (220V CEE7 Side Ground with 70x70 Box) (Includes Items 503A, 503B, 503D & 503E) (0275490 Installation) (Use p/n 1001141970)	B/A
	0275454	1	Receptacle, Box and Plug Kit (220V AFSINT 107 Keyed Ground) (Includes Items 503A, 503B, 503D and Male 503E Plug End) (0275486 Installation)	1
	2902541	1	Circuit Breaker Box Kit (Includes Items 503J-503L) (Required Only on CE Spec Installations Except 0272843 Installation)	D
504		Ref	Brake Disconnect /Release Switch Components	
504A	4922944	1	Brake Disconnect Harness and Switch	E
504A	1060680	15 ft/2.7m	Cable, Electrical 18/2	
504A	4240003	1	Strap, Cinch (Not Shown)	
504B	4360613	1	Switch, Limit	
504C	4360387	1	Brake Release Switch	
505		Ref	Battery Charger/Inverter Components (ANSI and CSA Option Only)	
505A	See Note	NSS	AC Output Harness (Note: Internal Part of Inverter)	
505B	See Note	NSS	Receptacle, Female - 4 Position (Conxall T9014) (Note: Internal Part of Inverter)	

SECTION 7 - ELECTRICAL

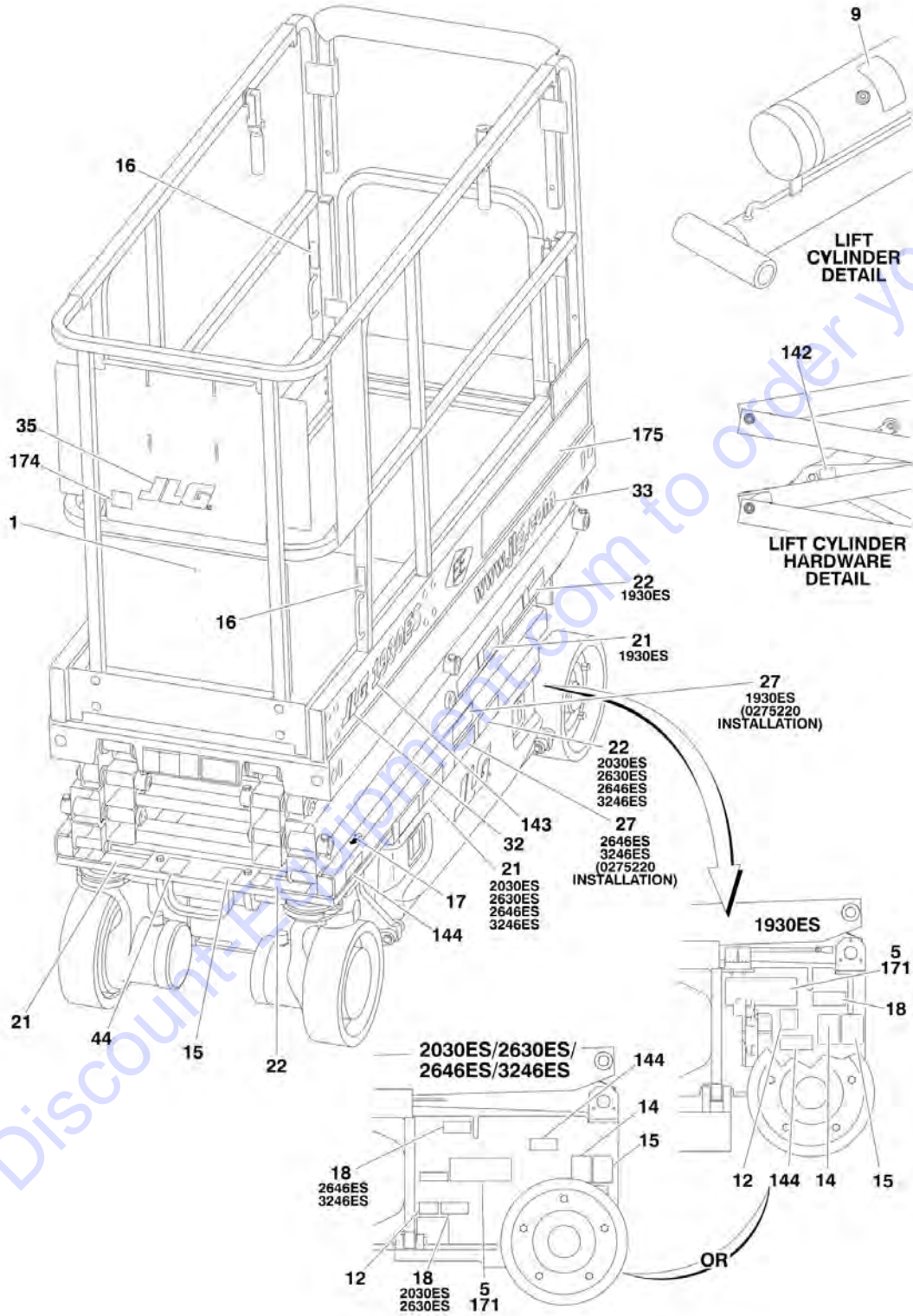
ITEM	PART NUMBER	QTY	DESCRIPTION	REV
505C	See Note	NSS	AC Input Harness (Note: Internal Part of Inverter)	
505D	See Note	NSS	Receptacle, Female - 4 Position (Conxall T9016) (Note: Internal Part of Inverter)	
505E	See Note	NSS	Remote Control Harness (Note: Internal Part of Inverter)	
505F	See Note	NSS	Plug, Male - 8 Position (Conxall 7281-8PG-300) (Note: Internal Part of Inverter)	
505G	4923389	NLA	AC Input Harness (Use p/n 1001091479)	D
505H	4460138	1	Plug, Male	
505J	See Note	NSS	Plug, Male - 4 Position (Conxall T9017) (Note: Use Item 505G)	
505K	4923390	1	AC Output Harness	D
505L	4460779	1	Receptacle, Female	
505M	See Note	NSS	Plug, Male - 4 Position (Conxall T9015) (Note: Use Item 505K)	
505N	4923391	1	Data Interface Harness	D
505P	See Note	NSS	Plug, Male - 8 Position (Conxall 6280-8SG-318) (Note: Use Item 505N)	
505R	4460899	1	Receptacle, Female - 6 Position	
505R	4460464	4	Pin, Male	
505R	4460466	2	Plug, Seal	
505R	3990010	1	Diode 6A/600V	
505S	4360336	1	Switch, Toggle	
505T	4460424	2	Receptacle, Female - 2 Position	
505T	4460267	2	Pin, Male	
505U	4923392	1	Cable, Battery + to Inverter +	A
505V	4923393	1	Cable, Battery - to Inverter -	A
		Ref	Tools for Service	
601	7002821	1	Crimper, Wire (Not Shown)	
602	7002823	1	Extractor, Pin - Universal (Not Shown)	
603	4460467	AR	Extractor, Pin #16 Gauge (Not Shown)	
604	4460510	AR	Extractor, Pin #12 Gauge (Not Shown)	
605	7002828	1	Stripper, Wire (Not Shown)	
606	2901443	1	Analyzer Kit (Not Shown)	
606A	1600244	1	Analyzer	
606B	1060633	1	Cable, Analyzer	
606C	4460321	2	Plug, Male - 4 Position	
606C	4460226	8	Socket, Female	
607	1001137005	1	Software Cables Kit (Not Shown)	

SECTION 8 - DECALS

Go to Discount-Equipment.com to order your parts

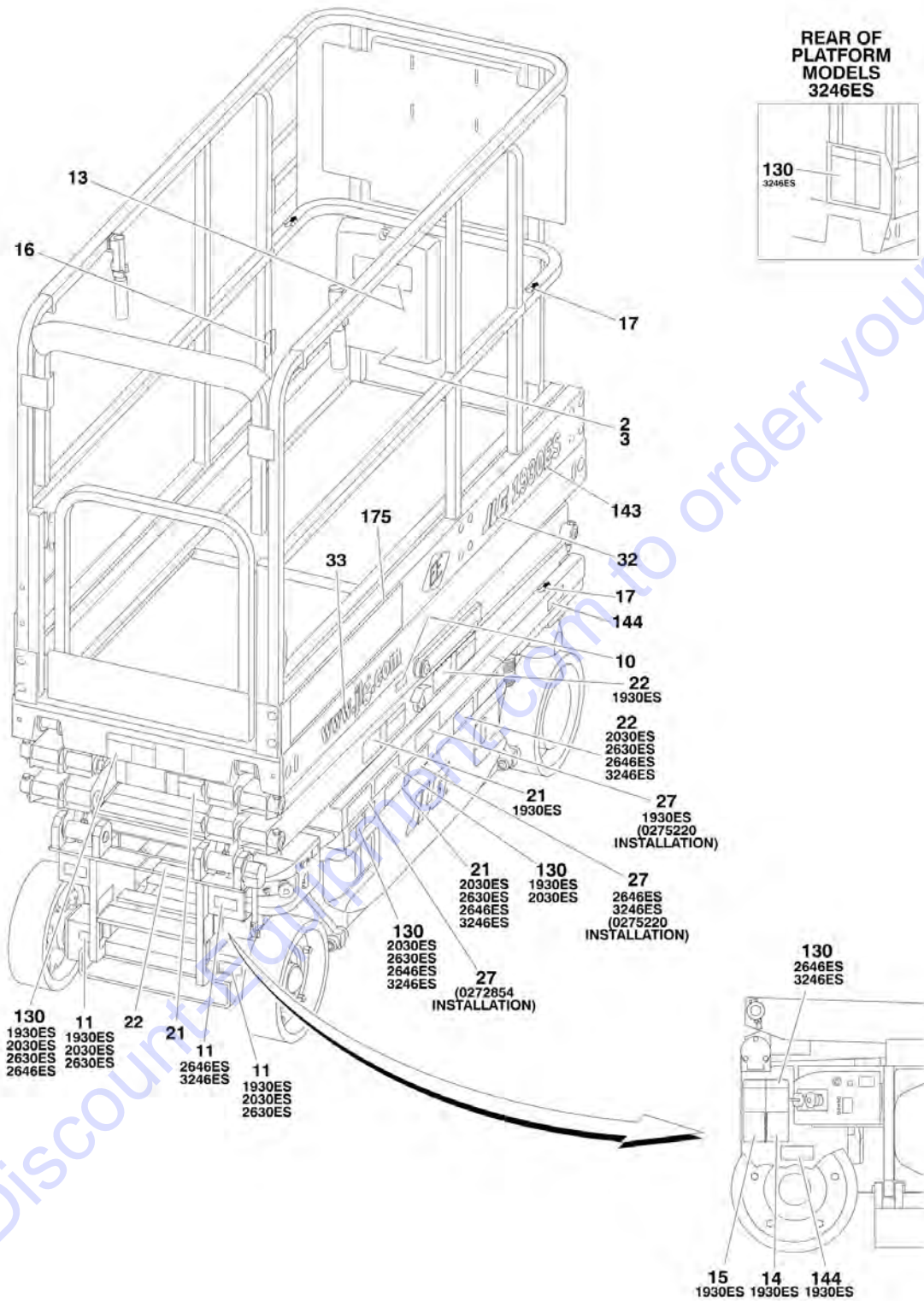
SECTION 8 - DECALS

FIGURE 8-1. DECAL INSTALLATION (ANSI SPEC)



Go to DiscountParts.com to order your parts

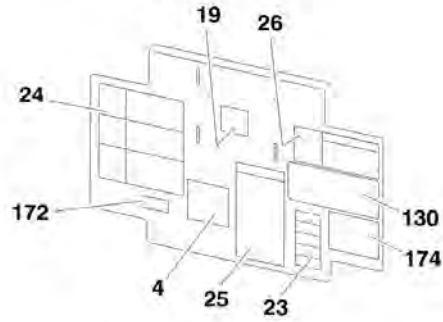
SECTION 8 - DECALS



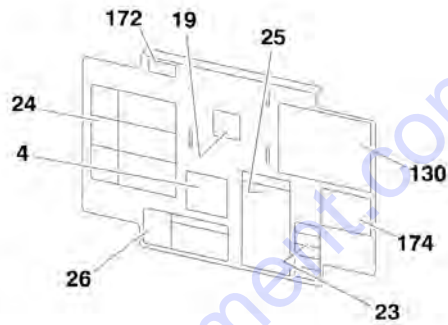
SECTION 8 - DECALS

PLATFORM DECAL PANEL DETAILS

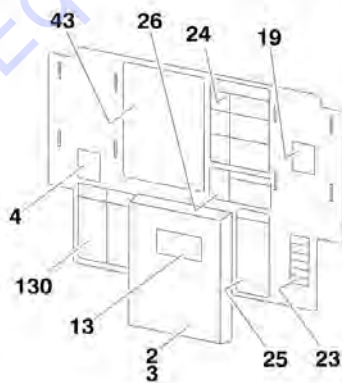
MODEL 1930ES



MODELS 2030ES & 2630ES



MODELS 2646ES & 3246ES



SECTION 8 - DECALS

FIGURE 8-1. DECAL INSTALLATION (ANSI SPEC)

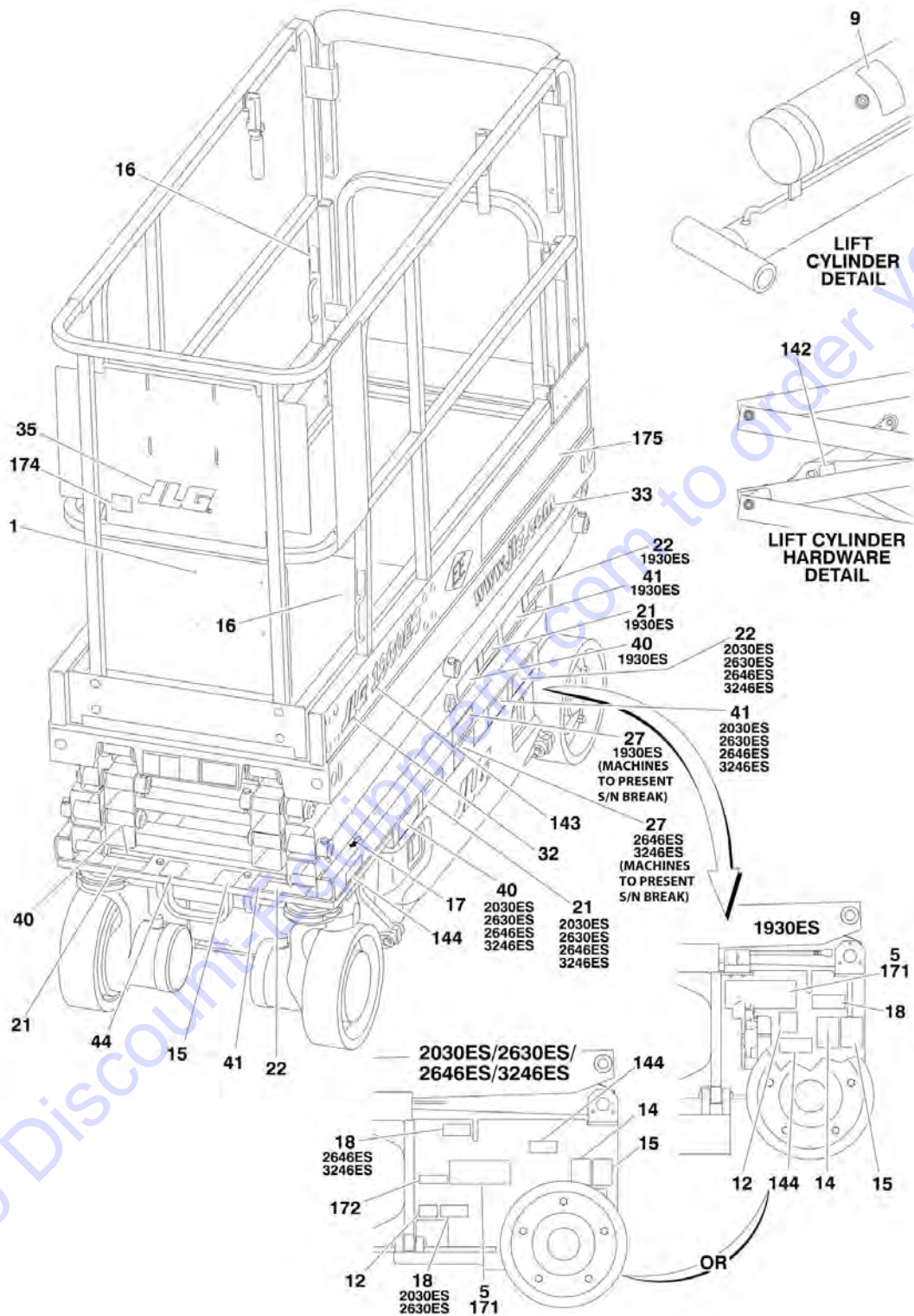
ITEM	PART NUMBER	QTY	DESCRIPTION	REV
		Ref	DECALS INSTALLATION - ANSI SPEC	
		Ref	Decals Installation, 1930ES	
	0272854	Ref	USA Built Machines (SN 0200135154 through 0200150265)	8
	0275220	Ref	USA Built Machines (SN 0200150266 through 0200152825)	3
	0272854	Ref	Belgium Built Machines (SN 1200004293 through 1200007881)	8
	0275220	Ref	Belgium Built Machines (SN 1200007882 through 1200008481)	3
	0272854	Ref	Decals Installation, 2030ES/2630ES	7
		Ref	Decals Installation, 2646ES/3246ES	
	0272854	Ref	USA Built Machines (SN 0200135154 through 0200151605)	8
	0275220	Ref	USA Built Machines (SN 0200151606 through 0200152825)	3
	0272854	Ref	Belgium Built Machines (SN 1200004293 through 1200008264)	8
	0275220	Ref	Belgium Built Machines (SN 1200008265 through 1200008481)	3
	0272870	Ref	JLG Decals	2
1	2080040	4	Fastener	
2	0860520	1	Box, Manual Storage	
3	1060279	1	Cable, Lanyard (0272854 Installation Only)	
4	1700584	1	Decal - Patent	
5	2080057	4	Fastener	
7	See Note	NSS	Decal - Bar Code (Not Shown - Located on Back of Platform Console Box) (Note: Not Available for Purchase)	
9	1704412	1	Decal - Hydraulic Oil	
10	1705693	1	Decal - Safety Prop	
11	1704016	2	Decal - Forklift	
12	1702155	1	Decal - Battery Disconnect	
13	1701509	1	Decal - Manual Reference	
14	1703811	4	Decal - Lifting Lugs	
15	1703814	3	Decal - Tie Down	
16	1704277	3	Decal - Attach Lanyard Here	
17	1703819	4	Decal - Directional Arrow	
18	1703822	1	Decal - Manual Descent	
19	1705692	1	Decal - Control Box Location	
21	1705694	4	Decal - Crushing Hazard	
22	1705695	4	Decal - Danger Electrocution	
23	1705686	1	Decal - Legend	
24	1705680	1	Decal - Danger/Warning	
25	1705679	1	Decal - Inspection	
26	1705681	1	Decal - Electrocution	
27	1703813	2	Decal - Warning Battery Vent	
32		Ref	Decal - JLG Options:	
32	1705754	2	USA Built Machines (SN 0200135154 through 0200148429)	
32	1705781	2	USA Built Machines (SN 0200148430 through 0200152825)	
32	1705754	1	Belgium Built Machines (SN 1200004293 through 1200006153)	
32	1705781	1	Belgium Built Machines (SN 1200006154 through 1200008481)	
33	1705687	2	Decal - Website (USA Built Machines Only) (SN 0200135154 through 0200137525)	

SECTION 8 - DECALS

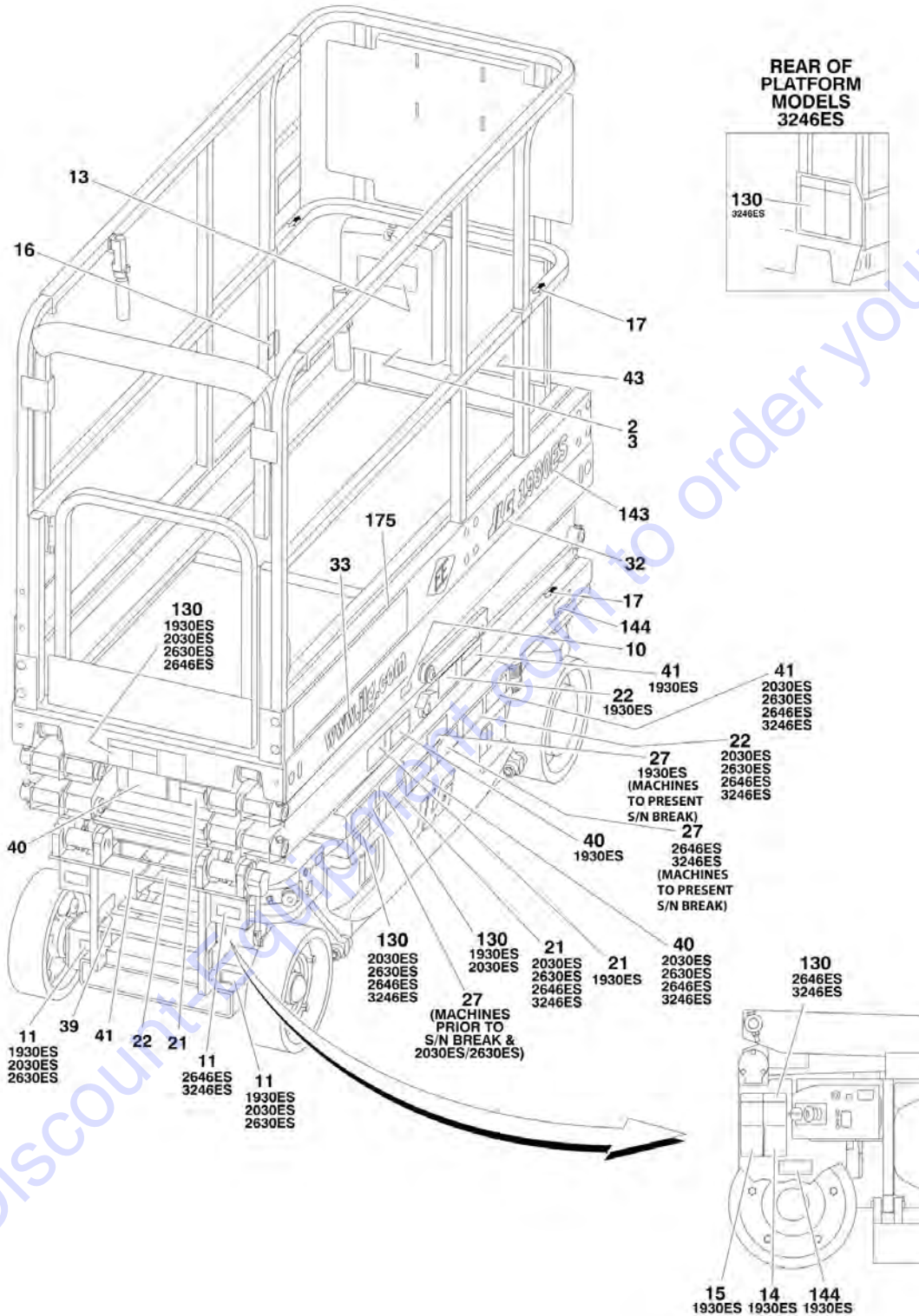
ITEM	PART NUMBER	QTY	DESCRIPTION	REV
35	1702773	1	Decal - JLG	
39		Ref	Decal - AC Power Options:	
39	1703464	1	120-60Hz	
39	3252507	1	220V-50/60Hz	
44	1701499	1	Decal - No Lift	
	0010588	Ref	DECAL OPTIONS	59
130		Ref	Decal - Capacity Options:	
130		Ref	Decal - Capacity, 1930ES:	
130	1705638	2	500lbs/227kg (Platform Box and Platform Entry Locations)	
130	1705699	1	500lbs/227kg (Ground Control Box Location)	
130	1705639	3	Decal - Capacity, 2030ES: 800lbs/363kg (All Locations)	
130		Ref	Decal - Capacity, 2630ES:	
130	1705941	1	Platform Console Box Decal - 500lb/227kg & 800lb/360kg (Located at Platform Console Box)	
130	1705880	1	Platform Entry Decal - 500lb/227kg & 800lb/360kg	
130	1705941	1	Ground Control Box - 500lb/227kg & 800lb/360kg	
130	1705640	3	Decal - Capacity 2646ES: 1000lbs/454kg	
130	1705641	3	Decal - Capacity 3246ES: 700lbs/317kg	
142	1001116915	1	Decal - Hardware Retention	
143		Ref	Decal - Model Designation Options:	
143	1705642	2	Decal - Model Designation 1930ES	
143	1705643	2	Decal - Model Designation 2030ES	
143	1705644	2	Decal - Model Designation 2630ES	
143	1705645	2	Decal - Model Designation 2646ES	
143	1705646	2	Decal - Model Designation 3246ES	
144		Ref	Decal - Max Tire Load Options:	
144	1705647	4	Decal - Max Tire Load 1930ES	
144	1706310	4	Decal - Max Tire Load 2030ES/2630ES	
144	1706311	4	Decal - Max Tire Load 2646ES/3246ES	
171	See Note	NSS	Nameplate - Serial Number (Note: Not Available for Purchase)	
174	3251813	1	Decal - Made in USA	
175		Ref	Decal - Platform Color Options:	
175	1705850	2	Decal - Platform Color 1930ES/2030ES/2630ES	
175	1705851	2	Decal - Platform Color 2646ES/3246ES	

SECTION 8 - DECALS

FIGURE 8-2. DECALS INSTALLATIONS (ANSI EXPORT SPEC)



SECTION 8 - DECALS

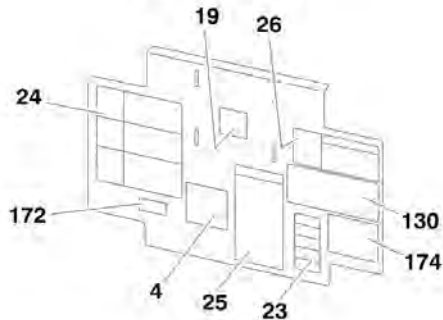


Go to DiscountParts.com to order your parts

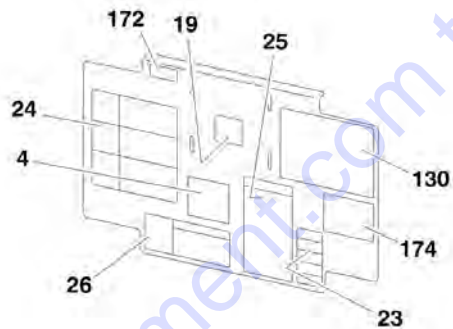
SECTION 8 - DECALS

PLATFORM DECAL PANEL DETAILS

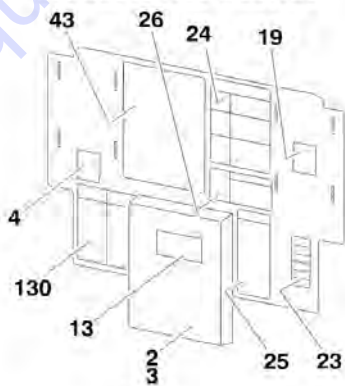
MODEL 1930ES



MODELS 2030ES & 2630ES



MODELS 2646ES & 3246ES



SECTION 8 - DECALS

FIGURE 8-2. DECALS INSTALLATIONS (ANSI EXPORT SPEC)

ITEM	PART NUMBER	QTY	DESCRIPTION	REV
		Ref	DECALS INSTALLATION - ANSI EXPORT SPECS	
		Ref	Decals Installation, 1930ES:	
		Ref	USA Built Machines (SN 0200135154 through 0200150265)	
		Ref	Belgium Built Machines (SN 1200004293 through 1200007881)	
	0272864	Ref	Brazilian Spec (Portuguese/Spanish Spec)	4
	0273795	Ref	Chinese Spec (English/Chinese Spec)	4
	0272857	Ref	CSA Spec (English/French)	4
	0274120	Ref	Korean Spec	3
	0272863	Ref	Latin American Spec (English/Spanish)	4
		Ref	USA Built Machines (SN 0200150266 through 0200152825)	
		Ref	Belgium Built Machines (SN 1200007882 through 1200008481)	
	0275225	Ref	Brazilian Spec (Portuguese/Spanish Spec)	3
	0275226	Ref	Chinese Spec (English/Chinese Spec)	3
	0275223	Ref	CSA Spec (English/French)	3
	0275227	Ref	Korean Spec	4
	0275224	Ref	Latin American Spec (English/Spanish)	3
		Ref	Decals Installation 2030ES/2630ES:	
	0272864	Ref	Brazilian Spec (Portuguese/Spanish Spec)	4
	0273795	Ref	Chinese Spec (English/Chinese Spec)	4
	0272857	Ref	CSA Spec (English/French)	4
	0274120	Ref	Korean Spec	3
	0272863	Ref	Latin American Spec (English/Spanish)	4
		Ref	Decals Installation 2646ES/3246ES:	
		Ref	USA Built Machines (SN 0200135154 through 0200151605)	
		Ref	Belgium Built Machines (SN 1200004293 through 1200008264)	
	0272864	Ref	Brazilian Spec (Portuguese/Spanish Spec)	4
	0273795	Ref	Chinese Spec (English/Chinese Spec)	4
	0272857	Ref	CSA Spec (English/French)	4
	0274120	Ref	Korean Spec	3
	0272863	Ref	Latin American Spec (English/Spanish)	4
		Ref	USA Built Machines (SN 0200151606 through 0200152825)	
		Ref	Belgium Built Machines (SN 1200008265 through 1200008481)	
	0275225	Ref	Brazilian Spec (Portuguese/Spanish Spec)	3
	0275226	Ref	Chinese Spec (English/Chinese Spec)	3
	0275223	Ref	CSA Spec (English/French)	3
	0275227	Ref	Korean Spec	4
	0275224	Ref	Latin American Spec (English/Spanish)	3
	0272870	Ref	JLG Decals	2
1	2080040	4	Fastener	
2	0860520	1	Box, Manual Storage	
3	1060279	1	Cable, Lanyard	
4	1700584	1	Decal - Patent	
5	2080057	4	Fastener	
7	See Note	NSS	Decal - Bar Code (Not Shown - Located on Back of Platform Console Box) (Note: Not Available for Purchase)	
9	1704412	1	Decal - Hydraulic Oil	
10	1705693	1	Decal - Safety Prop	

SECTION 8 - DECALS

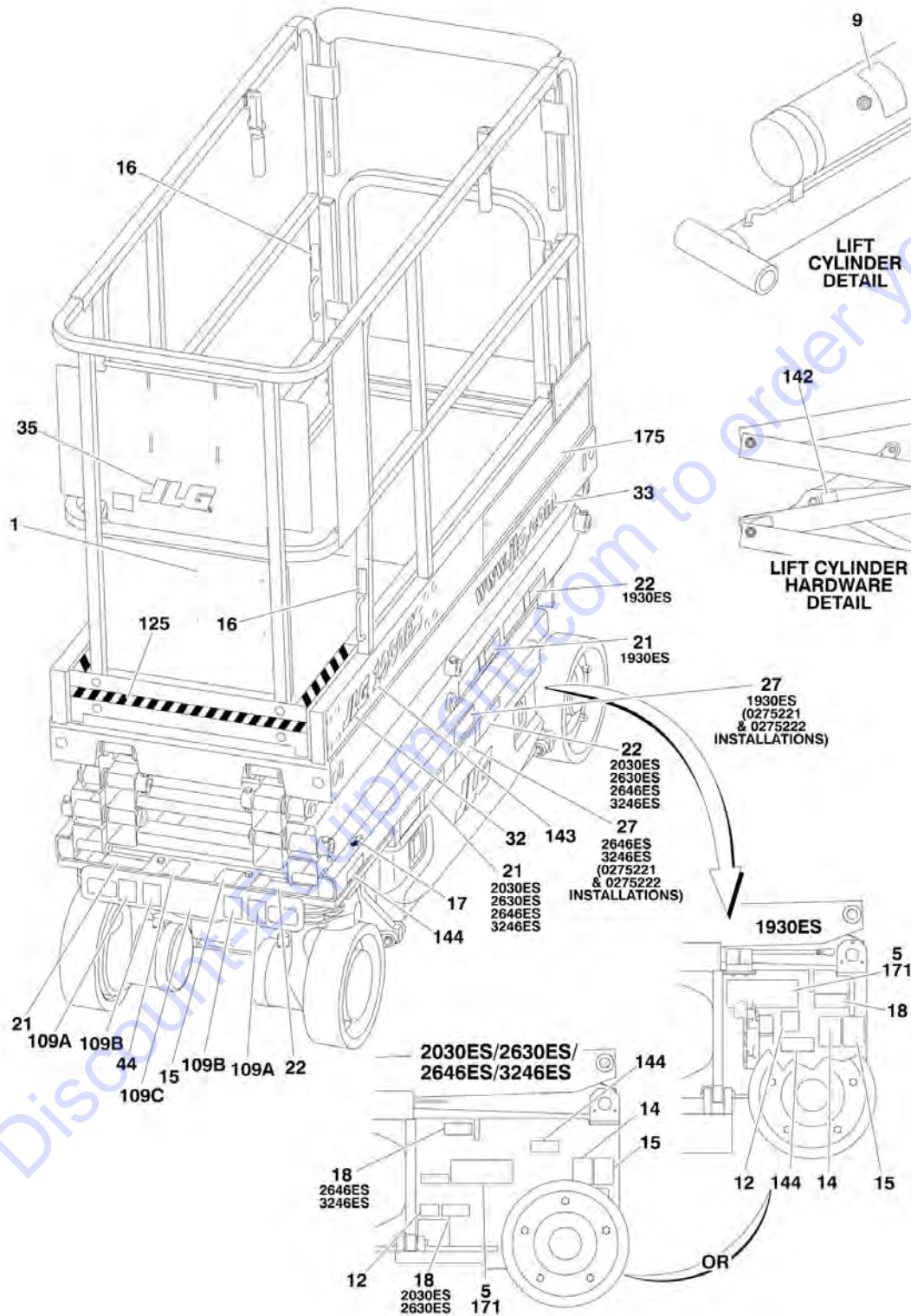
ITEM	PART NUMBER	QTY	DESCRIPTION	REV
11	1704016	2	Decal - Forklift	
12	1702155	1	Decal - Battery Disconnect	
13	1701509	1	Decal - Manual Reference	
14	1703811	3	Decal - Lifting Lugs	
15	1703814	3	Decal - Tie Down	
16	1704277	3	Decal - Attach Lanyard Here	
17	1703819	4	Decal - Directional Arrow	
18	1703822	1	Decal - Manual Descent	
19	1705692	1	Decal - Control Box Location	
21		Ref	Decal - Crushing Hazard	
21	1705694	4	All Specs Except Brazilian Spec	
21	1705722	4	Brazilian Spec	
22		Ref	Decal - Danger Electrocutation	
22	1705695	4	All Specs Except Brazilian Spec	
22	1703834	4	Brazilian Spec	
23		Ref	Decal - Legend	
23	1705726	1	Brazilian Spec	
23	1705946	1	Chinese Spec	
23	1705723	1	CSA Spec	
23	1706057	1	Korean Spec	
23	1705720	1	Latin American Spec	
24		Ref	Decal - Danger/Warning	
24	1705680	1	All Specs Except Brazilian Spec	
24	1705894	1	Brazilian Spec	
25		Ref	Decal - Inspection	
25	1705679	1	All Specs Except Brazilian Spec	
25	1705727	1	Brazilian Spec	
26		Ref	Decal - Electrocutation	
26	1705681	1	All Specs Except Brazilian Spec	
26	1705721	1	Brazilian Spec	
27		Ref	Decal - Warning Battery Vent	
27	1704341	2	Brazilian Spec	
27	1704344	2	Chinese Spec	
27	1704340	2	CSA Spec	
27	1703856	2	Korean Spec	
27	1704339	2	Latin American Spec	
32		Ref	Decal - JLG Options:	
32	1705754	2	USA Built Machines (SN 0200135154 through 0200148429)	
32	1705781	2	USA Built Machines (SN 0200148430 through 0200152825)	
32	1705754	1	Belgium Built Machines (SN 1200004293 through 1200006153)	
32		Ref	Belgium Built Machines (SN 1200006154 through 1200008481)	
33	1705687	2	Decal - Website (USA Built Machines Only) (SN 0200135154 through 0200137525)	
35	1702773	1	Decal - JLG	
39		Ref	Decal - AC Power Options:	
39	1703464	1	120-60Hz	
39	3252507	1	220V-50/60Hz	
40		Ref	Decal - Crushing Hazard Options:	
40	1705725	4	Brazilian and Latin American Specs	
40	1705717	4	CSA Spec	

SECTION 8 - DECALS

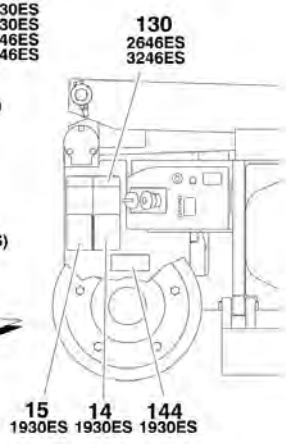
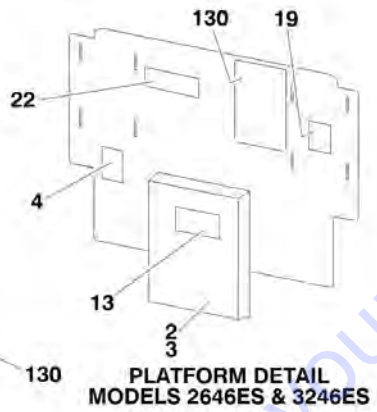
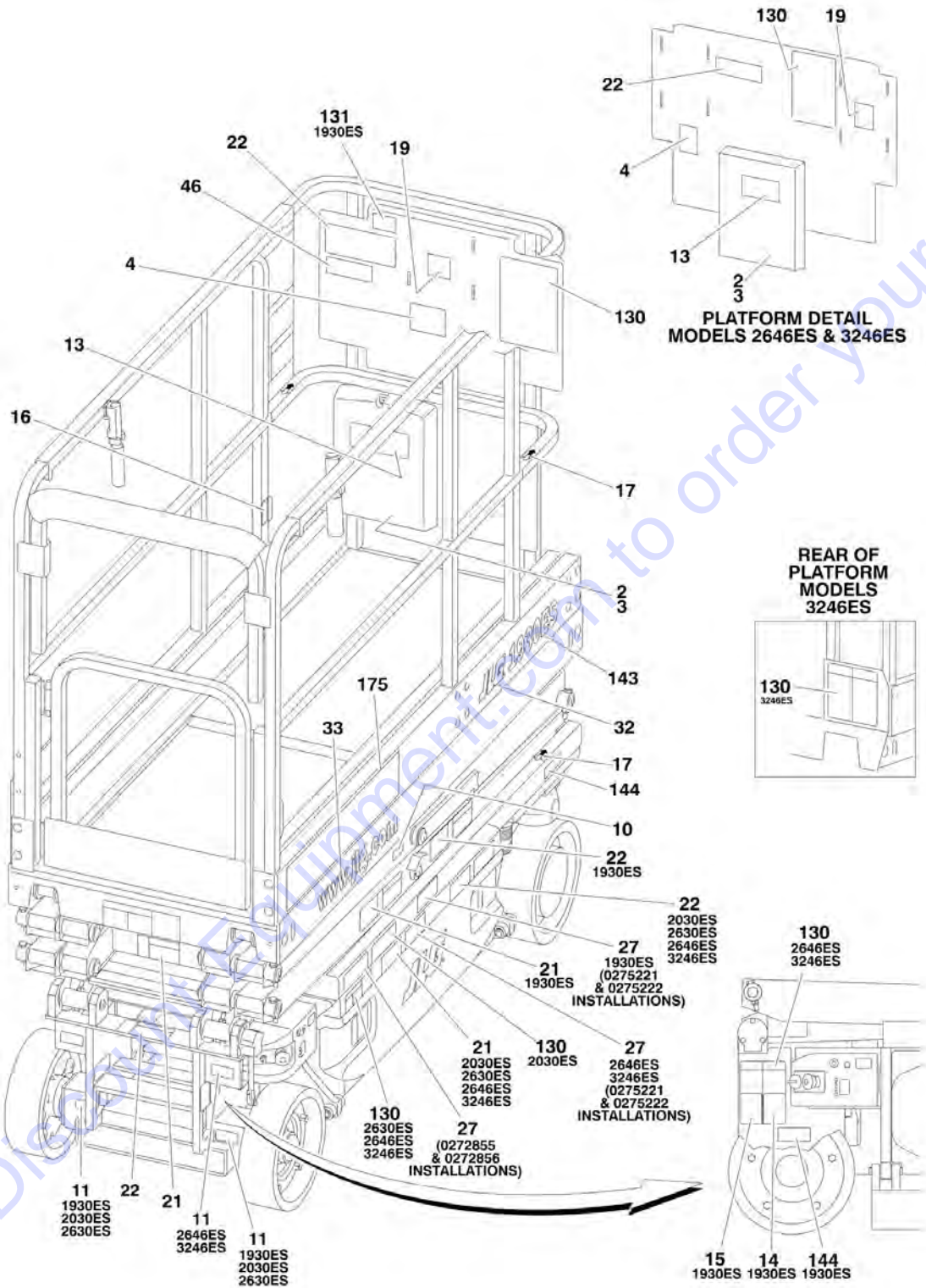
ITEM	PART NUMBER	QTY	DESCRIPTION	REV
40	1705943	4	Chinese Spec	
40	1706052	4	Korean Spec	
41		Ref	Decal - Electrocuting Options:	
41	1705724	4	Brazilian and Latin American Specs	
41	1705718	4	CSA Spec	
41	1705944	4	Chinese Spec	
41	1706056	4	Korean Spec	
43		Ref	Decal - Warning/Danger Options:	
43	1705719	1	Brazilian and Latin American Specs	
43	3252098	1	CSA Spec (English/French)	
43	1705945	1	Chinese Spec	
43	1706053	1	Korean Spec	
44	1701499	1	Decal - No Lift	
	0010588	Ref	DECAL OPTIONS	59
130		Ref	Decal - Capacity Options:	
130		Ref	Decal - Capacity 1930ES:	
130	1705638	2	500lbs/227kg (Platform Box and Platform Entry Locations)	
130	1705699	1	500lbs/227kg (Ground Control Box Location)	
130	1705639	3	Decal - Capacity 2030ES: 800lbs/363kg (All Locations)	
130		Ref	Decal - Capacity, 2630ES:	
130	1705941	1	Platform Console Box Decal - 500lb/227kg & 800lb/360kg (Located on Frame Side and at Platform Console Box)	
130	1705880	1	Platform Entry Decal - 500lb/227kg & 800lb/360kg	
130	1705941	1	Ground Control Box - 500lb/227kg & 800lb/360kg	
130	1705640	3	Decal - Capacity 2646ES: 1000lbs/454kg	
130	1705641	3	Decal - Capacity 3246ES: 700lbs/317kg	
142	1001116915	1	Decal - Hardware Retention	
143		Ref	Decal - Model Designation Options:	
143	1705642	2	Decal - Model Designation 1930ES	
143	1705643	2	Decal - Model Designation 2030ES	
143	1705644	2	Decal - Model Designation 2630ES	
143	1705645	2	Decal - Model Designation 2646ES	
143	1705646	2	Decal - Model Designation 3246ES	
144		Ref	Decal - Max Tire Load Options:	
144	1705647	4	Decal - Max Tire Load 1930ES	
144	1706310	4	Decal - Max Tire Load 2030ES/2630ES	
144	1706311	4	Decal - Max Tire Load 2646ES/3246ES	
171	See Note	NSS	Nameplate - Serial Number (Note: Not Available for Purchase)	
172		Ref	Decal - CSA Options:	
172	1705303	1	CSA Spec (English/French)	
172	Not Required	0	Latin American Spec (English/Spanish)/(English/Chinese Spec)	
174	3251813	1	Decal - Made in USA	
175		Ref	Decal - Platform Color Options:	
175	1705850	2	Decal - Platform Color 1930ES/2030ES/2630ES	
175	1705851	2	Decal - Platform Color 2646ES/3246ES	
176	1705880	1	Decal - Capacity (Platform Entry) (800lbs/363kg - 500lbs/227kg) (2630ES)	

SECTION 8 - DECALS

FIGURE 8-3. DECAL INSTALLATION (AUSTRALIAN AND CE SPECS)



SECTION 8 - DECALS



SECTION 8 - DECALS

FIGURE 8-3. DECAL INSTALLATION (AUSTRALIAN AND CE SPECS)

ITEM	PART NUMBER	QTY	DESCRIPTION	REV
		Ref	DECALS INSTALLATION - AUSTRALIAN AND CE SPECS	
		Ref	Australian Spec Options:	
		Ref	Decals Installation, Australian Spec 1930ES	
	0272856	Ref	USA Built Machines (SN 0200135154 through 0200150265)	6
	0275222	Ref	USA Built Machines (SN 0200150266 through 0200152825)	3
	0272856	Ref	Belgium Built Machines (SN 1200004293 through 1200007881)	6
	0275222	Ref	Belgium Built Machines (SN 1200007882 through 1200008481)	3
	0272856	Ref	Decals Installation, Australian Spec 2030ES/2630ES	6
		Ref	Decals Installation, Australian Spec 2646ES/3246ES	
	0272856	Ref	USA Built Machines (SN 0200135154 through 0200151605)	6
	0275222	Ref	USA Built Machines (SN 0200151606 through 0200152825)	3
	0272856	Ref	Belgium Built Machines (SN 1200004293 through 1200008264)	6
	0275222	Ref	Belgium Built Machines (SN 1200008265 through 1200008481)	3
		Ref	CE Spec Options:	
		Ref	Decals Installation, CE Spec 1930ES	
	0272855	Ref	USA Built Machines (SN 0200135154 through 0200150265)	8
	0275221	Ref	USA Built Machines (SN 0200150266 through 0200152825)	3
	0272855	Ref	Belgium Built Machines (SN 1200004293 through 1200007881)	8
	0275221	Ref	Belgium Built Machines (SN 1200007882 through 1200008481)	3
	0272855	Ref	Decals Installation, CE Spec 2030ES/2630ES	8
		Ref	Decals Installation, CE Spec 2646ES/3246ES	
	0272855	Ref	USA Built Machines (SN 0200135154 through 0200151605)	8
	0275221	Ref	USA Built Machines (SN 0200151606 through 0200152825)	3
	0272855	Ref	Belgium Built Machines (SN 1200004293 through 1200008264)	8
	0275221	Ref	Belgium Built Machines (SN 1200008265 through 1200008481)	3
	0272870	Ref	JLG Decals	2
1	2080040	4	Fastener	
2	0860520	1	Box, Manual Storage	
3	1060279	1	Cable, Lanyard (0272855 & 0272856 Installations Only)	
4	1700584	1	Decal - Patent	
5	2080057	4	Fastener	
7	See Note	NSS	Decal - Bar Code (Not Shown - Located on Back of Platform Console Box) (Note: Not Available for Purchase)	
9	1704412	1	Decal - Hydraulic Oil	
10	1705693	1	Decal - Safety Prop	
11	1704016	2	Decal - Forklift	
12	1702155	1	Decal - Battery Disconnect	
13	1701509	1	Decal - Manual Reference	
14	1703811	3	Decal - Lifting Lugs	
15	1703814	3	Decal - Tie Down	
16	1704277	3	Decal - Attach Lanyard Here	
17	1703819	4	Decal - Directional Arrow	
18	1703822	1	Decal - Manual Descent	
19	1705692	1	Decal - Control Box Location	

SECTION 8 - DECALS

ITEM	PART NUMBER	QTY	DESCRIPTION	REV
21	1705673	4	Decal - Crushing Hazard	
22	1705671	5	Decal - Danger Electrocutation	
27	1705670	1	Decal - Warning Battery Vent	
32		Ref	Decal - JLG Options:	
32	1705754	2	USA Built Machines (SN 0200135154 through 0200148429)	
32	1705781	2	USA Built Machines (SN 0200148430 through 0200152825)	
32	1705754	1	Belgium Built Machines (SN 1200004293 through 1200006153)	
32	1705781	1	Belgium Built Machines (SN 1200006154 through 1200008481)	
33	1705687	2	Decal - Website (USA Built Machines Only) (SN 0200135154 through 0200137525)	
35	1702773	1	Decal - JLG	
39		Ref	Decal - AC Power Options:	
39	1703464	1	120-60Hz	
39	3252507	1	220V-50/60Hz	
44	1701499	1	Decal - No Lift	
	0010588	Ref	DECAL OPTIONS	6
109	0273454	AR	Lifting Lug and Decals (Standard on Australian Spec/ Optional on CE Spec)	B
109A	1703811	2	Decal - Lifting Lug	
109B	1703814	2	Decal - Tie-Down	
109C	0240055	1	Attach, Lifting Lug	
109C	3574636	1	Bar, Mounting (Located Behind Item 109C)	
125		Ref	Decal - Corner Stripe Options:	
125	0272721	AR	Decal - Corner Stripe 1930ES/2030ES/2630ES	B
125	0272862	AR	Decal - Corner Stripe 2646ES/3246ES	B
125	4420051	4.3 ft /1.3m	Decal - Corner Stripe 1930ES/2030ES/2630ES	
125	4420051	3.9 ft /1.2m	Decal - Corner Stripe 2646ES/3246ES	
130		Ref	Decal - Capacity Options:	
130	1705666	1	Decal - Capacity, 230kg Indoor/120kg Outdoor (1930ES)	
130	1705667	1	Decal - Capacity, 360kg (2030ES)	
130	1705887	1	Decal - Capacity, 230kg (2630ES) (Australian Specs)	
130	1705942	1	Decal - Capacity, 230kg/360kg (2630ES) (CE Specs)	
130	1705668	1	Decal - Capacity, 450kg (2646ES)	
130	1705819	1	Decal - Capacity, 320kg/450kg (3246ES) (Australian Spec)	
130	1705704	1	Decal - Capacity, 320kg (3246ES) (CE Spec)	
142	1001116915	1	Decal - Hardware Retention	
143		Ref	Decal - Model Designation Options:	
143	1705642	2	Decal - Model Designation 1930ES	
143	1705643	2	Decal - Model Designation 2030ES	
143	1705644	2	Decal - Model Designation 2630ES	
143	1705645	2	Decal - Model Designation 2646ES	
143	1705646	2	Decal - Model Designation 3246ES	
144		Ref	Decal - Max Tire Load Options:	
144	1705648	4	Decal - Max Tire Load 1930ES	
144	1706310	4	Decal - Max Tire Load 2030ES/2630ES	
144	1706312	4	Decal - Max Tire Load 2646ES/3246ES	
171	See Note	NSS	Nameplate - Serial Number (Note: Not Available for Purchase)	
175		Ref	Decal - Platform Color Options:	
175	1705850	2	Decal - Platform Color 1930ES/2030ES/2630ES	

SECTION 8 - DECALS

ITEM	PART NUMBER	QTY	DESCRIPTION	REV
175	1705851	2	Decal - Platform Color 2646ES/3246ES	

Go to Discount-Equipment.com to order your parts

PARTS FINDER

**Search Website
by Part Number**



**Search Manual
Library For Parts
Manual & Lookup Part
Numbers – Purchase
or Request Quote**

A screenshot of the "Search Manuals" form. The form has a title "Search Manuals" and a subtitle "Please enter the model number and serial number of your machine." It includes fields for "Find" (with a dropdown menu), "Serial Number" (with a dropdown menu), "Year" (with a dropdown menu), "Make" (with a dropdown menu), "Part Number" (with a dropdown menu), "Part Name" (with a dropdown menu), and "Category" (with a dropdown menu). There is a "Search" button at the bottom.

**Can't Find Part or
Manual? Request Help
by Manufacturer,
Model & Description**

A screenshot of the "Parts Order Form". The form has a title "Parts Order Form" and a subtitle "Please fill out the form below." It includes a "Manufacturer" field, a "Model" field, a "Description" field, and a "Part Number" field. There are also checkboxes for "Quantity" and "Unit of Measure".

Discount-Equipment.com is your online resource for quality parts & equipment.

Florida: **561-964-4949** Outside Florida TOLL FREE: **877-690-3101**

Need parts?

Click on this link: <http://www.discount-equipment.com/category/5443-parts/> and choose one of the options to help get the right parts and equipment you are looking for. Please have the machine model and serial number available in order to help us get you the correct parts. If you don't find the part on the website or on one of the online manuals, please fill out the request form and one of our experienced staff members will get back to you with a quote for the right part that your machine needs.

We sell worldwide for the brands: Genie, Terex, JLG, MultiQuip, Mikasa, Essick, Whiteman, Mayco, Toro Stone, Diamond Products, Generac Magnum, Airman, Haulotte, Barreto, Power Blanket, Nifty Lift, Atlas Copco, Chicago Pneumatic, Allmand, Miller Curber, Skyjack, Lull, Skytrak, Tsurumi, Husquvarna Target, Stow, Wacker, Sakai, Mi-T-M, Sullair, Basic, Dynapac, MBW, Weber, Bartell, Bennar Newman, Haulotte, Ditch Runner, Menegotti, Morrison, Contec, Buddy, Crown, Edco, Wyco, Bomag, Laymor, EZ Trench, Bil-Jax, F.S. Curtis, Gehl Pavers, Heli, Honda, ICS/PowerGrit, IHI, Partner, Imer, Clipper, MMD, Koshin, Rice, CH&E, General Equipment, Amida, Coleman, NAC, Gradall, Square Shooter, Kent, Stanley, Tamco, Toku, Hatz, Kohler, Robin, Wisconsin, Northrock, Oztec, Toker TK, Rol-Air, APT, Wylie, Ingersoll Rand / Doosan, Innovatech, Con X, Ammann, Mecalac, Makinex, Smith Surface Prep, Small Line, Wanco, Yanmar

SECTION 9 - RECOMMENDED SERVICE PARTS STOCK

SECTION 9 - RECOMMENDED SERVICE PARTS STOCK

Go to Discount-Equipment.com to order your parts

SECTION 9 - RECOMMENDED SERVICE PARTS STOCK

FIGURE 9-1. MODEL ES STANDARD PARTS

ITEM	PART NUMBER	QTY	DESCRIPTION	REV
	Note	Ref	Note: The following list will service one machine (built to current production per date on the front cover) with emergency repair parts which can be installed in the field. Parts from the list should be replaced when inventory is depleted to keep service parts stock supplied. For further information, go to Discount-equipment.com STANDARD PARTS	
		Ref		
	4360069	1	Breaker, Circuit - 10 Amp	
	4360328	1	Switch, Toggle	
	2860030	1	Key, Replacement	
	4360475	1	Switch, Mushroom	
	4360387	1	Switch, Push Button	
	1001091910	1	Switch, Rotary Angle Sensor	
	1001134438	1	Controller, Drive	
	4360538	1	Switch and Membrane	
	4360539	1	Switch, Toggle	
	7020500	1	Switch, Rocker	
	7020501	1	Switch, Push Button	
	7023593	1	Plug, Fill	
	7023576	1	Filter	
	3990013	2	Diode 1 Amp	

SECTION 9 - RECOMMENDED SERVICE PARTS STOCK

FIGURE 9-2. MODEL ES VARIABLE PARTS

ITEM	PART NUMBER	QTY	DESCRIPTION	REV
	Note	Ref	Note: The following list will service one machine (built to current production per date on the front cover) with emergency repair parts which can be installed in the field. Parts from the list should be replaced when inventory is depleted to keep service parts stock supplied. For further information, go to Discount-equipment.com	
		Ref	VARIABLE PARTS	
	1600346	1	Control Module (Frame)	
	3740150	1	Relay (Non-UL Spec)	
	2915064	1	Relay (UL Spec)	
	1600419	1	Control Module (Ground Control)	
	1810140	1	Tilt Module	
	4360469	1	Switch, Key (ANSI/ANSI Export Spec)	
	4360470	1	Switch, Key (CE/Australian Spec)	
	3080007	1	Magnet, Latch (Machines with Platform Gate Entry)	
	1001101076	1	Snap Latch Repair Kit (Machines with Platform Chain Entry)	
	1001091965	1	Control Module (Platform)	
	7023540	1	Coil (2030ES/2630ES)	
	7023541	1	Coil (2030ES/2630ES)	
	70000798	1	Coil (1930ES/2646ES/3246ES)	
	70000799	1	Coil (1930ES/2646ES/3246ES)	
	4360607	1	Switch, Limit (2030ES/2630ES)	
	1001109345	1	Switch, Limit (1930ES/2646ES/3246ES)	
	1001109475	1	Breaker, Circuit 16 Amp (CE Spec Machines with Platform Electrical Outlet)	
	1001109482	1	Breaker, Circuit 30 mA (CE Spec Machines with Platform Electrical Outlet)	
	4360613	1	Limit Switch (Machines with Optional Brake Disconnect)	
	4922944	1	Release Switch (Machines with Optional Brake Disconnect)	
	4360482	1	Switch, Toggle (ANSI and CSA Spec Machines with Optional Battery Charger/Inverter Combo)	
	4360336	1	Switch, Toggle (ANSI and CSA Spec Machines with Optional Battery Charger/Inverter Combo)	
	3990010	2	Diode 6 Amp (ANSI and CSA Spec Machines with Optional Battery Charger/Inverter Combo)	

SECTION 9 - RECOMMENDED SERVICE PARTS STOCK

FIGURE 9-3. MODEL ES MAINTENANCE KITS

ITEM	PART NUMBER	QTY	DESCRIPTION	REV
	Note	Ref	Note: The following list will service one machine (Built to current production per date on the front cover) with emergency repair parts which can be installed in the field. Parts from the list should be replaced when inventory is depleted to keep service parts stock supplied. For further information, go to Discount-equipment.com	
		Ref	MAINTENANCE KITS	
	1001101329	NLA	Annual Hydraulic Maintenance Kit - 1930ES/2030ES/2630ES (With Standard Hydraulic Oil)	
	1001101330	NLA	Annual Hydraulic Maintenance Kit - 2646ES/3246ES (With Standard Hydraulic Oil)	

SECTION 10 - SPECIAL OPTIONS

Go to Discount-Equipment.com to order your parts

SECTION 10 - SPECIAL OPTIONS

FIGURE 10-1. SPECIAL OPTIONS LIST

ITEM	PART NUMBER	QTY	DESCRIPTION	REV
	Note	Ref	Note: This list is to accommodate machines ordered with special equipment. Options may not be applicable to all models. For more specific parts information contact Discount-equipment.	
		Ref	SPECIAL OPTIONS LIST	
		Ref	Airline Installation (1/2in)	
	0274516	Ref	Airline Installation 1930ES	
	0274370	Ref	Airline Installation 2030ES	
	0274517	Ref	Airline Installation 2630ES	
	0274446	Ref	Airline Installation 2646ES/3246ES	
		Ref	Brake Disconnect/Release Kit Options	
	0275432	Ref	Brake Disconnect Cable Kit (Optional All Specs)	
	2902331	Ref	Brake Mount Kit (includes Mounting Bracket and Setscrew)	
	4922944	Ref	Brake Switch and Harness	
	0275530	Ref	Brake Release Switch (Optional ANSI, ANSI Export, CSA and UL Specs/Standard on Australian and CE Specs) For Machines without Pressure Checks)	
	See Note	Ref	Brake Release Switch (Optional ANSI, ANSI Export, CSA and UL Specs/Standard on Japanese Specs) (For Machines with Pressure Checks) (Was p/n 0275603) Note: Use Both p/ns 0275530 & 0273859.	
	2915016	Ref	Battery Charger Mounting Kit	
		Ref	Decal Options	
	0272721	Ref	Decals - Corner Stripes (1930ES/2030ES/2630ES)	
	0272862	Ref	Decals - Corner Stripes (2646ES/3246ES)	
	0273603	Ref	Decals - Commercial Solutions Group (ANSI and CSA Specs Only)	
	1705304	Ref	Decals - Service Support (Commercial Solutions Group Only) (ANSI, CSA and UL Specs Only)	
	0274545	Ref	Decals - FedEx (ANSI, CSA and UL Specs Only)	
	0273603	Ref	Decals - Grainger Spec (ANSI, CSA and UL Specs Only)	
	0274527	Ref	Decals - Head and Engquist Equipment (ANSI Spec Only)	
	0273543	Ref	Decals - Hertz (ANSI, CSA and UL Specs Only)	
	0272877	Ref	Decals - Home Depot (ANSI, CSA and UL Specs Only)	
	0273544	Ref	Decals - Nations Rent (ANSI, CSA and UL Specs Only)	
	0274242	Ref	Decals - Nations Equipment Services (1930ES/2030ES/2630ES) (ANSI, CSA and UL Specs Only)	
	0274251	Ref	Decals - Nations Equipment Services (2646ES/3246ES) (ANSI, CSA and UL Specs Only)	
	0275900	Ref	Decals - RSC Equipment Rental (ANSI Spec Only)	
	1705304	Ref	Decals - Service Support (ANSI and CSA Specs Only)	
	1706922	Ref	Decals - Service Support (ANSI and CSA Specs Only)	
	0272872	Ref	Decals - Sunbelt (ANSI, CSA and UL Specs Only)	
	0274179	Ref	Decals - Sunstate (ANSI, CSA and UL Specs Only)	
	0274126	Ref	Decals - UL Specs (EE Rating)	
	0272871	Ref	Decals - United Rentals (ANSI, CSA and UL Specs Only)	
	1001103307	Ref	Decals - UPS (ANSI Spec Only)	
		Ref	Decal Kit Options	
	2890186	Ref	Decal Kit - CE Designation	
	1001149795	Ref	Decal Kit - Complete 1930ES	
	1001149796	Ref	Decal Kit - Complete 2030ES	

SECTION 10 - SPECIAL OPTIONS

ITEM	PART NUMBER	QTY	DESCRIPTION	REV
	1001149797	Ref	Decal Kit - Complete 2630ES	
	1001149798	Ref	Decal Kit - Complete 2646ES	
	1001149799	Ref	Decal Kit - Complete 3246ES	
	2902522	Ref	Decal Kit - Country Spec (ANSI Spec)	
	2902523	Ref	Decal Kit - Country Spec (Australian and CE Spec)	
	2902526	Ref	Decal Kit - Country Spec (Brazil Spec)	
	2902528	Ref	Decal Kit - Country Spec (Chinese Spec)	
	2902524	Ref	Decal Kit - Country Spec (CSA Spec)	
	2902532	Ref	Decal Kit - Country Spec (Korean Spec)	
	2902525	Ref	Decal Kit - Country Spec (Latin American Spec)	
	2902267	Ref	Decal Kit - Master	
	1001091967	Ref	Decal Kit - Platform Box Decal	
	1001091393	Ref	Decal Kit - Platform Box Decal and Housing	
	1001091965	Ref	Decal Kit - Platform Box Decal, Housing and PC Board	
		Ref	Electrical Connector Kits	
	1001148902	Ref	Amp/Tyco Electrical Connector Kit	
	1001148903	Ref	Deutsch DT Electrical Connector Kit	
	1001148904	Ref	Deutsch HD Electrical Connector Kit	
	1001148905	Ref	Packard Electrical Connector Kit	
	1001148906	Ref	Various Electrical Connectors Kit	
		Ref	Electricians Package (Note: See Platform Section)	
	0273950	Ref	Without DC Converter	
	0273949	Ref	With DC Converter	
		Ref	Electricians Tree (Note: See Platform Section)	
	0240092	Ref	Without DC Converter	
	0274153	Ref	With DC Converter	
	0274849	Ref	Fire Extinguisher Installation (ANSI)	
		Ref	Fluids	
	2300028	AR	Fluid, Hydraulic - Mobil DTE 10 Excel 15 (Bulk)	
	70010346	AR	Fluid, Hydraulic - Mobil DTE 10 Excel 15 (1 Gallon)	
	2300042	AR	Fluid, Hydraulic - Synthetic Biodegradable	
		Ref	Footswitch Installation Options (Japanese Spec)	
	0273761	Ref	Footswitch Installation 1930ES	
	0273762	Ref	Footswitch Installation 2030ES/2630ES/2646ES/3246ES	
	3128145	Ref	Inspection Packet (ANSI and ANSI Export Specs Only)	
	0274341	Ref	Interlock Override for Battery Charger Installation (ANSI)	
		Ref	Inverter Installations (ANSI, ANSI Export and Japanese Specs) Only)	
	0272876	Ref	Inverter Installations 1930ES	
	0273070	Ref	Inverter Installations 2030ES/2630ES	
	0273071	Ref	Inverter Installations 2646ES/3246ES	
	2460042	1	Inverter Assembly	
	4360482	1	Switch, Toggle	
	1705051	1	Decal - Instructions	
	1705052	1	Decal - On-Off	
	0273454	Ref	Lifting Lugs Installations	
		Ref	Maintenance Kits - Annual Hydraulic (Not for Machines with Biodegradable Hydraulic Fluid)	
	1001101329	NLA	Maintenance Kits 1930ES/2030ES/2630ES	
	1001101330	NLA	Maintenance Kits 2646ES/3246ES	
	2902405	Ref	Motor Band Kit (UL Specs Only)	
	3125053	Ref	Operator Video (ANSI and ANSI Export Specs Only)	

SECTION 10 - SPECIAL OPTIONS

ITEM	PART NUMBER	QTY	DESCRIPTION	REV
	1001214536	Ref	Platform Extension Lock Replacement Kit (Steel Platform Only)	
		Ref	Platform Latch - Magna-Latch Side Pull	
	1001135316	Ref	Platform Latch 1930ES/2030ES/2630ES	
	1001135317	Ref	Platform Latch 2646ES/3246ES	
		Ref	Platform Limit Switches and Rail Padding Installations	
		Ref	1930ES without Limit Switches	
	0272865	Ref	USA Built Machines (SN 0200135154 through 0200150265)	
	0275078	Ref	USA Built Machines (SN 0200150266 through 0200152825)	
	0272865	Ref	Belgium Built Machines (SN 1200004293 through 1200007881)	
	0275078	Ref	Belgium Built Machines (SN 1200007882 through 1200008481)	
		Ref	1930ES with Limit Switches	
	0274042	Ref	USA Built Machines (SN 0200135154 through 0200150265)	
	0275080	Ref	USA Built Machines (Non-UL Spec) (SN 0200150266 through 0200152825)	
	0274042	Ref	Belgium Built Machines (SN 1200004293 through 1200007881)	
	0275080	Ref	Belgium Built Machines (Non-UL Spec) (SN 1200007882 through 1200008481)	
	1001100029	Ref	USA Built Machines (UL Spec) (SN 0200150266 through 0200152825)	
	1001100029	Ref	Belgium Built Machines (UL Spec) (SN 1200007882 through 1200008481)	
	0272866	Ref	2030ES/2630ES without Limit Switches	
	0274043	Ref	2030ES/2630ES with Limit Switches	
		Ref	2646ES with Limit Switches and No Padding	
	1001098162	Ref	CE Spec Only	
		Ref	2646ES/3246ES without Limit Switches	
	0272867	Ref	USA Built Machines (SN 0200135154 through 0200151605)	
	0275076	Ref	USA Built Machines (Non-UL Spec) (SN 0200151606 through 0200152825)	
	0272867	Ref	Belgium Built Machines (SN 1200004293 through 1200008264)	
	0275076	Ref	Belgium Built Machines (Non-UL Spec) (SN 1200008265 through 1200008481)	
	1001092702	Ref	USA Built Machines (UL Spec) (SN 0200151606 through 0200152825)	
	1001092702	Ref	Belgium Built Machines(UL Spec) (SN 1200008265 through 1200008481)	
		Ref	2646ES/3246ES with Limit Switches	
	0274044	Ref	USA Built Machines (SN 0200135154 through 0200151605)	
	0275082	Ref	USA Built Machines (Non-UL Spec) (SN 0200151606 through 0200152825)	
	0274044	Ref	Belgium Built Machines (SN 1200004293 through 1200008264)	
	0275082	Ref	Belgium Built Machines (Non-UL Spec) (SN 1200008265 through 1200008481)	
	1001092701	Ref	USA Built Machines (UL Spec) (SN 0200151606 through 0200152825)	
	1001092701	Ref	Belgium Built Machines (UL Spec) (SN 1200008265 through 1200008481)	
		Ref	Platform Worklights Installations	
	0272850	Ref	Platform Worklights Installations 1930ES (Without UL Specs)	

SECTION 10 - SPECIAL OPTIONS

ITEM	PART NUMBER	QTY	DESCRIPTION	REV
	0272851	Ref	Platform Worklights Installations 2030ES (Without UL Specs)	
	0272852	Ref	Platform Worklights Installations 2630ES (Without UL Specs)	
	0272853	Ref	Platform Worklights Installations 2646ES/3246ES (Without UL Specs)	
	0275937	Ref	Platform Worklights Installations 2646ES/3246ES (With UL Specs)	
	0273952	Ref	Plant Maintenance Package (Note: See Platform Section)	
	0273951	Ref	Plumbers Package (Note: See Platform Section)	
	0273859	Ref	Pressure Check Installation (All Specs Except Australian and CE Specs)	
		Ref	Tools for Service	
	7002821	1	Crimper, Wire	
	7002823	1	Extractor, Pin - Universal	
	4460467	AR	Extractor, Pin #16 Gauge	
	4460510	AR	Extractor, Pin #12 Gauge	
	7004275	1	Installer, Cylinder Seal - 1in	
	7004276	1	Installer, Cylinder Seal - 1 1/2in	
	7002826	1	Installer, Cylinder Seal - 2in	
	7016654	1	Screwdriver, Magnetic	
	7002822	1	Screwdriver, Potentiometer	
	7002828	1	Stripper, Wire	
	2901443	1	Analyzer Kit	
	4341055	1	Service Safety Prop	
	1706331	1	Decal - ES Service Prop	
	70000555	1	Relief Valve Removable Tool (For Older Style Relief Valves)	
	2915230	1	Battery Charger Reprogram Controller Kit	

PART NUMBER INDEX

Go to Discount-Equipment.com to order your parts

PART NUMBER INDEX

0010588.....	184, 191, 195	0240093.....	121	0272870	183, 189, 194	0274224.....	11, 23
0060082.....	31	0240102.....	119	0272871.....	204	0274225.....	11, 23
0060083.....	27	0240140.....	125	0272872.....	204	0274226.....	12, 23
0060090.....	27	0240142.....	125	0272874.....	35, 39	0274242.....	204
0060091.....	27	0272309.....	45	0272875.....	35, 39	0274251.....	204
0060092.....	31	0272371.....	11, 15, 149	0272876.....	165, 205	0274341.....	205
0060093.....	31	0272372.....	11, 149	0272877.....	204	0274370.....	204
0100011.....	11, 15, 43, 55	0272608.....	65, 137	0272878.....	53, 110	0274386.....	110
0100048.....	55, 160, 169	0272611.....	83	0272879.....	129	0274446.....	204
0100083.....	23	0272622.....	70, 137	0272880.....	129	0274516.....	204
01001096627.....	176	0272623.....	70, 137	0272881.....	129	0274517.....	204
0140011.....	109	0272633.....	79	0272882.....	129	0274527.....	204
0140043.....	24, 164, 174	0272637.....	79, 80	0272884.....	121	0274545.....	204
0200782.....	69	0272661.....	79, 80	0272887.....	45	0274546.....	11, 15, 149
0200783.....	69, 74	0272666.....	79	0272888.....	45	0274816.....	87
0200784.....	69	0272667.....	97, 98	0272910.....	83	0274817.....	79
0200785.....	69	0272696.....	79, 80	0272911.....	97, 98	0274818.....	79, 80
0200786.....	69	0272697.....	101, 102	0272912.....	101, 102	0274841.....	61
0200787.....	69	0272698.....	79	0272913.....	24	0274849.....	205
0200788.....	69	0272701.....	59	0272928.....	69	0274874.....	61, 142
0200789.....	69, 74	0272710.....	11, 23	0272929.....	69	0274878.....	74
0200798.....	63, 65	0272711.....	11, 23	0272980.....	45	0274879.....	75, 142
0200799.....	63, 65	0272719.....	49	0273008.....	12, 23	0274880.....	74
0200800.....	65	0272720.....	50	0273070.....	165, 205	0274881.....	75, 143
0200801.....	65	0272721.....	195, 204	0273071.....	165, 205	0274929.....	79, 80
0200802.....	63, 65	0272722.....	24	0273227.....	11, 149	0274930.....	79
0200803.....	63, 65	0272728.....	65	0273436.....	125	0274931.....	79
0200804.....	63, 65	0272729.....	63	0273437.....	125	0274932.....	105
0200805.....	65	0272730.....	63, 137	0273438.....	125	0274933.....	105
0200807.....	63, 65	0272735.....	59, 137	0273443.....	24, 53	0274969.....	125
0200808.....	69	0272757.....	27	0273444.....	53	0274970.....	125
0200809.....	59	0272758.....	27	0273454.....	195, 205	0274972.....	168
0200810.....	59, 61	0272759.....	31	0273479.....	91	0274975.....	168
0200811.....	59	0272778.....	109	0273543.....	204	0274980.....	125
0200812.....	59	0272779.....	109	0273544.....	204	0274981.....	125
0200813.....	59	0272780.....	53	0273603.....	204	0274985.....	87
0200814.....	59	0272781.....	53	0273681.....	35	0275020.....	49
0200815.....	59, 61	0272810.....	24, 53	0273698.....	50, 51	0275021.....	49
0200816.....	63	0272811.....	24, 53	0273761.....	205	0275022.....	49
0200817.....	69	0272827.....	49	0273762.....	205	0275029.....	79
0200820.....	75	0272832.....	158	0273795.....	189	0275042.....	50
0200821.....	61	0272833.....	158	0273841.....	110	0275043.....	50
0200822.....	61	0272834.....	158	0273859.....	207	0275044.....	50
0200823.....	61	0272835.....	158	0273949.....	205	0275072.....	129
0200824.....	61	0272836.....	79	0273950.....	205	0275075.....	129, 130
0200825.....	61	0272837.....	79	0273951.....	207	0275076.....	206
0200826.....	74	0272838.....	79	0273952.....	207	0275078.....	206
0200827.....	74	0272839.....	164, 174	0273966.....	53	0275079.....	39
0200828.....	74	0272843.....	164, 174	0274012.....	45	0275080.....	206
0200829.....	74	0272850.....	206	0274042.....	206	0275082.....	206
0200830.....	74	0272851.....	207	0274043.....	206	0275088.....	39
0200831.....	74	0272852.....	207	0274044.....	206	0275092.....	27
0200832.....	74	0272853.....	207	0274120.....	189	0275094.....	31
0200838.....	61	0272854.....	183	0274126.....	204	0275103.....	43
0200841.....	74	0272855.....	194	0274153.....	119, 205	0275104.....	43
0200842.....	74	0272856.....	194	0274154.....	129	0275105.....	43
0240054.....	121	0272857.....	189	0274155.....	129	0275120.....	45
0240055.....	195	0272858.....	125	0274156.....	129	0275185.....	15, 23
0240057.....	121	0272859.....	125	0274157.....	129	0275187.....	15, 23
0240060.....	125	0272860.....	125	0274179.....	204	0275188.....	15, 23
0240061.....	125	0272862.....	195, 204	0274214.....	49	0275190.....	15, 23
0240062.....	125	0272863.....	189	0274215.....	49	0275212.....	45
0240071.....	117	0272864.....	189	0274216.....	50	0275216.....	177
0240087.....	117	0272865.....	206	0274217.....	50	0275217.....	177
0240088.....	121	0272866.....	206	0274221.....	49	0275218.....	177
0240092.....	121, 205	0272867.....	206	0274222.....	49	0275219.....	177

PART NUMBER INDEX

0275220.....	183	0701014.....	27	1001091965.....	110, 200, 205	1001149799.....	205
0275221.....	194	0701015.....	31, 63, 65	1001091967.....	109, 205	1001214536.....	206
0275222.....	194	0701016 ...	11, 15, 45, 69, 74	1001092454.....	55	1060279....	183, 189, 194
0275223.....	189	0701018.....	65	1001092701.....	206	1060331.....	117
0275224.....	189	0701020 ...	11, 15, 59, 69, 74	1001092702.....	206	106037991, 97, 101, 117,	119, 121, 129
0275225.....	189	0701022 ...	59, 61, 63, 65, 69, 70, 74, 75, 80	1001093556.....	55	1060633.....	165, 178
0275226.....	189	0701024.....	80	1001094124.....	24	1060680.....	164, 177
0275429.....	95	0701026.....	80	1001094175.....	161, 171	1060688.35, 39, 163, 173	
0275432.....	55, 204	0701027.....	69, 74, 80	1001094180.....	162, 171	1060689.36, 39, 163, 173	
0275452.....	177	0701029 ...	65, 69, 74, 80	1001094203.....	55	1060908.....	177
0275453.....	177	0740603.....	117	1001094301.....	24	1060957.....	129
0275454.....	177	0760410.....	45	1001094359.....	55	1060997.....	162
0275472.....	174	0760606.....	162, 171	1001096628.....	174	1060998.....	162, 171
0275480.....	49	0760610.....	46, 50, 126, 161	1001097150.....	177	1060999.....	162
0275485.....	174	0760612.....	46	1001098162.....	206	1061000.....	162
0275486.....	174	0760615.....	170	1001098781.....	55	1061001.....	162, 172
0275487.....	174	0760619.....	176	1001099628.....	20	1061008.....	162
0275488.....	174	0760808.....	110	1001099676.....	20	1061009.....	162
0275489.....	174	0760812.....	43	1001100029.....	206	1061010.....	162
0275490.....	174	0760814.....	43	1001100819.....	21	1061028.....	158
0275530.....	204	0761014.....	61	1001100820.....	21	1061029.....	158, 159
0275541.....	168	0840041 ...	161, 162, 170, 172	1001101076.....	200	1061030.....	159
0275544.....	168	0840057.....	160, 170	1001101329.....	202, 205	1061031.....	159
0275603.....	55	0840058 ...	159, 161, 170, 171	1001101330.....	202, 205	1061034.....	75, 137, 143
0275663.....	40, 174	0840059 ...	159, 160, 161, 170	1001102349.....	12	1061035.....	137
0275664.....	40, 174	0840060.....	162, 171	1001102351.....	12	1061036.59, 61, 137, 143	
0275665.....	40, 174	0840061 ...	161, 169, 171	1001102353.....	12	1061037.....	165
0275666.....	39, 174	0860520 ...	183, 189, 194	1001102354.....	12	1120555.....	117
0275667.....	39	0861527.....	129	1001103029.....	46	1180380.....	69, 75
0275692.....	61, 142	0861669.....	53	1001103030.....	46	1180382.....	63, 65
0275695.....	75, 142	0861678.....	50, 51	1001103307.....	204	1180383.....	65
0275696.....	75, 143	0861731.....	164, 175	1001104465.....	162, 171	1180396.....	59
0275900.....	204	0861781.....	175	1001105108.....	46	1260136.84, 87, 98, 102,	105
0275937.....	207	0861782.....	175	1001105109.....	46	1271564.....	126
0276667.....	174	0902780.....	43	1001109345.....	200	1271565.....	126
0380025.....	53	0902905.....	45	1001109475.....	177, 200	1271571.....	91
0400215.....	50	0902906.....	45	1001109482.....	177, 200	1271572.....	91
0400216.....	50	0903086.....	45	1001112113.....	50	1271574.....	126
0400220.....	35	0903098.....	23, 24	1001116915.....	184, 191, 195	1271617.....	87, 95
0400221.....	35	0903319.....	43	1001127269.....	50	1271618.....	87, 95
0400237.....	43	0903339.....	170	1001134438.....	198	1271625.....	126
0400238.....	39	0903410.....	43	1001134933.....	79	1271630.....	126
0440223.....	119, 121	0903416.....	130	1001134934.....	80	1320043.....	43
0440257.....	69, 74	0903444.....	43	1001134935.....	81	1320136.....	39
0440259.....	11, 15, 145	0903484.....	176	1001134951.....	80	1320162.....	24
0440263 ...	27, 28, 31, 32	0903566.....	176	1001135316.....	206	1320224.....	129
0440264 ...	12, 16, 59, 61	0903569.....	176	1001135317.....	206	1320318.....	159, 169
0440265.....	12, 16	0903574.....	81	1001136847.....	43	1321130.....	51
0440266 ...	59, 61, 63, 65, 74	0903579.....	80	1001137005.....	165, 178	1321283.....	24
0440267.....	63, 65, 74	0903598.....	55	1001141967.....	175	1321293.....	36, 39
0561520.....	80	0962006.....	63, 69, 136, 142	1001141968.....	175, 176	1380132... 83, 87, 91, 95,	97, 101, 105
0610161.....	53	0962155.....	69	1001141969.....	175, 176	1380153.....	11, 15
0610162.....	109	0962181.....	136, 142	1001141970.....	175, 176, 177	1380156.....	109
0630565 ...	80, 83, 87, 91, 95, 97, 101, 105	0962257.....	136, 142	1001141971.....	175, 176, 177	1380158.....	159, 169
0630580.....	12, 15	0962292.....	31	1001148902.....	205	1380159.....	110
0700608.....	121	1001091102.....	176	1001148903.....	205	1440333.....	27
0700610.....	119, 121	1001091393.....	109, 205	1001148904.....	205	1580023.....	117
0700615.....	45, 50, 53	1001091492.....	24	1001148905.....	205	1580024.....	117
0700617.....	45	1001091502.....	20	1001148906.....	205	1600244.....	165, 178
0700619.....	24	1001091843.....	20	1001149795.....	204	1600345.....	109, 113
0700624.....	24	1001091910.....	198	1001149796.....	204	1600346.....	23, 200
0700819.....	24			1001149797.....	205	1600402.....	115
0700823.....	87			1001149798.....	205	1600419.....	53, 200
0700825.....	95					1600439.....	109

PART NUMBER INDEX

1600466.....40	1705645 184, 191, 195	1706311 184, 191	2902382.....98
1671098.....109	1705646 184, 191, 195	1706312 195	2902383.....102
1671105.....53	1705647 184, 191	1706331 207	2902384.....92
1671124.....53	1705648 195	1706350 51	2902386.....119
1671131.....110	1705666 195	1706679 55	2902391.....83
1671132.....23	1705667 195	1706749 43	2902392.....83
1671133.....23	1705668 195	1706765 43	2902405.....205
1671161.....110	1705670 195	1706922 204	2902431..... 164, 177
1671181.....23	1705671 195	1810140 200	2902448.....87
1671182.....23	1705673 195	2030010 130	2902449.....88
1671202.....50	1705674 109	2080040 ... 83, 87, 91, 95,	2902455.....61
1671203.....50	1705675 109	97, 101, 105, 183, 189,	2902475.....75
1671204.....50	1705676 109	194	2902476..... 170, 171
1671207..... 164, 175	1705679 183, 190	2080057 183, 189, 194	2902489.....106
1684237.11, 15, 145, 149	1705680 183, 190	2110404 11, 15, 145, 149	2902490.....105
1684257.....69, 134	1705681 183, 190	2220882 136, 142	2902491.....105
1684258.....63, 134	1705686 183	2220883 ... 135, 136, 141,	2902496.....87
1684260.....69, 134	1705687 ... 183, 190, 195	142	2902502.....43
1684263..... 11, 145, 149	1705692 ... 183, 190, 194	2300028 205	2902507..... 170, 171
1684265.....59, 134	1705693 ... 183, 189, 194	2300042 205	2902522.....205
1684302.....65, 134	1705694 183, 190	2400061 117	2902523.....205
1684456.11, 15, 145, 149	1705695 183, 190	2400066 117	2902524.....205
1684484.....61, 140	1705696 53	2420172 53	2902525.....205
1684489.....74, 140	1705697 53	2460042 205	2902526.....205
1684490.....74, 140	1705698 53	2540042 158, 168	2902528.....205
1684526.....61, 140	1705699 184, 191	2540045 81	2902532.....205
1684529.....74, 140	1705704 195	2560088 ... 83, 87, 91, 95,	2902535.....95
1684530.....74, 140	1705717 190	97, 101, 105	2902536.....95
1700584 183, 189, 194	1705718 191	2560179 109	2902541..... 176, 177
1701499 184, 191, 195	1705719 191	2560181 165	2915016.....204
1701509 183, 190, 194	1705720 190	2560191 ... 83, 87, 91, 95,	2915039.....53
1702010 121, 125	1705721 190	97, 101, 105	2915064.....200
1702155 183, 190, 194	1705722 190	2560205 51, 172	2915230.....207
1702773 184, 190, 195	1705723 190	2600281 ... 83, 87, 91, 95,	2915240.....81
1703464 164, 175, 184,	1705724 191	98, 102, 105	2915241.....81
190, 195	1705725 190	2700100 117	2915251 161, 170, 171
1703811 183, 190, 194,	1705726 190	2753882 149	2915252 161, 170, 171
195	1705727 190	2753883 149	2915253 161, 170, 171
1703813 183	1705754 51, 129, 183,	2760113 109	2920026 53
1703814 183, 190, 194,	190, 195	2760114 109	2920094 53
195	1705781 183, 190, 195	2760115 109	2920161 45, 164, 174
1703819 109, 183, 190,	1705792 125	2760116 109	2930005 45
194	1705793 125	2780266 12, 15	2940064 .. 84, 87, 98, 102,
1703822 183, 190, 194	1705819 195	2792599 149	105
1703834 190	1705850 ... 184, 191, 195	2820026 ... 161, 169, 171	2940174 51
1703856 190	1705851 184, 191, 196	2820028 161, 169, 171	2940175 51
1704016 183, 190, 194	1705880 184, 191	2820097 . 84, 87, 98, 102,	3010088 .. 84, 87, 98, 102,
1704277 183, 190, 194	1705887 195	105	105
1704339 190	1705894 190	2820239 43	3010158 27, 31
1704340 190	1705931 121	2860030 53, 198	3080007 ... 83, 87, 91, 95,
1704341 190	1705933 121	2890186 204	98, 102, 105, 200
1704344 190	1705934 125	2901443 ... 165, 178, 207	3125053 205
1704412 183, 189, 194	1705935 125	2902236 69	3128145 205
1705051 205	1705941 184, 191	2902239 162	3128601 12, 16
1705052 43, 205	1705942 195	2902240 65	3128703 12, 16
1705213 129	1705943 191	2902241 63	3160306 12, 15, 20
1705214 129	1705944 191	2902242 59	3160307 12, 15, 20
1705303 191	1705945 191	2902248 162	3200453 59, 63, 65, 70
1705304 204	1705946 190	2902267 205	3200454 59, 61, 63, 65,
1705305 129	1705953 129	2902331 55, 204	70, 75
1705638 184, 191	1705985 121	2902334 129	3251813 184, 191
1705639 184, 191	1705997 117	2902341 110	3252098 191
1705640 184, 191	1706052 191	2902346 121	3252507 164, 175, 184,
1705641 184, 191	1706053 191	2902347 121	190, 195
1705642 184, 191, 195	1706056 191	2902348 117	3290405 27, 28, 31, 32,
1705643 184, 191, 195	1706057 190	2902376 97	45, 110, 164, 176
1705644 184, 191, 195	1706310 184, 191, 195	2902381 102	

PART NUMBER INDEX

3290605 ... 45, 46, 50, 51, 170, 176	3423189 28, 31	376017091, 97, 101, 117, 119, 121, 122, 129	4191706 ... 23, 24, 39, 43, 55, 61, 63, 66, 70, 75, 119, 121, 176
3290606 ... 24, 83, 87, 91, 95, 97, 101, 105, 119, 121, 126, 129, 130, 162, 171	3423239 61	3760348 27, 28, 31	4191707 ... 36, 39, 43, 45, 50
3290607 45, 161, 170, 176	3423255 75	3760387 63, 65, 69, 74	4191708 24, 59, 176
3290805 43, 110	3423267 28, 31	3760463 12, 15	4191709 ... 24, 59, 63, 66, 70
3290806 ... 83, 87, 91, 95, 97, 101, 105	3423278 95, 106	3820019 ... 83, 87, 91, 95, 97, 101, 106	4220208 51
3291005 ... 27, 31, 45, 59, 61, 63, 65, 69, 70, 74, 75, 80, 83, 87, 91, 95, 97, 101, 105, 170	3423289 31	3820032 51	4220227 119, 121
3291007 65, 69, 75	3450303 61	3841143 ... 61, 63, 65, 69, 74	4220287 27
3300048 129	3450406 12	3841648 101	4220293 31
3300423 12	3460334 117	3841649 83, 91, 97	4240003 ... 117, 119, 121, 165, 177
3300473 109	3510888 81	3841667 121	4240147 24
3300474 ... 59, 63, 65, 70	3510890 81	3841675 119	4240164 121
3300477 101, 105	3520072 ... 83, 87, 91, 95, 97, 101, 105, 119, 121	3841716 87, 95, 105	4240165 126
3310601 117	3520176 121	3860085 97	4240172 51
3311005 117	3520193 53	3860104 69, 74	4340739 53
3311405 117	3574067 80	3860107 65	4340751 24
3311605 121	3574150 101	3860108 27, 31	4340853 117
3321402 ... 59, 61, 75, 137, 143	3574159 59, 61	3860111 ... 83, 88, 91, 95, 101, 106	4340854 117
3340612 ... 83, 87, 91, 95, 97, 101, 105	3574161 ... 63, 65, 69, 74	3860118 81	4340909 121
3340957 ... 63, 65, 70, 75	3574176 27, 28, 31	3900333 109	4340910 121
3340962 ... 59, 61, 63, 65, 69, 74	3574183 83, 91, 97	3900334 ... 59, 63, 66, 70	4340911 122
3340964 59, 61	3574184 ... 83, 87, 91, 95, 97	3900336 53	4340914 81
3340965 80	3574249 109	3900338 53, 110	4340938 129
3340968 109	3574505 126	3900339 53	4340946 119
3340975 51	3574506 126	3900345 ... 83, 88, 91, 95, 97, 101, 106	4340947 119
3340976 80	3574636 195	3900351 27, 80, 170	4341055 207
3380475 109	3574714 24	3900355 117	4360069 53, 198
3380527 117	3574981 50	3900356 53	4360155 129
3420156 ... 59, 63, 65, 69, 74	3574984 50	3931010 117	4360328 53, 198
342145391, 97, 101, 119, 121, 122, 129	3575794 110	3931408 117	4360336 178, 200
3422219 ... 117, 119, 121	3576093 61	3931412 117	4360387 ... 55, 165, 177, 198
3422997 ... 63, 65, 69, 74	3576349 45	3931508 117	4360469 53, 200
3422998 65, 69, 74	3576645 87	3931620 122	4360470 53, 200
3423009 69, 74	3576646 105	3990010 ... 160, 178, 200	4360475 ... 53, 109, 198
3423011 69, 74	3576932 95	3990013 169, 198	4360482 ... 165, 200, 205
3423014 ... 63, 65, 69, 74	3577112 12, 15	4000006 53	4360502 ... 59, 63, 65, 70, 163
3423016 63, 65, 70	3641480 83	4010405 176	4360526 ... 59, 61, 63, 65, 70, 75, 163, 173
3423017 63, 65, 70	3641481 83	4010408 164, 176	4360536 27, 31
3423026 69, 74	3641482 83	4010415 27, 28, 31	4360538 109, 198
3423030 59	3641534 91	4010608 129, 130	4360539 ... 109, 163, 173, 198
3423031 59, 61	3641535 91	4010612 176	4360607 ... 27, 31, 160, 200
3423032 59, 61	3641536 91	4010614 129	4360613 ... 164, 165, 177, 200
3423033 59	3641582 101	4010616 ... 83, 87, 91, 95, 97, 101, 105	4360633 169
3423036 63, 65	3641604 87	4010617 ... 83, 91, 95, 97, 101, 106, 130, 161, 162, 171	4420037 106, 126
3423037 11, 15	3641605 87	4010618 ... 83, 87, 88, 91, 95, 97, 101, 105, 106, 130	4420051 195
3423038 ... 59, 61, 63, 65	3641606 87	4031607 55	4420062 ... 117, 119, 122
3423039 65	3641607 105	4031713 50, 170	4420070 ... 45, 59, 61, 70, 75
3423042 59, 61	3641608 105	4060865 45	4420071 81
3423045 27, 31	3641609 105	4071094 ... 63, 65, 69, 75	4420072 81
3423046 27, 31	3641610 105	4071102 51	4420073 81
3423049 80	3641611 105	4160078 ... 59, 61, 75, 137, 143	4420074 81
3423067 63, 65	3641612 105	4160202 27, 31	4420075 81
3423151 .. 83, 91, 97, 101	3641613 105	4160203 109	4420080 45
3423170 69, 75	3641614 105	4191306 109	4460138 ... 164, 176, 178
	3641615 105	4191407 109	4460205 165
	3641619 95	4191409 109	4460226 ... 113, 160, 163, 165, 169, 173, 178
	3641620 95		
	3641650 95		
	3641651 95		
	3641652 95		
	3641653 95		
	3641654 95		
	3730119 ... 159, 161, 171		
	3740146 23, 24		
	3740150 23, 24, 173, 200		
	3760115 ... 27, 31, 59, 61		

PART NUMBER INDEX

4460227 35, 39, 113, 160, 163, 169, 173	4460944 ... 159, 160, 161, 169, 170, 171	4812000 ... 11, 15, 27, 28, 31, 59, 61, 63, 65, 69, 75, 80, 81, 83, 87, 91, 95, 97, 101, 105, 170	4923272..... 162, 172
4460265..... 113, 158, 162, 168, 171	4460956 177	4831700 24	4923275..... 162
4460266..... 113, 163, 173	4460957 177	4846684 69, 74	4923335..... 160
4460267..... 35, 158, 162, 168, 171, 178	4461012 117	4846723 ... 83, 87, 91, 95, 98, 102, 106	4923336..... 160
4460268..... 162, 171	4461016 158, 168	4846752 65	4923350..... 170
4460315 164, 175	4461057 158, 168	4846757 11, 15	4923365..... 172
4460320..... 160, 169	4461196 39, 174, 176	4846761 81	4923366..... 172
4460321 ... 160, 165, 169, 178	4461197 176	4846764 81	4923367..... 172
4460328 129	4461198 175	4846766 81	4923374..... 172
4460346..... 164, 175	4461199 40, 176	4846768 81	4923389..... 178
4460418 162, 171	4461200 176	4846771 101	4923390..... 178
4460419 162, 171	4461201 175	4846772 101	4923391..... 178
4460424 39, 163, 173, 178	4461202 40, 176	4846773 27	4923392..... 178
4460428 175	4461203 176	4846774 27, 31	4923393..... 178
4460464 35, 39, 117, 158, 160, 161, 163, 164, 168, 170, 171, 173, 174, 178	4461204 175, 176	4846775 27, 28	4923401..... 172
4460465 ... 117, 159, 160, 161, 163, 164, 169, 170, 171, 172, 173, 174	4461205 40, 176	4846776 101	4923402..... 172
4460466 ... 158, 159, 161, 168, 169, 171, 178	4461206 176	4846777 101	4923406..... 172
4460467 165, 178, 207	4461207 175, 176	4846778 31	4923409..... 172
4460493 159, 161, 171	4461244 175	4846779 101	4923410..... 172
4460496 158, 168	4461245 175	4846780 101	4923449..... 169
4460497 158, 168	4461246 175	4846781 101	4923450..... 169
4460499 161	4461249 40, 176	4846784 83	4923587..... 168
4460508 173	4461250 176	4846785 83	4923590..... 168
4460509 173	4461257 175	4846786 ... 83, 91, 97, 101	4923602..... 173
4460510 165, 178, 207	4461258 175	4846788 31	4933315..... 160
4460536 ... 163, 164, 173, 174	4461260 173	4846789 81	4933344..... 160
4460539 160, 169	4461261 173	4846791 97	4933351..... 169
4460618 162, 172	4520326 12, 15	4846792 97	7000082..... 115
4460633 165, 175	4520327 12, 15	4846793 97	7000084..... 115
4460648 39, 160, 163, 165, 169, 173	4520565 12, 15	4846794 91, 97	7000088..... 145
4460662 164, 175	4520676 12, 15	4846795 91, 97	7000107..... 145
4460754 159, 161, 171	4530021 129	4846796 91, 97	7000108..... 145
4460761 ... 160, 162, 169, 171	4530026 117	4846797 91, 97	7000110..... 145
4460779 178	4568645 ... 83, 91, 97, 101	4846799 97	7000191..... 20
4460814 160, 169	4568667 . 91, 95, 97, 101, 105	4846800 97	70000335..... 135, 141
4460870 160, 170	4568711 91, 97, 101	4846810 31	70000383..... 21
4460877 160, 170	4568738 109	4846811 31, 32	70000555..... 207
4460878 117	4569305 87	4846812 45	70000658..... 135, 140
4460884 117	4569310 105	4846813 45	70000659..... 135, 141
4460885 117	4569404 95, 105	4846816 27	70000683..... 115
4460887 117	4569428 95	4846861 27, 28	70000684..... 115
4460891 ... 160, 163, 164, 170, 172, 173, 174	4661199 174	4846862 31, 32	70000685..... 115
4460894 ... 159, 160, 161, 170	4661202 174	4846863 27	70000686..... 115
4460897 ... 160, 163, 170	4661205 174	4846876 121	70000790..... 20
4460899 35, 39, 159, 161, 163, 170, 173, 178	4661249 174	4922865 53, 162, 171	70000791..... 20
4460930 ... 159, 161, 169, 171	4711400 ... 117, 119, 121	4922870 ... 109, 158, 168	70000792..... 21
4460931 ... 160, 161, 170, 171	4711600 122	4922912 165	70000798..... 142, 200
4460943 161, 170, 171	4740086 27, 28, 31	4922944 55, 164, 177, 200, 204	70000799..... 142, 200
	4740438 ... 63, 65, 69, 74	4923048 129	70001250..... 115
	4740468 12	4923049 130	70001251..... 115
	4740480 117	4923050 130	70001252..... 115
	4740523 12	4923051 130	70001253..... 115
	4740524 12, 15	4923052 130	70001263..... 21
	4740531 59, 61	4923114 117	70001265..... 21
	4740545 160, 169	4923115 117	70001345..... 21
	4740562 43	4923121 117	70001442..... 163, 172
	4740564 15	4923194 160	70001443..... 163, 173
	4750800 27, 31, 45	4923195 160	70001444..... 163, 173
	4751400 24, 45	4923218 168	70001709..... 137, 142
	4811400 110, 176	4923221 168	70001739..... 20
	4811600 51, 55	4923270 161	70001878 59, 61, 75, 137, 143
	4811700 ... 24, 36, 39, 43, 45, 46, 50, 121, 126, 130, 170, 176	4923271 161, 170	70001949..... 21
	4811900 24, 87, 95		70001982..... 137, 142
			70002271..... 35
			70003645..... 134, 140
			70003646..... 134, 140
			70003650..... 115

PART NUMBER INDEX

70004193	136, 142	7020554	113	7023547	136	7023584	136, 141
70010346	205	7020555	113	7023548	136	7023585	135
7002821	165, 178, 207	7020556	113	7023549	134	7023586	136
7002822	207	7020603	35	7023550	136, 142	7023587	135
7002823	165, 178, 207	7020673	35	7023551	136, 142	7023588	135
7002826	207	7020674	35	7023552	136, 142	7023589	134, 140
7002828	165, 178, 207	7022942	35	7023553	136, 142	7023591	135, 141
7003790	113	7022947	35	7023554	137, 142	7023593	135, 140, 198
7004275	207	7022948	35	7023555	136	7024747	21
7004276	207	7022951	35	7023556	136, 142	7024748	21
7010641	16	7022952	35	7023557	134, 140	7024749	21
7010642	16	7022953	35, 163	7023558	134, 140	7024750	21
7011528	35	7022954	35, 163	7023559	145	7024756	21
7011997	113	7022955	35, 163	7023560	145	7024757	20
7012524	16	7022956	35, 163	7023561	145	7024758	21
7016319	45	7022957	35	7023562	145	7024771	21
7016372	45	7022958	35	7023563	145	7024772	21
7016654	207	7022959	35	7023564	145	7024773	21
7018514	35	7023528	137, 142	7023565	145	7024776	21
7018564	35	7023529	137, 142	7023566	145	7024785	21
7018570	35	7023530	137, 142	7023567	145	7024786	20
7018577	35	7023531	136, 142	7023568	134	7024787	21
7018583	163	7023532	136, 142	7023569	135, 140	7024788	21
7018586	35	7023533	136, 142	7023570	135, 140	7024789	16
7018589	35	7023534	136, 142	7023571	135, 141	7026183	16
7018597	35	7023535	134, 140	7023572	135, 141	7026184	16
7019697	16	7023536	136, 142	7023573	135, 141	7026185	16
7019864	134	7023537	136, 142	7023574	135, 141	7027303	129
7020175	53, 109	7023538	136, 142	7023575	136, 141	7027365	115
7020176	53, 109	7023539	134, 140	7023576	136, 141, 198	7027367	115
7020218 .	59, 61, 75, 137, 143	7023540	136, 200	7023577	134, 140	7027765	115
7020500	113, 198	7023541	136, 200	7023578	135, 140	7027766	115
7020501	113, 198	7023542	136, 142	7023579	135, 141	7027863	51
7020551	113	7023543	136, 142	7023580	135, 141	8005670	121, 122
7020552	113	7023544	137	7023581	135, 141	80325	119, 121
7020553	113	7023545	136	7023582	136, 141	9984279	80
		7023546	136	7023583	135, 140		

PARTS FINDER

**Search Website
by Part Number**



**Search Manual
Library For Parts
Manual & Lookup Part
Numbers – Purchase
or Request Quote**

**Can't Find Part or
Manual? Request Help
by Manufacturer,
Model & Description**

Discount-Equipment.com is your online resource for quality parts & equipment.

Florida: **561-964-4949** Outside Florida TOLL FREE: **877-690-3101**

Need parts?

Click on this link: <http://www.discount-equipment.com/category/5443-parts/> and choose one of the options to help get the right parts and equipment you are looking for. Please have the machine model and serial number available in order to help us get you the correct parts. If you don't find the part on the website or on one of the online manuals, please fill out the request form and one of our experienced staff members will get back to you with a quote for the right part that your machine needs.

We sell worldwide for the brands: Genie, Terex, JLG, MultiQuip, Mikasa, Essick, Whiteman, Mayco, Toro Stone, Diamond Products, Generac Magnum, Airman, Haulotte, Barreto, Power Blanket, Nifty Lift, Atlas Copco, Chicago Pneumatic, Allmand, Miller Curber, Skyjack, Lull, Skytrak, Tsurumi, Husquvarna Target, Stow, Wacker, Sakai, Mi-T-M, Sullair, Basic, Dynapac, MBW, Weber, Bartell, Bennar Newman, Haulotte, Ditch Runner, Menegotti, Morrison, Contec, Buddy, Crown, Edco, Wyco, Bomag, Laymor, EZ Trench, Bil-Jax, F.S. Curtis, Gehl Pavers, Heli, Honda, ICS/PowerGrit, IHI, Partner, Imer, Clipper, MMD, Koshin, Rice, CH&E, General Equipment, Amida, Coleman, NAC, Gradall, Square Shooter, Kent, Stanley, Tamco, Toku, Hatz, Kohler, Robin, Wisconsin, Northrock, Oztec, Toker TK, Rol-Air, APT, Wylie, Ingersoll Rand / Doosan, Innovatech, Con X, Ammann, Mecalac, Makinex, Smith Surface Prep, Small Line, Wanco, Yanmar