

# Spare Parts Catalogue

4812160259

Valid from serial number:  
10000362x0A013656 –



Diesel engine:  
Kubota D1105-E4B

Published catalogue issues valid for this roller:

Catalogue	Issue date	Valid for serial numbers
4812160259	2014-04	10000362x0A013656 -

 **Discount  
Equipment**

[www.discount-equipment.com](http://www.discount-equipment.com)

# PARTS FINDER

**Search Website  
by Part Number**



**Search Manual  
Library For Parts  
Manual & Lookup Part  
Numbers – Purchase  
or Request Quote**

**Search Manuals**

Enter your information to help us find the right parts manual for your machine.

\* Brand:

\* Model:

\* Serial:

\* Part Number:

SEARCH

**Can't Find Part or  
Manual? Request Help  
by Manufacturer,  
Model & Description**

**Parts Order Form**

Please fill in the following information to help us find the right part for your machine.

Manufacturer:	<input type="text"/>
Model:	<input type="text"/>
Description:	<input type="text"/>
Part Number:	<input type="text"/>
Quantity:	<input type="text"/>
Notes:	<input type="text"/>

Discount-Equipment.com is your online resource for quality parts & equipment.

Florida: **561-964-4949** Outside Florida TOLL FREE: **877-690-3101**

**Need parts?**

Click on this link: <http://www.discount-equipment.com/category/5443-parts/> and choose one of the options to help get the right parts and equipment you are looking for. Please have the machine model and serial number available in order to help us get you the correct parts. If you don't find the part on the website or on one of the online manuals, please fill out the request form and one of our experienced staff members will get back to you with a quote for the right part that your machine needs.

We sell worldwide for the brands: Genie, Terex, JLG, MultiQuip, Mikasa, Essick, Whiteman, Mayco, Toro Stone, Diamond Products, Generac Magnum, Airman, Haulotte, Barreto, Power Blanket, Nifty Lift, Atlas Copco, Chicago Pneumatic, Allmand, Miller Curber, Skyjack, Lull, Skytrak, Tsurumi, Husquvarna Target, Stow, Wacker, Sakai, Mi-T-M, Sullair, Basic, Dynapac, MBW, Weber, Bartell, Bennar Newman, Haulotte, Ditch Runner, Menegotti, Morrison, Contec, Buddy, Crown, Edco, Wyco, Bomag, Laymor, EZ Trench, Bil-Jax, F.S. Curtis, Gehl Pavers, Heli, Honda, ICS/PowerGrit, IHI, Partner, Imer, Clipper, MMD, Koshin, Rice, CH&E, General Equipment, Amida, Coleman, NAC, Gradall, Square Shooter, Kent, Stanley, Tamco, Toku, Hatz, Kohler, Robin, Wisconsin, Northrock, Oztec, Toker TK, Rol-Air, APT, Wylie, Ingersoll Rand / Doosan, Innovatech, Con X, Ammann, Mecalac, Makinex, Smith Surface Prep, Small Line, Wanco, Yanmar

**RESERVDLSBESTÄLLNING**

Följande uppgifter ska lämnas vid beställning av reservdelar för att undvika leveransfel:

1. Maskintyp.
2. Vältens serienummer.
3. Antal av önskad reservdel.
4. Reserdelens artikelnummer.
5. Reservdelens benämning.
6. Måttuppgifter vid beställning av metervara.

**ERSATZTEILBESTELLUNG**

Zur Vermeidung von Fehllieferungen sind bei der Bestellung von Ersatzteilen folgende Angaben zu machen:

1. Maschinentyp.
2. Herstellungsnummer.
3. Bestellmenge. (Quantity)
4. Ersatzteilnummer. (Part N°)
5. Ersatzteilbenennung. (Denomination)
6. Massangaben bei Bestellung von Meterware.

**PEDIDO DE RECAMBIOS**

Para evitar errores en las entregas, deberán indicarse los siguientes datos al hacer un pedido de recambios:

1. Tipo de máquina.
2. Número de serie.
3. Cantidad de piezas deseadas. (Quantity)
4. Número de artículo de la pieza de recambio. (Part N°)
5. Denominación de la pieza. (Denomination)
6. Indíquese la medida al solicitar un artículo que se expide por metros.

**ORDERING SPARE PARTS**

To avoid errors in delivery, please give the following information when ordering spare parts:

1. Type of machine.
2. Roller serial number.
3. Quantity required.
4. Part number.
5. Parts denomination.
6. Dimensions when ordering per length.

**ORDINI DI RICAMBI**

Per evitare errori nelle consegne di ricambi, Vi preghiamo di comunicarci le seguenti informazioni al momento dell'ordinazione:

1. Tipo di macchina.
2. Numero di serie della macchina.
3. Quantità dei pezzi desiderati. (Quantity)
4. Numero di codice del pezzo. (Part N°)
5. Descrizione del pezzo di ricambio. (Denomination)
6. Misura, in caso di ordine per metro.

**COMMANDE DE PIÉCES DE RECHANGE**

Les indications suivantes doivent être fournies lors de la commande de pièces de rechange, afin d'éviter toute erreur de livraison:

1. Type de machine.
2. Numéro de série.
3. Quantité désirée de pièce de rechange. (Quantity)
4. Numéro de la pièce de rechange. (Part N°)
5. Dénomination de la pièce de rechange. (Denomination)
6. Longueur en cas de commande au mètre.

**YOUR AGENT/DEALER:**



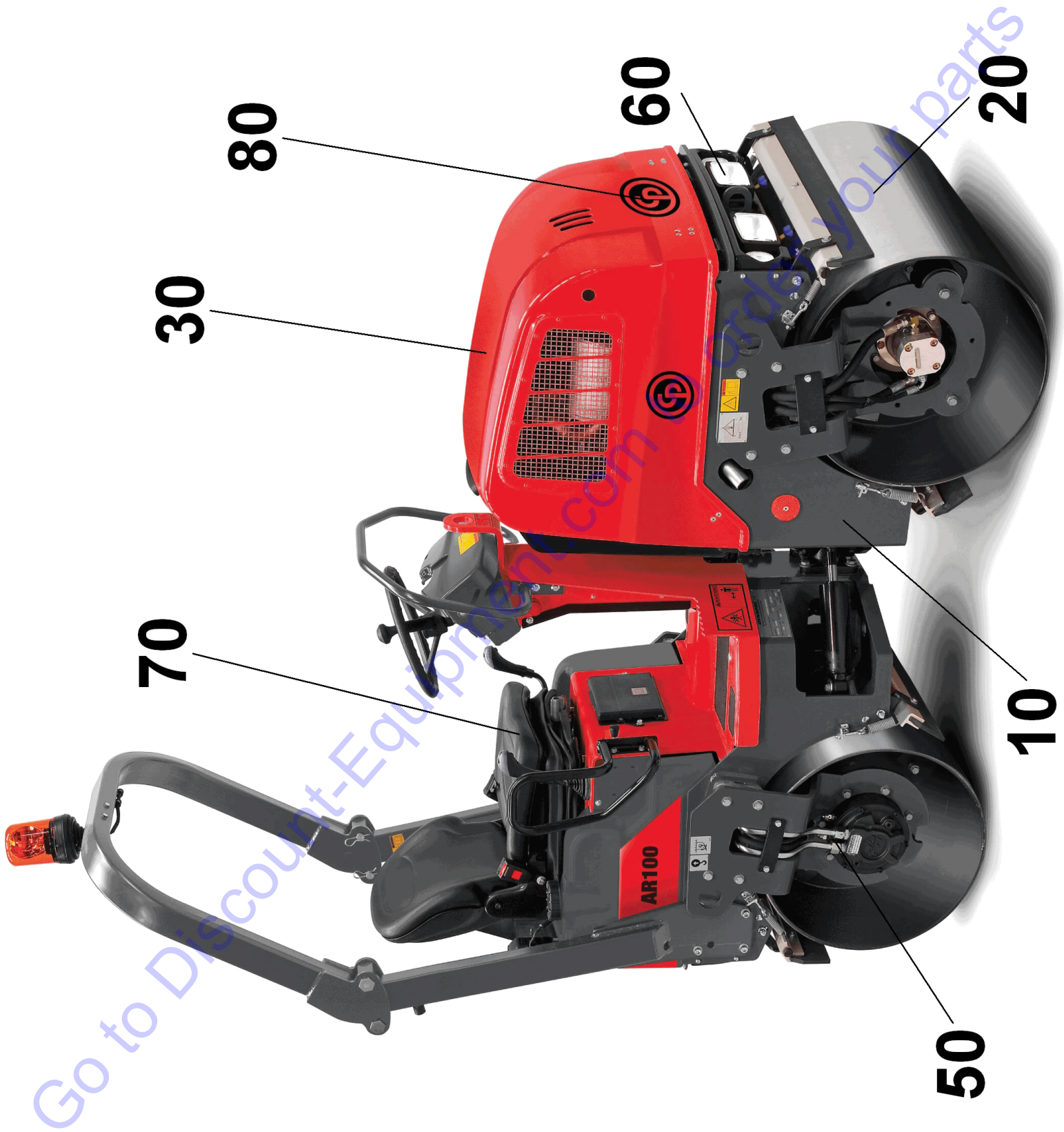
<b>TABLE OF CONTENTS</b>		<b>Page</b>
<b>AR100 S/N 10000362x 0A013656 -</b>		<b>2</b>
<b>Service kits</b>		<b>4</b>
4812160096	Service kit 50h	6
4812160097	Service kit 50h Plus	8
4812160098	Service kit 500h	10
4812160099	Service kit 500h Plus	12
4812160151	Service kit 1000h	14
4812160152	Service kit 1000h Plus	16
4812160159	Start-up kit	18
4812160097	Service kit 50h Plus	8
4812160099	Service kit 500h Plus	12
4812160152	Service kit 1000h Plus	16
<b>Repair kits</b>		<b>20</b>
4700945552	Shock absorber kit, drum	22
4700940673	Scraper blade, kit	24
4700945928	Repair kit, Steering hitch	26
4700945710	Eccentric shaft kit	28
4700945711	Drum rotation kit	30
<b>Frame</b>		<b>32</b>
Frames		34
4700377621	Hitch	36
Scrapers		38
Engine hood		40
Sprinkler system		42
<b>Drum</b>		<b>44</b>
Drum		46
<b>Engine</b>		<b>48</b>
Engine Kubota D1105 E4B		50
Coupling		52
Engine bracket module		54
Exhaust system		56
Engine bracket module		54
4812121221	Engine equipment kit	58
Air intake system		60
Fuel system		62
Cooling system		64
4812120649	Cooler package	66
<b>Hydraulic system</b>		<b>68</b>
Hydraulic propulsion and brake		70

**TABLE OF CONTENTS**

4700387270	Hydraulic motor .....	72
	Hydraulic vibration .....	74
	Vibration cut-off one drum .....	76
4700387276	Combination valve .....	78
	Hydraulic steering .....	80
4700387274	Steering valve .....	82
	<b>Electrical equipment .....</b>	<b>84</b>
	Electrical equipment .....	86
	Control panel, relays .....	88
	Driving lights Option .....	90
	Working lights Option .....	92
	Rotating beacon with Rops Option .....	94
	Back-up alarm .....	96
	<b>Drivers platform .....</b>	<b>98</b>
	Drivers seat .....	100
	F/R- and throttle control .....	102
4812113676	Forward and reverse control handle .....	104
	Dual forward/reverse control Option .....	106
	Rops Option .....	108
377256	Cup holder Option .....	110
	<b>Decals .....</b>	<b>112</b>
	<b>Standard equipment .....</b>	<b>114</b>
	Standard equipment .....	116
	<b>Optional equipment .....</b>	<b>118</b>
	Battery disconnecter .....	120
	Water tank, option .....	122
	SMV-sign .....	124
	SMV-sign Mounting on watertank .....	126
	SMV-sign on high water tank .....	128
	Registrations - plate with light .....	130
	Hydraulic vibration, shut off front/rear drum .....	132
4700387276	Combination valve .....	78
	Rear view mirror .....	134
	Tool equipment .....	136



AR100 S/N 10000362x 0A013656 -



AR100 S/N 10000362x 0A013656 -

Item	Part No	Rem Qty	Description	Code
5			Service kits ( Page 4 )	
6			Repair kits ( Page 20 )	
10			Frame ( Page 32 )	
20			Drum ( Page 44 )	
30			Engine ( Page 48 )	
50			Hydraulic system ( Page 68 )	
60			Electrical equipment ( Page 84 )	
70			Drivers platform ( Page 98 )	
80			Decals ( Page 112 )	
90			Standard equipment ( Page 114 )	
91			Optional equipment ( Page 118 )	

Go to [Discount-Equipment.com](http://Discount-Equipment.com) to order your parts



Service kits

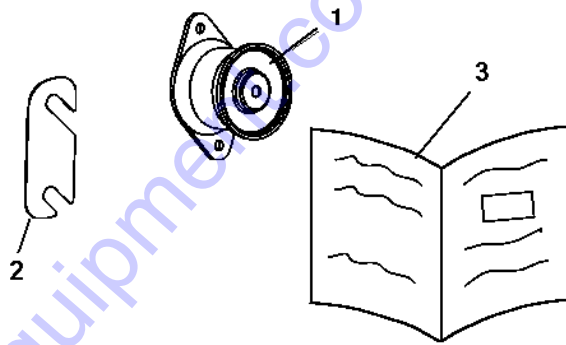
Go to [Discount-Equipment.com](http://Discount-Equipment.com) to order your parts

**Service kits**

<b>Item</b>	<b>Part No</b>	<b>Rem Qty</b>	<b>Description</b>	<b>Code</b>
1	4812160096	1	<b>Service kit 50h ( Page 6 )</b>	
2	4812160097	1	<b>Service kit 50h Plus ( Page 8 )</b>	
3	4812160098	1	<b>Service kit 500h ( Page 10 )</b>	
4	4812160099	1	<b>Service kit 500h Plus ( Page 12 )</b>	
5	4812160151	1	<b>Service kit 1000h ( Page 14 )</b>	
6	4812160152	1	<b>Service kit 1000h Plus ( Page 16 )</b>	
7	4812160159	1	<b>Start-up kit ( Page 18 )</b>	

Go to [Discount-Equipment.com](http://Discount-Equipment.com) to order your parts

4812160096 Service kit 50h



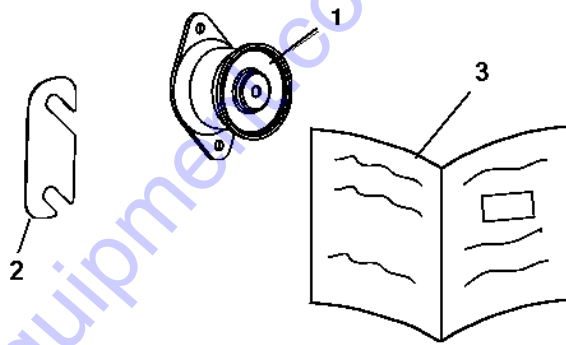
Go to Discount-Equipment.com to order your parts

**4812160096 Service kit 50h**

<b>Item</b>	<b>Part No</b>	<b>Rem Qty</b>	<b>Description</b>	<b>Code</b>
1	4812160094	1	Engine oil filter element	
2	4812156263	1	Fuel filter element	
3	4812156264	1	Pre-fuel filter element	
4	4700376637	1	Hydraulic filter element	

Go to [Discount-Equipment.com](http://Discount-Equipment.com) to order your parts

4812160097 Service kit 50h Plus



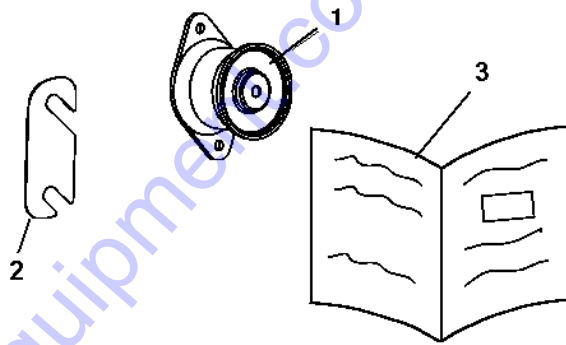
Go to Discount-Equipment.com to order your parts

**4812160097 Service kit 50h Plus**

<b>Item</b>	<b>Part No</b>	<b>Rem Qty</b>	<b>Description</b>	<b>Code</b>
1	4812160094	1	Engine oil filter element	
2	4812156263	1	Fuel filter element	
3	4812156264	1	Pre-fuel filter element	
4	4700376637	1	Hydraulic filter element	
5	4812030756	1	Gear Oil 300 5 liters	
6	5580020624	1	Atlas Copco fluid engine 100 5 liters	
7	9106230330	1	Atlas Copco fluid hydraulic oil 300 20 liters	
8	4812030096	1	Dynapac Roller Grease	

Go to [Discount-Equipment.com](http://Discount-Equipment.com) to order your parts



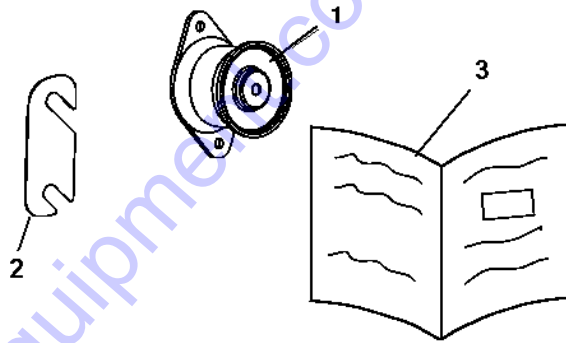


Go to Discount-Equipment.com to order your parts

**4812160098 Service kit 500h**

<b>Item</b>	<b>Part No</b>	<b>Rem Qty</b>	<b>Description</b>	<b>Code</b>
1	4812160094	1	Engine oil filter element	
2	4812156263	1	Fuel filter element	
3	4812156264	1	Pre-fuel filter element	
4	4812160090	1	V-belt	

Go to [Discount-Equipment.com](http://Discount-Equipment.com) to order your parts



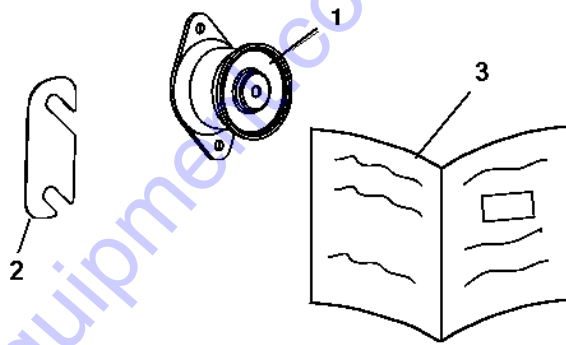
Go to Discount-Equipment.com to order your parts

**4812160099 Service kit 500h Plus**

<b>Item</b>	<b>Part No</b>	<b>Rem Qty</b>	<b>Description</b>	<b>Code</b>
1	4812160094	1	Engine oil filter element	
2	4812156263	1	Fuel filter element	
3	4812156264	1	Pre-fuel filter element	
4	4812160090	1	V-belt	
5	5580020624	1	Atlas Copco fluid engine 100 5 liters	
6	4812030096	1	Dynapac Roller Grease	

Go to [Discount-Equipment.com](http://Discount-Equipment.com) to order your parts

4812160151 Service kit 1000h



Go to Discount-Equipment.com to order your parts

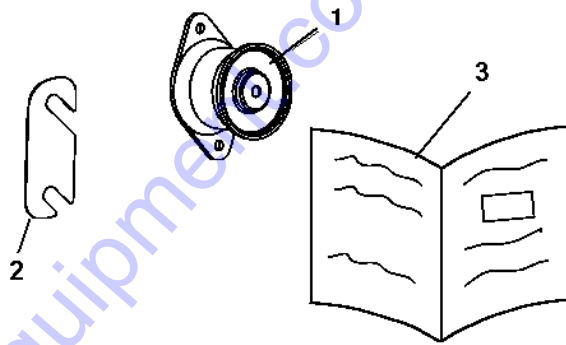
**4812160151 Service kit 1000h**

<b>Item</b>	<b>Part No</b>	<b>Rem Qty</b>	<b>Description</b>	<b>Code</b>
1	4812160094	1	Engine oil filter element	
2	4812156263	1	Fuel filter element	
3	4812156264	1	Pre-fuel filter element	
4	4812160090	1	V-belt	
5	4700376637	1	Hydraulic filter element	
6	4700939802	1	Air filter element Main	
7	4700939803	1	Air filter element Safety	
8	4700357138	1	Ventilating filter	
9	4812160093	1	Valve cover gasket	

Go to [Discount-Equipment.com](http://Discount-Equipment.com) to order your parts



4812160152 Service kit 1000h Plus

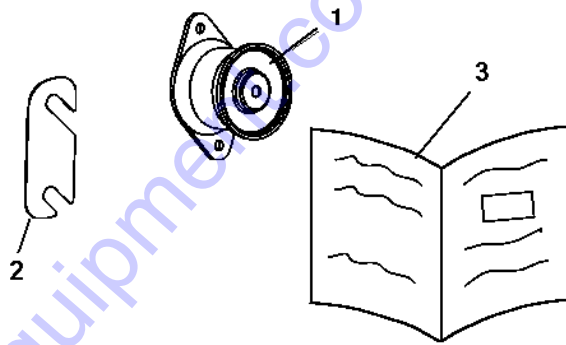


## 4812160152 Service kit 1000h Plus

Item	Part No	Rem Qty	Description	Code
1	4812160094	1	Engine oil filter element	
2	4812156263	1	Fuel filter element	
3	4812156264	1	Pre-fuel filter element	
4	4812160090	1	V-belt	
5	4700376637	1	Hydraulic filter element	
6	4700939802	1	Air filter element Main	
7	4700939803	1	Air filter element Safety	
8	4700357138	1	Ventilating filter	
9	4812160093	1	Valve cover gasket	
10	4812030756	1	Gear Oil 300 5 liters	
11	5580020624	1	Atlas Copco fluid engine 100 5 liters	
12	9106230330	1	Atlas Copco fluid hydraulic oil 300 20 liters	
13	4812030096	1	Dynapac Roller Grease	

Go to [Discount-Equipment.com](http://Discount-Equipment.com) to order your parts

4812160159 Start-up kit



Go to Discount-Equipment.com to order your parts

## 4812160159 Start-up kit

Item	Part No	Rem Qty	Description	Code
1	4812160097	1	Service kit 50h Plus ( Page 8 )	
2	4812160099	1	Service kit 500h Plus ( Page 12 )	
3	4812160152	1	Service kit 1000h Plus ( Page 16 )	

Go to [Discount-Equipment.com](http://Discount-Equipment.com) to order your parts

Repair kits

*Go to [Discount-Equipment.com](http://Discount-Equipment.com) to order your parts*

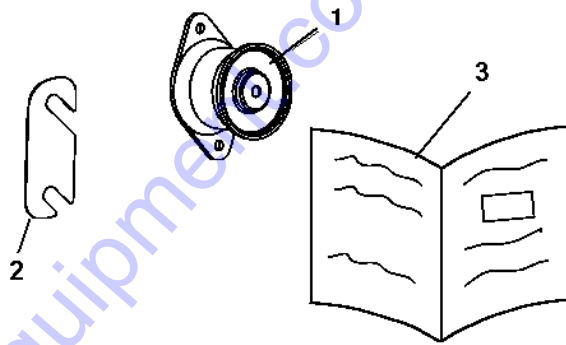
**Repair kits**

<b>Item</b>	<b>Part No</b>	<b>Rem Qty</b>	<b>Description</b>	<b>Code</b>
11	4700945552	2	Shock absorber kit, drum ( Page 22 )	
12	4700940673	1	Scraper blade, kit ( Page 24 )	
13	4700945928	1	Repair kit, Steering hitch ( Page 26 )	
14	4700945710	2	Eccentric shaft kit ( Page 28 )	
15	4700945711	2	Drum rotation kit ( Page 30 )	

Go to [Discount-Equipment.com](http://Discount-Equipment.com) to order your parts



4700945552 Shock absorber kit, drum



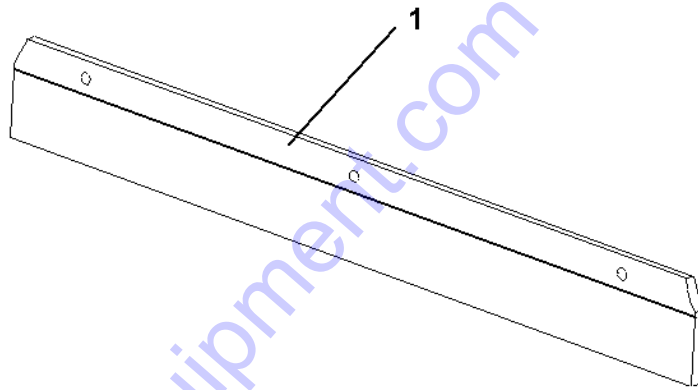
Go to Discount-Equipment.com to order your parts

## 4700945552 Shock absorber kit, drum

Item	Part No	Rem Qty	Description	Code
	4700945552		<b>Shock absorber kit, drum ( Page 22 )</b>	
1	4700391984	7	Shock absorber	
2	4700387424	4	Shim	
3	4812156170	1	Instructions	

Go to [Discount-Equipment.com](http://Discount-Equipment.com) to order your parts

4700940673 Scraper blade, kit



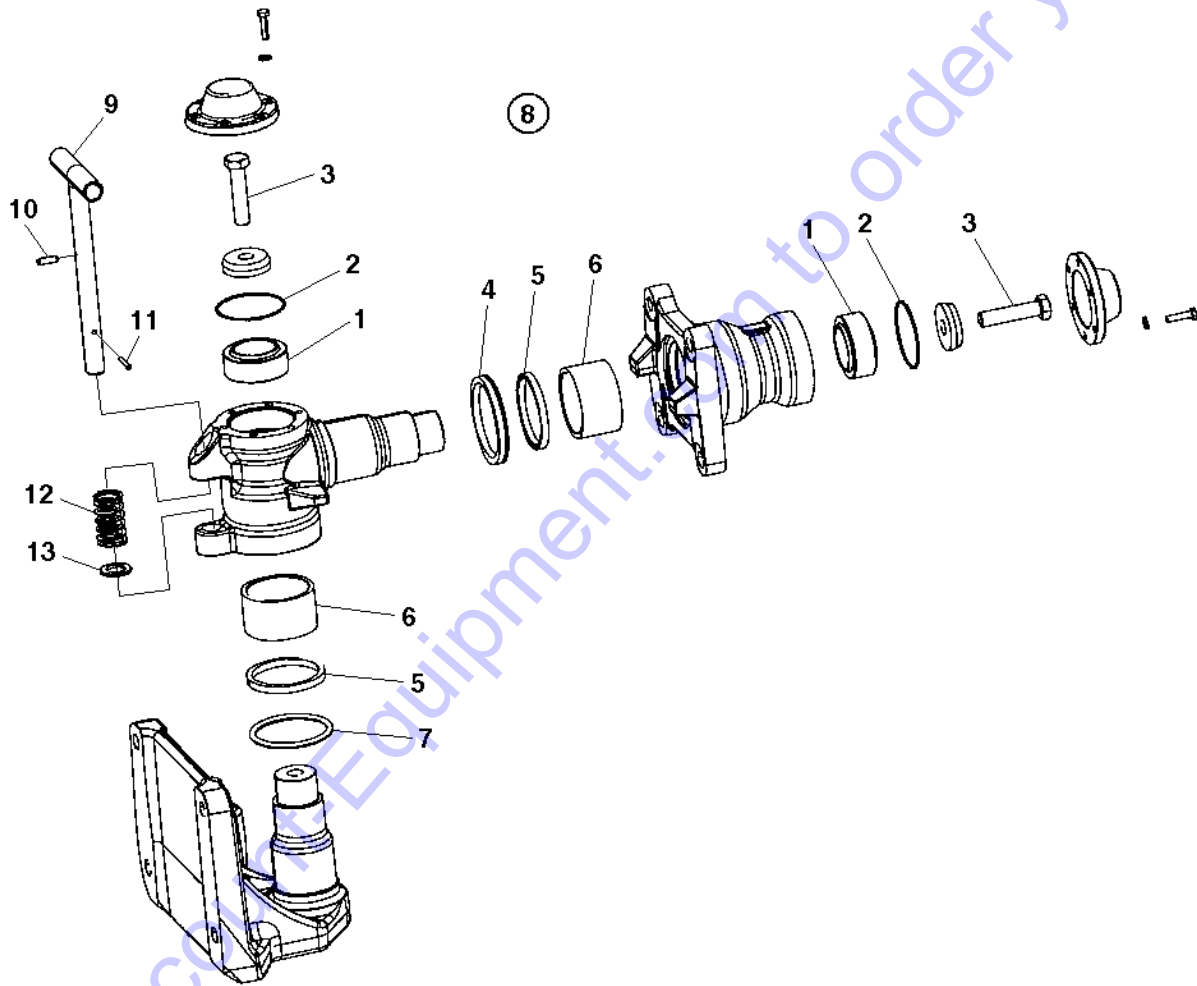
Go to Discount-Equipment.com to order your parts

## 4700940673 Scraper blade, kit

Item	Part No	Rem Qty	Description	Code
	4700940673		Scraper blade, kit ( Page 24 )	
1	4700387350	4	Scraper blade	

Go to [Discount-Equipment.com](http://Discount-Equipment.com) to order your parts

4700945928 Repair kit, Steering hitch

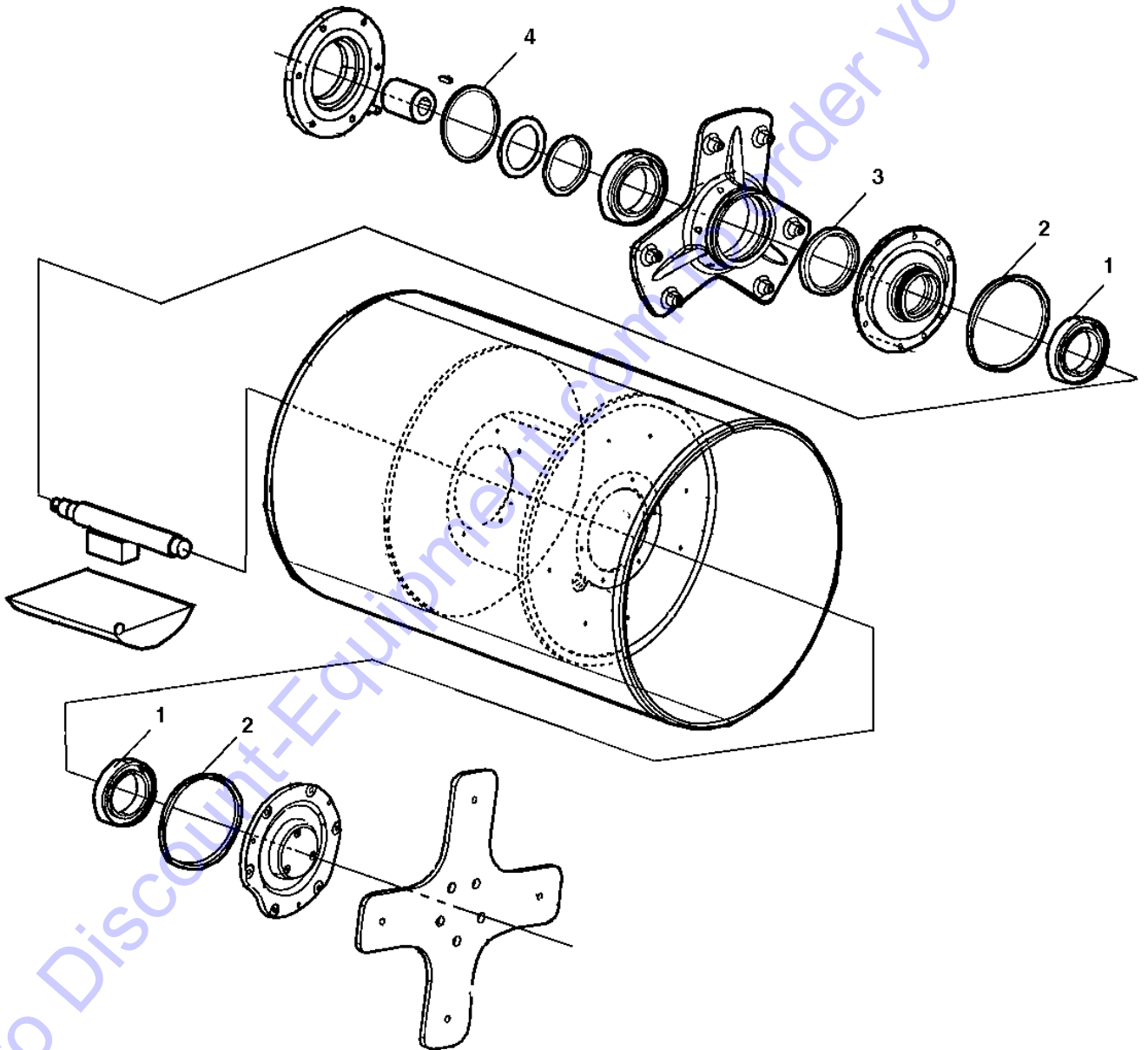


## 4700945928 Repair kit, Steering hitch

Item	Part No	Rem Qty	Description	Code
	4700945928		<b>Repair kit, Steering hitch ( Page 26 )</b>	
1	4700792611	2	Radial spherical plain bearing	
2	4700791962	2	O-ring	
3	4700500050	2	Screw	
4	4700388171	1	Sealing, v-ring	
5	4700388173	2	Shear wiper	
6	4700388172	2	Bushing	
7	4700160058	1	O-ring	

Go to Discount-Equipment.com to order your parts

4700945710 Eccentric shaft kit



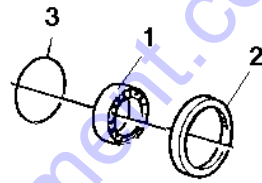
## 4700945710 Eccentric shaft kit

Item	Part No	Rem Qty	Description	Code
	4700945710		<b>Eccentric shaft kit ( Page 28 )</b>	
1	4700791433	2	Spherical roller bearing	
2	4700791425	2	O-ring 174, 20x5, 70	
3	4700791426	1	Radial lip seal	
4	4700160132	1	O-ring 124, 50x3, 00	

Go to Discount-Equipment.com to order your parts



4700945711 Drum rotation kit



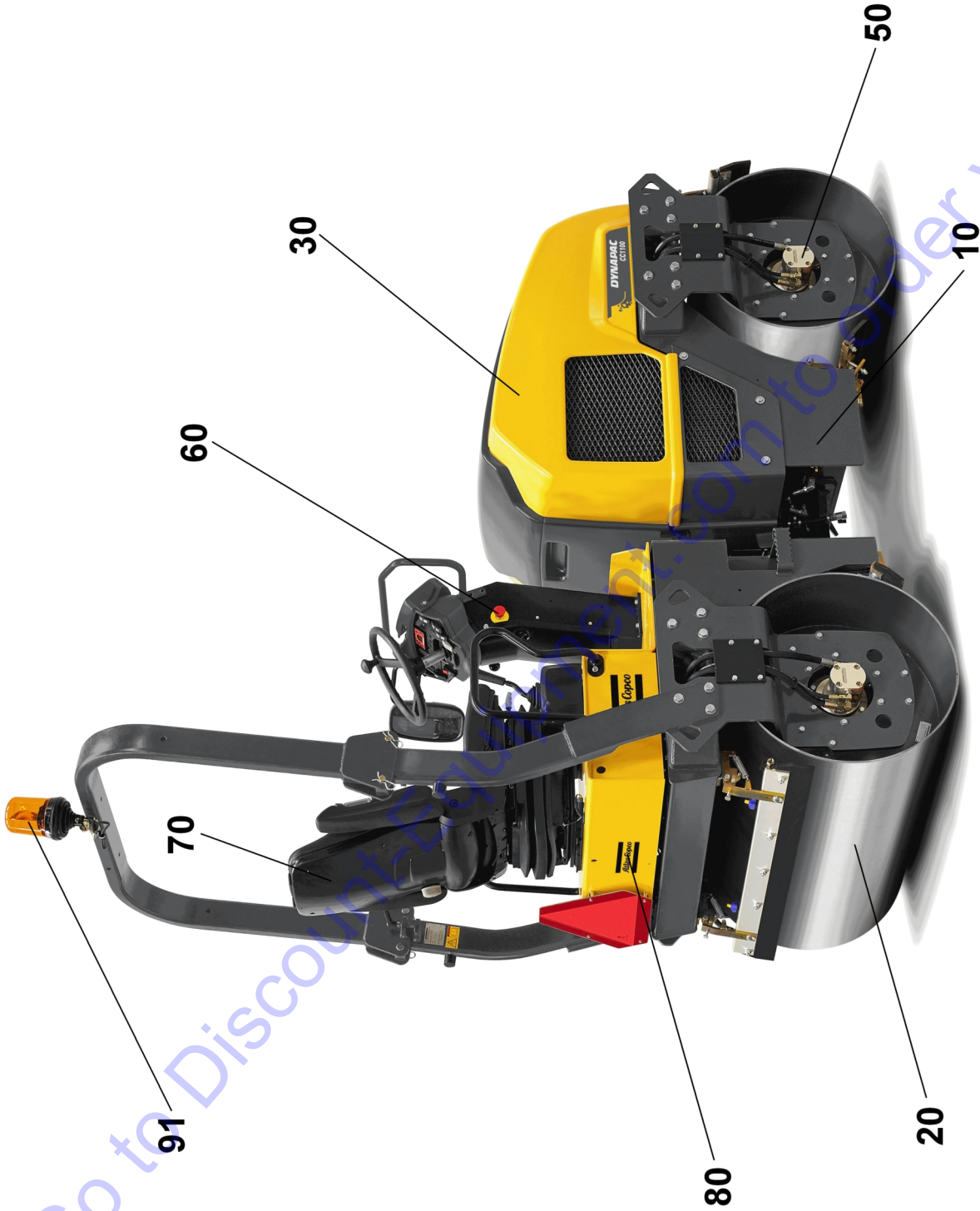
Go to Discount-Equipment.com to order your parts

## 4700945711 Drum rotation kit

Item	Part No	Rem Qty	Description	Code
	4700945711		<b>Drum rotation kit ( Page 30 )</b>	
1	4700111018	1	Ball bearing	
2	4700791426	1	Radial lip seal	
3	4700160132	1	O-ring 124, 50x3, 00	

Go to [Discount-Equipment.com](http://Discount-Equipment.com) to order your parts

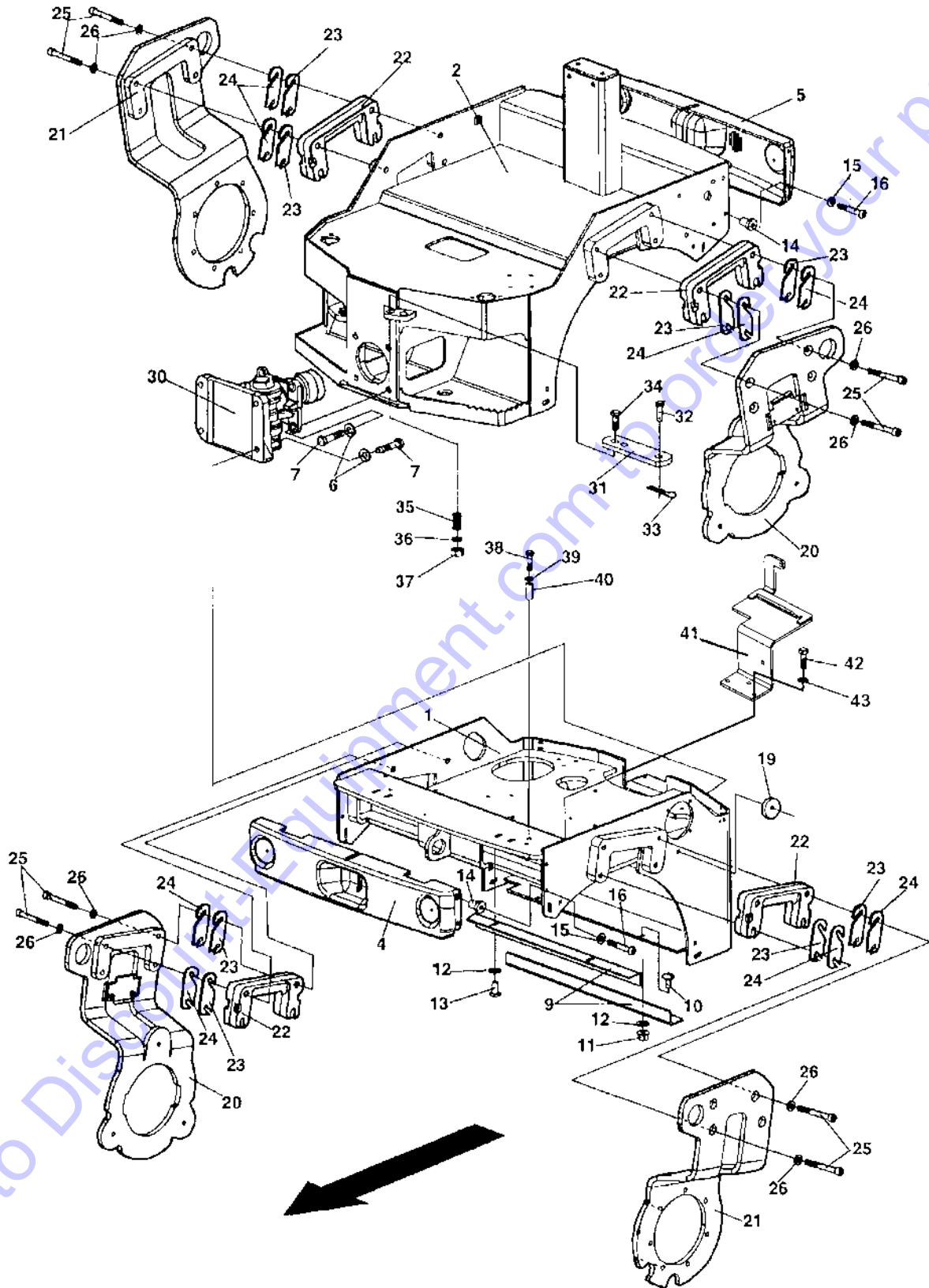
Frame



		Frame			
Item	Part No	Rem	Qty	Description	Code
15				Frames ( Page 34 )	
30				Scrapers ( Page 38 )	
40				Engine hood ( Page 40 )	
51				Sprinkler system ( Page 42 )	

Go to [Discount-Equipment.com](http://Discount-Equipment.com) to order your parts

Frames

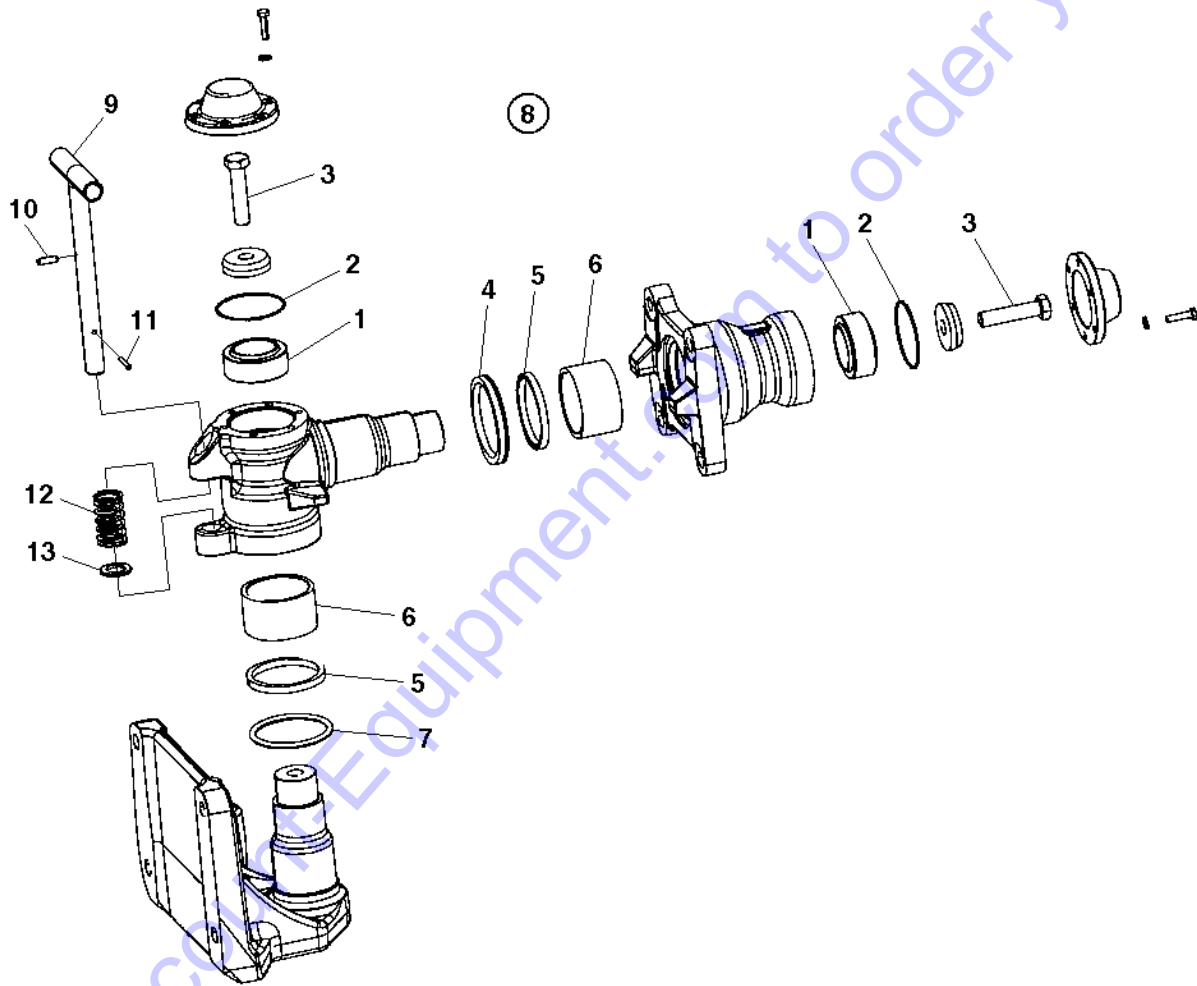


		Frames		
Item	Part No	Rem Qty	Description	Code
1	4700387055	1	Frame, front	
2	4700387056	1	Frame, rear	
4	4700387376	1	Cover, frame	
5	4700387886	1	Cover, frame	
6	4700904214	8	Washer 15x30x4 300 HV	
7	4700500176	8	Screw M14x060	
9	4700387779	2	Press plate	
10	4700929191	2	Bolt	
11	4700902286	2	Hexagon lock nut with flange	
12	4700904556	4	Washer 8,4x16x3,0	
13	4700500053	2	Screw M8x20H 8.8	
14	4700387949	8	Rubber nut	
15	4700904228	8	Washer 6,4x12x1,5	
16	4700791559	8	Screw M06x35	
19		A	1 Reflector	
20	4812120575	2	Fork, vibration side	
21	4812120576	2	Fork, drive side	
22	4700388153	8	Spacer	
23	4700387425	N	Shim	
24	4700387424	N	Shim	
25	4700791973	16	Screw M12x150	
26	4700904231	16	Washer 13x24x2 300 HV	
30	4700377621	1	<b>Hitch ( Page 36 )</b>	
31	4700377610	1	Lock link	
32	4700530027	1	Clevis pin	
33	4700635061	1	Hair clip	
34	4700500208	1	Screw M20x80	
35	4700349332	1	Pressure spring	
36	4700904233	1	Washer 21x36x3	
37	4700586022	1	Lock nut M20-8	
38	4700500067	1	Screw M8-1,25x55 8,8	
39	4700904229	1	Steel plain washer 8,4x16x1,5	
40	4700387677	1	Spacer sleeve	
41		C	1 Battery shelf	
42		C	3 Screw	
43		C	3 Washer	

A) See section Hitch

C) See section "Electrical equipment"

4700377621 Hitch



Go to [DiscoveEquipment.com](http://DiscoveEquipment.com) to order your parts

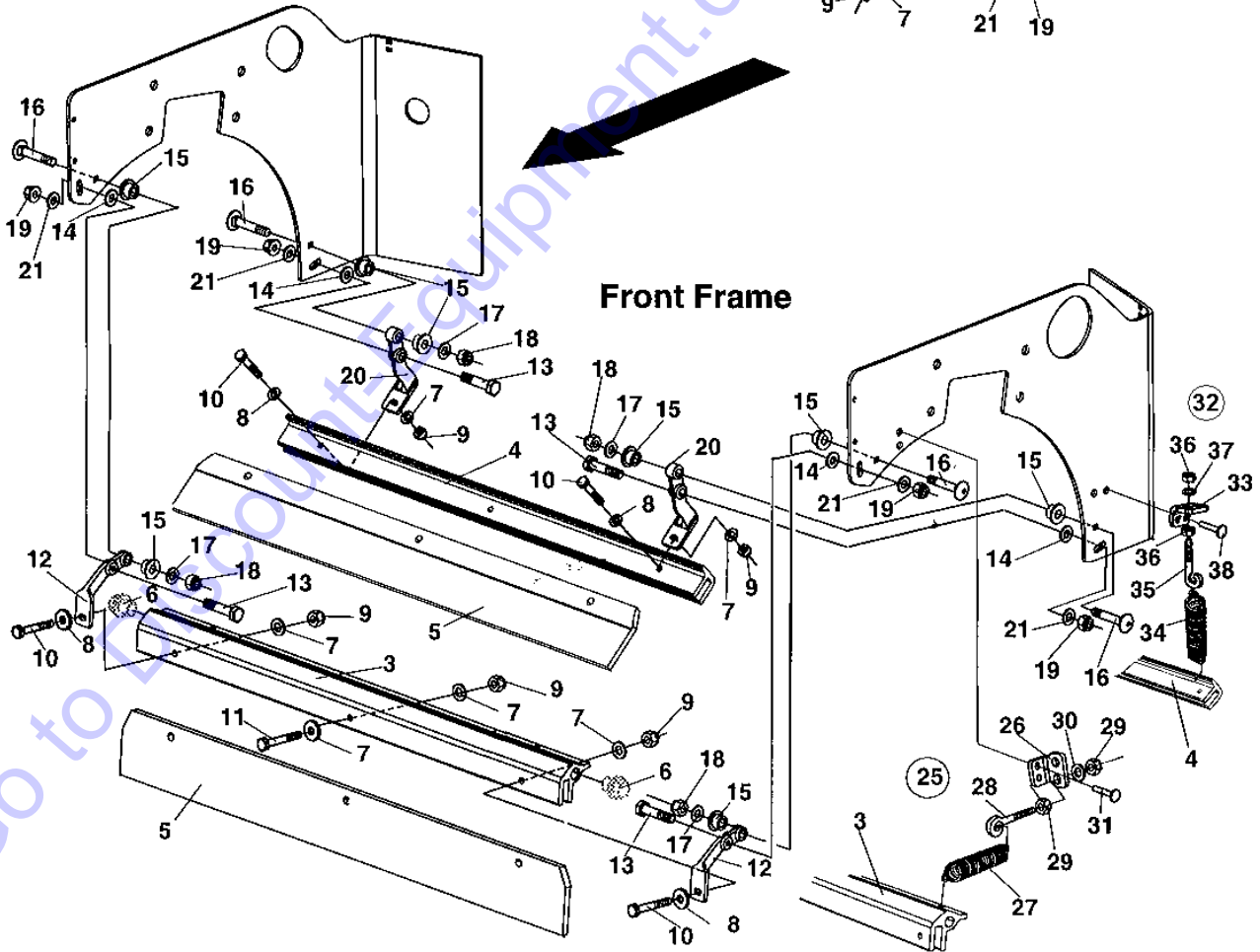
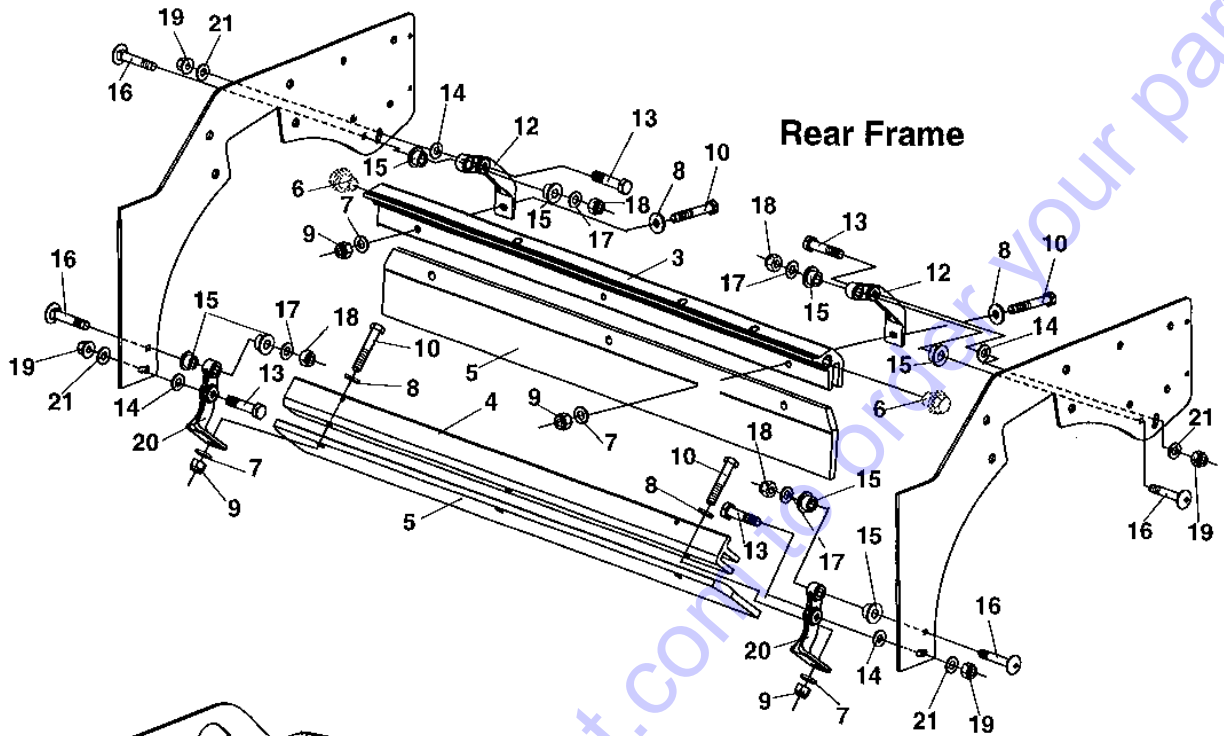
## 4700377621 Hitch

Item	Part No	Rem Qty	Description	Code
1	4700792611	2	Radial spherical plain bearing	
2	4700791962	2	O-ring	
3	4700500050	2	Screw	
4	4700388171	1	Sealing, v-ring	
5	4700388173	2	Shear wiper	
6	4700388172	2	Bushing	
7	4700160058	1	O-ring	
8	4700945928	1	<b>Repair kit, Steering hitch ( Page 26 )</b>	
9			Not used on this model	
10			Not used on this model	
11			Not used on this model	
12			Not used on this model	
13			Not used on this model	

Go to Discount-Equipment.com to order your parts



**Scrapers**



**Scrapers**

Item	Part No	Rem	Qty	Description	Code
3	4700387348		2	Sprinkler pipe	
4	4700387349		2	Hold	
5	4700387350		4	Scraper blade	
6	4700792072		4	End plug	
7	4700904229		16	Steel plain washer 8,4x16x1,5	
8	4700904640		8	Washer 8,4x22x3	
9	4700586003		12	Lock nut M8	
10	4700500067		8	Screw M8-1,25x55 8,8	
11	4700500024	A	4	Screw M8x45	
12	4700387039		4	Upper hold	
13	4700500105		8	Hexagon screw M10x50	
14	4700791938		8	Washer	
15	4700791939		16	Bushing	
16	4700791775		8	Bolt	
17	4700904229		8	Steel plain washer 8,4x16x1,5	
18	4700586003		8	Lock nut M8	
19	4700586018		8	Hexagon lock nut M10	
20	4700387043		4	Lower hold	
21	4700791938		8	Washer	
25		B,C	2	Spring loaded scraper	
26	4700378178	B	4	Bracket	
27	4700359043	B	2	Spring	
28	4700792189	B	4	Eye bolt	
29	4700570005	B	8	Nut M8	
30	4700904229	B	4	Steel plain washer 8,4x16x1,5	
31	4700792180	B	16	Blind rivet	
32		B,D	2	Spring loaded scraper	
33	4700378178	B	4	Bracket	
34	4700792188	B	2	Extension spring	
35	4700792189	B	4	Eye bolt	
36	4700570005	B	8	Nut M8	
37	4700904229	B	4	Steel plain washer 8,4x16x1,5	
38	4700792180	B	16	Blind rivet	

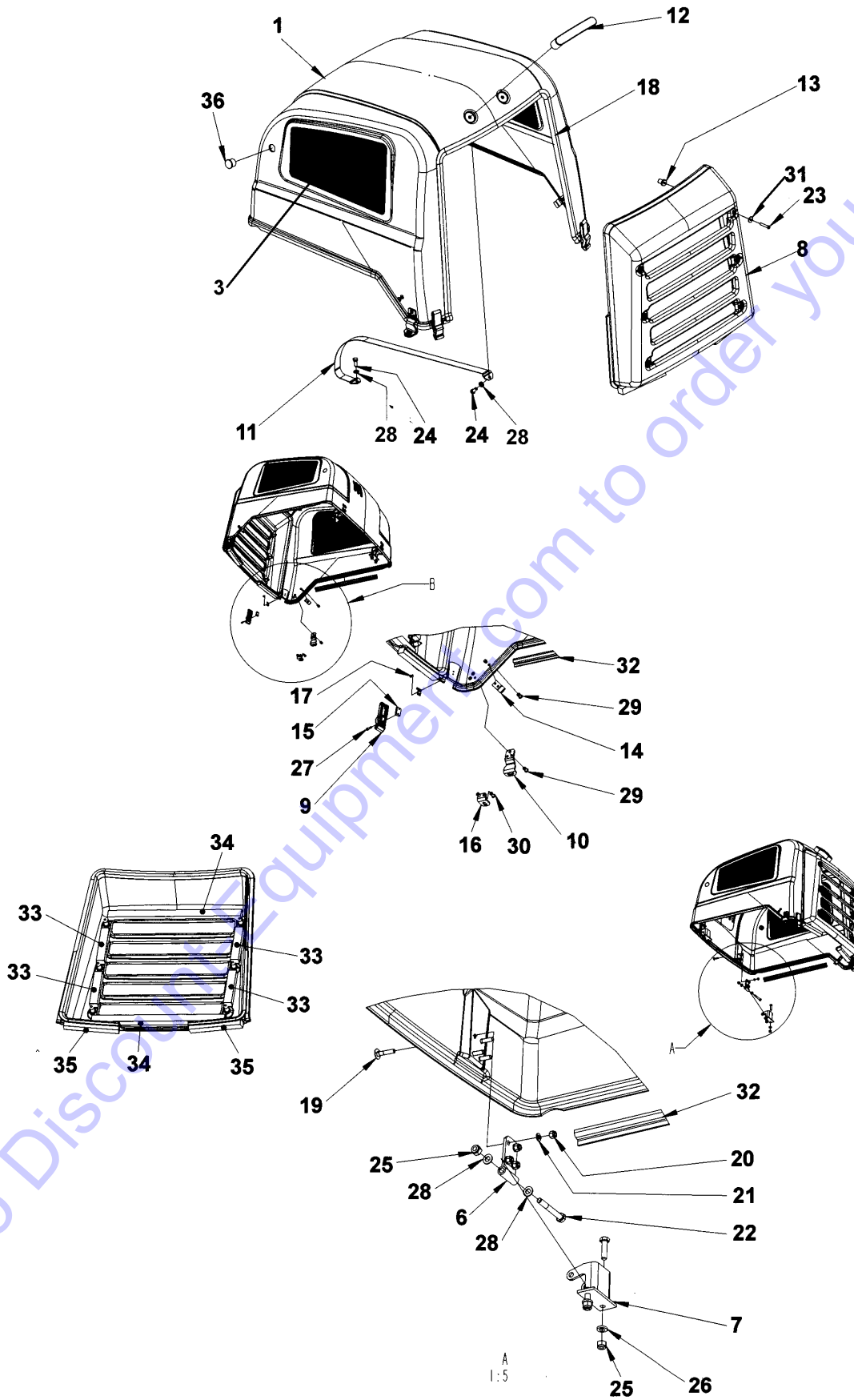
A) Valid for all scrapers

B) Option

C) Used on front and rear drum together with Sprinkler pipe PN 4700387348

D) Used on front and rear drum together with Holder 4700387349

**Engine hood**

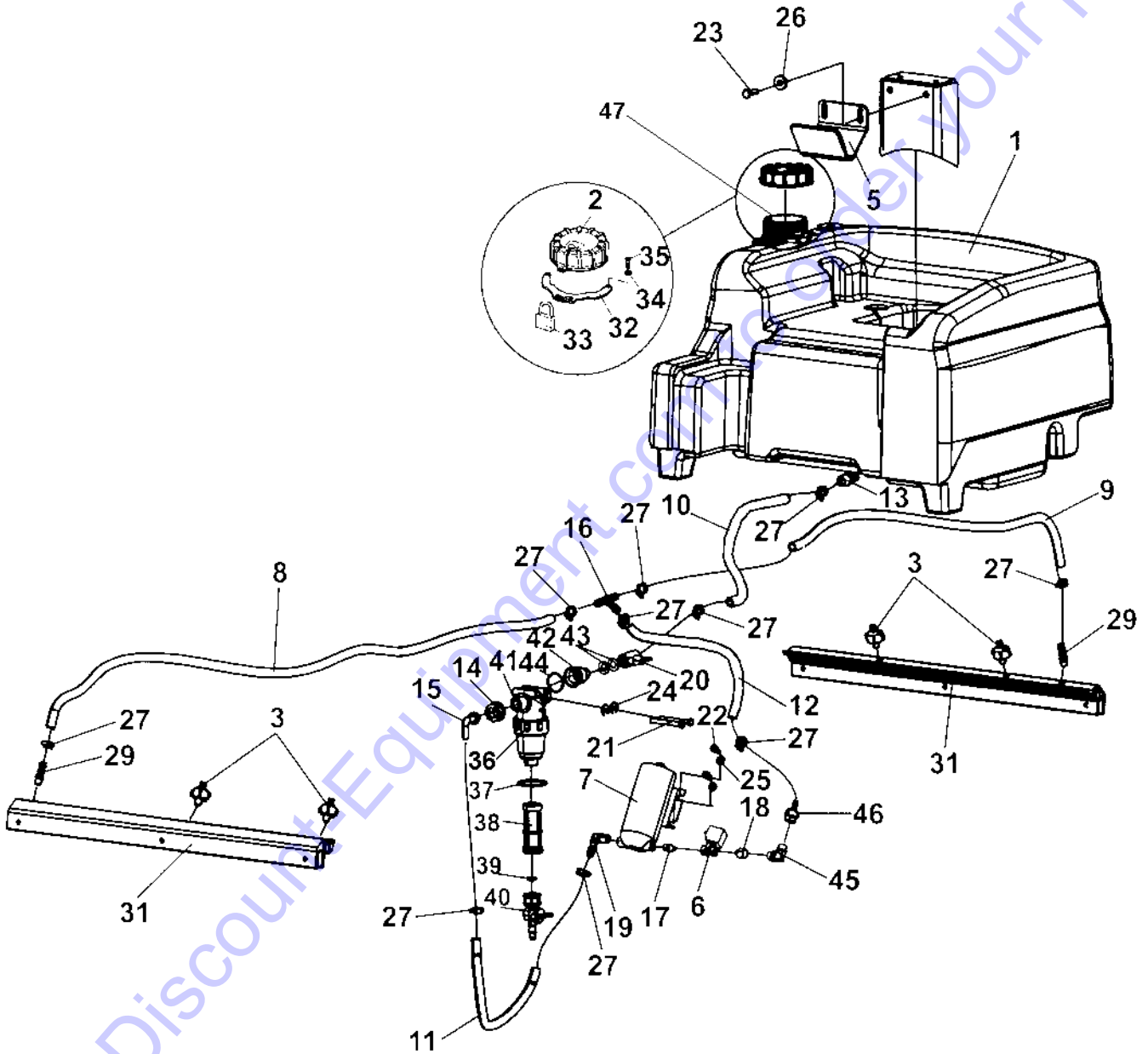


**Engine hood**

Item	Part No	Rem Qty	Description	Code
1	4812121394	1	Engine hood, cpl.	
2		1	. Engine hood	
3	4812120592	2	. Grid	
6	4700387148	2	Hinge	
7	4700387151	2	Hinge	
8	4812121199	1	Cover, radiator	
9	4700388846	2	Latch	
10	4700377061	1	Lock plate	
11	4700387947	1	Metal strapping	
12	4700387948	1	Handle	
13	4700387949	6	Rubber nut	
14	4700388733	2	Controlling plate	
15	4700387956	2	Stop plate	
16	4700388852	1	Lock plate	
17	4700791643	4	Screw	
18	4700902166	A	Edge trim	
19	4700903856	8	Bolt M06x30	
20	4700586002	8	Lock nut M6 -8	
21	4700904228	8	Washer 6,4x12x1,5	
22	4700500068	2	Screw M08x65	
23	4700791559	6	Screw M06x35	
24	4700500053	3	Screw M8x20H 8.8	
25	4700586003	6	Lock nut M8	
26	4700904556	4	Washer 8,4x16x3,0	
27	4700508022	4	Screw M4x16	
28	4700904229	7	Steel plain washer 8,4x16x1,5	
29	4700791754	7	Blind rivet	
30	4700792180	2	Blind rivet	
31	4700928381	6	Washer 6,4x18x1,6	
32	4700297018	B	Rubber strip	
33	4700791597	C	Rubber strip	
34	4700791597	D	Rubber strip	
35	4700791597	E	Rubber strip	
36	4700902890	2	Plug	

- A) L = 1620 mm  
 B) L = 450 mm  
 C) L = 125 mm  
 D) L = 420 mm  
 E) L = 170 mm

Sprinkler system



**Sprinkler system**

Item	Part No	Rem Qty	Description	Code
1	4700389218	1	Water tank, cpl	
2	4700388087	1	Tank cap	
3	4700392011	4	Spraying nozzle, cpl	
	4700392508	1	. Housing	
	4700392509	1	. Retainer, nozzle, strainer, yellow 0.8	
	4700376876	1	. Gasket	
5	4700387935	1	Bracket	
6	4700287713	1	Solenoid valve	
7	4812113822	1	Water pump	
8	4812112074	A	Plastic hose	
9	4812112074	B	Plastic hose	
10	4812112074	C	Plastic hose	
11	4812112074	D	Plastic hose	
12	4812112074	E	Plastic hose	
13	4700924544	2	Hose connection	
14	4700792779	1	Swivel nut	
15	4812111330	1	Hose connection swivel	
16	4700923735	1	Hose connection	
17	4700377611	1	Straight connector	
18	4812112645	1	Hose connection	
19	4700923734	1	Hose connection	
20	4700925599	1	Ball valve	
21	4700500090	2	Screw	
22	4700508004	4	Socket head cap screw M8-1,25x12H 8.8	
23	4700500029	2	Hexagon head screw	
24	4700904640	2	Washer 8,4x22x3	
25	4700904556	4	Washer 8,4x16x3,0	
26	4700904567	2	Washer 10,5x28x6 HB305	
27	4700313002	10	Hose clamp 13-20 mm	
29	4700791977	2	Hose connection	
31		F	Sprinkler pipe	
32	4700389155	G	Lock bracket	
33	4700358881	G	Pad lock	
34	4700904281	G	Washer 5,3x10x1 300HV	
35	4700903658	G	Screw M5x10	
36	4812111325	1	Water strainer, cpl	
37	4700791959	1	. O-ring	
38	4700791949	1	. Filter element	
39	4700791568	1	. Gasket	
40	4700379009	1	. Valve	
41	4700480852	1	O-ring 70	
42	4812111331	1	Reducer nipple	
43	4700379753	4	Gasket	
44	4700160313	1	O-ring 70	
45	4700901298	1	Connector	
46	4700901297	1	Hose connection	
47	4700358846	1	Strainer	

- A) L = 1565 mm  
 B) L = 835 mm  
 C) L = 520 mm  
 D) L = 410 mm  
 E) L = 440 mm  
 F) See section "Scraper"  
 G) Option

Drum

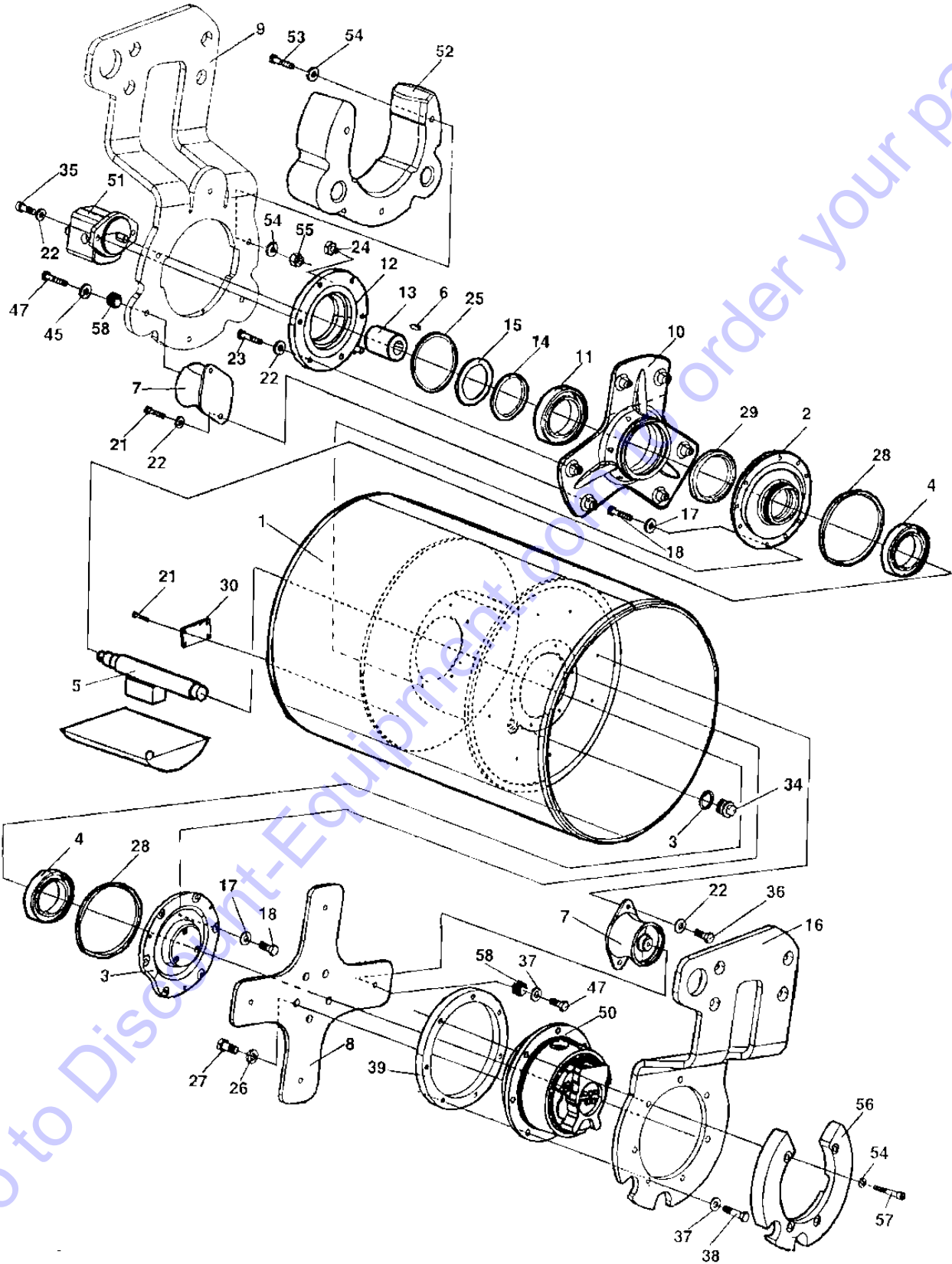
*Go to [Discount-Equipment.com](http://Discount-Equipment.com) to order your parts*

		Drum			
Item	Part No	Rem	Qty	Description	Code
10				Drum ( Page 46 )	

Go to [Discount-Equipment.com](http://Discount-Equipment.com) to order your parts



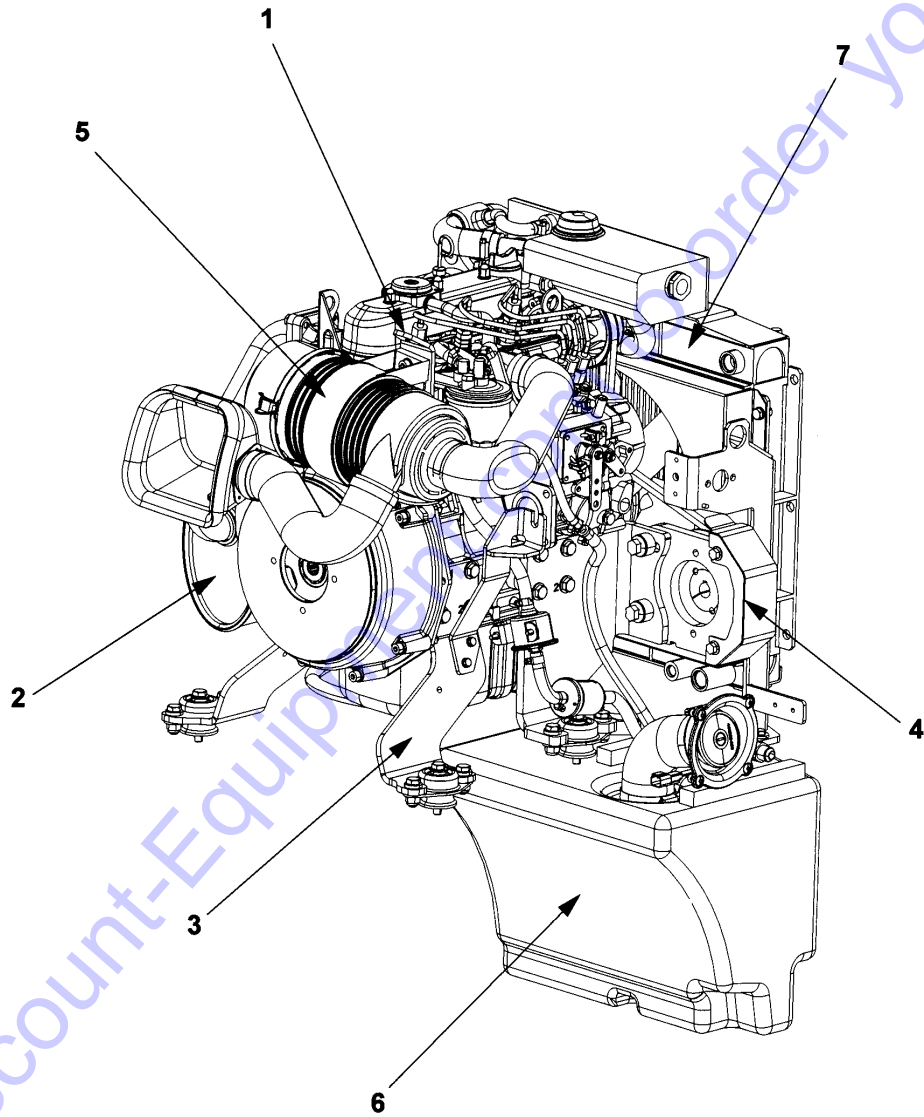
Drum



		Drum			
Item	Part No	Rem	Qty	Description	Code
1	4812120634		1	Drum	
2	4700386619		1	Bearing housing	
3	4700386620		1	Bearing housing	
4	4700791433		2	Spherical roller bearing	
5	4700386627		1	Eccentric shaft	
6	4700350029		1	Key	
7	4700391984		7	Shock absorber	
8	4700386622		1	Drive disc	
9		A	1	Fork, vibration side	
10	4700386241		1	Bearing housing	
11	4700111018		1	Ball bearing	
12	4700358666		1	Adapter	
13	4700349202		1	Coupling	
14	4700358689		1	Spacer ring	
15	4700903154		1	Retaining ring	
16		A	1	Fork, drive side	
17	4700904640		12	Washer 8,4x22x3	
18	4700500022		12	Screw M8x30H 8.8	
19	4700904228		3	Washer 6,4x12x1,5	
20	4700500012		3	Screw M6x12	
21	4812110596		6	Hexagon head screw M10x40 10,9 A3K	
22	4700904557		22	Steel plain washer	
23	4700500029		6	Hexagon head screw	
24	4700343490		1	Air breather	
25	4700160132		1	O-ring 124, 50x3, 00	
26	4700904558		5	Washer 17X30X6 300HV	
27	4700947694		5	Screw	
28	4700791425		2	O-ring 174, 20x5, 70	
29	4700791426		1	Radial lip seal	
30			1	Sign plate	
31	4700527002		4	Drive screw	
33	4700162017		1	Seal ring	
34	4700343744		1	Magnetic plug	
35	4700508029		2	Screw M10-1,5x30H 8,8	
36	4812110663		8	Hexagon head screw M10x25H 10,9 A3K	
37	4700904703		11	Steel plain washer	
38	4700925519		7	Screw M12x55 10.9 GEOMET	
39	4700387137		1	Thread ring	
45	4700904231		3	Washer 13x24x2 300 HV	
47	4812110595		7	Hexagon head screw M12x45H 10,9 A3K	
49	4700903374		6	Protective plug	
50		B	1	Hydraulic motor	
51		C	1	Hydraulic motor	
52	4700389434	D	1	Ballast	
53	4700925228	D	3	Hexagon head screw	
54	4700904703	D	10	Steel plain washer	
55	4700570007	D	3	Hexagon nut M12	
56	4700389432	D	1	Ballast	
57	4700928198	D	4	Screw	
58	4812110346		7	Spacer	

- A) See section " Frame"  
 B) See section "Hydraulic propulsion and brake"  
 C) See section "Hydraulic vibration"  
 D) Option

Engine

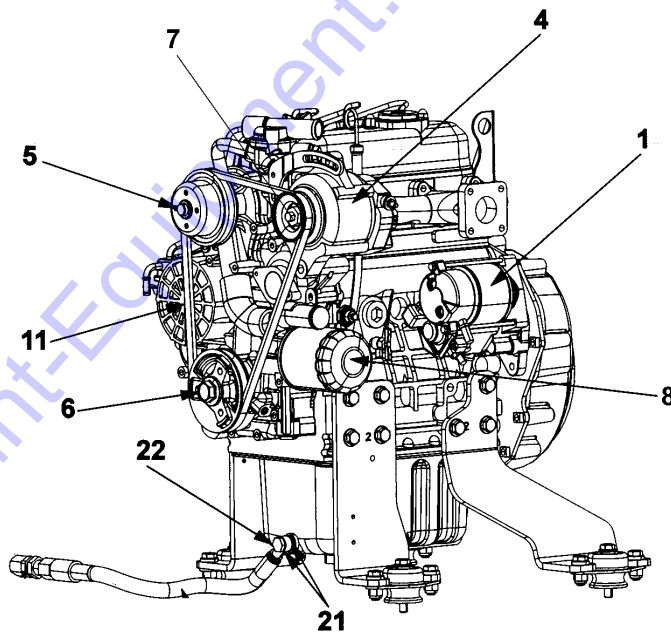
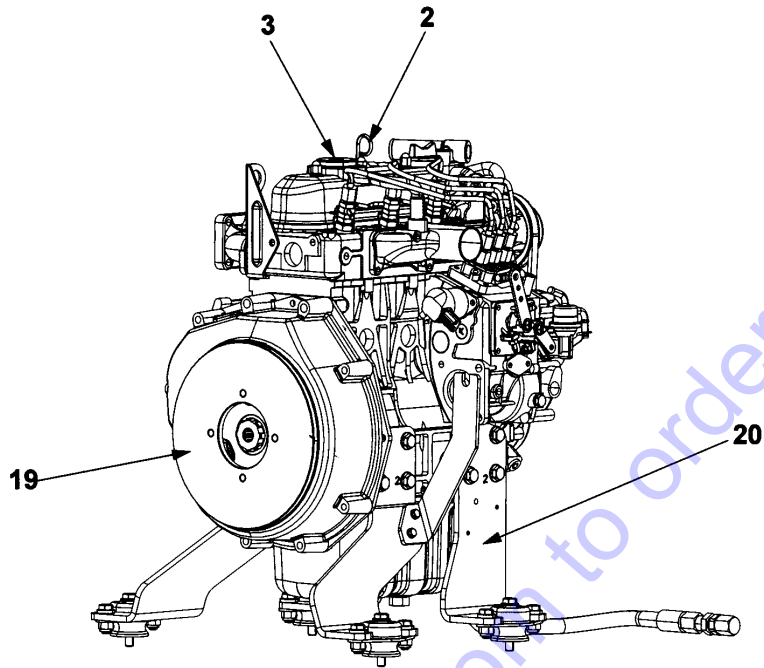


Go to Discount-Equipment.com to order your parts

		Engine		
Item	Part No	Rem Qty	Description	Code
1			Engine Kubota D1105 E4B ( Page 50 )	
2			Exhaust system ( Page 56 )	
3			Engine bracket module ( Page 54 )	
4	4812121221		Engine equipment kit ( Page 58 )	
5			Air intake system ( Page 60 )	
6			Fuel system ( Page 62 )	
7			Cooling system ( Page 64 )	

Go to [Discount-Equipment.com](http://Discount-Equipment.com) to order your parts

Engine Kubota D1105 E4B

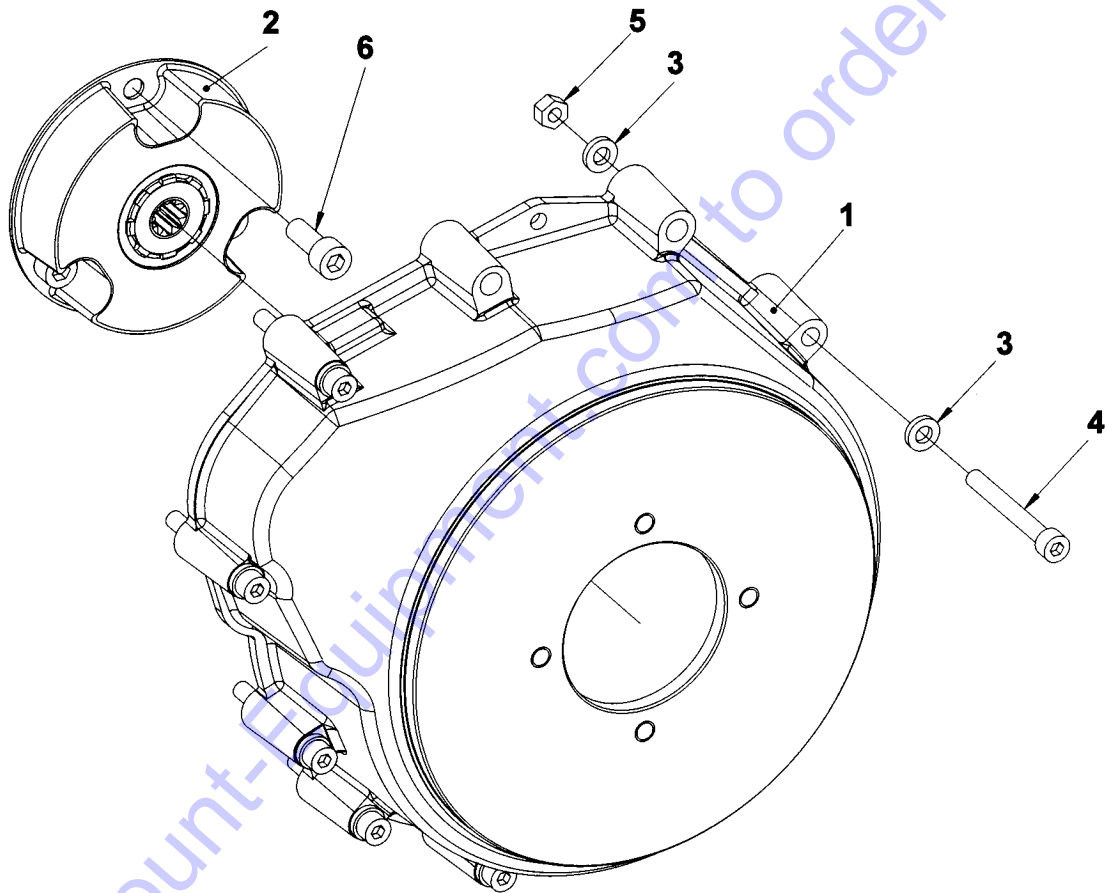


**Engine Kubota D1105 E4B**

Item	Part No	Rem Qty	Description	Code
1	4812160092	1	Starter	
2	4812160081	1	Oil dipstick	
3	4812160088	1	Oil cap	
	4812160089	1	. O-ring	
4	4812160091	1	Alternator	
5		1	Pulley, V-belt	
6		1	Alternator, Fan	
7		1	Pulley, alternator	
8	4812160094	1	Engine oil filter element	
9		1	Pre-fuel filter element	
10		1	Fuel filter element	
11	4812160090	1	V-belt	
13	4812160093	1	Valve cover gasket	
14		1	Piston ring set	
18		1	O-ring	
19		1	<b>Coupling ( Page 52 )</b>	
20		1	<b>Engine bracket module ( Page 54 )</b>	
21	4700162027	2	Sealing	
22	4812120953	1	Hollow screw	

Go to Discount-Equipment.com to order your parts

Coupling



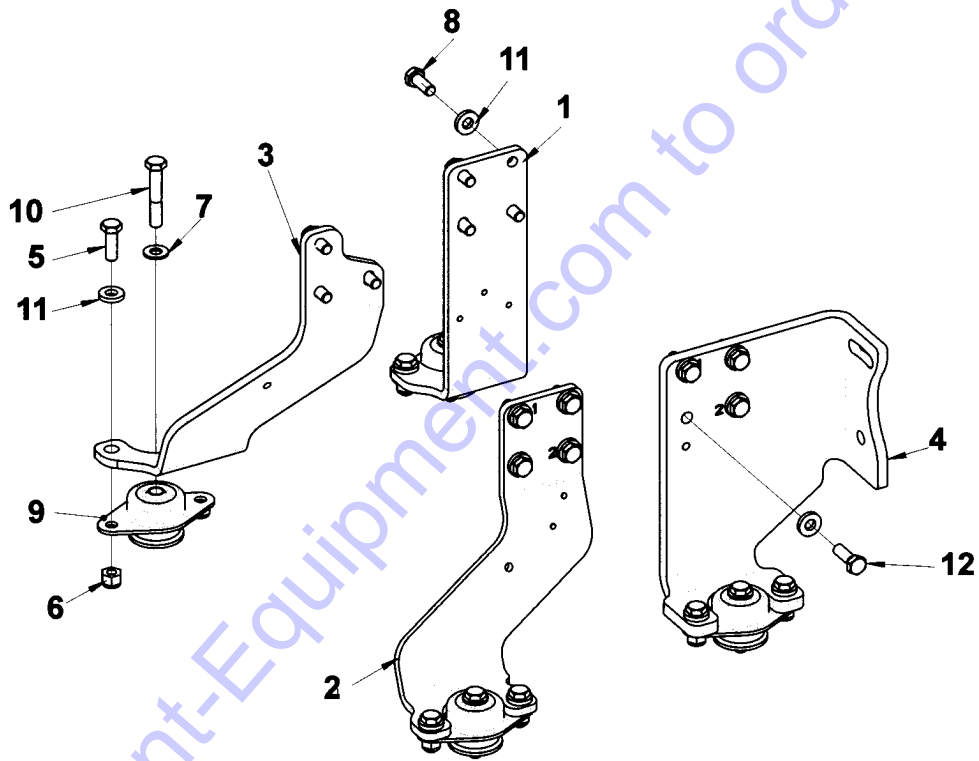
Go to Discount-Equipment.com to order your parts

		Coupling		
Item	Part No	Rem Qty	Description	Code
1	4812121046	1	Bracket	
2	4812121045	1	Coupling	
3	4700904556	10	Washer 8,4x16x3,0	
4	4700508059	8	Screw M8x65	
5	4700570005	2	Nut M8	
6	4700508096	3	Screw	

Go to [Discount-Equipment.com](http://Discount-Equipment.com) to order your parts



Engine bracket module



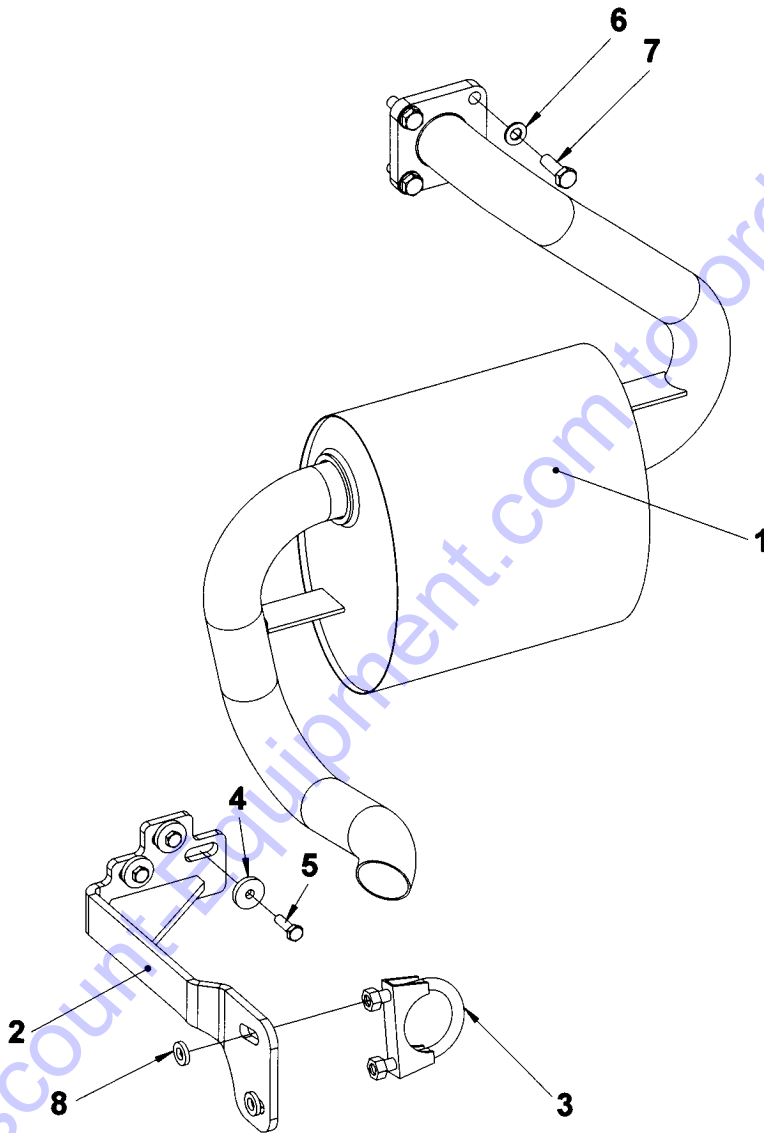
Go to [Discount-Equipment.com](http://Discount-Equipment.com) to order your parts

## Engine bracket module

Item	Part No	Rem Qty	Description	Code
1	4812120590	1	Bracket	
2	4812120501	1	Bracket	
3	4812120502	1	Bracket	
4	4812121453	1	Bracket	
5	4700500029	8	Hexagon head screw	
6	4700586018	8	Hexagon lock nut M10	
7	4700904230	4	Steel plain washer	
8	0147195903	11	Screw M10x025H 8,8	
9	4700792026	4	Rubber mounts	
10	4700500033	4	Screw M10-1,5x60 8,8	
11	4700904557	23	Steel plain washer	
12	0147195944	4	Screw M10x030H 8,8	

Go to [Discount-Equipment.com](http://Discount-Equipment.com) to order your parts

Exhaust system

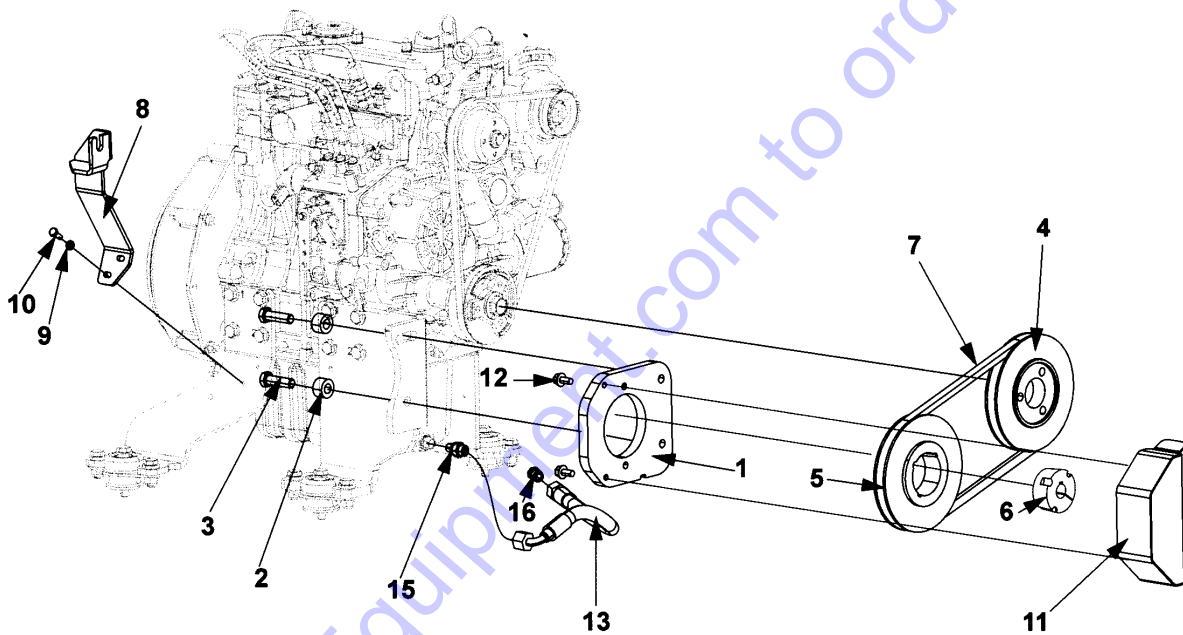


**Exhaust system**

<b>Item</b>	<b>Part No</b>	<b>Rem Qty</b>	<b>Description</b>	<b>Code</b>
1	4812121570	1	Muffler	
2	4812121627	1	Bracket	
3	4700927568	1	Clamp	
4	4700904735	3	Washer	
5	4700500040	3	Screw M6-1x20 8,8	
6	4700904229	4	Steel plain washer 8,4x16x1,5	
7	4700500021	4	Screw M8-1,25x25 8.8	
8	4700904556	2	Washer 8,4x16x3,0	

Go to [Discount-Equipment.com](http://Discount-Equipment.com) to order your parts

4812121221 Engine equipment kit



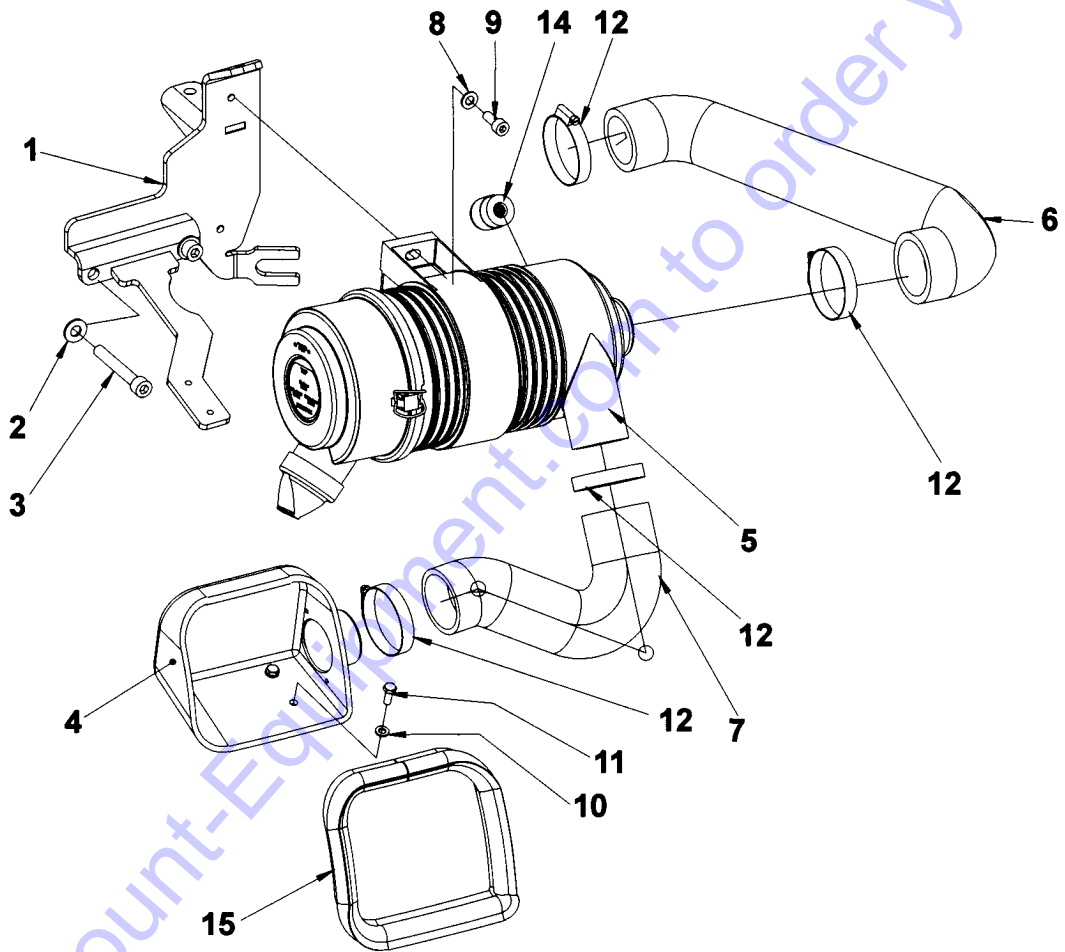
**4812121221 Engine equipment kit**

Item	Part No	Rem Qty	Description	Code
1	4812121217	1	Plate	
2	4700791572	2	Spacer washer	
3	4700500194	2	Screw	
4	4812121218	1	Pulley	
5	4812119939	1	Pulley	
6	4812119940	1	Bushing	
7	4812119941	1	Belt	
8	4812120647	1	Bracket	
9	4700904228	2	Washer 6,4x12x1,5	
10	4700500013	2	Screw M6-1x16 8,8	
11	4812121345	1	Cover	
12	4700901832	2	Screw M08x16 8,8	
13	4812121673	A	Drain hose	
15	4812121674	1	Straight connector	
16	4700232230	1	Plug	

A) L = 0,52 m

Go to Discount-Equipment.com to order your parts

Air intake system



Go to Discount-Equipment.com to order your parts

**Air intake system**

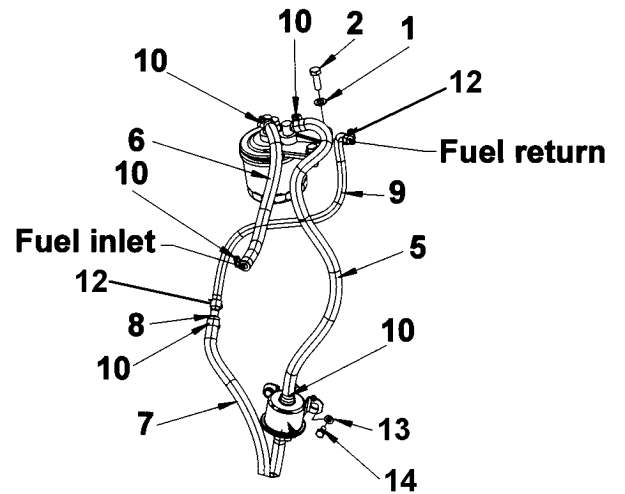
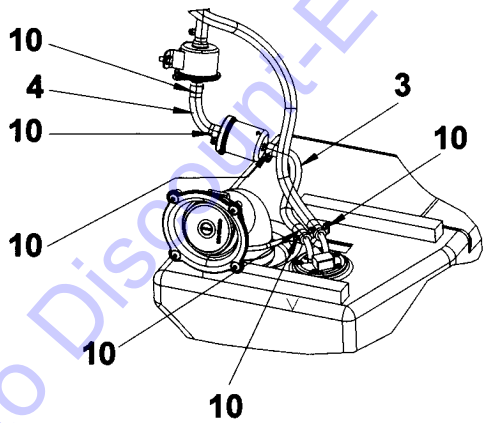
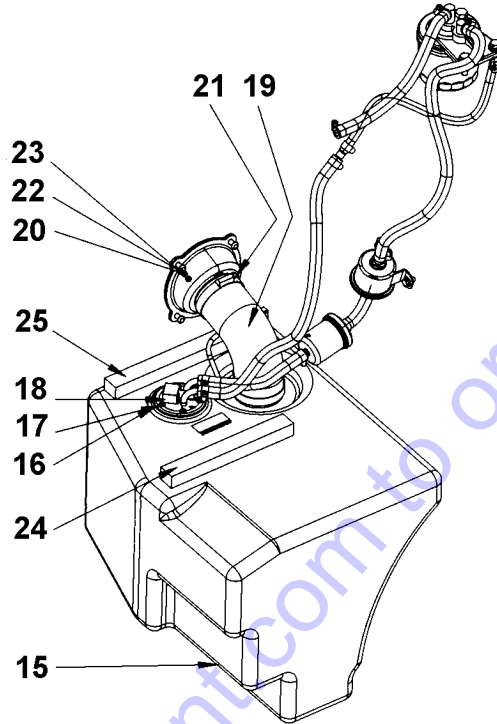
Item	Part No	Rem	Qty	Description	Code
1	4812121082		1	Bracket	
2	4700904230		2	Steel plain washer	
3	4812120952		2	Screw M10x080 8,8	
4	4812120582		1	Box	
5	4700386951		1	Air filter	
6	4812120588		1	Air intake hose	
7	4812120589		1	Air intake hose	
8	4700904229		2	Steel plain washer 8,4x16x1,5	
9	4700508092		2	Screw	
10	4700904228		2	Washer 6,4x12x1,5	
11	4700500013		2	Screw M6-1x16 8,8	
12	4700313010		4	Hose clamp	
14	4700499497		1	Indicator	
15	4700288129	A	N	Edge strip	

A) L = 0,58 m

Go to Discount-Equipment.com to order your parts



**Fuel system**



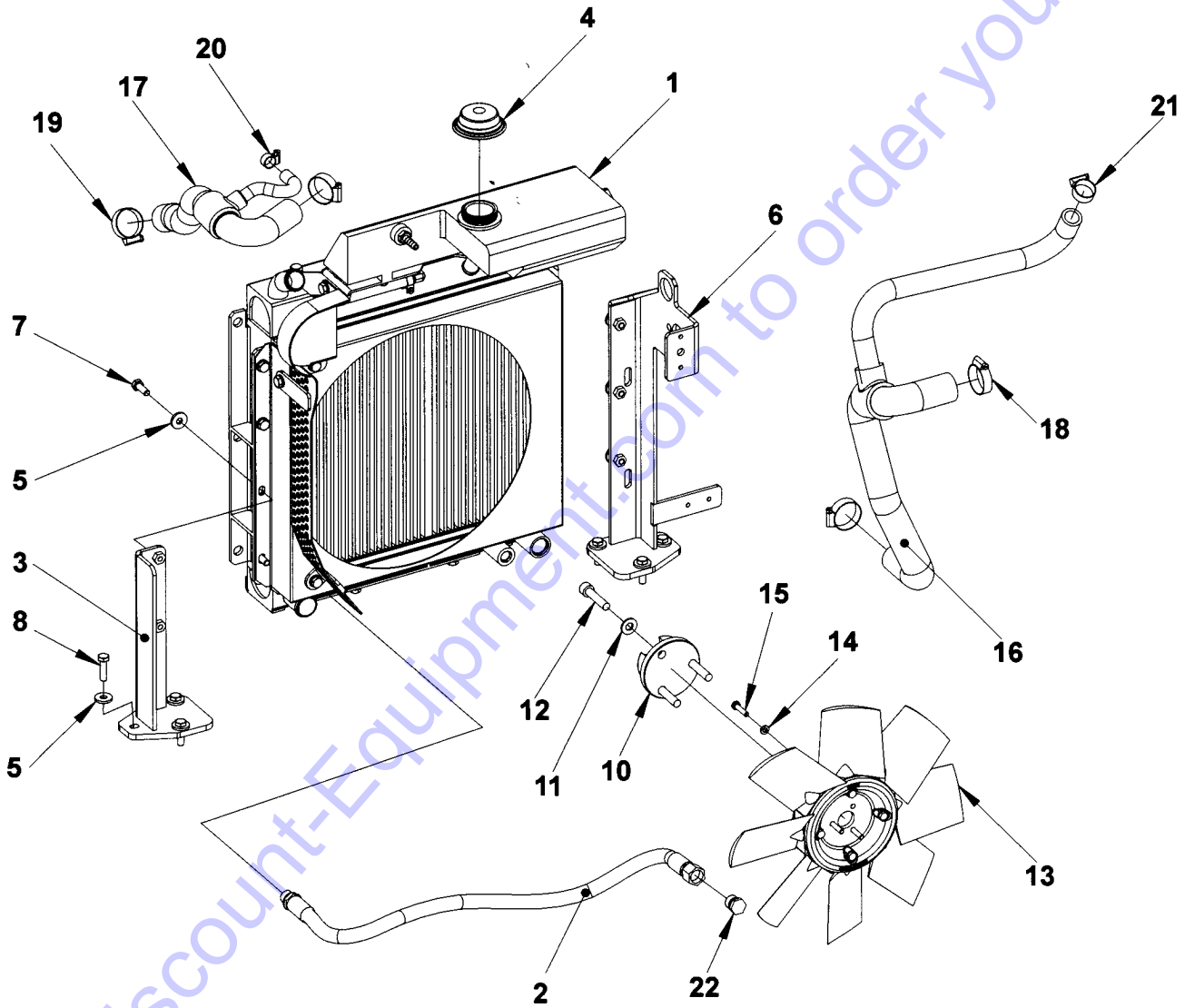
**Fuel system**

Item	Part No	Rem	Qty	Description	Code
1	4700904229		1	Steel plain washer 8,4x16x1,5	
2	4700947680		2	Screw M8-1,25x25 10.9	
3	4700904984	B	1	Fuel hose	
4	4700904984	K	1	Fuel hose	
5	4700904984	A	1	Fuel hose	
6	4700904984	B	1	Fuel hose	
7	4700904984	G	1	Fuel hose	
8	4700791774		1	Hose connection	
9	4700791422	C	1	Hose	
10	4700313001		10	Hose clamp	
12	4700313108		2	Hose clamp	
13	4700904228		2	Washer 6,4x12x1,5	
14	4700500012		2	Screw M6x12	
15	4700387279		1	Fuel tank	
16	4700387552		1	Level gauge	
	4700945777		1	. Gasket	
17	4700904698		5	Washer 4,3x8x0,8	
18	4700903236		5	Screw, Thread rolling K40x20	
19	4700387695		1	Fuel hose	
20	4700387682		1	Filler neck	
21	4700313023		2	Hose clamp	
22	4700792180		4	Blind rivet	
23	4812118459		1	Fuel cap	
	4812118885		1	. Key 2 pcs "044"	
24	4700202042	H	2	Rubber strip	
25	4700376555		1	Fuel filter	
	4700945418		1	Filter head	
27	4700940894		1	Water separator, cpl	
	4700940922		1	. Filter element	
	4700940203		1	. O-ring	

- A) L = 0,54 m
- B) L = 0,28 m
- C) L = 0,376 m
- G) L = 0,44 m
- H) L = 0,20 m
- K) L = 0,30 m

Go to Discount-Equipment.com to order your parts

Cooling system



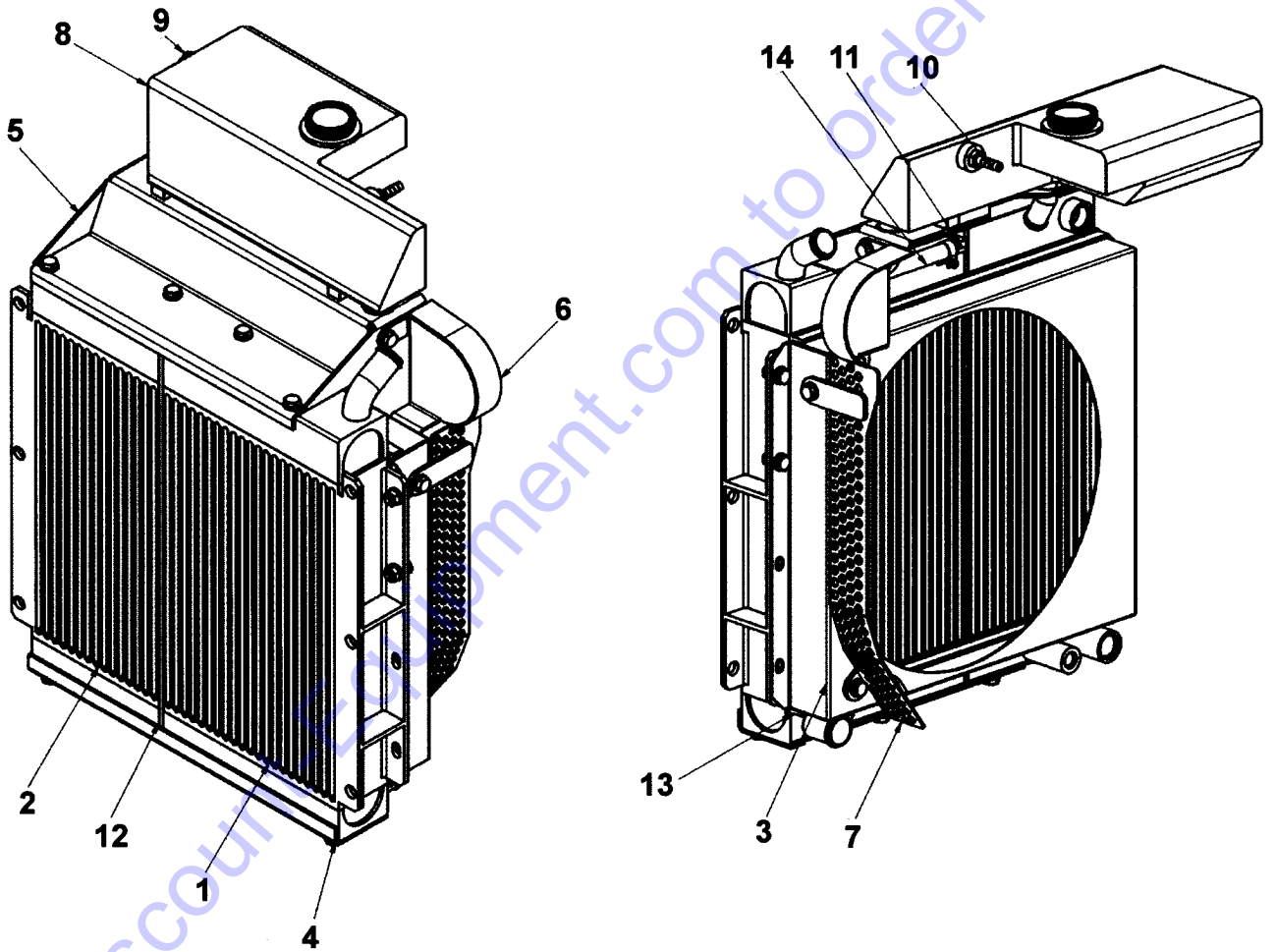
Go to Discount-Equipment.com to order your parts

**Cooling system**

Item	Part No	Rem Qty	Description	Code
1	4812120649	1	<b>Cooler package ( Page 66 )</b>	
2	4700791780	1	Drainage hose	
3	4812121035	1	Bracket	
4	4700903714	1	Cap	
5	4700904640	11	Washer 8,4x22x3	
6	4812120541	1	Bracket	
7	4700500020	5	Screw M8-1,25x22 8,8	
8	4700500022	6	Screw M8x30H 8.8	
10	4812120548	1	Fan hub	
11	4700904230	3	Steel plain washer	
12	4812121288	3	Screw M10-1,25x045H 8.8	
13	4812120605	1	Fan	
14	4700904228	3	Washer 6,4x12x1,5	
15	4700500075	3	Screw M6-1,0x25 8.8	
16	4812120601	1	Cooler hose	
17	4812120646	1	Cooler hose	
18	4700313007	2	Hose clamp	
19	4700313035	2	Hose clamp	
20	4700313002	1	Hose clamp 13-20 mm	
21	4700313006	1	Hose clamp	
22	4700791493	1	Steel plug threaded	

Go to Discount-Equipment.com to order your parts

4812120649 Cooler package



**4812120649 Cooler package**

<b>Item</b>	<b>Part No</b>	<b>Rem Qty</b>	<b>Description</b>	<b>Code</b>
1	4812160067	1	Water cooler	
2	4812160068	1	Oil cooler	
3	4812160069	1	Fan house	
4	4812160070	1	Plate	
5	4812160071	1	Bracket	
6	4812160072	1	Protection	
7	4812160073	1	Protection	
8	4812160074	1	Expansion tank	
9	4812160075	1	Level gauge	
10	4812157872	2	Hose connection	
11	4812160076	1	Hose connection	
12	4812160077	2	Rubber seal	
13	4812160078	2	Hatch seal	
14	4812160079	1	Hose	

Go to [Discount-Equipment.com](http://Discount-Equipment.com) to order your parts

Hydraulic system

*Go to [Discount-Equipment.com](http://Discount-Equipment.com) to order your parts*

## Hydraulic system

Item	Part No	Rem Qty	Description	Code
10			Hydraulic propulsion and brake ( Page 70 )	
30			Hydraulic vibration ( Page 74 )	
40			Vibration cut-off one drum ( Page 76 )	
50			Hydraulic steering ( Page 80 )	

Go to [Discount-Equipment.com](http://Discount-Equipment.com) to order your parts

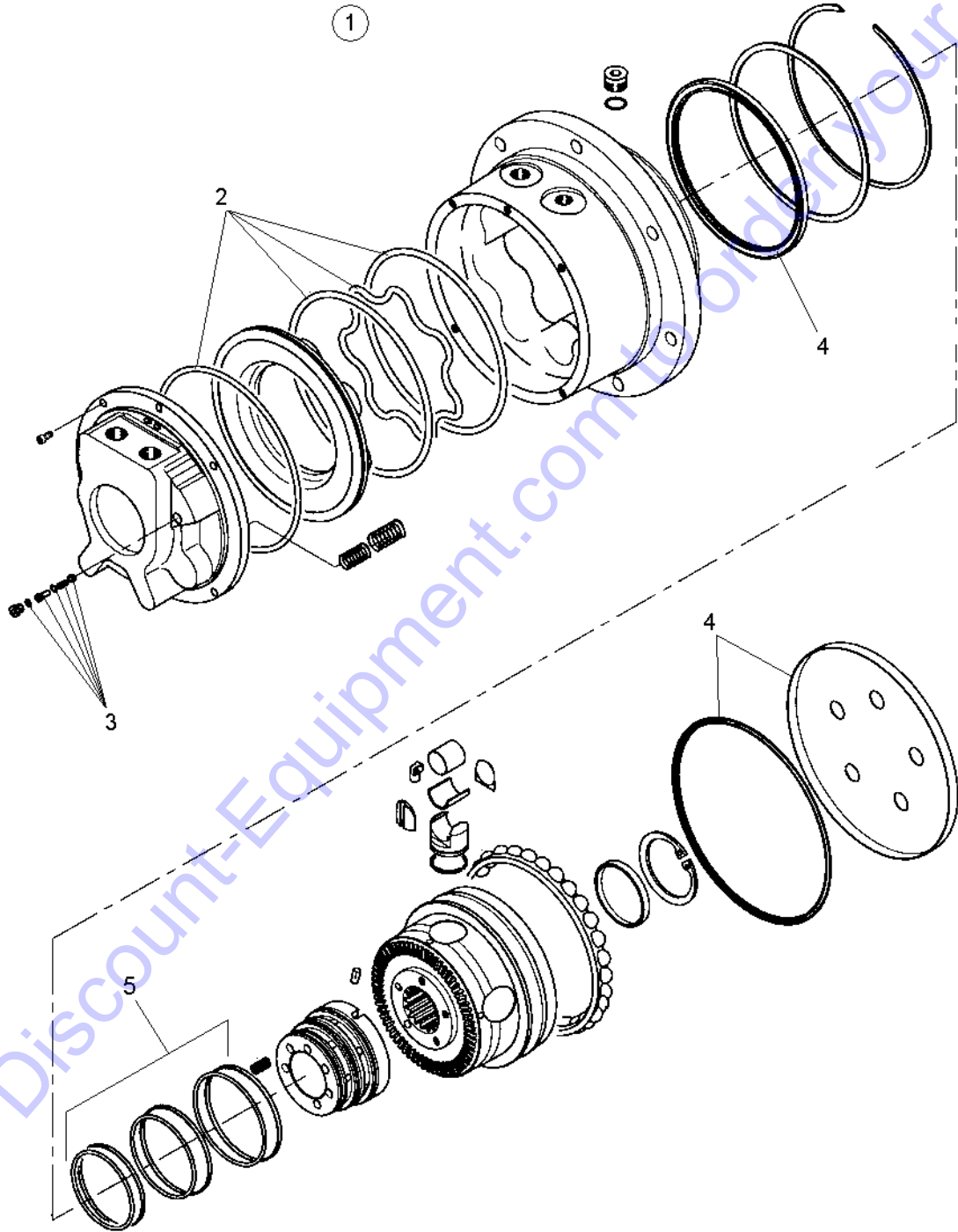




**Hydraulic propulsion and brake**

Item	Part No	Rem Qty	Description	Code
1	4700387270	2	<b>Hydraulic motor ( Page 72 )</b>	
2	4700904641	4	Straight connector orfs	
3	4700791535	2	Connector	
4	4700904766	1	Elbow connector 90°	
5	4812119960	1	Hydraulic pump	
6	4700904703	2	Steel plain washer	
7	4700500037	2	Screw	
8	4812120635	1	Measuring nipple	
9	4700921112	1	Pipe clamp	
10	4700791699	2	Elbow 90°	
11	4700791537	2	Straight connector	
12	4700792332	1	Elbow 90 orfs	
13	4700791743	1	Straight connector orfs	
14	4700387597	2	Pipe	
15	4700387598	2	Pipe	
16	4700483692	1	Hydraulic hose	
17	4700483655	1	Hydraulic hose	
18	4700389407	1	Hydraulic hose	
19	4700389408	1	Hydraulic hose	
20	4700387678	2	Rubber part	
21	4700387677	2	Spacer sleeve	
22	4700387676	1	Hose bracket	
23	4700389556	1	Rubber part	
24	4700904229	2	Steel plain washer 8,4x16x1,5	
25	4700500068	2	Screw M08x65	
26	4700483695	1	Hydraulic hose	
27	4700483666	1	Hydraulic hose	
28	4700483663	1	Hydraulic hose	
29	4700389400	1	Hydraulic hose	
30	4700483835	1	Hydraulic hose	
31	4812121432	1	Hydraulic hose	
32	4812121089	1	Hydraulic hose	
33	4700313001	2	Hose clamp	
34	4700313108	1	Hose clamp	
35	4700388960	2	Hose clamp	
36	4700500505	6	Screw M8x20 8.8	
37	4700500019	4	Screw M8x16H 8.8 A2K	
38	4700904640	4	Washer 8,4x22x3	
39	4700904009	5	O-ring	
40	4700791541	1	Straight connector	
41	4700791745	1	Elbow 90, O-ring with swivel	
42	4700283711	1	Hose clamp	
43	4700162005	1	Washer sealing	
44	4700904727	1	Adapter	

4700387270 Hydraulic motor

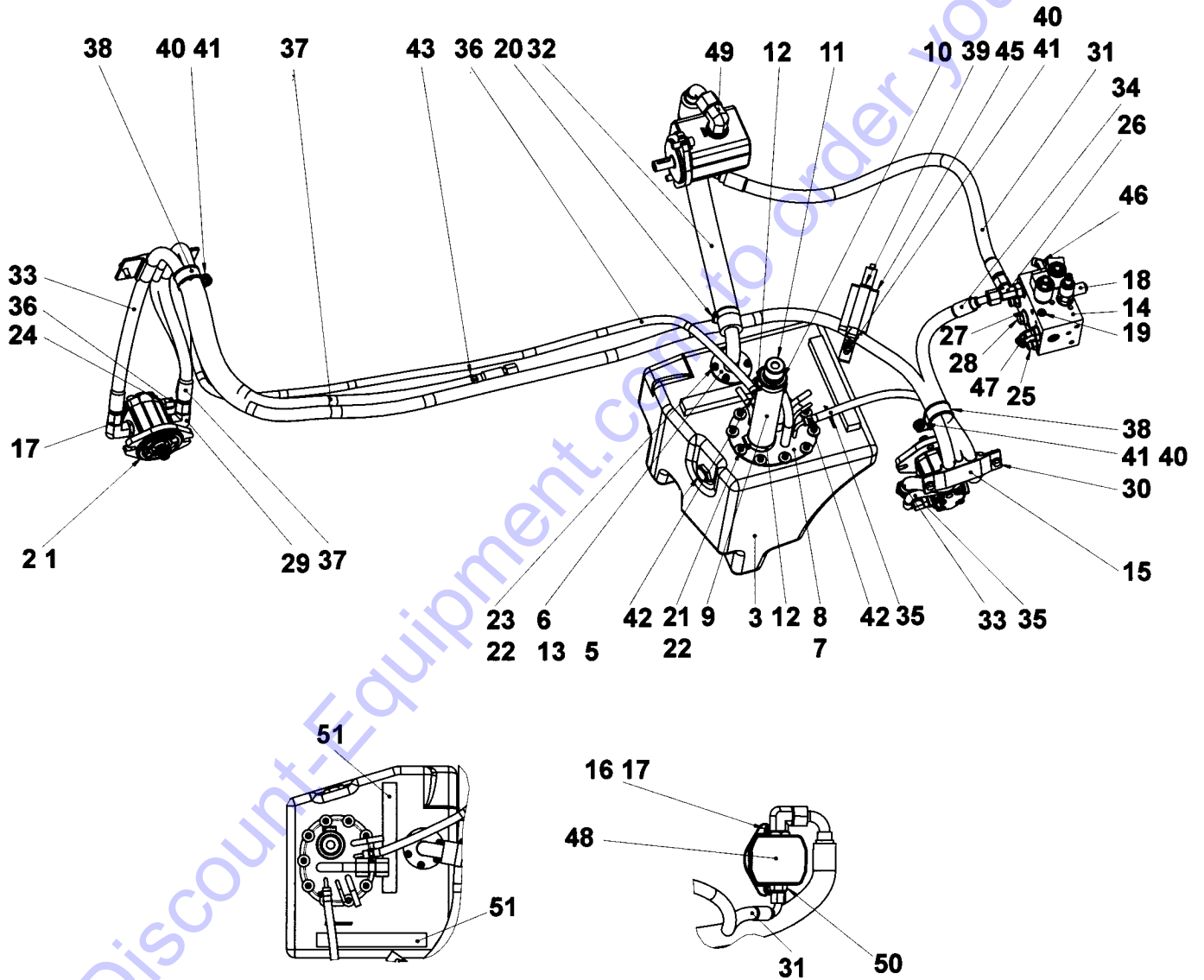


## 4700387270 Hydraulic motor

Item	Part No	Rem Qty	Description	Code
1	4700387270	1	<b>Hydraulic motor ( Page 72 )</b>	
2	4700945532	1	. Sealing kit Debraking system	
3	4700945658	1	. Sealing kit	
4	4700945531	1	. Seal kit Rotating parts	
5	4812156798	1	. Seal kit	

Go to [Discount-Equipment.com](http://Discount-Equipment.com) to order your parts

**Hydraulic vibration**



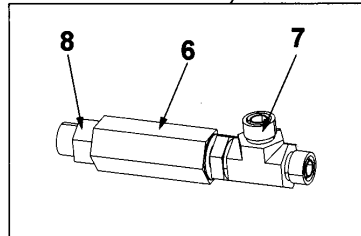
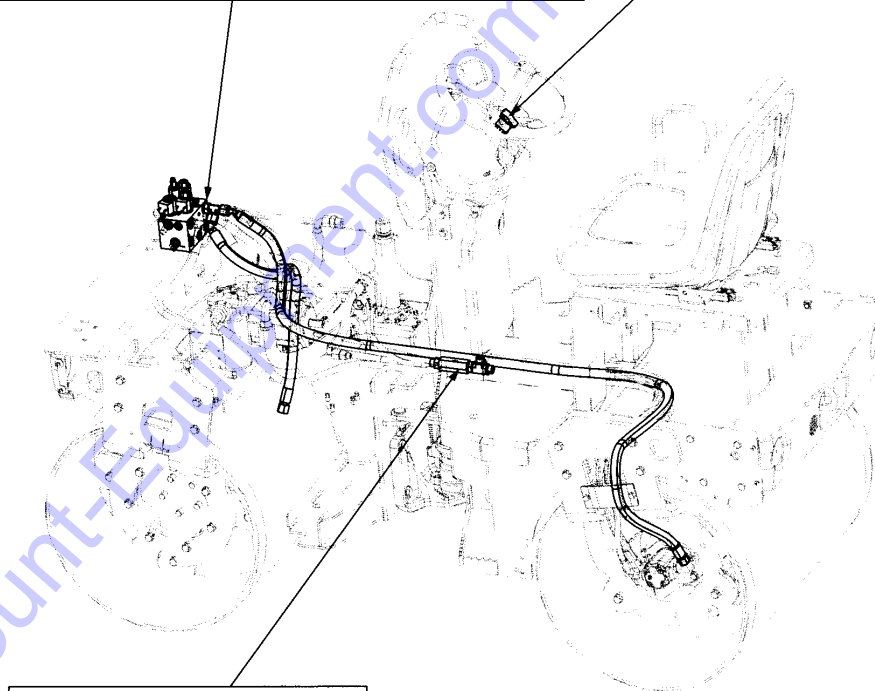
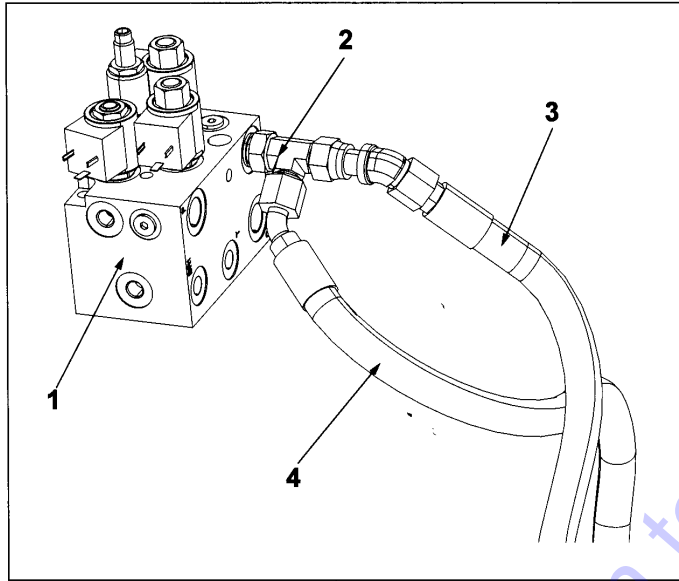
Go to Discount-Equipment.com to order your parts

**Hydraulic vibration**

Item	Part No	Rem Qty	Description	Code
1	4812118170	2	Hydraulic motor	
2	4700160032	2	O-ring	
3	4700387278	1	Hydraulic oil tank	
5	4700791395	1	Sight plug	
6	4700791794	1	O-ring	
7	4700792070	1	O-ring	
8	4700387713	1	Return filler pipe	
9	4700205067	N	Rubber hose	
10	4700357139	1	Connector	
11	4700357138	1	Ventilating filter	
12	4700313008	2	Hose clamp	
13	4700387758	1	Suction pipe	
14	4700388194	1	Combination valve	
15	4700388653	2	Hose clamp	
16	4700904557	2	Steel plain washer	
17	4700508029	2	Screw M10-1,5x30H 8,8	
18	4700901157	1	Measuring nipple	
19	4700508094	2	Screw	
20	4700313035	1	Hose clamp	
21	4700904735	10	Washer	
22	4700508002	16	Screw M6x16	
23	4700904228	6	Washer 6,4x12x1,5	
24	4700791541	2	Straight connector	
25	4700791538	2	Straight connector	
26	4700791700	1	Tee-connector orfs	
27	4700162015	1	Seal ring	
28	4700232160	1	Plug	
29	4700791699	4	Elbow 90°	
30	4700500505	4	Screw M8x20 8.8	
31	4812121431	1	Hydraulic hose	
32	4812121430	1	Hydraulic hose	
33	4700483694	1	Hydraulic hose	
34	4700483670	1	Hydraulic hose	
35	4700389406	1	Hydraulic hose	
36	4700389405	1	Hydraulic hose	
37	4700483669	1	Hydraulic hose	
38	4700283711	3	Hose clamp	
39	4700379668	1	Hose clamp	
40	4700904556	3	Washer 8,4x16x3,0	
41	4700508092	3	Screw	
42	4700313108	2	Hose clamp	
43	4700313102	N	Cable ties	
45	4700359606	1	Rubber protection	
46	4700791543	2	Elbow 45°	
47	4812121086	1	Elbow 45	
48	4812119959	1	Hydraulic pump	
49	4700791231	1	Elbow 90°	
50	4700791410	1	Straight o-ring connector	
51	4700202042	D 2	Rubber strip	

D) L = 0,22 m

Vibration cut-off one drum



Go to Discount-Equipment.com to order your parts

## Vibration cut-off one drum

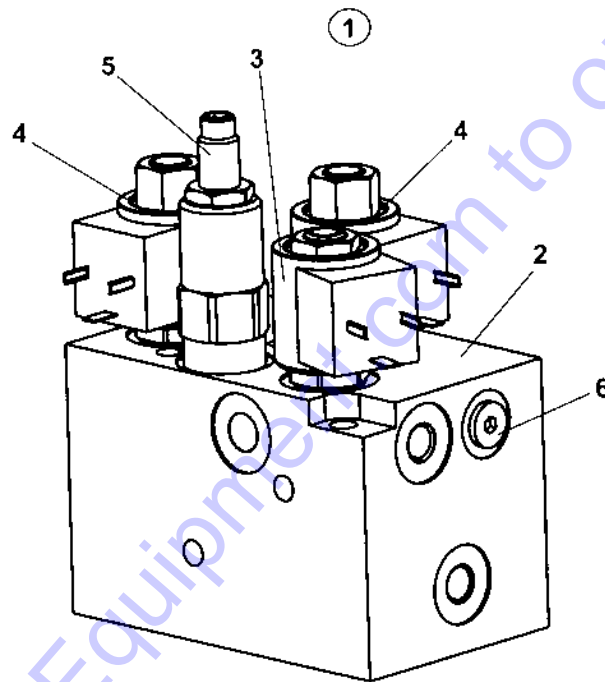
Item	Part No	Rem	Qty	Description	Code
1	4700387276		1	<b>Combination valve ( Page 78 )</b>	
2	4700791700		1	Tee-connector orfs	
3	4812121565	A	1	Hydraulic hose	
4	4700483670	B	1	Hydraulic hose	
5	4700791581		1	Switch	
6	4700791792		1	Tee-connector orfs	
7	4812120798		1	Check valve	
8	4700791407		1	Straight o-ring connector ORFS	

- A) L = 2,45 m  
B) L = 0,84 m

Go to Discount-Equipment.com to order your parts



4700387276 Combination valve



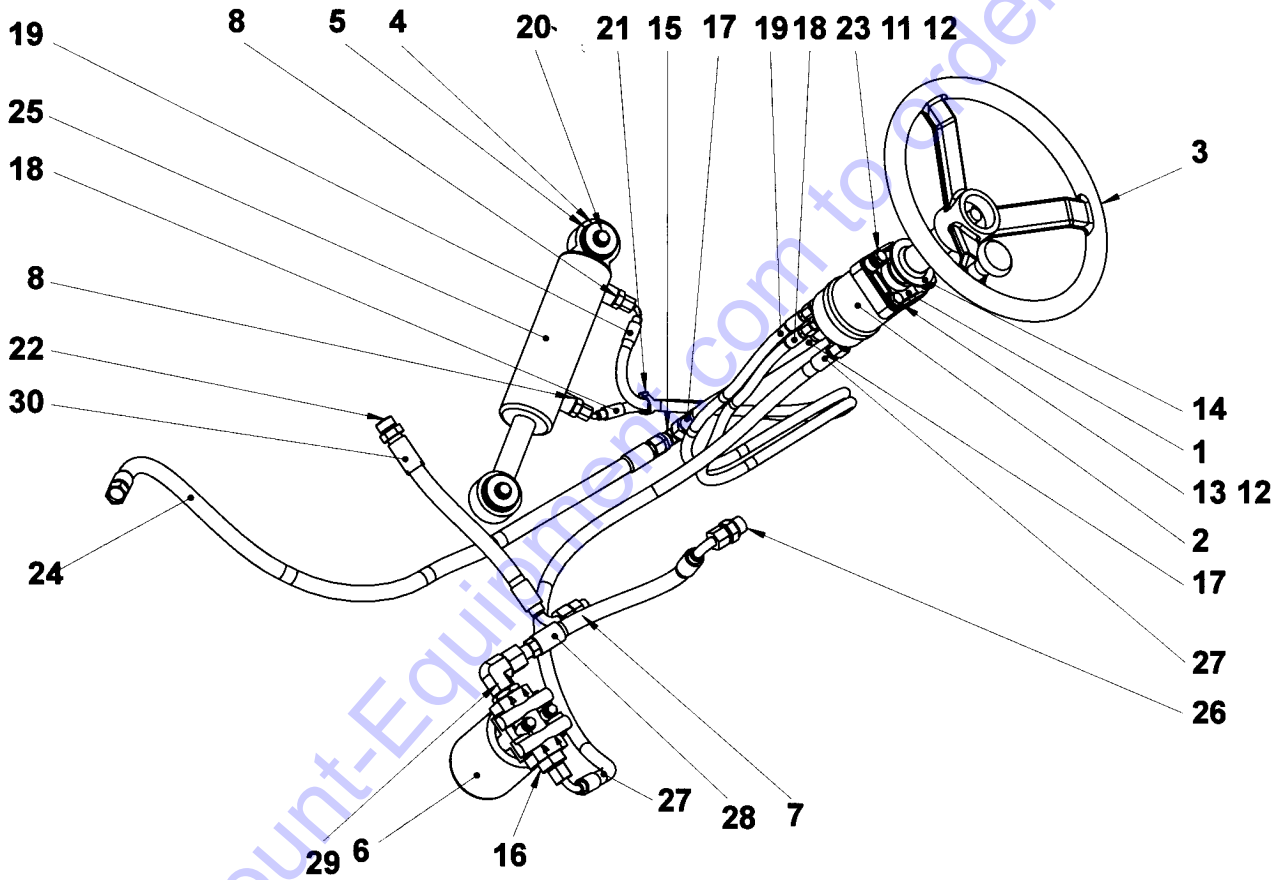
Go to Discount-Equipment.com to order your parts

## 4700387276 Combination valve

Item	Part No	Rem Qty	Description	Code
1	4700387276	1	<b>Combination valve ( Page 78 )</b>	
2		1	. Valve block	
3	4700940885	1	. Solenoid valve	
	4700940887	1	. Coil	
4	4700940886	2	. Solenoid valve	
	4700940887	2	. Coil	
5	4700940888	1	. Valve	
6		3	. Plug	

Go to Discount-Equipment.com to order your parts

Hydraulic steering

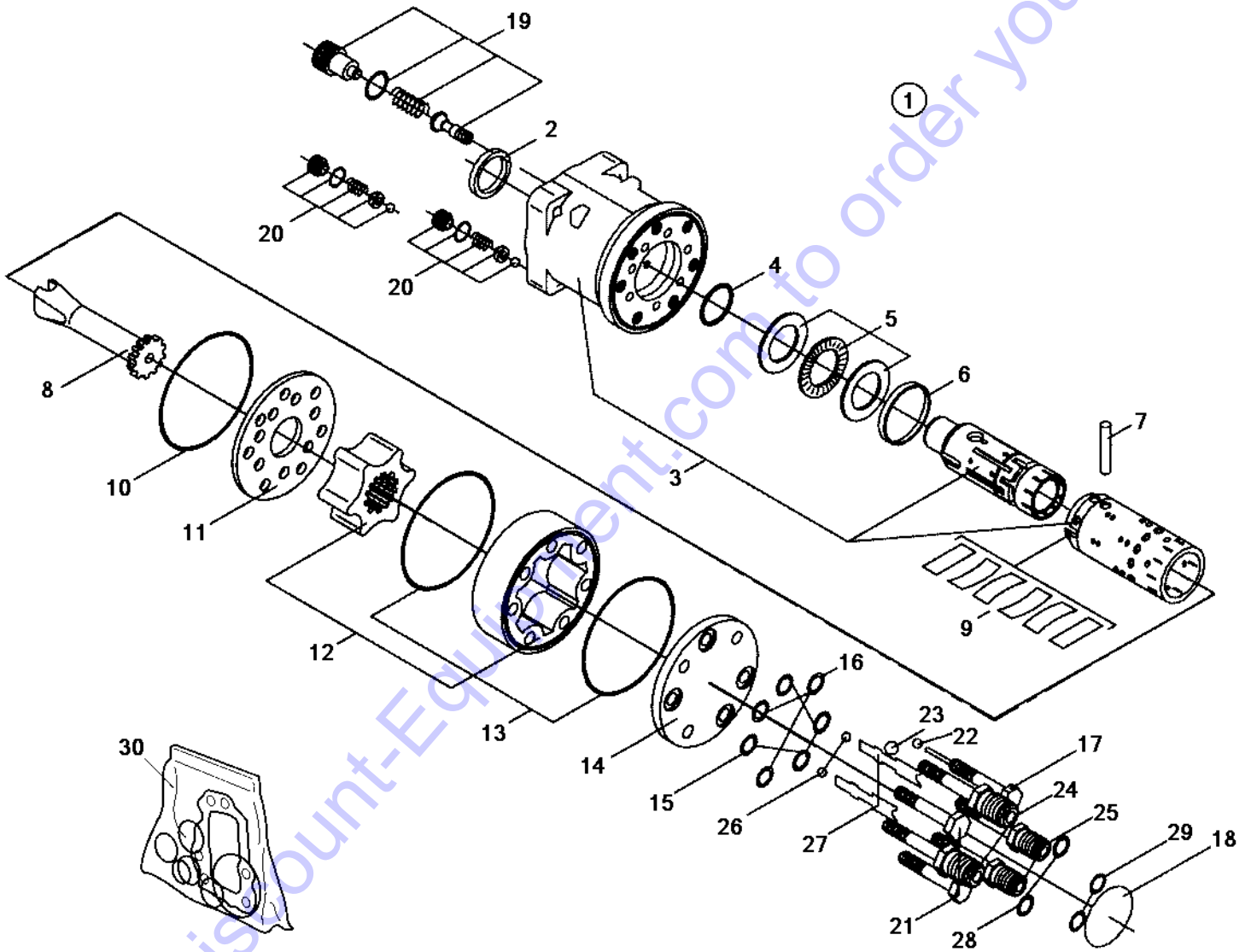


**Hydraulic steering**

Item	Part No	Rem Qty	Description	Code
1	4700902123	1	Steering column	
2	4700387274	1	<b>Steering valve ( Page 82 )</b>	
3	4700372964	1	Steering wheel, cpl	
	4700935614	1	. Turning knob	
	4700935613	1	. Cover	
4	4700376861	2	Washer	
5	4700791565	2	Sealing	
6	4700387277	1	Hydraulic oil filter, cpl	
	4700376636	1	. Cleaning filter element Maximum 50 hours use	
	4700376637	C	Hydraulic filter element	
7	4700791540	1	Straight connector	
8	4700791542	2	Straight connector	
9	4700500505	2	Screw M8x20 8.8	
11	4700355869	2	Spacer sleeve	
12	4700904230	6	Steel plain washer	
13	4700500048	2	Screw M10-1,5x20 8,8	
14	4700928830	1	Rubber washer	
15	4700791701	1	Tee-connector	
16	4700791408	1	Straight o-ring connector	
17	4700483657	1	Hydraulic hose	
18	4700483655	1	Hydraulic hose	
19	4700483654	1	Hydraulic hose	
20	4700947684	2	Screw	
21	4700313102	1	Cable ties	
22	4700904009	1	O-ring	
23	4700500030	2	Screw M10x035H 8.8 A3K	
24	4700483653	1	Hydraulic hose	
25	4812120738	1	Hydraulic cylinder	
26	4700791410	1	Straight o-ring connector	
27	4812121332	1	Hydraulic hose	
28	4812121333	1	Hydraulic hose	
29	4700792068	1	Elbow 90°	
30	4700483696	1	Hydraulic hose	
31	4700791412	1	Straight o-ring connector	

C) Spare part for ordinary service

4700387274 Steering valve



Go to [Discount-Equipment.com](http://Discount-Equipment.com) to order your parts

**4700387274 Steering valve**

Item	Part No	Rem	Qty	Description	Code
1			1	Steering valve, cpl	
2		A	1	. Seal ring	
3			1	. Housing, spool and sleeve	
4		A	1	. O-ring	
5			1	. Bearing	
6			1	. Ring	
7			1	. Cross pin	
8			1	. Cardan shaft	
9			1	. Set of springs	
10		A	1	. O-ring	
11			1	. Distributor plate	
12			1	. Gear wheel set	
13		A	2	. O-ring	
14			1	. End cover	
15		A	4	. O-ring	
16		A	3	. Washer	
17			1	. Screw with pin	
18			1	. Name plate	
19			1	. Relief valve	
20			2	. Shock valves	
21			2	. Screw	
22			1	. Ball	
23			1	. Ball	
24	4812159159	B	2	. Port	
25	4812159160	C	2	. Port	
26			2	. Ball	
27			2	. Ball stop	
28			2	. O-ring	
29			2	. O-ring	
30	4700935429		1	. Seal kit	

- A) Included in sealkit, item 30
- B) P and T
- C) L and R

Go to Discount-Equipment.com to order your parts

Electrical equipment

*Go to [Discount-Equipment.com](http://Discount-Equipment.com) to order your parts*

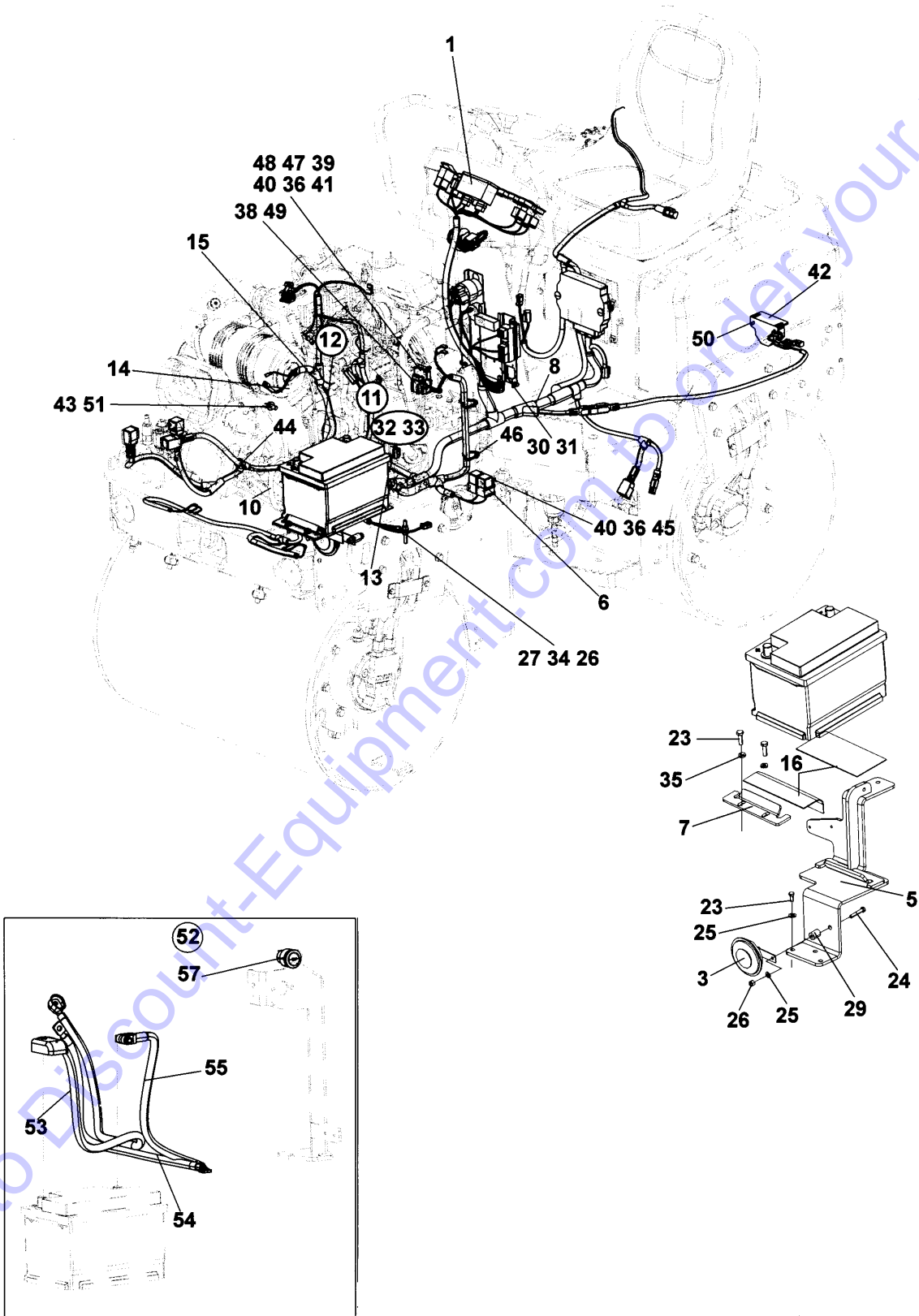
## Electrical equipment

Item	Part No	Rem Qty	Description	Code
16			Electrical equipment ( Page 86 )	
25			Control panel, relays ( Page 88 )	
31			Driving lights Option ( Page 90 )	
40			Working lights Option ( Page 92 )	
50			Rotating beacon with Rops Option ( Page 94 )	
60			Back-up alarm ( Page 96 )	

Go to [Discount-Equipment.com](http://Discount-Equipment.com) to order your parts



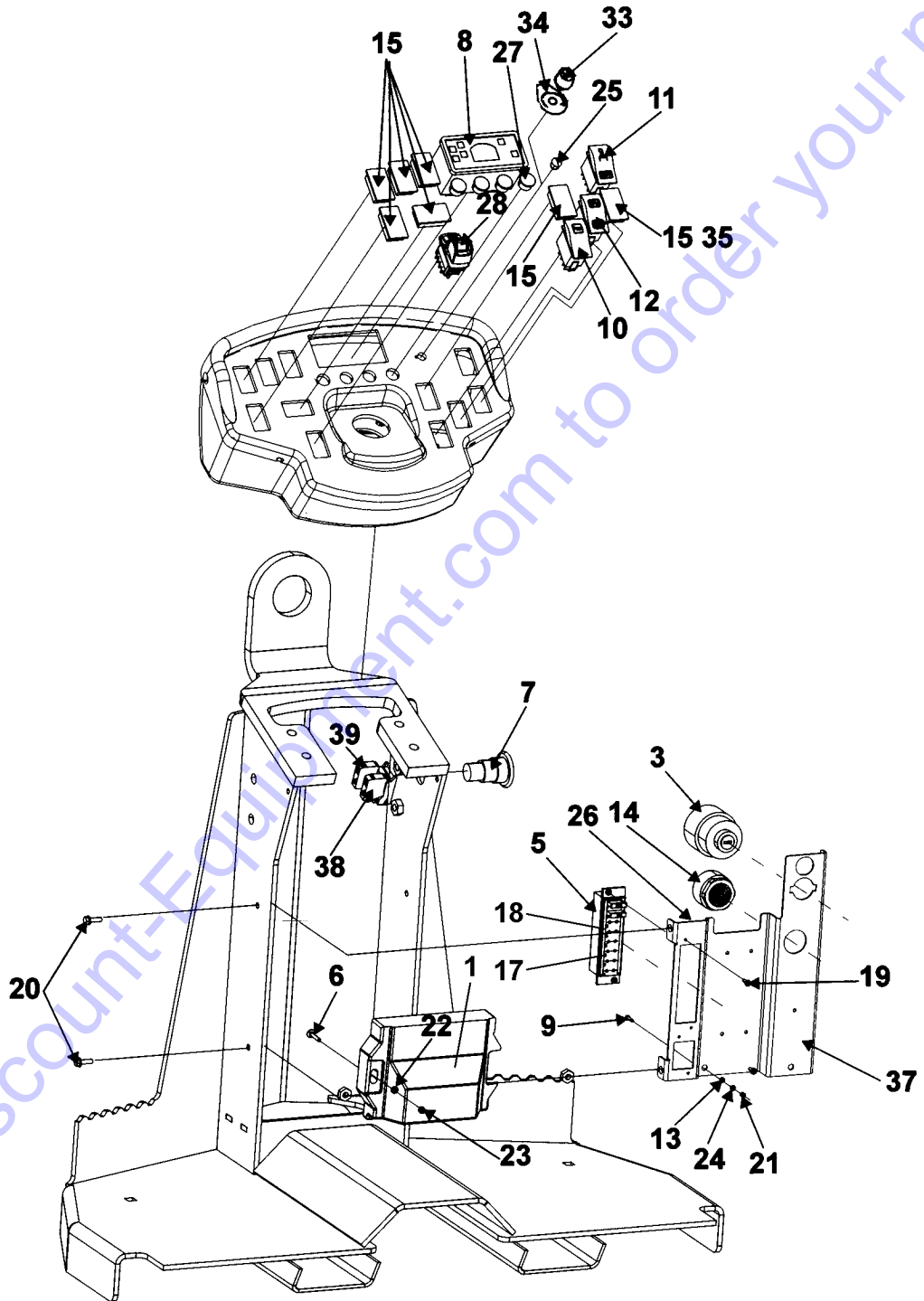
**Electrical equipment**



**Electrical equipment**

Item	Part No	Rem Qty	Description	Code
1		1	Control panel	
3	4700999027	1	Horn	
5	4812121343	1	Battery shelf	
6	4700903956	2	Relay 30A	
7	4812110724	1	Battery holder	
8	4812120539	1	Cable harness	
10	4700792019	1	Battery cable	
11	4700792020	1	Battery cable	
12	4700377063	1	Connection cable coarse	
13	4700791639	1	Battery cable	
14	4700921050	1	Clamp	
15	4700508092	1	Screw	
16	4812110759	2	Rubber cloth	
23	4700500021	5	Screw M8-1,25x25 8.8	
24	4700500024	1	Screw M8x45	
25	4700904229	5	Steel plain washer 8,4x16x1,5	
26	4700586003	4	Lock nut M8	
27	4700570005	1	Nut M8	
29	4700355704	1	Spacer sleeve	
30	4700904228	1	Washer 6,4x12x1,5	
31	4700570004	1	Nut M6X1,00 -8 A2K	
32	4700904231	1	Washer 13x24x2 300 HV	
33	4700791483	1	Screw M12-1,25x25H 8.8	
34	4700904802	1	Threaded stud	
35	4700904556	4	Washer 8,4x16x3,0	
36	4700904281	6	Washer 5,3x10x1 300HV	
38	4700901230	1	Fuse 30A	
39	4700904036	1	Fuse holder	
40	4700500060	4	Screw M5-0,8x20 8.8	
41	4700586001	2	Lock nut	
42	4700792098	1	Back-up alarm	
43	0147195942	1	Scre M10x020H 8.8	
44	4700792441	2	Cable tie with holder	
45	4700902284	2	Nut M5	
46	4700313041	2	Cable ties L=200 mm	
47	4700904039	1	Fuse 50A Red High	
48	4700904032	1	Fuse holder	
49	4700791014	1	Fuse holder	
50	4700541702	2	Screw M6x12	
51	4700904230	1	Steel plain washer	
52	4812120549	1	Cable harness	
53	4812120551	1	. Battery cable	
54	4812120986	1	. Connection cable	
55	4812120194	1	. Battery cable	
57	4812110560	1	. Power socket 12V 16A	

Control panel, relays



**Control panel, relays**

Item	Part No	Rem	Qty	Description	Code
1	4812114386	E	1	Control unit, ECU	
			1	. Decal	
		E	1	. Software	
	4700378932		1	. Instruction	
3	4700238158		1	Ignition switch	
	4700940451		1	. Key	
5	4700791185		1	Fuse box	
6	4700791775		2	Bolt	
7	4700791739		1	Emergency stop	
8	4700395394		1	Control panel	
9	4700500075		1	Screw M6-1,0x25 8.8	
10	4700791578		1	Switch, horn	
11	4700791579		1	Switch, sprinkler	
12	4700791580		1	Switch, vibration	
13	4700570004		1	Nut M6X1,00 -8 A2K	
14	4700385599		1	Buzzer	
15	4700791588	D	7	Panel plug	
17	4700901228		1	Fuse 15A	
18	4700903741		1	Fuse 20A Yellow Medium	
19	4700901767		2	Screw ST3,5x9,5 Black	
20	4812117868		4	Screw M05x16	
21	4700586002		1	Lock nut M6 -8	
22	4700904556		2	Washer 8,4x16x3,0	
23	4700586003		2	Lock nut M8	
24	4700904228		1	Washer 6,4x12x1,5	
25	4700792083		1	Plug	
26	4700202042	A	1	Rubber strip	
27	4700792320		4	Plug	
28	4812118697		1	Switch, parking brake	
33	4700388737	F	1	Potentiometer	
34	4700377139	F	1	Decal	
35	4700791581	F,G	1	Switch	
37	4700387683		1	Distribution control plate	
38	4700389840		1	Connector	
39	4700791723		1	Connector N/C	

A) L = 70 mm

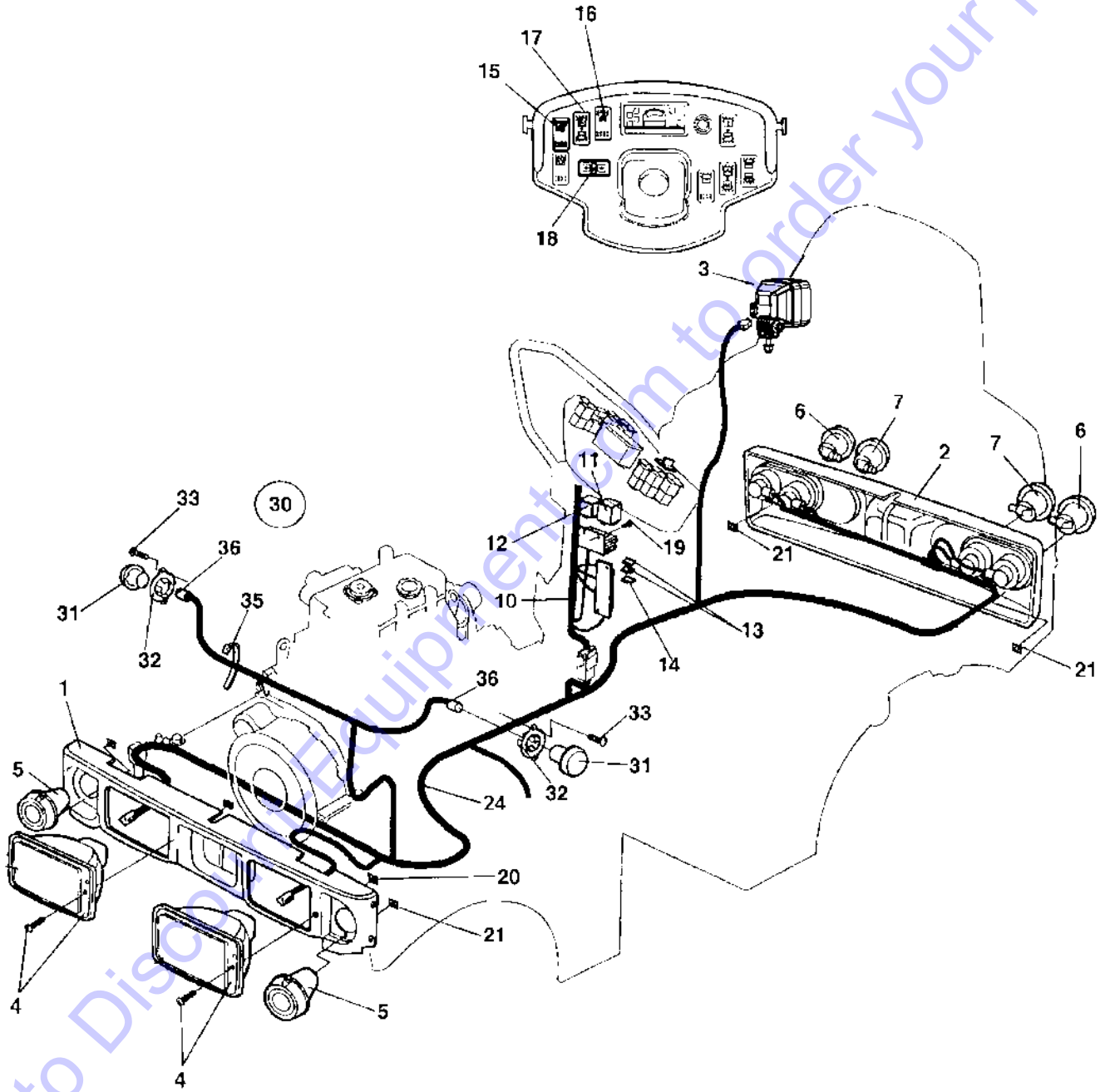
D) For Option switch, see another section of Electrical system or Optional equipment

E) Machine SN required when placing order

F) Option

G) See section "Vibration shot-off one drum"

Driving lights Option



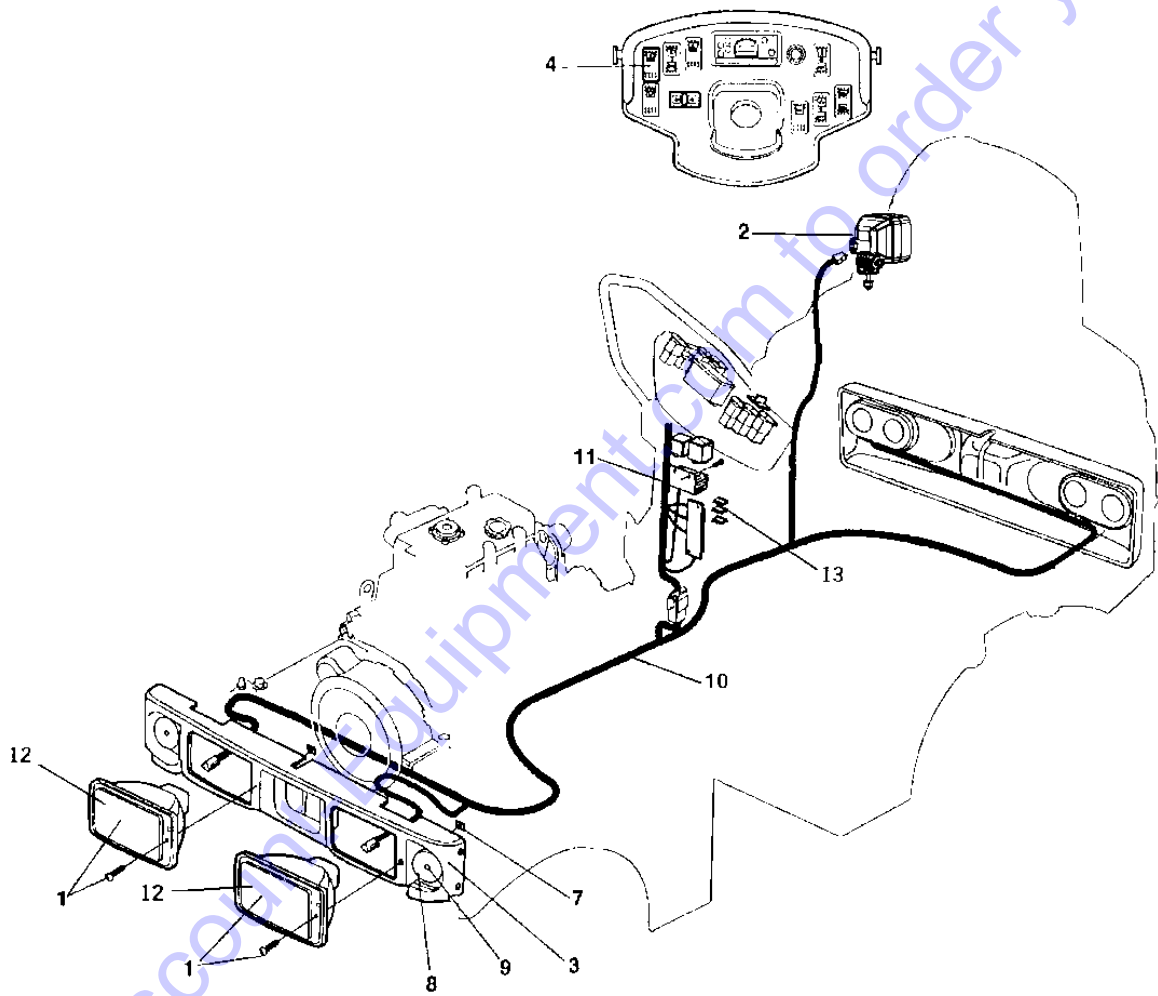
**Driving lights Option**

Item	Part No	Rem Qty	Description	Code
1	4700387377	1	Frame cover	
2	4700387378	1	Frame cover	
3	4812110216	1	Work lamp	
	4700500230	1	. Screw M8-1.25x35	
	4700904230	1	. Steel plain washer	
	4700586018	1	. Hexagon lock nut M10	
4	4700791951	A	Headlight w parking light Right hand asym	
	4700792059	B	Headlight w parking light Left hand asym	
5	4700791953	2	Direction indicator	
6	4700791954	2	Direction indicator	
7	4700791955	2	Brake/position light	
10	4700388636	1	Cable harness	
11	4700904989	1	Flash relay	
12	4700903956	1	Relay 30A	
13	4700901225	2	Fuse 5A	
14	4700901227	1	Fuse 10A	
15	4700791587	1	Switch, working light	
16	4700791584	1	Switch, hazard flashers	
17	4700791583	1	Switch, driving light	
18	4700791586	1	Switch, drive direction	
19	4700791916	2	Screw	
20	4700791970	4	Speed nut	
21	4700791971	12	Quick lock nut	
24	4700377140	1	Cable harness	
30		1	Side direction lights	
31	4700791704	2	. Side direction light	
	4700904889	2	. Bulb	
32	4700388382	2	. Holder side light	
33	4700791643	4	. Screw	
35	4700903810	4	. Cable tie holder	
36	4700960079	4	. Connector	

A) Right asym  
B) Left asym.

Go to Discount-Equipment.com to order your parts

Working lights Option



**Working lights Option**

Item	Part No	Rem Qty	Description	Code
1	4700902227	2	Work light	
		2	. Screw	
2	4812110216	1	Work lamp	
	4700500230	1	. Screw M8-1.25x35	
	4700904230	1	. Steel plain washer	
	4700586018	1	. Hexagon lock nut M10	
3	4700387377	1	Frame cover	
4	4700791587	1	Switch, working light	
7	4700791970	4	Speed nut	
8	4700791754	N	Blind rivet	
9	4700791957	N	Reflector, white	
10		A	Cable harness	
11		A	Cable harness	
12	4700901369	B	Bulb 55w H3	
13	4700901228	2	Fuse 15A	

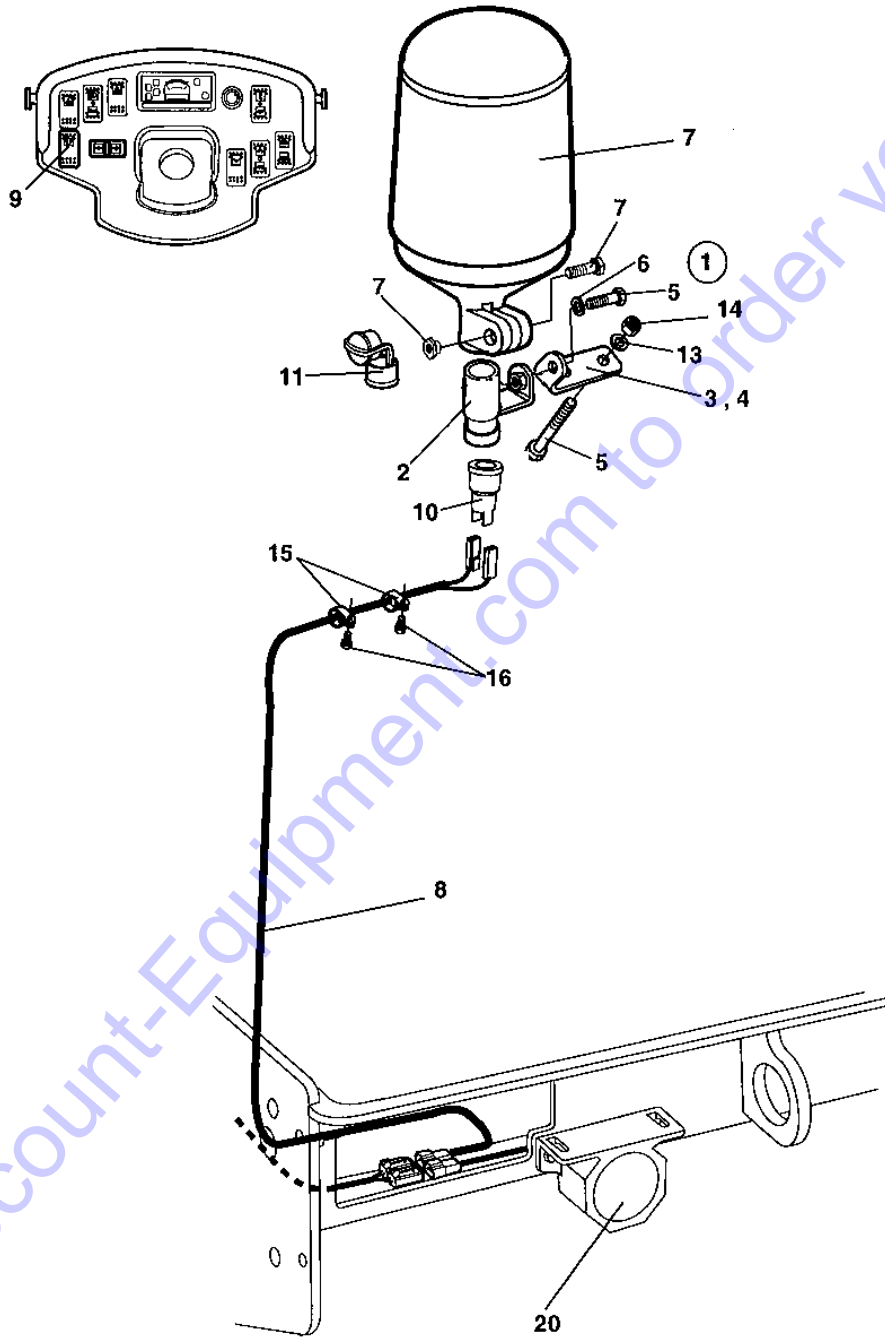
A) See section "Driving lights"

B) Included in work light (p/n 4700902227)

Go to Discount-Equipment.com to order your parts



Rotating beacon with Rops Option



Go to Discount-Equipment.com to order your parts

**Rotating beacon with Rops Option**

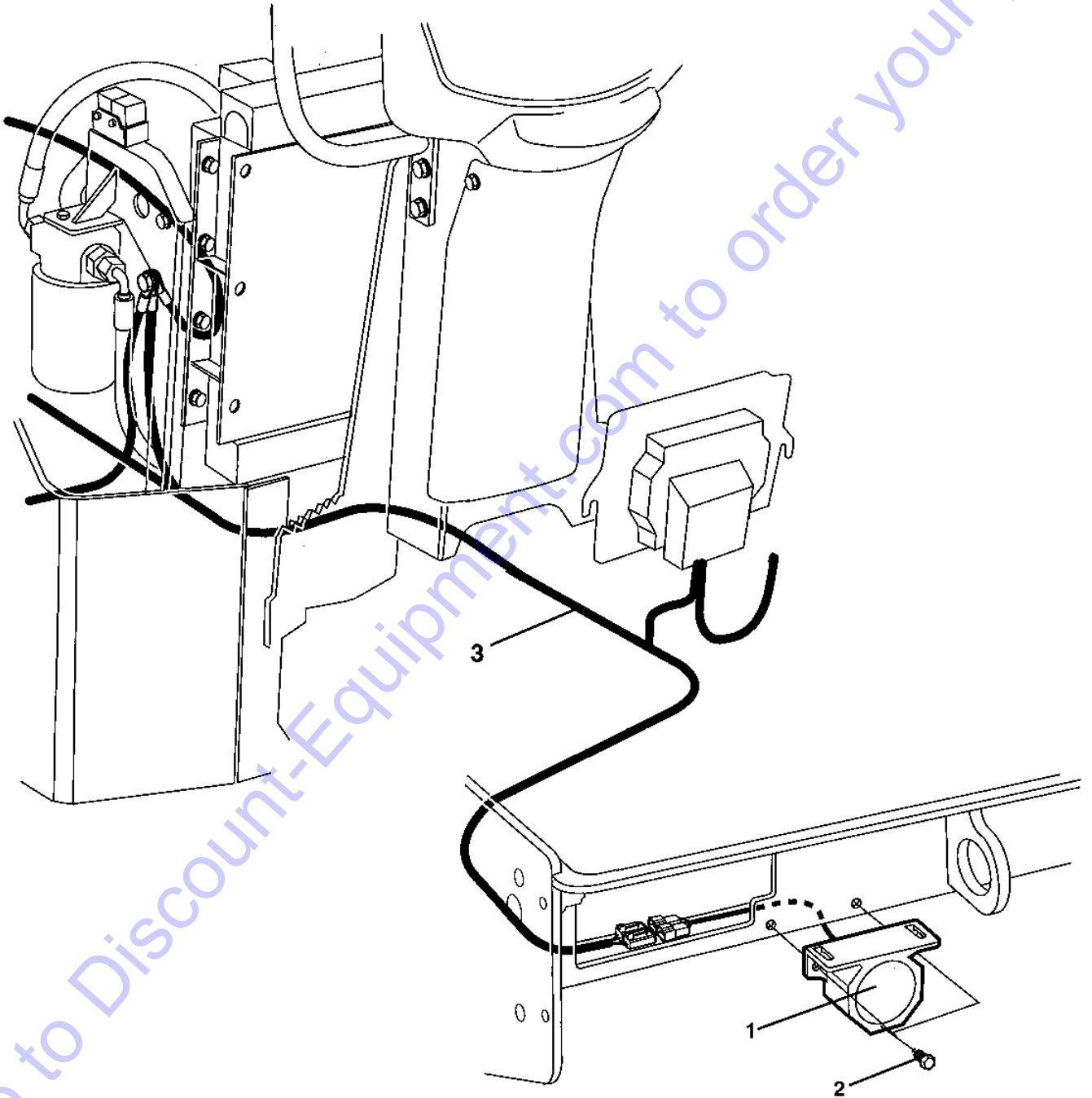
Item	Part No	Rem Qty	Description	Code
1	4700389561	1	Bracket	
2	4700388772	1	. Bracket	
3	4700388773	1	. Bracket	
4	4700629101	1	. Spirol pin	
5	4700500021	1	. Screw M8-1,25x25 8.8	
6	4700904229	1	. Steel plain washer 8,4x16x1,5	
7	4700389577	1	Rotating beacon 12V	
		1	. Screw	
		1	. Nut	
8	4700389763	1	Cable harness	
9	4700791585	1	Switch, rotating beacon	
10	4700791981	1	Connector plug	
11	4700791980	1	Rubber protection	
12	4700500180	2	Hexagon screw m	
13	4700904229	4	Steel plain washer 8,4x16x1,5	
14	4700586003	2	Lock nut M8	
15	4700921039	2	Pipe clamp	
16	4700541702	2	Screw M6x12	
17		B	1 Fuse	
20		A	1 Back-up alarm	

A) See section "Back up alarm"

B) See section "Control panel, relay"

Go to Discount-Equipment.com to order your parts

Back-up alarm



**Back-up alarm**

<b>Item</b>	<b>Part No</b>	<b>Rem Qty</b>	<b>Description</b>	<b>Code</b>
1	4700792098	1	Back-up alarm	
2	4700541702	2	Screw M6x12	
3	4700388009	1	Cable harness	

Go to [Discount-Equipment.com](http://Discount-Equipment.com) to order your parts

Drivers platform

*Go to Discount-Equipment.com to order your parts*

## Drivers platform

Item	Part No	Rem Qty	Description	Code
16			Drivers seat ( Page 100 )	
20			F/R- and throttle control ( Page 102 )	
28	4812113676		Forward and reverse control handle ( Page 104 )	
30			Dual forward/reverse control Option ( Page 106 )	
40			Rops Option ( Page 108 )	
50	377256		Cup holder Option ( Page 110 )	

Go to Discount-Equipment.com to order your parts



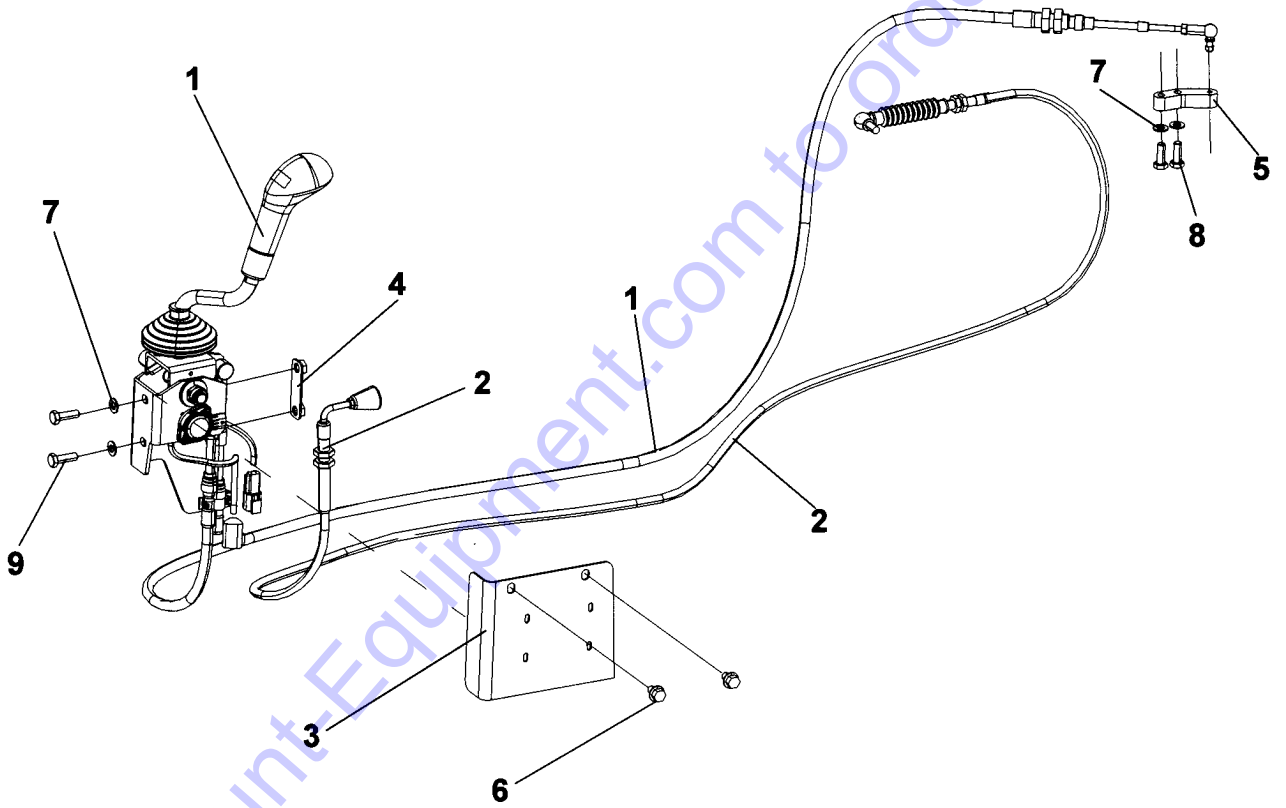
**Drivers seat**

Item	Part No	Rem	Qty	Description	Code
1	4700397157		1	Platform	
3	4700390585	E	1	Drivers seat, cpl	
	4700377518	F	1	Drivers seat, cpl	
	4700348331		1	Seat cover	
	4812114466		1	Drivers seat, cpl	
4	4700387236		1	Platform bracket	
5	4700387453		1	Hand rail	
6	4700387226		1	Column cover	
7	4700387685		4	Shock absorber	
8	4700358232		4	Washer	
9	4700383705		1	Instruction book holder	
10	4700902166	A	1	Edge trim	
11	4700357643	C	1	Wire	
12	4700904556		10	Washer 8,4x16x3,0	
13	4700904229		4	Steel plain washer 8,4x16x1,5	
14	4700904230		4	Steel plain washer	
15	4700904557		6	Steel plain washer	
16	4812110761		1	Handrail	
17	4700500018		4	Screw M8-1,25x12 8,8	
18	4700586003		4	Lock nut M8	
19	4700500509		4	Hexagon screw with flange	
20	4700500030		6	Screw M10x035H 8.8 A3K	
21	4700388447		1	Cover	
22	4700500505		4	Screw M8x20 8.8	
23	4812120665		2	Bolt	
24	4700586018		4	Hexagon lock nut M10	
25	4700791226		4	Screw	
26	4700791616		2	Bolt	
28	4700357855		2	Bushing	
29	4700394301		4	Spacer sleeve	
30	4700500053		2	Screw M8x20H 8.8	
51	4812118686		1	Control panel	
52	4700391784		1	Control panel	
	4700387225		1	Instrument panel	
53	4700387227		1	Control panel cover	
54	4700387545		1	Latch	
55	4700357855		2	Bushing	
56	4700904281		4	Washer 5,3x10x1 300HV	
57	4700903658		3	Screw M5x10	
58	4700513017		2	Screw M6x30H 10,9	
59	4700500007		1	Screw M5-0,8x22H 8,8	
60	4700791476		1	Nut M5 -8	
61	4700379636		1	Seat switch	
	4700945622	D	1	Seat switch	
62	4700500031		4	Screw M10x040 8.8	
63	4700500021		4	Screw M8-1,25x25 8.8	
64	4700902286		4	Hexagon lock nut with flange	
65	4700904567		2	Washer 10,5x28x6 HB305	

- A) L = 185 mm  
 C) Not shown in illustration  
 D) Seat switch to seat 4700377518  
 E) 'Plus' version only.  
 F) 'CC' version only.



F/R- and throttle control



**F/R- and throttle control**

<b>Item</b>	<b>Part No</b>	<b>Rem Qty</b>	<b>Description</b>	<b>Code</b>
1	4812118838	1	<b>Forward / Reverse Control</b>	
2	4812121561	1	Throttle control	
	4700940960	1	. Knob	
3	4700388476	1	Control cover	
4	4812117990	1	Bracket	
5	4812121422	1	Plate	
6	4700904755	2	Screw M8x12 8,8 FZB	
7	4700904229	4	Steel plain washer 8,4x16x1,5	
8	4700500020	2	Screw M8-1,25x22 8,8	
9	4700500021	2	Screw M8-1,25x25 8.8	

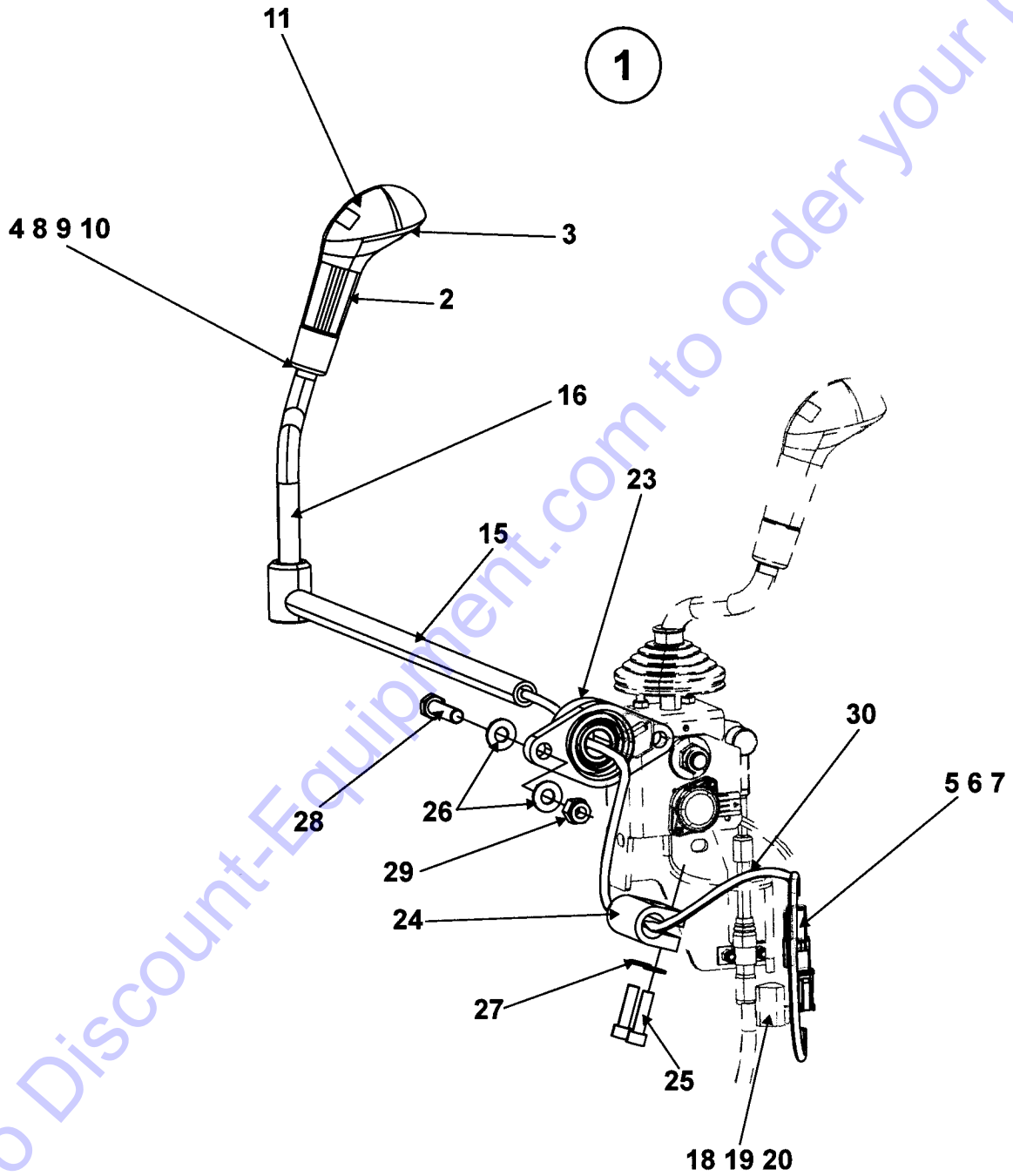
Go to [Discount-Equipment.com](http://Discount-Equipment.com) to order your parts



**4812113676 Forward and reverse control handle**

Item	Part No	Rem Qty	Description	Code
	4812113676	1	Forward and reverse control handle	
1	4812156558	1	. Handle top	
2	4812156559	1	. Handle	
3	4812156560	1	. Push button switch with cable	
4	4812156561	2	. Protection plug	
5	4812156562	1	. Sleeve (knob)	
6	4812159290	2	. Nut M5	
7	4812159291	2	. Screw M5	
8	4812156563	1	. Central shaft	
9	4812156564	1	. . Gear	
10	4812158258	1	. Bushing	
11	4812156565	1	. Sphere	
12	4812156566	1	. Spring	
13		2	. Screw M5	
14	4812156567	1	. Spring house	
15		4	. Lock nut M3	
16		1	. Lock nut M6	
17	4812156568	1	. Spacer	
26	4812156490	1	. Potentiometer	
27	4812156569	1	. . Gear	
28	4812156570	1	. . Internal spacer	
29	4812156571	1	. . Shaft	
30	4812156572	1	. . External spacer	
31	4812159197	1	. Screw M6	
32	4812159198	2	. Screw M3	
33	4812159199	2	. Screw M3	
34	4812159251	2	. Lock nut M12	
35	4812156573	2	. Sealing	
36	4812158260	2	. Washer	
37	4812156574	1	. Bracket	
38		2	. Lock nut M5	
39	4812158259	1	. Bushing	
40	4812159292	4	. Screw M5	
41	4812156575	1	. Lever	
42	4812156576	1	. Bellow	
43	4812157556	1	. Bellows kit	
	4812156562	1	. _ Sleeve (knob)	
_42	4812156576	1	. _ Bellow	
44	4812158267	1	Handle top + Button kit	
	4812156558	1	_ Handle top	
	4812156559	1	_ Handle	
	4812156560	1	_ Push button switch with cable	
	4812156561	2	_ Protection plug	
	4812156562	1	_ Sleeve (knob)	

Dual forward/reverse control Option



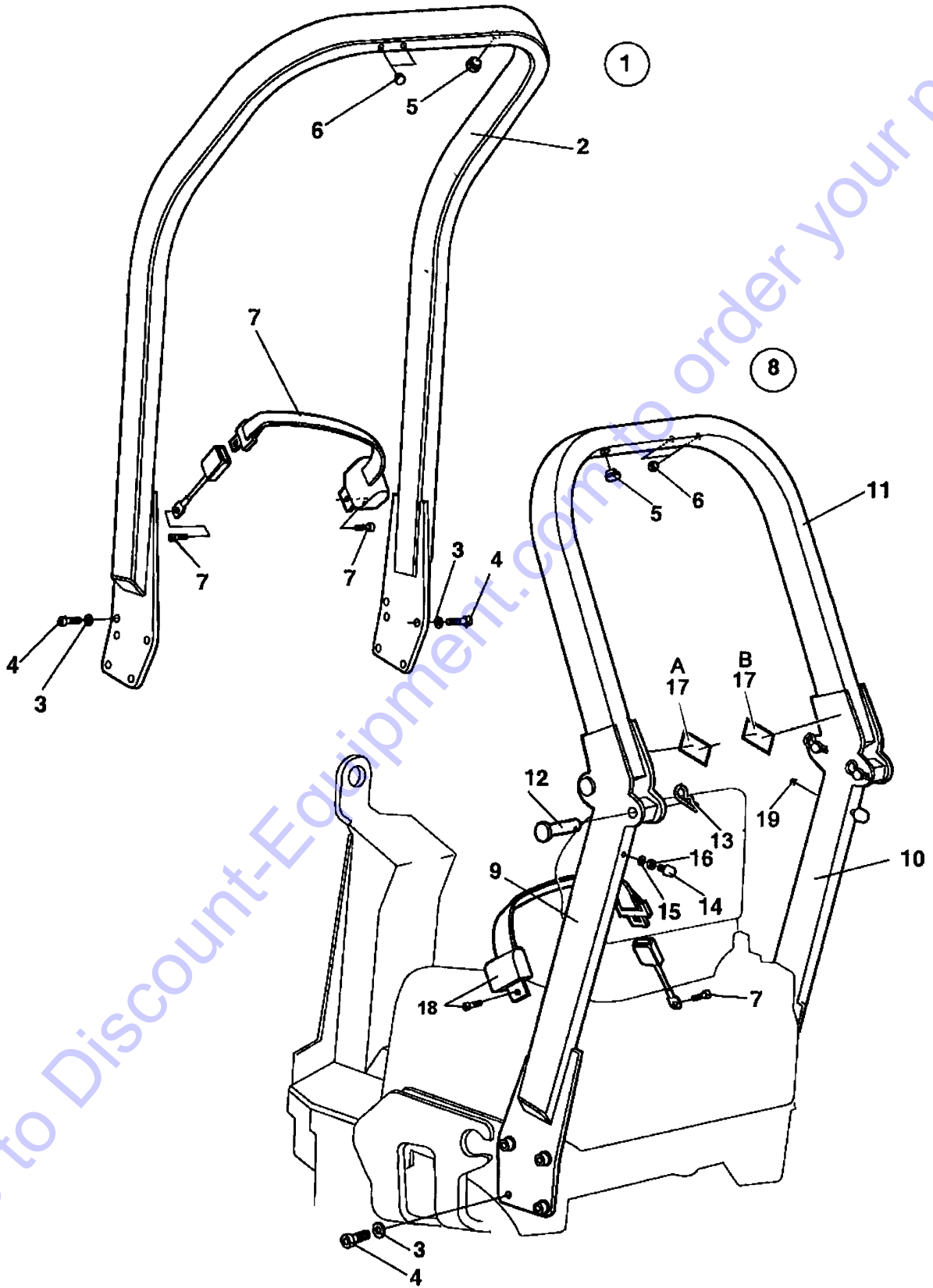
**Dual forward/reverse control Option**

Item	Part No	Rem Qty	Description	Code
1	4700940374	1	Handle kit, cpl	
2		1	. Handle	
	4700945729	1	. . Push-button switch	
		1	. Service information	
		1	. Lock fluid	
3	4700377018	1	. Protection plug	
4		B	. Nut	
5		1	. Connector, receptable	
6		1	. Lock wedge	
7		2	. Pin	
8		B	. Rod	
9		B	. Washer	
10		B	. Washer	
11	4700378759	1	. Handle top	
15	4700377053	1	Control shaft	
16	4700377055	1	Lever	
18	4700791668	1	Connector plug	
19	4700791669	1	Lock wedge	
20	4700903948	2	Socket	
23	4700791926	1	Y-bearing unit	
24	4700346420	1	Coupling	
25	4700904229	2	Steel plain washer 8,4x16x1,5	
26	4700904230	4	Steel plain washer	
27	4700508048	2	Hexagon socket head cap screw	
28	4700500031	2	Screw M10x040 8.8	
29	4700586018	2	Hexagon lock nut M10	
30		1	Cable	

B) Not shown in illustration.

Go to Discount-Equipment.com to order your parts

Rops Option



**Rops Option**

Item	Part No	Rem	Qty	Description	Code
1			1	Rops, cpl	
2	4700387142		1	Rops	
3	4700904231		8	. Washer 13x24x2 300 HV	
4	4700508063		8	. Hexagon socket head cap screw	
5	4700282603		1	. Plastic plug	
6	4700900986		1	. Plug	
7	4700377677	A	1	. Seat belt 2"	
8			1	Rops foldable, cpl	
9		C,D	1	. Rops beam	
10		C,D	1	. Rops beam	
11		C,D	1	. Rops beam	
12	4700389798		4	. Threaded spike	
13	4700635061		4	. Hair clip	
14	4700280101		2	. Shock absorber	
15	4700904229		2	. Steel plain washer 8,4x16x1,5	
16	4700573008		2	. Nut M8	
17	4700908229		1	. Safety decal	
18	4700377677	A	1	. Seat belt 2"	
19	4700926215		2	. Protective plug	

A) Hardware supplied

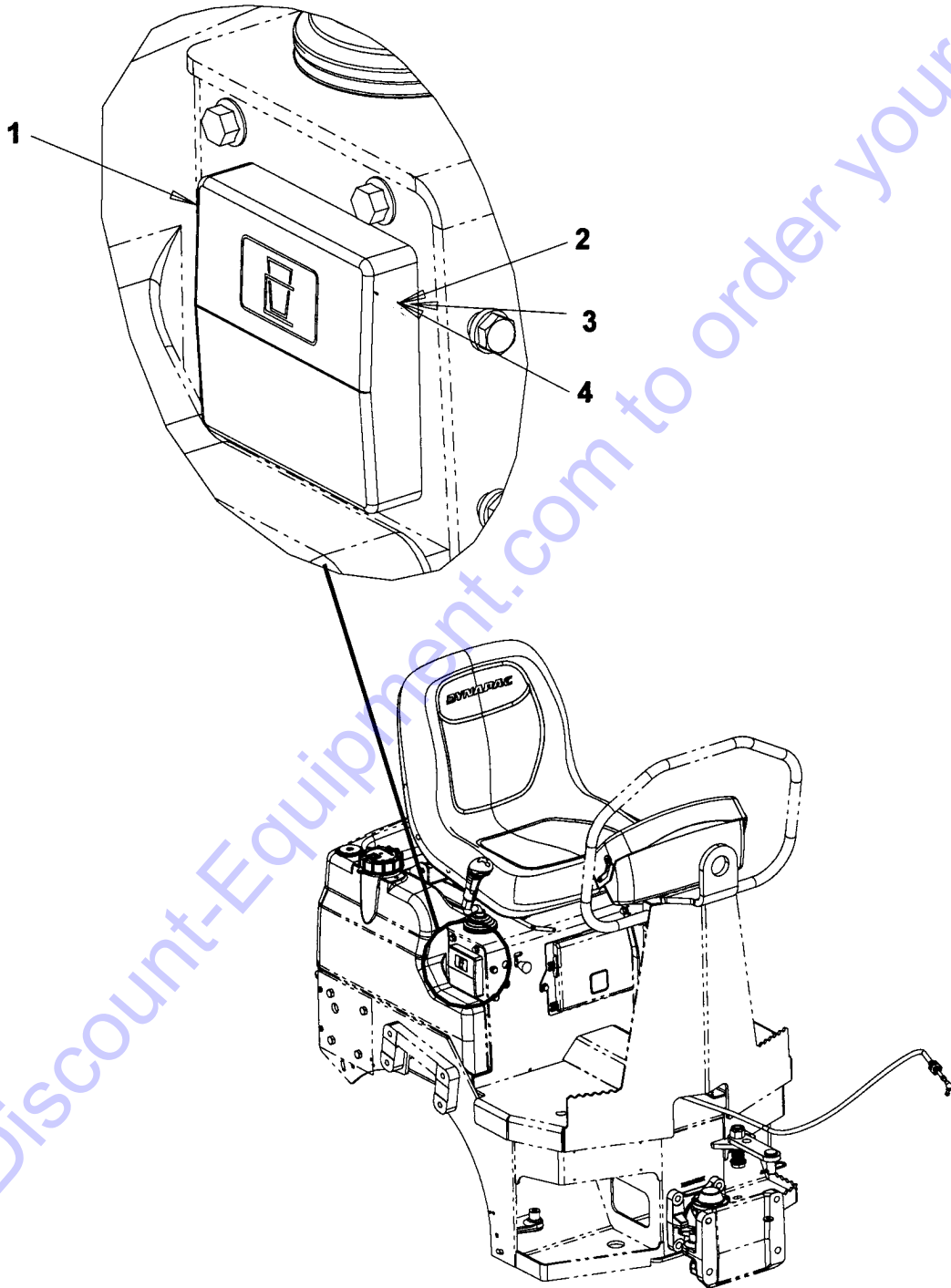
C) Not sold separately due to safety regulations

D) Only available as a complete ROPS kit ; please check the machine SN and contact Dynapac for valid PN

Go to Discount-Equipment.com to order your parts



377256 Cup holder Option

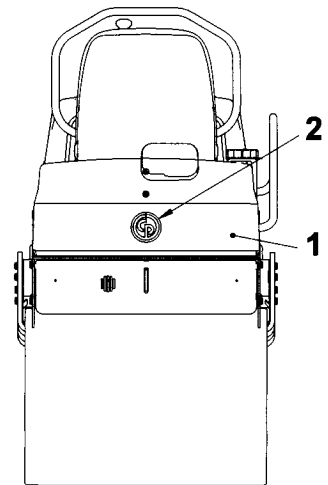
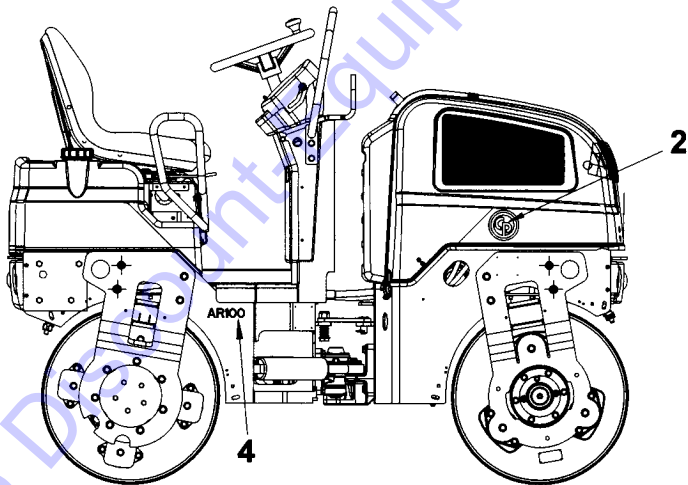
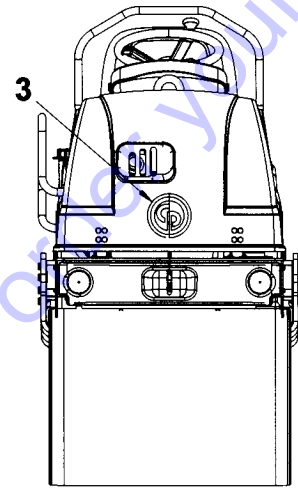
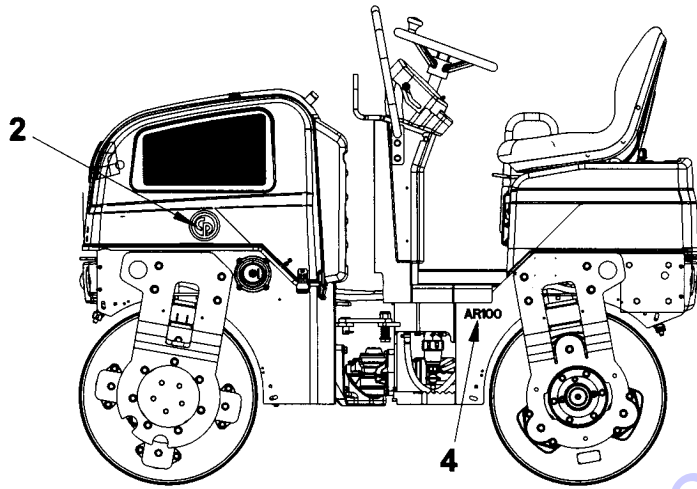


## 377256 Cup holder Option

Item	Part No	Rem Qty	Description	Code
1	4700377255	1	Cup holder	
2	4700513027	4	Screw M4x16H 10,9	
3	4700904281	4	Washer 5,3x10x1 300HV	
4	4700923976	4	Nut	

Go to Discount-Equipment.com to order your parts

Decals



**Decals**

<b>Item</b>	<b>Part No</b>	<b>Rem Qty</b>	<b>Description</b>	<b>Code</b>
1	4812121408	1	Decal "CP"	
2	4812121253	3	Decal "Chicago Pneumatic"	
3	4812121254	1	Decal "Chicago Pneumatic" Black	
4	4812120455	1	Decal "MODEL CODE" AR100	

Go to [Discount-Equipment.com](http://Discount-Equipment.com) to order your parts

Standard equipment

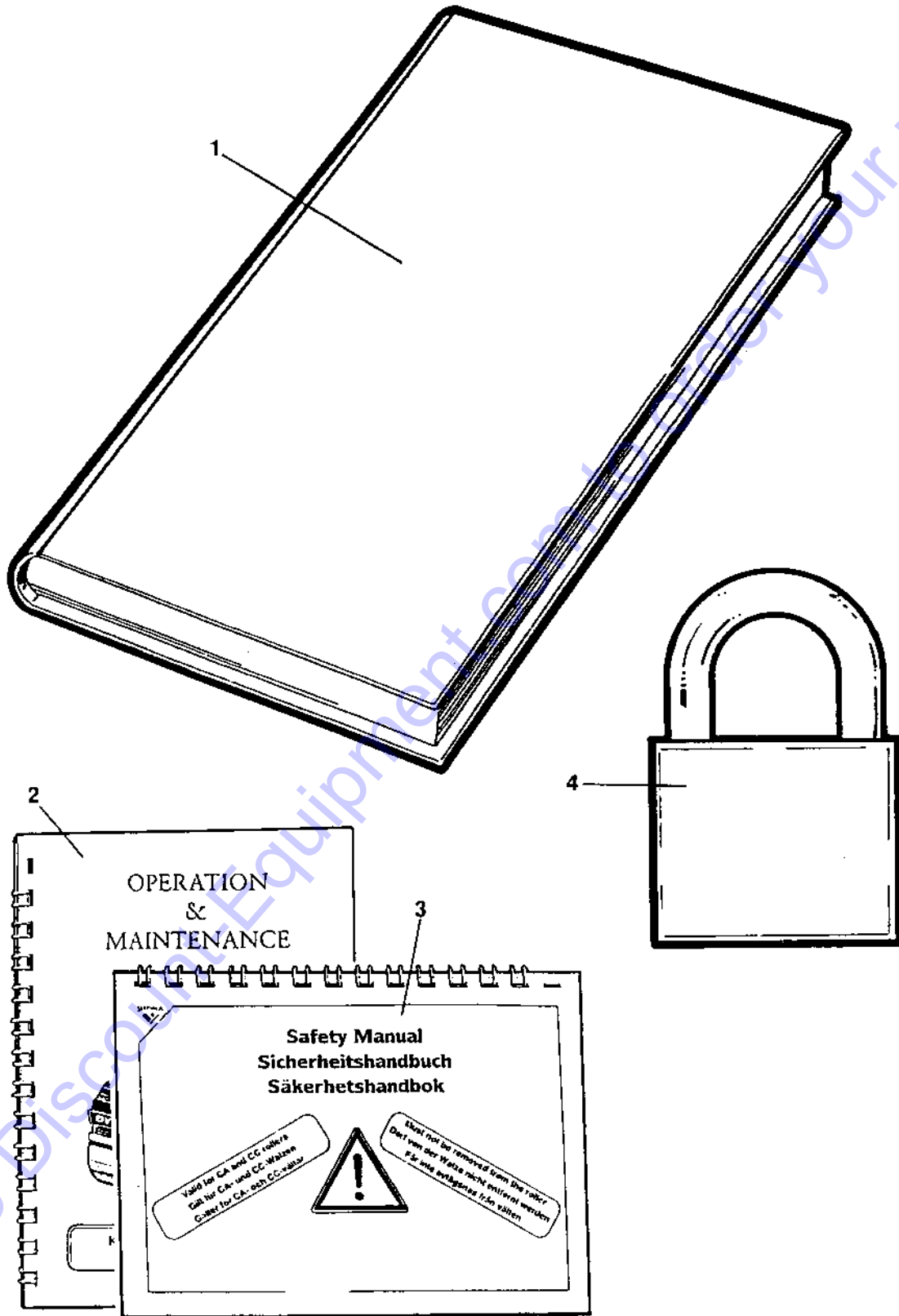
*Go to [Discount-Equipment.com](http://Discount-Equipment.com) to order your parts*

## Standard equipment

Item	Part No	Rem Qty	Description	Code
10			Standard equipment ( Page 116 )	

Go to Discount-Equipment.com to order your parts

Standard equipment



## Standard equipment

Item	Part No	Rem Qty	Description	Code
1		1	Documentation	
		1	Warranty conditions	
		1	Warranty registration certificate	
		1	Spare parts catalogue 4812160259	
		1	Warranty registration card	
		1	Instruction manual Kubota D1105-E4B	
2		1	Operation / maintenance instruction 4812160258	
3		1	Safety manual RSAFE	
4	4700358881	2	Pad lock	

Go to Discount-Equipment.com to order your parts



Optional equipment

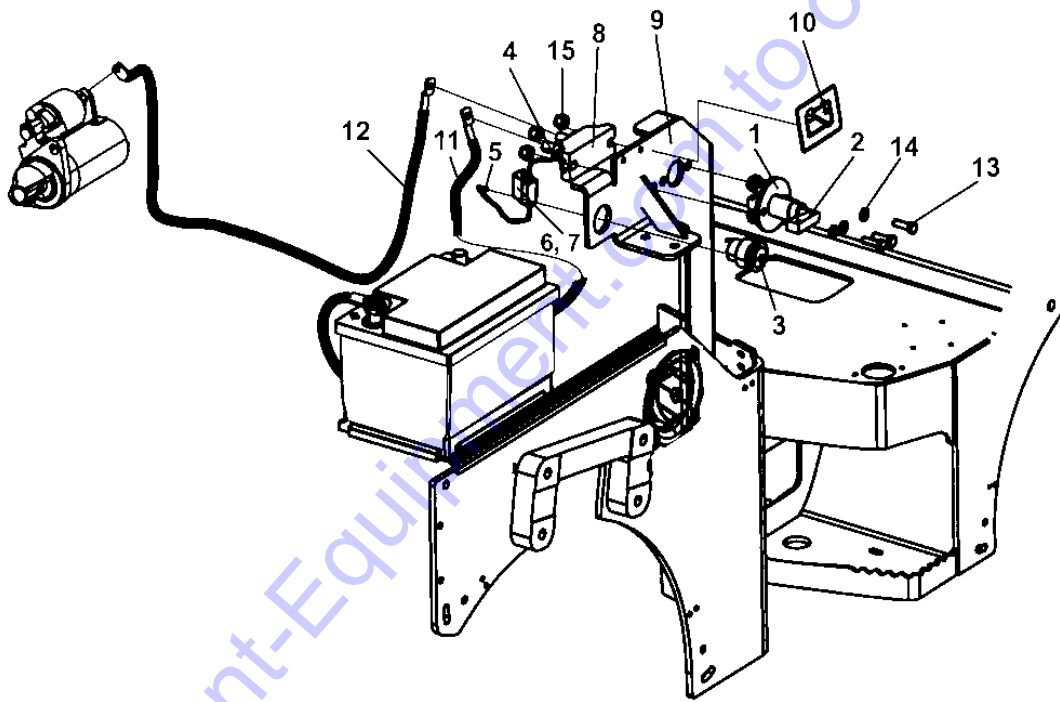
*Go to Discount-Equipment.com to order your parts*

## Optional equipment

Item	Part No	Rem Qty	Description	Code
15			Battery disconnecter ( Page 120 )	
20			Water tank, option ( Page 122 )	
60			SMV-sign ( Page 124 )	
63			SMV-sign Mounting on watertank ( Page 126 )	
64			SMV-sign on high water tank ( Page 128 )	
65			Registrations - plate with light ( Page 130 )	
70			Hydraulic vibration, shut off front/rear drum ( Page 132 )	
81			Rear view mirror ( Page 134 )	
90			Tool equipment ( Page 136 )	

Go to Discount-Equipment.com to order your parts

Battery disconnecter



Go to Discount-Equipment.com to order your parts

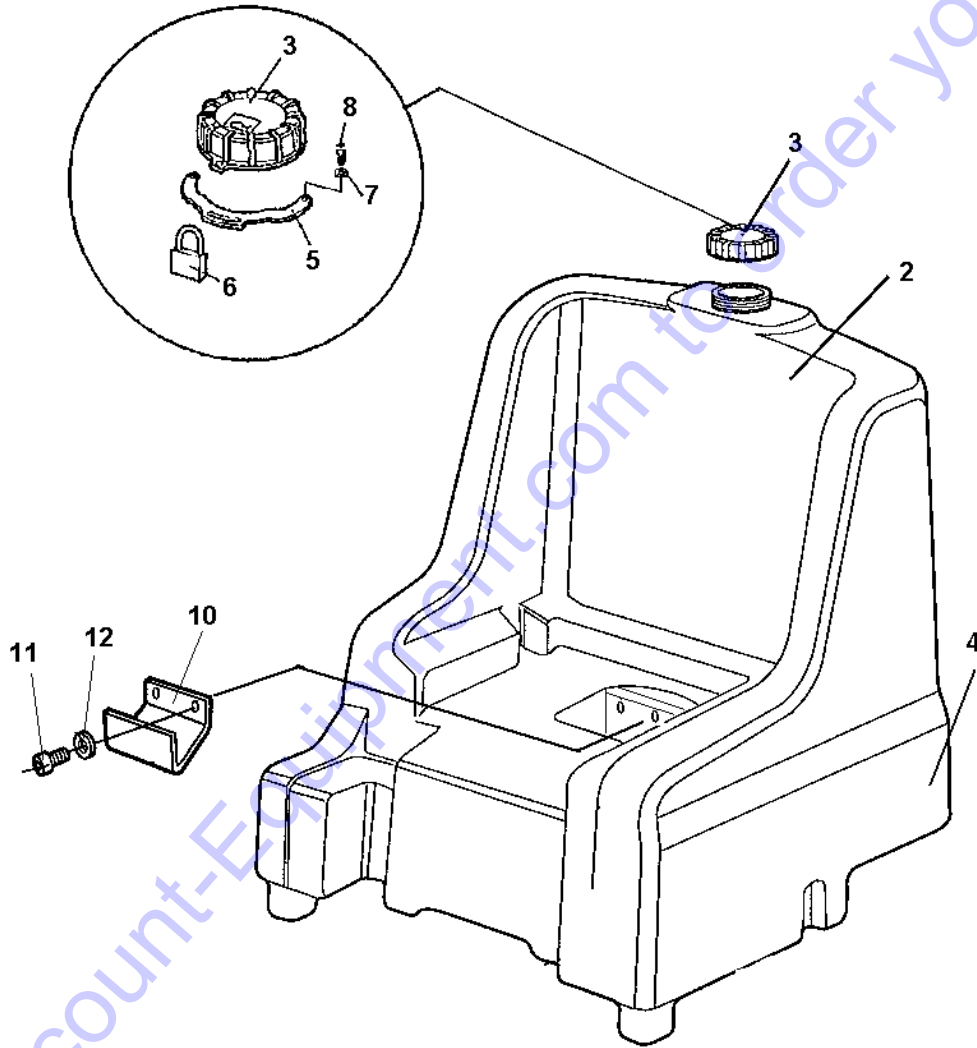
**Battery disconnecter**

Item	Part No	Rem Qty	Description	Code
1	4700357567	1	Battery switch, cpl	
2	4700902560	1	. Handle	
3	4812110560	1	Power socket 12V 16A	
4	4700960041	1	Ring terminal	
5	4812117025	1	Connector	
6	4700904015	1	Fuse holder	
7	4700901227	1	Fuse 10A	
8	4700377058	1	Connection block	
9	4812110974	1	Cooler console	
10	4700904835	2	Decal "BATTERY POWER"	
11		C	Battery cable	
12		D	Cable	
13		B	Screw	
14		B	Washer	
15		B	Nut	

- B) Use existing
- C) Cable from positive pole of the battery.
- D) Cable from starter motor.

Go to Discount-Equipment.com to order your parts

Water tank, option



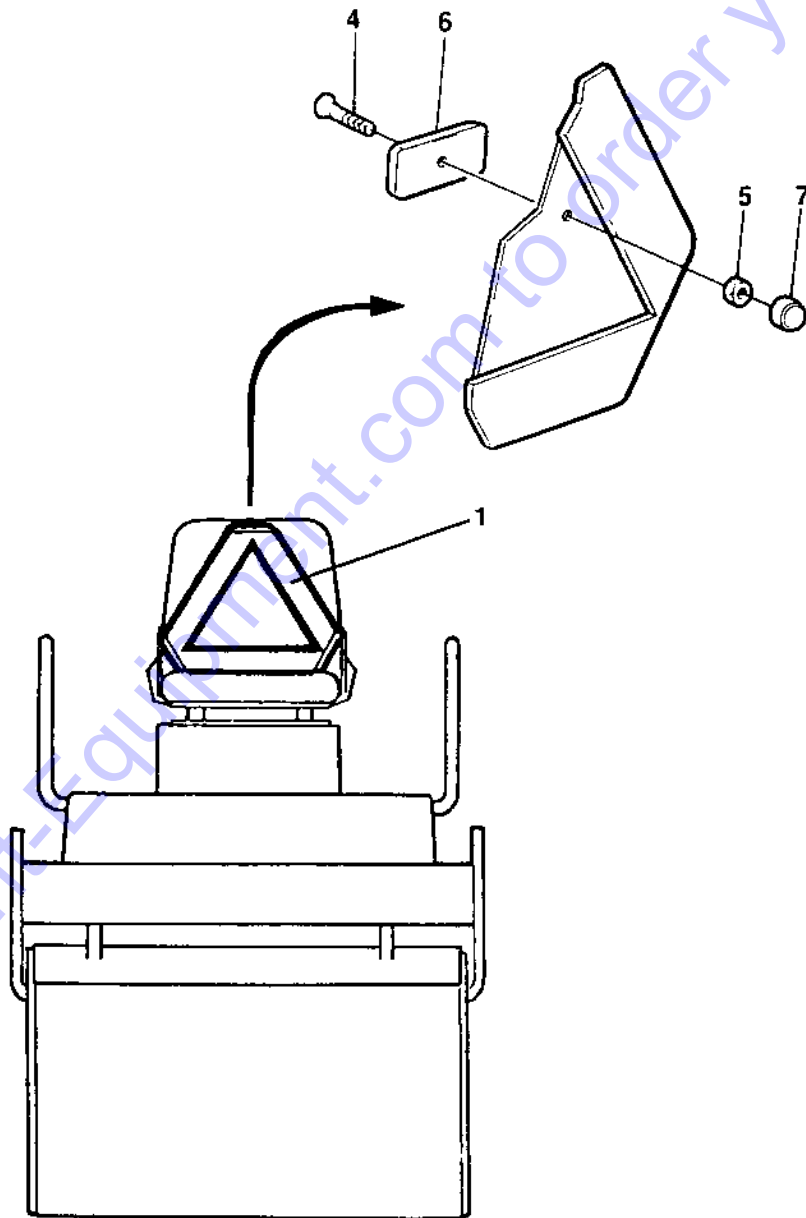
## Water tank, option

Item	Part No	Rem Qty	Description	Code
1			Water tank, cpl	
2	4700388017	1	. Water tank	
3	4700388087	1	. Tank cap	
4	4700377343		Decal	
5	4700389155	A 1	Lock bracket	
6	4700358881	A 1	Pad lock	
7	4700904281	A 2	Washer 5,3x10x1 300HV	
8	4700903658	A 2	Screw M5x10	
10	4700387935	1	Bracket	
11	4700500029	2	Hexagon head screw	
12	4700904557	2	Steel plain washer	

A) Option,

Go to Discount-Equipment.com to order your parts

SMV-sign



## SMV-sign

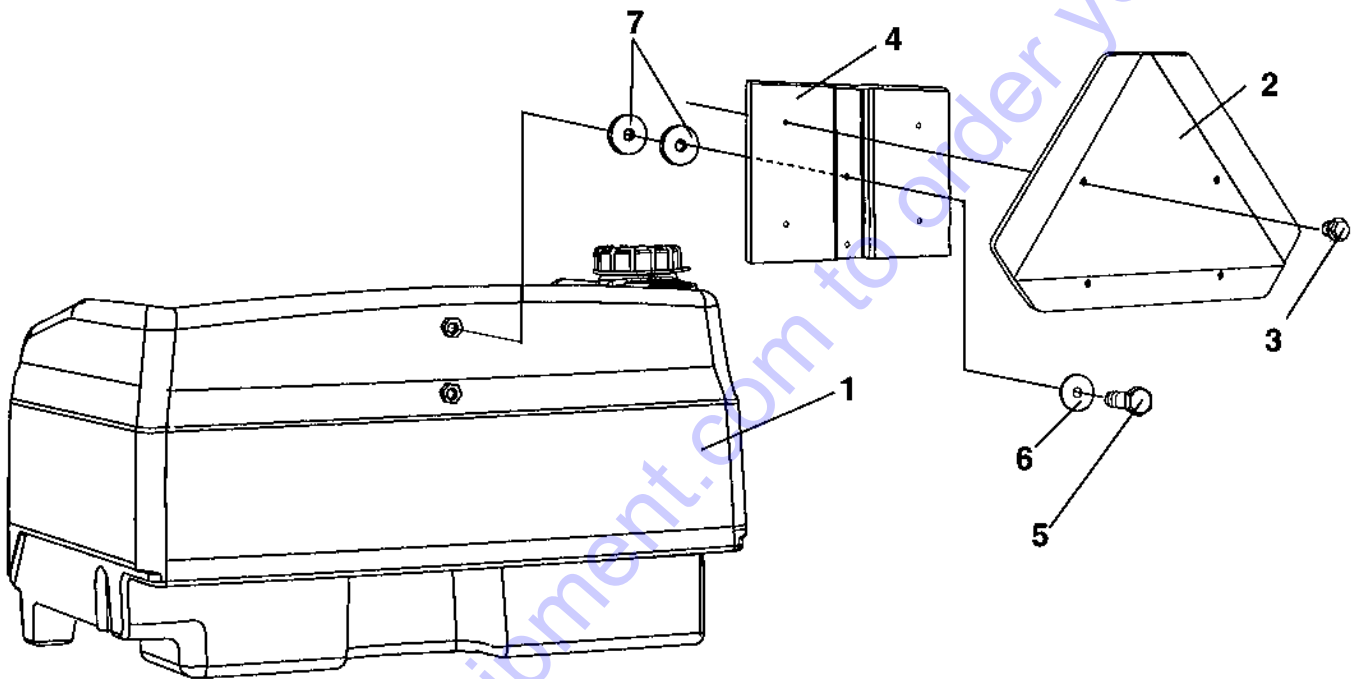
Item	Part No	Rem	Qty	Description	Code
1	4700476019		1	SMV-sign	
4	4700513013	A	2	Screw	
5	4700570005	A	2	Nut M8	
6	4700374460	A	2	Spacer	
7	4700904203	A	2	Nut protection	

A) On seats with armrests use existing

Go to Discount-Equipment.com to order your parts



SMV-sign Mounting on watertank

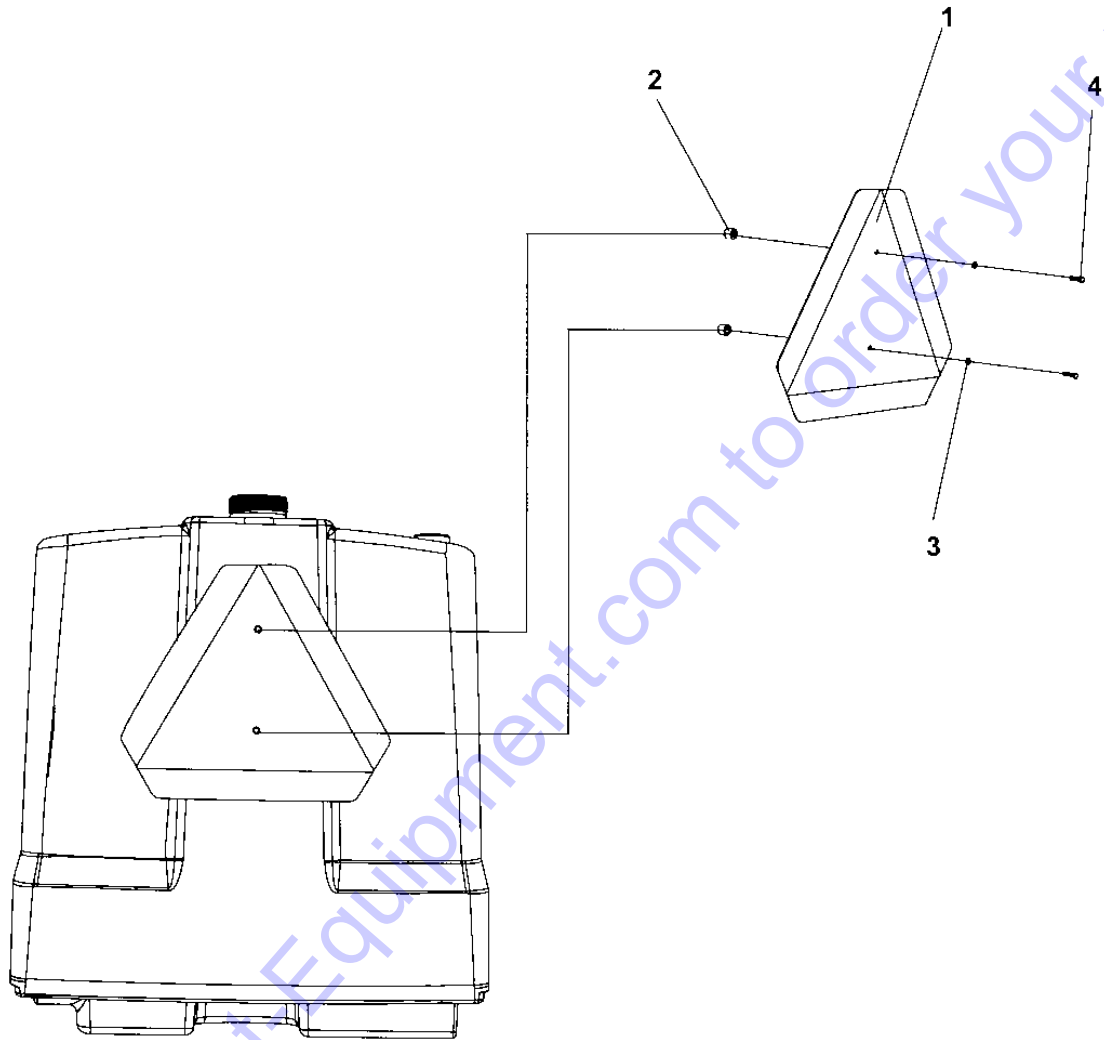


## SMV-sign Mounting on watertank

Item	Part No	Rem Qty	Description	Code
1		1	Water tank	
2	4700476019	1	SMV-sign	
3	4700903782	4	Screw M5x12	
4	4700391920	1	Holder	
5	4700500006	2	Screw M5x16	
6	4700927974	2	Washer	
7	4700904735	4	Washer	

Go to Discount-Equipment.com to order your parts

SMV-sign on high water tank

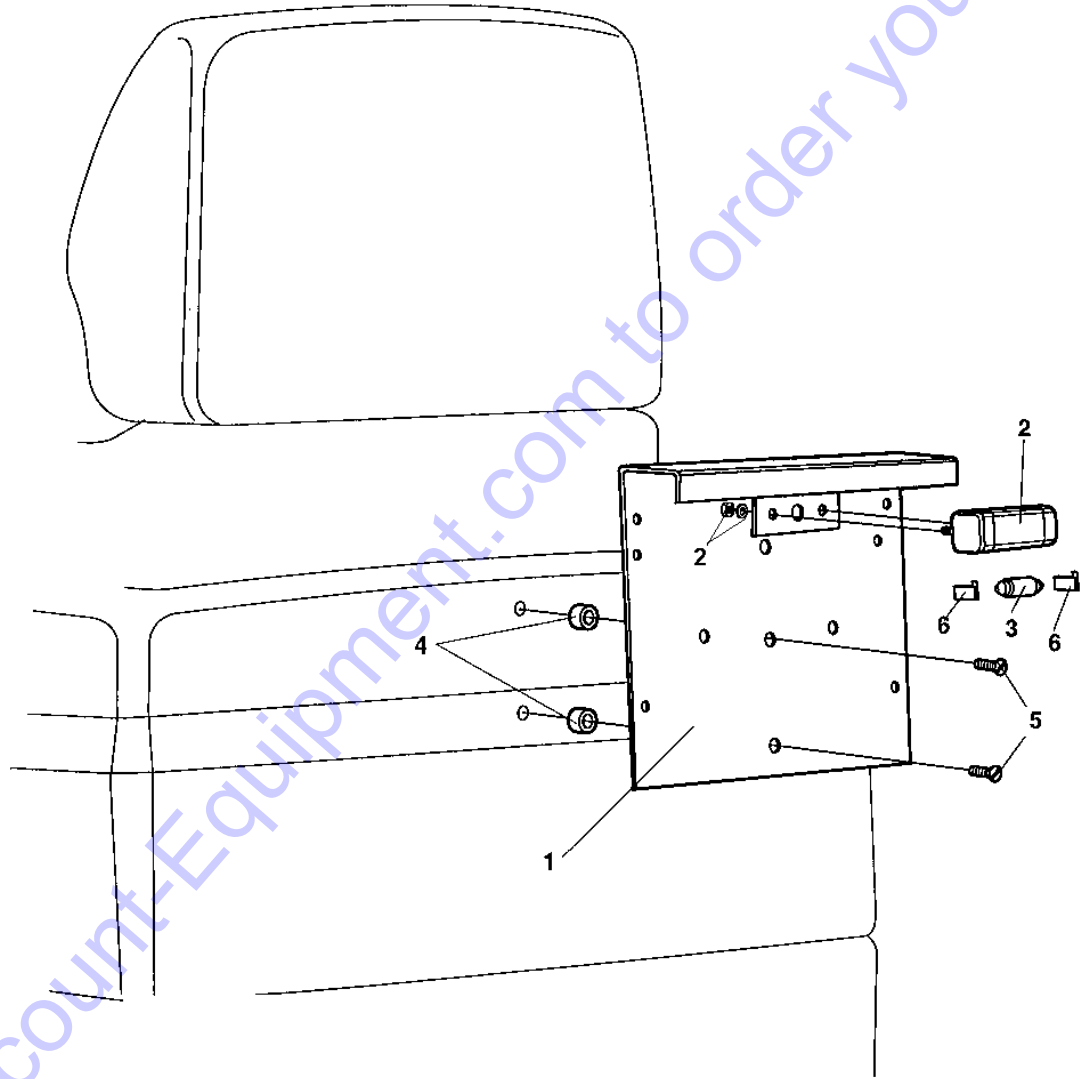


## SMV-sign on high water tank

Item	Part No	Rem Qty	Description	Code
1	4700476019	1	SMV-sign	
2	4700371728	2	Spacer sleeve	
3	4700904281	2	Washer 5,3x10x1 300HV	
4	4700500007	2	Screw M5-0,8x22H 8,8	

Go to [Discount-Equipment.com](http://Discount-Equipment.com) to order your parts

Registrations - plate with light

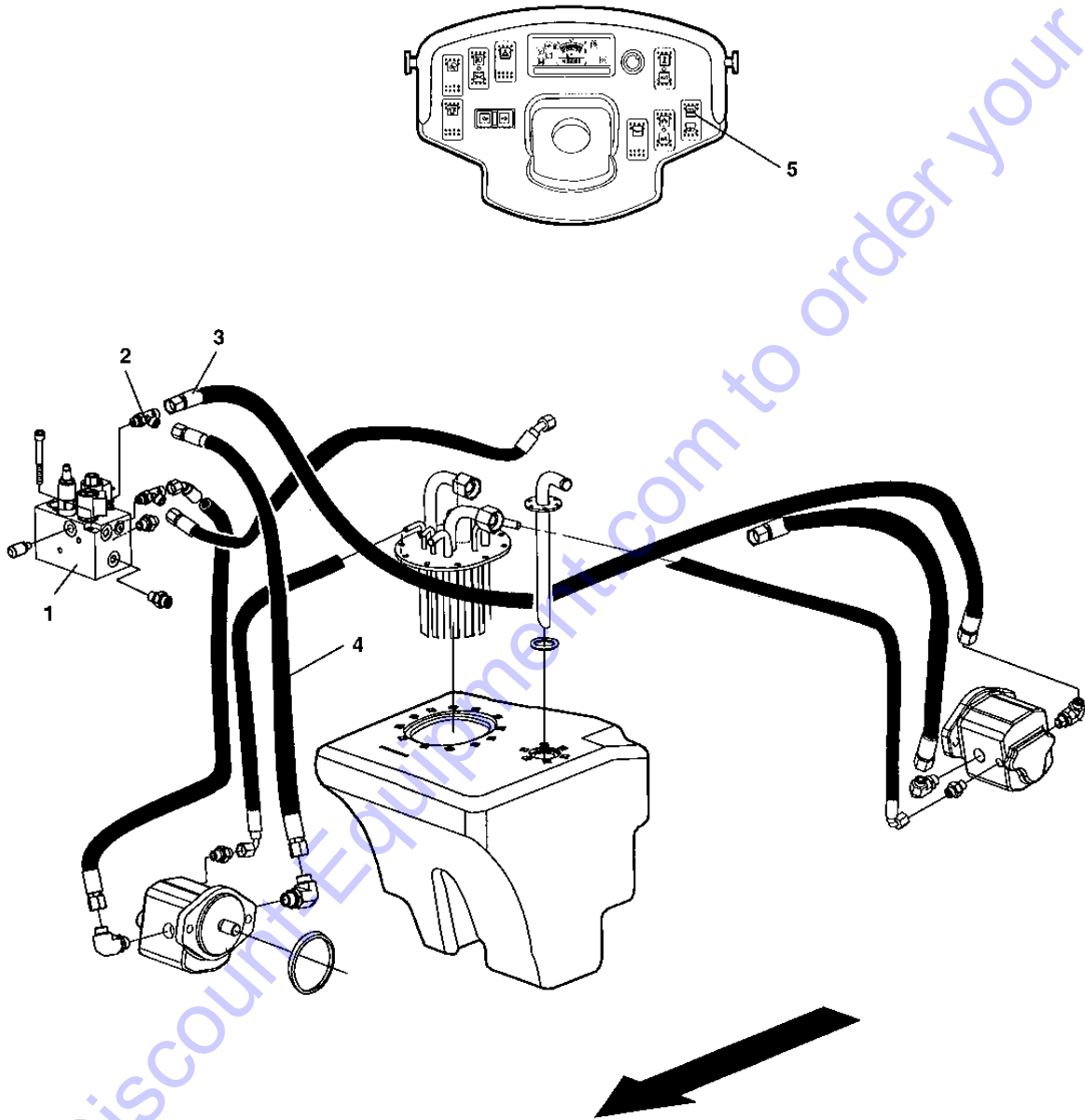


**Registrations - plate with light**

<b>Item</b>	<b>Part No</b>	<b>Rem Qty</b>	<b>Description</b>	<b>Code</b>
1	4700355797	1	Licence plate holder	
2	4700929455	1	Licence plate light	
		2	. Washer	
		2	. Nut	
3	4700985013	1	Bulb 12V,5W	
4	4700371728	2	Spacer sleeve	
5	4700535008	2	Screw M5x20	
6	4700792035	2	Push-on terminal	

Go to [Discount-Equipment.com](http://Discount-Equipment.com) to order your parts

Hydraulic vibration, shut off front/rear drum



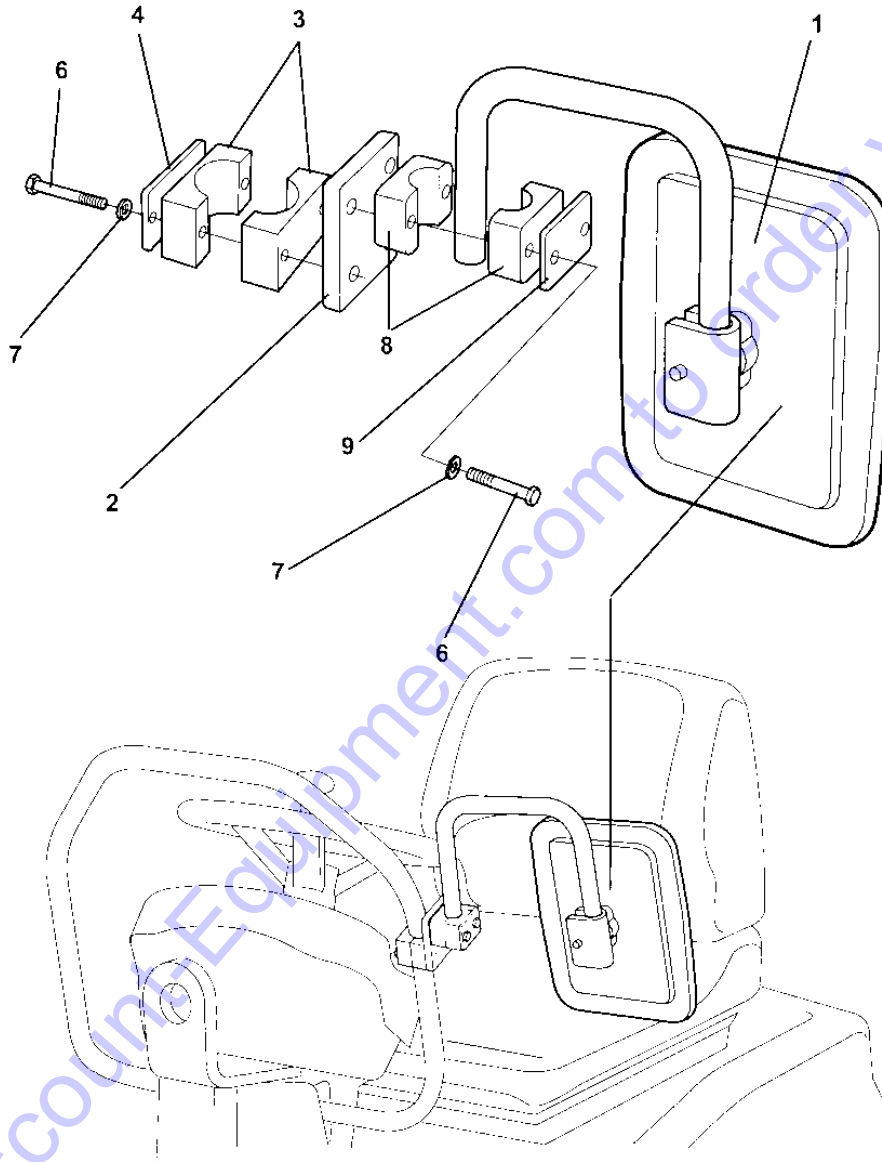
## Hydraulic vibration, shut off front/rear drum

Item	Part No	Rem Qty	Description	Code
1	4700387276	1	Combination valve ( Page 78 )	
2	4700791700	1	Tee-connector orfs	
3	4700483693	1	Hydraulic hose	
4	4700483670	1	Hydraulic hose	
5	4700791581	1	Switch	

Go to Discount-Equipment.com to order your parts



Rear view mirror

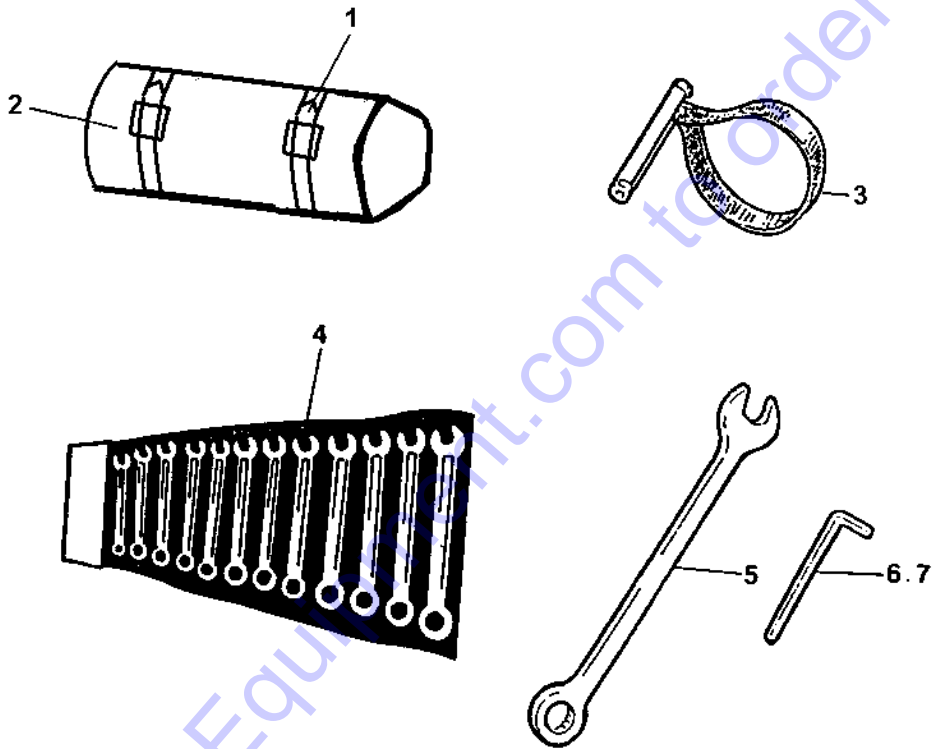


**Rear view mirror**

<b>Item</b>	<b>Part No</b>	<b>Rem Qty</b>	<b>Description</b>	<b>Code</b>
1	4700393204	1	Rear mirror	
2	4812110283	1	Bracket	
3	4700902496	1	Clamp	
4	4700923859	1	Cover plate	
6	4700500079	4	Screw M6-1x50 8,8	
7	4700904228	4	Washer 6,4x12x1,5	
8	4700791453	1	Pipe clamp block	
9	4700791454	1	Cover plate	

Go to [Discount-Equipment.com](http://Discount-Equipment.com) to order your parts

Tool equipment



## Tool equipment

Item	Part No	Rem Qty	Description	Code
1	4700792061	2	Strap	
2	4700277992	1	Tool bag	
3	4700902610	1	Belt pliers	
4	4700901212	A	Open end spanner	
5	4700485177	1	Wrench 6"	
6	4700485034	1	Allen wrench 4 mm	
7	4700792060	1	Allen wrench 3 mm	

A) Kit

Go to Discount-Equipment.com to order your parts

**NUMERICAL INDEX**

Part Number	Page	Part Number	Page	Part Number	Page
0147195903	55	4700376636	81	4700387552	63
0147195942	87	4700376637	7,9,15,17,81	4700387597	71
0147195944	55	4700376861	81	4700387598	71
377256	99,111	4700376876	43	4700387676	71
4700111018	31,47	4700377018	107	4700387677	35,71
4700160032	75	4700377053	107	4700387678	71
4700160058	27,37	4700377055	107	4700387682	63
4700160132	29,31,47	4700377058	121	4700387683	89
4700160313	43	4700377061	41	4700387685	101
4700162005	71	4700377063	87	4700387695	63
4700162015	75	4700377139	89	4700387713	75
4700162017	47	4700377140	91	4700387758	75
4700162027	51	4700377255	111	4700387779	35
4700202042	63,75,89	4700377343	123	4700387886	35
4700205067	75	4700377518	101	4700387935	43,123
4700232160	75	4700377610	35	4700387947	41
4700232230	59	4700377611	43	4700387948	41
4700238158	89	4700377621	35,37	4700387949	35,41
4700277992	137	4700377677	109	4700387956	41
4700280101	109	4700378178	39	4700388009	97
4700282603	109	4700378759	107	4700388017	123
4700283711	71,75	4700378932	89	4700388087	43,123
4700287713	43	4700379009	43	4700388153	35
4700288129	61	4700379636	101	4700388171	27,37
4700297018	41	4700379668	75	4700388172	27,37
4700313001	63,71	4700379753	43	4700388173	27,37
4700313002	43,65	4700383705	101	4700388194	75
4700313006	65	4700385599	89	4700388382	91
4700313007	65	4700386241	47	4700388447	101
4700313008	75	4700386619	47	4700388476	103
4700313010	61	4700386620	47	4700388636	91
4700313023	63	4700386622	47	4700388653	75
4700313035	65,75	4700386627	47	4700388733	41
4700313041	87	4700386951	61	4700388737	89
4700313102	75,81	4700387039	39	4700388772	95
4700313108	63,71,75	4700387043	39	4700388773	95
4700343490	47	4700387055	35	4700388846	41
4700343744	47	4700387056	35	4700388852	41
4700346420	107	4700387137	47	4700388960	71
4700348331	101	4700387142	109	4700389155	43,123
4700349202	47	4700387148	41	4700389218	43
4700349332	35	4700387151	41	4700389400	71
4700350029	47	4700387225	101	4700389405	75
4700355704	87	4700387226	101	4700389406	75
4700355797	131	4700387227	101	4700389407	71
4700355869	81	4700387236	101	4700389408	71
4700357138	15,17,75	4700387270	71,73	4700389432	47
4700357139	75	4700387274	81,83	4700389434	47
4700357567	121	4700387276	77,79,133	4700389556	71
4700357643	101	4700387277	81	4700389561	95
4700357855	101	4700387278	75	4700389577	95
4700358232	101	4700387279	63	4700389763	95
4700358666	47	4700387348	39	4700389798	109
4700358689	47	4700387349	39	4700389840	89
4700358846	43	4700387350	25,39	4700390585	101
4700358881	43,117,123	4700387376	35	4700391784	101
4700359043	39	4700387377	91,93	4700391920	127
4700359606	75	4700387378	91	4700391984	23,47
4700371728	129,131	4700387424	23,35	4700392011	43
4700372964	81	4700387425	35	4700392508	43
4700374460	125	4700387453	101	4700392509	43
4700376555	63	4700387545	101	4700393204	135

**NUMERICAL INDEX**

Part Number	Page	Part Number	Page	Part Number	Page
4700394301	101	4700508092	61,75,87	4700791597	41
4700395394	89	4700508094	75	4700791616	101
4700397157	101	4700508096	53	4700791639	87
4700476019	125,127,129	4700513013	125	4700791643	41,91
4700480852	43	4700513017	101	4700791668	107
4700483653	81	4700513027	111	4700791669	107
4700483654	81	4700527002	47	4700791699	71,75
4700483655	71,81	4700530027	35	4700791700	75,77,133
4700483657	81	4700535008	131	4700791701	81
4700483663	71	4700541702	87,95,97	4700791704	91
4700483666	71	4700570004	87,89	4700791723	89
4700483669	75	4700570005	39,53,87,125	4700791739	89
4700483670	75,77,133	4700570007	47	4700791743	71
4700483692	71	4700573008	109	4700791745	71
4700483693	133	4700586001	87	4700791754	41,93
4700483694	75	4700586002	41,89	4700791774	63
4700483695	71	4700586003	39,41,87,89,95	4700791775	39,89
4700483696	81		101	4700791780	65
4700483835	71	4700586018	39,55,91,93,101	4700791792	77
4700485034	137		107	4700791794	75
4700485177	137	4700586022	35	4700791916	91
4700499497	61	4700629101	95	4700791926	107
4700500006	127	4700635061	35,109	4700791938	39
4700500007	101,129	4700791014	87	4700791939	39
4700500012	47,63	4700791185	89	4700791949	43
4700500013	59,61	4700791226	101	4700791951	91
4700500018	101	4700791231	75	4700791953	91
4700500019	71	4700791395	75	4700791954	91
4700500020	65,103	4700791407	77	4700791955	91
4700500021	57,87,95,101,103	4700791408	81	4700791957	93
4700500022	47,65	4700791410	75,81	4700791959	43
4700500024	39,87	4700791412	81	4700791962	27,37
4700500029	43,47,55,123	4700791422	63	4700791970	91,93
4700500030	81,101	4700791425	29,47	4700791971	91
4700500031	101,107	4700791426	29,31,47	4700791973	35
4700500033	55	4700791433	29,47	4700791977	43
4700500037	71	4700791453	135	4700791980	95
4700500040	57	4700791454	135	4700791981	95
4700500048	81	4700791476	101	4700792019	87
4700500050	27,37	4700791483	87	4700792020	87
4700500053	35,41,101	4700791493	65	4700792026	55
4700500060	87	4700791535	71	4700792035	131
4700500067	35,39	4700791537	71	4700792059	91
4700500068	41,71	4700791538	75	4700792060	137
4700500075	65,89	4700791540	81	4700792061	137
4700500079	135	4700791541	71,75	4700792068	81
4700500090	43	4700791542	81	4700792070	75
4700500105	39	4700791543	75	4700792072	39
4700500176	35	4700791559	35,41	4700792083	89
4700500180	95	4700791565	81	4700792098	87,97
4700500194	59	4700791568	43	4700792180	39,41,63
4700500208	35	4700791572	59	4700792188	39
4700500230	91,93	4700791578	89	4700792189	39
4700500505	71,75,81,101	4700791579	89	4700792320	89
4700500509	101	4700791580	89	4700792332	71
4700508002	75	4700791581	77,89,133	4700792441	87
4700508004	43	4700791583	91	4700792611	27,37
4700508022	41	4700791584	91	4700792779	43
4700508029	47,75	4700791585	95	4700900986	109
4700508048	107	4700791586	91	4700901157	75
4700508059	53	4700791587	91,93	4700901212	137
4700508063	109	4700791588	89	4700901225	91

**NUMERICAL INDEX**

Part Number	Page	Part Number	Page	Part Number	Page
4700901227	91,121	4700904889	91	4812110560	87,121
4700901228	89,93	4700904984	63	4812110595	47
4700901230	87	4700904989	91	4812110596	47
4700901297	43	4700908229	109	4812110663	47
4700901298	43	4700921039	95	4812110724	87
4700901369	93	4700921050	87	4812110759	87
4700901767	89	4700921112	71	4812110761	101
4700901832	59	4700923734	43	4812110974	121
4700902123	81	4700923735	43	4812111325	43
4700902166	41,101	4700923859	135	4812111330	43
4700902227	93	4700923976	111	4812111331	43
4700902284	87	4700924544	43	4812112074	43
4700902286	35,101	4700925228	47	4812112645	43
4700902496	135	4700925519	47	4812113676	99,105
4700902560	121	4700925599	43	4812113822	43
4700902610	137	4700926215	109	4812114386	89
4700902890	41	4700927568	57	4812114466	101
4700903154	47	4700927974	127	4812117025	121
4700903236	63	4700928198	47	4812117868	89
4700903374	47	4700928381	41	4812117990	103
4700903658	43,101,123	4700928830	81	4812118170	75
4700903714	65	4700929191	35	4812118459	63
4700903741	89	4700929455	131	4812118686	101
4700903782	127	4700935429	83	4812118697	89
4700903810	91	4700935613	81	4812118838	103
4700903856	41	4700935614	81	4812118885	63
4700903948	107	4700939802	15,17	4812119939	59
4700903956	87,91	4700939803	15,17	4812119940	59
4700904009	71,81	4700940203	63	4812119941	59
4700904015	121	4700940374	107	4812119959	75
4700904032	87	4700940451	89	4812119960	71
4700904036	87	4700940673	21,25	4812120194	87
4700904039	87	4700940885	79	4812120455	113
4700904203	125	4700940886	79	4812120501	55
4700904214	35	4700940887	79	4812120502	55
4700904228	35,41,47,59,61 63,65,75,87,89 135	4700940888	79	4812120539	87
4700904229	35,39,41,57,61 63,71,87,95,101 103,107,109	4700940894	63	4812120541	65
4700904230	55,61,65,81,87 91,93,101,107	4700940922	63	4812120548	65
4700904231	35,47,87,109	4700940960	103	4812120549	87
4700904233	35	4700945418	63	4812120551	87
4700904281	43,87,101,111 123,129	4700945531	73	4812120575	35
4700904556	35,41,43,53,57 75,87,89,101	4700945532	73	4812120576	35
4700904557	47,55,75,101,123	4700945552	21,23	4812120582	61
4700904558	47	4700945622	101	4812120588	61
4700904567	43,101	4700945658	73	4812120589	61
4700904640	39,43,47,65,71	4700945710	21,29	4812120590	55
4700904641	71	4700945711	21,31	4812120592	41
4700904698	63	4700945729	107	4812120601	65
4700904703	47,71	4700945777	63	4812120605	65
4700904727	71	4700945928	21,27,37	4812120634	47
4700904735	57,75,127	4700947680	63	4812120635	71
4700904755	103	4700947684	81	4812120646	65
4700904766	71	4700947694	47	4812120647	59
4700904802	87	4700960041	121	4812120649	65,67
4700904835	121	4700960079	91	4812120665	101
		4700985013	131	4812120738	81
		4700999027	87	4812120798	77
		4812030096	9,13,17	4812120952	61
		4812030756	9,17	4812120953	51
		4812110216	91,93	4812120986	87
		4812110283	135	4812121035	65
		4812110346	47	4812121045	53

**NUMERICAL INDEX**

Part Number	Page	Part Number	Page	Part Number	Page
4812121046	53	4812159199	105		
4812121082	61	4812159251	105		
4812121086	75	4812159290	105		
4812121089	71	4812159291	105		
4812121199	41	4812159292	105		
4812121217	59	4812160067	67		
4812121218	59	4812160068	67		
4812121221	49,59	4812160069	67		
4812121253	113	4812160070	67		
4812121254	113	4812160071	67		
4812121288	65	4812160072	67		
4812121332	81	4812160073	67		
4812121333	81	4812160074	67		
4812121343	87	4812160075	67		
4812121345	59	4812160076	67		
4812121394	41	4812160077	67		
4812121408	113	4812160078	67		
4812121422	103	4812160079	67		
4812121430	75	4812160081	51		
4812121431	75	4812160088	51		
4812121432	71	4812160089	51		
4812121453	55	4812160090	11,13,15,17,51		
4812121561	103	4812160091	51		
4812121565	77	4812160092	51		
4812121570	57	4812160093	15,17,51		
4812121627	57	4812160094	7,9,11,13,15,17		
4812121673	59		51		
4812121674	59	4812160096	5,7		
4812156170	23	4812160097	5,9,19		
4812156263	7,9,11,13,15,17	4812160098	5,11		
4812156264	7,9,11,13,15,17	4812160099	5,13,19		
4812156490	105	4812160151	5,15		
4812156558	105	4812160152	5,17,19		
4812156559	105	4812160159	5,19		
4812156560	105	5580020624	9,13,17		
4812156561	105	9106230330	9,17		
4812156562	105				
4812156563	105				
4812156564	105				
4812156565	105				
4812156566	105				
4812156567	105				
4812156568	105				
4812156569	105				
4812156570	105				
4812156571	105				
4812156572	105				
4812156573	105				
4812156574	105				
4812156575	105				
4812156576	105				
4812156798	73				
4812157556	105				
4812157872	67				
4812158258	105				
4812158259	105				
4812158260	105				
4812158267	105				
4812159159	83				
4812159160	83				
4812159197	105				
4812159198	105				



# PARTS FINDER

**Search Website  
by Part Number**



**Search Manual  
Library For Parts  
Manual & Lookup Part  
Numbers – Purchase  
or Request Quote**

**Search Manuals**

Enter your information to help us find the right parts manual for your machine.

\* Brand:

\* Model:

\* Serial:

\* Part Number:

SEARCH

**Can't Find Part or  
Manual? Request Help  
by Manufacturer,  
Model & Description**

**Parts Order Form**

Please fill in the following information to help us find the right part for your machine.

Manufacturer:	<input type="text"/>
Model:	<input type="text"/>
Description:	<input type="text"/>
Part Number:	<input type="text"/>
Quantity:	<input type="text"/>
Notes:	<input type="text"/>

SEARCH

Discount-Equipment.com is your online resource for quality parts & equipment.

Florida: **561-964-4949** Outside Florida TOLL FREE: **877-690-3101**

**Need parts?**

Click on this link: <http://www.discount-equipment.com/category/5443-parts/> and choose one of the options to help get the right parts and equipment you are looking for. Please have the machine model and serial number available in order to help us get you the correct parts. If you don't find the part on the website or on one of the online manuals, please fill out the request form and one of our experienced staff members will get back to you with a quote for the right part that your machine needs.

We sell worldwide for the brands: Genie, Terex, JLG, MultiQuip, Mikasa, Essick, Whiteman, Mayco, Toro Stone, Diamond Products, Generac Magnum, Airman, Haulotte, Barreto, Power Blanket, Nifty Lift, Atlas Copco, Chicago Pneumatic, Allmand, Miller Curber, Skyjack, Lull, Skytrak, Tsurumi, Husquvarna Target, Stow, Wacker, Sakai, Mi-T-M, Sullair, Basic, Dynapac, MBW, Weber, Bartell, Bennar Newman, Haulotte, Ditch Runner, Menegotti, Morrison, Contec, Buddy, Crown, Edco, Wyco, Bomag, Laymor, EZ Trench, Bil-Jax, F.S. Curtis, Gehl Pavers, Heli, Honda, ICS/PowerGrit, IHI, Partner, Imer, Clipper, MMD, Koshin, Rice, CH&E, General Equipment, Amida, Coleman, NAC, Gradall, Square Shooter, Kent, Stanley, Tamco, Toku, Hatz, Kohler, Robin, Wisconsin, Northrock, Oztec, Toker TK, Rol-Air, APT, Wylie, Ingersoll Rand / Doosan, Innovatech, Con X, Ammann, Mecalac, Makinex, Smith Surface Prep, Small Line, Wanco, Yanmar



[www.discount-equipment.com](http://www.discount-equipment.com)

Go to [Discount-Equipment.com](http://Discount-Equipment.com) to order your parts



Dynapac Compaction Equipment AB