



Illustrated Parts Manual

Models

1043

SN 0160084859 to Present

31211315

January 18, 2019 - Rev D



Go to Discount-Equipment.com to order your parts

PARTS FINDER

**Search Website
by Part Number**



**Search Manual
Library For Parts
Manual & Lookup Part
Numbers – Purchase
or Request Quote**

**Can't Find Part or
Manual? Request Help
by Manufacturer,
Model & Description**

Discount-Equipment.com is your online resource for quality parts & equipment.

Florida: **561-964-4949** Outside Florida TOLL FREE: **877-690-3101**

Need parts?

Click on this link: <http://www.discount-equipment.com/category/5443-parts/> and choose one of the options to help get the right parts and equipment you are looking for. Please have the machine model and serial number available in order to help us get you the correct parts. If you don't find the part on the website or on one of the online manuals, please fill out the request form and one of our experienced staff members will get back to you with a quote for the right part that your machine needs.

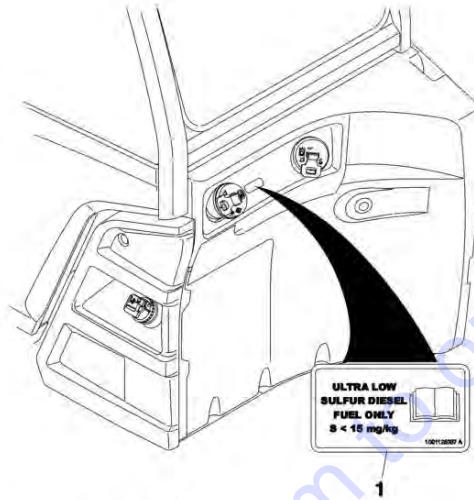
We sell worldwide for the brands: Genie, Terex, JLG, MultiQuip, Mikasa, Essick, Whiteman, Mayco, Toro Stone, Diamond Products, Generac Magnum, Airman, Haulotte, Barreto, Power Blanket, Nifty Lift, Atlas Copco, Chicago Pneumatic, Allmand, Miller Curber, Skyjack, Lull, Skytrak, Tsurumi, Husquvarna Target, Stow, Wacker, Sakai, Mi-T-M, Sullair, Basic, Dynapac, MBW, Weber, Bartell, Bennar Newman, Haulotte, Ditch Runner, Menegotti, Morrison, Contec, Buddy, Crown, Edco, Wyco, Bomag, Laymor, EZ Trench, Bil-Jax, F.S. Curtis, Gehl Pavers, Heli, Honda, ICS/PowerGrit, IHI, Partner, Imer, Clipper, MMD, Koshin, Rice, CH&E, General Equipment, Amida, Coleman, NAC, Gradall, Square Shooter, Kent, Stanley, Tamco, Toku, Hatz, Kohler, Robin, Wisconsin, Northrock, Oztec, Toker TK, Rol-Air, APT, Wylie, Ingersoll Rand / Doosan, Innovatech, Con X, Ammann, Mecalac, Makinex, Smith Surface Prep, Small Line, Wanco, Yanmar

EFFECTIVITY PAGE

April 6, 2018 - A - Original Issue of Manual
July 18, 2018 - B - Revised Manual
October 31, 2018 - C - Revised Manual
January 18, 2019 - D - Revised Manual

Go to Discount-Equipment.com to order your parts

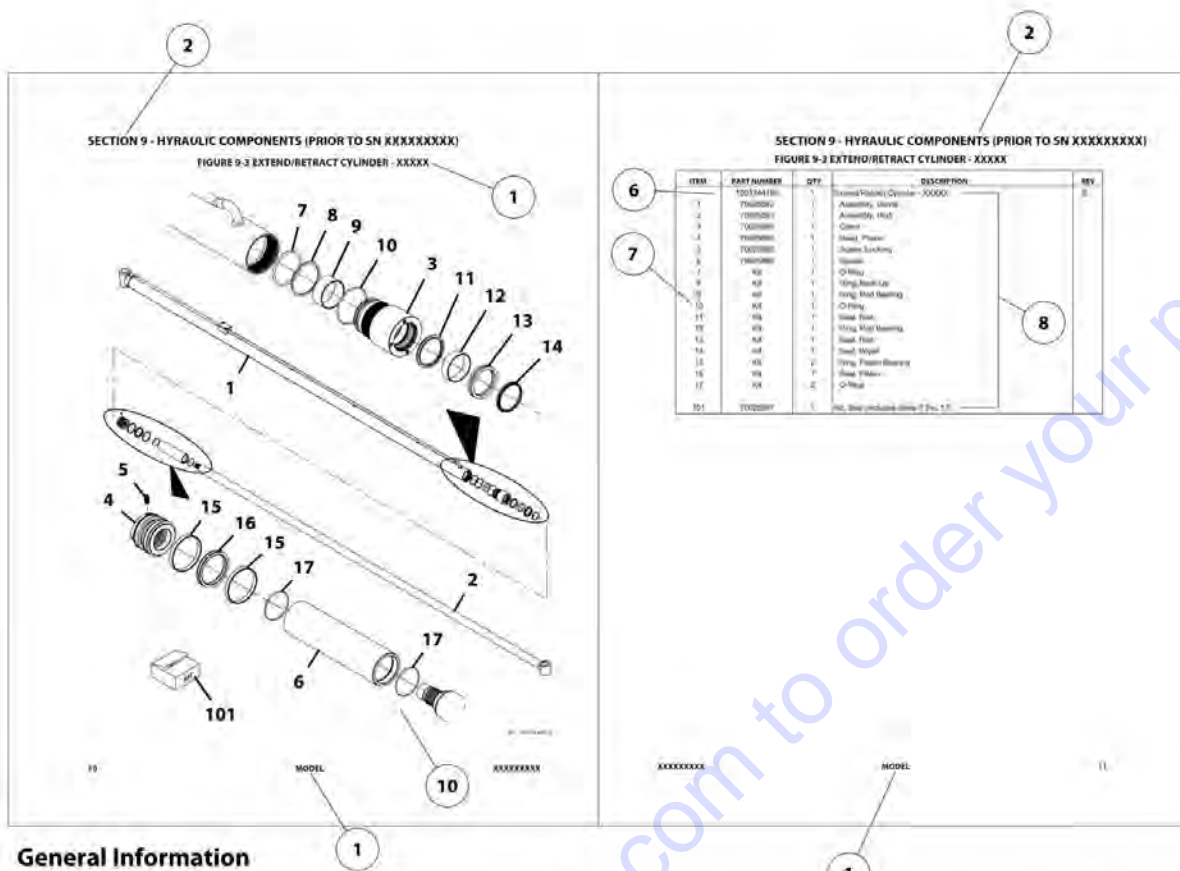
Machine Configuration



Two configurations of each machine are included in this manual. Determine if machine is equipped with Ultra Low Sulfur Fuel Decal (1).

If equipped with the Ultra Low Sulfur decal, all specific references to this machine configuration will be referred to as Ultra Low Sulfur (ULS) from this point forward.

If not equipped with the Ultra Low Sulfur decal, all specific references to this machine configuration will be referred to as Low Sulfur (LS) from this point forward.



General Information

1. MACHINE IDENTIFICATION

Machines are identified by model and in some cases a combination of model, serial number (S/N) or regional standard (e.g. ANSI, CE, CSA, AUS). Components may also be identified by S/N or manufacturer. Common components that may be identified by these characteristics are attachments, engine, transmission and hydraulic components.

2. PARTS MANUAL ORGANIZATION

Product information in this manual is organized under section titles. Frame, Engine and Electrical are a few examples. Each section is organized by Figure and page number. The information within the Figure is then organized by item number, part number, description and corresponding illustration(s).

3. TABLE OF CONTENTS

A table of contents (TOC) is found toward the beginning of the manual. Figure number, description and page number are provided for quick reference to the page containing the related information.

4. RECOMMENDED SPARE PARTS

The Recommended Spare Parts, located near the end of the manual, references most frequently used maintenance parts.

5. PARTS NUMBER INDEX

A numerical index listing all part numbers and the corresponding page number(s) appears at the back of the manual.

6. NON-SERVICED PARTS

In some instances it is necessary to display non-serviced parts, assemblies or installations. In the case of assemblies and installations there will be a Ref in the QTY column and a note after the item description stating what is available for service within. In the case of parts that are not available for service within assemblies or components there will be a NSS (Not Sold Separately) listed in the part number column of the manual.

7. PARTS LIST ITEM NUMBERS

Numbers shown in the Item column correspond to numbers used in the associated illustration(s). Item numbers which are missing from sequence and are not shown in the illustration(s) are not used on that page.

8. INDENTED PART DESCRIPTION

An indented part description is included in the item under which it is indented.

9. ABBREVIATIONS AND SYMBOLS

AC.....	Alternating Current	LB.....	Pound
A/C.....	Air Conditioning	LBP.....	Low Boom Pivot
ADE.....	Advanced Design Electronics	LCD.....	Liquid Crystal Display
AG.....	Agriculture	LED.....	Light Emitting Diode
AMP.....	Amperage	LH.....	Left Hand
ANSI.....	American National Standards Institute	LHD.....	Left Hand Drive
AR.....	As Required	LHP.....	Low Horse Power
ASSY.....	Assembly	LMIS.....	Load Management Indicator System
AUS.....	Australia	LS.....	Low Sulfur
AUX.....	Auxiliary	LSI.....	Load Stability Indicator
AWG.....	American Wire Gauge	LSS.....	Load Sensing System
CAC.....	Charge Air Cooler	M ³	Cubic Meter
CE.....	European Conformity	MA.....	Milliamp
CM.....	Centimeter	M(m).....	Metric/Meter
CONST.....	Construction	MM.....	Millimeter
CSA.....	Canadian Standards Association	N.....	Newton
DEF.....	Diesel Exhaust Fluid	NACD.....	North America Construction Division
DIA.....	Diameter	NLA.....	No Longer Available
DC.....	Direct Current	NSS.....	Not Sold Separately
DTZ.....	Decentralized Transmission Zeros	OD.....	Outside Diameter
ECU.....	Electronic Control Unit	ORB.....	O-Ring Boss
EMS.....	Emergency Stop	ORFS.....	O-Ring Face Seal
FNR.....	Forward Neutral Reverse	OZ.....	Ounce
FT.....	Foot	PR.....	Ply Rating
GA.....	Gauge	QT.....	Quart
GR.....	Grade	QTY.....	Quantity
HBP.....	High Boom Pivot	REF.....	Reference
HHP.....	High Horse Power	REV.....	Revision
HOC.....	Hydraulic Oil Cooler	RH.....	Right Hand
HVAC.....	Heating, Ventilating, and Air Conditioning	RHD.....	Right Hand Drive
ID.....	Inside Diameter	RHOC.....	Remote Hydraulic Oil Cooler
IN.....	Inch	RUS.....	Russia
ISO.....	International Organization for Standards	SAE.....	Society of Automotive Engineers
ITSDF.....	Industrial Truck Standards Development Foundation	SAHR.....	Spring Applied Hydraulically Released
JIC.....	Joint Industry Council	SN.....	Serial Number
KG.....	Kilogram	SPD.....	Speed
KW.....	Kilowatt	TLU.....	Torque Lock Up
L.....	Liter	UGM.....	Universal Ground Module

10. ILLUSTRATION REFERENCE LETTERS

When necessary, illustrations may contain reference letters that are intended to track information from one point to another in the illustration such as harnesses and hoses or any other information that has been separated in the illustration

Note: Due to continuous product improvements, JLG Industries, Inc. reserves the right to make specification changes without prior notification.

TABLE OF CONTENTS

SECTION 1 - FRAME AND ATTACHING PARTS.....	15
FIGURE 1-1. FRAME (OUTRIGGERS).....	16
FIGURE 1-2. ENGINE ENCLOSURE INSTALLATION.....	18
FIGURE 1-3. ENGINE ENCLOSURE COVER INSTALLATION.....	20
FIGURE 1-4. HOOD ASSEMBLY.....	22
FIGURE 1-5. HOOD ASSEMBLY.....	24
FIGURE 1-6. COVER INSTALLATION (OUTRIGGERS) (ULS).....	26
FIGURE 1-7. COVER INSTALLATION (OUTRIGGERS) (LS).....	28
FIGURE 1-8. COUNTERWEIGHT INSTALLATION.....	30
FIGURE 1-9. TANK INSTALLATION.....	32
FIGURE 1-10. FUEL TANK INSTALLATION.....	34
FIGURE 1-11. HYDRAULIC TANK INSTALLATION.....	36
FIGURE 1-12. FUEL CAP ASSEMBLY.....	38
FIGURE 1-13. OUTRIGGERS INSTALLATION.....	40
FIGURE 1-14. MIRROR INSTALLATION.....	42
FIGURE 1-15. BOOM PROP INSTALLATION (ANSI).....	44
FIGURE 1-16. BOOM PROP BRACKET.....	46
SECTION 2 - BOOM.....	49
FIGURE 2-1. BOOM ASSEMBLY.....	50
FIGURE 2-2. FIRST BOOM SECTION ASSEMBLY.....	52
FIGURE 2-3. SECOND BOOM SECTION ASSEMBLY.....	54
FIGURE 2-4. THIRD BOOM SECTION ASSEMBLY.....	56
FIGURE 2-5. RETRACT CHAIN SHEAVE.....	58
FIGURE 2-6. RETRACT CHAIN INSTALLATION.....	60
FIGURE 2-7. EXTEND CHAIN INSTALLATION.....	62
FIGURE 2-8. PINS INSTALLATION.....	64
FIGURE 2-9. EXTEND CHAIN ROLLER.....	66
FIGURE 2-10. HOSE BRACKET INSTALLATION.....	68
FIGURE 2-11. BOOM PINNING INSTALLATION.....	70
FIGURE 2-12. LIFT CYLINDER PINS INSTALLATION.....	72
FIGURE 2-13. COMPENSATION CYLINDER PINS INSTALLATION.....	74
FIGURE 2-14. BOOM PIVOT PIN INSTALLATION.....	76
FIGURE 2-15. MANUAL QUICK COUPLER INSTALLATION.....	78
FIGURE 2-16. HYDRAULIC QUICK COUPLER INSTALLATION.....	80
FIGURE 2-17. BOOM PIN INSTALLATION.....	82
FIGURE 2-18. TILT CYLINDER PIN INSTALLATION.....	84
FIGURE 2-19. BOOM ANGLE INDICATOR INSTALLATION.....	86
FIGURE 2-20. BOOM BRUSHES INSTALLATION.....	88
FIGURE 2-21. QUICK COUPLER ASSEMBLY.....	90
SECTION 3 - ATTACHMENTS.....	93
FIGURE 3-1. CARRIAGE ASSEMBLY (1270MM).....	94
FIGURE 3-2. CARRIAGE ASSEMBLY (1524 MM).....	96
FIGURE 3-3. CARRIAGE ASSEMBLY (1829 MM).....	98
FIGURE 3-4. SIDE TILT CARRIAGE ASSEMBLY.....	100
FIGURE 3-5. 90 SWING CARRIAGE ASSEMBLY (72 INCH).....	102
FIGURE 3-6. SIDE SHIFT CARRIAGE (5.5 TON - 1270 MM).....	104
FIGURE 3-7. FORK POSITIONING CARRIAGE WITH FORKS (4.5 TON).....	106
FIGURE 3-8. PALLET FORK (2.36X4X48).....	108
FIGURE 3-9. PALLET FORK (2.36X5X48).....	110
FIGURE 3-10. PALLET FORK (2.36X4X48).....	112
FIGURE 3-11. FORK - PALLET (2.4X4X60).....	114
FIGURE 3-12. LUMBER FORK (50X180X1540).....	116
FIGURE 3-13. LUMBER FORK (60X150X1524).....	118
FIGURE 3-14. PALLET FORK (2.00X6X72).....	120
FIGURE 3-15. BLOCKING FORK (50X50X1220).....	122
FIGURE 3-16. FORK CLAMPS INSTALL.....	124
FIGURE 3-17. FORK EXTENSIONS (62X163X2286).....	126
FIGURE 3-18. FORK MOUNTED BUCKET (1.0 M³).....	128
FIGURE 3-19. BUCKET 1.0 YD³ (ANSI - JLG).....	130
FIGURE 3-20. BUCKET (1.15 M³).....	132
FIGURE 3-21. BUCKET (102 INCH).....	134

TABLE OF CONTENTS

FIGURE 3-22. MULTI-PURPOSE GRAPPLE BUCKET (2450 MM)	136
FIGURE 3-23. TRUSS BOOM (0.9 TON - 3.7M)	138
FIGURE 3-24. TRUSS BOOM (15 FOOT)	140
FIGURE 3-25. ADJUSTABLE TRUSS BOOM	142
FIGURE 3-26. ADJUSTABLE TRUSS BOOM INSTALLATION (FORK MOUNTED).....	144
FIGURE 3-27. TRUSS BOOM (1.8 TON - 1M FT WITH WINCH).....	146
FIGURE 3-28. TRUSS BOOM (0.9 TON - 3.7M WITH WINCH)	148
FIGURE 3-29. FORK MOUNTED HOOK (4 TON)	150
FIGURE 3-30. CRANE HOOK	152
FIGURE 3-31. MAST (8 FOOT)	154
FIGURE 3-32. SIDE TILT ELECTRIC MAST (8 FOOT)	158
FIGURE 3-33. FORK MOUNTED BASKET	164
FIGURE 3-34. FORK MOUNTED BASKET	166
FIGURE 3-35. FORK MOUNTED BASKET	168
FIGURE 3-36. FORK MOUNTED PLATFORM	170
FIGURE 3-37. SWEEPER.....	172
FIGURE 3-38. FORK MOUNTED TRASH HOPPER	174
FIGURE 3-39. MAIN LIFT CYLINDER	176
FIGURE 3-40. KIT DECAL	178
FIGURE 3-41. DUAL FORK CARRIAGE VALVE ASSEMBLY	180
SECTION 4 - ENGINE AND ATTACHING PARTS	183
FIGURE 4-1. ENGINE INSTALLATION (ULS)	184
FIGURE 4-2. ENGINE INSTALLATION (LS).....	186
FIGURE 4-3. 3.8L ENGINE (ULS)	188
FIGURE 4-4. 3.8L ENGINE (LS).....	190
FIGURE 4-5. ENGINE MOUNTING INSTALLATION	192
FIGURE 4-6. FAN INSTALLATION	194
FIGURE 4-7. ENGINE WIRING INSTALLATION (ULS).....	196
FIGURE 4-8. ENGINE WIRING INSTALLATION (LS)	200
FIGURE 4-9. PRIMARY FUEL FILTER INSTALLATION (LS).....	204
FIGURE 4-10. PRIMARY FUEL FILTER INSTALLATION (ULS).....	206
FIGURE 4-11. AIR CLEANER LINES INSTALLATION (LS).....	208
FIGURE 4-12. AIR CLEANER LINES INSTALLATION (ULS).....	210
FIGURE 4-13. AIR CLEANER INSTALLATION (ULS).....	212
FIGURE 4-14. AIR CLEANER INSTALLATION (LS).....	214
FIGURE 4-15. AIR CLEANER ASSEMBLY (74.4KW)	216
FIGURE 4-16. AIR CLEANER ASSEMBLY (90/100KW)	218
FIGURE 4-17. AIR INTAKE DUCT INSTALLATION	220
FIGURE 4-18. AIR INTAKE SHUT OFF VALVE INSTALLATION	222
FIGURE 4-19. ENGINE ECU INSTALLATION (ULS).....	224
FIGURE 4-20. ENGINE ECU INSTALLATION (LS)	226
FIGURE 4-21. FUEL LINES INSTALLATION (LS).....	228
FIGURE 4-22. FUEL LINES INSTALLATION (ULS)	232
FIGURE 4-23. DEF LINES INSTALLATION.....	236
FIGURE 4-24. COOLING PACKAGE INSTALLATION (ULS).....	238
FIGURE 4-25. COOLING PACKAGE INSTALLATION (LS).....	240
FIGURE 4-26. RADIATOR COOLING PACKAGE	242
FIGURE 4-27. HOC LINES INSTALLATION	244
FIGURE 4-28. COOLANT LINES INSTALLATION (ULS)	246
FIGURE 4-29. COOLANT LINES INSTALLATION (LS).....	248
FIGURE 4-30. CAC LINES INSTALLATION (ULS).....	250
FIGURE 4-31. CAC LINES INSTALLATION (LS)	252
FIGURE 4-32. TOC LINES INSTALLATION	254
FIGURE 4-33. SURGE TANK INSTALLATION	256
FIGURE 4-34. FAN GUARD INSTALLATION	258
FIGURE 4-35. EXHAUST INSTALLATION (ULS).....	260
FIGURE 4-36. EXHAUST INSTALLATION (LS)	262
FIGURE 4-37. ENGINE PARTS INSTALLATION (NO HEATER)	264
FIGURE 4-38. ENGINE PARTS INSTALLATION (HEATER).....	266
FIGURE 4-39. A/C PUMP INSTALLATION (ULS).....	268
FIGURE 4-40. A/C PUMP INSTALLATION (LS).....	270
FIGURE 4-41. FUEL TANK ASSEMBLY.....	272
FIGURE 4-42. DEF TANK INSTALLATION	274
FIGURE 4-43. DEF TANK ASSEMBLY (SN 0160084859 through 0160091872)	276
FIGURE 4-44. DEF TANK ASSEMBLY (SN 0160091873 to Present)	278

TABLE OF CONTENTS

FIGURE 4-45. DEF PUMP AND CONTROL INSTALLATION	280
FIGURE 4-46. DEF PUMP LINES INSTALLATION	282
FIGURE 4-47. MUFFLER INSTALLATION (LS)	284
FIGURE 4-48. A/C LINES INSTALLATION	286
FIGURE 4-49. HEATER BREATHER	288
SECTION 5 - DRIVETRAIN	291
FIGURE 5-1. DRIVETRAIN INSTALLATION	292
FIGURE 5-2. FRONT AXLE INSTALLATION	294
FIGURE 5-3. REAR AXLE INSTALLATION	296
FIGURE 5-4. DRIVE SHAFTS INSTALLATION	298
FIGURE 5-5. FRONT AXLE MOUNTING INSTALLATION	300
FIGURE 5-6. FRONT AXLE LINES INSTALLATION	302
FIGURE 5-7. REAR AXLE MOUNTING INSTALLATION	304
FIGURE 5-8. REAR AXLE LINES INSTALLATION	306
FIGURE 5-9. FRONT DRIVE SHAFT INSTALLATION	308
FIGURE 5-10. REAR DRIVE SHAFT INSTALLATION	310
FIGURE 5-11. FRONT AXLE	312
FIGURE 5-12. FRONT AXLE, CENTRAL HOUSING	314
FIGURE 5-13. FRONT AXLE, DIFFERENTIAL	316
FIGURE 5-14. FRONT AXLE, HUB REDUCTION	318
FIGURE 5-15. FRONT AXLE, BRAKES	320
FIGURE 5-16. FRONT AXLE, STEERING	322
FIGURE 5-17. FRONT AXLE, TRUNION	324
FIGURE 5-18. FRONT AXLE, DIFFERENTIAL KIT	326
FIGURE 5-19. FRONT AXLE, PLANET GEAR CARRIER	328
FIGURE 5-20. FRONT AXLE, RING GEAR SUPPORT	330
FIGURE 5-21. FRONT AXLE, PLANET GEAR CARRIER	332
FIGURE 5-22. FRONT AXLE, SUPPORT	334
FIGURE 5-23. FRONT AXLE, SUPPORT	336
FIGURE 5-24. REAR AXLE	338
FIGURE 5-25. REAR AXLE, BRAKES	340
FIGURE 5-26. REAR AXLE, CENTRAL HOUSING	342
FIGURE 5-27. REAR AXLE, DIFFERENTIAL	344
FIGURE 5-28. REAR AXLE, HUB REDUCTION	346
FIGURE 5-29. REAR AXLE, STEERING	348
FIGURE 5-30. REAR AXLE, TRUNION	350
FIGURE 5-31. REAR AXLE, DIFFERENTIAL KIT	352
FIGURE 5-32. REAR AXLE, PLANET GEAR CARRIER	354
FIGURE 5-33. REAR AXLE, PLANET GEAR CARRIER	356
FIGURE 5-34. REAR AXLE, SUPPORT	358
FIGURE 5-35. REAR AXLE, RING GEAR SUPPORT	360
FIGURE 5-36. TRANSMISSION INSTALLATION	362
FIGURE 5-37. POWERSHIFT TRANSMISSION	364
FIGURE 5-38. TRANSMISSION, ENGINE CONNECTION	368
FIGURE 5-39. TRANSMISSION, CONVERTER	370
FIGURE 5-40. TRANSMISSION, INPUT	372
FIGURE 5-41. TRANSMISSION, HOUSING GROUP 1	374
FIGURE 5-42. TRANSMISSION, HOUSING GROUP 2	376
FIGURE 5-43. TRANSMISSION, CLUTCH GROUP 1	378
FIGURE 5-44. TRANSMISSION, CLUTCH GROUP 2	380
FIGURE 5-45. TRANSMISSION, COUPLING GROUP 1	382
FIGURE 5-46. TRANSMISSION, COUPLING GROUP 2	384
FIGURE 5-47. TRANSMISSION, COUPLING GROUP 3	386
FIGURE 5-48. TRANSMISSION, COUPLING GROUP 4	388
FIGURE 5-49. TRANSMISSION, OUTPUT	390
FIGURE 5-50. TRANSMISSION, POWER TAKE-OFF	392
FIGURE 5-51. TRANSMISSION, CONTROL UNIT	394
FIGURE 5-52. TRANSMISSION, SHIFT SYSTEM	396
FIGURE 5-53. TRANSMISSION, PRESSURE REGULATOR	398
FIGURE 5-54. TRANSMISSION, PRESSURE OIL PUMP	400
FIGURE 5-55. TRANSMISSION, INDUCTIVE TRANSMITTER	402
FIGURE 5-56. TRANSMISSION, FILTER	404
FIGURE 5-57. TRANSMISSION, ACCESSORIES GROUP 1	406
FIGURE 5-58. TRANSMISSION, PERIPHERALS GROUP 1	408
FIGURE 5-59. TRANSMISSION, PERIPHERALS GROUP 2	410

TABLE OF CONTENTS

FIGURE 5-60. TRANSMISSION, ACCESSORIES GROUP 2	412
FIGURE 5-61. TRANSMISSION, TRANSFER BOX.....	414
FIGURE 5-62. TRANSMISSION, TRANSFER BOX HOUSING 1.....	416
FIGURE 5-63. TRANSMISSION, TRANSFER BOX HOUSING 2.....	418
FIGURE 5-64. TRANSMISSION, TRANSFER BOX HOUSING INPUT	420
FIGURE 5-65. TRANSMISSION, TRANSFER BOX HOUSING OUTPUT 1	422
FIGURE 5-66. TRANSMISSION, TRANSFER BOX HOUSING OUTPUT 2.....	424
FIGURE 5-67. TIRE/WHEEL SET 400/75-28 - AIR.....	426
FIGURE 5-68. TIRE/WHEEL ASSEMBLY 400/75-28 - AIR	428
FIGURE 5-69. TIRE/WHEEL SET 400/75-28 NON-MARKING – AIR.....	430
FIGURE 5-70. TIRE/WHEEL ASSEMBLY 400/75-28 NON-MARKING - AIR	432
FIGURE 5-71. TIRE/WHEEL SET 400/75-28 - FOAM	434
FIGURE 5-72. TIRE/WHEEL SET 400/75-28 NON-MARKING - FOAM	436
FIGURE 5-73. TIRE/WHEEL SET 14-24 16PR - AIR.....	438
FIGURE 5-74. TIRE/WHEEL RIGHT ASSEMBLY 14-24 16PR - AIR.....	440
FIGURE 5-75. TIRE/WHEEL LEFT ASSEMBLY 14-24 16PR - AIR	442
FIGURE 5-76. TIRE/WHEEL SET 14-24 12PR - FOAM	444
FIGURE 5-77. TIRE/WHEEL SET 360/85-28 - SOLID.....	446
FIGURE 5-78. FENDER INSTALLATION	448
FIGURE 5-79. WHEEL CHOCK INSTALLATION.....	450
FIGURE 5-80. TOOLBOX INSTALLATION	452
SECTION 6 - CAB	455
FIGURE 6-1. CAB MOUNTING.....	456
FIGURE 6-2. CAB MOUNTS INSTALLATION	458
FIGURE 6-3. FRONT CAB OUTRIGGER INSTALLATION.....	460
FIGURE 6-4. CAB FENDER INSTALLATION	462
FIGURE 6-5. CAB FENDER INSTALLATION REAR (LH)	464
FIGURE 6-6. OROPS CAB INSTALLATION.....	466
FIGURE 6-7. EROPS CAB INSTALLATION	468
FIGURE 6-8. CAB, TRIM KIT.....	470
FIGURE 6-9. CAB, TRIM KIT.....	472
FIGURE 6-10. OPEN CAB ASSEMBLY.....	474
FIGURE 6-11. OPEN CAB PLUG GROUP	476
FIGURE 6-12. CAB, EPD CAULK.....	478
FIGURE 6-13. ENCLOSED CAB ASSEMBLY	480
FIGURE 6-14. REAR WINDOW INSTALLATION	482
FIGURE 6-15. REAR WINDOW INSTALLATION (WOWIPER) (ANSI).....	484
FIGURE 6-16. REAR WINDOW INSTALLATION (WOWIPER) (ISO).....	486
FIGURE 6-17. REAR WINDOW ASSEMBLY.....	488
FIGURE 6-18. DOOR INSTALLATION	490
FIGURE 6-19. DOOR UPPER GLASS ASSEMBLY	492
FIGURE 6-20. DOOR UPPER GLASS ASSEMBLY	494
FIGURE 6-21. CAB LATCH ASSEMBLY	496
FIGURE 6-22. CAB DOOR TRIGGER ASSEMBLY.....	498
FIGURE 6-23. DOOR ASSEMBLY.....	500
FIGURE 6-24. CAB DOOR	502
FIGURE 6-25. DOOR STRAP INSTALLATION	504
FIGURE 6-26. ENCLOSED CAB PLUG GROUP.....	506
FIGURE 6-27. BASIC MIRROR INSTALLATION.....	508
FIGURE 6-28. FRONT COVER INSTALLATION	510
FIGURE 6-29. FILTER TRAY PANEL.....	512
FIGURE 6-30. FRONT DUCT COVER.....	514
FIGURE 6-31. LEVEL INDICATOR INSTALLATION	516
FIGURE 6-32. SEAT INSTALLATION	518
FIGURE 6-33. SEAT	520
FIGURE 6-34. SEAT BELT INSTALLATION (3IN).....	522
FIGURE 6-35. SEAT BELT INSTALLATION	524
FIGURE 6-36. HEATER INSTALLATION.....	526
FIGURE 6-37. HEATER ASSEMBLY	528
FIGURE 6-38. HEATER.....	530
FIGURE 6-39. HEATER.....	532
FIGURE 6-40. HEATER AND A/C INSTALLATION (CAB PARTS).....	534
FIGURE 6-41. HEATER AND A/C ASSEMBLY	538
FIGURE 6-42. HEATER AND A/C.....	540
FIGURE 6-43. HEATER AND A/C.....	542

TABLE OF CONTENTS

FIGURE 6-44. HVAC CAB ACTUATOR.....	544
FIGURE 6-45. CAB CONDENSER ASSEMBLY.....	546
FIGURE 6-46. A/C RECEIVER DRIER.....	548
FIGURE 6-47. CONDENSER.....	550
FIGURE 6-48. FRONT WIPER INSTALLATION.....	552
FIGURE 6-49. REAR WIPER INSTALLATION.....	554
FIGURE 6-50. ROOF WIPER INSTALLATION.....	556
FIGURE 6-51. HEADLINER INSTALLATION.....	558
FIGURE 6-52. OPEN CAB TRIM INSTALLATION.....	560
FIGURE 6-53. ENCLOSED CAB TRIM INSTALLATION.....	564
FIGURE 6-54. ROOF CAP INSTALLATION (A/C).....	568
FIGURE 6-55. ROOF CAP INSTALLATION (NO A/C).....	570
FIGURE 6-56. OPEN CAB FRONT COVER INSTALLATION.....	572
FIGURE 6-57. ENCLOSED CAB FRONT COVER INSTALLATION.....	574
FIGURE 6-58. NON SKID TAPE INSTALLATION.....	576
FIGURE 6-59. EXTERNAL WINDOW RELEASE INSTALLATION (CAN & ISO).....	578
FIGURE 6-60. WASHER TANK INSTALLATION.....	580
FIGURE 6-61. CAB GUARD INSTALLATION (TOP AND FRONT).....	582
FIGURE 6-62. CAB GUARD INSTALLATION (TOP).....	584
FIGURE 6-63. CAB GUARD INSTALLATION (FRONT).....	586
FIGURE 6-64. ROOF PIGTAIL CAP INSTALLATION.....	588
FIGURE 6-65. ROOF PIGTAIL INSTALLATION.....	590
FIGURE 6-66. RETRACTABLE SUNSCREEN INSTALLATION.....	592
FIGURE 6-67. NO SUNSCREEN INSTALLATION.....	594
SECTION 7 - CONTROLS.....	597
FIGURE 7-1. BRAKE PEDAL INSTALLATION.....	598
FIGURE 7-2. BRAKE PEDAL.....	600
FIGURE 7-3. BRAKE PEDAL PLATE.....	602
FIGURE 7-4. ACCELERATOR PEDAL INSTALLATION.....	604
FIGURE 7-5. ACCELERATOR PEDAL.....	606
FIGURE 7-6. STEERING COLUMN INSTALLATION.....	608
FIGURE 7-7. EMERGENCY STEERING COLUMN INSTALLATION.....	610
FIGURE 7-8. STEERING WHEEL INSTALLATION.....	612
FIGURE 7-9. STEERING WHEEL.....	614
FIGURE 7-10. HORN BUTTON INSTALLATION.....	616
FIGURE 7-11. JOYSTICK INSTALLATION (2 ROLLER, 0 BUTTON).....	618
FIGURE 7-12. COLUMN CLAMP INSTALLATION.....	620
FIGURE 7-13. WIPER-TURN SWITCH.....	622
FIGURE 7-14. OUTRIGGER SWITCHES INSTALLATION.....	624
FIGURE 7-15. JOYSTICK.....	626
SECTION 8 - HYDRAULIC CIRCUITS.....	629
FIGURE 8-1. MAIN HYDRAULIC INSTALLATION (OUTRIGGERS).....	630
FIGURE 8-2. PISTON PUMP INSTALLATION.....	632
FIGURE 8-3. PISTON PUMP ASSEMBLY.....	634
FIGURE 8-4. VALVE INSTALLATION (OUTRIGGERS).....	636
FIGURE 8-5. MAIN HYDRAULIC INSTALLATION.....	638
FIGURE 8-6. FRAME LEVEL HYDRAULICS INSTALLATION (OUTRIGGERS).....	642
FIGURE 8-7. BOOM HYDRAULIC INSTALLATION.....	644
FIGURE 8-8. CAB HYDRAULIC INSTALLATION.....	646
FIGURE 8-9. MAIN HYDRAULIC INSTALLATION, SECONDARY STEERING (OUTRIGGERS).....	648
FIGURE 8-10. CAB HYDRAULIC INSTALLATION, EMERGENCY STEERING.....	650
FIGURE 8-11. FRAME LEVEL INSTALLATION.....	652
FIGURE 8-12. REAR AXLE STABILIZER INSTALLATION.....	654
FIGURE 8-13. BOOM ANGLE SENSOR INSTALLATION.....	656
FIGURE 8-14. COUNTERBALANCE VALVE INSTALLATION (LIFT - GLS NO RIDE CONTROL).....	658
FIGURE 8-15. COUNTERBALANCE VALVE INSTALLATION.....	660
FIGURE 8-16. COUNTERBALANCE VALVE HYDRAULIC LINES (LIFT - RIDE CONTROL).....	662
FIGURE 8-17. BOOM AUXILIARY HYDRAULICS INSTALLATION.....	664
FIGURE 8-18. BOOM AUXILIARY HYDRAULICS (HYDRAULIC COUPLER).....	666
FIGURE 8-19. QUICK COUPLER VALVE ASSEMBLY.....	668
FIGURE 8-20. MAIN HYDRAULIC VALVES INSTALLATION.....	670
FIGURE 8-21. PRIORITY FUNCTION MANIFOLD INSTALLATION.....	672
FIGURE 8-22. MAIN CONTROL VALVE INSTALLATION.....	674

TABLE OF CONTENTS

FIGURE 8-23. PRIORITY FUNCTION MANIFOLD VALVE ASSEMBLY	676
FIGURE 8-24. MAIN CONTROL VALVE ASSEMBLY	678
FIGURE 8-25. FRAME LEVEL AND OUTRIGGER VALVE INSTALLATION	680
FIGURE 8-26. STEERING SELECT VALVE MOUNTING INSTALLATION	682
FIGURE 8-27. FRAME LEVEL AND OUTRIGGER VALVE ASSEMBLY	684
FIGURE 8-28. STEERING SELECT VALVE INSTALLATION	686
FIGURE 8-29. STEERING SELECT VALVE ASSEMBLY	688
FIGURE 8-30. BOOM HYDRAULIC TUBES INSTALLATION	690
FIGURE 8-31. COUNTERBALANCE VALVE HYDRAULIC LINES (LIFT - RIDE CONTROL)	692
FIGURE 8-32. STEERING SELECT AND FRAME LEVEL VALVE INSTALLATION	694
FIGURE 8-33. PARK BRAKE INSTALLATION	696
FIGURE 8-34. PARK BRAKE VALVE ASSEMBLY	698
FIGURE 8-35. FRAME LEVEL VALVE ASSEMBLY	700
FIGURE 8-36. QUICK COUPLER CYLINDER ASSEMBLY	702
FIGURE 8-37. EMERGENCY STEERING MANIFOLD	704
FIGURE 8-38. HYDRAULIC QUICK COUPLER ASSEMBLY	706
SECTION 9 - HYDRAULIC COMPONENTS	709
FIGURE 9-1. CYLINDER GROUP INSTALLATION	710
FIGURE 9-2. LIFT CYLINDER	712
FIGURE 9-3. LIFT CYLINDER	714
FIGURE 9-4. LIFT CYLINDER	716
FIGURE 9-5. TILT CYLINDER ASSEMBLY	718
FIGURE 9-6. TILT CYLINDER	720
FIGURE 9-7. TILT CYLINDER	722
FIGURE 9-8. COMPENSATION CYLINDER	724
FIGURE 9-9. FRAME LEVEL CYLINDER INSTALLATION	726
FIGURE 9-10. FRAME LEVEL CYLINDER	728
FIGURE 9-11. EXTEND/RETRACT CYLINDER ASSEMBLY	730
FIGURE 9-12. EXTEND/RETRACT CYLINDER	732
FIGURE 9-13. REAR AXLE STABILIZER CYLINDER INSTALLATION	734
FIGURE 9-14. OUTRIGGER CYLINDER	736
FIGURE 9-15. REAR AXLE STABILITY CYLINDER	738
FIGURE 9-16. OUTRIGGER CYLINDER	740
FIGURE 9-17. SIDE TILT CYLINDER	742
FIGURE 9-18. REAR AXLE STABILIZER VALVE	744
FIGURE 9-19. MAIN CONTROL VALVE	746
FIGURE 9-20. PISTON PUMP	748
FIGURE 9-21. STEERING ORBITAL VALVE	750
FIGURE 9-22. STEERING SELECT VALVE	752
FIGURE 9-23. FRAME LEVEL VALVE	754
FIGURE 9-24. FRAME LEVEL AND OUTRIGGER VALVE	756
FIGURE 9-25. QUICK COUPLER CYLINDER	758
FIGURE 9-26. DIVERTOR VALVE	760
FIGURE 9-27. TANK HYDRAULIC	762
FIGURE 9-28. PRIORITY MANIFOLD VALVE	764
FIGURE 9-29. SWING CARRIAGE CYLINDER	766
FIGURE 9-30. GRAPPLE BUCKET CYLINDER	768
FIGURE 9-31. SIDE SHIFT CARRIAGE CYLINDER	770
FIGURE 9-32. AIR SHUT OFF VALVE	772
FIGURE 9-33. PARK BRAKE VALVE	774
FIGURE 9-34. FLOW DIVIDER VALVE	776
SECTION 10 - ELECTRICAL	779
FIGURE 10-1. MAIN ELECTRICAL INSTALLATION (ULS)	780
FIGURE 10-2. MAIN ELECTRICAL INSTALLATION (ULS) (74 HP)	782
FIGURE 10-3. MAIN ELECTRICAL INSTALLATION (LS)	784
FIGURE 10-4. ELECTRICAL FRAME INSTALLATION	786
FIGURE 10-5. POWER DISTRIBUTION ELECTRICAL BOX	788
FIGURE 10-6. ENGINE BAY WIRING INSTALLATION (ULS)	790
FIGURE 10-7. FRAME WIRING INSTALLATION (ULS)	792
FIGURE 10-8. ENGINE BAY WIRING INSTALLATION (LS)	794
FIGURE 10-9. FRAME WIRING INSTALLATION (ULS)	796
FIGURE 10-10. FRAME WIRING INSTALLATION (LS)	798
FIGURE 10-11. ENGINE BAY ELECTRICAL INSTALLATION	800

TABLE OF CONTENTS

FIGURE 10-12. ENGINE WIRING INSTALLATION (ULS)	802
FIGURE 10-13. BOOM AUXILIARY ELECTRIC INSTALLATION	806
FIGURE 10-14. BOOM AUXILIARY ELECTRIC HARNESS INSTALLATION	808
FIGURE 10-15. BATTERY INSTALLATION	810
FIGURE 10-16. ARCTIC COLD WEATHER PACKAGE INSTALLATION	812
FIGURE 10-17. ARCTIC COLD WEATHER PACKAGE INSTALLATION (LS)	814
FIGURE 10-18. FUEL FILTER HEATER INSTALLATION	816
FIGURE 10-19. ARTIC BATTERIES INSTALLATION	818
FIGURE 10-20. HYDRAULIC TANK HEATER INSTALLATION	820
FIGURE 10-21. BACKUP ALARM INSTALLATION (120 DB)	822
FIGURE 10-22. BACKUP ALARM INSTALLATION (97 DB)	824
FIGURE 10-23. WHITE NOISE BACKUP ALARM INSTALLATION	826
FIGURE 10-24. CAB ELECTRICAL INSTALLATION	828
FIGURE 10-25. DASH ELECTRICAL INSTALLATION	830
FIGURE 10-26. DASH ELECTRICAL INSTALLATION (LS)	832
FIGURE 10-27. SWITCH LIGHT INSTALLATION	834
FIGURE 10-28. USB CHARGER INSTALLATION	836
FIGURE 10-29. OPEN CAB ELECTRICAL INSTALLATION WITH OPTIONS	838
FIGURE 10-30. MULTIFUNCTION DISPLAY INSTALLATION	840
FIGURE 10-31. ENCLOSED CAB ELECTRICAL INSTALLATION WITH OPTIONS	842
FIGURE 10-32. REVERSE CAMERA INSTALLATION	844
FIGURE 10-33. REVERSE SENSOR INSTALLATION	846
FIGURE 10-34. TELEMATICS READY INSTALLATION	848
FIGURE 10-35. TELEMATICS CANBUS INSTALLATION (CLEARSKY 2) (ANSI)	850
FIGURE 10-36. TELEMATICS CANBUS INSTALLATION (CLEARSKY 2) (C.E.)	852
FIGURE 10-37. 4WARD TELEMATIC, HARNESS (CLEARSKY 2)	854
FIGURE 10-38. CLEARSKY INSTALLATION 3-WIRE (ANSI)	856
FIGURE 10-39. CLEARSKY INSTALLATION 3-WIRE (C.E.)	858
FIGURE 10-40. ROAD LIGHTS INSTALLATION	860
FIGURE 10-41. CAB WORKLIGHTS INSTALLATION (NO A/C)	862
FIGURE 10-42. CAB WORKLIGHTS INSTALLATION (A/C)	864
FIGURE 10-43. CAB WORKLIGHTS INSTALLATION (NO A/C - LED)	866
FIGURE 10-44. CAB WORKLIGHTS INSTALLATION (A/C - LED)	868
FIGURE 10-45. BOOM WORK LIGHTS INSTALLATION	870
FIGURE 10-46. BOOM WORK LIGHTS INSTALLATION (LED)	872
FIGURE 10-47. BEACON INSTALLATION	874
FIGURE 10-48. BEACON INSTALLATION (LED)	876
FIGURE 10-49. OUTRIGGER HARNESS	878
FIGURE 10-50. RIDE CONTROL CB VALVE HARNESS INSTALLATION (LIFT)	880
FIGURE 10-51. RIDE CONTROL CB VALVE HARNESS (LIFT)	882
FIGURE 10-52. FRONT FRAME HARNESS	884
FIGURE 10-53. REAR FRAME HARNESS	890
FIGURE 10-54. ENGINE CHASSIS HARNESS (ULS)	894
FIGURE 10-55. TBAP HARNESS	898
FIGURE 10-56. BOOM ELECTRICAL HARNESS INSTALLATION	900
FIGURE 10-57. BOOM HARNESS	902
FIGURE 10-58. PLATFORM HARNESS	904
FIGURE 10-59. CAB HARNESS	906
FIGURE 10-60. FRONT FRAME HEADLIGHT HARNESS	910
FIGURE 10-61. TAIL LIGHTS HARNESS	912
FIGURE 10-62. BOOM WORKLIGHTS HARNESS	914
FIGURE 10-63. BOOM LIGHTS INSTALLATION	916
FIGURE 10-64. BOOM LED LIGHTS INSTALLATION	918
FIGURE 10-65. A/C OPTION HARNESS	920
FIGURE 10-66. REVERSE SENSOR HARNESS	922
FIGURE 10-67. OPTION 1 CAB HARNESS	924
FIGURE 10-68. OPTION 2 CAB HARNESS	928
FIGURE 10-69. ROOF PIGTAIL HARNESS	930
FIGURE 10-70. OPTION 2 ELECTRICAL BOARD ASSEMBLY	932
FIGURE 10-71. CAB OPTION HARNESS	934
FIGURE 10-72. TELEMATICS READY HARNESS	936
FIGURE 10-73. STANDARD ELECTRICAL BOARD ASSEMBLY	938
FIGURE 10-74. OPTION 1 ELECTRICAL BOARD ASSEMBLY	940
FIGURE 10-75. CABLE	942
FIGURE 10-76. CUSTOMER SUPPLIED TELEMATICS CANBUS	944
FIGURE 10-77. TELEMATICS HARNESS	946
FIGURE 10-78. GATEWAY CONTROLLER	948

TABLE OF CONTENTS

FIGURE 10-79. CONTROL ACCESSORY	950
FIGURE 10-80. CAB AIR SHUT OFF VALVE HARNESS	952
FIGURE 10-81. ENGINE AIR SHUT OFF VALVE HARNESS	954
SECTION 11 - DECALS	957
FIGURE 11-1. CAPACITY CHART HOLDER INSTALLATION	958
FIGURE 11-2. BRAND AND MODEL DECAL INSTALLATION	960
FIGURE 11-3. DECAL INSTALLATION (ANSI)	962
FIGURE 11-4. DECAL INSTALLATION (ISO).....	966
FIGURE 11-5. DECAL INSTALLATION (CSA ENGLISH/FRENCH).....	970
FIGURE 11-6. CAPACITY CHART BOOKLET (ANSI) (OUTRIGGERS)	974
FIGURE 11-7. CAPACITY CHART BOOKLET (ISO) (OUTRIGGERS).....	976
FIGURE 11-8. REVERSE SENSOR SYSTEM DECAL (ENGLISH).....	978
FIGURE 11-9. CLEARSKY DECAL INSTALLATION	980
SECTION 12 - RECOMMENDED SPARE PARTS	983
FIGURE 12-1. RECOMMENDED SPARE PARTS	984
PART NUMBER INDEX.....	987

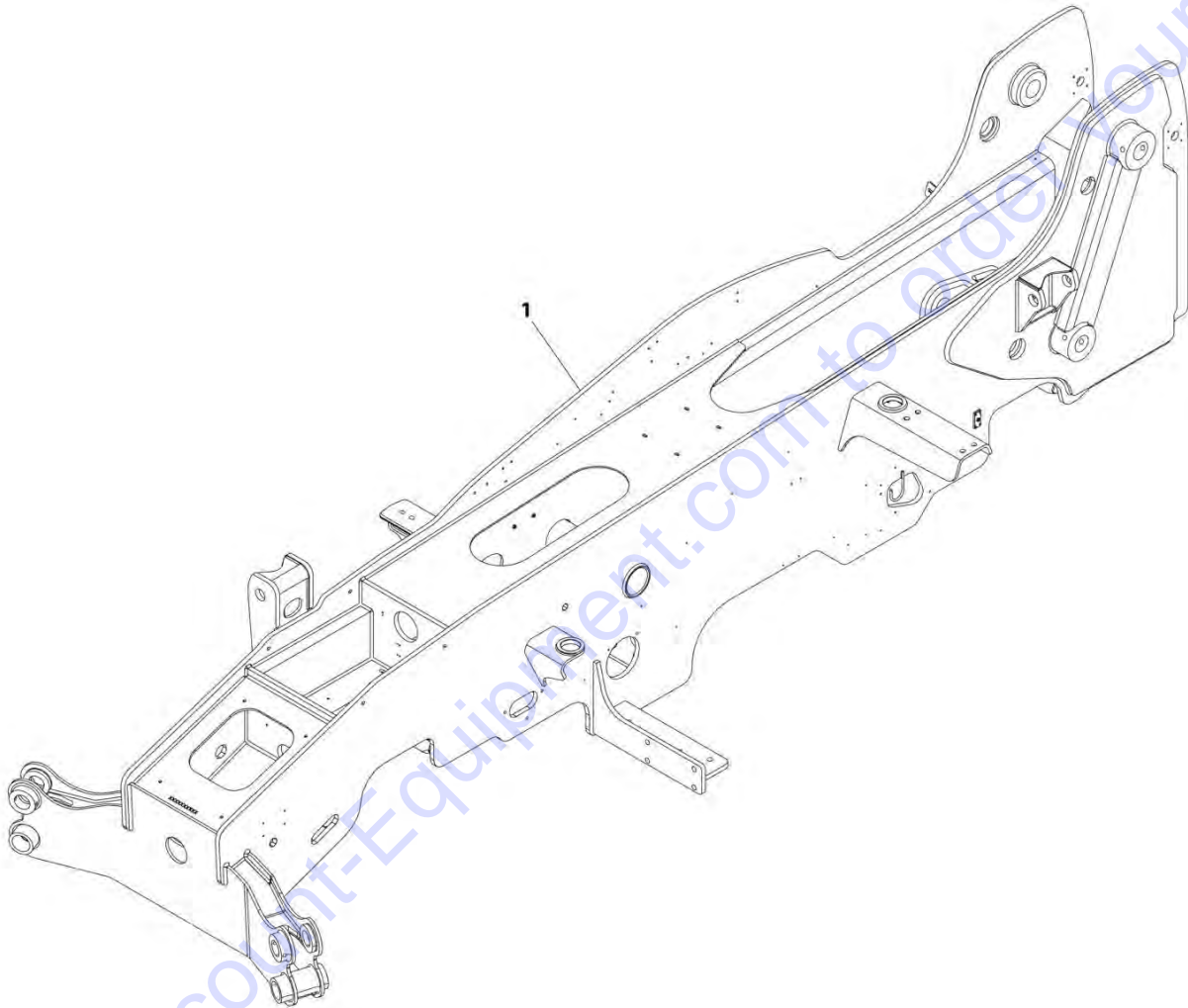
SECTION 1 - FRAME AND ATTACHING PARTS

SECTION 1 - FRAME AND ATTACHING PARTS

Go to Discount-Equipment.com to order your parts

SECTION 1 - FRAME AND ATTACHING PARTS

FIGURE 1-1. FRAME (OUTRIGGERS)



ART_1001220557J-B

SECTION 1 - FRAME AND ATTACHING PARTS

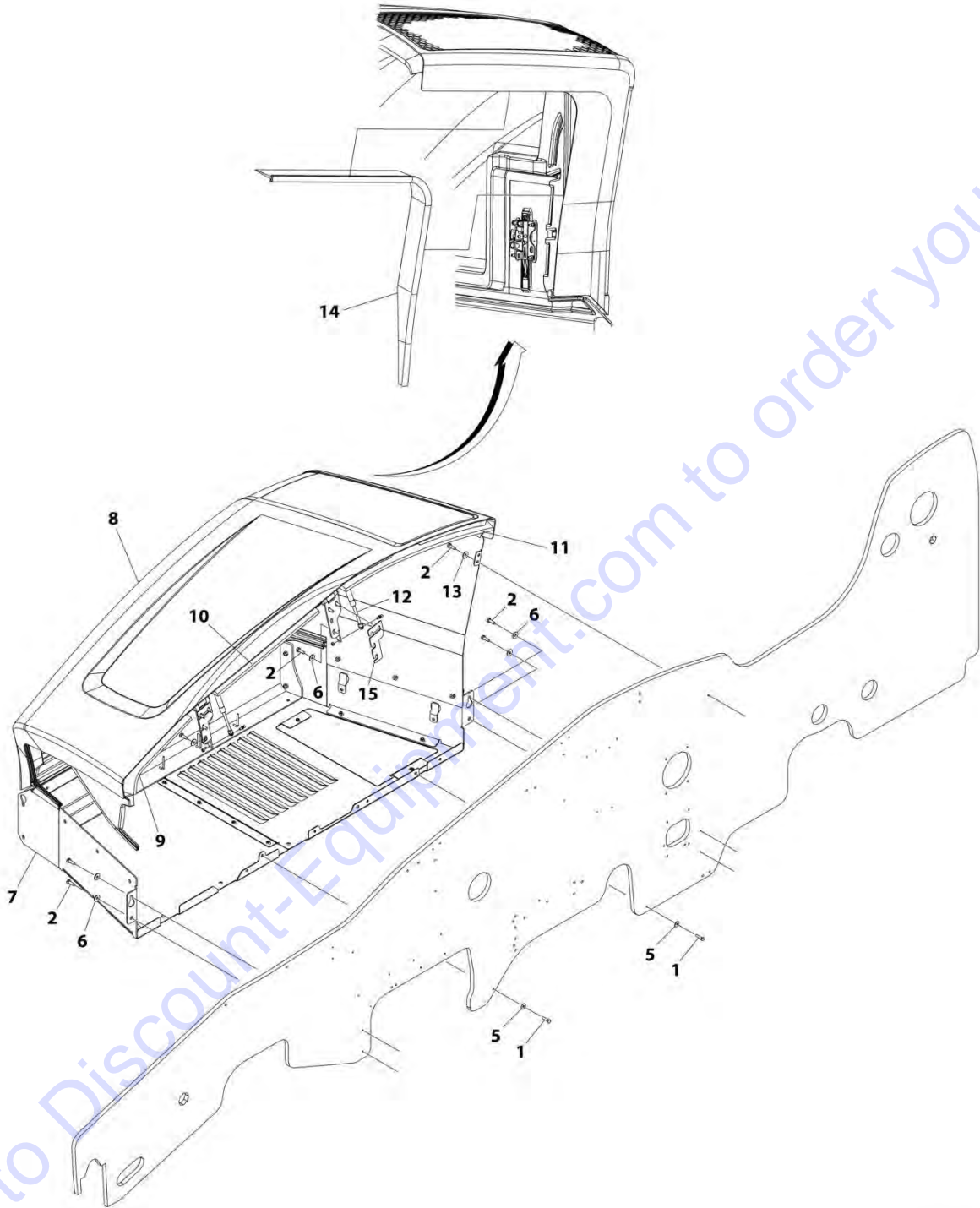
FIGURE 1-1. FRAME (OUTRIGGERS)

ITEM	PART NUMBER	QTY	DESCRIPTION	REV
1	1001220557J	1	Frame (No Outriggers)	B

Go to Discount-Equipment.com to order your parts

SECTION 1 - FRAME AND ATTACHING PARTS

FIGURE 1-2. ENGINE ENCLOSURE INSTALLATION



ART_1001160253-J

SECTION 1 - FRAME AND ATTACHING PARTS

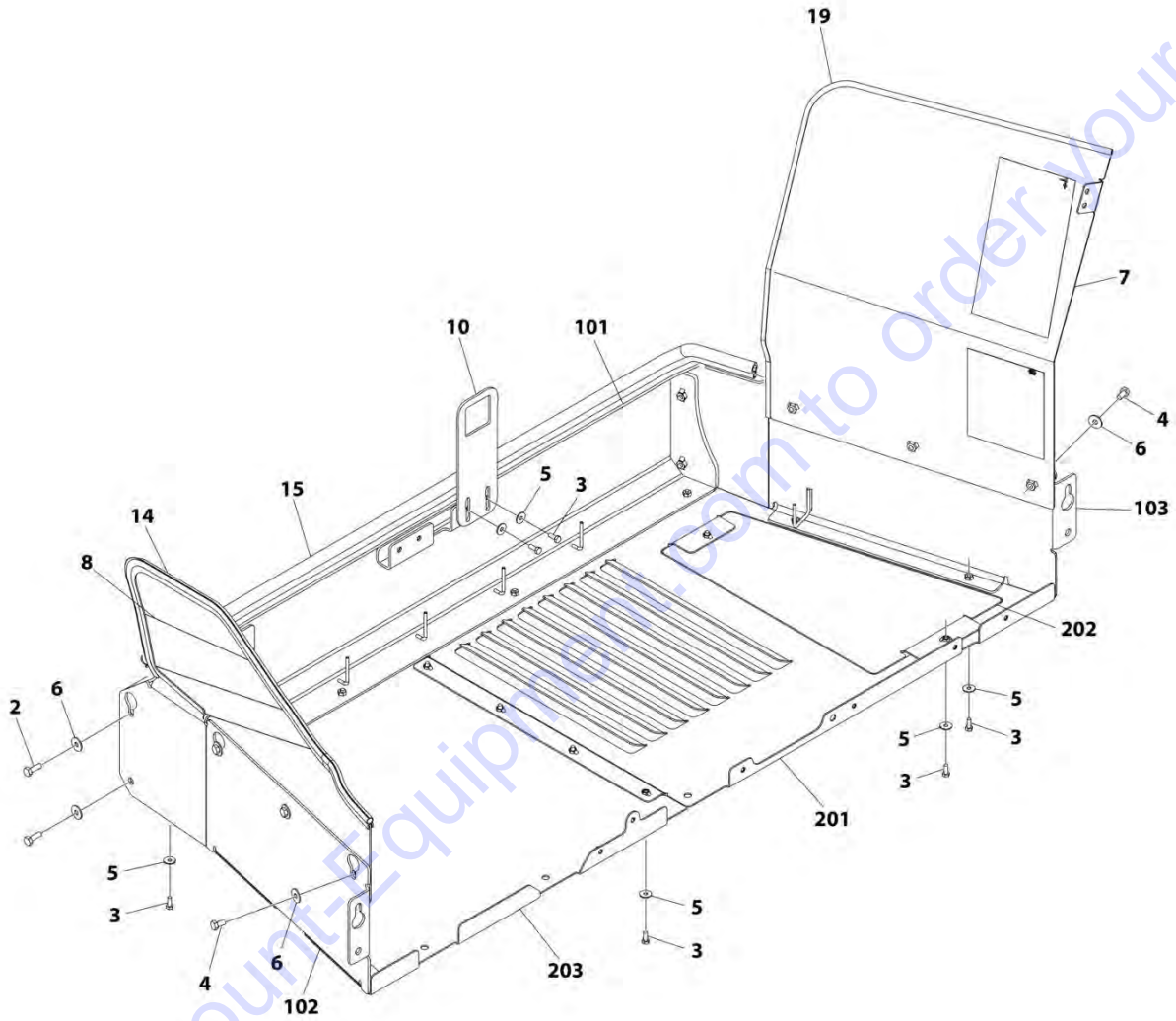
FIGURE 1-2. ENGINE ENCLOSURE INSTALLATION

ITEM	PART NUMBER	QTY	DESCRIPTION	REV
	1001160253	Ref	Engine Enclosure Installation	J
1	0760815	2	Bolt, M8X35	
2	0701014	11	Bolt, M10X30	
5	4811902	2	Washer, M8	
6	4812002	10	Washer, M10	
7	1001162239	Ref	Installation, Engine Enclosure Cover (See Separate Breakdown in this Section)	
8	1001168834	NLA	Assembly, Hood, (no longer available, use 1001235963 for replacement) (See Separate Breakdown in this Section)	
8	1001235963	Ref	Assembly, Hood (See Separate Breakdown in this Section)	
9	1001203932	1	Seal	
10	1001203933	1	Seal	
11	1001203934	1	Seal	
12	1001171885	2	Spring, Gas	
13	4812000	1	Washer, M10	
14	1001197339	1	Trim, Lock Seal	
15	1001241836	AR	Shim (SN 0160091707 to Present)	

Go to Discount-Equipment.com to order your parts

SECTION 1 - FRAME AND ATTACHING PARTS

FIGURE 1-3. ENGINE ENCLOSURE COVER INSTALLATION



ART_1001162239-N

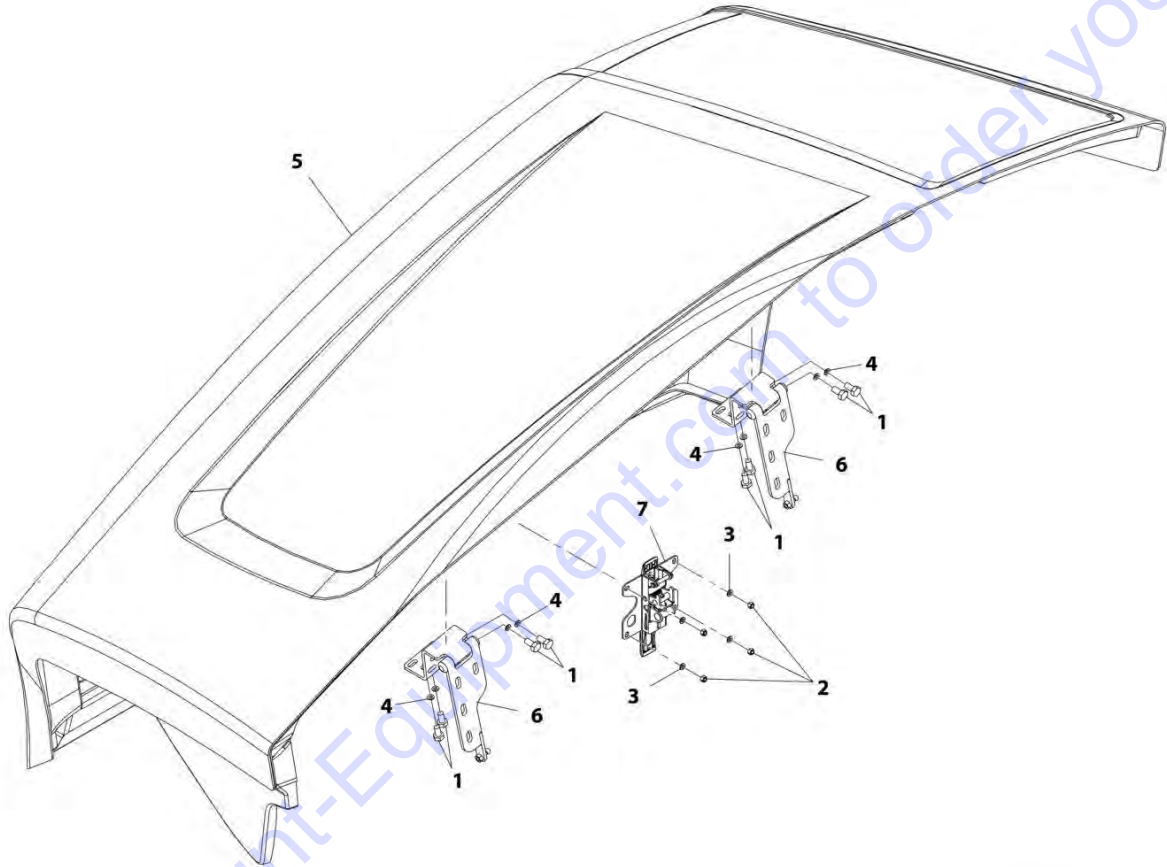
SECTION 1 - FRAME AND ATTACHING PARTS

FIGURE 1-3. ENGINE ENCLOSURE COVER INSTALLATION

ITEM	PART NUMBER	QTY	DESCRIPTION	REV
	1001162239	Ref	Engine Enclosure Cover Installation	N
2	0701014	4	Bolt, M10X30	
3	0760810	16	Bolt, M8X20	
4	0761010	6	Bolt, M10X20	
5	4811902	16	Washer, M8	
6	4812002	10	Washer, M10	
7	1001204086	1	Plate, Rear Cover	
8	1001184076	1	Panel, Front Cover	
10	1001209388	1	Latch, Hood	
14	1001003227	1375 mm	Seal	
15	1001204486	1795 mm	Seal	
19	1001008999	1345 mm	Trim, Edge (SN 0160084859 through 0160091706)	
19	90206198	1345 mm	Trim, Edge (SN 0160091707 to Present)	
101	1001162240J	1	Panel, Side Skirt	
102	1001213126J	1	Panel, Front Skirt	
103	1001196426J	1	Panel, Rear Skirt	
201	1001196422	1	Panel, Bottom Cover	
202	1001169265	1	Panel, Access	
203	1001196404	1	Panel, Engine Pod	

SECTION 1 - FRAME AND ATTACHING PARTS

FIGURE 1-4. HOOD ASSEMBLY



ART_1001168834-K

SECTION 1 - FRAME AND ATTACHING PARTS

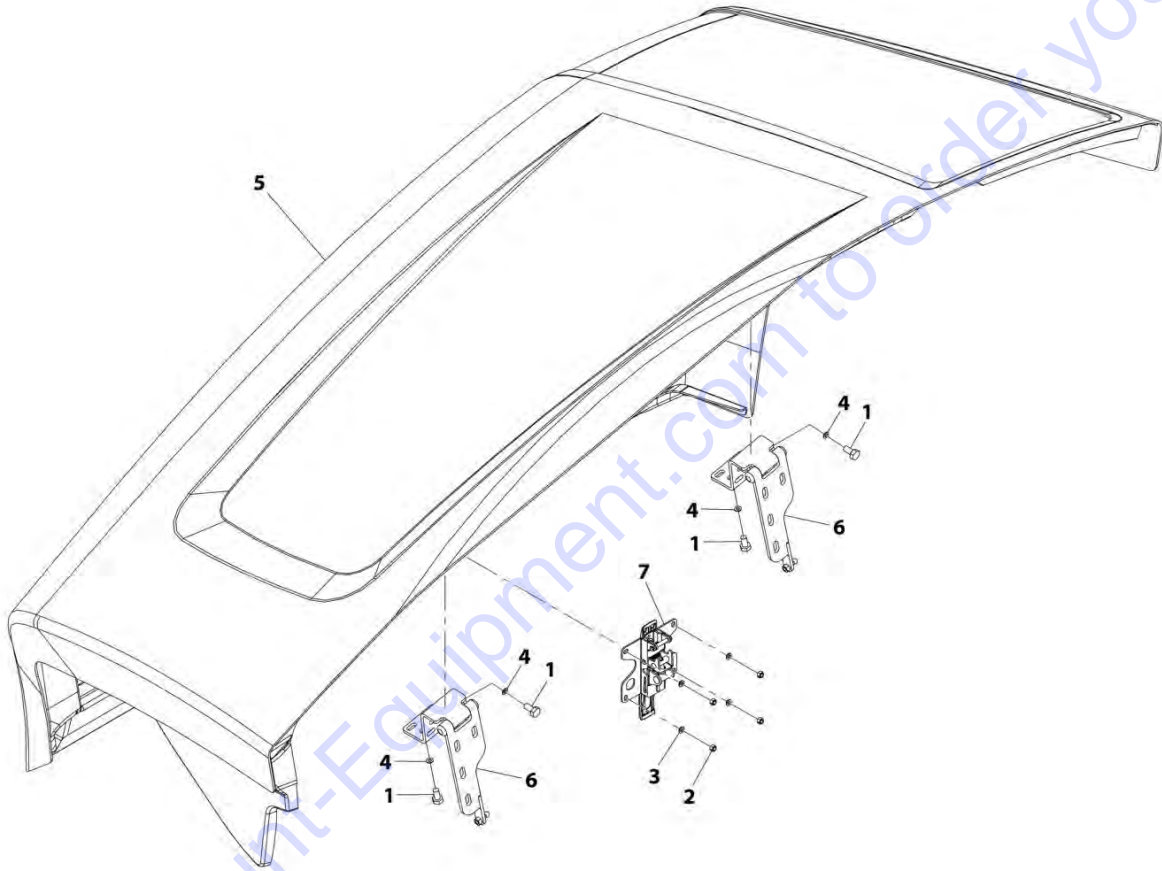
FIGURE 1-4. HOOD ASSEMBLY

ITEM	PART NUMBER	QTY	DESCRIPTION	REV
	1001168834	NLA	Hood Assembly (no longer available, use items 1 thru 7 for service or 1001235963 for replacement)	K
1	0761010	8	Bolt, M10X20	
2	3290605	4	Nut, Lock M6X1	
3	4811700	4	Washer, M6	
4	4812000	8	Washer, M10	
5	1001166698	1	Hood	
6	1001209387	2	Hinge, Hood	
7	1001132168	1	Latch, Hood	

Go to Discount-Equipment.com to order your parts

SECTION 1 - FRAME AND ATTACHING PARTS

FIGURE 1-5. HOOD ASSEMBLY



ART_1001235963-B

SECTION 1 - FRAME AND ATTACHING PARTS

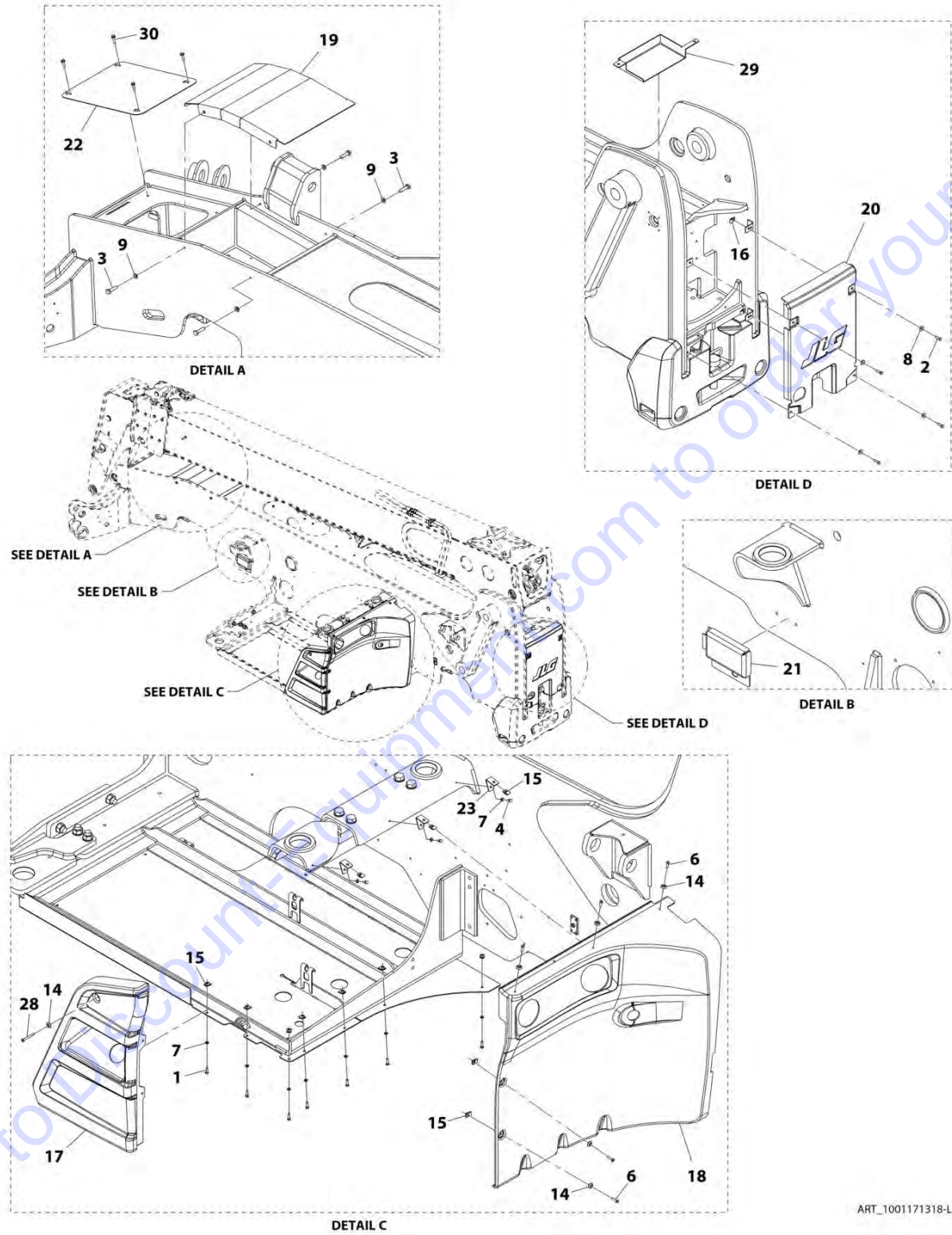
FIGURE 1-5. HOOD ASSEMBLY

ITEM	PART NUMBER	QTY	DESCRIPTION	REV
	1001235963	Ref	Hood Assembly	B
1	0761010	8	Bolt, M10X20	
2	3290605	4	Nut, Lock M6X1	
3	4811700	4	Washer, M6	
4	4812000	8	Washer, M10	
5	1001234455	1	Hood	
6	1001209387	2	Hinge, Hood	
7	1001132168	1	Latch, Hood	

Go to Discount-Equipment.com to order your parts

SECTION 1 - FRAME AND ATTACHING PARTS

FIGURE 1-6. COVER INSTALLATION (OUTRIGGERS) (ULS)



ART_1001171318-L

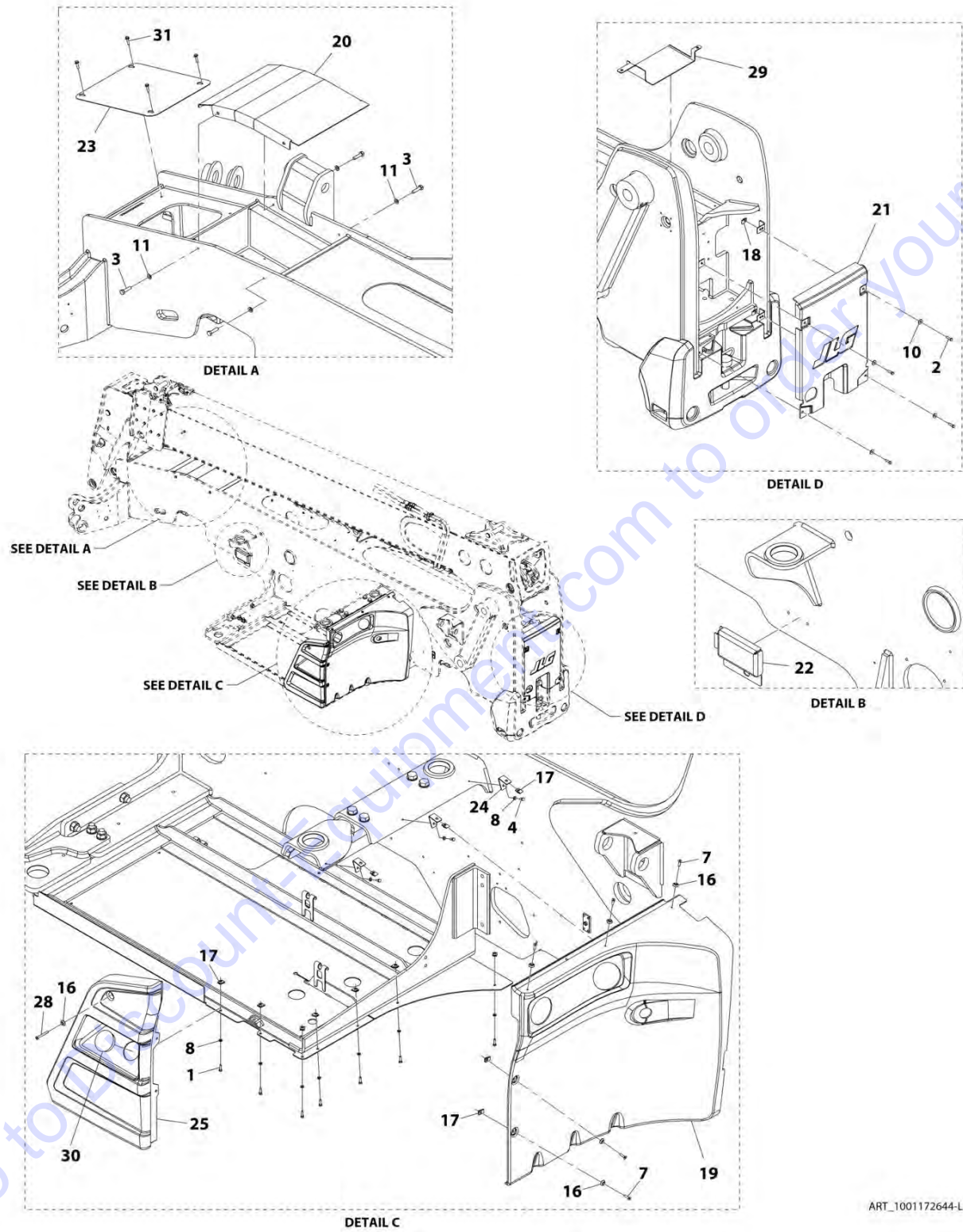
SECTION 1 - FRAME AND ATTACHING PARTS

FIGURE 1-6. COVER INSTALLATION (OUTRIGGERS) (ULS)

ITEM	PART NUMBER	QTY	DESCRIPTION	REV
	1001171318	Ref	Cover Installation (Outriggers) (ULS)	L
1	0700610	7	Bolt, M6X20	
2	0700814	4	Bolt, M8X30	
3	0701016	4	Bolt, M10X40	
4	0760606	3	Bolt, M6X12	
6	3900379	5	Screw, M6-1X25	
7	4811700	10	Washer, M6	
8	4811902	4	Washer, M8	
9	4812000	4	Washer, M10	
14	1001097540	6	Washer, M6	
15	1001130220	12	Nut, M6	
16	1001149160	4	Nut, M8	
17	1001168760	1	Cover, Side Tank	
18	1001168761	1	Cover, Rear Tank	
19	1001207343	1	Shield, Battery	
20	1001170645	1	Cover	
21	1001201646	1	Shield, Inspection Port	
22	1001170665	1	Plate, Valve Cover	
23	1001171772	3	Plate, Angle Bracket	
28	1001112902	1	Screw, M6	
29	1001204488	1	Cover, Rear Frame Module	
30	5250814	4	Bolt, M8X30	

SECTION 1 - FRAME AND ATTACHING PARTS

FIGURE 1-7. COVER INSTALLATION (OUTRIGGERS) (LS)



ART_1001172644-L

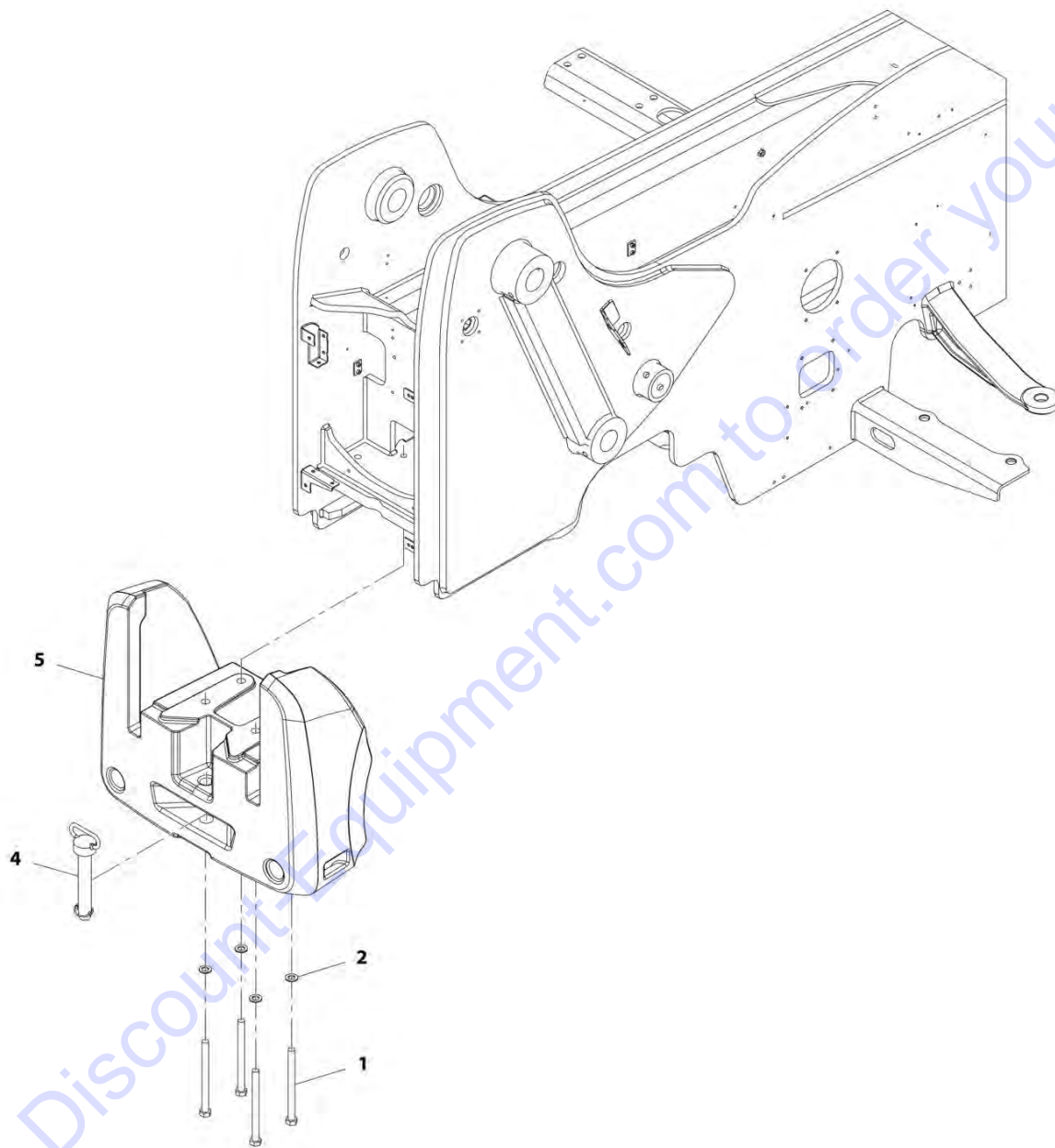
SECTION 1 - FRAME AND ATTACHING PARTS

FIGURE 1-7. COVER INSTALLATION (OUTRIGGERS) (LS)

ITEM	PART NUMBER	QTY	DESCRIPTION	REV
	1001172644	Ref	Cover Installation (Outriggers) (LS)	L
1	0700610	7	Bolt, M6X20	
2	0700814	4	Bolt, M8X30	
3	0701016	4	Bolt, M10X40	
4	0760606	3	Bolt, M6X12	
7	3900379	5	Screw, M6-1X25	
8	4811700	10	Washer, M6	
10	4811902	4	Washer, M8	
11	4812000	4	Washer, M10	
16	1001097540	6	Washer, M6	
17	1001130220	12	Nut, M6	
18	1001149160	4	Nut, M8	
19	1001168761	1	Cover, Rear Tank	
20	1001207343	1	Shield, Battery	
21	1001170645	1	Cover	
22	1001201646	1	Shield, Inspection Port	
23	1001170665	1	Plate, Valve Cover	
24	1001171772	3	Plate, Angle Bracket	
25	1001168760	1	Cover, Side Tank	
28	1001112902	1	Screw, M6	
29	1001204488	1	Cover, Rear Frame Module	
30	1001206746	1	Cap, Side Tank Cover	
31	5250814	4	Bolt, M8X30	

SECTION 1 - FRAME AND ATTACHING PARTS

FIGURE 1-8. COUNTERWEIGHT INSTALLATION



ART_1001175368-D

SECTION 1 - FRAME AND ATTACHING PARTS

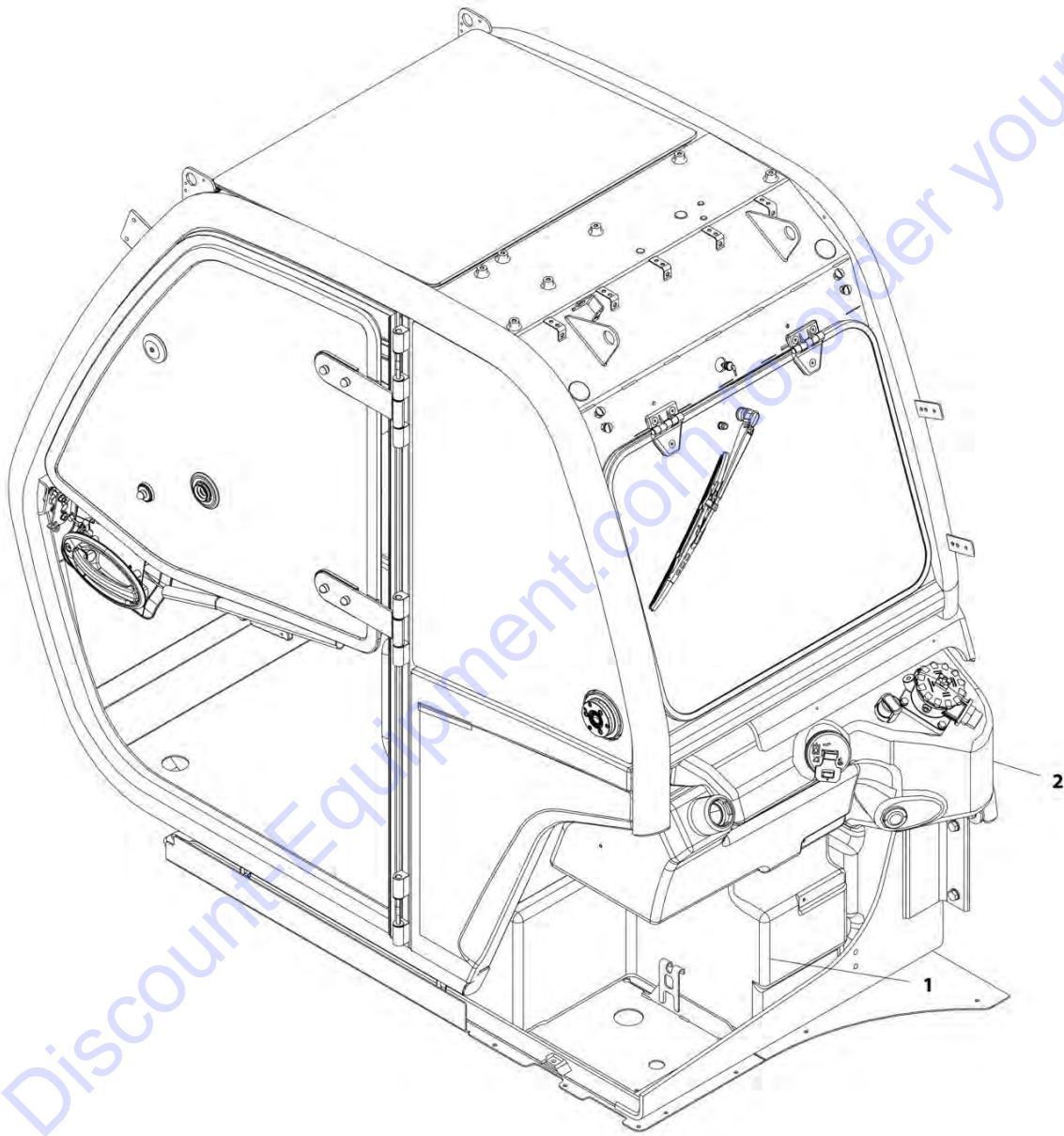
FIGURE 1-8. COUNTERWEIGHT INSTALLATION

ITEM	PART NUMBER	QTY	DESCRIPTION	REV
	1001175368	Ref	Counterweight Installation	D
1	0712042	4	Bolt, M20X250 Grade 10.9	
2	8310620	4	Washer, M20	
4	1001211913	1	Pin, Hitch	
5	1001177654J	1	Counterweight	

Go to Discount-Equipment.com to order your parts

SECTION 1 - FRAME AND ATTACHING PARTS

FIGURE 1-9. TANK INSTALLATION



ART_1001160735-A

SECTION 1 - FRAME AND ATTACHING PARTS

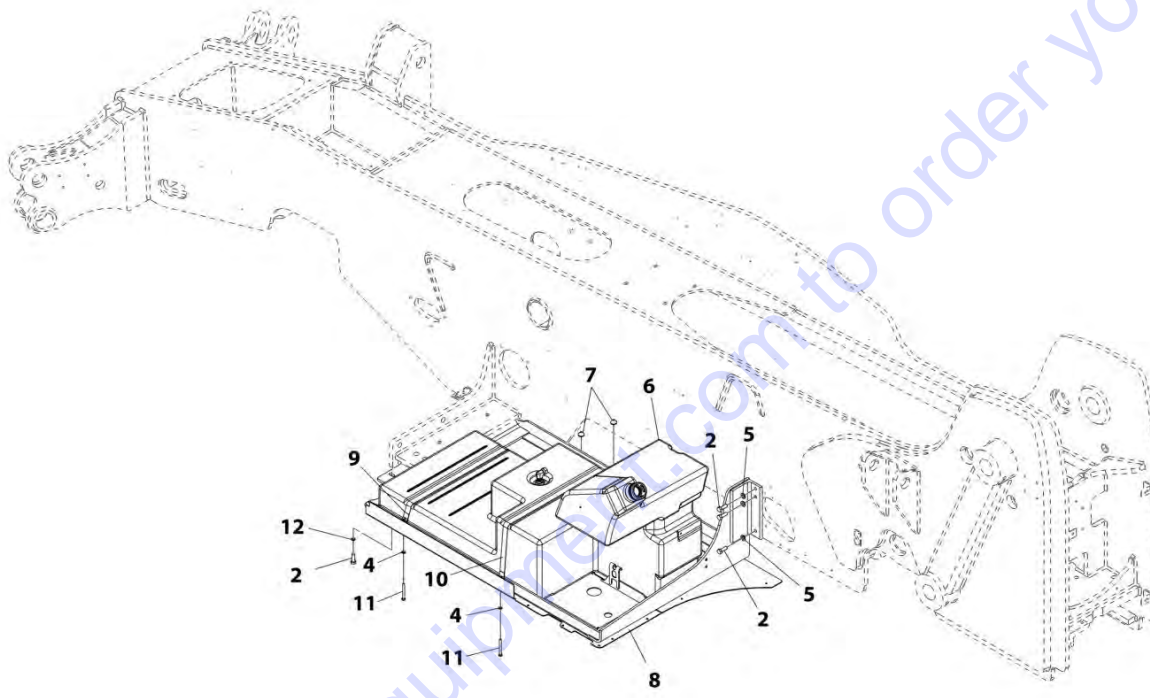
FIGURE 1-9. TANK INSTALLATION

ITEM	PART NUMBER	QTY	DESCRIPTION	REV
1	1001160735	Ref	Tank Installation	A
	1001171153	Ref	Installation, Fuel Tank (See Separate Breakdown in this Section)	
2	1001171154	Ref	Installation, Hydraulic Tank (See Separate Breakdown in this Section)	

Go to Discount-Equipment.com to order your parts

SECTION 1 - FRAME AND ATTACHING PARTS

FIGURE 1-10. FUEL TANK INSTALLATION



ART_1001171153-H

SECTION 1 - FRAME AND ATTACHING PARTS

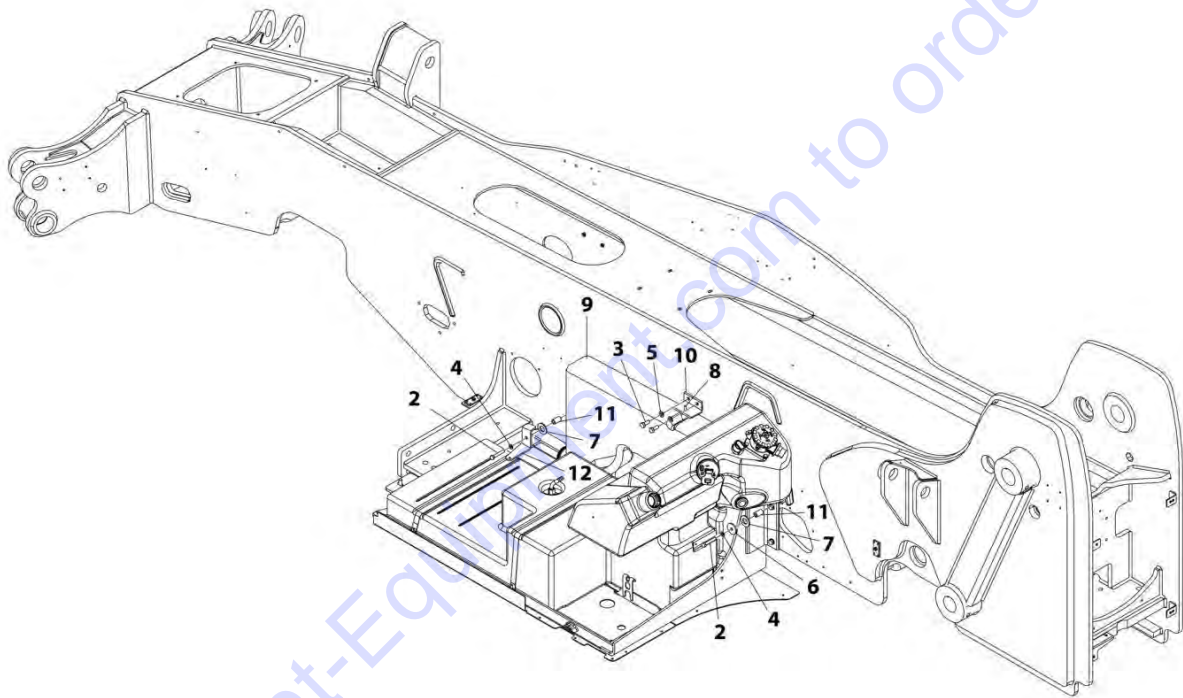
FIGURE 1-10. FUEL TANK INSTALLATION

ITEM	PART NUMBER	QTY	DESCRIPTION	REV
	1001171153	Ref	Fuel Tank Installation	H
2	0761215	6	Bolt, M12X35	
4	4811900	2	Washer, M8	
5	4812100	3	Washer, M12	
6	1001211432	1	Tank, Fuel (See Separate Breakdown in Engine and Attaching Parts Section)	
7	1001169454	4	Mount, Buffer	
8	1001169602	1	Support, Tank Plate	
9	1001170071	1	Strap, Tank	
10	1001170072	1	Strap, Tank	
11	0760823	2	Bolt, M8X75	
12	4812102	3	Washer, M12	

Go to Discount-Equipment.com to order your parts

SECTION 1 - FRAME AND ATTACHING PARTS

FIGURE 1-11. HYDRAULIC TANK INSTALLATION



ART_1001171154-E

SECTION 1 - FRAME AND ATTACHING PARTS

FIGURE 1-11. HYDRAULIC TANK INSTALLATION

ITEM	PART NUMBER	QTY	DESCRIPTION	REV
	1001171154	Ref	Hydraulic Tank Installation	E
2	0701020	2	Bolt, M10X60	
3	0761214	2	Bolt, M12X30	
4	4812000	2	Washer, M10	
5	4812100	2	Washer, M12	
6	1001172147	1	Washer, M10	
7	1001172146	2	Washer, Rubber	
8	1001008575	1	Bumper, Conical	
9	1001163067	Ref	Tank, Hydraulic (See Separate Breakdown in Hydraulic Components Section)	
10	1001169461	1	Bracket	
11	1001171179	2	Spacer	
12	1001210707	1	Bracket	

Go to Discount-Equipment.com to order your parts

SECTION 1 - FRAME AND ATTACHING PARTS

FIGURE 1-12. FUEL CAP ASSEMBLY



ART_1001194978-A

SECTION 1 - FRAME AND ATTACHING PARTS

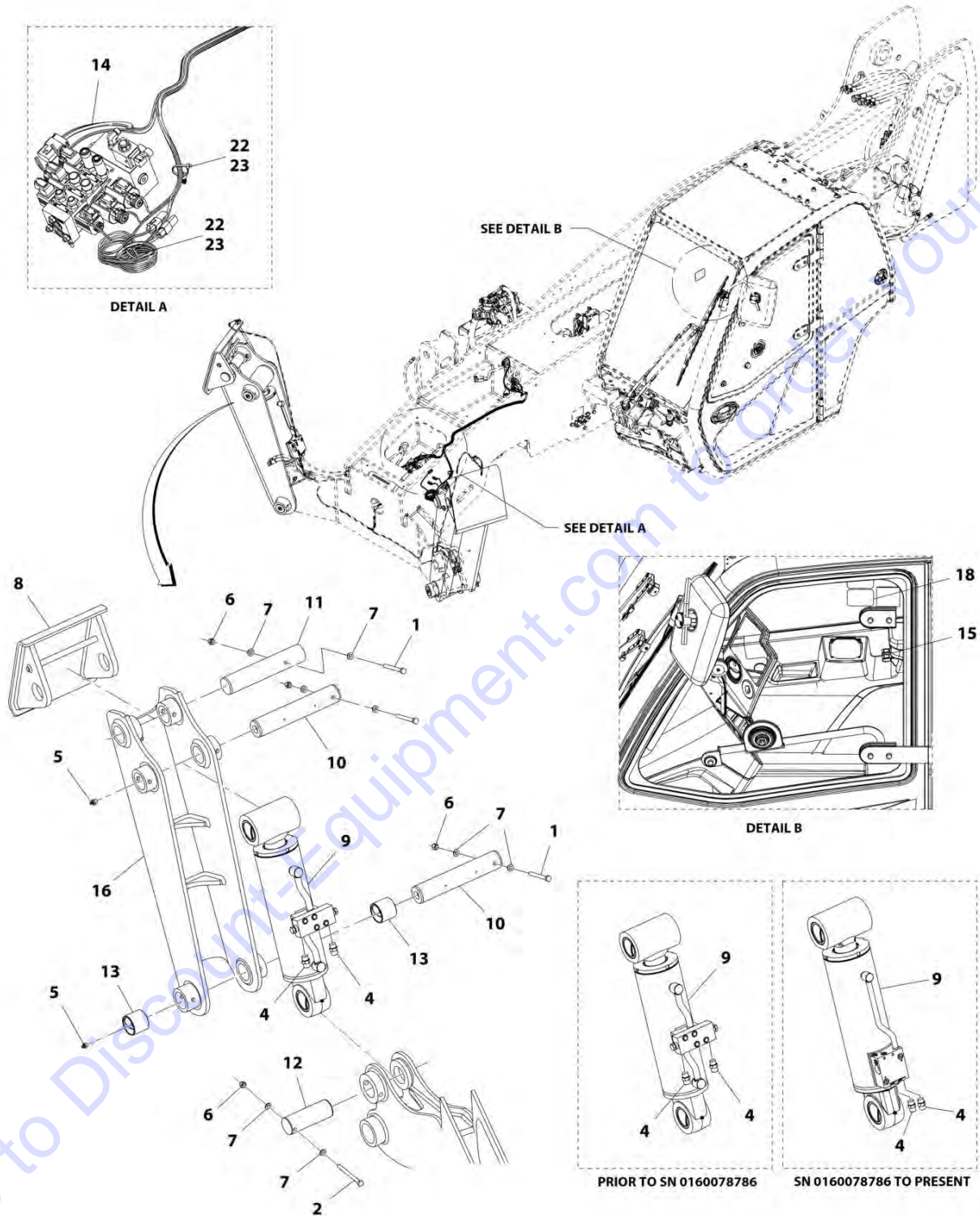
FIGURE 1-12. FUEL CAP ASSEMBLY

ITEM	PART NUMBER	QTY	DESCRIPTION	REV
1	1001194978	1	Fuel Cap Assembly	A

Go to Discount-Equipment.com to order your parts

SECTION 1 - FRAME AND ATTACHING PARTS

FIGURE 1-13. OUTRIGGERS INSTALLATION



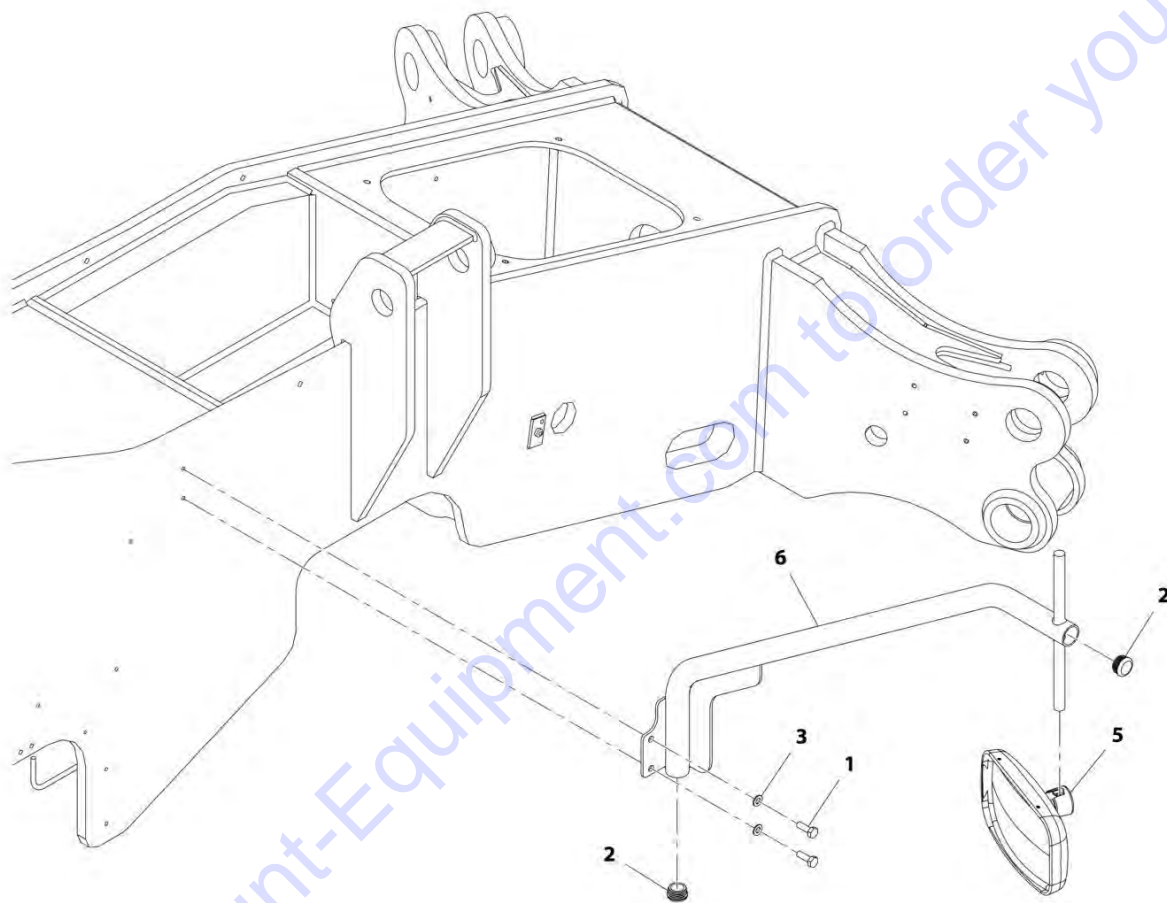
SECTION 1 - FRAME AND ATTACHING PARTS

FIGURE 1-13. OUTRIGGERS INSTALLATION

ITEM	PART NUMBER	QTY	DESCRIPTION	REV
	1001168644	Ref	Outriggers Installation	I
1	0701229	6	Bolt, M12X120	
2	0701230	2	Bolt, M12X130	
4	2110808	4	Fitting, Straight ORFS	
5	2160016	4	Fitting, Grease	
6	3291205	8	Nut, Lock M12X1.75 Grade 8	
7	4812100	16	Washer, M12	
8	1001161564	2	Weldment, Outrigger Pad	
9	1001213065	2	Outrigger Cylinder (See OUTRIGGER CYLINDER for Breakdown)	
10	1001164436	4	Pin, Outrigger	
11	1001207292	2	Pin, Outrigger	
12	1001164454	2	Pin, Cylinder Base	
13	1001168281	4	Bearing, Outrigger	
14	1001172822	1	Harness, Outrigger (See ELECTRICAL SECTION for Breakdown)	
15	1001174478	1	Installation, Outrigger Switches (See CONTROLS SECTION for Breakdown)	
16	1001207291J	2	Bracket, Outrigger Leg Weldment	
18	1001181537	1	Decal, Outrigger Switched	
22	1001202986	2	Strap, Cable Tie	
23	1001008559	2	Strap	

SECTION 1 - FRAME AND ATTACHING PARTS

FIGURE 1-14. MIRROR INSTALLATION



ART_1001160255-D

SECTION 1 - FRAME AND ATTACHING PARTS

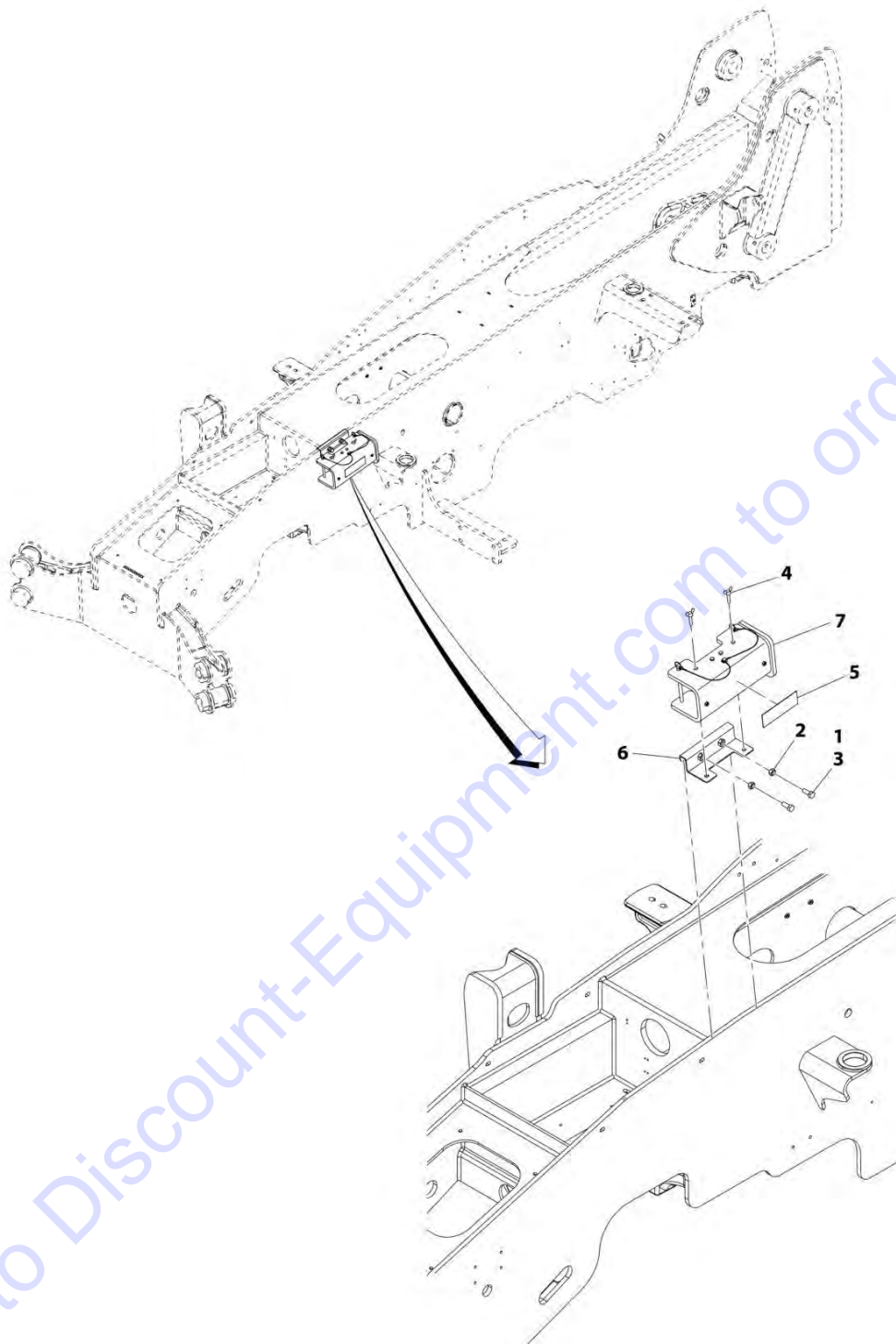
FIGURE 1-14. MIRROR INSTALLATION

ITEM	PART NUMBER	QTY	DESCRIPTION	REV
	1001160255	Ref	Mirror Installation	D
1	0701014	2	Bolt, M10X30 Grade 8	
2	3520186	2	Plug	
3	4812000	2	Washer, M10	
5	1001191635	1	Mirror, Convex	
6	1001191603	1	Bracket	

Go to Discount-Equipment.com to order your parts

SECTION 1 - FRAME AND ATTACHING PARTS

FIGURE 1-15. BOOM PROP INSTALLATION (ANSI)



Go to Discount-Equipment.com to order your parts

ART_1001232338-A

SECTION 1 - FRAME AND ATTACHING PARTS

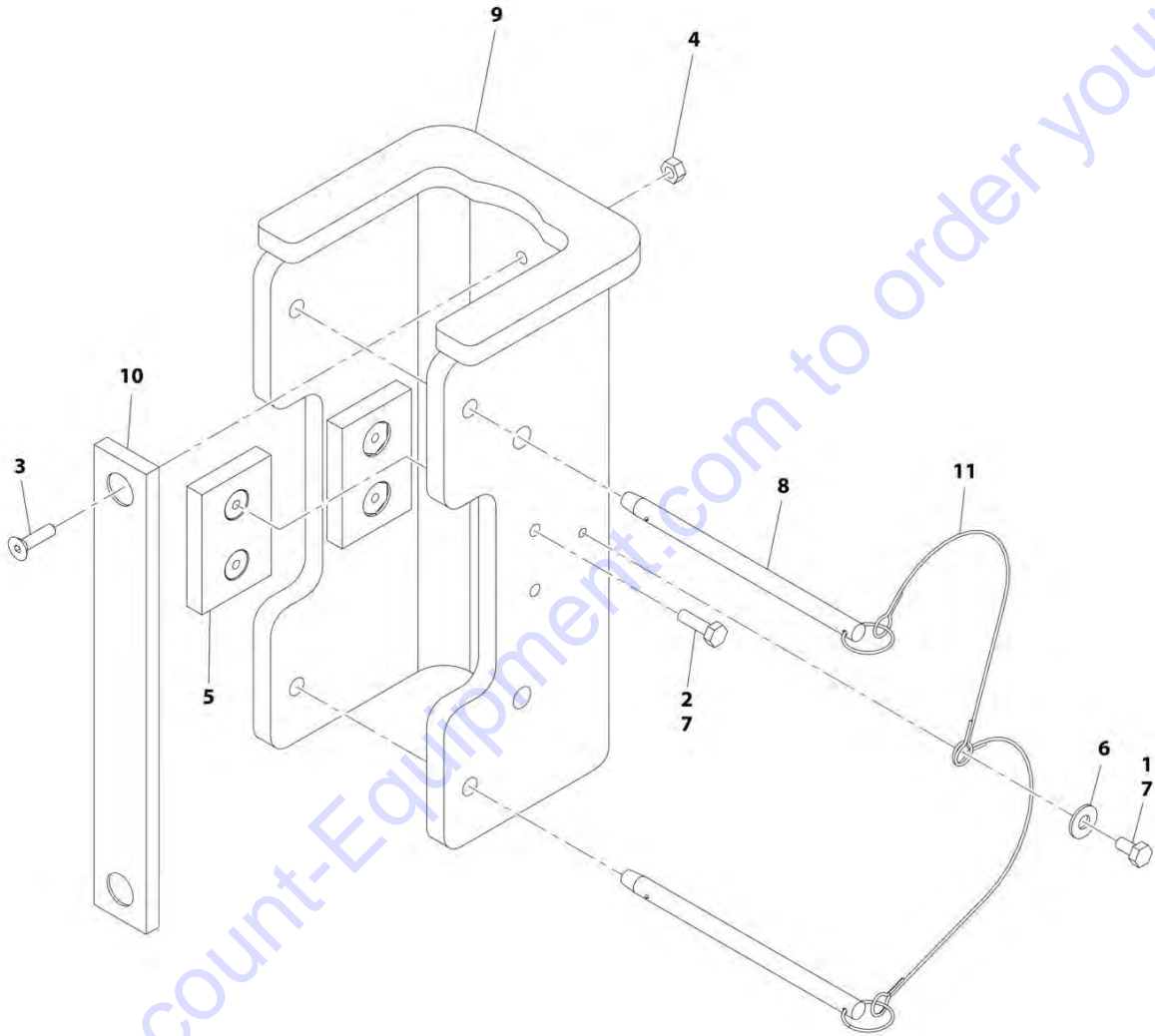
FIGURE 1-15. BOOM PROP INSTALLATION (ANSI)

ITEM	PART NUMBER	QTY	DESCRIPTION	REV
	1001232338	Ref	Boom Prop Installation (ANSI)	A
1	0761214	2	Bolt, M12X30	
2	3291201	2	Nut, M12X1.75	
3	1001095650	AR	Compound, Locking	
4	1001101458	2	Wing Bolt, M8X40	
5	1001232147	1	Decal, Warning	
6	1001232299	1	Bracket, Mount	
7	1001232336	Ref	Bracket, Boom Prop (See Separate Breakdown in this Section)	

Go to Discount-Equipment.com to order your parts

SECTION 1 - FRAME AND ATTACHING PARTS

FIGURE 1-16. BOOM PROP BRACKET



ART_1001232336-A

SECTION 1 - FRAME AND ATTACHING PARTS

FIGURE 1-16. BOOM PROP BRACKET

ITEM	PART NUMBER	QTY	DESCRIPTION	REV
	1001232336	Ref	Boom Prop Bracket	A
1	0641404	1	Bolt, 1/4-20X1/2	
2	0641407	4	Bolt, 1/4-20X7/8	
3	0741408	2	Bolt, 1/4-20	
4	3311405	2	Nut, Lock 1/4-20	
5	3340829	2	Pad, Wear	
6	4751400	1	Washer	
7	1001095650	AR	Compound, Locking	
8	1001164019	2	Pin, Ball Locking	
9	1001232588	1	Bracket	
10	4679000268	1	Pad, Wear	
11	1001164183	2	Lanyard, Boom Prop	

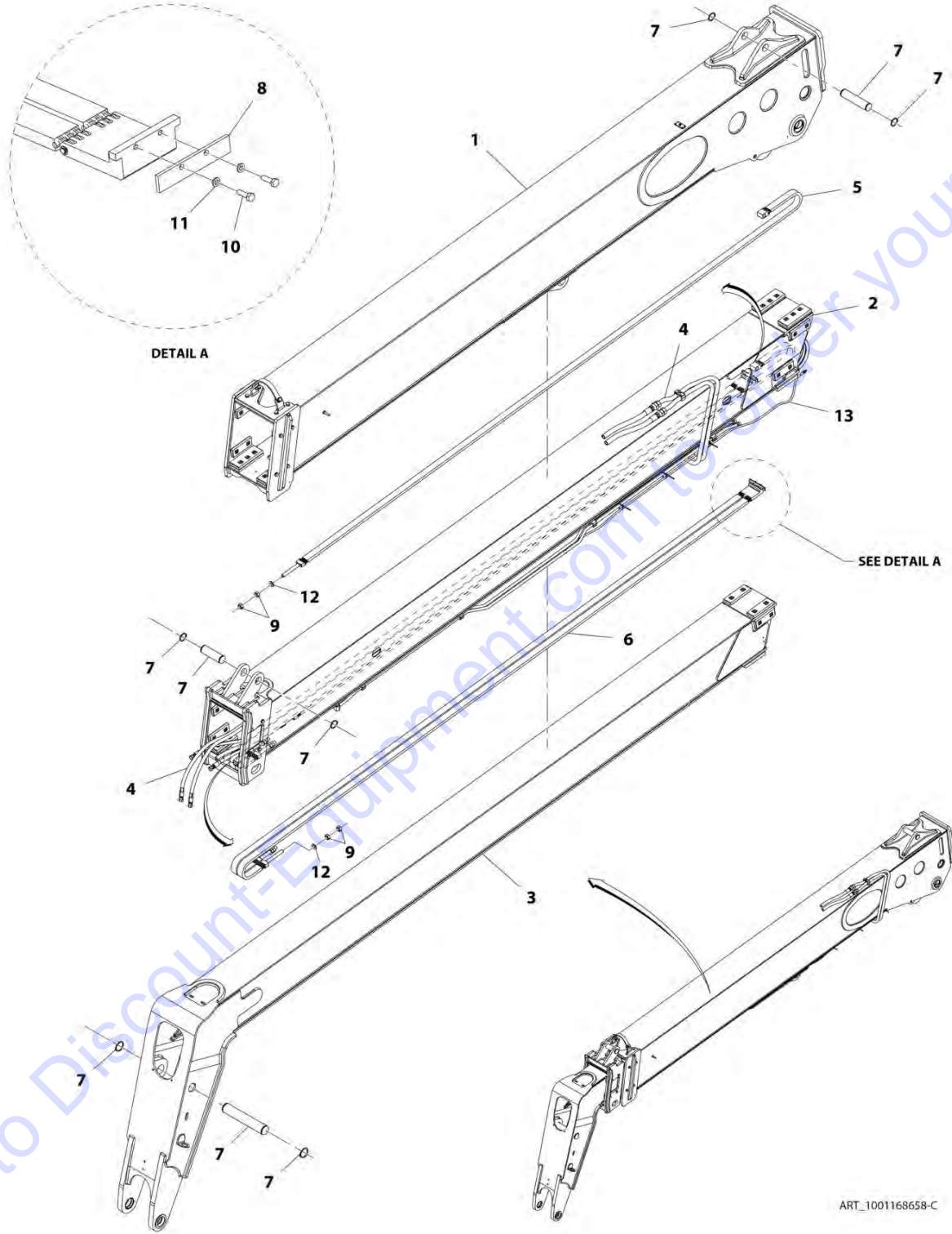
Go to Discount-Equipment.com to order your parts

SECTION 2 - BOOM

Go to Discount-Equipment.com to order your parts

SECTION 2 - BOOM

FIGURE 2-1. BOOM ASSEMBLY



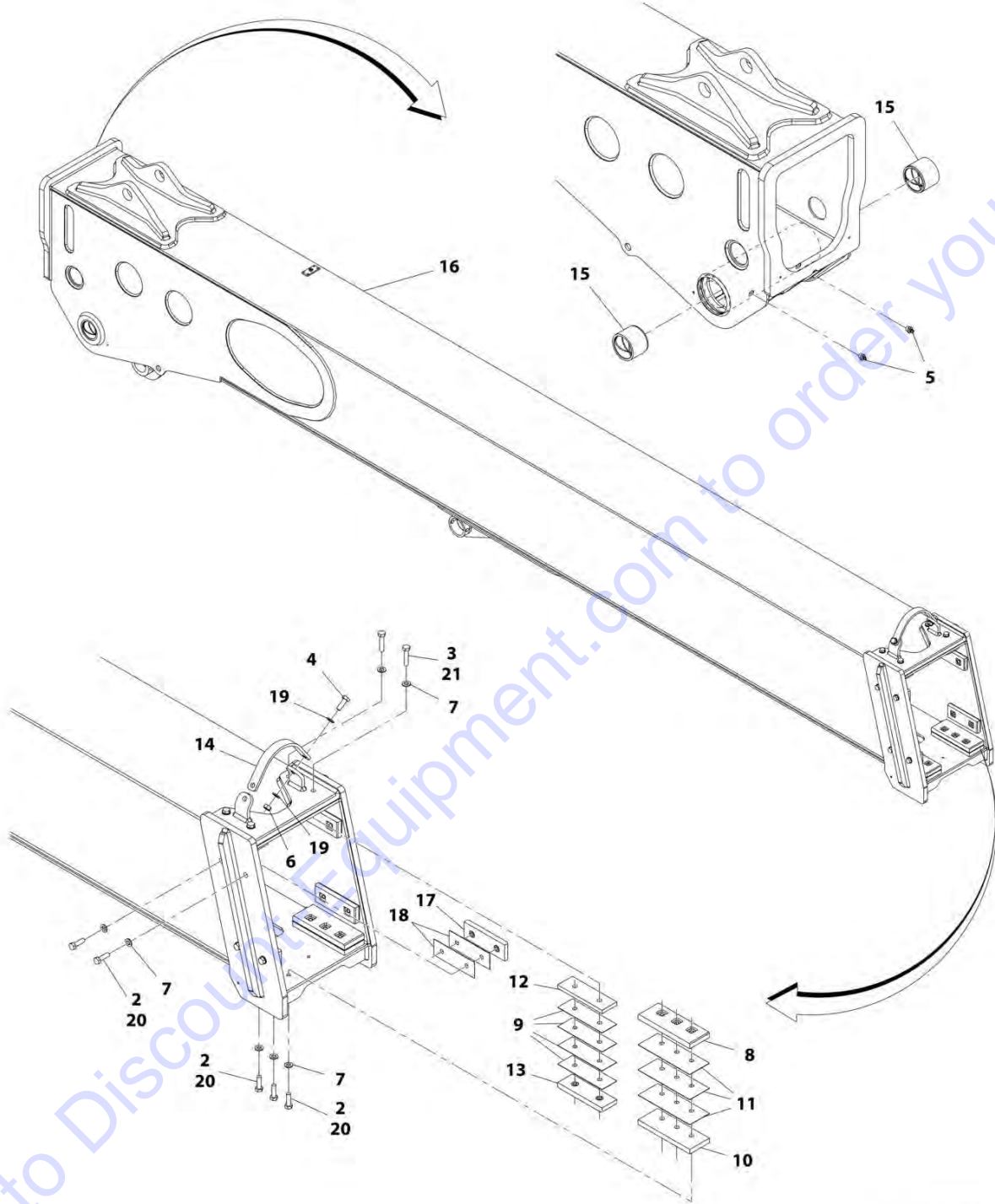
ART_1001168658-C

FIGURE 2-1. BOOM ASSEMBLY

ITEM	PART NUMBER	QTY	DESCRIPTION	REV
	1001168658	1	Boom Assembly	C
1	1001168341	1	Assembly, First Boom Section (See FIRST BOOM SECTION ASSEMBLY for Breakdown)	
2	1001168546	1	Assembly, Second Boom Section (See SECOND BOOM SECTION ASSEMBLY for Breakdown)	
3	1001168602	1	Assembly, Third Boom Section (See THIRD BOOM SECTION ASSEMBLY for Breakdown)	
4	1001173471	Ref	Installation, Boom Hydraulic Tubes (See HYDRAULIC CIRCUITS SECTION for Breakdown)	
5	1001169278	Ref	Installation, Retract Chain (See RETRACT CHAIN INSTALLATION for Breakdown)	
6	1001169281	Ref	Installation, Extend Chain (See EXTEND CHAIN INSTALLATION for Breakdown)	
7	1001173541	Ref	Installation, Pins (See PINS INSTALLATION for Breakdown)	
8	1001171450	1	Plate, Clevis	
9	3332011	6	Nut, M20X2.5	
10	0700610	2	Bolt, M6X20	
11	4811700	2	Washer, M6	
12	4812500	3	Washer, M20	
13	1001186859	1	Hose	

SECTION 2 - BOOM

FIGURE 2-2. FIRST BOOM SECTION ASSEMBLY



ART_1001168341-D

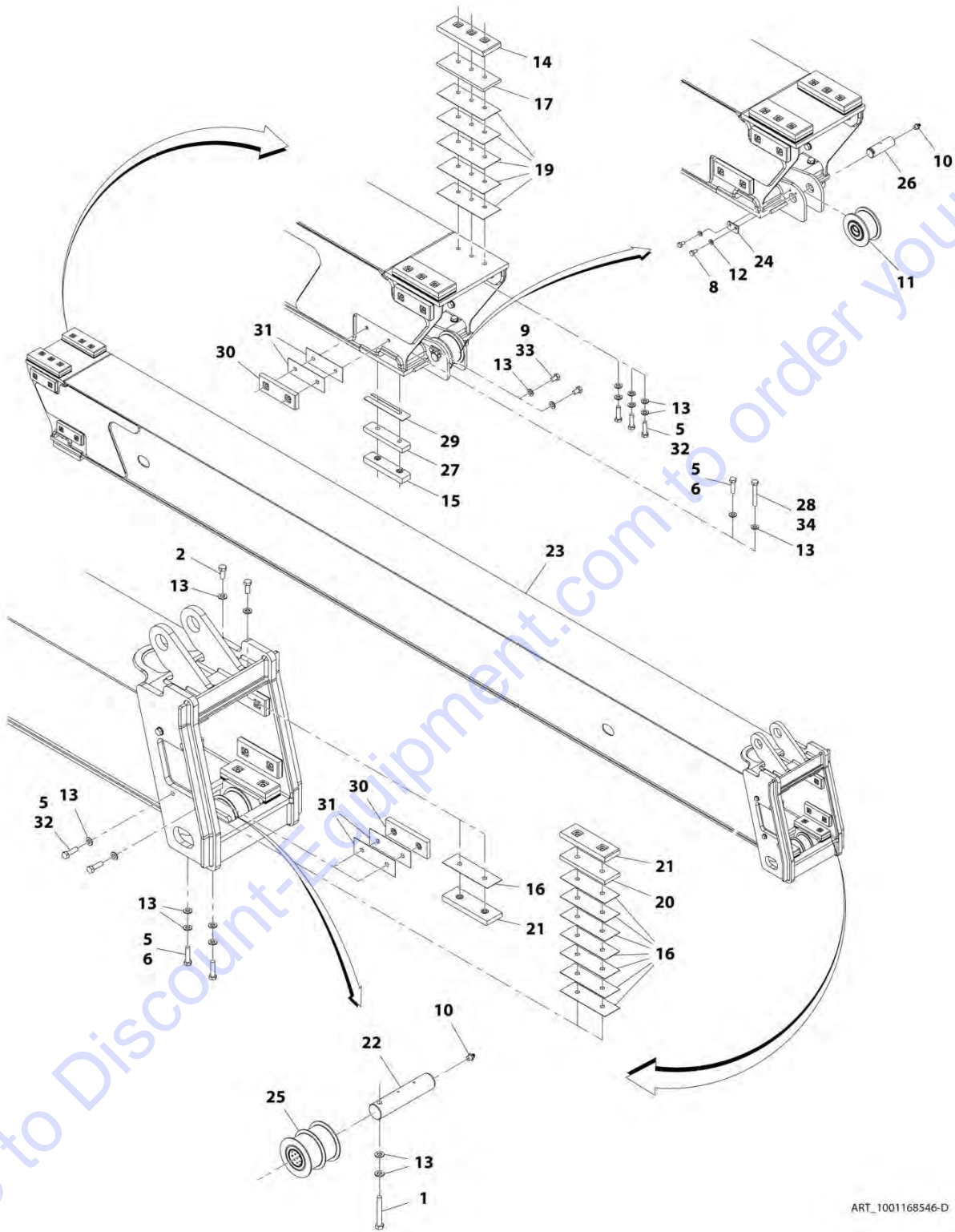
SECTION 2 - BOOM

FIGURE 2-2. FIRST BOOM SECTION ASSEMBLY

ITEM	PART NUMBER	QTY	DESCRIPTION	REV
	1001168341	Ref	First Boom Section Assembly	D
2	0711216	14	Bolt, M12X40 Grade 10.9	
3	0711219	4	Bolt, M12X55 Grade 10.9	
4	0711215	2	Bolt, M12X35	
5	2160016	2	Fitting, Grease	
6	3291201	2	Nut, M12X1.75 Grade 8	
7	1001125117	AR	Washer, M12	
8	1001162469	2	Pad	
9	1001163034	AR	Plate, Spacer	
10	1001189714	2	Plate, Stop	
11	1001163112	AR	Plate, Spacer	
12	1001163136	2	Plate, Stop	
13	1001165171	2	Pad	
14	1001168368	1	Strap	
15	1001188244	2	Bearing, Boom Pivot	
16	1001168342J	1	Boom, First	
17	1001165172	4	Pad	
18	1001165367	AR	Plate, Spacer	
19	4812100	4	Washer, M12	
20	0711217	AR	Bolt, M12X45	
21	0711220	AR	Bolt, M12-1.75X60 Grade 10.9	

SECTION 2 - BOOM

FIGURE 2-3. SECOND BOOM SECTION ASSEMBLY



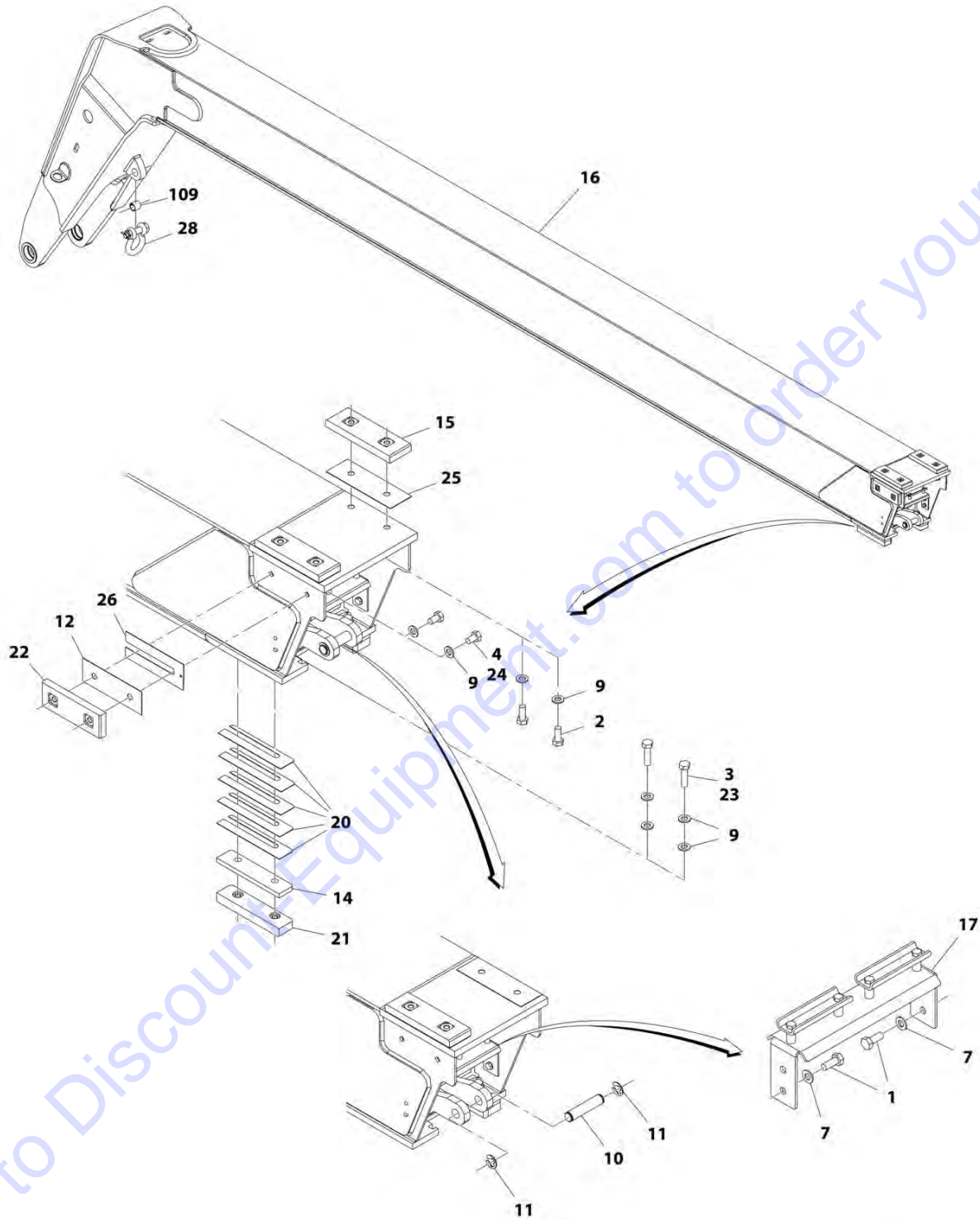
SECTION 2 - BOOM

FIGURE 2-3. SECOND BOOM SECTION ASSEMBLY

ITEM	PART NUMBER	QTY	DESCRIPTION	REV
	1001168546	Ref	Second Boom Section Assembly	D
1	0701226	1	Bolt, M12X90 Grade 10.9	
2	0711214	4	Bolt, M12X30 Grade 10.9	
5	0711217	8	Bolt, M12X45	
6	0711218	4	Bolt, M12X50 Grade 10.9	
8	0770807	2	Bolt, M8X14 Grade 10.9	
9	0771210	8	Bolt, M12X20 Grade 10.9	
10	2160016	2	Fitting, Grease	
11	7138986	1	Sheave, Retract Chain (See RETRACT CHAIN SHEAVE for Breakdown)	
12	4811900	2	Washer, M8	
13	1001125117	AR	Washer, M12	
14	1001162469	2	Pad	
15	1001163029	2	Pad	
16	1001163034	AR	Plate, Spacer	
17	1001163035	2	Plate, Stop	
19	1001163112	AR	Plate, Spacer	
20	1001163136	2	Plate, Stop	
21	1001165171	4	Pad	
22	1001167493	1	Pin	
23	1001168547	1	Boom, Second	
24	1001168561	1	Bracket	
25	1001168567	1	Roller, Extend Chain (See EXTEND CHAIN ROLLER for Breakdown)	
26	1001168587	1	Pin, Boom Chain Pulley	
27	1001189492	2	Plate, Stop	
28	0711225	2	Bolt, M12X85 Grade 10.9	
29	1001189793	AR	Shim	
30	1001165172	8	Pad	
31	1001165367	AR	Plate, Spacer	
32	0711216	8	Bolt, M12X40 Grade 10.9	
33	0771212	AR	Bolt, M12X25 Grade 10.9	
34	0711226	AR	Bolt, M12X90 Grade 10.9	

SECTION 2 - BOOM

FIGURE 2-4. THIRD BOOM SECTION ASSEMBLY



ART_1001168602-H

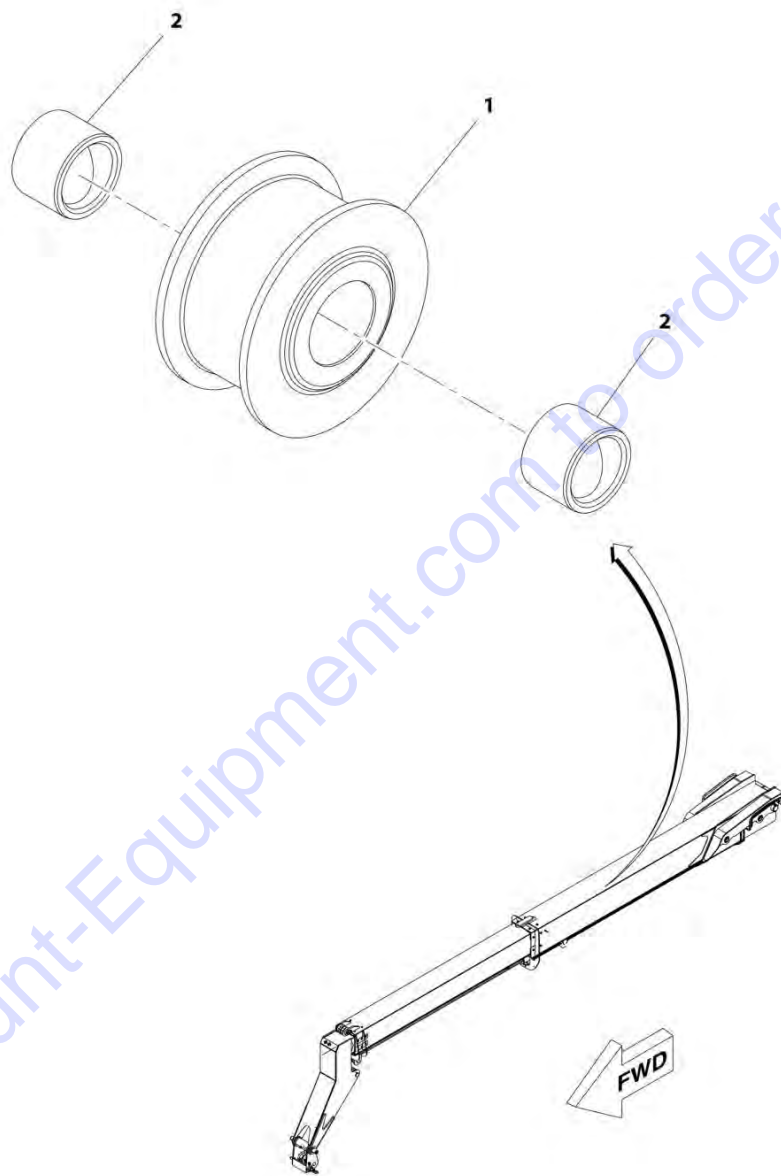
SECTION 2 - BOOM

FIGURE 2-4. THIRD BOOM SECTION ASSEMBLY

ITEM	PART NUMBER	QTY	DESCRIPTION	REV
	1001168602	1	Third Boom Section Assembly	H
1	0760810	4	Bolt, M8X20	
2	0711214	4	Bolt, M12X30 Grade 10.9	
3	0711217	4	Bolt, M12X45	
4	0771210	4	Bolt, M12X20 Grade 10.9	
7	4811900	4	Washer, M8	
9	1001125117	AR	Washer, M12	
10	1001163712	1	Pin	
11	1001163704	2	Ring, M15	
12	1001165367	AR	Plate, Spacer	
14	1001168589	2	Plate, Stop	
15	1001165171	2	Pad	
16	1001168603	1	Boom, Third	
17	1001168630	Ref	Installation, Hose Bracket (See HOSE BRACKET INSTALLATION for Breakdown)	
20	1001189793	AR	Shim	
21	1001163029	2	Pad	
22	1001165172	2	Pad	
23	0711216	AR	Bolt, M12X40 Grade 10.9	
24	0771212	AR	Bolt, M12X25 Grade 10.9	
25	1001163034	AR	Plate, Spacer	
26	1001200989	AR	Plate, Shim	
28	1001204045	1	Clevis	
109	1001204047	1	Sleeve	

SECTION 2 - BOOM

FIGURE 2-5. RETRACT CHAIN SHEAVE



ART_7138986-C

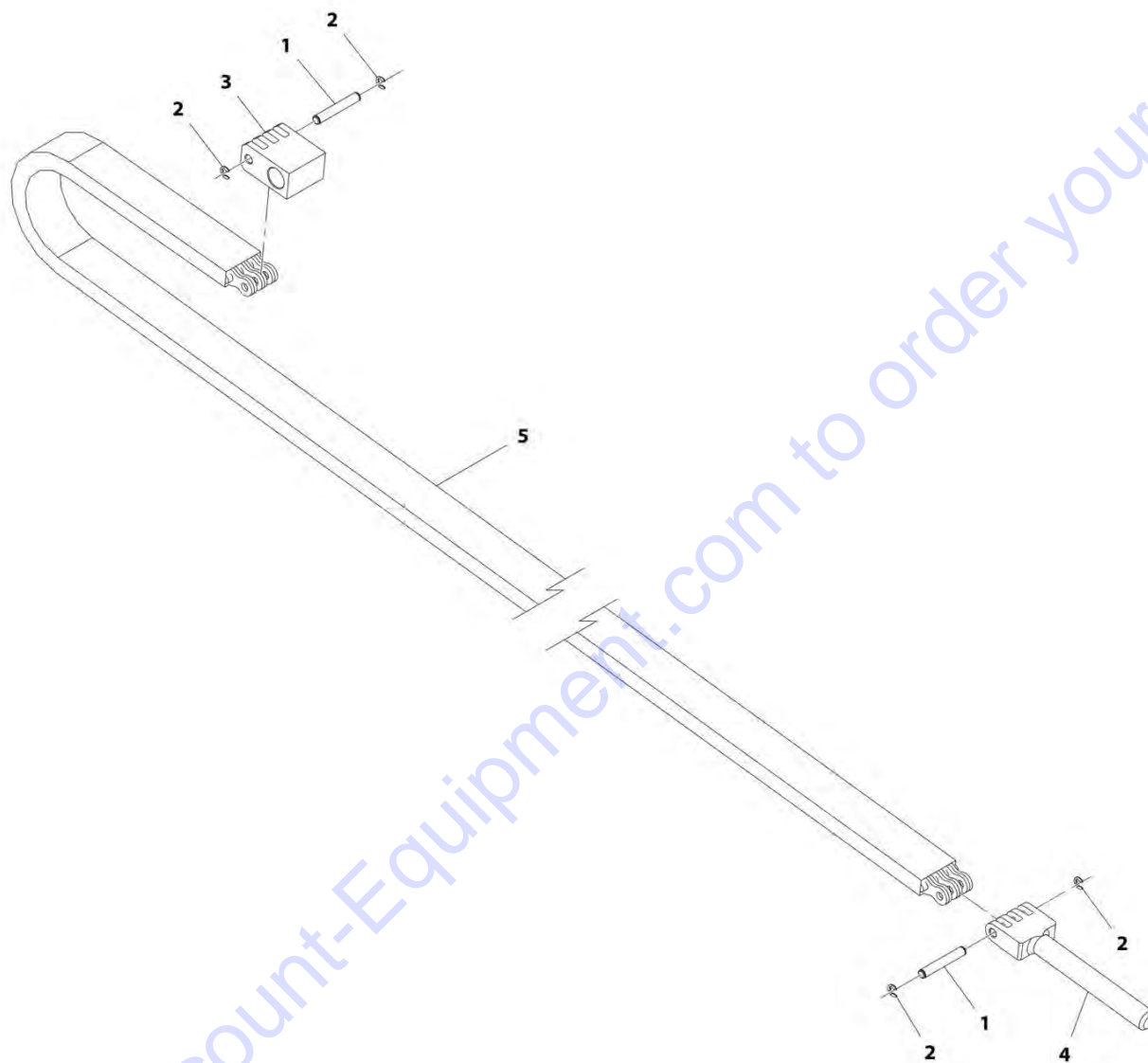
FIGURE 2-5. RETRACT CHAIN SHEAVE

ITEM	PART NUMBER	QTY	DESCRIPTION	REV
	7138986	Ref	Retract Chain Sheave	C
1	7138978	1	Sheave, Retract Chain	
2	7138979	2	Bushing, Sheave Retract Chain	

Go to Discount-Equipment.com to order your parts

SECTION 2 - BOOM

FIGURE 2-6. RETRACT CHAIN INSTALLATION



ART_1001169278-B

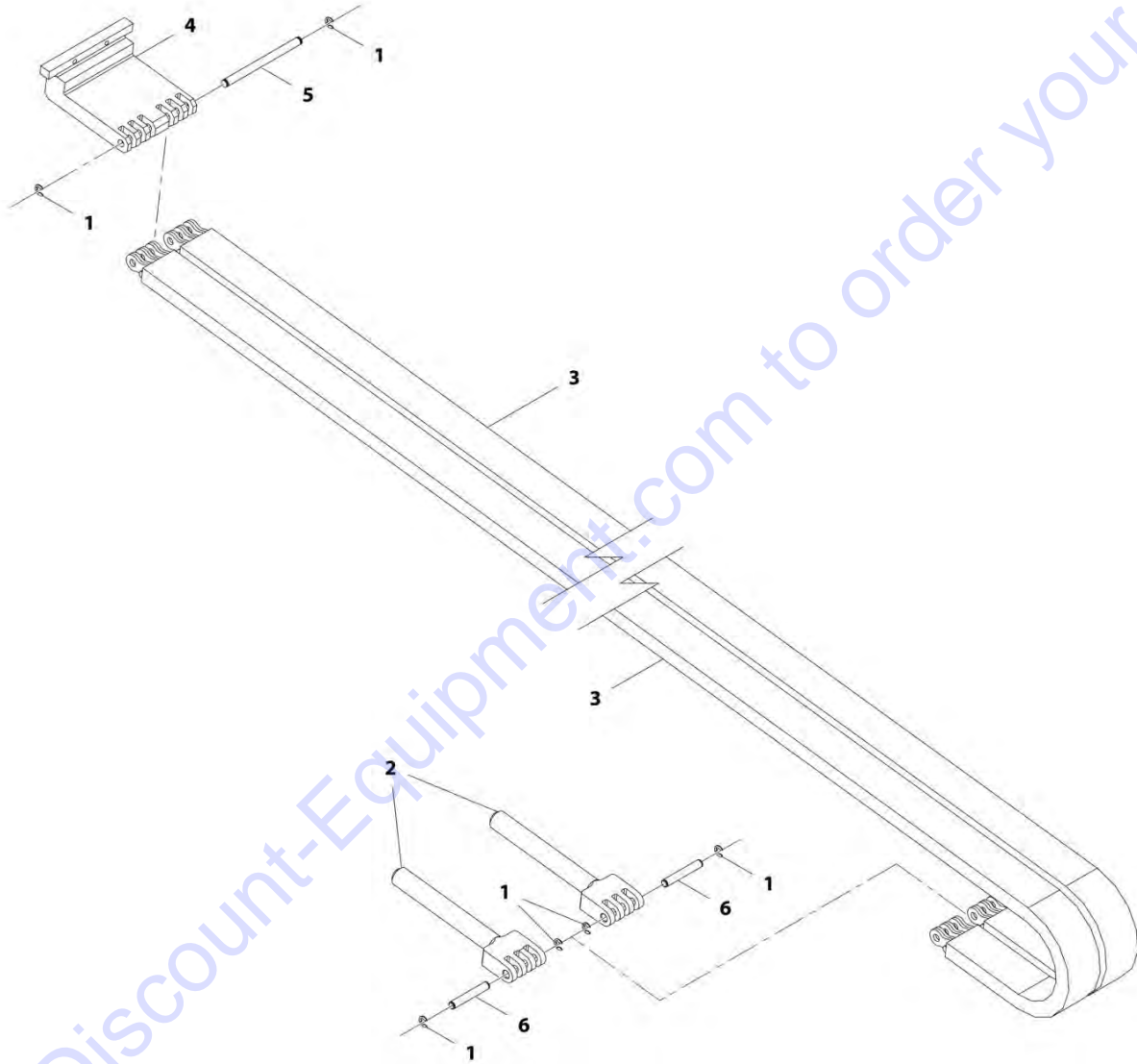
FIGURE 2-6. RETRACT CHAIN INSTALLATION

ITEM	PART NUMBER	QTY	DESCRIPTION	REV
	1001169278	Ref	Retract Chain Installation	B
1	1001187785	2	Pin, Clevis	
2	1001166163	4	Ring, External M6	
3	1001166233	1	Clevis, Chain	
4	1001166235	1	Clevis, Chain	
5	1001169279	1	Chain, Retract	

Go to Discount-Equipment.com to order your parts

SECTION 2 - BOOM

FIGURE 2-7. EXTEND CHAIN INSTALLATION



ART_1001169281-B

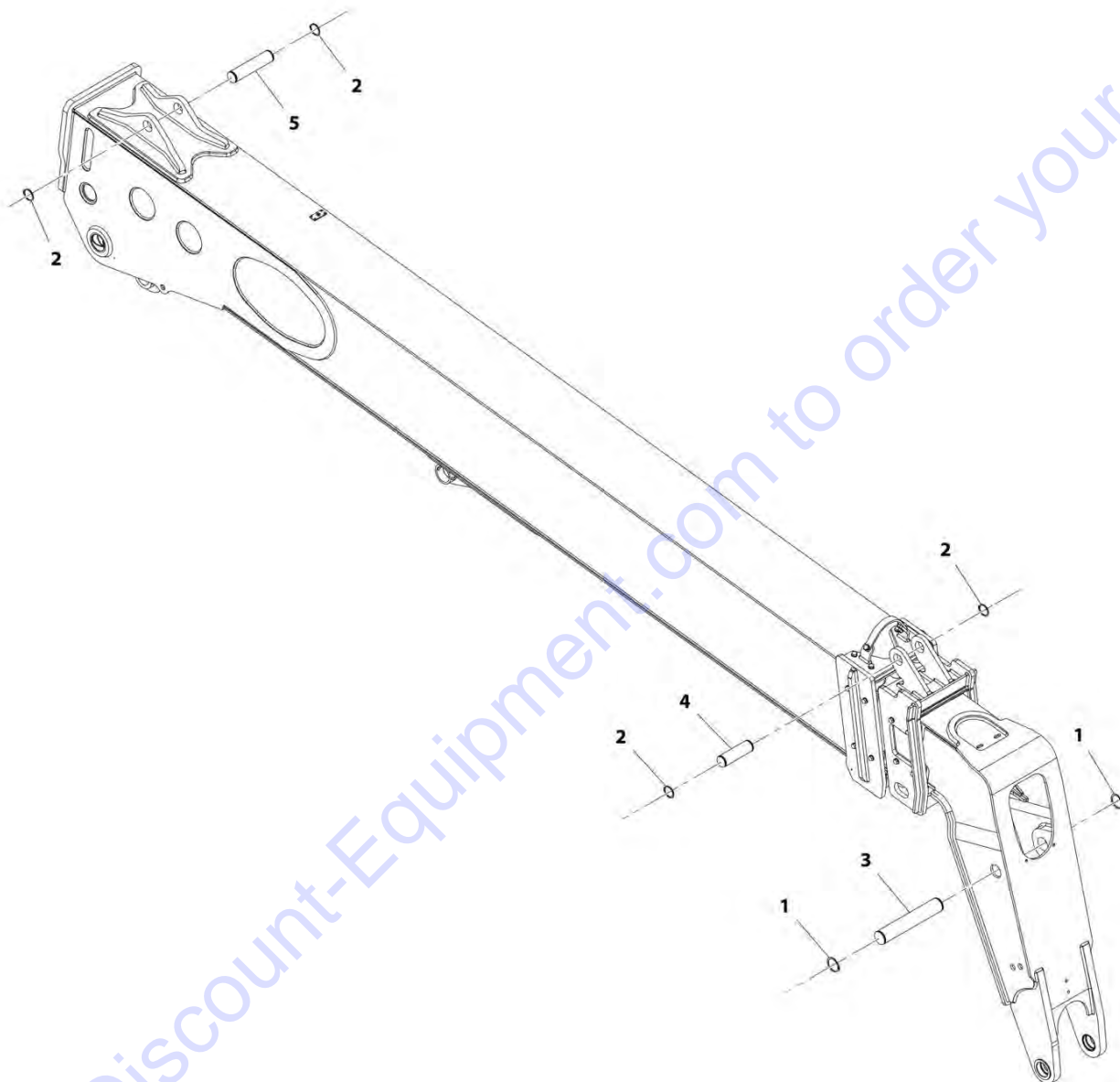
FIGURE 2-7. EXTEND CHAIN INSTALLATION

ITEM	PART NUMBER	QTY	DESCRIPTION	REV
	1001169281	Ref	Extend Chain Installation	B
1	1001166163	6	Ring, External M6	
2	1001166235	2	Clevis, Chain	
3	1001169279	2	Chain, Retract	
4	1001169373	1	Clevis, Dual	
5	1001169379	1	Pin, Clevis	
6	1001187785	2	Pin, Clevis	

Go to Discount-Equipment.com to order your parts

SECTION 2 - BOOM

FIGURE 2-8. PINS INSTALLATION



ART_1001173541-B

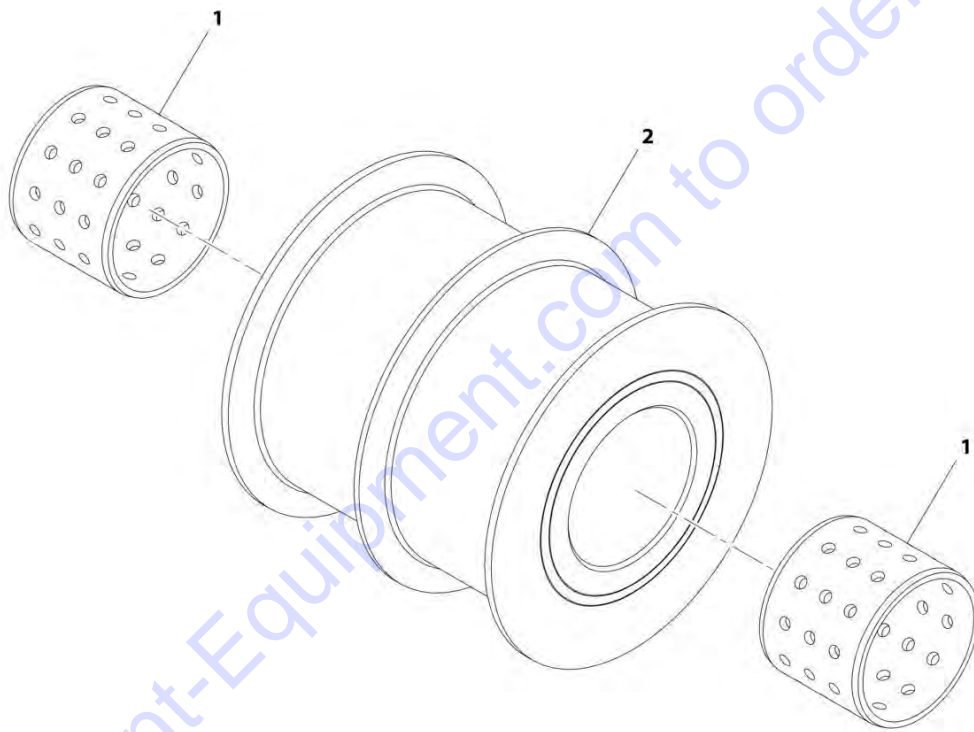
FIGURE 2-8. PINS INSTALLATION

ITEM	PART NUMBER	QTY	DESCRIPTION	REV
	1001173541	Ref	Pins Installation	B
1	3760463	2	Ring, Retaining M60	
2	3760493	4	Ring, Retaining M50	
3	1001173538	1	Pin, Tilt Cylinder	
4	1001173539	1	Pin	
5	1001173540	1	Pin	

Go to Discount-Equipment.com to order your parts

SECTION 2 - BOOM

FIGURE 2-9. EXTEND CHAIN ROLLER



ART_1001168567-C

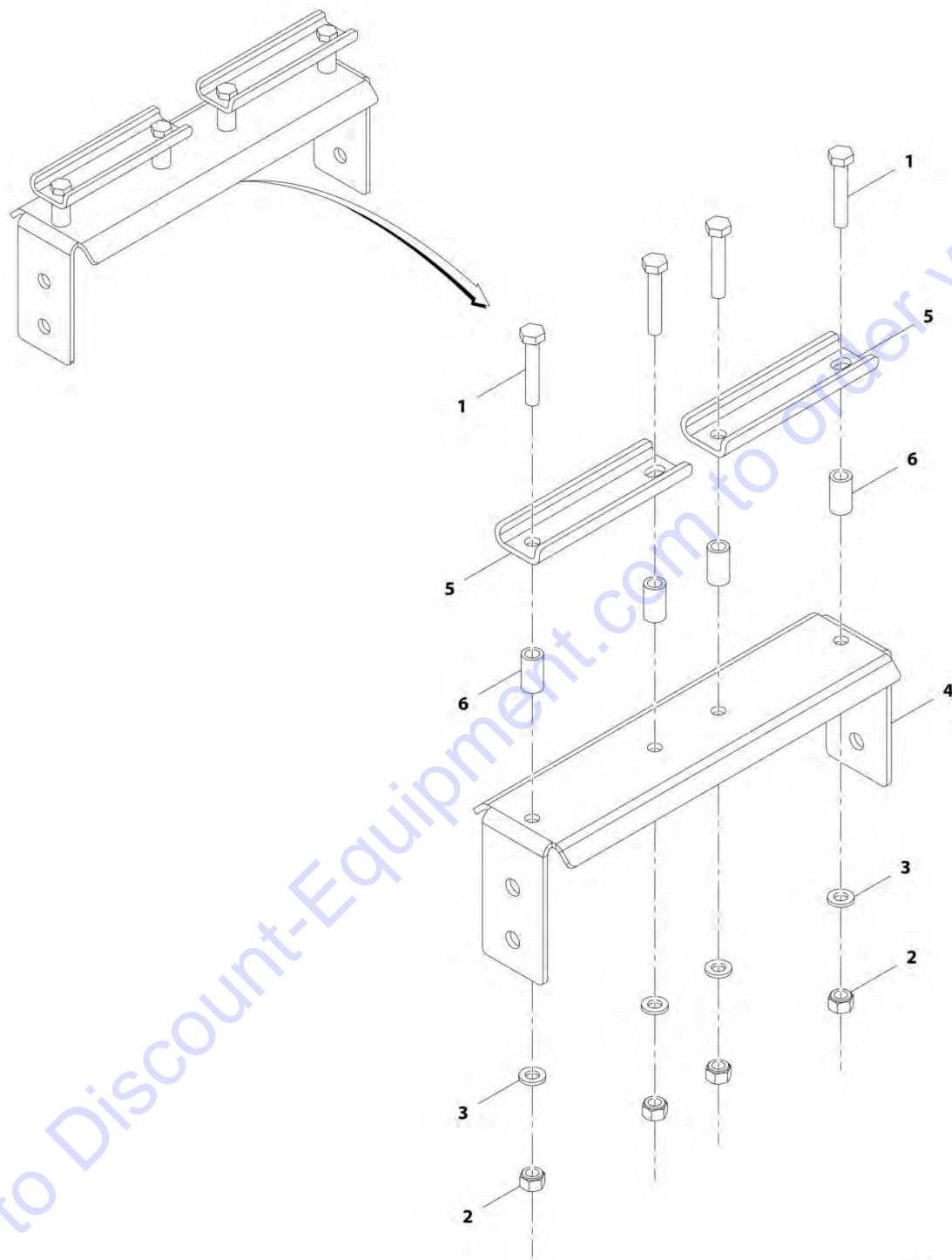
FIGURE 2-9. EXTEND CHAIN ROLLER

ITEM	PART NUMBER	QTY	DESCRIPTION	REV
	1001168567	Ref	Extend Chain Roller	C
1	0440296	2	Bearing	
2	1001168831	1	Roller, Extend Chain	

Go to Discount-Equipment.com to order your parts

SECTION 2 - BOOM

FIGURE 2-10. HOSE BRACKET INSTALLATION



ART_1001168630-B

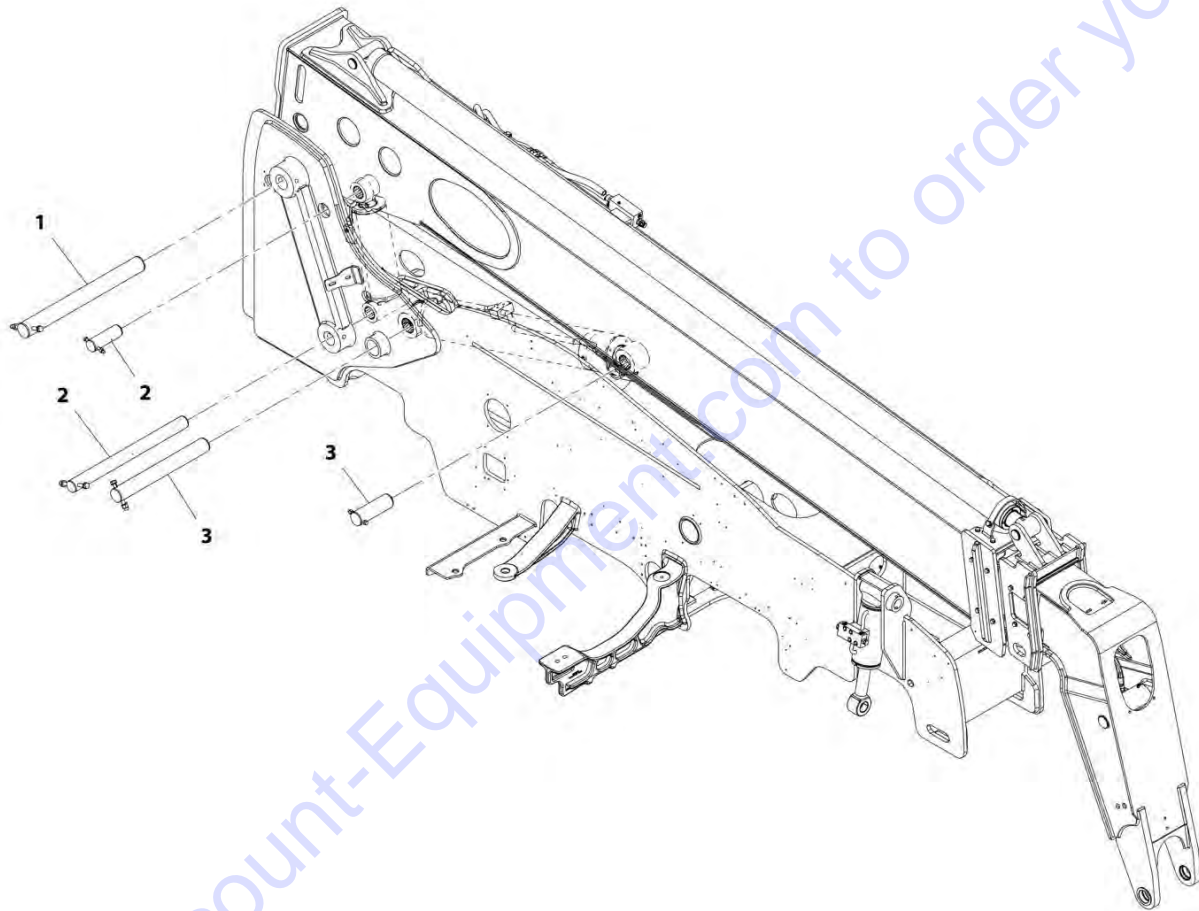
FIGURE 2-10. HOSE BRACKET INSTALLATION

ITEM	PART NUMBER	QTY	DESCRIPTION	REV
	1001168630	Ref	Hose Bracket Installation	B
1	0760615	4	Bolt, M6X35	
2	3290605	4	Nut, Lock M6X1 Grade 8	
3	4811700	4	Washer, M6	
4	1001168632	1	Bracket	
5	1001169209	2	Plate	
6	1001169214	4	Spacer	

Go to Discount-Equipment.com to order your parts

SECTION 2 - BOOM

FIGURE 2-11. BOOM PINNING INSTALLATION



ART_1001168486-B

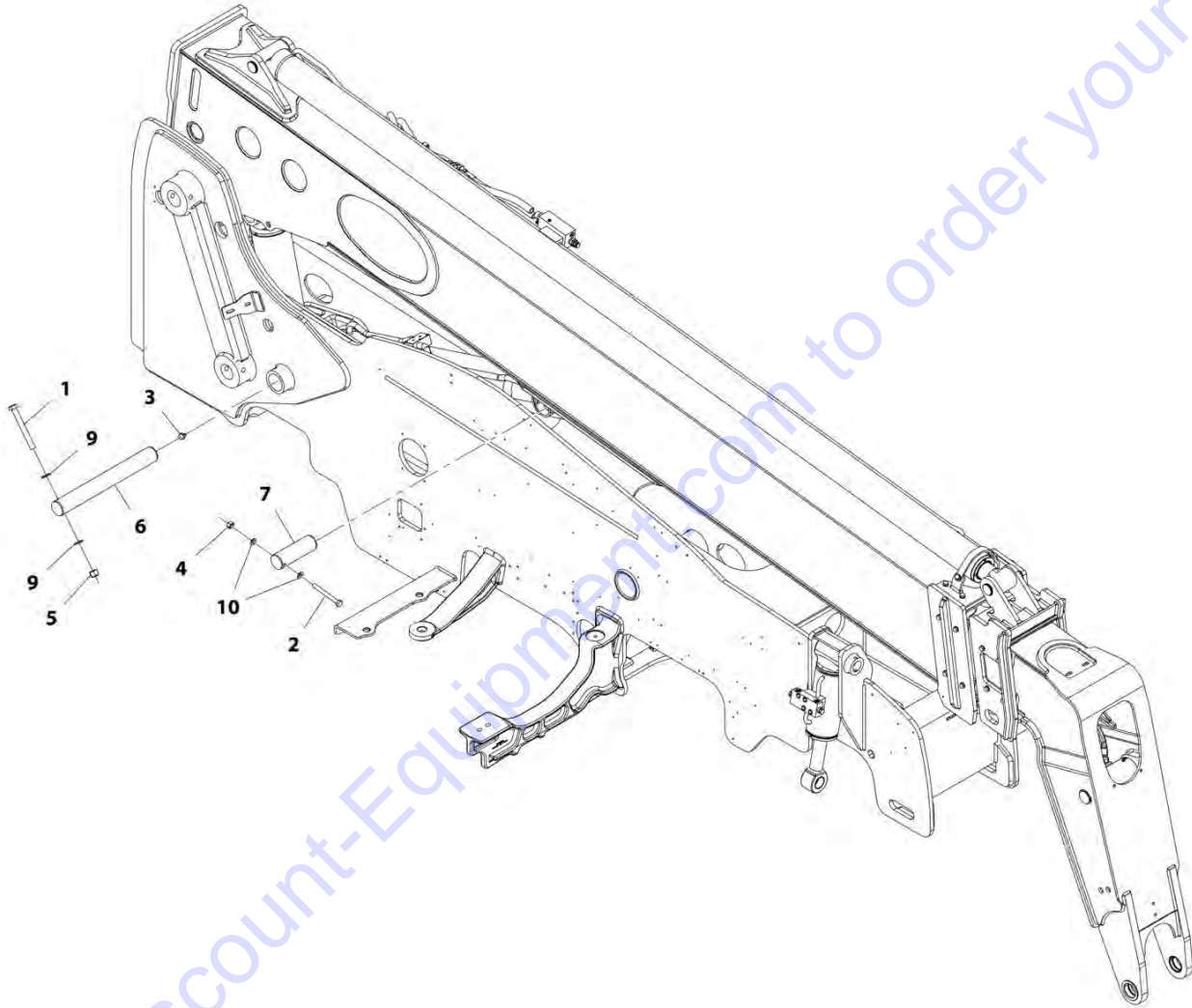
FIGURE 2-11. BOOM PINNING INSTALLATION

ITEM	PART NUMBER	QTY	DESCRIPTION	REV
1	1001168486	Ref	Boom Pinning Installation	B
	1001172344	Ref	Installation, Boom Pivot Pin (See BOOM PIVOT PIN INSTALLATION for Breakdown)	
2	1001172345	Ref	Installation, Compensation Cylinder Pins (See COMPENSATION CYLINDER PINS INSTALLATION for Breakdown)	
3	1001172346	Ref	Installation, Lift Cylinder Pins (See LIFT CYLINDER PINS INSTALLATION for Breakdown)	

Go to Discount-Equipment.com to order your parts

SECTION 2 - BOOM

FIGURE 2-12. LIFT CYLINDER PINS INSTALLATION



ART_1001172346-G

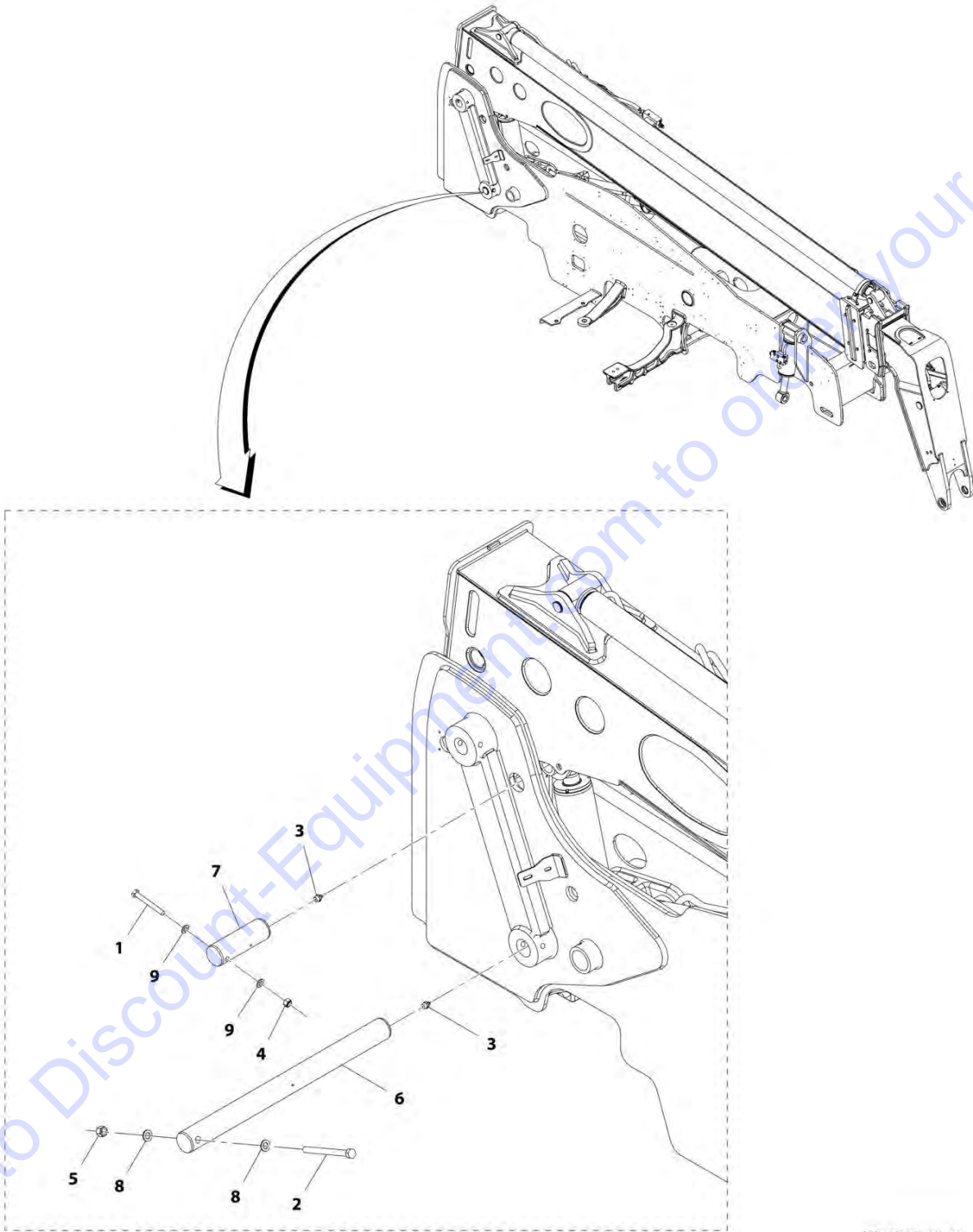
FIGURE 2-12. LIFT CYLINDER PINS INSTALLATION

ITEM	PART NUMBER	QTY	DESCRIPTION	REV
	1001172346	Ref	Lift Cylinder Pins Installation	G
1	0711631	1	Bolt, M16X140	
2	0711228	1	Bolt, M12X110	
3	2160016	1	Fitting, Grease	
4	3291205	1	Nut, Lock M12X1.75 Grade 8	
5	3291605	1	Nut, Lock M16X2 Grade 8	
6	1001172350	1	Pin, Cylinder	
7	1001205335	1	Pin, Cylinder	
9	4812300	2	Washer, M16	
10	4812100	2	Washer, M12	

Go to Discount-Equipment.com to order your parts

SECTION 2 - BOOM

FIGURE 2-13. COMPENSATION CYLINDER PINS INSTALLATION



ART_1001172345-D

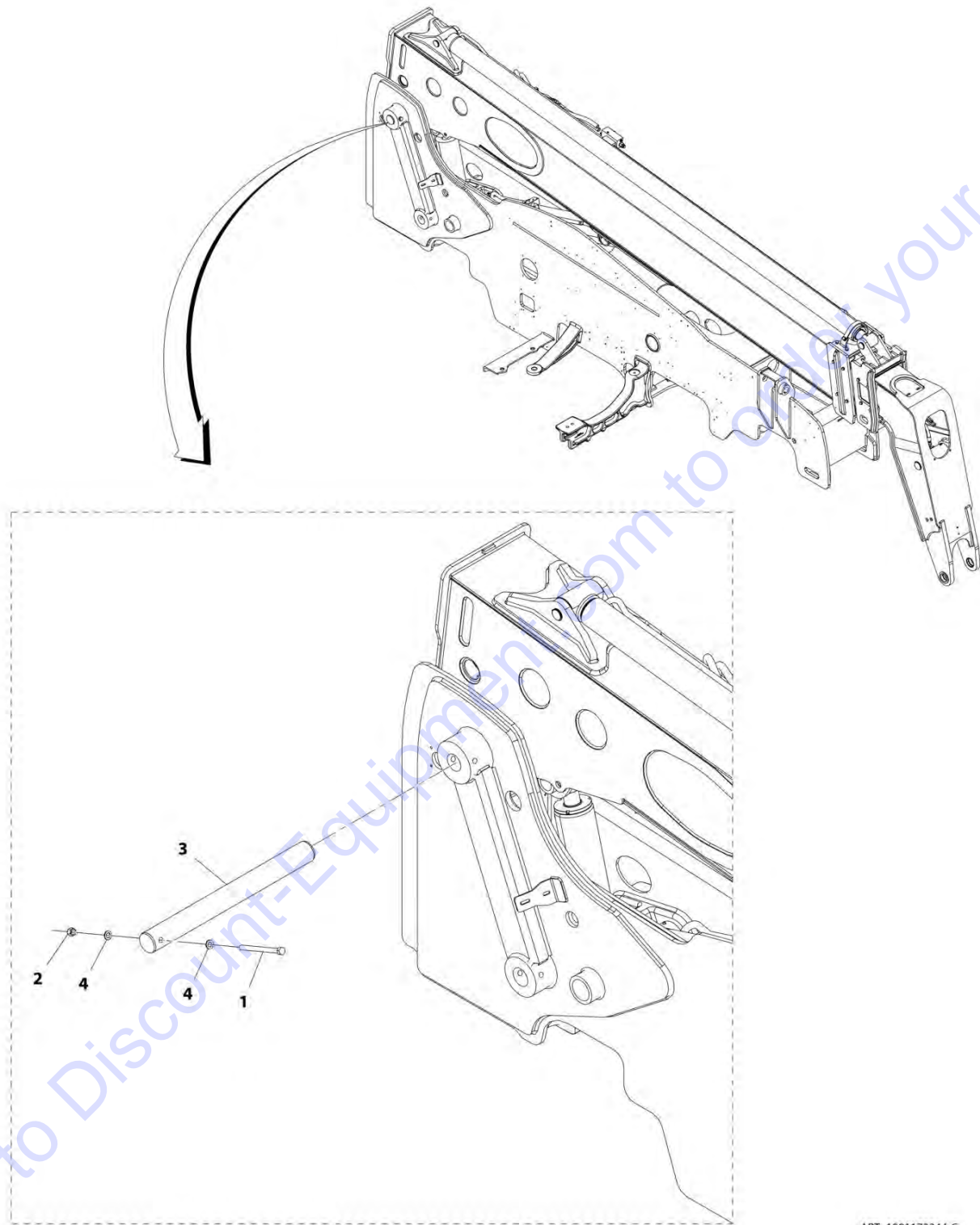
FIGURE 2-13. COMPENSATION CYLINDER PINS INSTALLATION

ITEM	PART NUMBER	QTY	DESCRIPTION	REV
	1001172345	Ref	Compensation Cylinder Pins Installation	D
1	0711229	1	Bolt, M12X120 Grade 10.9	
2	0711635	1	Bolt, M16X180 Grade 10.9	
3	2160016	2	Fitting, Grease	
4	3291205	1	Nut, Lock M12X1.75 Grade 8	
5	3291605	1	Nut, Lock M16X2 Grade 8	
6	1001172352	1	Pin, Cylinder Base	
7	1001172353	1	Pin, Cylinder End	
8	4812300	2	Washer, M16	
9	4812100	2	Washer, M12	

Go to Discount-Equipment.com to order your parts

SECTION 2 - BOOM

FIGURE 2-14. BOOM PIVOT PIN INSTALLATION



ART_1001172344-C

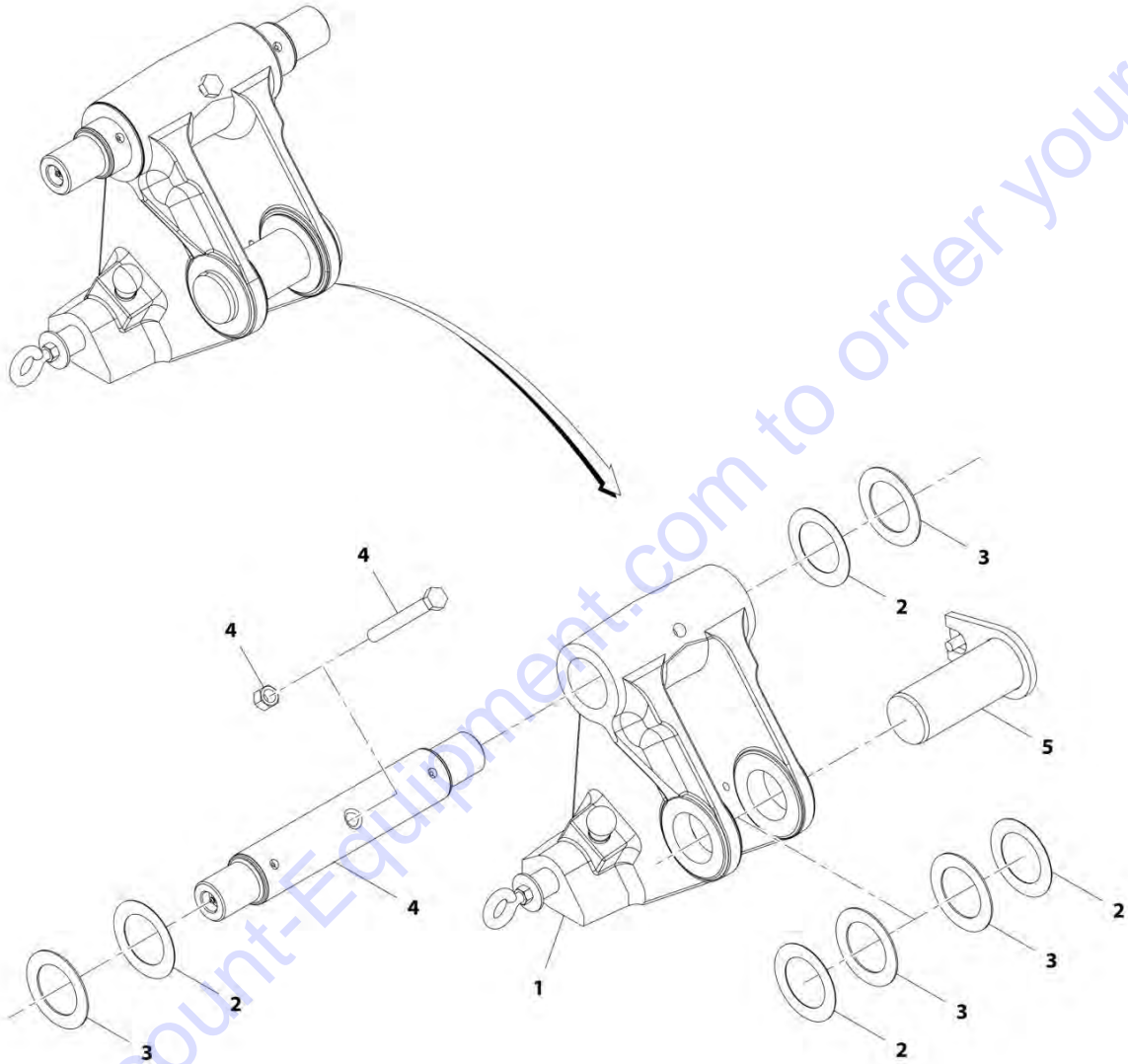
FIGURE 2-14. BOOM PIVOT PIN INSTALLATION

ITEM	PART NUMBER	QTY	DESCRIPTION	REV
	1001172344	Ref	Boom Pivot Pin Installation	C
1	1001091951	1	Bolt, M16X200	
2	3291605	1	Nut, Lock M16X2 Grade 8	
3	1001166975	1	Pin	
4	4812300	2	Washer, M16	

Go to Discount-Equipment.com to order your parts

SECTION 2 - BOOM

FIGURE 2-15. MANUAL QUICK COUPLER INSTALLATION



ART_1001170628-A

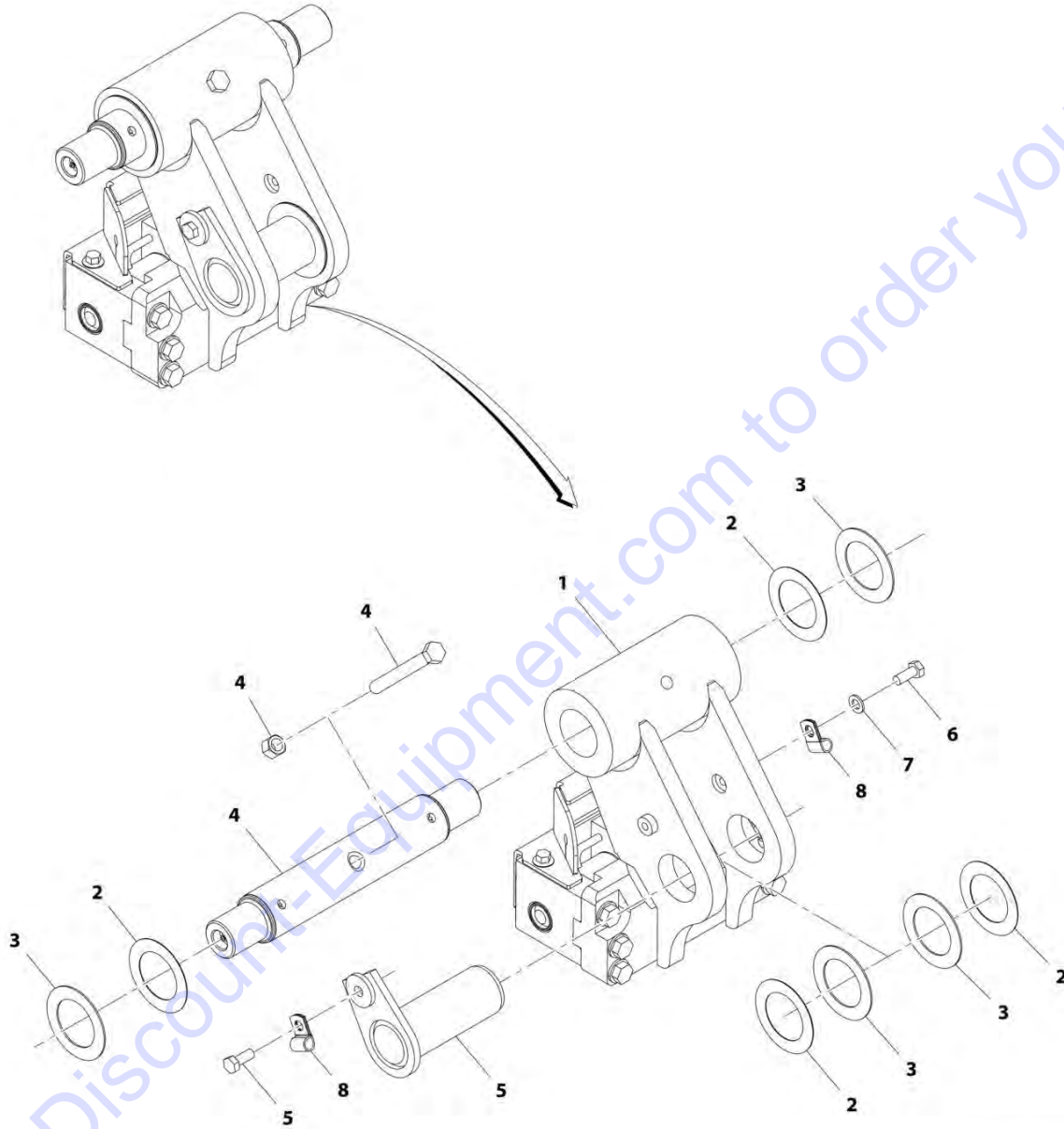
FIGURE 2-15. MANUAL QUICK COUPLER INSTALLATION

ITEM	PART NUMBER	QTY	DESCRIPTION	REV
1	1001170628	Ref	Manual Quick Coupler Installation	A
	1001171764	1	Coupling, Quick Connect (See Separate Breakdown in this Section)	
2	1001164884	AR	Shim	
3	1001164885	AR	Shim	
4	1001167761	Ref	Installation, Boom Pin (See Separate Breakdown in this Section)	
5	1001167762	Ref	Installation, Tilt Cylinder Pin (See Separate Breakdown in this Section)	

Go to Discount-Equipment.com to order your parts

SECTION 2 - BOOM

FIGURE 2-16. HYDRAULIC QUICK COUPLER INSTALLATION



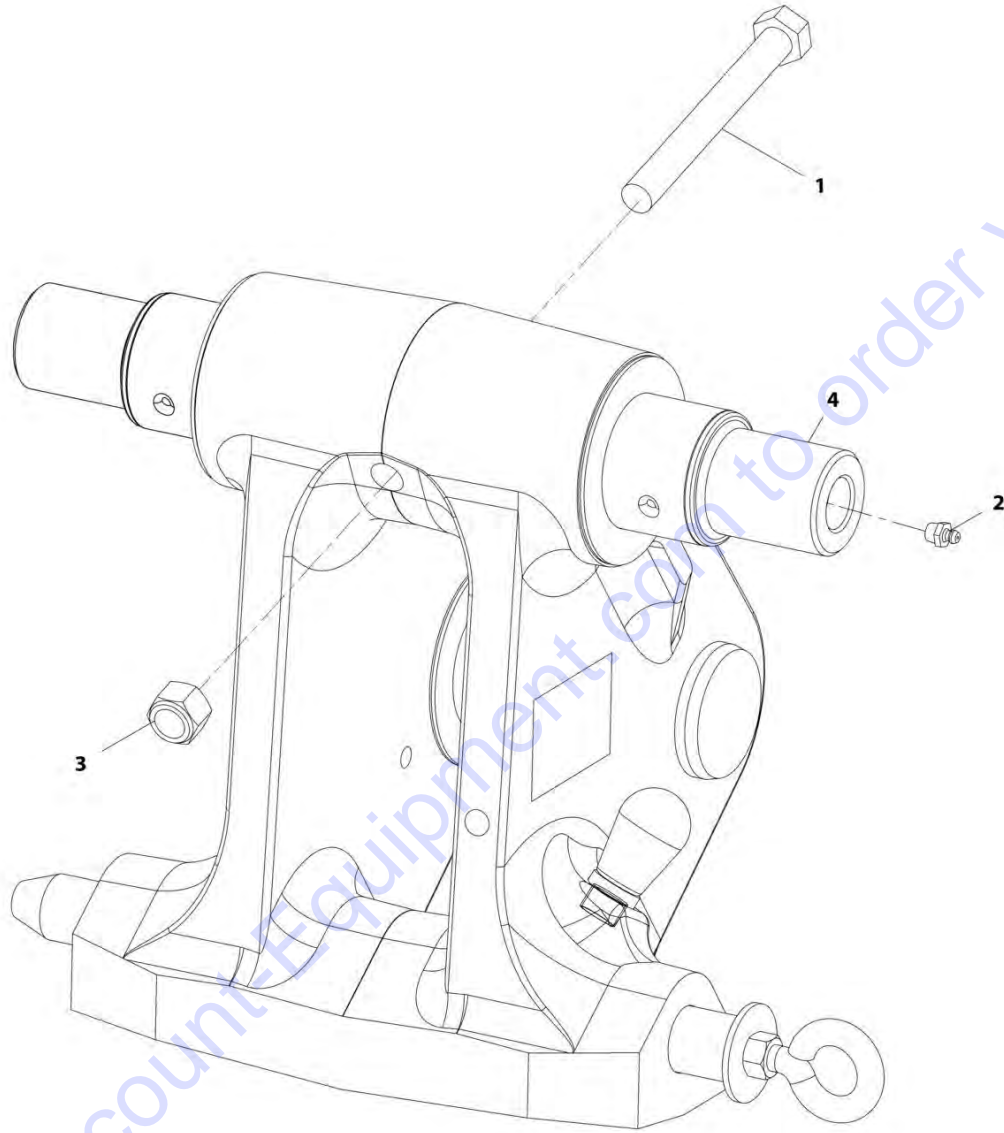
ART_1001170631-B

FIGURE 2-16. HYDRAULIC QUICK COUPLER INSTALLATION

ITEM	PART NUMBER	QTY	DESCRIPTION	REV
	1001170631	Ref	Hydraulic Quick Coupler Installation	B
1	1001172134	1	Assembly, Hydraulic Quick Coupler (See Separate Breakdown in Hydraulic Circuits Section)	
2	1001164884	AR	Shim	
3	1001164885	AR	Shim	
4	1001167761	Ref	Installation, Boom Pin (See Separate Breakdown in this Section)	
5	1001167762	Ref	Installation, Tilt Cylinder Pin (See Separate Breakdown in this Section)	
6	0761214	1	Capscrew, M12X30	
7	4812100	1	Washer, M12	
8	1001080996	2	Clamp	

SECTION 2 - BOOM

FIGURE 2-17. BOOM PIN INSTALLATION



ART_1001167761-B

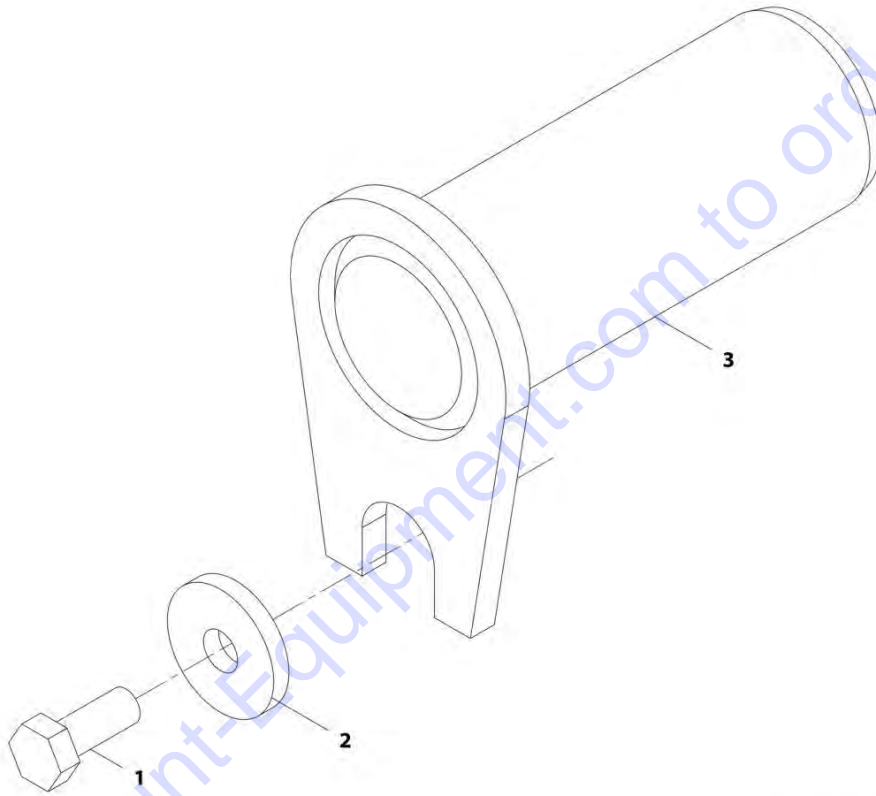
FIGURE 2-17. BOOM PIN INSTALLATION

ITEM	PART NUMBER	QTY	DESCRIPTION	REV
	1001167761	Ref	Boom Pin Installation	B
1	0711631	1	Bolt, M16X140	
2	2160016	2	Fitting, Straight	
3	3291605	1	Nut, Lock M16X2	
4	1001164871	1	Pin	

Go to Discount-Equipment.com to order your parts

SECTION 2 - BOOM

FIGURE 2-18. TILT CYLINDER PIN INSTALLATION



ART_1001167762-A

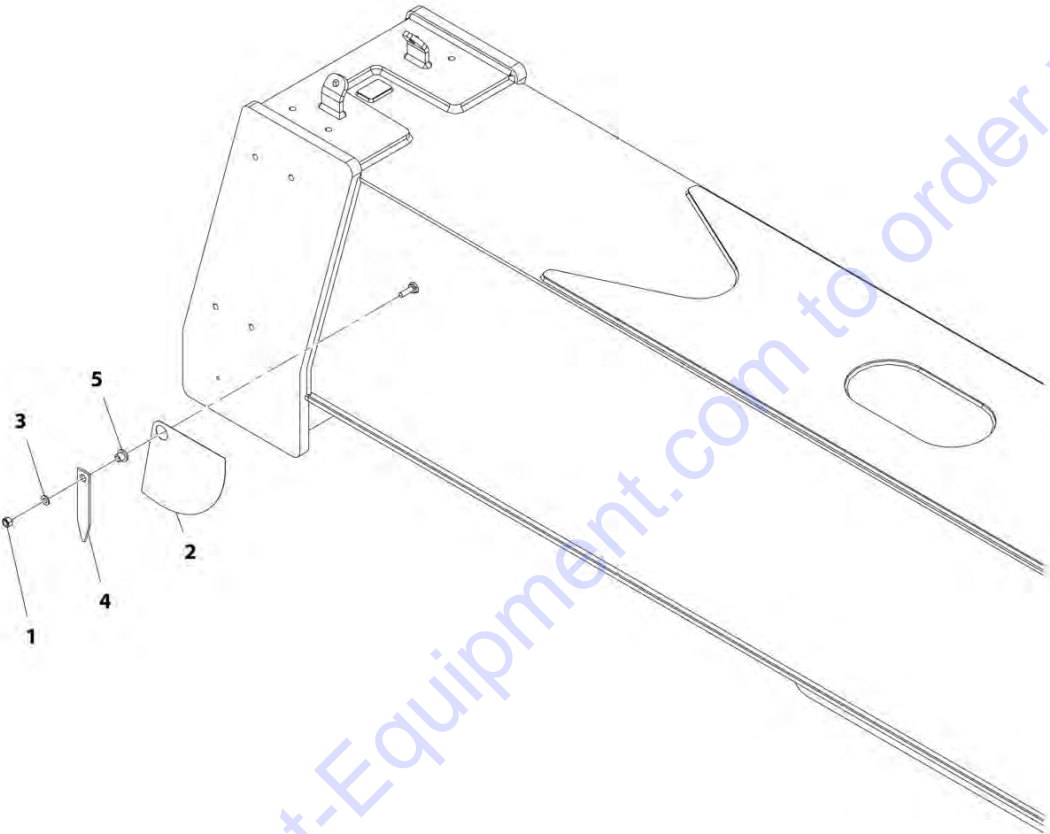
FIGURE 2-18. TILT CYLINDER PIN INSTALLATION

ITEM	PART NUMBER	QTY	DESCRIPTION	REV
	1001167762	Ref	Tilt Cylinder Pin Installation	A
1	0761214	1	Bolt, M12X30	
2	4740003	1	Washer	
3	1001164881	1	Pin	

Go to Discount-Equipment.com to order your parts

SECTION 2 - BOOM

FIGURE 2-19. BOOM ANGLE INDICATOR INSTALLATION



ART_1001167806-B

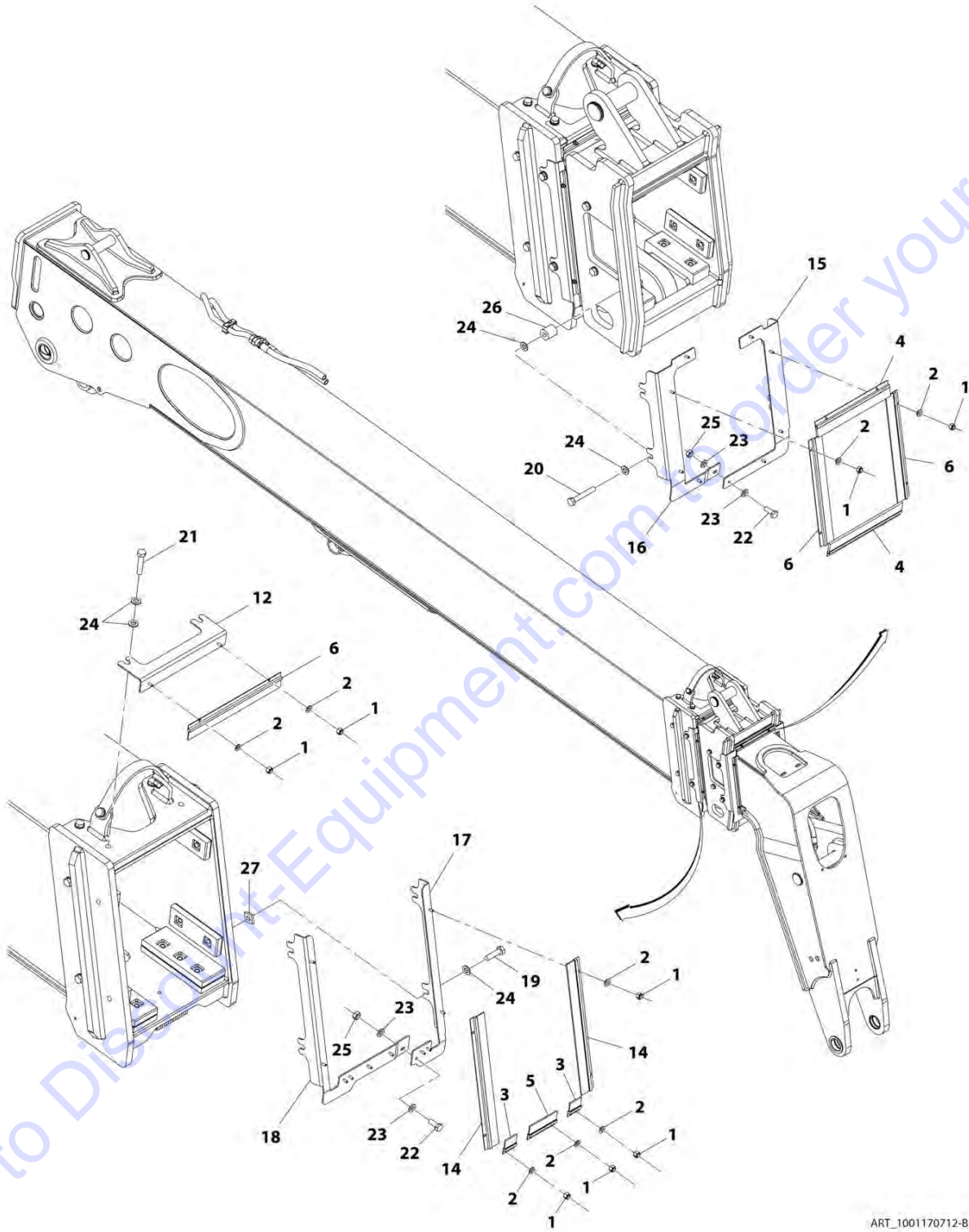
FIGURE 2-19. BOOM ANGLE INDICATOR INSTALLATION

ITEM	PART NUMBER	QTY	DESCRIPTION	REV
	1001167806	Ref	Boom Angle Indicator Installation	B
1	3291005	1	Nut, Lock M10X1.5 Grade 8	
2	4105262	1	Decal, Boom Angle Indicator	
3	4812000	1	Washer, M10	
4	1001098769	1	Plate	
5	1001171808	1	Spacer	

Go to Discount-Equipment.com to order your parts

SECTION 2 - BOOM

FIGURE 2-20. BOOM BRUSHES INSTALLATION



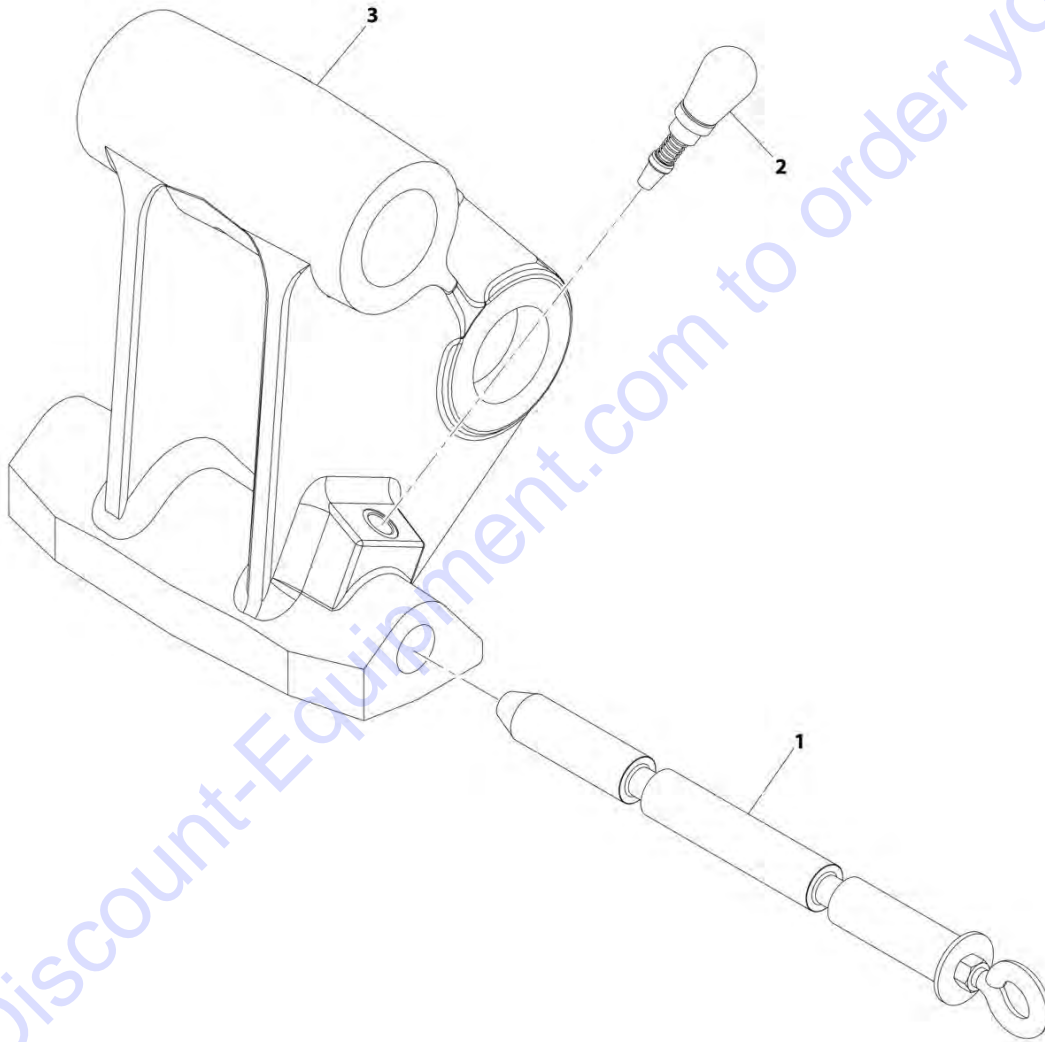
ART_1001170712-B

FIGURE 2-20. BOOM BRUSHES INSTALLATION

ITEM	PART NUMBER	QTY	DESCRIPTION	REV
	1001170712	Ref	Boom Brushes Installation	B
1	3290505	20	Nut, Lock M5X0.8 Grade 8	
2	4811600	20	Washer, M5	
3	1001172994	2	Brush, Boom	
4	1001172995	2	Brush, Boom	
5	1001172996	1	Brush, Boom	
6	1001172997	3	Brush, Boom	
12	1001175683	1	Bracket, Boom Brush	
14	1001173739	2	Brush, Boom	
15	1001193578	1	Bracket, Boom Brush	
16	1001193579	1	Bracket, Boom Brush	
17	1001194785	1	Bracket, Boom Brush	
18	1001194787	1	Bracket, Boom Brush	
19	0701217	4	Bolt, M12X45	
20	0701224	4	Bolt, M12X80	
21	0711220	2	Bolt, M12-1.75X60 Grade 10.9	
22	0760608	2	Bolt, M6X16	
23	4811700	4	Washer, M6	
24	1001125117	16	Washer, M12	
25	3290601	2	Nut, M6X1	
26	1001193577	4	Spacer	
27	1001194789	4	Plate	

SECTION 2 - BOOM

FIGURE 2-21. QUICK COUPLER ASSEMBLY



ART_1001171764-A

FIGURE 2-21. QUICK COUPLER ASSEMBLY

ITEM	PART NUMBER	QTY	DESCRIPTION	REV
	1001171764	Ref	Quick Coupler Assembly	A
1	1001105441	1	Pin	
2	1001143692	1	Pin, Poppin	
3	1001164567	1	Coupling, Quick Connect	

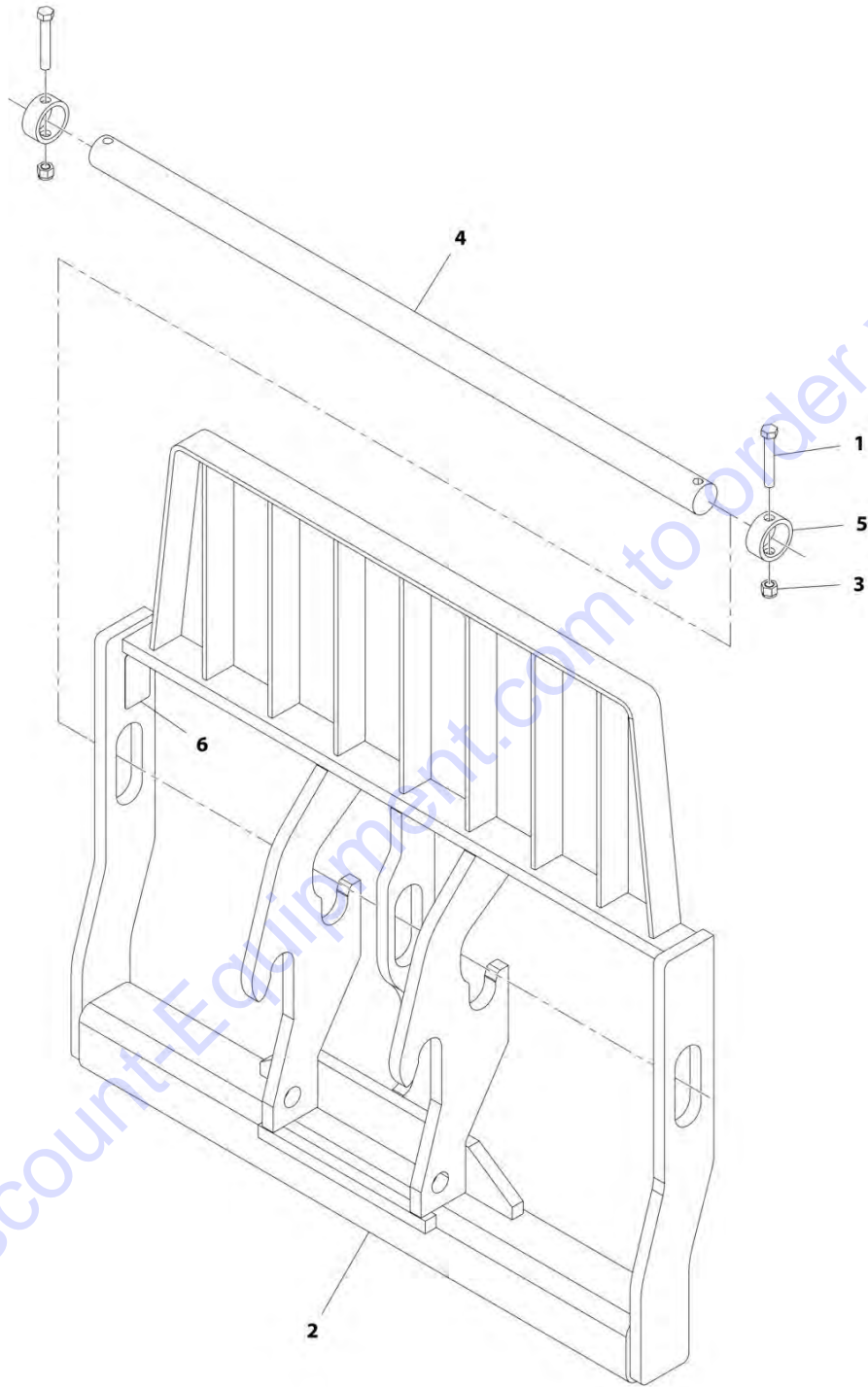
Go to Discount-Equipment.com to order your parts

SECTION 3 - ATTACHMENTS

Go to Discount-Equipment.com to order your parts

SECTION 3 - ATTACHMENTS

FIGURE 3-1. CARRIAGE ASSEMBLY (1270MM)



ART_1170021-F

SECTION 3 - ATTACHMENTS

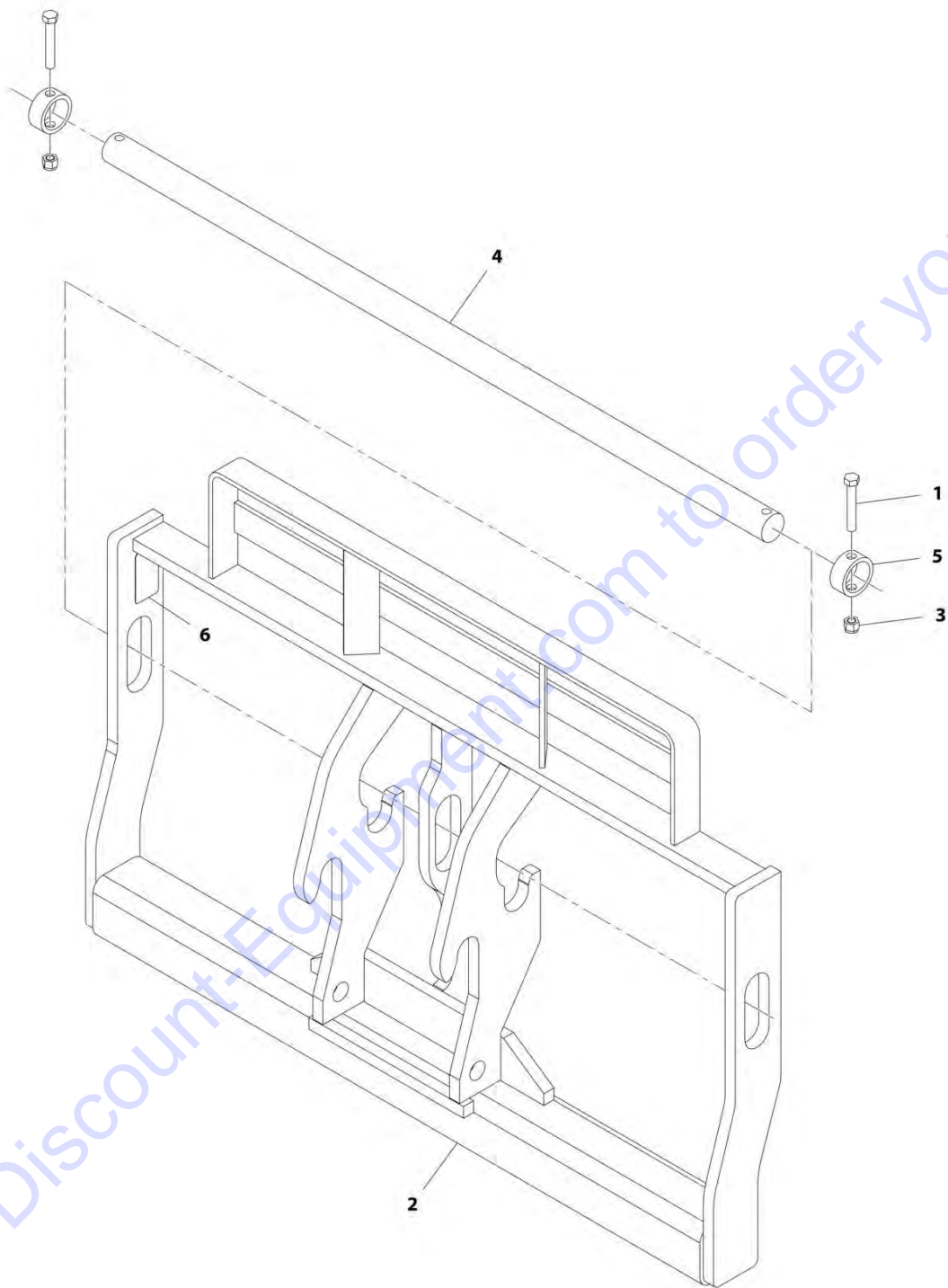
FIGURE 3-1. CARRIAGE ASSEMBLY (1270MM)

ITEM	PART NUMBER	QTY	DESCRIPTION	REV
	1170021	1	Carriage Assembly (1270MM)	F
1	0642032	2	Bolt, 5/8-11X4	
2	1170012	1	Weldment, Carriage	
3	3300240	2	Nut, Lock 5/8-11	
4	3423275	1	Pin, Fork	
5	90200003	2	Collar, Fork Pin	
6	N.S.S.	Ref	Plate, Serial Number	

Go to Discount-Equipment.com to order your parts

SECTION 3 - ATTACHMENTS

FIGURE 3-2. CARRIAGE ASSEMBLY (1524 MM)



ART_1170024-F

SECTION 3 - ATTACHMENTS

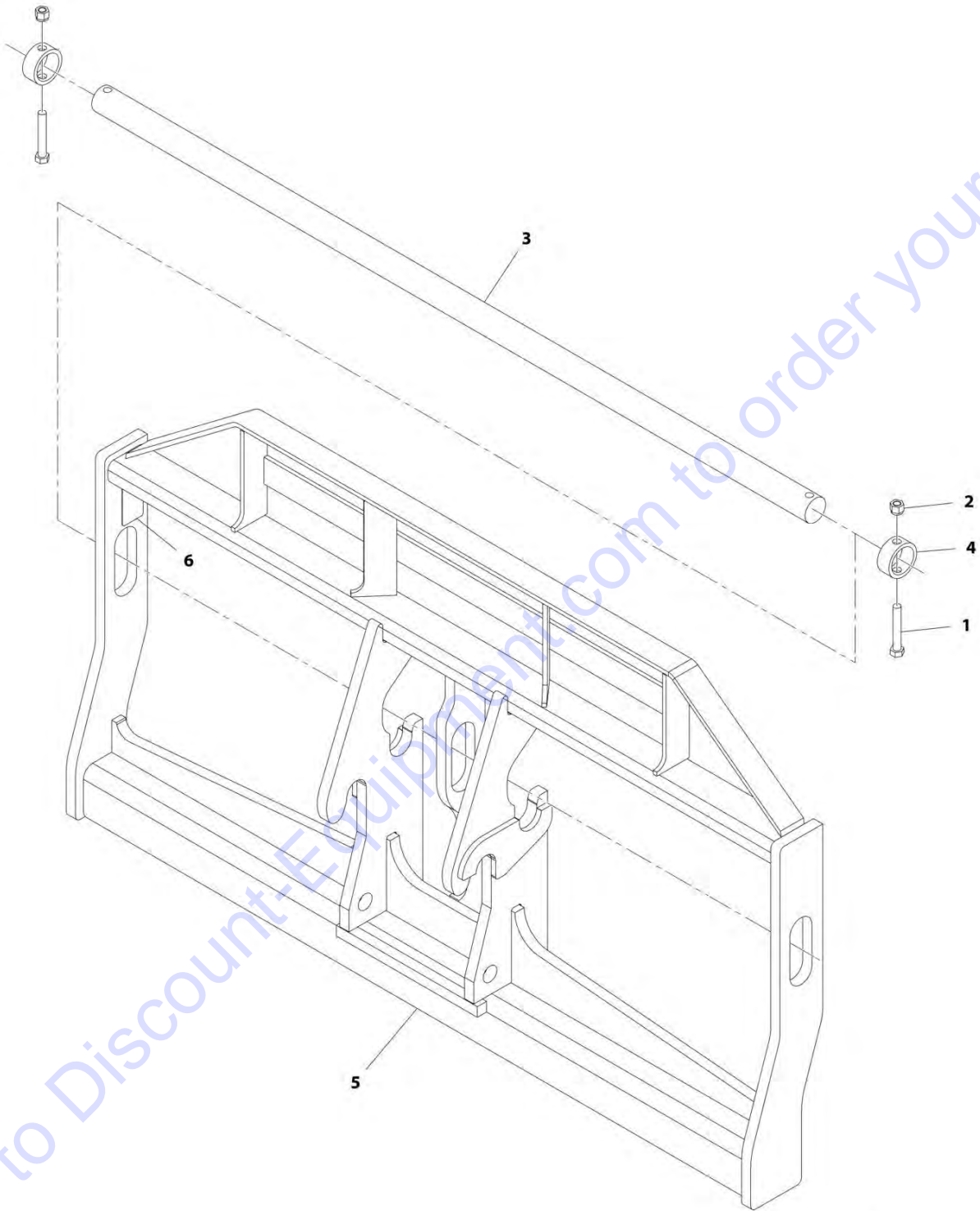
FIGURE 3-2. CARRIAGE ASSEMBLY (1524 MM)

ITEM	PART NUMBER	QTY	DESCRIPTION	REV
	1170024	1	Carriage Assembly (1524 MM)	F
1	0642032	2	Bolt, 5/8-11X4	
2	N.S.S.	1	Weldment, Carriage	
3	3300240	2	Nut, Locking 5/8-11	
4	3423242	1	Pin	
5	90200003	2	Sleeve	
6	N.S.S.	Ref	Plate, Serial Number	

Go to Discount-Equipment.com to order your parts

SECTION 3 - ATTACHMENTS

FIGURE 3-3. CARRIAGE ASSEMBLY (1829 MM)



ART_1001211516-A

SECTION 3 - ATTACHMENTS

FIGURE 3-3. CARRIAGE ASSEMBLY (1829 MM)

ITEM	PART NUMBER	QTY	DESCRIPTION	REV
	1001211516	1	Carriage Assembly (1829 MM)	A
1	0642032	2	Bolt, 5/8-11X4	
2	3300240	2	Nut, Locking 5/8-11	
3	3423276	1	Pin	
4	90200003	2	Sleeve	
5	N.S.S.	Ref	Weldment, Carriage	
6	N.S.S.	Ref	Plate, Serial Number	

Go to Discount-Equipment.com to order your parts

PARTS FINDER

**Search Website
by Part Number**



**Search Manual
Library For Parts
Manual & Lookup Part
Numbers – Purchase
or Request Quote**

**Can't Find Part or
Manual? Request Help
by Manufacturer,
Model & Description**

Discount-Equipment.com is your online resource for quality parts & equipment.

Florida: **561-964-4949** Outside Florida TOLL FREE: **877-690-3101**

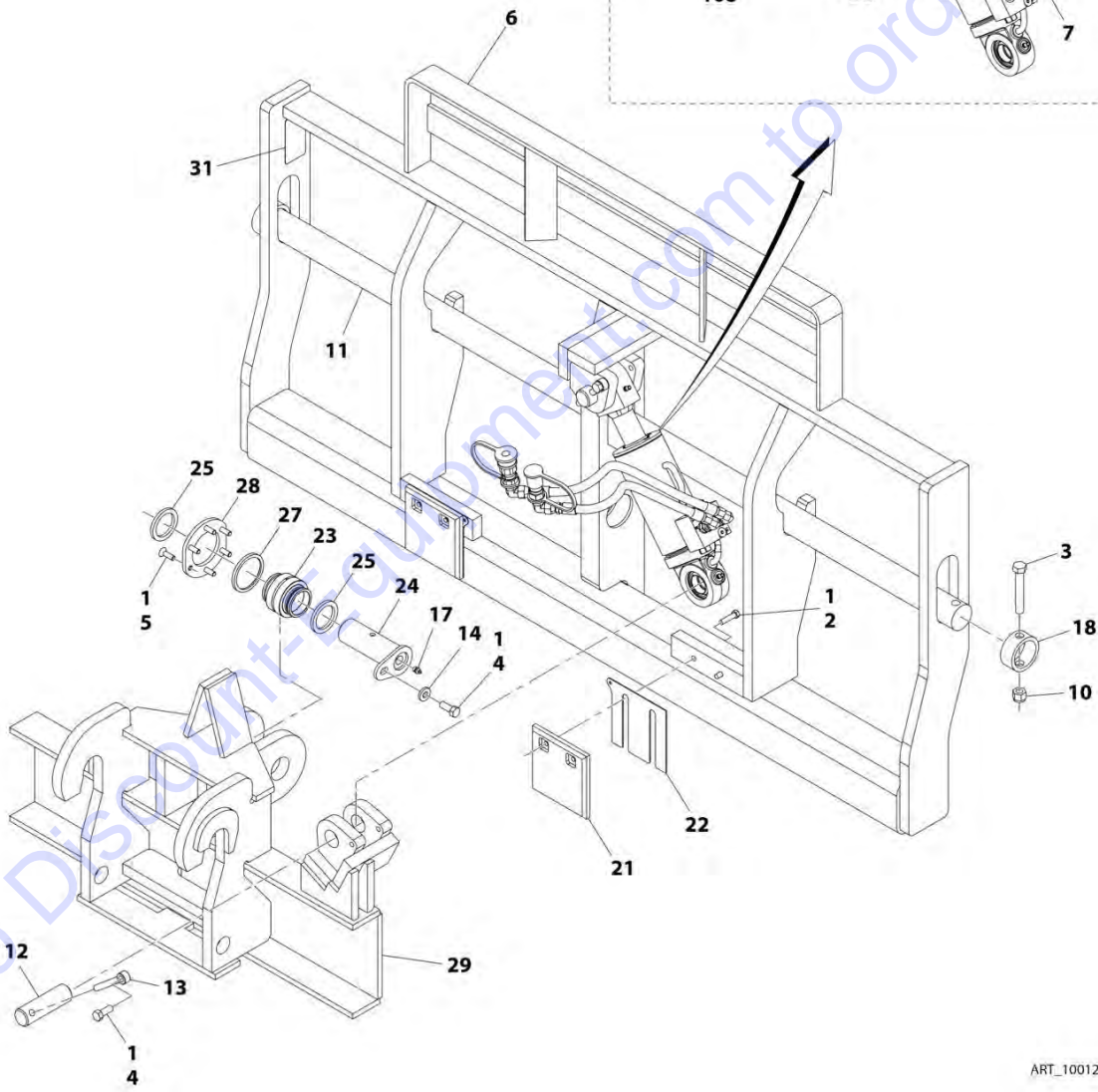
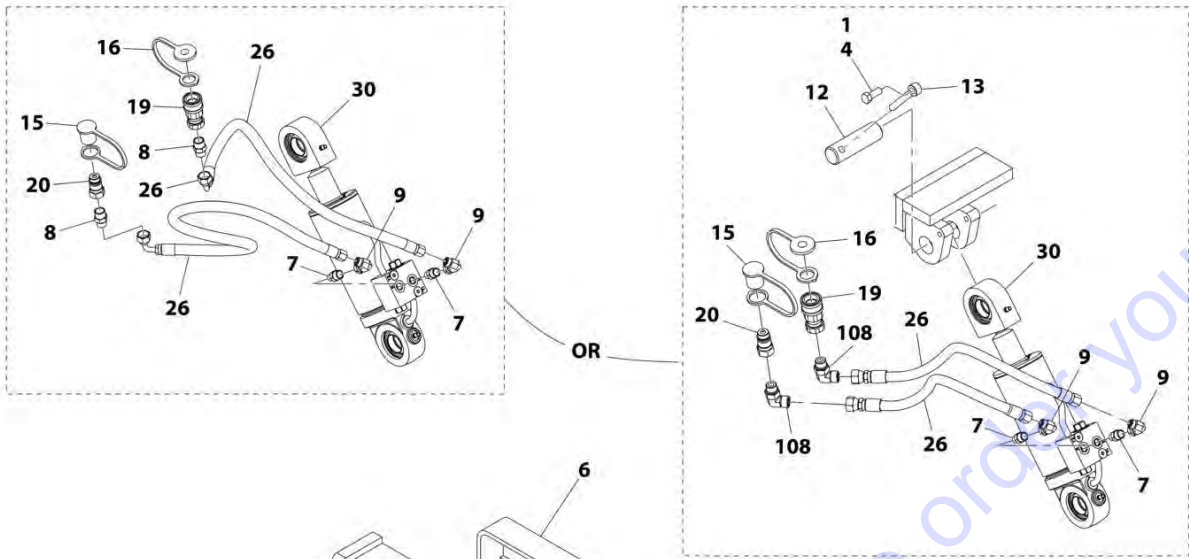
Need parts?

Click on this link: <http://www.discount-equipment.com/category/5443-parts/> and choose one of the options to help get the right parts and equipment you are looking for. Please have the machine model and serial number available in order to help us get you the correct parts. If you don't find the part on the website or on one of the online manuals, please fill out the request form and one of our experienced staff members will get back to you with a quote for the right part that your machine needs.

We sell worldwide for the brands: Genie, Terex, JLG, MultiQuip, Mikasa, Essick, Whiteman, Mayco, Toro Stone, Diamond Products, Generac Magnum, Airman, Haulotte, Barreto, Power Blanket, Nifty Lift, Atlas Copco, Chicago Pneumatic, Allmand, Miller Curber, Skyjack, Lull, Skytrak, Tsurumi, Husquvarna Target, Stow, Wacker, Sakai, Mi-T-M, Sullair, Basic, Dynapac, MBW, Weber, Bartell, Bennar Newman, Haulotte, Ditch Runner, Menegotti, Morrison, Contec, Buddy, Crown, Edco, Wyco, Bomag, Laymor, EZ Trench, Bil-Jax, F.S. Curtis, Gehl Pavers, Heli, Honda, ICS/PowerGrit, IHI, Partner, Imer, Clipper, MMD, Koshin, Rice, CH&E, General Equipment, Amida, Coleman, NAC, Gradall, Square Shooter, Kent, Stanley, Tamco, Toku, Hatz, Kohler, Robin, Wisconsin, Northrock, Oztec, Toker TK, Rol-Air, APT, Wylie, Ingersoll Rand / Doosan, Innovatech, Con X, Ammann, Mecalac, Makinex, Smith Surface Prep, Small Line, Wanco, Yanmar

SECTION 3 - ATTACHMENTS

FIGURE 3-4. SIDE TILT CARRIAGE ASSEMBLY



ART_1001233385-B

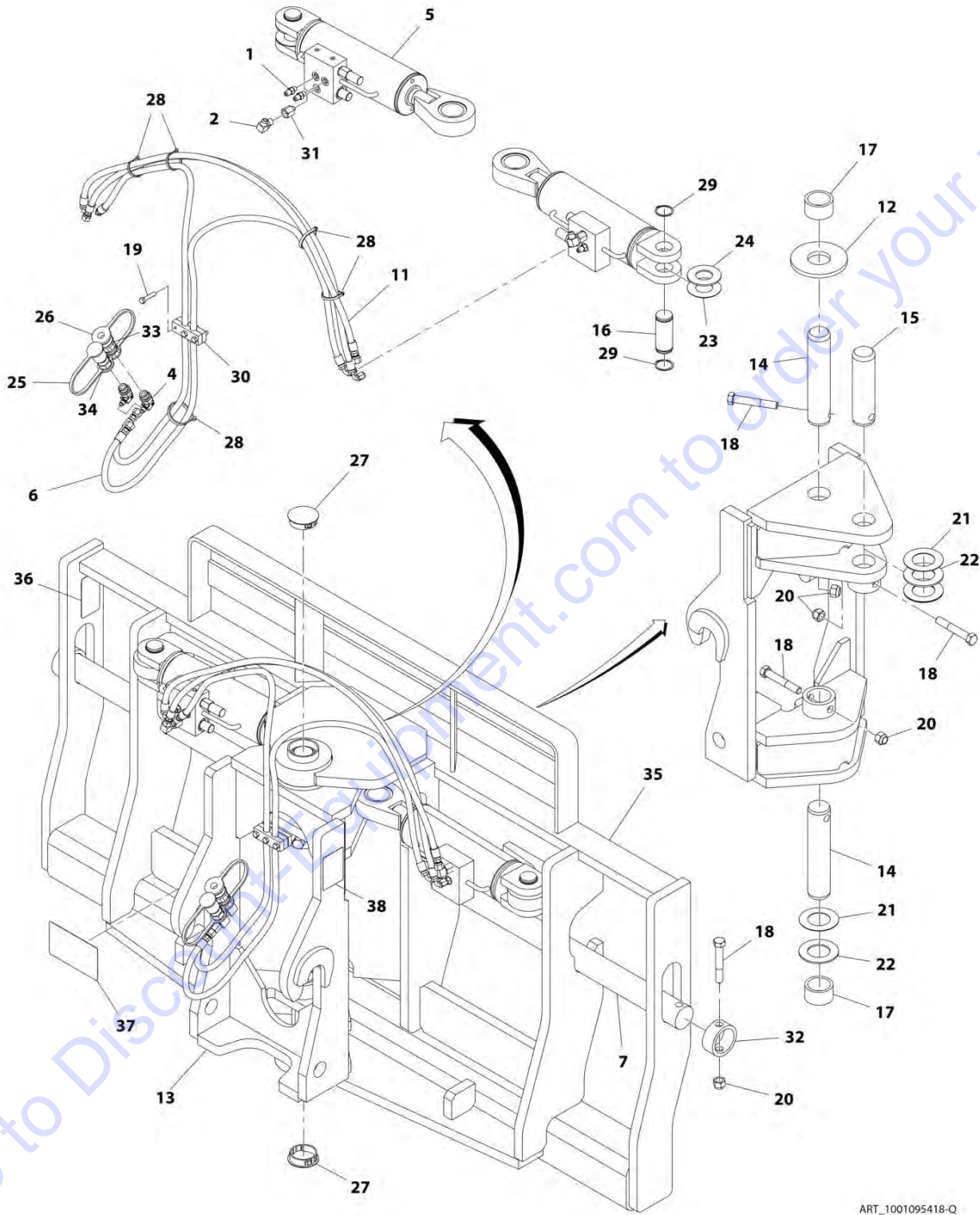
SECTION 3 - ATTACHMENTS

FIGURE 3-4. SIDE TILT CARRIAGE ASSEMBLY

ITEM	PART NUMBER	QTY	DESCRIPTION	REV
	1001233385	Ref	Side Tilt Carriage Assembly (72 Inch)	B
1	0100011	AR	Compound, Locking	
2	0641612	4	Bolt, 3/8-16X1-1/2	
3	0642032	2	Bolt, 5/8-11X4	
4	0681810	3	Bolt, 1/2-13X1-1/4	
5	0741610	6	Screw, 3/8-16X1-1/4	
6	N.S.S.	1	Carriage, Side Tilt	
7	2110606	2	Adapter, Straight	
8	2110808	2	Adapter, Straight	
9	2172106	2	Adapter, 90	
10	3300240	2	Nut, Lock 5/8-11	
11	3423276	1	Pin, Fork	
12	3423307	2	Pin, Side Tilt Cylinder	
13	3841203	2	Keeper, Rod	
14	4891800	1	Washer, 1/2	
15	8420053	1	Cap, Dust	
16	8420055	1	Plug, Dust	
17	88671001	1	Fitting, Grease	
18	90200003	2	Collar, Fork Pin	
19	91403413	1	Adapter	
20	91403414	1	Adapter	
21	1001090063	2	Pad, Wear	
22	1001090064	AR	Shim, Wear Pad	
23	1001090140	1	Bearing, Side Tilt Spherical	
24	1001099113	1	Pin, Side Tilt Frame Pivot	
25	1001099115	2	Sleeve, Tilt Bearing Spacer	
26	1001102378	NLA	Hose, (no longer available, use 1001239734 and item 108 for replacement)	
26	1001239734	2	Hose	
27	1001120914	1	Shim, Bearing Retainer	
28	1001120915	1	Plate, Bearing Retainer	
29	1001133072	1	Carriage, Base Pivot	
30	1001163414	1	Cylinder, Side Tilt (See HYDRAULIC COMPONENTS SECTION for Breakdown)	
31	N.S.S.	1	S/N Plate	
108	2130808	2	Adapter, 90	

SECTION 3 - ATTACHMENTS

FIGURE 3-5. 90 SWING CARRIAGE ASSEMBLY (72 INCH)



ART_1001095418-Q

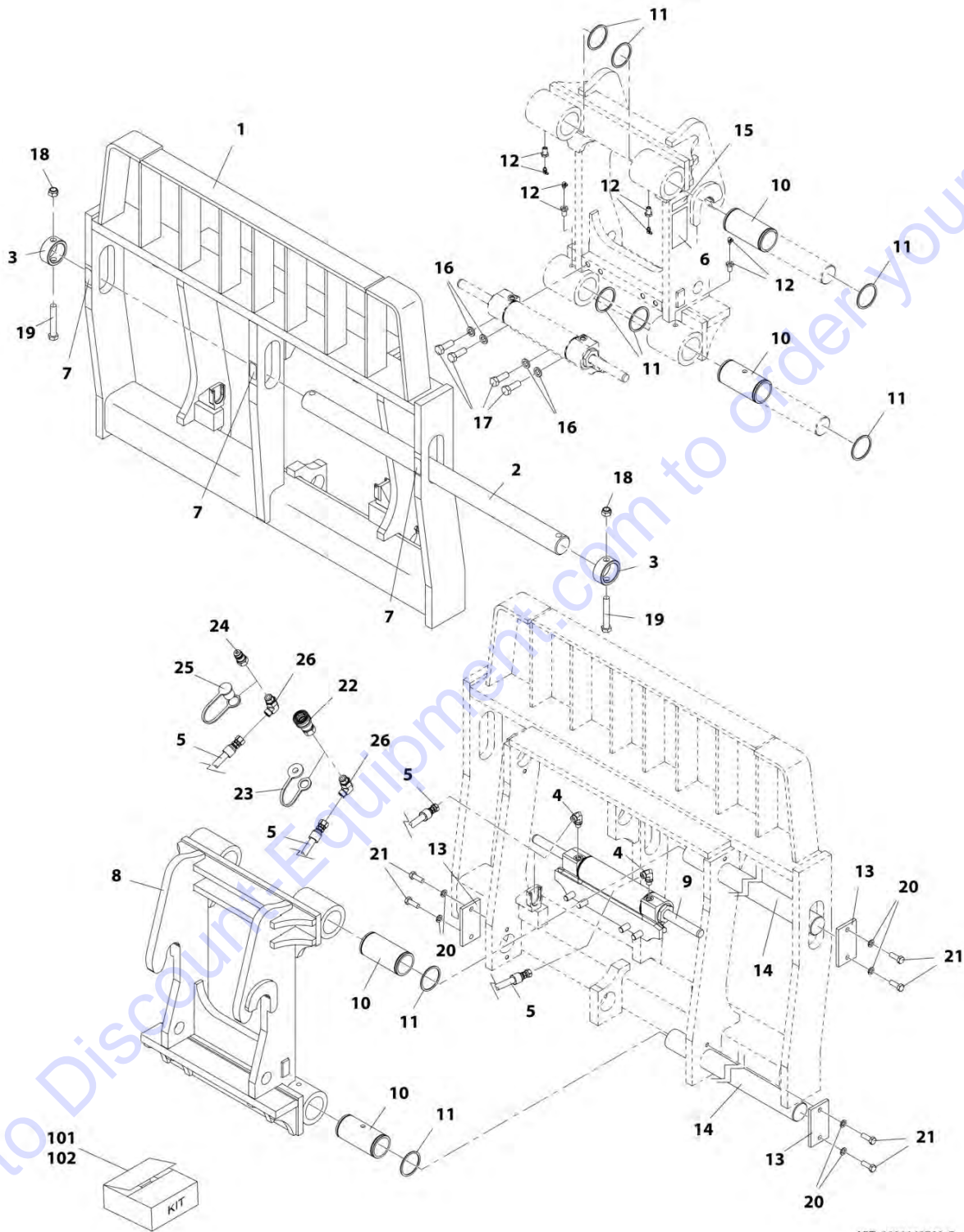
SECTION 3 - ATTACHMENTS

FIGURE 3-5. 90 SWING CARRIAGE ASSEMBLY (72 INCH)

ITEM	PART NUMBER	QTY	DESCRIPTION	REV
	1001095418	1	90 Swing Carriage Assembly (72 Inch)	Q
1	2220415	4	Fitting, Straight ORFS	
2	2220473	2	Fitting, 90 ORFS	
4	1001211139	2	Adapter, 90	
5	1001103182	2	Swing Carriage Cylinder (See Separate Breakdown in Hydraulic Components Section)	
6	2717287	2	Hose	
7	3423276	1	Pin	
11	6604662	2	Hose	
12	7062922	1	Washer	
13	N.S.S.	1	Pivot	
14	7110702	2	Pin	
15	7110712	1	Pin	
16	7110722	2	Pin	
17	8065062	2	Bushing	
18	8303634	5	Bolt, 5/8-11X4	
19	8303715	3	Bolt, 5/16-18X1-1/2	
20	8305643	5	Nut, Lock 5/8-11	
21	8307904	AR	Washer	
22	8307918	AR	Washer	
23	8310160	AR	Washer	
24	8310161	AR	Washer	
25	8420053	1	Cap	
26	8420055	1	Plug	
27	8580315	2	Plug	
28	8584001	5	Tie Wrap	
29	8642207	4	Ring, Retaining	
30	8769132	2	Clamp	
31	8770016	2	Fitting, Straight ORFS	
32	90200003	2	Collar	
33	91403413	1	Fitting, Straight ORFS	
34	91403414	1	Fitting, Straight	
35	N.S.S.	Ref	Carriage	
36	N.S.S.	Ref	Plate	
37	1001110704	1	Decal, Warning Crushing Hazard	
38	1001111190	2	Decal, Warning	

SECTION 3 - ATTACHMENTS

FIGURE 3-6. SIDE SHIFT CARRIAGE (5.5 TON - 1270 MM)



ART_1001142790-C

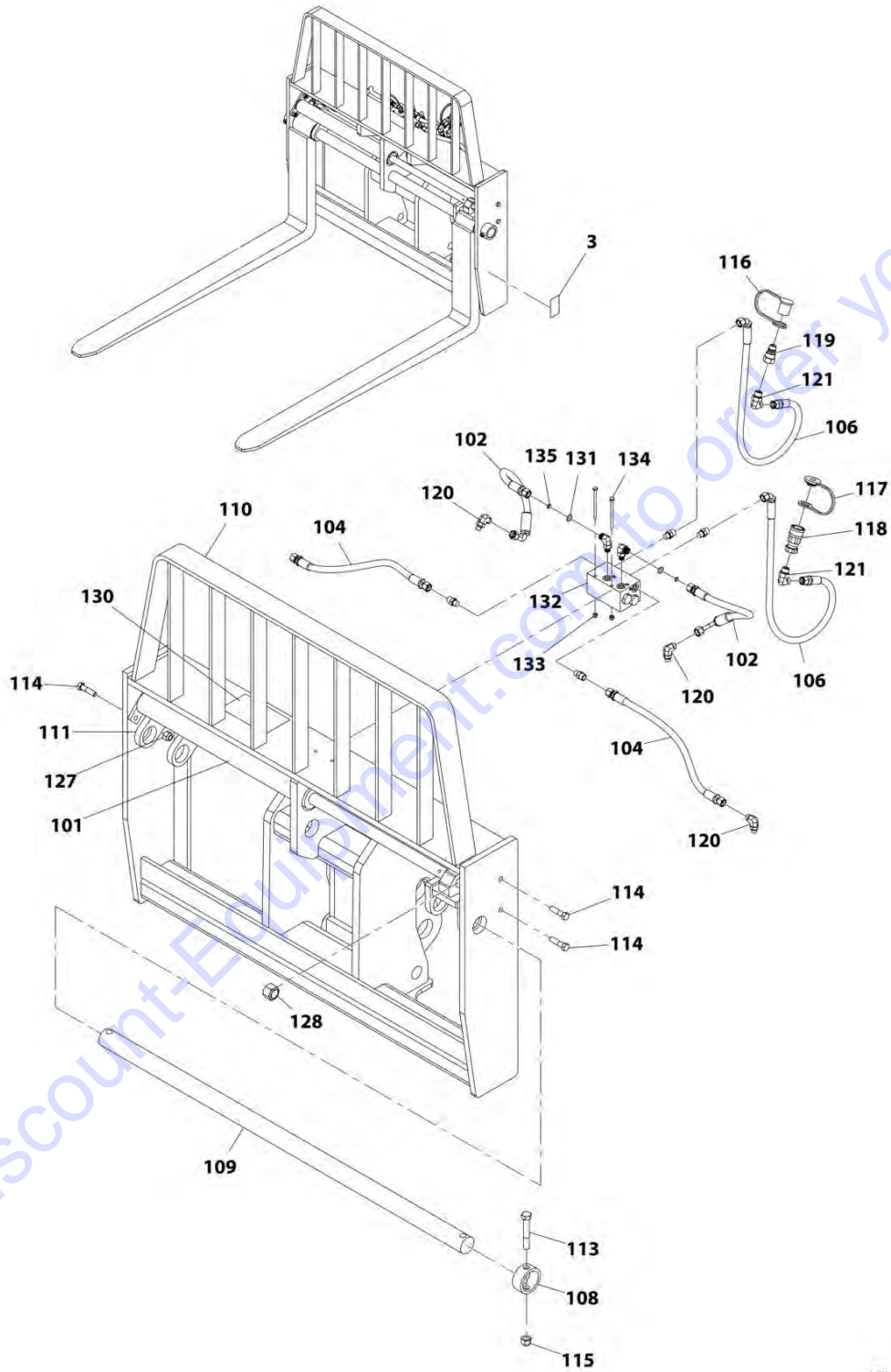
SECTION 3 - ATTACHMENTS

FIGURE 3-6. SIDE SHIFT CARRIAGE (5.5 TON - 1270 MM)

ITEM	PART NUMBER	QTY	DESCRIPTION	REV
	1001142790	1	Side Shift Carriage (5.5 ton - 1270 MM)	C
1	N.S.S.	1	Weldment	
2	70024535	1	Shaft	
3	70024536	2	Collar	
4	70024123	2	Fitting, 90	
5	70024537	2	Hose	
6	N.S.S.	1	Plate, Serial Number	
7	70024538	3	Decal, Warning	
8	N.S.S.	1	Weldment	
9	70024539	1	Cylinder, Side Shift (ANSI) (See Separate Breakdown in Hydraulic Components Section)	
10	70024540	4	Bushing	
11	70024541	8	Circlip	
12	70024542	4	Fitting, Grease	
13	70024543	4	Retainer	
14	70024544	2	Shaft	
15	N.S.S.	1	Plate, Serial Number	
16	70024551	4	Washer, Lock M16	
17	70024552	4	Bolt, M16X45	
18	70024553	2	Nut, Hex M16	
19	70024554	2	Bolt, M16X100	
20	70022997	8	Washer, Lock M12	
21	70024555	8	Bolt, M12X35	
22	91403413	1	Fitting, Straight	
23	8420055	1	Plug	
24	91403414	1	Fitting, Straight	
25	8420053	1	Cap, Dust	
26	70024550	2	Fitting, 90	
101	70024545	1	Kit, Hydraulic Repair (includes items 5 & 22 thru 26)	
102	70024546	1	Kit, Retainer (includes items 13, 20 & 21)	

SECTION 3 - ATTACHMENTS

FIGURE 3-7. FORK POSITIONING CARRIAGE WITH FORKS (4.5 TON)



ART_7301295-H

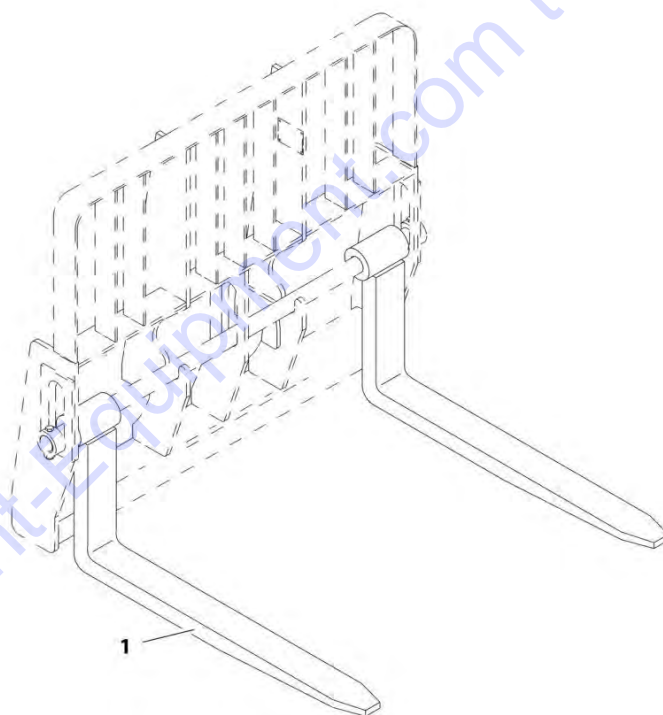
SECTION 3 - ATTACHMENTS

FIGURE 3-7. FORK POSITIONING CARRIAGE WITH FORKS (4.5 TON)

ITEM	PART NUMBER	QTY	DESCRIPTION	REV
	7301295	1	Fork Positioning Carriage (4.5 ton)	H
3	N.S.S.	1	Plate, Serial Number	
101	2717283	1	Cylinder, Fork Positioning	
102	2717160	1	Hose	
104	2717161	1	Hose	
106	2717162	1	Hose	
108	90200003	1	Collar, Fork Pin	
109	90451058	1	Shaft, Fork	
110	N.S.S.	1	Weldment, Carriage	
111	N.S.S.	1	Weldment, Fork Adapter	
113	8303634	1	Bolt, 5/8-11X4	
114	8303658	1	Bolt, 1/2-13x2	
115	8305643	1	Nut, Lock 5/8-11	
116	8420053	1	Cap, Dust	
117	8420055	1	Plug, Dust	
118	91403413	1	Adapter, Quick Disconnect	
119	91403414	1	Adapter, Quick Disconnect	
120	2130606	1	Adapter, 90 Straight	
121	2130608	1	Adapter, 90 Straight	
127	8310302	1	Nut, Lock 1/2-13	
128	10705034	1	Nut, Lock 1-14	
130	4110473	1	Decal, Warning Route Hoses	
131	7139918	1	Disk, Orifice	
132	4641502	1	Assembly, Dual Fork Carriage Valve (See Separate Breakdown in this Section)	
133	8305624	1	Nut, Lock 1/4-20	
134	8310435	1	Bolt, 1/4-20X3-3/4	
135	8630003	1	O-Ring	

SECTION 3 - ATTACHMENTS

FIGURE 3-8. PALLET FORK (2.36X4X48)



ART_2340045_B

SECTION 3 - ATTACHMENTS

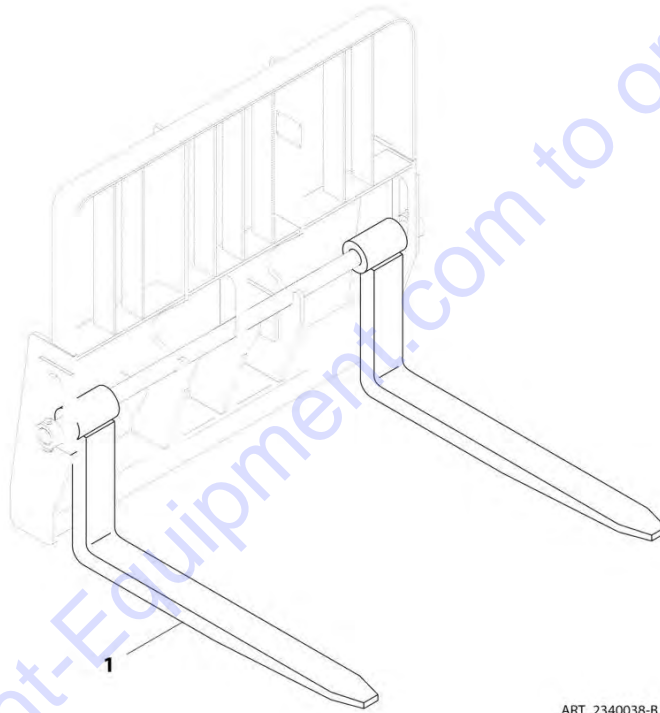
FIGURE 3-8. PALLET FORK (2.36X4X48)

ITEM	PART NUMBER	QTY	DESCRIPTION	REV
1	2340045	2	Pallet Fork (2.36X4X48)	B
	Note	Ref	FORKS RATED LESS THAN THE ATTACHMENT OR MACHINE'S CAPACITY DECREASES CAPACITY OF THE ATTACHMENT OR MACHINE TO THAT OF THE FORKS. FORKS RATED MORE THAN THE ATTACHMENT OR MACHINE'S CAPACITY DO NOT INCREASE ATTACHMENT OR MACHINE'S CAPACITY.	
	Note	Ref	PLEASE CONSULT DISCOUNT-EQUIPMENT TO DETERMINE THE CORRECT FORKS APPLICABLE TO YOUR SPECIFIC CARRIAGE ASSEMBLY AND APPLICATION.	

Go to Discount-Equipment.com to order your parts

SECTION 3 - ATTACHMENTS

FIGURE 3-9. PALLET FORK (2.36X5X48)



ART_2340038-B

SECTION 3 - ATTACHMENTS

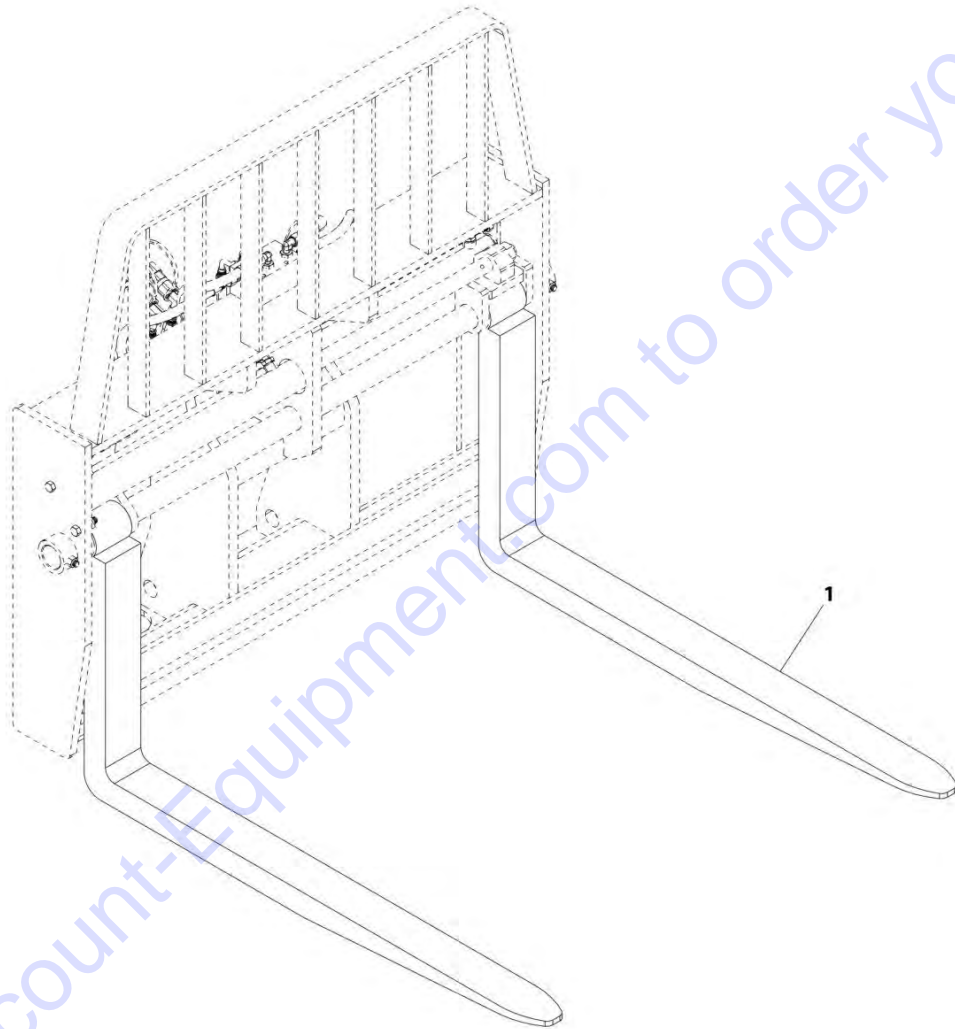
FIGURE 3-9. PALLET FORK (2.36X5X48)

ITEM	PART NUMBER	QTY	DESCRIPTION	REV
1	2340038	2	Pallet Fork (2.36X5X48) (ANSI)	B
	Note	Ref	FORKS RATED LESS THAN THE ATTACHMENT OR MACHINE'S CAPACITY DECREASES CAPACITY OF THE ATTACHMENT OR MACHINE TO THAT OF THE FORKS. FORKS RATED MORE THAN THE ATTACHMENT OR MACHINE'S CAPACITY DO NOT INCREASE ATTACHMENT OR MACHINE'S CAPACITY.	
	Note	Ref	PLEASE CONSULT DISCOUNT-EQUIPMENT TO DETERMINE THE CORRECT FORKS APPLICABLE TO YOUR SPECIFIC CARRIAGE ASSEMBLY AND APPLICATION.	

Go to Discount-Equipment.com to order your parts

SECTION 3 - ATTACHMENTS

FIGURE 3-10. PALLET FORK (2.36X4X48)



ART_7301408-D

SECTION 3 - ATTACHMENTS

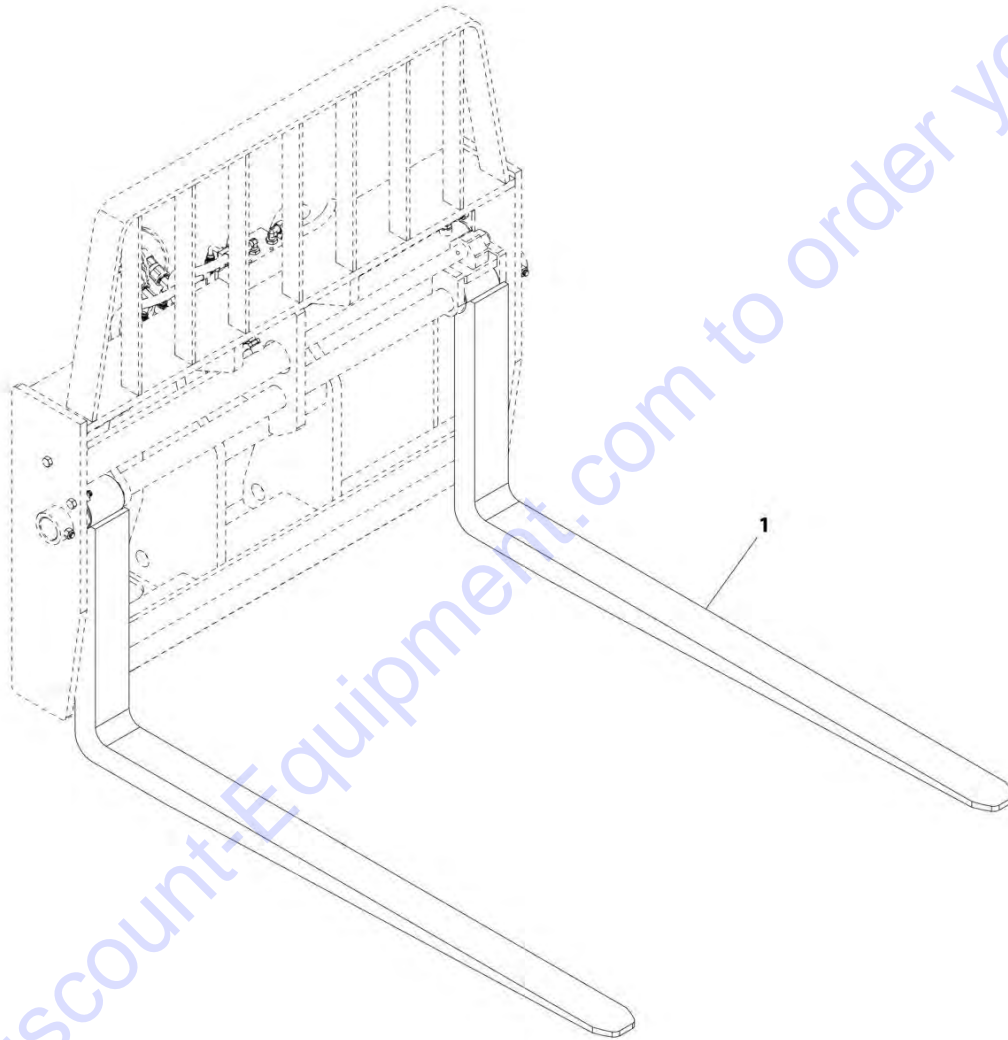
FIGURE 3-10. PALLET FORK (2.36X4X48)

ITEM	PART NUMBER	QTY	DESCRIPTION	REV
1	7301408	2	Pallet Fork (2.36X4X48)	D
N1	Note	Ref	FORKS RATED LESS THAN THE ATTACHMENT OR MACHINE'S CAPACITY DECREASES CAPACITY OF THE ATTACHMENT OR MACHINE TO THAT OF THE FORKS. FORKS RATED MORE THAN THE ATTACHMENT OR MACHINE'S CAPACITY DO NOT INCREASE ATTACHMENT OR MACHINE'S CAPACITY.	
N2	Note	Ref	PLEASE CONSULT DISCOUNT-EQUIPMENT TO DETERMINE THE CORRECT FORKS APPLICABLE TO YOUR SPECIFIC CARRIAGE ASSEMBLY AND APPLICATION.	

Go to Discount-Equipment.com to order your parts

SECTION 3 - ATTACHMENTS

FIGURE 3-11. FORK - PALLET (2.4X4X60)



ART_1001227379-A

SECTION 3 - ATTACHMENTS

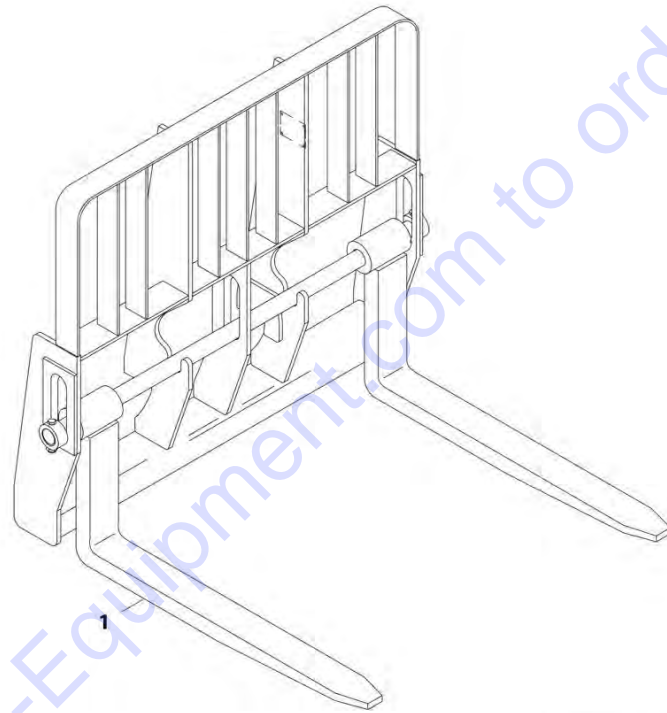
FIGURE 3-11. FORK - PALLET (2.4X4X60)

ITEM	PART NUMBER	QTY	DESCRIPTION	REV
1	1001227379	2	Fork - Pallet (2.4X4X60)	A
N1	Note	Ref	FORKS RATED LESS THAN THE ATTACHMENT OR MACHINE'S CAPACITY DECREASES CAPACITY OF THE ATTACHMENT OR MACHINE TO THAT OF THE FORKS. FORKS RATED MORE THAN THE ATTACHMENT OR MACHINE'S CAPACITY DO NOT INCREASE ATTACHMENT OR MACHINE'S CAPACITY.	
N2	Note	Ref	PLEASE CONSULT DISCOUNT-EQUIPMENT TO DETERMINE THE CORRECT FORKS APPLICABLE TO YOUR SPECIFIC CARRIAGE ASSEMBLY AND APPLICATION.	

Go to Discount-Equipment.com to order your parts

SECTION 3 - ATTACHMENTS

FIGURE 3-12. LUMBER FORK (50X180X1540)



ART_1001097110-A

SECTION 3 - ATTACHMENTS

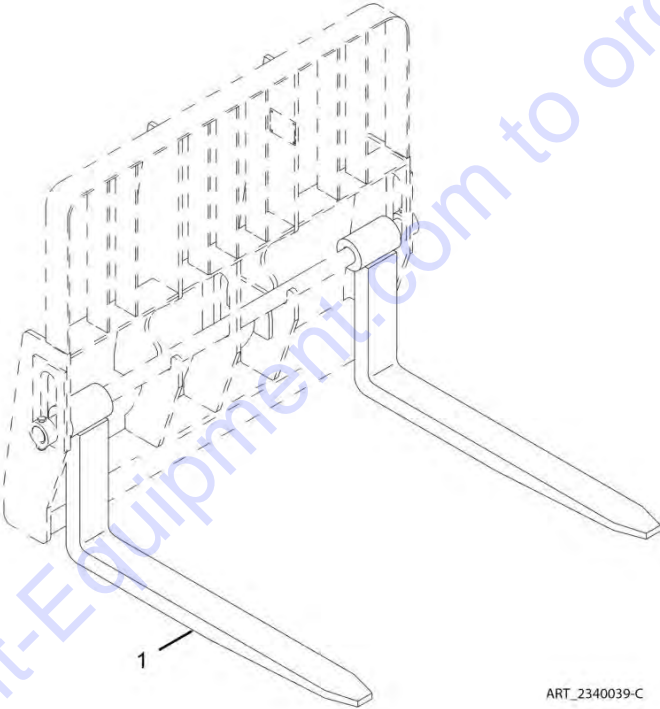
FIGURE 3-12. LUMBER FORK (50X180X1540)

ITEM	PART NUMBER	QTY	DESCRIPTION	REV
1	1001097110	2	Lumber Fork (50X180X1540)	A
	Note	Ref	FORKS RATED LESS THAN THE ATTACHMENT OR MACHINE'S CAPACITY DECREASES CAPACITY OF THE ATTACHMENT OR MACHINE TO THAT OF THE FORKS. FORKS RATED MORE THAN THE ATTACHMENT OR MACHINE'S CAPACITY DO NOT INCREASE ATTACHMENT OR MACHINE'S CAPACITY.	
	Note	Ref	PLEASE CONSULT DISCOUNT-EQUIPMENT TO DETERMINE THE CORRECT FORKS APPLICABLE TO YOUR SPECIFIC CARRIAGE ASSEMBLY AND APPLICATION.	

Go to Discount-Equipment.com to order your parts

SECTION 3 - ATTACHMENTS

FIGURE 3-13. LUMBER FORK (60X150X1524)



ART_2340039-C

Go to Discount-Equipment.com to order your parts

SECTION 3 - ATTACHMENTS

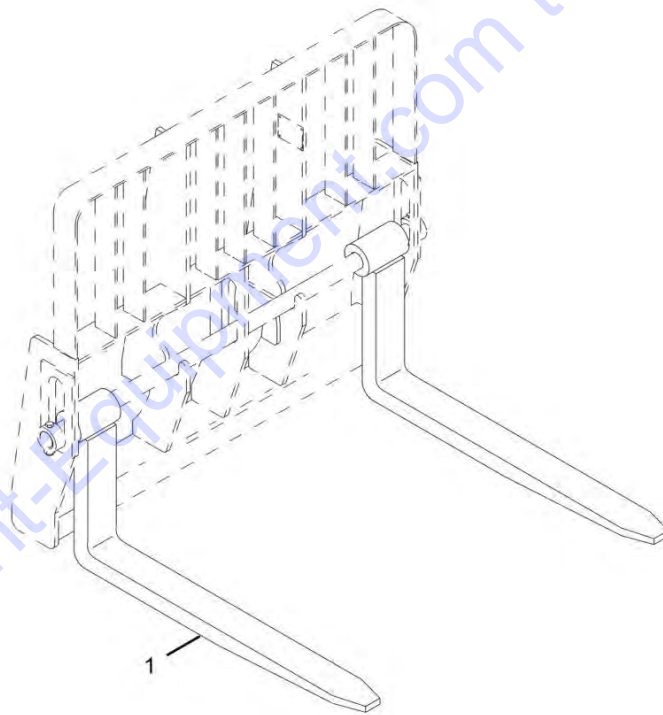
FIGURE 3-13. LUMBER FORK (60X150X1524)

ITEM	PART NUMBER	QTY	DESCRIPTION	REV
1	2340039	2	Lumber Fork (60X150X1524)	C
	Note	Ref	FORKS RATED LESS THAN THE ATTACHMENT OR MACHINE'S CAPACITY DECREASES CAPACITY OF THE ATTACHMENT OR MACHINE TO THAT OF THE FORKS. FORKS RATED MORE THAN THE ATTACHMENT OR MACHINE'S CAPACITY DO NOT INCREASE ATTACHMENT OR MACHINE'S CAPACITY.	
	Note	Ref	PLEASE CONSULT DISCOUNT-EQUIPMENT TO DETERMINE THE CORRECT FORKS APPLICABLE TO YOUR SPECIFIC CARRIAGE ASSEMBLY AND APPLICATION.	

Go to Discount-Equipment.com to order your parts

SECTION 3 - ATTACHMENTS

FIGURE 3-14. PALLET FORK (2.00X6X72)



ART_1001092391_B

SECTION 3 - ATTACHMENTS

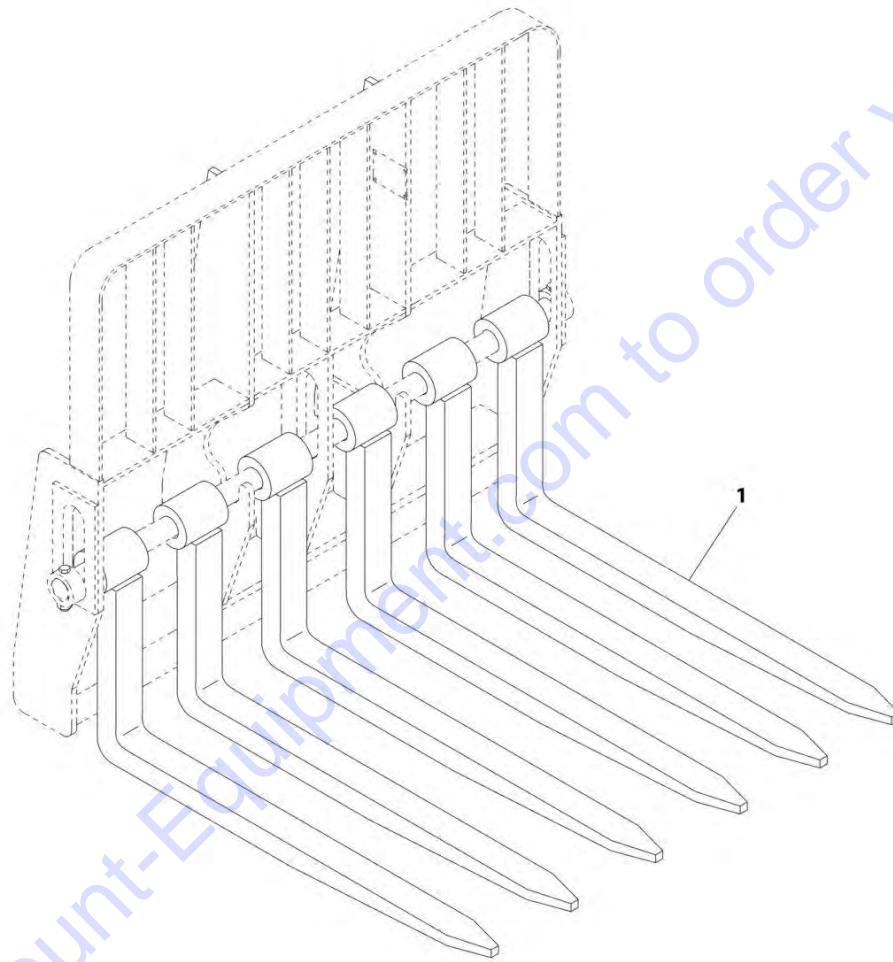
FIGURE 3-14. PALLET FORK (2.00X6X72)

ITEM	PART NUMBER	QTY	DESCRIPTION	REV
1	1001092391	2	Fork - Pallet (2.36X6X72)	B
N1	Note	Ref	FORKS RATED LESS THAN THE ATTACHMENT OR MACHINE'S CAPACITY DECREASES CAPACITY OF THE ATTACHMENT OR MACHINE TO THAT OF THE FORKS. FORKS RATED MORE THAN THE ATTACHMENT OR MACHINE'S CAPACITY DO NOT INCREASE ATTACHMENT OR MACHINE'S CAPACITY.	
N2	Note	Ref	PLEASE CONSULT DISCOUNT-EQUIPMENT TO DETERMINE THE CORRECT FORKS APPLICABLE TO YOUR SPECIFIC CARRIAGE ASSEMBLY AND APPLICATION.	

Go to Discount-Equipment.com to order your parts

SECTION 3 - ATTACHMENTS

FIGURE 3-15. BLOCKING FORK (50X50X1220)



ART_2340037-A

SECTION 3 - ATTACHMENTS

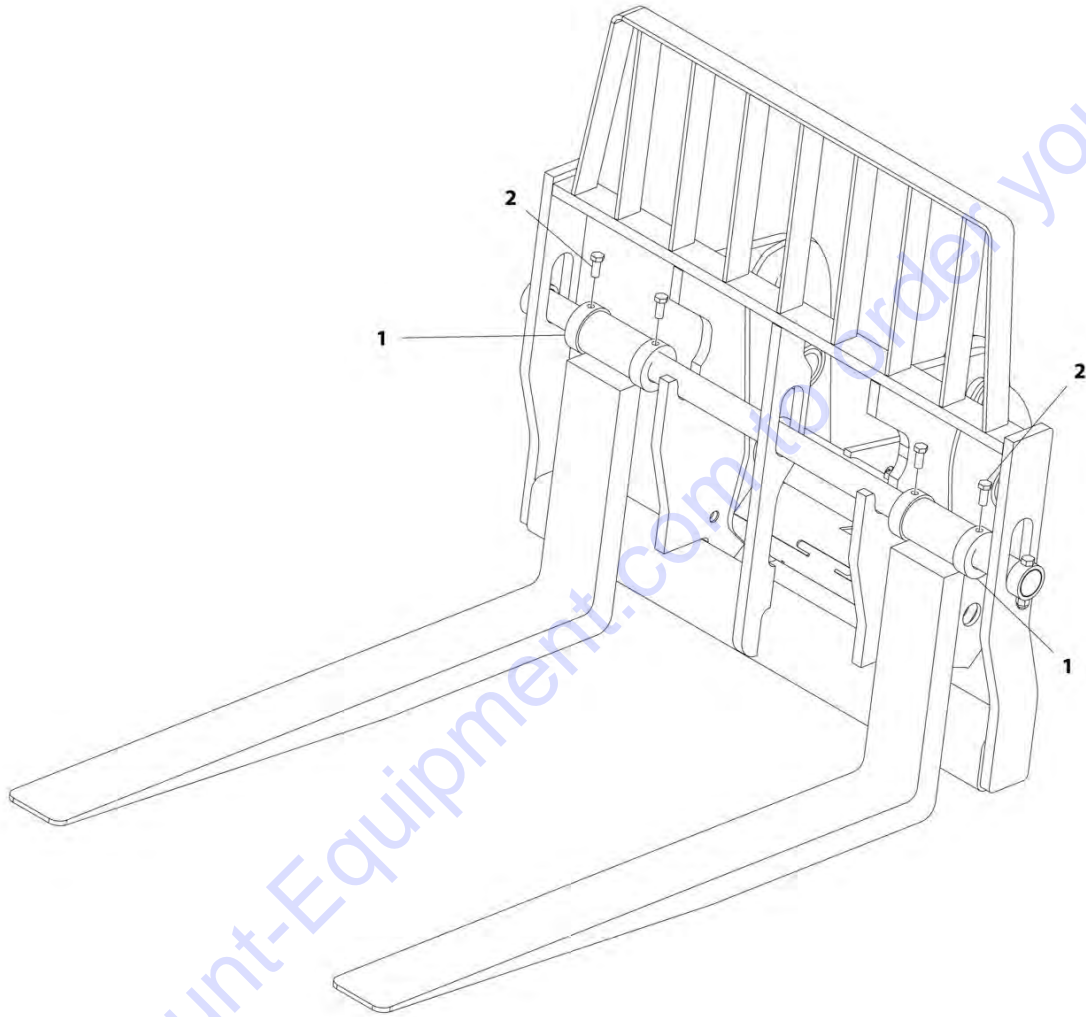
FIGURE 3-15. BLOCKING FORK (50X50X1220)

ITEM	PART NUMBER	QTY	DESCRIPTION	REV
1	2340037	1	Blocking Fork (50X50X1220)	A
	Note	Ref	FORKS RATED LESS THAN THE ATTACHMENT OR MACHINE'S CAPACITY DECREASES CAPACITY OF THE ATTACHMENT OR MACHINE TO THAT OF THE FORKS. FORKS RATED MORE THAN THE ATTACHMENT OR MACHINE'S CAPACITY DO NOT INCREASE ATTACHMENT OR MACHINE'S CAPACITY.	
	Note	Ref	PLEASE CONSULT DISCOUNT-EQUIPMENT TO DETERMINE THE CORRECT FORKS APPLICABLE TO YOUR SPECIFIC CARRIAGE ASSEMBLY AND APPLICATION.	

Go to Discount-Equipment.com to order your parts

SECTION 3 - ATTACHMENTS

FIGURE 3-16. FORK CLAMPS INSTALL



ART_1001094134-A

SECTION 3 - ATTACHMENTS

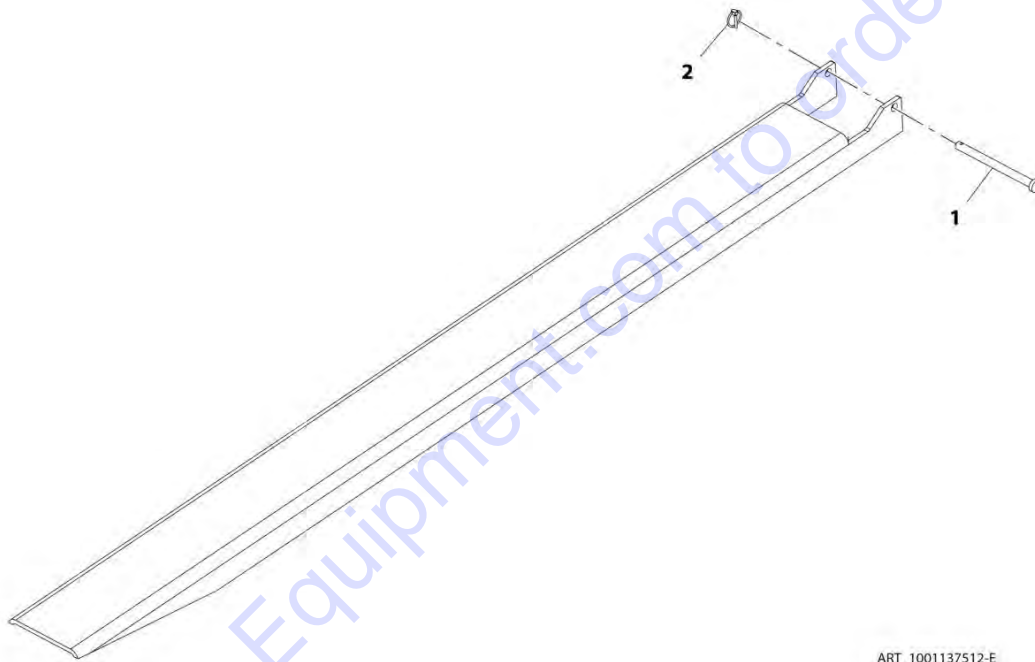
FIGURE 3-16. FORK CLAMPS INSTALL

ITEM	PART NUMBER	QTY	DESCRIPTION	REV
	1001094134	Ref	Fork Clamps Installation	A
1	1001094136	4	Clamp, Fork	
2	10700681	4	Bolt, 0.625-18X1.5	

Go to Discount-Equipment.com to order your parts

SECTION 3 - ATTACHMENTS

FIGURE 3-17. FORK EXTENSIONS (62X163X2286)



ART_1001137512-E

SECTION 3 - ATTACHMENTS

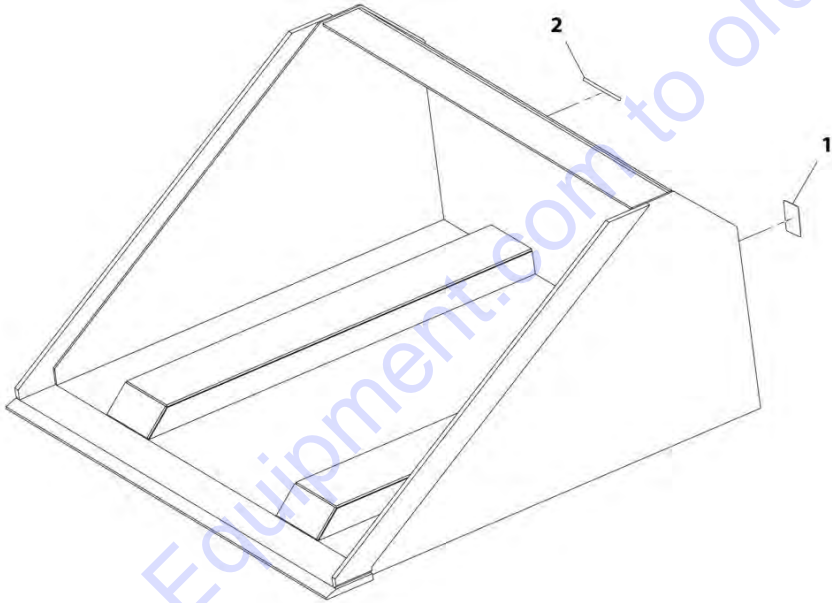
FIGURE 3-17. FORK EXTENSIONS (62X163X2286)

ITEM	PART NUMBER	QTY	DESCRIPTION	REV
	1001137512	2 pr	Fork Extensions (62X163X2286)	E
1	70024306	1	Pin	
2	70024307	1	Clip	

Go to Discount-Equipment.com to order your parts

SECTION 3 - ATTACHMENTS

FIGURE 3-18. FORK MOUNTED BUCKET (1.0 M³)



ART_1001195970-B

SECTION 3 - ATTACHMENTS

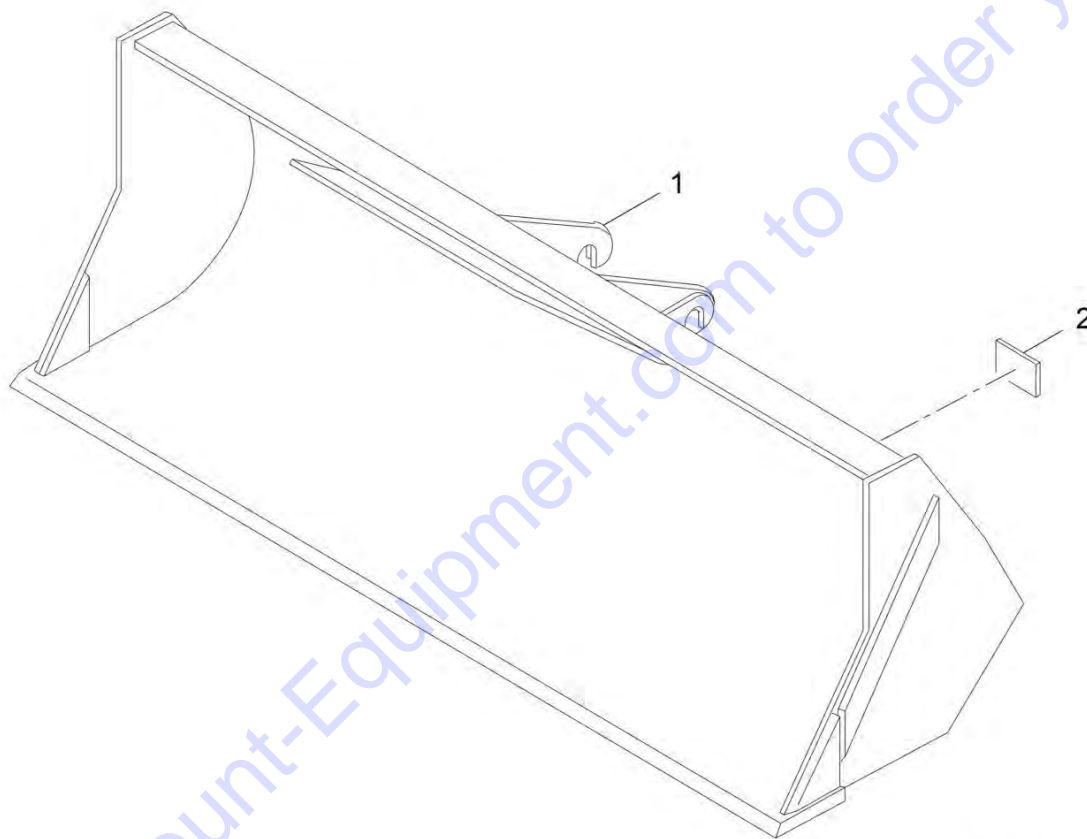
FIGURE 3-18. FORK MOUNTED BUCKET (1.0 M³)

ITEM	PART NUMBER	QTY	DESCRIPTION	REV
1	1001195970	1	Bucket 1.0 m ³ (Fork Mounted)	B
2	N.S.S.	1	Plate, Serial Number	

Go to Discount-Equipment.com to order your parts

SECTION 3 - ATTACHMENTS

FIGURE 3-19. BUCKET 1.0 YD³ (ANSI - JLG)



ART_1001100822-C

SECTION 3 - ATTACHMENTS

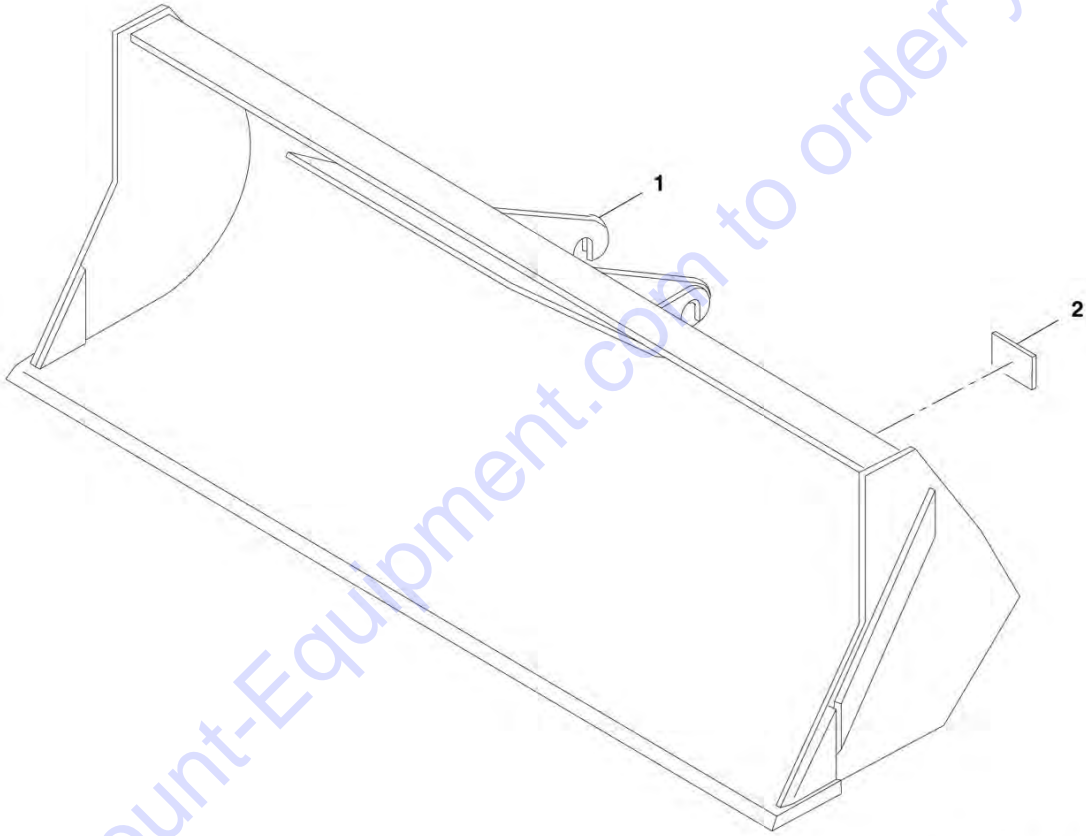
FIGURE 3-19. BUCKET 1.0 YD³ (ANSI - JLG)

ITEM	PART NUMBER	QTY	DESCRIPTION	REV
1	1001100822	1	Bucket 1.0 yd ³ (ANSI - JLG)	C
2	N.S.S.	1	Plate, Serial Number	

Go to Discount-Equipment.com to order your parts

SECTION 3 - ATTACHMENTS

FIGURE 3-20. BUCKET (1.15 M³)



ART_1001100823-C

SECTION 3 - ATTACHMENTS

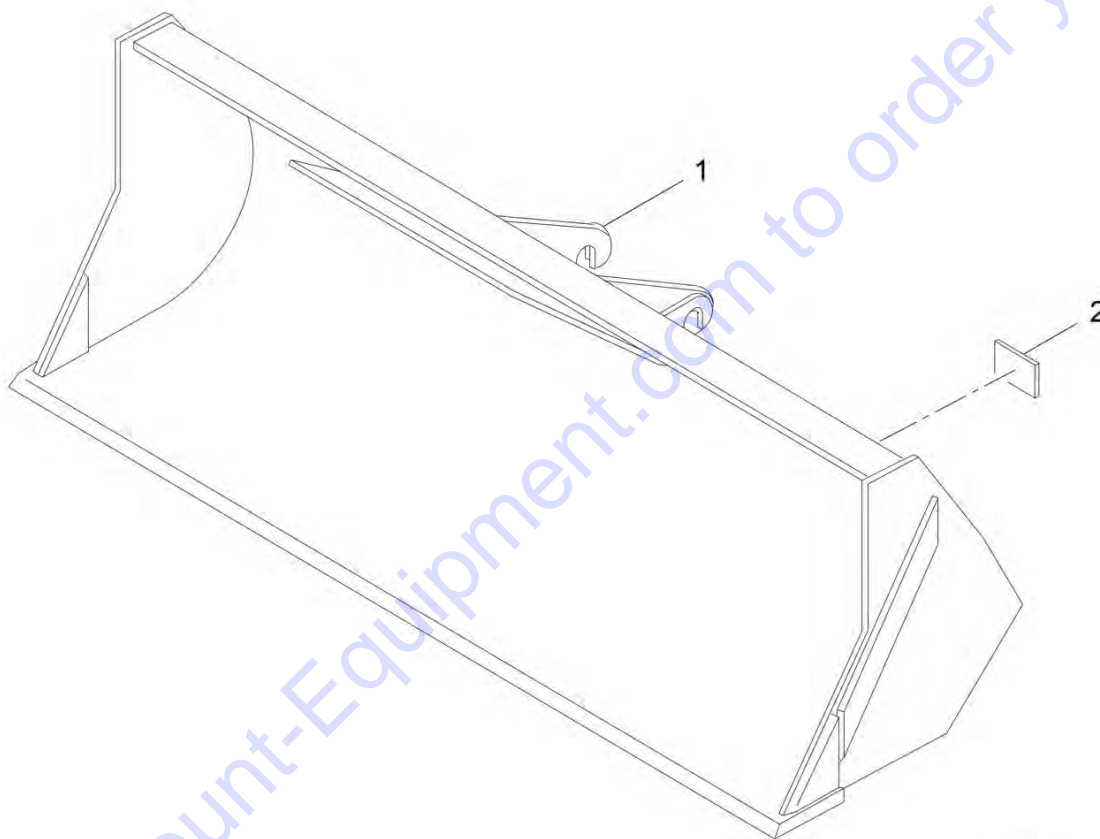
FIGURE 3-20. BUCKET (1.15 M³)

ITEM	PART NUMBER	QTY	DESCRIPTION	REV
	1001100823	1	Bucket (1.15 m ³)	C
1	1001100266	1	Bucket	
2	N.S.S.	1	Plate, Serial Number	

Go to Discount-Equipment.com to order your parts

SECTION 3 - ATTACHMENTS

FIGURE 3-21. BUCKET (102 INCH)



ART_1001100824-C

SECTION 3 - ATTACHMENTS

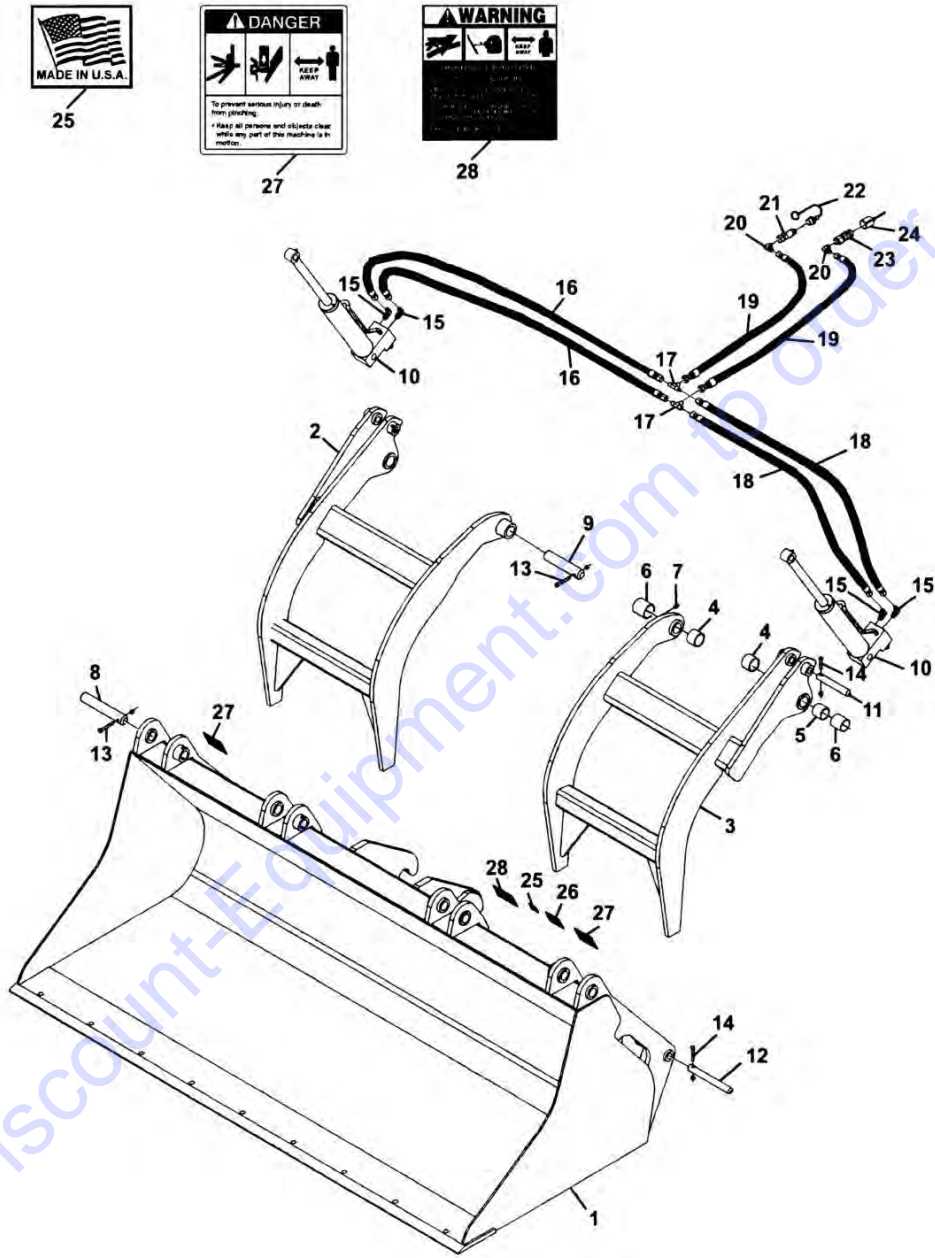
FIGURE 3-21. BUCKET (102 INCH)

ITEM	PART NUMBER	QTY	DESCRIPTION	REV
1	1001100824	1	Bucket (102 Inch)	C
2	N.S.S.	1	S/N Plate	

Go to Discount-Equipment.com to order your parts

SECTION 3 - ATTACHMENTS

FIGURE 3-22. MULTI-PURPOSE GRAPPLE BUCKET (2450 MM)



ART_0930020-H

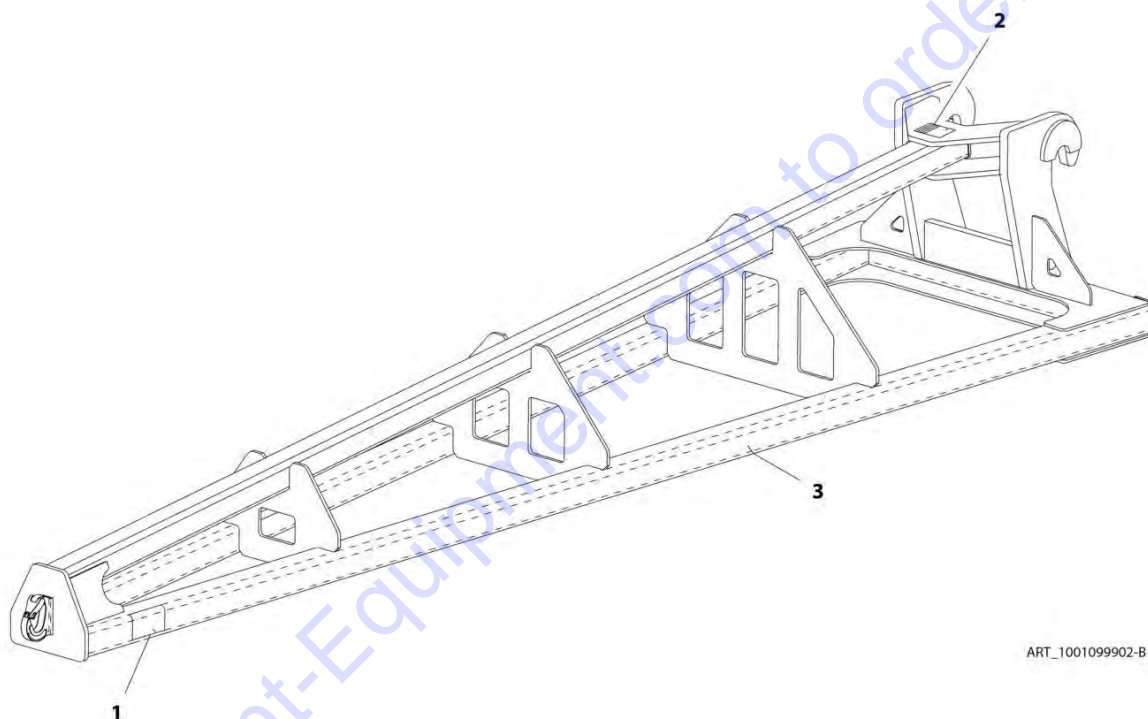
SECTION 3 - ATTACHMENTS

FIGURE 3-22. MULTI-PURPOSE GRAPPLE BUCKET (2450 MM)

ITEM	PART NUMBER	QTY	DESCRIPTION	REV
	0930020	Ref	Multi-Purpose Grapple Bucket (2450 MM)	H
1	N.S.S.	1	Bucket	
1	70021387	4	Clamp, Hose	
2	70021391	1	Hook, RH Grapple	
3	70021392	1	Hook, LH Grapple	
4	70021358	4	Bushing	
5	70021359	2	Spacer	
6	70021360	4	Bushing	
7	7029714	4	Fitting, Grease	
8	70021361	2	Pin	
9	70021362	2	Pin	
10	70021393	2	Cylinder, Grapple Bucket (See Separate Breakdown in HYDRAULIC COMPONENTS Section)	
11	70021364	2	Pin	
12	70021365	2	Pin	
13	70021366	4	Bolt, 3/8X2-3/4	
13	70021367	4	Nut, Lock 3/8	
14	70021399	4	Bolt, 3/8X2-1/4	
14	70021367	4	Nut, Lock 3/8	
15	90554065	4	Fitting, 90	
16	70021980	2	Hose	
17	70020562	2	Fitting, Tee	
18	70021981	2	Hose	
19	70021982	2	Hose	
20	70022527	2	Fitting, 90	
21	7029692	1	Coupler	
22	90554062	1	Cover	
23	70021342	1	Coupler	
24	90554076	1	Cover	
25	90554016	1	Decal, Made in USA	
26	N.S.S.	1	Plate, Serial Number	
27	90554017	2	Decal, Danger Pinch Point	
28	90554018	1	Decal, Warning High Pressure	

SECTION 3 - ATTACHMENTS

FIGURE 3-23. TRUSS BOOM (0.9 TON - 3.7M)



ART_1001099902-B

SECTION 3 - ATTACHMENTS

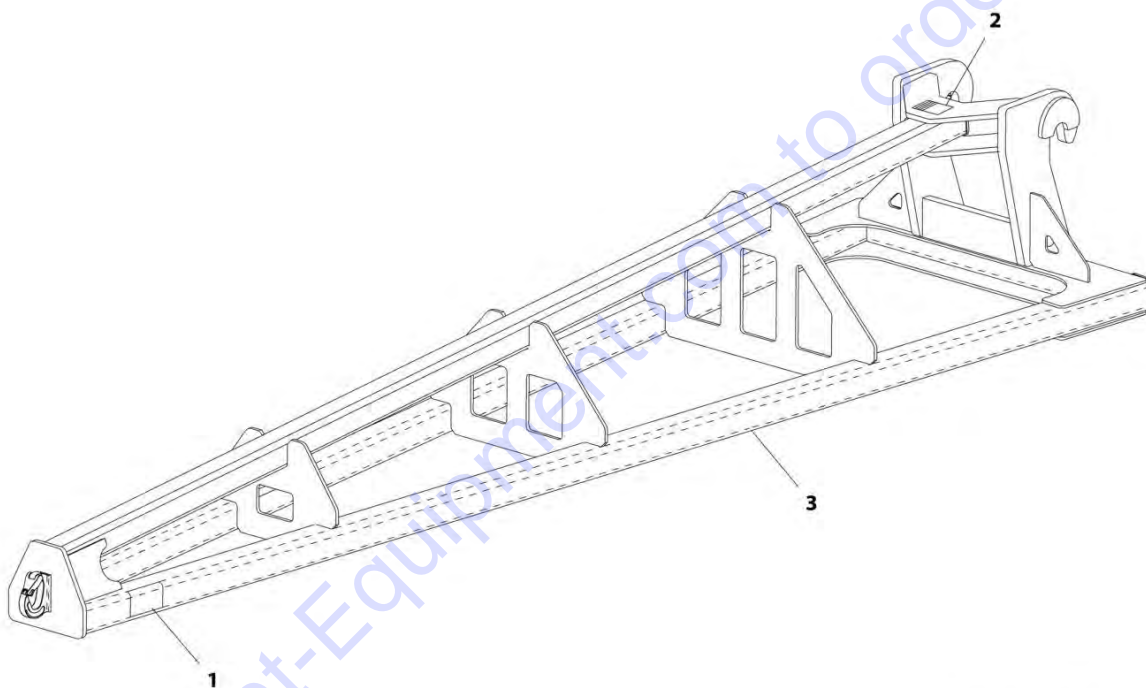
FIGURE 3-23. TRUSS BOOM (0.9 TON - 3.7M)

ITEM	PART NUMBER	QTY	DESCRIPTION	REV
	1001099902	1	Truss Boom (0.9 Ton - 3.7M)	B
1	4110422	2	Decal, Danger Swinging Loads	
2	N.S.S.	1	Plate, Serial Number	
3	N.S.S.	1	Boom, Truss	

Go to Discount-Equipment.com to order your parts

SECTION 3 - ATTACHMENTS

FIGURE 3-24. TRUSS BOOM (15 FOOT)



ART_1001099901-C

SECTION 3 - ATTACHMENTS

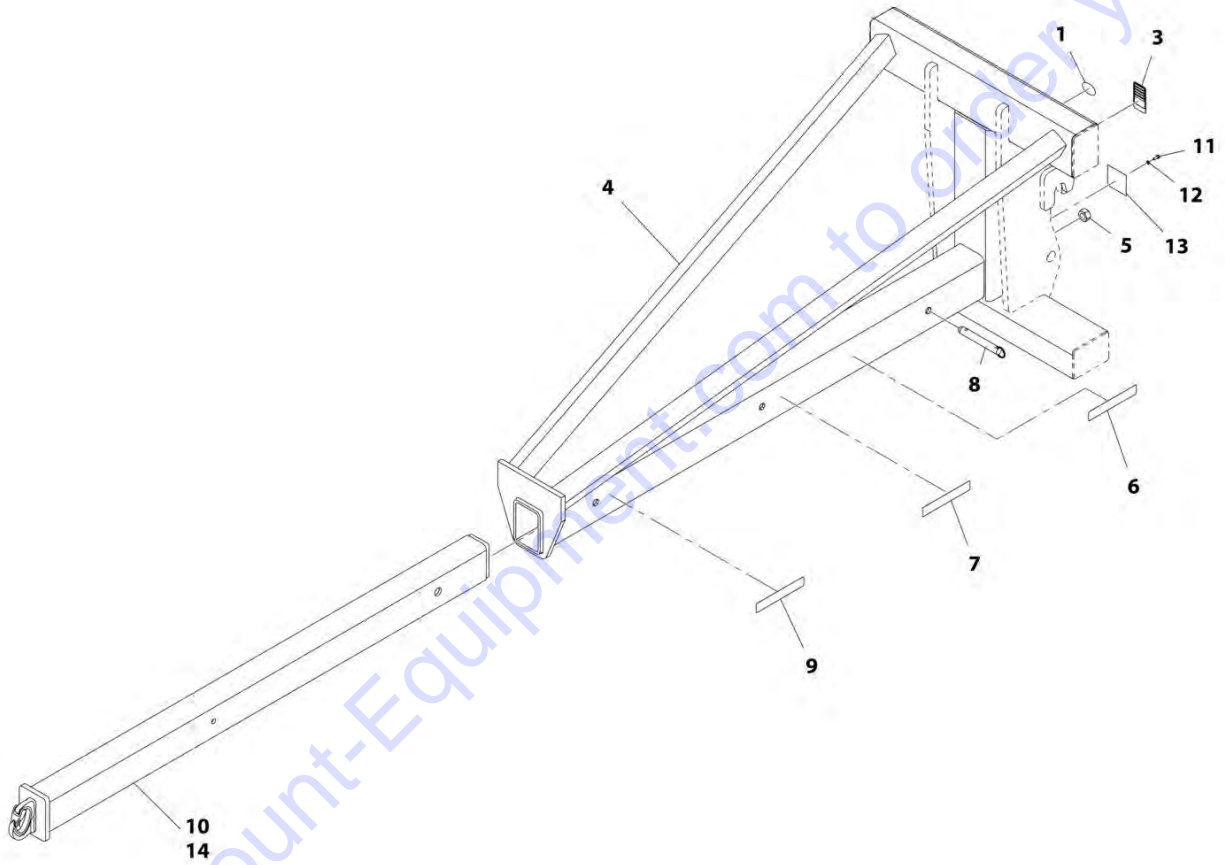
FIGURE 3-24. TRUSS BOOM (15 FOOT)

ITEM	PART NUMBER	QTY	DESCRIPTION	REV
	1001099901	1	Truss Boom (15 Foot)	C
1	4110422	2	Decal, Danger Swinging Loads	
2	N.S.S.	1	Plate, Serial Number	
3	N.S.S.	1	Boom, Truss	

Go to Discount-Equipment.com to order your parts

SECTION 3 - ATTACHMENTS

FIGURE 3-25. ADJUSTABLE TRUSS BOOM



ART_1001176515-B

SECTION 3 - ATTACHMENTS

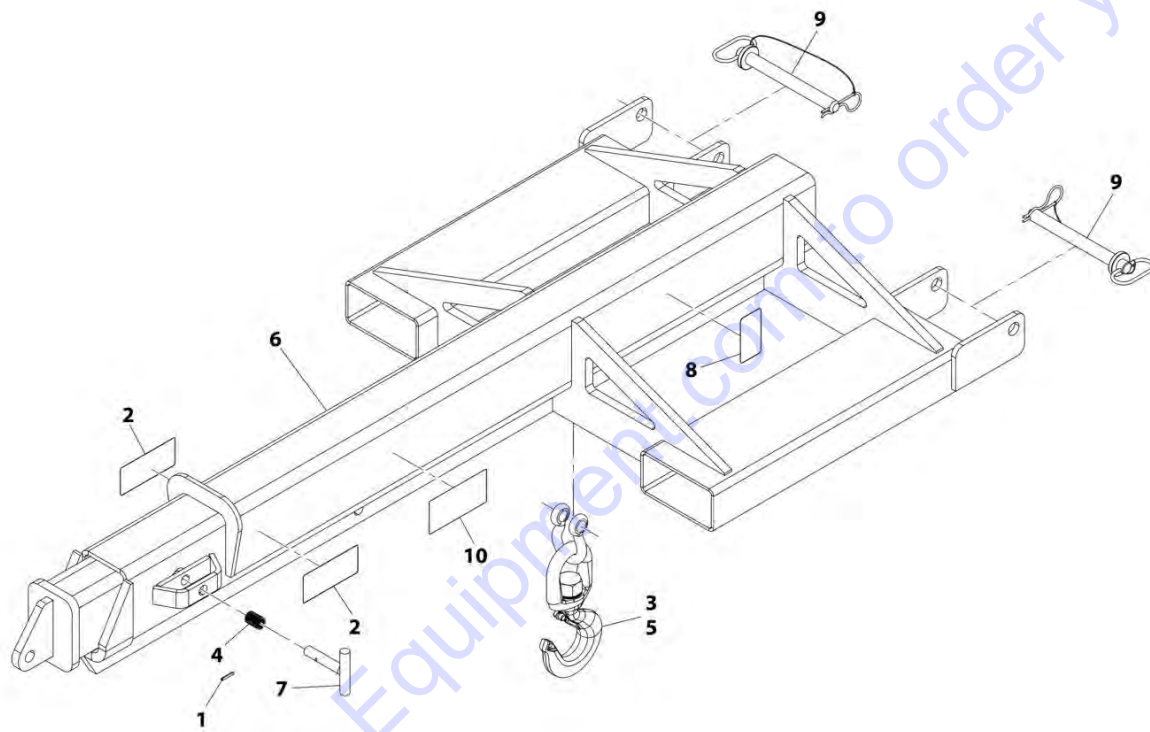
FIGURE 3-25. ADJUSTABLE TRUSS BOOM

ITEM	PART NUMBER	QTY	DESCRIPTION	REV
	1001176515	1	Adjustable Truss Boom	B
1	90554016	1	Decal, Made in USA	
3	N.S.S.	1	Plate, Serial Number	
4	N.S.S.	1	Truss Boom, Adjustable	
5	70021440	1	Nut, Lock	
6	70024062	2	Decal, 4000 lbs cap	
7	70026944	2	Decal, 3000 lbs cap	
8	70026946	1	Pin	
9	70026699	2	Decal, 2000 lbs cap	
10	70026747	1	Seal	
11	90554033	1	Bolt, 3/4X1/4	
12	90554034	1	Washer, Lock 1/4	
13	70026948	1	Plate, Stop	
14	70026949	1	Boom, Telescopic	

Go to Discount-Equipment.com to order your parts

SECTION 3 - ATTACHMENTS

FIGURE 3-26. ADJUSTABLE TRUSS BOOM INSTALLATION (FORK MOUNTED)



ART_1001230241-F

SECTION 3 - ATTACHMENTS

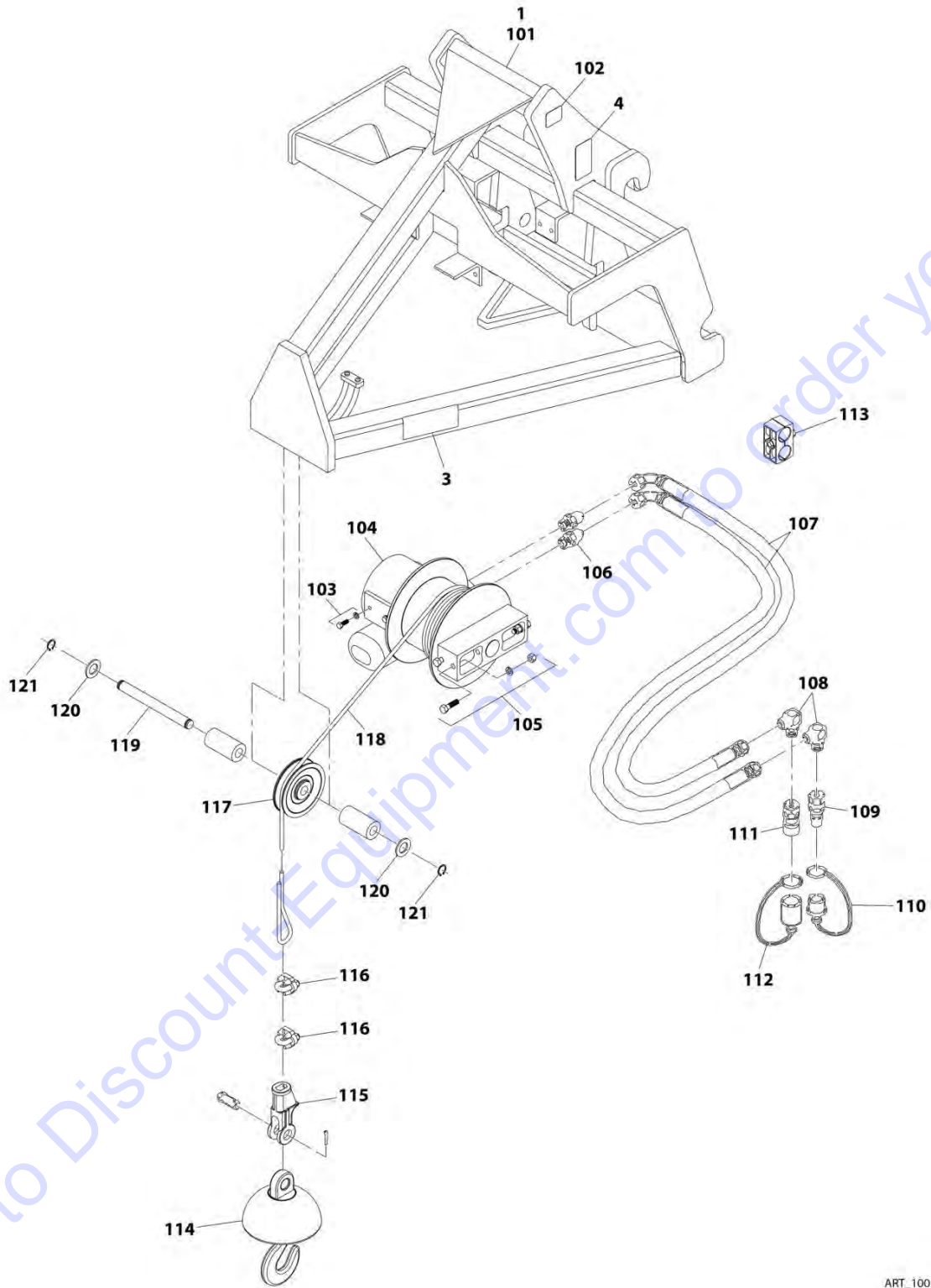
FIGURE 3-26. ADJUSTABLE TRUSS BOOM INSTALLATION (FORK MOUNTED)

ITEM	PART NUMBER	QTY	DESCRIPTION	REV
	1001230241	Ref	Adjustable Truss Boom Installation (Fork Mounted)	F
1	3440620	1	Pin	
2	4110422	2	Decal, Danger Swinging Loads	
3	91403448	1	Hook, Swivel	
4	1001128890	1	Spring	
5	1001146160	1	Shackle	
6	N.S.S.	1	Truss Boom, Adjustable	
7	1001230239	1	Pin	
8	N.S.S.	1	Plate, Serial Number	
9	1001231692	2	Pin	
10	1001232500	1	Decal, Load Capacities	

Go to Discount-Equipment.com to order your parts

SECTION 3 - ATTACHMENTS

FIGURE 3-27. TRUSS BOOM (1.8 TON - 1M FT WITH WINCH)



ART_1001100967-C

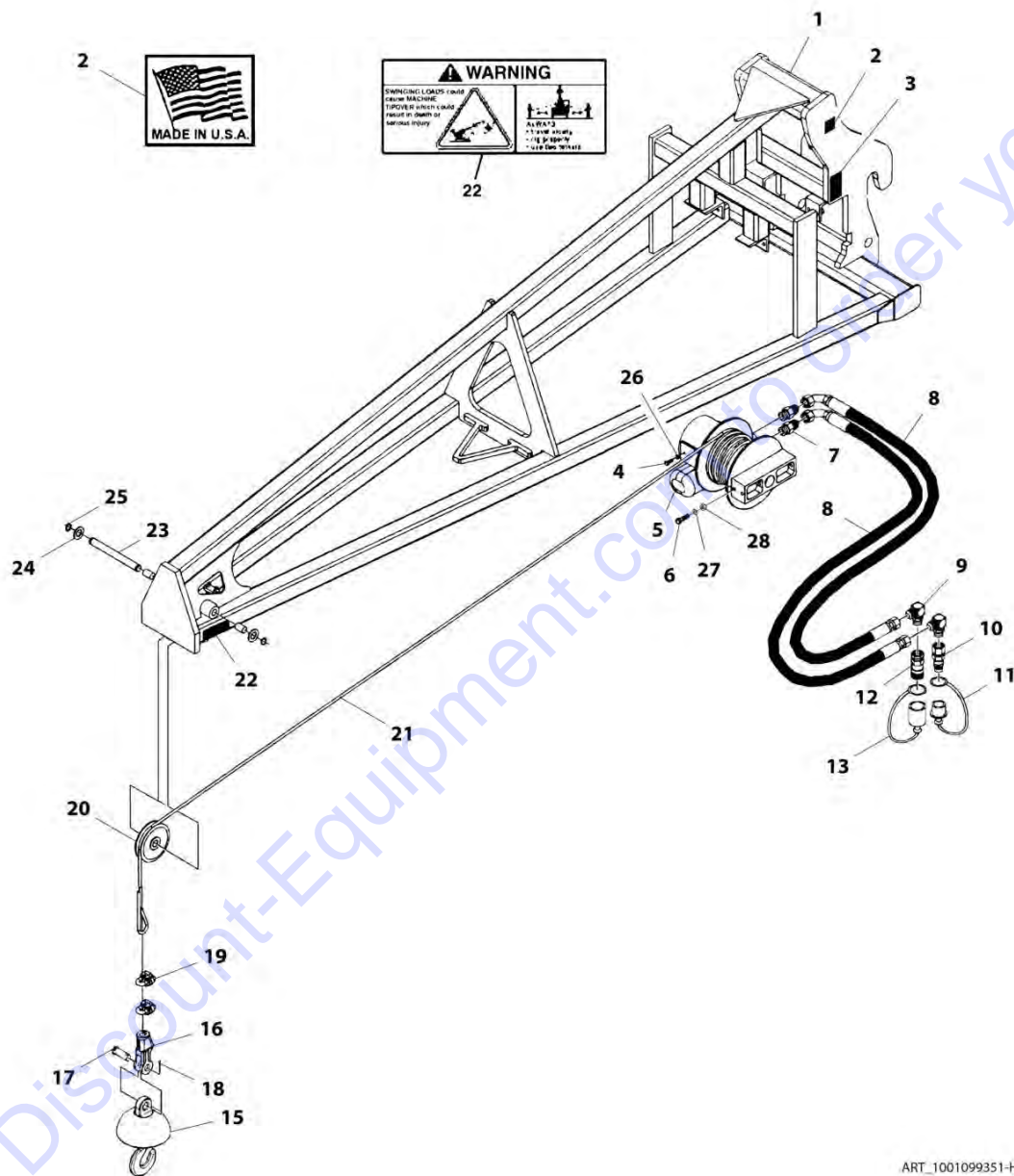
SECTION 3 - ATTACHMENTS

FIGURE 3-27. TRUSS BOOM (1.8 TON - 1M FT WITH WINCH)

ITEM	PART NUMBER	QTY	DESCRIPTION	REV
	1001100967	Ref	Truss Boom Assembly (3 Foot with Winch) (includes items 1, 3, 4 & 101 thru 121)	C
1	8380008	NLA	Truss Boom (3 Foot with Winch) (no longer available, use 1001100967 for replacement)	
3	4110422	2	Decal, Danger, Swinging Loads	
4	N.S.S.	1	Plate, Serial Number	
101	N.S.S.	1	Truss Boom Frame	
102	90554016	1	Decal	
103	70021349	4	Bolt	
103	90554042	4	Washer	
104	70021921	1	Winch, Truss Boom	
105	70024059	4	Bolt	
105	90554054	4	Nut	
105	90554020	4	Washer	
106	70021415	2	Fitting	
107	70021977	2	Hose	
108	70022527	2	Fitting, 90	
109	91403414	1	Fitting, Straight	
110	8420053	1	Cap	
111	91403413	1	Fitting, Straight	
112	8420055	1	Plug	
113	70021387	1	Clamp	
114	70021978	1	Ball Swivel Safety Hook	
115	70021979	1	Assembly, Socket	
116	70022528	2	Clamp	
117	70021935	1	Pulley	
118	70022028	1	Cable	
119	70022529	1	Pin	
120	70027009	2	Washer	
121	70026698	2	Ring, Snap	

SECTION 3 - ATTACHMENTS

FIGURE 3-28. TRUSS BOOM (0.9 TON - 3.7M WITH WINCH)



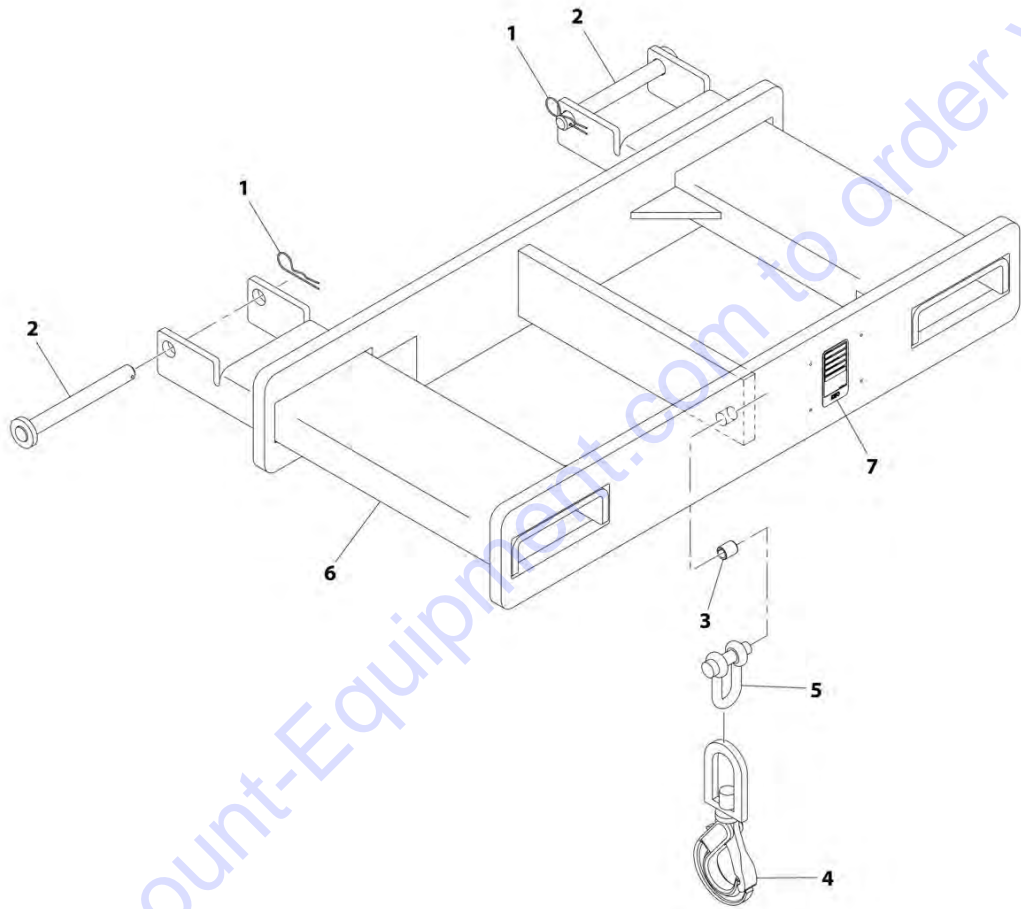
SECTION 3 - ATTACHMENTS

FIGURE 3-28. TRUSS BOOM (0.9 TON - 3.7M WITH WINCH)

ITEM	PART NUMBER	QTY	DESCRIPTION	REV
	1001099351	1	Truss Boom (0.9 Ton - 3.7M with Winch)	H
1	N.S.S.	1	Frame, Truss Boom	
2	90554016	1	Decal, Made in USA	
3	N.S.S.	1	Plate, Serial Number	
4	70021349	4	Bolt, 3/8X1	
5	70021921	1	Motor, Truss Boom Winch	
6	70024059	2	Bolt, 1/2X1-3/4	
7	70021415	2	Connector	
8	70021977	2	Hose	
9	70022527	2	Fitting, 90	
10	7029692	1	Fitting, Straight	
11	90554062	1	Cap, Dust	
12	70021342	1	Fitting, Straight	
13	90554076	1	Cap, Dust	
15	70021978	1	Ball Swivel with Safety Hook	
16	70021979	1	Assembly, Socket (includes items 17 thru 18)	
17	N.S.S.	1	Pin	
18	N.S.S.	1	Pin, Cotter	
19	70022528	2	Clamp	
20	70021935	1	Pulley	
21	70022028	1	Cable	
22	4110422	2	Decal, Warning Swinging Loads	
23	70022529	1	Pin	
24	70024060	2	Washer	
25	70026698	2	Ring, Snap	
26	90554042	4	Washer, Lock 3/8	
27	90554020	2	Washer, Lock 1/2	
28	90554054	2	Nut, 1/2	

SECTION 3 - ATTACHMENTS

FIGURE 3-29. FORK MOUNTED HOOK (4 TON)



ART_1001097205-H

SECTION 3 - ATTACHMENTS

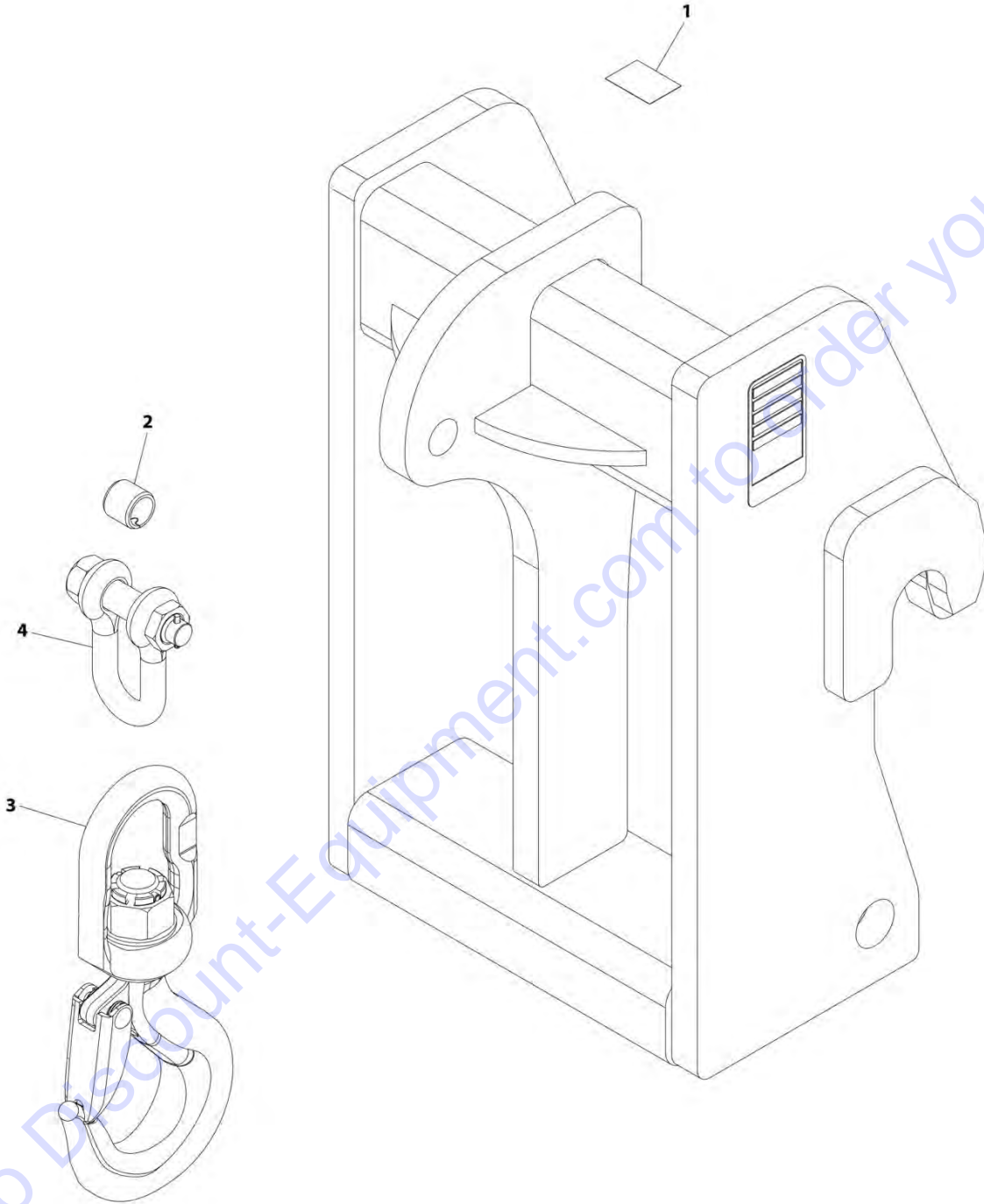
FIGURE 3-29. FORK MOUNTED HOOK (4 TON)

ITEM	PART NUMBER	QTY	DESCRIPTION	REV
	1001097205	1	Fork Mounted Hook (4 Ton)	H
1	7029520	2	Pin, Cotter	
2	1001093171	2	Pin	
3	70020555	1	Bushing	
4	90554080	1	Hook	
5	7029521	1	Shackle	
6	N.S.S.	1	Weldment, Hook	
7	N.S.S.	1	S/N Plate	

Go to Discount-Equipment.com to order your parts

SECTION 3 - ATTACHMENTS

FIGURE 3-30. CRANE HOOK



ART_1001207606-B

SECTION 3 - ATTACHMENTS

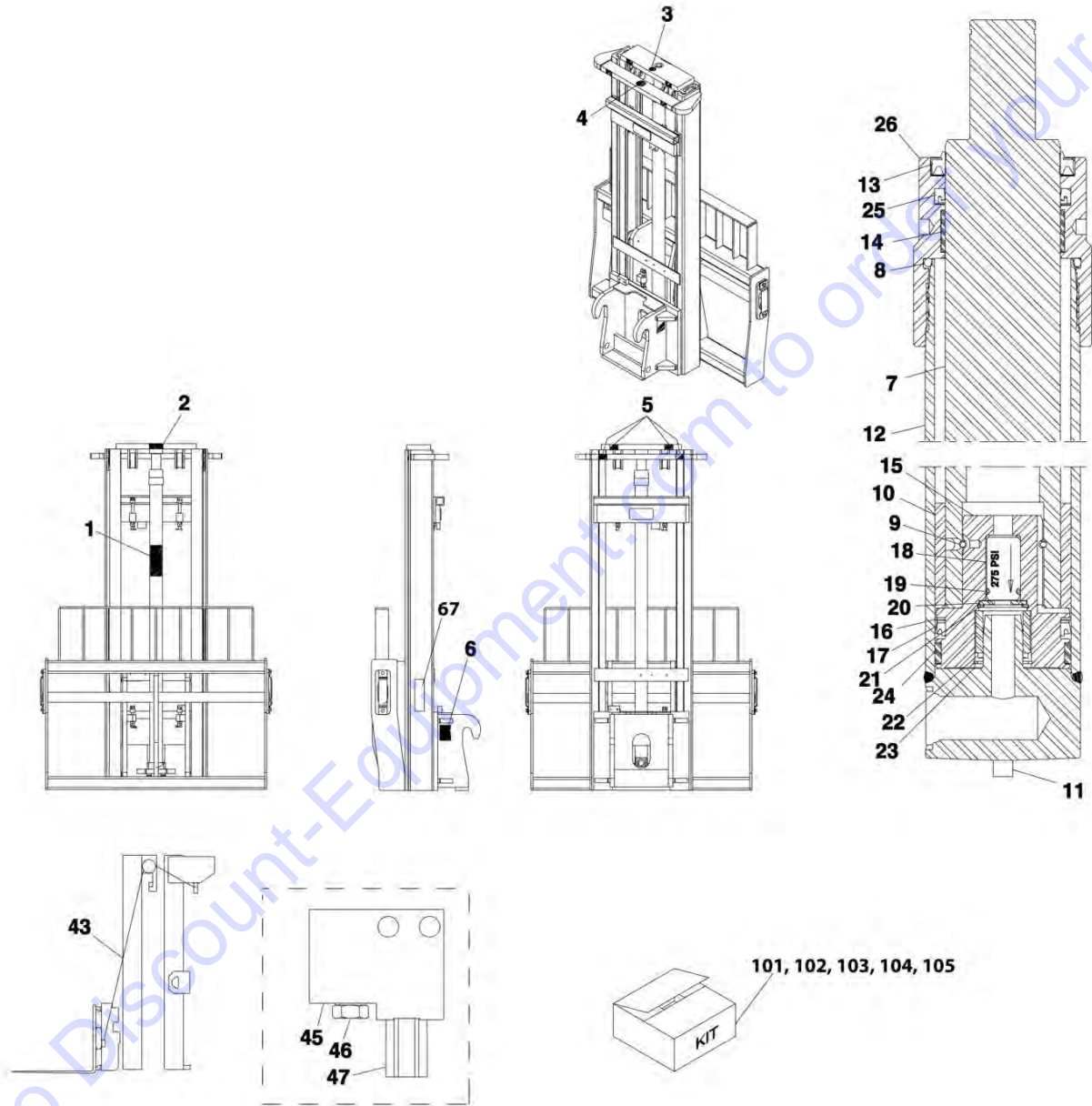
FIGURE 3-30. CRANE HOOK

ITEM	PART NUMBER	QTY	DESCRIPTION	REV
	1001207606	Ref	Crane Hook	B
1	90554016	1	Decal	
2	70020555	1	Bushing	
3	70026745	1	Hook Swivel	
4	70026746	1	Shackle Chain	

Go to Discount-Equipment.com to order your parts

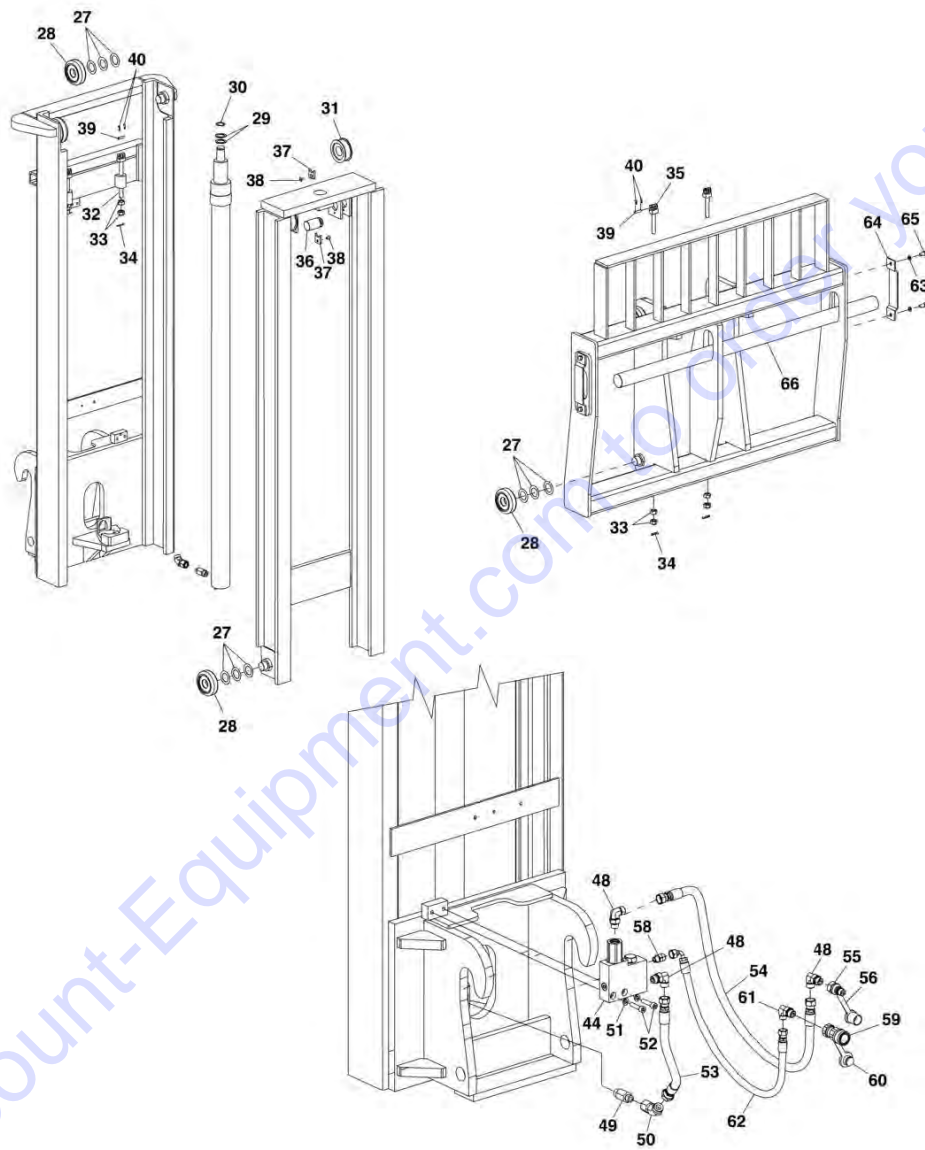
SECTION 3 - ATTACHMENTS

FIGURE 3-31. MAST (8 FOOT)



ART_1001108668_1-C

SECTION 3 - ATTACHMENTS



ART_1001108668_2-C

SECTION 3 - ATTACHMENTS

FIGURE 3-31. MAST (8 FOOT)

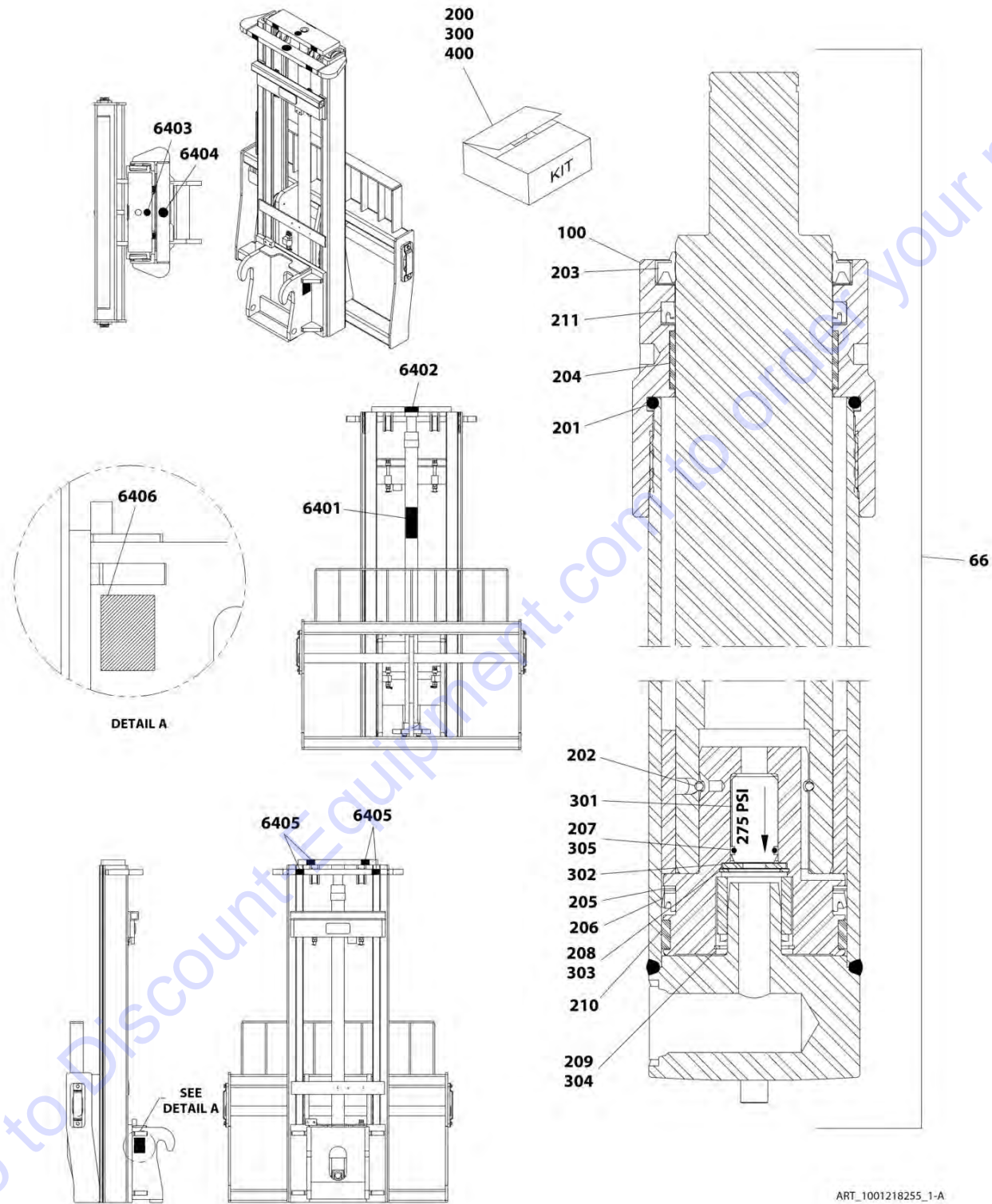
ITEM	PART NUMBER	QTY	DESCRIPTION	REV
	1001108668	1	Mast (8 Foot)	C
1	Kit	1	Decal, Warning	
2	Kit	1	Decal, Warning	
3	Kit	1	Decal, No Step	
4	Kit	1	Decal, No Step	
5	Kit	4	Decal, Hands Off	
6	Kit	1	Decal, Hose Routing	
	70023008	1	Cylinder, Main Lift (includes items 7 thru 26)	
7	N.S.S.	1	Rod/Plunger	
8	Kit	1	O-Ring	
9	Kit	1	Wire, Pull	
10	N.S.S.	1	Spacer	
11	N.S.S.	2	Pin, Roll	
12	N.S.S.	1	Barrel	
13	Kit	1	Wiper	
14	Kit	1	Bushing	
15	N.S.S.	1	Barrel	
16	Kit	1	Ring, Nylon	
17	Kit	1	Seal, Piston	
18	Kit	1	Valve, Check	
19	Kit	1	O-Ring	
20	Kit	1	Washer	
21	Kit	1	Circlip	
22	N.S.S.	1	Sleeve	
23	Kit	1	Ring, Retaining	
24	Kit	1	Ring, Wear	
25	Kit	1	Seal, Rod	
26	70023004	1	Retainer/Gland	
27	70023014	24	Shim	
28	70022987	8	Bearing, Ball	
29	Kit	2	Washer, Shim	
30	70023016	1	Ring, Snap	
31	70022969	2	Assembly, Sheave	
32	70022960	2	Anchor, Chain	
33	70022957	8	Nut, 5/8-18	
34	70022993	4	Pin, Cotter	
35	70022995	2	Anchor, Chain	
36	70022984	1	Shaft, Sheave	
37	70022970	2	Bar, Retainer	
38	70023003	2	Capscrew	
39	70022994	4	Pin, Chain Anchor	
40	70022992	8	Pin, Cotter	
41	70022985	1	Shaft, Sheave	
43	70023009	2	Chain, Lift	
44	70022932	1	Assembly, PO Check Valve (includes items 45, 46 & 47)	
45	N.S.S.	1	Manifold	
46	70022931	1	Cartridge, PO Check Valve	
47	70023010	1	Check, PO	
48	70022934	3	Fitting, 90	
49	70022936	1	Limitter, Flow	

SECTION 3 - ATTACHMENTS

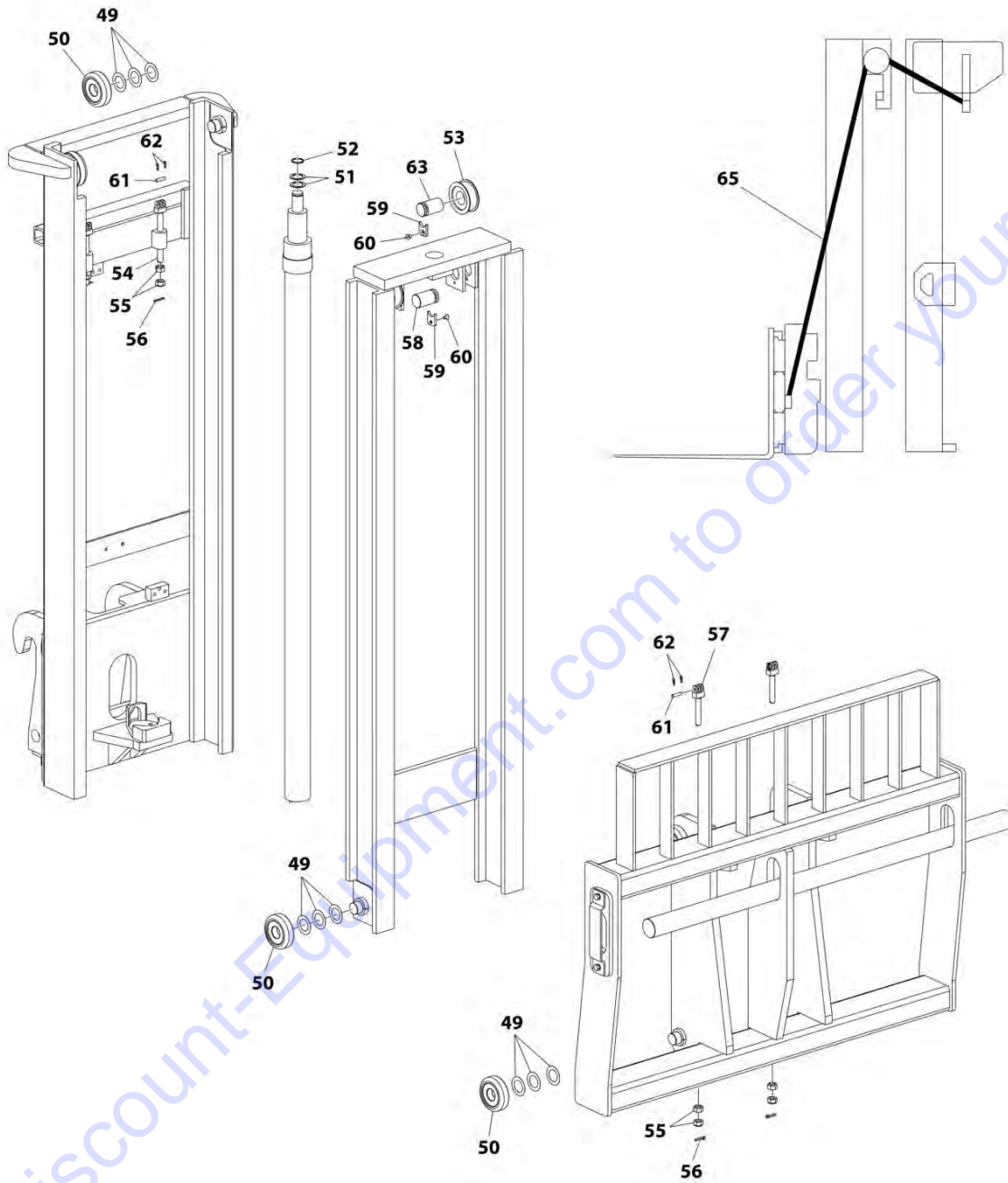
ITEM	PART NUMBER	QTY	DESCRIPTION	REV
50	70022937	1	Fitting, 45	
51	70022949	2	Washer, Lock M10	
52	70022950	2	Bolt	
53	70022942	1	Hose	
54	70022952	1	Hose	
55	91403414	1	Adapter, Male Quick Disconnect	
56	91043126	1	Cap, Dust	
58	70022939	1	Fitting, Straight	
59	91403413	1	Adapter, Female Quick Disconnect	
60	91043125	1	Plug, Dust	
61	70022935	1	Elbow, Straight Thread	
62	70022946	1	Hose	
63	70022949	4	Washer, Lock M10	
64	70022980	2	Keeper, Fork Pin	
65	70022998	4	Screw, M10X20	
66	70022990	1	Pin, Fork	
67	N.S.S.	1	S/N Plate	
101	70023925	1	Kit, Decal (includes items 1 thru 6)	
102	70023005	1	Seal Kit, Main Lift Cylinder (includes items 8, 9, 13, 14, 16, 17, 19, 21 & 23 thru 25)	
103	70023006	1	Kit, Check Valve (includes items 18 thru 21 & 23)	
104	70023007	1	Kit, Shim	
105	70023015	1	Kit, Mast Common Parts (includes items 27 thru 41)	

SECTION 3 - ATTACHMENTS

FIGURE 3-32. SIDE TILT ELECTRIC MAST (8 FOOT)



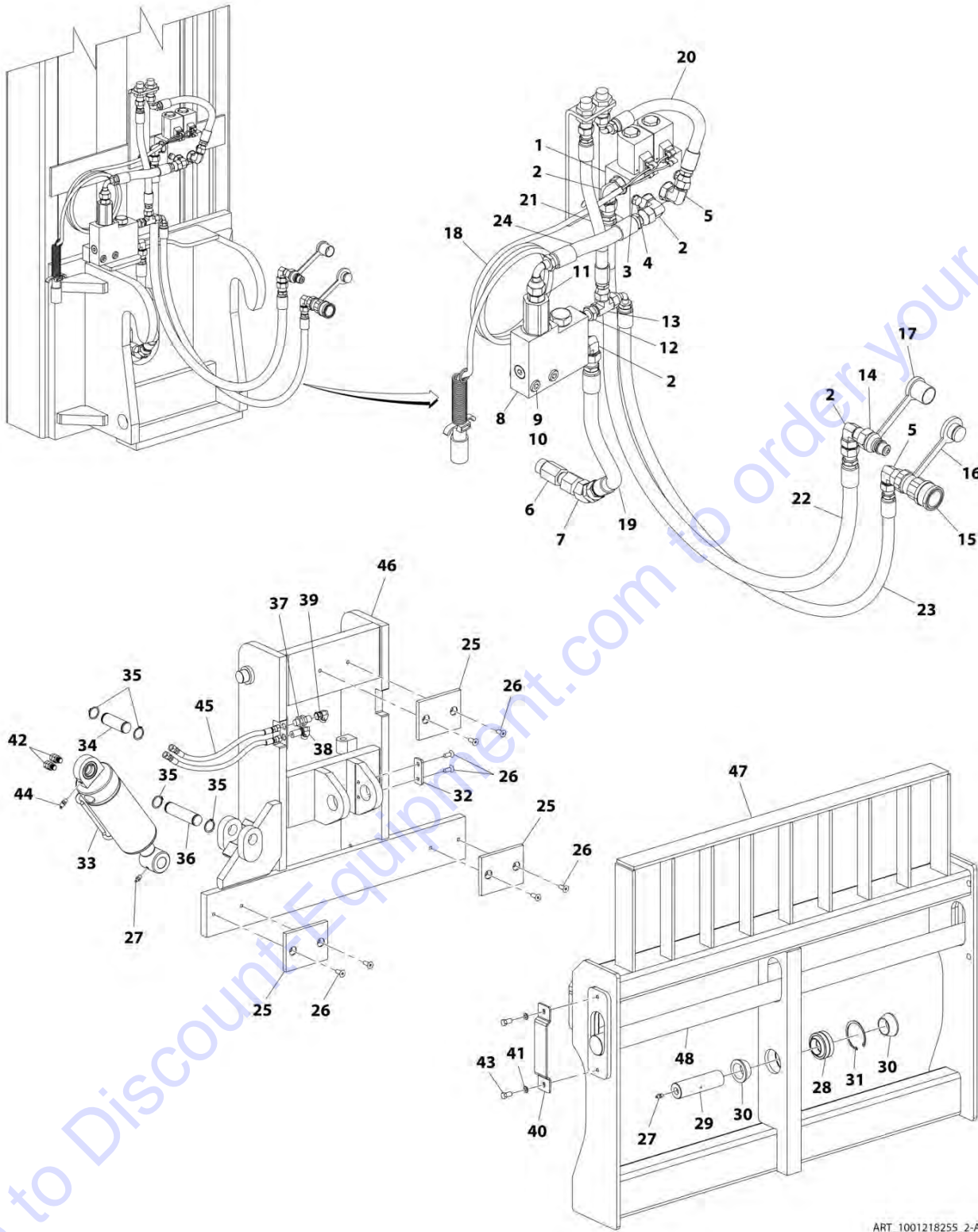
SECTION 3 - ATTACHMENTS



Go to Discount-Equipment.com to order your parts

ART_1001218255_1-A

SECTION 3 - ATTACHMENTS



ART_1001218255_2-A

SECTION 3 - ATTACHMENTS

FIGURE 3-32. SIDE TILT ELECTRIC MAST (8 FOOT)

ITEM	PART NUMBER	QTY	DESCRIPTION	REV
	1001218255	Ref	Side Tilt Electric Mast (8 Foot)	A
1	70022933	1	Solenoid Valve Bank	
2	70022934	4	Fitting, 90	
3	70022948	2	Washer, Lock M8	
4	70022951	2	Screw, M8X60	
5	70022935	2	Elbow, Straight Thread	
6	70022936	1	Limiters, Flow	
7	70022937	1	Fitting, 45	
8	70022932	1	Assembly, PO Check Valve	
9	70022949	2	Washer, Lock M10	
10	70022950	2	Bolt	
11	70022938	1	Fitting, Straight	
12	70022939	1	Fitting, Straight	
13	70022940	1	Tee Fitting	
14	91403414	1	Adapter, Male Quick Disconnect	
15	91403413	1	Adapter, Female Quick Disconnect	
16	8420055	1	Cover, Dust	
17	8420053	1	Cover, Dust	
18	70022941	1	Harness	
19	70022942	1	Hose	
20	70022943	1	Hose	
21	70022944	1	Hose	
22	70022945	1	Hose	
23	70022946	1	Hose	
24	70022947	1	Hose	
25	70022972	3	Wear Pad	
26	70022971	8	Capscrew, Flat Head	
27	70023001	2	Grease Fitting	
28	70022975	1	Spherical Bearing	
29	70022973	1	Pivot Shaft	
30	70022974	2	Beveled Spacer	
31	70022988	1	Ring, Retaining	
32	70022976	1	Retainer Plate	
33	2716143	1	Tilt Cylinder	
34	70022977	1	Pin	
35	70023016	4	Ring, Snap	
36	70022978	1	Pin	
37	70023000	1	Fitting	
38	70022999	1	Elbow	
39	70022982	1	Elbow, Straight Thread	
40	70022980	2	Keeper, Fork Pin	
41	70022949	4	Washer, Lock M10	
42	70022939	2	Fitting, Straight	
43	70022998	4	Screw, M10X20	
44	70022966	1	Grease Fitting 30	
45	70022979	2	Hose	
46	70025353	1	Spine Weldment	
47	N.S.S.	1	Front Frame Weldment	
48	70022990	1	Pin, Fork	
49	70023014	24	Shim	

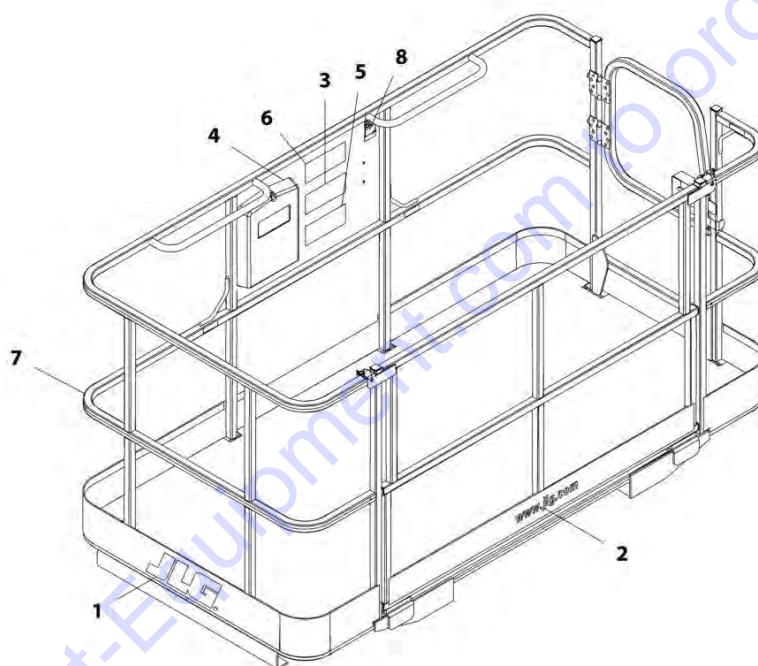
SECTION 3 - ATTACHMENTS

ITEM	PART NUMBER	QTY	DESCRIPTION	REV
50	70022987	8	Bearing, Ball	
51	70027951	2	Washer, Shim	
52	70023016	1	Ring, Snap	
53	70022969	2	Assembly, Sheave	
54	70022960	2	Anchor, Chain	
55	70022957	8	Nut, 5/8-18	
56	70022993	4	Pin, Cotter	
57	70022995	2	Anchor, Chain	
58	70022984	1	Shaft, Sheave	
59	70022970	2	Bar, Retainer	
60	70023003	2	Capscrew	
61	70022994	4	Pin, Chain Anchor	
62	70022992	8	Pin, Cotter	
63	70022985	1	Shaft, Sheave	
64	70023925	1	Kit, Decal (not shown) (See Separate Breakdown in this Section)	
65	70023009	2	Chain, Lift	
66	70023008	1	Cylinder, Main Lift (not shown) (See Separate Breakdown in this Section)	

Go to Discount-Equipment.com to order your parts

SECTION 3 - ATTACHMENTS

FIGURE 3-33. FORK MOUNTED BASKET



ART_1001103637-F

SECTION 3 - ATTACHMENTS

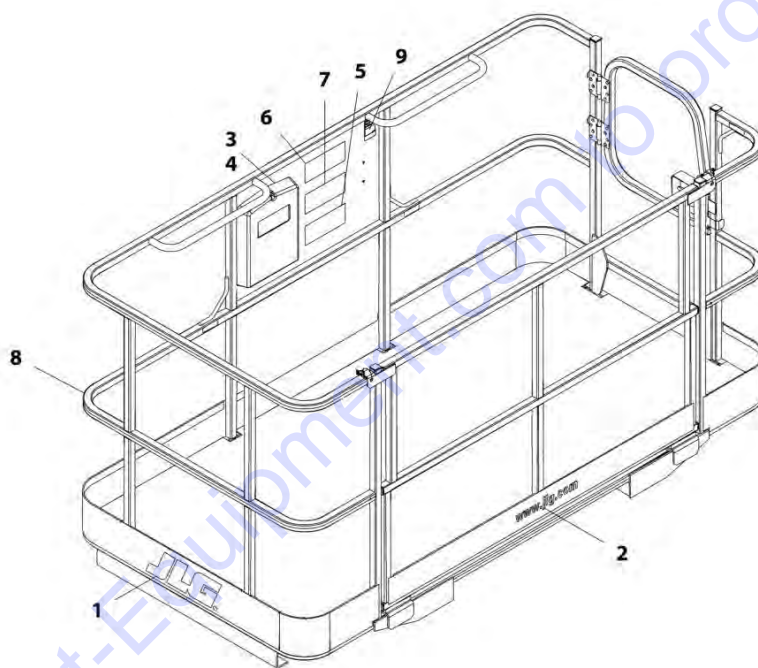
FIGURE 3-33. FORK MOUNTED BASKET

ITEM	PART NUMBER	QTY	DESCRIPTION	REV
	1001103637	1	Fork Mounted Basket (ANSI)	F
1	1702773	2	Decal, JLG	
2	1704885	1	Decal, Website	
3	1706892	1	Decal, Platform Warning	
4	31200160	1	Manual, Personnel Work Platform Operation and Safety	
5	1001092481	1	Decal, Warning Attachment	
6	1001092482	1	Decal, Platform Capacity	
7	1001096162	1	Platform, Fork Mounted (ANSI) (See Separate Breakdown in this Section)	
8	N.S.S.	1	Plate, Serial Number	

Go to Discount-Equipment.com to order your parts

SECTION 3 - ATTACHMENTS

FIGURE 3-34. FORK MOUNTED BASKET



ART_1001103730-F

SECTION 3 - ATTACHMENTS

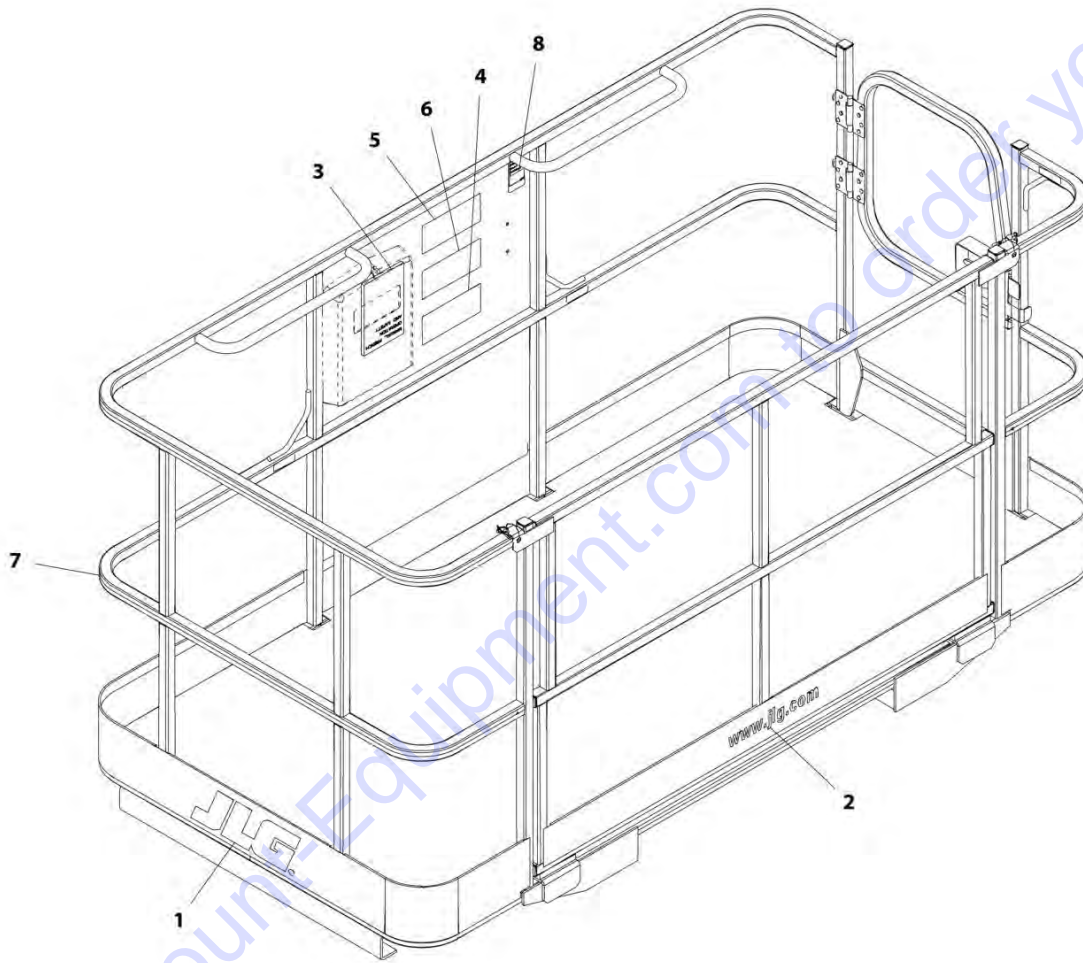
FIGURE 3-34. FORK MOUNTED BASKET

ITEM	PART NUMBER	QTY	DESCRIPTION	REV
	1001103730	1	Fork Mounted Basket (ISO)	F
1	1702773	2	Decal, JLG	
2	1704885	1	Decal, Website	
3	31200387	1	Manual, Operation and Safety, Spanish	
4	31200388	1	Manual, Operation and Safety, Portuguese	
5	1001096021	1	Decal, Warning Attachment	
6	1001096023	1	Decal, Platform Capacity	
7	1001096025	1	Decal, Platform Warning	
8	1001096162	1	Platform, Fork Mounted (ANSI) (See Separate Breakdown in this Section)	
9	N.S.S.	1	Plate, Serial Number	

Go to Discount-Equipment.com to order your parts

SECTION 3 - ATTACHMENTS

FIGURE 3-35. FORK MOUNTED BASKET



ART_1001103736-F

SECTION 3 - ATTACHMENTS

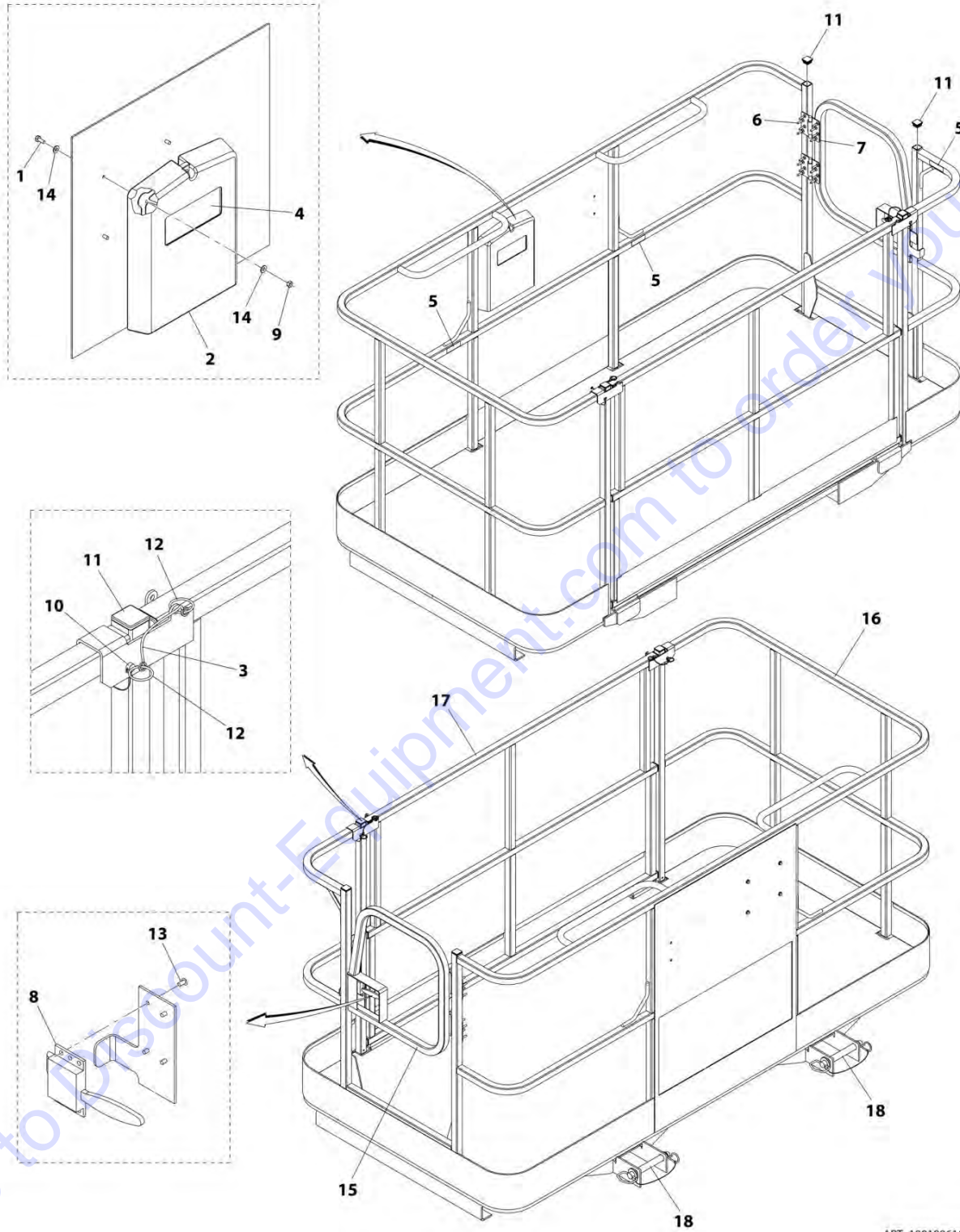
FIGURE 3-35. FORK MOUNTED BASKET

ITEM	PART NUMBER	QTY	DESCRIPTION	REV
	1001103736	1	Fork Mounted Basket (France)	F
1	1702773	2	Decal, JLG	
2	1704885	1	Decal, Website	
3	31200386	1	Manual, Operation and Safety (French)	
4	1001096019	1	Decal, Warning Attachment (French)	
5	1001096020	1	Decal, Platform Capacity (French)	
6	1001096024	1	Decal, Platform Warning (French)	
7	1001096162	1	Platform, Fork Mounted (ANSI) (See Separate Breakdown in this Section)	
8	N.S.S.	1	Plate, Serial Number	

Go to Discount-Equipment.com to order your parts

SECTION 3 - ATTACHMENTS

FIGURE 3-36. FORK MOUNTED PLATFORM



ART_1001096162-M

SECTION 3 - ATTACHMENTS

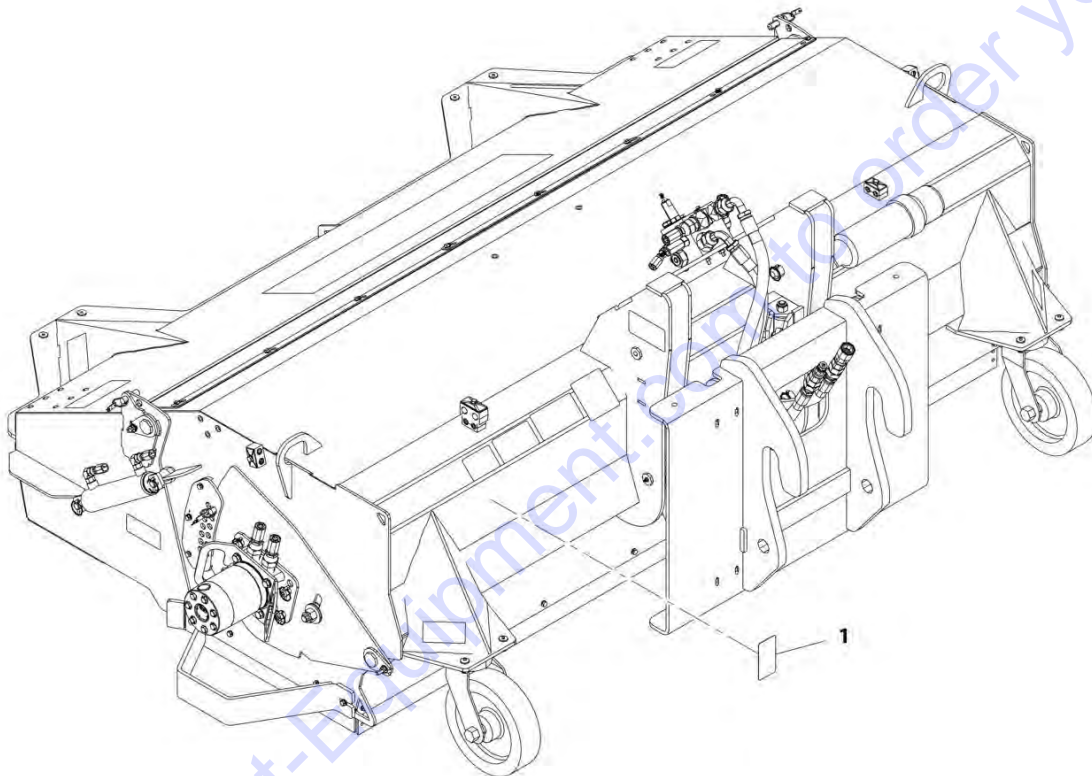
FIGURE 3-36. FORK MOUNTED PLATFORM

ITEM	PART NUMBER	QTY	DESCRIPTION	REV
	1001096162	Ref	Fork Mounted Platform (ANSI)	M
1	0641405	4	Bolt, 1/4-20X5/8	
2	0860520	1	Box, Manual Storage	
3	1060379	2	Cable, Lanyard	
4	1701509	1	Decal, Manual	
5	1704277	3	Decal, Lanyard Attach	
6	2080040	16	Fastener	
7	2600281	2	Hinge	
8	2940074	1	Latch	
9	3311405	4	Nut, Lock 1/4-20	
10	3421453	2	Pin	
11	3520072	10	Plug	
12	3760170	4	Ring	
13	3820020	4	Rivet	
14	4711400	8	Washer, 1/4	
15	1001144629J	1	Weldment, Gate	
16	N.S.S.	1	Platform, Fork Mounted	
17	1001095810	1	Weldment, Gate	
18	1001102813	2	Pin, Hitch	

Go to Discount-Equipment.com to order your parts

SECTION 3 - ATTACHMENTS

FIGURE 3-37. SWEEPER



ART_1001202904-B

SECTION 3 - ATTACHMENTS

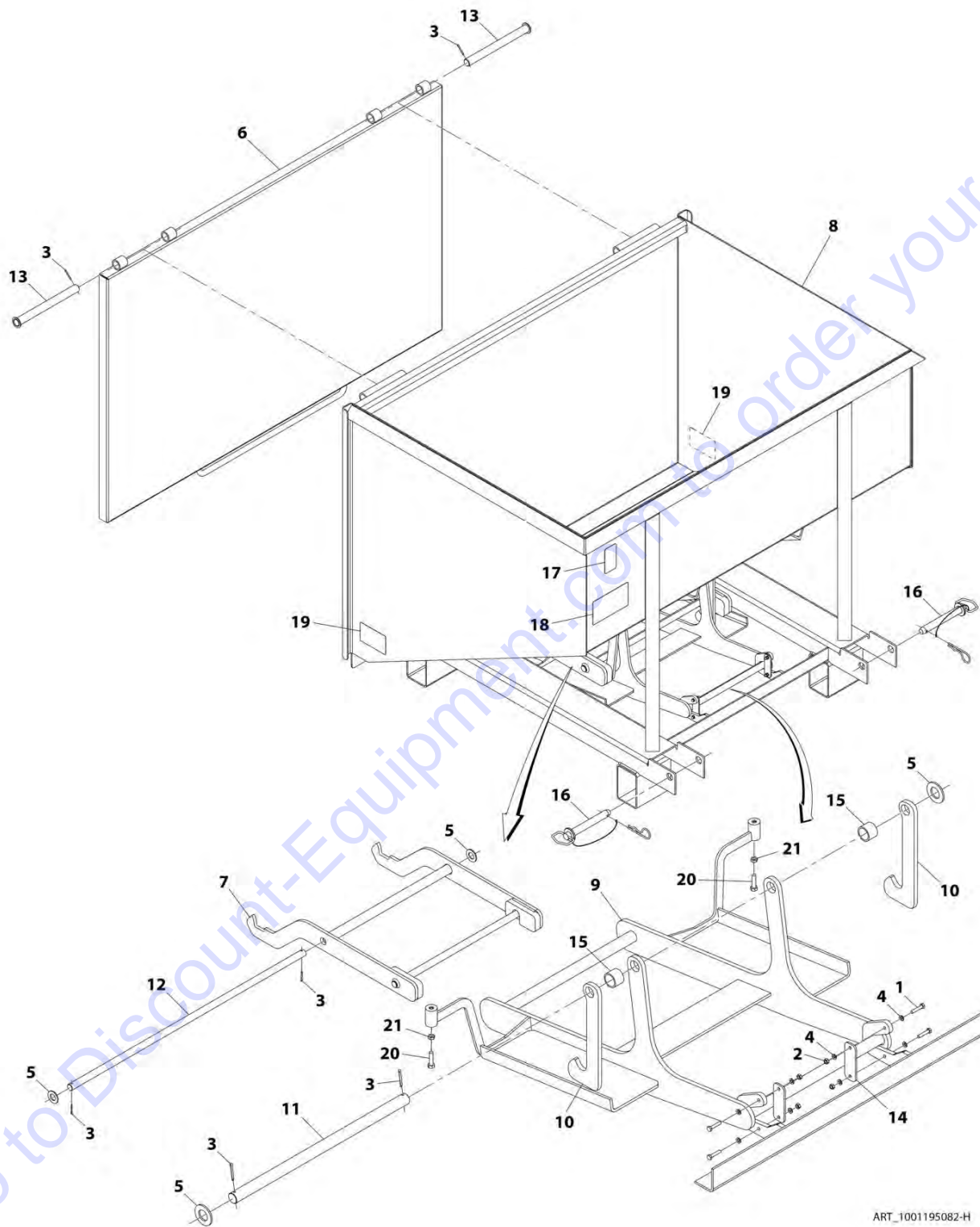
FIGURE 3-37. SWEEPER

ITEM	PART NUMBER	QTY	DESCRIPTION	REV
1	1001202904	1	Sweeper Assembly	B
	N.S.S.	1	Plate, Serial Number	

Go to Discount-Equipment.com to order your parts

SECTION 3 - ATTACHMENTS

FIGURE 3-38. FORK MOUNTED TRASH HOPPER



ART_1001195082-H

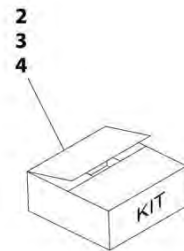
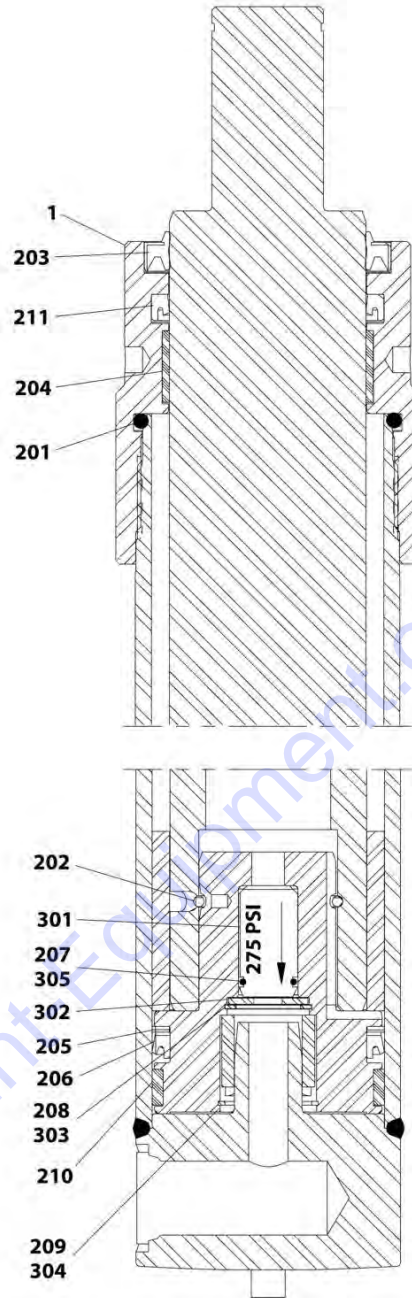
SECTION 3 - ATTACHMENTS

FIGURE 3-38. FORK MOUNTED TRASH HOPPER

ITEM	PART NUMBER	QTY	DESCRIPTION	REV
	1001195082	1	Fork Mounted Trash Hopper	H
1	0700614	4	Bolt, M6X30	
2	3290601	4	Nut, M6X1 Grade 8	
3	3391410	6	Pin	
4	4811700	8	Washer, M6	
5	5242400	4	Washer, M24	
6	1001192711	1	Door Assembly	
7	1001192720	1	Hook Assembly	
8	N.S.S.	1	Weldment, Trash Hopper	
9	1001192875	1	Tray Assembly	
10	1001192876	2	Arm, Swing	
11	1001192877	1	Rod, Swing	
12	1001193525	1	Bar	
13	1001193540	2	Pin	
14	1001193729	2	Plate	
15	1001198355	2	Spacer	
16	1001102813	2	Pin	
17	N.S.S.	1	Plate, Serial Number	
18	1001203503	1	Decal, Trash Hopper Operation	
19	1706302	2	Decal, Pinch Point	
20	0641510	2	Bolt, 5/16-18 x 1-1/4	
21	3311502	2	Nut, 5/16-18	

SECTION 3 - ATTACHMENTS

FIGURE 3-39. MAIN LIFT CYLINDER



ART_70023008-A

SECTION 3 - ATTACHMENTS

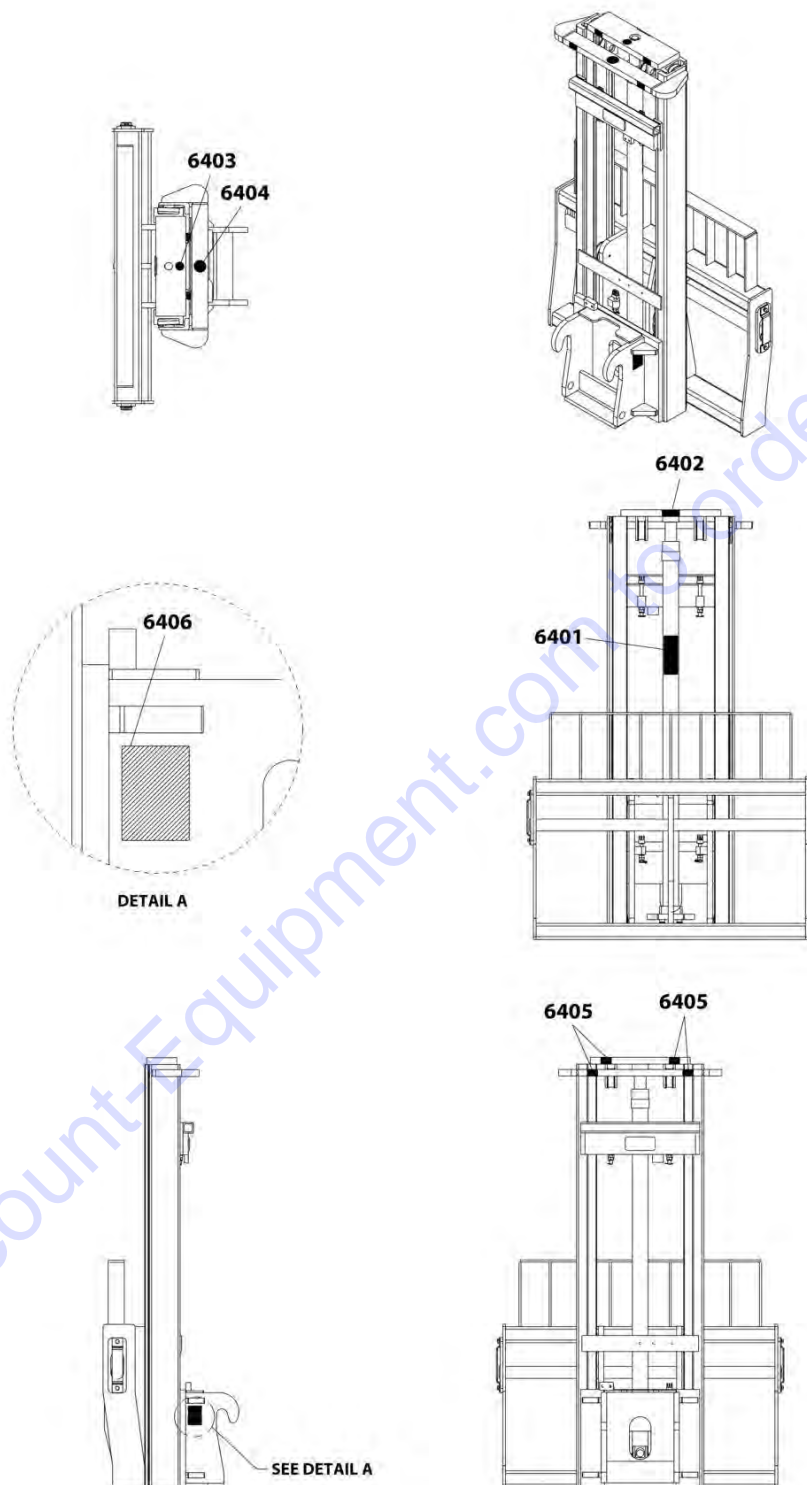
FIGURE 3-39. MAIN LIFT CYLINDER

ITEM	PART NUMBER	QTY	DESCRIPTION	REV
	70023008	Ref	Main Lift Cylinder	A
1	70023004	1	Retainer/Gland	
2	70023005	1	Seal Kit, Main Lift Cylinder	
201	Kit	1	O-Ring	
202	Kit	1	Wire, Pull	
203	Kit	1	Wiper	
204	Kit	1	Bushing	
205	Kit	1	Ring, Nylon	
206	Kit	1	Seal, Piston	
207	Kit	1	O-Ring	
208	Kit	1	Circlip	
209	Kit	1	Ring, Retaining	
210	Kit	1	Ring, Wear	
211	Kit	1	Seal, Rod	
3	70023006	1	Kit, Check Valve	
301	Kit	1	Valve, Check	
302	Kit	1	Washer	
303	Kit	1	Circlip	
304	Kit	1	Ring, Retaining	
304	Kit	1	O-Ring	
4	70023007	1	Kit, Shim	

Go to Discount-Equipment.com to order your parts

SECTION 3 - ATTACHMENTS

FIGURE 3-40. KIT DECAL



ART_70023925-A

SECTION 3 - ATTACHMENTS

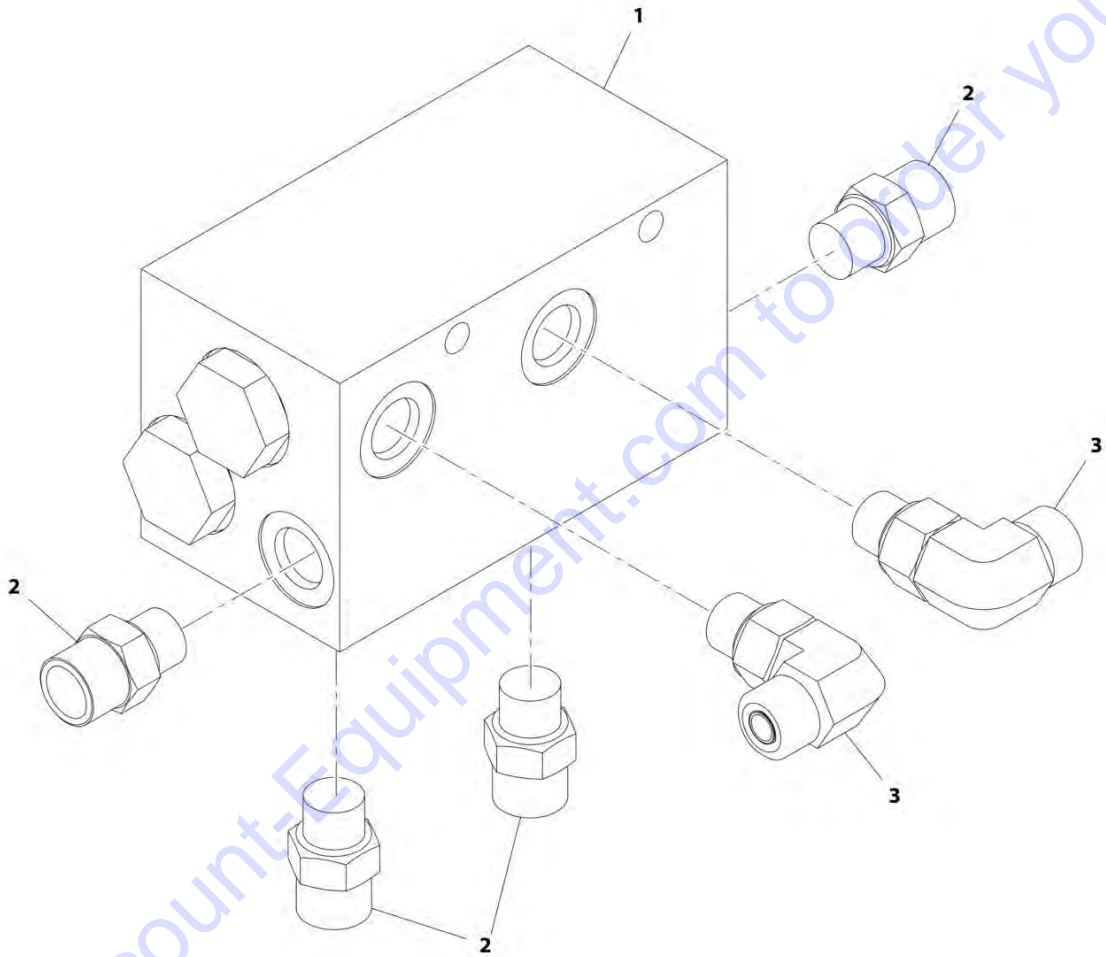
FIGURE 3-40. KIT DECAL

ITEM	PART NUMBER	QTY	DESCRIPTION	REV
	70023925	Ref	Kit, Decal	A
6401	Kit	1	Decal, Warning	
6402	Kit	1	Decal, Warning	
6403	Kit	1	Decal, No Step	
6404	Kit	1	Decal, No Step	
6405	Kit	4	Decal, Hands Off	
6406	Kit	2	Decal, Hose Routing	

Go to Discount-Equipment.com to order your parts

SECTION 3 - ATTACHMENTS

FIGURE 3-41. DUAL FORK CARRIAGE VALVE ASSEMBLY



ART_4641502-B

SECTION 3 - ATTACHMENTS

FIGURE 3-41. DUAL FORK CARRIAGE VALVE ASSEMBLY

ITEM	PART NUMBER	QTY	DESCRIPTION	REV
	4641502	Ref	Dual Fork Carriage Valve Assembly	B
1	4641501	1	Valve, Flow Divider (See Separate Breakdown in Hydraulic Components Section)	
2	2110606	4	Fitting, Straight ORFS	
3	2130606	2	Fitting, 90	

Go to Discount-Equipment.com to order your parts

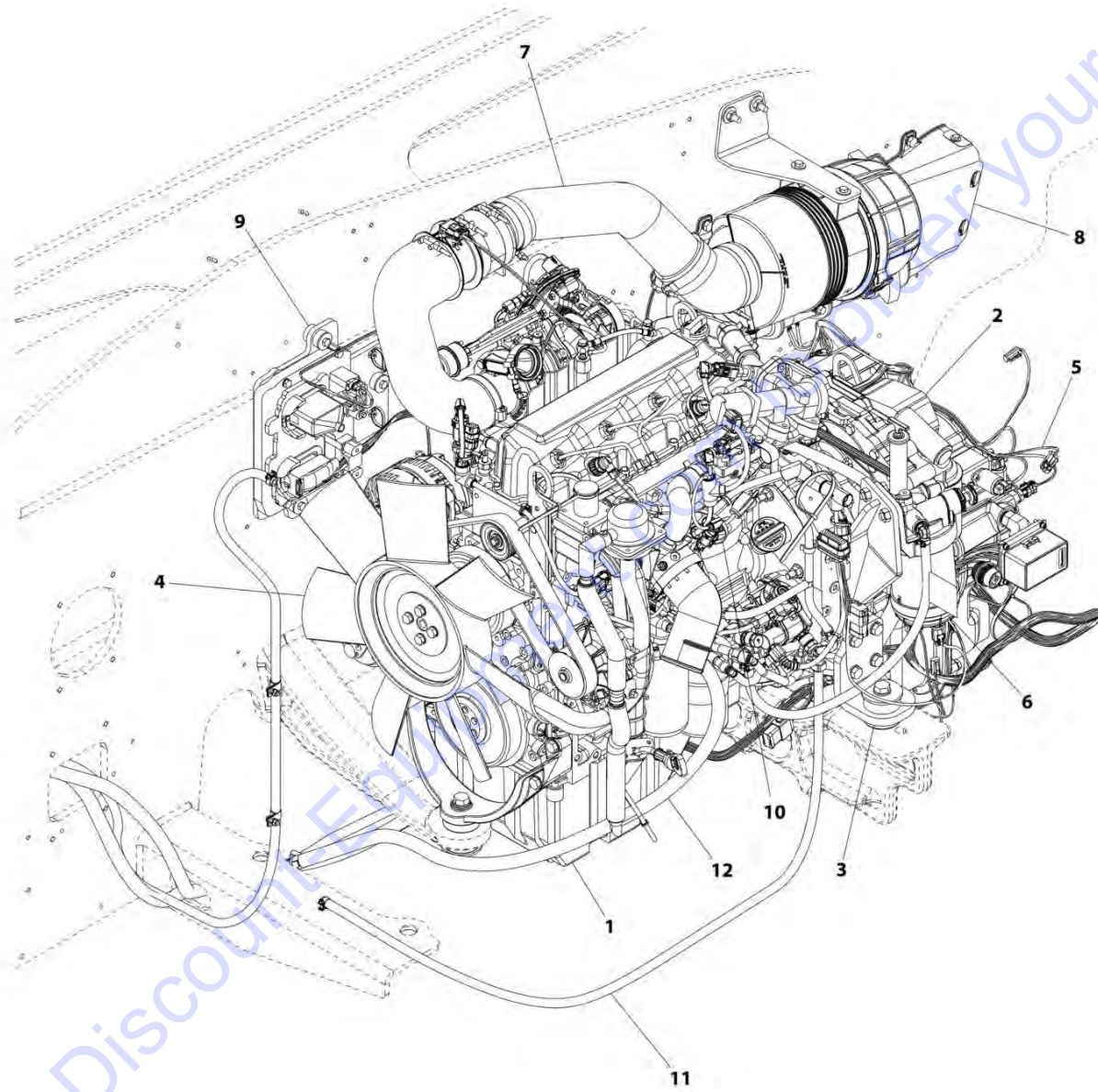
SECTION 4 - ENGINE AND ATTACHING PARTS

SECTION 4 - ENGINE AND ATTACHING PARTS

Go to Discount-Equipment.com to order your parts

SECTION 4 - ENGINE AND ATTACHING PARTS

FIGURE 4-1. ENGINE INSTALLATION (ULS)



ART_1001169009-H

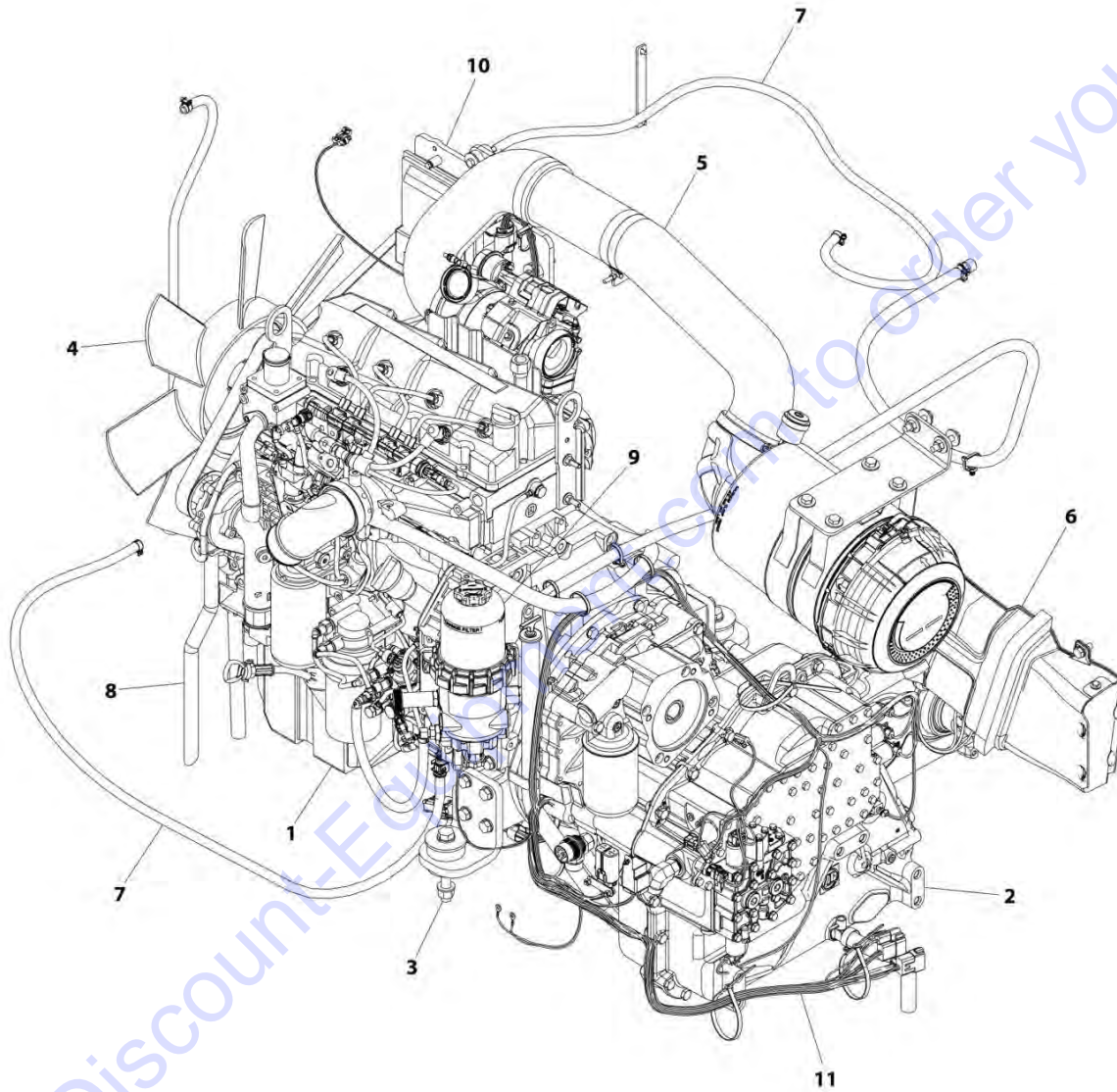
SECTION 4 - ENGINE AND ATTACHING PARTS

FIGURE 4-1. ENGINE INSTALLATION (ULS)

ITEM	PART NUMBER	QTY	DESCRIPTION	REV
	1001169009	Ref	Engine Installation, 110HP (ULS)	H
1	1001154511	Ref	Engine, 110HP (ULS) (See Separate Breakdown in this Section)	
2	1001161664	Ref	Installation, Transmission (See Separate Breakdown in Drivetrain Section)	
3	1001163227	Ref	Installation, Engine Mounting (See Separate Breakdown in Drivetrain Section)	
4	1001163230	Ref	Installation, Fan (See Separate Breakdown in Drivetrain Section)	
5	1001163233	Ref	Installation, Engine Wiring (ULS) (See Separate Breakdown in Electrical Section)	
6	1001163235	Ref	Installation, Primary Fuel Filter (See Separate Breakdown in this Section)	
7	1001169011	Ref	Installation, Air Cleaner Lines (See Separate Breakdown in this Section)	
8	1001169012	Ref	Installation, Air Cleaner (See Separate Breakdown in this Section)	
9	1001194286	Ref	Installation, Engine ECU (See Separate Breakdown in Electrical Section)	
10	1062255	1	Strap, Tie	
11	1001163231	Ref	Installation, Fuel Lines (See Separate Breakdown in this Section)	
12	1001163232	Ref	Installation, DEF Lines (See Separate Breakdown in this Section)	

SECTION 4 - ENGINE AND ATTACHING PARTS

FIGURE 4-2. ENGINE INSTALLATION (LS)



ART_1001160396-D

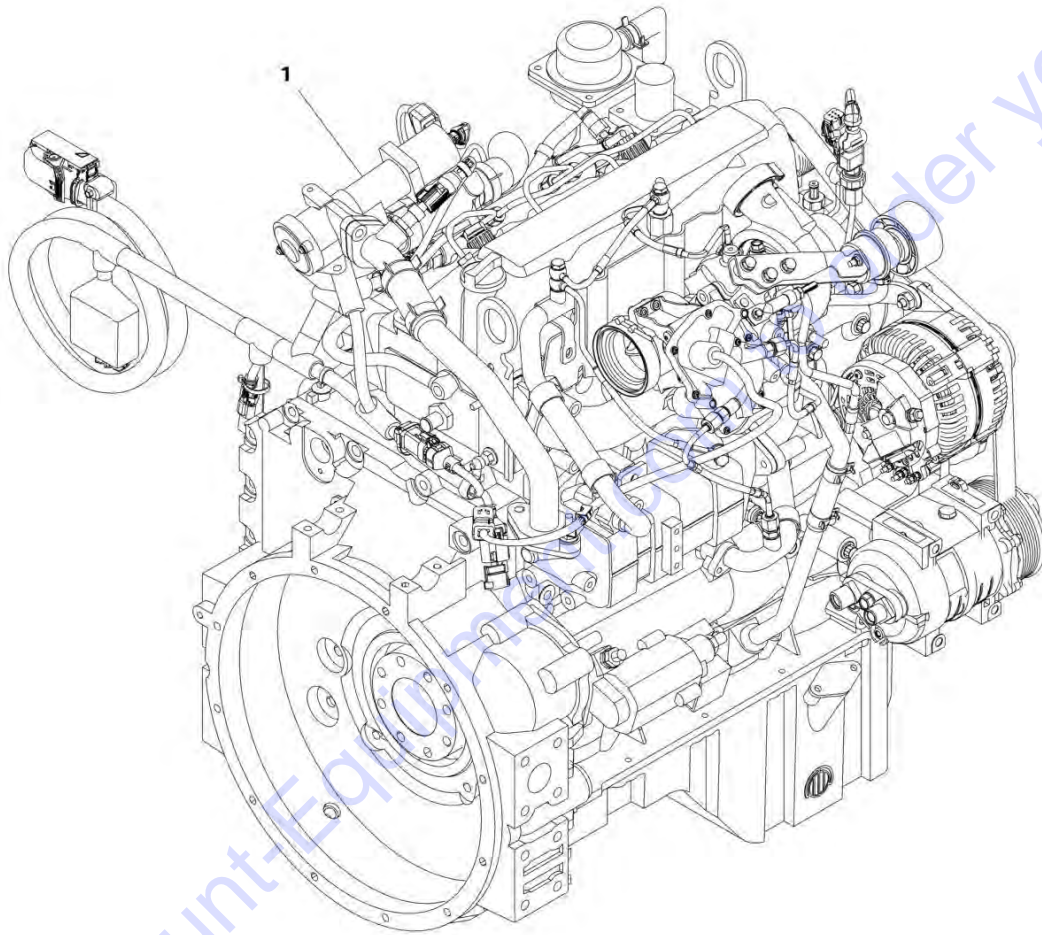
SECTION 4 - ENGINE AND ATTACHING PARTS

FIGURE 4-2. ENGINE INSTALLATION (LS)

ITEM	PART NUMBER	QTY	DESCRIPTION	REV
	1001160396	Ref	ENGINE INSTALLATION, 110HP (LS)	D
1	1001154790	Ref	Engine, 110HP (LS) (See Separate Breakdown in this Section)	
2	1001161664	Ref	Installation, Transmission (See Separate Breakdown in Drivetrain Section)	
3	1001163227	Ref	Installation, Engine Mounting (See Separate Breakdown in this Section)	
4	1001163230	Ref	Installation, Fan (See Separate Breakdown in this Section)	
5	1001163238	Ref	Installation, Air Intake Lines (LS) (See Separate Breakdown in this Section)	
6	1001163239	Ref	Installation, Air Cleaner (LS) (See Separate Breakdown in this Section)	
7	1001163241	Ref	Installation, Fuel Lines (LS) (See Separate Breakdown in this Section)	
8	1001176228	1	Hose, 3.8L	
9	1001180076	Ref	Installation, Primary Fuel Filter (LS) (See Separate Breakdown in this Section)	
10	1001180242	Ref	Installation, Engine ECM (LS) (See Separate Breakdown in Electrical Section)	
11	1001163242	Ref	Installation, Engine Wiring (LS) (See Separate Breakdown in Electrical Section)	

SECTION 4 - ENGINE AND ATTACHING PARTS

FIGURE 4-3. 3.8L ENGINE (ULS)



ART_1001154511-P

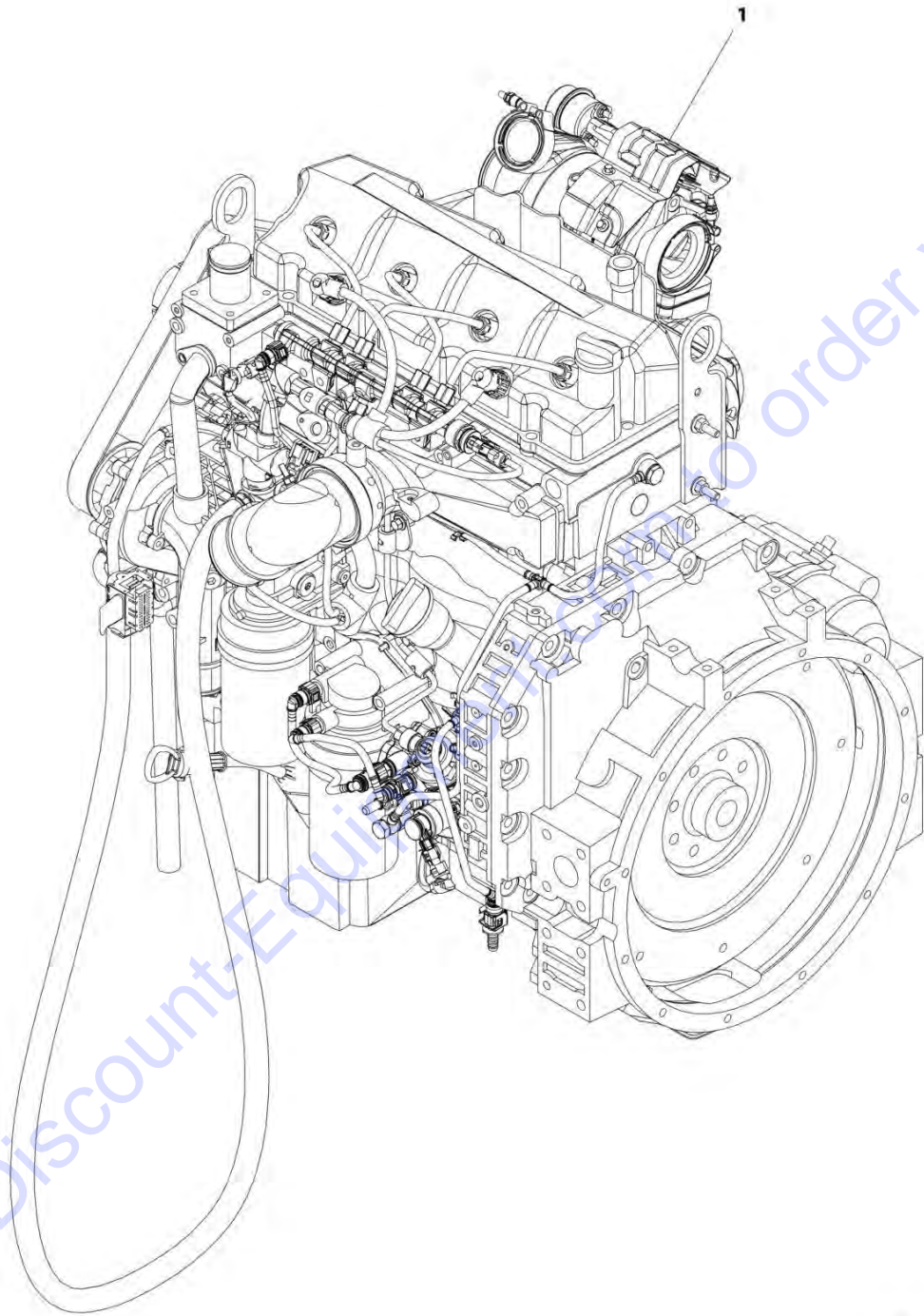
SECTION 4 - ENGINE AND ATTACHING PARTS

FIGURE 4-3. 3.8L ENGINE (ULS)

ITEM	PART NUMBER	QTY	DESCRIPTION	REV
	1001154511	1	Engine, QSF 3.8L (if equipped for ULS)	P
	70026220	1	Assembly, Secondary Fuel Filter (includes shell, seal and cartridge)	
	70026453	1	Cartridge, Fuel Filter	
	70026223	1	Pan, Oil	
	70026224	1	Seal, Oil Pan	
	70026225	1	Plug, Oil Pan	
	70026226	1	Seal, Oil Pan Plug	
	1001128594	1	Starter	
	70026228	1	Filler Cap, Valve Cover	
	70026229	1	Fan Belt, V-Ribbed	
	70026230	1	Support, Fan	
	70026231	1	Pulley, Fan	
	70026232	1	Alternator	
	70026233	NLA	Assembly, Primary Fuel Filter, (includes filter head, seal and element), (no longer available, use 70028450 for replacement)	
	70028450	1	Assembly, Primary Fuel Filter, (includes filter head, seal and element)	
	70026235	1	Assembly, Dipstick Oil Level	
	70026236	1	Assembly, Block Heater	
	70026241	1	Assembly, Fuel Filter Plug	
	70026237	1	Filter, Oil	
	70023933	1	O-Ring, Oil Pressure Switch	
	70041620	2	Ring, Retaining	
	70041616	1	Bolt	
	70041617	1	Bearing, Ball	
	70041619	1	Retainer, Fan Hub	
	1322039	1	Spacer, Fan Pilot	
	1321094	16	Bolt, Fan Drive	
	70024016	1	Cap, Side Oil Fill	
	70022634	1	Flywheel w/Ring Gear	
	70023736	1	Ring Gear, Flywheel	
	1322040	1	Plug, Flywheel	

SECTION 4 - ENGINE AND ATTACHING PARTS

FIGURE 4-4. 3.8L ENGINE (LS)



ART_1001154790-J

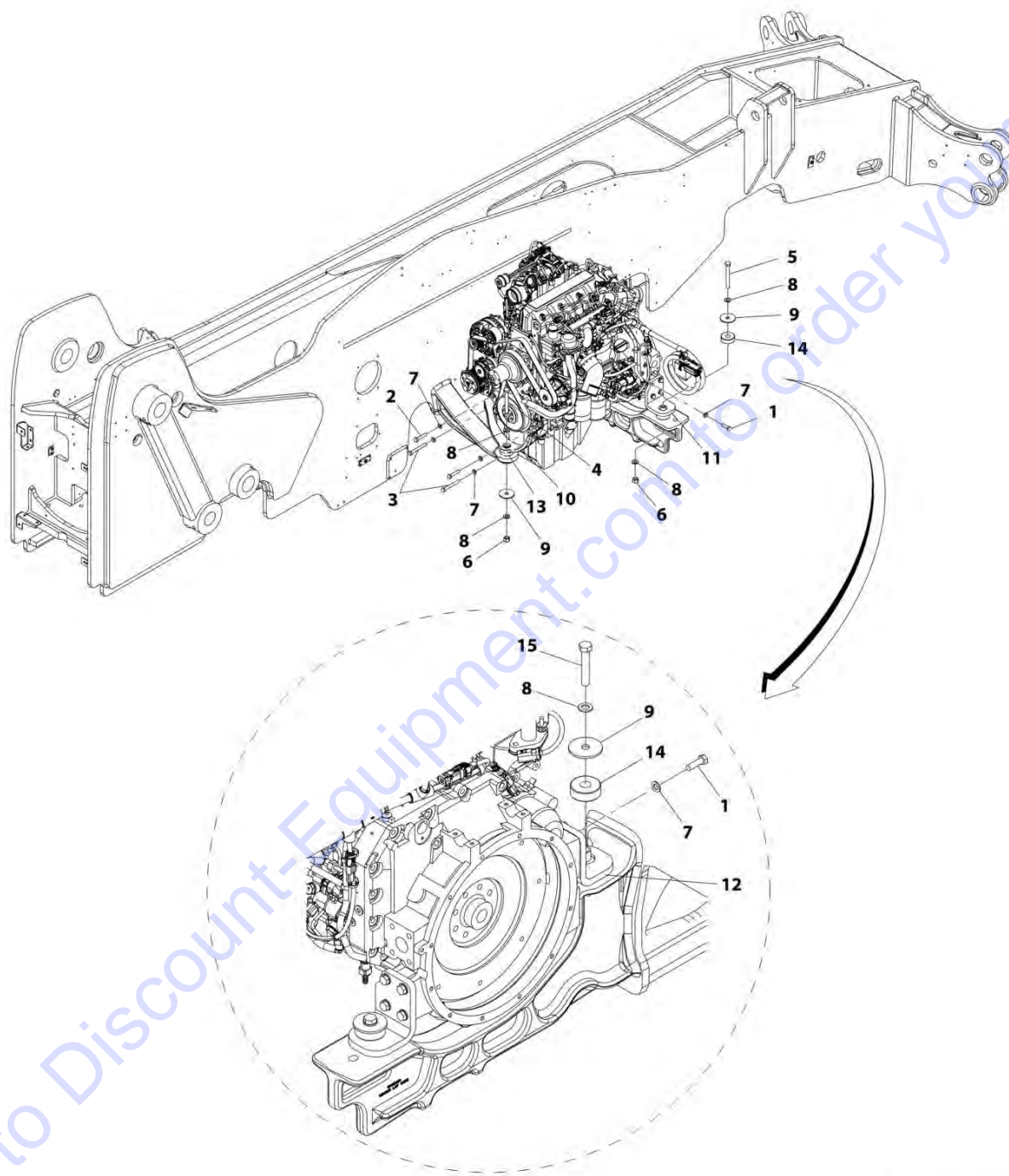
SECTION 4 - ENGINE AND ATTACHING PARTS

FIGURE 4-4. 3.8L ENGINE (LS)

ITEM	PART NUMBER	QTY	DESCRIPTION	REV
	1001154790	Ref	3.8L Engine (LS)	J
	70026800	1	Fuel Filter Assembly	
	70026801	1	Fuel Filter Element	
	70026222	1	Assembly, Flywheel Housing	
	70027281	1	Pan, Oil	
	70026224	1	Seal, Oil Pan	
	70026225	1	Plug, Oil Pan	
	70026226	1	Seal, Oil Pan Plug	
	1001128594	1	Starter	
	70026228	1	Filler Cap, Valve Cover	
	70026229	1	Fan Belt, V-Ribbed	
	70026230	1	Support, Fan	
	70026231	1	Pulley, Fan	
	70026232	1	Alternator	
	70026233	1	Assembly, Primary Fuel Filter	
	70026234	1	Element, Fuel Filter	
	70026235	1	Assembly, Dipstick Oil Level	
	70026241	1	Assembly, Fuel Filter Plug	
	70026237	1	Filter, Oil	
	70041620	2	Ring, Retaining	
	70041616	1	Bolt	
	70041617	1	Bearing, Ball	
	70041619	1	Retainer, Fan Hub	
	1322039	1	Spacer, Fan Pilot	
	1321094	17	Screw	
	70024016	1	Cap, Side Oil Fill	
	70022634	1	Flywheel w/Ring Gear	
	70023736	1	Ring Gear, Flywheel	
	1322040	1	Plug, Flywheel	

SECTION 4 - ENGINE AND ATTACHING PARTS

FIGURE 4-5. ENGINE MOUNTING INSTALLATION



ART_1001163227-H

SECTION 4 - ENGINE AND ATTACHING PARTS

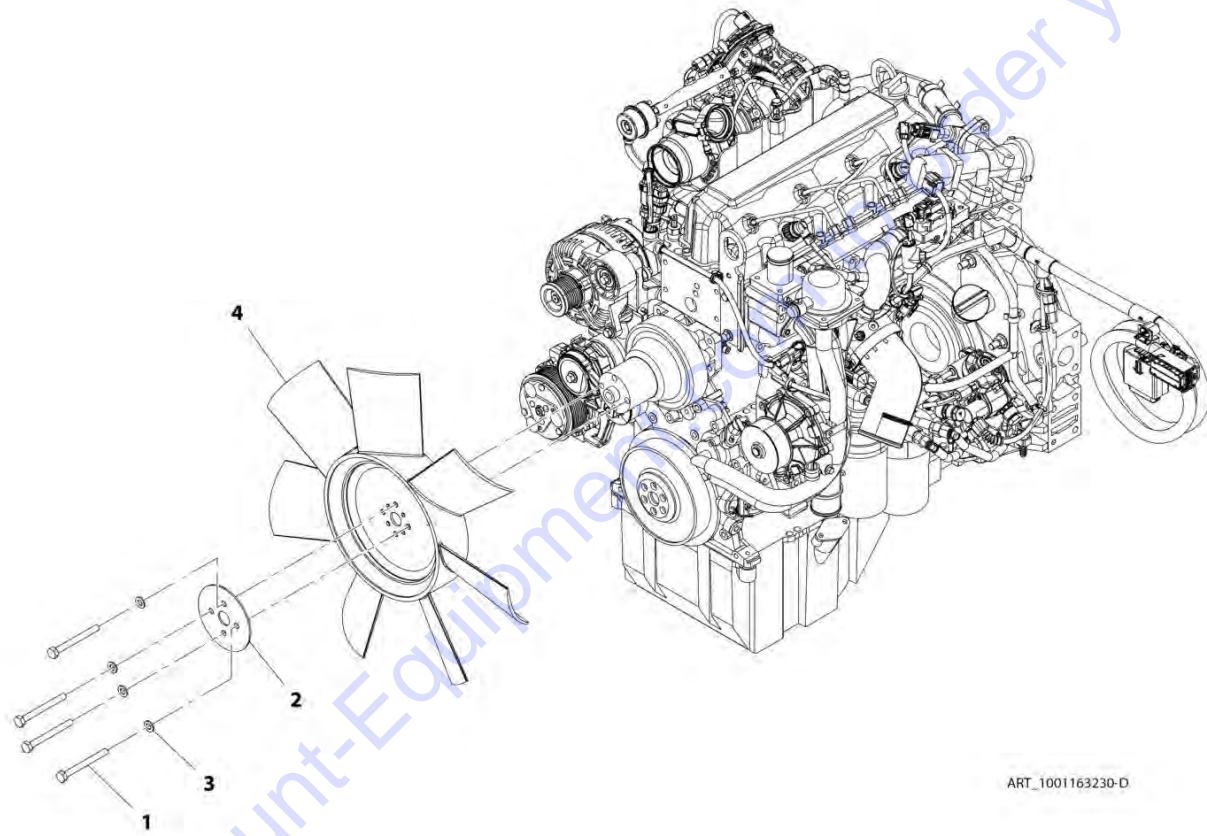
FIGURE 4-5. ENGINE MOUNTING INSTALLATION

ITEM	PART NUMBER	QTY	DESCRIPTION	REV
	1001163227	Ref	Engine Mounting Installation	H
1	0701216	8	Bolt, M12X40	
2	0701220	2	Bolt, M12X60	
3	0701227	2	Bolt, M12X100	
4	0711629	1	Bolt, M16x120	
5	0711630	1	Bolt, M16X130	
6	3331615	2	Nut, M16	
7	4812100	12	Washer, M12	
8	4812300	5	Washer, M16	
9	7300435	3	Washer	
10	1001160116	1	Bracket, Engine	
11	1001168795	1	Plate, Engine Mount	
12	1001168797	1	Plate, Engine Mount	
13	1001160888	1	Mount, Isolator Engine	
14	1001195518	2	Mount, Isolator Engine	
15	0711626	1	Bolt, M16X90	

Go to Discount-Equipment.com to order your parts

SECTION 4 - ENGINE AND ATTACHING PARTS

FIGURE 4-6. FAN INSTALLATION



ART_1001163230-D

SECTION 4 - ENGINE AND ATTACHING PARTS

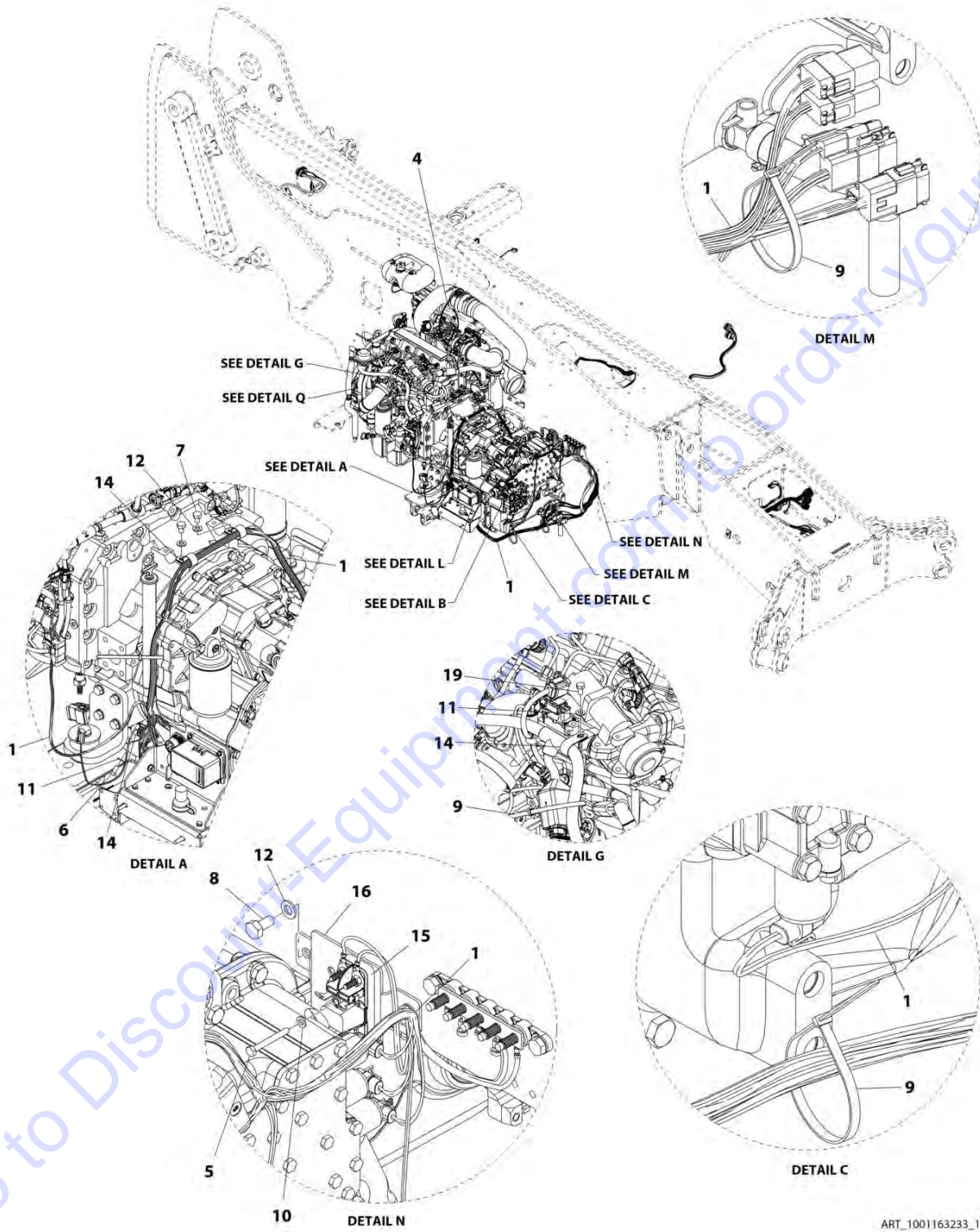
FIGURE 4-6. FAN INSTALLATION

ITEM	PART NUMBER	QTY	DESCRIPTION	REV
	1001163230	Ref	Fan Installation	D
1	0701027	4	Bolt, M10X100	
2	3575947	1	Plate	
3	4812000	4	Washer, M10	
4	1001175269	1	Fan, Cooling	

Go to Discount-Equipment.com to order your parts

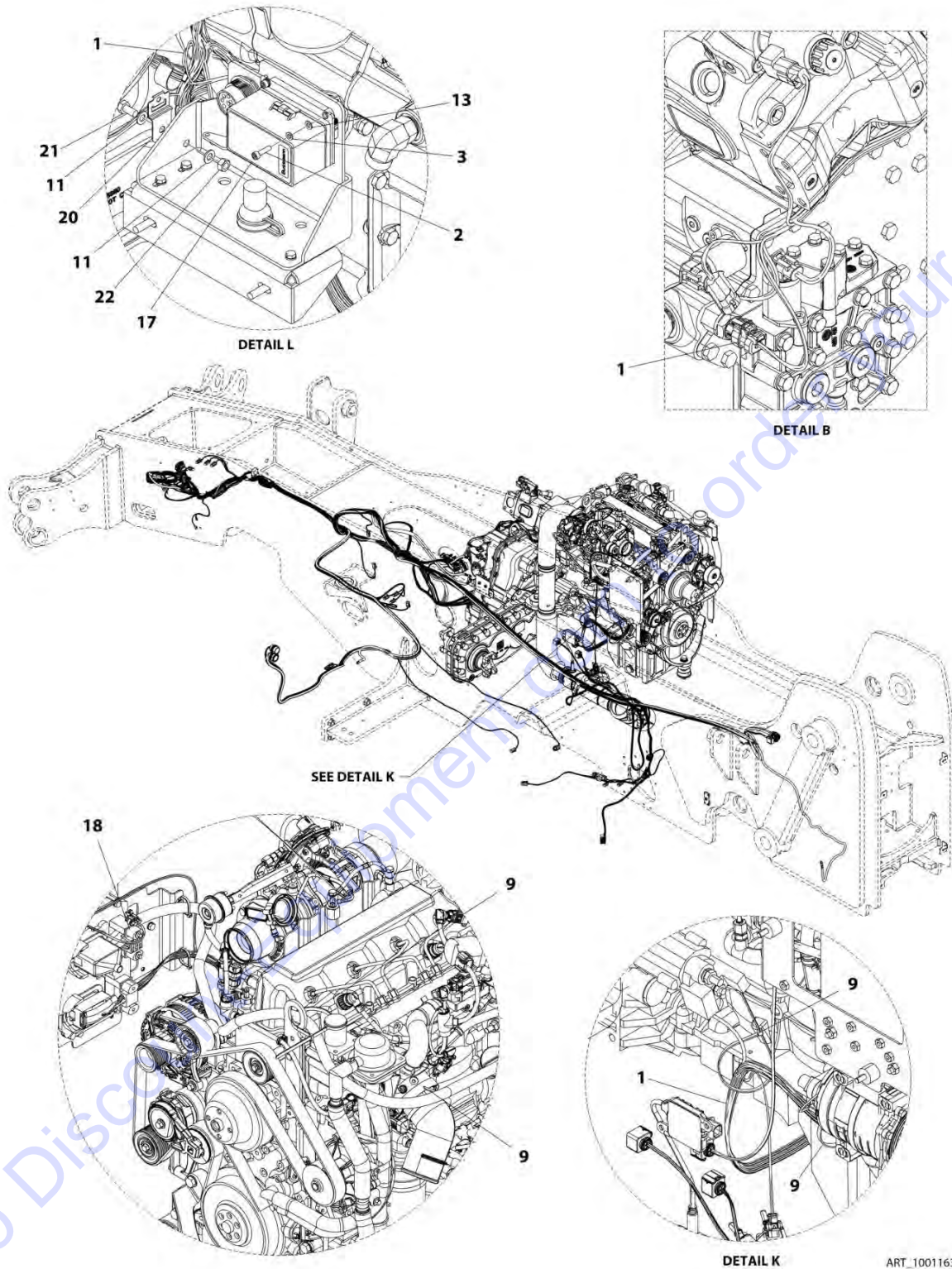
SECTION 4 - ENGINE AND ATTACHING PARTS

FIGURE 4-7. ENGINE WIRING INSTALLATION (ULS)

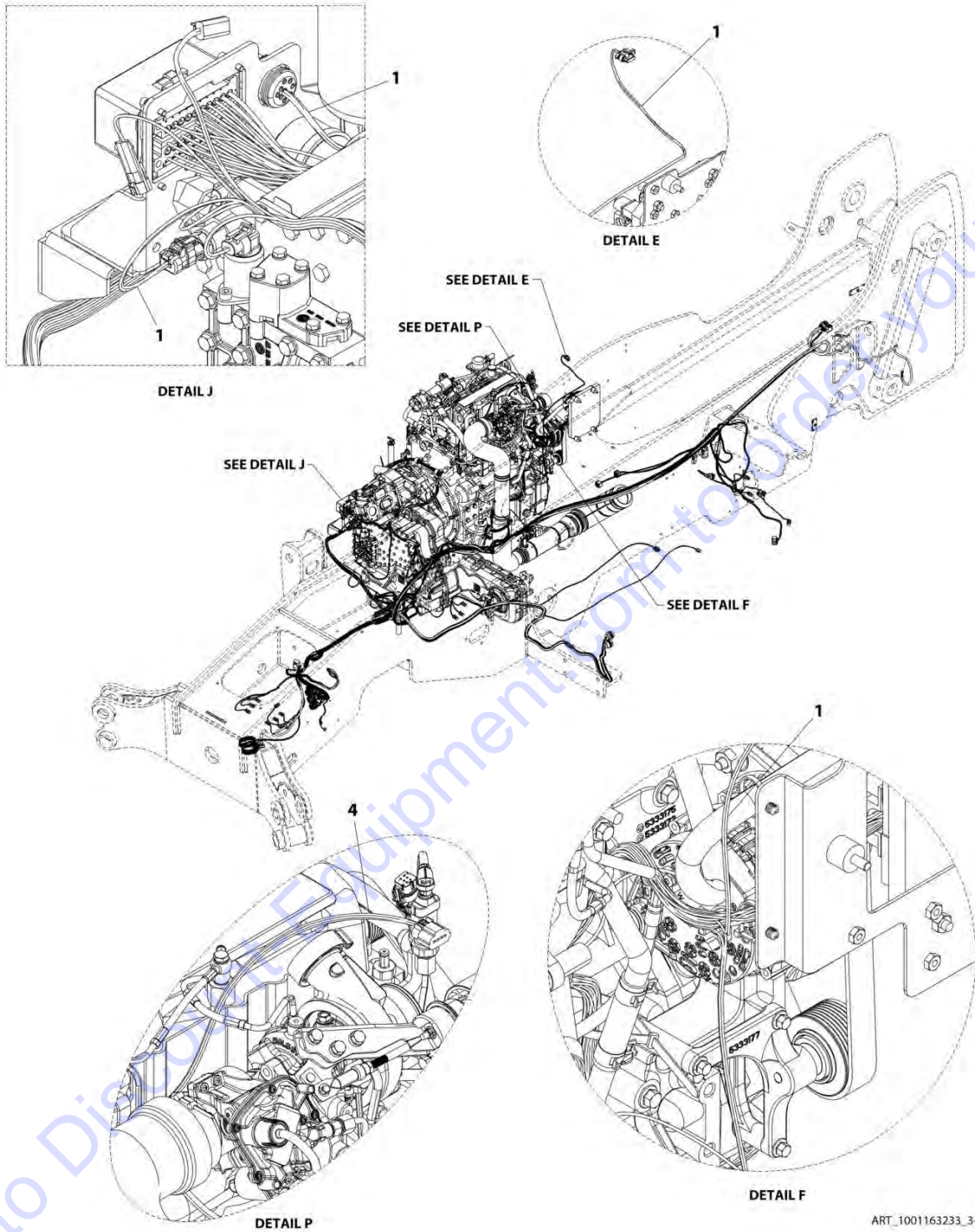


ART_1001163233_1-L

SECTION 4 - ENGINE AND ATTACHING PARTS



SECTION 4 - ENGINE AND ATTACHING PARTS



PARTS FINDER

**Search Website
by Part Number**



**Search Manual
Library For Parts
Manual & Lookup Part
Numbers – Purchase
or Request Quote**

A screenshot of the "Search Manuals" form. It has a title "Search Manuals" and a subtitle "Please enter the model number or part number to search for a part". The form includes fields for "Find" (with a dropdown menu), "Serial Number" (with a dropdown menu), "Year" (with a dropdown menu), "Make" (with a dropdown menu), "Part Number" (with a dropdown menu), "Part Name" (with a dropdown menu), and "Category" (with a dropdown menu). There is a "Search" button at the bottom.

**Can't Find Part or
Manual? Request Help
by Manufacturer,
Model & Description**

A screenshot of the "Parts Order Form". It has a title "Parts Order Form" and a subtitle "Please fill out the form below to request help finding a part or manual". The form includes fields for "Manufacturer", "Model", "Description", "Part Number", "Part Name", "Part Description", "Part Quantity", "Part Price", "Part Location", "Part Status", "Part Date", and "Part Time". There is a "Submit" button at the bottom.

Discount-Equipment.com is your online resource for quality parts & equipment.

Florida: **561-964-4949** Outside Florida TOLL FREE: **877-690-3101**

Need parts?

Click on this link: <http://www.discount-equipment.com/category/5443-parts/> and choose one of the options to help get the right parts and equipment you are looking for. Please have the machine model and serial number available in order to help us get you the correct parts. If you don't find the part on the website or on one of the online manuals, please fill out the request form and one of our experienced staff members will get back to you with a quote for the right part that your machine needs.

We sell worldwide for the brands: Genie, Terex, JLG, MultiQuip, Mikasa, Essick, Whiteman, Mayco, Toro Stone, Diamond Products, Generac Magnum, Airman, Haulotte, Barreto, Power Blanket, Nifty Lift, Atlas Copco, Chicago Pneumatic, Allmand, Miller Curber, Skyjack, Lull, Skytrak, Tsurumi, Husquvarna Target, Stow, Wacker, Sakai, Mi-T-M, Sullair, Basic, Dynapac, MBW, Weber, Bartell, Bennar Newman, Haulotte, Ditch Runner, Menegotti, Morrison, Contec, Buddy, Crown, Edco, Wyco, Bomag, Laymor, EZ Trench, Bil-Jax, F.S. Curtis, Gehl Pavers, Heli, Honda, ICS/PowerGrit, IHI, Partner, Imer, Clipper, MMD, Koshin, Rice, CH&E, General Equipment, Amida, Coleman, NAC, Gradall, Square Shooter, Kent, Stanley, Tamco, Toku, Hatz, Kohler, Robin, Wisconsin, Northrock, Oztec, Toker TK, Rol-Air, APT, Wylie, Ingersoll Rand / Doosan, Innovatech, Con X, Ammann, Mecalac, Makinex, Smith Surface Prep, Small Line, Wanco, Yanmar

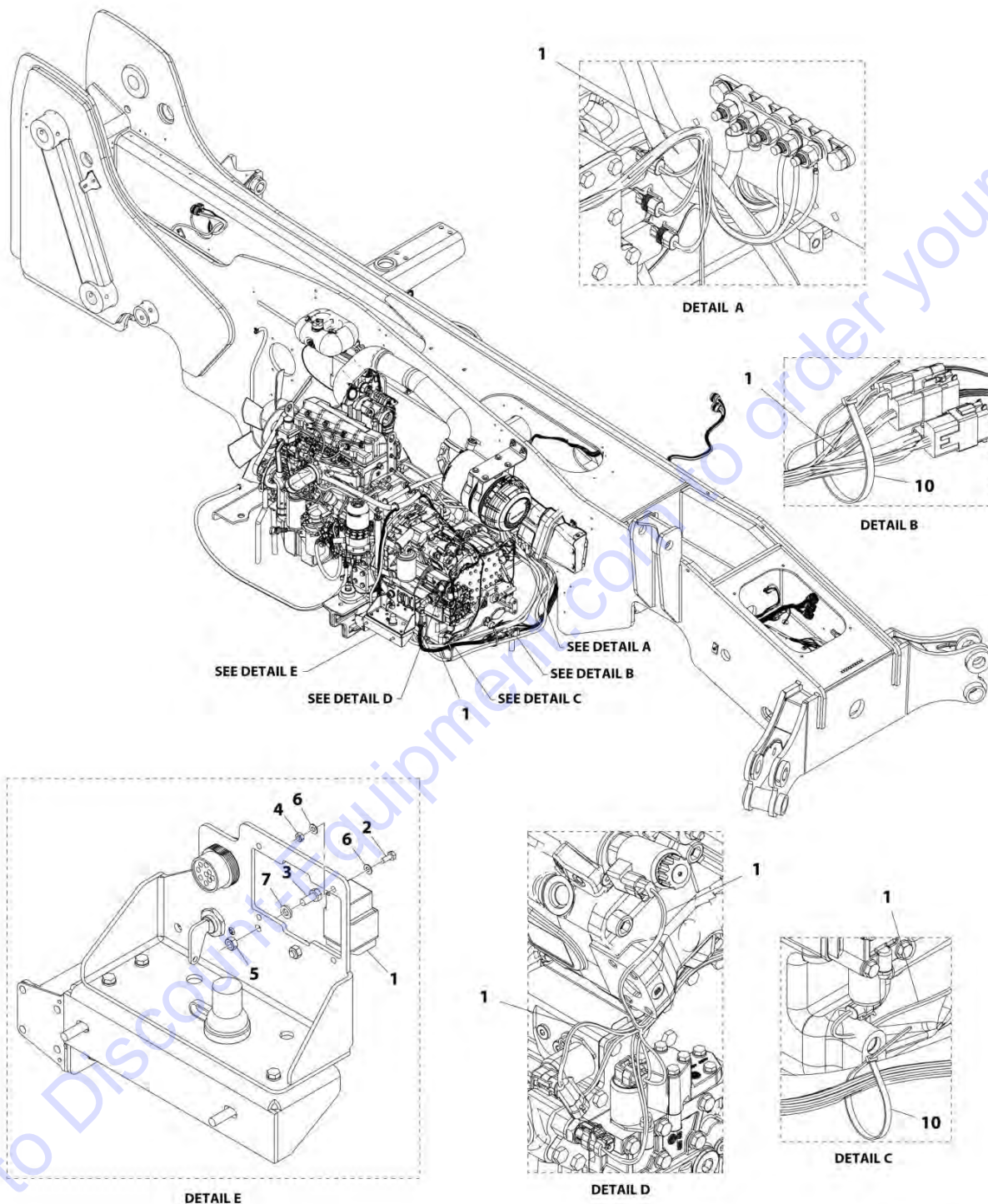
SECTION 4 - ENGINE AND ATTACHING PARTS

FIGURE 4-7. ENGINE WIRING INSTALLATION (ULS)

ITEM	PART NUMBER	QTY	DESCRIPTION	REV
	1001163233	Ref	Engine Wiring Installation (ULS)	L
1		Ref	Harness, Engine (ULS) (See Separate Breakdown in this Section)	
2	4031608	4	Screw, M5X20	
3	4811600	4	Washer, M5	
4	1001184835	1	Harness, TBAP (See TBAP HARNESS for Breakdown)	
5	0700618	1	Bolt, M6X50	
6	0760808	1	Bolt, M8X16	
7	0761007	2	Bolt, M10X14	
8	0761010	2	Bolt, M10X20	
9	1062255	8	Strap, Tie	
10	4811700	1	Washer, M6	
11	4811900	2	Washer, M8 (Prior to SN 0160093271)	
11	4811900	4	Washer, M8 (SN 0160093271 to Present)	
12	4812000	4	Washer, M10	
13	4831600	4	Washer, Lock M5	
14	8406201	4	Clip, Tube	
15	1001131177	1	Fuse, Power Module	
16	1001189046	1	Bracket	
17	1001191486	1	Decal	
18	1001167646	1	Connector, Strain Relief	
19	0760807	1	Bolt, M8X14	
20	1001153749	1	Clip (SN 0160093271 to Present)	
21	0700808	1	Bolt, M8X16 (SN 0160093271 to Present)	
22	3290801	1	Hex Nut, M8X1.25 (SN 0160093271 to Present)	

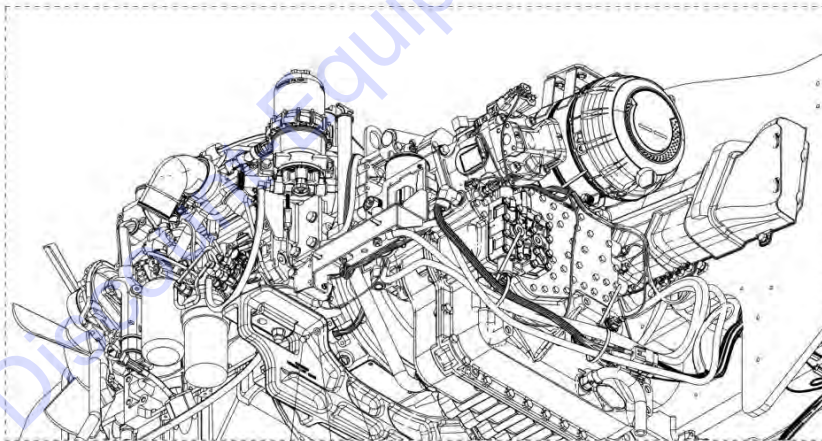
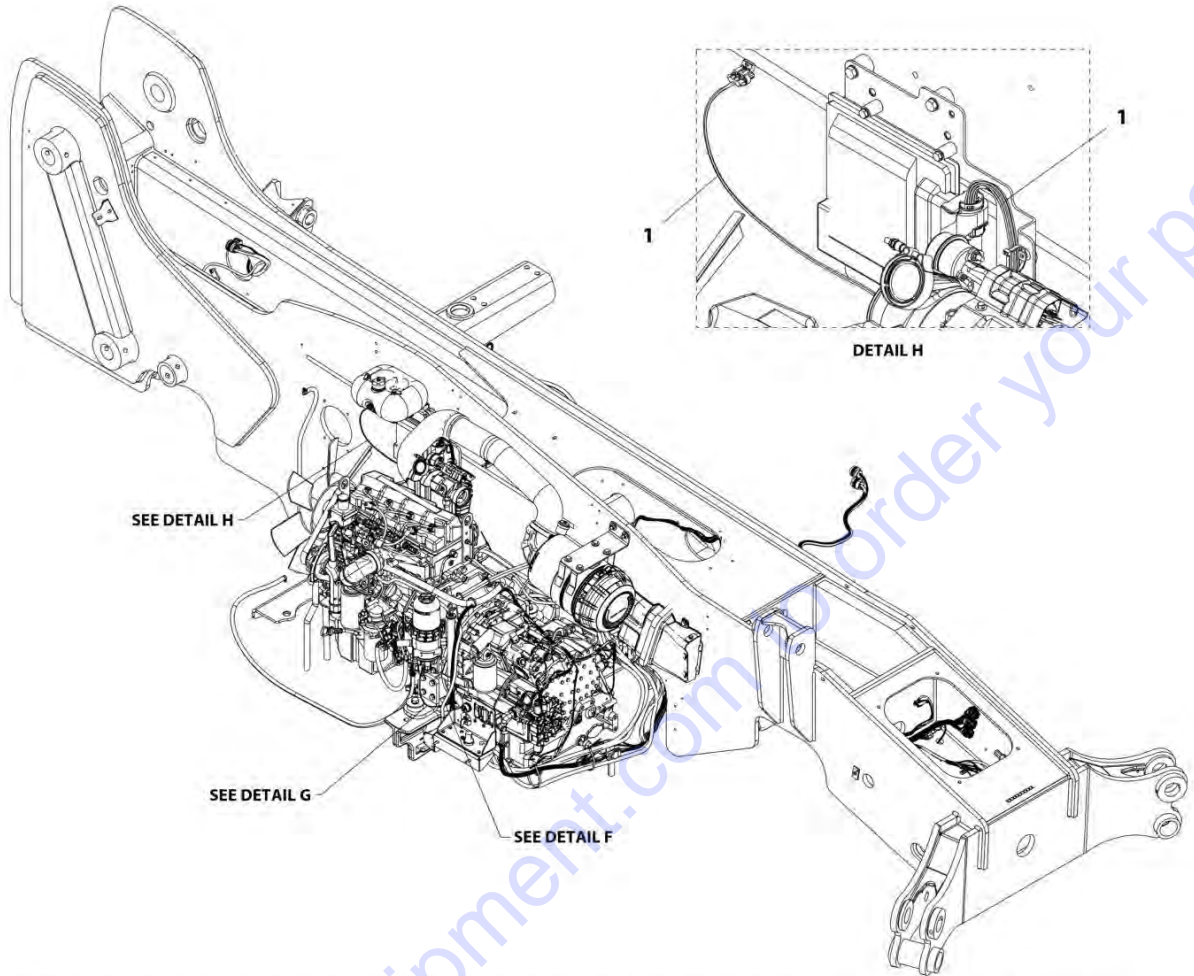
SECTION 4 - ENGINE AND ATTACHING PARTS

FIGURE 4-8. ENGINE WIRING INSTALLATION (LS)



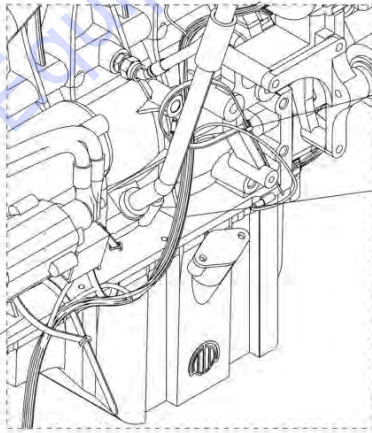
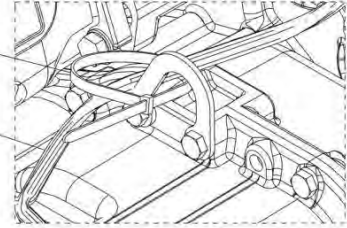
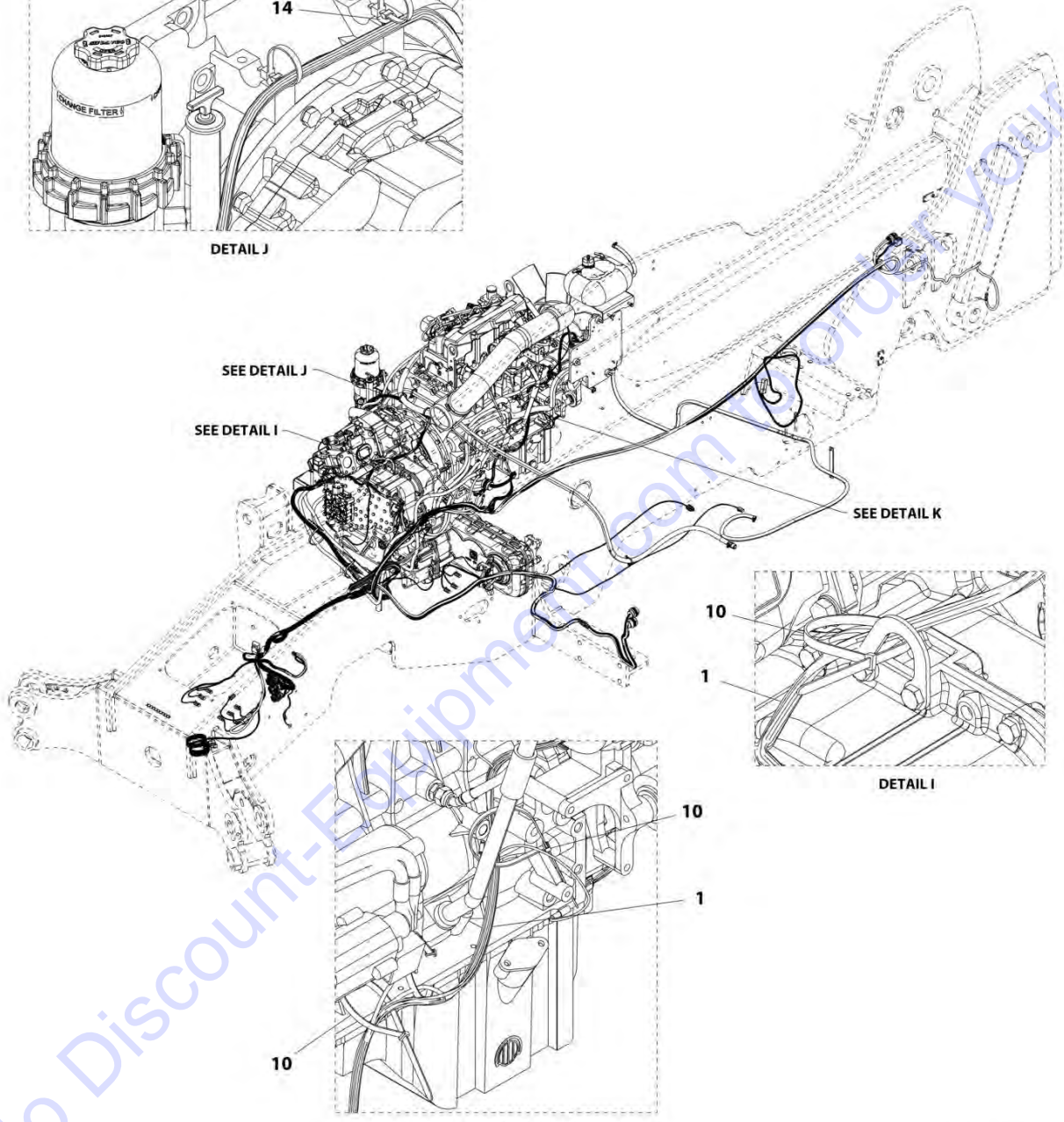
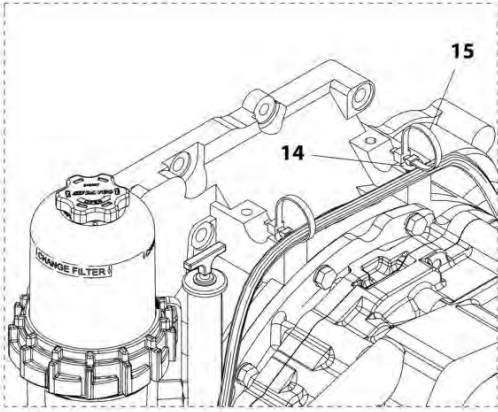
ART_1001163242_1-H

SECTION 4 - ENGINE AND ATTACHING PARTS



ART_1001163242_2-H

SECTION 4 - ENGINE AND ATTACHING PARTS



ART_1001163242_3-H

SECTION 4 - ENGINE AND ATTACHING PARTS

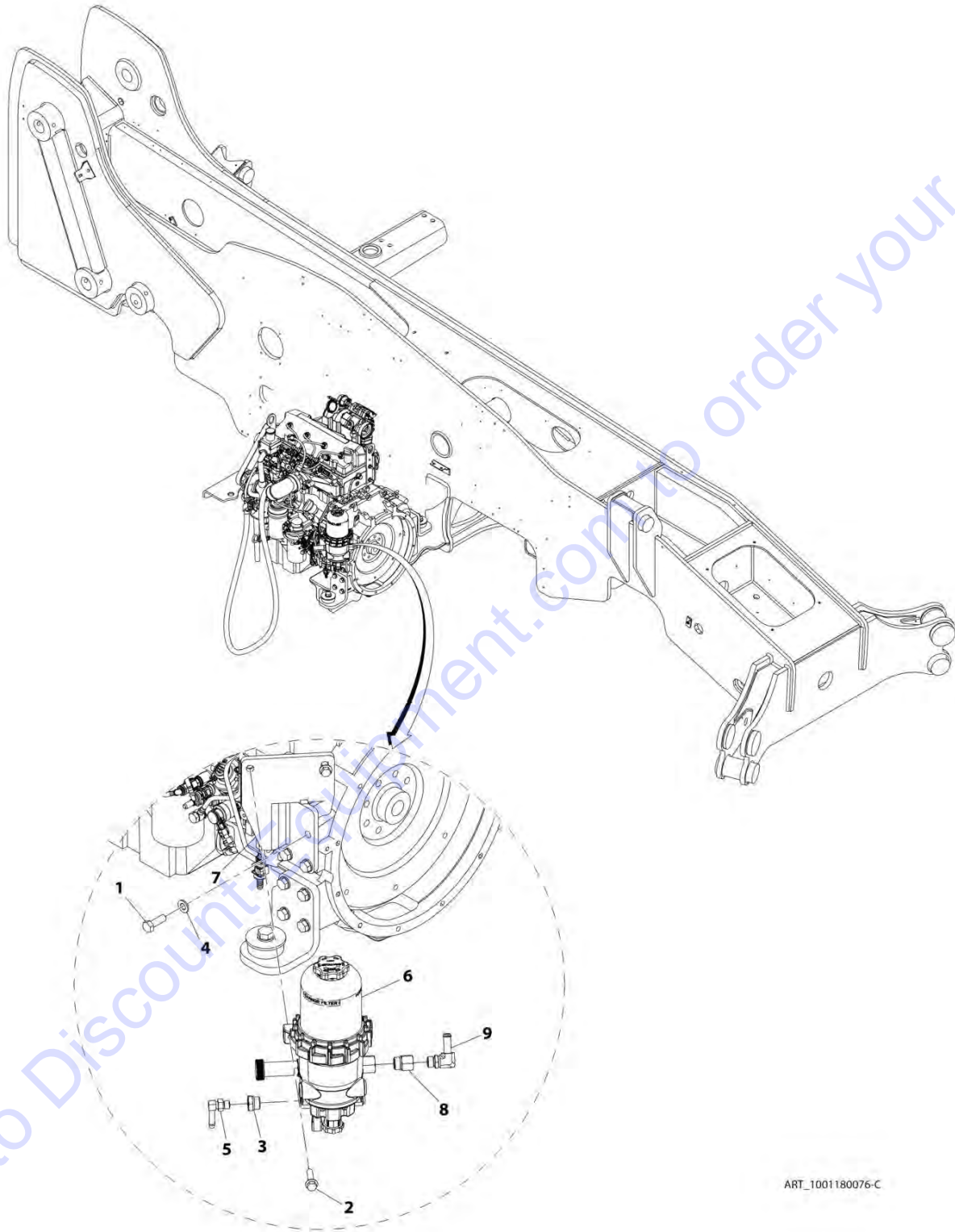
FIGURE 4-8. ENGINE WIRING INSTALLATION (LS)

ITEM	PART NUMBER	QTY	DESCRIPTION	REV
	1001163242	Ref	Engine Wiring Installation (LS)	H
1		Ref	Harness, Engine (LS) (See Separate Breakdown in this Section)	
2	0760405	1	Bolt, M4X10	
3	0760607	2	Bolt, M6X14	
4	3290401	1	Nut, M4X0.7	
5	3290601	2	Nut, M6X1 Grade 8	
6	4811400	2	Washer, M4	
7	4811700	2	Washer, M6	
8	0760808	1	Bolt, M8X16	
10	1062255	5	Strap, Tie	
11	4811900	1	Washer, M8	
13	8406201	1	Clip	
14	1001202986	2	Strap, Tie	
15	1001008559	2	Strap, Tie	

Go to Discount-Equipment.com to order your parts

SECTION 4 - ENGINE AND ATTACHING PARTS

FIGURE 4-9. PRIMARY FUEL FILTER INSTALLATION (LS)



ART_1001180076-C

SECTION 4 - ENGINE AND ATTACHING PARTS

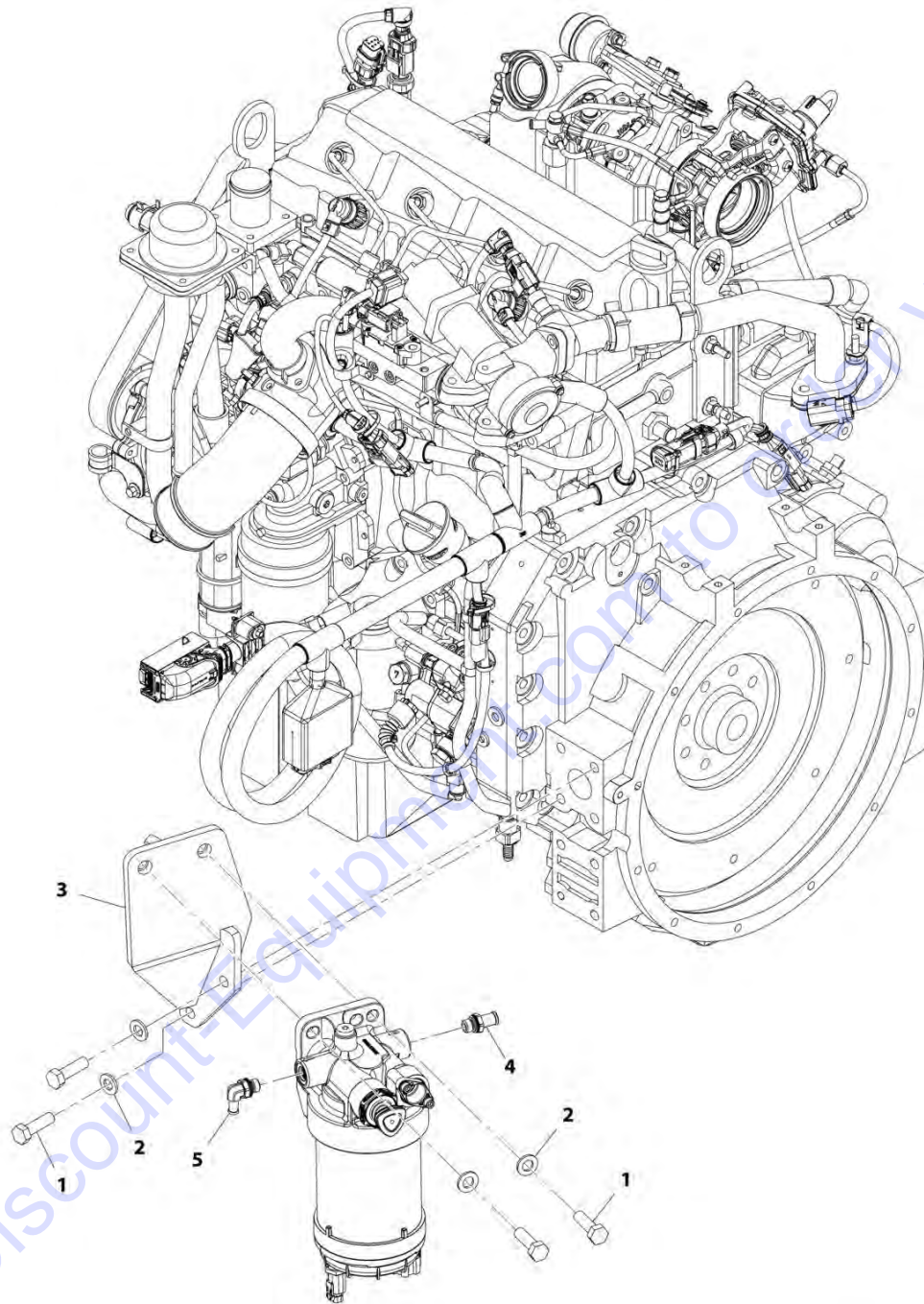
FIGURE 4-9. PRIMARY FUEL FILTER INSTALLATION (LS)

ITEM	PART NUMBER	QTY	DESCRIPTION	REV
	1001180076	Ref	Primary Fuel Filter Installation (LS)	C
1	0701215	3	Bolt, M12X35	
2	0781016	2	Bolt, M10X40	
3	2220218	1	Fitting, Straight ORFS	
4	4812100	3	Washer, M12	
5	8430034	1	Elbow, 90	
6	1001133534	1	Filter, Fuel	
7	1001180078	1	Bracket, Fuel Filter Mount	
8	2220810	1	Fitting, Straight	
9	1001200239	1	Fitting, 90 ORFS	

Go to Discount-Equipment.com to order your parts

SECTION 4 - ENGINE AND ATTACHING PARTS

FIGURE 4-10. PRIMARY FUEL FILTER INSTALLATION (ULS)



ART_1001163235-F

SECTION 4 - ENGINE AND ATTACHING PARTS

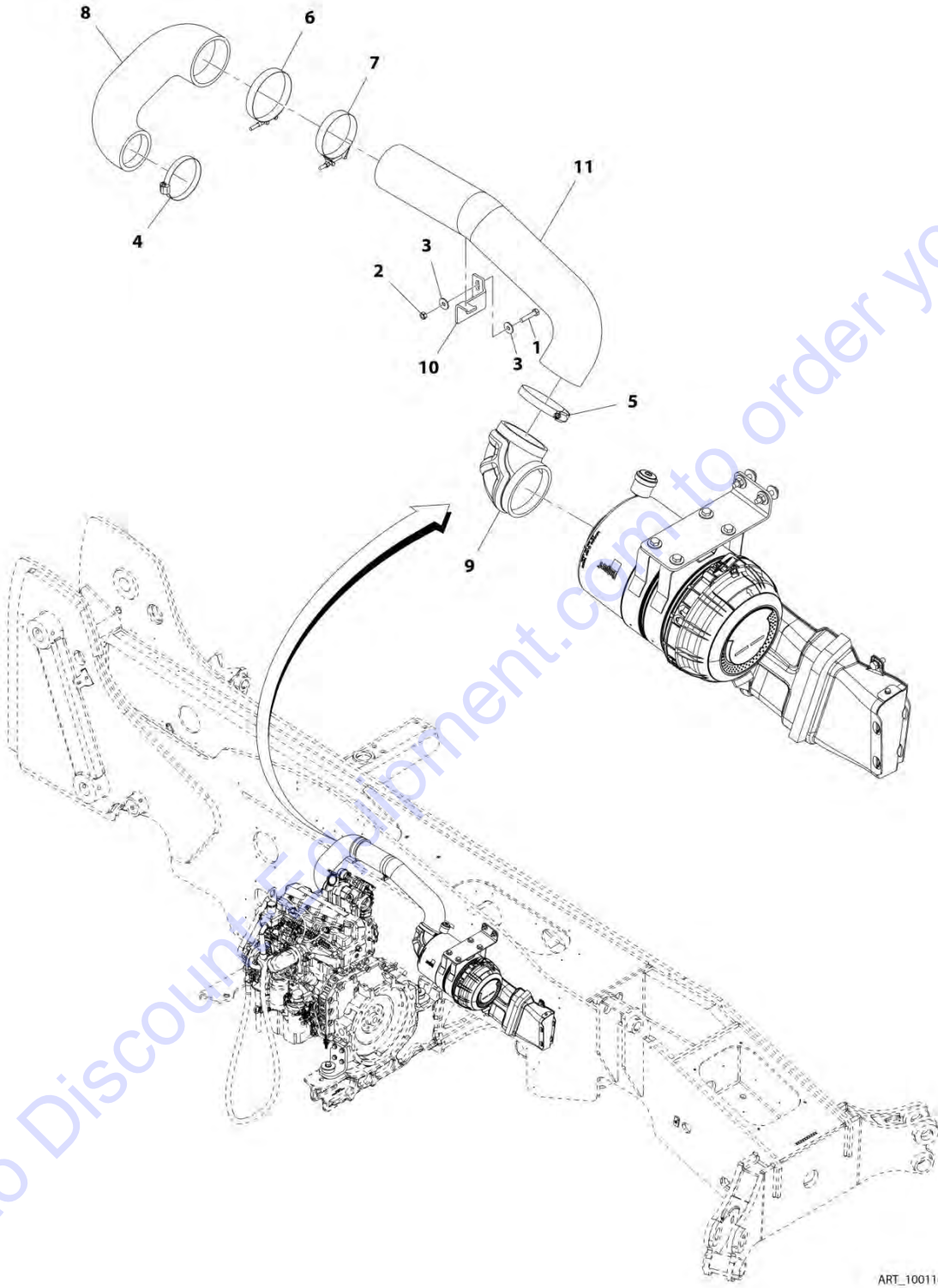
FIGURE 4-10. PRIMARY FUEL FILTER INSTALLATION (ULS)

ITEM	PART NUMBER	QTY	DESCRIPTION	REV
	1001163235	Ref	Primary Fuel Filter Installation	F
1	0701216	4	Bolt, M12X40	
2	4812100	4	Washer, M12	
3	1001206019	1	Bracket, Fuel Filter Mount	
4	1001217467	1	Barb, Hose	
5	1001182094	1	Hose	

Go to Discount-Equipment.com to order your parts

SECTION 4 - ENGINE AND ATTACHING PARTS

FIGURE 4-11. AIR CLEANER LINES INSTALLATION (LS)



ART_1001163238-C

SECTION 4 - ENGINE AND ATTACHING PARTS

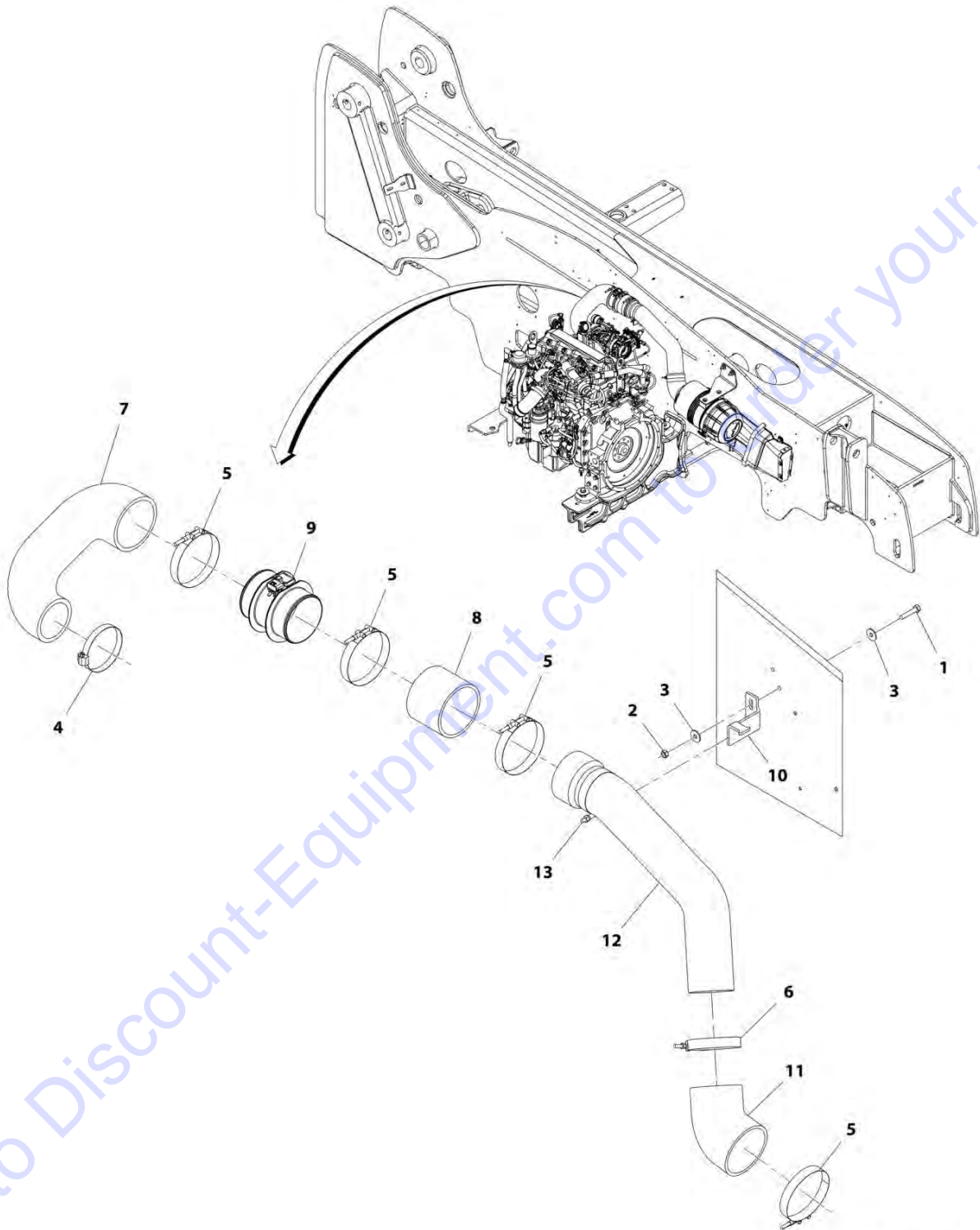
FIGURE 4-11. AIR CLEANER LINES INSTALLATION (LS)

ITEM	PART NUMBER	QTY	DESCRIPTION	REV
	1001163238	Ref	Air Intake Lines Installation (LS)	C
1	0700816	1	Bolt, M8X40	
2	3290801	1	Nut, M8X1.25 Grade 8	
3	4811902	2	Washer, M8	
4	8410011	1	Clamp	
5	10719267	1	Clamp	
6	80933367	1	Clamp	
7	91413025	1	Clamp	
8	1001166449	1	Hose	
9	1001166451	1	Elbow	
10	1001169155	1	Bracket	
11	1001185498	1	Tube	

Go to Discount-Equipment.com to order your parts

SECTION 4 - ENGINE AND ATTACHING PARTS

FIGURE 4-12. AIR CLEANER LINES INSTALLATION (ULS)



ART_1001169011-C

SECTION 4 - ENGINE AND ATTACHING PARTS

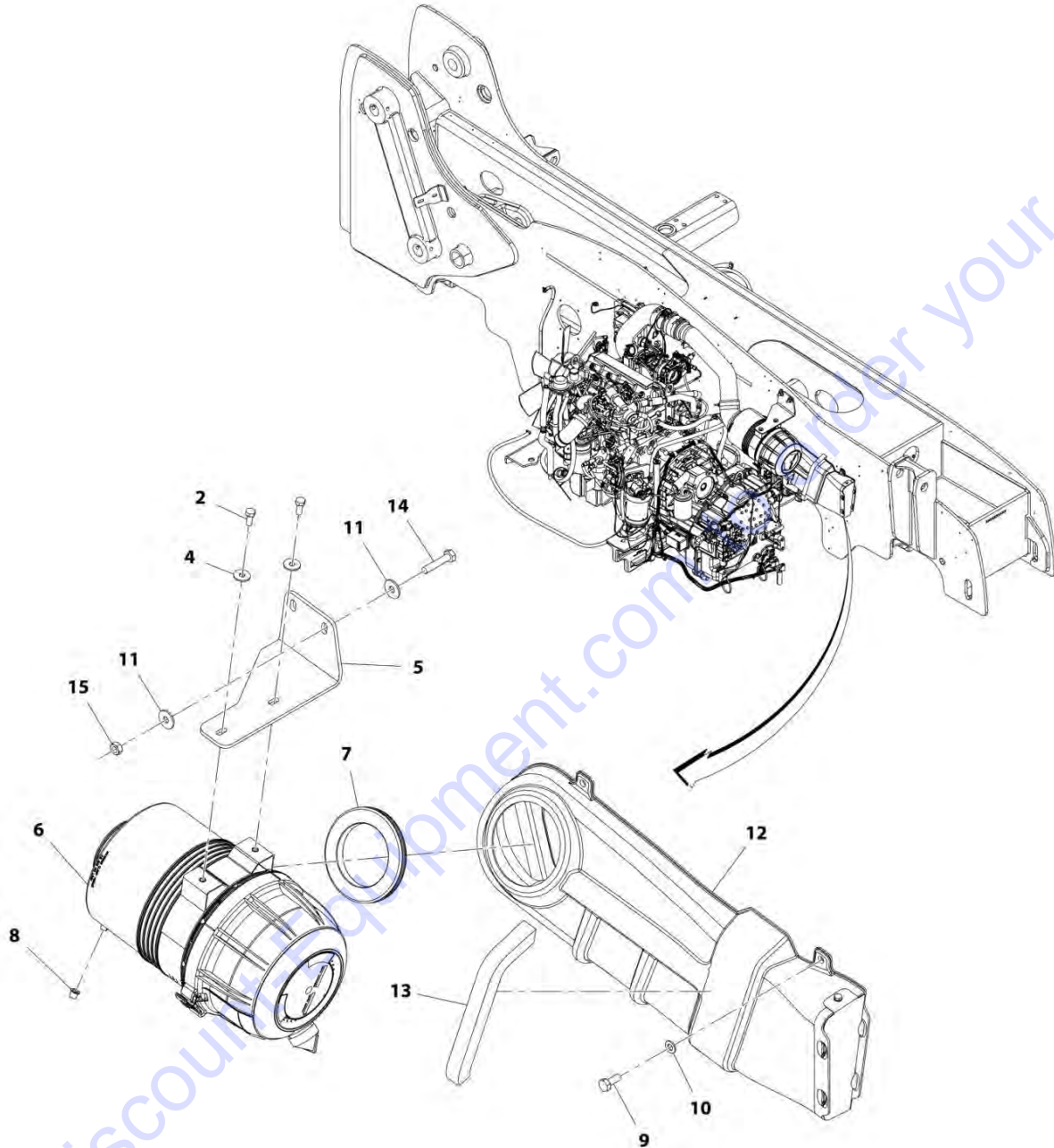
FIGURE 4-12. AIR CLEANER LINES INSTALLATION (ULS)

ITEM	PART NUMBER	QTY	DESCRIPTION	REV
	1001169011	Ref	Air Cleaner Lines Installation	C
1	0700816	1	Bolt, M8X40	
2	3290801	1	Nut, M8X1.25 Grade 8	
3	4811902	2	Washer, M8	
4	8410011	1	Clamp	
5	80933367	4	Clamp	
6	91413025	1	Clamp	
7	1001166449	1	Hose	
8	1001166450	1	Hose	
9	1001168771	1	Tube	
10	1001169155	1	Bracket	
11	1001185505	1	Elbow	
12	1001185497	1	Tube	
13	8410007	1	Clamp, T-Bolt	

Go to Discount-Equipment.com to order your parts

SECTION 4 - ENGINE AND ATTACHING PARTS

FIGURE 4-13. AIR CLEANER INSTALLATION (ULS)



ART_1001169012-F

SECTION 4 - ENGINE AND ATTACHING PARTS

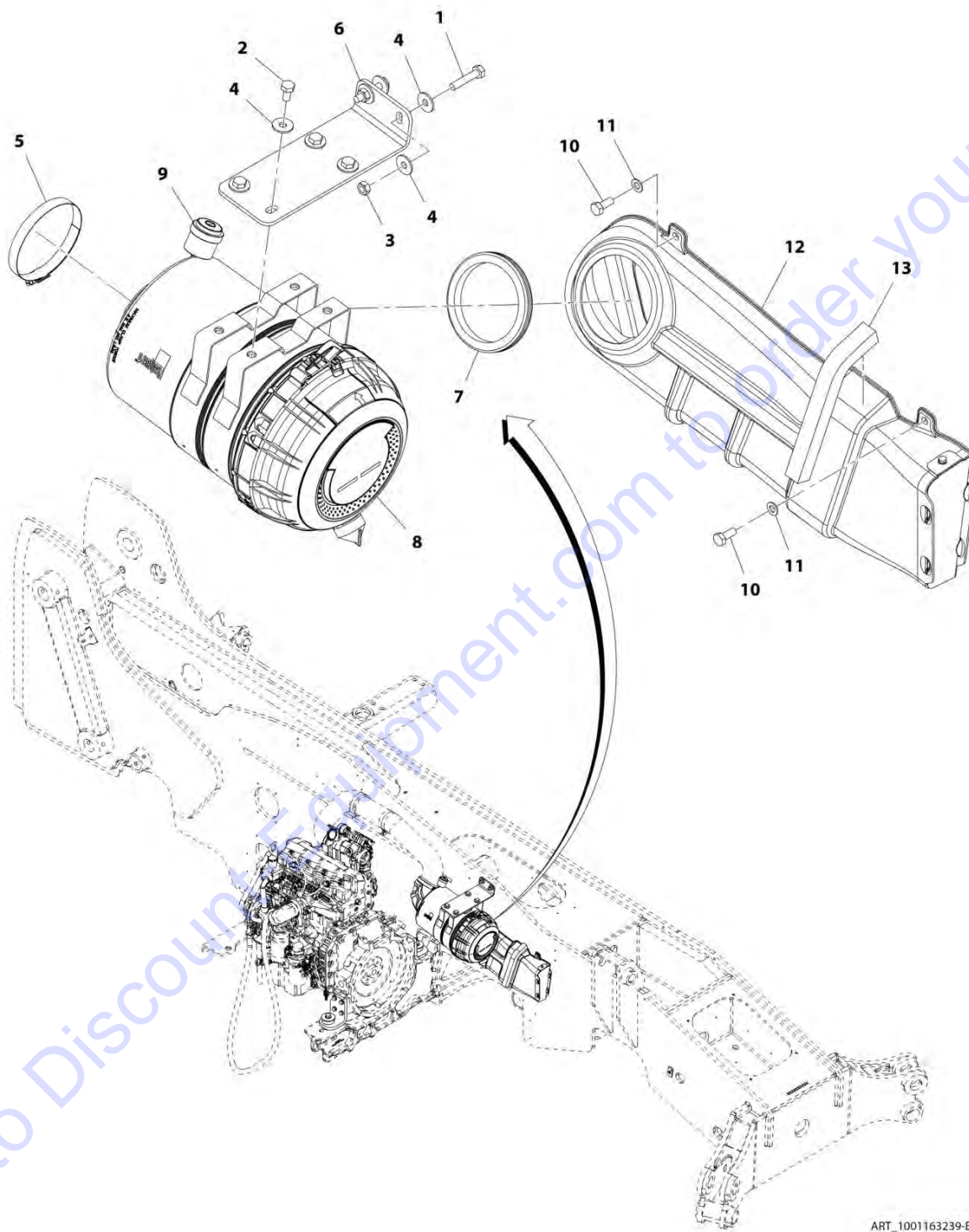
FIGURE 4-13. AIR CLEANER INSTALLATION (ULS)

ITEM	PART NUMBER	QTY	DESCRIPTION	REV
	1001169012	Ref	Air Cleaner Installation	F
2	0760810	2	Bolt, M8X20	
4	4811902	2	Washer, M8	
5	1001185278	1	Bracket	
6	1001166566	1	Filter, Air Cleaner (See Separate Breakdown in this Section)	
7	1001183830	1	Grommet, Intake	
8	1001183177	1	Cap, Air Cleaner	
9	0761012	4	Bolt, M10X25	
10	4812000	4	Washer, M10	
11	4812002	4	Washer, M10	
12	1001183835	1	Installation, Air Intake Duct (See Separate Breakdown in this Section)	
13	1001186898	1	Seal	
14	0701018	2	Bolt, M8X50	
15	3291001	1	Nut, M10X1.5 Grade 8	

Go to Discount-Equipment.com to order your parts

SECTION 4 - ENGINE AND ATTACHING PARTS

FIGURE 4-14. AIR CLEANER INSTALLATION (LS)



ART_1001163239-E

SECTION 4 - ENGINE AND ATTACHING PARTS

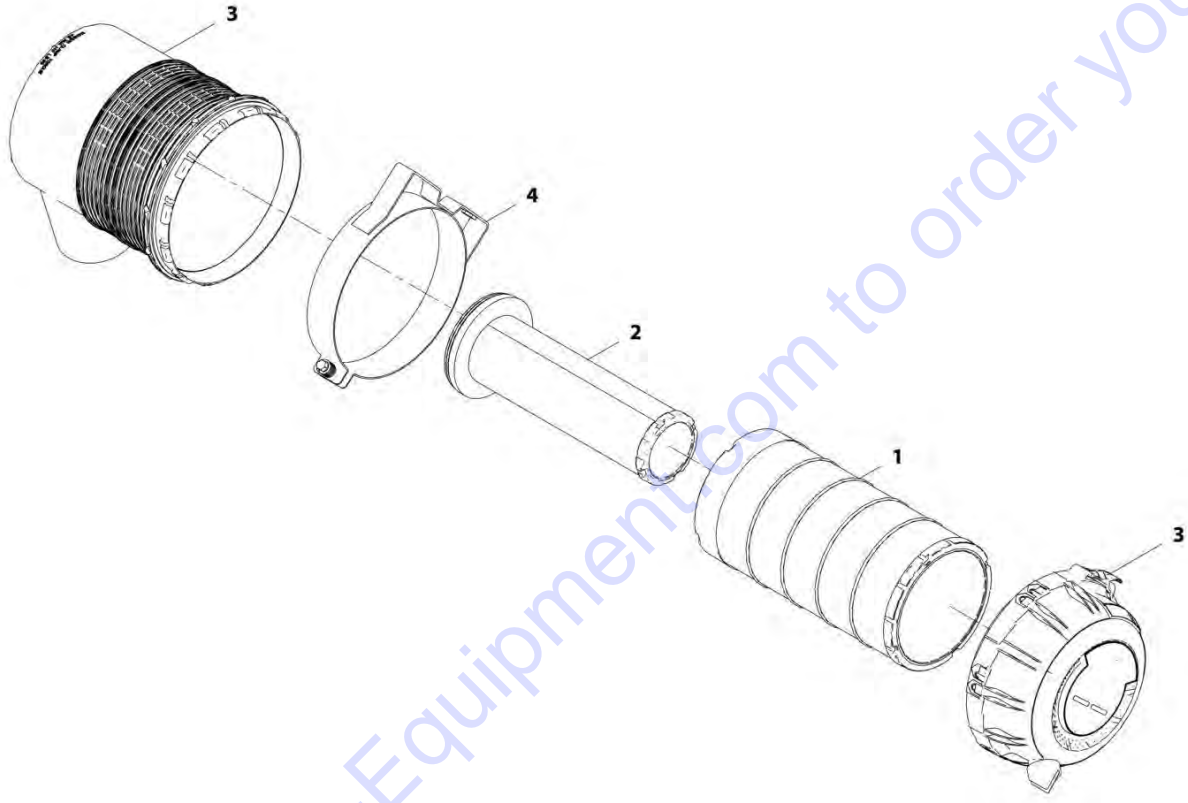
FIGURE 4-14. AIR CLEANER INSTALLATION (LS)

ITEM	PART NUMBER	QTY	DESCRIPTION	REV
	1001163239	Ref	Air Cleaner Installation (LS)	E
1	0701018	2	Bolt, M10X50	
2	0761010	4	Bolt, M10X20	
3	3291001	2	Nut, M10X1.5 Grade 8	
4	4812002	8	Washer, M10	
5	8405402	1	Clamp	
6	1001194534	1	Bracket, Air Cleaner Mount	
7	1001183831	1	Grommet	
8	1001166565	1	Filter, Air Cleaner (See Separate Breakdown in this Section)	
9	1001166716	1	Indicator	
10	0761012	4	Bolt, M10X25	
11	4812000	4	Washer, M10	
12	1001183835	1	Installation, Duct Air Intake (See Separate Breakdown in this Section)	
13	1001186898	1	Seal	

Go to Discount-Equipment.com to order your parts

SECTION 4 - ENGINE AND ATTACHING PARTS

FIGURE 4-15. AIR CLEANER ASSEMBLY (74.4KW)



ART_1001166566-G

SECTION 4 - ENGINE AND ATTACHING PARTS

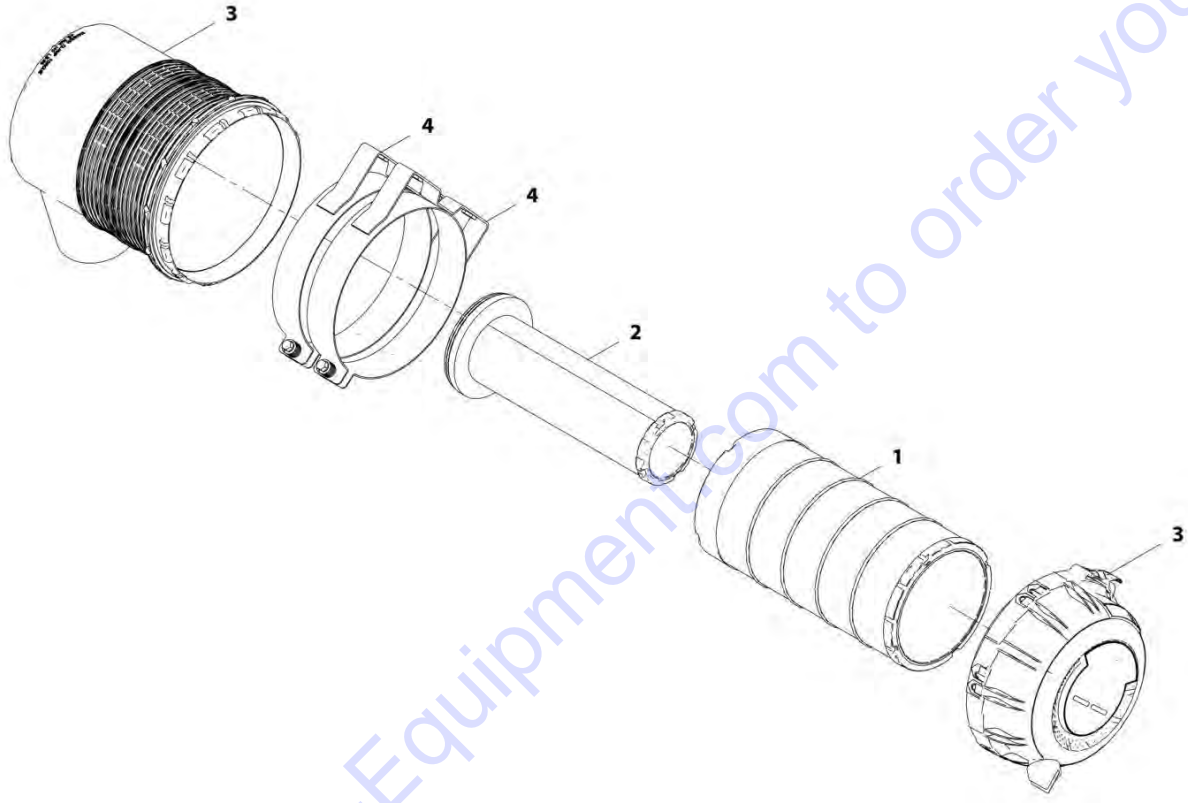
FIGURE 4-15. AIR CLEANER ASSEMBLY (74.4KW)

ITEM	PART NUMBER	QTY	DESCRIPTION	REV
	1001166566	Ref	Air Cleaner Assembly (74.4KW)	G
1	70025852	1	Filter, Air Cylindrical Primary	
2	70025853	1	Filter, Air Cylindrical Secondary	
3	70026393	1	Cover, Air Cleaner	
4	70026394	1	Bracket, Mounting Band	

Go to Discount-Equipment.com to order your parts

SECTION 4 - ENGINE AND ATTACHING PARTS

FIGURE 4-16. AIR CLEANER ASSEMBLY (90/100KW)



ART_1001166565-E

Go to Discount-Equipment.com to order your parts

SECTION 4 - ENGINE AND ATTACHING PARTS

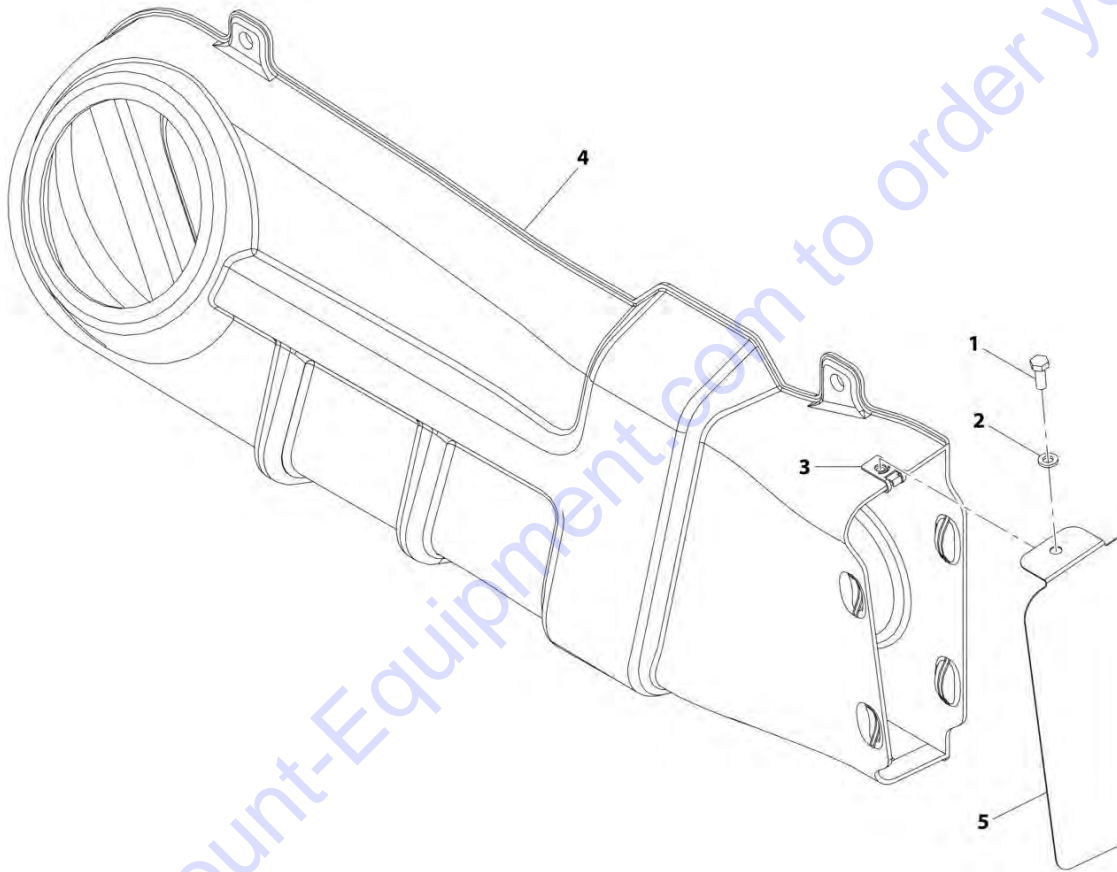
FIGURE 4-16. AIR CLEANER ASSEMBLY (90/100KW)

ITEM	PART NUMBER	QTY	DESCRIPTION	REV
	1001166565	Ref	Air Cleaner Filter Assembly (90/100KW)	E
1	70025850	1	Filter, Cylindrical Air Primary	
2	70025851	1	Filter, Cylindrical Air Secondary	
3	70026395	1	Cover	
4	70026396	2	Bracket	

Go to Discount-Equipment.com to order your parts

SECTION 4 - ENGINE AND ATTACHING PARTS

FIGURE 4-17. AIR INTAKE DUCT INSTALLATION



ART_1001183835-C

SECTION 4 - ENGINE AND ATTACHING PARTS

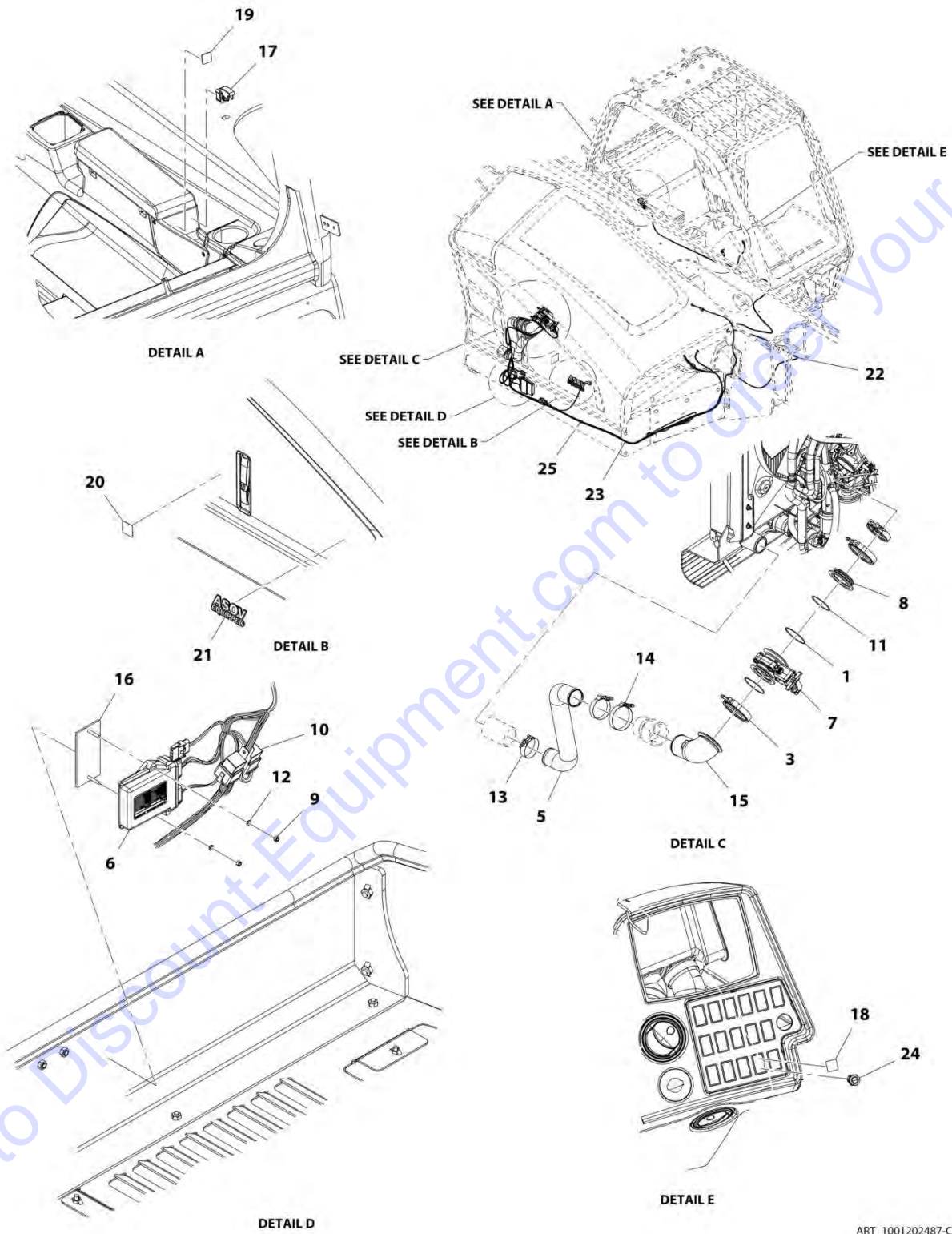
FIGURE 4-17. AIR INTAKE DUCT INSTALLATION

ITEM	PART NUMBER	QTY	DESCRIPTION	REV
	1001183835	Ref	Air Intake Duct Installation	C
1	0760608	1	Bolt, M6X16	
2	4811702	1	Washer, M6	
3	8305919	1	Nut	
4	1001183827	1	Duct	
5	1001183829	1	Plate	

Go to Discount-Equipment.com to order your parts

SECTION 4 - ENGINE AND ATTACHING PARTS

FIGURE 4-18. AIR INTAKE SHUT OFF VALVE INSTALLATION



ART_1001202487-C

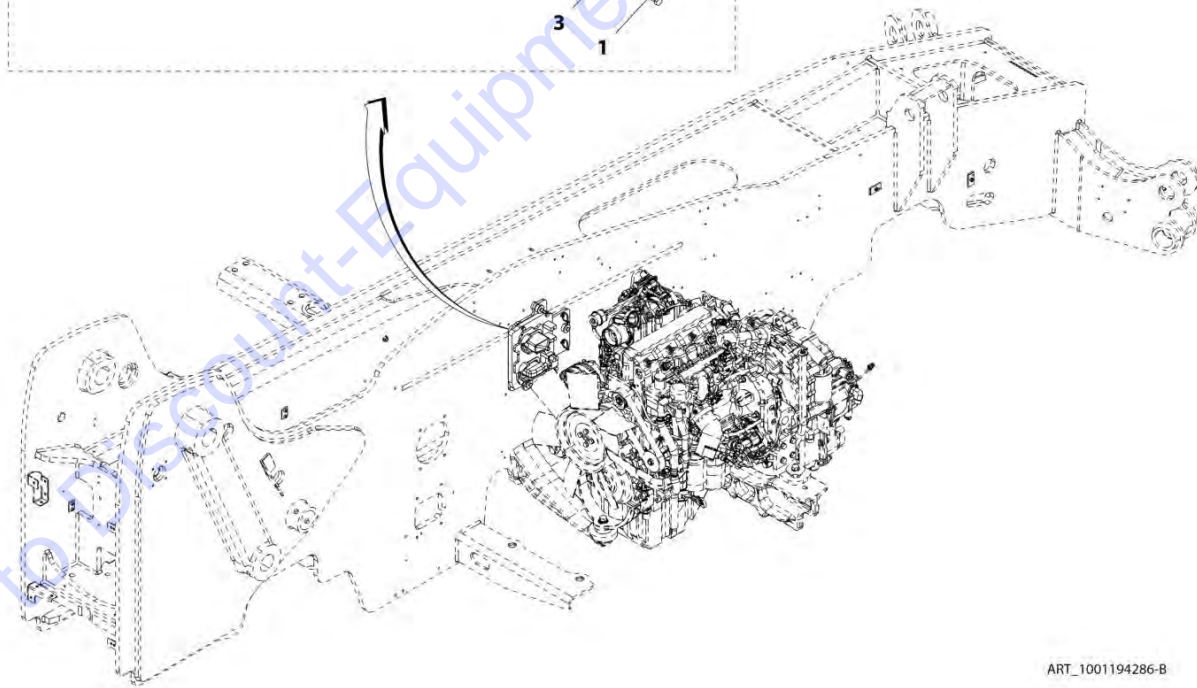
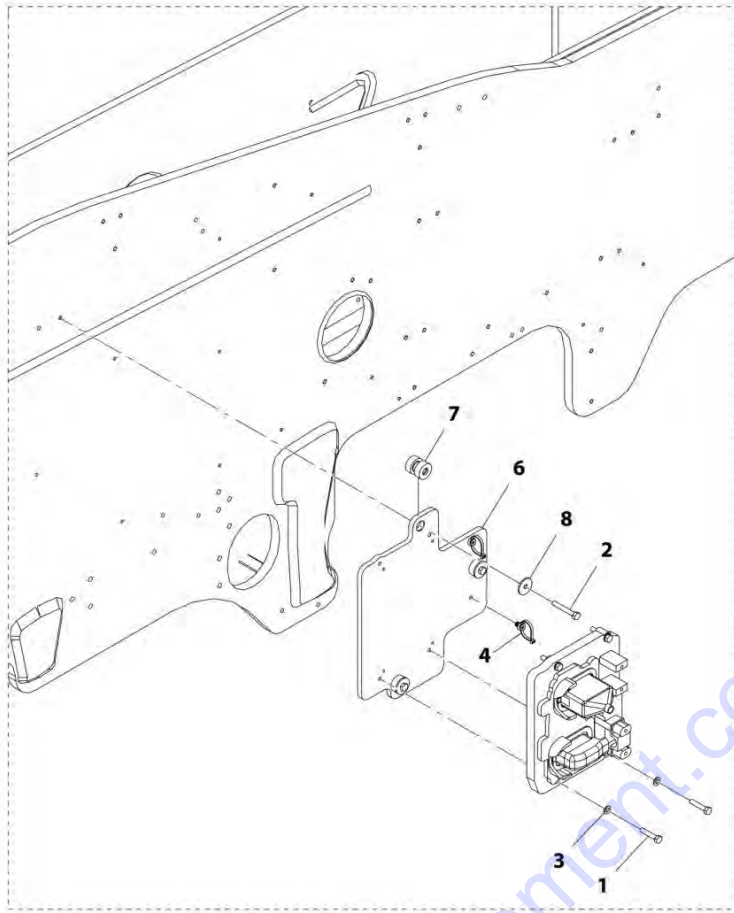
SECTION 4 - ENGINE AND ATTACHING PARTS

FIGURE 4-18. AIR INTAKE SHUT OFF VALVE INSTALLATION

ITEM	PART NUMBER	QTY	DESCRIPTION	REV
	1001202487	Ref	Air Intake Shut Off Valve Installation	C
1	3790152	2	Ring	
3	1001202247	2	Clamp	
5	1001202491	1	Pipe	
6	1001203181	Ref	Accessory, Control (See Separate Breakdown in Electrical Section)	
7	1001204032	Ref	Valve, Air Shut Off (See Separate Breakdown in Hydraulic Circuits Section)	
8	1001206980	1	Plate	
9	3290505	2	Nut, Lock M5X0.8 Grade 8	
10	3740080	2	Relay	
11	3790151	1	O-Ring	
12	4811600	2	Washer, M5	
13	8405212	2	Clamp	
14	8405305	1	Clamp	
15	1001215476	1	Pipe	
16	1001219082	1	Bracket	
17	1001215941	1	Switch	
18	1001227077	1	Decal, Air Shut Off	
19	1001227964	1	Decal, ASOV Test	
20	1001228273	1	Decal, Air Shut Off	
21	1001228643	1	Decal, ASOV Equipped	
22	1001231407	Ref	Harness, Cab Air Shut Off Valve (See Separate Breakdown in Electrical Section)	
23	1001231483	Ref	Harness, Engine Air Shut Off Valve (See Separate Breakdown in Electrical Section)	
24	1001239539	1	Lamp	
25	91053419	AR	Strap, Cable	

SECTION 4 - ENGINE AND ATTACHING PARTS

FIGURE 4-19. ENGINE ECU INSTALLATION (ULS)



ART_1001194286-B

SECTION 4 - ENGINE AND ATTACHING PARTS

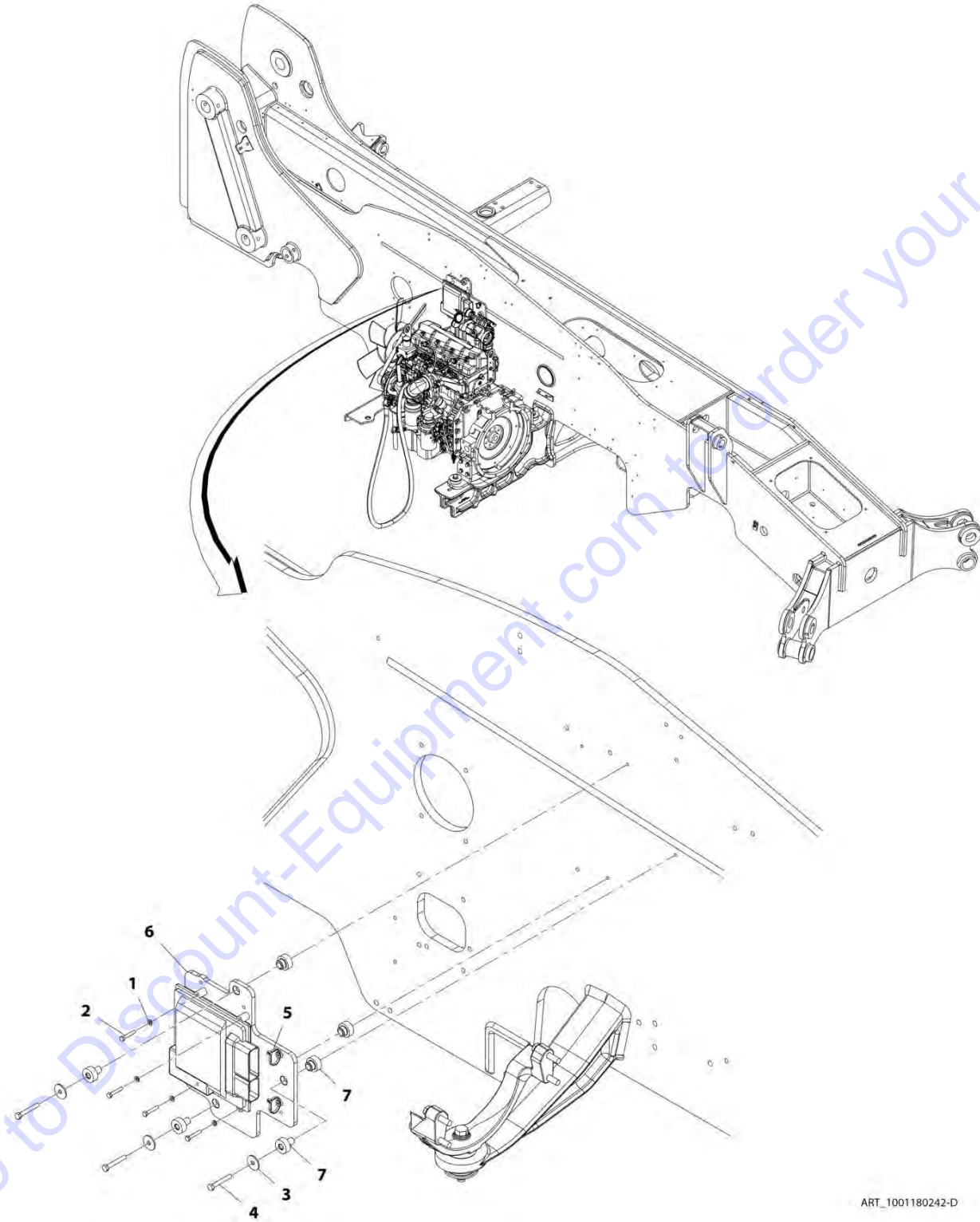
FIGURE 4-19. ENGINE ECU INSTALLATION (ULS)

ITEM	PART NUMBER	QTY	DESCRIPTION	REV
	1001194286	Ref	Engine ECU Installation	B
1	0700816	4	Bolt, M8X40	
2	0700819	3	Bolt, M8X55	
3	4811900	4	Washer, M8	
4	1001146588	2	Strap, Tie	
6	1001192468	1	Bracket	
7	1001192471	3	Mount	
8	1001195089	3	Washer	

Go to Discount-Equipment.com to order your parts

SECTION 4 - ENGINE AND ATTACHING PARTS

FIGURE 4-20. ENGINE ECU INSTALLATION (LS)



ART_1001180242-D

SECTION 4 - ENGINE AND ATTACHING PARTS

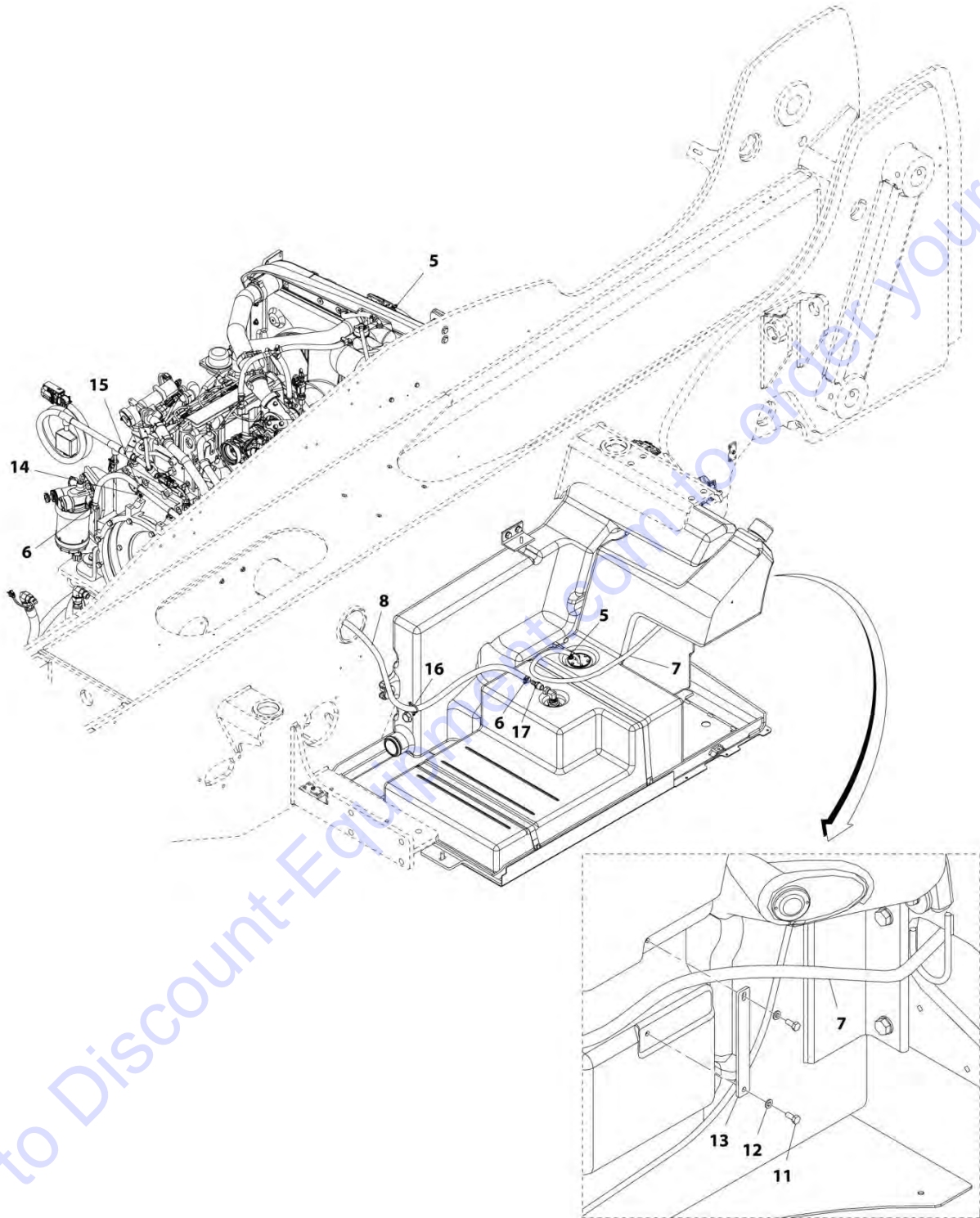
FIGURE 4-20. ENGINE ECU INSTALLATION (LS)

ITEM	PART NUMBER	QTY	DESCRIPTION	REV
	1001180242	Ref	Engine ECM Installation (LS)	D
1	4811700	4	Washer, M6	
2	0760615	4	Bolt, M6X35	
3	1001195089	3	Washer	
4	0700819	3	Bolt, Grade 8	
5	1001146588	2	Strap, Tie	
6	1001192468	1	Bracket	
7	1001192471	3	Mount, Isolator	

Go to Discount-Equipment.com to order your parts

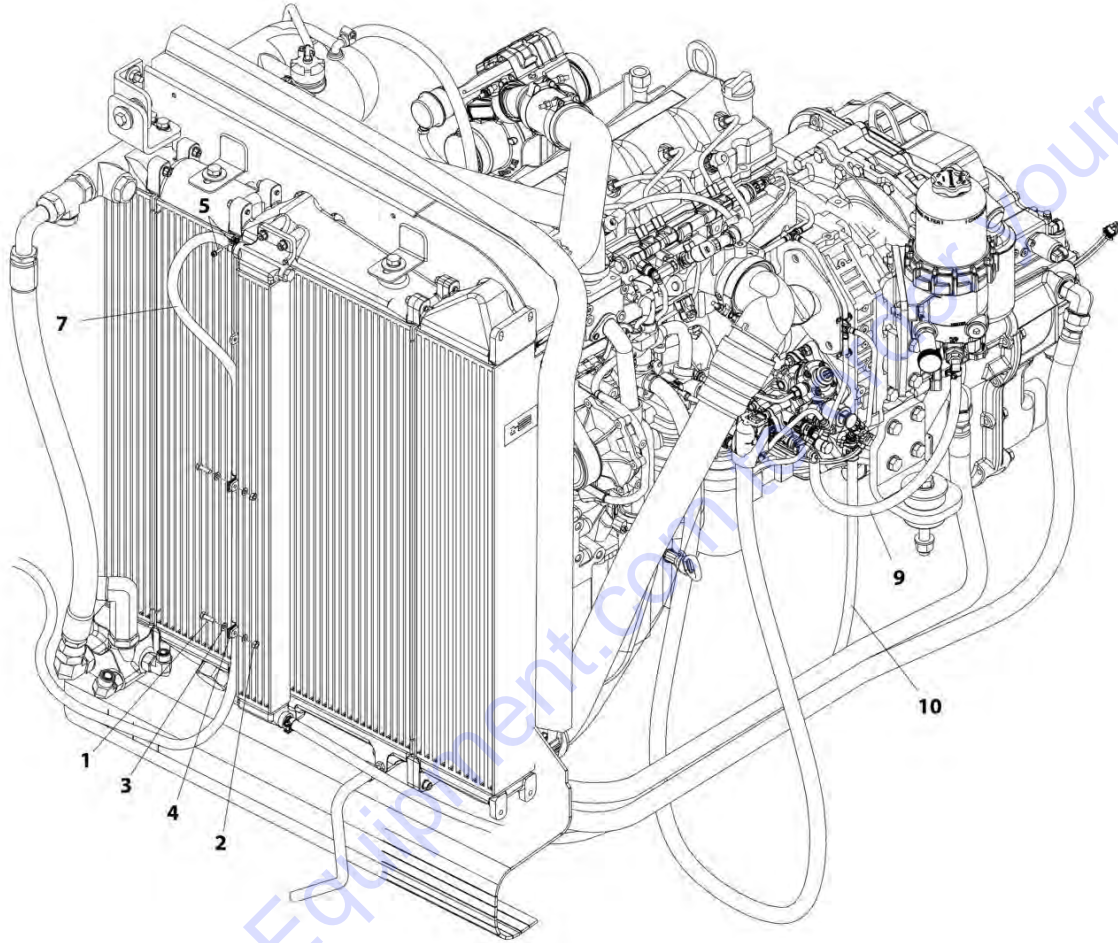
SECTION 4 - ENGINE AND ATTACHING PARTS

FIGURE 4-21. FUEL LINES INSTALLATION (LS)



ART_1001163241_1-G

SECTION 4 - ENGINE AND ATTACHING PARTS



ART_1001163241_2-G

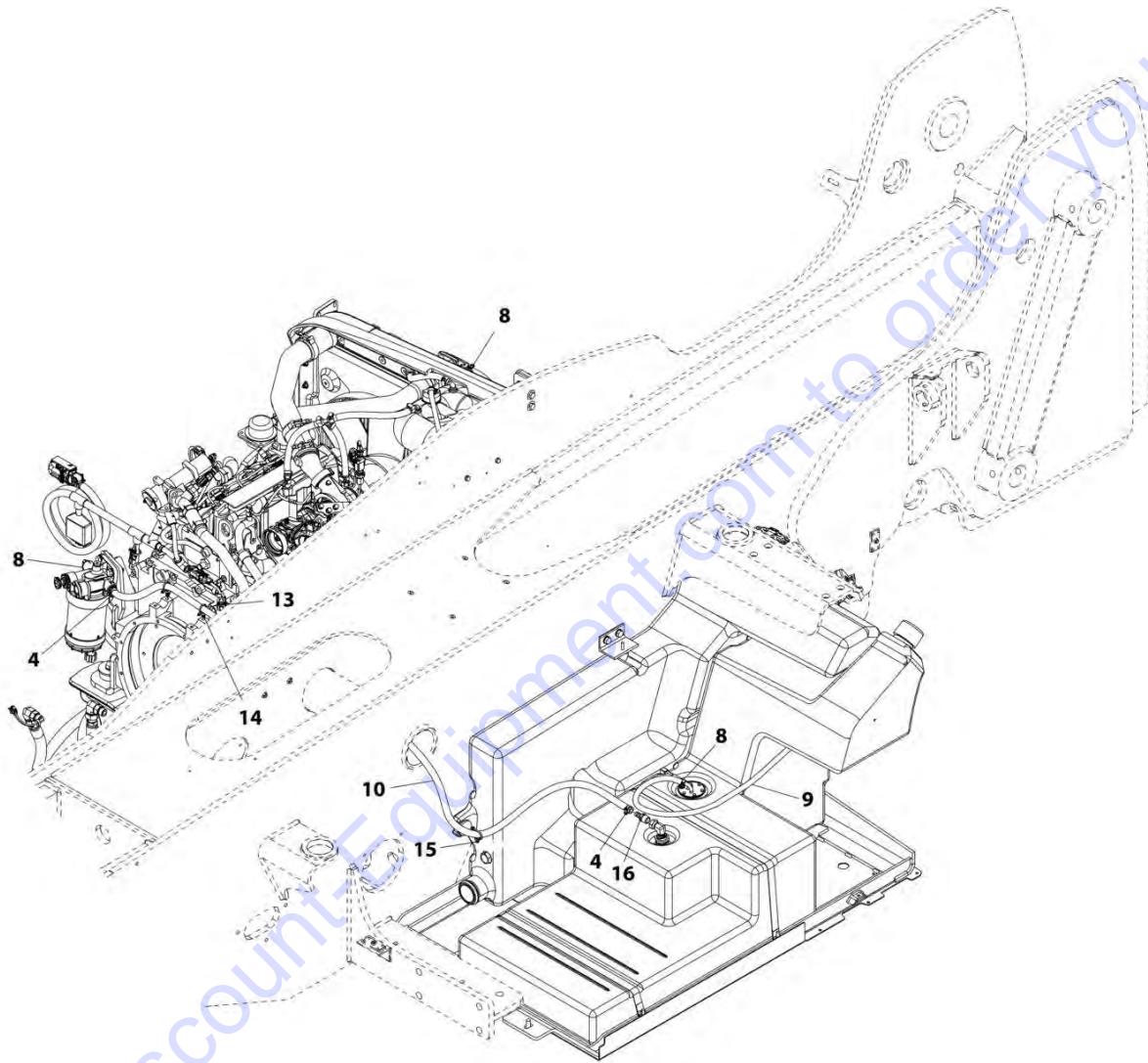
SECTION 4 - ENGINE AND ATTACHING PARTS

FIGURE 4-21. FUEL LINES INSTALLATION (LS)

ITEM	PART NUMBER	QTY	DESCRIPTION	REV
	1001163241	Ref	Fuel Lines Installation (LS)	G
1	0700610	2	Bolt, M6X20	
2	3290601	2	Nut, M6X1 Grade 8	
3	4811700	4	Washer, M6	
4	8406112	2	Clip	
5	1001136975	4	Clamp	
6	1001186342	2	Clip	
7	1001141400	3.7 m	Hose	
8	1001172755	2.4 m	Hose	
9	1001190980	1	Hose	
10	1001197299	1	Hose	
11	0760607	2	Bolt, M6X14	
12	4831700	2	Washer, Lock M6	
13	1001196440	1	Plate, Retainer	
14	1001202986	2	Strap, Fir Tree Push Mount	
15	1001008559	2	Strap	
16	1001146588	1	Strap	
17	1001206588	1	Fitting	

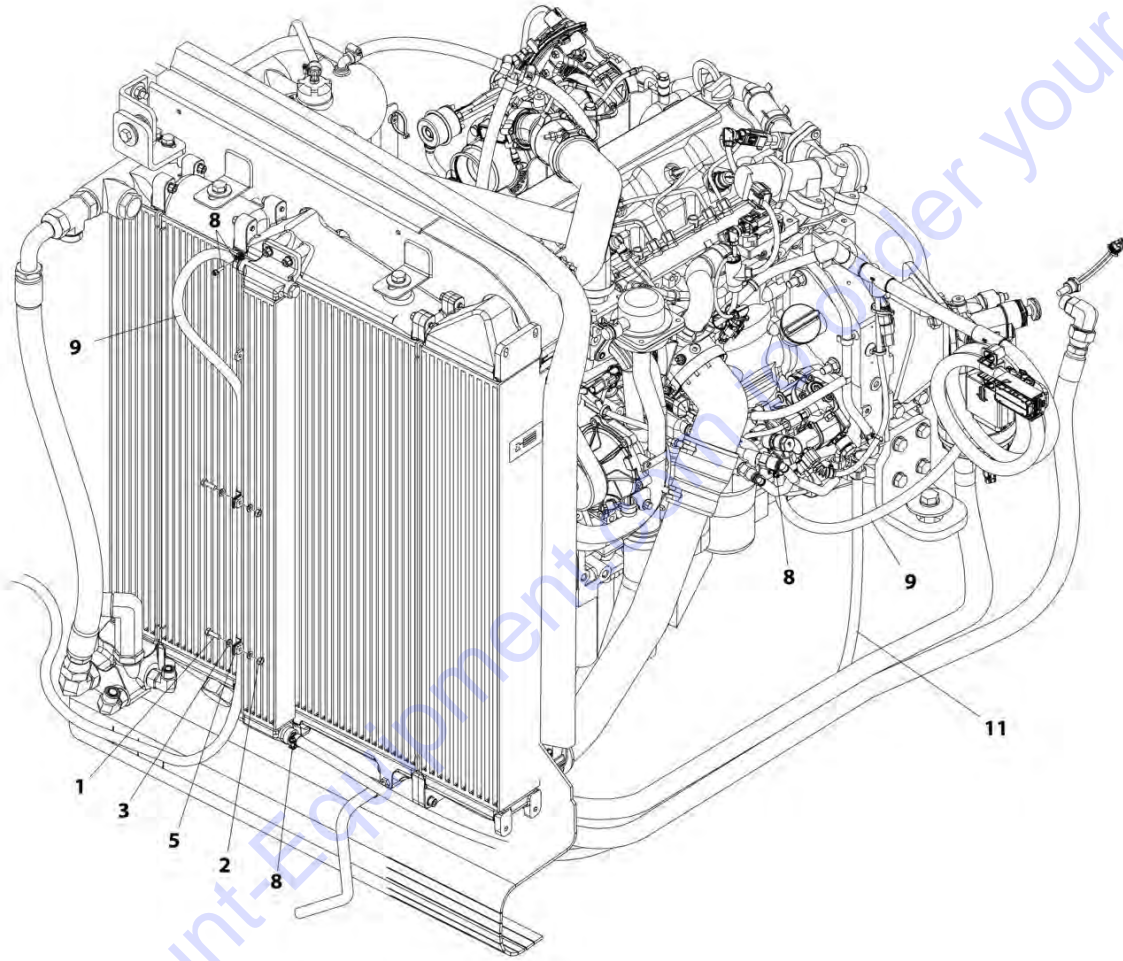
SECTION 4 - ENGINE AND ATTACHING PARTS

FIGURE 4-22. FUEL LINES INSTALLATION (ULS)



ART_1001163231_1-I

SECTION 4 - ENGINE AND ATTACHING PARTS



ART_1001163231_2-I

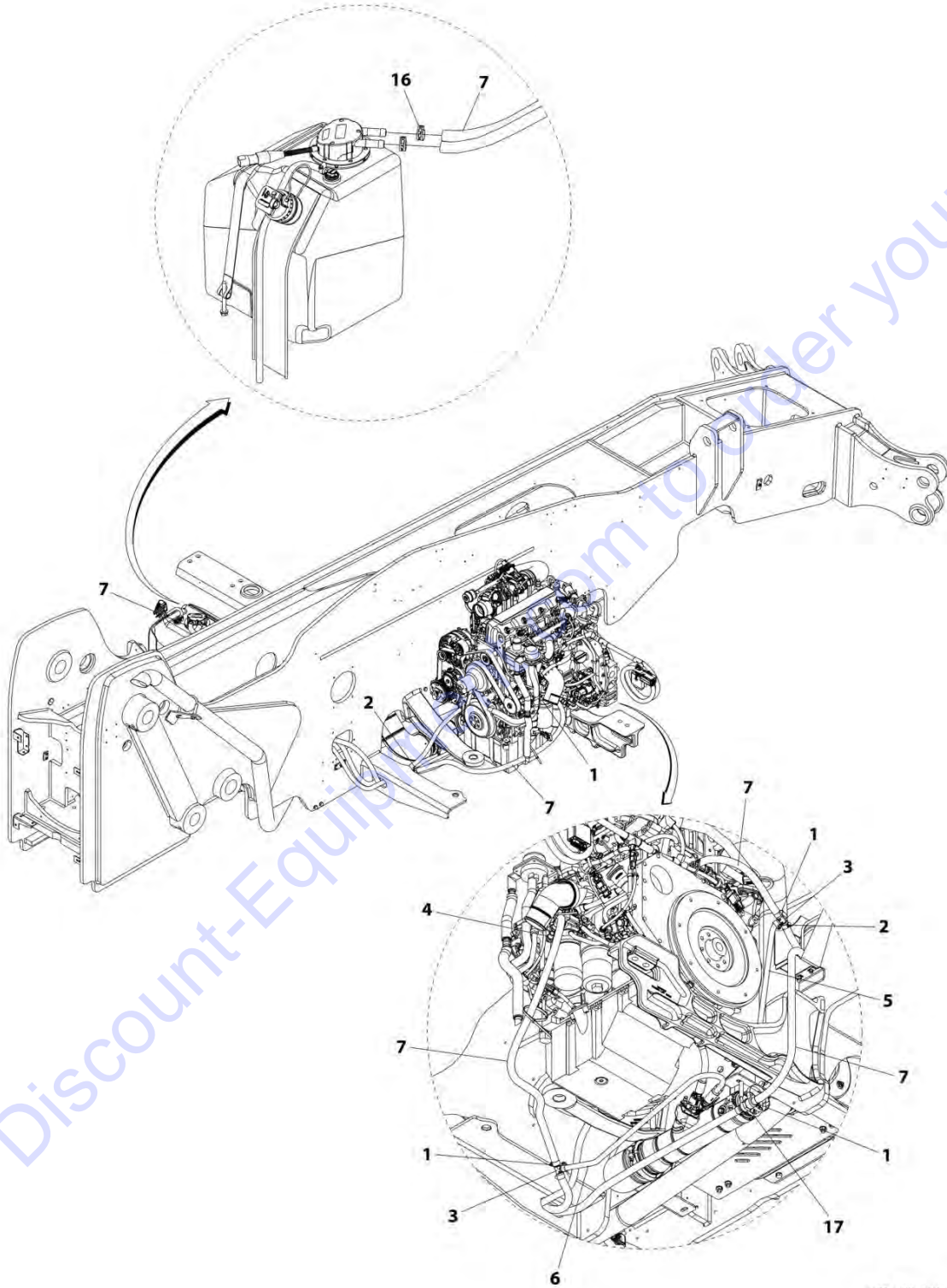
SECTION 4 - ENGINE AND ATTACHING PARTS

FIGURE 4-22. FUEL LINES INSTALLATION (ULS)

ITEM	PART NUMBER	QTY	DESCRIPTION	REV
	1001163231	Ref	Fuel Lines Installation	I
1	0700610	2	Bolt, M6X20	
2	3290601	2	Nut, M6X1 Grade 8	
3	4811700	4	Washer, M6	
4	1001186342	2	Clip, Hose	
5	8406112	2	Clip, Tube	
8	1001136975	5	Clamp	
9	1001141400	4.3 m	Hose	
10	1001172755	2.4 m	Hose	
11	1001197299	1	Hose	
13	1001008559	2	Strap	
14	1001202986	2	Strap, Fir Tree Push Mount	
15	1001146588	1	Strap	
16	1001206588	1	Fitting	

SECTION 4 - ENGINE AND ATTACHING PARTS

FIGURE 4-23. DEF LINES INSTALLATION



ART_1001163232-1

SECTION 4 - ENGINE AND ATTACHING PARTS

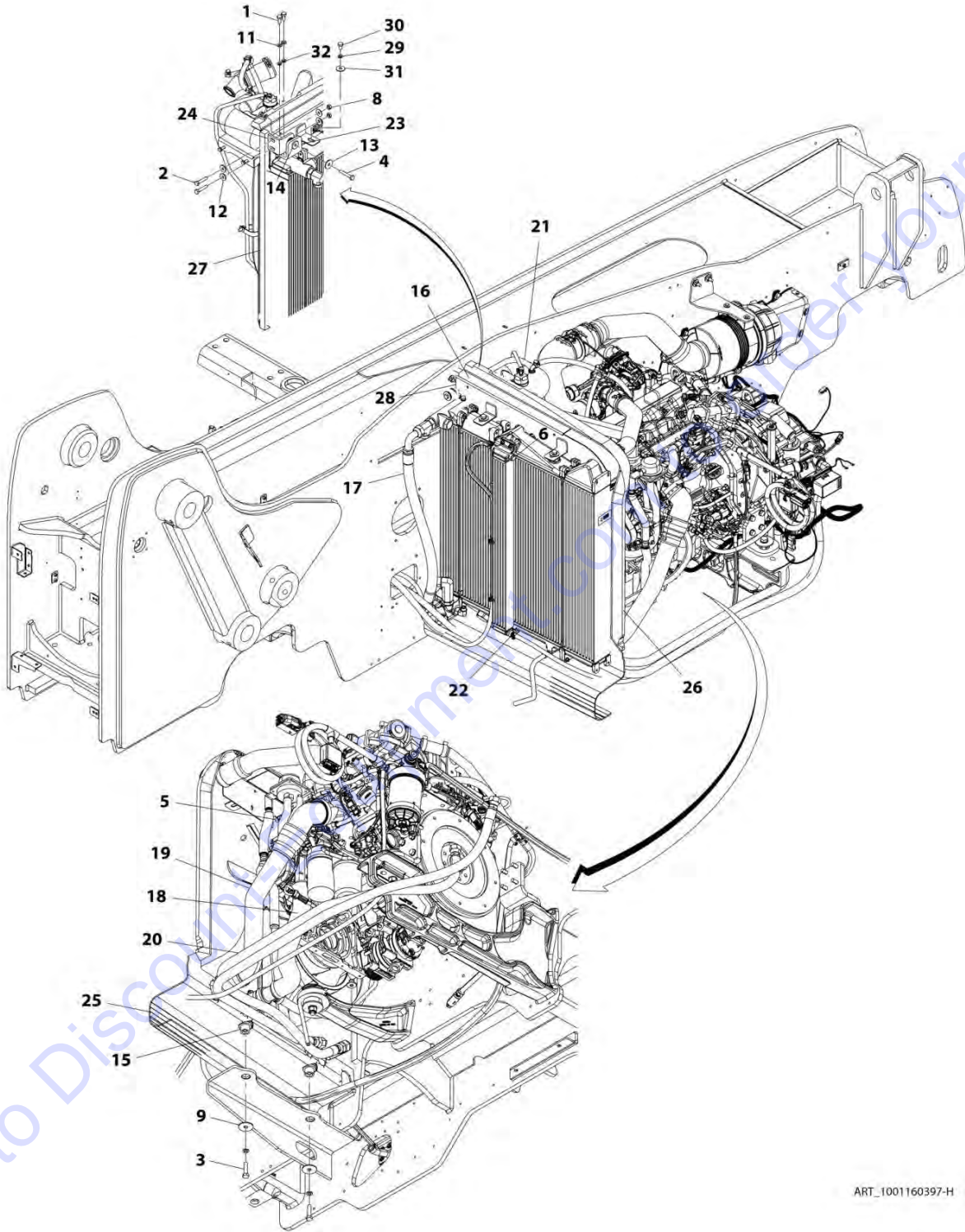
FIGURE 4-23. DEF LINES INSTALLATION

ITEM	PART NUMBER	QTY	DESCRIPTION	REV
	1001163232	Ref	DEF Lines Installation	I
1	8410009	10	Gear Clamp	
2	8410013	2	Gear Clamp	
3	1001162212	2	Pipe	
4	1001168822	1	Pipe	
5	1001169409	1	Hose	
6	1001169410	1	Hose	
7	82033995	6.9 m	Hose	
16	1001202526	2	Clamp	
17	1001228872	1	Filter	

Go to Discount-Equipment.com to order your parts

SECTION 4 - ENGINE AND ATTACHING PARTS

FIGURE 4-24. COOLING PACKAGE INSTALLATION (ULS)



ART_1001160397-H

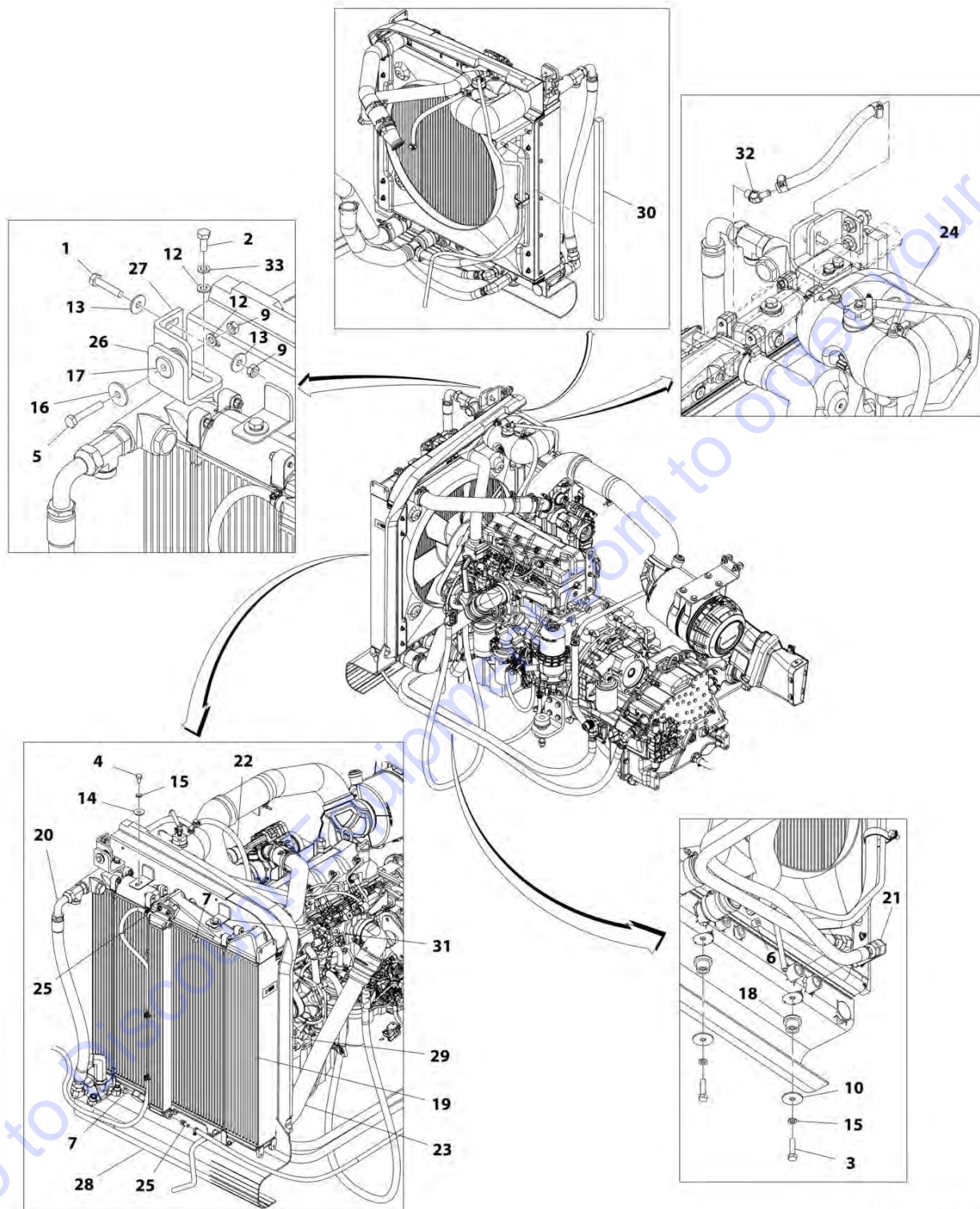
SECTION 4 - ENGINE AND ATTACHING PARTS

FIGURE 4-24. COOLING PACKAGE INSTALLATION (ULS)

ITEM	PART NUMBER	QTY	DESCRIPTION	REV
	1001160397	Ref	Cooling Package Installation (ULS)	H
1	0761012	2	Bolt, M10X25	
2	0701018	2	Bolt, M10X50	
3	0761218	2	Bolt, M12X50	
4	0701020	1	Bolt, M10X60	
5	1001174356	1	Barb, Hose	
6	2220237	2	Plug	
8	3291001	3	Nut, M10X1.5 Grade 8	
9	4740274	4	Washer	
11	4812000	3	Washer, M10	
12	4812002	4	Washer, M10	
13	1001155540	2	Washer	
14	8278020	1	Mount	
15	1001114803	2	Mount	
16	1001159347	Ref	Radiator Cooling Package (See Separate Breakdown in this Section)	
17	1001163082	Ref	Installation, HOC Lines (See Separate Breakdown in this Section)	
18	1001163245	Ref	Installation, Coolant Lines (ULS) (See Separate Breakdown in this Section)	
19	1001163246	Ref	Installation, CAC Lines (ULS) (See Separate Breakdown in this Section)	
20	1001163247	Ref	Installation, TOC Lines (See Separate Breakdown in this Section)	
21	1001167078	Ref	Installation, Surge Tank (See Separate Breakdown in this Section)	
22	1001168030	2	Barb, Hose	
23	1001169173	1	Bracket	
24	1001169174	1	Bracket	
25	1001169965	1	Panel	
26	1001173452	1	Seal, Foam Gasket	
27	1001173457	1	Seal, Foam Gasket	
28	1001173546	1	Bracket	
29	4832100	4	Washer, Lock M12	
30	0761210	2	Bolt, M12X20	
31	4812102	2	Washer, M12	
32	4832000	2	Washer, Lock M10	

SECTION 4 - ENGINE AND ATTACHING PARTS

FIGURE 4-25. COOLING PACKAGE INSTALLATION (LS)



ART_1001160402-E

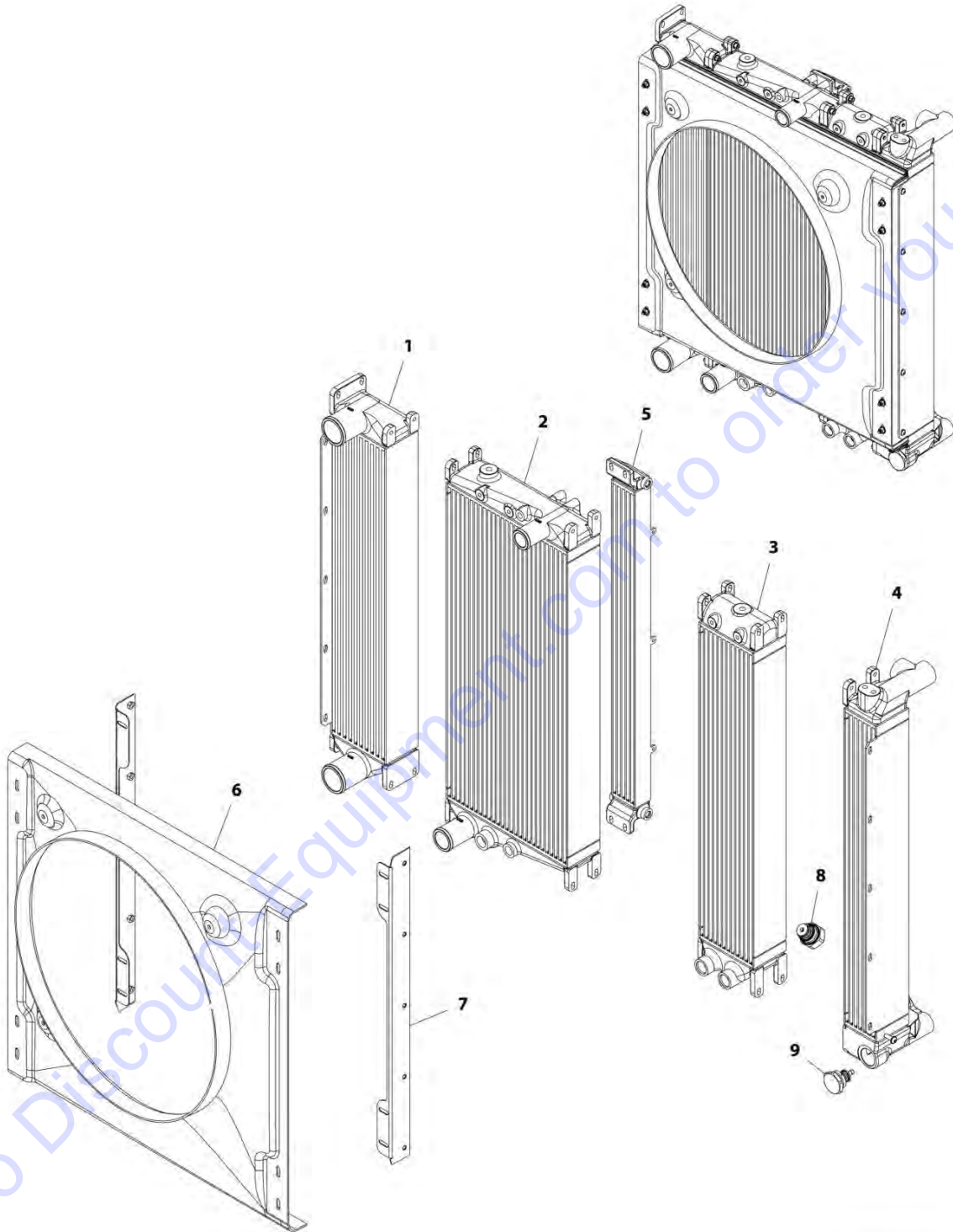
SECTION 4 - ENGINE AND ATTACHING PARTS

FIGURE 4-25. COOLING PACKAGE INSTALLATION (LS)

ITEM	PART NUMBER	QTY	DESCRIPTION	REV
	1001160402	Ref	Cooling Package Installation (LS)	E
1	0701018	2	Bolt, M10X50	
2	0761012	2	Bolt, M10X25	
3	0761218	2	Bolt, M12X50	
4	0771210	2	Bolt, M12X20 Grade 10.9	
5	0701020	1	Bolt, M10X60	
6	2200223	1	Plug	
7	2220237	2	Plug	
9	3291001	3	Nut, M10X1.5 Grade 8	
10	4740274	4	Washer	
12	4812000	3	Washer, M10	
13	4812002	4	Washer, M10	
14	4812102	2	Washer, M12	
15	4832100	4	Washer, Lock M12	
16	1001155540	2	Washer	
17	8278020	1	Mount	
18	1001114803	2	Mount	
19	1001159347	Ref	Radiator Cooling Package (See Separate Breakdown in this Section)	
20	1001163082	Ref	Installation, HOC Lines (See Separate Breakdown in this Section)	
21	1001163247	Ref	Installation, TOC Lines (See Separate Breakdown in this Section)	
22	1001163248	Ref	Installation, Coolant Lines (LS) (See Separate Breakdown in this Section)	
23	1001163249	Ref	Installation, CAC Lines (LS) (See Separate Breakdown in this Section)	
24	1001167078	Ref	Installation, Surge Tank (See Separate Breakdown in this Section)	
25	1001168030	2	Barb, Hose	
26	1001169173	1	Bracket	
27	1001169174	1	Bracket	
28	1001169965	1	Panel, Air Dam	
29	1001173452	1	Gasket	
30	1001173457	1	Gasket	
31	1001173546	1	Bracket, Air Baffle	
32	1001174356	1	Barb, Hose	
33	4832000	2	Washer, Lock M10	

SECTION 4 - ENGINE AND ATTACHING PARTS

FIGURE 4-26. RADIATOR COOLING PACKAGE



ART_1001159347-G

SECTION 4 - ENGINE AND ATTACHING PARTS

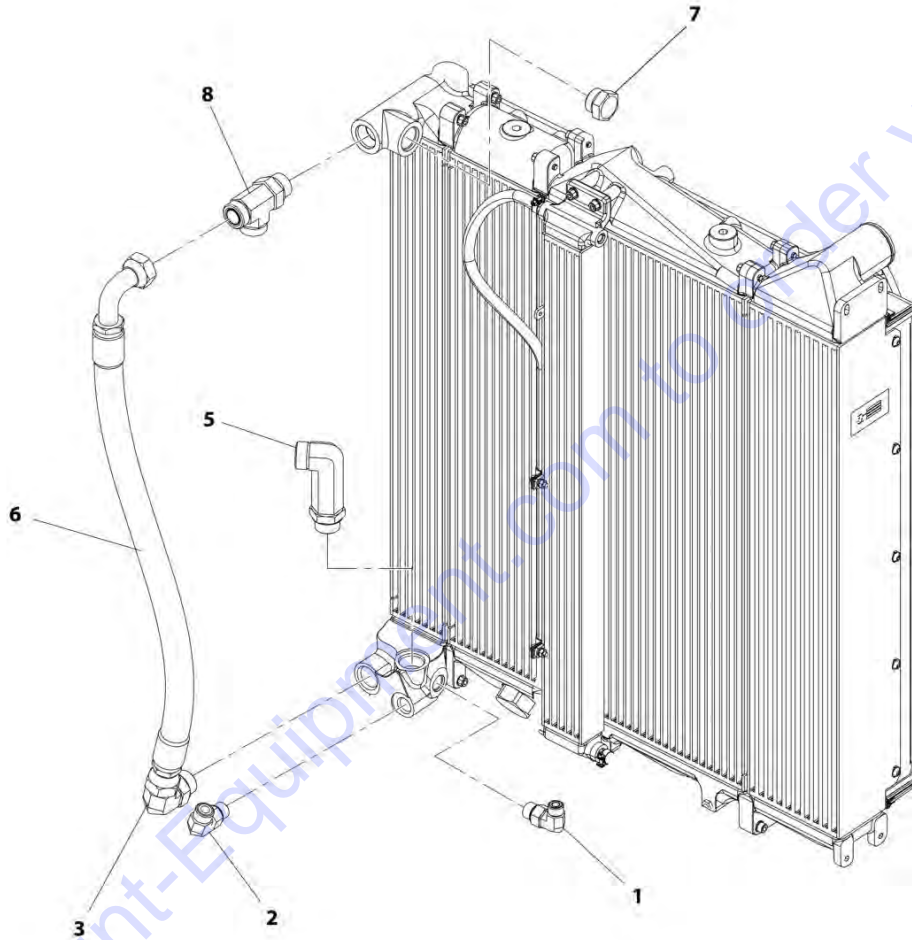
FIGURE 4-26. RADIATOR COOLING PACKAGE

ITEM	PART NUMBER	QTY	DESCRIPTION	REV
	1001159347	Ref	Radiator Cooling Package	G
1	70026353	1	Cooler, Air Charge	
2	70026354	1	Radiator	
3	70026355	1	Cooler, Transmission Oil	
4	70026356	1	Cooler, Hydraulic Oil	
5	70026357	1	Cooler, Fuel	
6	70026358	1	Shroud	
7	70026359	2	Bracket, Shroud Mounting	
8	70026082	1	Valve, Bypass	
9	70026360	1	Valve, Bypass	

Go to Discount-Equipment.com to order your parts

SECTION 4 - ENGINE AND ATTACHING PARTS

FIGURE 4-27. HOC LINES INSTALLATION



ART_1001163082-C

SECTION 4 - ENGINE AND ATTACHING PARTS

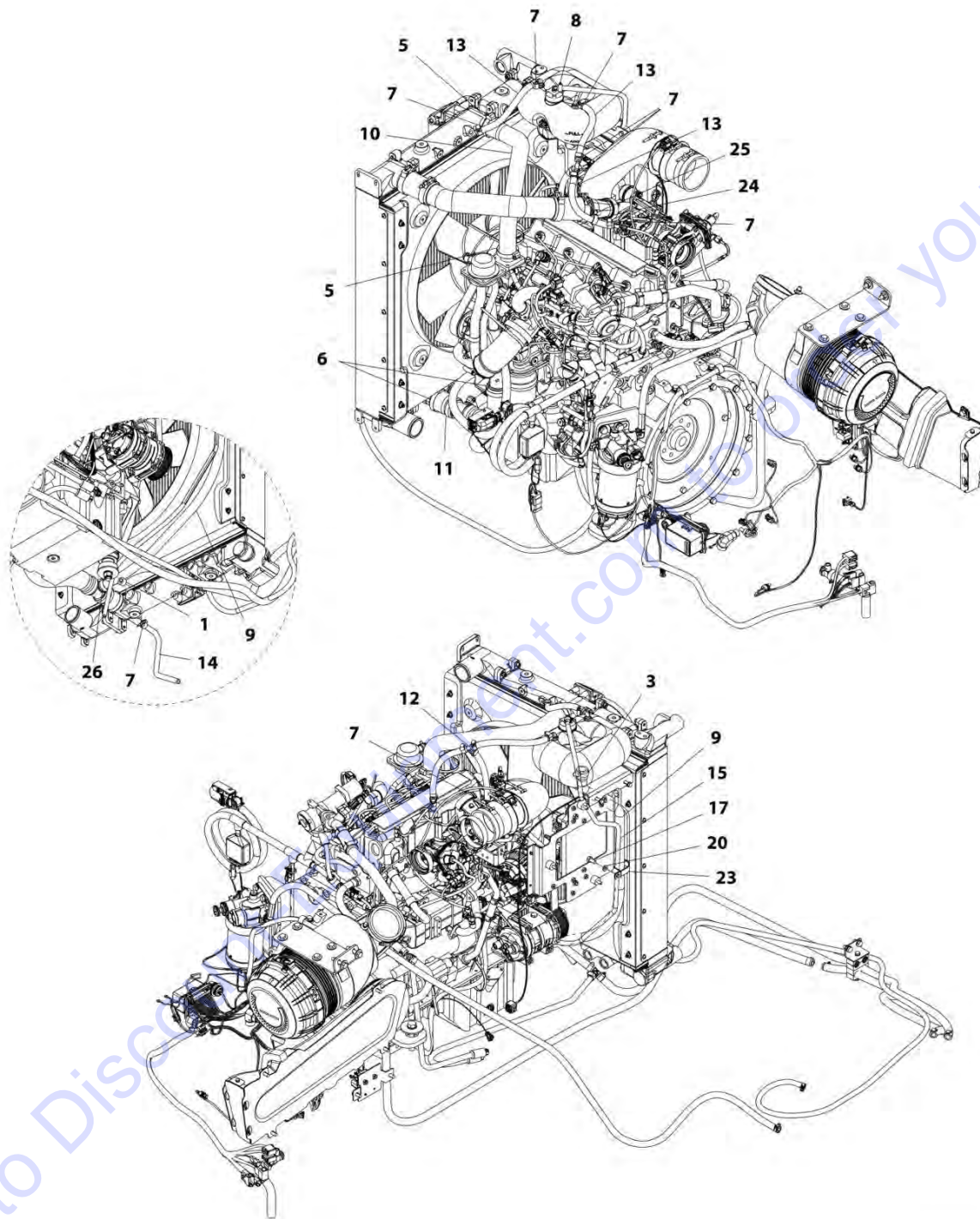
FIGURE 4-27. HOC LINES INSTALLATION

ITEM	PART NUMBER	QTY	DESCRIPTION	REV
	1001163082	Ref	HOC Lines Installation	C
1	2130810	1	Fitting, ORFS	
2	2131010	1	Fitting, ORFS	
3	2131616	1	Fitting, ORFS	
5	2170216	1	Fitting, ORFS	
6	1001163723	1	Hose	
7	2220242	1	Fitting	
8	2170316	1	Fitting, Tee ORFS	

Go to Discount-Equipment.com to order your parts

SECTION 4 - ENGINE AND ATTACHING PARTS

FIGURE 4-28. COOLANT LINES INSTALLATION (ULS)



ART_1001163245-I

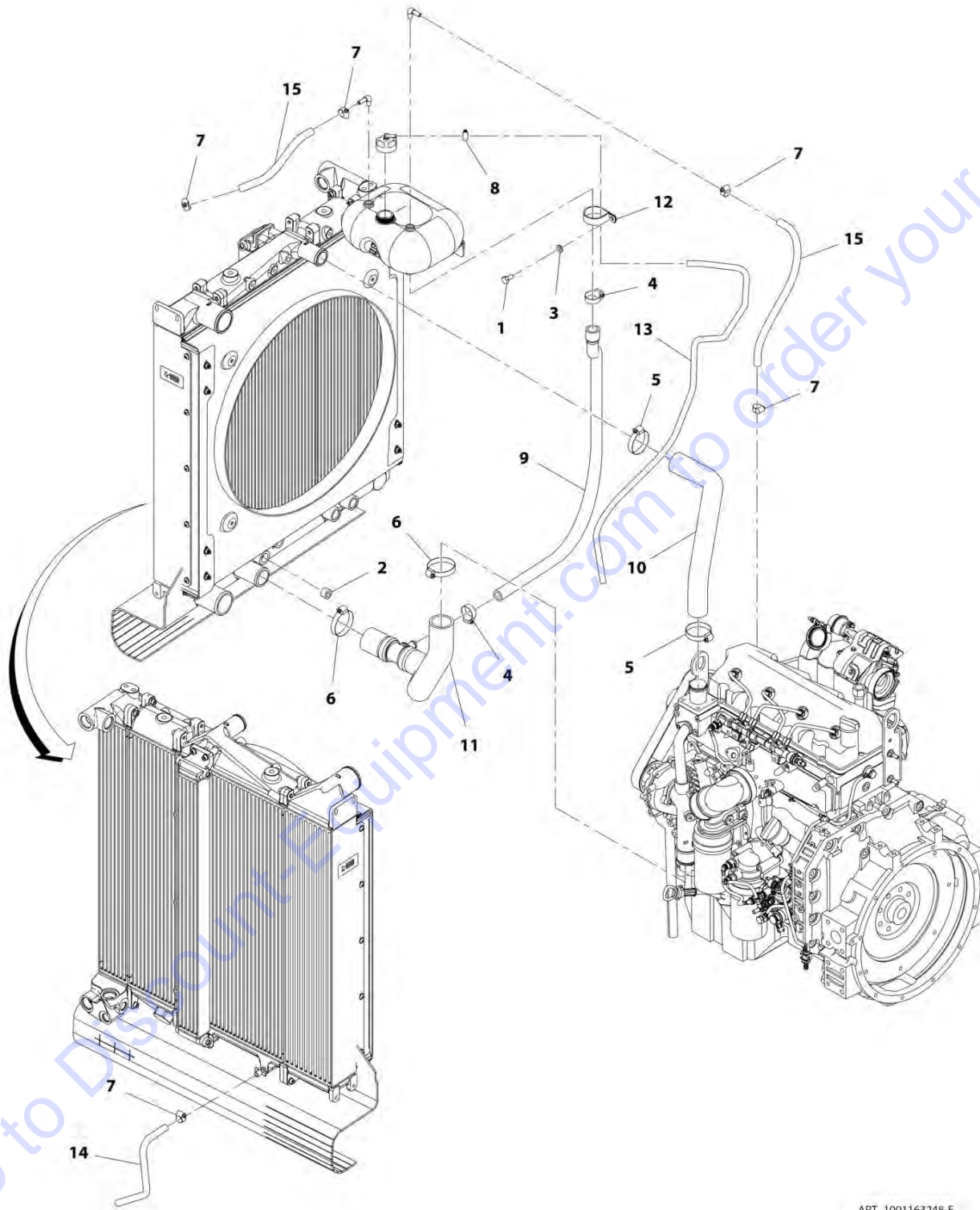
SECTION 4 - ENGINE AND ATTACHING PARTS

FIGURE 4-28. COOLANT LINES INSTALLATION (ULS)

ITEM	PART NUMBER	QTY	DESCRIPTION	REV
	1001163245	Ref	Coolant Lines Installation (ULS)	I
1	2200224	1	Plug	
3	8405101	AR	Clamp, Gear	
5	8405201	2	Clamp, Gear	
6	8405202	2	Clamp, Gear	
7	8410013	9	Clamp, Gear	
8	8405009	1	Clamp, Gear	
9	1001182011	1	Hose	
10	1001166430	1	Pipe	
11	1001182012	1	Hose	
12	1001172953	1	Pipe, Tee	
13	1001181625	1042 mm	Hose	
14	1001180553	370 mm	Hose	
15	1001180542	1680 mm	Hose	
17	0761010	1	Bolt, M10X20	
20	4812000	1	Washer, M10	
23	1001097588	1	Clamp	
24	8410019	1	Clamp, 7/8	
25	0760605	1	Bolt, 6X10	
26	8405007	1	Clamp (SN 0160091561 to Present)	

SECTION 4 - ENGINE AND ATTACHING PARTS

FIGURE 4-29. COOLANT LINES INSTALLATION (LS)



ART_1001163248-E

SECTION 4 - ENGINE AND ATTACHING PARTS

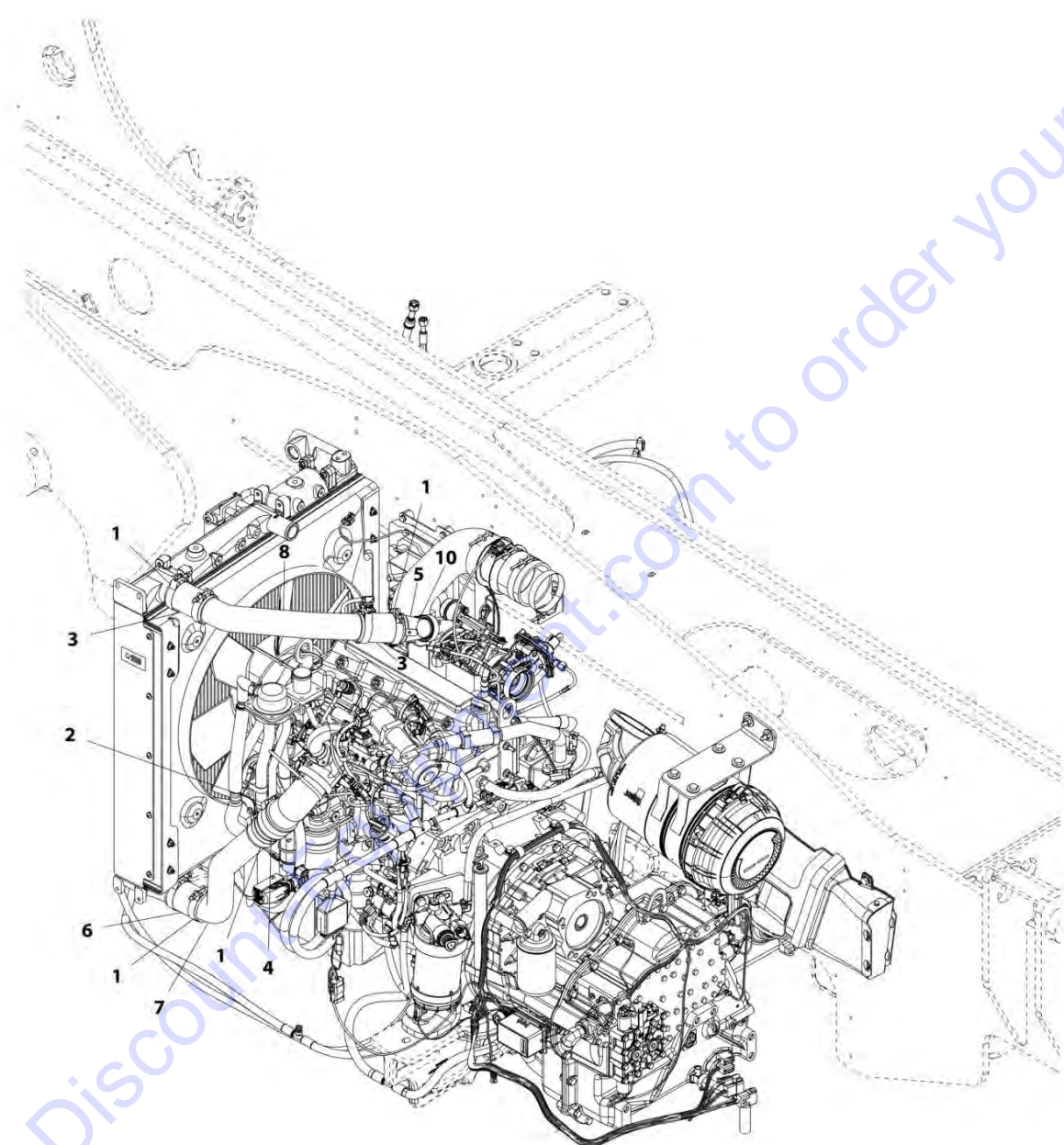
FIGURE 4-29. COOLANT LINES INSTALLATION (LS)

ITEM	PART NUMBER	QTY	DESCRIPTION	REV
	1001163248	Ref	Coolant Lines Installation (LS)	E
1	0761010	1	Bolt, M10X20	
2	2200224	1	Plug	
3	4812000	1	Washer, M10	
4	8405101	2	Clamp, Gear	
5	8405201	2	Clamp, Gear	
6	8405202	2	Clamp, Gear	
7	8410013	5	Clamp, Gear	
8	8405009	1	Clamp, Gear	
9	1001182011	1	Hose	
10	1001166430	1	Pipe	
11	1001182012	1	Hose	
12	1001097588	1	Clamp	
13	1001180542	1680 mm	Hose	
14	1001180553	369 mm	Hose	
15	1001181625	711 mm	Hose	

Go to Discount-Equipment.com to order your parts

SECTION 4 - ENGINE AND ATTACHING PARTS

FIGURE 4-30. CAC LINES INSTALLATION (ULS)



ART_1001163246-F

SECTION 4 - ENGINE AND ATTACHING PARTS

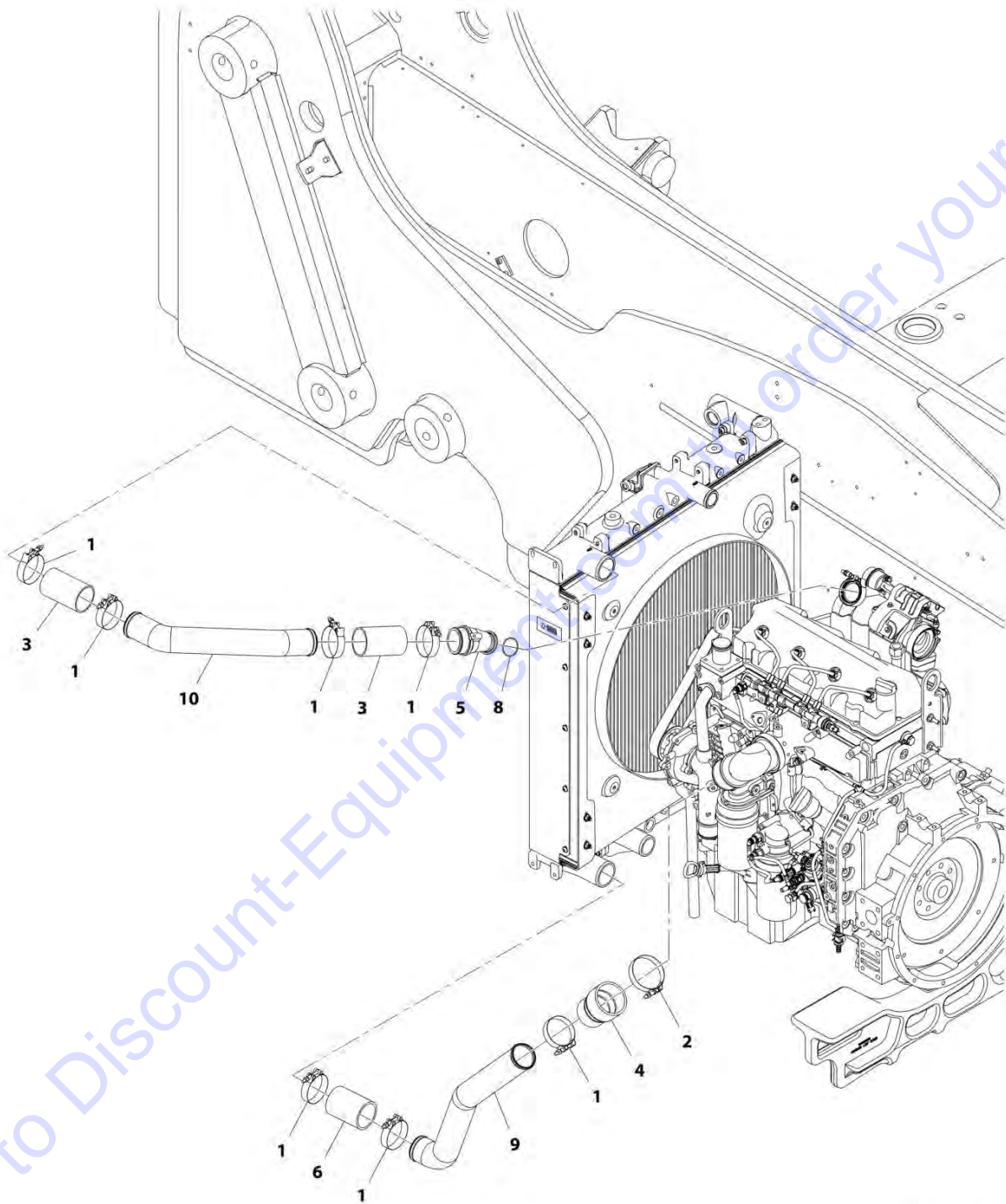
FIGURE 4-30. CAC LINES INSTALLATION (ULS)

ITEM	PART NUMBER	QTY	DESCRIPTION	REV
	1001163246	Ref	CAC Lines Installation (ULS)	F
1	8405212	7	Clamp, T-Bolt	
2	8405305	1	Clamp, T-Bolt	
3	1001114495	2	Hose	
4	1001138348	1	Hose	
5	1001161920	1	Adapter Mech	
6	1001166416	1	Hose	
7	1001166925	1	Pipe	
8	1001166993	1	Pipe	
10	1001172591	1	O-Ring	

Go to Discount-Equipment.com to order your parts

SECTION 4 - ENGINE AND ATTACHING PARTS

FIGURE 4-31. CAC LINES INSTALLATION (LS)



ART_1001163249-C

SECTION 4 - ENGINE AND ATTACHING PARTS

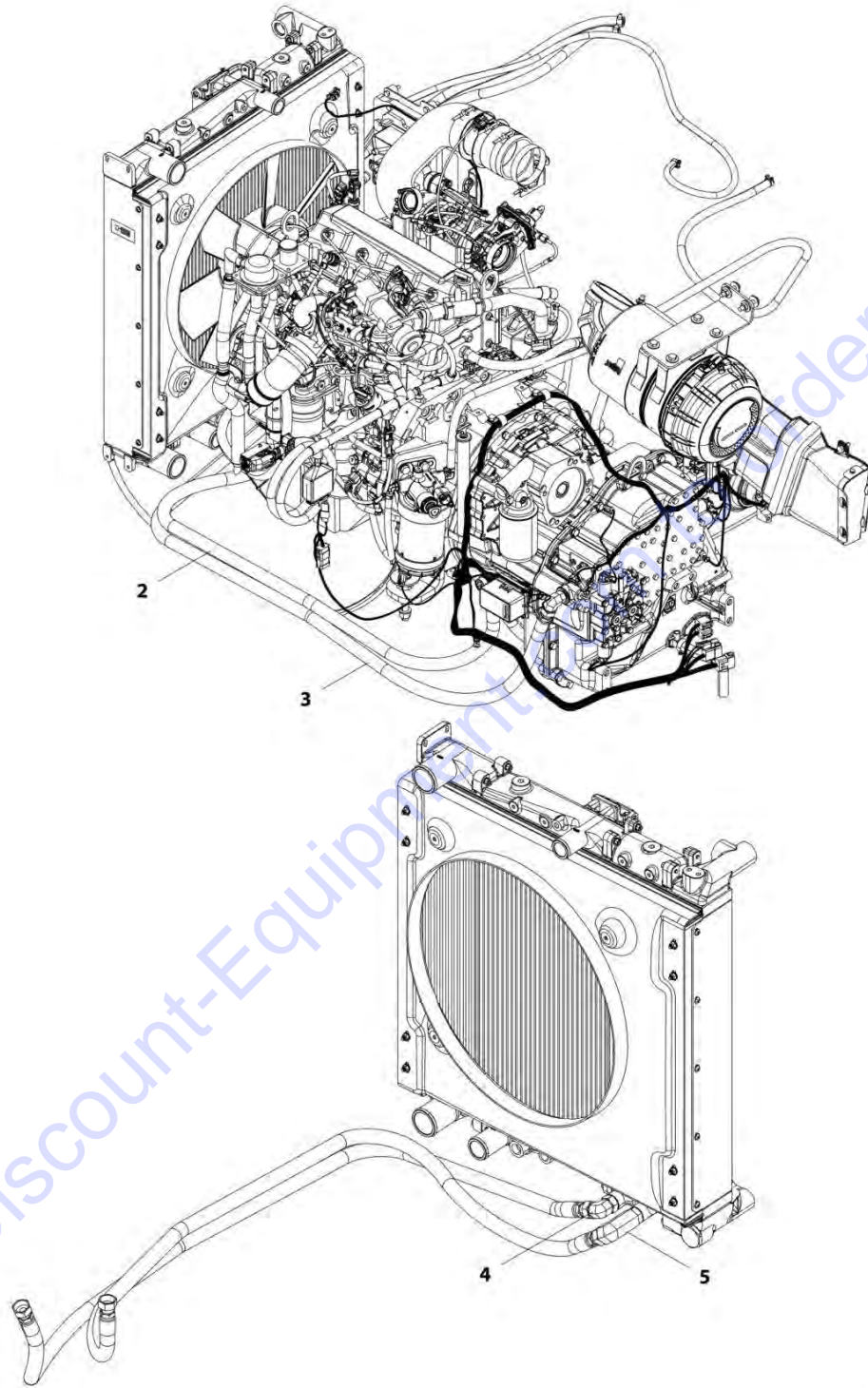
FIGURE 4-31. CAC LINES INSTALLATION (LS)

ITEM	PART NUMBER	QTY	DESCRIPTION	REV
	1001163249	Ref	CAC Lines Installation (LS)	C
1	8405212	7	Clamp, T-Bolt	
2	8405305	1	Clamp, T-Bolt	
3	1001114495	2	Hose	
4	1001138348	1	Hose	
5	1001161920	1	Adapter Mech	
6	1001166416	1	Hose	
8	1001172591	1	O-Ring	
9	1001174832	1	Pipe	
10	1001179376	1	Pipe	

Go to Discount-Equipment.com to order your parts

SECTION 4 - ENGINE AND ATTACHING PARTS

FIGURE 4-32. TOC LINES INSTALLATION



ART_1001163247-C

SECTION 4 - ENGINE AND ATTACHING PARTS

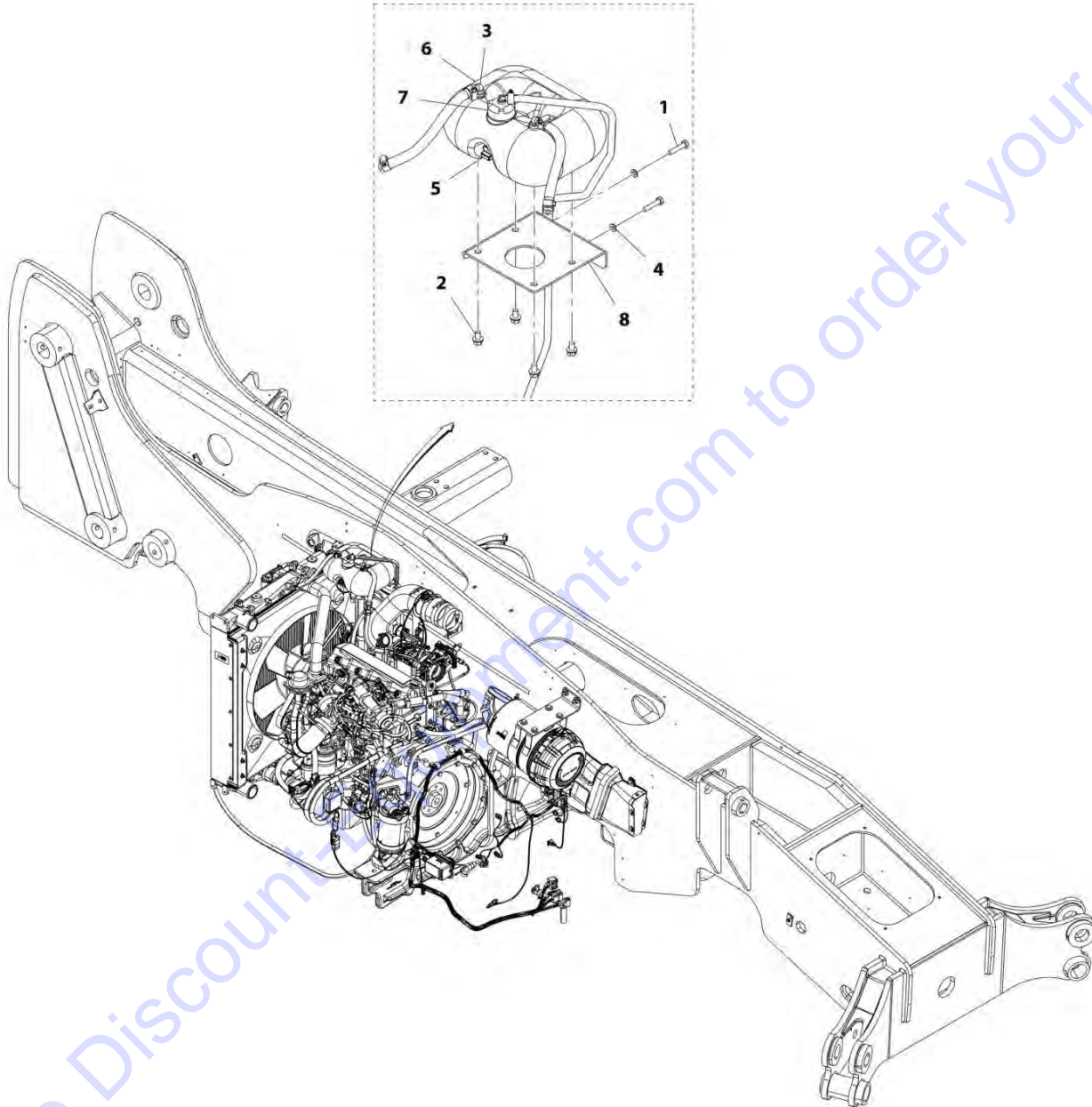
FIGURE 4-32. TOC LINES INSTALLATION

ITEM	PART NUMBER	QTY	DESCRIPTION	REV
	1001163247	Ref	TOC Lines Installation	C
2	1001169207	1	Hose	
3	1001169393	1	Hose	
4	2131212	1	Fitting, 90 ORFS	
5	2170212	1	Fitting, 90 ORFS	

Go to Discount-Equipment.com to order your parts

SECTION 4 - ENGINE AND ATTACHING PARTS

FIGURE 4-33. SURGE TANK INSTALLATION



ART_1001167078-E

SECTION 4 - ENGINE AND ATTACHING PARTS

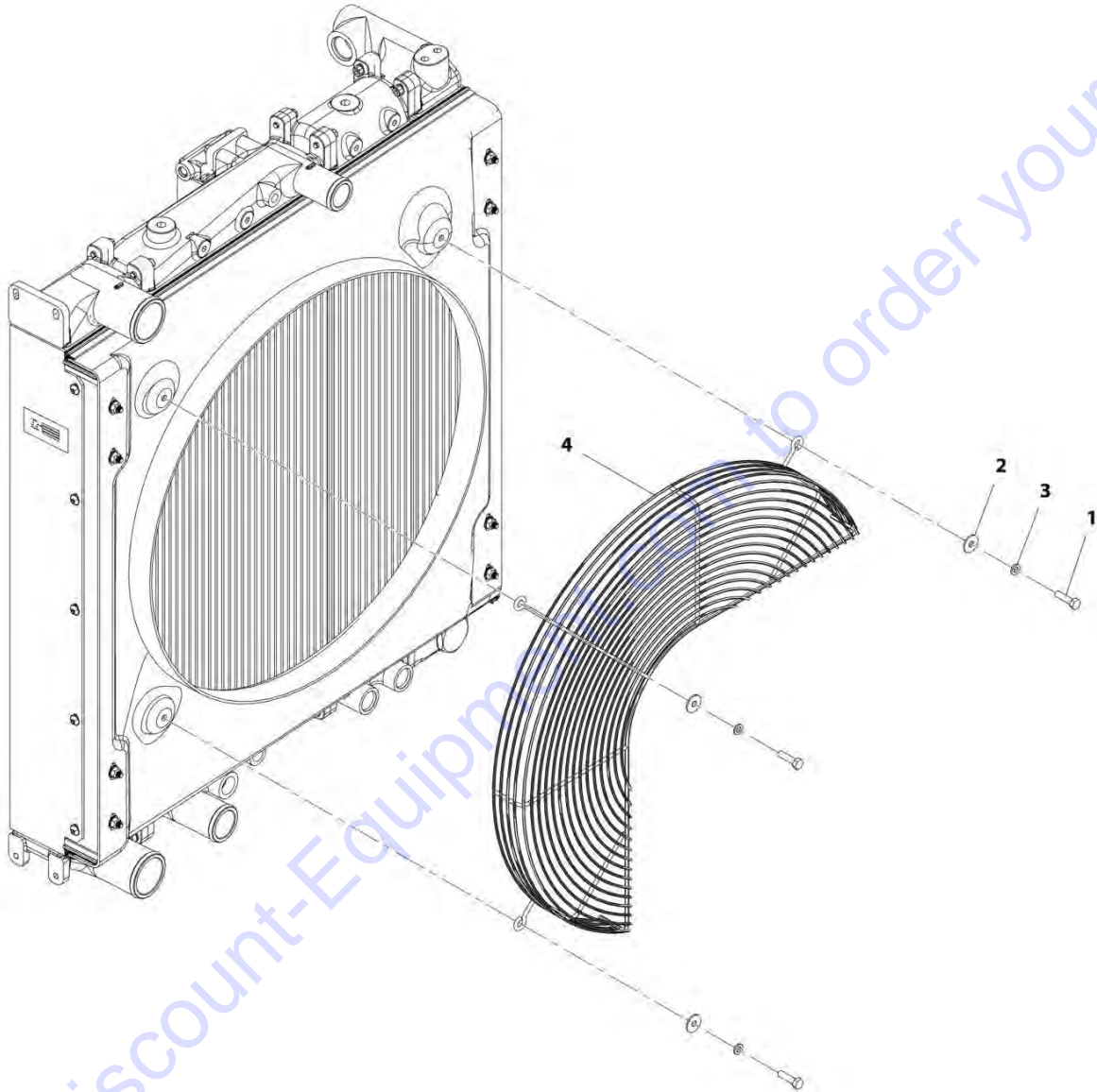
FIGURE 4-33. SURGE TANK INSTALLATION

ITEM	PART NUMBER	QTY	DESCRIPTION	REV
	1001167078	Ref	Surge Tank Installation	E
1	0700816	2	Bolt, M8X40	
2	0791605	4	Bolt, M3/8-16X5/8	
3	2180467	2	Fitting	
4	4811900	2	Washer, M8	
5	1001121955	1	Sensor, Coolant Level	
6	1001128144	1	Tank, Coolant	
7	1001128341	1	Cap	
8	1001163637	1	Bracket, Coolant Tank	

Go to Discount-Equipment.com to order your parts

SECTION 4 - ENGINE AND ATTACHING PARTS

FIGURE 4-34. FAN GUARD INSTALLATION



ART_1001160420-D

SECTION 4 - ENGINE AND ATTACHING PARTS

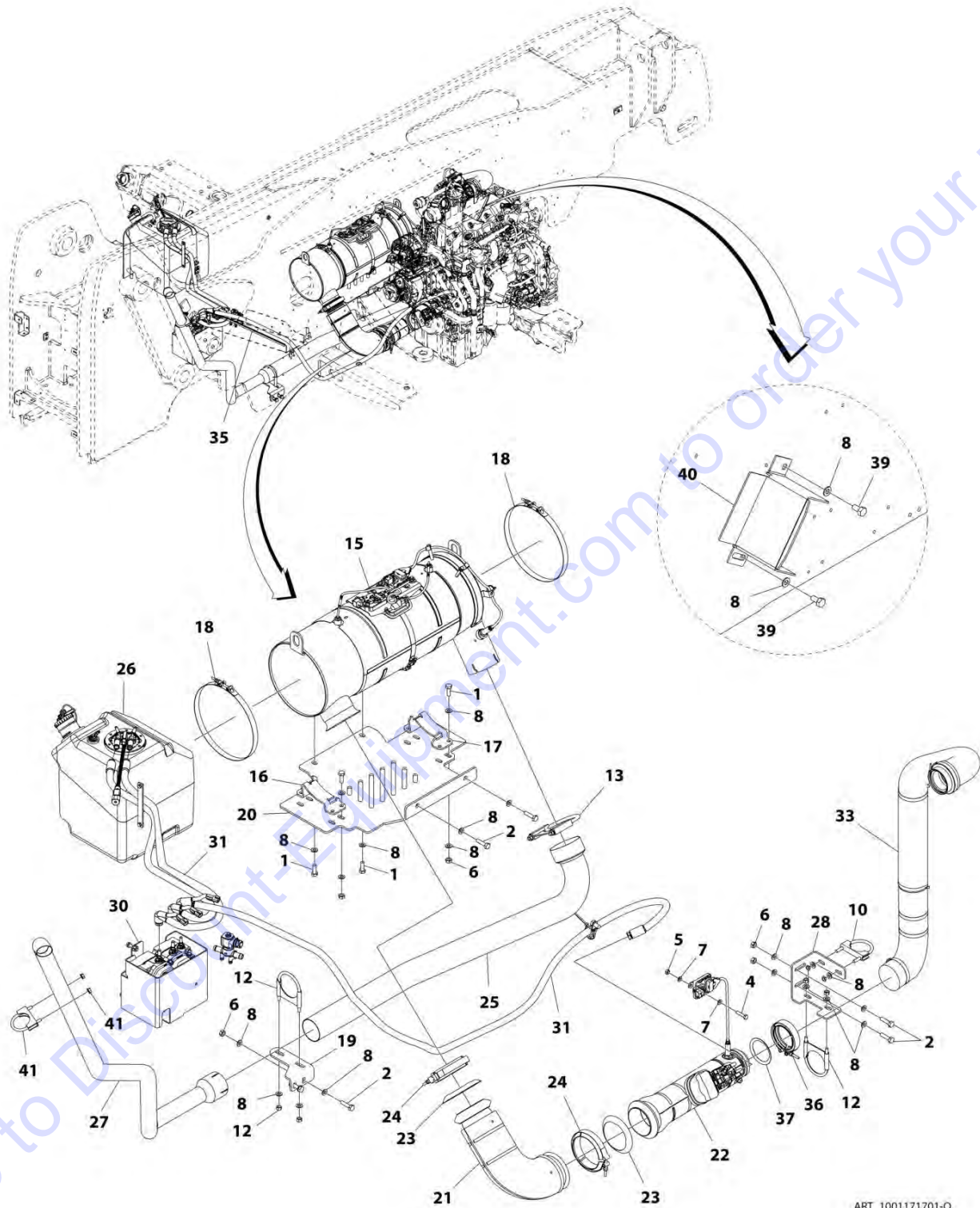
FIGURE 4-34. FAN GUARD INSTALLATION

ITEM	PART NUMBER	QTY	DESCRIPTION	REV
	1001160420	Ref	Fan Guard Installation	D
1	0700814	3	Bolt, M8X30	
2	4811902	3	Washer, M8	
3	4831900	3	Washer, Lock M8	
4	1001167186	1	Grill	

Go to Discount-Equipment.com to order your parts

SECTION 4 - ENGINE AND ATTACHING PARTS

FIGURE 4-35. EXHAUST INSTALLATION (ULS)



ART_1001171701-O

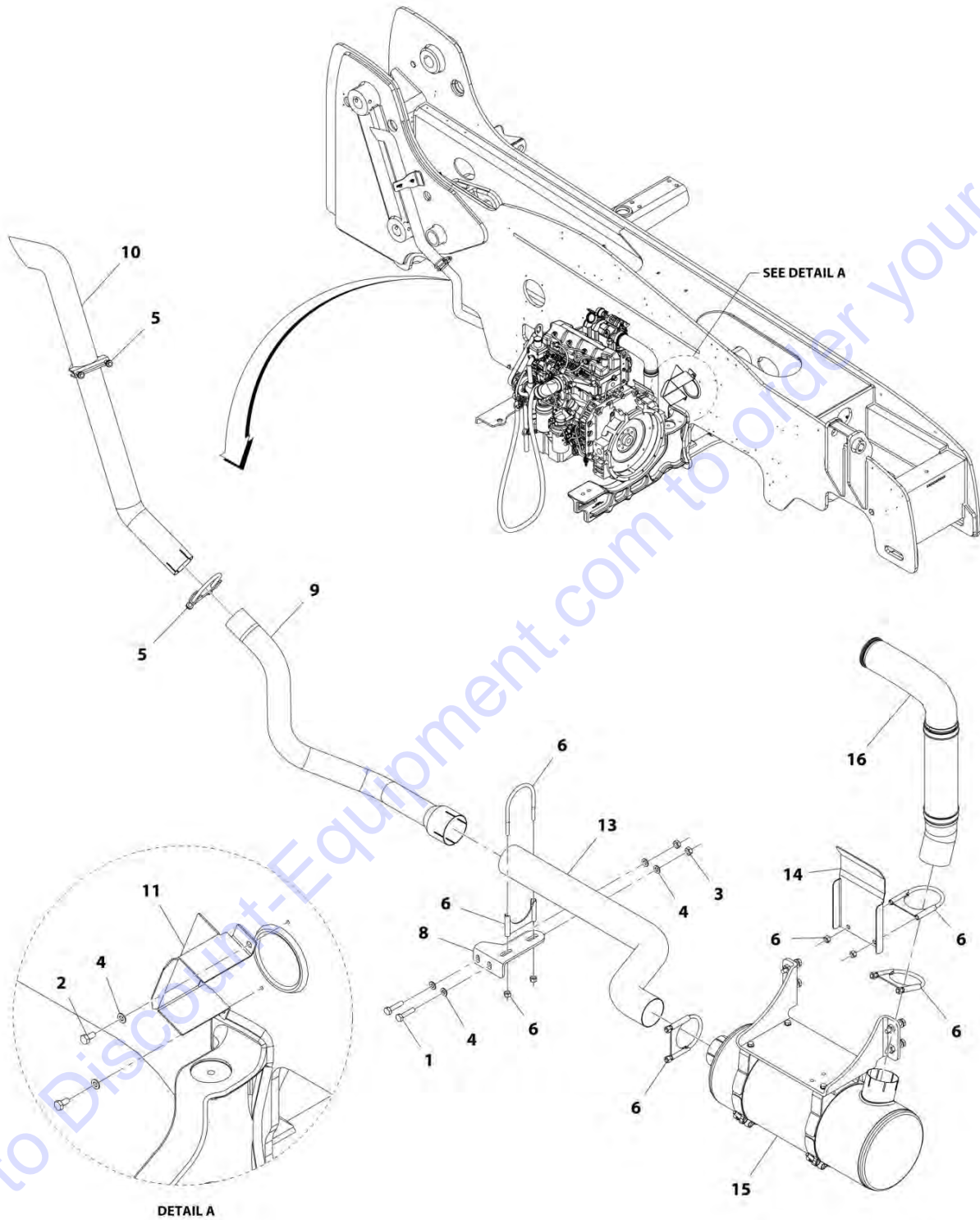
SECTION 4 - ENGINE AND ATTACHING PARTS

FIGURE 4-35. EXHAUST INSTALLATION (ULS)

ITEM	PART NUMBER	QTY	DESCRIPTION	REV
	1001171701	1	Exhaust Installation (ULS)	O
1	0701014	10	Bolt, M10X30	
2	0701016	6	Bolt, M10X40	
4	0760815	2	Bolt, M8X35	
5	3290801	2	Nut, M8X1.25	
6	3291001	12	Nut, M10X1.5	
7	4811900	4	Washer, M8	
8	4812000	36	Washer, M10	
10	8275212	1	Clamp	
12	24921332	2	Clamp	
13	86883127	1	Clamp	
15	1001155261	1	Muffler	
16	1001159881	1	Bracket	
17	1001159882	1	Bracket	
18	1001176945	2	Strap	
19	1001162281	1	Support	
20	1001162597	1	Bracket	
21	1001163546	1	Pipe	
22	1001164404	1	Tube, Decomposition Reactor	
23	1001164837	2	Gasket	
24	1001164838	2	Clamp	
25	1001168560	1	Pipe	
26	1001168638	Ref	Installation, DEF Tank (See Separate Breakdown in this Section)	
27	1001171363	NLA	Pipe, (No longer available, use 1001204144 for replacement)	
27	1001204144	1	Pipe	
28	1001183836	1	Bracket	
29	1001173626	NLA	Pipe, (not shown) (No longer available, use 1001204144 for replacement)	
30	1001174271	Ref	Installation, DEF Pump and Control (See Separate Breakdown in this Section)	
31	1001163253	Ref	Installation, DEF Pump Lines (See Separate Breakdown in this Section)	
33	1001183759	1	Pipe	
35	90206195	490 mm	Trim-Lock	
36	1001167167	1	Clamp	
37	1001167168	1	Seal	
39	0761010	2	Bolt, M10X20	
40	1001179206	1	Bracket	
41	86683211	1	Clamp	

SECTION 4 - ENGINE AND ATTACHING PARTS

FIGURE 4-36. EXHAUST INSTALLATION (LS)



ART_1001169850-E

SECTION 4 - ENGINE AND ATTACHING PARTS

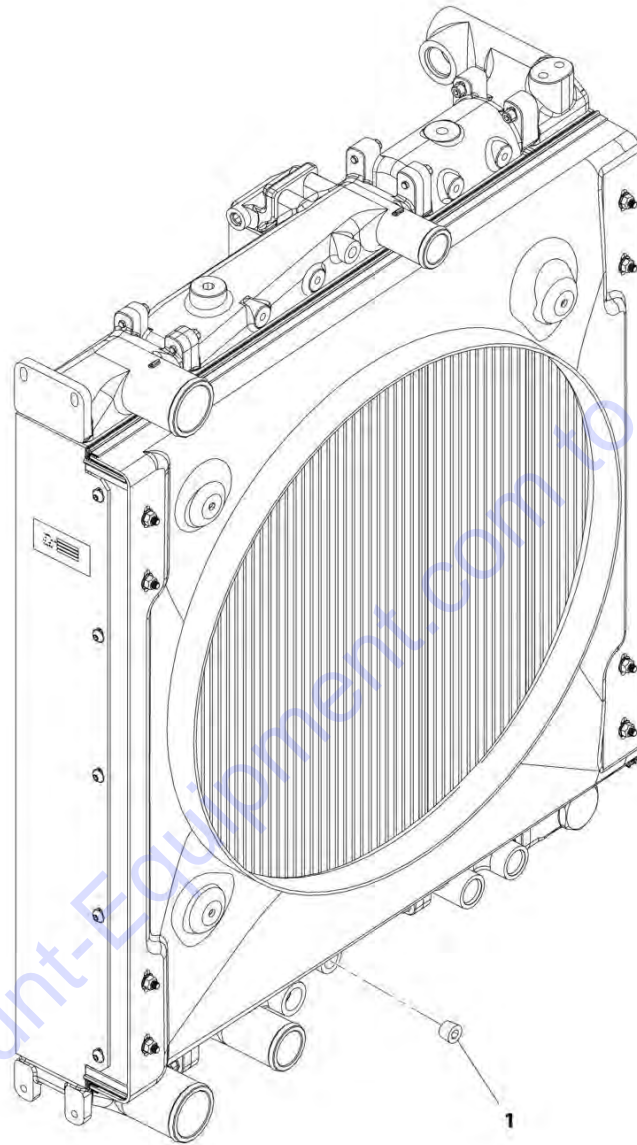
FIGURE 4-36. EXHAUST INSTALLATION (LS)

ITEM	PART NUMBER	QTY	DESCRIPTION	REV
	1001169850	Ref	Exhaust Installation (LS)	E
1	0701017	2	Bolt, M10X45	
2	0761010	2	Bolt, M10X20	
3	3291001	2	Nut, M10X1.5	
4	4812000	6	Washer, M10	
5	8275212	2	Clamp, Exhaust	
6	24921332	4	Clamp, Exhaust	
8	1001162281	1	Bracket, Exhaust	
9	1001208186	1	Pipe, Exhaust	
10	1001173626	1	Pipe, Exhaust	
11	1001179206	1	Bracket, Heat Shield	
13	1001179972	1	Pipe, Exhaust	
14	1001181815	1	Plate, Heat Shield	
15	1001179968	1	Installation, Muffler (LS) (See Separate Breakdown in this Section)	
16	1001191348	1	Pipe, Exhaust Flex	

Go to Discount-Equipment.com to order your parts

SECTION 4 - ENGINE AND ATTACHING PARTS

FIGURE 4-37. ENGINE PARTS INSTALLATION (NO HEATER)



ART_1001163133-C

SECTION 4 - ENGINE AND ATTACHING PARTS

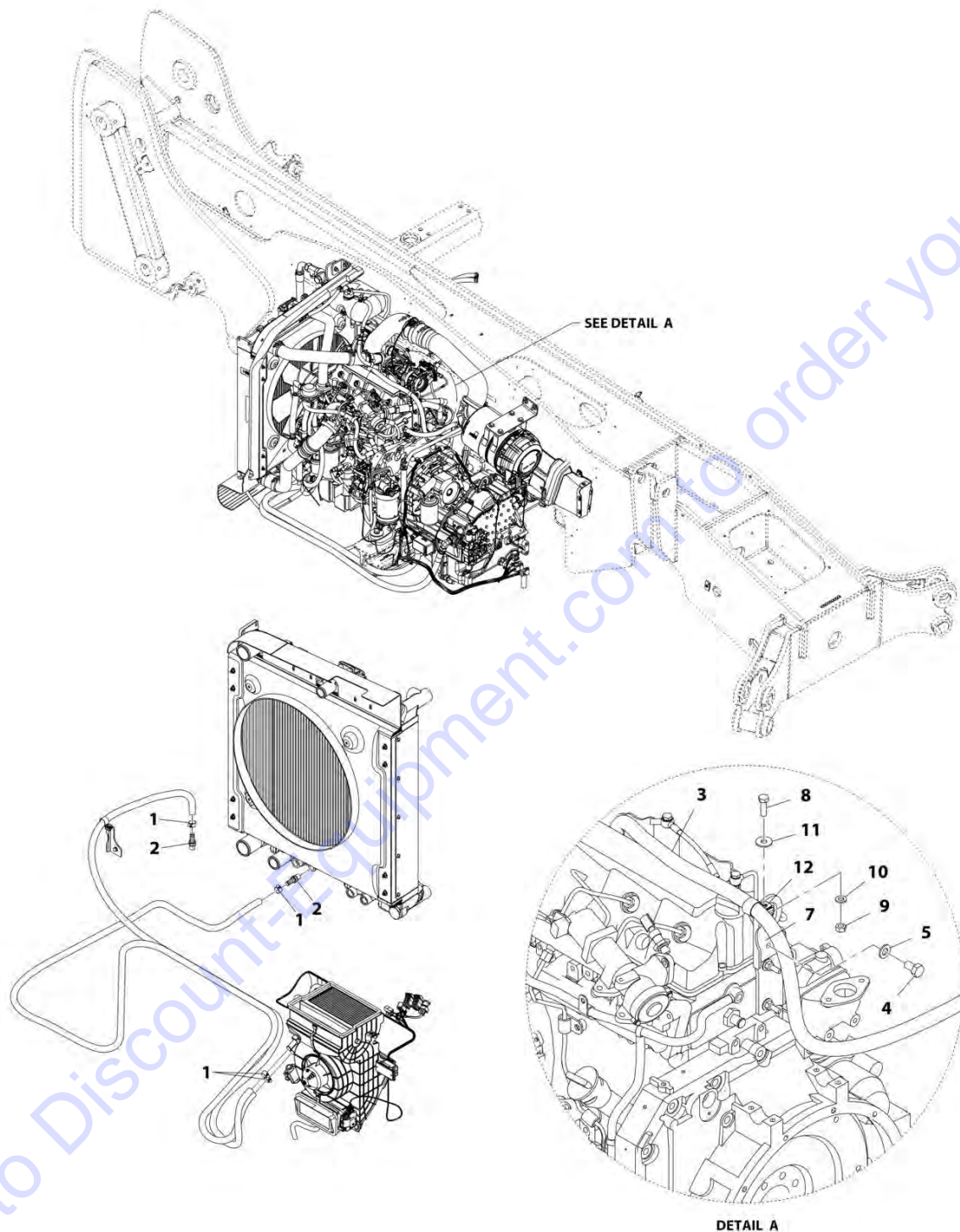
FIGURE 4-37. ENGINE PARTS INSTALLATION (NO HEATER)

ITEM	PART NUMBER	QTY	DESCRIPTION	REV
1	1001163133 2200223	Ref 1	Engine Parts Installation (No Heater) Plug	C

Go to Discount-Equipment.com to order your parts

SECTION 4 - ENGINE AND ATTACHING PARTS

FIGURE 4-38. ENGINE PARTS INSTALLATION (HEATER)



ART_1001163134-J

SECTION 4 - ENGINE AND ATTACHING PARTS

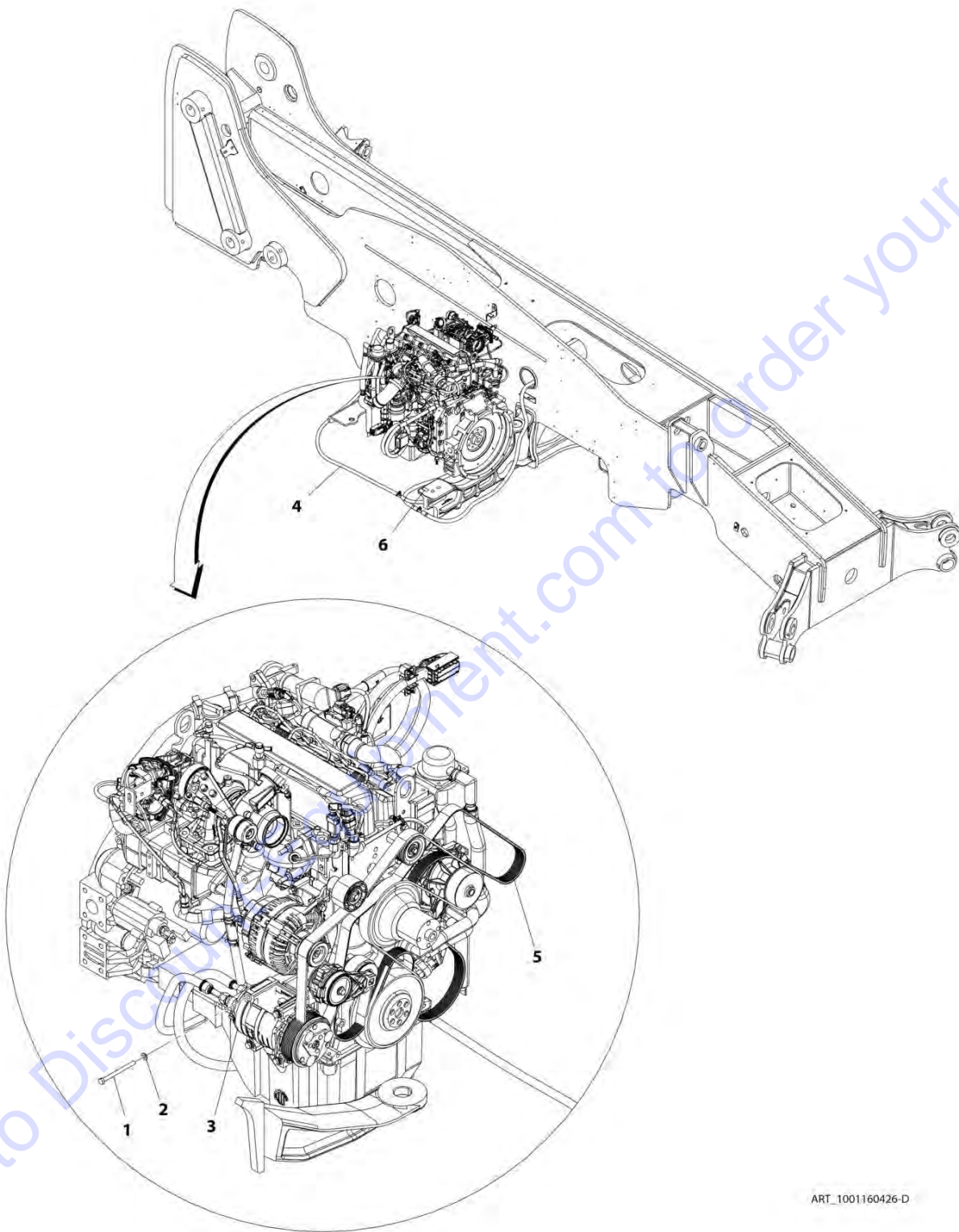
FIGURE 4-38. ENGINE PARTS INSTALLATION (HEATER)

ITEM	PART NUMBER	QTY	DESCRIPTION	REV
	1001163134	Ref	Engine Parts Installation (Heater)	J
1	8410009	4	Clamp, Gear	
2	1001104685	2	Pipe	
3	82033995	7 m	Hose	
4	0760807	1	Bolt, M8X14	
5	4811900	1	Washer, M8	
7	1001200555	1	Bracket	
8	0700610	1	Bolt, M6X20	
9	3290601	1	Nut, M6X1	
10	4811700	1	Washer, M6	
11	4811702	1	Washer, M6	
12	8406201	1	Clip	

Go to Discount-Equipment.com to order your parts

SECTION 4 - ENGINE AND ATTACHING PARTS

FIGURE 4-39. A/C PUMP INSTALLATION (ULS)



ART_1001160426-D

SECTION 4 - ENGINE AND ATTACHING PARTS

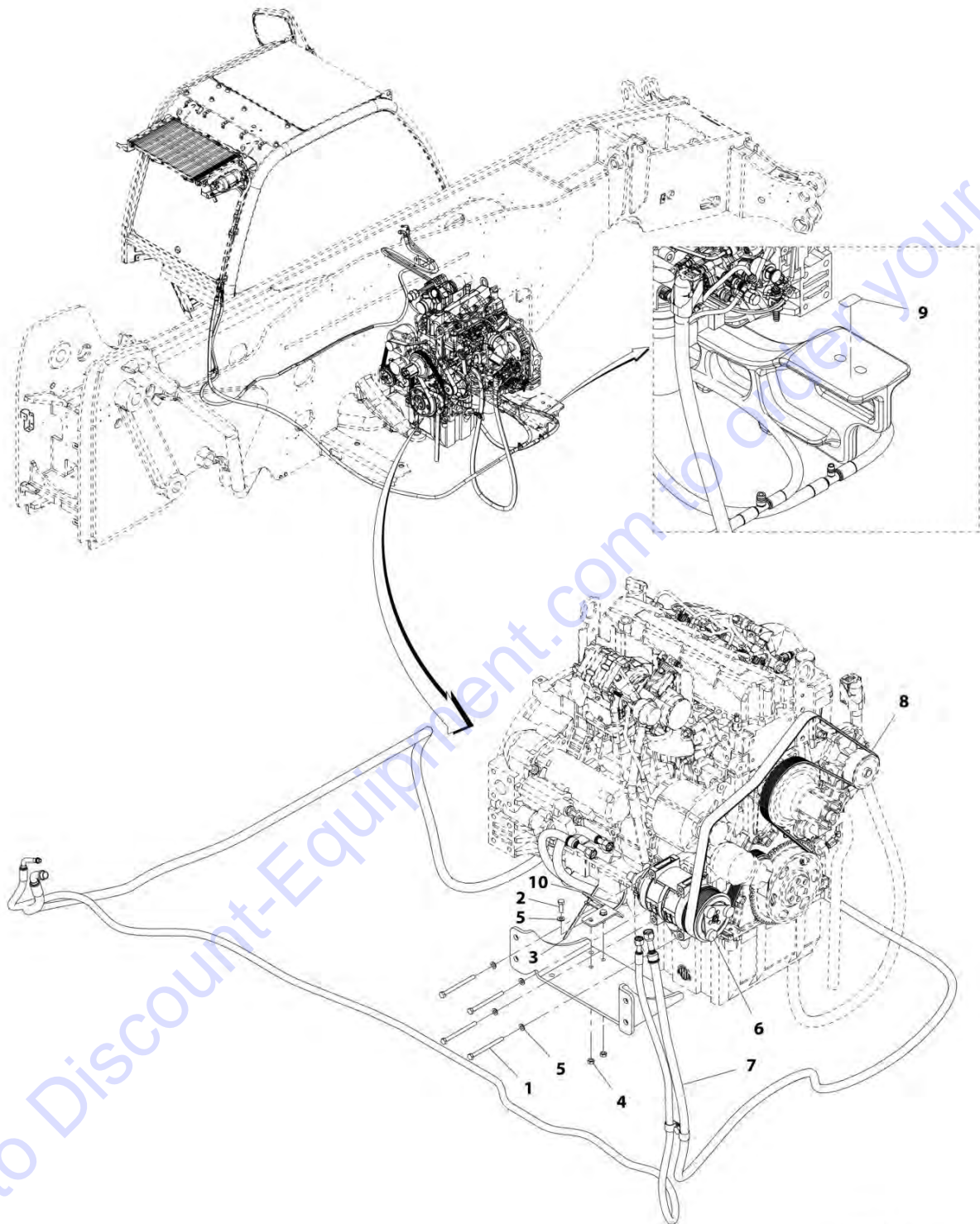
FIGURE 4-39. A/C PUMP INSTALLATION (ULS)

ITEM	PART NUMBER	QTY	DESCRIPTION	REV
	1001160426	Ref	A/C Pump Installation (ULS)	D
1	0700827	4	Bolt, M8X100	
2	4811900	4	Washer, M8	
3	1001157663	1	Compressor, A/C	
4	1001163254	Ref	Installation, A/C Lines (See Separate Breakdown in this Section)	
5	1001167357	1	Belt	
6	1001193026	1	Decal, A/C Refrigerant	

Go to Discount-Equipment.com to order your parts

SECTION 4 - ENGINE AND ATTACHING PARTS

FIGURE 4-40. A/C PUMP INSTALLATION (LS)



ART_1001205448-A

SECTION 4 - ENGINE AND ATTACHING PARTS

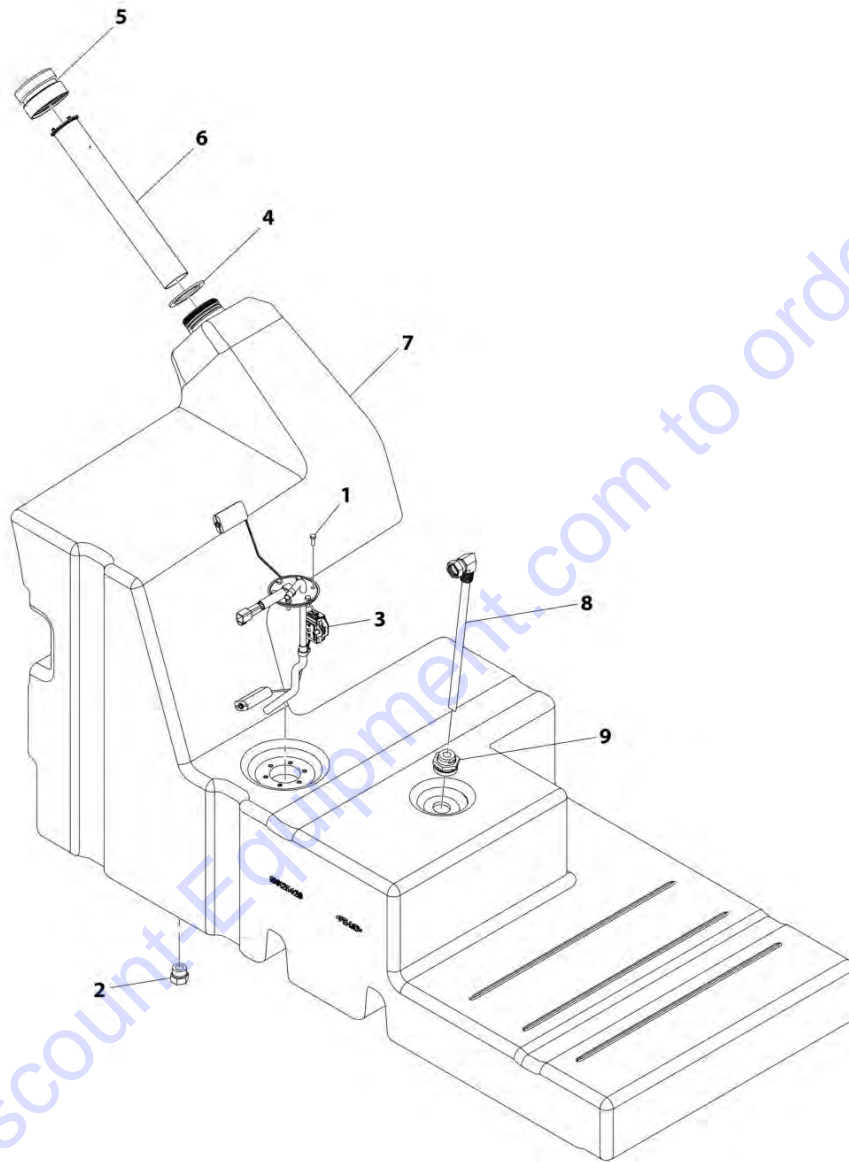
FIGURE 4-40. A/C PUMP INSTALLATION (LS)

ITEM	PART NUMBER	QTY	DESCRIPTION	REV
	1001206448	Ref	A/C Pump Installation (LS)	A
1	0700827	4	Bolt, M8X100	
2	0760812	2	Bolt, M8X25	
3	1062255	1	Strap, Tie	
4	3290801	2	Nut, M8X1.25 Grade 8	
5	4811900	6	Washer, M8	
6	1001157663	1	Compressor, A/C	
7	1001163254	1	Installation, A/C Lines (See Separate Breakdown in this Section)	
8	1001167357	1	Belt	
9	1001193026	1	Decal, A/C Refrigerant	
10	1001206332	1	Bracket	

Go to Discount-Equipment.com to order your parts

SECTION 4 - ENGINE AND ATTACHING PARTS

FIGURE 4-41. FUEL TANK ASSEMBLY



Go to DiscountEquipment.com to order your parts

ART_1001211432-F

SECTION 4 - ENGINE AND ATTACHING PARTS

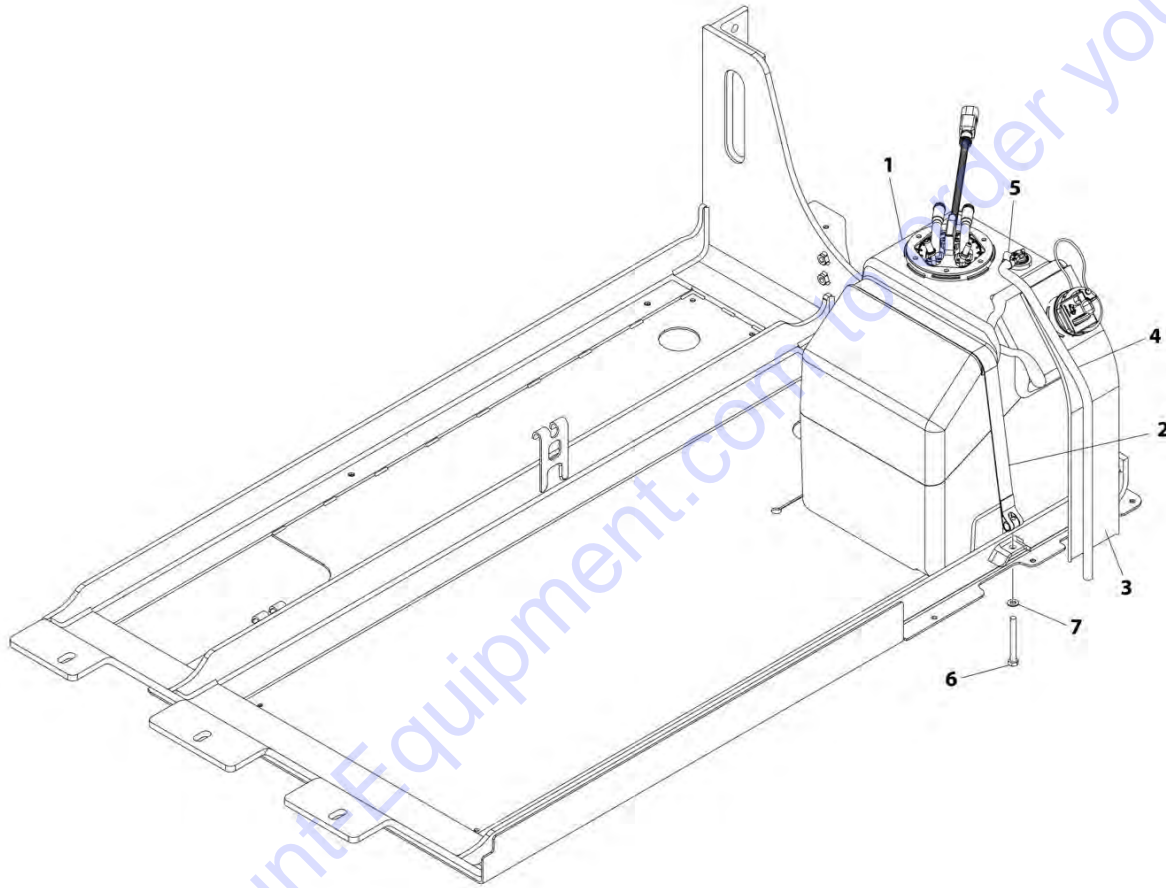
FIGURE 4-41. FUEL TANK ASSEMBLY

ITEM	PART NUMBER	QTY	DESCRIPTION	REV
	1001211432	Ref	Fuel Tank Assembly	F
1	0760507	6	Bolt, M5X14	
2	1001003427	1	Plug	
3	1001169867	NLA	Gauge, Fuel Level (no longer available, use 1001235100 for replacement)	
3	1001235100	1	Gauge, Fuel Level	
4	1001172178	1	Gasket	
5	1001207282	1	Adapter, Tank Cap	
6	1001207557	1	Pipe, Fuel Tank Drop	
7	1001211428	1	Tank, Fuel	
8	1001211429	1	Coupling, ORFS	
9	1001211747	1	Pipe, Fuel Supply	

Go to Discount-Equipment.com to order your parts

SECTION 4 - ENGINE AND ATTACHING PARTS

FIGURE 4-42. DEF TANK INSTALLATION



ART_1001168638-J

SECTION 4 - ENGINE AND ATTACHING PARTS

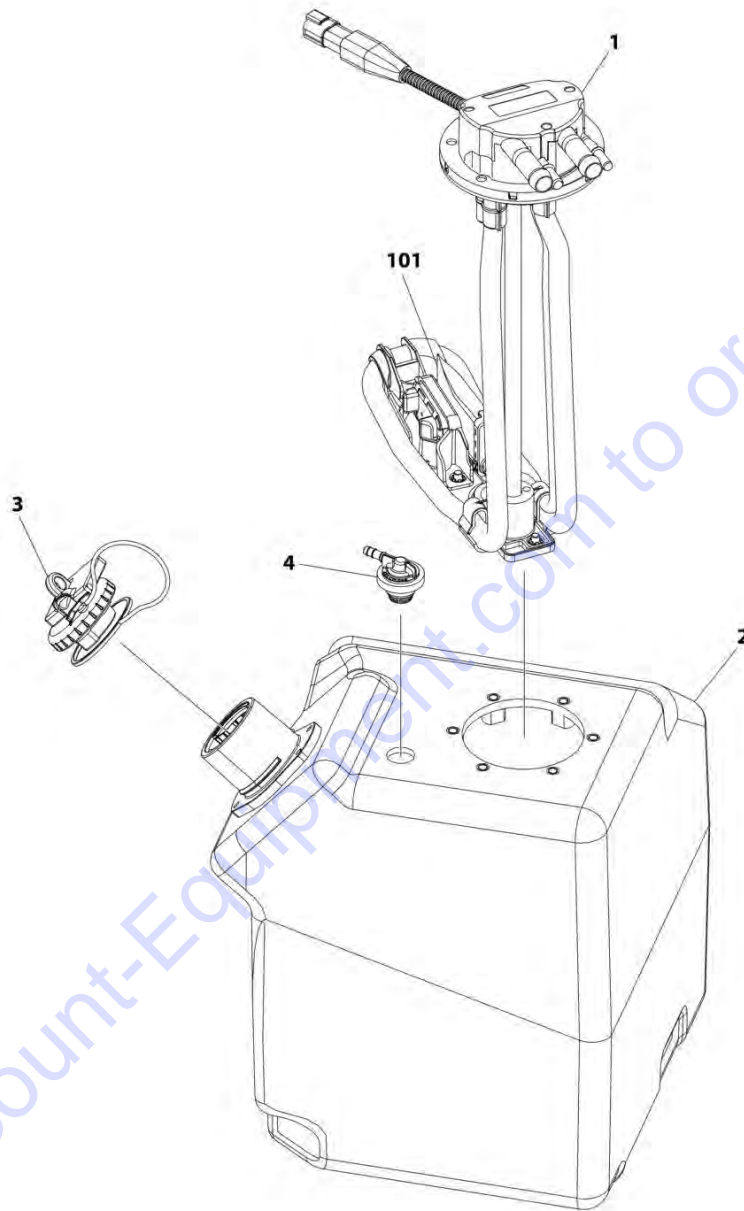
FIGURE 4-42. DEF TANK INSTALLATION

ITEM	PART NUMBER	QTY	DESCRIPTION	REV
	1001168638	Ref	DEF Tank Installation	J
1	1001164966	1	Tank, DEF (See Separate Breakdown in this Section) (SN 0160084859 through 0160091872)	
1	1001230421	1	Tank, DEF (See Separate Breakdown in this Section) (SN 0160091873 to Present)	
2	1001178791	1	Strap, Tank	
3	1001168272	1	Sleeve	
4	1001175201	0.6 m	Hose	
5	8405009	1	Clamp, Gear	
6	0760823	1	Bolt, M8X75	
7	4811900	1	Washer, M8	

Go to Discount-Equipment.com to order your parts

SECTION 4 - ENGINE AND ATTACHING PARTS

FIGURE 4-43. DEF TANK ASSEMBLY (SN 0160084859 through 0160091872)



ART_1001164966-G

SECTION 4 - ENGINE AND ATTACHING PARTS

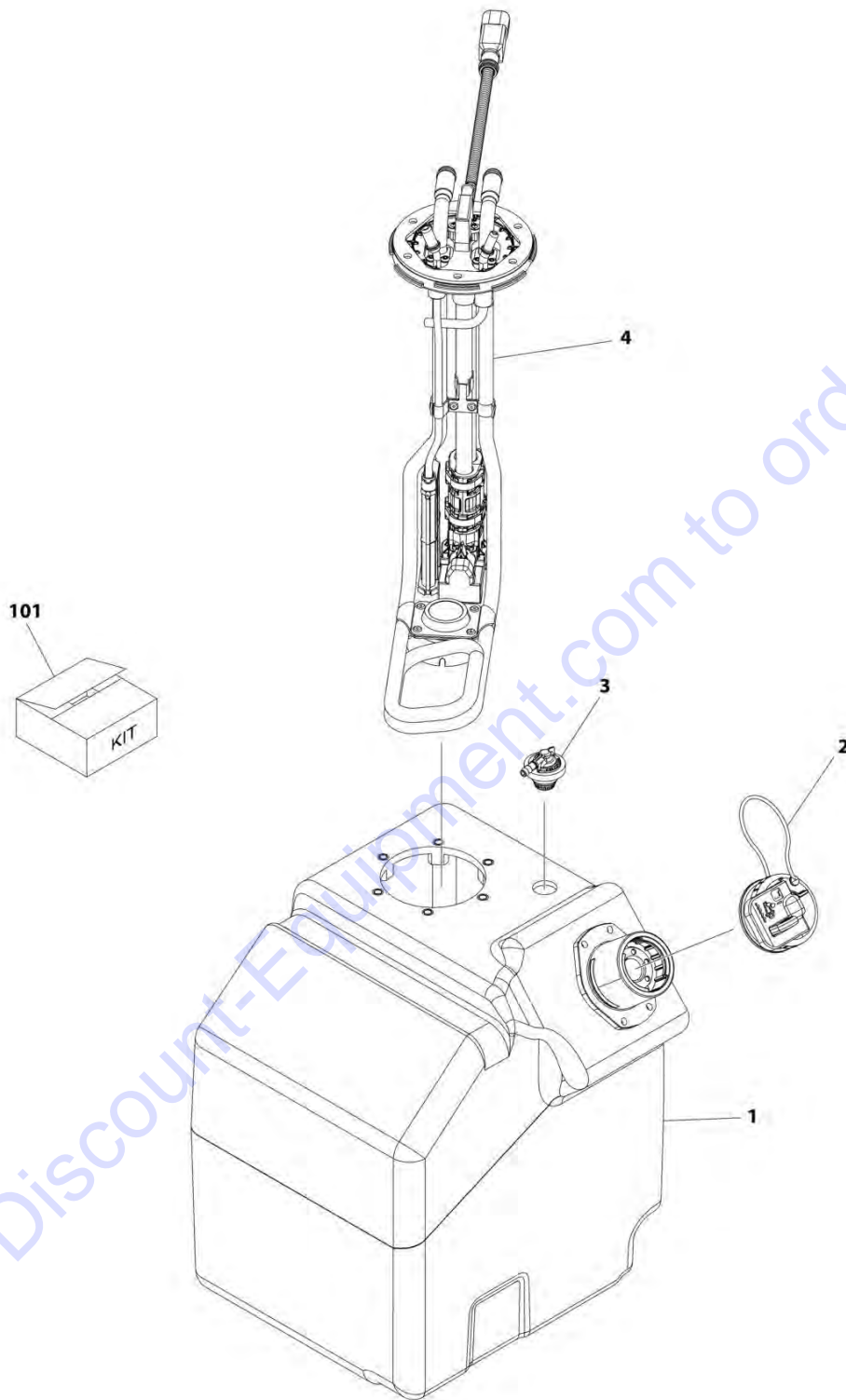
FIGURE 4-43. DEF TANK ASSEMBLY (SN 0160084859 through 0160091872)

ITEM	PART NUMBER	QTY	DESCRIPTION	REV
	1001164966	Ref	DEF Tank Assembly	G
1	1001164964	1	Assembly, DEF Electrical (includes item 101)	
2	1001164967	1	Tank	
3	1001174795	1	Cap	
4	1001215319	1	Valve	
101	70026584	1	Filter, DEF	

Go to Discount-Equipment.com to order your parts

SECTION 4 - ENGINE AND ATTACHING PARTS

FIGURE 4-44. DEF TANK ASSEMBLY (SN 0160091873 to Present)



ART_1001230421-A

SECTION 4 - ENGINE AND ATTACHING PARTS

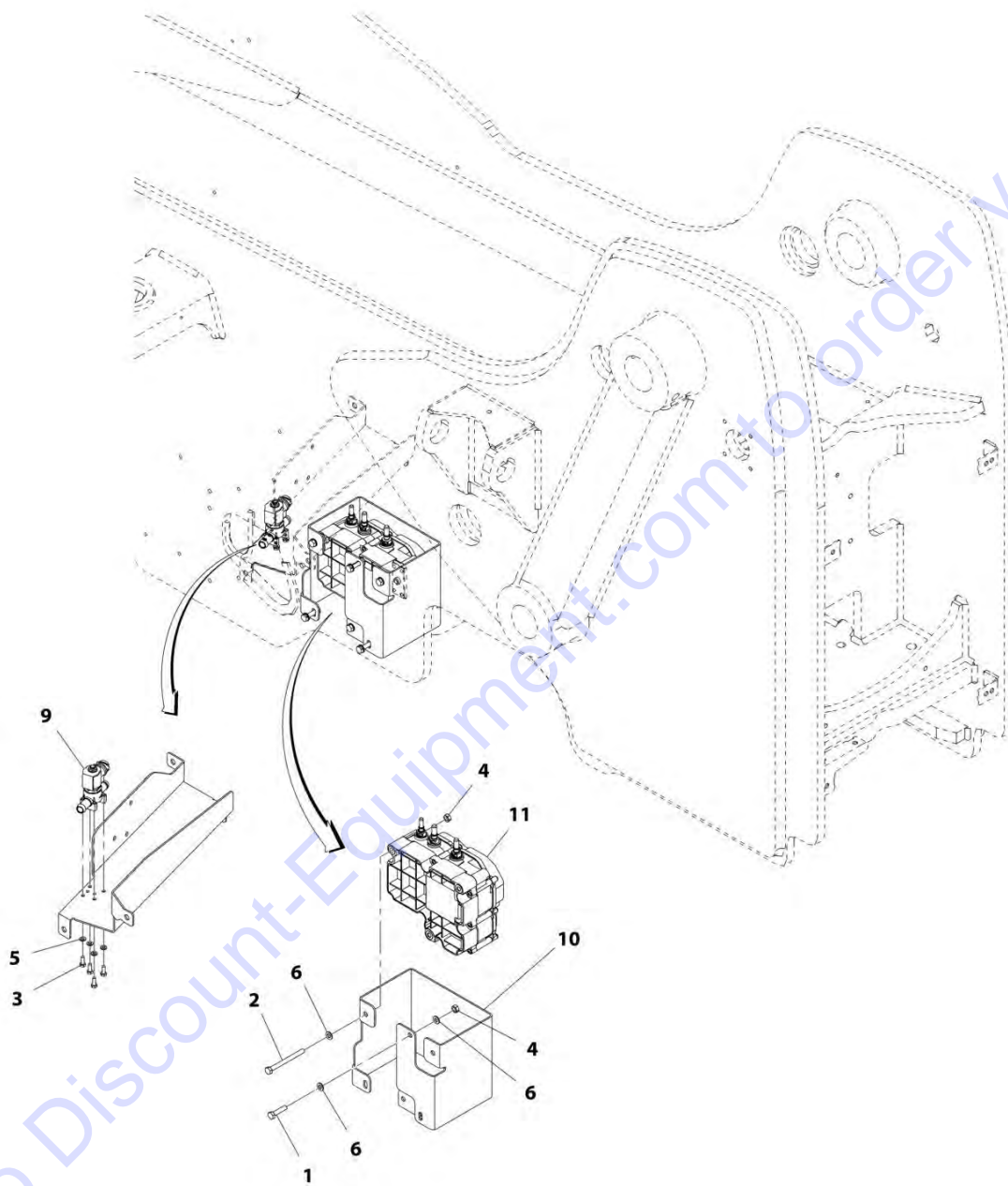
FIGURE 4-44. DEF TANK ASSEMBLY (SN 0160091873 to Present)

ITEM	PART NUMBER	QTY	DESCRIPTION	REV
	1001230421	Ref	DEF Tank Assembly	A
1	1001164967	1	Tank	
2	1001174795	1	Cap	
3	1001215319	1	Valve	
4	1001230419	1	Assembly, DEF Electrical (includes item 101)	
101	70029473	1	Siphon Filter Kit	
101	70029474	1	Gasket, Rubber	
101	70029475	1	Flange	
101	70029476	1	Header Assembly w/o Flange and Gasket	

Go to Discount-Equipment.com to order your parts

SECTION 4 - ENGINE AND ATTACHING PARTS

FIGURE 4-45. DEF PUMP AND CONTROL INSTALLATION



ART_1001174271-H

SECTION 4 - ENGINE AND ATTACHING PARTS

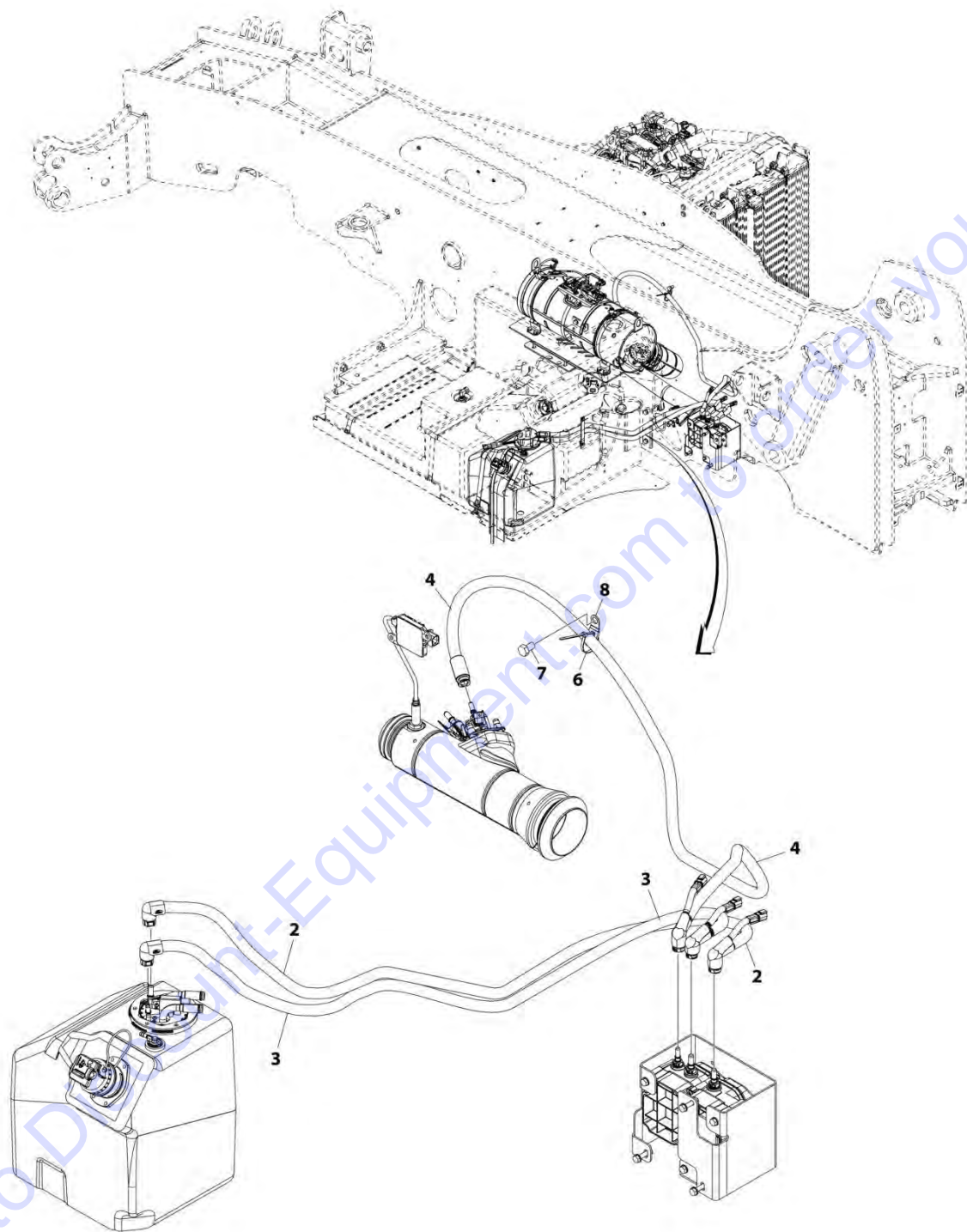
FIGURE 4-45. DEF PUMP AND CONTROL INSTALLATION

ITEM	PART NUMBER	QTY	DESCRIPTION	REV
	1001174271	Ref	DEF Pump and Control Installation	H
1	0700815	3	Bolt, M8X35	
2	0700826	3	Bolt, M8X90	
3	0760608	4	Bolt, M6X16	
4	3290801	5	Nut, M8X1.25	
5	4811700	4	Washer, M6	
6	4811900	8	Washer, M8	
9	1001199670	1	Valve, DEF Tank Coolant Flow	
10	1001191168	1	Bracket	
11		Ref	Pump, Urea (See Separate Breakdown in this Section)	

Go to Discount-Equipment.com to order your parts

SECTION 4 - ENGINE AND ATTACHING PARTS

FIGURE 4-46. DEF PUMP LINES INSTALLATION



ART_1001163253-I

SECTION 4 - ENGINE AND ATTACHING PARTS

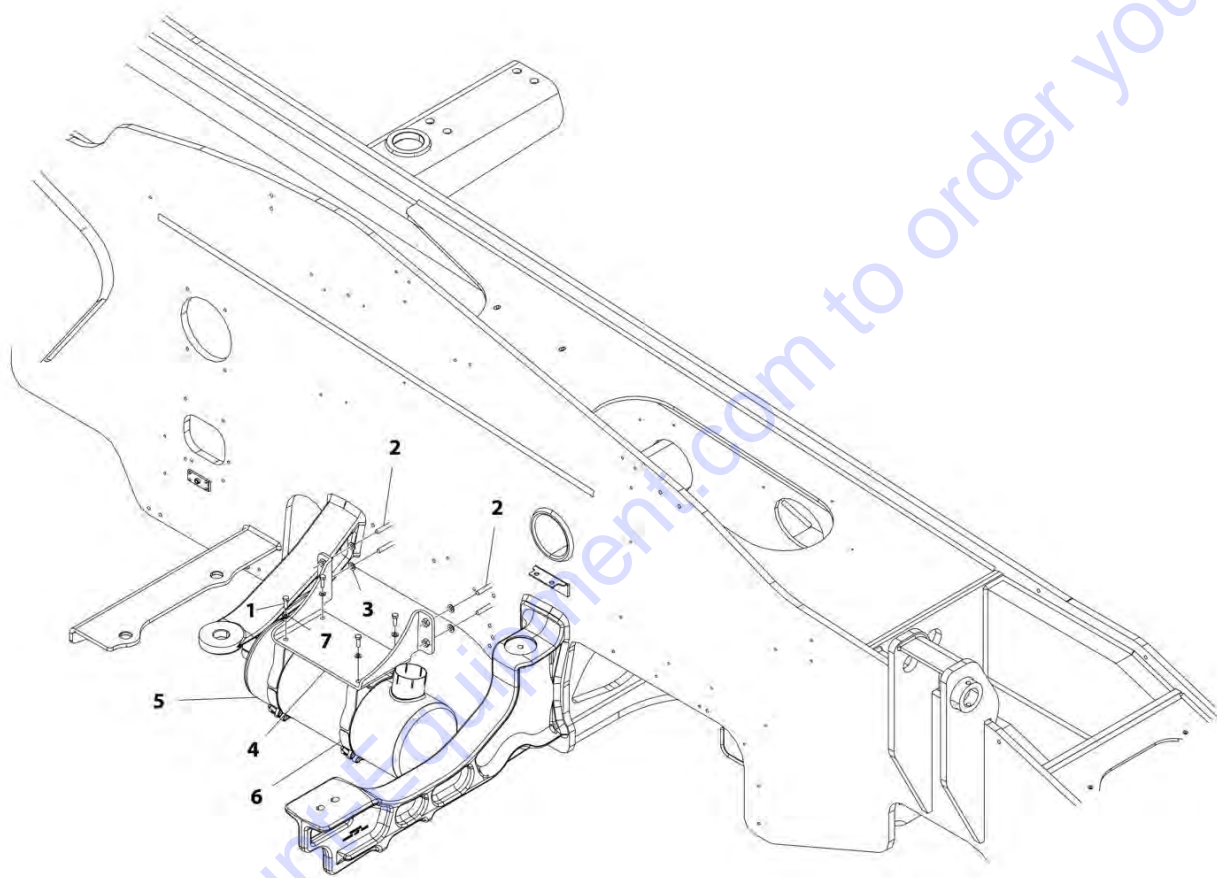
FIGURE 4-46. DEF PUMP LINES INSTALLATION

ITEM	PART NUMBER	QTY	DESCRIPTION	REV
	1001163253	Ref	DEF Pump Lines Installation	1
1	0760607	AR	Bolt, M6X14	
2	1001196354	1	Hose (SN 0160084859 through 0160091872)	
2	1001231002	1	Hose (SN 0160091873 to Present)	
3	1001196421	1	Hose (SN 0160084859 through 0160091872)	
3	1001231003	1	Hose (SN 0160091873 to Present)	
4	1001167971	1	Hose	
5	1001196440	AR	Plate, Retainer	
6	8881802	1	Strap, Tie	
7	0761210	1	Bolt, M12X20	
8	1001025750	1	Clip	
9	4831700	AR	Washer, Lock M6	

Go to Discount-Equipment.com to order your parts

SECTION 4 - ENGINE AND ATTACHING PARTS

FIGURE 4-47. MUFFLER INSTALLATION (LS)



ART_1001179968-D

SECTION 4 - ENGINE AND ATTACHING PARTS

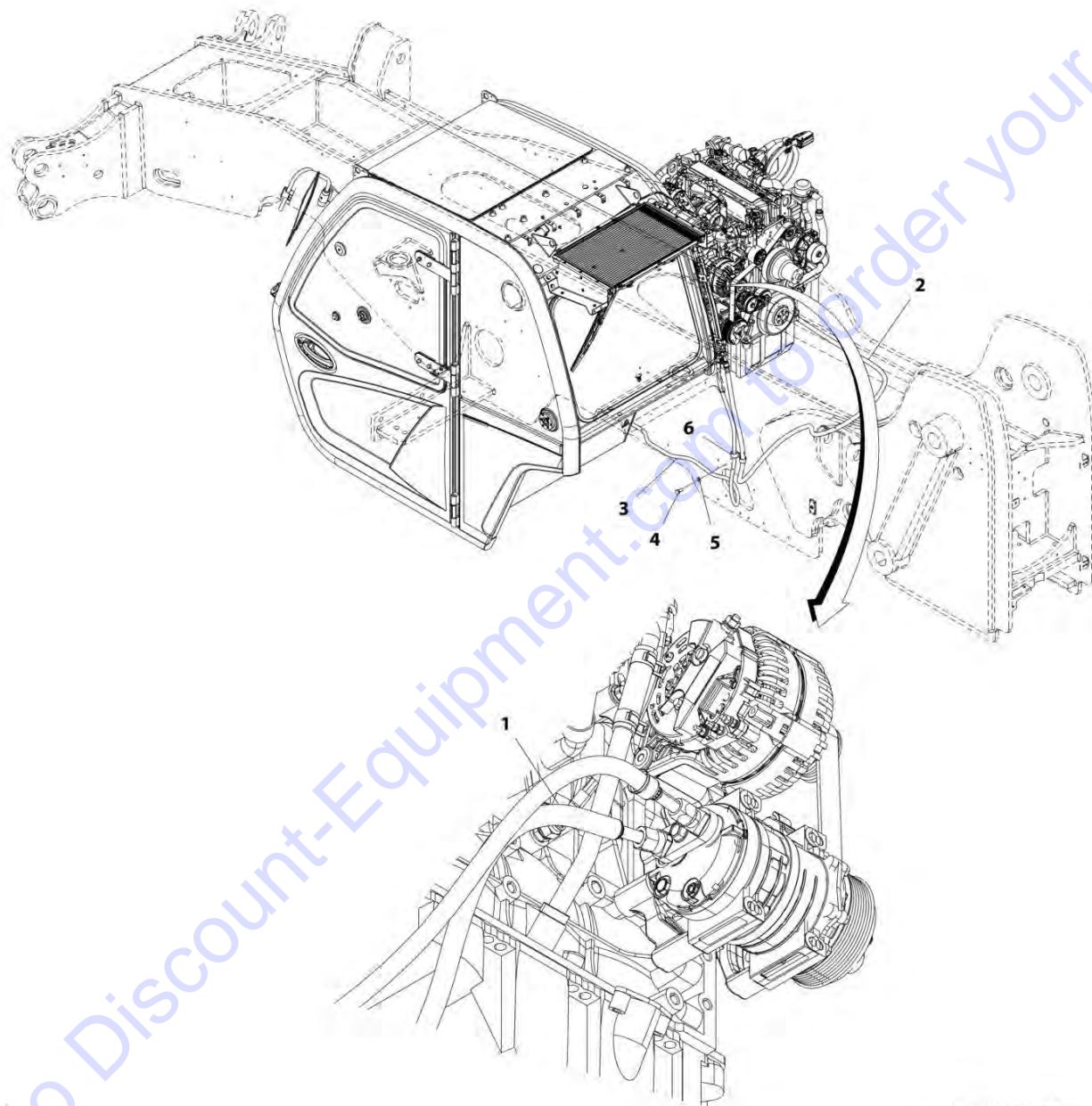
FIGURE 4-47. MUFFLER INSTALLATION (LS)

ITEM	PART NUMBER	QTY	DESCRIPTION	REV
	1001179968	Ref	Muffler Installation (LS)	D
1	0760812	4	Bolt, M8X25	
2	0701017	4	Bolt, M10X45	
3	4812000	4	Washer, M10	
4	1001179973	1	Bracket	
5	1001180226	1	Muffler	
6	1001180227	2	Clamp, Muffler	
7	4811900	4	Washer, M8	

Go to Discount-Equipment.com to order your parts

SECTION 4 - ENGINE AND ATTACHING PARTS

FIGURE 4-48. A/C LINES INSTALLATION



ART_1001163254-H

SECTION 4 - ENGINE AND ATTACHING PARTS

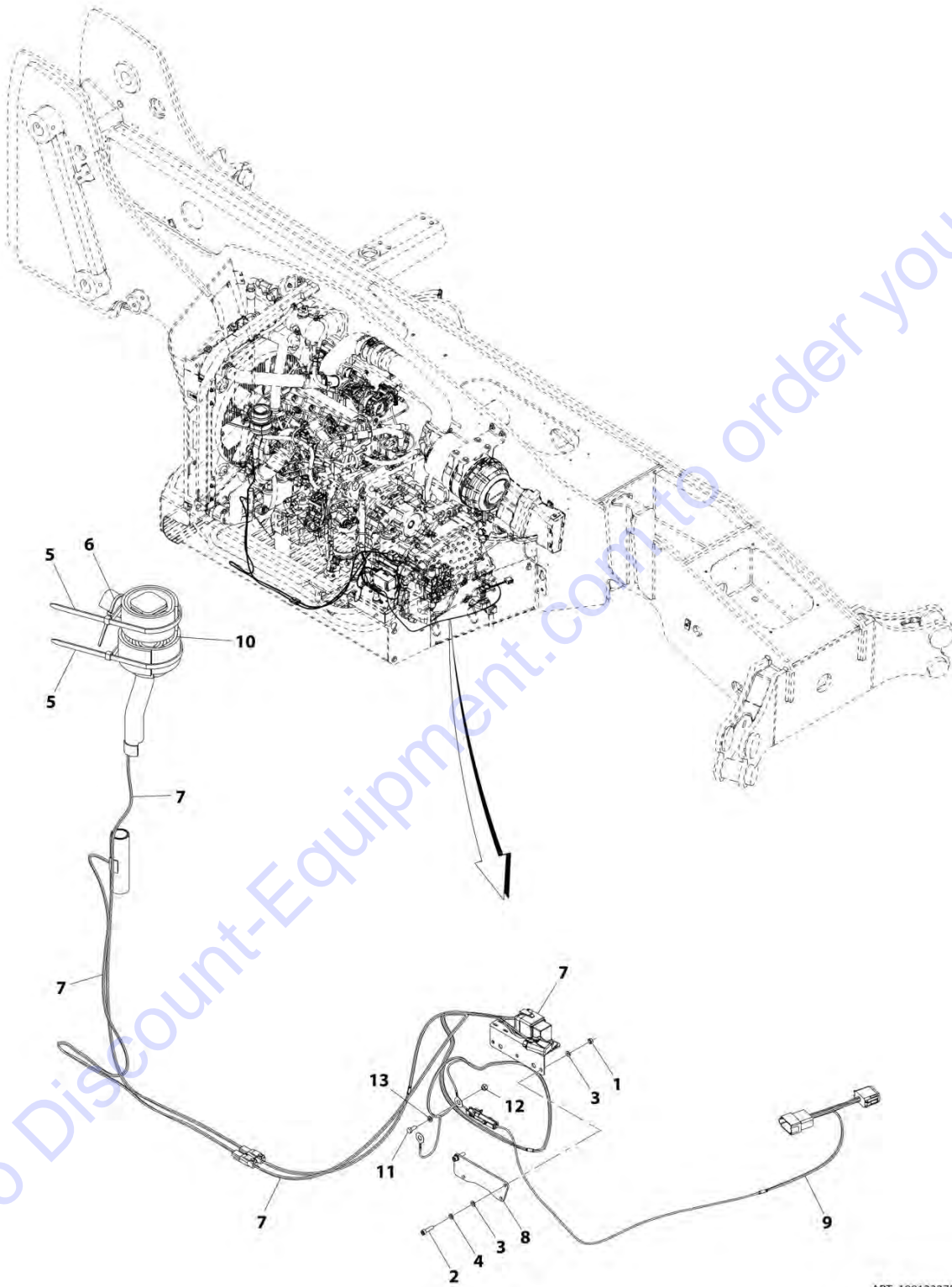
FIGURE 4-48. A/C LINES INSTALLATION

ITEM	PART NUMBER	QTY	DESCRIPTION	REV
	1001163254	Ref	A/C Lines Installation	H
1	1001196491	1	Hose	
2	1001184017	1	Hose	
3	1001186705	1	Hose	
4	0761012	1	Bolt, M10X25	
5	4812000	1	Washer, M10	
6	8406102	2	Clip	

Go to Discount-Equipment.com to order your parts

SECTION 4 - ENGINE AND ATTACHING PARTS

FIGURE 4-49. HEATER BREATHER



ART_1001232751-B

SECTION 4 - ENGINE AND ATTACHING PARTS

FIGURE 4-49. HEATER BREATHER

ITEM	PART NUMBER	QTY	DESCRIPTION	REV
	1001232751	Ref	Heater Breather - 110 HP	B
1	3290501	2	Nut, M5X0.8	
2	4031608	2	Screw, M5X20	
3	4811600	4	Washer, M5	
4	4831600	2	Washer, Lock M5	
5	01043892	2	Strap, Tie	
6	86683122	1	Strap, Tie	
7	1001232439	1	Engine, Cummins Breather Kit	
8	1001232440	1	Bracket	
9	1001232556	1	Harness, Cummins Heater Jump	
10	1001232624	1	Insulate, Cummins Insulation	
11	0760607	1	Bolt, M6X1	
12	3290601	1	Nut, M6X1	
13	4811700	2	Washer, M6	

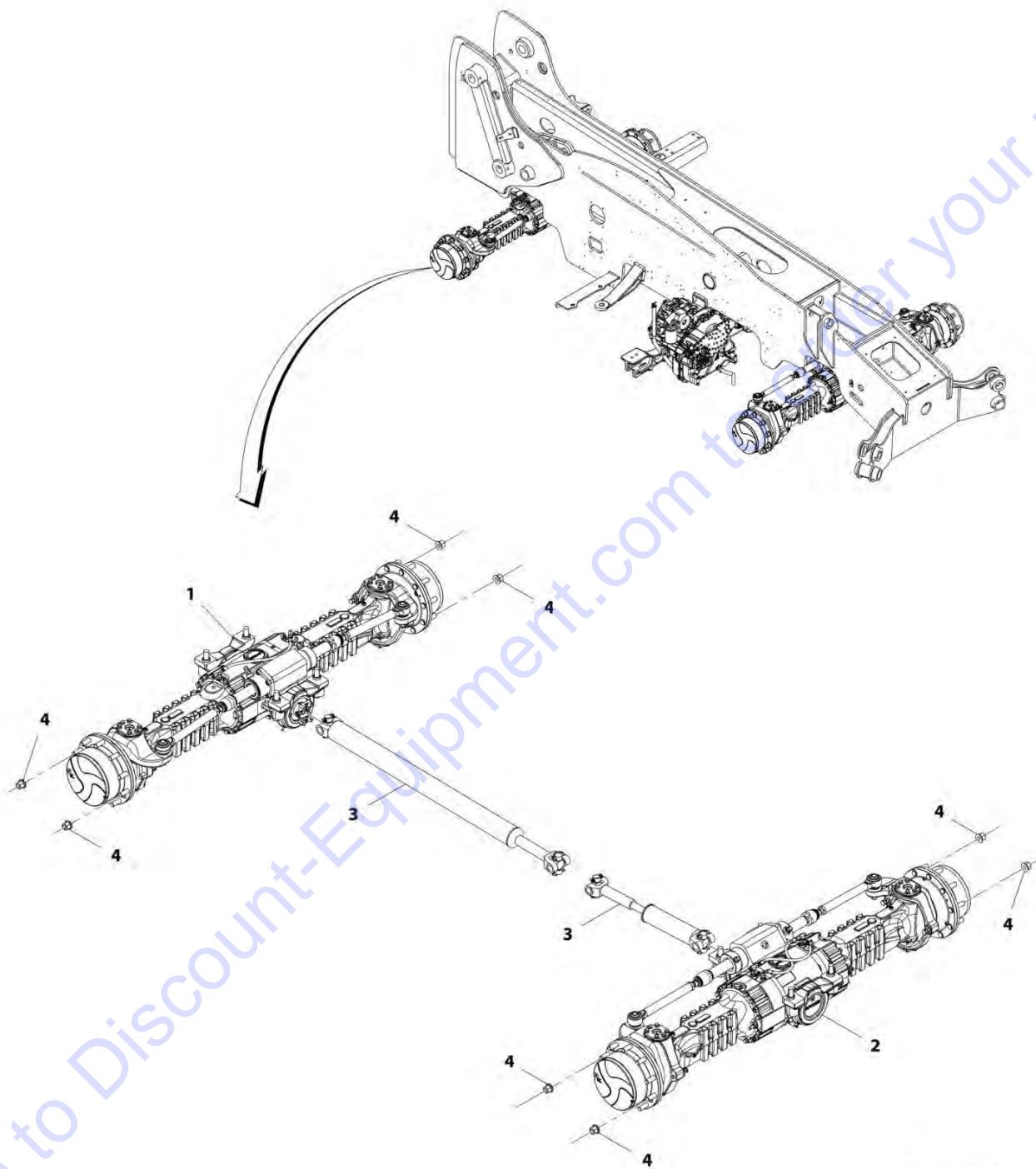
Go to Discount-Equipment.com to order your parts

SECTION 5 - DRIVETRAIN

Go to Discount-Equipment.com to order your parts

SECTION 5 - DRIVETRAIN

FIGURE 5-1. DRIVETRAIN INSTALLATION



ART_1001168786-B

SECTION 5 - DRIVETRAIN

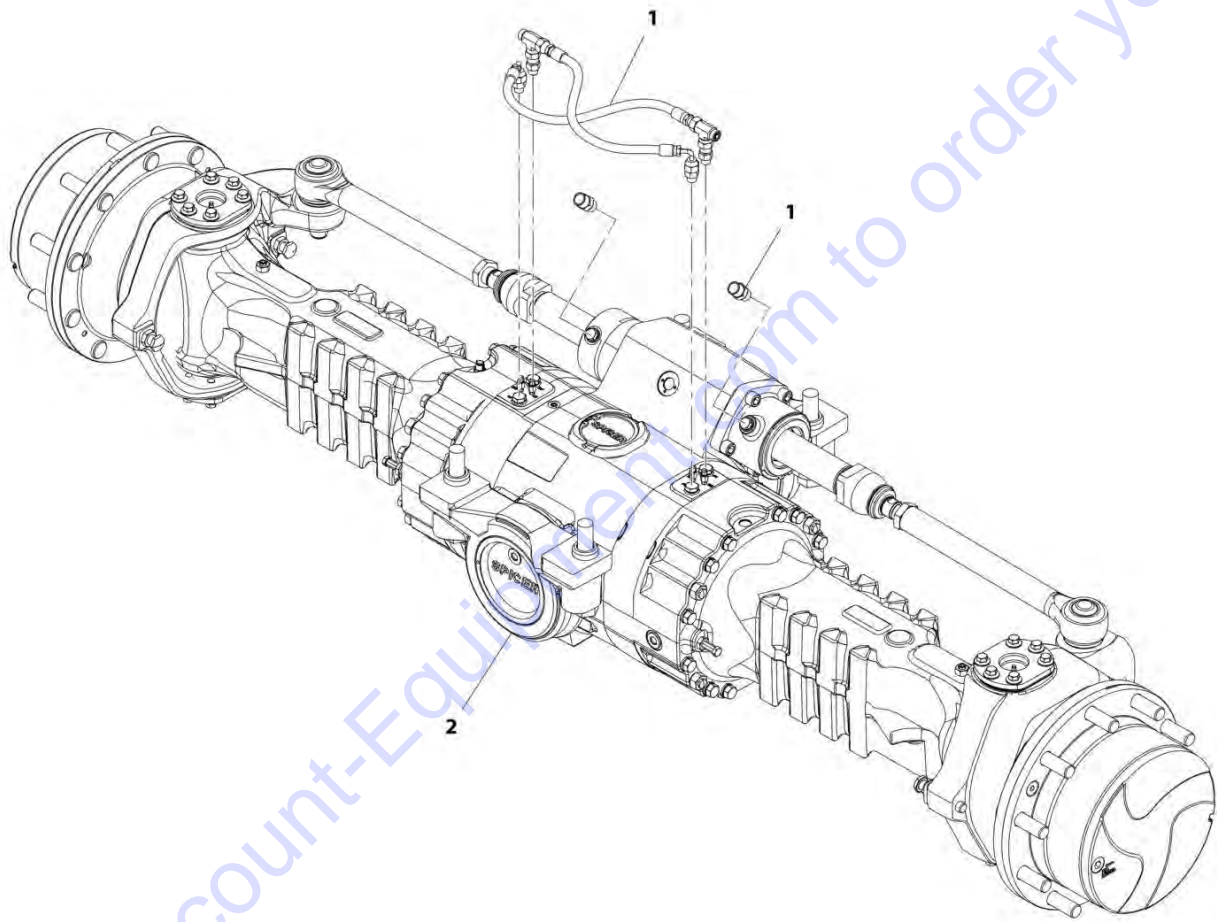
FIGURE 5-1. DRIVETRAIN INSTALLATION

ITEM	PART NUMBER	QTY	DESCRIPTION	REV
1	1001168786	Ref	Drivetrain Installation	B
	1001168783	Ref	Installation, Rear Axle (See REAR AXLE INSTALLATION for Breakdown)	
2	1001168785	Ref	Installation, Front Axle (See FRONT AXLE INSTALLATION for Breakdown)	
3	1001169350	Ref	Installation, Drive Shafts (See DRIVE SHAFTS INSTALLATION for Breakdown)	
4	91403193	40	Nut, Lug M22X1.5	

Go to Discount-Equipment.com to order your parts

SECTION 5 - DRIVETRAIN

FIGURE 5-2. FRONT AXLE INSTALLATION



ART_1001168785-A

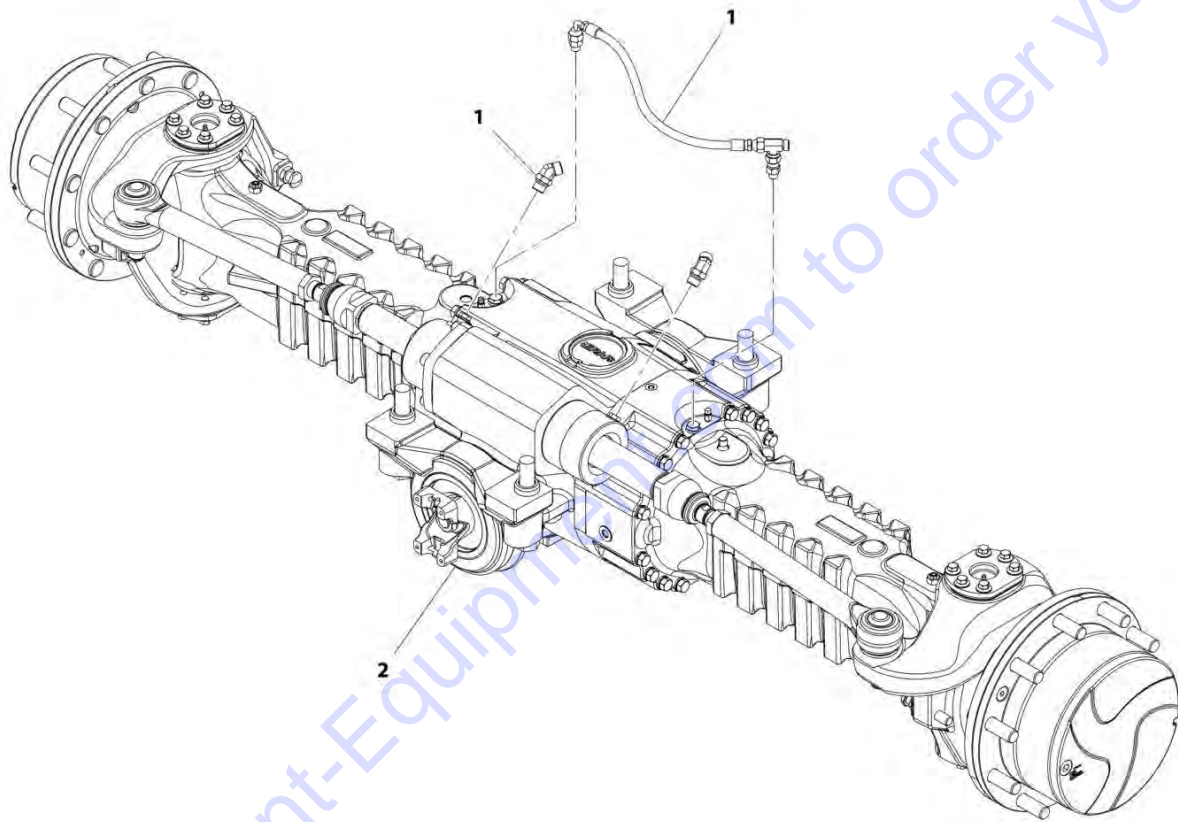
FIGURE 5-2. FRONT AXLE INSTALLATION

ITEM	PART NUMBER	QTY	DESCRIPTION	REV
1	1001168785	Ref	Front Axle Installation	A
	1001161421	Ref	Installation, Front Axle Lines (See FONT AXLE LINES INSTALLATION for Breakdown)	
2	1001168784	Ref	Installation, Front Axle Mounting (See FRONT AXLE MOUNTING INSTALLATION for Breakdown)	

Go to Discount-Equipment.com to order your parts

SECTION 5 - DRIVETRAIN

FIGURE 5-3. REAR AXLE INSTALLATION



ART_1001168783-A

FIGURE 5-3. REAR AXLE INSTALLATION

ITEM	PART NUMBER	QTY	DESCRIPTION	REV
1	1001168783	Ref	Rear Axle Installation	A
	1001161424	Ref	Installation, Rear Axle Lines (See REAR AXLE LINES INSTALLATION for Breakdown)	
2	1001168782	Ref	Installation, Rear Axle Mounting (See REAR AXLE MOUNTING INSTALLATION for Breakdown)	

Go to Discount-Equipment.com to order your parts

PARTS FINDER

**Search Website
by Part Number**



**Search Manual
Library For Parts
Manual & Lookup Part
Numbers – Purchase
or Request Quote**

**Can't Find Part or
Manual? Request Help
by Manufacturer,
Model & Description**

Discount-Equipment.com is your online resource for quality parts & equipment.

Florida: **561-964-4949** Outside Florida TOLL FREE: **877-690-3101**

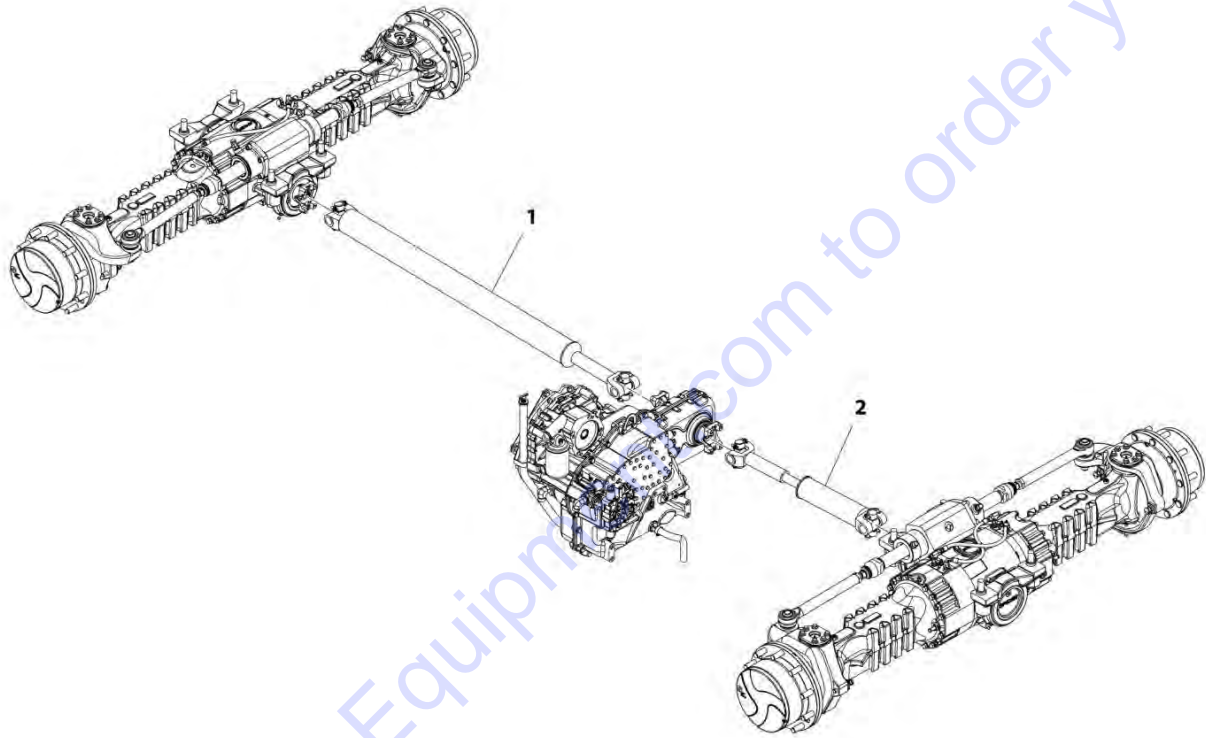
Need parts?

Click on this link: <http://www.discount-equipment.com/category/5443-parts/> and choose one of the options to help get the right parts and equipment you are looking for. Please have the machine model and serial number available in order to help us get you the correct parts. If you don't find the part on the website or on one of the online manuals, please fill out the request form and one of our experienced staff members will get back to you with a quote for the right part that your machine needs.

We sell worldwide for the brands: Genie, Terex, JLG, MultiQuip, Mikasa, Essick, Whiteman, Mayco, Toro Stone, Diamond Products, Generac Magnum, Airman, Haulotte, Barreto, Power Blanket, Nifty Lift, Atlas Copco, Chicago Pneumatic, Allmand, Miller Curber, Skyjack, Lull, Skytrak, Tsurumi, Husquvarna Target, Stow, Wacker, Sakai, Mi-T-M, Sullair, Basic, Dynapac, MBW, Weber, Bartell, Bennar Newman, Haulotte, Ditch Runner, Menegotti, Morrison, Contec, Buddy, Crown, Edco, Wyco, Bomag, Laymor, EZ Trench, Bil-Jax, F.S. Curtis, Gehl Pavers, Heli, Honda, ICS/PowerGrit, IHI, Partner, Imer, Clipper, MMD, Koshin, Rice, CH&E, General Equipment, Amida, Coleman, NAC, Gradall, Square Shooter, Kent, Stanley, Tamco, Toku, Hatz, Kohler, Robin, Wisconsin, Northrock, Oztec, Toker TK, Rol-Air, APT, Wylie, Ingersoll Rand / Doosan, Innovatech, Con X, Ammann, Mecalac, Makinex, Smith Surface Prep, Small Line, Wanco, Yanmar

SECTION 5 - DRIVETRAIN

FIGURE 5-4. DRIVE SHAFTS INSTALLATION



ART_1001169350-A

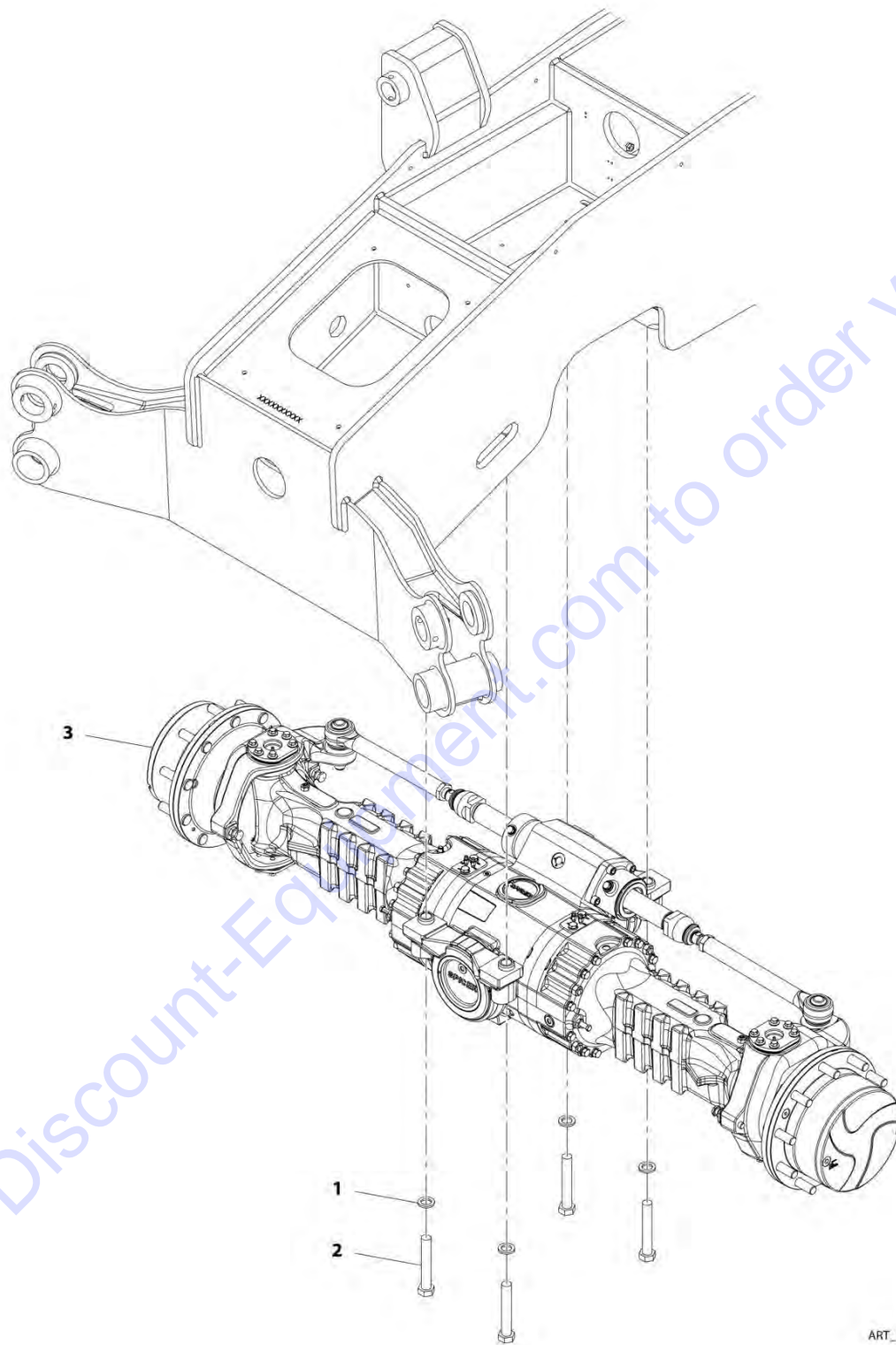
FIGURE 5-4. DRIVE SHAFTS INSTALLATION

ITEM	PART NUMBER	QTY	DESCRIPTION	REV
1	1001169350	Ref	Drive Shafts Installation	A
	1001169351	Ref	Installation, Rear Drive Shaft (See REAR DRIVE SHAFT INSTALLATION for Breakdown)	
2	1001172954	Ref	Installation, Front Drive Shaft (See FRONT DRIVE SHAFT INSTALLATION for Breakdown)	

Go to Discount-Equipment.com to order your parts

SECTION 5 - DRIVETRAIN

FIGURE 5-5. FRONT AXLE MOUNTING INSTALLATION



ART_1001168784-C

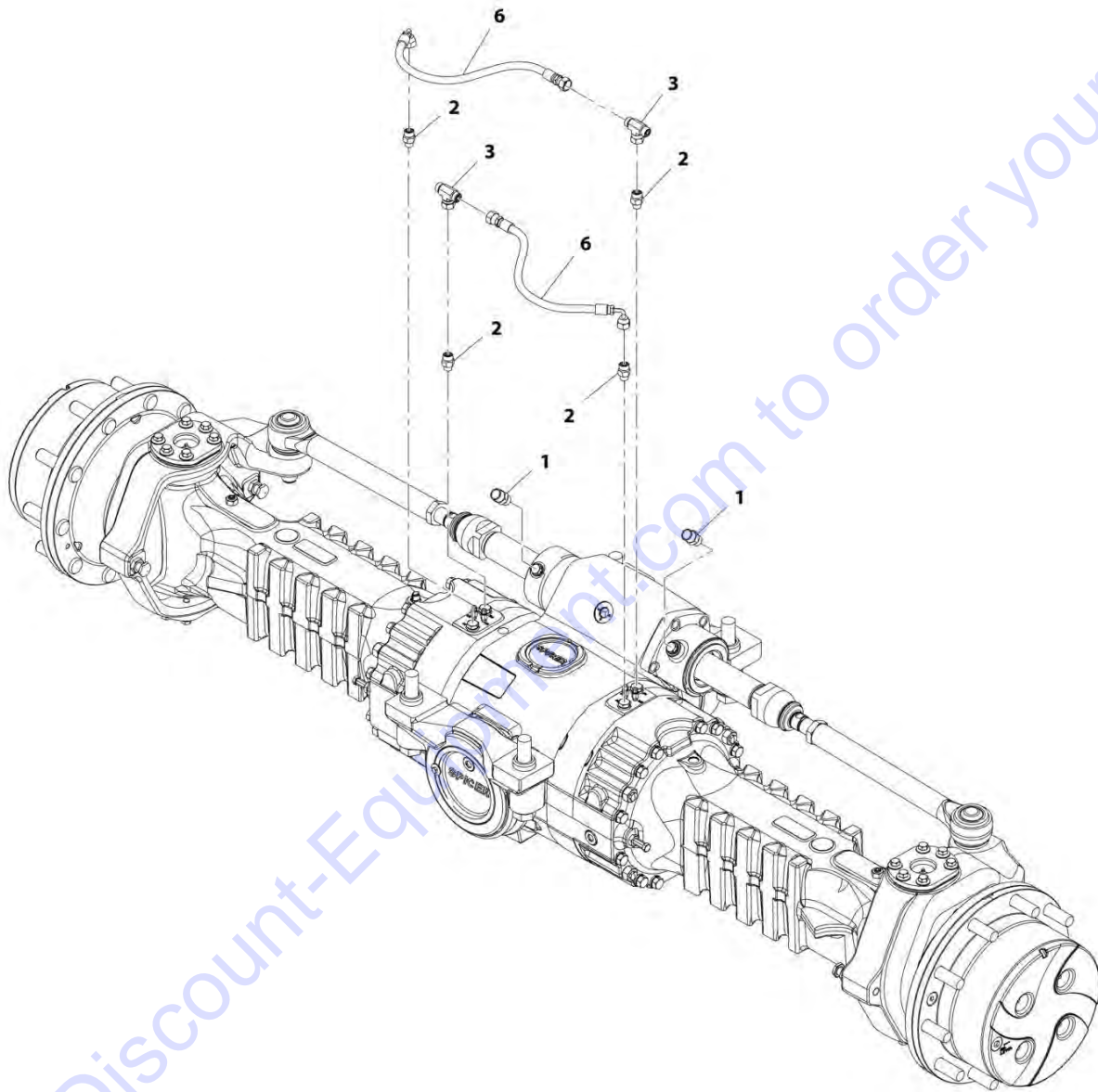
FIGURE 5-5. FRONT AXLE MOUNTING INSTALLATION

ITEM	PART NUMBER	QTY	DESCRIPTION	REV
	1001168784	Ref	Front Axle Mounting Installation	C
1	4892600	4	Washer	
2	1001097587	4	Bolt, M24-3X150	
3	1001165831	1	Axle, Front (See FRONT AXLE for Breakdown)	

Go to Discount-Equipment.com to order your parts

SECTION 5 - DRIVETRAIN

FIGURE 5-6. FONT AXLE LINES INSTALLATION



ART_1001161421-C

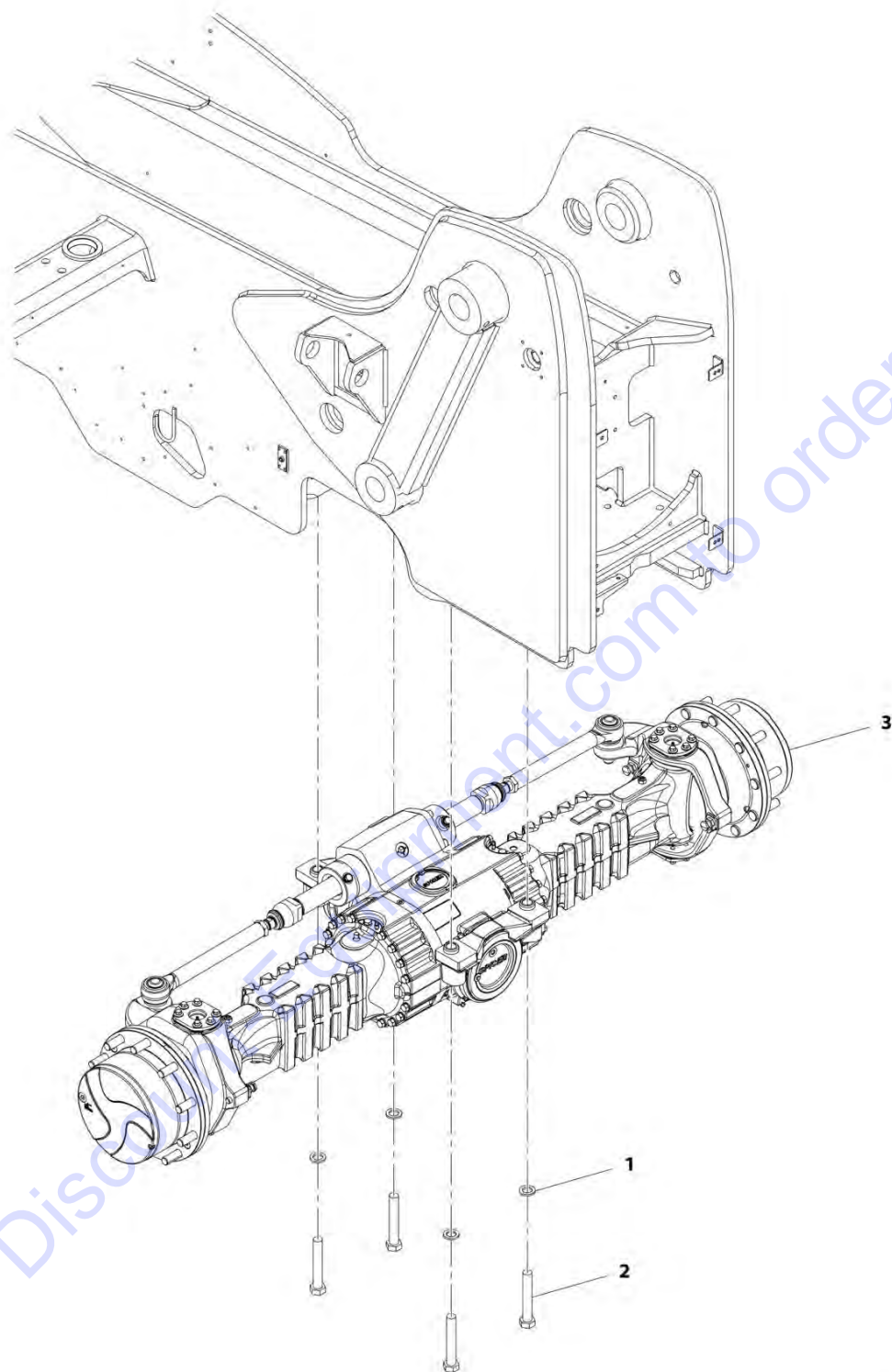
FIGURE 5-6. FONT AXLE LINES INSTALLATION

ITEM	PART NUMBER	QTY	DESCRIPTION	REV
	1001161421	Ref	Font Axle Lines Installation	C
1	2110808	2	Fitting, Straight ORFS	
2	2144605	4	Fitting, Straight ORFS	
3	2170806	2	Fitting, Tee ORFS	
6	1001097810	2	Hose	

Go to Discount-Equipment.com to order your parts

SECTION 5 - DRIVETRAIN

FIGURE 5-7. REAR AXLE MOUNTING INSTALLATION



ART_1001168782-C

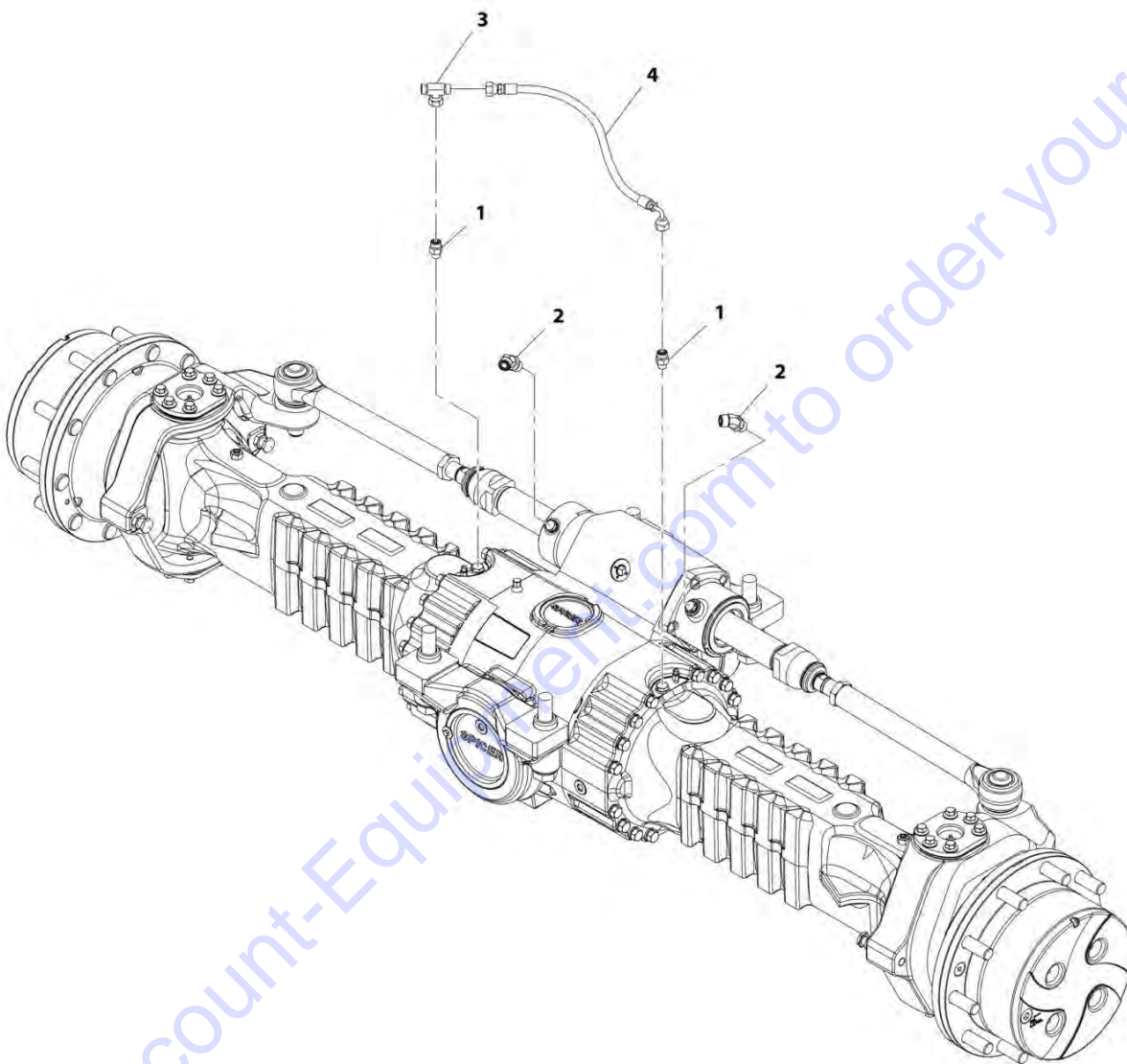
FIGURE 5-7. REAR AXLE MOUNTING INSTALLATION

ITEM	PART NUMBER	QTY	DESCRIPTION	REV
	1001168782	Ref	Rear Axle Mounting Installation	C
1	4892600	4	Washer	
2	1001097587	4	Bolt, M24X150	
3	1001165832	1	Axle, Rear (See REAR AXLE for Breakdown)	

Go to Discount-Equipment.com to order your parts

SECTION 5 - DRIVETRAIN

FIGURE 5-8. REAR AXLE LINES INSTALLATION



ART_1001161424-C

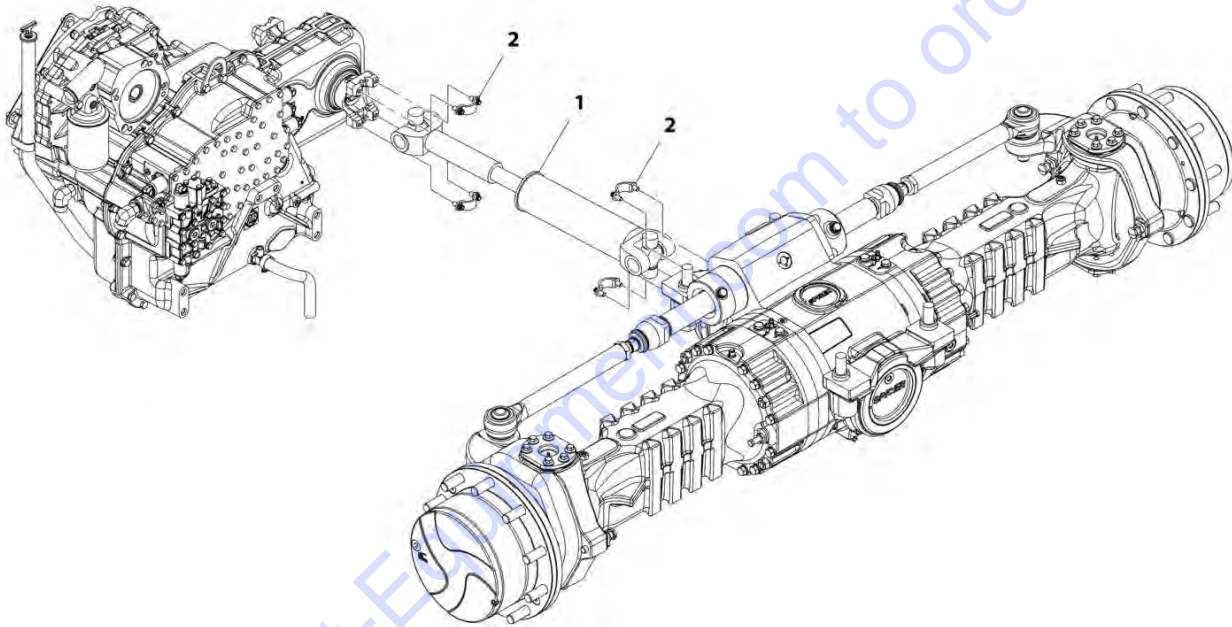
FIGURE 5-8. REAR AXLE LINES INSTALLATION

ITEM	PART NUMBER	QTY	DESCRIPTION	REV
	1001161424	Ref	Rear Axle Lines Installation	C
1	2144605	2	Fitting, Straight ORFS	
2	2150808	2	Fitting, 45 ORFS	
3	2170806	1	Fitting, Tee ORFS	
4	1001102509	1	Hose	

Go to Discount-Equipment.com to order your parts

SECTION 5 - DRIVETRAIN

FIGURE 5-9. FRONT DRIVE SHAFT INSTALLATION



ART_1001172954-A

SECTION 5 - DRIVETRAIN

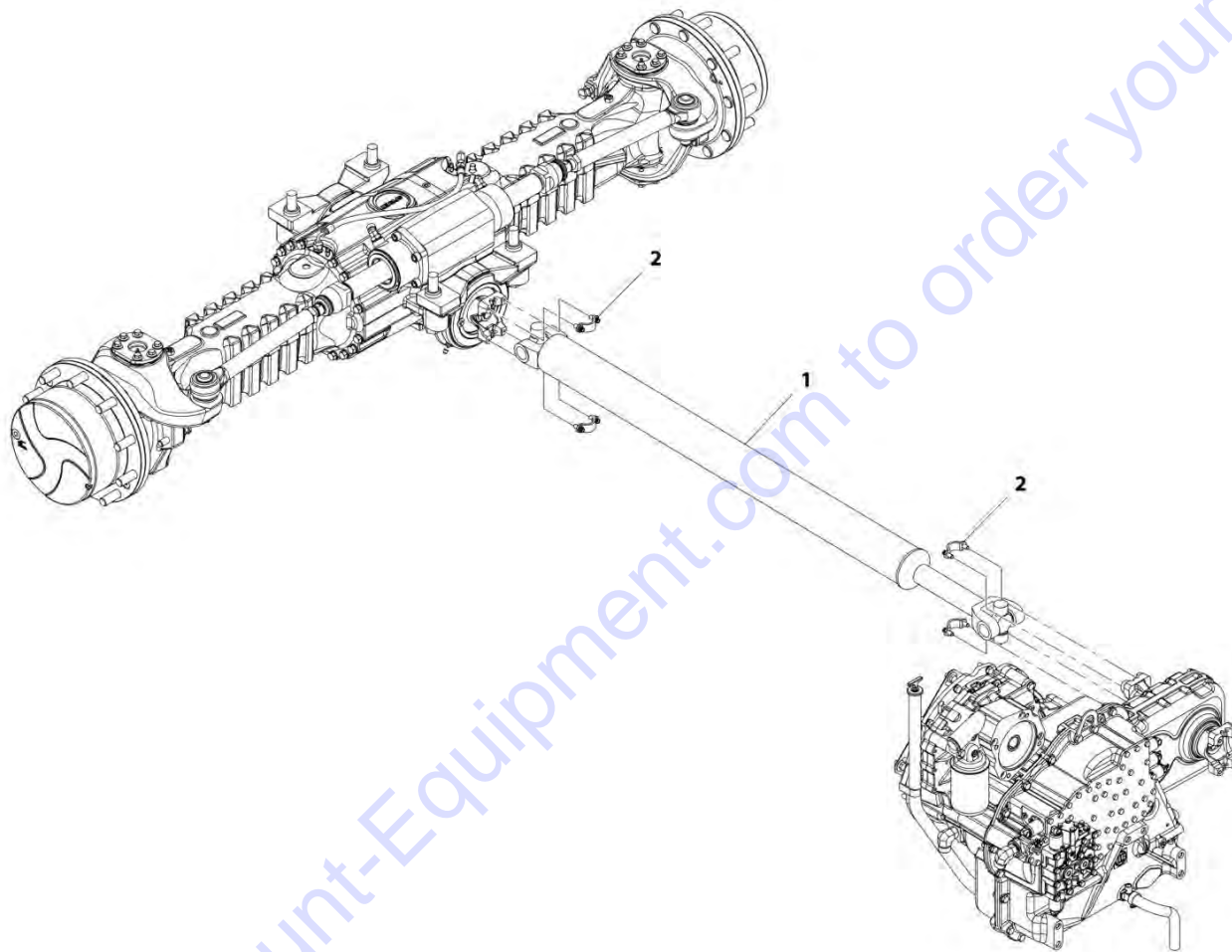
FIGURE 5-9. FRONT DRIVE SHAFT INSTALLATION

ITEM	PART NUMBER	QTY	DESCRIPTION	REV
	1001172954	Ref	Front Drive Shaft Installation	A
1	7150580	1	Drive Shaft, Front	
2	8880218-OM	2	Kit, Strap	

Go to Discount-Equipment.com to order your parts

SECTION 5 - DRIVETRAIN

FIGURE 5-10. REAR DRIVE SHAFT INSTALLATION



ART_1001169351-A

SECTION 5 - DRIVETRAIN

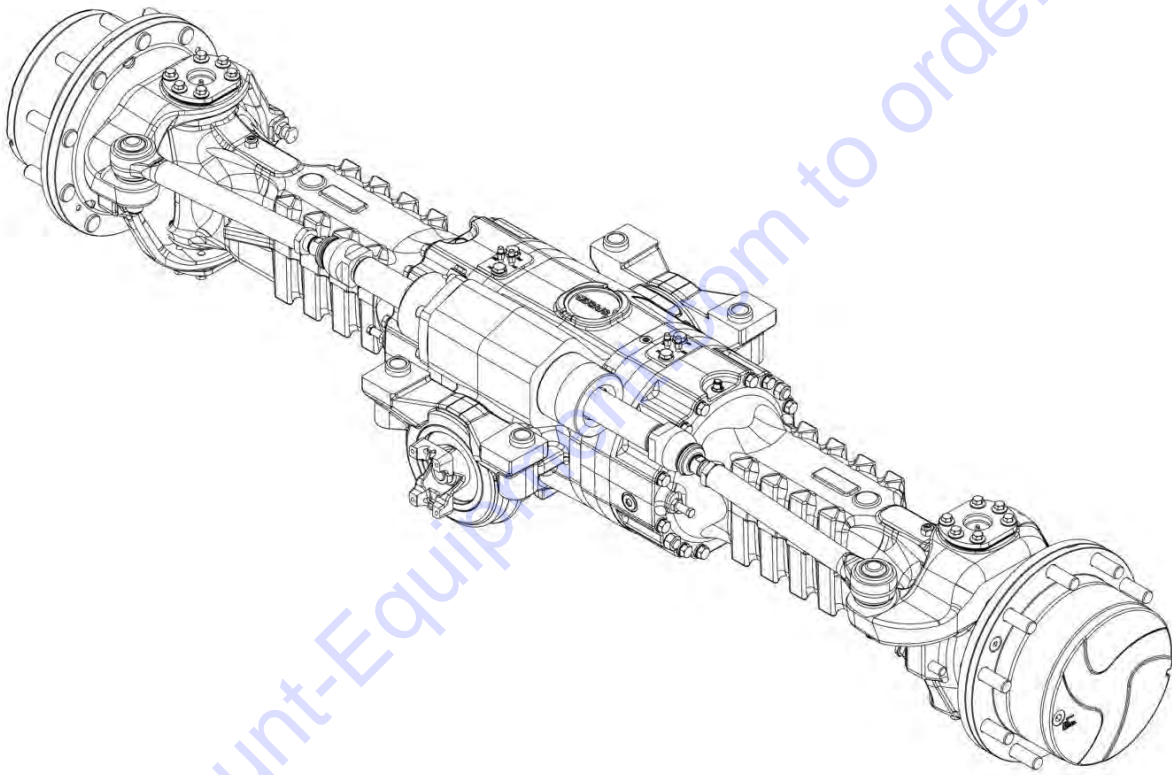
FIGURE 5-10. REAR DRIVE SHAFT INSTALLATION

ITEM	PART NUMBER	QTY	DESCRIPTION	REV
	1001169351	Ref	Rear Drive Shaft Installation	A
1	1001170616	1	Drive Shaft, Rear	
2	8880218-OM	2	Kit, Strap	

Go to Discount-Equipment.com to order your parts

SECTION 5 - DRIVETRAIN

FIGURE 5-11. FRONT AXLE



ART_1001165831-G

SECTION 5 - DRIVETRAIN

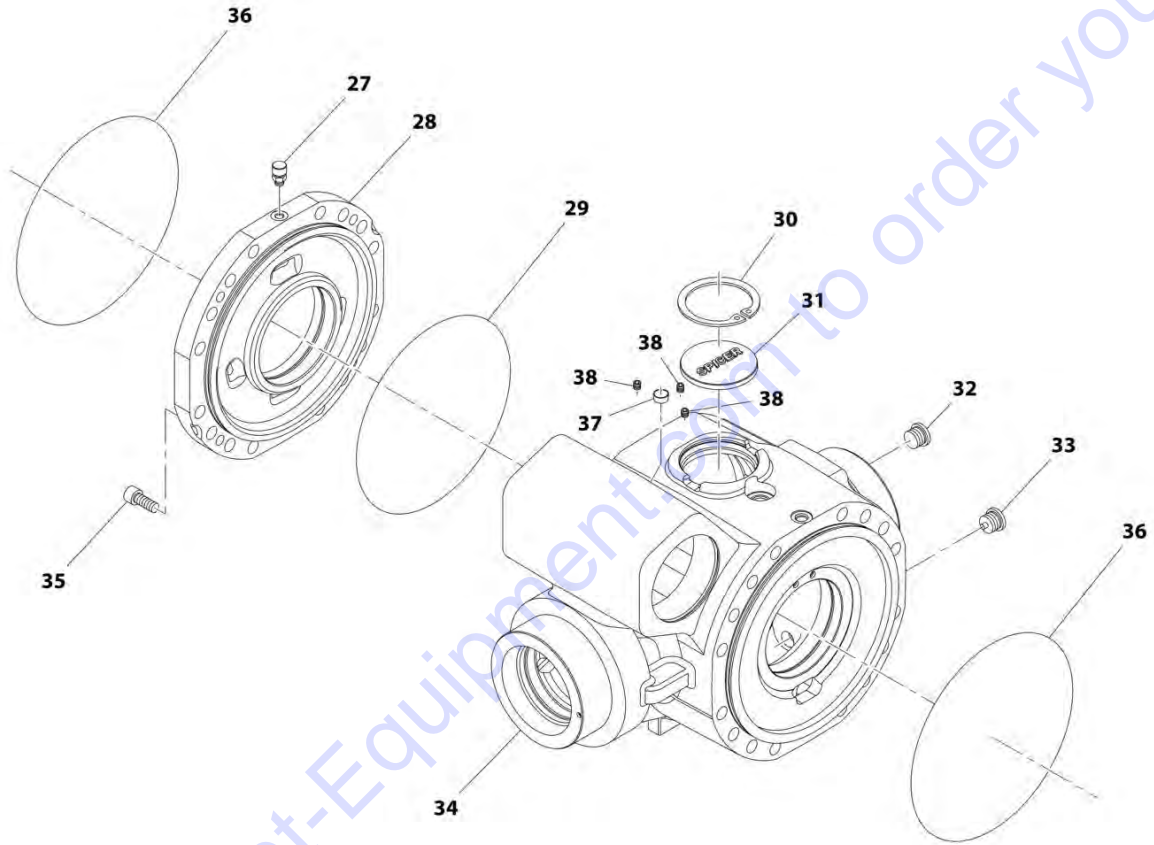
FIGURE 5-11. FRONT AXLE

ITEM	PART NUMBER	QTY	DESCRIPTION	REV
	1001165831	Ref	Front Axle	G
		Ref	Front Axle, Brakes (See BRAKES for Breakdown)	
		Ref	Front Axle, Central Housing (See CENTRAL HOUSING for Breakdown)	
		Ref	Front Axle, Differential (See DIFFERENTIAL for Breakdown)	
		Ref	Front Axle, Hub Reduction (See HUB REDUCTION for Breakdown)	
		Ref	Front Axle, Steering (See STEERING for Breakdown)	
		Ref	Front Axle, Trunion (See TRUNION for Breakdown)	
		Ref	Front Axle, Differential Kit (See DIFFERENTIAL KIT for Breakdown)	
		Ref	Front Axle, Planet Gear Carrier (See PLANET GEAR CARRIER for Breakdown)	
		Ref	Front Axle, Ring Gear Support (See RING GEAR SUPPORT for Breakdown)	
		Ref	Front Axle, Planet Gear Carrier (See PLANET GEAR CARRIER for Breakdown)	
		Ref	Front Axle, Support (See SUPPORT for Breakdown)	

Go to Discount-Equipment.com to order your parts

SECTION 5 - DRIVETRAIN

FIGURE 5-12. FRONT AXLE, CENTRAL HOUSING



ART_1001165831_2-G

SECTION 5 - DRIVETRAIN

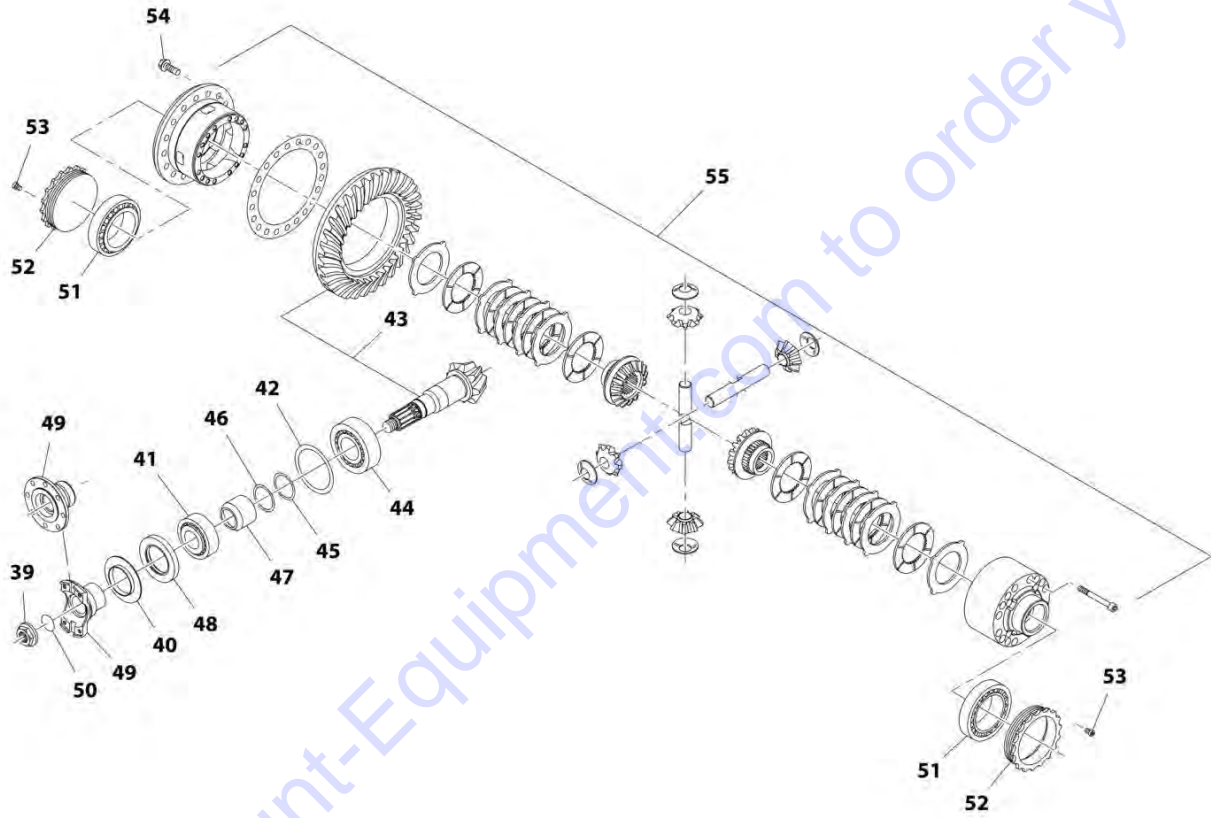
FIGURE 5-12. FRONT AXLE, CENTRAL HOUSING

ITEM	PART NUMBER	QTY	DESCRIPTION	REV
27	91474512	1	Vent	
28	7029288	1	Cover, Intermediate	
29	80204002	1	O-Ring	
30	80204005	1	Circlip	
31	91514098	1	Plug	
32	91514087	1	Plug	
33	70021177	1	Plug	
34	70025335	1	Housing	
35	91514101	4	Bolt	
36	91514089	2	O-Ring	
37	7029307	1	Plug	
38	8008175	3	Bolt	

Go to Discount-Equipment.com to order your parts

SECTION 5 - DRIVETRAIN

FIGURE 5-13. FRONT AXLE, DIFFERENTIAL



ART_1001165831_3-G

SECTION 5 - DRIVETRAIN

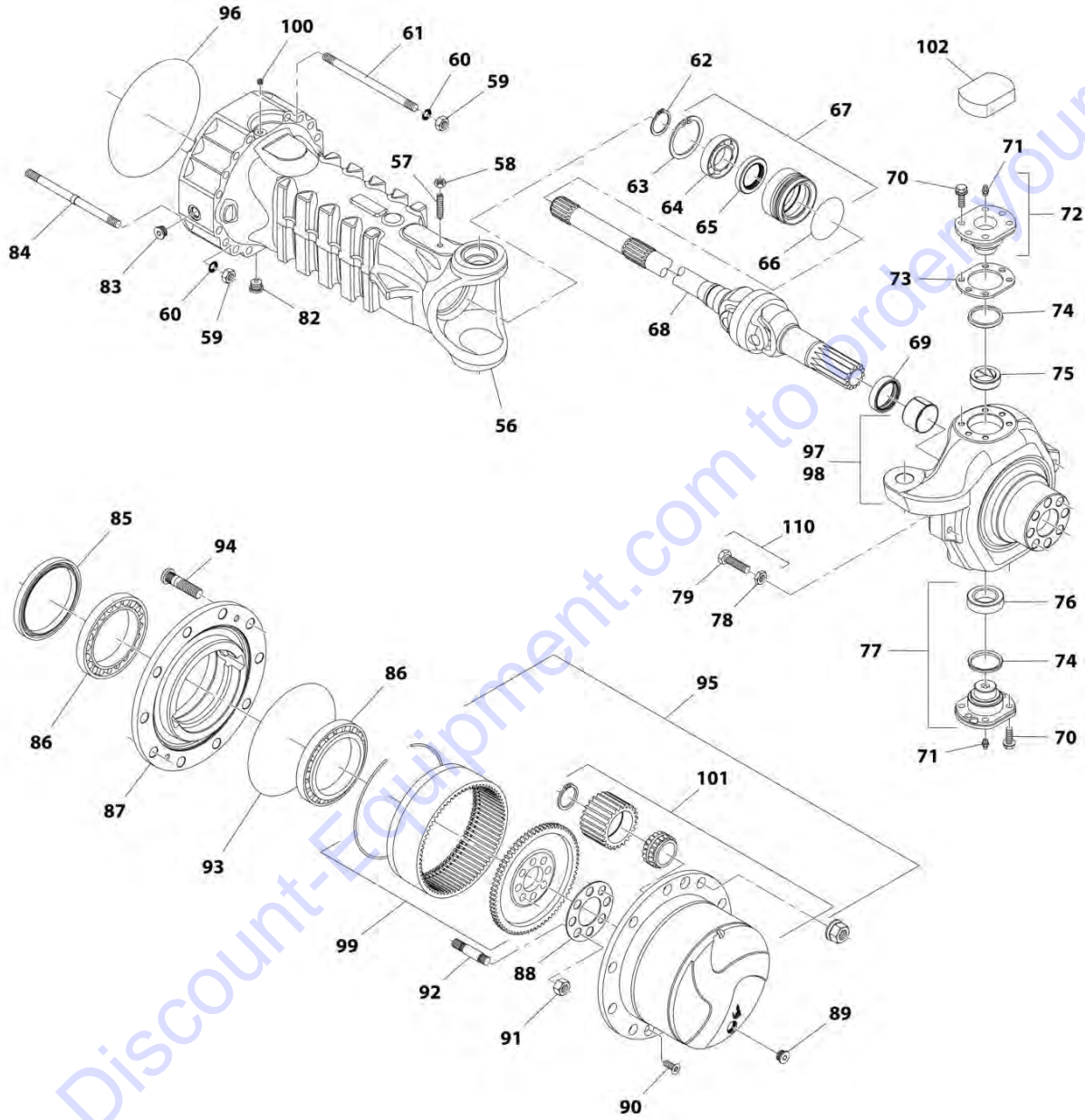
FIGURE 5-13. FRONT AXLE, DIFFERENTIAL

ITEM	PART NUMBER	QTY	DESCRIPTION	REV
39	80204043	1	Nut	
40	91514130	1	Plate, Cover	
41	80204048	1	Bearing, Tape Roller	
42	70023469	1	Shim	
43	70026633	1	Gear, Bevel Set	
44	80204035	1	Bearing, Tape Roller	
45	70026438	1	Kit, Shim	
46	70026439	1	Kit, Shim	
47	70022140	1	Spacer	
48	70025887	1	Seal	
49	91514131	1	Flange	
50	10725554	1	O-Ring	
51	80204033	2	Bearing, Tape Roller	
52	91514133	2	Nut, Ring	
53	91514134	2	Bolt	
54	91514123	16	Bolt	
55	70024005	1	Kit, Differential (See DIFFERENTIAL KIT for Breakdown)	

Go to Discount-Equipment.com to order your parts

SECTION 5 - DRIVETRAIN

FIGURE 5-14. FRONT AXLE, HUB REDUCTION



ART_1001165831_4-G

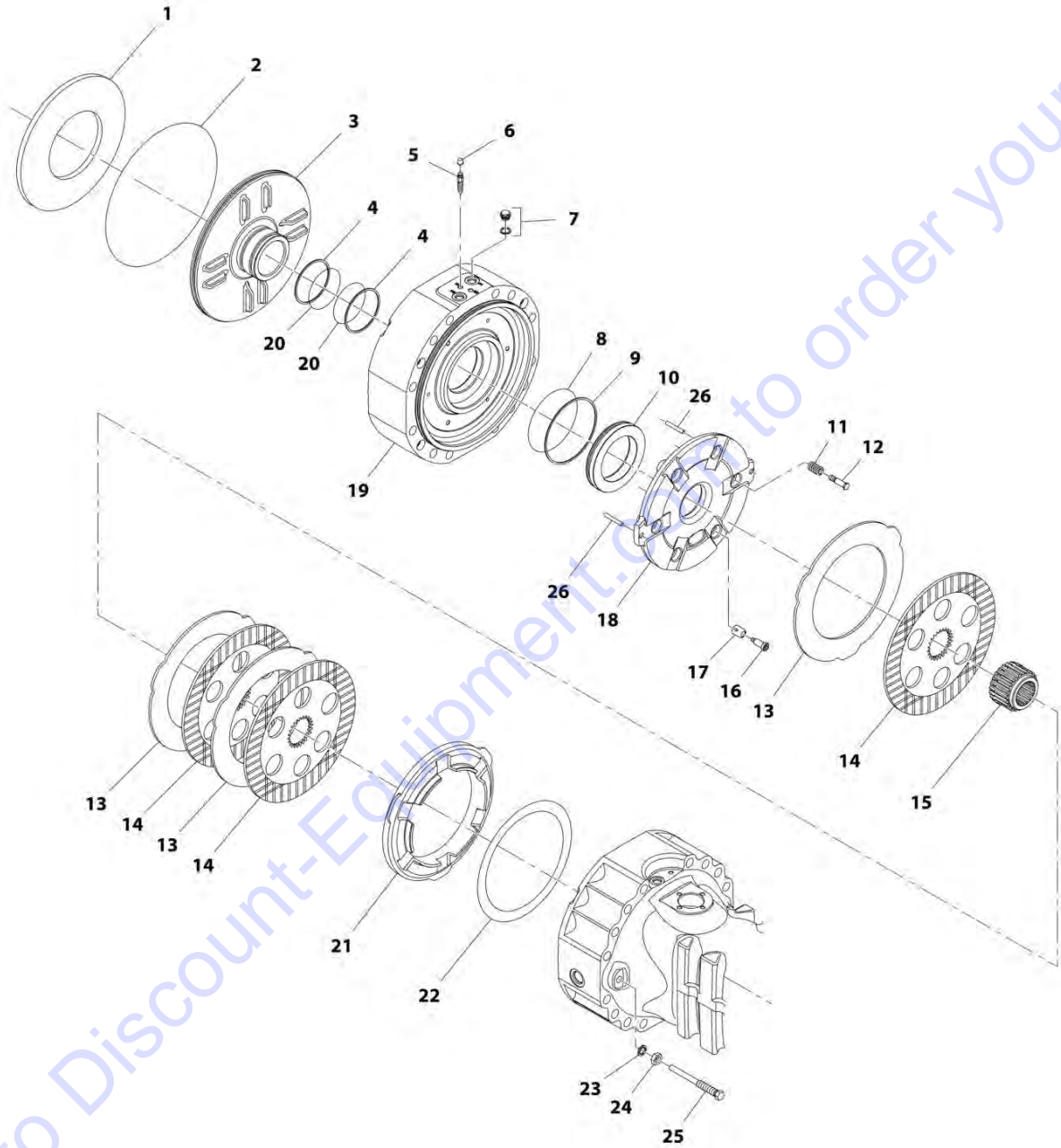
SECTION 5 - DRIVETRAIN

FIGURE 5-14. FRONT AXLE, HUB REDUCTION

ITEM	PART NUMBER	QTY	DESCRIPTION	REV
57	91514081	2	Bolt	
58	91514082	2	Nut	
59	91514083	8	Nut	
56	70024850	2	Case, Axle	
60	91514084	8	Washer	
61	7029309	24	Bolt	
62	80204071	2	Circlip	
63	80204005	2	Circlip	
64	91514146	2	Ball Bearing	
65	91514147	2	Seal	
66	91514148	2	O-Ring	
67	91514149	2	Bushing, Reduction	
68	70025855	2	Joint, Double Universal	
69	70026238	2	Seal	
70	91514123	24	Bolt	
71	91514099	4	Fitting, Grease	
72	91514112	2	Pin, Pivot	
73	70025561	1	Kit, Shim	
74	7028716	4	Seal, Dust	
75	7028714	2	Bushing	
76	91514095	2	Bearing	
77	7028715	2	Pin, Pivot	
78	80204065	4	Nut	
79	91514117	4	Bolt	
82	70021177	2	Plug	
83	91514087	2	Plug	
84	70024851	8	Stud	
85	7029300	2	Seal	
86	80204076	4	Bearing, Taper Roller	
87	91514174	2	Hub, Wheel	
88	91514178	1	Plate, Locking	
89	91514188	2	Plug	
90	91514189	4	Bolt	
91	91514179	16	Nut	
92	91514180	16	Stud	
93	91514181	2	O-Ring	
94	91514183	20	Stud	
95	70025972	2	Kit, Planet Gear Carrier (See PLANET GEAR CARRIER for Breakdown)	
96	91514089	2	O-Ring	
97	70026239	1	Case, Steering	
98	70026240	1	Case, Steering	
99	70024146	2	Kit, Ring Gear Support (See RING GEAR SUPPORT for Breakdown)	
110	7028733	1	Bolt, Steering Adjust (includes items 78 & 79)	
100	80204012	2	Plug	
101	7029733	2	Kit, Planet Gear Carrier (See PLANET GEAR CARRIER for Breakdown)	
102	91474524	2	Cover	

SECTION 5 - DRIVETRAIN

FIGURE 5-15. FRONT AXLE, BRAKES



ART_1001165831_1-G

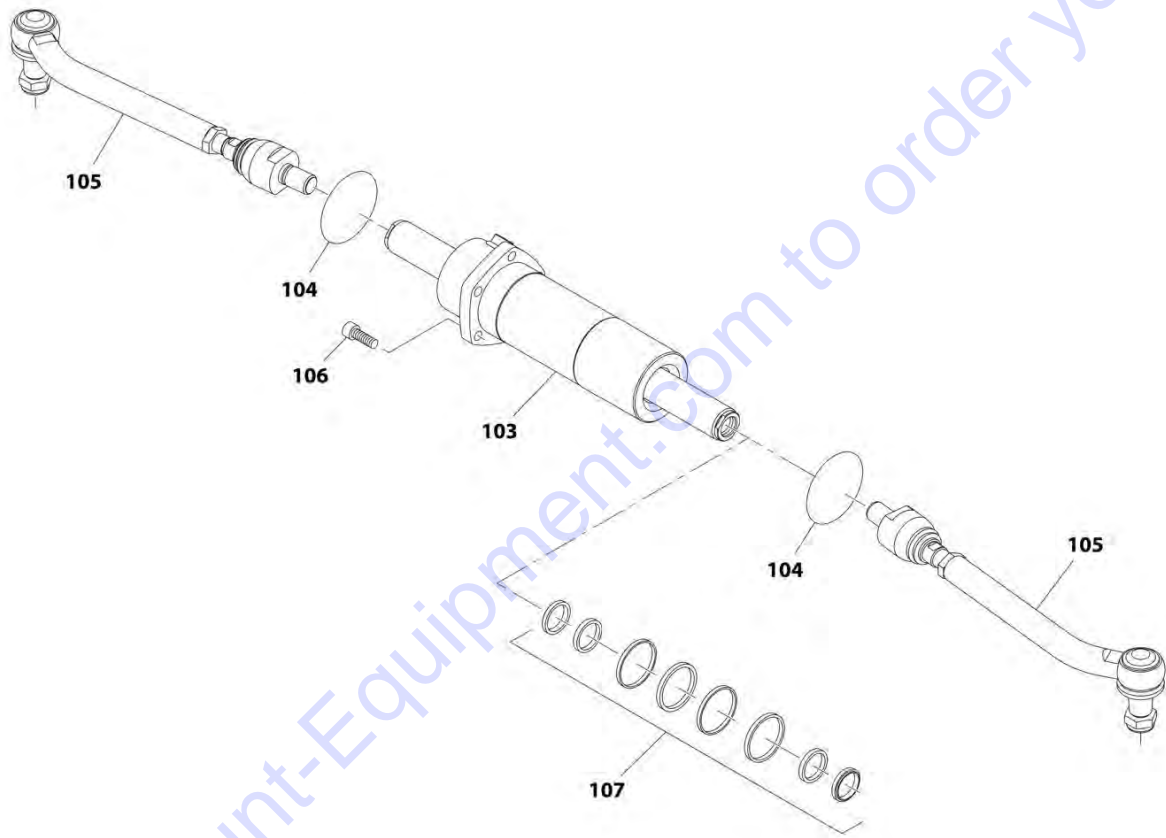
SECTION 5 - DRIVETRAIN

FIGURE 5-15. FRONT AXLE, BRAKES

ITEM	PART NUMBER	QTY	DESCRIPTION	REV
1	91514151	2	Washer	
2	91514089	2	O-Ring	
3	91514152	2	Piston	
4	91514153	4	Ring, Backup	
5	80204281	4	Bolt	
6	80204117	4	Plug	
7	91514154	4	Plug	
8	91514156	2	O-Ring	
9	91514157	2	Ring, Backup	
10	91514158	1	Piston	
11	91514159	6	Spring	
12	70024210	6	Adjusting	
13	91514161	6	Disc, Intermediate Brake	
14	7029735	6	Disc, Brake	
15	7029734	2	Bushing, Reduction	
16	7029789	6	Bolt	
17	91514165	6	Spring	
18	70024849	2	Disc, Intermediate Brake	
19	70024848	2	Cover	
20	91514167	4	O-Ring	
21	7029298	2	Spacer	
22	70025970	1	Shim	
23	80204108	4	Washer, Lock	
24	80204060	4	Nut	
25	70024213	4	Bolt, M12X122.5	
26	70024215	4	Dowel	

SECTION 5 - DRIVETRAIN

FIGURE 5-16. FRONT AXLE, STEERING



ART_1001165831_5-G

SECTION 5 - DRIVETRAIN

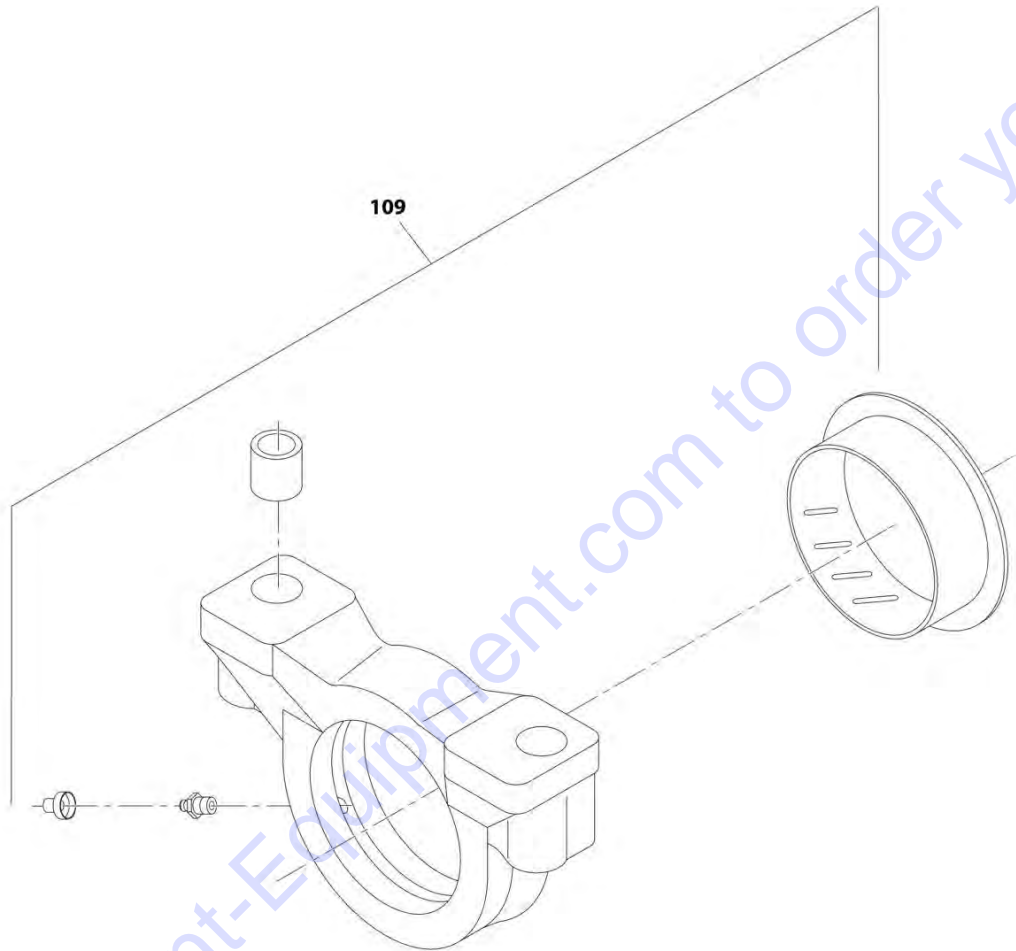
FIGURE 5-16. FRONT AXLE, STEERING

ITEM	PART NUMBER	QTY	DESCRIPTION	REV
103	7026490	1	Cylinder	
104	80204143	2	O-Ring	
105	70021614	2	Rod, Articulated Tie	
106	80204144	5	Bolt	
107	7029127	1	Kit, Seal	

Go to Discount-Equipment.com to order your parts

SECTION 5 - DRIVETRAIN

FIGURE 5-17. FRONT AXLE, TRUNION



Go to Discount-Equipment.com to order your parts

ART_1001165831_6-G

SECTION 5 - DRIVETRAIN

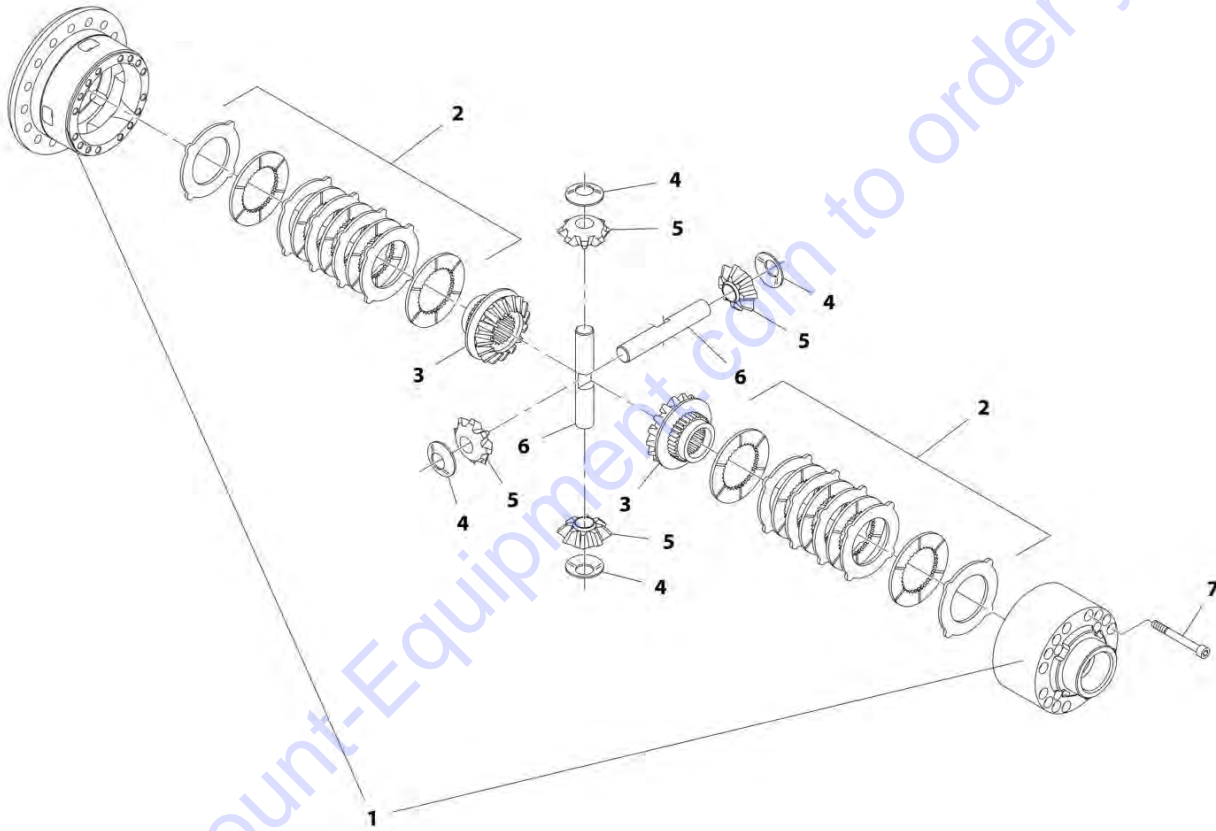
FIGURE 5-17. FRONT AXLE, TRUNION

ITEM	PART NUMBER	QTY	DESCRIPTION	REV
109	70026266	2	Trunion (See Support for Breakdown)	

Go to Discount-Equipment.com to order your parts

SECTION 5 - DRIVETRAIN

FIGURE 5-18. FRONT AXLE, DIFFERENTIAL KIT



ART_1001165831_7-G

SECTION 5 - DRIVETRAIN

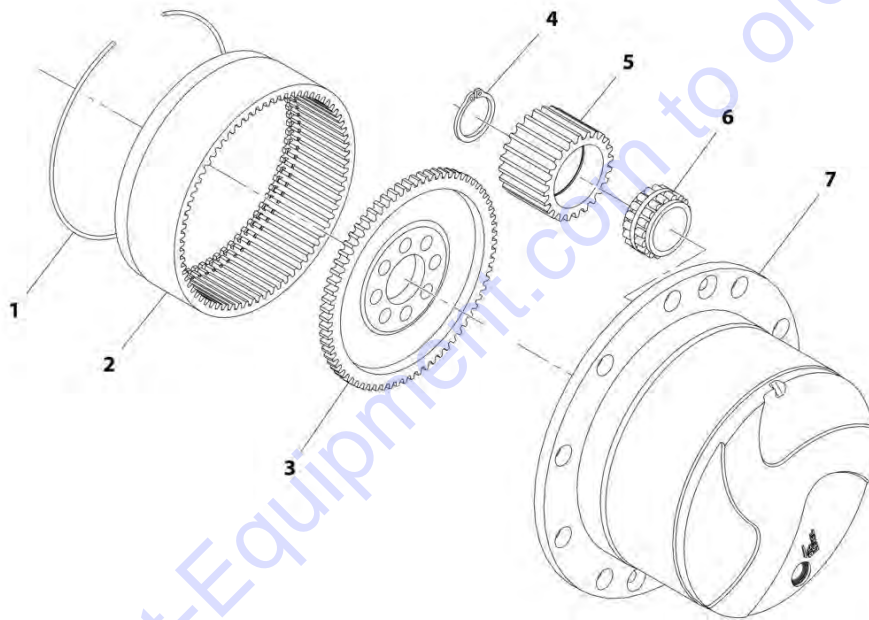
FIGURE 5-18. FRONT AXLE, DIFFERENTIAL KIT

ITEM	PART NUMBER	QTY	DESCRIPTION	REV
	70024005	Ref	Differential Kit	
1	70024004	1	Carrier, Differential	
2	70023496	2	Disc, Clutch	
3	70025856	2	Gear, Differential Side	
4	70023491	4	Washer	
5	70025339	4	Pinion, Differential	
6	70023490	2	Shaft, Differential	
7	91514143	1	Bolt	

Go to Discount-Equipment.com to order your parts

SECTION 5 - DRIVETRAIN

FIGURE 5-19. FRONT AXLE, PLANET GEAR CARRIER



ART_1001165831_8-G

SECTION 5 - DRIVETRAIN

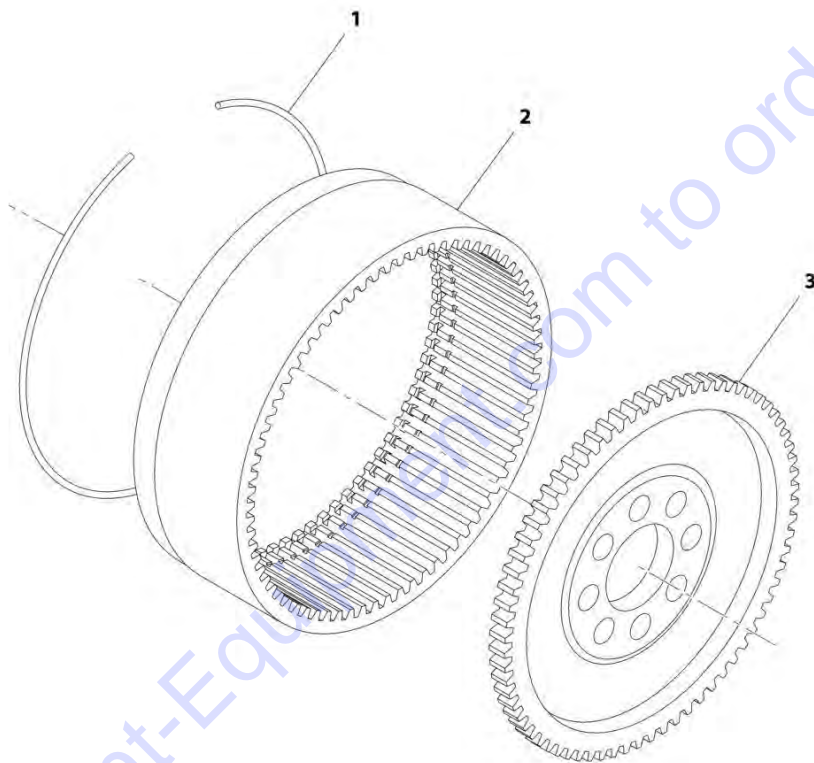
FIGURE 5-19. FRONT AXLE, PLANET GEAR CARRIER

ITEM	PART NUMBER	QTY	DESCRIPTION	REV
	70025972	Ref	Planet Gear Carrier	
1	91514175	1	Circlip	
2	70024147	1	Gear, Ring	
3	91514177	1	Gear, Ring Support	
4	91514184	3	Ring, Snap	
5	91514185	3	Gear, Planet	
6	91514186	3	Bearing	
7	7026731	1	Carrier, Planet Gear	

Go to Discount-Equipment.com to order your parts

SECTION 5 - DRIVETRAIN

FIGURE 5-20. FRONT AXLE, RING GEAR SUPPORT



ART_1001165831_9-G

SECTION 5 - DRIVETRAIN

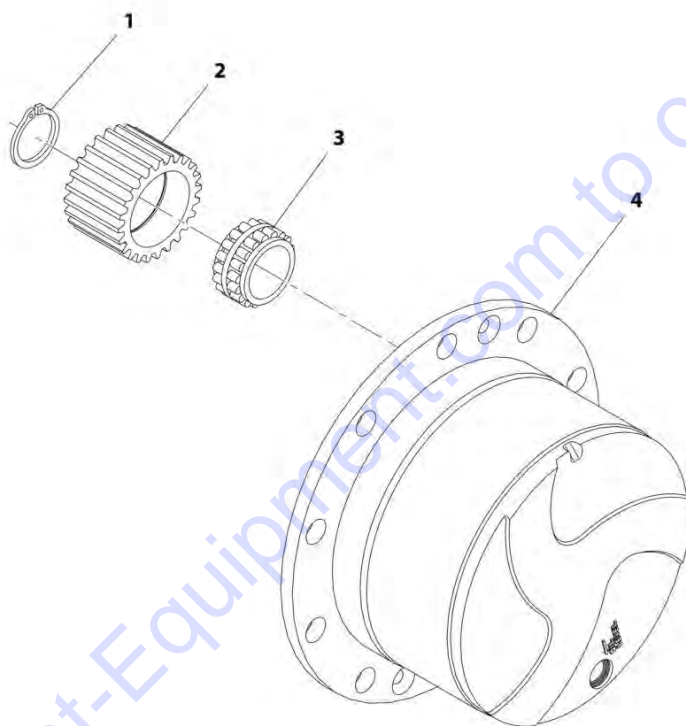
FIGURE 5-20. FRONT AXLE, RING GEAR SUPPORT

ITEM	PART NUMBER	QTY	DESCRIPTION	REV
	70024146	Ref	Ring Gear Support	
1	91514175	1	Circlip	
2	70024147	1	Gear, Ring	
3	91514177	1	Gear, Ring Support	

Go to Discount-Equipment.com to order your parts

SECTION 5 - DRIVETRAIN

FIGURE 5-21. FRONT AXLE, PLANET GEAR CARRIER



ART_1001165831_10-G

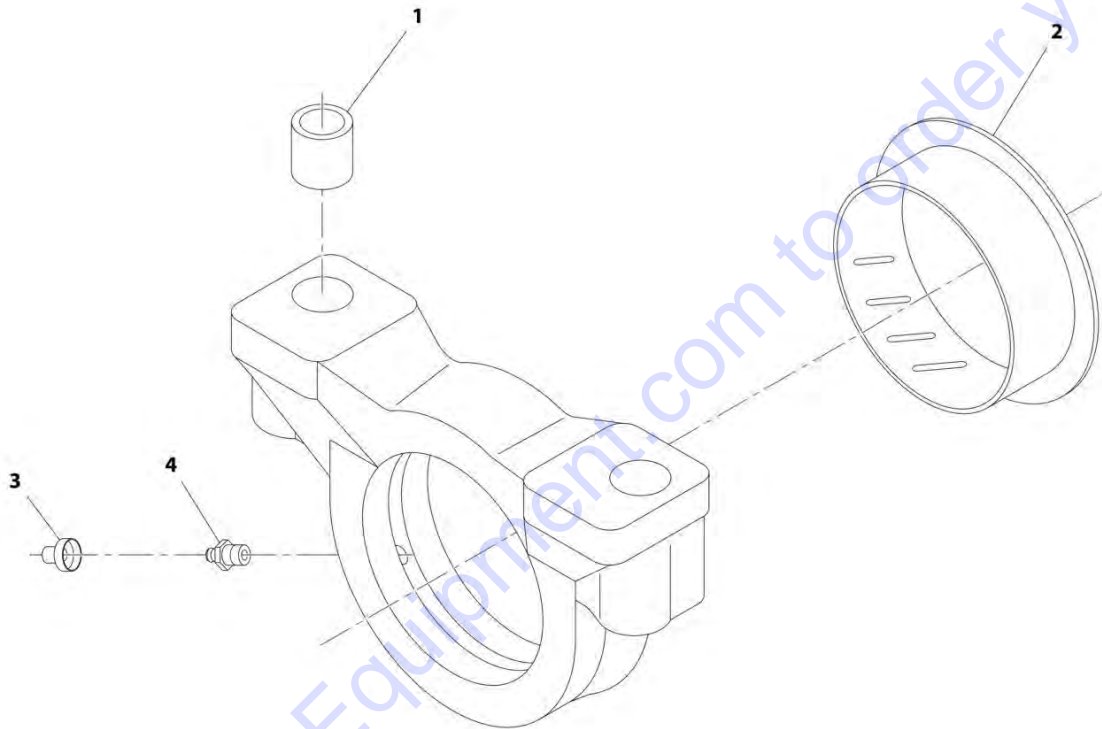
FIGURE 5-21. FRONT AXLE, PLANET GEAR CARRIER

ITEM	PART NUMBER	QTY	DESCRIPTION	REV
	7029733	Ref	Planet Gear Carrier	
1	91514184	3	Ring, Snap	
2	91514185	3	Gear, Planet	
3	91514186	3	Bearing	
4	7026731	1	Carrier, Planet Gear	

Go to Discount-Equipment.com to order your parts

SECTION 5 - DRIVETRAIN

FIGURE 5-22. FRONT AXLE, SUPPORT



ART_1001165831_11-G

SECTION 5 - DRIVETRAIN

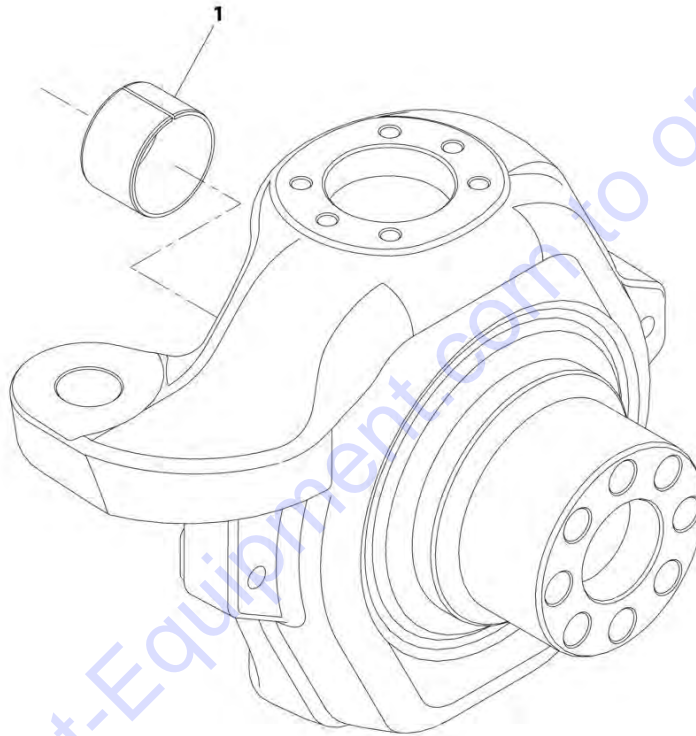
FIGURE 5-22. FRONT AXLE, SUPPORT

ITEM	PART NUMBER	QTY	DESCRIPTION	REV
	70026266	Ref	Support	
1	7029290	2	Bushing, Reduction	
2	91514090	1	Bushing, Thrust	
3	80204117	1	Plug	
4	91514099	1	Fitting, Grease	

Go to Discount-Equipment.com to order your parts

SECTION 5 - DRIVETRAIN

FIGURE 5-23. FRONT AXLE, SUPPORT



ART_1001165831_12-G

SECTION 5 - DRIVETRAIN

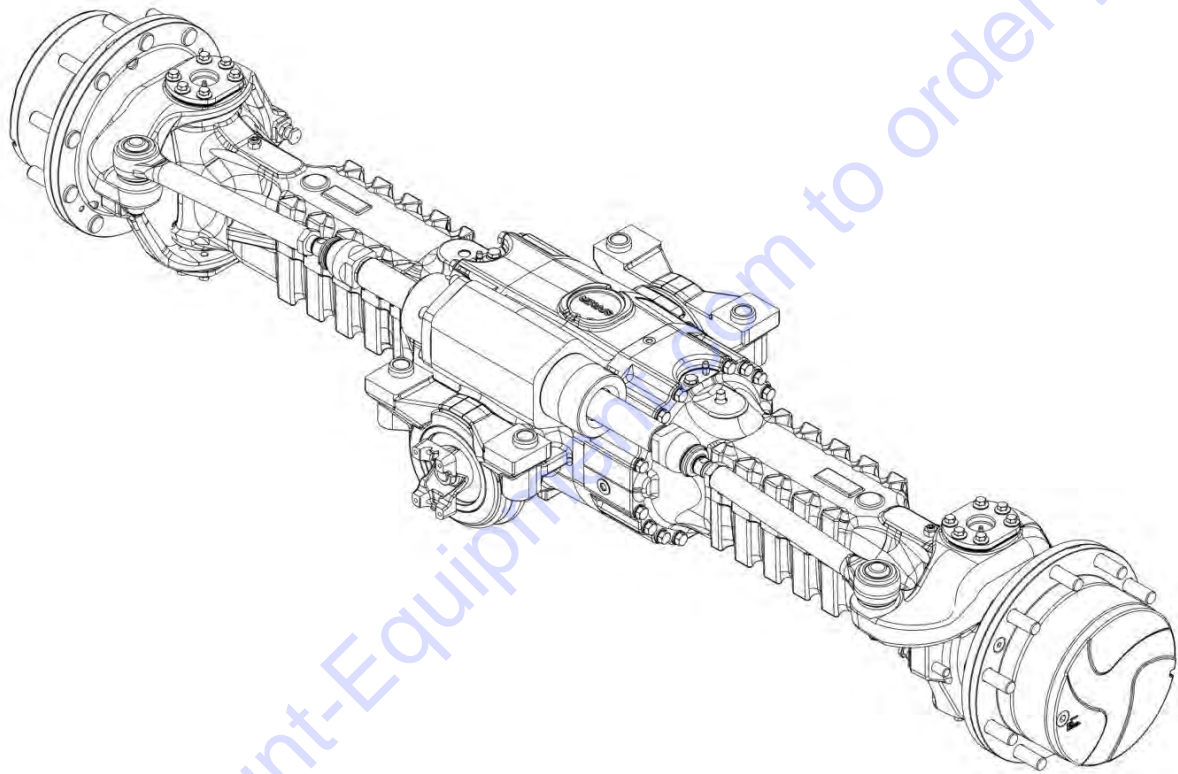
FIGURE 5-23. FRONT AXLE, SUPPORT

ITEM	PART NUMBER	QTY	DESCRIPTION	REV
	70026266	Ref	Support	
1	7029290	2	Bushing, Reduction	
2	91514090	1	Bushing, Thrust	
3	80204117	1	Plug	
4	91514099	1	Fitting, Grease	

Go to Discount-Equipment.com to order your parts

SECTION 5 - DRIVETRAIN

FIGURE 5-24. REAR AXLE



ART_1001165832-G

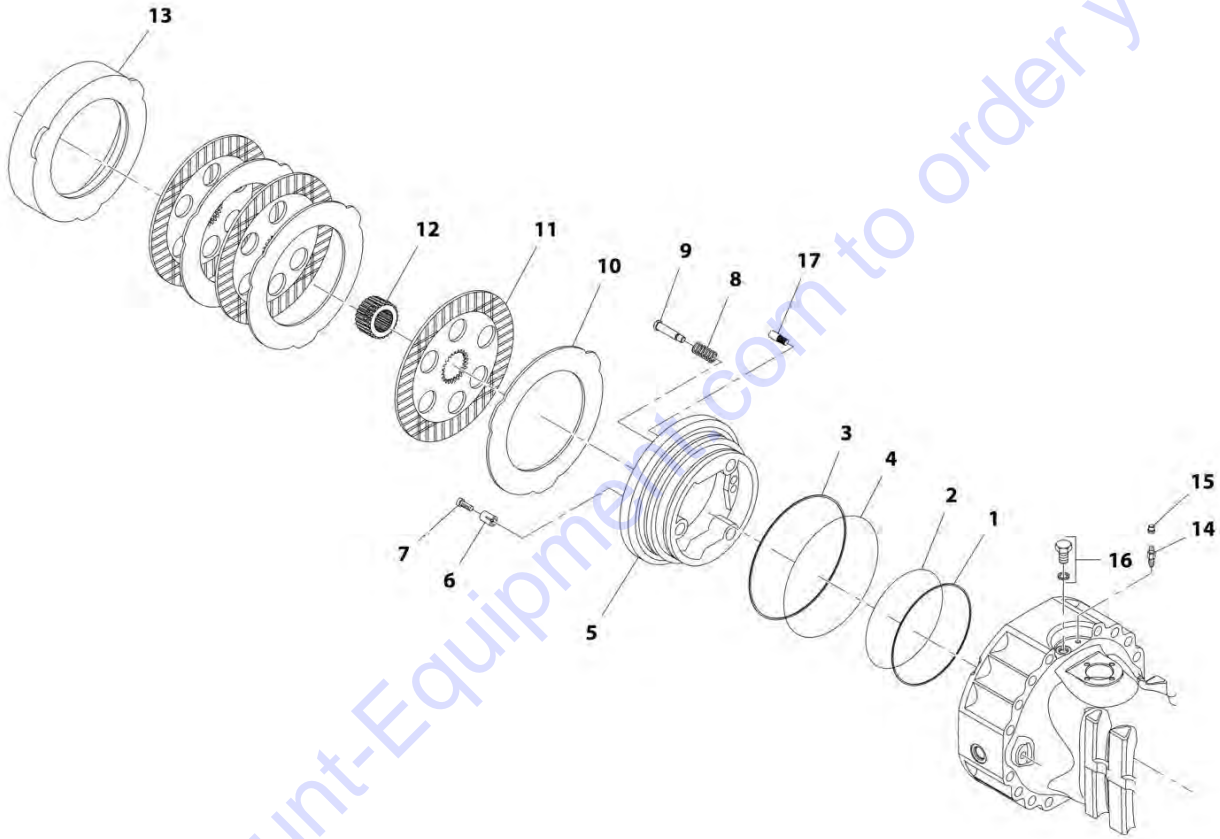
FIGURE 5-24. REAR AXLE

ITEM	PART NUMBER	QTY	DESCRIPTION	REV
	1001165832	Ref	Rear Axle	G
		Ref	Rear Axle, Brakes (See REAR AXLE, BRAKES for Breakdown)	
		Ref	Rear Axle, Central Housing (See REAR AXLE, CENTRAL HOUSING for Breakdown)	
		Ref	Rear Axle, Differential (See REAR AXLE, DIFFERENTIAL for Breakdown)	
		Ref	Rear Axle, Hub Reduction (See REAR AXLE, HUB REDUCTION for Breakdown)	
		Ref	Rear Axle, Steering (See REAR AXLE, STEERING for Breakdown)	
		Ref	Rear Axle, Trunion (See REAR AXLE, TRUNION for Breakdown)	

Go to Discount-Equipment.com to order your parts

SECTION 5 - DRIVETRAIN

FIGURE 5-25. REAR AXLE, BRAKES



ART_1001165832_1-G

SECTION 5 - DRIVETRAIN

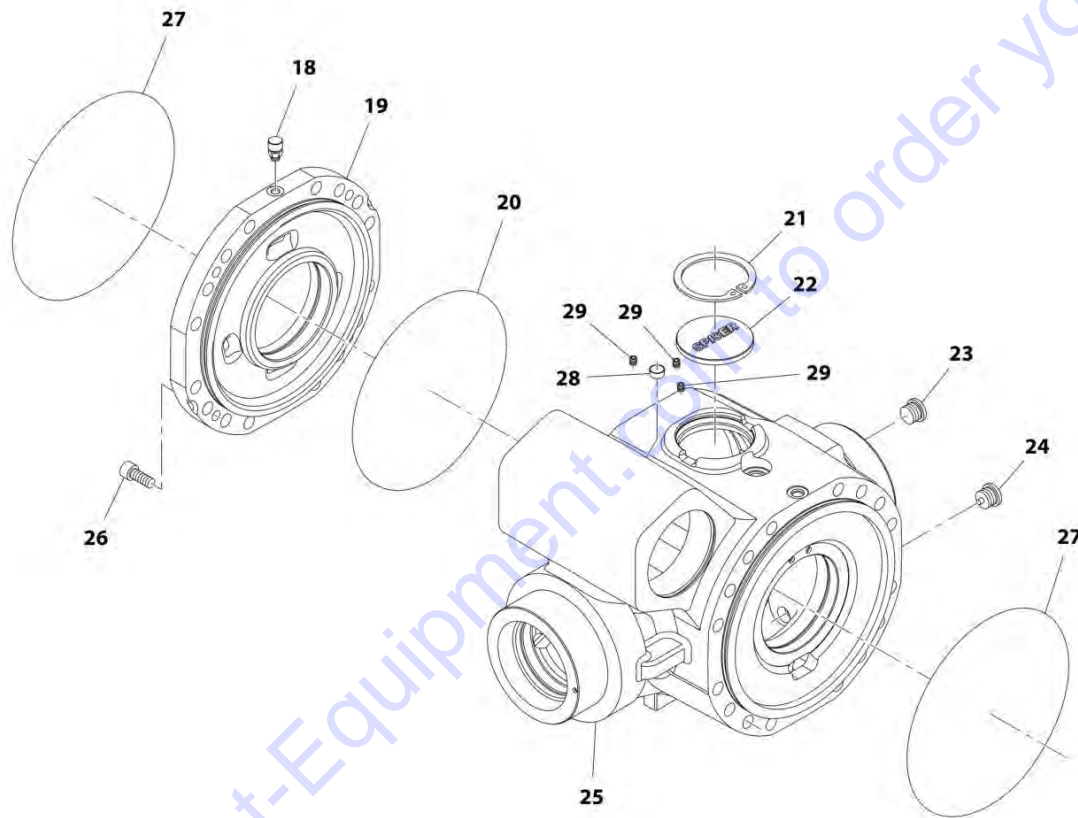
FIGURE 5-25. REAR AXLE, BRAKES

ITEM	PART NUMBER	QTY	DESCRIPTION	REV
1	70021609	2	Ring, Back-Up	
2	70021610	2	O-Ring	
3	70021612	2	Ring, Back-Up	
4	70021611	2	O-Ring	
5	70024216	2	Piston	
6	91514165	6	Spring	
7	70021607	6	Bolt, Adjusting	
8	91514159	6	Spring	
9	70024210	6	Bolt, Adjusting	
10	91514161	6	Disc, Intermediate Brake	
11	7029735	6	Disk, Brake	
12	7029734	2	Bushing, Reduction	
13	70021606	2	Spacer	
14	80204281	2	Bolt, Bleeding	
15	80204117	2	Plug	
16	91514154	2	Bolt	
17	70021613	2	Bolt, Pilot	

Go to Discount-Equipment.com to order your parts

SECTION 5 - DRIVETRAIN

FIGURE 5-26. REAR AXLE, CENTRAL HOUSING



ART_1001165832_2-G

SECTION 5 - DRIVETRAIN

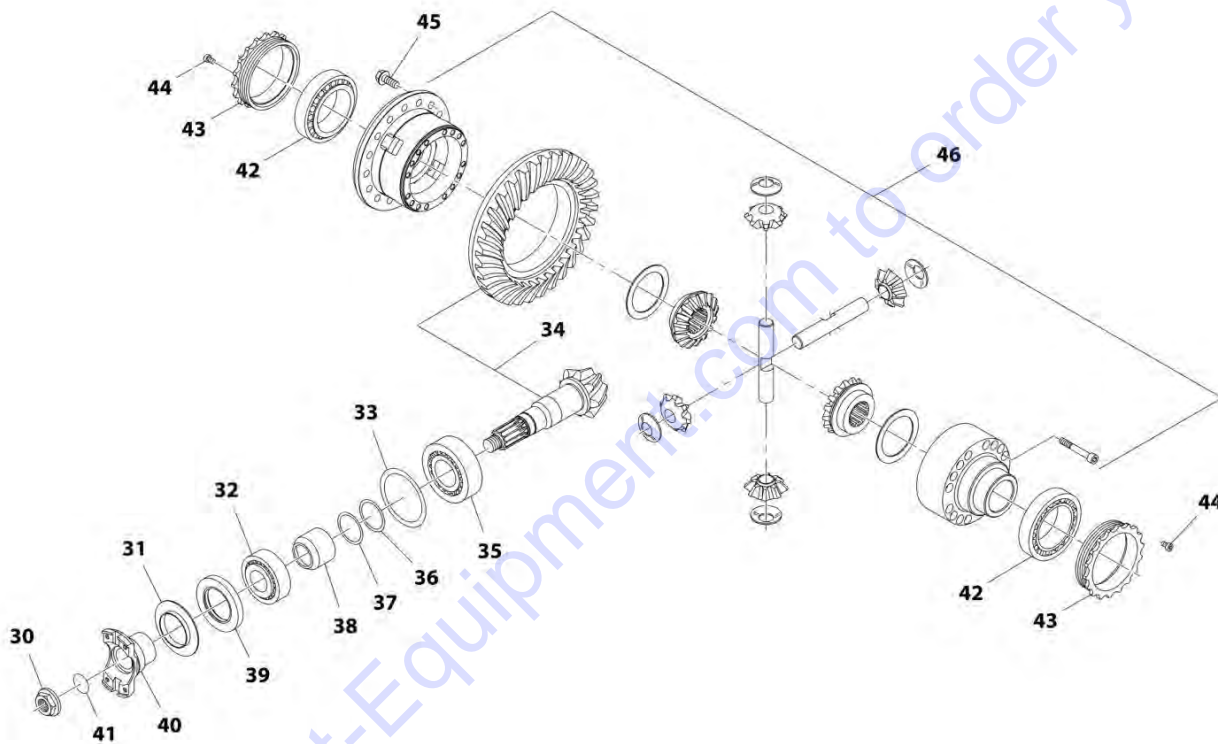
FIGURE 5-26. REAR AXLE, CENTRAL HOUSING

ITEM	PART NUMBER	QTY	DESCRIPTION	REV
18	91474512	1	Vent	
19	7029288	1	Cover, Intermediate	
20	80204002	1	O-Ring	
21	80204005	1	Circlip	
22	91514098	1	Plug	
23	91514087	1	Plug	
24	70021177	1	Plug	
25	70025335	1	Housing	
26	91514101	4	Bolt	
27	91514089	2	O-Ring	
28	7029307	1	Plug	
29	8008175	3	Bolt	

Go to Discount-Equipment.com to order your parts

SECTION 5 - DRIVETRAIN

FIGURE 5-27. REAR AXLE, DIFFERENTIAL



ART_1001165832_3-G

SECTION 5 - DRIVETRAIN

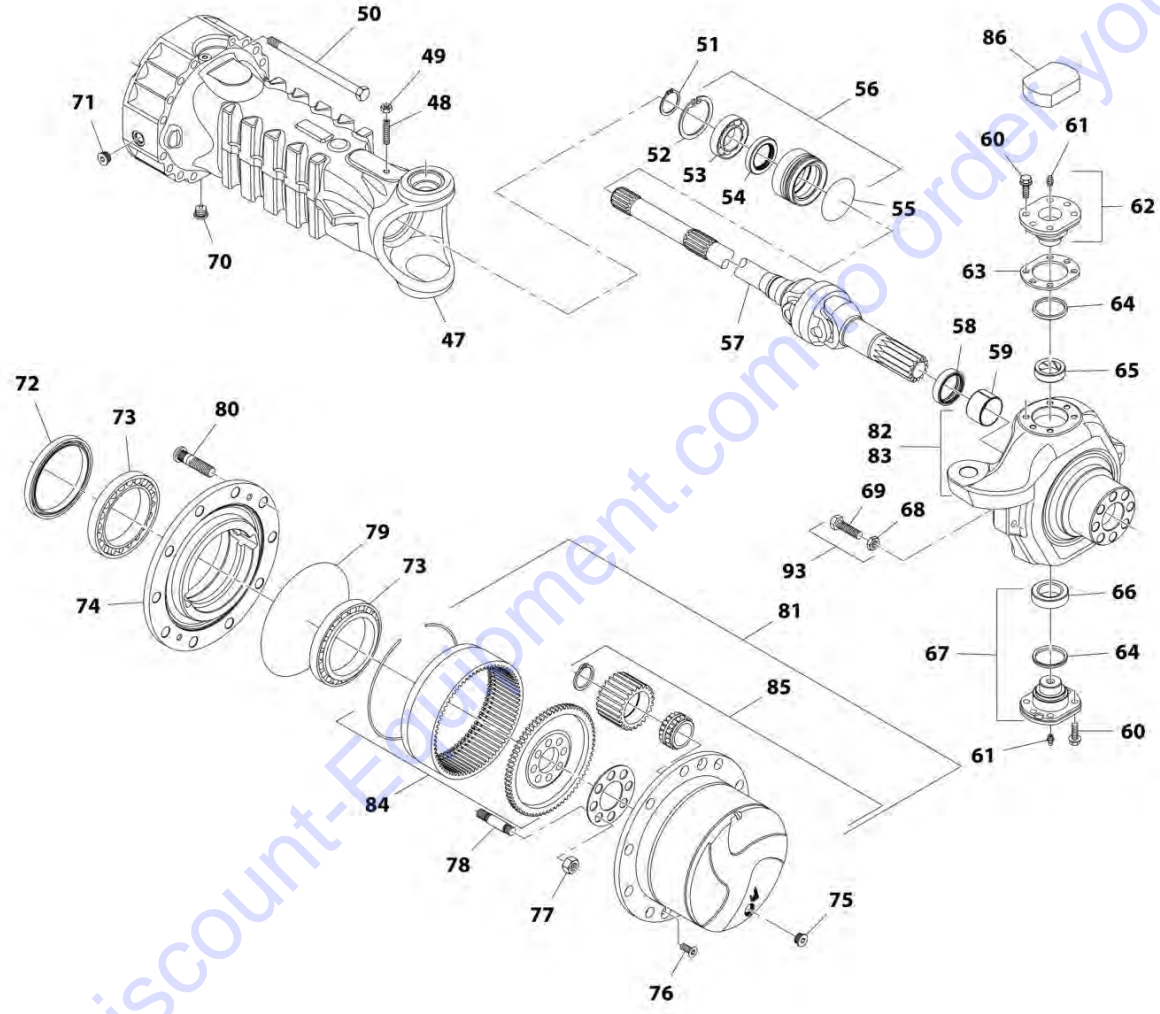
FIGURE 5-27. REAR AXLE, DIFFERENTIAL

ITEM	PART NUMBER	QTY	DESCRIPTION	REV
30	80204043	1	Nut	
31	91514130	1	Plate, Cover	
32	80204048	1	Bearing, Taper Roller	
33	70023469	1	Shim	
34	70026632	1	Gear, Bevel Set	
35	80204035	1	Bearing, Taper Roller	
36	70026438	1	Kit, Shim	
37	70026439	1	Kit, Shim	
38	70022140	1	Spacer	
39	70025887	1	Seal	
40	91514131	1	Flange	
41	10725554	1	O-Ring	
42	80204033	2	Bearing, Taper Roller	
43	91514133	2	Nut, Ring	
44	91514134	2	Bolt	
45	91514123	16	Bolt	
46	70026030	1	Kit, Differential (See DIFFERENTIAL KIT for Breakdown)	

Go to Discount-Equipment.com to order your parts

SECTION 5 - DRIVETRAIN

FIGURE 5-28. REAR AXLE, HUB REDUCTION



ART_1001165832_4-G

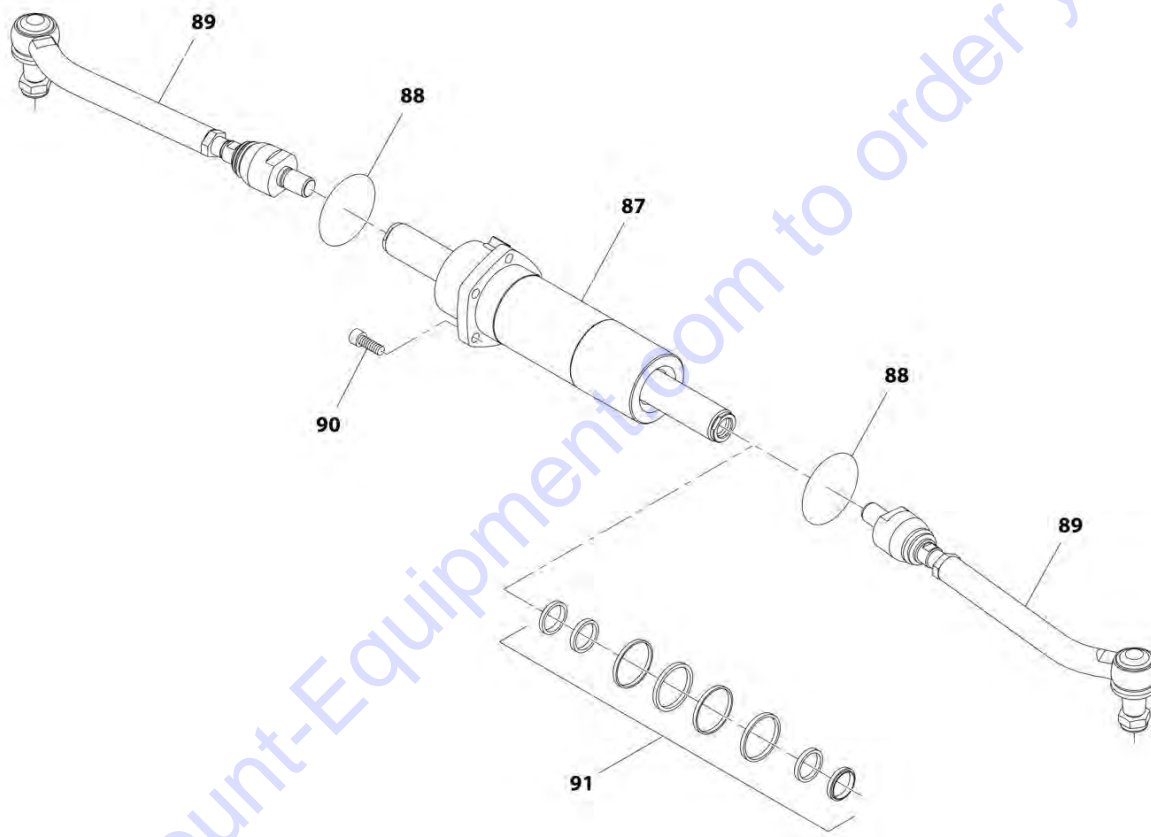
SECTION 5 - DRIVETRAIN

FIGURE 5-28. REAR AXLE, HUB REDUCTION

ITEM	PART NUMBER	QTY	DESCRIPTION	REV
47	70025980	2	Case, Axle	
48	91514081	2	Bolt	
49	91514082	2	Nut	
50	70022814	32	Bolt	
51	80204071	2	Circlip	
52	80204005	2	Circlip	
53	91514146	2	Ball Bearing	
54	91514147	2	Seal	
55	91514148	2	O-Ring	
56	91514149	2	Bushing, Reduction	
57	70025855	2	Joint, Double Universal	
58	70026238	2	Seal	
59	91514111	2	Bushing, Thrust	
60	91514123	24	Bolt	
61	91514099	4	Fitting, Grease	
62	91514112	2	Pin, Pivot	
63	70025561	1	Kit, Shim	
64	7028716	4	Seal, Dust	
65	7028714	2	Bushing	
66	91514095	2	Bearing	
67	7028715	2	Pin, Pivot	
68	80204065	4	Nut	
69	91514117	4	Bolt	
70	70021177	2	Plug	
71	91514087	2	Plug	
72	7029300	2	Seal	
73	80204076	4	Bearing, Taper Roller	
74	91514174	2	Hub, Wheel	
75	91514188	2	Plug	
76	91514189	4	Bolt, Countersunk	
77	91514179	16	Nut	
78	91514180	16	Stud	
79	91514181	2	O-Ring	
80	91514183	20	Stud, Wheel	
81	70025972	2	Carrier, Planet Gear (See PLANET GEAR CARRIER for Breakdown)	
82	70026239	1	Case, Steering	
83	70026240	1	Case, Steering	
93	7028733	4	Bolt, Steering Adjust (includes items 68 & 69)	
84	70024146	2	Support, Ring Gear (See RING GEAR SUPPORT for Breakdown)	
85	7029733	2	Carrier, Planet Gear (See PLANET GEAR CARRIER for Breakdown)	
86	91474524	2	Cover	

SECTION 5 - DRIVETRAIN

FIGURE 5-29. REAR AXLE, STEERING



ART_1001165832_5-G

SECTION 5 - DRIVETRAIN

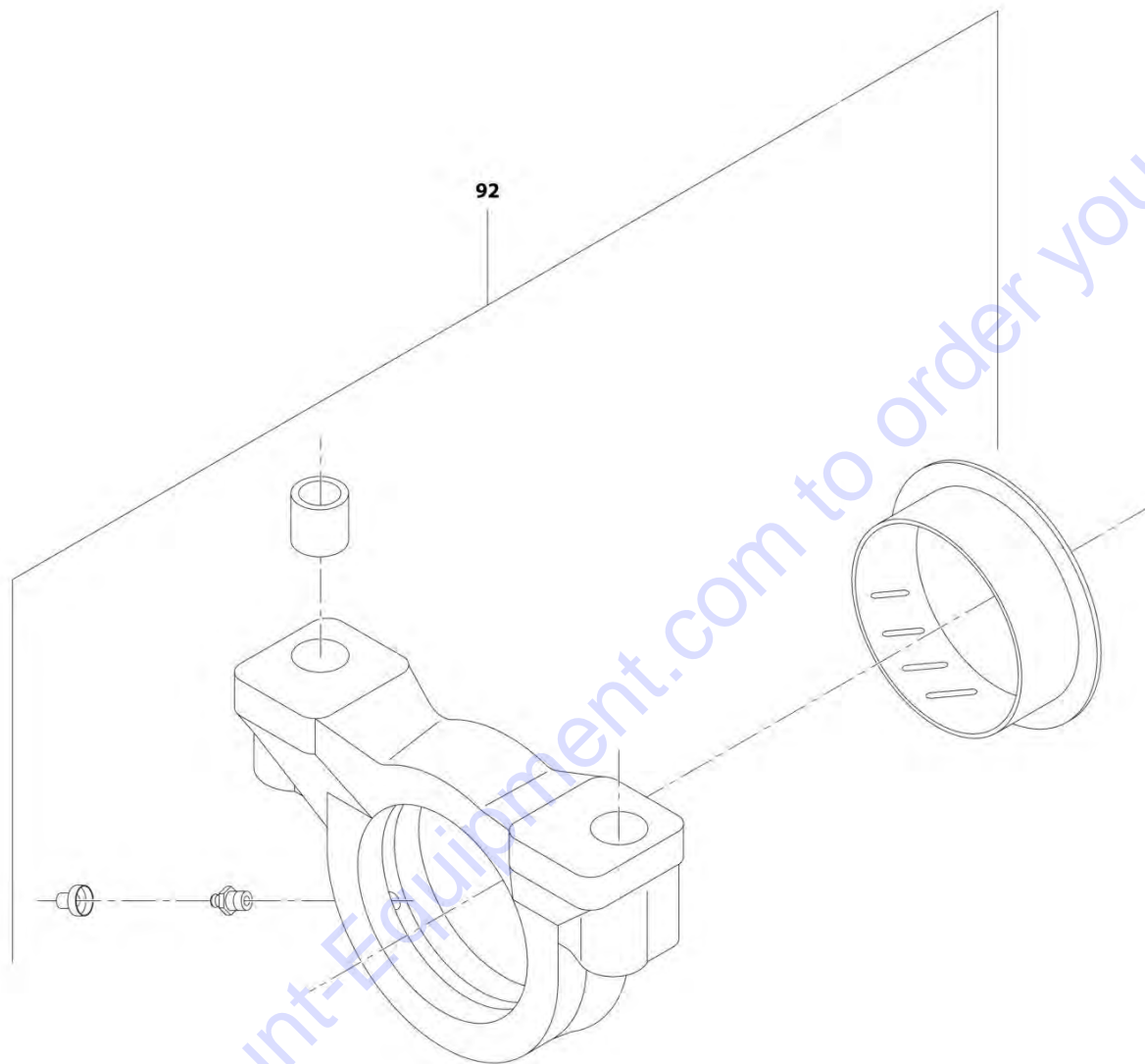
FIGURE 5-29. REAR AXLE, STEERING

ITEM	PART NUMBER	QTY	DESCRIPTION	REV
87	7026490	1	Cylinder	
88	80204143	2	O-Ring	
89	70021614	2	Bar	
90	80204144	5	Bolt	
91	7029127	1	Kit, Seal	

Go to Discount-Equipment.com to order your parts

SECTION 5 - DRIVETRAIN

FIGURE 5-30. REAR AXLE, TRUNION



Go to Discount-Equipment.com to order your parts

ART_1001165832_6-G

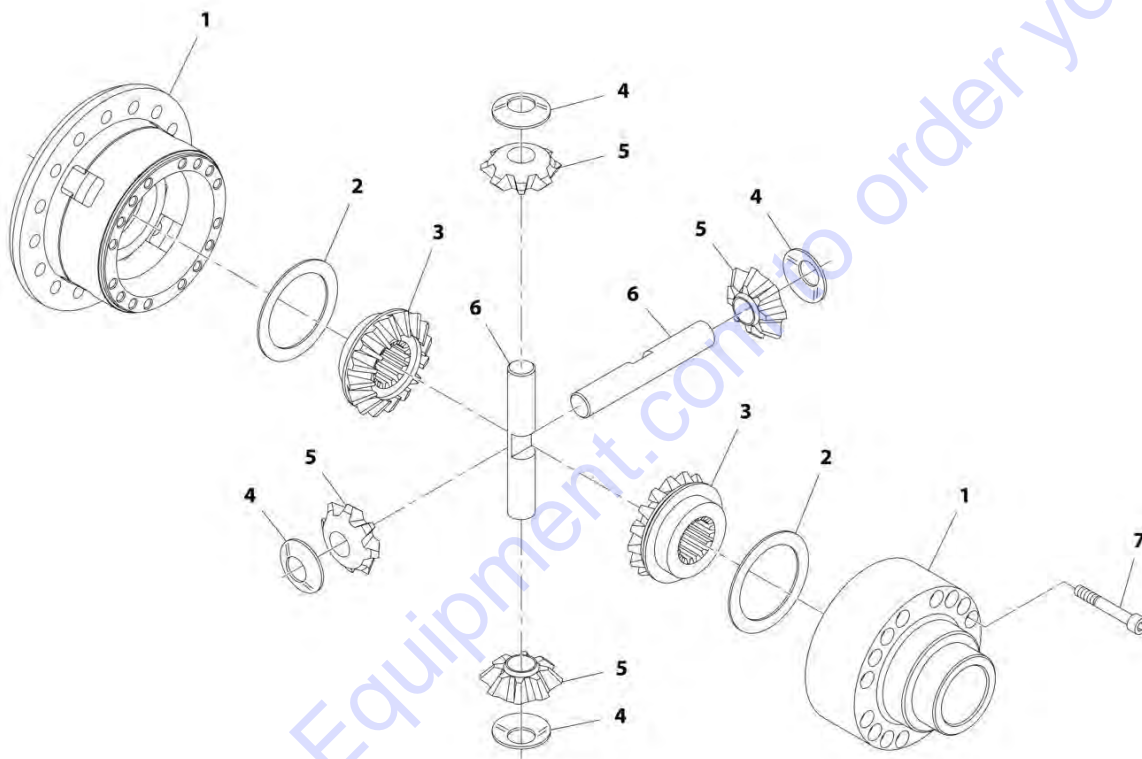
FIGURE 5-30. REAR AXLE, TRUNION

ITEM	PART NUMBER	QTY	DESCRIPTION	REV
92	70026266	2	Support (See SUPPORT for Breakdown)	

Go to Discount-Equipment.com to order your parts

SECTION 5 - DRIVETRAIN

FIGURE 5-31. REAR AXLE, DIFFERENTIAL KIT



ART_1001165832_7-G

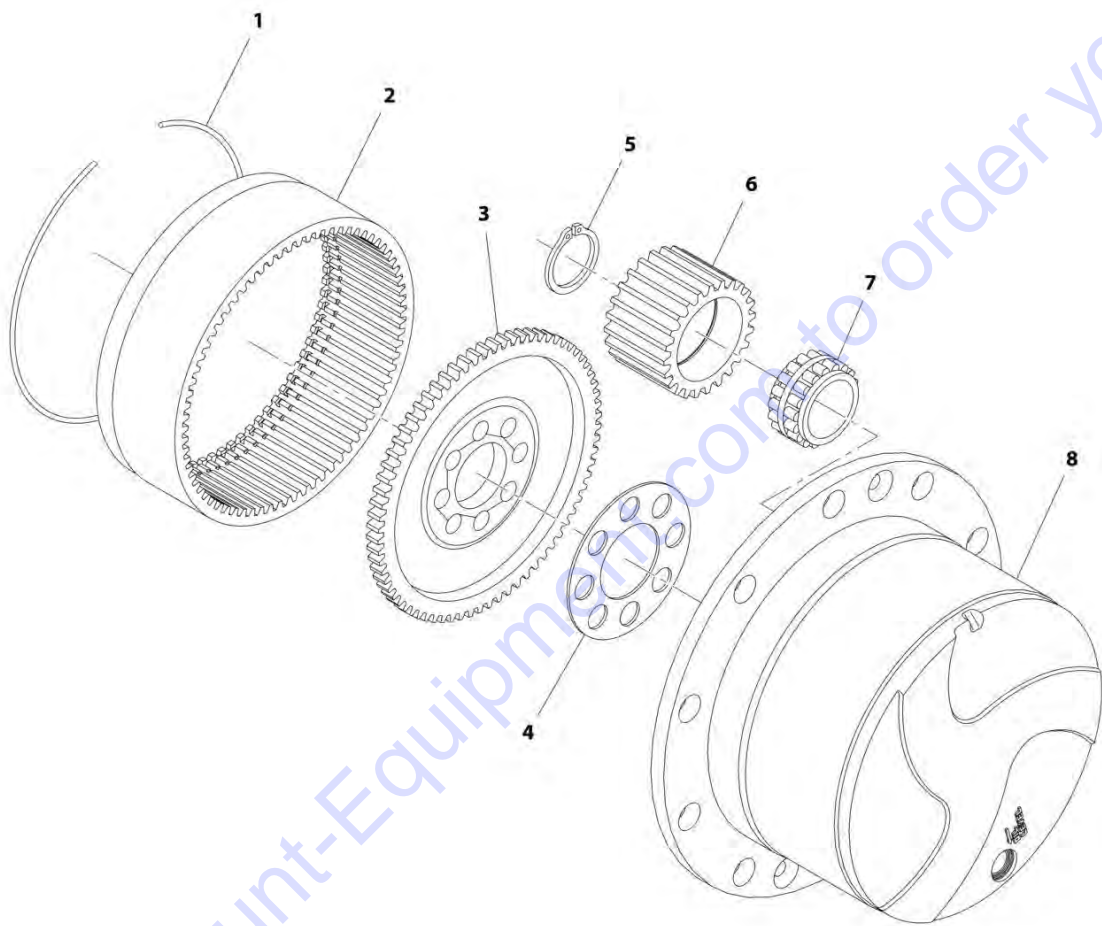
FIGURE 5-31. REAR AXLE, DIFFERENTIAL KIT

ITEM	PART NUMBER	QTY	DESCRIPTION	REV
	70026030	Ref	Differential Kit	
1	70025337	1	Carrier, Differential	
2	70023493	2	Washer, Friction	
3	70025338	2	Gear, Differential Side	
4	70023491	4	Washer, Friction	
5	70025339	4	Pinion, Differential	
6	70023490	2	Shaft, Differential	
7	70023489	15	Bolt	

Go to Discount-Equipment.com to order your parts

SECTION 5 - DRIVETRAIN

FIGURE 5-32. REAR AXLE, PLANET GEAR CARRIER



ART_1001165832_8-G

SECTION 5 - DRIVETRAIN

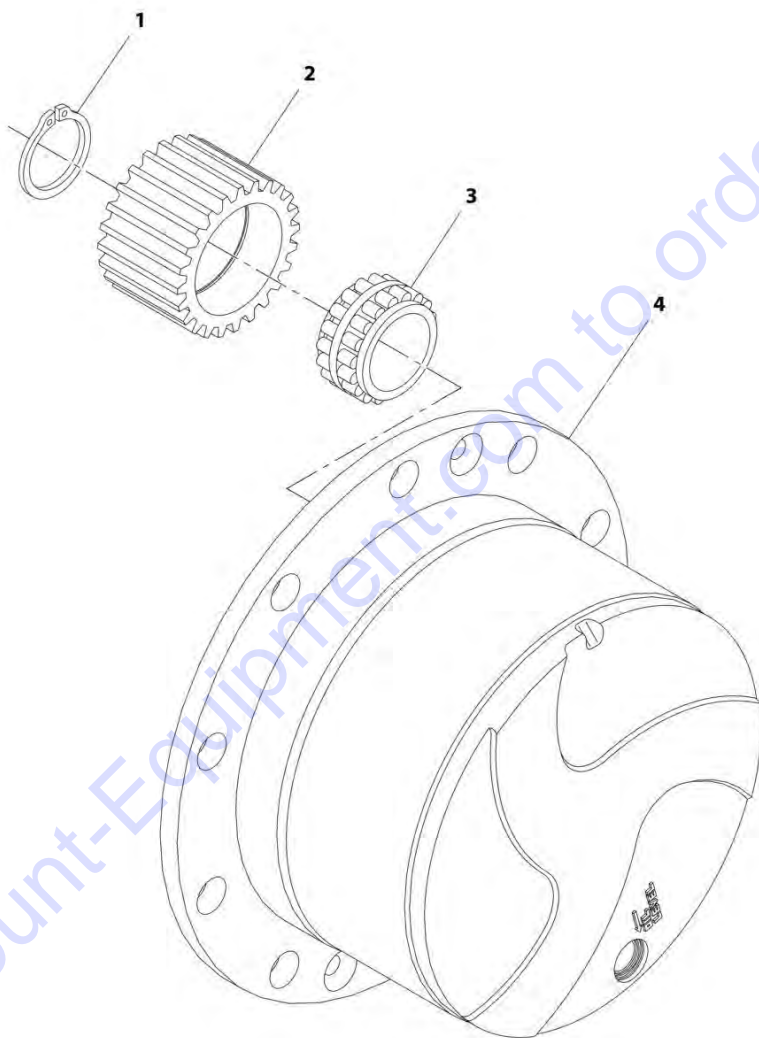
FIGURE 5-32. REAR AXLE, PLANET GEAR CARRIER

ITEM	PART NUMBER	QTY	DESCRIPTION	REV
	70025972	Ref	Planet Gear Carrier	
1	91514175	1	Circlip	
2	70024147	1	Gear, Ring	
3	91514177	1	Support, Ring Gear	
4	91514178	1	Plate, Locking	
5	91514184	3	Circlip	
6	91514185	3	Gear, Planet	
7	91514186	3	Bearing	
8	7026731	1	Carrier, Planetary Gear	

Go to Discount-Equipment.com to order your parts

SECTION 5 - DRIVETRAIN

FIGURE 5-33. REAR AXLE, PLANET GEAR CARRIER



ART_1001165832_9-G

SECTION 5 - DRIVETRAIN

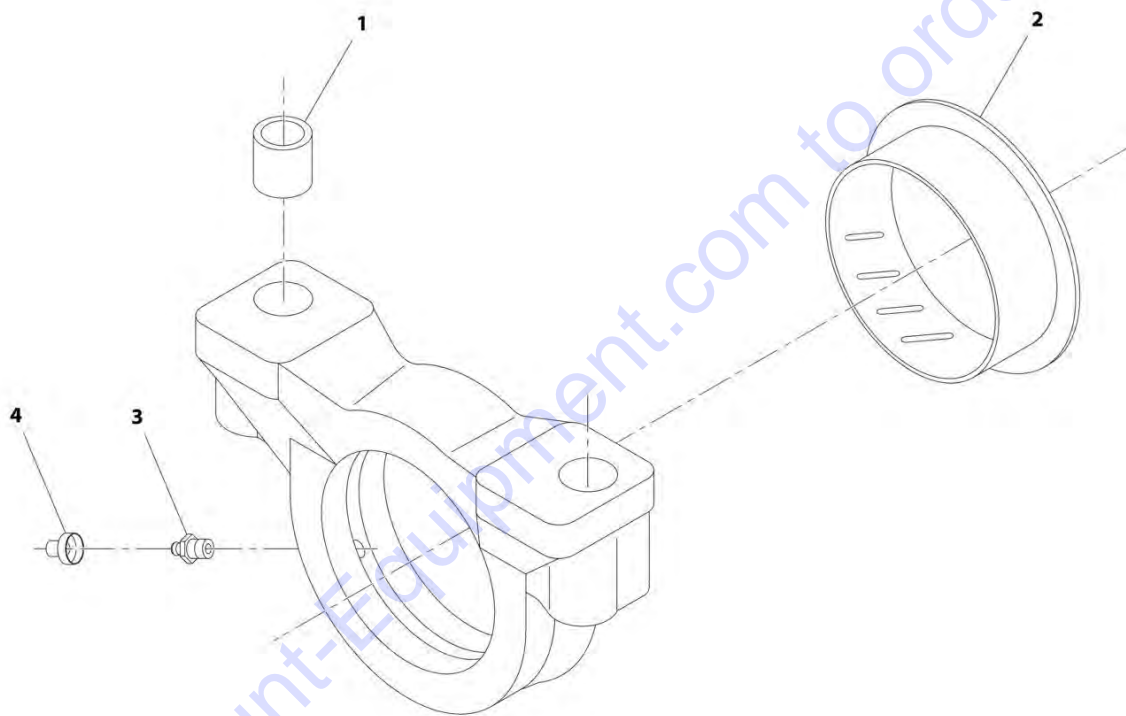
FIGURE 5-33. REAR AXLE, PLANET GEAR CARRIER

ITEM	PART NUMBER	QTY	DESCRIPTION	REV
	7029733	Ref	Planet Gear Carrier	
1	91514184	3	Circlip	
2	91514185	3	Gear, Planet	
3	91514186	3	Bearing	
4	7026731	1	Carrier, Planet Gear	

Go to Discount-Equipment.com to order your parts

SECTION 5 - DRIVETRAIN

FIGURE 5-34. REAR AXLE, SUPPORT



ART_1001165832_10-G

SECTION 5 - DRIVETRAIN

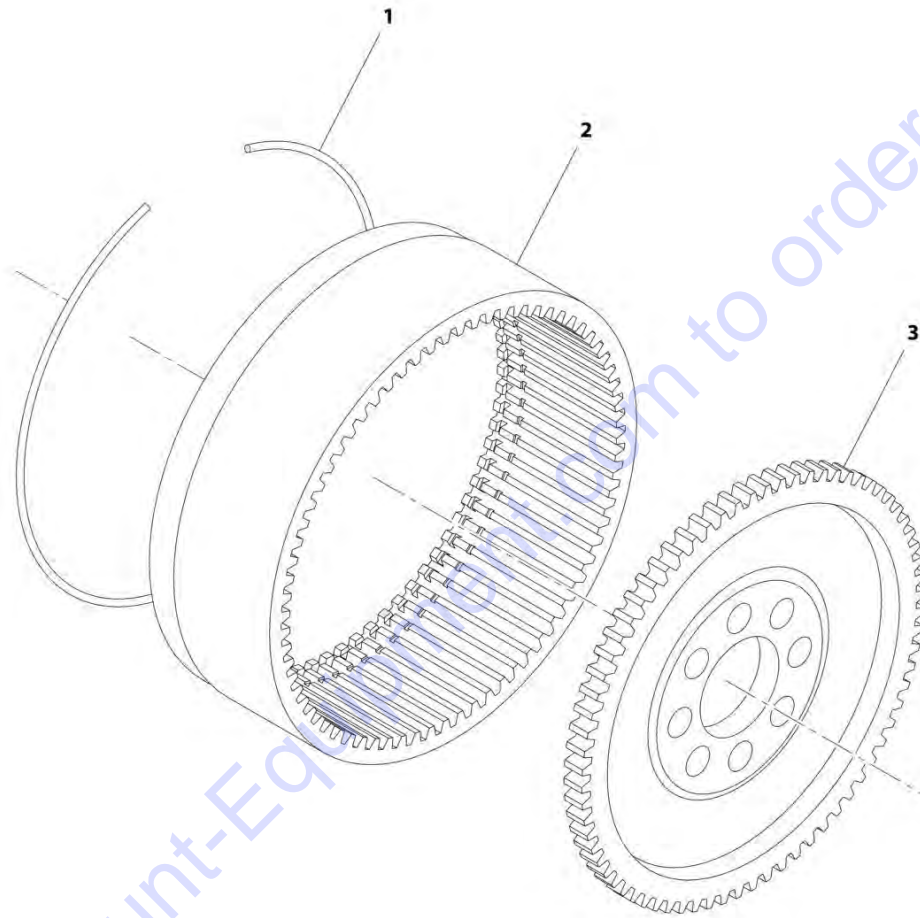
FIGURE 5-34. REAR AXLE, SUPPORT

ITEM	PART NUMBER	QTY	DESCRIPTION	REV
	70026266	Ref	Support	
1	7029290	2	Bushing	
2	91514090	1	Bushing, Thrust	
3	91514099	1	Fitting, Grease	
4	80204117	1	Plug	

Go to Discount-Equipment.com to order your parts

SECTION 5 - DRIVETRAIN

FIGURE 5-35. REAR AXLE, RING GEAR SUPPORT



ART_1001165832_11-G

SECTION 5 - DRIVETRAIN

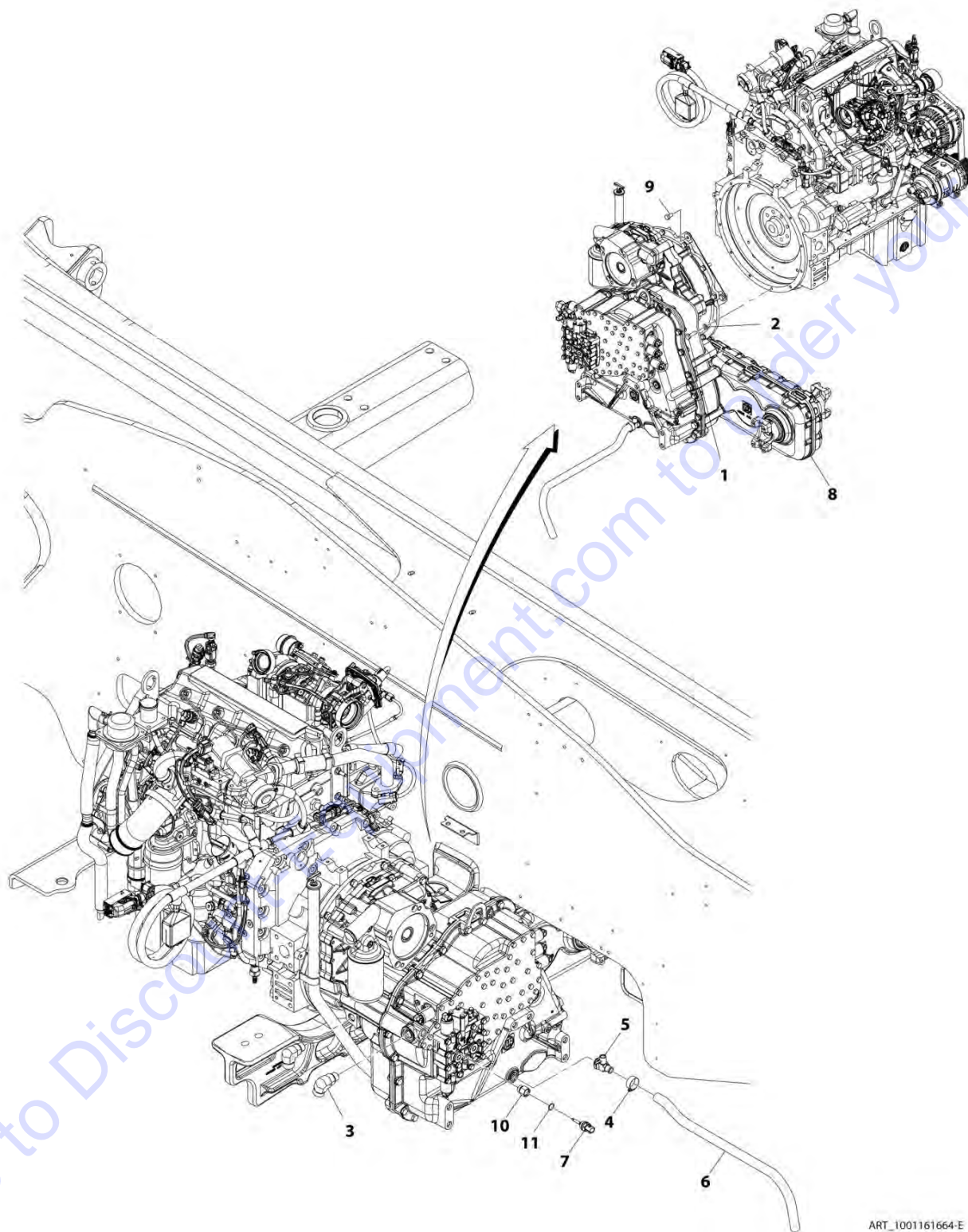
FIGURE 5-35. REAR AXLE, RING GEAR SUPPORT

ITEM	PART NUMBER	QTY	DESCRIPTION	REV
	70024146	Ref	Ring Gear Support	
1	91514175	1	Circlip	
2	70024147	1	Gear, Ring	
3	91514177	1	Support, Ring Gear	

Go to Discount-Equipment.com to order your parts

SECTION 5 - DRIVETRAIN

FIGURE 5-36. TRANSMISSION INSTALLATION



ART_1001161664-E

SECTION 5 - DRIVETRAIN

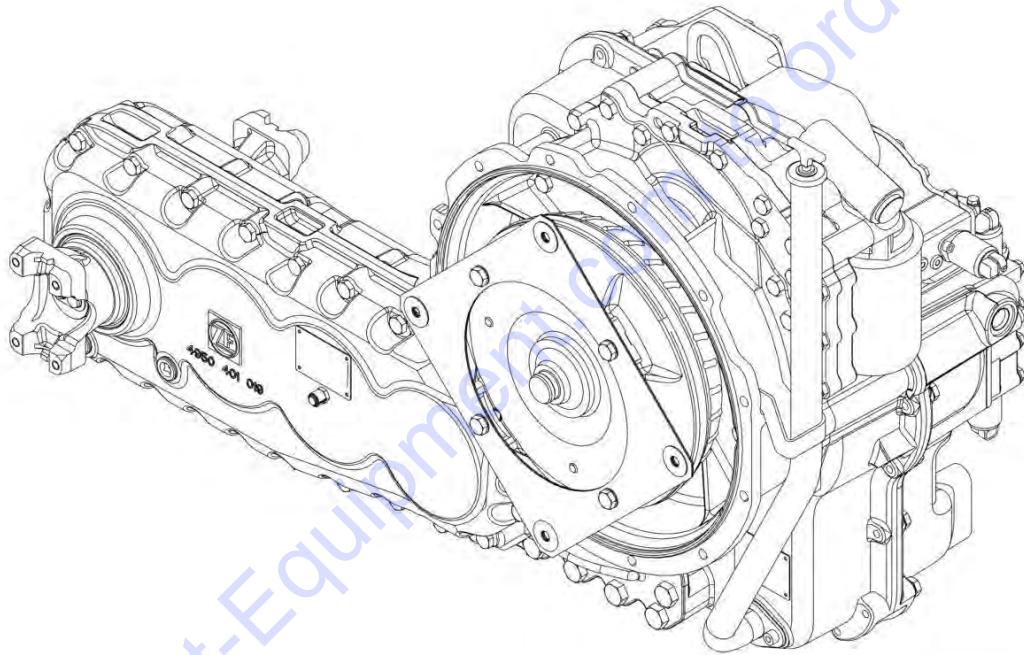
FIGURE 5-36. TRANSMISSION INSTALLATION

ITEM	PART NUMBER	QTY	DESCRIPTION	REV
	1001161664	Ref	Transmission Installation	E
1	0711015	12	Screw, M10X35	
2	4812000	12	Washer, M10	
3	2131210	2	Fitting, 90 ORFS	
4	8405007	1	Clamp, Hose	
5	1001097053	1	Valve, Oil Drain	
6	1001186225	1	Hose, Drain	
7	1001128478	1	Switch, Oil Temperature	
8	1001170171	1	Transmission, Powershift (See Separate Breakdown in this Section)	
9	0761010	4	Screw, M10X20	
10	1001220760	1	Adapter	
11	1001009163	1	Seal	

Go to Discount-Equipment.com to order your parts

SECTION 5 - DRIVETRAIN

FIGURE 5-37. POWERSHIFT TRANSMISSION



ART_1001170171_1-C

SECTION 5 - DRIVETRAIN

FIGURE 5-37. POWERSHIFT TRANSMISSION

ITEM	PART NUMBER	QTY	DESCRIPTION	REV
	1001170171	Ref	Powershift Transmission	C
		Ref	Transmission, Engine Connection (See Separate Breakdown in this Section)	
		Ref	Transmission, Converter (See Separate Breakdown in this Section)	
		Ref	Transmission, Input (See Separate Breakdown in this Section)	
		Ref	Transmission, Housing Group 1 (See Separate Breakdown in this Section)	
		Ref	Transmission, Housing Group 2 (See Separate Breakdown in this Section)	
		Ref	Transmission, Clutch Group 1 (See Separate Breakdown in this Section)	
		Ref	Transmission, Clutch Group 2 (See Separate Breakdown in this Section)	
		Ref	Transmission, Coupling Group 1 (See Separate Breakdown in this Section)	
		Ref	Transmission, Coupling Group 2 (See Separate Breakdown in this Section)	
		Ref	Transmission, Coupling Group 3 (See Separate Breakdown in this Section)	
		Ref	Transmission, Coupling Group 4 (See Separate Breakdown in this Section)	
		Ref	Transmission, Output (See Separate Breakdown in this Section)	
		Ref	Transmission, Power Take-Off (See Separate Breakdown in this Section)	
		Ref	Transmission, Control Unit (See Separate Breakdown in this Section)	
		Ref	Transmission, Shift System (See Separate Breakdown in this Section)	
		Ref	Transmission, Pressure Regulator (See Separate Breakdown in this Section)	
		Ref	Transmission, Pressure Oil Pump (See Separate Breakdown in this Section)	
		Ref	Transmission, Inductive Transmitter (See Separate Breakdown in this Section)	
		Ref	Transmission, Filter (See Separate Breakdown in this Section)	
		Ref	Transmission, Accessories Group 1 (See Separate Breakdown in this Section)	
		Ref	Transmission, Peripherals Group 1 (See Separate Breakdown in this Section)	
		Ref	Transmission, Peripherals Group 2 (See Separate Breakdown in this Section)	
		Ref	Transmission, Accessories Group 2 (See Separate Breakdown in this Section)	
		Ref	Transmission, Housing Group (See Separate Breakdown in this Section)	
		Ref	Transmission, Housing 1 (See Separate Breakdown in this Section)	
		Ref	Transmission, Housing 2 (See Separate Breakdown in this Section)	
		Ref	Transmission, Housing Input (See Separate Breakdown in this Section)	
		Ref	Transmission, Housing Output 1 (See Separate Breakdown in this Section)	

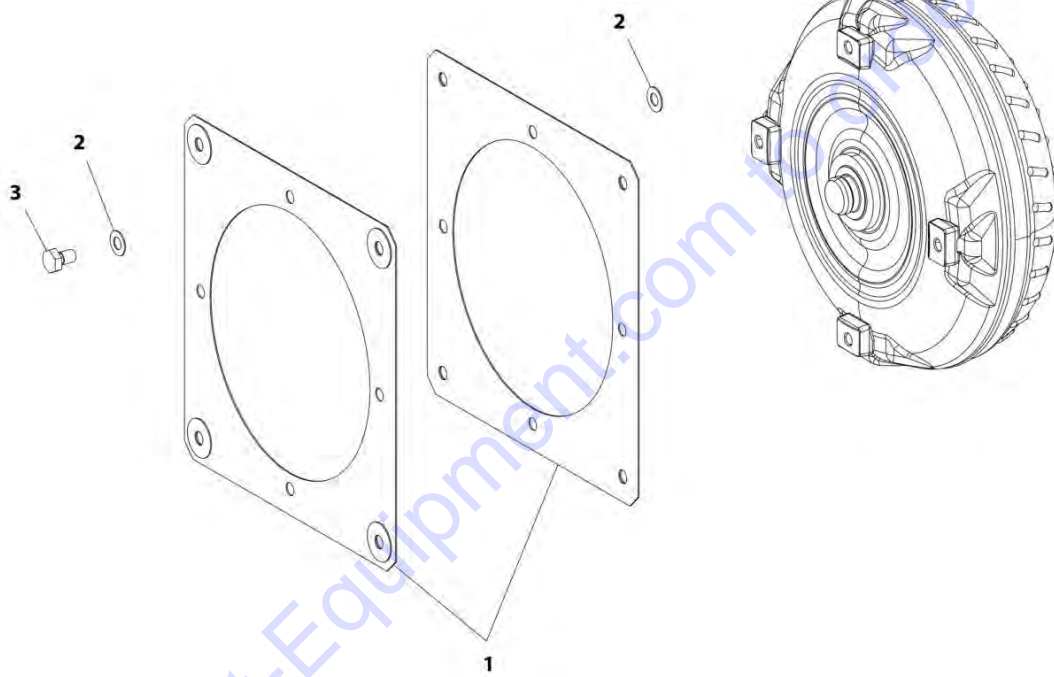
SECTION 5 - DRIVETRAIN

ITEM	PART NUMBER	QTY	DESCRIPTION	REV
		Ref	Transmission, Housing Output 2 (See Separate Breakdown in this Section)	

Go to Discount-Equipment.com to order your parts

SECTION 5 - DRIVETRAIN

FIGURE 5-38. TRANSMISION, ENGINE CONNECTION



ART_1001170171_2-C

SECTION 5 - DRIVETRAIN

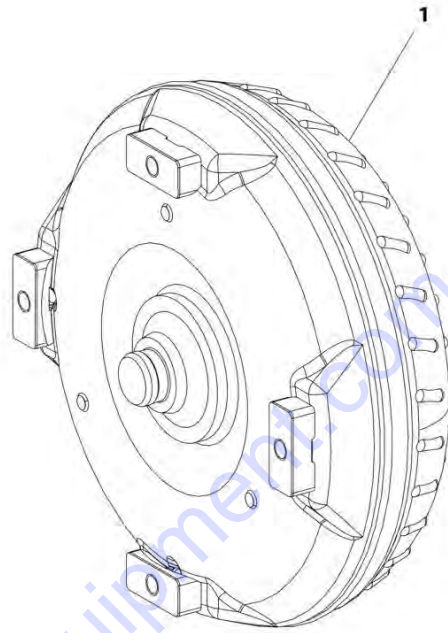
FIGURE 5-38. TRANSMISION, ENGINE CONNECTION

ITEM	PART NUMBER	QTY	DESCRIPTION	REV
1	1319229	2	Diaphragm	
2	7026745	8	Washer, Thrust M10	
3	7026744	4	Bolt, M10X16	

Go to Discount-Equipment.com to order your parts

SECTION 5 - DRIVETRAIN

FIGURE 5-39. TRANSMISSION, CONVERTER



ART_1001170171_3-C

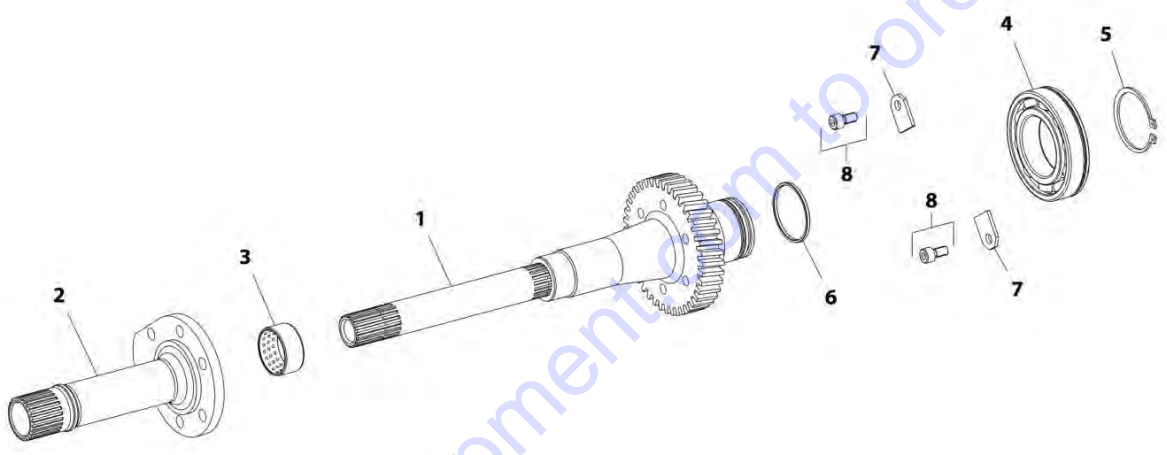
FIGURE 5-39. TRANSMISSION, CONVERTER

ITEM	PART NUMBER	QTY	DESCRIPTION	REV
1	7026746	1	Converter, Torque	

Go to Discount-Equipment.com to order your parts

SECTION 5 - DRIVETRAIN

FIGURE 5-40. TRANSMISSION, INPUT



ART_1001170171_4-C

SECTION 5 - DRIVETRAIN

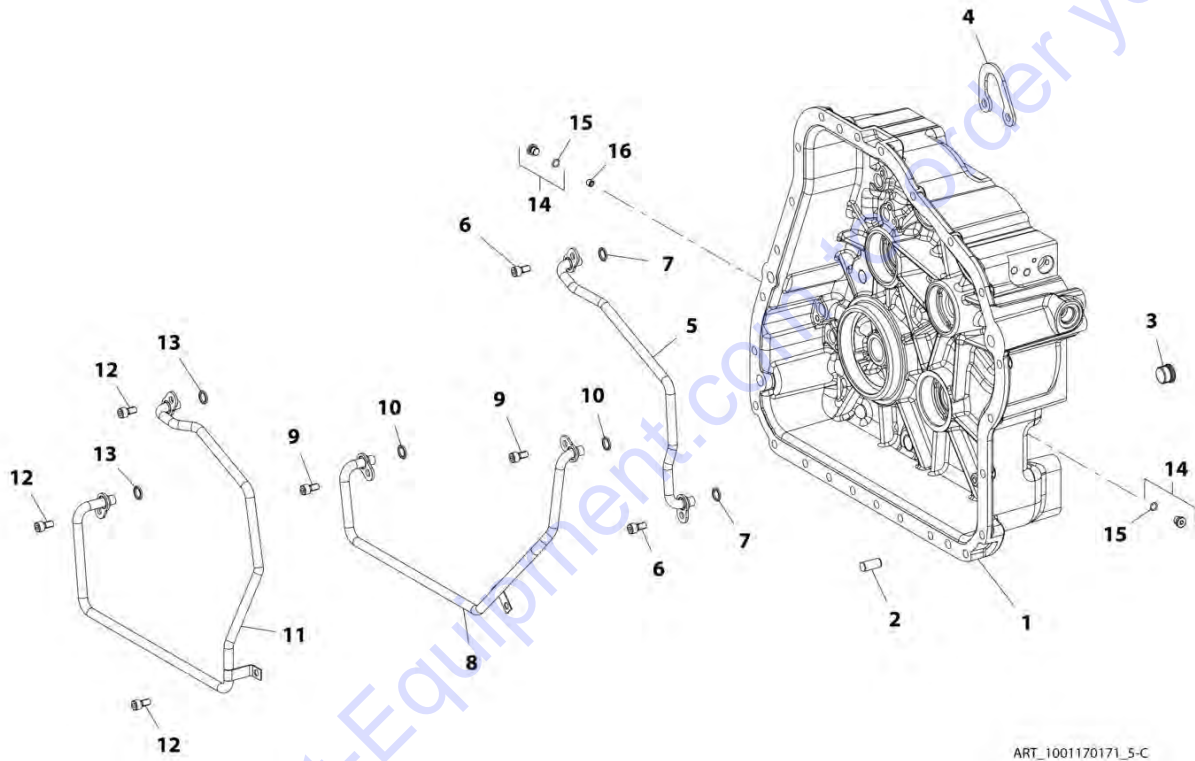
FIGURE 5-40. TRANSMISSION, INPUT

ITEM	PART NUMBER	QTY	DESCRIPTION	REV
1	7026747	1	Shaft, Turbine	
2	7026748	1	Shaft, Stator	
3	1319558	1	Bushing, Bearing	
4	1319563	1	Bearing, Ball	
5	80304405	1	Ring, Retaining	
6	7026749	1	Ring, Piston	
7	70026515	2	Strap	
8	70026516	2	Bolt, M8X16	

Go to Discount-Equipment.com to order your parts

SECTION 5 - DRIVETRAIN

FIGURE 5-41. TRANSMISSION, HOUSING GROUP 1



ART_100117017L_5-C

SECTION 5 - DRIVETRAIN

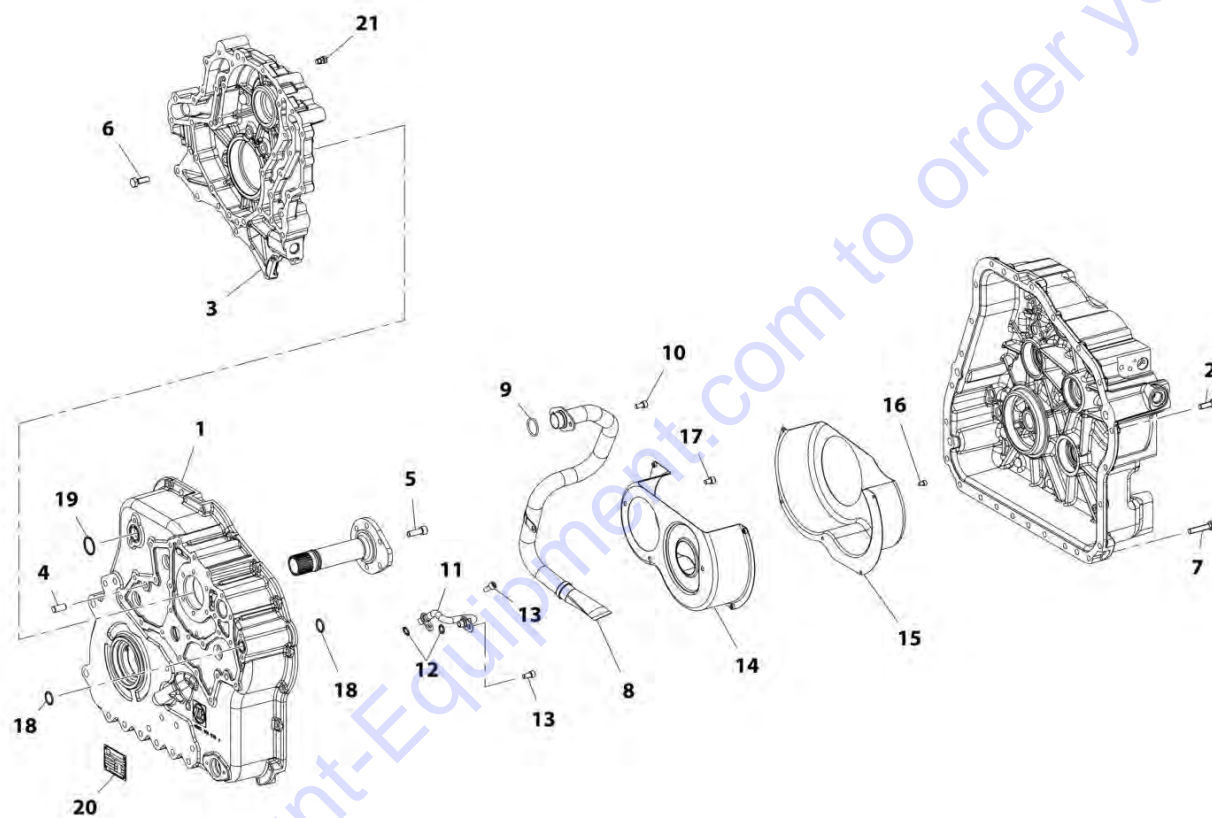
FIGURE 5-41. TRANSMISSION, HOUSING GROUP 1

ITEM	PART NUMBER	QTY	DESCRIPTION	REV
1	7029973	1	Housing	
2	1319571	2	Pin, Dowel	
3	70023404	1	Plug	
4	1319590	1	Bracket, Lift	
5	7026750	1	Pipe	
6	70026516	2	Bolt, M8X16	
7	8036847	2	O-Ring	
8	7026751	1	Pipe	
9	70026516	2	Bolt, M8X16	
10	8036847	2	O-Ring	
11	7026752	1	Pipe	
12	70026516	3	Bolt, M8X16	
13	8036847	2	O-Ring	
14	70026517	7	Plug, Screw	
15	10731709	7	O-Ring	
16	70026518	1	Nozzle	

Go to Discount-Equipment.com to order your parts

SECTION 5 - DRIVETRAIN

FIGURE 5-42. TRANSMISSION, HOUSING GROUP 2



ART_1001170171_6-C

SECTION 5 - DRIVETRAIN

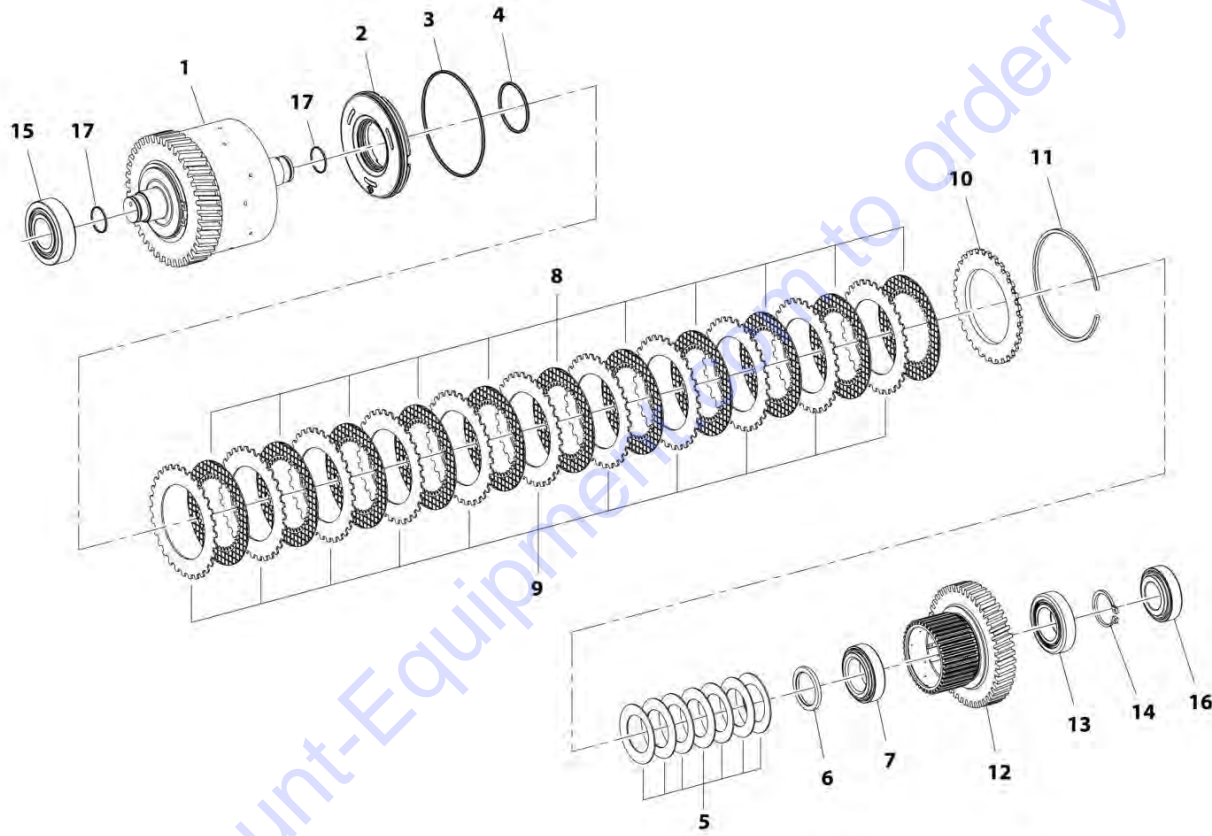
FIGURE 5-42. TRANSMISSION, HOUSING GROUP 2

ITEM	PART NUMBER	QTY	DESCRIPTION	REV
1	7029972	1	Housing	
2	80304394	18	Bolt, M10X30	
3	70021920	1	Housing, PTO	
4	1319571	2	Pin, Dowel	
5	70026519	6	Bolt, M10X30	
6	80304394	13	Bolt, M10X30	
7	7026794	6	Bolt, M10X50	
8	7026753	1	Tube, Suction	
9	70023885	1	O-Ring	
10	70026516	2	Bolt, M8X16	
11	7026754	1	Pipe	
12	8036847	2	O-Ring	
13	70026516	2	Bolt, M8X16	
14	7026755	1	Sheet, Screen	
15	7026756	1	Sheet, Screen	
16	70026520	5	Bolt, M6X10	
17	70026521	3	Bolt, M8X12	
18	7026792	2	O-Ring	
19	70023885	1	O-Ring	
20	N.S.S.	1	Plate, Serial Number	
21	10731744	1	Breather	

Go to Discount-Equipment.com to order your parts

SECTION 5 - DRIVETRAIN

FIGURE 5-43. TRANSMISSION, CLUTCH GROUP 1



ART_1001170171_7-C

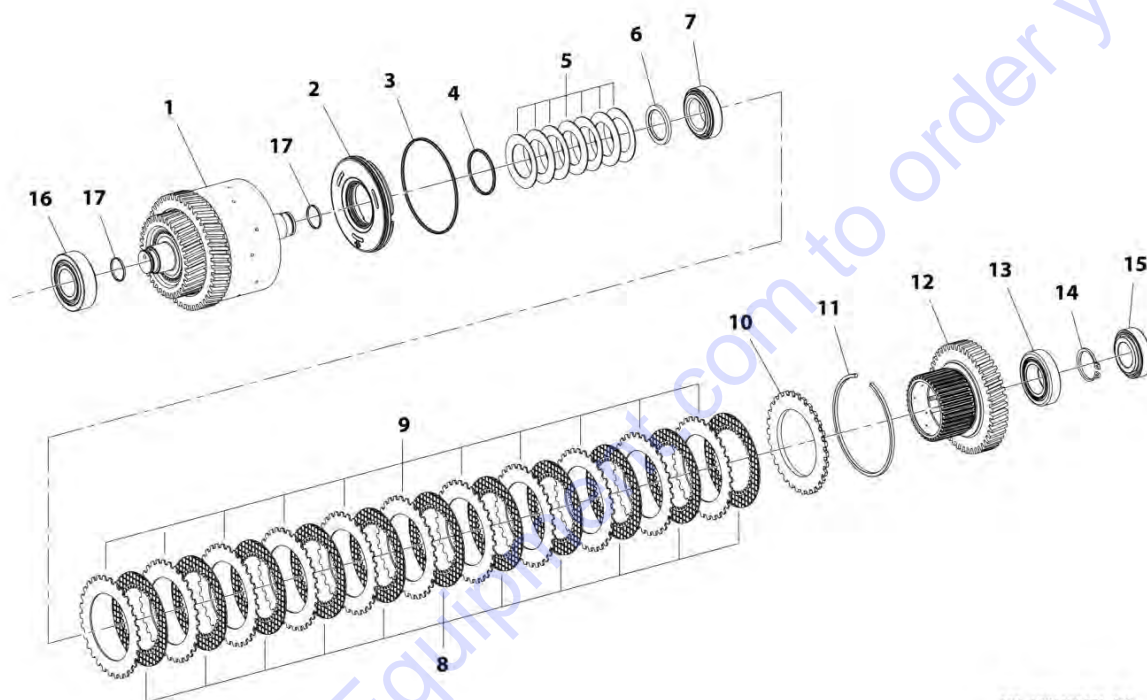
SECTION 5 - DRIVETRAIN

FIGURE 5-43. TRANSMISSION, CLUTCH GROUP 1

ITEM	PART NUMBER	QTY	DESCRIPTION	REV
1	7026757	1	Coupling	
2	70022075	1	Piston	
3	1319594	1	O-Ring	
4	1319593	1	O-Ring	
5	1319595	7	Spring, Cup	
6	1319617	1	Shim	
7	1319618	AR	Bearing, Roller	
8	7026758	11	Disc, Friction	
9	7026759	11	Disc, Clutch	
10	7026760	1	Shim	
11	70026527	AR	Ring, Snap 2.00	
11	70026528	AR	Ring, Snap 2.25	
11	70026529	AR	Ring, Snap 2.50	
11	7029852	AR	Ring	
11	1319602	AR	Ring	
11	7029849	AR	Ring	
11	1319601	AR	Ring	
11	7029850	AR	Ring	
11	1319600	AR	Ring	
12	1319638	1	Carrier, Inner Disc	
13	1319620	AR	Bearing, Roller	
14	1319632	AR	Ring	
14	1319631	AR	Ring	
14	1319630	AR	Ring	
14	1319629	AR	Ring	
14	1319628	AR	Ring	
14	1319627	AR	Ring	
14	1319626	AR	Ring	
14	1319625	AR	Ring	
14	1319624	AR	Ring	
14	1319623	AR	Ring	
14	1319622	AR	Ring	
14	1319621	AR	Ring	
15	1319615	1	Bearing, Roller	
16	1319636	1	Bearing, Roller	
17	7026761	2	Ring, Piston	

SECTION 5 - DRIVETRAIN

FIGURE 5-44. TRANSMISSION, CLUTCH GROUP 2



ART_1001170171_8-C

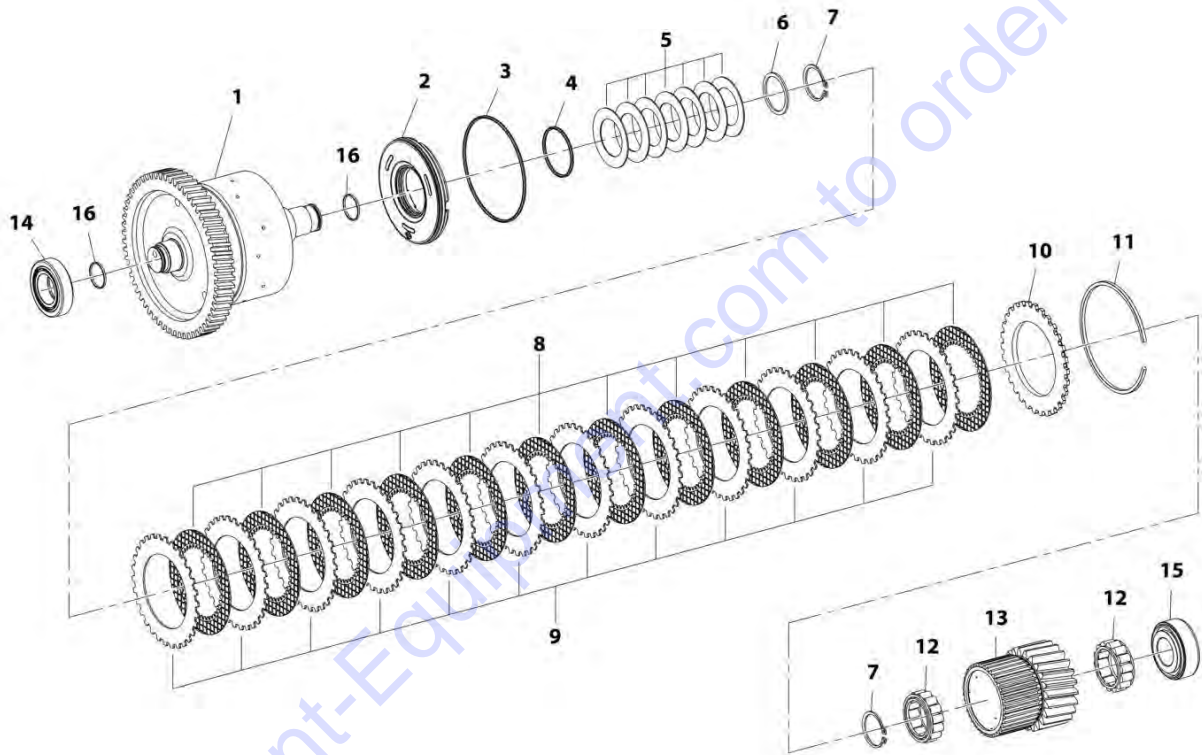
SECTION 5 - DRIVETRAIN

FIGURE 5-44. TRANSMISSION, CLUTCH GROUP 2

ITEM	PART NUMBER	QTY	DESCRIPTION	REV
1	7026762	1	Coupling	
2	70022075	1	Piston	
3	1319594	1	O-Ring	
4	1319593	1	O-Ring	
5	1319595	7	Spring, Cup	
6	1319617	1	Shim	
7	1319618	AR	Bearing, Roller	
8	7026758	11	Disc, Friction	
9	7026759	11	Disc, Static	
10	7026760	1	Shim	
11	70026527	AR	Ring, Snap 2.00	
11	70026528	AR	Ring, Snap 2.25	
11	70026529	AR	Ring, Snap 2.50	
11	7029852	AR	Ring	
11	1319602	AR	Ring	
11	7029849	AR	Ring	
11	1319601	AR	Ring	
11	7029850	AR	Ring	
11	1319600	AR	Ring	
12	1319638	1	Carrier, Disc	
13	1319620	1	Bearing, Roller	
14	1319632	AR	Ring	
14	1319631	AR	Ring	
14	1319630	AR	Ring	
14	1319629	AR	Ring	
14	1319628	AR	Ring	
14	1319627	AR	Ring	
14	1319626	AR	Ring	
14	1319625	AR	Ring	
14	1319624	AR	Ring	
14	1319623	AR	Ring	
14	1319622	AR	Ring	
14	1319621	AR	Ring	
15	1319615	1	Bearing, Roller	
16	1319636	1	Bearing, Roller	
17	7026761	2	Ring, Piston	

SECTION 5 - DRIVETRAIN

FIGURE 5-45. TRANSMISSION, COUPLING GROUP 1



ART_1001170171_9-C

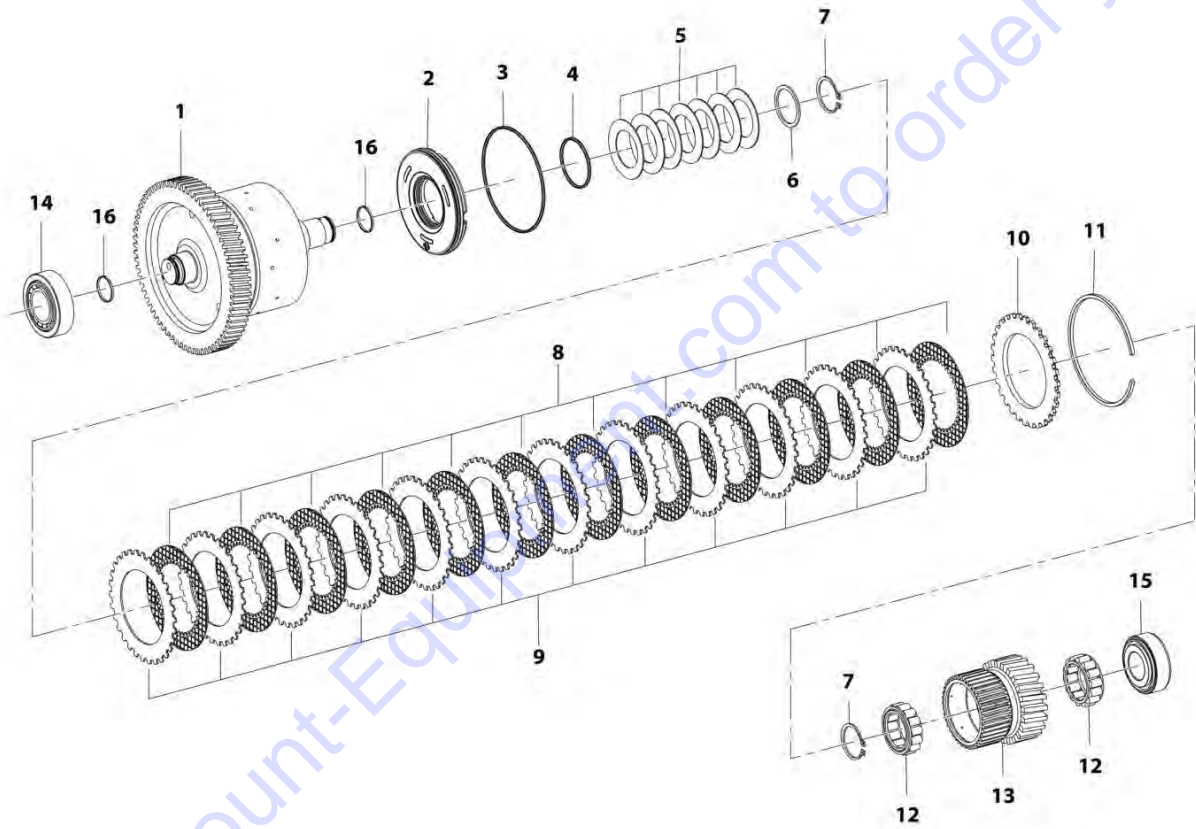
SECTION 5 - DRIVETRAIN

FIGURE 5-45. TRANSMISSION, COUPLING GROUP 1

ITEM	PART NUMBER	QTY	DESCRIPTION	REV
1	70026530	1	Coupling	
2	70022075	1	Piston	
3	1319594	1	O-Ring	
4	1319593	1	O-Ring	
5	1319595	7	Spring, Cup	
6	1319596	1	Shim	
7	10731845	2	Ring, Retaining	
8	7026758	12	Disc, Friction	
9	7026759	12	Disc, Clutch	
10	7026760	1	Shim	
11	70026527	AR	Ring, Snap 2.00	
11	70026528	AR	Ring, Snap 2.25	
11	70026529	AR	Ring, Snap 2.50	
11	7029852	AR	Ring	
11	1319602	AR	Ring	
11	7029849	AR	Ring	
11	1319601	AR	Ring	
11	7029850	AR	Ring	
11	1319600	AR	Ring	
12	1319605	AR	Cage, Roller	
13	1319607	1	Carrier, Disc	
14	1319608	1	Bearing, Roller	
15	8036190	1	Bearing, Roller	
16	7026761	2	Piston Ring	

SECTION 5 - DRIVETRAIN

FIGURE 5-46. TRANSMISSION, COUPLING GROUP 2



ART_1001170171_10-C

SECTION 5 - DRIVETRAIN

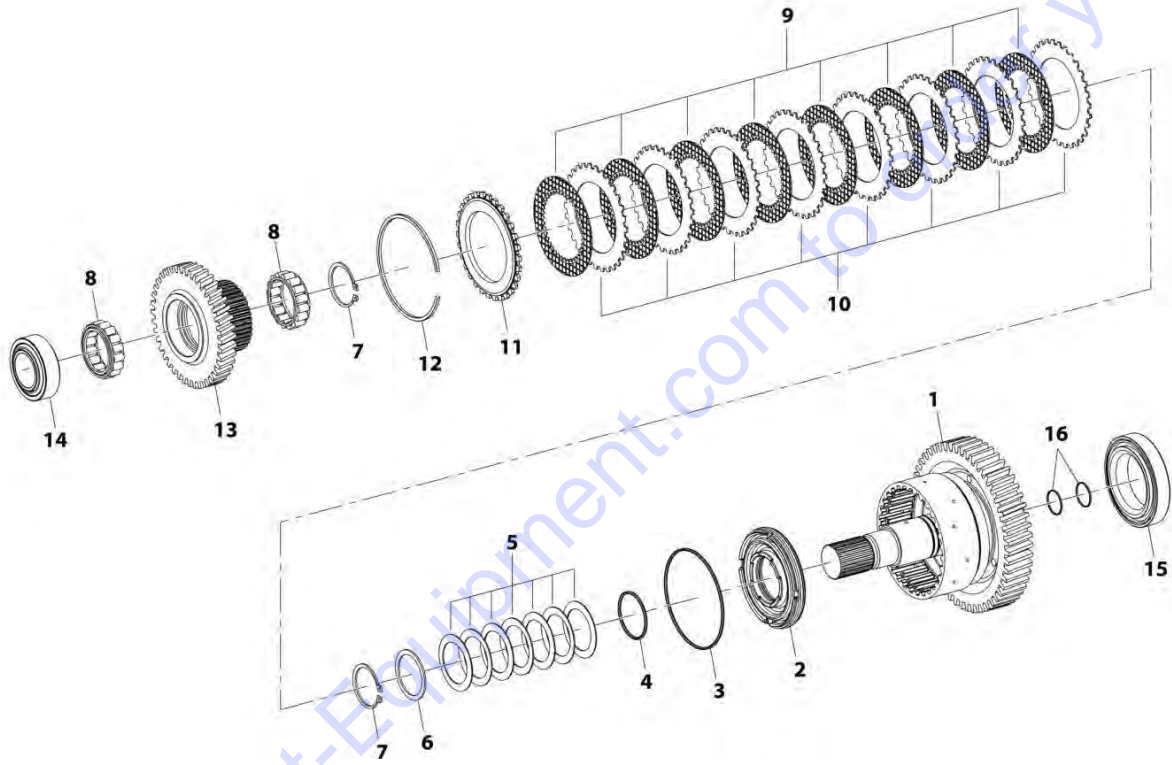
FIGURE 5-46. TRANSMISSION, COUPLING GROUP 2

ITEM	PART NUMBER	QTY	DESCRIPTION	REV
1	70026531	1	Coupling	
2	70022075	1	Piston	
3	1319594	1	O-Ring	
4	1319593	1	O-Ring	
5	1319595	7	Spring, Cup	
6	1319596	1	Shim	
7	10731845	2	Ring, Retaining	
8	7026758	12	Disc, Friction	
9	7026759	12	Disc, Clutch	
10	7026760	1	Shim	
11	70026527	AR	Ring, Snap 2.00	
11	70026528	AR	Ring, Snap 2.25	
11	70026529	AR	Ring, Snap 2.50	
11	7029852	AR	Ring	
11	1319602	AR	Ring	
11	7029849	AR	Ring	
11	1319601	AR	Ring	
11	7029850	AR	Ring	
11	1319600	AR	Ring	
12	1319605	AR	Bearing, Roller	
13	1319614	1	Carrier, Disc	
14	1319615	1	Bearing, Roller	
15	8036190	1	Bearing, Roller	
16	7026761	2	Ring, Piston	

Go to Discount-Equipment.com to order your parts

SECTION 5 - DRIVETRAIN

FIGURE 5-47. TRANSMISSION, COUPLING GROUP 3



ART_1001170171_11-C

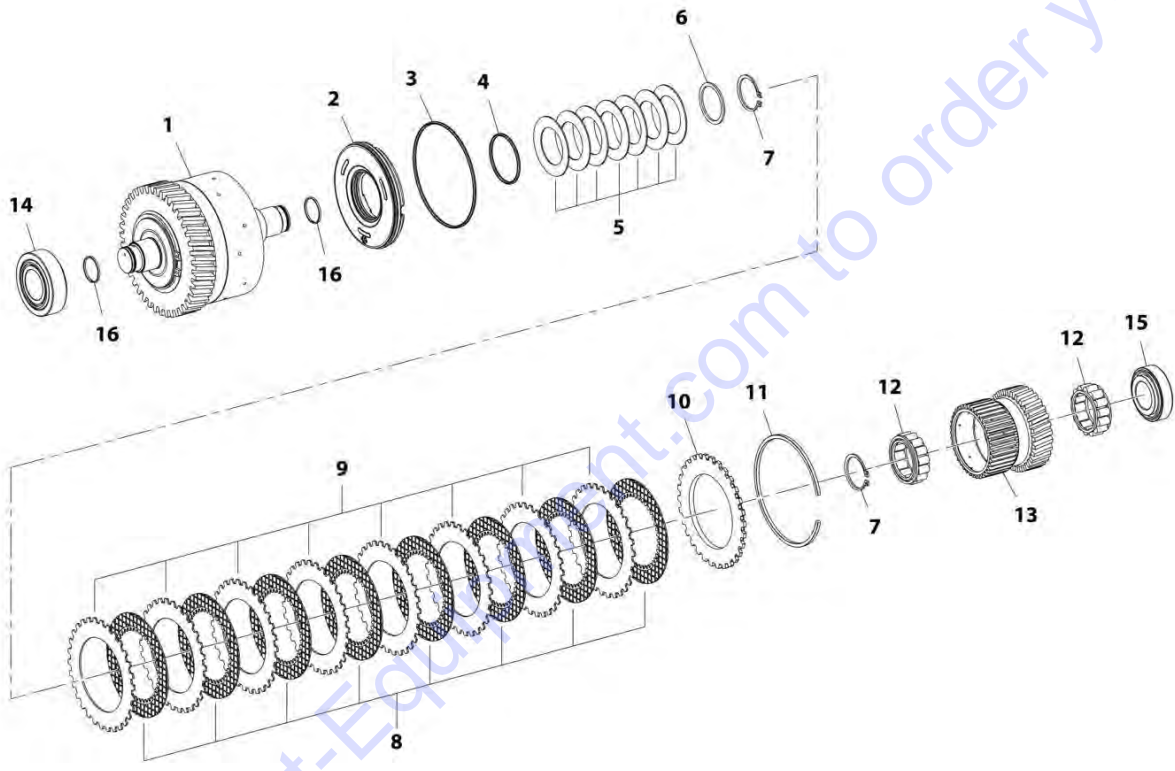
SECTION 5 - DRIVETRAIN

FIGURE 5-47. TRANSMISSION, COUPLING GROUP 3

ITEM	PART NUMBER	QTY	DESCRIPTION	REV
1	70026532	1	Coupling	
2	70022075	1	Piston	
3	1319594	1	O-Ring	
4	1319593	1	O-Ring	
5	7026765	7	Spring, Cup	
6	7026766	1	Washer	
7	80304227	AR	Ring, Retaining	
8	70021227	AR	Ring	
8	70021228	AR	Cage, Roller	
9	7026758	AR	Disc, Friction	
10	7026759	AR	Disc, Clutch	
11	7026760	AR	Shim	
12	70026527	AR	Ring	
12	70026528	AR	Ring	
12	70026529	AR	Ring	
12	7029852	AR	Ring	
12	1319602	AR	Ring	
12	7029849	AR	Ring	
12	1319601	AR	Ring	
12	7029850	AR	Ring	
12	1319600	AR	Ring	
13	7027267	1	Carrier, Disc	
14	70021268	1	Bearing, Outer Ring	
14	70021269	1	Bearing, Inner Ring	
15	7026769	AR	Bearing, Roller	
16	7026761	2	Ring, Piston	

SECTION 5 - DRIVETRAIN

FIGURE 5-48. TRANSMISSION, COUPLING GROUP 4



ART_1001170171_12-C

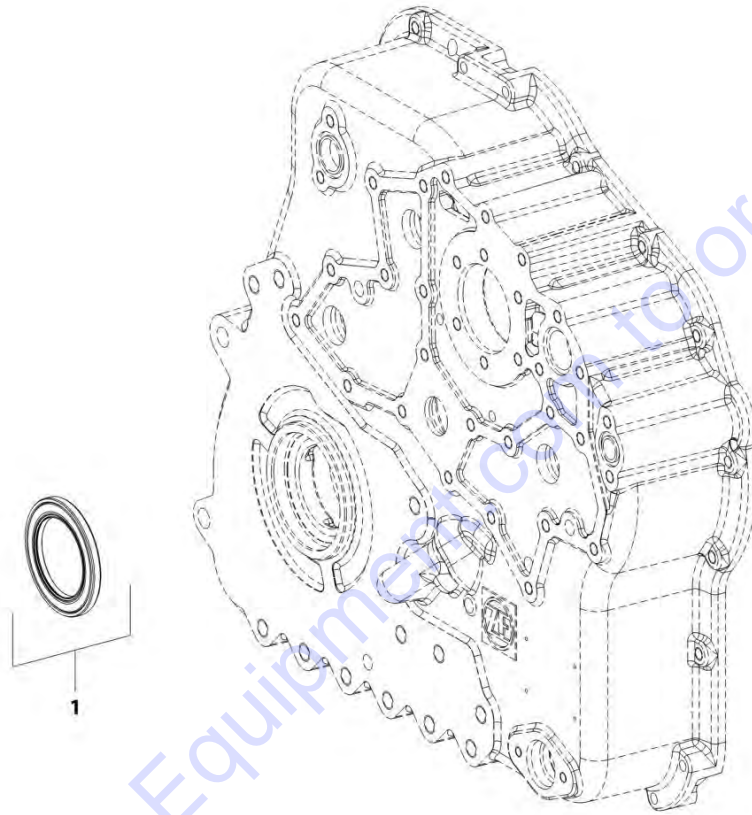
SECTION 5 - DRIVETRAIN

FIGURE 5-48. TRANSMISSION, COUPLING GROUP 4

ITEM	PART NUMBER	QTY	DESCRIPTION	REV
1	70026535	1	Coupling	
2	70022075	1	Piston	
3	1319594	1	O-Ring	
4	1319593	1	O-Ring	
5	1319595	7	Spring, Cup	
6	1319596	1	Shim	
7	10731845	2	Ring, Retaining	
8	7026758	8	Disc, Friction	
9	7026759	8	Disc, Clutch	
10	7026760	1	Shim	
11	70026527	AR	Ring, Snap 2.00	
11	70026528	AR	Ring, Snap 2.25	
11	70026529	AR	Ring, Snap 2.50	
11	7029852	AR	Ring	
11	1319602	AR	Ring	
11	7029849	AR	Ring	
11	1319601	AR	Ring	
11	7029850	AR	Ring	
11	1319600	AR	Ring	
12	1319605	AR	Bearing, Roller	
13	1319635	1	Carrier, Disc	
14	1319615	1	Bearing, Roller	
15	1319636	1	Bearing, Roller	
16	7026761	2	Ring, Piston	

SECTION 5 - DRIVETRAIN

FIGURE 5-49. TRANSMISSION, OUTPUT



ART_1001170171_13-C

SECTION 5 - DRIVETRAIN

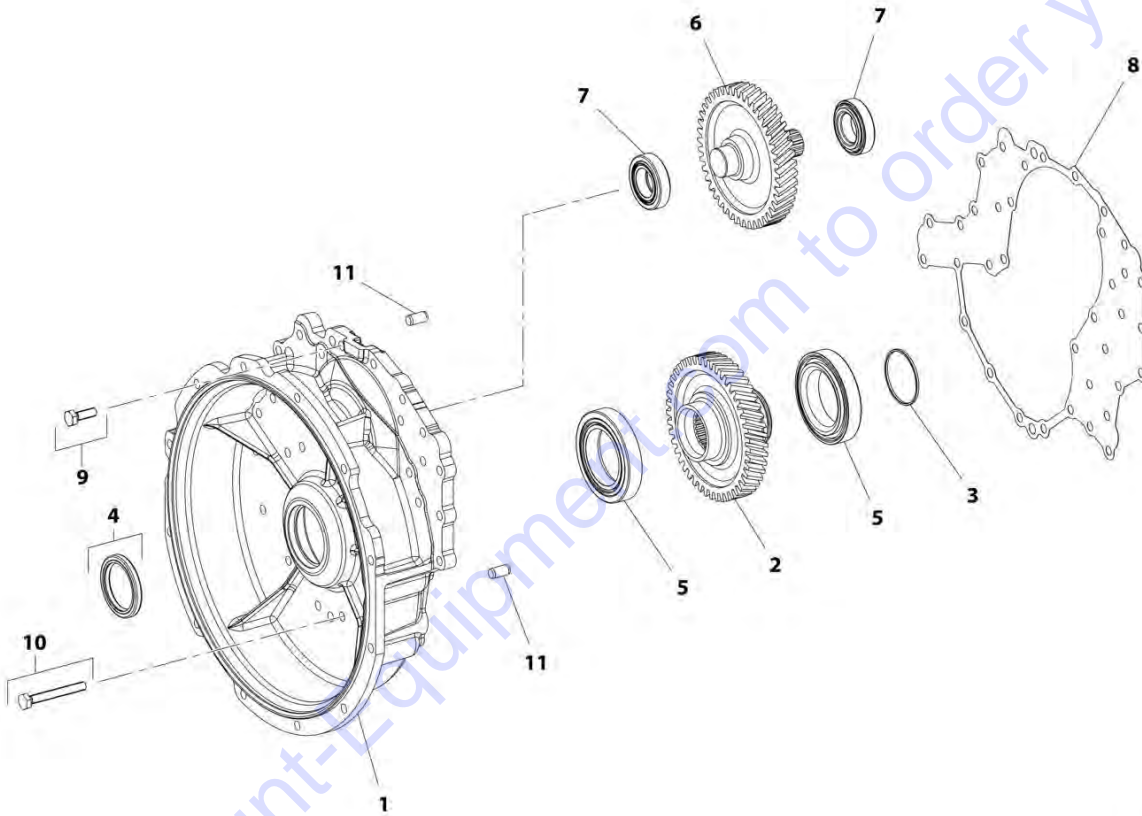
FIGURE 5-49. TRANSMISSION, OUTPUT

ITEM	PART NUMBER	QTY	DESCRIPTION	REV
1	70026536	1	Seal, Shaft	

Go to Discount-Equipment.com to order your parts

SECTION 5 - DRIVETRAIN

FIGURE 5-50. TRANSMISSION, POWER TAKE-OFF



ART_1001170171_14-C

SECTION 5 - DRIVETRAIN

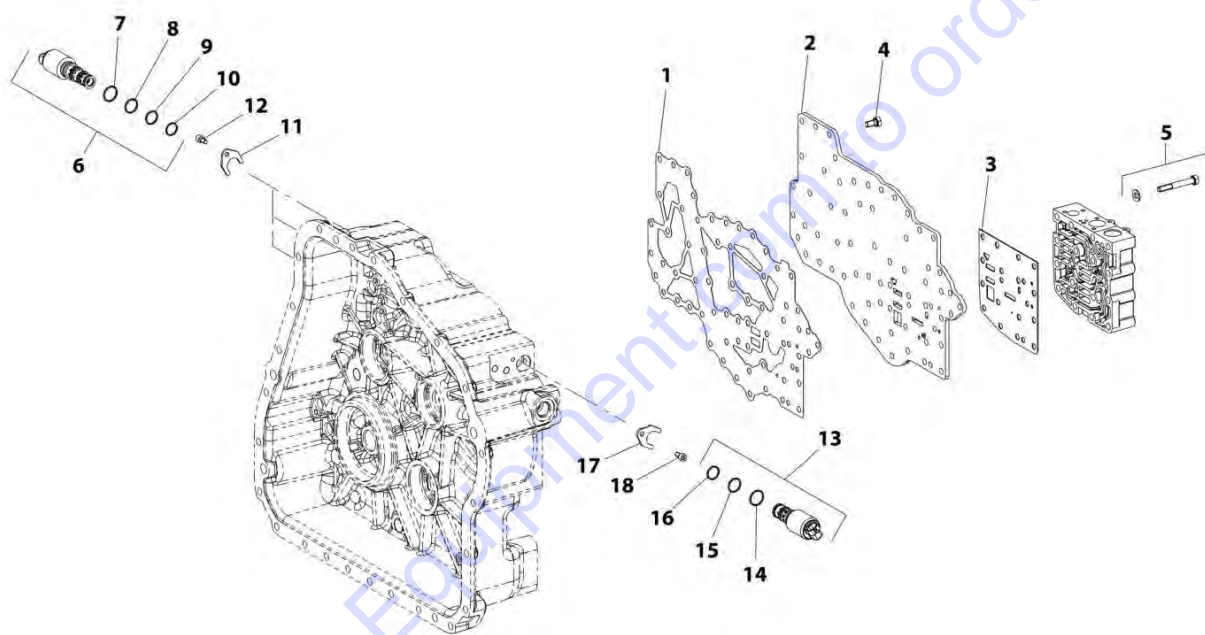
FIGURE 5-50. TRANSMISSION, POWER TAKE-OFF

ITEM	PART NUMBER	QTY	DESCRIPTION	REV
1	70021526	1	Housing	
2	7026771	1	Shaft	
3	7026772	1	Ring, Piston	
4	1319576	1	Seal, Shaft	
5	7026769	AR	Bearing, Roller	
6	7026773	1	Shaft	
7	1319608	AR	Bearing, Roller	
8	7026774	1	Gasket	
9	80304394	21	Bolt, M10X30	
10	7026775	15	Bolt, M10X80	
11	1319571	2	Pin	

Go to Discount-Equipment.com to order your parts

SECTION 5 - DRIVETRAIN

FIGURE 5-51. TRANSMISSION, CONTROL UNIT



ART_1001170171_15-C

SECTION 5 - DRIVETRAIN

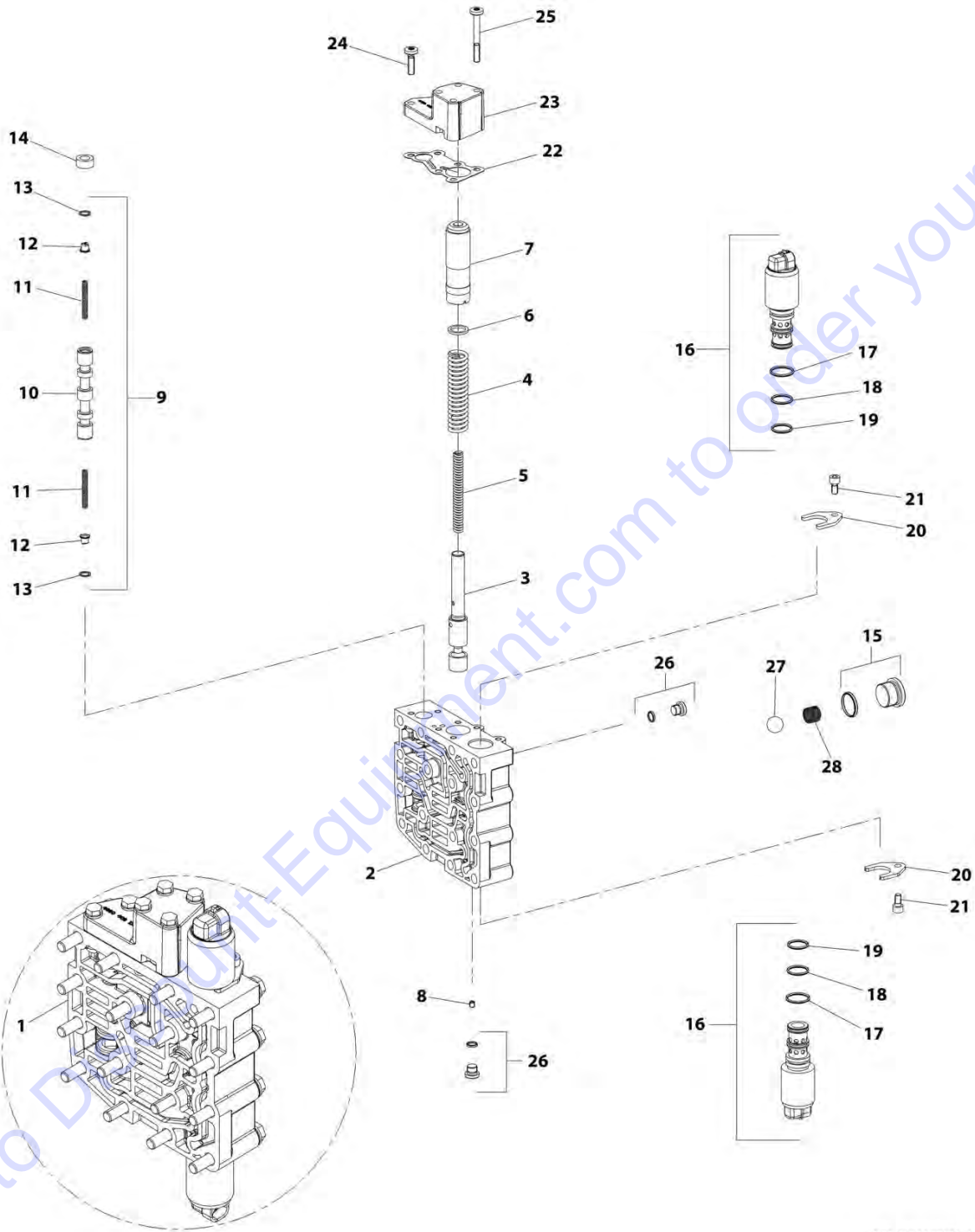
FIGURE 5-51. TRANSMISSION, CONTROL UNIT

ITEM	PART NUMBER	QTY	DESCRIPTION	REV
1	7026776	1	Gasket	
2	70026538	1	Plate	
3	70026539	1	Sheet, Intermediate	
4	7026780	46	Bolt, M8X16	
5	7026781	16	Bolt, M8X60 (includes washer)	
5	10732095	16	Washer	
6	8036529	3	Valve, Solenoid (includes items 7 thru 10)	
7	N.S.S.	3	O-Ring	
8	N.S.S.	3	O-Ring	
9	N.S.S.	3	O-Ring	
10	N.S.S.	3	O-Ring	
11	7029267	3	Bracket	
12	70026544	3	Bolt, M6X12	
13	8036528	1	Valve, Solenoid (includes items 14 thru 16)	
14	N.S.S.	1	O-Ring	
15	N.S.S.	1	O-Ring	
16	N.S.S.	1	O-Ring	
17	7029267	1	Bracket	
18	70026544	1	Bolt, M6X12	

Go to Discount-Equipment.com to order your parts

SECTION 5 - DRIVETRAIN

FIGURE 5-52. TRANSMISSION, SHIFT SYSTEM



ART_1001170171_16-C

PARTS FINDER

**Search Website
by Part Number**



**Search Manual
Library For Parts
Manual & Lookup Part
Numbers – Purchase
or Request Quote**

**Can't Find Part or
Manual? Request Help
by Manufacturer,
Model & Description**

Discount-Equipment.com is your online resource for quality parts & equipment.

Florida: **561-964-4949** Outside Florida TOLL FREE: **877-690-3101**

Need parts?

Click on this link: <http://www.discount-equipment.com/category/5443-parts/> and choose one of the options to help get the right parts and equipment you are looking for. Please have the machine model and serial number available in order to help us get you the correct parts. If you don't find the part on the website or on one of the online manuals, please fill out the request form and one of our experienced staff members will get back to you with a quote for the right part that your machine needs.

We sell worldwide for the brands: Genie, Terex, JLG, MultiQuip, Mikasa, Essick, Whiteman, Mayco, Toro Stone, Diamond Products, Generac Magnum, Airman, Haulotte, Barreto, Power Blanket, Nifty Lift, Atlas Copco, Chicago Pneumatic, Allmand, Miller Curber, Skyjack, Lull, Skytrak, Tsurumi, Husquvarna Target, Stow, Wacker, Sakai, Mi-T-M, Sullair, Basic, Dynapac, MBW, Weber, Bartell, Bennar Newman, Haulotte, Ditch Runner, Menegotti, Morrison, Contec, Buddy, Crown, Edco, Wyco, Bomag, Laymor, EZ Trench, Bil-Jax, F.S. Curtis, Gehl Pavers, Heli, Honda, ICS/PowerGrit, IHI, Partner, Imer, Clipper, MMD, Koshin, Rice, CH&E, General Equipment, Amida, Coleman, NAC, Gradall, Square Shooter, Kent, Stanley, Tamco, Toku, Hatz, Kohler, Robin, Wisconsin, Northrock, Oztec, Toker TK, Rol-Air, APT, Wylie, Ingersoll Rand / Doosan, Innovatech, Con X, Ammann, Mecalac, Makinex, Smith Surface Prep, Small Line, Wanco, Yanmar

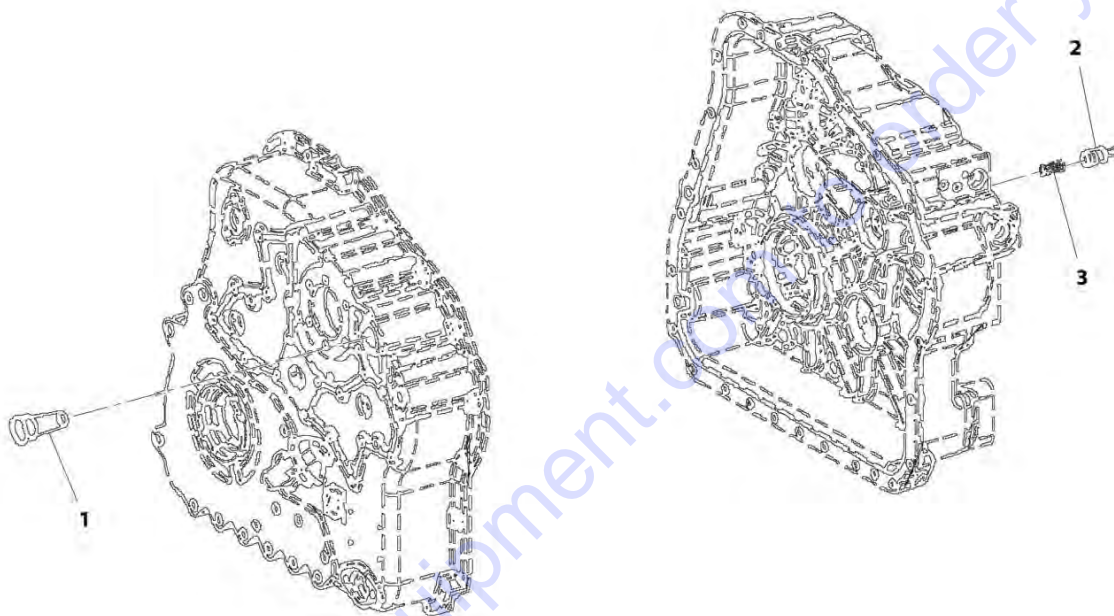
SECTION 5 - DRIVETRAIN

FIGURE 5-52. TRANSMISSION, SHIFT SYSTEM

ITEM	PART NUMBER	QTY	DESCRIPTION	REV
1	70026561	1	Assembly, Shift System (includes all items)	
2	70026546	1	Housing, Valve	
3	70026547	1	Piston, Control	
4	1319683	1	Spring	
5	1319684	1	Spring	
6	1319689	AR	Washer	
6	1319688	AR	Washer	
6	1319687	AR	Washer	
6	1319686	AR	Washer	
6	1319685	AR	Washer	
7	70026548	1	Piston	
8	70026549	1	Nozzle	
9	1319694	1	Assembly, Valve (includes items 10 thru 13)	
10	N.S.S.	1	Piston	
11	N.S.S.	2	Spring, Compression	
12	N.S.S.	2	Sleeve, Spring	
13	N.S.S.	2	Ring, Snap	
14	7026787	1	Spacer	
15	70026554	1	Plug, Screw (includes o-ring)	
15	70000656	1	O-Ring	
16	8036528	2	Valve, Solenoid (includes items 17 thru 19)	
17	N.S.S.	2	O-Ring	
18	N.S.S.	2	O-Ring	
19	N.S.S.	2	O-Ring	
20	7029267	2	Bracket	
21	70026544	2	Bolt, M6X12	
22	7026788	1	Gasket	
23	7026789	1	Cover	
24	70026555	2	Screw, Torx M6X23	
25	70026556	4	Screw, Torx M6X52	
26	70026517	2	Plug, Screw (includes o-ring)	
26	10731709	2	O-Ring	
27	10732071	1	Ball	
28	10732072	1	Spring	

SECTION 5 - DRIVETRAIN

FIGURE 5-53. TRANSMISSION, PRESSURE REGULATOR



ART_1001170171_17-C

SECTION 5 - DRIVETRAIN

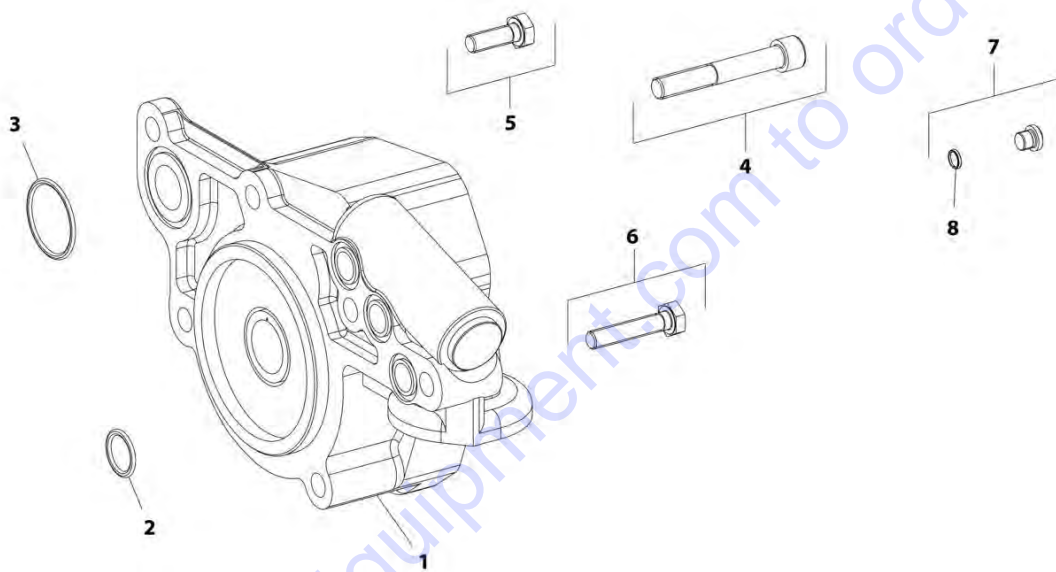
FIGURE 5-53. TRANSMISSION, PRESSURE REGULATOR

ITEM	PART NUMBER	QTY	DESCRIPTION	REV
1	7026782	1	Valve	
2	7026783	1	Piston	
3	7026784	1	Spring	

Go to Discount-Equipment.com to order your parts

SECTION 5 - DRIVETRAIN

FIGURE 5-54. TRANSMISSION, PRESSURE OIL PUMP



ART_1001170171_18-C

SECTION 5 - DRIVETRAIN

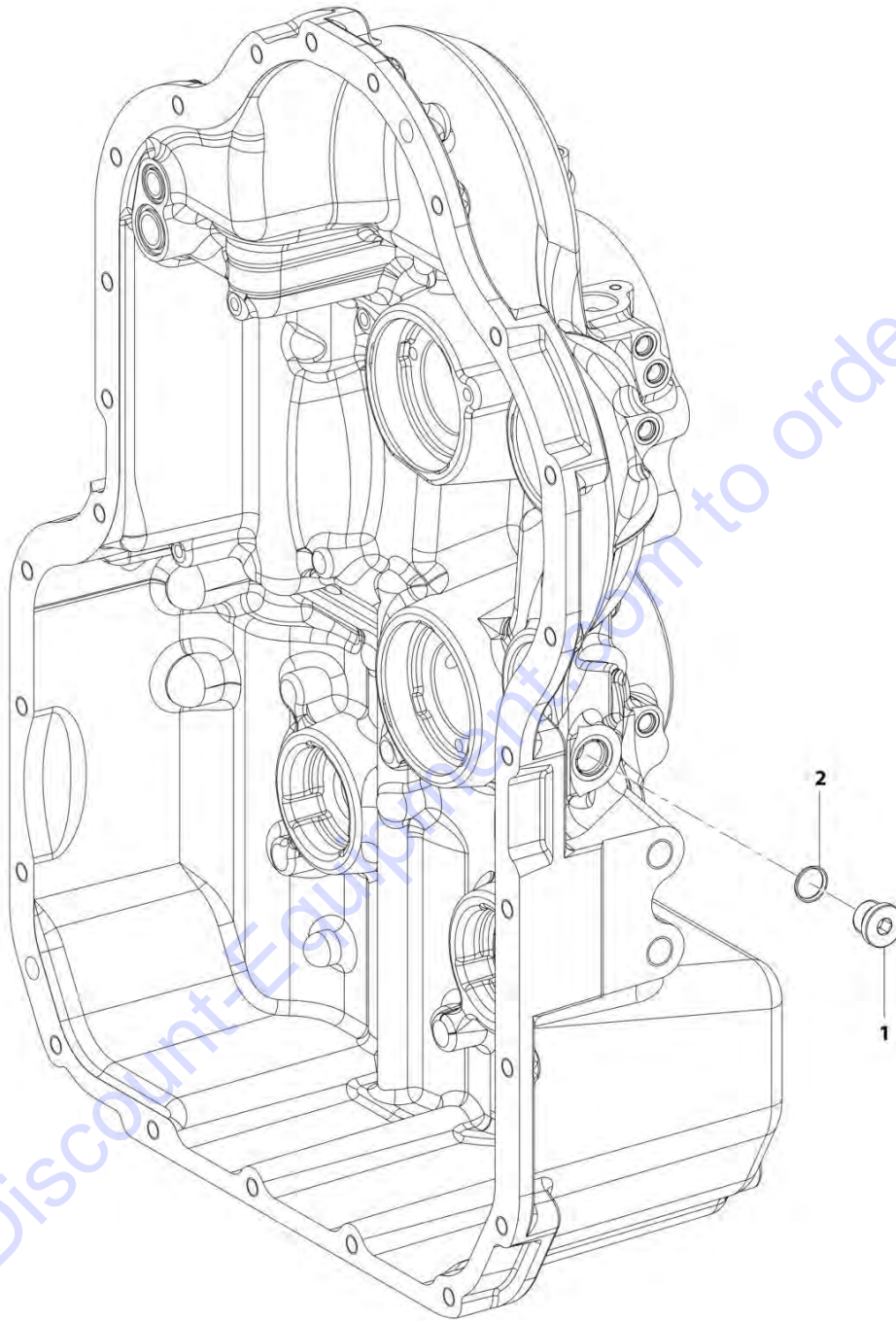
FIGURE 5-54. TRANSMISSION, PRESSURE OIL PUMP

ITEM	PART NUMBER	QTY	DESCRIPTION	REV
1	7026791	1	Pump	
2	7026792	3	O-Ring	
3	1319719	1	O-Ring	
4	7026793	4	Bolt, M12X80	
5	80304394	1	Bolt, M10X30	
6	7026794	1	Bolt, M10X50	
7	70026517	2	Plug, Screw	
8	10731709	2	O-Ring	

Go to Discount-Equipment.com to order your parts

SECTION 5 - DRIVETRAIN

FIGURE 5-55. TRANSMISSION, INDUCTIVE TRANSMITTER



ART_1001170171_19-C

SECTION 5 - DRIVETRAIN

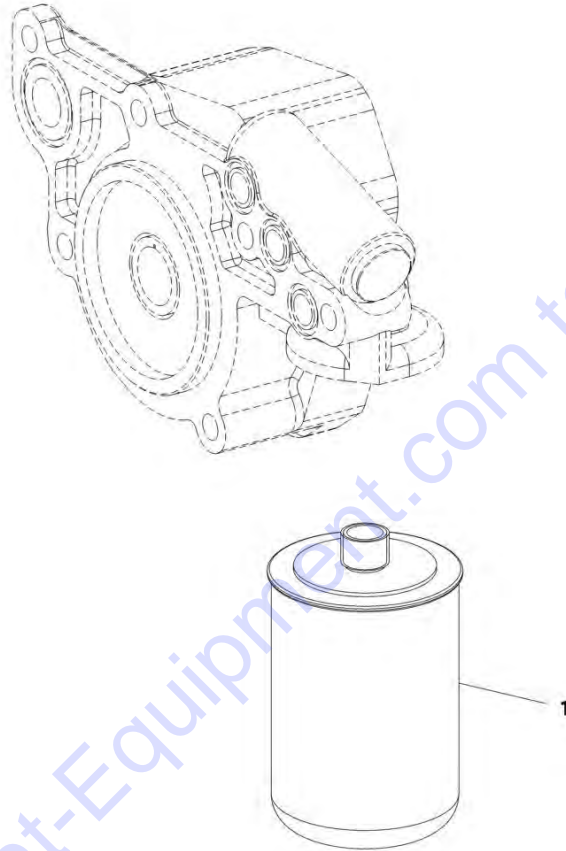
FIGURE 5-55. TRANSMISSION, INDUCTIVE TRANSMITTER

ITEM	PART NUMBER	QTY	DESCRIPTION	REV
1	70024895	1	Plug, Screw (includes o-ring)	
2	N.S.S.	1	O-Ring	

Go to Discount-Equipment.com to order your parts

SECTION 5 - DRIVETRAIN

FIGURE 5-56. TRANSMISSION, FILTER



ART_1001170171_20-C

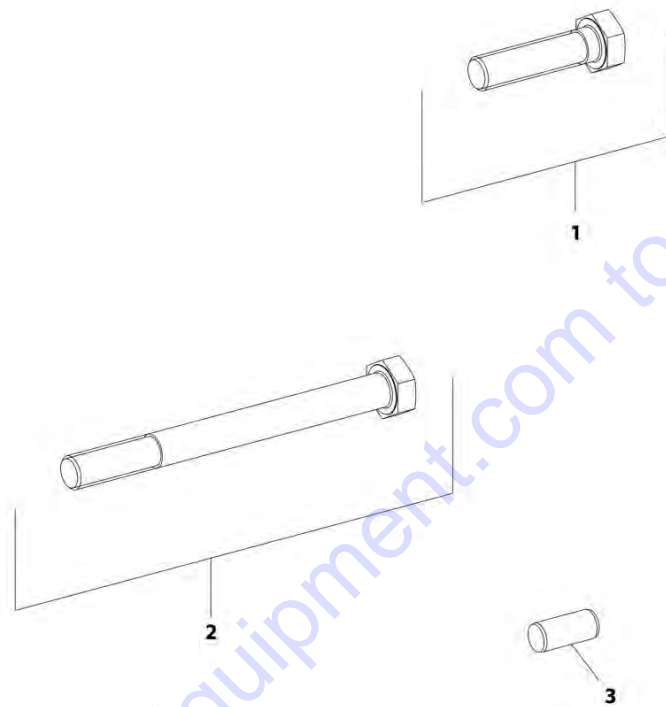
FIGURE 5-56. TRANSMISSION, FILTER

ITEM	PART NUMBER	QTY	DESCRIPTION	REV
1	1319726	1	Filter	

Go to Discount-Equipment.com to order your parts

SECTION 5 - DRIVETRAIN

FIGURE 5-57. TRANSMISSION, ACCESSORIES GROUP 1



ART_1001170171_21-C

SECTION 5 - DRIVETRAIN

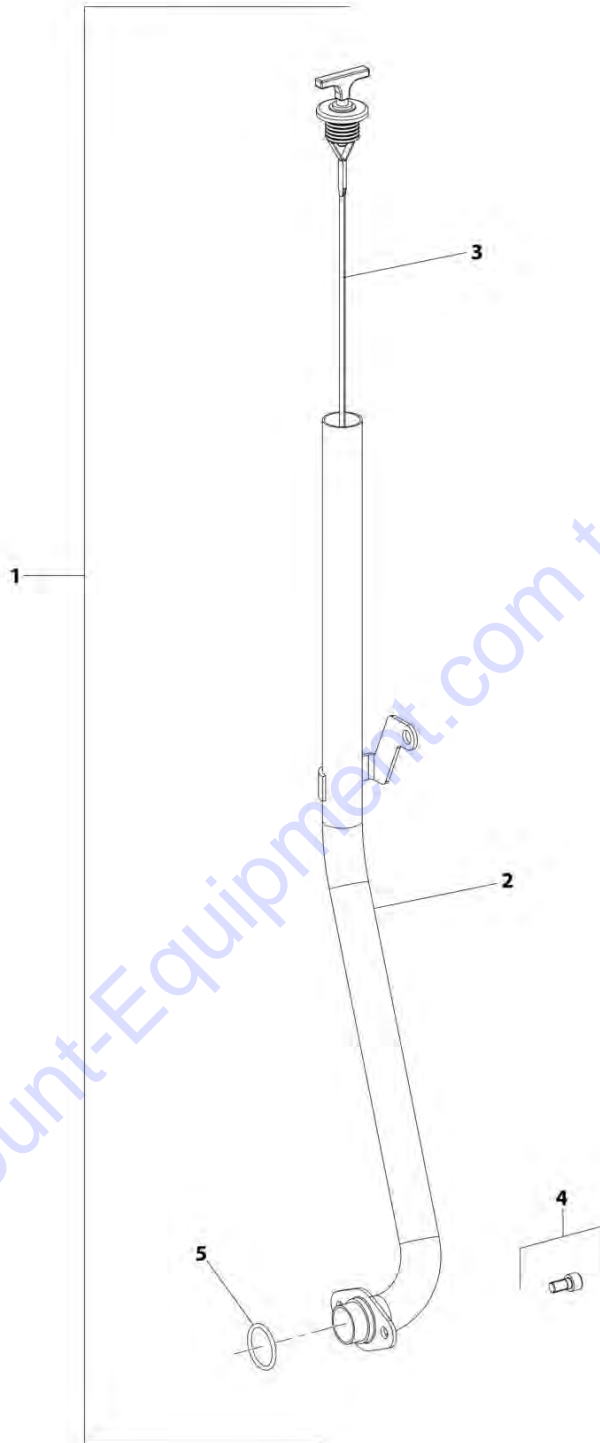
FIGURE 5-57. TRANSMISSION, ACCESSORIES GROUP 1

ITEM	PART NUMBER	QTY	DESCRIPTION	REV
1	7027254	12	Bolt, M14X55	
2	7027255	2	Bolt, M14X150	
3	1319571	1	Pin	

Go to Discount-Equipment.com to order your parts

SECTION 5 - DRIVETRAIN

FIGURE 5-58. TRANSMISSION, PERIPHERALS GROUP 1



ART_1001170171_22-C

SECTION 5 - DRIVETRAIN

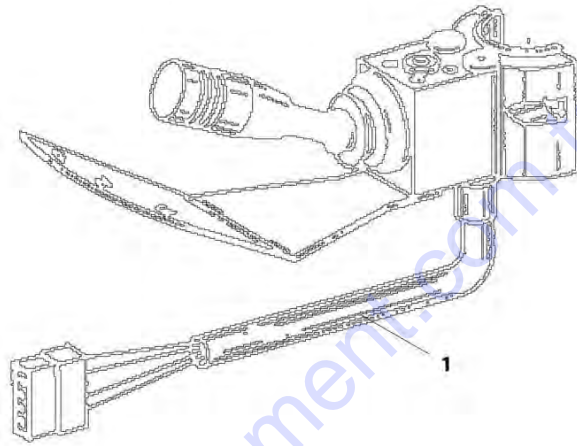
FIGURE 5-58. TRANSMISSION, PERIPHERALS GROUP 1

ITEM	PART NUMBER	QTY	DESCRIPTION	REV
1	1001095738	1	Kit, Oil Level Dipstick (includes items 2 & 3)	
2	1001095744	1	Tube, Oil Level	
3	8841322	1	Dipstick, Oil Level	
4	70026516	2	Bolt, M8X16	
5	70023885	1	O-Ring	

Go to Discount-Equipment.com to order your parts

SECTION 5 - DRIVETRAIN

FIGURE 5-59. TRANSMISSION, PERIPHERALS GROUP 2



ART_1001170171_23

SECTION 5 - DRIVETRAIN

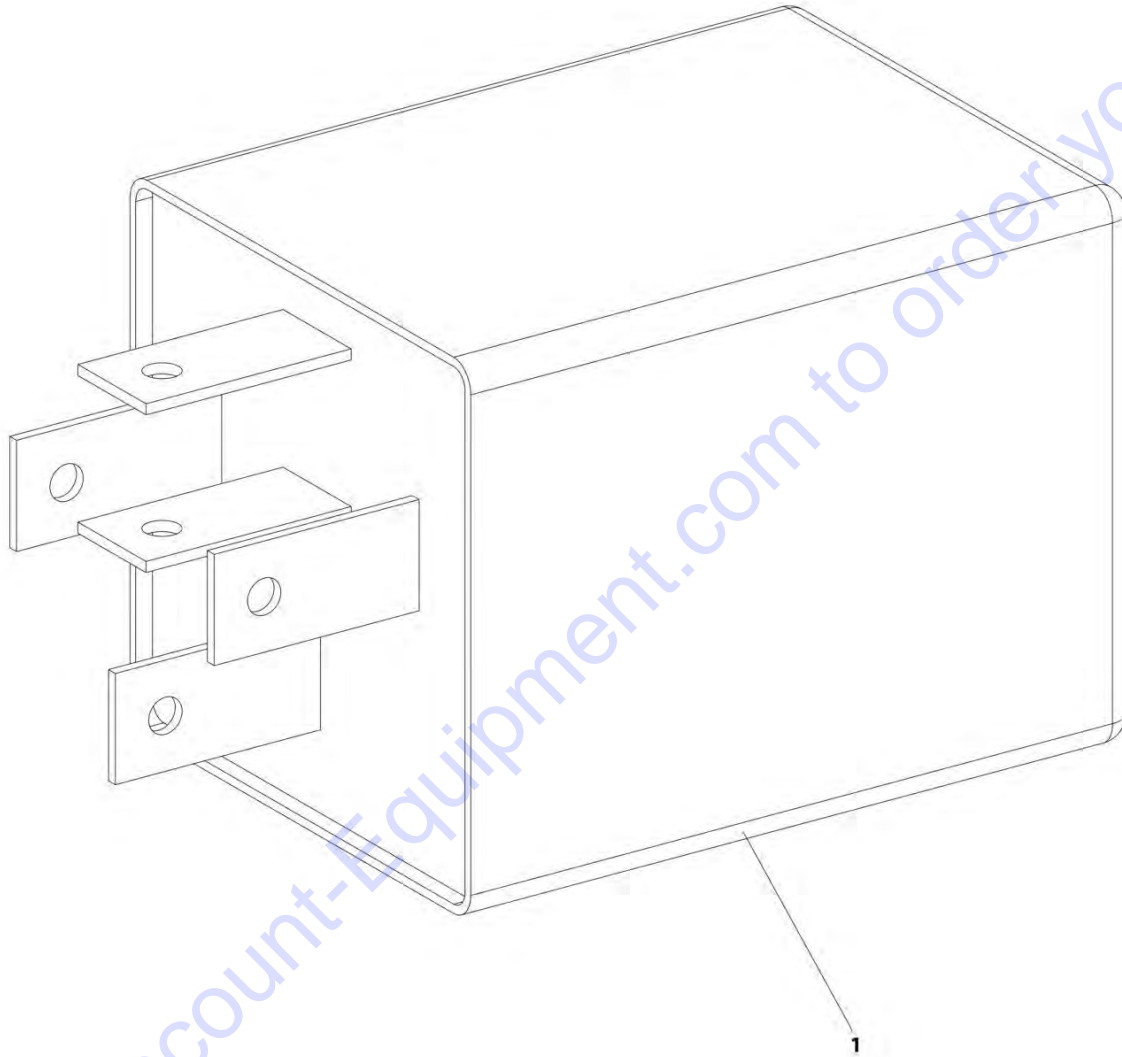
FIGURE 5-59. TRANSMISSION, PERIPHERALS GROUP 2

ITEM	PART NUMBER	QTY	DESCRIPTION	REV
1	70026558	1	Selector, Range	

Go to Discount-Equipment.com to order your parts

SECTION 5 - DRIVETRAIN

FIGURE 5-60. TRANSMISSION, ACCESSORIES GROUP 2



ART_1001170171_24-C

SECTION 5 - DRIVETRAIN

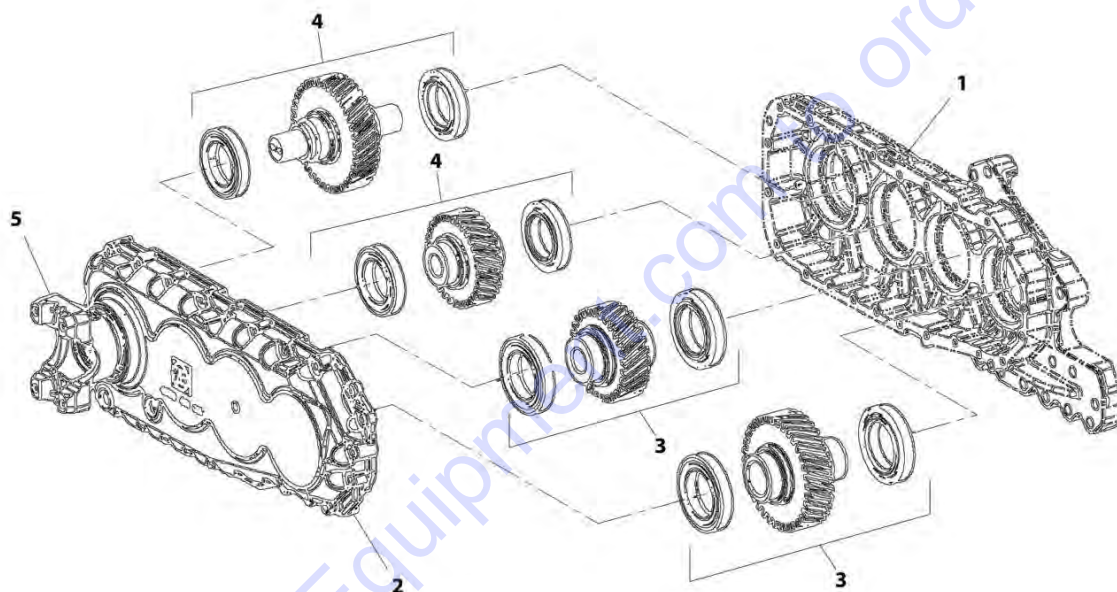
FIGURE 5-60. TRANSMISSION, ACCESSORIES GROUP 2

ITEM	PART NUMBER	QTY	DESCRIPTION	REV
1	70026559	1	Relay	

Go to Discount-Equipment.com to order your parts

SECTION 5 - DRIVETRAIN

FIGURE 5-61. TRANSMISSION, TRANSFER BOX



ART_1001170171_25-C

SECTION 5 - DRIVETRAIN

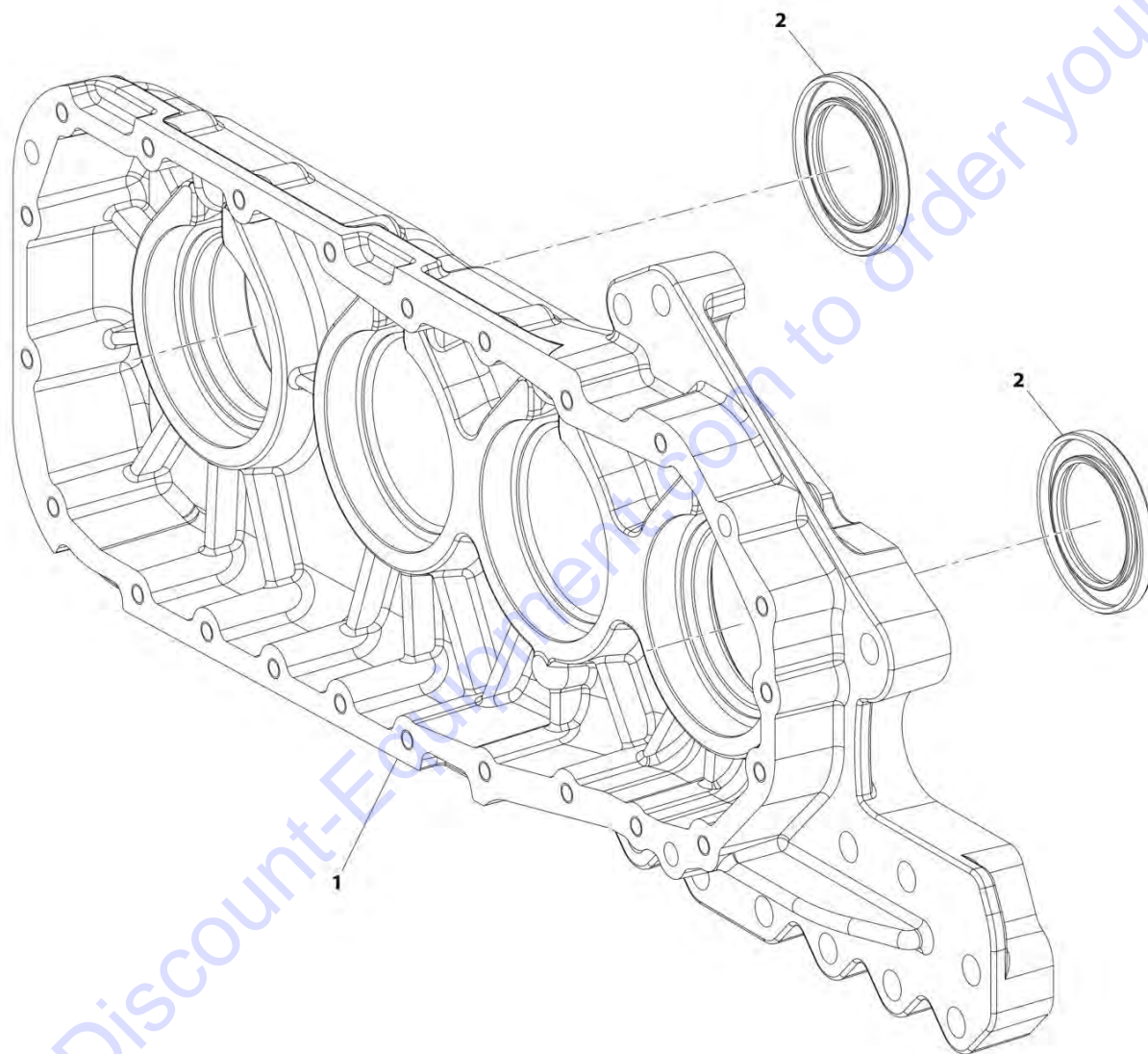
FIGURE 5-61. TRANSMISSION, TRANSFER BOX

ITEM	PART NUMBER	QTY	DESCRIPTION	REV
	70023502	1	Box Transfer (includes all items)	
1	N.S.S.	Ref	Housing 1, Transfer Box (See Separate Breakdown in this Section)	
2	N.S.S.	Ref	Housing 2, Transfer Box (See Separate Breakdown in this Section)	
3	N.S.S.	Ref	Input, Transfer Box (See Separate Breakdown in this Section)	
4	N.S.S.	Ref	Output 1, Transfer Box (See Separate Breakdown in this Section)	
5	N.S.S.	Ref	Output 2, Transfer Box (See Separate Breakdown in this Section)	

Go to Discount-Equipment.com to order your parts

SECTION 5 - DRIVETRAIN

FIGURE 5-62. TRANSMISSION, TRANSFER BOX HOUSING 1



ART_1001170171_26-C

SECTION 5 - DRIVETRAIN

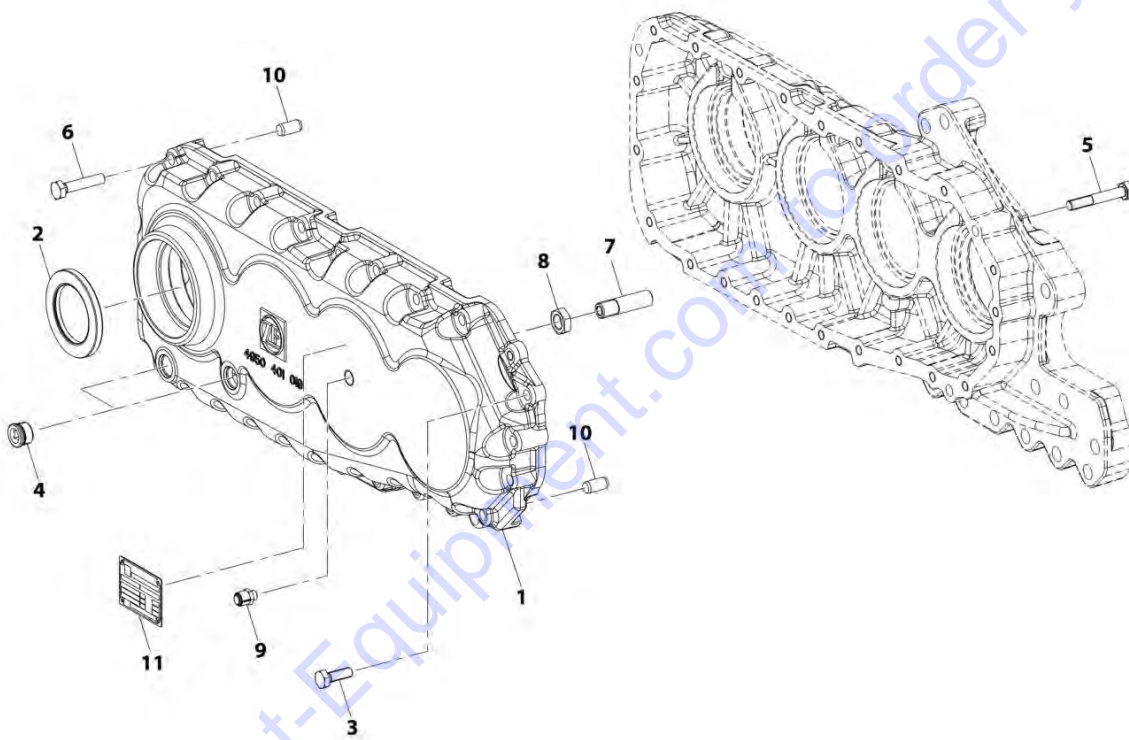
FIGURE 5-62. TRANSMISSION, TRANSFER BOX HOUSING 1

ITEM	PART NUMBER	QTY	DESCRIPTION	REV
1	70023474	1	Housing, Transfer Box	
2	70026536	2	Seal, Shaft	

Go to Discount-Equipment.com to order your parts

SECTION 5 - DRIVETRAIN

FIGURE 5-63. TRANSMISSION, TRANSFER BOX HOUSING 2



ART_1001170171_27-C

SECTION 5 - DRIVETRAIN

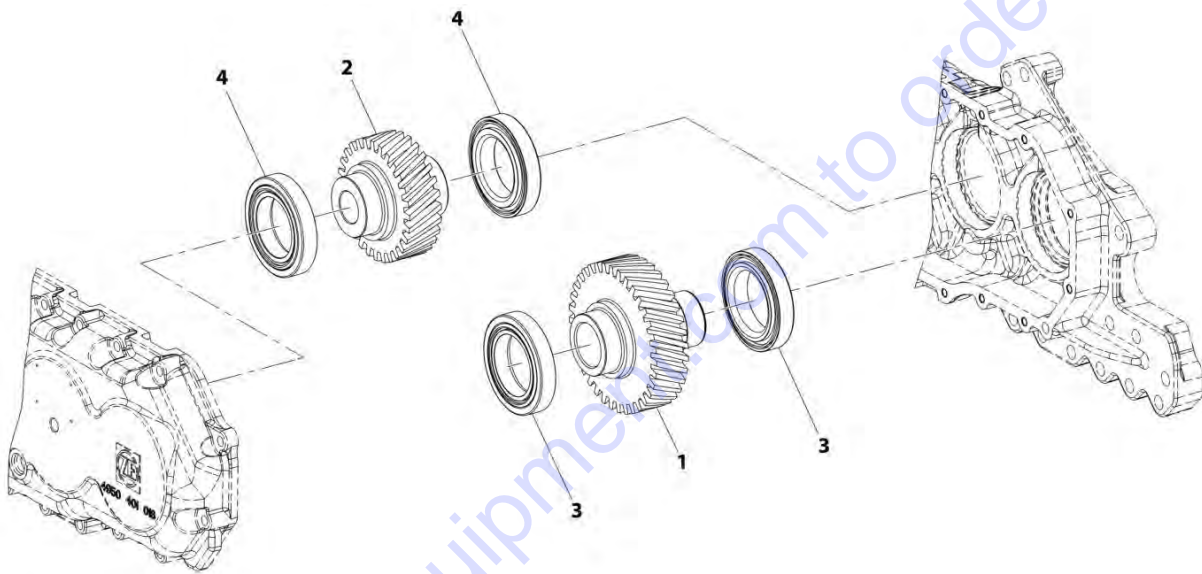
FIGURE 5-63. TRANSMISSION, TRANSFER BOX HOUSING 2

ITEM	PART NUMBER	QTY	DESCRIPTION	REV
1	70023475	1	Housing	
2	70026536	1	Seal, Shaft	
3	70023800	1	Bolt, M10X30	
4	70023404	2	Plug	
5	70023476	1	Bolt, M10X65	
6	70023801	22	Bolt, M10X50	
7	7026577	1	Sleeve	
8	7026578	1	Nut, M16	
9	1319436	1	Breather	
10	1319571	2	Pin	
11	N.S.S.	1	Plate, Serial Number	

Go to Discount-Equipment.com to order your parts

SECTION 5 - DRIVETRAIN

FIGURE 5-64. TRANSMISSION, TRANSFER BOX HOUSING INPUT



ART_1001170171_28-C

SECTION 5 - DRIVETRAIN

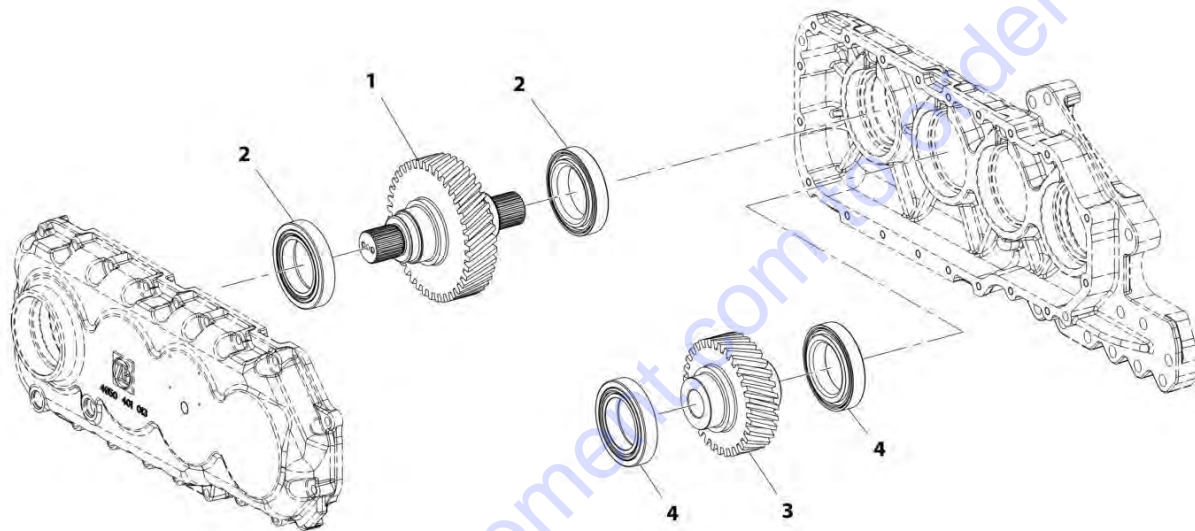
FIGURE 5-64. TRANSMISSION, TRANSFER BOX HOUSING INPUT

ITEM	PART NUMBER	QTY	DESCRIPTION	REV
1	7027269	1	Shaft	
2	7027270	1	Gear, Idler	
3	7026769	2	Bearing, Roller	
4	1320748	2	Cup, Tapered Roller	
4	1320754	2	Cone, Tapered Roller	

Go to Discount-Equipment.com to order your parts

SECTION 5 - DRIVETRAIN

FIGURE 5-65. TRANSMISSION, TRANSFER BOX HOUSING OUTPUT 1



ART_1001170171_29-C

SECTION 5 - DRIVETRAIN

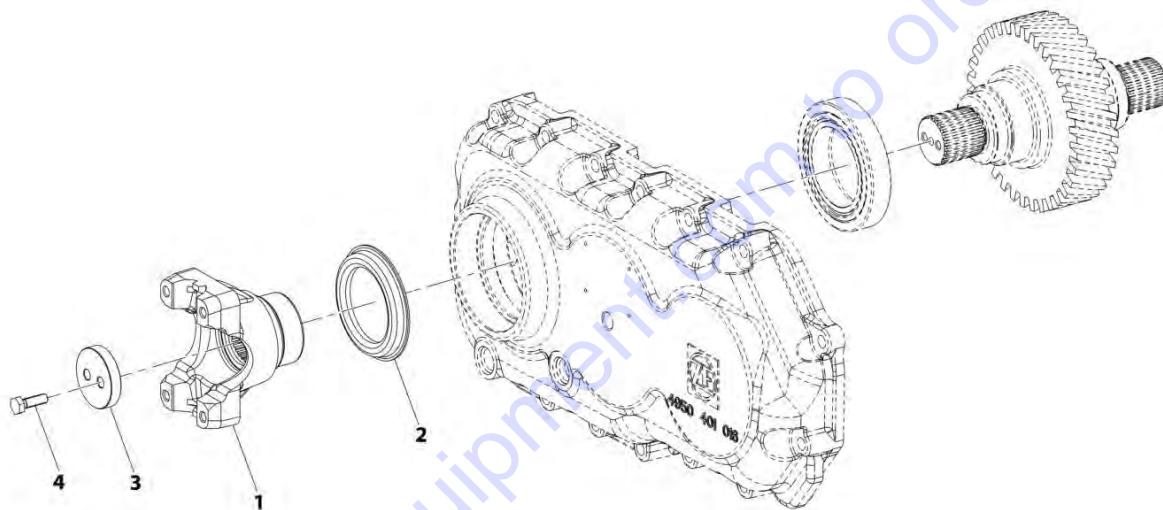
FIGURE 5-65. TRANSMISSION, TRANSFER BOX HOUSING OUTPUT 1

ITEM	PART NUMBER	QTY	DESCRIPTION	REV
1	7027271	1	Gear, Output	
2	7026769	2	Bearing, Roller	
3	7027272	1	Gear, Idler	
4	1320748	2	Cup, Tapered Roller	
4	1320754	2	Cone, Tapered Roller	

Go to Discount-Equipment.com to order your parts

SECTION 5 - DRIVETRAIN

FIGURE 5-66. TRANSMISSION, TRANSFER BOX HOUSING OUTPUT 2



ART_1001170171_30-C

SECTION 5 - DRIVETRAIN

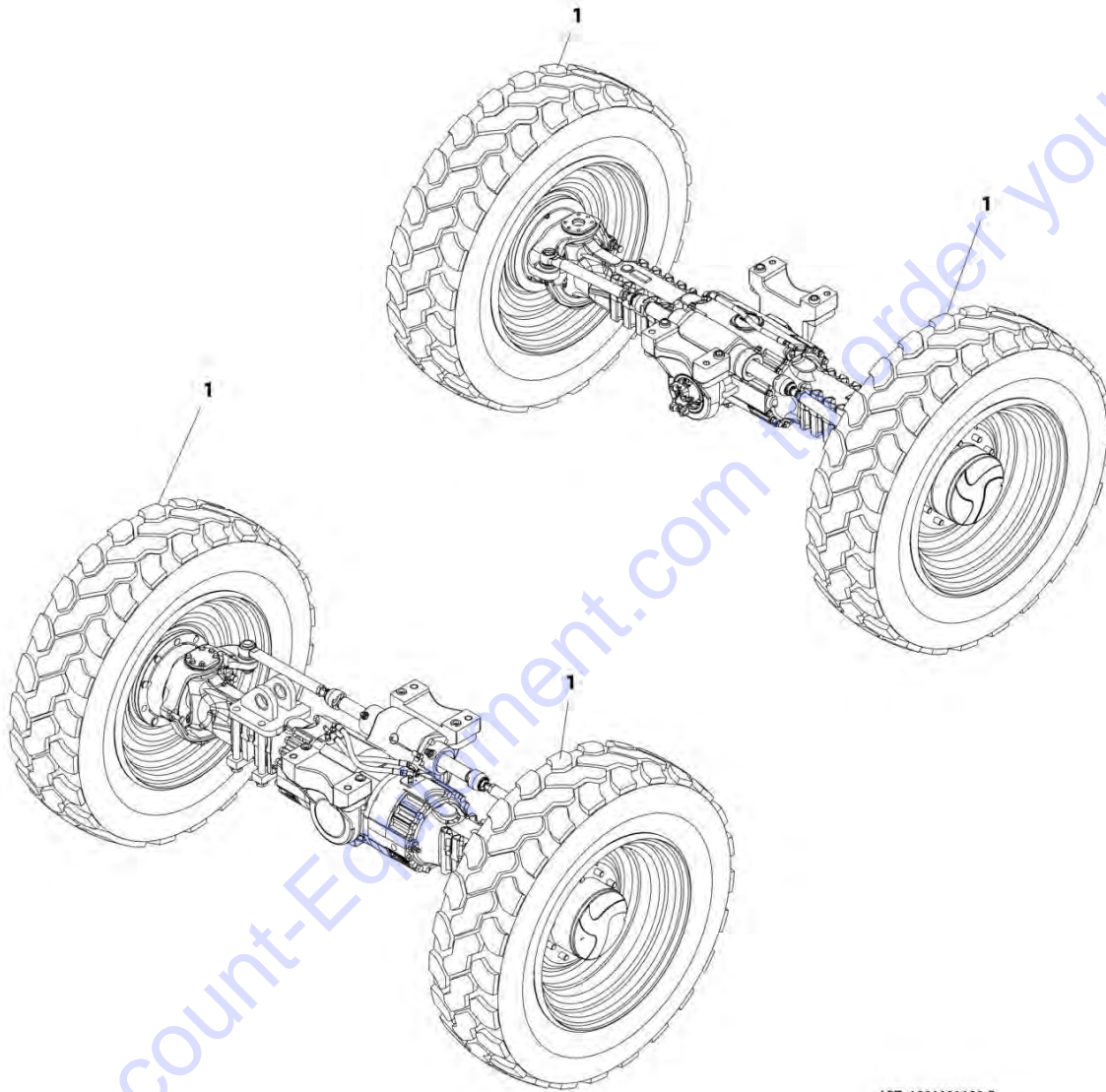
FIGURE 5-66. TRANSMISSION, TRANSFER BOX HOUSING OUTPUT 2

ITEM	PART NUMBER	QTY	DESCRIPTION	REV
1	7027273	2	Flange (one per side)	
2	1319647	2	Sheet, Screen (one per side)	
3	1319648	2	Washer, (one per side)	
4	10731959	4	Bolt, M8X25 (two per side)	

Go to Discount-Equipment.com to order your parts

SECTION 5 - DRIVETRAIN

FIGURE 5-67. TIRE/WHEEL SET 400/75-28 - AIR



ART_1001121109-B

SECTION 5 - DRIVETRAIN

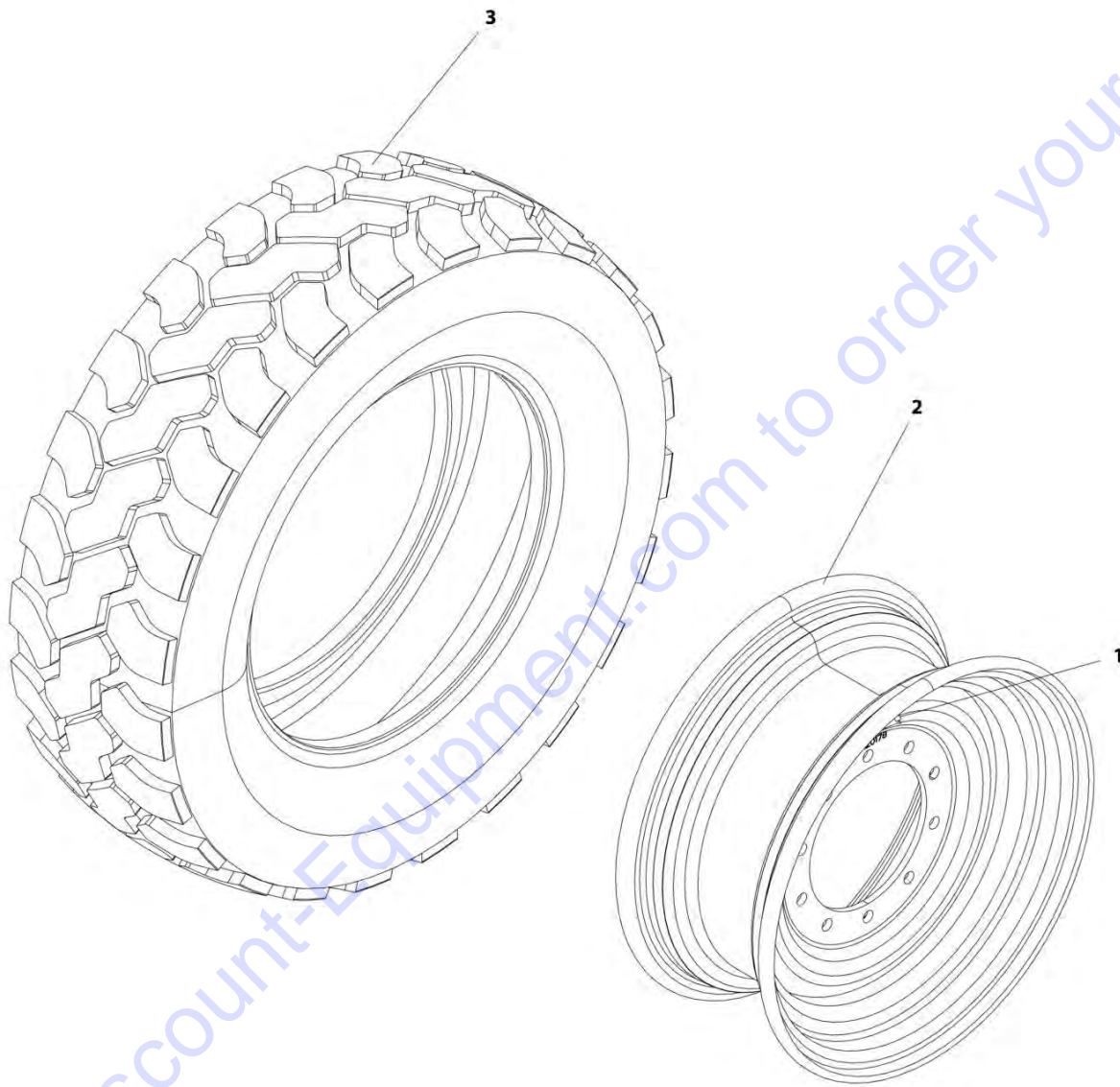
FIGURE 5-67. TIRE/WHEEL SET 400/75-28 - AIR

ITEM	PART NUMBER	QTY	DESCRIPTION	REV
1	1001121109	1	Tire/Wheel Set 400/75-28 - Air	B
	1001121103	4	Assembly, Tire/Wheel 400/75-28 - Air (See TIRE/WHEEL ASSEMBLY 400/75-28 - AIR for Breakdown)	

Go to Discount-Equipment.com to order your parts

SECTION 5 - DRIVETRAIN

FIGURE 5-68. TIRE/WHEEL ASSEMBLY 400/75-28 - AIR



ART_1001121103-B

SECTION 5 - DRIVETRAIN

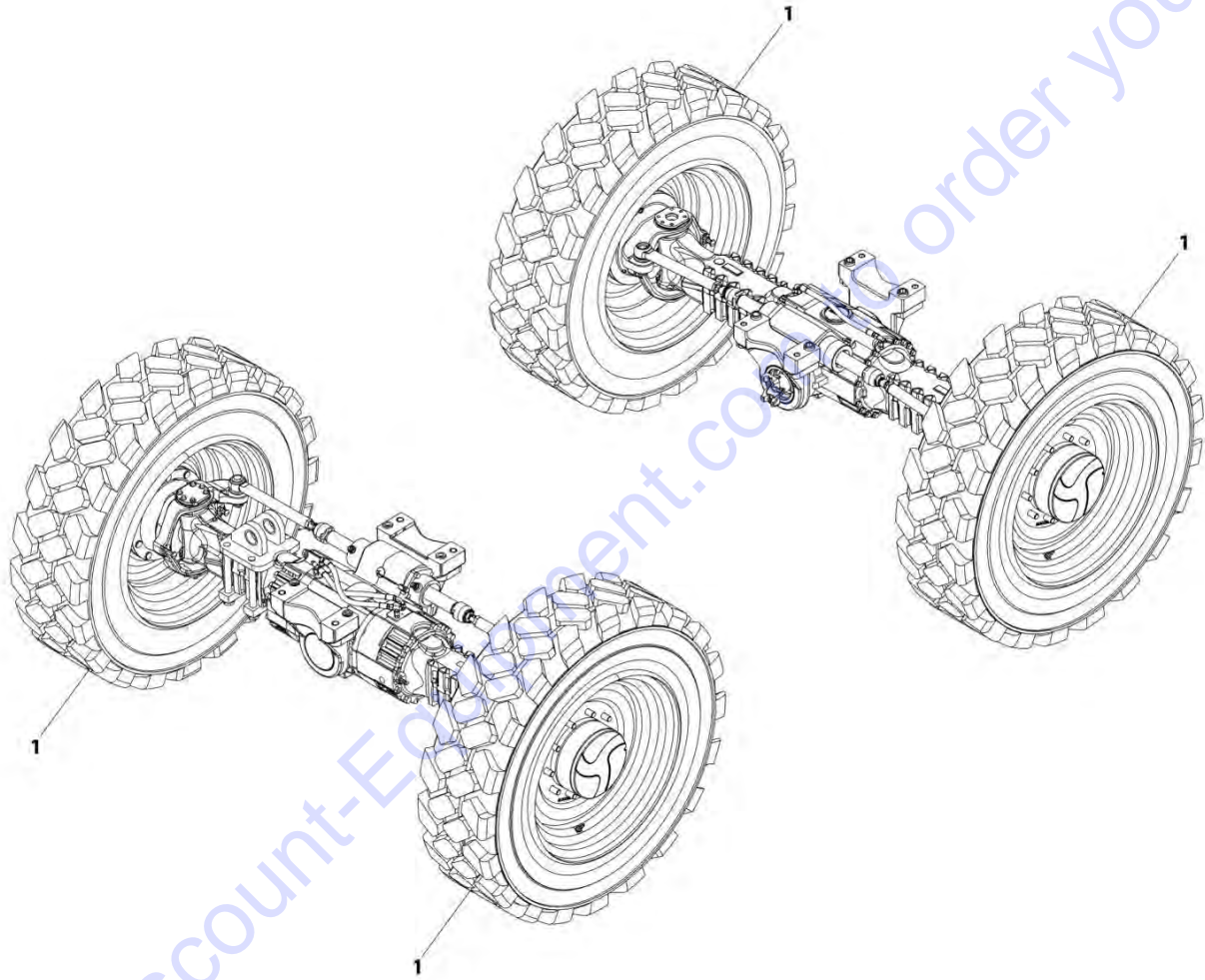
FIGURE 5-68. TIRE/WHEEL ASSEMBLY 400/75-28 - AIR

ITEM	PART NUMBER	QTY	DESCRIPTION	REV
	1001121103	Ref	Tire/Wheel Assembly 400/75-28 - Air	B
1	8786514	1	Valve, Stem	
2	1001120178	1	Wheel, 28.00x12w/.75 Offset	
3	1001120179	1	Tire, 400/75D-28	

Go to Discount-Equipment.com to order your parts

SECTION 5 - DRIVETRAIN

FIGURE 5-69. TIRE/WHEEL SET 400/75-28 NON-MARKING – AIR



ART_1001241848-A

SECTION 5 - DRIVETRAIN

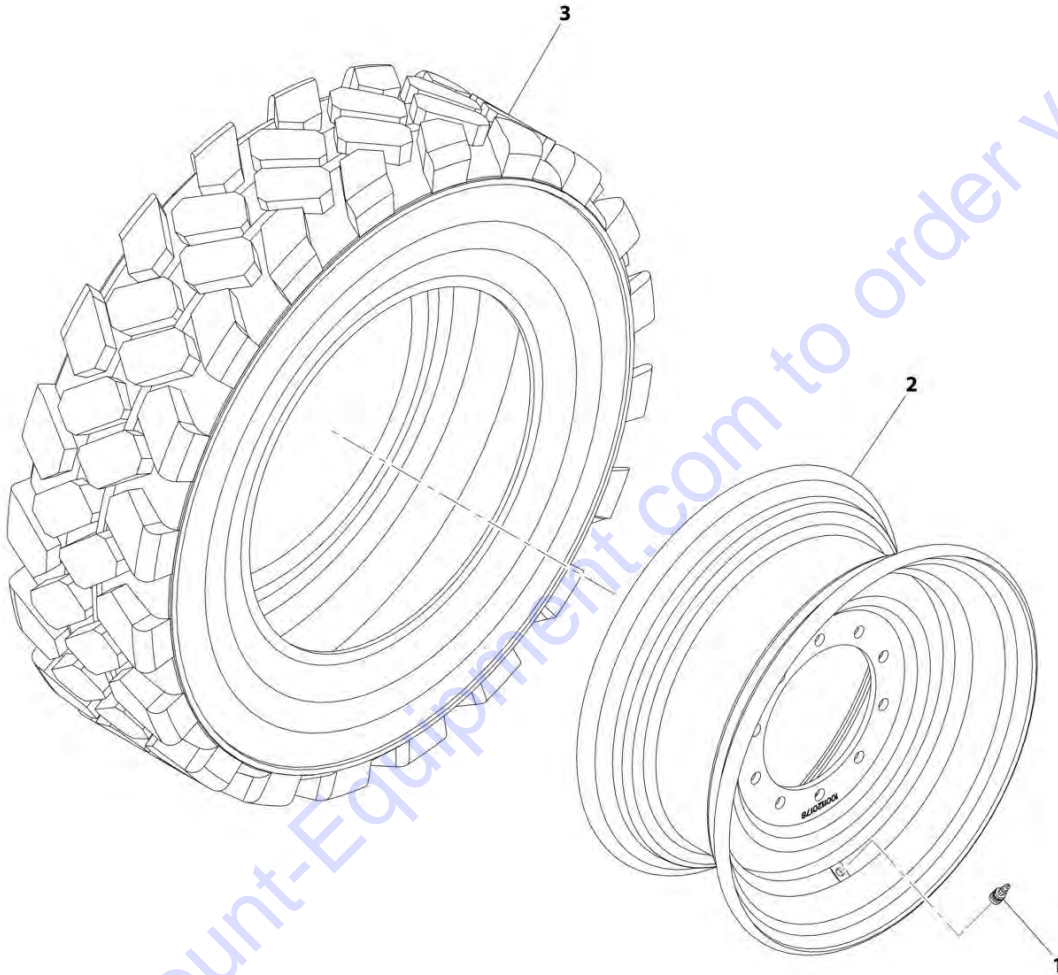
FIGURE 5-69. TIRE/WHEEL SET 400/75-28 NON-MARKING – AIR

ITEM	PART NUMBER	QTY	DESCRIPTION	REV
1	1001241848 1001241841	Ref 4	Tire Wheel Set - 400/75-28 - Pneumatic Non Marking Assembly, Tire and Wheel - 400/75-28 - Pneumatic Non-Marking (See Separate Breakdown in this Section)	A

Go to Discount-Equipment.com to order your parts

SECTION 5 - DRIVETRAIN

FIGURE 5-70. TIRE/WHEEL ASSEMBLY 400/75-28 NON-MARKING - AIR



ART_1001241841-A

SECTION 5 - DRIVETRAIN

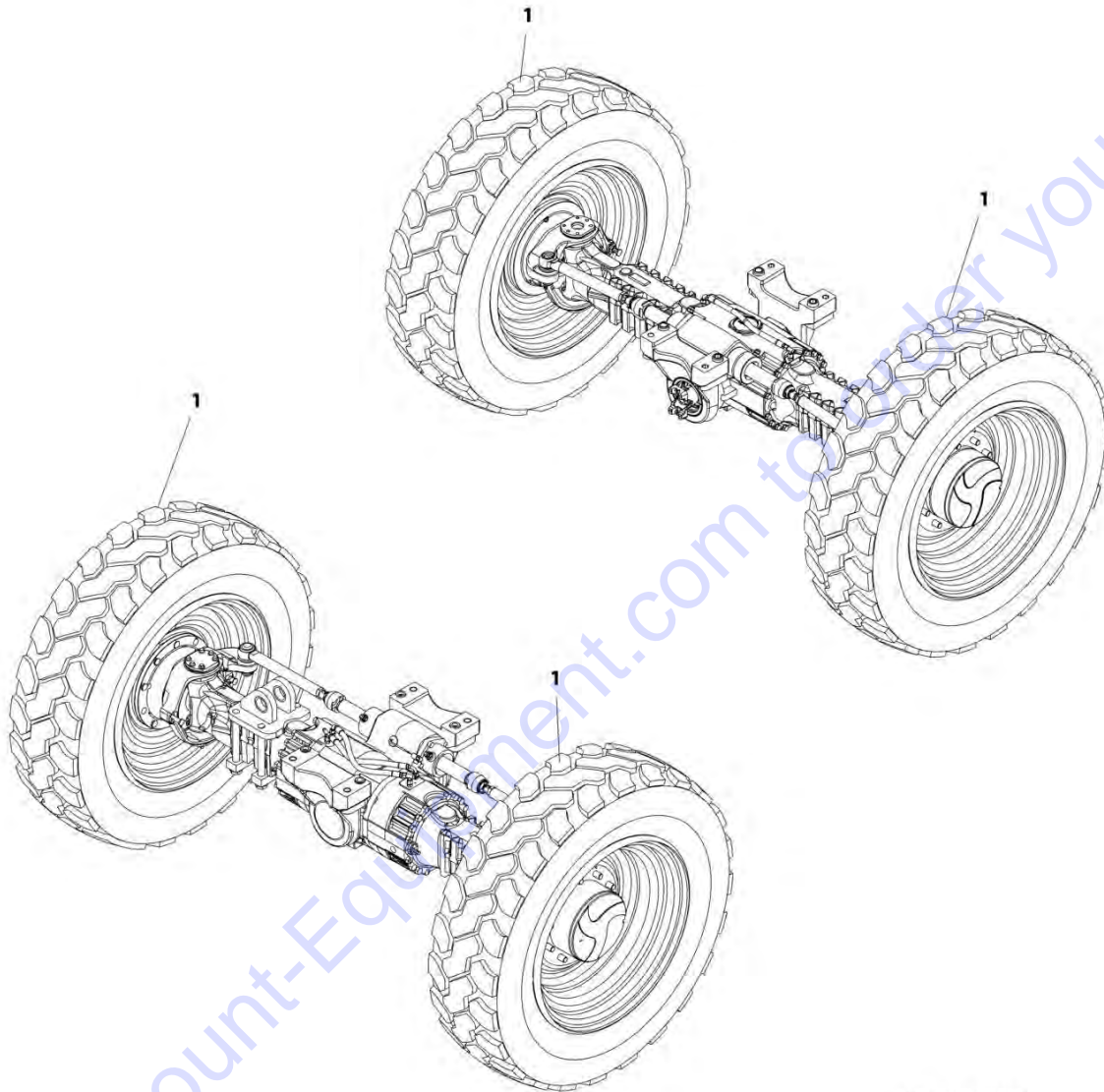
FIGURE 5-70. TIRE/WHEEL ASSEMBLY 400/75-28 NON-MARKING - AIR

ITEM	PART NUMBER	QTY	DESCRIPTION	REV
	1001241841	Ref	Tire and Wheel Assembly - 400/75-28 - Pneumatic Non Marking	A
1	8786514	1	Valve	
2	1001120178	1	Wheel, 28X12/W .75 Offset	
3	1001241837	1	Tire, 400/75-28, Non Marking	

Go to Discount-Equipment.com to order your parts

SECTION 5 - DRIVETRAIN

FIGURE 5-71. TIRE/WHEEL SET 400/75-28 - FOAM



ART_1001125410-B

SECTION 5 - DRIVETRAIN

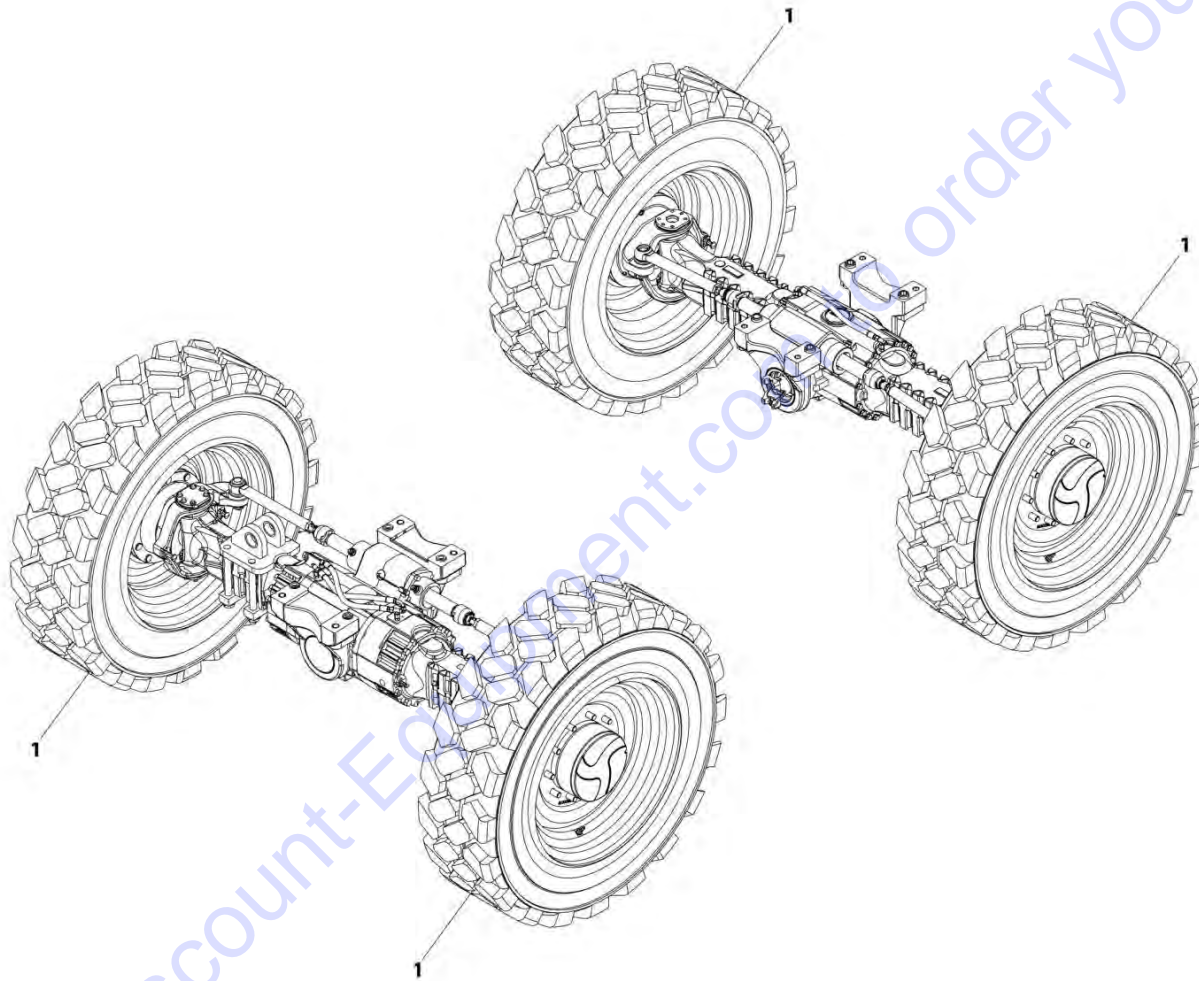
FIGURE 5-71. TIRE/WHEEL SET 400/75-28 - FOAM

ITEM	PART NUMBER	QTY	DESCRIPTION	REV
1	1001125410	1	Tire/Wheel Set 400/75-28 - Foam	B
	1001121105	4	Tire/Wheel 400/75-28 Foam	

Go to Discount-Equipment.com to order your parts

SECTION 5 - DRIVETRAIN

FIGURE 5-72. TIRE/WHEEL SET 400/75-28 NON-MARKING - FOAM



ART_1001241849-A

SECTION 5 - DRIVETRAIN

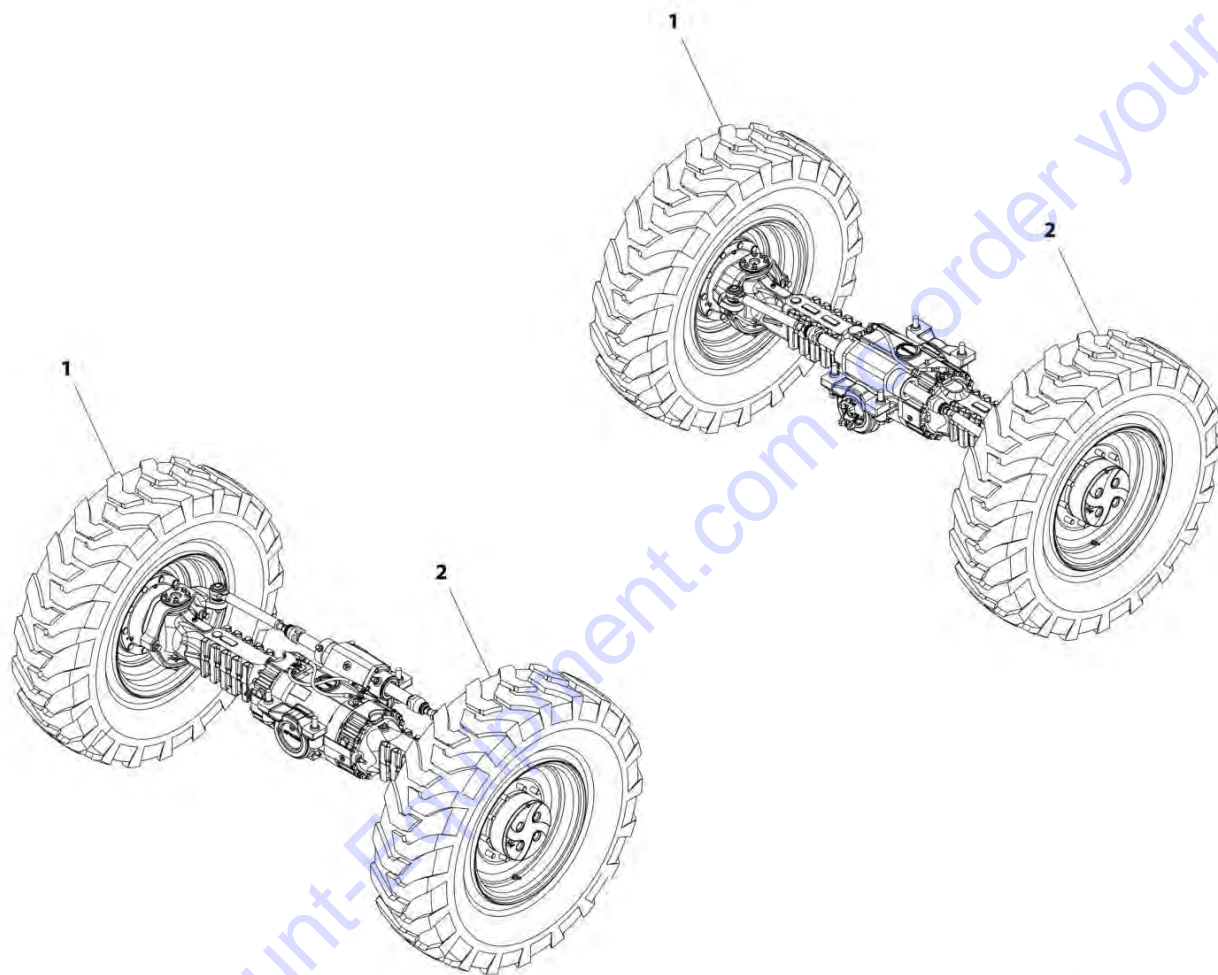
FIGURE 5-72. TIRE/WHEEL SET 400/75-28 NON-MARKING - FOAM

ITEM	PART NUMBER	QTY	DESCRIPTION	REV
1	1001241849	Ref	Tire Wheel Set - 400/75-28 - Foam Non Marking	A
	1001241842	4	Assembly, Tire and Wheel - 400/75-28 - Foam Non Marking	

Go to Discount-Equipment.com to order your parts

SECTION 5 - DRIVETRAIN

FIGURE 5-73. TIRE/WHEEL SET 14-24 16PR - AIR



ART_1001198291-A

SECTION 5 - DRIVETRAIN

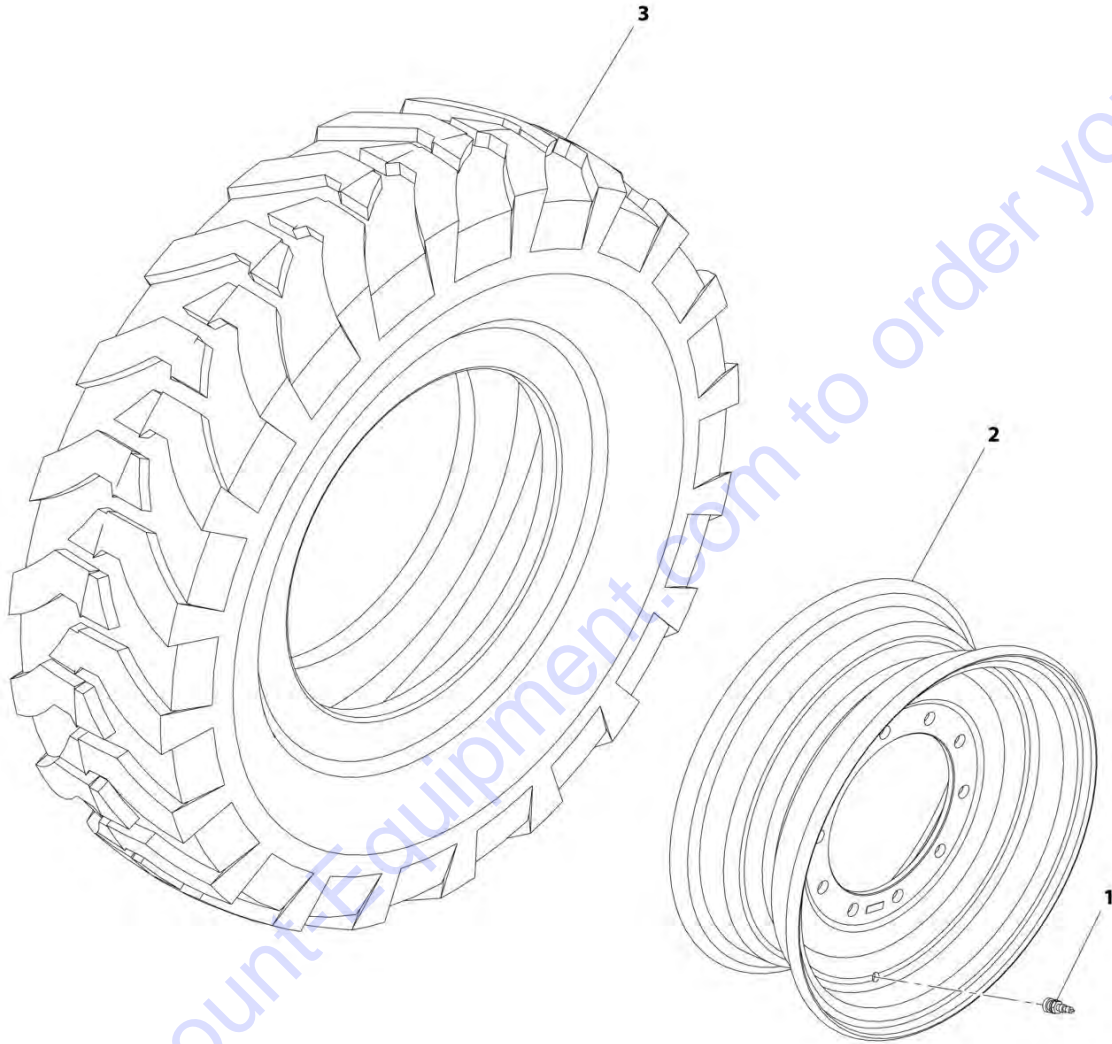
FIGURE 5-73. TIRE/WHEEL SET 14-24 16PR - AIR

ITEM	PART NUMBER	QTY	DESCRIPTION	REV
1	1001198291	1	Tire/Wheel Set 14-24 16PR - Air	A
	1001197715	2	Assembly, Tire/Wheel Right 14-24 16PR - Air (See TIRE/WHEEL RIGHT ASSEMBLY 14-24 16PR - AIR for Breakdown)	
2	1001197716	2	Assembly, Tire/Wheel Left 14-24 16PR - Air (See TIRE/WHEEL LEFT ASSEMBLY 14-24 16PR - AIR for Breakdown)	

Go to Discount-Equipment.com to order your parts

SECTION 5 - DRIVETRAIN

FIGURE 5-74. TIRE/WHEEL RIGHT ASSEMBLY 14-24 16PR - AIR



ART_1001197715-B

SECTION 5 - DRIVETRAIN

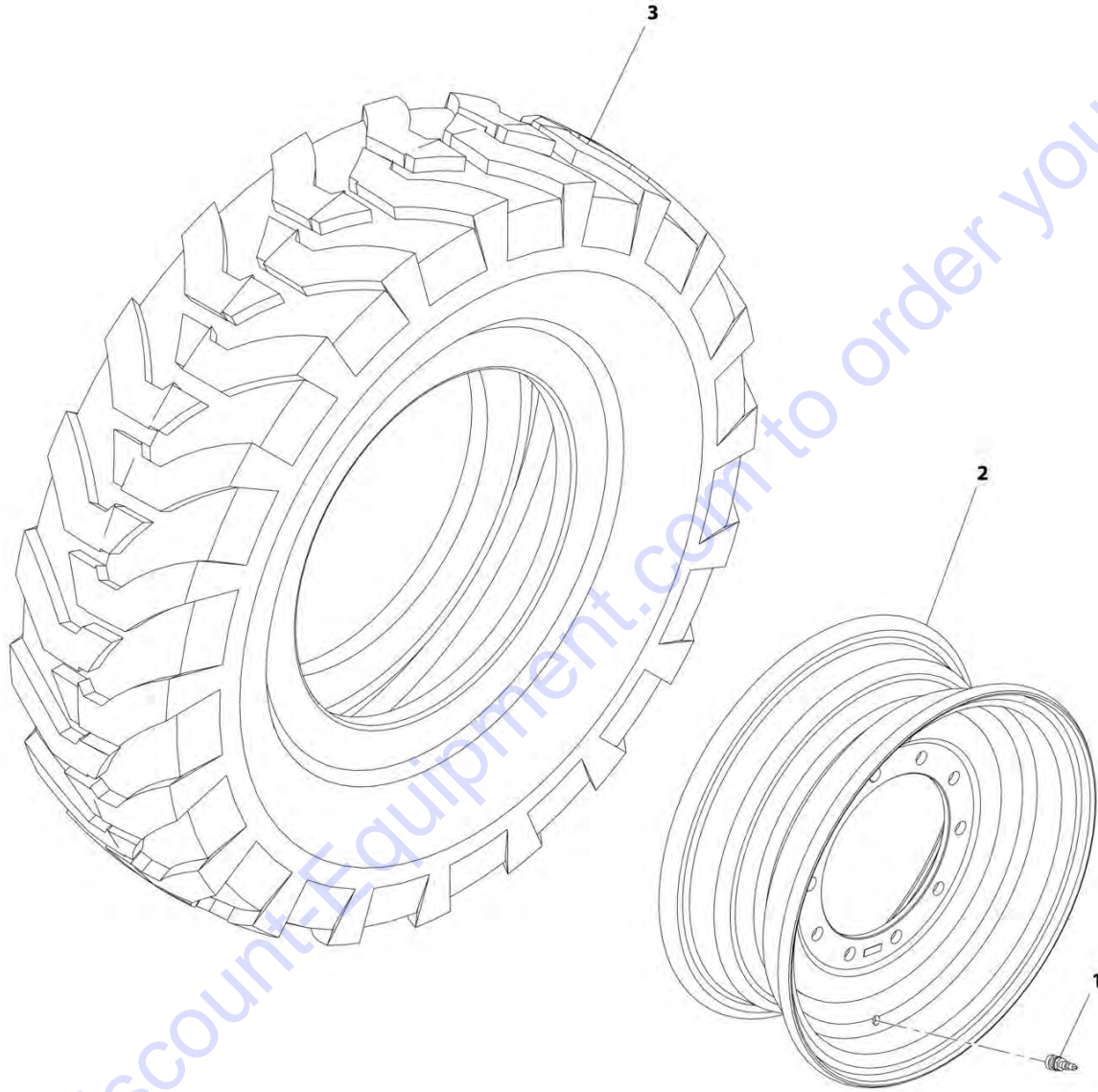
FIGURE 5-74. TIRE/WHEEL RIGHT ASSEMBLY 14-24 16PR - AIR

ITEM	PART NUMBER	QTY	DESCRIPTION	REV
	1001197715	Ref	Tire/Wheel Right Assembly 14-24 16PR - Air	B
1	8786514	1	Valve, Stem	
2	91473206	1	Wheel, 24x9.00 GR	
3	1001197709	1	Tire, 14.00x24 TG 16 PLY BIAS G2	

Go to Discount-Equipment.com to order your parts

SECTION 5 - DRIVETRAIN

FIGURE 5-75. TIRE/WHEEL LEFT ASSEMBLY 14-24 16PR - AIR



ART_1001197716-B

SECTION 5 - DRIVETRAIN

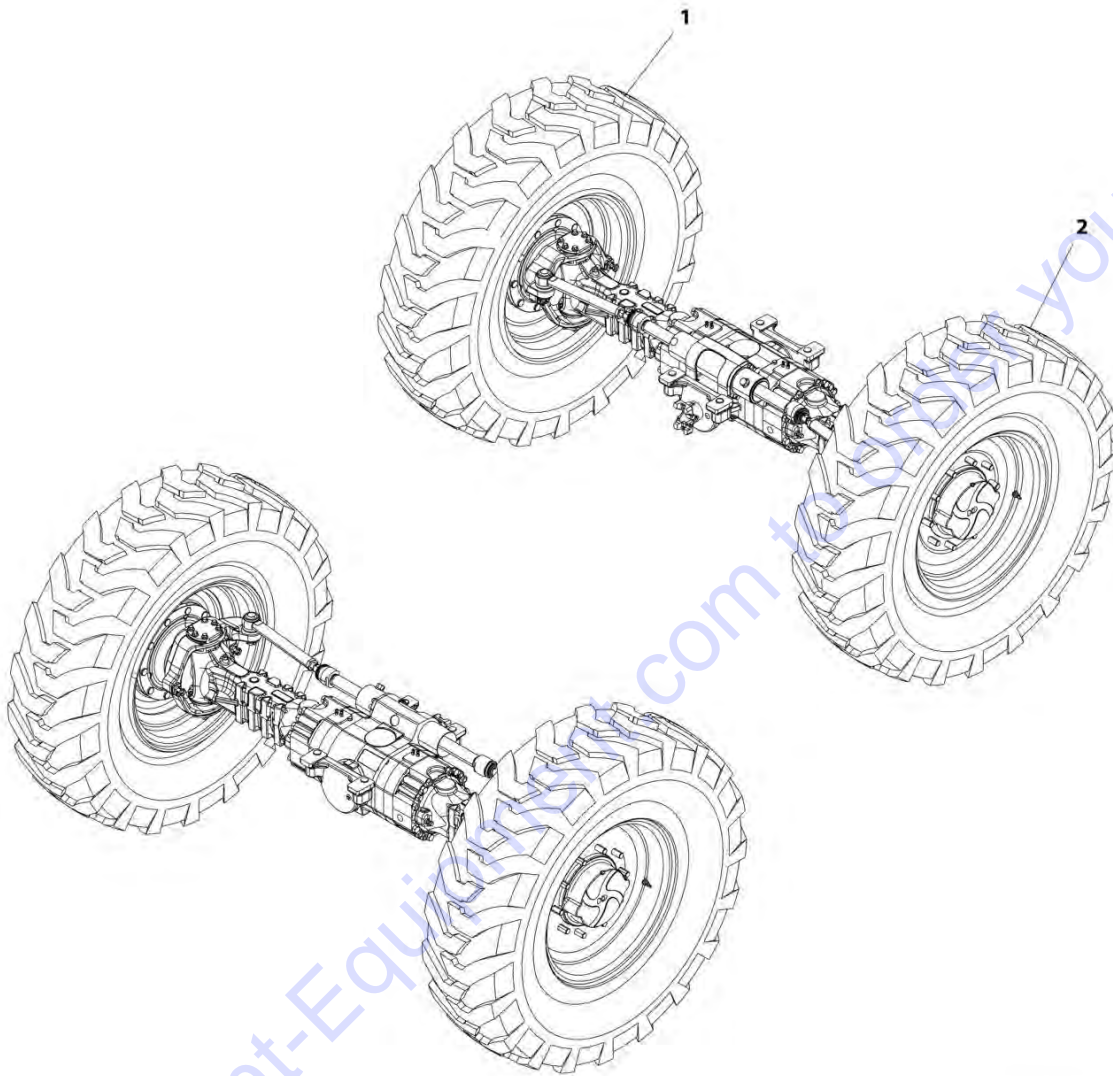
FIGURE 5-75. TIRE/WHEEL LEFT ASSEMBLY 14-24 16PR - AIR

ITEM	PART NUMBER	QTY	DESCRIPTION	REV
	1001197716	Ref	Tire/Wheel Left Assembly 14-24 16PR - Air	B
1	8786514	1	Valve, Stem	
2	91473206	1	Wheel, 24x9.00 GR	
3	1001197709	1	Tire, 14.00x24 TG 16 PLY BIAS G2	

Go to Discount-Equipment.com to order your parts

SECTION 5 - DRIVETRAIN

FIGURE 5-76. TIRE/WHEEL SET 14-24 12PR - FOAM



ART_4520482-C

SECTION 5 - DRIVETRAIN

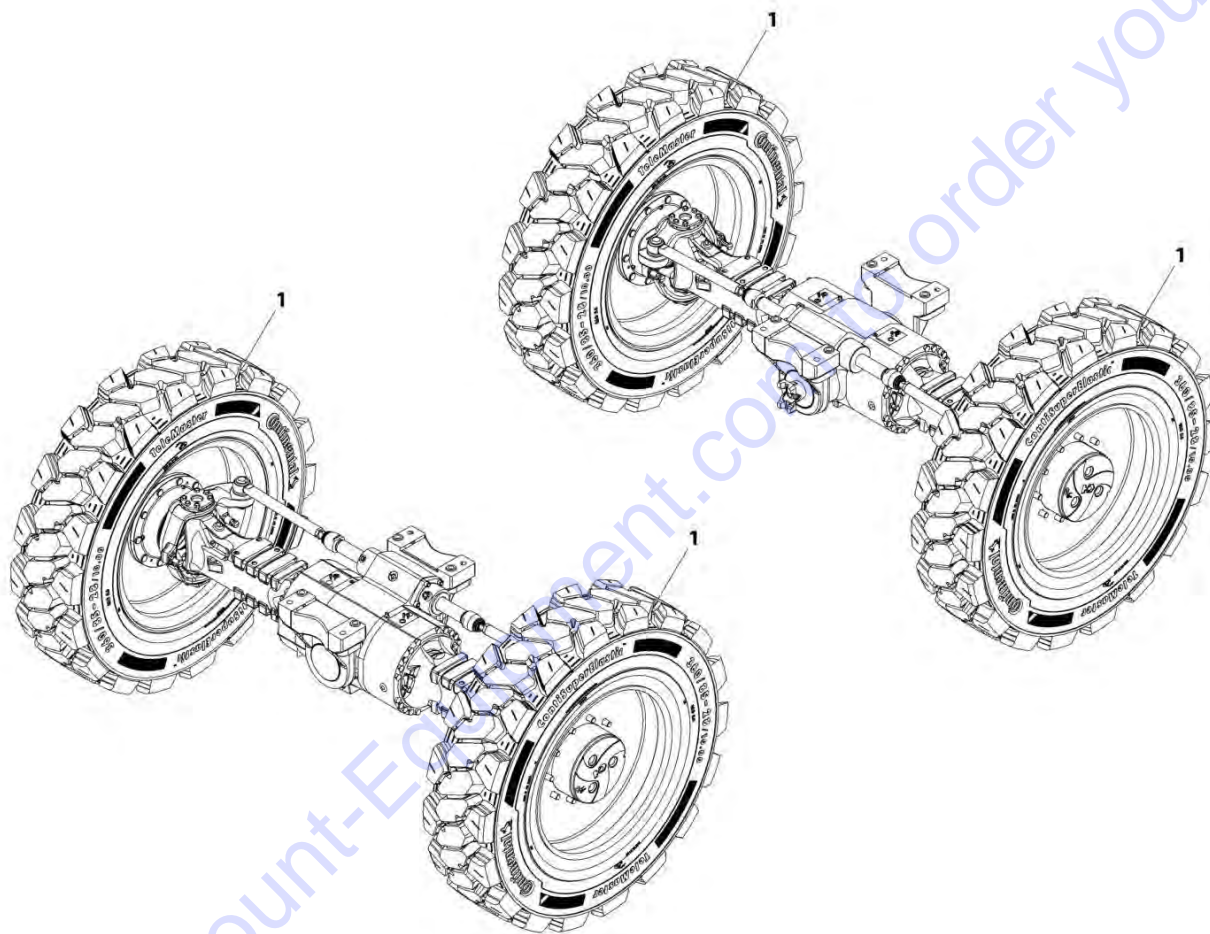
FIGURE 5-76. TIRE/WHEEL SET 14-24 12PR - FOAM

ITEM	PART NUMBER	QTY	DESCRIPTION	REV
	4520482	1	Tire/Wheel Set 14-24 12PR - Foam	C
1	91355037	2	Tire/Wheel Right 14-24 G-2 - Foam	
2	91355038	2	Tire/Wheel Left 14-24 G-2 - Foam	

Go to Discount-Equipment.com to order your parts

SECTION 5 - DRIVETRAIN

FIGURE 5-77. TIRE/WHEEL SET 360/85-28 - SOLID



ART_1001221504-A

SECTION 5 - DRIVETRAIN

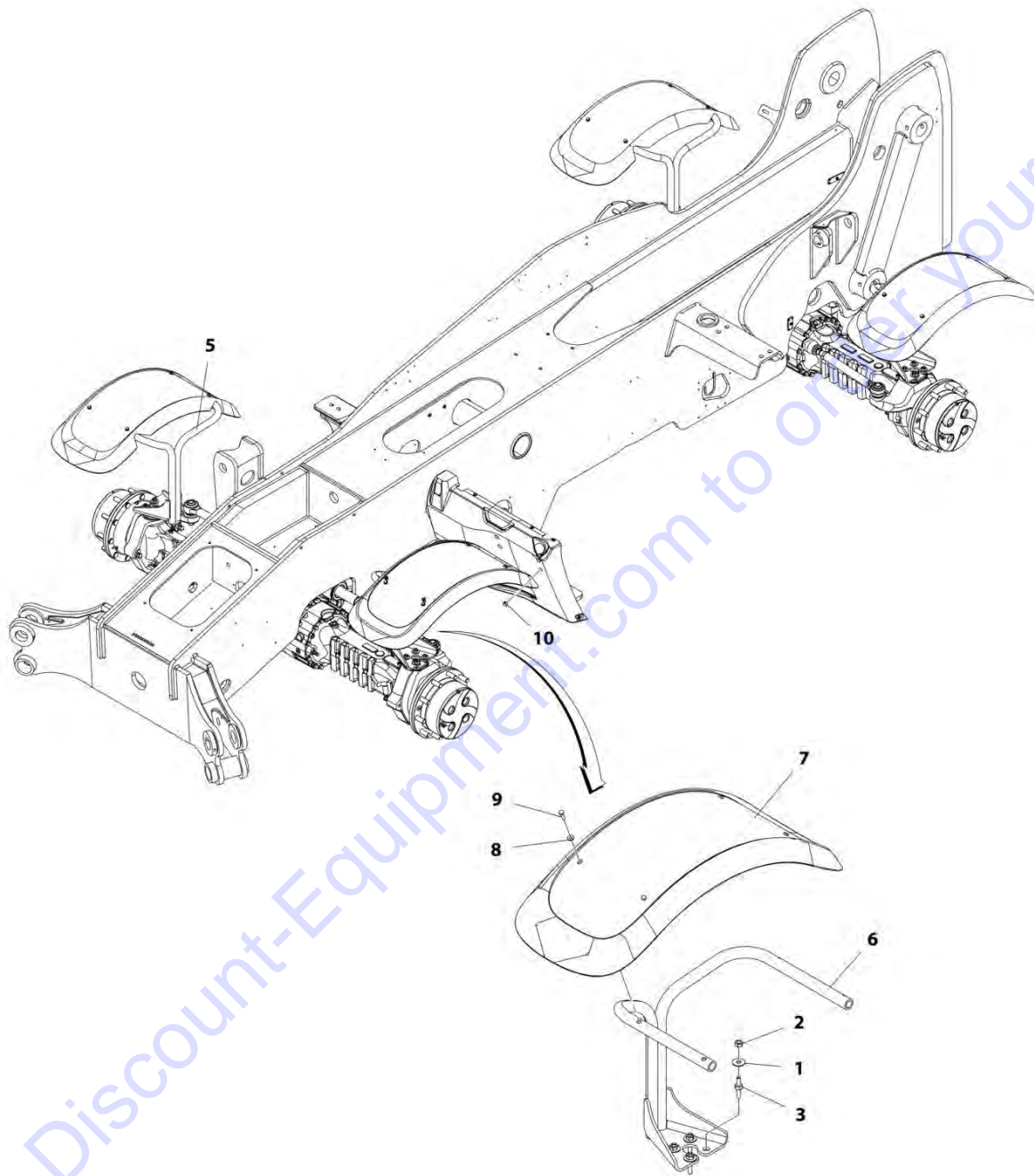
FIGURE 5-77. TIRE/WHEEL SET 360/85-28 - SOLID

ITEM	PART NUMBER	QTY	DESCRIPTION	REV
1	1001221504	1	Tire/Wheel Set 360/85-28 - Solid	A
	1001213200J	4	Tire/Wheel Solid 360/85-28/10 - 1M Offset	

Go to Discount-Equipment.com to order your parts

SECTION 5 - DRIVETRAIN

FIGURE 5-78. FENDER INSTALLATION



ART_1001171242-E

SECTION 5 - DRIVETRAIN

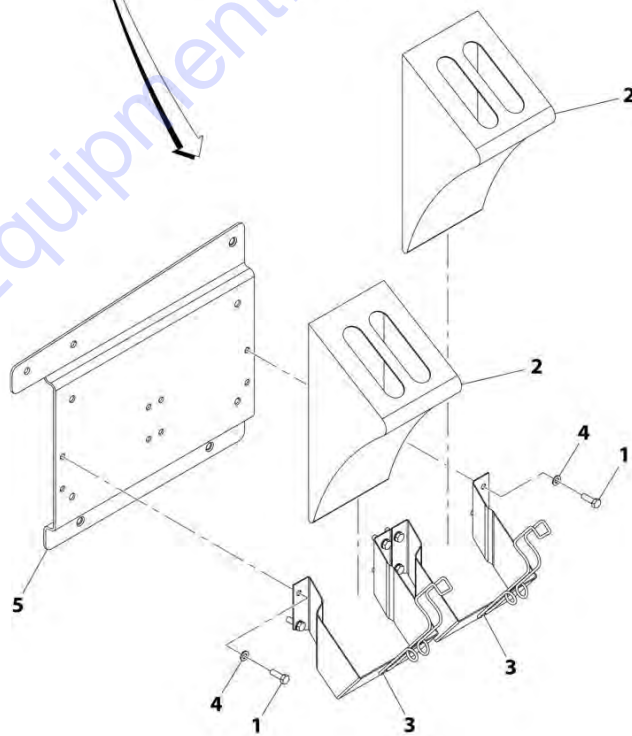
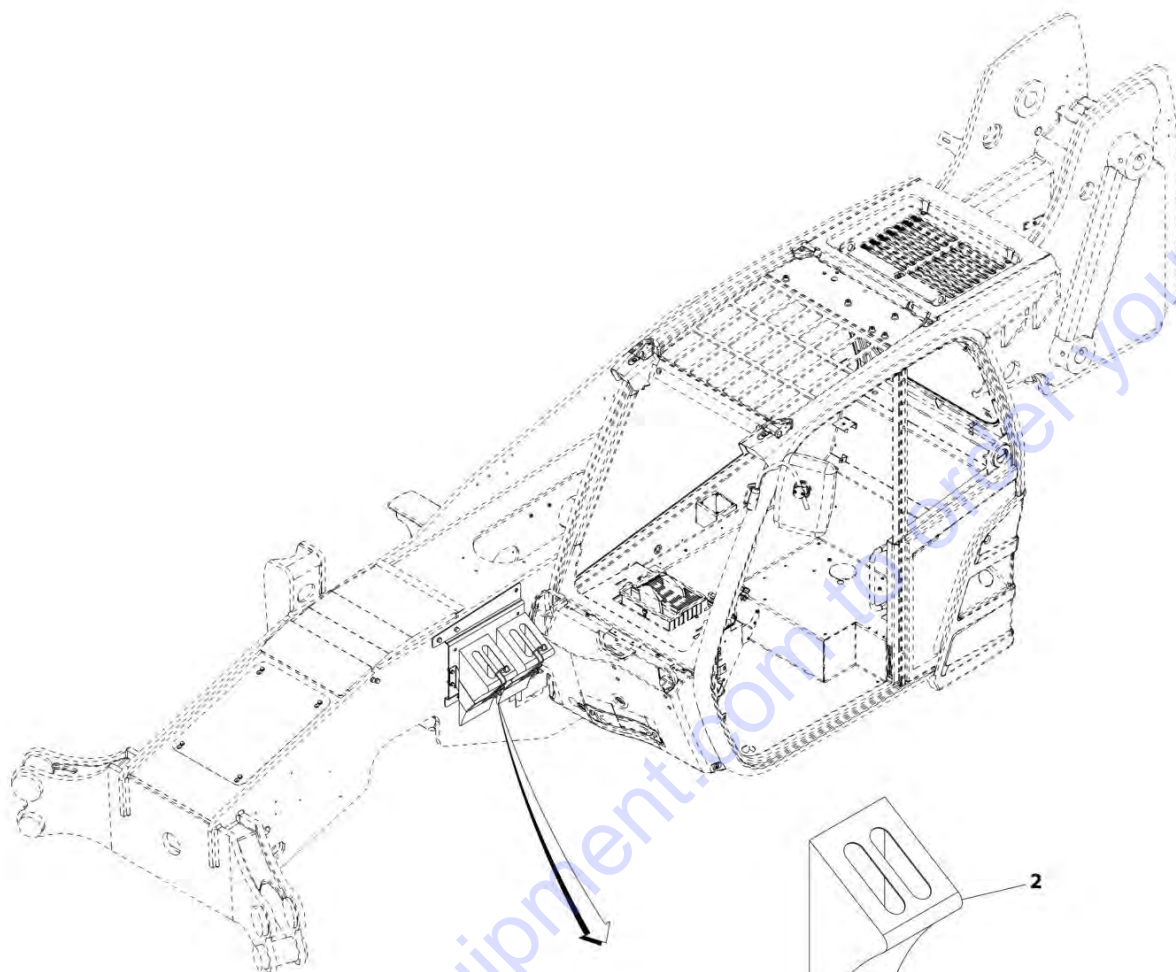
FIGURE 5-78. FENDER INSTALLATION

ITEM	PART NUMBER	QTY	DESCRIPTION	REV
	1001171242	1	Fender Installation	E
1	4812102	16	Washer, M12	
2	91513266	16	Nut, M12X1.25	
3	91514118	16	Stud, Fender	
5	1001202513	2	RH Bracket	
6	1001202512	2	LH Bracket	
7	1001168264	4	Fender	
8	1001202786	16	Washer	
9	0760812	16	Screw, M8X25	
10	1001208338	4	Plug	

Go to Discount-Equipment.com to order your parts

SECTION 5 - DRIVETRAIN

FIGURE 5-79. WHEEL CHOCK INSTALLATION



ART_1001229235-A

SECTION 5 - DRIVETRAIN

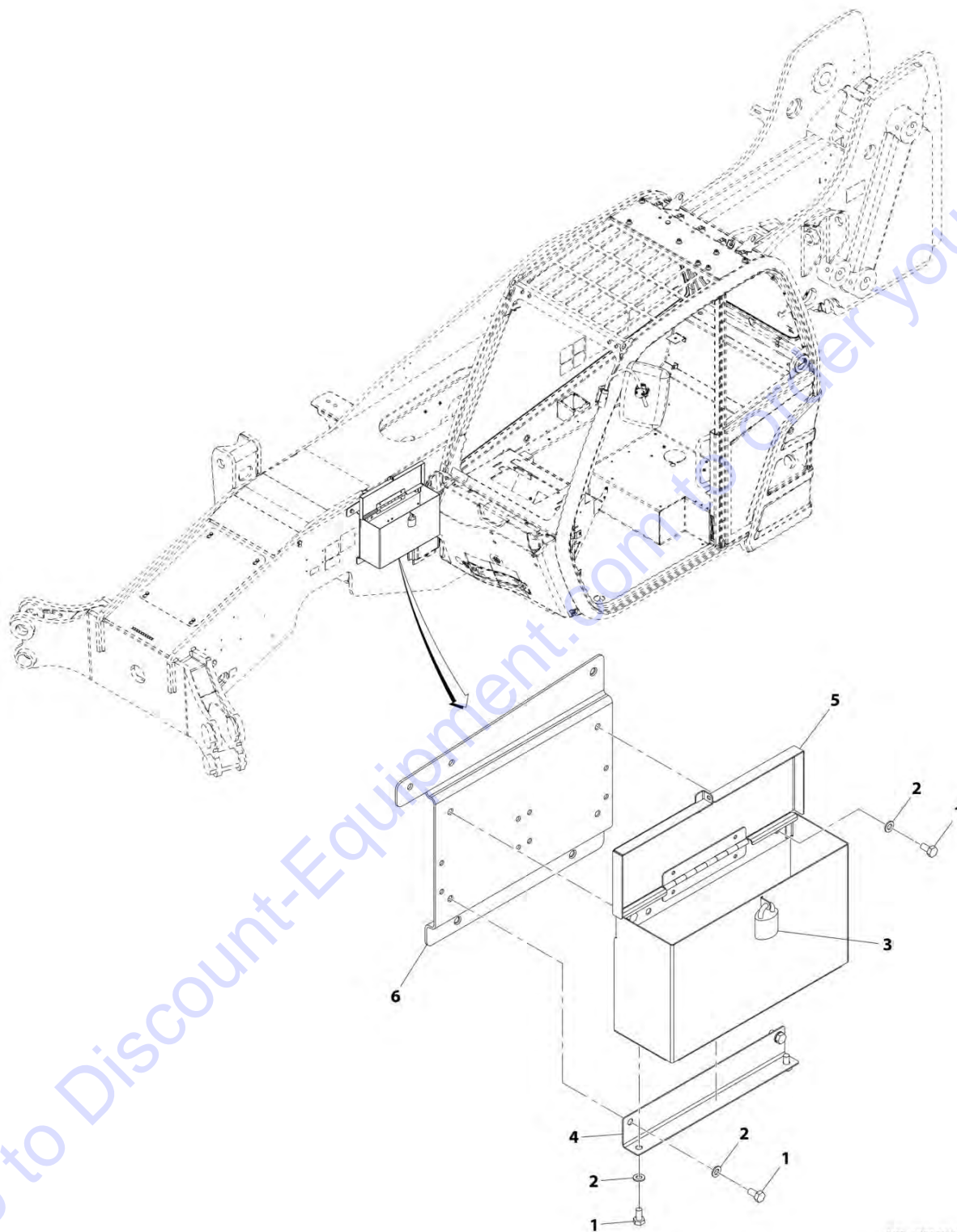
FIGURE 5-79. WHEEL CHOCK INSTALLATION

ITEM	PART NUMBER	QTY	DESCRIPTION	REV
	1001229235	Ref	Wheel Chock Installation (If equipped)	A
1	0700812	8	Screw, 8X25 LG	
2	806253	2	Wedge	
3	806264	2	Holder	
4	4811900	8	Washer, 8mm	
5	1001230713J	1	Bracket	

Go to Discount-Equipment.com to order your parts

SECTION 5 - DRIVETRAIN

FIGURE 5-80. TOOLBOX INSTALLATION



ART_1001231244-A

FIGURE 5-80. TOOLBOX INSTALLATION

ITEM	PART NUMBER	QTY	DESCRIPTION	REV
	1001231244	Ref	ToolBox Installation (If equipped)	A
1	0761010	6	Bolt, M10X20	
2	4812000	6	Washer, M10	
3	1001008687	1	Padlock	
4	1001178729	1	Bracket	
5	1001192836	1	Box	
6	1001230713J	1	Bracket	

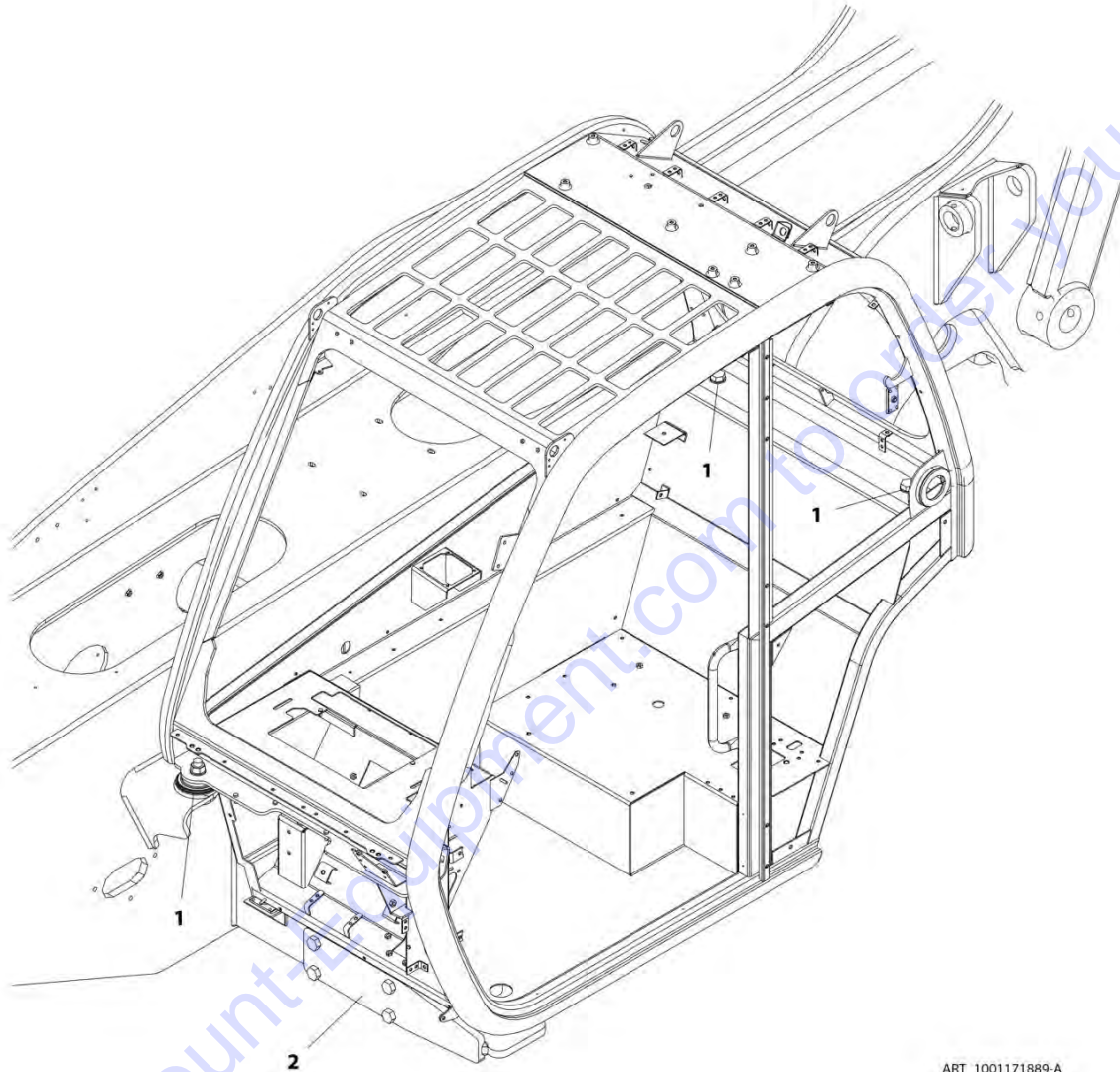
Go to Discount-Equipment.com to order your parts

SECTION 6 - CAB

Go to Discount-Equipment.com to order your parts

SECTION 6 - CAB

FIGURE 6-1. CAB MOUNTING



ART_1001171889-A

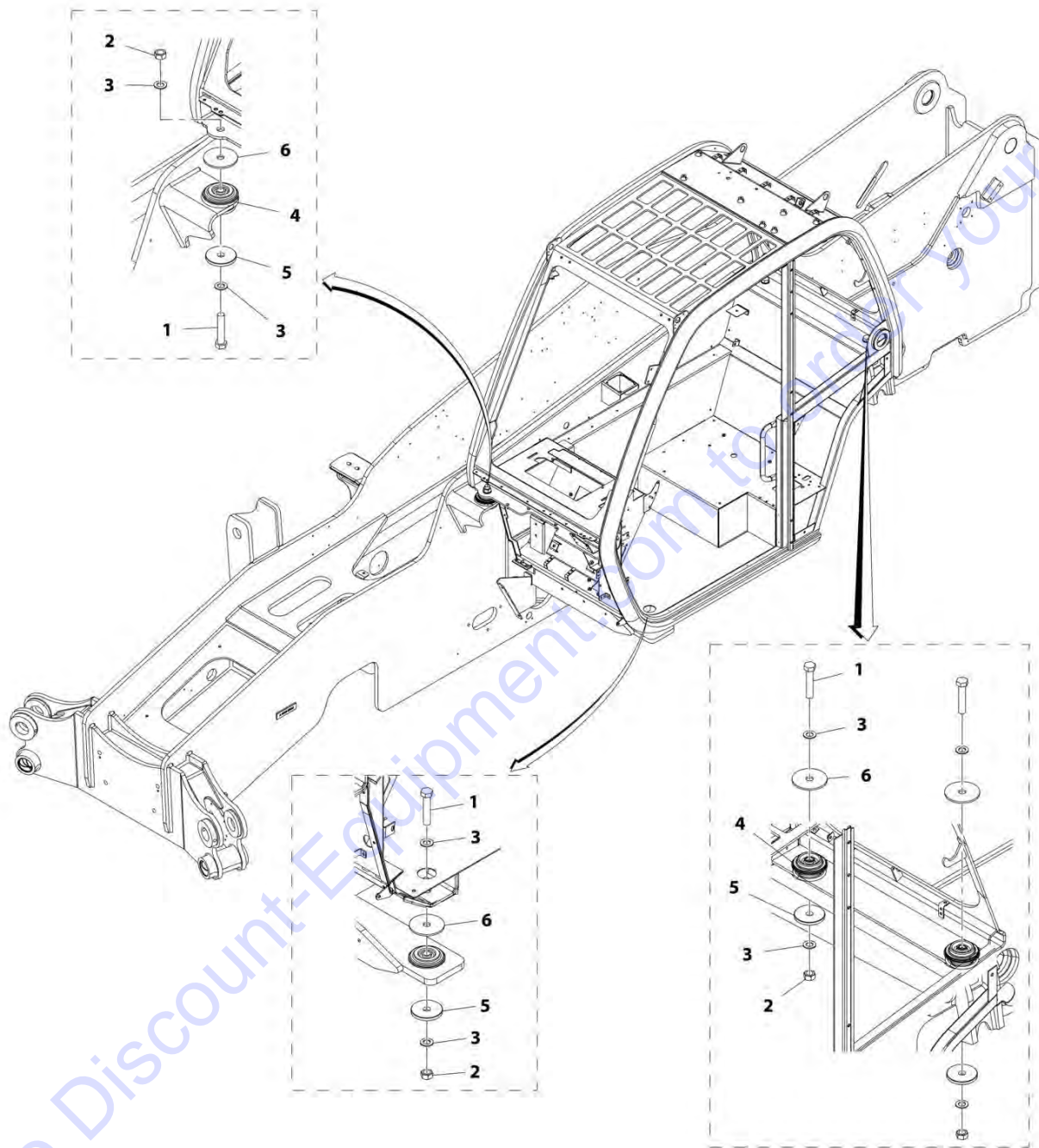
FIGURE 6-1. CAB MOUNTING

ITEM	PART NUMBER	QTY	DESCRIPTION	REV
	1001171889	1	Cab Mounting	A
1	1001155446	1	Installation, Cab Mounts (See Separate Breakdown in this Section)	
2	1001171890	1	Installation, Front Cab Outrigger (See Separate Breakdown in this Section)	

Go to Discount-Equipment.com to order your parts

SECTION 6 - CAB

FIGURE 6-2. CAB MOUNTS INSTALLATION



ART_1001155446-E

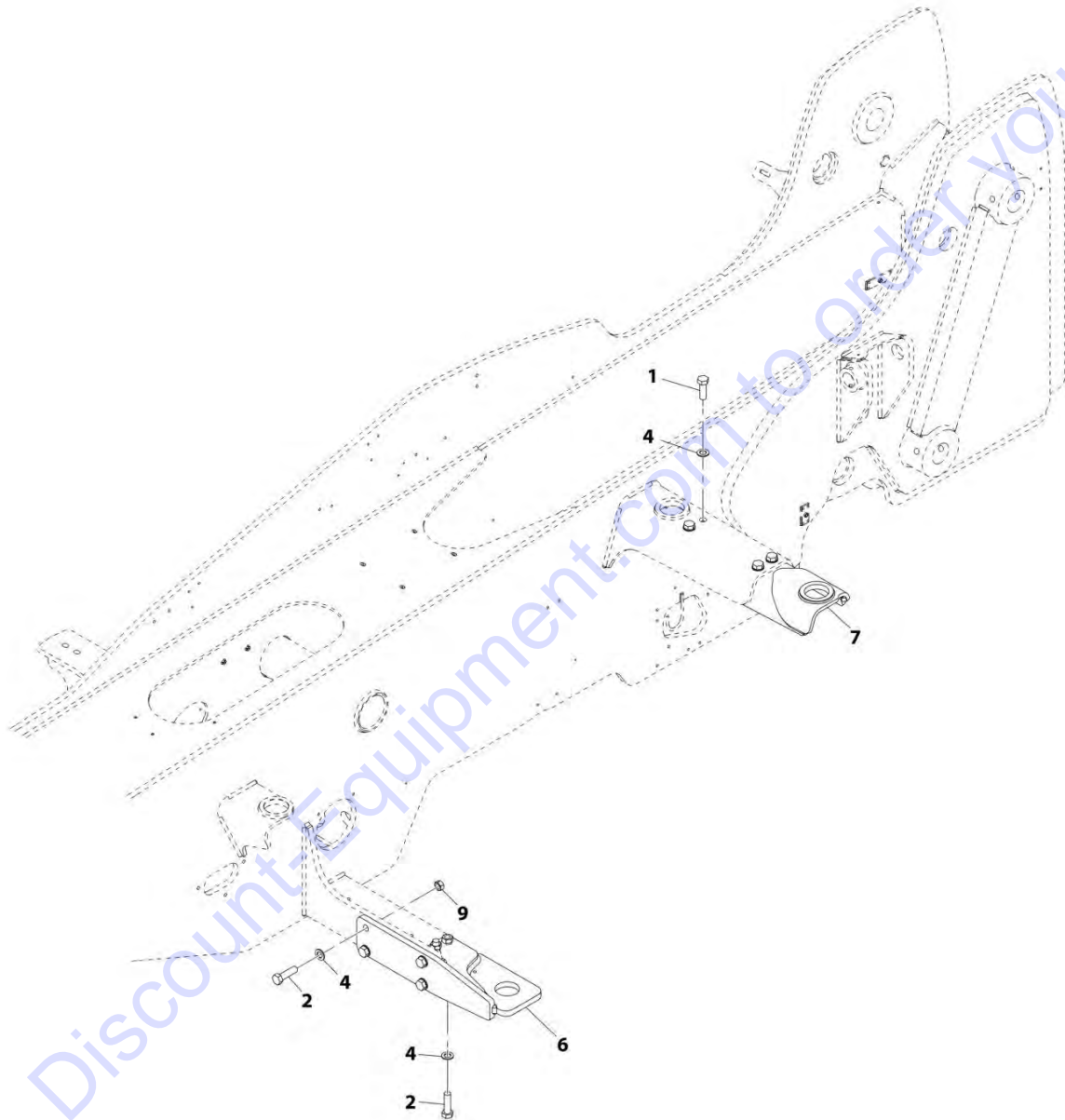
FIGURE 6-2. CAB MOUNTS INSTALLATION

ITEM	PART NUMBER	QTY	DESCRIPTION	REV
	1001155446	Ref	Cab Mounts Installation	E
1	0712027	4	Bolt, M20X100	
2	3332011	4	Nut, M20X2.5	
3	4812500	8	Washer, M20	
4	1001166754	4	Mount, Cab Isolation	
5	1001166755	4	Washer, Cab Rebound	
6	1001220540	4	Washer, Cab Mount	

Go to Discount-Equipment.com to order your parts

SECTION 6 - CAB

FIGURE 6-3. FRONT CAB OUTRIGGER INSTALLATION



ART_1001171890-E

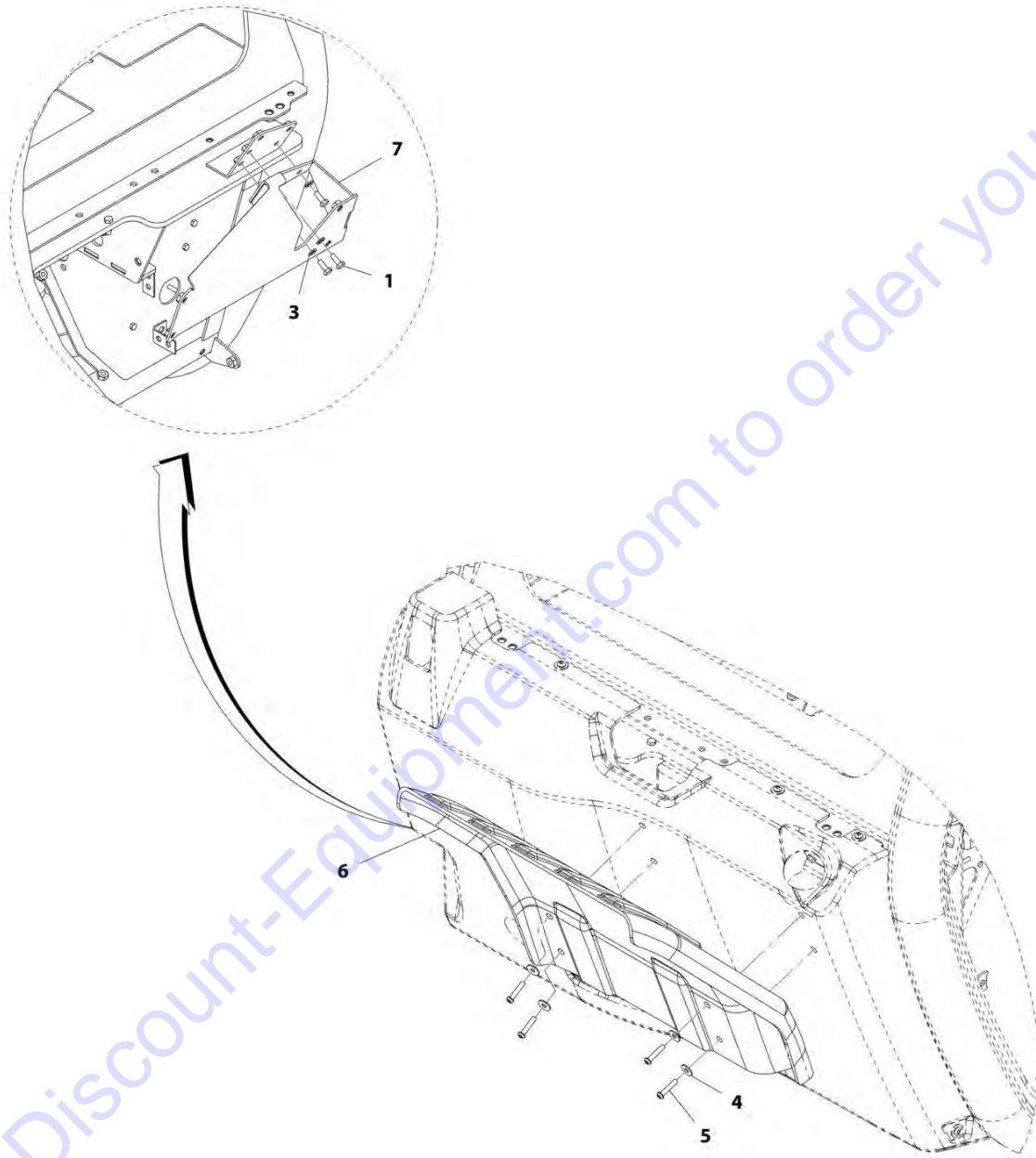
FIGURE 6-3. FRONT CAB OUTRIGGER INSTALLATION

ITEM	PART NUMBER	QTY	DESCRIPTION	REV
	1001171890	Ref	Front Cab Outrigger Installation	E
1	0712020	4	Bolt, M20X60	
2	0712022	6	Bolt, M20X70	
4	4812500	10	Washer, M20	
6	1001171898	NLA	Bracket, Front Lower Cab, (no longer available, use 1001208106 for replacement)	
6	1001208106	1	Bracket, Front Lower Cab	
7	1001171903	NLA	Bracket, Rear Cab Mount, (no longer available, use 1001210782 for replacement)	
7	1001210782	1	Bracket, Rear Cab Mount	
9	3292001	4	Hex Nut, M20X2.5	

Go to Discount-Equipment.com to order your parts

SECTION 6 - CAB

FIGURE 6-4. CAB FENDER INSTALLATION



ART_1001195972-C

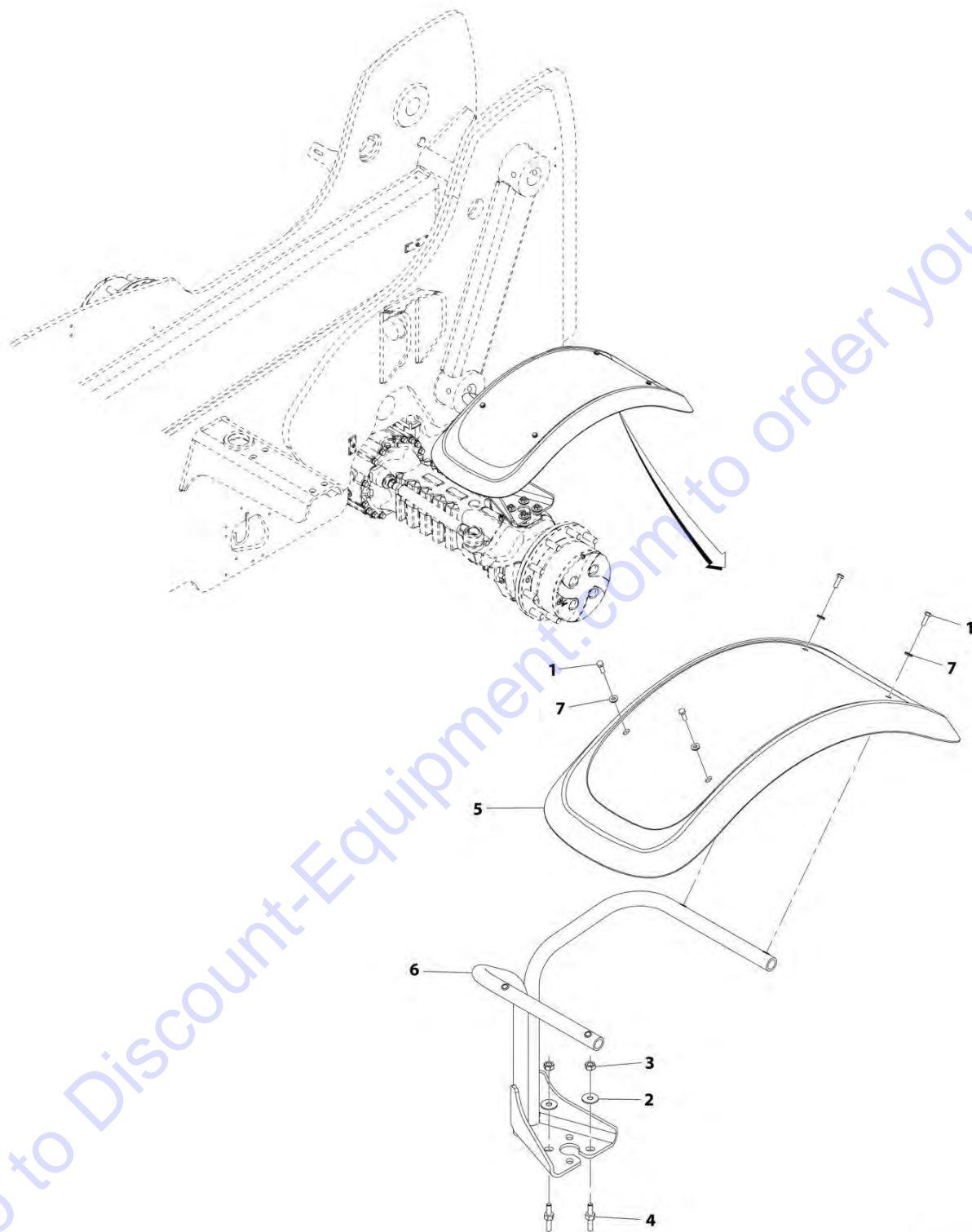
FIGURE 6-4. CAB FENDER INSTALLATION

ITEM	PART NUMBER	QTY	DESCRIPTION	REV
	1001195972	1	Cab Fender Installation	C
1	0760608	3	Bolt, M6X16	
3	4811700	3	Washer, M6	
4	4811702	4	Washer, M6	
5	1001097202	4	Screw, M6X30	
6	1001187335	1	Fender, Front	
7	1001188048	1	Plate	

Go to Discount-Equipment.com to order your parts

SECTION 6 - CAB

FIGURE 6-5. CAB FENDER INSTALLATION REAR (LH)



ART_1001236542-A

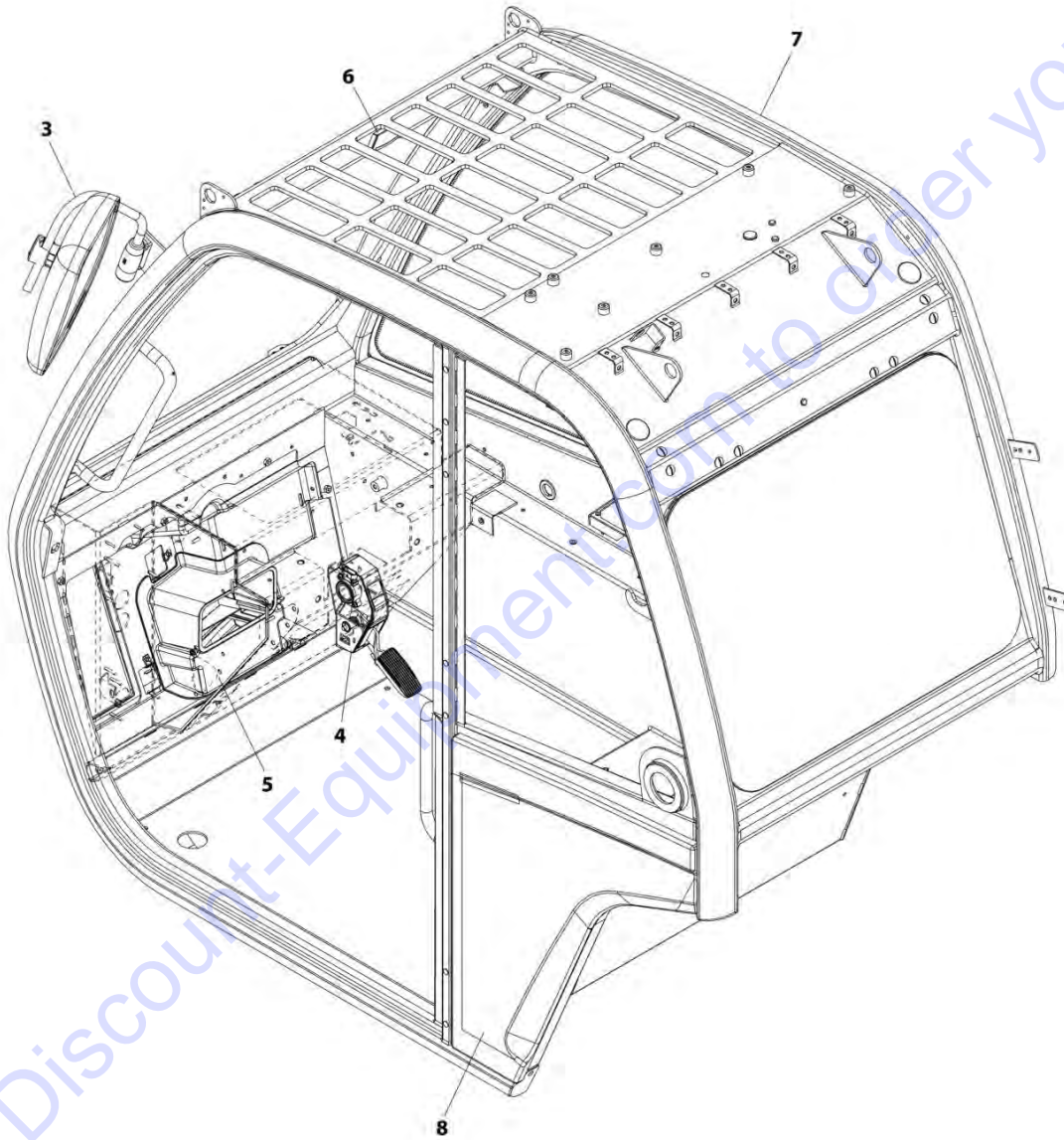
FIGURE 6-5. CAB FENDER INSTALLATION REAR (LH)

ITEM	PART NUMBER	QTY	DESCRIPTION	REV
	1001236542	Ref	Cab Fender Installation Rear (LH)	A
1	0760812	4	Bolt, M8X25	
2	4812102	4	Washer, M12	
3	91513266	4	Nut, M12X1.25	
4	91514118	4	Stud	
5	1001168264	1	Fender	
6	1001202512	1	Bracket	
7	1001202786	4	Washer	

Go to Discount-Equipment.com to order your parts

SECTION 6 - CAB

FIGURE 6-6. OROPS CAB INSTALLATION



ART_1001154984-G

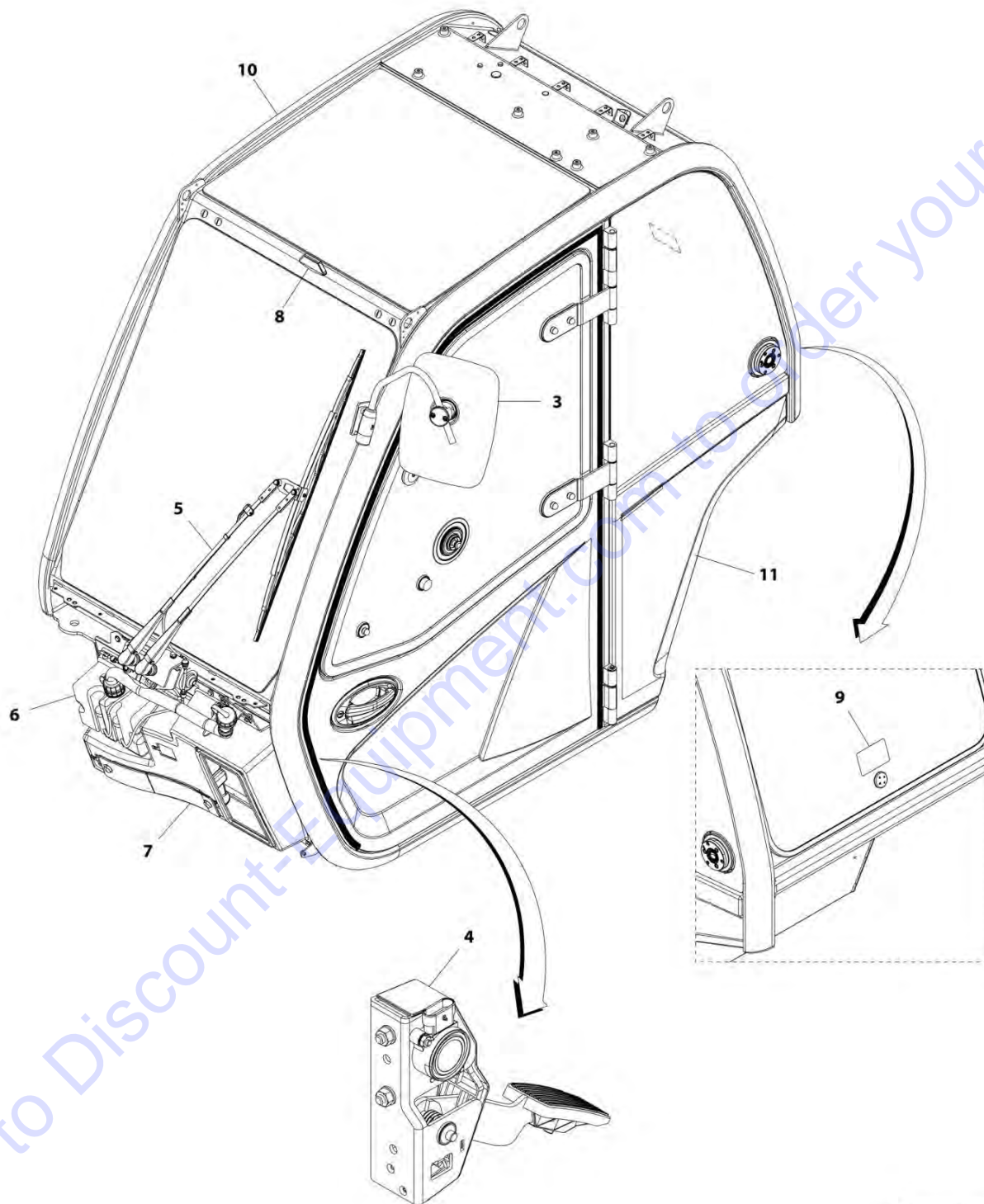
FIGURE 6-6. OROPS CAB INSTALLATION

ITEM	PART NUMBER	QTY	DESCRIPTION	REV
	1001154984	Ref	OROPS Cab Installation	G
3	1001160508	Ref	Installation, Mirror (See Separate Breakdown in this Section)	
4	1001161499	Ref	Installation, Accelerator Pedal (See Separate Breakdown in Controls Section)	
5	1001170366	Ref	Installation, Front Cover (See Separate Breakdown in this Section)	
6	1001172401	Ref	Installation, Level Indicator (See Separate Breakdown in this Section)	
7	1001214326	Ref	Cab, (See Separate Breakdown in this Section)	
8	1001214331	Ref	Installation, Open Cab, (See Separate Breakdown in this Section)	

Go to Discount-Equipment.com to order your parts

SECTION 6 - CAB

FIGURE 6-7. EROPS CAB INSTALLATION



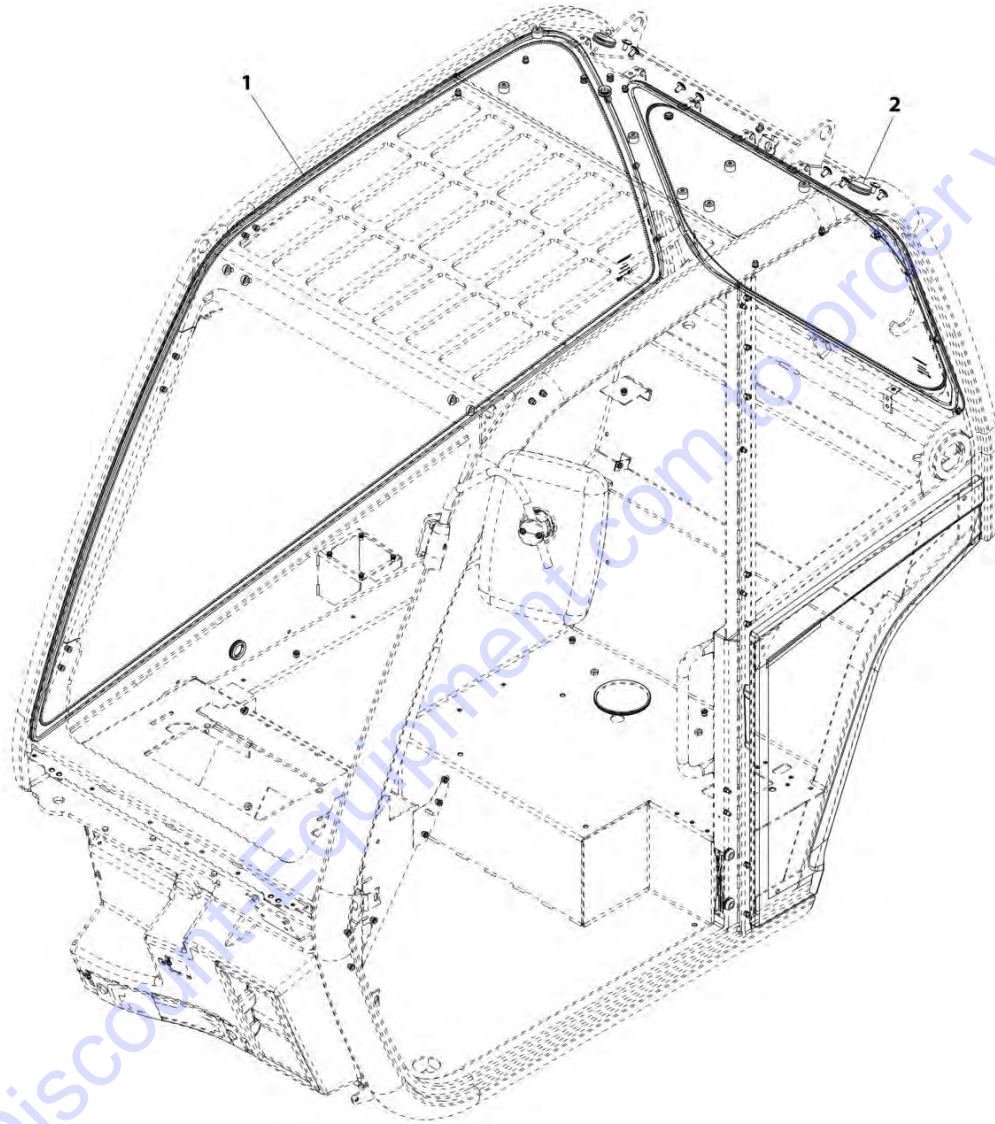
ART_1001173419-I

FIGURE 6-7. EROPS CAB INSTALLATION

ITEM	PART NUMBER	QTY	DESCRIPTION	REV
	1001173419	Ref	EROPS Cab Installation	1
3	1001160508	Ref	Installation, Mirror (See Separate Breakdown in this Section)	
4	1001161499	Ref	Installation, Accelerator Pedal (See Separate Breakdown in Controls Section)	
5	1001155447	Ref	Installation, Front Wiper (See Separate Breakdown in this Section)	
6	1001162789	Ref	Installation, Washer Tank (See Separate Breakdown in this Section)	
7	1001170366	Ref	Installation, Front Cover (See Separate Breakdown in this Section)	
8	1001172401	Ref	Installation, Level Indicator (See Separate Breakdown in this Section)	
9	8005870	1	Decal, Emergency Exit	
10	1001214326	Ref	Cab, (See Separate Breakdown in this Section)	
11	1001214332	Ref	Installation, Enclosed Cab (See Separate Breakdown in this Section)	

SECTION 6 - CAB

FIGURE 6-8. CAB, TRIM KIT



ART_1001214331-D

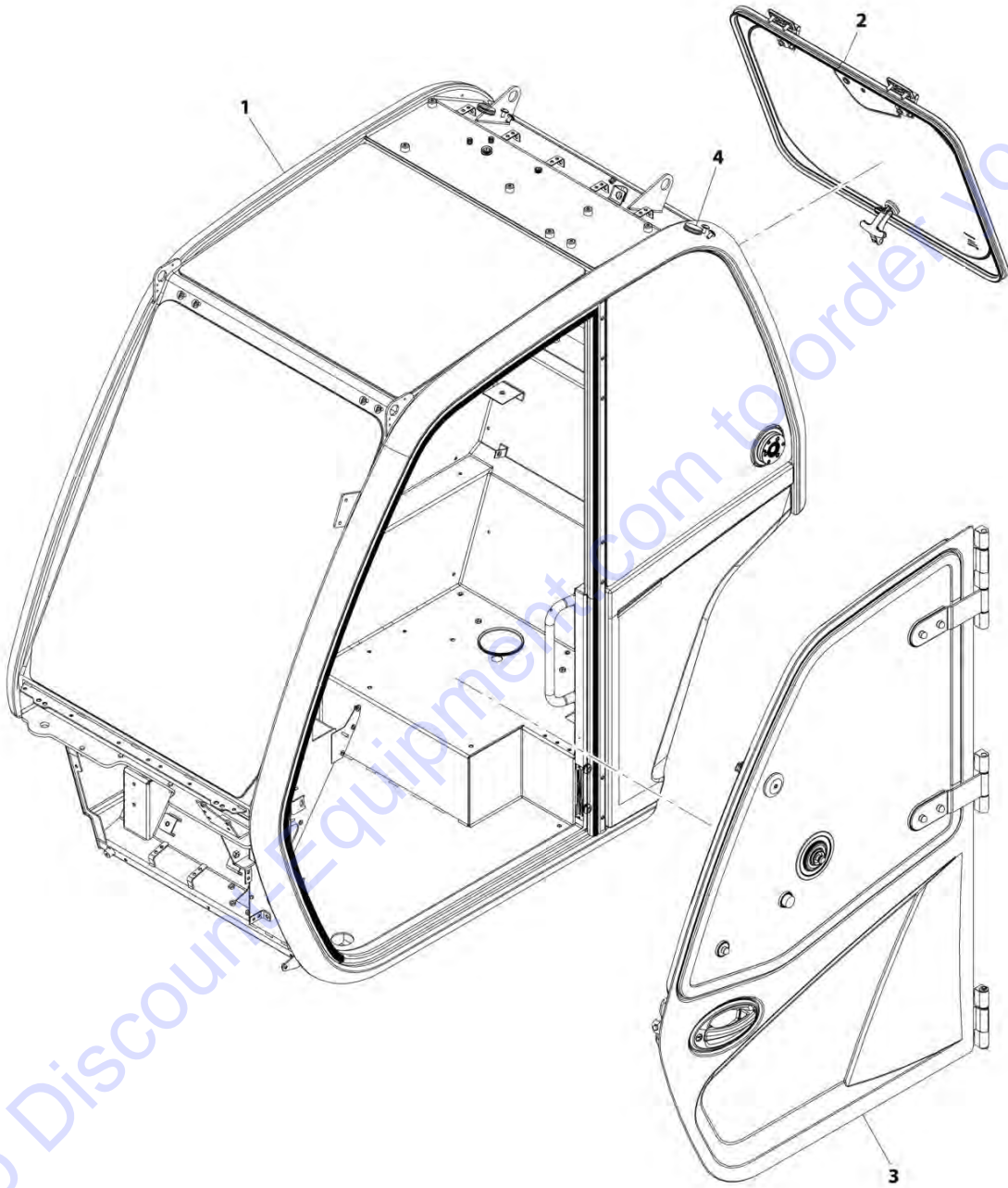
FIGURE 6-8. CAB, TRIM KIT

ITEM	PART NUMBER	QTY	DESCRIPTION	REV
	1001214331	Ref	Open Cab Installation	D
1	1001154721	1	Assembly, Open Cab (See Separate Breakdown in this Section)	
2	1001170495	1	Group, Open Cab Plug (See Separate Breakdown in this Section)	

Go to Discount-Equipment.com to order your parts

SECTION 6 - CAB

FIGURE 6-9. CAB, TRIM KIT



ART_1001214332-F

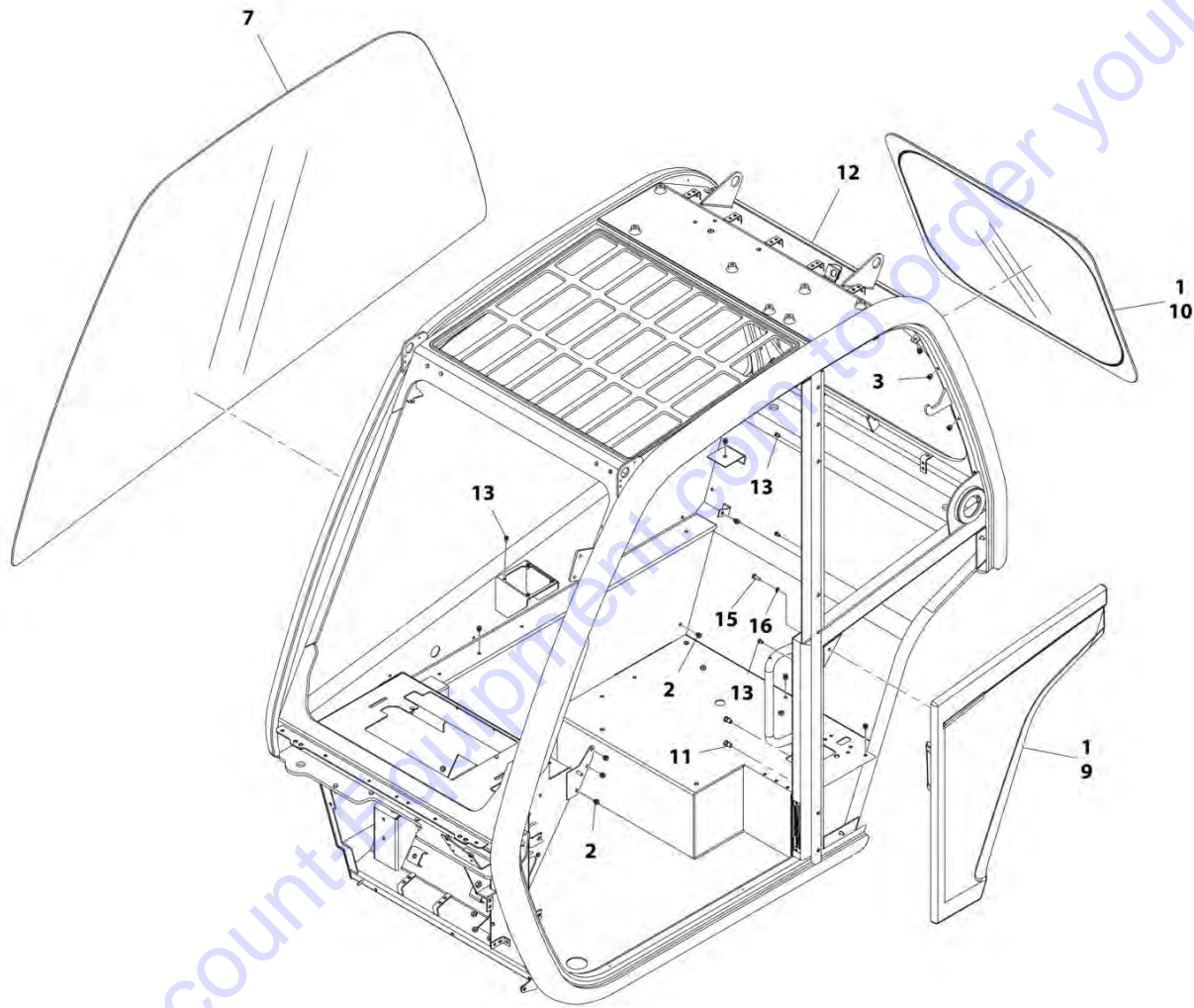
FIGURE 6-9. CAB, TRIM KIT

ITEM	PART NUMBER	QTY	DESCRIPTION	REV
	1001214332	Ref	Enclosed Cab Installation	F
1	1001154365	1	Assembly, Enclosed Cab (See Separate Breakdown in this Section)	
2	1001170500	1	Installation, Rear Window (See Separate Breakdown in this Section)	
3	1001165080	1	Installation, Door (See Separate Breakdown in this Section)	
4	1001170603	1	Group, Enclosed Cab Plug (See Separate Breakdown in this Section)	

Go to Discount-Equipment.com to order your parts

SECTION 6 - CAB

FIGURE 6-10. OPEN CAB ASSEMBLY



ART_1001154721-I

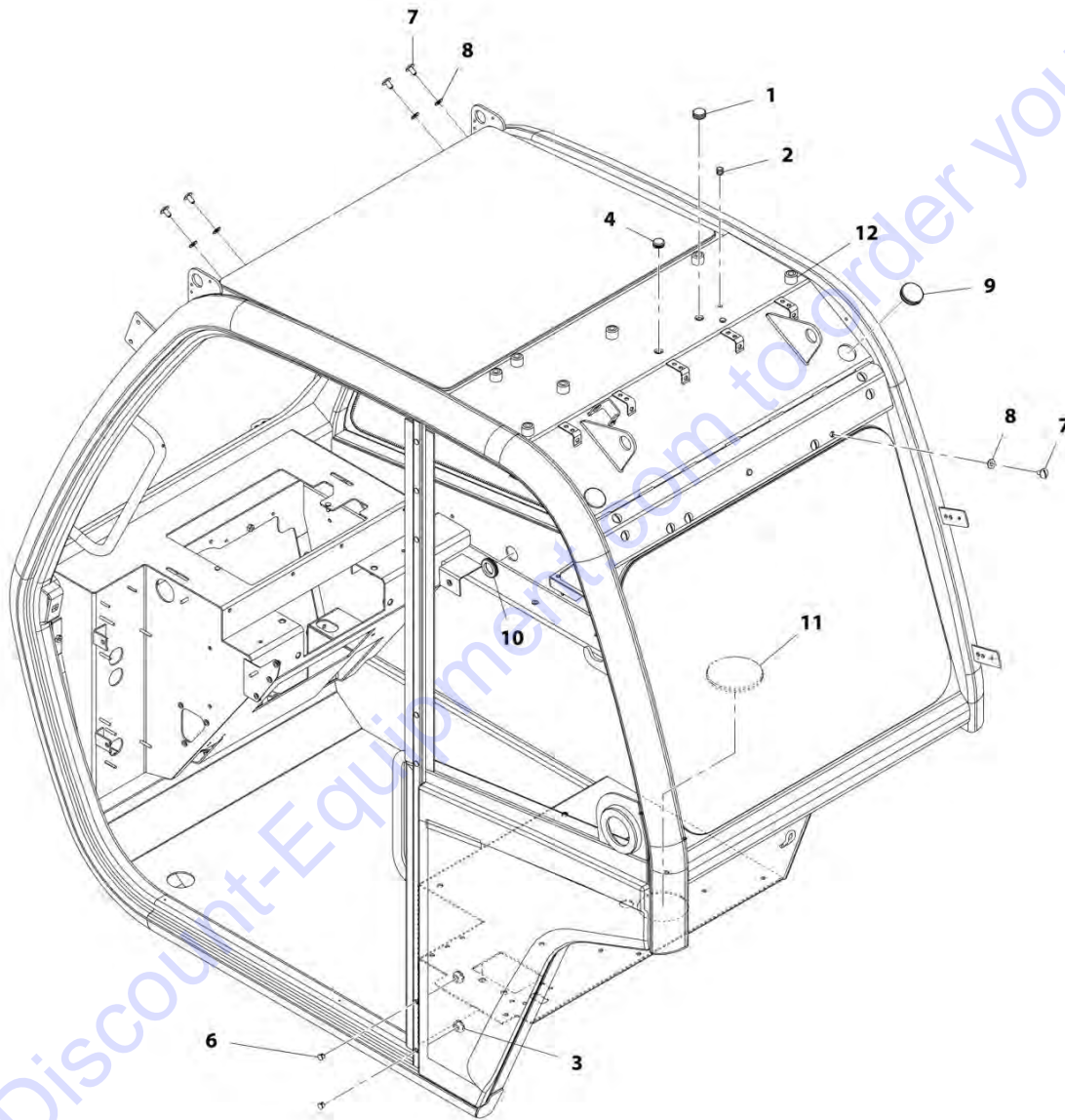
FIGURE 6-10. OPEN CAB ASSEMBLY

ITEM	PART NUMBER	QTY	DESCRIPTION	REV
	1001154721	Ref	Open Cab Assembly	I
1	1001111317	AR	Compound, Locking	
2	2080086	17	Rivnut, M6X1	
3	2080087	16	Rivnut, M8X1.25	
7	1001152947	1	Glass, RH Screen	
9	N.S.S.	1	Panel, Cab Quarter	
10	1001161538	1	Glass, Rear Window	
11	1001172193	2	Rivnut, M5X0.8	
12	See Note	NSS	Weldment, Cab (Note: Not available for purchase)	
13	1001195878	7	Rivnut, M5X0.8	
15	N.S.S.	3	Screw	
16	4811700	3	Washer, M6	

Go to Discount-Equipment.com to order your parts

SECTION 6 - CAB

FIGURE 6-11. OPEN CAB PLUG GROUP



ART_1001170495-E

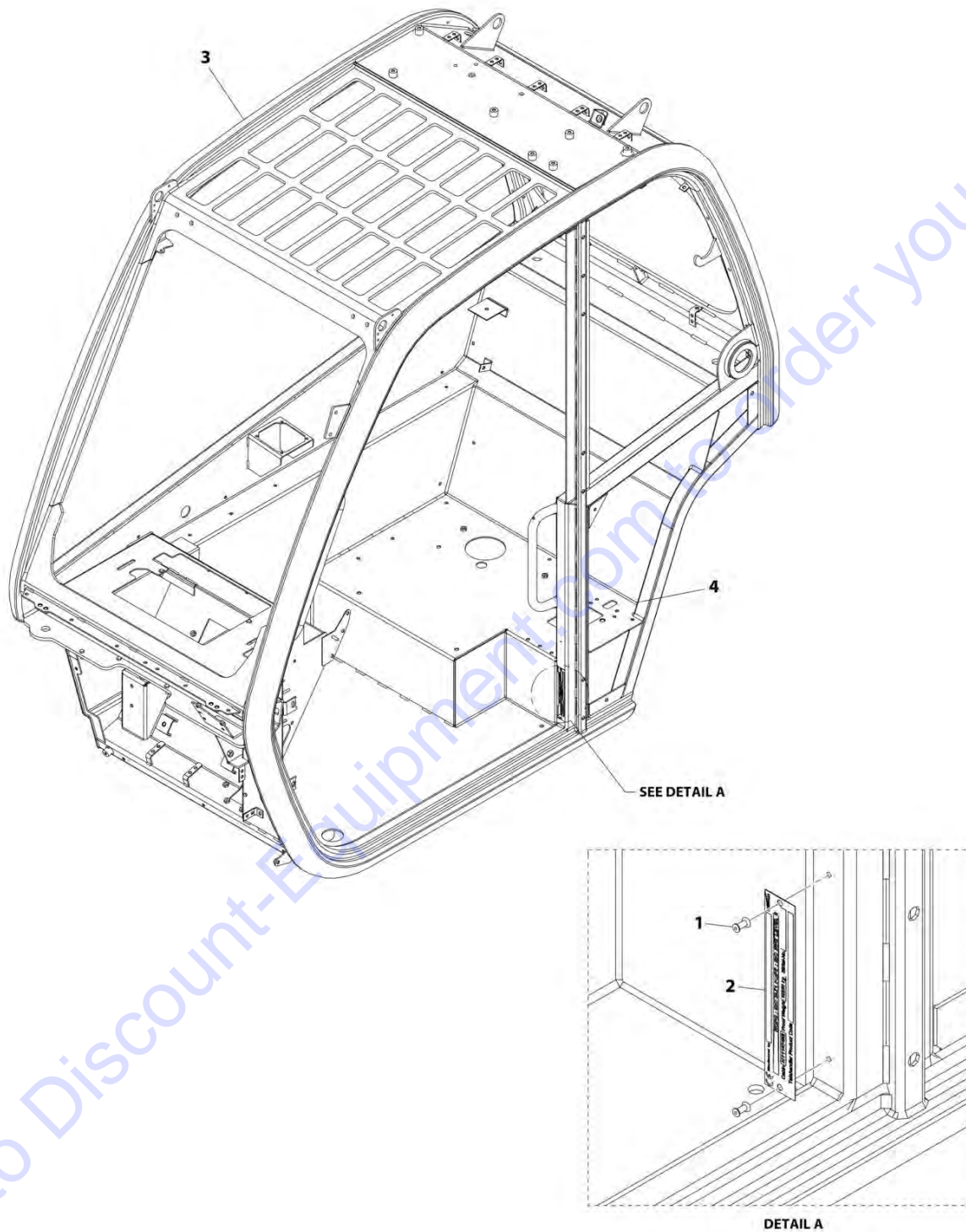
FIGURE 6-11. OPEN CAB PLUG GROUP

ITEM	PART NUMBER	QTY	DESCRIPTION	REV
	1001170495	Ref	Open Cab Plug Group	E
1	1001176273	1	Plug	
2	1001176272	3	Plug	
3	1001143200	2	Plug	
4	1001176626	1	Plug	
6	1001170374	7	Plug	
7	1001181920	12	Screw, M8X16	
8	1001181921	12	Washer, M8 Rubber	
9	1001182123	2	Plug	
10	1001182139	1	Plug	
11	1001209899	1	Plug	
12	1001219220	1	Cap, Vinyl Round	

Go to Discount-Equipment.com to order your parts

SECTION 6 - CAB

FIGURE 6-12. CAB, EPD CAULK



ART_1001214326-D

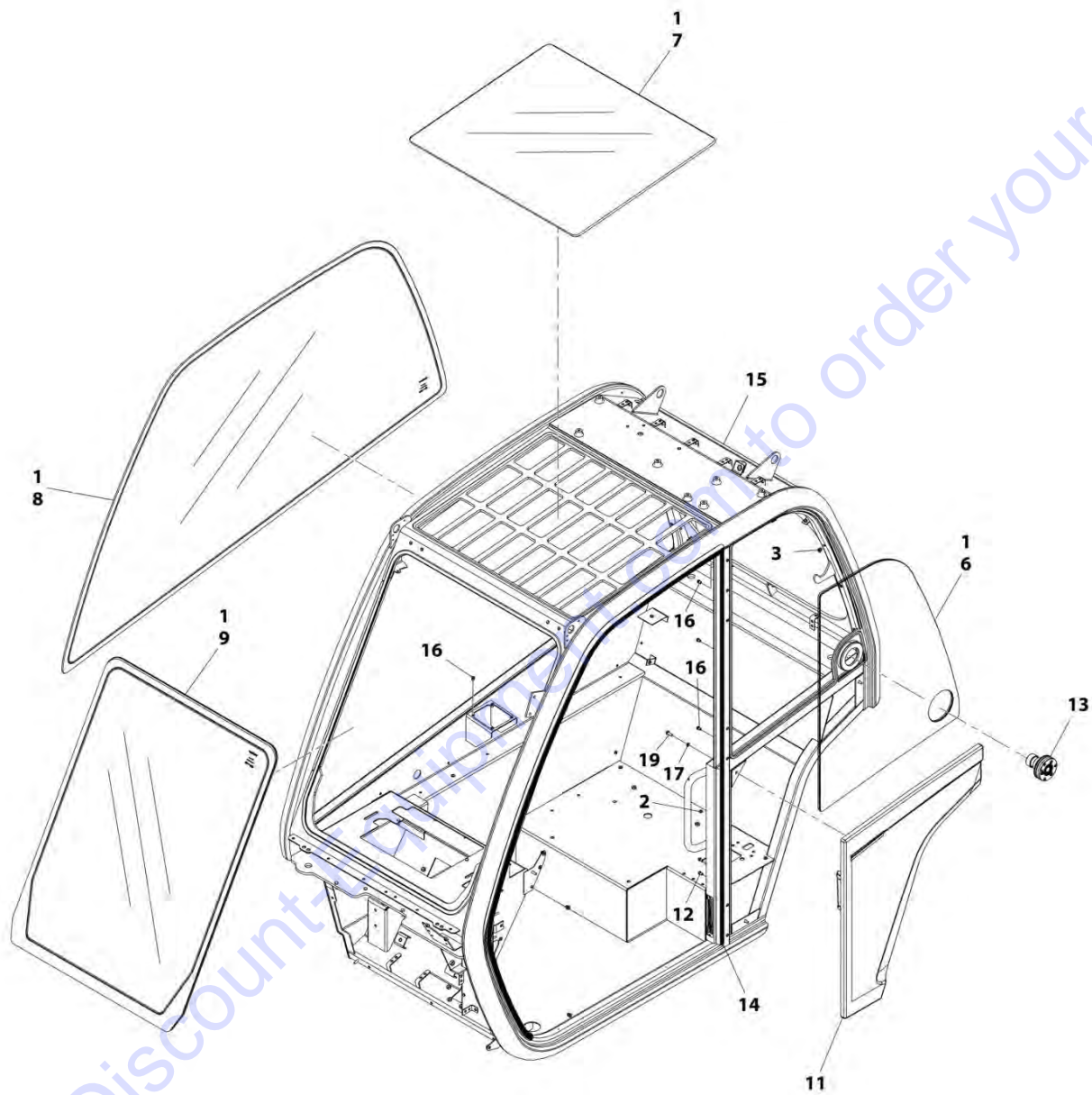
FIGURE 6-12. CAB, EPD CAULK

ITEM	PART NUMBER	QTY	DESCRIPTION	REV
	1001214326	Ref	Cab	D
1	1001099170	2	Rivet, 4	
2	N.S.S.	1	Plate, Serial Number	
3	N.S.S.	1	Weldment	
4	1001205402	AR	Sealant	

Go to Discount-Equipment.com to order your parts

SECTION 6 - CAB

FIGURE 6-13. ENCLOSED CAB ASSEMBLY



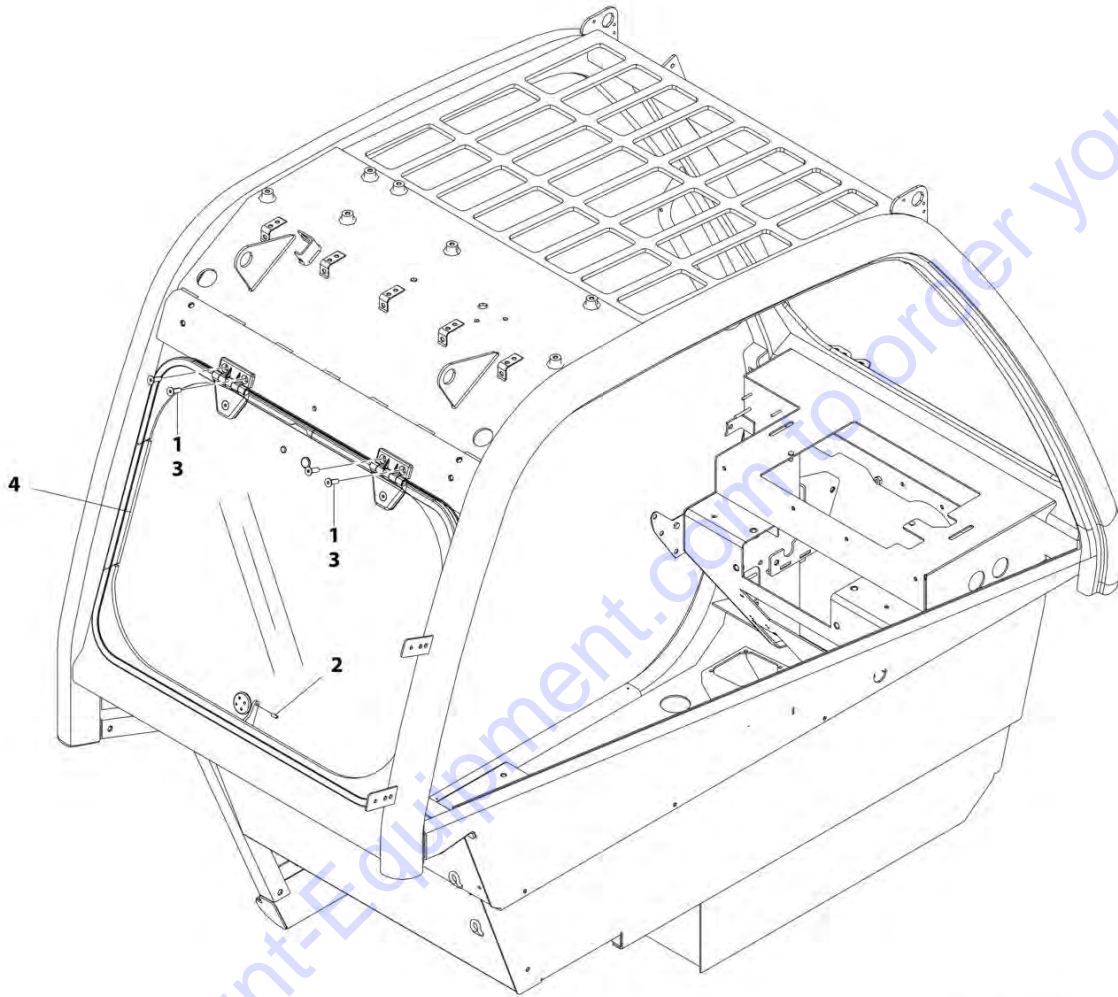
ART_1001154365-J

FIGURE 6-13. ENCLOSED CAB ASSEMBLY

ITEM	PART NUMBER	QTY	DESCRIPTION	REV
	1001154365	Ref	Enclosed Cab Assembly	J
1	1001111317	AR	Compound, Locking	
2	2080086	17	Rivnut, M6X1	
3	2080087	16	Rivnut, M8X1.25	
6	1001152915	1	Glass, LH Screen	
7	1001152934	1	Glass, Roof	
8	1001152947	1	Glass, RH Screen	
9	1001154419	1	Glass, Front	
11	N.S.S.	1	Panel, Cab Quarter	
12	1001172193	2	Rivnut, M5X0.8	
13	1001174320	1	Latch, Top Window	
14	1001175226	NLA	Seal, Cab Door, (no longer available, use 1001227186 for replacement)	
14	1001227186	1	Seal, Cab Door	
15	See Note	NSS	Weldment, Cab (Note: Not available for purchase)	
16	1001195878	7	Rivnut, M5X0.8	
17	4811700	3	Washer, M6	
19	N.S.S.	3	Screw	

SECTION 6 - CAB

FIGURE 6-14. REAR WINDOW INSTALLATION



ART_1001170500-C

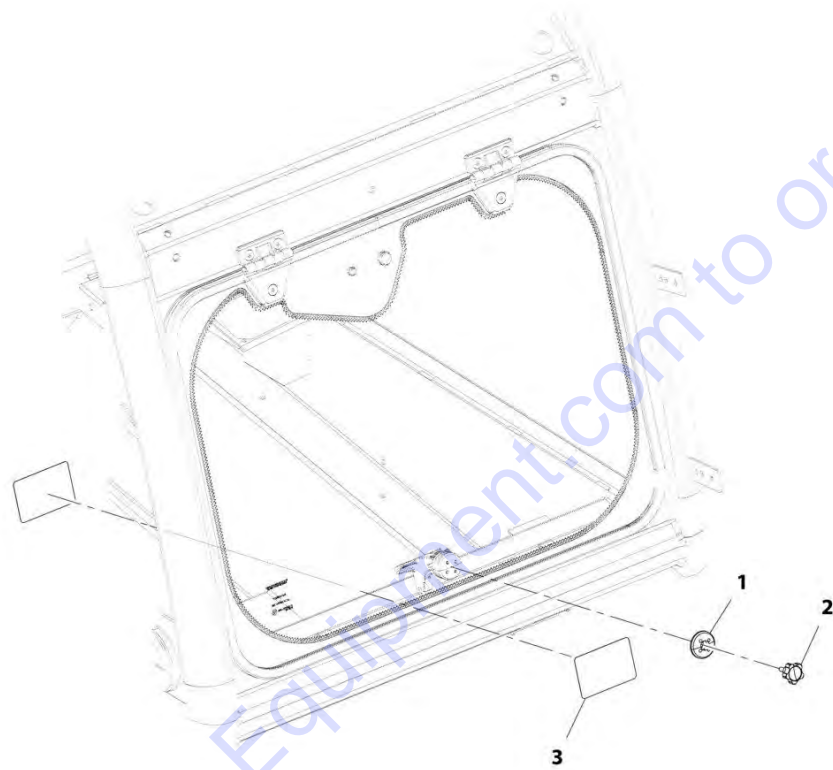
FIGURE 6-14. REAR WINDOW INSTALLATION

ITEM	PART NUMBER	QTY	DESCRIPTION	REV
	1001170500	Ref	Rear Window Installation	C
1	1001095650	AR	Compound, Locking	
2	1001003043	1	Pin, Spring	
3	1001097586	4	Bolt, M8-1.25X25	
4	1001170502	1	Window, Rear (See Separate Breakdown in this Section)	

Go to Discount-Equipment.com to order your parts

SECTION 6 - CAB

FIGURE 6-15. REAR WINDOW INSTALLATION (WO/WIPER) (ANSI)



ART_1001212047-A

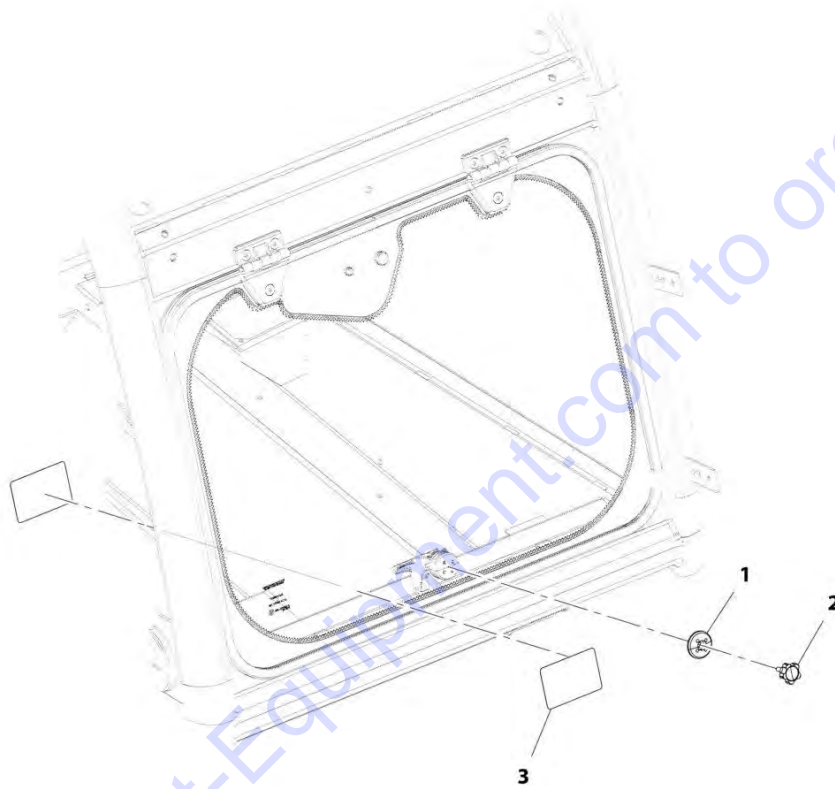
FIGURE 6-15. REAR WINDOW INSTALLATION (WO/WIPER) (ANSI)

ITEM	PART NUMBER	QTY	DESCRIPTION	REV
	1001212047	Ref	External Window Release Installation (ANSI - English)	A
1	1001179008	1	Cap, Latch Window	
2	1001179009	1	Cap, Knob M6	
3	1001212049	2	Decal, Emergency Exit	

Go to Discount-Equipment.com to order your parts

SECTION 6 - CAB

FIGURE 6-16. REAR WINDOW INSTALLATION (WO/WIPER) (ISO)



ART_1001212048-A

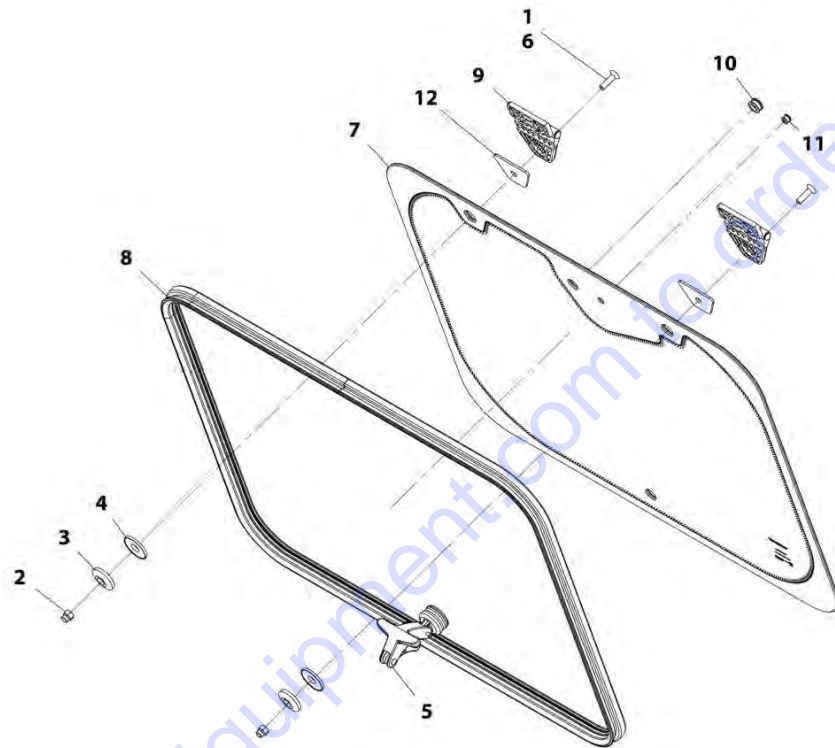
FIGURE 6-16. REAR WINDOW INSTALLATION (WO/WIPER) (ISO)

ITEM	PART NUMBER	QTY	DESCRIPTION	REV
	1001212048	Ref	Rear Window Installation (WO/Wiper) (ISO)	A
1	1001179008	1	Cap, Latch Window	
2	1001179009	1	Cap, Knob M6	
3	1001212050	2	Decal, Emergency Exit	

Go to Discount-Equipment.com to order your parts

SECTION 6 - CAB

FIGURE 6-17. REAR WINDOW ASSEMBLY



ART_1001170502-C

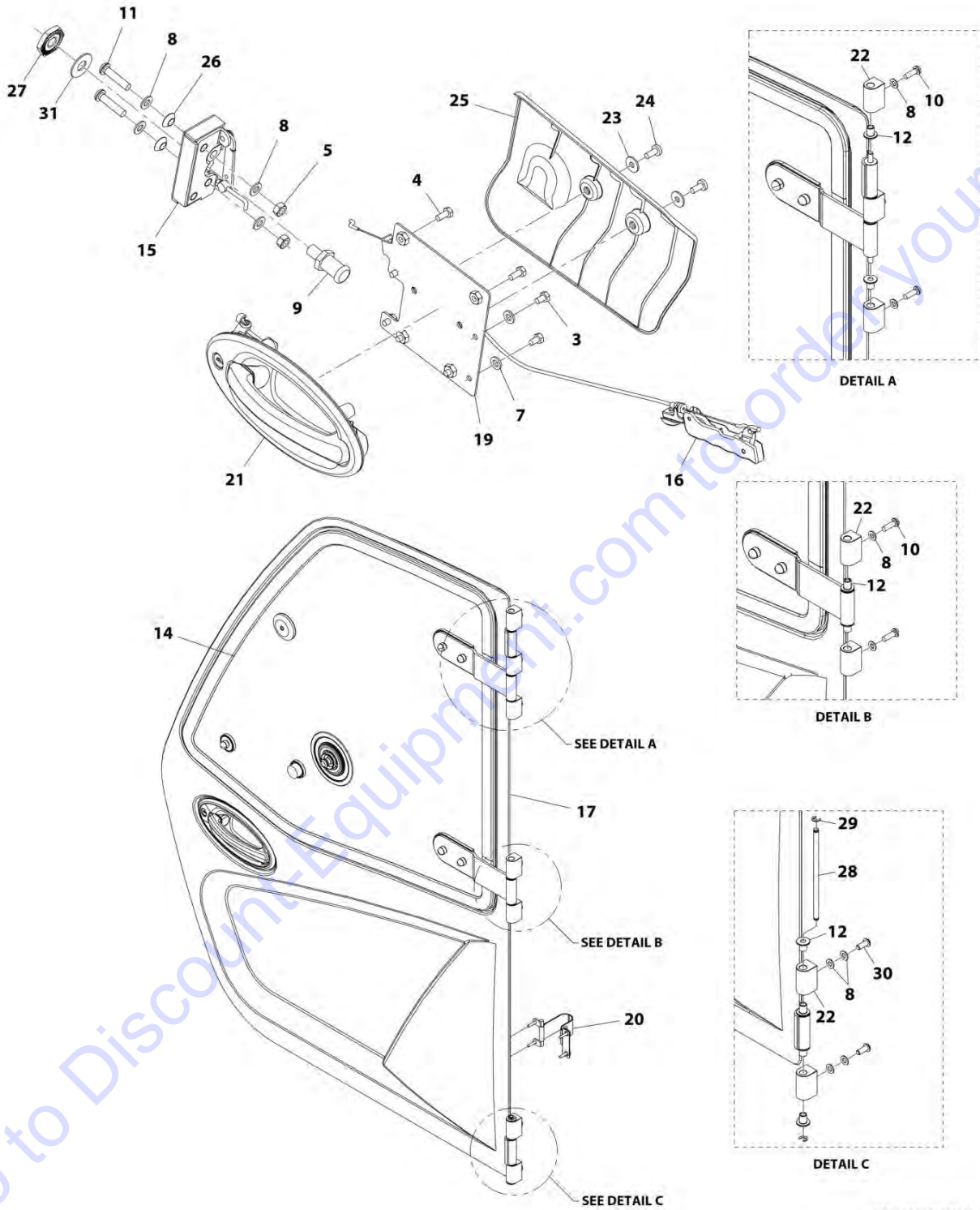
FIGURE 6-17. REAR WINDOW ASSEMBLY

ITEM	PART NUMBER	QTY	DESCRIPTION	REV
	1001170502	Ref	Rear Window Assembly	C
1	1001095650	AR	Compound, Locking	
2	3290806	2	Nut, M8X1.25 Grade 8	
3	8000759	2	Spacer	
4	8004398	2	Washer	
5	1001005368	1	Latch, Window	
6	2080078	2	Fastener, M8X30	
7	1001157481	1	Glass, Rear Window	
8	1001157487	1	Seal	
9	1001139568	2	Hinge	
10	1001171182	1	Grommet	
11	1001171183	1	Grommet	
12	1001181411	2	Gasket, Rear Window Hinge	

Go to Discount-Equipment.com to order your parts

SECTION 6 - CAB

FIGURE 6-18. DOOR INSTALLATION



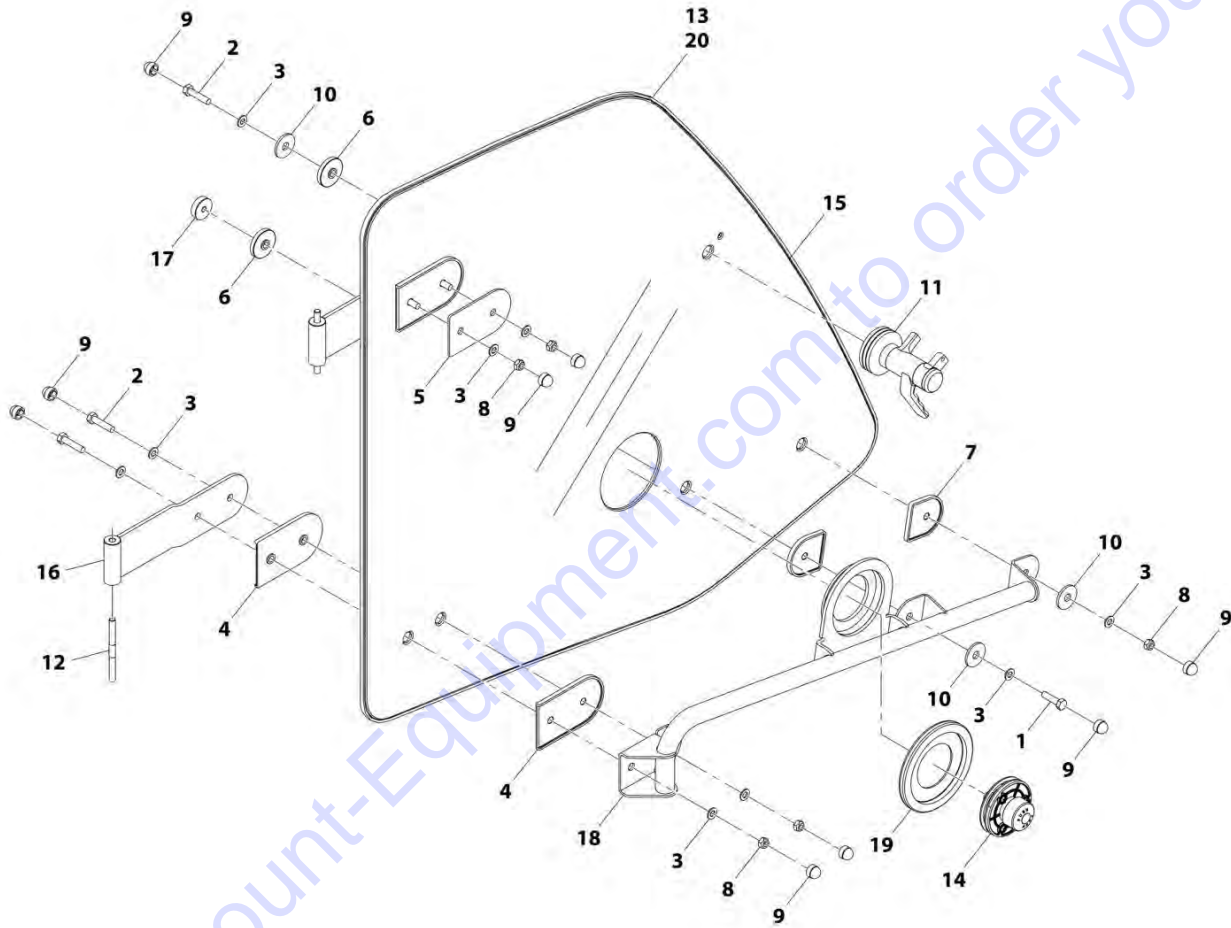
ART_1001165080-M

FIGURE 6-18. DOOR INSTALLATION

ITEM	PART NUMBER	QTY	DESCRIPTION	REV
	1001165080	Ref	Door Installation	M
3	0760605	4	Bolt, M6X10	
4	0760607	4	Bolt, M6X14	
5	3290801	2	Nut, M8X1.25 Grade 8	
7	4811700	4	Washer, M6	
8	4811900	13	Washer, M8	
9	8000803	1	Pin, Door Striker	
10	1001008988	5	Screw M8X25	
11	1001047062	2	Screw, M8X35	
12	1001107192	10	Sleeve, Hinge	
14	1001205532	1	Assembly, Door Upper Glass (See Separate Breakdown in this Section)	
15	1001192766	1	Assembly, Cab Latch (See Separate Breakdown in this Section)	
16	1001167958	1	Assembly, Cab Door Trigger (See Separate Breakdown in this Section)	
17	1001169881	1	Assembly, Door (See Separate Breakdown in this Section)	
19	1001173298	1	Bracket	
20	1001174295	1	Installation, Door Strap (See Separate Breakdown in this Section)	
21	1001192646	1	Handle, Exterior Door	
22	1001170601J	7	Lug, Hinge	
23	4811702001	2	Washer, M6	
24	4010608002	2	Screw, M6X16	
25	1001175477	1	Cover, Cab Door Interior	
26	1001184439	2	Bushing	
27	1001192309	1	Nut, M12X1	
28	1001213791	1	Pin, Hinge	
29	0498748	1	Clip, Snap Ring	
30	1001164726	1	Bolt, M8X20	
31	1001227802	1	Washer	

SECTION 6 - CAB

FIGURE 6-19. DOOR UPPER GLASS ASSEMBLY



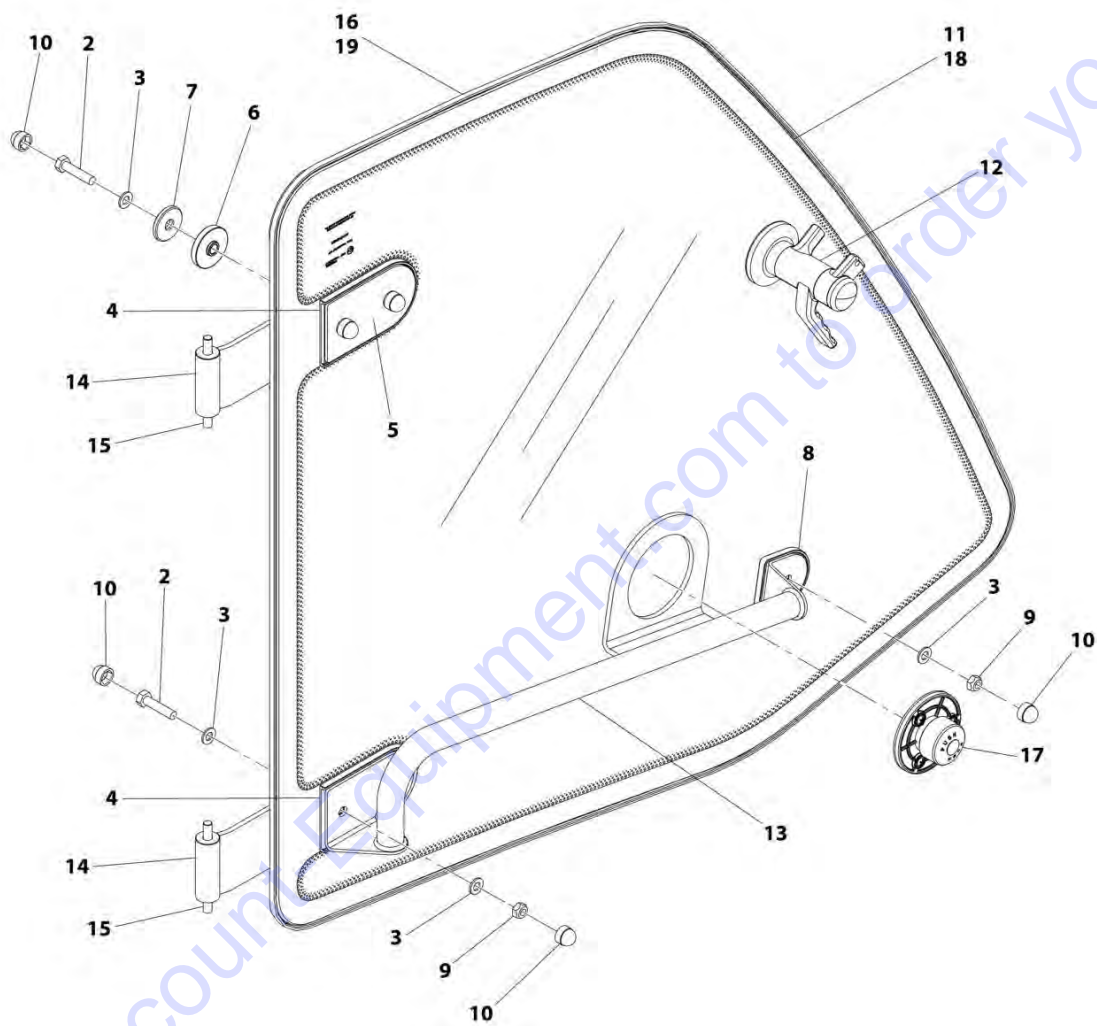
ART_1001205532-E

FIGURE 6-19. DOOR UPPER GLASS ASSEMBLY

ITEM	PART NUMBER	QTY	DESCRIPTION	REV
	1001205532	Ref	Door Upper Glass Assembly	E
1	0760812	1	Bolt, M8X25	
2	0760815	5	Bolt, M8X35	
3	4811900	11	Washer, 8MM	
4	1001002946	4	Mount, Hinge	
5	1001002947	1	Mount, Hinge	
6	1001002953	2	Mount, Rubber	
7	1001002957	2	Mount, Latch	
8	1001008857	5	Nut, Lock	
9	1001096365	11	Cap, M8	
10	1001141246	3	Mount, Rubber	
11	1001165275	1	Latch, Window	
12	1001166634	2	Pin, Hinge	
13	1001170944	1	Panel, Window Surround	
14	1001174321	1	Striker, Top Window	
15	1001204066	1	Glass, Window	
16	1001204115	2	Hinge	
17	1001222741	1	Buffer, Cab	
18	1001204120	1	Handle	
19	1001213331	1	Gasket	
20	1001215531	AR	Adhesive	

SECTION 6 - CAB

FIGURE 6-20. DOOR UPPER GLASS ASSEMBLY



ART_1001165186-F

FIGURE 6-20. DOOR UPPER GLASS ASSEMBLY

ITEM	PART NUMBER	QTY	DESCRIPTION	REV
	1001165186	Ref	Door Upper Glass Assembly	F
2	0760815	5	Bolt, M8X35	
3	4811900	10	Washer, 8MM	
4	1001002946	4	Mount, Hinge	
5	1001002947	1	Mount, Hinge	
6	1001002953	1	Mount, Hinge	
7	1001141246	1	Mount, Rubber	
8	1001002957	1	Mount, Latch	
9	1001008857	5	Nut, Lock	
10	1001096365	10	Cap, M8	
11	1001165187	1	Glass, Window	
12	1001165275	1	Latch, Window	
13	1001199915	1	Handle	
14	1001165459	2	Hinge	
15	1001166634	2	Pin, Hinge	
16	1001170944	1	Panel, Window Surround	
17	1001174321	1	Striker, Top Window	
18	1001111317	AR	Adhesive, Window Sealant	
19	1001200713	AR	Adhesive, Window Surround	

PARTS FINDER

**Search Website
by Part Number**



**Search Manual
Library For Parts
Manual & Lookup Part
Numbers – Purchase
or Request Quote**

**Can't Find Part or
Manual? Request Help
by Manufacturer,
Model & Description**

Discount-Equipment.com is your online resource for quality parts & equipment.

Florida: **561-964-4949** Outside Florida TOLL FREE: **877-690-3101**

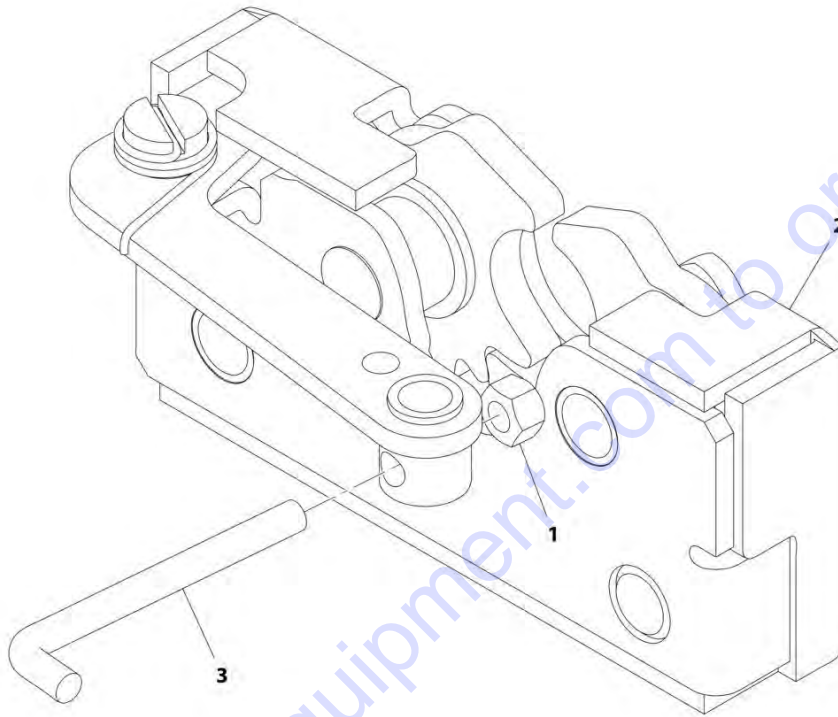
Need parts?

Click on this link: <http://www.discount-equipment.com/category/5443-parts/> and choose one of the options to help get the right parts and equipment you are looking for. Please have the machine model and serial number available in order to help us get you the correct parts. If you don't find the part on the website or on one of the online manuals, please fill out the request form and one of our experienced staff members will get back to you with a quote for the right part that your machine needs.

We sell worldwide for the brands: Genie, Terex, JLG, MultiQuip, Mikasa, Essick, Whiteman, Mayco, Toro Stone, Diamond Products, Generac Magnum, Airman, Haulotte, Barreto, Power Blanket, Nifty Lift, Atlas Copco, Chicago Pneumatic, Allmand, Miller Curber, Skyjack, Lull, Skytrak, Tsurumi, Husquvarna Target, Stow, Wacker, Sakai, Mi-T-M, Sullair, Basic, Dynapac, MBW, Weber, Bartell, Bennar Newman, Haulotte, Ditch Runner, Menegotti, Morrison, Contec, Buddy, Crown, Edco, Wyco, Bomag, Laymor, EZ Trench, Bil-Jax, F.S. Curtis, Gehl Pavers, Heli, Honda, ICS/PowerGrit, IHI, Partner, Imer, Clipper, MMD, Koshin, Rice, CH&E, General Equipment, Amida, Coleman, NAC, Gradall, Square Shooter, Kent, Stanley, Tamco, Toku, Hatz, Kohler, Robin, Wisconsin, Northrock, Oztec, Toker TK, Rol-Air, APT, Wylie, Ingersoll Rand / Doosan, Innovatech, Con X, Ammann, Mecalac, Makinex, Smith Surface Prep, Small Line, Wanco, Yanmar

SECTION 6 - CAB

FIGURE 6-21. CAB LATCH ASSEMBLY



ART_1001192766-A

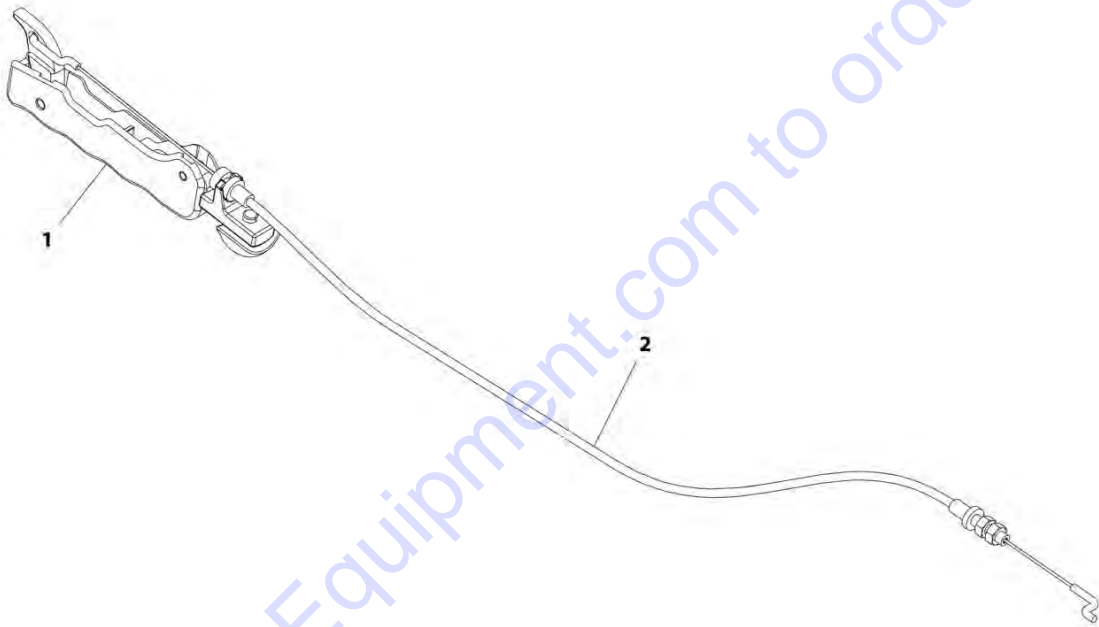
FIGURE 6-21. CAB LATCH ASSEMBLY

ITEM	PART NUMBER	QTY	DESCRIPTION	REV
	1001192766	Ref	Cab Latch Assembly	A
1	3290405	1	Nut, M4X0.7 Grade 8	
2	1001192643	1	Latch	
3	1001192755	1	Link, Door Handle	

Go to Discount-Equipment.com to order your parts

SECTION 6 - CAB

FIGURE 6-22. CAB DOOR TRIGGER ASSEMBLY



ART_1001167958-E

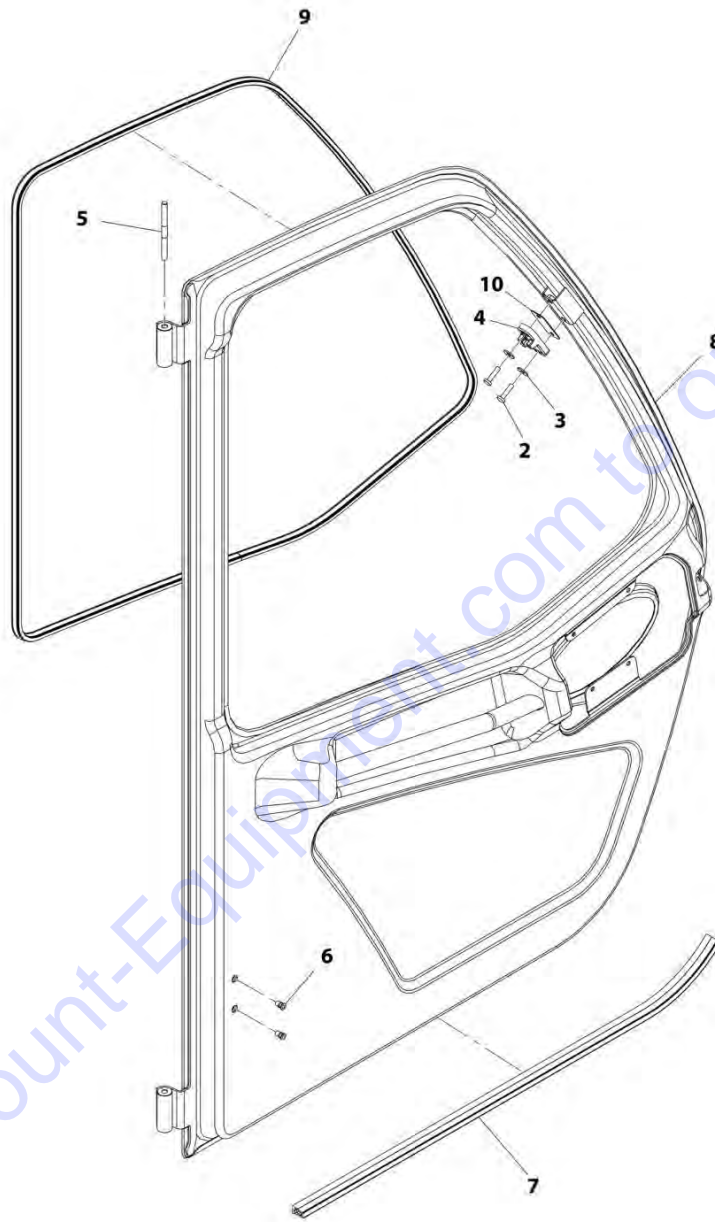
FIGURE 6-22. CAB DOOR TRIGGER ASSEMBLY

ITEM	PART NUMBER	QTY	DESCRIPTION	REV
	1001167958	Ref	Cab Door Trigger Assembly	E
1	1001167937	1	Trigger, Cab Interior Release	
2	1001192644	1	Cable, Cab Latch Release	

Go to Discount-Equipment.com to order your parts

SECTION 6 - CAB

FIGURE 6-23. DOOR ASSEMBLY



ART_1001169881-J

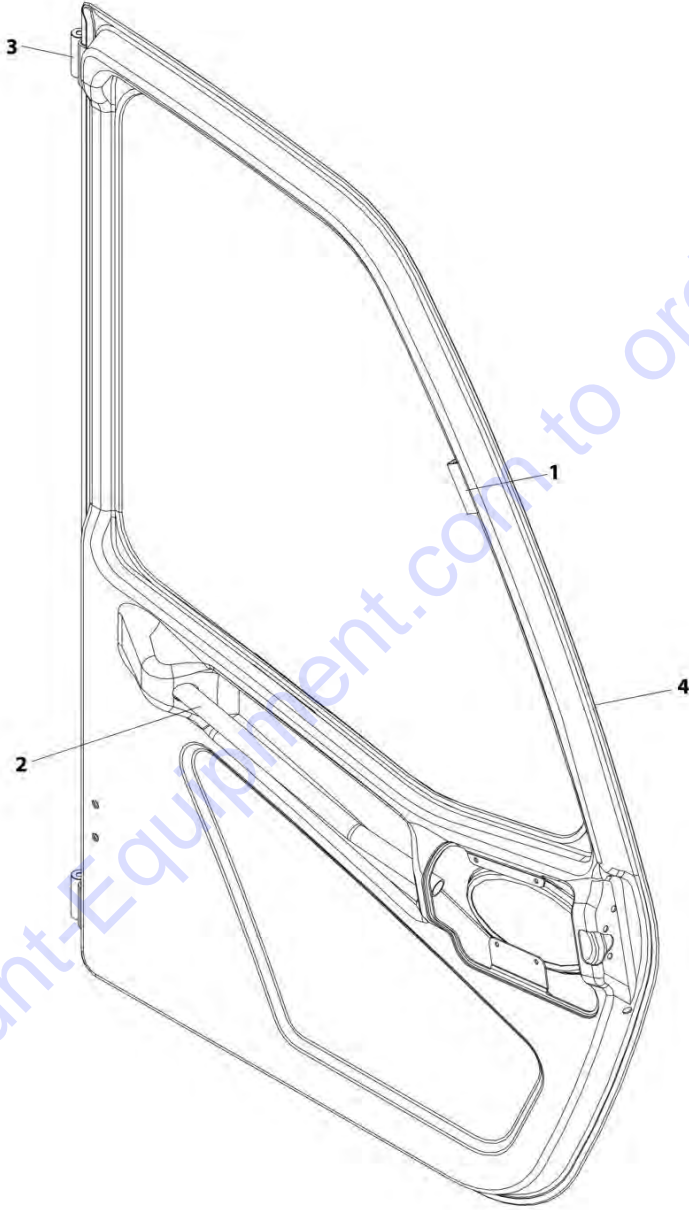
FIGURE 6-23. DOOR ASSEMBLY

ITEM	PART NUMBER	QTY	DESCRIPTION	REV
	1001169881	Ref	Door Assembly	J
2	4010612002	2	Screw, Posi-Drive, M6X25	
3	4811702001	2	Washer, M6	
4	1001165276	1	Plate, Window Latch Striker	
5	1001166634	1	Pin, Hinge	
6	1001172193	2	Rivnut, M5X0.8	
7	1001227188	1	Seal, Cab Door	
8	1001165022J	1	Door, Cab (See Separate Breakdown in this Section)	
9	1001227187	1	Seal, Cab Door Window	
10	1001193210	AR	Shim, Window Latch	

Go to Discount-Equipment.com to order your parts

SECTION 6 - CAB

FIGURE 6-24. CAB DOOR



Go to Discount-Equipment.com to order your parts

ART_1001165022-E

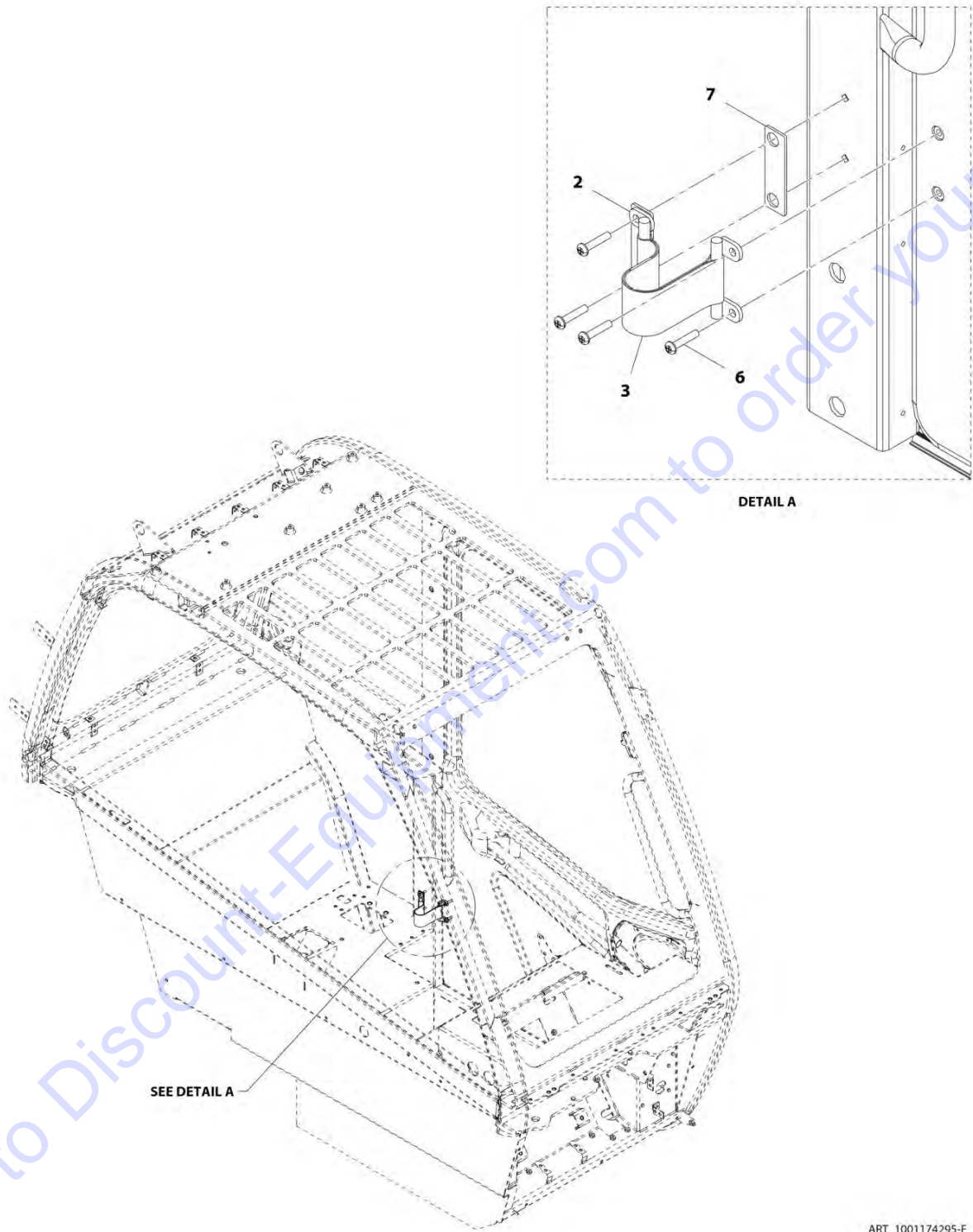
FIGURE 6-24. CAB DOOR

ITEM	PART NUMBER	QTY	DESCRIPTION	REV
	1001165022	Ref	Cab Door	E
1	1001169883	1	Bracket, Window Latch	
2	1001169885	1	Handle, Interior Door	
3	1001171037	1	Plate, Hinge	
4	1001171634	1	Frame, Door	

Go to Discount-Equipment.com to order your parts

SECTION 6 - CAB

FIGURE 6-25. DOOR STRAP INSTALLATION



ART_1001174295-F

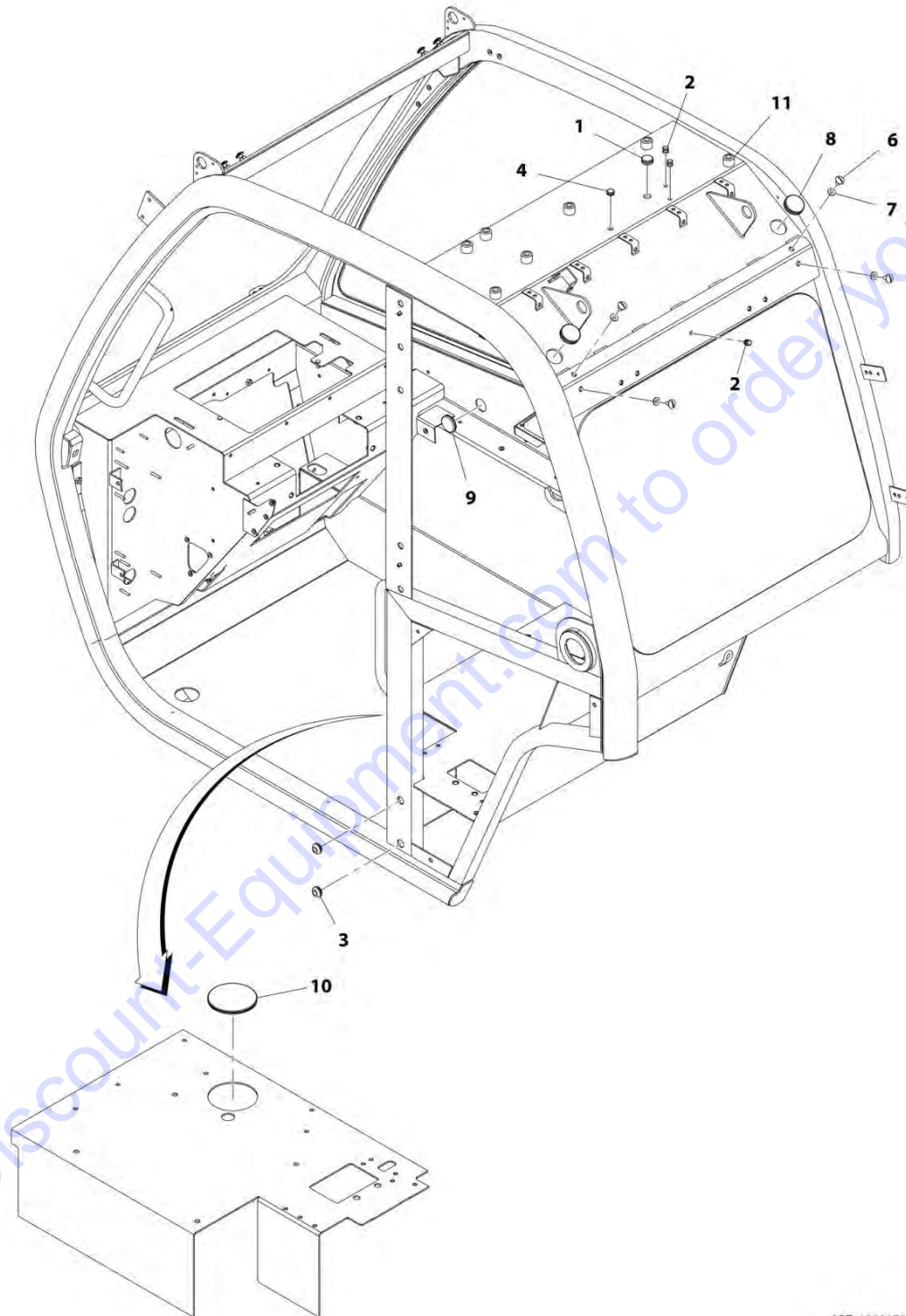
FIGURE 6-25. DOOR STRAP INSTALLATION

ITEM	PART NUMBER	QTY	DESCRIPTION	REV
	1001174295	Ref	Door Strap Installation	F
2	1001230163	2	Bracket, Strap Holder	
3	1001212011	1	Strap, Door Hold Open	
6	8310559	4	Screw	
7	1001191091	1	Plate, Cab Door Strap	

Go to Discount-Equipment.com to order your parts

SECTION 6 - CAB

FIGURE 6-26. ENCLOSED CAB PLUG GROUP



ART_1001170603-E

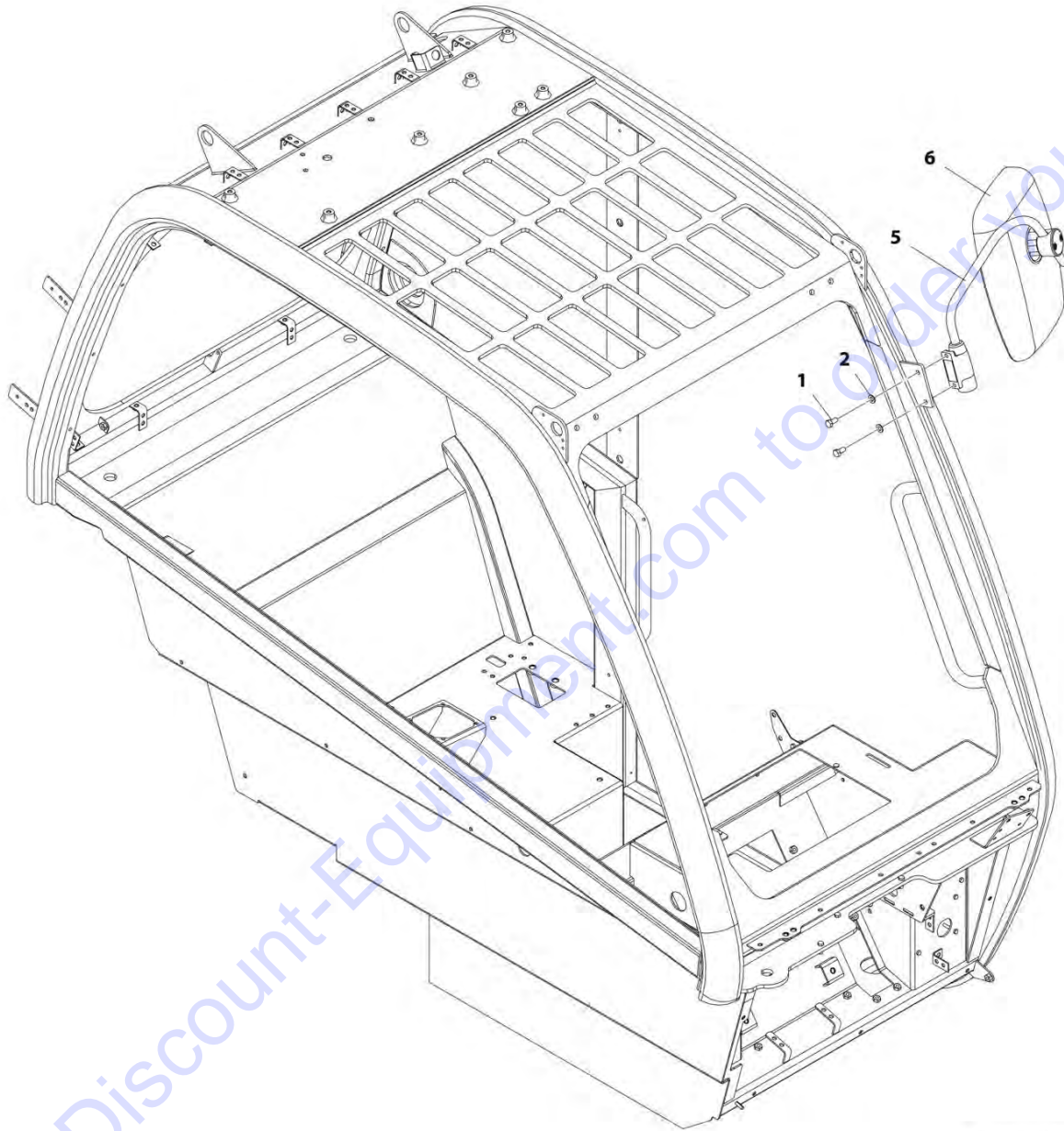
FIGURE 6-26. ENCLOSED CAB PLUG GROUP

ITEM	PART NUMBER	QTY	DESCRIPTION	REV
	1001170603	Ref	Enclosed Cab Plug Group	E
1	1001176273	1	Plug	
2	1001176272	3	Plug	
3	1001143200	2	Plug	
4	1001176626	1	Plug	
6	1001181920	8	Screw, M8X16	
7	1001181921	8	Washer, Rubber M8	
8	1001182123	2	Plug	
9	1001182139	1	Plug	
10	1001209899	1	Plug	
11	1001219220	7	Cap, Vinyl Round	

Go to Discount-Equipment.com to order your parts

SECTION 6 - CAB

FIGURE 6-27. BASIC MIRROR INSTALLATION



ART_1001160508-E

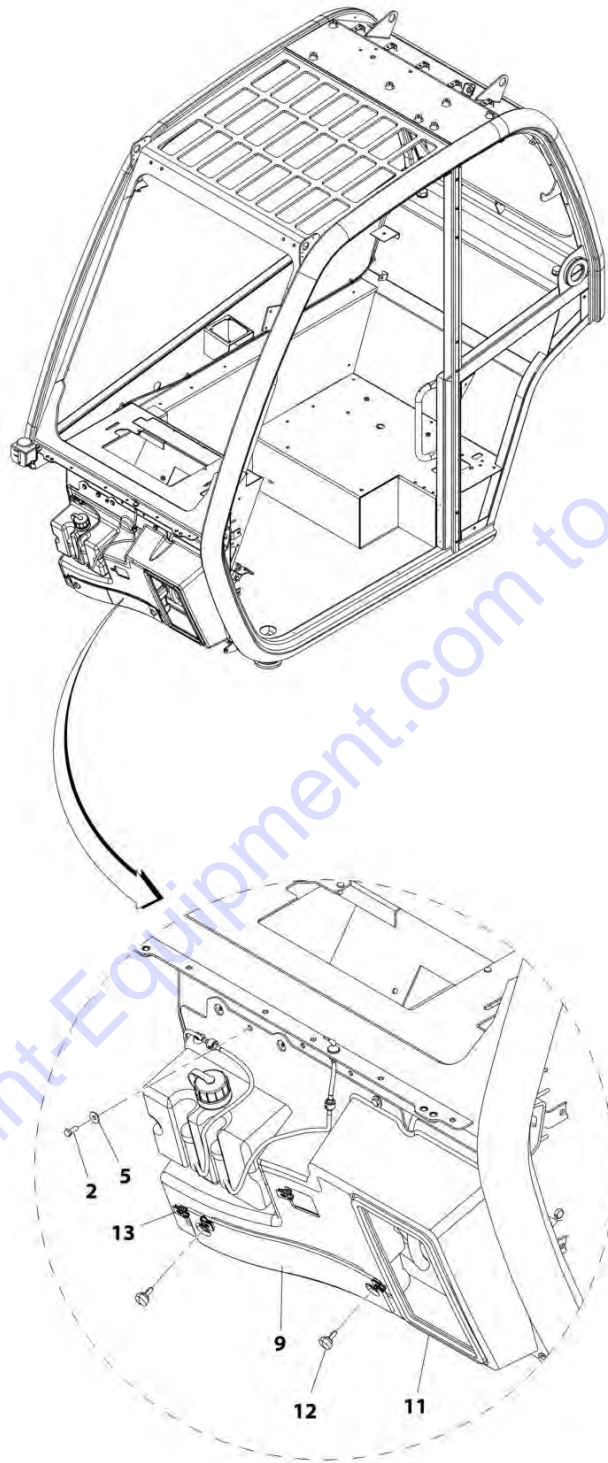
FIGURE 6-27. BASIC MIRROR INSTALLATION

ITEM	PART NUMBER	QTY	DESCRIPTION	REV
	1001160508	Ref	Basic Mirror Installation	E
1	0760808	2	Bolt, M8X16	
2	4811900	2	Washer, M8	
5	1001164655	1	Bracket	
6	80363195	1	Mirror	

Go to Discount-Equipment.com to order your parts

SECTION 6 - CAB

FIGURE 6-28. FRONT COVER INSTALLATION



ART_1001170366-G

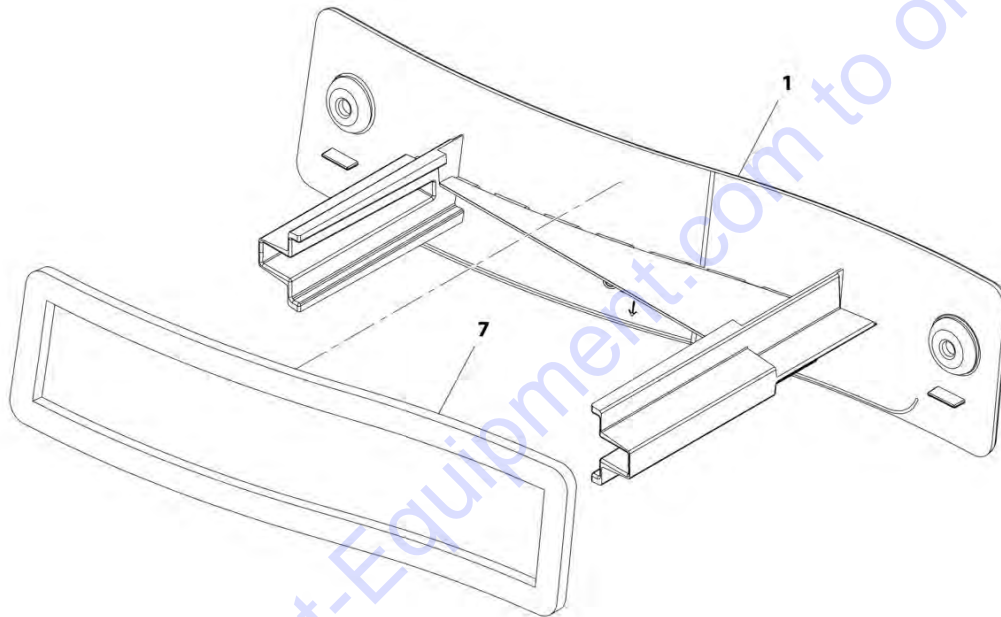
FIGURE 6-28. FRONT COVER INSTALLATION

ITEM	PART NUMBER	QTY	DESCRIPTION	REV
	1001170366	Ref	Front Cover Installation	G
2	0760608	7	Bolt, M6X16	
5	4811702	7	Washer, M6	
9	1001175471	1	Panel, Filter Tray (See Separate Breakdown in this Section)	
11	1001176121	1	Cover, Front Duct (See Separate Breakdown in this Section)	
12	2080092	2	Thumb Screw, M6X16	
13	8305919	4	Nut, M6	

Go to Discount-Equipment.com to order your parts

SECTION 6 - CAB

FIGURE 6-29. FILTER TRAY PANEL



ART_1001175471-D

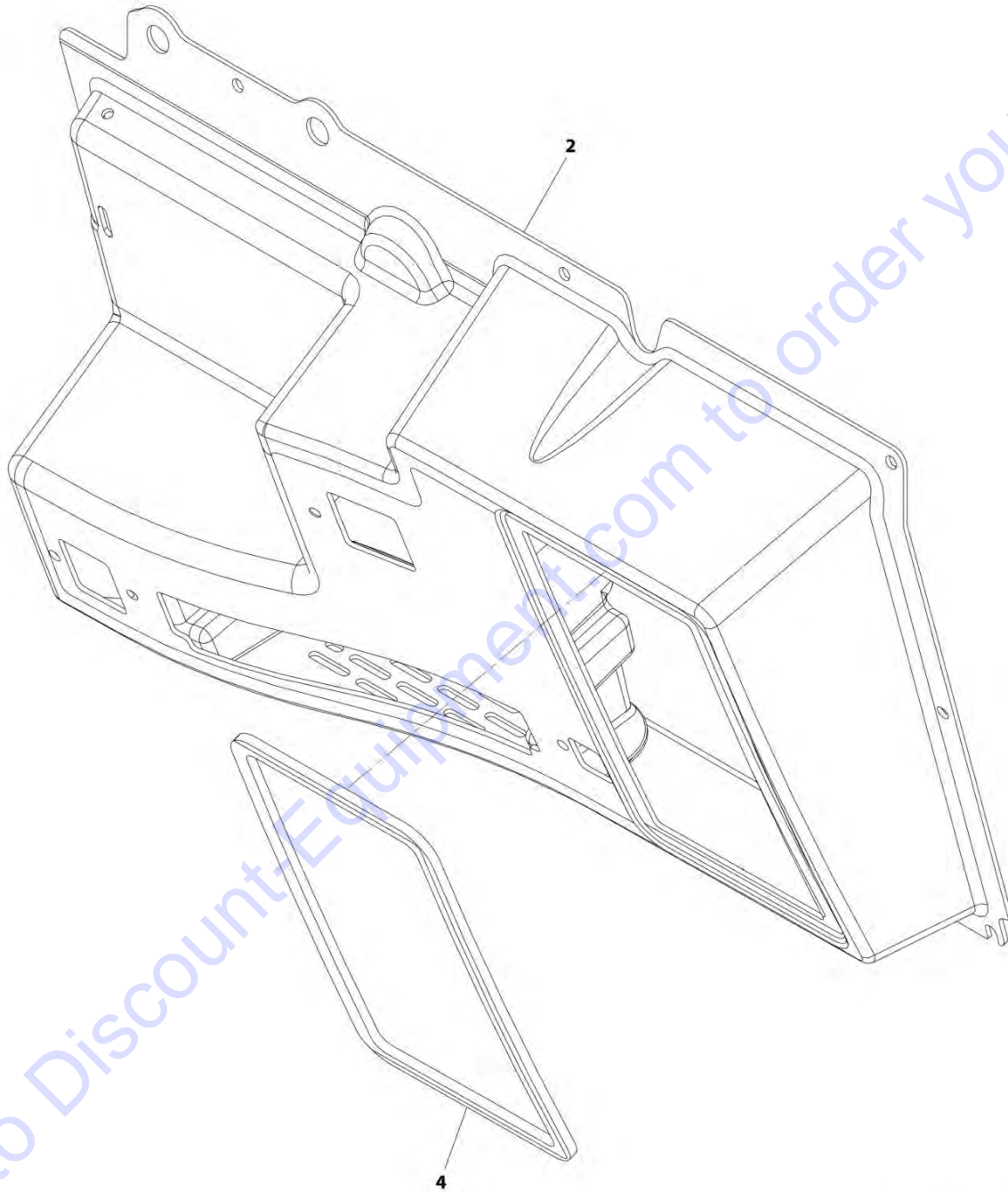
FIGURE 6-29. FILTER TRAY PANEL

ITEM	PART NUMBER	QTY	DESCRIPTION	REV
	1001175471	Ref	Filter Tray Panel	D
1	1001170993	1	Panel, Front Inlet	
7	1001171767	1	Cab, Front Panel Seal	

Go to Discount-Equipment.com to order your parts

SECTION 6 - CAB

FIGURE 6-30. FRONT DUCT COVER



Go to Discount-Equipment.com to order your parts

ART_1001176121-G

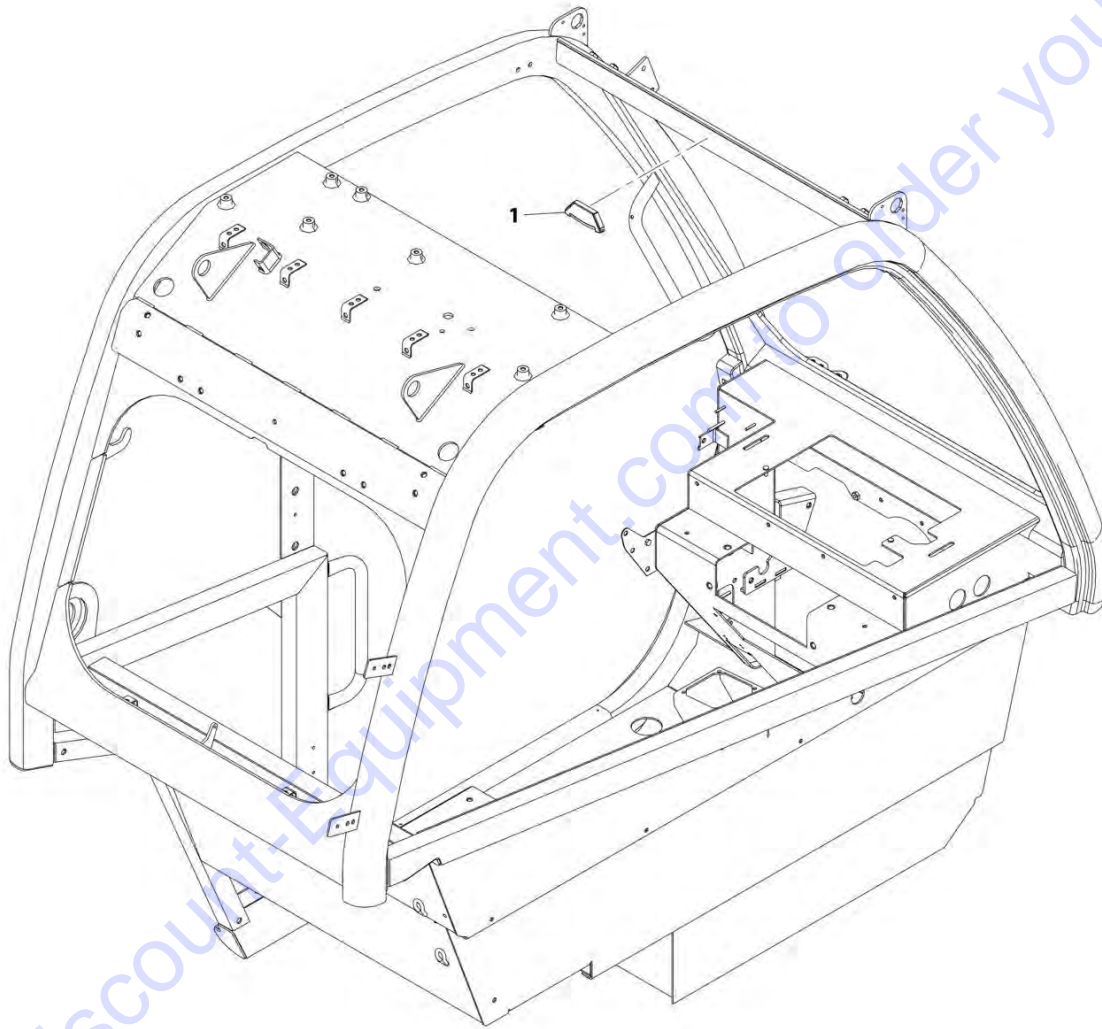
FIGURE 6-30. FRONT DUCT COVER

ITEM	PART NUMBER	QTY	DESCRIPTION	REV
	1001176121	Ref	Font Duct Cover	G
2	1001170326	1	Cover, Front	
4	1001175470	1	Seal, Front Cab Panel	

Go to Discount-Equipment.com to order your parts

SECTION 6 - CAB

FIGURE 6-31. LEVEL INDICATOR INSTALLATION



ART_1001172401-C

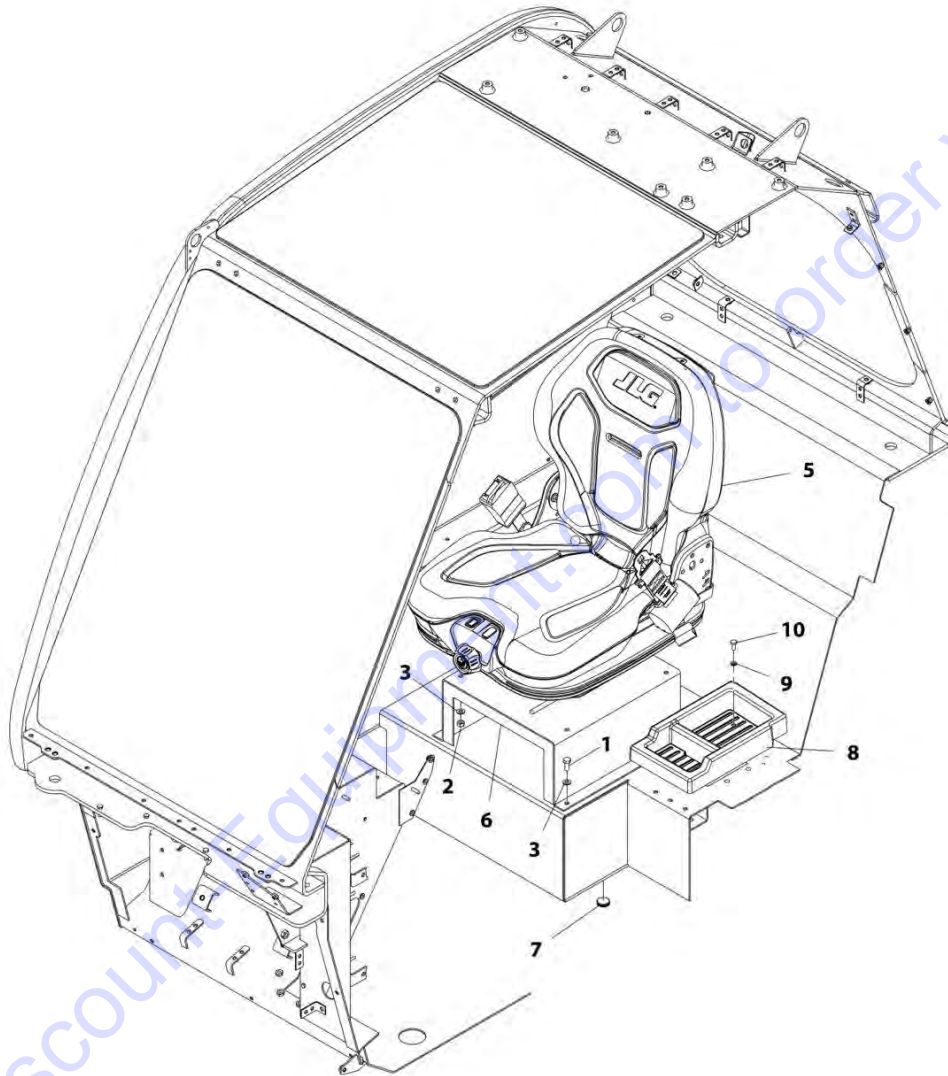
FIGURE 6-31. LEVEL INDICATOR INSTALLATION

ITEM	PART NUMBER	QTY	DESCRIPTION	REV
1	1001172401 8466306	Ref 1	Level Indicator Installation Gauge, Tilt Angle	C

Go to Discount-Equipment.com to order your parts

SECTION 6 - CAB

FIGURE 6-32. SEAT INSTALLATION



ART_1001164615-G

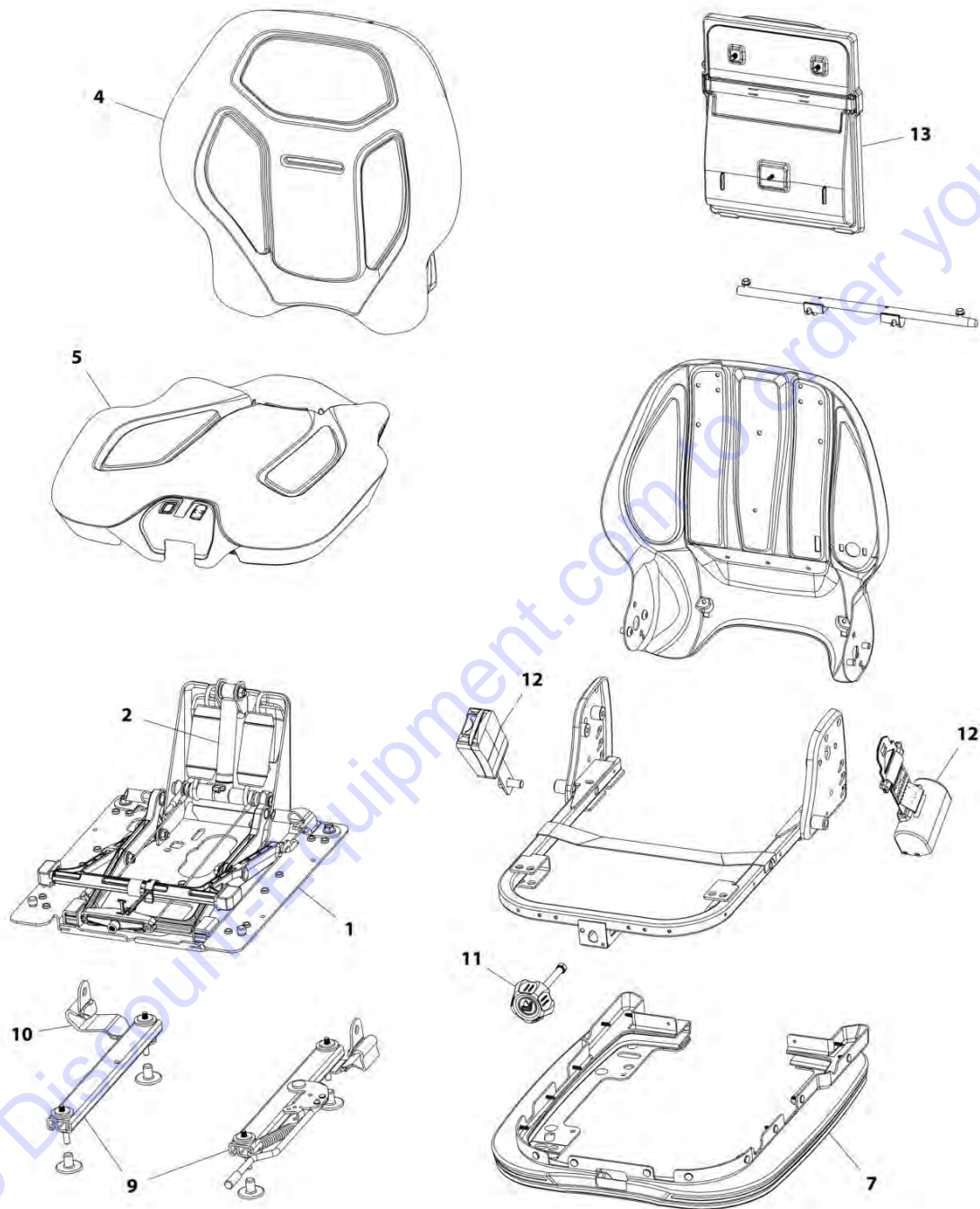
FIGURE 6-32. SEAT INSTALLATION

ITEM	PART NUMBER	QTY	DESCRIPTION	REV
	1001164615	Ref	Seat Installation	G
1	0760810	4	Bolt, M8X20	
2	3311505	4	Nut, Lock 5/16-18	
3	4811900	8	Washer, M8	
5	1001197027	1	Seat (See Separate Breakdown in this Section)	
6	1001164498	1	Plinth, Seat	
7	1001196076	1	Plug	
8	1001170515	1	Insert, Storage Tray	
9	4811700	1	Washer, M6	
10	4010608002	1	Screw, Posi-Drive, M6X16	

Go to Discount-Equipment.com to order your parts

SECTION 6 - CAB

FIGURE 6-33. SEAT



ART_1001197027-D

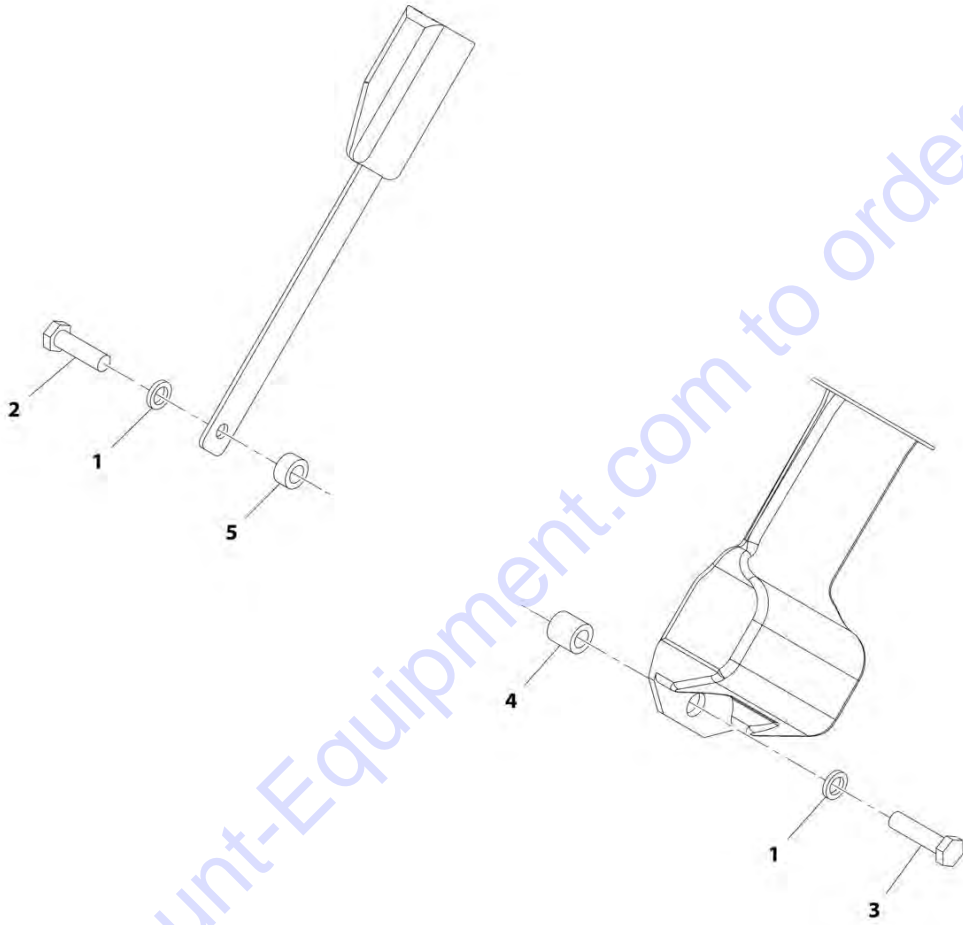
FIGURE 6-33. SEAT

ITEM	PART NUMBER	QTY	DESCRIPTION	REV
	1001197027	Ref	Seat	D
1	70027024	1	Suspension Assembly Kit	
2	70027025	1	Spring Saddle Assembly Kit	
4	70027026	1	Back Cushion Kit	
5	70027028	1	Seat Cushion Assembly Kit	
7	70027030	1	Boot Kit	
9	7026798	1	Adjuster Kit	
10	70027032	1	Tether Strap	
11	70027033	1	Weight Adjust Knob Kit	
12	70027034	2	Seat Belt Kit	
13	70027035	1	Document Box Kit	

Go to Discount-Equipment.com to order your parts

SECTION 6 - CAB

FIGURE 6-34. SEAT BELT INSTALLATION (3IN)



ART_1001006731-B

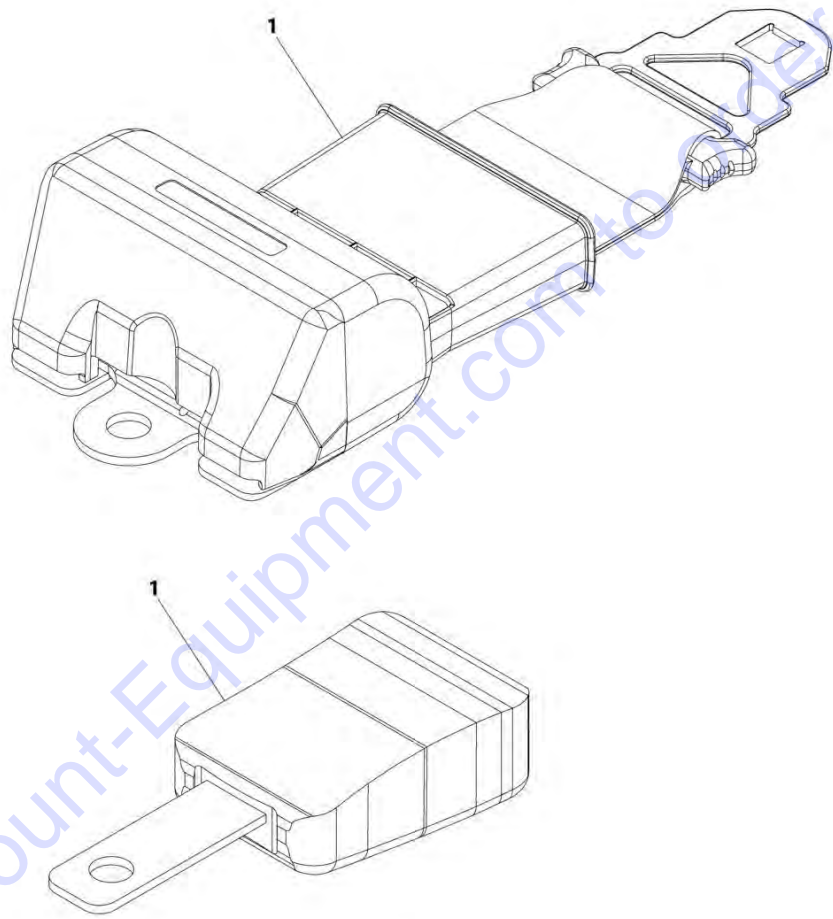
FIGURE 6-34. SEAT BELT INSTALLATION (3IN)

ITEM	PART NUMBER	QTY	DESCRIPTION	REV
	1001006731	Ref	Seat Belt Installation (3IN)	B
1	1001010646	2	Washer	
2	1001010647	1	Bolt	
3	1001010648	1	Bolt	
4	1001010649	1	Spacer	
5	1001010650	1	Spacer	

Go to Discount-Equipment.com to order your parts

SECTION 6 - CAB

FIGURE 6-35. SEAT BELT INSTALLATION



ART_1001215778-B

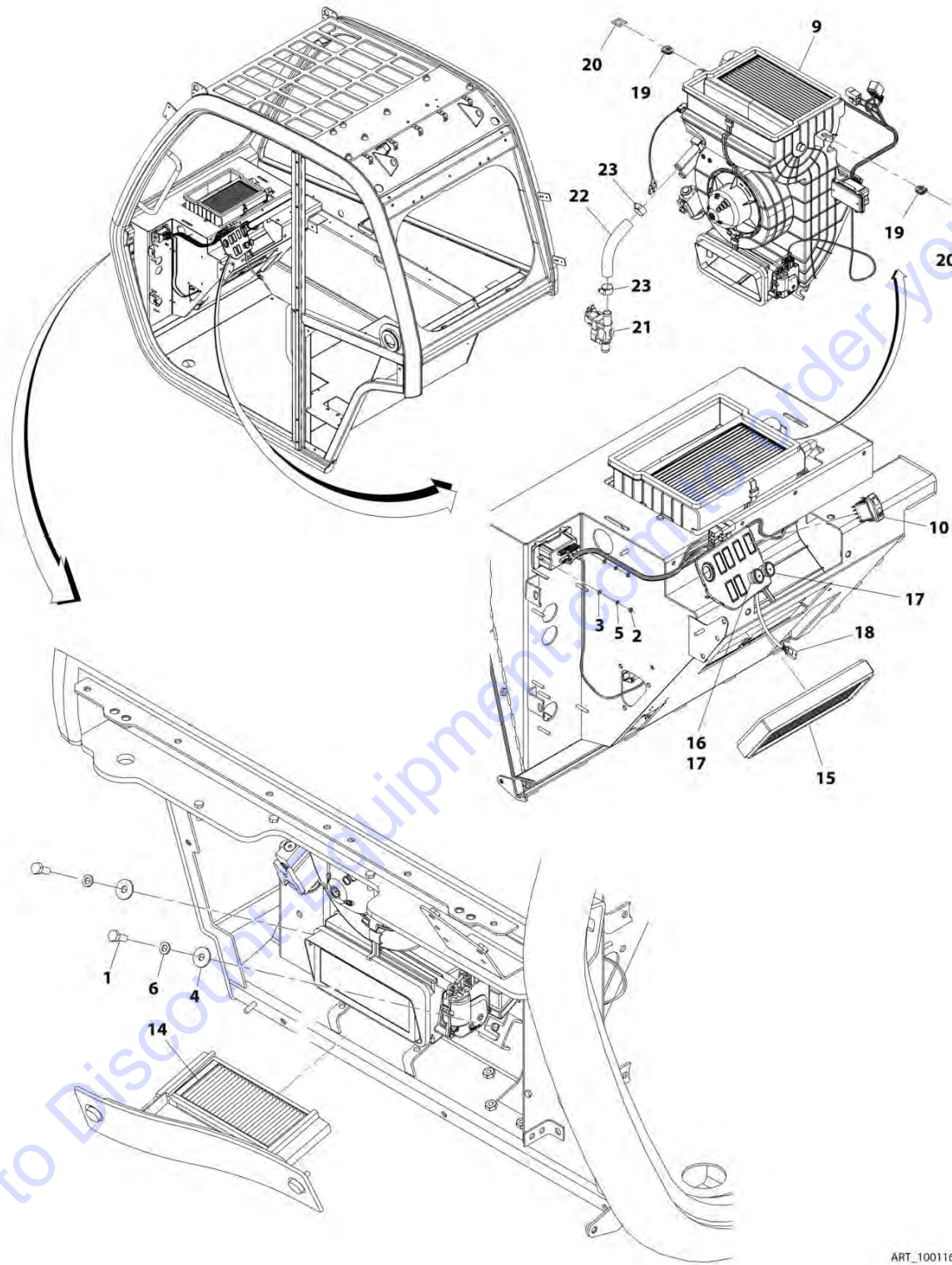
FIGURE 6-35. SEAT BELT INSTALLATION

ITEM	PART NUMBER	QTY	DESCRIPTION	REV
1	1001215778	Ref	Seat Belt Installation (3 Inch)	B

Go to Discount-Equipment.com to order your parts

SECTION 6 - CAB

FIGURE 6-36. HEATER INSTALLATION



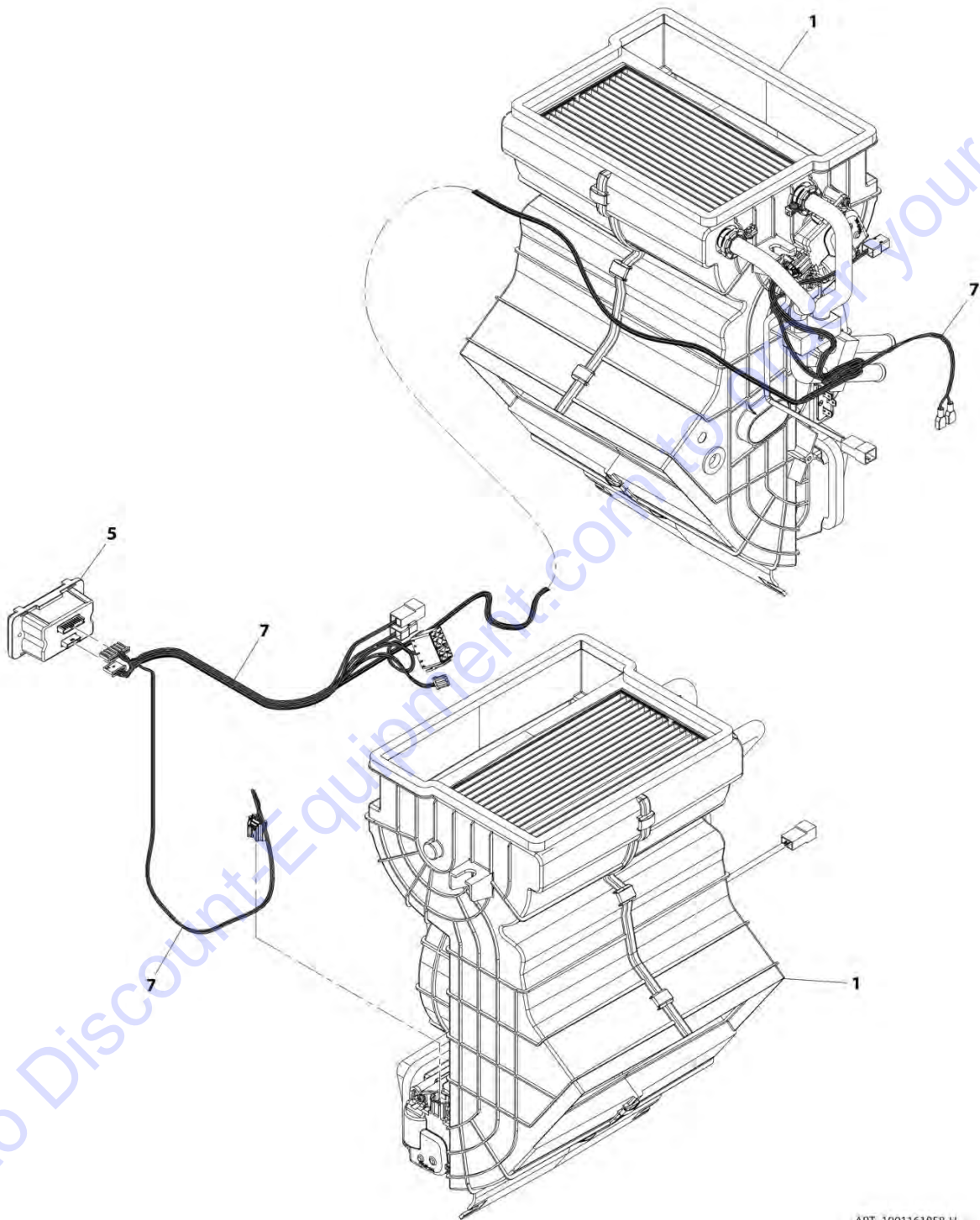
ART_1001160043-K

FIGURE 6-36. HEATER INSTALLATION

ITEM	PART NUMBER	QTY	DESCRIPTION	REV
	1001160043	Ref	Heater Installation	K
1	0760810	2	Bolt, M8X20	
2	3290401	2	Nut, M4X0.7	
3	4811400	2	Washer, M4	
4	4811902	2	Washer, M8	
5	4831400	2	Washer, Lock M4	
6	4831900	2	Washer, M8	
9	1001161858	1	Assembly, Heater (See Separate Breakdown in this Section)	
10	1001159925	1	Switch, HVAC Recycle	
14	1001218996	1	Filter, HVAC Air	
15	1001172553	1	Filter, HVAC Recirculation Air	
16	1001172547	1	Switch, HVAC Rotary 3 Speed	
17	1001172550	2	Knob, HVAC Control	
18	1001218529	1	Cable, HVAC	
19	1001188590	2	Grommet	
20	1001218542	2	Shim	
21	1001221059	1	Valve, Water	
22	1001221295	1	House	
23	8410009	2	Clamp	

SECTION 6 - CAB

FIGURE 6-37. HEATER ASSEMBLY



ART_1001161858-H

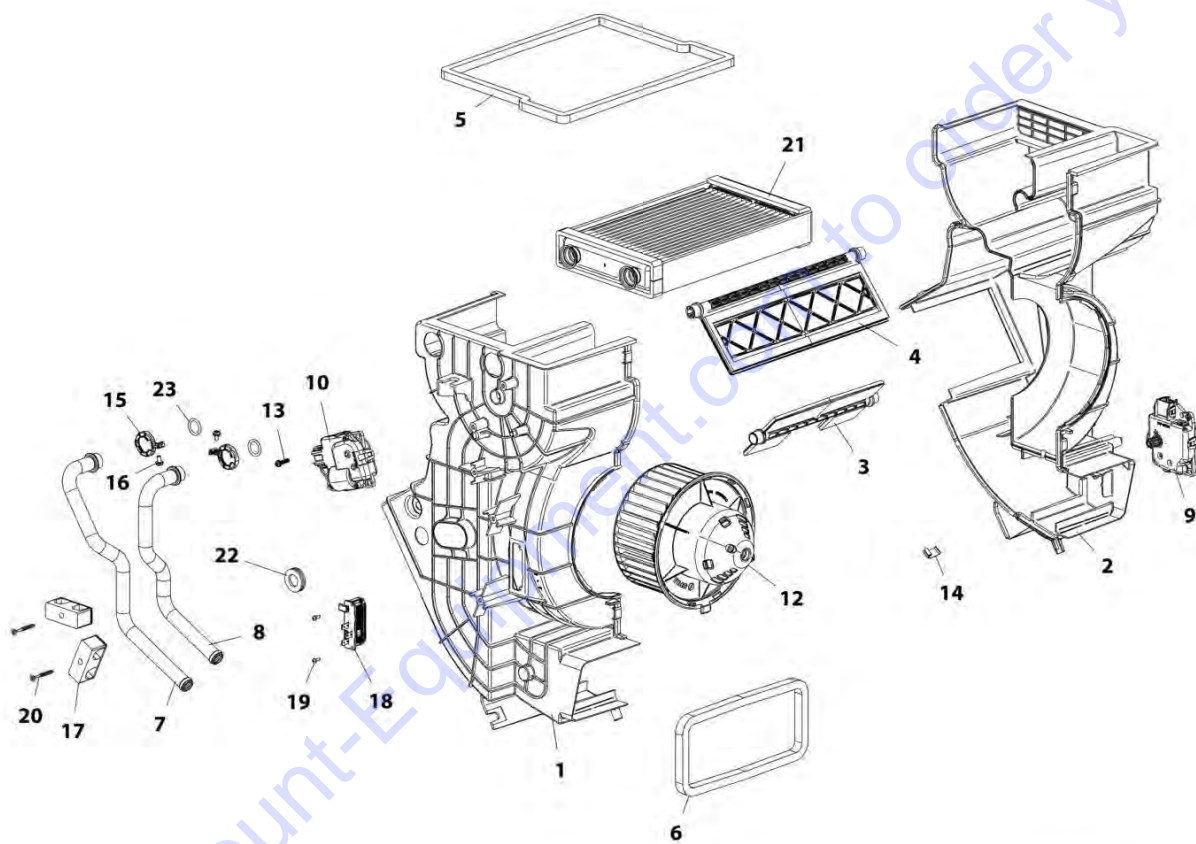
FIGURE 6-37. HEATER ASSEMBLY

ITEM	PART NUMBER	QTY	DESCRIPTION	REV
	1001161858	Ref	Heater Assembly	H
1	1001152908	NLA	Heater, Cab (no longer available, use 1001221052), (For Service, See Separate Breakdown in this Section)	
5	1001221052	1	Heater, Cab (See Separate Breakdown in this Section)	
5	1001172551	1	Actuator, HVAC Cab (See Separate Breakdown in this Section)	
7	1001173571	1	Harness, HVAC Actuator	
7	1001221056	1	Harness, HVAC Actuator	

Go to Discount-Equipment.com to order your parts

SECTION 6 - CAB

FIGURE 6-38. HEATER



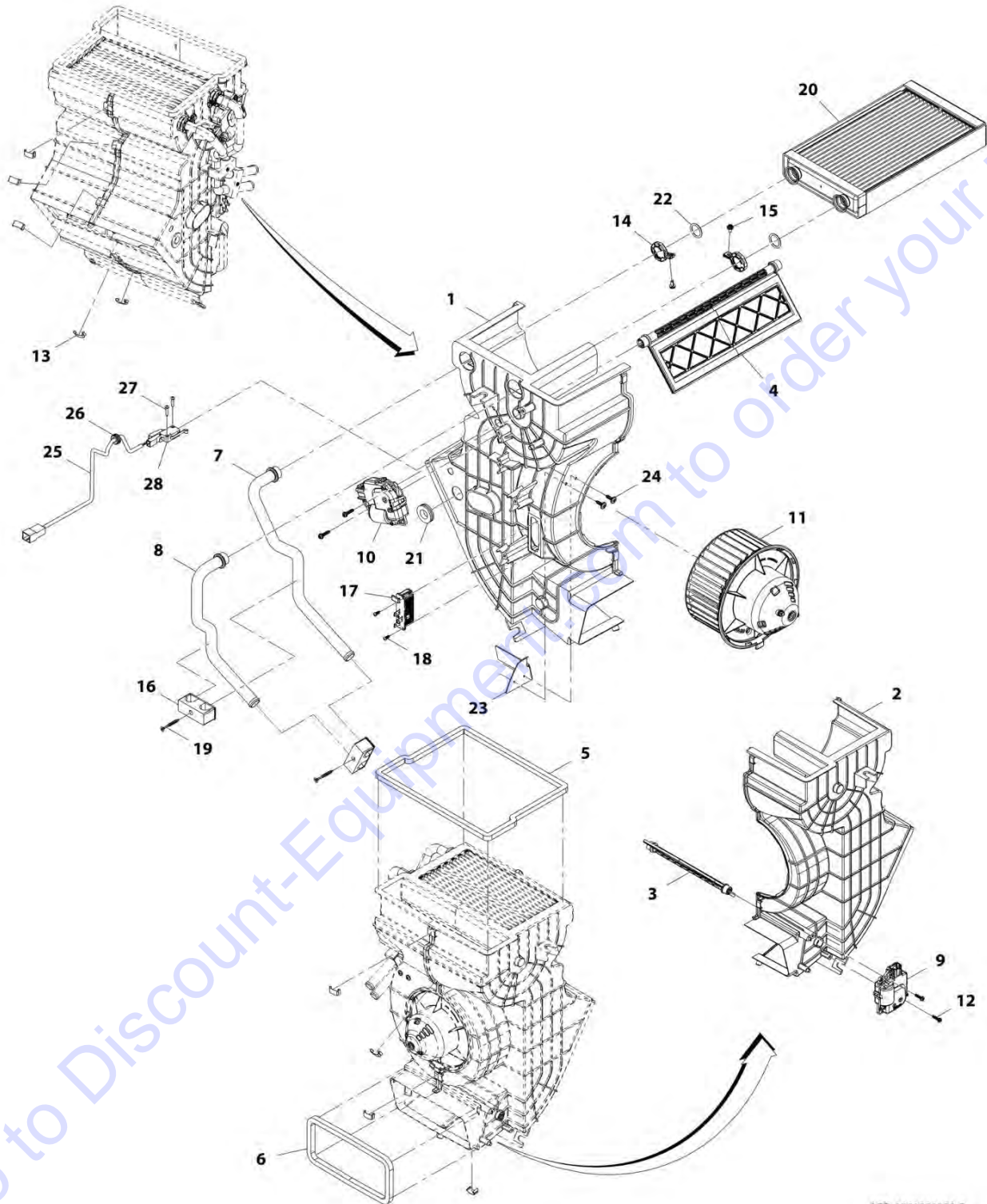
ART_1001152908-E

FIGURE 6-38. HEATER

ITEM	PART NUMBER	QTY	DESCRIPTION	REV
	1001152908	NLA	Heater (no longer available, see items 1 through 23 for service or use 1001221052 for replacement)	E
1	1001166091	1	Housing, RH	
2	1001166092	1	Housing, LH	
3	1001184275	1	Flap, Recirculation with Foam	
4	1001184278	1	Flap, Mixing with Foam	
5	1001184294	1	Foam, Air Outlet	
6	1001184295	1	Foam, Air Inlet	
7	1001184296	1	Pipe, Water	
8	1001184297	1	Pipe, Water	
9	1001188577	1	Actuator, Fresh/Recirculation Air	
10	1001188578	1	Actuator, Hot/Cold	
12	1001188594	1	Fan, 12V	
13	1001188602	4	Screw	
14	1001188603	9	Clamp	
15	1001188604	2	Clamp	
16	1001188610	2	Screw	
17	1001188612	2	Clamp	
18	1001188614	1	Resistor	
19	1001188720	2	Screw	
20	1001188725	2	Screw	
21	1001188729	1	Radiator, Heater Core	
22	1001188733	1	Grommet	
23	1001189025	2	O-Ring	

SECTION 6 - CAB

FIGURE 6-39. HEATER



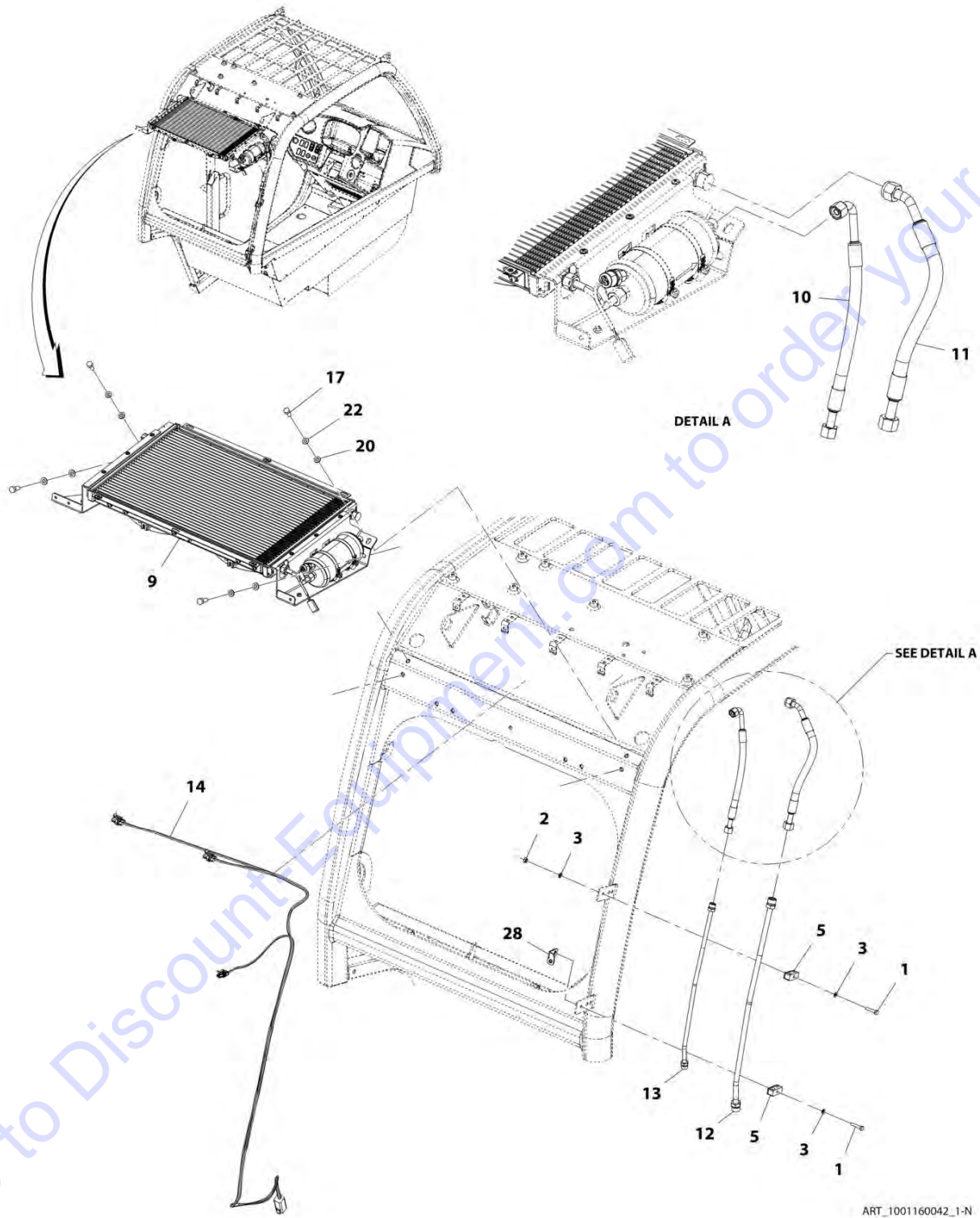
ART_1001221052-B

FIGURE 6-39. HEATER

ITEM	PART NUMBER	QTY	DESCRIPTION	REV
	1001221052	Ref	Heater	B
1	1001166091	1	Housing, RH	
2	1001166092	1	Housing, LH	
3	1001184275	1	Flap, Recirculation with Foam	
4	1001184278	1	Flap, Mixing with Foam	
5	1001184294	1	Foam, Air Outlet	
6	1001184295	1	Foam, Air Inlet	
7	1001184296	1	Pipe, Water	
8	1001184297	1	Pipe, Water	
9	1001188577	1	Actuator, Fresh/Recirculation Air	
10	1001188578	1	Actuator, Hot/Cold	
11	1001188594	1	Fan, 12V	
12	1001188602	4	Screw	
13	1001188603	9	Clamp	
14	1001188604	2	Clamp	
15	1001188610	2	Screw	
16	1001188612	2	Clamp	
17	1001188614	1	Resistor	
18	1001188720	2	Screw	
19	1001188725	2	Screw	
20	1001188729	1	Radiator, Heater Core	
21	1001188733	1	Grommet	
22	1001189025	2	O-Ring	
23	1001221057	1	Plate	
24	1001221058	2	Screw	
25	1001228132	1	Harness, HVAC Sensor	
26	1001228140	1	Grommet	
27	1001228141	2	Screw	
28	1001228147	1	Valve, Water	

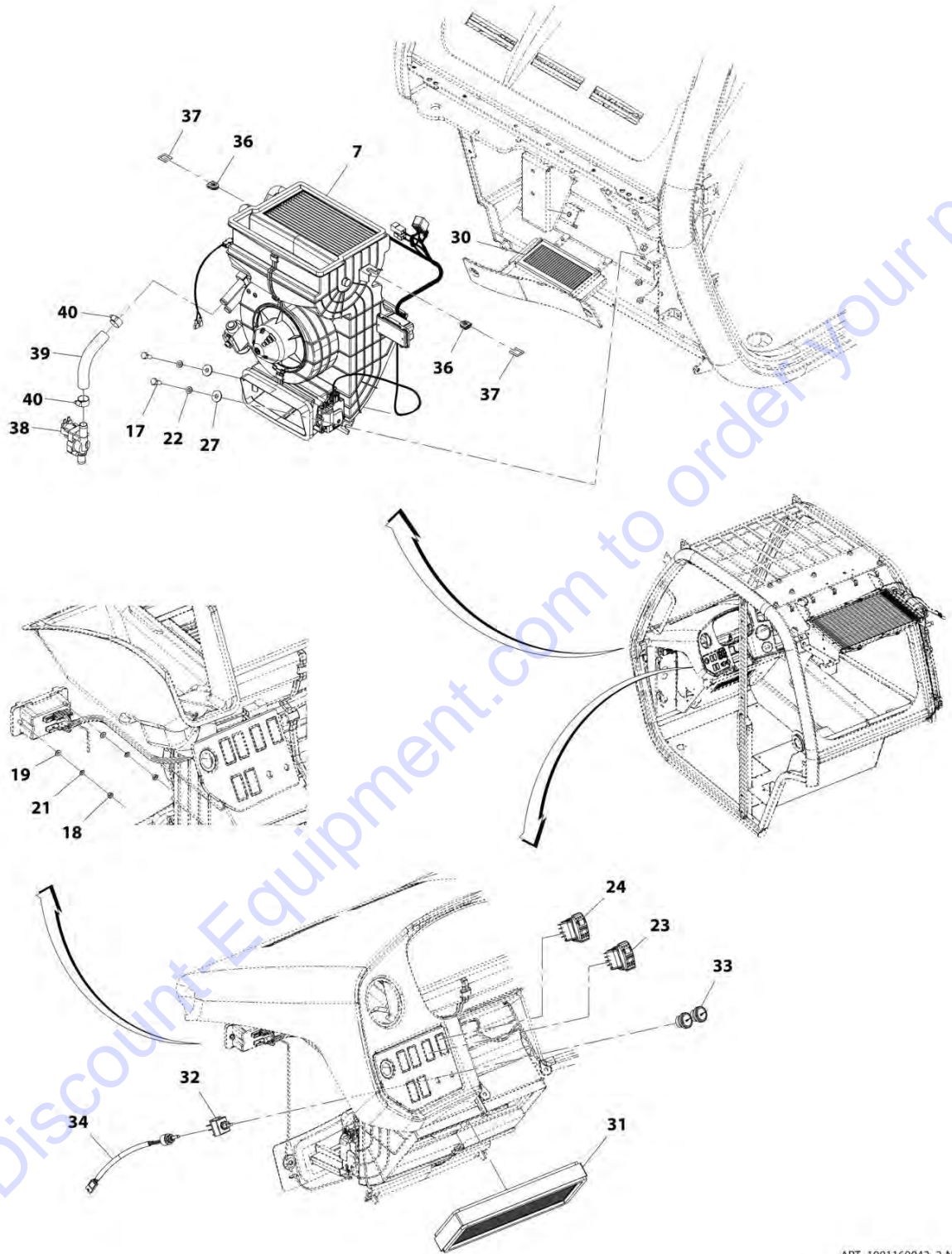
SECTION 6 - CAB

FIGURE 6-40. HEATER AND A/C INSTALLATION (CAB PARTS)



ART_1001160042_1-N

SECTION 6 - CAB



Go to Discount-Equipment.com to order your parts

ART_1001160042_2-N

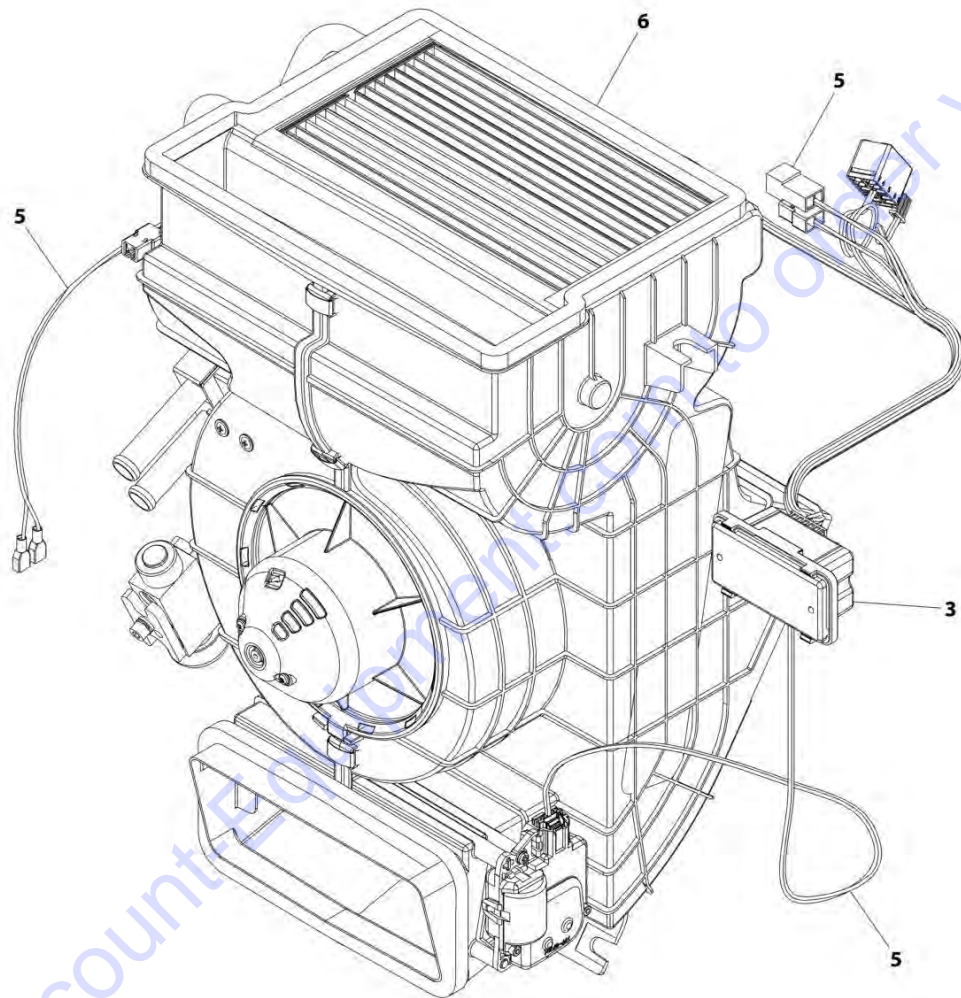
SECTION 6 - CAB

FIGURE 6-40. HEATER AND A/C INSTALLATION (CAB PARTS)

ITEM	PART NUMBER	QTY	DESCRIPTION	REV
	1001160042	Ref	Heater and A/C Installation (cab parts)	N
1	0700614	2	Bolt, M6X30	
2	3290601	1	Nut, M6X1	
3	4811700	3	Washer, M6	
5	1001145539	2	Support, Pipe	
7	1001188303	1	Assembly, Heater and A/C (See Separate Breakdown in this Section)	
9	1001162953	1	Assembly, Cab Condenser (See Separate Breakdown in this Section)	
10	1001168327	1	Hose	
11	1001168330	1	Hose	
12	1001168331	1	Tube	
13	1001168456	1	Tube	
14	1001169151	1	Harness, A/C Option (See Separate Breakdown in Electrical Section)	
17	0760810	6	Bolt, M8X20 GR8.8	
18	3290401	2	Nut, M4X0.7	
19	4811400	2	Washer, M4	
20	4811900	4	Washer, M8	
21	4831400	2	Washer, Lock M4	
22	4831900	6	Washer, Lock M8	
23	1001159925	1	Switch, HVAC Recycle	
24	1001160326	1	Switch, HVAC On/Off	
27	4811902	2	Washer, M8	
28	1001178170	1	Bracket	
30	1001218996	1	Filter, HVAC Fresh Air	
31	1001172553	1	Filter, HVAC Air Recirculation	
32	1001172547	1	Switch, HVAC Rotary 3 Speed	
33	1001172550	2	Knob, HVAC Control	
34	1001218529	1	Cable, HVAC	
35	1320022	1	Clamp	
36	1001188590	2	Grommet	
37	1001218542	2	Shim	
38	1001221059	1	Valve, Water	
39	1001221295	1	Hose	
40	8410009	2	Clamp	

SECTION 6 - CAB

FIGURE 6-41. HEATER AND A/C ASSEMBLY



ART_1001188303-G

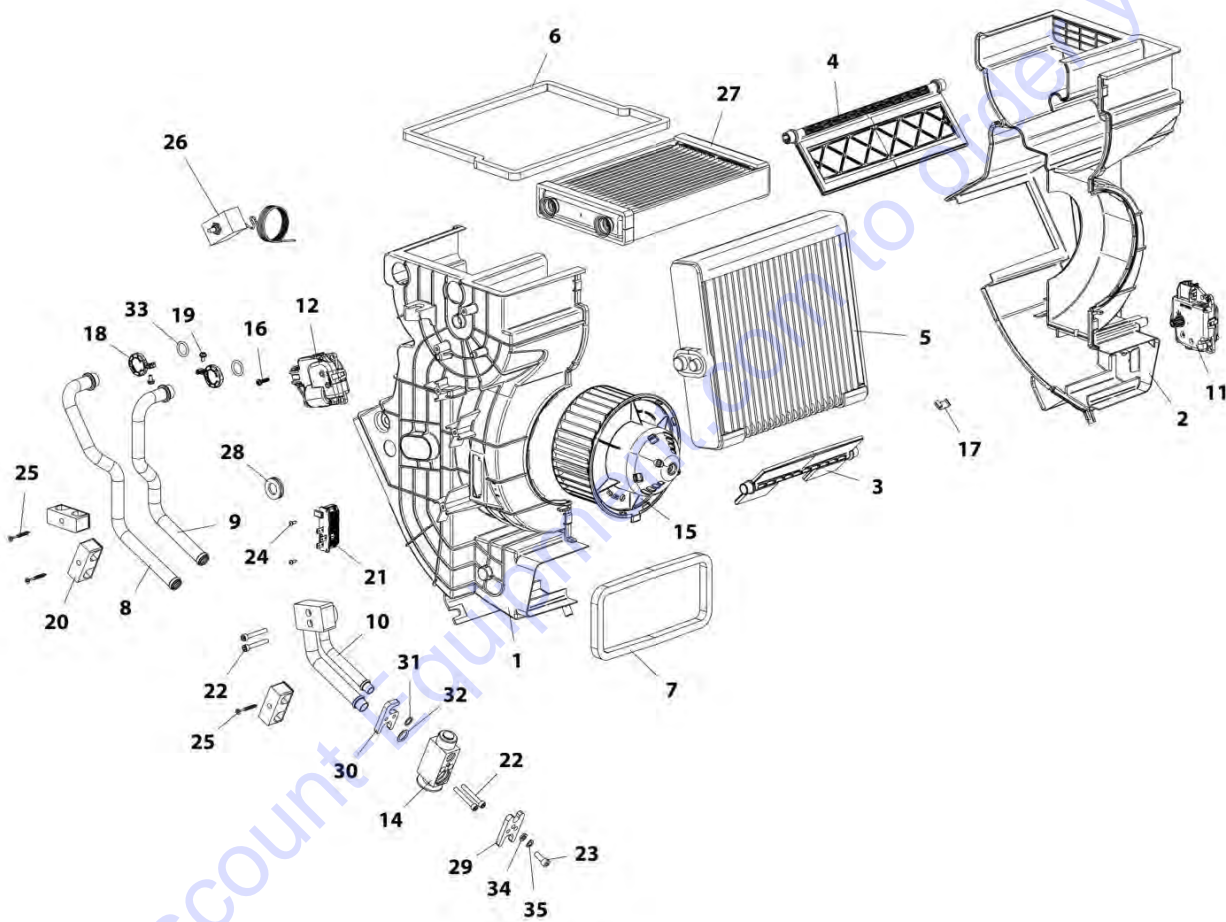
FIGURE 6-41. HEATER AND A/C ASSEMBLY

ITEM	PART NUMBER	QTY	DESCRIPTION	REV
	1001188303	Ref	Heater and A/C Assembly	G
3	1001172551	1	Actuator, HVAC Cab (See Separate Breakdown in this Section)	
5	1001221056	1	Harness, HVAC Actuator	
6	1001221054	1	Heater and A/C (See Separate Breakdown in this Section)	

Go to Discount-Equipment.com to order your parts

SECTION 6 - CAB

FIGURE 6-42. HEATER AND A/C



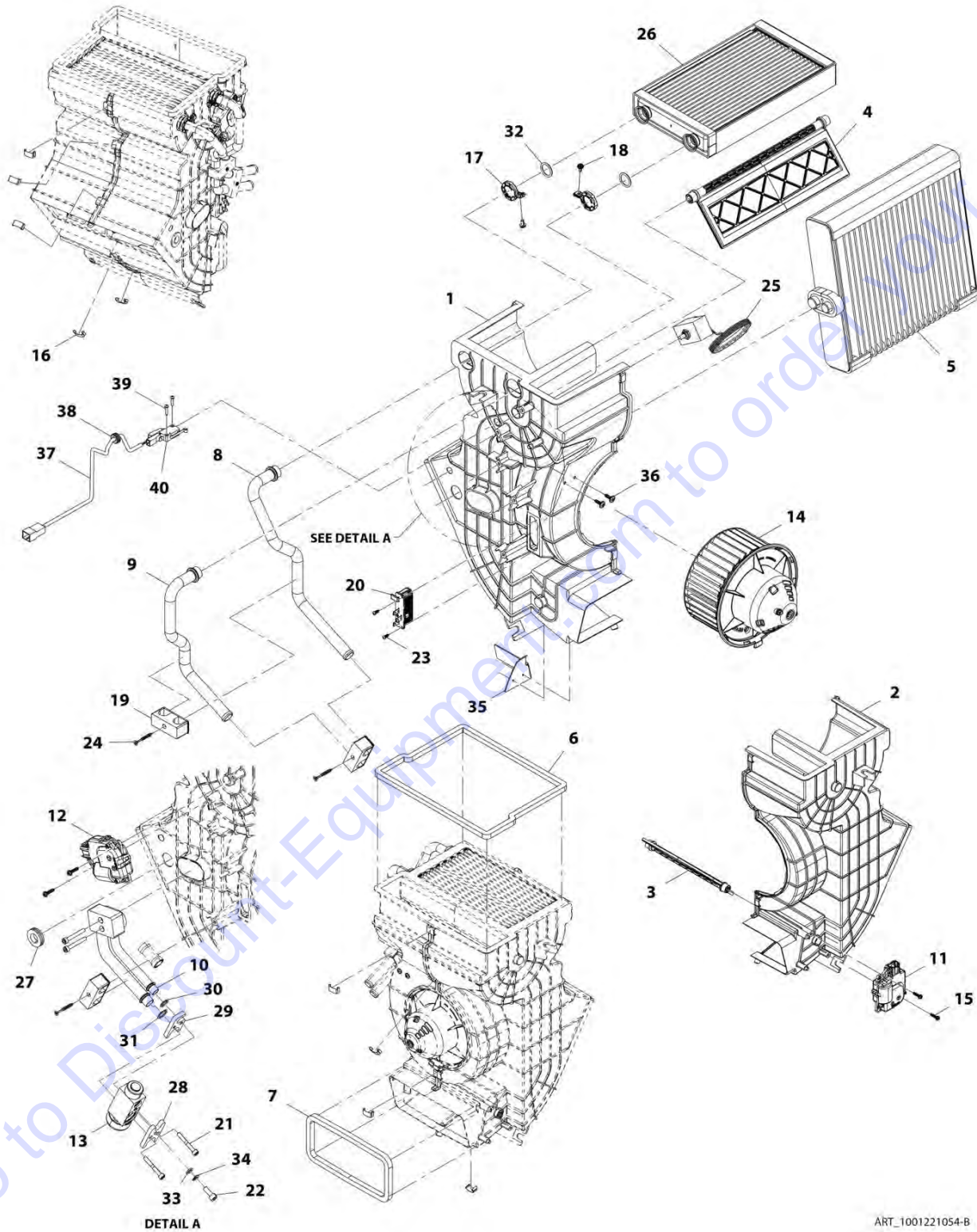
ART_1001188275-D

FIGURE 6-42. HEATER AND A/C

ITEM	PART NUMBER	QTY	DESCRIPTION	REV
	1001188275	NLA	Heater and A/C (no longer available, see items 1 through 35 for service or use 1001221054 for replacement)	D
1	1001166091	1	Housing, HVAC RH	
2	1001166092	1	Housing, HVAC LH	
3	1001184275	1	Foam, Heater Flap	
4	1001184278	1	Foam, Heater Mixing Flap	
5	1001184280	1	Evaporator, Heater	
6	1001184294	1	Seal, Heater Foam	
7	1001184295	1	Seal, Air Inlet Foam	
8	1001184296	1	Pipe, Heater Water	
9	1001184297	1	Pipe, Heater Water	
10	1001184427	1	Pipe, Heater	
11	1001188577	1	Actuator, Fresh/Recirculation Air	
12	1001188578	1	Actuator, Hot/Cold Mixing	
14	1001188592	1	Valve, HVAC Expansion	
15	1001188594	1	Fan, HVAC Centrifugal 12V	
16	1001188602	4	Screw, M4	
17	1001188603	9	Clamp, HVAC Case	
18	1001188604	2	Clamp, HVAC Pipe	
19	1001188610	2	Screw, M4X0.7	
20	1001188612	3	Clamp, Pipe	
21	1001188614	1	Resistor	
22	1001188618	4	Screw, M5	
23	1001188619	1	Screw, M6	
24	1001188720	2	Screw, M2.9X9.5	
25	1001188725	3	Screw, M4X35	
26	1001188728	1	Sensor, HVAC Thermostat	
27	1001188729	1	Radiator, Heater Core	
28	1001188733	1	Grommet	
29	1001188817	1	Clamp, Hose	
30	1001188818	1	Clamp, HVAC EVAP/Valve	
31	1001189023	1	O-Ring	
32	1001189024	1	O-Ring	
33	1001189025	2	O-Ring	
34	1001189048	1	Washer	
35	1001189054	1	Washer, Spring	

SECTION 6 - CAB

FIGURE 6-43. HEATER AND A/C



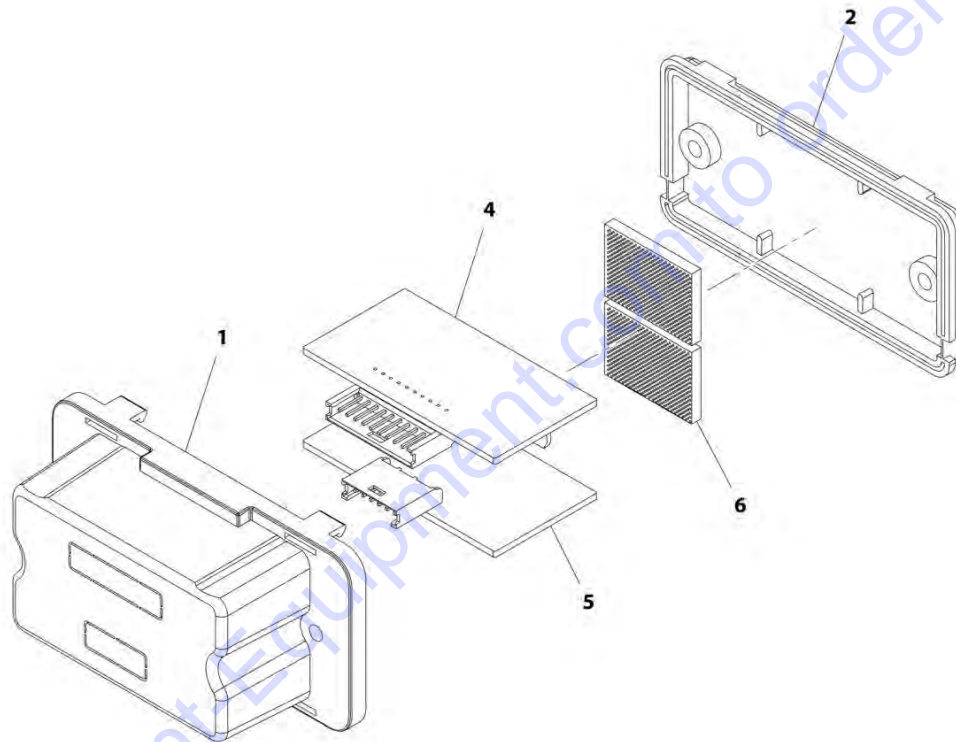
ART_1001221054-B

FIGURE 6-43. HEATER AND A/C

ITEM	PART NUMBER	QTY	DESCRIPTION	REV
	1001221054	Ref	Heater and A/C	B
1	1001166091	1	Housing, HVAC RH	
2	1001166092	1	Housing, HVAC LH	
3	1001184275	1	Foam, Heater Flap	
4	1001184278	1	Foam, Heater Mixing Flap	
5	1001184280	1	Evaporator, Heater	
6	1001184294	1	Seal, Heater Foam	
7	1001184295	1	Seal, Air Inlet Foam	
8	1001184296	1	Pipe, Heater Water	
9	1001184297	1	Pipe, Heater Water	
10	1001184427	1	Pipe, Heater	
11	1001188577	1	Actuator, Fresh/Recirculation Air	
12	1001188578	1	Actuator, Hot/Cold Mixing	
13	1001188592	1	Valve, HVAC Expansion	
14	1001188594	1	Fan, HVAC Centrifugal 12V	
15	1001188602	4	Screw, M4	
16	1001188603	9	Clamp, HVAC Case	
17	1001188604	2	Clamp, HVAC Pipe	
18	1001188610	2	Screw, M4X0.7	
19	1001188612	3	Clamp, Pipe	
20	1001188614	1	Resistor	
21	1001188618	4	Screw, M5	
22	1001188619	1	Screw, M6	
23	1001188720	2	Screw, M2.9X9.5	
24	1001188725	3	Screw, M4X35	
25	1001188728	1	Sensor, HVAC Thermostat	
26	1001188729	1	Radiator, Heater Core	
27	1001188733	1	Grommet	
28	1001188817	1	Clamp, Hose	
29	1001188818	1	Clamp, HVAC EVAP/Valve	
30	1001189023	1	O-Ring	
31	1001189024	1	O-Ring	
32	1001189025	2	O-Ring	
33	1001189048	1	Washer	
34	1001189054	1	Washer, Spring	
35	1001221057	1	Plate	
36	1001221058	2	Screw	
37	1001228132	1	Harness, HVAC Sensor	
38	1001228140	1	Grommet	
39	1001228141	2	Screw	
40	1001228147	1	Valve, Water Sensor	

SECTION 6 - CAB

FIGURE 6-44. HVAC CAB ACTUATOR



ART_1001172551-C

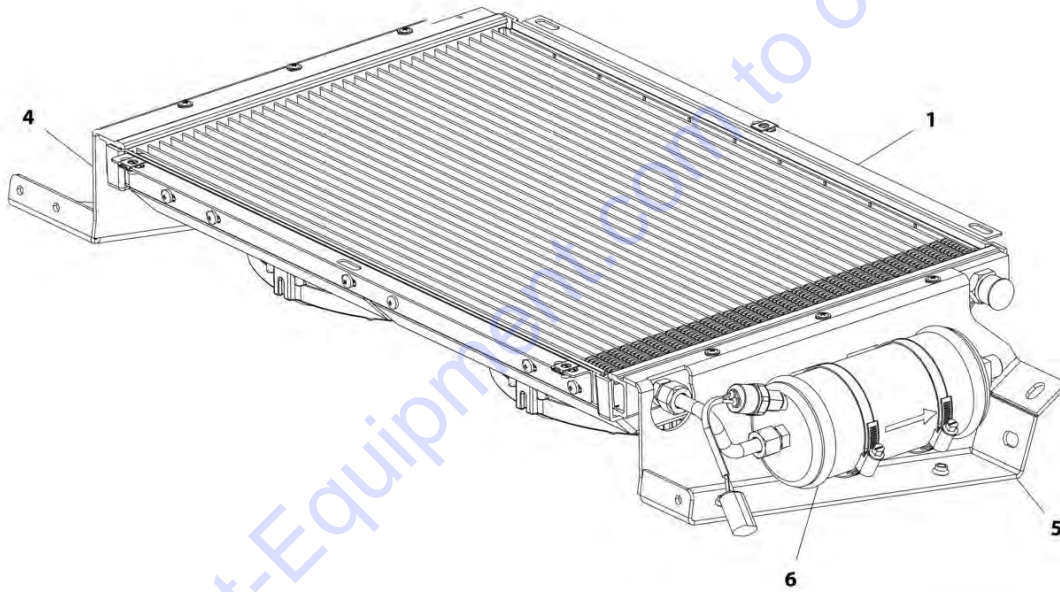
FIGURE 6-44. HVAC CAB ACTUATOR

ITEM	PART NUMBER	QTY	DESCRIPTION	REV
	1001172551	Ref	HVAC Cab Actuator	C
1	1001184306	1	Box, Heater Controller	
2	1001184307	1	Base, Heater Controller Box	
4	1001184309	1	Board, Heater Control	
5	1001184310	1	Board, Heater Control	
6	1001189980	2	Insulator, Heater Controller Box	

Go to Discount-Equipment.com to order your parts

SECTION 6 - CAB

FIGURE 6-45. CAB CONDENSER ASSEMBLY



ART_1001162953-F

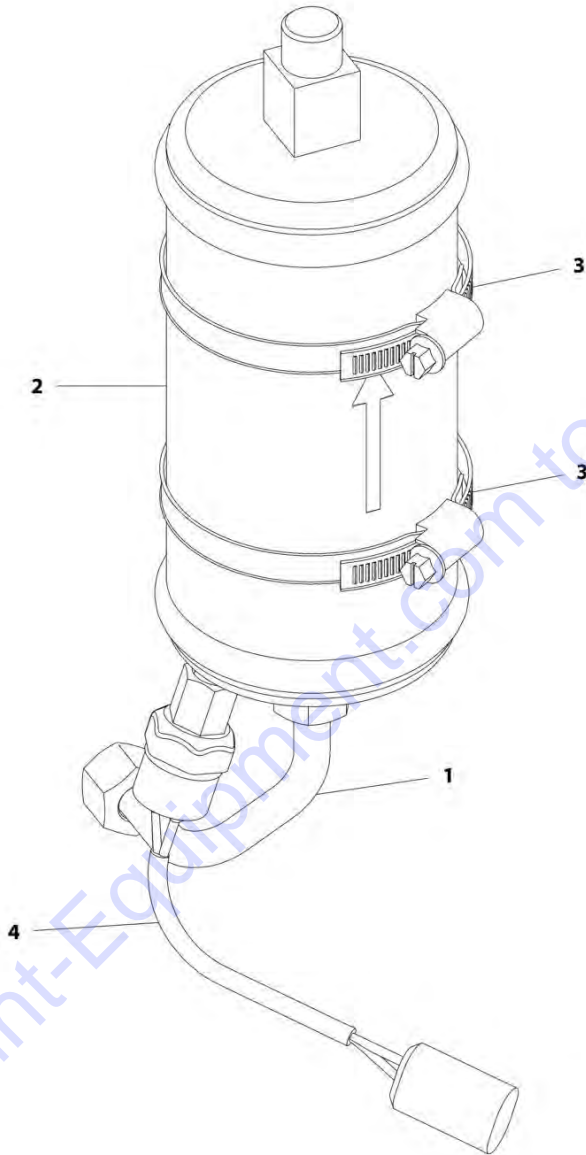
FIGURE 6-45. CAB CONDENSER ASSEMBLY

ITEM	PART NUMBER	QTY	DESCRIPTION	REV
	1001162953	Ref	Cab Condenser Assembly	F
1	1001167266	1	Condenser (See Separate Breakdown in this Section)	
4	1001179080	1	Bracket	
5	1001179081	1	Bracket	
6	1001179130	1	Drier, A/C Receiver (See Separate Breakdown in this Section)	

Go to Discount-Equipment.com to order your parts

SECTION 6 - CAB

FIGURE 6-46. A/C RECEIVER DRIER



ART_1001179130-B

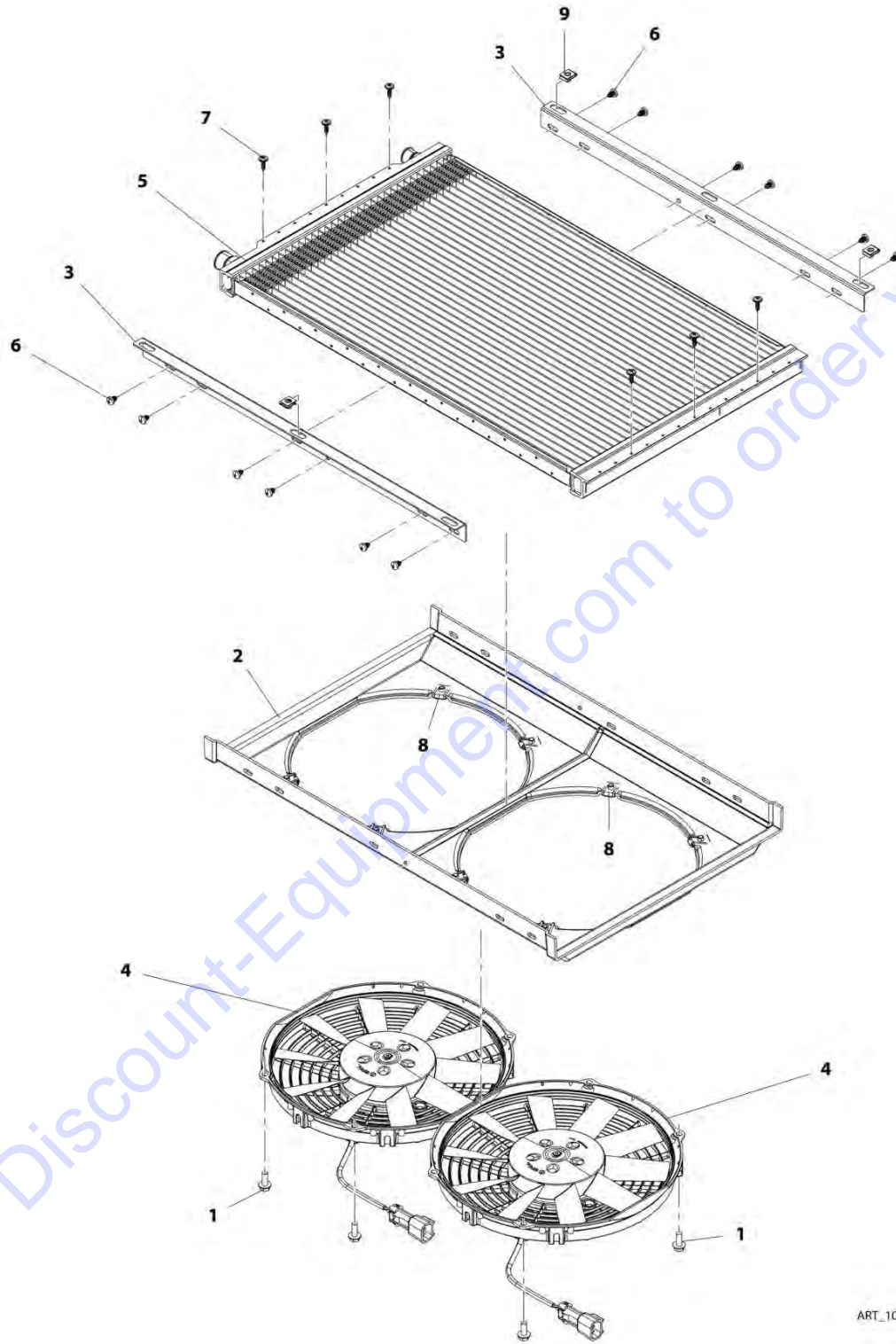
FIGURE 6-46. A/C RECEIVER DRIER

ITEM	PART NUMBER	QTY	DESCRIPTION	REV
	1001179130	Ref	A/C Receiver Drier	B
1	1001184403	1	Tube, Heater	
2	1001184404	1	Receiver, Heater Drier	
3	1001184405	2	Clamp	
4	1001184406	1	Connector, Heater	

Go to Discount-Equipment.com to order your parts

SECTION 6 - CAB

FIGURE 6-47. CONDENSER



ART_1001167266-C

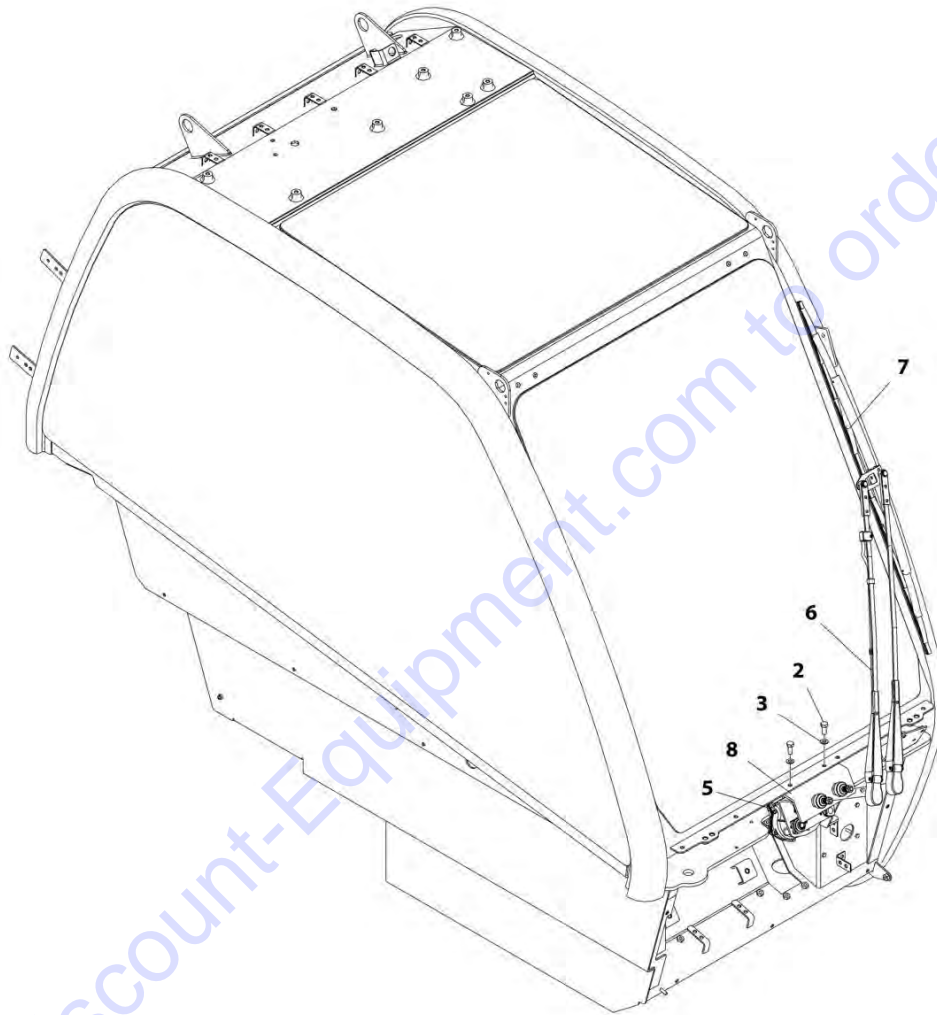
FIGURE 6-47. CONDENSER

ITEM	PART NUMBER	QTY	DESCRIPTION	REV
	1001167266	Ref	Condenser	C
1	5250608	8	Bolt, M6X16	
2	1001195342	1	Bracket, Condenser Fan Mount	
3	1001195343	2	Support, Condenser	
4	1001195345	2	Fan, Condenser	
5	1001195346	1	Condenser	
6	1001195385	12	Screw, M3.9X9.5	
7	1001195386	6	Screw, M4.2X16	
8	1001195437	8	Clip, M6X1	
9	1001195438	3	Clip, M6X1	

Go to Discount-Equipment.com to order your parts

SECTION 6 - CAB

FIGURE 6-48. FRONT WIPER INSTALLATION



ART_1001155447-G

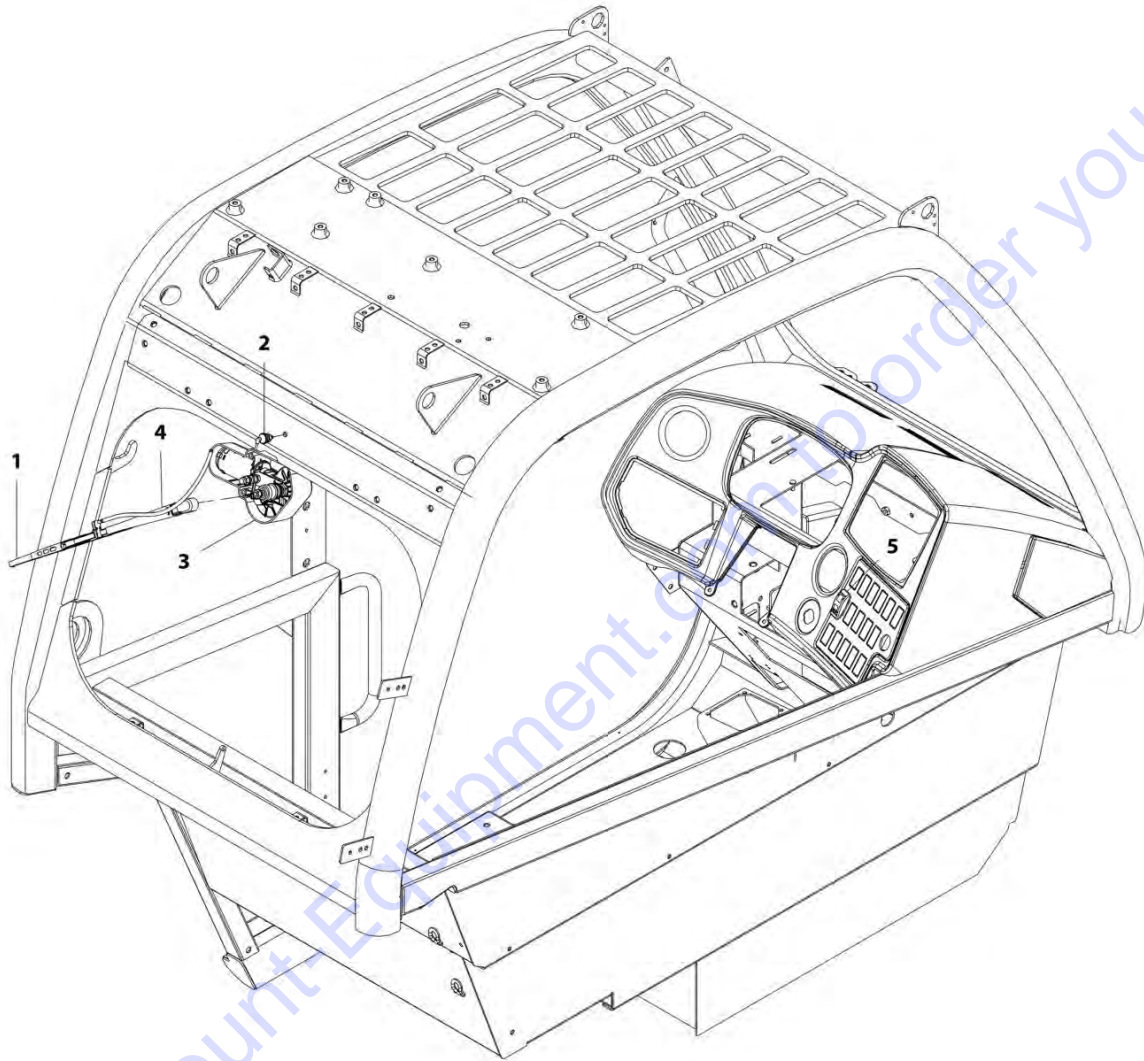
FIGURE 6-48. FRONT WIPER INSTALLATION

ITEM	PART NUMBER	QTY	DESCRIPTION	REV
	1001155447	Ref	Front Wiper Installation	G
2	0760810	2	Bolt, M8X20	
3	4811900	2	Washer, M8	
5	1001214092	1	Motor, Front Wiper	
6	1001212369	1	Arm, Front Wiper	
7	1001141281	1	Blade, Wiper	
8	1001165637	1	Bracket	

Go to Discount-Equipment.com to order your parts

SECTION 6 - CAB

FIGURE 6-49. REAR WIPER INSTALLATION



ART_1001176164-B

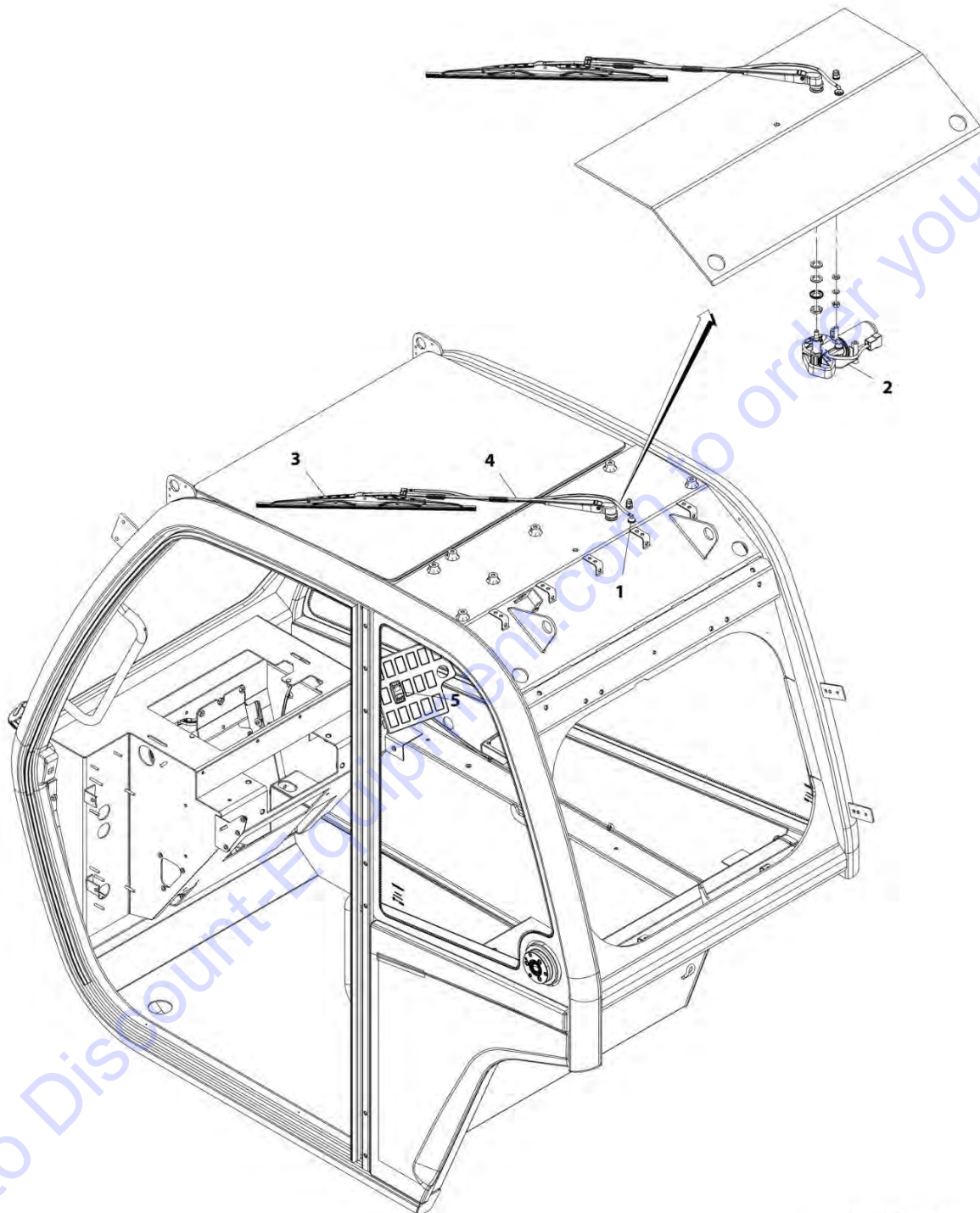
FIGURE 6-49. REAR WIPER INSTALLATION

ITEM	PART NUMBER	QTY	DESCRIPTION	REV
	1001176164	1	Rear Wiper Installation	B
1	4807718	1	Blade, Wiper	
2	1001090343	1	Connector	
3	1001139552	1	Motor, Rear Wiper Window	
4	1001141312	1	Arm, Rear Window Wiper Blade	
5	1001159735	1	Switch, Rear Wiper	

Go to Discount-Equipment.com to order your parts

SECTION 6 - CAB

FIGURE 6-50. ROOF WIPER INSTALLATION



ART_1001155486-B

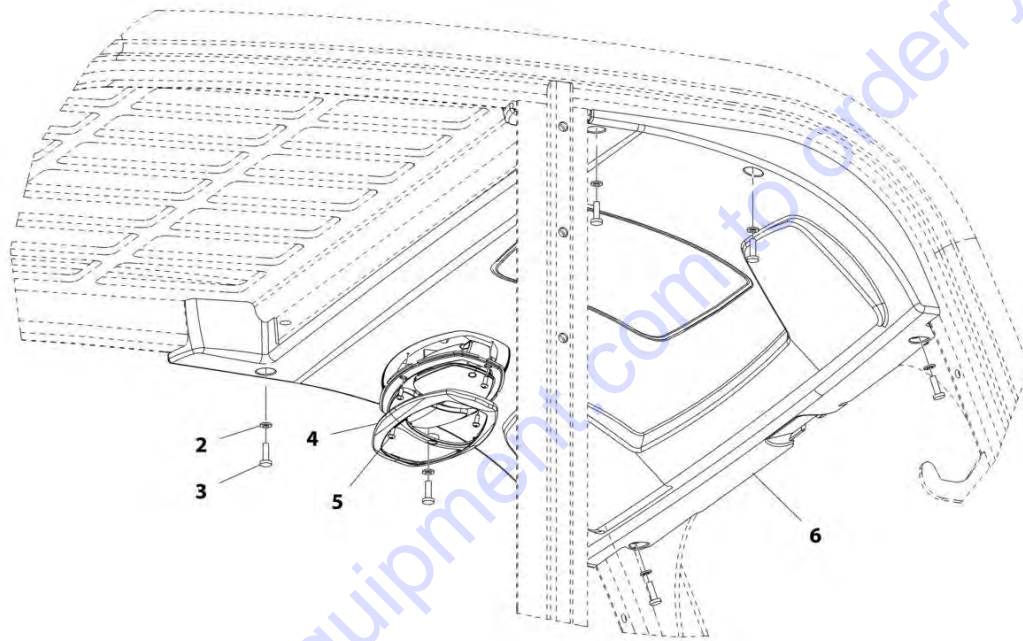
FIGURE 6-50. ROOF WIPER INSTALLATION

ITEM	PART NUMBER	QTY	DESCRIPTION	REV
	1001155486	Ref	Roof Wiper Installation	B
1	1001090343	1	Connector	
2	1001139551	1	Motor, Roof Wiper	
3	1001141313	1	Blade, Roof Wiper	
4	1001141311	1	Arm, Roof Wiper Blade	
5	1001159736	1	Switch, Roof Wiper	

Go to Discount-Equipment.com to order your parts

SECTION 6 - CAB

FIGURE 6-51. HEADLINER INSTALLATION



ART_1001170717-D

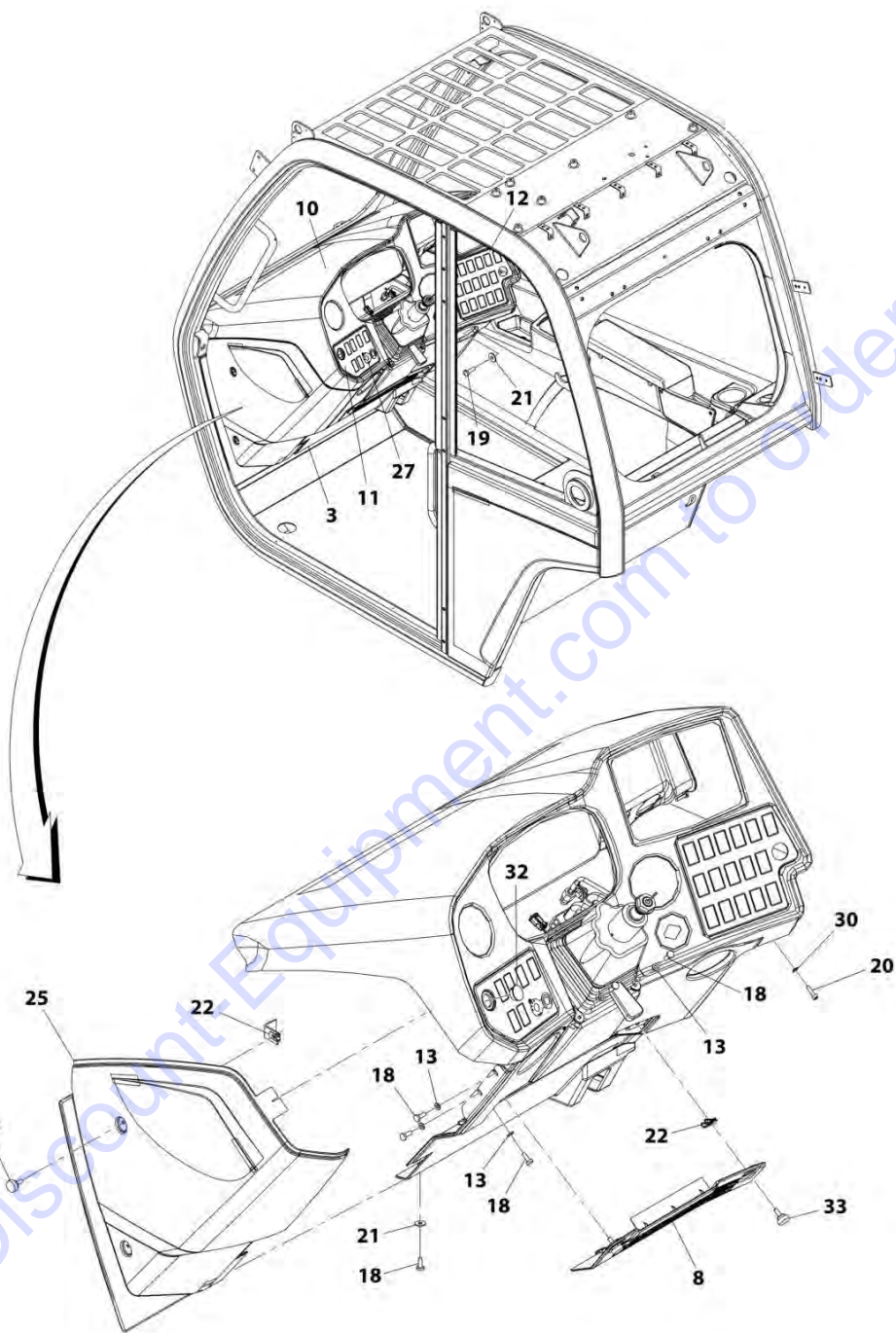
FIGURE 6-51. HEADLINER INSTALLATION

ITEM	PART NUMBER	QTY	DESCRIPTION	REV
	1001170717	Ref	Headliner Installation	D
2	4811700	6	Washer, M6	
3	4010610002	6	Screw, M6X20	
4	1001167015	1	Lamp	
5	7029486	4	Screw	
6	1001161069	1	Panel, Headliner	

Go to Discount-Equipment.com to order your parts

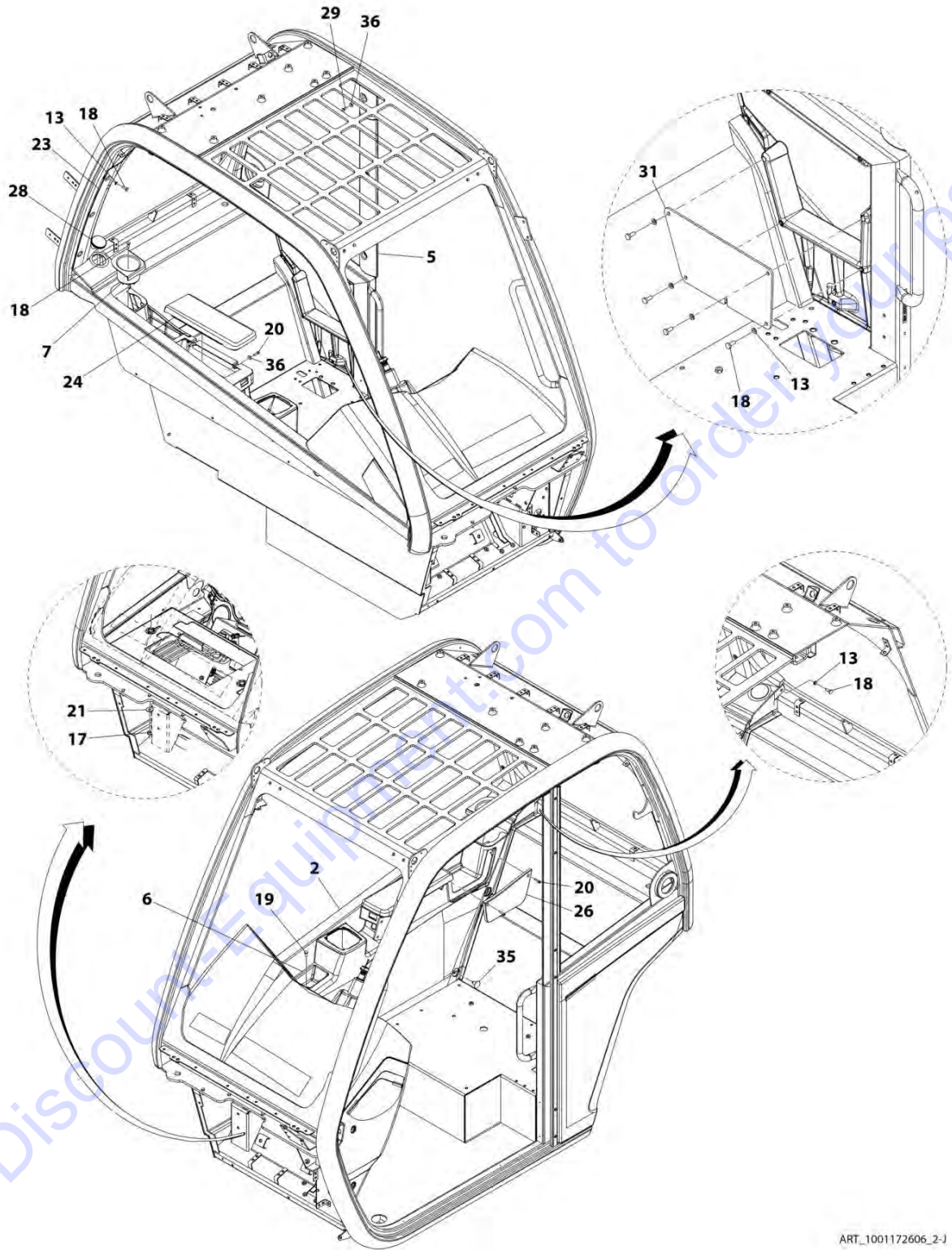
SECTION 6 - CAB

FIGURE 6-52. OPEN CAB TRIM INSTALLATION



ART_1001172606_1-J

SECTION 6 - CAB



ART_1001172606_2-J

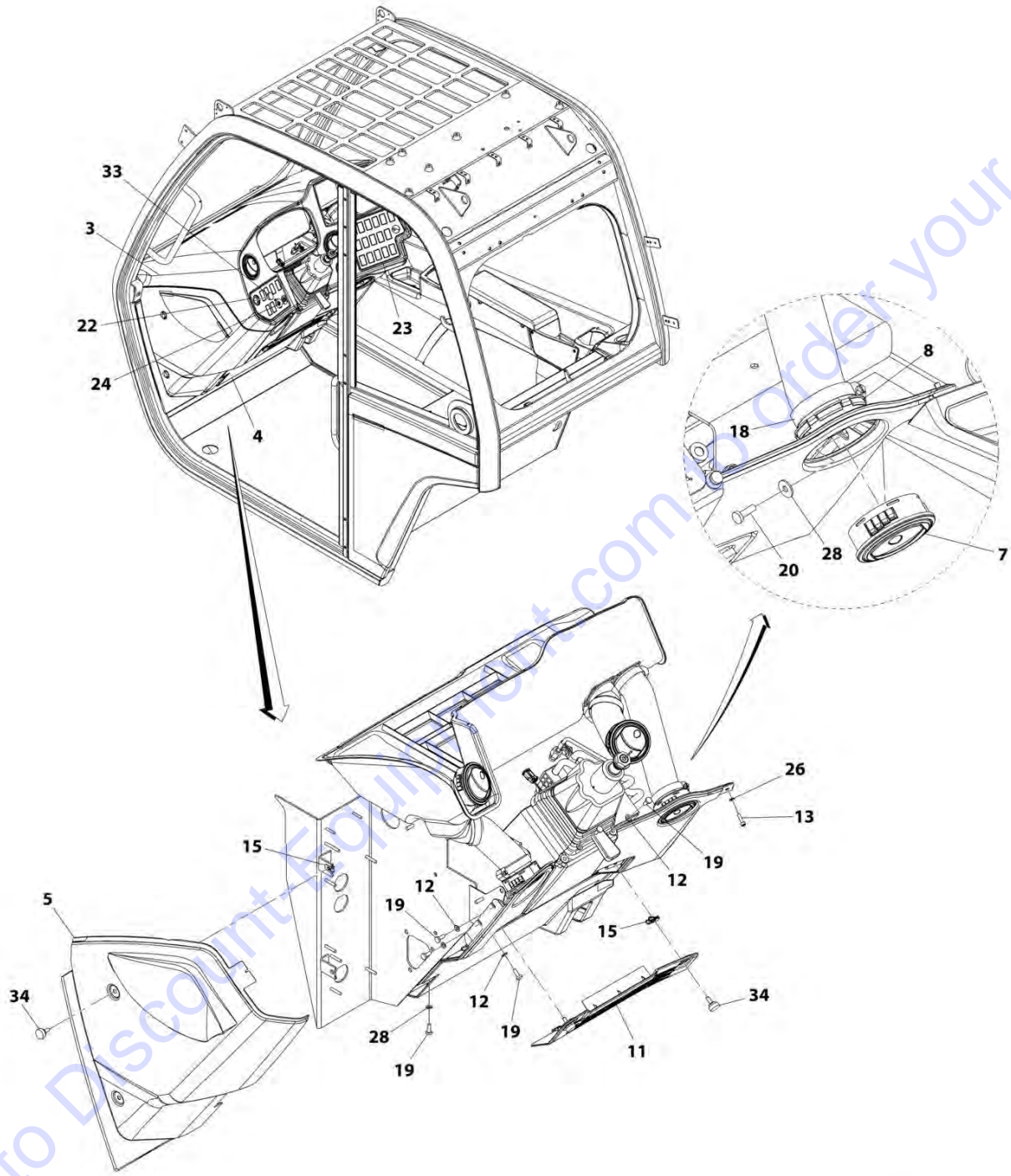
SECTION 6 - CAB

FIGURE 6-52. OPEN CAB TRIM INSTALLATION

ITEM	PART NUMBER	QTY	DESCRIPTION	REV
	1001172606	Ref	Open Cab Trim Installation	J
2	1001169605	1	Cover, Side	
3	1001175904	1	Panel, Lower Dash	
5	1001161251	NLA	Panel, Cover (no longer available, use 1001219076 for replacement)	
5	1001219076	1	Panel, Cover	
6	1001169603	1	Panel, Trinket Tray	
7	1001170518	1	Holder, Cup	
8	1001170506	NLA	Panel, Recirculation Grille Cover (no longer available, use 1001170504 for replacement)	
8	1001170504	1	Panel, Recirculation Grille Cover	
10	1001172608	1	Panel, Dash	
11	1001219864	1	Plate, LH Switch	
12	1001219865	1	Plate, RH Switch	
13	4811700001	14	Washer, M6	
17	3290605	2	Nut, Lock M6X1 Grade 8	
18	4010608002	18	Screw, Posi-Drive M6X16 GR4.8	
19	4010610002	2	Screw, Posi-Drive M6X20 GR4.8	
20	4031608001	5	Screw, M5X20	
21	4811702001	6	Washer, M6	
22	8305919	4	Nut, M6	
23	1001191617	1	Panel, Cover	
24	1001161854	1	Armrest	
25	1001161855	1	Panel, LH Dash	
26	1001173965	1	Bezel, RH	
27	1001190347	1	Decal, No HVAC	
28	1001223265	1	Plug	
29	4010508002	3	Screw, Posi-Drive M5X16	
30	4811600	1	Washer, M5	
31	1001185179	1	Cover, LH Rear Panel	
32	1001190589	1	Blanking Plug	
33	1001208308	4	Screw, M6X15	
35	1001211907	1	Screw	
36	4811602001	5	Washer, M5	

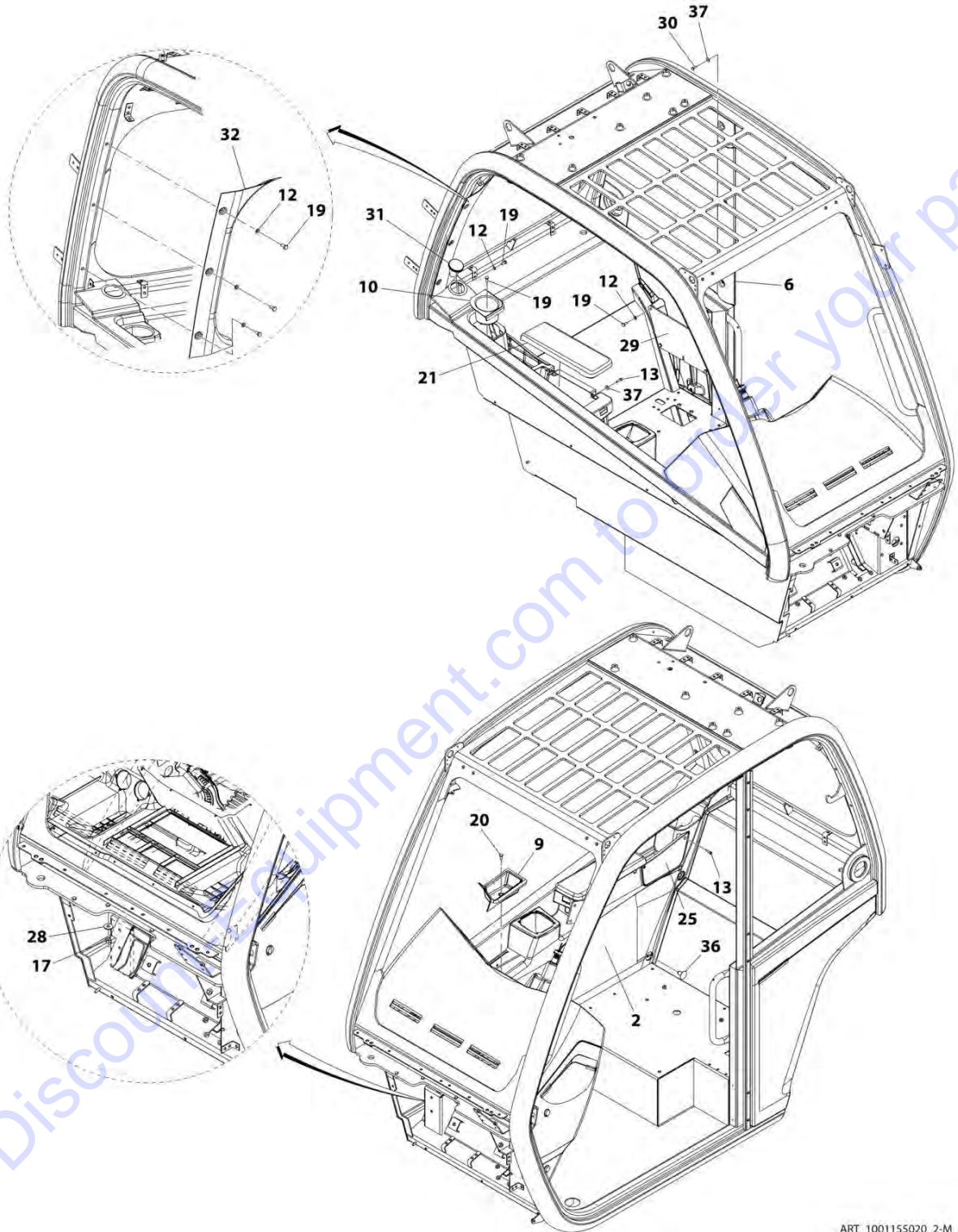
SECTION 6 - CAB

FIGURE 6-53. ENCLOSED CAB TRIM INSTALLATION



ART_1001155020_1-M

SECTION 6 - CAB



ART_1001155020_2-M

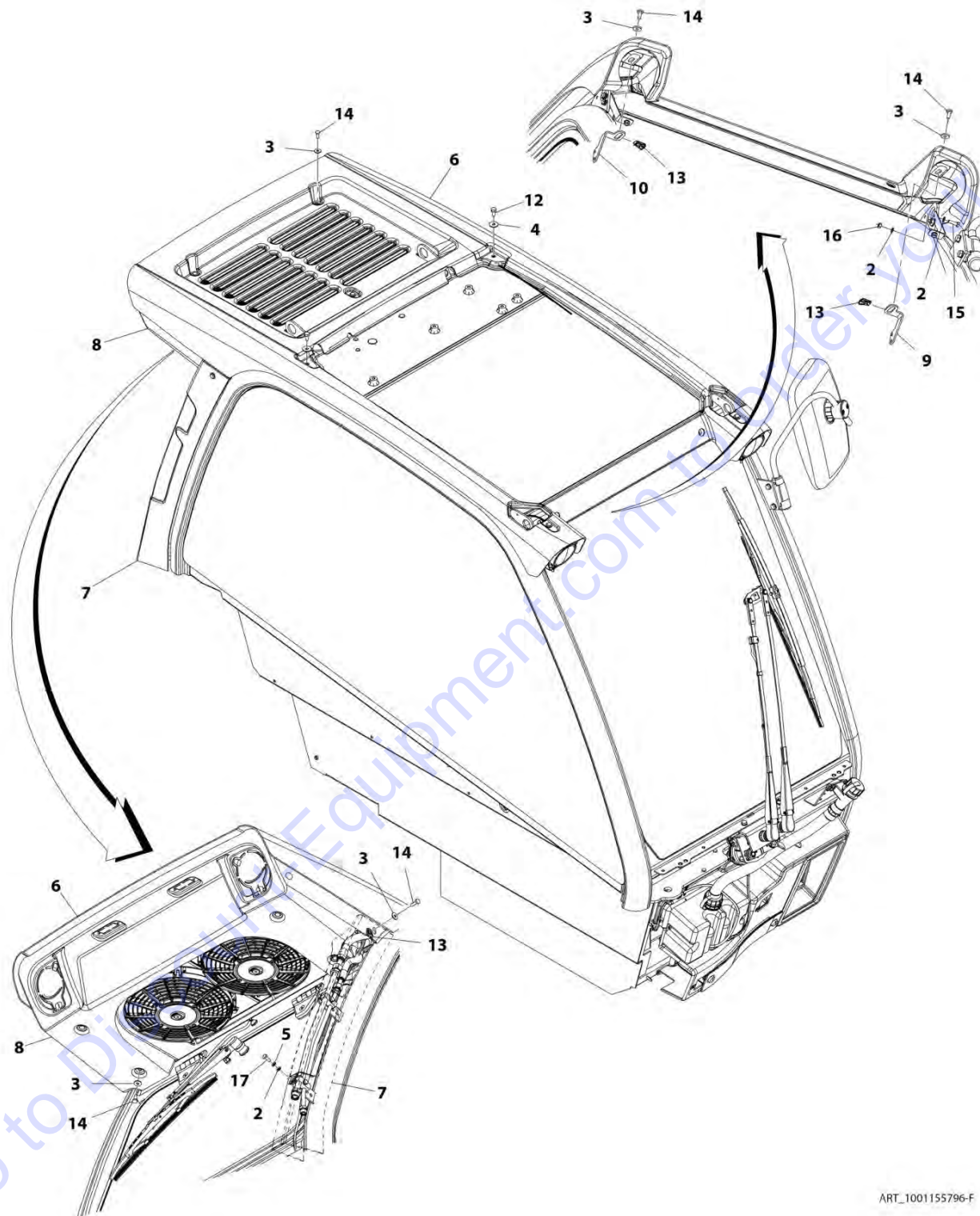
SECTION 6 - CAB

FIGURE 6-53. ENCLOSED CAB TRIM INSTALLATION

ITEM	PART NUMBER	QTY	DESCRIPTION	REV
	1001155020	1	Enclosed Cab Trim Installation	M
2	1001169605	1	Cover, Side	
3	1001169604	1	Cover, Dash	
4	1001175903	1	Panel, Lower Dash	
5	1001161855	1	Panel, Cover	
6	1001219076	1	Panel, Cover	
7	1001147449	2	Vent, Air	
8	1001149278	2	Vent, Connector	
9	1001169603	1	Panel, Trinket Tray	
10	1001170518	1	Holder, Cup	
11	1001170504	1	Panel, Recirculation Grille Cover	
12	4811700001	14	Washer, M6	
13	4031608001	5	Bolt, M5X20	
15	8305919	4	Nut, M6	
17	3290605	2	Nut, Lock M6X1 Grade 8	
18	8405201	2	Clamp, Gear	
19	4010608002	18	Screw, Posi-Drive, M6X16	
20	4010610002	1	Screw, M6X20	
21	1001161854	1	Armrest	
22	1001219864	1	Plate, LH Switch	
23	1001219865	1	Plate, RH Switch	
24	1001184975	1	Decal, HVAC	
25	1001173965	1	Bezel, RH	
26	4811600	1	Washer, M5	
28	4811702001	6	Washer, M6	
29	1001185179	1	Panel, LH Rear Cover	
30	4010508002	3	Screw, Posi-Drive M5X16	
31	1001223265	1	Plug	
32	1001191617	1	Panel, RH C Post	
33	1001190589	1	Blanking Plug	
34	1001208308	4	Thumb Screw, M6X15	
36	1001211907	1	Screw	
37	4811602001	5	Washer, Flat	

SECTION 6 - CAB

FIGURE 6-54. ROOF CAP INSTALLATION (A/C)



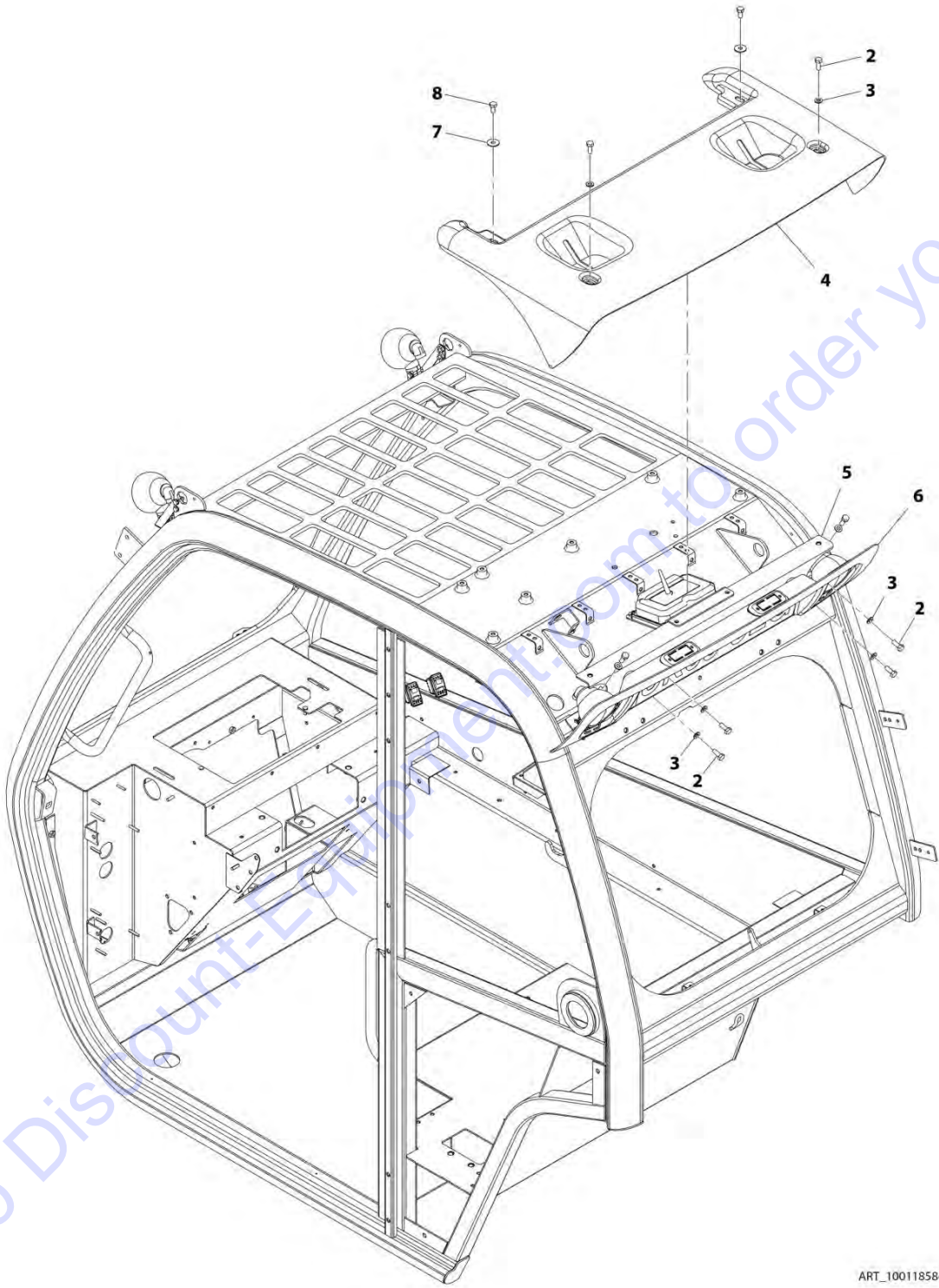
ART_1001155796-F

FIGURE 6-54. ROOF CAP INSTALLATION (A/C)

ITEM	PART NUMBER	QTY	DESCRIPTION	REV
	1001155796	Ref	Roof Cap Installation (A/C) (Construction)	F
2	4811700	9	Washer, M6	
3	4811702	10	Washer, M6	
4	4811902	2	Washer, M8	
5	4831700	1	Washer, Lock M6	
6	1001155800	1	Cover, Upper Roof Cap	
7	1001174741	1	Cover	
8	1001214156	1	Cover, Lower Roof Cap	
9	1001174800	1	Bracket, Roof Cap	
10	1001174801	1	Bracket, Roof Cap	
12	0760808	2	Bolt, M8X16	
13	8305919	3	Nut, M6	
14	4010610002	10	Screw, Posi-Drive M6X20	
15	0700610	4	Bolt, M6X20	
16	3290601	4	Nut, M6X1	
17	4010608002	1	Screw, Posi-Drive, M6X16	

SECTION 6 - CAB

FIGURE 6-55. ROOF CAP INSTALLATION (NO A/C)



ART_1001185846-D

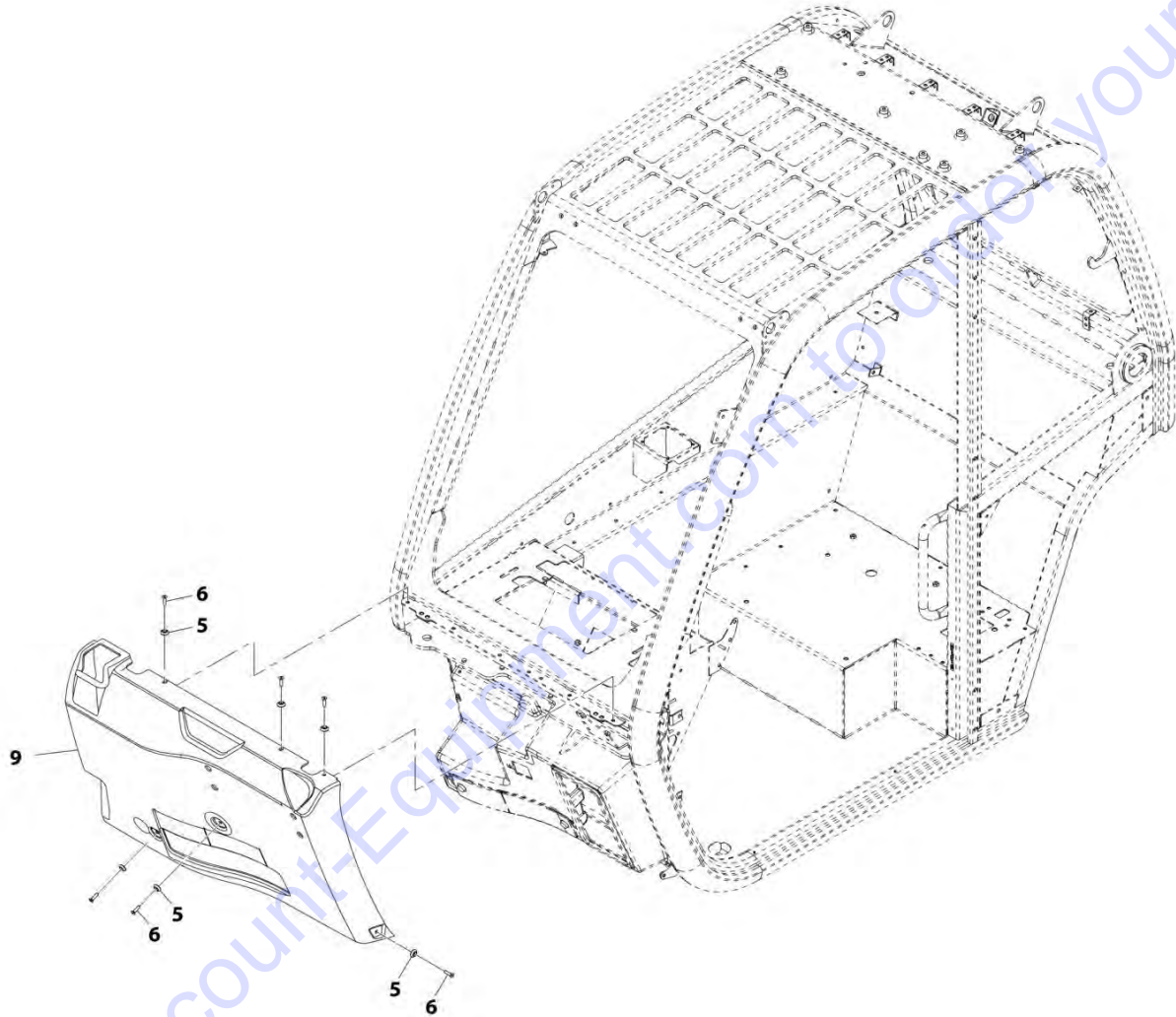
FIGURE 6-55. ROOF CAP INSTALLATION (NO A/C)

ITEM	PART NUMBER	QTY	DESCRIPTION	REV
	1001185846	Ref	Roof Cap Installation (No A/C)	D
2	0760810	8	Bolt, M8X20	
3	4811900	8	Washer, M8	
4	1001182328	1	Cover, Short Upper Roof Cap	
5	1001185633	1	Bracket	
6	1001214535	2	Cover, Short Lower Roof Cap	
7	4811902	2	Washer, M8	
8	0760808	2	Bolt, M8X16	

Go to Discount-Equipment.com to order your parts

SECTION 6 - CAB

FIGURE 6-56. OPEN CAB FRONT COVER INSTALLATION



ART_1001179853-G

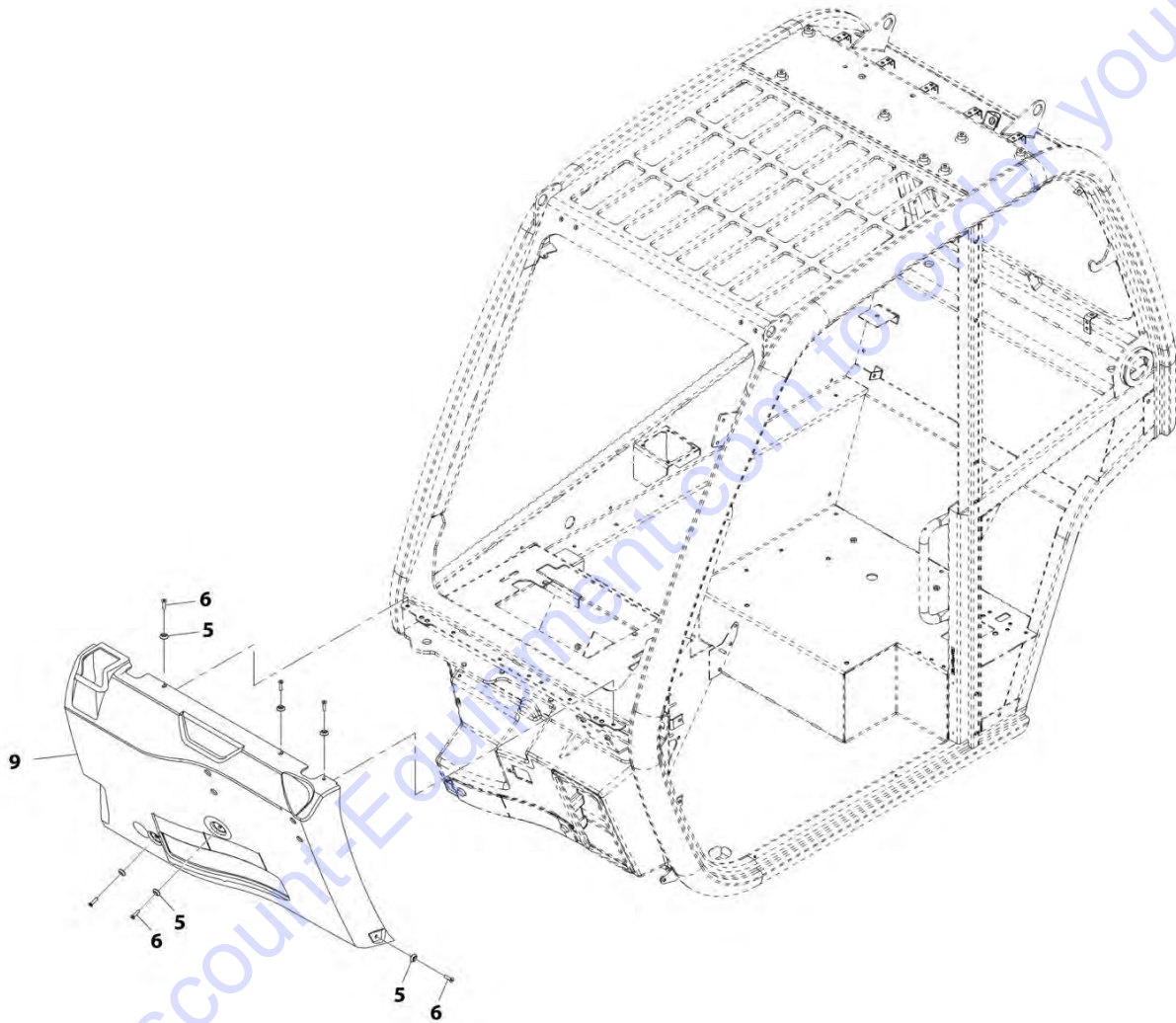
FIGURE 6-56. OPEN CAB FRONT COVER INSTALLATION

ITEM	PART NUMBER	QTY	DESCRIPTION	REV
	1001179853	Ref	Open Cab Front Cover with Cab Fender Installation, (no longer available, use 1001229550 for replacement)	G
	1001229550	Ref	Open Cab Front Cover with Cab Fender Installation	A
1	3900379	6	Screw, M6X25	
2	1001097540	6	Washer, M6	
3	1001189658	Ref	Cover, (no longer available, use 1001229540 for replacement)	
3	1001229540	1	Cover	

Go to Discount-Equipment.com to order your parts

SECTION 6 - CAB

FIGURE 6-57. ENCLOSED CAB FRONT COVER INSTALLATION



ART_1001192463-E

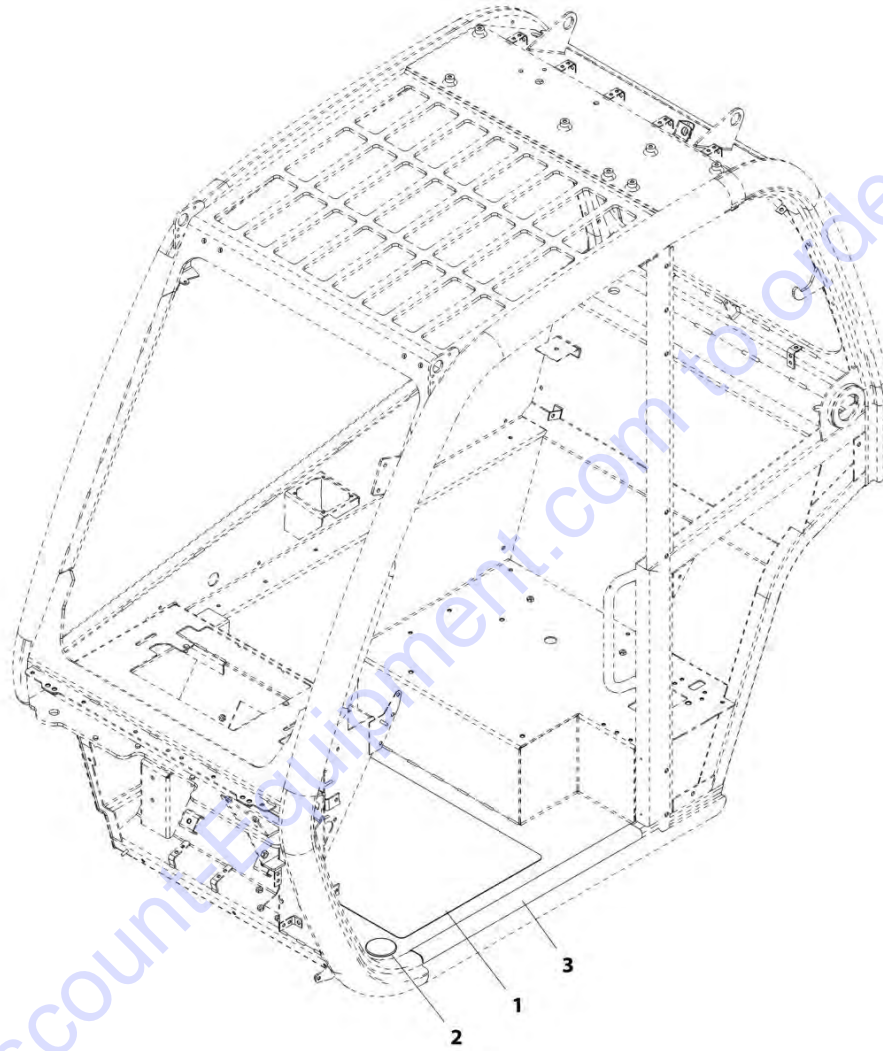
FIGURE 6-57. ENCLOSED CAB FRONT COVER INSTALLATION

ITEM	PART NUMBER	QTY	DESCRIPTION	REV
	1001192463	Ref	Enclosed Cab Front Cover with Cab Fender Installation, (no longer available, use 1001229551 for replacement)	E
	1001229551	Ref	Enclosed Cab Front Cover with Cab Fender Installation	A
1	3900379	6	Screw, M6X25	
2	1001097540	6	Washer, M6	
3	1001192464	Ref	Cover, (no longer available, use 1001229541 for replacement)	
3	1001229541	1	Cover	

Go to Discount-Equipment.com to order your parts

SECTION 6 - CAB

FIGURE 6-58. NON SKID TAPE INSTALLATION



ART_1001197219-B

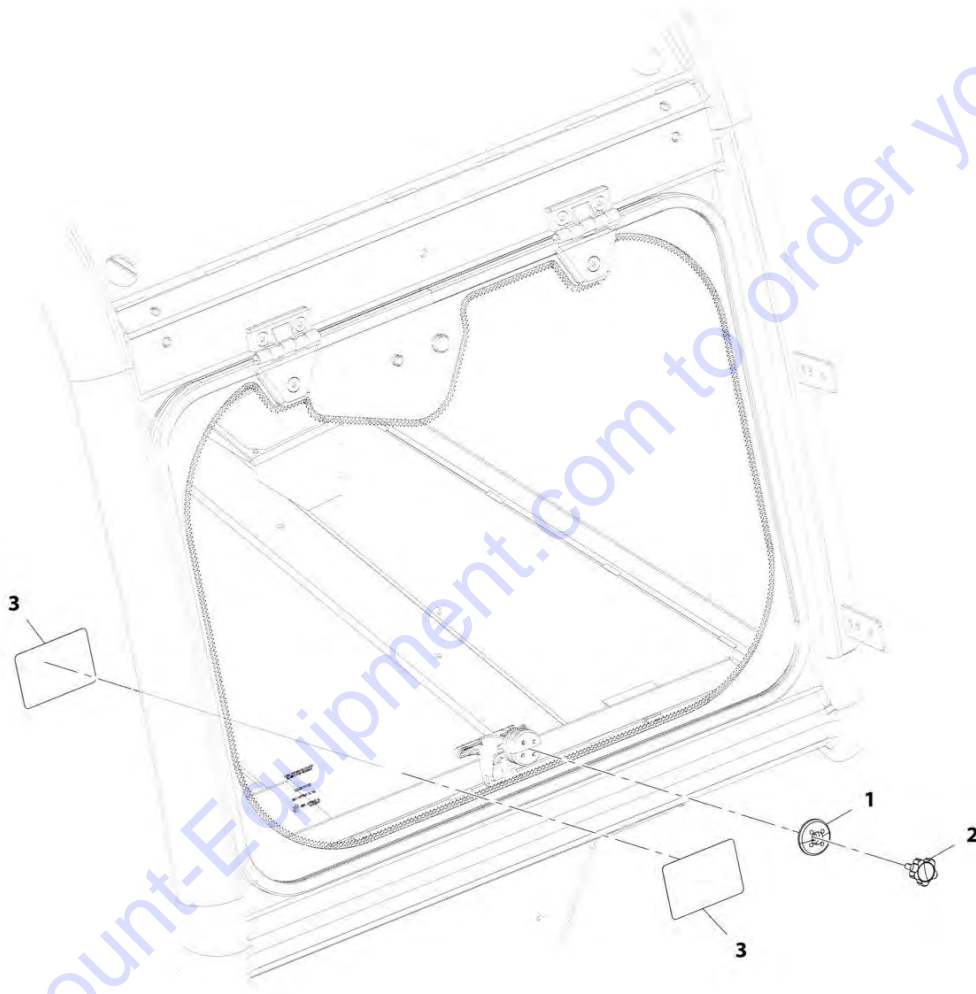
FIGURE 6-58. NON SKID TAPE INSTALLATION

ITEM	PART NUMBER	QTY	DESCRIPTION	REV
	1001197219	1	Non Skid Tape Installation	B
1	1001197217	1	Tape, Non Skid Floor	
2	1001197218	1	Grommet	
3	1001197259	1	Tape, Non Skid Frame	

Go to Discount-Equipment.com to order your parts

SECTION 6 - CAB

FIGURE 6-59. EXTERNAL WINDOW RELEASE INSTALLATION (CAN & ISO)



ART_1001178826-C

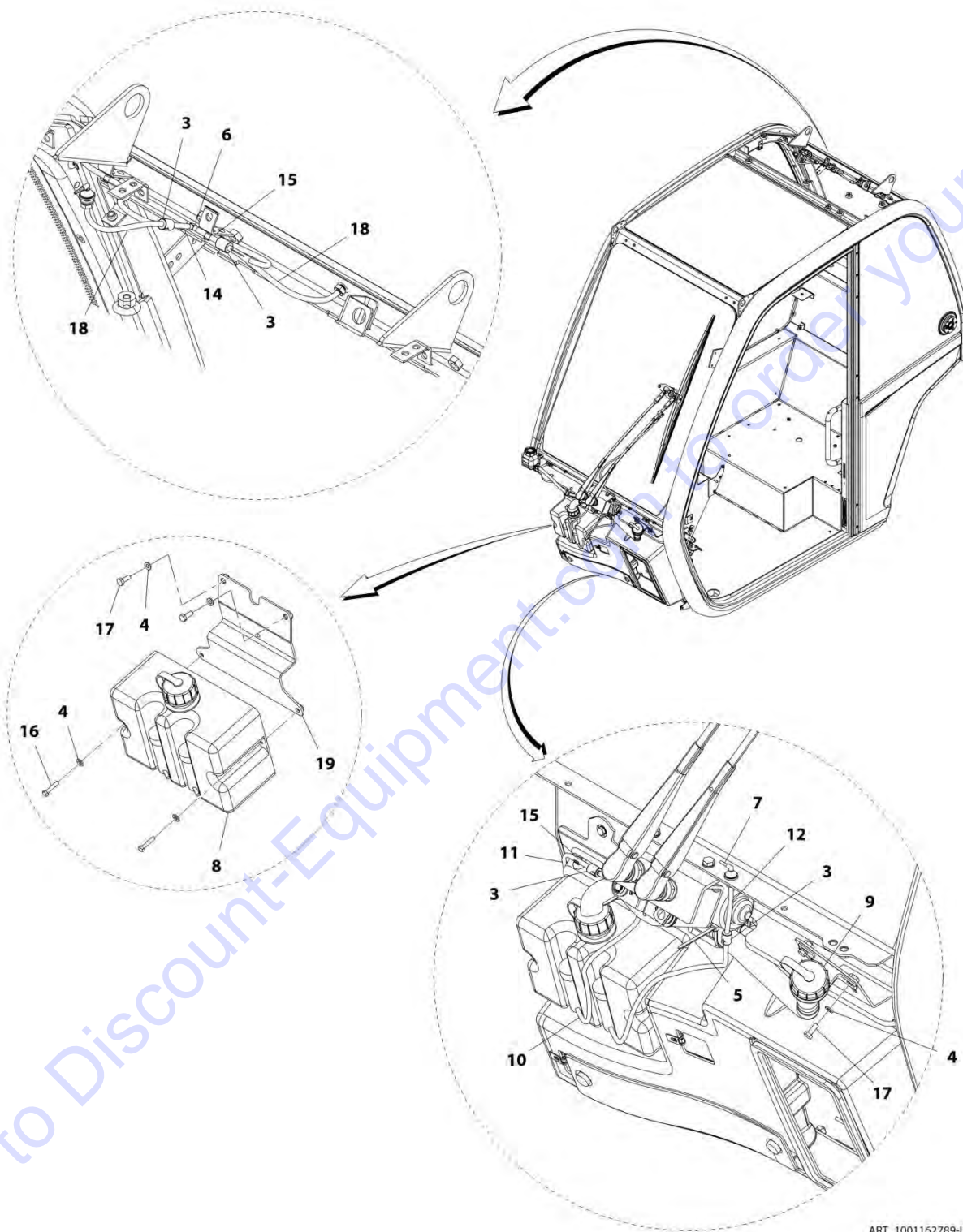
FIGURE 6-59. EXTERNAL WINDOW RELEASE INSTALLATION (CAN & ISO)

ITEM	PART NUMBER	QTY	DESCRIPTION	REV
	1001178826	Ref	External Window Release Installation (ANSI - English/French)	C
1	1001179008	1	Cap, Latch Window	
2	1001179009	1	Knob	
3	1001204709	2	Decal, Emergency Exit (English/French)	

Go to Discount-Equipment.com to order your parts

SECTION 6 - CAB

FIGURE 6-60. WASHER TANK INSTALLATION



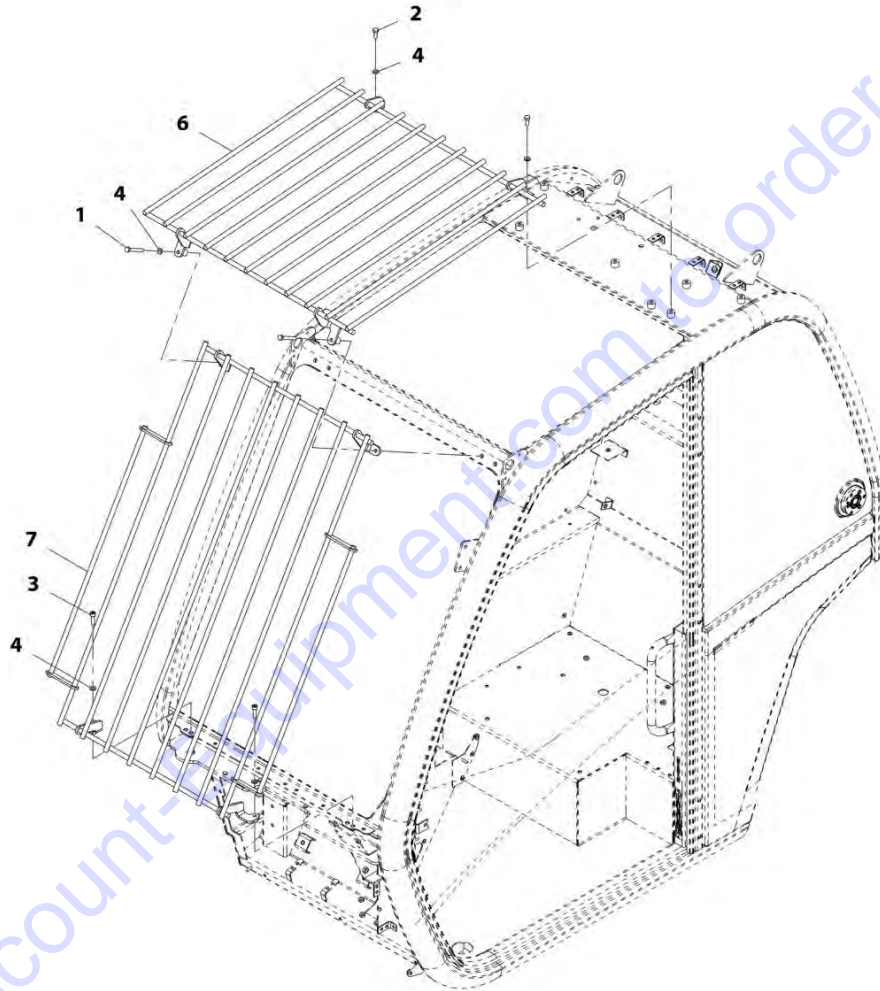
ART_1001162789-L

FIGURE 6-60. WASHER TANK INSTALLATION

ITEM	PART NUMBER	QTY	DESCRIPTION	REV
	1001162789	Ref	Washer Tank Installation	L
3	1001201331	4	Valve, Check	
4	4811700	6	Washer, M6	
5	471678	2	Strap, Tie	
6	1001008742	1	Coupling, Tee	
7	1001090343	1	Connector	
8	1001165269	1	Bottle, Washer (See Separate Breakdown in this Section)	
9	1001165270	1	Hose, Washer Filler	
10	1001165351	2	Hose	
11	1001165407	1	Hose	
12	1001165416	1	Hose	
14	1001165455	2	Hose	
15	1001165458	16	Hose	
16	0760512	2	Bolt M5X25	
17	0760608	4	Bolt, M6X16	
18	1001178123	2	Hose	
19	1001171756	1	Bracket	

SECTION 6 - CAB

FIGURE 6-61. CAB GUARD INSTALLATION (TOP AND FRONT)



ART_1001172774-F

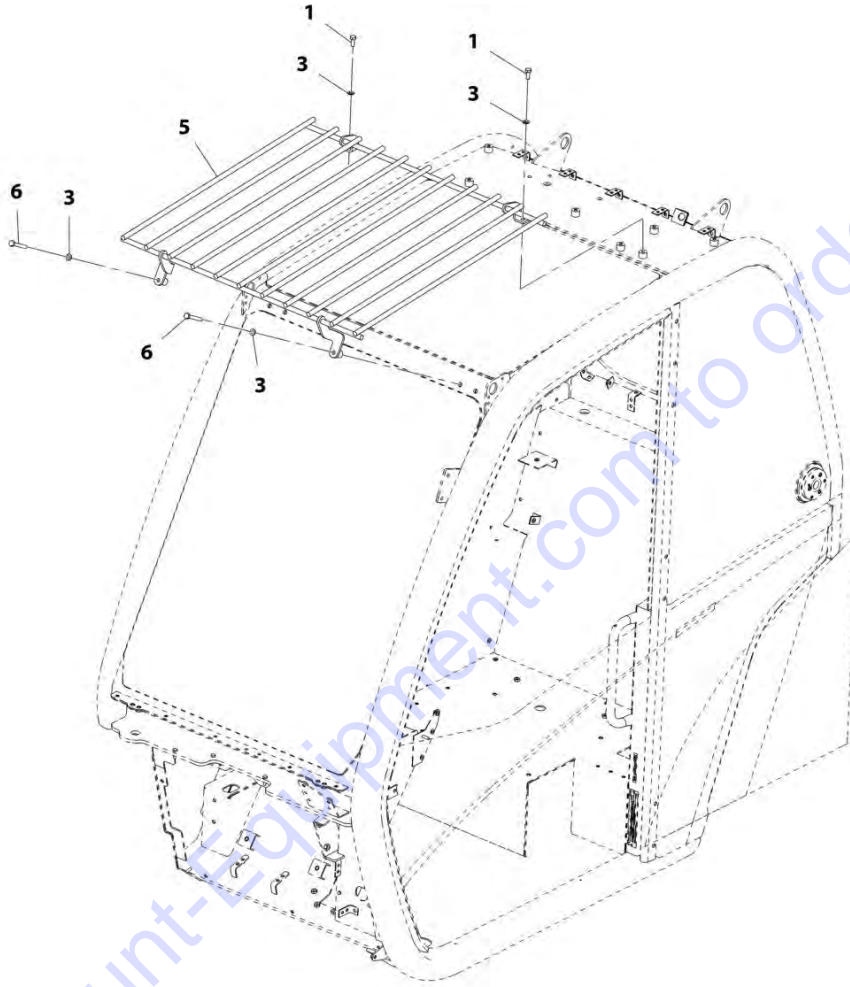
FIGURE 6-61. CAB GUARD INSTALLATION (TOP AND FRONT)

ITEM	PART NUMBER	QTY	DESCRIPTION	REV
	1001172774	Ref	Cab Guard Installation (Top and Front)	F
1	0700820	2	Bolt, M8X60	
2	0760810	2	Bolt, M8X20	
3	4031910	2	Bolt, M8X30	
4	4811900	6	Washer, M8	
6	1001160503	1	Guard, Top Screen	
7	1001180263	1	Guard, Front Screen	

Go to Discount-Equipment.com to order your parts

SECTION 6 - CAB

FIGURE 6-62. CAB GUARD INSTALLATION (TOP)



ART_1001160496-F

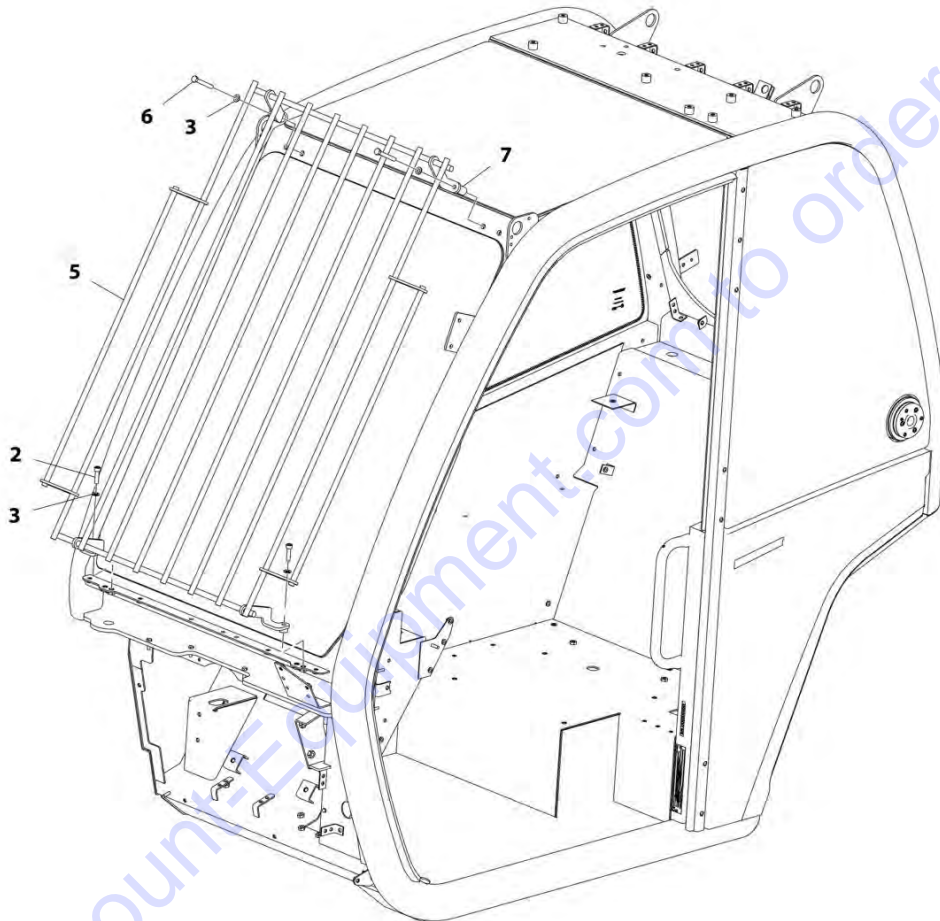
FIGURE 6-62. CAB GUARD INSTALLATION (TOP)

ITEM	PART NUMBER	QTY	DESCRIPTION	REV
	1001160496	Ref	Cab Guard Installation (Top)	F
1	0760810	2	Bolt, M8X20	
3	4811900	4	Washer, M8	
5	1001160503	1	Guard, Top Screen	
6	0700820	2	Bolt, M8X60	

Go to Discount-Equipment.com to order your parts

SECTION 6 - CAB

FIGURE 6-63. CAB GUARD INSTALLATION (FRONT)



ART_1001160506-G

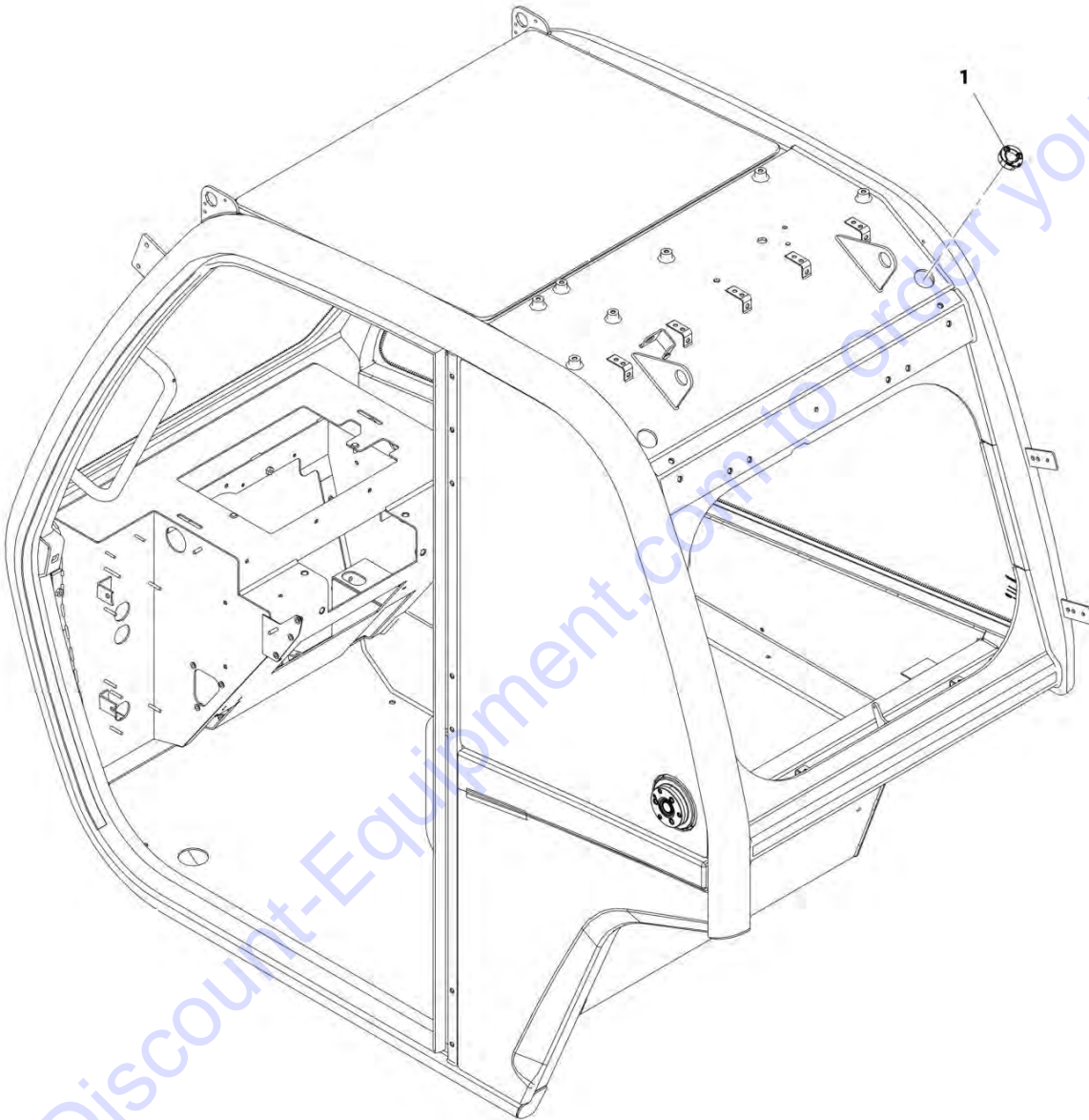
FIGURE 6-63. CAB GUARD INSTALLATION (FRONT)

ITEM	PART NUMBER	QTY	DESCRIPTION	REV
	1001160506	Ref	Cab Guard Installation (Front)	G
2	4031910	2	Bolt, M8X30	
3	4811900	4	Washer, M8	
5	1001180263	1	Guard, Front Screen	
6	0700820	2	Bolt, M8X60	
7	1001173257	2	Spacer	

Go to Discount-Equipment.com to order your parts

SECTION 6 - CAB

FIGURE 6-64. ROOF PIGTAIL CAP INSTALLATION



ART_1001202138-A

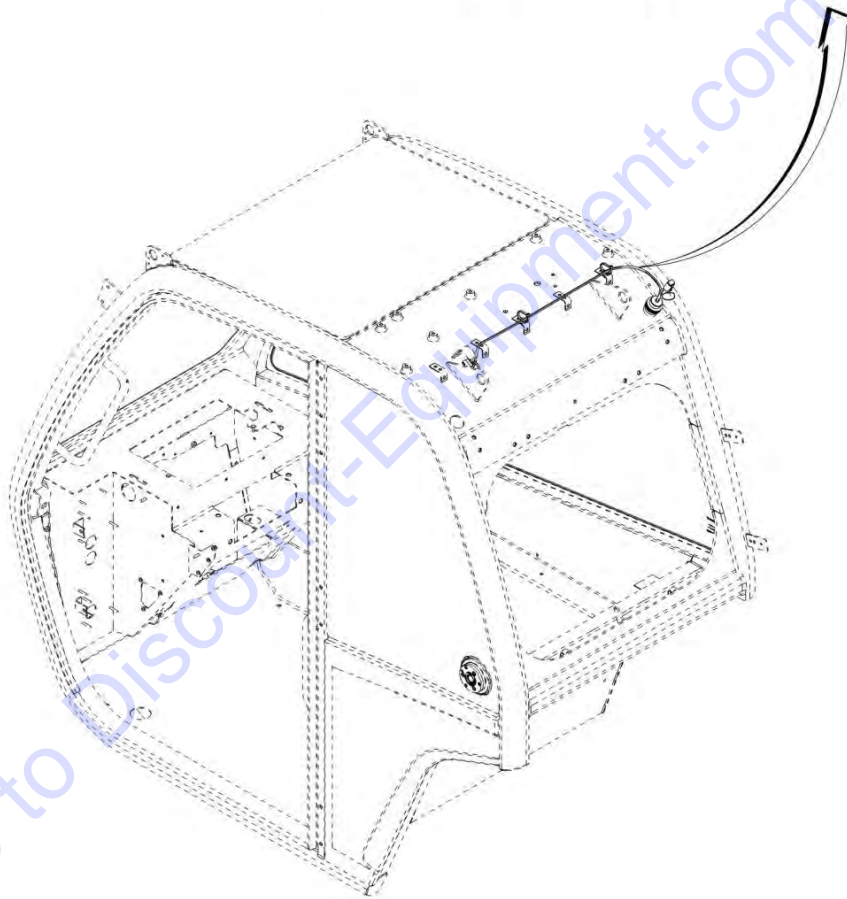
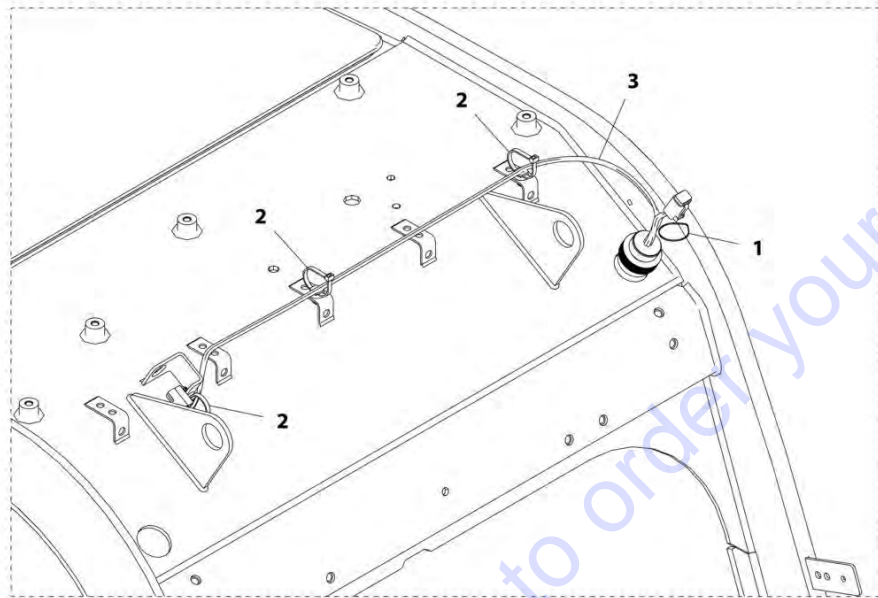
FIGURE 6-64. ROOF PIGTAIL CAP INSTALLATION

ITEM	PART NUMBER	QTY	DESCRIPTION	REV
1	1001202138 1001202134	Ref 1	Roof Pigtail Cap Installation Cap, Deutsch Dust	A

Go to Discount-Equipment.com to order your parts

SECTION 6 - CAB

FIGURE 6-65. ROOF PIGTAIL INSTALLATION



ART_1001202133-A

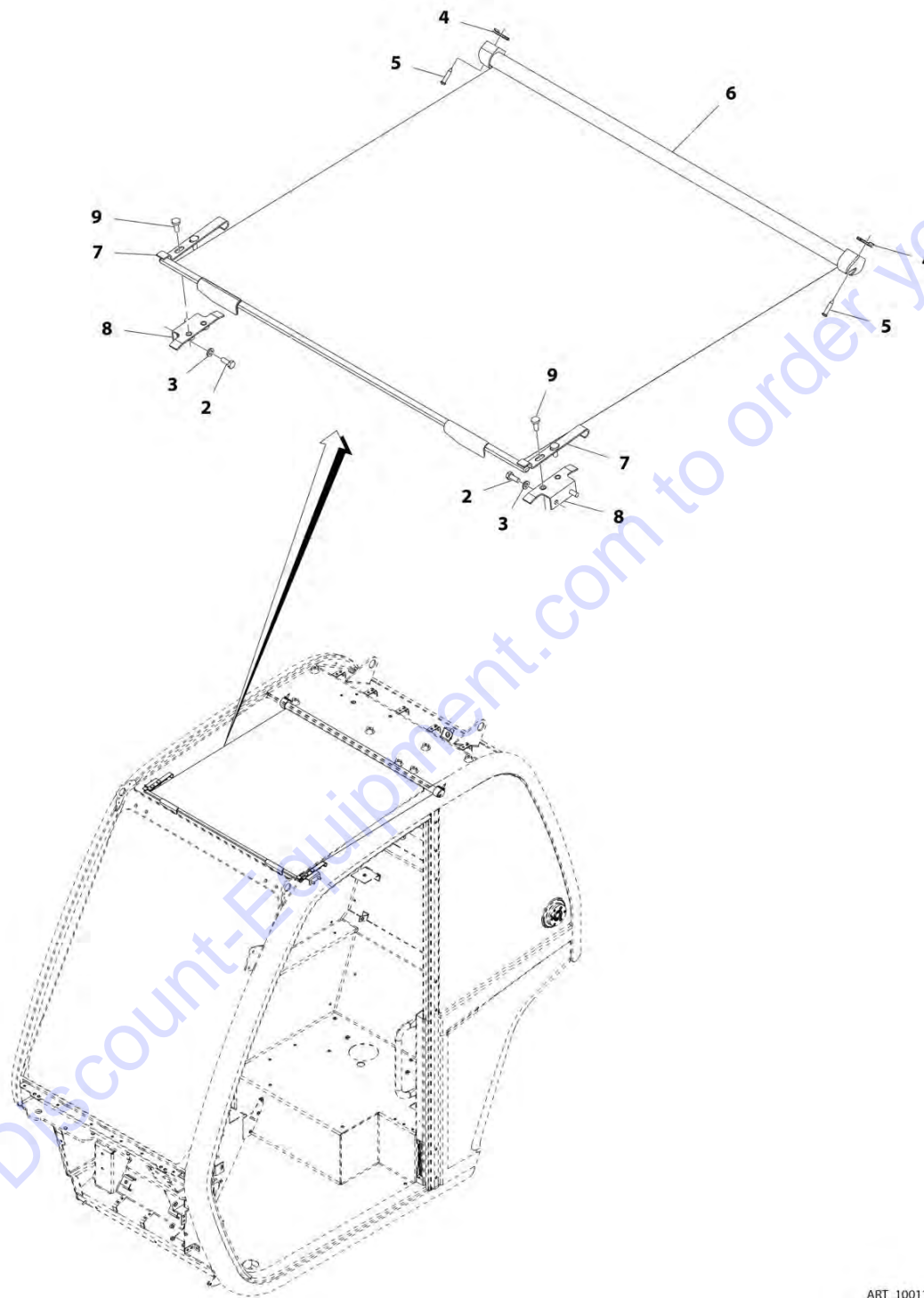
FIGURE 6-65. ROOF PIGTAIL INSTALLATION

ITEM	PART NUMBER	QTY	DESCRIPTION	REV
	1001202133	Ref	Roof Pigtail Installation	A
1	4240033	1	Cable Tie	
2	1001146588	3	Strap	
3	1001202132	1	Harness, Roof Pigtail (See Separate Breakdown in Electrical Section)	

Go to Discount-Equipment.com to order your parts

SECTION 6 - CAB

FIGURE 6-66. RETRACTABLE SUNSCREEN INSTALLATION



ART_1001163151-G

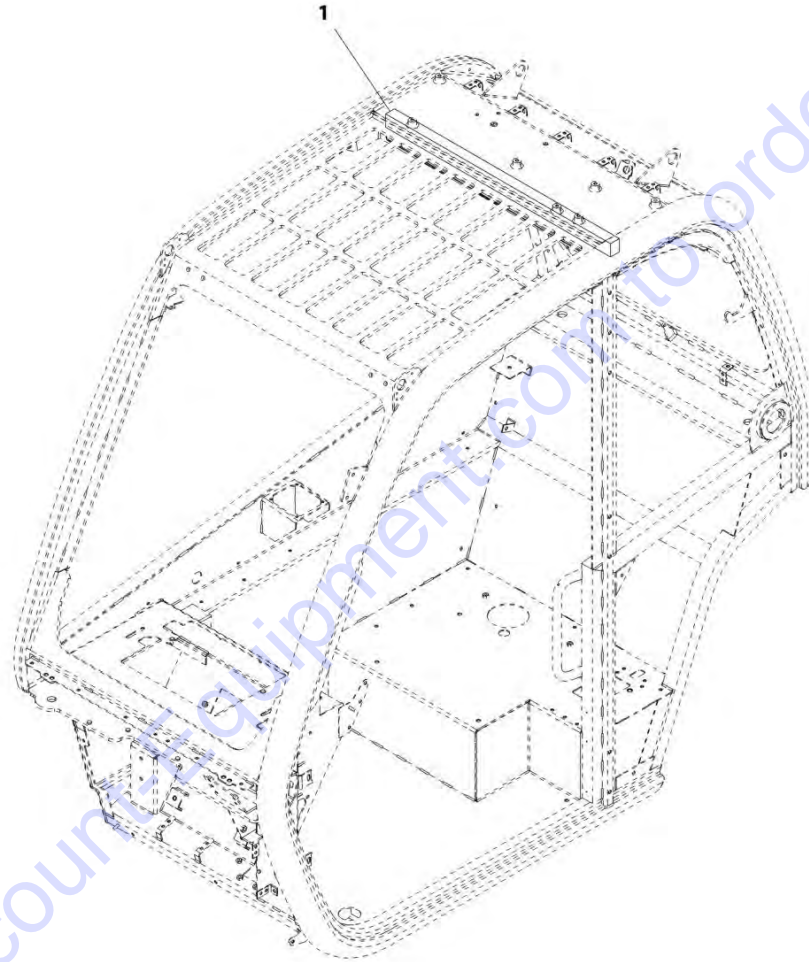
FIGURE 6-66. RETRACTABLE SUNSCREEN INSTALLATION

ITEM	PART NUMBER	QTY	DESCRIPTION	REV
	1001163151	Ref	Retractable Sunscreen Installation	G
2	0760608	4	Bolt, M6X16	
3	4811700	4	Washer, M6	
4	1001111076	2	Nut	
5	1001111147	2	Screw	
6	1001163170	1	Cab, Screen Blind	
7	1001209463	2	Bracket, Sunscreen Mount	
8	1001166385	2	Bracket	
9	4010608002	4	Screw, M6X16	

Go to Discount-Equipment.com to order your parts

SECTION 6 - CAB

FIGURE 6-67. NO SUNSCREEN INSTALLATION



ART_1001211041-A

PARTS FINDER

**Search Website
by Part Number**



**Search Manual
Library For Parts
Manual & Lookup Part
Numbers – Purchase
or Request Quote**

**Can't Find Part or
Manual? Request Help
by Manufacturer,
Model & Description**

Discount-Equipment.com is your online resource for quality parts & equipment.

Florida: **561-964-4949** Outside Florida TOLL FREE: **877-690-3101**

Need parts?

Click on this link: <http://www.discount-equipment.com/category/5443-parts/> and choose one of the options to help get the right parts and equipment you are looking for. Please have the machine model and serial number available in order to help us get you the correct parts. If you don't find the part on the website or on one of the online manuals, please fill out the request form and one of our experienced staff members will get back to you with a quote for the right part that your machine needs.

We sell worldwide for the brands: Genie, Terex, JLG, MultiQuip, Mikasa, Essick, Whiteman, Mayco, Toro Stone, Diamond Products, Generac Magnum, Airman, Haulotte, Barreto, Power Blanket, Nifty Lift, Atlas Copco, Chicago Pneumatic, Allmand, Miller Curber, Skyjack, Lull, Skytrak, Tsurumi, Husquvarna Target, Stow, Wacker, Sakai, Mi-T-M, Sullair, Basic, Dynapac, MBW, Weber, Bartell, Bennar Newman, Haulotte, Ditch Runner, Menegotti, Morrison, Contec, Buddy, Crown, Edco, Wyco, Bomag, Laymor, EZ Trench, Bil-Jax, F.S. Curtis, Gehl Pavers, Heli, Honda, ICS/PowerGrit, IHI, Partner, Imer, Clipper, MMD, Koshin, Rice, CH&E, General Equipment, Amida, Coleman, NAC, Gradall, Square Shooter, Kent, Stanley, Tamco, Toku, Hatz, Kohler, Robin, Wisconsin, Northrock, Oztec, Toker TK, Rol-Air, APT, Wylie, Ingersoll Rand / Doosan, Innovatech, Con X, Ammann, Mecalac, Makinex, Smith Surface Prep, Small Line, Wanco, Yanmar

FIGURE 6-67. NO SUNSCREEN INSTALLATION

ITEM	PART NUMBER	QTY	DESCRIPTION	REV
1	1001211041 1001208192	Ref 1	No Sunscreen Installation Seal, Foam	A

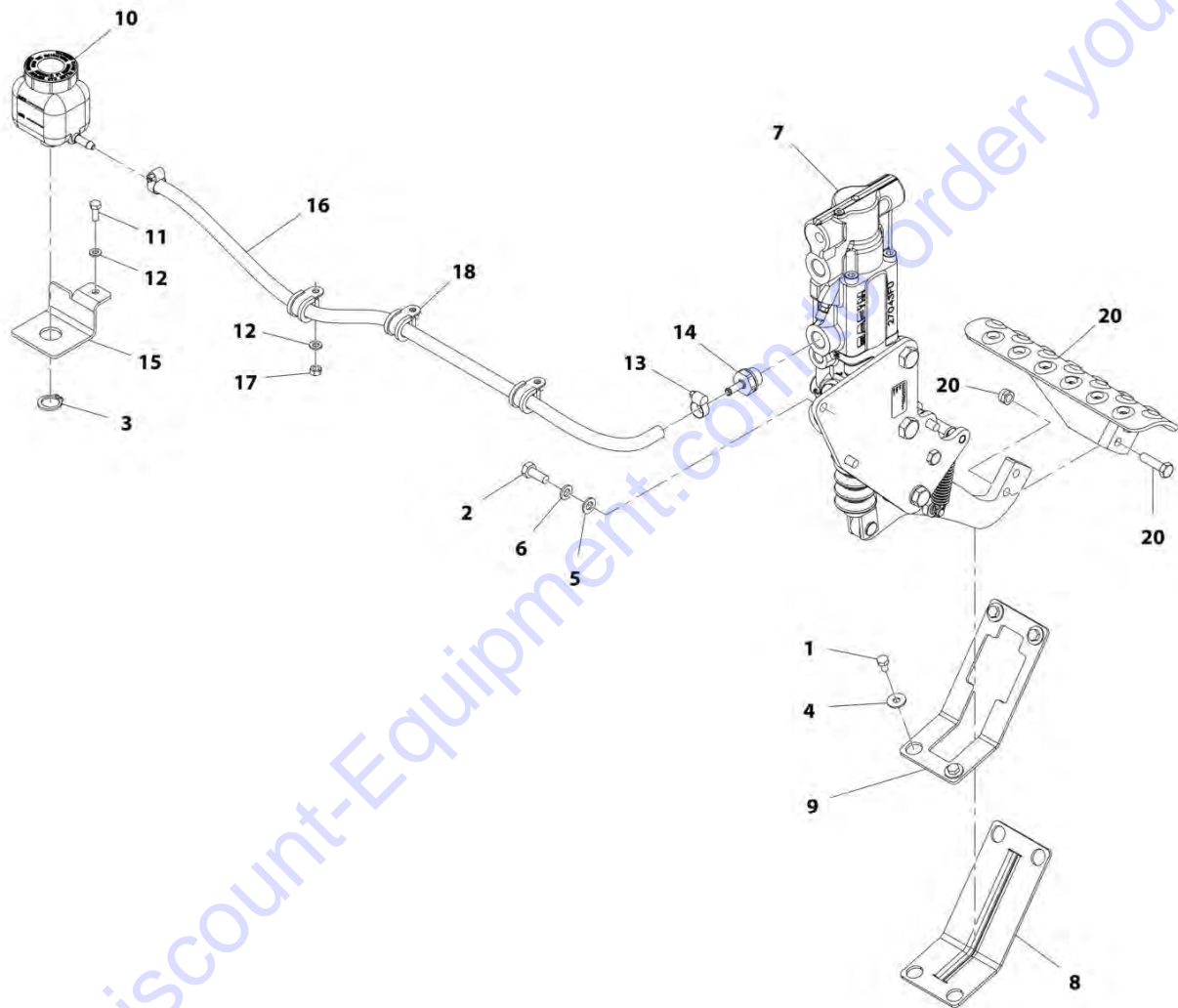
Go to Discount-Equipment.com to order your parts

SECTION 7 - CONTROLS

Go to Discount-Equipment.com to order your parts

SECTION 7 - CONTROLS

FIGURE 7-1. BRAKE PEDAL INSTALLATION



ART_1001204225-C

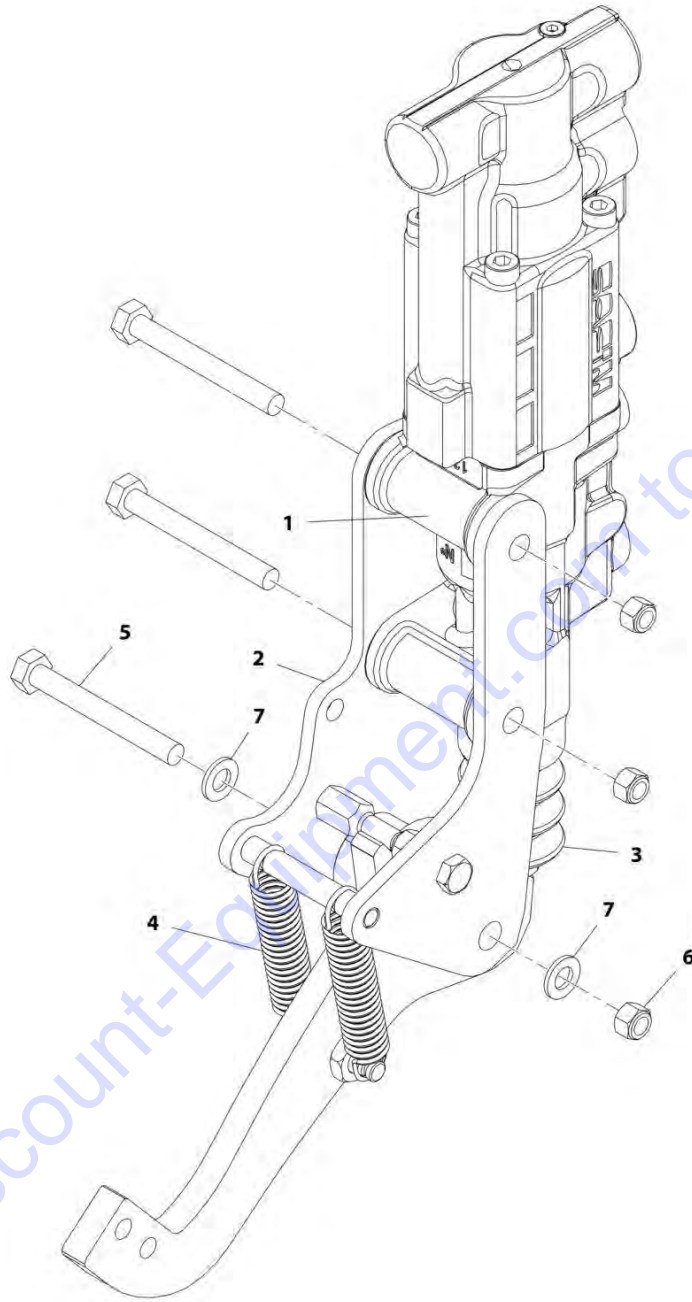
SECTION 7 - CONTROLS

FIGURE 7-1. BRAKE PEDAL INSTALLATION

ITEM	PART NUMBER	QTY	DESCRIPTION	REV
	1001204225	Ref	Brake Pedal Installation	C
1	0760605	4	Bolt, M6X10	
2	0760810	3	Bolt, M8X20	
3	3760348	1	Ring, Retaining	
4	4811702	4	Washer, M6	
5	4811900	3	Washer, M8	
6	4831900	3	Washer, Lock M8	
7	1001197138	1	Pedal, Brake (See BRAKE PEDAL for Breakdown)	
8	1001162920	1	Gasket, Brake Pedal	
9	1001162922	1	Plate	
10	1001214220	1	Reservoir, Brake	
11	0760608	1	Bolt, M6X16	
12	4811700	4	Washer, M6	
13	8405009	2	Clamp, Gear	
14	1001171874	1	Fitting, Hose Barb	
15	1001172088	1	Bracket, Brake Reservoir	
16	1001172094	1	Hose, Brake Reservoir	
17	3290601	3	Nut, M6X1	
18	1001170231	3	Clip, M6X15	
20	1001197139	1	Plate, Brake Pedal (See BRAKE PEDAL PLATE for Breakdown)	

SECTION 7 - CONTROLS

FIGURE 7-2. BRAKE PEDAL



ART_1001197138-D

SECTION 7 - CONTROLS

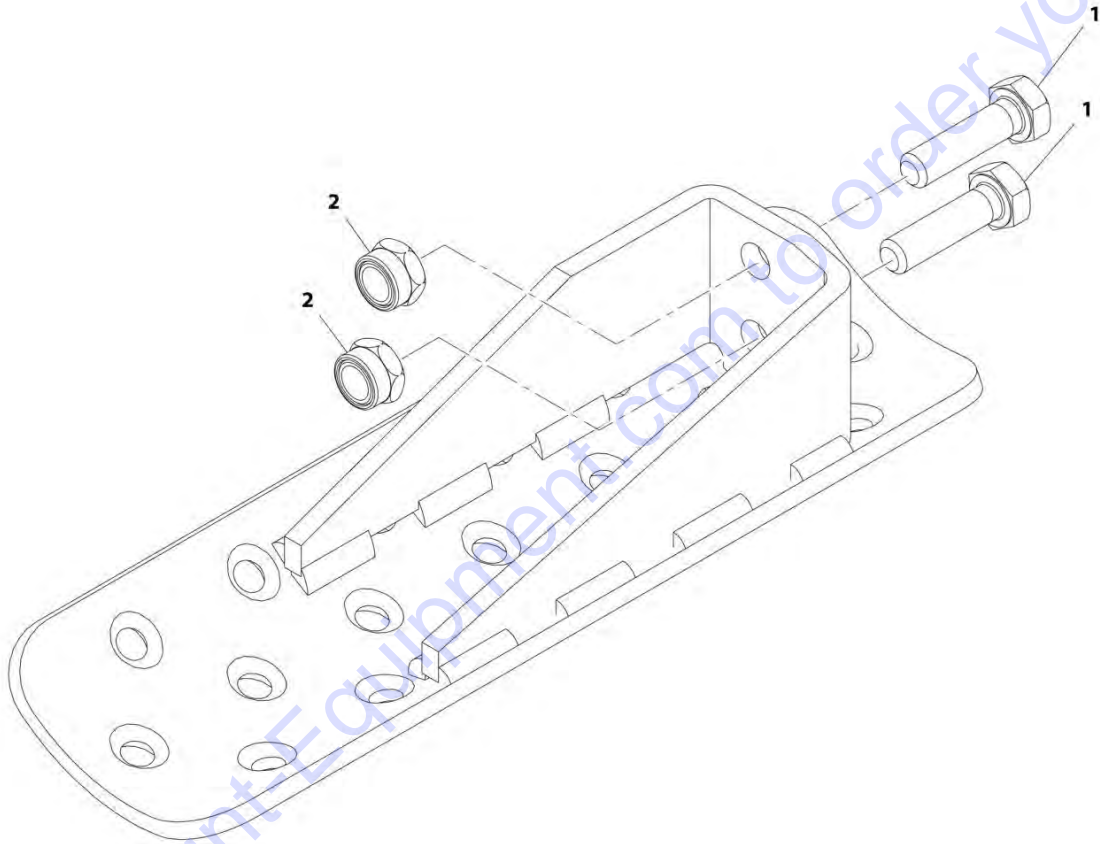
FIGURE 7-2. BRAKE PEDAL

ITEM	PART NUMBER	QTY	DESCRIPTION	REV
	1001197138	Ref	Brake Pedal	D
1	70026432	1	Cylinder, Master	
2	70026433	1	Support	
3	70025859	1	Cover, Dust	
4	70025860	2	Spring, Return	
5	0701226	3	Bolt, M12X90	
6	3291205	3	Nut, Lock M12X1.75	
7	4812100	2	Washer, M12	

Go to Discount-Equipment.com to order your parts

SECTION 7 - CONTROLS

FIGURE 7-3. BRAKE PEDAL PLATE



ART_1001197139-A

SECTION 7 - CONTROLS

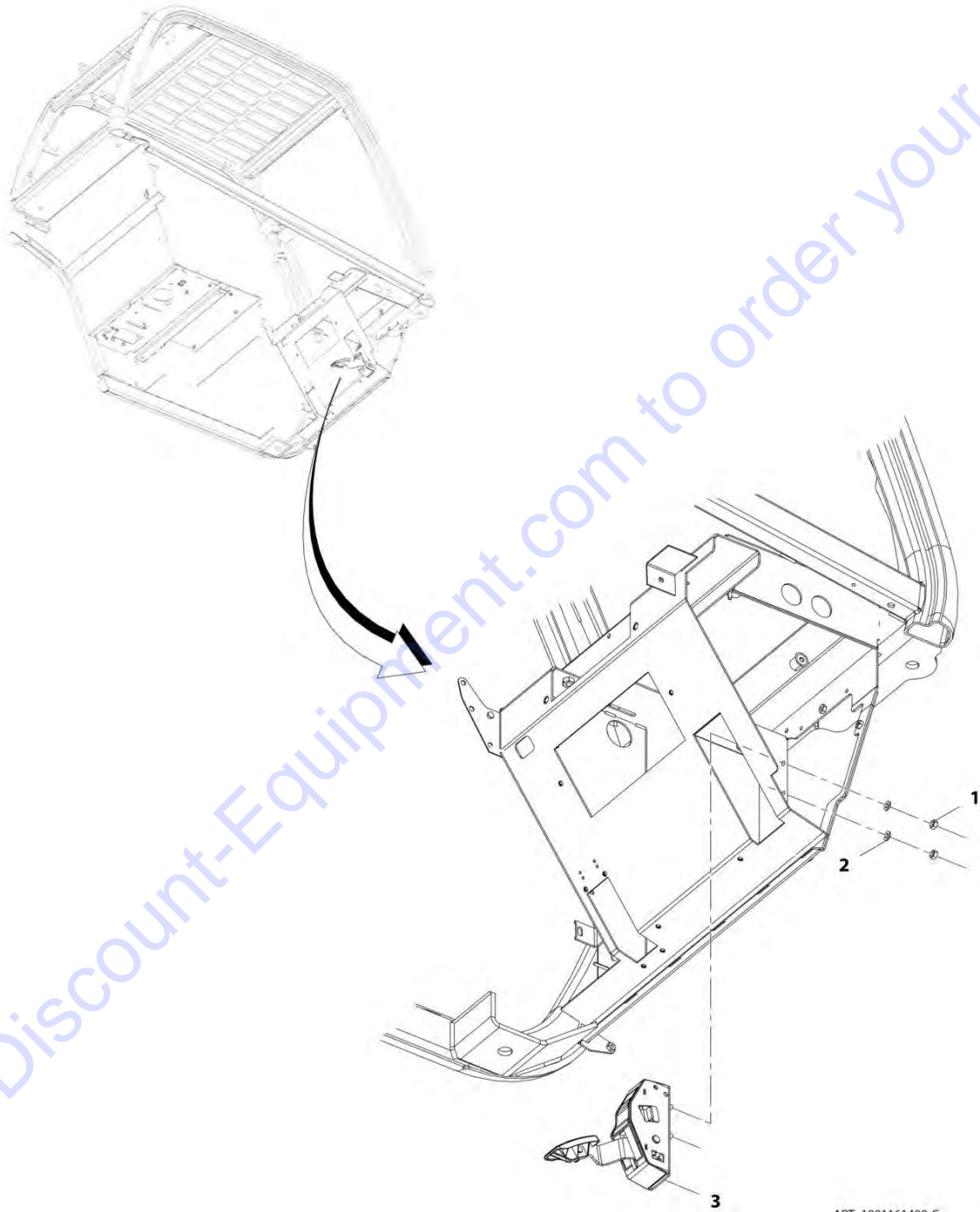
FIGURE 7-3. BRAKE PEDAL PLATE

ITEM	PART NUMBER	QTY	DESCRIPTION	REV
	1001197139	Ref	Brake Pedal Plate	A
1	0770814	1	Bolt, M8X30 Grade 10.9	
2	3290805	1	Nut, Lock M8X1.25 Grade 8	

Go to Discount-Equipment.com to order your parts

SECTION 7 - CONTROLS

FIGURE 7-4. ACCELERATOR PEDAL INSTALLATION



ART_1001161499-C

SECTION 7 - CONTROLS

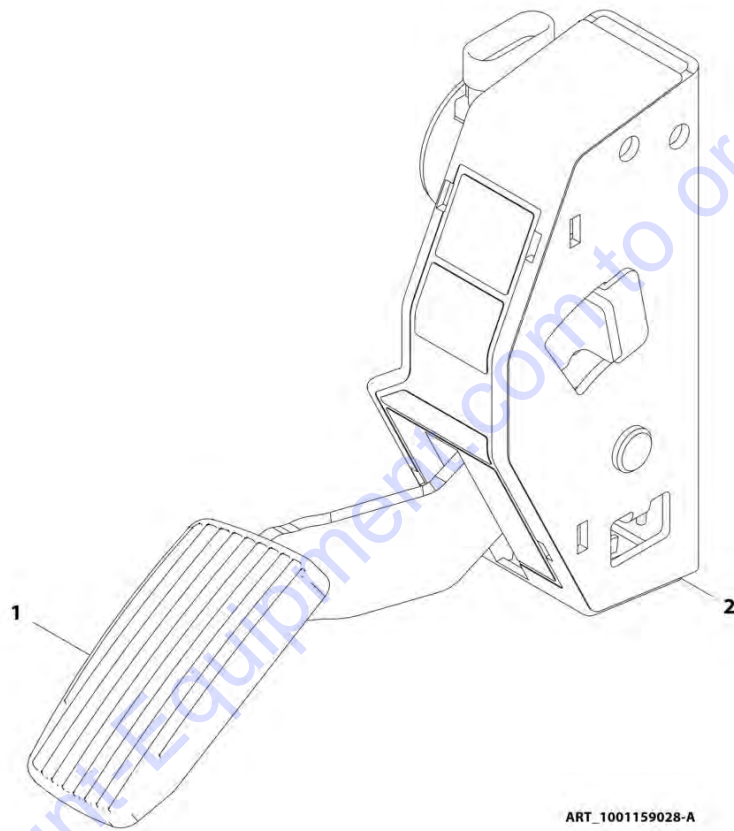
FIGURE 7-4. ACCELERATOR PEDAL INSTALLATION

ITEM	PART NUMBER	QTY	DESCRIPTION	REV
	1001161499	Ref	Accelerator Pedal Installation	C
1	3290801	2	Nut, M8X1.25	
2	4811900	2	Washer, M8	
3	1001159028	1	Pedal, Accelerator (See Separate Breakdown in this Section)	

Go to Discount-Equipment.com to order your parts

SECTION 7 - CONTROLS

FIGURE 7-5. ACCELERATOR PEDAL



ART_1001159028-A

SECTION 7 - CONTROLS

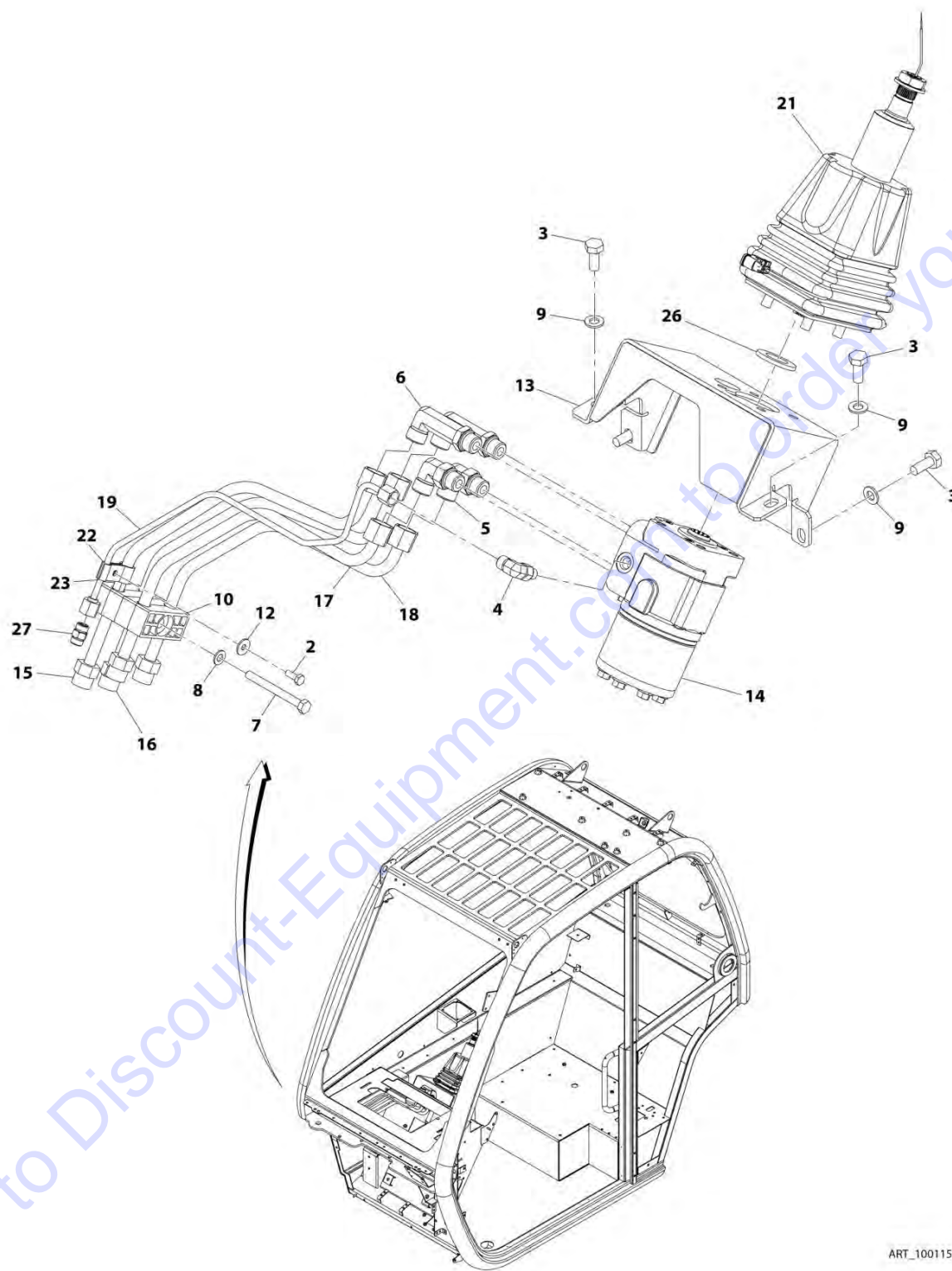
FIGURE 7-5. ACCELERATOR PEDAL

ITEM	PART NUMBER	QTY	DESCRIPTION	REV
	1001159028	Ref	Accelerator Pedal	A
1	70025816	1	Pad, Rubber	
2	70025817	1	Cover, Rubber	

Go to Discount-Equipment.com to order your parts

SECTION 7 - CONTROLS

FIGURE 7-6. STEERING COLUMN INSTALLATION



ART_1001155307-F

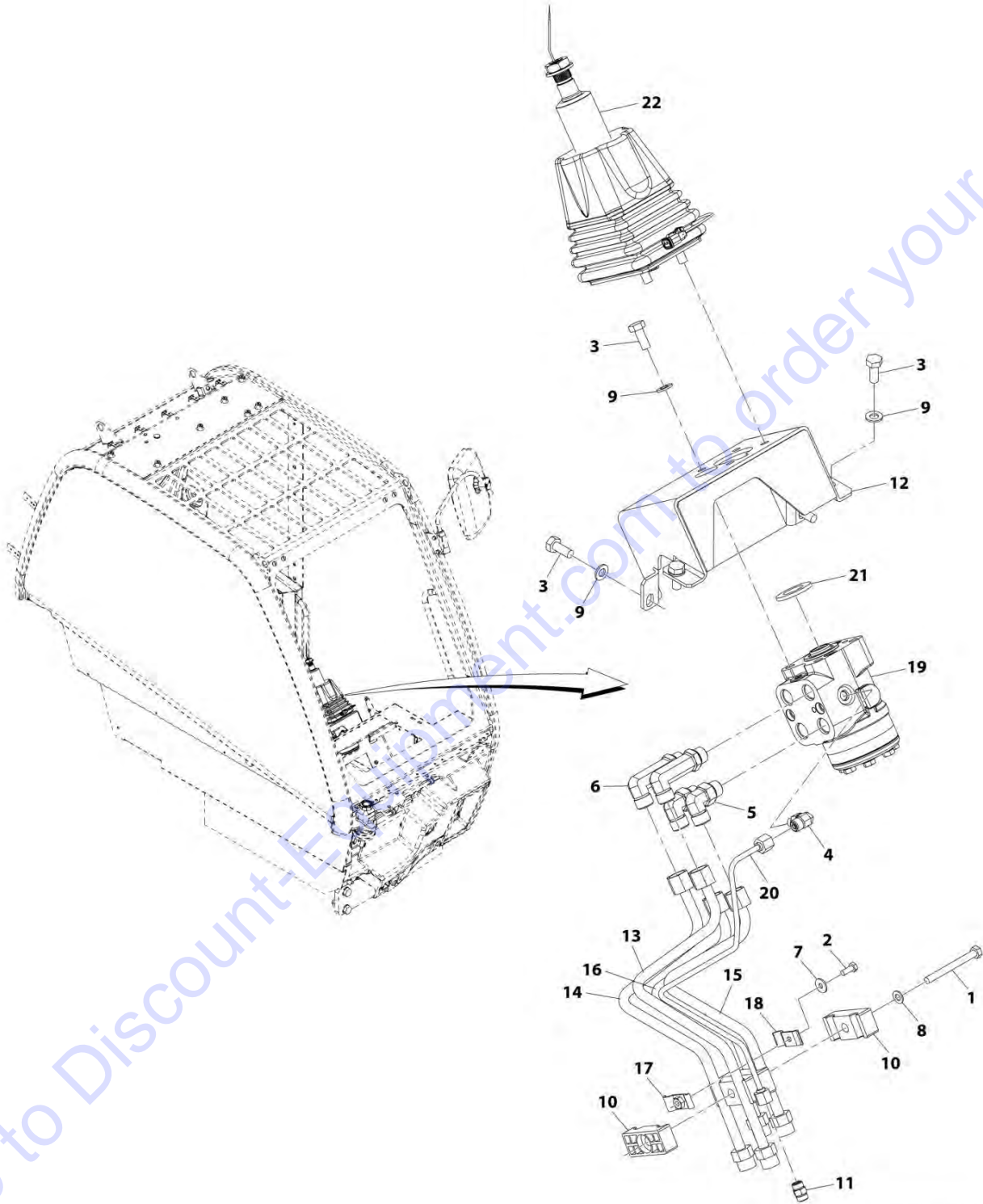
SECTION 7 - CONTROLS

FIGURE 7-6. STEERING COLUMN INSTALLATION

ITEM	PART NUMBER	QTY	DESCRIPTION	REV
	1001155307	1	Steering Column Installation	F
2	0760608	1	Bolt, M6X16	
3	0761012	8	Bolt, M10X25	
4	2130404	1	Fitting, 90 ORFS	
5	2130808	2	Fitting, 90 ORFS	
6	2170208	2	Fitting, 90 ORFS	
7	0700824	1	Bolt, M8X80	
8	4811900	1	Washer, M8	
9	4812000	8	Washer, M10	
10	1001004640	4	Clamp	
12	4811702	1	Washer, M6	
13	1001156265	1	Cab, Steering Column Support	
14	1001158527	1	Valve, Steering (See HYDRAULIC COMPONENTS SECTION for Breakdown)	
15	1001161672	1	Pipe	
16	1001161896	1	Pipe	
17	1001161897	1	Pipe	
18	1001161898	1	Pipe	
19	1001162979	1	Pipe	
21	1001161733	NLA	Column, Steering (no longer available, see 1001214481 for replacement)	
21	1001214481	1	Column, Steering	
22	1001168142	1	Bracket	
23	1001168151	1	Bracket	
26	1001214480	1	Washer	
27	1001143857	1	Adaptor	

SECTION 7 - CONTROLS

FIGURE 7-7. EMERGENCY STEERING COLUMN INSTALLATION



ART_1001221749-A

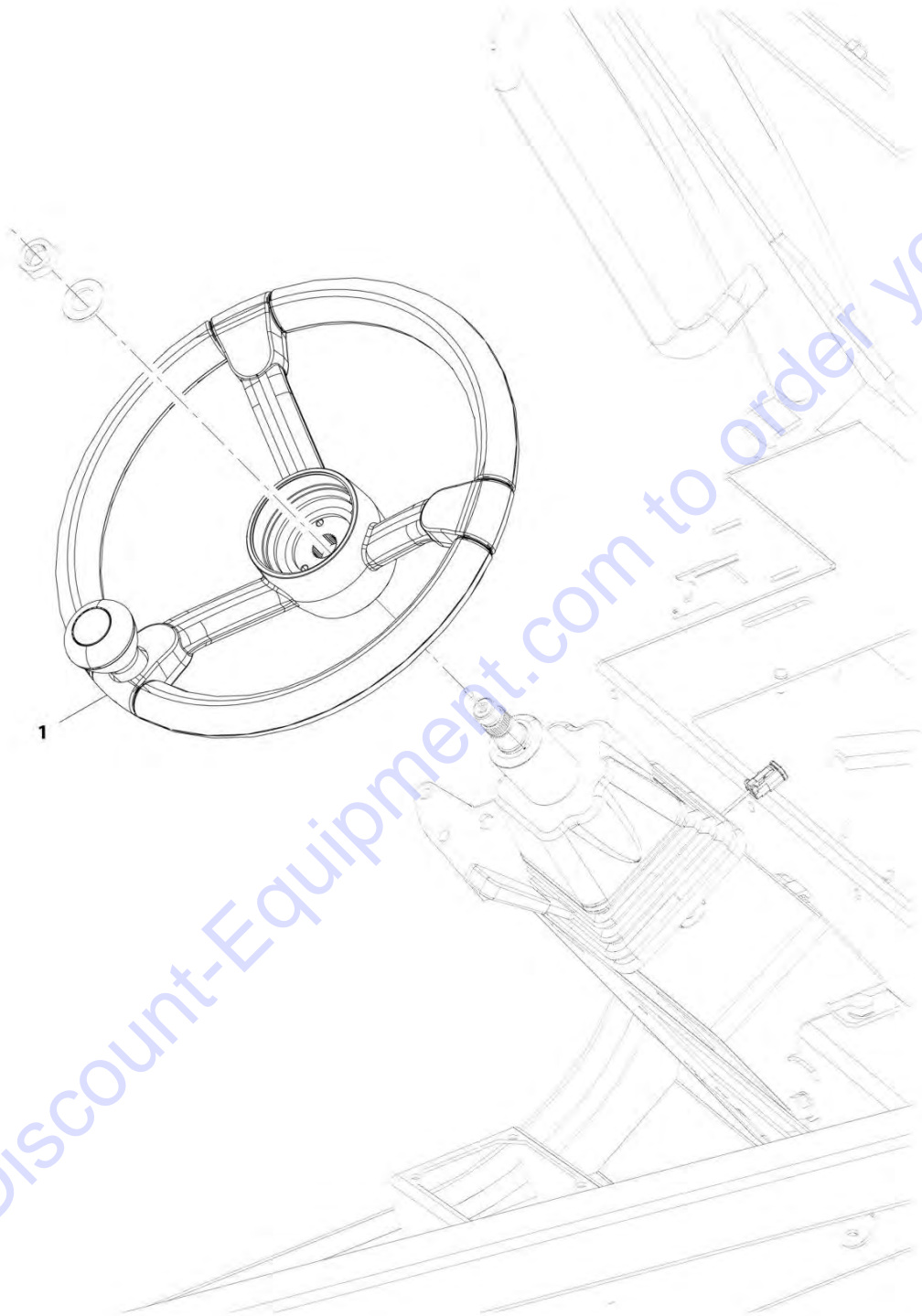
SECTION 7 - CONTROLS

FIGURE 7-7. EMERGENCY STEERING COLUMN INSTALLATION

ITEM	PART NUMBER	QTY	DESCRIPTION	REV
	1001221749	Ref	Emergency Steering Column Installation	A
1	0700824	1	Bolt, M8X80	
2	0760608	1	Bolt, M6X16	
3	0761012	8	Bolt, M10X25	
4	2130404	1	Fitting, 90 ORFS	
5	2130808	2	Fitting, 90 ORFS	
6	2170208	2	Fitting, 90 ORFS	
7	4811702	1	Washer, M6	
8	4811900	1	Washer, M8	
9	4812000	8	Washer, M10	
10	1001004640	4	Clamp	
11	1001143857	1	Adapter	
12	1001156265	1	Cab, Steering Column Support	
13	1001161672	1	Pipe	
14	1001161896	1	Pipe	
15	1001161897	1	Pipe	
16	1001161898	1	Pipe	
17	1001168142	1	Bracket	
18	1001168151	1	Bracket	
19	1001178670	1	Valve, Steering	
20	1001194282	1	Pipe	
21	1001214480	1	Washer	
22	1001214481	1	Column, Steering	

SECTION 7 - CONTROLS

FIGURE 7-8. STEERING WHEEL INSTALLATION



ART_1001169751-C

SECTION 7 - CONTROLS

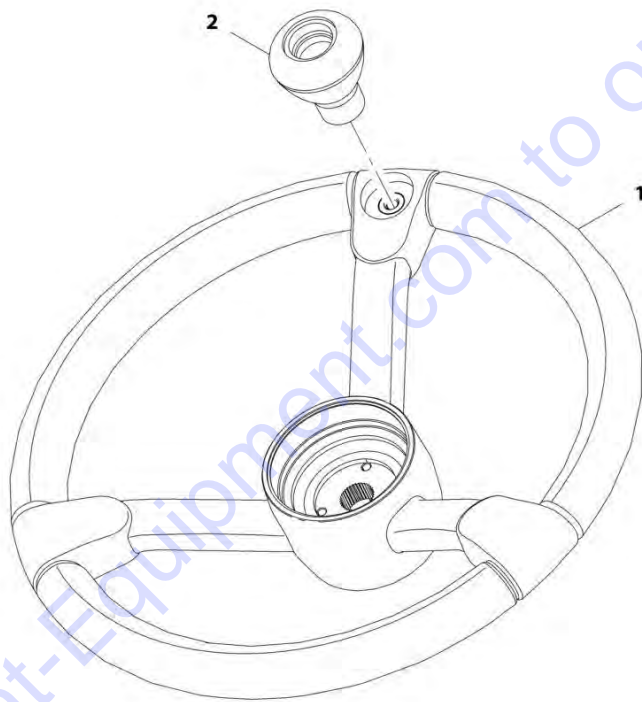
FIGURE 7-8. STEERING WHEEL INSTALLATION

ITEM	PART NUMBER	QTY	DESCRIPTION	REV
1	1001169751	Ref	Steering Wheel Installation	C
	1001169354	1	Wheel, Steering (See Separate Breakdown in this Section)	

Go to Discount-Equipment.com to order your parts

SECTION 7 - CONTROLS

FIGURE 7-9. STEERING WHEEL



ART_1001169354-D

SECTION 7 - CONTROLS

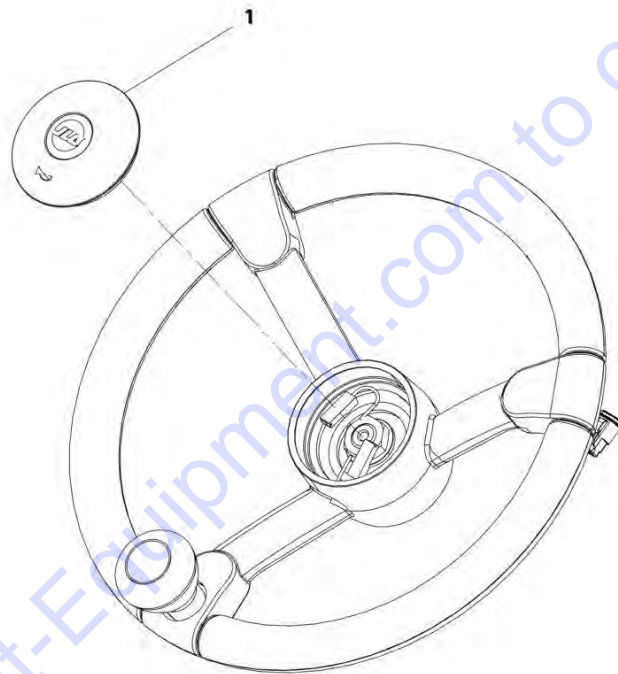
FIGURE 7-9. STEERING WHEEL

ITEM	PART NUMBER	QTY	DESCRIPTION	REV
	1001169354	Ref	Steering Wheel	D
1	1001169367	1	Wheel, Steering	
2	1001169355	1	Handle, Steer Spinner	

Go to Discount-Equipment.com to order your parts

SECTION 7 - CONTROLS

FIGURE 7-10. HORN BUTTON INSTALLATION



ART_1001169763-A

SECTION 7 - CONTROLS

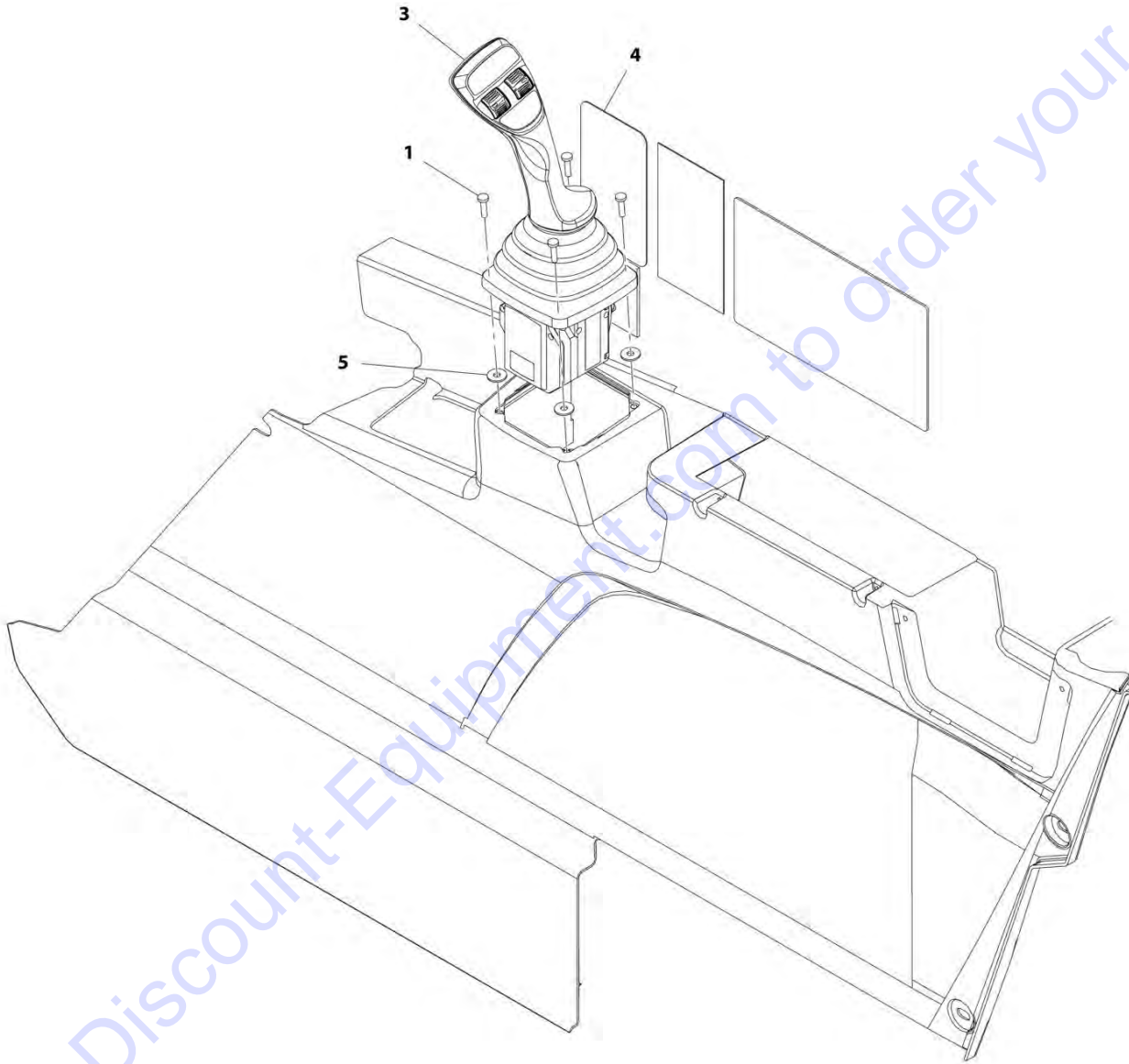
FIGURE 7-10. HORN BUTTON INSTALLATION

ITEM	PART NUMBER	QTY	DESCRIPTION	REV
1	1001169763 1001169268	Ref 1	Horn Button Installation Button, Horn	A

Go to Discount-Equipment.com to order your parts

SECTION 7 - CONTROLS

FIGURE 7-11. JOYSTICK INSTALLATION (2 ROLLER, 0 BUTTON)



ART_1001167001-E

SECTION 7 - CONTROLS

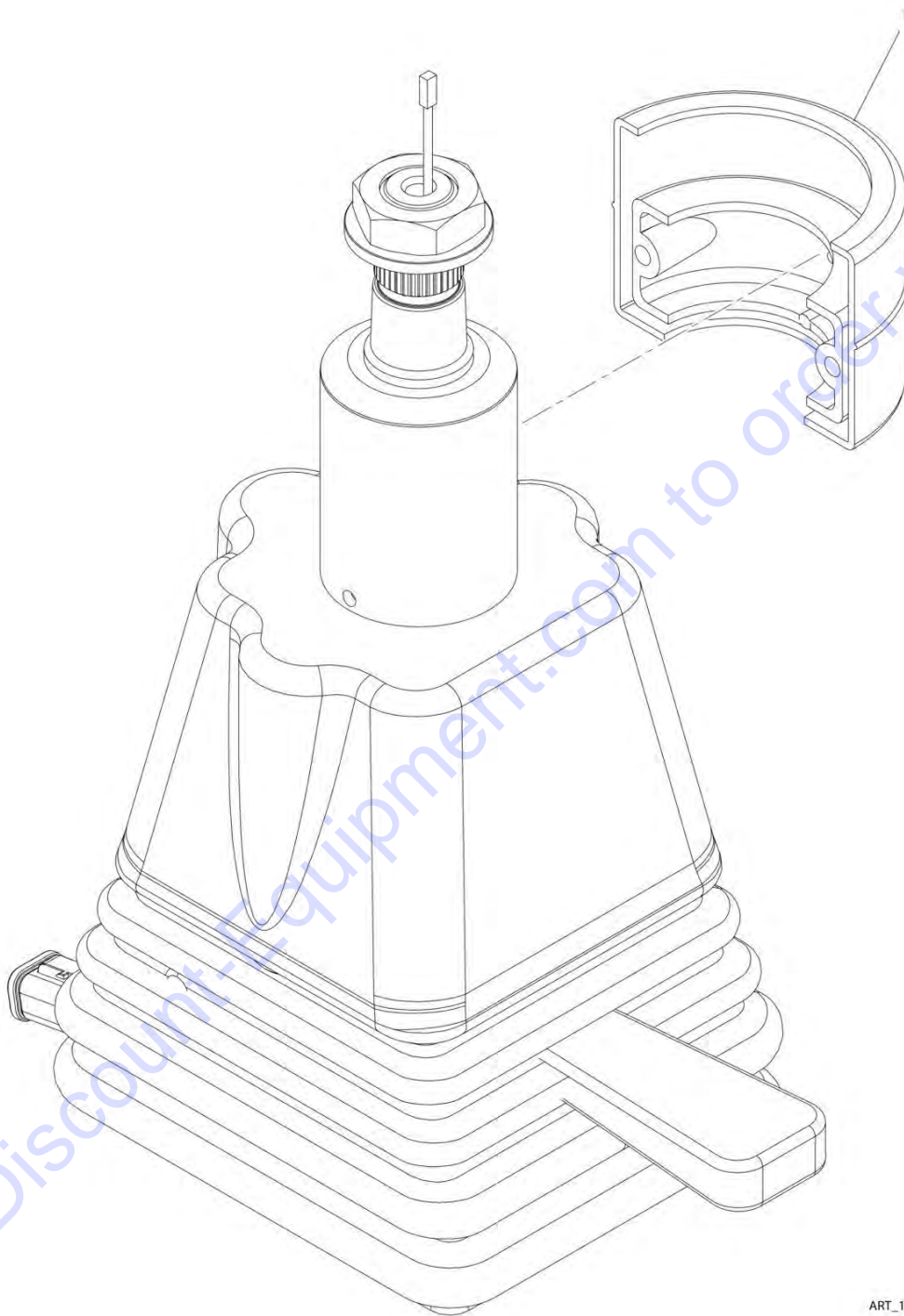
FIGURE 7-11. JOYSTICK INSTALLATION (2 ROLLER, 0 BUTTON)

ITEM	PART NUMBER	QTY	DESCRIPTION	REV
	1001167001	Ref	Joystick Installation (2 Roller, 0 Button)	E
1	4010510	4	Screw, M5X20	
3	1001222609	1	Joystick (See Separate Breakdown in this Section)	
4	1001181543	1	Decal, Joystick	
5	4811702001	AR	Washer	

Go to Discount-Equipment.com to order your parts

SECTION 7 - CONTROLS

FIGURE 7-12. COLUMN CLAMP INSTALLATION



ART_1001182671-C

SECTION 7 - CONTROLS

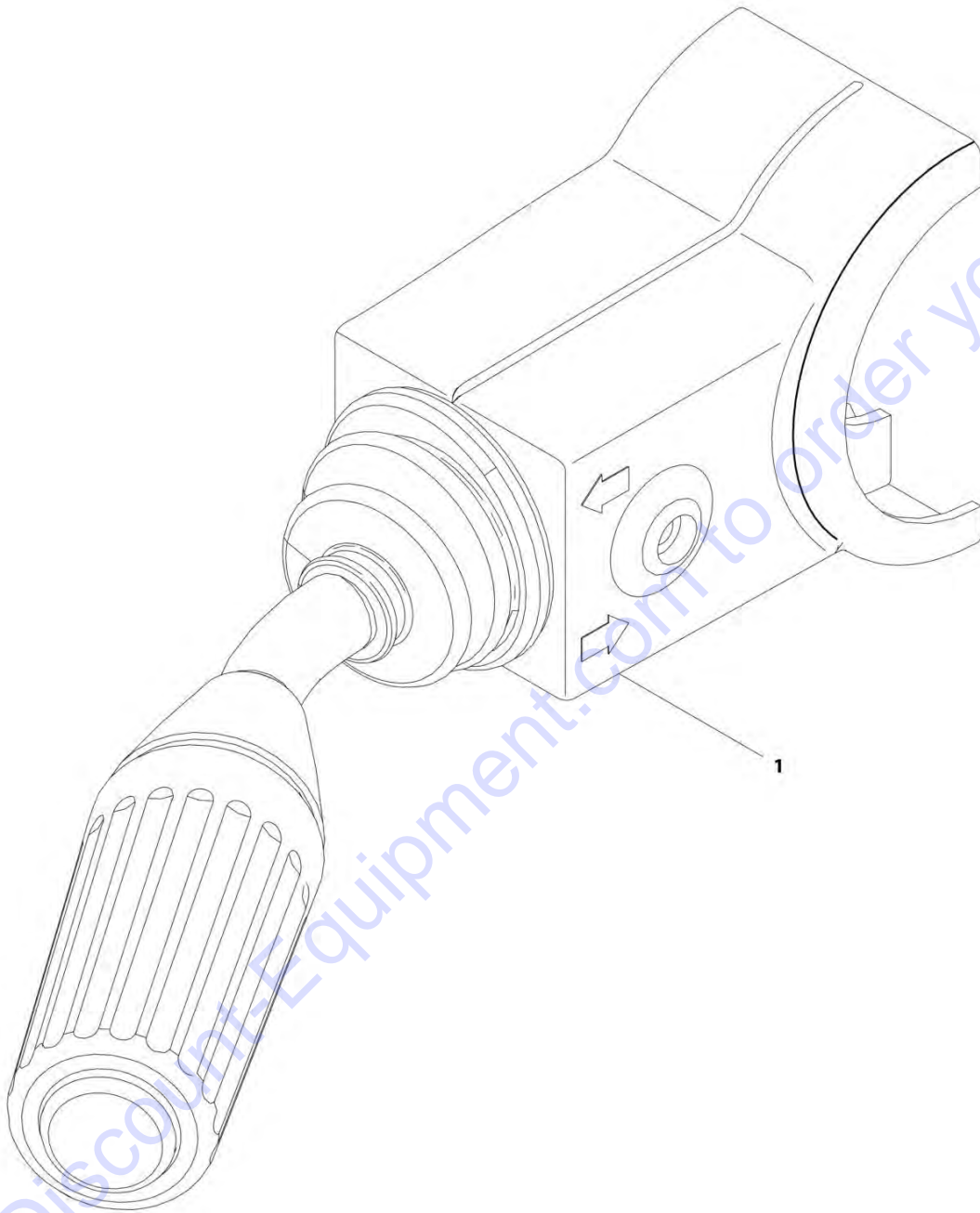
FIGURE 7-12. COLUMN CLAMP INSTALLATION

ITEM	PART NUMBER	QTY	DESCRIPTION	REV
1	1001182671	1	Column Clamp Installation	C
	1001199640	1	Clamp	

Go to Discount-Equipment.com to order your parts

SECTION 7 - CONTROLS

FIGURE 7-13. WIPER-TURN SWITCH



ART_1001163695-A

SECTION 7 - CONTROLS

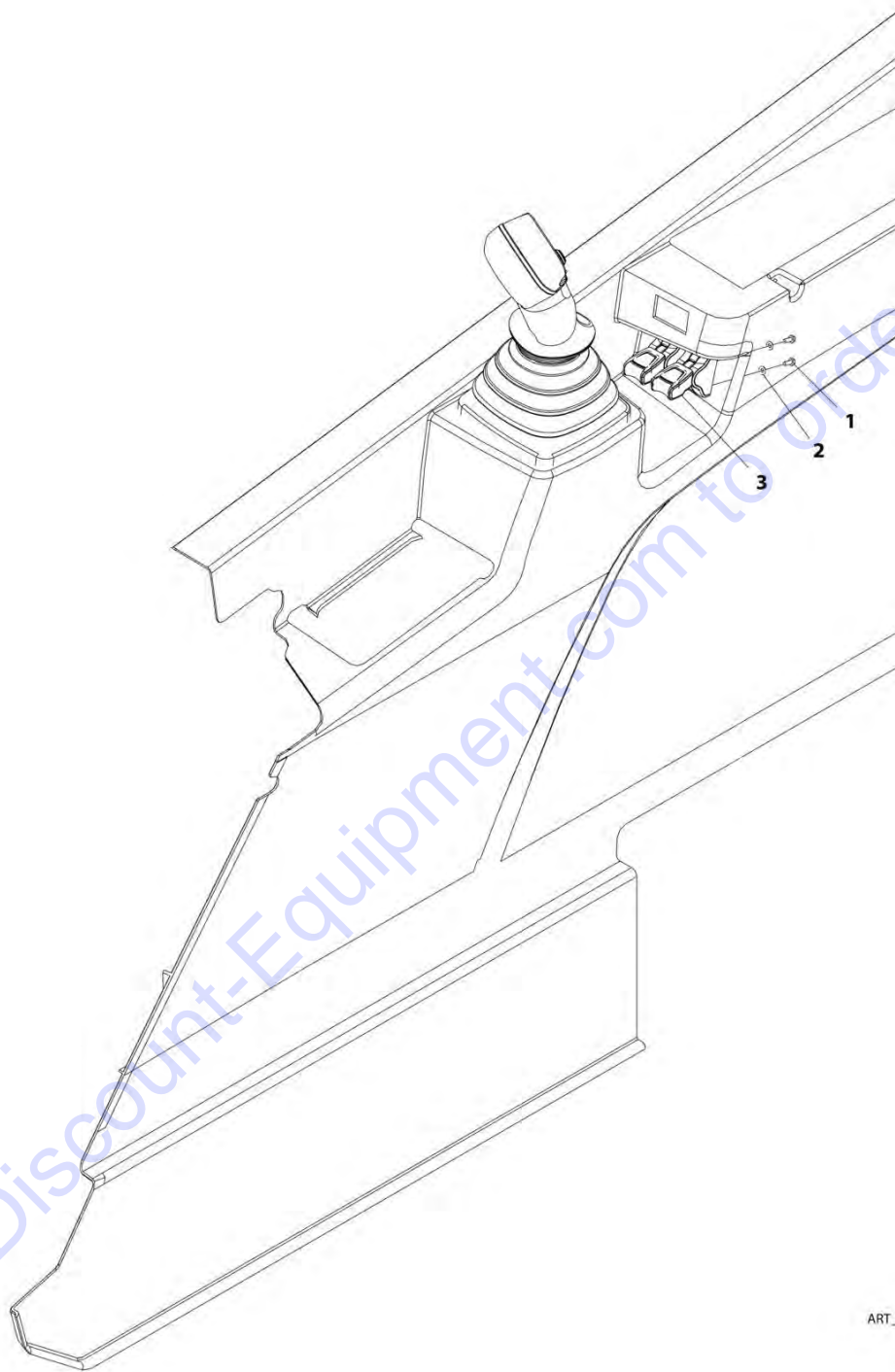
FIGURE 7-13. WIPER-TURN SWITCH

ITEM	PART NUMBER	QTY	DESCRIPTION	REV
1	1001163695	1	Wiper-Turn Switch	A

Go to Discount-Equipment.com to order your parts

SECTION 7 - CONTROLS

FIGURE 7-14. OUTRIGGER SWITCHES INSTALLATION



ART_1001174478-C

SECTION 7 - CONTROLS

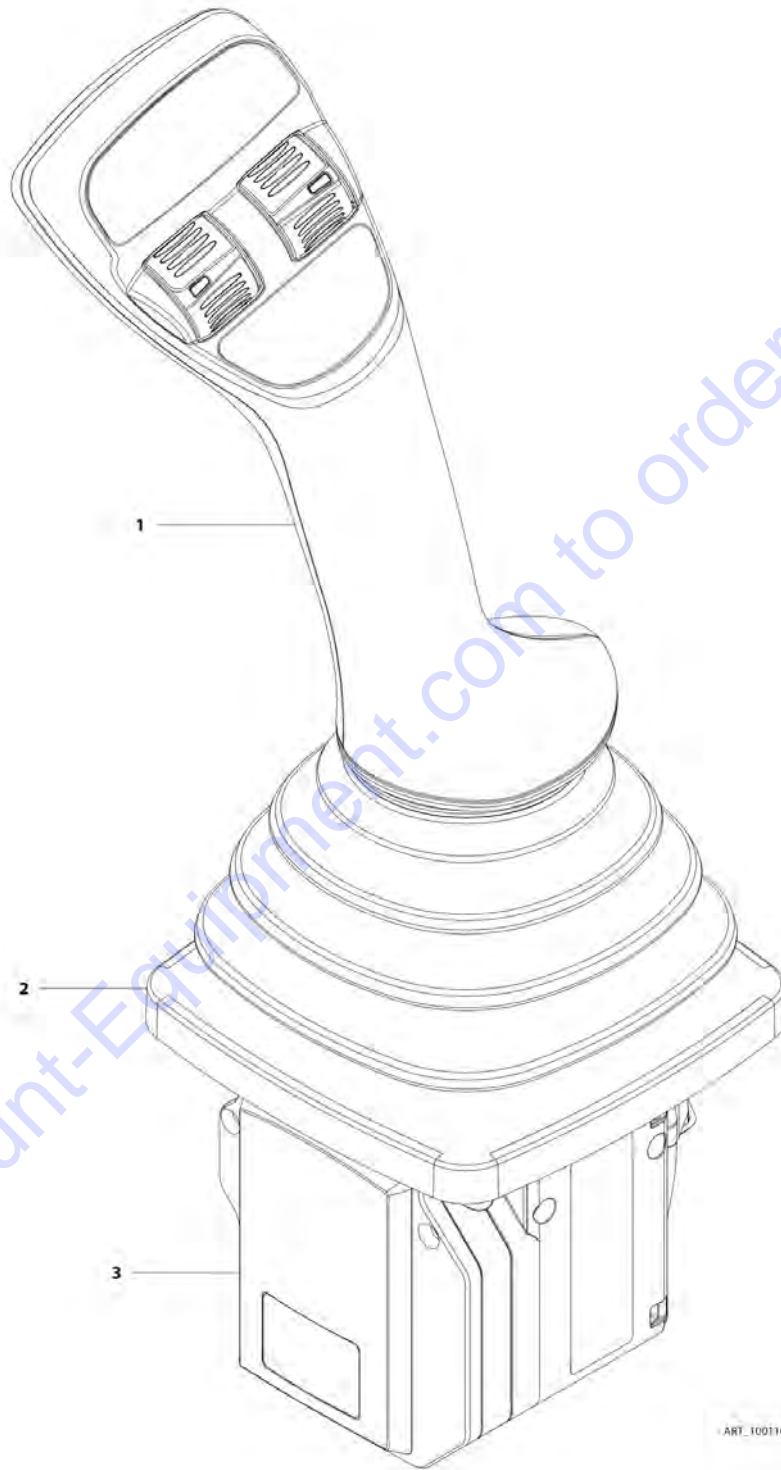
FIGURE 7-14. OUTRIGGER SWITCHES INSTALLATION

ITEM	PART NUMBER	QTY	DESCRIPTION	REV
	1001174478	Ref	Outrigger Switches Installation	C
1	0760304	4	Bolt, M3X8 GR8.8	
2	1001110544	4	Washer, M3	
3	1001157919	NLA	Control, Fingertip Joystick, (no longer available, use 1001242098 for replacement)	
3	1001242098	2	Control, Fingertip Joystick	

Go to Discount-Equipment.com to order your parts

SECTION 7 - CONTROLS

FIGURE 7-15. JOYSTICK



ART_1001160122-F

SECTION 7 - CONTROLS

FIGURE 7-15. JOYSTICK

ITEM	PART NUMBER	QTY	DESCRIPTION	REV
	1001160122	NLA	Joystick, (no longer available, use 1001222609 for replacement)	F
	1001222609	Ref	Joystick	A
1	70026257	1	Handle, Joystick	
2	70025844	1	Gaiter	
3	70026258	1	Base, Joystick	

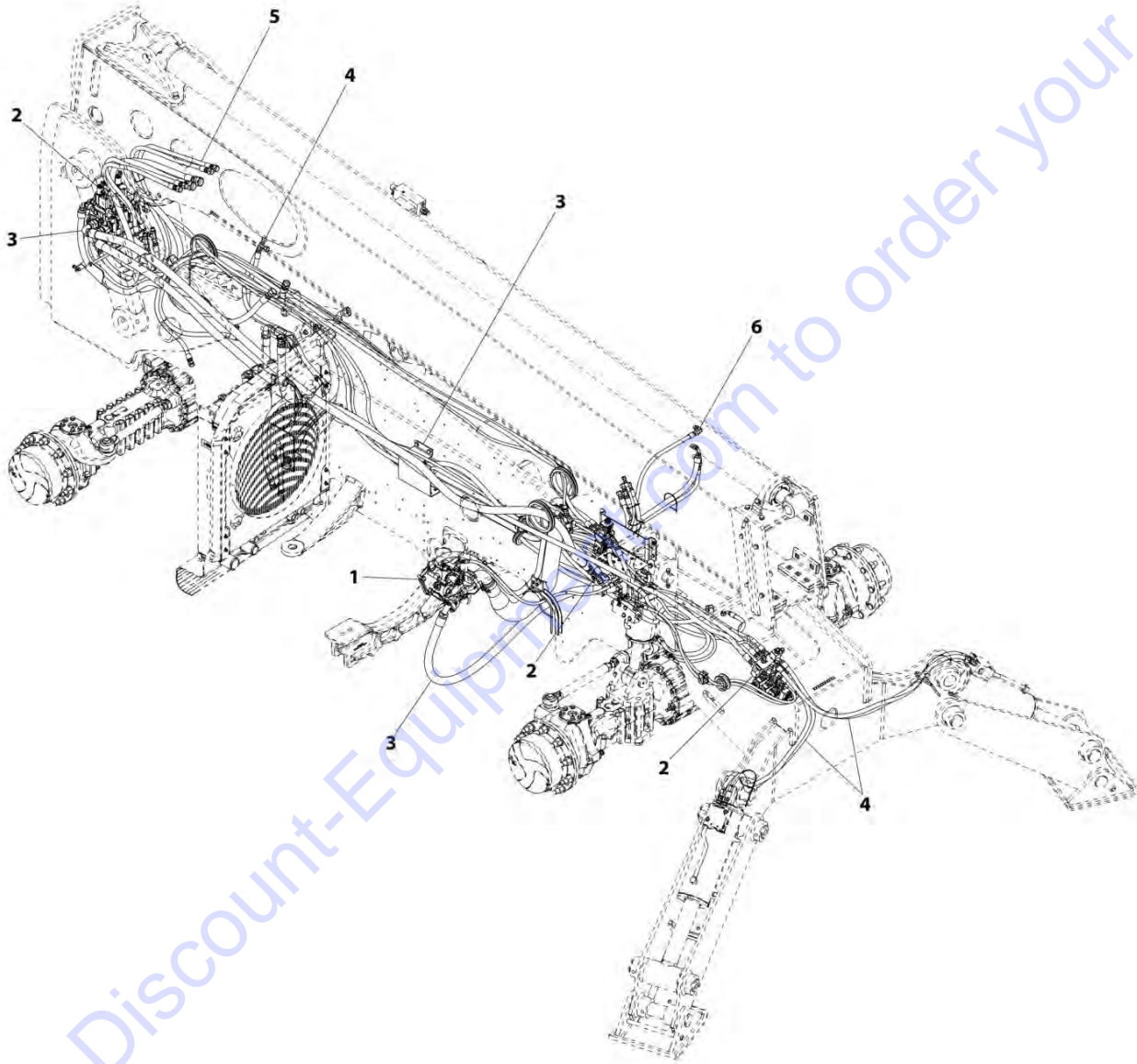
Go to Discount-Equipment.com to order your parts

SECTION 8 - HYDRAULIC CIRCUITS

Go to Discount-Equipment.com to order your parts

SECTION 8 - HYDRAULIC CIRCUITS

FIGURE 8-1. MAIN HYDRAULIC INSTALLATION (OUTRIGGERS)



ART_1001227386-A

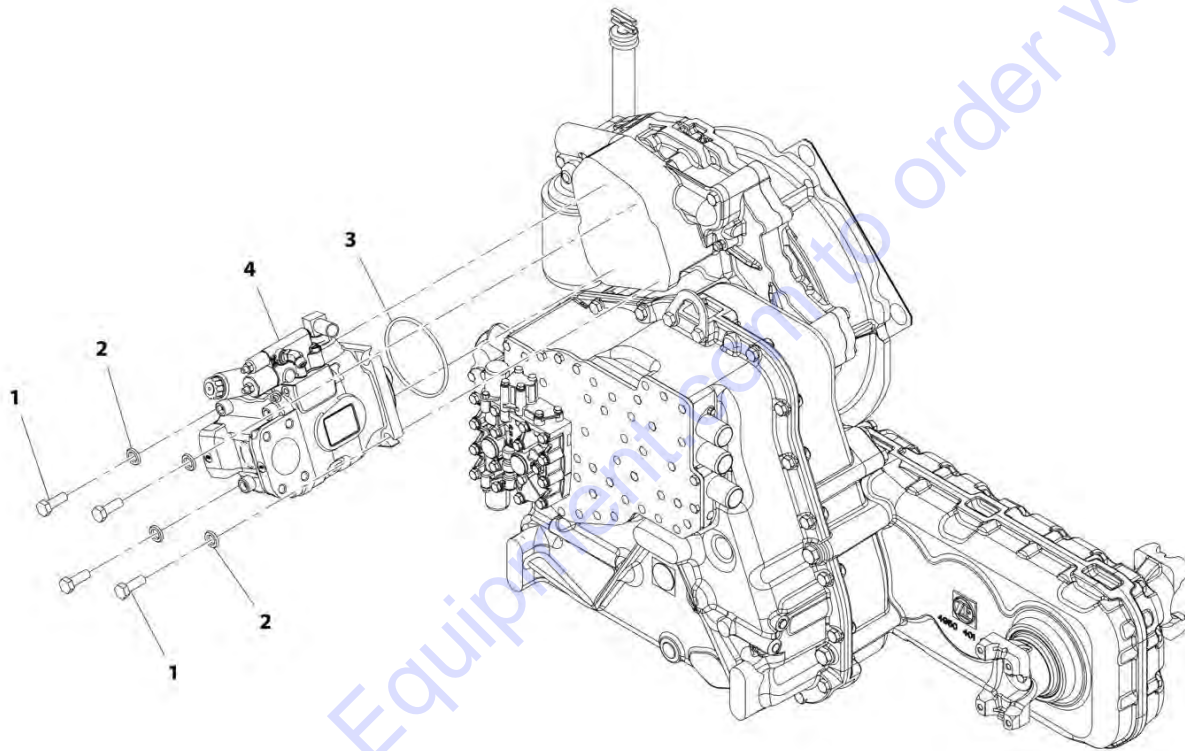
SECTION 8 - HYDRAULIC CIRCUITS

FIGURE 8-1. MAIN HYDRAULIC INSTALLATION (OUTRIGGERS)

ITEM	PART NUMBER	QTY	DESCRIPTION	REV
1	1001227386	Ref	Main Hydraulic Installation (Outriggers)	A
	1001162670	Ref	Installation, Piston Pump (See Separate Breakdown in this Section)	
2	1001225749	Ref	Installation, Valve (See Separate Breakdown in this Section)	
3	1001227497	Ref	Installation, Main Hydraulics (See Separate Breakdown in this Section)	
4	1001168469	Ref	Installation, Frame Level Hydraulics (See Separate Breakdown in this Section)	
5	1001170100	Ref	Installation, Boom Hydraulic (See Separate Breakdown in this Section)	
6	1001175789	Ref	Installation, Cab Hydraulics (See Separate Breakdown in this Section)	

SECTION 8 - HYDRAULIC CIRCUITS

FIGURE 8-2. PISTON PUMP INSTALLATION



ART_1001162670-C

SECTION 8 - HYDRAULIC CIRCUITS

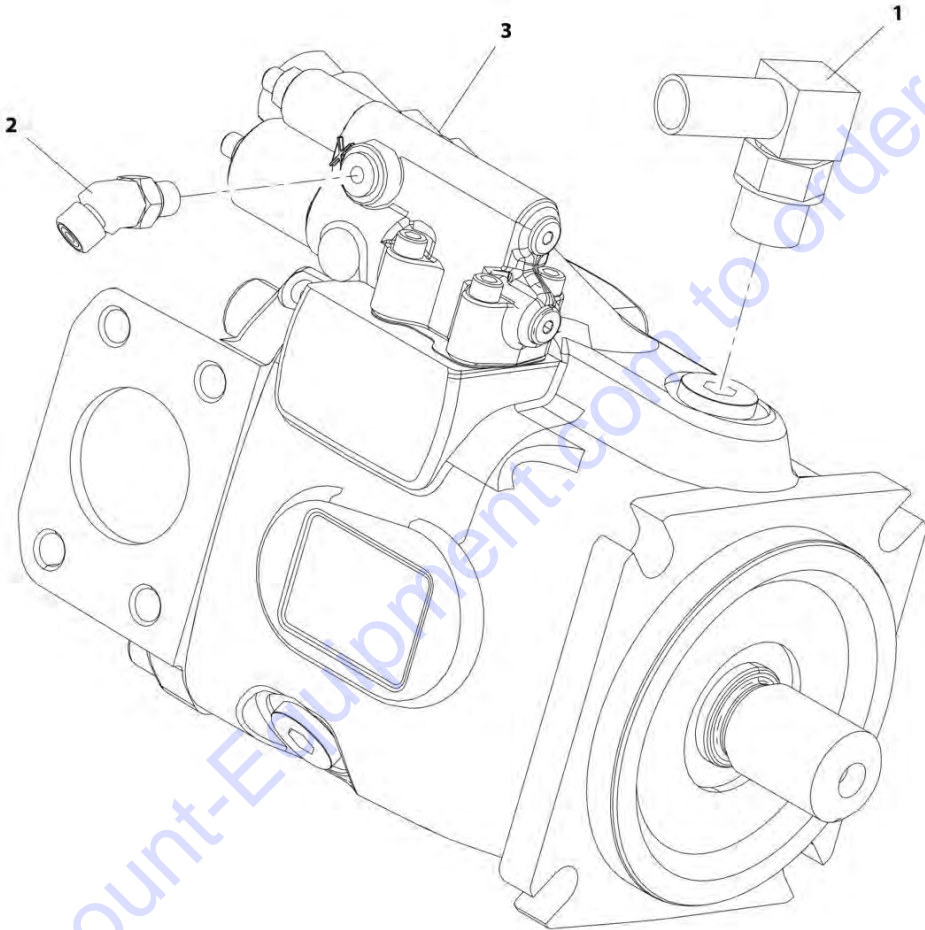
FIGURE 8-2. PISTON PUMP INSTALLATION

ITEM	PART NUMBER	QTY	DESCRIPTION	REV
	1001162670	Ref	Piston Pump Installation	C
1	0761215	4	Bolt, M12X35	
2	4740532	4	Washer	
3	80933113	1	O-Ring	
4	1001162674	1	Assembly, Piston Pump (See Separate Breakdown in this Section)	

Go to Discount-Equipment.com to order your parts

SECTION 8 - HYDRAULIC CIRCUITS

FIGURE 8-3. PISTON PUMP ASSEMBLY



ART_1001162674-C

SECTION 8 - HYDRAULIC CIRCUITS

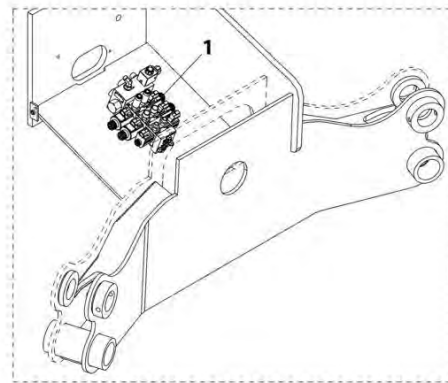
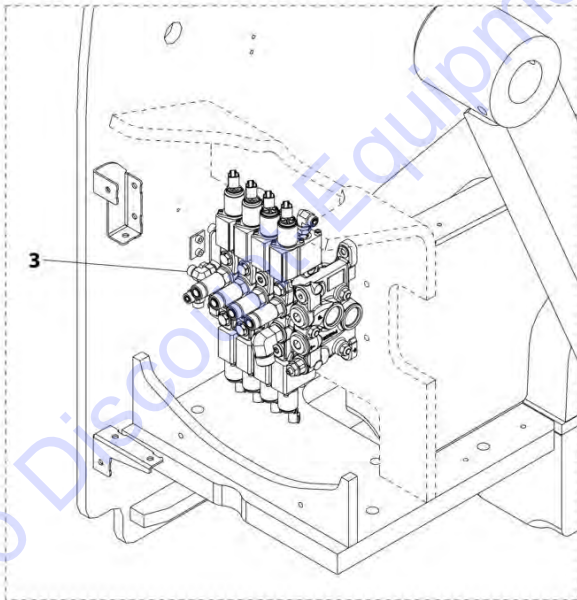
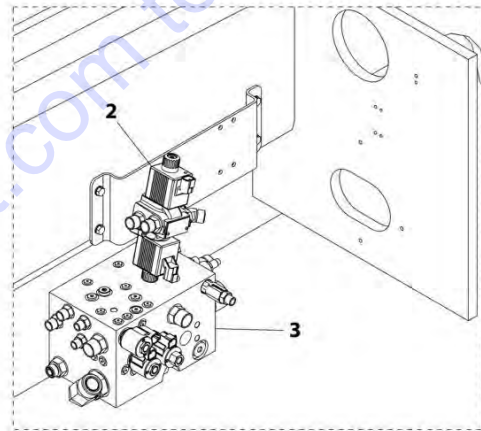
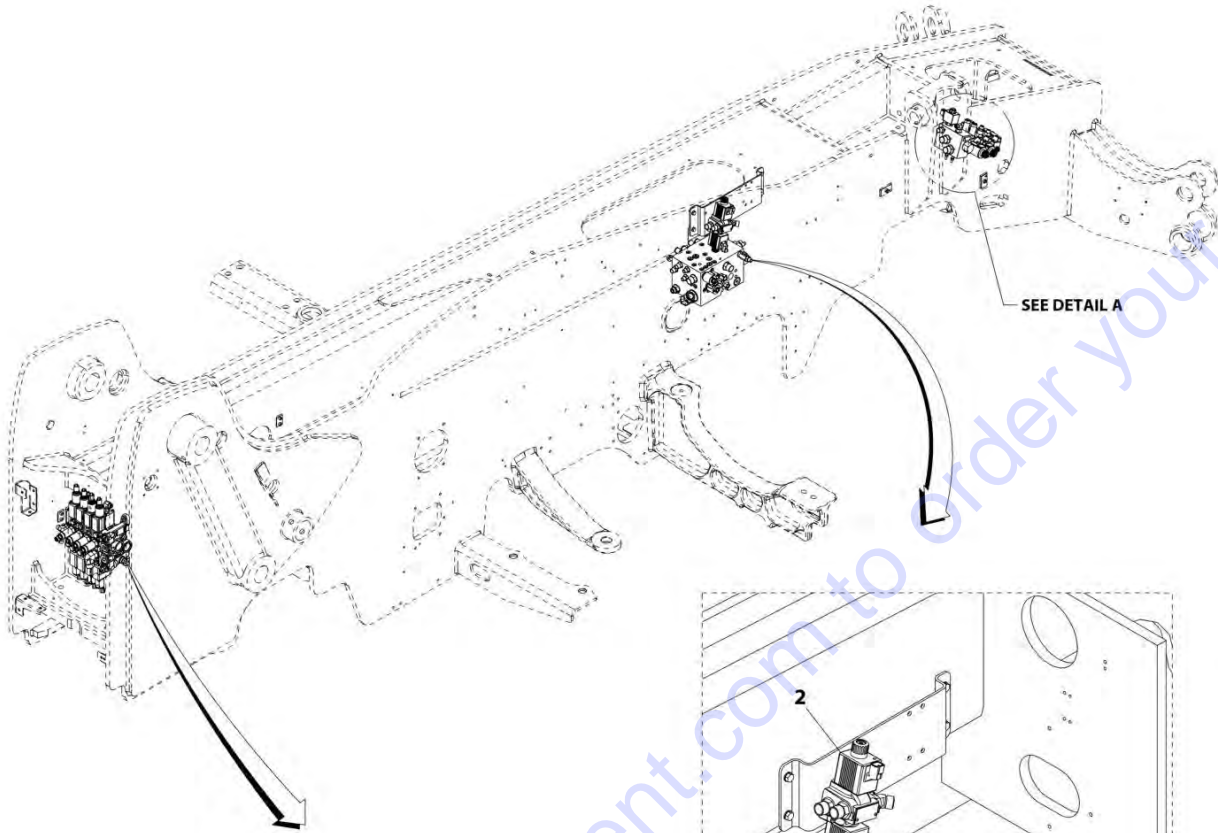
FIGURE 8-3. PISTON PUMP ASSEMBLY

ITEM	PART NUMBER	QTY	DESCRIPTION	REV
	1001162674	Ref	Piston Pump Assembly	C
1	8424217	1	Fitting, 90	
2	2150404	1	Fitting, 45 ORFS	
3	1001182279	1	Piston Pump (See Separate Breakdown in Hydraulic Components Section)	

Go to Discount-Equipment.com to order your parts

SECTION 8 - HYDRAULIC CIRCUITS

FIGURE 8-4. VALVE INSTALLATION (OUTRIGGERS)



DETAIL A

ART_1001225749-A

SECTION 8 - HYDRAULIC CIRCUITS

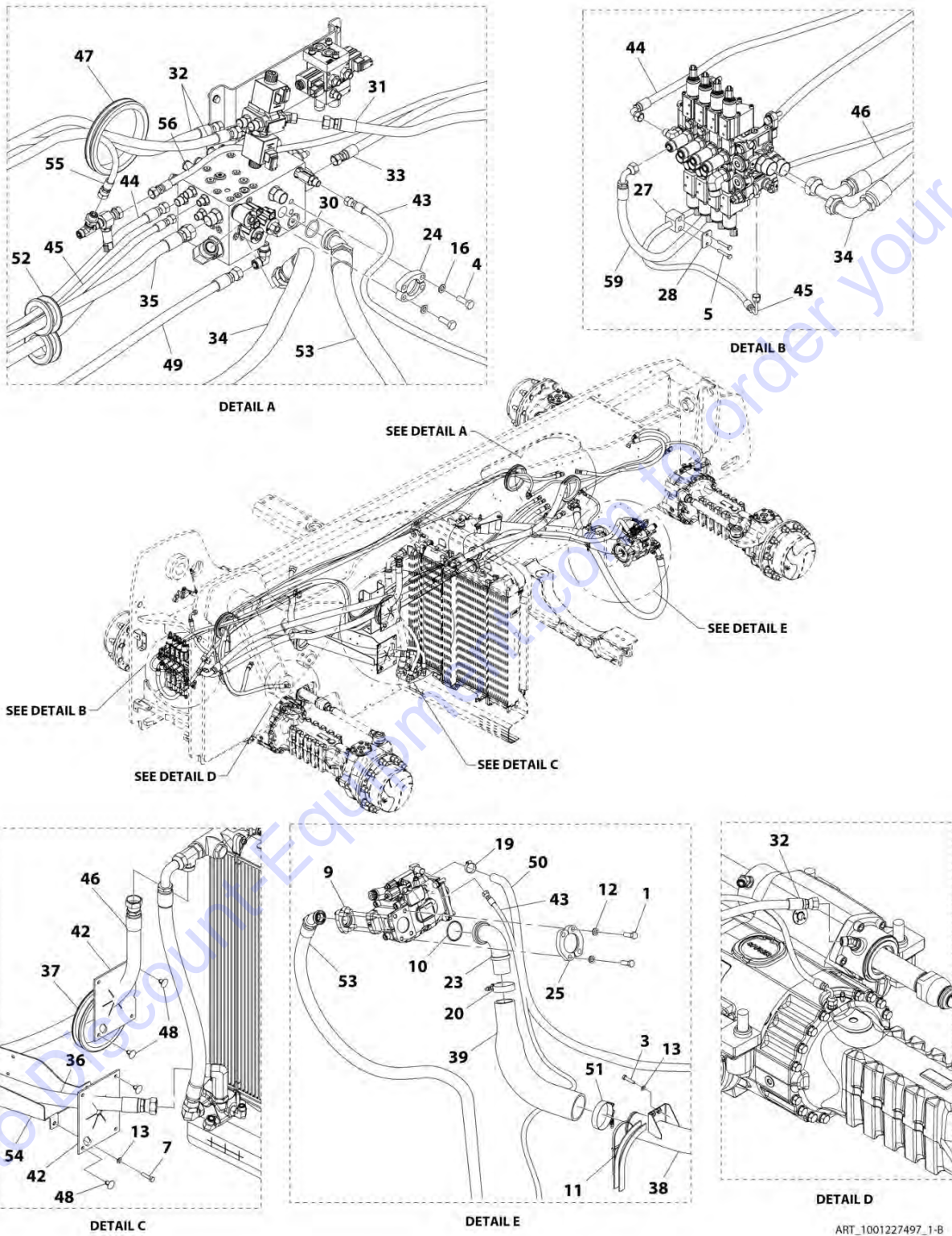
FIGURE 8-4. VALVE INSTALLATION (OUTRIGGERS)

ITEM	PART NUMBER	QTY	DESCRIPTION	REV
1	1001225749	Ref	Valve Installation (Outriggers)	A
	1001159760	Ref	Installation, Frame Level and Outrigger Valve (See Separate Breakdown in this Section)	
2	1001168464	Ref	Installation, Steering Select Valve Mounting (See Separate Breakdown in this Section)	
3	1001225750	Ref	Installation, Main Control Valve (See Separate Breakdown in this Section)	

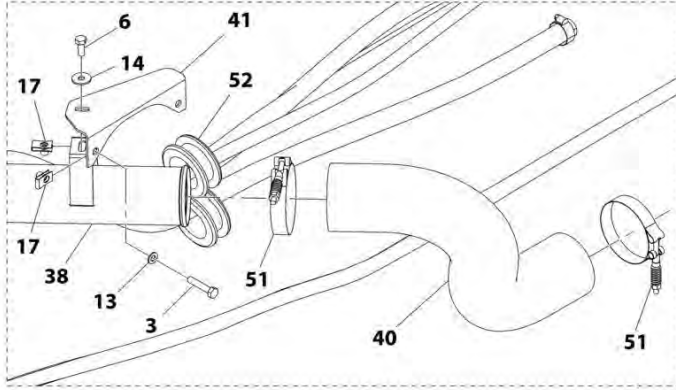
Go to Discount-Equipment.com to order your parts

SECTION 8 - HYDRAULIC CIRCUITS

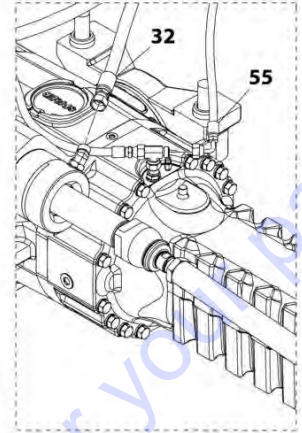
FIGURE 8-5. MAIN HYDRAULIC INSTALLATION



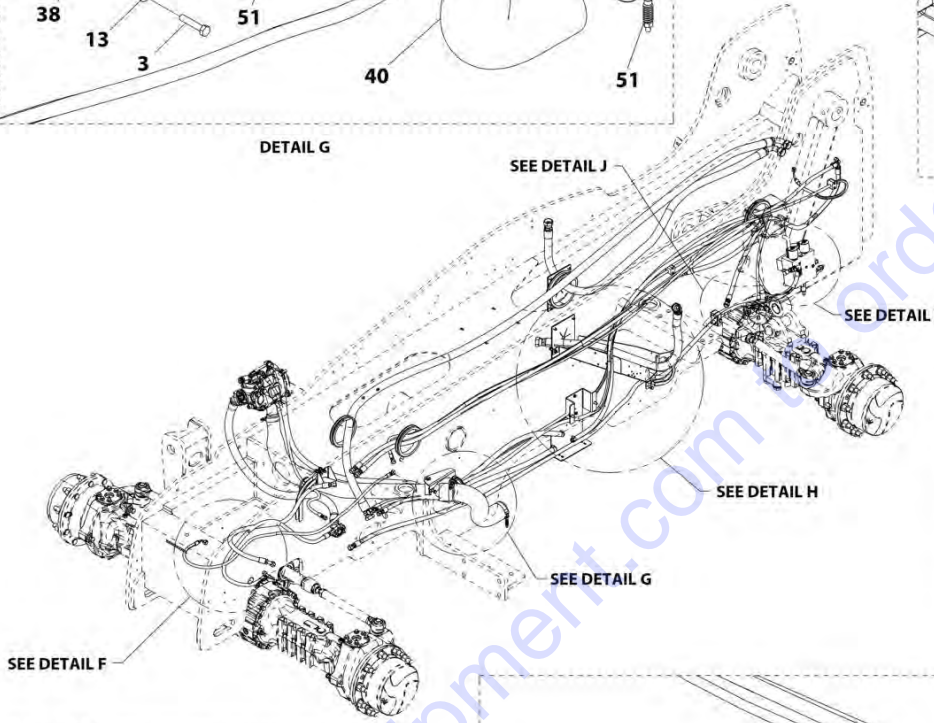
SECTION 8 - HYDRAULIC CIRCUITS



DETAIL G



DETAIL J



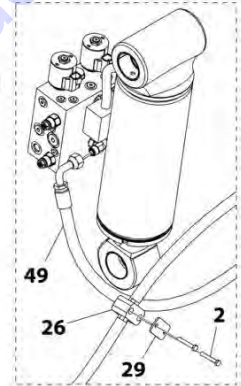
SEE DETAIL F

SEE DETAIL G

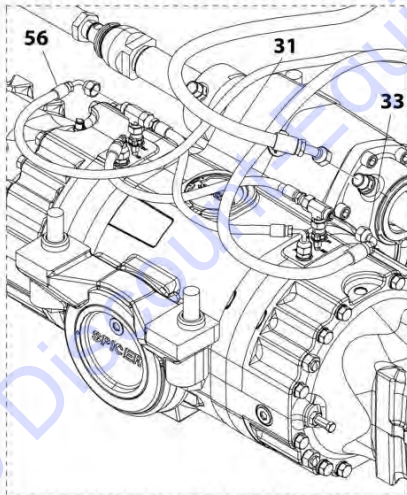
SEE DETAIL H

SEE DETAIL I

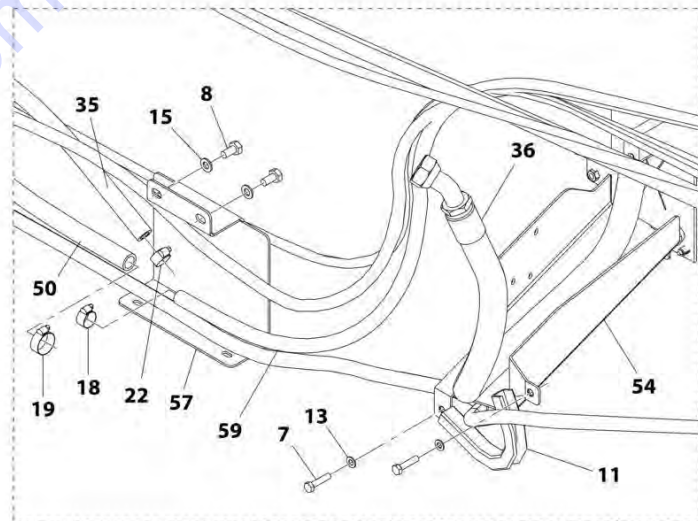
SEE DETAIL J



DETAIL I



DETAIL F



DETAIL H

ART_1001227497_2-B

SECTION 8 - HYDRAULIC CIRCUITS

FIGURE 8-5. MAIN HYDRAULICS INSTALLATION

ITEM	PART NUMBER	QTY	DESCRIPTION	REV
	1001227497	Ref	Hydraulic Lines Installation (74HP)	B
1	0641812	4	Bolt, 1/2-13X1	
2	0700616	2	Bolt, M6X40	
3	0700816	4	Bolt, M8X40	
4	0701014	4	Bolt, M10X30	
5	0760615	4	Bolt, M6X35	
6	0760810	1	Bolt, M8X20	
7	0760815	4	Bolt, M8X35	
8	0761010	2	Bolt, M10X20	
9	2220478	1	Kit, Flange	
10	3790228	1	O-Ring	
11	4060919	467 mm	Trim	
12	4761800	4	Washer, Lock 1/2	
13	4811900	8	Washer, M8	
14	4811902	1	Washer, M8	
15	4812000	2	Washer, M10	
16	4832000	4	Washer, Lock M10	
17	8310686	3	Nut, Retainer M8X12.5	
18	8405006	1	Clamp, Gear	
19	8405007	2	Clamp, Hose	
20	8405209	1	Clamp, T-Bolt	
22	8410009	1	Clamp, Gear	
23	8424233	1	Elbow, 90	
24	8530030	2	Flange	
25	8546407	2	Flange, Half	
26	8750029	1	Clamp, Hose	
27	8750030	2	Clamp, Hose	
28	8769146	2	Plate, Cover	
29	8769153	1	Plate, Cover	
30	91083106	1	O-Ring	
31	1001161340	1	Hose	
32	1001161343	2	Hose	
33	1001161535	1	Hose	
34	1001161972	1	Hose	
35	1001161976	1	Hose	
36	1001161978	1	Hose	
37	1001169830	1	Grommet	
38	1001173446	1	Pipe	
39	1001173450	1	Hose	
40	1001173451	1	Hose	
41	1001174338	1	Bracket	
42	1001175347	2	Grommet	
43	1001175694	1	Hose	
44	1001175696	1	Hose	
45	1001175697	1	Hose	
46	1001175699	1	Hose	
47	1001177704	3	Grommet	
48	1001180306	8	Screw	
49	1001182506	1	Hose	
50	1001186418	1	Hose	

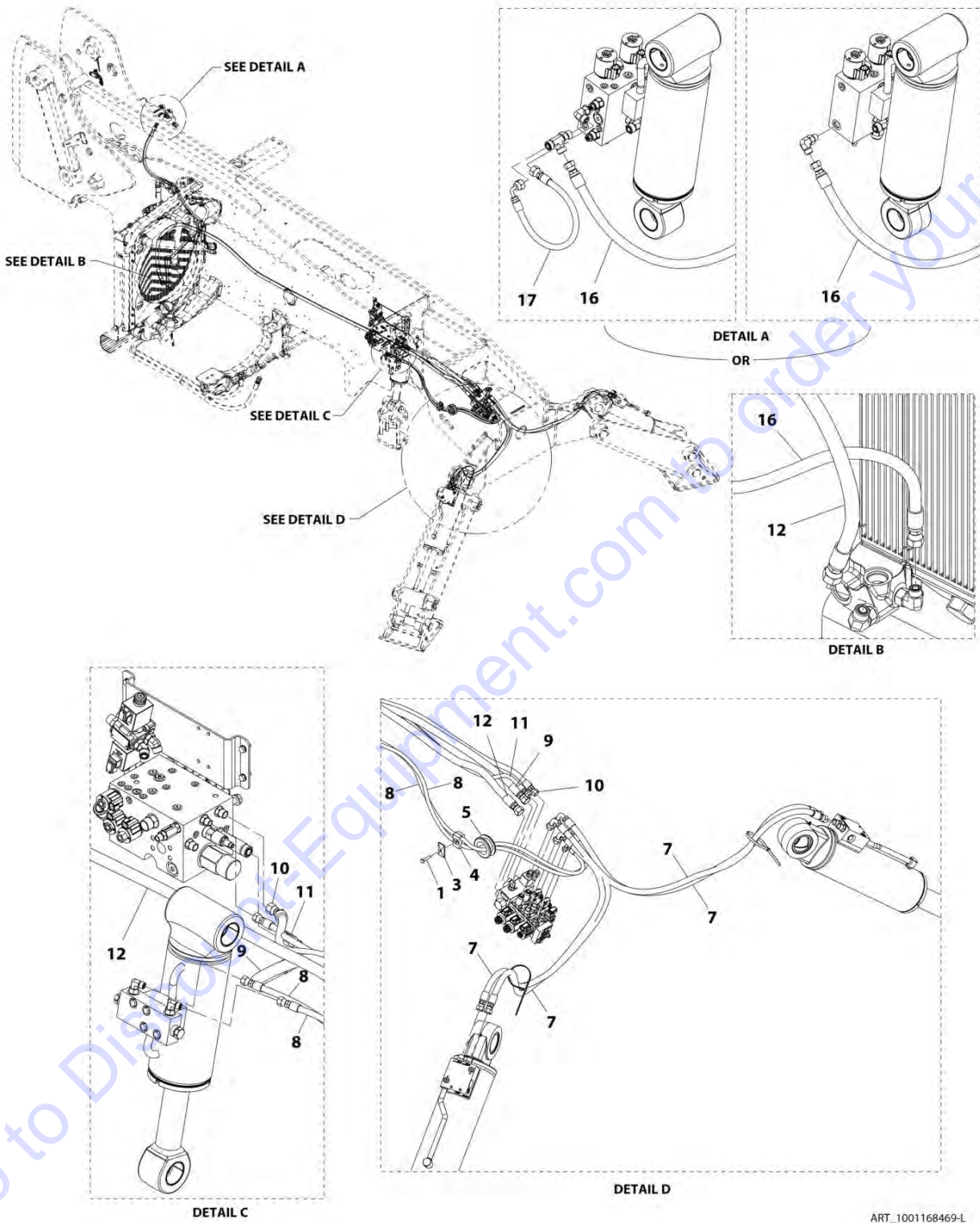
SECTION 8 - HYDRAULIC CIRCUITS

ITEM	PART NUMBER	QTY	DESCRIPTION	REV
51	1001186843	3	Clamp, T-Bolt	
52	1001188971	2	Grommet	
53	1001192098	1	Hose	
54	1001199750	1	Channel	
55	1001202847	1	Hose	
56	1001203502	1	Hose	
57	1001208881	1	Bracket	
59	1001225467	1	Hose	

Go to Discount-Equipment.com to order your parts

SECTION 8 - HYDRAULIC CIRCUITS

FIGURE 8-6. FRAME LEVEL HYDRAULICS INSTALLATION (OUTRIGGERS)



ART_1001168469-L

SECTION 8 - HYDRAULIC CIRCUITS

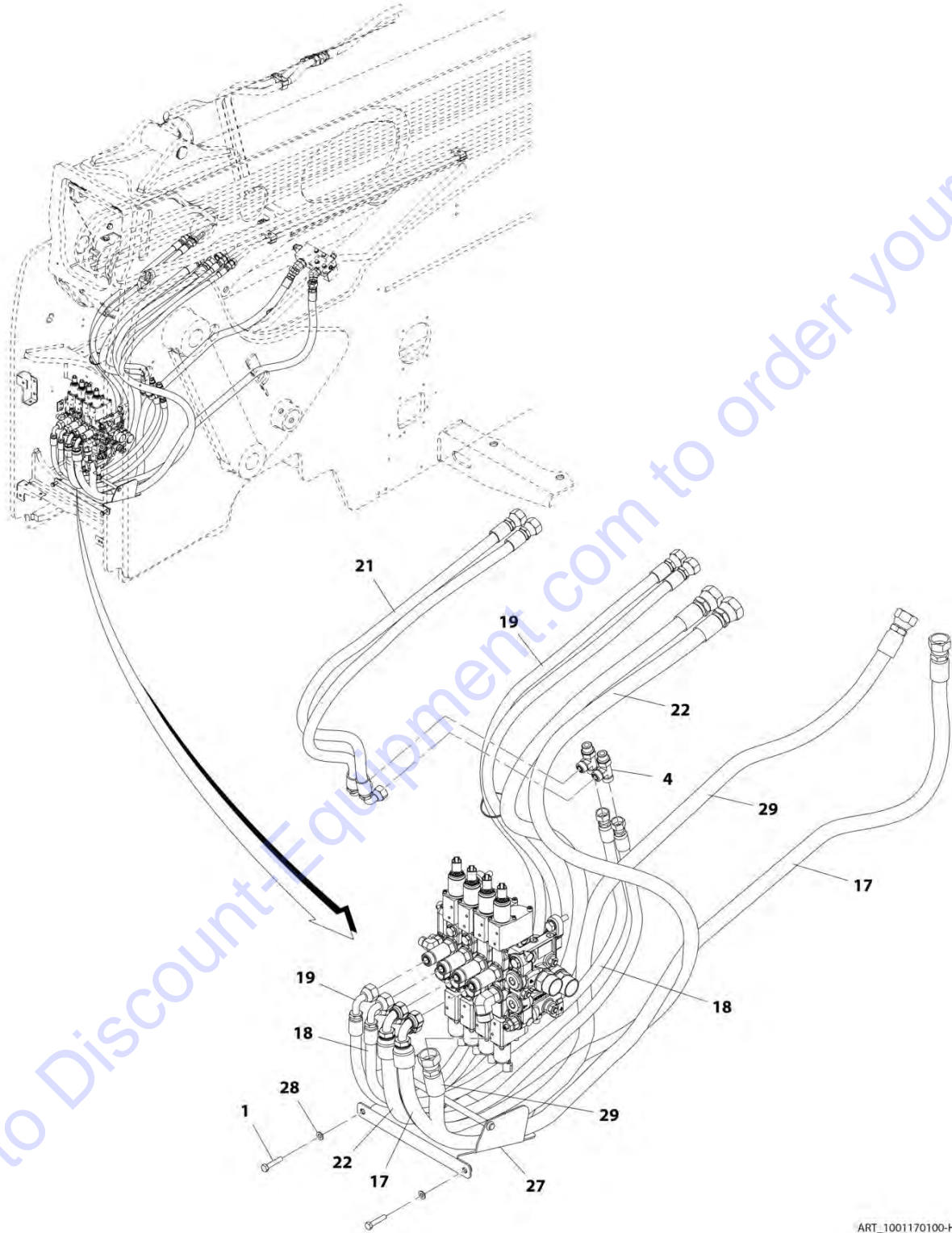
FIGURE 8-6. FRAME LEVEL HYDRAULICS INSTALLATION (OUTRIGGERS)

ITEM	PART NUMBER	QTY	DESCRIPTION	REV
	1001168469	Ref	Frame Level Hydraulics Installation (Outriggers)	L
1	0760815	1	Bolt, M8X35	
3	1321752	1	Clamp	
4	77133168	1	Clamp	
5	1001028308	1	Grommet	
7	1001214468	4	Hose	
8	1001175570	2	Hose	
9	1001175705	1	Hose	
10	1001175706	1	Hose	
11	1001175707	1	Hose	
12	1001175814	1	Hose	
16	1001192042	1	Hose	
17	1001097810	AR	Hose	

Go to Discount-Equipment.com to order your parts

SECTION 8 - HYDRAULIC CIRCUITS

FIGURE 8-7. BOOM HYDRAULIC INSTALLATION



ART_1001170100-H

SECTION 8 - HYDRAULIC CIRCUITS

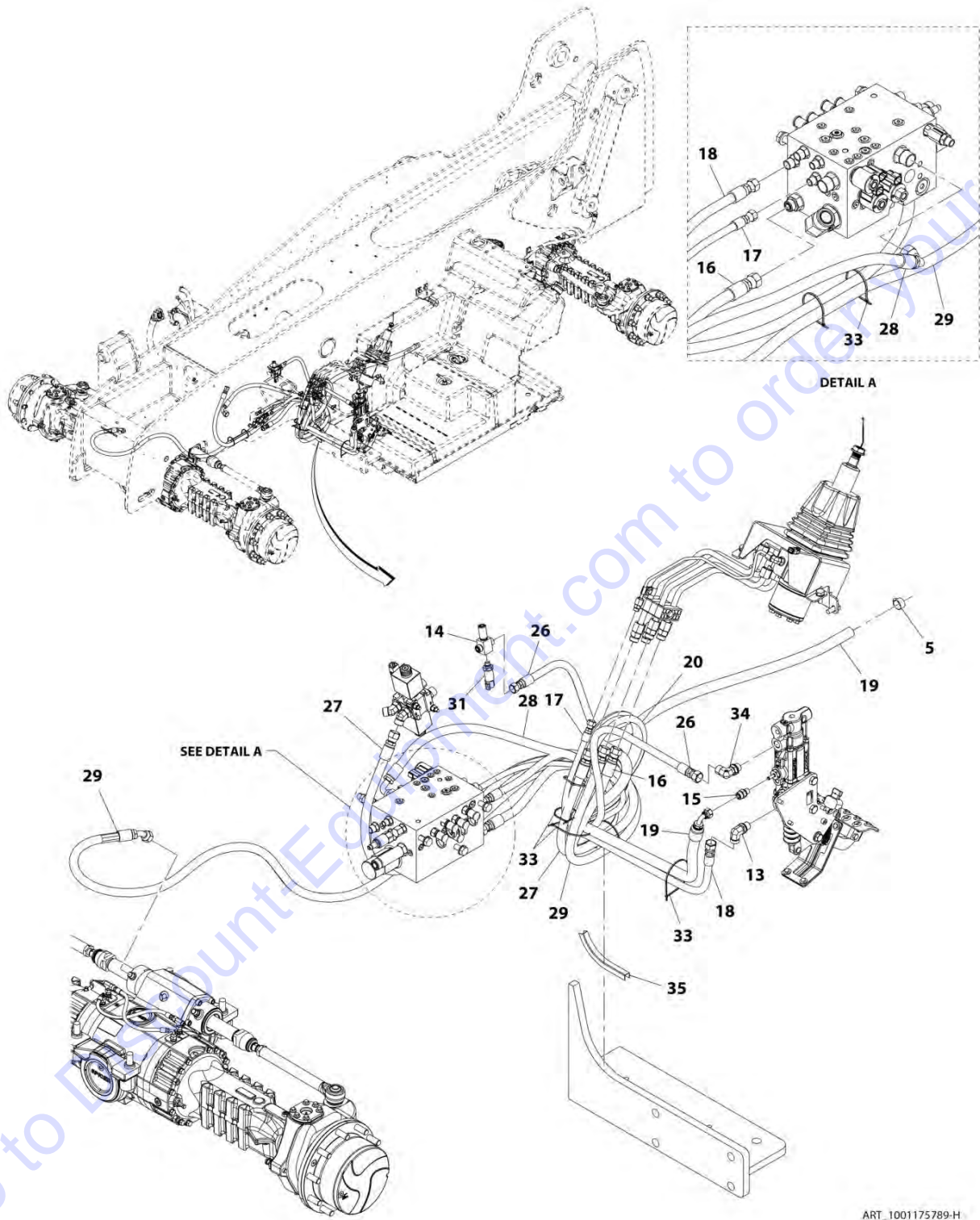
FIGURE 8-7. BOOM HYDRAULIC INSTALLATION

ITEM	PART NUMBER	QTY	DESCRIPTION	REV
	1001170100	Ref	Boom Hydraulic Installation, Emergency Steering	H
1	0700816	2	Bolt, M8X40	
4	2170308	2	Fitting, Tee ORFS	
17	1001169375	1	Hose	
18	1001188637	2	Hose	
19	1001169378	2	Hose	
21	1001175718	1	Hose	
22	1001169376	2	Hose	
27	1001193771	1	Channel, Boom Hose	
28	4811900	2	Washer, M8	
29	1001195217	1	Hose	

Go to Discount-Equipment.com to order your parts

SECTION 8 - HYDRAULIC CIRCUITS

FIGURE 8-8. CAB HYDRAULIC INSTALLATION



ART_1001175789-H

SECTION 8 - HYDRAULIC CIRCUITS

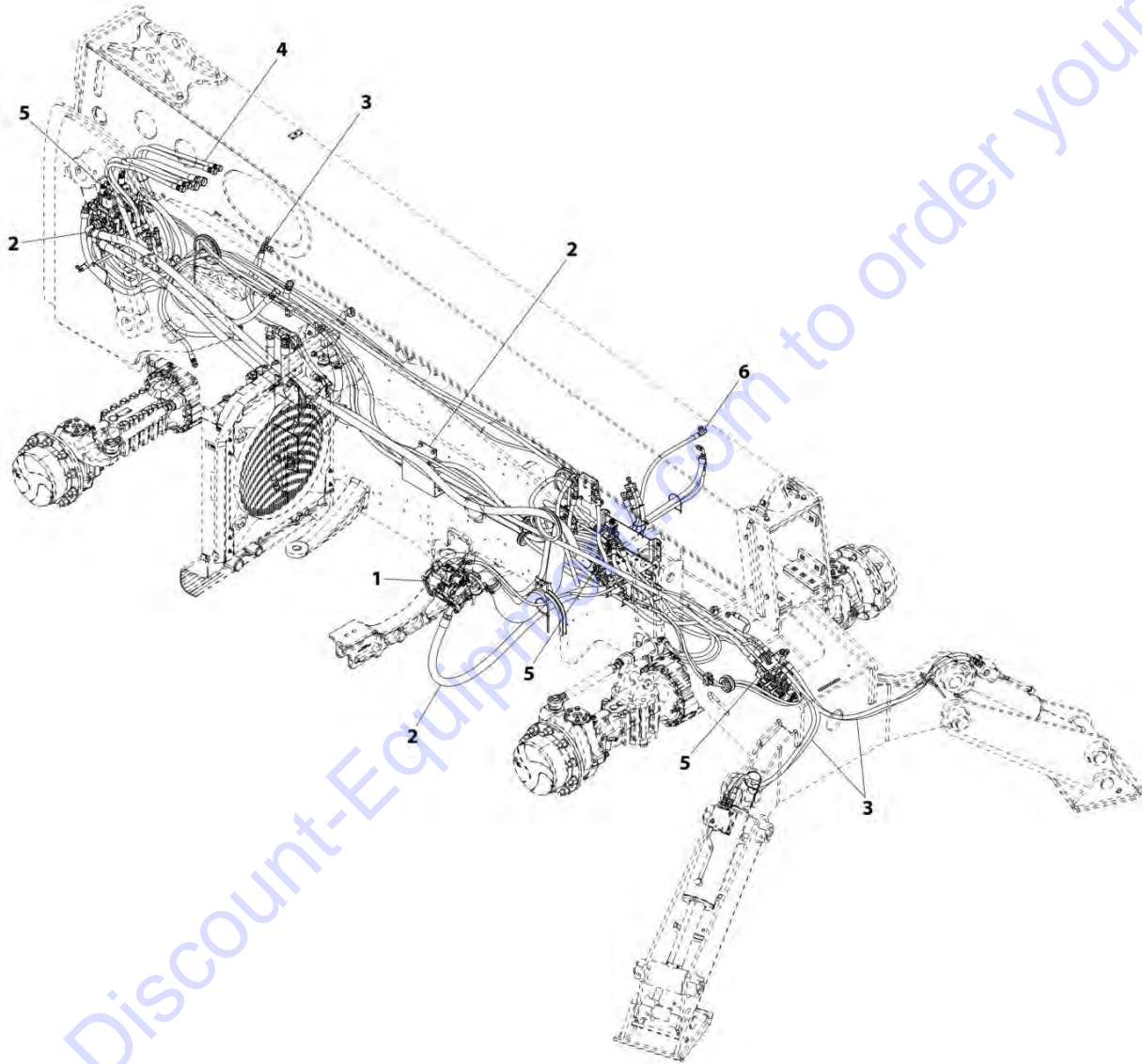
FIGURE 8-8. CAB HYDRAULIC INSTALLATION

ITEM	PART NUMBER	QTY	DESCRIPTION	REV
	1001175789	Ref	Cab Hydraulic Installation	H
5	8405006	1	Clamp, Gear	
13	8770120	1	Fitting, 90 ORFS	
14	1001205756	1	Adapter	
15	80233218	1	Fitting, Straight ORFS	
16	1001161344	1	Hose	
17	1001161346	1	Hose	
18	1001161527	1	Hose	
19	1001161528	1	Hose	
20	1001169830	1	Grommet	
26	1001203067	1	Hose	
27	1001204152	1	Hose	
28	1001204154	1	Hose	
29	1001175713	1	Hose	
31	1001147340	1	Sensor, Pressure Transducer	
33	4240099	AR	Tie, Wire	
34	1001168054	1	Fitting, 90 ORFS	
35	4060919	230 mm	Trim, Hose Protection	

Go to Discount-Equipment.com to order your parts

SECTION 8 - HYDRAULIC CIRCUITS

FIGURE 8-9. MAIN HYDRAULIC INSTALLATION, SECONDARY STEERING (OUTRIGGERS)



ART_1001227388-A

SECTION 8 - HYDRAULIC CIRCUITS

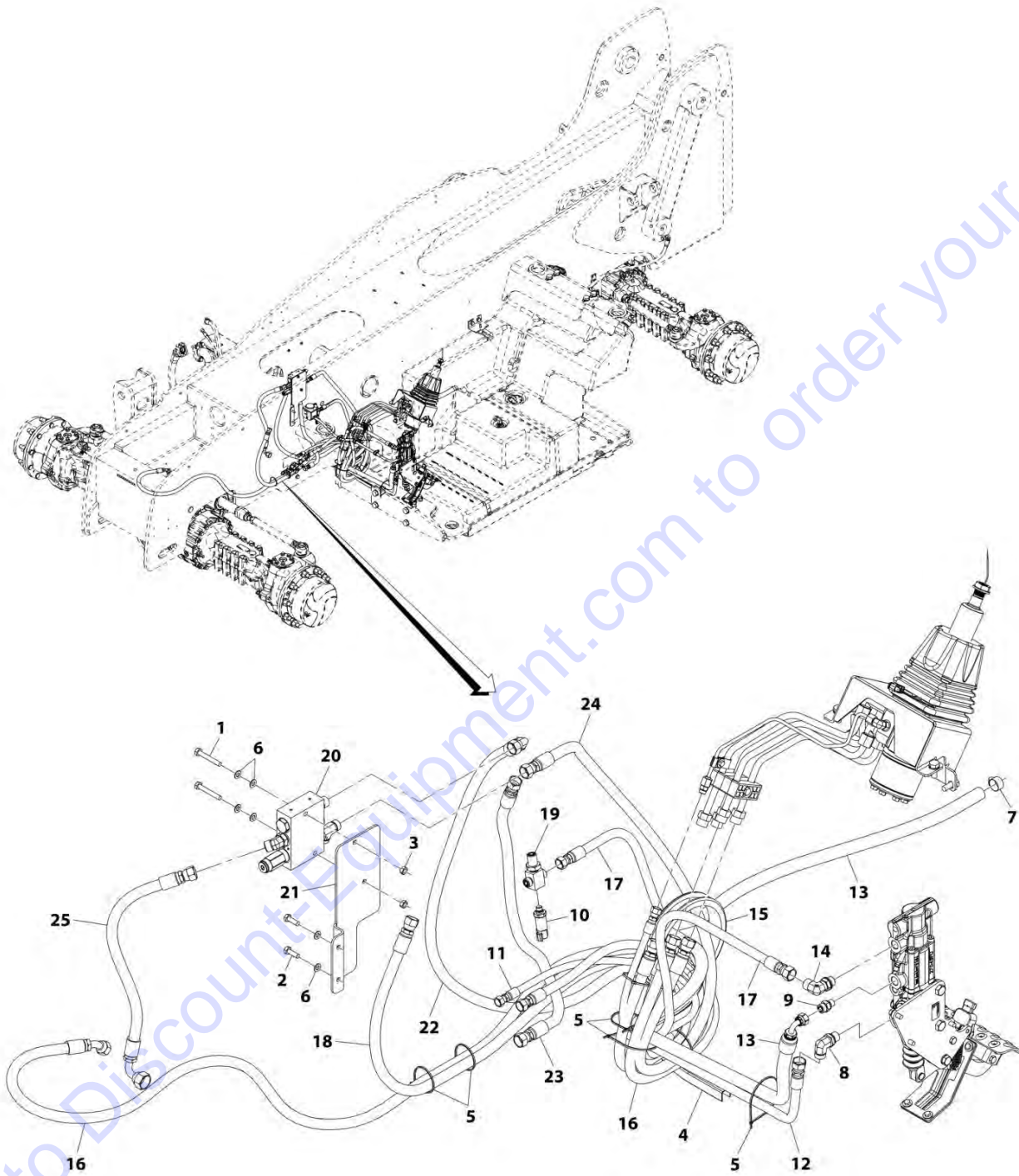
FIGURE 8-9. MAIN HYDRAULIC INSTALLATION, SECONDARY STEERING (OUTRIGGERS)

ITEM	PART NUMBER	QTY	DESCRIPTION	REV
1	1001227388	Ref	Main Hydraulic Installation, Emergency Steering (Outriggers)	A
	1001162670	Ref	Installation, Piston Pump (See Separate Breakdown in this Section)	
2	1001227497	Ref	Installation, Hydraulic Lines (74HP) (See Separate Breakdown in this Section)	
3	1001168469	Ref	Installation, Frame Level Hydraulics (Outriggers) (See Separate Breakdown in this Section)	
4	1001170100	Ref	Installation, Boom Hydraulic (See Separate Breakdown in this Section)	
5	1001225749	Ref	Installation, Valve (See Separate Breakdown in this Section)	
6	1001226575	Ref	Installation, Cab Hydraulic, Emergency Steering (See Separate Breakdown in this Section)	

Go to Discount-Equipment.com to order your parts

SECTION 8 - HYDRAULIC CIRCUITS

FIGURE 8-10. CAB HYDRAULIC INSTALLATION, EMERGENCY STEERING



ART_1001226575-A

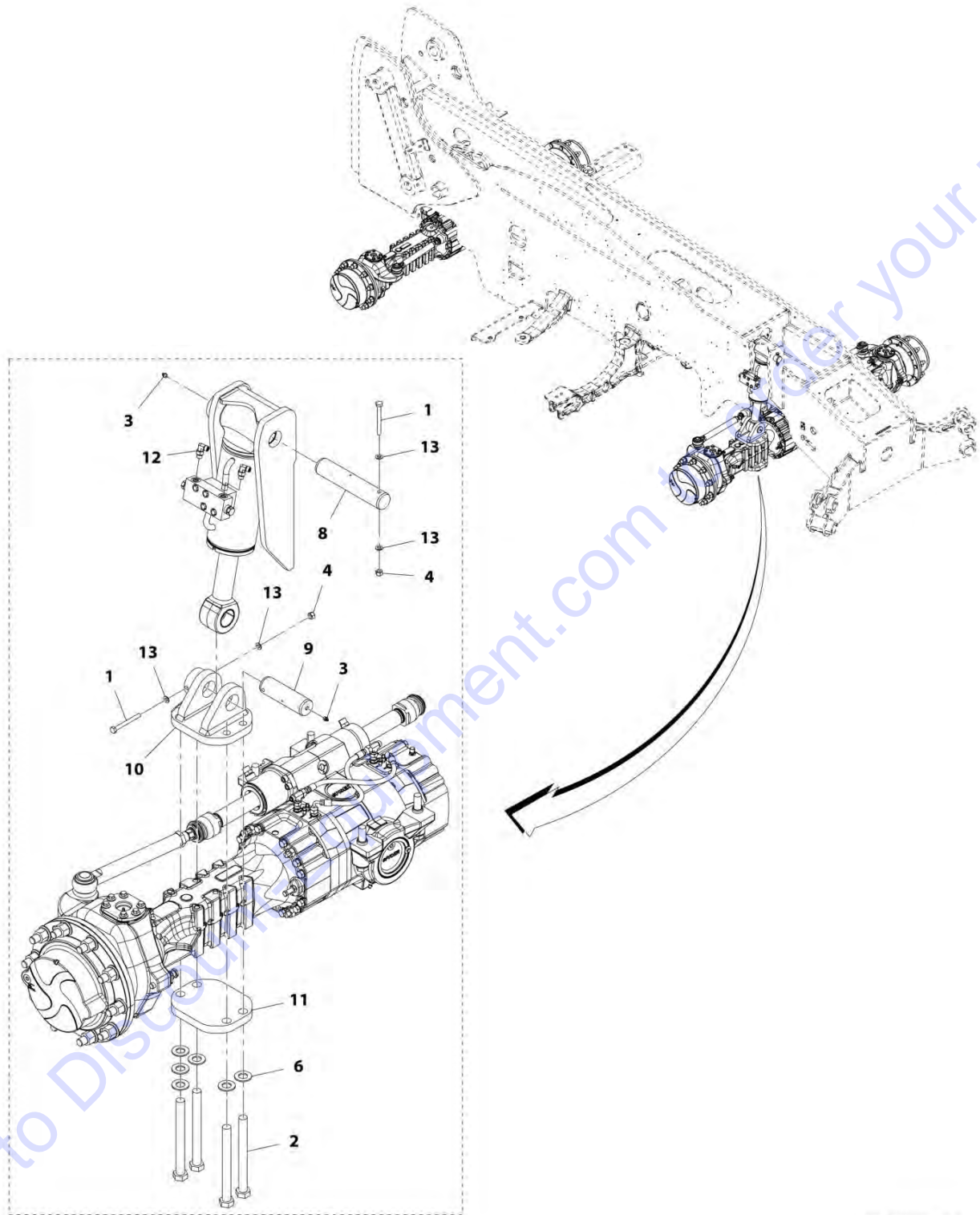
SECTION 8 - HYDRAULIC CIRCUITS

FIGURE 8-10. CAB HYDRAULIC INSTALLATION, EMERGENCY STEERING

ITEM	PART NUMBER	QTY	DESCRIPTION	REV
	1001226575	Ref	Cab Hydraulic Installation, Emergency Steering (Outriggers)	A
1	0700819	2	Bolt, M8X55	
2	0760812	2	Bolt, M8X25	
3	3290801	2	Nut, M8X1.25	
4	4060919	230 mm	Trim, Hose Protection	
5	4240099	AR	Tie, Wire	
6	4811900	6	Washer, M8	
7	8405006	1	Clamp, Gear	
8	8770120	1	Fitting, 90 ORFS	
9	80233218	1	Fitting, Straight ORFS	
10	1001147340	1	Sensor, Pressure Transducer	
11	1001161346	1	Hose	
12	1001161527	1	Hose	
13	1001161528	1	Hose	
14	1001168054	1	Fitting, 90 ORFS	
15	1001169830	1	Grommet	
16	1001175713	1	Hose	
17	1001203067	1	Hose	
18	1001204152	1	Hose	
19	1001205756	1	Adapter	
20	1001219191	1	Emergency Steering Manifold Installation (See Separate Breakdown in HYDRAULIC COMPONENTS Section)	
21	1001221520	1	Bracket, Emergency Steer Manifold	
22	1001221527	1	Hose	
23	1001221741	1	Hose	
24	1001221742	1	Hose	
25	1001221744	1	Hose	

SECTION 8 - HYDRAULIC CIRCUITS

FIGURE 8-11. FRAME LEVEL INSTALLATION



ART_1001168764-G

SECTION 8 - HYDRAULIC CIRCUITS

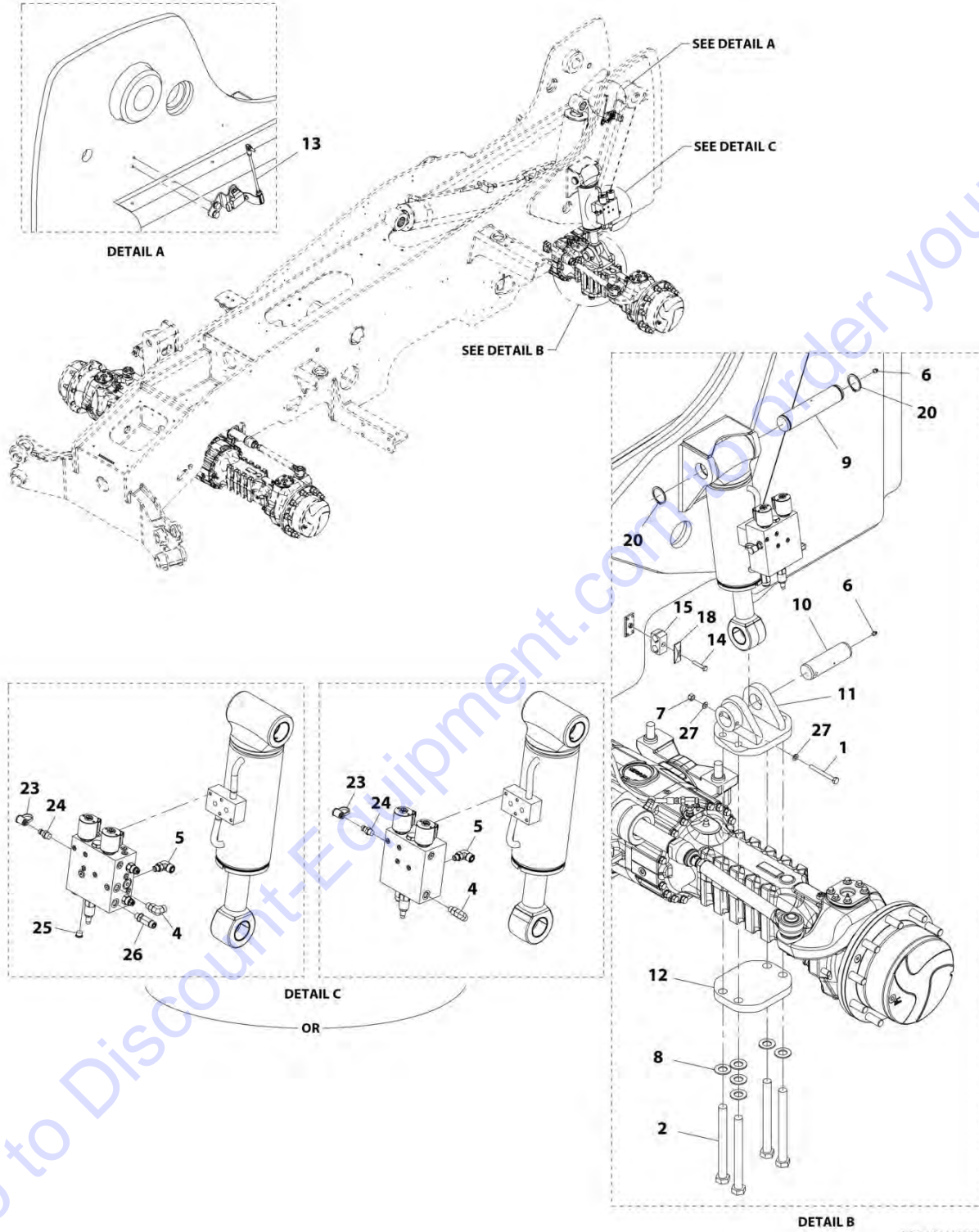
FIGURE 8-11. FRAME LEVEL INSTALLATION

ITEM	PART NUMBER	QTY	DESCRIPTION	REV
	1001168764	Ref	Frame Level Installation	G
1	0711027	2	Bolt, M10X100	
2	0712442	4	Bolt, M24X250	
3	2160016	2	Fitting, Grease	
4	3291005	2	Nut, Lock M10X1.5	
6	5242400	6	Washer, M24	
8	1001164971	1	Pin	
9	1001164972	1	Pin	
10	1001167697	1	Bracket	
11	1001168629	1	Plate	
12	2130406	2	Fitting, 90 ORFS	
13	4812000	4	Washer, M10	

Go to Discount-Equipment.com to order your parts

SECTION 8 - HYDRAULIC CIRCUITS

FIGURE 8-12. REAR AXLE STABILIZER INSTALLATION



ART_1001182911-I

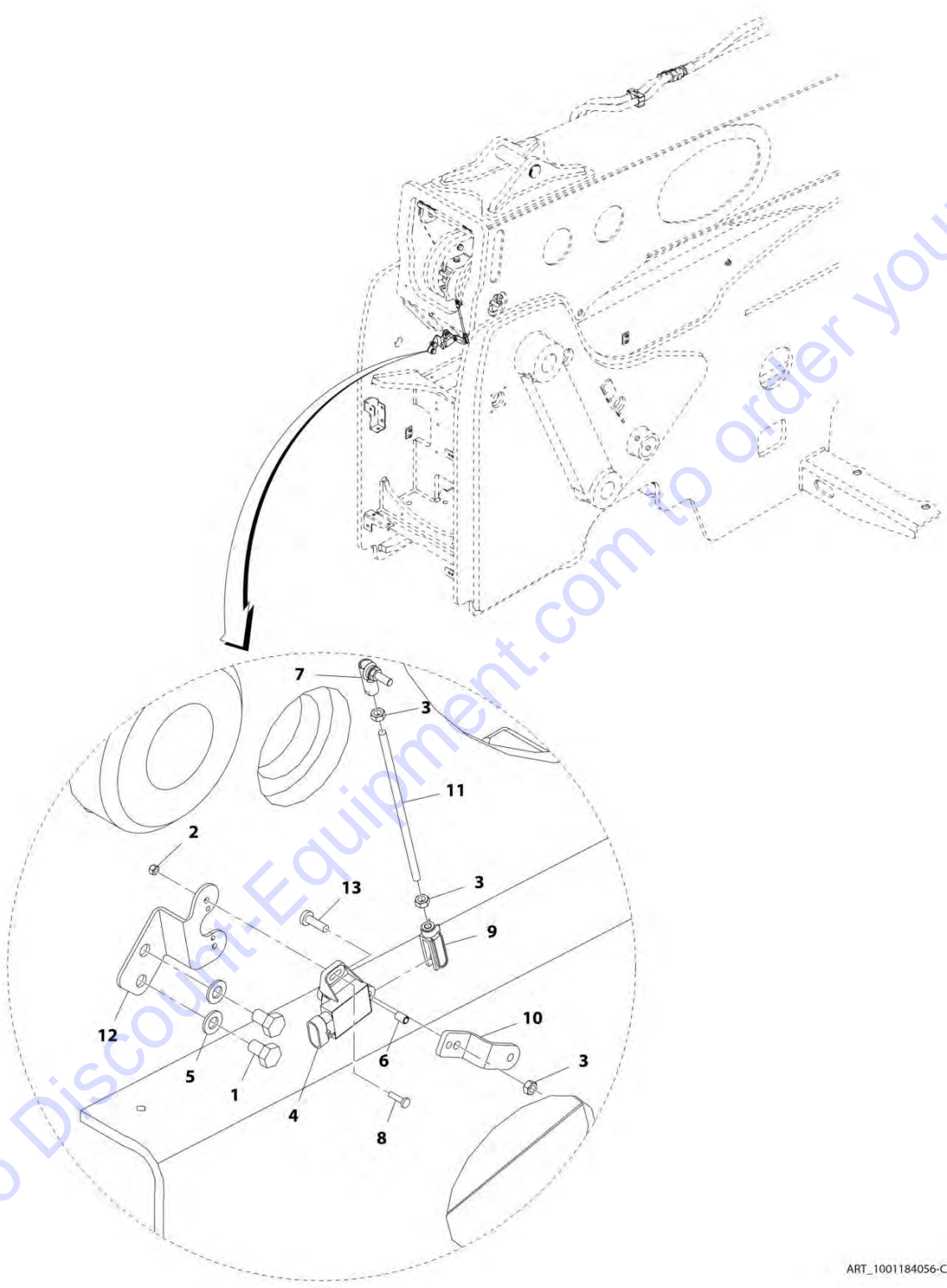
SECTION 8 - HYDRAULIC CIRCUITS

FIGURE 8-12. REAR AXLE STABILIZER INSTALLATION

ITEM	PART NUMBER	QTY	DESCRIPTION	REV
	1001182911	Ref	Rear Axle Stabilizer Installation	I
1	0711027	1	Bolt, M10X100	
2	0712442	4	Bolt, M24X250	
4	2130606	1	Fitting, 90 ORFS	
5	2130806	1	Fitting, 90 ORFS	
6	2160016	2	Fitting, Grease	
7	3291005	1	Nut, Lock M10X1.5	
8	5242400	6	Washer, M24	
9	1001192341	1	Pin	
10	1001164972	1	Pin	
11	1001167697	1	Bracket	
12	1001168629	1	Plate	
13	1001184056	Ref	Installation, Boom Angle Sensor (See BOOM ANGLE SENSOR INSTALLATION for Breakdown)	
14	0760817	1	Bolt, M8X45	
15	8750016	1	Clamp	
18	77133137	1	Plate	
20	3760493	2	Ring, Retaining	
23	8430032	1	Plug	
24	1001003590	1	Fitting, Straight	
25	2220885	AR	Plug	
26	2170306	AR	Fitting, Tee ORFS	
27	4812000	2	Washer, M10	

SECTION 8 - HYDRAULIC CIRCUITS

FIGURE 8-13. BOOM ANGLE SENSOR INSTALLATION



ART_1001184056-C

SECTION 8 - HYDRAULIC CIRCUITS

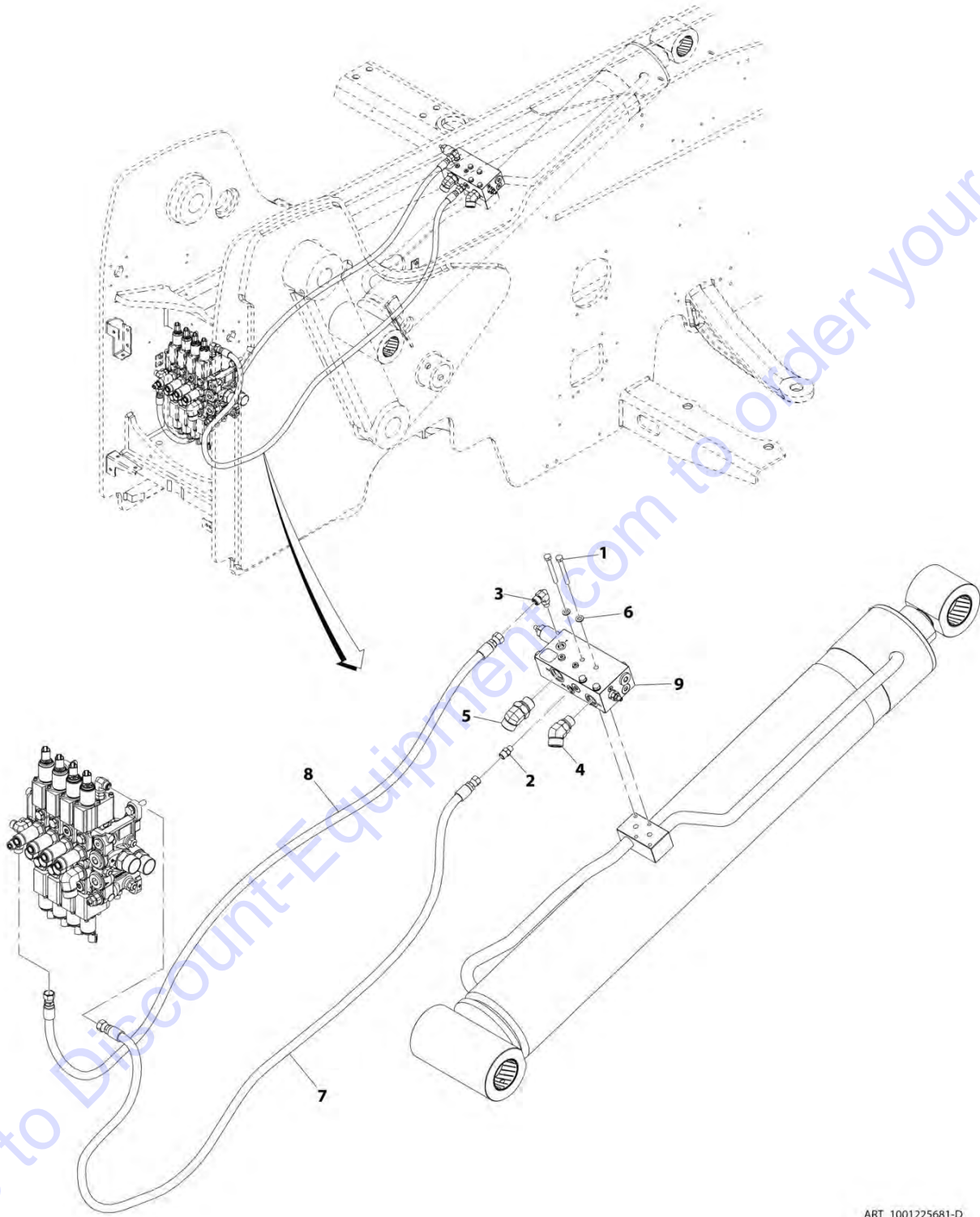
FIGURE 8-13. BOOM ANGLE SENSOR INSTALLATION

ITEM	PART NUMBER	QTY	DESCRIPTION	REV
	1001184056	Ref	Boom Angle Sensor Installation	C
1	0761008	2	Bolt, M10X16	
2	3290405	2	Nut, Lock M4X0.7	
3	3290601	3	Nut, M6X1	
4	4000015	1	Sensor, Angle	
5	4812000	2	Washer, M10	
6	1001103156	1	Pin	
7	1001184484	1	Joint, Ball	
8	1001126837	2	Screw, M4X16	
9	1001134274	1	Clevis	
10	1001188787	1	Link, Boom Angle Sensor	
11	1001168482	1	Rod	
12	1001211059	1	Bracket, Boom Angle Sensor	
13	4010610002	1	Screw, M6X20	

Go to Discount-Equipment.com to order your parts

SECTION 8 - HYDRAULIC CIRCUITS

FIGURE 8-14. COUNTERBALANCE VALVE INSTALLATION (LIFT - GLS NO RIDE CONTROL)



ART_1001225681-D

SECTION 8 - HYDRAULIC CIRCUITS

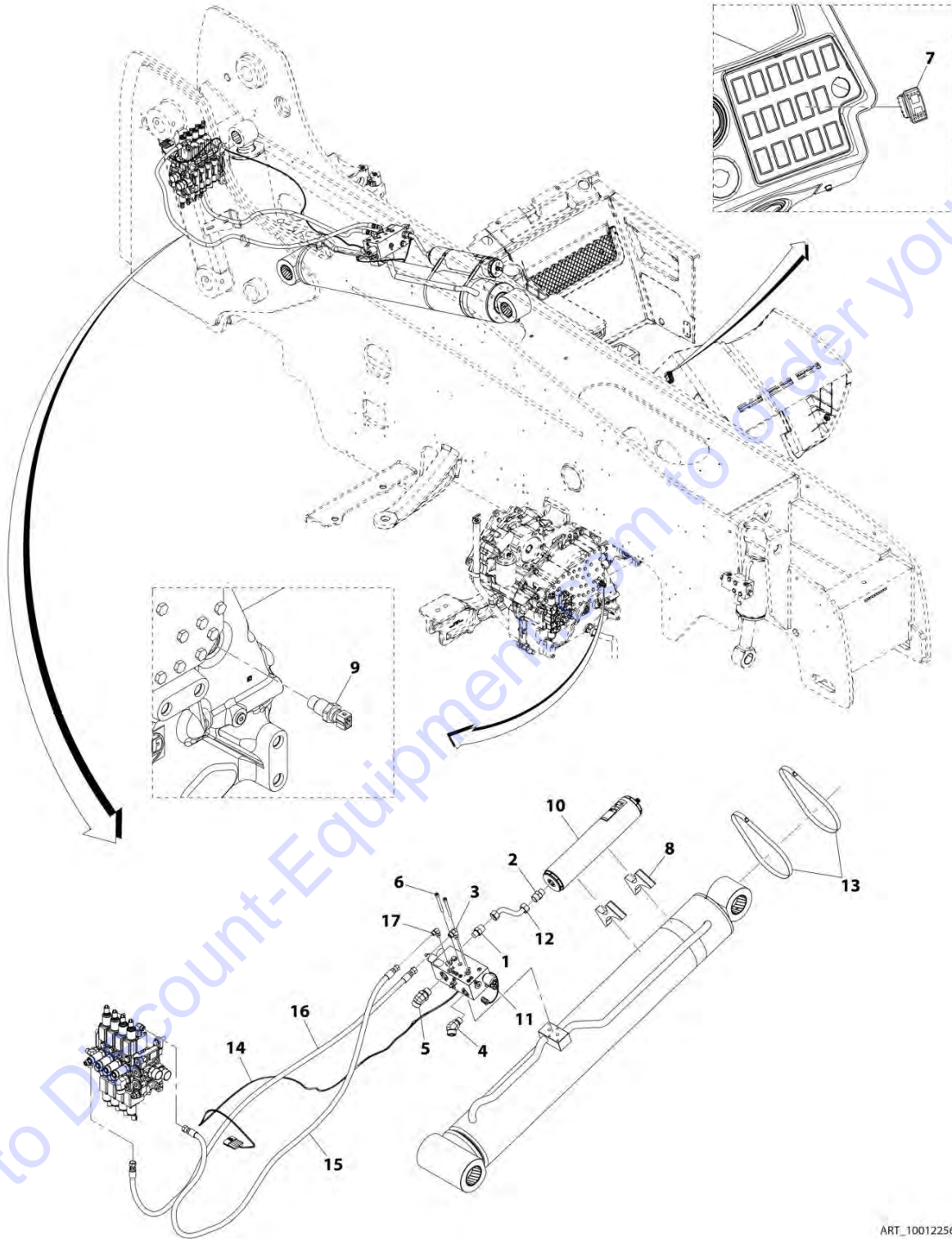
FIGURE 8-14. COUNTERBALANCE VALVE INSTALLATION (LIFT - GLS NO RIDE CONTROL)

ITEM	PART NUMBER	QTY	DESCRIPTION	REV
	1001225681	Ref	Counterbalance Valve Installation (Lift - PGLS No Ride Control)	D
1	0700823	4	Bolt, M8X75	
2	2110404	1	Fitting, Straight ORFS	
3	2130604	1	Fitting, 90 ORFS	
4	2151210	1	Fitting, 45 ORFS	
5	2151212	1	Fitting, 45 ORFS	
6	4811900	4	Washer, M8	
7	1001225462	1	Hose	
8	1001225464	1	Hose	
9	1001226035	1	Valve, Counterbalance (PGLS)	

Go to Discount-Equipment.com to order your parts

SECTION 8 - HYDRAULIC CIRCUITS

FIGURE 8-15. COUNTERBALANCE VALVE INSTALLATION



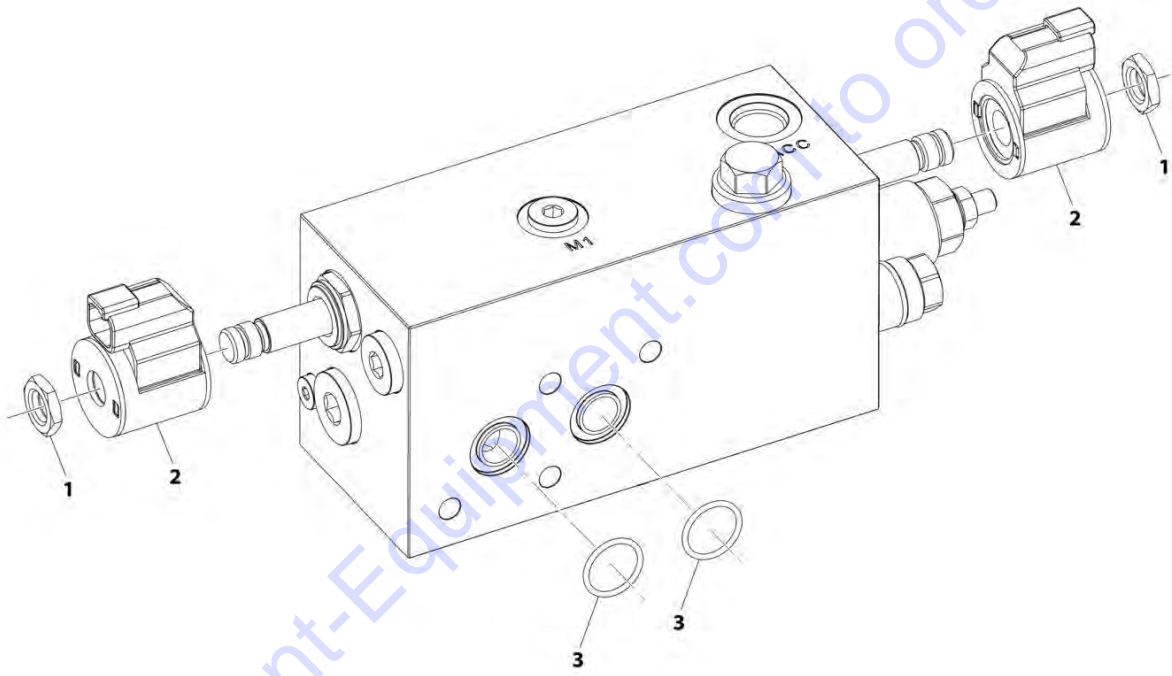
SECTION 8 - HYDRAULIC CIRCUITS

FIGURE 8-15. COUNTERBALANCE VALVE INSTALLATION

ITEM	PART NUMBER	QTY	DESCRIPTION	REV
	1001225682	Ref	Counterbalance Valve Installation (Lift - Ride Control)	E
1	2111008	1	Fitting, Straight ORFS	
2	2111010	1	Fitting, Straight ORFS	
3	2130604	1	Fitting, 90 ORFS	
4	2151210	1	Fitting, 45 ORFS	
5	2151212	1	Fitting, 45 ORFS	
6	4031921	4	Bolt, M8X85	
7	1001159745	1	Switch, Boom Ride	
8	1001175741	2	Bumper, Cylinder Saddle	
9	1001190881	1	Sensor, Speed	
10	1001192435	1	Cylinder, Piston	
11	1001227056	1	Line, Counterbalance Valve (Lift - Ride Control) (See Separate Breakdown in this Section)	
12	1001227137	1	Pipe, Ride Control	
13	1001095396	2	Clamp	
14	1001175677	Ref	Installation, Ride Control CB Valve Harness (Lift) (See Separate Breakdown in Electrical Section)	
15	1001225462	1	Hose	
16	1001225464	1	Hose	
17	2130404	1	Fitting, 90 ORFS	

SECTION 8 - HYDRAULIC CIRCUITS

FIGURE 8-16. COUNTERBALANCE VALVE HYDRAULIC LINES (LIFT - RIDE CONTROL)



ART_1001227056-A

SECTION 8 - HYDRAULIC CIRCUITS

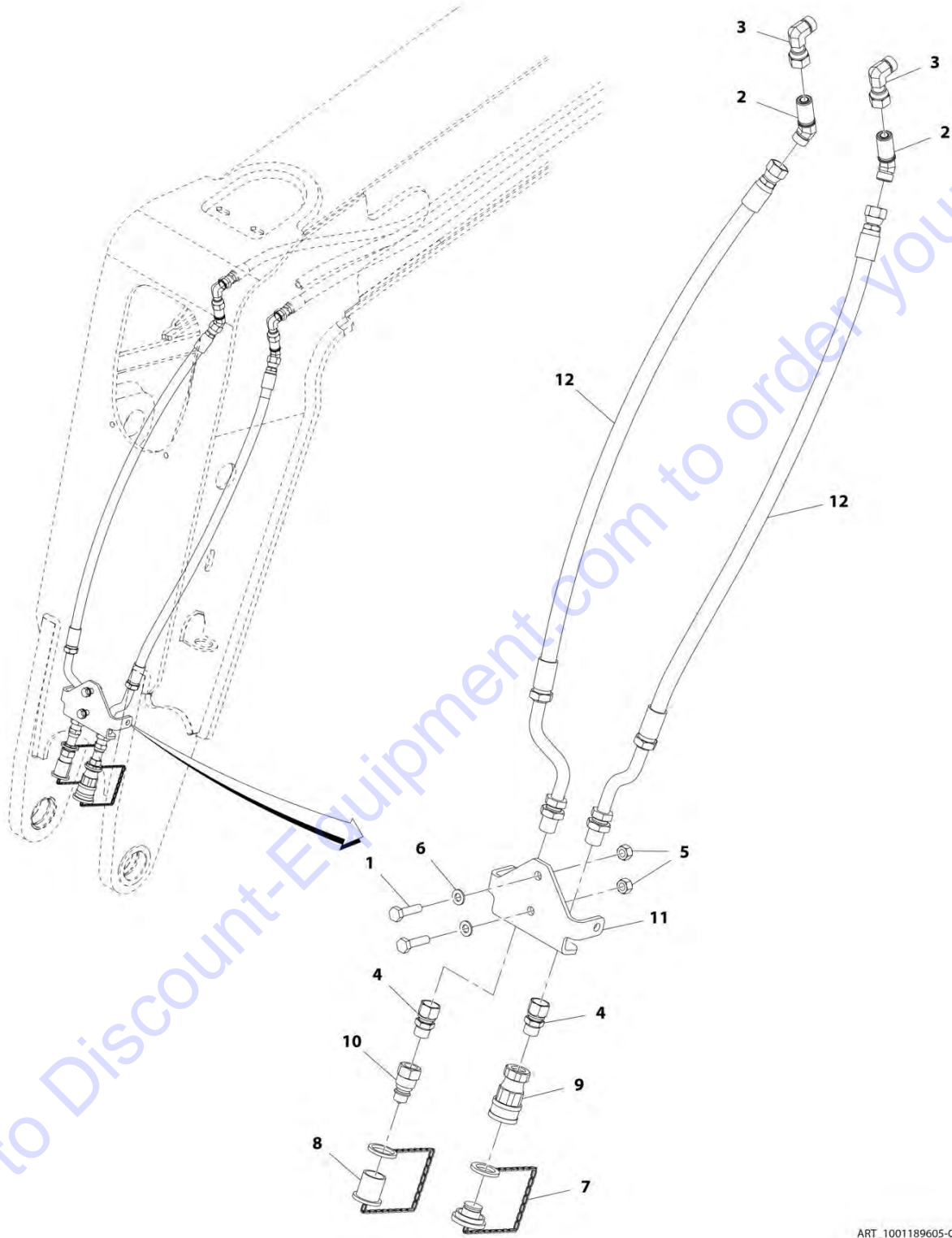
FIGURE 8-16. COUNTERBALANCE VALVE HYDRAULIC LINES (LIFT - RIDE CONTROL)

ITEM	PART NUMBER	QTY	DESCRIPTION	REV
	1001227056	Ref	Counterbalance Valve Hydraulic Lines (Lift - Ride Control)	A
1	7022390	2	Nut	
2	70028281	2	Coil	
3	70028453	2	O-Ring	

Go to Discount-Equipment.com to order your parts

SECTION 8 - HYDRAULIC CIRCUITS

FIGURE 8-17. BOOM AUXILIARY HYDRAULICS INSTALLATION



ART_1001189605-C

SECTION 8 - HYDRAULIC CIRCUITS

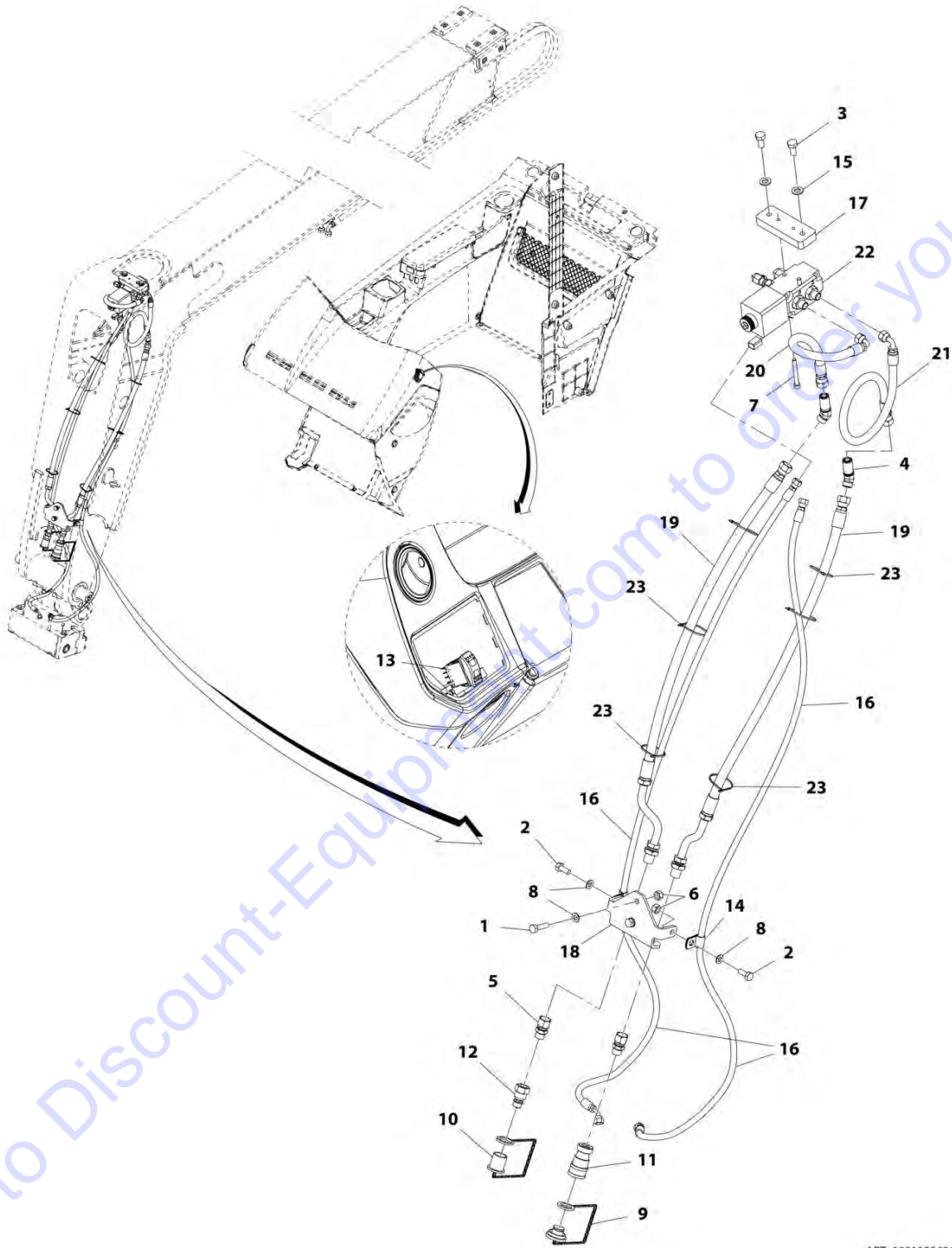
FIGURE 8-17. BOOM AUXILIARY HYDRAULICS INSTALLATION

ITEM	PART NUMBER	QTY	DESCRIPTION	REV
	1001189605	Ref	Boom Auxiliary Hydraulics Installation	C
1	0701016	2	Bolt, M10X40	
2	2171308	2	Fitting, 45 ORFS	
3	2172108	2	Fitting, 90 ORFS	
4	1001210775	2	Fitting, Straight	
5	3291005	2	Nut, Lock M10X1.5	
6	4812000	2	Washer, M10	
7	91043125	1	Plug	
8	91043126	1	Cap	
9	91403413	1	Fitting, Straight	
10	91403414	1	Fitting, Straight	
11	1001164948	1	Bracket	
12	1001189224	2	Hose	

Go to Discount-Equipment.com to order your parts

SECTION 8 - HYDRAULIC CIRCUITS

FIGURE 8-18. BOOM AUXILIARY HYDRAULICS (HYDRAULIC COUPLER)



ART_1001189606-F

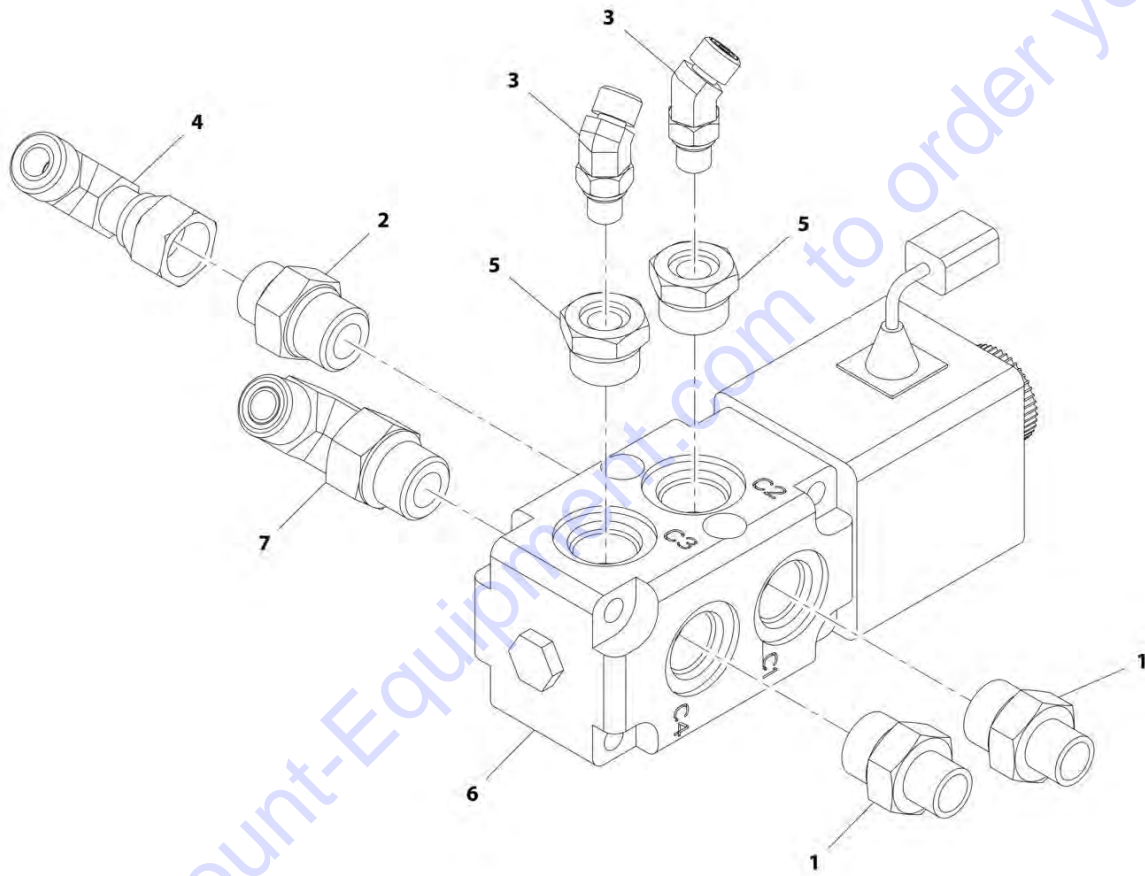
SECTION 8 - HYDRAULIC CIRCUITS

FIGURE 8-18. BOOM AUXILIARY HYDRAULICS (HYDRAULIC COUPLER)

ITEM	PART NUMBER	QTY	DESCRIPTION	REV
	1001189606	1	Boom Auxiliary Hydraulics (Hydraulic Coupler)	F
1	0701016	2	Bolt, M10X40	
2	0761012	2	Bolt, M10X25	
3	0761212	2	Bolt, M12X25	
4	2171308	2	Fitting, 45 ORFS	
5	1001210775	2	Fitting, Straight	
6	3291005	4	Nut, Lock M10X1.5	
7	4031918	2	Bolt, M8X70	
8	4812000	4	Washer, M10	
9	91043125	1	Plug	
10	91043126	1	Cap	
11	91403413	1	Fitting, Straight	
12	91403414	1	Fitting, Straight	
13	1001080375	1	Switch	
14	1001080996	2	Clamp	
15	1001125117	2	Washer, M12	
16	1001210340	2	Hose	
17	1001164870	1	Plate	
18	1001164948	1	Bracket	
19	1001189224	2	Hose	
20	1001189299	1	Hose	
21	1001189308	1	Hose	
22	1001189663	1	Assembly, Valve Quick Coupler (See QUICK COUPLER VALVE ASSEMBLY for Breakdown)	
23	4240099	6	Strap, Tie	

SECTION 8 - HYDRAULIC CIRCUITS

FIGURE 8-19. QUICK COUPLER VALVE ASSEMBLY



ART_1001189663-C

SECTION 8 - HYDRAULIC CIRCUITS

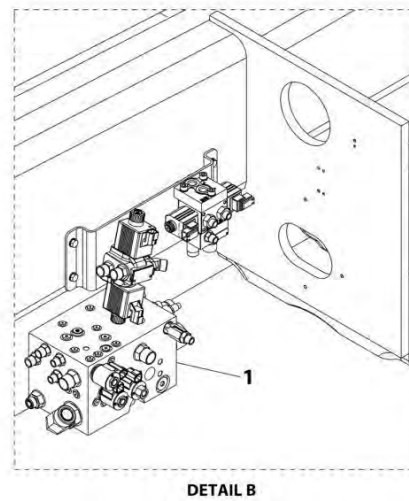
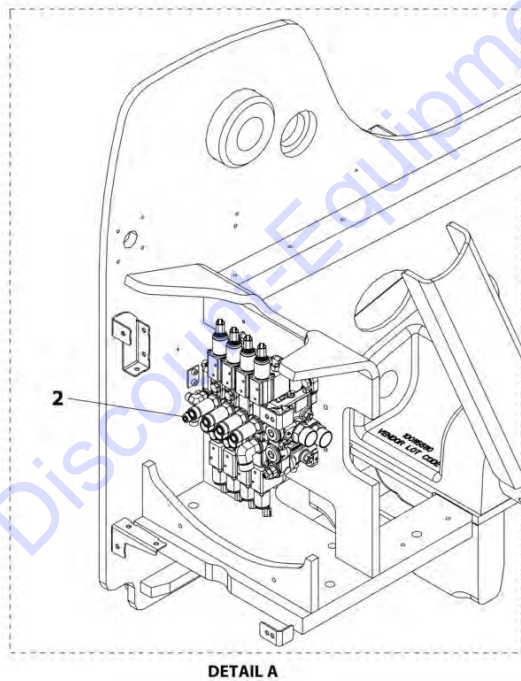
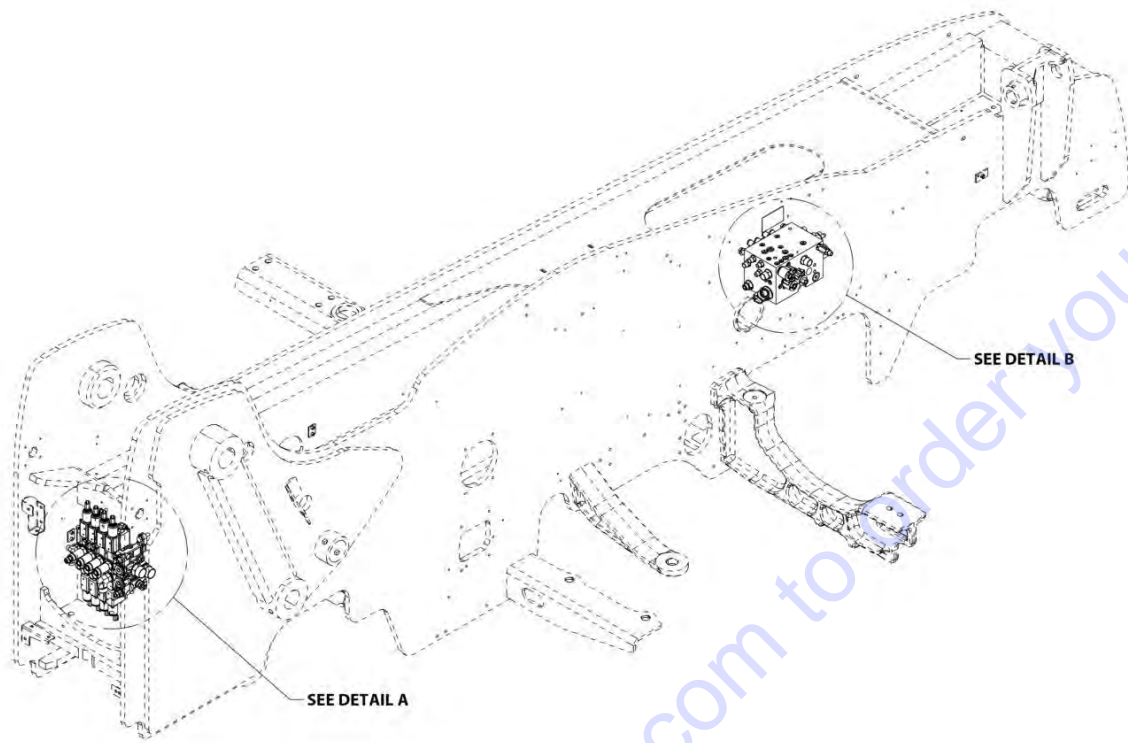
FIGURE 8-19. QUICK COUPLER VALVE ASSEMBLY

ITEM	PART NUMBER	QTY	DESCRIPTION	REV
	1001189663	Ref	Quick Coupler Valve Assembly	C
1	2110610	2	Fitting, Straight ORFS	
2	2110810	1	Fitting, Straight ORFS	
3	2150404	2	Fitting, 45 ORFS	
4	2172108	1	Fitting, 90 ORFS	
5	1001001568	2	Reducer	
6	1001104477	1	Valve, Quick Coupler (See HYDRAULIC COMPONENTS SECTION for Breakdown)	
7	2130810	1	Fitting, 90 ORFS	

Go to Discount-Equipment.com to order your parts

SECTION 8 - HYDRAULIC CIRCUITS

FIGURE 8-20. MAIN HYDRAULIC VALVES INSTALLATION



ART_1001225750-A

SECTION 8 - HYDRAULIC CIRCUITS

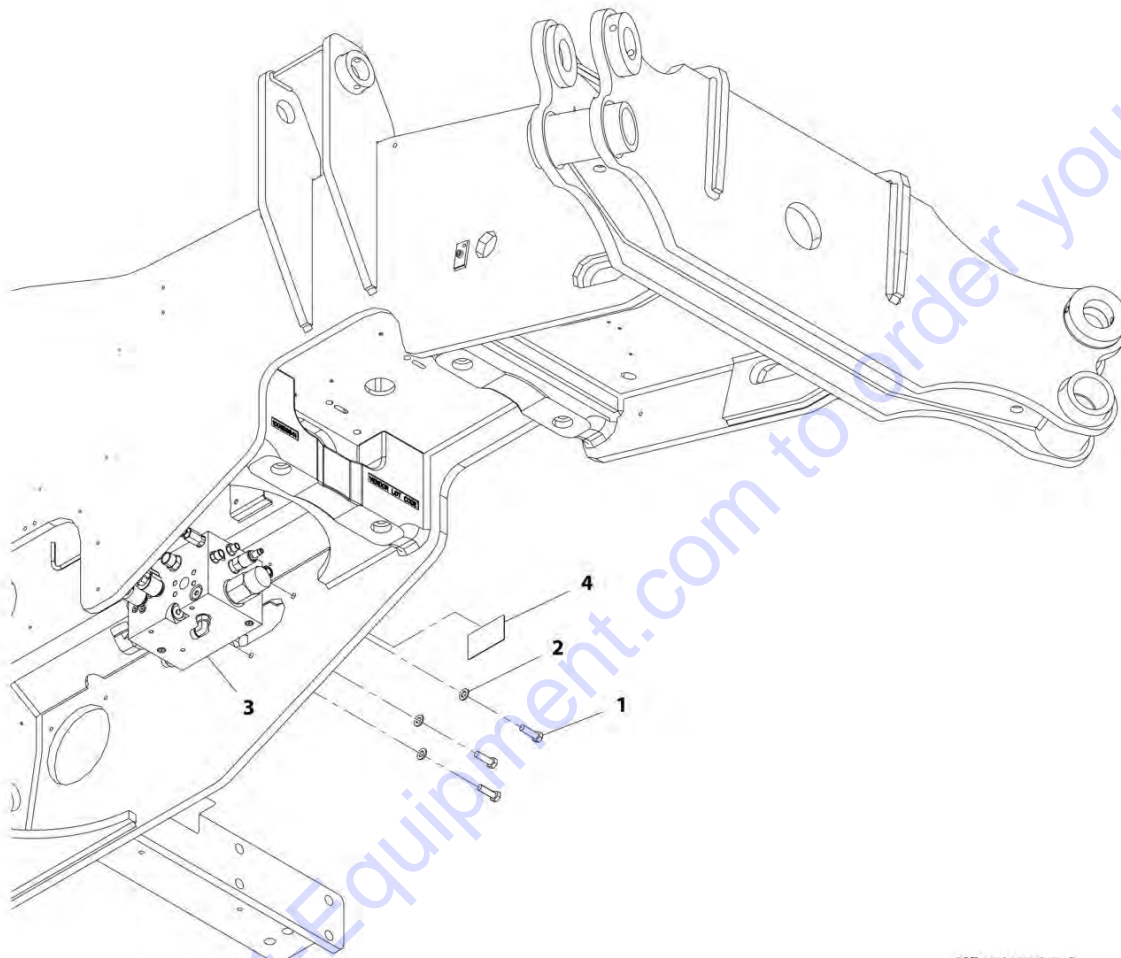
FIGURE 8-20. MAIN HYDRAULIC VALVES INSTALLATION

ITEM	PART NUMBER	QTY	DESCRIPTION	REV
1	1001225750	Ref	Main Hydraulic Valves Installation	A
	1001161308	Ref	Installation, Priority Manifold Valve (See Separate Breakdown in this Section)	
2	1001225751	Ref	Installation, Main Control Valve (See Separate Breakdown in this Section)	

Go to Discount-Equipment.com to order your parts

SECTION 8 - HYDRAULIC CIRCUITS

FIGURE 8-21. PRIORITY FUNCTION MANIFOLD INSTALLATION



ART_1001161308-C

SECTION 8 - HYDRAULIC CIRCUITS

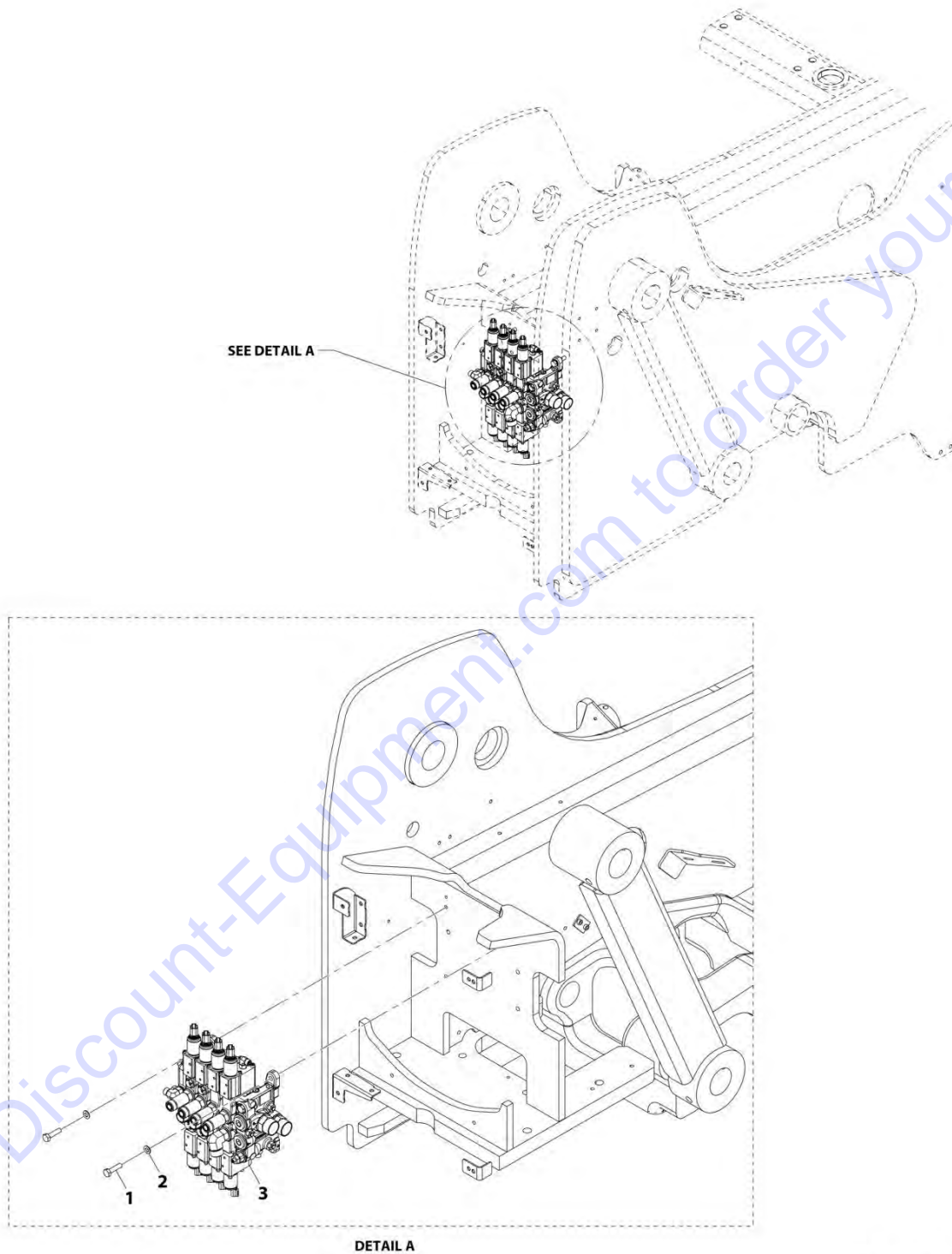
FIGURE 8-21. PRIORITY FUNCTION MANIFOLD INSTALLATION

ITEM	PART NUMBER	QTY	DESCRIPTION	REV
	1001161308	Ref	Priority Function Manifold Installation	C
1	0701216	3	Bolt, M12X40	
2	4812100	3	Washer, M12	
3	1001166223	1	Assembly, Priority Manifold Valve (See PRIORITY FUNCTION MANIFOLD VALVE ASSEMBLY for Breakdown)	
4	1001183243	1	Decal, Port ID	

Go to Discount-Equipment.com to order your parts

SECTION 8 - HYDRAULIC CIRCUITS

FIGURE 8-22. MAIN CONTROL VALVE INSTALLATION



ART_1001225751-A

SECTION 8 - HYDRAULIC CIRCUITS

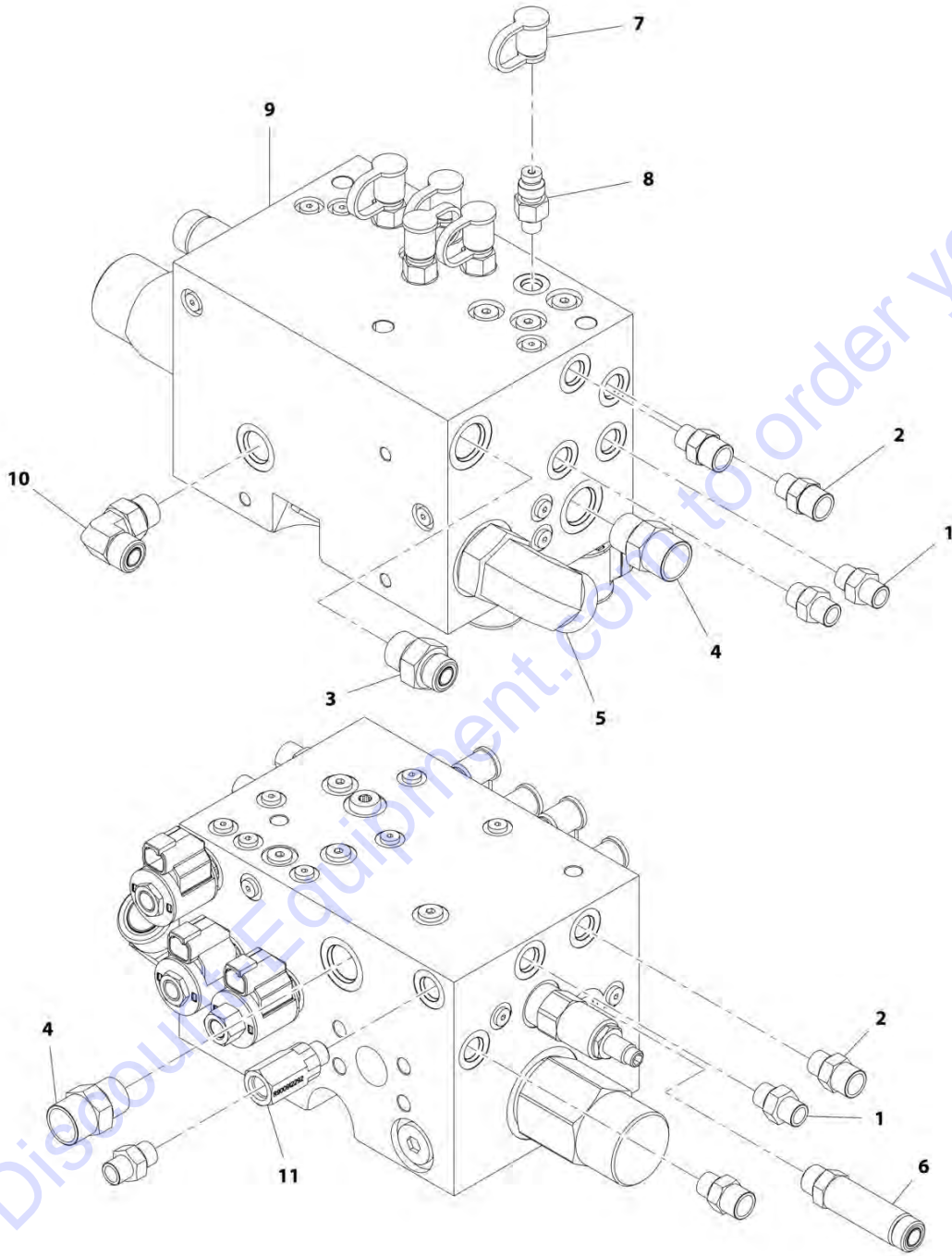
FIGURE 8-22. MAIN CONTROL VALVE INSTALLATION

ITEM	PART NUMBER	QTY	DESCRIPTION	REV
	1001225751	Ref	Main Control Valve Installation	A
1	0701016	3	Bolt, M10X40	
2	4812000	3	Washer, M10	
3	1001225752	1	Assembly, Main Control Valve Assembly (See Separate Breakdown in this Section)	

Go to Discount-Equipment.com to order your parts

SECTION 8 - HYDRAULIC CIRCUITS

FIGURE 8-23. PRIORITY FUNCTION MANIFOLD VALVE ASSEMBLY



ART_1001166223-F

SECTION 8 - HYDRAULIC CIRCUITS

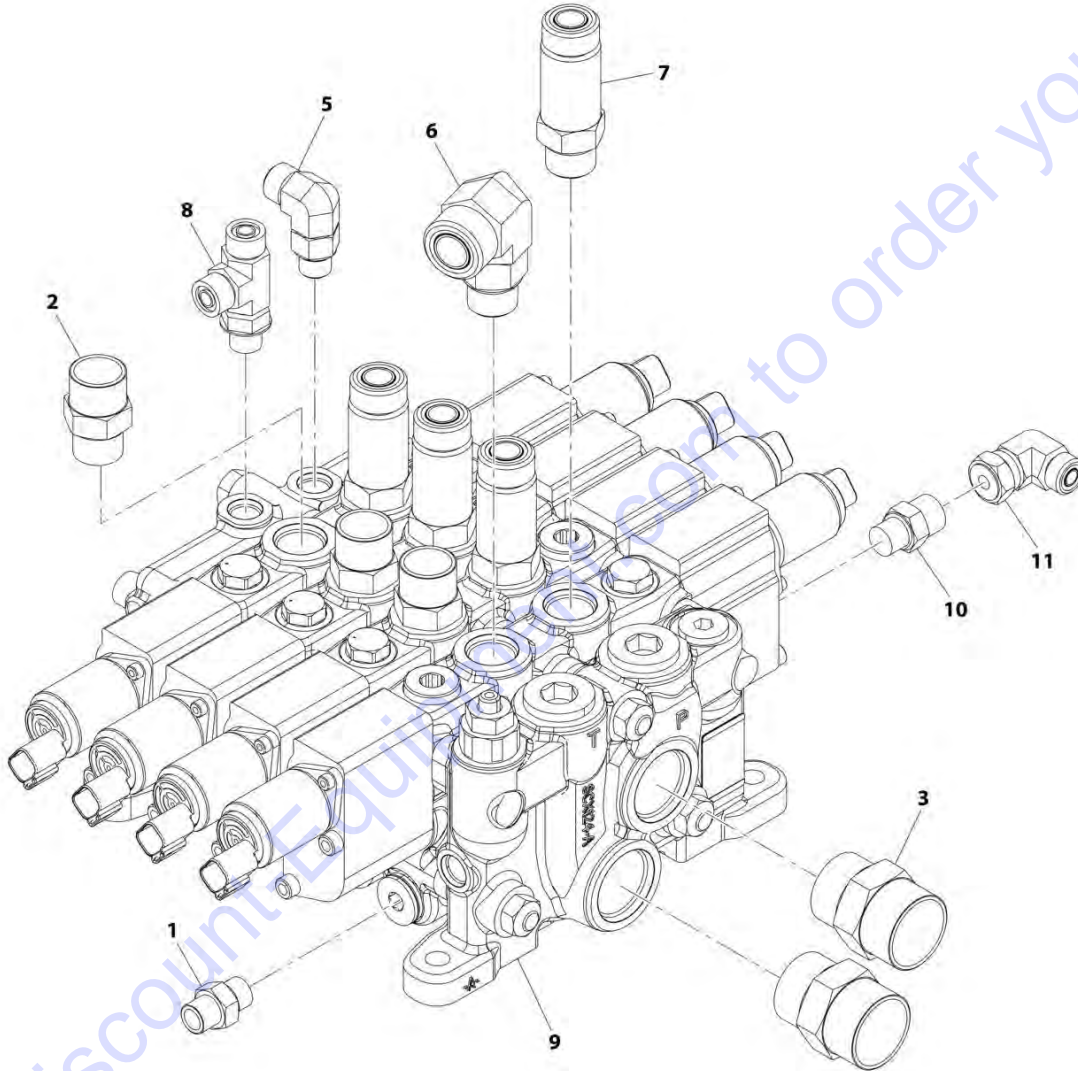
FIGURE 8-23. PRIORITY FUNCTION MANIFOLD VALVE ASSEMBLY

ITEM	PART NUMBER	QTY	DESCRIPTION	REV
	1001166223	Ref	Priority Function Manifold Valve Assembly	F
1	2110406	4	Fitting, Straight ORFS	
2	2110606	4	Fitting, Straight ORFS	
3	2110810	1	Fitting, Straight ORFS	
4	2111010	2	Fitting, Straight ORFS	
5	2131616	1	Fitting, 90 ORFS	
6	1001201755	1	Fitting, Straight ORFS	
7	8430032	5	Plug	
8	8430033	5	Fitting, Straight	
9	1001162548	1	Valve, Priority Manifold (See HYDRAULIC COMPONENTS SECTION for Breakdown)	
10	2130808	1	Fitting, 90 ORFS	
11	1001196608	1	Valve, Check	

Go to Discount-Equipment.com to order your parts

SECTION 8 - HYDRAULIC CIRCUITS

FIGURE 8-24. MAIN CONTROL VALVE ASSEMBLY



ART_1001225752-C

SECTION 8 - HYDRAULIC CIRCUITS

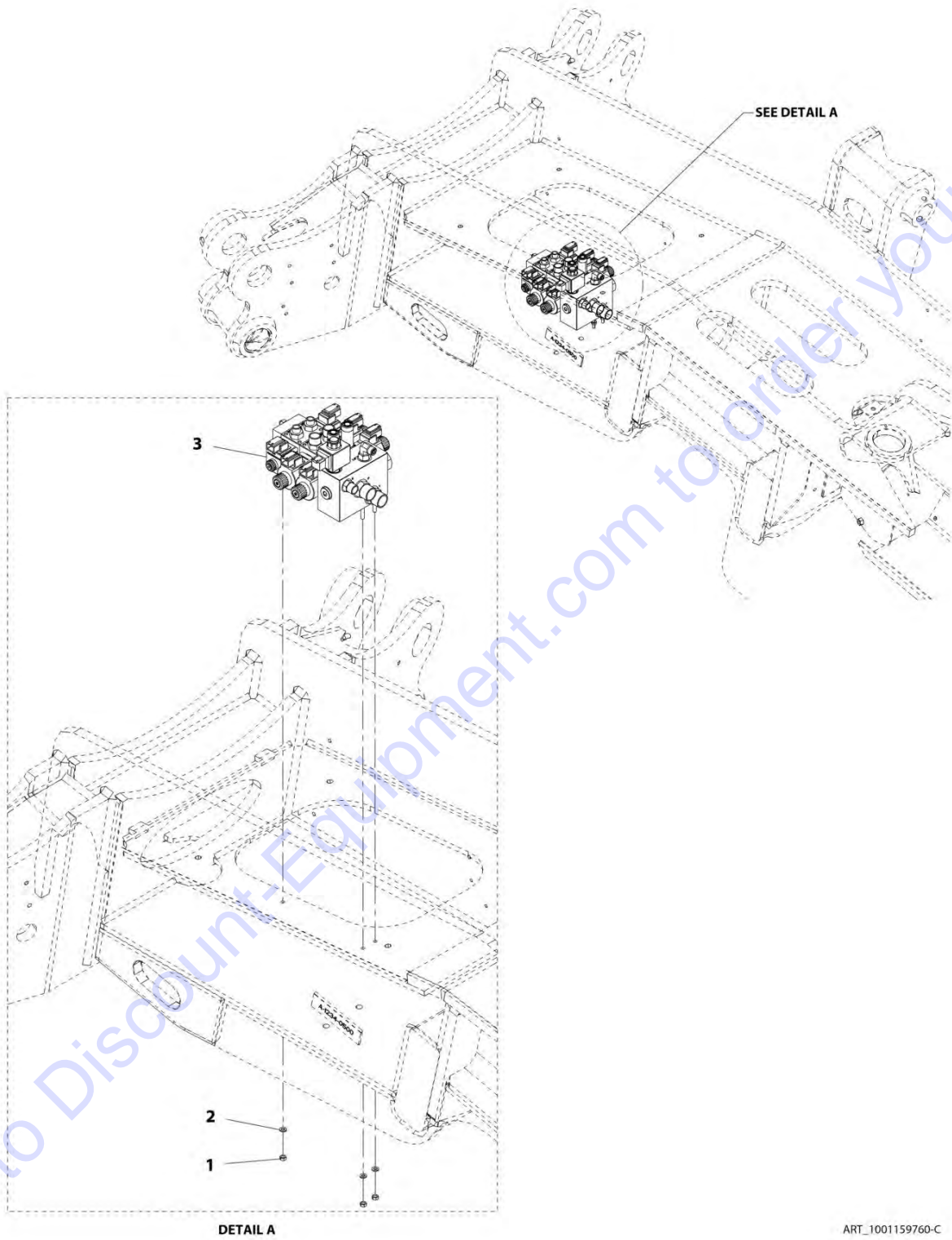
FIGURE 8-24. MAIN CONTROL VALVE ASSEMBLY

ITEM	PART NUMBER	QTY	DESCRIPTION	REV
	1001225752	Ref	Main Control Valve Assembly	C
1	2110406	1	Fitting, Straight ORFS	
2	2111010	3	Fitting, Straight ORFS	
3	2111616	2	Fitting, Straight ORFS	
5	2130606	1	Fitting, 90 ORFS	
6	2131210	1	Fitting, 90 ORFS	
7	2170110	4	Fitting, Straight ORFS	
8	2170306	1	Fitting, Tee ORFS	
9		Ref	Valve, Main Control (See Separate Breakdown in HYDRAULIC COMPONENTS Section)	
10	2110606	1	Fitting, Straight ORFS	
11	2172106	1	Adapter, 90	

Go to Discount-Equipment.com to order your parts

SECTION 8 - HYDRAULIC CIRCUITS

FIGURE 8-25. FRAME LEVEL AND OUTRIGGER VALVE INSTALLATION



ART_1001159760-C

SECTION 8 - HYDRAULIC CIRCUITS

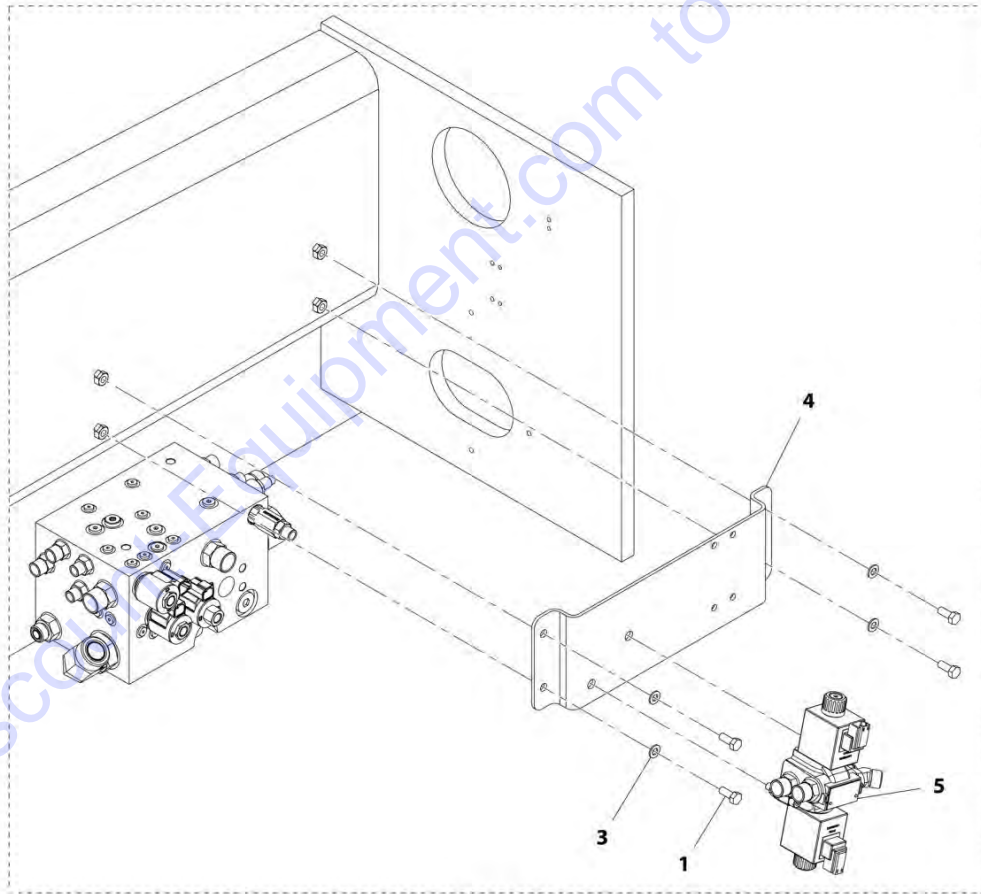
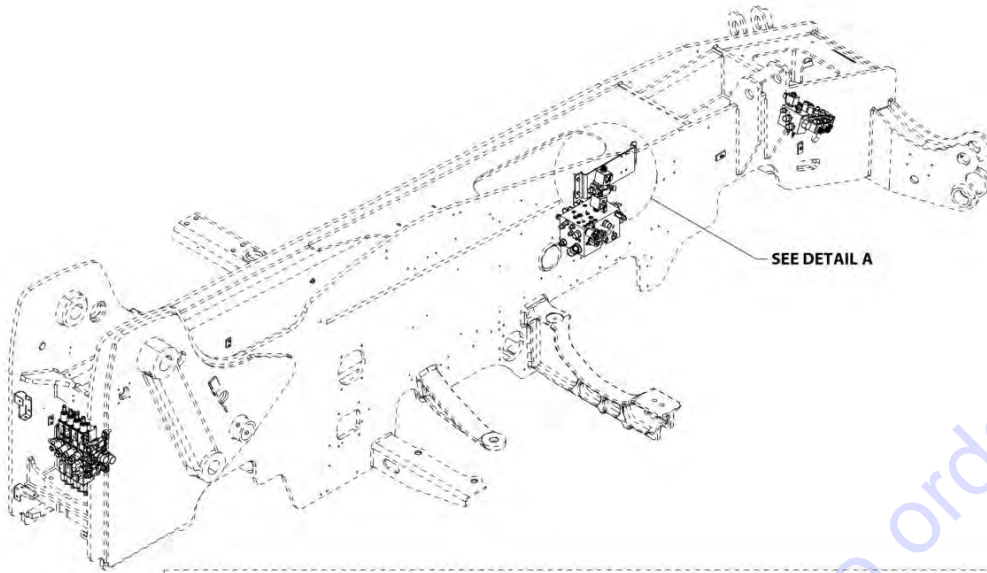
FIGURE 8-25. FRAME LEVEL AND OUTRIGGER VALVE INSTALLATION

ITEM	PART NUMBER	QTY	DESCRIPTION	REV
	1001159760	Ref	Frame Level and Outrigger Valve Installation	C
1	3290601	3	Nut, M6X1	
2	4811700	3	Washer, M6	
3	1001159847	1	Assembly, Frame Level and Outrigger Valve (See FRAME LEVEL AND OUTRIGGER VALVE ASSEMBLY for Breakdown)	

Go to Discount-Equipment.com to order your parts

SECTION 8 - HYDRAULIC CIRCUITS

FIGURE 8-26. STEERING SELECT VALVE MOUNTING INSTALLATION



DETAIL A

ART_1001168464-E

SECTION 8 - HYDRAULIC CIRCUITS

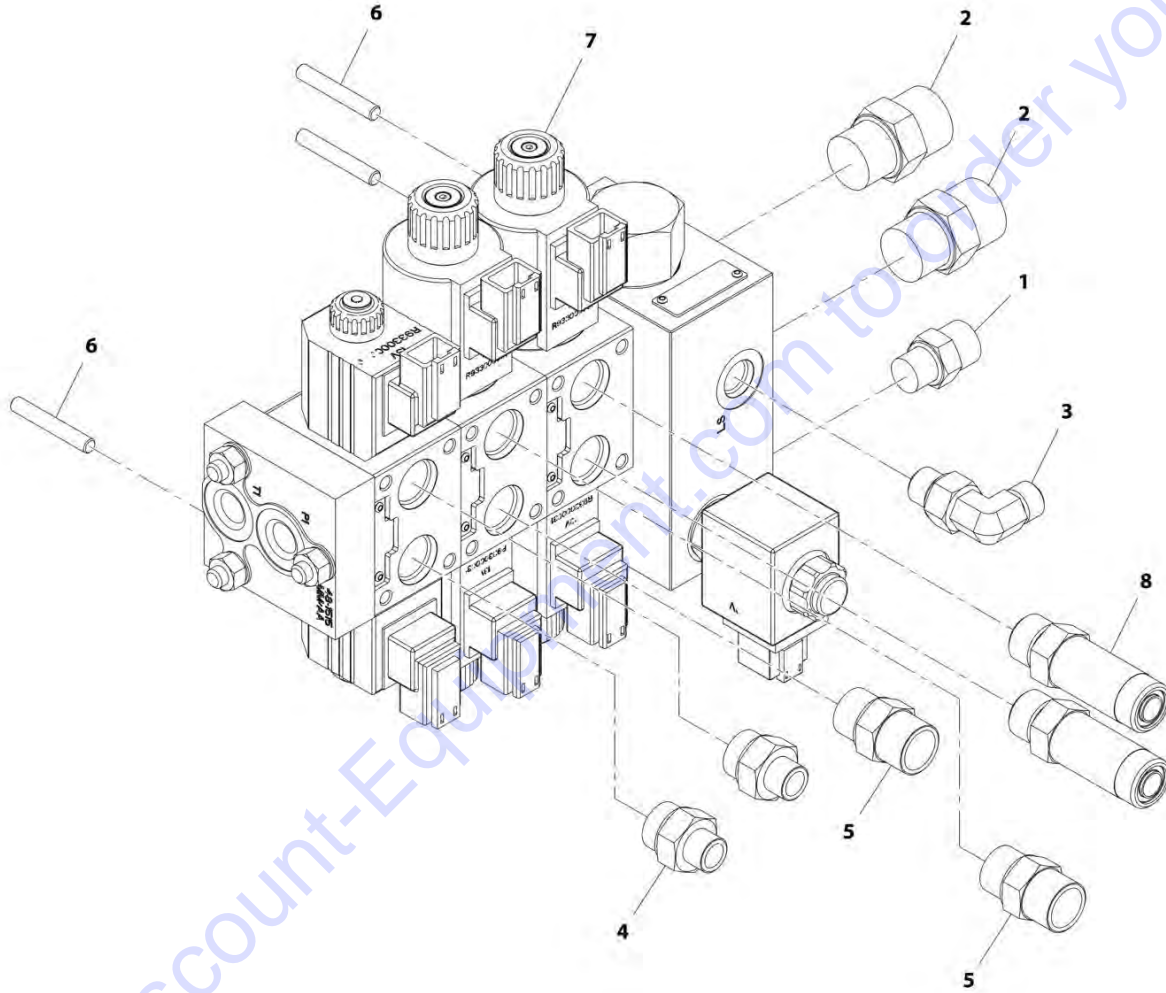
FIGURE 8-26. STEERING SELECT VALVE MOUNTING INSTALLATION

ITEM	PART NUMBER	QTY	DESCRIPTION	REV
	1001168464	Ref	Steering Select Valve Mounting Installation	E
1	0760810	4	Bolt, M8X20	
3	4811900	4	Washer, M8	
4	1001167437	1	Bracket	
5	1001173702	Ref	Installation, Steering Select Valve (See Separate Breakdown in this Section)	

Go to Discount-Equipment.com to order your parts

SECTION 8 - HYDRAULIC CIRCUITS

FIGURE 8-27. FRAME LEVEL AND OUTRIGGER VALVE ASSEMBLY



ART_1001159847-E

SECTION 8 - HYDRAULIC CIRCUITS

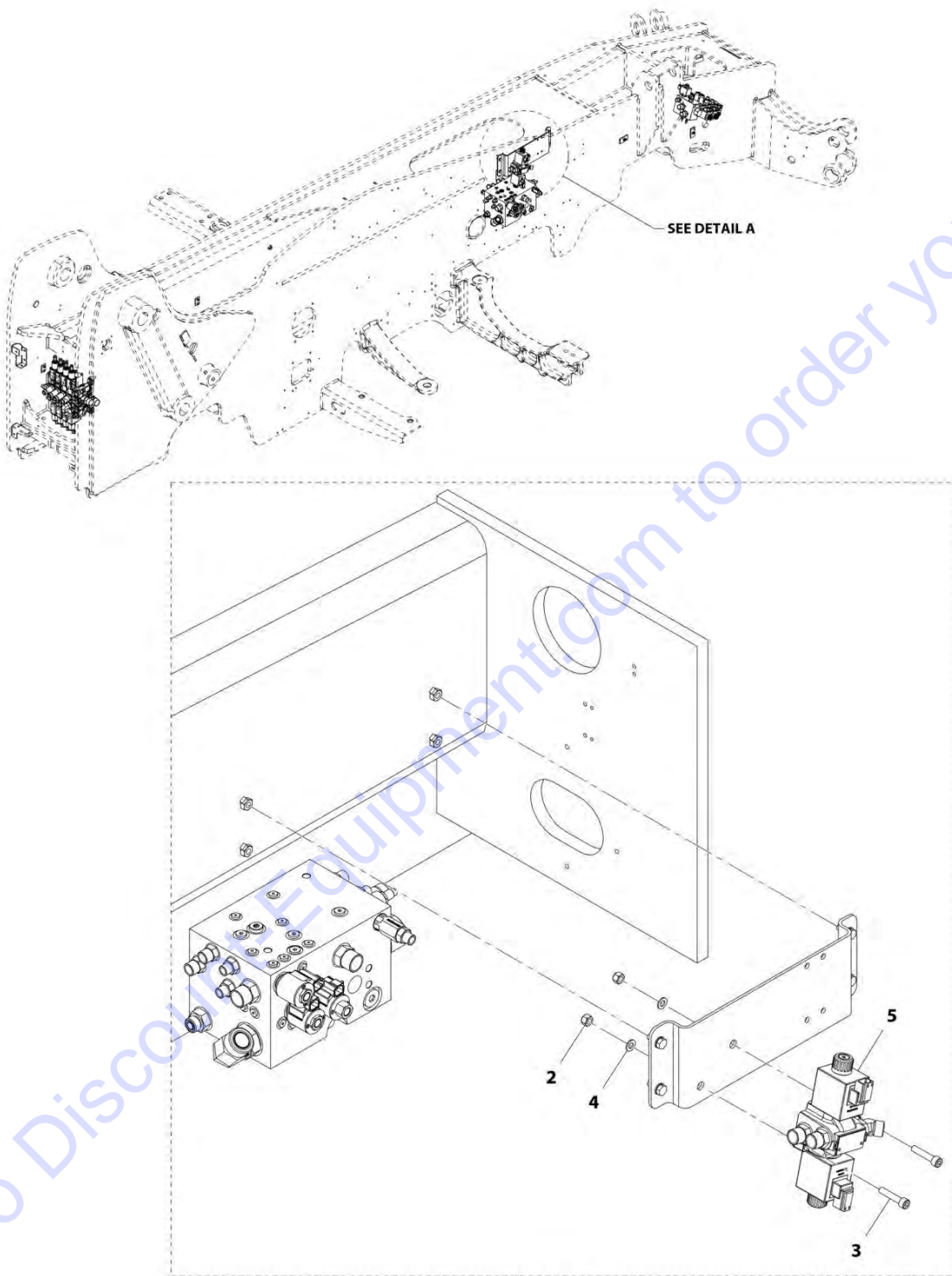
FIGURE 8-27. FRAME LEVEL AND OUTRIGGER VALVE ASSEMBLY

ITEM	PART NUMBER	QTY	DESCRIPTION	REV
	1001159847	1	Frame Level and Outrigger Valve Assembly	E
1	2110606	1	Fitting, Straight	
2	2111010	2	Fitting, Straight ORFS	
3	2130406	1	Fitting, 90 ORFS	
4	2110408	2	Fitting, Straight ORFS	
5	2110808	2	Fitting, Straight ORFS	
6	1001177702	3	Stud, M6X40	
7	1001157972	1	Valve, Frame Level and Outrigger (See HYDRAULIC COMPONENTS SECTION for Breakdown)	
8	2170108	2	Fitting	

Go to Discount-Equipment.com to order your parts

SECTION 8 - HYDRAULIC CIRCUITS

FIGURE 8-28. STEERING SELECT VALVE INSTALLATION



ART_1001173702-D

SECTION 8 - HYDRAULIC CIRCUITS

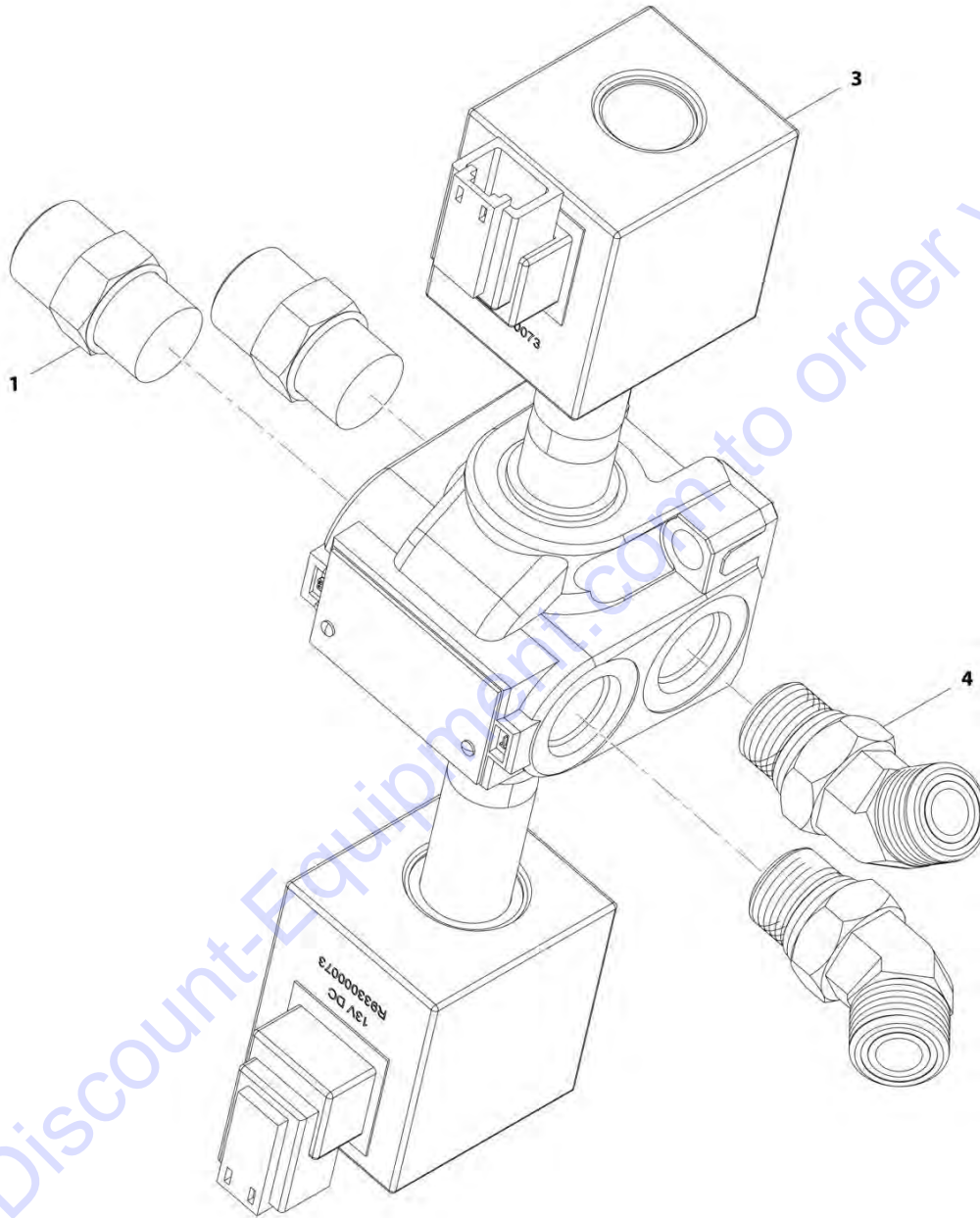
FIGURE 8-28. STEERING SELECT VALVE INSTALLATION

ITEM	PART NUMBER	QTY	DESCRIPTION	REV
	1001173702	Ref	Steering Select Valve Installation	D
2	3290805	2	Nut, Lock M8X1.25	
3	4031912	2	Bolt, M8X40	
4	4811900	2	Washer, M8	
5	1001161304	1	Assembly, Valve (See Separate Breakdown in this Section)	

Go to Discount-Equipment.com to order your parts

SECTION 8 - HYDRAULIC CIRCUITS

FIGURE 8-29. STEERING SELECT VALVE ASSEMBLY



ART_1001161304-B

SECTION 8 - HYDRAULIC CIRCUITS

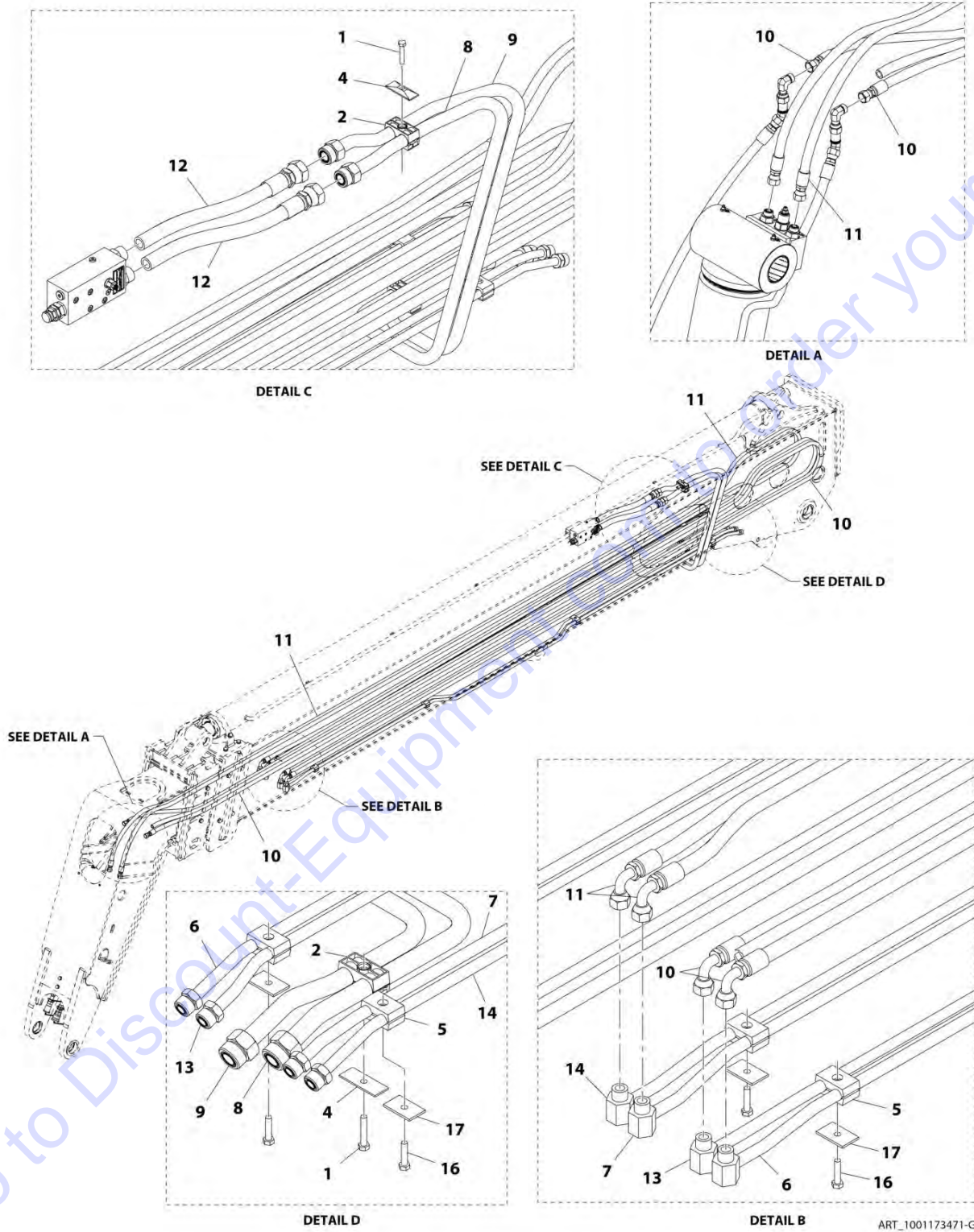
FIGURE 8-29. STEERING SELECT VALVE ASSEMBLY

ITEM	PART NUMBER	QTY	DESCRIPTION	REV
	1001161304	Ref	Steering Select Valve Assembly	B
1	2110808	2	Fitting, Straight ORFS	
3	1001153748	1	Assembly, Valve (See Separate Breakdown in Hydraulic Components Section)	
4	2150808	2	Fitting, 45 ORFS	

Go to Discount-Equipment.com to order your parts

SECTION 8 - HYDRAULIC CIRCUITS

FIGURE 8-30. BOOM HYDRAULIC TUBES INSTALLATION



SECTION 8 - HYDRAULIC CIRCUITS

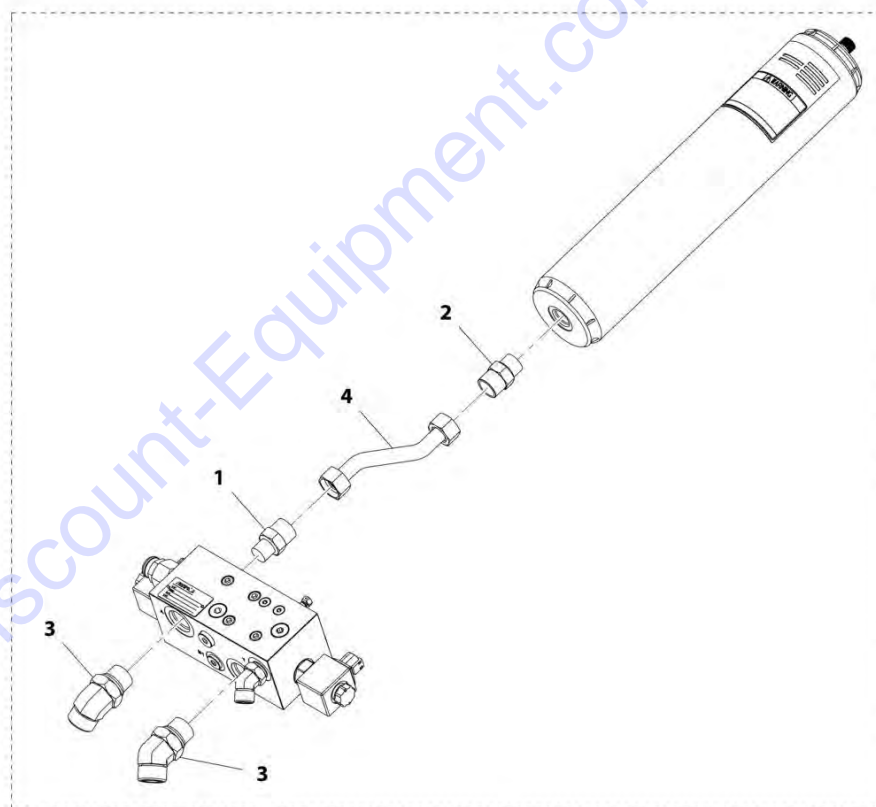
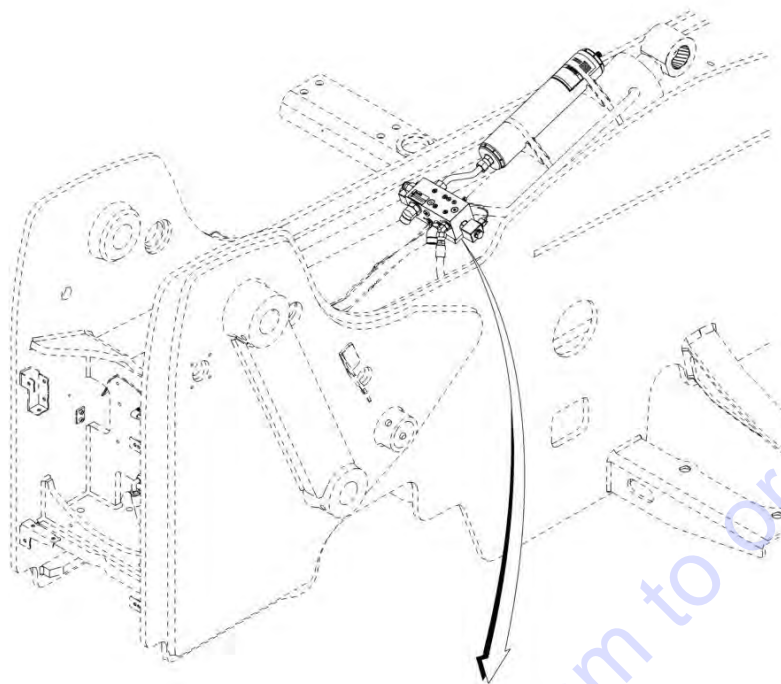
FIGURE 8-30. BOOM HYDRAULIC TUBES INSTALLATION

ITEM	PART NUMBER	QTY	DESCRIPTION	REV
	1001173471	Ref	Boom Hydraulic Tubes Installation	G
1	0700817	2	Bolt, M8X45	
2	1321329	2	Clamp	
4	77133137	2	Plate, Cover	
5	77133139	8	Clamp	
6	1001162339	1	Tube	
7	1001162346	1	Tube	
8	1001162365	1	Tube	
9	1001162366	1	Tube	
10	1001163072	1	Hose	
11	1001163073	1	Hose	
12	1001170549	2	Hose	
13	1001173956	1	Tube	
14	1001173957	1	Tube	
16	0760815	8	Bolt, M8X35	
17	77133140	8	Plate, Cover	

Go to Discount-Equipment.com to order your parts

SECTION 8 - HYDRAULIC CIRCUITS

FIGURE 8-31. COUNTERBALANCE VALVE HYDRAULIC LINES (LIFT - RIDE CONTROL)



ART_1001175744-D

SECTION 8 - HYDRAULIC CIRCUITS

FIGURE 8-31. COUNTERBALANCE VALVE HYDRAULIC LINES (LIFT - RIDE CONTROL)

ITEM	PART NUMBER	QTY	DESCRIPTION	REV
	1001175744	Ref	Counterbalance Valve Hydraulic Lines (Lift - Ride Control)	D
1	2111008	1	Fitting, Straight ORFS	
2	2111010	1	Fitting, Straight ORFS	
3	2151212	2	Fitting, 45 ORFS	
4	1001175745	1	Pipe	

Go to Discount-Equipment.com to order your parts

PARTS FINDER

**Search Website
by Part Number**



**Search Manual
Library For Parts
Manual & Lookup Part
Numbers – Purchase
or Request Quote**

**Can't Find Part or
Manual? Request Help
by Manufacturer,
Model & Description**

Discount-Equipment.com is your online resource for quality parts & equipment.

Florida: **561-964-4949** Outside Florida TOLL FREE: **877-690-3101**

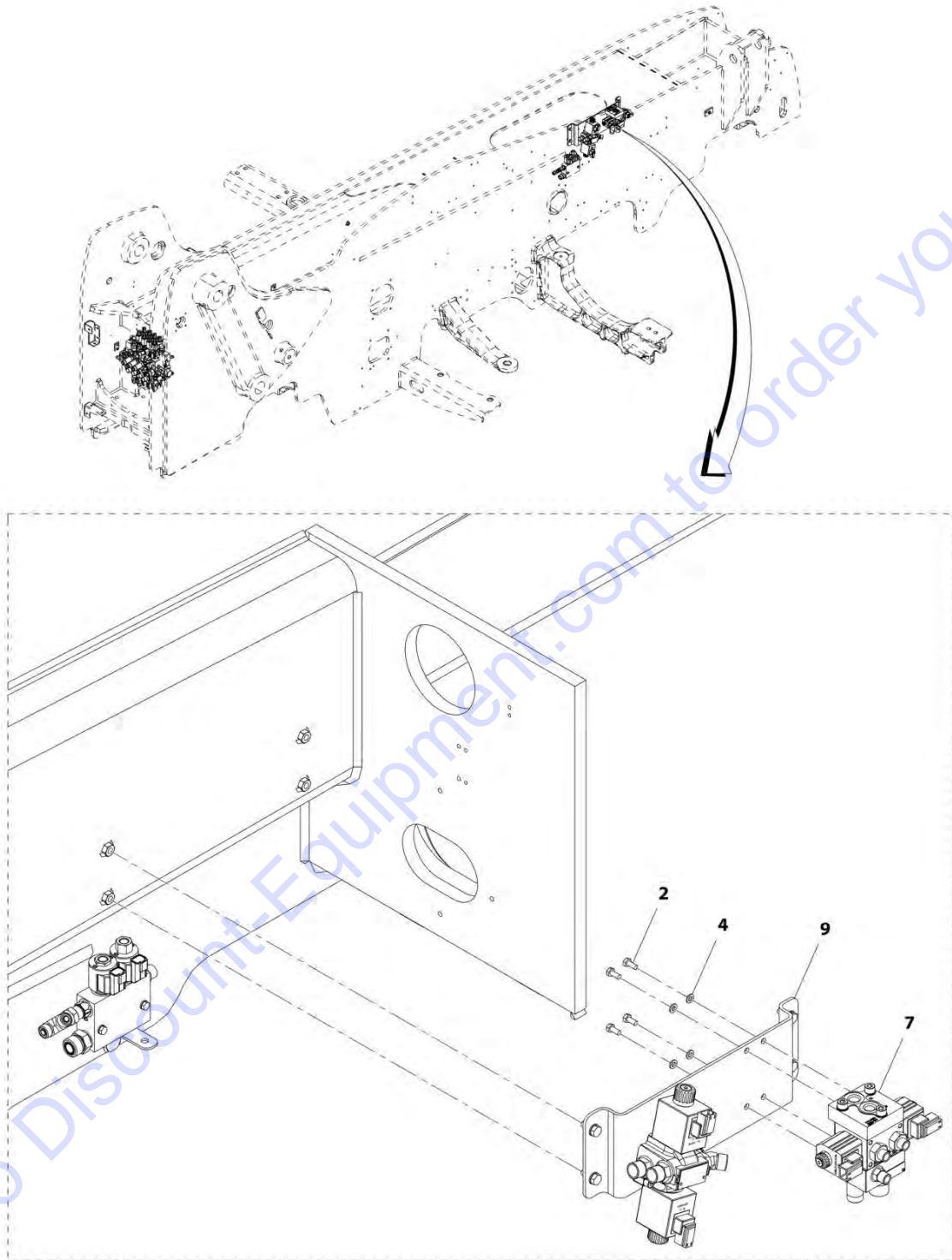
Need parts?

Click on this link: <http://www.discount-equipment.com/category/5443-parts/> and choose one of the options to help get the right parts and equipment you are looking for. Please have the machine model and serial number available in order to help us get you the correct parts. If you don't find the part on the website or on one of the online manuals, please fill out the request form and one of our experienced staff members will get back to you with a quote for the right part that your machine needs.

We sell worldwide for the brands: Genie, Terex, JLG, MultiQuip, Mikasa, Essick, Whiteman, Mayco, Toro Stone, Diamond Products, Generac Magnum, Airman, Haulotte, Barreto, Power Blanket, Nifty Lift, Atlas Copco, Chicago Pneumatic, Allmand, Miller Curber, Skyjack, Lull, Skytrak, Tsurumi, Husquvarna Target, Stow, Wacker, Sakai, Mi-T-M, Sullair, Basic, Dynapac, MBW, Weber, Bartell, Bennar Newman, Haulotte, Ditch Runner, Menegotti, Morrison, Contec, Buddy, Crown, Edco, Wyco, Bomag, Laymor, EZ Trench, Bil-Jax, F.S. Curtis, Gehl Pavers, Heli, Honda, ICS/PowerGrit, IHI, Partner, Imer, Clipper, MMD, Koshin, Rice, CH&E, General Equipment, Amida, Coleman, NAC, Gradall, Square Shooter, Kent, Stanley, Tamco, Toku, Hatz, Kohler, Robin, Wisconsin, Northrock, Oztec, Toker TK, Rol-Air, APT, Wylie, Ingersoll Rand / Doosan, Innovatech, Con X, Ammann, Mecalac, Makinex, Smith Surface Prep, Small Line, Wanco, Yanmar

SECTION 8 - HYDRAULIC CIRCUITS

FIGURE 8-32. STEERING SELECT AND FRAME LEVEL VALVE INSTALLATION



ART_1001168465-D

SECTION 8 - HYDRAULIC CIRCUITS

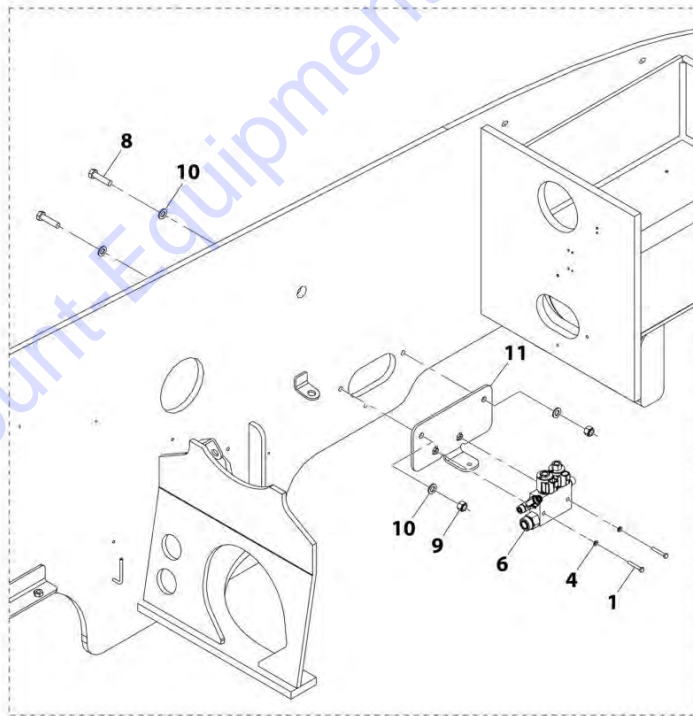
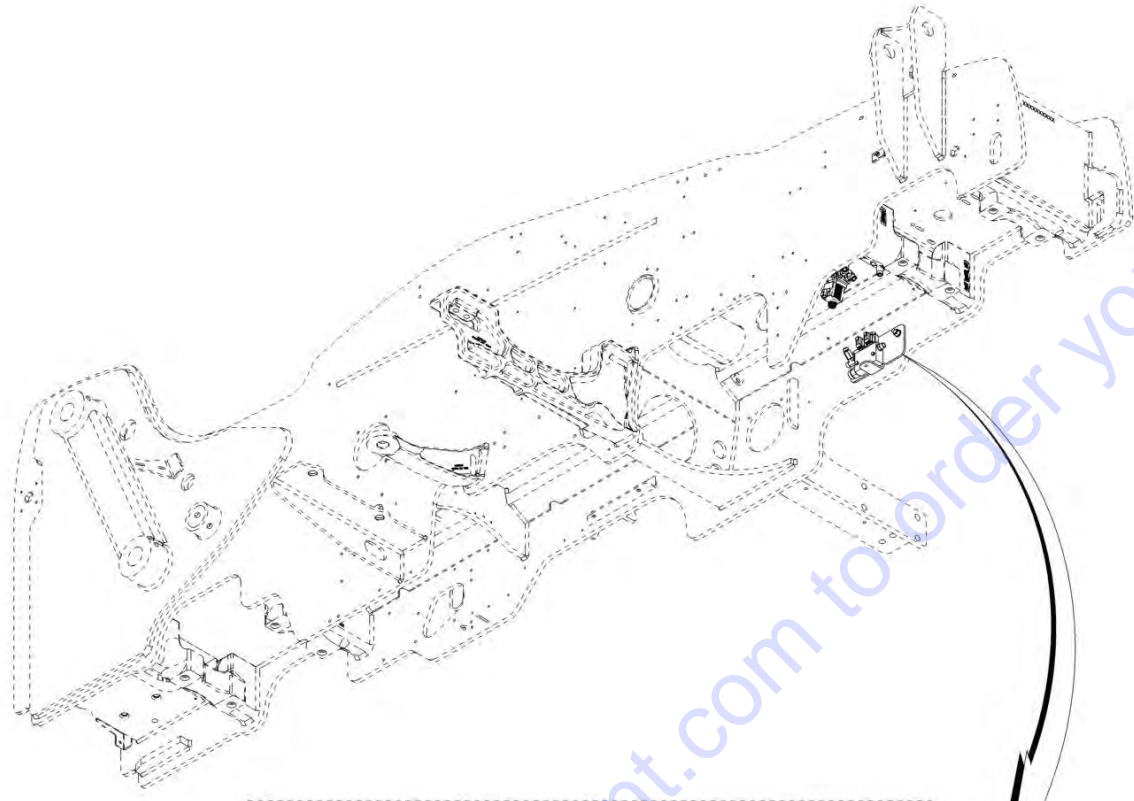
FIGURE 8-32. STEERING SELECT AND FRAME LEVEL VALVE INSTALLATION

ITEM	PART NUMBER	QTY	DESCRIPTION	REV
	1001168465	Ref	Steering Select and Frame Level Valve Installation	D
2	0760607	4	Bolt, M6X14	
4	4811700	4	Washer, M6	
7	1001169087	1	Assembly, Frame Level Valve (See Separate Breakdown in this Section)	
9	1001168464	Ref	Installation, Steering Select Valve Mounting (See Separate Breakdown in this Section)	

Go to Discount-Equipment.com to order your parts

SECTION 8 - HYDRAULIC CIRCUITS

FIGURE 8-33. PARK BRAKE INSTALLATION



ART_1001172370-E

SECTION 8 - HYDRAULIC CIRCUITS

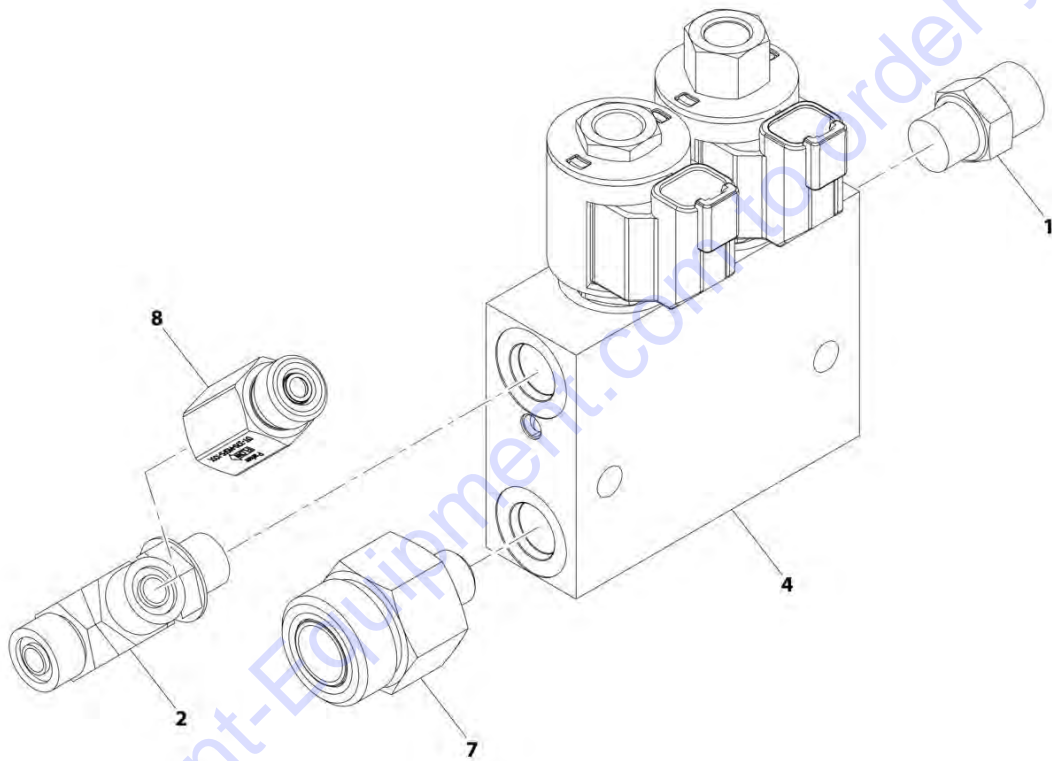
FIGURE 8-33. PARK BRAKE INSTALLATION

ITEM	PART NUMBER	QTY	DESCRIPTION	REV
	1001172370	Ref	Park Brake Installation	E
1	0700616	2	Bolt, M6X40	
4	4811700	2	Washer, M6	
6	1001170561	1	Installation, Park Brake Valve (See Separate Breakdown in this Section)	
8	0761218	2	Bolt, M12X50	
9	3291205	2	Nut, Lock M12X1.75 Grade 8	
10	4812100	4	Washer, M12	
11	1001225995	1	Bracket Assembly	

Go to Discount-Equipment.com to order your parts

SECTION 8 - HYDRAULIC CIRCUITS

FIGURE 8-34. PARK BRAKE VALVE ASSEMBLY



ART_1001170561-F

SECTION 8 - HYDRAULIC CIRCUITS

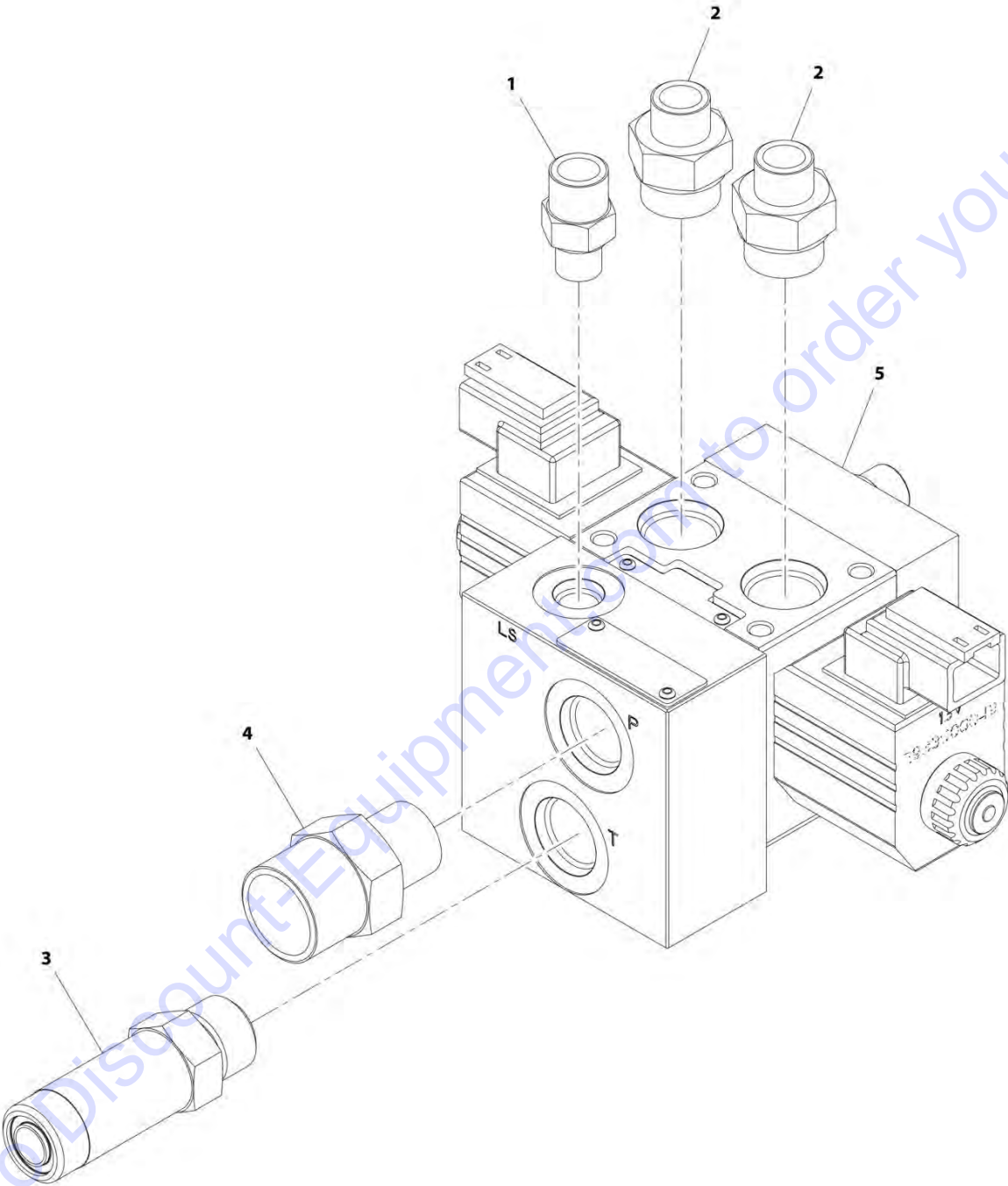
FIGURE 8-34. PARK BRAKE VALVE ASSEMBLY

ITEM	PART NUMBER	QTY	DESCRIPTION	REV
	1001170561	Ref	Park Brake Valve Assembly	F
1	2110606	1	Fitting, Straight ORFS	
2	2170306	1	Fitting, Tee ORFS	
4	1001164652	1	Valve, Park Brake (See Separate Breakdown in Hydraulic Components Section)	
7	1001207758	1	Fitting, Straight ORFS	
8	1001218781	1	Check Valve	

Go to Discount-Equipment.com to order your parts

SECTION 8 - HYDRAULIC CIRCUITS

FIGURE 8-35. FRAME LEVEL VALVE ASSEMBLY



ART_1001169087-E

SECTION 8 - HYDRAULIC CIRCUITS

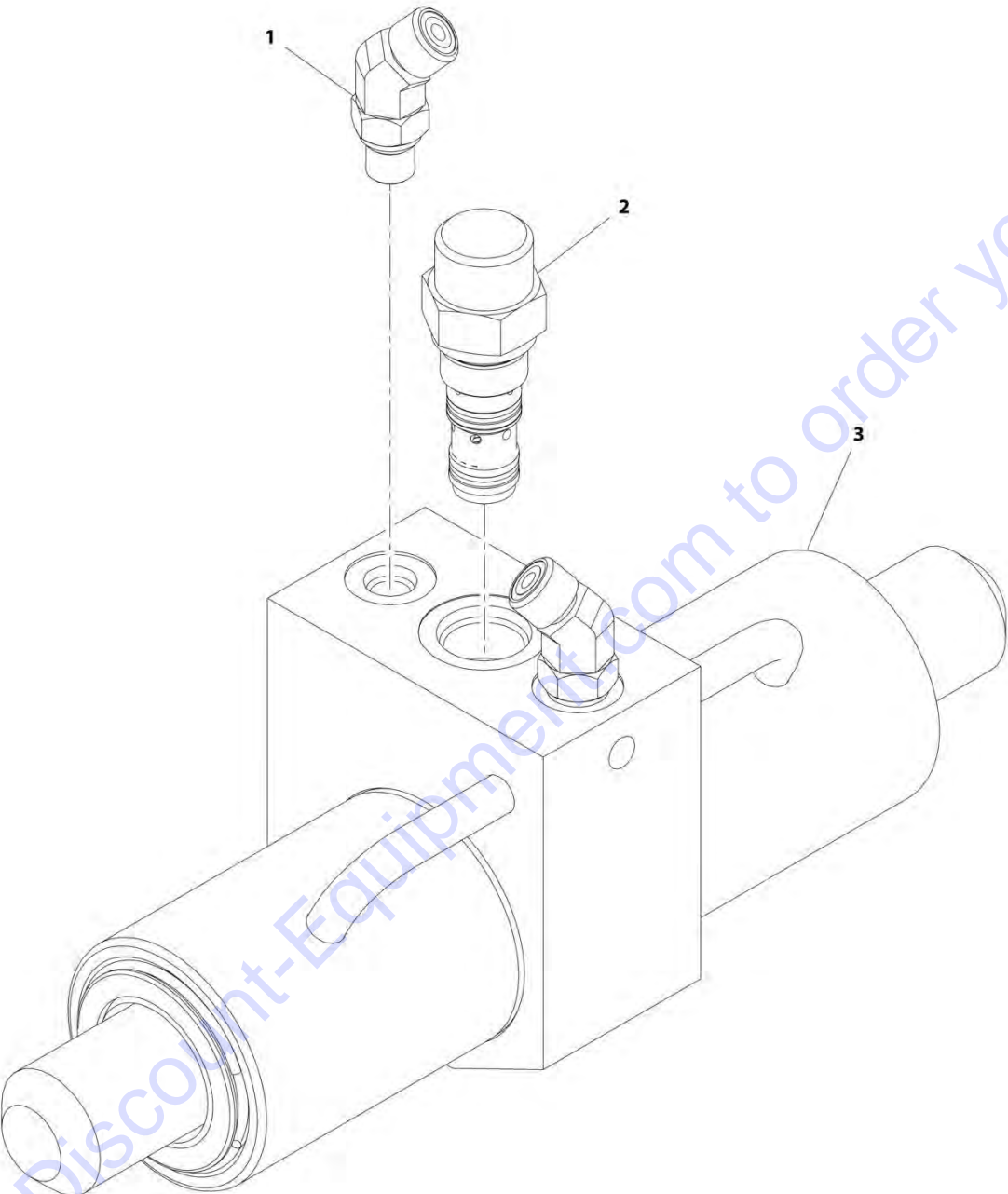
FIGURE 8-35. FRAME LEVEL VALVE ASSEMBLY

ITEM	PART NUMBER	QTY	DESCRIPTION	REV
	1001169087	1	Frame Level Valve Assembly	E
1	2110404	1	Fitting, Straight ORFS	
2	2110408	2	Fitting, Straight ORFS	
3	2170108	1	Fitting, Straight ORFS	
4	2111008	1	Fitting, Straight ORFS	
5	1001162959	1	Valve, Frame Level (See Separate Breakdown in Hydraulic Components Section)	

Go to Discount-Equipment.com to order your parts

SECTION 8 - HYDRAULIC CIRCUITS

FIGURE 8-36. QUICK COUPLER CYLINDER ASSEMBLY



ART_1001210390-A

SECTION 8 - HYDRAULIC CIRCUITS

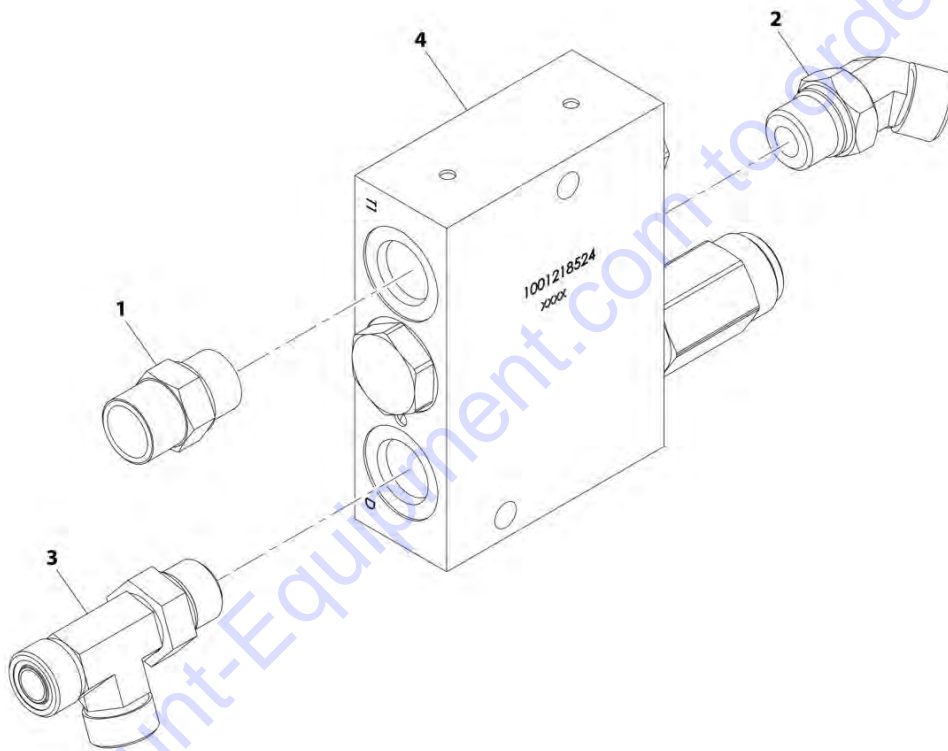
FIGURE 8-36. QUICK COUPLER CYLINDER ASSEMBLY

ITEM	PART NUMBER	QTY	DESCRIPTION	REV
	1001210390	Ref	Quick Coupler Cylinder Assembly	A
1	2150404	2	Fitting, 45 ORFS	
2	1001007056	1	Valve, Check	
3	1001120163	1	Cylinder, Quick Coupler (See Separate Breakdown in Hydraulic Components Section)	

Go to Discount-Equipment.com to order your parts

SECTION 8 - HYDRAULIC CIRCUITS

FIGURE 8-37. EMERGENCY STEERING MANIFOLD



ART_1001219191-A

SECTION 8 - HYDRAULIC CIRCUITS

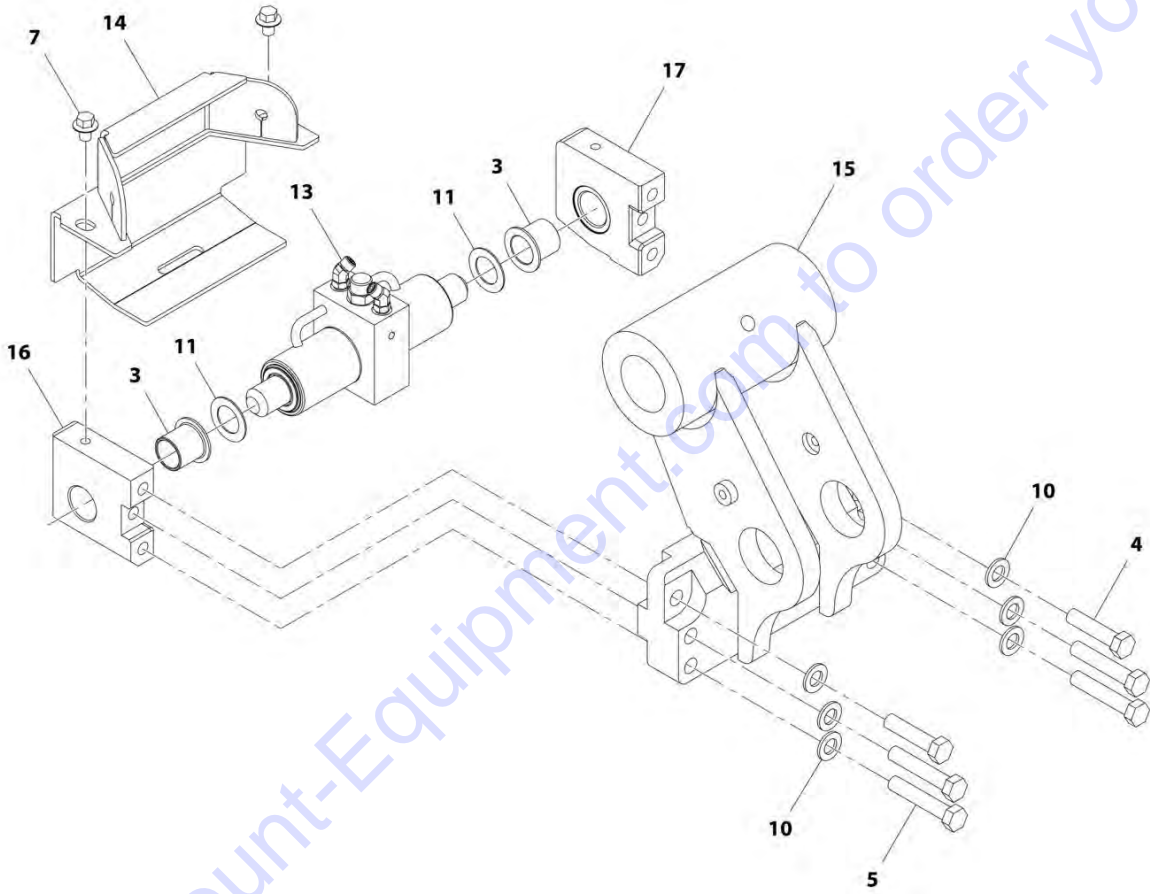
FIGURE 8-37. EMERGENCY STEERING MANIFOLD

ITEM	PART NUMBER	QTY	DESCRIPTION	REV
	1001219191	Ref	Emergency Steering Manifold	A
1	2110808	1	Fitting, Straight ORFS	
2	2150808	1	Fitting, 45 ORFS	
3	2170308	1	Fitting, Tee ORFS	
4	1001218524	1	Manifold	

Go to Discount-Equipment.com to order your parts

SECTION 8 - HYDRAULIC CIRCUITS

FIGURE 8-38. HYDRAULIC QUICK COUPLER ASSEMBLY



ART_1001172134-D

SECTION 8 - HYDRAULIC CIRCUITS

FIGURE 8-38. HYDRAULIC QUICK COUPLER ASSEMBLY

ITEM	PART NUMBER	QTY	DESCRIPTION	REV
	1001172134	Ref	Hydraulic Quick Coupler Assembly	D
3	0440321	2	Bearing, Flange	
4	1001191503	2	Bolt, M16X1.5X17 GR10.9	
5	1001191505	4	Bolt, M16X1.5X85 GR10.9	
7	0781208	2	Bolt, M12X16	
10	5241600	6	Washer, M16	
11	91561240	AR	Shim	
13	1001210390	1	Assembly, Quick Coupler Cylinder (See Separate Breakdown in this Section)	
14	1001164860	1	Cover	
15	1001172075	1	Fitting, Straight	
16	1001172077	1	Plate	
17	1001172078	1	Plate	

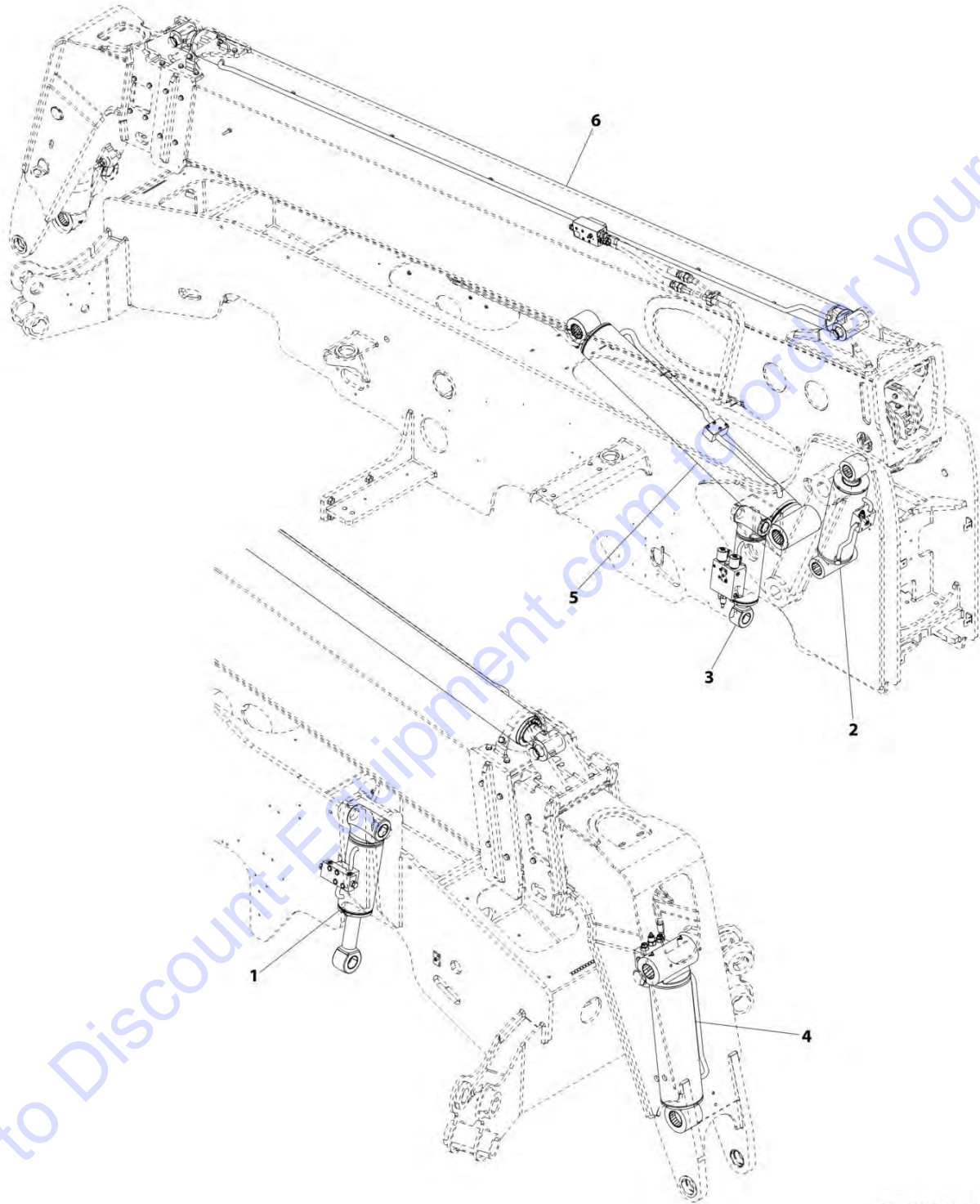
Go to Discount-Equipment.com to order your parts

SECTION 9 - HYDRAULIC COMPONENTS

Go to Discount-Equipment.com to order your parts

SECTION 9 - HYDRAULIC COMPONENTS

FIGURE 9-1. CYLINDER GROUP INSTALLATION



ART_1001227676-D

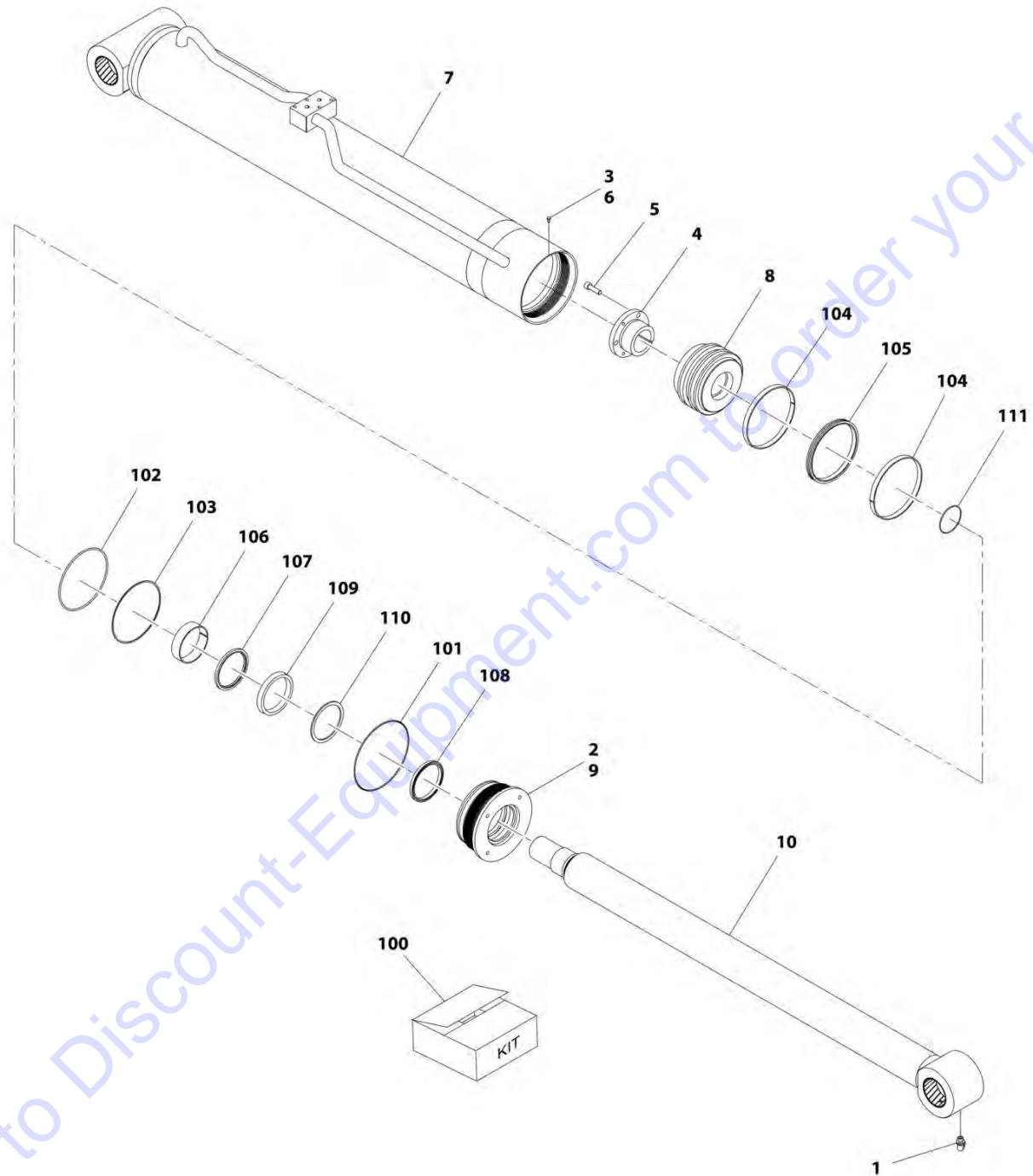
SECTION 9 - HYDRAULIC COMPONENTS

FIGURE 9-1. CYLINDER GROUP INSTALLATION

ITEM	PART NUMBER	QTY	DESCRIPTION	REV
	1001227676	Ref	Cylinder Group Installation	D
1	1001162076	Ref	Cylinder, Frame Level (See Separate Breakdown in this Section)	
2	1001162600	Ref	Cylinder, Compensation (See Separate Breakdown in this Section)	
3	1001164036	Ref	Cylinder, Rear Axle Stabilizer (See Separate Breakdown in this Section)	
4	1001184640	Ref	Cylinder, Tilt (See Separate Breakdown in this Section)	
5	1001204380	NLA	Cylinder, Tilt (no longer available, use 1001228095 for replacement) (See Separate Breakdown in this Section)	
5	1001228095	Ref	Cylinder, Lift (See Separate Breakdown in this Section)	
6	1001227677	Ref	Cylinder, Extend/Retract (See Separate Breakdown in this Section)	

SECTION 9 - HYDRAULIC COMPONENTS

FIGURE 9-2. LIFT CYLINDER



ART_1001204380-C

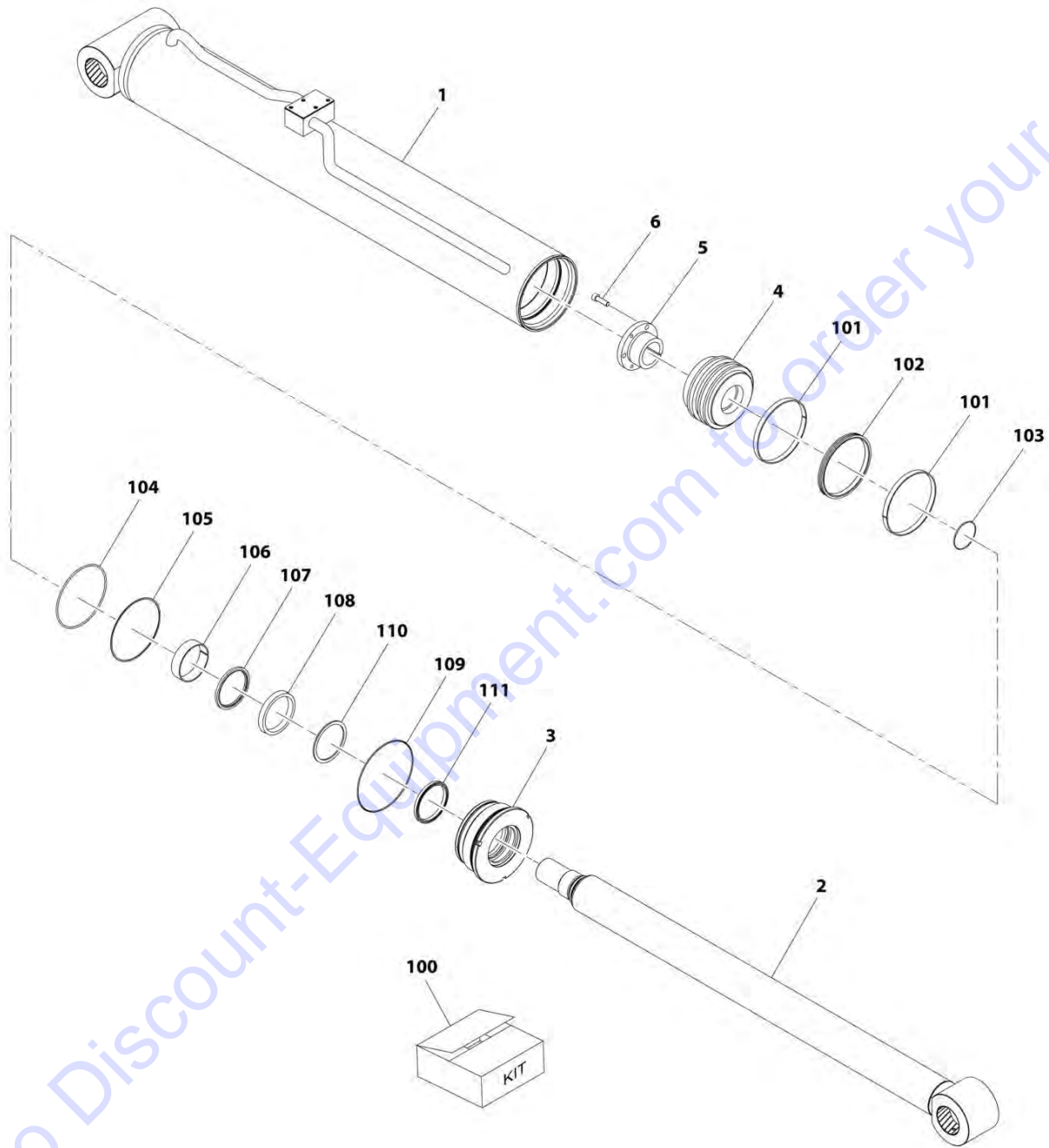
SECTION 9 - HYDRAULIC COMPONENTS

FIGURE 9-2. LIFT CYLINDER

ITEM	PART NUMBER	QTY	DESCRIPTION	REV
	1001204380	NLA	Lift Cylinder (no longer available, use items 1 thru 100 for service or 1001228095 for replacement)	C
1	8770215	1	Fitting, 90	
2	3020043	AR	Lube, Anti-Seize	
3	0100011	AR	Compound, Locking	
4	0961903	1	Bushing, Tapered	
5	5272011	3	Bolt, M10X35	
6	1001125137	1	Screw, Self Tapping	
7	1001167610	1	Barrel	
8	1001167785	1	Piston	
9	1001167788	1	Head	
10	1001204378	1	Rod	
100	1001168661	1	Kit, Seal (includes items 101 thru 111)	
101	Kit	1	O-Ring	
102	Kit	1	O-Ring	
103	Kit	1	Ring, Backup	
104	Kit	2	Ring, Wear	
105	Kit	1	Seal	
106	Kit	1	Ring, Wear	
107	Kit	1	Seal, Buffer	
108	Kit	1	Seal, Wiper	
109	Kit	1	Seal	
110	Kit	1	Ring, Backup	
111	Kit	1	O-Ring	

SECTION 9 - HYDRAULIC COMPONENTS

FIGURE 9-3. LIFT CYLINDER



ART_1001228095-A

SECTION 9 - HYDRAULIC COMPONENTS

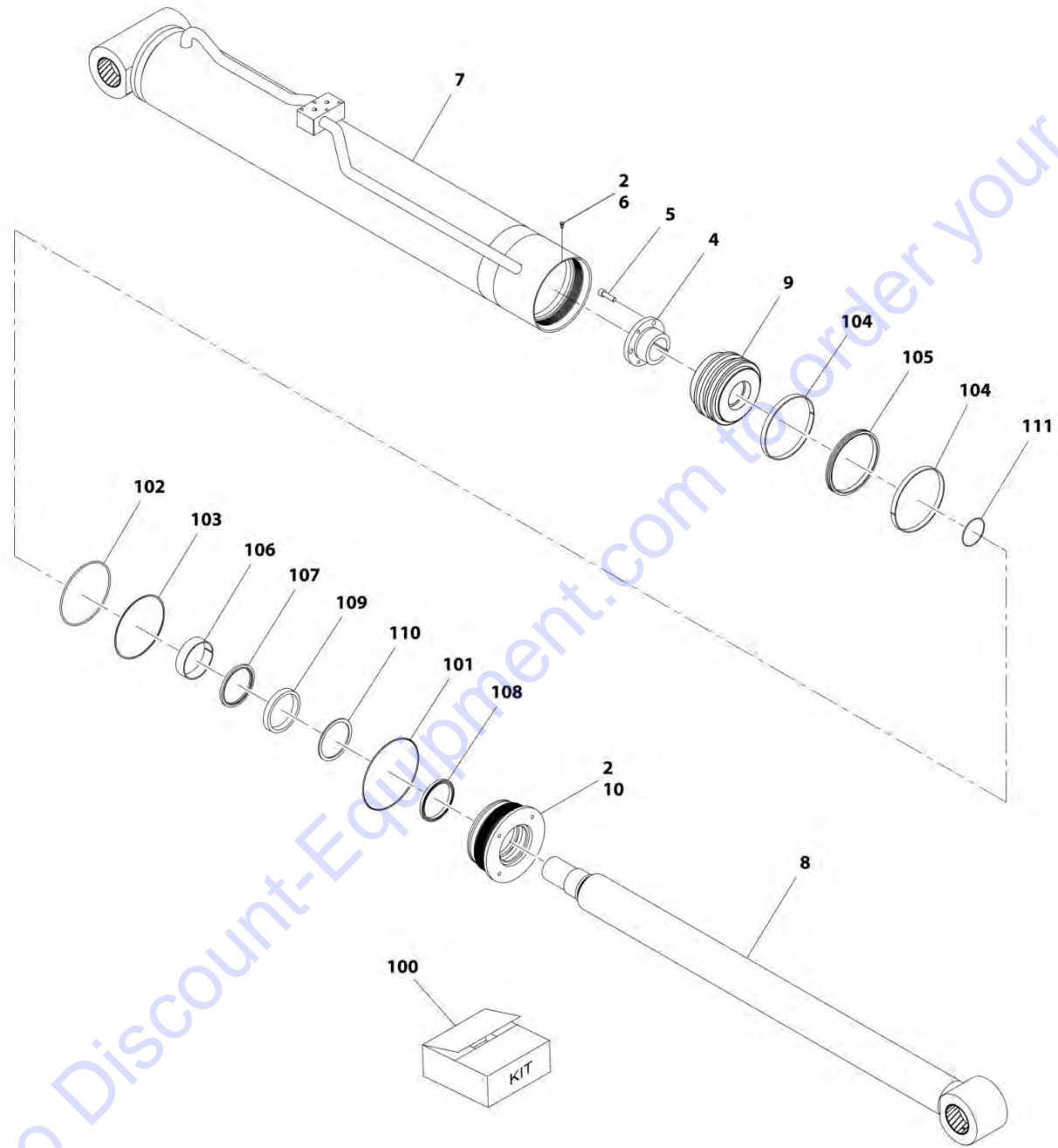
FIGURE 9-3. LIFT CYLINDER

ITEM	PART NUMBER	QTY	DESCRIPTION	REV
	1001228095	Ref	Lift Cylinder	A
1	N.S.S.	1	Barrel	
2	70028776	1	Rod	
3	70028777	1	Rod Guide	
4	70028778	1	Piston	
5	0961903	1	Bushing, Tapered	
6	5272011	3	Bolt, M10X35	
100	1001168661	1	Kit, Seal (includes items 101 thru 111)	
101	Kit	2	Bearing	
102	Kit	1	Piston Seal	
103	Kit	1	O-Ring	
104	Kit	1	O-Ring	
105	Kit	1	Ring, Backup	
106	Kit	1	Bearing	
107	Kit	1	Seal, Buffer	
108	Kit	1	Seal, Rod	
109	Kit	1	O-Ring	
110	Kit	1	Ring, Backup	
111	Kit	1	Wiper	

Go to Discount-Equipment.com to order your parts

SECTION 9 - HYDRAULIC COMPONENTS

FIGURE 9-4. LIFT CYLINDER



ART_1001162043-H

SECTION 9 - HYDRAULIC COMPONENTS

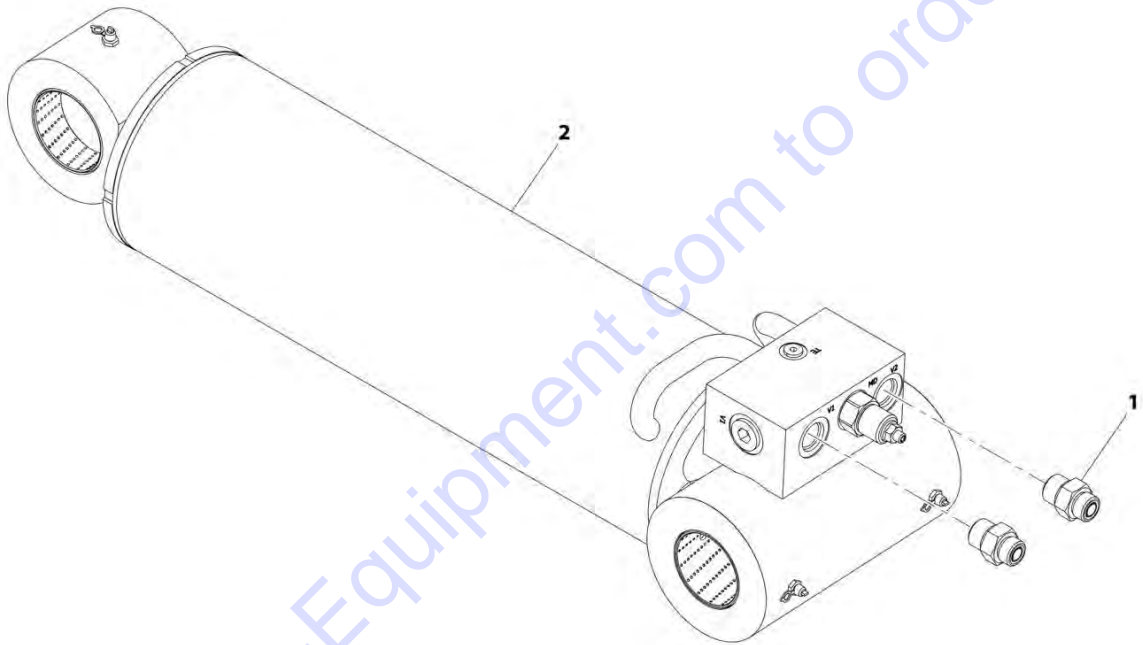
FIGURE 9-4. LIFT CYLINDER

ITEM	PART NUMBER	QTY	DESCRIPTION	REV
	1001162043	Ref	Lift Cylinder	H
2	3020043	AR	Lube, Anti-Seize	
4	0961903	1	Bushing, Tapered	
5	5272011	3	Bolt, M10X35	
6	1001125137	1	Screw, Self Tapping	
7	1001167610	1	Barrel	
8	1001167613	1	Rod	
9	1001167785	1	Piston	
10	1001167788	1	Head	
100	1001168661	1	Kit, Seal (includes items 101 thru 111)	
101	Kit	1	O-Ring	
102	Kit	1	O-Ring	
103	Kit	1	Ring, Backup	
104	Kit	2	Ring, Wear	
105	Kit	1	Seal	
106	Kit	1	Ring, Wear	
107	Kit	1	Seal, Buffer	
108	Kit	1	Seal, Wiper	
109	Kit	1	Seal	
110	Kit	1	Ring, Backup	
111	Kit	1	O-Ring	

Go to Discount-Equipment.com to order your parts

SECTION 9 - HYDRAULIC COMPONENTS

FIGURE 9-5. TILT CYLINDER ASSEMBLY



ART_1001184640-C

SECTION 9 - HYDRAULIC COMPONENTS

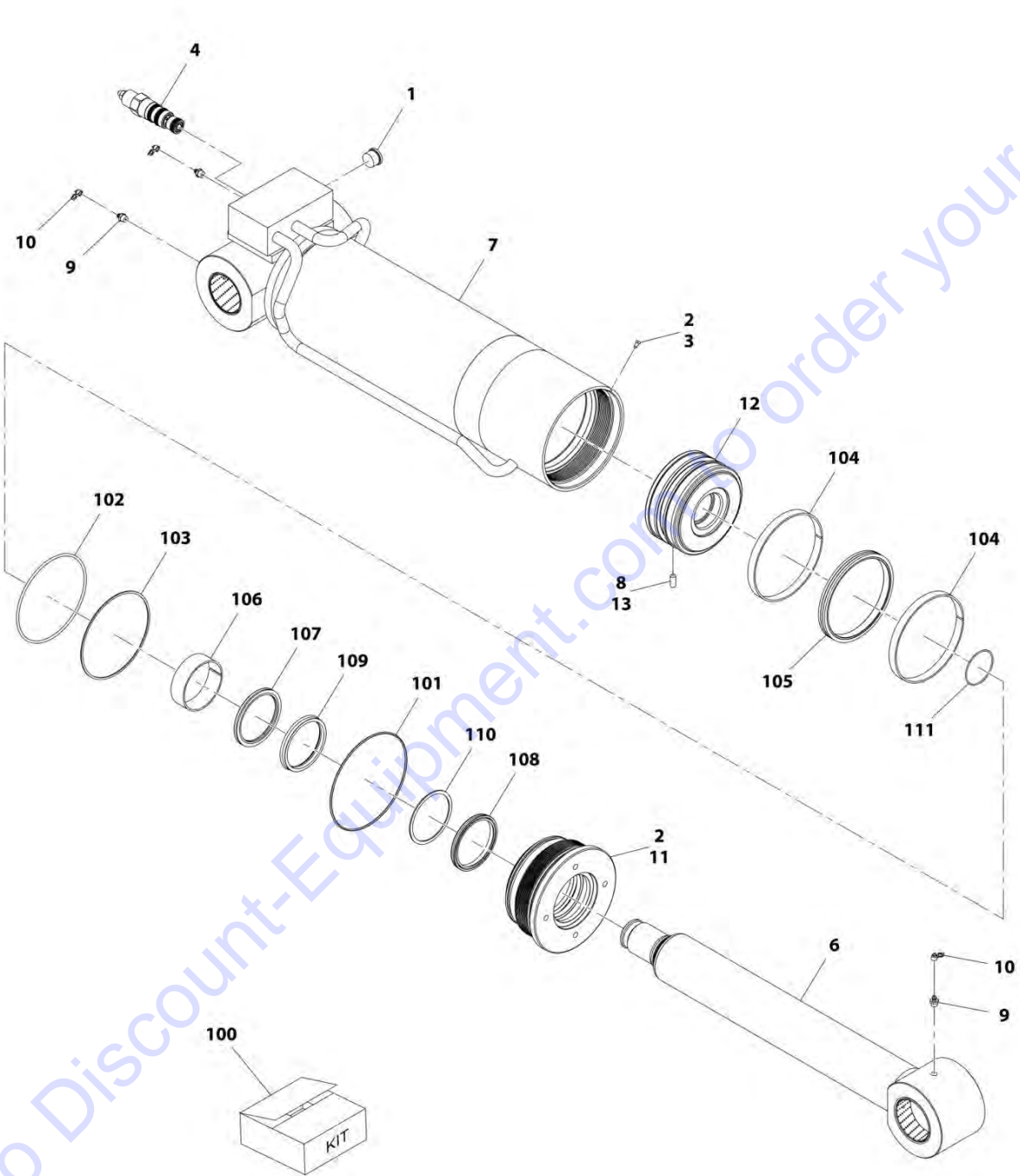
FIGURE 9-5. TILT CYLINDER ASSEMBLY

ITEM	PART NUMBER	QTY	DESCRIPTION	REV
	1001184640	Ref	Tilt Cylinder Assembly	C
1	2110810	2	Fitting, Straight ORFS	
2	1001162599	NLA	Tilt Cylinder (no longer available, use 1001228073 for replacement) (See Separate Breakdown in this Section)	
2	1001228073	Ref	Tilt Cylinder (See Separate Breakdown in this Section)	

Go to Discount-Equipment.com to order your parts

SECTION 9 - HYDRAULIC COMPONENTS

FIGURE 9-6. TILT CYLINDER



ART_1001162599-I

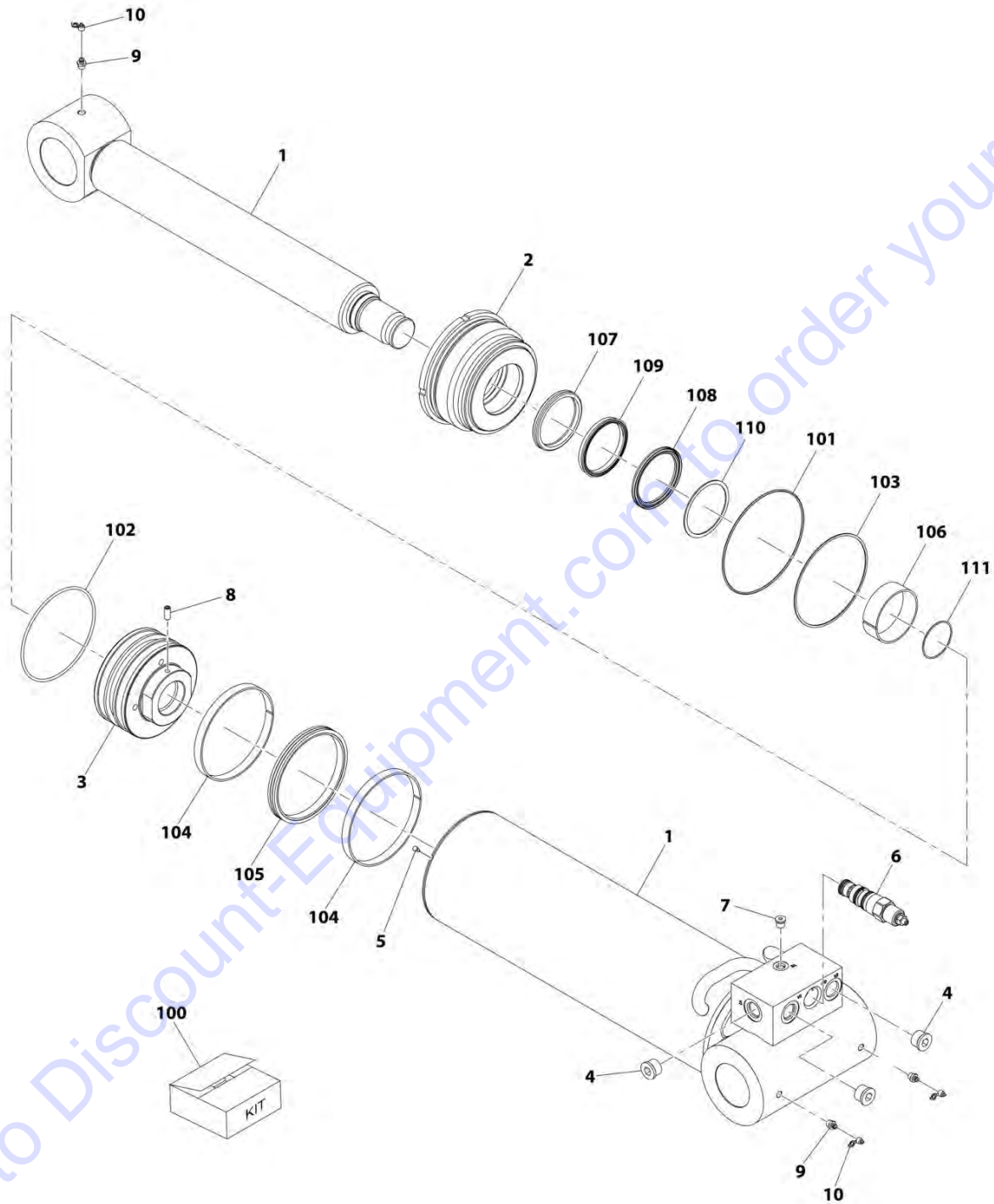
SECTION 9 - HYDRAULIC COMPONENTS

FIGURE 9-6. TILT CYLINDER

ITEM	PART NUMBER	QTY	DESCRIPTION	REV
	1001162599	NLA	Tilt Cylinder (no longer available, use items 1 thru 100 for service or 1001228073 for replacement)	I
1	2220887	1	Plug	
2	3020043	AR	Lube, Anti-Seize	
3	1001125137	1	Screw, Self Tapping	
4	1001189888	1	Valve, Counterbalance	
6	1001167929	1	Rod	
7	1001167931	1	Barrel	
8	1001169050	1	Screw, M8X1.25	
9	2160016	3	Fitting, Grease	
10	8887145	3	Cap, Grease Fitting	
11	1001169071	1	Cylinder, Head	
12	1001169072	1	Cylinder, Piston	
13	0100035	AR	Adhesive, Loctite	
100	1001168666	1	Kit, Seal (includes items 101 thru 111)	
101	Kit	1	O-Ring	
102	Kit	1	O-Ring	
103	Kit	1	Ring, Back-Up	
104	Kit	2	Ring, Piston Wear	
105	Kit	1	Seal, Piston Cap	
106	Kit	1	Seal, Wear Rod	
107	Kit	1	Seal, Rod Buffer	
108	Kit	1	Seal, Rod Wiper	
109	Kit	1	Seal, Rod Type B	
110	Kit	1	Ring, Back-Up	
111	Kit	1	O-Ring	

SECTION 9 - HYDRAULIC COMPONENTS

FIGURE 9-7. TILT CYLINDER



ART_1001228073-A

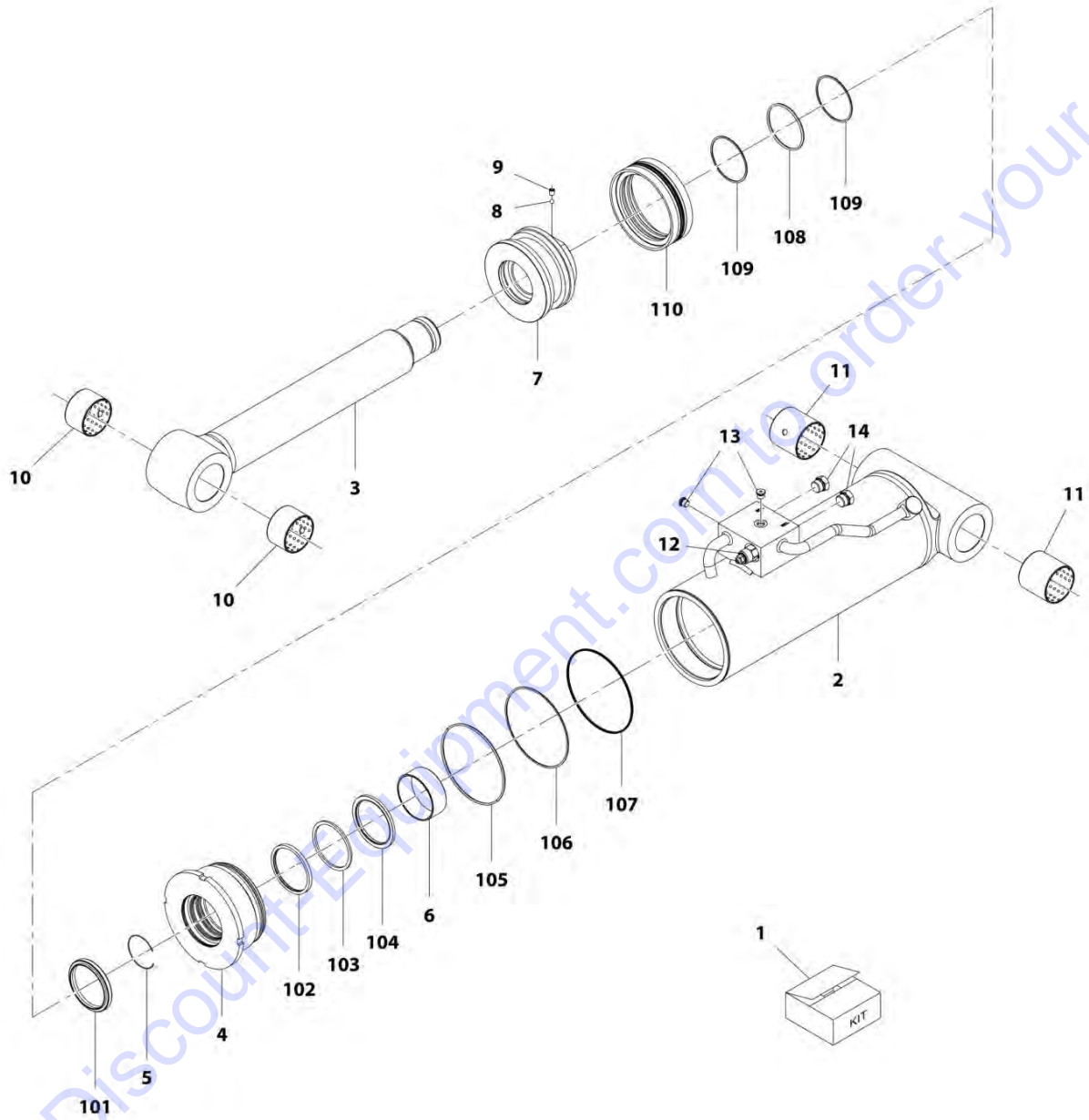
SECTION 9 - HYDRAULIC COMPONENTS

FIGURE 9-7. TILT CYLINDER

ITEM	PART NUMBER	QTY	DESCRIPTION	REV
	1001228073	Ref	Tilt Cylinder	A
1	70029036	1	Rod Assembly	
2	70029037	1	Gland	
3	70029038	1	Piston	
4	2220887	3	Plug	
5	1001125137	1	Screw, Self Tapping	
6	1001189888	1	Valve, Counterbalance	
7	1001163267	1	Plug	
8	1001169050	1	Screw, M8X1.25	
9	2160016	3	Fitting, Grease	
10	8887145	3	Cap, Grease Fitting	
100	1001168666	1	Kit, Seal (includes items 101 thru 111)	
101	Kit	1	O-Ring	
102	Kit	1	O-Ring	
103	Kit	1	Ring, Back-Up	
104	Kit	2	Ring, Piston Wear	
105	Kit	1	Seal, Piston Cap	
106	Kit	1	Seal, Wear Head	
107	Kit	1	Seal, Rod Buffer	
108	Kit	1	Seal, Rod Wiper	
109	Kit	1	Seal, Rod Type B	
110	Kit	1	Ring, Back-Up	
111	Kit	1	O-Ring	

SECTION 9 - HYDRAULIC COMPONENTS

FIGURE 9-8. COMPENSATION CYLINDER



ART_1001162600-F

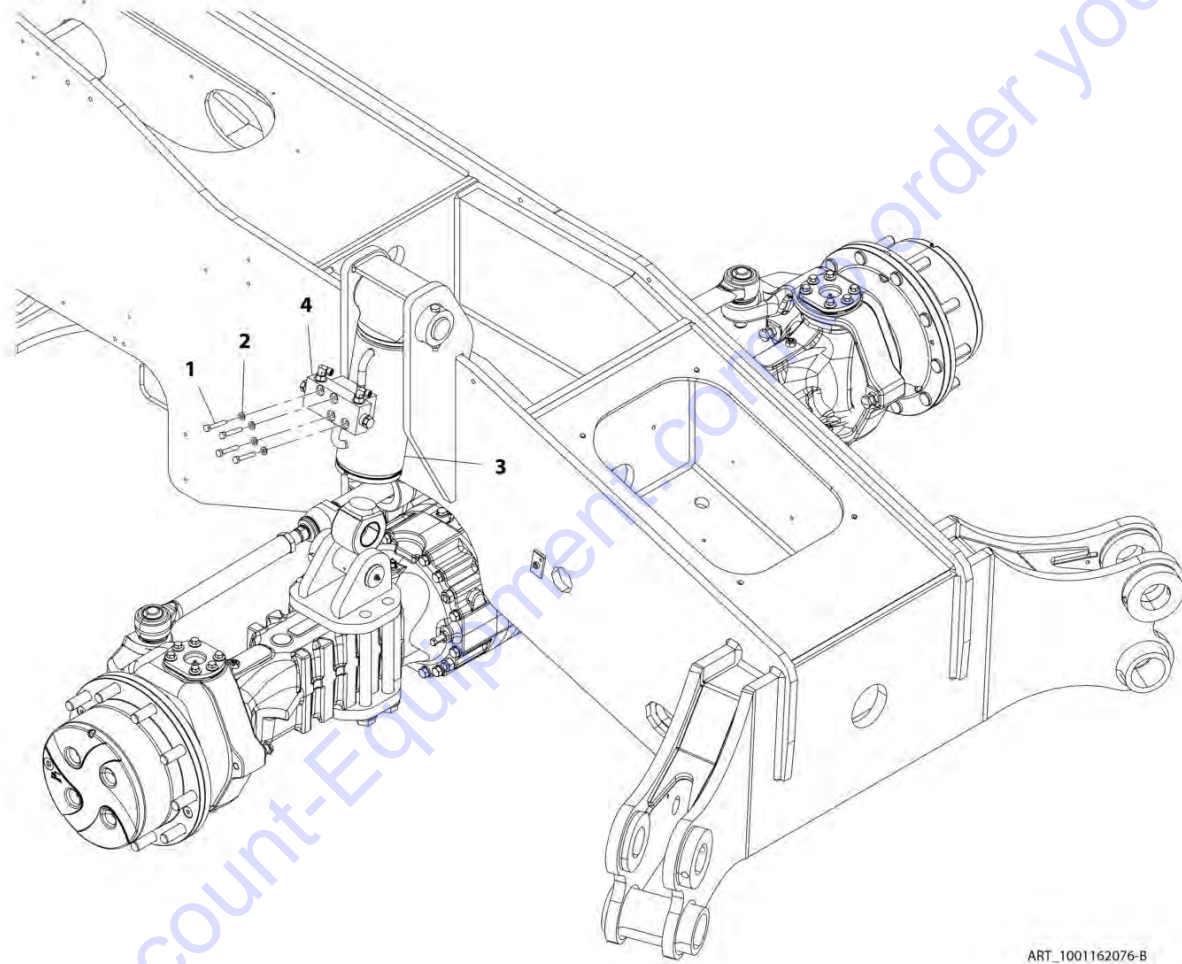
SECTION 9 - HYDRAULIC COMPONENTS

FIGURE 9-8. COMPENSATION CYLINDER

ITEM	PART NUMBER	QTY	DESCRIPTION	REV
	1001162600	Ref	Compensation Cylinder	F
1	70026550	1	Kit, Seal (includes items 101 thru 110)	
2	70026540	1	Barrel	
3	70026541	1	Gland	
4	70026542	1	Ring, Retaining	
5	70023379	1	Ring, Retaining	
6	70026302	1	Bearing, Dry	
7	70026303	1	Piston	
8	70022564	1	Ball, Steel	
9	70023369	1	Screw, Set	
10	70026543	2	Bearing, Dry	
11	70026545	2	Bearing, Dry	
12	70026336	1	Valve, Counterbalance	
13	70023370	2	Plug, Socket	
14	70023372	2	Plug, Hex	
101	Kit	1	Wiper, Dust	
102	Kit	1	Seal, Rod	
103	Kit	1	Ring, Backup	
104	Kit	1	Ring, Buffer	
105	Kit	1	O-Ring	
106	Kit	1	Ring, Backup	
107	Kit	1	O-Ring	
108	Kit	1	O-Ring	
109	Kit	2	Ring, Backup	
110	Kit	1	Seal, Piston	

SECTION 9 - HYDRAULIC COMPONENTS

FIGURE 9-9. FRAME LEVEL CYLINDER INSTALLATION



ART_1001162076-B

SECTION 9 - HYDRAULIC COMPONENTS

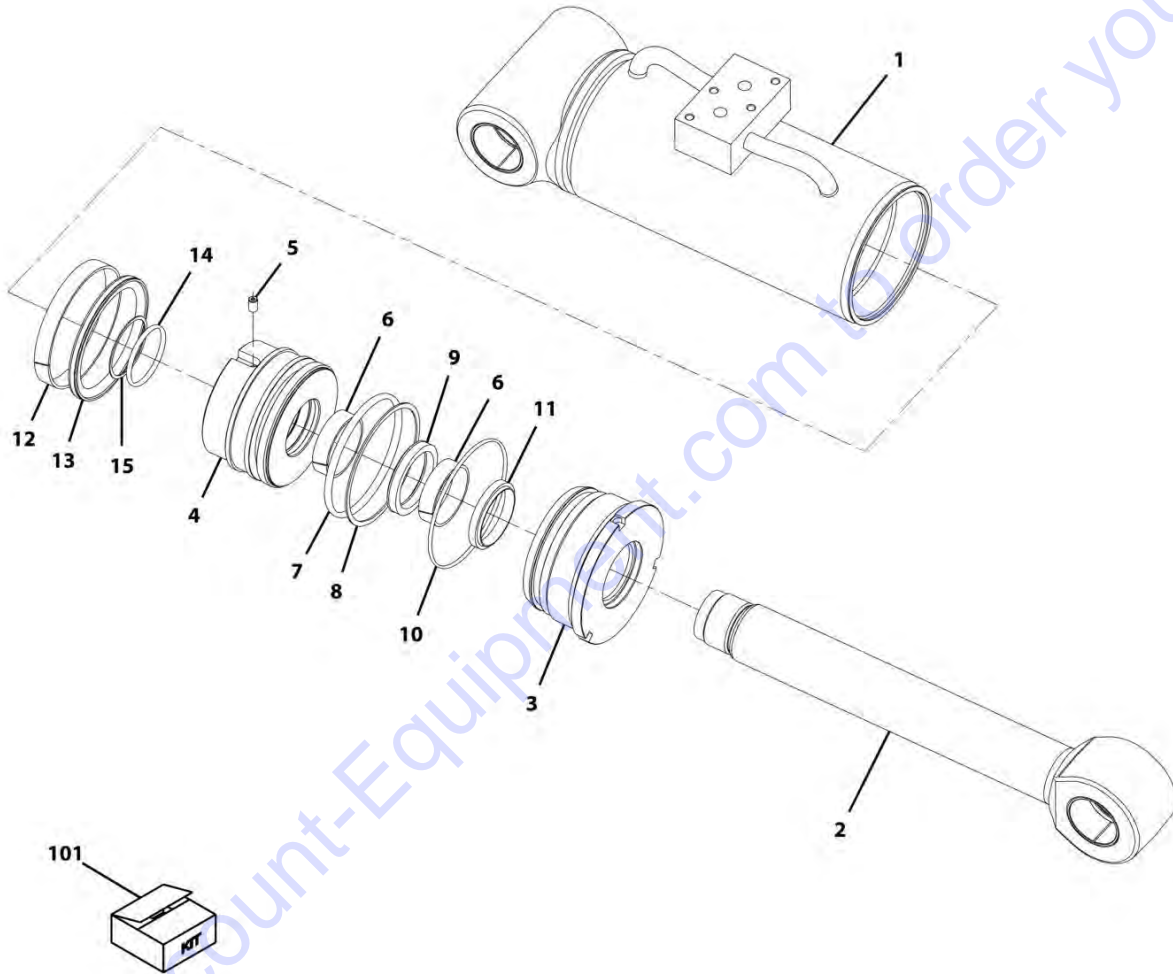
FIGURE 9-9. FRAME LEVEL CYLINDER INSTALLATION

ITEM	PART NUMBER	QTY	DESCRIPTION	REV
	1001162076	Ref	Frame Level Cylinder Installation	B
1	0700818	4	Bolt, M8X50	
2	4811900	4	Washer, M8	
3	1001179369	1	Cylinder, Frame Stability (See Separate Breakdown in this Section)	
4	1001168599	1	Valve, Counterbalance	

Go to Discount-Equipment.com to order your parts

SECTION 9 - HYDRAULIC COMPONENTS

FIGURE 9-10. FRAME LEVEL CYLINDER



ART_1001179369-A

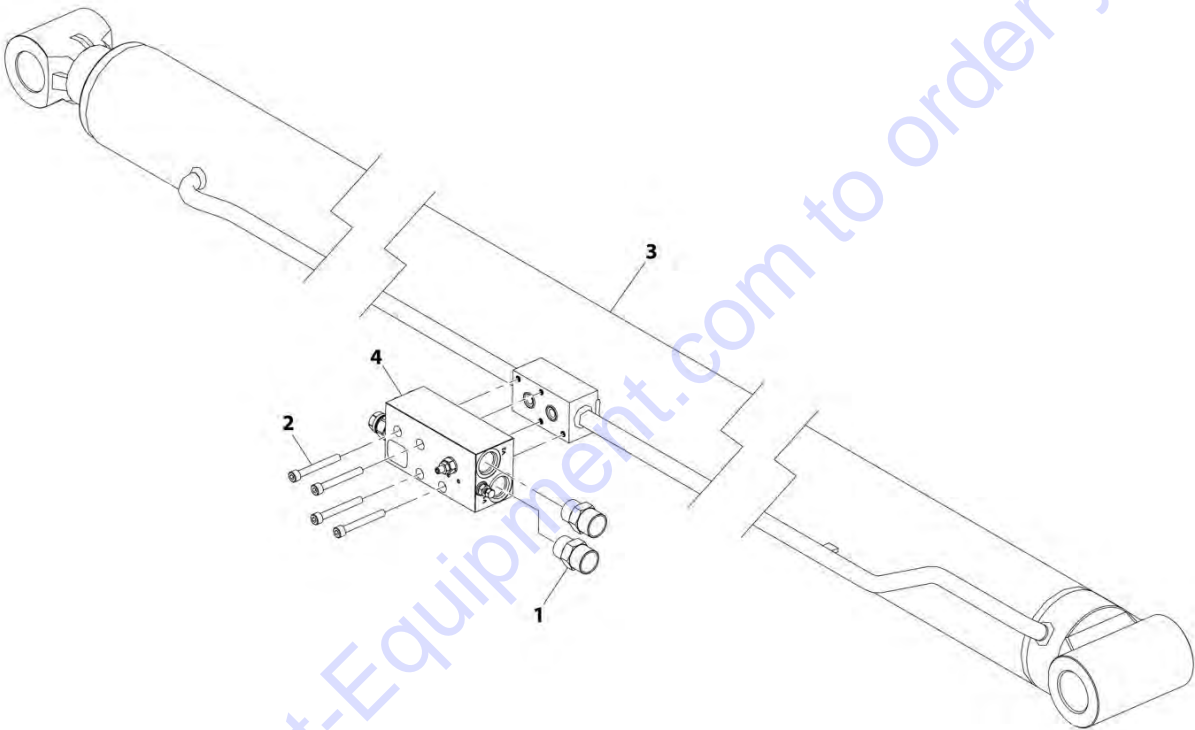
SECTION 9 - HYDRAULIC COMPONENTS

FIGURE 9-10. FRAME LEVEL CYLINDER

ITEM	PART NUMBER	QTY	DESCRIPTION	REV
	1001179369	Ref	Frame Level Cylinder	A
1	70026435	1	Barrel	
2	70026436	1	Rod	
3	70026249	1	Guide, Rod	
4	70026251	1	Piston	
5	70020438	1	Screw	
6	Kit	2	Bearing	
7	Kit	1	O-Ring	
8	Kit	1	Ring, Backup	
9	Kit	1	Seal, Rod	
10	Kit	1	O-Ring	
11	Kit	1	Wiper	
12	Kit	1	Bearing	
13	Kit	1	Seal, Piston	
14	Kit	1	O-Ring	
15	Kit	2	Ring, Backup	
101	70026253	1	Kit, Seal (includes items 6 thru 15)	

SECTION 9 - HYDRAULIC COMPONENTS

FIGURE 9-11. EXTEND/RETRACT CYLINDER ASSEMBLY



ART_1001227677-A

SECTION 9 - HYDRAULIC COMPONENTS

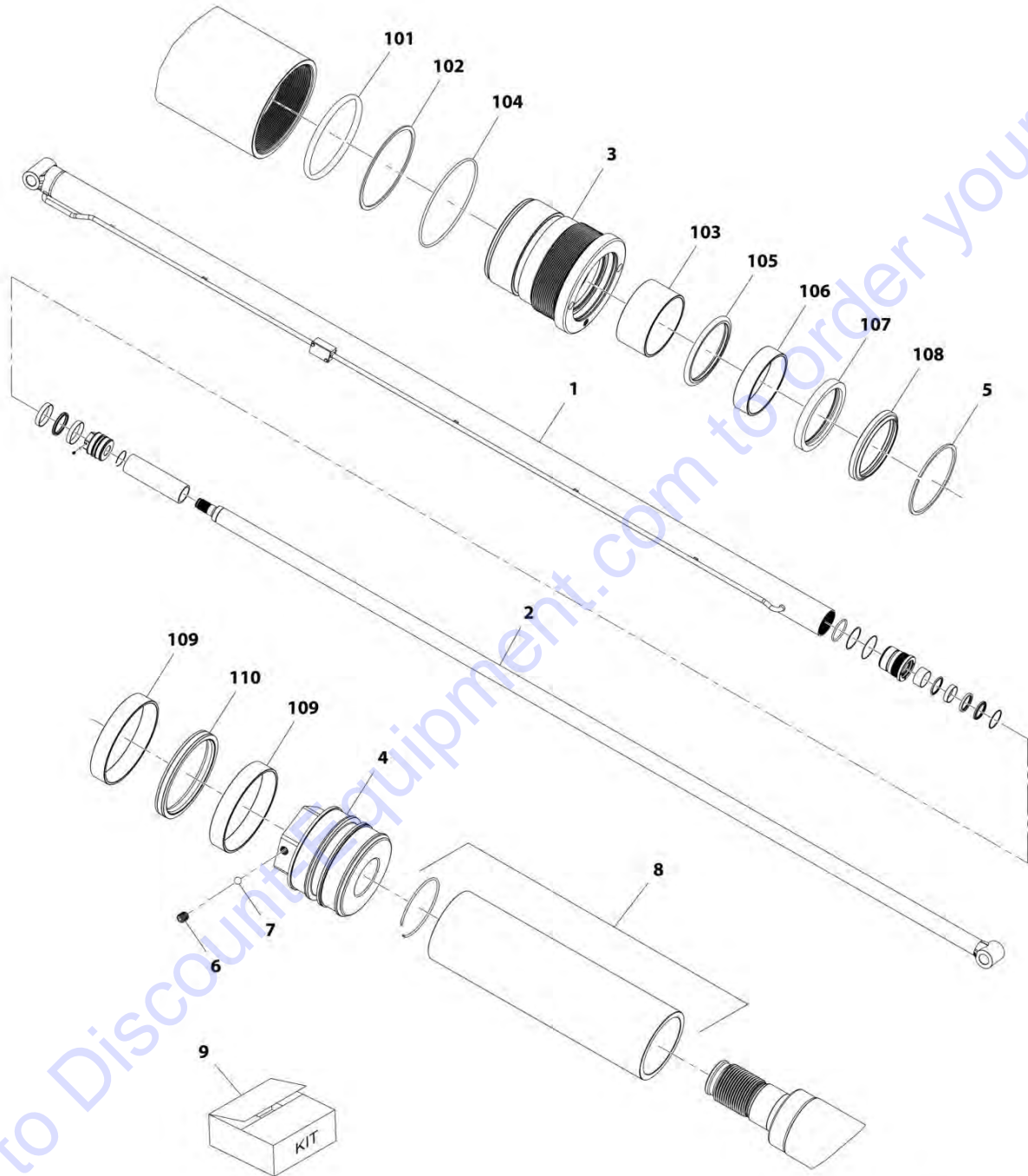
FIGURE 9-11. EXTEND/RETRACT CYLINDER ASSEMBLY

ITEM	PART NUMBER	QTY	DESCRIPTION	REV
	1001227677	Ref	Extend/Retract Cylinder Assembly	A
1	2111212	2	Fitting, Straight ORFS	
2	4031917	4	Bolt, M8X65	
3	1001162685	1	Extend/Retract Cylinder, (See Separate Breakdown in this Section)	
4	1001226876	1	Valve, Counterbalance, (includes 2 O-Ring)	

Go to Discount-Equipment.com to order your parts

SECTION 9 - HYDRAULIC COMPONENTS

FIGURE 9-12. EXTEND/RETRACT CYLINDER



ART_1001162685-E

SECTION 9 - HYDRAULIC COMPONENTS

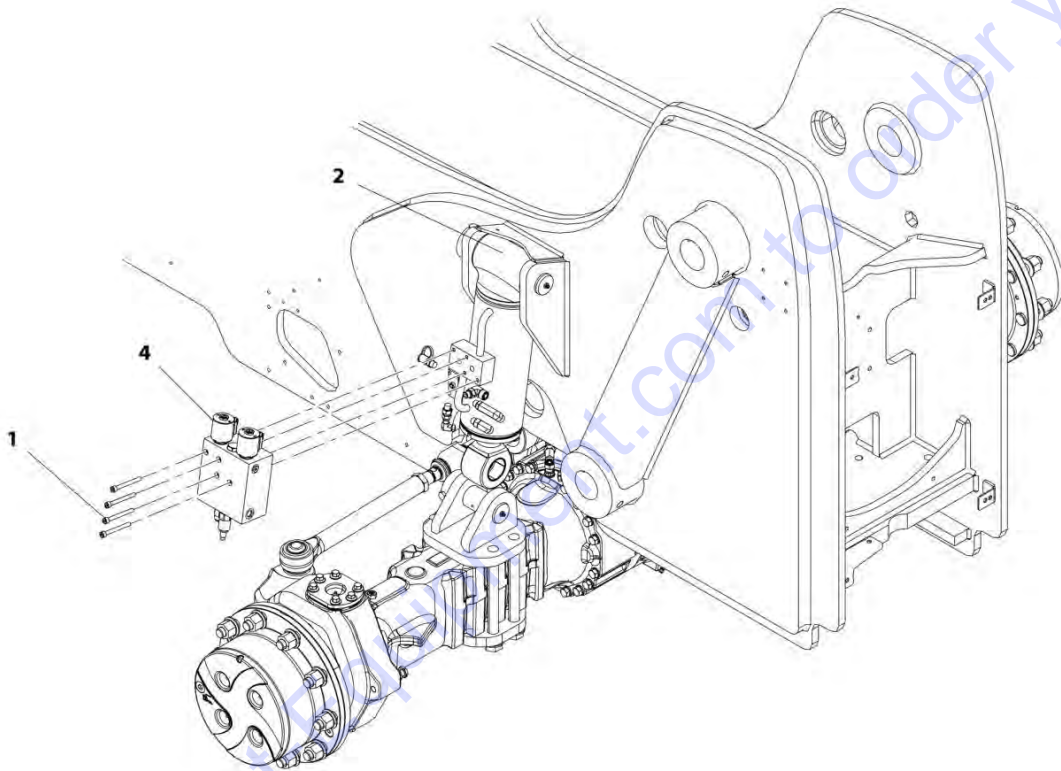
FIGURE 9-12. EXTEND/RETRACT CYLINDER

ITEM	PART NUMBER	QTY	DESCRIPTION	REV
	1001162685	Ref	Extend/Retract Cylinder	E
1	70026456	1	Barrel	
2	70026457	1	Rod	
3	70026459	1	Gland	
4	70026460	1	Head, Piston	
5	70023086	1	Ring, Snap	
6	70026461	1	Screw, Set	
7	70025614	1	Ball, Steel	
8	70026458	1	Spacer	
9	70026462	1	Kit, Seal (includes items 101 thru 110)	
101	Kit	1	O-Ring	
102	Kit	1	Ring, Backup	
103	Kit	1	Ring, Bearing	
104	Kit	1	O-Ring	
105	Kit	1	Seal, Rod	
106	Kit	1	Ring, Bearing	
107	Kit	1	Seal, Rod	
108	Kit	1	Seal, Wiper	
109	Kit	2	Ring, Bearing	
110	Kit	1	Seal, Piston	

Go to Discount-Equipment.com to order your parts

SECTION 9 - HYDRAULIC COMPONENTS

FIGURE 9-13. REAR AXLE STABILIZER CYLINDER INSTALLATION



ART_1001164036-E

SECTION 9 - HYDRAULIC COMPONENTS

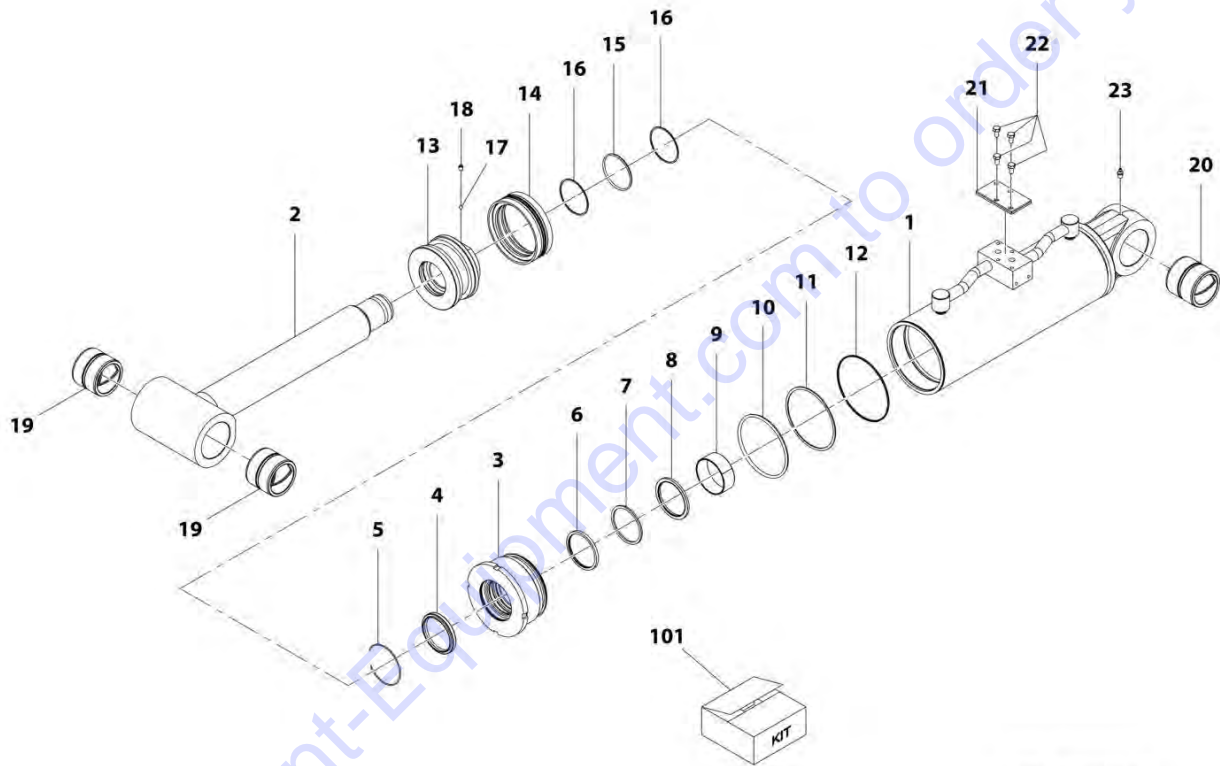
FIGURE 9-13. REAR AXLE STABILIZER CYLINDER INSTALLATION

ITEM	PART NUMBER	QTY	DESCRIPTION	REV
	1001164036	Ref	Rear Axle Stabilizer Cylinder Installation	E
1	4031920	4	Screw, M8X1.25	
2	1001158620	1	Cylinder, Frame Stability (See Separate Breakdown in this Section)	
4		Ref	Valve (See Separate Breakdown in this Section)	

Go to Discount-Equipment.com to order your parts

SECTION 9 - HYDRAULIC COMPONENTS

FIGURE 9-14. OUTRIGGER CYLINDER



ART_1001163040-D

SECTION 9 - HYDRAULIC COMPONENTS

FIGURE 9-14. OUTRIGGER CYLINDER

ITEM	PART NUMBER	QTY	DESCRIPTION	REV
	1001163040	Ref	Outrigger Cylinder	D
1	70026299	1	Barrel	
2	70026300	1	Rod	
3	70026301	1	Gland	
4	Kit	1	Wiper, Dust	
5	70023379	1	Ring, Retaining	
6	Kit	1	Seal, Rod	
7	Kit	1	Ring, Back-Up	
8	Kit	1	Ring, Buffer	
9	70026302	1	Bearing, Dry	
10	Kit	1	O-Ring	
11	Kit	1	Ring, Back-up	
12	Kit	1	O-Ring	
13	70026303	1	Piston	
14	Kit	1	Seal, Piston	
15	Kit	1	O-Ring	
16	Kit	2	Ring, Back-Up	
17	70022564	1	Ball, Steel	
18	70023369	1	Screw, Set	
19	70026304	2	Pin	
20	70026305	1	Pin	
21	70026306	1	Cover, Dust	
22	70026307	4	Bolt	
23	70026308	1	Fitting, Grease	
101	70026309	1	Kit, Seal (includes items 4, 6 thru 8, 10 thru 12, 14 thru 16)	

SECTION 9 - HYDRAULIC COMPONENTS

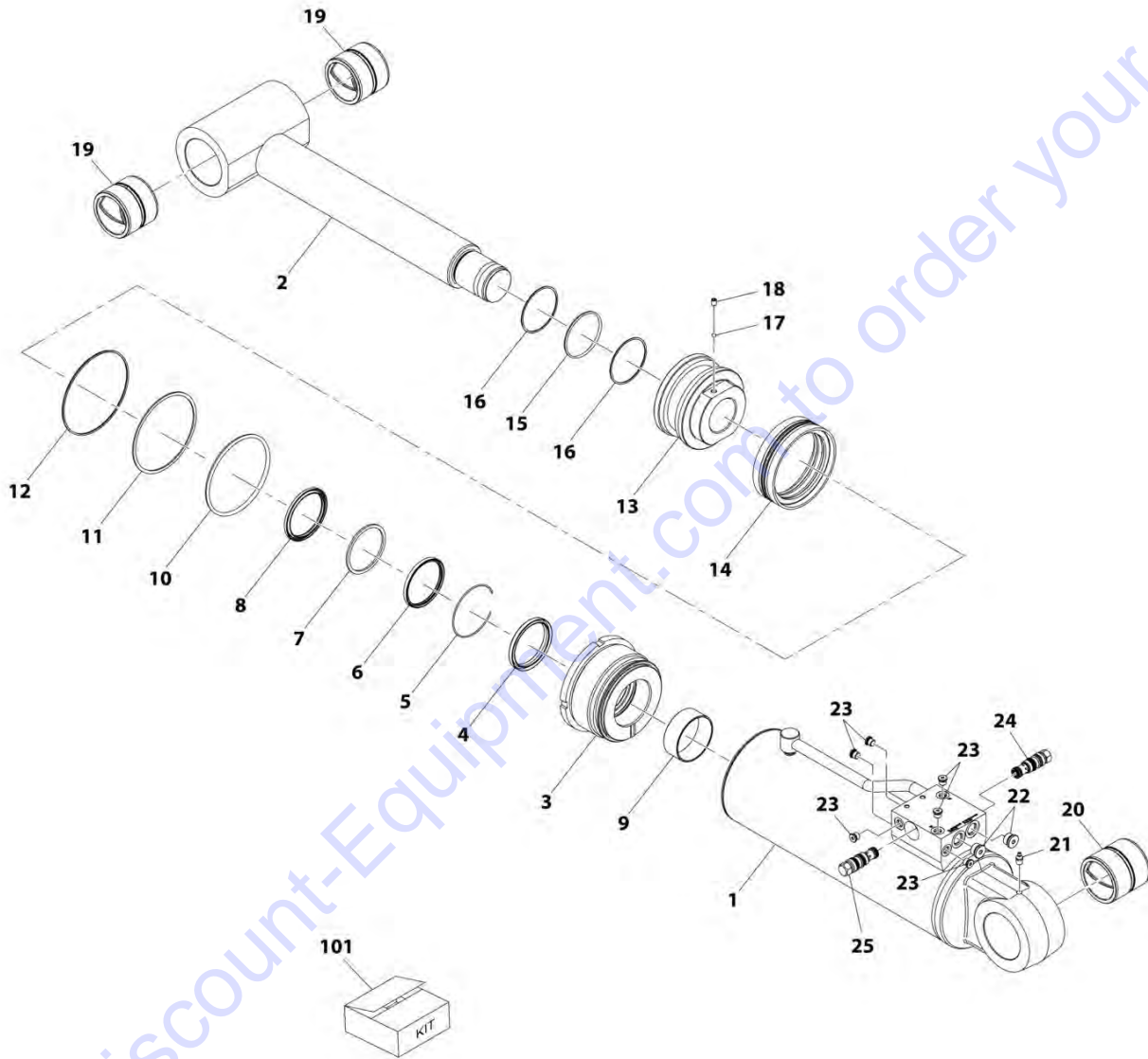
FIGURE 9-15. REAR AXLE STABILITY CYLINDER

ITEM	PART NUMBER	QTY	DESCRIPTION	REV
	1001158620	Ref	Rear Axle Stability Cylinder	E
2	70026250	1	Barrel	
3	70026252	1	Rod	
4	70026249	1	Rod, Guide	
5	70026261	1	Piston	
6	70020438	1	Screw	
7	70020476	1	Bushing	
1	70026253	1	Kit, Seal (includes items 101 thru 110)	
101	Kit	2	Bearing	
102	Kit	1	O-Ring	
103	Kit	1	Ring, Back-Up	
104	Kit	1	Seal, Rod	
105	Kit	1	O-Ring	
106	Kit	1	Wiper	
107	Kit	1	Bearing	
108	Kit	1	Seal, Piston	
109	Kit	1	O-Ring	
110	Kit	1	Ring, Back-Up	

Go to Discount-Equipment.com to order your parts

SECTION 9 - HYDRAULIC COMPONENTS

FIGURE 9-16. OUTRIGGER CYLINDER



ART_1001213065-C

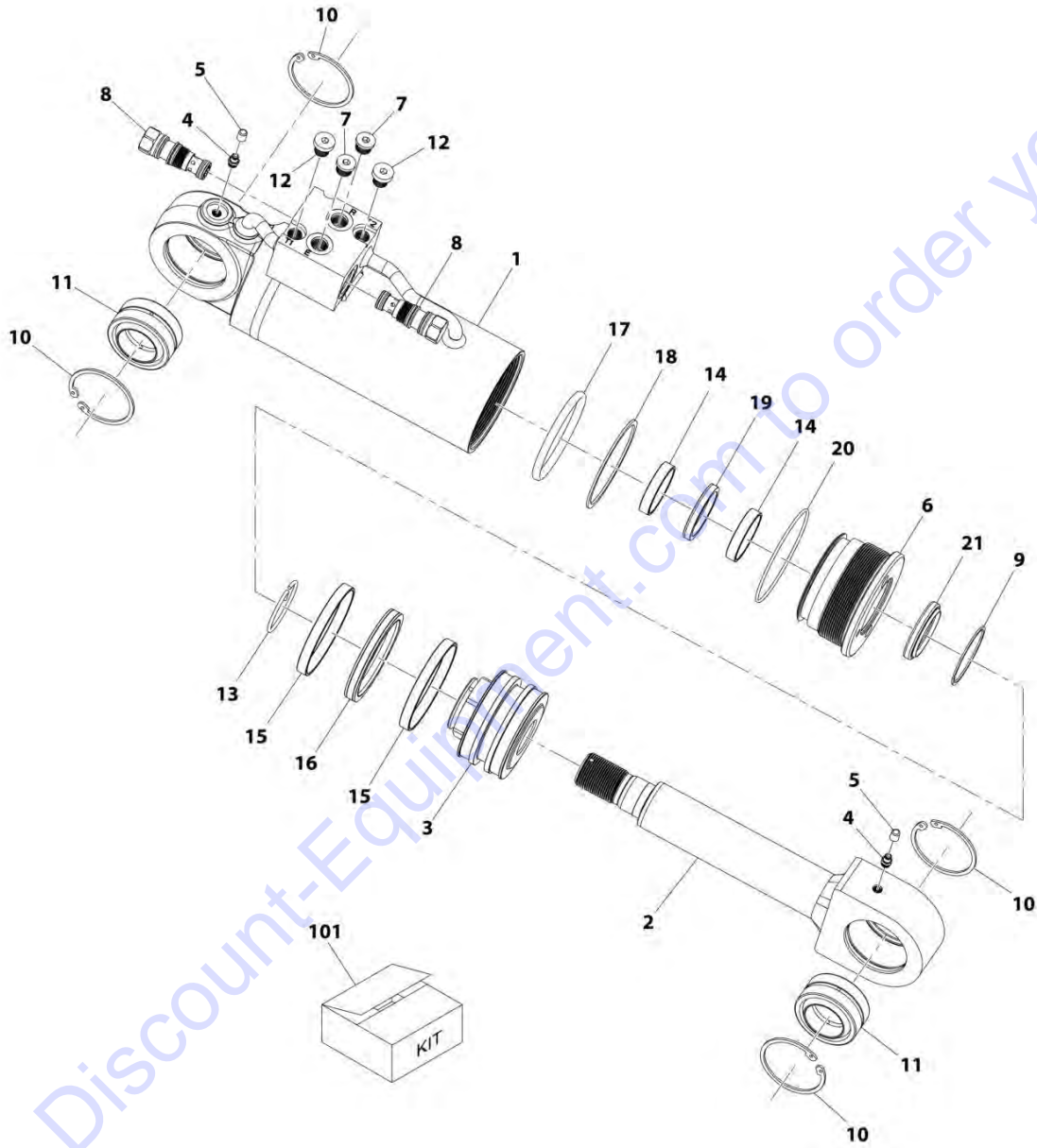
SECTION 9 - HYDRAULIC COMPONENTS

FIGURE 9-16. OUTRIGGER CYLINDER

ITEM	PART NUMBER	QTY	DESCRIPTION	REV
	1001213065	Ref	Outrigger Cylinder	C
1	70027758	1	Tube Assembly	
2	70026300	1	Rod Assembly	
3	70026301	1	Gland	
4	Kit	1	Dust Wiper	
5	70023379	1	Retain Ring	
6	Kit	1	Rod Seal	
7	Kit	1	Back-up Ring	
8	Kit	1	Buffer Ring	
9	70026302	1	Dry Bearing	
10	Kit	1	O-ring	
11	Kit	1	Back-up Ring	
12	Kit	1	O-ring	
13	70026303	1	Piston	
14	Kit	1	Piston Seal	
15	Kit	1	O-ring	
16	Kit	2	Back-up Ring	
17	70022564	1	Steel Ball	
18	70023369	1	Set Screw	
19	70026304	2	Pin Bush	
20	70026305	1	Pin Bush	
21	70026308	1	Grease Nipple	
22	2220886	2	Hex Soc. Plug	
23	2220883	6	Hex Soc. Plug	
24	1001214653	1	Counter Balance Valve	
25	1001214654	1	Counter Balance Valve	
101	70026309	1	Kit, Seal (includes items 4, 6, 7, 8, 10, 11, 12 & 14 thru 16)	

SECTION 9 - HYDRAULIC COMPONENTS

FIGURE 9-17. SIDE TILT CYLINDER



ART_1001163414-A

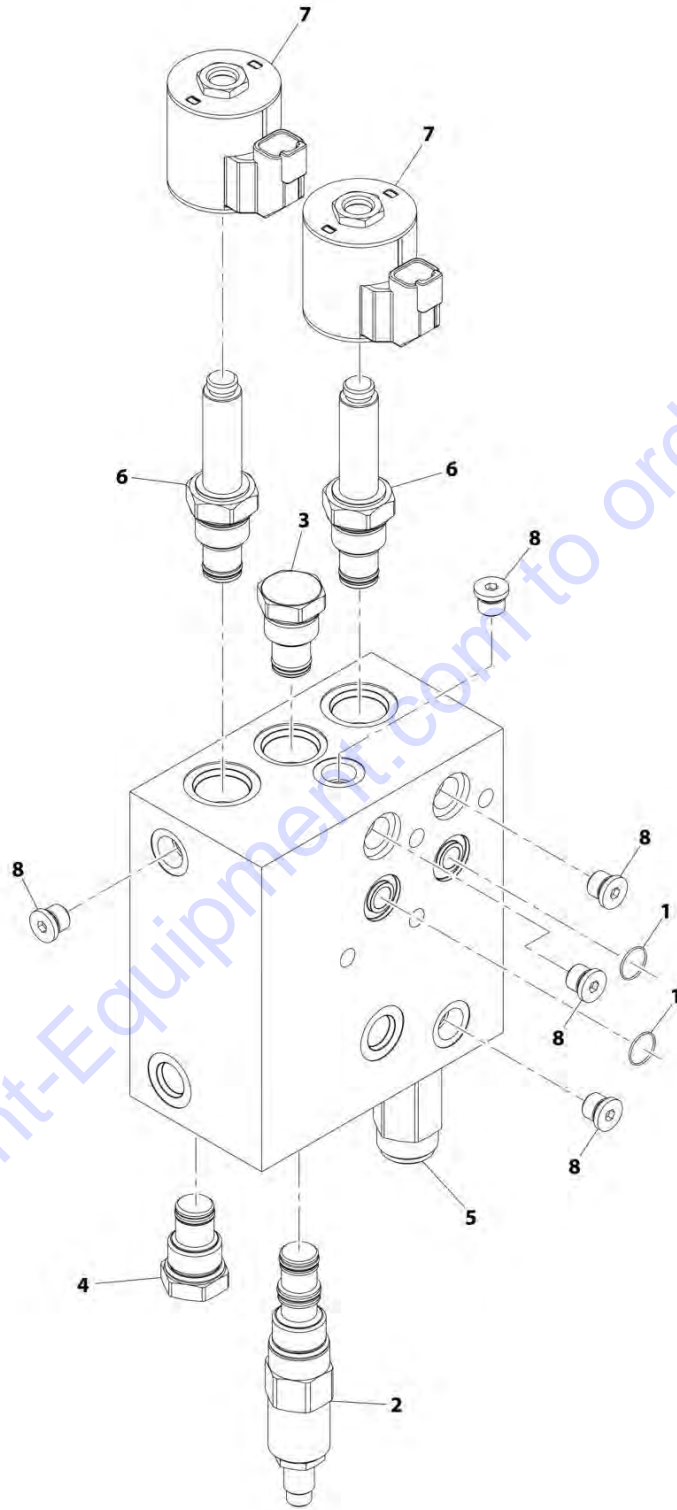
SECTION 9 - HYDRAULIC COMPONENTS

FIGURE 9-17. SIDE TILT CYLINDER

ITEM	PART NUMBER	QTY	DESCRIPTION	REV
	1001163414	Ref	Side Tilt Cylinder	A
1	70026056	1	Barrel	
2	70026057	1	Rod	
3	70026058	1	Head, Piston	
4	70025606	2	Nipple, Grease	
5	70024020	2	Fitting, Grease	
6	70003849	1	Gland	
7	70025959	2	Plug	
8	70026059	2	Valve, P.O. Check	
9	70002219	1	Ring, Internal Snap	
10	70026060	4	Ring, Internal Snap	
11	70026061	2	Bearing, Spherical	
12	70024262	2	Plug	
13	70002224	1	Ring, Locking	
14	Kit	2	Ring, Rod Bearing	
15	Kit	2	Ring, Piston Bearing	
16	Kit	1	Seal, Piston	
17	Kit	1	O-Ring	
18	Kit	1	Ring, Back-Up	
19	Kit	1	Seal, Rod	
20	Kit	1	O-Ring	
21	Kit	1	Seal, Wiper	
101	70026062	1	Kit, Seal (includes items 14 thru 21)	

SECTION 9 - HYDRAULIC COMPONENTS

FIGURE 9-18. REAR AXLE STABILIZER VALVE



ART_1001197600-A

SECTION 9 - HYDRAULIC COMPONENTS

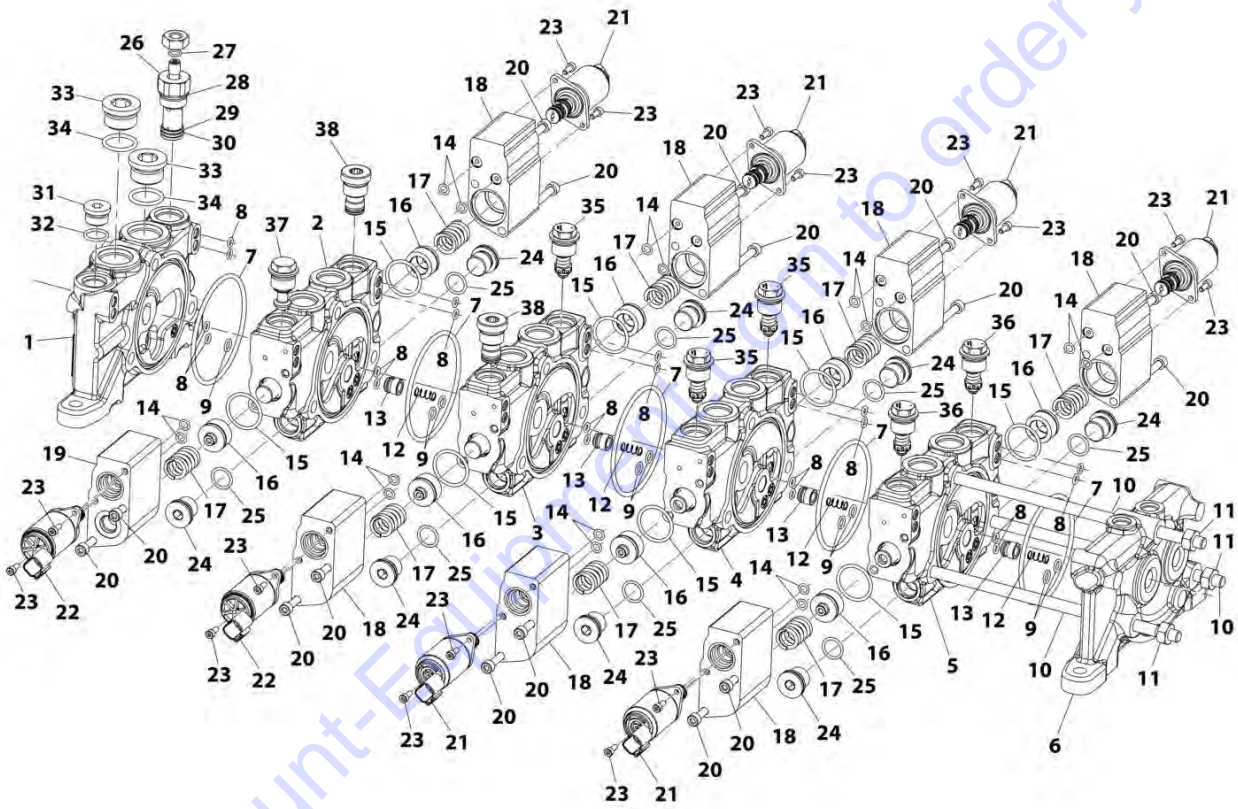
FIGURE 9-18. REAR AXLE STABILIZER VALVE

ITEM	PART NUMBER	QTY	DESCRIPTION	REV
	1001197600	Ref	Rear Axle Stabilizer Valve	A
1	70026440	2	O-Ring	
2	70026442	1	Cartridge Valve	
2	7012510	1	Seal Kit	
2	Kit	1	O-Ring	
2	Kit	1	O-Ring	
2	Kit	1	O-Ring	
3	70026443	1	Cartridge Valve	
3	7024808	1	Seal Kit	
3	Kit	1	O-Ring	
3	Kit	1	O-Ring	
4	70026444	1	Cartridge Valve	
4	7022399	1	Seal Kit	
4	Kit	1	O-Ring	
4	Kit	1	O-Ring	
5	70028451	1	Cartridge Valve	
5	7024808	1	Seal Kit	
5	Kit	1	O-Ring	
5	Kit	1	O-Ring	
6	70026445	2	Cartridge Valve	
6	70026446	1	Seal Kit	
6	Kit	1	O-Ring	
7	70003788	2	Coil	
8	2220883	5	Plug	

Go to Discount-Equipment.com to order your parts

SECTION 9 - HYDRAULIC COMPONENTS

FIGURE 9-19. MAIN CONTROL VALVE



ART_1001226812-D

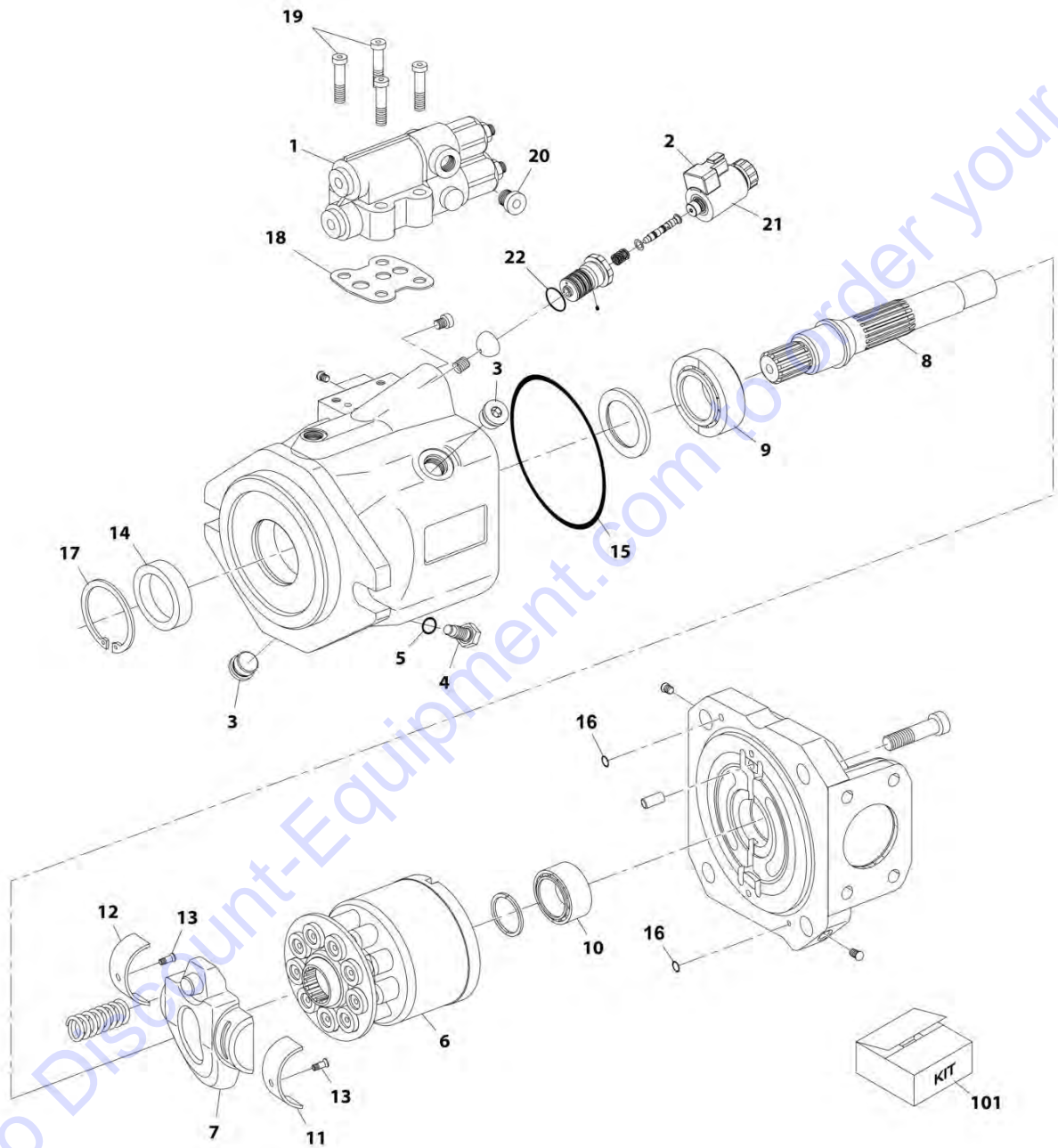
SECTION 9 - HYDRAULIC COMPONENTS

FIGURE 9-19. MAIN CONTROL VALVE

ITEM	PART NUMBER	QTY	DESCRIPTION	REV
	1001226812	Ref	Main Control Valve	D
1	70028478	1	Section, Inlet	
2	70028479	1	Section, Spool	
3	70028480	1	Section, Spool	
4	70026387	1	Section, Spool	
5	70028481	1	Section, Spool	
6	70026389	1	Section, Outlet	
7	8034697	5	O-Ring	
8	70050508	20	O-Ring	
9	70050507	9	O-Ring	
10	70026375	3	Rod, Tie	
11	70050481	6	Nut	
12	10837937	4	Spring	
13	10837929	4	Poppet	
14	70026369	16	O-Ring	
15	70026380	8	O-Ring	
16	70026378	8	Spring	
17	70026377	8	Spring	
18	70026381	7	Cap	
19	70028482	1	Cap	
20	70026383	16	Cap	
21	70022013	6	Valve	
22	70028483	2	Valve	
23	70022014	16	Bolt	
24	70050504	8	Plug	
25	70027130	8	O-Ring	
26	70022012	1	Regulator	
27	70026373	1	O-Ring	
28	10837928	1	O-Ring	
29	70026376	1	Ring	
30	70026370	1	O-Ring	
31	8035382	1	Plug	
32	70024202	1	O-Ring	
33	70050472	2	Plug	
34	70026374	2	O-Ring	
35	70022010	3	Valve	
36	70027098	2	Valve	
37	70028484	1	Valve	
38	70022008	2	Plug	

SECTION 9 - HYDRAULIC COMPONENTS

FIGURE 9-20. PISTON PUMP



ART_1001168376-B

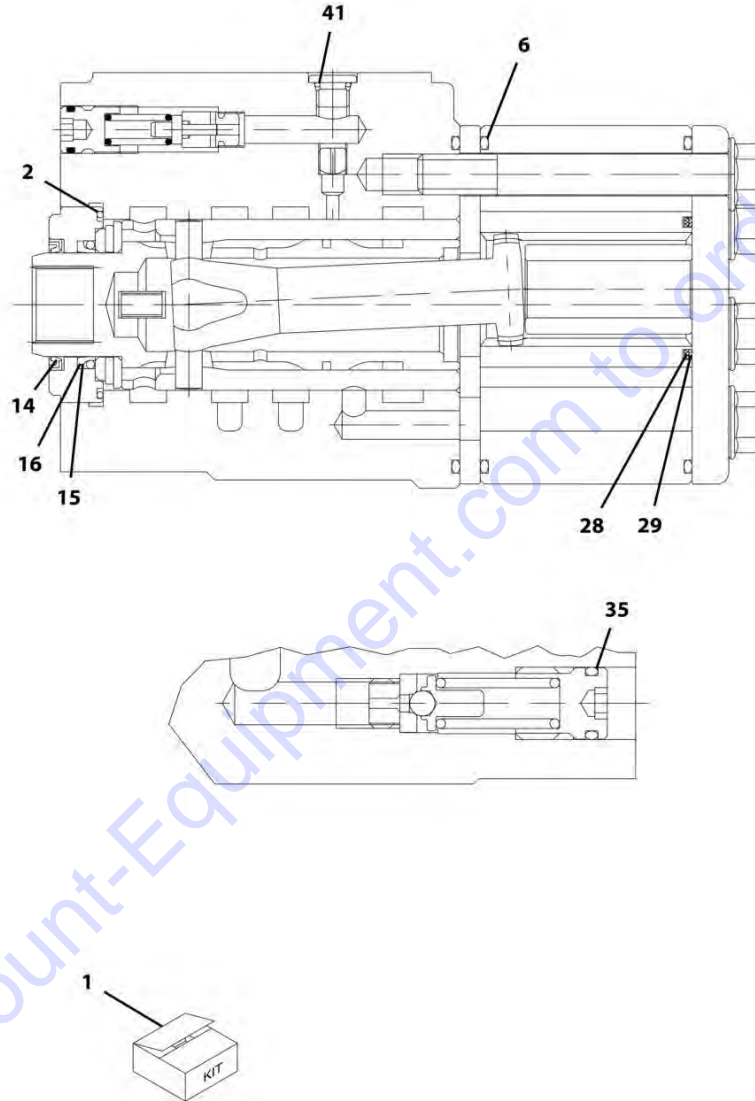
SECTION 9 - HYDRAULIC COMPONENTS

FIGURE 9-20. PISTON PUMP

ITEM	PART NUMBER	QTY	DESCRIPTION	REV
	1001182279	Ref	Piston Pump	B
1	70026572	1	Valve, Control	
2	70024186	1	Valve, Control	
3	70024407	2	Plug	
4	70024408	1	Screw, Stop	
5	Kit	1	O-Ring	
6	70024188	1	Group, Rotary	
7	70026583	1	Plate, Swash	
8	7024939	1	Shaft, Drive	
9	7024943	1	Bearing, Front	
10	7024944	1	Bearing, Rear	
11	70024414	1	Liner, Bearing	
12	70024415	1	Liner, Bearing	
13	7024953	2	Screw, M5X16	
14	80634004	1	Seal, Shaft	
15	Kit	1	O-Ring	
16	Kit	2	Sing, Seal	
17	80334277	1	Ring, Safety	
18	70021867	1	Gasket	
19	7024954	4	Screw, M6X30	
20	70024416	1	Plug	
21	70025897	1	Solenoid	
22	Kit	1	O-Ring	
101	70024189	1	Kit, Seal (includes items 5, 15 thru 16 & 22)	

SECTION 9 - HYDRAULIC COMPONENTS

FIGURE 9-21. STEERING ORBITAL VALVE



ART_1001158527-E

SECTION 9 - HYDRAULIC COMPONENTS

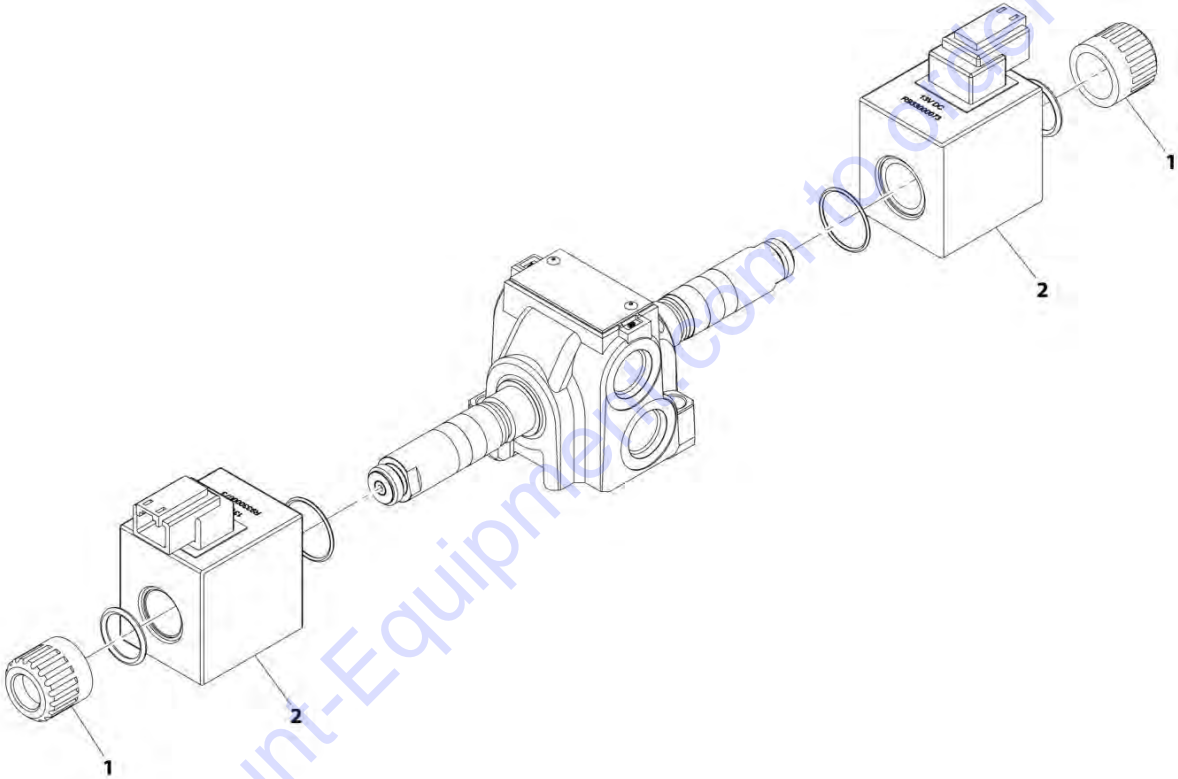
FIGURE 9-21. STEERING ORBITAL VALVE

ITEM	PART NUMBER	QTY	DESCRIPTION	REV
	1001158527	1	Steering Orbital Valve	E
1	70026401	1	Kit, Seal (includes items 2 thru 41)	
2	Kit	1	O-Ring	
6	Kit	3	O-Ring	
14	Kit	1	Seal, Dust	
15	Kit	1	O-Ring	
16	Kit	1	Seal, Shaft	
28	Kit	1	Washer, Back-Up	
29	Kit	1	Seal, Ring	
35	Kit	3	O-Ring	
41	Kit	2	O-Ring	

Go to Discount-Equipment.com to order your parts

SECTION 9 - HYDRAULIC COMPONENTS

FIGURE 9-22. STEERING SELECT VALVE



ART_1001153748-C

SECTION 9 - HYDRAULIC COMPONENTS

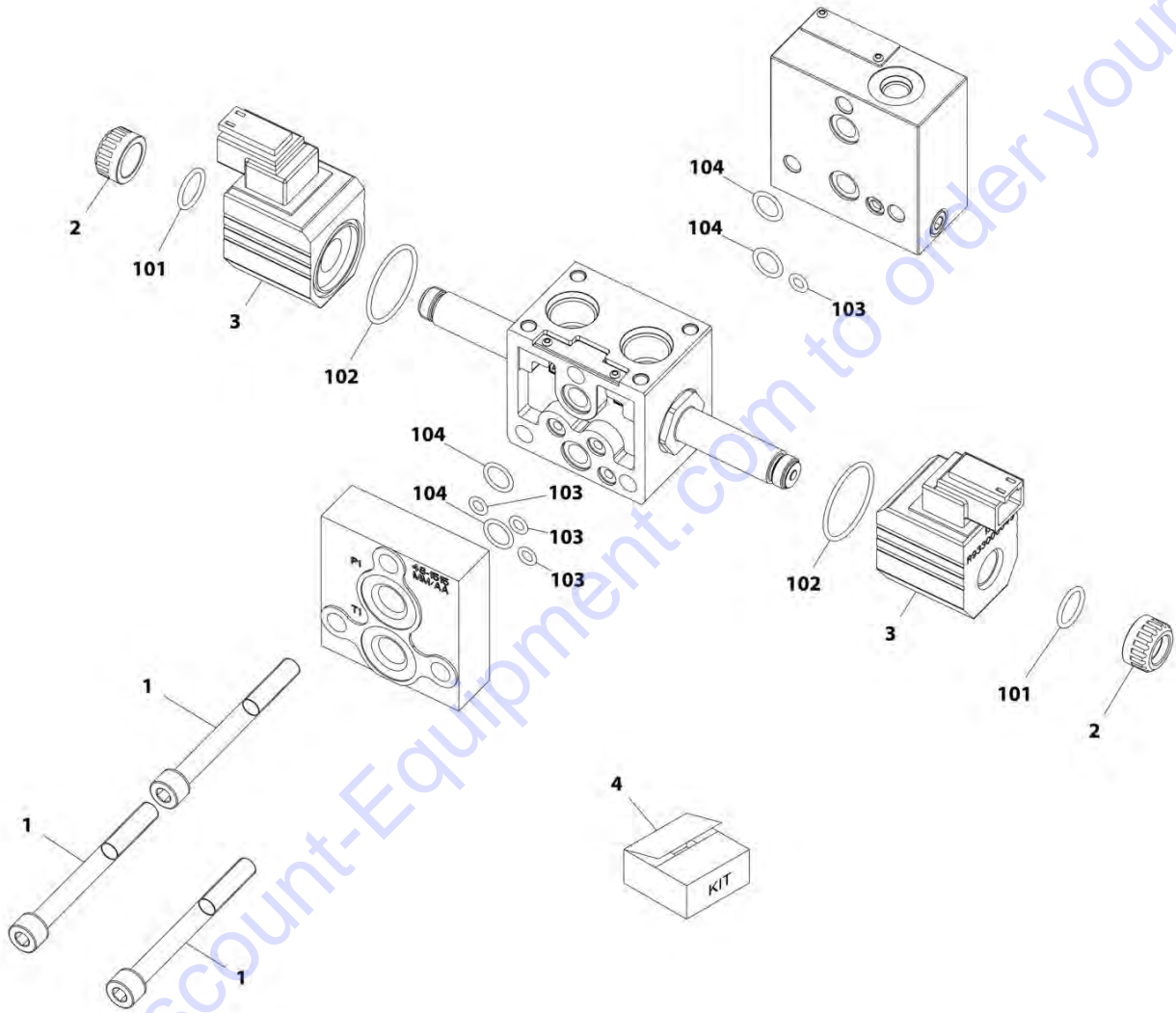
FIGURE 9-22. STEERING SELECT VALVE

ITEM	PART NUMBER	QTY	DESCRIPTION	REV
	1001153748	Ref	Steering Select Valve	C
1	70020867	2	Nut, Coil	
2	70026582	2	Coil	

Go to Discount-Equipment.com to order your parts

SECTION 9 - HYDRAULIC COMPONENTS

FIGURE 9-23. FRAME LEVEL VALVE



ART_1001162959-D

SECTION 9 - HYDRAULIC COMPONENTS

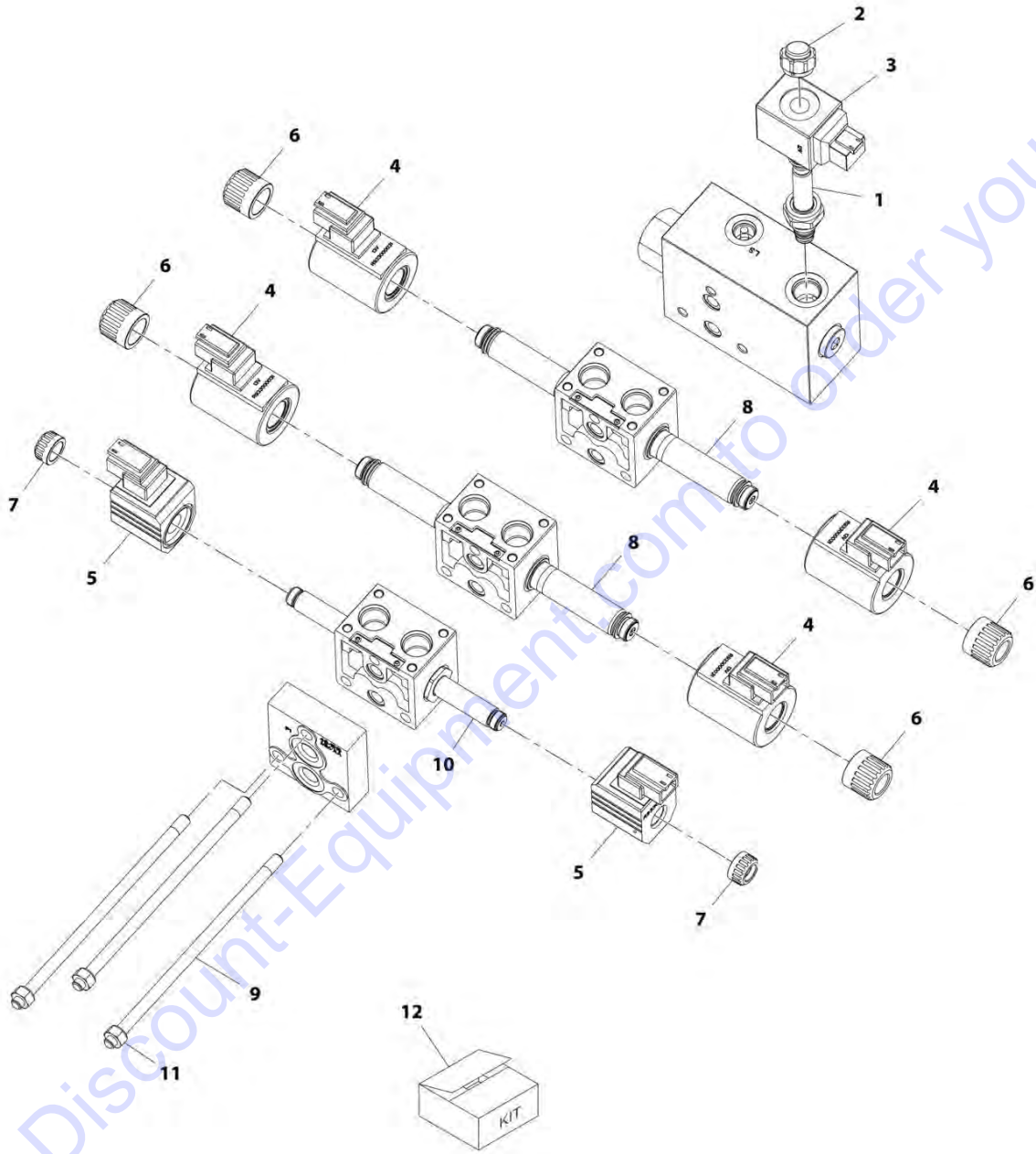
FIGURE 9-23. FRAME LEVEL VALVE

ITEM	PART NUMBER	QTY	DESCRIPTION	REV
	1001162959	Ref	Frame Level Valve	D
1	70026685	3	Screw	
2	70021209	2	Retainer	
3	70021208	2	Coil	
4	70026686	1	Kit, Seal (includes items 101 thru 104)	
101	Kit	2	O-Ring	
102	Kit	2	O-Ring	
103	Kit	4	O-Ring	
104	Kit	4	O-Ring	

Go to Discount-Equipment.com to order your parts

SECTION 9 - HYDRAULIC COMPONENTS

FIGURE 9-24. FRAME LEVEL AND OUTRIGGER VALVE



ART_1001157972-E

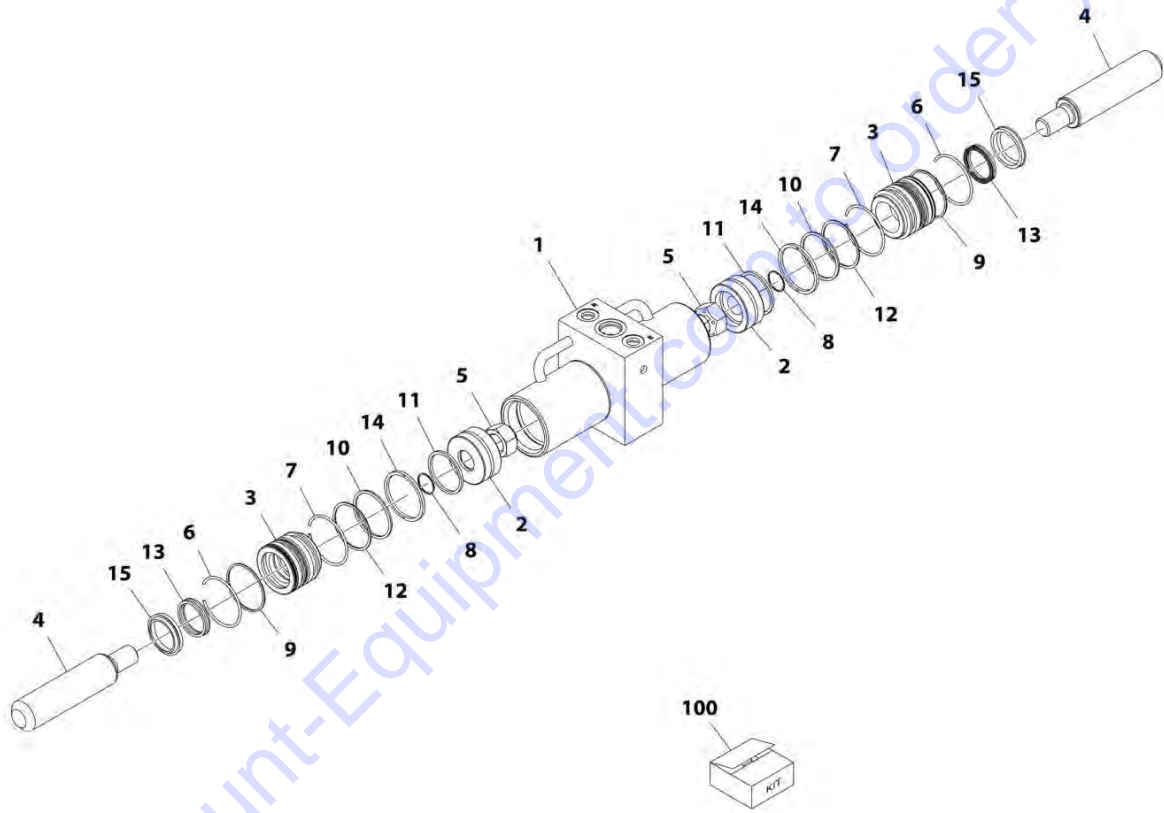
SECTION 9 - HYDRAULIC COMPONENTS

FIGURE 9-24. FRAME LEVEL AND OUTRIGGER VALVE

ITEM	PART NUMBER	QTY	DESCRIPTION	REV
	1001157972	Ref	Valve, Frame Level and Outrigger	E
1	70023327	1	Solenoid	
2	70004654	1	Nut, Coil	
3	70022147	1	Coil	
4	70020868	4	Coil	
5	70021208	2	Coil	
6	70020867	4	Kit, Retainer, W/Seals	
7	70021209	2	Kit, Retainer, W/Seals	
8	70026568	2	Section, Outrigger Valve	
9	70026569	3	Rod, Tie	
10	70021213	1	Section, Frame Level	
11	70026570	3	Nut	
12	70026571	1	Kit, Seal	
	Kit	1	O-Ring	
	Kit	1	O-Ring	
	Kit	1	O-Ring	
	Kit	1	O-Ring	
	Kit	1	O-Ring	
	Kit	1	O-Ring	
	Kit	4	O-Ring	
	Kit	4	O-Ring	
	Kit	2	O-Ring	
	Kit	2	O-Ring	

SECTION 9 - HYDRAULIC COMPONENTS

FIGURE 9-25. QUICK COUPLER CYLINDER



ART_1001120163-D

SECTION 9 - HYDRAULIC COMPONENTS

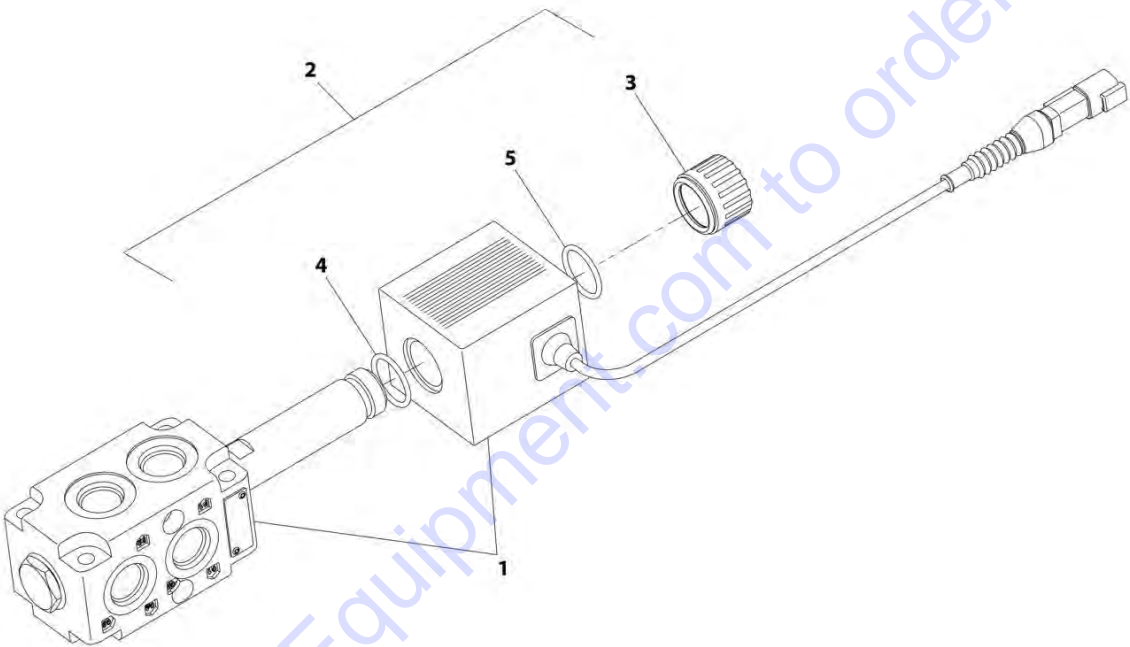
FIGURE 9-25. QUICK COUPLER CYLINDER

ITEM	PART NUMBER	QTY	DESCRIPTION	REV
	1001120163	Ref	Quick Coupler Cylinder	D
1	70026211	1	Barrel	
2	70026212	2	Piston	
3	70026213	2	Head Gland	
4	70026214	2	Cylinder Rod	
5	8037140	2	Locknut	
6	Kit	2	Round Retaining Ring	
7	Kit	2	Round Retaining Ring	
8	Kit	2	O-Ring	
9	Kit	2	O-Ring	
10	Kit	2	O-Ring	
11	Kit	2	Square Ring	
12	Kit	2	Backup Ring	
13	Kit	2	Rod Seal	
14	Kit	2	Piston Seal	
15	Kit	2	Rod Wiper	
100	70026215	1	Seal Kit (includes items 6 thru 15)	

Go to Discount-Equipment.com to order your parts

SECTION 9 - HYDRAULIC COMPONENTS

FIGURE 9-26. DIVERTOR VALVE



ART_1001104477-D

SECTION 9 - HYDRAULIC COMPONENTS

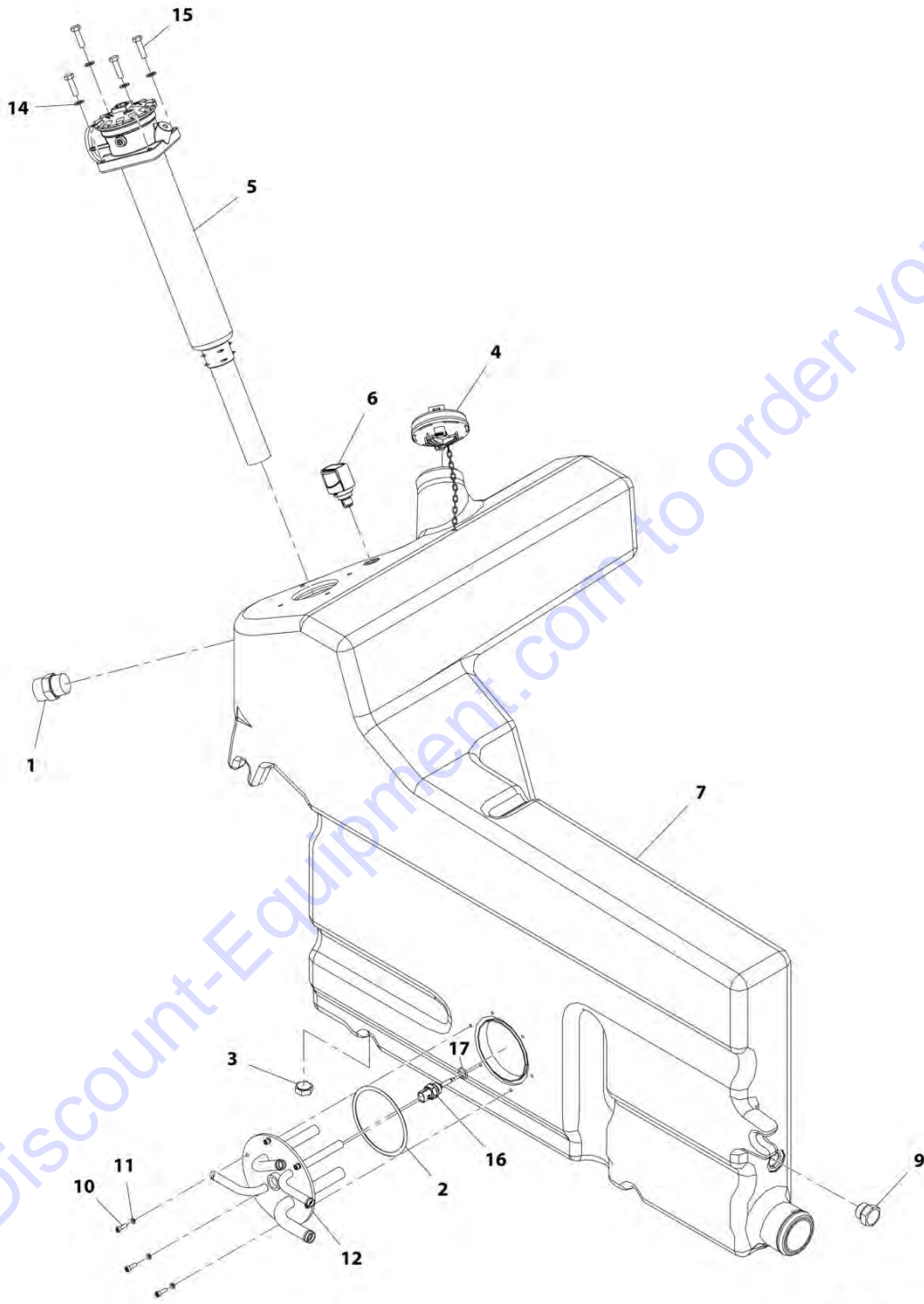
FIGURE 9-26. DIVERTOR VALVE

ITEM	PART NUMBER	QTY	DESCRIPTION	REV
	1001104477	Ref	Divertor Valve	D
1	70020764	1	Coil	
2	70021531	1	Kit, Retainer	
3	Kit	1	Nut	
4	Kit	1	O-Ring	
5	Kit	1	O-Ring	

Go to Discount-Equipment.com to order your parts

SECTION 9 - HYDRAULIC COMPONENTS

FIGURE 9-27. TANK HYDRAULIC



ART_1001163067-N

SECTION 9 - HYDRAULIC COMPONENTS

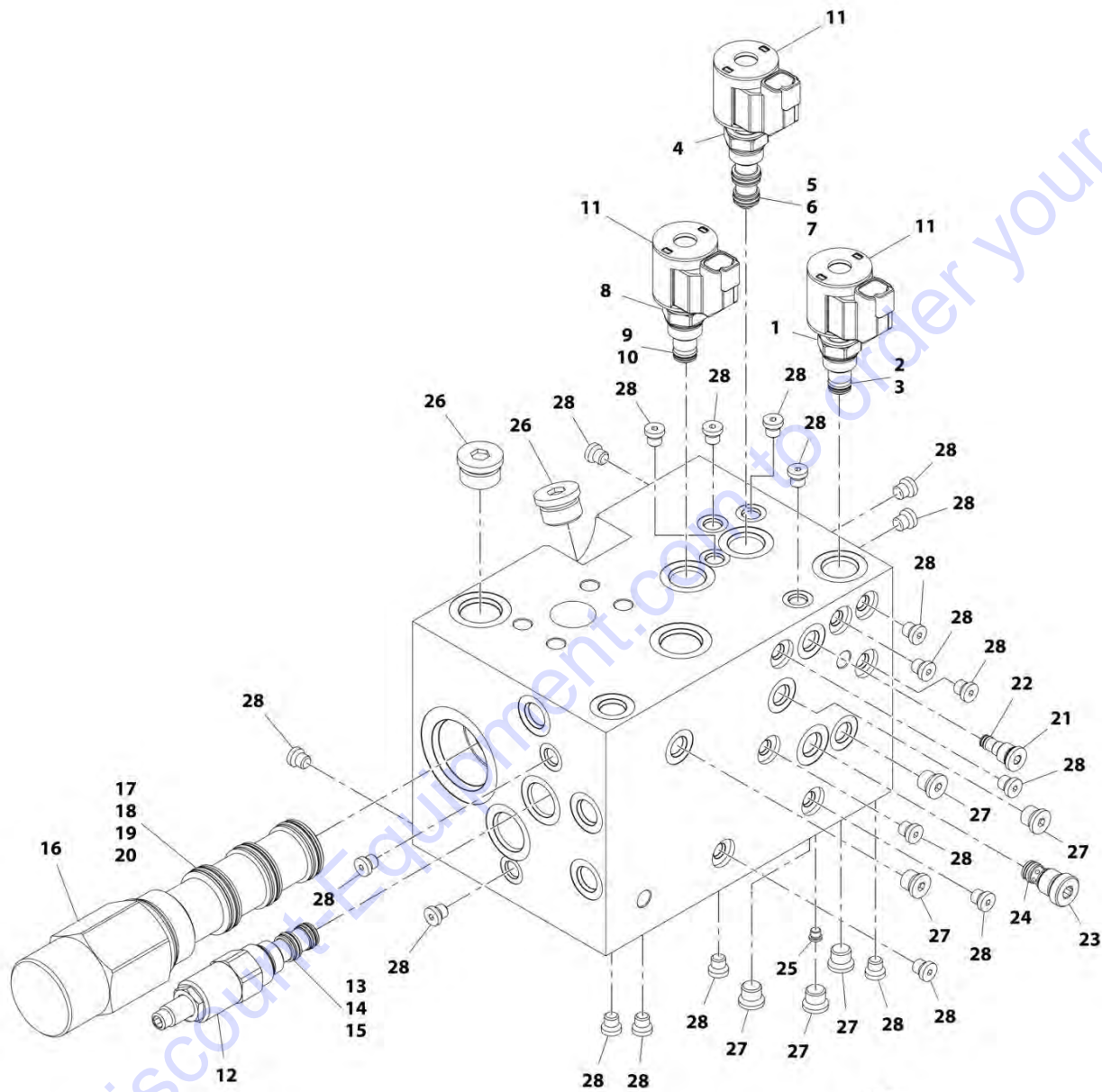
FIGURE 9-27. TANK HYDRAULIC

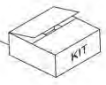
ITEM	PART NUMBER	QTY	DESCRIPTION	REV
	1001163067	Ref	Hydraulic Tank	N
1	2111616	1	Fitting, Straight ORFS	
2	1001003301	1	Seal O-Ring	
3	2220239	1	Plug	
4	1001194981	1	Cap	
5	1001162660	1	Filter	
6	1001162662	1	Filter, Breather	
7	1001162765	1	Tank	
9	2220240	1	Adapter	
10	4031607	6	Screw, M5-0.8X16	
11	4831600	6	Washer, Lock M5	
12	1001167281	1	Manifold, Hydraulic Return	
14	4811900	4	Washer, M8	
15	0700814	4	Bolt, M8X30	
16	1001128478	1	Sensor	
17	1001009163	1	Seal	

Go to Discount-Equipment.com to order your parts

SECTION 9 - HYDRAULIC COMPONENTS

FIGURE 9-28. PRIORITY MANIFOLD VALVE



- 101
 - 102
 - 103
 - 104
 - 105
 - 106
 - 107
- 

ART_1001162548-F

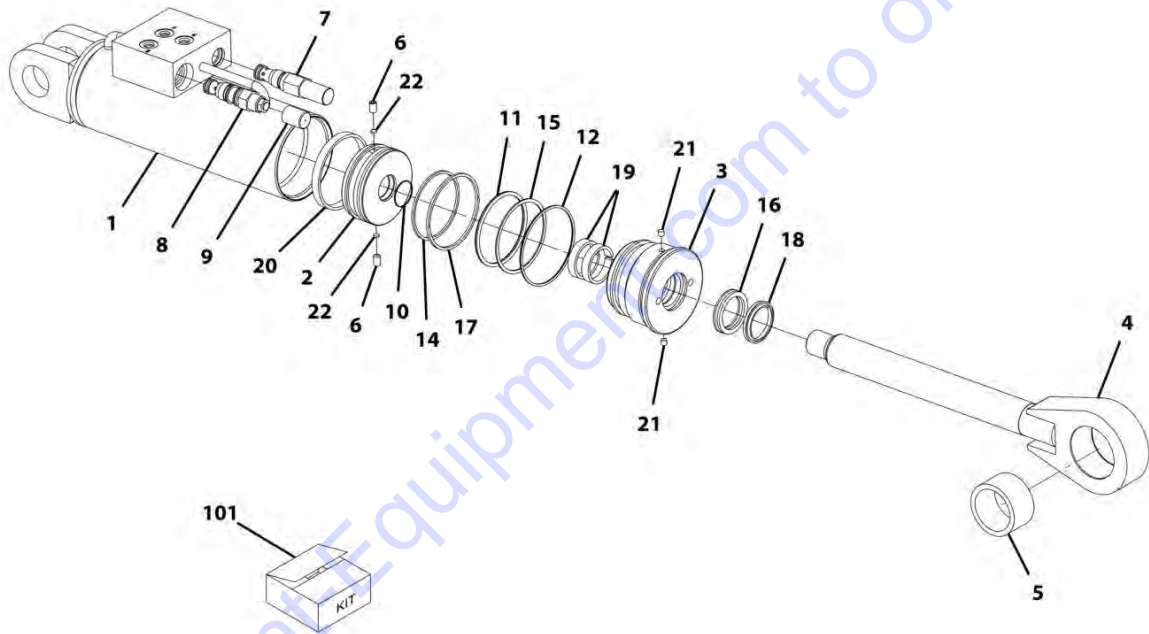
SECTION 9 - HYDRAULIC COMPONENTS

FIGURE 9-28. PRIORITY MANIFOLD VALVE

ITEM	PART NUMBER	QTY	DESCRIPTION	REV
	1001162548	Ref	Priority Manifold Valve	F
1	H000071	1	Cartridge	
2	Kit	1	Seal	
3	Kit	1	Seal	
4	7012941	1	Cartridge	
5	Kit	1	Seal	
6	Kit	1	Seal	
7	Kit	1	Seal	
8	7017410	1	Cartridge	
9	Kit	1	Seal	
10	Kit	1	Seal	
11	70002963	3	Coil	
12	70026310	1	Cartridge	
13	Kit	1	Seal	
14	Kit	1	Seal	
15	Kit	1	Seal	
16	70026311	1	Cartridge	
17	Kit	1	Seal	
18	Kit	1	Seal	
19	Kit	1	Seal	
20	Kit	1	Seal	
21	70002975	1	Cartridge	
22	Kit	1	Seal	
23	70026312	1	Cartridge	
24	Kit	1	Seal	
25	70026313	1	Plug	
26	70026314	2	Plug	
27	7017406	6	Plug	
28	70026315	21	Plug	
101	7012953	1	Kit, Seal (includes items 2 thru 3)	
102	7010543	1	Kit, Seal (includes items 5 thru 7)	
103	7012953	1	Kit, Seal (includes items 9 thru 10)	
104	7021653	1	Kit, Seal (includes items 13 thru 15)	
105	70026333	1	Kit, Seal (includes items 17 thru 20)	
106	70002976	1	Kit, Seal (includes items 22)	
107	70026334	1	Kit, Seal (includes items 24)	

SECTION 9 - HYDRAULIC COMPONENTS

FIGURE 9-29. SWING CARRIAGE CYLINDER



ART_1001103182-B

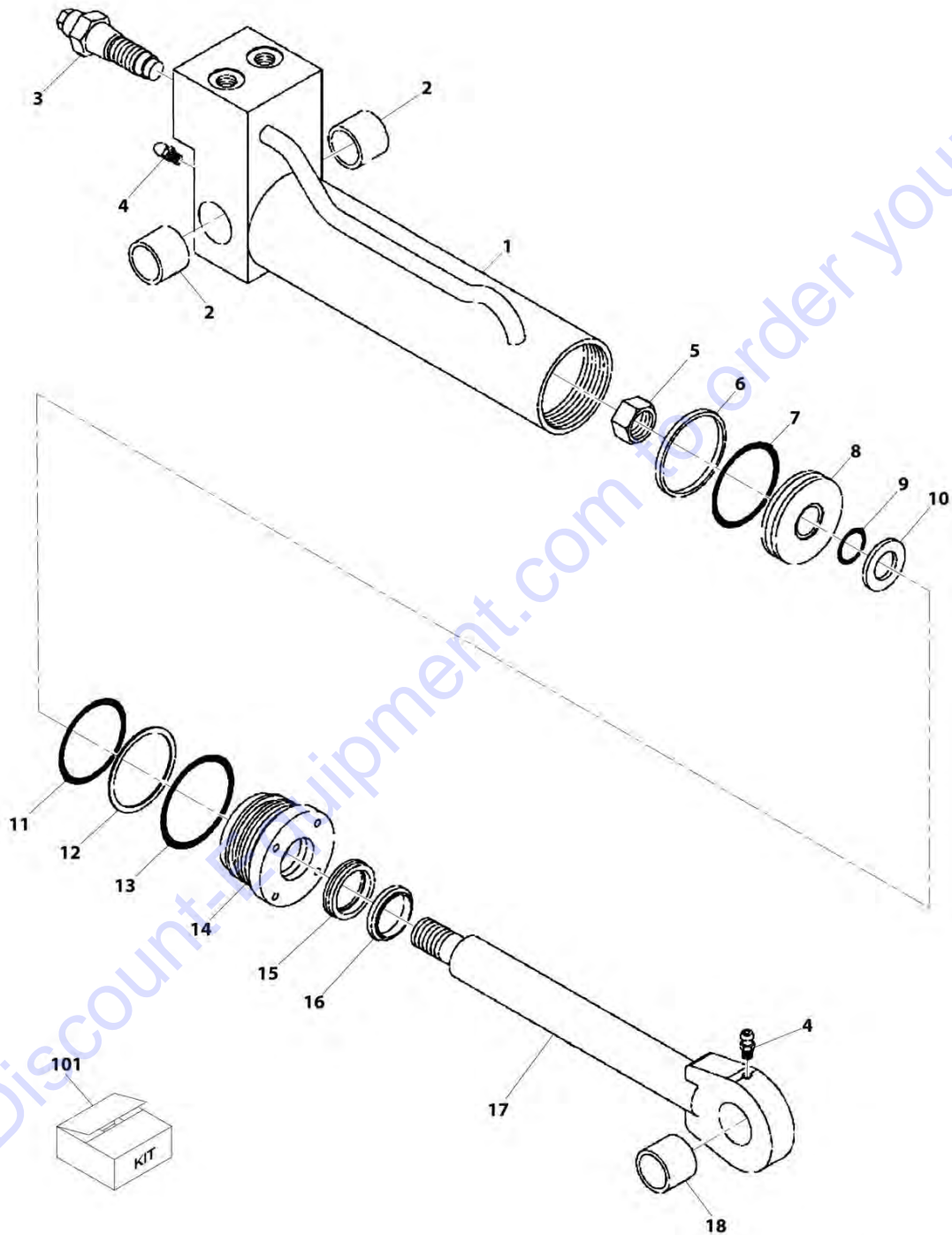
SECTION 9 - HYDRAULIC COMPONENTS

FIGURE 9-29. SWING CARRIAGE CYLINDER

ITEM	PART NUMBER	QTY	DESCRIPTION	REV
	1001103182	Ref	Swing Carriage Cylinder	B
1	70022044	1	Assembly, Tube	
2	8035863	1	Piston	
3	8035862	1	Gland, Head	
4	70022045	1	Assembly, Rod	
5	70022046	1	Bearing	
6	8035536	2	Screw, Set 5/16-18X1/2	
7	70020428	1	Valve, Relief	
7	7024574	1	Kit, Seal	
8	8033786	1	Valve, Counterbalance	
8	8205655	1	Kit, Seal	
11	Kit	1	O-Ring	
12	Kit	1	O-Ring	
13	Kit	1	O-Ring	
14	Kit	1	Ring, Square	
15	Kit	1	Ring, Backup	
16	Kit	1	Seal	
17	Kit	1	Seal, Piston	
18	Kit	1	Wiper, Rod	
19	Kit	2	Wearband	
20	Kit	1	Wearband	
21	Kit	2	Insert	
22	Kit	2	Insert	
101	2915023	1	Kit, Seal (includes items 11 thru 22)	

SECTION 9 - HYDRAULIC COMPONENTS

FIGURE 9-30. GRAPPLE BUCKET CYLINDER



ART_70021393-A

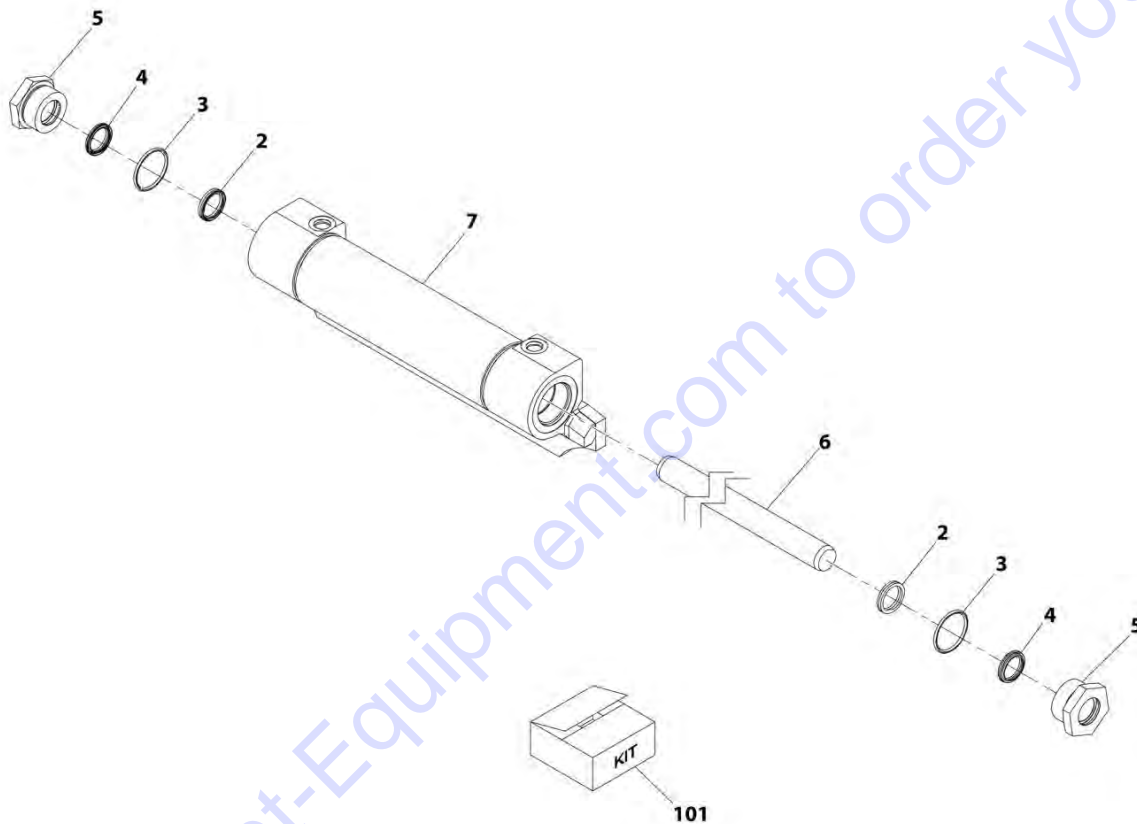
SECTION 9 - HYDRAULIC COMPONENTS

FIGURE 9-30. GRAPPLE BUCKET CYLINDER

ITEM	PART NUMBER	QTY	DESCRIPTION	REV
	70021393	Ref	Grapple Bucket Cylinder	A
1	70021465	1	Tube, Cylinder	
2	70021448	2	Bushing	
3	70021464	2	Cartridge, Valve	
4	90554045	2	Fitting, Grease	
5	70021440	1	Nut	
6	Kit	1	Ring, Piston	
7	Kit	1	O-Ring	
8	70021451	1	Piston	
9	Kit	1	O-Ring	
10	70021444	1	Washer	
11	Kit	1	O-Ring	
12	Kit	1	Washer, Back-Up	
13	Kit	1	O-Ring	
14	70021446	1	Gland, Cylinder	
15	Kit	1	Seal, Poly-Pak	
16	Kit	1	Wiper, Rod	
17	70021466	1	Rod, Piston	
18	70021447	1	Bushing	
101	70021452	1	Kit, Seal (includes items 6, 7, 9, 11 thru 13, 15 & 16)	

SECTION 9 - HYDRAULIC COMPONENTS

FIGURE 9-31. SIDE SHIFT CARRIAGE CYLINDER



ART_70024539-B

SECTION 9 - HYDRAULIC COMPONENTS

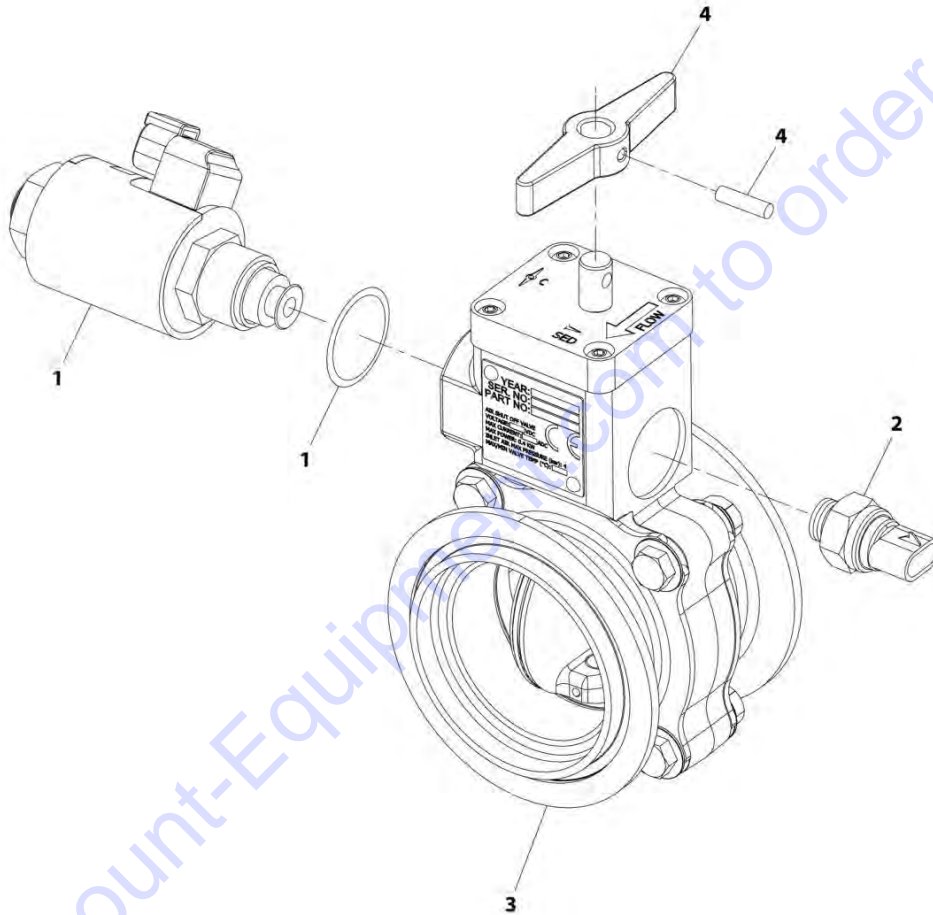
FIGURE 9-31. SIDE SHIFT CARRIAGE CYLINDER

ITEM	PART NUMBER	QTY	DESCRIPTION	REV
	70024539	Ref	Side Shift Carriage Cylinder	B
2	Kit	2	Seal, Rod	
3	70024547	2	O-Ring	
4	Kit	2	Seal, Rod Wiper	
5	70024548	2	Seal, Retainer	
6	N.S.S.	1	Rod	
7	N.S.S.	1	Barrel	
101	70024549	1	Kit, Seal (includes items 2 & 4)	

Go to Discount-Equipment.com to order your parts

SECTION 9 - HYDRAULIC COMPONENTS

FIGURE 9-32. AIR SHUT OFF VALVE



ART_1001204032-A

SECTION 9 - HYDRAULIC COMPONENTS

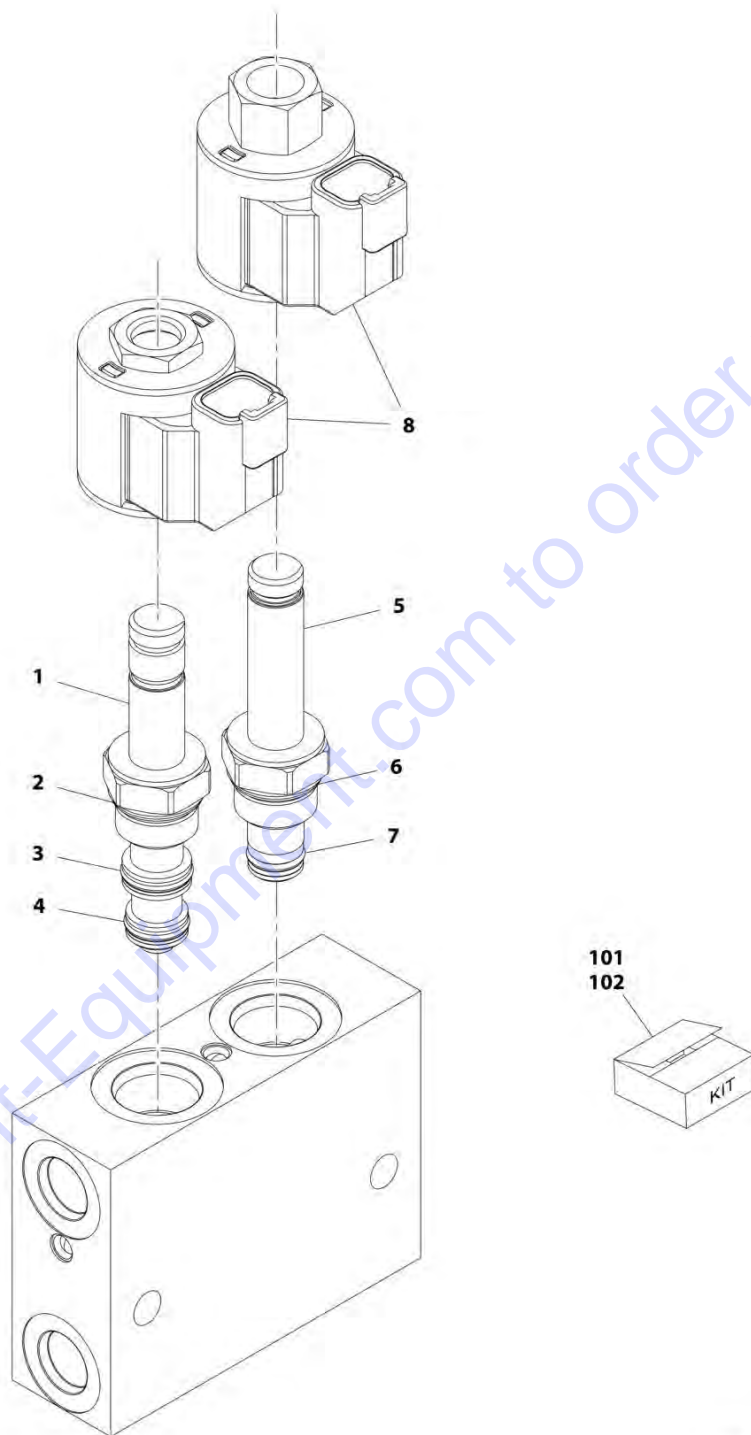
FIGURE 9-32. AIR SHUT OFF VALVE

ITEM	PART NUMBER	QTY	DESCRIPTION	REV
1	1001204032	Ref	Air Shut Off Valve	A
	70028514	1	Kit, Solenoid 12V	
	N.S.S.	1	Solenoid	
	N.S.S.	1	Coil, 12V	
	N.S.S.	1	O-Ring	
2	70028515	1	Kit, Switch	
	N.S.S.	1	Switch, Ball	
	N.S.S.	1	O-Ring	
3	70028516	1	Kit, Flange and Hardware	
	N.S.S.	1	Flange, Female	
	N.S.S.	1	Flange, Male	
	N.S.S.	4	Bolt	
	N.S.S.	8	Washer	
	N.S.S.	4	Locknut	
4	70028517	1	Handle	
	N.S.S.	1	Handle, Reset	
	N.S.S.	1	Pin	

Go to Discount-Equipment.com to order your parts

SECTION 9 - HYDRAULIC COMPONENTS

FIGURE 9-33. PARK BRAKE VALVE



ART_1001164652-A

SECTION 9 - HYDRAULIC COMPONENTS

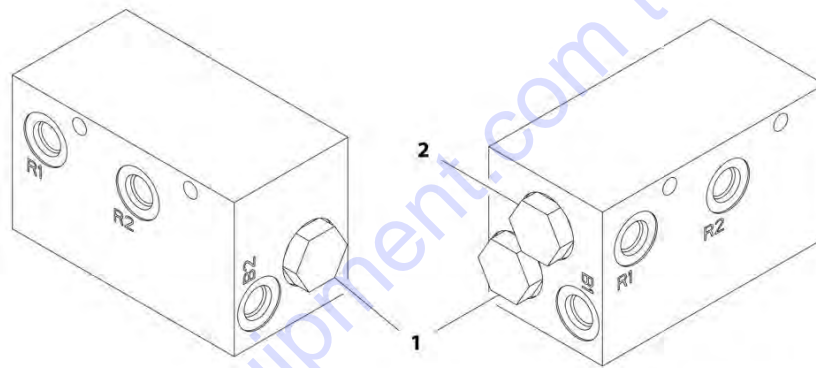
FIGURE 9-33. PARK BRAKE VALVE

ITEM	PART NUMBER	QTY	DESCRIPTION	REV
	1001164652	1	Park Brake Valve	A
1	7012941	1	Valve	
2	Kit	1	O-Ring	
3	Kit	1	O-Ring	
4	Kit	1	O-Ring	
5	7017410	1	Valve	
6	Kit	1	O-Ring	
7	Kit	1	O-Ring	
8	70002386	2	Coil	
101	7010543	1	Kit, Seal (includes items 2 thru 4)	
102	7012967	1	Kit, Seal (includes items 6 thru 7)	

Go to Discount-Equipment.com to order your parts

SECTION 9 - HYDRAULIC COMPONENTS

FIGURE 9-34. FLOW DIVIDER VALVE



ART_4641501-A

SECTION 9 - HYDRAULIC COMPONENTS

FIGURE 9-34. FLOW DIVIDER VALVE

ITEM	PART NUMBER	QTY	DESCRIPTION	REV
	4641501	Ref	Flow Divider Valve	A
1	70023928	2	Cartridge, PO Check Valve	
2	70023929	1	Cartridge, Valve	

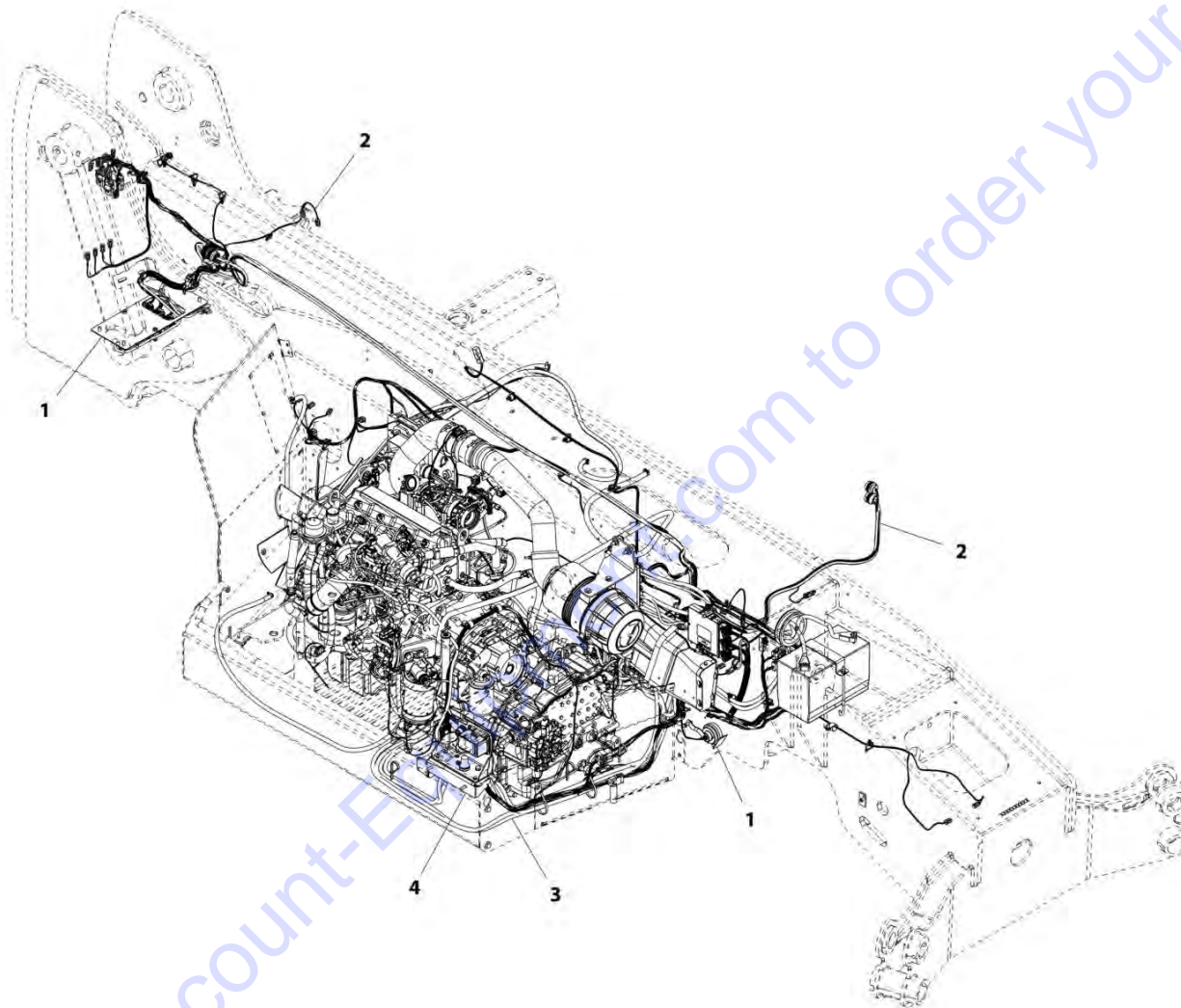
Go to Discount-Equipment.com to order your parts

SECTION 10 - ELECTRICAL

Go to Discount-Equipment.com to order your parts

SECTION 10 - ELECTRICAL

FIGURE 10-1. MAIN ELECTRICAL INSTALLATION (ULS)



ART_1001167050-C

SECTION 10 - ELECTRICAL

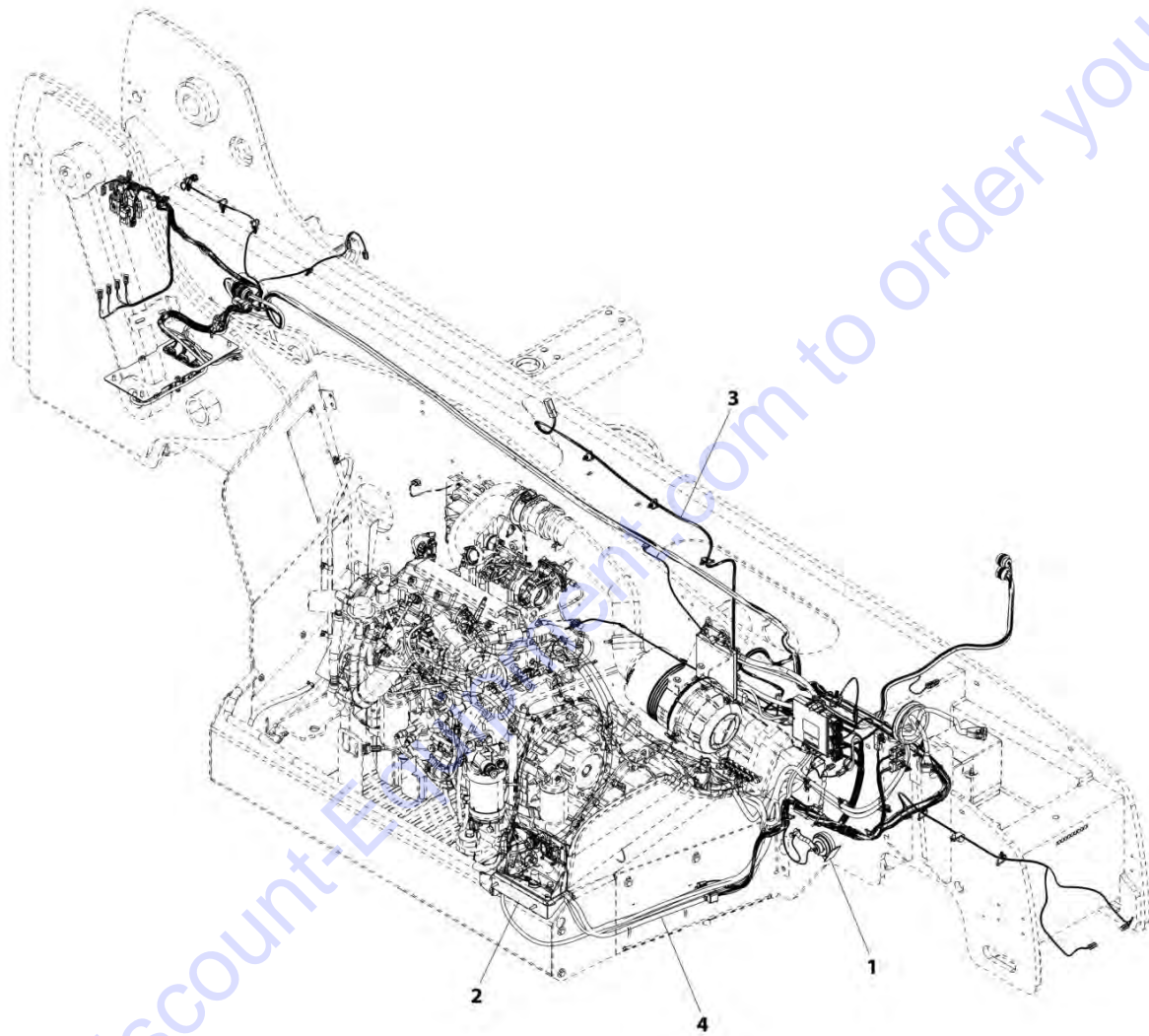
FIGURE 10-1. MAIN ELECTRICAL INSTALLATION (ULS)

ITEM	PART NUMBER	QTY	DESCRIPTION	REV
1	1001167050	Ref	Main Electrical Installation (ULS)	C
	1001167051	Ref	Installation, Electrical Frame (See ELECTRICAL FRAME INSTALLATION for Breakdown)	
2	1001173530	Ref	Installation, Frame Wiring (ULS) (See FRAME WIRING INSTALLATION (ULS) for Breakdown)	
3	1001173531	Ref	Installation, Engine Bay Wiring (ULS) (See ENGINE BAY WIRING INSTALLATION (ULS) for Breakdown)	
4		Ref	Installation, Engine Bay Electrical (See ENGINE BAY ELECTRICAL INSTALLATION for Breakdown)	

Go to Discount-Equipment.com to order your parts

SECTION 10 - ELECTRICAL

FIGURE 10-2. MAIN ELECTRICAL INSTALLATION (ULS) (74 HP)



ART_1001225986-B

SECTION 10 - ELECTRICAL

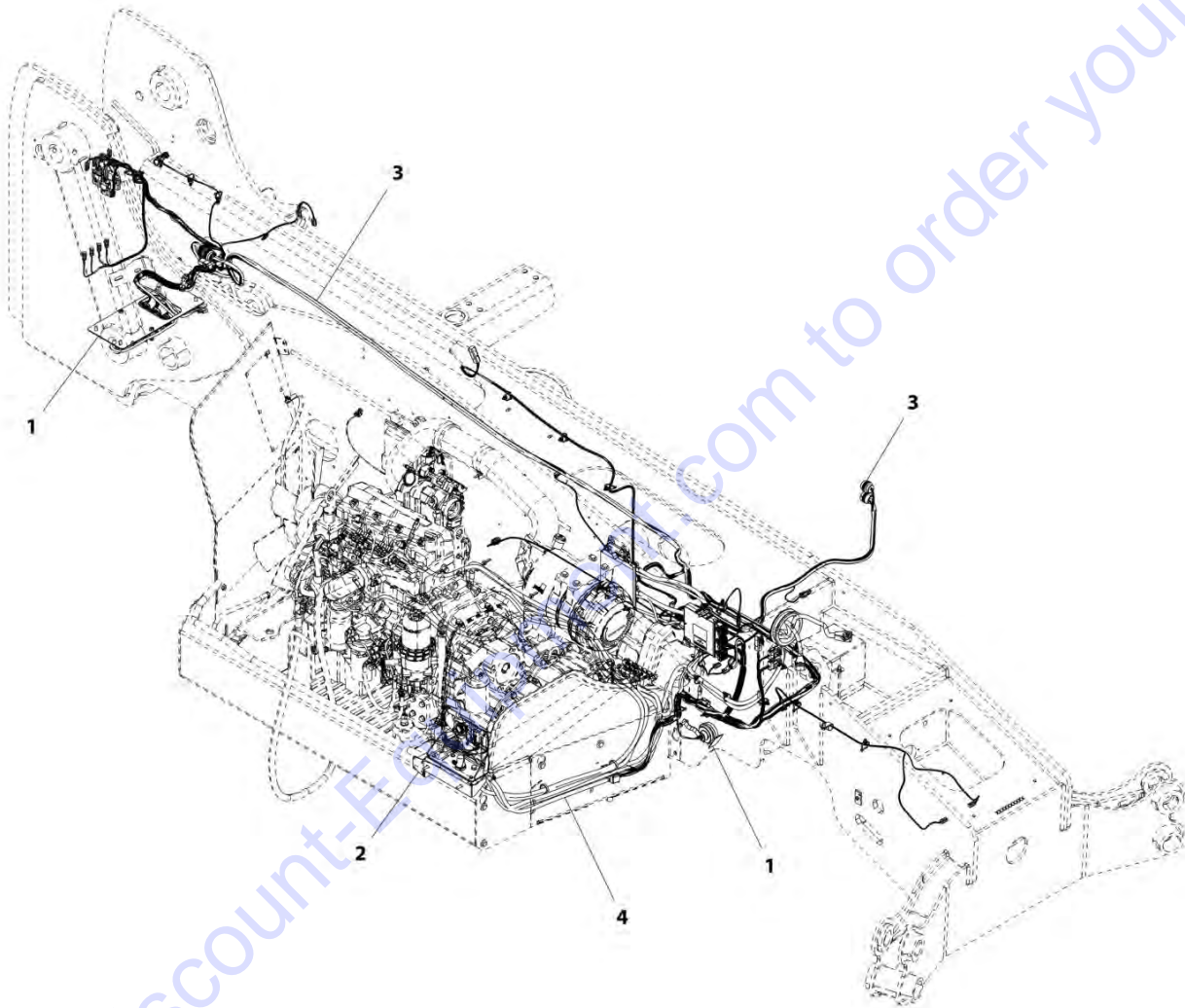
FIGURE 10-2. MAIN ELECTRICAL INSTALLATION (ULS) (74 HP)

ITEM	PART NUMBER	QTY	DESCRIPTION	REV
1	1001225986	Ref	Main Electrical Installation (ULS) (74 HP)	B
	1001167051	Ref	Installation, Electrical Frame (See Separate Breakdown in this Section)	
2	1001173765	Ref	Installation, Engine Bay Electrical (See Separate Breakdown in this Section)	
3	1001225987	Ref	Installation, Wiring Frame (See Separate Breakdown in this Section)	
4		Ref	Installation, Engine Bay Wiring (See Separate Breakdown in this Section)	

Go to Discount-Equipment.com to order your parts

SECTION 10 - ELECTRICAL

FIGURE 10-3. MAIN ELECTRICAL INSTALLATION (LS)



ART_1001192303-A

SECTION 10 - ELECTRICAL

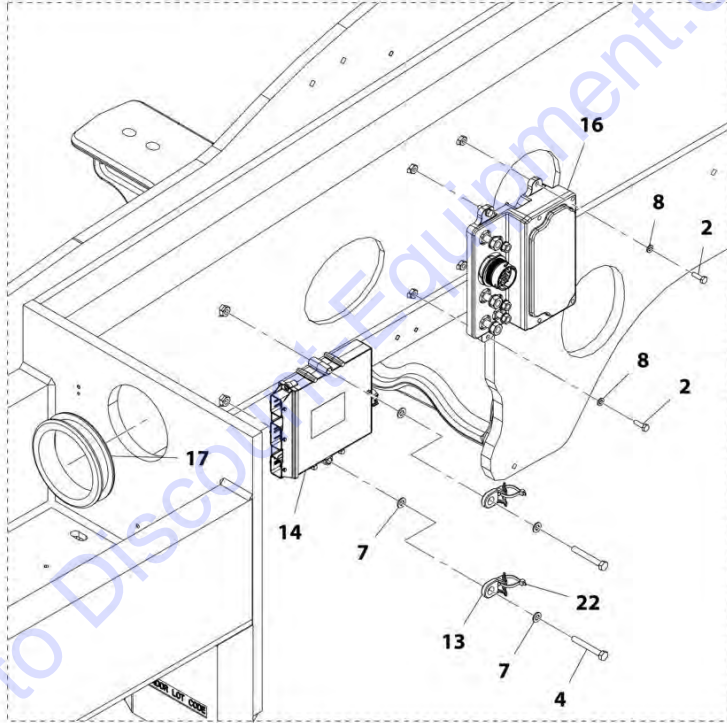
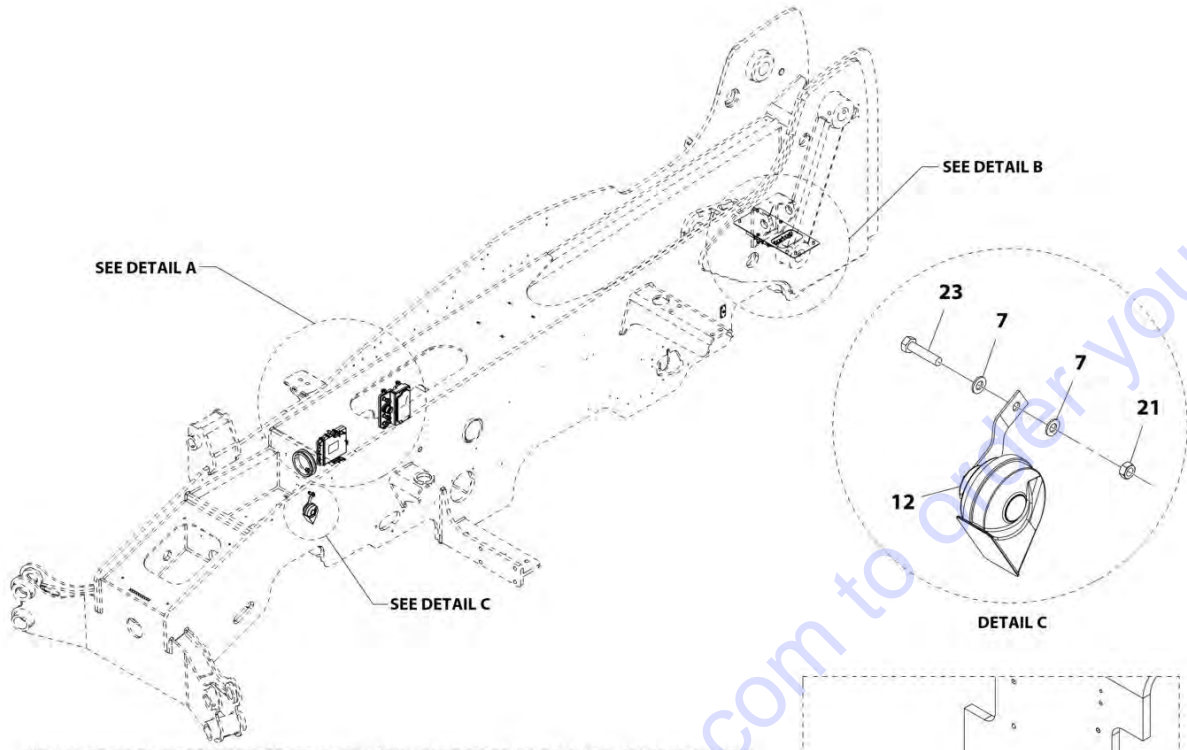
FIGURE 10-3. MAIN ELECTRICAL INSTALLATION (LS)

ITEM	PART NUMBER	QTY	DESCRIPTION	REV
1	1001192303	Ref	Main Electrical Installation (LS)	A
	1001167051	Ref	Installation, Electrical Frame (See ELECTRICAL FRAME INSTALLATION for Breakdown)	
2	1001173765	Ref	Installation, Engine Bay Electrical (See ENGINE BAY ELECTRICAL INSTALLATION for Breakdown)	
3	1001192305	Ref	Installation, Frame Wiring (LS) (See FRAME WIRING INSTALLATION (LS) for Breakdown)	
4	1001193171	Ref	Installation, Engine Bay Wiring (See ENGINE BAY WIRING INSTALLATION for Breakdown)	

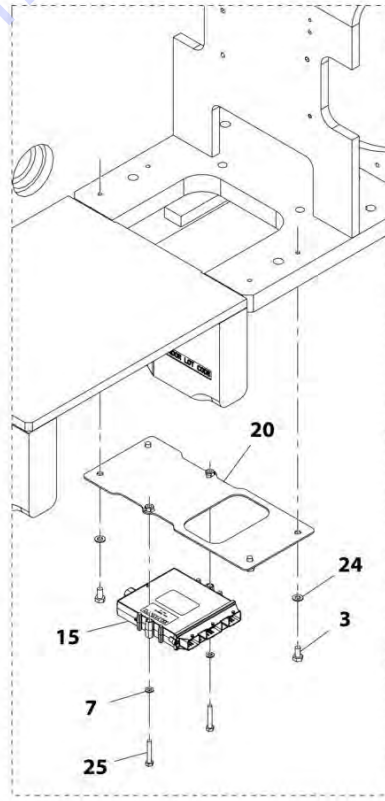
Go to Discount-Equipment.com to order your parts

SECTION 10 - ELECTRICAL

FIGURE 10-4. ELECTRICAL FRAME INSTALLATION



DETAIL A



DETAIL B

ART_1001167051-H

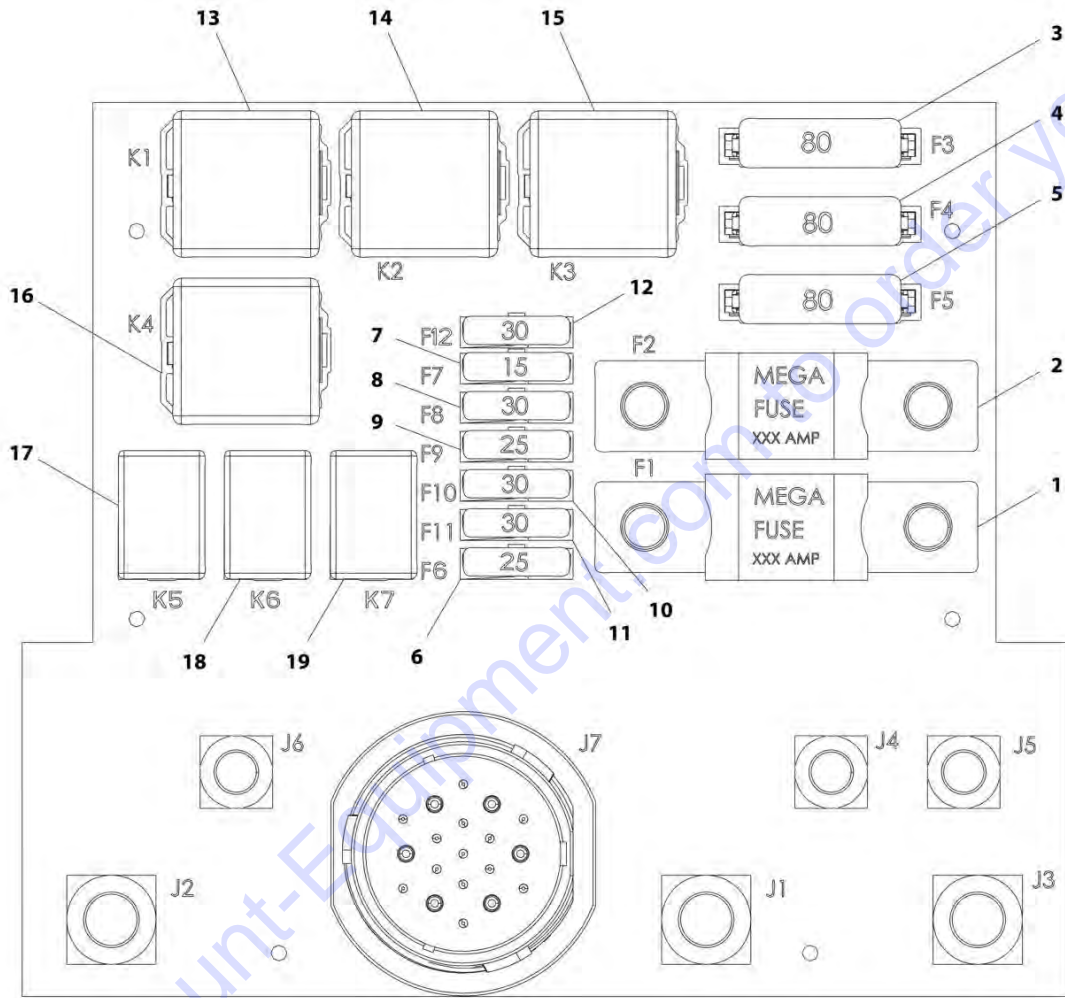
SECTION 10 - ELECTRICAL

FIGURE 10-4. ELECTRICAL FRAME INSTALLATION

ITEM	PART NUMBER	QTY	DESCRIPTION	REV
	1001167051	Ref	Electrical Frame Installation	H
2	0700610	4	Bolt, M6 X 20	
3	0761010	4	Bolt, M10 X 20	
4	0700820	2	Bolt, M8 X 60	
7	4811900	8	Washer, M8	
8	4811700	4	Washer, M6	
12	10713707	1	Horn	
13	1001169146	2	Mount	
14	1001162253	1	Module, Front Frame Control	
15	1001162256	1	Module, Rear Frame Control	
16	1001164402	1	Box, Power Distribution Electrical (See Separate Breakdown in this Section)	
17	1001166397	1	Grommet	
20	1001210450	1	Plate, Mounting	
21	3290801	1	Nut, M8X1.25	
22	1001008559	2	Strap, Cable	
23	0760815	1	Bolt, M8X35	
24	4812000	4	Washer, M10	
25	0700818	2	Bolt, M8X50	

SECTION 10 - ELECTRICAL

FIGURE 10-5. POWER DISTRIBUTION ELECTRICAL BOX



ART_1001164402-F

SECTION 10 - ELECTRICAL

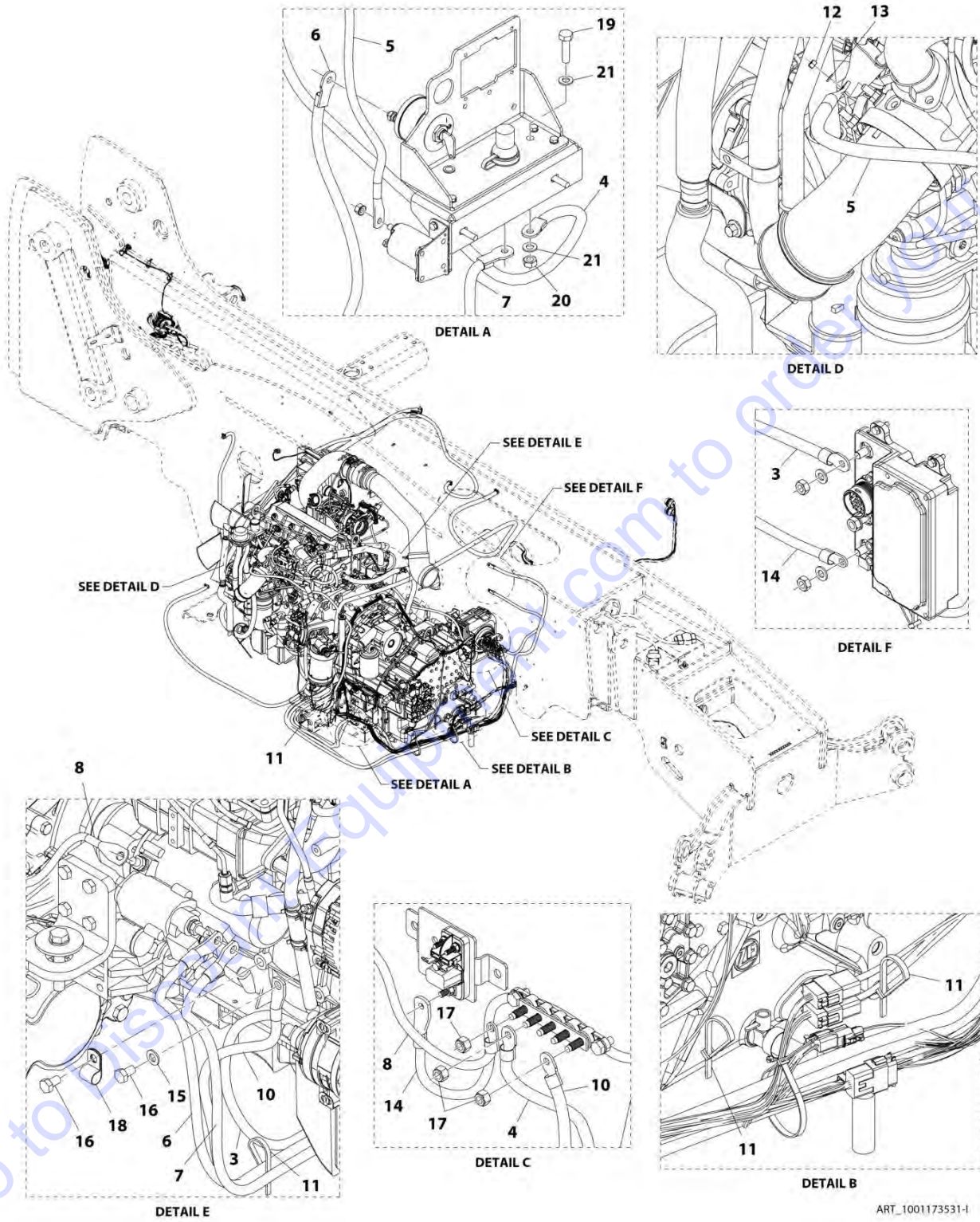
FIGURE 10-5. POWER DISTRIBUTION ELECTRICAL BOX

ITEM	PART NUMBER	QTY	DESCRIPTION	REV
	1001164402	Ref	Power Distribution Electrical Box	F
1	1001095336	1	Fuse, 150AMP	
2	70026296	1	Fuse, 200AMP	
3	70026297	1	Fuse, 80AMP	
4	70026297	1	Fuse, 80AMP	
5	70026297	1	Fuse, 80AMP	
6	8229247	1	Fuse, 25AMP	
7	8229244	1	Fuse, 15AMP	
8	8229245	1	Fuse, 30AMP	
9	8229247	1	Fuse, 25AMP	
10	8229245	1	Fuse, 30AMP	
11	8229245	1	Fuse, 30AMP	
12	8229245	1	Fuse, 30AMP	
13	70026294	1	Fuse, 70AMP	
14	70026294	1	Fuse, 70AMP	
15	70026294	1	Fuse, 70AMP	
16	70026294	1	Fuse, 70AMP	
17	70026295	1	Fuse, 35AMP	
18	70026295	1	Fuse, 35AMP	
19	70026295	1	Fuse, 35AMP	

Go to Discount-Equipment.com to order your parts

SECTION 10 - ELECTRICAL

FIGURE 10-6. ENGINE BAY WIRING INSTALLATION (ULS)



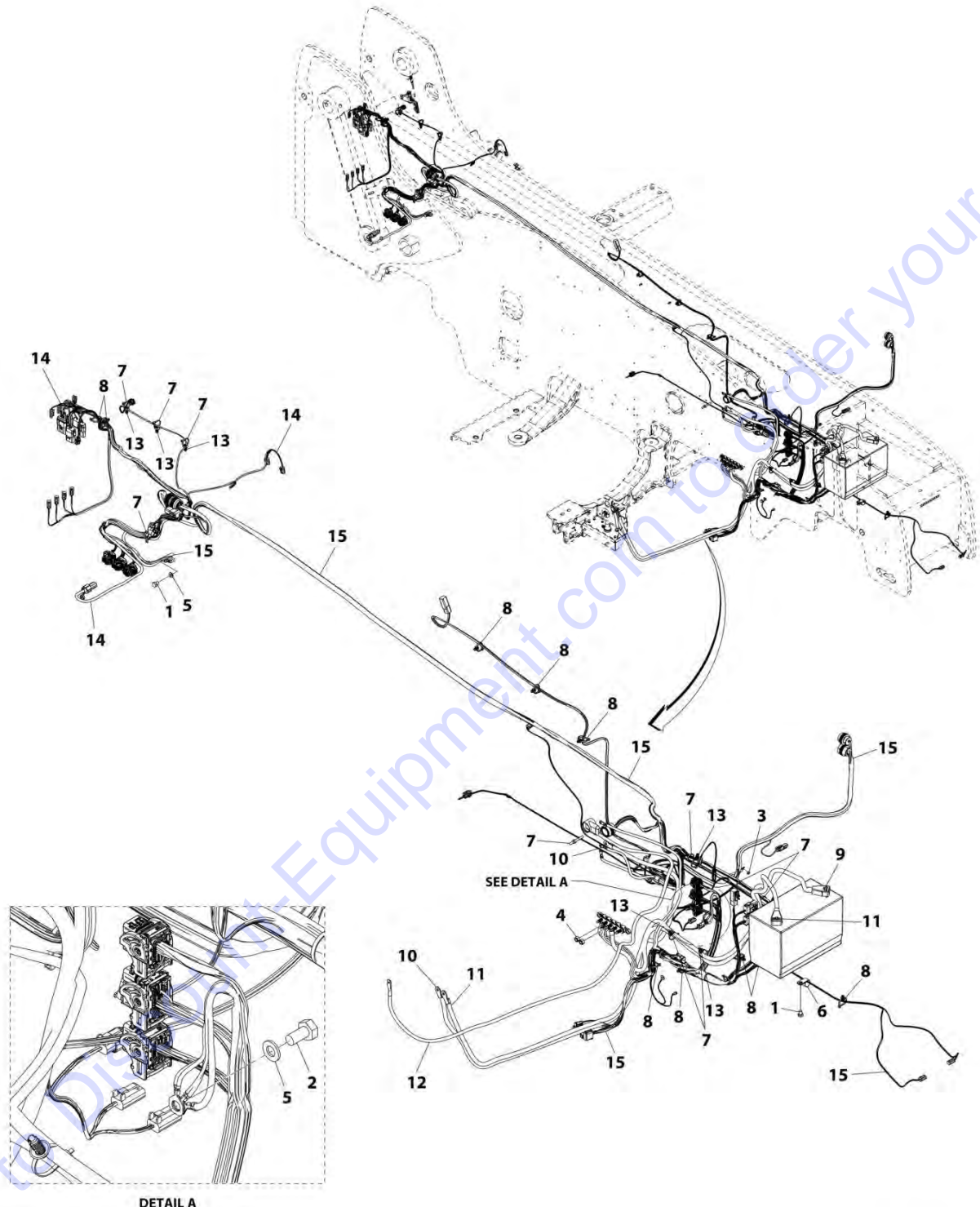
SECTION 10 - ELECTRICAL

FIGURE 10-6. ENGINE BAY WIRING INSTALLATION (ULS)

ITEM	PART NUMBER	QTY	DESCRIPTION	REV
	1001173531	Ref	Engine Bay Wiring Installation (ULS)	1
3	1001170215	1	Cable, PDM to ALT+	
4	1001200102	1	Cable, Ground Buss to Remote Ground	
5	1001170816	1	Cable, Grid Heater	
6	1001170740	1	Cable, Starter to Battery Disconnect	
7	1001170741	1	Cable, Starter to Remote B+	
8	1001170320	1	Cable, Starter Ground	
10	1001170749	1	Cable, Engine Ground	
11	1001008559	5	Strap, Cable	
12	3290605	1	Nut, Lock M6X1	
13	4811700	1	Washer, M6	
14	1001190585	1	Cable, Glow Plug	
15	4812100	1	Washer, M12	
16	0761210	2	Bolt, M12X20	
17	3291005	3	Nut, Lock M10X1.5	
18	8406105	1	Clip, Tube	
19	0701016	1	Bolt, M10X40	
20	3291001	1	Nut, M10X1.5	
21	4812000	2	Washer, M10	

SECTION 10 - ELECTRICAL

FIGURE 10-7. FRAME WIRING INSTALLATION (ULS)



ART_1001225987-B

PARTS FINDER

**Search Website
by Part Number**



**Search Manual
Library For Parts
Manual & Lookup Part
Numbers – Purchase
or Request Quote**

**Can't Find Part or
Manual? Request Help
by Manufacturer,
Model & Description**

Discount-Equipment.com is your online resource for quality parts & equipment.

Florida: **561-964-4949** Outside Florida TOLL FREE: **877-690-3101**

Need parts?

Click on this link: <http://www.discount-equipment.com/category/5443-parts/> and choose one of the options to help get the right parts and equipment you are looking for. Please have the machine model and serial number available in order to help us get you the correct parts. If you don't find the part on the website or on one of the online manuals, please fill out the request form and one of our experienced staff members will get back to you with a quote for the right part that your machine needs.

We sell worldwide for the brands: Genie, Terex, JLG, MultiQuip, Mikasa, Essick, Whiteman, Mayco, Toro Stone, Diamond Products, Generac Magnum, Airman, Haulotte, Barreto, Power Blanket, Nifty Lift, Atlas Copco, Chicago Pneumatic, Allmand, Miller Curber, Skyjack, Lull, Skytrak, Tsurumi, Husquvarna Target, Stow, Wacker, Sakai, Mi-T-M, Sullair, Basic, Dynapac, MBW, Weber, Bartell, Bennar Newman, Haulotte, Ditch Runner, Menegotti, Morrison, Contec, Buddy, Crown, Edco, Wyco, Bomag, Laymor, EZ Trench, Bil-Jax, F.S. Curtis, Gehl Pavers, Heli, Honda, ICS/PowerGrit, IHI, Partner, Imer, Clipper, MMD, Koshin, Rice, CH&E, General Equipment, Amida, Coleman, NAC, Gradall, Square Shooter, Kent, Stanley, Tamco, Toku, Hatz, Kohler, Robin, Wisconsin, Northrock, Oztec, Toker TK, Rol-Air, APT, Wylie, Ingersoll Rand / Doosan, Innovatech, Con X, Ammann, Mecalac, Makinex, Smith Surface Prep, Small Line, Wanco, Yanmar

SECTION 10 - ELECTRICAL

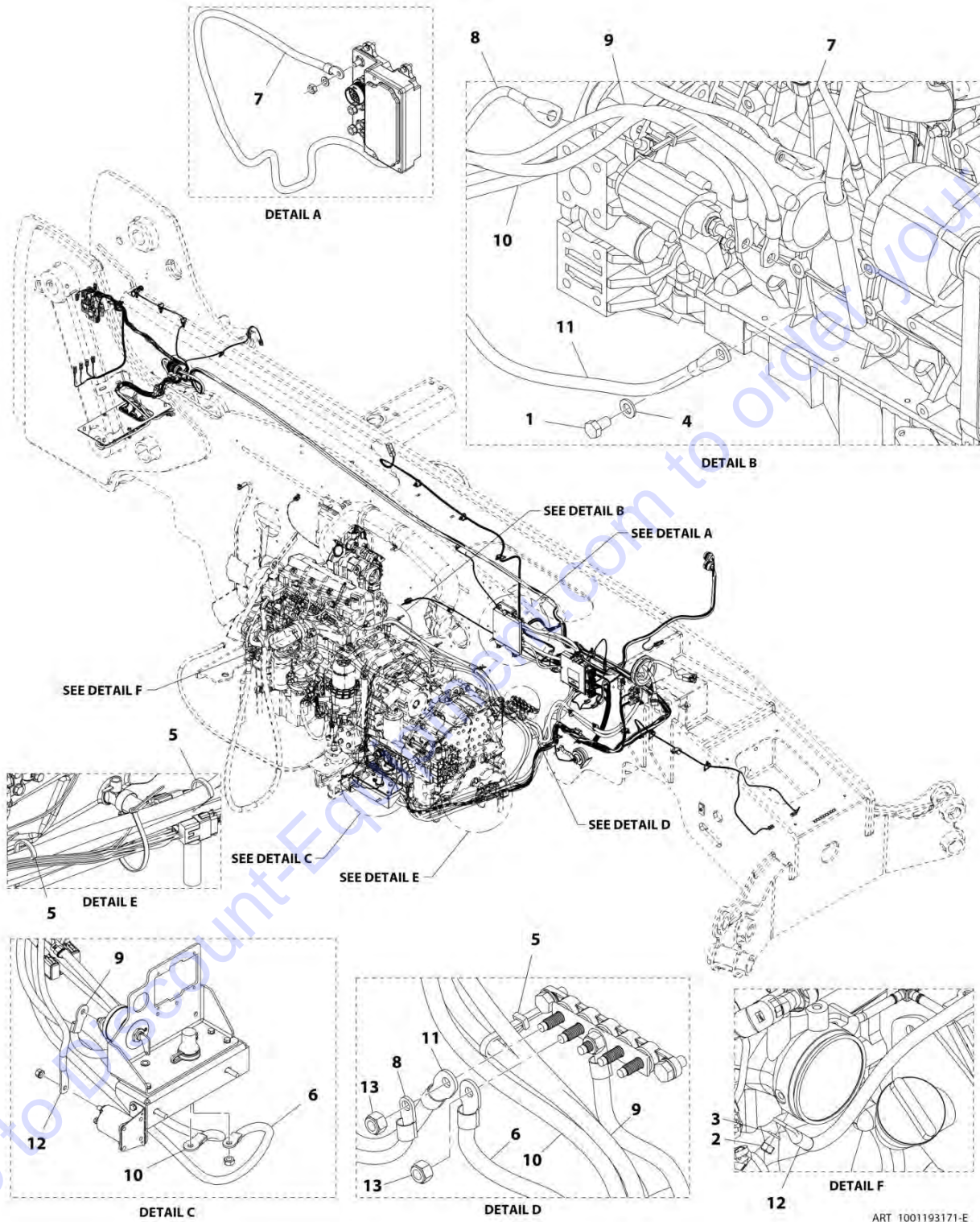
FIGURE 10-7. FRAME WIRING INSTALLATION (ULS)

ITEM	PART NUMBER	QTY	DESCRIPTION	REV
	1001225987	Ref	Frame Wiring Installation (ULS)	B
1	0761007	2	Bolt, M10X14	
2	0761010	1	Bolt, M10X20	
3	3290601	1	Nut, M6X1	
4	3291005	5	Nut, Lock M10X1.5	
5	4812000	2	Washer, M10	
6	8406201	1	Clip, Wire and Tube	
7	1001008559	19	Strap, Tie	
8	1001146588	13	Strap, Tie	
9	1001169365	1	Cable, Battery Negative	
10	1001170566	1	Cable, Battery Disconnect to PDM	
11	1001170624	1	Cable, Battery + to Battery Disconnect	
12	1001200082	1	Cable, PDM to Grid Heater	
13	1001202986	8	Strap	
14	1001204352	1	Harness, Rear Frame (See Separate Breakdown in this Section)	
15	1001221728	1	Harness, Front Frame (See Separate Breakdown in this Section)	

Go to Discount-Equipment.com to order your parts

SECTION 10 - ELECTRICAL

FIGURE 10-8. ENGINE BAY WIRING INSTALLATION (LS)



ART_1001193171-E

SECTION 10 - ELECTRICAL

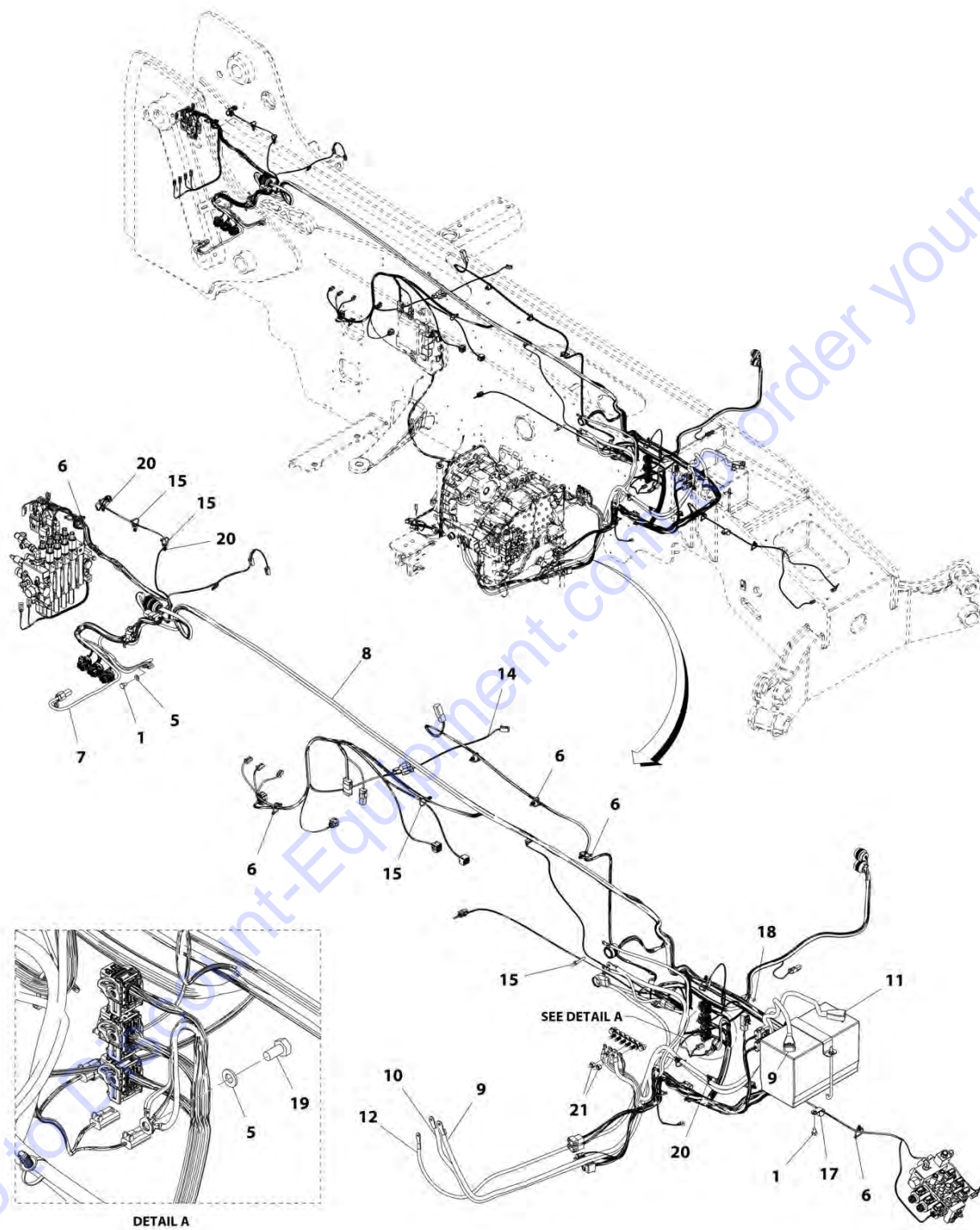
FIGURE 10-8. ENGINE BAY WIRING INSTALLATION (LS)

ITEM	PART NUMBER	QTY	DESCRIPTION	REV
	1001193171	Ref	Engine Bay Wiring Installation (LS)	E
1	0761210	1	Bolt, M12X20	
2	3290605	1	Nut, Lock M6X1	
3	4811700	1	Washer, M6	
4	4812100	1	Washer, M12	
5	1001008559	6	Strap, Cable	
6	1001200102	1	Cable, Ground Buss to Remote Ground	
7	1001205254	1	Cable, PDM to Alt+	
8	1001170320	1	Cable, Starter Ground	
9	1001187623	1	Cable, Starter to Battery Disconnect	
10	1001187624	1	Cable, Starter to Remote B+	
11	1001205255	1	Cable, Engine Ground	
12	1001170816	1	Cable, Grid Heater	
13	3291005	2	Nut, Lock M10X1.5	

Go to Discount-Equipment.com to order your parts

SECTION 10 - ELECTRICAL

FIGURE 10-9. FRAME WIRING INSTALLATION (ULS)



SECTION 10 - ELECTRICAL

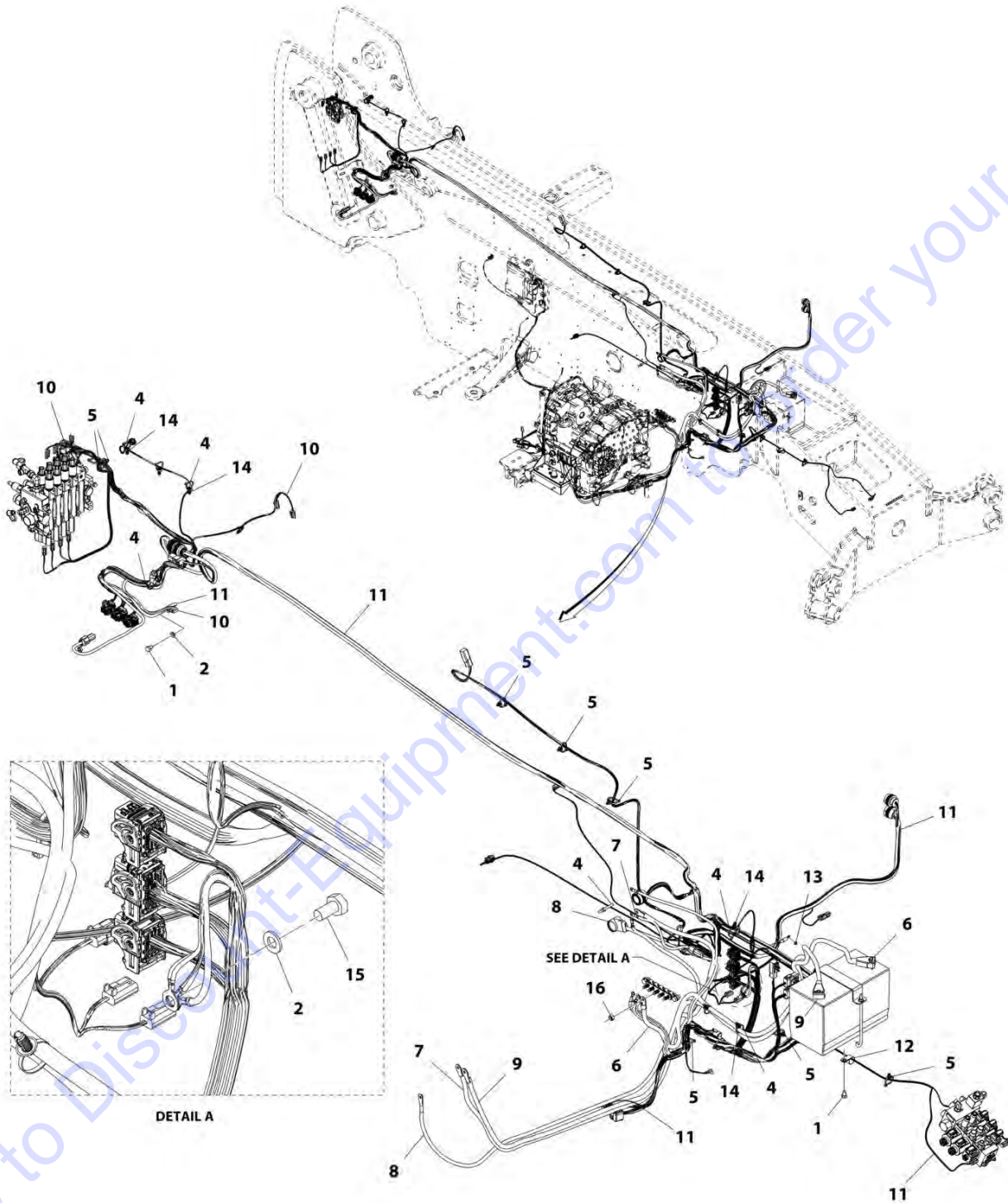
FIGURE 10-9. FRAME WIRING INSTALLATION (ULS)

ITEM	PART NUMBER	QTY	DESCRIPTION	REV
	1001173530	Ref	Frame Wiring Installation (ULS)	L
1	0761007	2	Bolt, M10X14	
5	4812000	2	Washer, M10	
6	1001146588	14	Strap, Fir Tree Cable Tie	
7	1001204352	1	Harness, Rear Frame (See REAR FRAME HARNESS for Breakdown)	
8		Ref	Harness, Front Frame (See Separate Breakdown in this Section)	
9	1001170624	1	Cable, Battery + to Battery Disconnect	
10	1001170566	1	Cable, Battery Disconnect to PDM	
11	1001169365	1	Cable, Battery Negative	
12	1001200082	1	Cable, PDM to Grid Heater	
14	1001173091	1	Harness, Engine Chassis Harness (See ENGINE CHASSIS HARNESS (ULS) for Breakdown)	
15	1001008559	19	Strap, Cable	
17	8406201	1	Clip, Wire and Tube	
18	3290601	1	Nut, M6X1	
19	0761010	1	Bolt, M10X20	
20	1001202986	9	Strap, Fir Tree Push Mount	
21	3291005	2	Nut, Lock M10X1.5	

Go to Discount-Equipment.com to order your parts

SECTION 10 - ELECTRICAL

FIGURE 10-10. FRAME WIRING INSTALLATION (LS)



ART_1001192305-J

SECTION 10 - ELECTRICAL

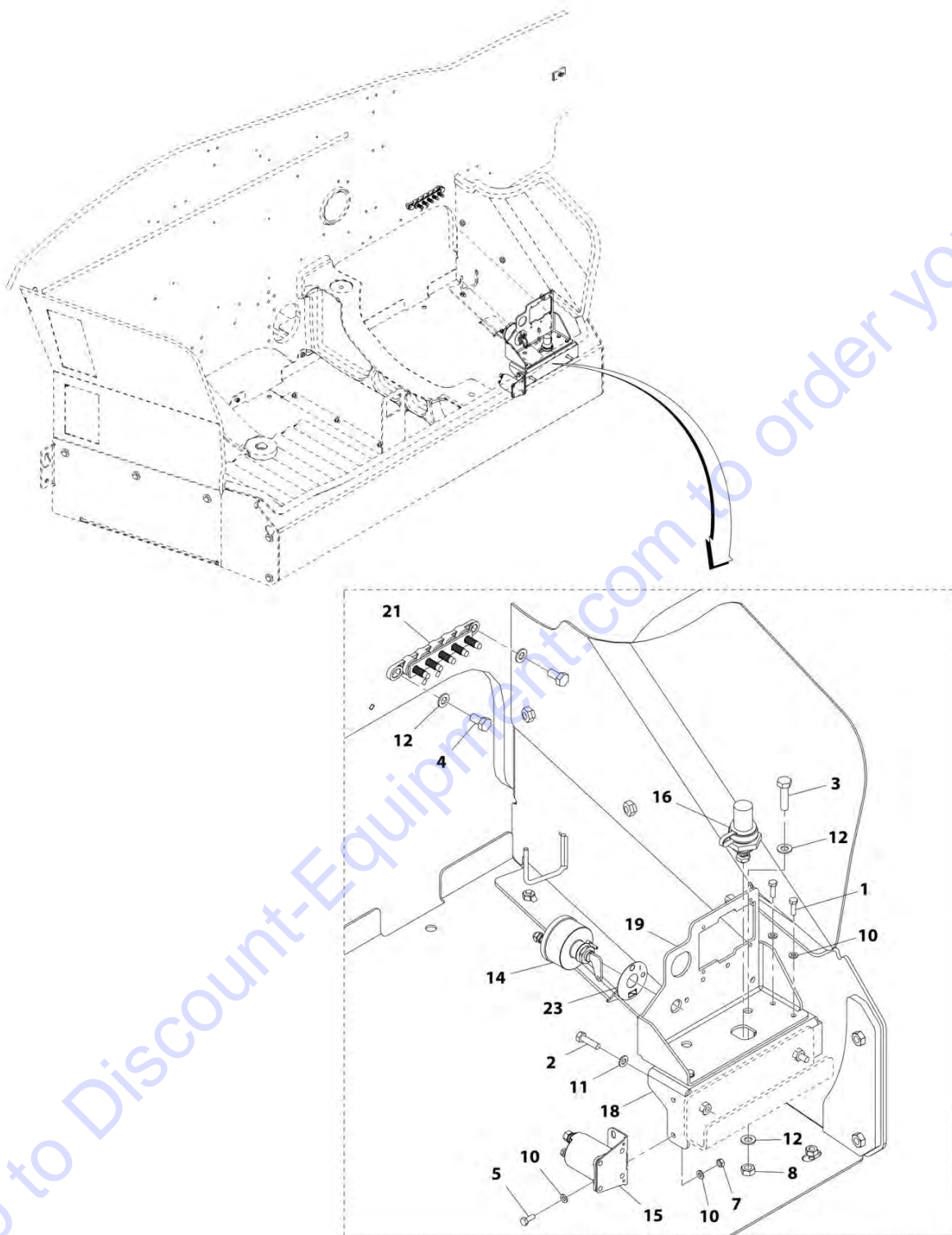
FIGURE 10-10. FRAME WIRING INSTALLATION (LS)

ITEM	PART NUMBER	QTY	DESCRIPTION	REV
	1001192305	Ref	Frame Wiring Installation (LS)	J
1	0761007	2	Bolt, M10X14	
2	4812000	2	Washer, M10	
4	1001008559	19	Strap, Cable	
5	1001146588	13	Strap, Fir Tree Cable Tie	
6	1001169365	1	Cable, Battery Negative	
7	1001170566	1	Cable, Battery Disconnect to PDM	
8	1001200082	1	Cable, PDM to Grid Heater	
9	1001170624	1	Cable, Battery + to Battery Disconnect	
10	1001204352	1	Harness, Rear Frame (See REAR FRAME HARNESS for Breakdown)	
11		Ref	Harness, Front Frame (See Separate Breakdown in this Section)	
12	8406201	1	Clip, Wire and Tube	
13	3290601	1	Nut, M6X1	
14	1001202986	8	Strap, Fir Tree Push Mount	
15	0761010	1	Bolt, M10X20	
16	3291005	1	Nut, Lock M10X1.5	

Go to Discount-Equipment.com to order your parts

SECTION 10 - ELECTRICAL

FIGURE 10-11. ENGINE BAY ELECTRICAL INSTALLATION



ART_1001173765-J

SECTION 10 - ELECTRICAL

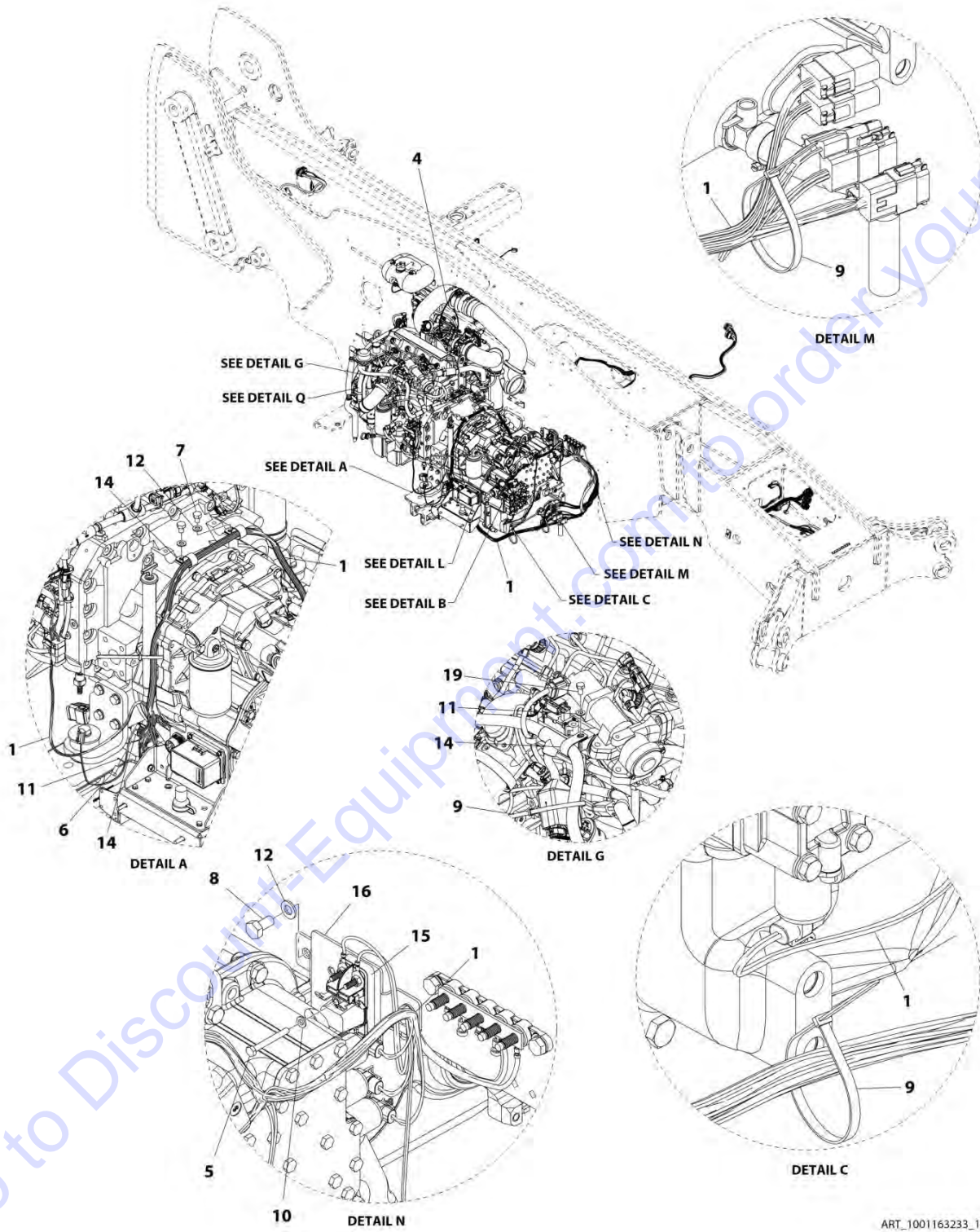
FIGURE 10-11. ENGINE BAY ELECTRICAL INSTALLATION

ITEM	PART NUMBER	QTY	DESCRIPTION	REV
	1001173765	Ref	Engine Bay Electrical Installation	J
1	0700610	4	Bolt, M6X20	
2	0700814	2	Bolt, M8X30	
3	0701016	1	Bolt, M10X40	
4	0761010	2	Bolt, M10X20	
5	0760608	2	Bolt, M6X16	
7	3290601	2	Nut, M6X1	
8	3291001	1	Nut, M10X1.5	
10	4811700	8	Washer, M6	
11	4811900	2	Washer, M8	
12	4812000	4	Washer, M10	
14	1001192142	1	Switch	
15	1001117308	1	Relay	
16	1001193993	1	Terminal	
18	1001199099	1	Bracket	
19	1001198321	1	Bracket	
21	1001181128	1	Bussbar	
23	1001008540	1	Plate	

Go to Discount-Equipment.com to order your parts

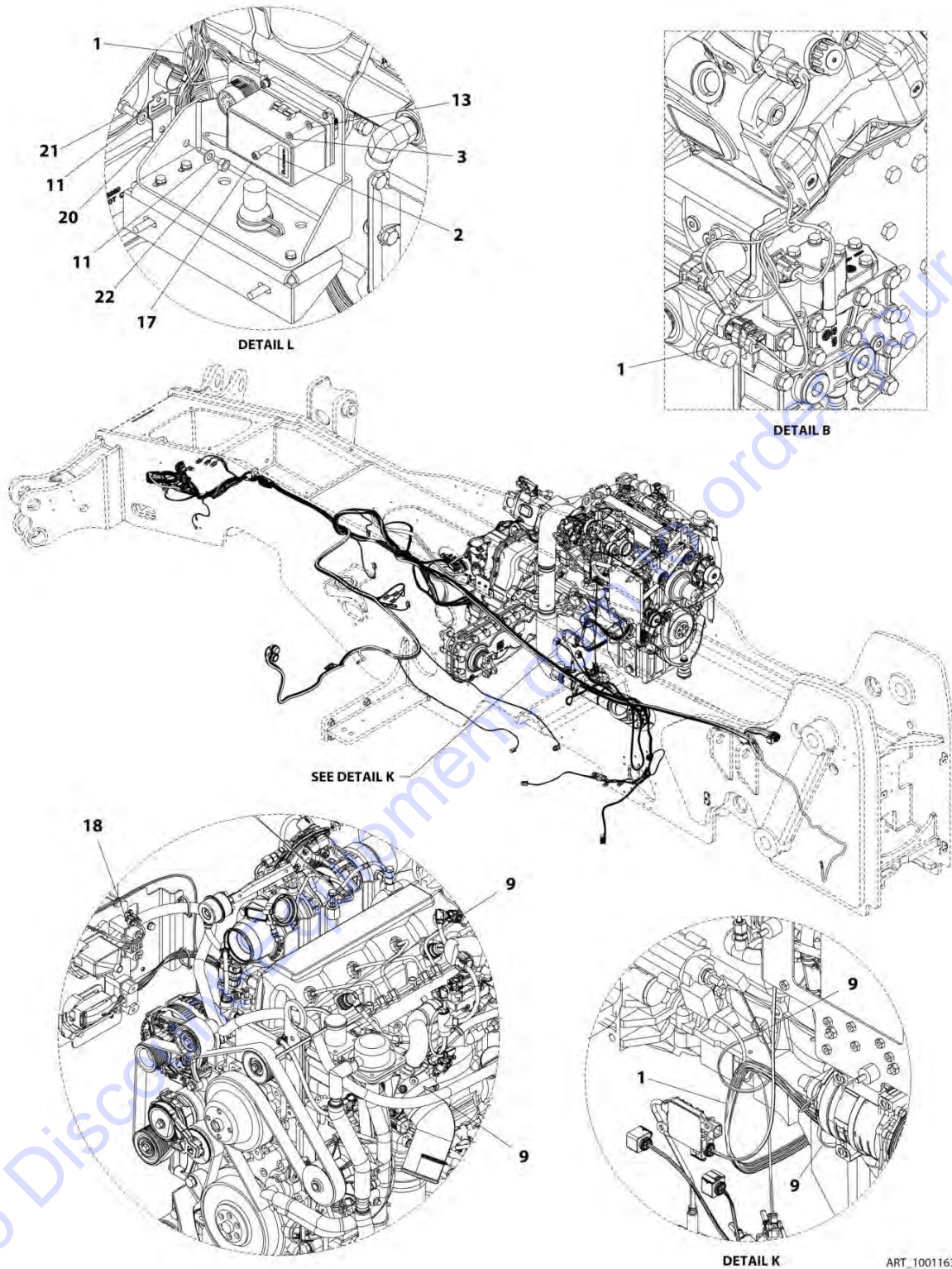
SECTION 10 - ELECTRICAL

FIGURE 10-12. ENGINE WIRING INSTALLATION (ULS)

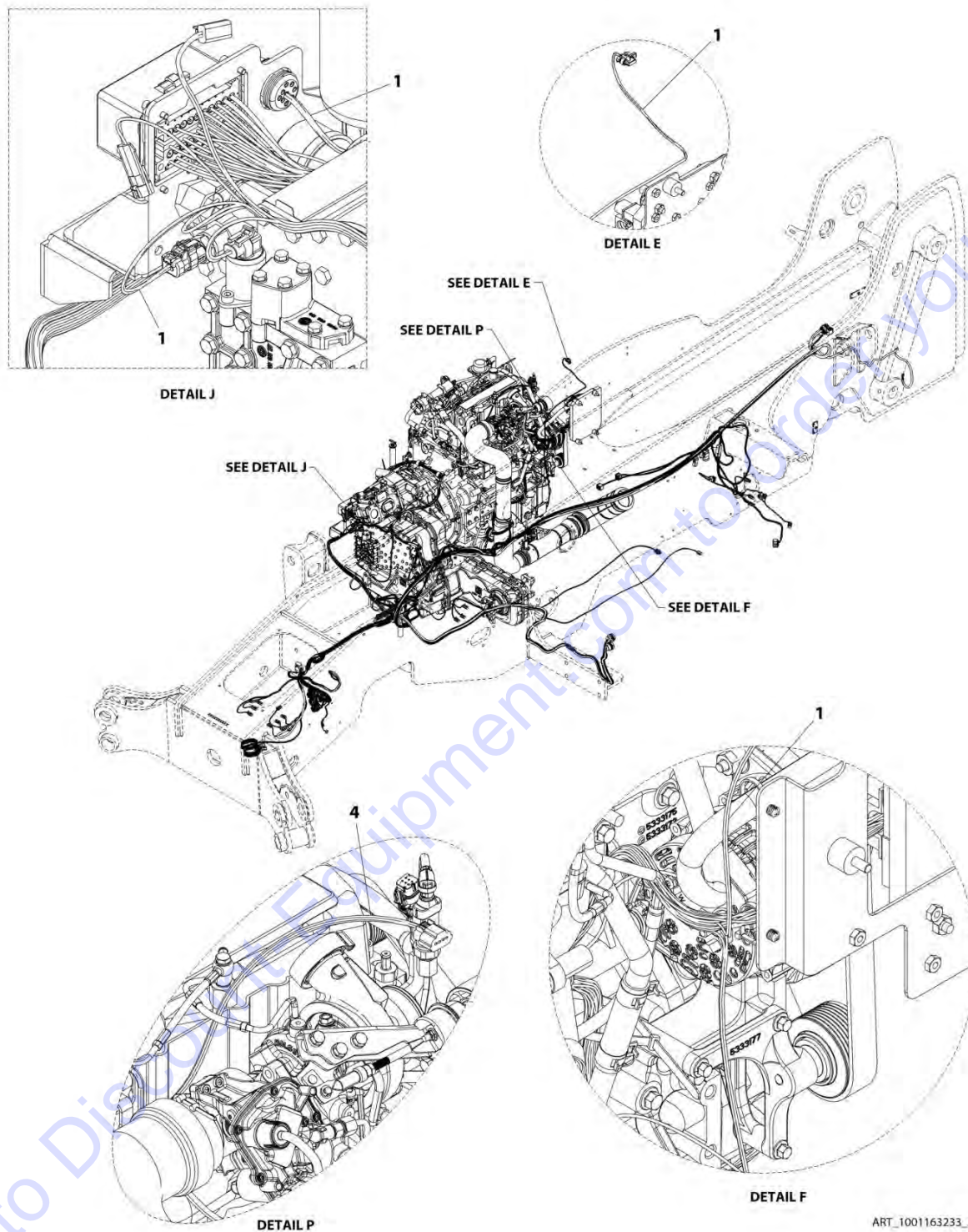


ART_1001163233_1-L

SECTION 10 - ELECTRICAL



SECTION 10 - ELECTRICAL



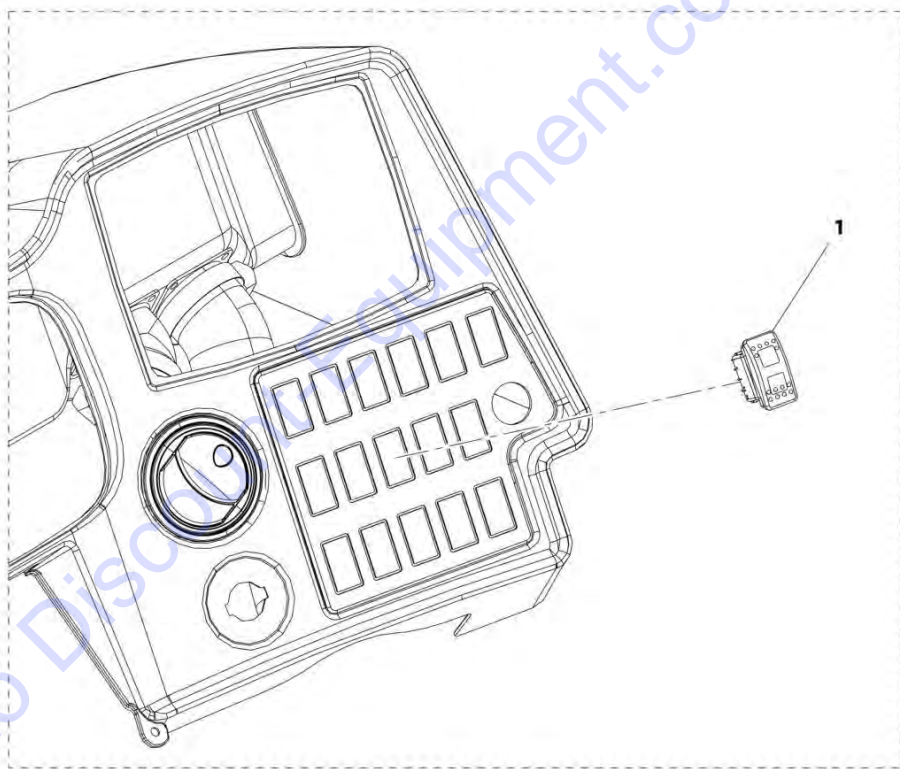
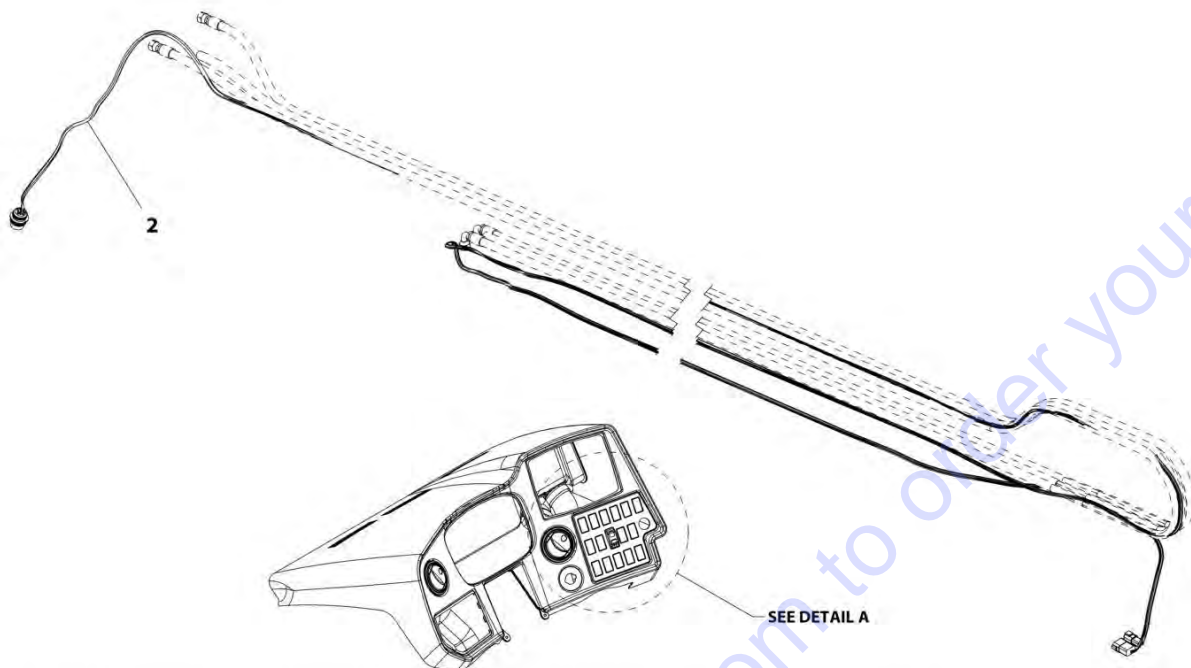
SECTION 10 - ELECTRICAL

FIGURE 10-12. ENGINE WIRING INSTALLATION (ULS)

ITEM	PART NUMBER	QTY	DESCRIPTION	REV
	1001163233	Ref	Engine Wiring Installation (ULS)	L
1		Ref	Harness, Engine (ULS) (See Separate Breakdown in this Section)	
2	4031608	4	Screw, M5X20	
3	4811600	4	Washer, M5	
4	1001184835	1	Harness, TBAP (See TBAP HARNESS for Breakdown)	
5	0700618	1	Bolt, M6X50	
6	0760808	1	Bolt, M8X16	
7	0761007	2	Bolt, M10X14	
8	0761010	2	Bolt, M10X20	
9	1062255	8	Strap, Tie	
10	4811700	1	Washer, M6	
11	4811900	2	Washer, M8 (Prior to SN 0160093271)	
11	4811900	4	Washer, M8 (SN 0160093271 to Present)	
12	4812000	4	Washer, M10	
13	4831600	4	Washer, Lock M5	
14	8406201	4	Clip, Tube	
15	1001131177	1	Fuse, Power Module	
16	1001189046	1	Bracket	
17	1001191486	1	Decal	
18	1001167646	1	Connector, Strain Relief	
19	0760807	1	Bolt, M8X14	
20	1001153749	1	Clip (SN 0160093271 to Present)	
21	0700808	1	Bolt, M8X16 (SN 0160093271 to Present)	
22	3290801	1	Hex Nut, M8X1.25 (SN 0160093271 to Present)	

SECTION 10 - ELECTRICAL

FIGURE 10-13. BOOM AUXILIARY ELECTRIC INSTALLATION



DETAIL A

ART_1001187532-A

SECTION 10 - ELECTRICAL

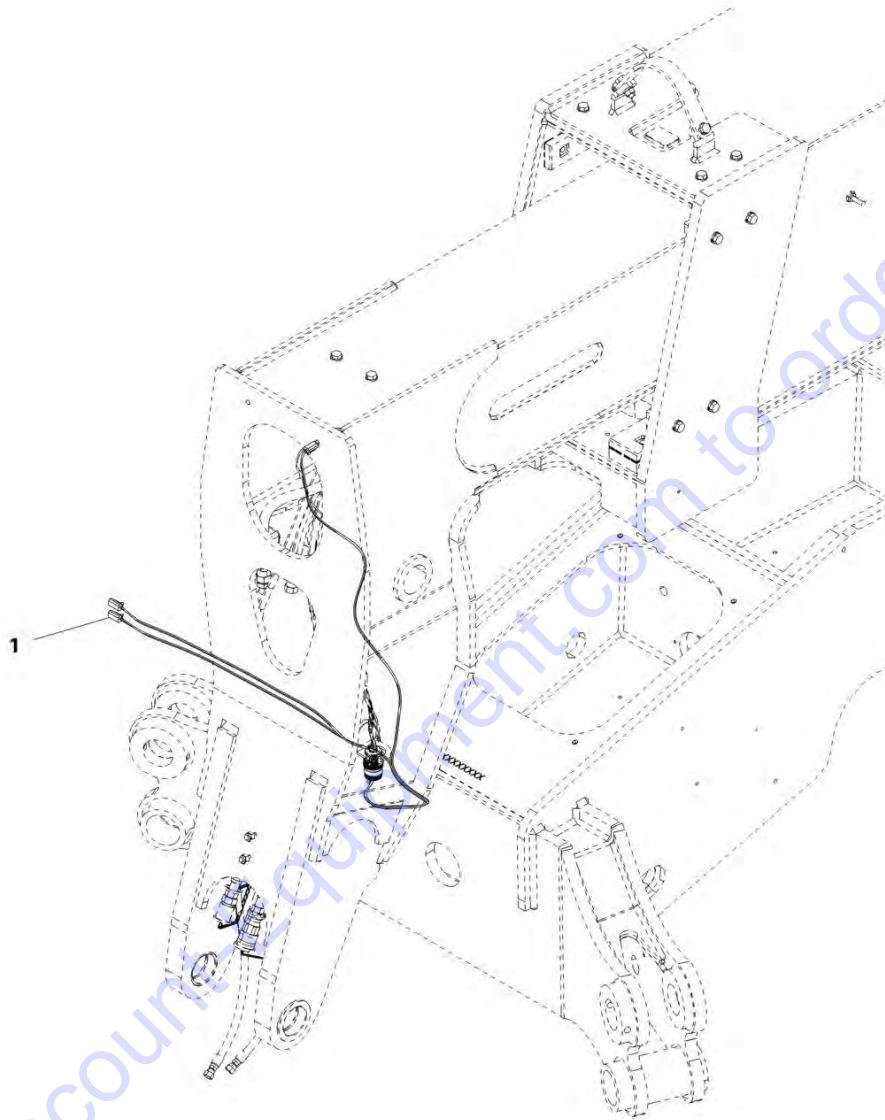
FIGURE 10-13. BOOM AUXILIARY ELECTRIC INSTALLATION

ITEM	PART NUMBER	QTY	DESCRIPTION	REV
	1001187532	Ref	Boom Auxiliary Electric Installation	A
1	1001159746	1	Switch, Auxiliary Electric	
2	1001174426	1	Installation, Boom Electrical Harness (See Separate Breakdown in this Section)	

Go to Discount-Equipment.com to order your parts

SECTION 10 - ELECTRICAL

FIGURE 10-14. BOOM AUXILIARY ELECTRIC HARNESS INSTALLATION



ART_1001167799-A

SECTION 10 - ELECTRICAL

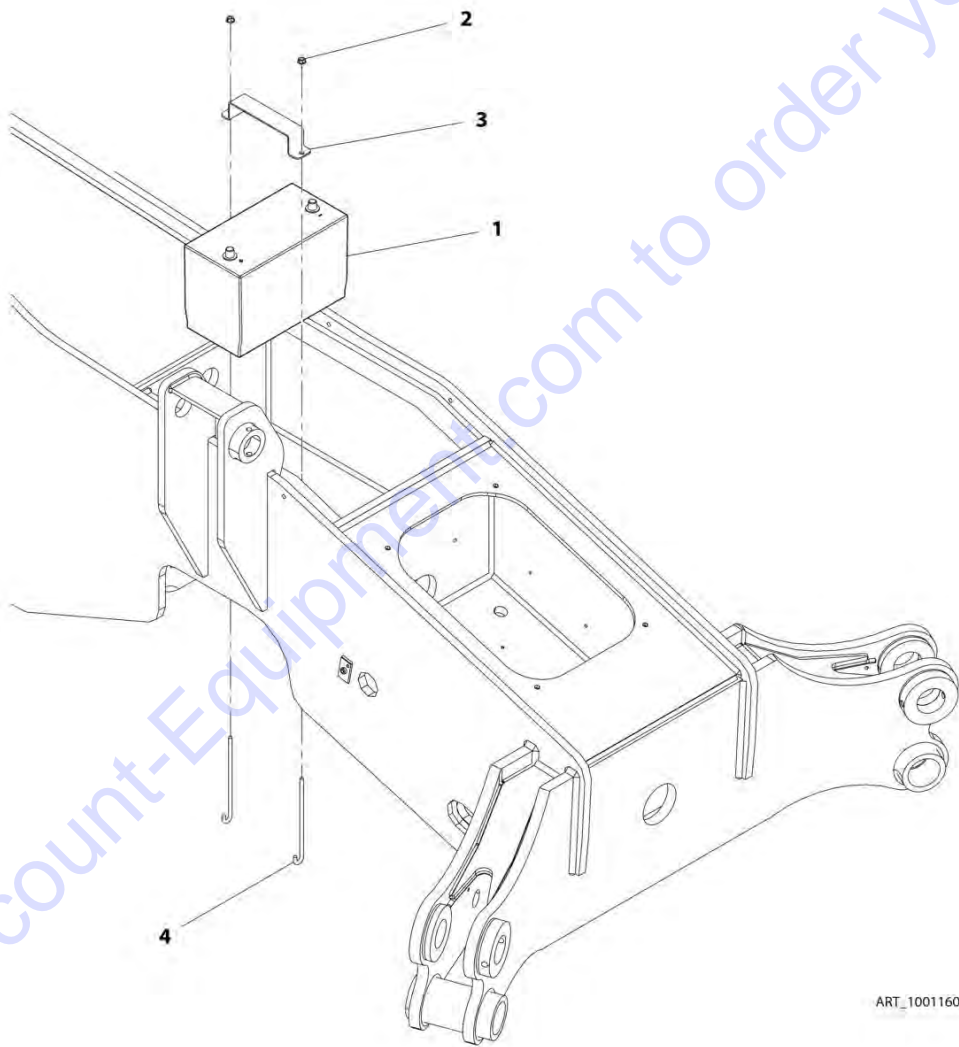
FIGURE 10-14. BOOM AUXILIARY ELECTRIC HARNESS INSTALLATION

ITEM	PART NUMBER	QTY	DESCRIPTION	REV
1	1001167799 1001167695	Ref 1	Boom Auxiliary Electric Harness Installation Harness, Platform (See Separate Breakdown in this Section)	A

Go to Discount-Equipment.com to order your parts

SECTION 10 - ELECTRICAL

FIGURE 10-15. BATTERY INSTALLATION



ART_1001160711-C

SECTION 10 - ELECTRICAL

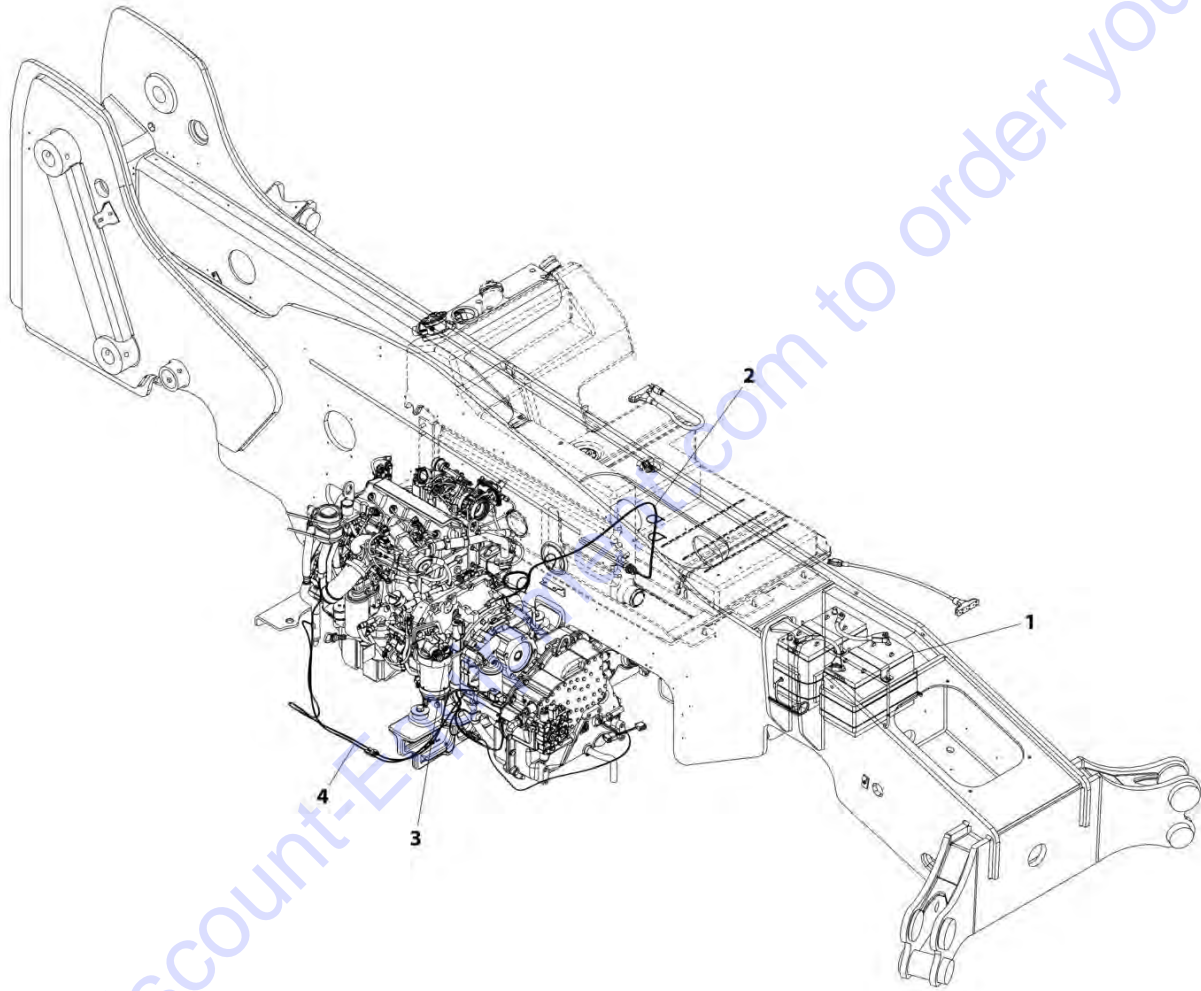
FIGURE 10-15. BATTERY INSTALLATION

ITEM	PART NUMBER	QTY	DESCRIPTION	REV
	1001160711	Ref	Battery Installation	C
1	0400075	1	Battery, 12V	
2	5220800	2	Nut, M8	
3	1001160927	1	Plate	
4	1001181961	2	J-Bolt	

Go to Discount-Equipment.com to order your parts

SECTION 10 - ELECTRICAL

FIGURE 10-16. ARCTIC COLD WEATHER PACKAGE INSTALLATION



ART_1001190179-D

SECTION 10 - ELECTRICAL

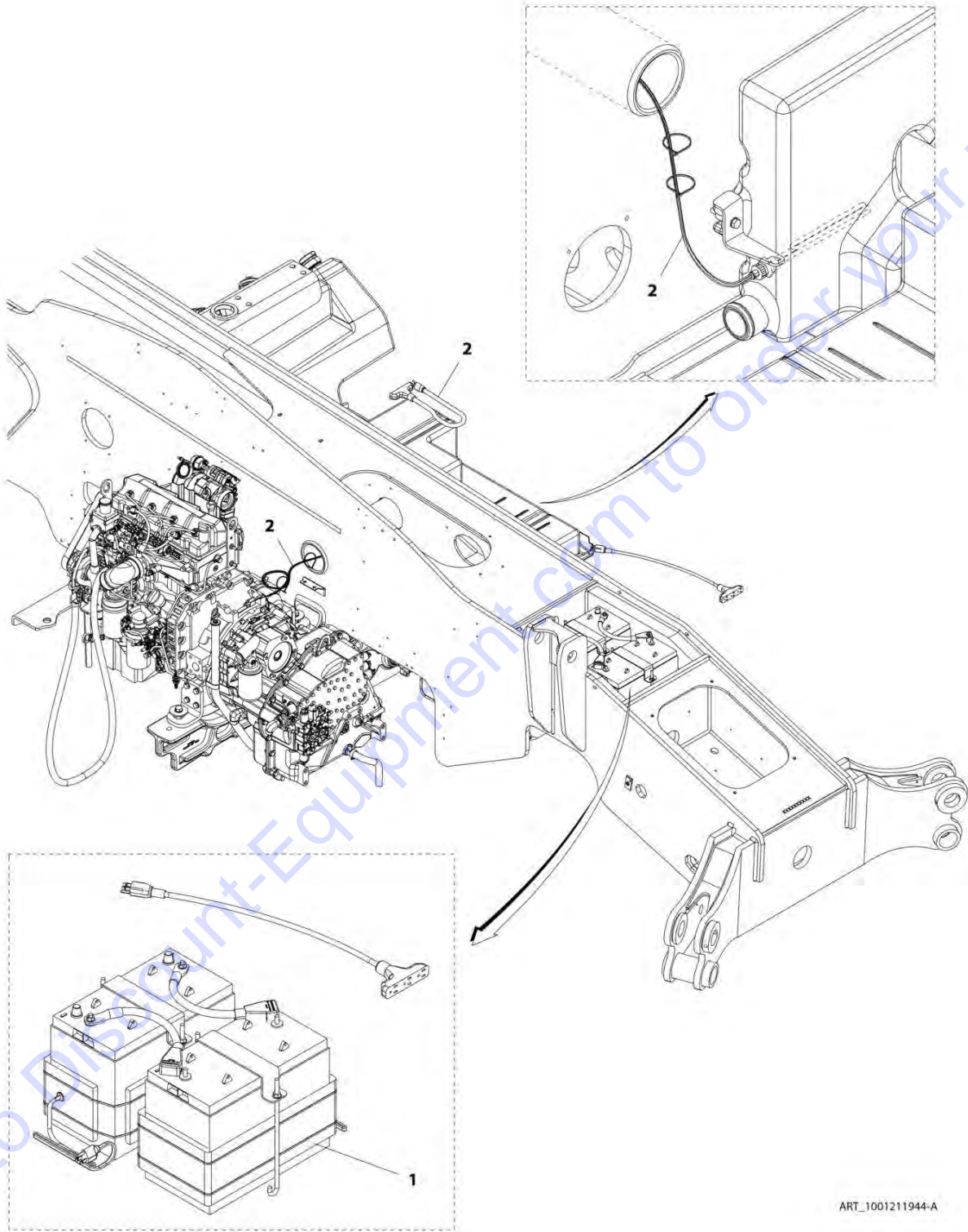
FIGURE 10-16. ARCTIC COLD WEATHER PACKAGE INSTALLATION

ITEM	PART NUMBER	QTY	DESCRIPTION	REV
1	1001190179	Ref	Arctic Weather Package Installation - 110 HP (ULS)	D
	1001190670	Ref	Installation, Arctic Batteries (See Separate Breakdown in this Section)	
2	1001190671	Ref	Installation, Tank Heater (See Separate Breakdown in this Section)	
3	1001204095	Ref	Installation, Fuel Filter Heater (See Separate Breakdown in this Section)	
4	1001232751	Ref	Heater, Breather - 110 HP (See Separate Breakdown in Engine And Attaching Parts Section)	

Go to Discount-Equipment.com to order your parts

SECTION 10 - ELECTRICAL

FIGURE 10-17. ARCTIC COLD WEATHER PACKAGE INSTALLATION (LS)



ART_1001211944-A

SECTION 10 - ELECTRICAL

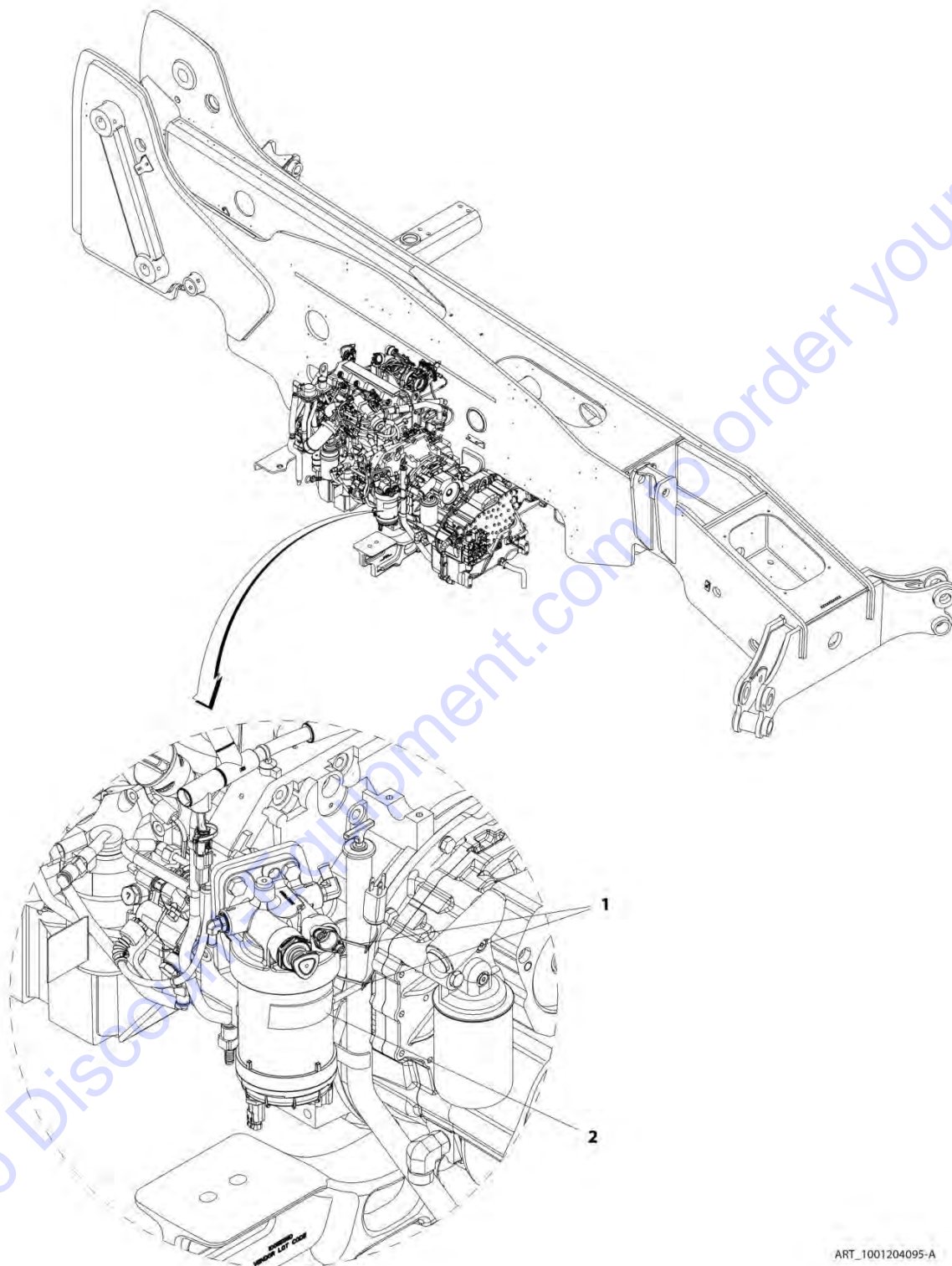
FIGURE 10-17. ARCTIC COLD WEATHER PACKAGE INSTALLATION (LS)

ITEM	PART NUMBER	QTY	DESCRIPTION	REV
1	1001211944	Ref	Arctic Weather Package Installation (LS)	A
	1001190670	Ref	Installation, Arctic Batteries (See Separate Breakdown in this Section)	
2	1001190671	Ref	Installation, Tank Heater (See HYDRAULIC TANK HEATER INSTALLATION for Breakdown)	

Go to Discount-Equipment.com to order your parts

SECTION 10 - ELECTRICAL

FIGURE 10-18. FUEL FILTER HEATER INSTALLATION



ART_1001204095-A

SECTION 10 - ELECTRICAL

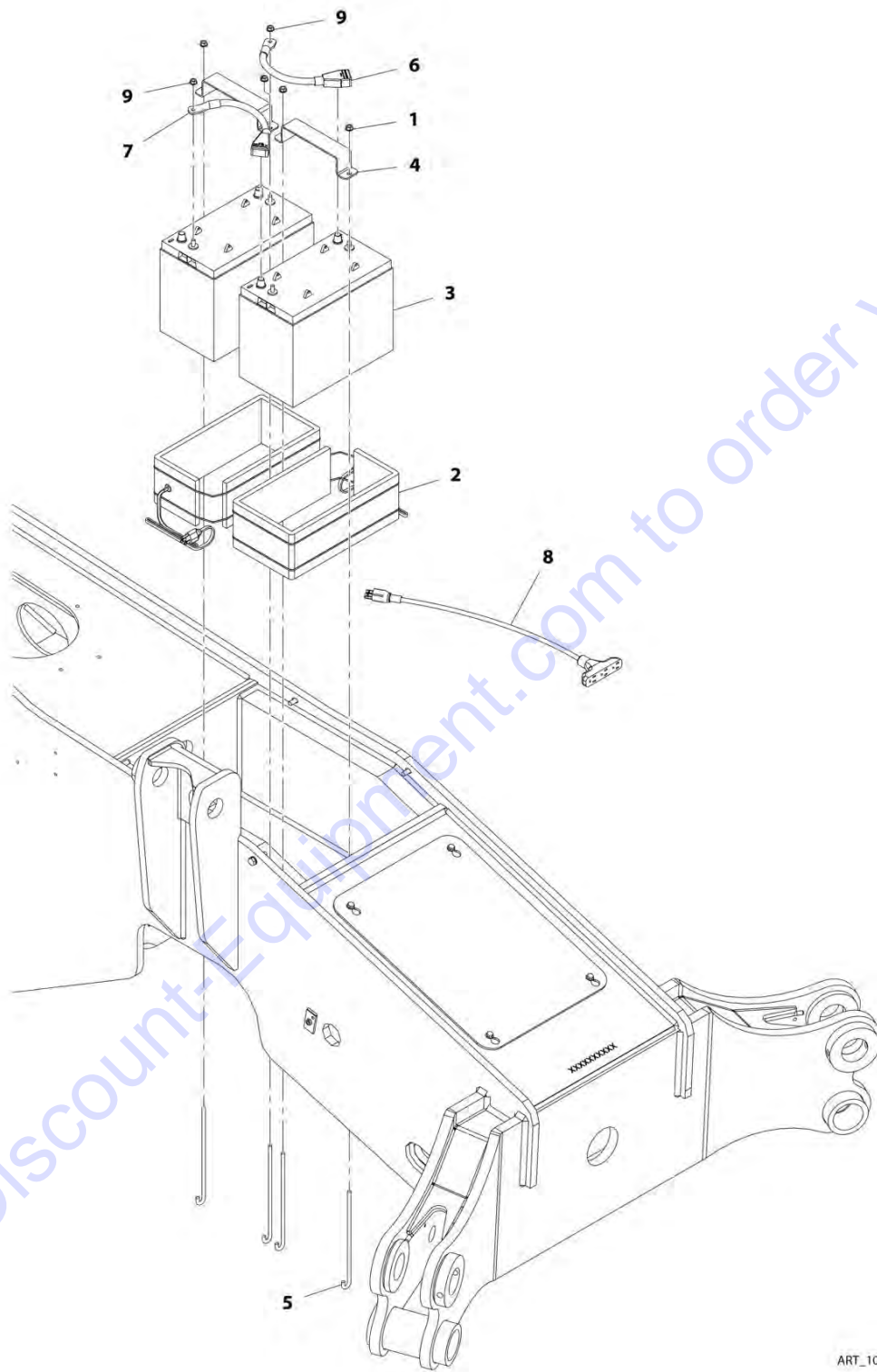
FIGURE 10-18. FUEL FILTER HEATER INSTALLATION

ITEM	PART NUMBER	QTY	DESCRIPTION	REV
	1001204095	Ref	Fuel Filter Heater Installation	A
1	4240099	2	Strap, Tie	
2	1001202498	1	Pad	

Go to Discount-Equipment.com to order your parts

SECTION 10 - ELECTRICAL

FIGURE 10-19. ARTIC BATTERIES INSTALLATION



ART_1001190670-C

SECTION 10 - ELECTRICAL

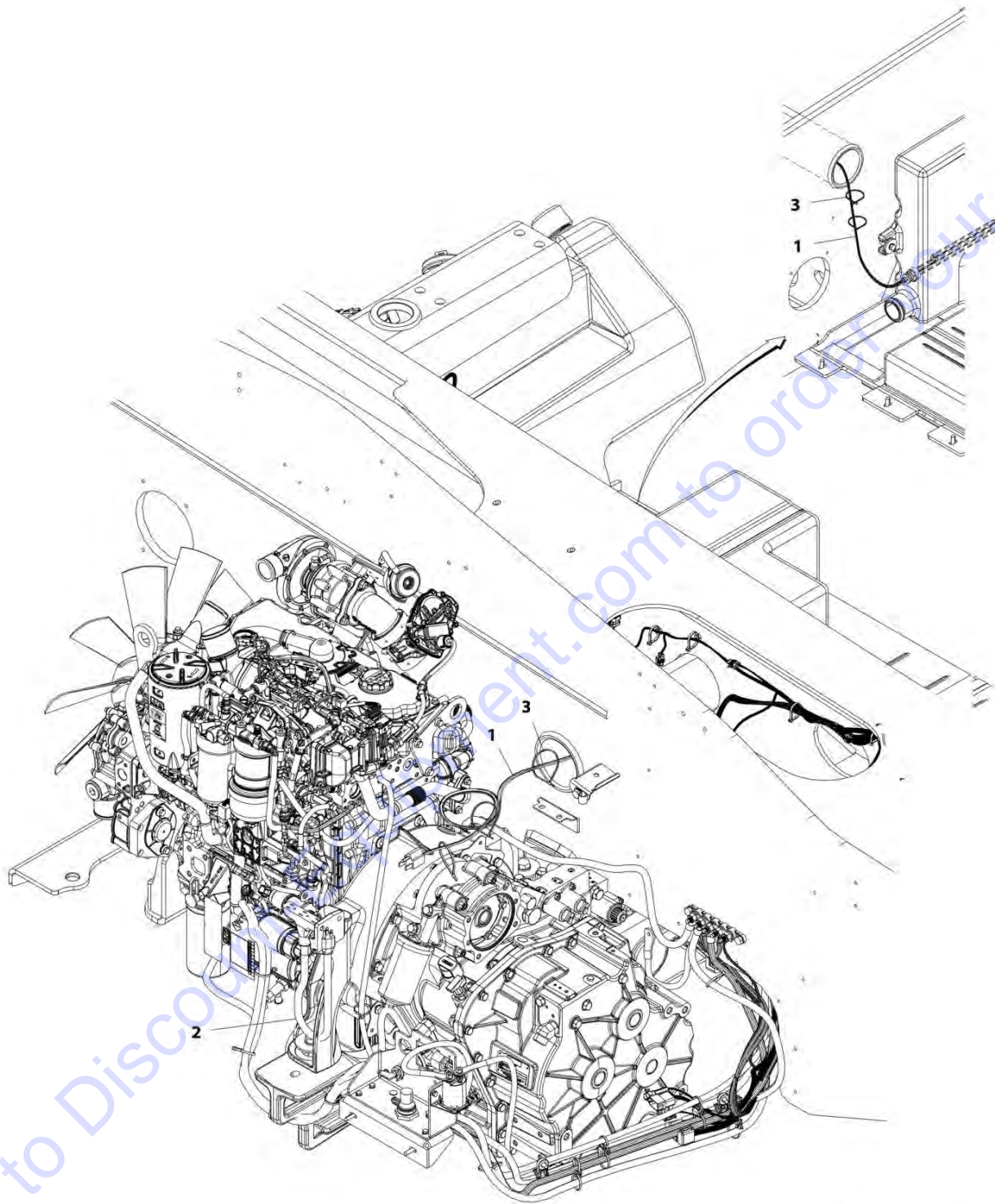
FIGURE 10-19. ARTIC BATTERIES INSTALLATION

ITEM	PART NUMBER	QTY	DESCRIPTION	REV
	1001190670	Ref	Artic Batteries Installation	C
1	5220800	4	Nut, M8	
2	1001093564	2	Heater, Battery	
3	1001098762	2	Battery, 12V	
4	1001160927	2	Plate	
5	1001160928	4	J-Bolt	
6	1001172495	1	Cable	
7	1001172496	1	Cable	
8	1060626	1	Cord, 3-Way Extension	
9	3311508	2	Nut	

Go to Discount-Equipment.com to order your parts

SECTION 10 - ELECTRICAL

FIGURE 10-20. HYDRAULIC TANK HEATER INSTALLATION



ART_1001190671-B

SECTION 10 - ELECTRICAL

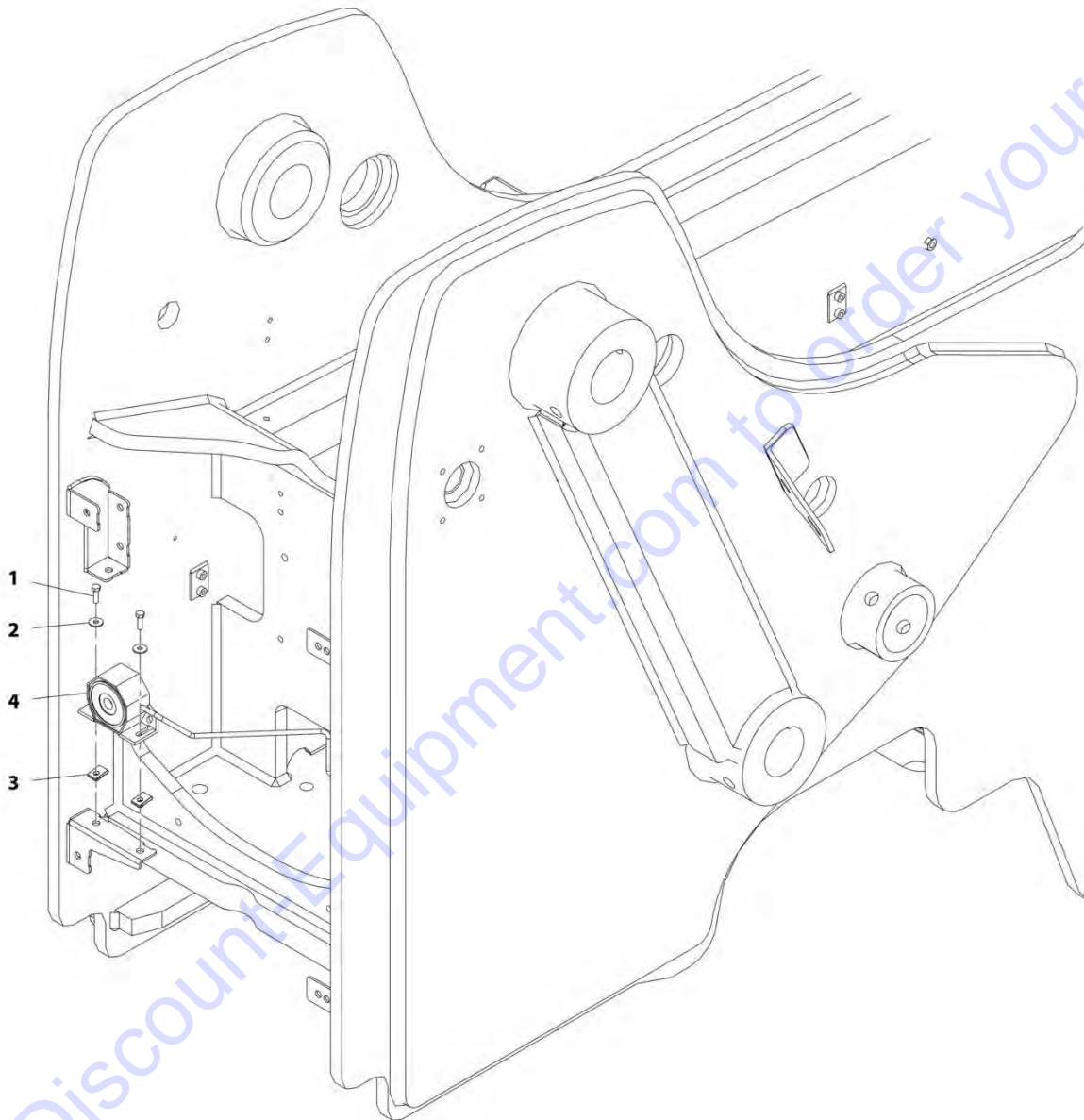
FIGURE 10-20. HYDRAULIC TANK HEATER INSTALLATION

ITEM	PART NUMBER	QTY	DESCRIPTION	REV
	1001190671	Ref	Hydraulic Tank Heater Installation	B
1	1001105886	1	Heater, Immersion	
2	1060626	1	Cord, 3-Way Extension	
3	4240099	5	Strap, Tie	

Go to Discount-Equipment.com to order your parts

SECTION 10 - ELECTRICAL

FIGURE 10-21. BACKUP ALARM INSTALLATION (120 DB)



ART_1001199183-B

SECTION 10 - ELECTRICAL

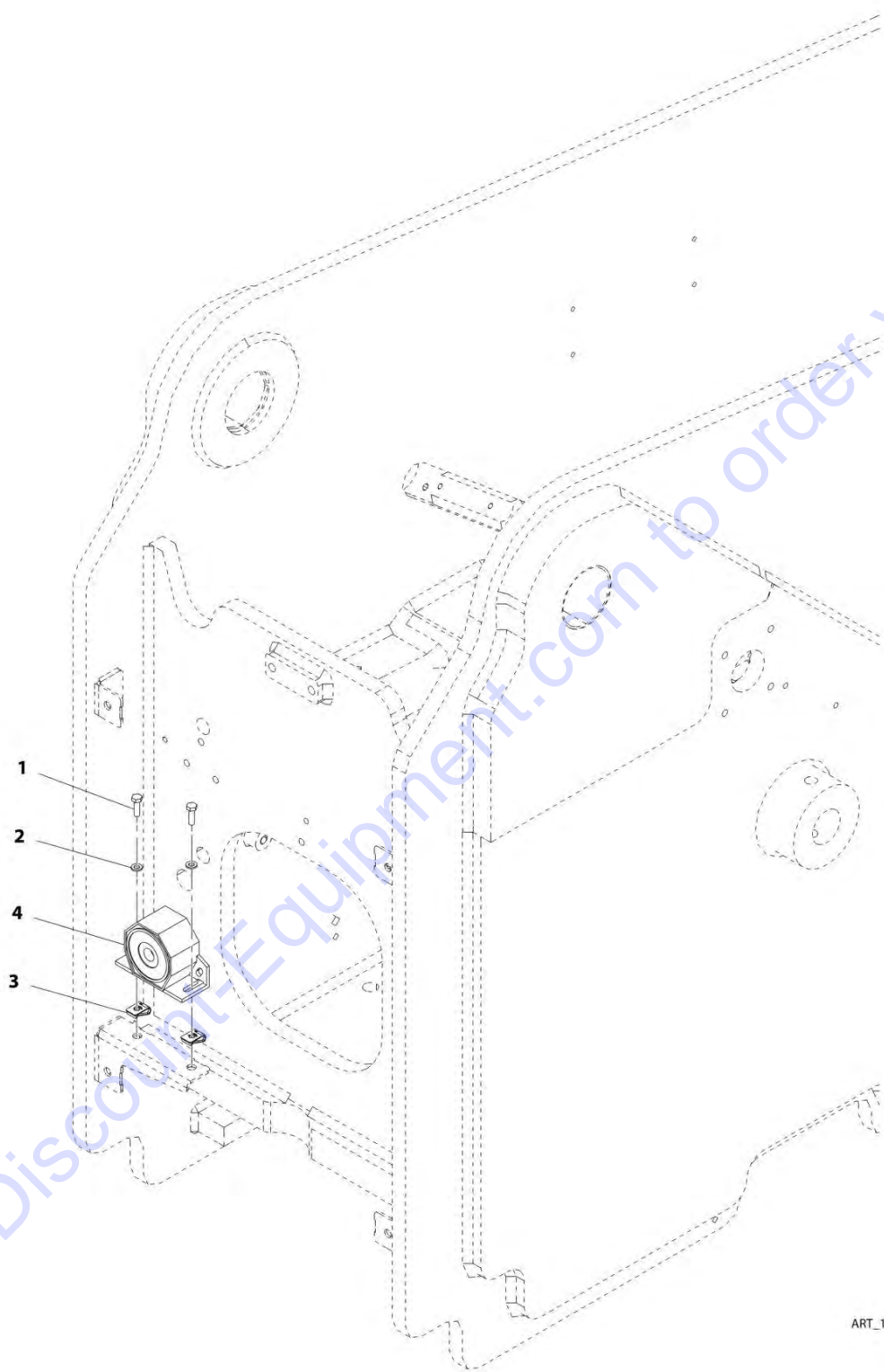
FIGURE 10-21. BACKUP ALARM INSTALLATION (120 DB)

ITEM	PART NUMBER	QTY	DESCRIPTION	REV
	1001199183	Ref	Backup Alarm Installation (120 dB)	B
1	0700610	2	Bolt, M6X20	
2	4811702	2	Washer, M6	
3	1001130220	2	Nut, M6	
4	1001147060	1	Alarm, Backup	

Go to Discount-Equipment.com to order your parts

SECTION 10 - ELECTRICAL

FIGURE 10-22. BACKUP ALARM INSTALLATION (97 DB)



ART_1001192393-D

SECTION 10 - ELECTRICAL

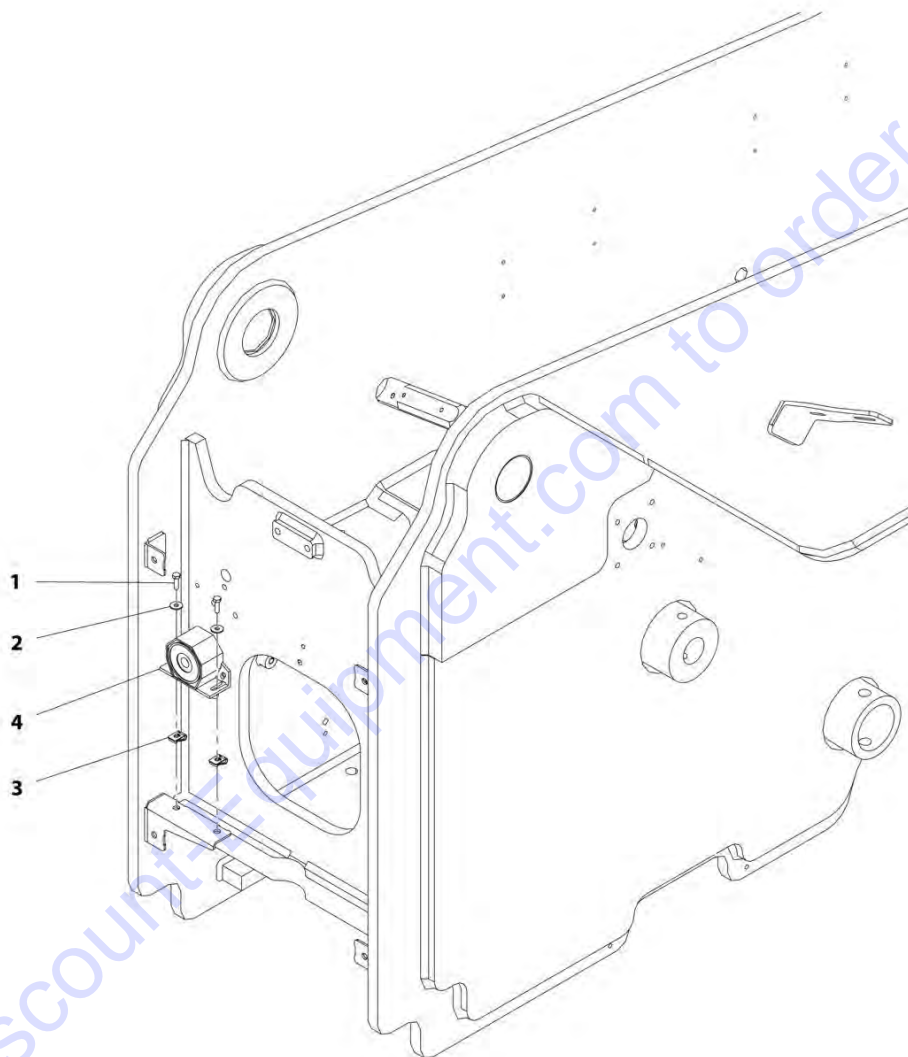
FIGURE 10-22. BACKUP ALARM INSTALLATION (97 DB)

ITEM	PART NUMBER	QTY	DESCRIPTION	REV
	1001192393	Ref	Backup Alarm Installation (97 dB)	D
1	0700610	2	Bolt, M6X20	
2	4811702	2	Washer, M6	
3	8305919	2	Nut, M6	
4	1001101808	1	Alarm, Backup	

Go to Discount-Equipment.com to order your parts

SECTION 10 - ELECTRICAL

FIGURE 10-23. WHITE NOISE BACKUP ALARM INSTALLATION



ART_1001192394-D

SECTION 10 - ELECTRICAL

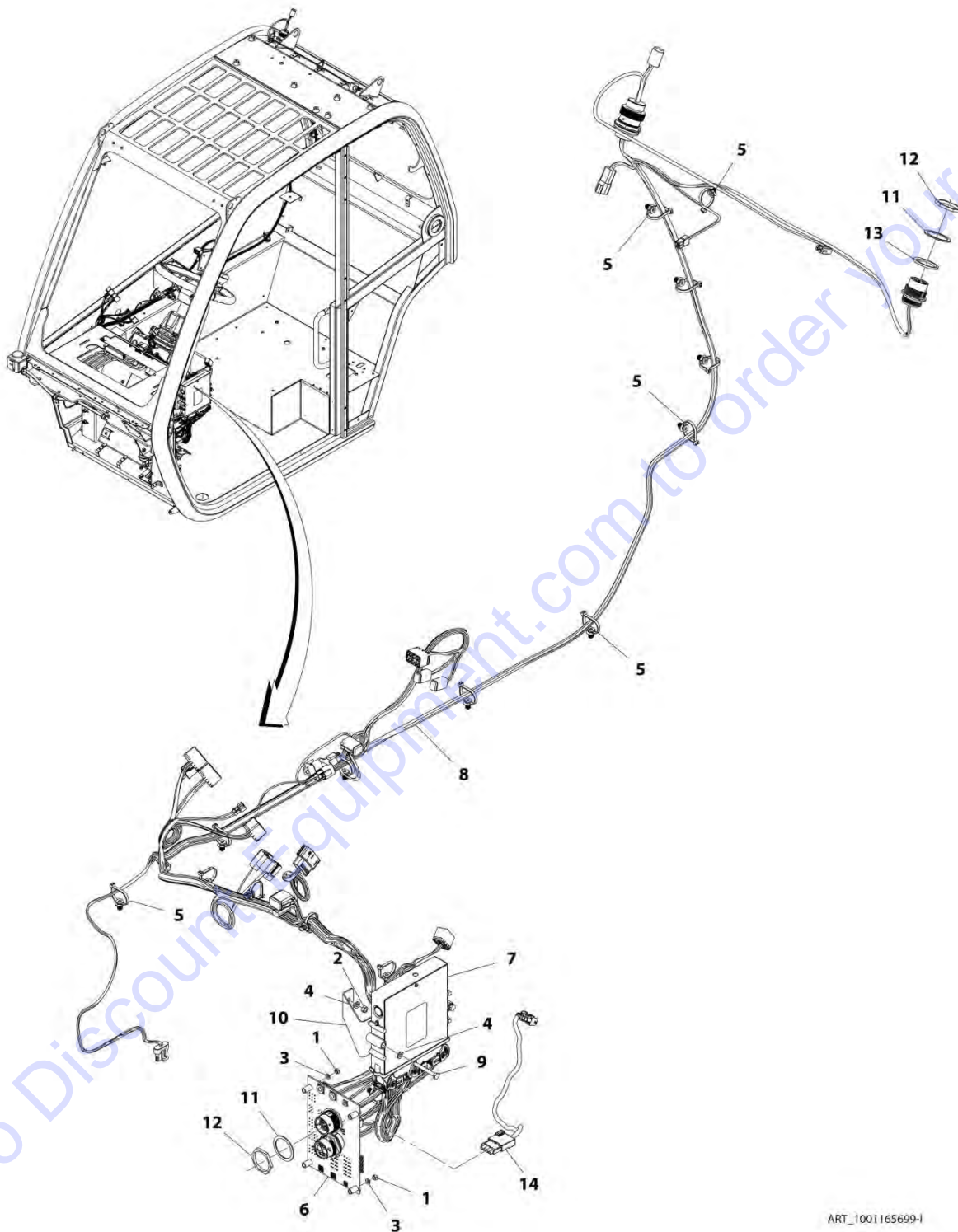
FIGURE 10-23. WHITE NOISE BACKUP ALARM INSTALLATION

ITEM	PART NUMBER	QTY	DESCRIPTION	REV
	1001192394	Ref	White Noise Backup Alarm Installation	D
1	0700610	2	Bolt, M6X20	
2	4811702	2	Washer, M6	
3	8305919	2	Nut, M6	
4	1001165827	1	Alarm, White Noise Backup	

Go to Discount-Equipment.com to order your parts

SECTION 10 - ELECTRICAL

FIGURE 10-24. CAB ELECTRICAL INSTALLATION



ART_1001165699-I

SECTION 10 - ELECTRICAL

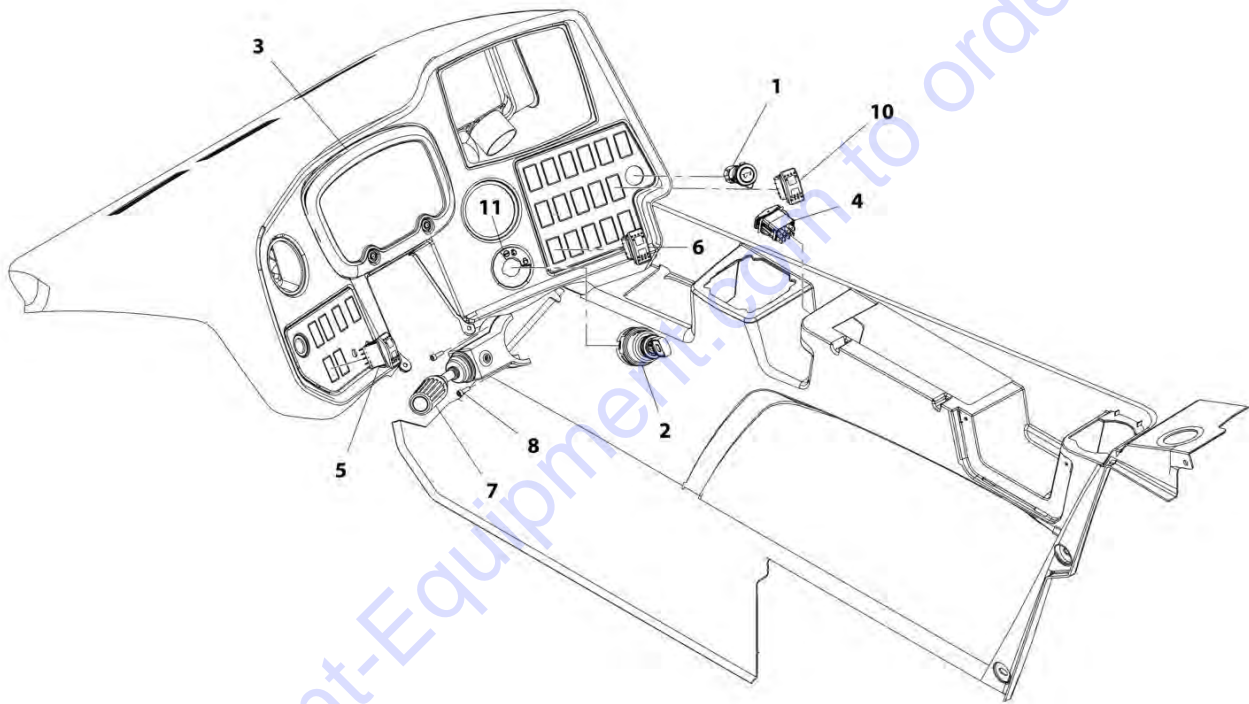
FIGURE 10-24. CAB ELECTRICAL INSTALLATION

ITEM	PART NUMBER	QTY	DESCRIPTION	REV
	1001165699	Ref	Cab Electrical Installation	1
1	3290501	3	Nut, M5X0.8	
2	3290601	2	Nut, M6X1	
3	120034	3	Washer, Plastic	
4	4811700	4	Washer, M6	
5	1001146588	16	Strap, Tie	
6	1001161769	1	Assembly, Standard Electrical Board (See Separate Breakdown in this Section)	
7	1001162249	1	Module	
8	1001196451	1	Harness, Cab (See Separate Breakdown in this Section)	
9	0700618	2	Bolt, M6X50	
10	1001178933	1	Bracket	
11	4460496	4	Washer, Terminal Lock	
12	4460497	4	Nut, Terminal	
13	1001211693	2	Seal	
14	1001213988	1	Cable (See Separate Breakdown in this Section)	

Go to Discount-Equipment.com to order your parts

SECTION 10 - ELECTRICAL

FIGURE 10-25. DASH ELECTRICAL INSTALLATION



ART_1001173849-G

SECTION 10 - ELECTRICAL

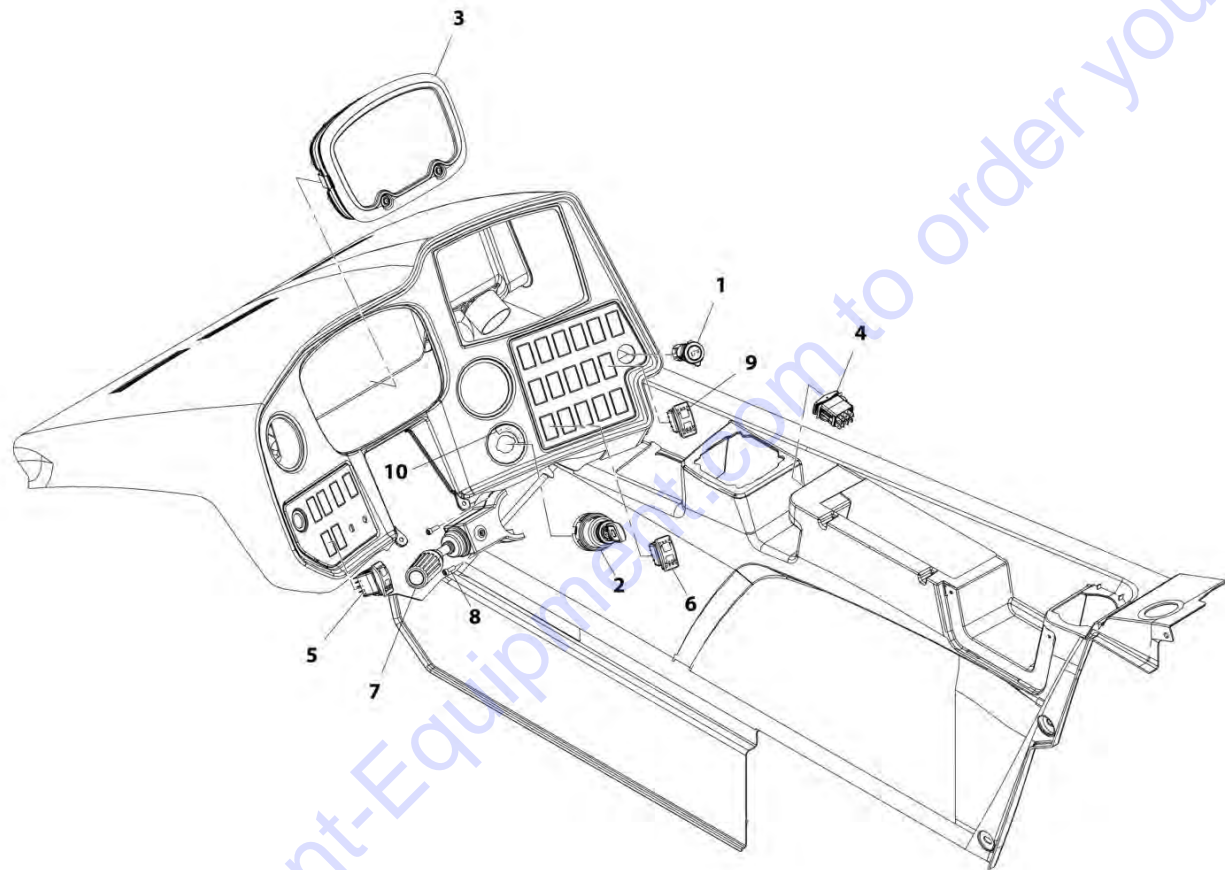
FIGURE 10-25. DASH ELECTRICAL INSTALLATION

ITEM	PART NUMBER	QTY	DESCRIPTION	REV
	1001173849	Ref	Dash Electrical Installation (if equipped for ULS)	G
1	1001095804	1	Connector, 12V Power Socket	
2	1001102502	1	Switch, 4 Position Key	
2	70022765	1	Key, Ignition	
3	1001158146	1	Cluster, Electrical Gauge	
4	1001212470	1	Switch, Frame Level	
5	1001159753	1	Switch, Park Brake	
6	1001159849	1	Switch, Steer Mode	
7	1001163698	1	Switch, FNR 4 Speed	
8	4031607	2	Screw, M5-0.8X16	
10	1001104654	1	Switch, AUX	
11	1001181531	1	Decal, Ignition Switch	

Go to Discount-Equipment.com to order your parts

SECTION 10 - ELECTRICAL

FIGURE 10-26. DASH ELECTRICAL INSTALLATION (LS)



ART_1001203225-C

SECTION 10 - ELECTRICAL

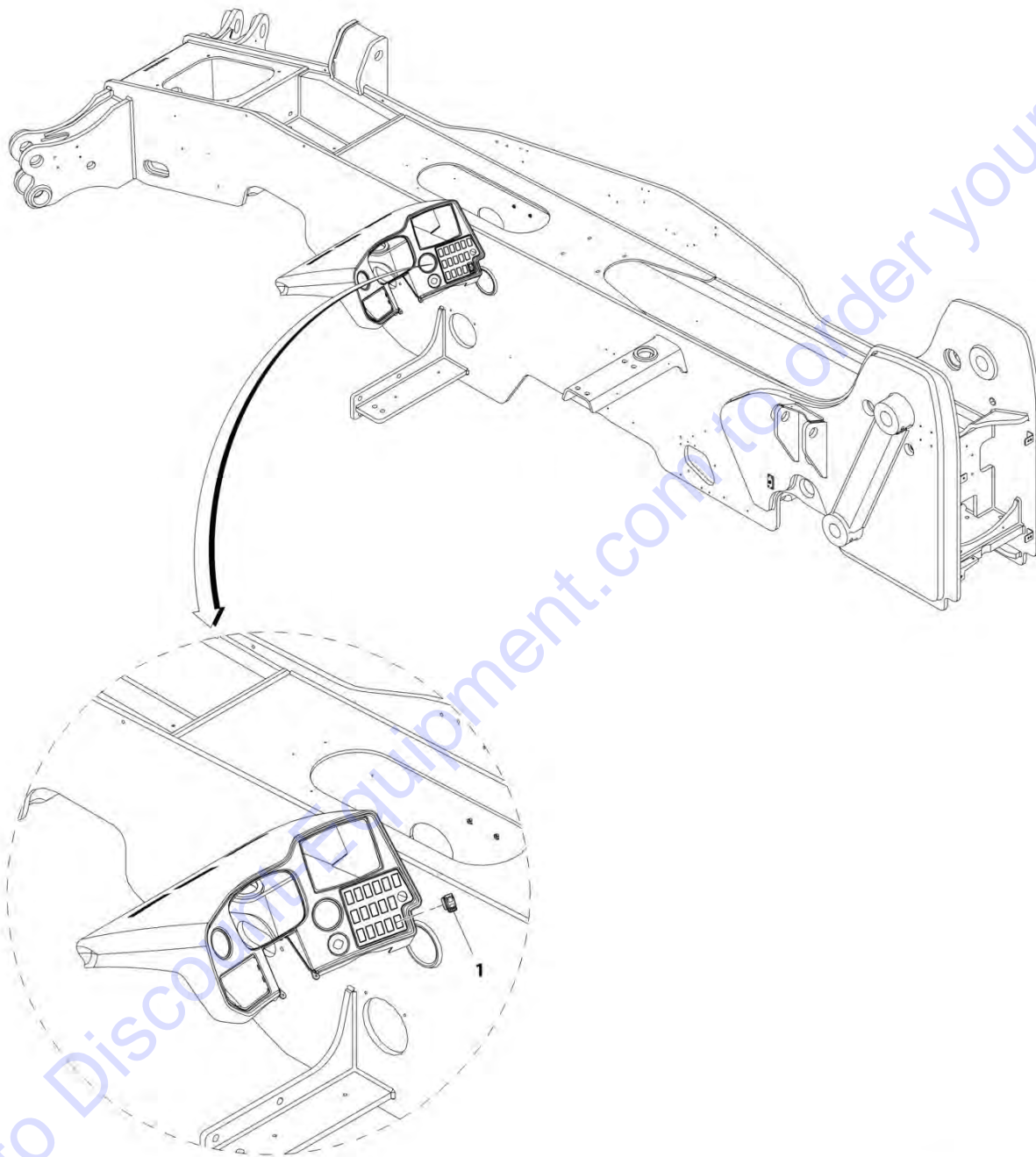
FIGURE 10-26. DASH ELECTRICAL INSTALLATION (LS)

ITEM	PART NUMBER	QTY	DESCRIPTION	REV
	1001203225	Ref	Dash Electrical Installation (LS)	C
1	1001095804	1	Connector, 12V Power Socket	
2	1001102502	1	Switch, 4 Position Key	
2	70022765	1	Key, Ignition	
3	1001202454	1	Cluster, Electrical Gauge	
4	1001212470	1	Switch, Frame Level	
5	1001159753	1	Switch, Park Brake	
6	1001159849	1	Switch, Steer Mode	
7	1001163698	1	Switch, FNR 4 Speed	
8	4031607	2	Screw, M5X16	
9	1001104654	1	Switch, AUX	
10	1001181531	1	Decal, Ignition Switch	

Go to Discount-Equipment.com to order your parts

SECTION 10 - ELECTRICAL

FIGURE 10-27. SWITCH LIGHT INSTALLATION



ART_100197282-A

SECTION 10 - ELECTRICAL

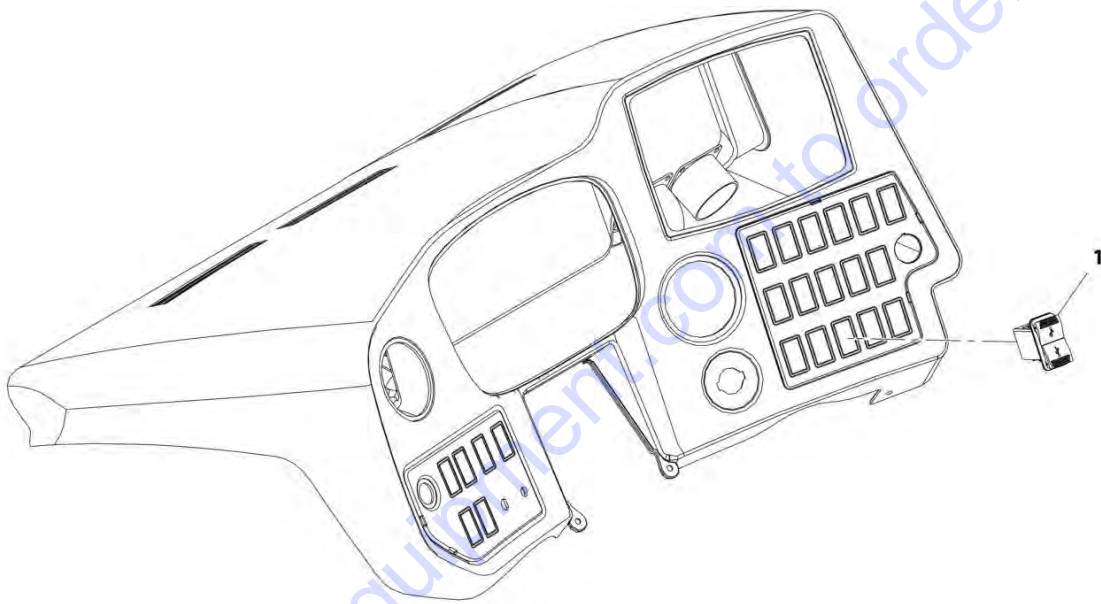
FIGURE 10-27. SWITCH LIGHT INSTALLATION

ITEM	PART NUMBER	QTY	DESCRIPTION	REV
1	1001197282	Ref	Switch Light Installation	A
	1001163639	1	Switch, Driving Lights	

Go to Discount-Equipment.com to order your parts

SECTION 10 - ELECTRICAL

FIGURE 10-28. USB CHARGER INSTALLATION



ART_1001200152-A

SECTION 10 - ELECTRICAL

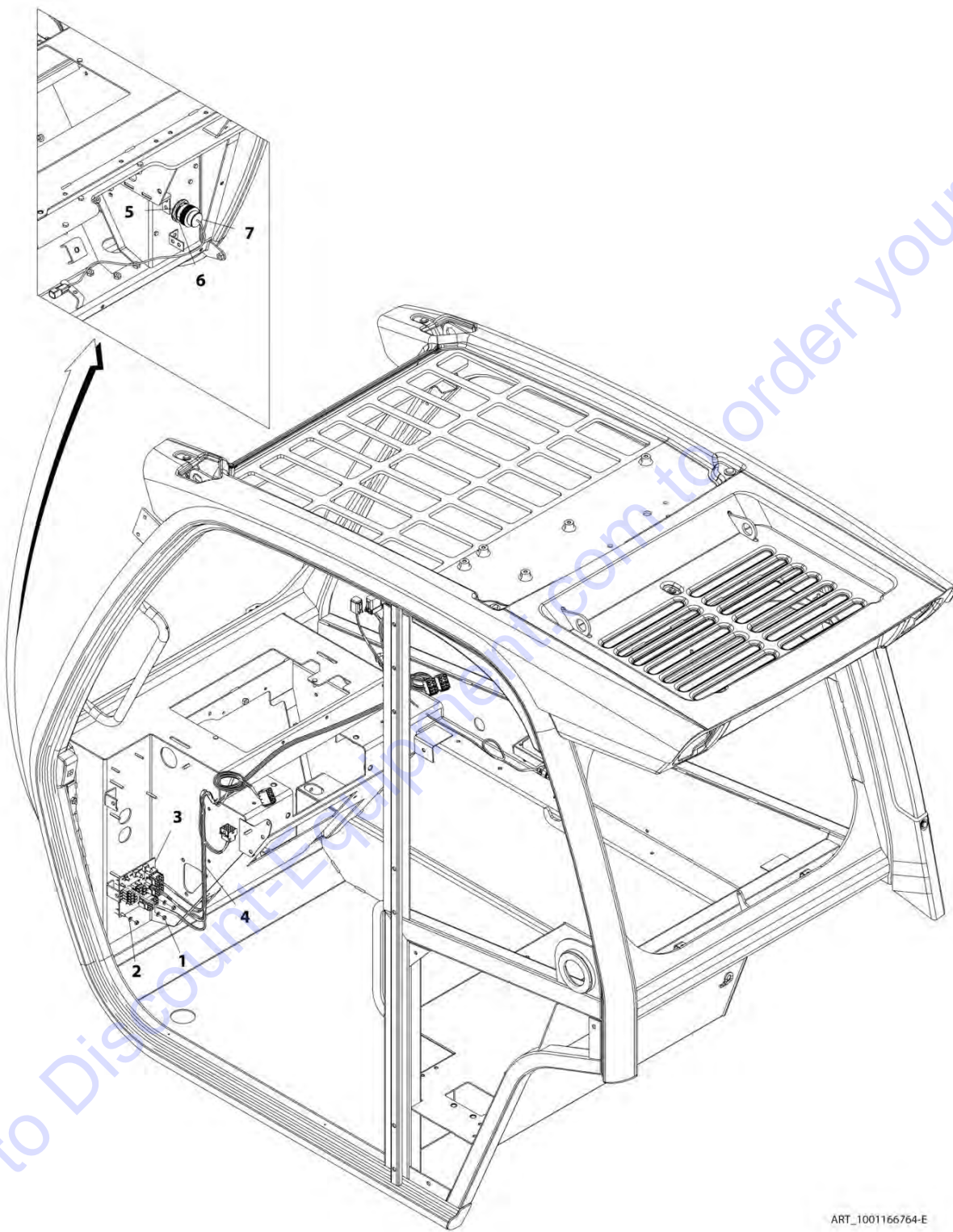
FIGURE 10-28. USB CHARGER INSTALLATION

ITEM	PART NUMBER	QTY	DESCRIPTION	REV
1	1001200152	Ref	USB Charger Installation	A
	1001174712	1	USB Charger Assembly	

Go to Discount-Equipment.com to order your parts

SECTION 10 - ELECTRICAL

FIGURE 10-29. OPEN CAB ELECTRICAL INSTALLATION WITH OPTIONS



ART_1001166764-E

SECTION 10 - ELECTRICAL

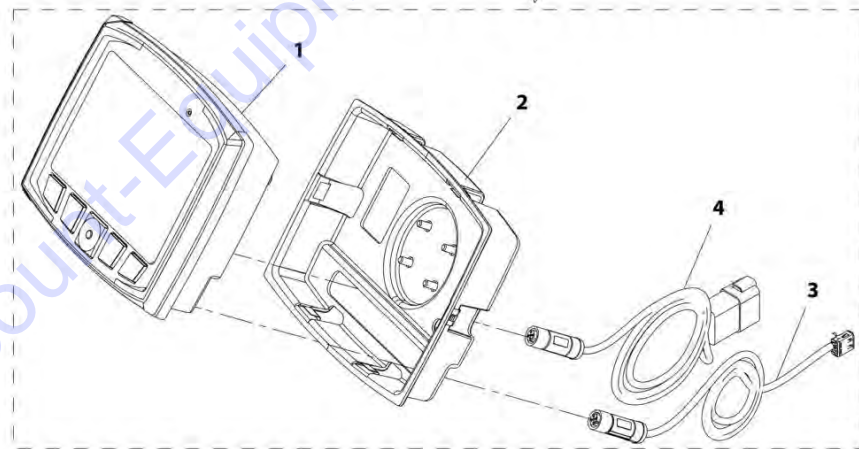
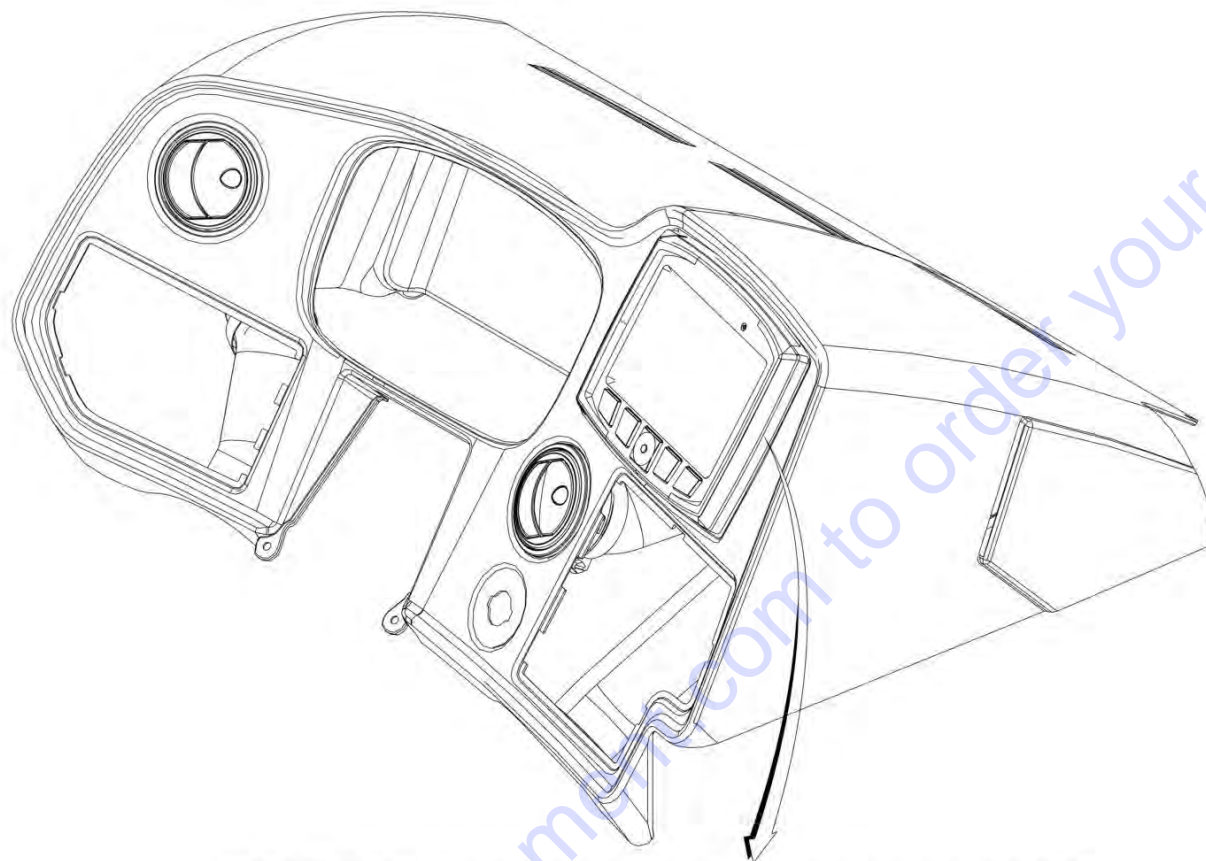
FIGURE 10-29. OPEN CAB ELECTRICAL INSTALLATION WITH OPTIONS

ITEM	PART NUMBER	QTY	DESCRIPTION	REV
	1001166764	Ref	Open Cab Electrical Installation with Options	E
1	3290501	3	Nut, M5X0.8	
2	120034	3	Washer, Plastic	
3	1001161771	1	Assembly, Option 2 Electrical Board (See Separate Breakdown in this Section)	
4	1001163372	1	Harness, Option 2 Cab (See Separate Breakdown in this Section)	
5	4460496	1	Washer, Terminal Lock	
6	4460497	1	Nut, Terminal	
7	1001181573	1	Harness, Cab Option (See Separate Breakdown in this Section)	

Go to Discount-Equipment.com to order your parts

SECTION 10 - ELECTRICAL

FIGURE 10-30. MULTIFUNCTION DISPLAY INSTALLATION



ART_1001176338-B

SECTION 10 - ELECTRICAL

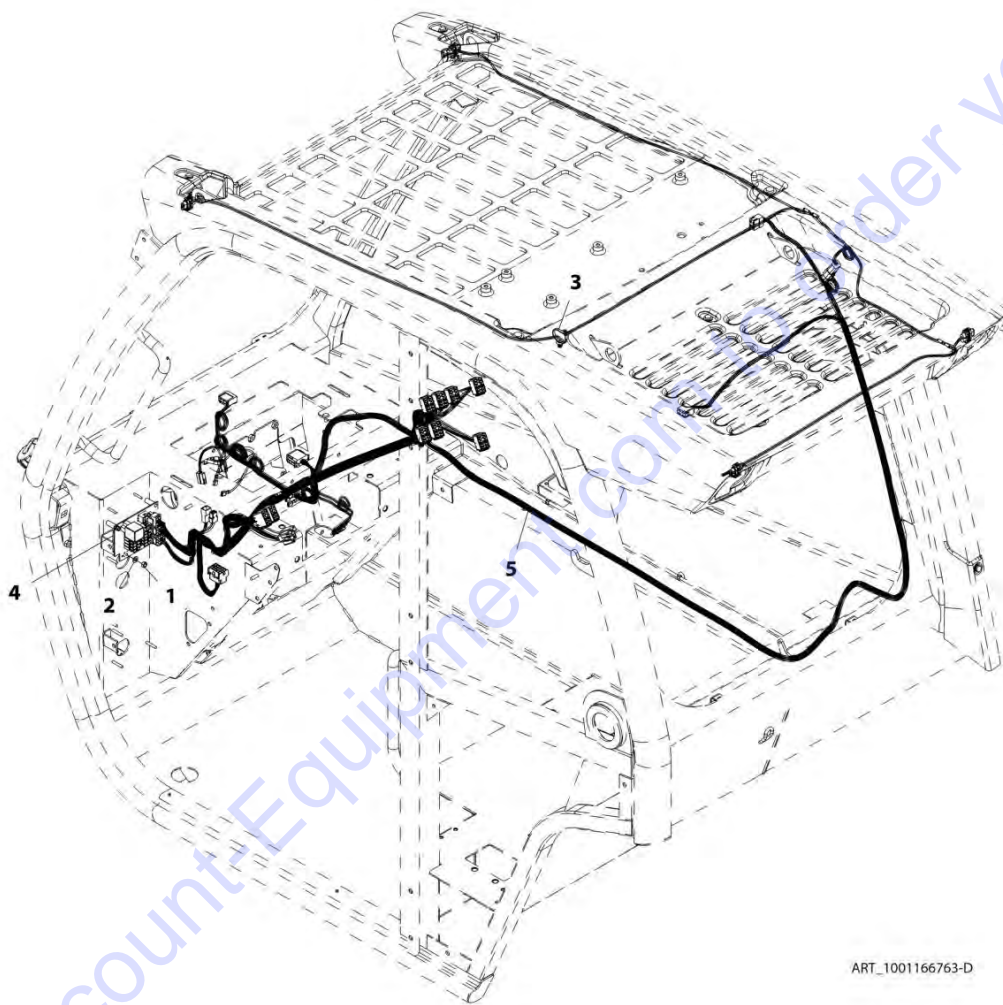
FIGURE 10-30. MULTIFUNCTION DISPLAY INSTALLATION

ITEM	PART NUMBER	QTY	DESCRIPTION	REV
	1001176338	Ref	Multifunction Display Installation	B
1	1001211357	1	Display	
2	1001178783	1	Bezel	
3	1001180682	1	Cable	
4	1001180683	1	Cable, Video	

Go to Discount-Equipment.com to order your parts

SECTION 10 - ELECTRICAL

FIGURE 10-31. ENCLOSED CAB ELECTRICAL INSTALLATION WITH OPTIONS



ART_1001166763-D

SECTION 10 - ELECTRICAL

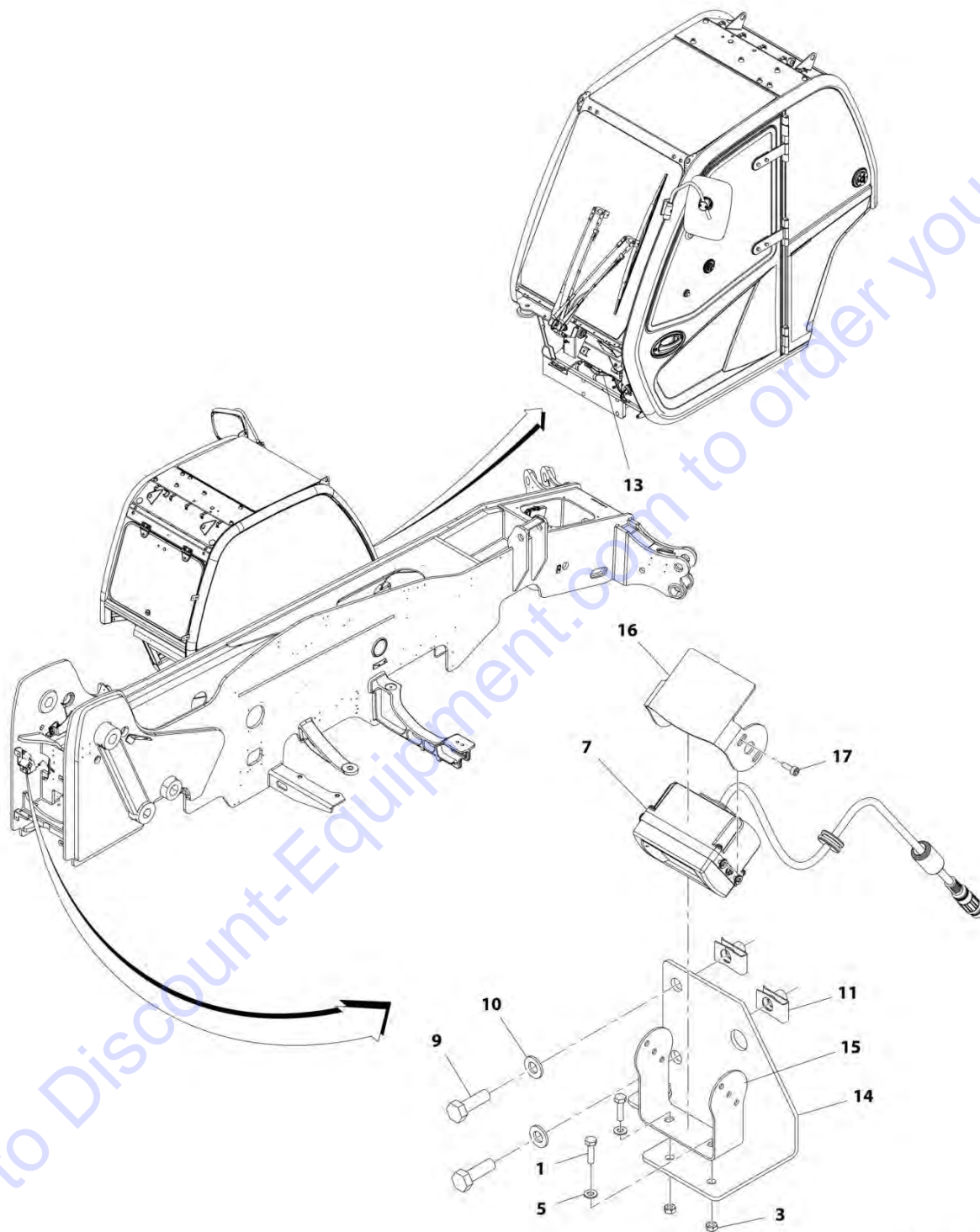
FIGURE 10-31. ENCLOSED CAB ELECTRICAL INSTALLATION WITH OPTIONS

ITEM	PART NUMBER	QTY	DESCRIPTION	REV
	1001166763	Ref	Enclosed Cab Electrical Installation with Options	D
1	3290501	1	Nut, M5X0.8	
2	120034	1	Washer, Plastic	
3	1001146588	1	Strap, Tie	
4	1001161770	1	Assembly, Option 1 Electrical Board (See Separate Breakdown in this Section)	
5	1001163371	1	Harness, Option 1 Cab (See Separate Breakdown in this Section)	

Go to Discount-Equipment.com to order your parts

SECTION 10 - ELECTRICAL

FIGURE 10-32. REVERSE CAMERA INSTALLATION



ART_1001168031-E

SECTION 10 - ELECTRICAL

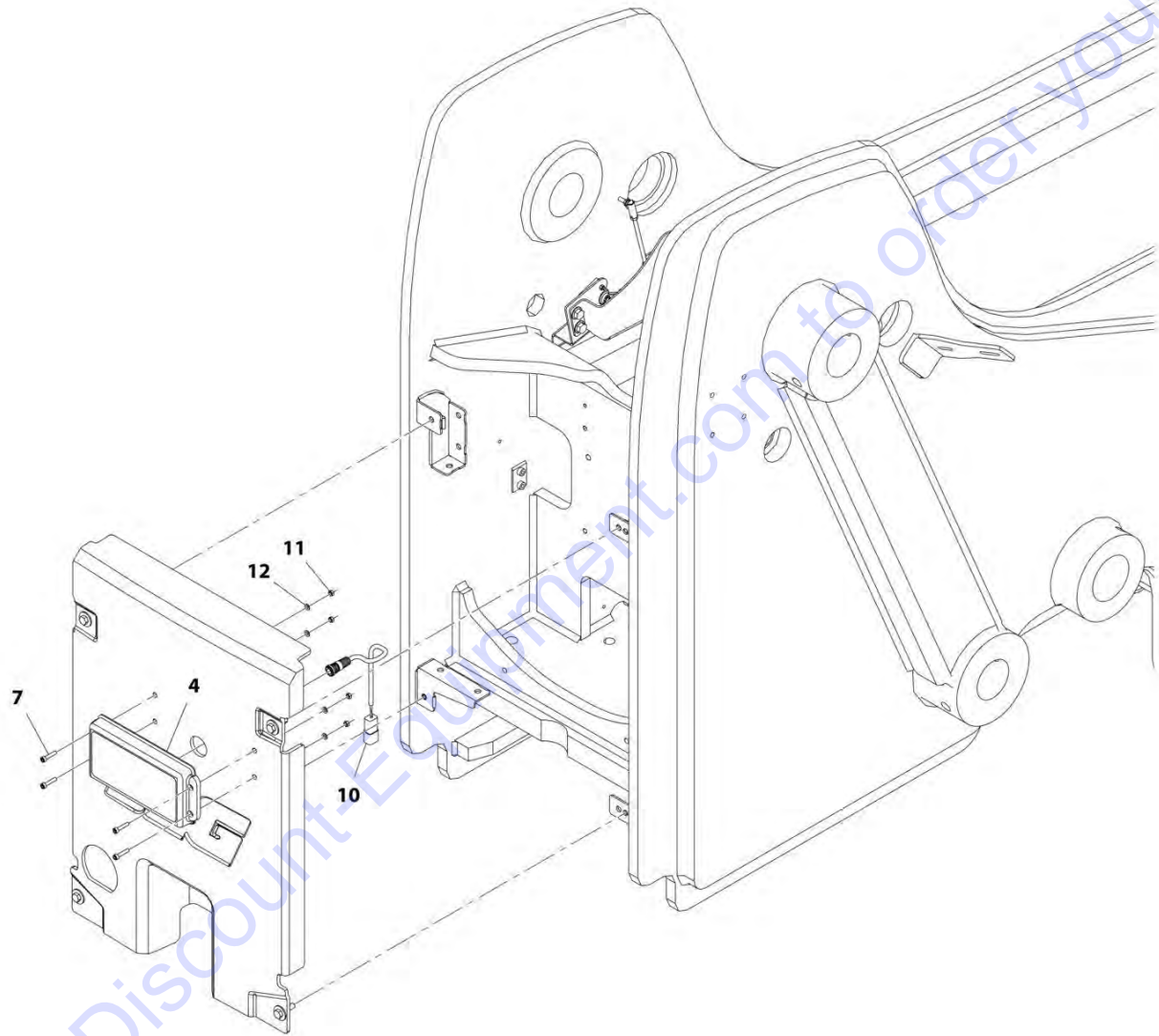
FIGURE 10-32. REVERSE CAMERA INSTALLATION

ITEM	PART NUMBER	QTY	DESCRIPTION	REV
	1001168031	Ref	Reverse Camera Installation	E
1	0700408	2	Bolt, M4X16	
3	3290401	2	Nut, M4X0.7	
5	4811400	2	Washer, M4	
7	1001167017	1	Camera	
9	0760812	3	Bolt, M8X25	
10	4811900	3	Washer, M8	
11	8310686	3	Nut, Retainer M8X12.5	
13	1001171962	1	Cable, Reverse Camera	
14	1001202620	1	Bracket, Reverse Camera Mount	
15	1001202621	1	Bracket, Reverse Camera Mount	
16	1001202622	1	Bracket, Reverse Sun Shield	
17	4031205	4	Bolt, M3X10	

Go to Discount-Equipment.com to order your parts

SECTION 10 - ELECTRICAL

FIGURE 10-33. REVERSE SENSOR INSTALLATION



ART_1001172536-H

SECTION 10 - ELECTRICAL

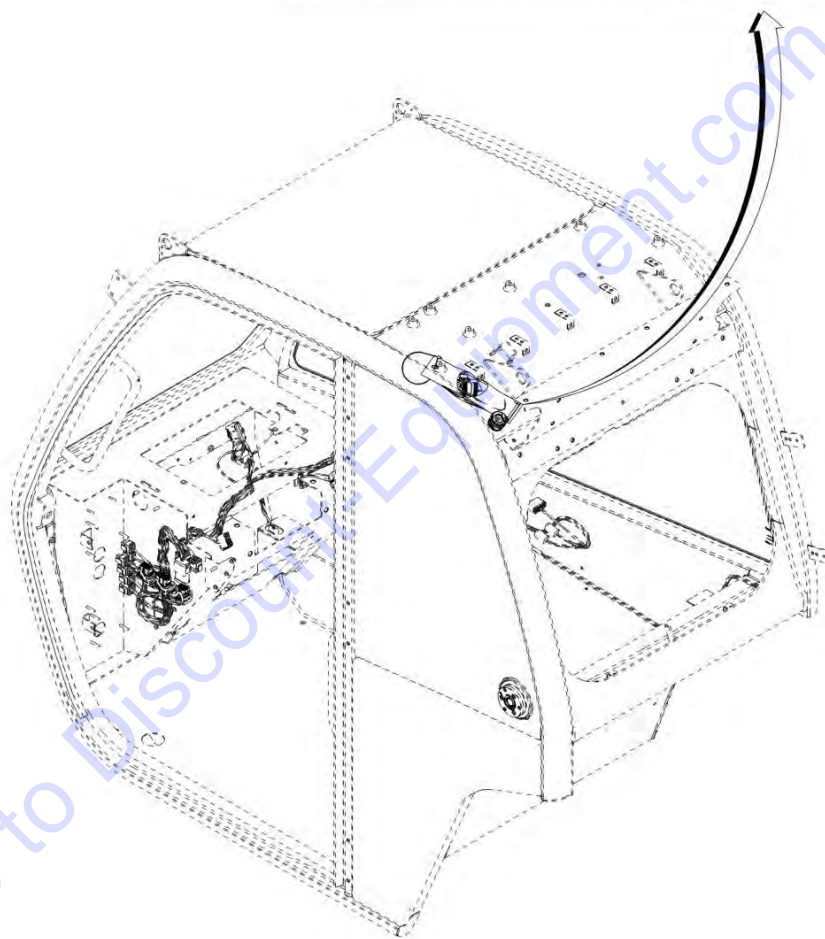
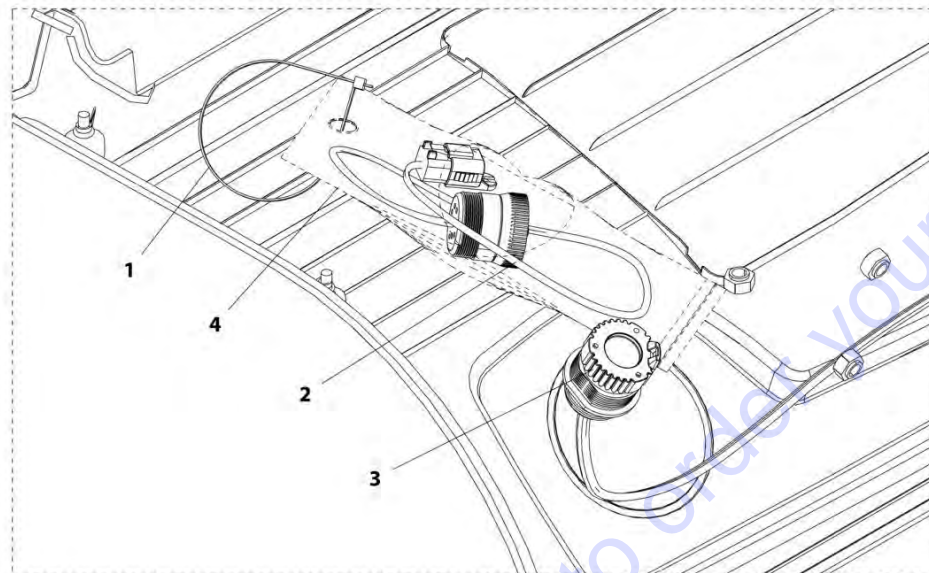
FIGURE 10-33. REVERSE SENSOR INSTALLATION

ITEM	PART NUMBER	QTY	DESCRIPTION	REV
	1001172536	Ref	Reverse Sensor Installation	H
4	1001189997	1	Sensor, Reverse	
7	5271609	4	Screw, M5X25	
10	1001175776	1	Harness, Reverse Sensor (See Separate Breakdown in this Section)	
11	3290501	4	Nut, M5X0.8	
12	4811600	4	Washer, M5	

Go to Discount-Equipment.com to order your parts

SECTION 10 - ELECTRICAL

FIGURE 10-34. TELEMATICS READY INSTALLATION



ART_1001202519-A

SECTION 10 - ELECTRICAL

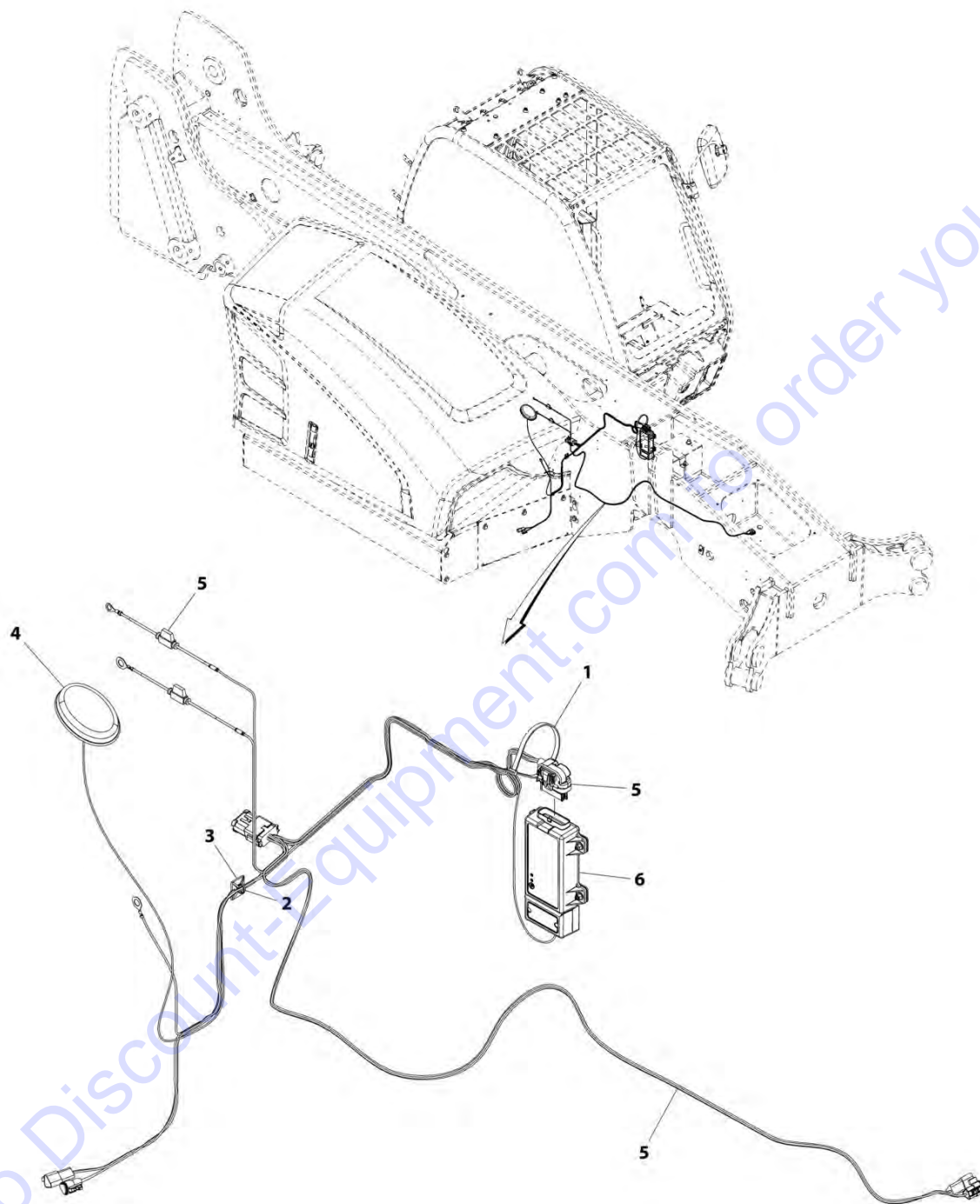
FIGURE 10-34. TELEMATICS READY INSTALLATION

ITEM	PART NUMBER	QTY	DESCRIPTION	REV
	1001202519	Ref	Telematics Ready Installation	A
1	8584003	1	Strap, Tie	
2	1001196289	1	Harness, Telematics Ready (See Separate Breakdown in this Section)	
3	1001201162	1	Cap	
4	1001202617	1	Bag	

Go to Discount-Equipment.com to order your parts

SECTION 10 - ELECTRICAL

FIGURE 10-35. TELEMATICS CANBUS INSTALLATION (CLEARSKY 2) (ANSI)



ART_1001221941-A

SECTION 10 - ELECTRICAL

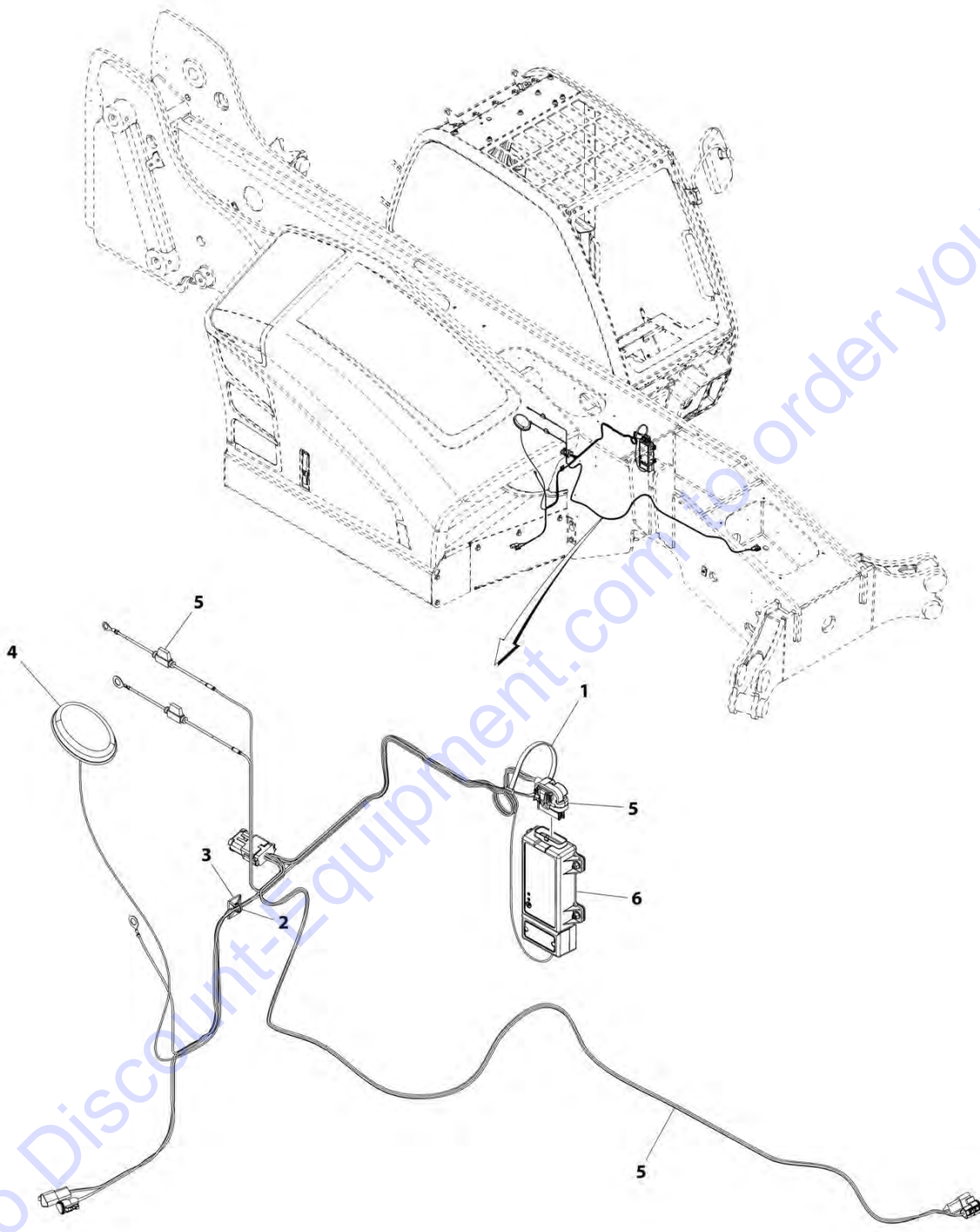
FIGURE 10-35. TELEMATICS CANBUS INSTALLATION (CLEARSKY 2) (ANSI)

ITEM	PART NUMBER	QTY	DESCRIPTION	REV
	1001221941	Ref	Telematics Canbus Installation (Clearsky 2)	A
1	1062255	AR	Tie, Strap	
2	4240032	AR	Tie, Strap	
3	4460234	AR	Tie, Strap	
4	1001226799	1	Antenna	
5	1001227297	1	Harness, 4ward Telematics (Clearsky 2) (See Separate Breakdown in this section)	
6	1001229955	1	Module	

Go to Discount-Equipment.com to order your parts

SECTION 10 - ELECTRICAL

FIGURE 10-36. TELEMATICS CANBUS INSTALLATION (CLEARSKY 2) (C.E.)



ART_1001239249-A

SECTION 10 - ELECTRICAL

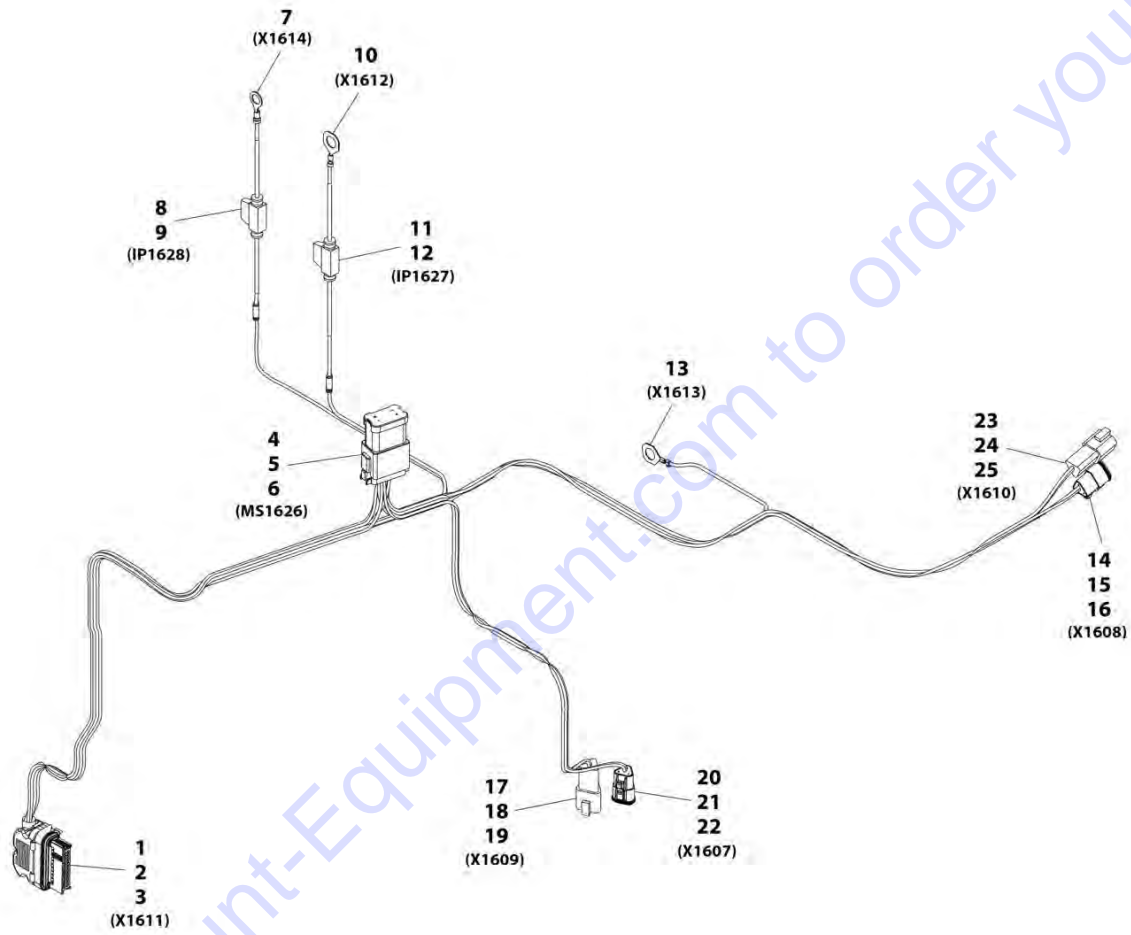
FIGURE 10-36. TELEMATICS CANBUS INSTALLATION (CLEARSKY 2) (C.E.)

ITEM	PART NUMBER	QTY	DESCRIPTION	REV
	1001239249	Ref	Telematics Canbus Installation (Clearsky 2) (CE)	A
1	1062255	AR	Tie, Strap	
2	4240032	AR	Tie, Strap	
3	4460234	AR	Tie, Strap	
4	1001226799	1	Antenna	
5	1001227297	1	Harness, 4ward Telematics (Clearsky 2) (See Separate Breakdown in this section)	
6	1001239194	1	Module	

Go to Discount-Equipment.com to order your parts

SECTION 10 - ELECTRICAL

FIGURE 10-37. 4WARD TELEMATIC, HARNESS (CLEARSKY 2)



ART_1001227297-B

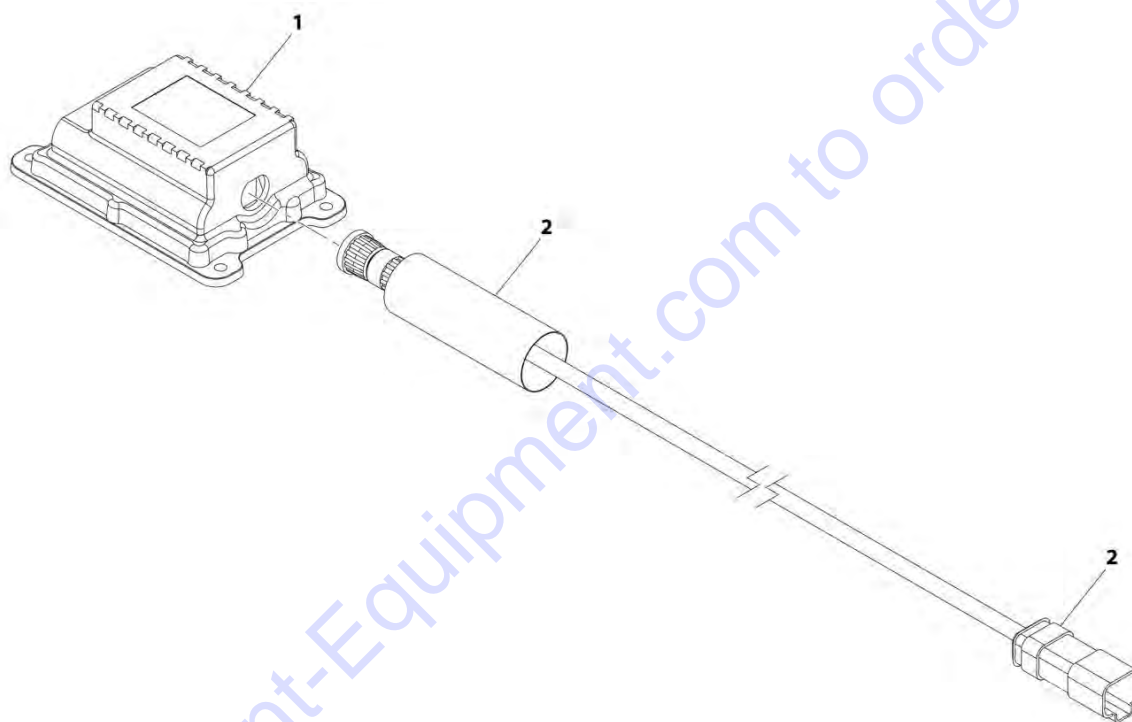
SECTION 10 - ELECTRICAL

FIGURE 10-37. 4WARD TELEMATIC, HARNESS (CLEARSKY 2)

ITEM	PART NUMBER	QTY	DESCRIPTION	REV
	1001227297	Ref	4ward Telematic, Harness (Clearsky 2)	B
1	1001226636	1	Connector	
2	1001226637	7	Terminal	
3	1001116731	17	Plug	
4	4460933	1	Connector	
5	4460465	12	Terminal	
6	1001200206	1	Connector, DT 12 Pin 4X3 Buss	
7	4460670	1	Connector	
8	2400060	1	Connector	
9	8229242	1	Fuse, 5amp	
10	1001187078	1	Connector	
11	2400060	1	Connector	
12	8229242	1	Fuse, 5amp	
13	1001187081	1	Connector	
14	1001116812	1	Connector	
15	4460465	2	Terminal	
16	4460466	1	Plug	
17	1001144147	1	Connector	
18	4460464	2	Terminal	
19	4460466	1	Plug	
20	1001116812	1	Connector	
21	4460465	2	Terminal	
22	4460466	1	Plug	
23	1001144147	1	Connector	
24	4460464	2	Terminal	
25	4460466	1	Plug	

SECTION 10 - ELECTRICAL

FIGURE 10-38. CLEARSKY INSTALLATION 3-WIRE (ANSI)



ART_1001229107-C

SECTION 10 - ELECTRICAL

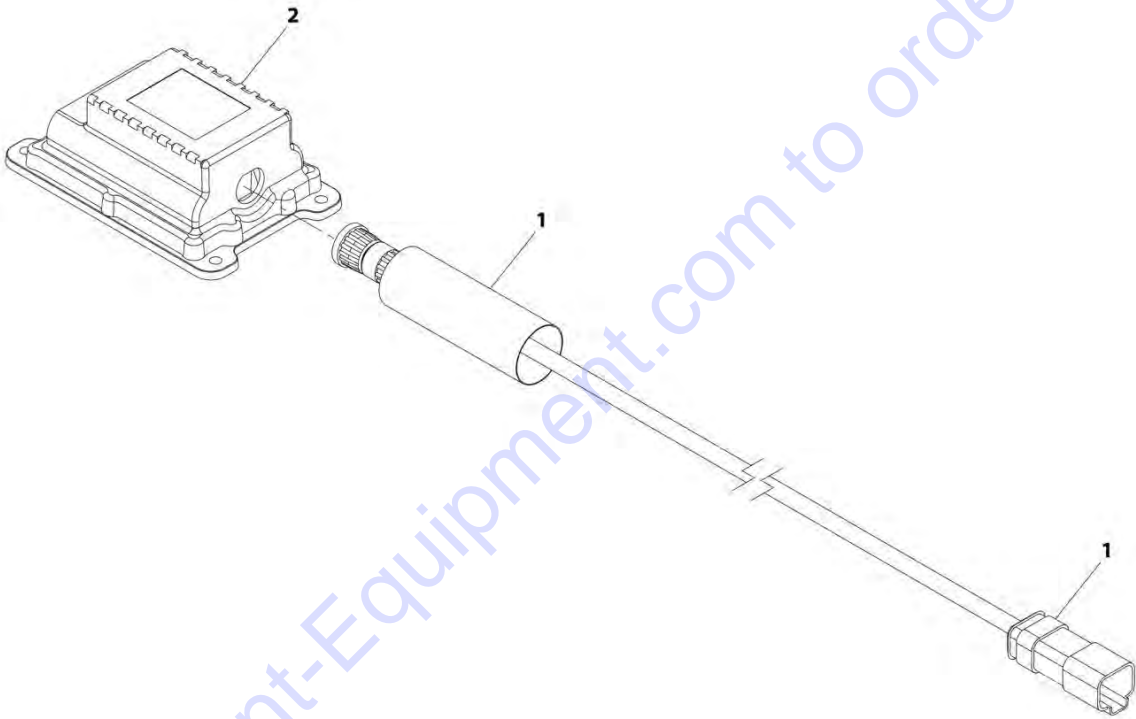
FIGURE 10-38. CLEARSKY INSTALLATION 3-WIRE (ANSI)

ITEM	PART NUMBER	QTY	DESCRIPTION	REV
	1001229107	Ref	Clearsky Installation 3-Wire	C
1	1001226328	1	Module, 3W TCU	
2	1001227066	Ref	Telematics Harness (See Separate Breakdown in this Section)	

Go to Discount-Equipment.com to order your parts

SECTION 10 - ELECTRICAL

FIGURE 10-39. CLEARSKY INSTALLATION 3-WIRE (C.E.)



ART_1001233237-C

SECTION 10 - ELECTRICAL

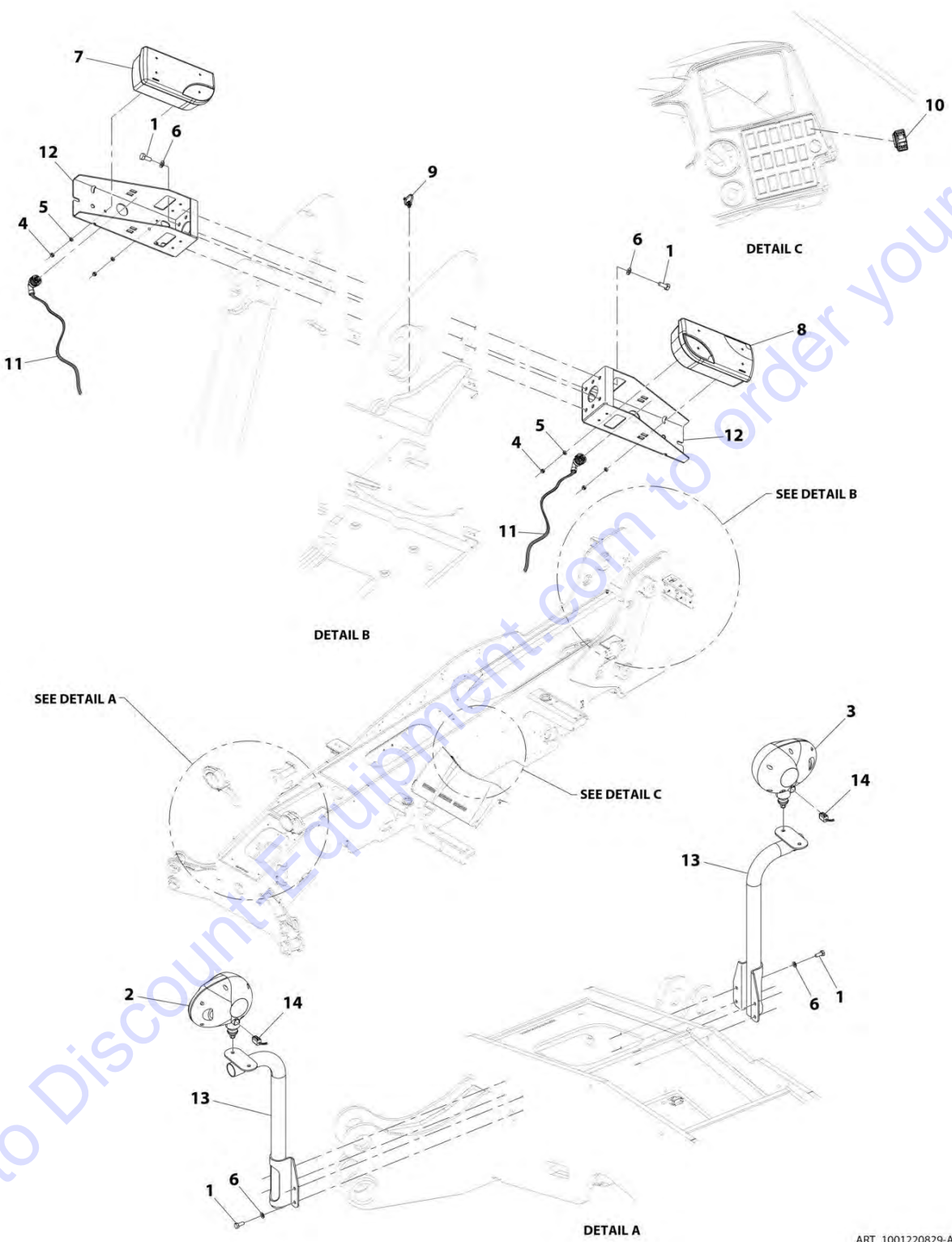
FIGURE 10-39. CLEARSKY INSTALLATION 3-WIRE (C.E.)

ITEM	PART NUMBER	QTY	DESCRIPTION	REV
	1001233237	Ref	Clearsky Installation 3-Wire (CE)	C
1	1001227066	1	Telematics Harness (See Separate Breakdown in this Section)	
2	1001233236	1	Module, 3W TCU	

Go to Discount-Equipment.com to order your parts

SECTION 10 - ELECTRICAL

FIGURE 10-40. ROAD LIGHTS INSTALLATION



ART_1001220829-A

SECTION 10 - ELECTRICAL

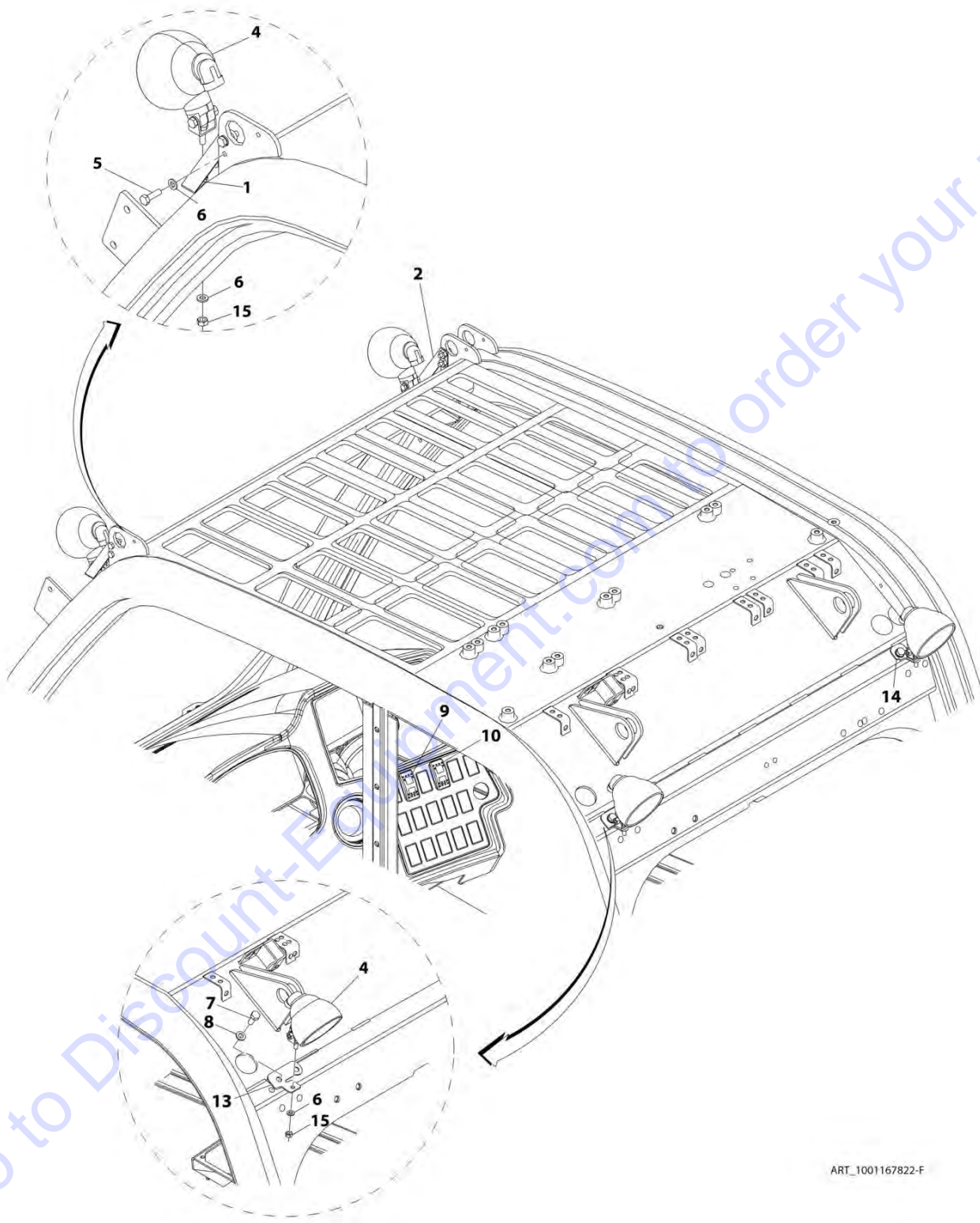
FIGURE 10-40. ROAD LIGHTS INSTALLATION

ITEM	PART NUMBER	QTY	DESCRIPTION	REV
	1001220829	Ref	Road Lights Installation	A
1	0761010	16	Bolt, M10X20	
2	2920207	1	Driving Light, LH	
3	2920208	1	Driving Light, RH	
4	3290607	4	Nut, M6X1	
5	4811700	4	Washer, M6	
6	4812000	16	Washer, M10	
7	1001091715	1	Lamp, Rear LH	
8	1001091716	1	Lamp, Rear RH	
9	1001146588	1	Strap, Cable	
10	1001159734	1	Switch, Hazard	
11	1001173092	1	Harness, HBP Tail Lights (See Separate Breakdown in Electrical Section)	
12	1001196100	2	Bracket	
13	1001220817	2	Bracket	
14	1001165360	1	Harness, Front Frame Headlight (See Separate Breakdown in Electrical Section)	

Go to Discount-Equipment.com to order your parts

SECTION 10 - ELECTRICAL

FIGURE 10-41. CAB WORKLIGHTS INSTALLATION (NO A/C)



ART_1001167822-F

SECTION 10 - ELECTRICAL

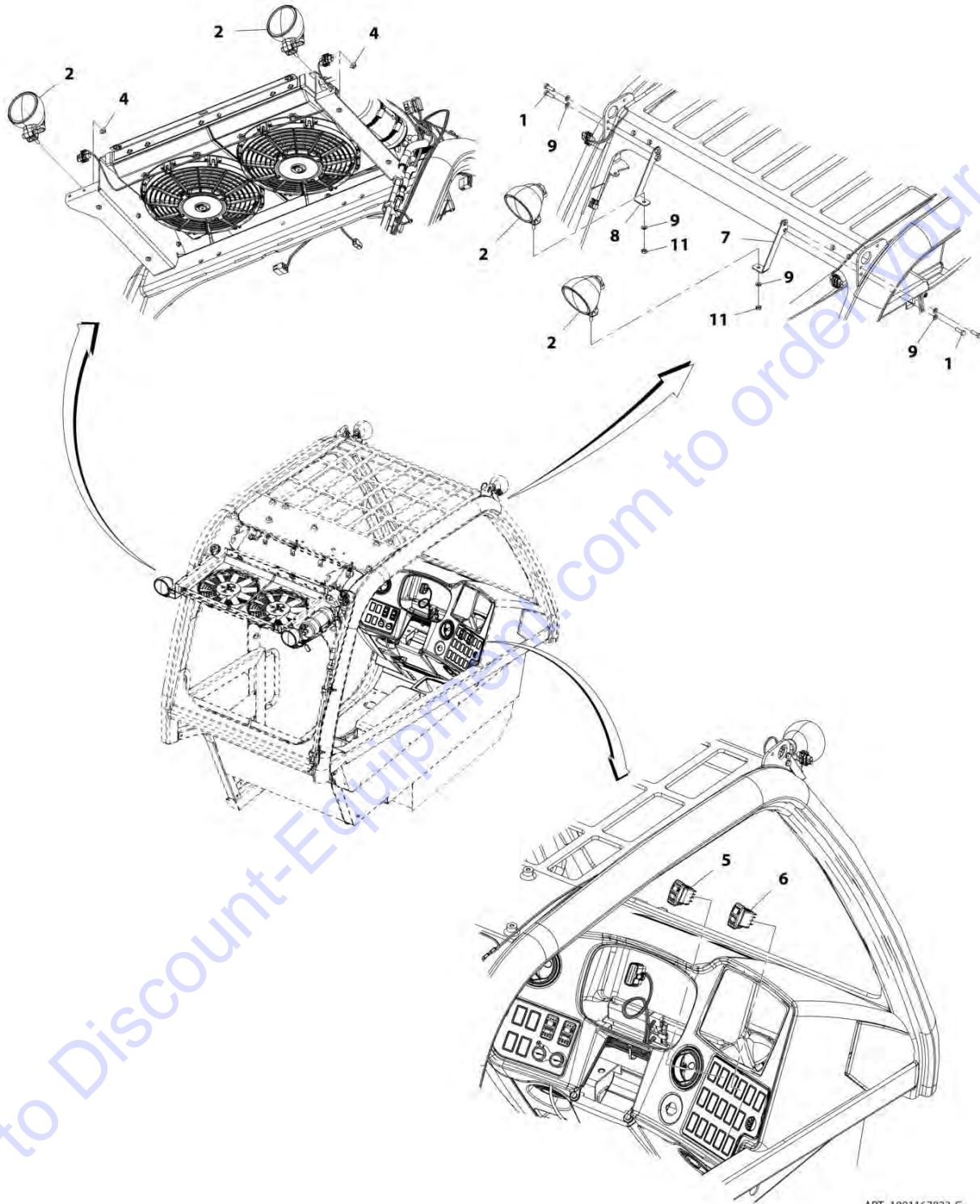
FIGURE 10-41. CAB WORKLIGHTS INSTALLATION (NO A/C)

ITEM	PART NUMBER	QTY	DESCRIPTION	REV
	1001167822	Ref	Cab Worklights Installation (No A/C)	F
1	1001186567	1	Bracket, Work Light LH	
2	1001186565	1	Bracket, Work Light RH	
4	2920206	4	Worklight	
5	0700610	4	Bolt, M6X20	
6	4811700	8	Washer, M6	
7	0760810	2	Bolt, M8X20	
8	4811900	2	Washer, M8	
9	1001159845	1	Switch, Front Worklights	
10	1001159846	1	Switch, Rear Worklights	
13	1001183888	1	Bracket, Work Light LH	
14	1001183890	1	Bracket, Work Light RH	
15	3290601	4	Nut, M6X1 Grade 8	

Go to Discount-Equipment.com to order your parts

SECTION 10 - ELECTRICAL

FIGURE 10-42. CAB WORKLIGHTS INSTALLATION (A/C)



SECTION 10 - ELECTRICAL

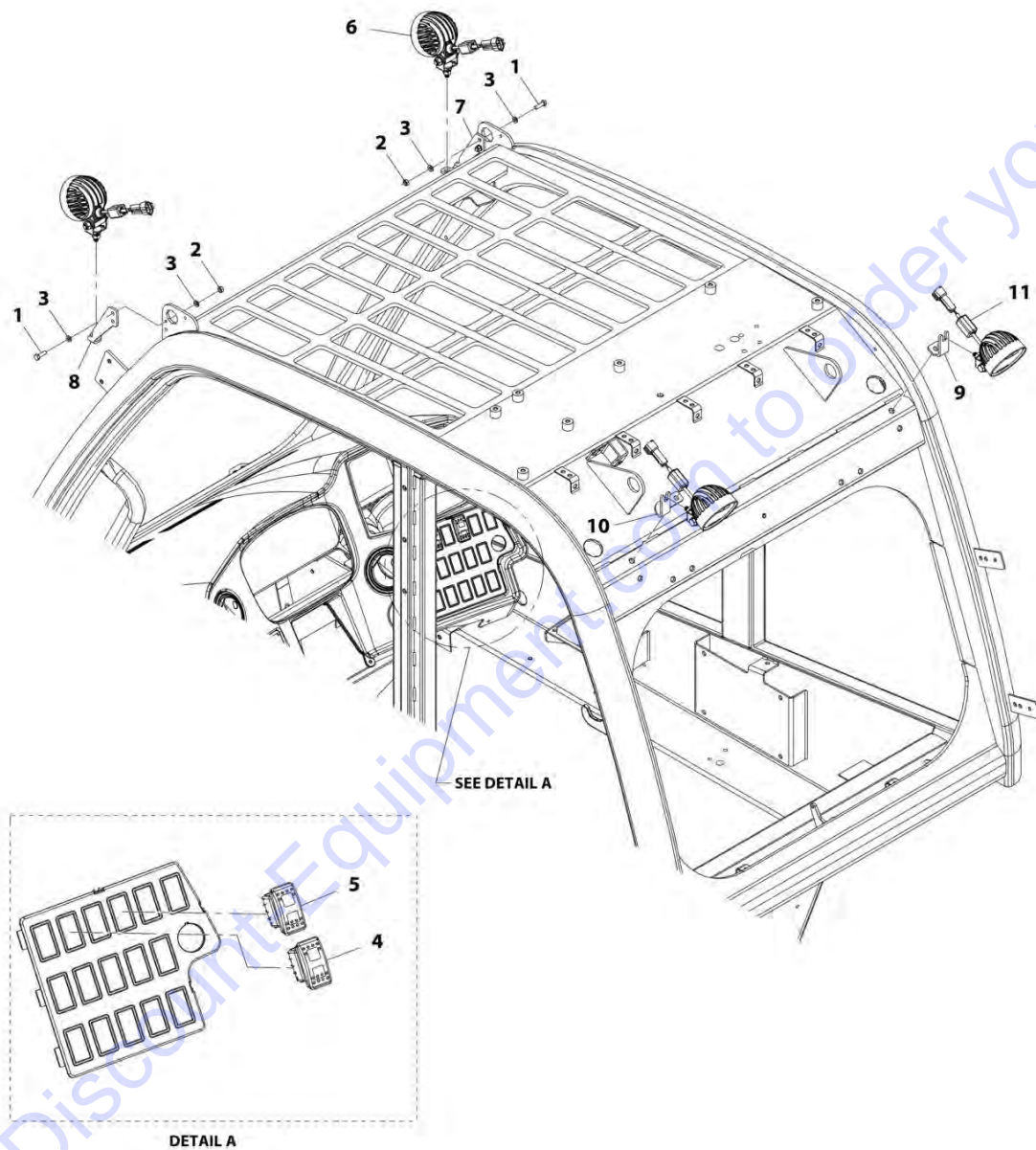
FIGURE 10-42. CAB WORKLIGHTS INSTALLATION (A/C)

ITEM	PART NUMBER	QTY	DESCRIPTION	REV
	1001167823	Ref	Cab Worklights Installation (A/C)	G
1	0700610	4	Bolt, M6X20	
2	2920206	4	Worklight	
4	5220600	2	Nut, M6	
5	1001159845	1	Switch, Front Worklights	
6	1001159846	1	Switch, Rear Worklights	
7	1001186567	1	Bracket, Work Light LH	
8	1001186565	1	Bracket, Work Light RH	
9	4811700	6	Washer, M6	
11	3290601	2	Nut, M6X1 Grade 8	

Go to Discount-Equipment.com to order your parts

SECTION 10 - ELECTRICAL

FIGURE 10-43. CAB WORKLIGHTS INSTALLATION (NO A/C - LED)



ART_1001200538-C

SECTION 10 - ELECTRICAL

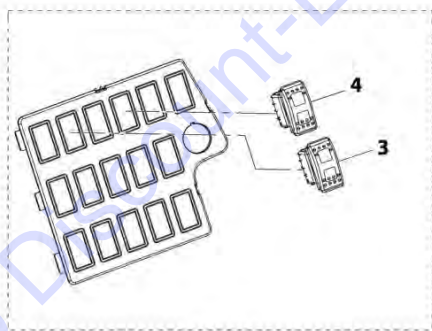
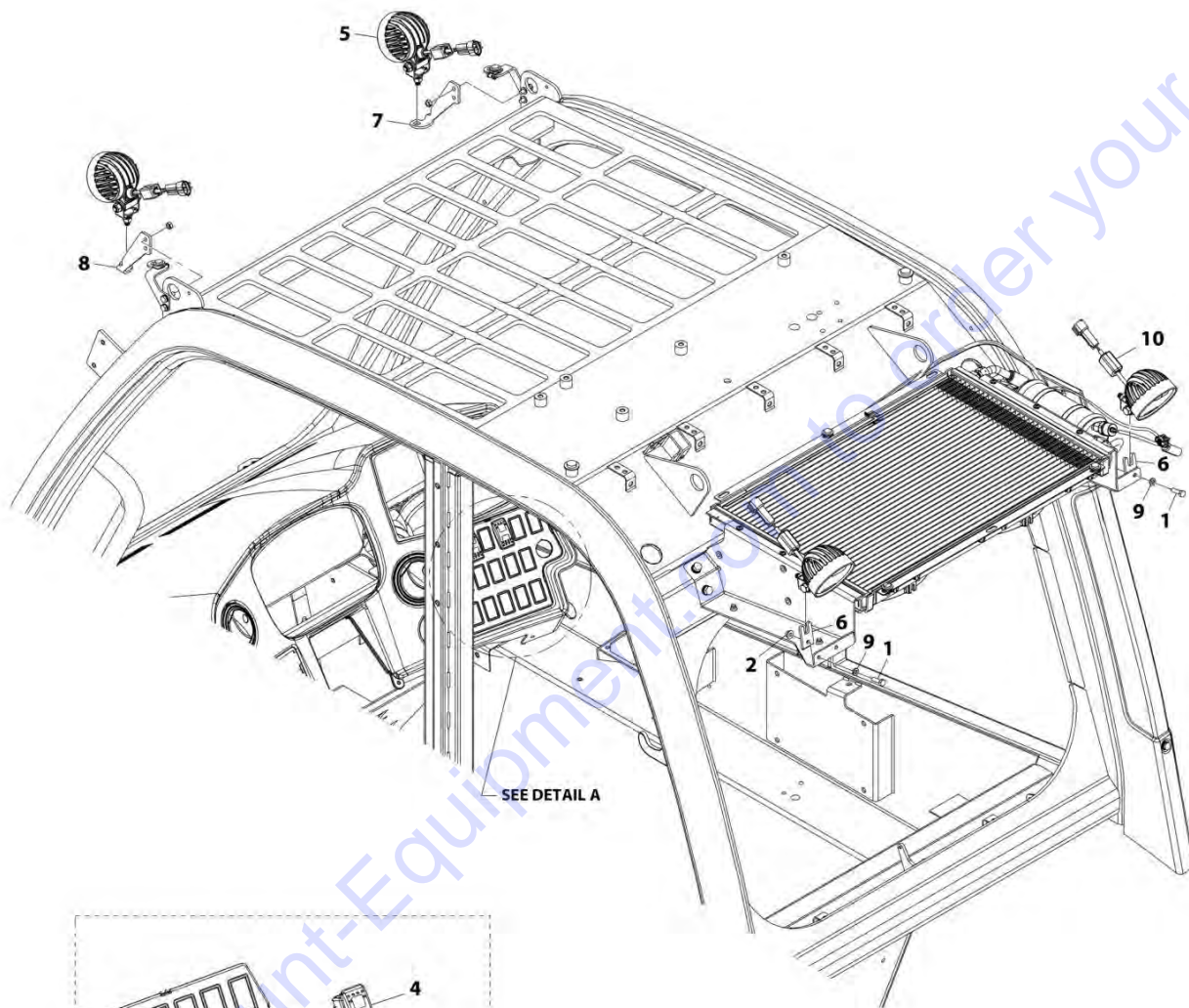
FIGURE 10-43. CAB WORKLIGHTS INSTALLATION (NO A/C - LED)

ITEM	PART NUMBER	QTY	DESCRIPTION	REV
	1001200538	Ref	Cab Worklights Installation (No A/C - LED)	C
1	0700610	4	Bolt, M6X20	
2	3290601	4	Nut, M6X1	
3	4811700	8	Washer, M6	
4	1001159845	1	Switch, Front Worklights	
5	1001159846	1	Switch, Rear Worklights	
6	1001203640	4	Lamp, LED Work Light	
7	1001204444	1	Support, LED Work Light RH	
8	1001204445	1	Support, LED Work Light LH	
9	1001204528	1	Support, LED Work Light RH	
10	1001204530	1	Support, LED Work Light LH	
11	1001228989	4	Harness, Ferrite	

Go to Discount-Equipment.com to order your parts

SECTION 10 - ELECTRICAL

FIGURE 10-44. CAB WORKLIGHTS INSTALLATION (A/C - LED)



DETAIL A

ART_1001200539-C

SECTION 10 - ELECTRICAL

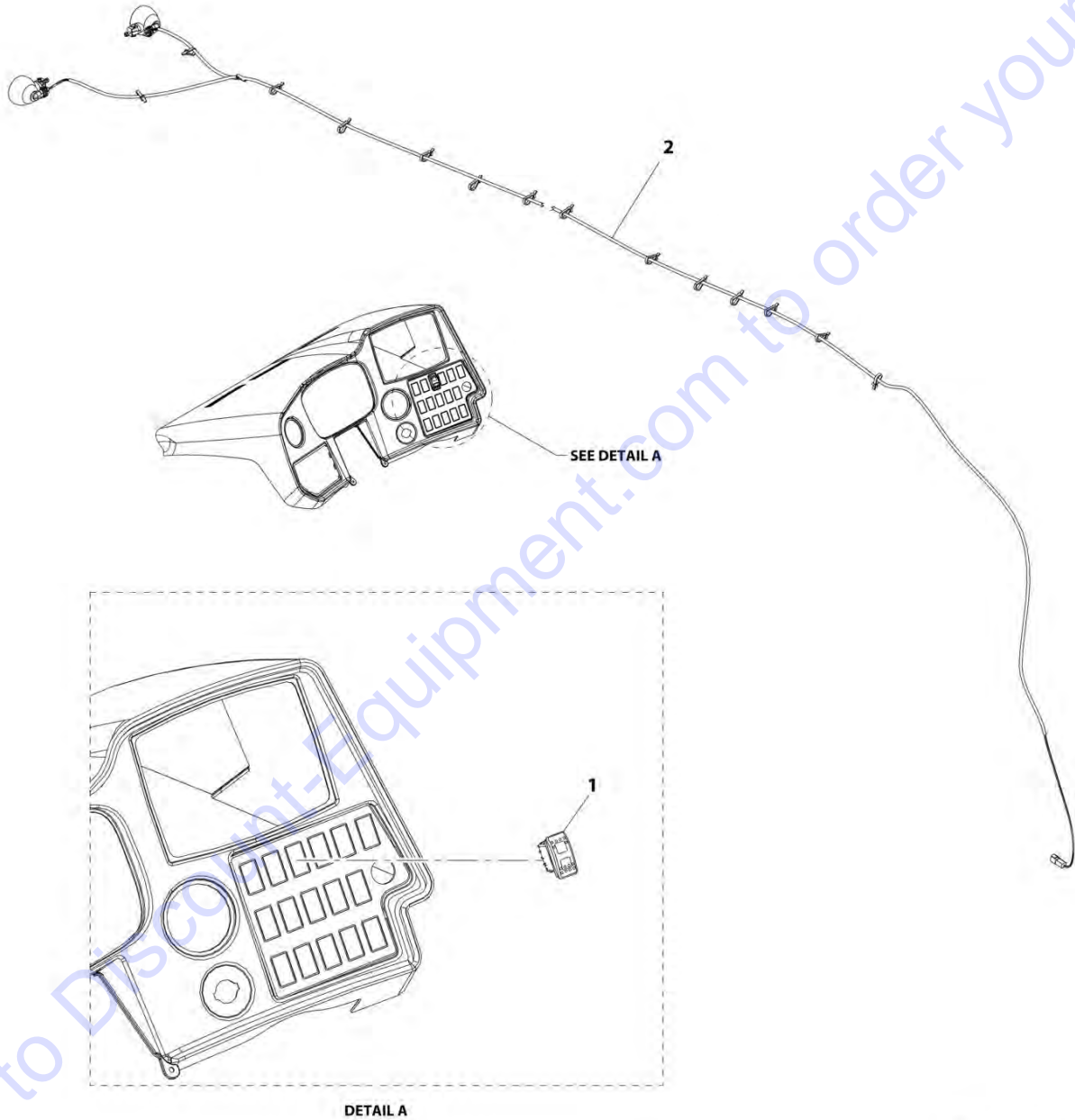
FIGURE 10-44. CAB WORKLIGHTS INSTALLATION (A/C - LED)

ITEM	PART NUMBER	QTY	DESCRIPTION	REV
	1001200539	Ref	Cab Worklights Installation (A/C - LED)	C
1	0700610	2	Bolt, M6X20	
2	5220600	2	Nut, M6	
3	1001159845	1	Switch, Front Worklights	
4	1001159846	1	Switch, Rear Worklights	
5	1001203640	4	Lamp, LED Work Light	
6	1001204060	2	Bracket	
7	1001204444	1	Support, LED Work Light RH	
8	1001204445	1	Support, LED Work Light LH	
9	4811700	2	Washer, M6	
10	1001228989	4	Harness, Ferrite	

Go to Discount-Equipment.com to order your parts

SECTION 10 - ELECTRICAL

FIGURE 10-45. BOOM WORK LIGHTS INSTALLATION



ART_1001182083-C

SECTION 10 - ELECTRICAL

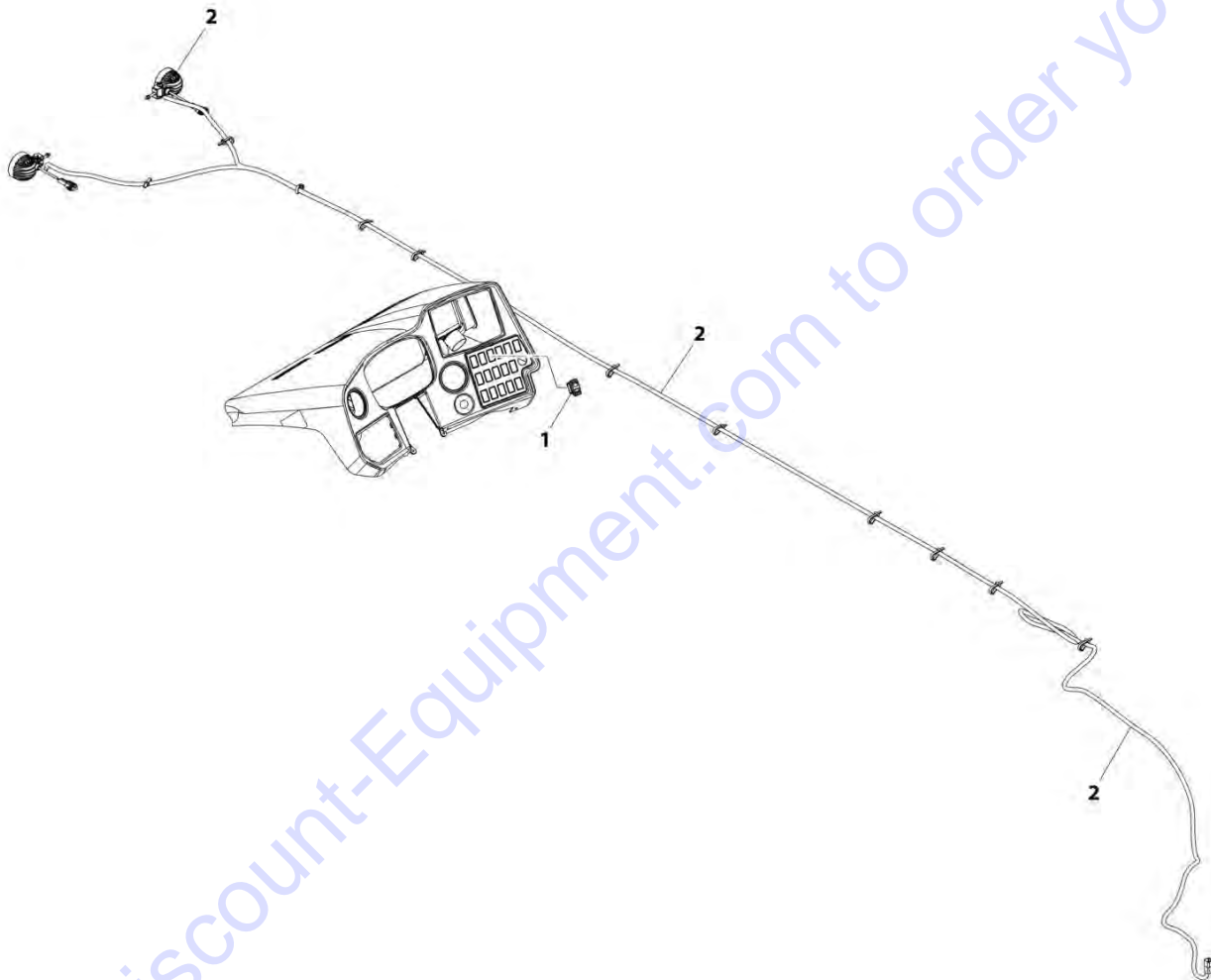
FIGURE 10-45. BOOM WORK LIGHTS INSTALLATION

ITEM	PART NUMBER	QTY	DESCRIPTION	REV
	1001182083	Ref	Boom Work Lights Installation	C
1	1001159739	1	Switch, Driving Lights	
2	1001174932	Ref	Installation, Boom Work Lights (See Separate Breakdown in this Section)	

Go to Discount-Equipment.com to order your parts

SECTION 10 - ELECTRICAL

FIGURE 10-46. BOOM WORK LIGHTS INSTALLATION (LED)



ART_1001230599-A

SECTION 10 - ELECTRICAL

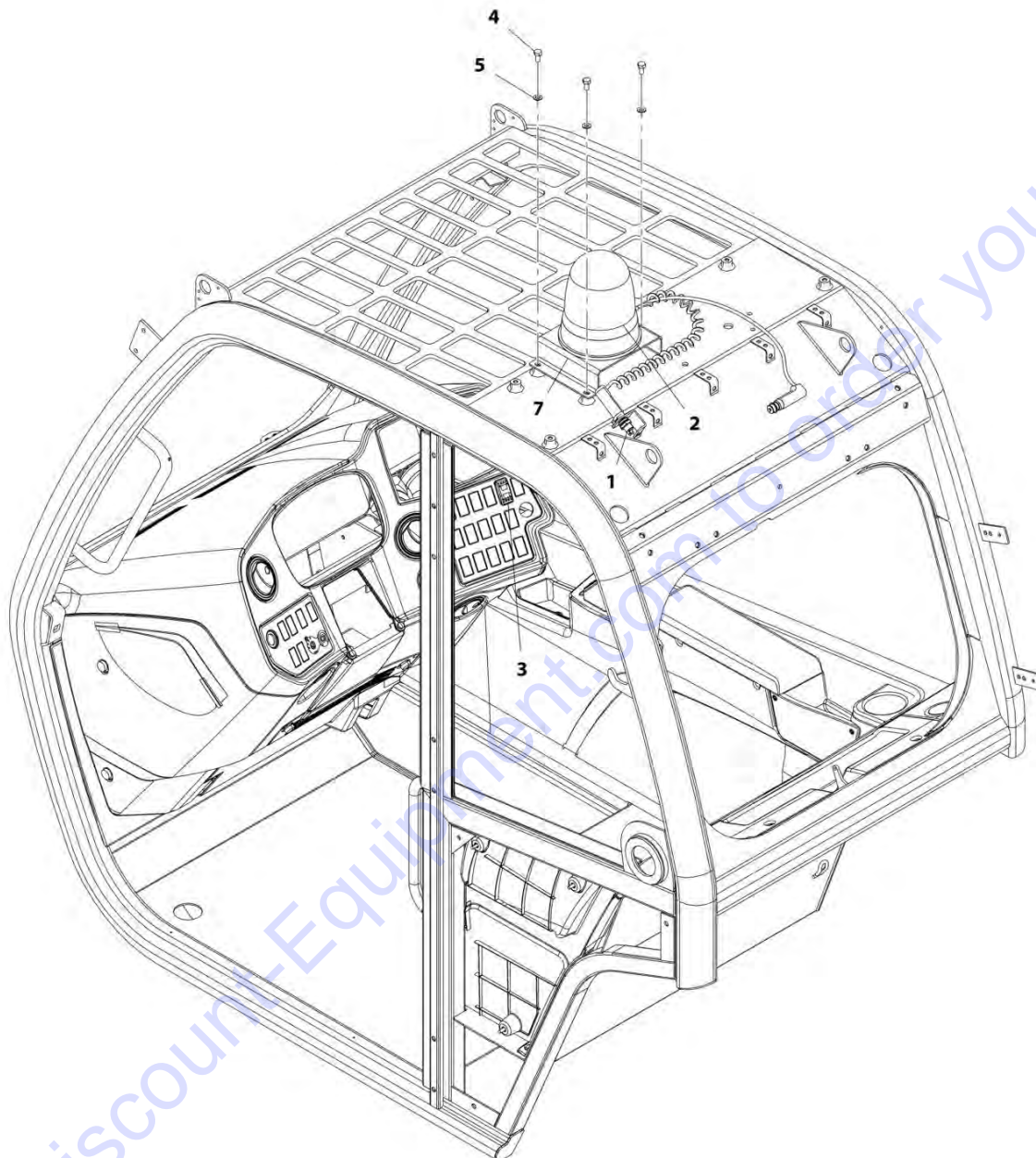
FIGURE 10-46. BOOM WORK LIGHTS INSTALLATION (LED)

ITEM	PART NUMBER	QTY	DESCRIPTION	REV
	1001230599	Ref	Boom Work Lights Installation	A
1	1001159739	1	Switch, Boom Work Lights	
2	1001230623	1	Installation, Boom LED Work Lights, (See Separate Breakdown in this Section)	

Go to Discount-Equipment.com to order your parts

SECTION 10 - ELECTRICAL

FIGURE 10-47. BEACON INSTALLATION



ART_1001171162-E

SECTION 10 - ELECTRICAL

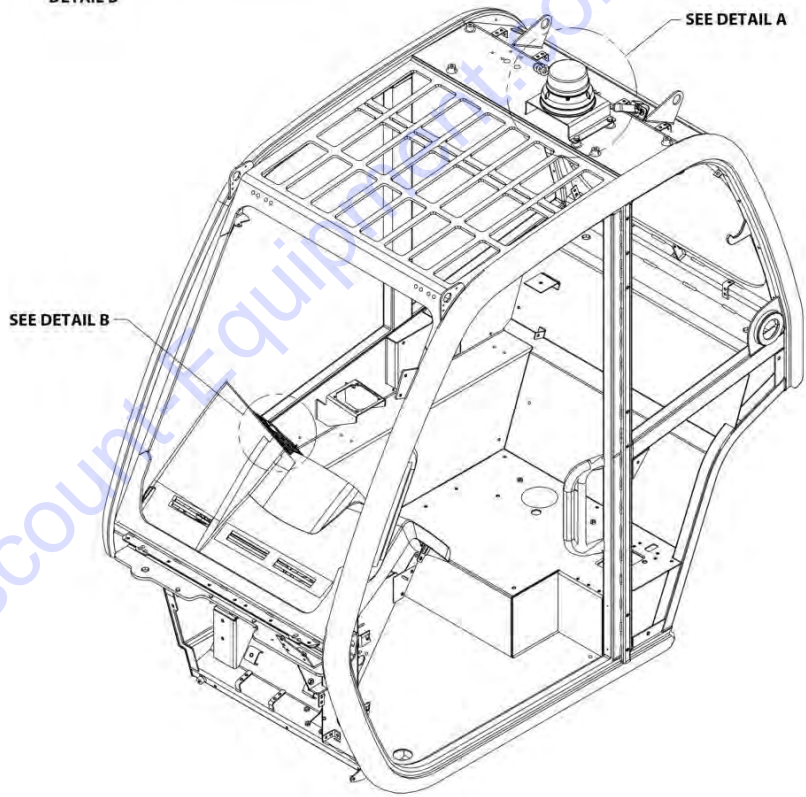
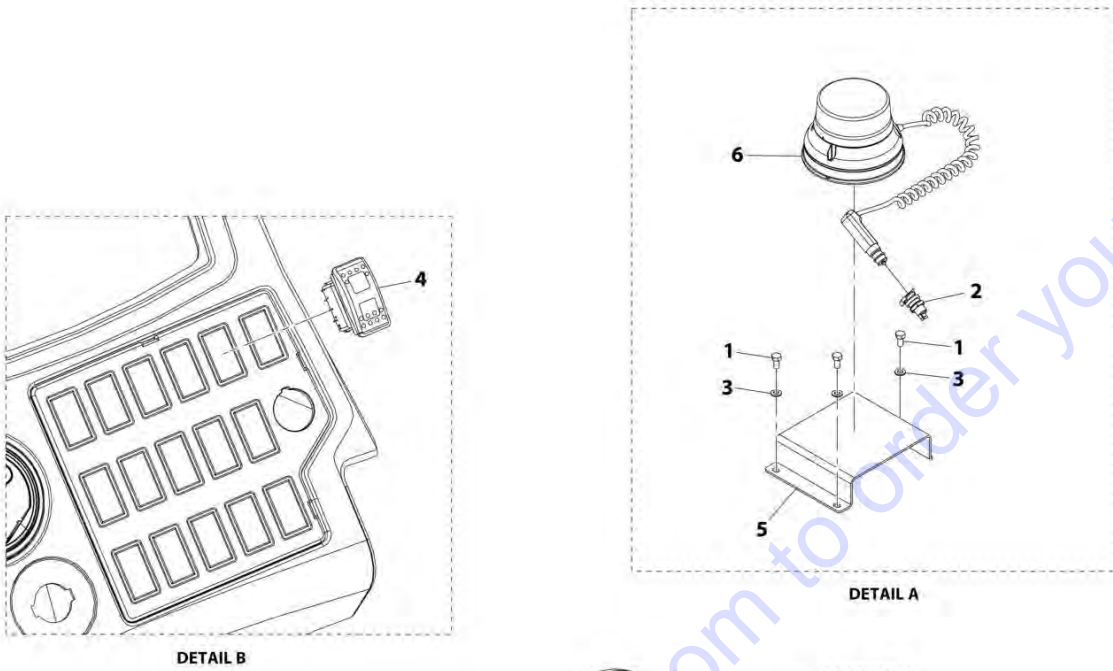
FIGURE 10-47. BEACON INSTALLATION

ITEM	PART NUMBER	QTY	DESCRIPTION	REV
	1001171162	Ref	Beacon Installation	E
1	4461174	1	Terminal	
2	1001091573	NLA	Light, Warning, (no longer available, use 1001217623 for replacement)	
2	1001217623	1	Light, Warning	
3	1001159738	1	Switch	
4	0760808	3	Bolt, M8X16	
5	4811900	3	Washer, M8	
7	1001174796	1	Bracket	

Go to Discount-Equipment.com to order your parts

SECTION 10 - ELECTRICAL

FIGURE 10-48. BEACON INSTALLATION (LED)



ART_1001195883-A

SECTION 10 - ELECTRICAL

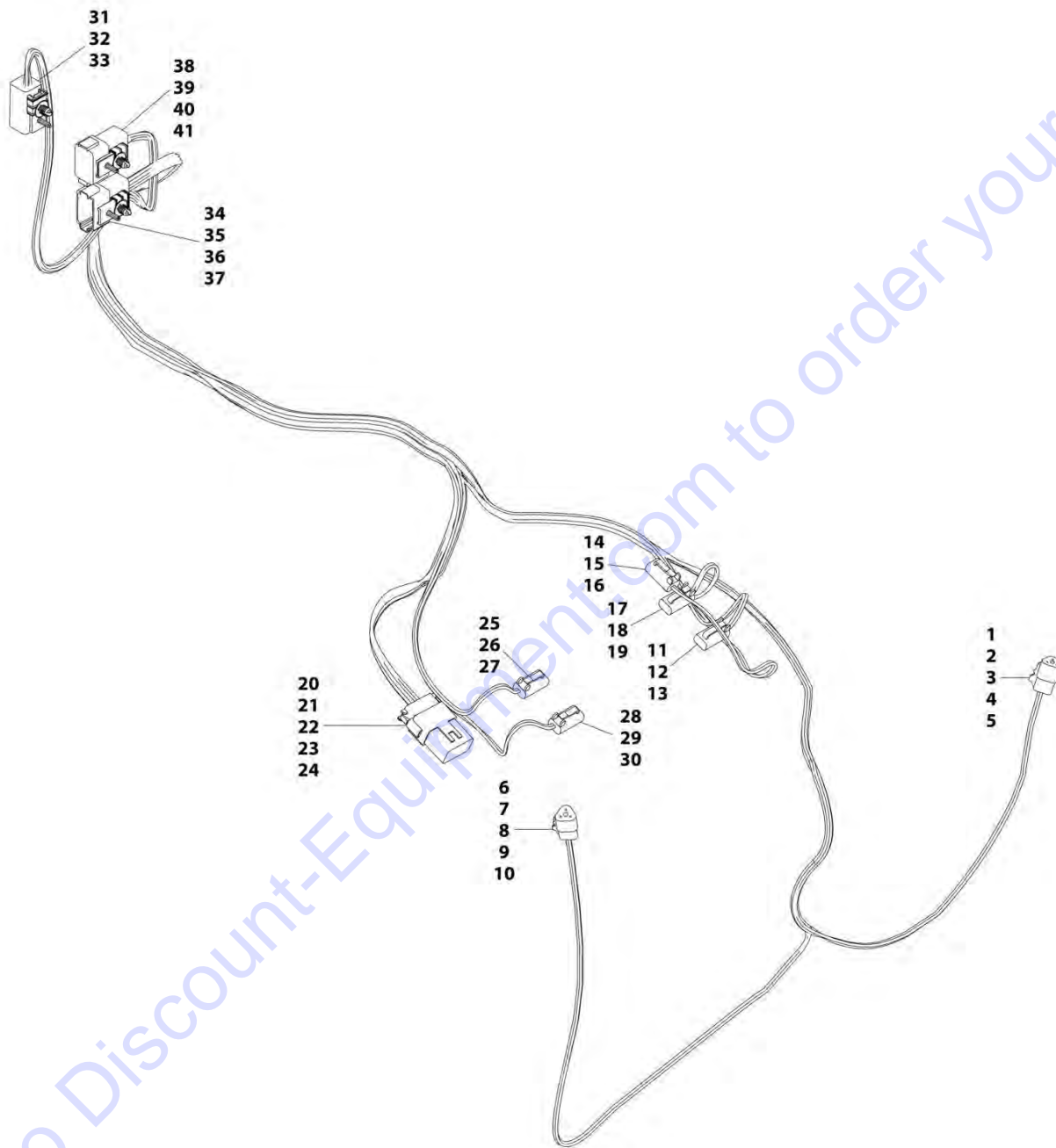
FIGURE 10-48. BEACON INSTALLATION (LED)

ITEM	PART NUMBER	QTY	DESCRIPTION	REV
	1001195883	Ref	Beacon Installation (LED)	A
1	0760808	3	Bolt, M8X16	
2	4461174	1	Terminal	
3	4811900	3	Washer, M8	
4	1001159738	1	Switch	
5	1001174796	1	Bracket	
6	1001198893	1	Light, Beacon (LED)	

Go to Discount-Equipment.com to order your parts

SECTION 10 - ELECTRICAL

FIGURE 10-49. OUTRIGGER HARNESS



ART_1001172822-E

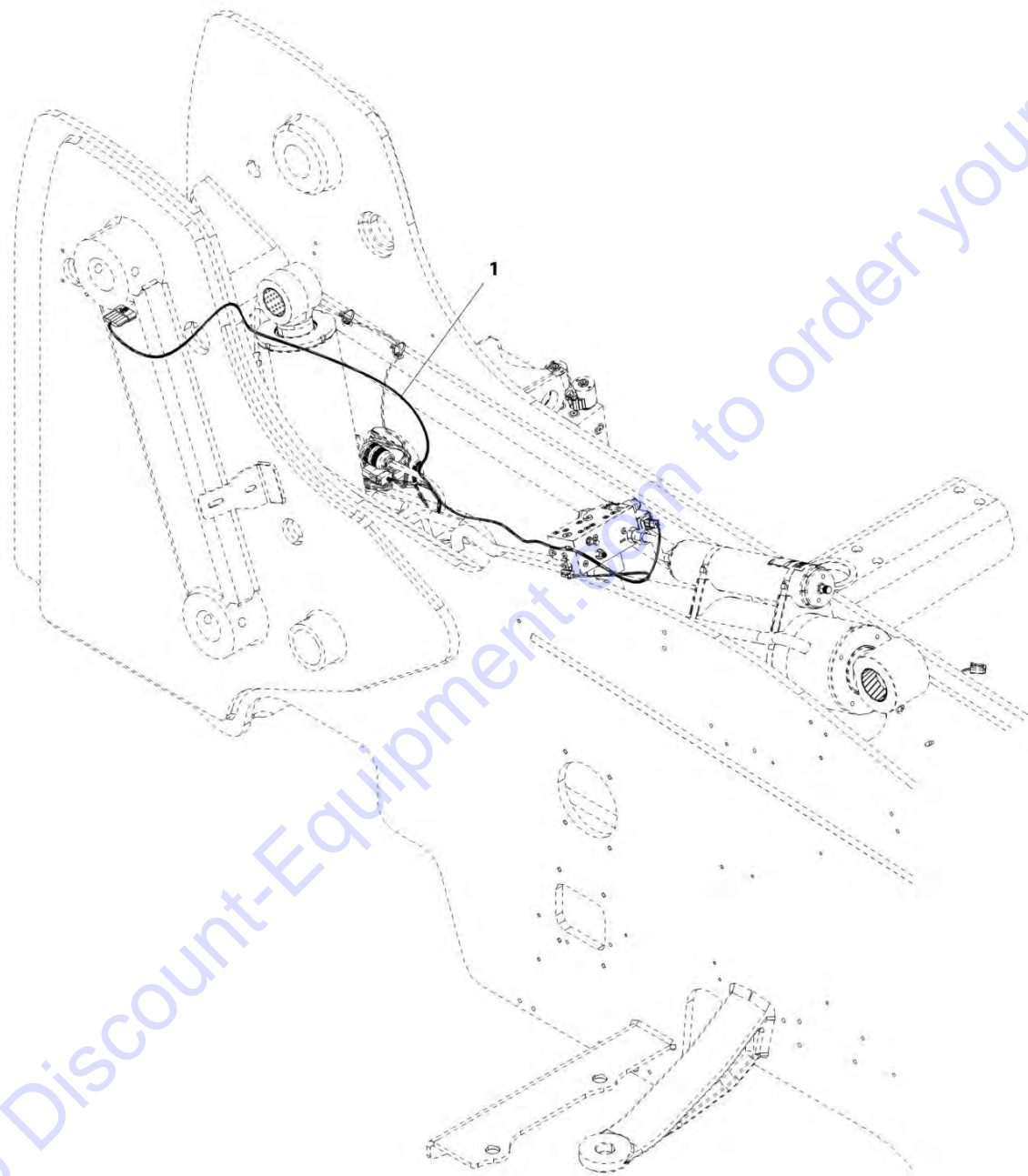
SECTION 10 - ELECTRICAL

FIGURE 10-49. OUTRIGGER HARNESS

ITEM	PART NUMBER	QTY	DESCRIPTION	REV
	1001172822	Ref	Outrigger Harness	E
1	4460539	1	Connector	
2	77363244	1	Lock, Secondary	
3	4460536	1	Terminal, 3 Pin Male	
4	4460465	3	Terminal	
5	4460466	1	Plug	
6	4460539	1	Connector	
7	77363244	1	Lock, Secondary	
8	4460536	1	Terminal, 3 Pin Male	
9	4460465	3	Terminal	
10	4460466	1	Plug	
11	4460891	1	Connector	
12	80604018	1	Lock, Secondary	
13	4460465	2	Terminal	
14	4460891	1	Connector	
15	80604018	1	Lock, Secondary	
16	4460465	2	Terminal	
17	4460891	1	Connector	
18	80604018	1	Lock, Secondary	
19	4460465	2	Terminal	
20	4460933	1	Connector	
21	80604016	1	Lock, Secondary	
22	4460970	1	Terminal, Receptacle	
23	4460942	10	Terminal	
24	4460466	2	Plug	
25	4460891	1	Connector	
26	80604018	1	Lock, Secondary	
27	4460465	2	Terminal	
28	4460891	1	Connector	
29	80604018	1	Lock, Secondary	
30	4460465	2	Terminal	
31	4460899	1	Connector	
32	80604022	1	Lock, Secondary	
33	4460464	6	Terminal	
34	4460970	1	Connector	
35	80363179	1	Lock, Secondary	
36	4460941	10	Terminal	
37	4460466	2	Plug	
38	4460950	1	Connector	
39	80363179	1	Lock, Secondary	
40	4460464	7	Terminal	
41	4460466	5	Plug	

SECTION 10 - ELECTRICAL

FIGURE 10-50. RIDE CONTROL CB VALVE HARNESS INSTALLATION (LIFT)



ART_1001175677-A

SECTION 10 - ELECTRICAL

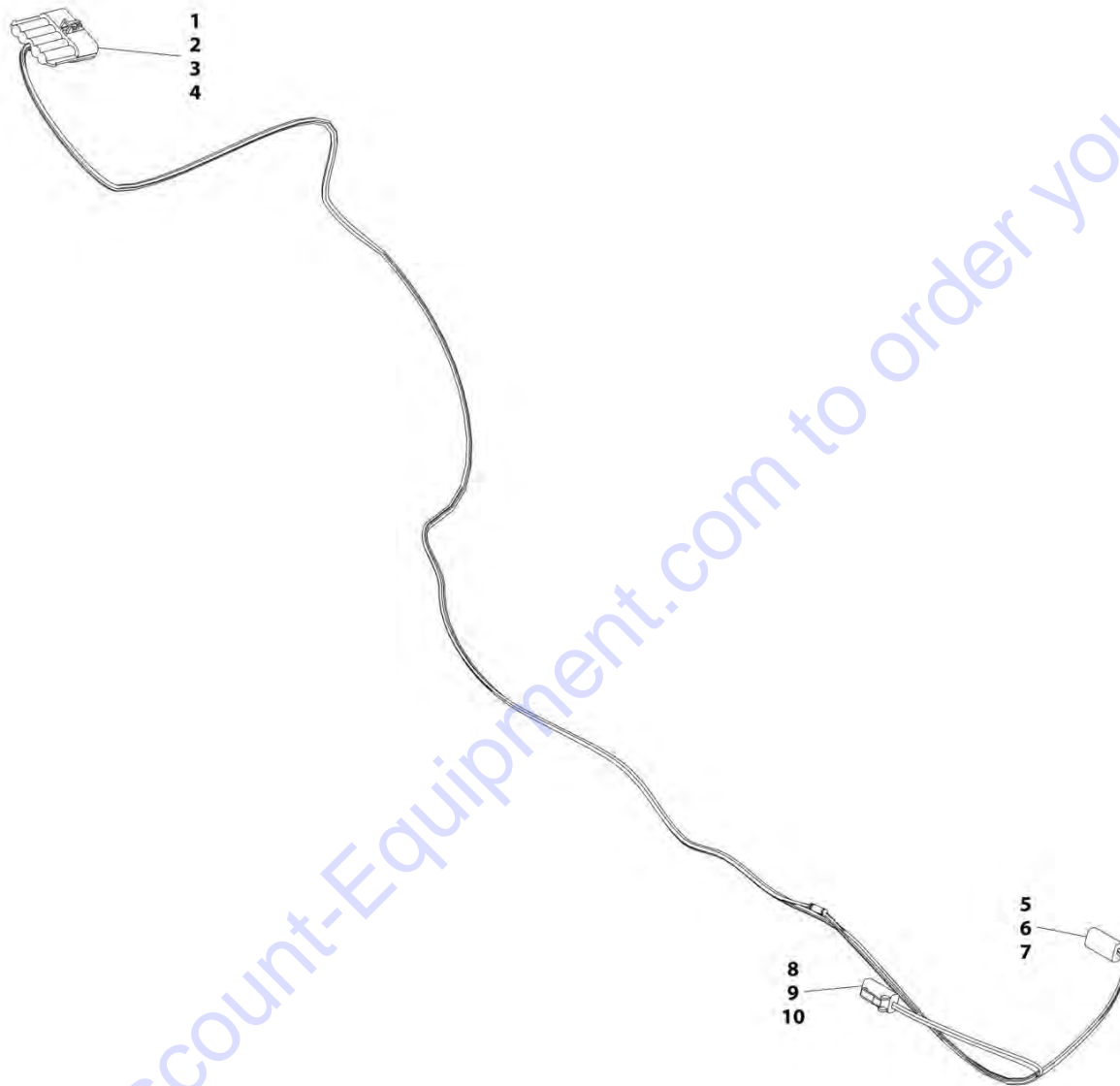
FIGURE 10-50. RIDE CONTROL CB VALVE HARNESS INSTALLATION (LIFT)

ITEM	PART NUMBER	QTY	DESCRIPTION	REV
1	1001175677 1001173527	Ref 1	Ride Control CB Valve Harness Installation Harness, Ride Control CB Valve (See RIDE CONTROL CB VALVE HARNESS for Breakdown)	A

Go to Discount-Equipment.com to order your parts

SECTION 10 - ELECTRICAL

FIGURE 10-51. RIDE CONTROL CB VALVE HARNESS (LIFT)



ART_1001173527-B

SECTION 10 - ELECTRICAL

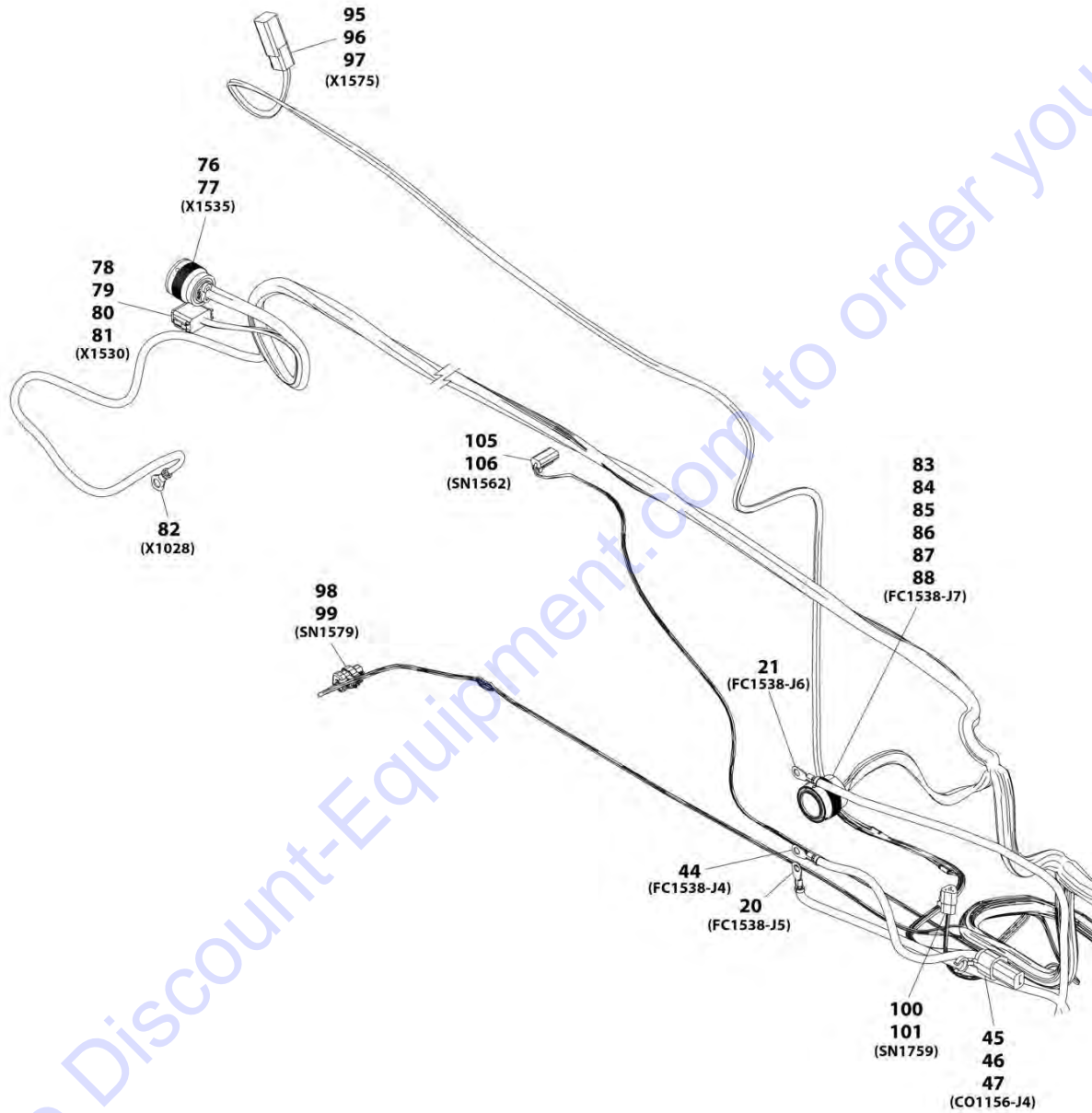
FIGURE 10-51. RIDE CONTROL CB VALVE HARNESS (LIFT)

ITEM	PART NUMBER	QTY	DESCRIPTION	REV
	1001173527	Ref	Ride Control CB Valve Harness	B
1	1001121727	1	Connector	
2	1001166727	2	Plug	
3	1001116745	2	Terminal	
4	1001116729	1	Terminal	
5	4460891	1	Connector	
6	4460465	2	Terminal	
7	80604018	1	Lock, Secondary	
8	4460891	1	Connector	
9	4460465	2	Terminal	
10	80604018	1	Lock, Secondary	

Go to Discount-Equipment.com to order your parts

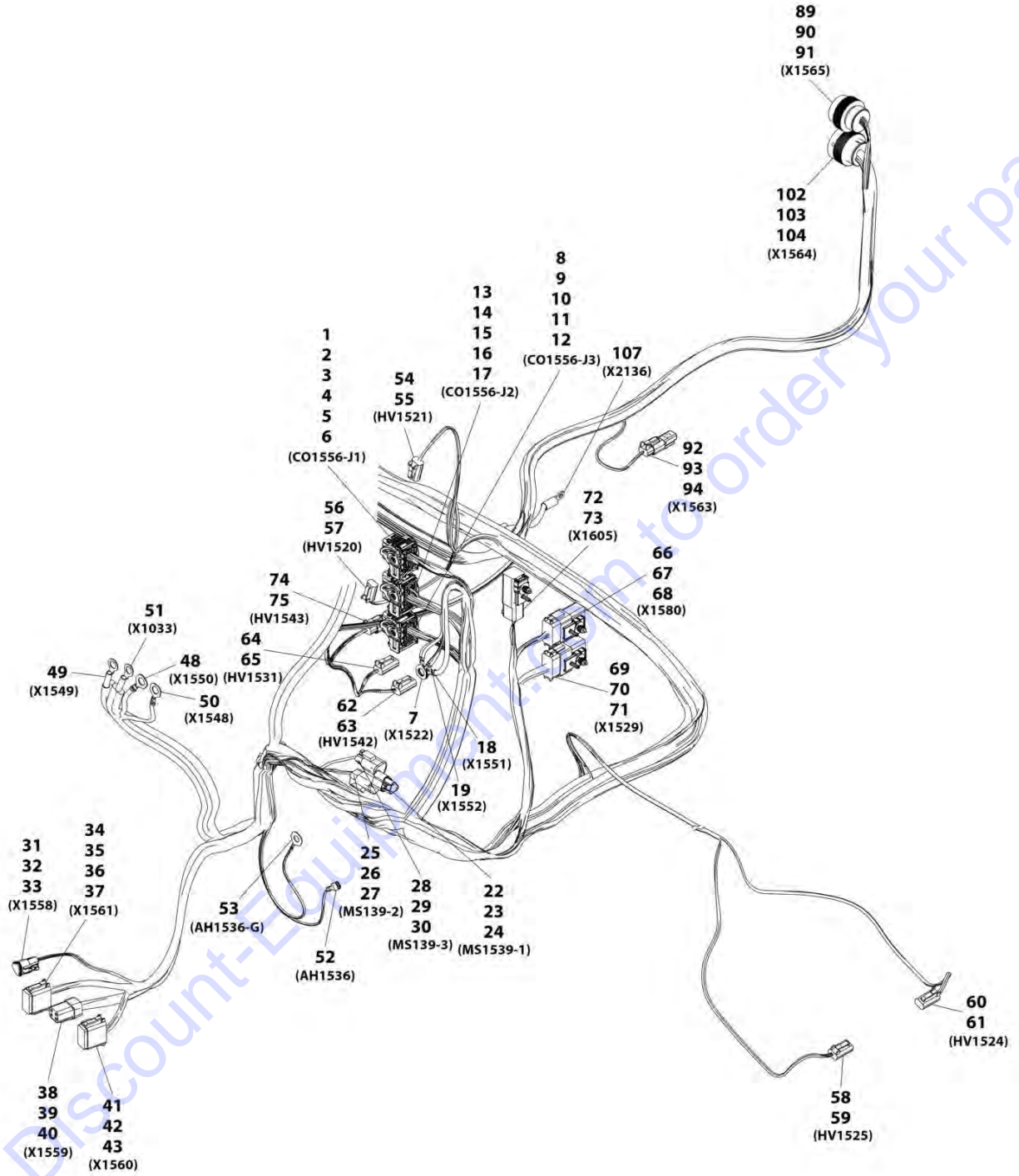
SECTION 10 - ELECTRICAL

FIGURE 10-52. FRONT FRAME HARNESS



ART_1001221728_1-B

SECTION 10 - ELECTRICAL



ART_1001221728_2-B

SECTION 10 - ELECTRICAL

FIGURE 10-52. FRONT FRAME HARNESS

ITEM	PART NUMBER	QTY	DESCRIPTION	REV
	1001221728	Ref	Front Frame Harness	B
1	1001161963	1	Connector	
2	1001161097	21	Terminal	
3	1001161099	5	Terminal	
4	1001161098	1	Terminal	
5	1001161100	19	Plug	
6	1001161101	2	Plug	
7	1001187079	1	Terminal, Ring	
8	1001160500	1	Connector	
9	1001161097	9	Terminal	
10	1001161099	7	Terminal	
11	1001161100	15	Plug	
12	1001161101	1	Plug	
13	1001161957	1	Connector	
14	1001161097	21	Terminal	
15	1001161099	1	Terminal	
16	1001161100	3	Plug	
17	1001161101	7	Plug	
18	1001187080	1	Terminal, Ring	
19	1001187080	1	Terminal, Ring	
20	1001187075	1	Terminal, Ring	
21	1001187075	1	Terminal, Ring	
22	1001116812	1	Connector	
23	4460944	2	Terminal	
24	4460466	1	Plug	
25	4460539	1	Connector	
26	4460944	2	Terminal	
27	4460466	1	Plug	
28	1001116812	1	Connector	
29	4460944	2	Terminal	
30	4460466	1	Plug	
31	1001116812	1	Connector	
32	4460465	2	Terminal	
33	4460466	1	Plug	
34	4460836	1	Connector	
35	4460942	1	Terminal	
36	4460465	10	Terminal	
37	4460466	1	Plug	
38	1001116810	1	Connector	
39	1001150611	3	Terminal	
40	4460509	1	Terminal	
41	4460933	1	Connector	
42	4460465	8	Terminal	
43	4460466	4	Plug	
44	1001187075	1	Terminal, Ring	
45	1001160509	1	Connector	
46	1001160510	1	Terminal	
47	1001175267	1	Seal	
48	1001187080	1	Terminal, Ring	
49	1001128127	1	Terminal, Ring	

SECTION 10 - ELECTRICAL

ITEM	PART NUMBER	QTY	DESCRIPTION	REV
50	1001187079	1	Terminal, Ring	
51	1001128127	1	Terminal, Ring	
52	8220051	1	Terminal, Blade	
53	1001211775	1	Terminal, Ring	
54	4460891	1	Connector	
55	4460465	2	Terminal	
56	4460891	1	Connector	
57	4460465	2	Terminal	
58	4460891	1	Connector	
59	4460465	2	Terminal	
60	4460891	1	Connector	
61	4460465	2	Terminal	
62	4460891	1	Connector	
63	4460465	2	Terminal	
64	4460891	1	Connector	
65	4460465	2	Terminal	
66	4460836	1	Connector	
67	4460465	7	Terminal	
68	4460466	5	Plug	
69	4460933	1	Connector	
70	4460942	10	Terminal	
71	4460466	2	Plug	
72	4460894	1	Connector	
73	4460465	6	Terminal	
74	4460891	1	Connector	
75	4460465	2	Terminal	
76	1001165310	1	Connector	
77	91013192	2	Terminal	
78	4460933	1	Connector	
79	4460465	3	Terminal	
80	4460942	2	Terminal	
81	4460466	7	Plug	
82	1001187076	1	Terminal, Ring	
83	1001165309	1	Connector	
84	4460465	7	Terminal	
85	4460942	3	Terminal	
86	4460509	3	Terminal	
87	1001150611	3	Terminal	
88	4460466	3	Plug	
89	4461015	1	Connector	
90	4460465	7	Terminal	
91	4460466	7	Plug	
92	4460891	1	Connector	
93	4460942	1	Terminal	
94	4460466	1	Plug	
95	4460894	1	Connector	
96	4460942	4	Terminal	
97	4460465	2	Terminal	
98	1001116950	1	Connector	
99	4460465	2	Terminal	
100	4460539	1	Connector	

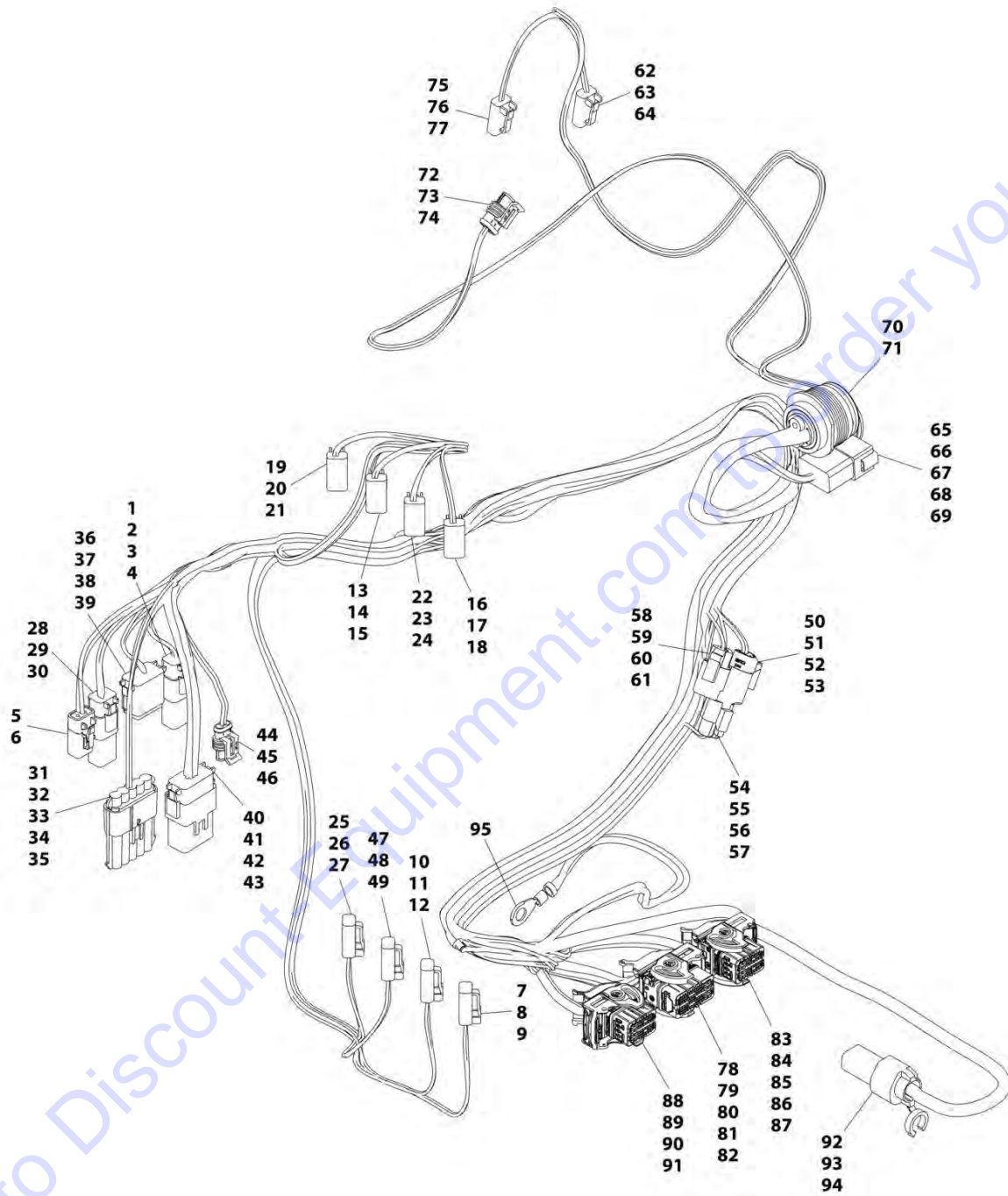
SECTION 10 - ELECTRICAL

ITEM	PART NUMBER	QTY	DESCRIPTION	REV
101	4460465	3	Terminal	
102	1001118323	1	Connector	
103	4460942	4	Terminal	
104	91013192	2	Terminal	
105	4460891	1	Connector	
106	4460465	2	Terminal	
107	8220116	1	Terminal, Ring	

Go to Discount-Equipment.com to order your parts

SECTION 10 - ELECTRICAL

FIGURE 10-53. REAR FRAME HARNESS



ART_1001204352-A

SECTION 10 - ELECTRICAL

FIGURE 10-53. REAR FRAME HARNESS

ITEM	PART NUMBER	QTY	DESCRIPTION	REV
	1001204352	Ref	Rear Frame Harness	A
1	4460884	1	Connector	
2	80604021	1	Lock, Connector	
2	4460465	2	Terminal	
3	4460466	2	Plug	
5	4461018	1	Connector	
6	4460509	2	Terminal	
7	4460891	1	Connector	
8	80604018	1	Lock, Connector	
9	4460465	2	Terminal	
10	4460891	1	Connector	
11	80604018	1	Connector	
12	4460465	2	Terminal	
13	4460891	1	Connector	
14	80604018	1	Lock, Connector	
15	4460465	2	Terminal	
16	4460891	1	Connector	
17	80604018	1	Lock, Connector	
18	4460465	2	Terminal	
19	4460891	1	Connector	
20	80604018	1	Lock, Connector	
21	4460465	2	Terminal	
22	4460891	1	Connector	
23	80604018	1	Lock, Connector	
24	4460465	2	Terminal	
25	4460891	1	Connector	
26	80604018	1	Lock, Connector	
27	4460465	2	Terminal	
28	4460884	1	Connector	
29	4460465	4	Terminal	
30	80604021	1	Lock, Connector	
31	1001121726	1	Connector	
32	1001116728	3	Terminal	
33	1001175265	2	Seal	
34	4460458	1	Seal	
35	1001116727	2	Plug	
36	4460930	1	Connector	
37	8220525	1	Lock, Connector	
38	4460465	2	Terminal	
39	4460466	6	Plug	
40	4460933	1	Connector	
41	80604016	1	Connector, Lock	
42	4460942	10	Terminal	
43	4460466	2	Plug	
44	4461118	1	Connector	
45	1001107854	2	Terminal	
46	1001116763	2	Seal	
47	4460891	1	Connector	
48	80604018	1	Lock, Connector	
49	4460465	2	Terminal	

PARTS FINDER

**Search Website
by Part Number**



**Search Manual
Library For Parts
Manual & Lookup Part
Numbers – Purchase
or Request Quote**

**Can't Find Part or
Manual? Request Help
by Manufacturer,
Model & Description**

Discount-Equipment.com is your online resource for quality parts & equipment.

Florida: **561-964-4949** Outside Florida TOLL FREE: **877-690-3101**

Need parts?

Click on this link: <http://www.discount-equipment.com/category/5443-parts/> and choose one of the options to help get the right parts and equipment you are looking for. Please have the machine model and serial number available in order to help us get you the correct parts. If you don't find the part on the website or on one of the online manuals, please fill out the request form and one of our experienced staff members will get back to you with a quote for the right part that your machine needs.

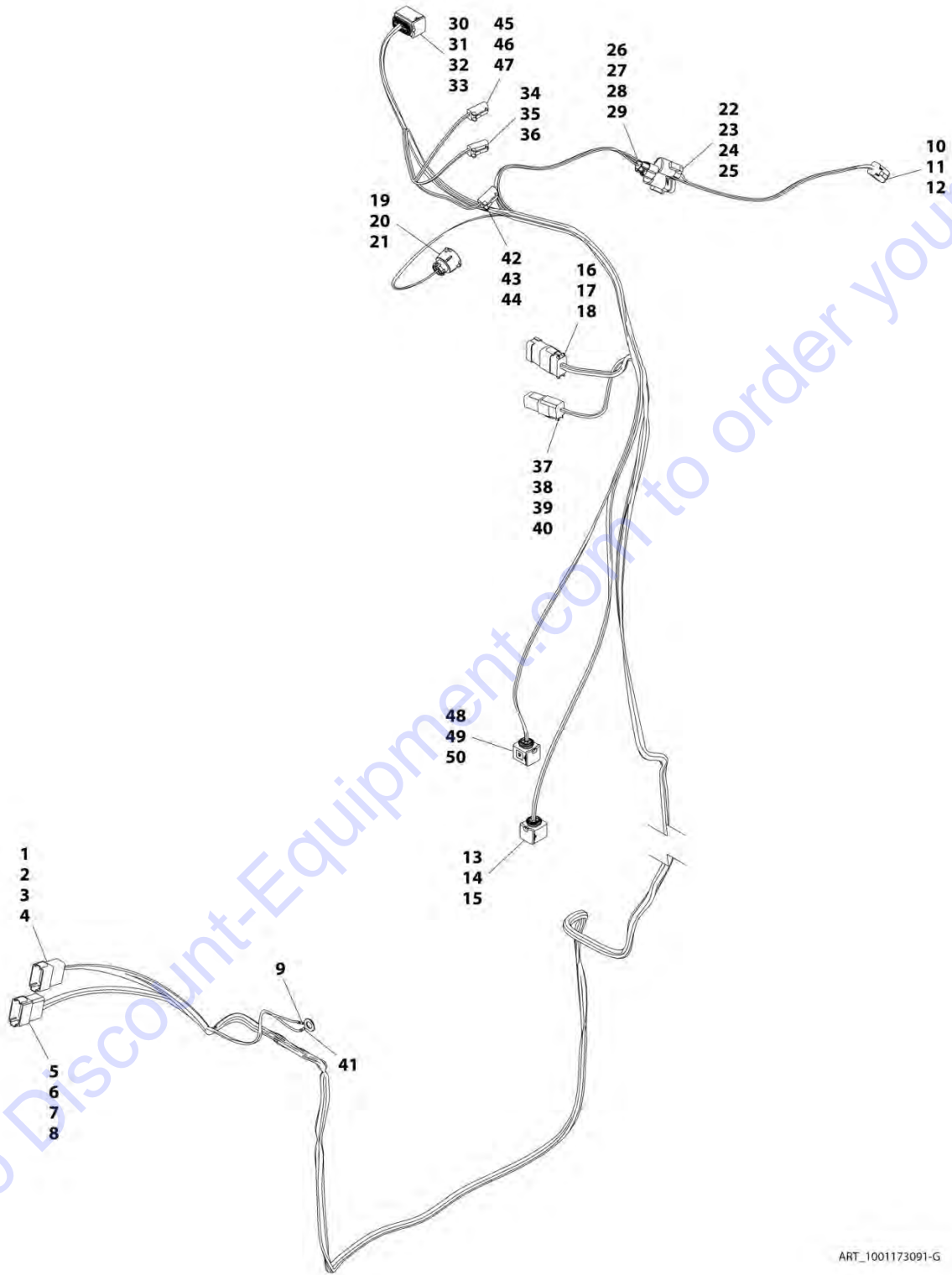
We sell worldwide for the brands: Genie, Terex, JLG, MultiQuip, Mikasa, Essick, Whiteman, Mayco, Toro Stone, Diamond Products, Generac Magnum, Airman, Haulotte, Barreto, Power Blanket, Nifty Lift, Atlas Copco, Chicago Pneumatic, Allmand, Miller Curber, Skyjack, Lull, Skytrak, Tsurumi, Husquvarna Target, Stow, Wacker, Sakai, Mi-T-M, Sullair, Basic, Dynapac, MBW, Weber, Bartell, Bennar Newman, Haulotte, Ditch Runner, Menegotti, Morrison, Contec, Buddy, Crown, Edco, Wyco, Bomag, Laymor, EZ Trench, Bil-Jax, F.S. Curtis, Gehl Pavers, Heli, Honda, ICS/PowerGrit, IHI, Partner, Imer, Clipper, MMD, Koshin, Rice, CH&E, General Equipment, Amida, Coleman, NAC, Gradall, Square Shooter, Kent, Stanley, Tamco, Toku, Hatz, Kohler, Robin, Wisconsin, Northrock, Oztec, Toker TK, Rol-Air, APT, Wylie, Ingersoll Rand / Doosan, Innovatech, Con X, Ammann, Mecalac, Makinex, Smith Surface Prep, Small Line, Wanco, Yanmar

SECTION 10 - ELECTRICAL

ITEM	PART NUMBER	QTY	DESCRIPTION	REV
50	1001116812	1	Connector	
51	91554019	1	Lock, Connector	
52	4460944	2	Terminal	
53	4460466	1	Plug	
54	1001116812	1	Connector	
55	91554019	1	Lock, Connector	
56	4460944	2	Terminal	
57	4460466	1	Plug	
58	4460539	1	Connector	
59	1001146021	1	Seal	
60	4460944	2	Terminal	
61	4460466	1	Plug	
62	4460891	1	Connector	
63	80604018	1	Lock, Connector	
64	4460465	2	Terminal	
65	4460970	1	Connector	
66	80363179	1	Lock, Connector	
67	4460464	4	Terminal	
68	4460941	1	Terminal	
69	4460466	7	Plug	
70	1001165311	1	Connector	
71	91013191	2	Terminal	
72	4461262	1	Connector	
73	1001107854	3	Terminal	
74	1001104498	3	Seal	
75	4460891	1	Connector	
76	80604018	1	Lock, Connector	
77	4460465	2	Terminal	
78	1001161963	1	Connector	
79	1001161097	21	Terminal	
80	1001161099	5	Terminal	
81	1001161100	19	Plug	
82	1001161101	3	Plug	
83	1001160500	1	Connector	
84	1001161097	2	Terminal	
85	1001161099	7	Terminal	
86	1001161100	22	Plug	
87	1001161101	1	Plug	
88	1001161957	1	Connector	
89	1001161097	7	Terminal	
90	1001161100	17	Plug	
91	1001161101	8	Plug	
92	1001160509	1	Connector	
93	1001160510	1	Terminal	
94	1001175267	1	Seal	
95	1001187076	1	Ring, Terminal	

SECTION 10 - ELECTRICAL

FIGURE 10-54. ENGINE CHASSIS HARNESS (ULS)



ART_1001173091-G

SECTION 10 - ELECTRICAL

FIGURE 10-54. ENGINE CHASSIS HARNESS (ULS)

ITEM	PART NUMBER	QTY	DESCRIPTION	REV
	1001173091	Ref	Engine Chassis Harness (ULS)	G
1	4460982	1	Connector	
2	80363179	1	Lock, Connector	
3	4460464	11	Terminal	
4	4460466	1	Plug	
5	1001152742	1	Connector	
6	80363179	1	Lock, Connector	
7	4460464	10	Terminal	
8	4460466	2	Plug	
9	1001187077	1	Terminal, Ring	
10	4460884	1	Connector	
11	80604021	1	Lock, Connector	
12	4460465	4	Terminal	
13	1001167528	1	Connector	
14	1001166704	4	Terminal	
15	1001137578	4	Seal, Terminal	
16	4460930	1	Connector	
17	80604025	1	Lock, Connector	
18	4460465	8	Terminal	
19	1001167620	1	Connector	
20	1001176004	2	Terminal	
21	1001167624	2	Plug	
22	4460539	1	Connector	
23	77363244	1	Lock, Connector	
24	4460944	2	Terminal	
25	4460466	1	Plug	
26	1001116812	1	Connector	
27	91554019	1	Lock, Connector	
28	4460944	2	Terminal	
29	4460466	1	Plug	
30	1001165194	1	Connector	
31	1001166703	10	Terminal	
32	1001126393	10	Seal, Terminal	
33	1001126391	2	Plug	
34	4460891	1	Connector	
35	80604018	1	Lock, Connector	
36	4460465	2	Terminal	
37	4460894	1	Connector	
38	91504107	1	Lock, Connector	
39	4460465	4	Terminal	
40	4460466	2	Plug	
41	1001187077	1	Terminal, Ring	
42	4460891	1	Connector	
43	80604018	1	Lock, Connector	
44	4460465	2	Terminal	
45	4460891	1	Connector	
46	80604018	1	Lock, Connector	
47	4460465	2	Terminal	
48	1001176935	1	Connector	
49	1001166704	4	Terminal	

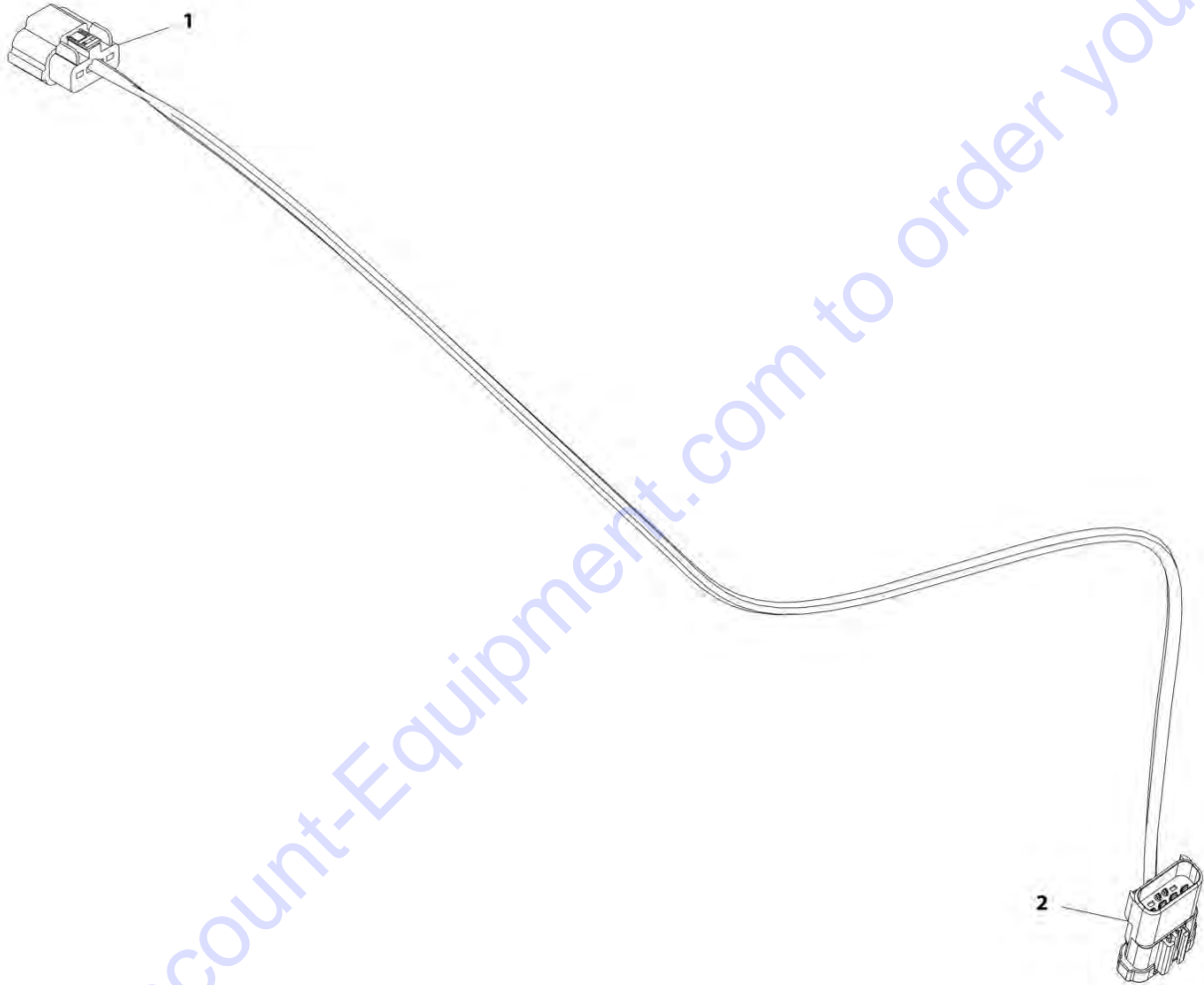
SECTION 10 - ELECTRICAL

ITEM	PART NUMBER	QTY	DESCRIPTION	REV
50	1001137578	4	Seal, Terminal	

Go to Discount-Equipment.com to order your parts

SECTION 10 - ELECTRICAL

FIGURE 10-55. TBAP HARNESS



ART_1001184835-A

SECTION 10 - ELECTRICAL

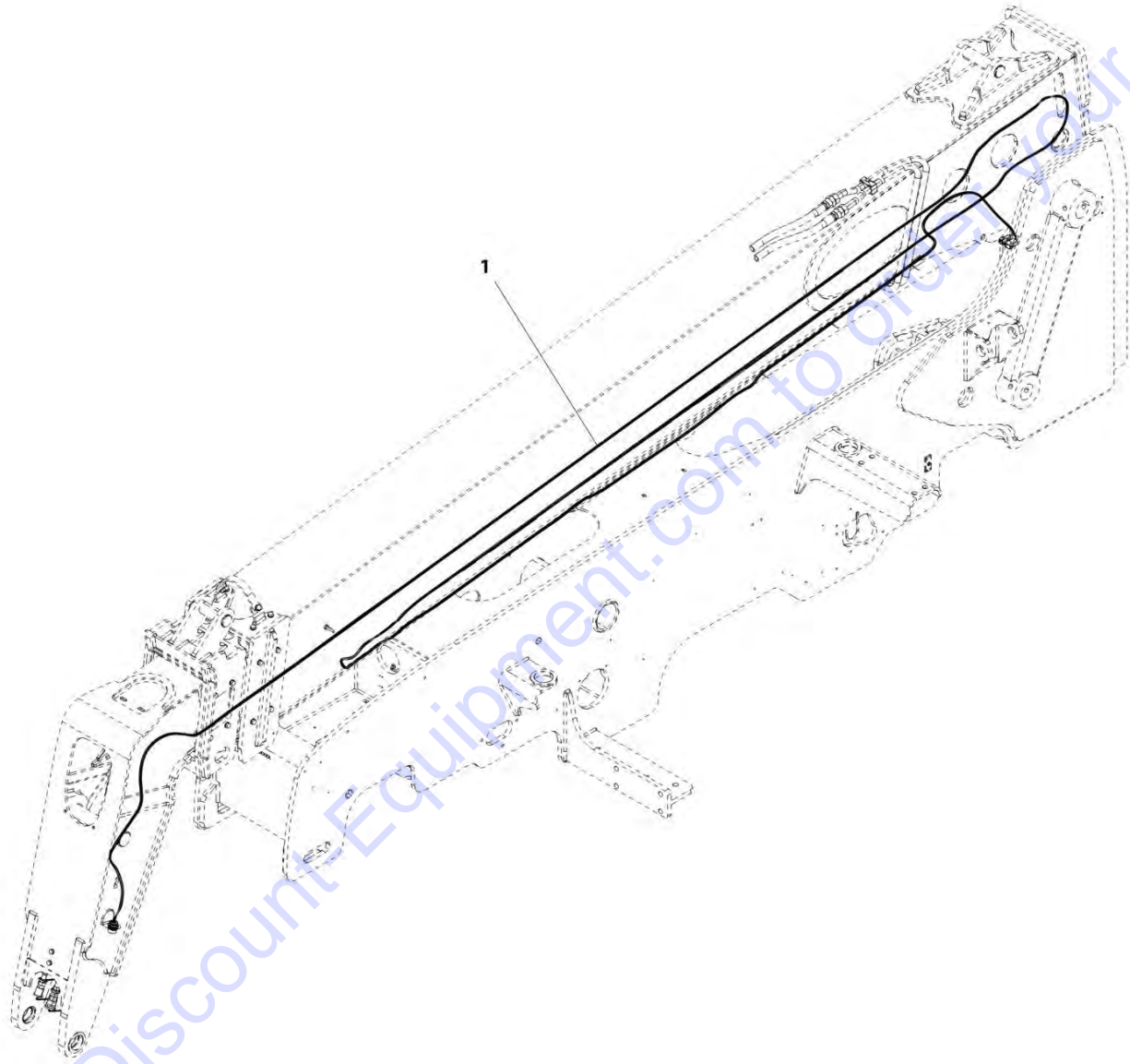
FIGURE 10-55. TBAP HARNESS

ITEM	PART NUMBER	QTY	DESCRIPTION	REV
1	1001184835	Ref	TBAP Harness	A
	10011184495	1	Connector	
	1001184494	4	Terminal	
	1001184496	4	Seal	
2	1001184491	1	Connector	
	1001184493	4	Terminal	

Go to Discount-Equipment.com to order your parts

SECTION 10 - ELECTRICAL

FIGURE 10-56. BOOM ELECTRICAL HARNESS INSTALLATION



ART_1001174426-E

SECTION 10 - ELECTRICAL

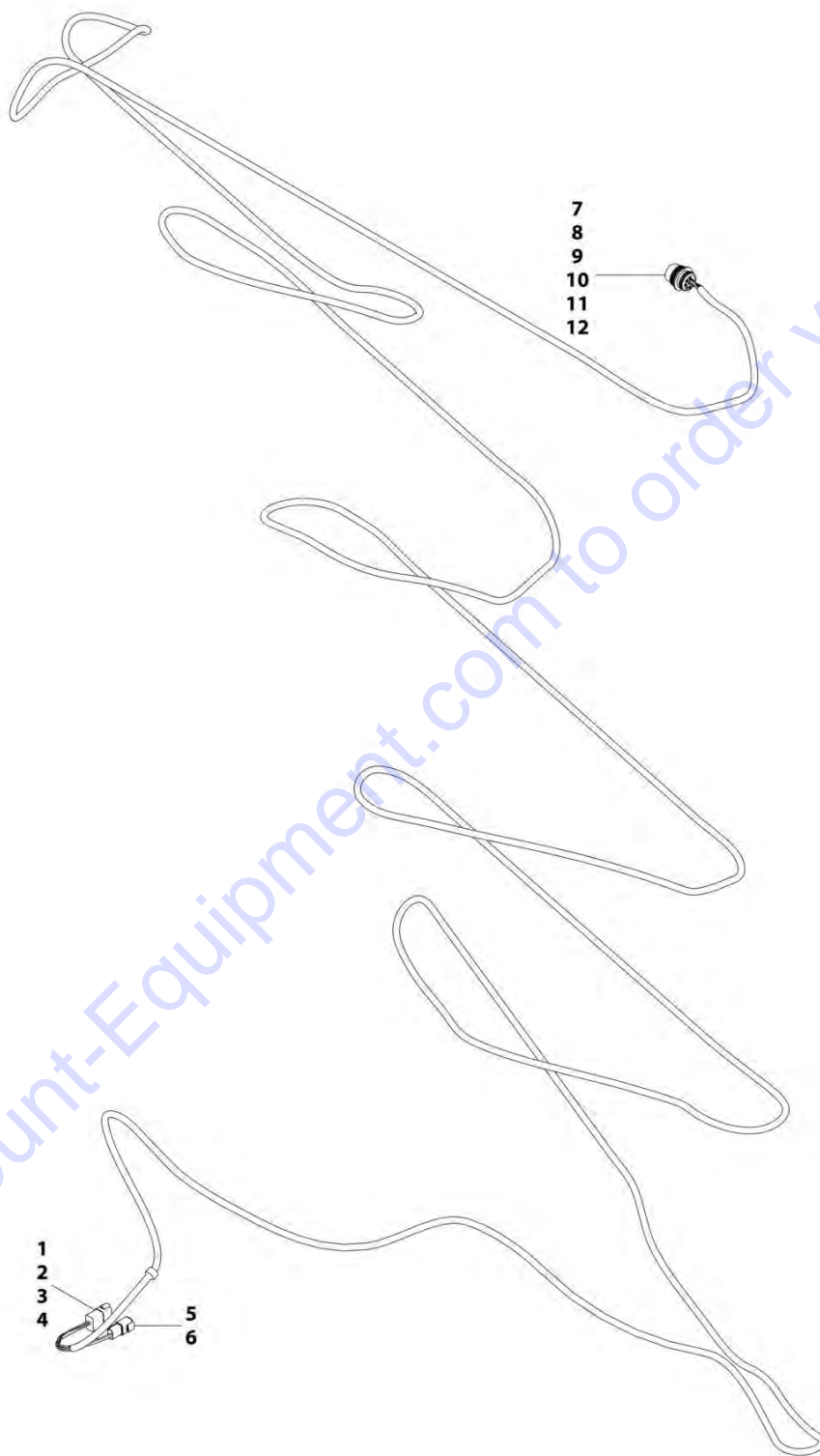
FIGURE 10-56. BOOM ELECTRICAL HARNESS INSTALLATION

ITEM	PART NUMBER	QTY	DESCRIPTION	REV
1	1001174426 1001172728	Ref 1	Boom Electrical Harness Installation Harness, Boom (See Separate Breakdown in this Section)	E

Go to Discount-Equipment.com to order your parts

SECTION 10 - ELECTRICAL

FIGURE 10-57. BOOM HARNESS



ART_1001172728-D

SECTION 10 - ELECTRICAL

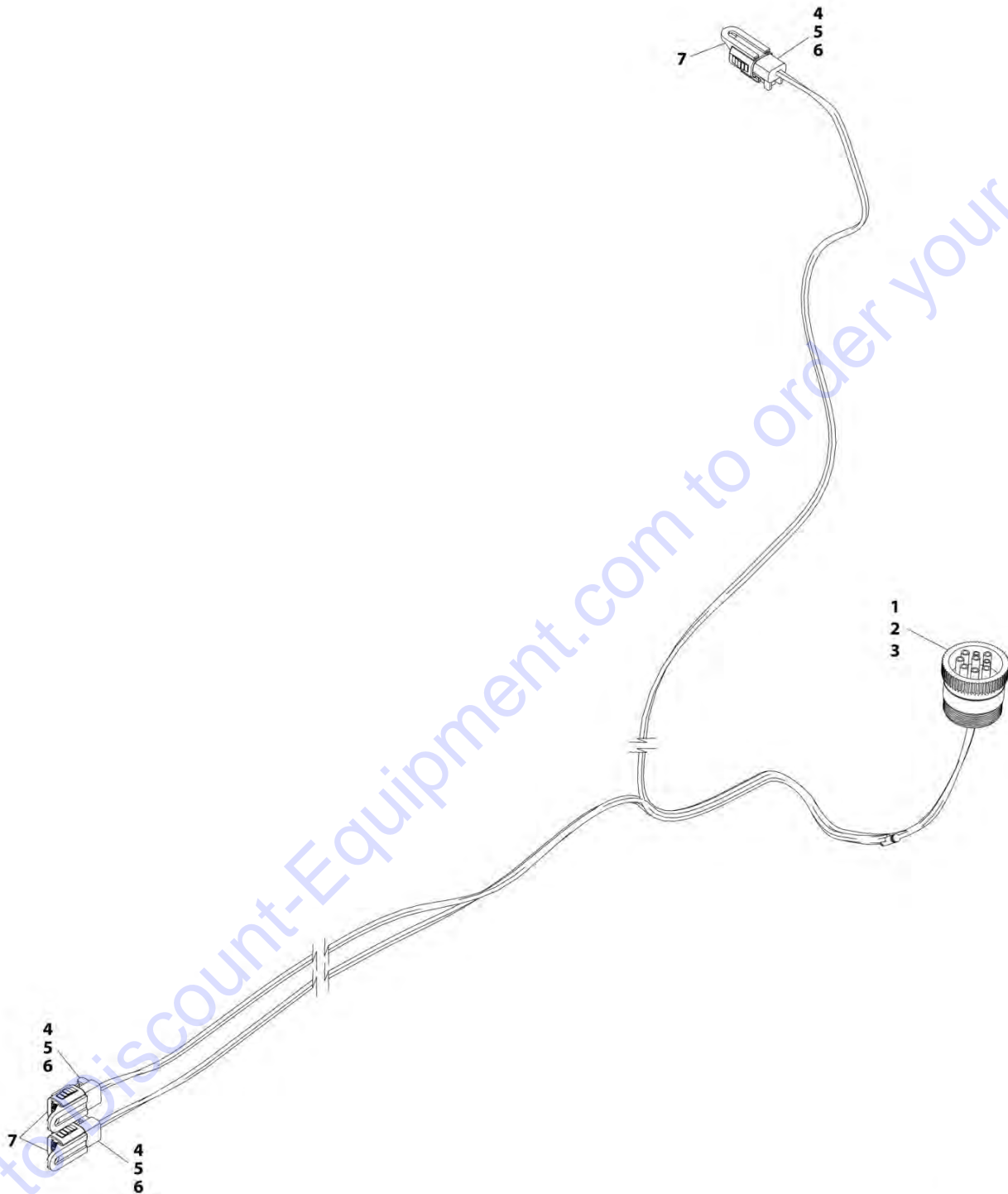
FIGURE 10-57. BOOM HARNESS

ITEM	PART NUMBER	QTY	DESCRIPTION	REV
	1001172728	Ref	Boom Harness	D
1	4460931	1	Connector	
2	4460943	2	Terminal	
3	4460464	4	Terminal	
4	4460466	2	Plug	
5	4461017	1	Connector	
6	4460508	2	Terminal	
7	1001112612	1	Connector	
8	1001183221	1	Boot	
9	1001157891	1	Terminal	
10	4460464	4	Terminal	
11	4460943	2	Terminal	
12	4460466	1	Plug	

Go to Discount-Equipment.com to order your parts

SECTION 10 - ELECTRICAL

FIGURE 10-58. PLATFORM HARNESS



ART_1001167695-C

SECTION 10 - ELECTRICAL

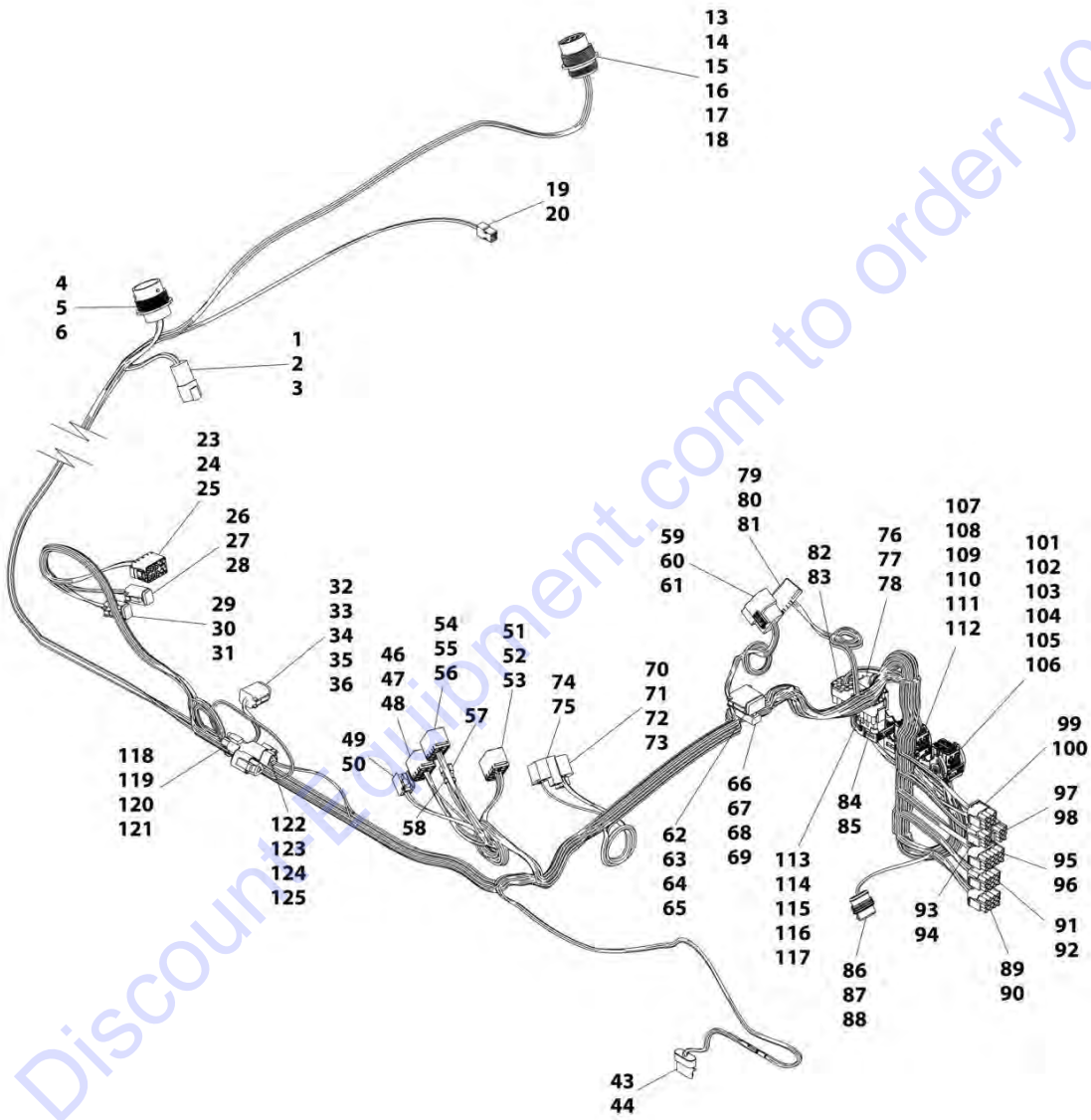
FIGURE 10-58. PLATFORM HARNESS

ITEM	PART NUMBER	QTY	DESCRIPTION	REV
	1001167695	Ref	Platform Harness	C
1	1001112796	1	Connector	
2	4460466	5	Terminal	
3	4460465	4	Terminal	
4	4460891	3	Connector, (includes rear seal)	
5	4460465	2	Terminal	
6	80604018	2	Lock, Connector	
7	1001155806	3	Cap, Dust	

Go to Discount-Equipment.com to order your parts

SECTION 10 - ELECTRICAL

FIGURE 10-59. CAB HARNESS



ART_1001196451-D

SECTION 10 - ELECTRICAL

FIGURE 10-59. CAB HARNESS

ITEM	PART NUMBER	QTY	DESCRIPTION	REV
	1001196451	Ref	Cab Harness	D
1	4460932	1	Connector	
2	80604020	1	Lock, Connector	
3	4460941	4	Terminal	
4	1001201081	1	Connector	
5	4460941	6	Terminal	
6	4460466	8	Plug	
13	1001112612	1	Connector	
14	4460497	1	Nut	
15	4460496	1	Washer, Lock	
16	4460464	3	Terminal	
17	4460943	2	Terminal	
18	4460466	4	Plug	
19	1001116991	1	Connector	
20	1001118384	2	Terminal	
23	1001117081	1	Connector	
24	1001118384	4	Terminal	
25	1001116723	2	Terminal	
26	4460884	1	Connector	
27	80604021	1	Lock, Connector	
28	4460465	4	Terminal	
29	4460884	1	Connector	
30	80604021	1	Lock, Connector	
31	4460465	4	Terminal	
32	4460894	1	Connector	
33	80604023	1	Lock, Connector	
34	4460465	3	Terminal	
35	4460944	2	Terminal	
36	4460466	1	Plug	
43	1001117064	NLA	Connector, (no longer available, use 1001230931 for replacement)	
43	1001230931	1	Connector	
44	91554014	NLA	Terminal, (no longer available, use 1001116748 for replacement)	
44	1001116748	6	Terminal	
46	1001117081	1	Connector	
47	1001116723	6	Terminal	
48	1001118384	1	Terminal	
49	1001118684	1	Connector	
50	1001116754	2	Terminal	
51	1001117081	1	Connector	
52	1001118384	5	Terminal	
53	1001116723	6	Terminal	
54	1001117081	1	Connector	
55	1001118384	2	Terminal	
56	1001116723	4	Terminal	
57	8220051	1	Terminal, Female Blade	
58	8220051	1	Terminal, Female Blade	
59	1001162886	1	Connector	
60	1001162887	7	Terminal	
61	1001163340	13	Plug	
62	4460933	1	Connector	

SECTION 10 - ELECTRICAL

ITEM	PART NUMBER	QTY	DESCRIPTION	REV
63	80604016	1	Lock, Connector	
64	4460465	9	Terminal	
65	4460466	3	Plug	
66	4460897	1	Connector	
67	80604017	1	Lock, Connector	
68	4460464	1	Terminal	
69	4460466	1	Plug	
70	1001118685	1	Connector	
71	1001116723	2	Terminal	
72	1001118383	1	Terminal	
73	1001118384	1	Terminal	
74	1001117121	1	Connector	
75	1001184841	1	Terminal	
76	4460930	1	Connector	
77	80604025	1	Lock, Connector	
78	4460465	8	Terminal	
79	1001117081	1	Connector	
80	1001118384	2	Terminal	
81	1001116723	4	Terminal	
82	4460343	1	Connector	
83	4460268	8	Terminal	
84	4460434	1	Connector	
85	4460268	14	Terminal	
86	1001103012	1	Connector	
87	1001116697	2	Terminal	
88	1001116698	2	Plug	
89	4460343	1	Connector	
90	4460267	10	Terminal	
91	4460343	1	Connector	
92	4460268	9	Terminal	
93	4460225	1	Connector	
94	4460268	5	Terminal	
95	4460434	1	Connector	
96	4460268	10	Terminal	
97	4460225	1	Connector	
98	4460267	3	Terminal	
99	4460265	1	Connector	
100	4460268	5	Terminal	
101	1001160498	1	Connector	
102	1001161095	22	Terminal	
103	1001161098	5	Terminal	
104	1001161099	1	Terminal	
105	1001161100	2	Plug	
106	1001161101	2	Plug	
107	1001160502	1	Connector	
108	1001161095	17	Terminal	
109	1001161098	5	Terminal	
110	1001161099	1	Terminal	
111	1001161100	23	Plug	
112	1001161101	2	Plug	
113	1001161959	1	Connector	

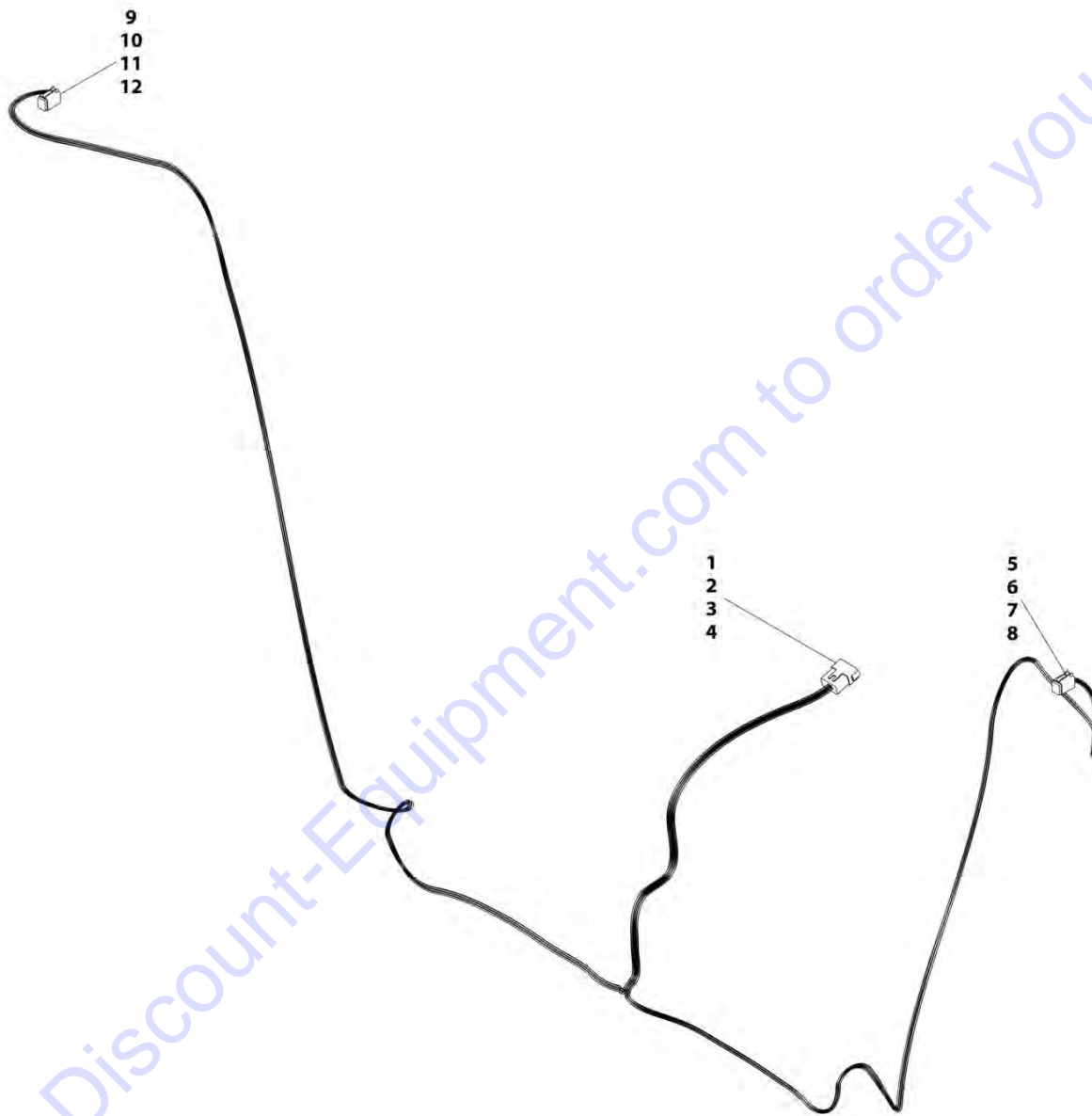
SECTION 10 - ELECTRICAL

ITEM	PART NUMBER	QTY	DESCRIPTION	REV
114	1001161095	6	Terminal	
115	1001161098	1	Terminal	
116	1001161100	18	Plug	
117	1001161101	7	Plug	
118	1001116812	1	Connector	
119	4460944	2	Terminal	
120	4460466	1	Plug	
121	91554019	1	Lock, Connector	
122	4460539	1	Connector	
123	4460944	2	Terminal	
124	4460466	1	Plug	
125	77363244	1	Lock, Connector	

Go to Discount-Equipment.com to order your parts

SECTION 10 - ELECTRICAL

FIGURE 10-60. FRONT FRAME HEADLIGHT HARNESS



ART_100116S360-D

SECTION 10 - ELECTRICAL

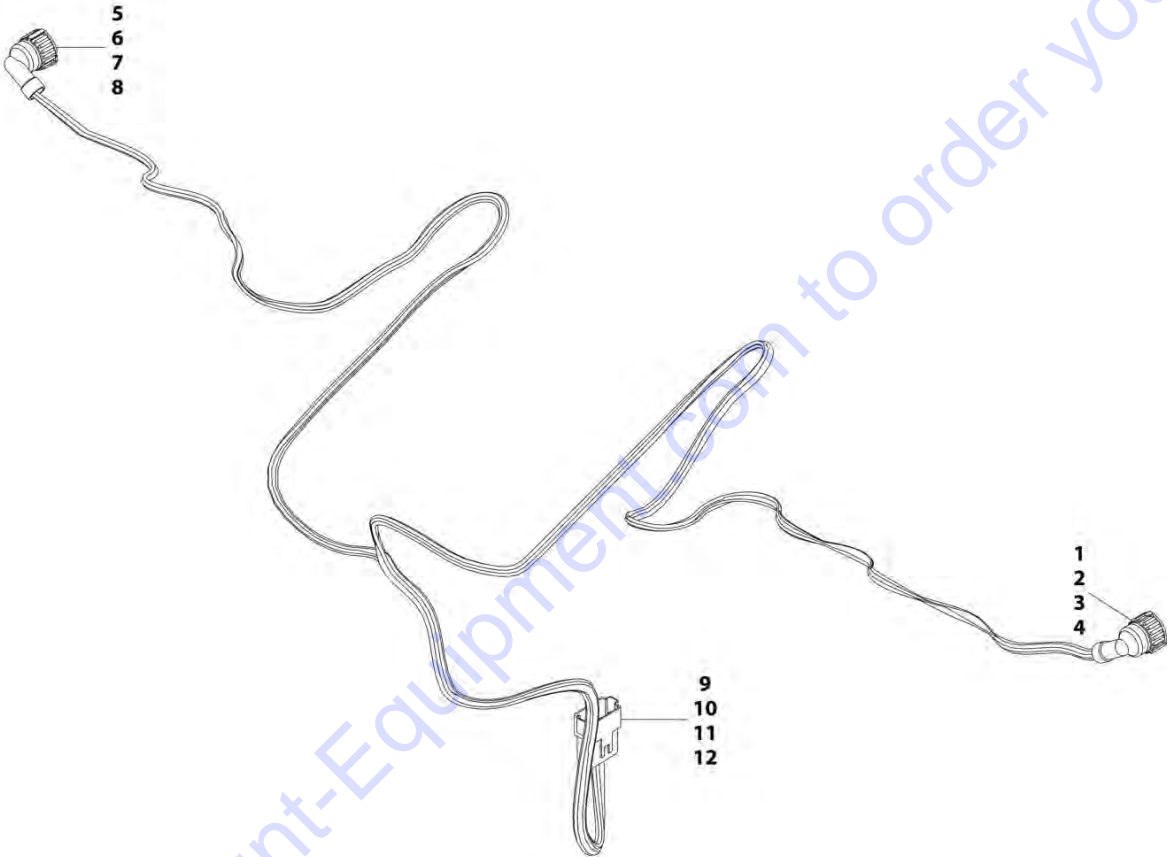
FIGURE 10-60. FRONT FRAME HEADLIGHT HARNESS

ITEM	PART NUMBER	QTY	DESCRIPTION	REV
	1001165360	Ref	Front Frame Headlight Harness	D
1	4460970	1	Connector	
2	80363179	1	Lock, Connector	
3	4460941	10	Terminal	
4	4460466	2	Plug	
5	4460894	1	Connector	
6	91504107	1	Lock, Connector	
7	4460942	5	Terminal	
8	4460466	1	Plug	
9	4460894	1	Connector	
10	91504107	1	Lock, Connector	
11	4460942	5	Terminal	
12	4460466	1	Plug	

Go to Discount-Equipment.com to order your parts

SECTION 10 - ELECTRICAL

FIGURE 10-61. TAIL LIGHTS HARNESS



ART_1001173092-D

SECTION 10 - ELECTRICAL

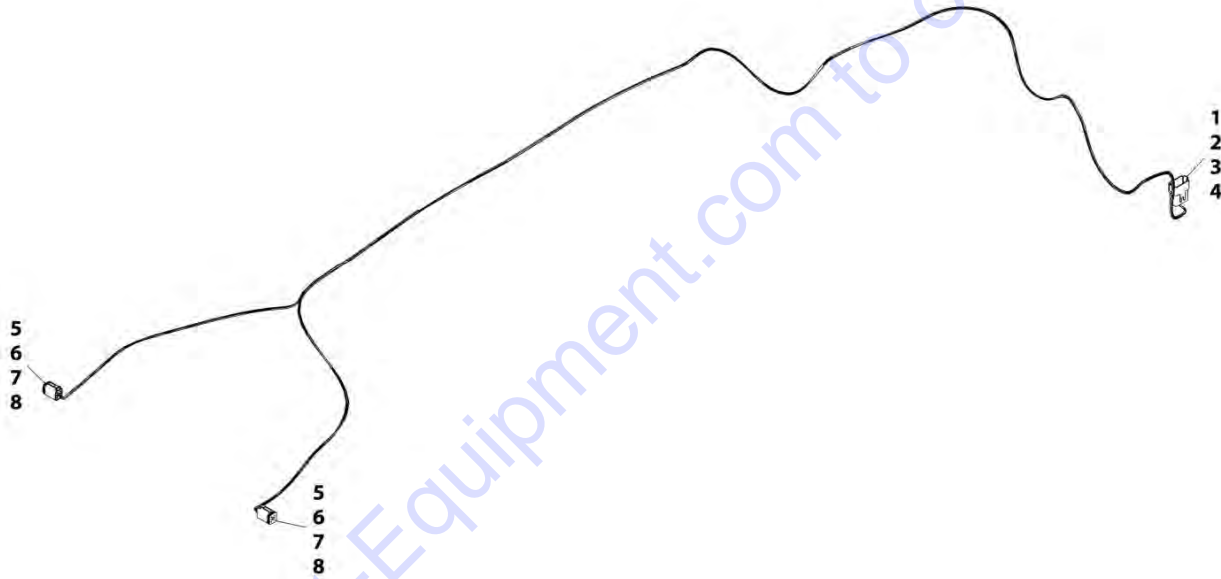
FIGURE 10-61. TAIL LIGHTS HARNESS

ITEM	PART NUMBER	QTY	DESCRIPTION	REV
	1001173092	Ref	HBP Tail Lights Harness	D
1	1001116996	1	Connector	
2	1001118392	5	Terminal	
3	4461054	5	Seal	
4	1001116696	2	Plug	
5	1001116996	1	Connector	
6	1001118392	5	Terminal	
7	4461054	5	Seal	
8	1001116696	2	Plug	
9	4460970	1	Connector	
10	80363179	1	Lock, Connector	
11	4460941	10	Terminal	
12	4460466	2	Plug	

Go to Discount-Equipment.com to order your parts

SECTION 10 - ELECTRICAL

FIGURE 10-62. BOOM WORKLIGHTS HARNESS



ART_1001167608-E

SECTION 10 - ELECTRICAL

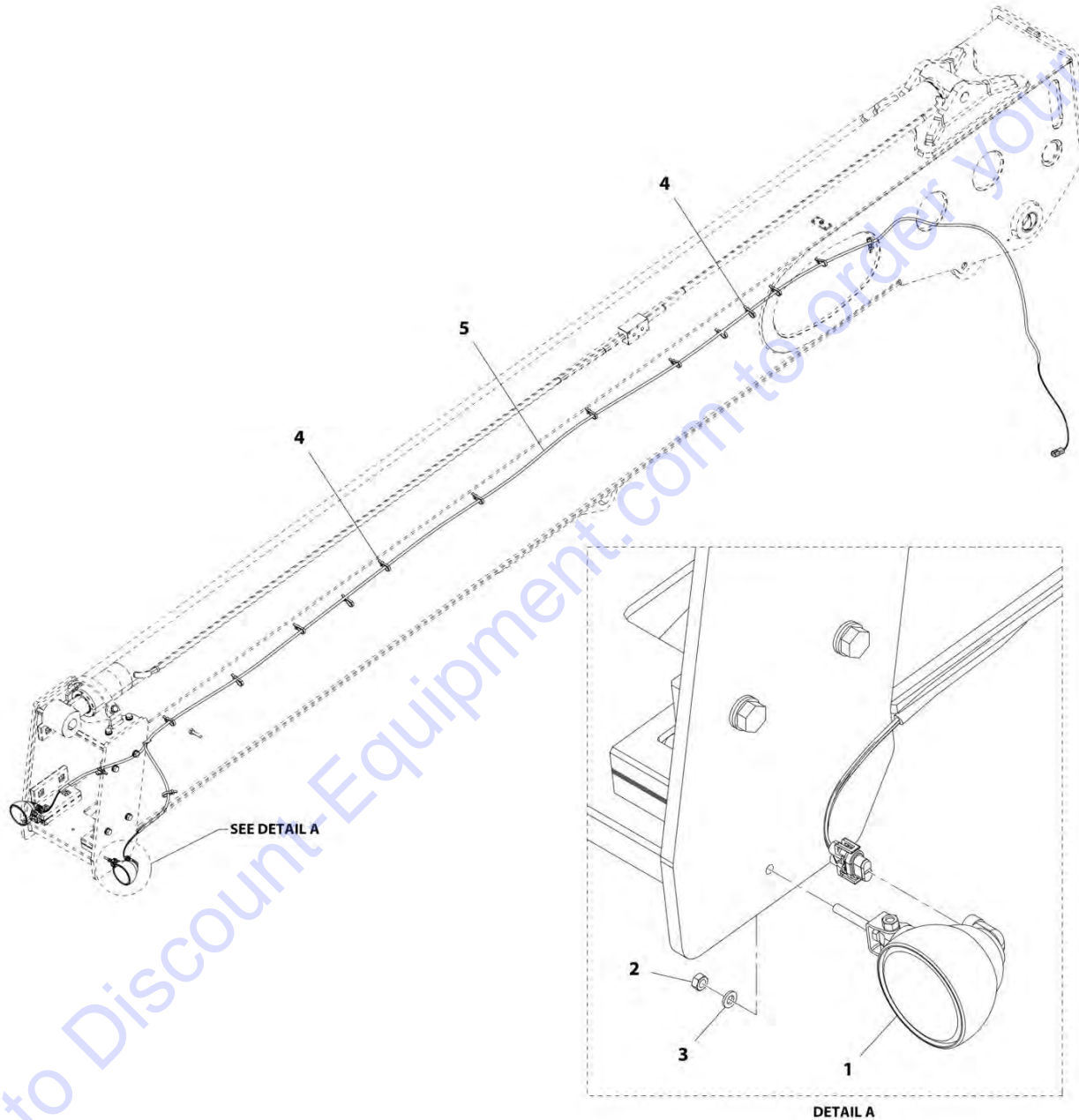
FIGURE 10-62. BOOM WORKLIGHTS HARNESS

ITEM	PART NUMBER	QTY	DESCRIPTION	REV
	1001167608	Ref	Boom Worklights Harness	E
1	4460932	1	Connector	
2	80604020	1	Lock, Connector	
3	4460464	2	Terminal	
4	4460466	2	Plug	
5	4461115	2	Connector	
6	1001116728	2	Terminal	
7	4460458	2	Seal	
8	1001103564	2	Lock, Terminal	

Go to Discount-Equipment.com to order your parts

SECTION 10 - ELECTRICAL

FIGURE 10-63. BOOM LIGHTS INSTALLATION



ART_1001174932-E

SECTION 10 - ELECTRICAL

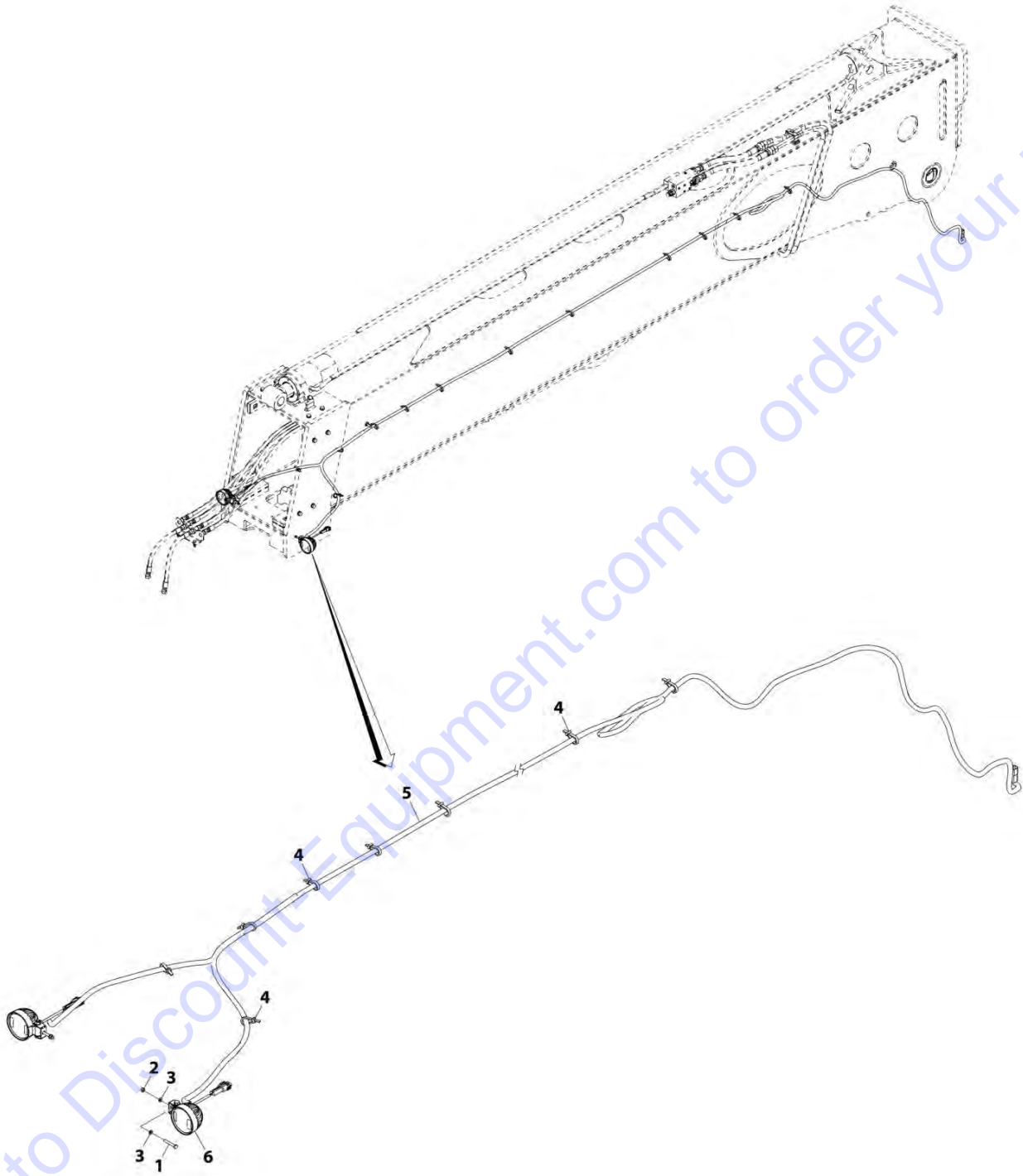
FIGURE 10-63. BOOM LIGHTS INSTALLATION

ITEM	PART NUMBER	QTY	DESCRIPTION	REV
	1001174932	Ref	Boom Lights Installation	E
1	1001207287	2	Worklight	
2	3290601	2	Nut, M6X1	
3	4811700	2	Washer, M6	
4	1001008923	AR	Strap, Tie	
5	1001167608	1	Harness, Boom Worklight (See Separate Breakdown in this Section)	

Go to Discount-Equipment.com to order your parts

SECTION 10 - ELECTRICAL

FIGURE 10-64. BOOM LED LIGHTS INSTALLATION



ART_1001230623-A

SECTION 10 - ELECTRICAL

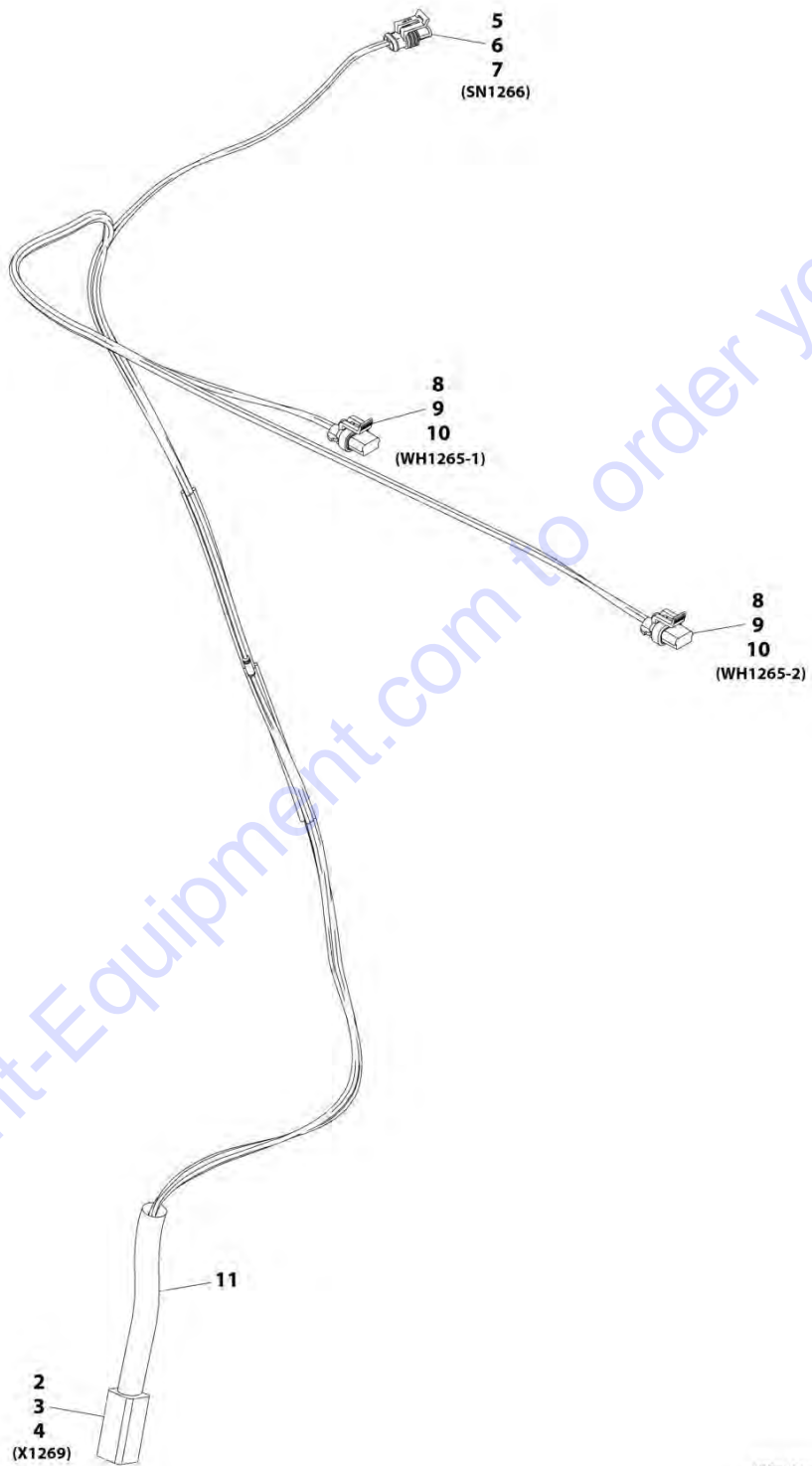
FIGURE 10-64. BOOM LED LIGHTS INSTALLATION

ITEM	PART NUMBER	QTY	DESCRIPTION	REV
	1001230623	Ref	Boom LED Lights Installation	A
1	0700616	2	Bolt, M6X40	
2	3290601	2	Nut, M6X1	
3	4811700	4	Washer, M6	
4	1001008923	AR	Strap, Cable	
5	1001167608	1	Harness, Boom Worklights (See Separate Breakdown in this Section)	
6	1001203640	2	Lamp, LED Work light	

Go to Discount-Equipment.com to order your parts

SECTION 10 - ELECTRICAL

FIGURE 10-65. A/C OPTION HARNESS



ART_1001169151-E

SECTION 10 - ELECTRICAL

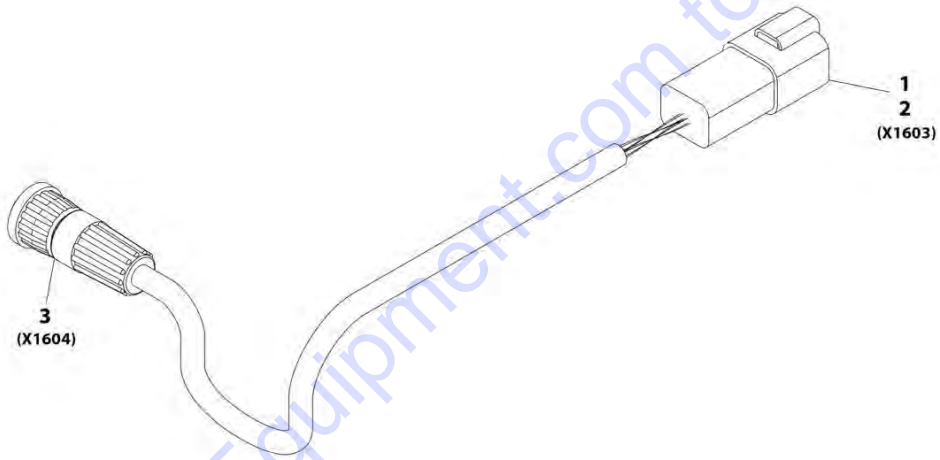
FIGURE 10-65. A/C OPTION HARNESS

ITEM	PART NUMBER	QTY	DESCRIPTION	REV
	1001169151	Ref	A/C Option Harness	E
2	4460899	1	Connector	
3	4460941	4	Terminal	
4	4460464	2	Terminal	
5	4461118	1	Connector	
6	1001107854	2	Terminal	
7	1001116763	2	Seal	
8	1001117021	2	Connector	
9	1001116747	4	Terminal	
10	4460789	4	Seal	
11	70028546	1	Backshell	

Go to Discount-Equipment.com to order your parts

SECTION 10 - ELECTRICAL

FIGURE 10-66. REVERSE SENSOR HARNESS



ART_1001175776-C

SECTION 10 - ELECTRICAL

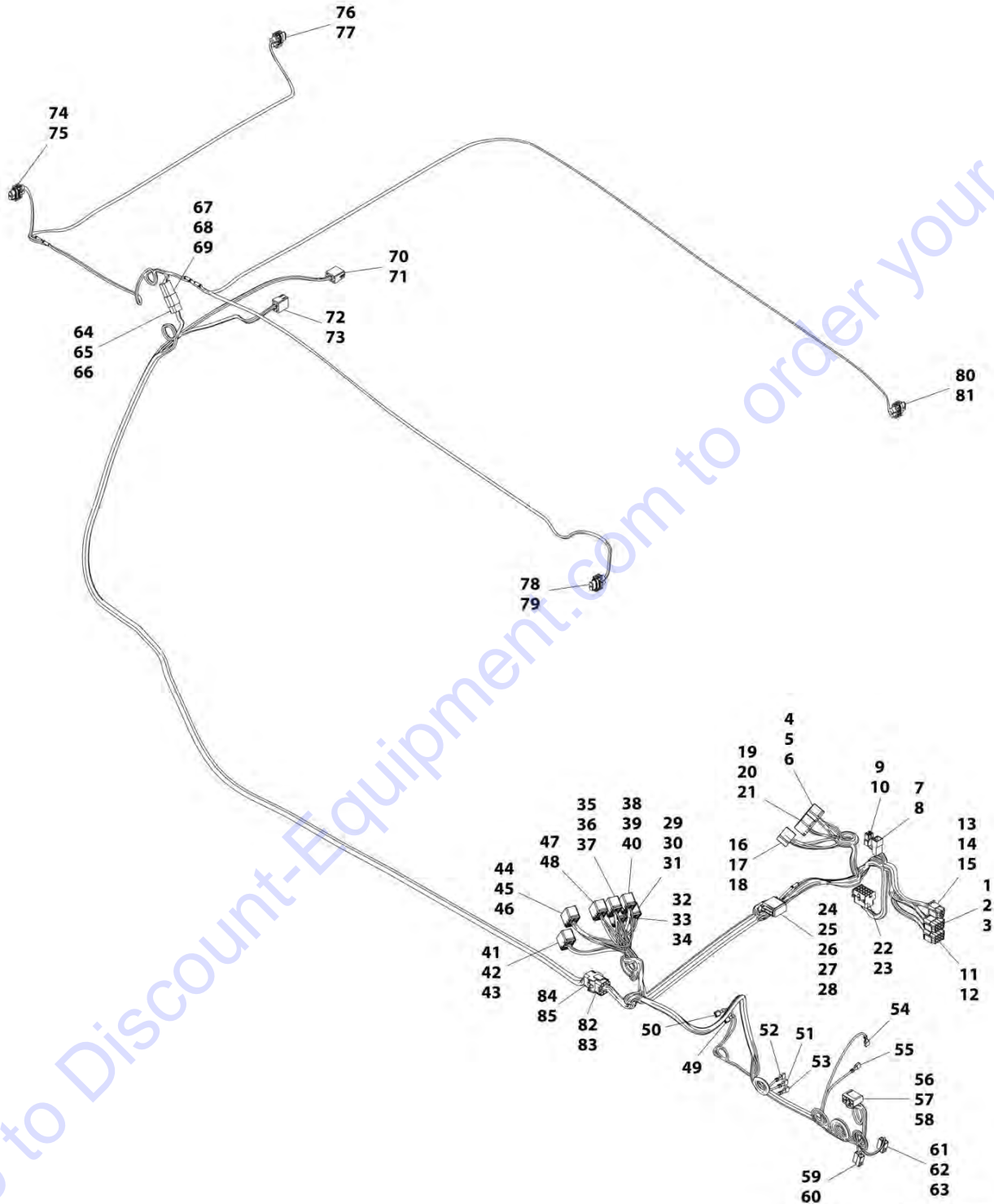
FIGURE 10-66. REVERSE SENSOR HARNESS

ITEM	PART NUMBER	QTY	DESCRIPTION	REV
	1001175776	Ref	Reverse Sensor Harness	C
1	4460932	1	Connector	
2	4460464	4	Terminal	
3	1001175733	1	Connector	

Go to Discount-Equipment.com to order your parts

SECTION 10 - ELECTRICAL

FIGURE 10-67. OPTION 1 CAB HARNESS



ART_1001163371-F

SECTION 10 - ELECTRICAL

FIGURE 10-67. OPTION 1 CAB HARNESS

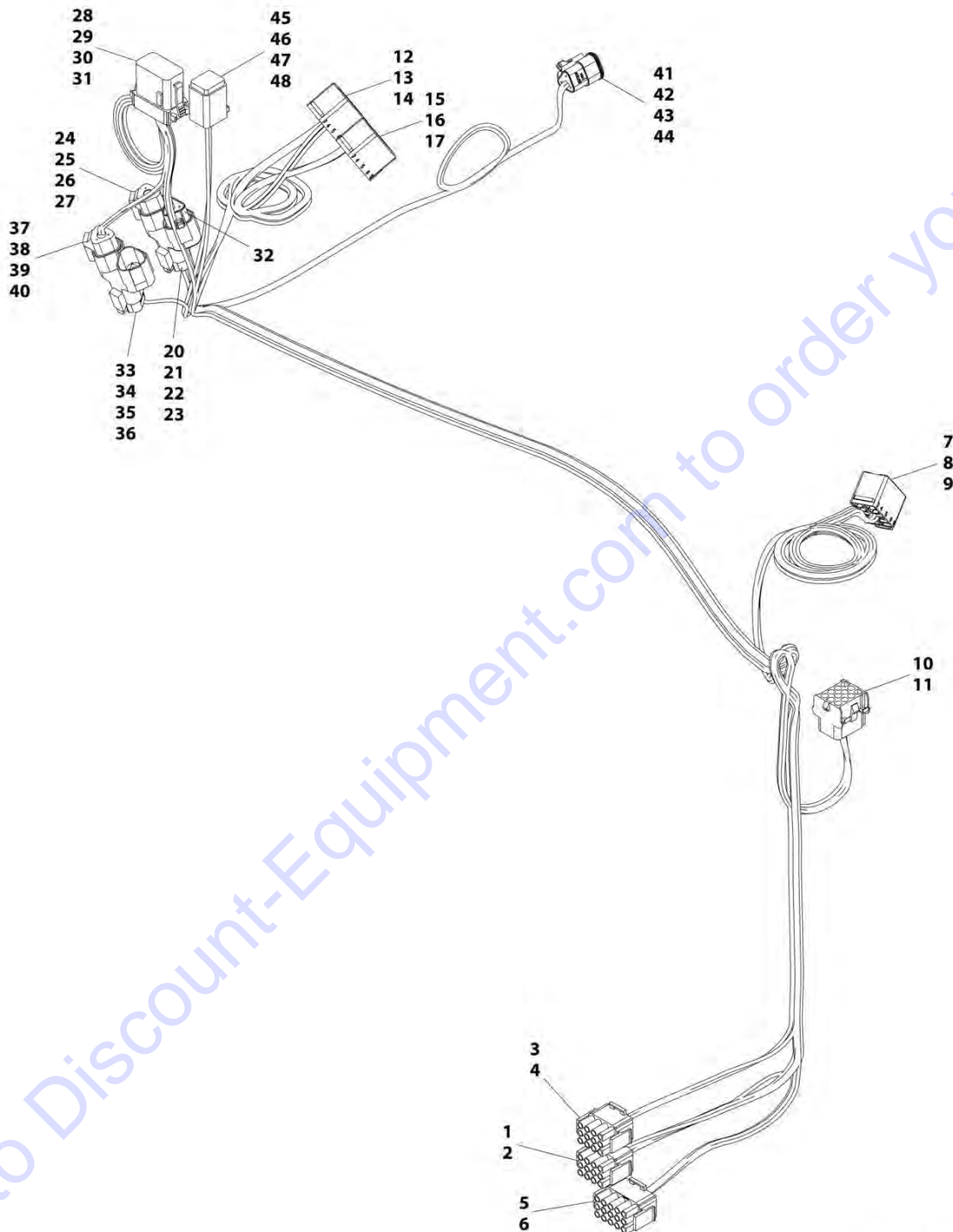
ITEM	PART NUMBER	QTY	DESCRIPTION	REV
	1001163371	Ref	Option 1 Cab Harness	F
1	4460343	1	Connector	
2	4460268	10	Terminal	
3	4460906	1	Terminal	
4	1001117081	1	Connector	
5	1001116723	6	Terminal	
6	1001118384	1	Terminal	
7	1001116999	1	Connector	
8	1001116700	4	Terminal	
9	1001116991	1	Connector	
10	1001118384	2	Terminal	
11	4460343	1	Connector	
12	4460267	6	Terminal	
13	4460225	1	Connector	
14	4460267	5	Terminal	
15	4460705	1	Terminal	
16	1001173411	1	Connector	
17	1001116716	4	Terminal	
18	1001104519	3	Terminal	
19	1001117081	1	Connector	
20	1001118384	2	Terminal	
21	1001116723	4	Terminal	
22	4460708	1	Connector	
23	4460267	14	Terminal	
24	4460836	1	Connector	
25	4460942	3	Terminal	
26	4460465	8	Terminal	
27	1001157890	1	Terminal	
28	80604016	1	Lock, Connector	
29	1001117081	1	Connector	
30	1001118384	4	Terminal	
31	1001116723	6	Terminal	
32	1001117081	1	Connector	
33	1001118384	3	Terminal	
34	1001116723	4	Terminal	
35	1001117081	1	Connector	
36	1001118384	2	Terminal	
37	1001116723	4	Terminal	
38	1001117081	1	Connector	
39	1001118384	2	Terminal	
40	1001116723	4	Terminal	
41	1001117081	1	Connector	
42	1001116723	8	Terminal	
43	1001118384	2	Terminal	
44	1001117079	1	Connector	
45	1001116723	6	Terminal	
46	1001118384	2	Terminal	
47	1001117081	1	Connector	
48	1001118384	4	Terminal	
49	8220051	1	Female Blade Coupler	

SECTION 10 - ELECTRICAL

ITEM	PART NUMBER	QTY	DESCRIPTION	REV
50	8220051	1	Female Blade Coupler	
51	8220051	1	Female Blade Coupler	
52	8220051	1	Female Blade Coupler	
53	8220051	1	Female Blade Coupler	
54	8220051	1	Female Blade Coupler	
55	8220051	1	Female Blade Coupler	
56	1001116997	1	Connector	
57	1001118384	4	Terminal	
58	1001116723	1	Terminal	
59	4460994	1	Connector	
60	1001118384	2	Terminal	
61	4460994	1	Connector	
62	1001118384	1	Terminal	
63	1001116723	2	Terminal	
64	4460884	1	Connector	
65	4460942	4	Terminal	
66	80604021	1	Lock, Connector	
67	4460932	1	Connector	
68	4460941	4	Terminal	
69	80604021	1	Lock, Connector	
70	1001116986	1	Connector	
71	1001118384	4	Terminal	
72	1001116986	1	Connector	
73	1001118384	4	Terminal	
74	4461115	1	Connector	
75	1001116747	2	Terminal	
76	4461115	1	Connector	
77	1001116747	2	Terminal	
78	4461115	1	Connector	
79	1001116747	2	Terminal	
80	4461115	1	Connector	
81	1001116747	2	Terminal	
82	4460343	1	Connector	
83	4460268	12	Terminal	
84	4460367	1	Connector	
85	4460267	12	Terminal	

SECTION 10 - ELECTRICAL

FIGURE 10-68. OPTION 2 CAB HARNESS



ART_1001163372-E

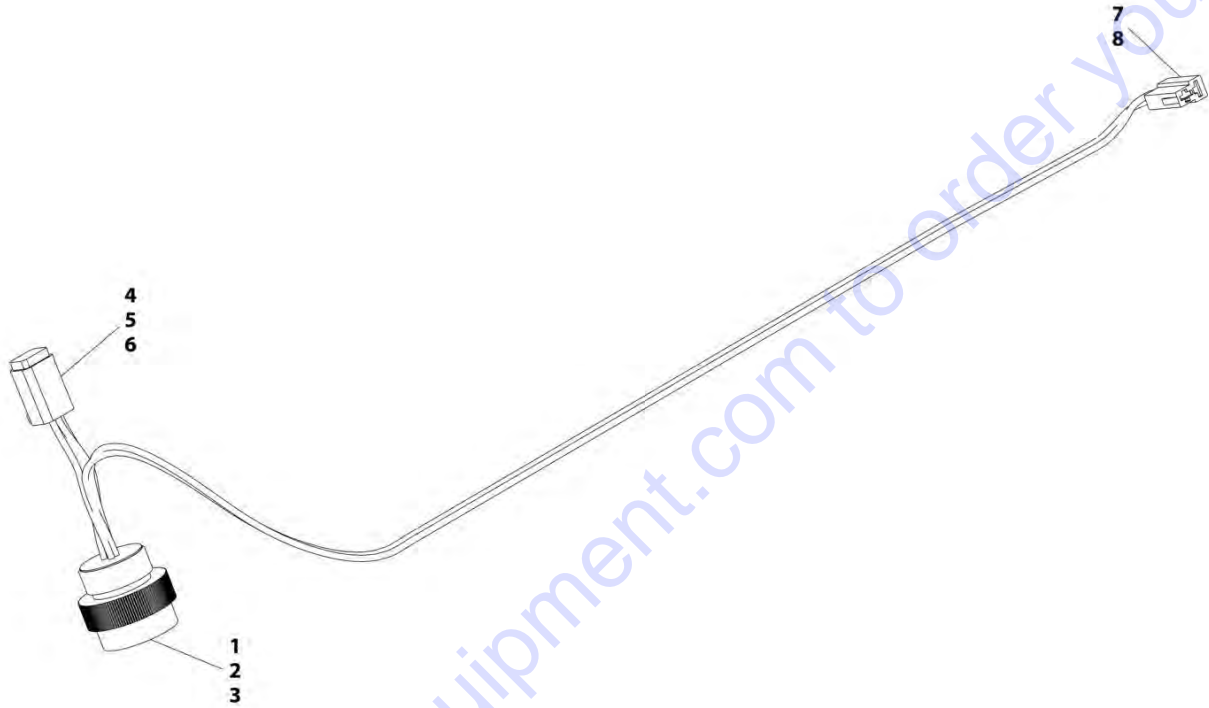
SECTION 10 - ELECTRICAL

FIGURE 10-68. OPTION 2 CAB HARNESS

ITEM	PART NUMBER	QTY	DESCRIPTION	REV
	1001163372	Ref	Option 2 Cab Harness	E
1	4460343	1	Connector	
2	4460268	5	Terminal	
3	4460343	1	Connector	
4	4460267	2	Terminal	
5	4460434	1	Connector	
6	4460268	4	Terminal	
7	1001117081	1	Connector	
8	1001116723	6	Terminal	
9	1001118384	1	Terminal	
10	4460367	1	Connector	
11	4460267	6	Terminal	
12	1001117081	1	Connector	
13	1001118384	2	Terminal	
14	1001116723	4	Terminal	
15	1001117081	1	Connector	
16	1001118384	3	Terminal	
17	1001116723	2	Terminal	
20	1001116812	1	Connector	
21	4460944	2	Terminal	
22	4460466	1	Plug	
23	91554019	1	Lock, Connector	
24	4460539	1	Connector	
25	77363244	1	Wedge Lock	
26	4460466	1	Plug	
27	4460944	2	Terminal	
28	1001176333	1	Connector	
29	4460944	4	Terminal	
30	4460466	11	Plug	
31	4460465	3	Terminal	
32	1001116815	1	Connector	
33	1001116812	1	Connector	
34	4460944	2	Terminal	
35	4460466	1	Plug	
36	91554019	1	Connector	
37	4460539	1	Connector	
38	77363244	1	Wedge Lock	
39	4460466	1	Plug	
40	4460944	2	Terminal	
41	1001116812	1	Connector	
42	4460944	2	Terminal	
43	4460466	1	Plug	
44	91554019	1	Lock, Connector	
45	4460930	1	Connector	
46	4460466	6	Plug	
47	4460465	2	Terminal	
48	80604025	1	Lock, Connector	

SECTION 10 - ELECTRICAL

FIGURE 10-69. ROOF PIGTAIL HARNESS



ART_1001202132-A

SECTION 10 - ELECTRICAL

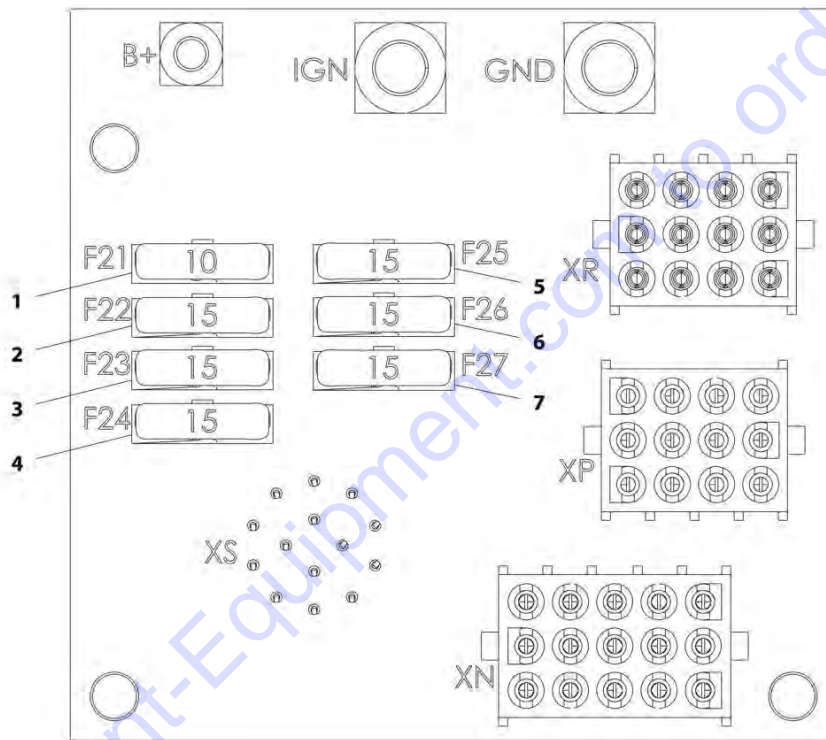
FIGURE 10-69. ROOF PIGTAIL HARNESS

ITEM	PART NUMBER	QTY	DESCRIPTION	REV
	1001202132	Ref	Roof Pigtail Harness	A
1	1001201080	1	Connector	
2	4460942	6	Terminal	
3	4460466	8	Plug	
4	4460884	1	Connector	
5	4460942	4	Terminal	
6	80604021	1	Wedge Lock	
7	4460994	1	Connector	
8	1001118384	1	Terminal	

Go to Discount-Equipment.com to order your parts

SECTION 10 - ELECTRICAL

FIGURE 10-70. OPTION 2 ELECTRICAL BOARD ASSEMBLY



ART_1001161771-B

SECTION 10 - ELECTRICAL

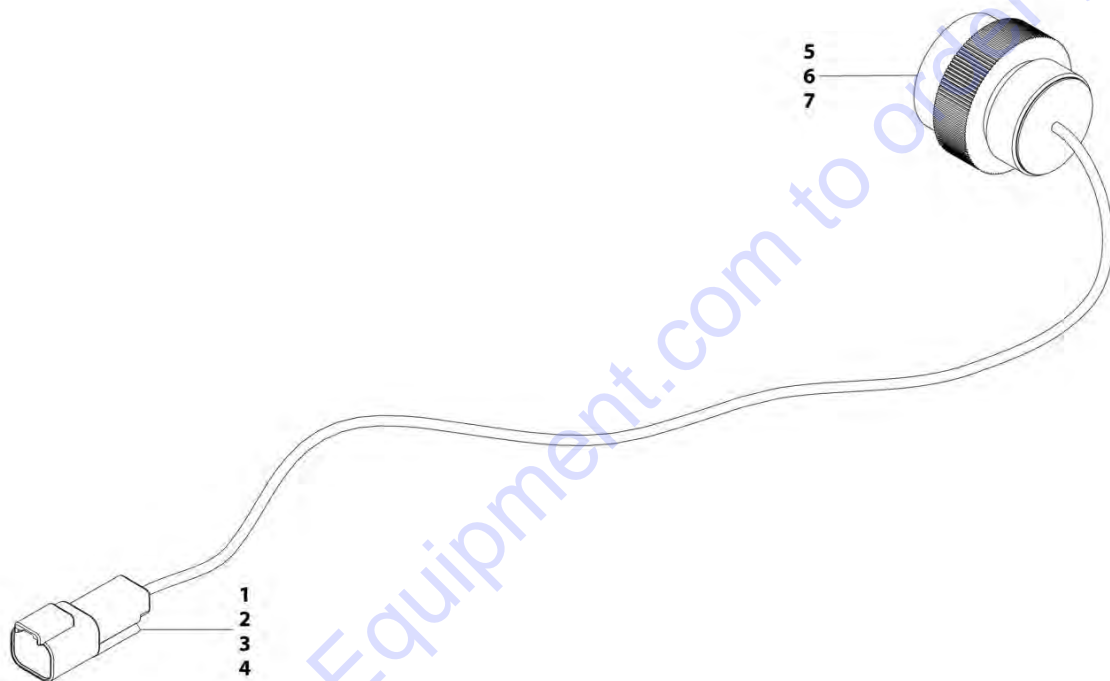
FIGURE 10-70. OPTION 2 ELECTRICAL BOARD ASSEMBLY

ITEM	PART NUMBER	QTY	DESCRIPTION	REV
	1001161771	Ref	Option 2 Electrical Board Assembly	B
1	80983191	1	Fuse, 10AMP	
2	8229244	1	Fuse, 15AMP	
3	8229244	1	Fuse, 15AMP	
4	8229244	1	Fuse, 15AMP	
5	8229244	1	Fuse, 15AMP	
6	8229244	1	Fuse, 15AMP	
7	8229244	1	Fuse, 15AMP	

Go to Discount-Equipment.com to order your parts

SECTION 10 - ELECTRICAL

FIGURE 10-71. CAB OPTION HARNESS



ART_1001181573-B

SECTION 10 - ELECTRICAL

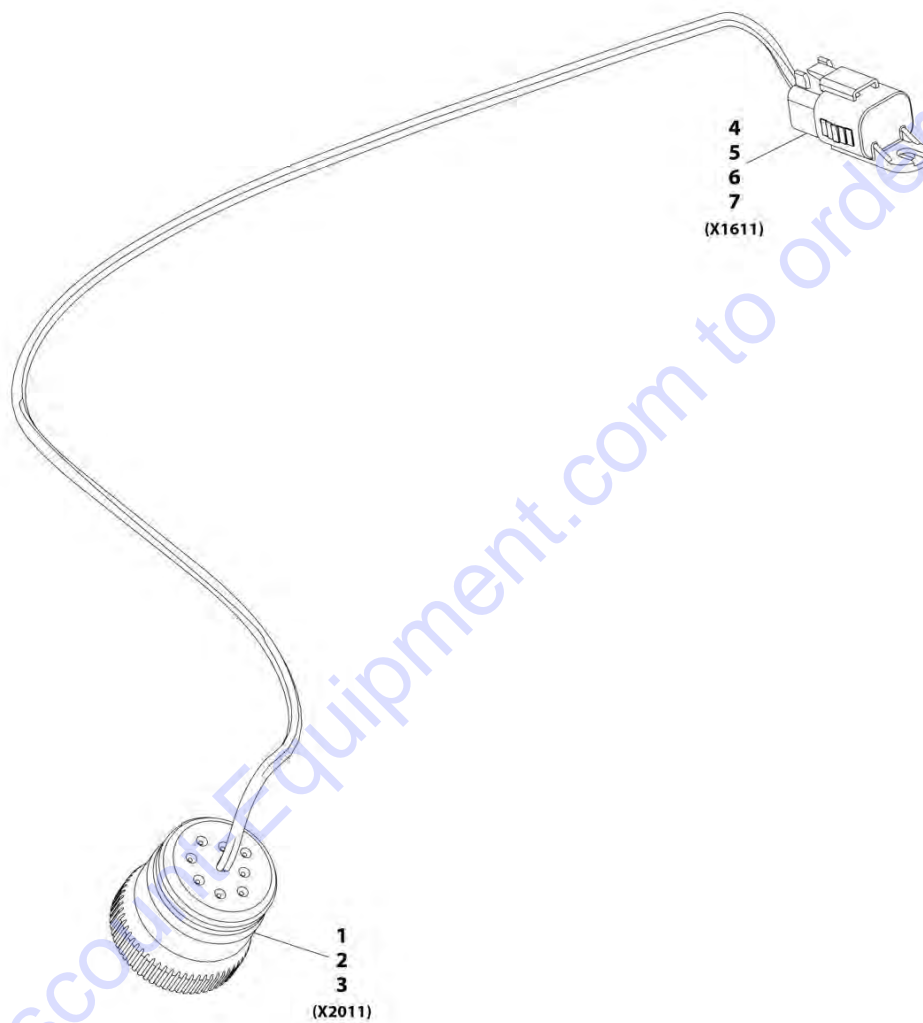
FIGURE 10-71. CAB OPTION HARNESS

ITEM	PART NUMBER	QTY	DESCRIPTION	REV
	1001181573	Ref	Cab Option Harness	B
1	4460897	1	Connector	
2	4460941	1	Terminal	
3	4460466	1	Seal	
4	80604017	1	Wedge Lock	
5	4461015	1	Connector	
6	4460466	13	Plug	
7	4460942	1	Terminal	

Go to Discount-Equipment.com to order your parts

SECTION 10 - ELECTRICAL

FIGURE 10-72. TELEMATICS READY HARNESS



ART_1001196289-A

SECTION 10 - ELECTRICAL

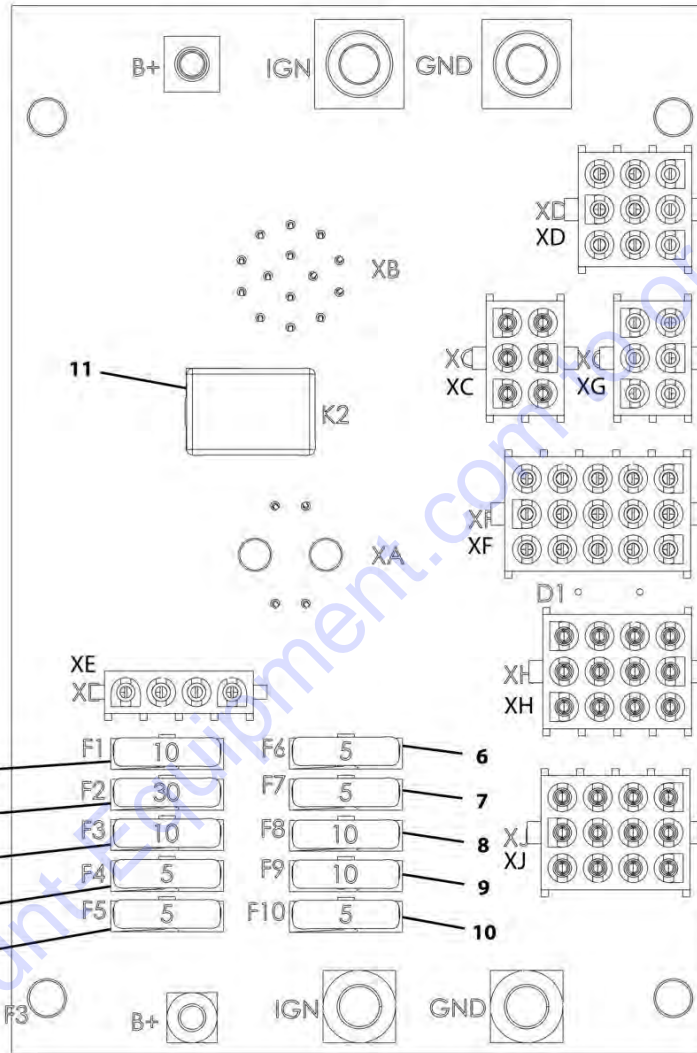
FIGURE 10-72. TELEMATICS READY HARNESS

ITEM	PART NUMBER	QTY	DESCRIPTION	REV
	1001196289	Ref	Telematics Ready Harness	A
1	1001112796	1	Connector	
2	4460465	3	Terminal	
3	4460466	6	Plug	
4	4460884	1	Connector	
5	4460465	3	Terminal	
6	4460466	1	Plug	
7	80604021	1	Lock, Connector	

Go to Discount-Equipment.com to order your parts

SECTION 10 - ELECTRICAL

FIGURE 10-73. STANDARD ELECTRICAL BOARD ASSEMBLY



ART_1001161769-C

SECTION 10 - ELECTRICAL

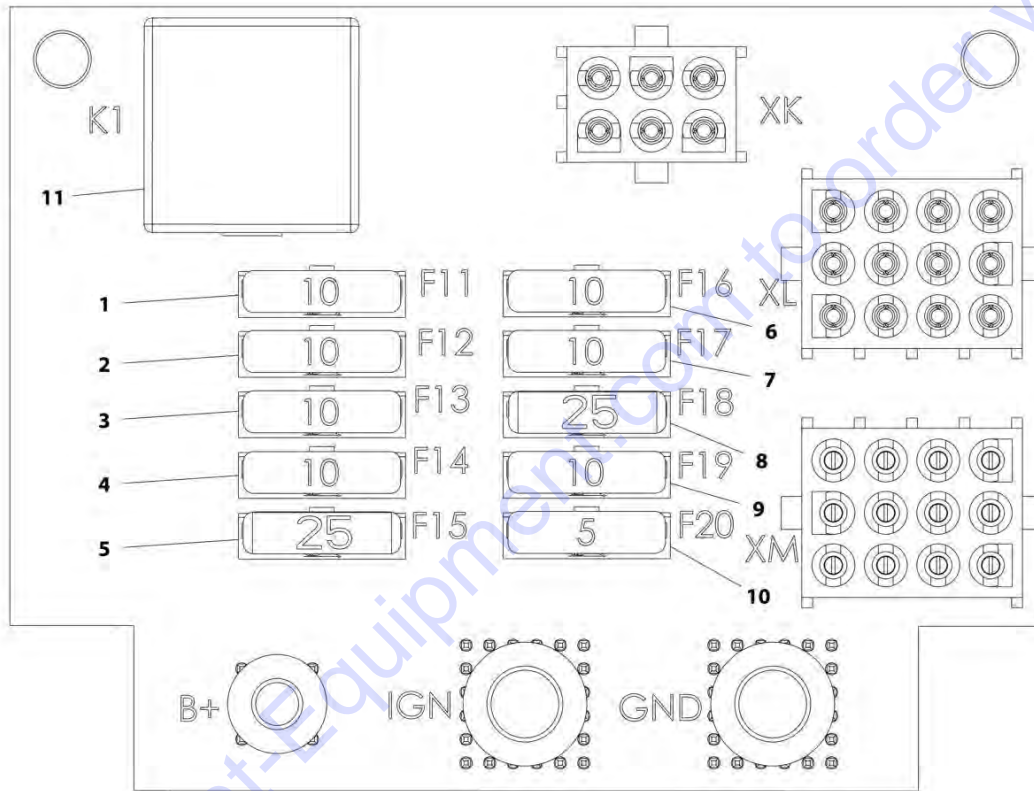
FIGURE 10-73. STANDARD ELECTRICAL BOARD ASSEMBLY

ITEM	PART NUMBER	QTY	DESCRIPTION	REV
	1001161769	Ref	Standard Electrical Board Assembly	C
1	80983191	1	Fuse, 10AMP	
2	8229245	1	Fuse, 30AMP	
3	80983191	1	Fuse, 10AMP	
4	8229242	1	Fuse, 5AMP	
5	8229242	1	Fuse, 5AMP	
6	8229242	1	Fuse, 5AMP	
7	8229242	1	Fuse, 5AMP	
8	80983191	1	Fuse, 10AMP	
9	80983191	1	Fuse, 10AMP	
10	8229242	1	Fuse, 5AMP	
11	70026292	1	Fuse, 35AMP	

Go to Discount-Equipment.com to order your parts

SECTION 10 - ELECTRICAL

FIGURE 10-74. OPTION 1 ELECTRICAL BOARD ASSEMBLY



ART_1001161770-C

SECTION 10 - ELECTRICAL

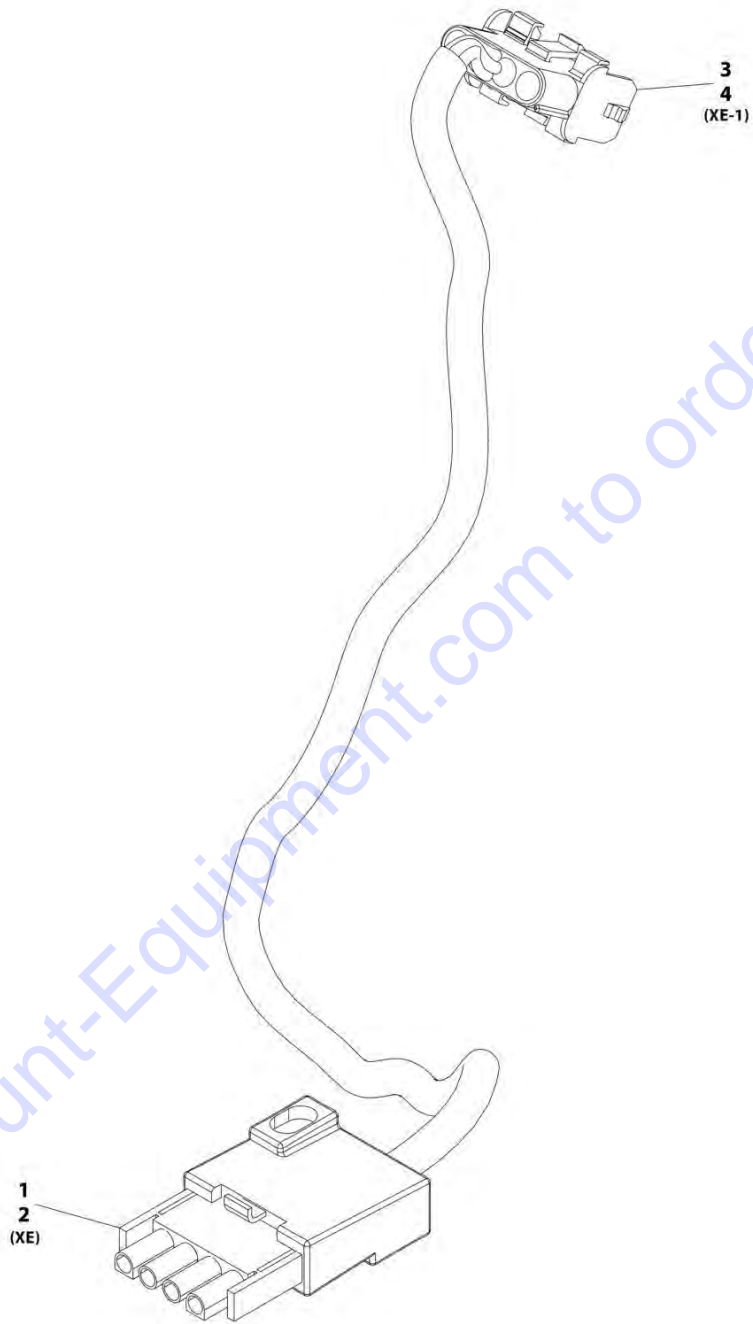
FIGURE 10-74. OPTION 1 ELECTRICAL BOARD ASSEMBLY

ITEM	PART NUMBER	QTY	DESCRIPTION	REV
	1001161770	Ref	Option 1 Electrical Board Assembly	C
1	80983191	1	Fuse, 10AMP	
2	80983191	1	Fuse, 10AMP	
3	80983191	1	Fuse, 10AMP	
4	80983191	1	Fuse, 10AMP	
5	8229247	1	Fuse, 25AMP	
6	80983191	1	Fuse, 10AMP	
7	80983191	1	Fuse, 10AMP	
8	8229247	1	Fuse, 25AMP	
9	80983191	1	Fuse, 10AMP	
10	8229242	1	Fuse, 5AMP	
11	70026293	1	Fuse, 50AMP	

Go to Discount-Equipment.com to order your parts

SECTION 10 - ELECTRICAL

FIGURE 10-75. CABLE



ART_1001213988-A

SECTION 10 - ELECTRICAL

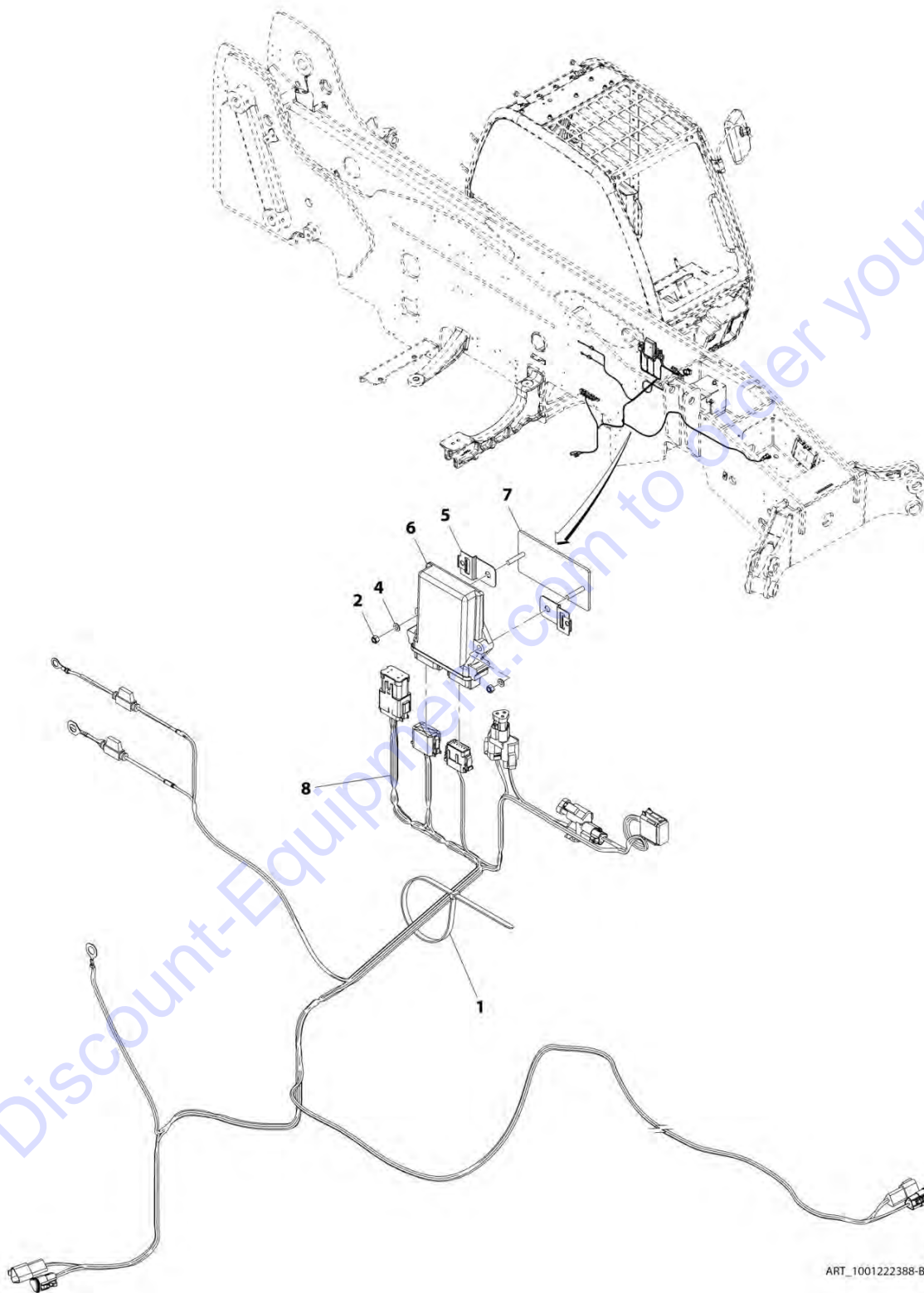
FIGURE 10-75. CABLE

ITEM	PART NUMBER	QTY	DESCRIPTION	REV
	1001213988	Ref	Communication Analyzer Cable	A
1	4460321	1	Connector	
2	4460268	4	Terminal	
3	4460761	1	Connector	
4	4460267	4	Terminal	

Go to Discount-Equipment.com to order your parts

SECTION 10 - ELECTRICAL

FIGURE 10-76. CUSTOMER SUPPLIED TELEMATICS CANBUS



ART_1001222388-B

SECTION 10 - ELECTRICAL

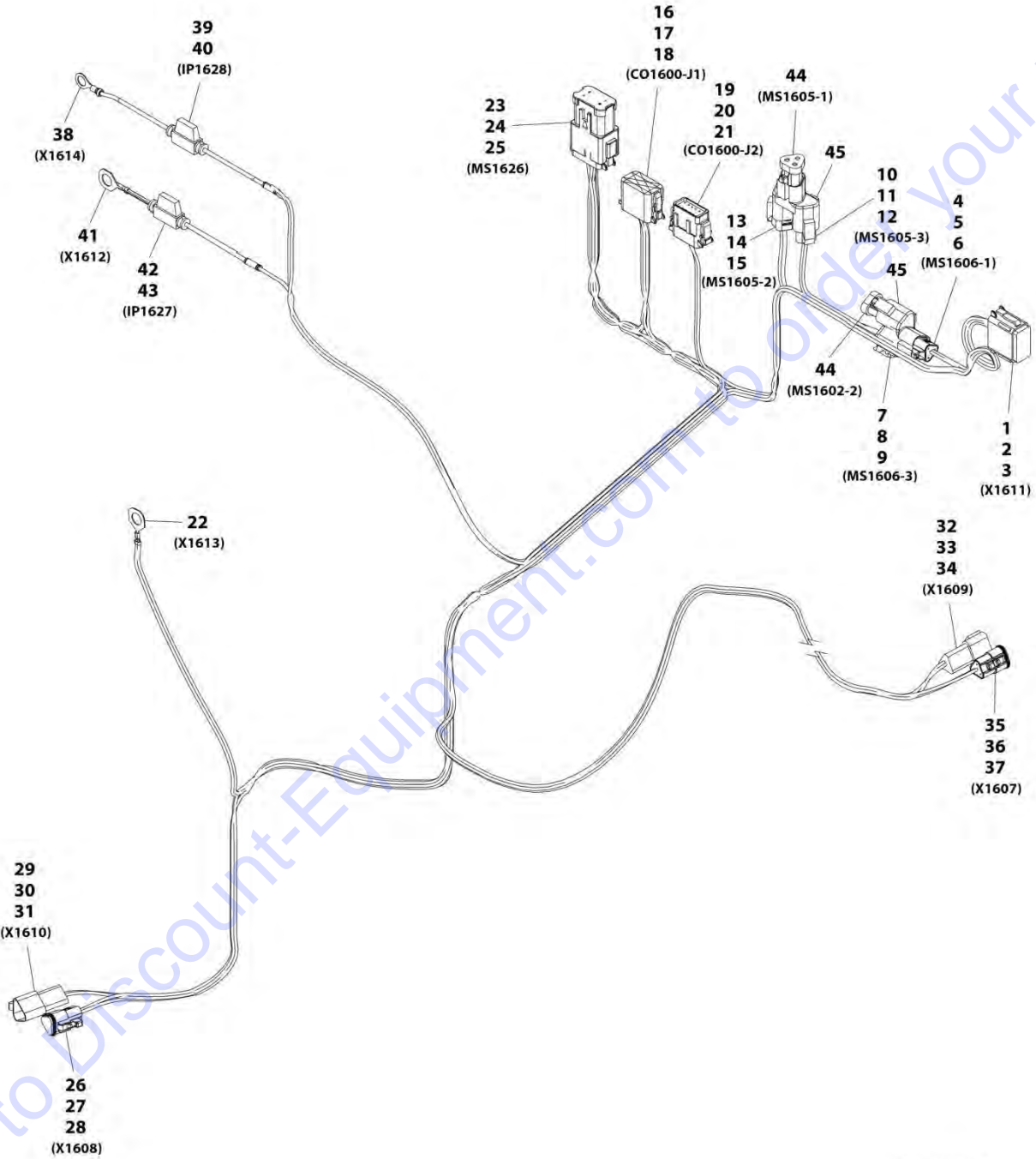
FIGURE 10-76. CUSTOMER SUPPLIED TELEMATICS CANBUS

ITEM	PART NUMBER	QTY	DESCRIPTION	REV
	1001222388	Ref	Customer Supplied Telematics Canbus	B
1	1062255	AR	Tie, Strap	
2	3290505	2	Nut, Lock M5X0.8	
4	4811600	2	Washer, M5	
5	1001153749	2	Clip	
6	1001229458	1	Controller, Gateway (See Separate Breakdown in this section)	
7	1001219082	1	Bracket	
8	1001225259	1	Harness, 4ward Telematics (See Separate Breakdown in this section)	

Go to Discount-Equipment.com to order your parts

SECTION 10 - ELECTRICAL

FIGURE 10-77. TELEMATICS HARNESS



ART_1001225259-B

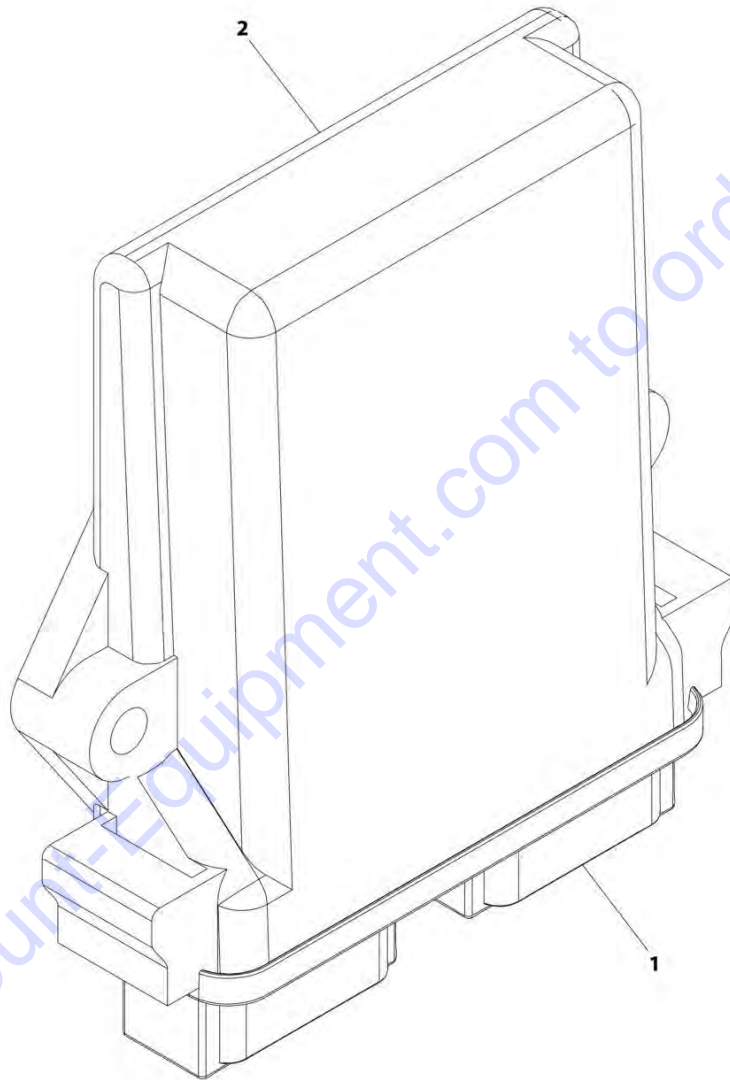
SECTION 10 - ELECTRICAL

FIGURE 10-77. TELEMATICS HARNESS

ITEM	PART NUMBER	QTY	DESCRIPTION	REV
	1001225259	Ref	Telematic Harness	B
1	4460933	1	Connector	
2	4460465	5	Terminal	
3	4460466	7	Plug	
4	1001116812	1	Connector	
5	4460465	2	Terminal	
6	4460466	1	Plug	
7	4460539	1	Connector	
8	4460465	2	Terminal	
9	4460466	1	Plug	
10	4460539	1	Connector	
11	4460465	2	Terminal	
12	4460466	1	Plug	
13	1001116812	1	Connector	
14	4460465	2	Terminal	
15	4460466	1	Plug	
16	1001116774	1	Connector	
17	4460518	6	Plug	
18	1001126008	6	Terminal	
19	1001116808	1	Connector	
20	4460518	10	Plug	
21	1001126008	2	Terminal	
22	1001187081	1	Connector	
23	4460933	1	Connector	
24	1001200206	1	Connector, DT 12 Pin 4X3 Buss	
25	4460465	13	Terminal	
26	1001116812	1	Connector	
27	4460465	2	Terminal	
28	4460466	1	Plug	
29	1001144147	1	Connector	
30	4460464	2	Terminal	
31	4460466	1	Plug	
32	1001144147	1	Connector	
33	4460464	2	Terminal	
34	4460466	1	Plug	
35	1001116812	1	Connector	
36	4460465	2	Terminal	
37	4460466	1	Plug	
38	4460670	1	Connector	
39	2400060	1	Connector	
40	8229242	1	Terminal	
41	1001187078	1	Connector	
42	2400060	1	Connector	
43	8229242	1	Terminal	
44	1001116815	2	Connector, 3 Pin	
45	4460945	2	Terminal, 3 Way "T" Receptacle	

SECTION 10 - ELECTRICAL

FIGURE 10-78. GATEWAY CONTROLLER



ART_1001229458-B

SECTION 10 - ELECTRICAL

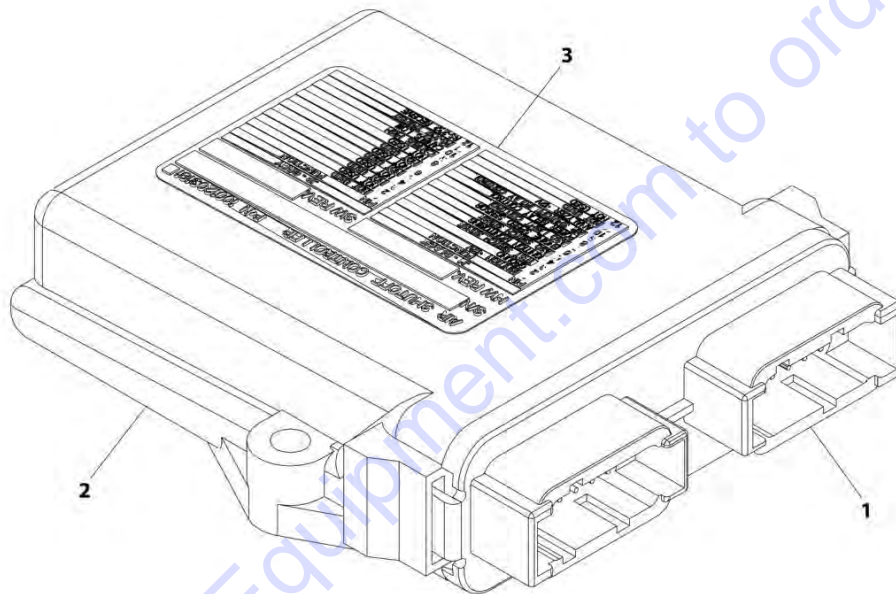
FIGURE 10-78. GATEWAY CONTROLLER

ITEM	PART NUMBER	QTY	DESCRIPTION	REV
	1001229458	Ref	Gateway Controller	B
1	1001100828	1	PC Board	
2	1001100829	1	Box, Circuit Card	
3	1001229457	1	Software, Gateway (not shown)	

Go to Discount-Equipment.com to order your parts

SECTION 10 - ELECTRICAL

FIGURE 10-79. CONTROL ACCESSORY



ART_1001203181-C

SECTION 10 - ELECTRICAL

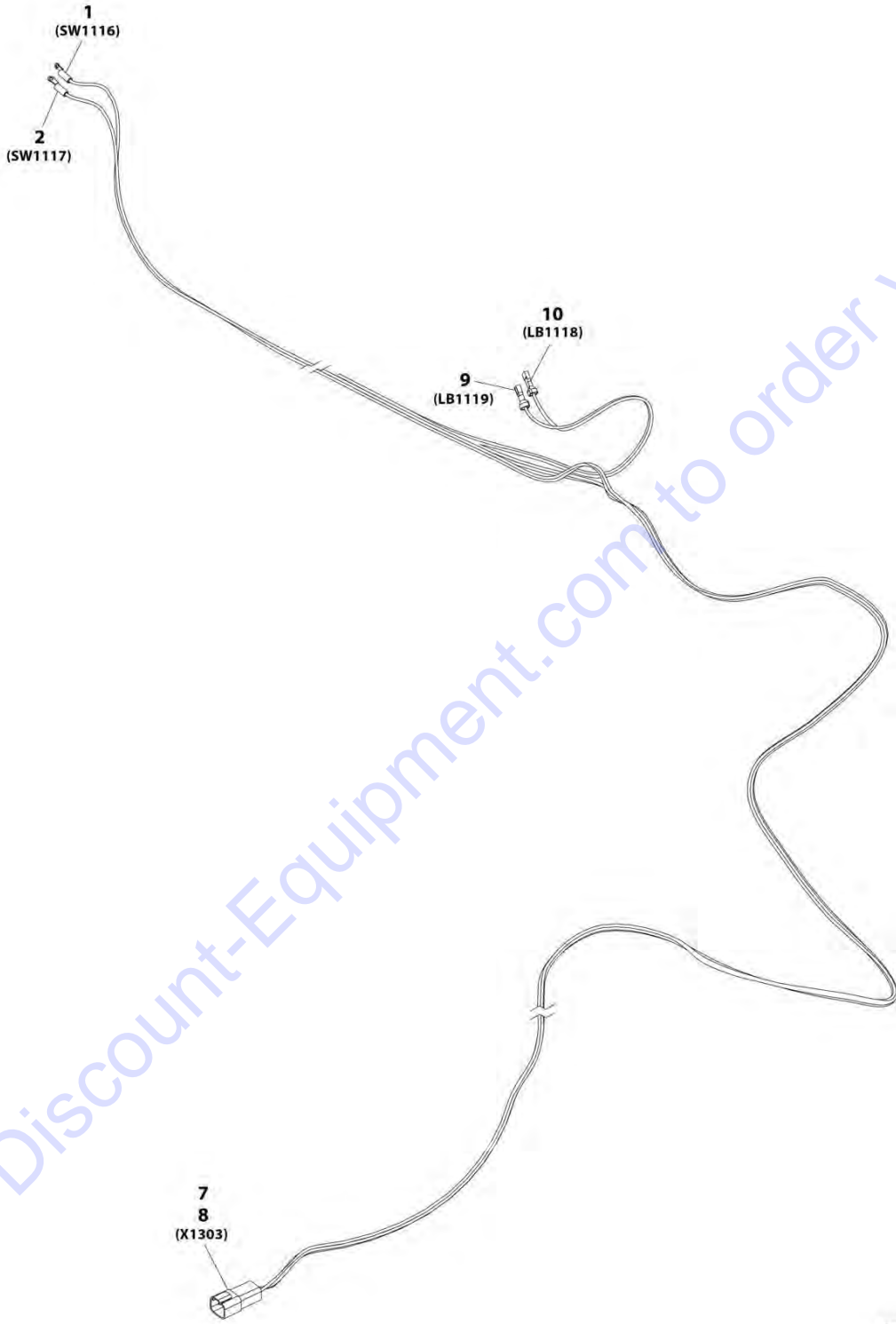
FIGURE 10-79. CONTROL ACCESSORY

ITEM	PART NUMBER	QTY	DESCRIPTION	REV
	1001203181	Ref	Control Accessory	C
1	1001215630	1	PC Board	
2	0861493	1	Box, Circuit Card	
3	1001215631	1	Decal	
4	1001215632	1	Software (not shown)	

Go to Discount-Equipment.com to order your parts

SECTION 10 - ELECTRICAL

FIGURE 10-80. CAB AIR SHUT OFF VALVE HARNESS



ART_1001231407-C

SECTION 10 - ELECTRICAL

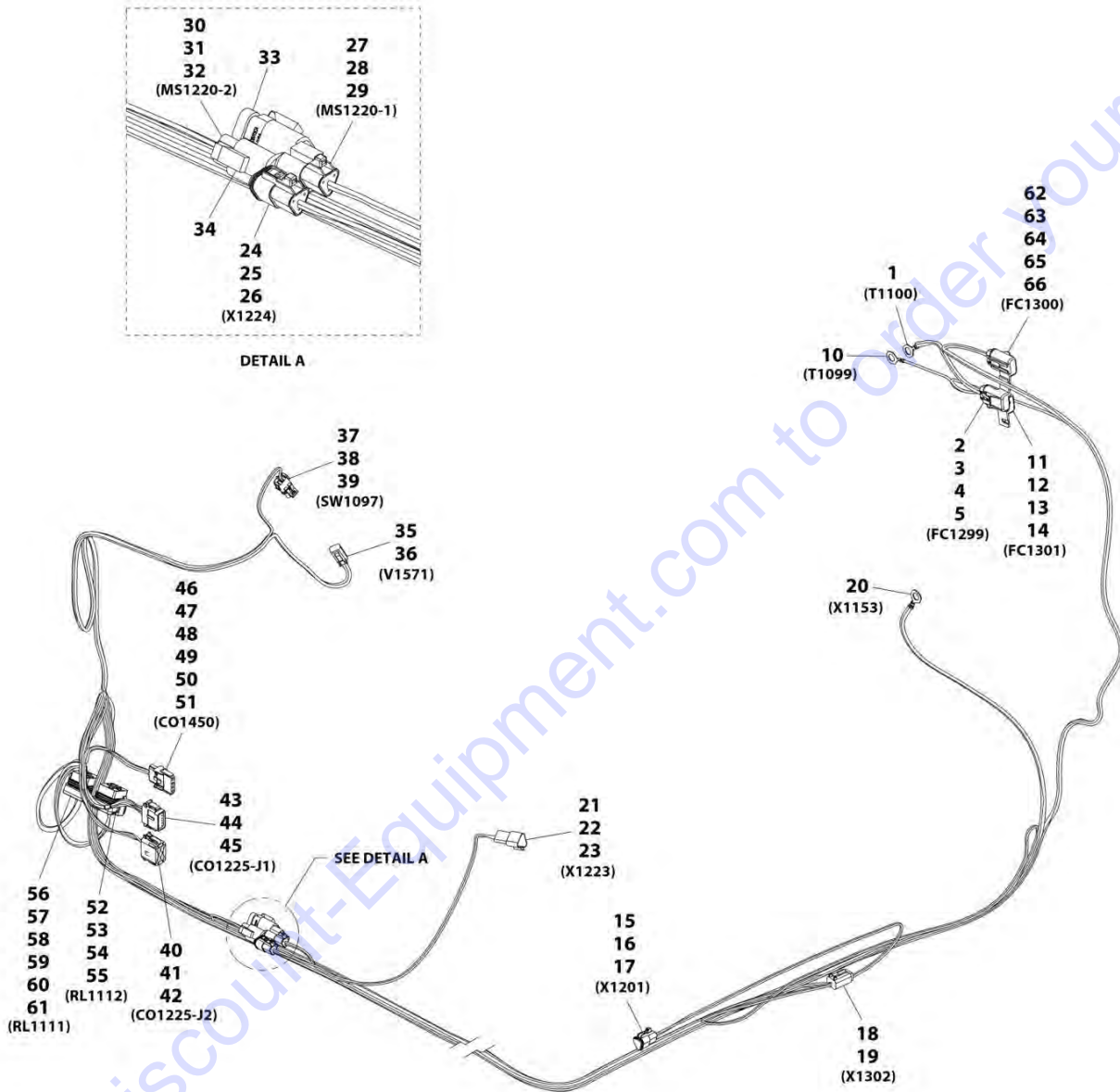
FIGURE 10-80. CAB AIR SHUT OFF VALVE HARNESS

ITEM	PART NUMBER	QTY	DESCRIPTION	REV
	1001231407	1	Cab Air Shutoff Valve Harness	C
1	8220035	1	Terminal, Ring	
2	8220035	1	Terminal, Ring	
7	4460932	1	Connector	
8	4460464	4	Pin	
9	8220108	1	Connector, Female	
10	8220108	1	Connector, Female	

Go to Discount-Equipment.com to order your parts

SECTION 10 - ELECTRICAL

FIGURE 10-81. ENGINE AIR SHUT OFF VALVE HARNESS



ART_1001231483-C

SECTION 10 - ELECTRICAL

FIGURE 10-81. ENGINE AIR SHUT OFF VALVE HARNESS

ITEM	PART NUMBER	QTY	DESCRIPTION	REV
	1001231483	Ref	Engine Air Shut Off Valve Harness	C
1	1001187079	1	Terminal, Ring	
2	1001231397	1	Connector	
3	8229235	1	Fuse, 20amp	
4	1001231401	2	Terminal	
5	1001230402	2	Seal	
10	1001187078	1	Terminal, Ring	
11	1001231397	1	Connector	
12	8229261	1	Fuse, 20amp	
13	1001231400	2	Terminal	
14	1001230403	2	Seal	
15	1001116812	1	Connector	
16	4460465	2	Terminal	
17	4460466	1	Plug	
18	4460884	1	Connector	
19	4460465	4	Terminal	
20	1001187079	1	Terminal, Ring	
21	1001144147	1	Connector	
22	4460464	2	Terminal	
23	4460466	1	Plug	
24	1001116812	1	Connector	
25	4460465	2	Terminal	
26	4460466	1	Plug	
27	1001116812	1	Connector	
28	4460465	2	Terminal	
29	4460466	1	Plug	
30	4460539	1	Connector	
31	4460465	2	Terminal	
32	4460466	1	Plug	
33	1001116815	1	Connector, 3 Pin	
34	4460945	1	Terminal, 3 Way "T" Receptacle	
35	4460891	1	Connector	
36	1001157890	2	Terminal	
37	4460742	1	Connector	
38	4460475	2	Terminal	
39	4460458	2	Plug	
40	1001116774	1	Connector	
41	4460518	8	Plug	
42	1001126008	4	Terminal	
43	1001116808	1	Connector	
44	1001126008	9	Terminal	
45	4460518	3	Plug	
46	4460761	1	Connector	
47	4460321	1	Terminal	
48	1001118378	4	Terminal	
49	4460809	4	Plug	
50	1001143551	1	Seal	
51	1001218358	1	Lanyard Rope	
52	1001231398	1	Connector	
53	1001231400	4	Terminal	

SECTION 10 - ELECTRICAL

ITEM	PART NUMBER	QTY	DESCRIPTION	REV
54	1001231404	4	Seal	
55	1001231406	1	Plug	
56	1001231398	1	Connector	
57	1001231401	2	Terminal	
58	1001231402	2	Seal	
59	1001231400	2	Terminal	
60	1001231404	2	Seal	
61	1001231406	1	Plug	
62	1001231397	1	Connector	
63	8229234	1	Fuse, 20amp	
64	1001231400	2	Terminal	
65	1001230403	1	Seal	
66	1001230404	1	Seal	

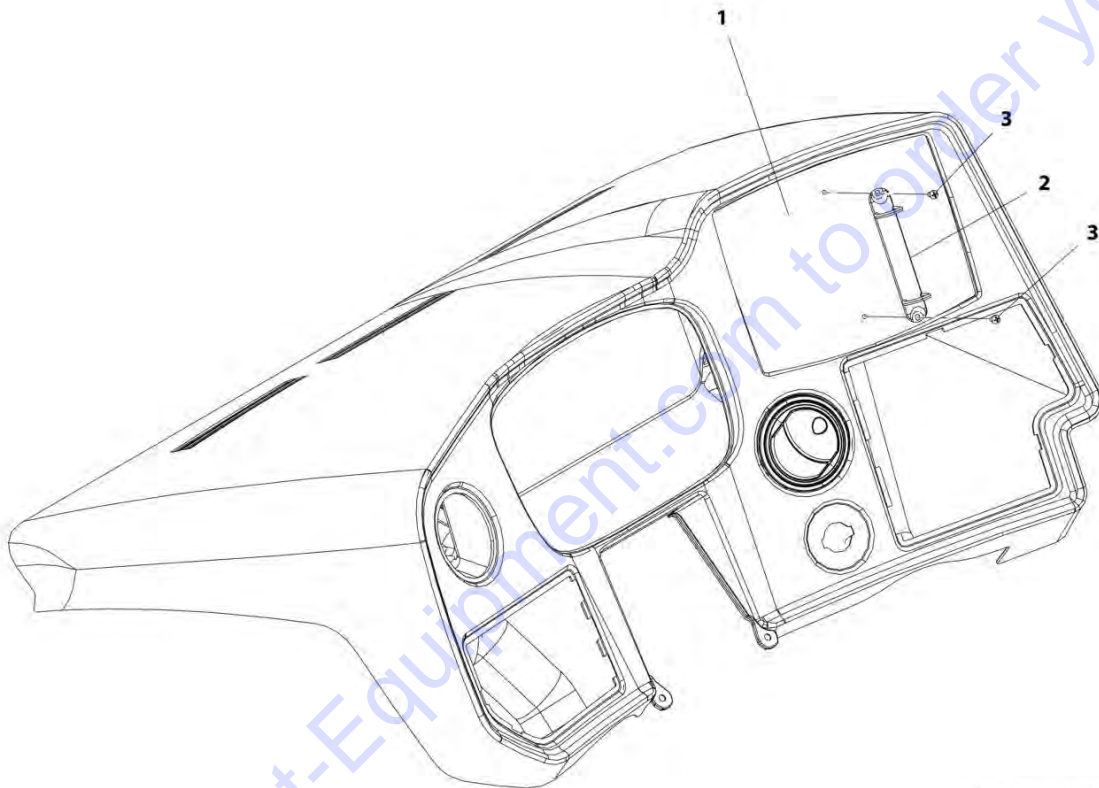
Go to Discount-Equipment.com to order your parts

SECTION 11 - DECALS

Go to Discount-Equipment.com to order your parts

SECTION 11 - DECALS

FIGURE 11-1. CAPACITY CHART HOLDER INSTALLATION



ART_1001178706-A

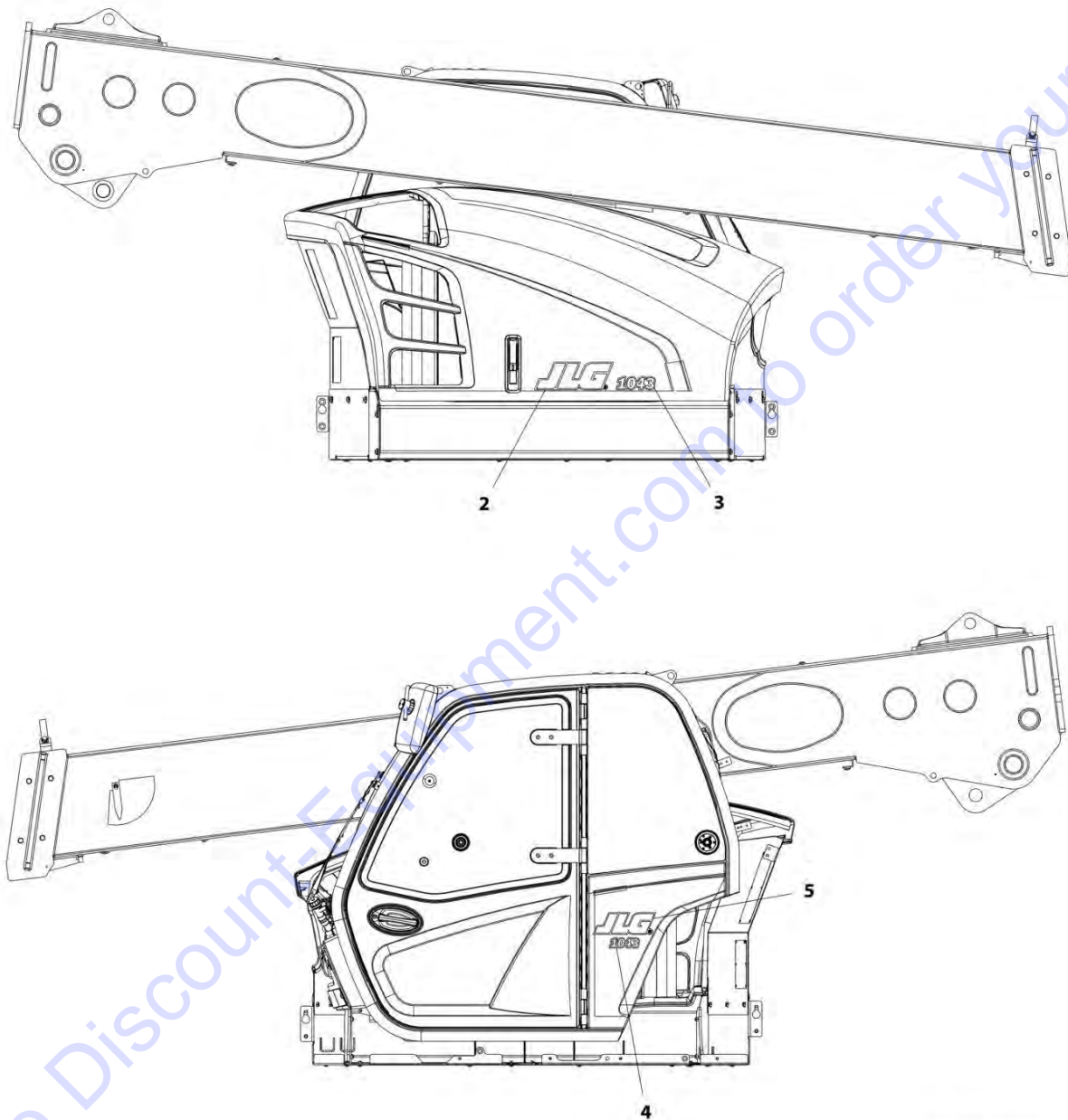
FIGURE 11-1. CAPACITY CHART HOLDER INSTALLATION

ITEM	PART NUMBER	QTY	DESCRIPTION	REV
	1001178706	Ref	Capacity Chart Holder Installation	A
1	1001179297	1	Load Chart, Bezel	
2	1001005960	1	Holder	
3	7029486	2	Screw	

Go to Discount-Equipment.com to order your parts

SECTION 11 - DECALS

FIGURE 11-2. BRAND AND MODEL DECAL INSTALLATION



ART_1001172979-D

SECTION 11 - DECALS

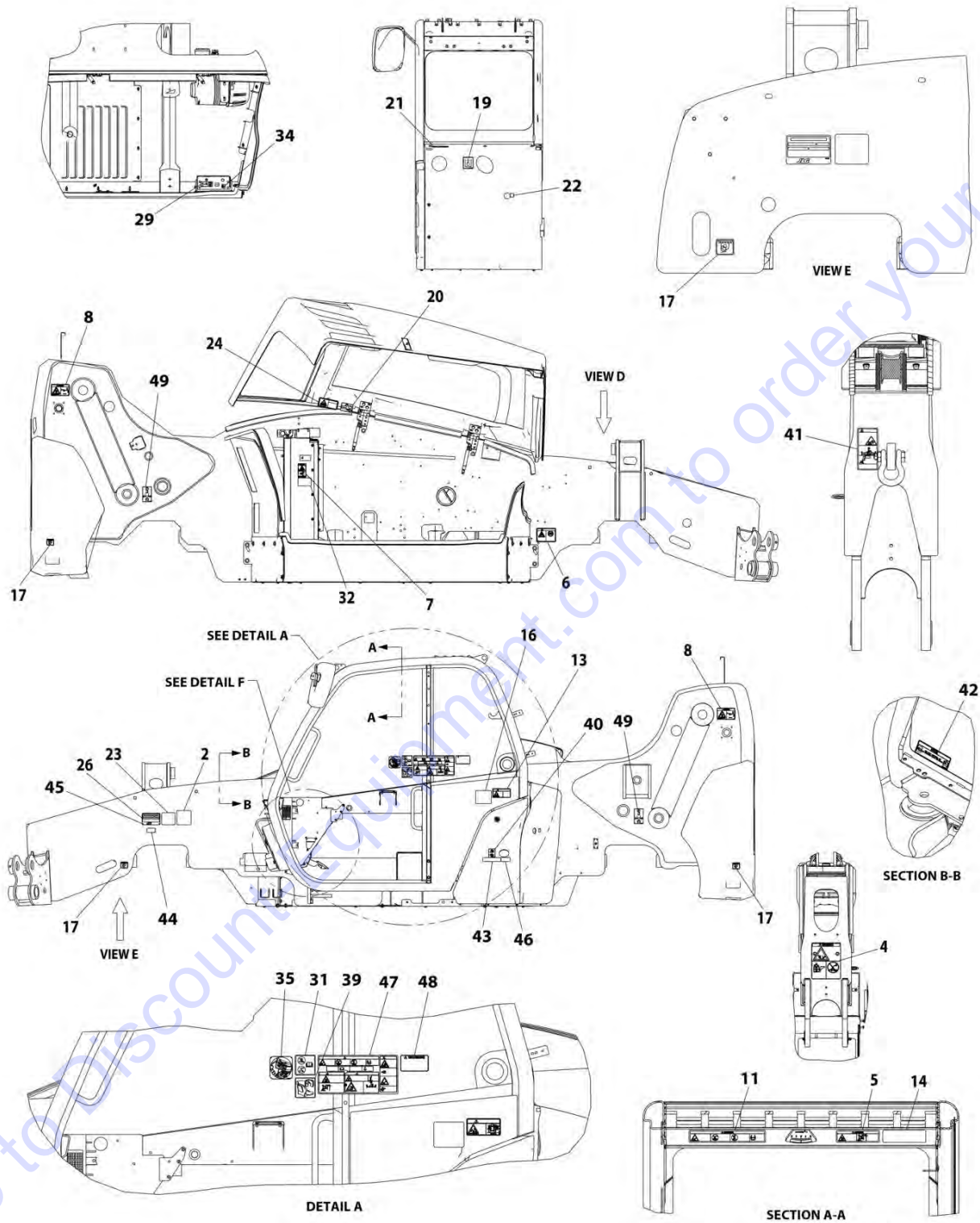
FIGURE 11-2. BRAND AND MODEL DECAL INSTALLATION

ITEM	PART NUMBER	QTY	DESCRIPTION	REV
	1001172979	Ref	Brand and Model Decal Installation	D
2	1001160775	1	Decal, JLG 5 Black	
3	1001172960	1	Decal, JLG 1043	
4	1001172961	1	Decal, JLG 1043 Cab	
5	1001169674	1	Decal, JLG	

Go to Discount-Equipment.com to order your parts

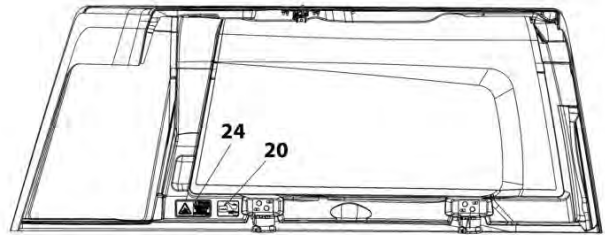
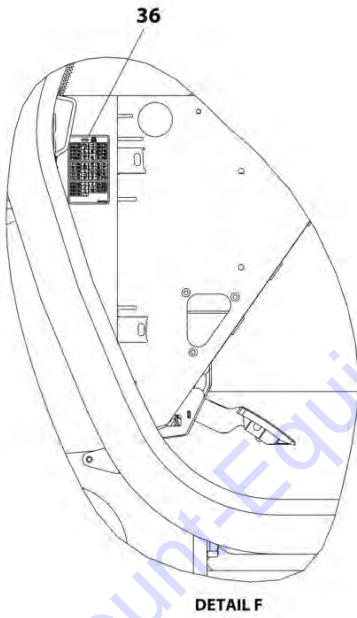
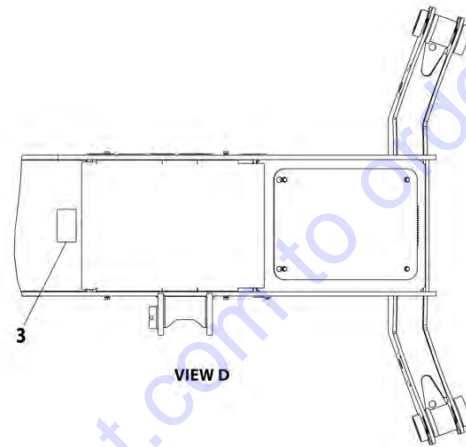
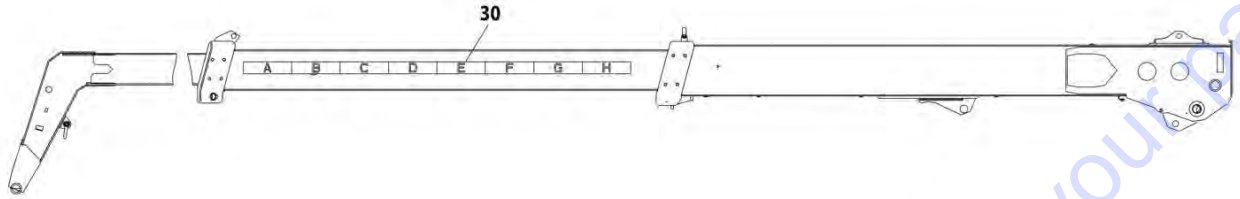
SECTION 11 - DECALS

FIGURE 11-3. DECAL INSTALLATION (ANSI)



ART_1001173429_1-O

SECTION 11 - DECALS



ART_1001173429_2-0

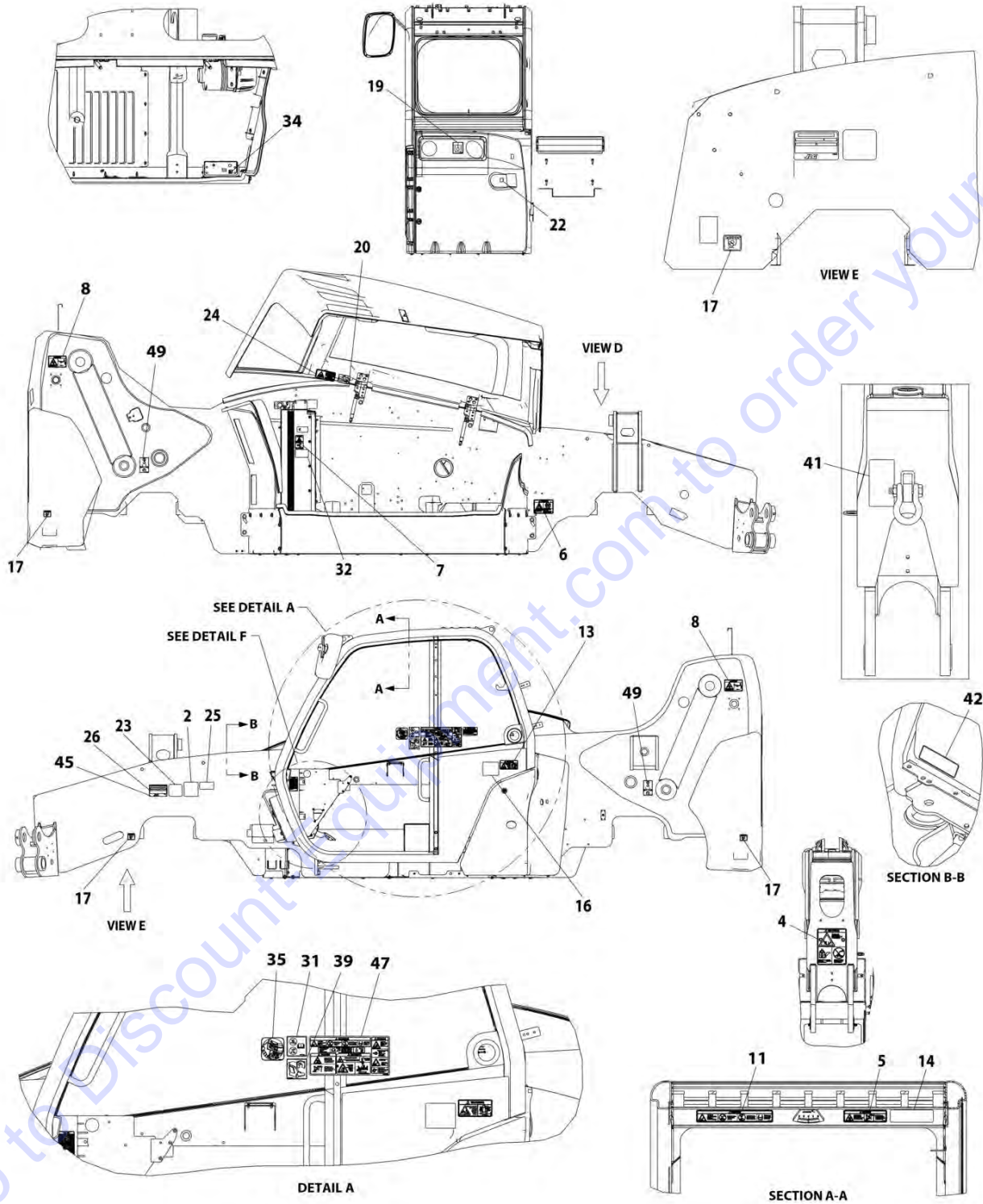
SECTION 11 - DECALS

FIGURE 11-3. DECAL INSTALLATION (ANSI)

ITEM	PART NUMBER	QTY	DESCRIPTION	REV
	1001173429	Ref	Decal Installation	0
2	1702631	1	Decal, Bar Code	
3	1706296	1	Decal, Battery Warning	
4	1001195849	1	Decal, Carry Personnel	
5	1706299	1	Decal, Contacting Power Lines Warning	
6	1706300	1	Decal, Ether Warning	
7	1706301	1	Decal, Keep Clear Of Rotating Parts Warning	
8	1706302	2	Decal, Pinch Point Boom Holes	
9	1706303	1	Decal, Read Manual Warning (Not Shown) (SN 0160084859 through 0160086246)	
10	1706304	1	Decal, Run Over Hazard Warning (Not Shown) (SN 0160084859 through 0160086246)	
11	1706306	1	Decal, Tip Over Warning	
12	1706767	1	Decal, Machine Roll Away Warning (Not Shown) (SN 0160084859 through 0160086246)	
13	1706768	1	Decal, Vehicle Roll Away	
14	1706850	1	Decal, Crush Hazard Warning	
15	1706851	1	Decal, Do Not Jump Warning (Not Shown) (SN 0160084859 through 0160086246)	
16	3251813	1	Decal, USA	
17	4109801	4	Decal, Tie Down Point	
19	1001094708	1	Decal, Hydraulic Oil	
20	1001109053	1	Decal, Coolant Fill	
21	1001218704	1	Decal, Ultra Low Sulfur Diesel	
22	1001130323	1	Decal, Oil Level	
23	1001131271	1	Decal, Patent	
24	1001139578	1	Decal, Hot Fluid Warning	
26	1001229575	1	Decal, Nameplate	
29	1001195855	1	Decal, Battery Disconnect	
30	1001171277	1	Decal, Boom Extend	
31	1001172035	1	Decal, No Weld or Drill	
32	1001173422	1	Decal, MCO 110HP	
34	1001184632	1	Decal, Battery Positive	
35	1001188372	1	Decal, Sway	
36	1001191229	1	Decal, Fuse Panel	
39	1001200101	1	Decal, Manual	
40	1001196806	1	Decal, Diesel Exhaust Fluid	
41	1001207217	1	Decal, Danger Swinging Loads	
42	1001218659	1	Decal, Brake Fluid	
43	1001219212	1	Decal, DEF Fluid	
44	1001223453	1	Decal, ICES	
45	1001009178	4	Decal, Track Metal	
46	1001230310	1	Decal, JLG DEF Tank Service	
47	1707078	1	Decal, Warning/Danger Cab (SN 0160086246 to Present)	
48	1001231801	1	Decal, Warning Prop 65 Diesel (SN 0160086246 to Present)	
49	1001222650	2	Decal, Axle Lift (SN 0160086246 to Present)	

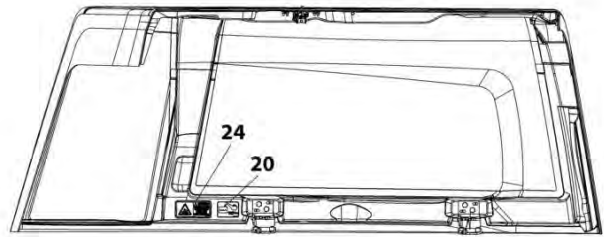
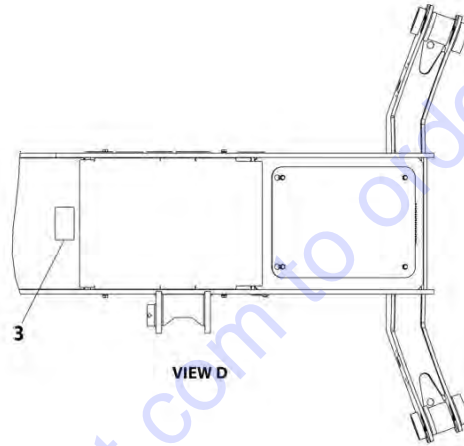
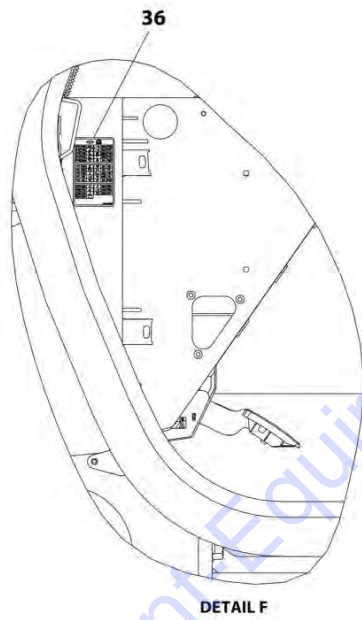
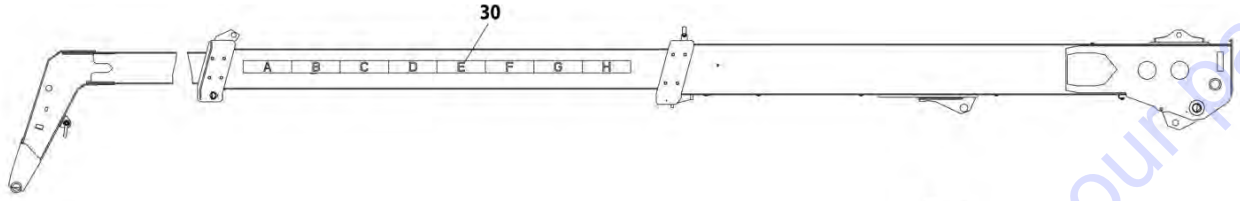
SECTION 11 - DECALS

FIGURE 11-4. DECAL INSTALLATION (ISO)



ART_1001173431_1-0

SECTION 11 - DECALS



ART_1001173431_2-O

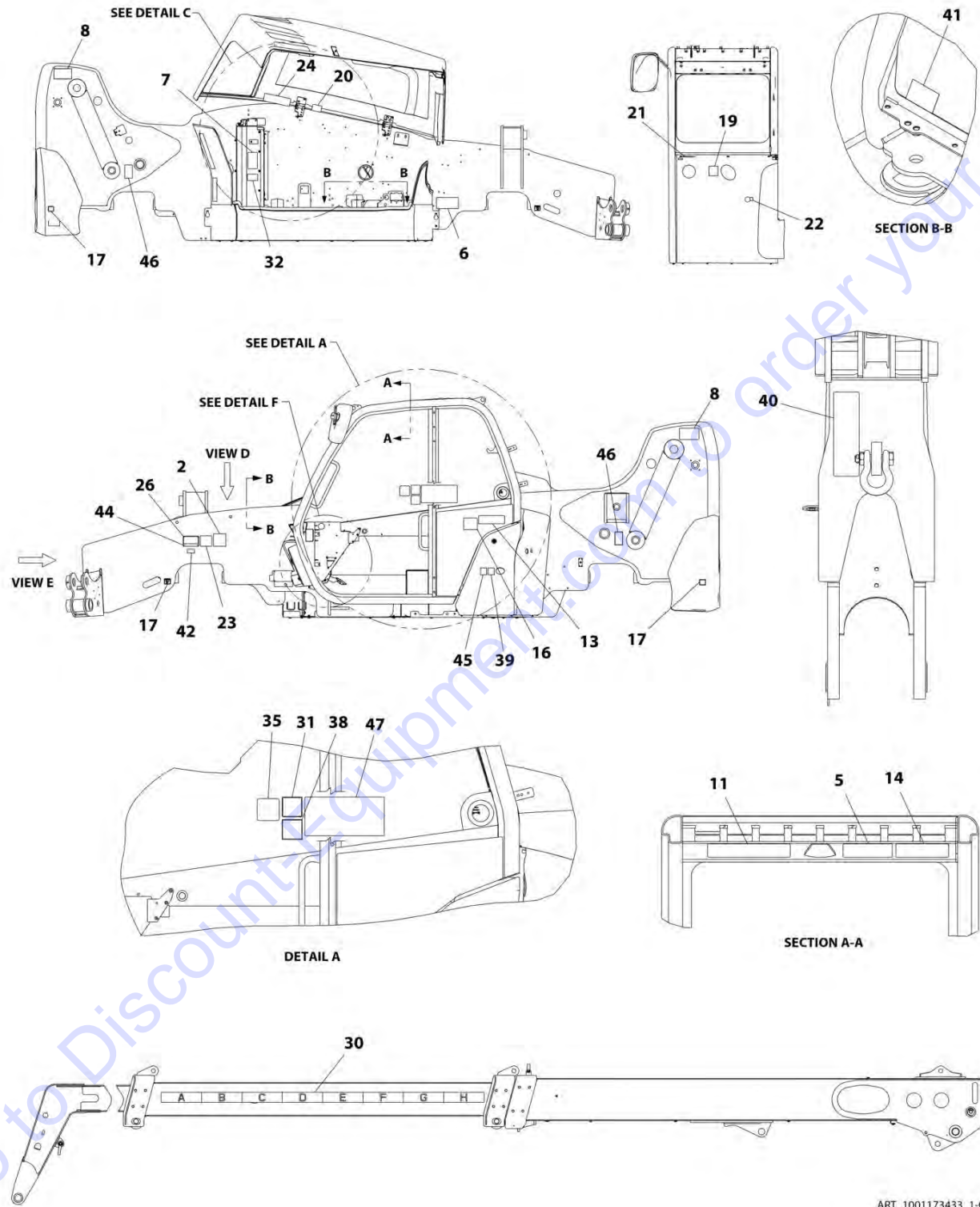
SECTION 11 - DECALS

FIGURE 11-4. DECAL INSTALLATION (ISO)

ITEM	PART NUMBER	QTY	DESCRIPTION	REV
	1001173431	1	Decal Installation (ISO)	0
2	1702631	1	Decal, Bar Code	
3	1706281	1	Decal, Battery Warning	
4	1706282	1	Decal, Carry Personnel	
5	1706284	1	Decal, Electrocutation Hazard	
6	1706098	1	Decal, Ether Warning	
7	1706285	1	Decal, Keep Clear of Rotating Parts Warning	
8	1706292	2	Decal, Pinch Point Boom Holes	
9	1706287	1	Decal, Read Manual Warning (Not Shown) (SN 0160084859 through 0160086246)	
10	1706293	1	Decal, Run Over Hazard Warning (Not Shown) (SN 0160084859 through 0160086246)	
11	1706288	1	Decal, Tip Over Warning	
12	1706289	1	Decal, Machine Roll Away Warning (Not Shown) (SN 0160084859 through 0160086246)	
13	1001092878	1	Decal, No Riders	
14	1001092877	1	Decal, Crush Hazard Warning	
15	1706283	1	Decal, Do Not Jump Warning (Not Shown) (SN 0160084859 through 0160086246)	
16	3251813	1	Decal, USA	
17	4109801	4	Decal, Tie Down Point	
19	1001094708	1	Decal, Hydraulic Oil	
20	1001109053	1	Decal, Coolant Fill	
22	1001130323	1	Decal, Oil Level	
23	1001131271	1	Decal, Patent	
24	1001139942	1	Decal, Hot Fluid Warning	
25	1001143852	1	Decal, EPA (LS)	
26	1001229575	1	Decal, Nameplate	
30	1001171277	1	Decal, Boom Extend	
31	1001172035	1	Decal, No Weld or Drill	
32	1001173422	1	Decal, MCO 110HP	
34	1001184632	1	Decal, Battery Positive	
35	1001188372	1	Decal, Sway	
36	1001191229	1	Decal, Fuse Panel	
39	1001200101	1	Decal, Manual	
41	1001207218	1	Decal, Danger Swinging Loads	
42	1001219211	1	Decal, Brake Fluid	
45	1001009178	4	Decal, Track Metal	
47	1001101895	1	Decal, Warning (SN 0160086246 to Present)	
49	1001222650	2	Decal, Axle Lift (SN 0160086246 to Present)	

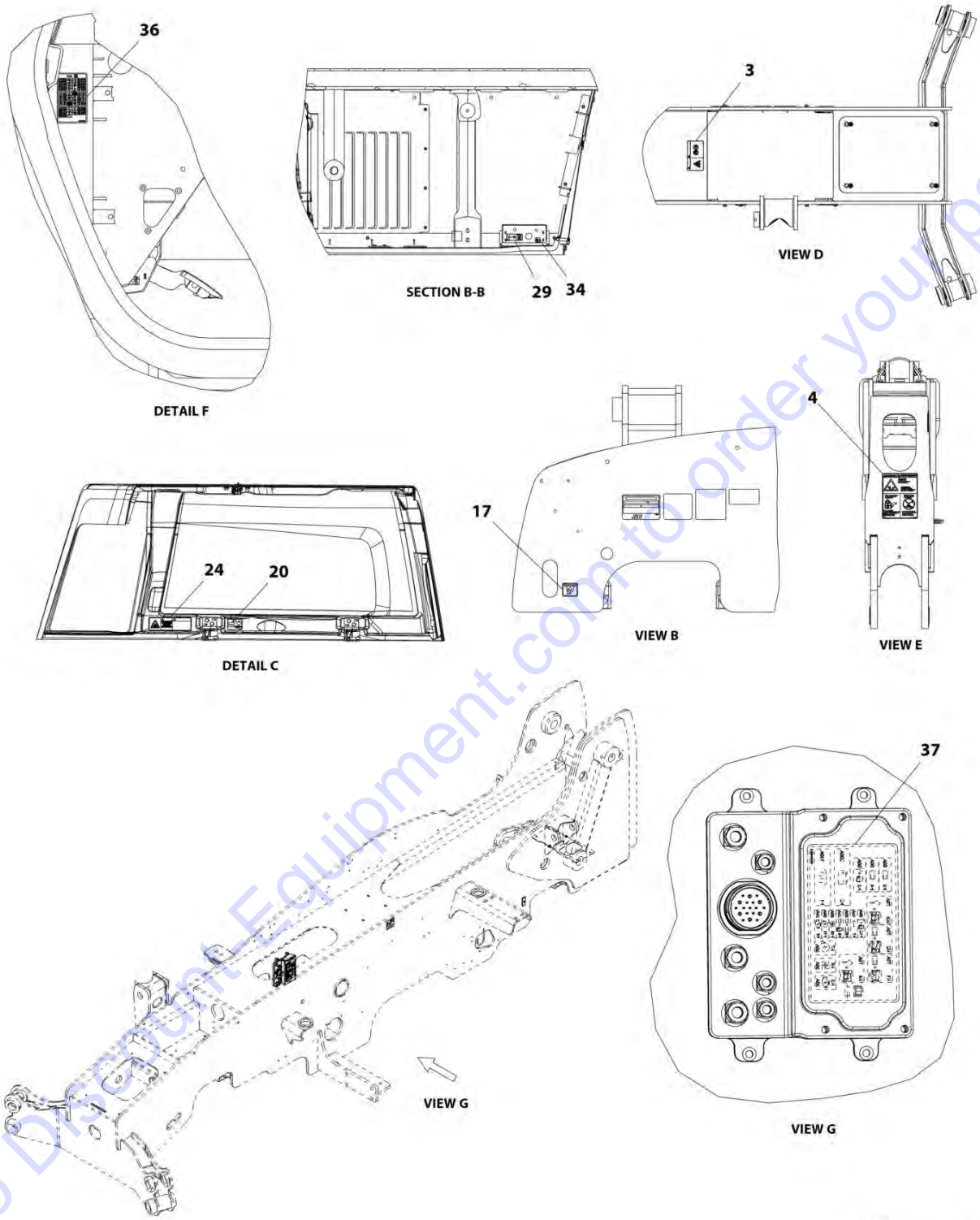
SECTION 11 - DECALS

FIGURE 11-5. DECAL INSTALLATION (CSA ENGLISH/FRENCH)



ART_1001173433_1-O

SECTION 11 - DECALS



ART_1001173433_2-0

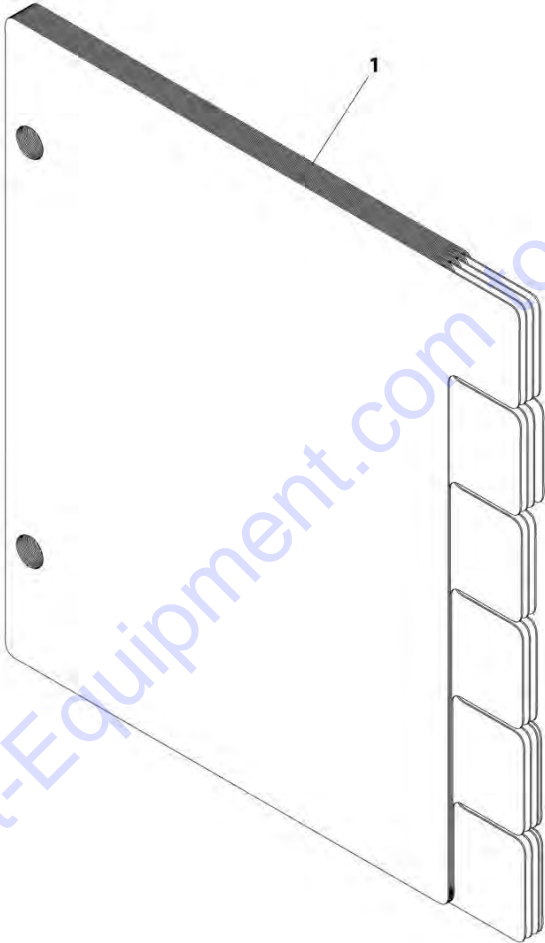
SECTION 11 - DECALS

FIGURE 11-5. DECAL INSTALLATION (CSA ENGLISH/FRENCH)

ITEM	PART NUMBER	QTY	DESCRIPTION	REV
	1001173433	Ref	Decal Installation (CSA English/French)	0
2	1702631	1	Decal, Bar Code	
3	1001163174	1	Decal, Battery Warning	
4	1001195851	1	Decal, Carry Personnel	
5	1001163210	1	Decal, Electrocutation Hazard	
6	1001163212	1	Decal, Warning No Either	
7	1001163222	1	Decal, Moving Parts	
8	1001163223	2	Decal, Pinch Point	
9	1001163273	1	Decal, Read Manual (Not Shown) (SN 0160084859 through 0160086246)	
10	1001163276	1	Decal, Warning Run Over Hazard (Not Shown) (SN 0160084859 through 0160086246)	
11	1001163285	1	Decal, Warning Tip Over	
12	1001163291	1	Decal, Warning Machine Roll Away (Not Shown) (SN 0160084859 through 0160086246)	
13	1001163300	1	Decal, No Riders	
14	1001163304	1	Decal, Warning Crushing Hazard	
15	1001163321	1	Decal, Warning Do Not Jump (Not Shown) (SN 0160084859 through 0160086246)	
16	3251813	1	Decal, USA	
17	4109801	1	Decal, Tie Down Point	
19	1001094708	1	Decal, Hydraulic Oil	
20	1001109053	1	Decal, Coolant Fill	
21	1001163355	1	Decal, Ultra Low Sulfur Diesel	
22	1001130323	1	Decal, Oil Level	
23	1001131271	1	Decal, Patent	
24	1001163323	1	Decal, Warning Hot Fluid	
26	1001229575	1	Decal, Nameplate	
29	1001195855	1	Decal, Battery Disconnect	
30	1001171277	1	Decal, Boom Extend	
31	1001172035	1	Decal, No Weld Or Drill	
32	1001173422	1	Decal, MCO, 130HP	
34	1001184632	1	Decal, Battery Positive	
35	1001188372	1	Decal, Sway	
36	1001191229	1	Decal, Fuse Panel	
37	1001191487	1	Decal, Fuse Panel (Note: Supply with power distribution box)	
38	1001200101	1	Decal, Manual	
39	1001196806	1	Decal, Diesel Exhaust Fluid	
40	1001209625	1	Decal, Danger Swinging Loads	
41	1001219211	1	Decal, Brake Fluid	
42	1001223453	1	Decal, ICES	
44	1001009178	4	Decal, Track Metal	
45	1001230311	1	Decal DEF Tank	
46	1001222650	2	Decal, Axle Lift (SN 0160086246 to Present)	
47	1001233558	1	Decal, Warning/Danger Cab (SN 0160086246 to Present)	

SECTION 11 - DECALS

FIGURE 11-6. CAPACITY CHART BOOKLET (ANSI) (OUTRIGGERS)



ART_1001212419-G

SECTION 11 - DECALS

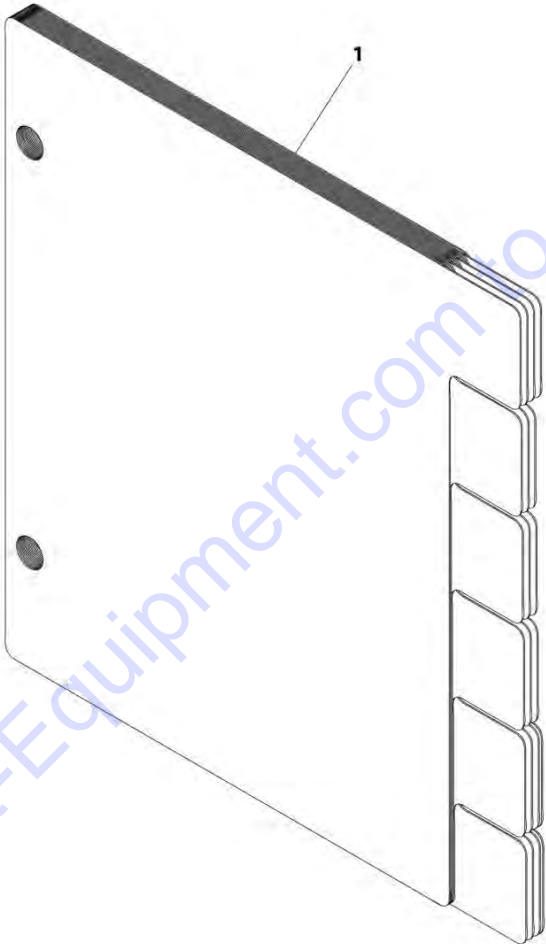
FIGURE 11-6. CAPACITY CHART BOOKLET (ANSI) (OUTRIGGERS)

ITEM	PART NUMBER	QTY	DESCRIPTION	REV
1	1001212419	1	Capacity Chart Booklet (ANSI), (Outriggers) - 1043	G

Go to Discount-Equipment.com to order your parts

SECTION 11 - DECALS

FIGURE 11-7. CAPACITY CHART BOOKLET (ISO) (OUTRIGGERS)



ART_1001206371-F

SECTION 11 - DECALS

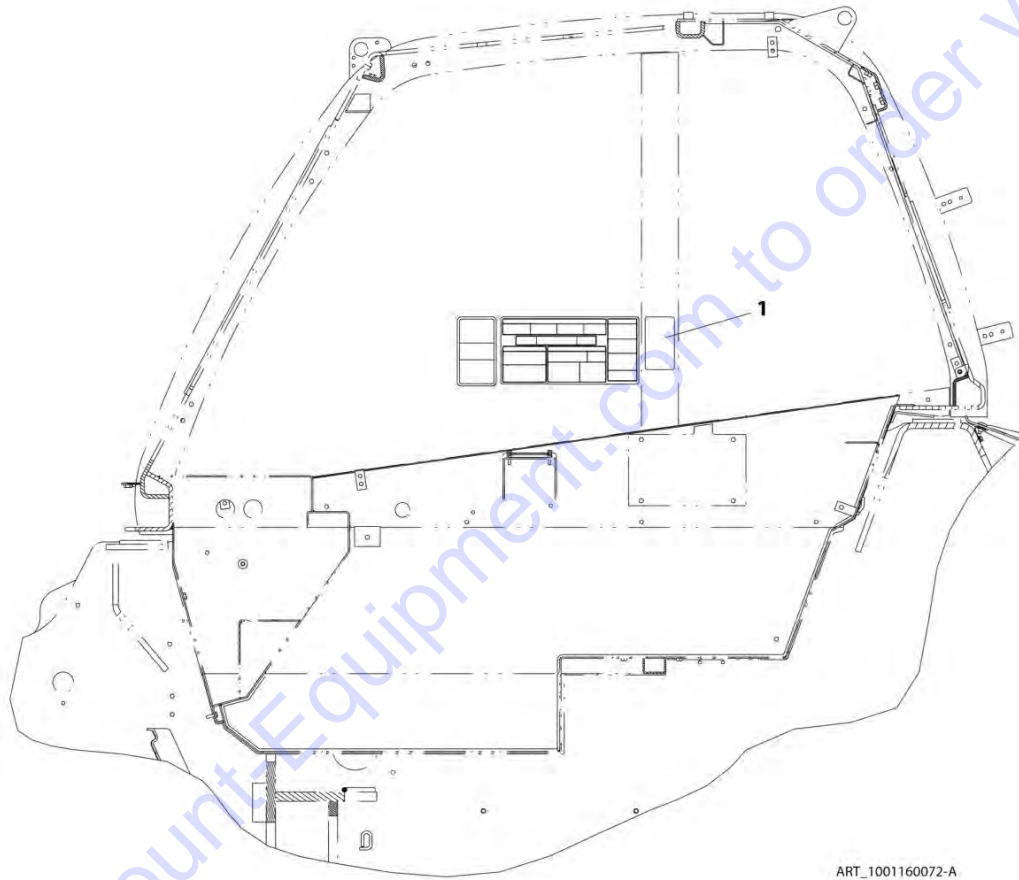
FIGURE 11-7. CAPACITY CHART BOOKLET (ISO) (OUTRIGGERS)

ITEM	PART NUMBER	QTY	DESCRIPTION	REV
1	1001206371	1	Capacity Chart Booklet (ISO), (Outriggers) - 1043	F

Go to Discount-Equipment.com to order your parts

SECTION 11 - DECALS

FIGURE 11-8. REVERSE SENSOR SYSTEM DECAL (ENGLISH)



ART_1001160072-A

SECTION 11 - DECALS

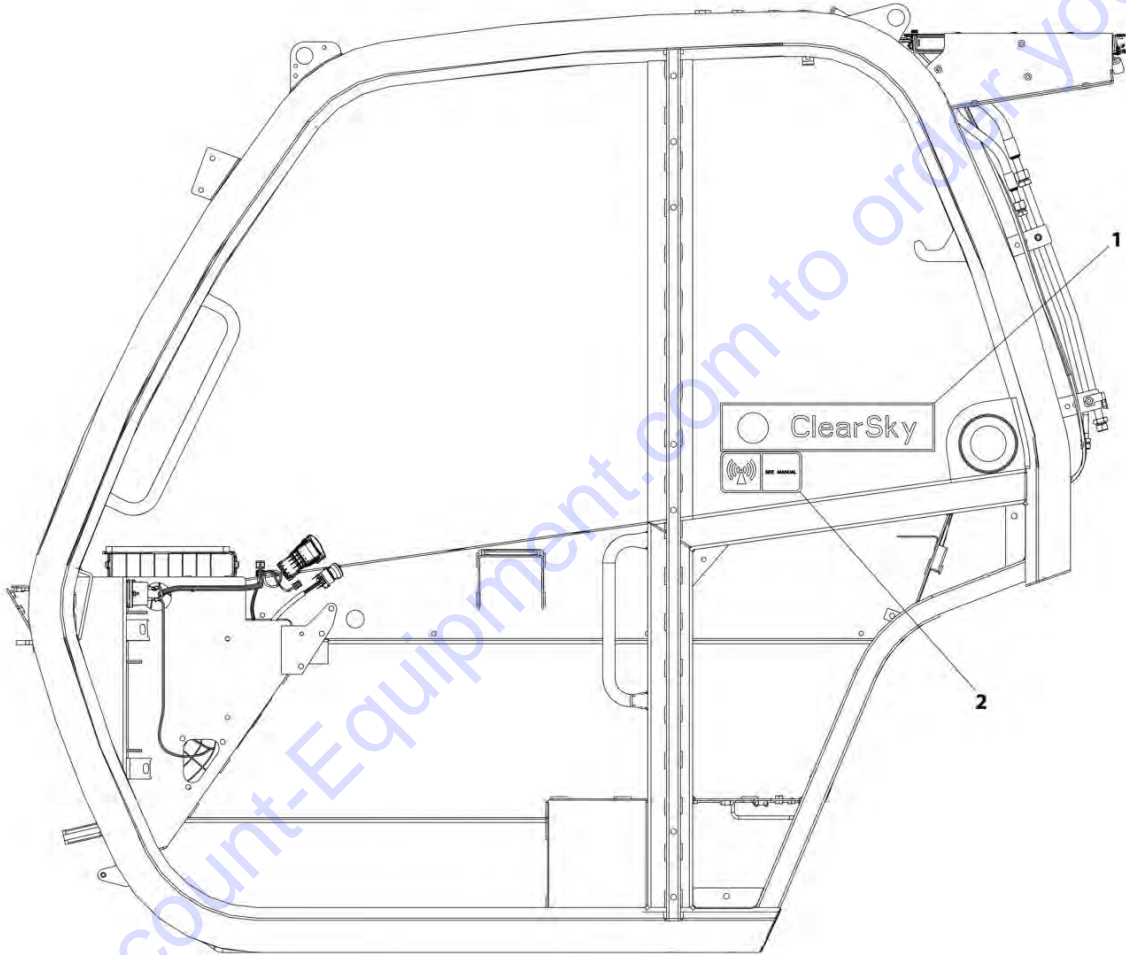
FIGURE 11-8. REVERSE SENSOR SYSTEM DECAL (ENGLISH)

ITEM	PART NUMBER	QTY	DESCRIPTION	REV
1	1001160072	1	Reverse Sensor System Decal (English)	A

Go to Discount-Equipment.com to order your parts

SECTION 11 - DECALS

FIGURE 11-9. CLEARSKY DECAL INSTALLATION



ART_1001229707-A

FIGURE 11-9. CLEARSKY DECAL INSTALLATION

ITEM	PART NUMBER	QTY	DESCRIPTION	REV
	1001229707	Ref	Clearsky Decal Installation	A
1	1001116208	1	Clearsky Decal	
2	1001120989	1	Radio Frequency Decal	

Go to Discount-Equipment.com to order your parts

SECTION 12 - RECOMMENDED SPARE PARTS

SECTION 12 - RECOMMENDED SPARE PARTS

Go to Discount-Equipment.com to order your parts

SECTION 12 - RECOMMENDED SPARE PARTS

FIGURE 12-1. RECOMMENDED SPARE PARTS

ITEM	PART NUMBER	QTY	DESCRIPTION	REV
		Ref	Frame and Attaching Parts	
	1001194978	1	Cap, Locking Fuel	
		Ref	Boom	
	1001163034	AR	Plate, Spacer	
	1001163038	AR	Plate, Spacer	
	1001165367	AR	Plate, Spacer	
	1001163112	AR	Plate, Spacer	
	1001163108	AR	Plate, Spacer	
	1001165171	AR	Pad, Wear	
	1001165172	AR	Pad, Wear	
	1001162469	AR	Pad, Wear	
	1001163029	AR	Pad, Wear	
	1001165173	AR	Pad, Wear	
	1001189793	AR	Shim	
		Ref	Engine and Attaching Parts	
	70026453	1	Cartridge, Fuel Filter (ULS)	
	70026233	1	Filter, Primary Fuel	
	70026234	1	Element, Fuel Filter	
	70026227	1	Starter	
	70026229	1	Fan Belt, V-Ribbed	
	70026242	1	Dipstick	
	70026237	1	Filter, Oil	
	70025852	1	Filter, Air Cylindrical Primary (ULS)	
	70025853	1	Filter, Air Cylindrical Secondary (ULS)	
	70025850	1	Filter, Cylindrical Air Primary (LS)	
	70025851	1	Filter, Cylindrical Air Secondary (LS)	
	70026584	1	Filter, DEF	
	1001208643	1	Kit, Filter, 250 Hour	
	70026237	1	Filter, Oil	
	70026234	1	Element, Fuel Filter	
	70026453	1	Cartridge, Fuel Filter	
	70025852	1	Filter, Cylindrical Air Primary	
	70025853	1	Filter, Cylindrical Air Secondary	
	1001208644	1	Kit, Filter, 1000 Hour	
	70026237	1	Filter, Oil	
	70026234	1	Element, Fuel Filter	
	70026453	1	Cartridge, Fuel Filter	
	70025852	1	Filter, Cylindrical Air Primary	
	70025853	1	Filter, Cylindrical Air Secondary	
	1001162663	1	Element, Filter	
	1001162662	1	Breather, Filter	
	1319726	1	Filter, Transmission	
		Ref	Drivetrain	
	1319726	1	Filter, Transmission Oil	
	1001163698	1	Switch, FNR 4 Speed	
		Ref	Cab	
	1001172546	NLA	Filter, HVAC Air (no longer available, use 1001218996 for replacement)	
	1001218996	1	Filter, HVAC Fresh Air	

SECTION 12 - RECOMMENDED SPARE PARTS

ITEM	PART NUMBER	QTY	DESCRIPTION	REV
	1001172553	1	Filter, HVAC Recirculation Air	
	1001141281	1	Blade, Front Wiper	
	4807718	1	Blade, Rear Wiper	
	1001141313	1	Blade, Roof Wiper	
		Ref	Hydraulic Components	
	1001168661	1	Kit, Seal, Lift Cylinder	
	1001168666	1	Kit, Seal, Tilt Cylinder	
	70026550	1	Kit, Seal, Compensation Cylinder	
	70026253	1	Kit, Seal, Frame Level Cylinder	
	70026462	1	Kit, Seal, Extend/Retract Cylinder	
	70026253	1	Kit, Seal, Rear Axle Stability Cylinder	
	70026309	1	Kit, Seal, Outrigger Cylinder	
	70026062	1	Kit, Seal, Side Tilt Cylinder	
	1001194981	1	Cap, Hydraulic	
	1001162660	1	Filter, Hydraulic	
		Ref	Electrical	
	0400075	1	Battery, 12V	
	70022765	1	Key, Ignition	

PART NUMBER INDEX

Go to Discount-Equipment.com to order your parts

PART NUMBER INDEX

0100011.....	101, 713	0711225.....	55	0930020.....	137	1001095738.....	409
0100035.....	721	0711226.....	55	0961903.....	713, 715, 717	1001095744.....	409
01043892.....	289	0711228.....	73	1001001568.....	669	1001095804.....	831, 833
0400075.....	811, 985	0711229.....	75	1001002946.....	493, 495	1001095810.....	171
0440296.....	67	0711626.....	193	1001002947.....	493, 495	1001096019.....	169
0440321.....	707	0711629.....	193	1001002953.....	493, 495	1001096020.....	169
0498748.....	491	0711630.....	193	1001002957.....	493, 495	1001096021.....	167
0641404.....	47	0711631.....	73, 83	1001003043.....	483	1001096023.....	167
0641405.....	171	0711635.....	75	1001003227.....	21	1001096024.....	169
0641407.....	47	0712020.....	461	1001003301.....	763	1001096025.....	167
0641510.....	175	0712022.....	461	1001003427.....	273	1001096162.....	165, 167, 169, 171
0641612.....	101	0712027.....	459	1001003590.....	655	1001096365.....	493, 495
0641812.....	640	0712042.....	31	1001004640.....	609, 611	1001097053.....	363
0642032.....	95, 97, 99, 101	0712442.....	653, 655	1001005368.....	489	1001097110.....	117
0681810.....	101	0741408.....	47	1001005960.....	959	1001097202.....	463
0700408.....	845	0741610.....	101	1001006731.....	523	1001097205.....	151
0700610.....	27, 29, 51, 230, 234, 267, 569, 787, 801, 823, 825, 827, 863, 865, 867, 869	0760304.....	625	1001007056.....	703	1001097540.....	27, 29, 573, 575
0700614.....	175, 536	0760405.....	203	1001008540.....	801	1001097586.....	483
0700616.....	640, 697, 919	0760507.....	273	1001008559.....	41, 203, 230, 234, 787, 791, 793, 795, 797, 799	1001097587.....	301, 305
0700618.....	199, 805, 829	0760512.....	581	1001008575.....	37	1001097588.....	247, 249
0700808.....	199, 805	0760605.....	247, 491, 599	1001008687.....	453	1001097810.....	303, 643
0700812.....	451	0760606.....	27, 29	1001008742.....	581	1001098762.....	819
0700814.....	27, 29, 259, 763, 801	0760607.....	203, 230, 283, 289, 491, 695	1001008857.....	493, 495	1001098769.....	87
0700815.....	281	0760608.....	89, 221, 281, 463, 511, 581, 593, 599, 609, 611, 801	1001008892.....	917, 919	1001099113.....	101
0700816.....	209, 211, 225, 257, 640, 645	0760615.....	69, 227, 640	1001008988.....	491	1001099115.....	101
0700817.....	691	0760807.....	199, 267, 805	1001008999.....	21	1001099170.....	479
0700818.....	727, 787	0760808.....	199, 203, 509, 569, 571, 805, 875, 877	1001009163.....	363, 763	1001099351.....	149
0700819.....	225, 227, 651	0760810.....	21, 23, 25, 199, 215, 247, 249, 261, 263, 363, 453, 640, 787, 793, 797, 799, 801, 805, 861	1001009178.....	964, 968, 972	1001099901.....	141
0700820.....	583, 585, 587, 787	0760812.....	271, 285, 449, 465, 493, 651, 845	1001010646.....	523	1001099902.....	139
0700823.....	659	0760815.....	19, 261, 493, 495, 640, 643, 691, 787	1001010647.....	523	1001100266.....	133
0700824.....	609, 611	0760817.....	655	1001010648.....	523	1001100822.....	131
0700826.....	281	0760823.....	35, 275	1001010649.....	523	1001100823.....	133
0700827.....	269, 271	0761007.....	199, 793, 797, 799, 805	1001010650.....	523	1001100824.....	135
0701014.....	19, 21, 43, 261, 640	0761008.....	657	1001010650.....	283	1001100828.....	949
0701016.....	27, 29, 261, 665, 667, 675, 791, 801	0761010.....	21, 23, 25, 199, 215, 247, 249, 261, 263, 363, 453, 640, 787, 793, 797, 799, 801, 805, 861	1001025750.....	283	1001100829.....	949
0701017.....	263, 285	0761012.....	213, 215, 239, 241, 287, 609, 611, 667	1001028308.....	643	1001100967.....	147
0701018.....	213, 215, 239, 241	0761210.....	239, 283, 791, 795	1001047062.....	491	1001101458.....	45
0701020.....	37, 239, 241	0761212.....	667	1001080375.....	667	1001101808.....	825
0701027.....	195	0761214.....	37, 45, 81, 85	1001080996.....	81, 667	1001101895.....	968
0701215.....	205	0761215.....	35, 633	1001090063.....	101	1001102378.....	101
0701216.....	193, 207, 673	0761218.....	239, 241, 697	1001090064.....	101	1001102502.....	831, 833
0701217.....	89	0770807.....	55	1001090140.....	101	1001102509.....	307
0701220.....	193	0770814.....	603	1001090343.....	555, 557, 581	1001102813.....	171, 175
0701224.....	89	0771210.....	55, 57, 241	1001091573.....	875	1001103012.....	908
0701226.....	55, 601	0771212.....	55, 57	1001091715.....	861	1001103156.....	657
0701227.....	193	0781016.....	205	1001091716.....	861	1001103182.....	103, 767
0701229.....	41	0781208.....	707	1001091951.....	77	1001103564.....	915
0701230.....	41	0791605.....	257	1001092391.....	121	1001103637.....	165
0711015.....	363	0860520.....	171	1001092481.....	165	1001103730.....	167
0711027.....	653, 655	0861493.....	951	1001092482.....	165	1001103736.....	169
0711214.....	55, 57			1001092877.....	968	1001104477.....	669, 761
0711215.....	53			1001092878.....	968	1001104498.....	892
0711216.....	53, 55, 57			1001093171.....	151	1001104519.....	925
0711217.....	53, 55, 57			1001093564.....	819	1001104654.....	831, 833
0711218.....	55			1001094134.....	125	1001104685.....	267
0711219.....	53			1001094136.....	125	1001105441.....	91
0711220.....	53, 89			1001094708.....	964, 968, 972	1001105886.....	821
				1001095336.....	789	1001107192.....	491
				1001095396.....	661	1001107854.....	891, 892, 921
				1001095418.....	103	1001108668.....	156
				1001095650.....	45, 47, 483, 489	1001109053.....	964, 968, 972
						1001110544.....	625

PART NUMBER INDEX

1001110704 103	1001121726..... 891	1001152934..... 481	1001160498 908
1001111076 593	1001121727..... 883	1001152947..... 475, 481	1001160500 886, 892
1001111147 593	1001121955..... 257	1001153748..... 689, 753	1001160502 908
1001111190 103	1001125117..... 53, 55, 57, 89, 667	1001153749..... 199, 805, 945	1001160503 583, 585
1001111317 475, 481, 495	1001125137..... 713, 717, 721, 723	1001154365..... 473, 481	1001160506 587
1001112612 903, 907	1001125410..... 435	1001154419..... 481	1001160508 467, 469, 509
1001112796 905, 937	1001126008..... 947, 955	1001154511..... 185, 189	1001160509 886, 892
1001112902 27, 29	1001126391..... 895	1001154721..... 471, 475	1001160510 886, 892
1001114495 251, 253	1001126393..... 895	1001154790..... 187, 191	1001160711 811
1001114803 239, 241	1001126837..... 657	1001154984..... 467	1001160735 33
1001116208 981	1001128127..... 886, 887	1001155020..... 566	1001160775 961
1001116696 913	1001128144..... 257	1001155261..... 261	1001160888 193
1001116697 908	1001128341..... 257	1001155307..... 609	1001160927 811, 819
1001116698 908	1001128478..... 363, 763	1001155446..... 457, 459	1001160928 819
1001116700 925	1001128594..... 189, 191	1001155447..... 469, 553	1001161069 559
1001116716 925	1001128890..... 145	1001155486..... 557	1001161095 908, 909
1001116723 907, 908, 925, 926, 929	1001130220... 27, 29, 823	1001155540..... 239, 241	1001161097 886, 892
1001116727 891	1001130323..... 964, 968, 972	1001155796..... 569	1001161098 886, 908, 909
1001116728 891, 915	1001131177..... 199, 805	1001155800..... 569	1001161099 886, 892, 908
1001116729 883	1001131271..... 964, 968, 972	1001155806..... 905	1001161100 886, 892, 908, 909
1001116731 855	1001132168..... 23, 25	1001156265..... 609, 611	1001161101 886, 892, 908, 909
1001116745 883	1001133072..... 101	1001156481..... 489	1001161251 562
1001116747 921, 926	1001133534..... 205	1001157487..... 489	1001161304 687, 689
1001116748 907	1001134274..... 657	1001157663..... 269, 271	1001161308 671, 673
1001116754 907	1001136975..... 230, 234	1001157890..... 925, 955	1001161340 640
1001116763 891, 921	1001137512..... 127	1001157891..... 903	1001161343 640
1001116774 947, 955	1001137578..... 895, 896	1001157919..... 625	1001161344 647
1001116808 947, 955	1001138348..... 251, 253	1001157972..... 685, 757	1001161346 647, 651
1001116810 886	1001139551..... 557	1001158146 831	1001161421 295, 303
1001116812 855, 886, 892, 895, 909, 929, 947, 955	1001139552..... 555	1001158527 609, 751	1001161424 297, 307
1001116815 929, 947, 955	1001139568..... 489	1001158620..... 735, 739	1001161499 467, 469, 605
1001116950 887	1001139578..... 964	1001159028..... 605, 607	1001161527 647, 651
1001116986 926	1001139942..... 968	1001159347 239, 241, 243	1001161528 647, 651
1001116991 907, 925	1001141246..... 493, 495	1001159734..... 861	1001161535 640
1001116996 913	1001141281..... 553, 985	1001159735..... 555	1001161538 475
1001116997 926	1001141311..... 557	1001159736..... 557	1001161564 41
1001116999 925	1001141312..... 555	1001159738..... 875, 877	1001161664 185, 187, 363
1001117021 921	1001141313..... 557, 985	1001159739..... 871, 873	1001161672 609, 611
1001117064 907	1001141312..... 555	1001159745..... 661	1001161733 609
1001117079 925	1001141400..... 230, 234	1001159746..... 807	1001161769 829, 939
1001117081 907, 908, 925, 929	1001142790..... 105	1001159753..... 831, 833	1001161770 843, 941
1001117121 908	1001143200..... 477, 507	1001159760..... 637, 681	1001161771 839, 933
1001117308 801	1001143551..... 955	1001159845..... 863, 865, 867, 869	1001161854 562, 566
1001118323 888	1001143692..... 91	1001159846..... 863, 865, 867, 869	1001161855 562, 566
1001118378 955	1001143852..... 968	1001159847..... 681, 685	1001161858 527, 529
1001118383 908	1001143857..... 609, 611	1001159849..... 831, 833	1001161896 609, 611
1001118384 907, 908, 925, 926, 929, 931	1001144147..... 855, 947, 955	1001159881..... 261	1001161897 609, 611
1001118392 913	1001144629J..... 171	1001159882..... 261	1001161898 609, 611
10011184495 899	1001145539..... 536	1001159925..... 527, 536	1001161920 251, 253
1001118684 907	1001146021..... 892	1001160042..... 536	1001161957 886, 892
1001118685 908	1001146160..... 145	1001160043..... 527	1001161959 908
1001120163 703, 759	1001146588..... 225, 227, 230, 234, 591, 793, 797, 799, 829, 843, 861	1001160072..... 979	1001161963 886, 892
1001120178 429, 433	1001147060..... 823	1001160116..... 193	1001161972 640
1001120179 429	1001147340..... 647, 651	1001160122..... 627	1001161976 640
1001120914 101	1001147449..... 566	1001160253..... 19	1001161978 640
1001120915 101	1001149160..... 27, 29	1001160255..... 43	1001162043 717
1001120989 981	1001149278..... 566	1001160326..... 536	1001162076 711, 727
1001121103 427, 429	1001150611..... 886, 887	1001160396..... 187	1001162212 237
1001121105 435	1001152742..... 895	1001160397..... 239	1001162239 19, 21
1001121109 427	1001152908..... 529, 531	1001160402..... 241	1001162240J 21
	1001152915..... 481	1001160420..... 259	
		1001160426..... 269	
		1001160496..... 585	

PART NUMBER INDEX

1001162249.....829	1001163247.....239, 241, 255	1001165194.....895	1001167437.....683
1001162253.....787	1001163248.....241, 249	1001165269.....581	1001167493.....55
1001162256.....787	1001163249.....241, 253	1001165270.....581	1001167528.....895
1001162281.....261, 263	1001163253.....261, 283	1001165275.....493, 495	1001167608.....915, 917, 919
1001162339.....691	1001163254.....269, 271, 287	1001165276.....501	1001167610.....713, 717
1001162346.....691	1001163267.....723	1001165309.....887	1001167613.....717
1001162365.....691	1001163273.....972	1001165310.....887	1001167620.....895
1001162366.....691	1001163276.....972	1001165311.....892	1001167624.....895
1001162469.....53, 55, 984	1001163285.....972	1001165351.....581	1001167646.....199, 805
1001162548.....677, 765	1001163291.....972	1001165360.....861, 911	1001167695.....809, 905
1001162597.....261	1001163300.....972	1001165367...53, 55, 57, 984	1001167697.....653, 655
1001162599.....719, 721	1001163304.....972	1001165407.....581	1001167761.....79, 81, 83
1001162600.....711, 725	1001163321.....972	1001165416.....581	1001167762.....79, 81, 85
1001162660.....763, 985	1001163323.....972	1001165455.....581	1001167785.....713, 717
1001162662.....763, 984	1001163323.....972	1001165458.....581	1001167788.....713, 717
1001162663.....984	1001163340.....907	1001165459.....495	1001167799.....809
1001162670.....631, 633, 649	1001163355.....972	1001165637.....553	1001167806.....87
1001162674.....633, 635	1001163371.....843, 925	1001165699.....829	1001167822.....863
1001162685.....731, 733	1001163372.....839, 929	1001165827.....827	1001167823.....865
1001162765.....763	1001163414.....101, 743	1001165831.....301, 313	1001167929.....721
1001162789.....469, 581	1001163546.....261	1001165832.....305, 339	1001167931.....721
1001162886.....907	1001163637.....257	1001166091.....531, 533, 541, 543	1001167937.....499
1001162887.....907	1001163639.....835	1001166092.....531, 533, 541, 543	1001167958.....491, 499
1001162920.....599	1001163695.....623	1001166163.....61, 63	1001167971.....283
1001162922.....599	1001163698.....831, 833, 984	1001166223.....673, 677	1001168030.....239, 241
1001162953.....536, 547	1001163704.....57	1001166233.....61	1001168031.....845
1001162959.....701, 755	1001163712.....57	1001166235.....61, 63	1001168054.....647, 651
1001162979.....609	1001163723.....245	1001166385.....593	1001168142.....609, 611
1001163029.....55, 57, 984	1001164019.....47	1001166397.....787	1001168151.....609, 611
1001163034.....53, 55, 57, 984	1001164036.....711, 735	1001166416.....251, 253	1001168264.....449, 465
1001163035.....55	1001164183.....47	1001166430.....247, 249	1001168272.....275
1001163038.....984	1001164402.....787, 789	1001166449.....209, 211	1001168281.....41
1001163040.....737	1001164404.....261	1001166450.....211	1001168327.....536
1001163067.....37, 763	1001164436.....41	1001166451.....209	1001168330.....536
1001163072.....691	1001164454.....41	1001166565.....215, 219	1001168331.....536
1001163073.....691	1001164498.....519	1001166566.....213, 217	1001168341.....51, 53
1001163082.....239, 241, 245	1001164567.....91	1001166634.....493, 495, 501	1001168342J.....53
1001163108.....984	1001164615.....519	1001166698.....23	1001168368.....53
1001163112.....53, 55, 984	1001164652.....699, 775	1001166703.....895	1001168456.....536
1001163133.....265	1001164655.....509	1001166704.....895	1001168464.....637, 683, 695
1001163134.....267	1001164726.....491	1001166716.....215	1001168465.....695
1001163136.....53, 55	1001164837.....261	1001166727.....883	1001168469.....631, 643, 649
1001163151.....593	1001164838.....261	1001166754.....459	1001168482.....657
1001163170.....593	1001164860.....707	1001166755.....459	1001168486.....71
1001163174.....972	1001164870.....667	1001166763.....843	1001168546.....51, 55
1001163210.....972	1001164871.....83	1001166764.....839	1001168547.....55
1001163212.....972	1001164881.....85	1001166925.....251	1001168560.....261
1001163222.....972	1001164884.....79, 81	1001166975.....77	1001168561.....55
1001163223.....972	1001164885.....79, 81	1001166993.....251	1001168567.....55, 67
1001163227.....185, 187, 193	1001164948.....665, 667	1001167001.....619	1001168587.....55
1001163230.....185, 187, 195	1001164964.....277	1001167015.....559	1001168589.....57
1001163231.....185, 234	1001164966.....275, 277	1001167017.....845	1001168599.....727
1001163232.....185, 237	1001164967.....277, 279	1001167050.....781	1001168602.....51, 57
1001163233.....185, 199, 805	1001164971.....653	1001167051.....781, 783, 785, 787	1001168603.....57
1001163235.....185, 207	1001164972.....653, 655	1001167078.....239, 241, 257	1001168629.....653, 655
1001163238.....187, 209	1001165022.....503	1001167167.....261	1001168630.....57, 69
1001163239.....187, 215	1001165022J.....501	1001167168.....261	1001168632.....69
1001163241.....187, 230	1001165080.....473, 491	1001167186.....259	1001168638.....261, 275
1001163242.....187, 203	1001165171...53, 55, 57, 984	1001167266.....547, 551	1001168644.....41
1001163245.....239, 247	1001165172...53, 55, 57, 984	1001167281.....763	1001168658.....51
1001163246.....239, 251	1001165173.....984	1001167357.....269, 271	1001168661.....713, 715, 717, 985
	1001165186.....495		1001168666.....721, 723, 985
	1001165187.....495		

PART NUMBER INDEX

1001168760 27, 29	1001170072..... 35	1001172035.....964, 968, 972	1001173530 781, 797
1001168761 27, 29	1001170100..... 631, 645, 649	1001172075.....707	1001173531 781, 791
1001168764 653	1001170171..... 363, 365	1001172077.....707	1001173538 65
1001168771 211	1001170215..... 791	1001172078.....707	1001173539 65
1001168782 297, 305	1001170231..... 599	1001172088..... 599	1001173540 65
1001168783 293, 297	1001170320..... 791, 795	1001172094..... 599	1001173541 51, 65
1001168784 295, 301	1001170326..... 515	1001172134..... 81, 707	1001173546 239, 241
1001168785 293, 295	1001170366..... 467, 469, 511	1001172146..... 37	1001173571 529
1001168786 293	1001170374..... 477	1001172147..... 37	1001173626 261, 263
1001168795 193	1001170495..... 471, 477	1001172178..... 273	1001173702 683, 687
1001168797 193	1001170500..... 473, 483	1001172193..... 475, 481, 501	1001173739 89
1001168822 237	1001170502..... 483, 489	1001172344..... 71, 77	1001173765 783, 785, 801
1001168831 67	1001170504..... 562, 566	1001172345..... 71, 75	1001173849 831
1001168834 19, 23	1001170506..... 562	1001172346..... 71, 73	1001173956 691
1001169009 185	1001170515..... 519	1001172350..... 73	1001173957 691
1001169011 185, 211	1001170518..... 562, 566	1001172352..... 75	1001173965 562, 566
1001169012 185, 213	1001170549..... 691	1001172353..... 75	1001174271 261, 281
1001169050 721, 723	1001170561..... 697, 699	1001172370..... 697	1001174295 491, 505
1001169071 721	1001170566..... 793, 797, 799	1001172401..... 467, 469, 517	1001174320 481
1001169072 721	1001170601J..... 491	1001172495..... 819	1001174321 493, 495
1001169087 695, 701	1001170603..... 473, 507	1001172496..... 819	1001174338 640
1001169146 787	1001170616..... 311	1001172536..... 847	1001174356 239, 241
1001169151 536, 921	1001170624..... 793, 797, 799	1001172546..... 984	1001174426 807, 901
1001169155 209, 211	1001170628..... 79	1001172547..... 527, 536	1001174478 41, 625
1001169173 239, 241	1001170631..... 81	1001172550..... 527, 536	1001174712 837
1001169174 239, 241	1001170645..... 27, 29	1001172551..... 529, 539, 545	1001174741 569
1001169207 255	1001170665..... 27, 29	1001172553..... 527, 536, 985	1001174795 277, 279
1001169209 69	1001170712..... 89	1001172591..... 251, 253	1001174796 875, 877
1001169214 69	1001170717..... 559	1001172606..... 562	1001174800 569
1001169265 21	1001170740..... 791	1001172608..... 562	1001174801 569
1001169268 617	1001170741..... 791	1001172644..... 29	1001174832 253
1001169278 51, 61	1001170749..... 791	1001172728..... 901, 903	1001174932 871, 917
1001169279 61, 63	1001170816..... 791, 795	1001172755..... 230, 234	1001175201 275
1001169281 51, 63	1001170944..... 493, 495	1001172774..... 583	1001175226 481
1001169350 293, 299	1001170993..... 513	1001172822..... 41, 879	1001175265 891
1001169351 299, 311	1001171037..... 503	1001172953..... 247	1001175267 886, 892
1001169354 613, 615	1001171153..... 33, 35	1001172954..... 299, 309	1001175269 195
1001169355 615	1001171154..... 33, 37	1001172960..... 961	1001175347 640
1001169365 793, 797, 799	1001171162..... 875	1001172961..... 961	1001175368 31
1001169367 615	1001171179..... 37	1001172979..... 961	1001175470 515
1001169373 63	1001171182..... 489	1001172994..... 89	1001175471 511, 513
1001169375 645	1001171183..... 489	1001172995..... 89	1001175477 491
1001169376 645	1001171242..... 449	1001172996..... 89	1001175570 643
1001169378 645	1001171277..... 964, 968, 972	1001172997..... 89	1001175577 661, 881
1001169379 63	1001171318..... 27	1001173091..... 797, 895	1001175683 89
1001169393 255	1001171363..... 261	1001173092..... 861, 913	1001175694 640
1001169399 255	1001171450..... 51	1001173257..... 587	1001175696 640
1001169409 237	1001171634..... 503	1001173298..... 491	1001175697 640
1001169410 237	1001171701..... 261	1001173411..... 925	1001175699 640
1001169454 35	1001171756..... 581	1001173419..... 469	1001175705 643
1001169461 37	1001171764..... 79, 91	1001173422..... 964, 968, 972	1001175707 643
1001169602 35	1001171767..... 513	1001173429..... 964	1001175713 647, 651
1001169603 562, 566	1001171772..... 27, 29	1001173431..... 968	1001175718 645
1001169604 566	1001171808..... 87	1001173433..... 972	1001175733 923
1001169605 562, 566	1001171874..... 599	1001173446..... 640	1001175741 661
1001169674 961	1001171885..... 19	1001173450..... 640	1001175744 693
1001169751 613	1001171889..... 457	1001173451..... 640	1001175745 693
1001169763 617	1001171890..... 457, 461	1001173452..... 239, 241	1001175776 847, 923
1001169830 640, 647, 651	1001171898..... 461	1001173457..... 239, 241	1001175789 631, 647
1001169850 263	1001171903..... 461	1001173471..... 51, 691	1001175814 643
1001169867 273	1001171962..... 845	1001173527..... 881, 883	1001175903 566
1001169881 491, 501			1001175904 562
1001169883 503			1001176004 895
1001169885 503			1001176121 511, 515
1001169965 239, 241			1001176164 555
1001170071 35			

PART NUMBER INDEX

1001176228..... 187	1001182671..... 621	1001186859..... 51	1001189308..... 667
1001176272..... 477, 507	1001182911..... 655	1001186898..... 213, 215	1001189492..... 55
1001176273..... 477, 507	1001183177..... 213	1001187075..... 886	1001189605..... 665
1001176333..... 929	1001183221..... 903	1001187076..... 887, 892	1001189606..... 667
1001176338..... 841	1001183243..... 673	1001187077..... 895	1001189658..... 573
1001176515..... 143	1001183759..... 261	1001187078..... 855, 947, 955	1001189663..... 667, 669
1001176626..... 477, 507	1001183827..... 221	1001187079..... 886, 887, 955	1001189714..... 53
1001176935..... 895	1001183829..... 221	1001187080..... 886	1001189793..... 55, 57, 984
1001176945..... 261	1001183830..... 213	1001187081..... 855, 947	1001189888..... 721, 723
1001177654J..... 31	1001183831..... 215	1001187335..... 463	1001189980..... 545
1001177702..... 685	1001183835..... 213, 215, 221	1001187532..... 807	1001189997..... 847
1001177704..... 640	1001183836..... 261	1001187623..... 795	1001190179..... 813
1001178123..... 581	1001183888..... 863	1001187624..... 795	1001190347..... 562
1001178170..... 536	1001183890..... 863	1001187785..... 61, 63	1001190585..... 791
1001178670..... 611	1001184017..... 287	1001188048..... 463	1001190589..... 562, 566
1001178706..... 959	1001184056..... 655, 657	1001188244..... 53	1001190670..... 813, 815, 819
1001178729..... 453	1001184076..... 21	1001188275..... 541	1001190671..... 813, 815, 821
1001178783..... 841	1001184275..... 531, 533, 541, 543	1001188303..... 536, 539	1001190881..... 661
1001178791..... 275	1001184278..... 531, 533, 541, 543	1001188372..... 964, 968, 972	1001190980..... 230
1001178826..... 579	1001184280..... 541, 543	1001188577..... 531, 533, 541, 543	1001191091..... 505
1001178933..... 829	1001184294..... 531, 533, 541, 543	1001188578..... 531, 533, 541, 543	1001191168..... 281
1001179008..... 485, 487, 579	1001184295..... 531, 533, 541, 543	1001188590..... 527, 536	1001191229..... 964, 968, 972
1001179009..... 485, 487, 579	1001184306..... 545	1001188592..... 541, 543	1001191348..... 263
1001179080..... 547	1001184307..... 545	1001188594..... 531, 533, 541, 543	1001191486..... 199, 805
1001179081..... 547	1001184309..... 545	1001188602..... 531, 533, 541, 543	1001191487..... 972
1001179130..... 547, 549	1001184310..... 545	1001188603..... 531, 533, 541, 543	1001191487..... 972
1001179206..... 261, 263	1001184403..... 549	1001188604..... 531, 533, 541, 543	1001191503..... 707
1001179297..... 959	1001184404..... 549	1001188610..... 531, 533, 541, 543	1001191505..... 707
1001179369..... 727, 729	1001184405..... 549	1001188612..... 531, 533, 541, 543	1001191603..... 43
1001179376..... 253	1001184406..... 549	1001188614..... 531, 533, 541, 543	1001191617..... 562, 566
1001179853..... 573	1001184427..... 541, 543	1001188618..... 541, 543	1001191635..... 43
1001179968..... 263, 285	1001184439..... 491	1001188619..... 541, 543	1001192042..... 643
1001179972..... 263	1001184484..... 657	1001188637..... 645	1001192098..... 641
1001179973..... 285	1001184491..... 899	1001188720..... 531, 533, 541, 543	1001192142..... 801
1001180076..... 187, 205	1001184493..... 899	1001188725..... 531, 533, 541, 543	1001192303..... 785, 799
1001180078..... 205	1001184494..... 899	1001188728..... 541, 543	1001192305..... 785, 799
1001180226..... 285	1001184496..... 899	1001188729..... 531, 533, 541, 543	1001192309..... 491
1001180227..... 285	1001184632..... 964, 968, 972	1001188733..... 531, 533, 541, 543	1001192341..... 655
1001180242..... 187, 227	1001184640..... 711, 719	1001188778..... 657	1001192393..... 825
1001180263..... 583, 587	1001184835..... 199, 805, 899	1001188817..... 541, 543	1001192394..... 827
1001180306..... 640	1001184841..... 908	1001188818..... 541, 543	1001192435..... 661
1001180542..... 247, 249	1001184975..... 566	1001188877..... 657	1001192463..... 575
1001180553..... 247, 249	1001185179..... 562, 566	10011888817..... 541, 543	1001192464..... 575
1001180682..... 841	1001185278..... 213	10011888818..... 541, 543	1001192468..... 225, 227
1001180683..... 841	1001185497..... 211	1001188971..... 641	1001192471..... 225, 227
1001181128..... 801	1001185498..... 209	1001189023..... 541, 543	1001192643..... 497
1001181411..... 489	1001185505..... 211	1001189024..... 541, 543	1001192644..... 499
1001181531..... 831, 833	1001185633..... 571	1001189025..... 531, 533, 541, 543	1001192646..... 491
1001181537..... 41	1001185846..... 571	1001189046..... 199, 805	1001192646..... 491
1001181543..... 619	1001186225..... 363	1001189048..... 541, 543	1001192711..... 175
1001181573..... 839, 935	1001186342..... 230, 234	1001189054..... 541, 543	1001192720..... 175
1001181625..... 247, 249	1001186418..... 640	1001189224..... 665, 667	1001192755..... 497
1001181815..... 263	1001186565..... 863, 865	1001189299..... 667	1001192766..... 491, 497
1001181815..... 263	1001186567..... 863, 865		1001192836..... 453
1001181920..... 477, 507	1001186705..... 287		1001192875..... 175
1001181921..... 477, 507	1001186843..... 641		1001192876..... 175
1001181961..... 811			1001192877..... 175
1001182011..... 247, 249			1001193026..... 269, 271
1001182012..... 247, 249			1001193171..... 785, 795
1001182083..... 871			1001193210..... 501
1001182094..... 207			1001193525..... 175
1001182123..... 477, 507			1001193540..... 175
1001182139..... 477, 507			1001193577..... 89
1001182279..... 635, 749			1001193578..... 89
1001182328..... 571			1001193579..... 89
1001182506..... 640			1001193729..... 175

PART NUMBER INDEX

1001193771 645	1001200082..... 793, 797, 799	1001204380..... 711, 713	1001212049 485
1001193993 801	1001200101..... 964, 968, 972	1001204444 867, 869	1001212050 487
1001194282 611	1001200102..... 791, 795	1001204445 867, 869	1001212369 553
1001194286 185, 225	1001200152..... 837	1001204486 21	1001212419 975
1001194534 215	1001200206..... 855, 947	1001204488 27, 29	1001212470 831, 833
1001194785 89	1001200239..... 205	1001204528 867	1001213065 41, 741
1001194787 89	1001200538..... 867	1001204530 867	1001213126J 21
1001194789 89	1001200539..... 869	1001204709 579	1001213200J 447
1001194978 39, 984	1001200555..... 267	1001205254 795	1001213331 493
1001194981 763, 985	1001200713..... 495	1001205255 795	1001213791 491
1001195082 175	1001200989..... 57	1001205335 73	1001213988 829, 943
1001195089 225, 227	1001201080..... 931	1001205402 479	1001214092 553
1001195217 645	1001201081..... 907	1001205532 491, 493	1001214156 569
1001195342 551	1001201162..... 849	1001205756 647, 651	1001214220 599
1001195343 551	1001201331..... 581	1001206019 207	1001214326 467, 469, 479
1001195345 551	1001201646..... 27, 29	1001206332 271	1001214331 467, 471
1001195346 551	1001201755..... 677	1001206371 977	1001214332 469, 473
1001195385 551	1001202132..... 591, 931	1001206448 271	1001214468 643
1001195386 551	1001202133..... 591	1001206588 230, 234	1001214480 609, 611
1001195437 551	1001202134..... 589	1001206746 29	1001214481 609, 611
1001195438 551	1001202138..... 589	1001206980 223	1001214488 609, 611
1001195439 193	1001202247..... 223	1001207217 964	1001214535 571
1001195518 964	1001202454..... 833	1001207218 968	1001214653 741
1001195849 964	1001202487..... 223	1001207282 273	1001214654 741
1001195851 972	1001202491..... 223	1001207287 917	1001215319 277, 279
1001195855 964, 972	1001202498..... 817	1001207291J 41	1001215476 223
1001195878 475, 481	1001202512..... 449, 465	1001207292 41	1001215531 493
1001195883 877	1001202513..... 449	1001207343 27, 29	1001215630 951
1001195970 129	1001202519..... 849	1001207557 273	1001215631 951
1001195972 463	1001202526..... 237	1001207606 153	1001215632 951
1001196076 519	1001202617..... 849	1001207758 699	1001215778 525
1001196100 861	1001202620..... 845	1001208106 461	1001215941 223
1001196289 849, 937	1001202621..... 845	1001208186 263	1001217467 207
1001196354 283	1001202622..... 845	1001208192 595	1001217623 875
1001196404 21	1001202786 449, 465	1001208308 562, 566	1001218255 161
1001196421 283	1001202847..... 641	1001208338 449	1001218358 955
1001196422 21	1001202904..... 173	1001208643 984	1001218524 705
1001196426J 21	1001202986 41, 203, 230, 234, 793, 797, 799	1001208644 984	1001218529 527, 536
1001196440 230, 283	1001203067..... 647, 651	1001208881 641	1001218542 527, 536
1001196451 829, 907	1001203181..... 223, 951	1001209387 23, 25	1001218659 964
1001196491 287	1001203225..... 833	1001209388 21	1001218704 964
1001196608 677	1001203502..... 641	1001209463 593	1001218781 699
1001196806 964, 972	1001203503..... 175	1001209625 972	1001218996 527, 536, 984
1001197027 519, 521	1001203640..... 867, 869, 919	1001209899 477, 507	1001219076 562, 566
1001197138 599, 601	1001203932..... 19	1001210340 667	1001219082 223, 945
1001197139 599, 603	1001203933..... 19	1001210390 703, 707	1001219191 651, 705
1001197217 577	1001203934..... 19	1001210450 787	1001219211 968, 972
1001197218 577	1001204032..... 223, 773	1001210707 37	1001219212 964
1001197219 577	1001204045..... 57	1001210775 665, 667	1001219220 477, 507
1001197259 577	1001204047..... 57	1001210782 461	1001219864 562, 566
1001197282 835	1001204060..... 869	1001211041 595	1001219865 562, 566
1001197289 230, 234	1001204066..... 493	1001211059 657	1001220540 459
1001197339 19	1001204086..... 21	1001211139 103	1001220557J 17
1001197600 745	1001204095..... 813, 817	1001211357 841	1001220760 363
1001197709 441, 443	1001204115..... 493	1001211428 273	1001220817 861
1001197715 439, 441	1001204120..... 493	1001211429 273	1001220829 861
1001197716 439, 443	1001204144..... 261	1001211432 35, 273	1001221052 529, 533
1001198291 439	1001204152..... 647, 651	1001211516 99	1001221054 539, 543
1001198321 801	1001204154..... 647	1001211693 829	1001221056 529, 539
1001198355 175	1001204225..... 599	1001211747 273	1001221057 533, 543
1001198893 877	1001204352..... 793, 797, 799, 891	1001211775 887	1001221058 533, 543
1001199099 801	1001204378..... 713	1001211907 562, 566	1001221059 527, 536
1001199183 823		1001211913 31	1001221295 527, 536
1001199640 621		1001211944 815	1001221504 447
1001199670 281		1001212011 505	1001221520 651
1001199750 641		1001212047 485	1001221527 651
1001199915 495		1001212048 487	

PART NUMBER INDEX

1001221728.....793, 886	1001229540.....573	1060626.....819, 821	1319647.....425
1001221741.....651	1001229541.....575	1062255 ... 185, 199, 203,	1319648.....425
1001221742.....651	1001229550.....573	271, 805, 851, 853, 945	1319683.....397
1001221744.....651	1001229551.....575	10700681.....125	1319684.....397
1001221749.....611	1001229575.... 964, 968,	10705034.....107	1319685.....397
1001221941.....851	972	10713707.....787	1319686.....397
1001222388.....945	1001229707.....981	10719267.....209	1319687.....397
1001222609.... 619, 627	1001229955.....851	10725554.....317, 345	1319688.....397
1001222650.... 964, 968,	1001230163.....505	10731709... 375, 397, 401	1319689.....397
972	1001230239.....145	10731744.....377	1319694.....397
1001222741.....493	1001230241.....145	10731845... 383, 385, 389	1319719.....401
1001223265.... 562, 566	1001230310.....964	10731959.....425	1319726.....405, 984
1001223453.... 964, 972	1001230311.....972	10732071.....397	1320022.....536
1001225259.... 945, 947	1001230402.....955	10732072.....397	1320748.....421, 423
1001225462.... 659, 661	1001230403.... 955, 956	10732095.....395	1320754.....421, 423
1001225464.... 659, 661	1001230404.....956	10837928.....747	1321094.....189, 191
1001225467.....641	1001230419.....279	10837929.....747	1321329.....691
1001225681.....659	1001230421.... 275, 279	10837937.....747	1321752.....643
1001225682.....661	1001230599.....873	1170012.....95	1322039.....189, 191
1001225749.... 631, 637,	1001230623.... 873, 919	1170021.....95	1322040.....189, 191
649	1001230713J... 451, 453	1170024.....97	1701509.....171
1001225750.... 637, 671	1001230931.....907	120034.... 829, 839, 843	1702631.... 964, 968, 972
1001225751.... 671, 675	1001231002.....283	1319229.....369	1702773.... 165, 167, 169
1001225752.... 675, 679	1001231003.....283	1319436.....419	1704277.....171
1001225986.....783	1001231244.....453	1319558.....373	1704885.... 165, 167, 169
1001225987.... 783, 793	1001231397.... 955, 956	1319563.....373	1706098.....968
1001225995.....697	1001231398.... 955, 956	1319571... 375, 377, 393,	1706281.....968
1001226035.....659	1001231400.... 955, 956	407, 419	1706282.....968
1001226328.....857	1001231401.... 955, 956	1319576.....393	1706283.....968
1001226575.... 649, 651	1001231402.....956	1319590.....375	1706284.....968
1001226636.....855	1001231404.....956	1319593... 379, 381, 383,	1706285.....968
1001226637.....855	1001231406.....956	385, 387, 389	1706287.....968
1001226799.... 851, 853	1001231407.... 223, 953	1319594... 379, 381, 383,	1706288.....968
1001226812.....747	1001231483.... 223, 955	385, 387, 389	1706289.....968
1001226876.....731	1001231692.....145	1319595... 379, 381, 383,	1706292.....968
1001227056.... 661, 663	1001231801.....964	385, 389	1706293.....968
1001227066.... 857, 859	1001232147.....45	1319596... 383, 385, 389	1706296.....964
1001227077.....223	1001232299.....45	1319600... 379, 381, 383,	1706299.....964
1001227137.....661	1001232336.... 45, 47	385, 387, 389	1706300.....964
1001227186.....481	1001232338.....45	1319601... 379, 381, 383,	1706301.....964
1001227187.....501	1001232439.....289	385, 387, 389	1706302.....175, 964
1001227188.....501	1001232440.....289	1319602... 379, 381, 383,	1706303.....964
1001227297.... 851, 853,	1001232500.....145	385, 387, 389	1706304.....964
855	1001232556.....289	1319605.... 383, 385, 389	1706306.....964
1001227379.....115	1001232588.....47	1319607.....383	1706767.....964
1001227386.....631	1001232624.....289	1319608.....383, 393	1706768.....964
1001227388.....649	1001232751.... 289, 813	1319614.....385	1706850.....964
1001227497.... 631, 640,	1001233236.....859	1319615... 379, 381, 385,	1706851.....964
649	1001233237.....859	389	1706892.....165
1001227676.....711	1001233385.....101	1319617.....379, 381	1707078.....964
1001227677.... 711, 731	1001233558.....972	1319618.....379, 381	2080040.....171
1001227802.....491	1001234455.....25	1319620.....379, 381	2080078.....489
1001227964.....223	1001235100.....273	1319621.....379, 381	2080086.....475, 481
1001228073.... 719, 723	1001235963.... 19, 25	1319622.....379, 381	2080087.....475, 481
1001228095.... 711, 715	1001236542.....465	1319623.....379, 381	2080092.....511
1001228132.... 533, 543	1001239194.....853	1319624.....379, 381	2110404.....659, 701
1001228140.... 533, 543	1001239249.....853	1319625.....379, 381	2110406.....677, 679
1001228141.... 533, 543	1001239539.....223	1319626.....379, 381	2110408.....685, 701
1001228147.... 533, 543	1001239734.....101	1319627.....379, 381	2110606.... 101, 181, 677,
1001228273.....223	1001241836.....19	1319628.....379, 381	679, 685, 699
1001228643.....223	1001241837.....433	1319629.....379, 381	2110610.....669
1001228872.....237	1001241841.... 431, 433	1319630.....379, 381	2110808.... 41, 101, 303,
1001228989.... 867, 869	1001241842.....437	1319631.....379, 381	685, 689, 705
1001229107.....857	1001241848.....431	1319632.....379, 381	2110810.... 669, 677, 719
1001229235.....451	1001241849.....437	1319635.....389	2111008.... 661, 693, 701
1001229457.....949	1001242098.....625	1319636... 379, 381, 389	2111010.... 661, 677, 679,
1001229458.... 945, 949	1060379.....171	1319638.....379, 381	685, 693

PART NUMBER INDEX

2111212 731	2920207 861	3900379.27, 29, 573, 575	4460670 855, 947
2111616 679, 763	2920208 861	4000015 657	4460705 925
2130404 ... 609, 611, 661	2940074 171	4010508002 562, 566	4460708 925
2130406 653, 685	3020043 ... 713, 717, 721	4010510 619	4460742 955
2130604 659, 661	31200160 165	4010608002 491, 519,	4460761 943, 955
2130606 ... 107, 181, 655,	31200386 169	562, 566, 569, 593	4460789 921
679	31200387 167	4010610002 559, 562,	4460809 955
2130608 107	31200388 167	566, 569, 657	4460836 ... 886, 887, 925
2130806 655	3251813 ... 964, 968, 972	4010612002 501	4460884 ... 891, 895, 907,
2130808 ... 101, 609, 611,	3290401 ... 203, 527, 536,	4031205 845	926, 931, 937, 955
677	845	4031607 ... 763, 831, 833	4460891 ... 879, 883, 887,
2130810 245, 669	3290405 497, 657	4031608 ... 199, 289, 805	888, 891, 892, 895,
2131010 245	3290501 ... 289, 829, 839,	4031608001 562, 566	905, 955
2131210 363, 679	843, 847	4031910 583, 587	4460894 ... 887, 895, 907,
2131212 255	3290505 89, 223, 945	4031912 687	911
2131616 245, 677	3290601 ... 89, 175, 203,	4031917 731	4460897 908, 935
2144605 303, 307	230, 234, 267, 289,	4031918 667	4460899 879, 921
2150404 ... 635, 669, 703	536, 569, 599, 657,	4031920 735	4460906 925
2150808 ... 307, 689, 705	681, 793, 797, 799,	4031921 661	4460930 ... 891, 895, 908,
2151210 659, 661	801, 829, 863, 865,	4060919 640, 647, 651	929
2151212 ... 659, 661, 693	867, 917, 919	4105262 87	4460931 903
2160016 ... 41, 53, 55, 73,	3290605 .23, 25, 69, 562,	4109801 964, 968, 972	4460932 ... 907, 915, 923,
75, 83, 653, 655, 721,	566, 791, 795	4110422 ... 139, 141, 145,	926, 953
723	3290607 861	147, 149	4460933 ... 855, 879, 886,
2170108 685, 701	3290801 ... 199, 209, 211,	4110473 107	887, 891, 907, 947
2170110 679	261, 271, 281, 491,	4240032 851, 853	4460941 ... 879, 892, 907,
2170208 609, 611	605, 651, 787, 805	4240033 591	911, 913, 921, 926, 935
2170212 255	3290805 603, 687	4240099 ... 647, 651, 667,	4460942 ... 879, 886, 887,
2170216 245	3290806 489	817, 821	888, 891, 911, 925,
2170306 ... 655, 679, 699	3291001 ... 213, 215, 239,	4460225 908, 925	926, 931, 935
2170308 645, 705	241, 261, 263, 791, 801	4460234 851, 853	4460943 903, 907
2170316 245	3291005 87, 653, 655,	4460265 908	4460944 ... 886, 892, 895,
2170806 303, 307	665, 667, 791, 793,	4460267 ... 908, 925, 926,	907, 909, 929
2171308 665, 667	795, 797, 799	929, 943	4460945 947, 955
2172106 101, 679	3291201 45, 53	4460268 ... 908, 925, 926,	4460950 879
2172108 665, 669	3291205 .41, 73, 75, 601,	929, 943	4460970 ... 879, 892, 911,
2180467 257	697	4460321 943, 955	913
2200223 241, 265	3291605 ... 73, 75, 77, 83	4460343 ... 908, 925, 926,	4460982 895
2200224 247, 249	3292001 461	929	4460994 926, 931
2220218 205	3300240 .. 95, 97, 99, 101	4460367 926, 929	4461015 887, 935
2220237 239, 241	3311405 47, 171	4460434 908, 929	4461017 903
2220239 763	3311502 175	4460458 ... 891, 915, 955	4461018 891
2220240 763	3311505 519	4460464 ... 855, 879, 892,	4461054 913
2220242 245	3311508 819	895, 903, 907, 908,	4461115 915, 926
2220415 103	3331615 193	915, 921, 923, 947,	4461118 891, 921
2220473 103	3332011 51, 459	953, 955	4461174 875, 877
2220478 640	3340829 47	4460465 ... 855, 879, 883,	4461262 892
2220810 205	3391410 175	886, 887, 888, 891,	4520482 445
2220883 741, 745	3421453 171	892, 895, 905, 907,	4641501 181, 777
2220885 655	3423242 97	908, 925, 929, 937,	4641502 107, 181
2220886 741	3423275 95	947, 955	4679000268 47
2220887 721, 723	3423276 99, 101, 103	4460466 ... 855, 879, 886,	4711400 171
2340037 123	3423307 101	887, 891, 892, 895,	471678 581
2340038 111	3440620 145	903, 905, 907, 908,	4740003 85
2340039 119	3520072 171	909, 911, 913, 915,	4740274 239, 241
2340045 109	3520186 43	929, 931, 935, 937,	4740532 633
2400060 855, 947	3575947 195	947, 955	4751400 47
24921332 261, 263	3740080 223	4460475 955	4761800 640
2600281 171	3760170 171	4460496 ... 829, 839, 907	4807718 555, 985
2716143 161	3760348 599	4460497 ... 829, 839, 907	4811400 ... 203, 527, 536,
2717160 107	3760463 65	4460508 903	845
2717161 107	3760493 65, 655	4460509 ... 886, 887, 891	4811600 ... 89, 199, 223,
2717162 107	3790151 223	4460518 947, 955	289, 562, 566, 805,
2717283 107	3790152 223	4460536 879	847, 945
2717287 103	3790228 640	4460539 ... 879, 886, 887,	4811602001 562, 566
2915023 767	3820020 171	892, 895, 909, 929,	4811700 ... 23, 25, 27, 29,
2920206 863, 865	3841203 101	947, 955	51, 69, 89, 175, 199,

PART NUMBER INDEX

203, 227, 230, 234, 267, 281, 289, 463, 475, 481, 491, 519, 536, 559, 569, 581, 593, 599, 681, 695, 697, 787, 791, 795, 801, 805, 829, 861, 863, 865, 867, 869, 917, 919	6604662 103 70000656 397 70002219 743 70002224 743 70002386 775 70002963 765 70002975 765 70002976 765 70003788 745 70003849 743 70004654 757 70020428 767 70020438 729, 739 70020476 739 70020555 151, 153 70020562 137 70020764 761 70020867 753, 757 70020868 757 70021177 315, 319, 343, 347 70021208 755, 757 70021209 755, 757 70021213 757 70021227 387 70021228 387 70021268 387 70021269 387 70021342 137, 149 70021349 147, 149 70021358 137 70021359 137 70021360 137 70021361 137 70021362 137 70021364 137 70021365 137 70021366 137 70021367 137 70021387 137, 147 70021391 137 70021392 137 70021393 137, 769 70021399 137 70021415 147, 149 70021440 143, 769 70021444 769 70021446 769 70021447 769 70021448 769 70021451 769 70021452 769 70021464 769 70021465 769 70021466 769 70021526 393 70021531 761 70021606 341 70021607 341 70021609 341 70021610 341 70021611 341 70021612 341 70021613 341 70021614 323, 349 70021867 749 70021920 377	70021921 147, 149 70021935 147, 149 70021977 147, 149 70021978 147, 149 70021979 147, 149 70021980 137 70021981 137 70021982 137 70022008 747 70022010 747 70022012 747 70022013 747 70022014 747 70022028 147, 149 70022044 767 70022045 767 70022046 767 70022075 379, 381, 383, 385, 387, 389 70022140 317, 345 70022147 757 70022527 137, 147, 149 70022528 147, 149 70022529 147, 149 70022564 725, 737, 741 70022634 189, 191 70022765 831, 833, 985 70022814 347 70022931 156 70022932 156, 161 70022933 161 70022934 156, 161 70022935 157, 161 70022936 156, 161 70022937 157, 161 70022938 161 70022939 157, 161 70022940 161 70022941 161 70022942 157, 161 70022943 161 70022944 161 70022945 161 70022946 157, 161 70022947 161 70022948 161 70022949 157, 161 70022950 157, 161 70022951 161 70022952 157 70022957 156, 162 70022960 156, 162 70022966 161 70022969 156, 162 70022970 156, 162 70022971 161 70022972 161 70022973 161 70022974 161 70022975 161 70022976 161 70022977 161 70022978 161 70022979 161 70022980 157, 161 70022982 161 70022984 156, 162	70022985 156, 162 70022987 156, 162 70022988 161 70022990 157, 161 70022992 156, 162 70022993 156, 162 70022994 156, 162 70022995 156, 162 70022997 105 70022998 157, 161 70022999 161 70023000 161 70023001 161 70023003 156, 162 70023004 156, 177 70023005 157, 177 70023006 157, 177 70023007 157, 177 70023008 156, 162, 177 70023009 156, 162 70023010 156 70023014 156, 161 70023015 157 70023016 156, 161, 162 70023086 733 70023327 757 70023369 725, 737, 741 70023370 725 70023372 725 70023379 725, 737, 741 70023404 375, 419 70023469 317, 345 70023474 417 70023475 419 70023476 419 70023489 353 70023490 327, 353 70023491 327, 353 70023493 353 70023496 327 70023502 415 70023736 189, 191 70023800 419 70023801 419 70023885 377, 409 70023925 157, 162, 179 70023928 777 70023929 777 70023933 189 70024004 327 70024005 317, 327 70024016 189, 191 70024020 743 70024059 147, 149 70024060 149 70024062 143 70024123 105 70024146 319, 331, 347, 361 70024147 329, 331, 355, 361 70024186 749 70024188 749 70024189 749 70024202 747 70024210 321, 341 70024213 321
--	---	--	---

PART NUMBER INDEX

70024215	321	70026060	743	70026353	243	70026540	725
70024216	341	70026061	743	70026354	243	70026541	725
70024262	743	70026062	743, 985	70026355	243	70026542	725
70024306	127	70026082	243	70026356	243	70026543	725
70024307	127	70026211	759	70026357	243	70026544	395, 397
70024407	749	70026212	759	70026358	243	70026545	725
70024408	749	70026213	759	70026359	243	70026546	397
70024414	749	70026214	759	70026360	243	70026547	397
70024415	749	70026215	759	70026369	747	70026548	397
70024416	749	70026220	189	70026370	747	70026549	397
70024535	105	70026222	191	70026373	747	70026550	725, 985
70024536	105	70026223	189	70026374	747	70026554	397
70024537	105	70026224	189, 191	70026375	747	70026555	397
70024538	105	70026225	189, 191	70026376	747	70026556	397
70024539	105, 771	70026226	189, 191	70026377	747	70026558	411
70024540	105	70026227	984	70026378	747	70026559	413
70024541	105	70026228	189, 191	70026380	747	70026561	397
70024542	105	70026229	189, 191, 984	70026381	747	70026568	757
70024543	105	70026230	189, 191	70026383	747	70026569	757
70024544	105	70026231	189, 191	70026387	747	70026570	757
70024545	105	70026232	189, 191	70026389	747	70026571	757
70024546	105	70026233	189, 191, 984	70026393	217	70026572	749
70024547	771	70026234	191, 984	70026394	217	70026582	753
70024548	771	70026235	189, 191	70026395	219	70026583	749
70024549	771	70026236	189	70026396	219	70026584	277, 984
70024550	105	70026237	189, 191, 984	70026401	751	70026632	345
70024551	105	70026238	319, 347	70026432	601	70026633	317
70024552	105	70026239	319, 347	70026433	601	70026685	755
70024553	105	70026240	319, 347	70026435	729	70026686	755
70024554	105	70026241	189, 191	70026436	729	70026698	147, 149
70024555	105	70026242	984	70026438	317, 345	70026699	143
70024848	321	70026249	729, 739	70026439	317, 345	70026745	153
70024849	321	70026250	739	70026440	745	70026746	153
70024850	319	70026251	729	70026442	745	70026747	143
70024851	319	70026252	739	70026443	745	70026800	191
70024895	403	70026253	729, 739, 985	70026444	745	70026801	191
70025335	315, 343	70026257	627	70026445	745	70026944	143
70025337	353	70026258	627	70026446	745	70026946	143
70025338	353	70026261	739	70026453	189, 984	70026948	143
70025339	327, 353	70026266	325, 335, 337, 351, 359	70026456	733	70026949	143
70025353	161	70026292	939	70026457	733	70027009	147
70025561	319, 347	70026293	941	70026458	733	70027024	521
70025606	743	70026294	789	70026459	733	70027025	521
70025614	733	70026295	789	70026460	733	70027026	521
70025816	607	70026296	789	70026461	733	70027028	521
70025817	607	70026297	789	70026462	733, 985	70027030	521
70025844	627	70026299	737	70026515	373	70027032	521
70025850	219, 984	70026300	737, 741	70026516	373, 375, 377, 409	70027033	521
70025851	219, 984	70026301	737, 741	70026517	375, 397, 401	70027034	521
70025852	217, 984	70026302	725, 737, 741	70026518	375	70027035	521
70025853	217, 984	70026303	725, 737, 741	70026519	377	70027098	747
70025855	319, 347	70026304	737, 741	70026520	377	70027130	747
70025856	327	70026305	737, 741	70026521	377	70027281	191
70025859	601	70026306	737	70026522	377	70027758	741
70025860	601	70026307	737	70026527	379, 381, 383, 385, 387, 389	70027951	162
70025887	317, 345	70026308	737, 741	70026528	379, 381, 383, 385, 387, 389	70028281	663
70025897	749	70026309	737, 741, 985	70026529	379, 381, 383, 385, 387, 389	70028450	189
70025959	743	70026310	765	70026530	383	70028451	745
70025970	321	70026311	765	70026531	385	70028453	663
70025972	319, 329, 347, 355	70026312	765	70026532	387	70028478	747
70025980	347	70026313	765	70026533	389	70028479	747
70026030	345, 353	70026314	765	70026534	391, 417, 419	70028480	747
70026056	743	70026315	765	70026535	395	70028481	747
70026057	743	70026333	765	70026536	395	70028482	747
70026058	743	70026334	765	70026537	395	70028483	747
70026059	743	70026336	725	70026538	395	70028484	747
				70026539	395	70028514	773

PART NUMBER INDEX

70028515..... 773	7026762..... 381	7138979..... 59	806264..... 451
70028516..... 773	7026765..... 387	7138986..... 55, 59	80634004..... 749
70028517..... 773	7026766..... 387	7139918..... 107	8065062..... 103
70028546..... 921	7026769... 387, 393, 421, 423	7150580..... 309	80933113..... 633
70028776..... 715	7026771..... 393	7300435..... 193	80933367..... 209, 211
70028777..... 715	7026772..... 393	7301295..... 107	80983191... 933, 939, 941
70028778..... 715	7026773..... 393	7301408..... 113	82033995..... 237, 267
70029036..... 723	7026774..... 393	77133137..... 655, 691	8205655..... 767
70029037..... 723	7026775..... 393	77133139..... 691	8220035..... 953
70029038..... 723	7026776..... 395	77133140..... 691	8220051... 887, 907, 925, 926
70029473..... 279	7026777..... 395	77133168..... 643	8220108..... 953
70029474..... 279	7026780..... 395	77363244 . 879, 895, 909, 929	8220116..... 888
70029475..... 279	7026781..... 395	8000759..... 489	8220525..... 891
70029476..... 279	7026782..... 399	8000803..... 491	8229234..... 956
70041616..... 189, 191	7026783..... 399	8004398..... 489	8229235..... 955
70041617..... 189, 191	7026784..... 399	8005870..... 469	8229242... 855, 939, 941, 947
70041619..... 189, 191	7026787..... 397	8008175..... 315, 343	8229244..... 789, 933
70041620..... 189, 191	7026788..... 397	80204002..... 315, 343	8229245..... 789, 939
70050472..... 747	7026789..... 397	80204005 . 315, 319, 343, 347	8229247..... 789, 941
70050481..... 747	7026791..... 401	80204012..... 319	8229261..... 955
70050504..... 747	7026792..... 377, 401	80204033..... 317, 345	8275212..... 261, 263
70050507..... 747	7026793..... 401	80204035..... 317, 345	8278020..... 239, 241
70050508..... 747	7026794..... 377, 401	80204043..... 317, 345	8303634..... 103, 107
7010543..... 765, 775	7026798..... 521	80204048..... 317, 345	8303658..... 107
7012510..... 745	7027254..... 407	80204060..... 321	8303715..... 103
7012941..... 765, 775	7027255..... 407	80204065..... 319, 347	8305624..... 107
7012953..... 765	7027267..... 387	80204071..... 319, 347	8305643..... 103, 107
7012967..... 775	7027269..... 421	80204076..... 319, 347	8305919... 221, 511, 562, 566, 569, 825, 827
7017406..... 765	7027270..... 421	80204108..... 321	8307904..... 103
7017410..... 765, 775	7027271..... 423	80204117 . 321, 335, 337, 341, 359	8307918..... 103
7021653..... 765	7027272..... 423	80204143..... 323, 349	8310160..... 103
7022390..... 663	7027273..... 425	80204144..... 323, 349	8310161..... 103
7022399..... 745	7028714..... 319, 347	80204281..... 321, 341	8310302..... 107
7024574..... 767	7028715..... 319, 347	80233218..... 647, 651	8310435..... 107
7024808..... 745	7028716..... 319, 347	80304227..... 387	8310559..... 505
7024939..... 749	7028733..... 319, 347	80304394 . 377, 393, 401	8310620..... 31
7024943..... 749	7029127..... 323, 349	80304405..... 373	8310686..... 640, 845
7024944..... 749	7029267..... 395, 397	80334277..... 749	8380008..... 147
7024953..... 749	7029288..... 315, 343	8033786..... 767	8405006... 640, 647, 651
7024954..... 749	7029290... 335, 337, 359	8034697..... 747	8405007... 247, 363, 640
7026490..... 323, 349	7029298..... 321	8035382..... 747	8405009... 247, 249, 275, 599
7026577..... 419	7029299..... 321	8035536..... 767	8405101..... 247, 249
7026578..... 419	7029300..... 319, 347	8035862..... 767	8405201... 247, 249, 566
7026731... 329, 333, 355, 357	7029307..... 315, 343	8035863..... 767	8405202..... 247, 249
7026744..... 369	7029309..... 319	8036190..... 383, 385	8405209..... 640
7026745..... 369	7029486..... 559, 959	80363179 . 879, 892, 895, 911, 913	8405212... 223, 251, 253
7026746..... 371	7029520..... 151	80363195..... 509	8405305... 223, 251, 253
7026747..... 373	7029521..... 151	8036528..... 395, 397	8405402..... 215
7026748..... 373	7029692..... 137, 149	8036529..... 395	8406102..... 287
7026749..... 373	7029714..... 137	8036847..... 375, 377	8406105..... 791
7026750..... 375	7029733... 319, 333, 347, 357	8037140..... 759	8406112..... 230, 234
7026751..... 375	7029734..... 321, 341	80604016 . 879, 891, 908, 925	8406201... 199, 203, 267, 793, 797, 799, 805
7026752..... 375	7029735..... 321, 341	80604017..... 908, 935	8410007..... 211
7026753..... 377	7029789..... 321	80604018 . 879, 883, 891, 892, 895, 905	8410009... 237, 267, 527, 536, 640
7026754..... 377	7029849... 379, 381, 383, 385, 387, 389	80604020..... 907, 915	8410011..... 209, 211
7026755..... 377	7029850... 379, 381, 383, 385, 387, 389	80604021 . 891, 895, 907, 926, 931, 937	8410013... 237, 247, 249
7026756..... 377	7029852... 379, 381, 383, 385, 387, 389	80604022..... 879	8410019..... 247
7026757..... 379	7029972..... 377	80604023..... 907	8420053... 101, 103, 105, 107, 147, 161
7026758... 379, 381, 383, 385, 387, 389	7029973..... 375	80604025 . 895, 908, 929	8420055... 101, 103, 105, 107, 147, 161
7026759... 379, 381, 383, 385, 387, 389	7062922..... 103	806253..... 451	
7026760... 379, 381, 383, 385, 387, 389	7110702..... 103		
7026761... 379, 381, 383, 385, 387, 389	7110712..... 103		
	7110722..... 103		
	7138978..... 59		

PART NUMBER INDEX

8424217	635	90206195	261	91473206.....	441, 443	91514151	321
8424233	640	90206198	21	91474512.....	315, 343	91514152	321
8430032	655, 677	90451058	107	91474524.....	319, 347	91514153	321
8430033	677	90554016	137, 143, 147, 149, 153	91504107.....	895, 911	91514154	321, 341
8430034	205	90554017	137	91513266.....	449, 465	91514156	321
8466306	517	90554018	137	91514081.....	319, 347	91514157	321
8530030	640	90554020	147, 149	91514082.....	319, 347	91514158	321
8546407	640	90554033	143	91514083.....	319	91514159	321, 341
8580315	103	90554034	143	91514084.....	319	91514161	321, 341
8584001	103	90554042	147, 149	91514087.....	315, 319, 343, 347	91514165	321, 341
8584003	849	90554045	769	91514089.....	315, 319, 321, 343	91514167	321
8630003	107	90554054	147, 149	91514090.....	335, 337, 359	91514174	319, 347
8642207	103	90554062	137, 149	91514095.....	319, 347	91514175	329, 331, 355, 361
86683122	289	90554065	137	91514098.....	315, 343	91514177	329, 331, 355, 361
86683211	261	90554076	137, 149	91514099.....	319, 335, 337, 347, 359	91514178	319, 355
86883127	261	90554080	151	91514101.....	315, 343	91514179	319, 347
8750016	655	91013191	892	91514111.....	347	91514180	319, 347
8750029	640	91013192	887, 888	91514112.....	319, 347	91514181	319, 347
8750030	640	91043125	157, 665, 667	91514117.....	319, 347	91514183	319, 347
8769132	103	91043126	157, 665, 667	91514118.....	449, 465	91514184	329, 333, 355, 357
8769146	640	91053419	223	91514123.....	317, 319, 345, 347	91514185	329, 333, 355, 357
8769153	640	91083106	640	91514130.....	317, 345	91514186	329, 333, 355, 357
8770016	103	91355037	445	91514131.....	317, 345	91514188	319, 347
8770120	647, 651	91355038	445	91514133.....	317, 345	91514189	319, 347
8770215	713	91403193	293	91514134.....	317, 345	91554014	907
8786514 ...	429, 433, 441, 443	91403413	101, 103, 105, 107, 147, 157, 161, 665, 667	91514143.....	327	91554019	892, 895, 909, 929
8841322	409	91403414	101, 103, 105, 107, 147, 157, 161, 665, 667	91514146.....	319, 347	91561240	707
88671001	101	91403448	145	91514147.....	319, 347	H000071	765
8880218-OM	309, 311	91413025	209, 211	91514148.....	319, 347		
8881802	283			91514149.....	319, 347		
8887145	721, 723						
9020000395, 97, 99, 101, 103, 107							

PARTS FINDER

**Search Website
by Part Number**



**Search Manual
Library For Parts
Manual & Lookup Part
Numbers – Purchase
or Request Quote**

A screenshot of the "Search Manuals" form. The form has a title "Search Manuals" and a subtitle "Please enter the model number or serial number of the machine you are looking for." It includes input fields for "Find" (with a dropdown menu), "Serial Number", "Model", "Part Number", "Part Name", and "Category". There is a "Search" button at the bottom.

**Can't Find Part or
Manual? Request Help
by Manufacturer,
Model & Description**

A screenshot of the "Parts Order Form". The form has a title "Parts Order Form" and a subtitle "Please fill out the form below." It includes a "Manufacturer" dropdown menu, a "Model" dropdown menu, and a "Description" text area. There are also fields for "Part Number", "Part Name", and "Quantity". A "Submit" button is at the bottom.

Discount-Equipment.com is your online resource for quality parts & equipment.

Florida: **561-964-4949** Outside Florida TOLL FREE: **877-690-3101**

Need parts?

Click on this link: <http://www.discount-equipment.com/category/5443-parts/> and choose one of the options to help get the right parts and equipment you are looking for. Please have the machine model and serial number available in order to help us get you the correct parts. If you don't find the part on the website or on one of the online manuals, please fill out the request form and one of our experienced staff members will get back to you with a quote for the right part that your machine needs.

We sell worldwide for the brands: Genie, Terex, JLG, MultiQuip, Mikasa, Essick, Whiteman, Mayco, Toro Stone, Diamond Products, Generac Magnum, Airman, Haulotte, Barreto, Power Blanket, Nifty Lift, Atlas Copco, Chicago Pneumatic, Allmand, Miller Curber, Skyjack, Lull, Skytrak, Tsurumi, Husquvarna Target, Stow, Wacker, Sakai, Mi-T-M, Sullair, Basic, Dynapac, MBW, Weber, Bartell, Bennar Newman, Haulotte, Ditch Runner, Menegotti, Morrison, Contec, Buddy, Crown, Edco, Wyco, Bomag, Laymor, EZ Trench, Bil-Jax, F.S. Curtis, Gehl Pavers, Heli, Honda, ICS/PowerGrit, IHI, Partner, Imer, Clipper, MMD, Koshin, Rice, CH&E, General Equipment, Amida, Coleman, NAC, Gradall, Square Shooter, Kent, Stanley, Tamco, Toku, Hatz, Kohler, Robin, Wisconsin, Northrock, Oztec, Toker TK, Rol-Air, APT, Wylie, Ingersoll Rand / Doosan, Innovatech, Con X, Ammann, Mecalac, Makinex, Smith Surface Prep, Small Line, Wanco, Yanmar