



---

# **Illustrated Parts Manual**

**Models**

**742**

SN 0160084796 to Present

**31211313**

October 31, 2018 - Rev C



Go to [Discount-Equipment.com](http://Discount-Equipment.com) to order your parts

# PARTS FINDER

**Search Website  
by Part Number**



**Search Manual  
Library For Parts  
Manual & Lookup Part  
Numbers – Purchase  
or Request Quote**

**Search Manuals**

Part Number:

Serial Number:

Make:

Find:

Submit:

Search:

**Can't Find Part or  
Manual? Request Help  
by Manufacturer,  
Model & Description**

**Parts Order Form**

Manufacturer:

Model:

Description:

Quantity:

Part Number:

Part Name:

Part Description:

Part Location:

Part Status:

Part Date:

Part Time:

Part Cost:

Part Price:

Part Tax:

Part Total:

Part Notes:

Part Comments:

Part Attachments:

Part Images:

Part Files:

Part Links:

Part Other:

Part Submit:

Discount-Equipment.com is your online resource for quality parts & equipment.

Florida: **561-964-4949** Outside Florida TOLL FREE: **877-690-3101**

**Need parts?**

Click on this link: <http://www.discount-equipment.com/category/5443-parts/> and choose one of the options to help get the right parts and equipment you are looking for. Please have the machine model and serial number available in order to help us get you the correct parts. If you don't find the part on the website or on one of the online manuals, please fill out the request form and one of our experienced staff members will get back to you with a quote for the right part that your machine needs.

We sell worldwide for the brands: Genie, Terex, JLG, MultiQuip, Mikasa, Essick, Whiteman, Mayco, Toro Stone, Diamond Products, Generac Magnum, Airman, Haulotte, Barreto, Power Blanket, Nifty Lift, Atlas Copco, Chicago Pneumatic, Allmand, Miller Curber, Skyjack, Lull, Skytrak, Tsurumi, Husquvarna Target, Stow, Wacker, Sakai, Mi-T-M, Sullair, Basic, Dynapac, MBW, Weber, Bartell, Bennar Newman, Haulotte, Ditch Runner, Menegotti, Morrison, Contec, Buddy, Crown, Edco, Wyco, Bomag, Laymor, EZ Trench, Bil-Jax, F.S. Curtis, Gehl Pavers, Heli, Honda, ICS/PowerGrit, IHI, Partner, Imer, Clipper, MMD, Koshin, Rice, CH&E, General Equipment, Amida, Coleman, NAC, Gradall, Square Shooter, Kent, Stanley, Tamco, Toku, Hatz, Kohler, Robin, Wisconsin, Northrock, Oztec, Toker TK, Rol-Air, APT, Wylie, Ingersoll Rand / Doosan, Innovatech, Con X, Ammann, Mecalac, Makinex, Smith Surface Prep, Small Line, Wanco, Yanmar



**EFFECTIVITY PAGE**

April 6, 2018 - A - Original Issue of Manual

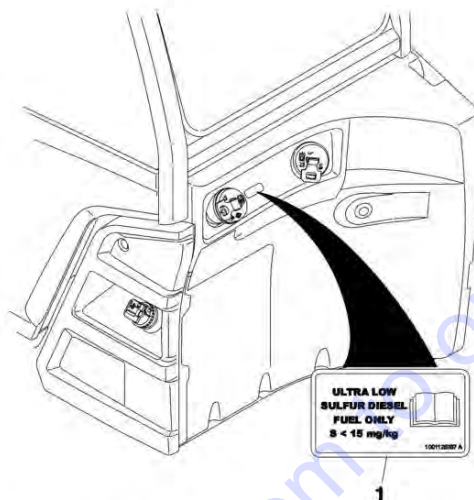
July 18, 2018 - B - Revised Manual, Rev 1

October 31, 2018 - C - Revised Manual

Go to [Discount-Equipment.com](http://Discount-Equipment.com) to order your parts

## Machine Configuration

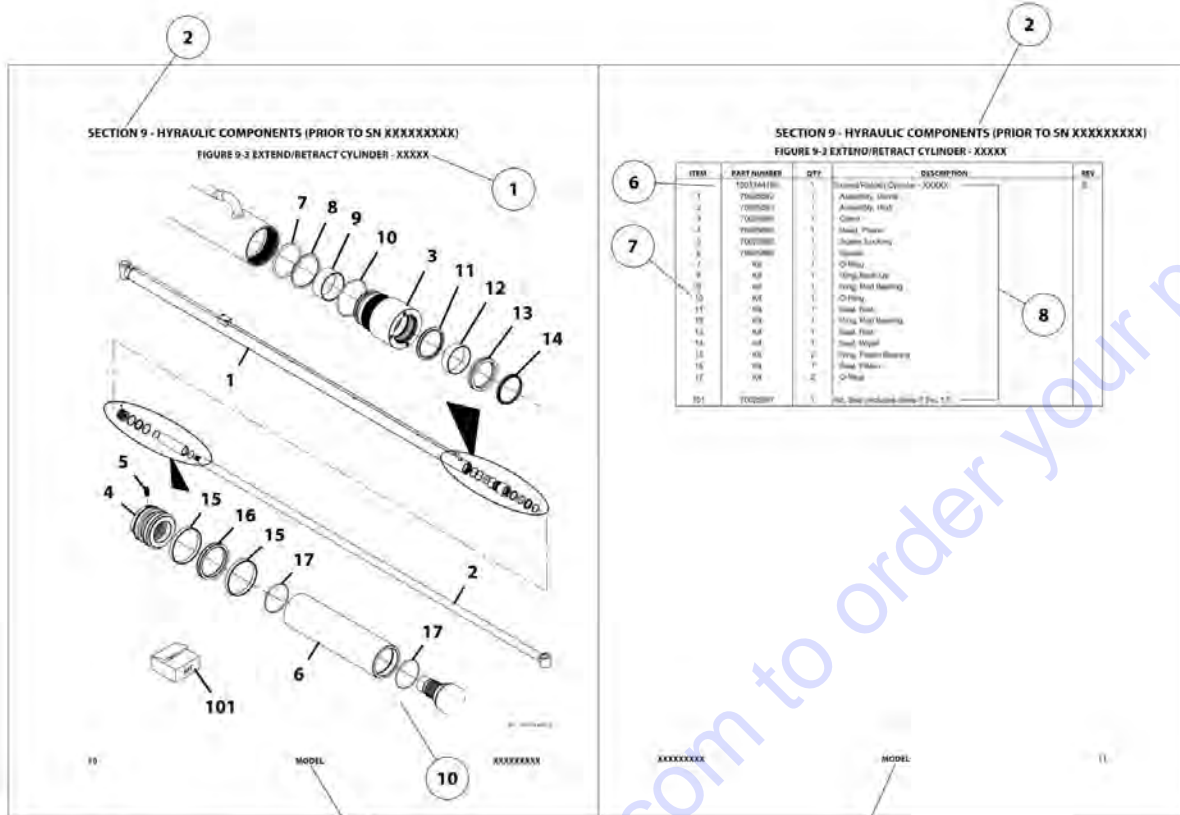
---



Two configurations of each machine are included in this manual. Determine if machine is equipped with Ultra Low Sulfur Fuel Decal (1).

If equipped with the Ultra Low Sulfur decal, all specific references to this machine configuration will be referred to as Ultra Low Sulfur (ULS) from this point forward.

If not equipped with the Ultra Low Sulfur decal, all specific references to this machine configuration will be referred to as Low Sulfur (LS) from this point forward.



## General Information

### 1. MACHINE IDENTIFICATION

Machines are identified by model and in some cases a combination of model, serial number (S/N) or regional standard (e.g. ANSI, CE, CSA, AUS). Components may also be identified by S/N or manufacturer. Common components that may be identified by these characteristics are attachments, engine, transmission and hydraulic components.

### 2. PARTS MANUAL ORGANIZATION

Product information in this manual is organized under section titles. Frame, Engine and Electrical are a few examples. Each section is organized by Figure and page number. The information within the Figure is then organized by item number, part number, description and corresponding illustration(s).

### 3. TABLE OF CONTENTS

A table of contents (TOC) is found toward the beginning of the manual. Figure number, description and page number are provided for quick reference to the page containing the related information.

### 4. RECOMMENDED SPARE PARTS

The Recommended Spare Parts, located near the end of the manual, references most frequently used maintenance parts.

### 5. PARTS NUMBER INDEX

A numerical index listing all part numbers and the corresponding page number(s) appears at the back of the manual.

### 6. NON-SERVICED PARTS

In some instances it is necessary to display non-serviced parts, assemblies or installations. In the case of assemblies and installations there will be a Ref in the QTY column and a note after the item description stating what is available for service within. In the case of parts that are not available for service within assemblies or components there will be a NSS (Not Sold Separately) listed in the part number column of the manual.

### 7. PARTS LIST ITEM NUMBERS

Numbers shown in the Item column correspond to numbers used in the associated illustration(s). Item numbers which are missing from sequence and are not shown in the illustration(s) are not used on that page.

### 8. INDENTED PART DESCRIPTION

An indented part description is included in the item under which it is indented.

## 9. ABBREVIATIONS AND SYMBOLS

AC.....	Alternating Current	LB.....	Pound
A/C.....	Air Conditioning	LBP.....	Low Boom Pivot
ADE.....	Advanced Design Electronics	LCD.....	Liquid Crystal Display
AG.....	Agriculture	LED.....	Light Emitting Diode
AMP.....	Amperage	LH.....	Left Hand
ANSI.....	American National Standards Institute	LHD.....	Left Hand Drive
AR.....	As Required	LHP.....	Low Horse Power
ASSY.....	Assembly	LMIS.....	Load Management Indicator System
AUS.....	Australia	LS.....	Low Sulfur
AUX.....	Auxiliary	LSI.....	Load Stability Indicator
AWG.....	American Wire Gauge	LSS.....	Load Sensing System
CAC.....	Charge Air Cooler	M <sup>3</sup> .....	Cubic Meter
CE.....	European Conformity	MA.....	Milliamp
CM.....	Centimeter	M(m).....	Metric/Meter
CONST.....	Construction	MM.....	Millimeter
CSA.....	Canadian Standards Association	N.....	Newton
DEF.....	Diesel Exhaust Fluid	NACD.....	North America Construction Division
DIA.....	Diameter	NLA.....	No Longer Available
DC.....	Direct Current	NSS.....	Not Sold Separately
DTZ.....	Decentralized Transmission Zeros	OD.....	Outside Diameter
ECU.....	Electronic Control Unit	ORB.....	O-Ring Boss
EMS.....	Emergency Stop	ORFS.....	O-Ring Face Seal
FNR.....	Forward Neutral Reverse	OZ.....	Ounce
FT.....	Foot	PR.....	Ply Rating
GA.....	Gauge	QT.....	Quart
GR.....	Grade	QTY.....	Quantity
HBP.....	High Boom Pivot	REF.....	Reference
HHP.....	High Horse Power	REV.....	Revision
HOC.....	Hydraulic Oil Cooler	RH.....	Right Hand
HVAC.....	Heating, Ventilating, and Air Conditioning	RHD.....	Right Hand Drive
ID.....	Inside Diameter	RHOC.....	Remote Hydraulic Oil Cooler
IN.....	Inch	RUS.....	Russia
ISO.....	International Organization for Standards	SAE.....	Society of Automotive Engineers
ITSDF.....	Industrial Truck Standards Development Foundation	SAHR.....	Spring Applied Hydraulically Released
JIC.....	Joint Industry Council	SN.....	Serial Number
KG.....	Kilogram	SPD.....	Speed
KW.....	Kilowatt	TLU.....	Torque Lock Up
L.....	Liter	UGM.....	Universal Ground Module

## 10. ILLUSTRATION REFERENCE LETTERS

When necessary, illustrations may contain reference letters that are intended to track information from one point to another in the illustration such as harnesses and hoses or any other information that has been separated in the illustration

**Note:** Due to continuous product improvements, JLG Industries, Inc. reserves the right to make specification changes without prior notification.

# TABLE OF CONTENTS

SECTION 1 - FRAME AND ATTACHING PARTS.....	15
FIGURE 1-1. FRAME (NO OUTRIGGERS).....	16
FIGURE 1-2. ENGINE ENCLOSURE INSTALLATION.....	18
FIGURE 1-3. ENGINE ENCLOSURE COVER INSTALLATION.....	20
FIGURE 1-4. HOOD ASSEMBLY.....	22
FIGURE 1-5. HOOD ASSEMBLY.....	24
FIGURE 1-6. COVER INSTALLATION (NO OUTRIGGERS) (ULS) (SN 0160084796 through 0160087885).....	26
FIGURE 1-7. COVER INSTALLATION (NO OUTRIGGERS) (ULS) (SN 0160087886 to Present).....	28
FIGURE 1-8. COVER INSTALLATION (NO OUTRIGGERS) (LS).....	30
FIGURE 1-9. COUNTERWEIGHT INSTALLATION.....	32
FIGURE 1-10. TANK INSTALLATION.....	34
FIGURE 1-11. FUEL TANK INSTALLATION.....	36
FIGURE 1-12. HYDRAULIC TANK INSTALLATION.....	38
FIGURE 1-13. FUEL CAP ASSEMBLY.....	40
FIGURE 1-14. MIRROR INSTALLATION.....	42
FIGURE 1-15. BOOM PROP INSTALLATION.....	44
FIGURE 1-16. BOOM PROP BRACKET.....	46
SECTION 2 - BOOM.....	49
FIGURE 2-1. BOOM ASSEMBLY.....	50
FIGURE 2-2. FIRST BOOM SECTION ASSEMBLY.....	52
FIGURE 2-3. SECOND BOOM SECTION ASSEMBLY.....	54
FIGURE 2-4. THIRD BOOM SECTION ASSEMBLY.....	56
FIGURE 2-5. RETRACT CHAIN INSTALLATION.....	58
FIGURE 2-6. EXTEND CHAIN INSTALLATION.....	60
FIGURE 2-7. PINS INSTALLATION.....	62
FIGURE 2-8. RETRACT CHAIN SHEAVE.....	64
FIGURE 2-9. CHAIN SHEAVE ASSEMBLY.....	66
FIGURE 2-10. HOSE BRACKET INSTALLATION.....	68
FIGURE 2-11. BOOM PINNING INSTALLATION.....	70
FIGURE 2-12. LIFT CYLINDER PINS INSTALLATION.....	72
FIGURE 2-13. COMPENSATION CYLINDER PINS INSTALLATION.....	74
FIGURE 2-14. BOOM PIVOT PIN INSTALLATION.....	76
FIGURE 2-15. MANUAL QUICK COUPLER INSTALLATION.....	78
FIGURE 2-16. HYDRAULIC QUICK COUPLER INSTALLATION.....	80
FIGURE 2-17. BOOM PIN INSTALLATION.....	82
FIGURE 2-18. TILT CYLINDER PIN INSTALLATION.....	84
FIGURE 2-19. BOOM ANGLE INDICATOR INSTALLATION.....	86
FIGURE 2-20. BOOM BRUSHES INSTALLATION.....	88
FIGURE 2-21. QUICK COUPLER ASSEMBLY.....	90
SECTION 3 - ATTACHMENTS.....	93
FIGURE 3-1. CARRIAGE ASSEMBLY (1270MM).....	94
FIGURE 3-2. CARRIAGE ASSEMBLY (1524 MM).....	96
FIGURE 3-3. CARRIAGE ASSEMBLY (1829 MM).....	98
FIGURE 3-4. 90 SWING CARRIAGE ASSEMBLY (72 INCH).....	100
FIGURE 3-5. SIDE SHIFT CARRIAGE (5.5 TON - 1270 MM).....	102
FIGURE 3-6. DUAL FORK CARRIAGE ASSEMBLY.....	104
FIGURE 3-7. DUAL FORK CARRIAGE VALVE ASSEMBLY.....	106
FIGURE 3-8. PALLET FORK (2.36X4X48).....	108
FIGURE 3-9. PALLET FORK (2.36X5X48).....	110
FIGURE 3-10. PALLET FORK (2.36X4X48).....	112
FIGURE 3-11. FORK - PALLET (2.4X4X60).....	114
FIGURE 3-12. LUMBER FORK (50X180X1540).....	116
FIGURE 3-13. LUMBER FORK (60X150X1524).....	118
FIGURE 3-14. PALLET FORK (2.00X6X72).....	120
FIGURE 3-15. BLOCKING FORK (50X50X1220).....	122
FIGURE 3-16. FORK CLAMPS INSTALL.....	124
FIGURE 3-17. FORK EXTENSIONS (62X163X2286).....	126
FIGURE 3-18. FORK MOUNTED BUCKET (1.0 M³).....	128
FIGURE 3-19. BUCKET 1.0 YD³ (ANSI - JLG).....	130
FIGURE 3-20. BUCKET (1.15 M³).....	132
FIGURE 3-21. BUCKET (102 INCH).....	134



# TABLE OF CONTENTS

FIGURE 3-22. TRUSS BOOM (0.9 TON - 3.7M) .....	136
FIGURE 3-23. TRUSS BOOM (15 FOOT) .....	138
FIGURE 3-24. ADJUSTABLE TRUSS BOOM .....	140
FIGURE 3-25. TRUSS BOOM (1.8 TON - 1M FT WITH WINCH) .....	142
FIGURE 3-26. TRUSS BOOM (0.9 TON - 3.7M WITH WINCH) .....	144
FIGURE 3-27. ADJUSTABLE TRUSS BOOM INSTALLATION (FORK MOUNTED) .....	146
FIGURE 3-28. FORK MOUNTED HOOK (4 TON) .....	148
FIGURE 3-29. CRANE HOOK .....	150
FIGURE 3-30. FORK MOUNTED BASKET .....	152
FIGURE 3-31. FORK MOUNTED BASKET .....	154
FIGURE 3-32. FORK MOUNTED BASKET .....	156
FIGURE 3-33. FORK MOUNTED PLATFORM .....	158
FIGURE 3-34. SWEEPER.....	160
FIGURE 3-35. FORK MOUNTED TRASH HOPPER .....	162
SECTION 4 - ENGINE AND ATTACHING PARTS .....	165
FIGURE 4-1. ENGINE INSTALLATION (ULS) .....	166
FIGURE 4-2. ENGINE INSTALLATION, 74HP (ULS) .....	168
FIGURE 4-3. ENGINE INSTALLATION (LS) .....	170
FIGURE 4-4. ENGINE MOUNTING INSTALLATION .....	172
FIGURE 4-5. 3.8L ENGINE (ULS) .....	174
FIGURE 4-6. ENGINE, 74HP .....	176
FIGURE 4-7. 3.8L ENGINE (LS) .....	178
FIGURE 4-8. FAN INSTALLATION .....	180
FIGURE 4-9. PRIMARY FUEL FILTER INSTALLATION (ULS) .....	182
FIGURE 4-10. PRIMARY FUEL FILTER INSTALLATION (LS) .....	184
FIGURE 4-11. FAN INSTALLATION, 74HP (ULS) .....	186
FIGURE 4-12. AIR CLEANER LINES INSTALLATION (ULS) .....	188
FIGURE 4-13. AIR CLEANER LINES INSTALLATION (LS) .....	190
FIGURE 4-14. AIR CLEANER INSTALLATION (ULS) .....	192
FIGURE 4-15. AIR CLEANER INSTALLATION (LS) .....	194
FIGURE 4-16. AIR CLEANER ASSEMBLY (74.4KW) .....	196
FIGURE 4-17. AIR CLEANER ASSEMBLY (90/100KW) .....	198
FIGURE 4-18. AIR INTAKE DUCT INSTALLATION .....	200
FIGURE 4-19. AIR INTAKE SHUT OFF VALVE INSTALLATION .....	202
FIGURE 4-20. DEF LINES INSTALLATION .....	204
FIGURE 4-21. COOLING PACKAGE INSTALLATION (ULS) .....	206
FIGURE 4-22. COOLING PACKAGE INSTALLATION (LS) .....	208
FIGURE 4-23. RADIATOR COOLING PACKAGE .....	210
FIGURE 4-24. HOC LINES INSTALLATION .....	212
FIGURE 4-25. COOLANT LINES INSTALLATION (ULS) .....	214
FIGURE 4-26. COOLANT LINES INSTALLATION (LS) .....	216
FIGURE 4-27. CAC LINES INSTALLATION (ULS) .....	218
FIGURE 4-28. CAC LINES INSTALLATION (LS) .....	220
FIGURE 4-29. TOC LINES INSTALLATION .....	222
FIGURE 4-30. SURGE TANK INSTALLATION .....	224
FIGURE 4-31. FAN GUARD INSTALLATION .....	226
FIGURE 4-32. EXHAUST INSTALLATION (ULS) .....	228
FIGURE 4-33. EXHAUST INSTALLATION .....	230
FIGURE 4-34. EXHAUST INSTALLATION (LS) .....	232
FIGURE 4-35. ENGINE PARTS INSTALLATION (NO HEATER) .....	234
FIGURE 4-36. ENGINE PARTS INSTALLATION (HEATER) .....	236
FIGURE 4-37. A/C PUMP INSTALLATION (ULS) .....	238
FIGURE 4-38. A/C PUMP INSTALLATION (LS) .....	240
FIGURE 4-39. FUEL TANK ASSEMBLY .....	242
FIGURE 4-40. DEF TANK INSTALLATION .....	244
FIGURE 4-41. DEF TANK ASSEMBLY (SN 0160084796 through 0160091768) .....	246
FIGURE 4-42. DEF TANK ASSEMBLY (SN 0160091769 to Present) .....	248
FIGURE 4-43. DEF PUMP AND CONTROL INSTALLATION .....	250
FIGURE 4-44. DEF PUMP LINES INSTALLATION .....	252
FIGURE 4-45. FUEL LINES INSTALLATION (ULS) .....	254
FIGURE 4-46. FUEL LINES INSTALLATION (LS) .....	258
FIGURE 4-47. MUFFLER INSTALLATION (LS) .....	262
FIGURE 4-48. A/C LINES INSTALLATION .....	264
FIGURE 4-49. UREA PUMP .....	266
FIGURE 4-50. HEATER BREATHER - 110 HP .....	268

# TABLE OF CONTENTS

FIGURE 4-51. HEATER BREATHER - 74 HP .....	270
SECTION 5 - DRIVETRAIN .....	273
FIGURE 5-1. DRIVETRAIN INSTALLATION .....	274
FIGURE 5-2. DRIVETRAIN INSTALLATION, 74HP .....	276
FIGURE 5-3. FRONT AXLE INSTALLATION .....	278
FIGURE 5-4. FRONT AXLE INSTALLATION, 74HP .....	280
FIGURE 5-5. REAR AXLE INSTALLATION .....	282
FIGURE 5-6. REAR AXLE INSTALLATION, 74HP .....	284
FIGURE 5-7. DRIVE SHAFTS INSTALLATION .....	286
FIGURE 5-8. FRONT AXLE MOUNTING INSTALLATION .....	288
FIGURE 5-9. FRONT AXLE MOUNTING INSTALLATION, 74HP .....	290
FIGURE 5-10. FRONT AXLE LINES INSTALLATION .....	292
FIGURE 5-11. REAR AXLE MOUNTING INSTALLATION .....	294
FIGURE 5-12. REAR AXLE MOUNTING INSTALLATION, 74HP .....	296
FIGURE 5-13. REAR AXLE LINES INSTALLATION .....	298
FIGURE 5-14. FRONT DRIVE SHAFT INSTALLATION .....	300
FIGURE 5-15. REAR DRIVE SHAFT INSTALLATION .....	302
FIGURE 5-16. FRONT AXLE .....	304
FIGURE 5-17. FRONT AXLE, CENTRAL HOUSING .....	306
FIGURE 5-18. FRONT AXLE, DIFFERENTIAL .....	308
FIGURE 5-19. FRONT AXLE, HUB REDUCTION .....	310
FIGURE 5-20. FRONT AXLE, BRAKES .....	312
FIGURE 5-21. FRONT AXLE, STEERING .....	314
FIGURE 5-22. FRONT AXLE, TRUNION .....	316
FIGURE 5-23. FRONT AXLE, DIFFERENTIAL .....	318
FIGURE 5-24. FRONT AXLE, REDUCTION BUSHING .....	320
FIGURE 5-25. FRONT AXLE, PLANET GEAR CARRIER .....	322
FIGURE 5-26. FRONT AXLE, RING GEAR SUPPORT .....	324
FIGURE 5-27. FRONT AXLE, PLANET GEAR .....	326
FIGURE 5-28. FRONT AXLE, TRUNION KIT .....	328
FIGURE 5-29. FRONT AXLE, 74HP .....	330
FIGURE 5-30. FRONT AXLE, CENTRAL HOUSING 74HP .....	332
FIGURE 5-31. FRONT AXLE, DIFFERENTIAL 74HP .....	334
FIGURE 5-32. FRONT AXLE, HUB REDUCTION 74HP .....	336
FIGURE 5-33. FRONT AXLE, BRAKES 74HP .....	340
FIGURE 5-34. FRONT AXLE, STEERING 74HP .....	342
FIGURE 5-35. FRONT AXLE, TRUNION 74HP .....	344
FIGURE 5-36. REAR AXLE .....	346
FIGURE 5-37. REAR AXLE, CENTRAL HOUSING .....	348
FIGURE 5-38. REAR AXLE, DIFFERENTIAL .....	350
FIGURE 5-39. REAR AXLE, HUB REDUCTION .....	352
FIGURE 5-40. REAR AXLE, BRAKES .....	354
FIGURE 5-41. REAR AXLE, STEERING .....	356
FIGURE 5-42. REAR AXLE, TRUNION .....	358
FIGURE 5-43. REAR AXLE, DIFFERENTIAL KIT .....	360
FIGURE 5-44. REAR AXLE, REDUCTION BUSHING .....	362
FIGURE 5-45. REAR AXLE, PLANET GEAR CARRIER KIT .....	364
FIGURE 5-46. REAR AXLE, RING GEAR SUPPORT KIT .....	366
FIGURE 5-47. REAR AXLE, PLANET GEAR KIT .....	368
FIGURE 5-48. REAR AXLE, PISTON KIT .....	370
FIGURE 5-49. REAR AXLE, SUPPORT KIT .....	372
FIGURE 5-50. REAR AXLE, 74HP .....	374
FIGURE 5-51. REAR AXLE, CENTRAL HOUSING 74HP .....	376
FIGURE 5-52. REAR AXLE, DIFFERENTIAL 74HP (742) .....	378
FIGURE 5-53. REAR AXLE, HUB REDUCTION 74HP (742) .....	380
FIGURE 5-54. REAR AXLE, BRAKES 74HP (742) .....	384
FIGURE 5-55. REAR AXLE, STEERING 74HP (742) .....	386
FIGURE 5-56. REAR AXLE, TRUNION 74HP (742) .....	388
FIGURE 5-57. TRANSMISSION INSTALLATION .....	390
FIGURE 5-58. TRANSMISSION INSTALLATION .....	392
FIGURE 5-59. POWERSHIFT TRANSMISSION .....	394
FIGURE 5-60. TRANSMISSION, ENGINE CONNECTION .....	398
FIGURE 5-61. TRANSMISSION, CONVERTER .....	400
FIGURE 5-62. TRANSMISSION, INPUT .....	402
FIGURE 5-63. TRANSMISSION, HOUSING GROUP 1 .....	404

# TABLE OF CONTENTS

FIGURE 5-64. TRANSMISSION, HOUSING GROUP 2.....	406
FIGURE 5-65. TRANSMISSION, CLUTCH GROUP 1.....	408
FIGURE 5-66. TRANSMISSION, CLUTCH GROUP 2.....	410
FIGURE 5-67. TRANSMISSION, COUPLING GROUP 1.....	412
FIGURE 5-68. TRANSMISSION, COUPLING GROUP 2.....	414
FIGURE 5-69. TRANSMISSION, COUPLING GROUP 3.....	416
FIGURE 5-70. TRANSMISSION, COUPLING GROUP 4.....	418
FIGURE 5-71. TRANSMISSION, OUTPUT.....	420
FIGURE 5-72. TRANSMISSION, POWER TAKE-OFF.....	422
FIGURE 5-73. TRANSMISSION, CONTROL UNIT.....	424
FIGURE 5-74. TRANSMISSION, SHIFT SYSTEM.....	426
FIGURE 5-75. TRANSMISSION, PRESSURE REGULATOR.....	428
FIGURE 5-76. TRANSMISSION, PRESSURE OIL PUMP.....	430
FIGURE 5-77. TRANSMISSION, INDUCTIVE TRANSMITTER.....	432
FIGURE 5-78. TRANSMISSION, FILTER.....	434
FIGURE 5-79. TRANSMISSION, ACCESSORIES GROUP 1.....	436
FIGURE 5-80. TRANSMISSION, PERIPHERALS GROUP 1.....	438
FIGURE 5-81. TRANSMISSION, PERIPHERALS GROUP 2.....	440
FIGURE 5-82. TRANSMISSION, ACCESSORIES GROUP 2.....	442
FIGURE 5-83. TRANSMISSION, TRANSFER BOX.....	444
FIGURE 5-84. TRANSMISSION, TRANSFER BOX HOUSING 1.....	446
FIGURE 5-85. TRANSMISSION, TRANSFER BOX HOUSING 2.....	448
FIGURE 5-86. TRANSMISSION, TRANSFER BOX HOUSING INPUT.....	450
FIGURE 5-87. TRANSMISSION, TRANSFER BOX HOUSING OUTPUT 1.....	452
FIGURE 5-88. TRANSMISSION, TRANSFER BOX HOUSING OUTPUT 2.....	454
FIGURE 5-89. TIRE/WHEEL SET 370/75-28 - AIR.....	456
FIGURE 5-90. TIRE/WHEEL ASSEMBLY 370/75-28 - AIR.....	458
FIGURE 5-91. TIRE SET, 370/75-28 PNEUMATIC NON-MARKING.....	460
FIGURE 5-92. TIRE & WHEEL ASSY, 370/75-28 PNEUMATIC NON-MARKING.....	462
FIGURE 5-93. TIRE/WHEEL SET 370/75-28 - FOAM.....	464
FIGURE 5-94. TIRE SET, 370/75-28 FOAM NON-MARKING.....	466
FIGURE 5-95. TIRE/WHEEL SET 13-24 16PR - AIR.....	468
FIGURE 5-96. TIRE/WHEEL RIGHT ASSEMBLY 13-24 16PR - AIR.....	470
FIGURE 5-97. TIRE/WHEEL LEFT ASSEMBLY 13-24 16PR - AIR.....	472
FIGURE 5-98. TIRE/WHEEL SET 13-24 12PR - FOAM.....	474
FIGURE 5-99. TIRE/WHEEL SET 315/95-28 - SOLID.....	476
FIGURE 5-100. FENDER INSTALLATION.....	478
FIGURE 5-101. CAB FENDER INSTALLATION REAR (LH).....	480
FIGURE 5-102. WHEEL CHOCK INSTALLATION.....	482
FIGURE 5-103. TOOLBOX INSTALLATION.....	484
 SECTION 6 - CAB.....	 487
FIGURE 6-1. CAB MOUNTING.....	488
FIGURE 6-2. CAB MOUNTS INSTALLATION.....	490
FIGURE 6-3. FRONT CAB OUTRIGGER INSTALLATION.....	492
FIGURE 6-4. OROPS CAB INSTALLATION.....	494
FIGURE 6-5. EROPS CAB INSTALLATION.....	496
FIGURE 6-6. CAB, TRIM KIT.....	498
FIGURE 6-7. CAB, TRIM KIT.....	500
FIGURE 6-8. OPEN CAB ASSEMBLY.....	502
FIGURE 6-9. OPEN CAB PLUG GROUP.....	504
FIGURE 6-10. CAB, EPD CAULK.....	506
FIGURE 6-11. ENCLOSED CAB ASSEMBLY.....	508
FIGURE 6-12. REAR WINDOW INSTALLATION.....	510
FIGURE 6-13. REAR WINDOW INSTALLATION (WO/WIPER) (ANSI).....	512
FIGURE 6-14. REAR WINDOW INSTALLATION (WO/WIPER) (ISO).....	514
FIGURE 6-15. REAR WINDOW ASSEMBLY.....	516
FIGURE 6-16. DOOR INSTALLATION.....	518
FIGURE 6-17. DOOR UPPER GLASS ASSEMBLY.....	520
FIGURE 6-18. CAB LATCH ASSEMBLY.....	522
FIGURE 6-19. CAB DOOR TRIGGER ASSEMBLY.....	524
FIGURE 6-20. DOOR ASSEMBLY.....	526
FIGURE 6-21. CAB DOOR.....	528
FIGURE 6-22. DOOR STRAP INSTALLATION.....	530
FIGURE 6-23. ENCLOSED CAB PLUG GROUP.....	532
FIGURE 6-24. BASIC MIRROR INSTALLATION.....	534

# TABLE OF CONTENTS

FIGURE 6-25. FRONT COVER INSTALLATION .....	536
FIGURE 6-26. FILTER TRAY PANEL .....	538
FIGURE 6-27. FRONT DUCT COVER .....	540
FIGURE 6-28. LEVEL INDICATOR INSTALLATION .....	542
FIGURE 6-29. SEAT INSTALLATION .....	544
FIGURE 6-30. SEAT .....	546
FIGURE 6-31. SEAT BELT INSTALLATION (3 INCH) .....	548
FIGURE 6-32. HEATER INSTALLATION .....	550
FIGURE 6-33. HEATER ASSEMBLY .....	552
FIGURE 6-34. HEATER .....	554
FIGURE 6-35. HEATER .....	556
FIGURE 6-36. HVAC CAB ACTUATOR .....	558
FIGURE 6-37. FRONT WIPER INSTALLATION .....	560
FIGURE 6-38. REAR WIPER INSTALLATION .....	562
FIGURE 6-39. ROOF WIPER INSTALLATION .....	564
FIGURE 6-40. HEADLINER INSTALLATION .....	566
FIGURE 6-41. ENCLOSED CAB TRIM INSTALLATION .....	568
FIGURE 6-42. ROOF CAP INSTALLATION (A/C) .....	572
FIGURE 6-43. ROOF CAP INSTALLATION (NO A/C) .....	574
FIGURE 6-44. NON SKID TAPE INSTALLATION .....	576
FIGURE 6-45. EXTERNAL WINDOW RELEASE INSTALLATION (CAN & ISO) .....	578
FIGURE 6-46. WASHER TANK INSTALLATION .....	580
FIGURE 6-47. CAB GUARD INSTALLATION (TOP AND FRONT) .....	582
FIGURE 6-48. CAB GUARD INSTALLATION (TOP) .....	584
FIGURE 6-49. CAB GUARD INSTALLATION (FRONT) .....	586
FIGURE 6-50. ROOF PIGTAIL CAP INSTALLATION .....	588
FIGURE 6-51. ROOF PIGTAIL INSTALLATION .....	590
FIGURE 6-52. RETRACTABLE SUNSCREEN INSTALLATION .....	592
SECTION 7 - CONTROLS .....	595
FIGURE 7-1. BRAKE PEDAL INSTALLATION .....	596
FIGURE 7-2. BRAKE PEDAL .....	598
FIGURE 7-3. BRAKE PEDAL PLATE .....	600
FIGURE 7-4. ACCELERATOR PEDAL INSTALLATION .....	602
FIGURE 7-5. ACCELERATOR PEDAL .....	604
FIGURE 7-6. STEERING COLUMN INSTALLATION .....	606
FIGURE 7-7. STEERING COLUMN INSTALLATION (EMERGENCY STEERING) .....	608
FIGURE 7-8. STEERING WHEEL INSTALLATION .....	610
FIGURE 7-9. STEERING WHEEL .....	612
FIGURE 7-10. HORN BUTTON INSTALLATION .....	614
FIGURE 7-11. JOYSTICK INSTALLATION (2 ROLLER, 0 BUTTON) .....	616
FIGURE 7-12. COLUMN CLAMP INSTALLATION .....	618
FIGURE 7-13. WIPER-TURN SWITCH .....	620
FIGURE 7-14. JOYSTICK .....	622
SECTION 8 - HYDRAULIC CIRCUITS .....	625
FIGURE 8-1. MAIN HYDRAULIC INSTALLATION (110HP) .....	626
FIGURE 8-2. MAIN HYDRAULIC INSTALLATION (74HP) .....	628
FIGURE 8-3. MAIN HYDRAULIC INSTALLATION (EMERGENCY STEERING) .....	630
FIGURE 8-4. MAIN HYDRAULIC INSTALLATION - 74HP (EMERGENCY STEERING NO .....	632
FIGURE 8-5. VALVE INSTALLATION (NO OUTRIGGERS) .....	634
FIGURE 8-6. VALVE INSTALLATION .....	636
FIGURE 8-7. PISTON PUMP INSTALLATION .....	638
FIGURE 8-8. PISTON PUMP INSTALLATION .....	640
FIGURE 8-9. MAIN HYDRAULICS INSTALLATION .....	642
FIGURE 8-10. MAIN HYDRAULICS INSTALLATION .....	646
FIGURE 8-11. FRAME LEVEL HYDRAULICS INSTALLATION (NO OUTRIGGERS) .....	650
FIGURE 8-12. FRAME LEVEL HYDRAULICS INSTALL (NO OUTRIGGERS) .....	652
FIGURE 8-13. CAB HYDRAULIC INSTALLATION .....	654
FIGURE 8-14. CAB HYDRAULICS INSTALLATION .....	656
FIGURE 8-15. CAB HYDRAULIC INSTALLATION .....	658
FIGURE 8-16. CAB HYDRAULIC INSTALLATION (EMERGENCY STEERING) .....	660
FIGURE 8-17. BOOM HYDRAULIC INSTALLATION .....	662
FIGURE 8-18. BOOM HYDRAULIC INSTALLATION .....	664
FIGURE 8-19. MAIN CONTROL VALVE INSTALLATION .....	666

# TABLE OF CONTENTS

FIGURE 8-20. MAIN CONTROL VALVE INSTALLATION .....	668
FIGURE 8-21. MAIN HYDRAULIC VALVES INSTALLATION .....	670
FIGURE 8-22. MAIN CONTROL VALVE ASSEMBLY .....	672
FIGURE 8-23. MAIN CONTROL VALVE ASSEMBLY .....	674
FIGURE 8-24. MAIN CONTROL VALVE .....	676
FIGURE 8-25. STEERING SELECT AND FRAME LEVEL VALVE INSTALLATION .....	678
FIGURE 8-26. PARK BRAKE INSTALLATION .....	680
FIGURE 8-27. PARK BRAKE VALVE ASSEMBLY .....	682
FIGURE 8-28. PISTON PUMP ASSEMBLY .....	684
FIGURE 8-29. PISTON PUMP ASSEMBLY .....	686
FIGURE 8-30. FRAME LEVEL INSTALLATION .....	688
FIGURE 8-31. FRAME LEVEL VALVE ASSEMBLY .....	690
FIGURE 8-32. STEERING SELECT VALVE MOUNTING INSTALLATION .....	692
FIGURE 8-33. STEERING SELECT VALVE INSTALLATION .....	694
FIGURE 8-34. STEERING SELECT VALVE ASSEMBLY .....	696
FIGURE 8-35. REAR AXLE STABILIZER INSTALLATION .....	698
FIGURE 8-36. COUNTERBALANCE VALVE INSTALLATION (LIFT - GLS NO RIDE CONTROL) .....	700
FIGURE 8-37. COUNTERBALANCE VALVE INSTALLATION .....	702
FIGURE 8-38. COUNTERBALANCE VALVE INSTALLATION (LIFT - GLS RIDE CONTROL) .....	704
FIGURE 8-39. COUNTERBALANCE VALVE INSTALLATION .....	706
FIGURE 8-40. COUNTERBALANCE VALVE HYDRAULIC LINES (LIFT - RIDE CONTROL) .....	708
FIGURE 8-41. INTGRATED RECOVERY VALVE .....	710
FIGURE 8-42. BOOM HYDRAULIC TUBES INSTALLATION .....	712
FIGURE 8-43. BOOM AUXILIARY HYDRAULICS INSTALLATION .....	714
FIGURE 8-44. BOOM AUXILIARY HYDRAULICS (HYDRAULIC COUPLER) .....	716
FIGURE 8-45. BOOM AUXILIARY HYDRAULICS (SIDE MOUNTED) .....	718
FIGURE 8-46. QUICK COUPLER VALVE ASSEMBLY .....	720
FIGURE 8-47. HYDRAULIC QUICK COUPLER ASSEMBLY .....	722
FIGURE 8-48. QUICK COUPLER CYLINDER ASSEMBLY .....	724
FIGURE 8-49. BOOM ANGLE SENSOR INSTALLATION .....	726
FIGURE 8-50. EMERGENCY STEERING MANIFOLD .....	728
FIGURE 8-51. AIR SHUT OFF VALVE .....	730
FIGURE 8-52. PRIORITY FUNCTION MANIFOLD INSTALLATION .....	732
FIGURE 8-53. PRIORITY FUNCTION MANIFOLD VALVE ASSEMBLY .....	734
SECTION 9 - HYDRAULIC COMPONENTS .....	737
FIGURE 9-1. CYLINDER GROUP INSTALLATION .....	738
FIGURE 9-2. CYLINDER GROUP INSTALLATION - 74HP .....	740
FIGURE 9-3. LIFT CYLINDER .....	742
FIGURE 9-4. LIFT CYLINDER .....	744
FIGURE 9-5. TILT CYLINDER ASSEMBLY .....	746
FIGURE 9-6. TILT CYLINDER .....	748
FIGURE 9-7. TILT CYLINDER .....	750
FIGURE 9-8. COMPENSATION CYLINDER .....	752
FIGURE 9-9. COMPENSATION CYLINDER .....	754
FIGURE 9-10. FRAME LEVEL CYLINDER INSTALLATION .....	756
FIGURE 9-11. FRAME LEVEL CYLINDER .....	758
FIGURE 9-12. EXTEND/RETRACT CYLINDER ASSEMBLY .....	760
FIGURE 9-13. EXTEND/RETRACT CYLINDER .....	762
FIGURE 9-14. EXTEND/RETRACT CYLINDER .....	764
FIGURE 9-15. EXTEND/RETRACT CYLINDER .....	766
FIGURE 9-16. REAR AXLE STABILIZER CYLINDER INSTALLATION .....	768
FIGURE 9-17. REAR AXLE STABILITY CYLINDER .....	770
FIGURE 9-18. SIDE TILT CYLINDER .....	772
FIGURE 9-19. REAR AXLE STABILIZER VALVE .....	774
FIGURE 9-20. MAIN CONTROL VALVE .....	776
FIGURE 9-21. GEAR PUMP .....	778
FIGURE 9-22. PISTON PUMP .....	780
FIGURE 9-23. STEERING ORBITAL VALVE .....	782
FIGURE 9-24. STEERING SELECT VALVE .....	784
FIGURE 9-25. HYDRAULIC PARK BRAKE RELEASE VALVE .....	786
FIGURE 9-26. FRAME LEVEL VALVE .....	788
FIGURE 9-27. FRAME LEVEL AND OUTRIGGER VALVE .....	790
FIGURE 9-28. DIVERTOR VALVE .....	792
FIGURE 9-29. QUICK COUPLER CYLINDER .....	794
FIGURE 9-30. SWING CARRIAGE CYLINDER .....	796

# TABLE OF CONTENTS

FIGURE 9-31. SIDE SHIFT CARRIAGE CYLINDER.....	798
FIGURE 9-32. TANK HYDRAULIC.....	800
FIGURE 9-33. FLOW DIVIDER VALVE.....	802
FIGURE 9-34. PARK BRAKE VALVE.....	804
FIGURE 9-35. PRIORITY MANIFOLD VALVE.....	806
<b>SECTION 10 - ELECTRICAL.....</b>	<b>809</b>
FIGURE 10-1. MAIN ELECTRICAL INSTALLATION (ULS).....	810
FIGURE 10-2. MAIN ELECTRICAL INSTALLATION (ULS) (74 HP).....	812
FIGURE 10-3. MAIN ELECTRICAL INSTALLATION (LS).....	814
FIGURE 10-4. ELECTRICAL FRAME INSTALLATION.....	816
FIGURE 10-5. POWER DISTRIBUTION ELECTRICAL BOX.....	818
FIGURE 10-6. ENGINE BAY WIRING INSTALLATION (ULS).....	820
FIGURE 10-7. ENGINE BAY WIRING INSTALLATION, 74HP (ULS).....	822
FIGURE 10-8. ENGINE BAY WIRING INSTALLATION (LS).....	824
FIGURE 10-9. FRAME WIRING INSTALLATION (ULS).....	826
FIGURE 10-10. FRAME WIRING INSTALLATION (ULS).....	828
FIGURE 10-11. FRAME WIRING INSTALLATION (LS).....	830
FIGURE 10-12. ENGINE BAY ELECTRICAL INSTALLATION.....	832
FIGURE 10-13. ENGINE BAY ELECTRICAL INSTALLATION (ULS).....	834
FIGURE 10-14. ENGINE WIRING INSTALLATION, 74HP (ULS).....	836
FIGURE 10-15. ENGINE ECU INSTALLATION (LS).....	838
FIGURE 10-16. ENGINE WIRING INSTALLATION (LS).....	840
FIGURE 10-17. ENGINE WIRING INSTALLATION (ULS).....	844
FIGURE 10-18. ENGINE ECU INSTALLATION (ULS).....	848
FIGURE 10-19. BOOM AUXILIARY ELECTRIC INSTALLATION.....	850
FIGURE 10-20. BOOM AUXILIARY ELECTRIC HARNESS INSTALLATION.....	852
FIGURE 10-21. BATTERY INSTALLATION.....	854
FIGURE 10-22. BATTERY INSTALLATION.....	856
FIGURE 10-23. ARCTIC WEATHER PACKAGE INSTALLATION - 110 HP (ULS).....	858
FIGURE 10-24. ARCTIC WEATHER PACKAGE INSTALLATION - 74 HP (ULS).....	860
FIGURE 10-25. ARCTIC COLD WEATHER PACKAGE INSTALLATION (LS).....	862
FIGURE 10-26. FUEL FILTER HEATER INSTALLATION.....	864
FIGURE 10-27. ARTIC BATTERIES INSTALLATION.....	866
FIGURE 10-28. HYDRAULIC TANK HEATER INSTALLATION.....	868
FIGURE 10-29. BACKUP ALARM INSTALLATION (120 DB).....	870
FIGURE 10-30. BACKUP ALARM INSTALLATION (97 DB).....	872
FIGURE 10-31. WHITE NOISE BACKUP ALARM INSTALLATION.....	874
FIGURE 10-32. CAB ELECTRICAL INSTALLATION.....	876
FIGURE 10-33. DASH ELECTRICAL INSTALLATION.....	878
FIGURE 10-34. DASH ELECTRICAL INSTALLATION (LS).....	880
FIGURE 10-35. SWITCH LIGHT INSTALLATION.....	882
FIGURE 10-36. USB CHARGER INSTALLATION.....	884
FIGURE 10-37. OPEN CAB ELECTRICAL INSTALLATION WITH OPTIONS.....	886
FIGURE 10-38. MULTIFUNCTION DISPLAY INSTALLATION.....	888
FIGURE 10-39. ENCLOSED CAB ELECTRICAL INSTALLATION WITH OPTIONS.....	890
FIGURE 10-40. REVERSE CAMERA INSTALLATION.....	892
FIGURE 10-41. REVERSE SENSOR INSTALLATION.....	894
FIGURE 10-42. TELEMATICS READY INSTALLATION.....	896
FIGURE 10-43. ROAD LIGHTS INSTALLATION.....	898
FIGURE 10-44. CAB WORKLIGHTS INSTALLATION (NO A/C).....	900
FIGURE 10-45. CAB WORKLIGHTS INSTALLATION (NO A/C - LED).....	902
FIGURE 10-46. CAB WORKLIGHTS INSTALLATION (A/C).....	904
FIGURE 10-47. CAB WORKLIGHTS INSTALLATION (A/C - LED).....	906
FIGURE 10-48. BOOM WORK LIGHTS INSTALLATION.....	908
FIGURE 10-49. BOOM WORK LIGHTS INSTALLATION (LED).....	910
FIGURE 10-50. BOOM LIGHTS INSTALLATION.....	912
FIGURE 10-51. BOOM LED LIGHTS INSTALLATION.....	914
FIGURE 10-52. BOOM WORKLIGHTS HARNESS.....	916
FIGURE 10-53. BEACON INSTALLATION.....	918
FIGURE 10-54. BEACON INSTALLATION (LED).....	920
FIGURE 10-55. RIDE CONTROL CB VALVE HARNESS INSTALLATION (LIFT).....	922
FIGURE 10-56. FRONT FRAME HARNESS.....	924
FIGURE 10-57. REAR FRAME HARNESS.....	930
FIGURE 10-58. REAR FRAME HARNESS.....	934
FIGURE 10-59. ENGINE HARNESS.....	938

# TABLE OF CONTENTS

FIGURE 10-60. ENGINE CHASSIS HARNESS (ULS).....	944
FIGURE 10-61. ENGINE HARNESS (ULS) (74HP).....	948
FIGURE 10-62. TBAP HARNESS.....	952
FIGURE 10-63. BOOM ELECTRICAL HARNESS INSTALLATION.....	954
FIGURE 10-64. BOOM HARNESS.....	956
FIGURE 10-65. PLATFORM HARNESS.....	958
FIGURE 10-66. CAB HARNESS.....	960
FIGURE 10-67. OPTION 1 CAB HARNESS.....	964
FIGURE 10-68. FRONT FRAME HEADLIGHT HARNESS.....	968
FIGURE 10-69. TAIL LIGHTS HARNESS.....	970
FIGURE 10-70. ROOF PIGTAIL HARNESS.....	972
FIGURE 10-71. OPTION 2 CAB HARNESS.....	974
FIGURE 10-72. OPTION 2 ELECTRICAL BOARD ASSEMBLY.....	976
FIGURE 10-73. CAB OPTION HARNESS.....	978
FIGURE 10-74. TELEMATICS READY HARNESS.....	980
FIGURE 10-75. STANDARD ELECTRICAL BOARD ASSEMBLY.....	982
FIGURE 10-76. OPTION 1 ELECTRICAL BOARD ASSEMBLY.....	984
FIGURE 10-77. CUMMUNICATION ANALYSER CABLE.....	986
FIGURE 10-78. TELEMATICS HARNESS.....	988
FIGURE 10-79. CLEARSKY INSTALLATION 3-WIRE (ANSI).....	990
FIGURE 10-80. CLEARSKY INSTALLATION 3-WIRE (CE).....	992
FIGURE 10-81. CUSTOMER SUPPLIED TELEMATICS CANBUS.....	994
FIGURE 10-82. GATEWAY CONTROLLER.....	996
FIGURE 10-83. TELEMATICS CANBUS INSTALLATION (CLEARSKY 2) (ANSI).....	998
FIGURE 10-84. TELEMATICS CANBUS INSTALLATION (CLEARSKY 2) (CE).....	1000
FIGURE 10-85. 4WARD TELEMATIC, HARNESS (CLEARSKY 2).....	1002
FIGURE 10-86. CONTROL ACCESSORY.....	1004
FIGURE 10-87. CAB AIR SHUT OFF VALVE HARNESS.....	1006
FIGURE 10-88. ENGINE AIR SHUT OFF VALVE HARNESS.....	1008
FIGURE 10-89. TELEMATICS HARNESS.....	1012
FIGURE 10-90. REVERSE SENSOR HARNESS.....	1014
FIGURE 10-91. RIDE CONTROL CB VALVE HARNESS (LIFT).....	1016
SECTION 11 - DECALS.....	1019
FIGURE 11-1. CAPACITY CHART HOLDER INSTALLATION.....	1020
FIGURE 11-2. BRAND AND MODEL DECAL INSTALLATION.....	1022
FIGURE 11-3. CAPACITY CHART BOOKLET.....	1024
FIGURE 11-4. CAPACITY CHART BOOKLET.....	1026
FIGURE 11-5. REVERSE SENSOR SYSTEM DECAL (ENGLISH).....	1028
FIGURE 11-6. REVERSE SENSOR SYSTEM DECAL.....	1030
FIGURE 11-7. REVERSE SENSING SYSTEM DECAL, (ENGLISH/FRENCH).....	1032
FIGURE 11-8. CLEARSKY DECAL INSTALLATION.....	1034
FIGURE 11-9. DECAL INSTALLATION (ANSI) (110 HP).....	1036
FIGURE 11-10. DECAL INSTALLATION (ISO) (110 HP).....	1040
FIGURE 11-11. DECAL INSTALLATION (CSA ENGLISH/FRENCH) (110 HP).....	1044
FIGURE 11-12. DECAL INSTALLATION (ANSI) (74 HP).....	1048
FIGURE 11-13. DECAL INSTALLATION (ISO) (74 HP).....	1052
FIGURE 11-14. DECAL INSTALLATION (CSA ENGLISH/FRENCH) (74 HP).....	1056
SECTION 12 - RECOMMENDED SPARE PARTS.....	1059
FIGURE 12-1. RECOMMENDED SPARE PARTS.....	1060
PART NUMBER INDEX.....	1063

## SECTION 1 - FRAME AND ATTACHING PARTS

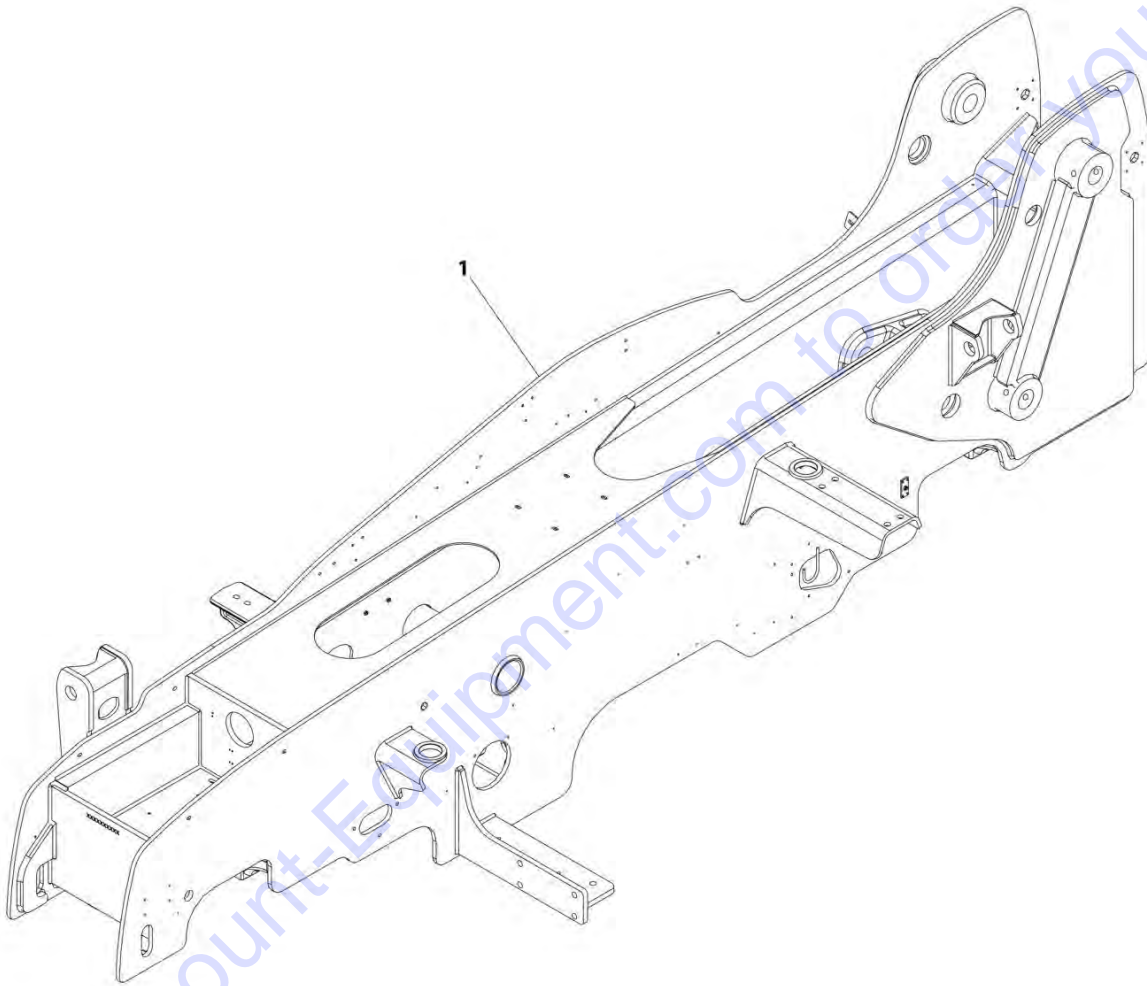
### SECTION 1 - FRAME AND ATTACHING PARTS

Go to [Discount-Equipment.com](http://Discount-Equipment.com) to order your parts



# SECTION 1 - FRAME AND ATTACHING PARTS

FIGURE 1-1. FRAME (NO OUTRIGGERS)



ART\_1001220553J-C

## SECTION 1 - FRAME AND ATTACHING PARTS

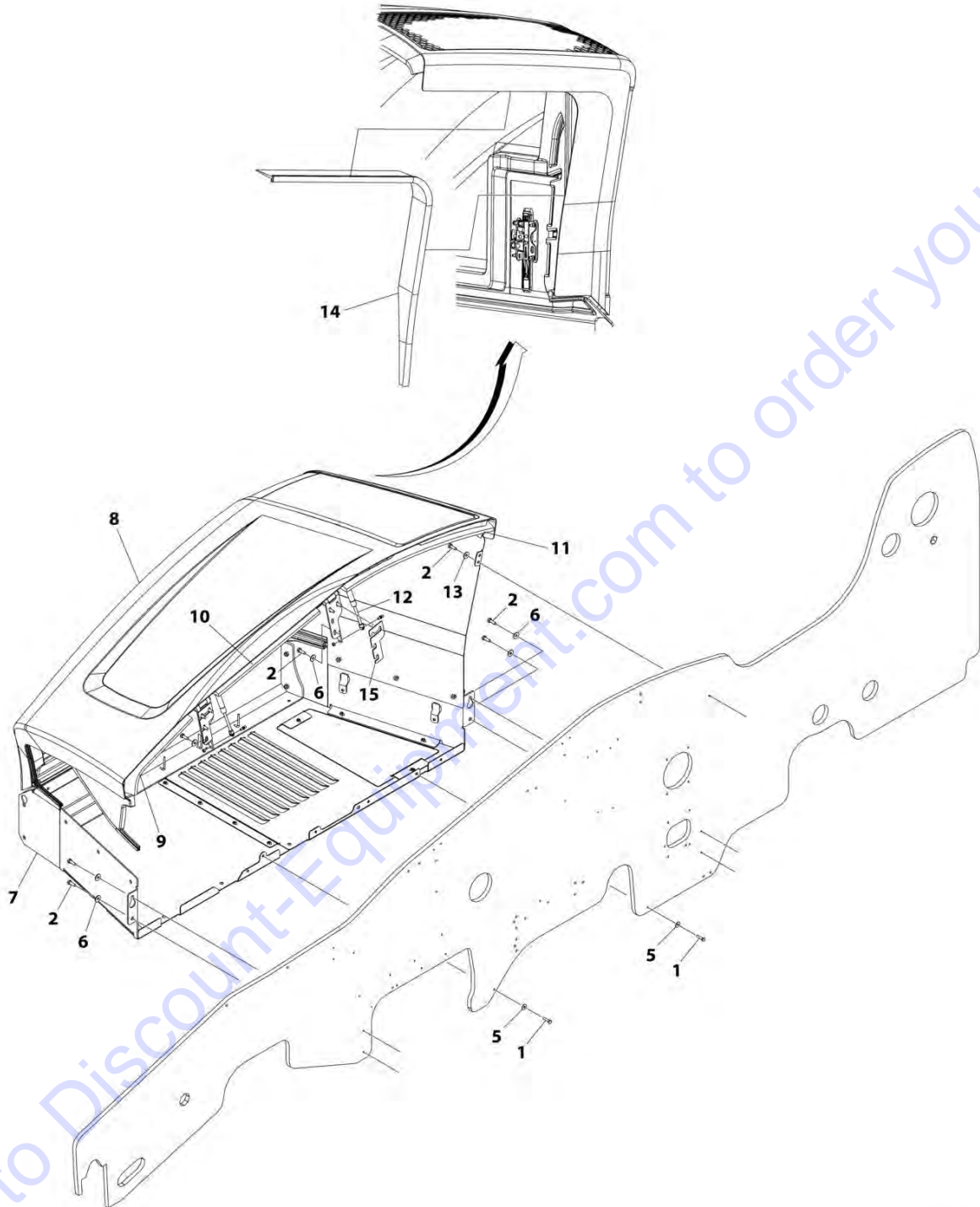
FIGURE 1-1. FRAME (NO OUTRIGGERS)

ITEM	PART NUMBER	QTY	DESCRIPTION	REV
1	1001220553J	1	Frame (No Outriggers)	C

Go to Discount-Equipment.com to order your parts

# SECTION 1 - FRAME AND ATTACHING PARTS

## FIGURE 1-2. ENGINE ENCLOSURE INSTALLATION



ART\_1001160253-J

## SECTION 1 - FRAME AND ATTACHING PARTS

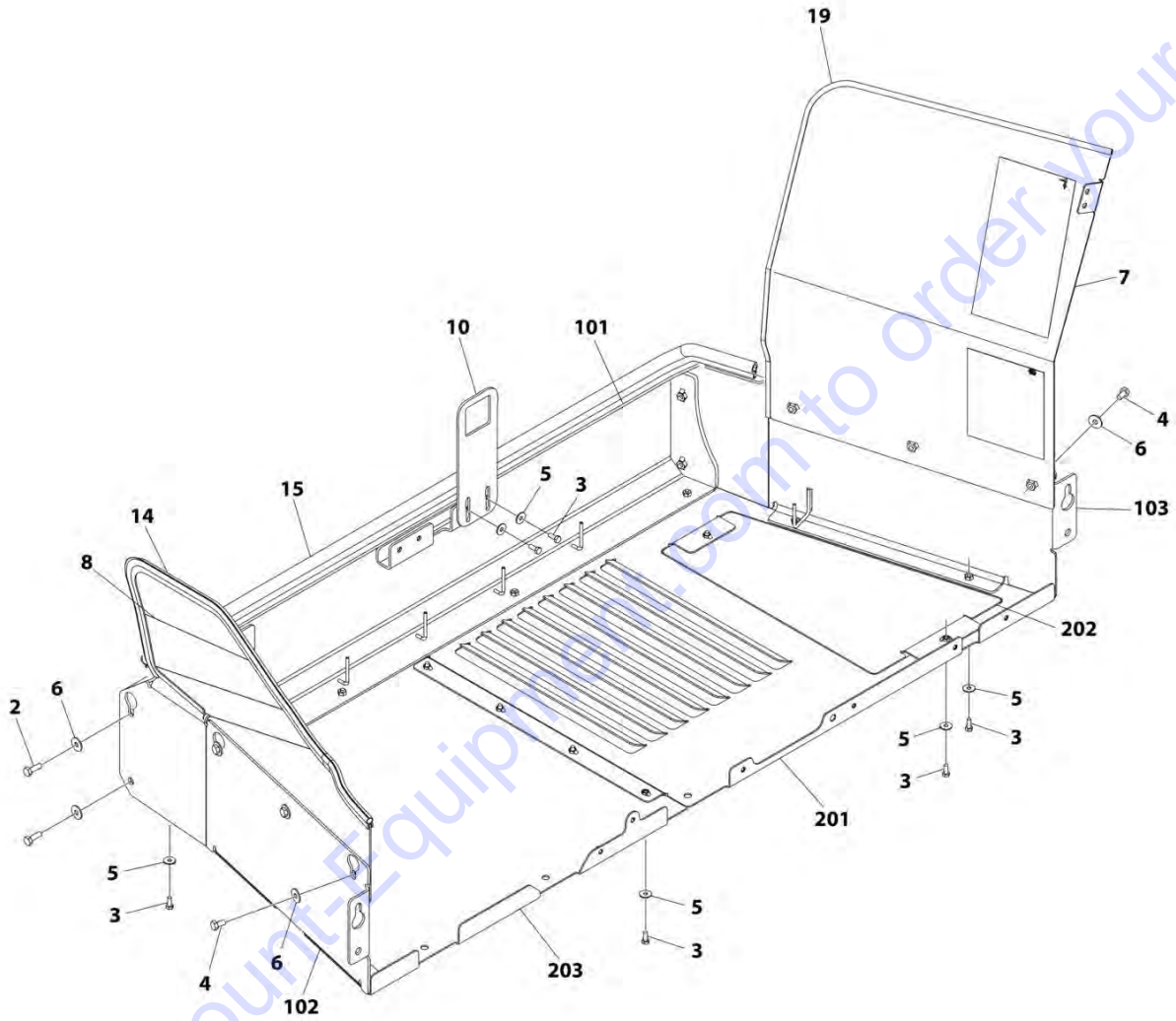
**FIGURE 1-2. ENGINE ENCLOSURE INSTALLATION**

ITEM	PART NUMBER	QTY	DESCRIPTION	REV
	1001160253	Ref	Engine Enclosure Installation	J
1	0760815	2	Bolt, M8X35	
2	0701014	11	Bolt, M10X30	
5	4811902	2	Washer, M8	
6	4812002	10	Washer, M10	
7	1001162239	Ref	Installation, Engine Enclosure Cover (See Separate Breakdown in this Section)	
8	1001168834	NLA	Assembly, Hood, (no longer available, use 1001235963 for replacement) (See Separate Breakdown in this Section)	
8	1001235963	Ref	Assembly, Hood (See Separate Breakdown in this Section)	
9	1001203932	1	Seal	
10	1001203933	1	Seal	
11	1001203934	1	Seal	
12	1001171885	2	Spring, Gas	
13	4812000	1	Washer, M10	
14	1001197339	1	Trim, Lock Seal	
15	1001241836	AR	Shim <b>(SN 0160091633 to Present)</b>	

Go to Discount-Equipment.com to order your parts

# SECTION 1 - FRAME AND ATTACHING PARTS

## FIGURE 1-3. ENGINE ENCLOSURE COVER INSTALLATION



ART\_1001162239-N

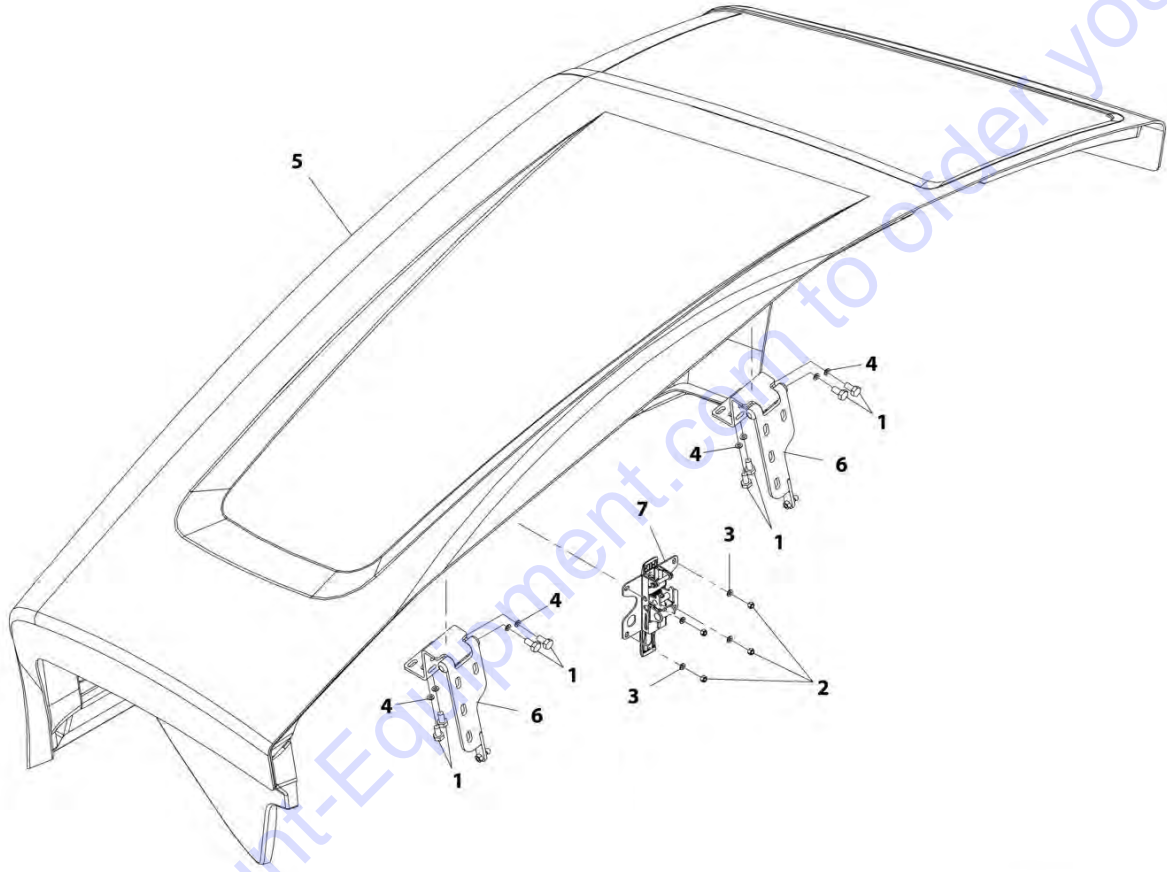
## SECTION 1 - FRAME AND ATTACHING PARTS

**FIGURE 1-3. ENGINE ENCLOSURE COVER INSTALLATION**

ITEM	PART NUMBER	QTY	DESCRIPTION	REV
	1001162239	Ref	Engine Enclosure Cover Installation	N
2	0701014	4	Bolt, M10X30	
3	0760810	16	Bolt, M8X20	
4	0761010	6	Bolt, M10X20	
5	4811902	16	Washer, M8	
6	4812002	10	Washer, M10	
7	1001204086	1	Plate, Rear Cover	
8	1001184076	1	Panel, Front Cover	
10	1001209388	1	Latch, Hood	
14	1001003227	1375 mm	Seal	
15	1001204486	1795 mm	Seal	
19	1001008999	1345 mm	Trim, Edge <b>(SN 0160084796 through 0160091632)</b>	
19	90206198	1345 mm	Trim, Edge <b>(SN 0160091633 to Present)</b>	
101	1001162240J	1	Panel, Side Skirt	
102	1001213126J	1	Panel, Front Skirt	
103	1001196426J	1	Panel, Rear Skirt	
201	1001196422	1	Panel, Bottom Cover	
202	1001169265	1	Panel, Access	
203	1001196404	1	Panel, Engine Pod	

# SECTION 1 - FRAME AND ATTACHING PARTS

## FIGURE 1-4. HOOD ASSEMBLY



ART\_1001168834-K

## SECTION 1 - FRAME AND ATTACHING PARTS

### FIGURE 1-4. HOOD ASSEMBLY

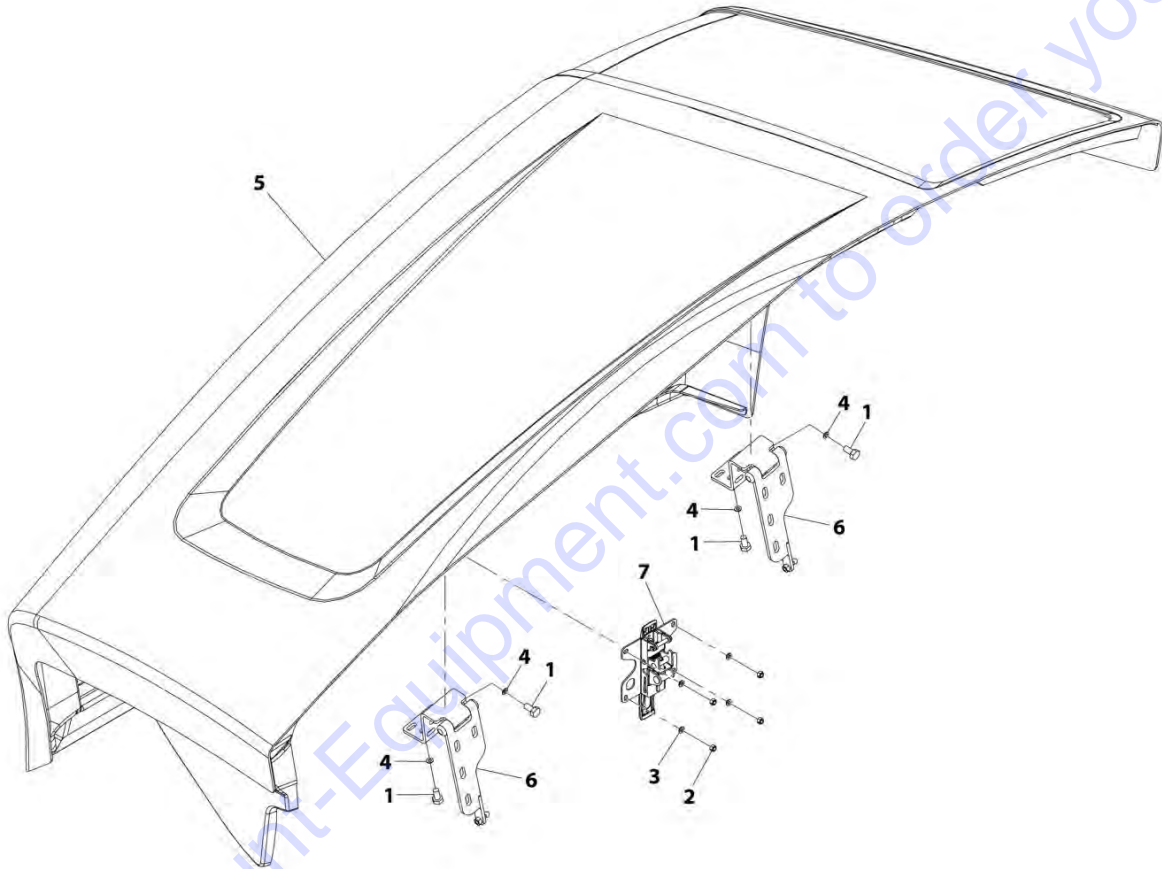
ITEM	PART NUMBER	QTY	DESCRIPTION	REV
	1001168834	NLA	Hood Assembly (no longer available, use items 1 thru 7 for service or 1001235963 for replacement)	K
1	0761010	8	Bolt, M10X20	
2	3290605	4	Nut, Lock M6X1	
3	4811700	4	Washer, M6	
4	4812000	8	Washer, M10	
5	1001166698	1	Hood	
6	1001209387	2	Hinge, Hood	
7	1001132168	1	Latch, Hood	

Go to Discount-Equipment.com to order your parts



# SECTION 1 - FRAME AND ATTACHING PARTS

FIGURE 1-5. HOOD ASSEMBLY



ART\_1001235963-B

# SECTION 1 - FRAME AND ATTACHING PARTS

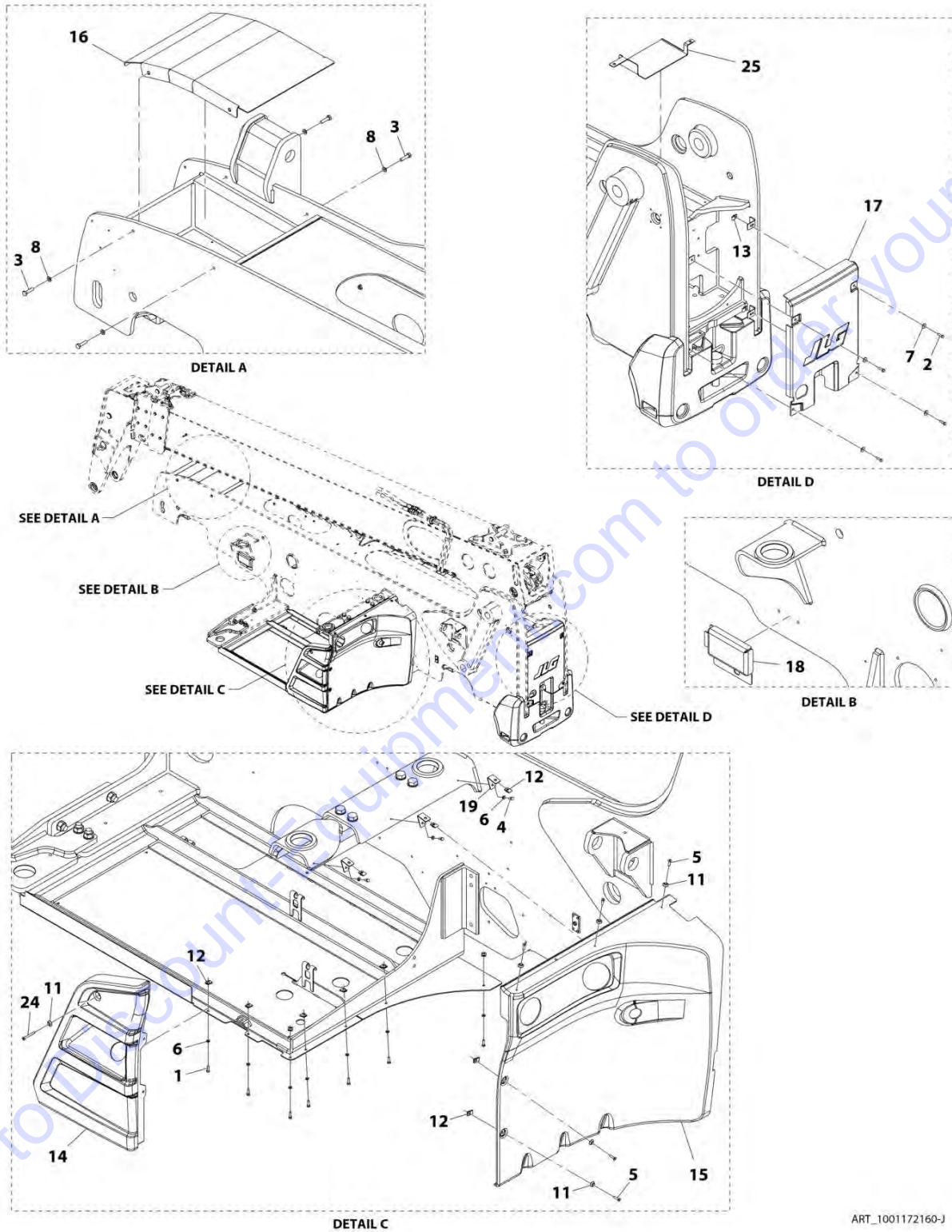
## FIGURE 1-5. HOOD ASSEMBLY

ITEM	PART NUMBER	QTY	DESCRIPTION	REV
	1001235963	Ref	Hood Assembly	B
1	0761010	8	Bolt, M10X20	
2	3290605	4	Nut, Lock M6X1	
3	4811700	4	Washer, M6	
4	4812000	8	Washer, M10	
5	1001234455	1	Hood	
6	1001209387	2	Hinge, Hood	
7	1001132168	1	Latch, Hood	

Go to Discount-Equipment.com to order your parts

# SECTION 1 - FRAME AND ATTACHING PARTS

FIGURE 1-6. COVER INSTALLATION (NO OUTRIGGERS) (ULS) (SN 0160084796 through 0160087885)



ART\_1001172160-J

## SECTION 1 - FRAME AND ATTACHING PARTS

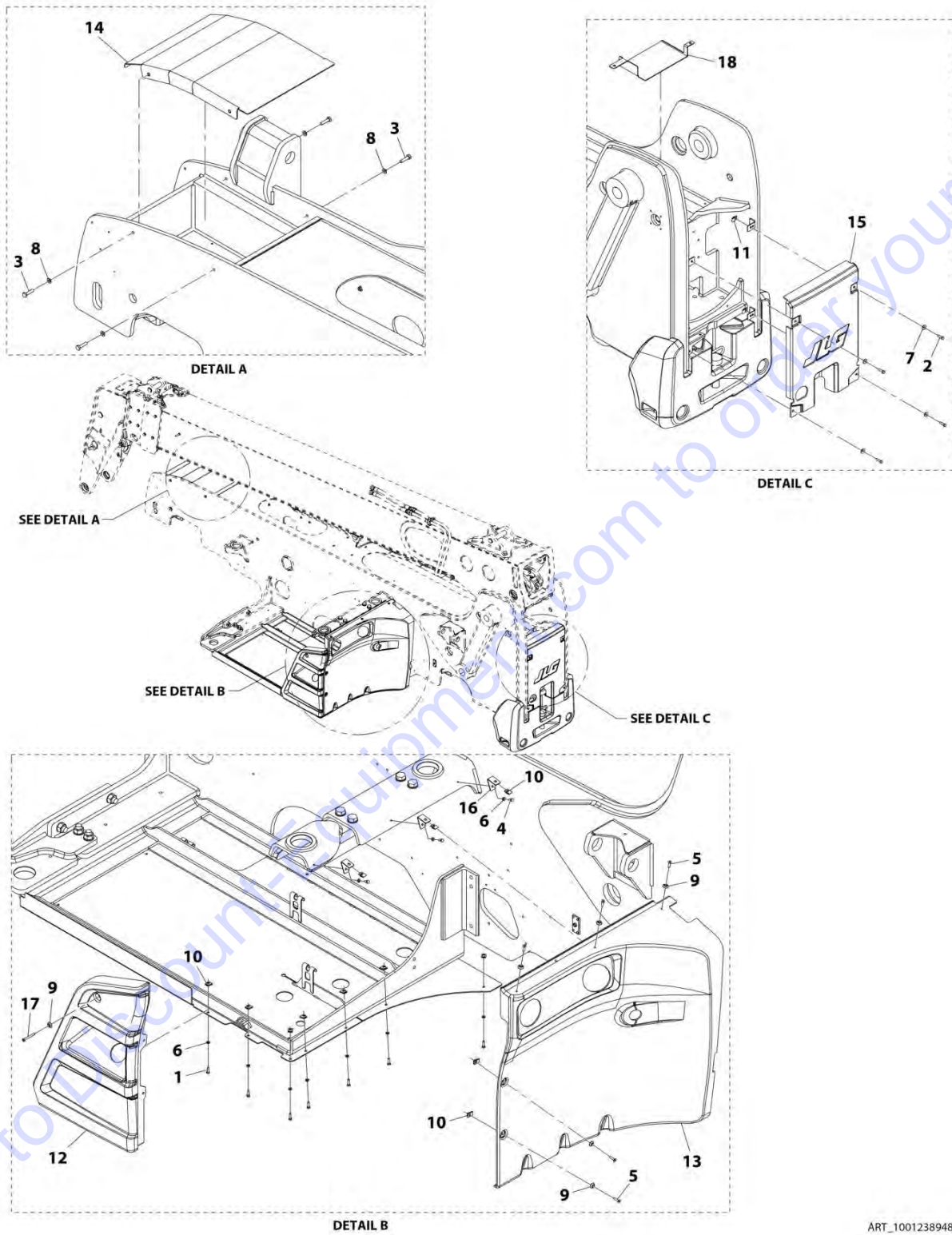
**FIGURE 1-6. COVER INSTALLATION (NO OUTRIGGERS) (ULS) (SN 0160084796 through 0160087885)**

ITEM	PART NUMBER	QTY	DESCRIPTION	REV
	1001172160	Ref	Cover Installation (No Outriggers) (ULS)	J
1	0700610	7	Bolt, M6X20	
2	0700814	4	Bolt, M8X30	
3	0701016	4	Bolt, M10X40	
4	0760606	3	Bolt, M6X12	
5	3900379	5	Screw, M6-1X25 Grade 10.9	
6	4811700	10	Washer, M6	
7	4811902	4	Washer, M8	
8	4812000	4	Washer, M10	
11	1001097540	6	Washer, M6	
12	1001130220	12	Nut, M6	
13	1001149160	4	Nut, M8	
14	1001168760	1	Cover, Side Tank	
15	1001168761	1	Cover, Rear Tank	
16	1001207343	1	Shield, Battery	
17	1001170645	1	Cover	
18	1001201646	1	Shield, Inspection Port	
19	1001171772	3	Bracket	
24	1001112902	1	Screw, M6	
25	1001204488	1	Cover, Rear Frame Module	

Go to Discount-Equipment.com to order your parts

# SECTION 1 - FRAME AND ATTACHING PARTS

FIGURE 1-7. COVER INSTALLATION (NO OUTRIGGERS) (ULS) (SN 0160087886 to Present)



ART\_1001238948-A

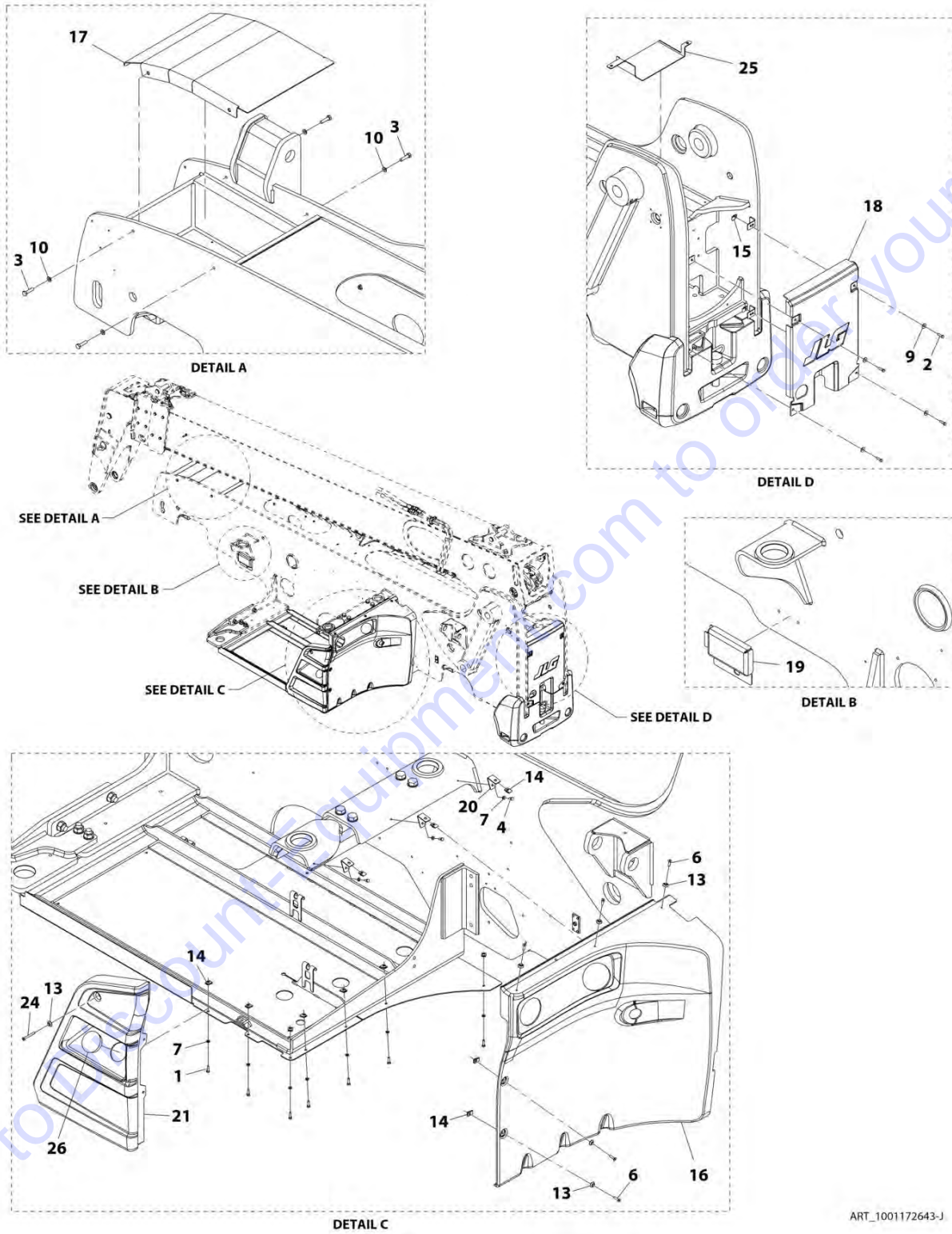
## SECTION 1 - FRAME AND ATTACHING PARTS

**FIGURE 1-7. COVER INSTALLATION (NO OUTRIGGERS) (ULS) (SN 0160087886 to Present)**

ITEM	PART NUMBER	QTY	DESCRIPTION	REV
	1001238948	Ref	Cover Installation (No Outriggers) (ULS)	A
1	0700610	7	Bolt, M6X20	
2	0700814	4	Bolt, M8X30	
3	0701016	4	Bolt, M10X40	
4	0760606	3	Bolt, M6X12	
5	3900379	5	Screw, M6-1X25 Grade 10.9	
6	4811700	10	Washer, M6	
7	4811902	4	Washer, M8	
8	4812000	4	Washer, M10	
9	1001097540	6	Washer, M6	
10	1001130220	12	Nut, M6	
11	1001149160	4	Nut, M8	
12	1001168760	1	Cover, Side Tank	
13	1001168761	1	Cover, Rear Tank	
14	1001207343	1	Shield, Battery	
15	1001170645	1	Cover	
16	1001171772	3	Bracket	
17	1001112902	1	Screw, M6	
18	1001204488	1	Cover, Rear Frame Module	

# SECTION 1 - FRAME AND ATTACHING PARTS

## FIGURE 1-8. COVER INSTALLATION (NO OUTRIGGERS) (LS)



ART\_1001172643-J

## SECTION 1 - FRAME AND ATTACHING PARTS

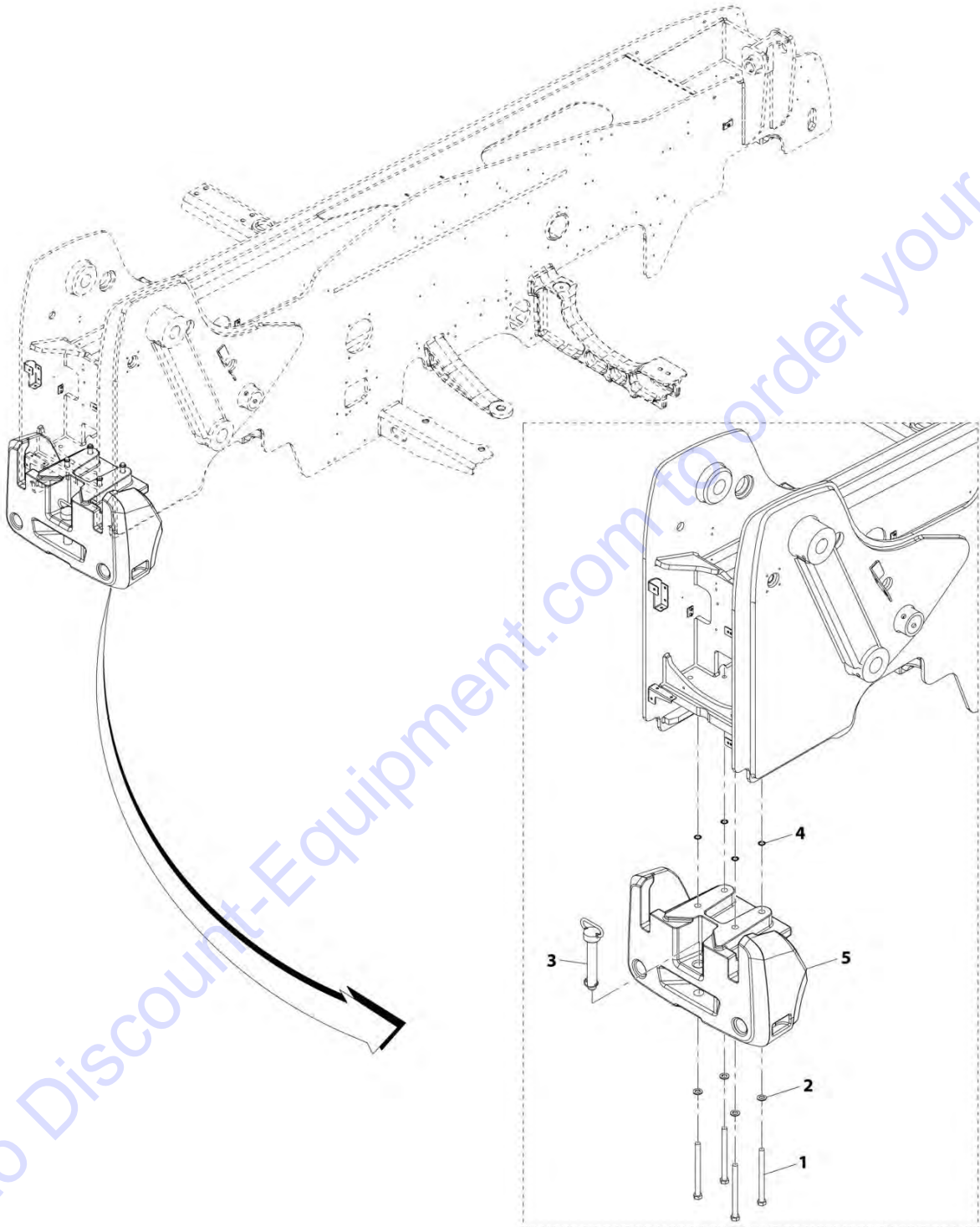
**FIGURE 1-8. COVER INSTALLATION (NO OUTRIGGERS) (LS)**

ITEM	PART NUMBER	QTY	DESCRIPTION	REV
	1001172643	Ref	Cover Installation (No Outriggers), 74HP (LS)	J
1	0700610	7	Bolt, M6X20	
2	0700814	4	Bolt, M8X30	
3	0701016	4	Bolt, M10X40	
4	0760606	3	Bolt, M6X12	
6	3900379	5	Screw, M6-1X25	
7	4811700	10	Washer, M6	
9	4811902	4	Washer, M8	
10	4812000	4	Washer, M10	
13	1001097540	6	Washer, M6	
14	1001130220	12	Nut, M6	
15	1001149160	4	Nut, M8	
16	1001168761	1	Cover, Rear Tank	
17	1001207343	1	Shield, Battery	
18	1001170645	1	Cover	
19	1001201646	1	Shield, Inspection Port	
20	1001171772	3	Bracket	
21	1001168760	1	Cover, Side Tank	
24	1001112902	1	Screw, M6	
25	1001204488	1	Cover, Rear Frame Module	
26	1001206746	1	Cap, Side Tank Cover	



# SECTION 1 - FRAME AND ATTACHING PARTS

## FIGURE 1-9. COUNTERWEIGHT INSTALLATION



ART\_1001218487-A

## SECTION 1 - FRAME AND ATTACHING PARTS

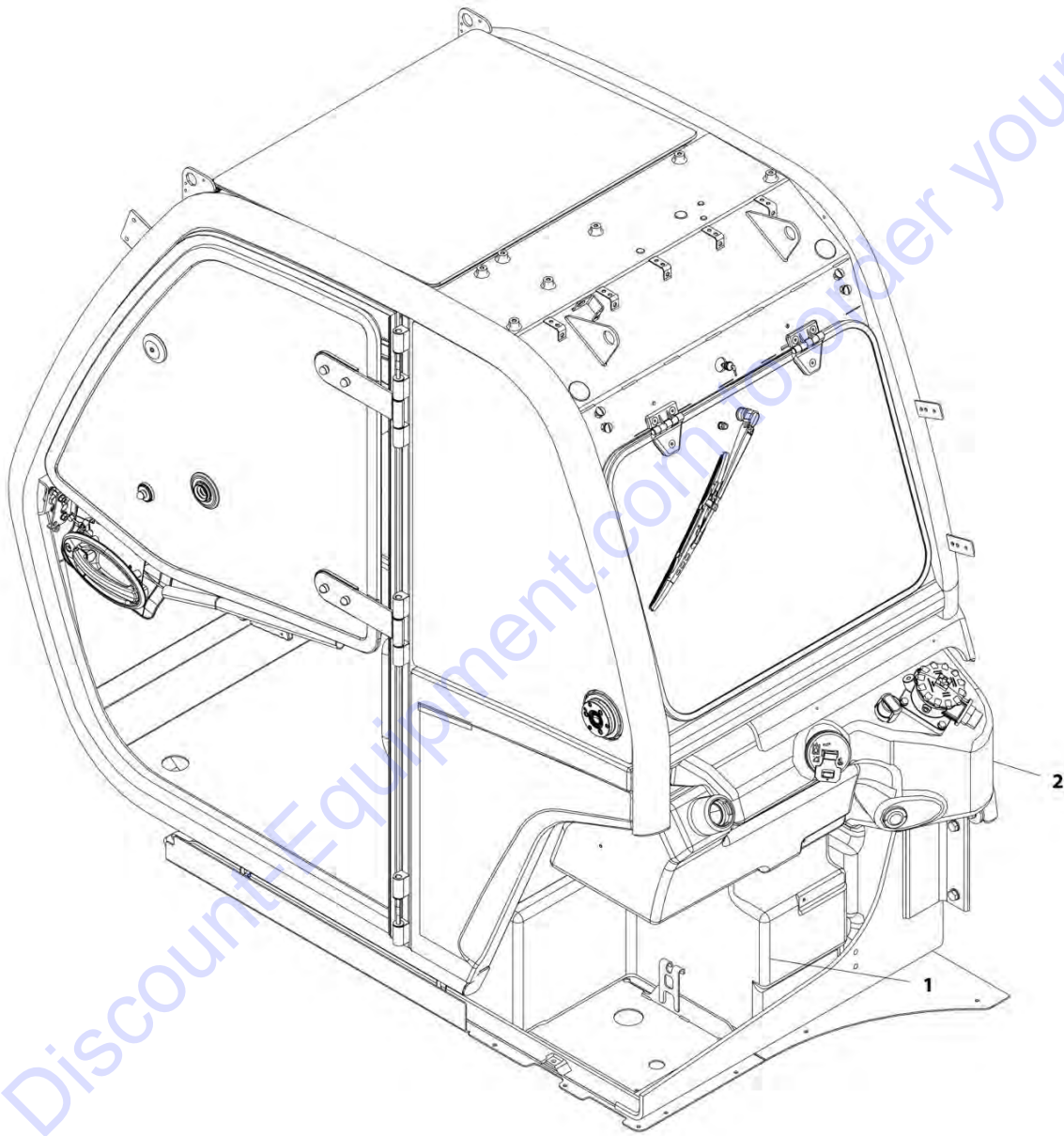
FIGURE 1-9. COUNTERWEIGHT INSTALLATION

ITEM	PART NUMBER	QTY	DESCRIPTION	REV
	1001218487	Ref	Counterweight Installation	A
1	0712042	4	Bolt, M20X250 Grade 10.9	
2	8310620	4	Washer, M20	
3	1001211913	1	Pin, Hitch	
4	1001218341	4	Washer	
5	1001177653J	1	Counterweight	

Go to Discount-Equipment.com to order your parts

# SECTION 1 - FRAME AND ATTACHING PARTS

## FIGURE 1-10. TANK INSTALLATION



ART\_1001160735-A

# SECTION 1 - FRAME AND ATTACHING PARTS

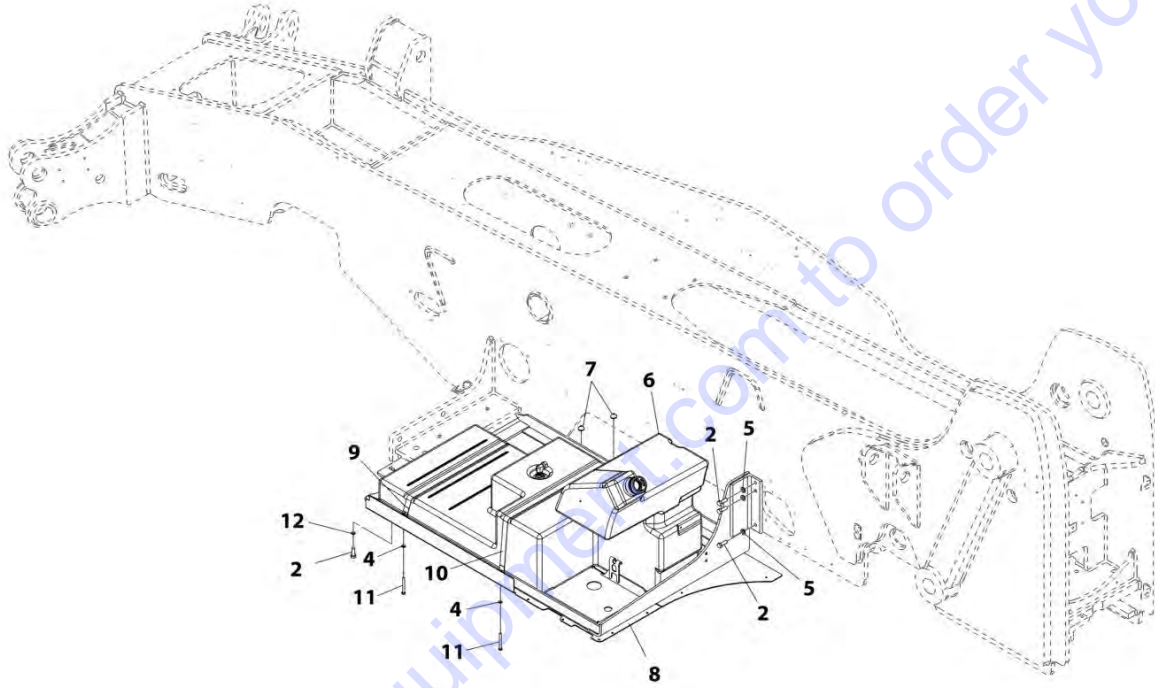
## FIGURE 1-10. TANK INSTALLATION

ITEM	PART NUMBER	QTY	DESCRIPTION	REV
1	1001160735	Ref	Tank Installation	A
	1001171153	Ref	Installation, Fuel Tank (See Separate Breakdown in this Section)	
2	1001171154	Ref	Installation, Hydraulic Tank (See Separate Breakdown in this Section)	

Go to Discount-Equipment.com to order your parts

# SECTION 1 - FRAME AND ATTACHING PARTS

FIGURE 1-11. FUEL TANK INSTALLATION



ART\_1001171153-H

## SECTION 1 - FRAME AND ATTACHING PARTS

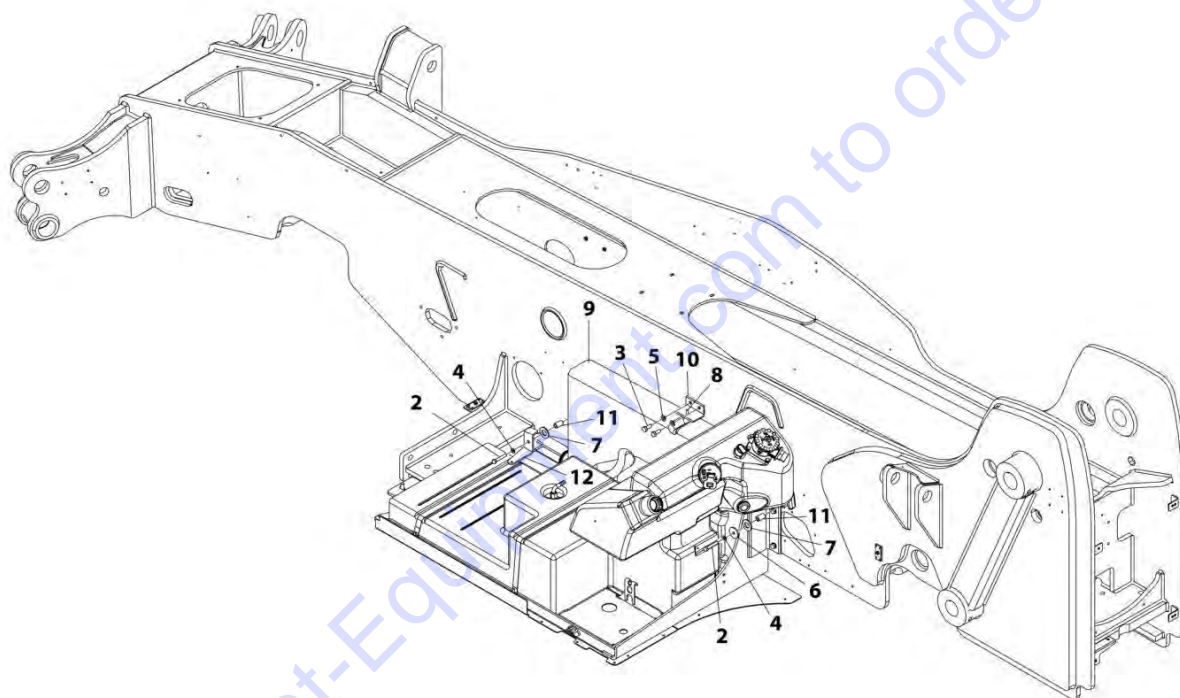
### FIGURE 1-11. FUEL TANK INSTALLATION

ITEM	PART NUMBER	QTY	DESCRIPTION	REV
	1001171153	Ref	Fuel Tank Installation	H
2	0761215	6	Bolt, M12X35	
4	4811900	2	Washer, M8	
5	4812100	3	Washer, M12	
6	1001211432	1	Tank, Fuel (See Separate Breakdown in Engine and Attaching Parts Section)	
7	1001169454	4	Mount, Buffer	
8	1001169602	1	Support, Tank Plate	
9	1001170071	1	Strap, Tank	
10	1001170072	1	Strap, Tank	
11	0760823	2	Bolt, M8X75	
12	4812102	3	Washer, M12	

Go to Discount-Equipment.com to order your parts

# SECTION 1 - FRAME AND ATTACHING PARTS

## FIGURE 1-12. HYDRAULIC TANK INSTALLATION



ART\_1001171154-E

## SECTION 1 - FRAME AND ATTACHING PARTS

**FIGURE 1-12. HYDRAULIC TANK INSTALLATION**

ITEM	PART NUMBER	QTY	DESCRIPTION	REV
	1001171154	Ref	Hydraulic Tank Installation	E
2	0701020	2	Bolt, M10X60	
3	0761214	2	Bolt, M12X30	
4	4812000	2	Washer, M10	
5	4812100	2	Washer, M12	
6	1001172147	1	Washer, M10	
7	1001172146	2	Washer, Rubber	
8	1001008575	1	Bumper, Conical	
9	1001163067	Ref	Tank, Hydraulic (See Separate Breakdown in Hydraulic Components Section)	
10	1001169461	1	Bracket	
11	1001171179	2	Spacer	
12	1001210707	1	Bracket	

Go to Discount-Equipment.com to order your parts



**SECTION 1 - FRAME AND ATTACHING PARTS**

**FIGURE 1-13. FUEL CAP ASSEMBLY**



ART\_1001194978-A

# SECTION 1 - FRAME AND ATTACHING PARTS

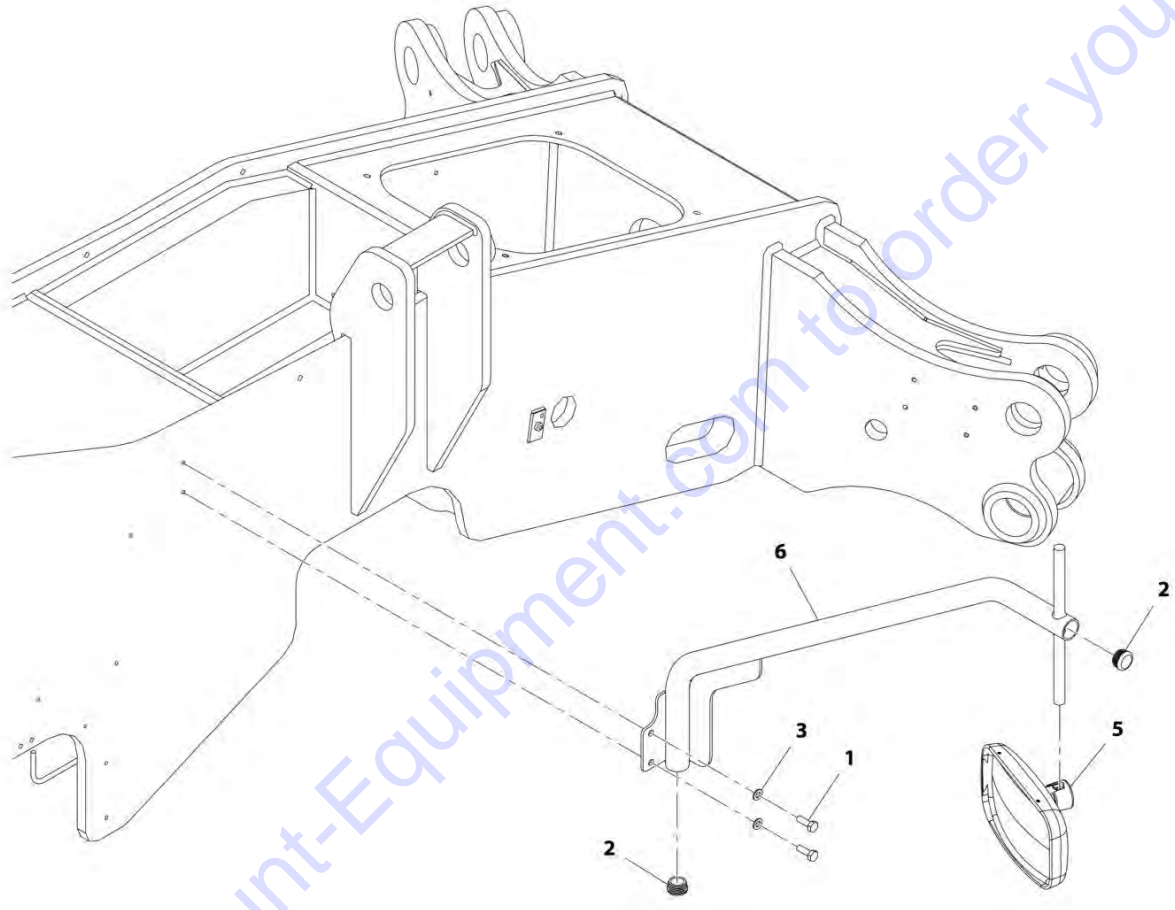
## FIGURE 1-13. FUEL CAP ASSEMBLY

ITEM	PART NUMBER	QTY	DESCRIPTION	REV
1	1001194978	1	Fuel Cap Assembly	A

Go to Discount-Equipment.com to order your parts

# SECTION 1 - FRAME AND ATTACHING PARTS

## FIGURE 1-14. MIRROR INSTALLATION



ART\_1001160255-D

## SECTION 1 - FRAME AND ATTACHING PARTS

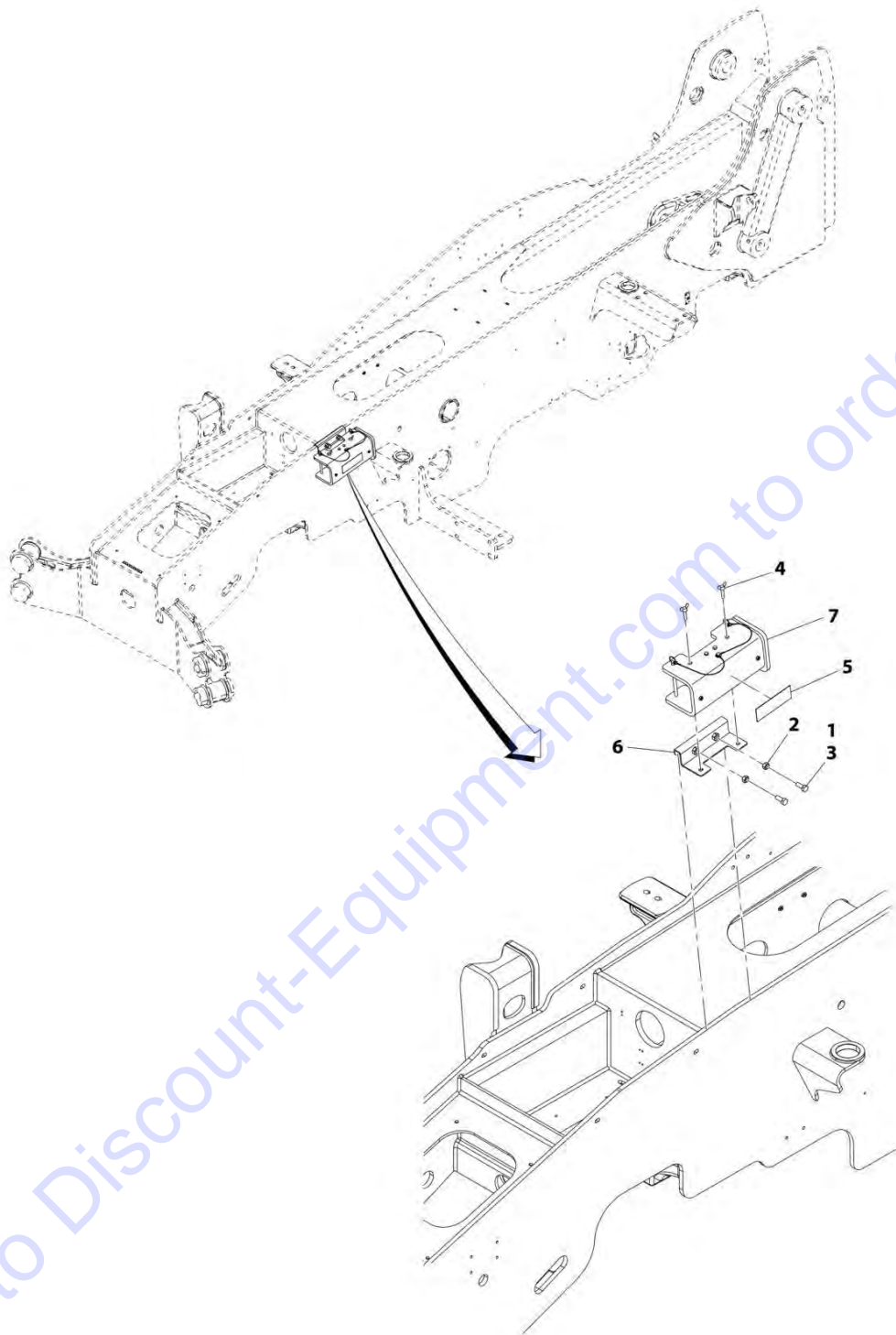
FIGURE 1-14. MIRROR INSTALLATION

ITEM	PART NUMBER	QTY	DESCRIPTION	REV
	1001160255	Ref	Mirror Installation	D
1	0701014	2	Bolt, M10X30 Grade 8	
2	3520186	2	Plug	
3	4812000	2	Washer, M10	
5	1001191635	1	Mirror, Convex	
6	1001191603	1	Bracket	

Go to Discount-Equipment.com to order your parts

# SECTION 1 - FRAME AND ATTACHING PARTS

## FIGURE 1-15. BOOM PROP INSTALLATION



ART\_1001232338-A

## SECTION 1 - FRAME AND ATTACHING PARTS

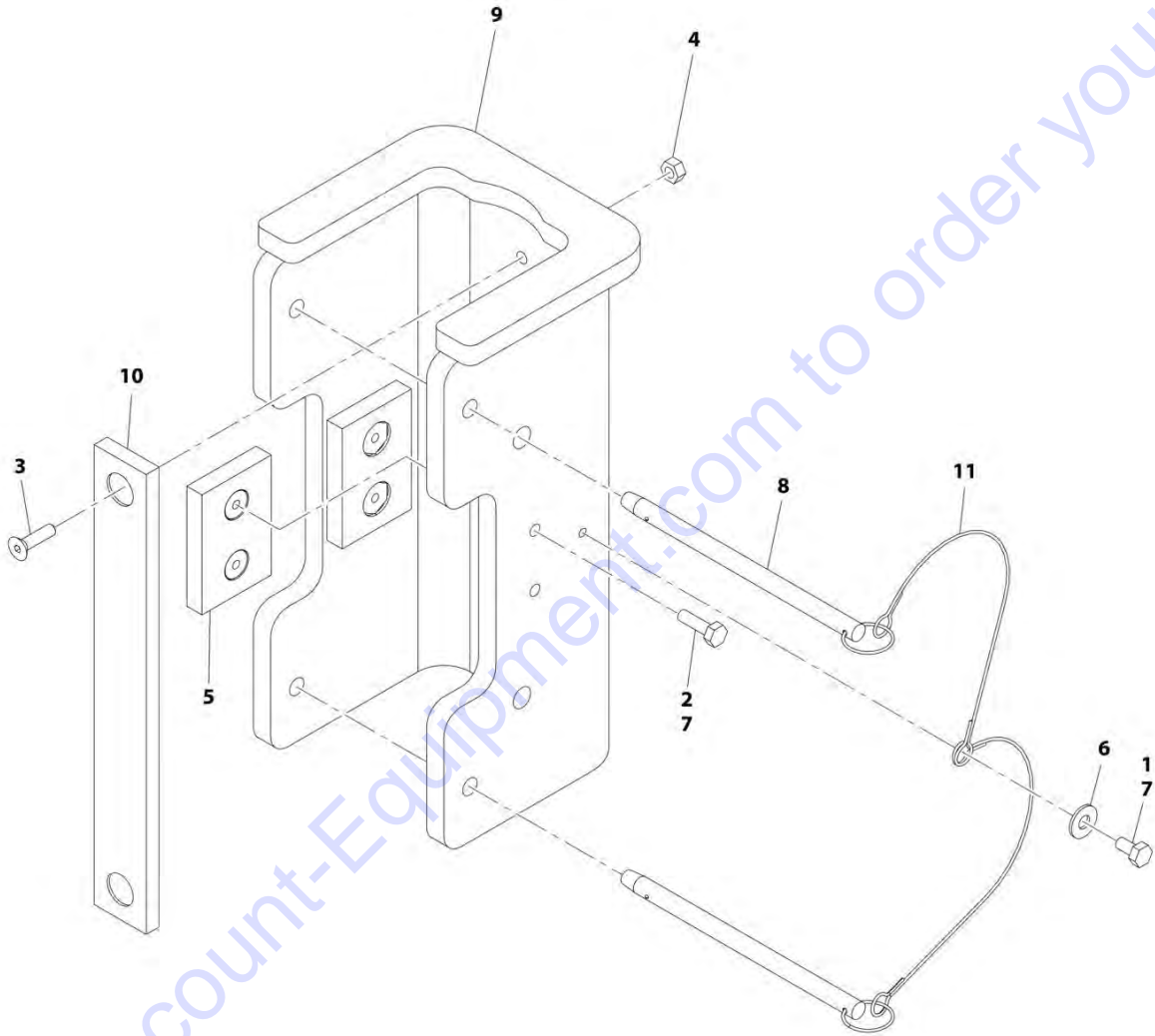
### FIGURE 1-15. BOOM PROP INSTALLATION

ITEM	PART NUMBER	QTY	DESCRIPTION	REV
	1001232338	Ref	Boom Prop Installation (ANSI)	A
1	0761214	2	Bolt, M12X30	
2	3291201	2	Nut, M12X1.75	
3	1001095650	AR	Compound, Locking	
4	1001101458	2	Wing Bolt, M8X40	
5	1001232147	1	Decal, Warning	
6	1001232299	1	Bracket, Mount	
7	1001232336	Ref	Bracket, Boom Prop (See Separate Breakdown in this Section)	

Go to Discount-Equipment.com to order your parts

# SECTION 1 - FRAME AND ATTACHING PARTS

## FIGURE 1-16. BOOM PROP BRACKET



ART\_1001232336-A

## SECTION 1 - FRAME AND ATTACHING PARTS

**FIGURE 1-16. BOOM PROP BRACKET**

ITEM	PART NUMBER	QTY	DESCRIPTION	REV
	1001232336	Ref	Boom Prop Bracket	A
1	0641404	1	Bolt, 1/4-20X1/2	
2	0641407	4	Bolt, 1/4-20X7/8	
3	0741408	2	Bolt, 1/4-20	
4	3311405	2	Nut, Lock 1/4-20	
5	3340829	2	Pad, Wear	
6	4751400	1	Washer	
7	1001095650	AR	Compound, Locking	
8	1001164019	2	Pin, Ball Locking	
9	1001232588	1	Bracket	
10	4679000268	1	Pad, Wear	
11	1001164183	2	Lanyard, Boom Prop	

Go to Discount-Equipment.com to order your parts



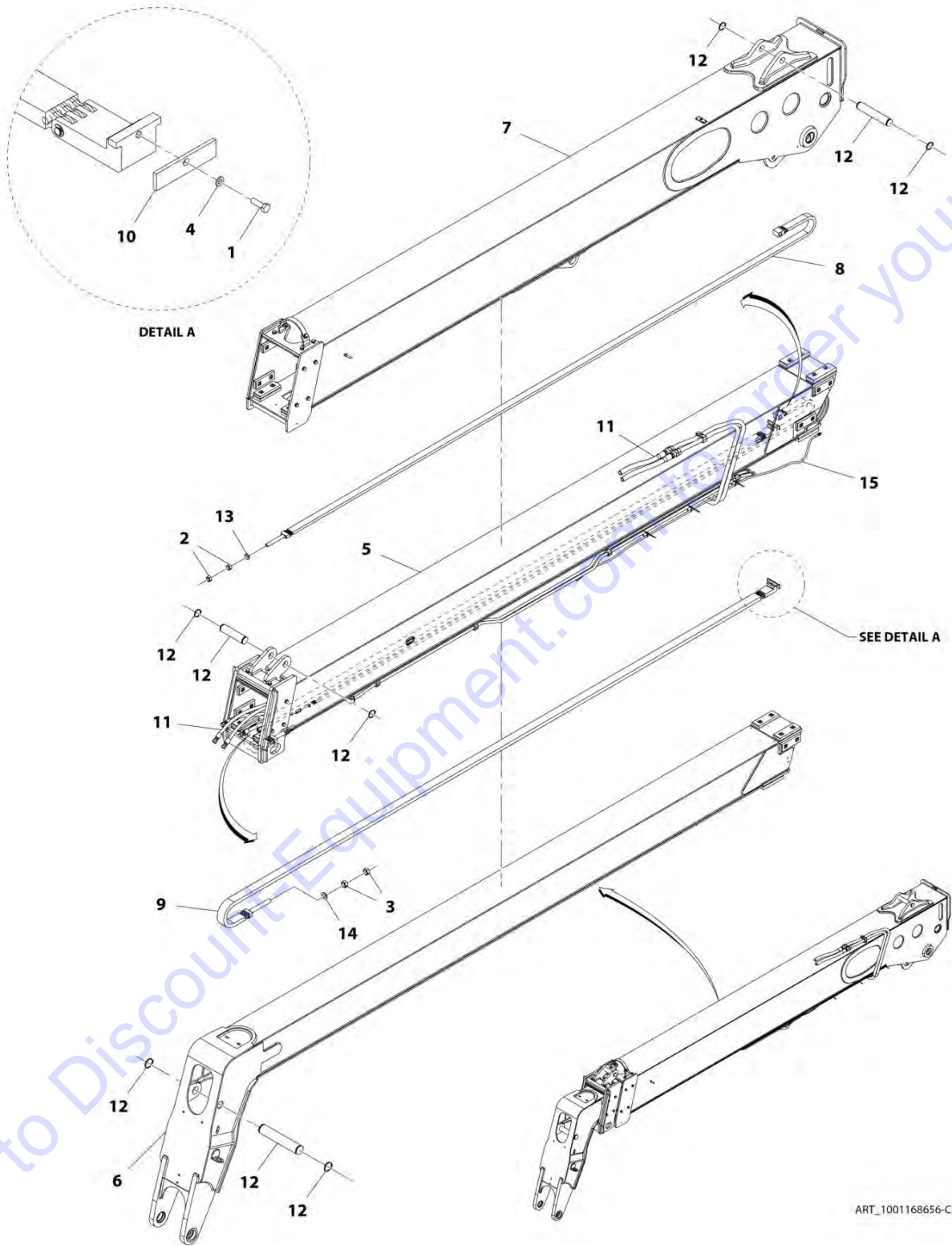


SECTION 2 - BOOM

Go to Discount-Equipment.com to order your parts

# SECTION 2 - BOOM

## FIGURE 2-1. BOOM ASSEMBLY



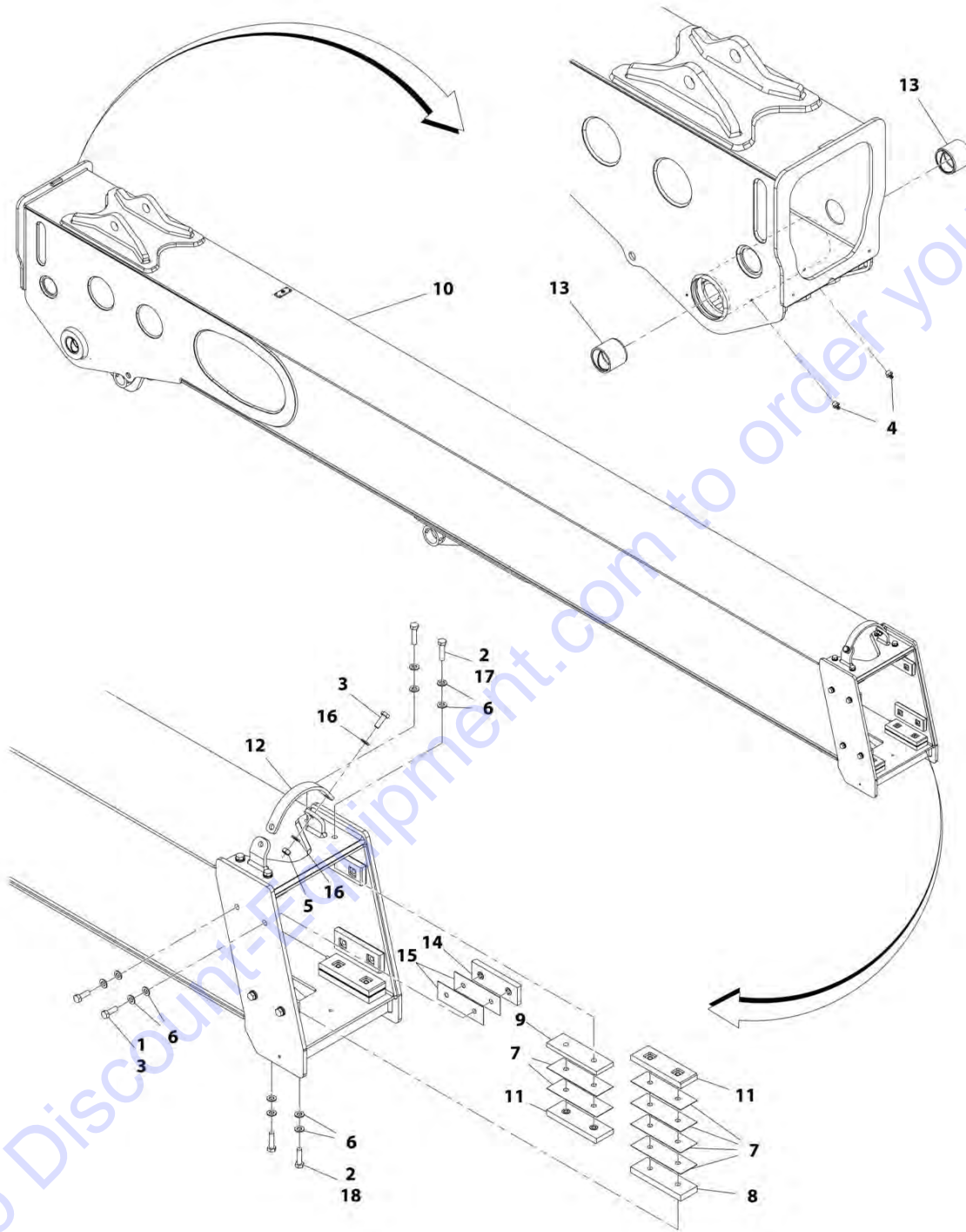
ART\_1001168656-C

FIGURE 2-1. BOOM ASSEMBLY

ITEM	PART NUMBER	QTY	DESCRIPTION	REV
	1001168656	1	Boom Assembly	C
1	0700610	1	Bolt, M6X20	
2	3332011	2	Nut, M20X2.5	
3	3332411	2	Nut, M24X3	
4	4811700	1	Washer, M6	
5	1001168574	1	Assembly, Second Boom Section (See Separate Breakdown in this Section)	
6	1001168735	1	Assembly, Third Boom Section (See Separate Breakdown in this Section)	
7	1001168963	1	Assembly, First Boom Section (See Separate Breakdown in this Section)	
8	1001169278	Ref	Installation, Retract Chain (See Separate Breakdown in this Section)	
9	1001169326	Ref	Installation, Extend Chain (See Separate Breakdown in this Section)	
10	1001171451	1	Plate	
11	1001173470	Ref	Installation, Boom Hydraulic Tubes (See Separate Breakdown in Hydraulic Circuits Section)	
12	1001173542	Ref	Installation, Pins(See Separate Breakdown in this Section)	
13	4812500	1	Washer, M20	
14	4812700	1	Washer, M24	
15	1001186859	1	Hose	

# SECTION 2 - BOOM

## FIGURE 2-2. FIRST BOOM SECTION ASSEMBLY



ART\_1001168963-F

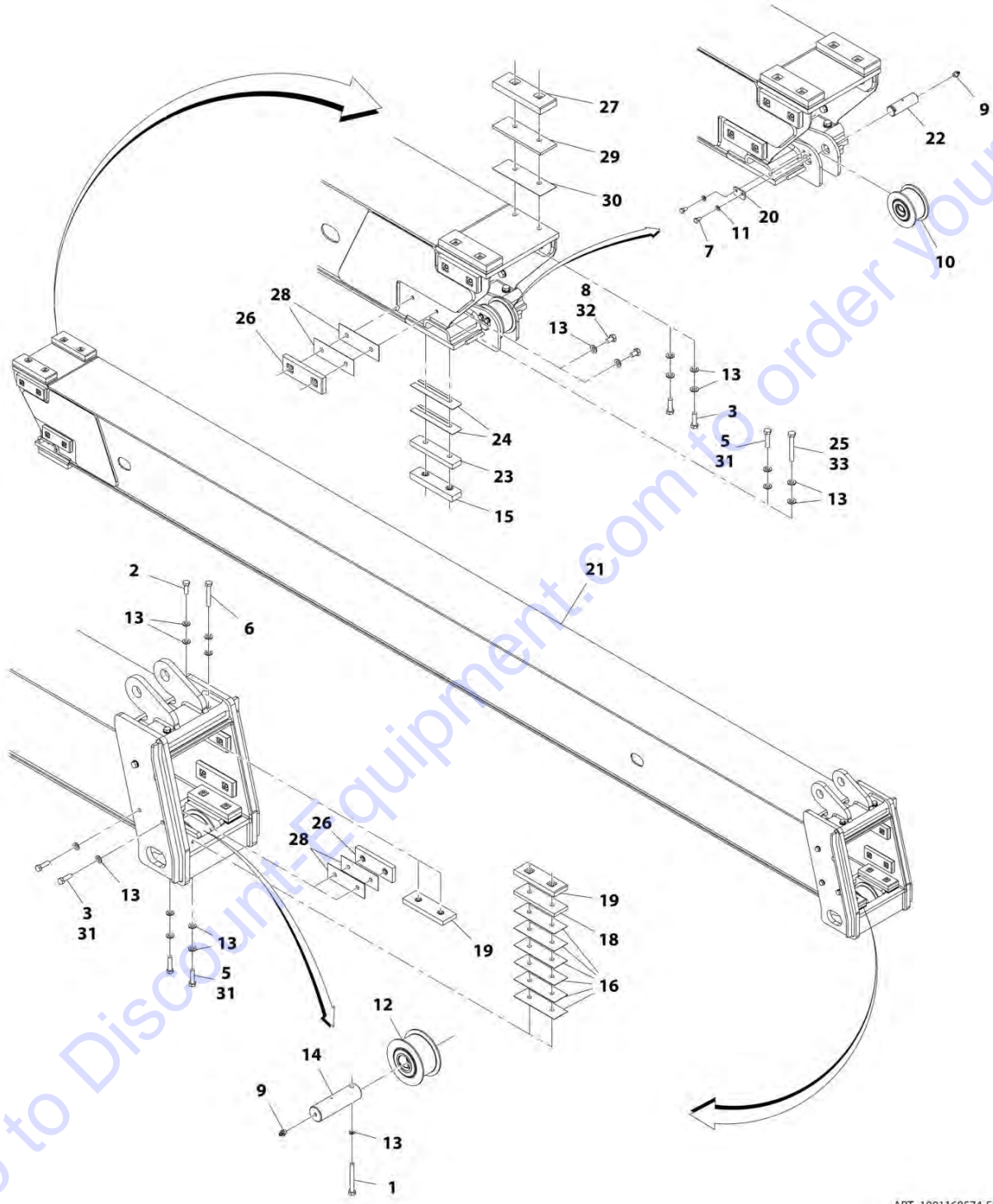
## SECTION 2 - BOOM

**FIGURE 2-2. FIRST BOOM SECTION ASSEMBLY**

ITEM	PART NUMBER	QTY	DESCRIPTION	REV
	1001168963	Ref	First Boom Section Assembly	F
1	0711214	AR	Bolt, M12X30	
2	0711217	4	Bolt, M12X45	
3	0711215	10	Bolt, M12X35	
4	2160016	2	Fitting, Grease	
5	3291201	2	Nut, M12X1.75 Grade 8	
6	1001125117	AR	Washer, M12	
7	1001163034	AR	Plate	
8	1001163038	2	Plate	
9	1001163136	2	Plate	
10	1001168964J	1	Boom, First	
11	1001165171	4	Pad	
12	1001168987	1	Strap	
13	1001188246	2	Bearing, Boom Pivot	
14	1001165172	4	Pad	
15	1001165367	AR	Plate	
16	4812100	4	Washer, M12	
17	0711218	4	Bolt, 12X50 Grade 10.9	
18	0711216	AR	Bolt, M12X40 Grade 10.9	

# SECTION 2 - BOOM

## FIGURE 2-3. SECOND BOOM SECTION ASSEMBLY



## SECTION 2 - BOOM

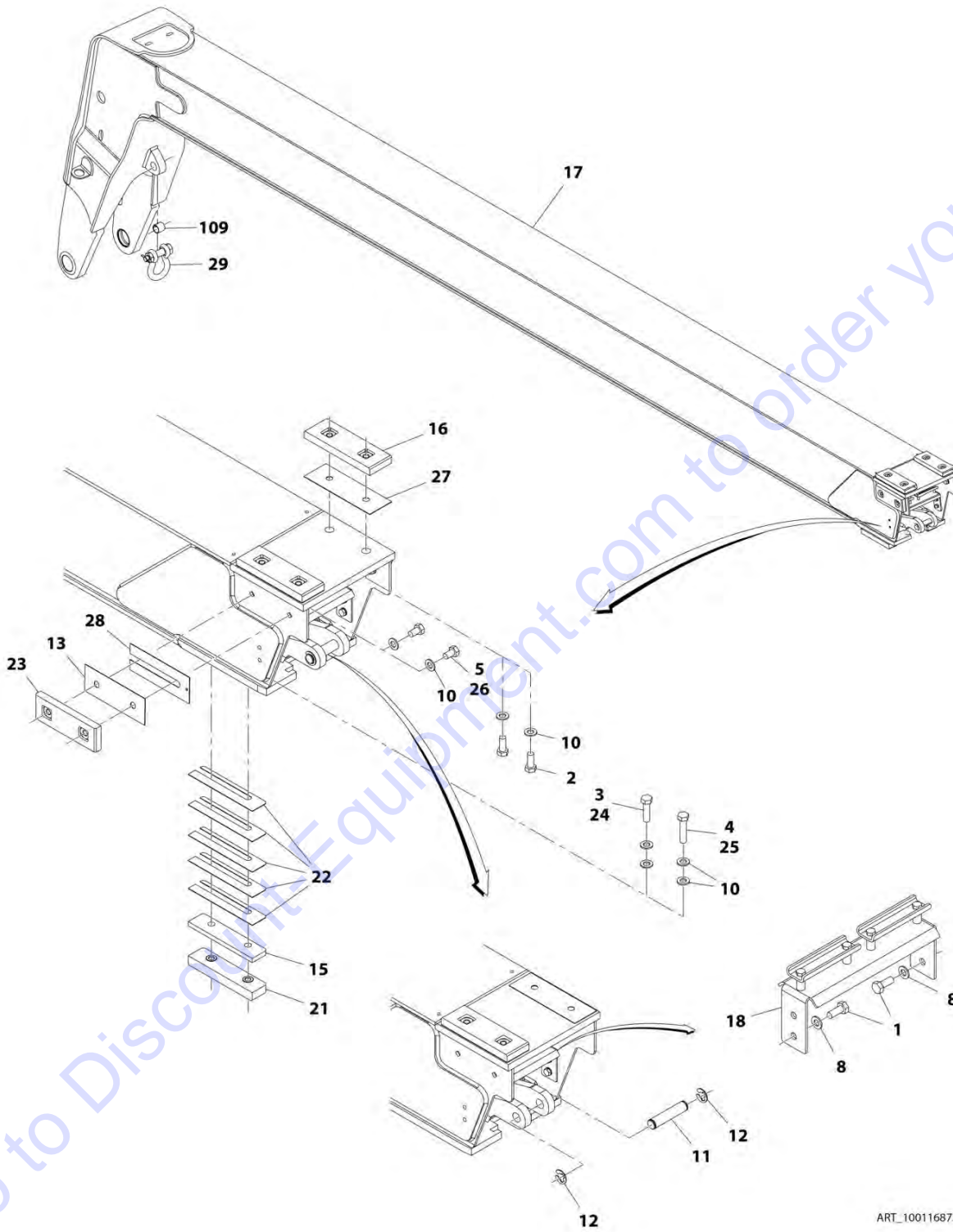
**FIGURE 2-3. SECOND BOOM SECTION ASSEMBLY**

ITEM	PART NUMBER	QTY	DESCRIPTION	REV
	1001168574	Ref	Second Boom Section Assembly	E
1	0701227	1	Bolt, M12X100	
2	0711215	2	Bolt, M12X35 Grade 10.9	
3	0711216	12	Bolt, M12X40 Grade 10.9	
5	0711218	6	Bolt, M12X50 Grade 10.9	
6	0711224	2	Bolt, M12X80 Grade 10.9	
7	0760807	2	Bolt, M8X14	
8	0771210	8	Bolt, M12X20 Grade 10.9	
9	2160016	2	Fitting, Grease	
10	7138986	1	Sheave, Retract Chain (See Separate Breakdown in this Section)	
11	4811900	2	Washer, M8	
12	1001101867	1	Assembly, Chain Sheave (See Separate Breakdown in this Section)	
13	1001125117	AR	Washer, M12	
14	1001161055	1	Pin	
15	1001163029	2	Pad	
16	1001163034	AR	Plate	
18	1001163136	2	Plate	
19	1001165171	4	Pad	
20	1001168561	1	Bracket	
21	1001168575	1	Boom, Second	
22	1001168587	1	Pin, Boom Chain Pulley	
23	1001189492	2	Plate	
24	1001189793	AR	Shim	
25	0711226	2	Bolt, M12X90 Grade 10.9	
26	1001165172	8	Pad	
27	1001165173	2	Pad	
28	1001165367	AR	Plate	
29	1001190187	2	Plate	
30	1001163108	AR	Plate	
31	0711217	AR	Bolt, M12X45	
32	0771212	AR	Bolt, M12X25	
33	0711225	AR	Bolt, M12X85	



# SECTION 2 - BOOM

## FIGURE 2-4. THIRD BOOM SECTION ASSEMBLY



ART\_1001168735-H

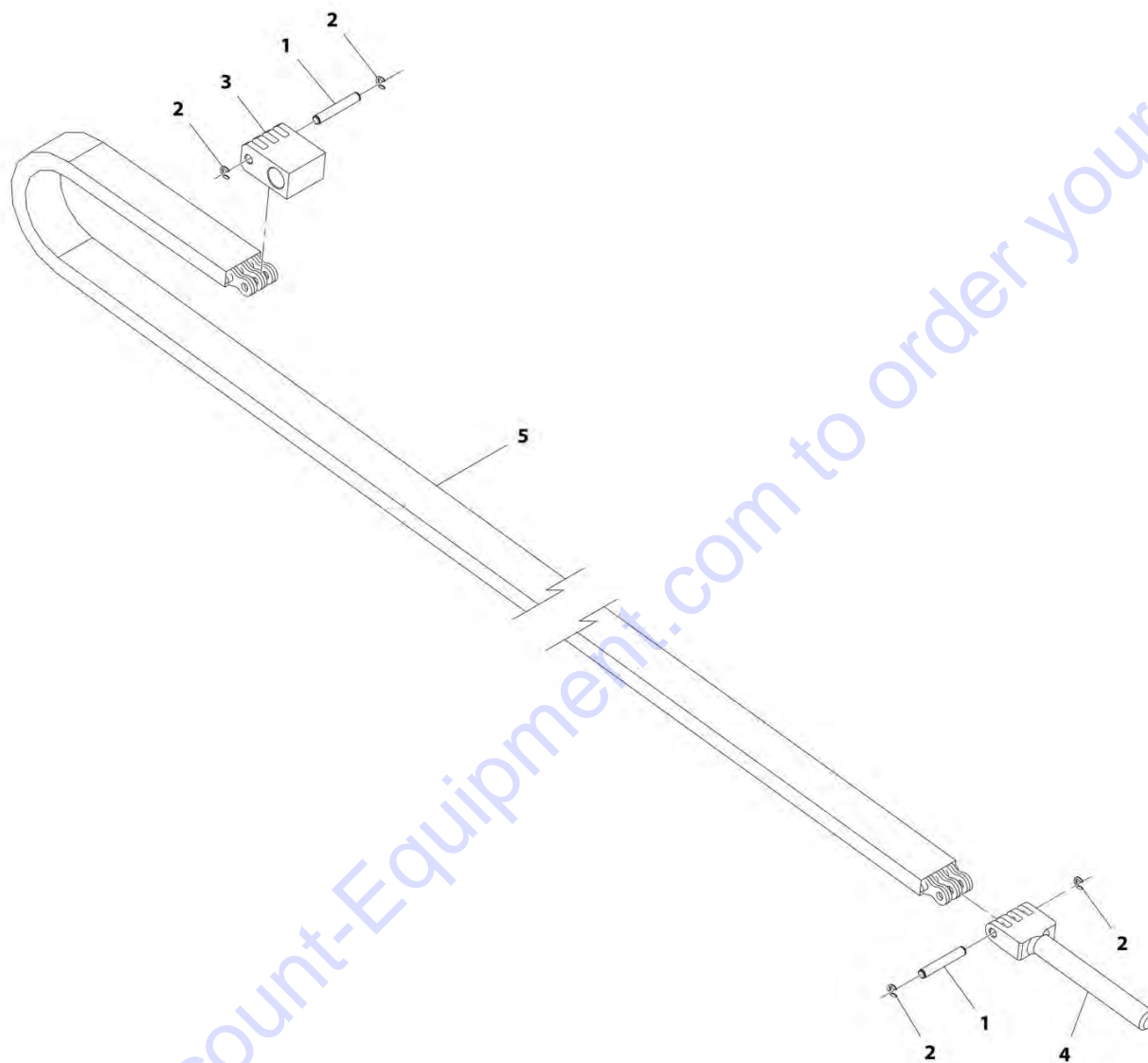
## SECTION 2 - BOOM

**FIGURE 2-4. THIRD BOOM SECTION ASSEMBLY**

ITEM	PART NUMBER	QTY	DESCRIPTION	REV
	1001168735	Ref	Third Boom Section Assembly	H
1	0760810	4	Bolt, M8X20	
2	0711214	4	Bolt, M12X30 Grade 10.9	
3	0711217	2	Bolt, M12X45	
4	0711219	2	Bolt, M12X55 Grade 10.9	
5	0771210	4	Bolt, M12X20 Grade 10.9	
8	4811900	4	Washer, M8	
10	1001125117	AR	Washer, M12	
11	1001163712	1	Pin	
12	1001163704	2	Ring, M15	
13	1001165367	AR	Plate	
15	1001168589	2	Plate	
16	1001165171	2	Pad	
17	1001168736	1	Boom, Third Section	
18	1001168755	Ref	Installation, Hose Bracket (See Separate Breakdown in this Section)	
21	1001163029	2	Pad	
22	1001189793	AR	Shim	
23	1001165172	2	Pad	
24	0711216	AR	Bolt, M12X40 Grade 10.9	
25	0711218	AR	Bolt, M12X50 Grade 10.9	
26	0771212	AR	Bolt, M12X25 Grade 10.9	
27	1001163034	AR	Plate	
28	1001200989	AR	Plate	
29	1001204045	1	Clevis	
109	1001204047	1	Sleeve	

## SECTION 2 - BOOM

FIGURE 2-5. RETRACT CHAIN INSTALLATION



ART\_1001169278-B

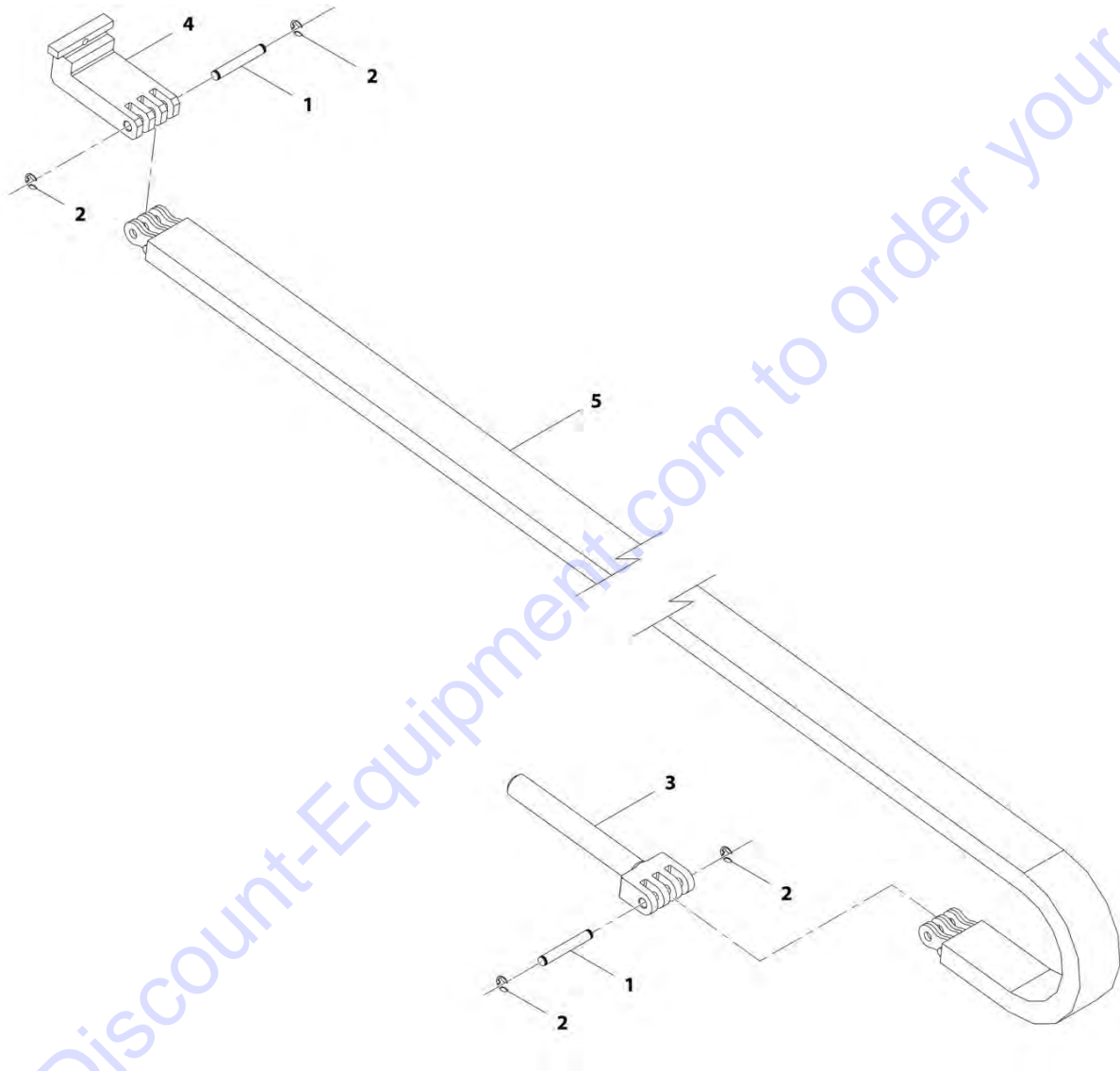
FIGURE 2-5. RETRACT CHAIN INSTALLATION

ITEM	PART NUMBER	QTY	DESCRIPTION	REV
	1001169278	Ref	Retract Chain Installation	B
1	1001187785	2	Pin, Clevis	
2	1001166163	4	Ring, External M6	
3	1001166233	1	Clevis, Chain	
4	1001166235	1	Clevis, Chain	
5	1001169279	1	Chain, Retract	

Go to Discount-Equipment.com to order your parts

# SECTION 2 - BOOM

## FIGURE 2-6. EXTEND CHAIN INSTALLATION



ART\_1001169326-A

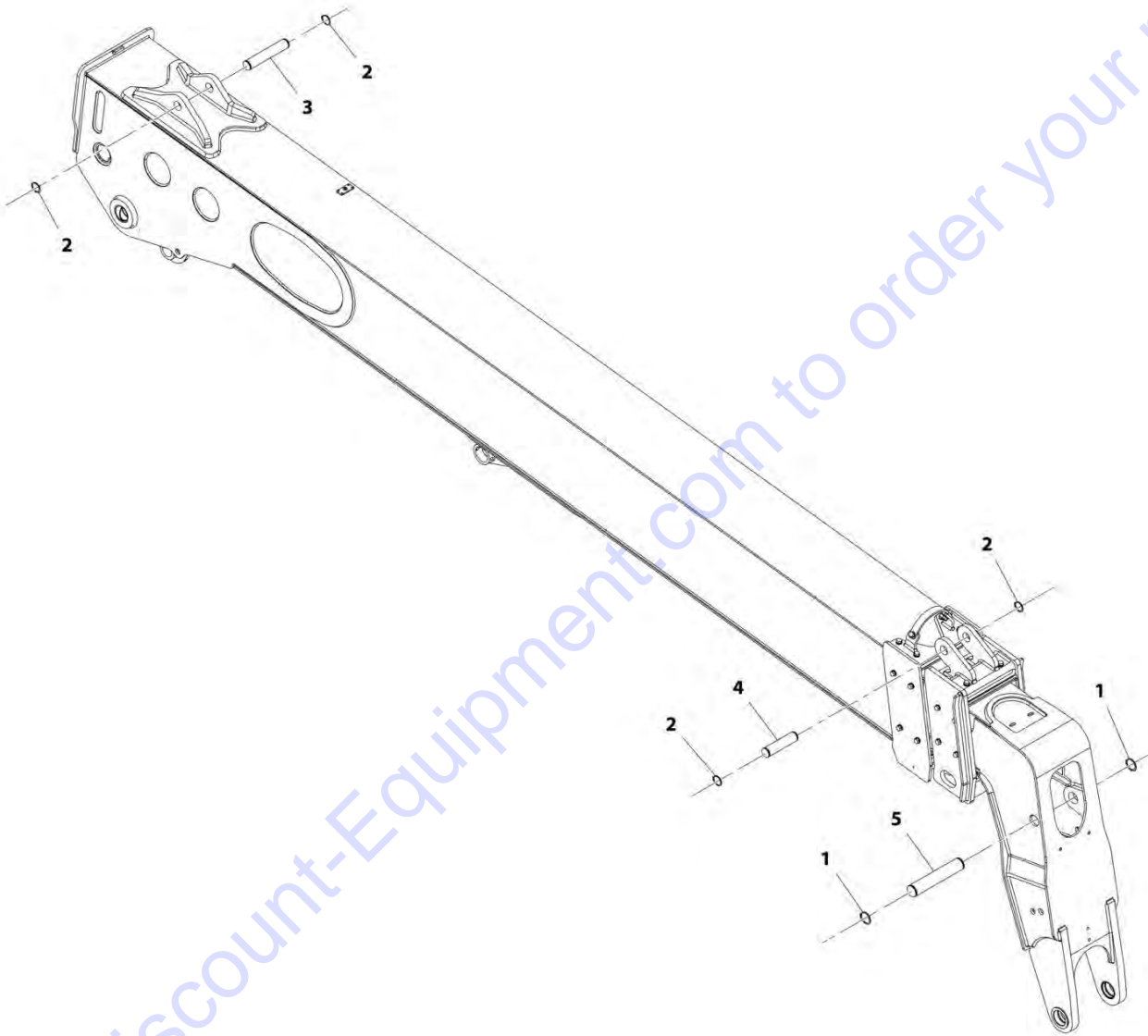
FIGURE 2-6. EXTEND CHAIN INSTALLATION

ITEM	PART NUMBER	QTY	DESCRIPTION	REV
	1001169326	Ref	Extend Chain Installation	A
1	1001163841	2	Pin, Clevis	
2	1001164039	4	Ring, External M8	
3	1001165590	1	Clevis, Chain	
4	1001165739	1	Clevis, Chain	
5	1001169327	1	Chain, Extend	

Go to Discount-Equipment.com to order your parts

# SECTION 2 - BOOM

## FIGURE 2-7. PINS INSTALLATION



ART\_1001173542-B

FIGURE 2-7. PINS INSTALLATION

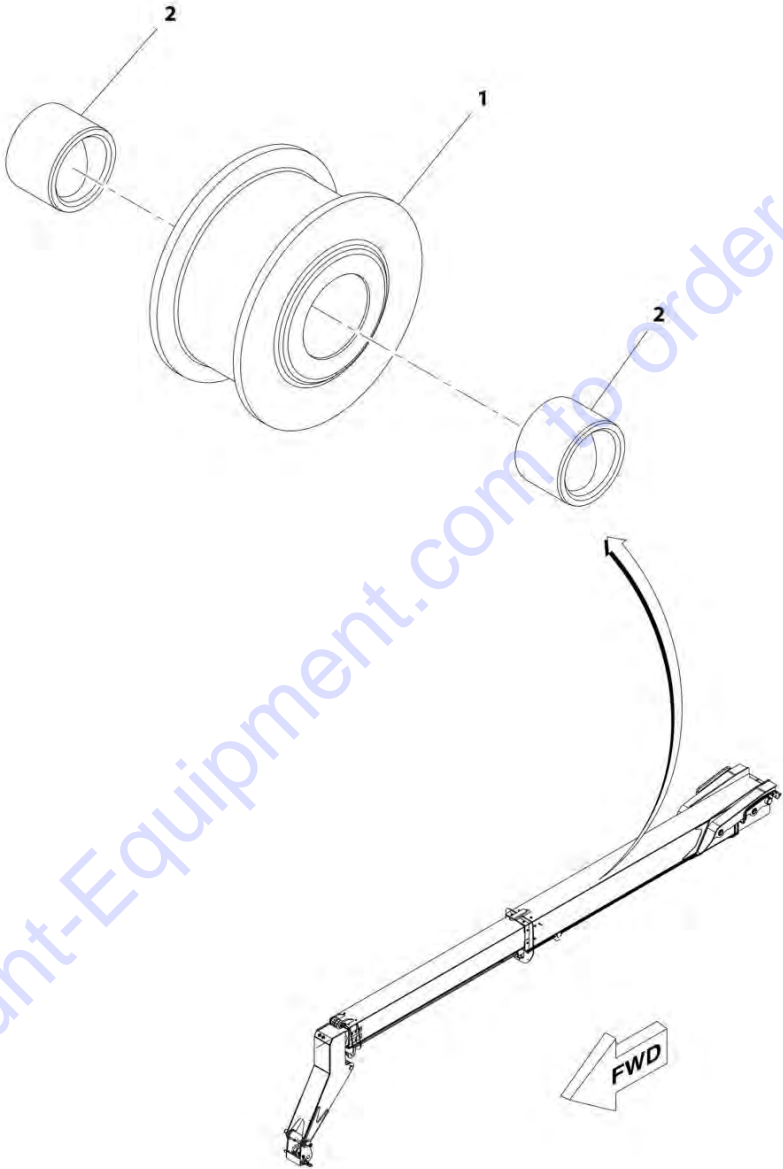
ITEM	PART NUMBER	QTY	DESCRIPTION	REV
	1001173542	Ref	Pins Installation	B
1	3760493	2	Ring, Retaining M5	
2	3760491	4	Ring, Retaining M40	
3	1001173543	1	Pin	
4	1001173544	1	Pin	
5	1001174726	1	Pin, Tilt Cylinder	

Go to Discount-Equipment.com to order your parts



**SECTION 2 - BOOM**

**FIGURE 2-8. RETRACT CHAIN SHEAVE**



ART\_7138986-C

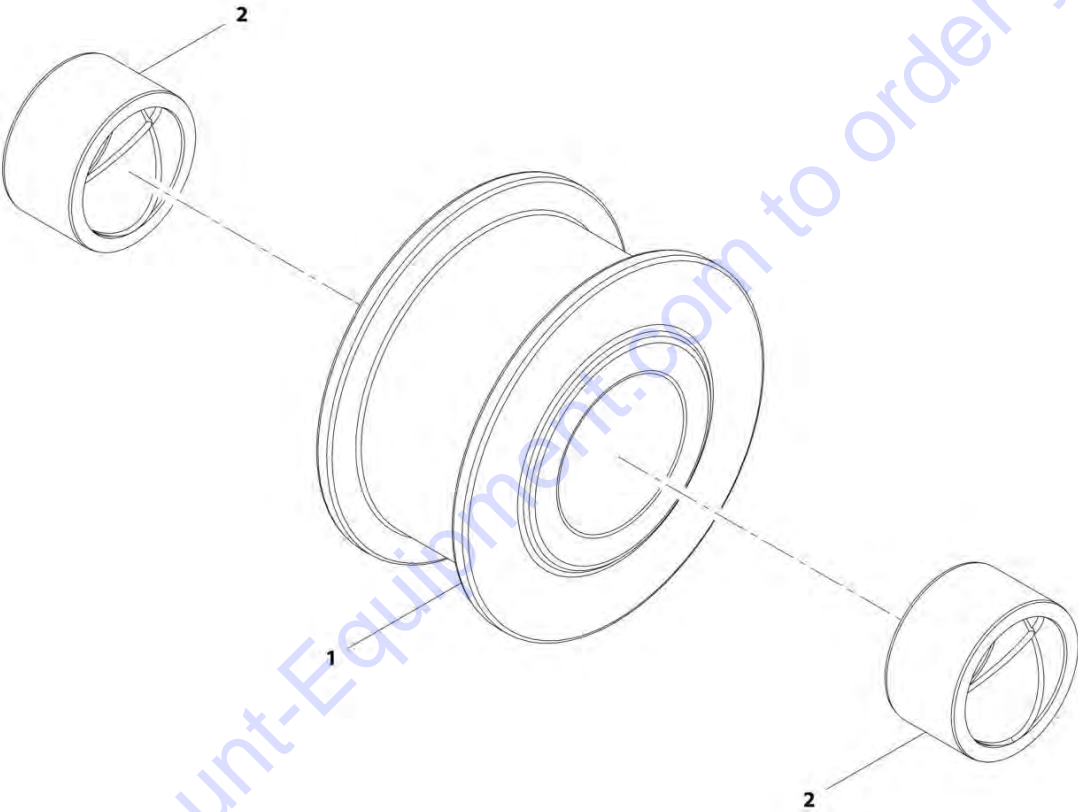
FIGURE 2-8. RETRACT CHAIN SHEAVE

ITEM	PART NUMBER	QTY	DESCRIPTION	REV
	7138986	Ref	Retract Chain Sheave	C
1	7138978	1	Sheave, Retract Chain	
2	7138979	2	Bushing, Sheave Retract Chain	

Go to Discount-Equipment.com to order your parts

**SECTION 2 - BOOM**

**FIGURE 2-9. CHAIN SHEAVE ASSEMBLY**



ART\_1001101867-A

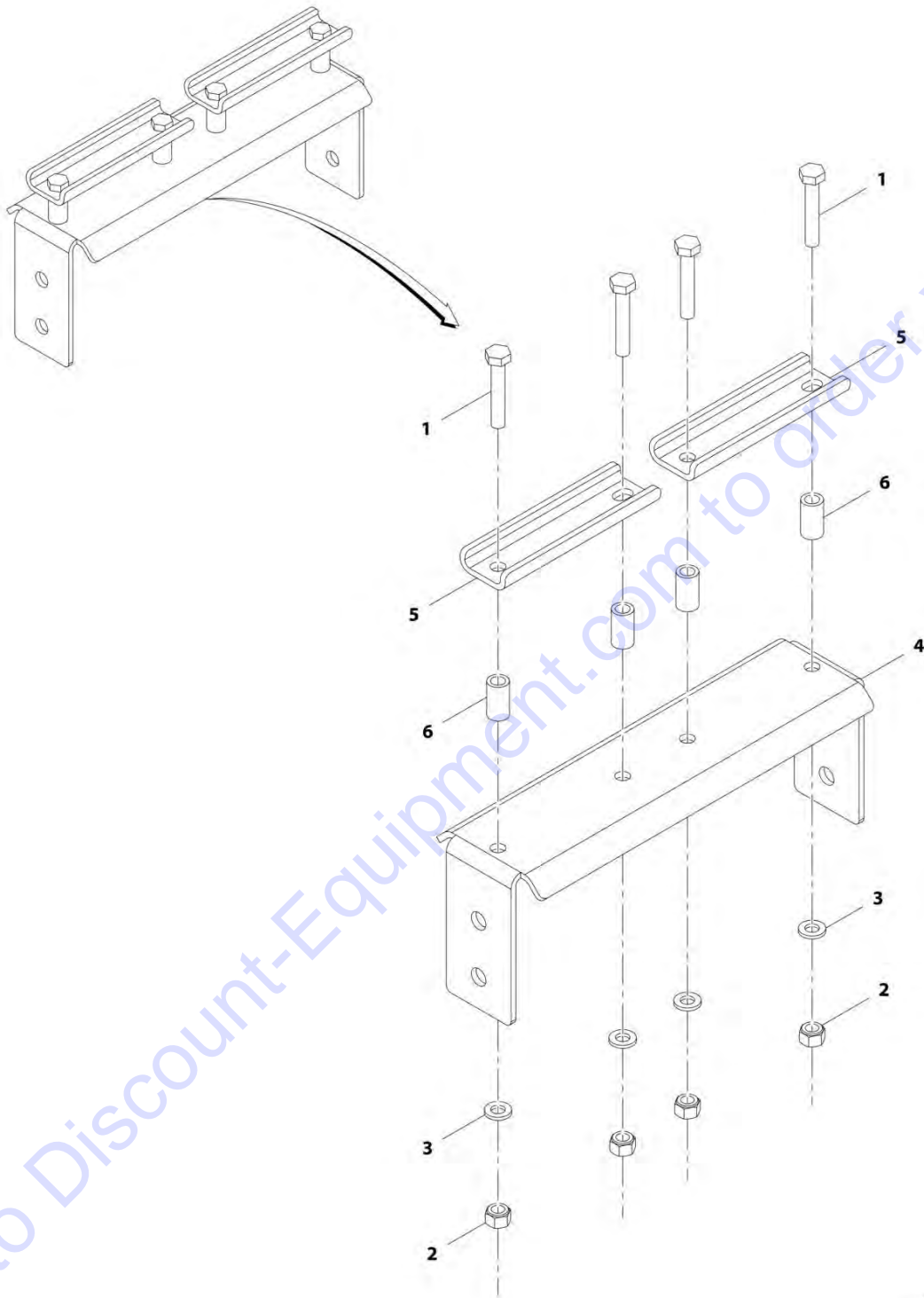
FIGURE 2-9. CHAIN SHEAVE ASSEMBLY

ITEM	PART NUMBER	QTY	DESCRIPTION	REV
	1001101867	Ref	Chain Sheave Assembly	A
1	7114032	1	Sheave, Chain	
2	7117502	2	Bushing, Sheave Chain	

Go to Discount-Equipment.com to order your parts

## SECTION 2 - BOOM

FIGURE 2-10. HOSE BRACKET INSTALLATION



ART\_1001168755-B

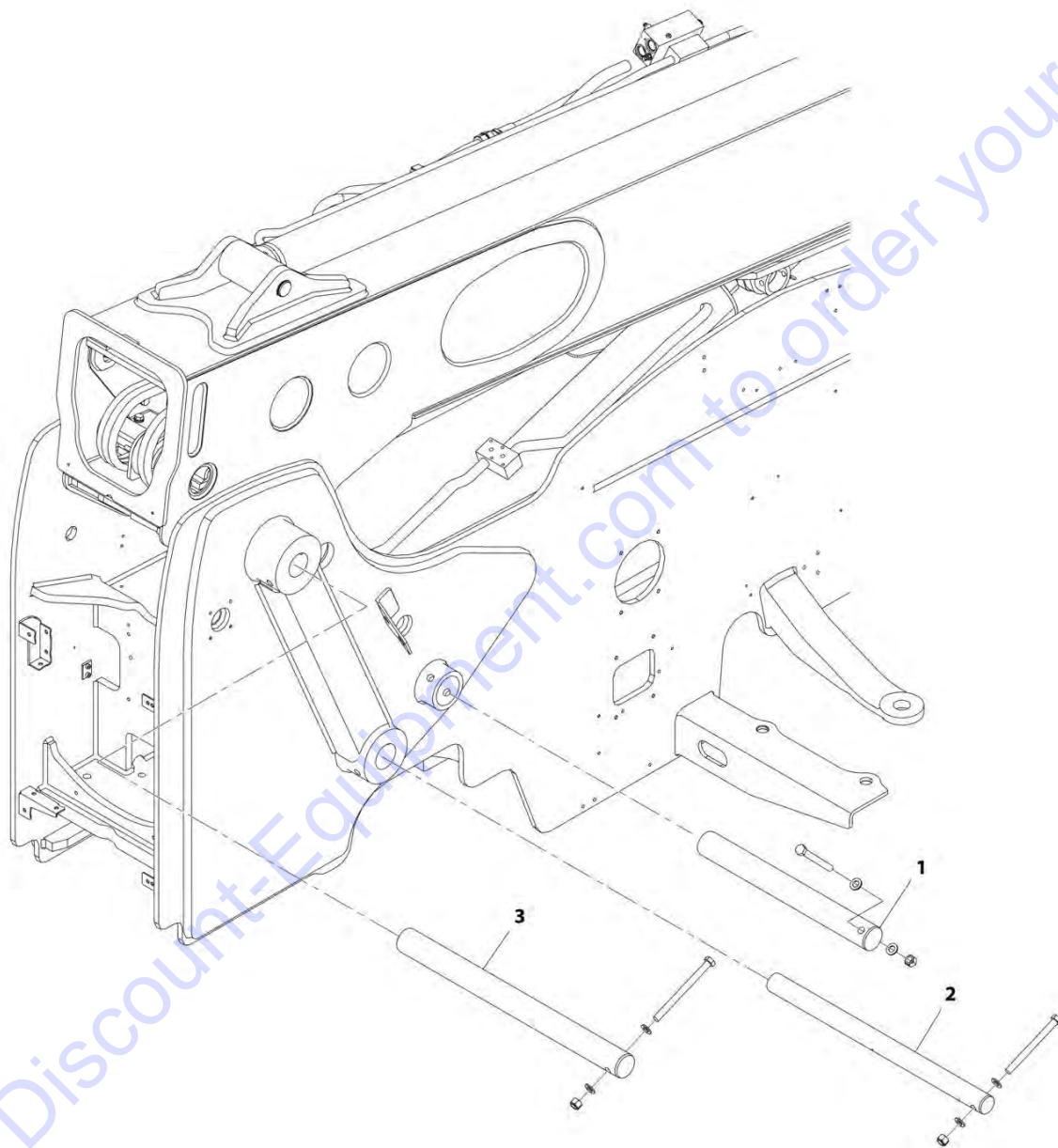
FIGURE 2-10. HOSE BRACKET INSTALLATION

ITEM	PART NUMBER	QTY	DESCRIPTION	REV
	1001168755	Ref	Hose Bracket Installation	B
1	0760615	4	Bolt, M6X35	
2	3290605	4	Nut, Lock M6X1 Grade 8	
3	4811700	4	Washer, M6	
4	1001168757	1	Bracket	
5	1001169209	2	Plate	
6	1001169214	4	Spacer	

Go to Discount-Equipment.com to order your parts

## SECTION 2 - BOOM

FIGURE 2-11. BOOM PINNING INSTALLATION



ART\_1001168634-B

**FIGURE 2-11. BOOM PINNING INSTALLATION**

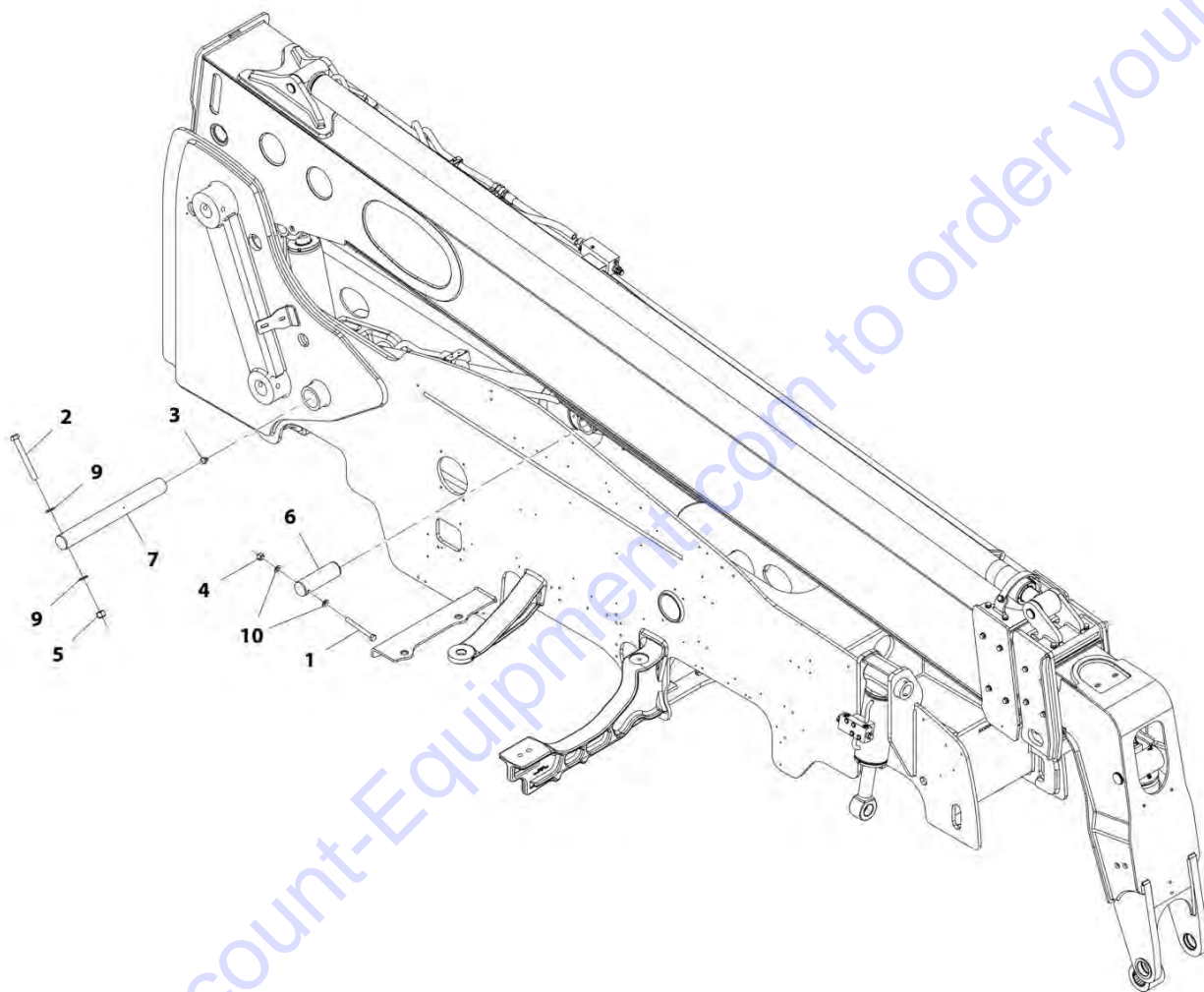
ITEM	PART NUMBER	QTY	DESCRIPTION	REV
	1001168634	Ref	Boom Pinning Installation	B
1	1001173111	Ref	Installation, Lift Cylinder Pins (See Separate Breakdown in this Section)	
2	1001173114	Ref	Installation, Compensation Cylinder Pins (See Separate Breakdown in this Section)	
3	1001173117	Ref	Installation, Boom Pivot Pin (See Separate Breakdown in this Section)	

Go to Discount-Equipment.com to order your parts



## SECTION 2 - BOOM

FIGURE 2-12. LIFT CYLINDER PINS INSTALLATION



ART\_1001173111-F

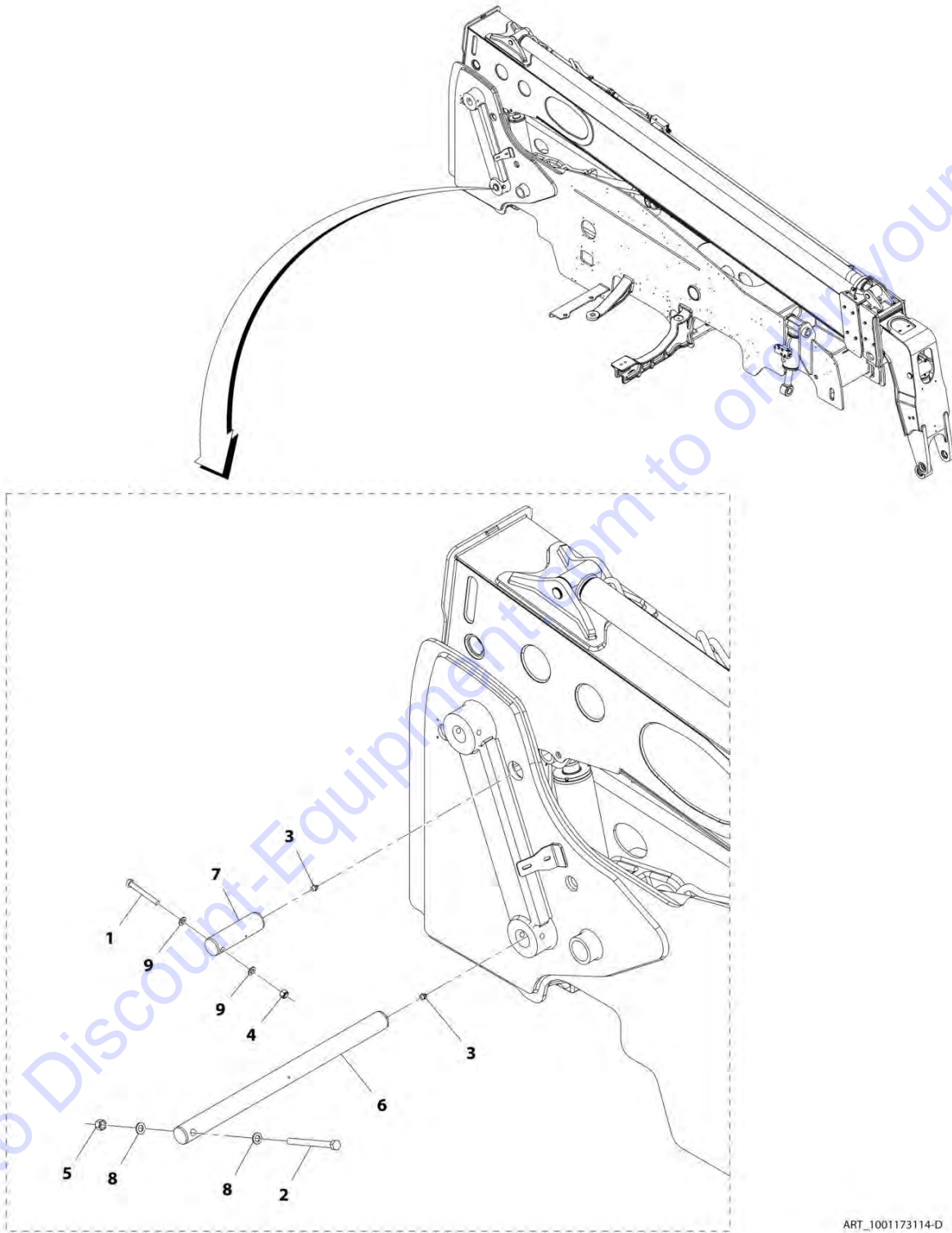
FIGURE 2-12. LIFT CYLINDER PINS INSTALLATION

ITEM	PART NUMBER	QTY	DESCRIPTION	REV
	1001173111	Ref	Lift Cylinder Pins Installation	F
1	0711228	1	Bolt, M12X110	
2	0711631	1	Bolt, M16X140	
3	2160016	1	Fitting, Grease	
4	3291205	1	Nut, Lock M12X1.75 Grade 8	
5	3291605	1	Nut, Lock M16X2 Grade 8	
6	1001205336	1	Pin, Cylinder	
7	1001173113	1	Pin, Cylinder	
9	4812300	2	Washer, M16	
10	4812100	2	Washer, M12	

Go to Discount-Equipment.com to order your parts

## SECTION 2 - BOOM

FIGURE 2-13. COMPENSATION CYLINDER PINS INSTALLATION



ART\_1001173114-D

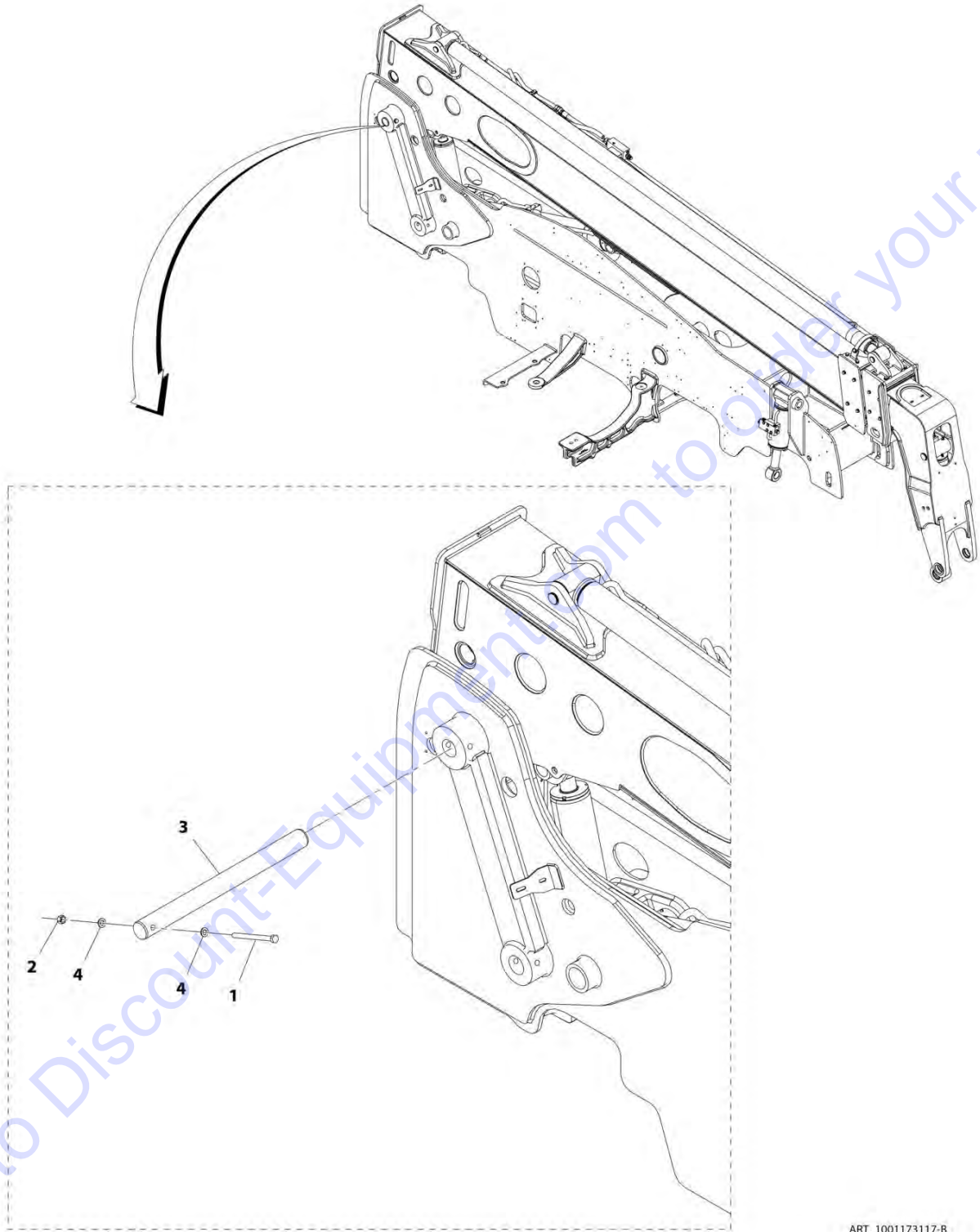
FIGURE 2-13. COMPENSATION CYLINDER PINS INSTALLATION

ITEM	PART NUMBER	QTY	DESCRIPTION	REV
	1001173114	Ref	Compensation Cylinder Pins Installation	D
1	0711227	1	Bolt, M12X100 Grade 10.9	
2	0711635	1	Bolt, M16X180 Grade 10.9	
3	2160016	2	Fitting, Grease	
4	3291205	1	Nut, Lock M12X1.75 Grade 8	
5	3291605	1	Nut, Lock M16X2 Grade 8	
6	1001173115	1	Pin, Cylinder Base	
7	1001173116	1	Pin, Cylinder End	
8	4812300	2	Washer, M16	
9	4812100	2	Washer, M12	

Go to Discount-Equipment.com to order your parts

# SECTION 2 - BOOM

## FIGURE 2-14. BOOM PIVOT PIN INSTALLATION



ART\_1001173117-B

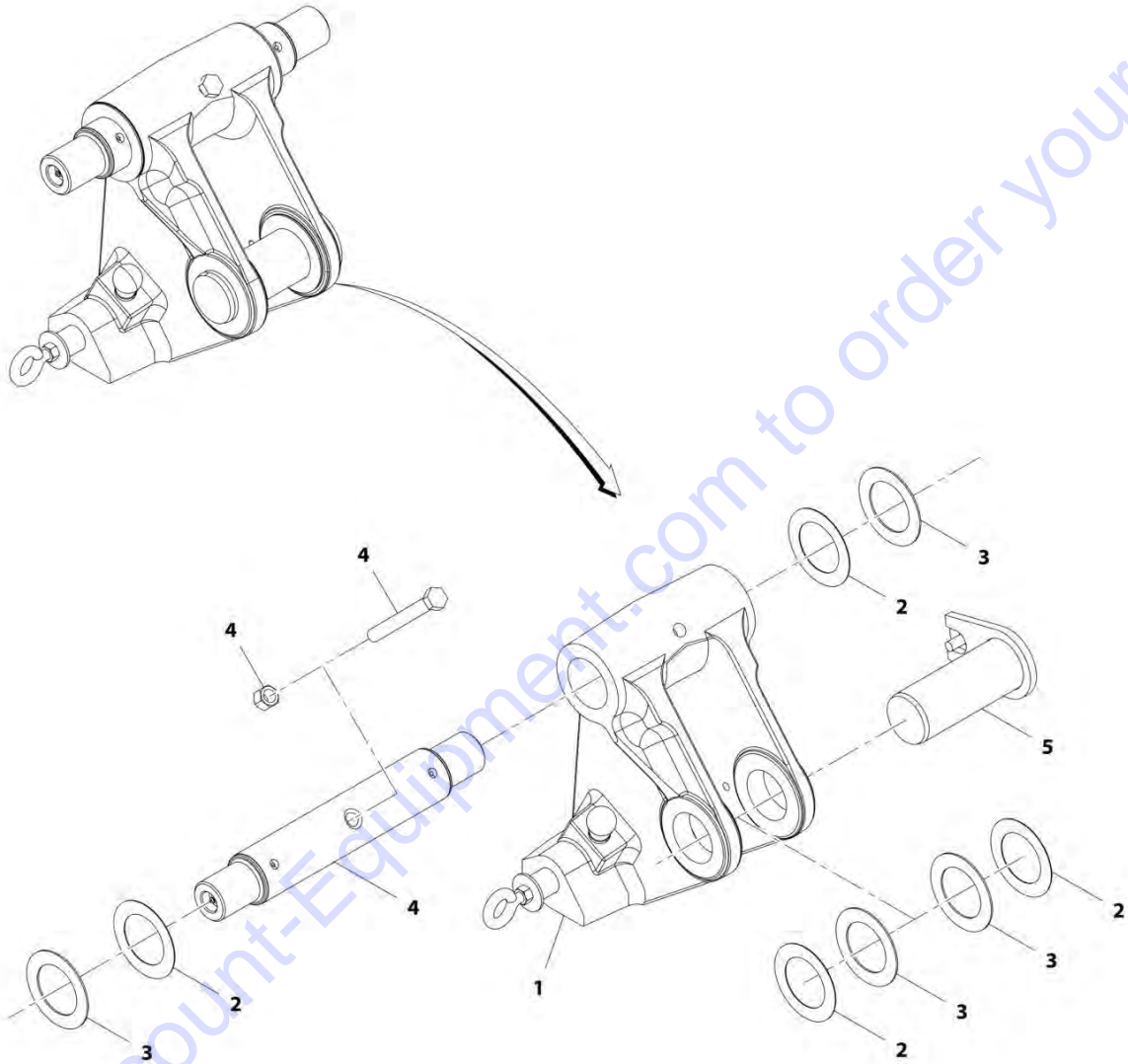
FIGURE 2-14. BOOM PIVOT PIN INSTALLATION

ITEM	PART NUMBER	QTY	DESCRIPTION	REV
	1001173117	Ref	Boom Pivot Pin Installation	B
1	1001091951	1	Bolt, M16X200	
2	3291605	1	Nut, Lock M16X2 Grade 8	
3	1001173118	1	Pin	
4	4812300	2	Washer, M16	

Go to Discount-Equipment.com to order your parts

## SECTION 2 - BOOM

FIGURE 2-15. MANUAL QUICK COUPLER INSTALLATION



ART\_1001170628-A

FIGURE 2-15. MANUAL QUICK COUPLER INSTALLATION

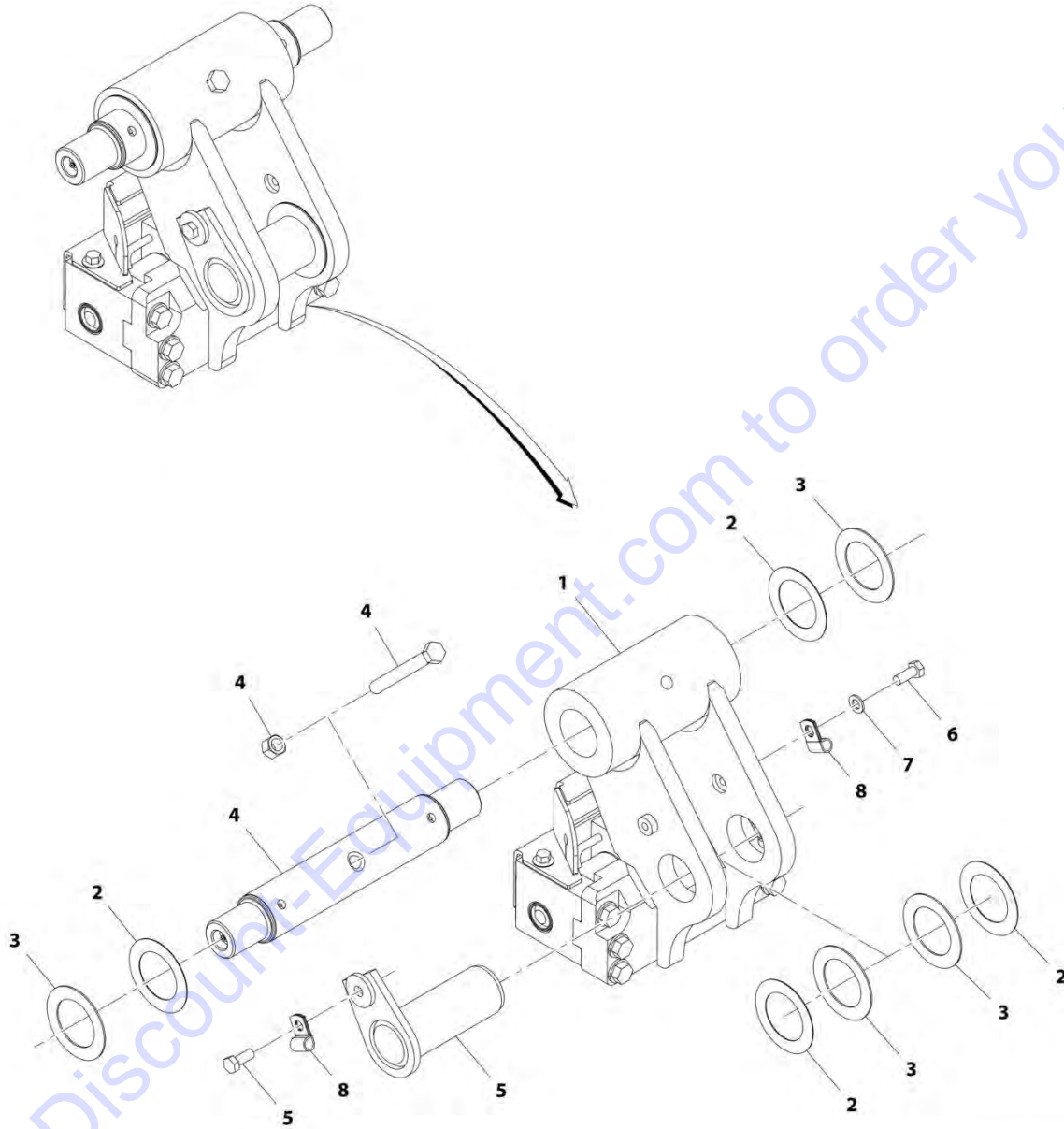
ITEM	PART NUMBER	QTY	DESCRIPTION	REV
1	1001170628	Ref	Manual Quick Coupler Installation	A
	1001171764	1	Coupling, Quick Connect (See Separate Breakdown in this Section)	
2	1001164884	AR	Shim	
3	1001164885	AR	Shim	
4	1001167761	Ref	Installation, Boom Pin (See Separate Breakdown in this Section)	
5	1001167762	Ref	Installation, Tilt Cylinder Pin (See Separate Breakdown in this Section)	

Go to Discount-Equipment.com to order your parts



## SECTION 2 - BOOM

FIGURE 2-16. HYDRAULIC QUICK COUPLER INSTALLATION



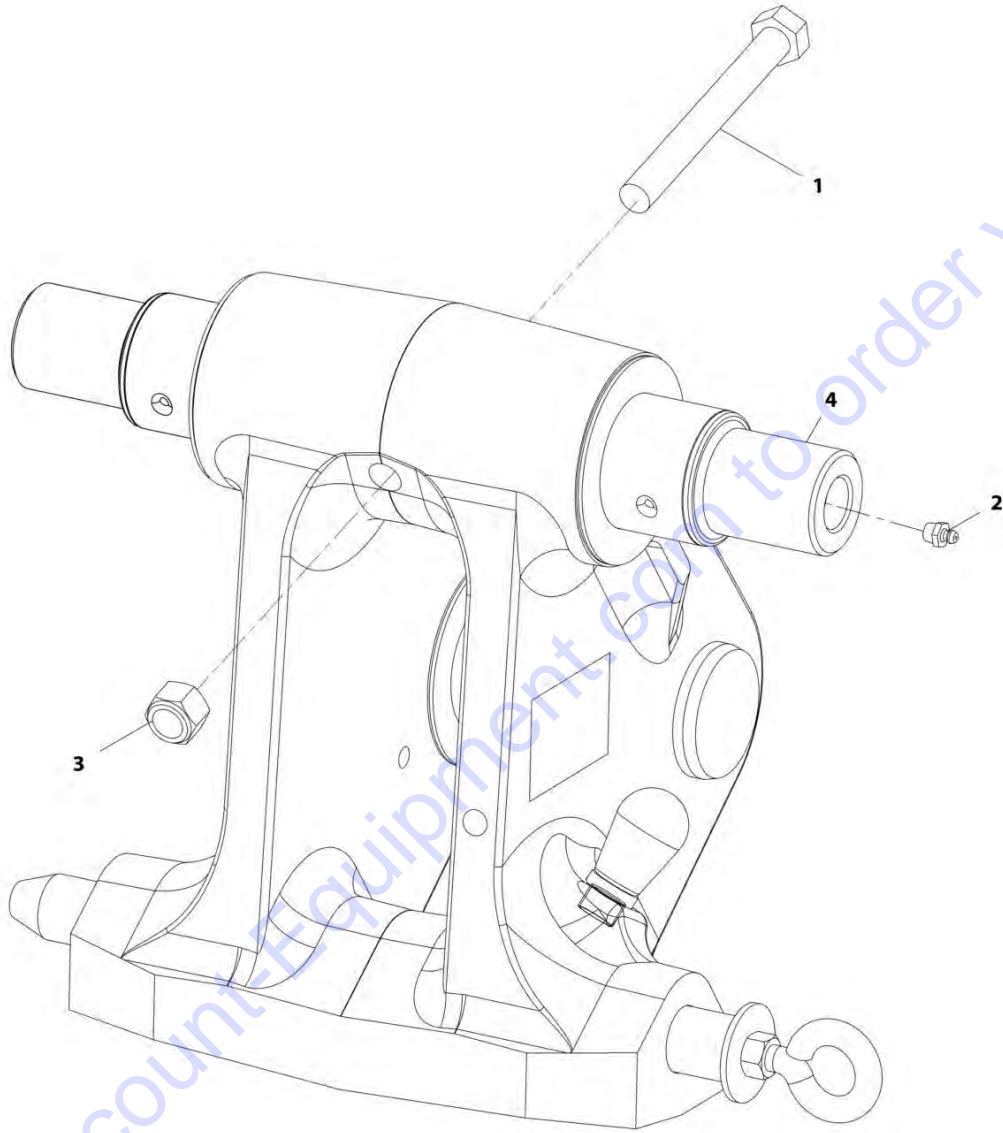
ART\_1001170631-B

FIGURE 2-16. HYDRAULIC QUICK COUPLER INSTALLATION

ITEM	PART NUMBER	QTY	DESCRIPTION	REV
	1001170631	Ref	Hydraulic Quick Coupler Installation	B
1	1001172134	1	Assembly, Hydraulic Quick Coupler (See Separate Breakdown in Hydraulic Circuits Section)	
2	1001164884	AR	Shim	
3	1001164885	AR	Shim	
4	1001167761	Ref	Installation, Boom Pin (See Separate Breakdown in this Section)	
5	1001167762	Ref	Installation, Tilt Cylinder Pin (See Separate Breakdown in this Section)	
6	0761214	1	Capscrew, M12X30	
7	4812100	1	Washer, M12	
8	1001080996	2	Clamp	

## SECTION 2 - BOOM

FIGURE 2-17. BOOM PIN INSTALLATION



ART\_1001167761-B

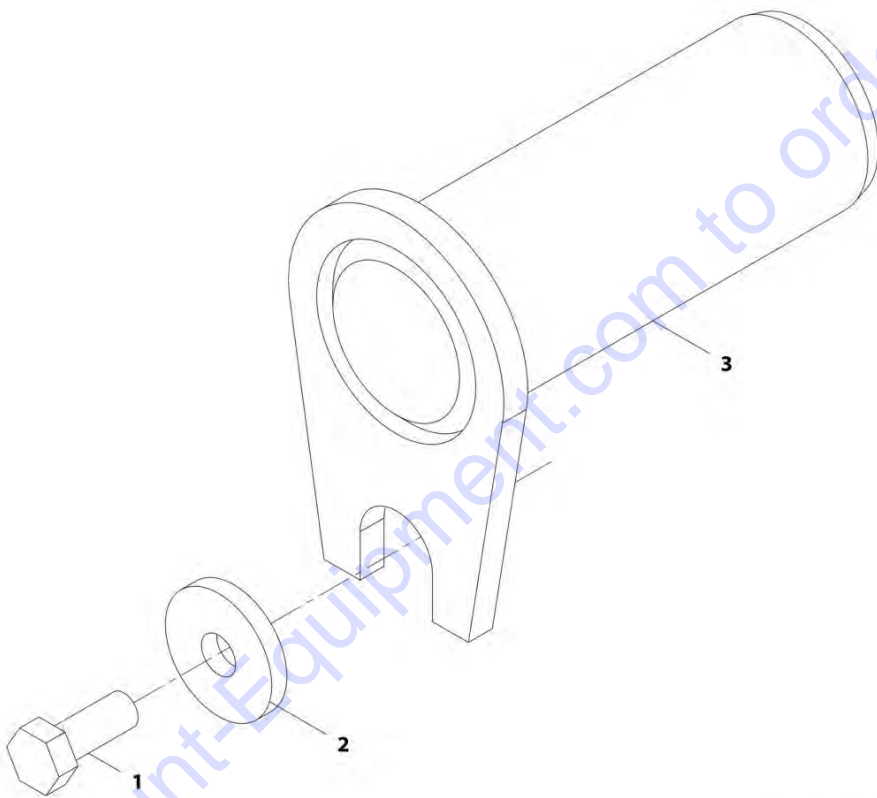
FIGURE 2-17. BOOM PIN INSTALLATION

ITEM	PART NUMBER	QTY	DESCRIPTION	REV
	1001167761	Ref	Boom Pin Installation	B
1	0711631	1	Bolt, M16X140	
2	2160016	2	Fitting, Straight	
3	3291605	1	Nut, Lock M16X2	
4	1001164871	1	Pin	

Go to Discount-Equipment.com to order your parts

## SECTION 2 - BOOM

FIGURE 2-18. TILT CYLINDER PIN INSTALLATION



ART\_1001167762-A

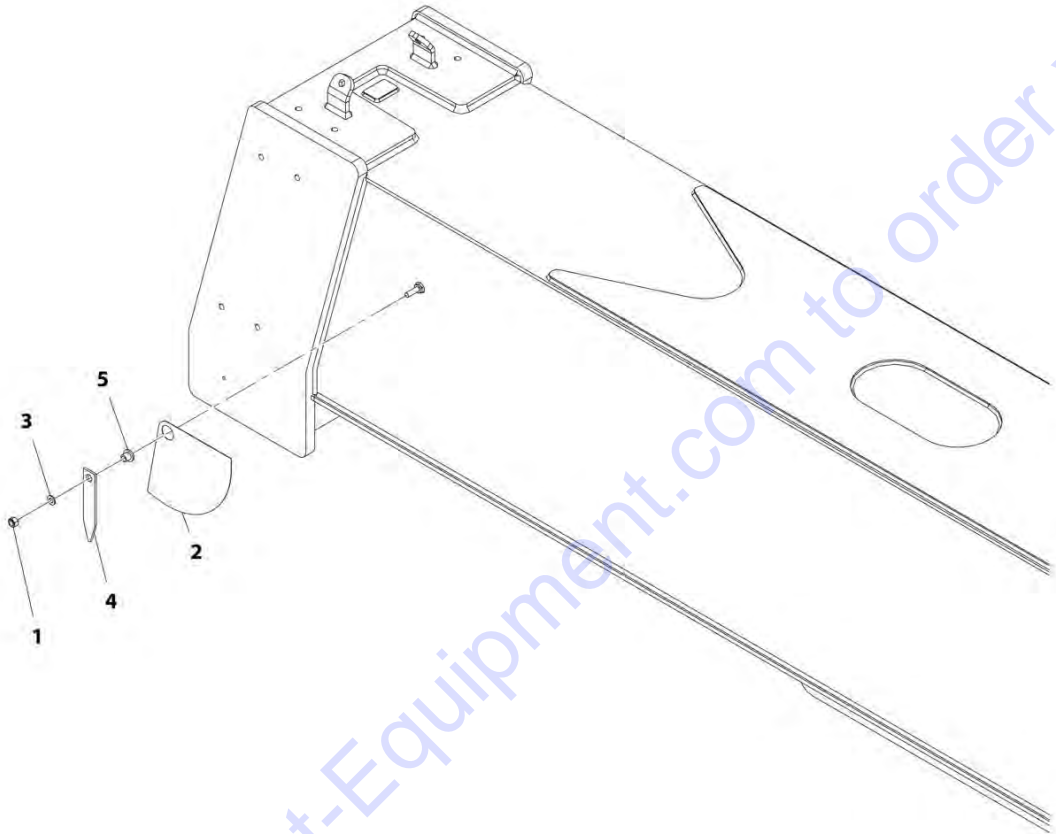
FIGURE 2-18. TILT CYLINDER PIN INSTALLATION

ITEM	PART NUMBER	QTY	DESCRIPTION	REV
	1001167762	Ref	Tilt Cylinder Pin Installation	A
1	0761214	1	Bolt, M12X30	
2	4740003	1	Washer	
3	1001164881	1	Pin	

Go to Discount-Equipment.com to order your parts

**SECTION 2 - BOOM**

**FIGURE 2-19. BOOM ANGLE INDICATOR INSTALLATION**



ART\_1001167806-B

FIGURE 2-19. BOOM ANGLE INDICATOR INSTALLATION

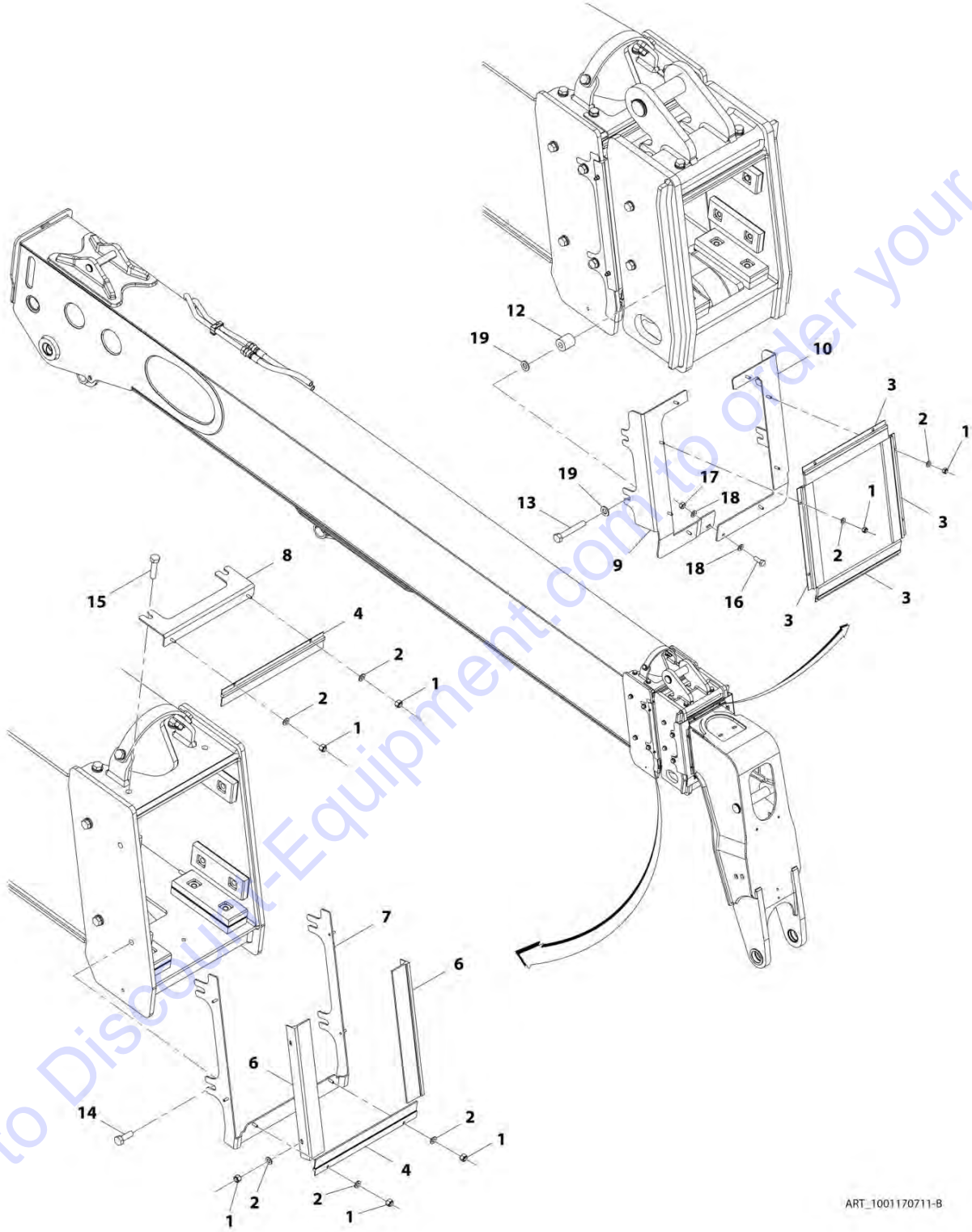
ITEM	PART NUMBER	QTY	DESCRIPTION	REV
	1001167806	Ref	Boom Angle Indicator Installation	B
1	3291005	1	Nut, Lock M10X1.5 Grade 8	
2	4105262	1	Decal, Boom Angle Indicator	
3	4812000	1	Washer, M10	
4	1001098769	1	Plate	
5	1001171808	1	Spacer	

Go to Discount-Equipment.com to order your parts



# SECTION 2 - BOOM

## FIGURE 2-20. BOOM BRUSHES INSTALLATION



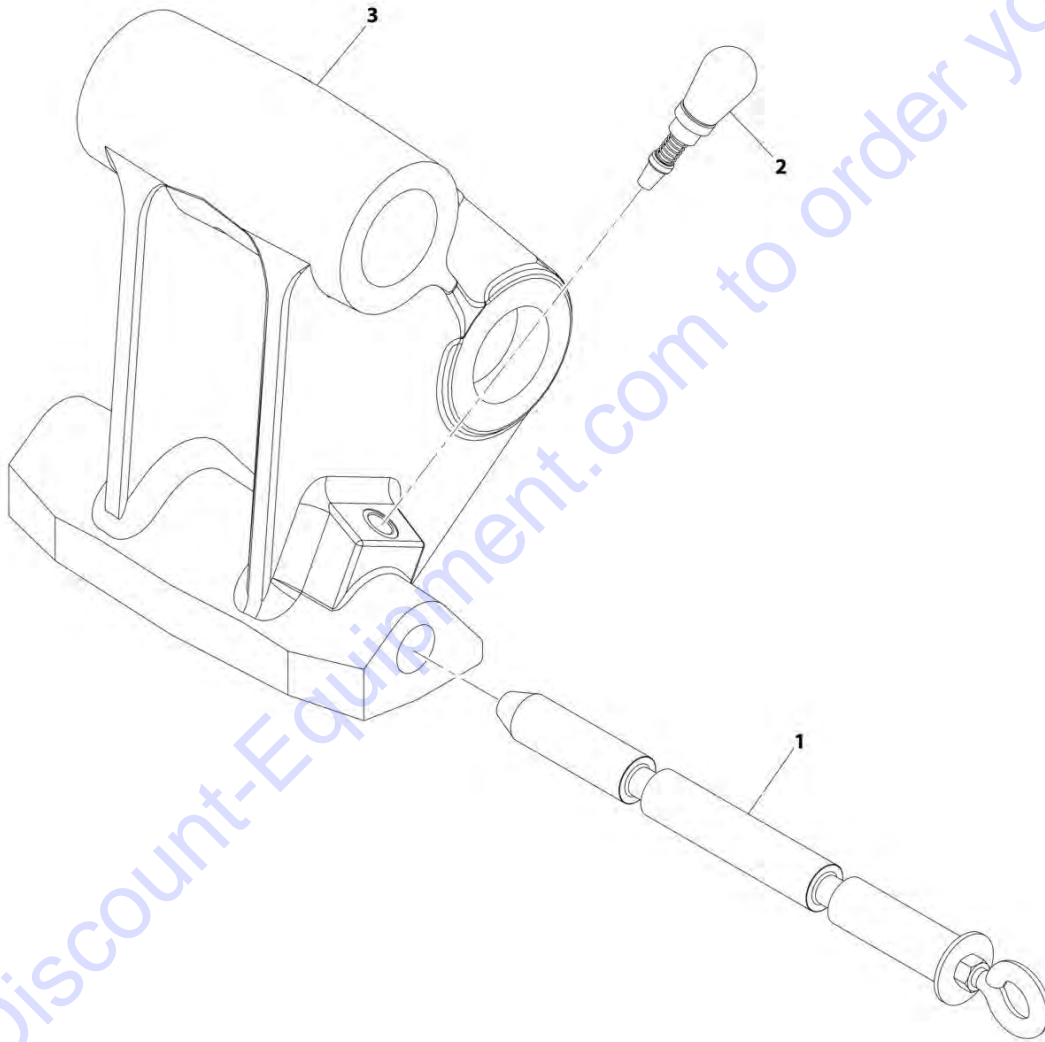
ART\_1001170711-B

FIGURE 2-20. BOOM BRUSHES INSTALLATION

ITEM	PART NUMBER	QTY	DESCRIPTION	REV
	1001170711	Ref	Boom Brushes Installation	B
1	3290505	16	Nut, Lock M5X0.8 Grade 8	
2	4811600	16	Washer, M5	
3	1001172995	4	Brush, Boom	
4	1001172997	2	Brush, Boom	
6	1001172999	2	Brush, Boom	
7	1001175485	1	Bracket, Boom Brush	
8	1001175486	1	Bracket, Boom Brush	
9	1001196931	1	Bracket, Boom Brush	
10	1001196929	1	Bracket, Boom Brush	
12	1001193577	4	Spacer	
13	0701224	4	Bolt, M12X80	
14	0711215	4	Bolt, M12X35 Grade 10.9	
15	0711218	2	Bolt, M12X50 Grade 10.9	
16	0760608	1	Bolt, M6X16	
17	3290601	1	Nut, M6X1	
18	4811700	2	Washer, M6	
19	1001125117	4	Washer, M12	

## SECTION 2 - BOOM

FIGURE 2-21. QUICK COUPLER ASSEMBLY



ART\_1001171764-A

FIGURE 2-21. QUICK COUPLER ASSEMBLY

ITEM	PART NUMBER	QTY	DESCRIPTION	REV
	1001171764	Ref	Quick Coupler Assembly	A
1	1001105441	1	Pin	
2	1001143692	1	Pin, Poppin	
3	1001164567	1	Coupling, Quick Connect	

Go to Discount-Equipment.com to order your parts

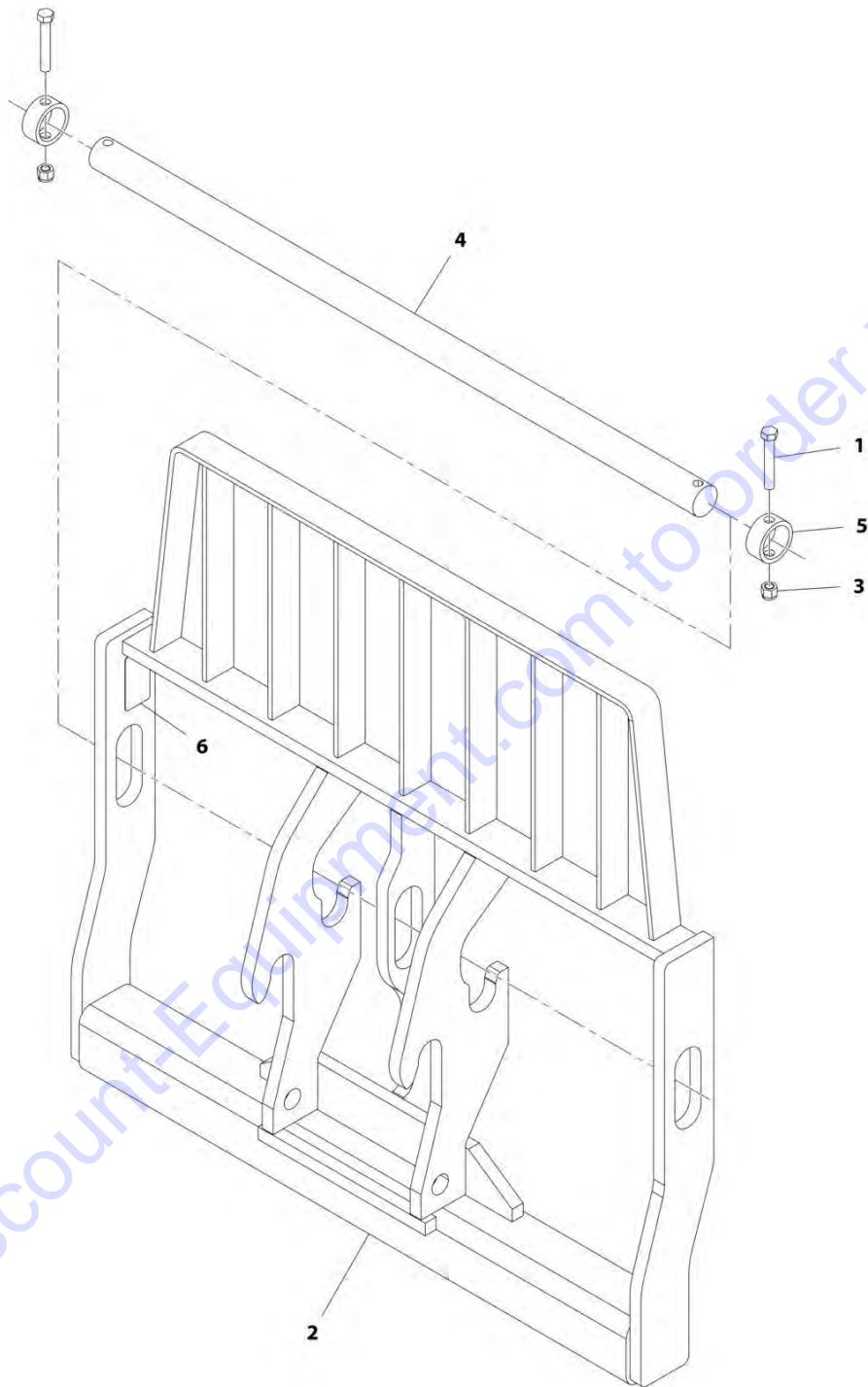


**SECTION 3 - ATTACHMENTS**

Go to Discount-Equipment.com to order your parts

# SECTION 3 - ATTACHMENTS

## FIGURE 3-1. CARRIAGE ASSEMBLY (1270MM)



ART\_1170021-F

## SECTION 3 - ATTACHMENTS

### FIGURE 3-1. CARRIAGE ASSEMBLY (1270MM)

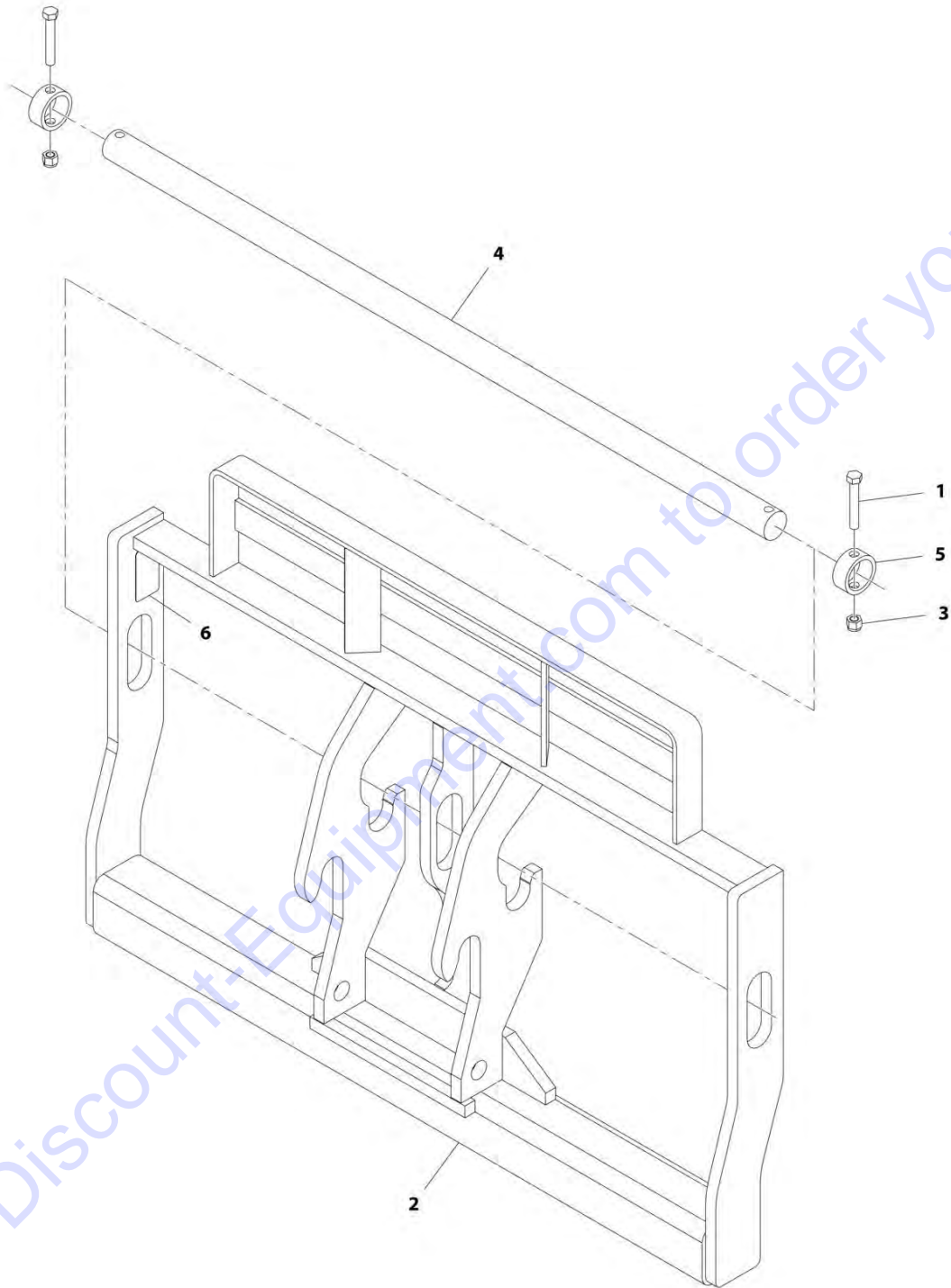
ITEM	PART NUMBER	QTY	DESCRIPTION	REV
	1170021	1	Carriage Assembly (1270MM)	F
1	0642032	2	Bolt, 5/8-11X4	
2	1170012	1	Weldment, Carriage	
3	3300240	2	Nut, Lock 5/8-11	
4	3423275	1	Pin, Fork	
5	90200003	2	Collar, Fork Pin	
6	N.S.S.	Ref	Plate, Serial Number	

Go to Discount-Equipment.com to order your parts



# SECTION 3 - ATTACHMENTS

## FIGURE 3-2. CARRIAGE ASSEMBLY (1524 MM)



ART\_1170024-F

## SECTION 3 - ATTACHMENTS

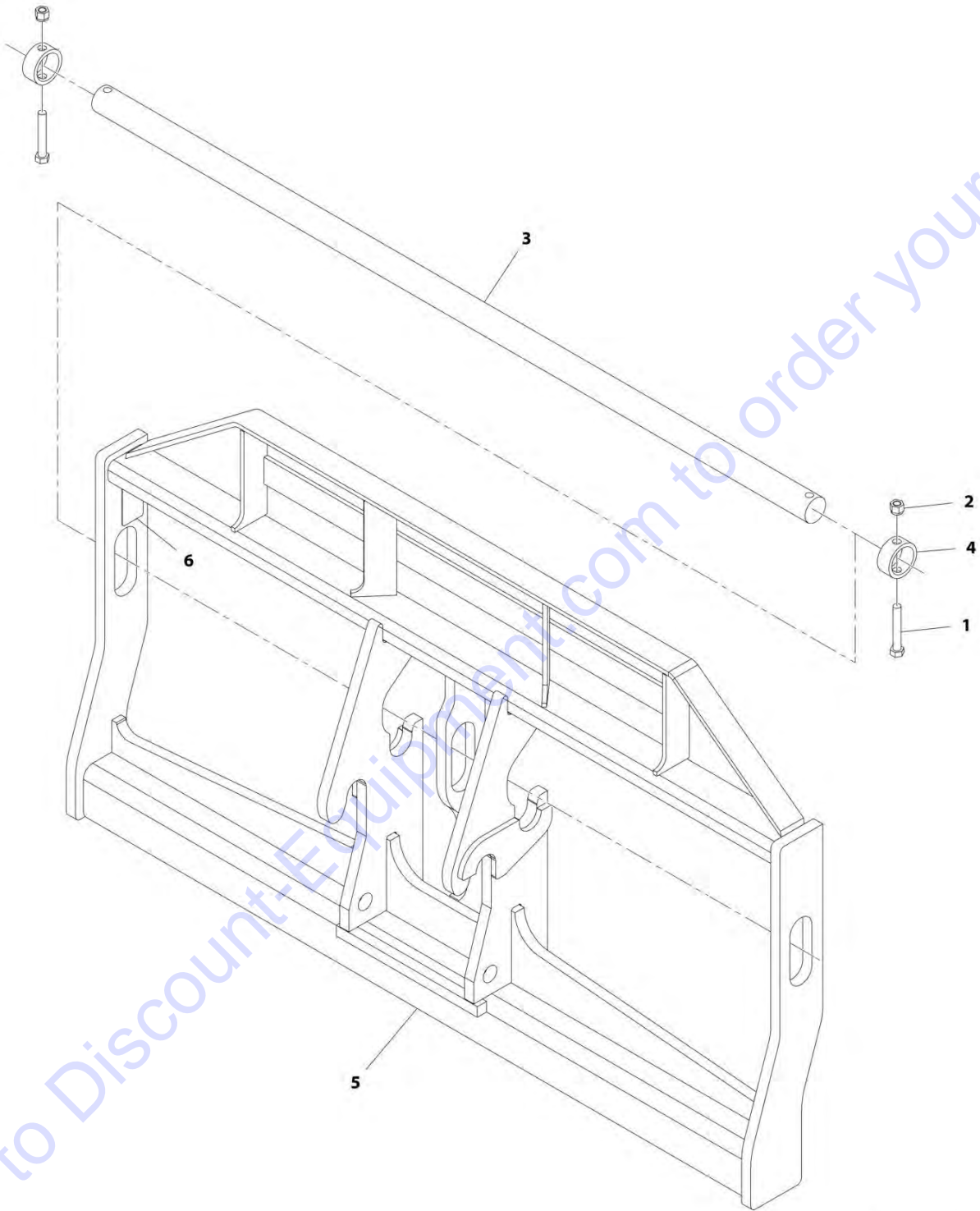
### FIGURE 3-2. CARRIAGE ASSEMBLY (1524 MM)

ITEM	PART NUMBER	QTY	DESCRIPTION	REV
	1170024	1	Carriage Assembly (1524 MM)	F
1	0642032	2	Bolt, 5/8-11X4	
2	N.S.S.	1	Weldment, Carriage	
3	3300240	2	Nut, Locking 5/8-11	
4	3423242	1	Pin	
5	90200003	2	Sleeve	
6	N.S.S.	Ref	Plate, Serial Number	

Go to Discount-Equipment.com to order your parts

# SECTION 3 - ATTACHMENTS

## FIGURE 3-3. CARRIAGE ASSEMBLY (1829 MM)



ART\_1001211516-A

## SECTION 3 - ATTACHMENTS

### FIGURE 3-3. CARRIAGE ASSEMBLY (1829 MM)

ITEM	PART NUMBER	QTY	DESCRIPTION	REV
	1001211516	1	Carriage Assembly (1829 MM)	A
1	0642032	2	Bolt, 5/8-11X4	
2	3300240	2	Nut, Locking 5/8-11	
3	3423276	1	Pin	
4	90200003	2	Sleeve	
5	N.S.S.	Ref	Weldment, Carriage	
6	N.S.S.	Ref	Plate, Serial Number	

Go to Discount-Equipment.com to order your parts

# PARTS FINDER

**Search Website  
by Part Number**



**Search Manual  
Library For Parts  
Manual & Lookup Part  
Numbers – Purchase  
or Request Quote**

**Can't Find Part or  
Manual? Request Help  
by Manufacturer,  
Model & Description**

Discount-Equipment.com is your online resource for quality parts & equipment.

Florida: **561-964-4949** Outside Florida TOLL FREE: **877-690-3101**

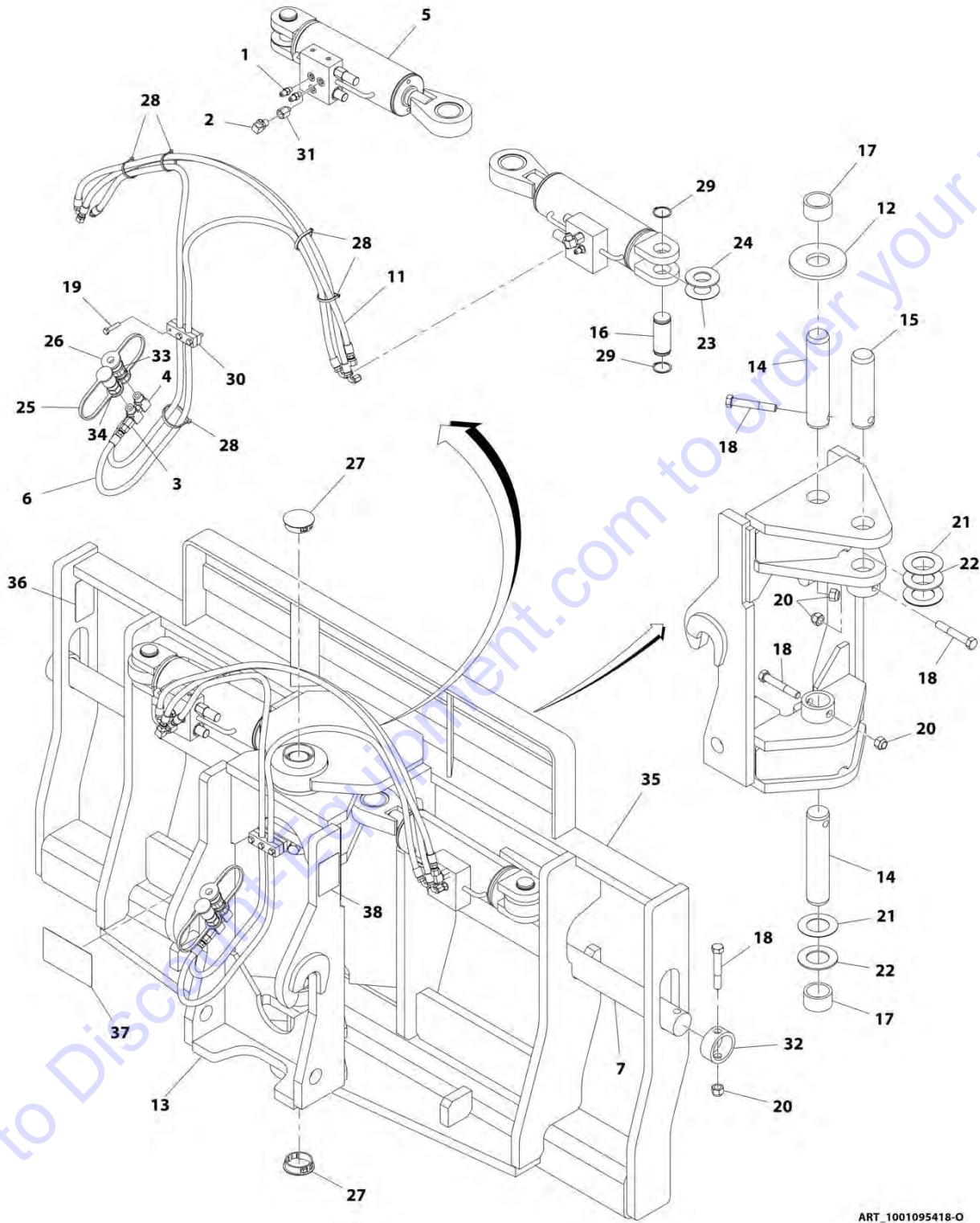
## Need parts?

Click on this link: <http://www.discount-equipment.com/category/5443-parts/> and choose one of the options to help get the right parts and equipment you are looking for. Please have the machine model and serial number available in order to help us get you the correct parts. If you don't find the part on the website or on one of the online manuals, please fill out the request form and one of our experienced staff members will get back to you with a quote for the right part that your machine needs.

We sell worldwide for the brands: Genie, Terex, JLG, MultiQuip, Mikasa, Essick, Whiteman, Mayco, Toro Stone, Diamond Products, Generac Magnum, Airman, Haulotte, Barreto, Power Blanket, Nifty Lift, Atlas Copco, Chicago Pneumatic, Allmand, Miller Curber, Skyjack, Lull, Skytrak, Tsurumi, Husquvarna Target, Stow, Wacker, Sakai, Mi-T-M, Sullair, Basic, Dynapac, MBW, Weber, Bartell, Bennar Newman, Haulotte, Ditch Runner, Menegotti, Morrison, Contec, Buddy, Crown, Edco, Wyco, Bomag, Laymor, EZ Trench, Bil-Jax, F.S. Curtis, Gehl Pavers, Heli, Honda, ICS/PowerGrit, IHI, Partner, Imer, Clipper, MMD, Koshin, Rice, CH&E, General Equipment, Amida, Coleman, NAC, Gradall, Square Shooter, Kent, Stanley, Tamco, Toku, Hatz, Kohler, Robin, Wisconsin, Northrock, Oztec, Toker TK, Rol-Air, APT, Wylie, Ingersoll Rand / Doosan, Innovatech, Con X, Ammann, Mecalac, Makinex, Smith Surface Prep, Small Line, Wanco, Yanmar

# SECTION 3 - ATTACHMENTS

## FIGURE 3-4. 90 SWING CARRIAGE ASSEMBLY (72 INCH)



ART\_1001095418-0

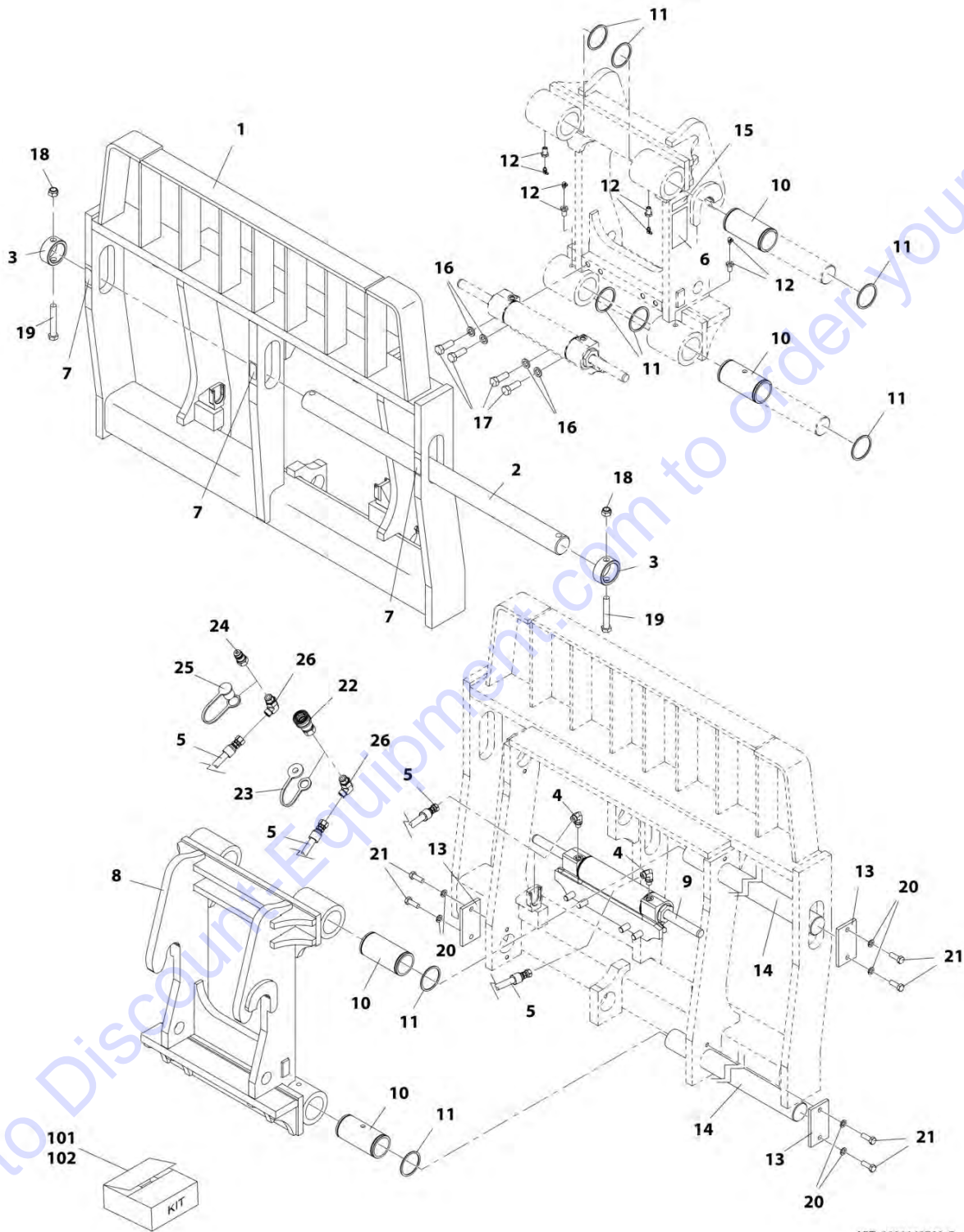
## SECTION 3 - ATTACHMENTS

**FIGURE 3-4. 90 SWING CARRIAGE ASSEMBLY (72 INCH)**

ITEM	PART NUMBER	QTY	DESCRIPTION	REV
	1001095418	1	90 Swing Carriage Assembly (72 Inch)	0
1	2220415	4	Fitting, Straight ORFS	
2	2220473	2	Fitting, 90 ORFS	
3	2220609	2	Connector	
4	2220628	2	Fitting, 90 ORFS	
5	1001103182	2	Swing Carriage Cylinder (See Separate Breakdown in Hydraulic Components Section)	
6	2717287	2	Hose	
7	3423276	1	Pin	
11	6604662	2	Hose	
12	7062922	1	Washer	
13	N.S.S.	1	Pivot	
14	7110702	2	Pin	
15	7110712	1	Pin	
16	7110722	2	Pin	
17	8065062	2	Bushing	
18	8303634	5	Bolt, 5/8-11X4	
19	8303715	3	Bolt, 5/16-18X1-1/2	
20	8305643	5	Nut, Lock 5/8-11	
21	8307904	AR	Washer	
22	8307918	AR	Washer	
23	8310160	AR	Washer	
24	8310161	AR	Washer	
25	8420053	1	Cap	
26	8420055	1	Plug	
27	8580315	2	Plug	
28	8584001	5	Tie Wrap	
29	8642207	4	Ring, Retaining	
30	8769132	2	Clamp	
31	8770016	2	Fitting, Straight ORFS	
32	90200003	2	Collar	
33	91403413	1	Fitting, Straight ORFS	
34	91403414	1	Fitting, Straight	
35	N.S.S.	Ref	Carriage	
36	N.S.S.	Ref	Plate	
37	1001110704	1	Decal, Warning Crushing Hazard	
38	1001111190	2	Decal, Warning	

# SECTION 3 - ATTACHMENTS

## FIGURE 3-5. SIDE SHIFT CARRIAGE (5.5 TON - 1270 MM)



ART\_1001142790-C



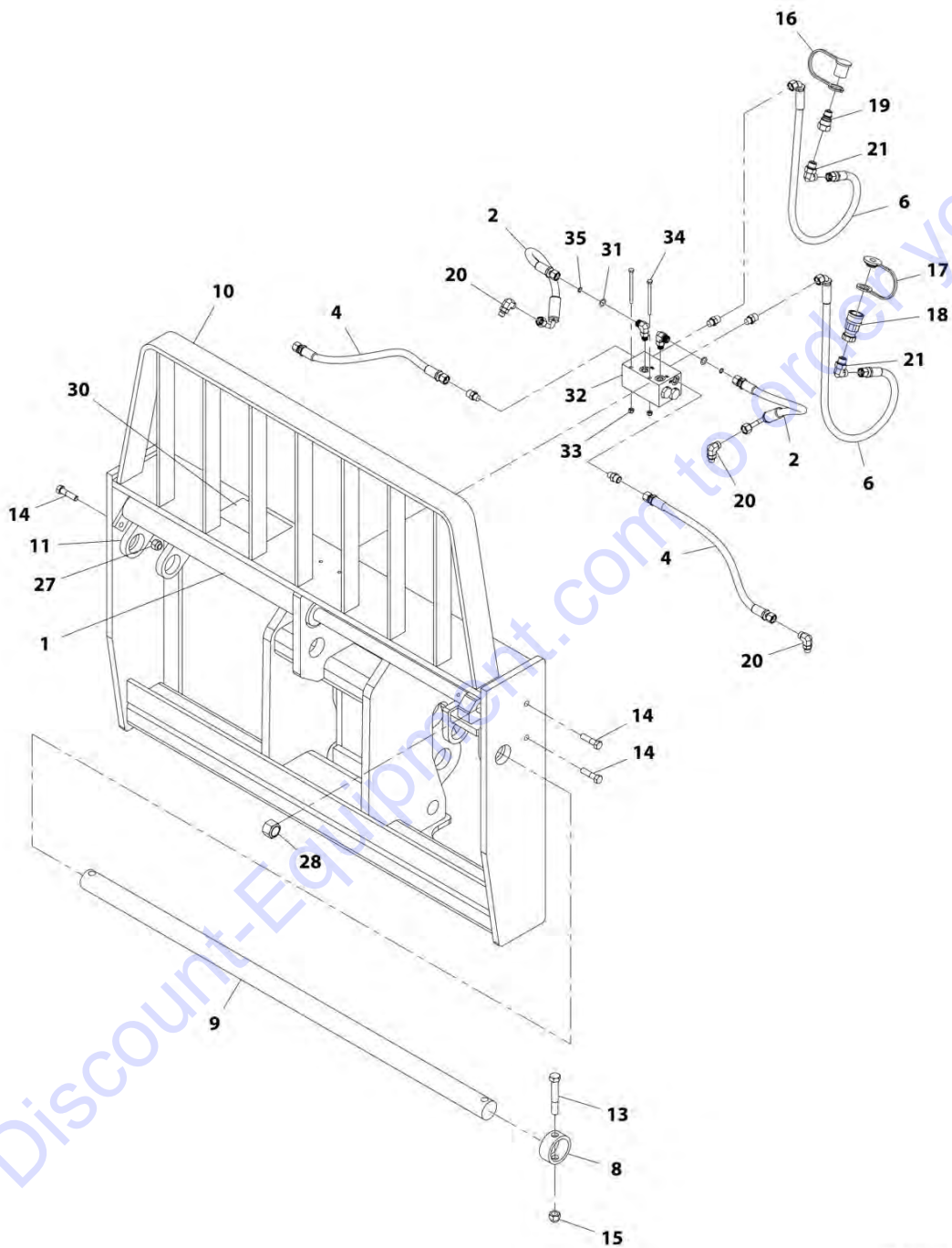
## SECTION 3 - ATTACHMENTS

**FIGURE 3-5. SIDE SHIFT CARRIAGE (5.5 TON - 1270 MM)**

ITEM	PART NUMBER	QTY	DESCRIPTION	REV
	1001142790	1	Side Shift Carriage (5.5 ton - 1270 MM)	C
1	N.S.S.	1	Weldment	
2	70024535	1	Shaft	
3	70024536	2	Collar	
4	70024123	2	Fitting, 90	
5	70024537	2	Hose	
6	N.S.S.	1	Plate, Serial Number	
7	70024538	3	Decal, Warning	
8	N.S.S.	1	Weldment	
9	70024539	1	Cylinder, Side Shift (ANSI) (See Separate Breakdown in Hydraulic Components Section)	
10	70024540	4	Bushing	
11	70024541	8	Circlip	
12	70024542	4	Fitting, Grease	
13	70024543	4	Retainer	
14	70024544	2	Shaft	
15	N.S.S.	1	Plate, Serial Number	
16	70024551	4	Washer, Lock M16	
17	70024552	4	Bolt, M16X45	
18	70024553	2	Nut, Hex M16	
19	70024554	2	Bolt, M16X100	
20	70022997	8	Washer, Lock M12	
21	70024555	8	Bolt, M12X35	
22	91403413	1	Fitting, Straight	
23	8420055	1	Plug	
24	91403414	1	Fitting, Straight	
25	8420053	1	Cap, Dust	
26	70024550	2	Fitting, 90	
101	70024545	1	Kit, Hydraulic Repair (includes items 5 & 22 thru 26)	
102	70024546	1	Kit, Retainer (includes items 13, 20 & 21)	

# SECTION 3 - ATTACHMENTS

## FIGURE 3-6. DUAL FORK CARRIAGE ASSEMBLY



ART\_7301568-J

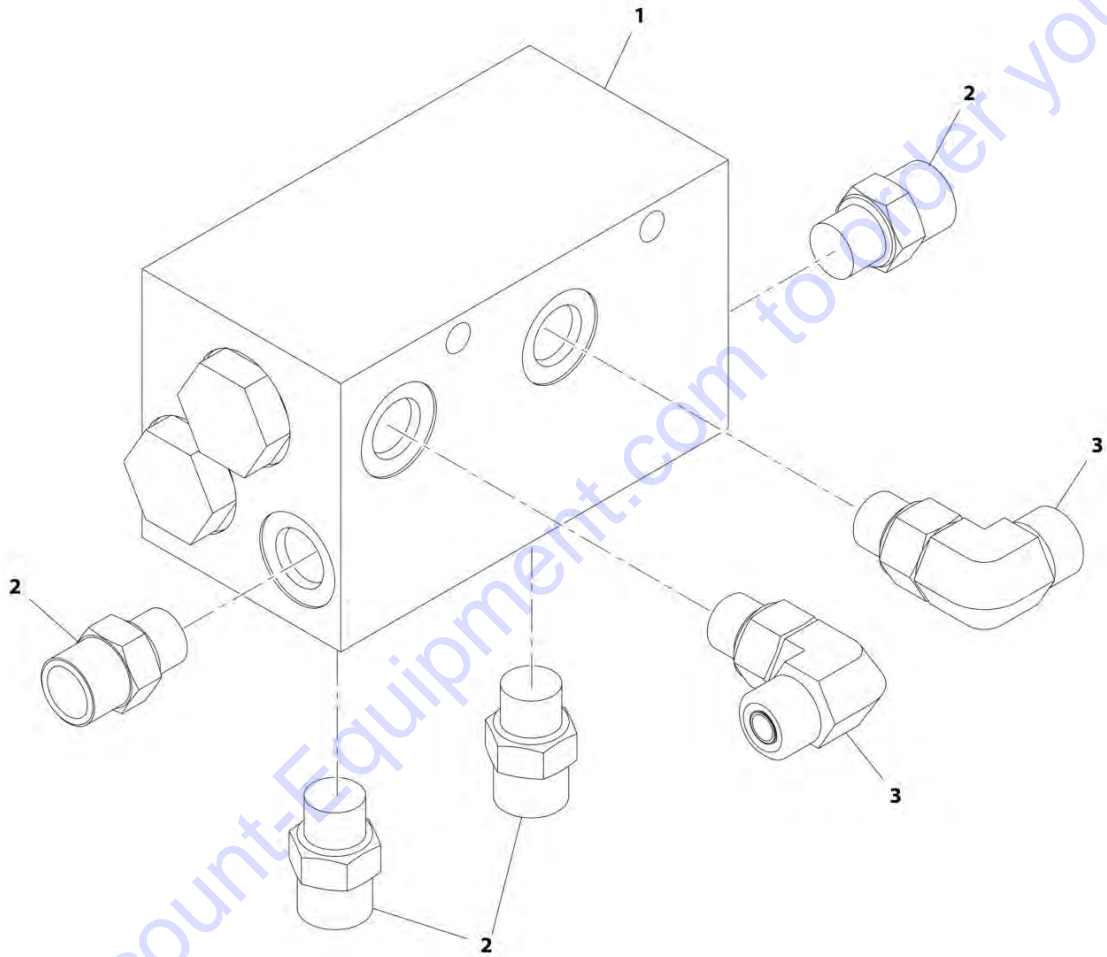
## SECTION 3 - ATTACHMENTS

**FIGURE 3-6. DUAL FORK CARRIAGE ASSEMBLY**

ITEM	PART NUMBER	QTY	DESCRIPTION	REV
	7301568	Ref	Dual Fork Carriage Assembly	J
1	2717283	2	Cylinder, Fork Positioning (See Separate Breakdown in Hydraulic Components Section)	
2	2717160	2	Hose	
4	2717161	2	Hose	
6	2717162	2	Hose	
8	90200003	2	Collar, Fork Pin	
9	90451058	1	Shaft, Fork	
10	N.S.S.	1	Weldment, Carriage	
11	N.S.S.	2	Weldment, Fork Adapter	
13	8303634	2	Bolt, 5/8-11X4	
14	8303658	4	Bolt, 1/2-13X2	
15	8305643	2	Nut, Lock 5/8-11	
16	8420053	1	Cap, Dust	
17	8420055	1	Plug, Dust	
18	91403413	1	Fitting, Straight	
19	91403414	1	Fitting, Straight	
20	2130606	4	Fitting, 90	
21	2130608	2	Fitting, 90	
27	8310302	4	Nut, Lock 1/2-13	
28	10705034	2	Nut, Lock 1-14	
30	4110473	1	Decal, Warning Route Hoses	
31	7139918	2	Disk, Orifice	
32	4641502	1	Assembly, Dual Fork Carriage Valve (See Separate Breakdown in this Section)	
33	8305624	2	Nut, Lock 1/4-20	
34	8310435	2	Bolt, 1/4-20X3-3/4	
35	8630003	2	O-Ring	

# SECTION 3 - ATTACHMENTS

## FIGURE 3-7. DUAL FORK CARRIAGE VALVE ASSEMBLY



ART\_4641502-B

## SECTION 3 - ATTACHMENTS

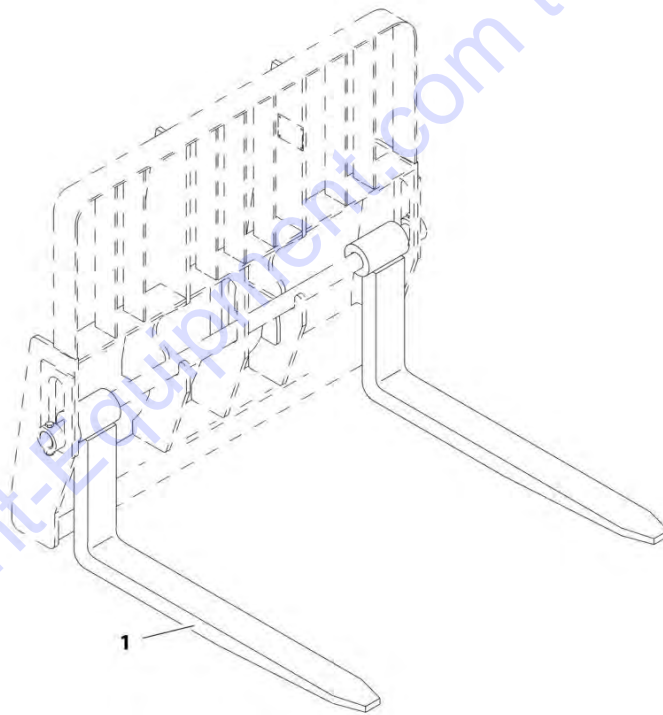
### FIGURE 3-7. DUAL FORK CARRIAGE VALVE ASSEMBLY

ITEM	PART NUMBER	QTY	DESCRIPTION	REV
	4641502	Ref	Dual Fork Carriage Valve Assembly	B
1	4641501	1	Valve, Flow Divider (See Separate Breakdown in Hydraulic Components Section)	
2	2110606	4	Fitting, Straight ORFS	
3	2130606	2	Fitting, 90	

Go to Discount-Equipment.com to order your parts

## SECTION 3 - ATTACHMENTS

FIGURE 3-8. PALLET FORK (2.36X4X48)



ART\_2340045\_B

## SECTION 3 - ATTACHMENTS

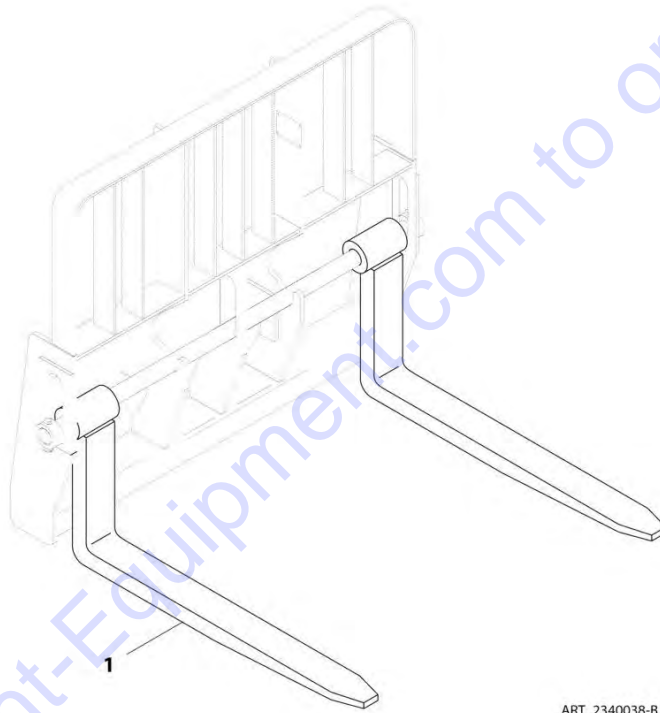
**FIGURE 3-8. PALLET FORK (2.36X4X48)**

ITEM	PART NUMBER	QTY	DESCRIPTION	REV
1	2340045	2	Pallet Fork (2.36X4X48)	B
	Note	Ref	<b>FORKS RATED LESS THAN THE ATTACHMENT OR MACHINE'S CAPACITY DECREASES CAPACITY OF THE ATTACHMENT OR MACHINE TO THAT OF THE FORKS. FORKS RATED MORE THAN THE ATTACHMENT OR MACHINE'S CAPACITY DO NOT INCREASE ATTACHMENT OR MACHINE'S CAPACITY.</b>	
	Note	Ref	<b>PLEASE CONSULT DISCOUNT-EQUIPMENT TO DETERMINE THE CORRECT FORKS APPLICABLE TO YOUR SPECIFIC CARRIASE ASSEMBLY AND APPLICATION.</b>	

Go to Discount-Equipment.com to order your parts

## SECTION 3 - ATTACHMENTS

FIGURE 3-9. PALLET FORK (2.36X5X48)



ART\_2340038-B



## SECTION 3 - ATTACHMENTS

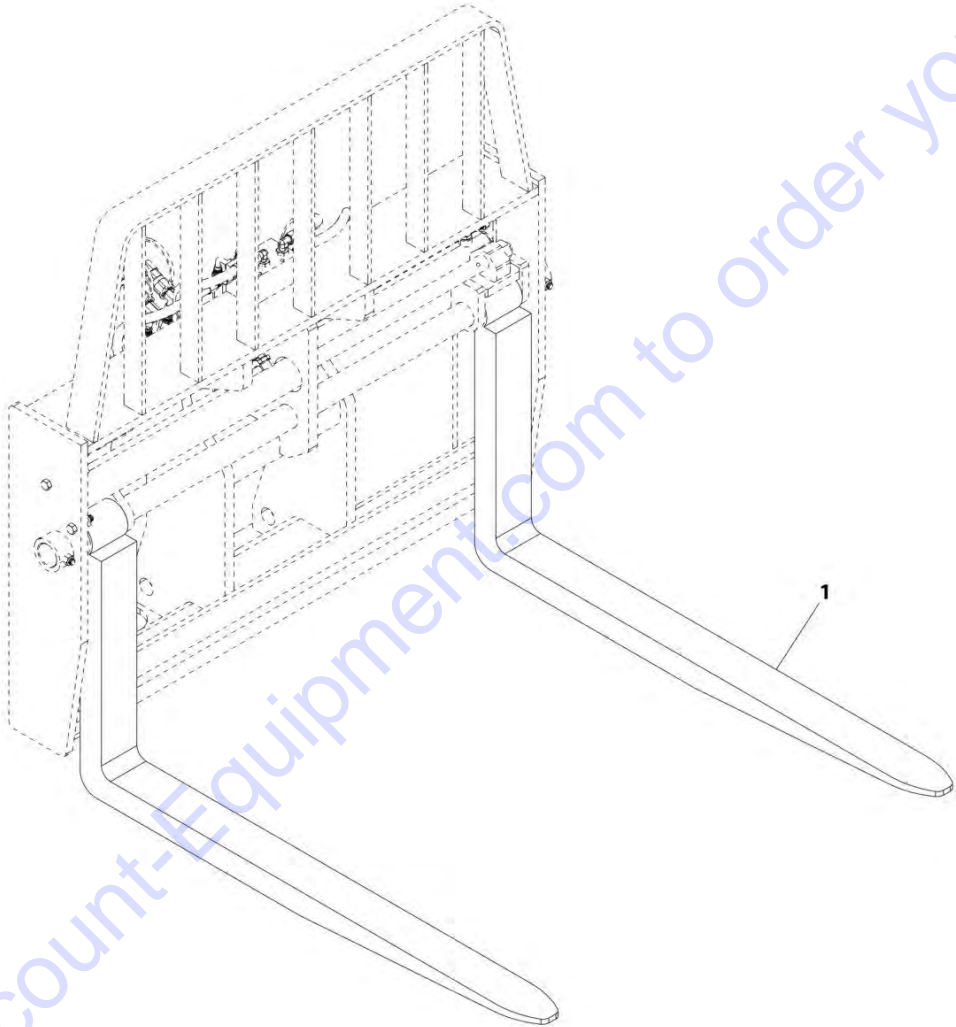
**FIGURE 3-9. PALLET FORK (2.36X5X48)**

ITEM	PART NUMBER	QTY	DESCRIPTION	REV
1	2340038	2	Pallet Fork (2.36X5X48) (ANSI)	B
	Note	Ref	<b>FORKS RATED LESS THAN THE ATTACHMENT OR MACHINE'S CAPACITY DECREASES CAPACITY OF THE ATTACHMENT OR MACHINE TO THAT OF THE FORKS. FORKS RATED MORE THAN THE ATTACHMENT OR MACHINE'S CAPACITY DO NOT INCREASE ATTACHMENT OR MACHINE'S CAPACITY.</b>	
	Note	Ref	<b>PLEASE CONSULT DISCOUNT-EQUIPMENT TO DETERMINE THE CORRECT FORKS APPLICABLE TO YOUR SPECIFIC CARRIASE ASSEMBLY AND APPLICATION.</b>	

Go to Discount-Equipment.com to order your parts

**SECTION 3 - ATTACHMENTS**

**FIGURE 3-10. PALLET FORK (2.36X4X48)**



ART\_7301408-D

## SECTION 3 - ATTACHMENTS

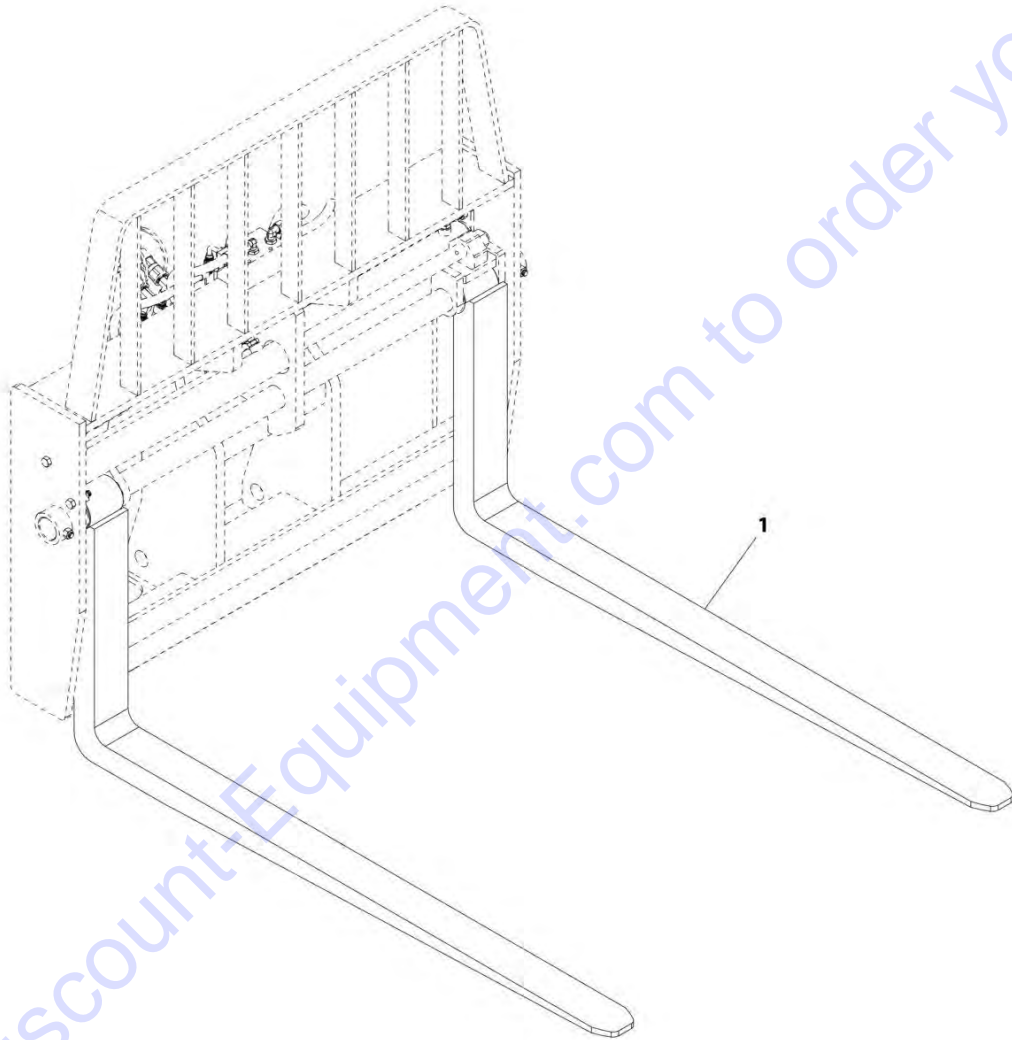
**FIGURE 3-10. PALLET FORK (2.36X4X48)**

ITEM	PART NUMBER	QTY	DESCRIPTION	REV
1	7301408	2	Pallet Fork (2.36X4X48)	D
N1	Note	Ref	<b>FORKS RATED LESS THAN THE ATTACHMENT OR MACHINE'S CAPACITY DECREASES CAPACITY OF THE ATTACHMENT OR MACHINE TO THAT OF THE FORKS. FORKS RATED MORE THAN THE ATTACHMENT OR MACHINE'S CAPACITY DO NOT INCREASE ATTACHMENT OR MACHINE'S CAPACITY.</b>	
N2	Note	Ref	<b>PLEASE CONSULT DISCOUNT-EQUIPMENT TO DETERMINE THE CORRECT FORKS APPLICABLE TO YOUR SPECIFIC CARRIAGE ASSEMBLY AND APPLICATION.</b>	

Go to Discount-Equipment.com to order your parts

## SECTION 3 - ATTACHMENTS

FIGURE 3-11. FORK - PALLET (2.4X4X60)



ART\_1001227379-A

## SECTION 3 - ATTACHMENTS

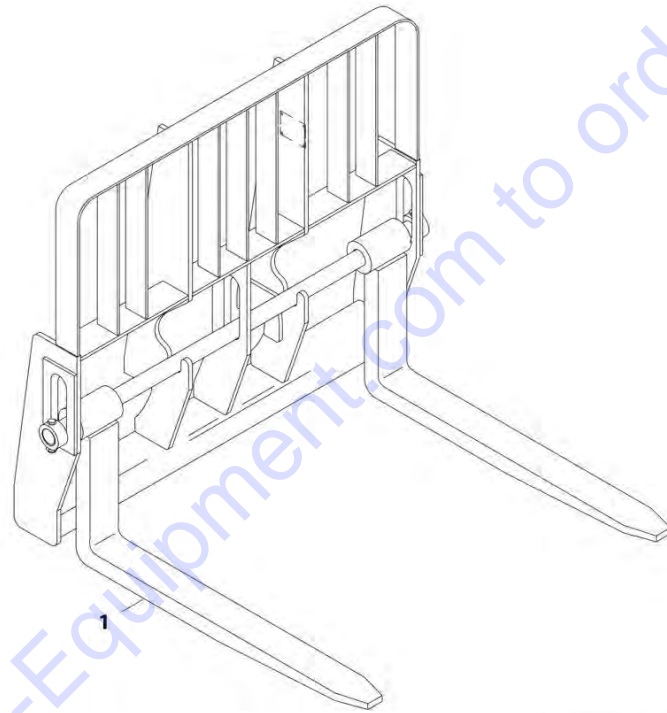
**FIGURE 3-11. FORK - PALLET (2.4X4X60)**

ITEM	PART NUMBER	QTY	DESCRIPTION	REV
1	1001227379	2	Fork - Pallet (2.4X4X60)	A
N1	Note	Ref	<b>FORKS RATED LESS THAN THE ATTACHMENT OR MACHINE'S CAPACITY DECREASES CAPACITY OF THE ATTACHMENT OR MACHINE TO THAT OF THE FORKS. FORKS RATED MORE THAN THE ATTACHMENT OR MACHINE'S CAPACITY DO NOT INCREASE ATTACHMENT OR MACHINE'S CAPACITY.</b>	
N2	Note	Ref	<b>PLEASE CONSULT DISCOUNT-EQUIPMENT TO DETERMINE THE CORRECT FORKS APPLICABLE TO YOUR SPECIFIC CARRIASE ASSEMBLY AND APPLICATION.</b>	

Go to Discount-Equipment.com to order your parts

## SECTION 3 - ATTACHMENTS

FIGURE 3-12. LUMBER FORK (50X180X1540)



ART\_1001097110-A

## SECTION 3 - ATTACHMENTS

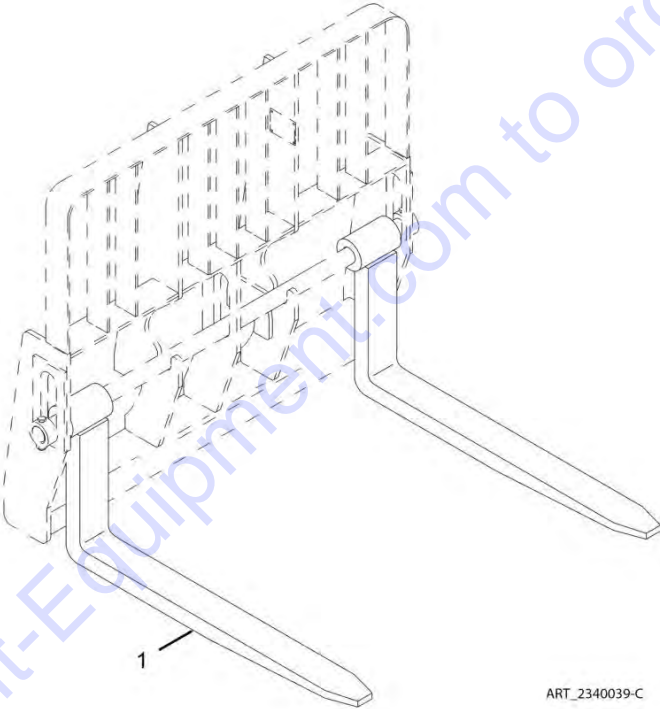
**FIGURE 3-12. LUMBER FORK (50X180X1540)**

ITEM	PART NUMBER	QTY	DESCRIPTION	REV
1	1001097110	2	Lumber Fork (50X180X1540)	A
	Note	Ref	<b>FORKS RATED LESS THAN THE ATTACHMENT OR MACHINE'S CAPACITY DECREASES CAPACITY OF THE ATTACHMENT OR MACHINE TO THAT OF THE FORKS. FORKS RATED MORE THAN THE ATTACHMENT OR MACHINE'S CAPACITY DO NOT INCREASE ATTACHMENT OR MACHINE'S CAPACITY.</b>	
	Note	Ref	<b>PLEASE CONSULT DISCOUNT-EQUIPMENT TO DETERMINE THE CORRECT FORKS APPLICABLE TO YOUR SPECIFIC CARRIASE ASSEMBLY AND APPLICATION.</b>	

Go to Discount-Equipment.com to order your parts

**SECTION 3 - ATTACHMENTS**

**FIGURE 3-13. LUMBER FORK (60X150X1524)**



ART\_2340039-C



## SECTION 3 - ATTACHMENTS

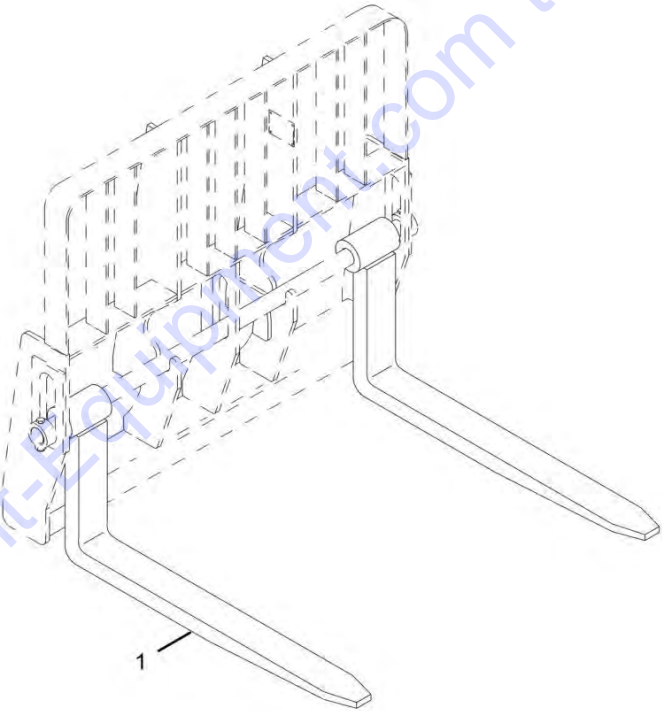
**FIGURE 3-13. LUMBER FORK (60X150X1524)**

ITEM	PART NUMBER	QTY	DESCRIPTION	REV
1	2340039	2	Lumber Fork (60X150X1524)	C
	Note	Ref	<b>FORKS RATED LESS THAN THE ATTACHMENT OR MACHINE'S CAPACITY DECREASES CAPACITY OF THE ATTACHMENT OR MACHINE TO THAT OF THE FORKS. FORKS RATED MORE THAN THE ATTACHMENT OR MACHINE'S CAPACITY DO NOT INCREASE ATTACHMENT OR MACHINE'S CAPACITY.</b>	
	Note	Ref	<b>PLEASE CONSULT DISCOUNT-EQUIPMENT TO DETERMINE THE CORRECT FORKS APPLICABLE TO YOUR SPECIFIC CARRIASE ASSEMBLY AND APPLICATION.</b>	

Go to Discount-Equipment.com to order your parts

**SECTION 3 - ATTACHMENTS**

**FIGURE 3-14. PALLET FORK (2.00X6X72)**



ART\_1001092391\_B

## SECTION 3 - ATTACHMENTS

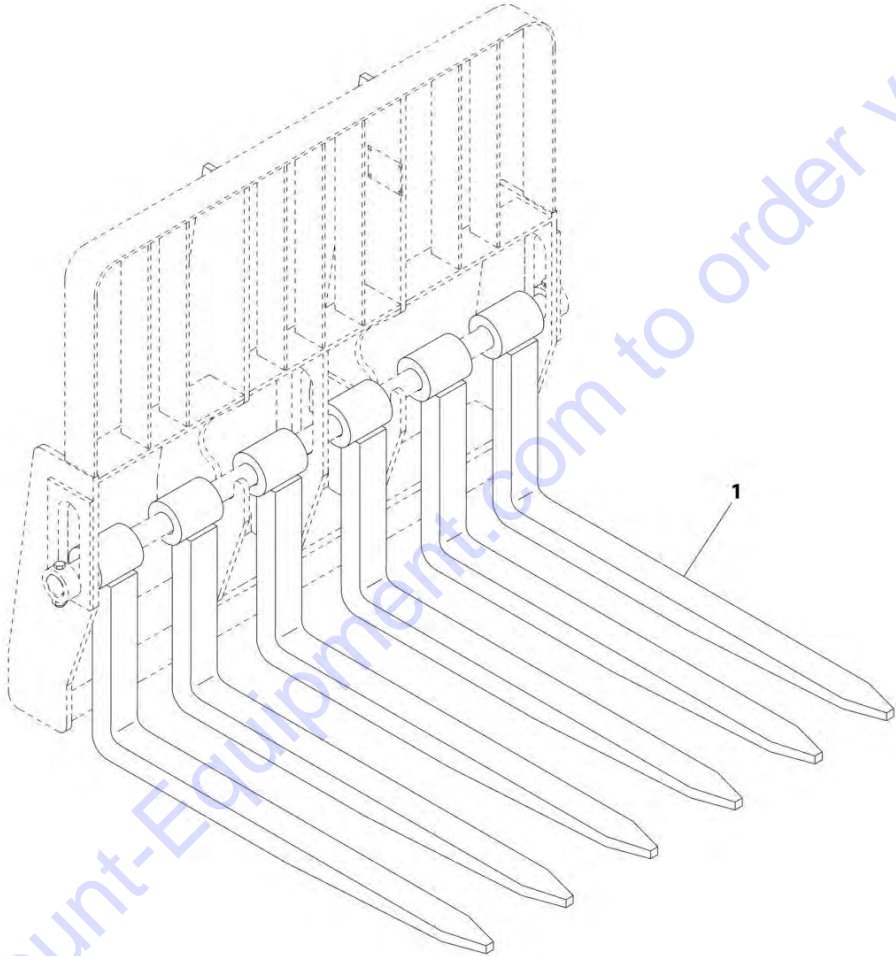
**FIGURE 3-14. PALLET FORK (2.00X6X72)**

ITEM	PART NUMBER	QTY	DESCRIPTION	REV
1	1001092391	2	Fork - Pallet (2.36X6X72)	B
N1	Note	Ref	<b>FORKS RATED LESS THAN THE ATTACHMENT OR MACHINE'S CAPACITY DECREASES CAPACITY OF THE ATTACHMENT OR MACHINE TO THAT OF THE FORKS. FORKS RATED MORE THAN THE ATTACHMENT OR MACHINE'S CAPACITY DO NOT INCREASE ATTACHMENT OR MACHINE'S CAPACITY.</b>	
N2	Note	Ref	<b>PLEASE CONSULT DISCOUNT-EQUIPMENT TO DETERMINE THE CORRECT FORKS APPLICABLE TO YOUR SPECIFIC CARRIAGE ASSEMBLY AND APPLICATION.</b>	

Go to Discount-Equipment.com to order your parts

**SECTION 3 - ATTACHMENTS**

**FIGURE 3-15. BLOCKING FORK (50X50X1220)**



ART\_2340037-A

## SECTION 3 - ATTACHMENTS

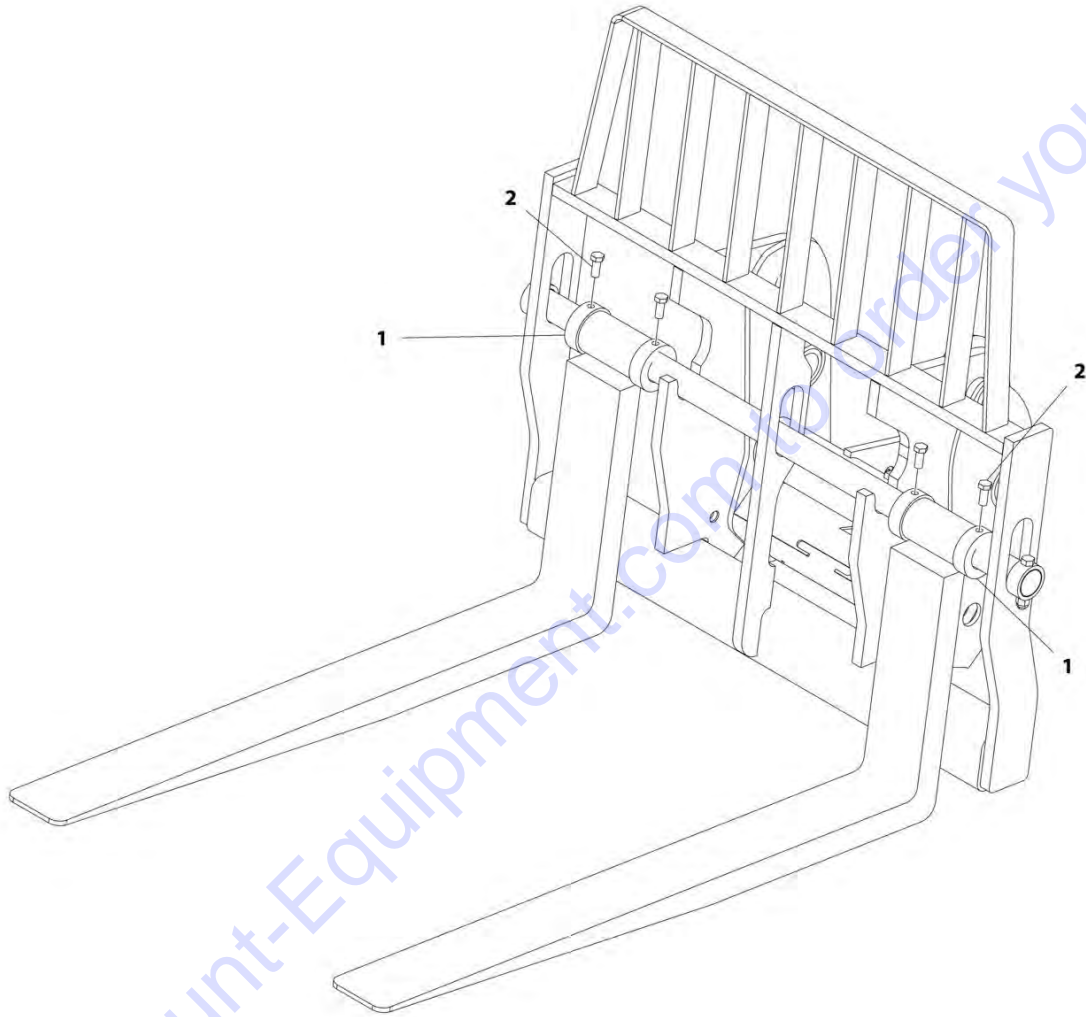
**FIGURE 3-15. BLOCKING FORK (50X50X1220)**

ITEM	PART NUMBER	QTY	DESCRIPTION	REV
1	2340037	1	Blocking Fork (50X50X1220)	A
	Note	Ref	<b>FORKS RATED LESS THAN THE ATTACHMENT OR MACHINE'S CAPACITY DECREASES CAPACITY OF THE ATTACHMENT OR MACHINE TO THAT OF THE FORKS. FORKS RATED MORE THAN THE ATTACHMENT OR MACHINE'S CAPACITY DO NOT INCREASE ATTACHMENT OR MACHINE'S CAPACITY.</b>	
	Note	Ref	<b>PLEASE CONSULT DISCOUNT-EQUIPMENT TO DETERMINE THE CORRECT FORKS APPLICABLE TO YOUR SPECIFIC CARRIASE ASSEMBLY AND APPLICATION.</b>	

Go to Discount-Equipment.com to order your parts

## SECTION 3 - ATTACHMENTS

FIGURE 3-16. FORK CLAMPS INSTALL



ART\_1001094134-A

## SECTION 3 - ATTACHMENTS

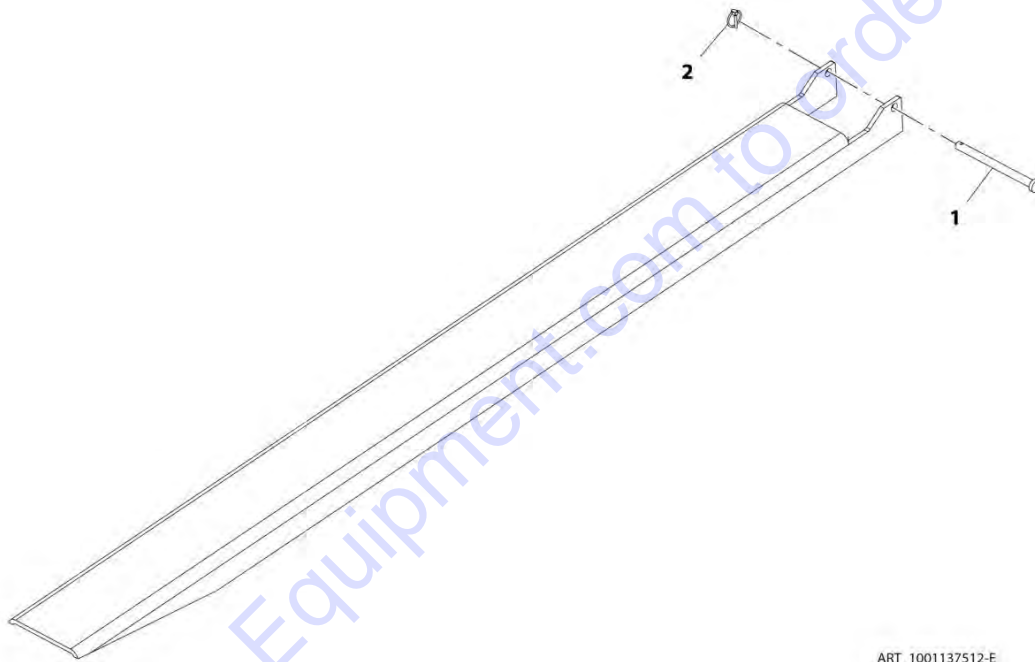
### FIGURE 3-16. FORK CLAMPS INSTALL

ITEM	PART NUMBER	QTY	DESCRIPTION	REV
	1001094134	Ref	Fork Clamps Installation	A
1	1001094136	4	Clamp, Fork	
2	10700681	4	Bolt, 0.625-18X1.5	

Go to Discount-Equipment.com to order your parts

## SECTION 3 - ATTACHMENTS

FIGURE 3-17. FORK EXTENSIONS (62X163X2286)



ART\_1001137512-E



## SECTION 3 - ATTACHMENTS

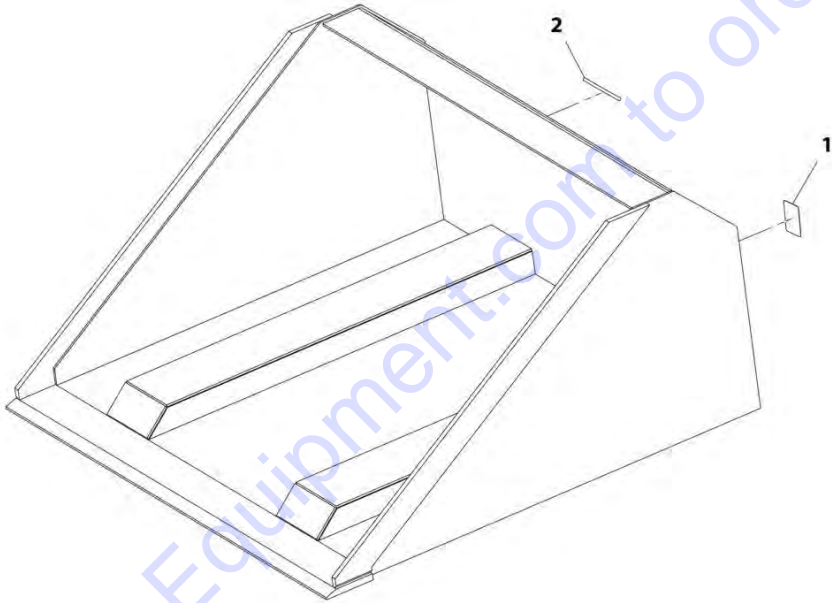
**FIGURE 3-17. FORK EXTENSIONS (62X163X2286)**

ITEM	PART NUMBER	QTY	DESCRIPTION	REV
	1001137512	2 pr	Fork Extensions (62X163X2286)	E
1	70024306	1	Pin	
2	70024307	1	Clip	

Go to Discount-Equipment.com to order your parts

**SECTION 3 - ATTACHMENTS**

**FIGURE 3-18. FORK MOUNTED BUCKET (1.0 M<sup>3</sup>)**



ART\_1001195970-B

## SECTION 3 - ATTACHMENTS

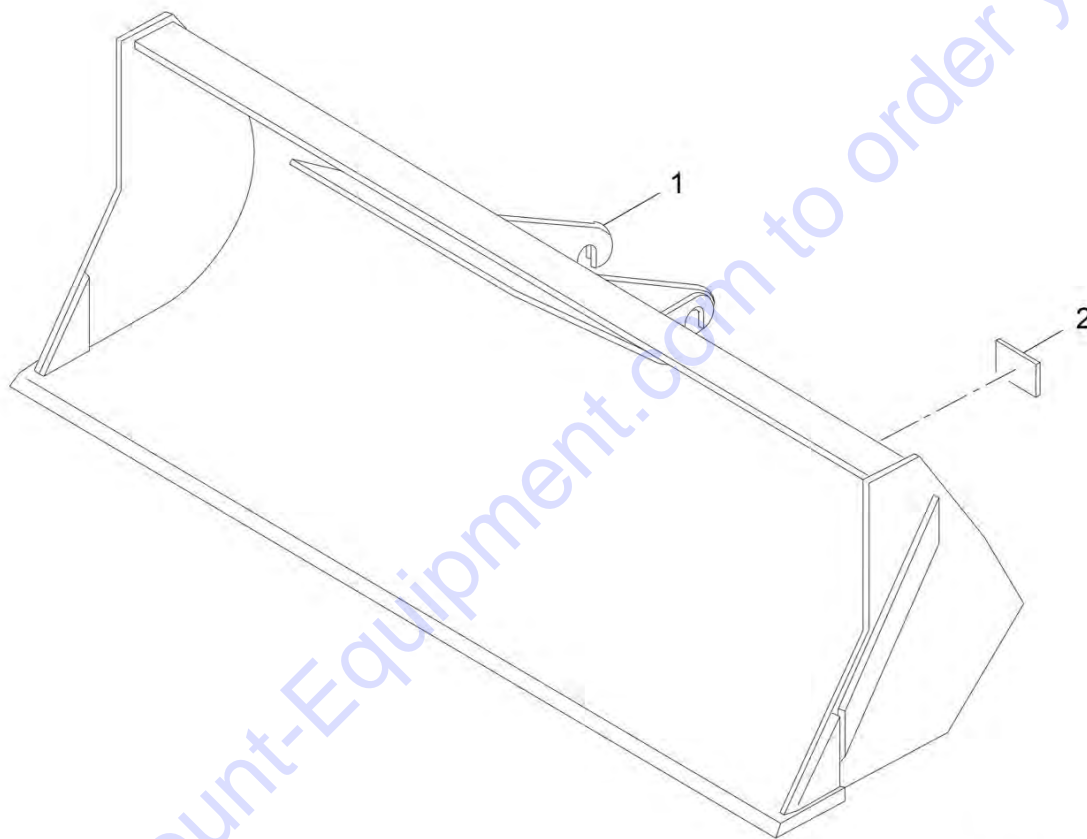
**FIGURE 3-18. FORK MOUNTED BUCKET (1.0 M<sup>3</sup>)**

ITEM	PART NUMBER	QTY	DESCRIPTION	REV
1	1001195970	1	Bucket 1.0 m <sup>3</sup> (Fork Mounted)	B
2	N.S.S.	1	Plate, Serial Number	

Go to Discount-Equipment.com to order your parts

# SECTION 3 - ATTACHMENTS

FIGURE 3-19. BUCKET 1.0 YD<sup>3</sup> (ANSI - JLG)



ART\_1001100822-C

## SECTION 3 - ATTACHMENTS

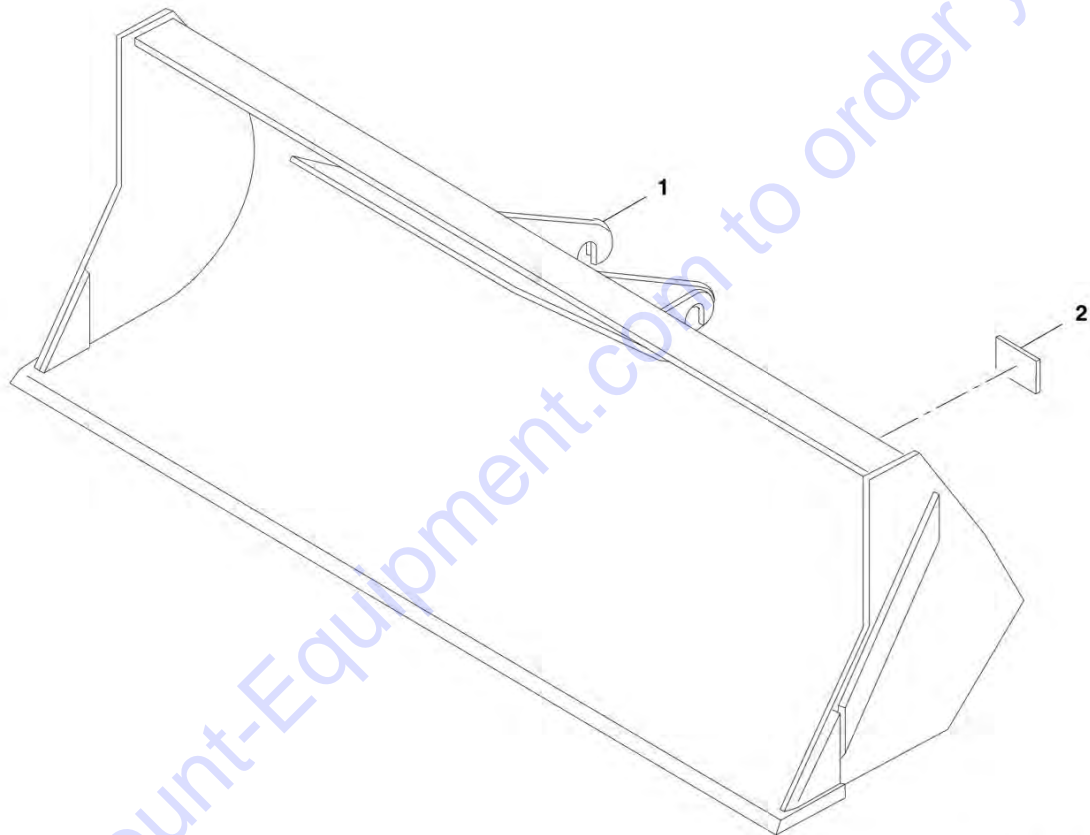
**FIGURE 3-19. BUCKET 1.0 YD<sup>3</sup> (ANSI - JLG)**

ITEM	PART NUMBER	QTY	DESCRIPTION	REV
1	1001100822	1	Bucket 1.0 yd <sup>3</sup> (ANSI - JLG)	C
2	N.S.S.	1	Plate, Serial Number	

Go to Discount-Equipment.com to order your parts

# SECTION 3 - ATTACHMENTS

FIGURE 3-20. BUCKET (1.15 M<sup>3</sup>)



ART\_1001100823-C

## SECTION 3 - ATTACHMENTS

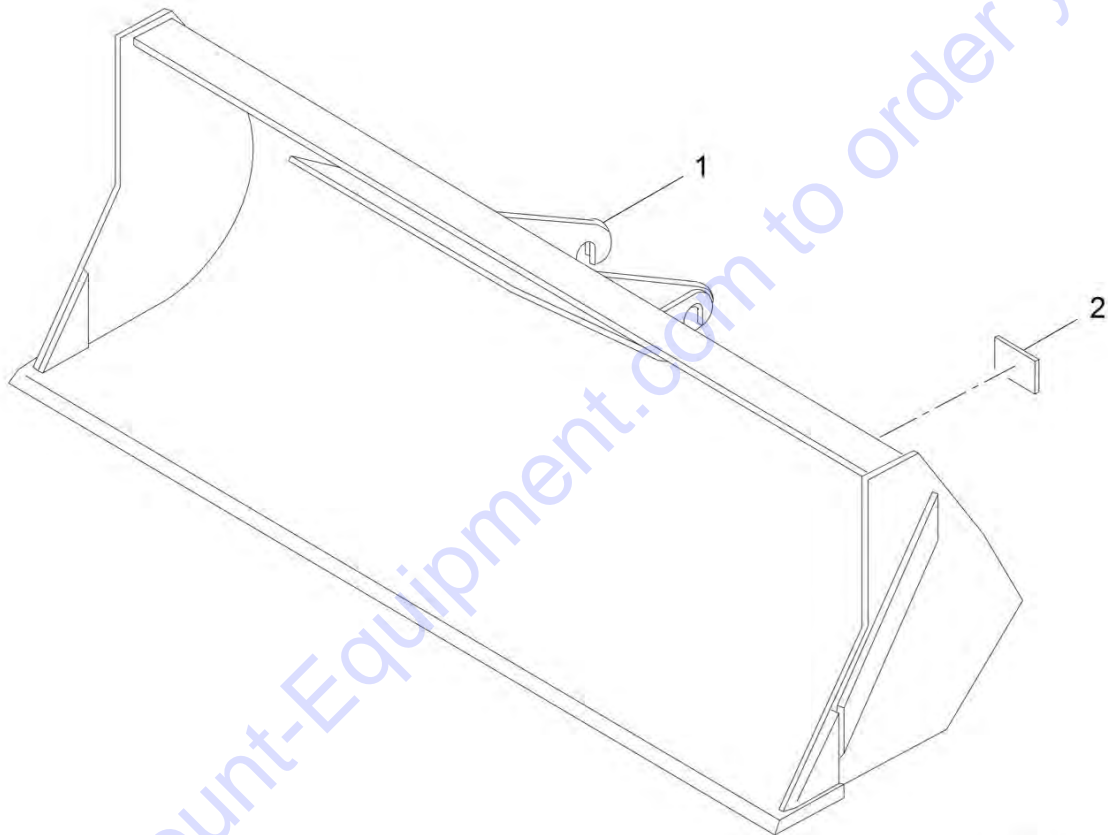
**FIGURE 3-20. BUCKET (1.15 M<sup>3</sup>)**

ITEM	PART NUMBER	QTY	DESCRIPTION	REV
	1001100823	1	Bucket (1.15 m <sup>3</sup> )	C
1	1001100266	1	Bucket	
2	N.S.S.	1	Plate, Serial Number	

Go to Discount-Equipment.com to order your parts

# SECTION 3 - ATTACHMENTS

## FIGURE 3-21. BUCKET (102 INCH)



ART\_1001100824-C



## SECTION 3 - ATTACHMENTS

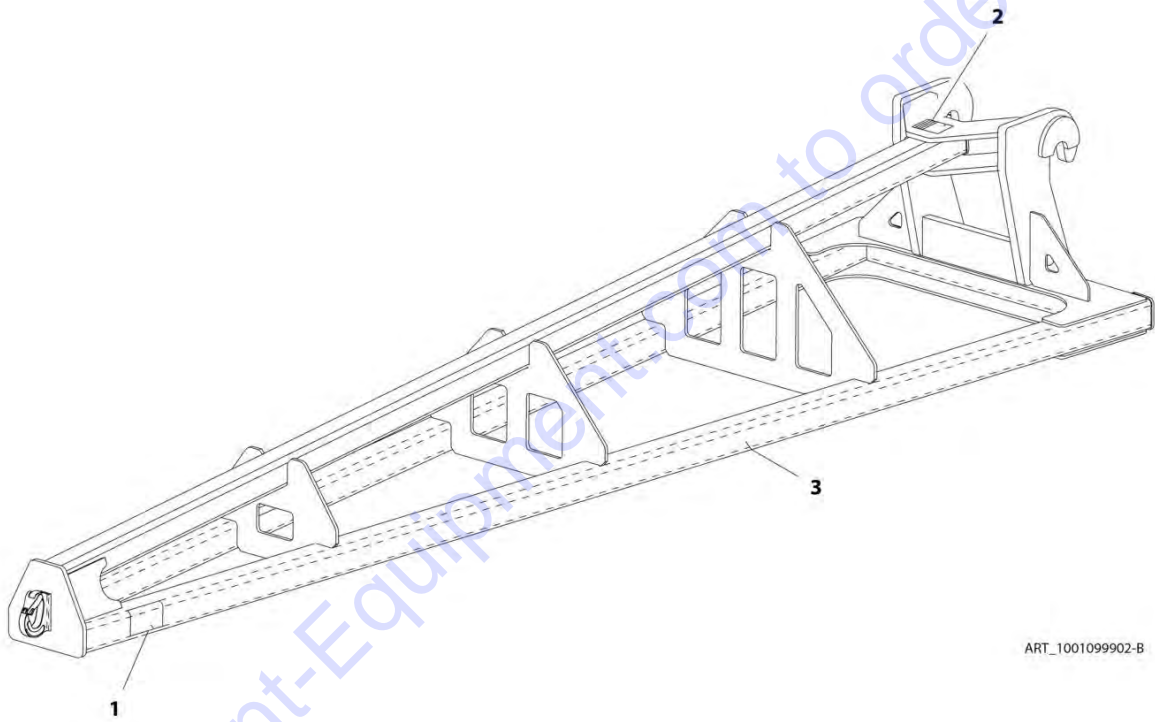
**FIGURE 3-21. BUCKET (102 INCH)**

ITEM	PART NUMBER	QTY	DESCRIPTION	REV
1	1001100824	1	Bucket (102 Inch)	C
2	N.S.S.	1	S/N Plate	

Go to Discount-Equipment.com to order your parts

## SECTION 3 - ATTACHMENTS

FIGURE 3-22. TRUSS BOOM (0.9 TON - 3.7M)



ART\_1001099902-B

## SECTION 3 - ATTACHMENTS

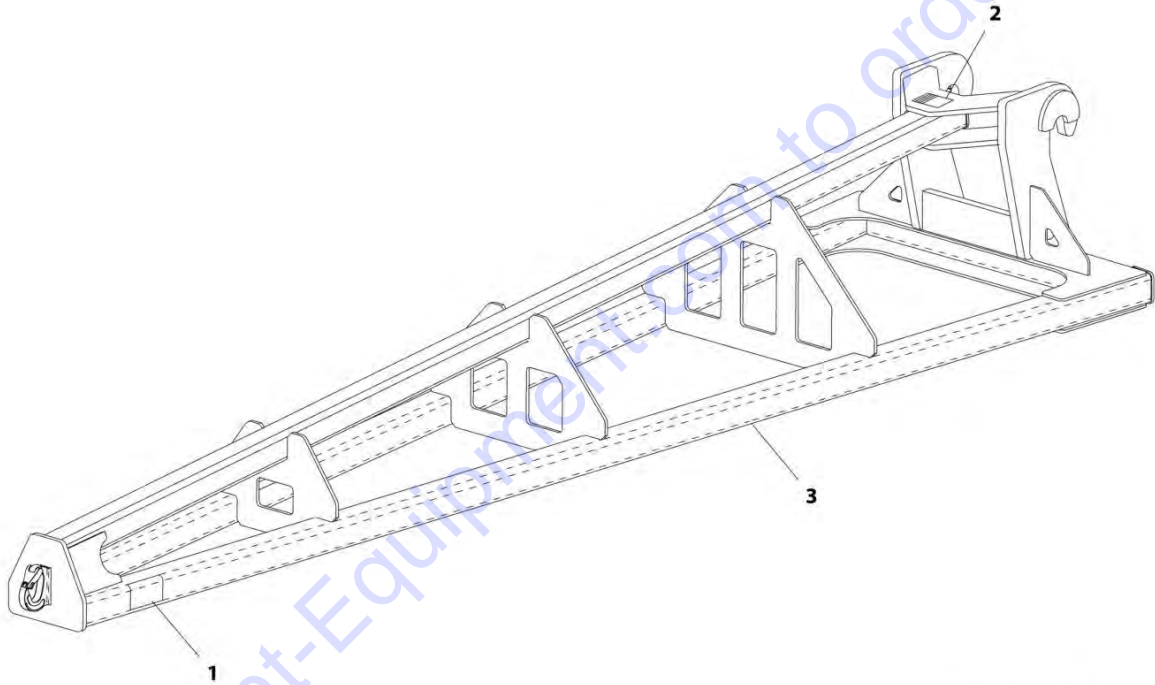
**FIGURE 3-22. TRUSS BOOM (0.9 TON - 3.7M)**

ITEM	PART NUMBER	QTY	DESCRIPTION	REV
	1001099902	1	Truss Boom (0.9 Ton - 3.7M)	B
1	4110422	2	Decal, Danger Swinging Loads	
2	N.S.S.	1	Plate, Serial Number	
3	N.S.S.	1	Boom, Truss	

Go to Discount-Equipment.com to order your parts

# SECTION 3 - ATTACHMENTS

FIGURE 3-23. TRUSS BOOM (15 FOOT)



ART\_1001099901-C

## SECTION 3 - ATTACHMENTS

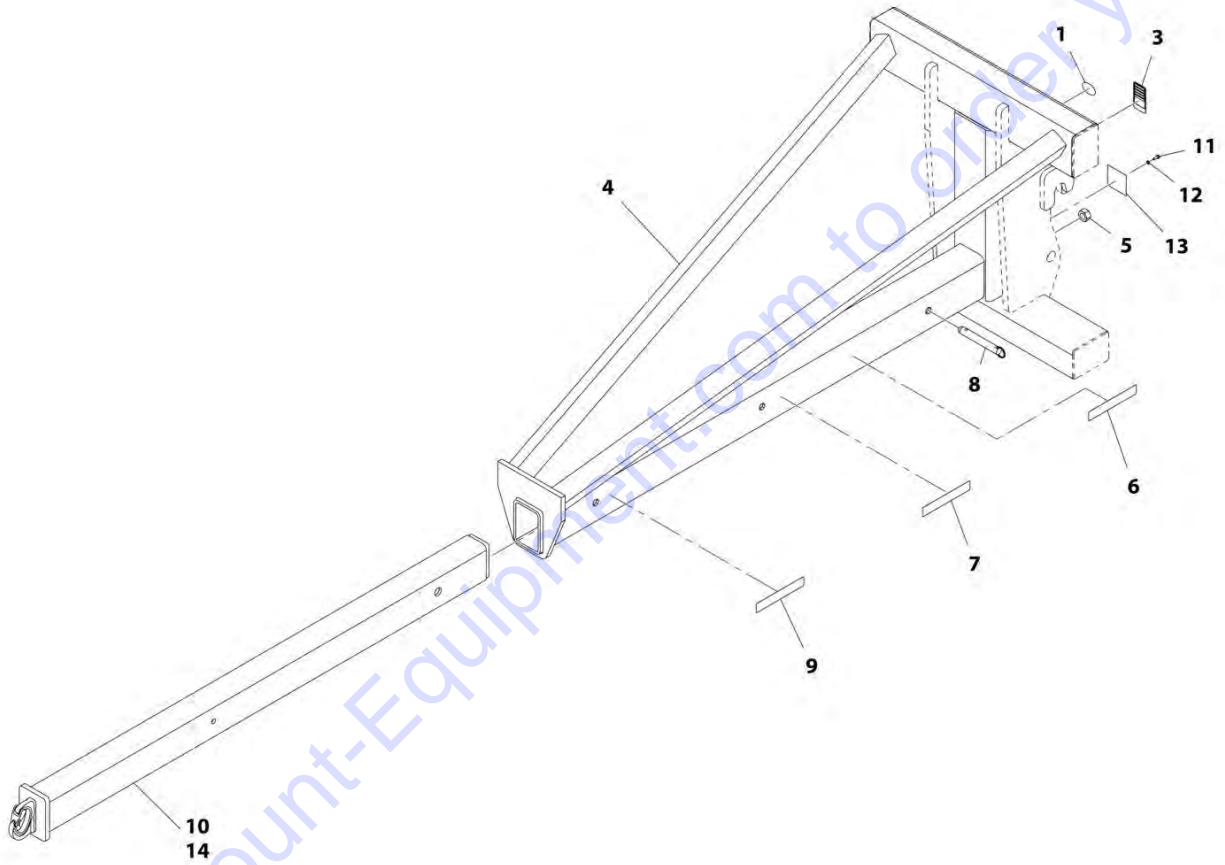
### FIGURE 3-23. TRUSS BOOM (15 FOOT)

ITEM	PART NUMBER	QTY	DESCRIPTION	REV
	1001099901	1	Truss Boom (15 Foot)	C
1	4110422	2	Decal, Danger Swinging Loads	
2	N.S.S.	1	Plate, Serial Number	
3	N.S.S.	1	Boom, Truss	

Go to Discount-Equipment.com to order your parts

# SECTION 3 - ATTACHMENTS

## FIGURE 3-24. ADJUSTABLE TRUSS BOOM



ART\_1001176515-B

**SECTION 3 - ATTACHMENTS**

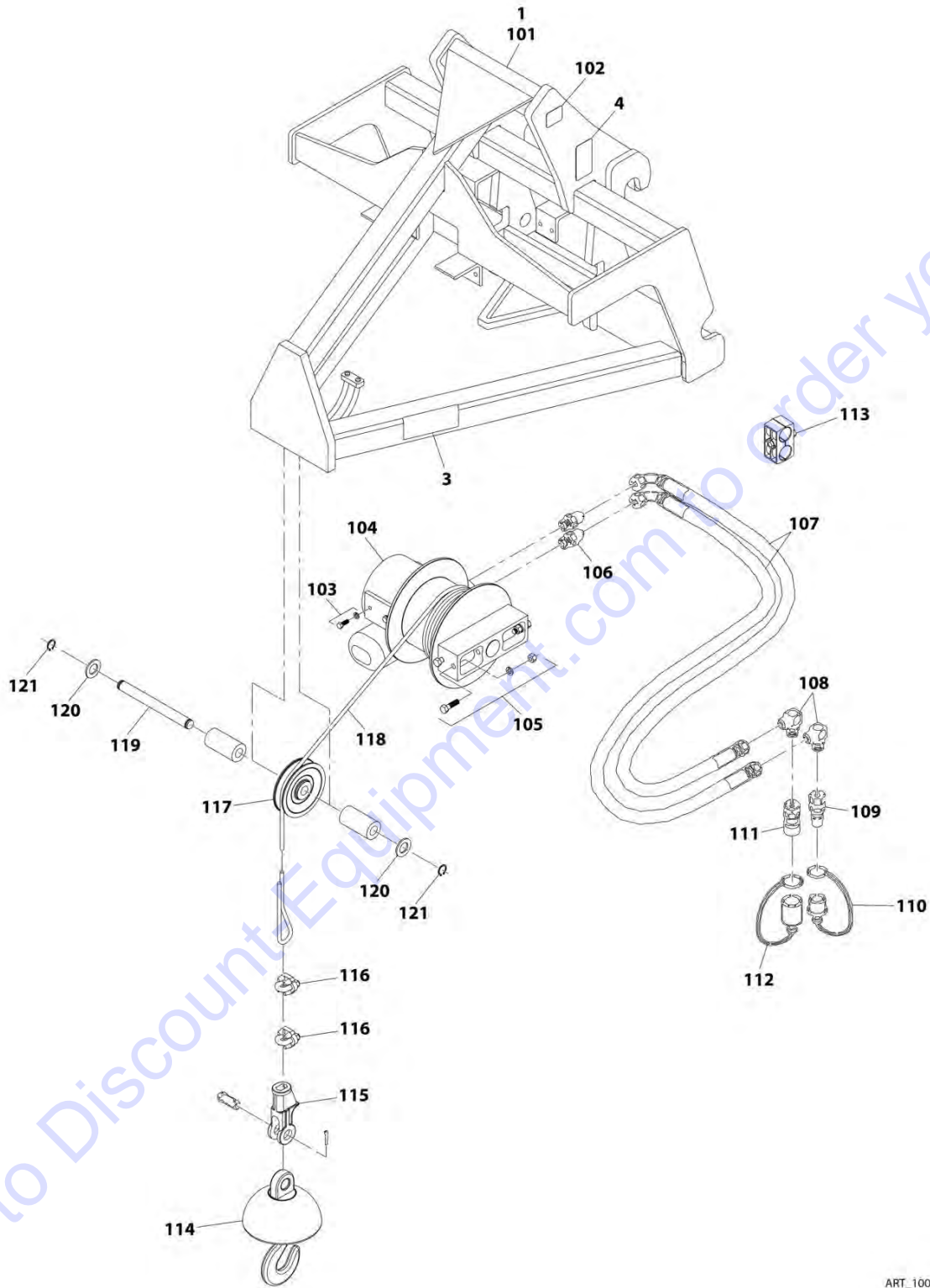
**FIGURE 3-24. ADJUSTABLE TRUSS BOOM**

ITEM	PART NUMBER	QTY	DESCRIPTION	REV
	1001176515	1	Adjustable Truss Boom	B
1	90554016	1	Decal, Made in USA	
3	N.S.S.	1	Plate, Serial Number	
4	N.S.S.	1	Truss Boom, Adjustable	
5	70021440	1	Nut, Lock	
6	70024062	2	Decal, 4000 lbs cap	
7	70026944	2	Decal, 3000 lbs cap	
8	70026946	1	Pin	
9	70026699	2	Decal, 2000 lbs cap	
10	70026747	1	Seal	
11	90554033	1	Bolt, 3/4X1/4	
12	90554034	1	Washer, Lock 1/4	
13	70026948	1	Plate, Stop	
14	70026949	1	Boom, Telescopic	

Go to Discount-Equipment.com to order your parts

# SECTION 3 - ATTACHMENTS

## FIGURE 3-25. TRUSS BOOM (1.8 TON - 1M FT WITH WINCH)



ART\_1001100967-C



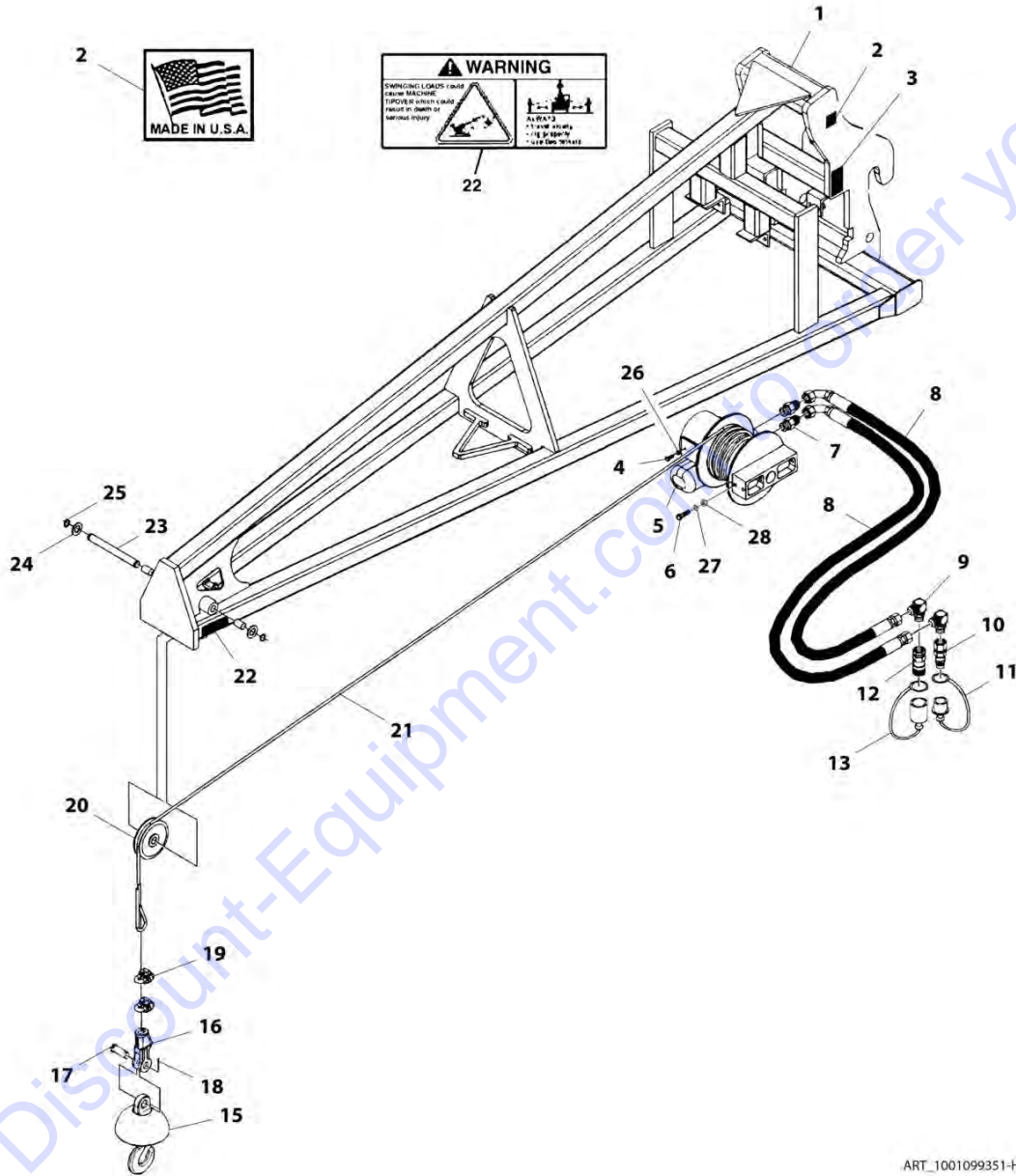
## SECTION 3 - ATTACHMENTS

**FIGURE 3-25. TRUSS BOOM (1.8 TON - 1M FT WITH WINCH)**

ITEM	PART NUMBER	QTY	DESCRIPTION	REV
	1001100967	Ref	Truss Boom Assembly (3 Foot with Winch) (includes items 1, 3, 4 & 101 thru 121)	C
1	8380008	NLA	Truss Boom (3 Foot with Winch) (no longer available, use 1001100967 for replacement)	
3	4110422	2	Decal, Danger, Swinging Loads	
4	N.S.S.	1	Plate, Serial Number	
101	N.S.S.	1	Truss Boom Frame	
102	90554016	1	Decal	
103	70021349	4	Bolt	
103	90554042	4	Washer	
104	70021921	1	Winch, Truss Boom	
105	70024059	4	Bolt	
105	90554054	4	Nut	
105	90554020	4	Washer	
106	70021415	2	Fitting	
107	70021977	2	Hose	
108	70022527	2	Fitting, 90	
109	91403414	1	Fitting, Straight	
110	8420053	1	Cap	
111	91403413	1	Fitting, Straight	
112	8420055	1	Plug	
113	70021387	1	Clamp	
114	70021978	1	Ball Swivel Safety Hook	
115	70021979	1	Assembly, Socket	
116	70022528	2	Clamp	
117	70021935	1	Pulley	
118	70022028	1	Cable	
119	70022529	1	Pin	
120	70027009	2	Washer	
121	70026698	2	Ring, Snap	

# SECTION 3 - ATTACHMENTS

## FIGURE 3-26. TRUSS BOOM (0.9 TON - 3.7M WITH WINCH)



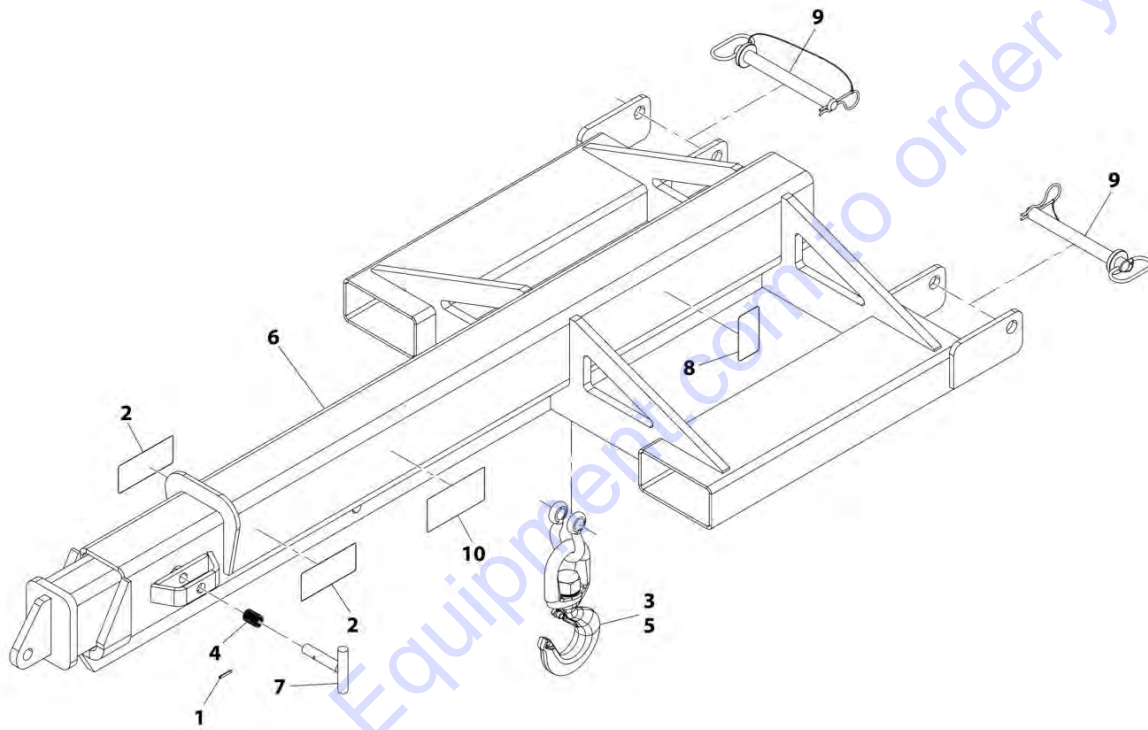
## SECTION 3 - ATTACHMENTS

**FIGURE 3-26. TRUSS BOOM (0.9 TON - 3.7M WITH WINCH)**

ITEM	PART NUMBER	QTY	DESCRIPTION	REV
	1001099351	1	Truss Boom (0.9 Ton - 3.7M with Winch)	H
1	N.S.S.	1	Frame, Truss Boom	
2	90554016	1	Decal, Made in USA	
3	N.S.S.	1	Plate, Serial Number	
4	70021349	4	Bolt, 3/8X1	
5	70021921	1	Motor, Truss Boom Winch	
6	70024059	2	Bolt, 1/2X1-3/4	
7	70021415	2	Connector	
8	70021977	2	Hose	
9	70022527	2	Fitting, 90	
10	7029692	1	Fitting, Straight	
11	90554062	1	Cap, Dust	
12	70021342	1	Fitting, Straight	
13	90554076	1	Cap, Dust	
15	70021978	1	Ball Swivel with Safety Hook	
16	70021979	1	Assembly, Socket (includes items 17 thru 18)	
17	N.S.S.	1	Pin	
18	N.S.S.	1	Pin, Cotter	
19	70022528	2	Clamp	
20	70021935	1	Pulley	
21	70022028	1	Cable	
22	4110422	2	Decal, Warning Swinging Loads	
23	70022529	1	Pin	
24	70024060	2	Washer	
25	70026698	2	Ring, Snap	
26	90554042	4	Washer, Lock 3/8	
27	90554020	2	Washer, Lock 1/2	
28	90554054	2	Nut, 1/2	

# SECTION 3 - ATTACHMENTS

FIGURE 3-27. ADJUSTABLE TRUSS BOOM INSTALLATION (FORK MOUNTED)



ART\_1001230241-F

## SECTION 3 - ATTACHMENTS

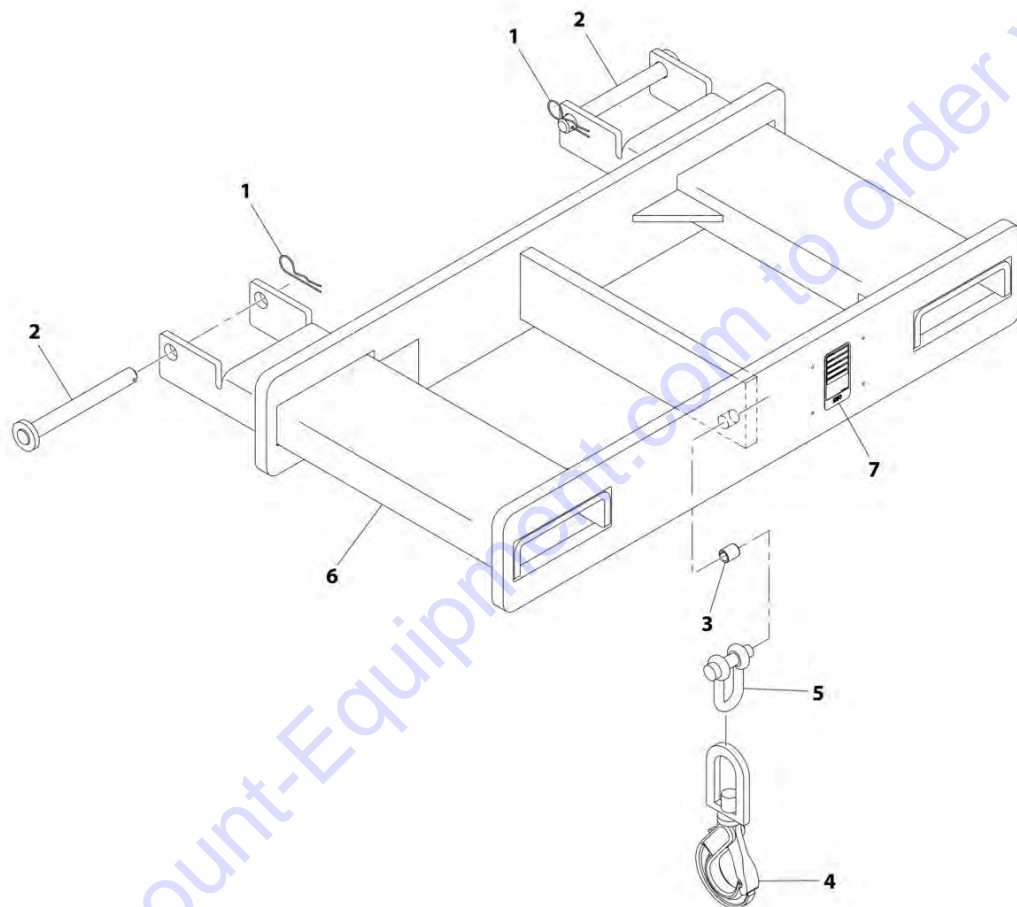
**FIGURE 3-27. ADJUSTABLE TRUSS BOOM INSTALLATION (FORK MOUNTED)**

ITEM	PART NUMBER	QTY	DESCRIPTION	REV
	1001230241	Ref	Adjustable Truss Boom Installation (Fork Mounted)	F
1	3440620	1	Pin	
2	4110422	2	Decal, Danger Swinging Loads	
3	91403448	1	Hook, Swivel	
4	1001128890	1	Spring	
5	1001146160	1	Shackle	
6	N.S.S.	1	Truss Boom, Adjustable	
7	1001230239	1	Pin	
8	N.S.S.	1	Plate, Serial Number	
9	1001231692	2	Pin	
10	1001232500	1	Decal, Load Capacities	

Go to Discount-Equipment.com to order your parts

# SECTION 3 - ATTACHMENTS

## FIGURE 3-28. FORK MOUNTED HOOK (4 TON)



ART\_1001097205-H

## SECTION 3 - ATTACHMENTS

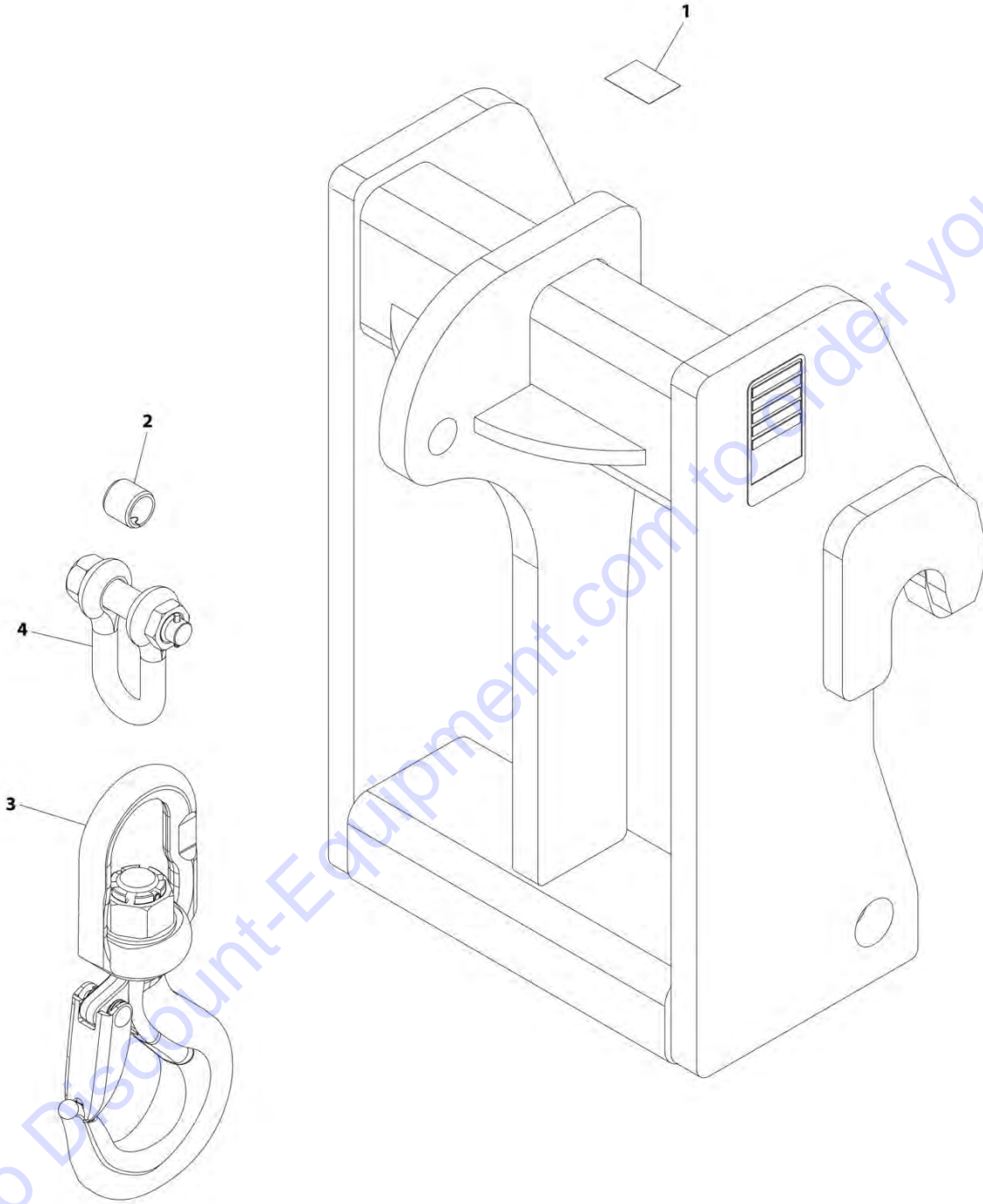
### FIGURE 3-28. FORK MOUNTED HOOK (4 TON)

ITEM	PART NUMBER	QTY	DESCRIPTION	REV
	1001097205	1	Fork Mounted Hook (4 Ton)	H
1	7029520	2	Pin, Cotter	
2	1001093171	2	Pin	
3	70020555	1	Bushing	
4	90554080	1	Hook	
5	7029521	1	Shackle	
6	N.S.S.	1	Weldment, Hook	
7	N.S.S.	1	S/N Plate	

Go to Discount-Equipment.com to order your parts

# SECTION 3 - ATTACHMENTS

## FIGURE 3-29. CRANE HOOK



ART\_1001207606-B



## SECTION 3 - ATTACHMENTS

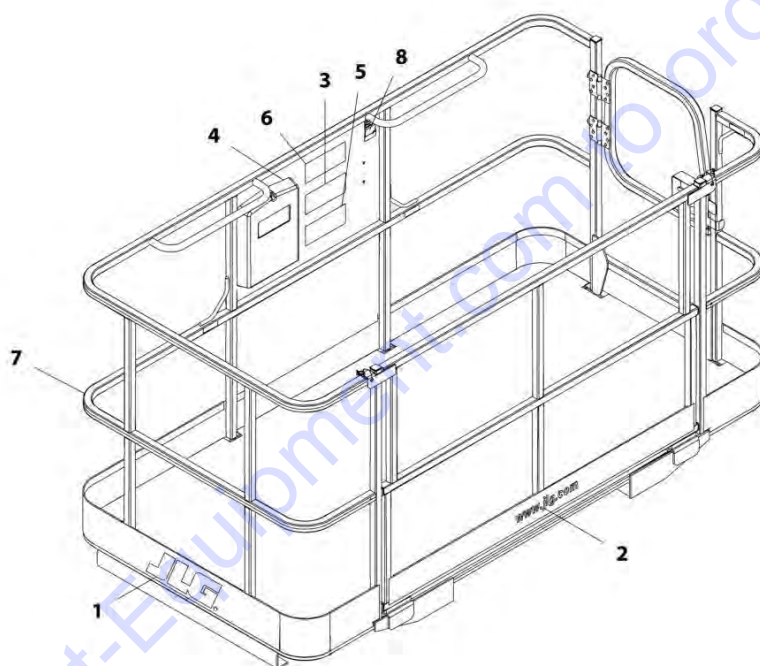
### FIGURE 3-29. CRANE HOOK

ITEM	PART NUMBER	QTY	DESCRIPTION	REV
	1001207606	Ref	Crane Hook	B
1	90554016	1	Decal	
2	70020555	1	Bushing	
3	70026745	1	Hook Swivel	
4	70026746	1	Shackle Chain	

Go to Discount-Equipment.com to order your parts

# SECTION 3 - ATTACHMENTS

## FIGURE 3-30. FORK MOUNTED BASKET



ART\_1001103637-F

## SECTION 3 - ATTACHMENTS

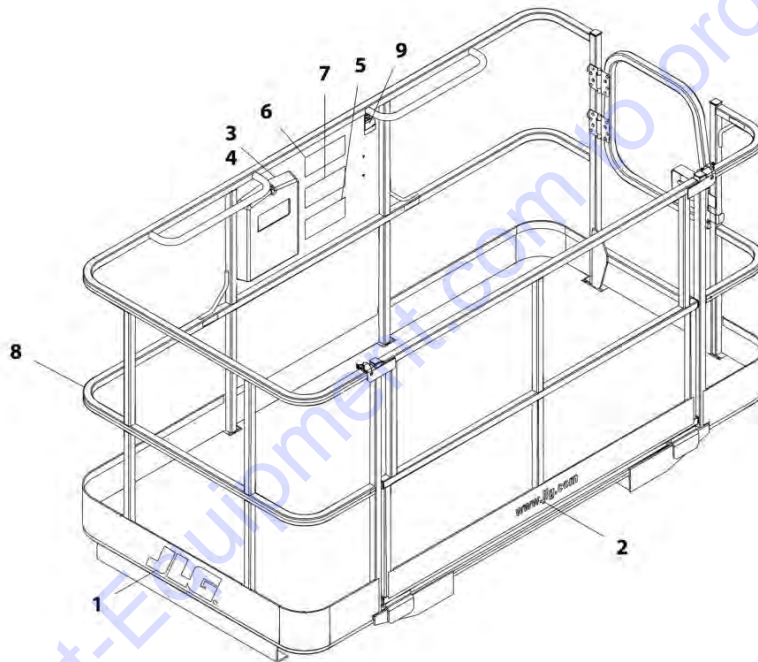
**FIGURE 3-30. FORK MOUNTED BASKET**

ITEM	PART NUMBER	QTY	DESCRIPTION	REV
	1001103637	1	Fork Mounted Basket (ANSI)	F
1	1702773	2	Decal, JLG	
2	1704885	1	Decal, Website	
3	1706892	1	Decal, Platform Warning	
4	31200160	1	Manual, Personnel Work Platform Operation and Safety	
5	1001092481	1	Decal, Warning Attachment	
6	1001092482	1	Decal, Platform Capacity	
7	1001096162	1	Platform, Fork Mounted (ANSI) (See Separate Breakdown in this Section)	
8	N.S.S.	1	Plate, Serial Number	

Go to Discount-Equipment.com to order your parts

# SECTION 3 - ATTACHMENTS

## FIGURE 3-31. FORK MOUNTED BASKET



ART\_1001103730-F

## SECTION 3 - ATTACHMENTS

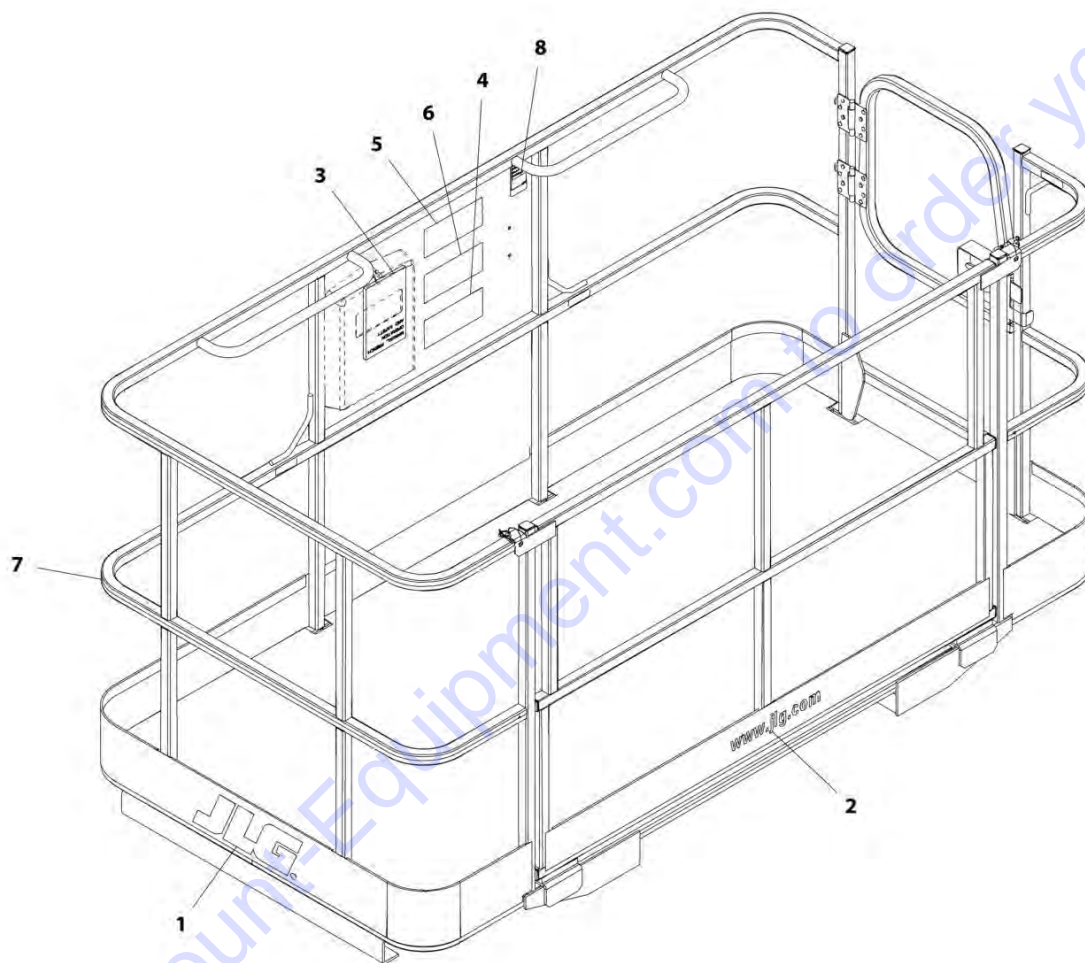
**FIGURE 3-31. FORK MOUNTED BASKET**

ITEM	PART NUMBER	QTY	DESCRIPTION	REV
	1001103730	1	Fork Mounted Basket (ISO)	F
1	1702773	2	Decal, JLG	
2	1704885	1	Decal, Website	
3	31200387	1	Manual, Operation and Safety, Spanish	
4	31200388	1	Manual, Operation and Safety, Portuguese	
5	1001096021	1	Decal, Warning Attachment	
6	1001096023	1	Decal, Platform Capacity	
7	1001096025	1	Decal, Platform Warning	
8	1001096162	1	Platform, Fork Mounted (ANSI) (See Separate Breakdown in this Section)	
9	N.S.S.	1	Plate, Serial Number	

Go to Discount-Equipment.com to order your parts

# SECTION 3 - ATTACHMENTS

## FIGURE 3-32. FORK MOUNTED BASKET



ART\_1001103736-F

## SECTION 3 - ATTACHMENTS

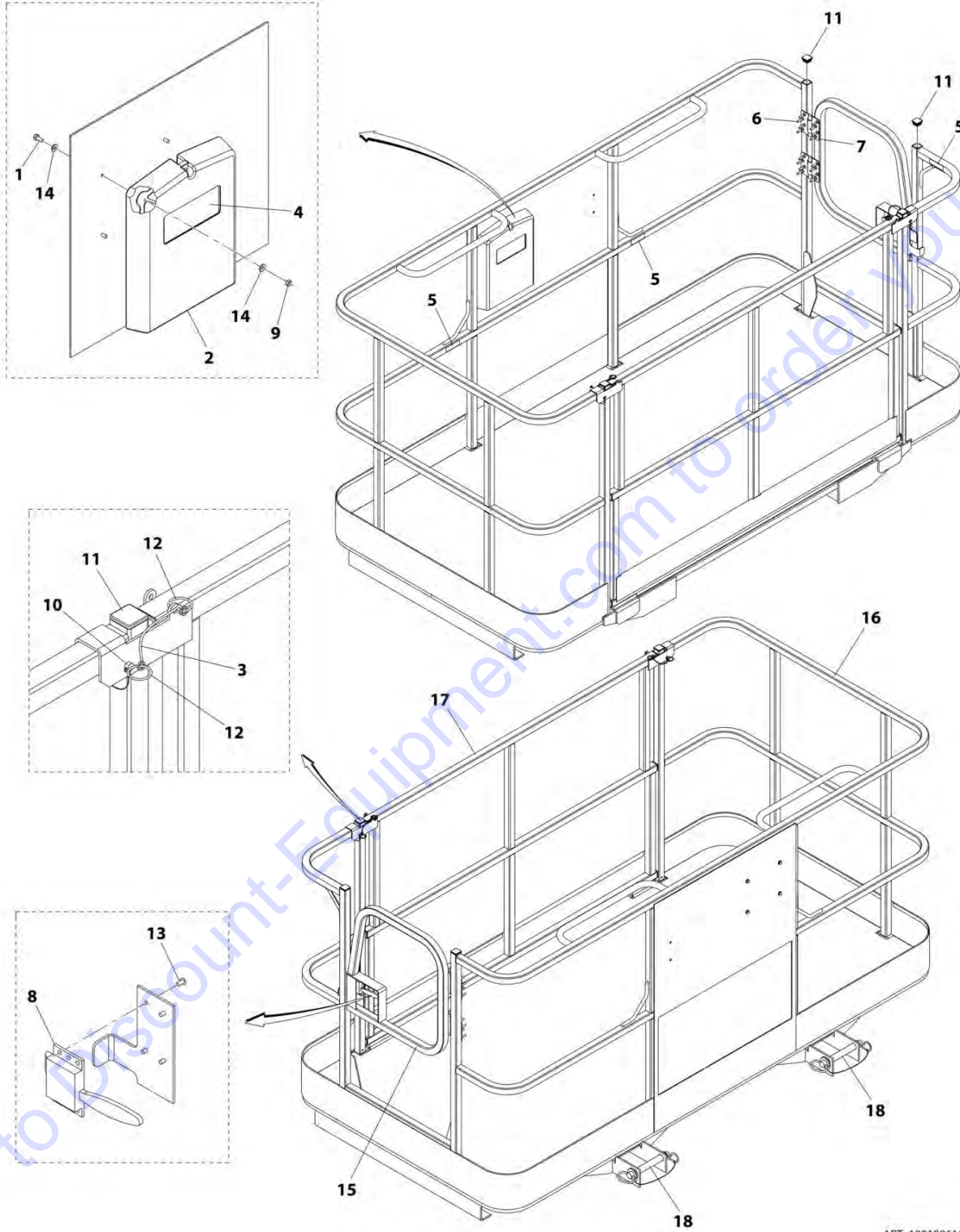
**FIGURE 3-32. FORK MOUNTED BASKET**

ITEM	PART NUMBER	QTY	DESCRIPTION	REV
	1001103736	1	Fork Mounted Basket (France)	F
1	1702773	2	Decal, JLG	
2	1704885	1	Decal, Website	
3	31200386	1	Manual, Operation and Safety (French)	
4	1001096019	1	Decal, Warning Attachment (French)	
5	1001096020	1	Decal, Platform Capacity (French)	
6	1001096024	1	Decal, Platform Warning (French)	
7	1001096162	1	Platform, Fork Mounted (ANSI) (See Separate Breakdown in this Section)	
8	N.S.S.	1	Plate, Serial Number	

Go to Discount-Equipment.com to order your parts

# SECTION 3 - ATTACHMENTS

## FIGURE 3-33. FORK MOUNTED PLATFORM



ART\_1001096162-M



## SECTION 3 - ATTACHMENTS

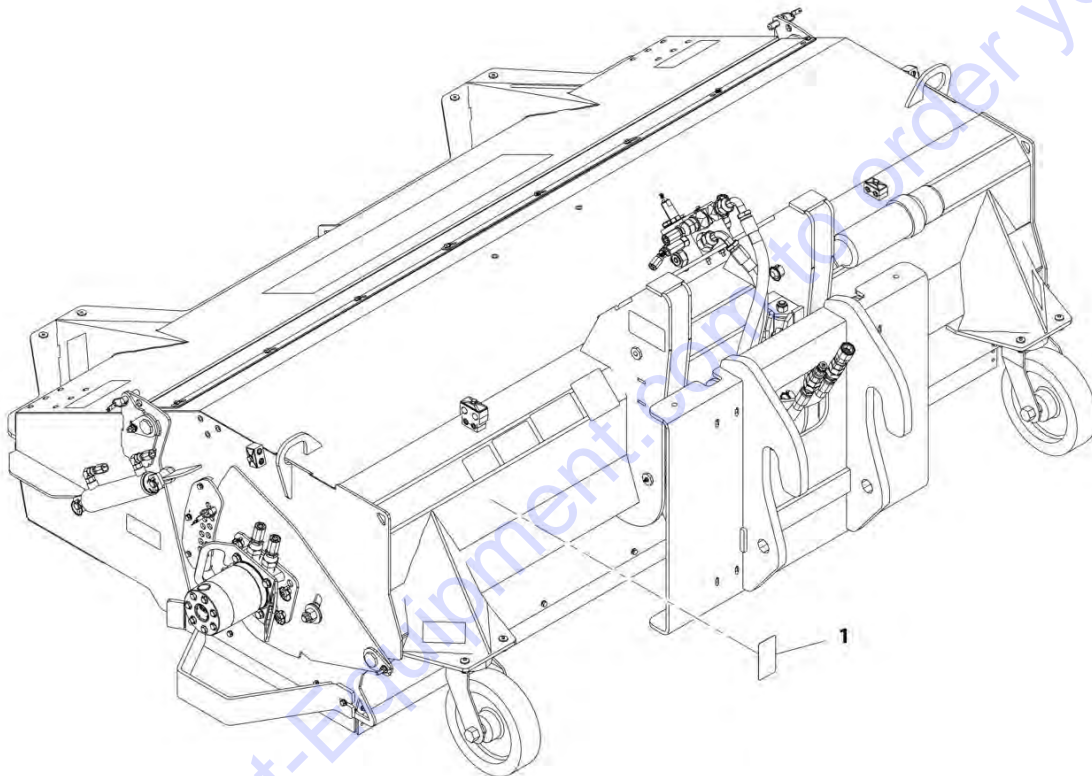
**FIGURE 3-33. FORK MOUNTED PLATFORM**

ITEM	PART NUMBER	QTY	DESCRIPTION	REV
	1001096162	Ref	Fork Mounted Platform (ANSI)	M
1	0641405	4	Bolt, 1/4-20X5/8	
2	0860520	1	Box, Manual Storage	
3	1060379	2	Cable, Lanyard	
4	1701509	1	Decal, Manual	
5	1704277	3	Decal, Lanyard Attach	
6	2080040	16	Fastener	
7	2600281	2	Hinge	
8	2940074	1	Latch	
9	3311405	4	Nut, Lock 1/4-20	
10	3421453	2	Pin	
11	3520072	10	Plug	
12	3760170	4	Ring	
13	3820020	4	Rivet	
14	4711400	8	Washer, 1/4	
15	1001144629J	1	Weldment, Gate	
16	N.S.S.	1	Platform, Fork Mounted	
17	1001095810	1	Weldment, Gate	
18	1001102813	2	Pin, Hitch	

Go to Discount-Equipment.com to order your parts

# SECTION 3 - ATTACHMENTS

## FIGURE 3-34. SWEEPER



ART\_1001202904-B

## SECTION 3 - ATTACHMENTS

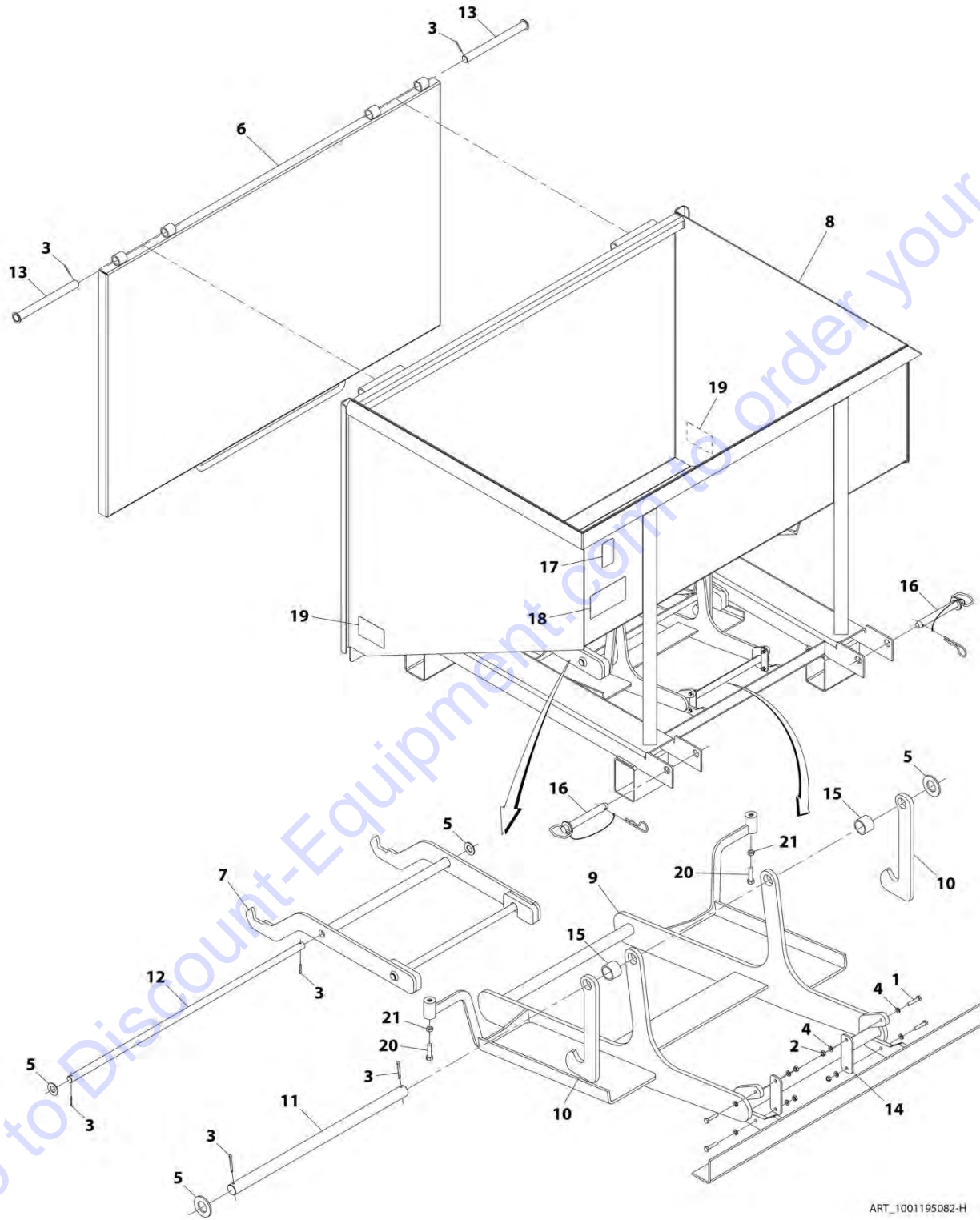
FIGURE 3-34. SWEEPER

ITEM	PART NUMBER	QTY	DESCRIPTION	REV
1	1001202904	1	Sweeper Assembly	B
	N.S.S.	1	Plate, Serial Number	

Go to Discount-Equipment.com to order your parts

# SECTION 3 - ATTACHMENTS

## FIGURE 3-35. FORK MOUNTED TRASH HOPPER



## SECTION 3 - ATTACHMENTS

**FIGURE 3-35. FORK MOUNTED TRASH HOPPER**

ITEM	PART NUMBER	QTY	DESCRIPTION	REV
	1001195082	1	Fork Mounted Trash Hopper	H
1	0700614	4	Bolt, M6X30	
2	3290601	4	Nut, M6X1 Grade 8	
3	3391410	6	Pin	
4	4811700	8	Washer, M6	
5	5242400	4	Washer, M24	
6	1001192711	1	Door Assembly	
7	1001192720	1	Hook Assembly	
8	N.S.S.	1	Weldment, Trash Hopper	
9	1001192875	1	Tray Assembly	
10	1001192876	2	Arm, Swing	
11	1001192877	1	Rod, Swing	
12	1001193525	1	Bar	
13	1001193540	2	Pin	
14	1001193729	2	Plate	
15	1001198355	2	Spacer	
16	1001102813	2	Pin	
17	N.S.S.	1	Plate, Serial Number	
18	1001203503	1	Decal, Trash Hopper Operation	
19	1706302	2	Decal, Pinch Point	
20	0641510	2	Bolt, 5/16-18 x 1-1/4	
21	3311502	2	Nut, 5/16-18	

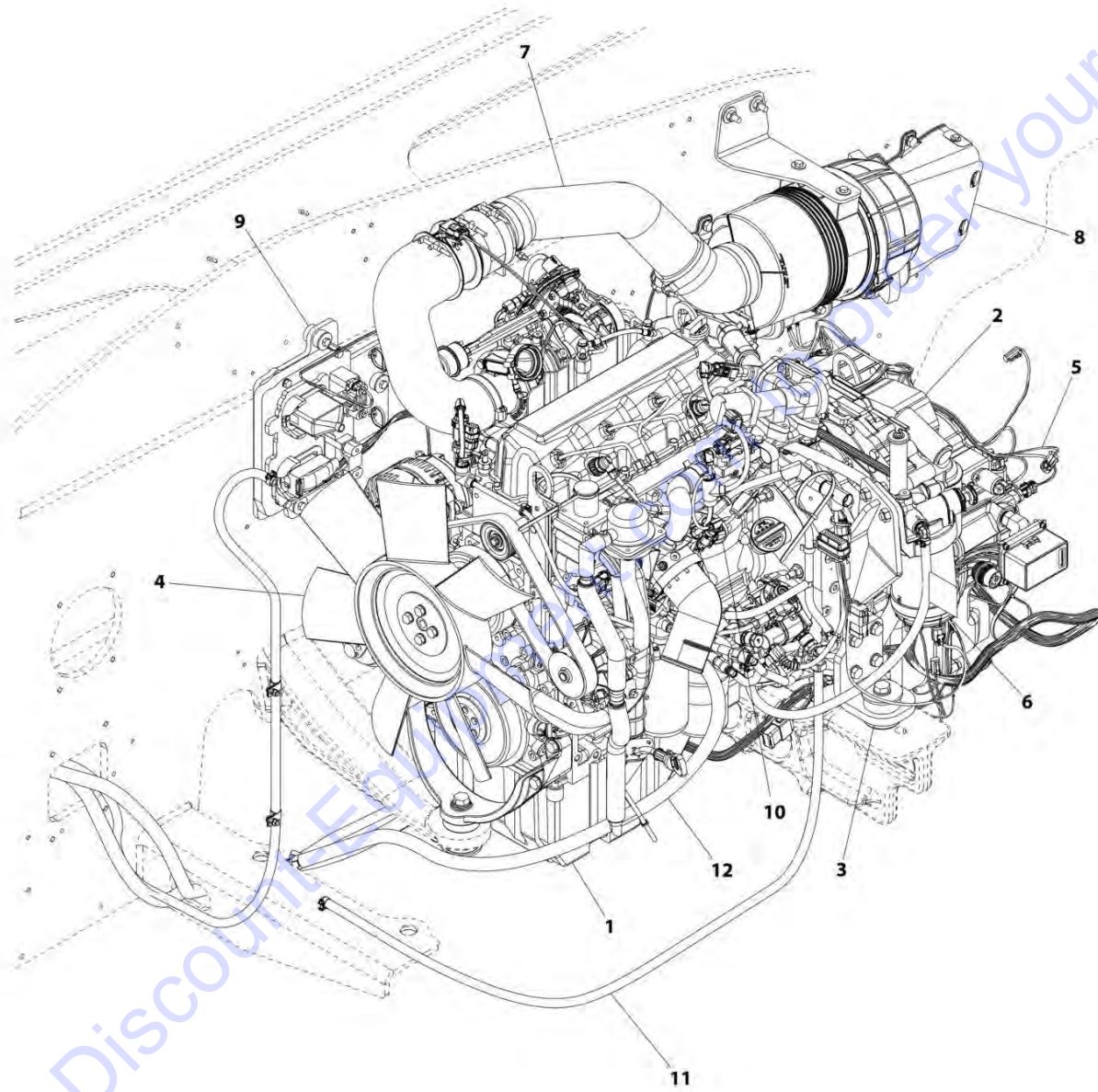


**SECTION 4 - ENGINE AND ATTACHING PARTS**

Go to Discount-Equipment.com to order your parts

# SECTION 4 - ENGINE AND ATTACHING PARTS

FIGURE 4-1. ENGINE INSTALLATION (ULS)



ART\_1001169009-H



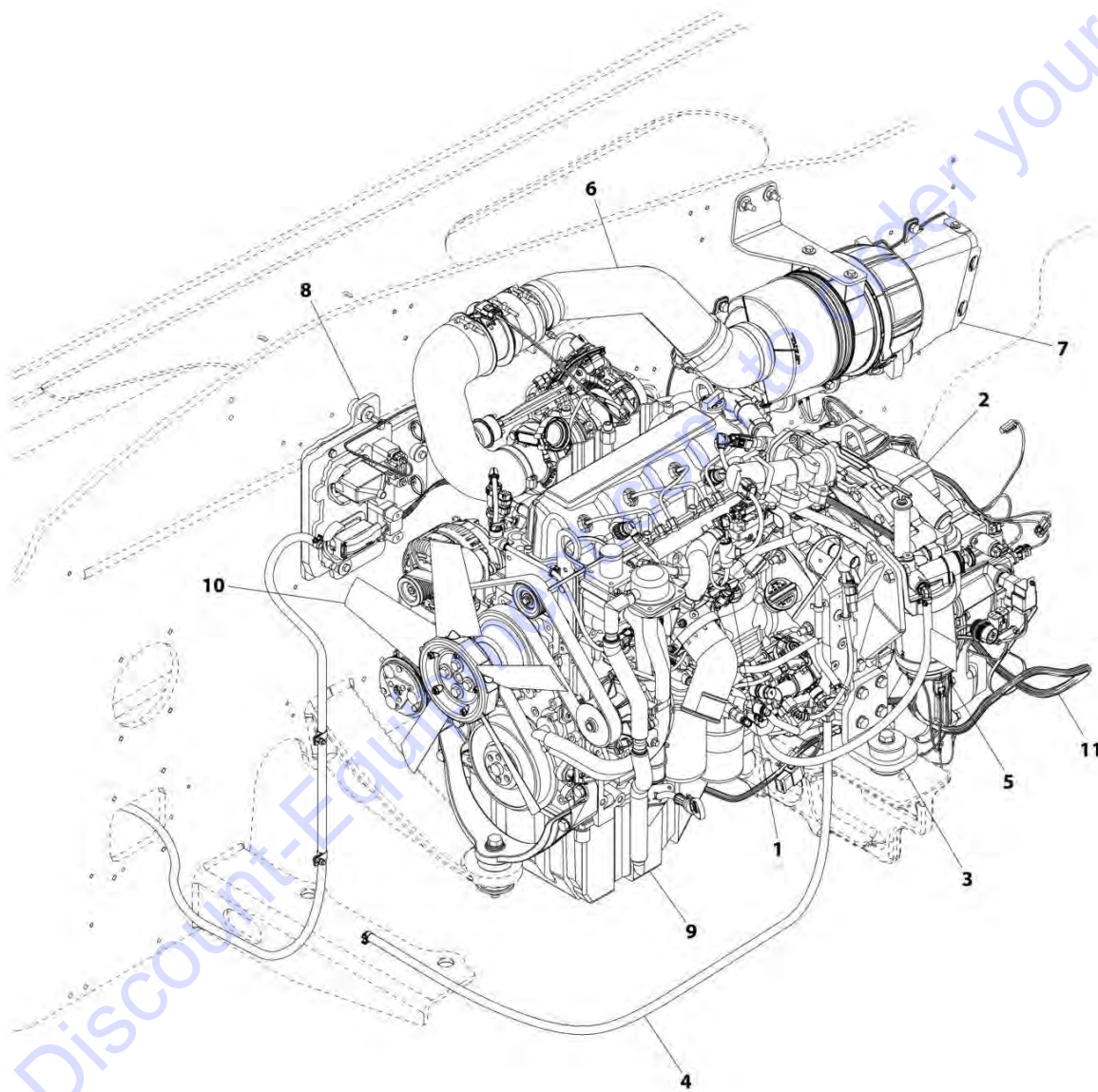
## SECTION 4 - ENGINE AND ATTACHING PARTS

**FIGURE 4-1. ENGINE INSTALLATION (ULS)**

ITEM	PART NUMBER	QTY	DESCRIPTION	REV
	1001169009	Ref	Engine Installation, 110HP (ULS)	H
1	1001154511	Ref	Engine, 110HP (ULS) (See Separate Breakdown in this Section)	
2	1001161664	Ref	Installation, Transmission (See Separate Breakdown in Drivetrain Section)	
3	1001163227	Ref	Installation, Engine Mounting (See Separate Breakdown in Drivetrain Section)	
4	1001163230	Ref	Installation, Fan (See Separate Breakdown in Drivetrain Section)	
5	1001163233	Ref	Installation, Engine Wiring (ULS) (See Separate Breakdown in Electrical Section)	
6	1001163235	Ref	Installation, Primary Fuel Filter (See Separate Breakdown in this Section)	
7	1001169011	Ref	Installation, Air Cleaner Lines (See Separate Breakdown in this Section)	
8	1001169012	Ref	Installation, Air Cleaner (See Separate Breakdown in this Section)	
9	1001194286	Ref	Installation, Engine ECU (See Separate Breakdown in Electrical Section)	
10	1062255	1	Strap, Tie	
11	1001163231	Ref	Installation, Fuel Lines (See Separate Breakdown in this Section)	
12	1001163232	Ref	Installation, DEF Lines (See Separate Breakdown in this Section)	

## SECTION 4 - ENGINE AND ATTACHING PARTS

FIGURE 4-2. ENGINE INSTALLATION, 74HP (ULS)



ART\_1001225230-B

## SECTION 4 - ENGINE AND ATTACHING PARTS

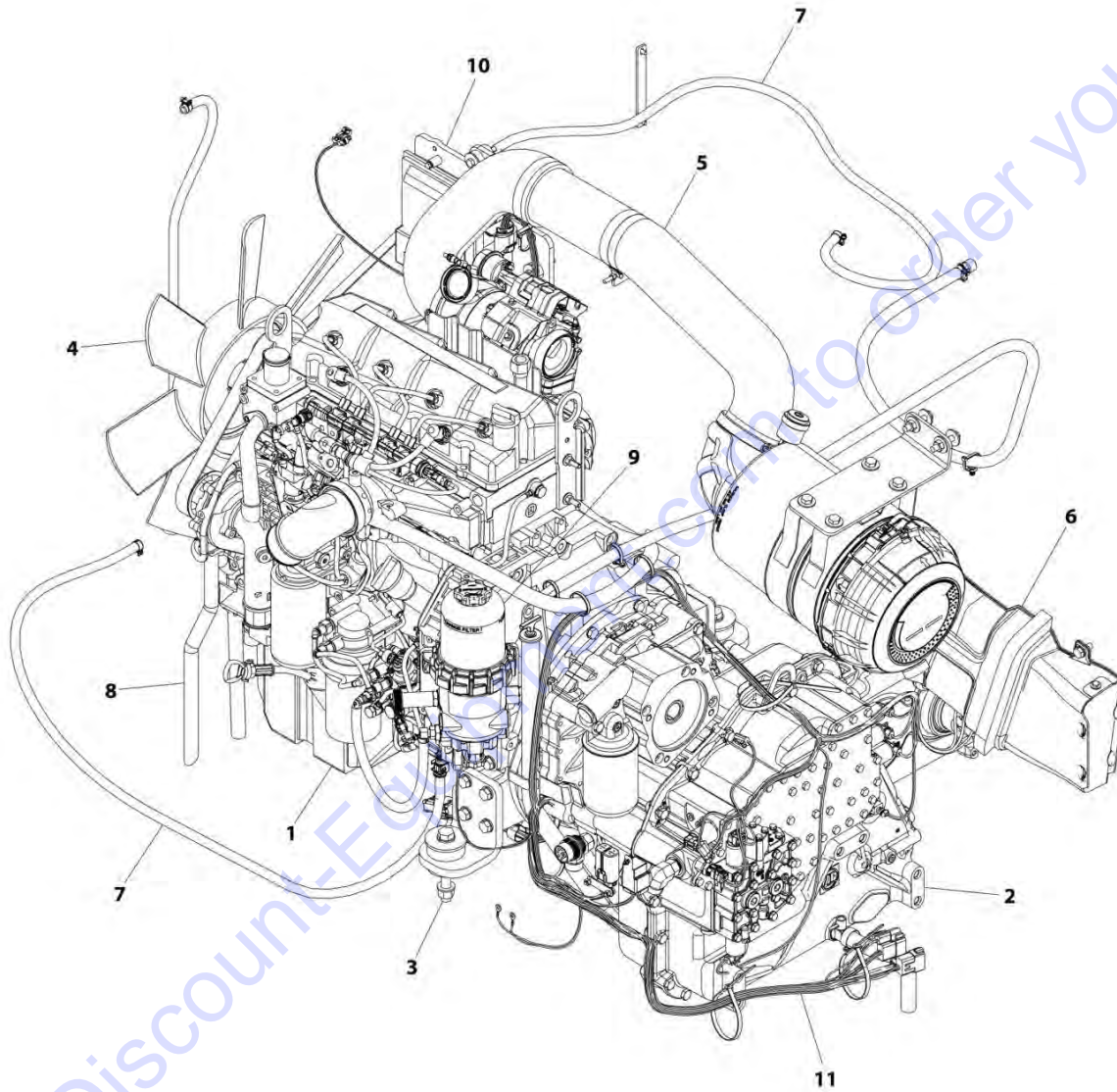
**FIGURE 4-2. ENGINE INSTALLATION, 74HP (ULS)**

ITEM	PART NUMBER	QTY	DESCRIPTION	REV
	1001225230	Ref	Engine Installation, 74HP (ULS)	B
1	1062255	1	Strap, Tie	
2	1001227962	Ref	Installation, Transmission (See Separate Breakdown in Drivetrain Section)	
3	1001163227	Ref	Installation, Engine Mounting (See Separate Breakdown in this Section)	
4	1001163231	Ref	Installation, Fuel Lines (See Separate Breakdown in this Section)	
5	1001163235	Ref	Installation, Primary Fuel Filter (See Separate Breakdown in this Section)	
6	1001169011	Ref	Installation, Air Cleaner Lines (See Separate Breakdown in this Section)	
7	1001169012	Ref	Installation, Air Cleaner (See Separate Breakdown in this Section)	
8	1001194286	Ref	Installation, Engine ECU (See Separate Breakdown in Electrical Section)	
9	1001196665	Ref	Engine, 74HP (See Separate Breakdown in this Section)	
10	1001225231	Ref	Installation, Fan (See Separate Breakdown in this Section)	
11	1001225232	Ref	Installation, Engine Wiring (See Separate Breakdown in Electrical Section)	

Go to Discount-Equipment.com to Order Your parts

# SECTION 4 - ENGINE AND ATTACHING PARTS

## FIGURE 4-3. ENGINE INSTALLATION (LS)



ART\_1001160396-D

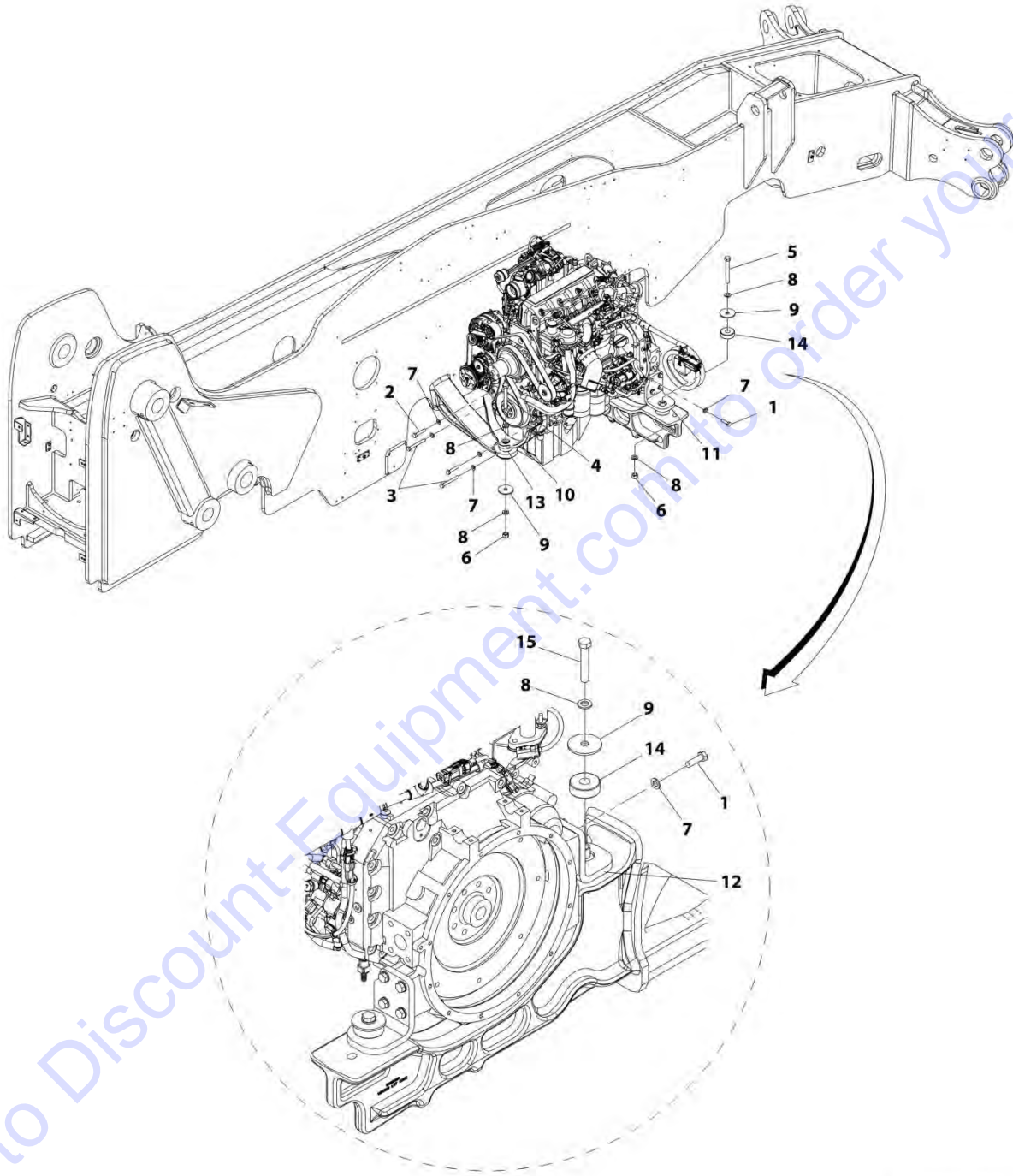
## SECTION 4 - ENGINE AND ATTACHING PARTS

**FIGURE 4-3. ENGINE INSTALLATION (LS)**

ITEM	PART NUMBER	QTY	DESCRIPTION	REV
	1001160396	Ref	ENGINE INSTALLATION, 110HP (LS)	D
1	1001154790	Ref	Engine, 110HP (LS) (See Separate Breakdown in this Section)	
2	1001161664	Ref	Installation, Transmission (See Separate Breakdown in Drivetrain Section)	
3	1001163227	Ref	Installation, Engine Mounting (See Separate Breakdown in this Section)	
4	1001163230	Ref	Installation, Fan (See Separate Breakdown in this Section)	
5	1001163238	Ref	Installation, Air Intake Lines (LS) (See Separate Breakdown in this Section)	
6	1001163239	Ref	Installation, Air Cleaner (LS) (See Separate Breakdown in this Section)	
7	1001163241	Ref	Installation, Fuel Lines (LS) (See Separate Breakdown in this Section)	
8	1001176228	1	Hose, 3.8L	
9	1001180076	Ref	Installation, Primary Fuel Filter (LS) (See Separate Breakdown in this Section)	
10	1001180242	Ref	Installation, Engine ECM (LS) (See Separate Breakdown in Electrical Section)	
11	1001163242	Ref	Installation, Engine Wiring (LS) (See Separate Breakdown in Electrical Section)	

# SECTION 4 - ENGINE AND ATTACHING PARTS

## FIGURE 4-4. ENGINE MOUNTING INSTALLATION



ART\_1001163227-H

## SECTION 4 - ENGINE AND ATTACHING PARTS

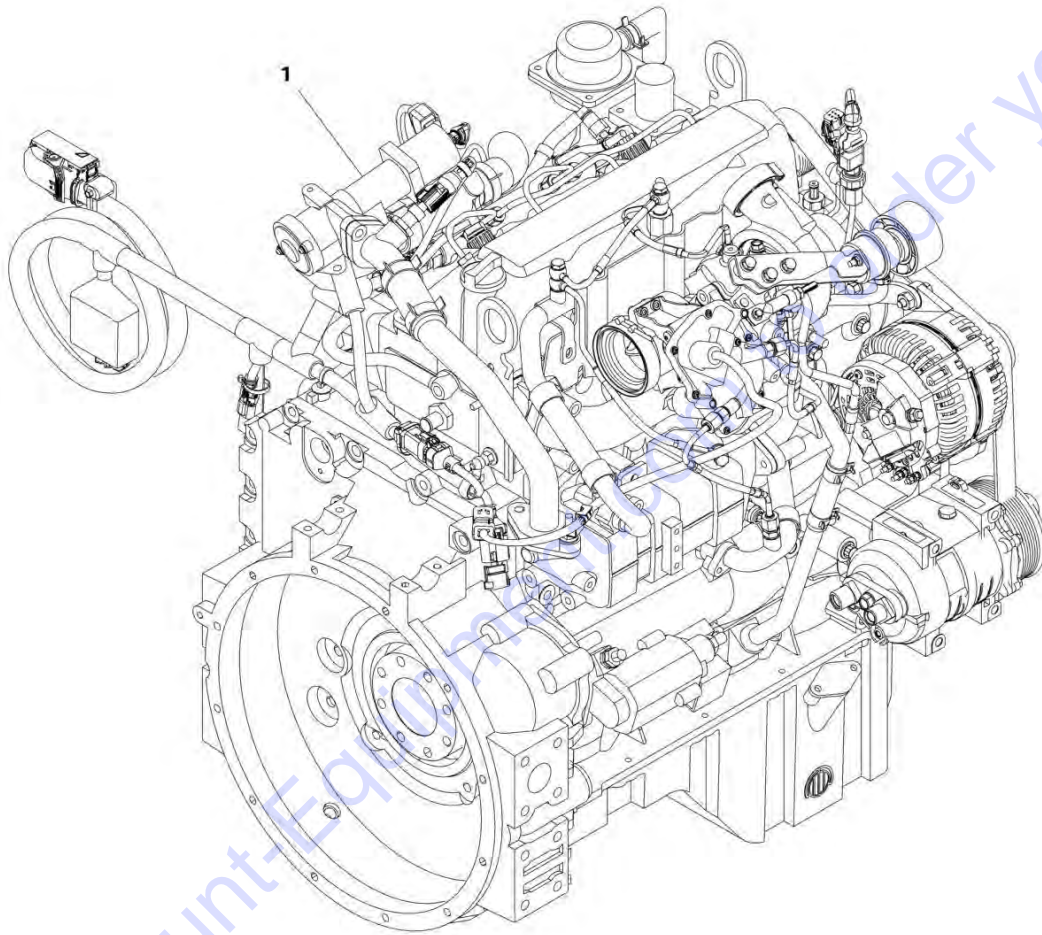
**FIGURE 4-4. ENGINE MOUNTING INSTALLATION**

ITEM	PART NUMBER	QTY	DESCRIPTION	REV
	1001163227	Ref	Engine Mounting Installation	H
1	0701216	8	Bolt, M12X40	
2	0701220	2	Bolt, M12X60	
3	0701227	2	Bolt, M12X100	
4	0711629	1	Bolt, M16x120	
5	0711630	1	Bolt, M16X130	
6	3331615	2	Nut, M16	
7	4812100	12	Washer, M12	
8	4812300	5	Washer, M16	
9	7300435	3	Washer	
10	1001160116	1	Bracket, Engine	
11	1001168795	1	Plate, Engine Mount	
12	1001168797	1	Plate, Engine Mount	
13	1001160888	1	Mount, Isolator Engine	
14	1001195518	2	Mount, Isolator Engine	
15	0711626	1	Bolt, M16X90	

Go to Discount-Equipment.com to order your parts

## SECTION 4 - ENGINE AND ATTACHING PARTS

FIGURE 4-5. 3.8L ENGINE (ULS)



ART\_1001154511-P



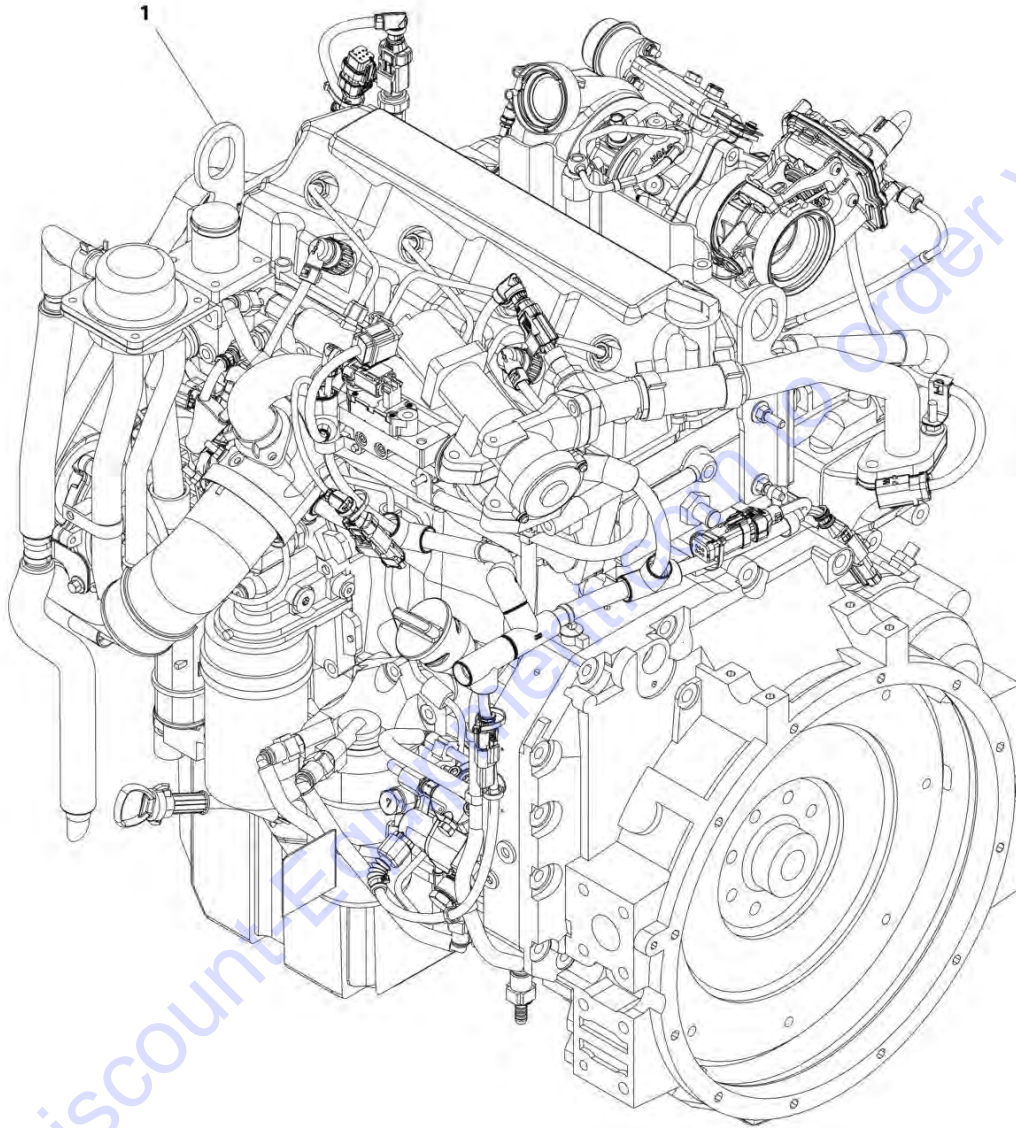
## SECTION 4 - ENGINE AND ATTACHING PARTS

**FIGURE 4-5. 3.8L ENGINE (ULS)**

ITEM	PART NUMBER	QTY	DESCRIPTION	REV
	1001154511	1	Engine, QSF 3.8L (if equipped for ULS)	P
	70026220	1	Assembly, Secondary Fuel Filter (includes shell, seal and cartridge)	
	70026453	1	Cartridge, Fuel Filter	
	70026223	1	Pan, Oil	
	70026224	1	Seal, Oil Pan	
	70026225	1	Plug, Oil Pan	
	70026226	1	Seal, Oil Pan Plug	
	1001128594	1	Starter	
	70026228	1	Filler Cap, Valve Cover	
	70026229	1	Fan Belt, V-Ribbed	
	70026230	1	Support, Fan	
	70026231	1	Pulley, Fan	
	70026232	1	Alternator	
	70026233	NLA	Assembly, Primary Fuel Filter, (includes filter head, seal and element), (no longer available, use 70028450 for replacement)	
	70028450	1	Assembly, Primary Fuel Filter, (includes filter head, seal and element)	
	70026235	1	Assembly, Dipstick Oil Level	
	70026236	1	Assembly, Block Heater	
	70026241	1	Assembly, Fuel Filter Plug	
	70026237	1	Filter, Oil	
	70023933	1	O-Ring, Oil Pressure Switch	
	70041620	2	Ring, Retaining	
	70041616	1	Bolt	
	70041617	1	Bearing, Ball	
	70041619	1	Retainer, Fan Hub	
	1322039	1	Spacer, Fan Pilot	
	1321094	16	Bolt, Fan Drive	
	70024016	1	Cap, Side Oil Fill	
	70022634	1	Flywheel w/Ring Gear	
	70023736	1	Ring Gear, Flywheel	
	1322040	1	Plug, Flywheel	

## SECTION 4 - ENGINE AND ATTACHING PARTS

FIGURE 4-6. ENGINE, 74HP



ART\_1001196665-J

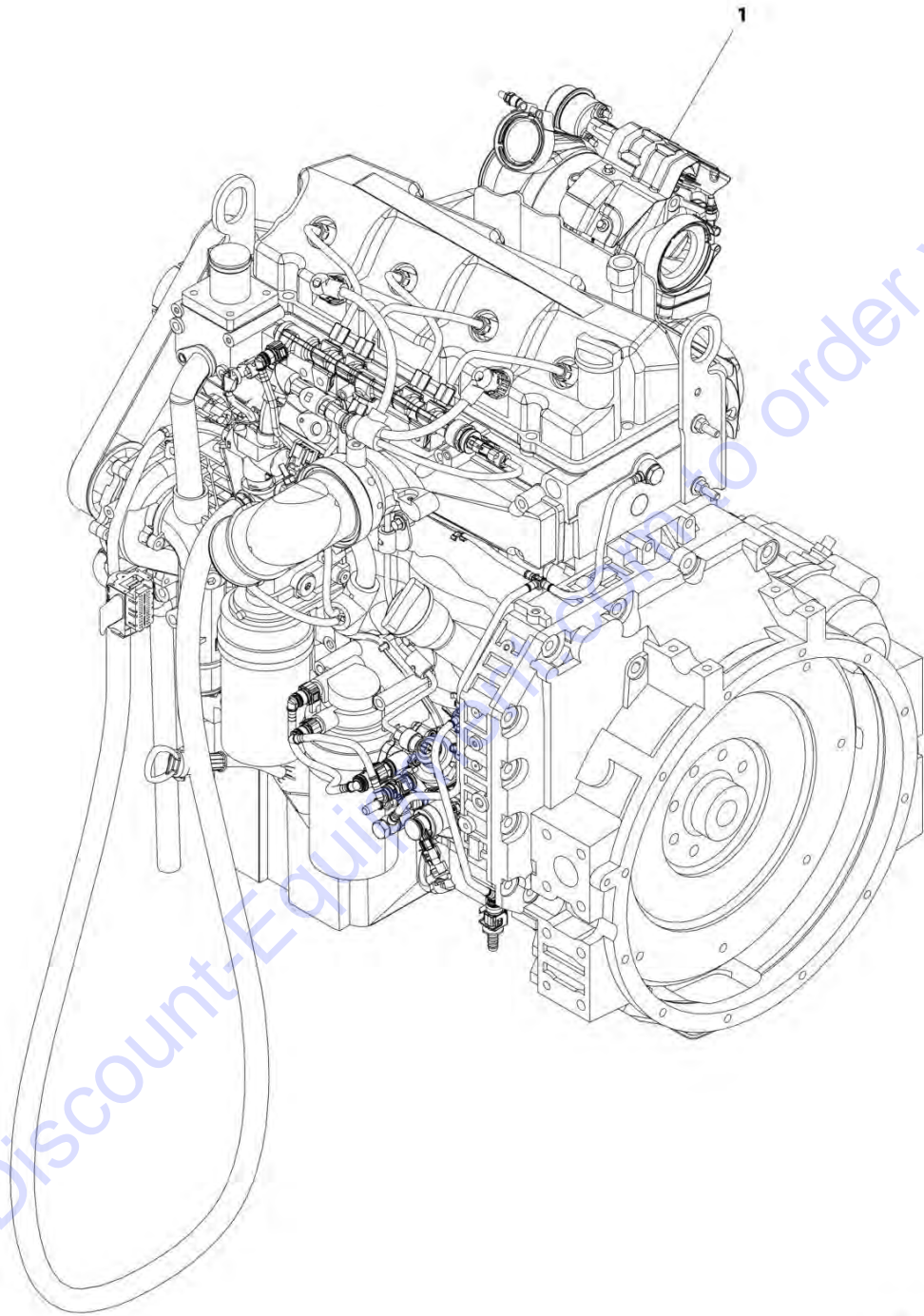
## SECTION 4 - ENGINE AND ATTACHING PARTS

**FIGURE 4-6. ENGINE, 74HP**

ITEM	PART NUMBER	QTY	DESCRIPTION	REV
	1001196665	Ref	Engine, 74HP (if equipped for ULS)	J
	70026220	1	Assembly, Secondary Fuel Filter (includes filter head, seal and element)	
	70026453	1	Element, Fuel Filter	
	70026221	1	Head, Fuel Filter	
	70026222	1	Assembly, Flywheel Housing	
	70027281	1	Pan, Oil	
	70026224	1	Seal, Oil Pan	
	70026225	1	Plug, Oil Pan	
	70026226	1	Seal, Oil Pan Plug	
	1001128594	1	Starter	
	70026228	1	Filler Cap, Valve Cover	
	70026229	1	Fan Belt, V-Ribbed	
	70026230	1	Support, Fan	
	70026231	1	Pulley, Fan	
	70026232	1	Alternator	
	70026233	NLA	Assembly, Primary Fuel Filter, (no longer available, use 70028450 for replacement)	
	70028450	1	Assembly, Primary Fuel Filter	
	70026234	1	Element, Fuel Filter	
	70026235	1	Assembly, Dipstick Oil Level	
	N.S.S.	1	Dipstick, (no longer available, use 70026235 for replacement)	
	N.S.S.	1	Tube, Dipstick, (no longer available, use 70026235 for replacement)	
	70026241	1	Assembly, Fuel Filter Plug	
	70026237	1	Filter, Oil	
	70023933	1	O-Ring, Oil Pressure Switch	
	70041620	2	Ring, Retaining	
	70041616	1	Bolt	
	70041617	1	Bearing, Ball	
	70041619	1	Retainer, Fan Hub	
	1322039	1	Spacer, Fan Pilot	
	1321094	19	Screw	
	70024016	1	Cap, Side Oil Fill	
	70022634	1	Flywheel w/Ring Gear	
	70023736	1	Ring Gear, Flywheel	
	1322040	1	Plug, Flywheel	

## SECTION 4 - ENGINE AND ATTACHING PARTS

FIGURE 4-7. 3.8L ENGINE (LS)



ART\_1001154790-J

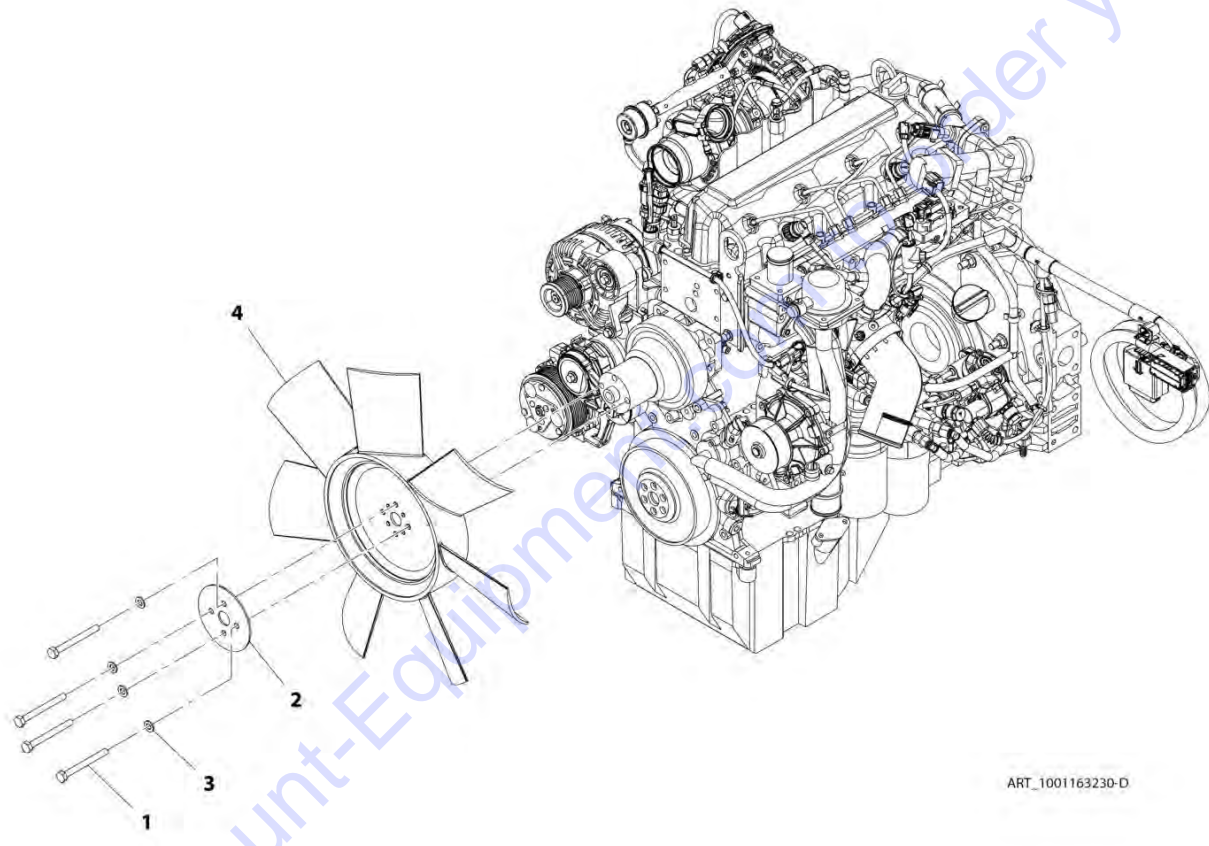
## SECTION 4 - ENGINE AND ATTACHING PARTS

**FIGURE 4-7. 3.8L ENGINE (LS)**

ITEM	PART NUMBER	QTY	DESCRIPTION	REV
	1001154790	Ref	3.8L Engine (LS)	J
	70026800	1	Fuel Filter Assembly	
	70026801	1	Fuel Filter Element	
	70026222	1	Assembly, Flywheel Housing	
	70027281	1	Pan, Oil	
	70026224	1	Seal, Oil Pan	
	70026225	1	Plug, Oil Pan	
	70026226	1	Seal, Oil Pan Plug	
	1001128594	1	Starter	
	70026228	1	Filler Cap, Valve Cover	
	70026229	1	Fan Belt, V-Ribbed	
	70026230	1	Support, Fan	
	70026231	1	Pulley, Fan	
	70026232	1	Alternator	
	70026233	1	Assembly, Primary Fuel Filter	
	70026234	1	Element, Fuel Filter	
	70026235	1	Assembly, Dipstick Oil Level	
	70026241	1	Assembly, Fuel Filter Plug	
	70026237	1	Filter, Oil	
	70041620	2	Ring, Retaining	
	70041616	1	Bolt	
	70041617	1	Bearing, Ball	
	70041619	1	Retainer, Fan Hub	
	1322039	1	Spacer, Fan Pilot	
	1321094	17	Screw	
	70024016	1	Cap, Side Oil Fill	
	70022634	1	Flywheel w/Ring Gear	
	70023736	1	Ring Gear, Flywheel	
	1322040	1	Plug, Flywheel	

# SECTION 4 - ENGINE AND ATTACHING PARTS

## FIGURE 4-8. FAN INSTALLATION



ART\_1001163230-D

## SECTION 4 - ENGINE AND ATTACHING PARTS

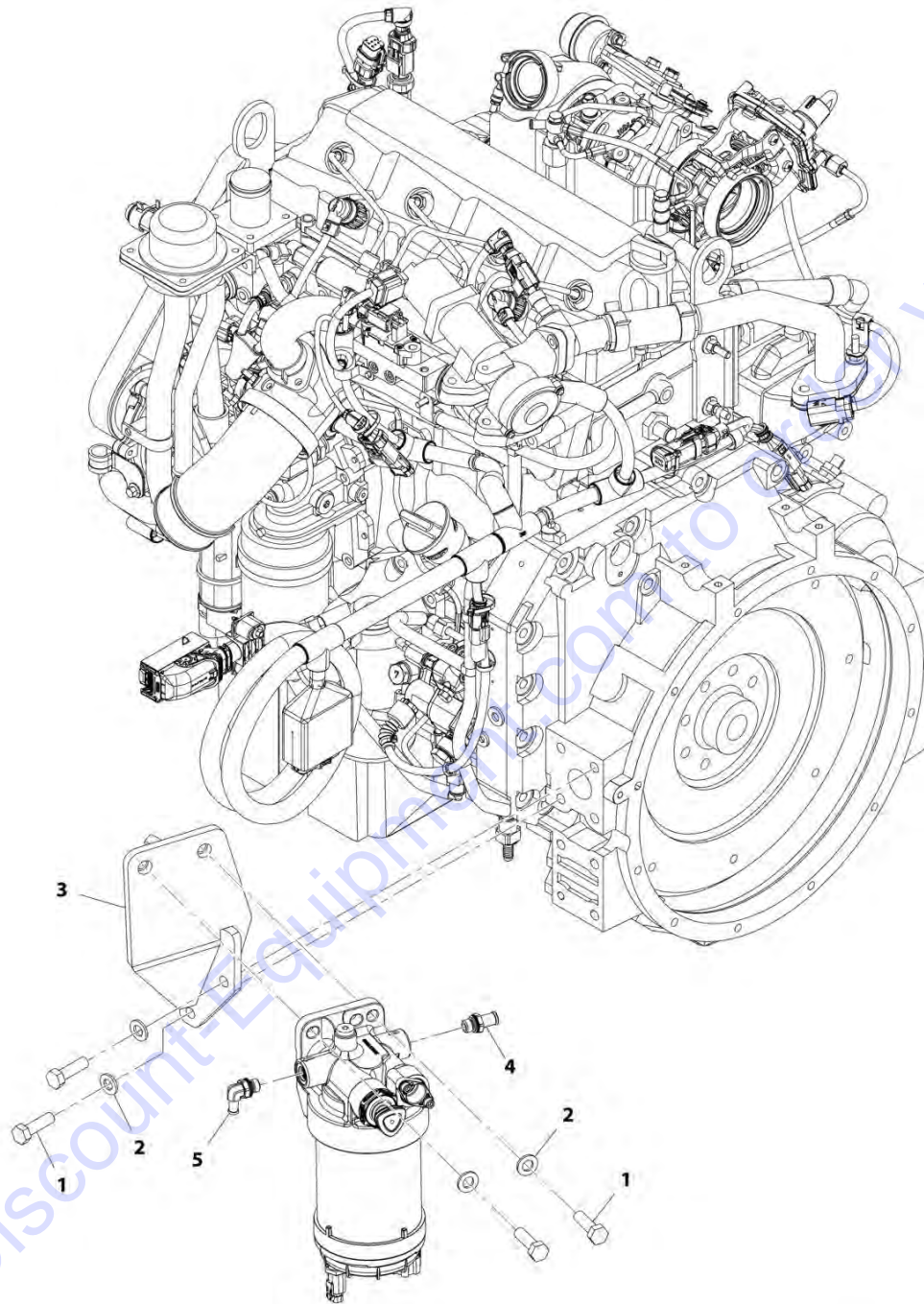
FIGURE 4-8. FAN INSTALLATION

ITEM	PART NUMBER	QTY	DESCRIPTION	REV
	1001163230	Ref	Fan Installation	D
1	0701027	4	Bolt, M10X100	
2	3575947	1	Plate	
3	4812000	4	Washer, M10	
4	1001175269	1	Fan, Cooling	

Go to Discount-Equipment.com to order your parts

## SECTION 4 - ENGINE AND ATTACHING PARTS

FIGURE 4-9. PRIMARY FUEL FILTER INSTALLATION (ULS)



ART\_1001163235-F



## SECTION 4 - ENGINE AND ATTACHING PARTS

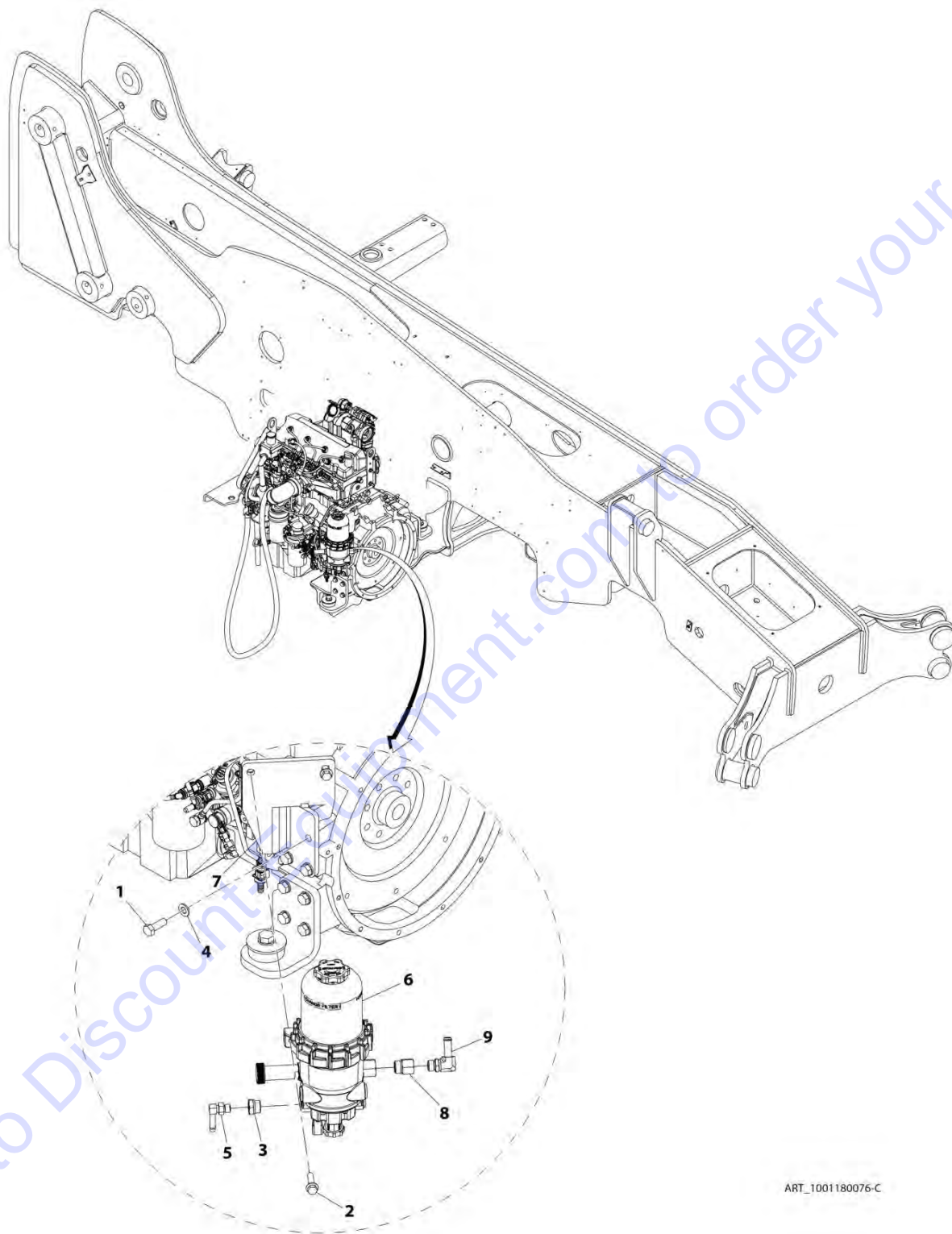
FIGURE 4-9. PRIMARY FUEL FILTER INSTALLATION (ULS)

ITEM	PART NUMBER	QTY	DESCRIPTION	REV
	1001163235	Ref	Primary Fuel Filter Installation	F
1	0701216	4	Bolt, M12X40	
2	4812100	4	Washer, M12	
3	1001206019	1	Bracket, Fuel Filter Mount	
4	1001217467	1	Barb, Hose	
5	1001182094	1	Hose	

Go to Discount-Equipment.com to order your parts

# SECTION 4 - ENGINE AND ATTACHING PARTS

## FIGURE 4-10. PRIMARY FUEL FILTER INSTALLATION (LS)



ART\_1001180076-C

## SECTION 4 - ENGINE AND ATTACHING PARTS

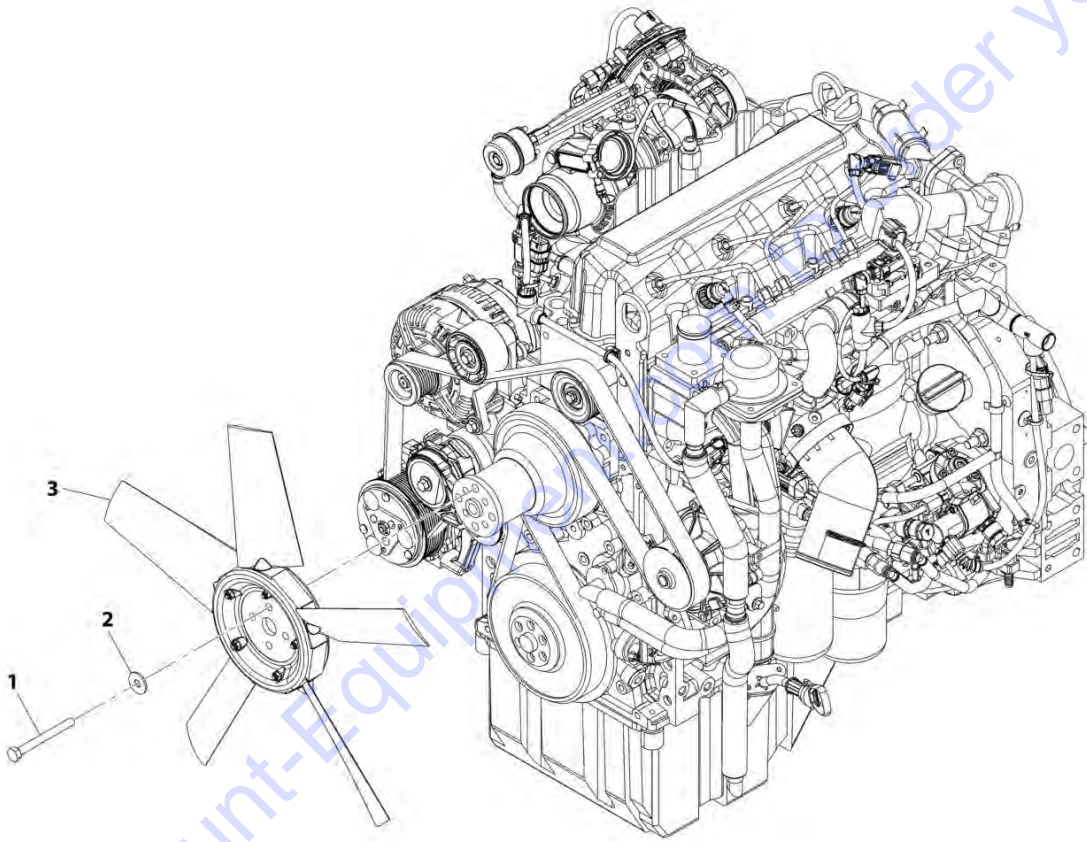
**FIGURE 4-10. PRIMARY FUEL FILTER INSTALLATION (LS)**

ITEM	PART NUMBER	QTY	DESCRIPTION	REV
	1001180076	Ref	Primary Fuel Filter Installation (LS)	C
1	0701215	3	Bolt, M12X35	
2	0781016	2	Bolt, M10X40	
3	2220218	1	Fitting, Straight ORFS	
4	4812100	3	Washer, M12	
5	8430034	1	Elbow, 90	
6	1001133534	1	Filter, Fuel	
7	1001180078	1	Bracket, Fuel Filter Mount	
8	2220810	1	Fitting, Straight	
9	1001200239	1	Fitting, 90 ORFS	

Go to Discount-Equipment.com to order your parts

## SECTION 4 - ENGINE AND ATTACHING PARTS

FIGURE 4-11. FAN INSTALLATION, 74HP (ULS)



ART\_1001225231-A

## SECTION 4 - ENGINE AND ATTACHING PARTS

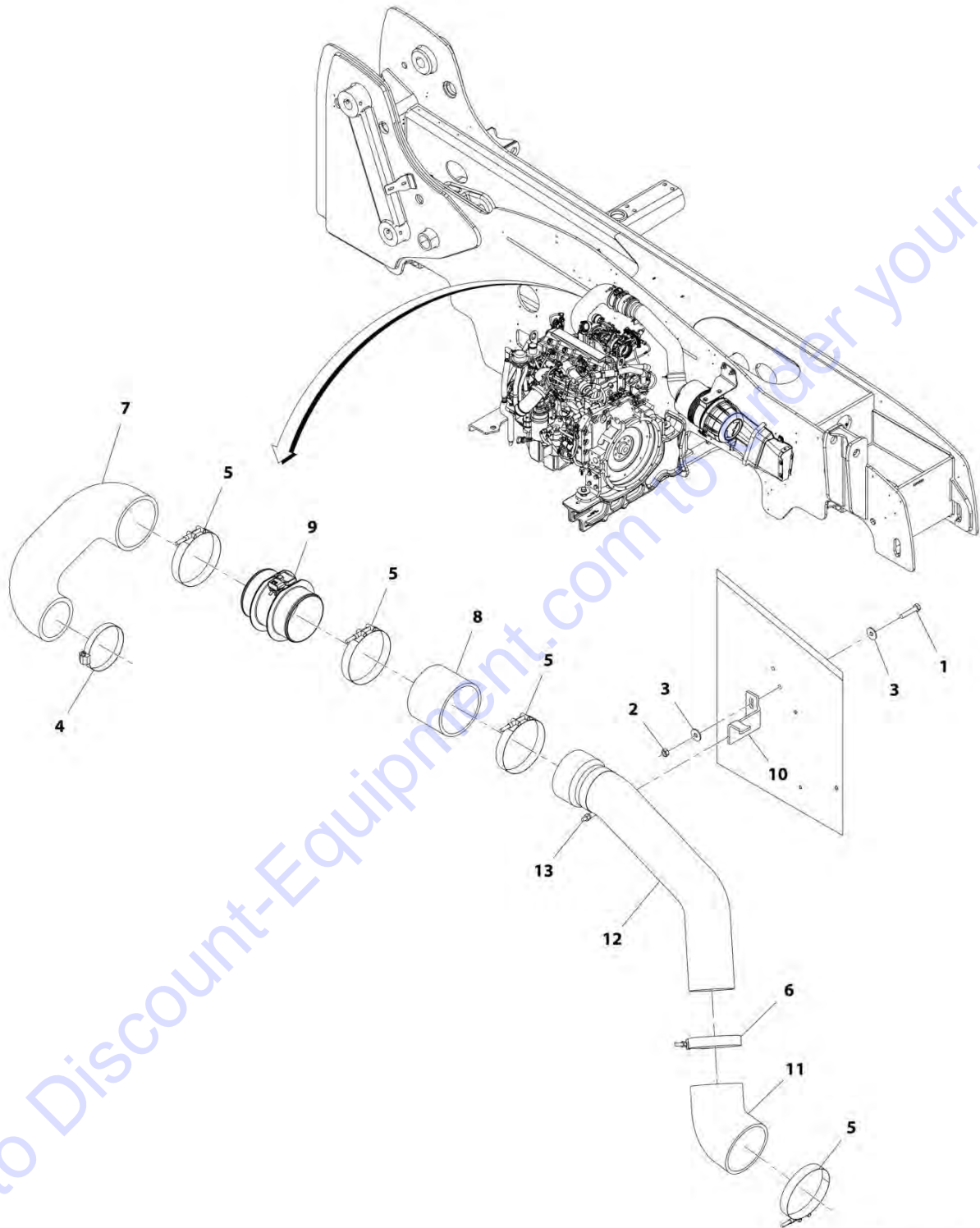
FIGURE 4-11. FAN INSTALLATION, 74HP (ULS)

ITEM	PART NUMBER	QTY	DESCRIPTION	REV
	1001225231	Ref	Fan Installation (ULS)	A
1	0701027	4	Bolt, M10X100	
2	4812002	4	Washer, M10	
3	1001225982	1	Fan, Cooling	

Go to Discount-Equipment.com to order your parts

# SECTION 4 - ENGINE AND ATTACHING PARTS

## FIGURE 4-12. AIR CLEANER LINES INSTALLATION (ULS)



ART\_1001169011-C

## SECTION 4 - ENGINE AND ATTACHING PARTS

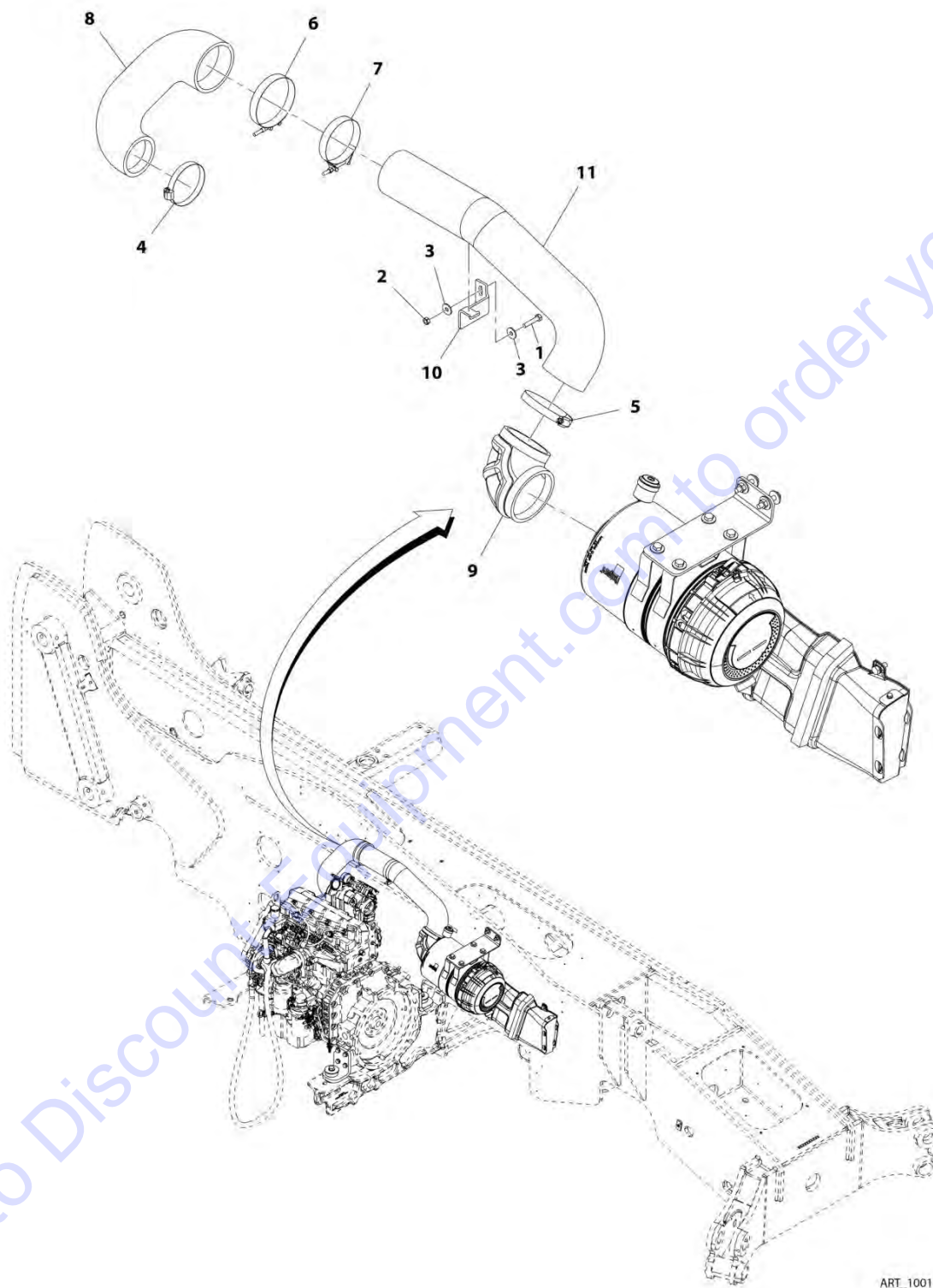
**FIGURE 4-12. AIR CLEANER LINES INSTALLATION (ULS)**

ITEM	PART NUMBER	QTY	DESCRIPTION	REV
	1001169011	Ref	Air Cleaner Lines Installation	C
1	0700816	1	Bolt, M8X40	
2	3290801	1	Nut, M8X1.25 Grade 8	
3	4811902	2	Washer, M8	
4	8410011	1	Clamp	
5	80933367	4	Clamp	
6	91413025	1	Clamp	
7	1001166449	1	Hose	
8	1001166450	1	Hose	
9	1001168771	1	Tube	
10	1001169155	1	Bracket	
11	1001185505	1	Elbow	
12	1001185497	1	Tube	
13	8410007	1	Clamp, T-Bolt	

Go to Discount-Equipment.com to order your parts

# SECTION 4 - ENGINE AND ATTACHING PARTS

## FIGURE 4-13. AIR CLEANER LINES INSTALLATION (LS)



ART\_1001163238-C



## SECTION 4 - ENGINE AND ATTACHING PARTS

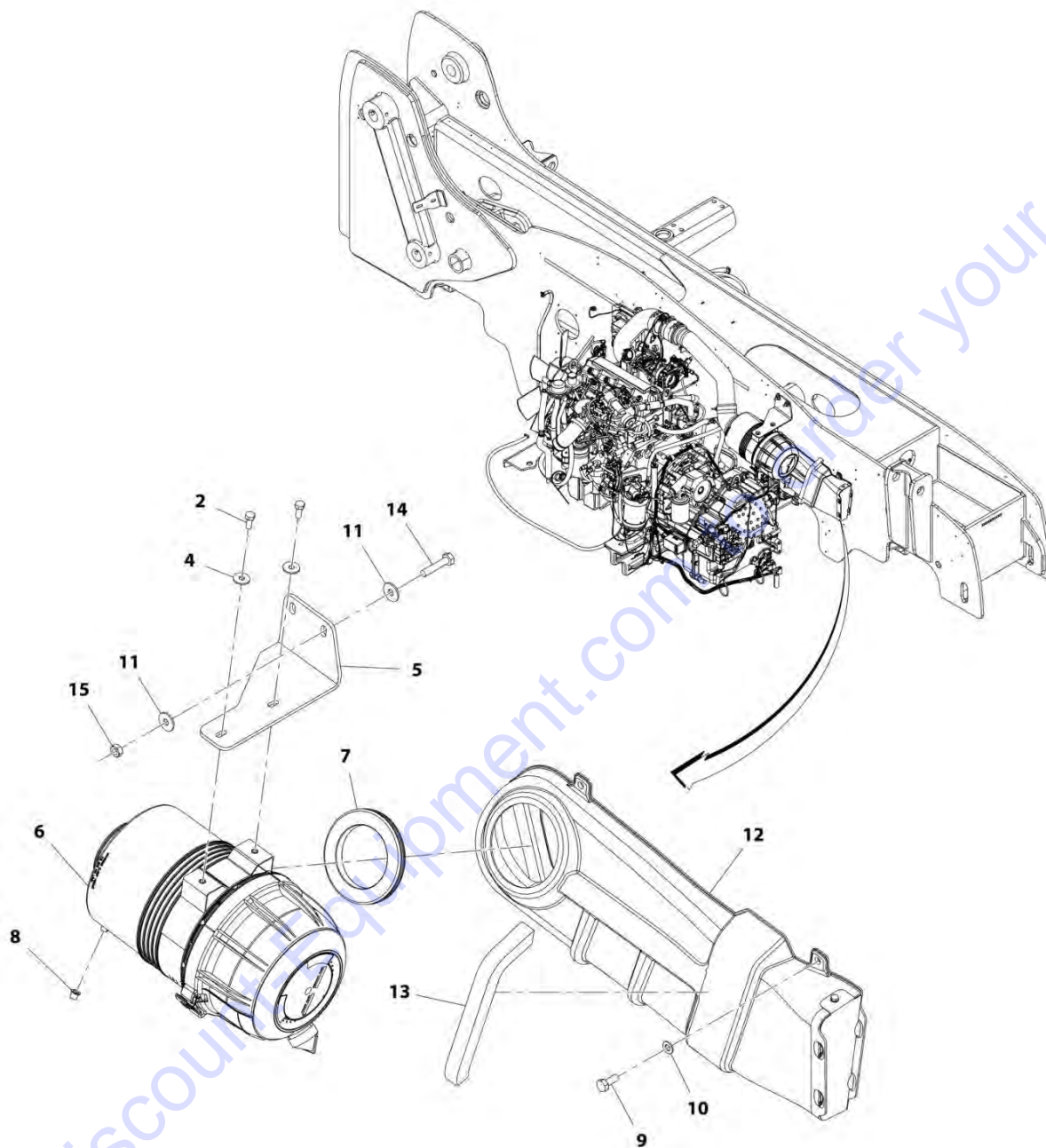
FIGURE 4-13. AIR CLEANER LINES INSTALLATION (LS)

ITEM	PART NUMBER	QTY	DESCRIPTION	REV
	1001163238	Ref	Air Intake Lines Installation (LS)	C
1	0700816	1	Bolt, M8X40	
2	3290801	1	Nut, M8X1.25 Grade 8	
3	4811902	2	Washer, M8	
4	8410011	1	Clamp	
5	10719267	1	Clamp	
6	80933367	1	Clamp	
7	91413025	1	Clamp	
8	1001166449	1	Hose	
9	1001166451	1	Elbow	
10	1001169155	1	Bracket	
11	1001185498	1	Tube	

Go to Discount-Equipment.com to order your parts

# SECTION 4 - ENGINE AND ATTACHING PARTS

## FIGURE 4-14. AIR CLEANER INSTALLATION (ULS)



ART\_1001169012-F

## SECTION 4 - ENGINE AND ATTACHING PARTS

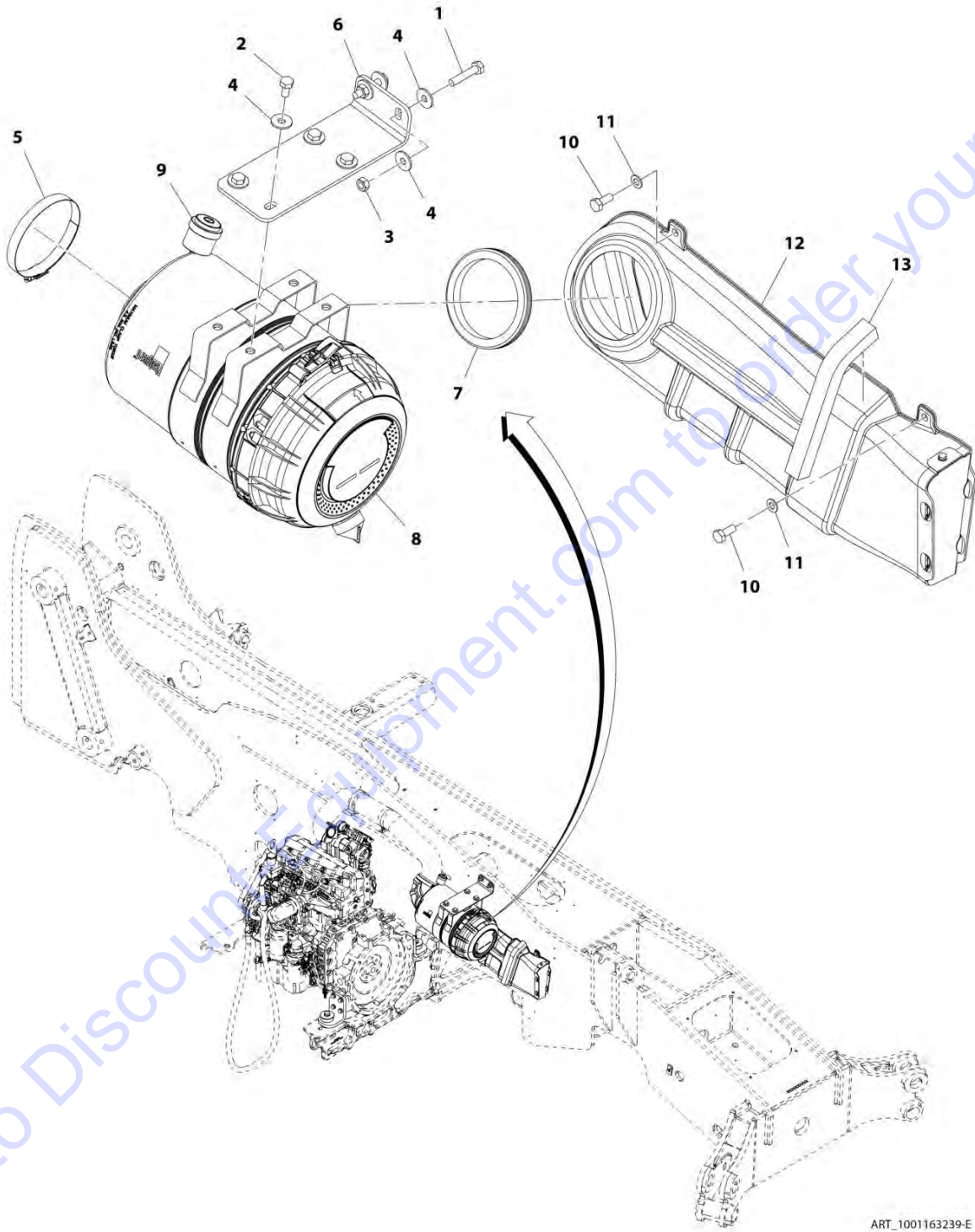
**FIGURE 4-14. AIR CLEANER INSTALLATION (ULS)**

ITEM	PART NUMBER	QTY	DESCRIPTION	REV
	1001169012	Ref	Air Cleaner Installation	F
2	0760810	2	Bolt, M8X20	
4	4811902	2	Washer, M8	
5	1001185278	1	Bracket	
6	1001166566	1	Filter, Air Cleaner (See Separate Breakdown in this Section)	
7	1001183830	1	Grommet, Intake	
8	1001183177	1	Cap, Air Cleaner	
9	0761012	4	Bolt, M10X25	
10	4812000	4	Washer, M10	
11	4812002	4	Washer, M10	
12	1001183835	1	Installation, Air Intake Duct (See Separate Breakdown in this Section)	
13	1001186898	1	Seal	
14	0701018	2	Bolt, M8X50	
15	3291001	1	Nut, M10X1.5 Grade 8	

Go to Discount-Equipment.com to order your parts

# SECTION 4 - ENGINE AND ATTACHING PARTS

## FIGURE 4-15. AIR CLEANER INSTALLATION (LS)



ART\_1001163239-E

## SECTION 4 - ENGINE AND ATTACHING PARTS

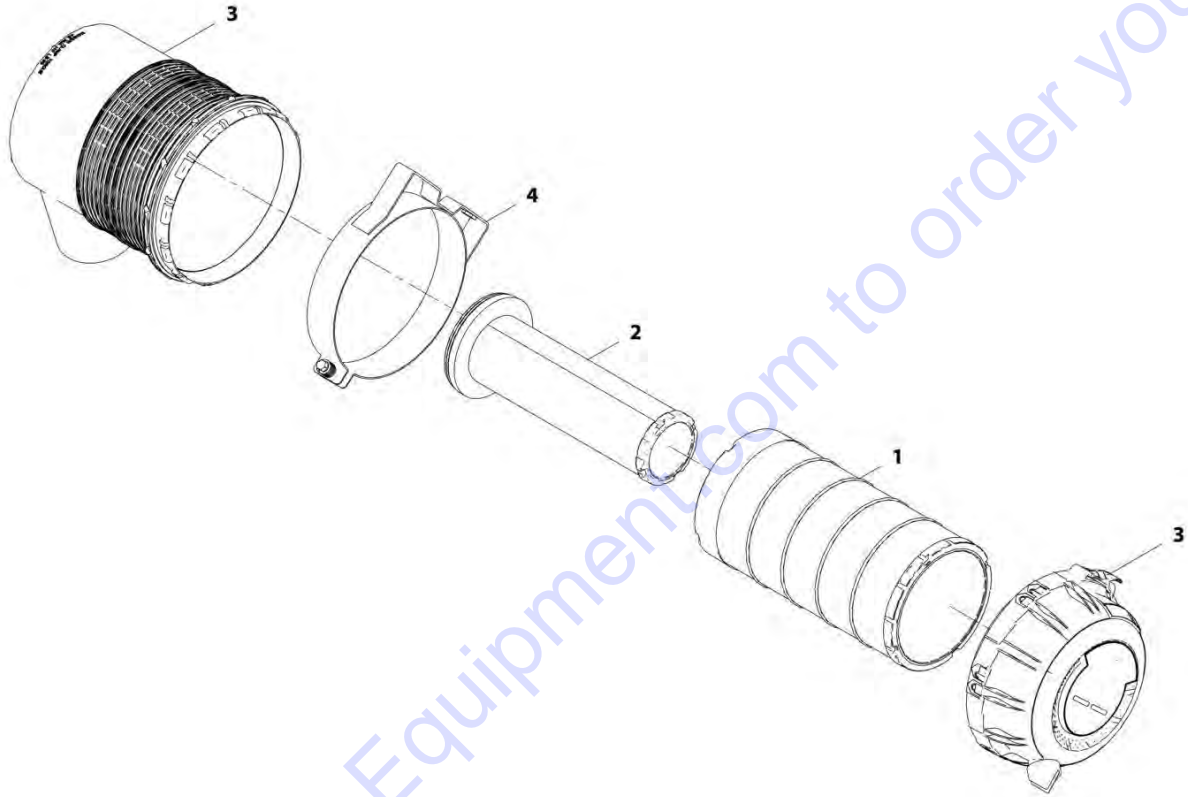
**FIGURE 4-15. AIR CLEANER INSTALLATION (LS)**

ITEM	PART NUMBER	QTY	DESCRIPTION	REV
	1001163239	Ref	Air Cleaner Installation (LS)	E
1	0701018	2	Bolt, M10X50	
2	0761010	4	Bolt, M10X20	
3	3291001	2	Nut, M10X1.5 Grade 8	
4	4812002	8	Washer, M10	
5	8405402	1	Clamp	
6	1001194534	1	Bracket, Air Cleaner Mount	
7	1001183831	1	Grommet	
8	1001166565	1	Filter, Air Cleaner (See Separate Breakdown in this Section)	
9	1001166716	1	Indicator	
10	0761012	4	Bolt, M10X25	
11	4812000	4	Washer, M10	
12	1001183835	1	Installation, Duct Air Intake (See Separate Breakdown in this Section)	
13	1001186898	1	Seal	

Go to Discount-Equipment.com to order your parts

# SECTION 4 - ENGINE AND ATTACHING PARTS

FIGURE 4-16. AIR CLEANER ASSEMBLY (74.4KW)



ART\_1001166566-G

## SECTION 4 - ENGINE AND ATTACHING PARTS

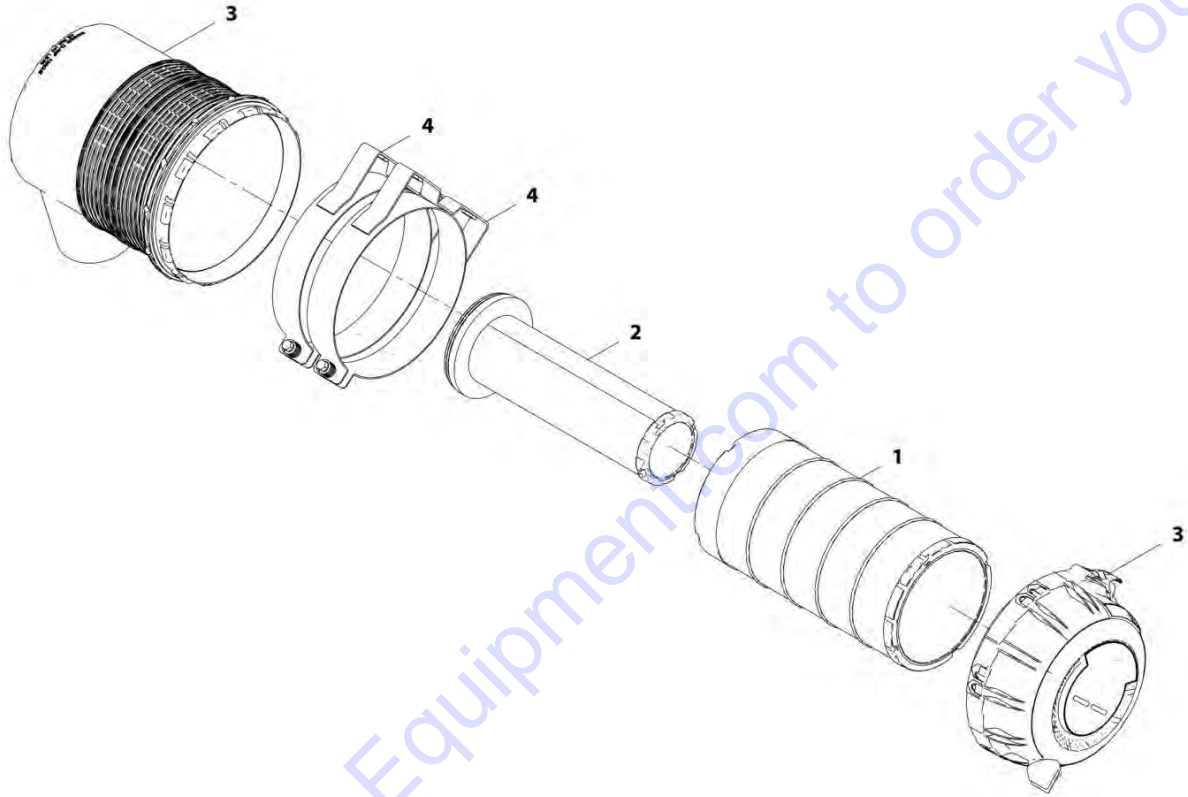
FIGURE 4-16. AIR CLEANER ASSEMBLY (74.4KW)

ITEM	PART NUMBER	QTY	DESCRIPTION	REV
	1001166566	Ref	Air Cleaner Assembly (74.4KW)	G
1	70025852	1	Filter, Air Cylindrical Primary	
2	70025853	1	Filter, Air Cylindrical Secondary	
3	70026393	1	Cover, Air Cleaner	
4	70026394	1	Bracket, Mounting Band	

Go to Discount-Equipment.com to order your parts

# SECTION 4 - ENGINE AND ATTACHING PARTS

FIGURE 4-17. AIR CLEANER ASSEMBLY (90/100KW)



ART\_1001166565-E



# PARTS FINDER

**Search Website  
by Part Number**



**Search Manual  
Library For Parts  
Manual & Lookup Part  
Numbers – Purchase  
or Request Quote**

**Can't Find Part or  
Manual? Request Help  
by Manufacturer,  
Model & Description**

Discount-Equipment.com is your online resource for quality parts & equipment.

Florida: **561-964-4949** Outside Florida TOLL FREE: **877-690-3101**

## Need parts?

Click on this link: <http://www.discount-equipment.com/category/5443-parts/> and choose one of the options to help get the right parts and equipment you are looking for. Please have the machine model and serial number available in order to help us get you the correct parts. If you don't find the part on the website or on one of the online manuals, please fill out the request form and one of our experienced staff members will get back to you with a quote for the right part that your machine needs.

We sell worldwide for the brands: Genie, Terex, JLG, MultiQuip, Mikasa, Essick, Whiteman, Mayco, Toro Stone, Diamond Products, Generac Magnum, Airman, Haulotte, Barreto, Power Blanket, Nifty Lift, Atlas Copco, Chicago Pneumatic, Allmand, Miller Curber, Skyjack, Lull, Skytrak, Tsurumi, Husquvarna Target, Stow, Wacker, Sakai, Mi-T-M, Sullair, Basic, Dynapac, MBW, Weber, Bartell, Bennar Newman, Haulotte, Ditch Runner, Menegotti, Morrison, Contec, Buddy, Crown, Edco, Wyco, Bomag, Laymor, EZ Trench, Bil-Jax, F.S. Curtis, Gehl Pavers, Heli, Honda, ICS/PowerGrit, IHI, Partner, Imer, Clipper, MMD, Koshin, Rice, CH&E, General Equipment, Amida, Coleman, NAC, Gradall, Square Shooter, Kent, Stanley, Tamco, Toku, Hatz, Kohler, Robin, Wisconsin, Northrock, Oztec, Toker TK, Rol-Air, APT, Wylie, Ingersoll Rand / Doosan, Innovatech, Con X, Ammann, Mecalac, Makinex, Smith Surface Prep, Small Line, Wanco, Yanmar

## SECTION 4 - ENGINE AND ATTACHING PARTS

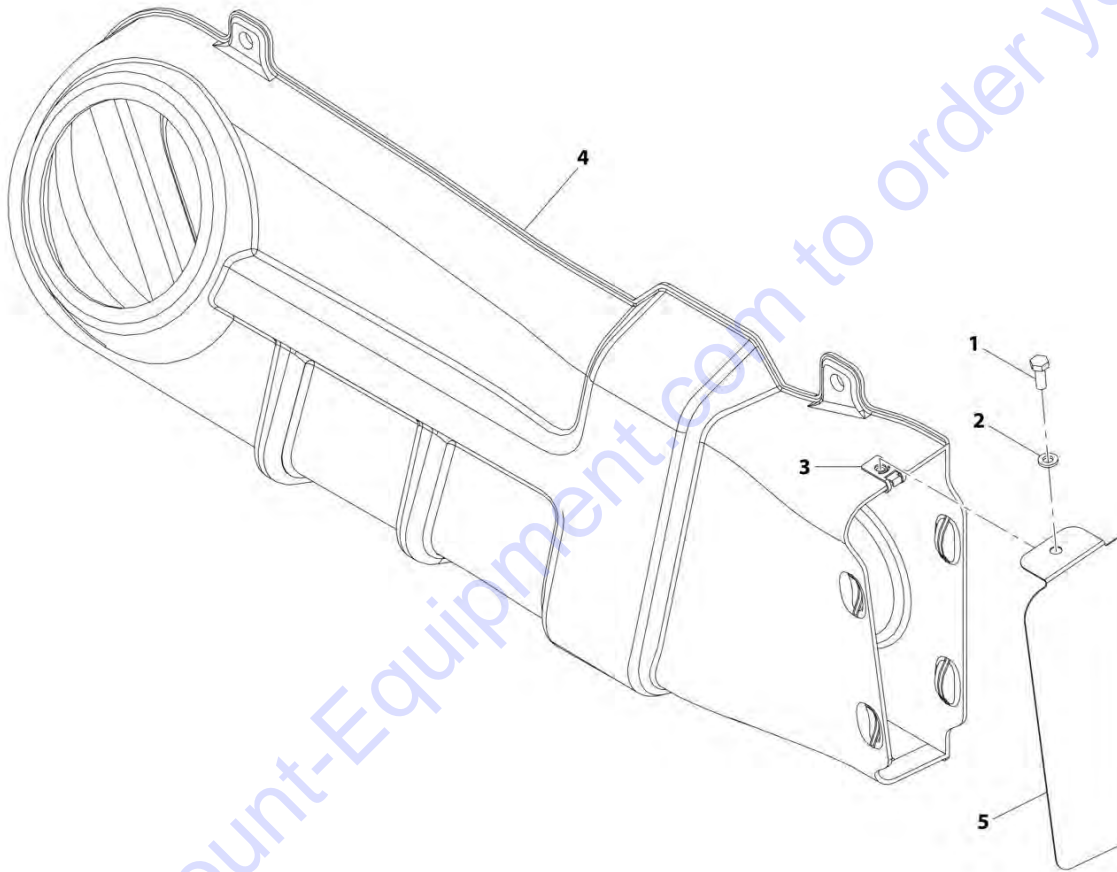
FIGURE 4-17. AIR CLEANER ASSEMBLY (90/100KW)

ITEM	PART NUMBER	QTY	DESCRIPTION	REV
	1001166565	Ref	Air Cleaner Filter Assembly (90/100KW)	E
1	70025850	1	Filter, Cylindrical Air Primary	
2	70025851	1	Filter, Cylindrical Air Secondary	
3	70026395	1	Cover	
4	70026396	2	Bracket	

Go to Discount-Equipment.com to order your parts

# SECTION 4 - ENGINE AND ATTACHING PARTS

## FIGURE 4-18. AIR INTAKE DUCT INSTALLATION



ART\_1001183835-C

## SECTION 4 - ENGINE AND ATTACHING PARTS

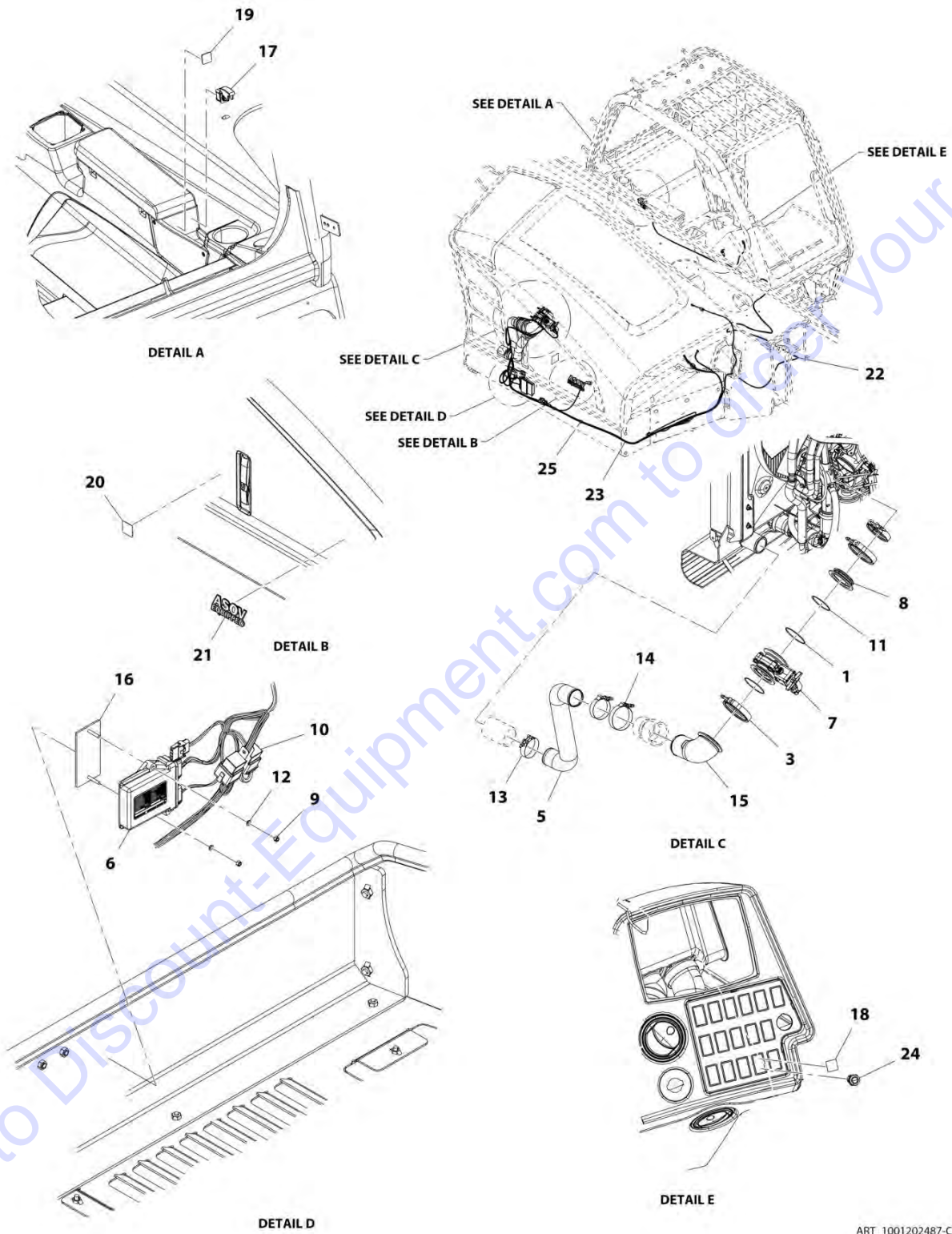
FIGURE 4-18. AIR INTAKE DUCT INSTALLATION

ITEM	PART NUMBER	QTY	DESCRIPTION	REV
	1001183835	Ref	Air Intake Duct Installation	C
1	0760608	1	Bolt, M6X16	
2	4811702	1	Washer, M6	
3	8305919	1	Nut	
4	1001183827	1	Duct	
5	1001183829	1	Plate	

Go to Discount-Equipment.com to order your parts

# SECTION 4 - ENGINE AND ATTACHING PARTS

## FIGURE 4-19. AIR INTAKE SHUT OFF VALVE INSTALLATION



ART\_1001202487-C

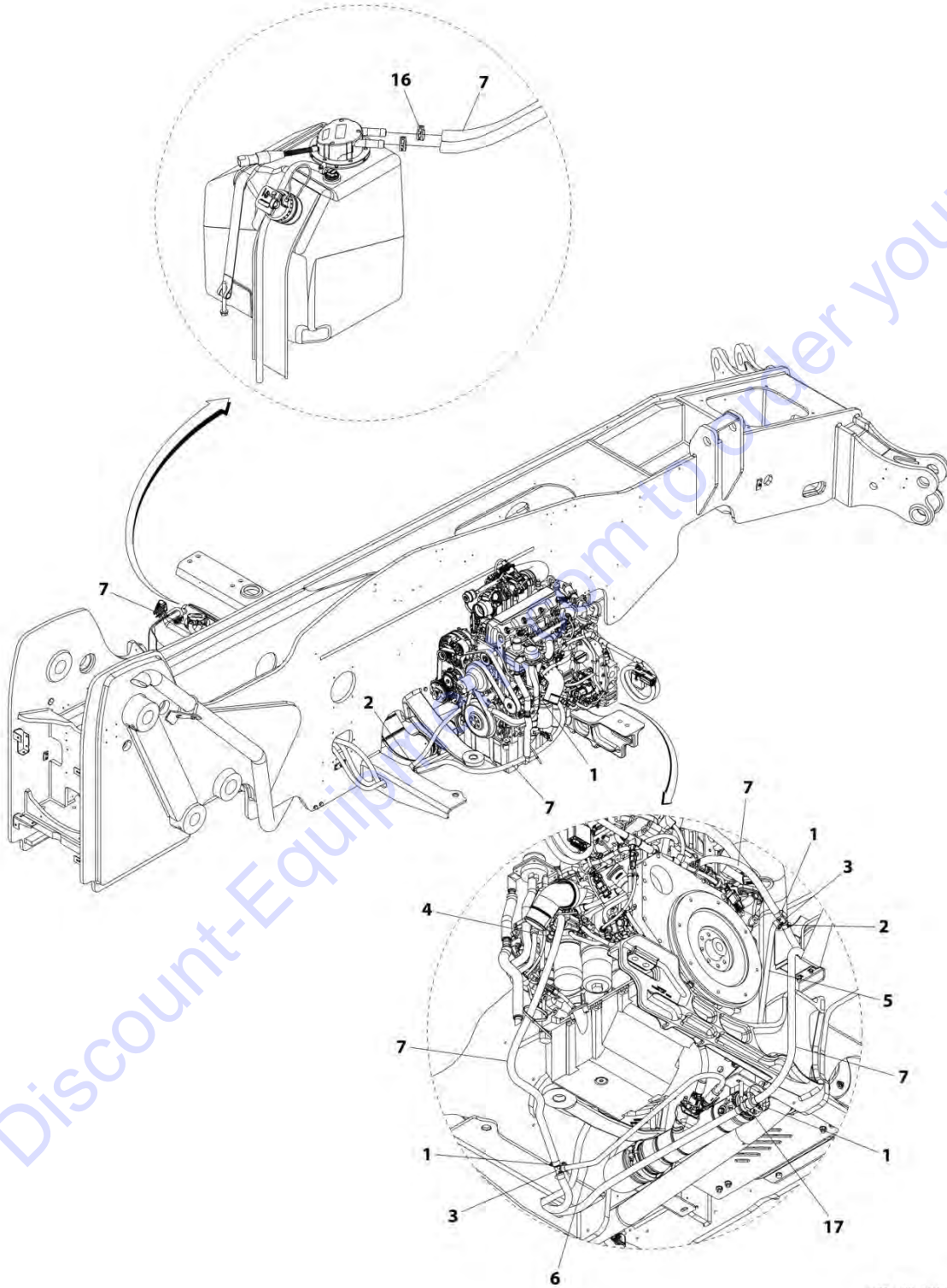
## SECTION 4 - ENGINE AND ATTACHING PARTS

**FIGURE 4-19. AIR INTAKE SHUT OFF VALVE INSTALLATION**

ITEM	PART NUMBER	QTY	DESCRIPTION	REV
	1001202487	Ref	Air Intake Shut Off Valve Installation	C
1	3790152	2	Ring	
3	1001202247	2	Clamp	
5	1001202491	1	Pipe	
6	1001203181	Ref	Accessory, Control (See Separate Breakdown in Electrical Section)	
7	1001204032	Ref	Valve, Air Shut Off (See Separate Breakdown in Hydraulic Circuits Section)	
8	1001206980	1	Plate	
9	3290505	2	Nut, Lock M5X0.8 Grade 8	
10	3740080	2	Relay	
11	3790151	1	O-Ring	
12	4811600	2	Washer, M5	
13	8405212	2	Clamp	
14	8405305	1	Clamp	
15	1001215476	1	Pipe	
16	1001219082	1	Bracket	
17	1001215941	1	Switch	
18	1001227077	1	Decal, Air Shut Off	
19	1001227964	1	Decal, ASOV Test	
20	1001228273	1	Decal, Air Shut Off	
21	1001228643	1	Decal, ASOV Equipped	
22	1001231407	Ref	Harness, Cab Air Shut Off Valve (See Separate Breakdown in Electrical Section)	
23	1001231483	Ref	Harness, Engine Air Shut Off Valve (See Separate Breakdown in Electrical Section)	
24	1001239539	1	Lamp	
25	91053419	AR	Strap, Cable	

# SECTION 4 - ENGINE AND ATTACHING PARTS

## FIGURE 4-20. DEF LINES INSTALLATION



ART\_1001163232-1

## SECTION 4 - ENGINE AND ATTACHING PARTS

FIGURE 4-20. DEF LINES INSTALLATION

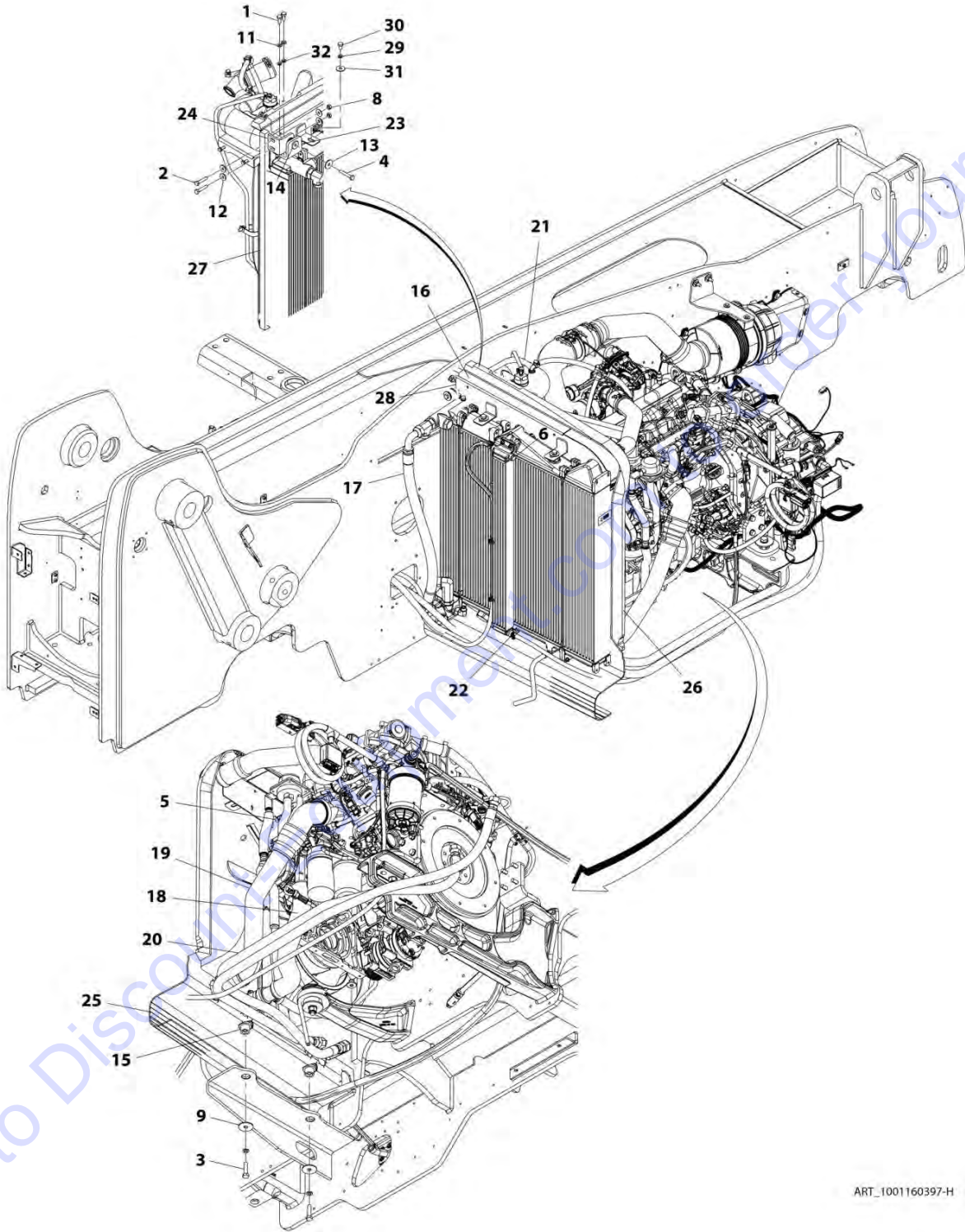
ITEM	PART NUMBER	QTY	DESCRIPTION	REV
	1001163232	Ref	DEF Lines Installation	I
1	8410009	10	Gear Clamp	
2	8410013	2	Gear Clamp	
3	1001162212	2	Pipe	
4	1001168822	1	Pipe	
5	1001169409	1	Hose	
6	1001169410	1	Hose	
7	82033995	6.9 m	Hose	
16	1001202526	2	Clamp	
17	1001228872	1	Filter	

Go to Discount-Equipment.com to order your parts



# SECTION 4 - ENGINE AND ATTACHING PARTS

## FIGURE 4-21. COOLING PACKAGE INSTALLATION (ULS)



ART\_1001160397-H

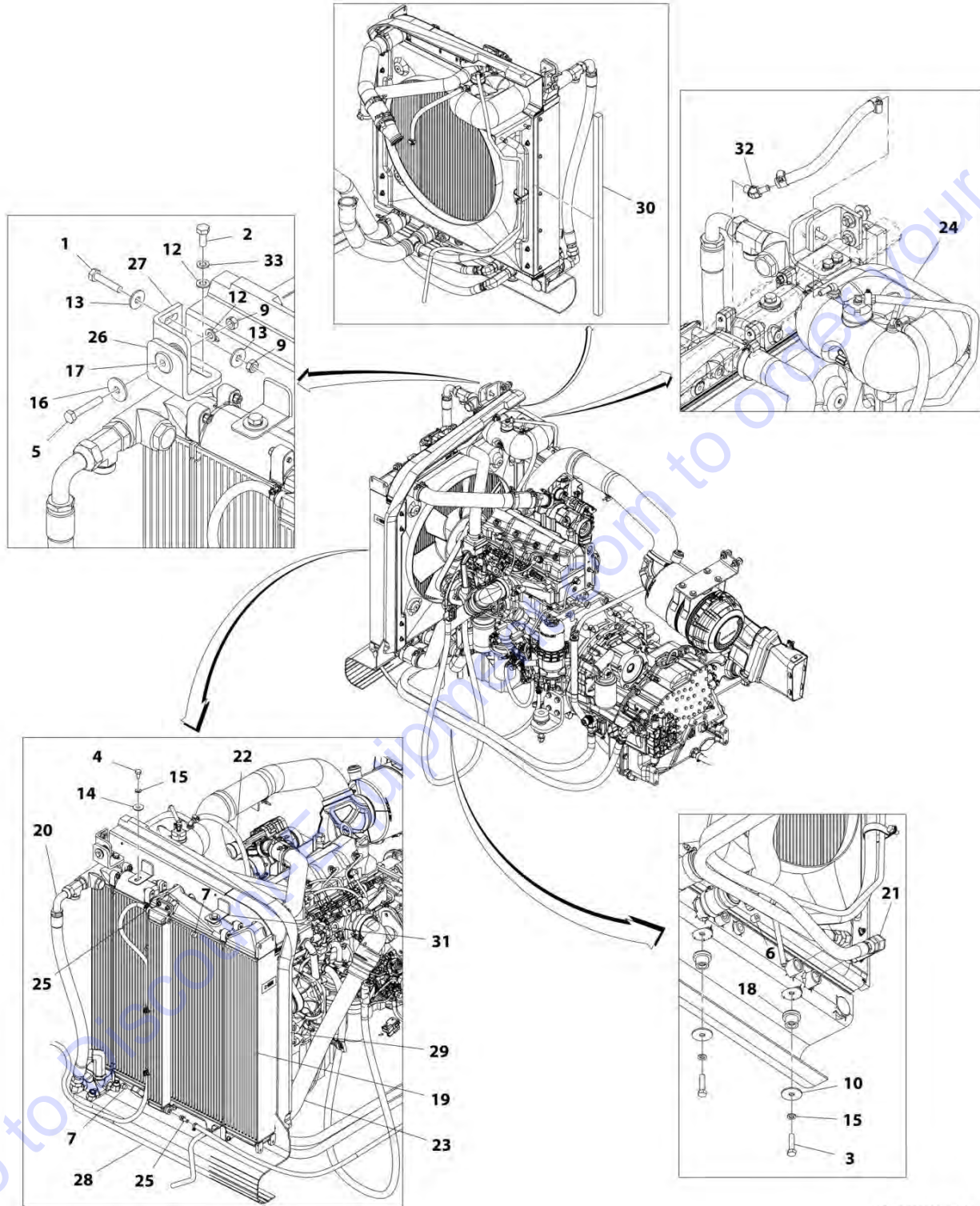
## SECTION 4 - ENGINE AND ATTACHING PARTS

**FIGURE 4-21. COOLING PACKAGE INSTALLATION (ULS)**

ITEM	PART NUMBER	QTY	DESCRIPTION	REV
	1001160397	Ref	Cooling Package Installation (ULS)	H
1	0761012	2	Bolt, M10X25	
2	0701018	2	Bolt, M10X50	
3	0761218	2	Bolt, M12X50	
4	0701020	1	Bolt, M10X60	
5	1001174356	1	Barb, Hose	
6	2220237	2	Plug	
8	3291001	3	Nut, M10X1.5 Grade 8	
9	4740274	4	Washer	
11	4812000	3	Washer, M10	
12	4812002	4	Washer, M10	
13	1001155540	2	Washer	
14	8278020	1	Mount	
15	1001114803	2	Mount	
16	1001159347	Ref	Radiator Cooling Package (See Separate Breakdown in this Section)	
17	1001163082	Ref	Installation, HOC Lines (See Separate Breakdown in this Section)	
18	1001163245	Ref	Installation, Coolant Lines (ULS) (See Separate Breakdown in this Section)	
19	1001163246	Ref	Installation, CAC Lines (ULS) (See Separate Breakdown in this Section)	
20	1001163247	Ref	Installation, TOC Lines (See Separate Breakdown in this Section)	
21	1001167078	Ref	Installation, Surge Tank (See Separate Breakdown in this Section)	
22	1001168030	2	Barb, Hose	
23	1001169173	1	Bracket	
24	1001169174	1	Bracket	
25	1001169965	1	Panel	
26	1001173452	1	Seal, Foam Gasket	
27	1001173457	1	Seal, Foam Gasket	
28	1001173546	1	Bracket	
29	4832100	4	Washer, Lock M12	
30	0761210	2	Bolt, M12X20	
31	4812102	2	Washer, M12	
32	4832000	2	Washer, Lock M10	

# SECTION 4 - ENGINE AND ATTACHING PARTS

## FIGURE 4-22. COOLING PACKAGE INSTALLATION (LS)



ART\_1001160402-E

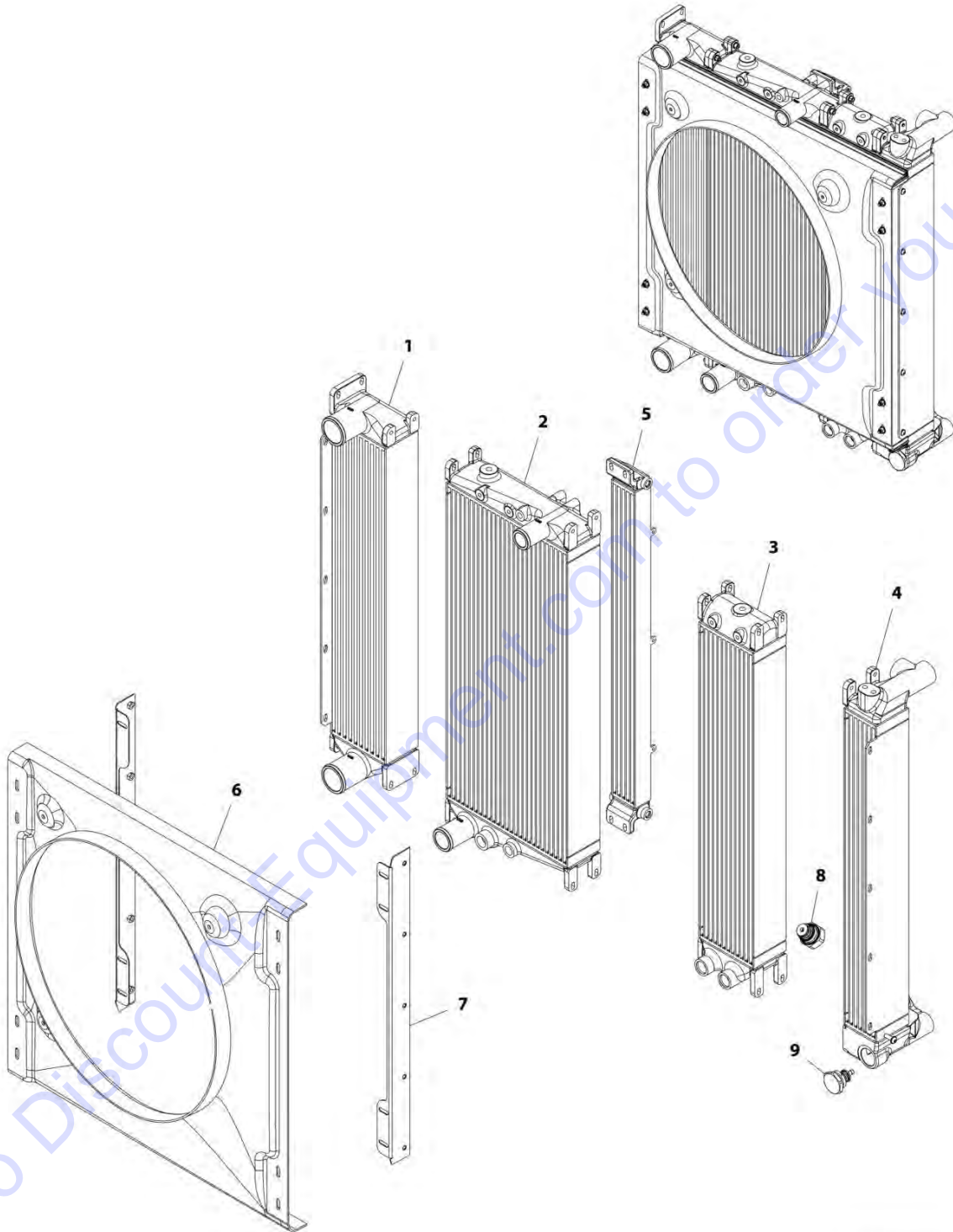
## SECTION 4 - ENGINE AND ATTACHING PARTS

**FIGURE 4-22. COOLING PACKAGE INSTALLATION (LS)**

ITEM	PART NUMBER	QTY	DESCRIPTION	REV
	1001160402	Ref	Cooling Package Installation (LS)	E
1	0701018	2	Bolt, M10X50	
2	0761012	2	Bolt, M10X25	
3	0761218	2	Bolt, M12X50	
4	0771210	2	Bolt, M12X20 Grade 10.9	
5	0701020	1	Bolt, M10X60	
6	2200223	1	Plug	
7	2220237	2	Plug	
9	3291001	3	Nut, M10X1.5 Grade 8	
10	4740274	4	Washer	
12	4812000	3	Washer, M10	
13	4812002	4	Washer, M10	
14	4812102	2	Washer, M12	
15	4832100	4	Washer, Lock M12	
16	1001155540	2	Washer	
17	8278020	1	Mount	
18	1001114803	2	Mount	
19	1001159347	Ref	Radiator Cooling Package (See Separate Breakdown in this Section)	
20	1001163082	Ref	Installation, HOC Lines (See Separate Breakdown in this Section)	
21	1001163247	Ref	Installation, TOC Lines (See Separate Breakdown in this Section)	
22	1001163248	Ref	Installation, Coolant Lines (LS) (See Separate Breakdown in this Section)	
23	1001163249	Ref	Installation, CAC Lines (LS) (See Separate Breakdown in this Section)	
24	1001167078	Ref	Installation, Surge Tank (See Separate Breakdown in this Section)	
25	1001168030	2	Barb, Hose	
26	1001169173	1	Bracket	
27	1001169174	1	Bracket	
28	1001169965	1	Panel, Air Dam	
29	1001173452	1	Gasket	
30	1001173457	1	Gasket	
31	1001173546	1	Bracket, Air Baffle	
32	1001174356	1	Barb, Hose	
33	4832000	2	Washer, Lock M10	

# SECTION 4 - ENGINE AND ATTACHING PARTS

## FIGURE 4-23. RADIATOR COOLING PACKAGE



ART\_1001159347-G

## SECTION 4 - ENGINE AND ATTACHING PARTS

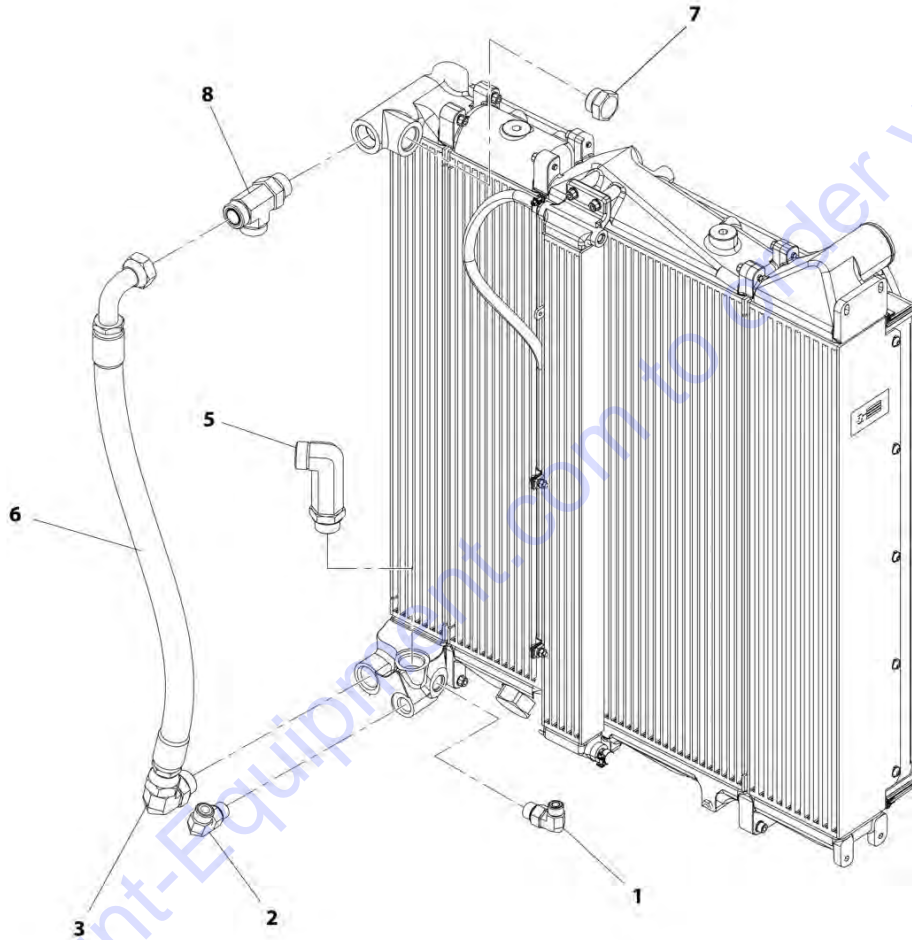
FIGURE 4-23. RADIATOR COOLING PACKAGE

ITEM	PART NUMBER	QTY	DESCRIPTION	REV
	1001159347	Ref	Radiator Cooling Package	G
1	70026353	1	Cooler, Air Charge	
2	70026354	1	Radiator	
3	70026355	1	Cooler, Transmission Oil	
4	70026356	1	Cooler, Hydraulic Oil	
5	70026357	1	Cooler, Fuel	
6	70026358	1	Shroud	
7	70026359	2	Bracket, Shroud Mounting	
8	70026082	1	Valve, Bypass	
9	70026360	1	Valve, Bypass	

Go to Discount-Equipment.com to order your parts

# SECTION 4 - ENGINE AND ATTACHING PARTS

## FIGURE 4-24. HOC LINES INSTALLATION



ART\_1001163082-C

## SECTION 4 - ENGINE AND ATTACHING PARTS

FIGURE 4-24. HOC LINES INSTALLATION

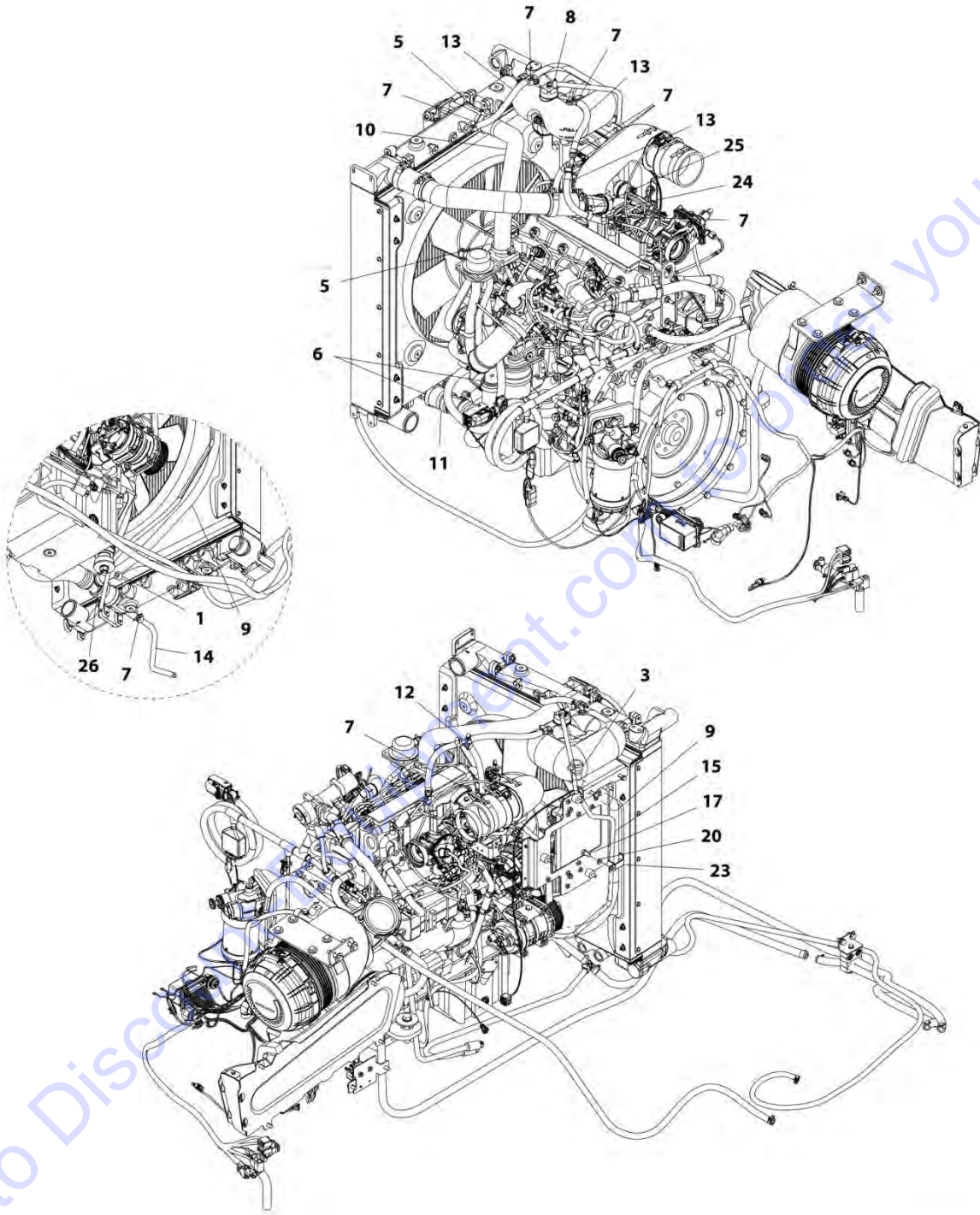
ITEM	PART NUMBER	QTY	DESCRIPTION	REV
	1001163082	Ref	HOC Lines Installation	C
1	2130810	1	Fitting, ORFS	
2	2131010	1	Fitting, ORFS	
3	2131616	1	Fitting, ORFS	
5	2170216	1	Fitting, ORFS	
6	1001163723	1	Hose	
7	2220242	1	Fitting	
8	2170316	1	Fitting, Tee ORFS	

Go to Discount-Equipment.com to order your parts



# SECTION 4 - ENGINE AND ATTACHING PARTS

FIGURE 4-25. COOLANT LINES INSTALLATION (ULS)



ART\_1001163245-I

## SECTION 4 - ENGINE AND ATTACHING PARTS

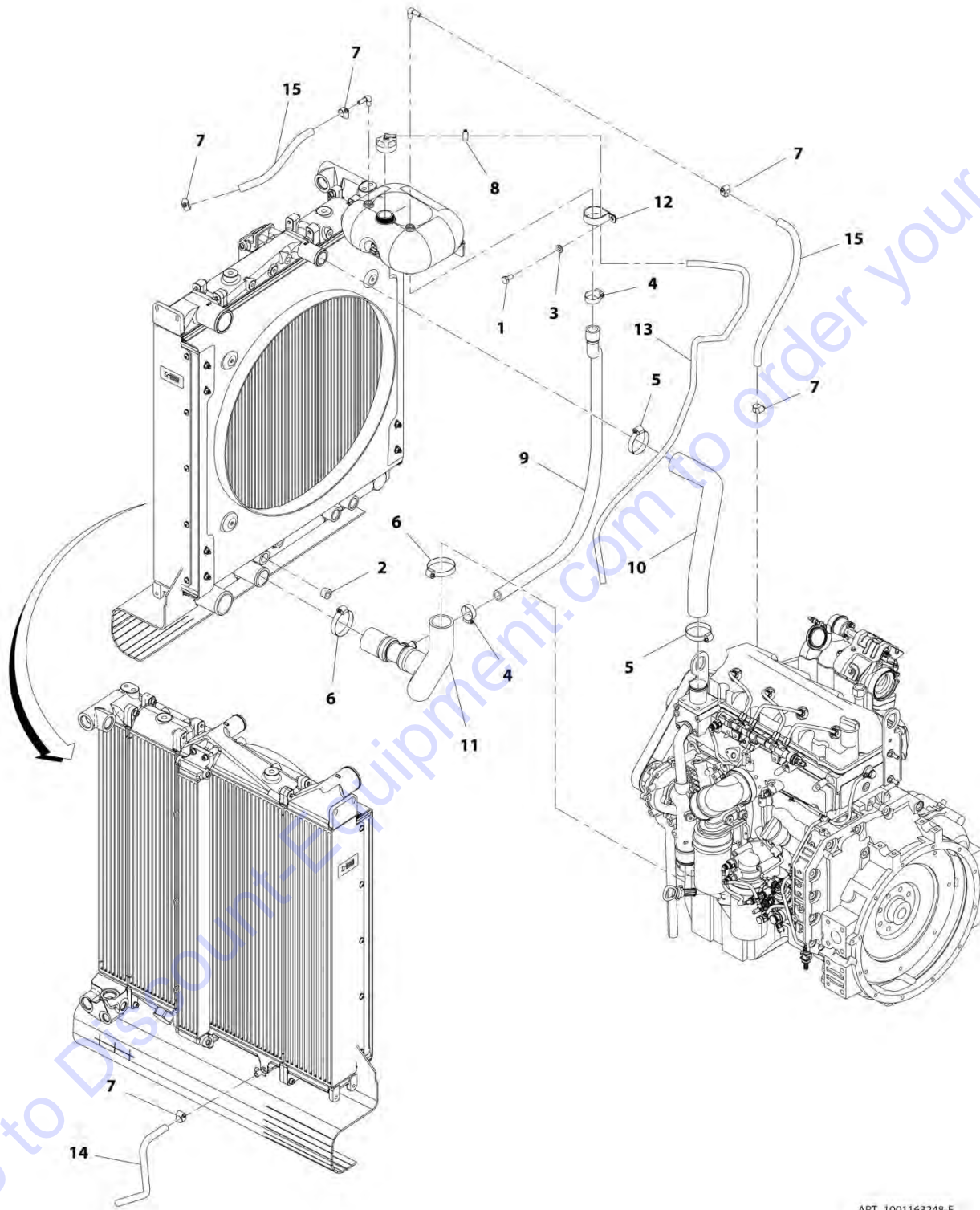
**FIGURE 4-25. COOLANT LINES INSTALLATION (ULS)**

ITEM	PART NUMBER	QTY	DESCRIPTION	REV
	1001163245	Ref	Coolant Lines Installation (ULS)	I
1	2200224	1	Plug	
3	8405101	AR	Clamp, Gear	
5	8405201	2	Clamp, Gear	
6	8405202	2	Clamp, Gear	
7	8410013	9	Clamp, Gear	
8	8405009	1	Clamp, Gear	
9	1001182011	1	Hose	
10	1001166430	1	Pipe	
11	1001182012	1	Hose	
12	1001172953	1	Pipe, Tee	
13	1001181625	1042 mm	Hose	
14	1001180553	370 mm	Hose	
15	1001180542	1680 mm	Hose	
17	0761010	1	Bolt, M10X20	
20	4812000	1	Washer, M10	
23	1001097588	1	Clamp	
24	8410019	1	Clamp, 7/8	
25	0760605	1	Bolt, 6X10	
26	8405007	1	Clamp (SN 0160091439 to Present)	

Go to Discount-Equipment.com to order your parts

# SECTION 4 - ENGINE AND ATTACHING PARTS

## FIGURE 4-26. COOLANT LINES INSTALLATION (LS)



ART\_1001163248-E

## SECTION 4 - ENGINE AND ATTACHING PARTS

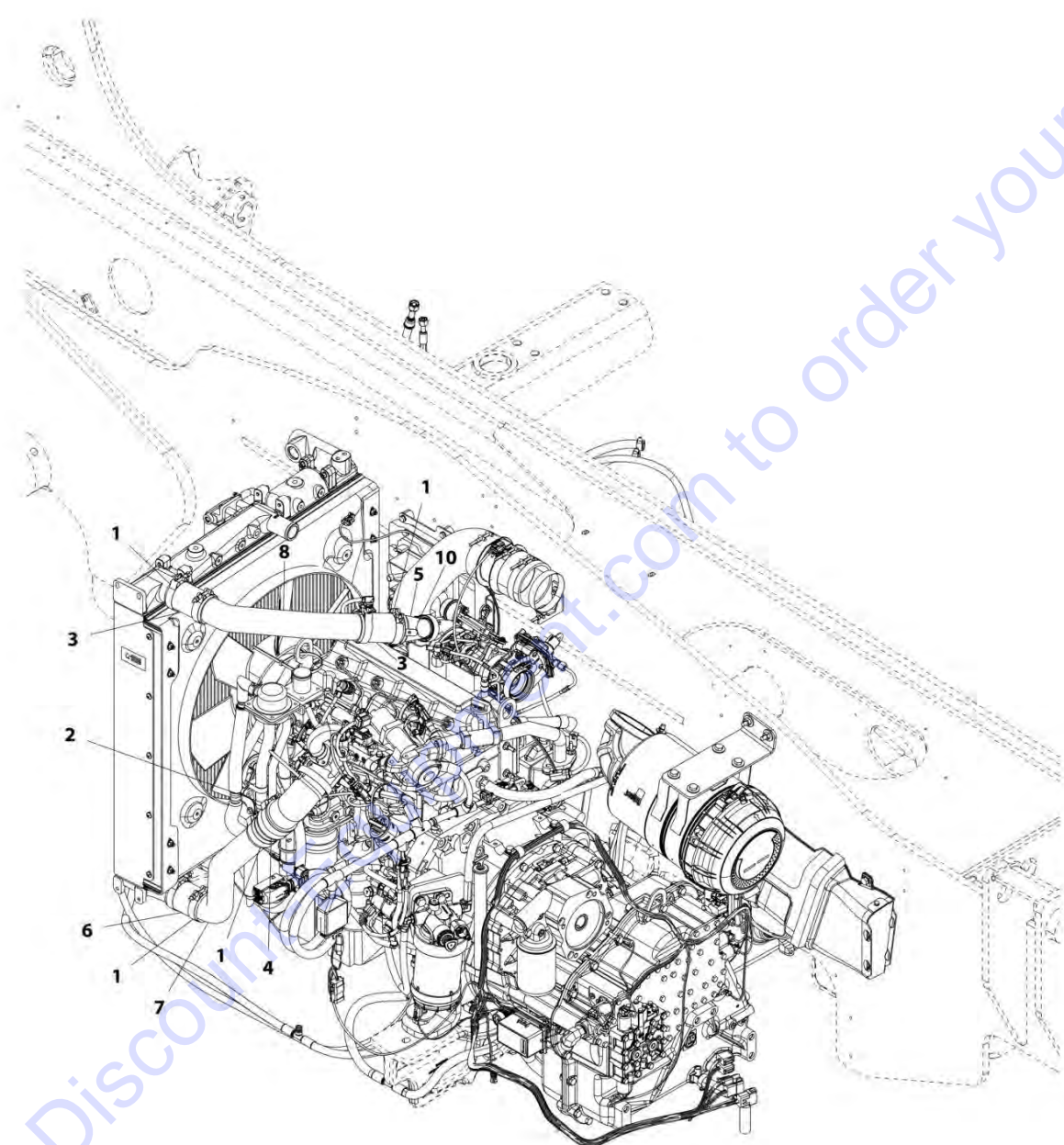
**FIGURE 4-26. COOLANT LINES INSTALLATION (LS)**

ITEM	PART NUMBER	QTY	DESCRIPTION	REV
	1001163248	Ref	Coolant Lines Installation (LS)	E
1	0761010	1	Bolt, M10X20	
2	2200224	1	Plug	
3	4812000	1	Washer, M10	
4	8405101	2	Clamp, Gear	
5	8405201	2	Clamp, Gear	
6	8405202	2	Clamp, Gear	
7	8410013	5	Clamp, Gear	
8	8405009	1	Clamp, Gear	
9	1001182011	1	Hose	
10	1001166430	1	Pipe	
11	1001182012	1	Hose	
12	1001097588	1	Clamp	
13	1001180542	1680 mm	Hose	
14	1001180553	369 mm	Hose	
15	1001181625	711 mm	Hose	

Go to Discount-Equipment.com to order your parts

# SECTION 4 - ENGINE AND ATTACHING PARTS

FIGURE 4-27. CAC LINES INSTALLATION (ULS)



ART\_1001163246-F

## SECTION 4 - ENGINE AND ATTACHING PARTS

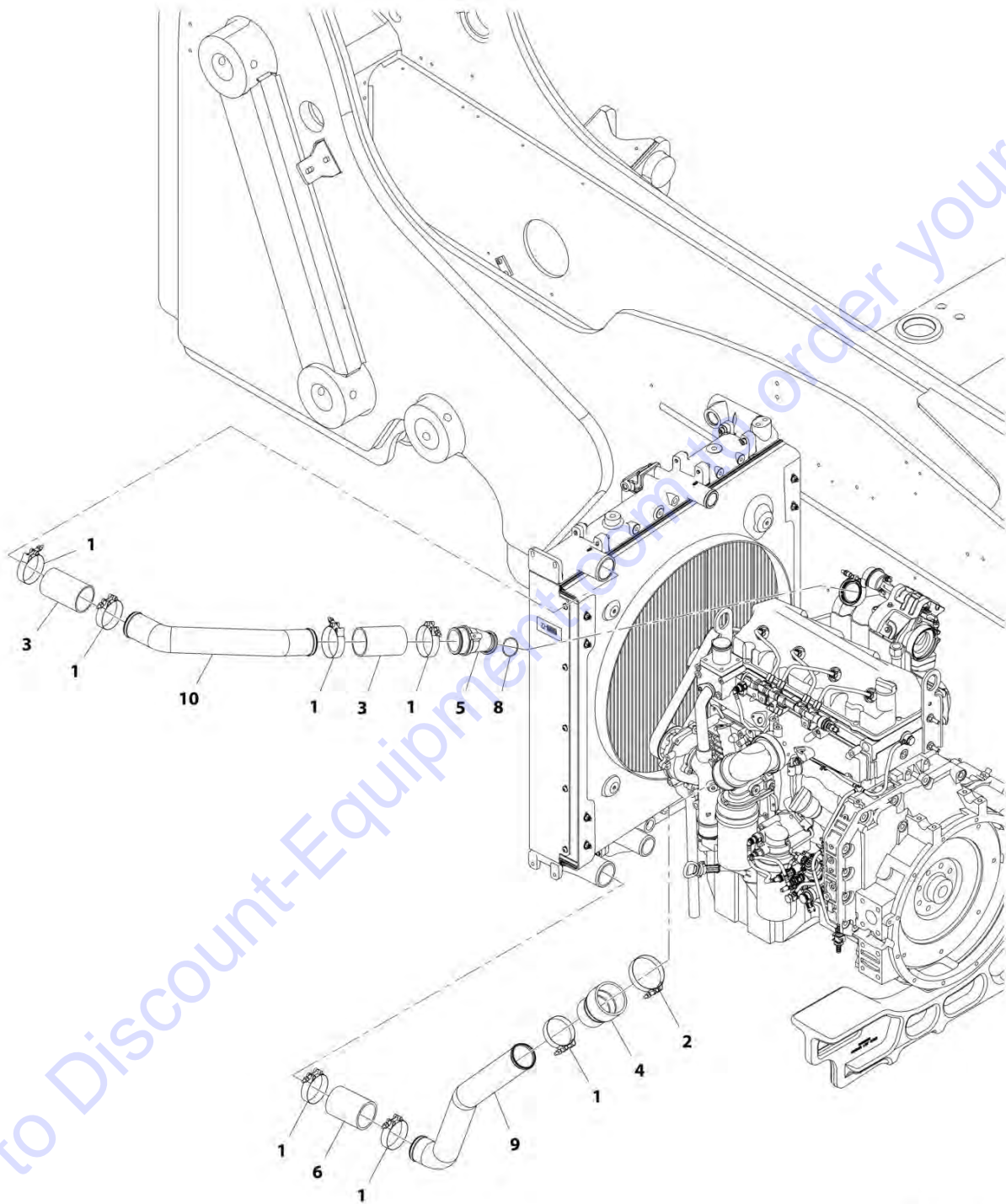
FIGURE 4-27. CAC LINES INSTALLATION (ULS)

ITEM	PART NUMBER	QTY	DESCRIPTION	REV
	1001163246	Ref	CAC Lines Installation (ULS)	F
1	8405212	7	Clamp, T-Bolt	
2	8405305	1	Clamp, T-Bolt	
3	1001114495	2	Hose	
4	1001138348	1	Hose	
5	1001161920	1	Adapter Mech	
6	1001166416	1	Hose	
7	1001166925	1	Pipe	
8	1001166993	1	Pipe	
10	1001172591	1	O-Ring	

Go to Discount-Equipment.com to order your parts

# SECTION 4 - ENGINE AND ATTACHING PARTS

## FIGURE 4-28. CAC LINES INSTALLATION (LS)



ART\_1001163249-C

## SECTION 4 - ENGINE AND ATTACHING PARTS

FIGURE 4-28. CAC LINES INSTALLATION (LS)

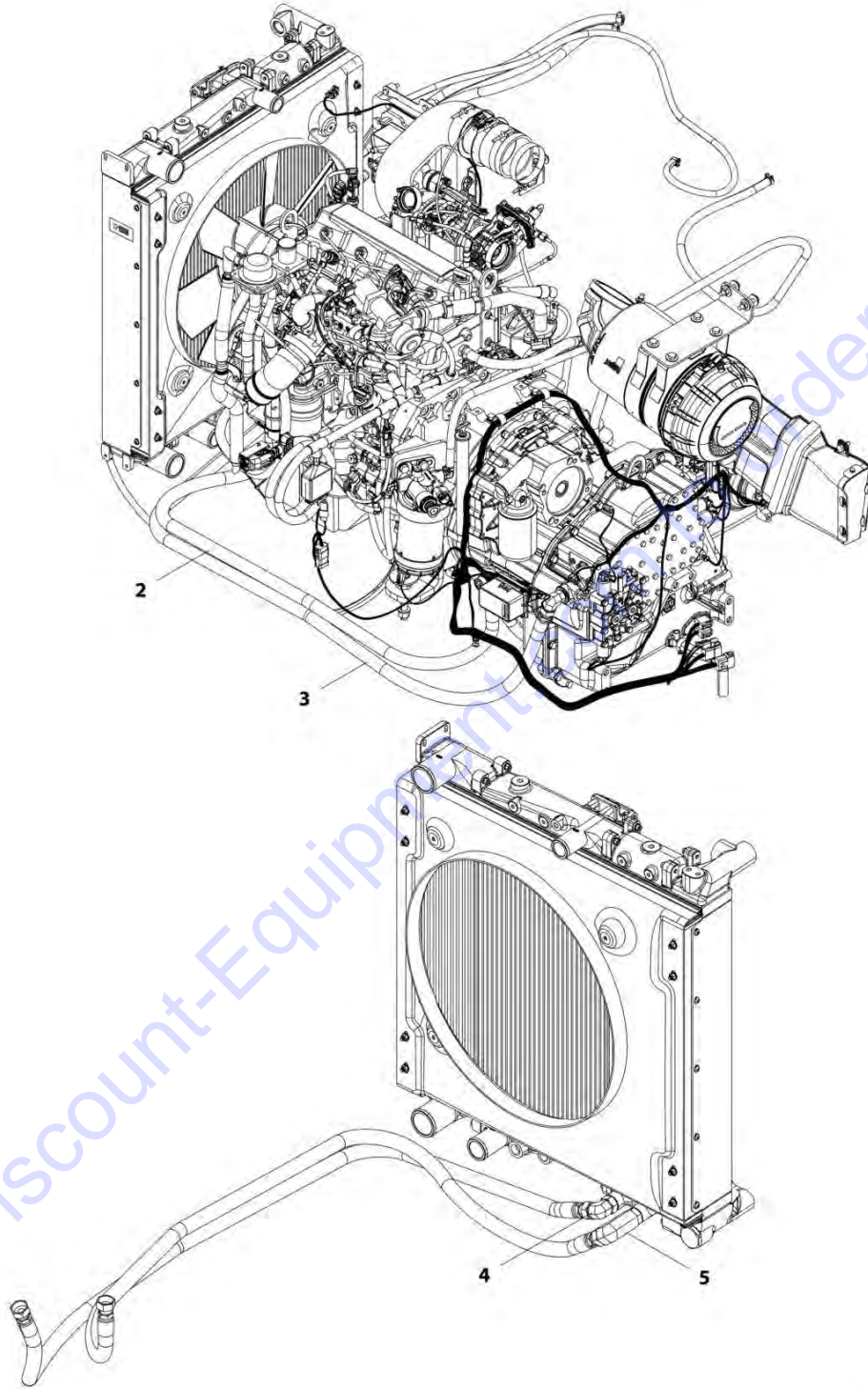
ITEM	PART NUMBER	QTY	DESCRIPTION	REV
	1001163249	Ref	CAC Lines Installation (LS)	C
1	8405212	7	Clamp, T-Bolt	
2	8405305	1	Clamp, T-Bolt	
3	1001114495	2	Hose	
4	1001138348	1	Hose	
5	1001161920	1	Adapter Mech	
6	1001166416	1	Hose	
8	1001172591	1	O-Ring	
9	1001174832	1	Pipe	
10	1001179376	1	Pipe	

Go to Discount-Equipment.com to order your parts



# SECTION 4 - ENGINE AND ATTACHING PARTS

## FIGURE 4-29. TOC LINES INSTALLATION



ART\_1001163247-C

## SECTION 4 - ENGINE AND ATTACHING PARTS

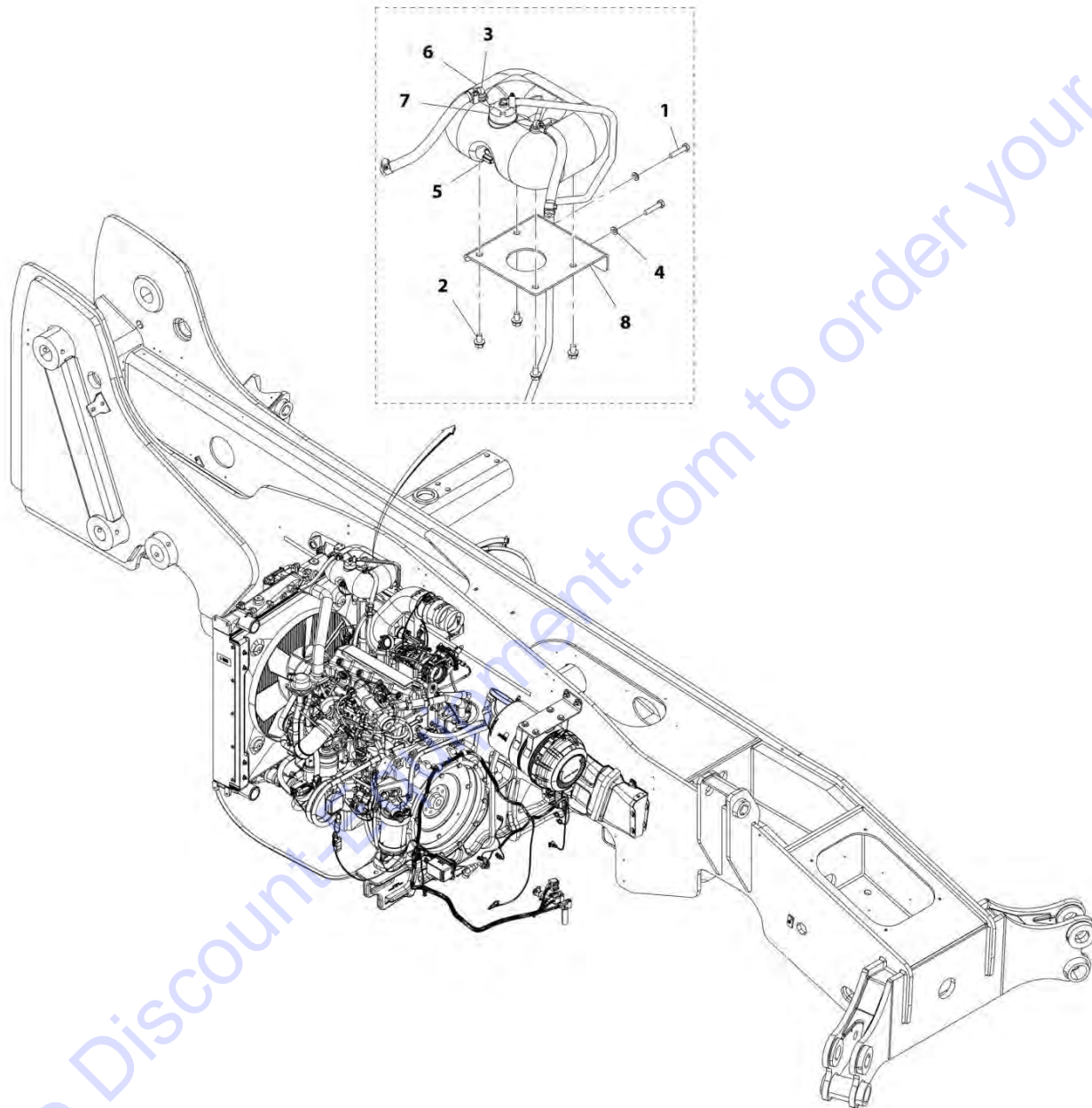
FIGURE 4-29. TOC LINES INSTALLATION

ITEM	PART NUMBER	QTY	DESCRIPTION	REV
	1001163247	Ref	TOC Lines Installation	C
2	1001169207	1	Hose	
3	1001169393	1	Hose	
4	2131212	1	Fitting, 90 ORFS	
5	2170212	1	Fitting, 90 ORFS	

Go to Discount-Equipment.com to order your parts

# SECTION 4 - ENGINE AND ATTACHING PARTS

## FIGURE 4-30. SURGE TANK INSTALLATION



ART\_1001167078-E

## SECTION 4 - ENGINE AND ATTACHING PARTS

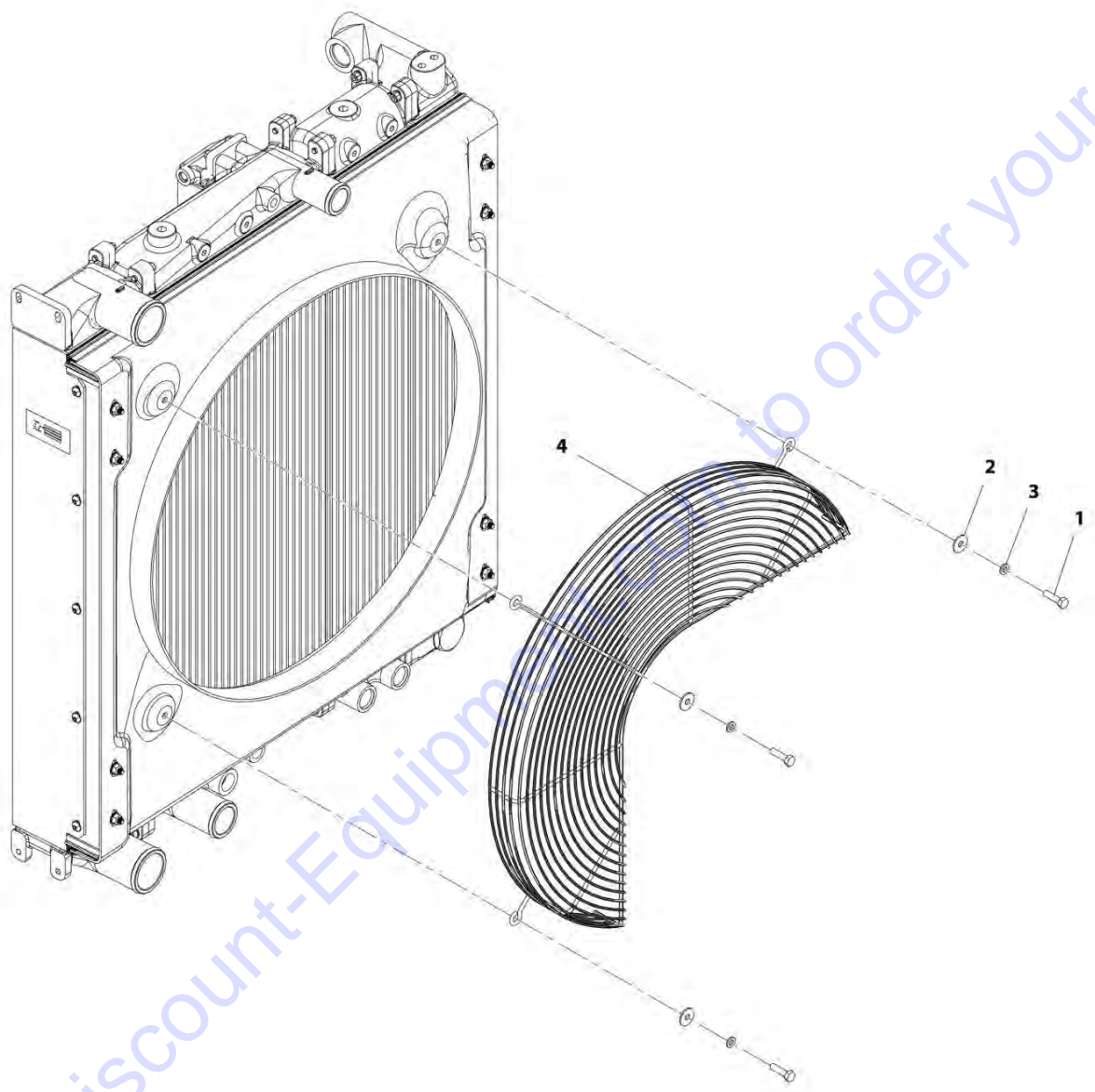
FIGURE 4-30. SURGE TANK INSTALLATION

ITEM	PART NUMBER	QTY	DESCRIPTION	REV
	1001167078	Ref	Surge Tank Installation	E
1	0700816	2	Bolt, M8X40	
2	0791605	4	Bolt, M3/8-16X5/8	
3	2180467	2	Fitting	
4	4811900	2	Washer, M8	
5	1001121955	1	Sensor, Coolant Level	
6	1001128144	1	Tank, Coolant	
7	1001128341	1	Cap	
8	1001163637	1	Bracket, Coolant Tank	

Go to Discount-Equipment.com to order your parts

# SECTION 4 - ENGINE AND ATTACHING PARTS

## FIGURE 4-31. FAN GUARD INSTALLATION



ART\_1001160420-D

## SECTION 4 - ENGINE AND ATTACHING PARTS

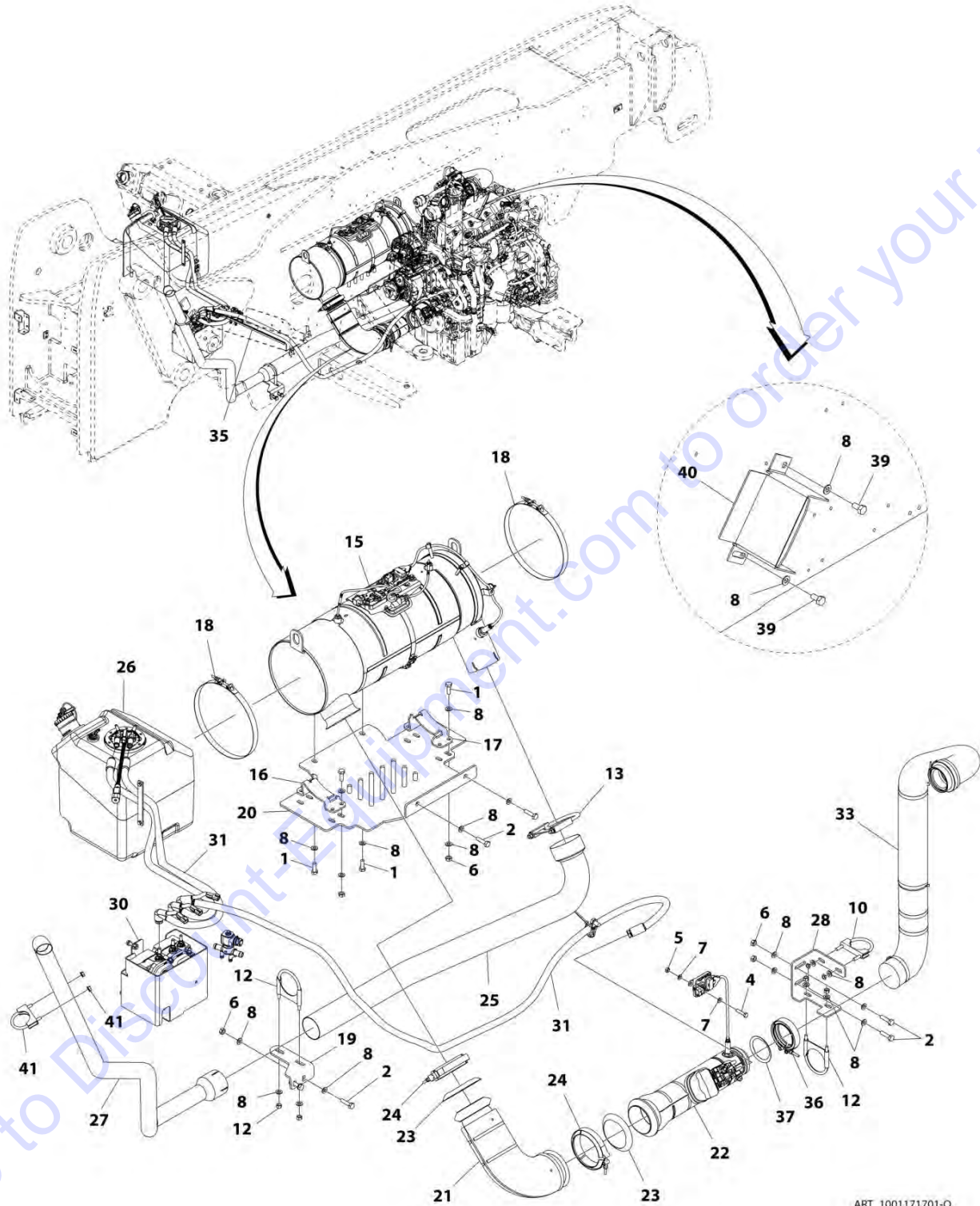
FIGURE 4-31. FAN GUARD INSTALLATION

ITEM	PART NUMBER	QTY	DESCRIPTION	REV
	1001160420	Ref	Fan Guard Installation	D
1	0700814	3	Bolt, M8X30	
2	4811902	3	Washer, M8	
3	4831900	3	Washer, Lock M8	
4	1001167186	1	Grill	

Go to Discount-Equipment.com to order your parts

# SECTION 4 - ENGINE AND ATTACHING PARTS

## FIGURE 4-32. EXHAUST INSTALLATION (ULS)



ART\_1001171701-O

## SECTION 4 - ENGINE AND ATTACHING PARTS

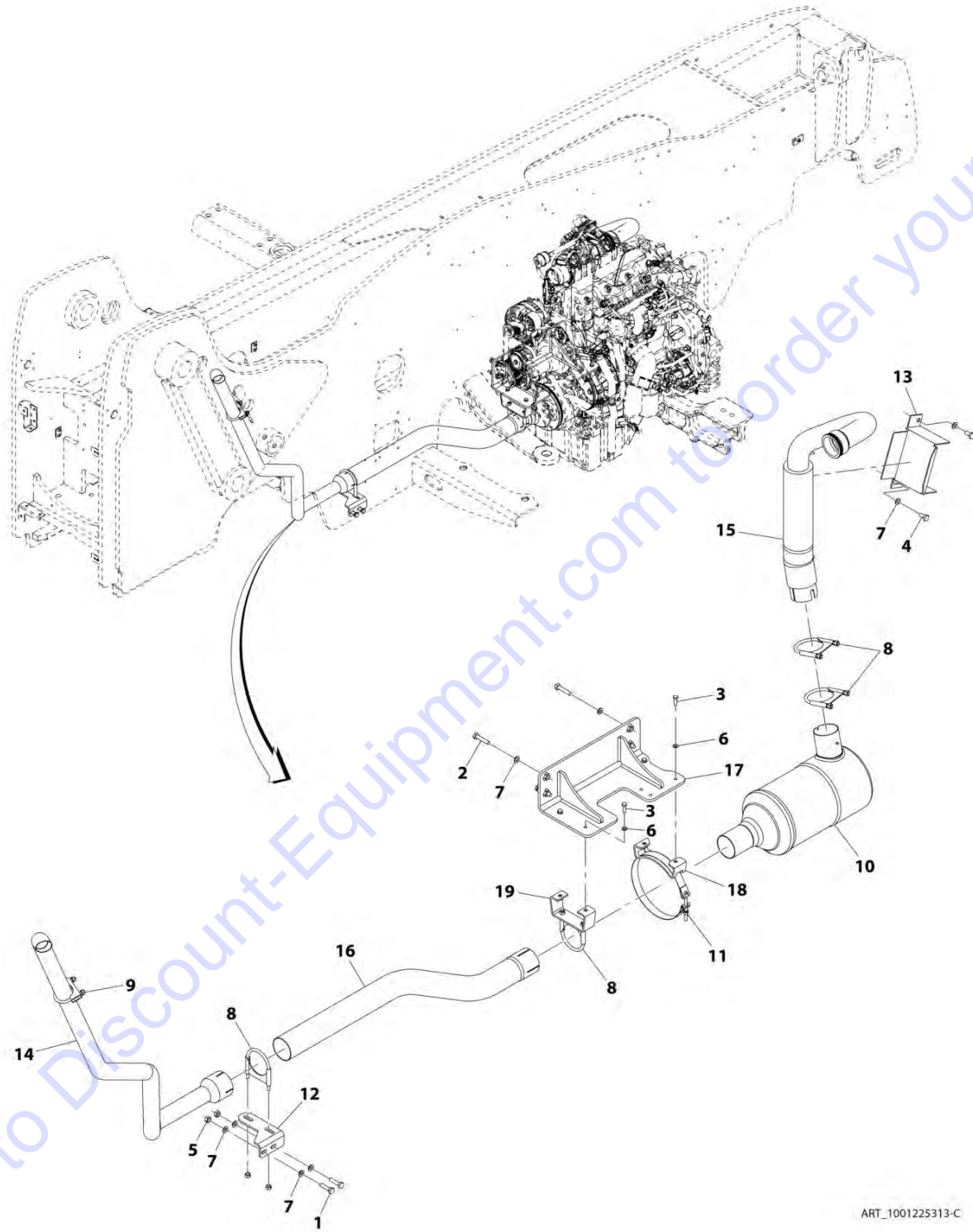
**FIGURE 4-32. EXHAUST INSTALLATION (ULS)**

ITEM	PART NUMBER	QTY	DESCRIPTION	REV
	1001171701	1	Exhaust Installation (ULS)	O
1	0701014	10	Bolt, M10X30	
2	0701016	6	Bolt, M10X40	
4	0760815	2	Bolt, M8X35	
5	3290801	2	Nut, M8X1.25	
6	3291001	12	Nut, M10X1.5	
7	4811900	4	Washer, M8	
8	4812000	36	Washer, M10	
10	8275212	1	Clamp	
12	24921332	2	Clamp	
13	86883127	1	Clamp	
15	1001155261	1	Muffler	
16	1001159881	1	Bracket	
17	1001159882	1	Bracket	
18	1001176945	2	Strap	
19	1001162281	1	Support	
20	1001162597	1	Bracket	
21	1001163546	1	Pipe	
22	1001164404	1	Tube, Decomposition Reactor	
23	1001164837	2	Gasket	
24	1001164838	2	Clamp	
25	1001168560	1	Pipe	
26	1001168638	Ref	Installation, DEF Tank (See Separate Breakdown in this Section)	
27	1001171363	NLA	Pipe, (No longer available, use 1001204144 for replacement)	
27	1001204144	1	Pipe	
28	1001183836	1	Bracket	
29	1001173626	NLA	Pipe, (not shown) (No longer available, use 1001204144 for replacement)	
30	1001174271	Ref	Installation, DEF Pump and Control (See Separate Breakdown in this Section)	
31	1001163253	Ref	Installation, DEF Pump Lines (See Separate Breakdown in this Section)	
33	1001183759	1	Pipe	
35	90206195	490 mm	Trim-Lock	
36	1001167167	1	Clamp	
37	1001167168	1	Seal	
39	0761010	2	Bolt, M10X20	
40	1001179206	1	Bracket	
41	86683211	1	Clamp	



# SECTION 4 - ENGINE AND ATTACHING PARTS

## FIGURE 4-33. EXHAUST INSTALLATION



ART\_1001225313-C

## SECTION 4 - ENGINE AND ATTACHING PARTS

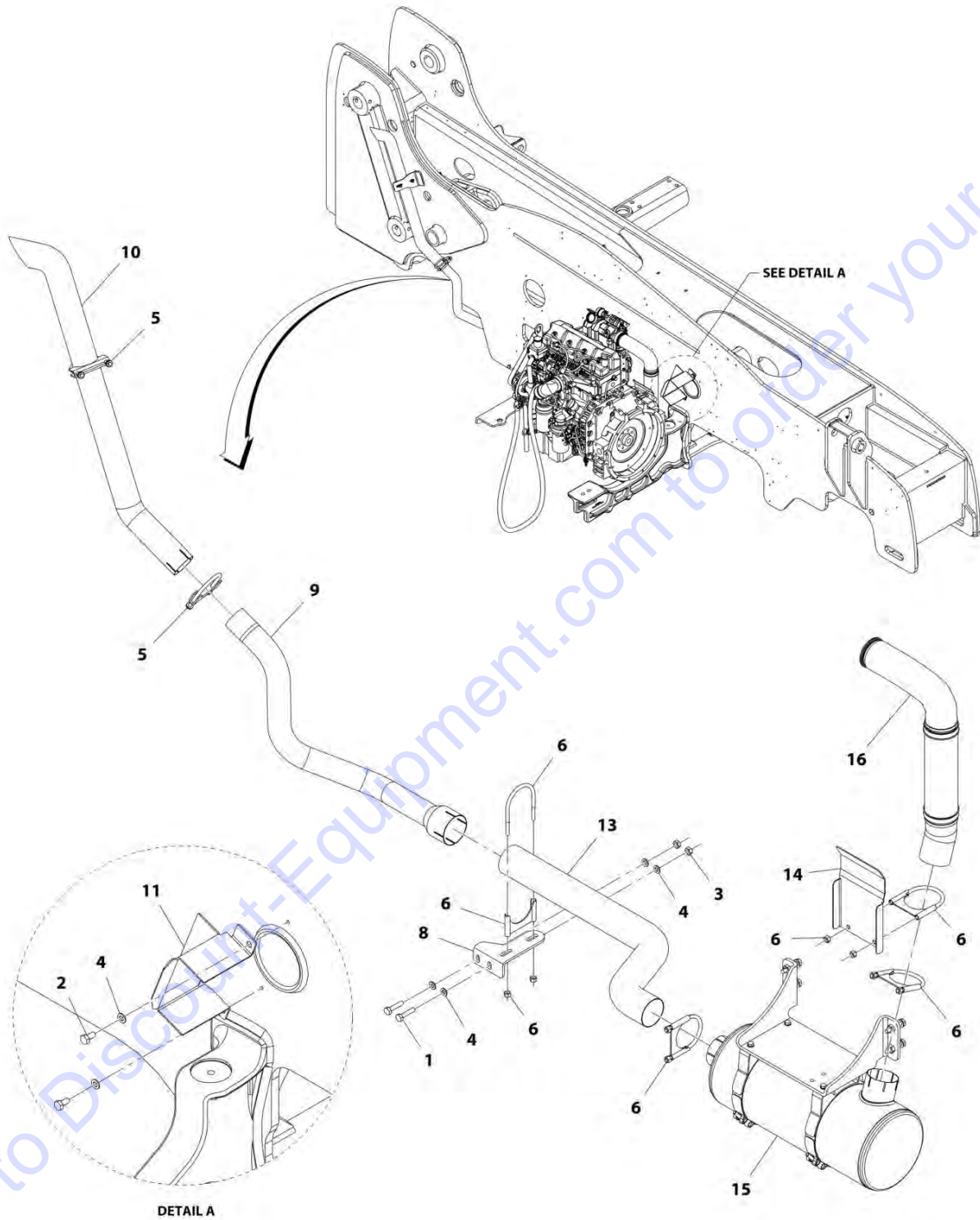
**FIGURE 4-33. EXHAUST INSTALLATION**

ITEM	PART NUMBER	QTY	DESCRIPTION	REV
	1001225313	Ref	Exhaust Installation (74HP) (ULS)	C
1	0701016	2	Bolt, M10X40	
2	0701018	4	Bolt, M10X50	
3	0760812	4	Bolt, M8X25	
4	0761010	2	Screw, M10X20	
5	3291001	2	Nut, M10X1.5	
6	4811900	4	Washer, M8	
7	4812000	10	Washer, M10	
8	24921332	4	Clamp	
9	86683211	1	Clamp	
10	1001128714	1	Muffler	
11	1001128901	1	Strap	
12	1001162281	1	Support	
13	1001228516	1	Bracket	
14	1001204144	1	Pipe	
15	1001224030	1	Pipe	
16	1001224031	1	Pipe	
17	1001227234	1	Bracket	
18	1001225126	1	Bracket	
19	1001225402	1	Bracket	

Go to Discount-Equipment.com to order your parts

# SECTION 4 - ENGINE AND ATTACHING PARTS

## FIGURE 4-34. EXHAUST INSTALLATION (LS)



ART\_1001169850-E

## SECTION 4 - ENGINE AND ATTACHING PARTS

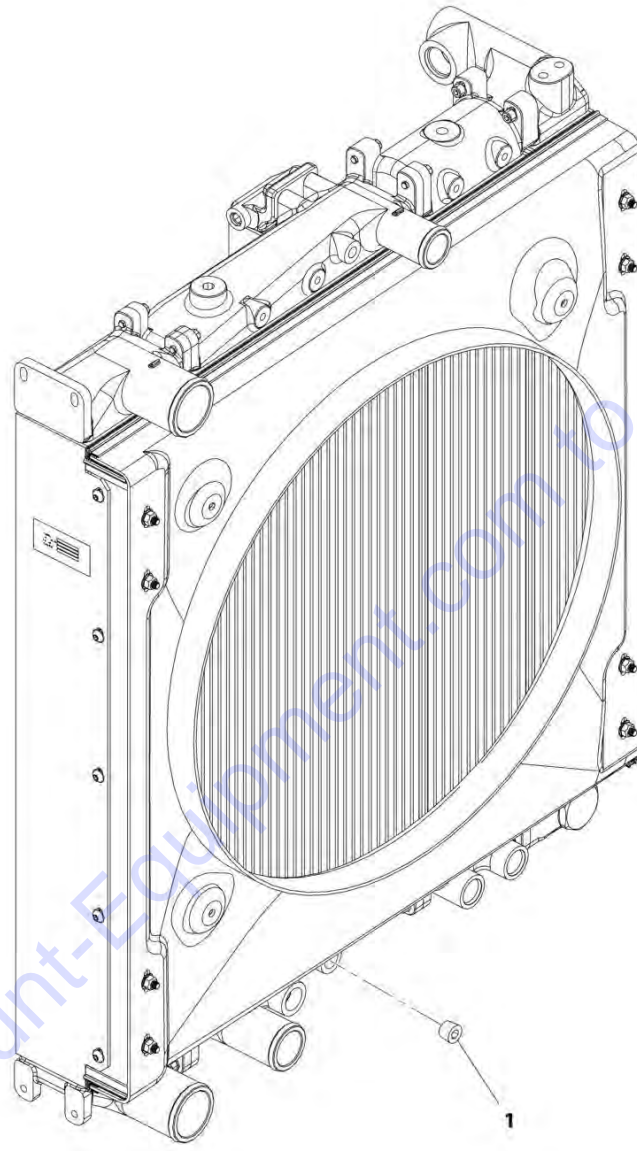
**FIGURE 4-34. EXHAUST INSTALLATION (LS)**

ITEM	PART NUMBER	QTY	DESCRIPTION	REV
	1001169850	Ref	Exhaust Installation (LS)	E
1	0701017	2	Bolt, M10X45	
2	0761010	2	Bolt, M10X20	
3	3291001	2	Nut, M10X1.5	
4	4812000	6	Washer, M10	
5	8275212	2	Clamp, Exhaust	
6	24921332	4	Clamp, Exhaust	
8	1001162281	1	Bracket, Exhaust	
9	1001208186	1	Pipe, Exhaust	
10	1001173626	1	Pipe, Exhaust	
11	1001179206	1	Bracket, Heat Shield	
13	1001179972	1	Pipe, Exhaust	
14	1001181815	1	Plate, Heat Shield	
15	1001179968	1	Installation, Muffler (LS) (See Separate Breakdown in this Section)	
16	1001191348	1	Pipe, Exhaust Flex	

Go to Discount-Equipment.com to order your parts

# SECTION 4 - ENGINE AND ATTACHING PARTS

FIGURE 4-35. ENGINE PARTS INSTALLATION (NO HEATER)



ART\_1001163133-C

## SECTION 4 - ENGINE AND ATTACHING PARTS

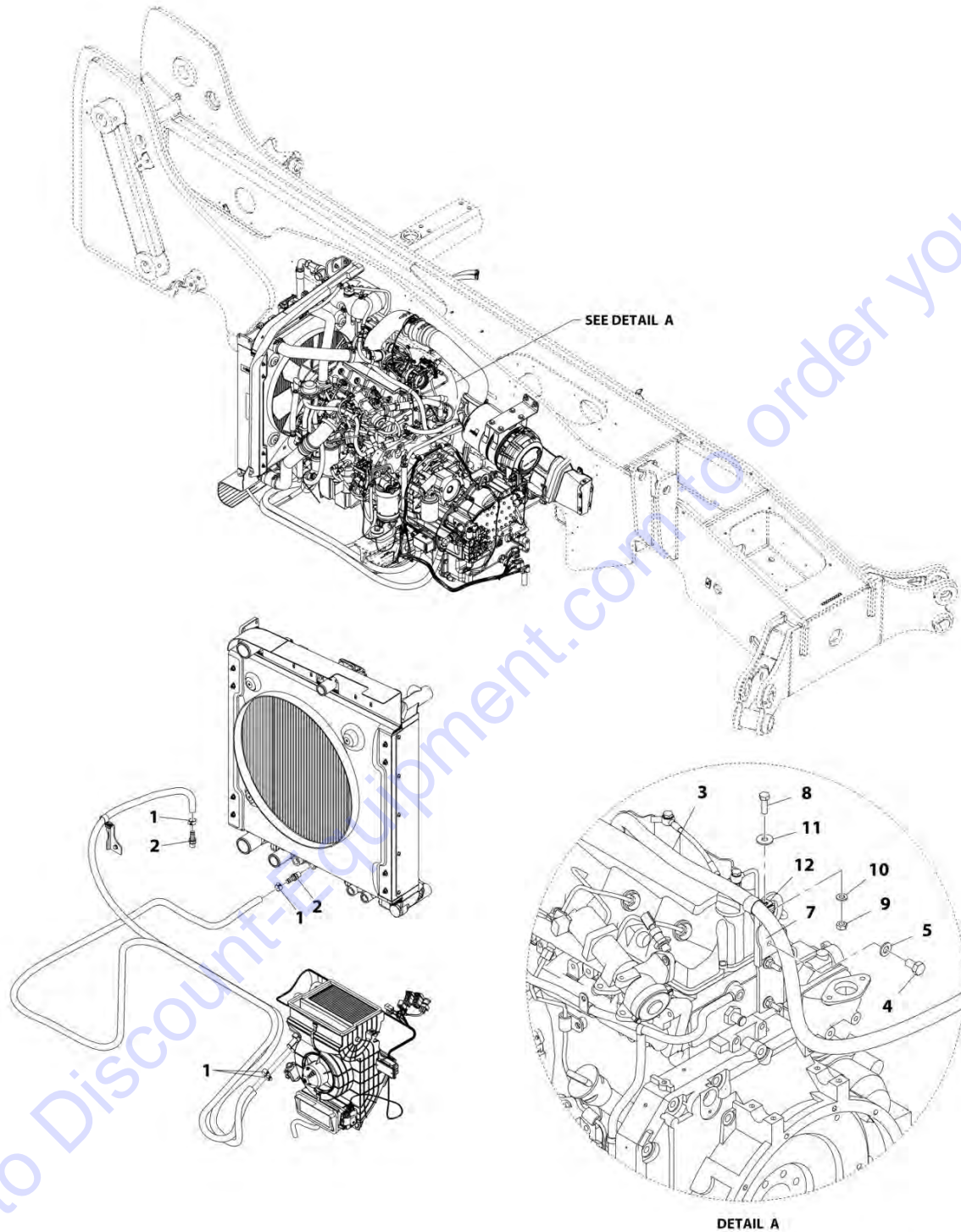
FIGURE 4-35. ENGINE PARTS INSTALLATION (NO HEATER)

ITEM	PART NUMBER	QTY	DESCRIPTION	REV
1	1001163133 2200223	Ref 1	Engine Parts Installation (No Heater) Plug	C

Go to Discount-Equipment.com to order your parts

# SECTION 4 - ENGINE AND ATTACHING PARTS

## FIGURE 4-36. ENGINE PARTS INSTALLATION (HEATER)



ART\_1001163134-J

## SECTION 4 - ENGINE AND ATTACHING PARTS

FIGURE 4-36. ENGINE PARTS INSTALLATION (HEATER)

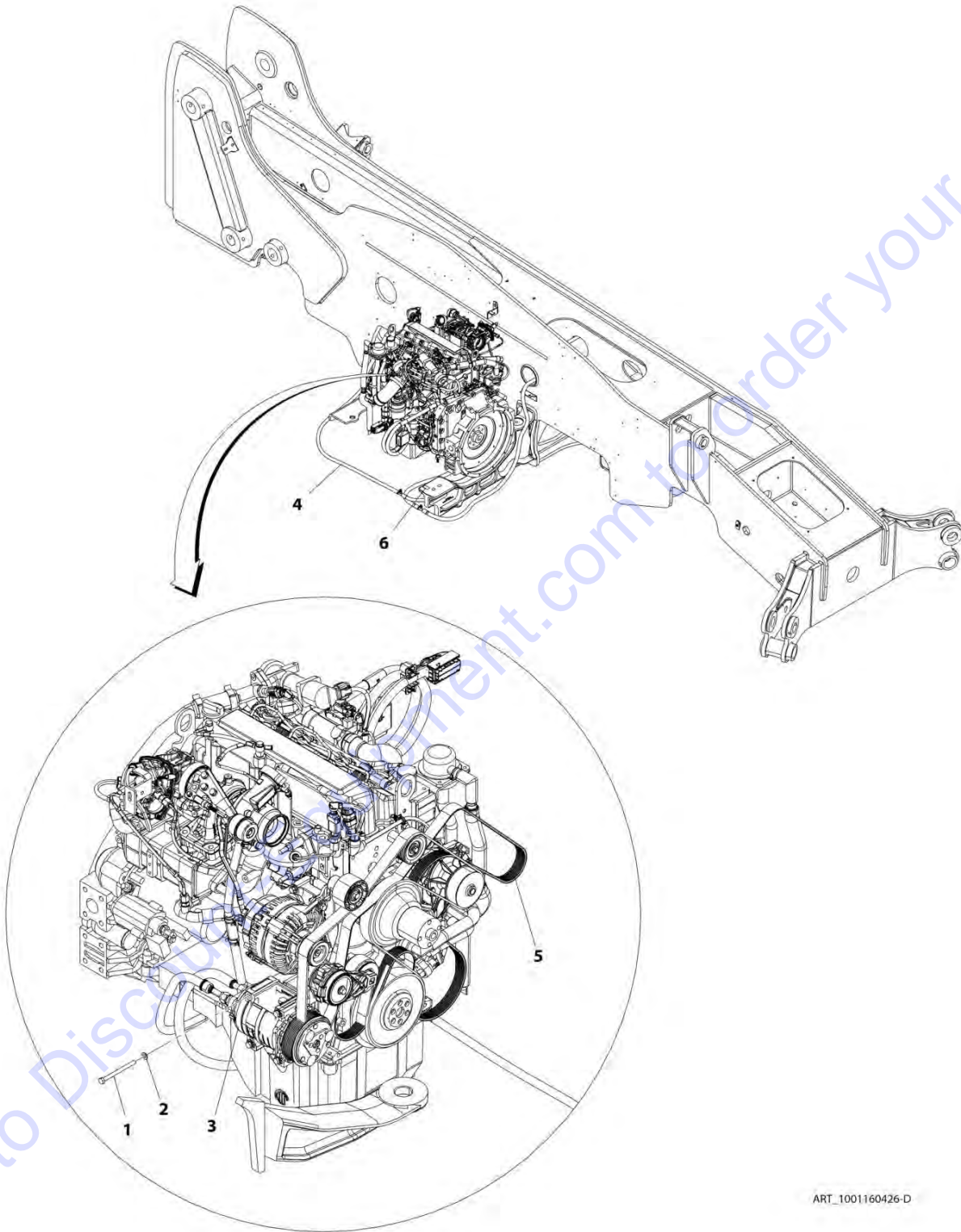
ITEM	PART NUMBER	QTY	DESCRIPTION	REV
	1001163134	Ref	Engine Parts Installation (Heater)	J
1	8410009	4	Clamp, Gear	
2	1001104685	2	Pipe	
3	82033995	7 m	Hose	
4	0760807	1	Bolt, M8X14	
5	4811900	1	Washer, M8	
7	1001200555	1	Bracket	
8	0700610	1	Bolt, M6X20	
9	3290601	1	Nut, M6X1	
10	4811700	1	Washer, M6	
11	4811702	1	Washer, M6	
12	8406201	1	Clip	

Go to Discount-Equipment.com to order your parts



# SECTION 4 - ENGINE AND ATTACHING PARTS

FIGURE 4-37. A/C PUMP INSTALLATION (ULS)



ART\_1001160426-D

## SECTION 4 - ENGINE AND ATTACHING PARTS

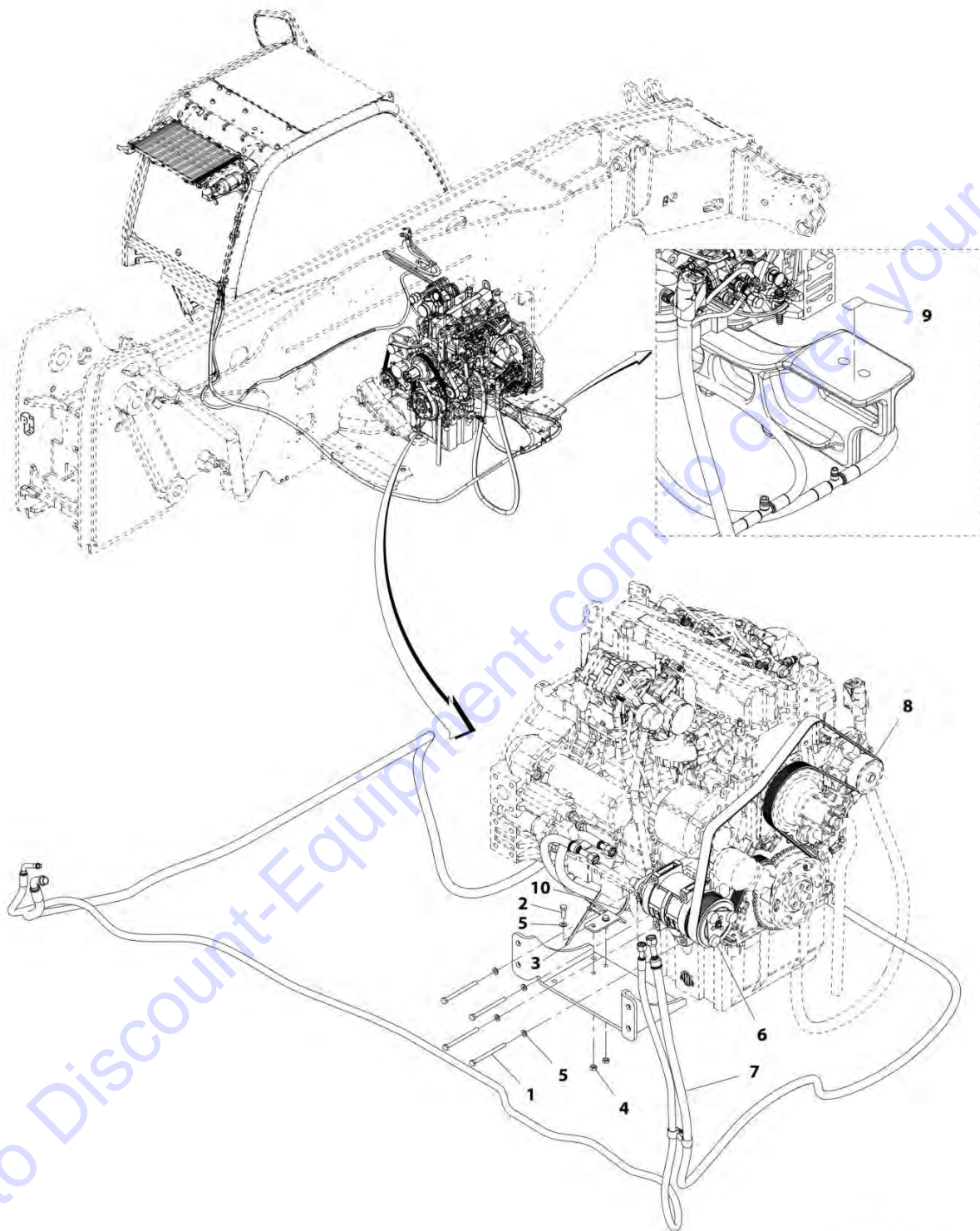
FIGURE 4-37. A/C PUMP INSTALLATION (ULS)

ITEM	PART NUMBER	QTY	DESCRIPTION	REV
	1001160426	Ref	A/C Pump Installation (ULS)	D
1	0700827	4	Bolt, M8X100	
2	4811900	4	Washer, M8	
3	1001157663	1	Compressor, A/C	
4	1001163254	Ref	Installation, A/C Lines (See Separate Breakdown in this Section)	
5	1001167357	1	Belt	
6	1001193026	1	Decal, A/C Refrigerant	

Go to Discount-Equipment.com to order your parts

# SECTION 4 - ENGINE AND ATTACHING PARTS

## FIGURE 4-38. A/C PUMP INSTALLATION (LS)



ART\_1001205448-A

## SECTION 4 - ENGINE AND ATTACHING PARTS

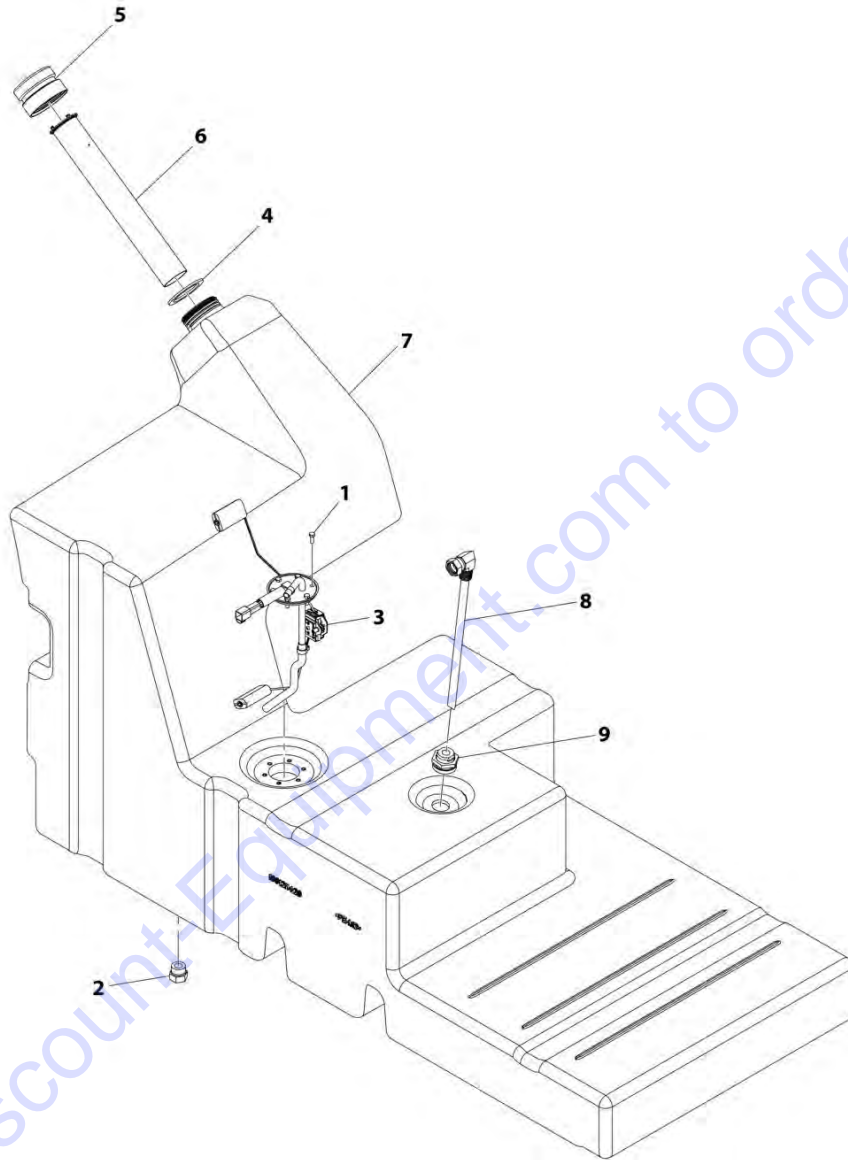
FIGURE 4-38. A/C PUMP INSTALLATION (LS)

ITEM	PART NUMBER	QTY	DESCRIPTION	REV
	1001206448	Ref	A/C Pump Installation (LS)	A
1	0700827	4	Bolt, M8X100	
2	0760812	2	Bolt, M8X25	
3	1062255	1	Strap, Tie	
4	3290801	2	Nut, M8X1.25 Grade 8	
5	4811900	6	Washer, M8	
6	1001157663	1	Compressor, A/C	
7	1001163254	1	Installation, A/C Lines (See Separate Breakdown in this Section)	
8	1001167357	1	Belt	
9	1001193026	1	Decal, A/C Refrigerant	
10	1001206332	1	Bracket	

Go to Discount-Equipment.com to order your parts

# SECTION 4 - ENGINE AND ATTACHING PARTS

## FIGURE 4-39. FUEL TANK ASSEMBLY



ART\_1001211432-F

## SECTION 4 - ENGINE AND ATTACHING PARTS

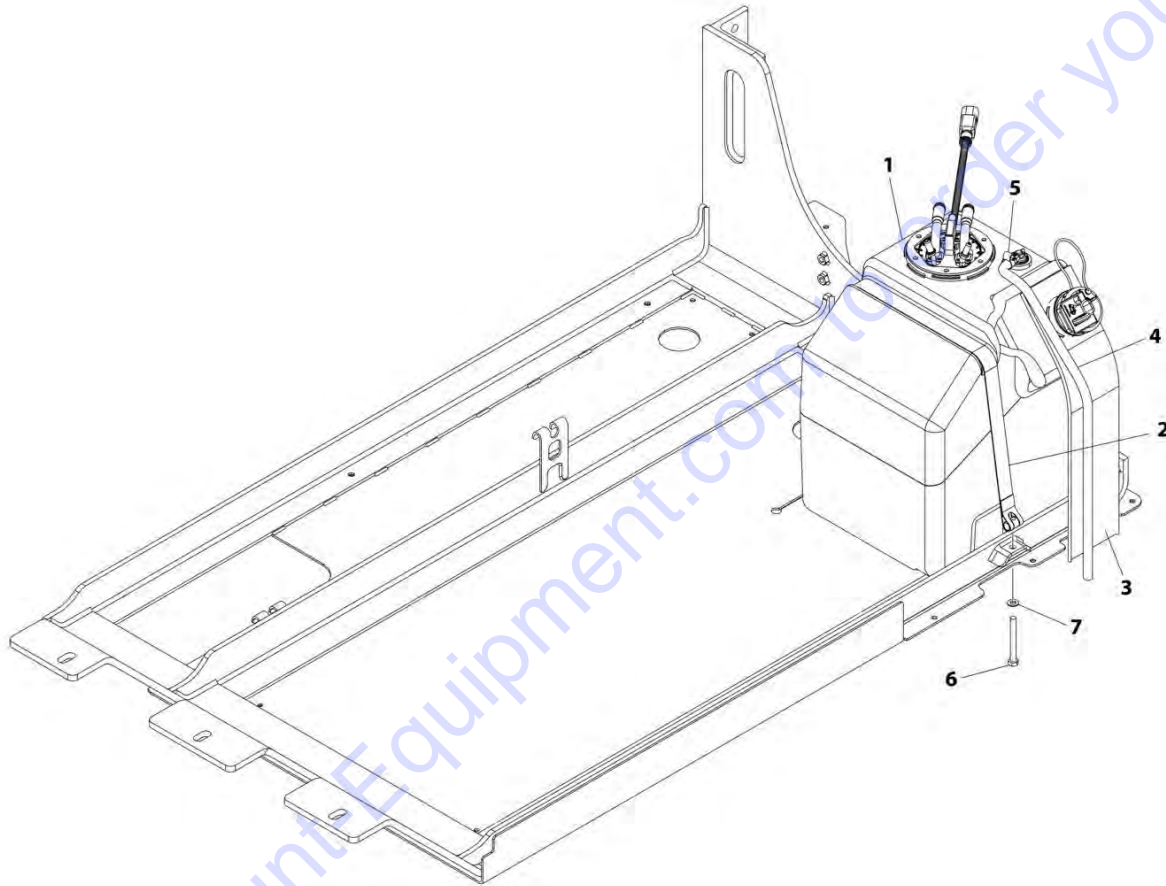
**FIGURE 4-39. FUEL TANK ASSEMBLY**

ITEM	PART NUMBER	QTY	DESCRIPTION	REV
	1001211432	Ref	Fuel Tank Assembly	F
1	0760507	6	Bolt, M5X14	
2	1001003427	1	Plug	
3	1001169867	NLA	Gauge, Fuel Level (no longer available, use 1001235100 for replacement)	
3	1001235100	1	Gauge, Fuel Level	
4	1001172178	1	Gasket	
5	1001207282	1	Adapter, Tank Cap	
6	1001207557	1	Pipe, Fuel Tank Drop	
7	1001211428	1	Tank, Fuel	
8	1001211429	1	Coupling, ORFS	
9	1001211747	1	Pipe, Fuel Supply	

Go to Discount-Equipment.com to order your parts

## SECTION 4 - ENGINE AND ATTACHING PARTS

FIGURE 4-40. DEF TANK INSTALLATION



ART\_1001168638-J

## SECTION 4 - ENGINE AND ATTACHING PARTS

**FIGURE 4-40. DEF TANK INSTALLATION**

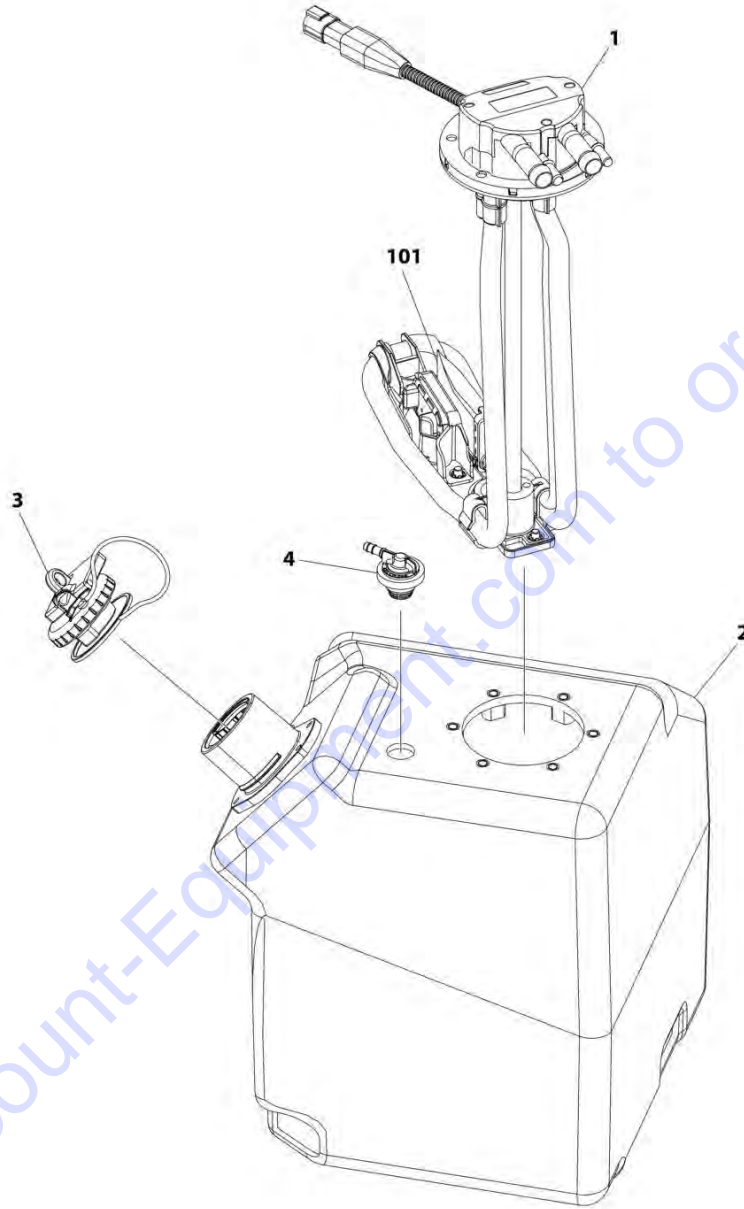
ITEM	PART NUMBER	QTY	DESCRIPTION	REV
	1001168638	Ref	DEF Tank Installation	J
1	1001164966	1	Tank, DEF (See Separate Breakdown in this Section) <b>(SN 0160084796 through 0160091768)</b>	
1	1001230421	1	Tank, DEF (See Separate Breakdown in this Section) <b>(SN 0160091769 to Present)</b>	
2	1001178791	1	Strap, Tank	
3	1001168272	1	Sleeve	
4	1001175201	0.6 m	Hose	
5	8405009	1	Clamp, Gear	
6	0760823	1	Bolt, M8X75	
7	4811900	1	Washer, M8	

Go to Discount-Equipment.com to order your parts



## SECTION 4 - ENGINE AND ATTACHING PARTS

FIGURE 4-41. DEF TANK ASSEMBLY (SN 0160084796 through 0160091768)



ART\_1001164966-G

## SECTION 4 - ENGINE AND ATTACHING PARTS

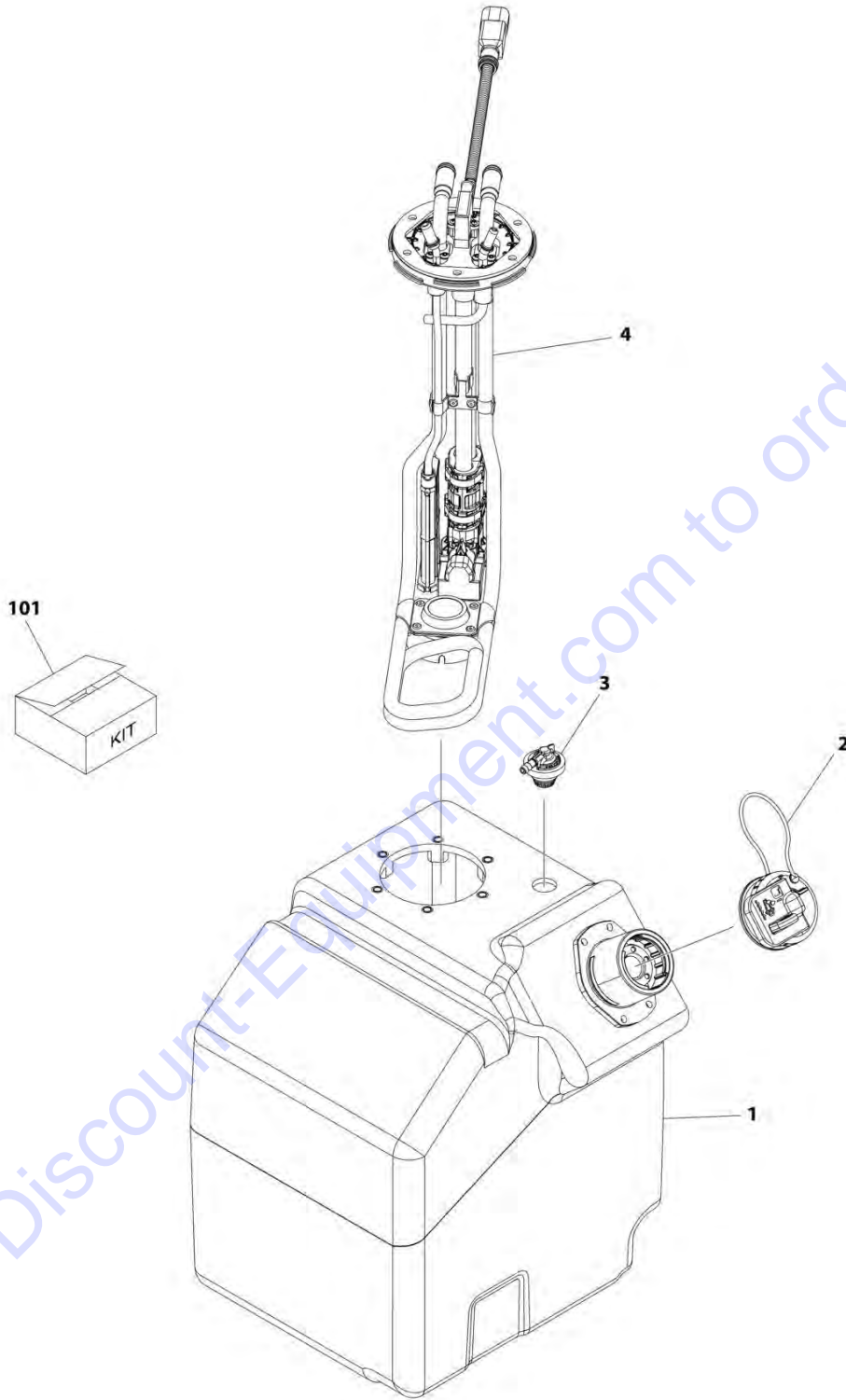
FIGURE 4-41. DEF TANK ASSEMBLY (SN 0160084796 through 0160091768)

ITEM	PART NUMBER	QTY	DESCRIPTION	REV
	1001164966	Ref	DEF Tank Assembly	G
1	1001164964	1	Assembly, DEF Electrical (includes item 101)	
2	1001164967	1	Tank	
3	1001174795	1	Cap	
4	1001215319	1	Valve	
101	70026584	1	Filter, DEF	

Go to Discount-Equipment.com to order your parts

# SECTION 4 - ENGINE AND ATTACHING PARTS

FIGURE 4-42. DEF TANK ASSEMBLY (SN 0160091769 to Present)



ART\_1001230421-A

## SECTION 4 - ENGINE AND ATTACHING PARTS

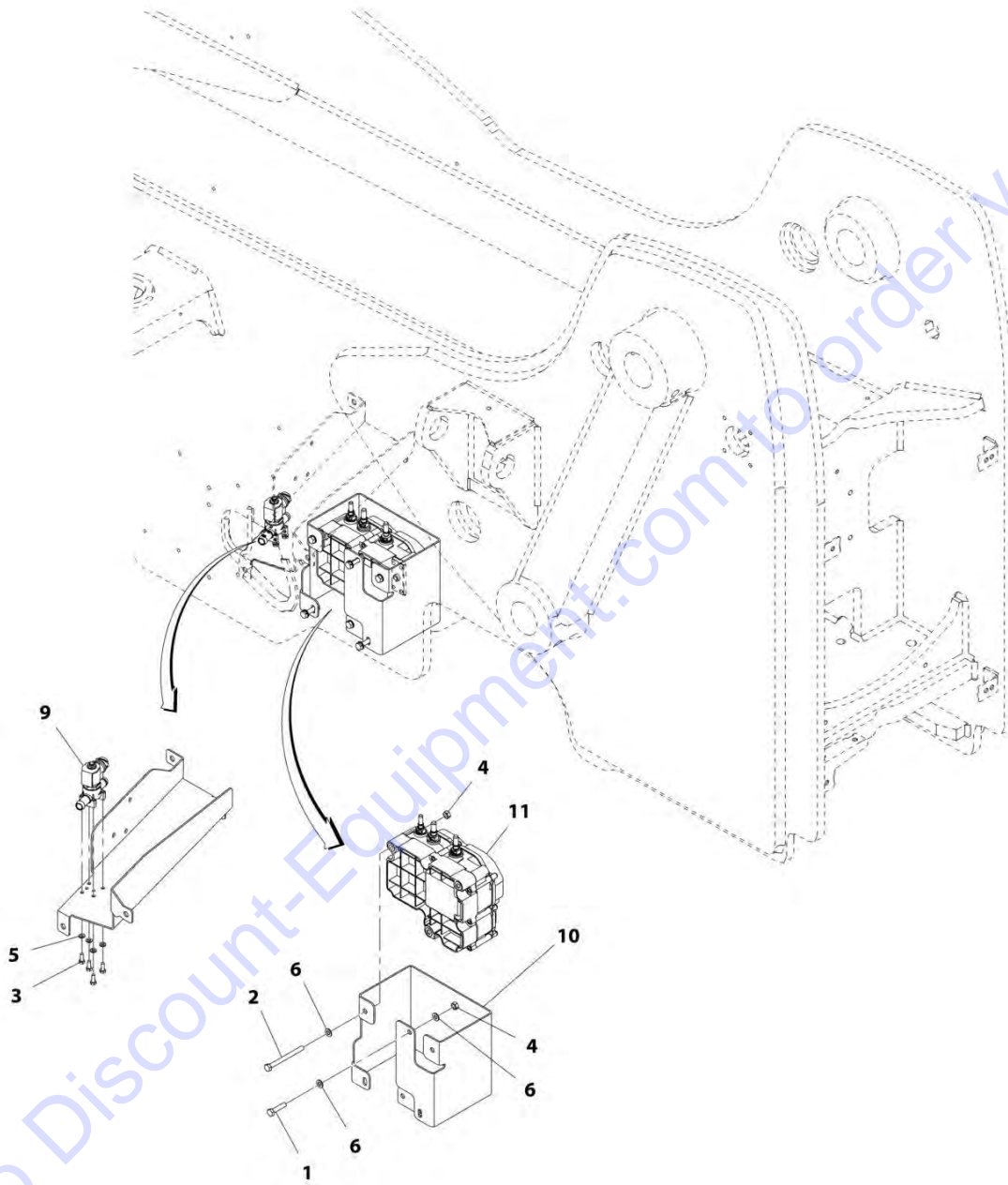
FIGURE 4-42. DEF TANK ASSEMBLY (SN 0160091769 to Present)

ITEM	PART NUMBER	QTY	DESCRIPTION	REV
	1001230421	Ref	DEF Tank Assembly	A
1	1001164967	1	Tank	
2	1001174795	1	Cap	
3	1001215319	1	Valve	
4	1001230419	1	Assembly, DEF Electrical (includes item 101)	
101	70029473	1	Siphon Filter Kit	
101	70029474	1	Gasket, Rubber	
101	70029475	1	Flange	
101	70029476	1	Header Assembly w/o Flange and Gasket	

Go to Discount-Equipment.com to order your parts

# SECTION 4 - ENGINE AND ATTACHING PARTS

## FIGURE 4-43. DEF PUMP AND CONTROL INSTALLATION



ART\_1001174271-H

## SECTION 4 - ENGINE AND ATTACHING PARTS

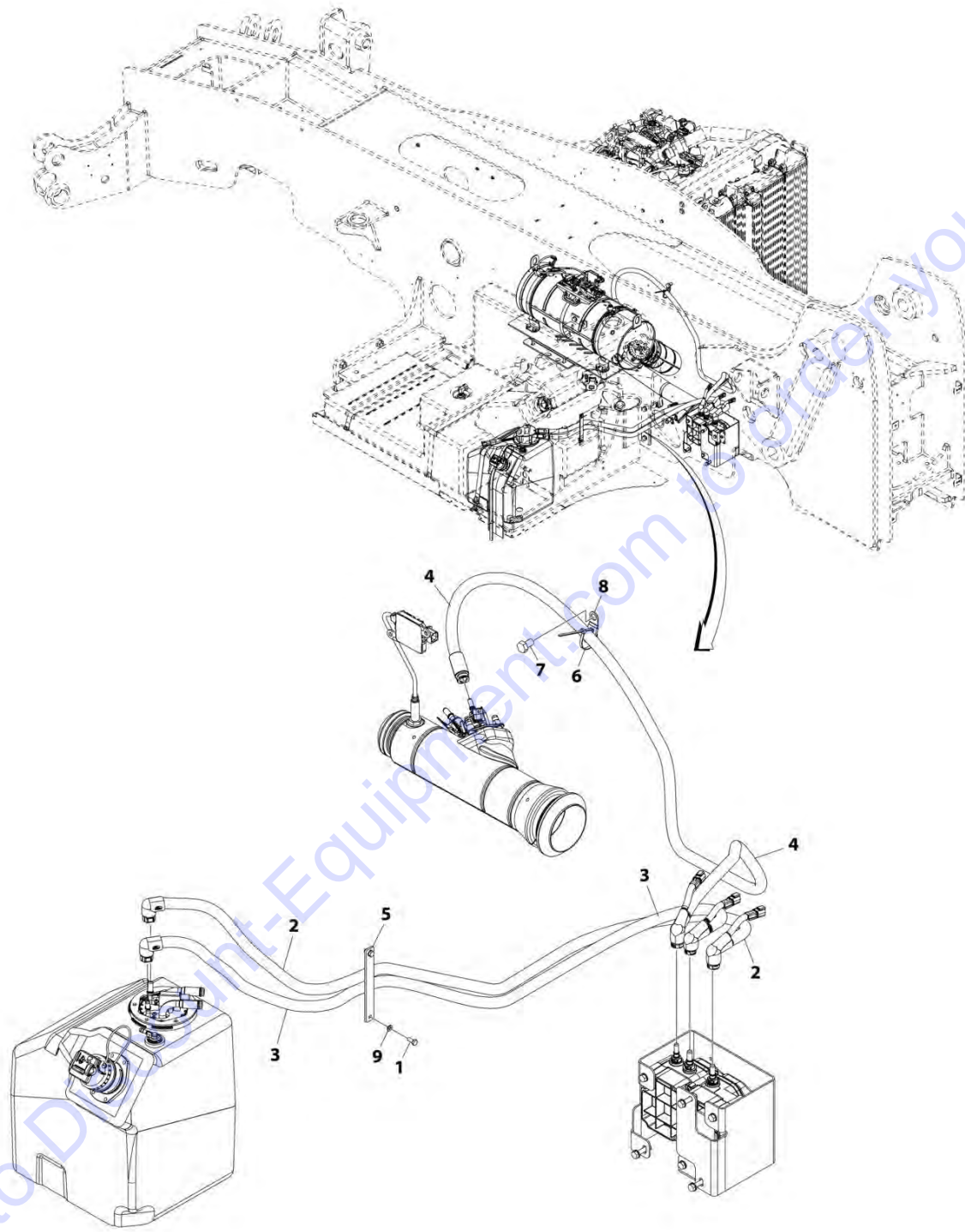
FIGURE 4-43. DEF PUMP AND CONTROL INSTALLATION

ITEM	PART NUMBER	QTY	DESCRIPTION	REV
	1001174271	Ref	DEF Pump and Control Installation	H
1	0700815	3	Bolt, M8X35	
2	0700826	3	Bolt, M8X90	
3	0760608	4	Bolt, M6X16	
4	3290801	5	Nut, M8X1.25	
5	4811700	4	Washer, M6	
6	4811900	8	Washer, M8	
9	1001199670	1	Valve, DEF Tank Coolant Flow	
10	1001191168	1	Bracket	
11		Ref	Pump, Urea (See Separate Breakdown in this Section)	

Go to Discount-Equipment.com to order your parts

# SECTION 4 - ENGINE AND ATTACHING PARTS

## FIGURE 4-44. DEF PUMP LINES INSTALLATION



ART\_1001163253-I

## SECTION 4 - ENGINE AND ATTACHING PARTS

**FIGURE 4-44. DEF PUMP LINES INSTALLATION**

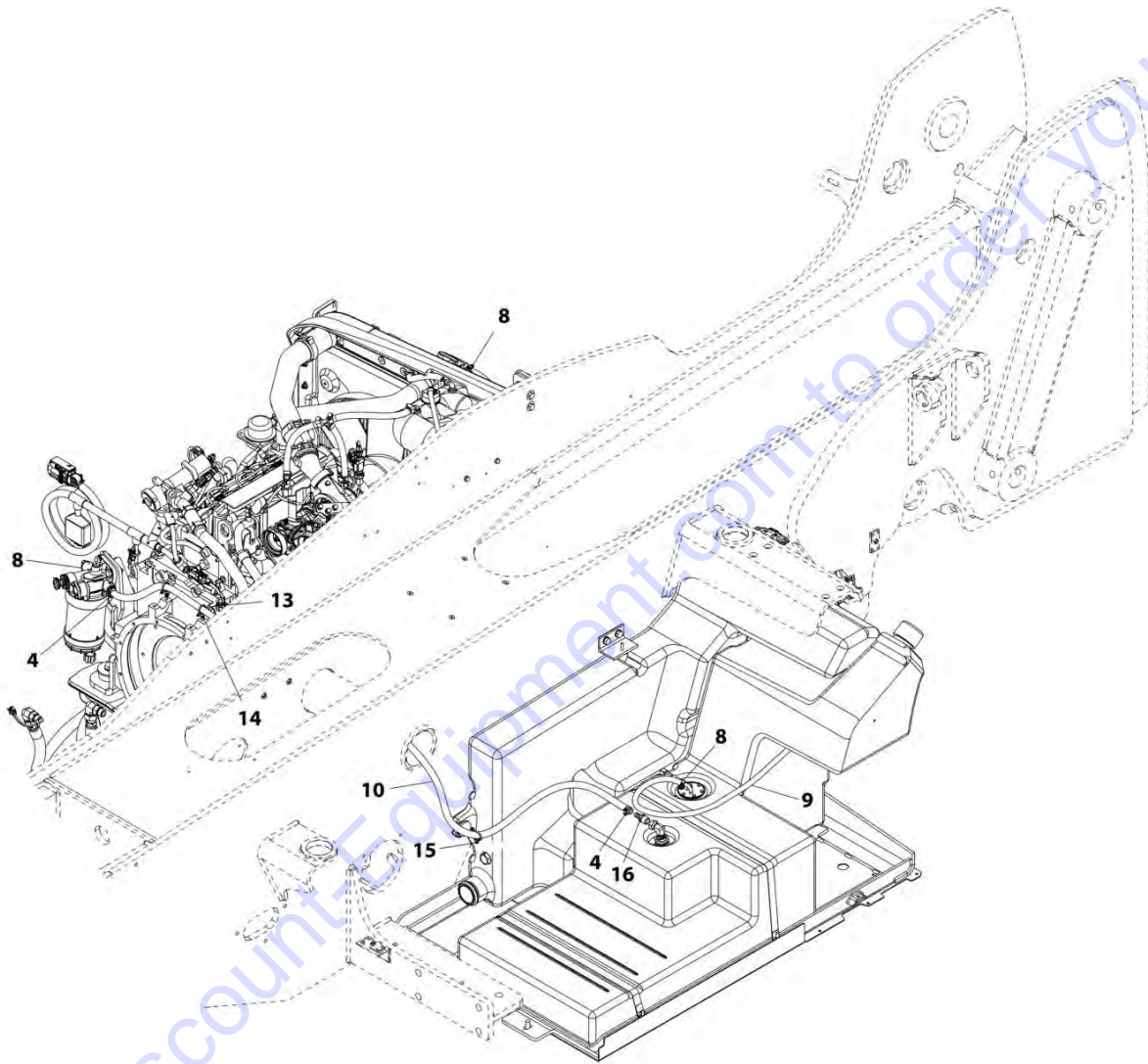
ITEM	PART NUMBER	QTY	DESCRIPTION	REV
	1001163253	Ref	DEF Pump Lines Installation	I
1	0760607	AR	Bolt, M6X14	
2	1001196354	1	Hose (SN 0160084796 through 0160091768)	
2	1001231002	1	Hose (SN 0160091769 to Present)	
3	1001196421	1	Hose (SN 0160084796 through 0160091768)	
3	1001231003	1	Hose (SN 0160091769 to Present)	
4	1001167971	1	Hose	
5	1001196440	AR	Plate, Retainer	
6	8881802	1	Strap, Tie	
7	0761210	1	Bolt, M12X20	
8	1001025750	1	Clip	
9	4831700	AR	Washer, Lock M6	

Go to Discount-Equipment.com to order your parts



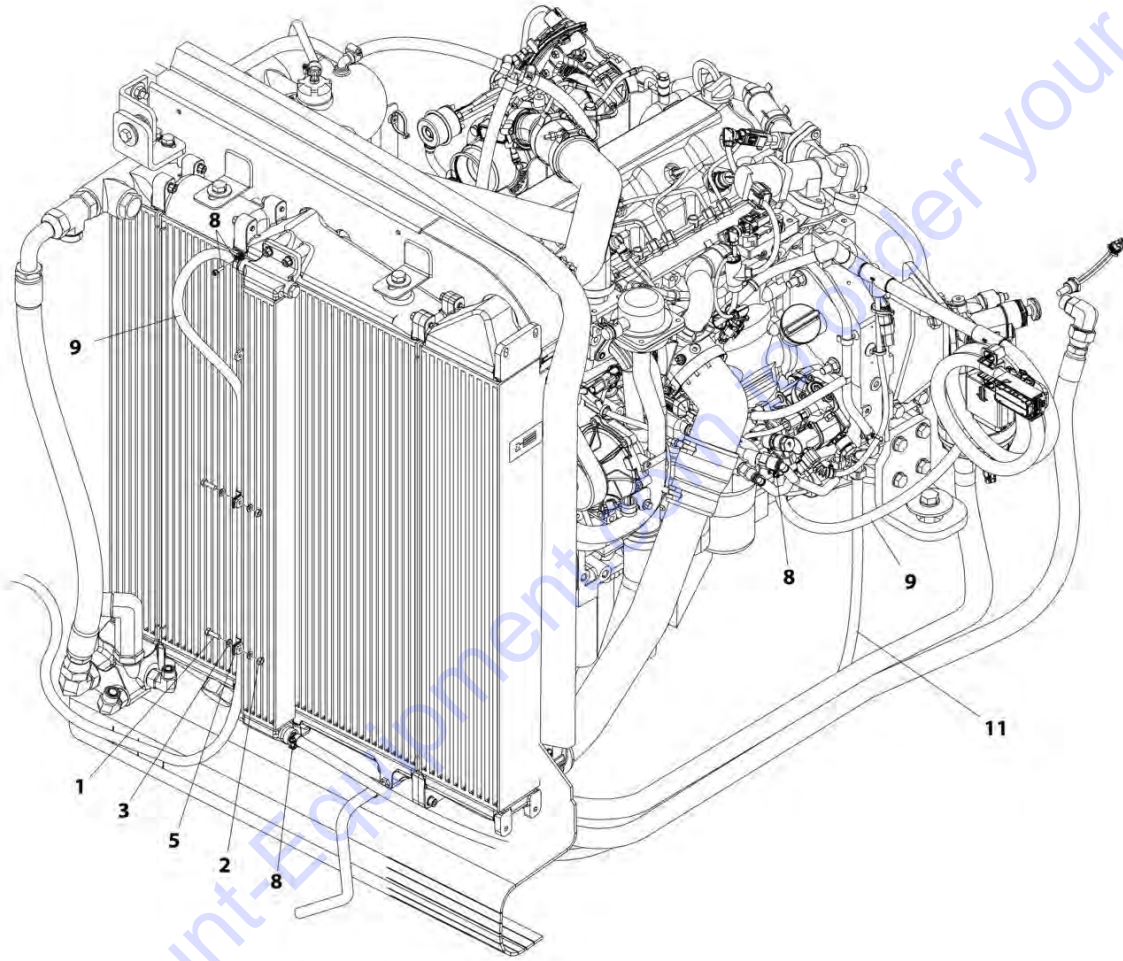
# SECTION 4 - ENGINE AND ATTACHING PARTS

## FIGURE 4-45. FUEL LINES INSTALLATION (ULS)



ART\_1001163231\_1-I

# SECTION 4 - ENGINE AND ATTACHING PARTS



ART\_1001163231\_2-I

## SECTION 4 - ENGINE AND ATTACHING PARTS

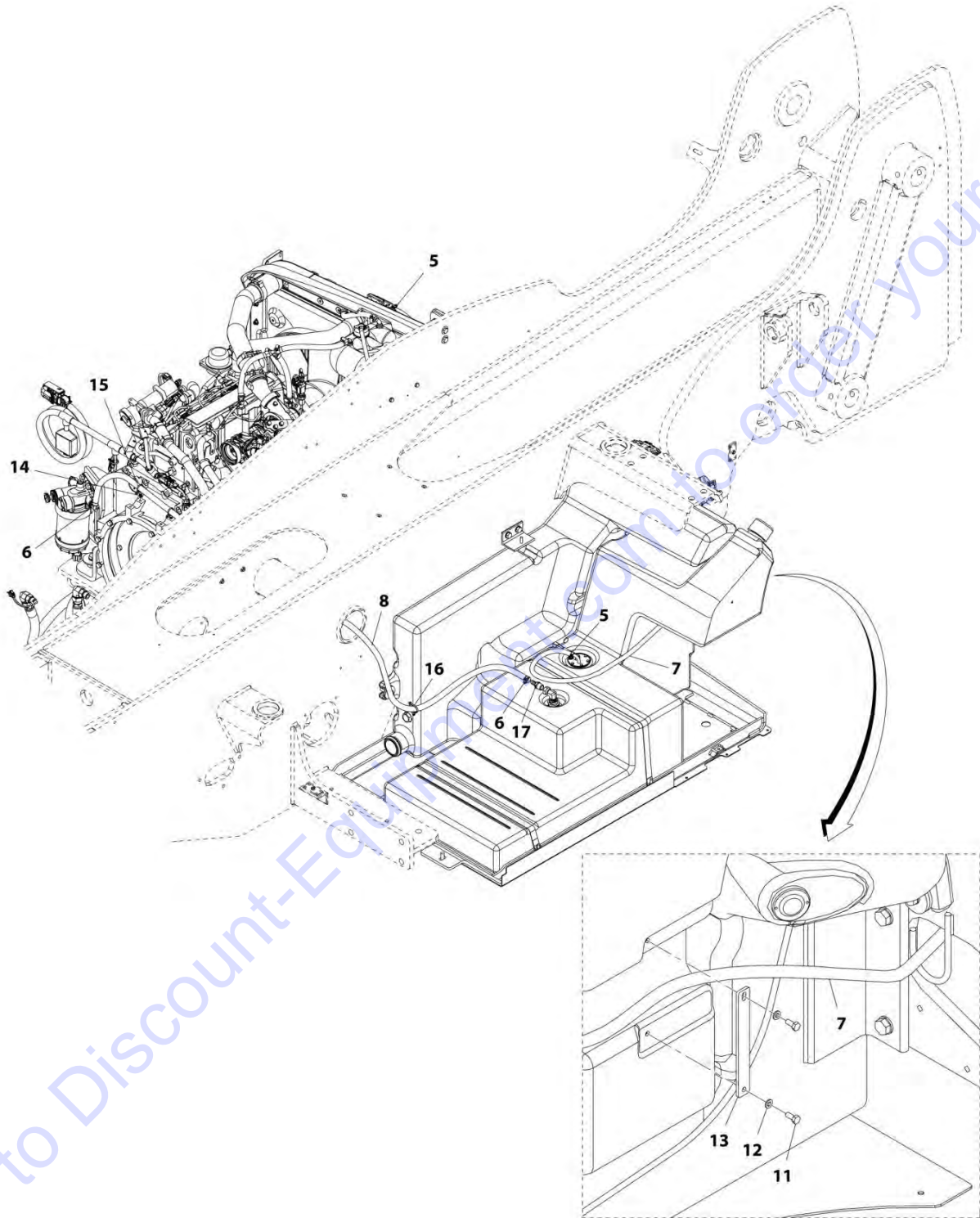
FIGURE 4-45. FUEL LINES INSTALLATION (ULS)

ITEM	PART NUMBER	QTY	DESCRIPTION	REV
	1001163231	Ref	Fuel Lines Installation	I
1	0700610	2	Bolt, M6X20	
2	3290601	2	Nut, M6X1 Grade 8	
3	4811700	4	Washer, M6	
4	1001186342	2	Clip, Hose	
5	8406112	2	Clip, Tube	
8	1001136975	5	Clamp	
9	1001141400	4.3 m	Hose	
10	1001172755	2.4 m	Hose	
11	1001197299	1	Hose	
13	1001008559	2	Strap	
14	1001202986	2	Strap, Fir Tree Push Mount	
15	1001146588	1	Strap	
16	1001206588	1	Fitting	



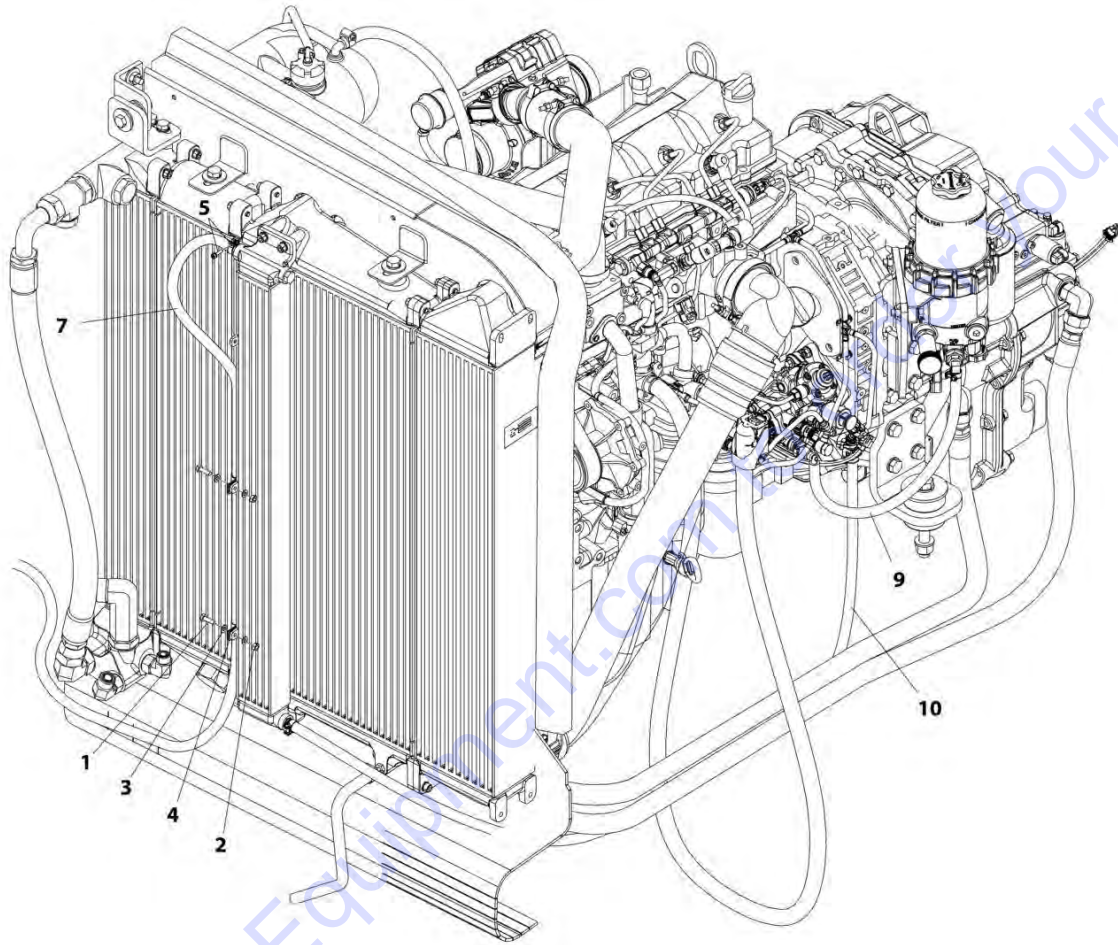
# SECTION 4 - ENGINE AND ATTACHING PARTS

## FIGURE 4-46. FUEL LINES INSTALLATION (LS)



ART\_1001163241\_1-G

## SECTION 4 - ENGINE AND ATTACHING PARTS



ART\_1001163241\_2-G

## SECTION 4 - ENGINE AND ATTACHING PARTS

FIGURE 4-46. FUEL LINES INSTALLATION (LS)

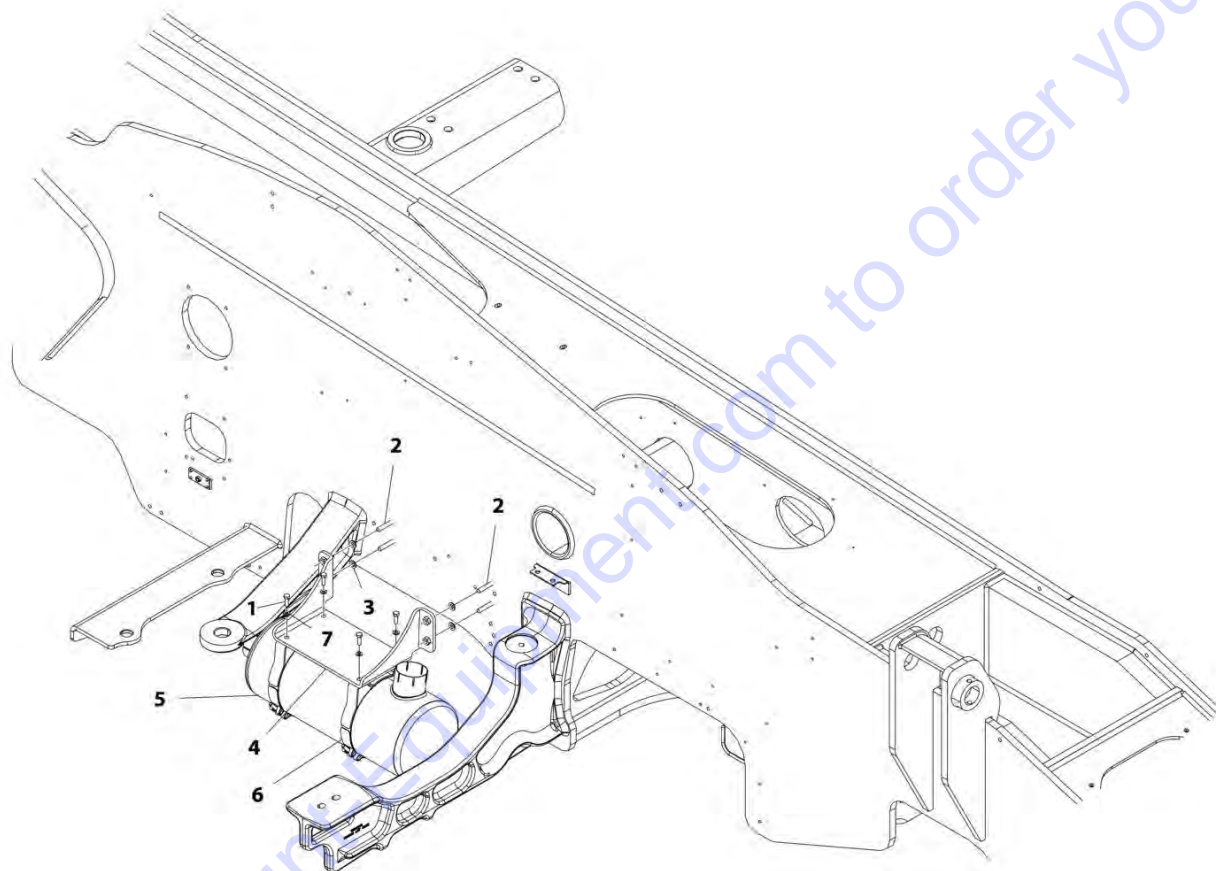
ITEM	PART NUMBER	QTY	DESCRIPTION	REV
	1001163241	Ref	Fuel Lines Installation (LS)	G
1	0700610	2	Bolt, M6X20	
2	3290601	2	Nut, M6X1 Grade 8	
3	4811700	4	Washer, M6	
4	8406112	2	Clip	
5	1001136975	4	Clamp	
6	1001186342	2	Clip	
7	1001141400	3.7 m	Hose	
8	1001172755	2.4 m	Hose	
9	1001190980	1	Hose	
10	1001197299	1	Hose	
11	0760607	2	Bolt, M6X14	
12	4831700	2	Washer, Lock M6	
13	1001196440	1	Plate, Retainer	
14	1001202986	2	Strap, Fir Tree Push Mount	
15	1001008559	2	Strap	
16	1001146588	1	Strap	
17	1001206588	1	Fitting	





## SECTION 4 - ENGINE AND ATTACHING PARTS

FIGURE 4-47. MUFFLER INSTALLATION (LS)



ART\_1001179968-D

## SECTION 4 - ENGINE AND ATTACHING PARTS

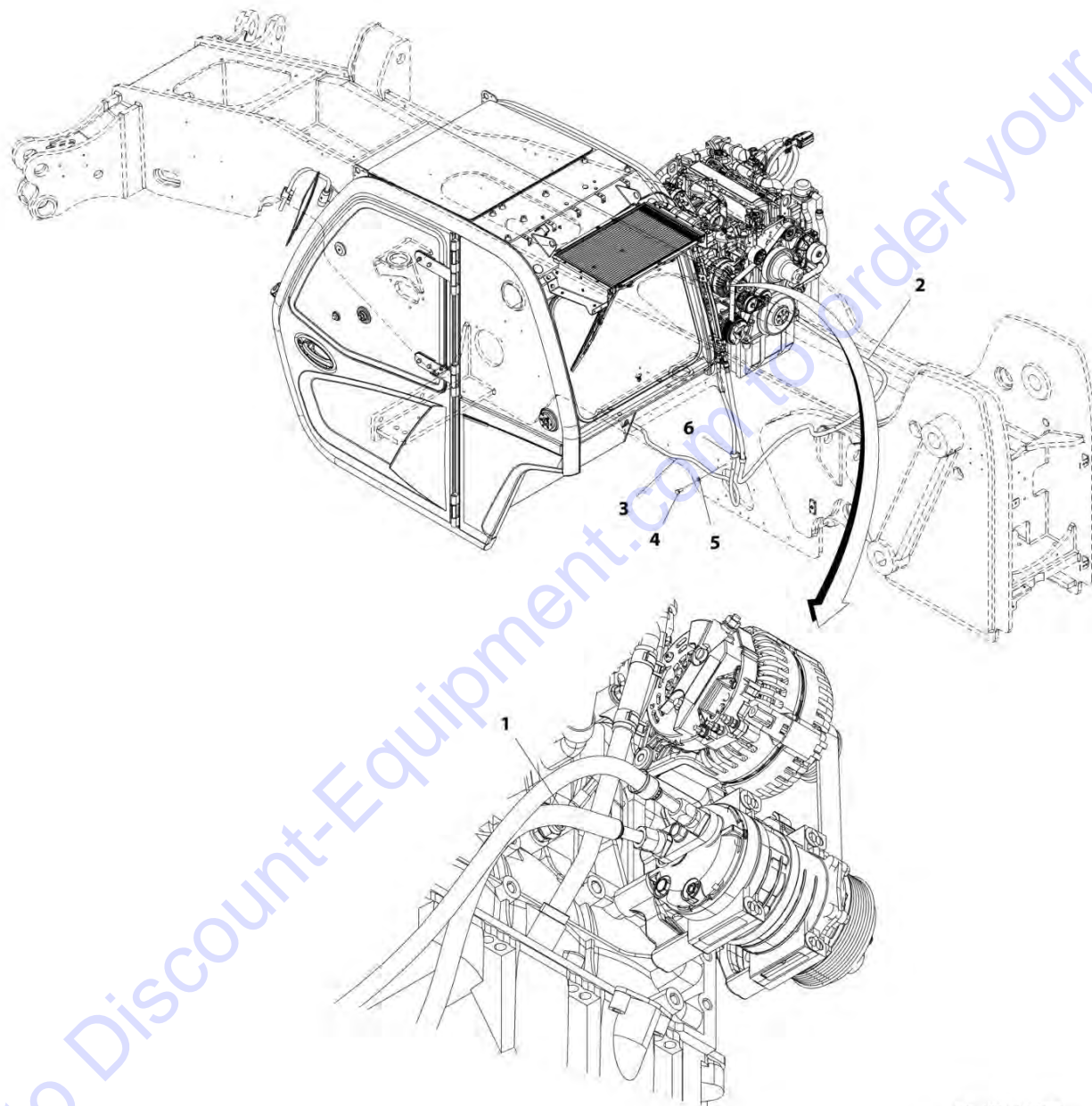
FIGURE 4-47. MUFFLER INSTALLATION (LS)

ITEM	PART NUMBER	QTY	DESCRIPTION	REV
	1001179968	Ref	Muffler Installation (LS)	D
1	0760812	4	Bolt, M8X25	
2	0701017	4	Bolt, M10X45	
3	4812000	4	Washer, M10	
4	1001179973	1	Bracket	
5	1001180226	1	Muffler	
6	1001180227	2	Clamp, Muffler	
7	4811900	4	Washer, M8	

Go to Discount-Equipment.com to order your parts

# SECTION 4 - ENGINE AND ATTACHING PARTS

## FIGURE 4-48. A/C LINES INSTALLATION



ART\_1001163254-H

## SECTION 4 - ENGINE AND ATTACHING PARTS

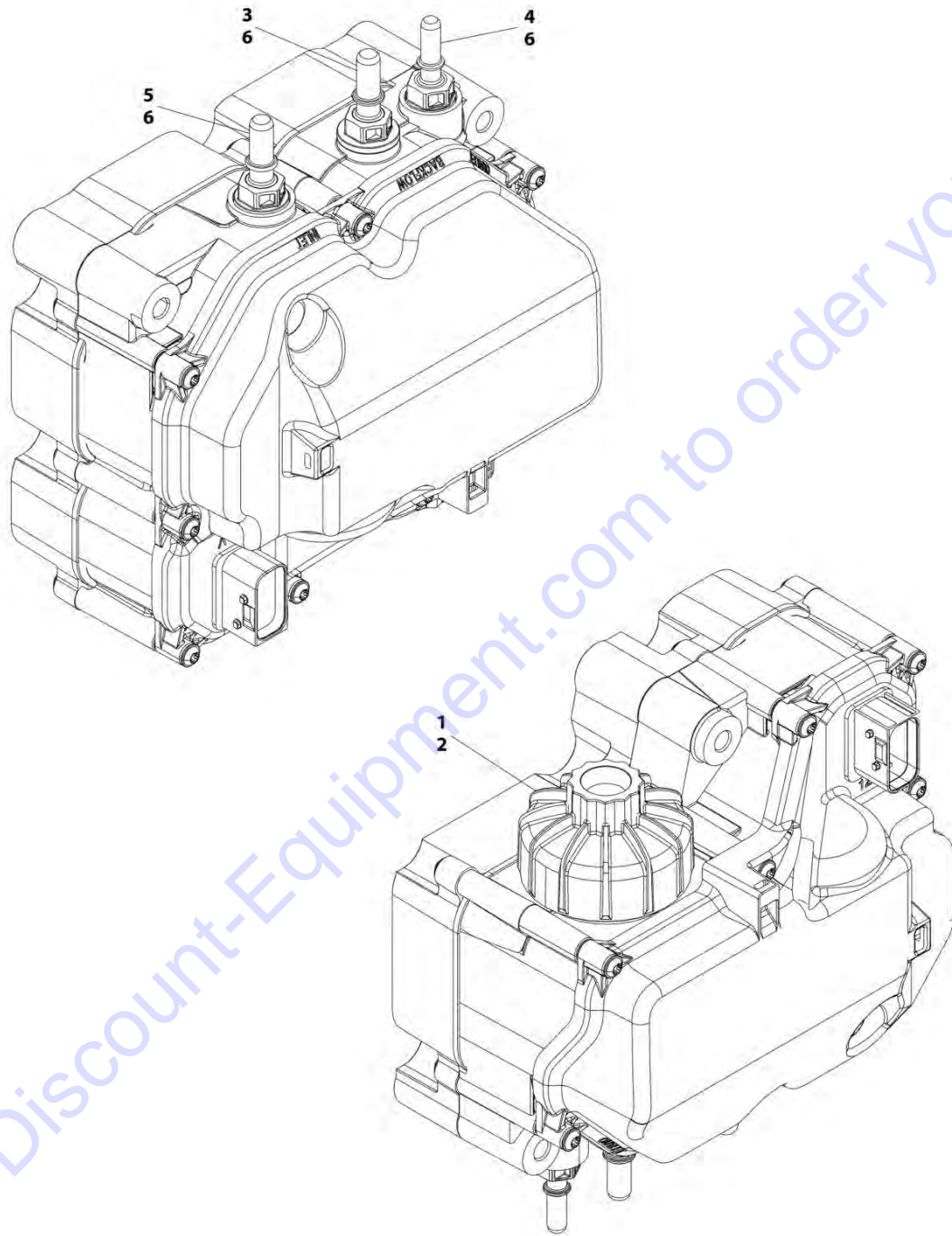
FIGURE 4-48. A/C LINES INSTALLATION

ITEM	PART NUMBER	QTY	DESCRIPTION	REV
	1001163254	Ref	A/C Lines Installation	H
1	1001196491	1	Hose	
2	1001184017	1	Hose	
3	1001186705	1	Hose	
4	0761012	1	Bolt, M10X25	
5	4812000	1	Washer, M10	
6	8406102	2	Clip	

Go to Discount-Equipment.com to order your parts

# SECTION 4 - ENGINE AND ATTACHING PARTS

## FIGURE 4-49. UREA PUMP



ART\_1001213210-A

## SECTION 4 - ENGINE AND ATTACHING PARTS

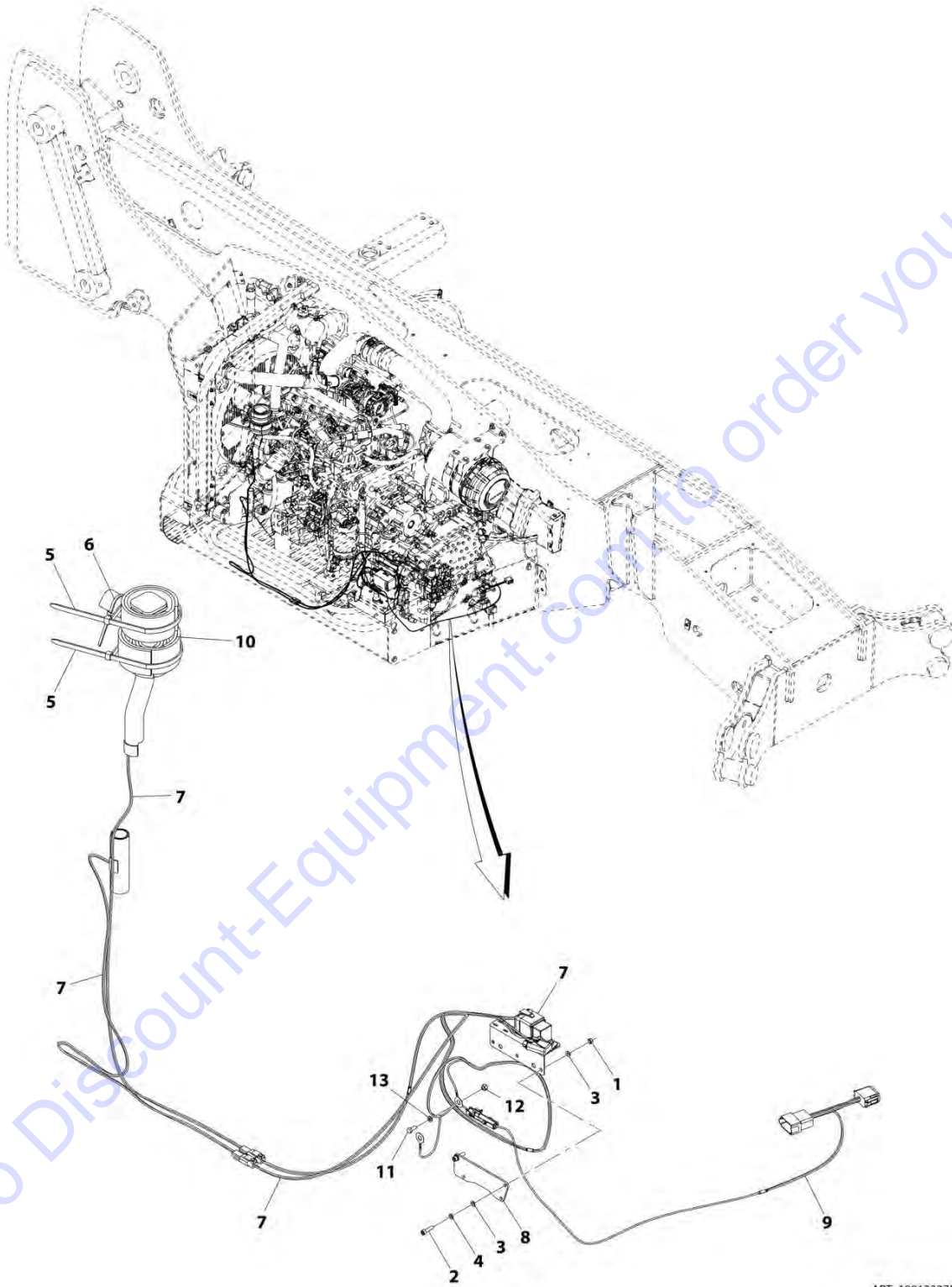
FIGURE 4-49. UREA PUMP

ITEM	PART NUMBER	QTY	DESCRIPTION	REV
	1001213210	1	DEF Module Pump	A
1	70026248	1	Kit, Filter	
2	70026247	1	Cap, Filter	
3	70027705	1	Connector, Male (Backflow)	
4	70026245	1	Connector, Male (Outlet)	
5	70026244	1	Connector, Male (Inlet)	
6	70027706	3	Gasket, Circular (O-Ring)	

Go to Discount-Equipment.com to order your parts

# SECTION 4 - ENGINE AND ATTACHING PARTS

FIGURE 4-50. HEATER BREATHER - 110 HP



ART\_1001232751-B

## SECTION 4 - ENGINE AND ATTACHING PARTS

**FIGURE 4-50. HEATER BREATHER - 110 HP**

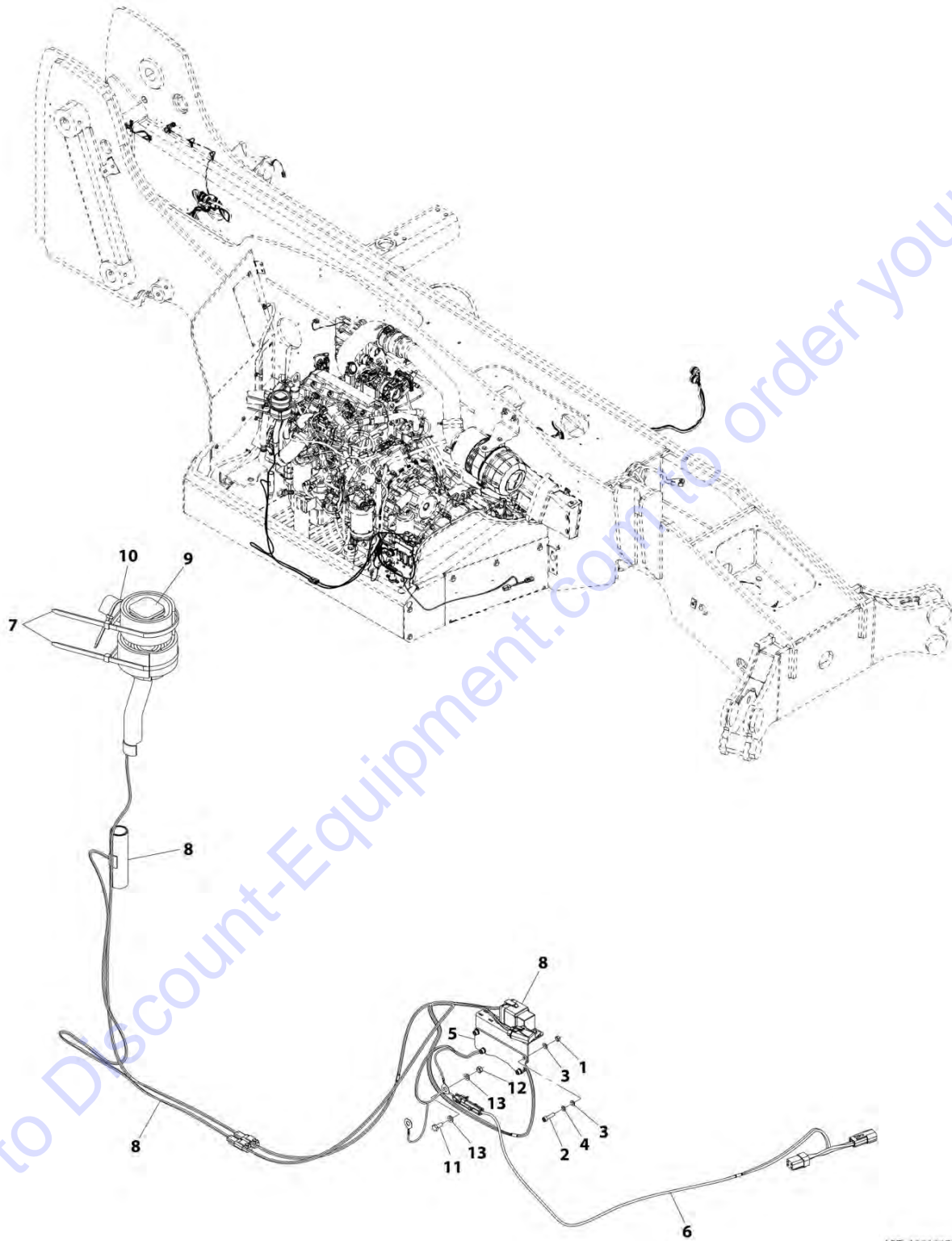
ITEM	PART NUMBER	QTY	DESCRIPTION	REV
	1001232751	Ref	Heater Breather - 110 HP	B
1	3290501	2	Nut, M5X0.8	
2	4031608	2	Screw, M5X20	
3	4811600	4	Washer, M5	
4	4831600	2	Washer, Lock M5	
5	01043892	2	Strap, Tie	
6	86683122	1	Strap, Tie	
7	1001232439	1	Engine, Cummins Breather Kit	
8	1001232440	1	Bracket	
9	1001232556	1	Harness, Cummins Heater Jump	
10	1001232624	1	Insulate, Cummins Insulation	
11	0760607	1	Bolt, M6X1	
12	3290601	1	Nut, M6X1	
13	4811700	2	Washer, M6	

Go to Discount-Equipment.com to order your parts



# SECTION 4 - ENGINE AND ATTACHING PARTS

FIGURE 4-51. HEATER BREATHER - 74 HP



ART\_1001237208-A

## SECTION 4 - ENGINE AND ATTACHING PARTS

**FIGURE 4-51. HEATER BREATHER - 74 HP**

ITEM	PART NUMBER	QTY	DESCRIPTION	REV
	1001237208	Ref	Heater Breather - 74 HP	A
1	3290501	4	Nut, M5X0.8	
2	4031608	4	Screw, M5X20	
3	4811600	8	Washer, M5	
4	4831600	4	Washer, Lock M5	
5	1001232440	1	Bracket	
6	1001237171	1	Harness, Cummins Breather Heater	
7	01043892	2	Strap, Tie	
8	1001232439	1	Engine, Cummins Breather Kit	
9	1001232624	1	Insulate, Cummins Insulation	
10	86683122	1	Strap, Tie	
11	0760607	1	Bolt, M6X1	
12	3290601	1	Nut, M6X1	
13	4811700	2	Washer, M6	

Go to Discount-Equipment.com to order your parts

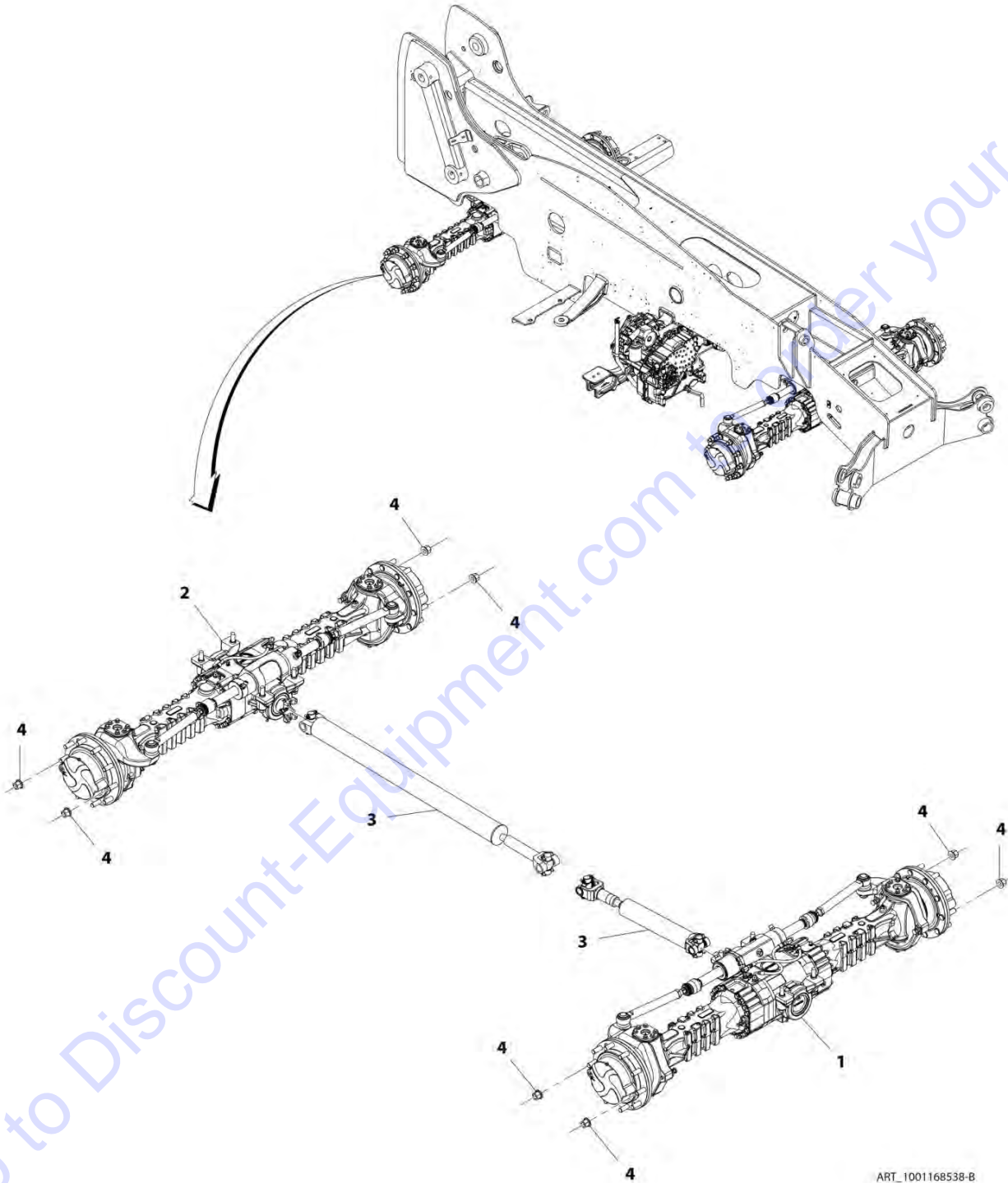


**SECTION 5 - DRIVETRAIN**

*Go to Discount-Equipment.com to order your parts*

# SECTION 5 - DRIVETRAIN

## FIGURE 5-1. DRIVETRAIN INSTALLATION



ART\_1001168538-B

**SECTION 5 - DRIVETRAIN**

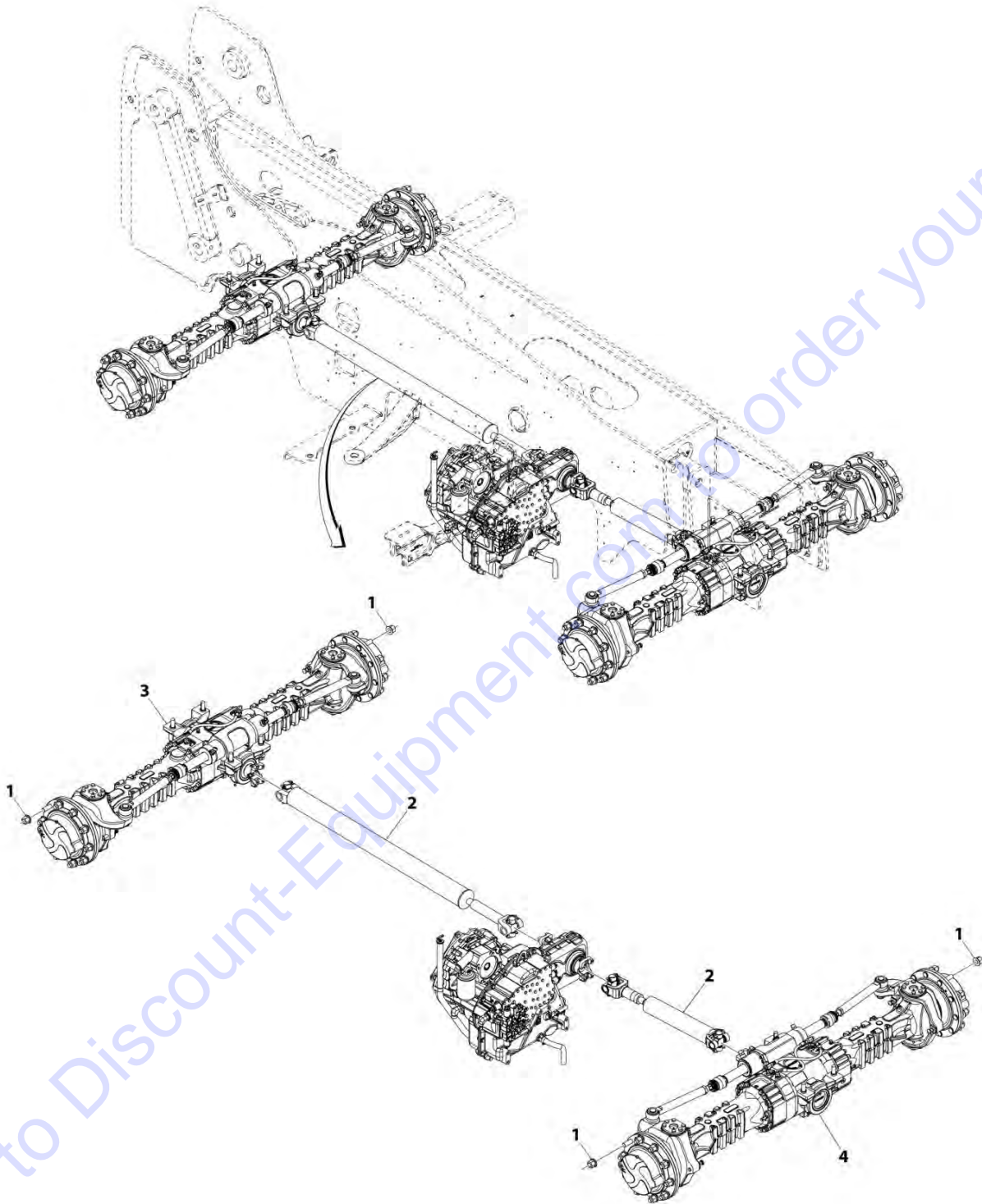
**FIGURE 5-1. DRIVETRAIN INSTALLATION**

ITEM	PART NUMBER	QTY	DESCRIPTION	REV
	1001168538	Ref	Drivetrain Installation	B
1	1001168530	Ref	Installation, Front Axle (See Separate Breakdown in this Section)	
2	1001168537	Ref	Installation, Rear Axle (See Separate Breakdown in this Section)	
3	1001169348	Ref	Installation, Drive Shafts (See Separate Breakdown in this Section)	
4	91403193	40	Nut, Lug M22X1.5	

Go to Discount-Equipment.com to order your parts

# SECTION 5 - DRIVETRAIN

FIGURE 5-2. DRIVETRAIN INSTALLATION, 74HP



ART\_1001225285-A

**SECTION 5 - DRIVETRAIN**

**FIGURE 5-2. DRIVETRAIN INSTALLATION, 74HP**

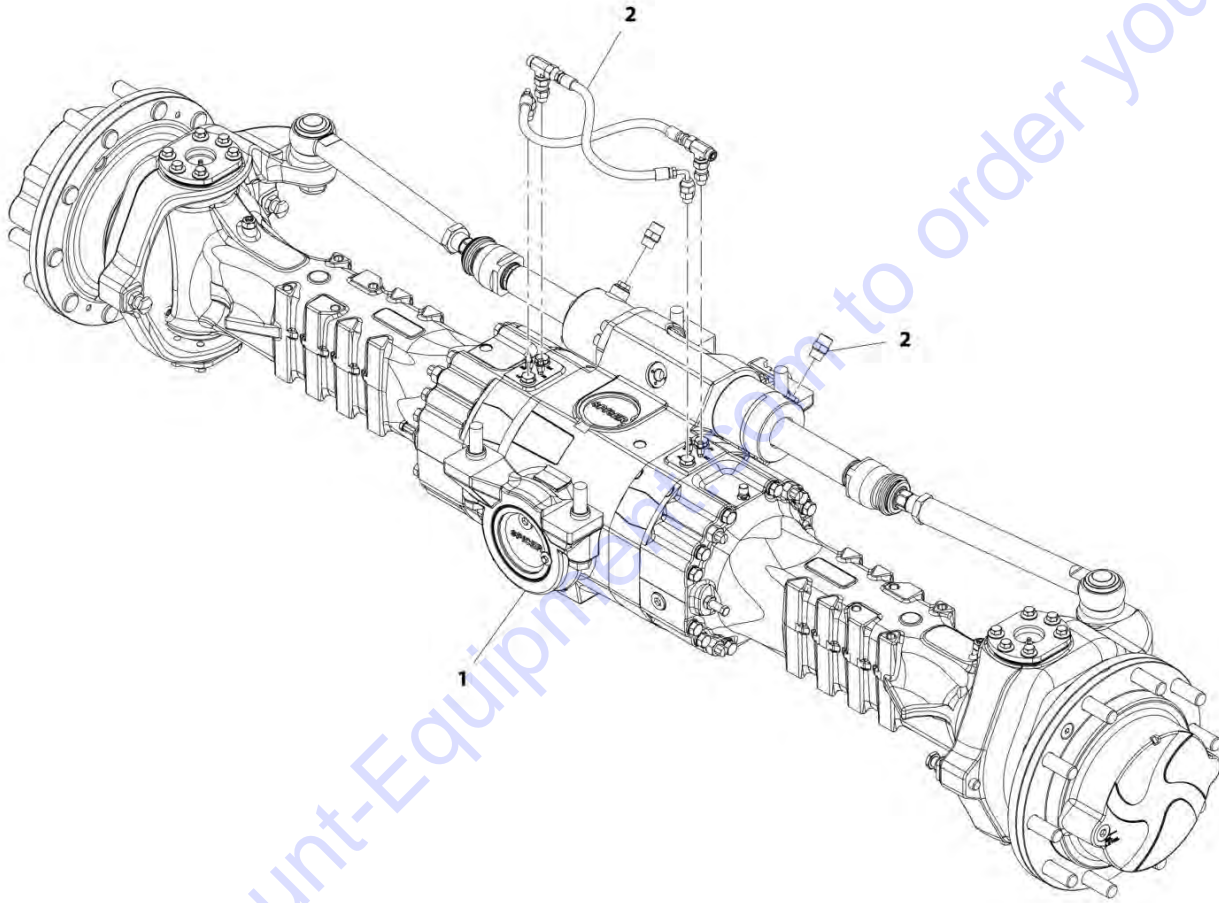
ITEM	PART NUMBER	QTY	DESCRIPTION	REV
	1001225285	Ref	Drivetrain Installation, 74HP	A
1	91403193	40	Nut, Lug M22X1.5	
2	1001169348	Ref	Installation, Drive Shafts (See Separate Breakdown in this Section)	
3	1001225282	Ref	Installation, Rear Axle (See Separate Breakdown in this Section)	
4	1001225284	Ref	Installation, Front Axle (See Separate Breakdown in this Section)	

Go to Discount-Equipment.com to order your parts



## SECTION 5 - DRIVETRAIN

FIGURE 5-3. FRONT AXLE INSTALLATION



ART\_1001168530-A

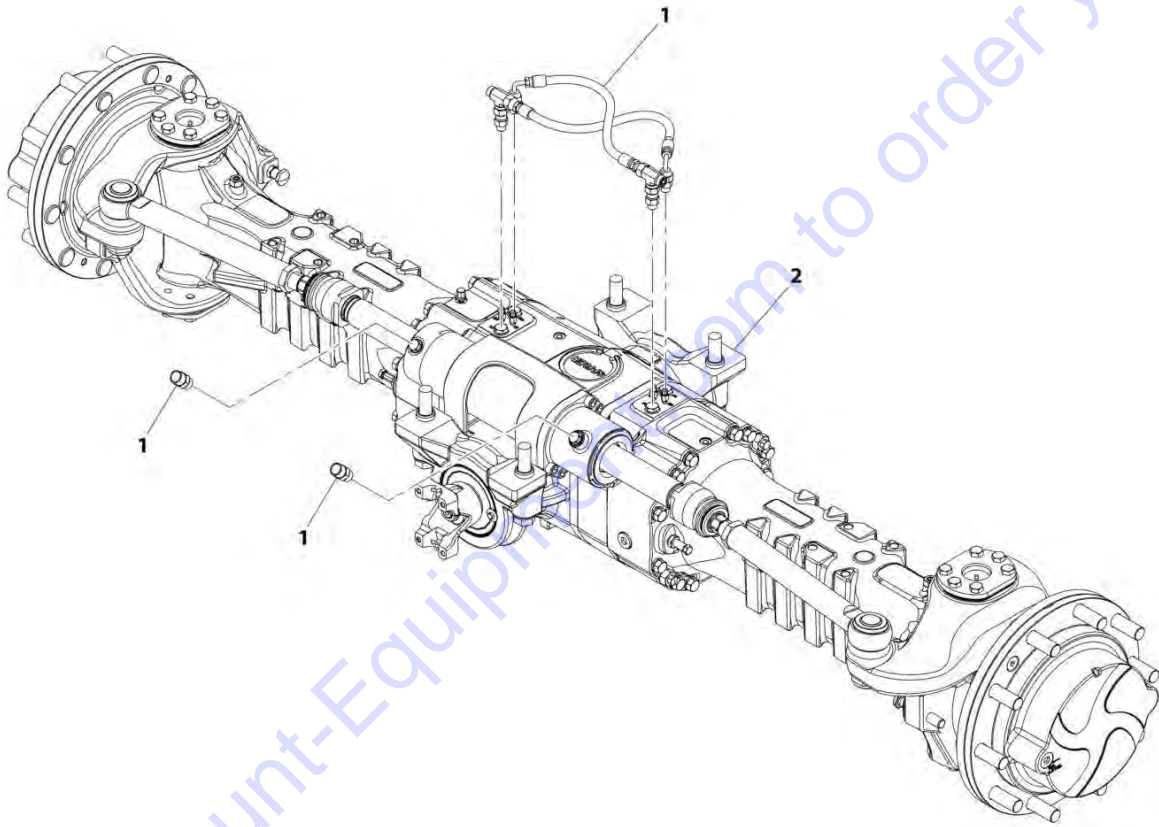
**FIGURE 5-3. FRONT AXLE INSTALLATION**

ITEM	PART NUMBER	QTY	DESCRIPTION	REV
1	1001168530	Ref	Front Axle Installation	A
	1001168529	Ref	Installation, Front Axle Mounting (See Separate Breakdown in this Section)	
2	1001171860	Ref	Installation, Front Axle Lines (See Separate Breakdown in this Section)	

Go to Discount-Equipment.com to order your parts

# SECTION 5 - DRIVETRAIN

FIGURE 5-4. FRONT AXLE INSTALLATION, 74HP



ART\_1001225284-A

**SECTION 5 - DRIVETRAIN**

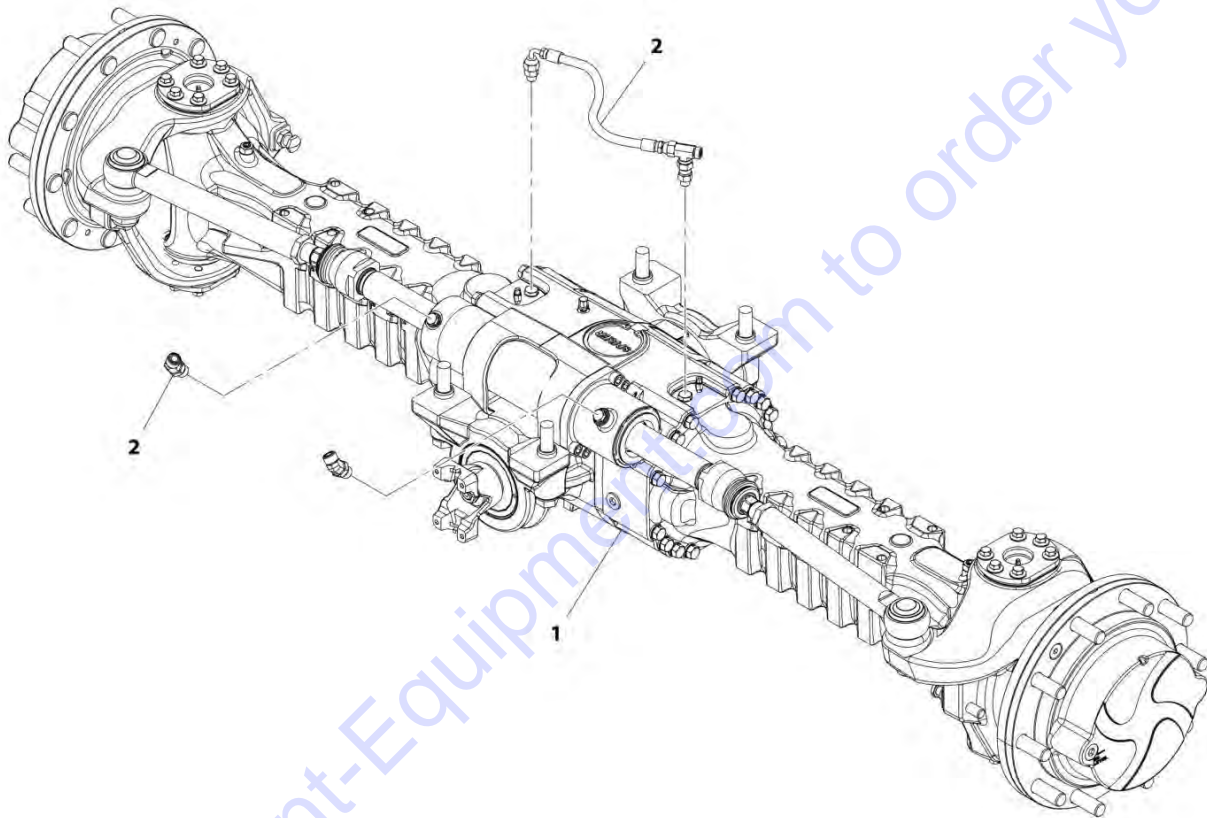
**FIGURE 5-4. FRONT AXLE INSTALLATION, 74HP**

ITEM	PART NUMBER	QTY	DESCRIPTION	REV
1	1001225284	Ref	Front Axle Installation, 74HP	A
	1001171860	Ref	Installation, Front Axle Lines (See Separate Breakdown in this Section)	
2	1001225283	Ref	Installation, Front Axle Mounting (See Separate Breakdown in this Section)	

Go to Discount-Equipment.com to order your parts

## SECTION 5 - DRIVETRAIN

FIGURE 5-5. REAR AXLE INSTALLATION



ART\_1001168537-A

**SECTION 5 - DRIVETRAIN**

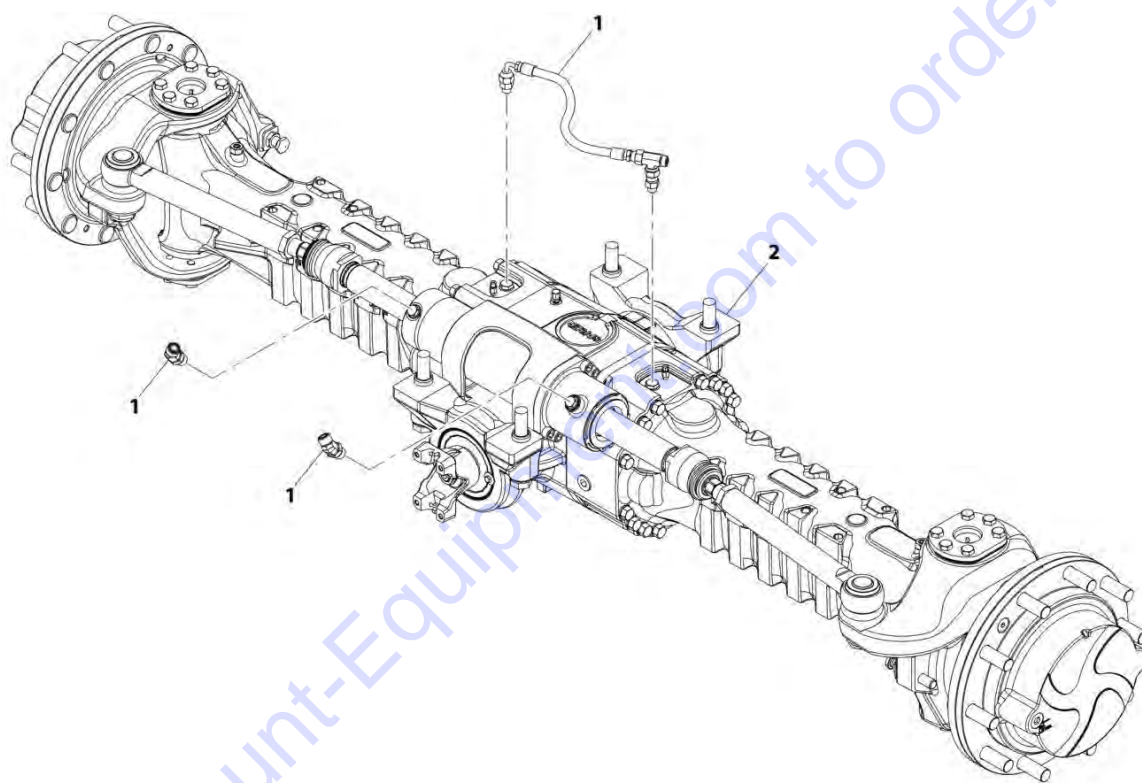
**FIGURE 5-5. REAR AXLE INSTALLATION**

ITEM	PART NUMBER	QTY	DESCRIPTION	REV
1	1001168537	Ref	Rear Axle Installation	A
	1001168536	Ref	Installation, Rear Axle Mounting (See Separate Breakdown in this Section)	
2	1001171863	Ref	Installation, Rear Axle Lines (See Separate Breakdown in this Section)	

Go to Discount-Equipment.com to order your parts

## SECTION 5 - DRIVETRAIN

FIGURE 5-6. REAR AXLE INSTALLATION, 74HP



ART\_1001225282-A

**SECTION 5 - DRIVETRAIN**

**FIGURE 5-6. REAR AXLE INSTALLATION, 74HP**

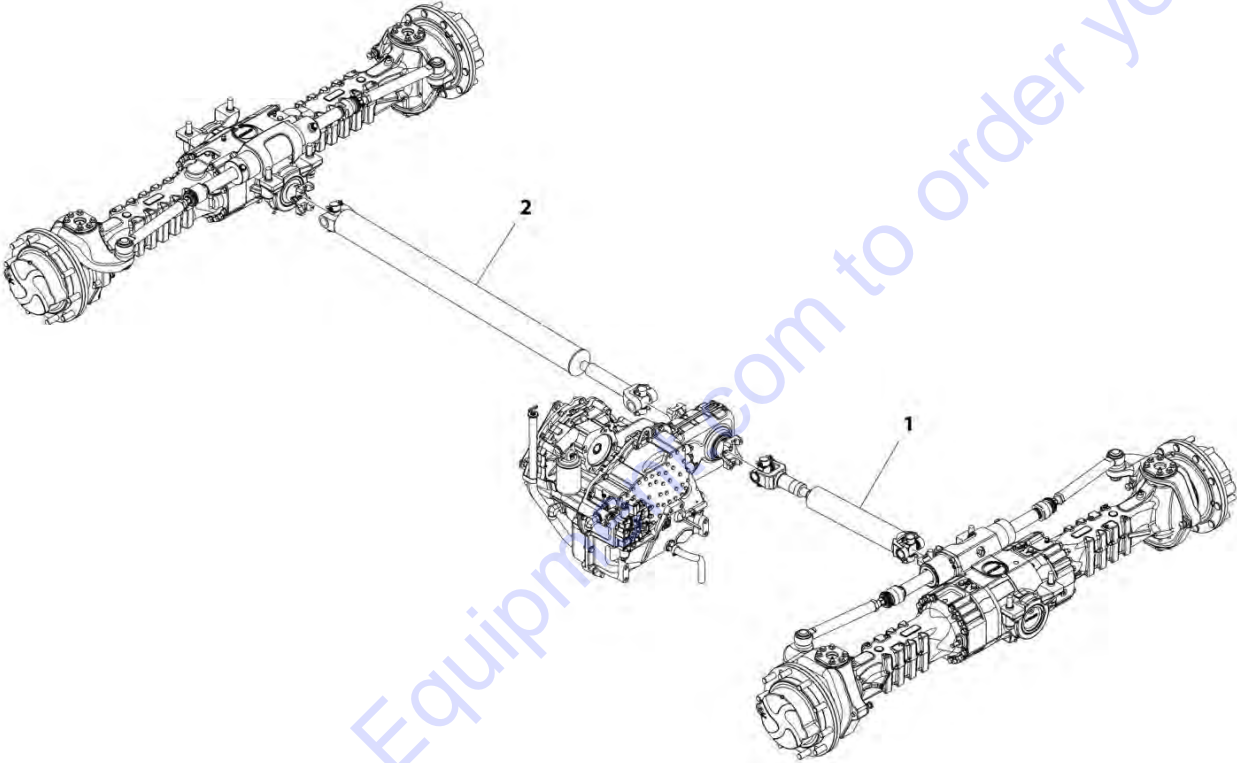
ITEM	PART NUMBER	QTY	DESCRIPTION	REV
1	1001225282	Ref	Rear Axle Installation, 74HP	A
	1001171863	Ref	Installation, Rear Axle Lines (See Separate Breakdown in this section)	
2	1001225281	Ref	Installation, Rear Axle Mounting (See Separate Breakdown in this section)	

Go to Discount-Equipment.com to order your parts



**SECTION 5 - DRIVETRAIN**

**FIGURE 5-7. DRIVE SHAFTS INSTALLATION**



ART\_1001169348-A

Go to Discount-Equipment.com to order your parts

**SECTION 5 - DRIVETRAIN**

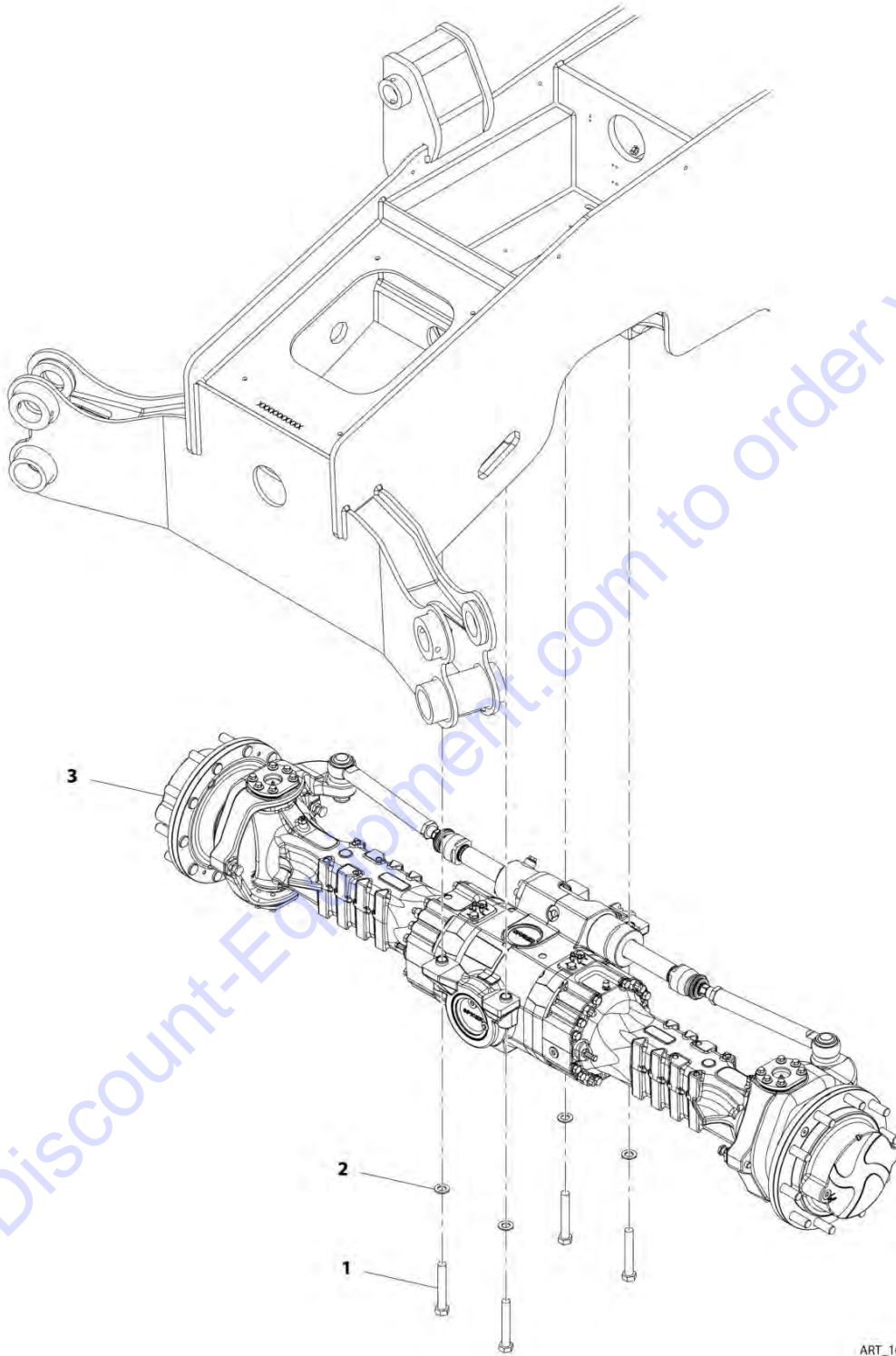
**FIGURE 5-7. DRIVE SHAFTS INSTALLATION**

ITEM	PART NUMBER	QTY	DESCRIPTION	REV
1	1001169348	Ref	Drive Shafts Installation	A
	1001172836	Ref	Installation, Front Drive Shaft (See Separate Breakdown in this Section)	
2	1001169351	Ref	Installation, Rear Drive Shaft (See Separate Breakdown in this Section)	

Go to Discount-Equipment.com to order your parts

# SECTION 5 - DRIVETRAIN

## FIGURE 5-8. FRONT AXLE MOUNTING INSTALLATION



ART\_1001168529-D

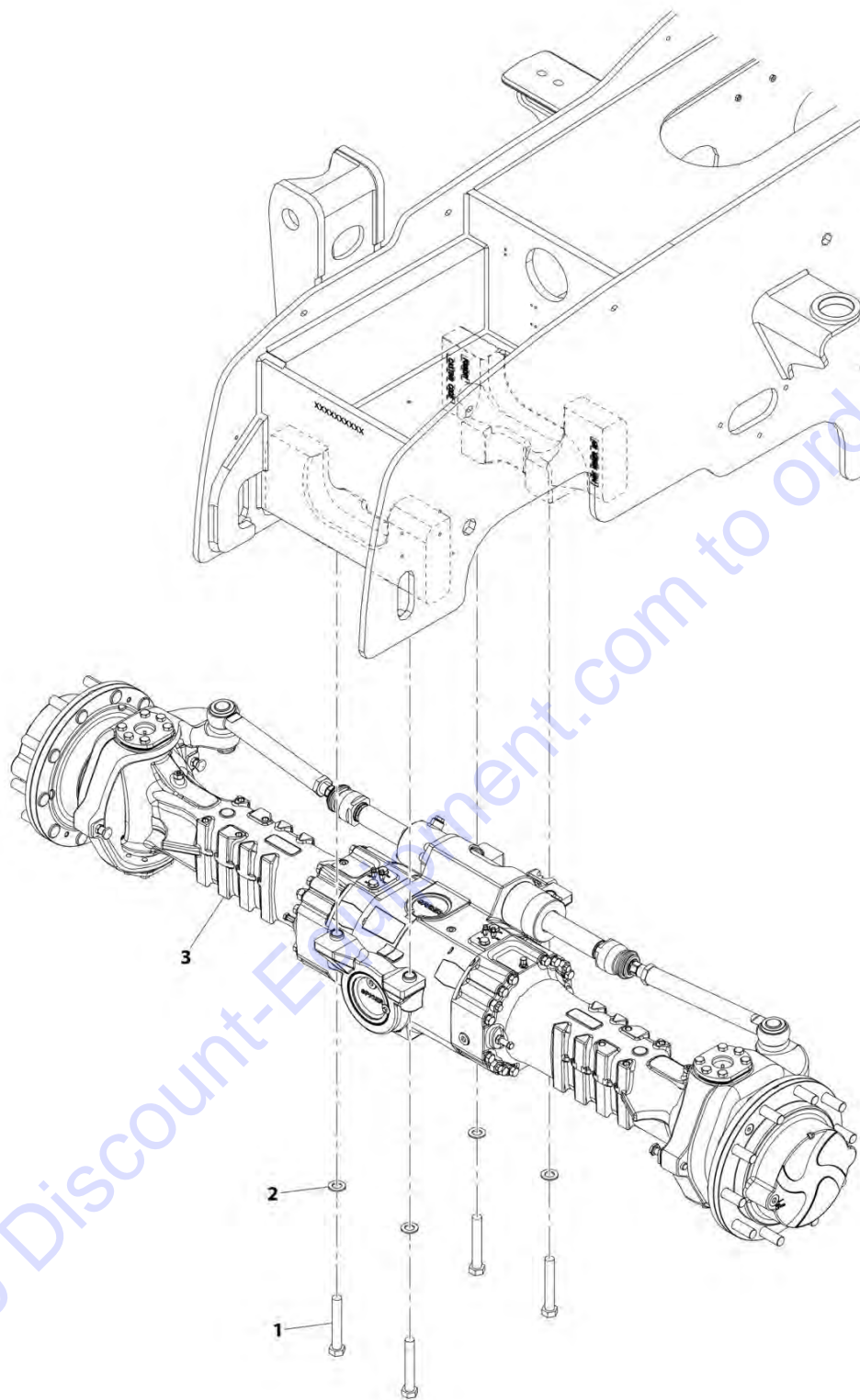
**FIGURE 5-8. FRONT AXLE MOUNTING INSTALLATION**

<b>ITEM</b>	<b>PART NUMBER</b>	<b>QTY</b>	<b>DESCRIPTION</b>	<b>REV</b>
	1001168529	Ref	Front Axle Mounting Installation	D
1	0712030	4	Bolt, M20X130	
2	8310620	4	Washer, M20	
3	1001165833	1	Axle, Front (See Separate Breakdown in this Section)	

Go to Discount-Equipment.com to order your parts

## SECTION 5 - DRIVETRAIN

FIGURE 5-9. FRONT AXLE MOUNTING INSTALLATION, 74HP



ART\_1001225283-A

**SECTION 5 - DRIVETRAIN**

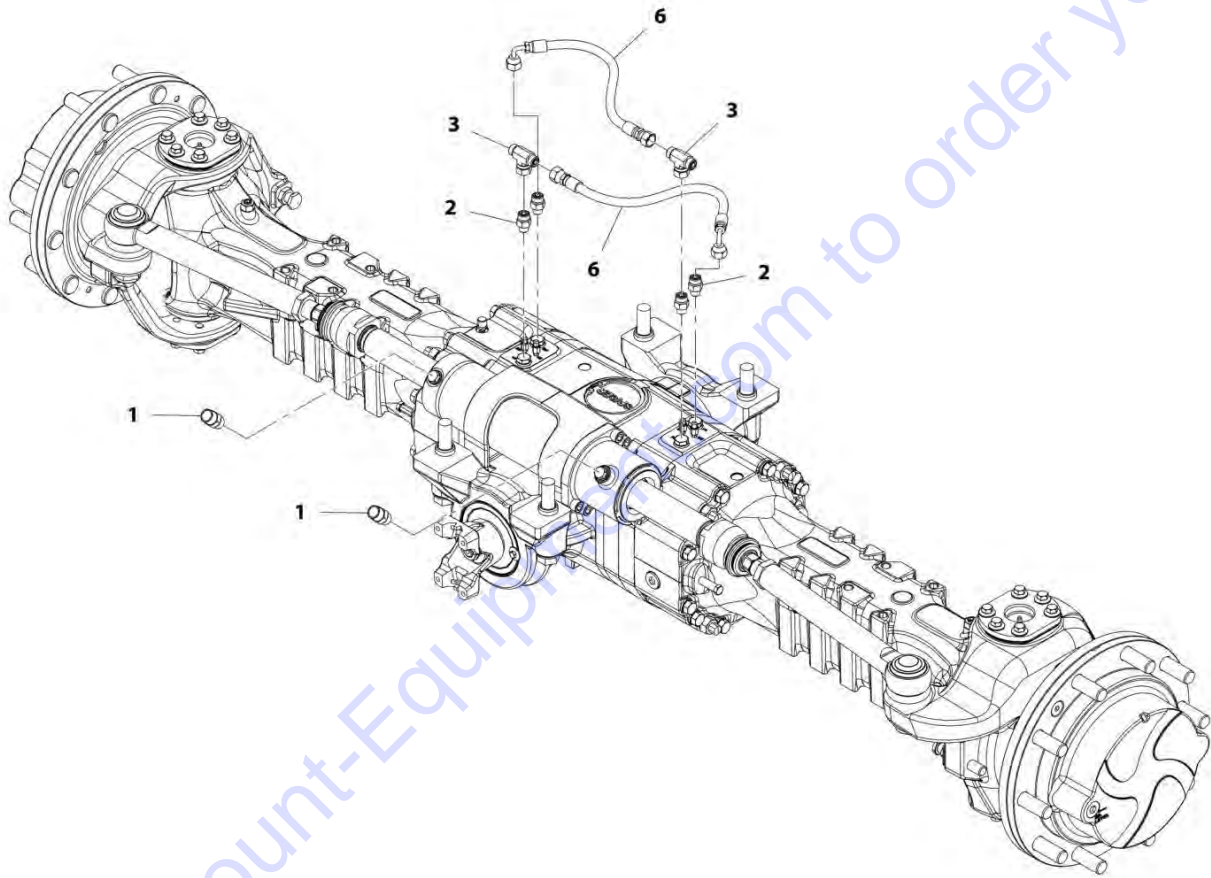
**FIGURE 5-9. FRONT AXLE MOUNTING INSTALLATION, 74HP**

ITEM	PART NUMBER	QTY	DESCRIPTION	REV
	1001225283	Ref	Front Axle Mounting Installation, 74HP	A
1	0712030	4	Bolt, M20X130	
2	8310620	4	Washer	
3	1005182600	1	Axle, Front 74HP (See Separate Breakdown in this Section)	

Go to Discount-Equipment.com to order your parts

## SECTION 5 - DRIVETRAIN

FIGURE 5-10. FONT AXLE LINES INSTALLATION



ART\_1001171860-D

**SECTION 5 - DRIVETRAIN**

**FIGURE 5-10. FRONT AXLE LINES INSTALLATION**

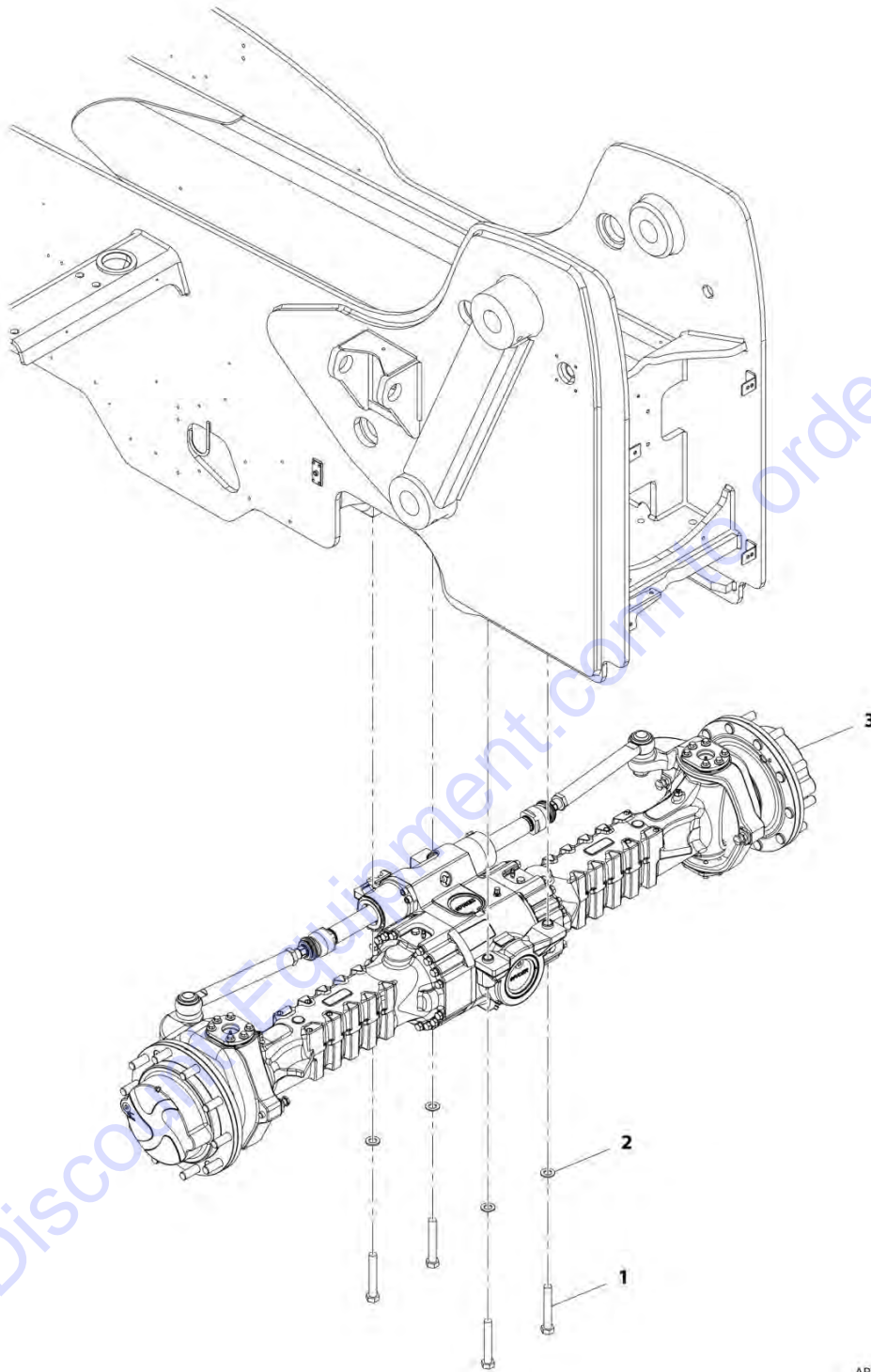
ITEM	PART NUMBER	QTY	DESCRIPTION	REV
	1001171860	Ref	Font Axle Lines Installation	D
1	2110808	2	Fitting, Straight ORFS	
2	2144605	4	Fitting, Straight ORFS	
3	2170806	2	Fitting, Tee ORFS	
6	1001139375	2	Hose	

Go to Discount-Equipment.com to order your parts



## SECTION 5 - DRIVETRAIN

FIGURE 5-11. REAR AXLE MOUNTING INSTALLATION



ART\_1001168536-D

**SECTION 5 - DRIVETRAIN**

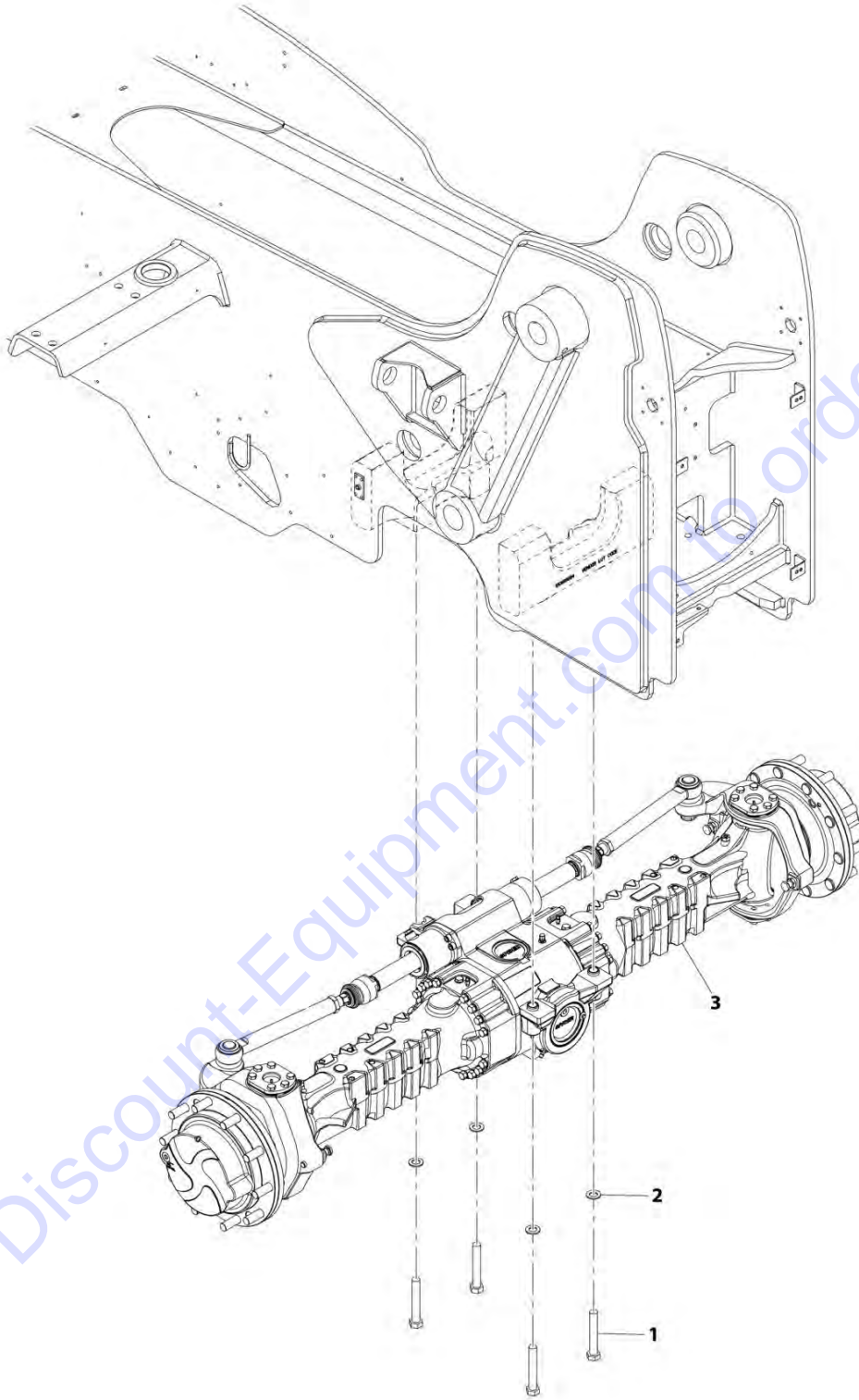
**FIGURE 5-11. REAR AXLE MOUNTING INSTALLATION**

ITEM	PART NUMBER	QTY	DESCRIPTION	REV
	1001168536	Ref	Rear Axle Mounting Installation	D
1	0712030	4	Bolt, M20X130	
2	8310620	4	Washer, M20	
3	1001165834	1	Axle, Rear (See Separate Breakdown in this Section)	

Go to Discount-Equipment.com to order your parts

# SECTION 5 - DRIVETRAIN

FIGURE 5-12. REAR AXLE MOUNTING INSTALLATION, 74HP



ART\_1001225281-A

**SECTION 5 - DRIVETRAIN**

**FIGURE 5-12. REAR AXLE MOUNTING INSTALLATION, 74HP**

ITEM	PART NUMBER	QTY	DESCRIPTION	REV
	1001225281	Ref	Rear Axle Mounting Installation, 74HP	A
1	0712030	4	Bolt, M20X130	
2	8310620	4	Washer	
3	1005183200	1	Axle, Rear 74HP (See Separate Breakdown in this Section)	

Go to Discount-Equipment.com to order your parts

# PARTS FINDER

**Search Website  
by Part Number**



**Search Manual  
Library For Parts  
Manual & Lookup Part  
Numbers – Purchase  
or Request Quote**

**Can't Find Part or  
Manual? Request Help  
by Manufacturer,  
Model & Description**

Discount-Equipment.com is your online resource for quality parts & equipment.

Florida: **561-964-4949** Outside Florida TOLL FREE: **877-690-3101**

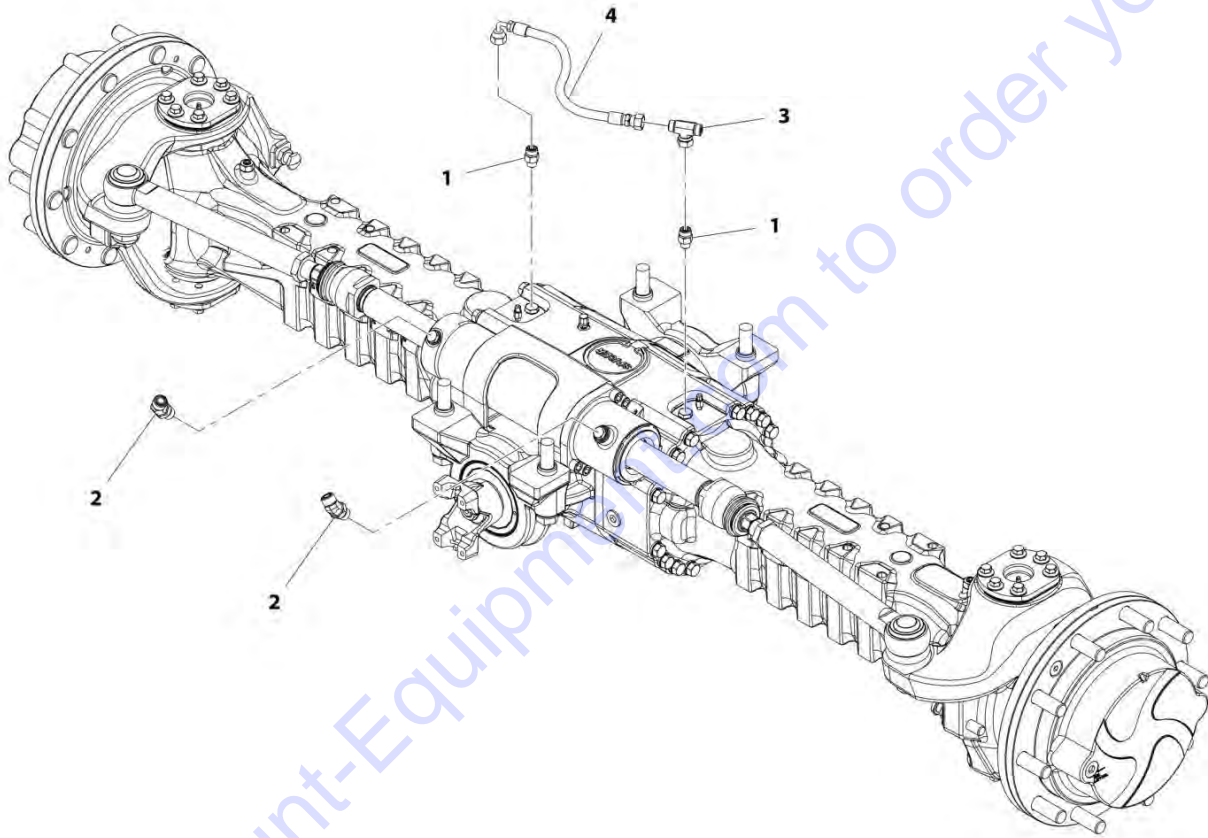
## Need parts?

Click on this link: <http://www.discount-equipment.com/category/5443-parts/> and choose one of the options to help get the right parts and equipment you are looking for. Please have the machine model and serial number available in order to help us get you the correct parts. If you don't find the part on the website or on one of the online manuals, please fill out the request form and one of our experienced staff members will get back to you with a quote for the right part that your machine needs.

We sell worldwide for the brands: Genie, Terex, JLG, MultiQuip, Mikasa, Essick, Whiteman, Mayco, Toro Stone, Diamond Products, Generac Magnum, Airman, Haulotte, Barreto, Power Blanket, Nifty Lift, Atlas Copco, Chicago Pneumatic, Allmand, Miller Curber, Skyjack, Lull, Skytrak, Tsurumi, Husquvarna Target, Stow, Wacker, Sakai, Mi-T-M, Sullair, Basic, Dynapac, MBW, Weber, Bartell, Bennar Newman, Haulotte, Ditch Runner, Menegotti, Morrison, Contec, Buddy, Crown, Edco, Wyco, Bomag, Laymor, EZ Trench, Bil-Jax, F.S. Curtis, Gehl Pavers, Heli, Honda, ICS/PowerGrit, IHI, Partner, Imer, Clipper, MMD, Koshin, Rice, CH&E, General Equipment, Amida, Coleman, NAC, Gradall, Square Shooter, Kent, Stanley, Tamco, Toku, Hatz, Kohler, Robin, Wisconsin, Northrock, Oztec, Toker TK, Rol-Air, APT, Wylie, Ingersoll Rand / Doosan, Innovatech, Con X, Ammann, Mecalac, Makinex, Smith Surface Prep, Small Line, Wanco, Yanmar

# SECTION 5 - DRIVETRAIN

## FIGURE 5-13. REAR AXLE LINES INSTALLATION



ART\_1001171863-D

**SECTION 5 - DRIVETRAIN**

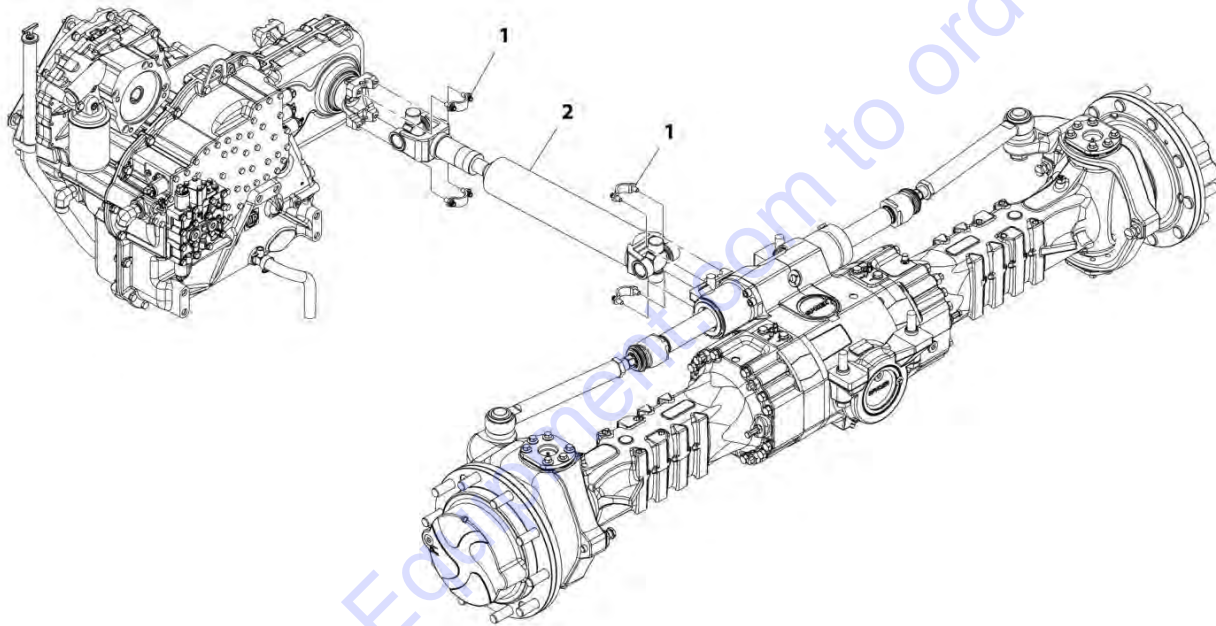
**FIGURE 5-13. REAR AXLE LINES INSTALLATION**

ITEM	PART NUMBER	QTY	DESCRIPTION	REV
	1001171863	Ref	Rear Axle Lines Installation	D
1	2144605	2	Fitting, Straight ORFS	
2	1250808	2	Fitting, 45 ORFS	
3	2170806	1	Fitting, Tee ORFS	
4	1001139375	1	Hose	

Go to Discount-Equipment.com to order your parts

## SECTION 5 - DRIVETRAIN

FIGURE 5-14. FRONT DRIVE SHAFT INSTALLATION



ART\_1001172836-B



**SECTION 5 - DRIVETRAIN**

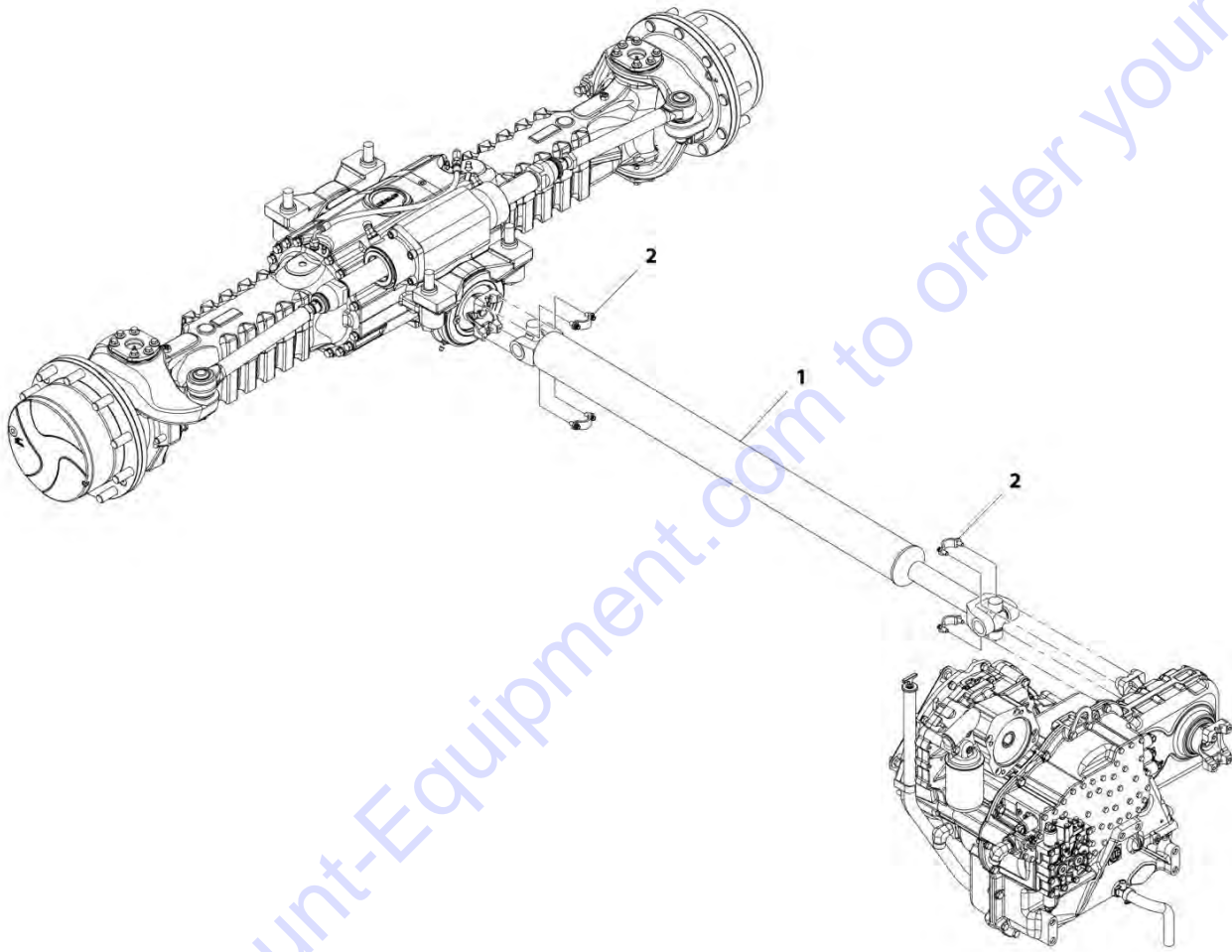
**FIGURE 5-14. FRONT DRIVE SHAFT INSTALLATION**

ITEM	PART NUMBER	QTY	DESCRIPTION	REV
	1001172836	Ref	Front Drive Shaft Installation	B
1	8880218-OM	2	Kit, Strap	
2	91473151	1	Drive Shaft, Front	

Go to Discount-Equipment.com to order your parts

## SECTION 5 - DRIVETRAIN

FIGURE 5-15. REAR DRIVE SHAFT INSTALLATION



ART\_1001169351-A

**SECTION 5 - DRIVETRAIN**

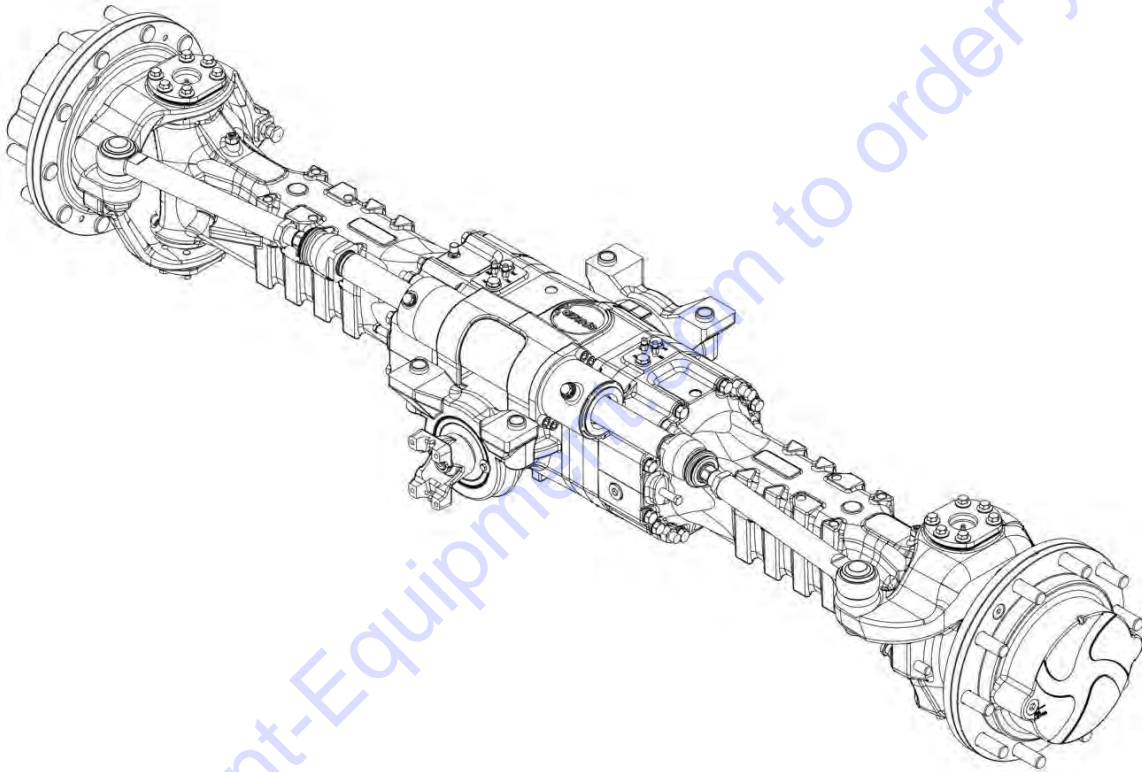
**FIGURE 5-15. REAR DRIVE SHAFT INSTALLATION**

ITEM	PART NUMBER	QTY	DESCRIPTION	REV
	1001169351	Ref	Rear Drive Shaft Installation	A
1	1001170616	1	Drive Shaft, Rear	
2	8880218-OM	2	Kit, Strap	

Go to Discount-Equipment.com to order your parts

## SECTION 5 - DRIVETRAIN

FIGURE 5-16. FRONT AXLE



ART\_1001165833-F

**SECTION 5 - DRIVETRAIN**

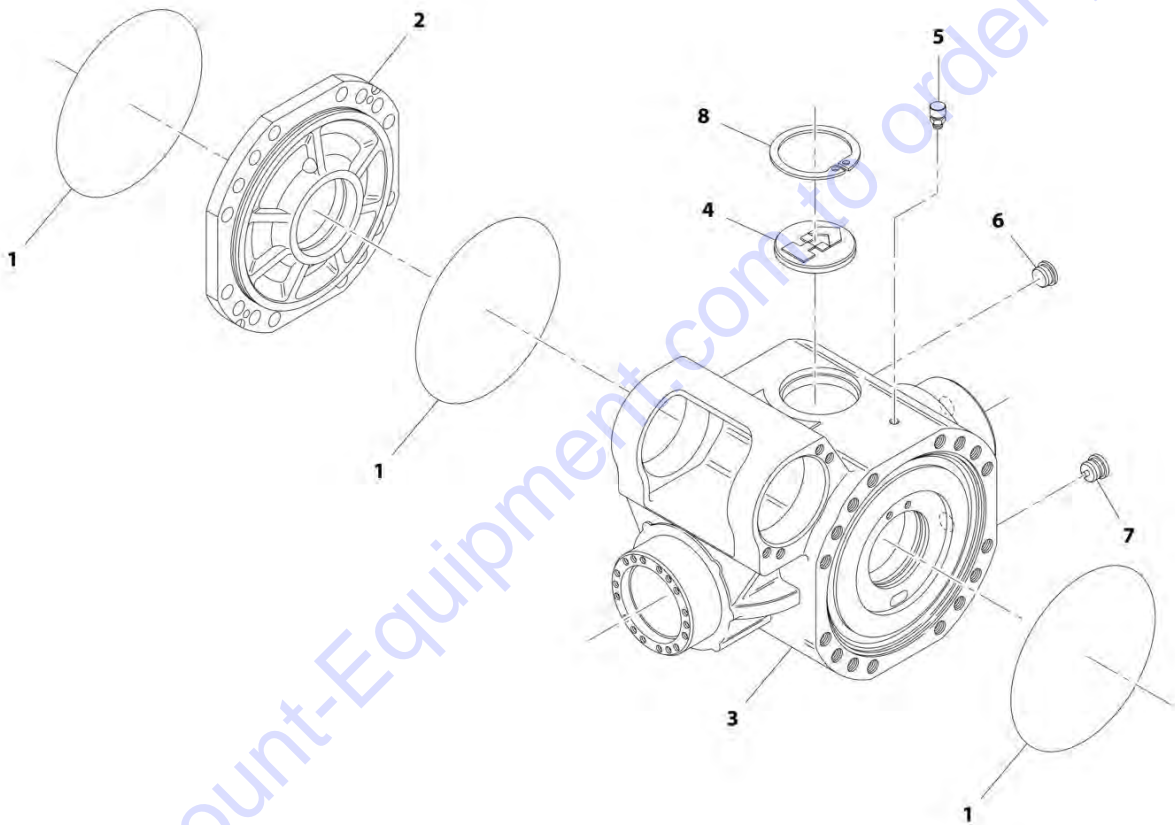
**FIGURE 5-16. FRONT AXLE**

ITEM	PART NUMBER	QTY	DESCRIPTION	REV
	1001165833	Ref	Front Axle	F
		Ref	Front Axle, Central Housing (See Separate Breakdown in this Section)	
		Ref	Front Axle, Differential (See Separate Breakdown in this Section)	
		Ref	Front Axle, Hub Reduction (See Separate Breakdown in this Section)	
		Ref	Front Axle, Brakes (See Separate Breakdown in this Section)	
		Ref	Front Axle, Steering (See Separate Breakdown in this Section)	
		Ref	Front Axle, Trunion (See Separate Breakdown in this Section)	

Go to Discount-Equipment.com to order your parts

# SECTION 5 - DRIVETRAIN

## FIGURE 5-17. FRONT AXLE, CENTRAL HOUSING



ART\_1001165833\_1-F

**SECTION 5 - DRIVETRAIN**

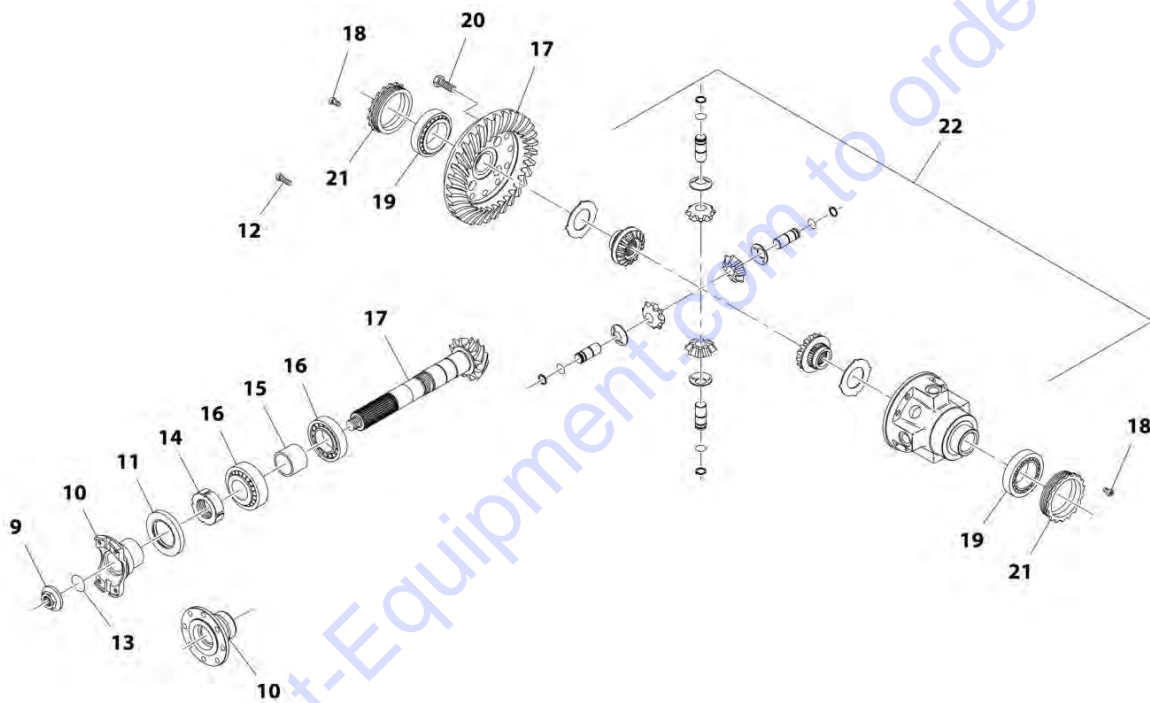
**FIGURE 5-17. FRONT AXLE, CENTRAL HOUSING**

ITEM	PART NUMBER	QTY	DESCRIPTION	REV
1	91474507	3	O-Ring	
2	70024872	1	Cover	
3	70026749	1	Housing	
4	91514098	1	Plug	
5	91474512	1	Vent	
6	91514188	1	Plug	
7	91474513	1	Plug, Magnet	
8	80204005	1	Circlip	

Go to Discount-Equipment.com to order your parts

# SECTION 5 - DRIVETRAIN

## FIGURE 5-18. FRONT AXLE, DIFFERENTIAL



ART\_1001165833\_2-F



**SECTION 5 - DRIVETRAIN**

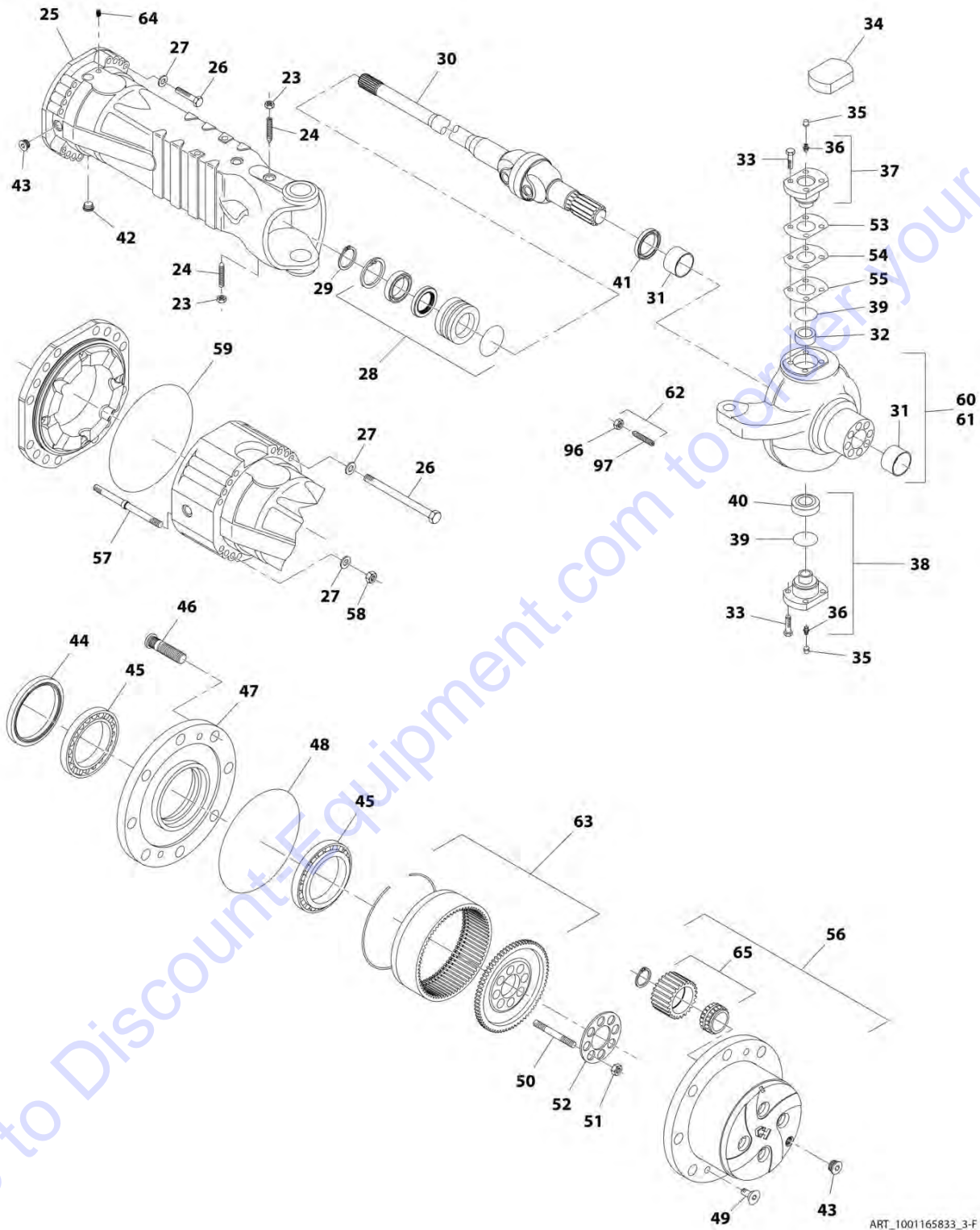
**FIGURE 5-18. FRONT AXLE, DIFFERENTIAL**

ITEM	PART NUMBER	QTY	DESCRIPTION	REV
9	70026631	1	Nut	
10	70022797	1	Flange	
11	70024522	1	Seal	
12	91474591	4	Bolt	
13	91474529	1	O-Ring	
14	91474533	1	Nut, Ring	
15	91474539	1	Spacer	
16	3968141	2	Bearing, Taper Roller	
17	8007749	1	Bevel Gear Set	
18	91514134	2	Bolt	
19	70026031	2	Bearing, Taper Roller	
20	91514123	12	Bolt	
21	91474547	2	Nut, Ring	
22	7028710	1	Differential (See Separate Breakdown in this Section)	

Go to Discount-Equipment.com to order your parts

# SECTION 5 - DRIVETRAIN

## FIGURE 5-19. FRONT AXLE, HUB REDUCTION



ART\_1001165833\_3-F

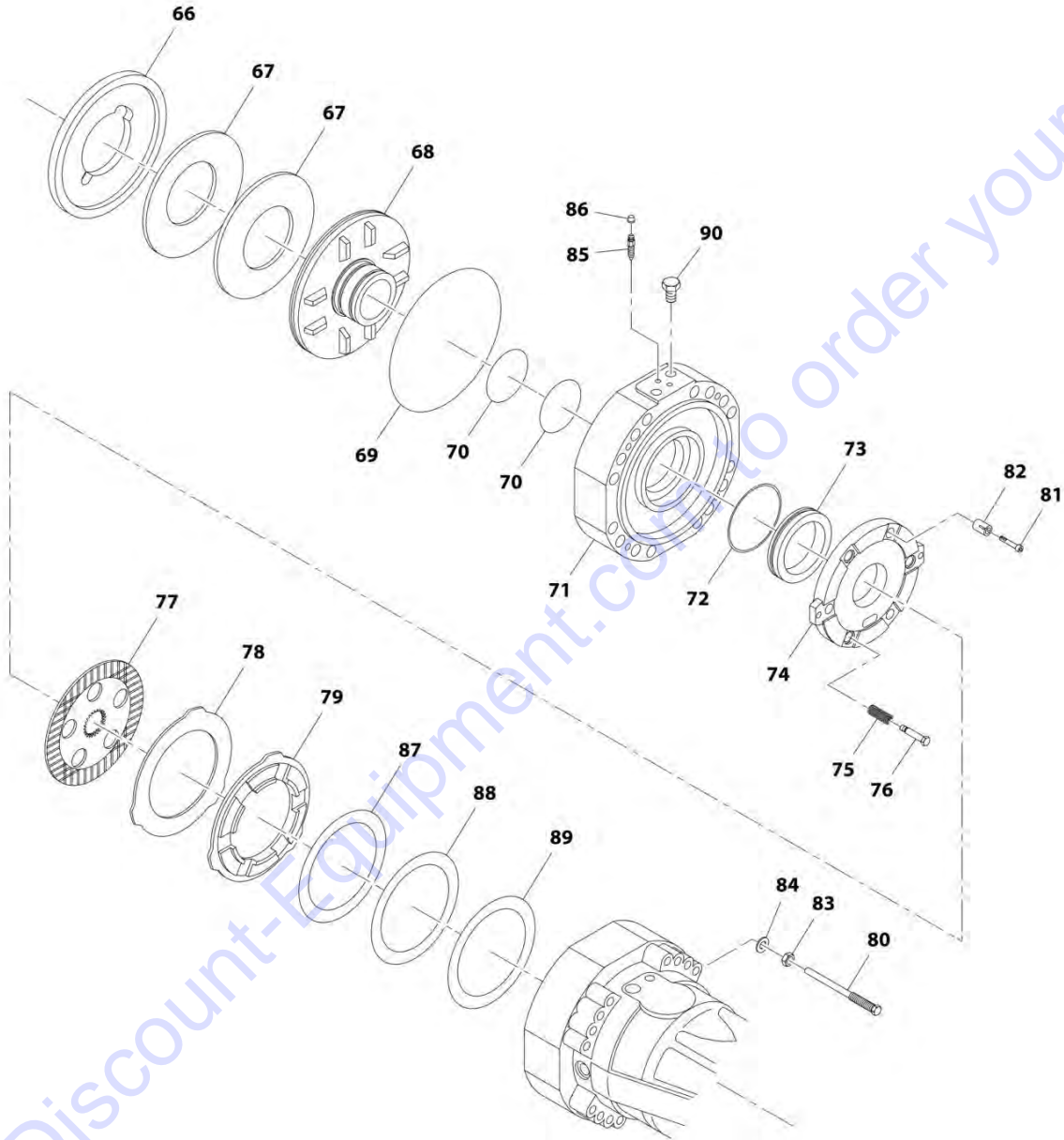
## SECTION 5 - DRIVETRAIN

**FIGURE 5-19. FRONT AXLE, HUB REDUCTION**

ITEM	PART NUMBER	QTY	DESCRIPTION	REV
23	91514082	2	Nut	
24	91514081	2	Bolt	
25	70025011	2	Case, Axle	
26	70025012	24	Bolt	
27	91514084	8	Washer	
28	91514149	2	Bushing, Reduction (See Separate Breakdown in this Section)	
29	80204071	2	Circlip	
30	70026624	2	Joint, Double Universal	
31	91514111	2	Bushing, Thrust	
32	7028714	2	Bushing	
33	70025562	24	Bolt	
34	91474524	2	Cover	
35	80204117	2	Plug	
36	91514099	4	Fitting, Grease	
37	91514112	2	Pin, Pivot	
38	7028715	2	Pin, Pivot	
39	7028716	4	Seal, Dust	
40	91514095	2	Bearing	
41	70026238	2	Seal	
42	91474513	2	Plug	
43	91514188	4	Plug	
44	7028721	2	Seal	
45	91474576	4	Bearing	
46	91514183	20	Stud, Wheel	
47	7029737	2	Hub, Wheel	
48	91474507	2	O-Ring	
49	91514189	4	Bolt	
50	91474583	16	Stud	
51	91474584	16	Nut	
52	70026622	2	Plate, Locking	
53	91514113	2	Shim	
54	91514114	2	Shim	
55	91514115	2	Shim	
56	7029431	2	Planet Gear Carrier (See Separate Breakdown in this Section)	
57	70025014	8	Stud	
58	91514083	8	Nut	
59	91514181	2	O-Ring	
60	70026626	1	Case, Steering	
61	70026627	1	Case, Steering	
62	7028733	4	Bolt, Steering Adjust (includes items 45 & 46)	
63	70026625	2	Kit, Ring Gear Support (See Separate Breakdown in this Section)	
64	80204012	2	Plug	
65	70023900	8	Kit, Planet Gear	
96	91514117	4	Bolt	
97	80204065	4	Nut	

# SECTION 5 - DRIVETRAIN

## FIGURE 5-20. FRONT AXLE, BRAKES



ART\_1001165833\_4-F

**SECTION 5 - DRIVETRAIN**

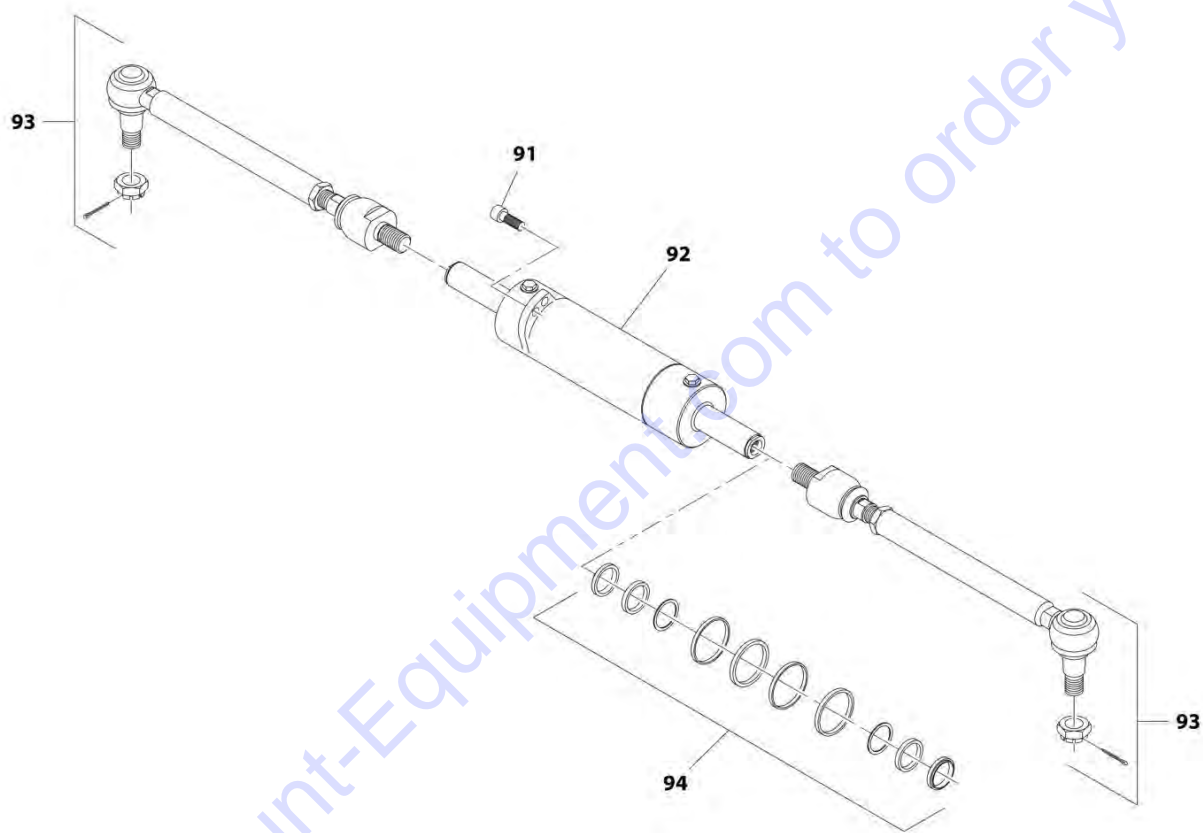
**FIGURE 5-20. FRONT AXLE, BRAKES**

ITEM	PART NUMBER	QTY	DESCRIPTION	REV
66	7028734	1	Spacer	
67	91474559	4	Spring	
68	91474560	2	Piston	
69	91474561	2	O-Ring	
70	70026262	4	Seal	
71	7028735	2	Cover	
72	70026623	2	Seal	
73	91474564	2	Piston	
74	91474565	2	Disc, Intermediate Brake	
75	91514159	6	Spring	
76	70024210	6	Bolt	
77	91474568	8	Disc	
78	70025823	8	Disc, Intermediate Brake	
79	91474570	2	Spacer	
80	70024213	4	Bolt, M12X122.5	
81	7029788	6	Bolt	
82	91514165	6	Spring	
83	80204060	4	Nut	
84	80204108	4	Washer, Lock	
85	80204281	4	Bolt	
86	80204117	4	Plug	
87	91474571	2	Shim	
88	91474572	2	Shim	
89	91474573	2	Shim	
90	91514154	4	Bolt	

Go to Discount-Equipment.com to order your parts

# SECTION 5 - DRIVETRAIN

## FIGURE 5-21. FRONT AXLE, STEERING



ART\_1001165833\_5-F

**SECTION 5 - DRIVETRAIN**

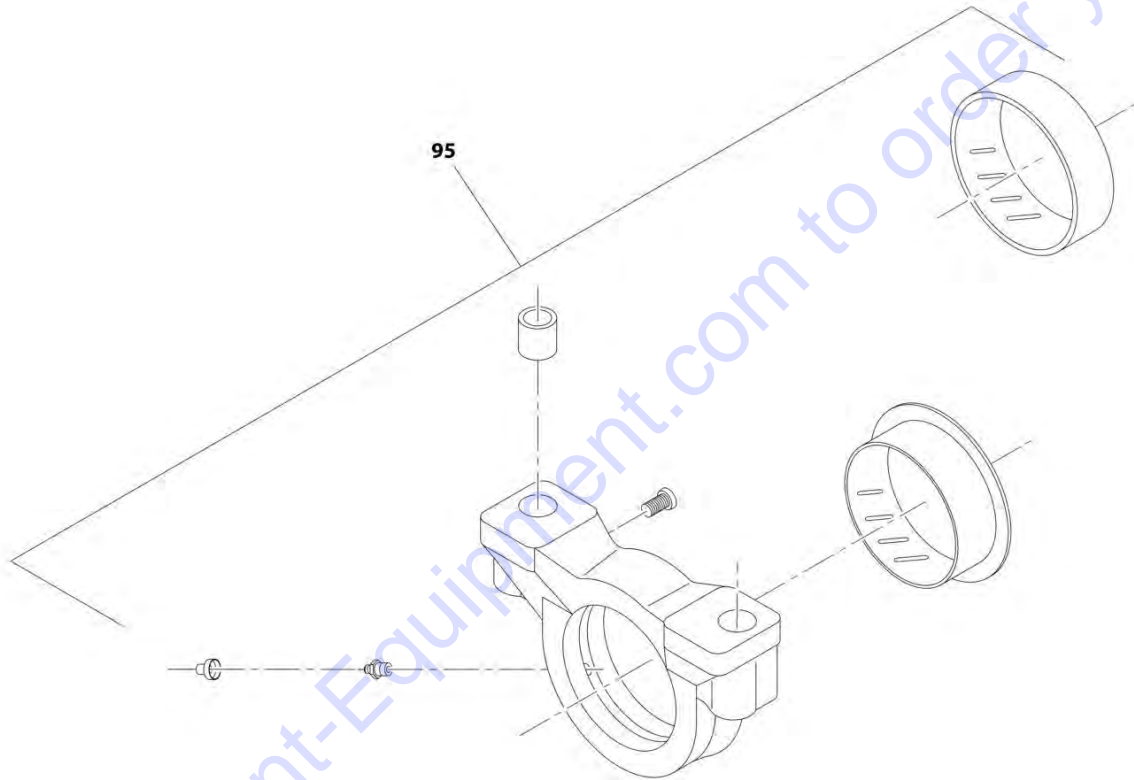
**FIGURE 5-21. FRONT AXLE, STEERING**

ITEM	PART NUMBER	QTY	DESCRIPTION	REV
91	91474522	4	Bolt	
92	7029528	1	Cylinder	
93	70026799	2	Rod, Tie	
94	7029529	1	Kit, Seal	

Go to Discount-Equipment.com to order your parts

# SECTION 5 - DRIVETRAIN

## FIGURE 5-22. FRONT AXLE, TRUNION



ART\_1001165833\_6-F



**SECTION 5 - DRIVETRAIN**

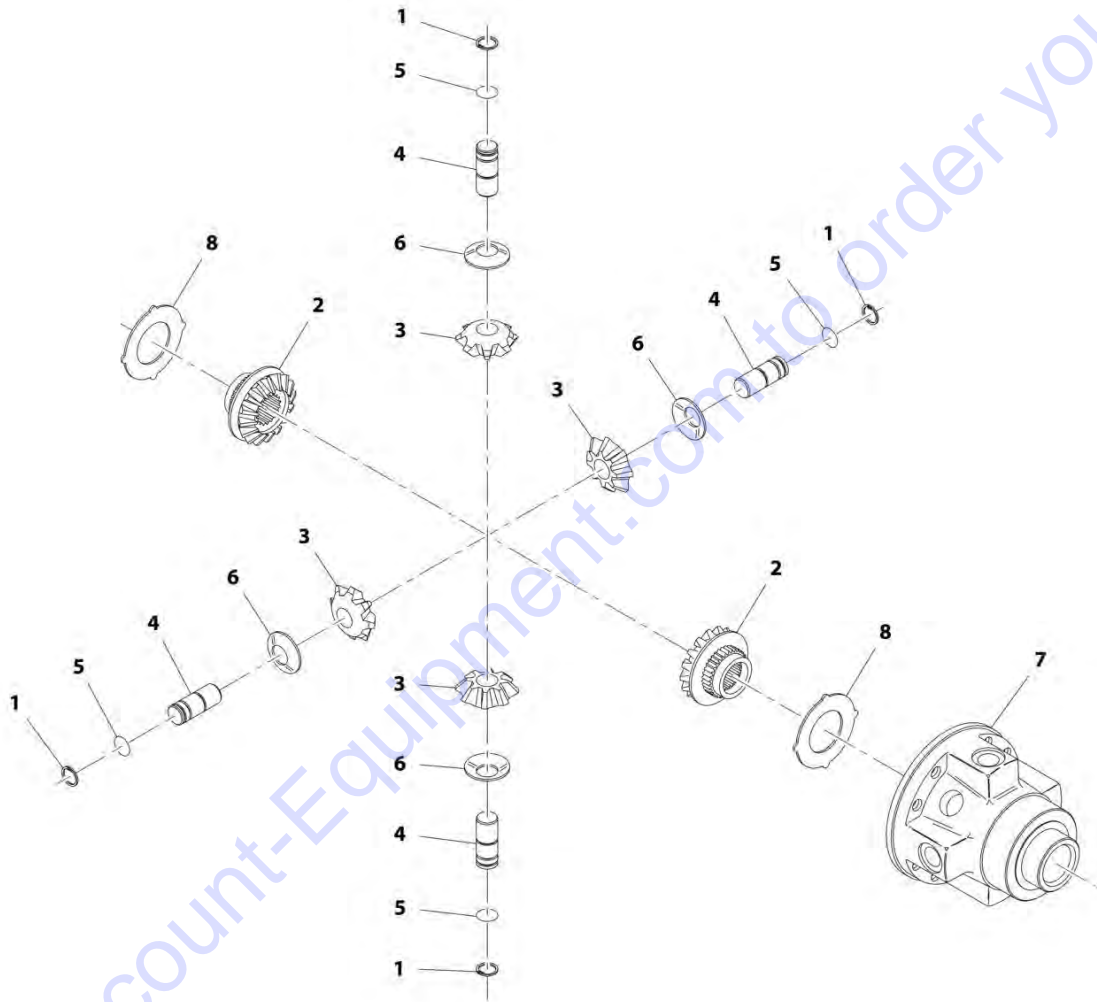
**FIGURE 5-22. FRONT AXLE, TRUNION**

ITEM	PART NUMBER	QTY	DESCRIPTION	REV
95	70026630	2	Trunion (See Separate Breakdown in this Section)	

Go to Discount-Equipment.com to order your parts

# SECTION 5 - DRIVETRAIN

## FIGURE 5-23. FRONT AXLE, DIFFERENTIAL



ART\_1001165833\_7-F

**SECTION 5 - DRIVETRAIN**

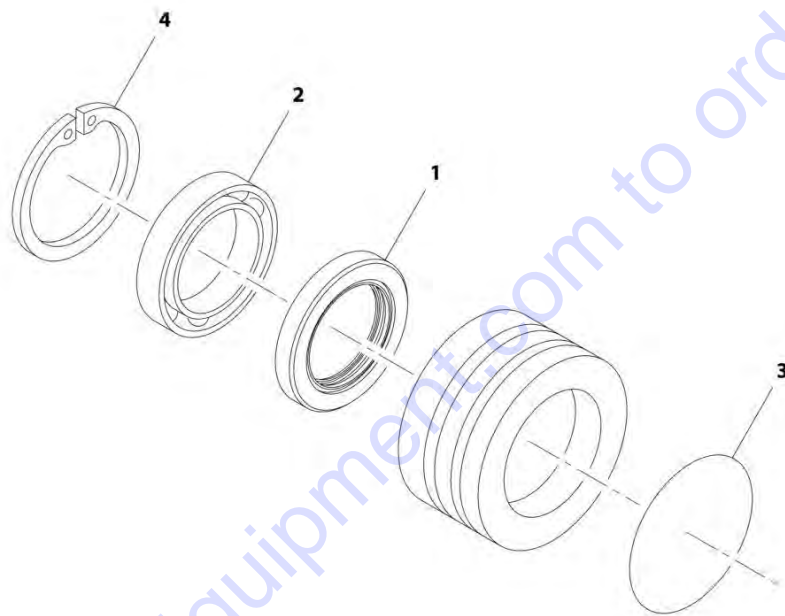
**FIGURE 5-23. FRONT AXLE, DIFFERENTIAL**

ITEM	PART NUMBER	QTY	DESCRIPTION	REV
	7028710	Ref	Differential	
1	91474550	4	Circlip	
2	91474549	2	Gear, Differential Side	
3	7029129	4	Pinion, Differential	
4	7029131	4	Pin	
5	91474551	4	Circlip	
6	91474553	4	Washer, Friction	
7	8007751	1	Carrier, Differential	
8	8007755	1	Disc	

Go to Discount-Equipment.com to order your parts

## SECTION 5 - DRIVETRAIN

FIGURE 5-24. FRONT AXLE, REDUCTION BUSHING



ART\_1001165833\_8-F

**SECTION 5 - DRIVETRAIN**

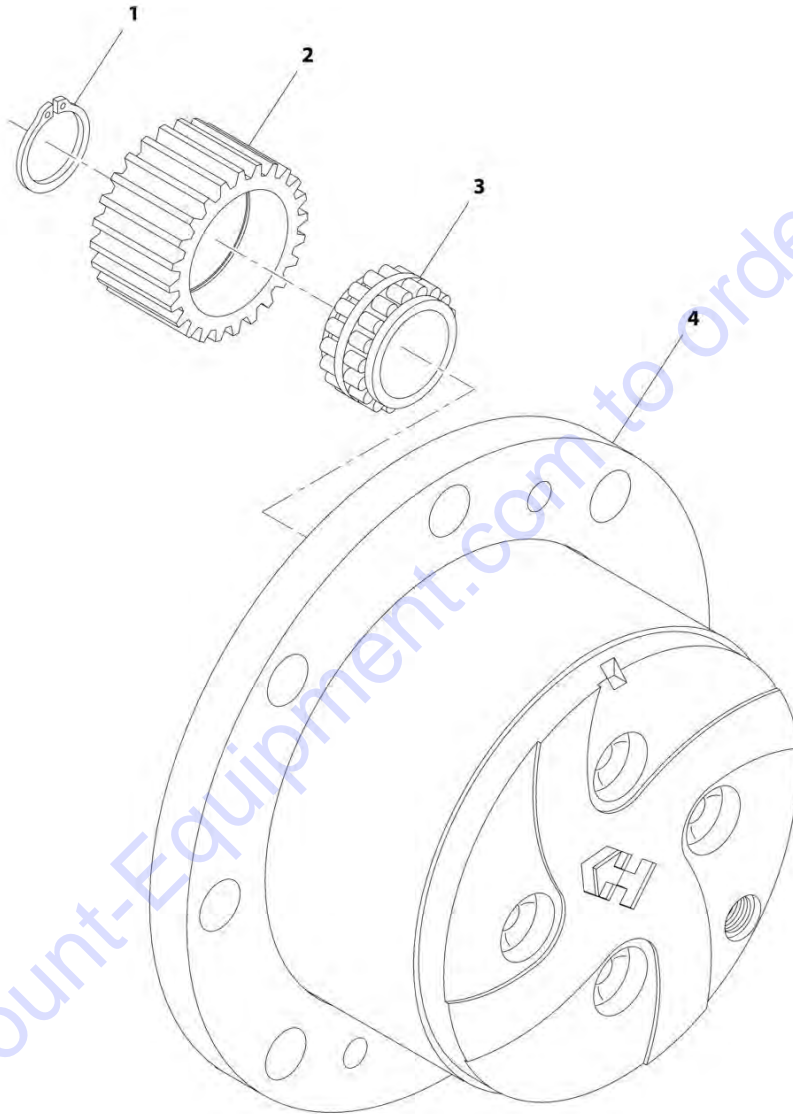
**FIGURE 5-24. FRONT AXLE, REDUCTION BUSHING**

ITEM	PART NUMBER	QTY	DESCRIPTION	REV
	91514149	Ref	Reduction Bushing	
1	91514147	1	Seal	
2	91514146	1	Bearing, Ball	
3	91514148	1	O-Ring	
4	80204005	1	Circlip	

Go to Discount-Equipment.com to order your parts

## SECTION 5 - DRIVETRAIN

FIGURE 5-25. FRONT AXLE, PLANET GEAR CARRIER



ART\_1001165833\_9-F

**SECTION 5 - DRIVETRAIN**

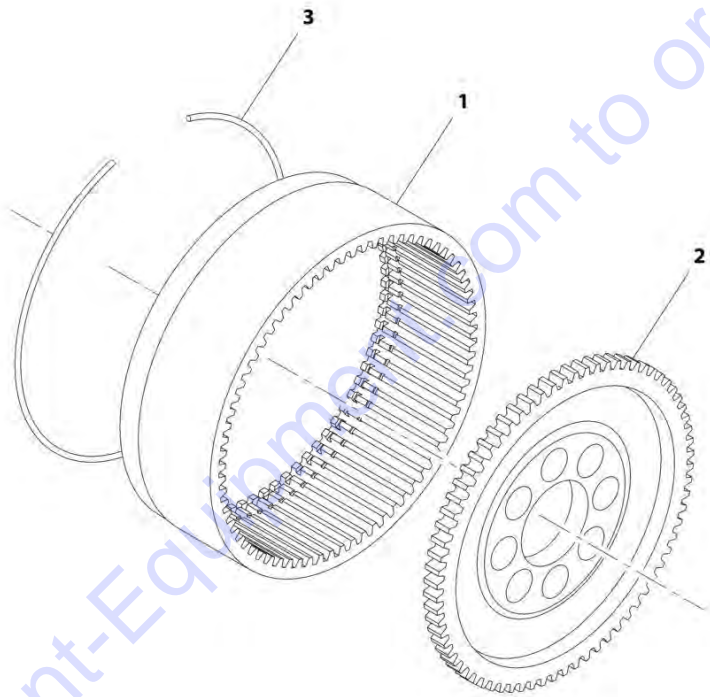
**FIGURE 5-25. FRONT AXLE, PLANET GEAR CARRIER**

ITEM	PART NUMBER	QTY	DESCRIPTION	REV
	7029431	Ref	Planet Gear Carrier	
1	91474585	2	Circlip	
2	91474586	4	Gear, Planet	
3	91474587	4	Bearing	
4	7029286	1	Carrier, Planet Gear	

Go to Discount-Equipment.com to order your parts

## SECTION 5 - DRIVETRAIN

FIGURE 5-26. FRONT AXLE, RING GEAR SUPPORT



ART\_1001165833\_10-F



**SECTION 5 - DRIVETRAIN**

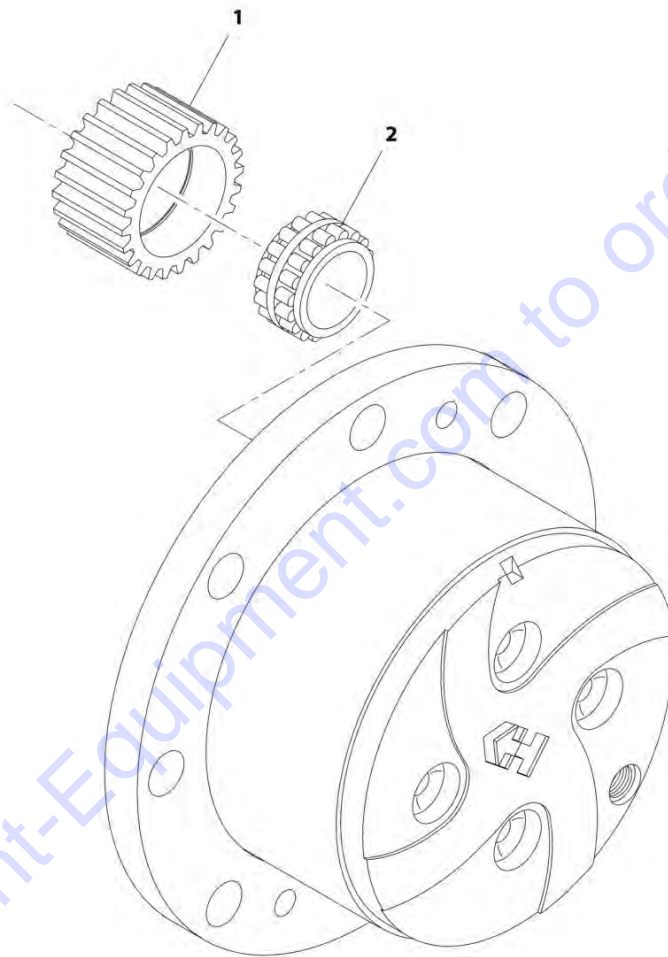
**FIGURE 5-26. FRONT AXLE, RING GEAR SUPPORT**

ITEM	PART NUMBER	QTY	DESCRIPTION	REV
	70026625	Ref	Ring Gear Support	
1	91474580	1	Gear, Ring	
2	70026798	1	Support, Ring Gear	
3	91474579	1	Circlip	

Go to Discount-Equipment.com to order your parts

## SECTION 5 - DRIVETRAIN

FIGURE 5-27. FRONT AXLE, PLANET GEAR



ART\_1001165833\_11-F

**SECTION 5 - DRIVETRAIN**

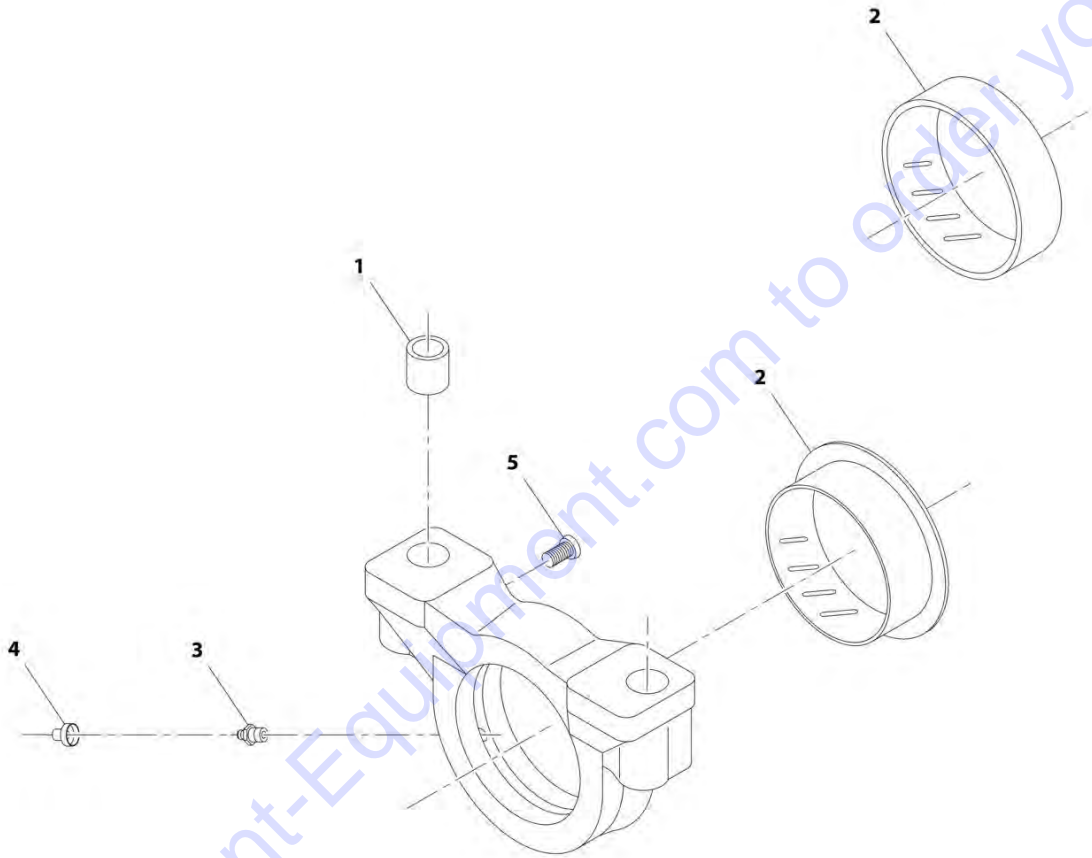
**FIGURE 5-27. FRONT AXLE, PLANET GEAR**

ITEM	PART NUMBER	QTY	DESCRIPTION	REV
	70023900	Ref	Planet Gear	
1	91474586	4	Gear, Planet	
2	91474587	4	Bearing	

Go to Discount-Equipment.com to order your parts

# SECTION 5 - DRIVETRAIN

FIGURE 5-28. FRONT AXLE, TRUNION KIT



ART\_1001165833\_12-F

**SECTION 5 - DRIVETRAIN**

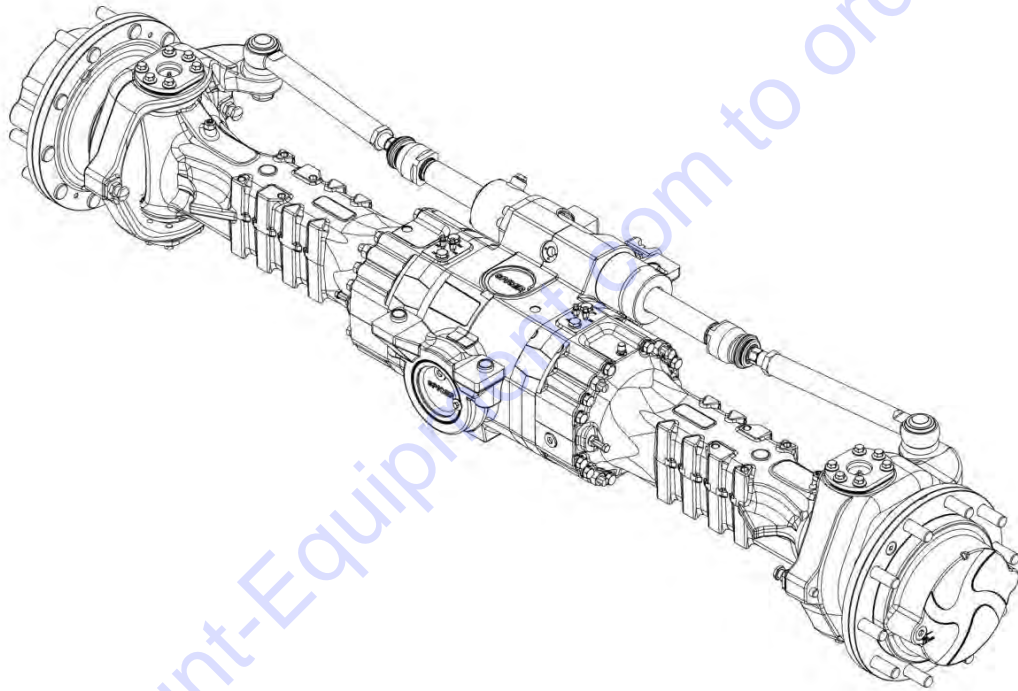
**FIGURE 5-28. FRONT AXLE, TRUNION KIT**

ITEM	PART NUMBER	QTY	DESCRIPTION	REV
	70026630	Ref	Trunion Kit	
1	91474516	2	Bushing, Reduction	
2	91474515	1	Bushing, Thrust	
3	91514099	1	Fitting, Grease	
4	80204117	1	Plug	
5	70025884	1	Bolt	

Go to Discount-Equipment.com to order your parts

## SECTION 5 - DRIVETRAIN

FIGURE 5-29. FRONT AXLE, 74HP



ART\_1005182600-A

**SECTION 5 - DRIVETRAIN**

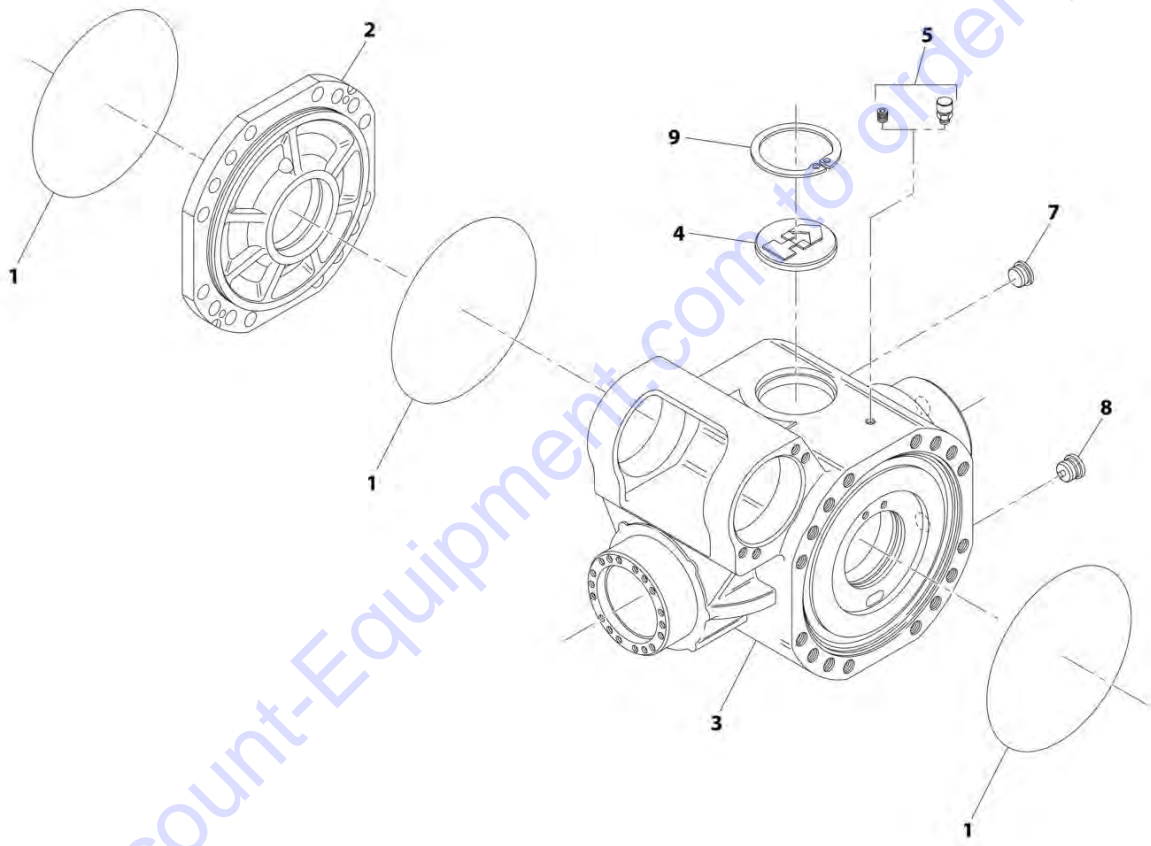
**FIGURE 5-29. FRONT AXLE, 74HP**

ITEM	PART NUMBER	QTY	DESCRIPTION	REV
	1005182600	Ref	Front Axle, 74HP	A
		Ref	Front Axle, Central Housing (See Separate Breakdown in this Section)	
		Ref	Front Axle, Differential (See Separate Breakdown in this Section)	
		Ref	Front Axle, Hub Reduction (See Separate Breakdown in this Section)	
		Ref	Front Axle, Brakes (See Separate Breakdown in this Section)	
		Ref	Front Axle, Steering (See Separate Breakdown in this Section)	
		Ref	Front Axle, Trunion (See Separate Breakdown in this Section)	

Go to Discount-Equipment.com to order your parts

# SECTION 5 - DRIVETRAIN

FIGURE 5-30. FRONT AXLE, CENTRAL HOUSING 74HP



Go to Discount-Equipment.com to order your parts

ART\_1005182600\_1-A



**SECTION 5 - DRIVETRAIN**

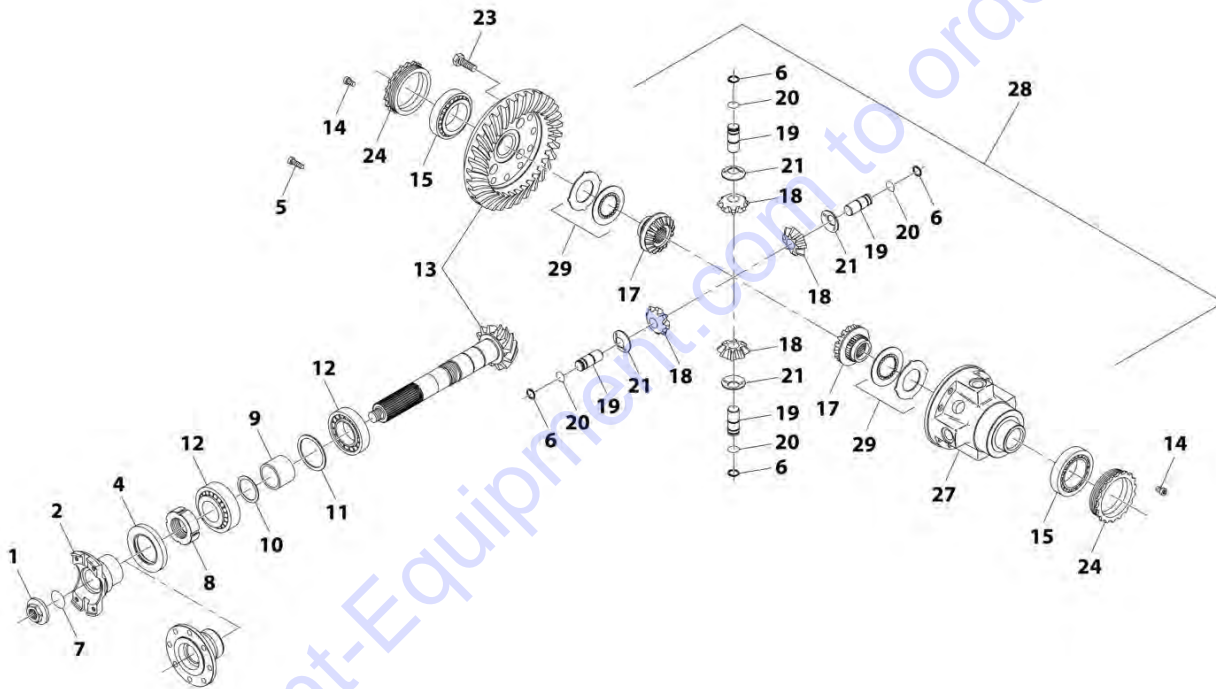
**FIGURE 5-30. FRONT AXLE, CENTRAL HOUSING 74HP**

ITEM	PART NUMBER	QTY	DESCRIPTION	REV
1	91474507	3	O-Ring	
2	70024872	1	Cover	
3	70026749	1	Housing	
4	91514098	1	Plug	
5	91474512	1	Vent	
7	70028387	1	Plug	
8	70028469	1	Plug	
9	80204005	1	Circlip	

Go to Discount-Equipment.com to order your parts

# SECTION 5 - DRIVETRAIN

## FIGURE 5-31. FRONT AXLE, DIFFERENTIAL 74HP



ART\_1005182600\_2-A

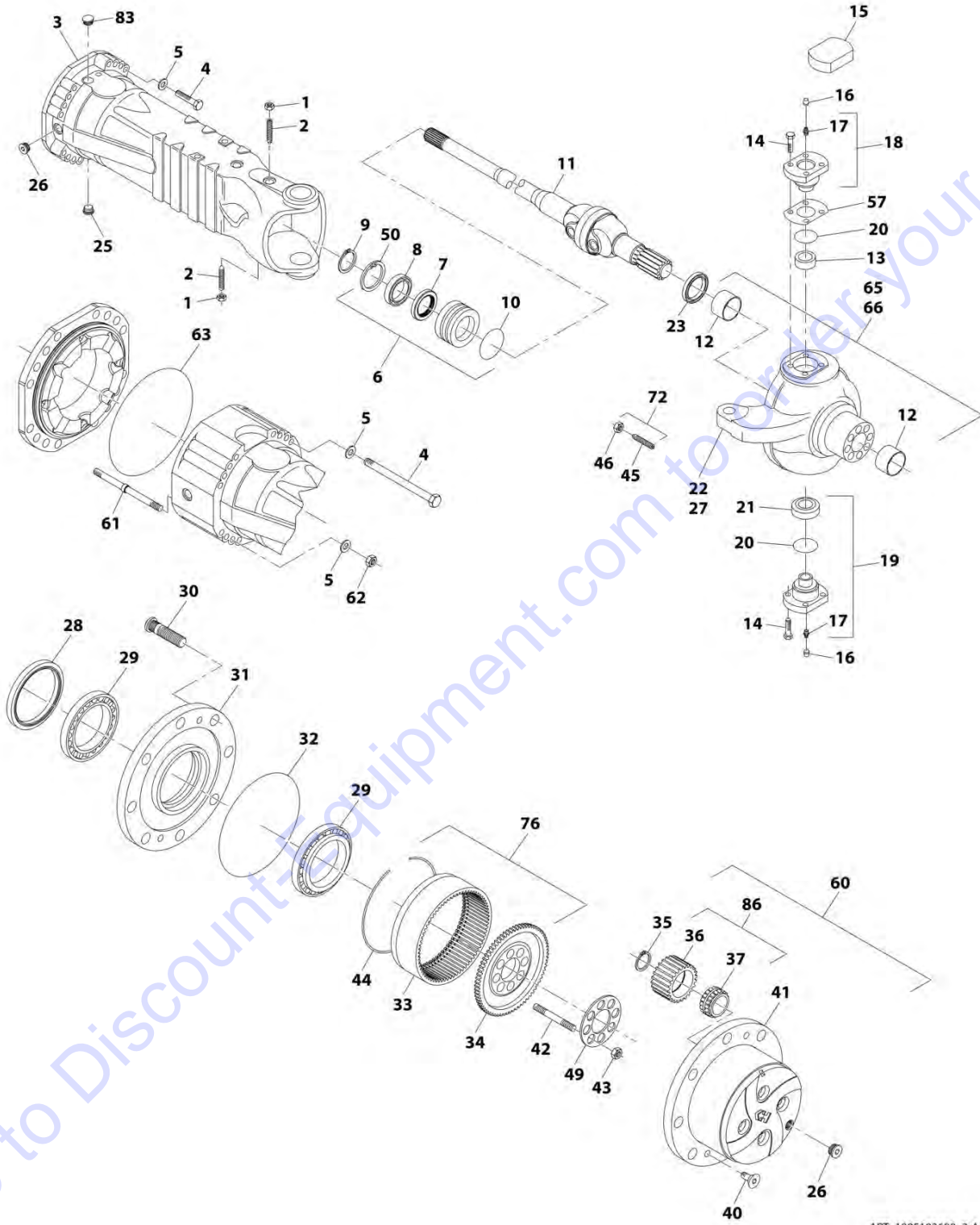
## SECTION 5 - DRIVETRAIN

**FIGURE 5-31. FRONT AXLE, DIFFERENTIAL 74HP**

ITEM	PART NUMBER	QTY	DESCRIPTION	REV
1	70026631	1	Nut	
2	70022797	1	Flange	
4	70024522	1	Seal	
5	91474591	4	Bolt	
6	91474550	4	Circlip	
7	91474529	1	O-Ring	
8	91474533	1	Nut, Ring	
9	91474539	1	Spacer	
10	70025556	1	Kit, Shim	
11	70025555	1	Kit, Shim	
12	3968141	2	Bearing, Taper Roller	
13	91474592	1	Bevel Gear Set	
14	91514134	2	Bolt	
15	70028471	2	Bearing, Taper Roller	
17	91474549	2	Gear, Differential Side	
18	7029129	4	Pinion, Differential	
19	7029131	4	Pin	
20	91474551	4	Circlip	
21	91474553	4	Washer, Friction	
23	91514123	12	Bolt	
24	91474547	2	Nut, Ring	
27	8007751	1	Carrier, Differential	
28	7028710	1	Differential (includes items 6, 17 thru 21, 26 & 27)	
29	8007755	1	Disc	

# SECTION 5 - DRIVETRAIN

## FIGURE 5-32. FRONT AXLE, HUB REDUCTION 74HP



ART\_1005182600\_3-A

## SECTION 5 - DRIVETRAIN

**FIGURE 5-32. FRONT AXLE, HUB REDUCTION 74HP**

ITEM	PART NUMBER	QTY	DESCRIPTION	REV
1	91514082	2	Nut	
2	91514081	2	Bolt	
3	70025011	2	Case, Axle	
4	70025012	24	Bolt	
5	91514084	8	Washer	
6	91514149	2	Reduction Bushing (includes items 7, 8, 10, 50)	
7	91514147	2	Seal	
8	91514146	2	Ball Bearing	
9	80204071	2	Circlip	
10	91514148	2	O-Ring	
11	70026624	2	Joint, Double Universal	
12	91514111	2	Bushing, Thrust	
13	7028714	2	Bushing	
14	70025562	24	Bolt	
15	70028392	2	Cover	
16	80204117	2	Plug	
17	70024881	4	Fitting, Grease	
18	91514112	2	Pivot Pin	
19	7028715	2	Pivot Pin	
20	7028716	4	Seal, Dust	
21	91514095	2	Bearing	
22	N.S.S.	Ref	Steering Case	
23	70026238	2	Seal	
25	70028469	2	Plug	
26	70028387	4	Plug	
27	N.S.S.	Ref	Steering Case	
28	7028721	2	Seal	
29	91474576	4	Bearing	
30	91514183	20	Wheel Stud	
31	7029737	2	Wheel Hub	
32	91474507	2	O-Ring	
33	91474580	2	Gear, Ring	
34	70026798	2	Support, Ring Gear	
35	91474585	4	Circlip	
36	70028473	8	Planet Gear	
37	70028474	8	Bearing	
40	91514189	4	Bolt, Countersunk	
41	7029286	1	Carrier, Planet Gear	
42	70027315	16	Stud	
43	91474584	16	Nut	
44	91474579	2	Circlip	
45	91514117	4	Bolt	
46	80204065	4	Nut	
49	70026622	2	Plate, Locking	
50	80204005	2	Circlip	
57	70025561	1	Kit, Shim	
60	7029431	2	Planet Gear Carrier Assembly	
61	70025014	8	Stud	
62	91514083	8	Nut	
63	91514181	2	O-Ring	

## SECTION 5 - DRIVETRAIN

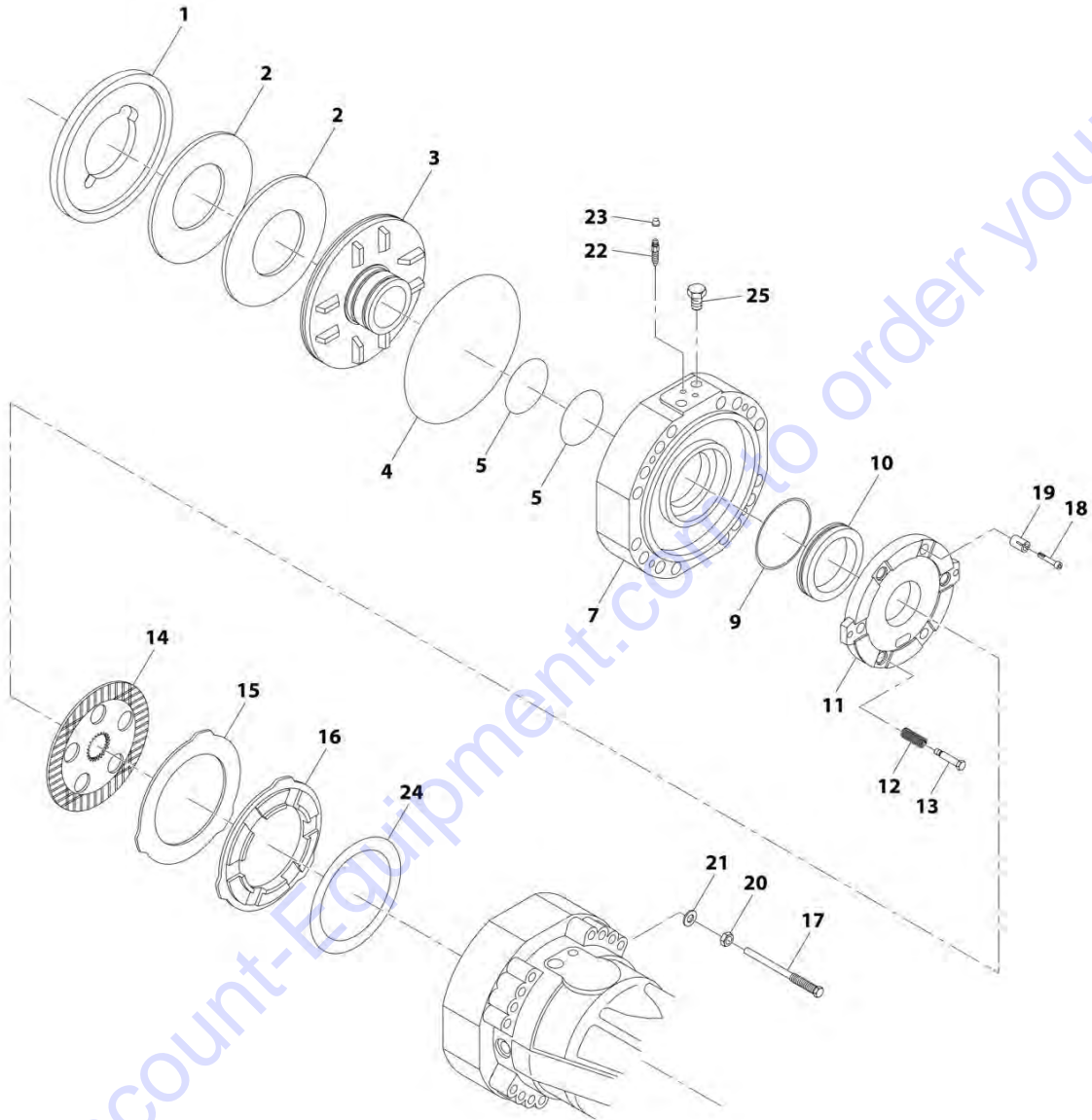
ITEM	PART NUMBER	QTY	DESCRIPTION	REV
65	70026626	1	Case, Steering (includes items 22 & 12)	
66	70026627	1	Case, Steering (includes items 27 & 12)	
72	7028733	1	Bolt, Steering Adjust (includes items 45 & 46)	
76	70026625	2	Kit, Ring Gear Support	
83	80204012	2	Plug	
86	70027114	8	Kit, Planet Gear	

Go to Discount-Equipment.com to order your parts



# SECTION 5 - DRIVETRAIN

## FIGURE 5-33. FRONT AXLE, BRAKES 74HP



ART\_1005182600\_4-A



**SECTION 5 - DRIVETRAIN**

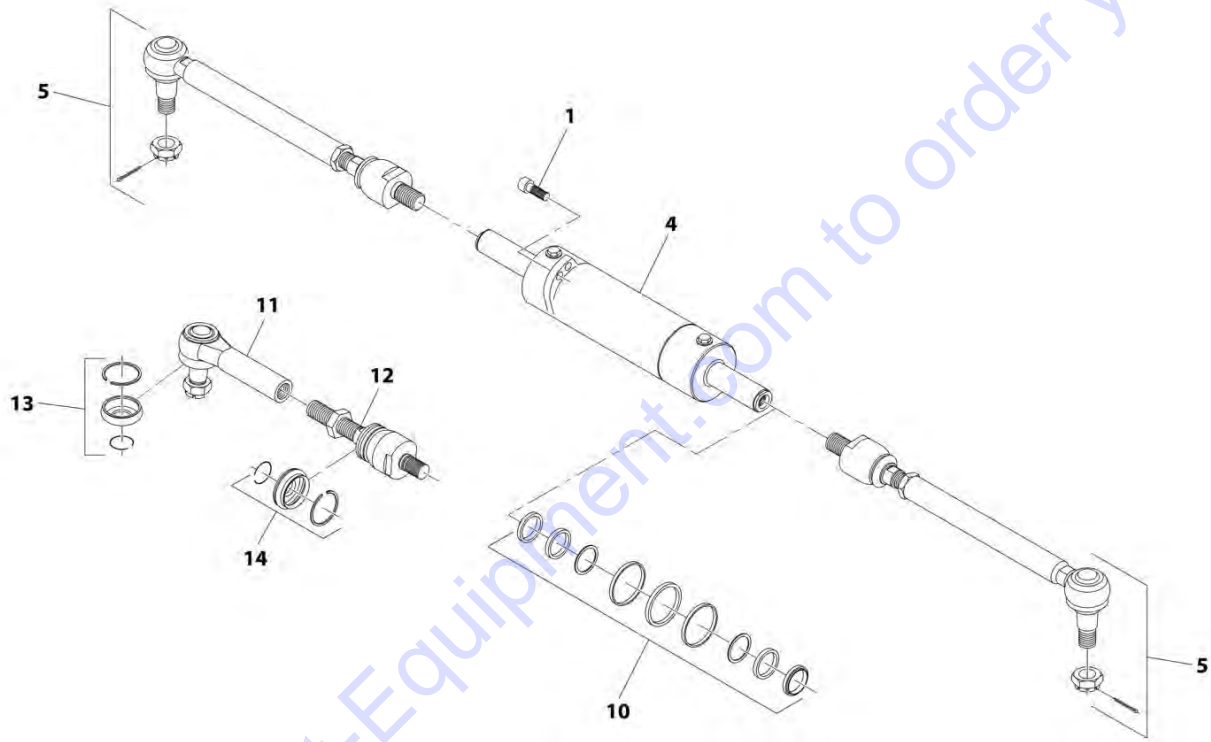
**FIGURE 5-33. FRONT AXLE, BRAKES 74HP**

ITEM	PART NUMBER	QTY	DESCRIPTION	REV
1	7028734	1	Spacer	
2	91474559	4	Spring	
3	91474560	2	Piston	
4	91474561	2	O-Ring	
5	70026262	4	Seal	
7	7028735	2	Cover	
9	70026623	2	Seal	
10	91474564	2	Piston	
11	91474565	2	Disc, Intermediate Brake	
12	91514159	6	Spring	
13	70024210	6	Adjusting Bolt	
14	91474568	8	Disc	
15	70025823	8	Disc, Intermediate Brake	
16	91474570	2	Spacer	
17	70024213	4	Bolt	
18	7029788	6	Bolt	
19	70027317	6	Spring	
20	80204060	4	Nut	
21	80204108	4	Washer, Lock	
22	80204281	4	Bolt	
23	80204117	4	Plug	
24	70025981	1	Shim Kit	
25	91514154	4	Bolt	

Go to Discount-Equipment.com to order your parts

# SECTION 5 - DRIVETRAIN

FIGURE 5-34. FRONT AXLE, STEERING 74HP



ART\_1005182600\_5-A

**SECTION 5 - DRIVETRAIN**

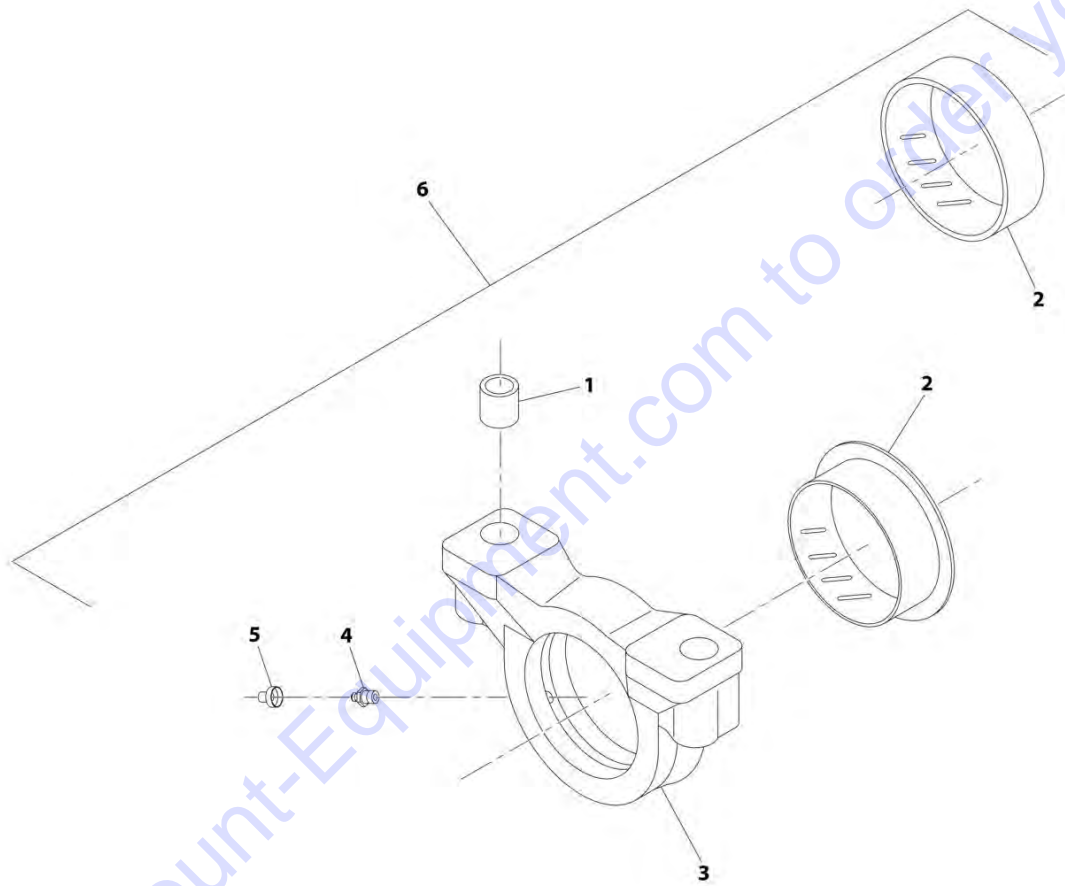
**FIGURE 5-34. FRONT AXLE, STEERING 74HP**

ITEM	PART NUMBER	QTY	DESCRIPTION	REV
1	91474522	4	Bolt	
4	7029528	1	Cylinder	
5	70026799	2	Bar	
10	7029529	1	Kit, Seal	
11	70028475	1	Joint, 90	
12	70028476	1	Axial Joint	
13	70028477	1	Rubber Boot and Locking Ring Kit	
14	70028468	1	Rubber Boot and Locking Ring Kit	

Go to Discount-Equipment.com to order your parts

# SECTION 5 - DRIVETRAIN

## FIGURE 5-35. FRONT AXLE, TRUNION 74HP



ART\_1005182600\_6-A

**SECTION 5 - DRIVETRAIN**

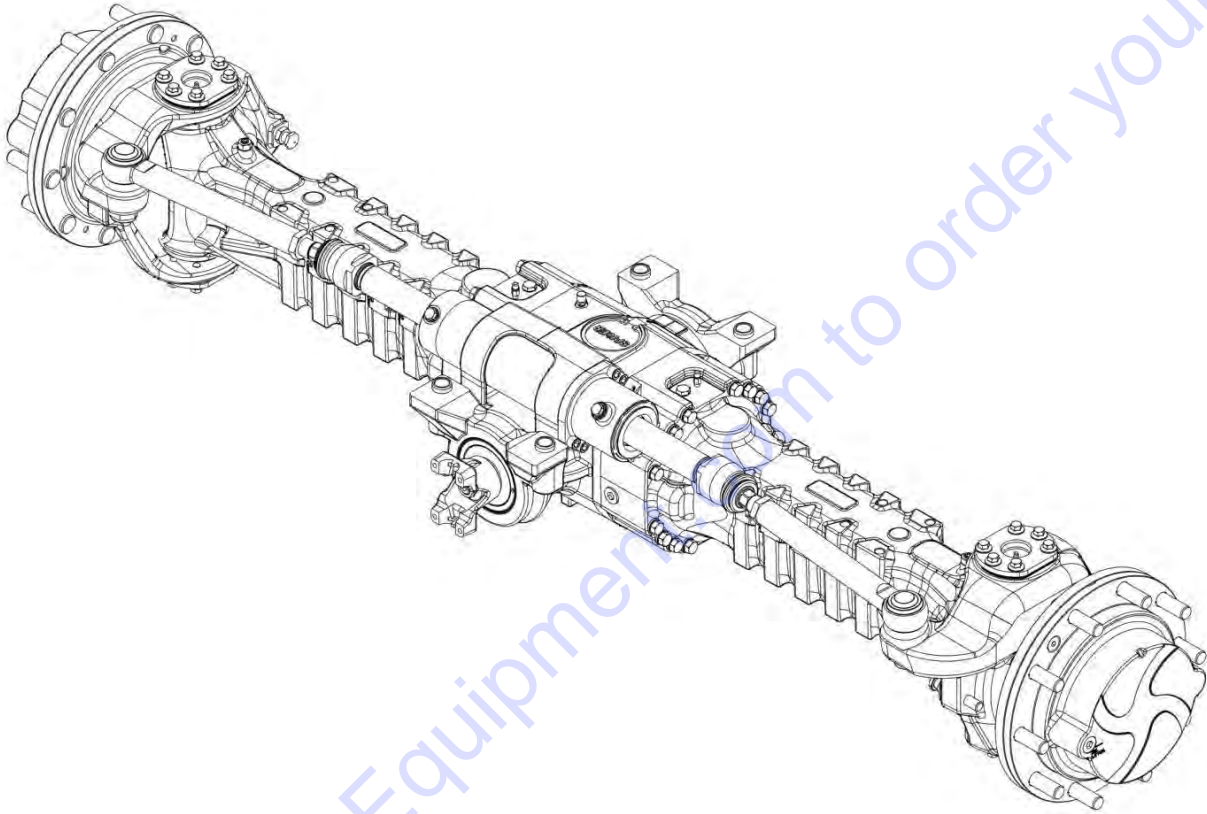
**FIGURE 5-35. FRONT AXLE, TRUNION 74HP**

ITEM	PART NUMBER	QTY	DESCRIPTION	REV
1	91474516	4	Bushing, Reduction	
2	91474515	2	Bushing, Thrust	
3	N.S.S.	2	Support	
4	70024881	2	Fitting, Grease	
5	80204117	2	Plug	
6	70026630	2	Kit, Support (includes items 1 thru 5)	

Go to Discount-Equipment.com to order your parts

## SECTION 5 - DRIVETRAIN

FIGURE 5-36. REAR AXLE



ART\_1001165834-F

**SECTION 5 - DRIVETRAIN**

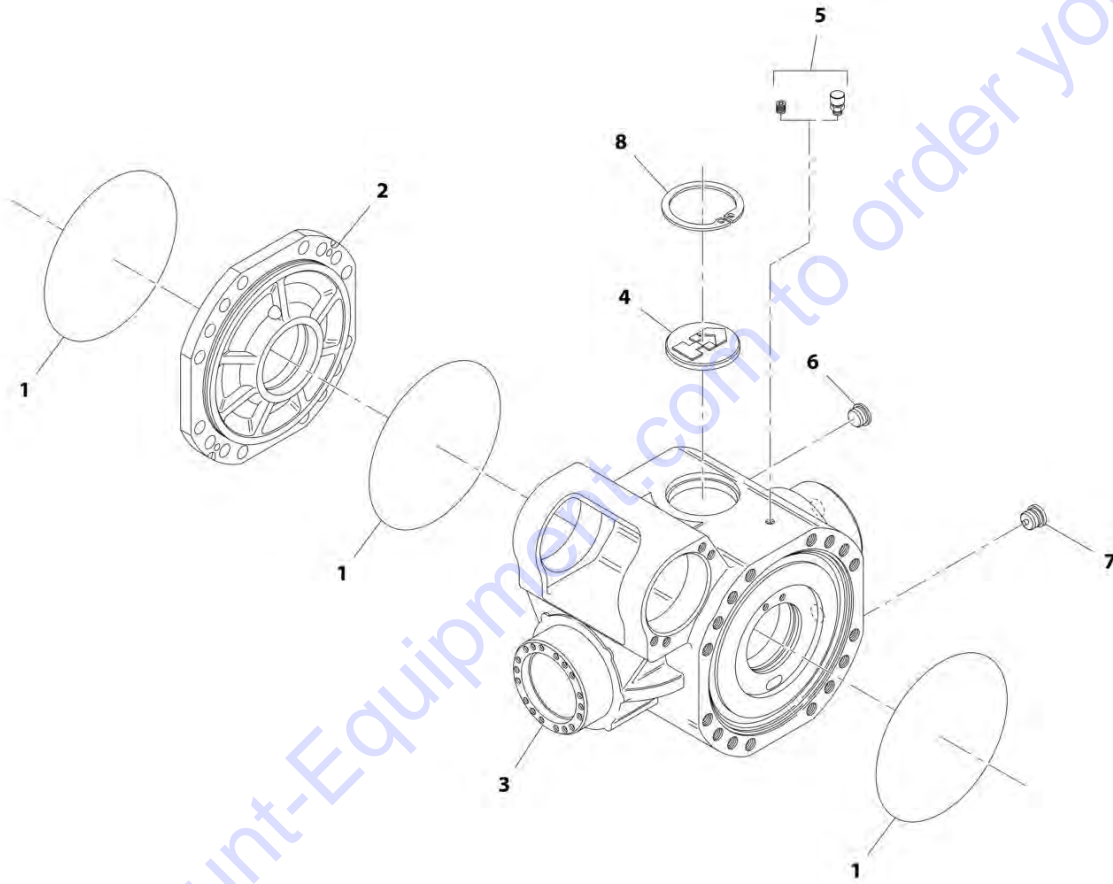
**FIGURE 5-36. REAR AXLE**

ITEM	PART NUMBER	QTY	DESCRIPTION	REV
		Ref	Rear Axle, Central Housing (See Separate Breakdown in this Section)	
		Ref	Rear Axle, Differential (See Separate Breakdown in this Section)	
		Ref	Rear Axle, Hub Reduction (See Separate Breakdown in this Section)	
		Ref	Rear Axle, Brakes (See Separate Breakdown in this Section)	
		Ref	Rear Axle, Steering (See Separate Breakdown in this Section)	
		Ref	Rear Axle, Trunion (See Separate Breakdown in this Section)	

Go to Discount-Equipment.com to order your parts

# SECTION 5 - DRIVETRAIN

## FIGURE 5-37. REAR AXLE, CENTRAL HOUSING



ART\_1001165834\_1-F



**SECTION 5 - DRIVETRAIN**

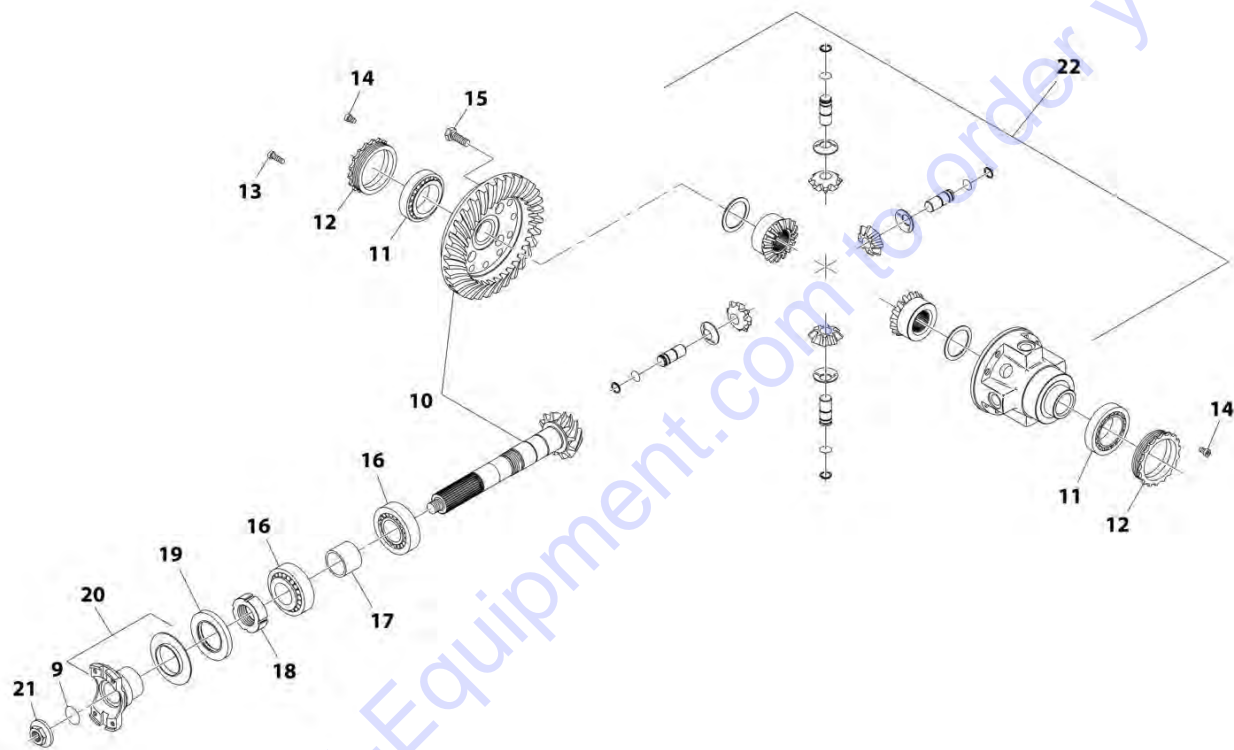
**FIGURE 5-37. REAR AXLE, CENTRAL HOUSING**

ITEM	PART NUMBER	QTY	DESCRIPTION	REV
1	91474507	3	O-Ring	
2	70024519	1	Cover	
3	70026749	1	Housing	
4	91514098	1	Plug	
5	91474512	1	Vent	
6	91514188	1	Plug	
7	91474513	1	Plug, Magnet	
8	80204005	1	Circlip	

Go to Discount-Equipment.com to order your parts

# SECTION 5 - DRIVETRAIN

## FIGURE 5-38. REAR AXLE, DIFFERENTIAL



ART\_1001165834\_2-F

**SECTION 5 - DRIVETRAIN**

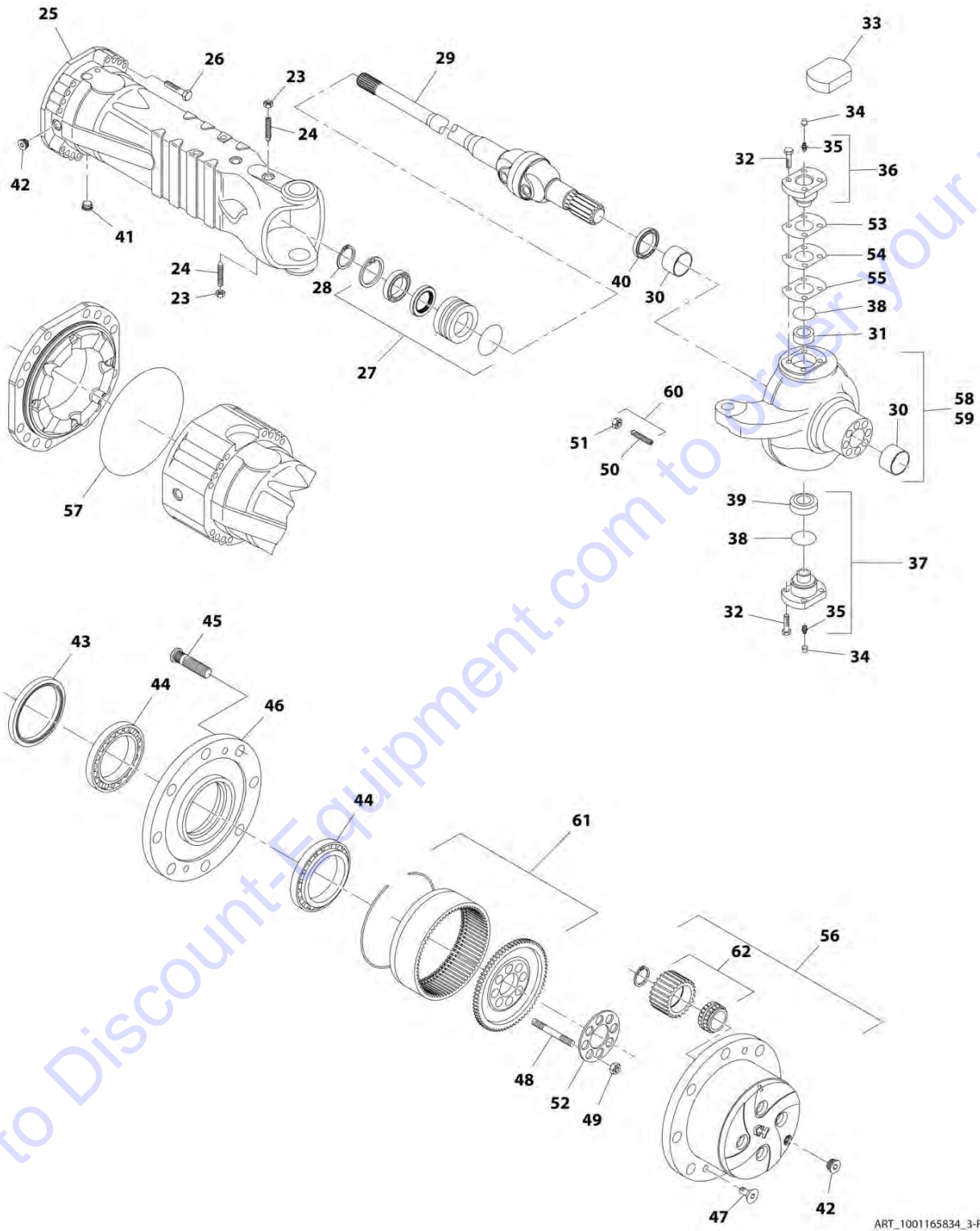
**FIGURE 5-38. REAR AXLE, DIFFERENTIAL**

ITEM	PART NUMBER	QTY	DESCRIPTION	REV
9	91474529	1	O-Ring	
10	70026634	1	Bevel Gear Set	
11	70026031	2	Bearing, Taper Roller	
12	91474547	2	Nut, Ring	
13	91474591	4	Bolt	
14	91514134	2	Bolt	
15	91514123	12	Bolt	
16	3968141	2	Bearing, Taper Roller	
17	91474539	1	Spacer	
18	91474533	1	Nut, Ring	
19	70024522	1	Seal	
20	70022797	1	FLANGE	
21	70026631	1	Nut	
22	70021140	1	Kit, Differential (See Separate Breakdown in this Section)	

Go to Discount-Equipment.com to order your parts

SECTION 5 - DRIVETRAIN

FIGURE 5-39. REAR AXLE, HUB REDUCTION



ART\_1001165834\_3-F

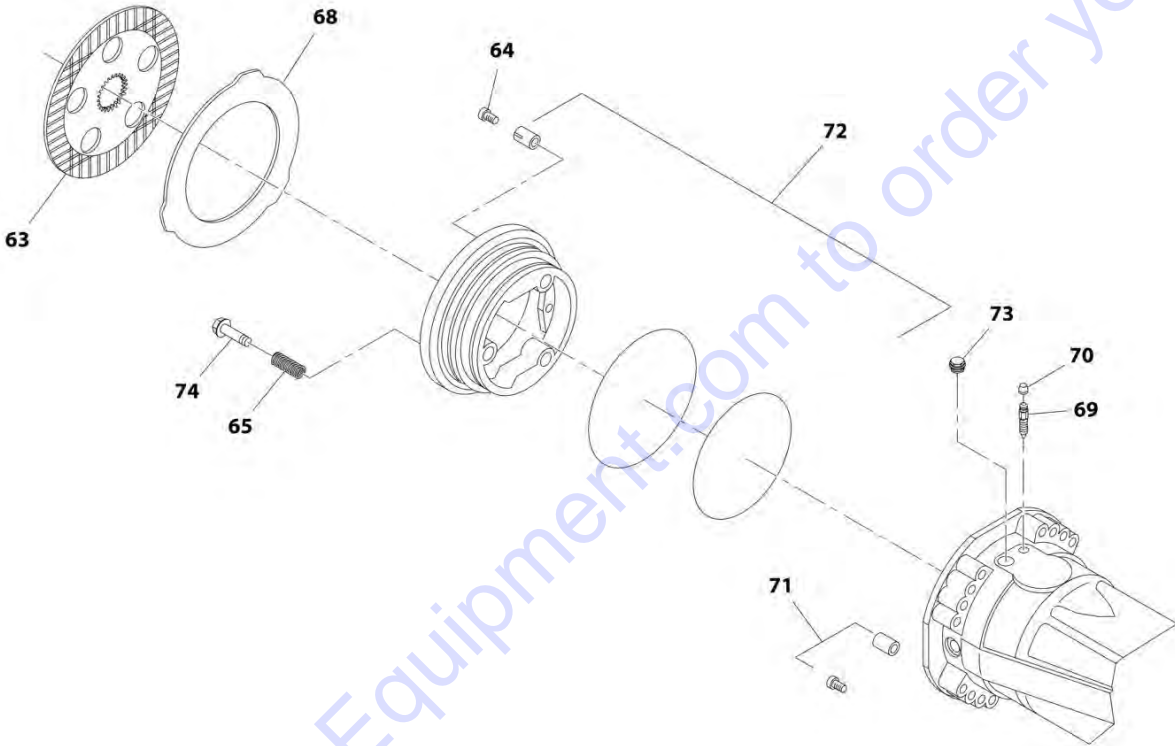
## SECTION 5 - DRIVETRAIN

**FIGURE 5-39. REAR AXLE, HUB REDUCTION**

ITEM	PART NUMBER	QTY	DESCRIPTION	REV
23	91514082	2	Nut	
24	91514081	2	Bolt	
25	70022798	2	Axle Case	
26	70022799	32	Bolt	
27	91514149	2	Bushing, Reduction (See Separate Breakdown in this Section)	
28	91514146	2	Circlip	
29	70026624	2	Joint, Double Universal	
30	91514111	2	Bushing, Thrust	
31	7028714	2	Bushing	
32	70025562	24	Bolt	
33	91474524	2	Cover	
34	80204117	2	Plug	
35	91514099	4	Grease Fitting	
36	91514112	2	Pivot Pin	
37	7028715	2	Pivot Pin	
38	7028716	4	Dust Excluder	
39	91514095	2	Bearing	
40	70026238	2	Seal	
41	91474513	2	Plug, Magnet	
42	91514188	4	Plug	
43	7028721	2	Seal	
44	91474576	4	Bearing	
45	91514183	20	Wheel Stud	
46	7029737	2	Wheel Hub	
47	91514189	4	Bolt, Countersunk	
48	91474583	16	Stud	
49	91474584	16	Nut	
50	3984312	4	Bolt	
51	80204065	4	Nut	
52	70026622	2	Plate, Locking	
53	91514113	2	Shim	
54	91514114	2	Shim	
55	91514115	2	Shim	
56	7029431	2	Kit, Planet Gear Carrier (See Separate Breakdown in this Section)	
57	91514181	2	O-Ring	
58	70026626	1	Case, Steering	
59	70026627	1	Case, Steering	
60	7028733	4	Bolt, Steering Adjust (includes items 50 & 51)	
61	70026625	2	Kit, Ring Gear Support (See Separate Breakdown in this Section)	
62	70023900	8	Kit, Planet Gear (See Separate Breakdown in this Section)	

# SECTION 5 - DRIVETRAIN

## FIGURE 5-40. REAR AXLE, BRAKES



ART\_1001165834\_4-F

**SECTION 5 - DRIVETRAIN**

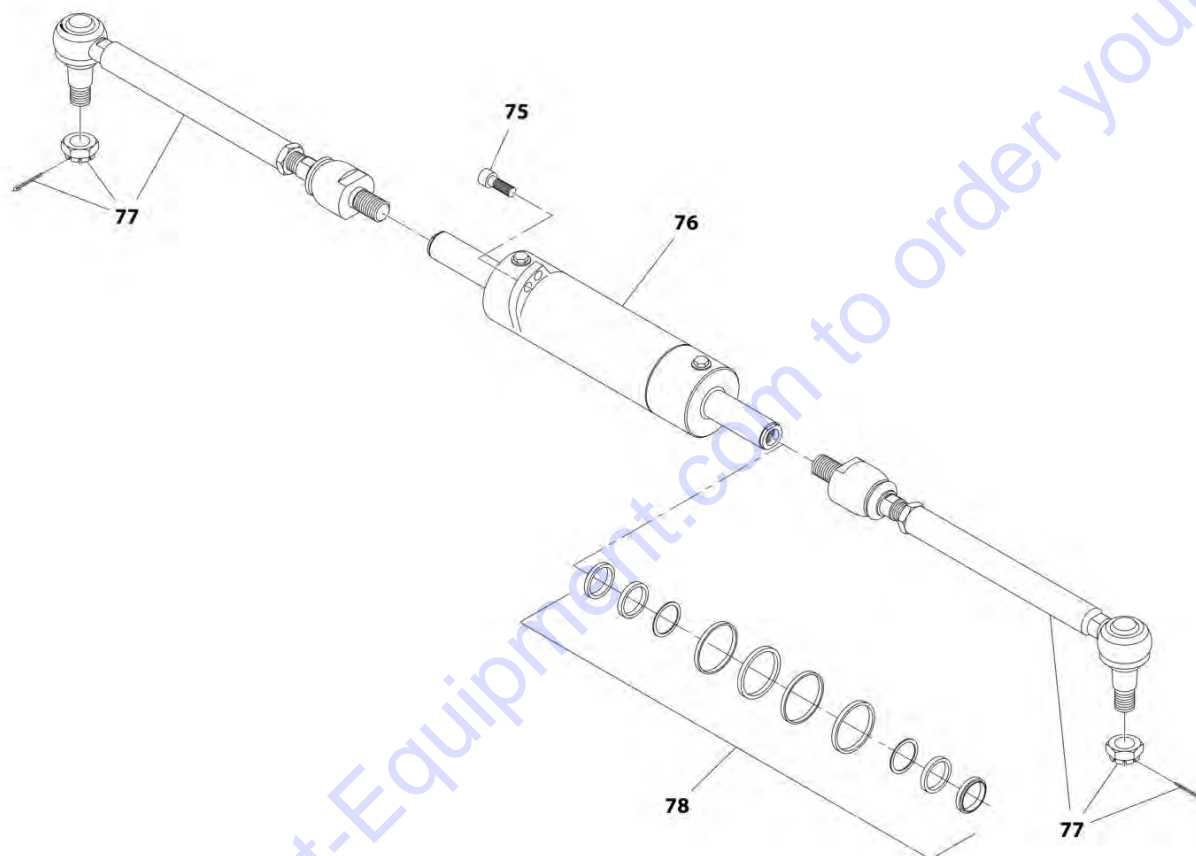
**FIGURE 5-40. REAR AXLE, BRAKES**

ITEM	PART NUMBER	QTY	DESCRIPTION	REV
63	91474568	6	Disc	
64	7029786	6	Bolt, Adjusting	
65	91514159	6	Spring	
68	91474569	8	Disc, Intermediate Brake	
69	80204281	2	Bolt, Bleeding	
70	80204117	2	Plug	
71	70021613	2	Bolt, Pilot	
72	70025841	2	Kit, Piston (See Separate Breakdown in this Section)	
73	91514154	2	Bolt	
74	70024210	6	Bolt, Adjusting	

Go to Discount-Equipment.com to order your parts

## SECTION 5 - DRIVETRAIN

FIGURE 5-41. REAR AXLE, STEERING



ART\_1001165834\_5-F



**SECTION 5 - DRIVETRAIN**

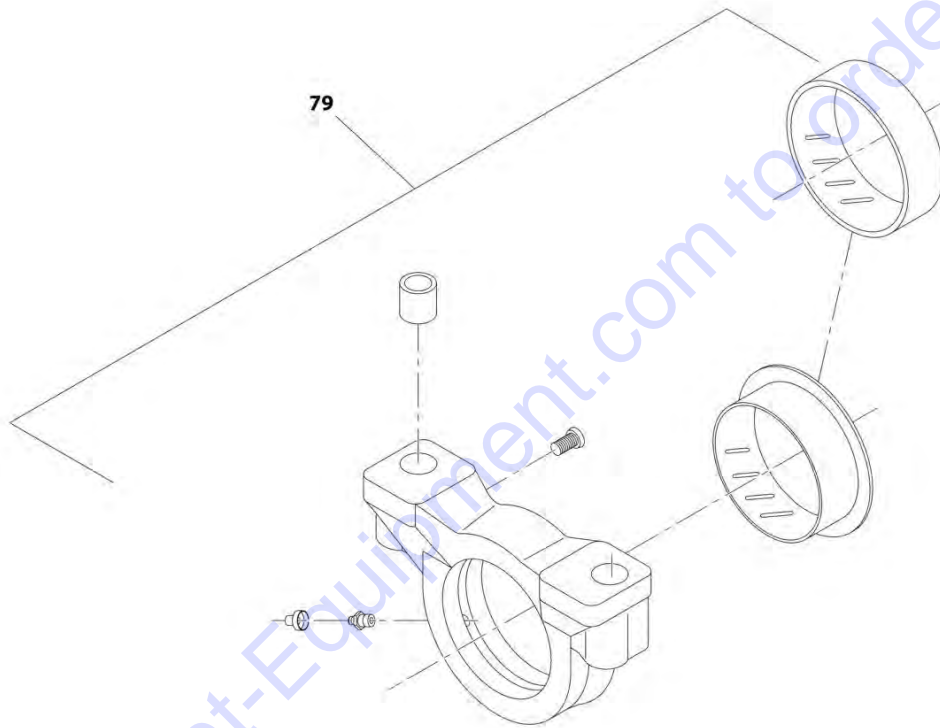
**FIGURE 5-41. REAR AXLE, STEERING**

ITEM	PART NUMBER	QTY	DESCRIPTION	REV
75	91474522	4	Bolt	
76	7029528	1	Cylinder	
77	70026799	2	Bar	
78	7029529	1	Seal	

Go to Discount-Equipment.com to order your parts

# SECTION 5 - DRIVETRAIN

## FIGURE 5-42. REAR AXLE, TRUNION



ART\_1001165834\_6-F

**SECTION 5 - DRIVETRAIN**

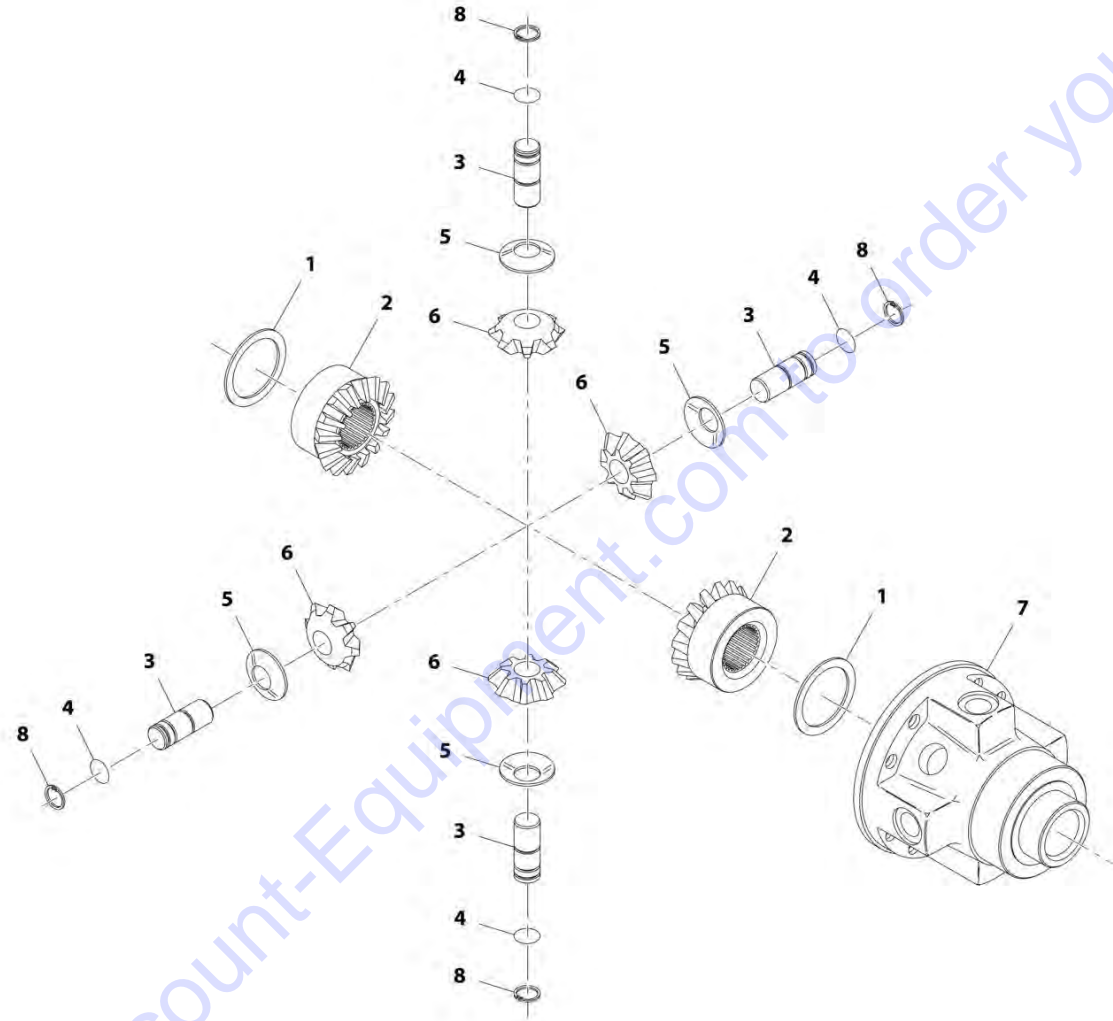
**FIGURE 5-42. REAR AXLE, TRUNION**

ITEM	PART NUMBER	QTY	DESCRIPTION	REV
79	70026630	2	Kit, Support (See Separate Breakdown in this Section)	

Go to Discount-Equipment.com to order your parts

# SECTION 5 - DRIVETRAIN

## FIGURE 5-43. REAR AXLE, DIFFERENTIAL KIT



ART\_1001165834\_7-F

**SECTION 5 - DRIVETRAIN**

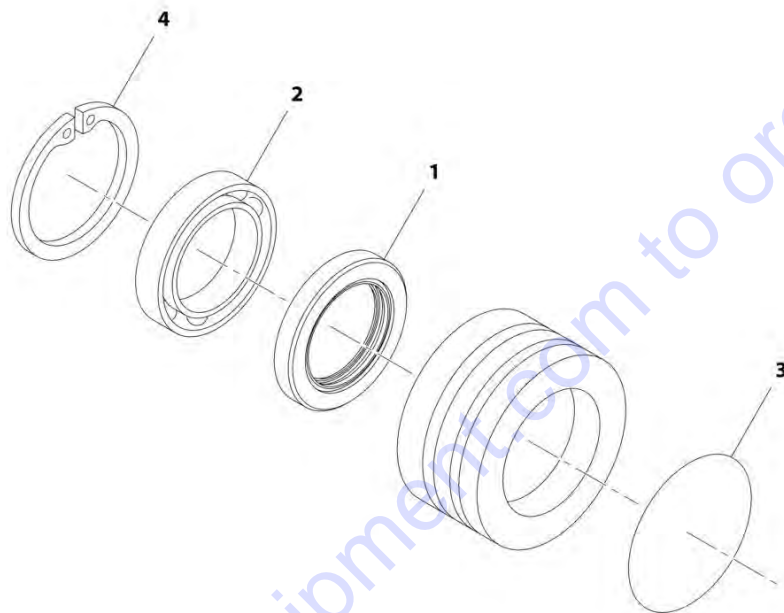
**FIGURE 5-43. REAR AXLE, DIFFERENTIAL KIT**

ITEM	PART NUMBER	QTY	DESCRIPTION	REV
	70021140	Ref	Differential Kit	
1	91474593	2	Washer, Friction	
2	70025569	2	Gear, Differential Side	
3	7029131	4	Pin	
4	91474551	4	Circlip	
5	91474553	4	Washer, Friction	
6	70025570	4	Pinion, Differential	
7	91474595	1	Carrier, Differential	
8	91474550	4	Circlip	

Go to Discount-Equipment.com to order your parts

## SECTION 5 - DRIVETRAIN

FIGURE 5-44. REAR AXLE, REDUCTION BUSHING



ART\_1001165834\_8-F

**SECTION 5 - DRIVETRAIN**

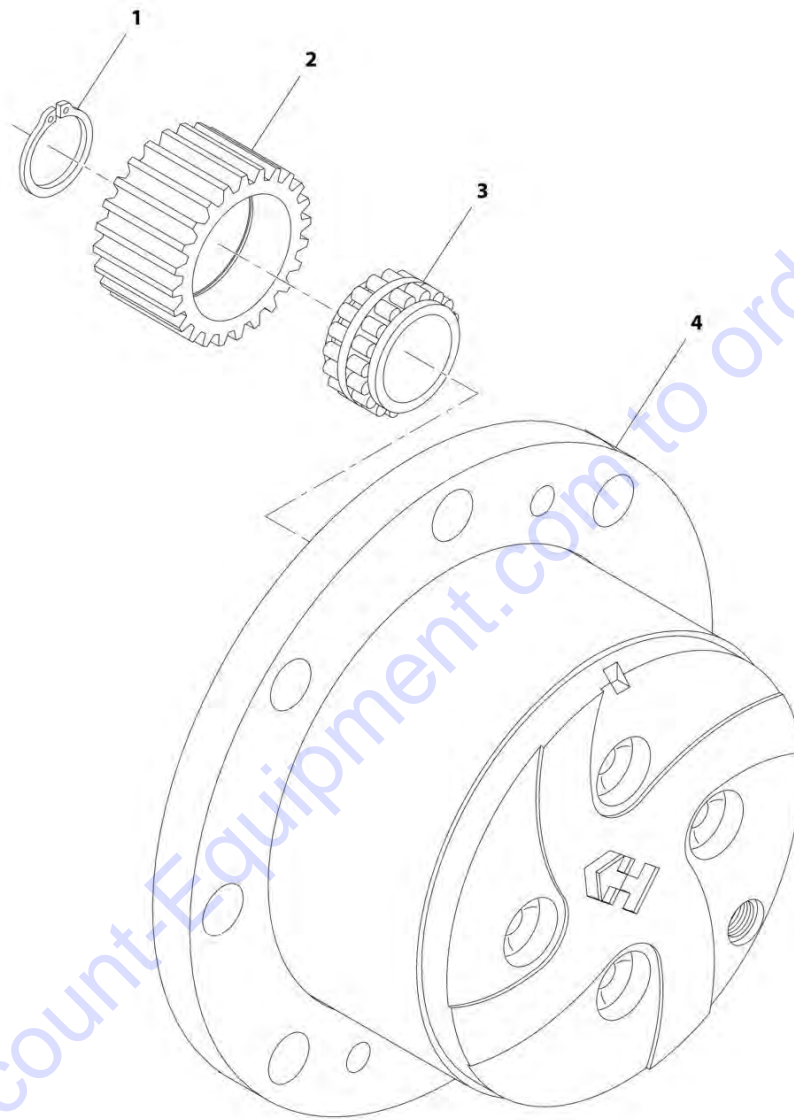
**FIGURE 5-44. REAR AXLE, REDUCTION BUSHING**

ITEM	PART NUMBER	QTY	DESCRIPTION	REV
	91514149	Ref	Reduction Bushing	
1	91514147	1	Seal	
2	91514146	1	Ball Bearing	
3	91514148	1	O-Ring	
4	80204005	1	Circlip	

Go to Discount-Equipment.com to order your parts

## SECTION 5 - DRIVETRAIN

FIGURE 5-45. REAR AXLE, PLANET GEAR CARRIER KIT



ART\_1001165834\_9-F



**SECTION 5 - DRIVETRAIN**

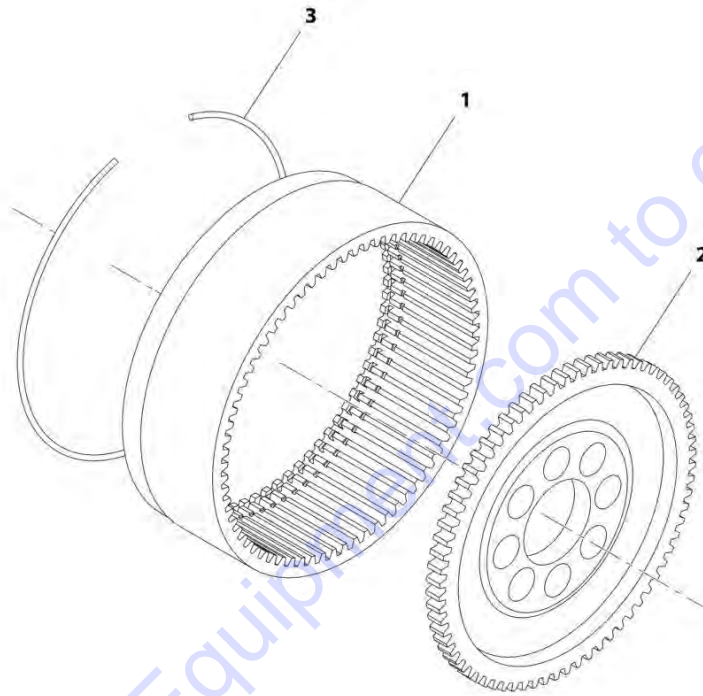
**FIGURE 5-45. REAR AXLE, PLANET GEAR CARRIER KIT**

ITEM	PART NUMBER	QTY	DESCRIPTION	REV
	7029431	Ref	Planet Gear Carrier Kit	
1	91474585	1	Circlip	
2	70023900	1	Gear, Planet	
3	91474587	1	Bearing	
4	7029286	1	Carrier, Planet Gear	

Go to Discount-Equipment.com to order your parts

## SECTION 5 - DRIVETRAIN

FIGURE 5-46. REAR AXLE, RING GEAR SUPPORT KIT



ART\_1001165834\_10-F

**SECTION 5 - DRIVETRAIN**

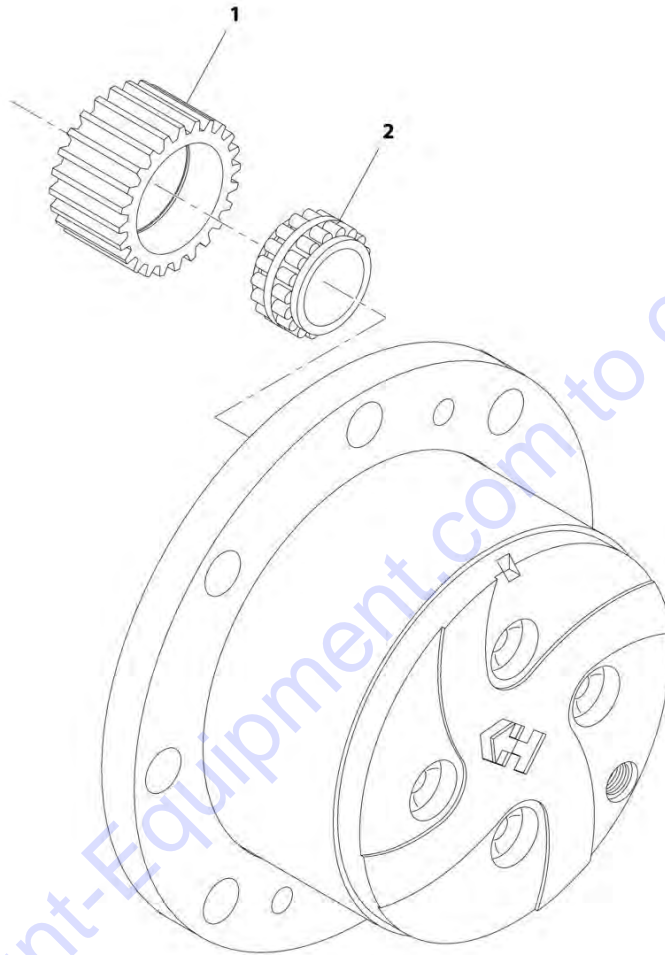
**FIGURE 5-46. REAR AXLE, RING GEAR SUPPORT KIT**

ITEM	PART NUMBER	QTY	DESCRIPTION	REV
	70026625	Ref	Ring Gear Support Kit	
1	91474580	1	Gear, Ring	
2	70026798	1	Support, Ring Gear	
3	91474579	1	Circlip	

Go to Discount-Equipment.com to order your parts

## SECTION 5 - DRIVETRAIN

FIGURE 5-47. REAR AXLE, PLANET GEAR KIT



ART\_1001165834\_11-F

**SECTION 5 - DRIVETRAIN**

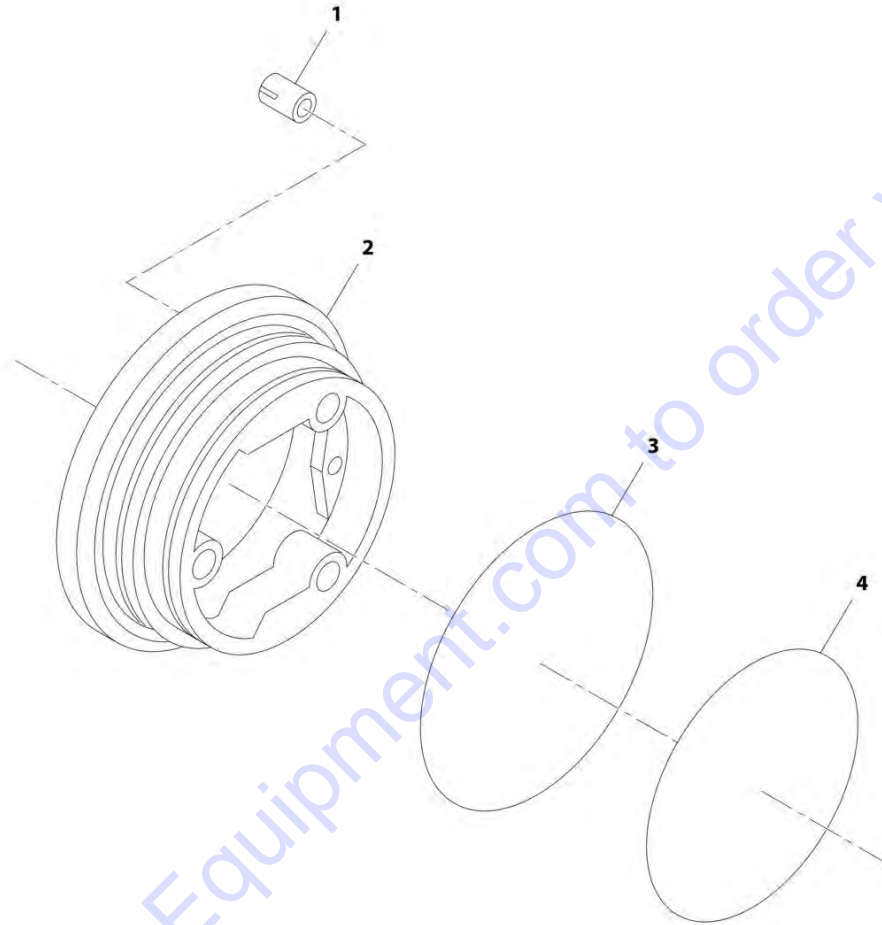
**FIGURE 5-47. REAR AXLE, PLANET GEAR KIT**

ITEM	PART NUMBER	QTY	DESCRIPTION	REV
	70023900	Ref	Planet Gear Kit	
1	91474586	4	Gear, Planet	
2	91474587	4	Bearing	

Go to Discount-Equipment.com to order your parts

# SECTION 5 - DRIVETRAIN

FIGURE 5-48. REAR AXLE, PISTON KIT



ART\_1001165834\_12-F

**SECTION 5 - DRIVETRAIN**

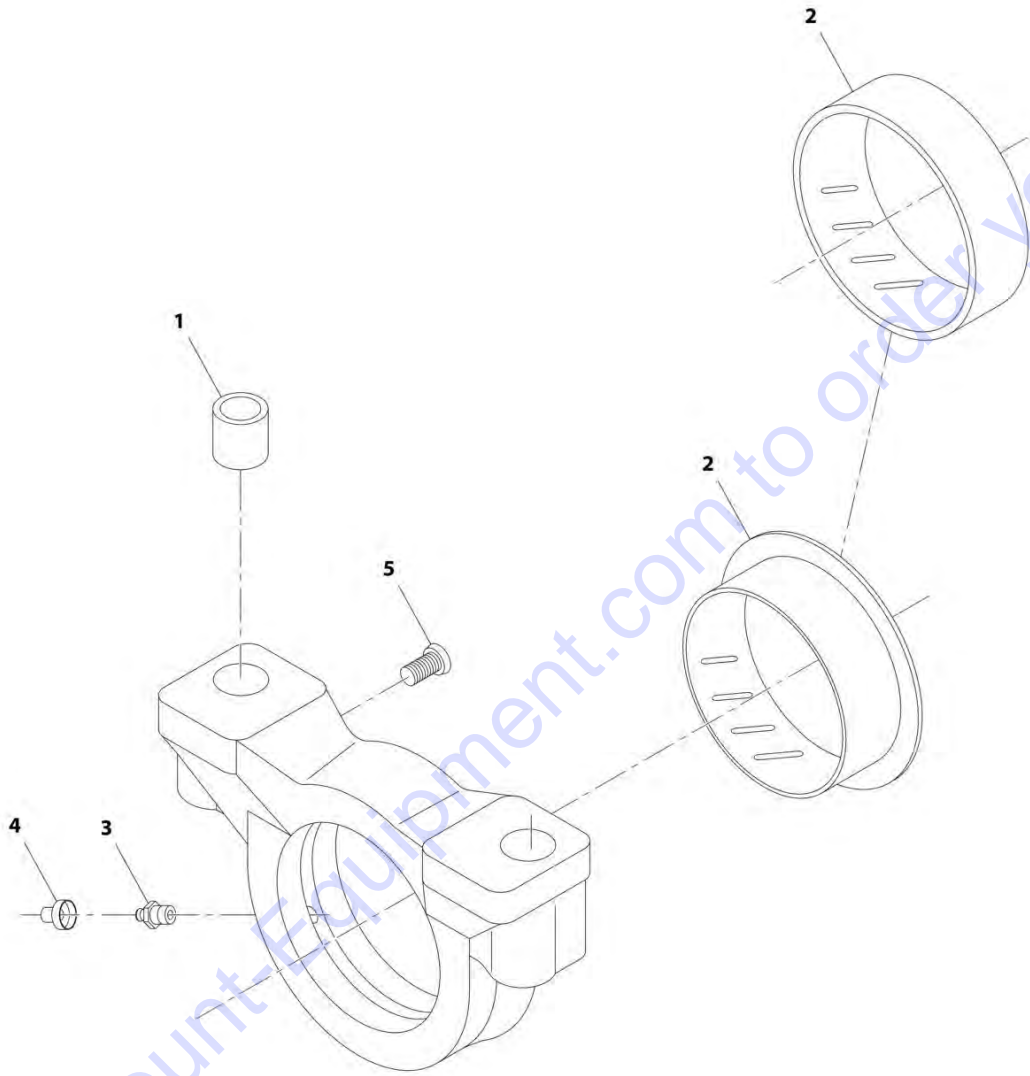
**FIGURE 5-48. REAR AXLE, PISTON KIT**

ITEM	PART NUMBER	QTY	DESCRIPTION	REV
	70025841	Ref	Piston Kit	
1	91514165	3	Spring	
2	NSS	Ref	Piston	
3	70025821	1	O-Ring	
4	70025822	1	O-Ring	

Go to Discount-Equipment.com to order your parts

# SECTION 5 - DRIVETRAIN

## FIGURE 5-49. REAR AXLE, SUPPORT KIT



ART\_1001165834\_13-F



**SECTION 5 - DRIVETRAIN**

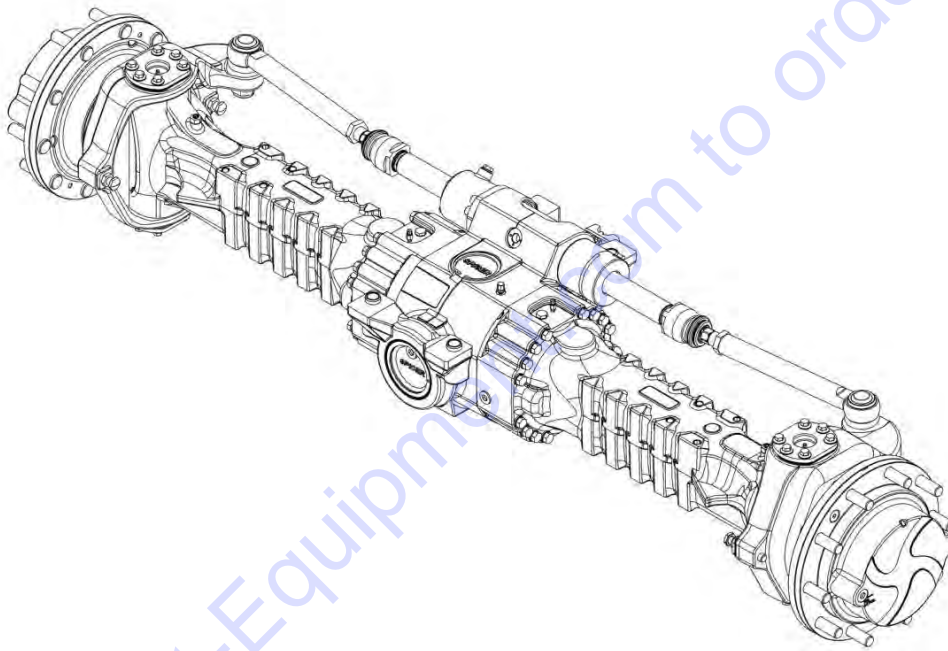
**FIGURE 5-49. REAR AXLE, SUPPORT KIT**

ITEM	PART NUMBER	QTY	DESCRIPTION	REV
	70026630	Ref	Support Kit	
1	91474516	2	Bushing, Reduction	
2	91474515	1	Bushing, Thrust	
3	91514099	1	Fitting, Grease	
4	80204117	1	Plug	
5	70025884	1	Bolt	

Go to Discount-Equipment.com to order your parts

## SECTION 5 - DRIVETRAIN

FIGURE 5-50. REAR AXLE, 74HP



ART\_1005183200-A

**SECTION 5 - DRIVETRAIN**

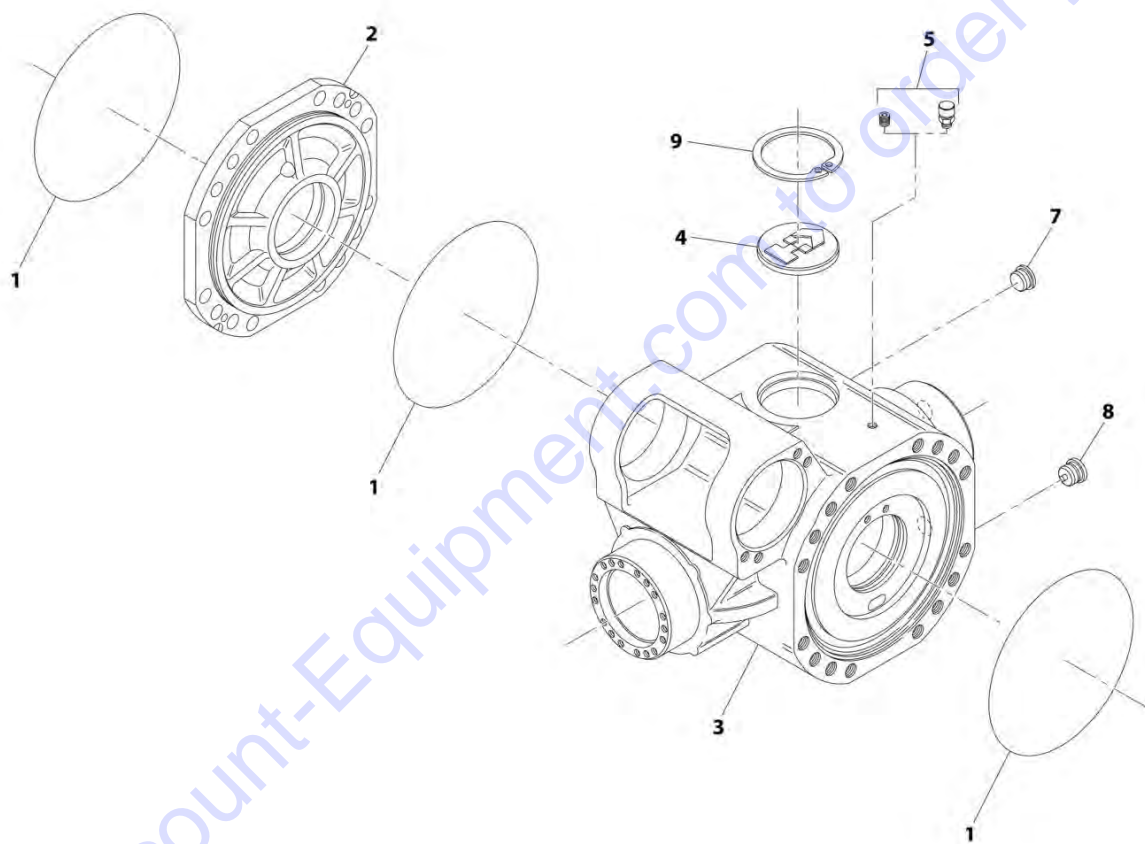
**FIGURE 5-50. REAR AXLE, 74HP**

ITEM	PART NUMBER	QTY	DESCRIPTION	REV
	1005183200	Ref	Rear Axle, 74HP	A
		Ref	Rear Axle, Central Housing (See Separate Breakdown in this Section)	
		Ref	Rear Axle, Differential (See Separate Breakdown in this Section)	
		Ref	Rear Axle, Hub Reduction (See Separate Breakdown in this Section)	
		Ref	Rear Axle, Brakes (See Separate Breakdown in this Section)	
		Ref	Rear Axle, Steering (See Separate Breakdown in this Section)	
		Ref	Rear Axle, Trunion (See Separate Breakdown in this Section)	

Go to Discount-Equipment.com to order your parts

# SECTION 5 - DRIVETRAIN

## FIGURE 5-51. REAR AXLE, CENTRAL HOUSING 74HP



ART\_1005183200\_1-A

**SECTION 5 - DRIVETRAIN**

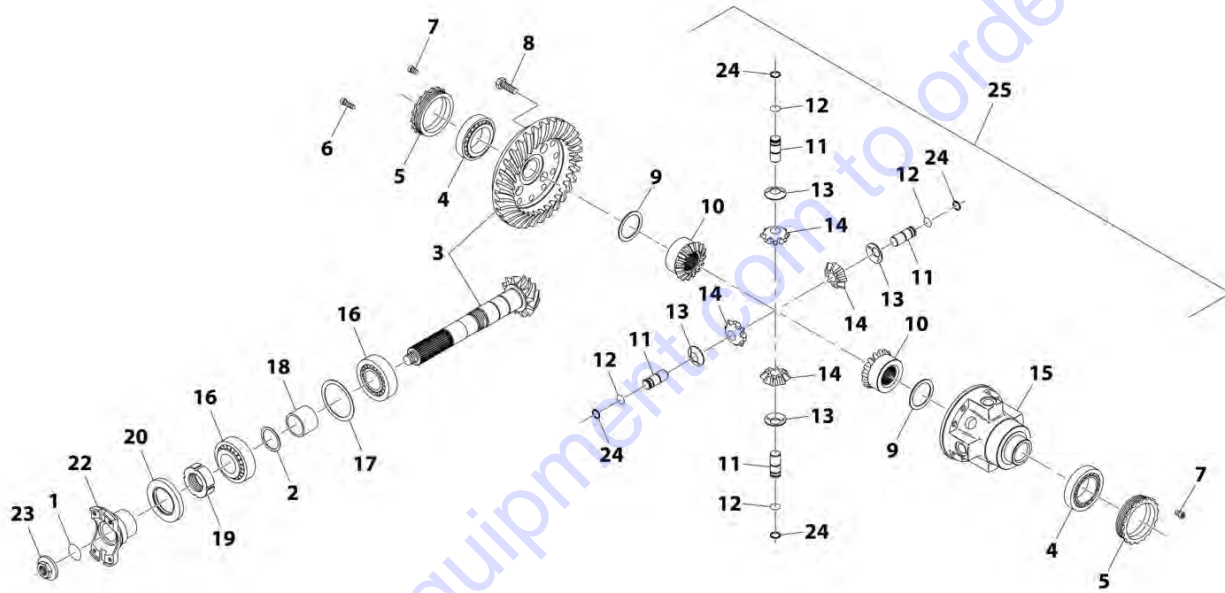
**FIGURE 5-51. REAR AXLE, CENTRAL HOUSING 74HP**

ITEM	PART NUMBER	QTY	DESCRIPTION	REV
1	91474507	3	O-Ring	
2	70024519	1	Cover	
3	70026749	1	Housing	
4	91514098	1	Plug	
5	91474512	1	Vent	
7	70028387	1	Plug	
8	70028469	1	Plug	
9	80204005	1	Circlip	

Go to Discount-Equipment.com to order your parts

# SECTION 5 - DRIVETRAIN

## FIGURE 5-52. REAR AXLE, DIFFERENTIAL 74HP (742)



ART\_1005183200\_2-A

**SECTION 5 - DRIVETRAIN**

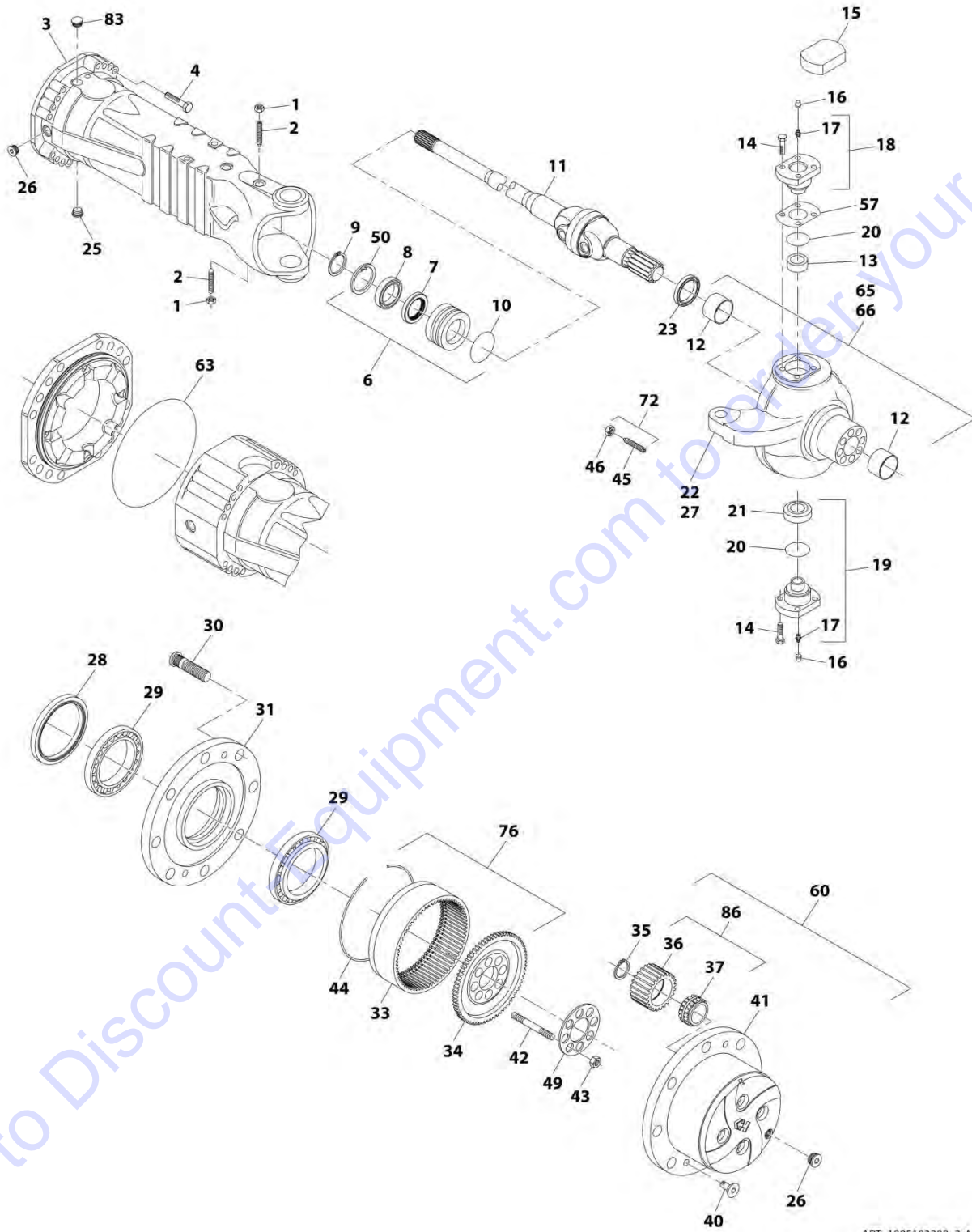
**FIGURE 5-52. REAR AXLE, DIFFERENTIAL 74HP (742)**

ITEM	PART NUMBER	QTY	DESCRIPTION	REV
1	91474529	1	O-Ring	
2	70025556	1	Shim Kit	
3	70028470	1	Bevel Gear Set	
4	70028471	2	Bearing, Taper Roller	
5	70028472	2	Nut, Ring	
6	91474591	4	Bolt	
7	91514134	2	Bolt	
8	70025562	12	Bolt	
9	91474593	2	Washer, Friction	
10	70025569	2	Gear, Differential Side	
11	7029131	4	Pin	
12	91474551	4	Circlip	
13	91474553	4	Washer, Friction	
14	70025570	4	Pinion, Differential	
15	91474595	1	Carrier, Differential	
16	3968141	2	Bearing, Taper Roller	
17	70025555	1	Shim Kit	
18	91474539	1	Spacer	
19	91474533	1	Nut, Ring	
20	70024522	1	Seal	
22	70022797	1	Flange	
23	70026631	1	Nut	
24	91474550	4	Circlip	
25	70021140	1	Differential (includes items 9 thru 15, 24)	

Go to Discount-Equipment.com to order your parts

# SECTION 5 - DRIVETRAIN

## FIGURE 5-53. REAR AXLE, HUB REDUCTION 74HP (742)



ART\_1005183200\_3-A



## SECTION 5 - DRIVETRAIN

**FIGURE 5-53. REAR AXLE, HUB REDUCTION 74HP (742)**

ITEM	PART NUMBER	QTY	DESCRIPTION	REV
1	91514082	2	Nut	
2	91514081	2	Bolt	
3	70022798	2	Axle Case	
4	70022799	32	Bolt	
6	91514149	2	Reduction Bushing (includes items 7, 8, 10 & 50)	
7	91514147	2	Seal	
8	91514146	2	Ball Bearing	
9	80204071	2	Circlip	
10	91514148	2	O-Ring	
11	70026624	2	Joint, Double Universal	
12	91514111	2	Bushing, Thrust	
13	7028714	2	Bushing	
14	70025562	24	Bolt	
15	70028392	2	Cover	
16	80204117	2	Plug	
17	70024881	4	Fitting, Grease	
18	91514112	2	Pivot Pin	
19	7028715	2	Pivot Pin	
20	7028716	4	Seal, Dust	
21	91514095	2	Bearing	
22	N.S.S.	1	Steering Case	
23	70026238	2	Seal	
25	70028469	2	Plug	
26	70028387	4	Plug	
27	N.S.S.	1	Steering Case	
28	7028721	2	Seal	
29	91474576	4	Bearing	
30	91514183	20	Wheel Stud	
31	7029737	2	Wheel Hub	
33	91474580	2	Ring Gear	
34	70026798	2	Support, Ring Gear	
35	91474585	4	Circlip	
36	70028473	8	Planet Gear	
37	70028474	8	Bearing	
40	91514189	4	Bolt, Countersunk	
41	7029286	1	Carrier, Planet Gear	
42	70027315	16	Stud	
43	91474584	16	Nut	
44	91474579	2	Circlip	
45	91514117	4	Bolt	
46	80204065	4	Nut	
49	70026622	2	Plate, Locking	
50	80204005	2	Circlip	
57	70025561	1	Shim Kit	
60	7029431	2	Planet Gear Carrier	
63	91514181	2	O-Ring	
65	70026626	1	Case, Steering (includes items 22 & 12)	
66	70026627	1	Case, Steering (includes items 27 & 12)	
72	7028733	4	Bolt, Steering Adjust (includes items 45 & 46)	
76	70026625	2	Kit, Ring Gear Support	

## SECTION 5 - DRIVETRAIN

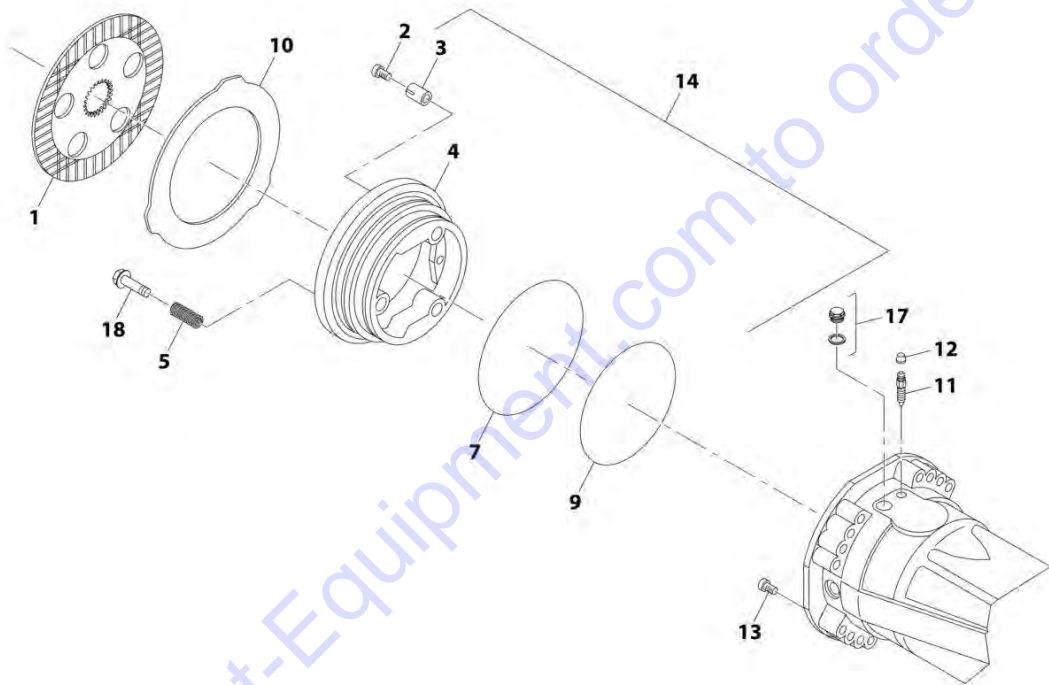
ITEM	PART NUMBER	QTY	DESCRIPTION	REV
83	80204012	2	Plug	
86	70027114	8	Kit, Planet Gear	

Go to [Discount-Equipment.com](http://Discount-Equipment.com) to order your parts



# SECTION 5 - DRIVETRAIN

FIGURE 5-54. REAR AXLE, BRAKES 74HP (742)



Go to Discount-Equipment.com to order your parts

ART\_1005183200\_4-A

**SECTION 5 - DRIVETRAIN**

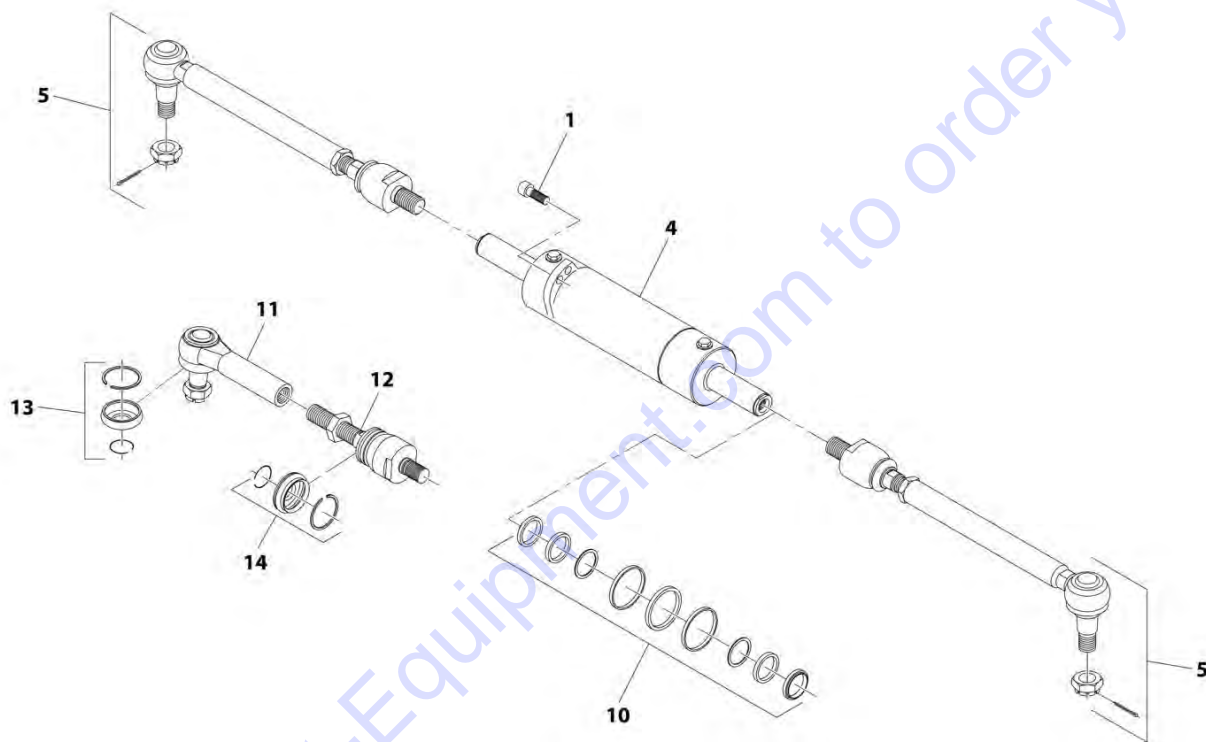
**FIGURE 5-54. REAR AXLE, BRAKES 74HP (742)**

ITEM	PART NUMBER	QTY	DESCRIPTION	REV
1	91474568	6	Disc	
2	7029786	6	Bolt	
3	70027317	6	Spring	
4	N.S.S.	2	Piston	
5	91514159	6	Spring	
7	70025821	2	O-Ring	
9	70025822	2	O-Ring	
10	70025823	8	Disc, Intermediate Brake	
11	80204281	2	Bolt, Bleeding	
12	80204117	2	Plug	
13	70021613	2	Bolt	
14	70027772	2	Piston (includes items 4, 3, 7, 9)	
17	91514154	2	Bolt	
18	70024210	6	Bolt	

Go to Discount-Equipment.com to order your parts

# SECTION 5 - DRIVETRAIN

## FIGURE 5-55. REAR AXLE, STEERING 74HP (742)



ART\_1005183200\_5-A

**SECTION 5 - DRIVETRAIN**

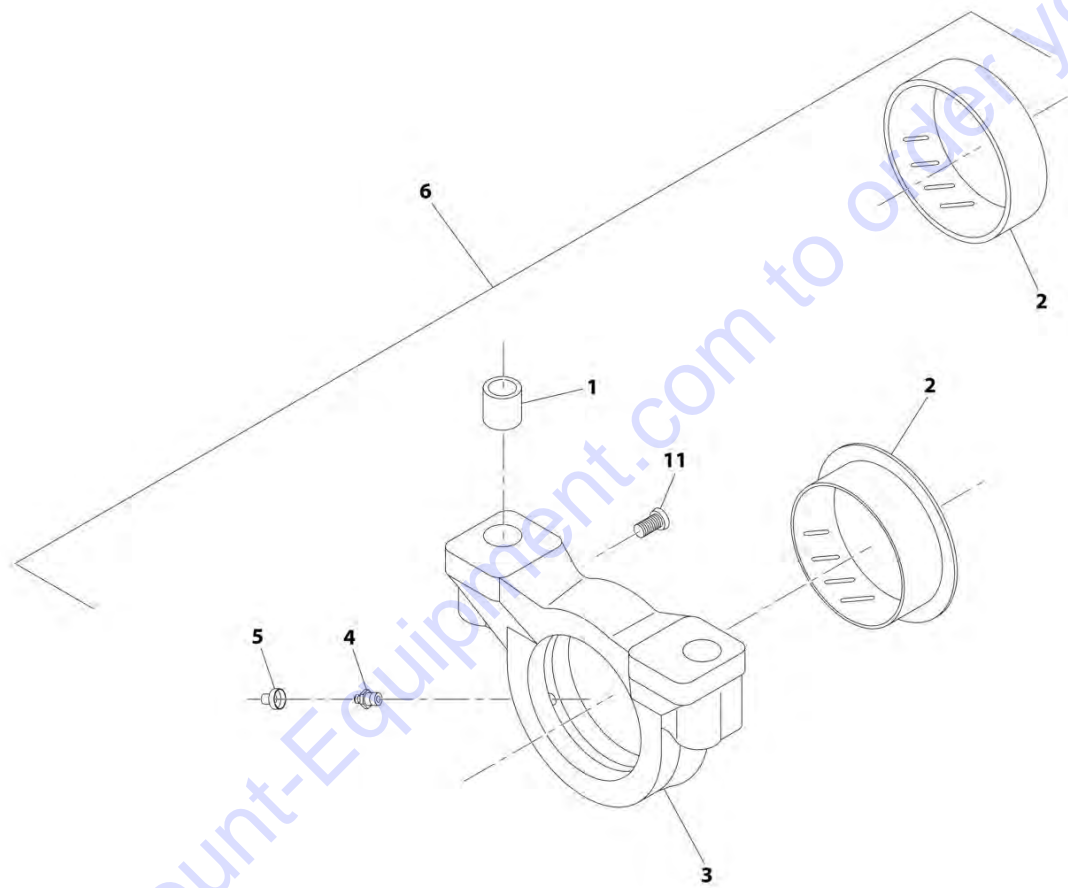
**FIGURE 5-55. REAR AXLE, STEERING 74HP (742)**

ITEM	PART NUMBER	QTY	DESCRIPTION	REV
1	91474522	4	Bolt	
4	7029528	1	Cylinder	
5	70026799	2	Bar	
10	7029529	1	Seal Kit	
11	70028475	1	Joint, 90	
12	70028476	1	Axial Joint	
13	70028477	1	Rubber Boot and Locking Ring	
14	70028468	1	Rubber Boot and Locking Ring	

Go to Discount-Equipment.com to order your parts

# SECTION 5 - DRIVETRAIN

FIGURE 5-56. REAR AXLE, TRUNION 74HP (742)



ART\_1005183200\_6-A



**SECTION 5 - DRIVETRAIN**

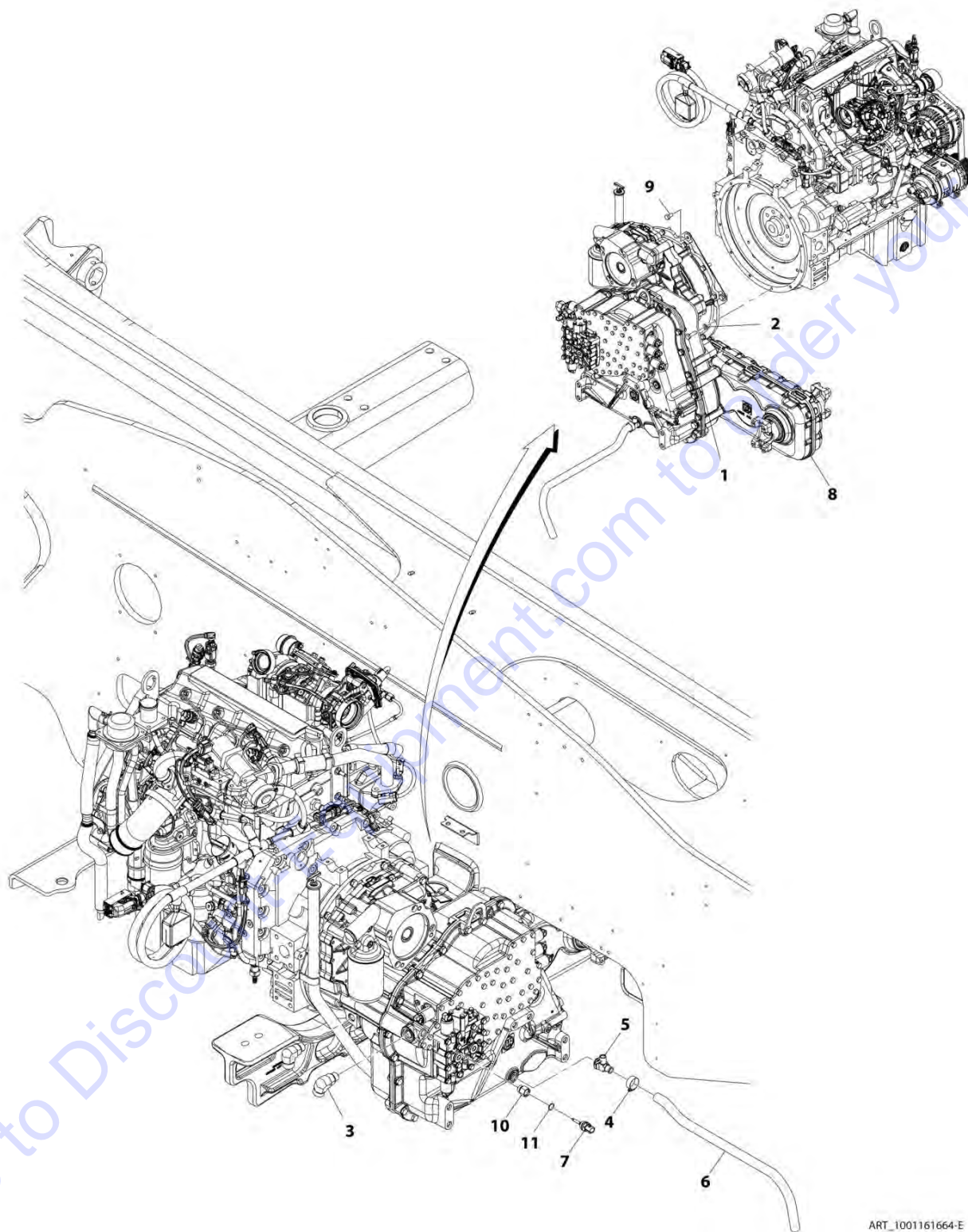
**FIGURE 5-56. REAR AXLE, TRUNION 74HP (742)**

ITEM	PART NUMBER	QTY	DESCRIPTION	REV
1	91474516	4	Bushing, Reduction	
2	91474515	2	Bushing, Thrust	
3	N.S.S.	2	Support	
4	70024881	2	Fitting, Grease	
5	80204117	2	Plug	
6	70026630	2	Kit, Support (includes items 1 thru 5, 11)	
11	70025884	2	Bolt	

Go to Discount-Equipment.com to order your parts

# SECTION 5 - DRIVETRAIN

## FIGURE 5-57. TRANSMISSION INSTALLATION



ART\_1001161664-E

**SECTION 5 - DRIVETRAIN**

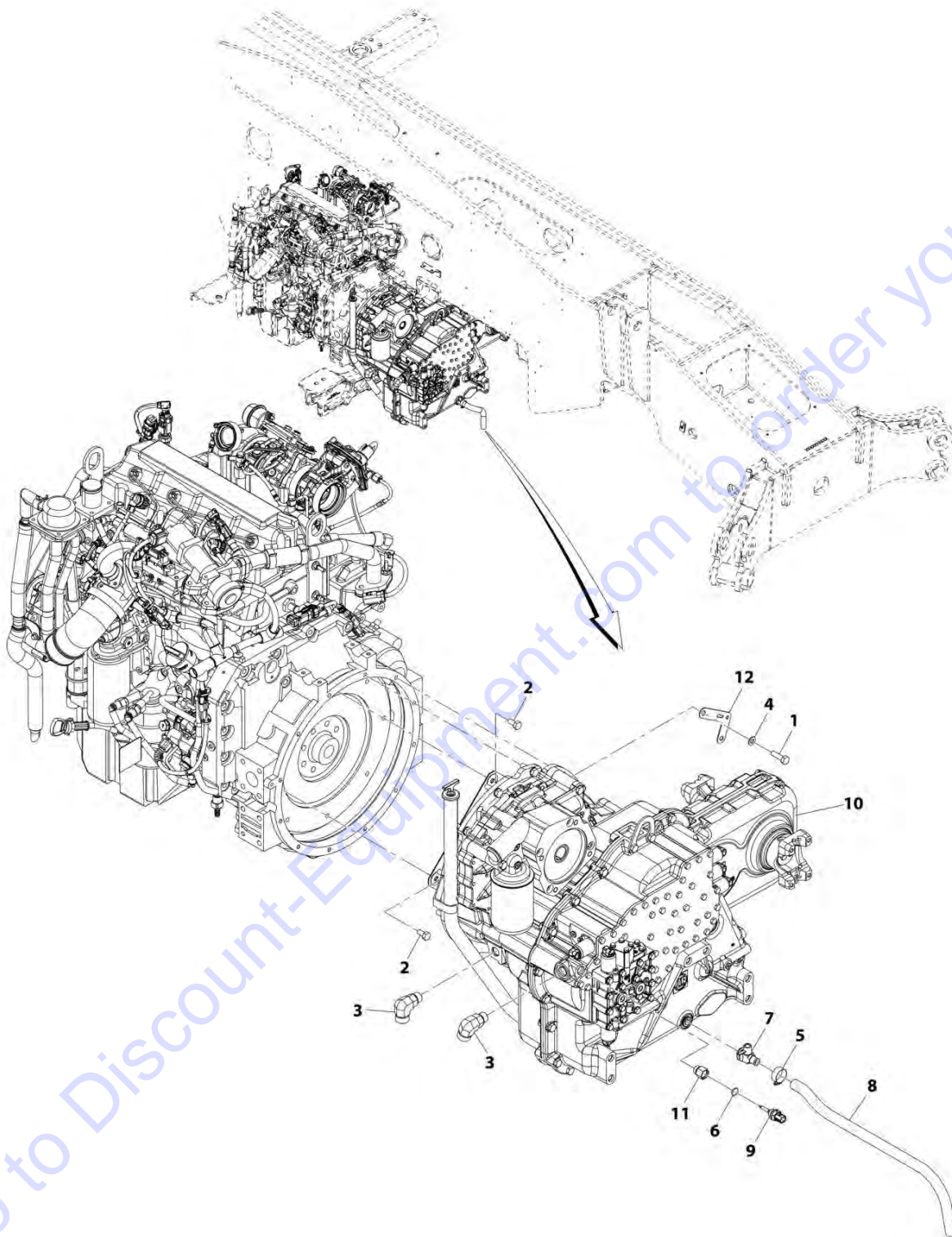
**FIGURE 5-57. TRANSMISSION INSTALLATION**

ITEM	PART NUMBER	QTY	DESCRIPTION	REV
	1001161664	Ref	Transmission Installation	E
1	0711015	12	Screw, M10X35	
2	4812000	12	Washer, M10	
3	2131210	2	Fitting, 90 ORFS	
4	8405007	1	Clamp, Hose	
5	1001097053	1	Valve, Oil Drain	
6	1001186225	1	Hose, Drain	
7	1001128478	1	Switch, Oil Temperature	
8	1001170171	1	Transmission, Powershift (See Separate Breakdown in this Section)	
9	0761010	4	Screw, M10X20	
10	1001220760	1	Adapter	
11	1001009163	1	Seal	

Go to Discount-Equipment.com to order your parts

# SECTION 5 - DRIVETRAIN

## FIGURE 5-58. TRANSMISSION INSTALLATION



ART\_1001227962-B

**SECTION 5 - DRIVETRAIN**

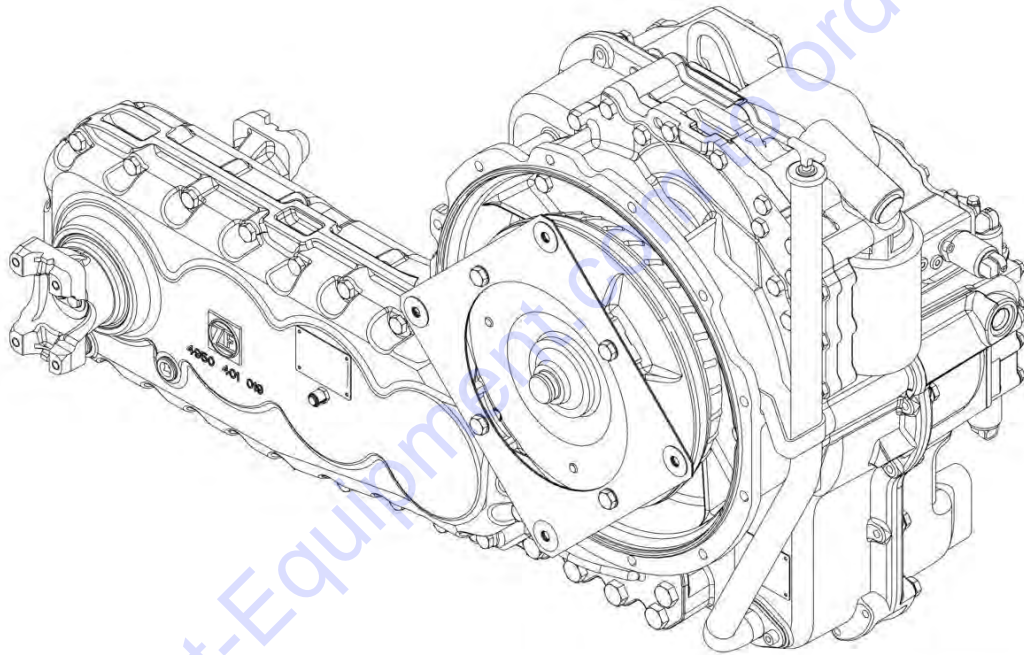
**FIGURE 5-58. TRANSMISSION INSTALLATION**

ITEM	PART NUMBER	QTY	DESCRIPTION	REV
	1001227962	Ref	Transmission Installation, 74HP (ULS)	B
1	0711015	12	Screw, M10X35	
2	0761010	4	Screw, M10X20	
3	2131210	2	Fitting, 90 ORFS	
4	4812000	12	Washer, M10	
5	8405007	1	Clamp, Hose	
6	1001009163	1	Seal	
7	1001097053	1	Valve, Oil Drain	
8	1001186225	1	Hose, Drain	
9	1001128478	1	Sensor	
10	1001170171	1	Transmission, Powershift (See Separate Breakdown in this Section)	
11	1001220760	1	Adapter	
12	1001227286	2	Bracket	

Go to Discount-Equipment.com to order your parts

## SECTION 5 - DRIVETRAIN

FIGURE 5-59. POWERSHIFT TRANSMISSION



ART\_1001170171\_1-C

**SECTION 5 - DRIVETRAIN**

**FIGURE 5-59. POWERSHIFT TRANSMISSION**

ITEM	PART NUMBER	QTY	DESCRIPTION	REV
	1001170171	Ref	Powershift Transmission	C
		Ref	Transmission, Engine Connection (See Separate Breakdown in this Section)	
		Ref	Transmission, Converter (See Separate Breakdown in this Section)	
		Ref	Transmission, Input (See Separate Breakdown in this Section)	
		Ref	Transmission, Housing Group 1 (See Separate Breakdown in this Section)	
		Ref	Transmission, Housing Group 2 (See Separate Breakdown in this Section)	
		Ref	Transmission, Clutch Group 1 (See Separate Breakdown in this Section)	
		Ref	Transmission, Clutch Group 2 (See Separate Breakdown in this Section)	
		Ref	Transmission, Coupling Group 1 (See Separate Breakdown in this Section)	
		Ref	Transmission, Coupling Group 2 (See Separate Breakdown in this Section)	
		Ref	Transmission, Coupling Group 3 (See Separate Breakdown in this Section)	
		Ref	Transmission, Coupling Group 4 (See Separate Breakdown in this Section)	
		Ref	Transmission, Output (See Separate Breakdown in this Section)	
		Ref	Transmission, Power Take-Off (See Separate Breakdown in this Section)	
		Ref	Transmission, Control Unit (See Separate Breakdown in this Section)	
		Ref	Transmission, Shift System (See Separate Breakdown in this Section)	
		Ref	Transmission, Pressure Regulator (See Separate Breakdown in this Section)	
		Ref	Transmission, Pressure Oil Pump (See Separate Breakdown in this Section)	
		Ref	Transmission, Inductive Transmitter (See Separate Breakdown in this Section)	
		Ref	Transmission, Filter (See Separate Breakdown in this Section)	
		Ref	Transmission, Accessories Group 1 (See Separate Breakdown in this Section)	
		Ref	Transmission, Peripherals Group 1 (See Separate Breakdown in this Section)	
		Ref	Transmission, Peripherals Group 2 (See Separate Breakdown in this Section)	
		Ref	Transmission, Accessories Group 2 (See Separate Breakdown in this Section)	
		Ref	Transmission, Housing Group (See Separate Breakdown in this Section)	
		Ref	Transmission, Housing 1 (See Separate Breakdown in this Section)	
		Ref	Transmission, Housing 2 (See Separate Breakdown in this Section)	
		Ref	Transmission, Housing Input (See Separate Breakdown in this Section)	
		Ref	Transmission, Housing Output 1 (See Separate Breakdown in this Section)	

## SECTION 5 - DRIVETRAIN

ITEM	PART NUMBER	QTY	DESCRIPTION	REV
		Ref	Transmission, Housing Output 2 (See Separate Breakdown in this Section)	

Go to Discount-Equipment.com to order your parts



# PARTS FINDER

**Search Website  
by Part Number**



**Search Manual  
Library For Parts  
Manual & Lookup Part  
Numbers – Purchase  
or Request Quote**

**Can't Find Part or  
Manual? Request Help  
by Manufacturer,  
Model & Description**

Discount-Equipment.com is your online resource for quality parts & equipment.

Florida: **561-964-4949** Outside Florida TOLL FREE: **877-690-3101**

## Need parts?

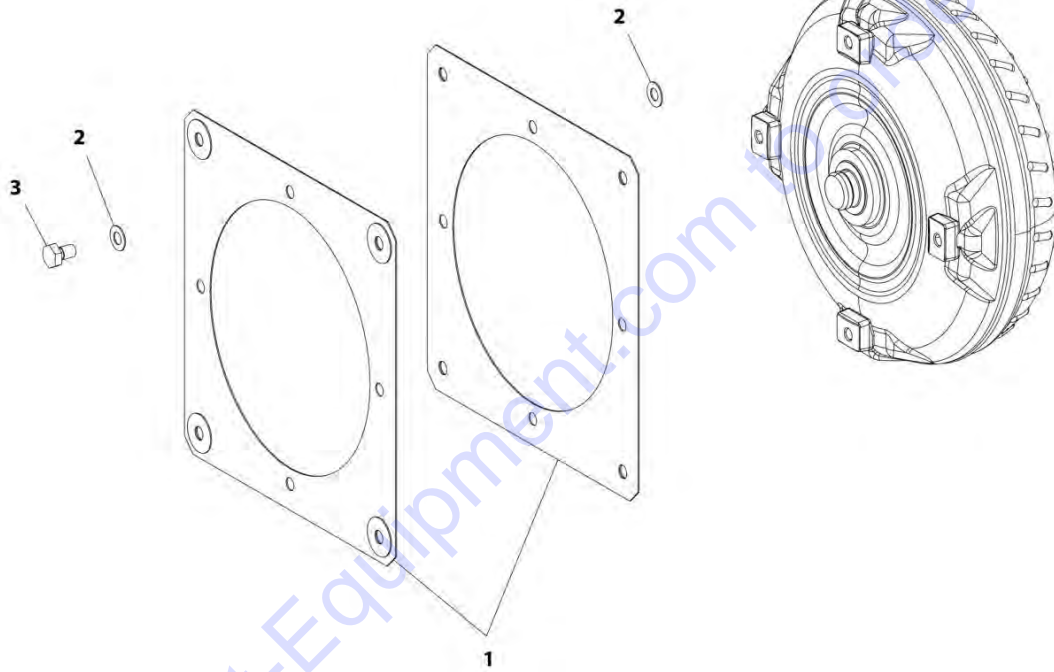
Click on this link: <http://www.discount-equipment.com/category/5443-parts/> and choose one of the options to help get the right parts and equipment you are looking for. Please have the machine model and serial number available in order to help us get you the correct parts. If you don't find the part on the website or on one of the online manuals, please fill out the request form and one of our experienced staff members will get back to you with a quote for the right part that your machine needs.

We sell worldwide for the brands: Genie, Terex, JLG, MultiQuip, Mikasa, Essick, Whiteman, Mayco, Toro Stone, Diamond Products, Generac Magnum, Airman, Haulotte, Barreto, Power Blanket, Nifty Lift, Atlas Copco, Chicago Pneumatic, Allmand, Miller Curber, Skyjack, Lull, Skytrak, Tsurumi, Husquvarna Target, Stow, Wacker, Sakai, Mi-T-M, Sullair, Basic, Dynapac, MBW, Weber, Bartell, Bennar Newman, Haulotte, Ditch Runner, Menegotti, Morrison, Contec, Buddy, Crown, Edco, Wyco, Bomag, Laymor, EZ Trench, Bil-Jax, F.S. Curtis, Gehl Pavers, Heli, Honda, ICS/PowerGrit, IHI, Partner, Imer, Clipper, MMD, Koshin, Rice, CH&E, General Equipment, Amida, Coleman, NAC, Gradall, Square Shooter, Kent, Stanley, Tamco, Toku, Hatz, Kohler, Robin, Wisconsin, Northrock, Oztec, Toker TK, Rol-Air, APT, Wylie, Ingersoll Rand / Doosan, Innovatech, Con X, Ammann, Mecalac, Makinex, Smith Surface Prep, Small Line, Wanco, Yanmar



# SECTION 5 - DRIVETRAIN

## FIGURE 5-60. TRANSMISION, ENGINE CONNECTION



ART\_1001170171\_2-C

**SECTION 5 - DRIVETRAIN**

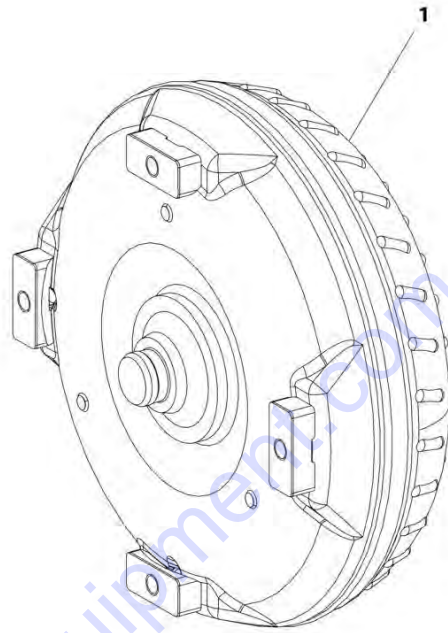
**FIGURE 5-60. TRANSMISION, ENGINE CONNECTION**

ITEM	PART NUMBER	QTY	DESCRIPTION	REV
1	1319229	2	Diaphragm	
2	7026745	8	Washer, Thrust M10	
3	7026744	4	Bolt, M10X16	

Go to Discount-Equipment.com to order your parts

## SECTION 5 - DRIVETRAIN

FIGURE 5-61. TRANSMISSION, CONVERTER



ART\_1001170171\_3-C

**SECTION 5 - DRIVETRAIN**

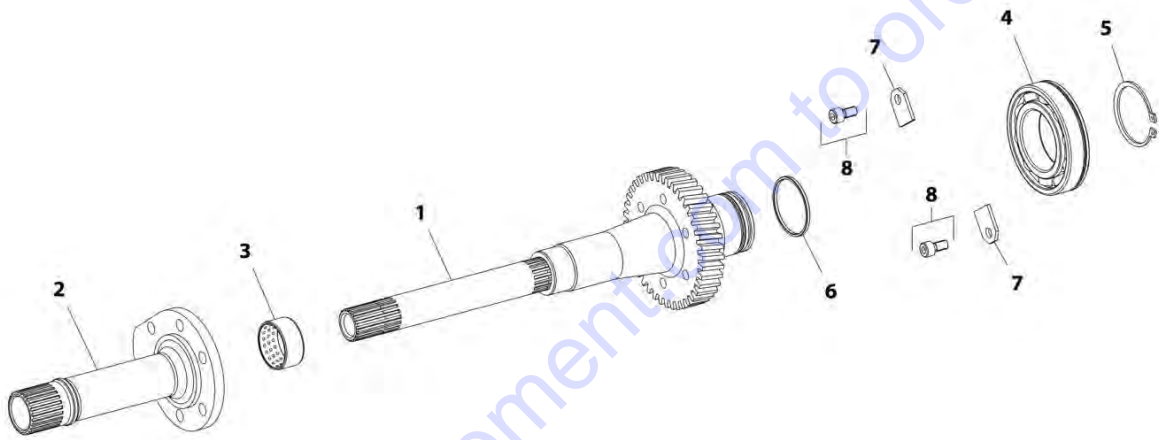
**FIGURE 5-61. TRANSMISSION, CONVERTER**

ITEM	PART NUMBER	QTY	DESCRIPTION	REV
1	7026746	1	Converter, Torque	

Go to Discount-Equipment.com to order your parts

# SECTION 5 - DRIVETRAIN

## FIGURE 5-62. TRANSMISSION, INPUT



ART\_1001170171\_4-C

**SECTION 5 - DRIVETRAIN**

**FIGURE 5-62. TRANSMISSION, INPUT**

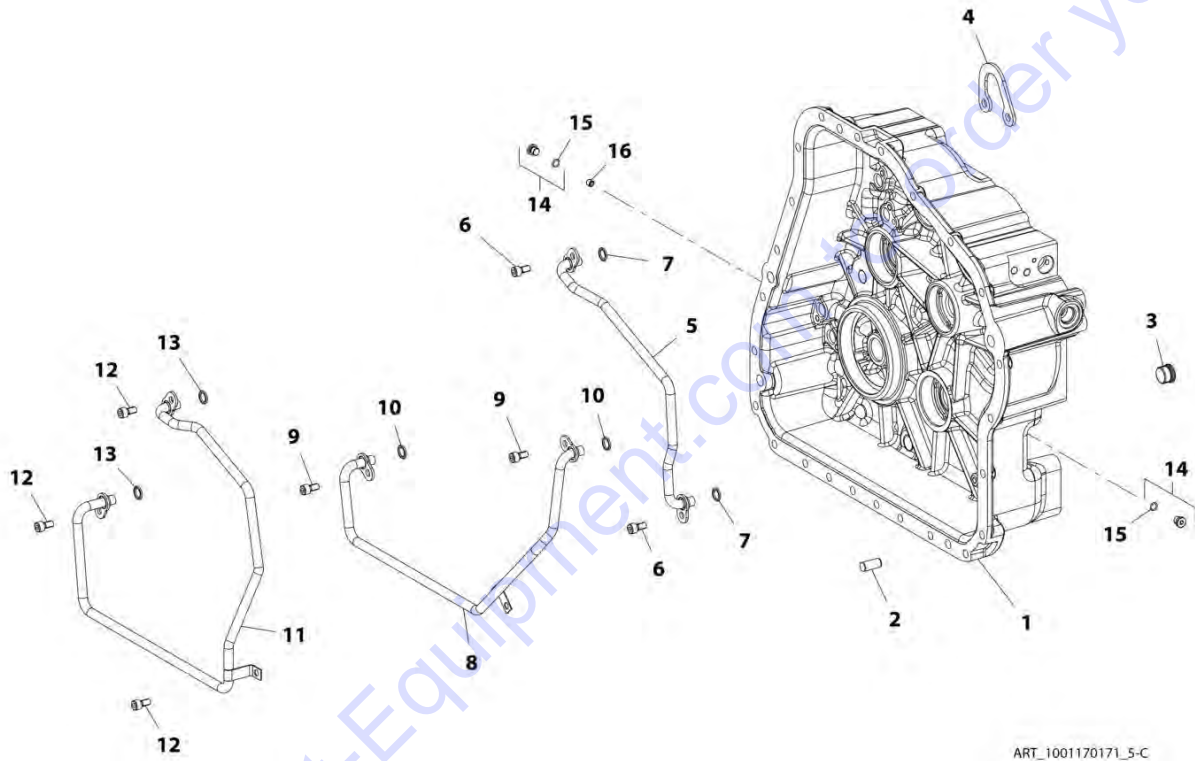
ITEM	PART NUMBER	QTY	DESCRIPTION	REV
1	7026747	1	Shaft, Turbine	
2	7026748	1	Shaft, Stator	
3	1319558	1	Bushing, Bearing	
4	1319563	1	Bearing, Ball	
5	80304405	1	Ring, Retaining	
6	7026749	1	Ring, Piston	
7	70026515	2	Strap	
8	70026516	2	Bolt, M8X16	

Go to Discount-Equipment.com to order your parts



# SECTION 5 - DRIVETRAIN

## FIGURE 5-63. TRANSMISSION, HOUSING GROUP 1



ART\_100117017L\_5-C

**SECTION 5 - DRIVETRAIN**

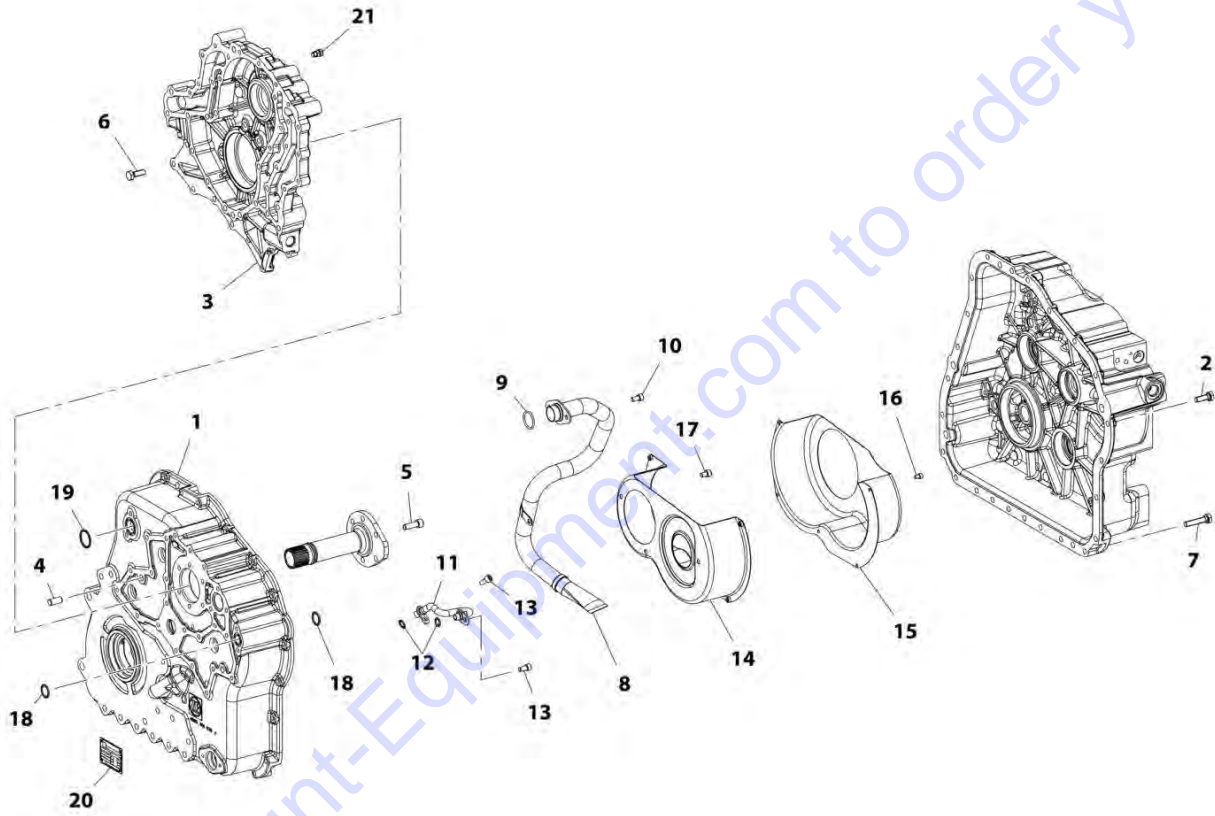
**FIGURE 5-63. TRANSMISSION, HOUSING GROUP 1**

ITEM	PART NUMBER	QTY	DESCRIPTION	REV
1	7029973	1	Housing	
2	1319571	2	Pin, Dowel	
3	70023404	1	Plug	
4	1319590	1	Bracket, Lift	
5	7026750	1	Pipe	
6	70026516	2	Bolt, M8X16	
7	8036847	2	O-Ring	
8	7026751	1	Pipe	
9	70026516	2	Bolt, M8X16	
10	8036847	2	O-Ring	
11	7026752	1	Pipe	
12	70026516	3	Bolt, M8X16	
13	8036847	2	O-Ring	
14	70026517	7	Plug, Screw	
15	10731709	7	O-Ring	
16	70026518	1	Nozzle	

Go to Discount-Equipment.com to order your parts

# SECTION 5 - DRIVETRAIN

## FIGURE 5-64. TRANSMISSION, HOUSING GROUP 2



ART\_1001170171\_6-C

**SECTION 5 - DRIVETRAIN**

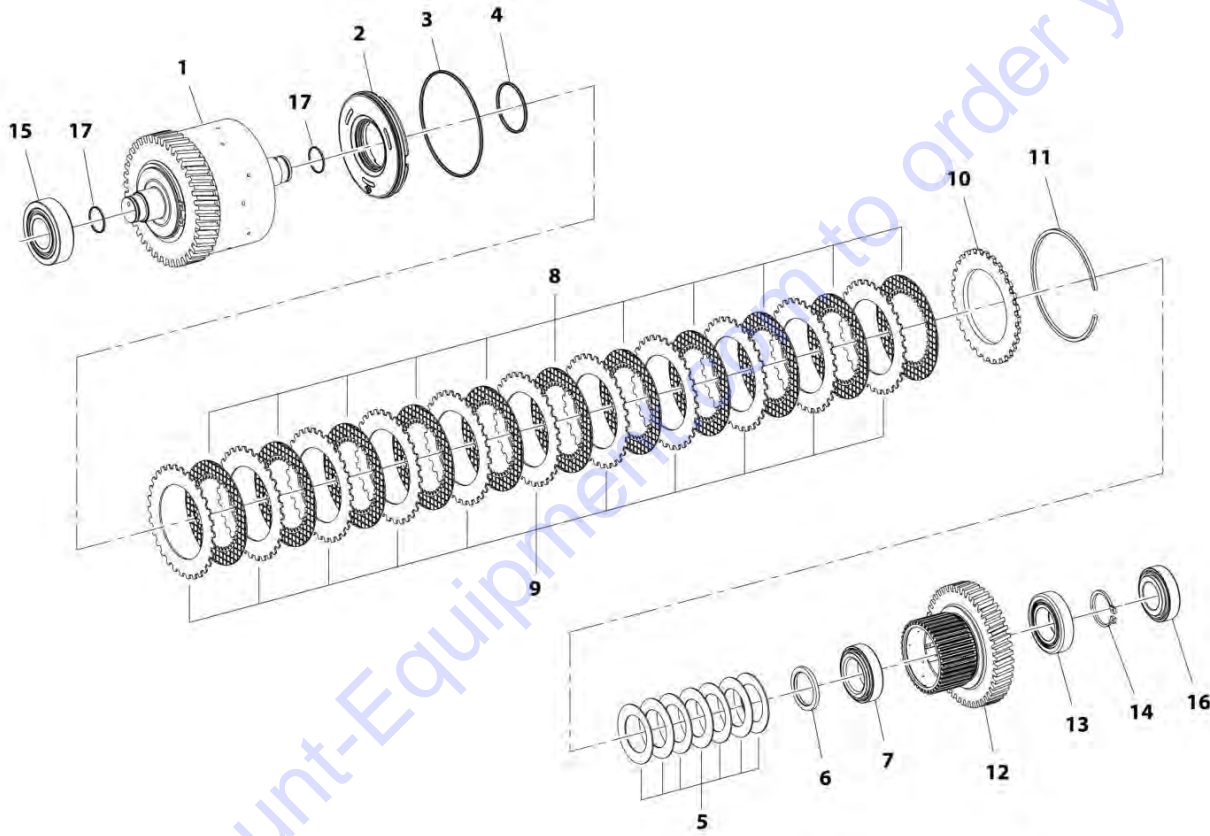
**FIGURE 5-64. TRANSMISSION, HOUSING GROUP 2**

ITEM	PART NUMBER	QTY	DESCRIPTION	REV
1	7029972	1	Housing	
2	80304394	18	Bolt, M10X30	
3	70021920	1	Housing, PTO	
4	1319571	2	Pin, Dowel	
5	70026519	6	Bolt, M10X30	
6	80304394	13	Bolt, M10X30	
7	7026794	6	Bolt, M10X50	
8	7026753	1	Tube, Suction	
9	70023885	1	O-Ring	
10	70026516	2	Bolt, M8X16	
11	7026754	1	Pipe	
12	8036847	2	O-Ring	
13	70026516	2	Bolt, M8X16	
14	7026755	1	Sheet, Screen	
15	7026756	1	Sheet, Screen	
16	70026520	5	Bolt, M6X10	
17	70026521	3	Bolt, M8X12	
18	7026792	2	O-Ring	
19	70023885	1	O-Ring	
20	N.S.S.	1	Plate, Serial Number	
21	10731744	1	Breather	

Go to Discount-Equipment.com to order your parts

# SECTION 5 - DRIVETRAIN

## FIGURE 5-65. TRANSMISSION, CLUTCH GROUP 1



ART\_1001170171\_7-C

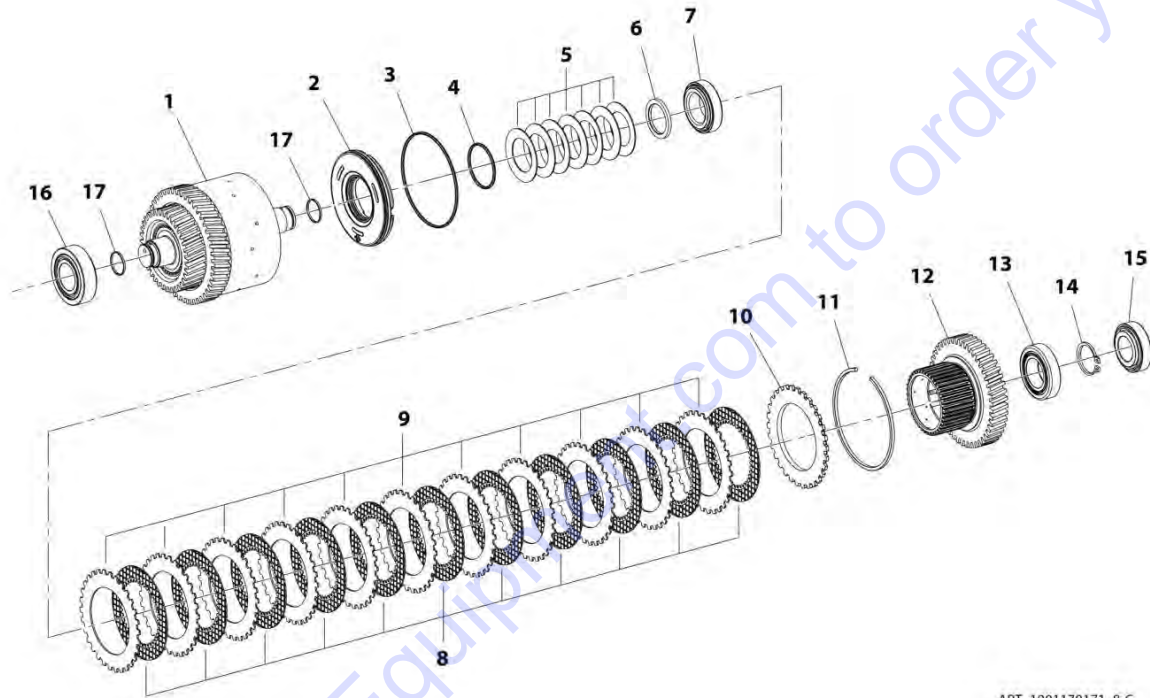
## SECTION 5 - DRIVETRAIN

**FIGURE 5-65. TRANSMISSION, CLUTCH GROUP 1**

ITEM	PART NUMBER	QTY	DESCRIPTION	REV
1	7026757	1	Coupling	
2	70022075	1	Piston	
3	1319594	1	O-Ring	
4	1319593	1	O-Ring	
5	1319595	7	Spring, Cup	
6	1319617	1	Shim	
7	1319618	AR	Bearing, Roller	
8	7026758	11	Disc, Friction	
9	7026759	11	Disc, Clutch	
10	7026760	1	Shim	
11	70026527	AR	Ring, Snap 2.00	
11	70026528	AR	Ring, Snap 2.25	
11	70026529	AR	Ring, Snap 2.50	
11	7029852	AR	Ring	
11	1319602	AR	Ring	
11	7029849	AR	Ring	
11	1319601	AR	Ring	
11	7029850	AR	Ring	
11	1319600	AR	Ring	
12	1319638	1	Carrier, Inner Disc	
13	1319620	AR	Bearing, Roller	
14	1319632	AR	Ring	
14	1319631	AR	Ring	
14	1319630	AR	Ring	
14	1319629	AR	Ring	
14	1319628	AR	Ring	
14	1319627	AR	Ring	
14	1319626	AR	Ring	
14	1319625	AR	Ring	
14	1319624	AR	Ring	
14	1319623	AR	Ring	
14	1319622	AR	Ring	
14	1319621	AR	Ring	
15	1319615	1	Bearing, Roller	
16	1319636	1	Bearing, Roller	
17	7026761	2	Ring, Piston	

# SECTION 5 - DRIVETRAIN

## FIGURE 5-66. TRANSMISSION, CLUTCH GROUP 2



ART\_1001170171\_8-C

## SECTION 5 - DRIVETRAIN

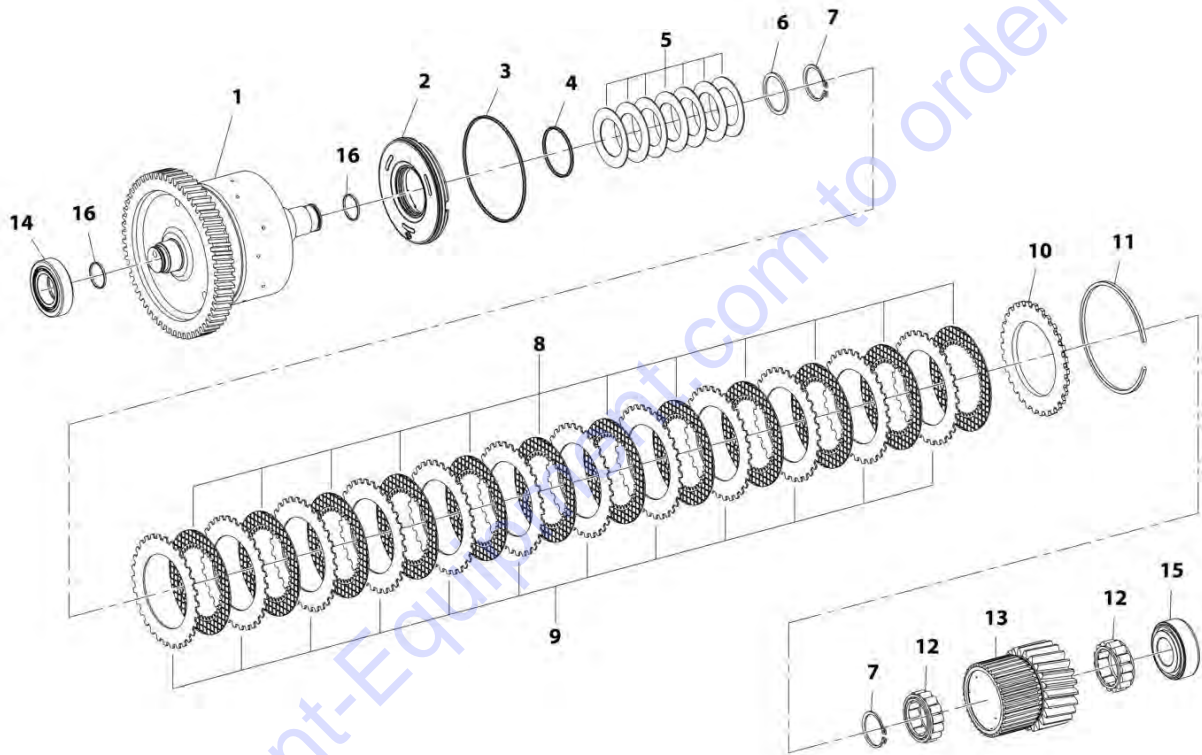
**FIGURE 5-66. TRANSMISSION, CLUTCH GROUP 2**

ITEM	PART NUMBER	QTY	DESCRIPTION	REV
1	7026762	1	Coupling	
2	70022075	1	Piston	
3	1319594	1	O-Ring	
4	1319593	1	O-Ring	
5	1319595	7	Spring, Cup	
6	1319617	1	Shim	
7	1319618	AR	Bearing, Roller	
8	7026758	11	Disc, Friction	
9	7026759	11	Disc, Static	
10	7026760	1	Shim	
11	70026527	AR	Ring, Snap 2.00	
11	70026528	AR	Ring, Snap 2.25	
11	70026529	AR	Ring, Snap 2.50	
11	7029852	AR	Ring	
11	1319602	AR	Ring	
11	7029849	AR	Ring	
11	1319601	AR	Ring	
11	7029850	AR	Ring	
11	1319600	AR	Ring	
12	1319638	1	Carrier, Disc	
13	1319620	1	Bearing, Roller	
14	1319632	AR	Ring	
14	1319631	AR	Ring	
14	1319630	AR	Ring	
14	1319629	AR	Ring	
14	1319628	AR	Ring	
14	1319627	AR	Ring	
14	1319626	AR	Ring	
14	1319625	AR	Ring	
14	1319624	AR	Ring	
14	1319623	AR	Ring	
14	1319622	AR	Ring	
14	1319621	AR	Ring	
15	1319615	1	Bearing, Roller	
16	1319636	1	Bearing, Roller	
17	7026761	2	Ring, Piston	



# SECTION 5 - DRIVETRAIN

## FIGURE 5-67. TRANSMISSION, COUPLING GROUP 1



ART\_1001170171\_9-C

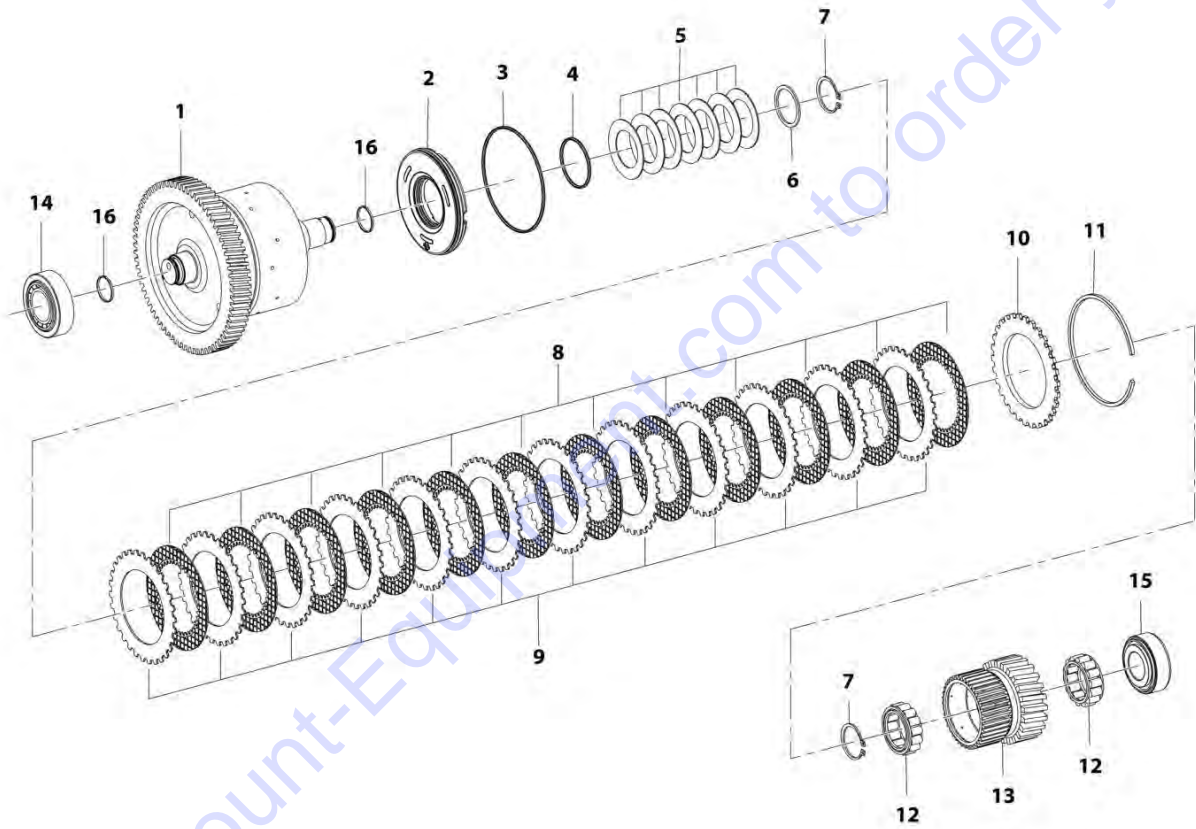
## SECTION 5 - DRIVETRAIN

**FIGURE 5-67. TRANSMISSION, COUPLING GROUP 1**

ITEM	PART NUMBER	QTY	DESCRIPTION	REV
1	70026530	1	Coupling	
2	70022075	1	Piston	
3	1319594	1	O-Ring	
4	1319593	1	O-Ring	
5	1319595	7	Spring, Cup	
6	1319596	1	Shim	
7	10731845	2	Ring, Retaining	
8	7026758	12	Disc, Friction	
9	7026759	12	Disc, Clutch	
10	7026760	1	Shim	
11	70026527	AR	Ring, Snap 2.00	
11	70026528	AR	Ring, Snap 2.25	
11	70026529	AR	Ring, Snap 2.50	
11	7029852	AR	Ring	
11	1319602	AR	Ring	
11	7029849	AR	Ring	
11	1319601	AR	Ring	
11	7029850	AR	Ring	
11	1319600	AR	Ring	
12	1319605	AR	Cage, Roller	
13	1319607	1	Carrier, Disc	
14	1319608	1	Bearing, Roller	
15	8036190	1	Bearing, Roller	
16	7026761	2	Piston Ring	

# SECTION 5 - DRIVETRAIN

## FIGURE 5-68. TRANSMISSION, COUPLING GROUP 2



ART\_1001170171\_10-C

**SECTION 5 - DRIVETRAIN**

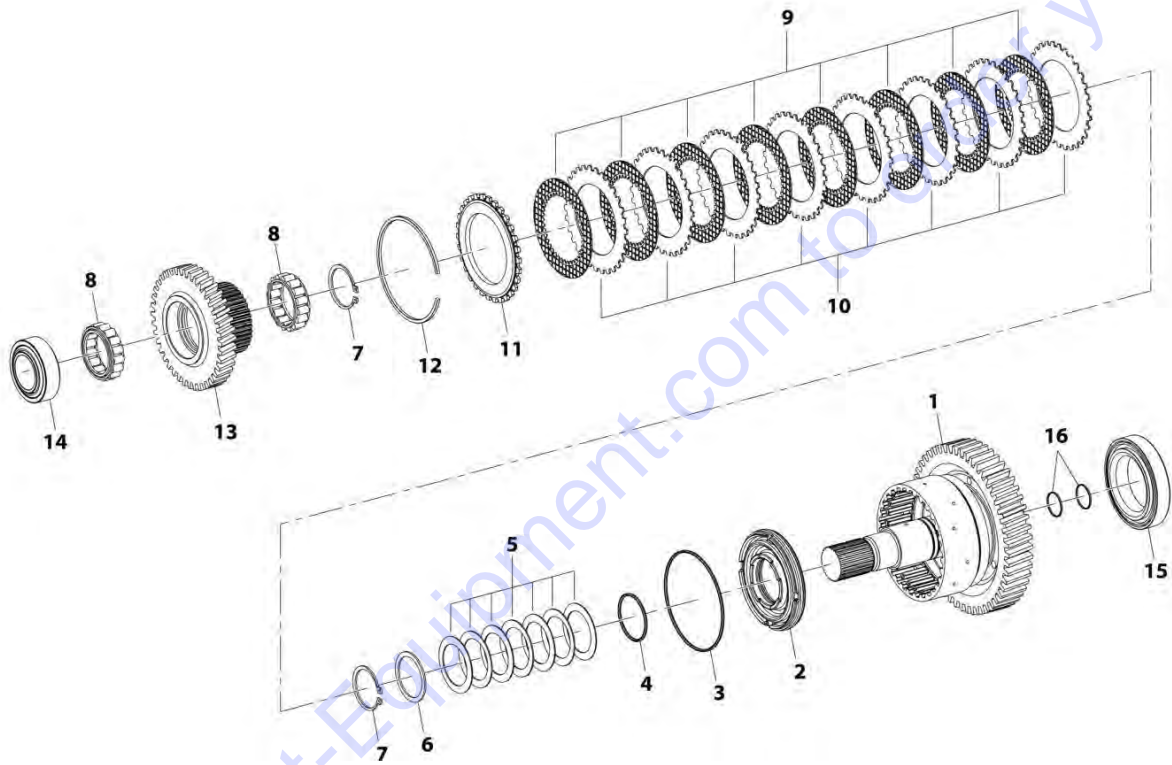
**FIGURE 5-68. TRANSMISSION, COUPLING GROUP 2**

ITEM	PART NUMBER	QTY	DESCRIPTION	REV
1	70026531	1	Coupling	
2	70022075	1	Piston	
3	1319594	1	O-Ring	
4	1319593	1	O-Ring	
5	1319595	7	Spring, Cup	
6	1319596	1	Shim	
7	10731845	2	Ring, Retaining	
8	7026758	12	Disc, Friction	
9	7026759	12	Disc, Clutch	
10	7026760	1	Shim	
11	70026527	AR	Ring, Snap 2.00	
11	70026528	AR	Ring, Snap 2.25	
11	70026529	AR	Ring, Snap 2.50	
11	7029852	AR	Ring	
11	1319602	AR	Ring	
11	7029849	AR	Ring	
11	1319601	AR	Ring	
11	7029850	AR	Ring	
11	1319600	AR	Ring	
12	1319605	AR	Bearing, Roller	
13	1319614	1	Carrier, Disc	
14	1319615	1	Bearing, Roller	
15	8036190	1	Bearing, Roller	
16	7026761	2	Ring, Piston	

Go to Discount-Equipment.com to order your parts

# SECTION 5 - DRIVETRAIN

## FIGURE 5-69. TRANSMISSION, COUPLING GROUP 3



ART\_1001170171\_11-C

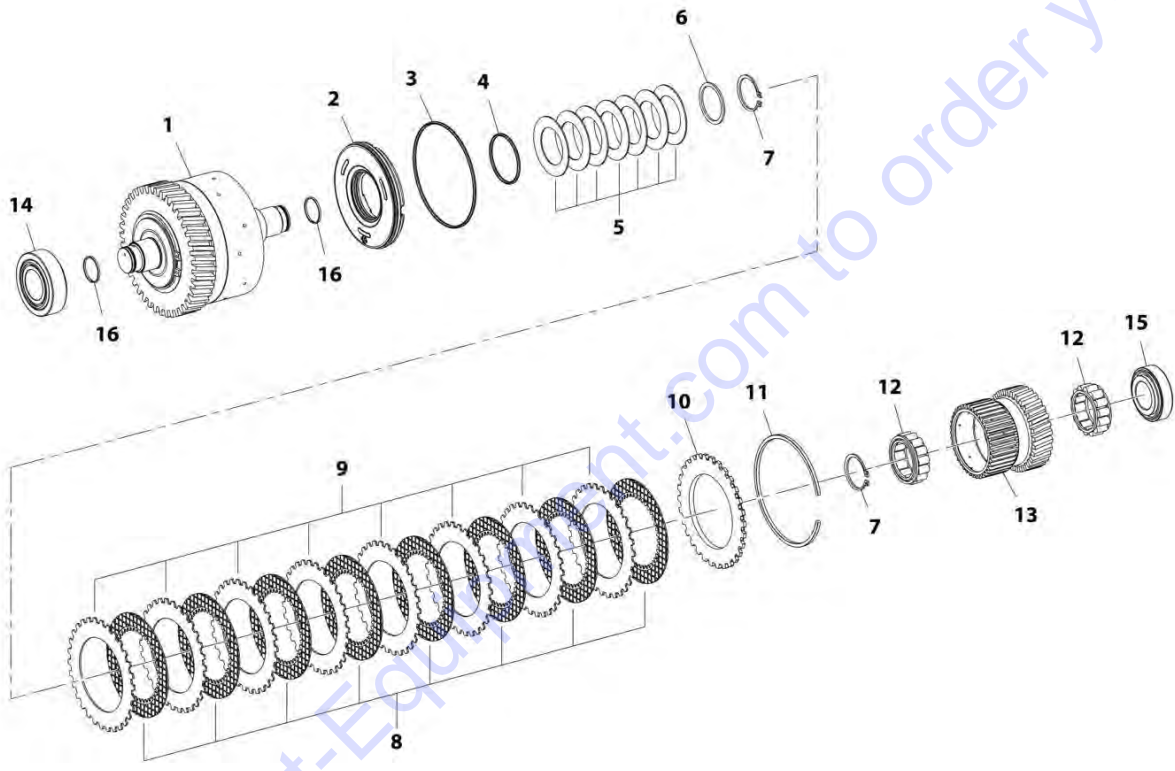
**SECTION 5 - DRIVETRAIN**

**FIGURE 5-69. TRANSMISSION, COUPLING GROUP 3**

ITEM	PART NUMBER	QTY	DESCRIPTION	REV
1	70026532	1	Coupling	
2	70022075	1	Piston	
3	1319594	1	O-Ring	
4	1319593	1	O-Ring	
5	7026765	7	Spring, Cup	
6	7026766	1	Washer	
7	80304227	AR	Ring, Retaining	
8	70021227	AR	Ring	
8	70021228	AR	Cage, Roller	
9	7026758	AR	Disc, Friction	
10	7026759	AR	Disc, Clutch	
11	7026760	AR	Shim	
12	70026527	AR	Ring	
12	70026528	AR	Ring	
12	70026529	AR	Ring	
12	7029852	AR	Ring	
12	1319602	AR	Ring	
12	7029849	AR	Ring	
12	1319601	AR	Ring	
12	7029850	AR	Ring	
12	1319600	AR	Ring	
13	7027267	1	Carrier, Disc	
14	70021268	1	Bearing, Outer Ring	
14	70021269	1	Bearing, Inner Ring	
15	7026769	AR	Bearing, Roller	
16	7026761	2	Ring, Piston	

# SECTION 5 - DRIVETRAIN

## FIGURE 5-70. TRANSMISSION, COUPLING GROUP 4



ART\_1001170171\_12-C

## SECTION 5 - DRIVETRAIN

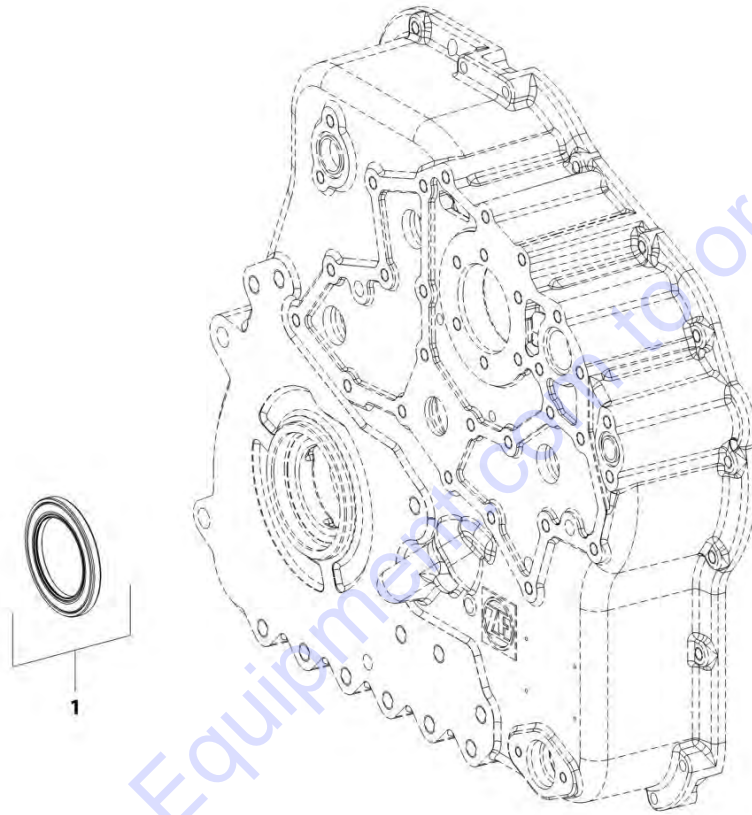
**FIGURE 5-70. TRANSMISSION, COUPLING GROUP 4**

ITEM	PART NUMBER	QTY	DESCRIPTION	REV
1	70026535	1	Coupling	
2	70022075	1	Piston	
3	1319594	1	O-Ring	
4	1319593	1	O-Ring	
5	1319595	7	Spring, Cup	
6	1319596	1	Shim	
7	10731845	2	Ring, Retaining	
8	7026758	8	Disc, Friction	
9	7026759	8	Disc, Clutch	
10	7026760	1	Shim	
11	70026527	AR	Ring, Snap 2.00	
11	70026528	AR	Ring, Snap 2.25	
11	70026529	AR	Ring, Snap 2.50	
11	7029852	AR	Ring	
11	1319602	AR	Ring	
11	7029849	AR	Ring	
11	1319601	AR	Ring	
11	7029850	AR	Ring	
11	1319600	AR	Ring	
12	1319605	AR	Bearing, Roller	
13	1319635	1	Carrier, Disc	
14	1319615	1	Bearing, Roller	
15	1319636	1	Bearing, Roller	
16	7026761	2	Ring, Piston	



# SECTION 5 - DRIVETRAIN

## FIGURE 5-71. TRANSMISSION, OUTPUT



ART\_1001170171\_13-C

**SECTION 5 - DRIVETRAIN**

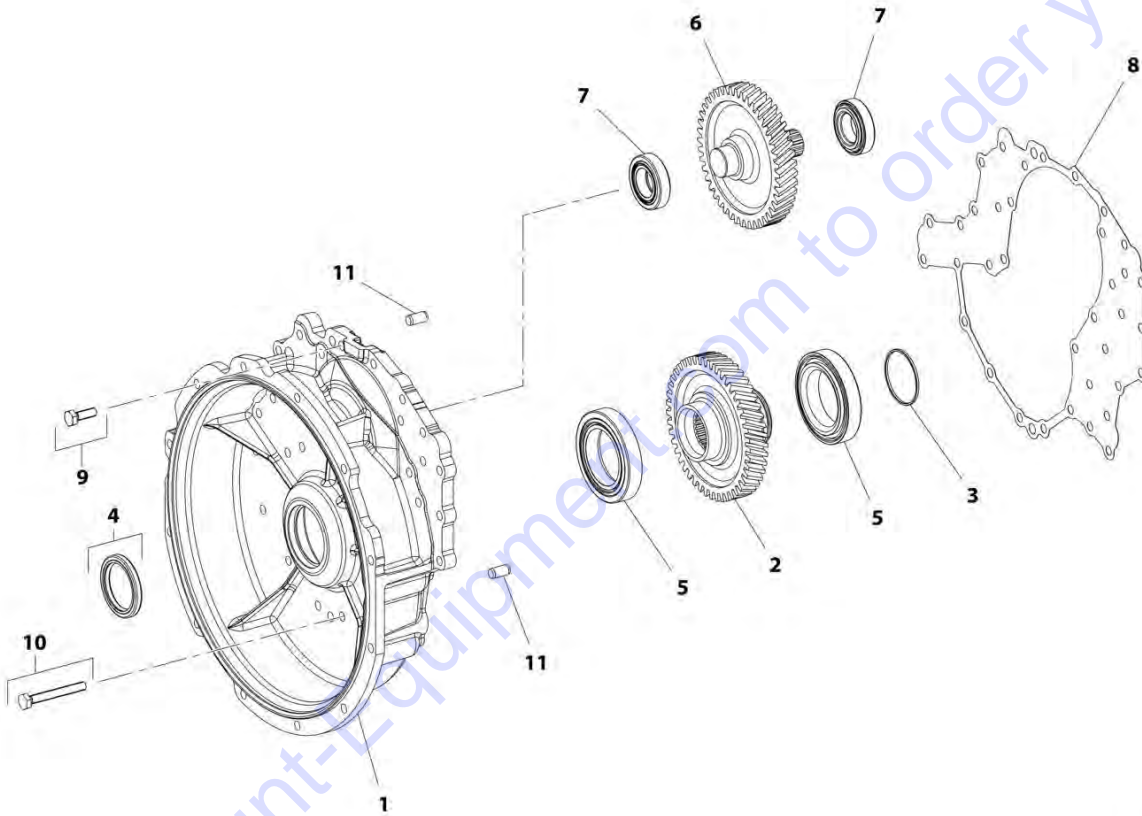
**FIGURE 5-71. TRANSMISSION, OUTPUT**

ITEM	PART NUMBER	QTY	DESCRIPTION	REV
1	70026536	1	Seal, Shaft	

Go to Discount-Equipment.com to order your parts

# SECTION 5 - DRIVETRAIN

## FIGURE 5-72. TRANSMISSION, POWER TAKE-OFF



ART\_1001170171\_14-C

**SECTION 5 - DRIVETRAIN**

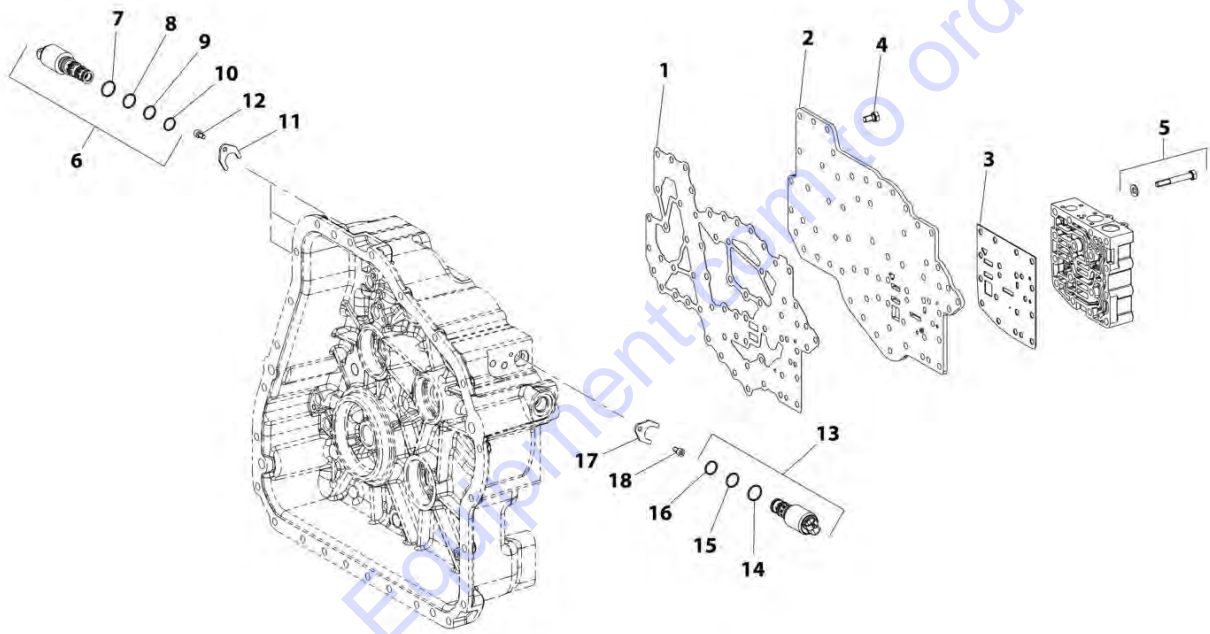
**FIGURE 5-72. TRANSMISSION, POWER TAKE-OFF**

ITEM	PART NUMBER	QTY	DESCRIPTION	REV
1	70021526	1	Housing	
2	7026771	1	Shaft	
3	7026772	1	Ring, Piston	
4	1319576	1	Seal, Shaft	
5	7026769	AR	Bearing, Roller	
6	7026773	1	Shaft	
7	1319608	AR	Bearing, Roller	
8	7026774	1	Gasket	
9	80304394	21	Bolt, M10X30	
10	7026775	15	Bolt, M10X80	
11	1319571	2	Pin	

Go to Discount-Equipment.com to order your parts

# SECTION 5 - DRIVETRAIN

## FIGURE 5-73. TRANSMISSION, CONTROL UNIT



ART\_1001170171\_15-C

**SECTION 5 - DRIVETRAIN**

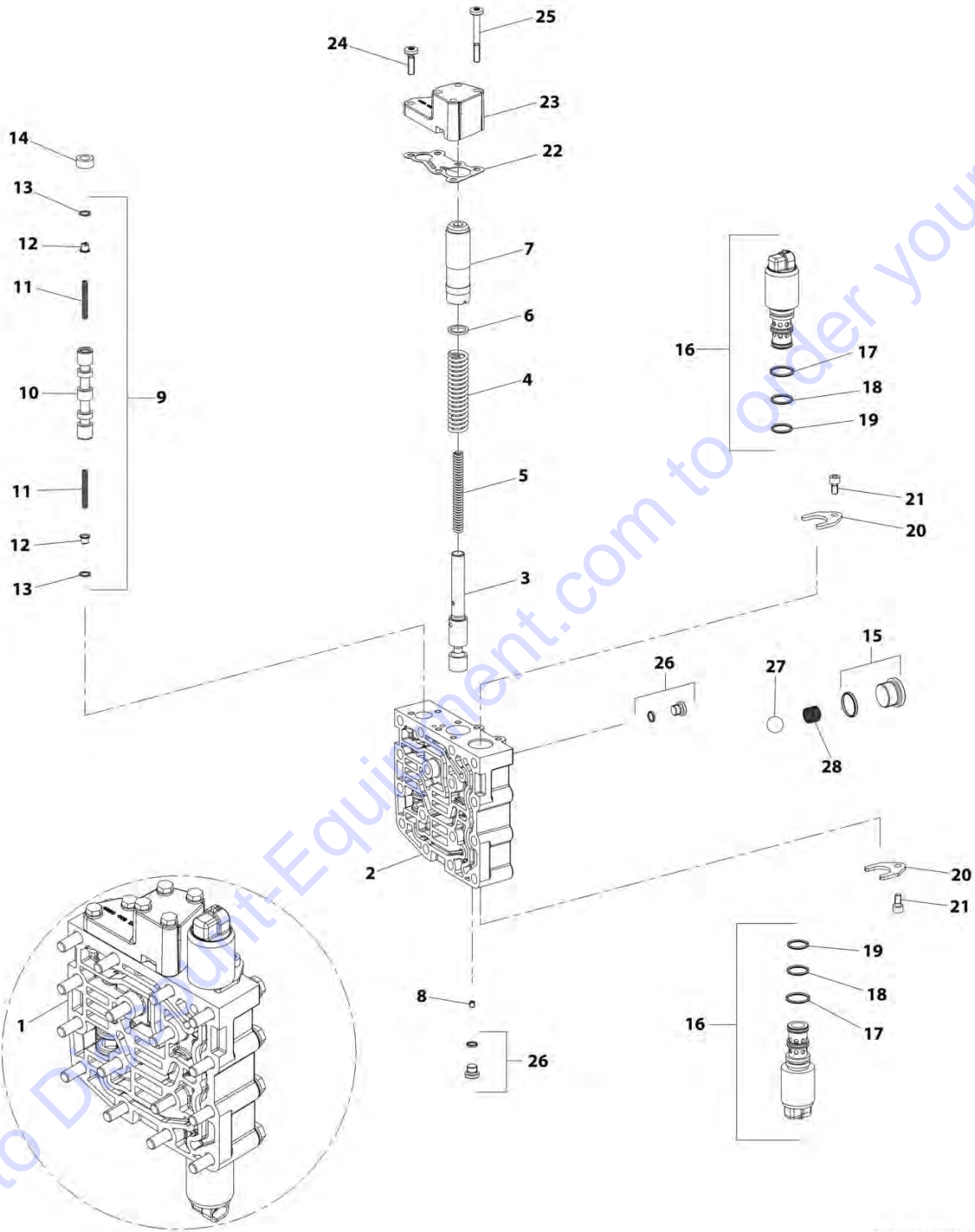
**FIGURE 5-73. TRANSMISSION, CONTROL UNIT**

ITEM	PART NUMBER	QTY	DESCRIPTION	REV
1	7026776	1	Gasket	
2	70026538	1	Plate	
3	70026539	1	Sheet, Intermediate	
4	7026780	46	Bolt, M8X16	
5	7026781	16	Bolt, M8X60 (includes washer)	
5	10732095	16	Washer	
6	8036529	3	Valve, Solenoid (includes items 7 thru 10)	
7	N.S.S.	3	O-Ring	
8	N.S.S.	3	O-Ring	
9	N.S.S.	3	O-Ring	
10	N.S.S.	3	O-Ring	
11	7029267	3	Bracket	
12	70026544	3	Bolt, M6X12	
13	8036528	1	Valve, Solenoid (includes items 14 thru 16)	
14	N.S.S.	1	O-Ring	
15	N.S.S.	1	O-Ring	
16	N.S.S.	1	O-Ring	
17	7029267	1	Bracket	
18	70026544	1	Bolt, M6X12	

Go to Discount-Equipment.com to order your parts

# SECTION 5 - DRIVETRAIN

## FIGURE 5-74. TRANSMISSION, SHIFT SYSTEM



ART\_1001170171\_16-C

## SECTION 5 - DRIVETRAIN

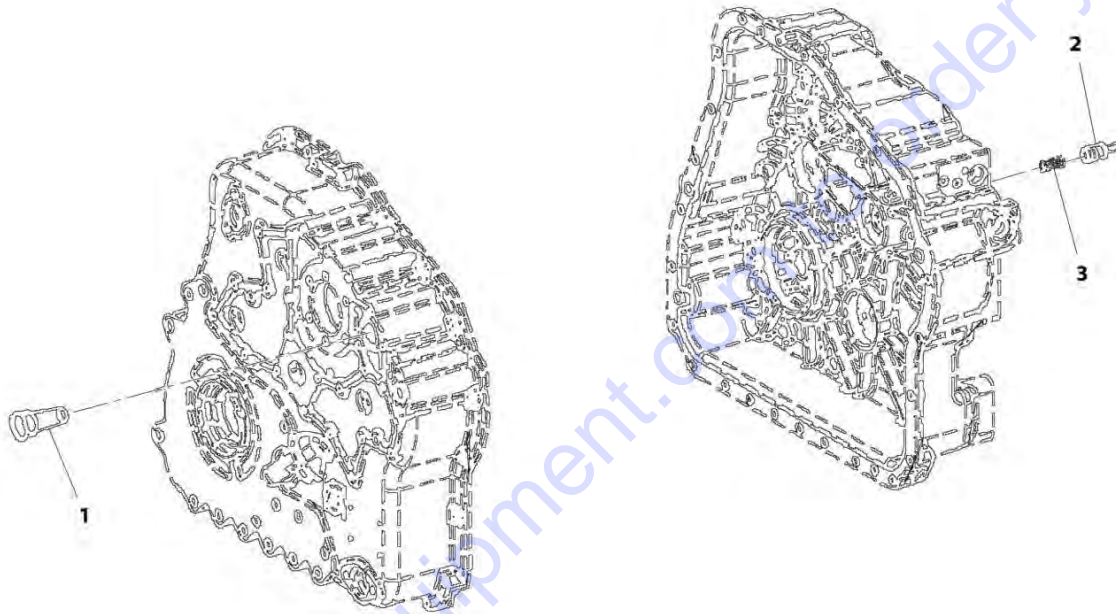
**FIGURE 5-74. TRANSMISSION, SHIFT SYSTEM**

ITEM	PART NUMBER	QTY	DESCRIPTION	REV
1	70026561	1	Assembly, Shift System (includes all items)	
2	70026546	1	Housing, Valve	
3	70026547	1	Piston, Control	
4	1319683	1	Spring	
5	1319684	1	Spring	
6	1319689	AR	Washer	
6	1319688	AR	Washer	
6	1319687	AR	Washer	
6	1319686	AR	Washer	
6	1319685	AR	Washer	
7	70026548	1	Piston	
8	70026549	1	Nozzle	
9	1319694	1	Assembly, Valve (includes items 10 thru 13)	
10	N.S.S.	1	Piston	
11	N.S.S.	2	Spring, Compression	
12	N.S.S.	2	Sleeve, Spring	
13	N.S.S.	2	Ring, Snap	
14	7026787	1	Spacer	
15	70026554	1	Plug, Screw (includes o-ring)	
15	70000656	1	O-Ring	
16	8036528	2	Valve, Solenoid (includes items 17 thru 19)	
17	N.S.S.	2	O-Ring	
18	N.S.S.	2	O-Ring	
19	N.S.S.	2	O-Ring	
20	7029267	2	Bracket	
21	70026544	2	Bolt, M6X12	
22	7026788	1	Gasket	
23	7026789	1	Cover	
24	70026555	2	Screw, Torx M6X23	
25	70026556	4	Screw, Torx M6X52	
26	70026517	2	Plug, Screw (includes o-ring)	
26	10731709	2	O-Ring	
27	10732071	1	Ball	
28	10732072	1	Spring	



## SECTION 5 - DRIVETRAIN

FIGURE 5-75. TRANSMISSION, PRESSURE REGULATOR



ART\_1001170171\_17-C

**SECTION 5 - DRIVETRAIN**

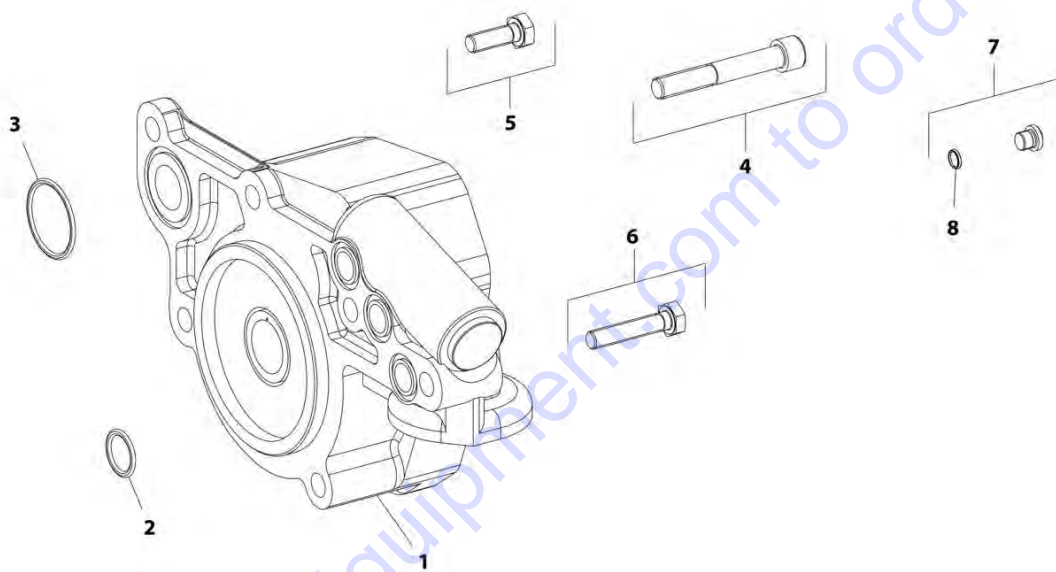
**FIGURE 5-75. TRANSMISSION, PRESSURE REGULATOR**

ITEM	PART NUMBER	QTY	DESCRIPTION	REV
1	7026782	1	Valve	
2	7026783	1	Piston	
3	7026784	1	Spring	

Go to Discount-Equipment.com to order your parts

## SECTION 5 - DRIVETRAIN

FIGURE 5-76. TRANSMISSION, PRESSURE OIL PUMP



ART\_1001170171\_18-C

**SECTION 5 - DRIVETRAIN**

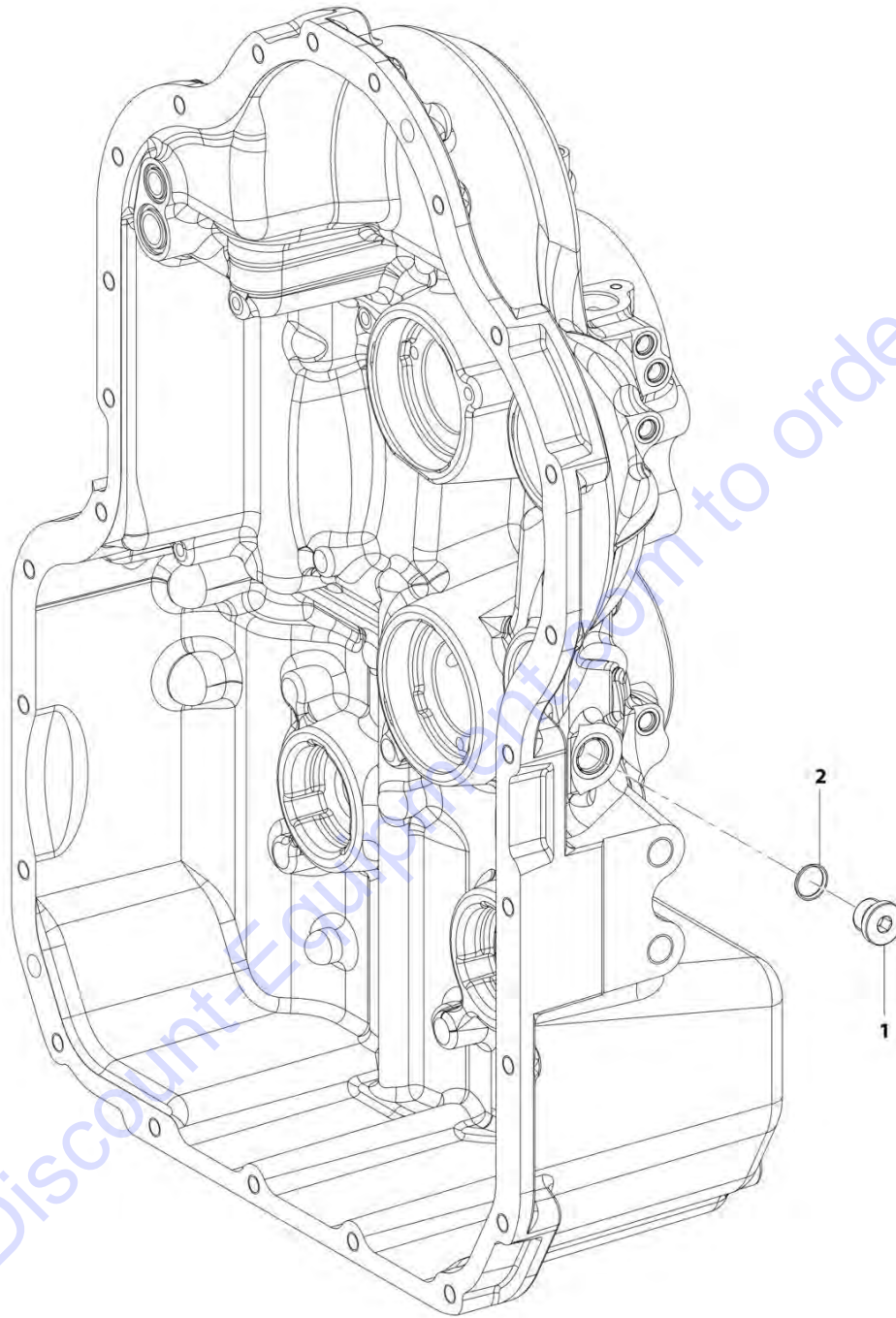
**FIGURE 5-76. TRANSMISSION, PRESSURE OIL PUMP**

ITEM	PART NUMBER	QTY	DESCRIPTION	REV
1	7026791	1	Pump	
2	7026792	3	O-Ring	
3	1319719	1	O-Ring	
4	7026793	4	Bolt, M12X80	
5	80304394	1	Bolt, M10X30	
6	7026794	1	Bolt, M10X50	
7	70026517	2	Plug, Screw	
8	10731709	2	O-Ring	

Go to Discount-Equipment.com to order your parts

## SECTION 5 - DRIVETRAIN

FIGURE 5-77. TRANSMISSION, INDUCTIVE TRANSMITTER



ART\_1001170171\_19-C

**SECTION 5 - DRIVETRAIN**

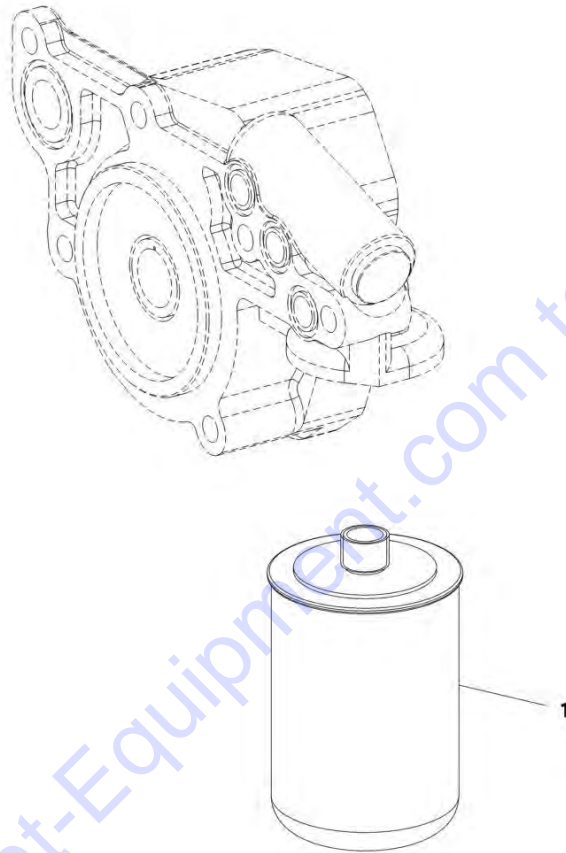
**FIGURE 5-77. TRANSMISSION, INDUCTIVE TRANSMITTER**

ITEM	PART NUMBER	QTY	DESCRIPTION	REV
1	70024895	1	Plug, Screw (includes o-ring)	
2	N.S.S.	1	O-Ring	

Go to Discount-Equipment.com to order your parts

## SECTION 5 - DRIVETRAIN

FIGURE 5-78. TRANSMISSION, FILTER



ART\_1001170171\_20-C

**FIGURE 5-78. TRANSMISSION, FILTER**

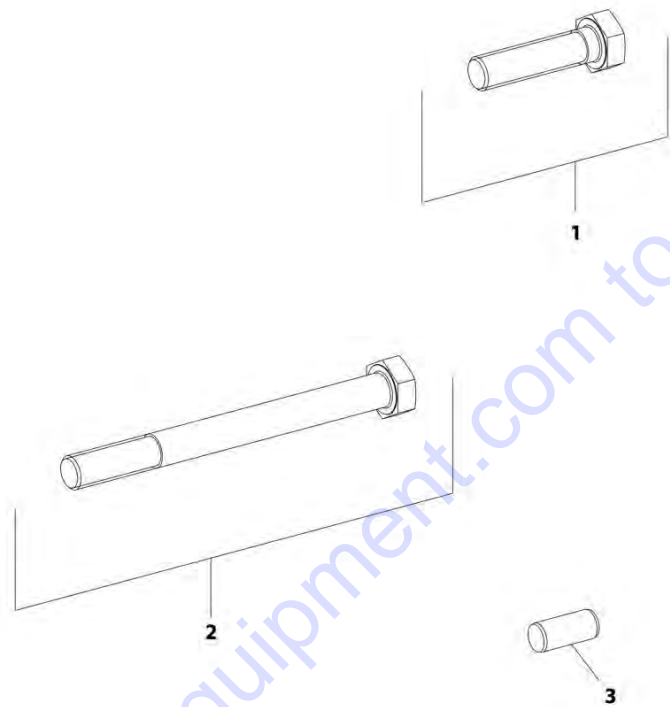
ITEM	PART NUMBER	QTY	DESCRIPTION	REV
1	1319726	1	Filter	

Go to Discount-Equipment.com to order your parts



# SECTION 5 - DRIVETRAIN

FIGURE 5-79. TRANSMISSION, ACCESSORIES GROUP 1



ART\_1001170171\_21-C

**SECTION 5 - DRIVETRAIN**

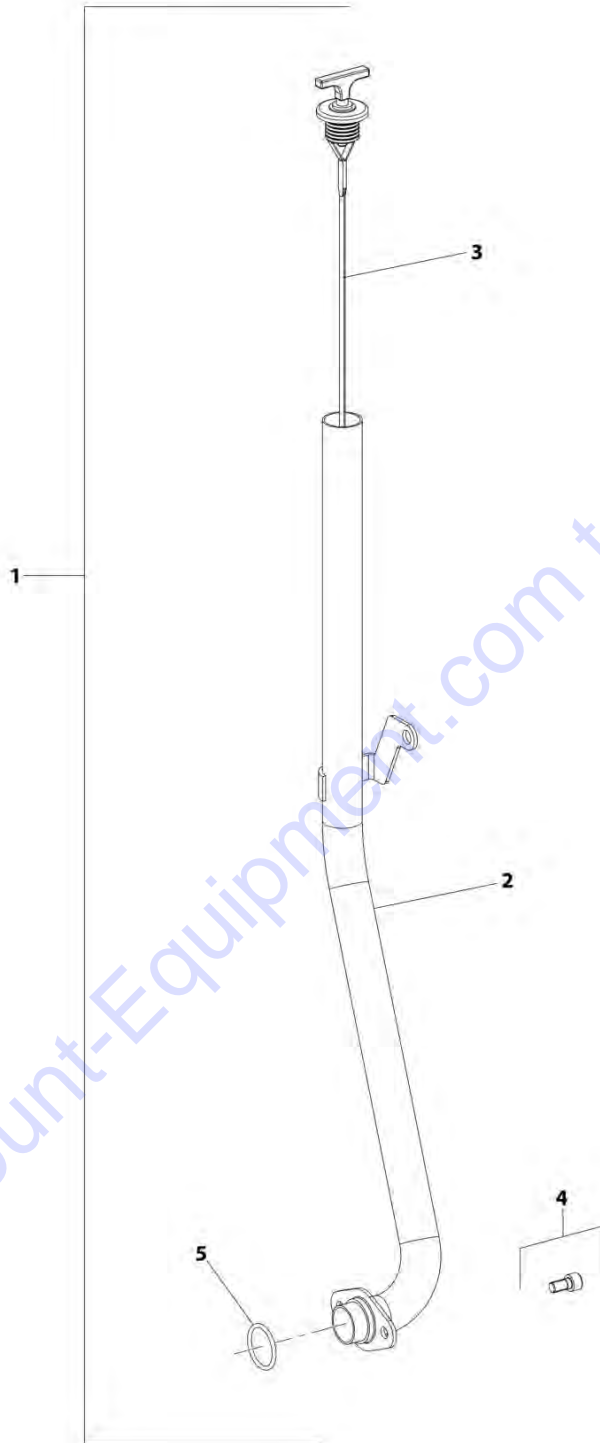
**FIGURE 5-79. TRANSMISSION, ACCESSORIES GROUP 1**

ITEM	PART NUMBER	QTY	DESCRIPTION	REV
1	7027254	12	Bolt, M14X55	
2	7027255	2	Bolt, M14X150	
3	1319571	1	Pin	

Go to Discount-Equipment.com to order your parts

# SECTION 5 - DRIVETRAIN

FIGURE 5-80. TRANSMISSION, PERIPHERALS GROUP 1



ART\_1001170171\_22-C

**SECTION 5 - DRIVETRAIN**

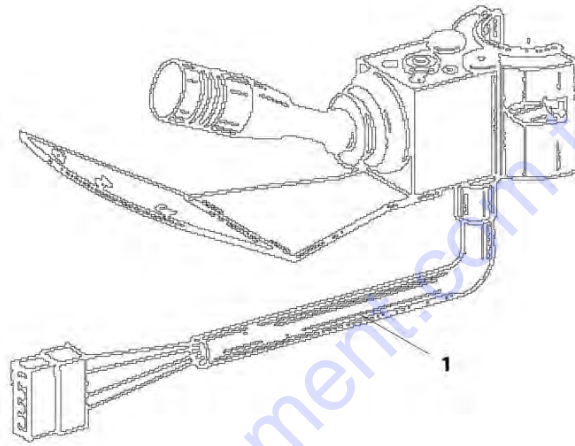
**FIGURE 5-80. TRANSMISSION, PERIPHERALS GROUP 1**

ITEM	PART NUMBER	QTY	DESCRIPTION	REV
1	1001095738	1	Kit, Oil Level Dipstick (includes items 2 & 3)	
2	1001095744	1	Tube, Oil Level	
3	8841322	1	Dipstick, Oil Level	
4	70026516	2	Bolt, M8X16	
5	70023885	1	O-Ring	

Go to Discount-Equipment.com to order your parts

## SECTION 5 - DRIVETRAIN

FIGURE 5-81. TRANSMISSION, PERIPHERALS GROUP 2



ART\_1001170171\_23

**SECTION 5 - DRIVETRAIN**

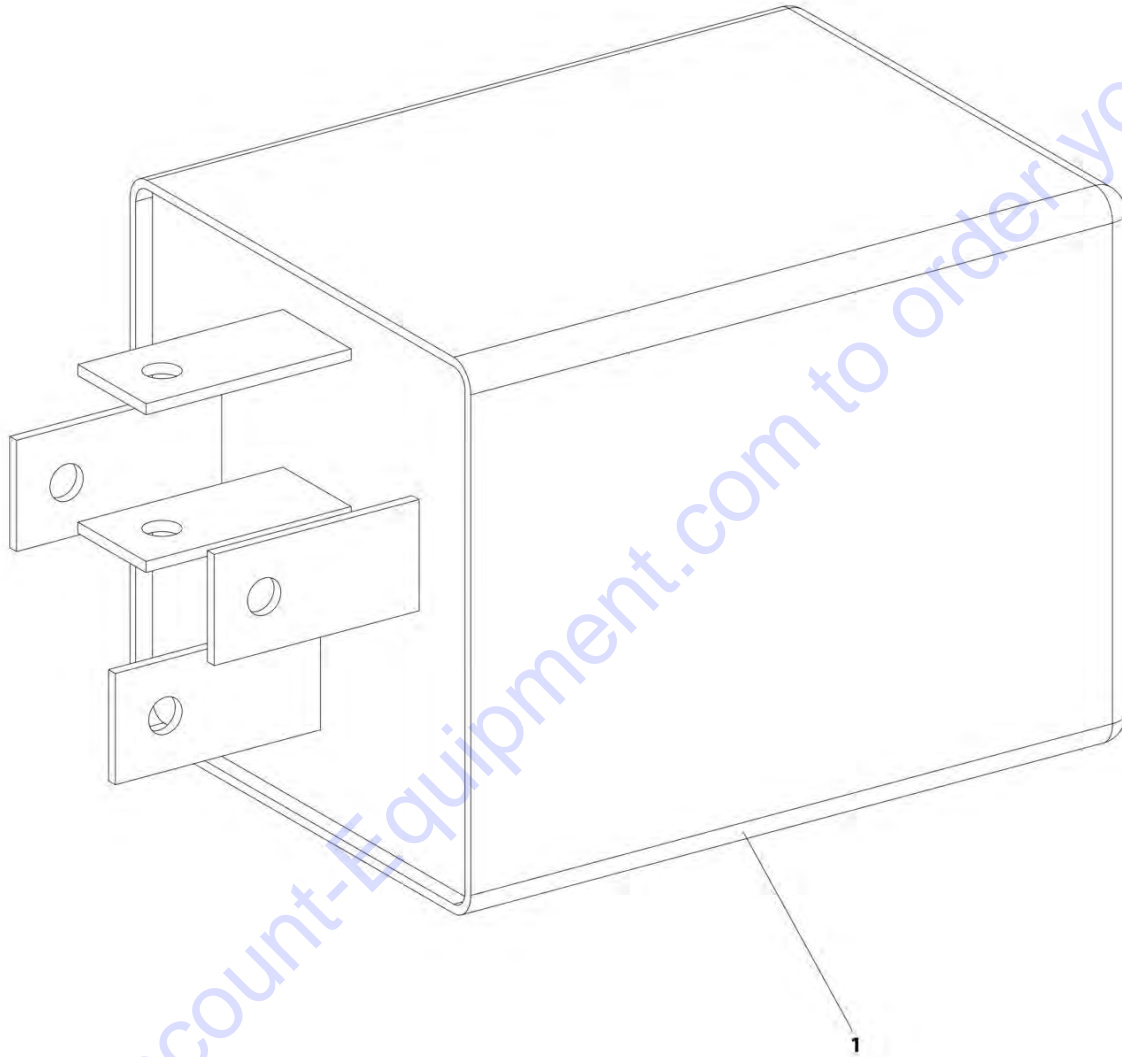
**FIGURE 5-81. TRANSMISSION, PERIPHERALS GROUP 2**

ITEM	PART NUMBER	QTY	DESCRIPTION	REV
1	70026558	1	Selector, Range	

Go to Discount-Equipment.com to order your parts

## SECTION 5 - DRIVETRAIN

FIGURE 5-82. TRANSMISSION, ACCESSORIES GROUP 2



ART\_1001170171\_24-C

**SECTION 5 - DRIVETRAIN**

**FIGURE 5-82. TRANSMISSION, ACCESSORIES GROUP 2**

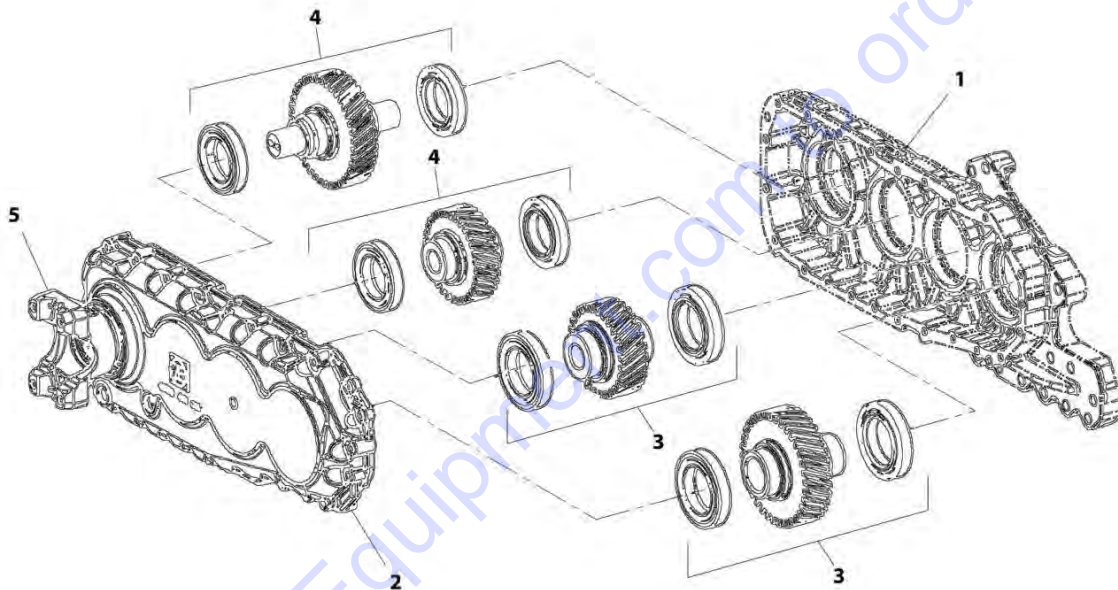
ITEM	PART NUMBER	QTY	DESCRIPTION	REV
1	70026559	1	Relay	

Go to Discount-Equipment.com to order your parts



# SECTION 5 - DRIVETRAIN

## FIGURE 5-83. TRANSMISSION, TRANSFER BOX



ART\_1001170171\_25-C

**SECTION 5 - DRIVETRAIN**

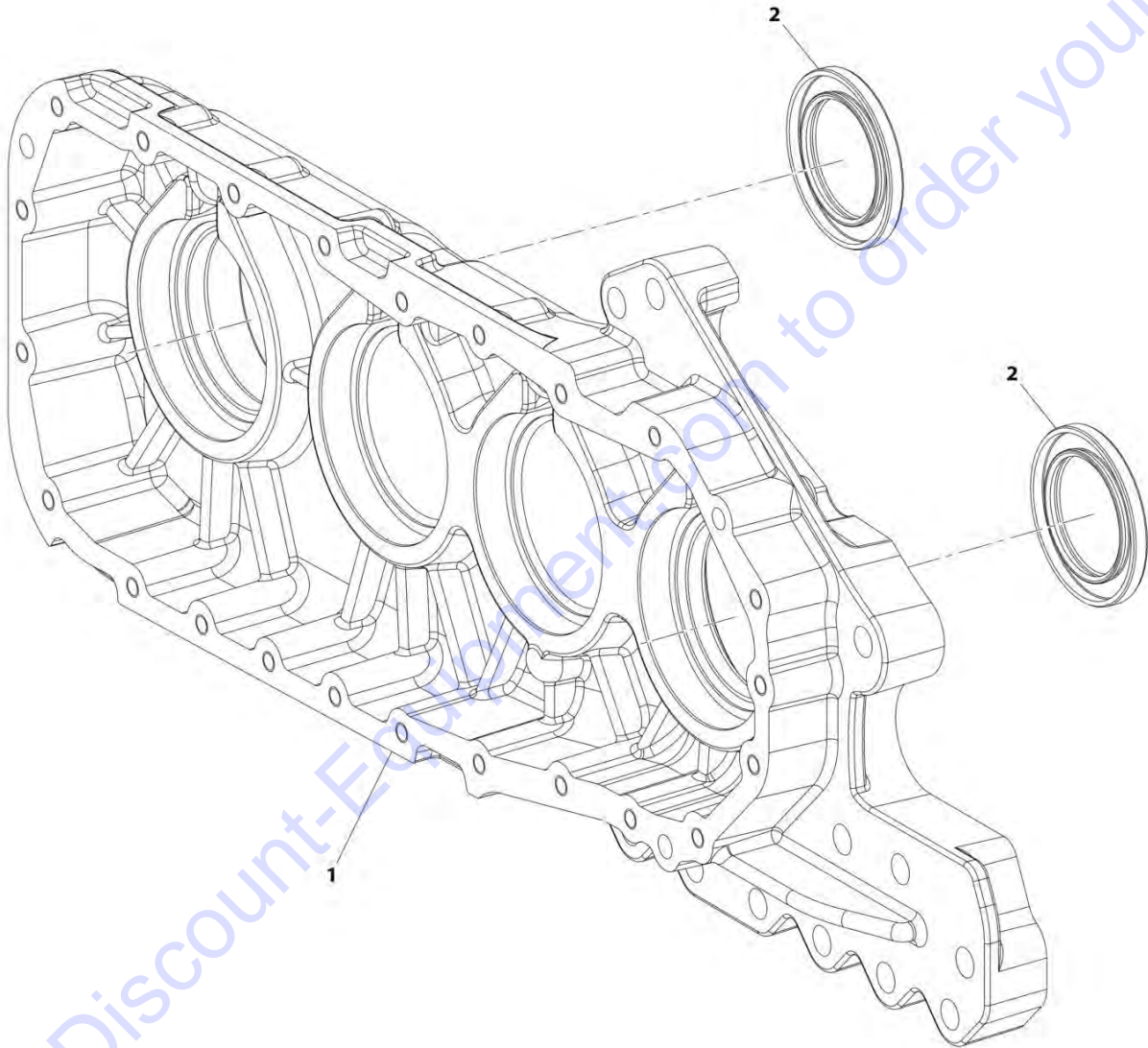
**FIGURE 5-83. TRANSMISSION, TRANSFER BOX**

ITEM	PART NUMBER	QTY	DESCRIPTION	REV
	70023502	1	Box Transfer (includes all items)	
1	N.S.S.	Ref	Housing 1, Transfer Box (See Separate Breakdown in this Section)	
2	N.S.S.	Ref	Housing 2, Transfer Box (See Separate Breakdown in this Section)	
3	N.S.S.	Ref	Input, Transfer Box (See Separate Breakdown in this Section)	
4	N.S.S.	Ref	Output 1, Transfer Box (See Separate Breakdown in this Section)	
5	N.S.S.	Ref	Output 2, Transfer Box (See Separate Breakdown in this Section)	

Go to Discount-Equipment.com to order your parts

# SECTION 5 - DRIVETRAIN

FIGURE 5-84. TRANSMISSION, TRANSFER BOX HOUSING 1



ART\_1001170171\_26-C

**SECTION 5 - DRIVETRAIN**

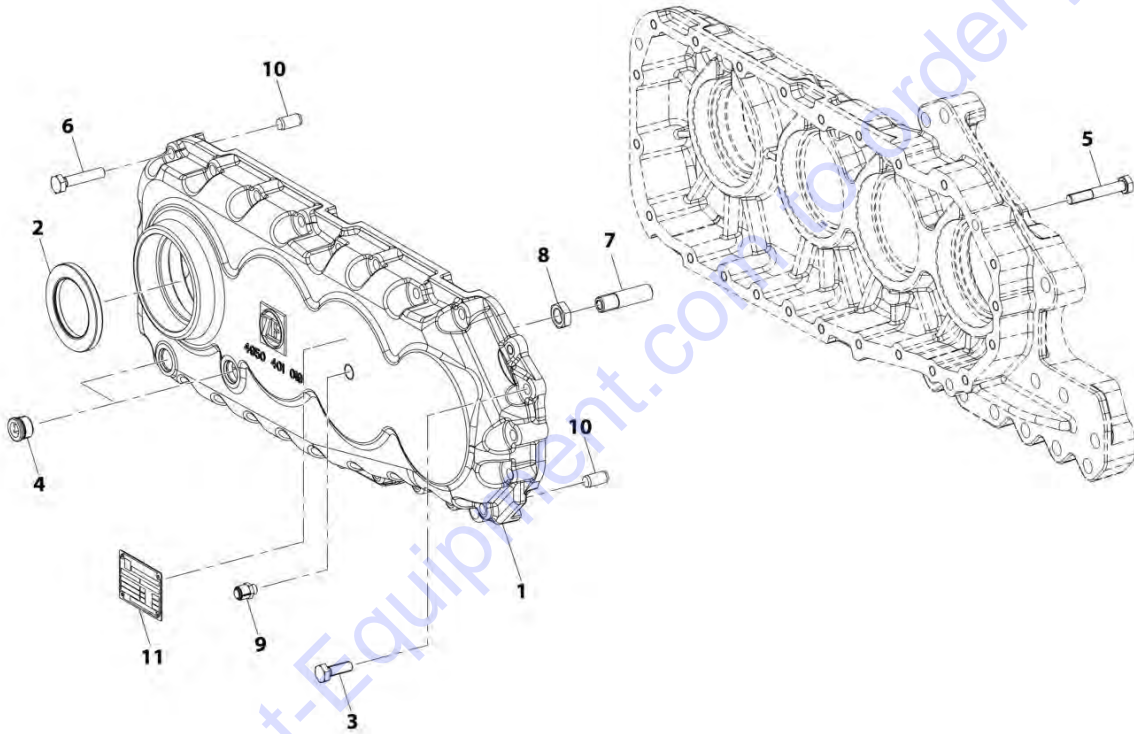
**FIGURE 5-84. TRANSMISSION, TRANSFER BOX HOUSING 1**

ITEM	PART NUMBER	QTY	DESCRIPTION	REV
1	70023474	1	Housing, Transfer Box	
2	70026536	2	Seal, Shaft	

Go to Discount-Equipment.com to order your parts

# SECTION 5 - DRIVETRAIN

## FIGURE 5-85. TRANSMISSION, TRANSFER BOX HOUSING 2



ART\_1001170171\_27-C

**SECTION 5 - DRIVETRAIN**

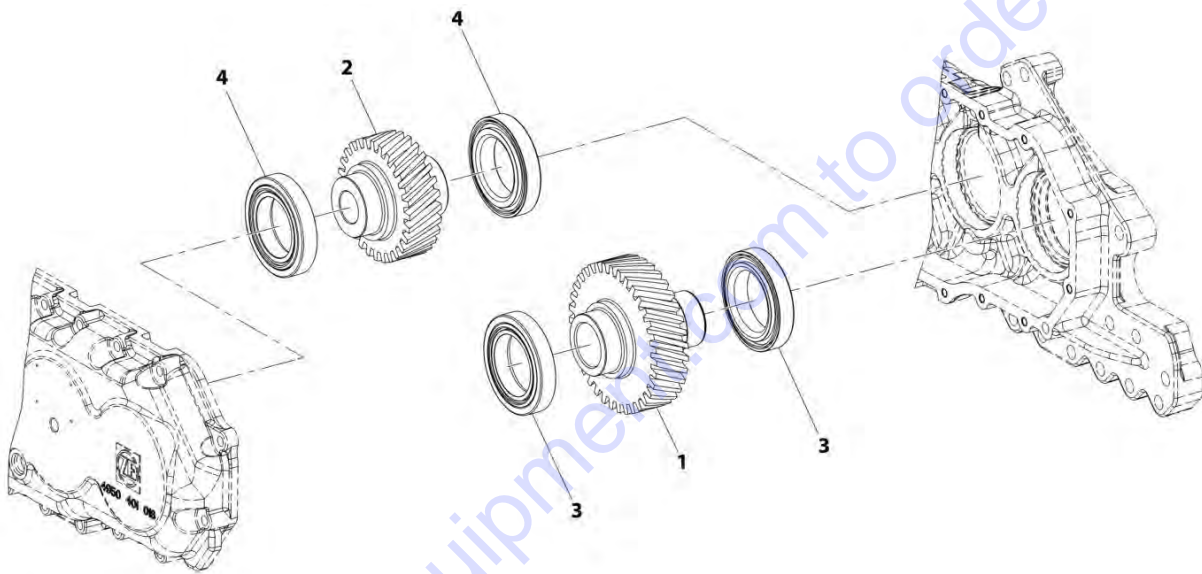
**FIGURE 5-85. TRANSMISSION, TRANSFER BOX HOUSING 2**

ITEM	PART NUMBER	QTY	DESCRIPTION	REV
1	70023475	1	Housing	
2	70026536	1	Seal, Shaft	
3	70023800	1	Bolt, M10X30	
4	70023404	2	Plug	
5	70023476	1	Bolt, M10X65	
6	70023801	22	Bolt, M10X50	
7	7026577	1	Sleeve	
8	7026578	1	Nut, M16	
9	1319436	1	Breather	
10	1319571	2	Pin	
11	N.S.S.	1	Plate, Serial Number	

Go to Discount-Equipment.com to order your parts

## SECTION 5 - DRIVETRAIN

FIGURE 5-86. TRANSMISSION, TRANSFER BOX HOUSING INPUT



ART\_1001170171\_28-C

**SECTION 5 - DRIVETRAIN**

**FIGURE 5-86. TRANSMISSION, TRANSFER BOX HOUSING INPUT**

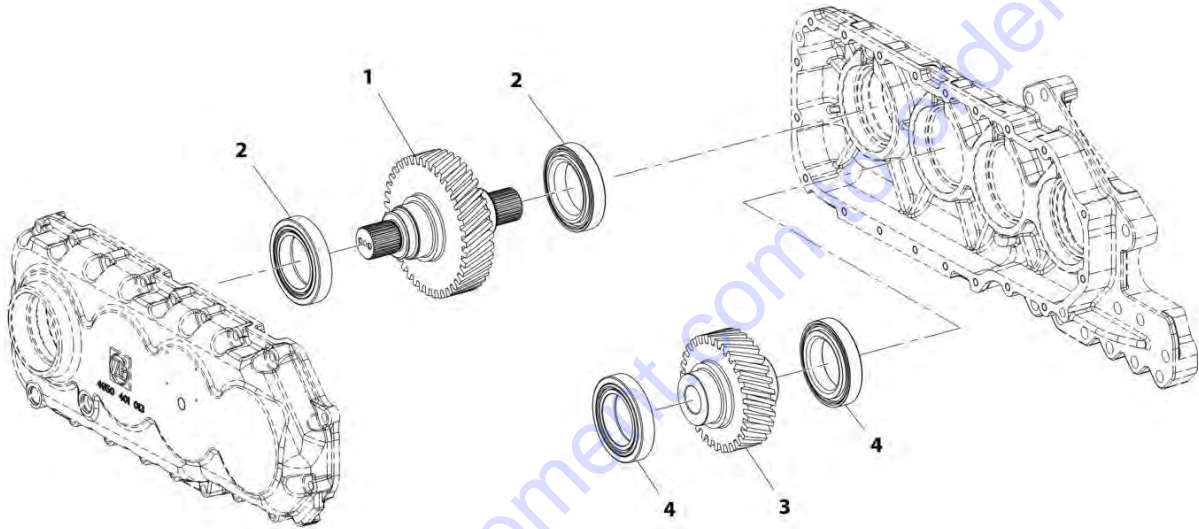
ITEM	PART NUMBER	QTY	DESCRIPTION	REV
1	7027269	1	Shaft	
2	7027270	1	Gear, Idler	
3	7026769	2	Bearing, Roller	
4	1320748	2	Cup, Tapered Roller	
4	1320754	2	Cone, Tapered Roller	

Go to Discount-Equipment.com to order your parts



# SECTION 5 - DRIVETRAIN

FIGURE 5-87. TRANSMISSION, TRANSFER BOX HOUSING OUTPUT 1



ART\_1001170171\_29-C

**SECTION 5 - DRIVETRAIN**

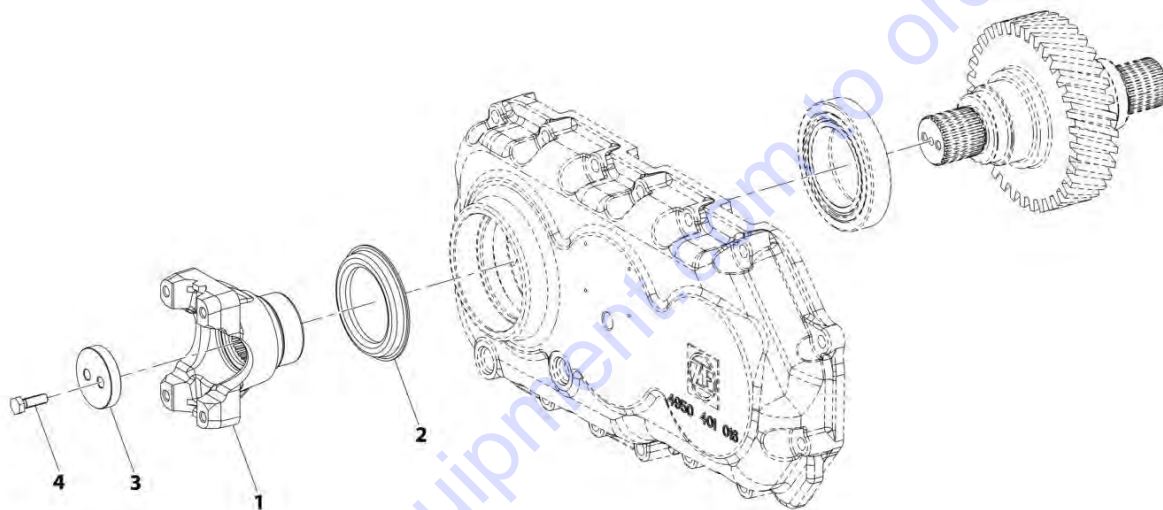
**FIGURE 5-87. TRANSMISSION, TRANSFER BOX HOUSING OUTPUT 1**

ITEM	PART NUMBER	QTY	DESCRIPTION	REV
1	7027271	1	Gear, Output	
2	7026769	2	Bearing, Roller	
3	7027272	1	Gear, Idler	
4	1320748	2	Cup, Tapered Roller	
4	1320754	2	Cone, Tapered Roller	

Go to Discount-Equipment.com to order your parts

## SECTION 5 - DRIVETRAIN

FIGURE 5-88. TRANSMISSION, TRANSFER BOX HOUSING OUTPUT 2



ART\_1001170171\_30-C

**SECTION 5 - DRIVETRAIN**

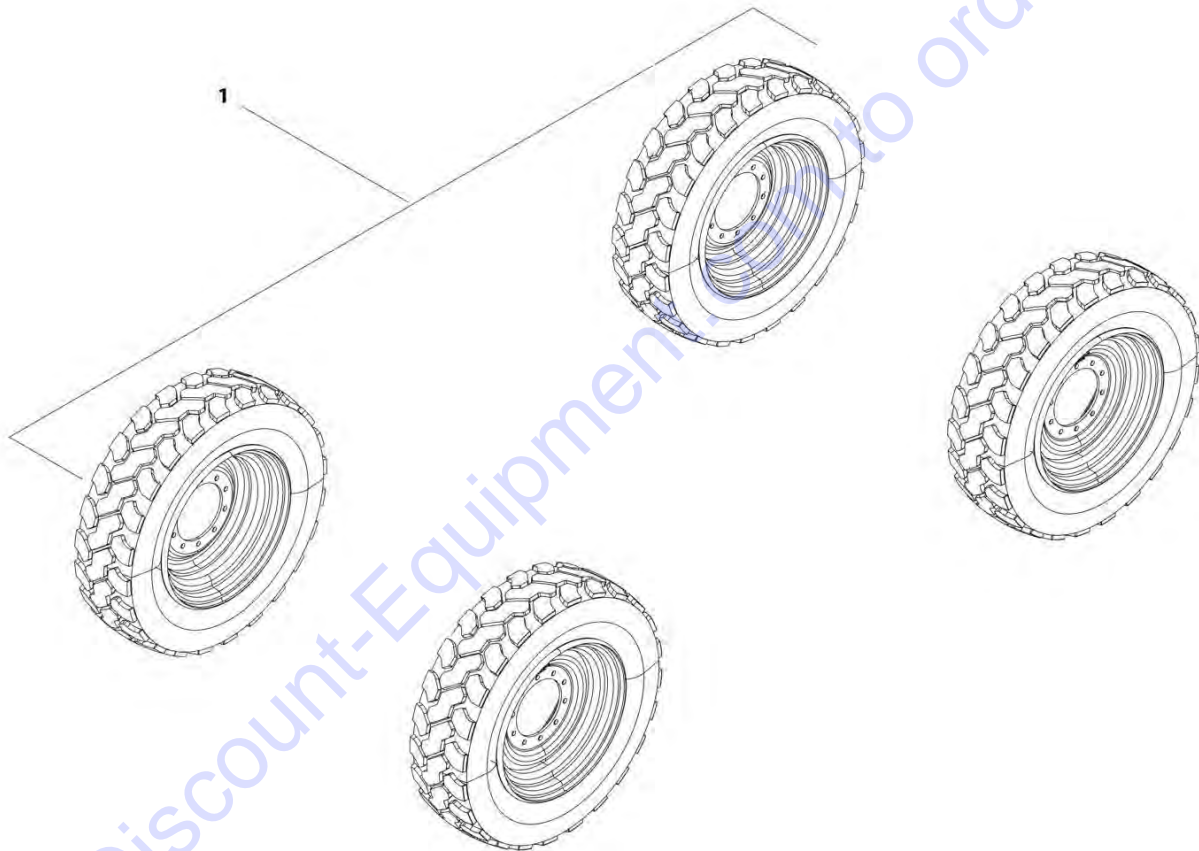
**FIGURE 5-88. TRANSMISSION, TRANSFER BOX HOUSING OUTPUT 2**

<b>ITEM</b>	<b>PART NUMBER</b>	<b>QTY</b>	<b>DESCRIPTION</b>	<b>REV</b>
1	7027273	2	Flange (one per side)	
2	1319647	2	Sheet, Screen (one per side)	
3	1319648	2	Washer, (one per side)	
4	10731959	4	Bolt, M8X25 (two per side)	

Go to Discount-Equipment.com to order your parts

# SECTION 5 - DRIVETRAIN

FIGURE 5-89. TIRE/WHEEL SET 370/75-28 - AIR



ART\_1001120963\_B

**SECTION 5 - DRIVETRAIN**

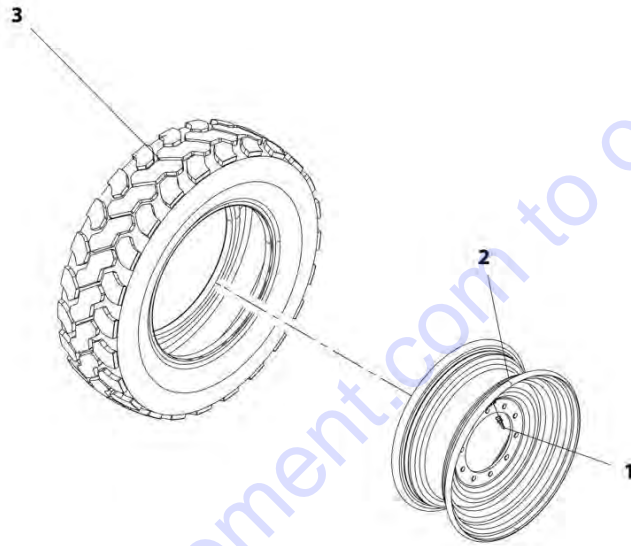
**FIGURE 5-89. TIRE/WHEEL SET 370/75-28 - AIR**

ITEM	PART NUMBER	QTY	DESCRIPTION	REV
1	1001120963	1	Tire/Wheel Set 370/75-28 - Air	B
	1001100323	4	Assembly, Tire/Wheel 370/75-28 - Air (See Separate Breakdown in Section)	

Go to Discount-Equipment.com to order your parts

## SECTION 5 - DRIVETRAIN

FIGURE 5-90. TIRE/WHEEL ASSEMBLY 370/75-28 - AIR



ART\_1001100323\_D

**SECTION 5 - DRIVETRAIN**

**FIGURE 5-90. TIRE/WHEEL ASSEMBLY 370/75-28 - AIR**

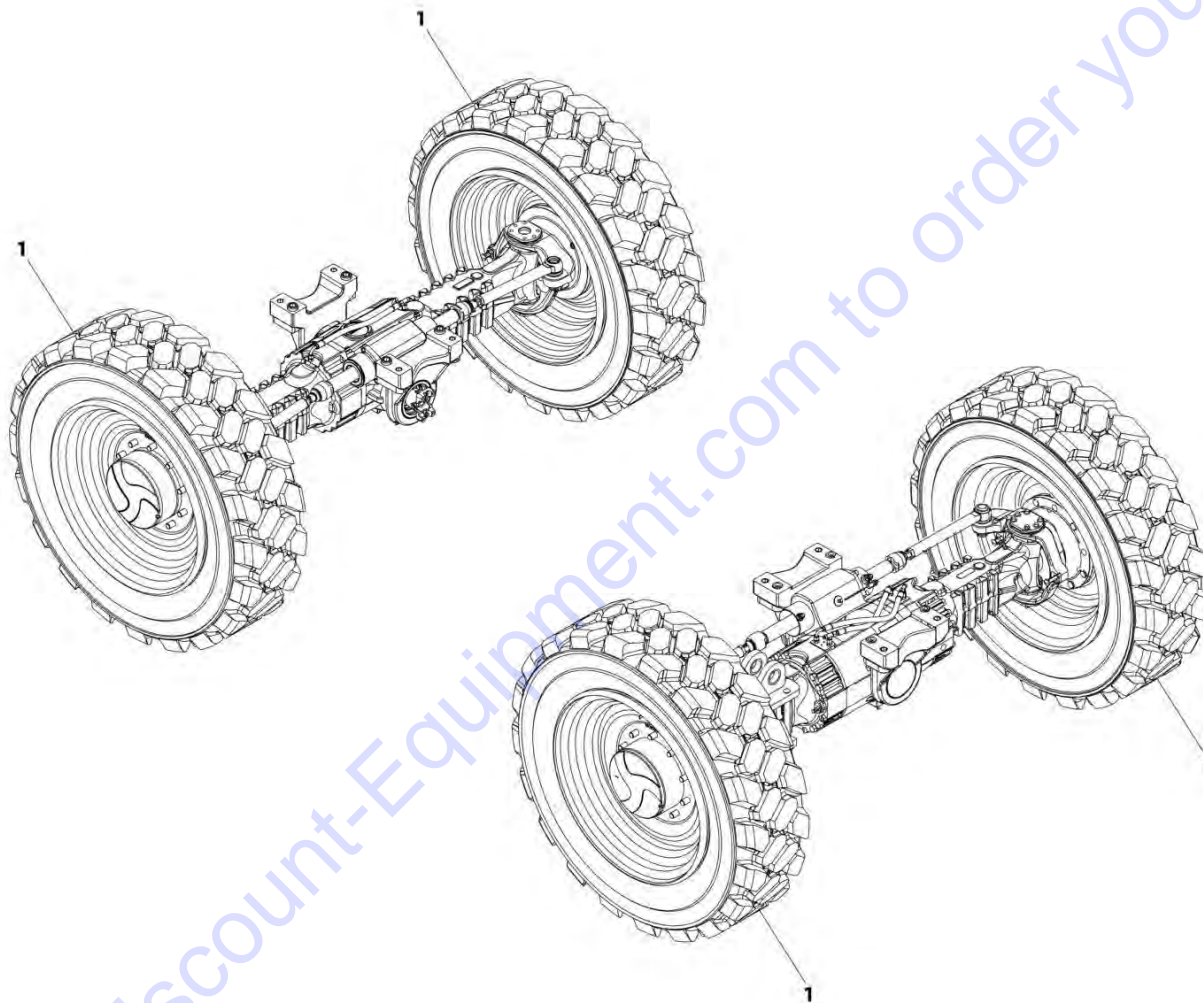
ITEM	PART NUMBER	QTY	DESCRIPTION	REV
	1001100323	Ref	Tire/Wheel Assembly 370/75-28 - Air	D
1	8786514	1	Valve, Stem	
2	1001099976	1	Wheel, 28X11w/.216 Offset	
3	1001100284	1	Tire, 370/75-28	

Go to Discount-Equipment.com to order your parts



## SECTION 5 - DRIVETRAIN

FIGURE 5-91. TIRE SET, 370/75-28 PNEUMATIC NON-MARKING



ART\_1001241846-A

**SECTION 5 - DRIVETRAIN**

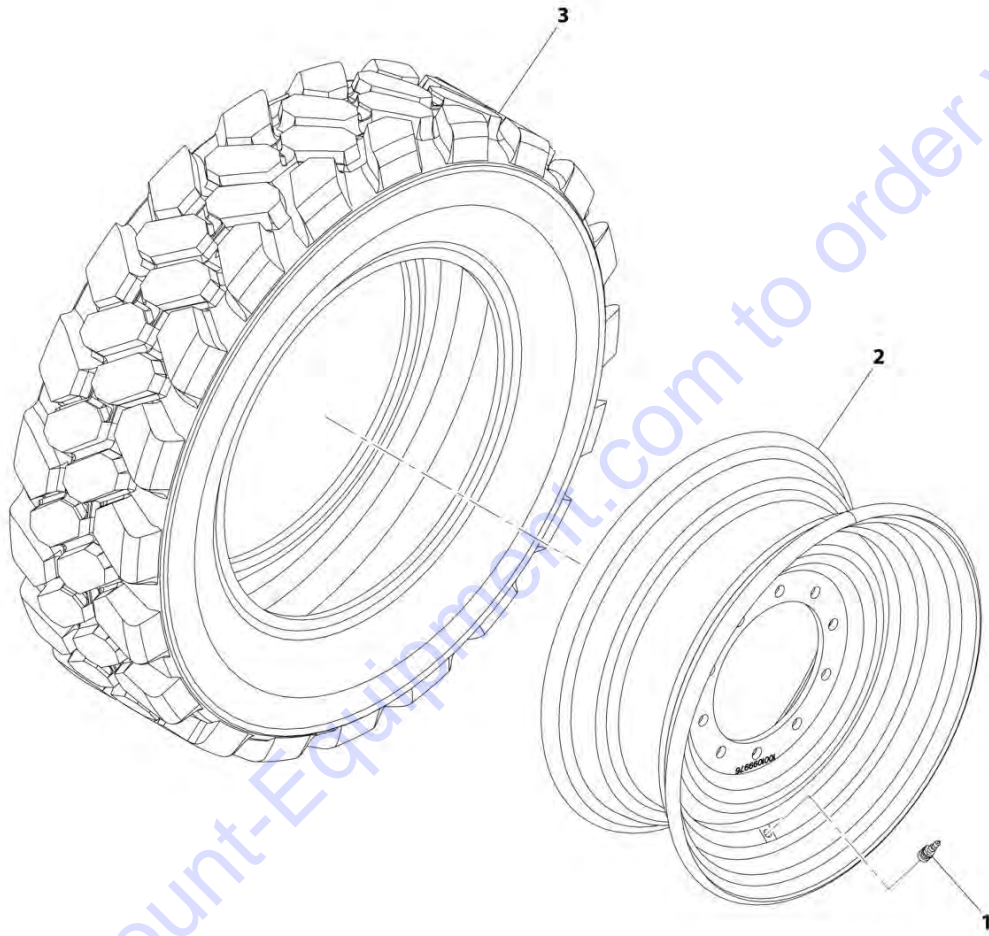
**FIGURE 5-91. TIRE SET, 370/75-28 PNEUMATIC NON-MARKING**

ITEM	PART NUMBER	QTY	DESCRIPTION	REV
1	1001241846 1001241839	Ref 4	Tire Set, 370/75-28 - Pneumatic Non-Marking Assembly, Tire and Wheel (See Separate Breakdown in This Section)	A

Go to Discount-Equipment.com to order your parts

## SECTION 5 - DRIVETRAIN

FIGURE 5-92. TIRE & WHEEL ASSY, 370/75-28 PNEUMATIC NON-MARKING



ART\_1001241839-A

**SECTION 5 - DRIVETRAIN**

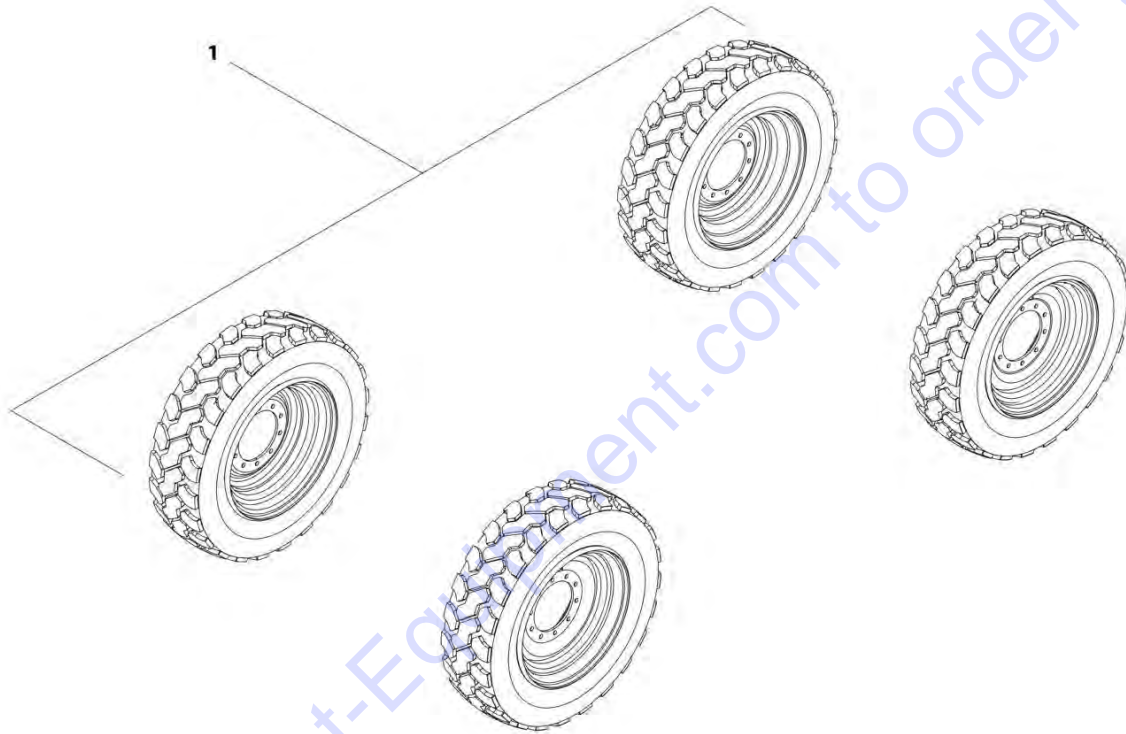
**FIGURE 5-92. TIRE & WHEEL ASSY, 370/75-28 PNEUMATIC NON-MARKING**

ITEM	PART NUMBER	QTY	DESCRIPTION	REV
	1001241839	Ref	Tire/Wheel Assembly, 370/75-28 - Pneumatic Non-Marking	A
1	8786514	1	Valve, Stem	
2	1001099976	1	Wheel, 28X11.00	
3	1001241838	1	Tire, 370/75-28 Non-Marking	

Go to Discount-Equipment.com to order your parts

## SECTION 5 - DRIVETRAIN

FIGURE 5-93. TIRE/WHEEL SET 370/75-28 - FOAM



ART\_1001121519\_B

**SECTION 5 - DRIVETRAIN**

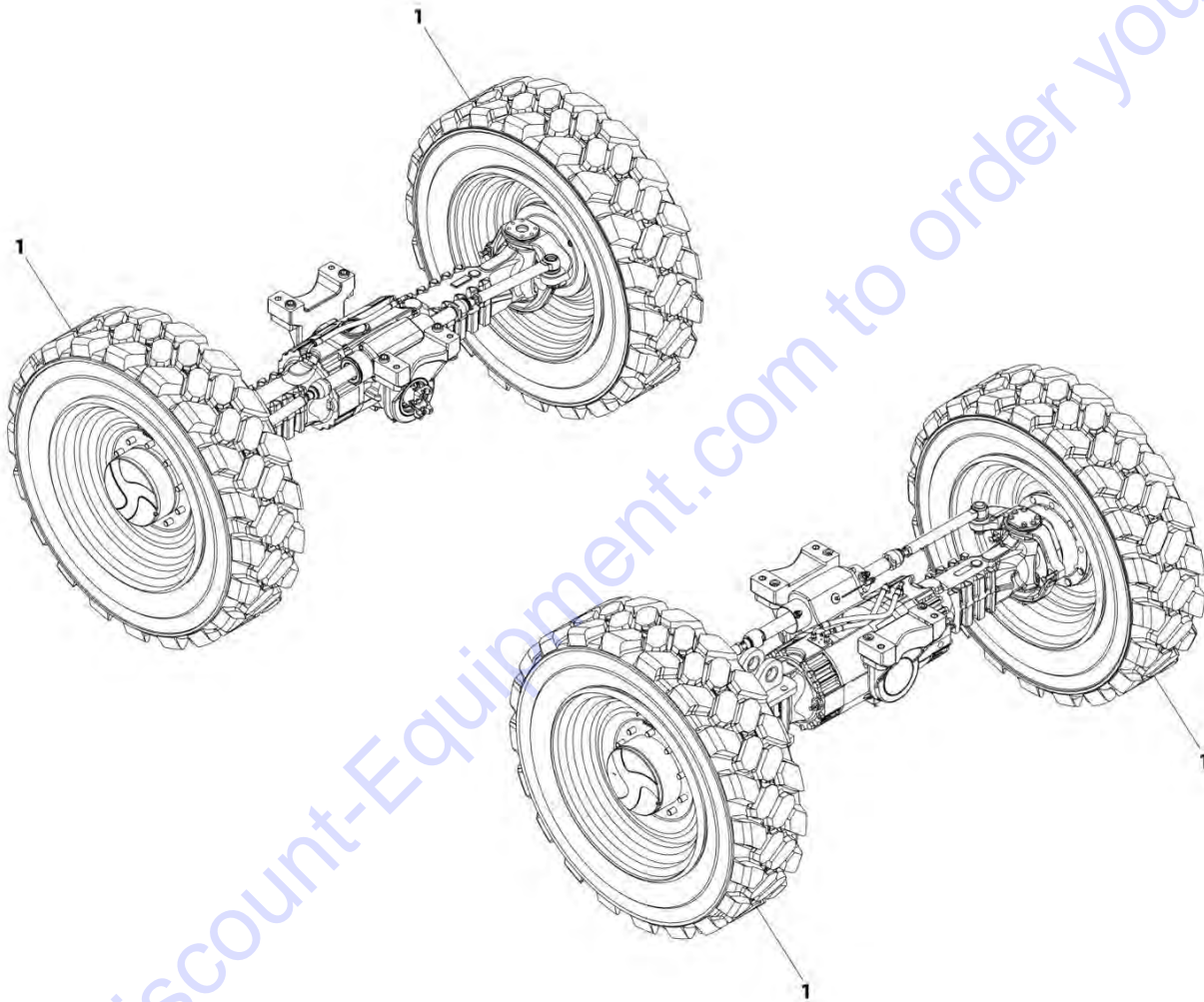
**FIGURE 5-93. TIRE/WHEEL SET 370/75-28 - FOAM**

ITEM	PART NUMBER	QTY	DESCRIPTION	REV
1	1001121519	1	Tire/Wheel Set 370/75-28 - Foam	B
	1001121101	4	Tire/Wheel 370/75-28 Foam	

Go to Discount-Equipment.com to order your parts

## SECTION 5 - DRIVETRAIN

FIGURE 5-94. TIRE SET, 370/75-28 FOAM NON-MARKING



ART\_1001241847-A

**SECTION 5 - DRIVETRAIN**

**FIGURE 5-94. TIRE SET, 370/75-28 FOAM NON-MARKING**

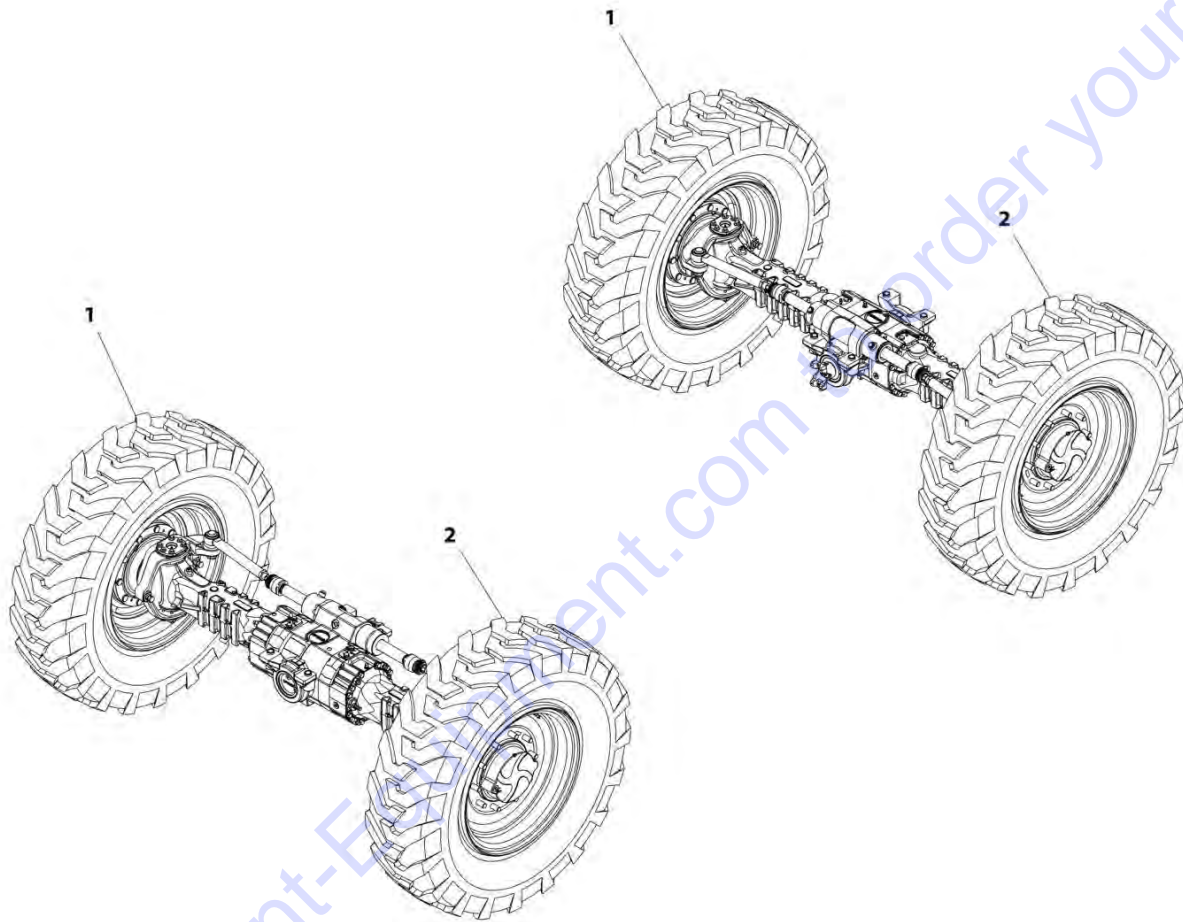
ITEM	PART NUMBER	QTY	DESCRIPTION	REV
1	1001241847	Ref	Tire/Wheel Set, 370/75-28 - Foam Non-Marking	A
	1001241840	4	Tire and Wheel, 370/75-28 - Foam Non-Marking	

Go to Discount-Equipment.com to order your parts



## SECTION 5 - DRIVETRAIN

FIGURE 5-95. TIRE/WHEEL SET 13-24 16PR - AIR



ART\_1001200151-A

**SECTION 5 - DRIVETRAIN**

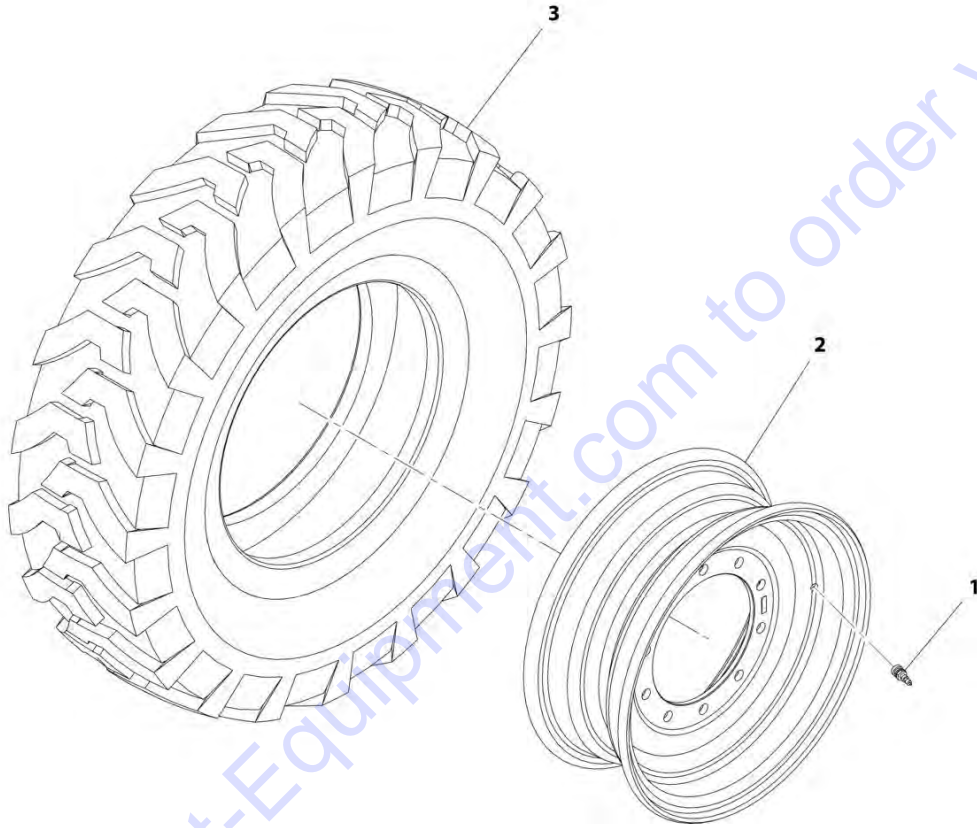
**FIGURE 5-95. TIRE/WHEEL SET 13-24 16PR - AIR**

ITEM	PART NUMBER	QTY	DESCRIPTION	REV
1	1001200151	1	Tire/Wheel Set 13-24 16PR - Air	A
	1001199808	2	Assembly, Tire/Wheel Right 13-24 16PR - Air (See Separate Breakdown in this Section)	
2	1001199810	2	Assembly, Tire/Wheel Left 13-24 16PR - Air (See Separate Breakdown in this Section)	

Go to Discount-Equipment.com to order your parts

## SECTION 5 - DRIVETRAIN

FIGURE 5-96. TIRE/WHEEL RIGHT ASSEMBLY 13-24 16PR - AIR



ART\_1001199808-A

**SECTION 5 - DRIVETRAIN**

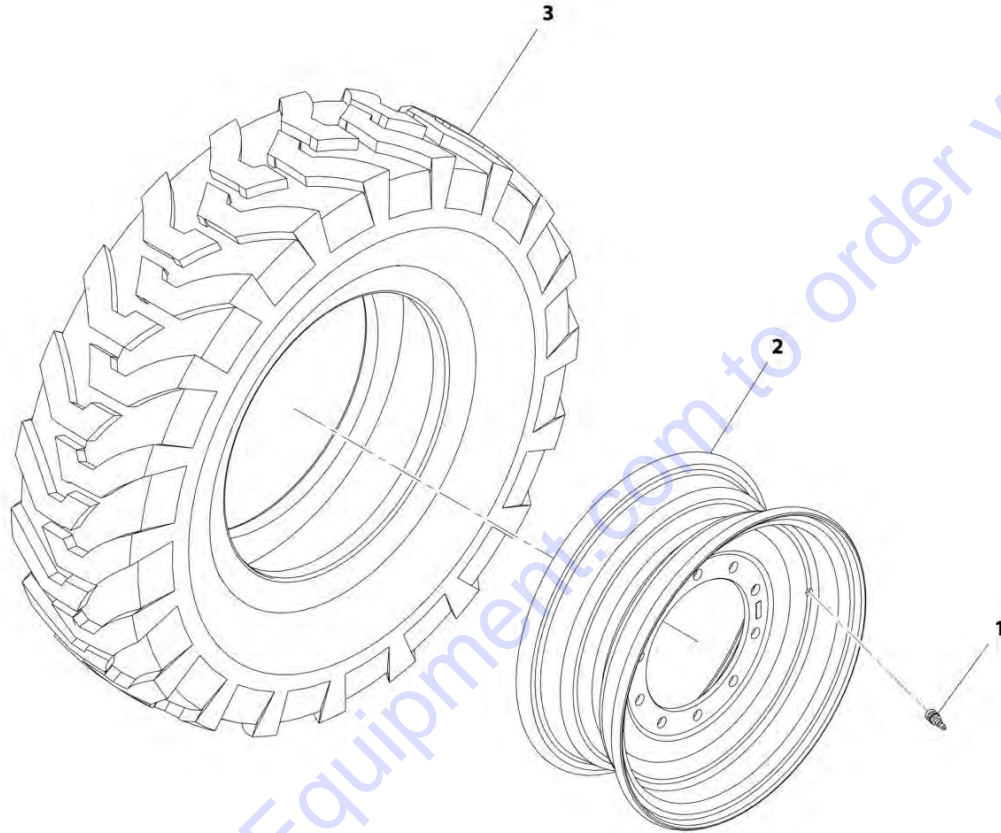
**FIGURE 5-96. TIRE/WHEEL RIGHT ASSEMBLY 13-24 16PR - AIR**

ITEM	PART NUMBER	QTY	DESCRIPTION	REV
	1001199808	Ref	Tire/Wheel Right Assembly 13-24 16PR - Air	A
1	8786514	1	Valve, Stem	
2	91473206	1	Wheel, 24x9.00 GR	
3	1001199807	1	Tire, 13.00x24 TG 16 PLY G2, BIAS	

Go to Discount-Equipment.com to order your parts

## SECTION 5 - DRIVETRAIN

FIGURE 5-97. TIRE/WHEEL LEFT ASSEMBLY 13-24 16PR - AIR



ART\_1001199810-A

**SECTION 5 - DRIVETRAIN**

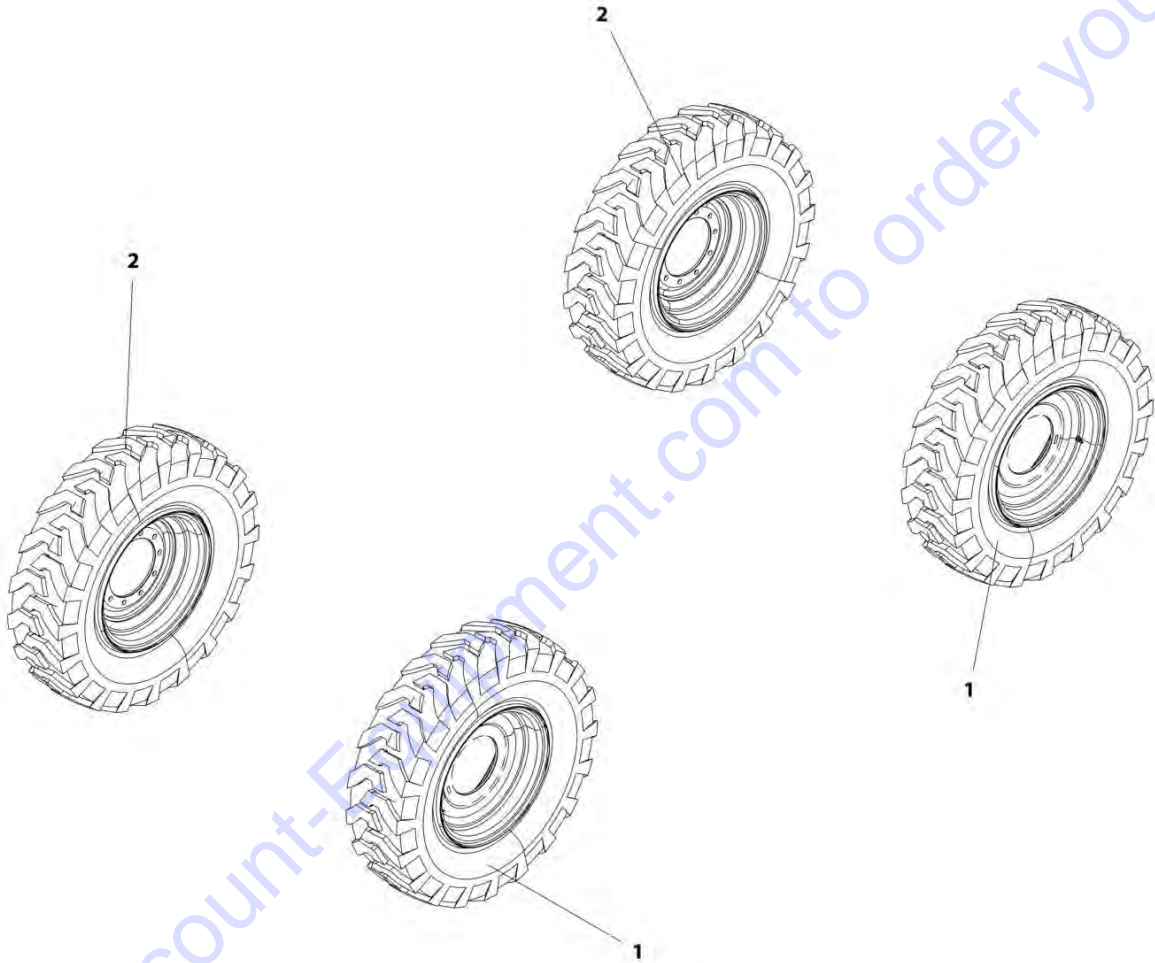
**FIGURE 5-97. TIRE/WHEEL LEFT ASSEMBLY 13-24 16PR - AIR**

ITEM	PART NUMBER	QTY	DESCRIPTION	REV
	1001199810	Ref	Tire/Wheel Left Assembly 13-24 16PR - Air	A
1	8786514	1	Valve, Stem	
2	91473206	1	Wheel, 24x9.00 GR	
3	1001199807	1	Tire, 13.00x24 TG 16 PLY G2, BIAS	

Go to Discount-Equipment.com to order your parts

## SECTION 5 - DRIVETRAIN

FIGURE 5-98. TIRE/WHEEL SET 13-24 12PR - FOAM



ART\_4520370\_B

**SECTION 5 - DRIVETRAIN**

**FIGURE 5-98. TIRE/WHEEL SET 13-24 12PR - FOAM**

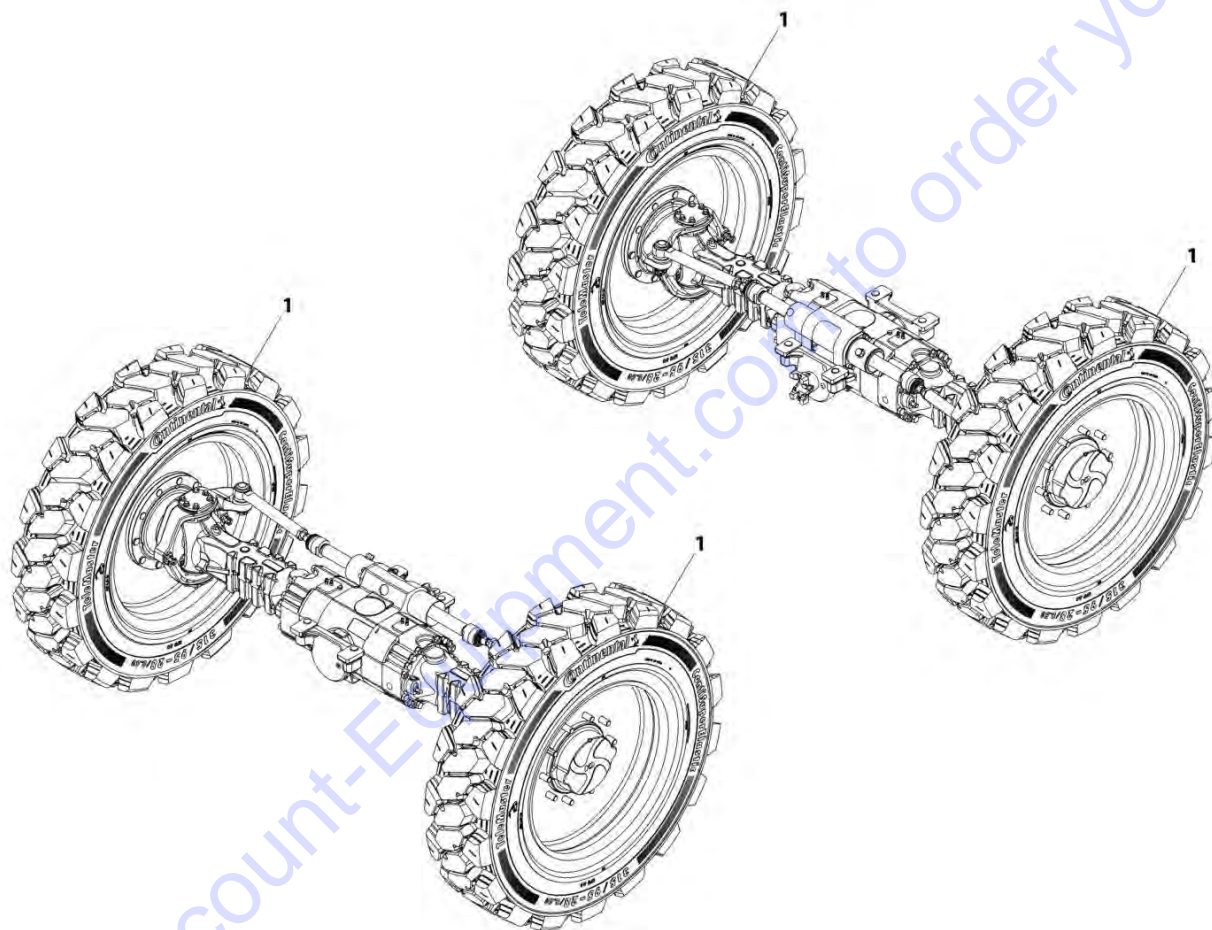
ITEM	PART NUMBER	QTY	DESCRIPTION	REV
	4520370	1	Tire/Wheel Set 13-24 12PR - Foam	B
1	91475054	2	Tire/Wheel Right 13-24 G-2 - Foam	
2	91475055	2	Tire/Wheel Left 13-24 G-2 - Foam	

Go to Discount-Equipment.com to order your parts



# SECTION 5 - DRIVETRAIN

FIGURE 5-99. TIRE/WHEEL SET 315/95-28 - SOLID



ART\_1001221503-A

**SECTION 5 - DRIVETRAIN**

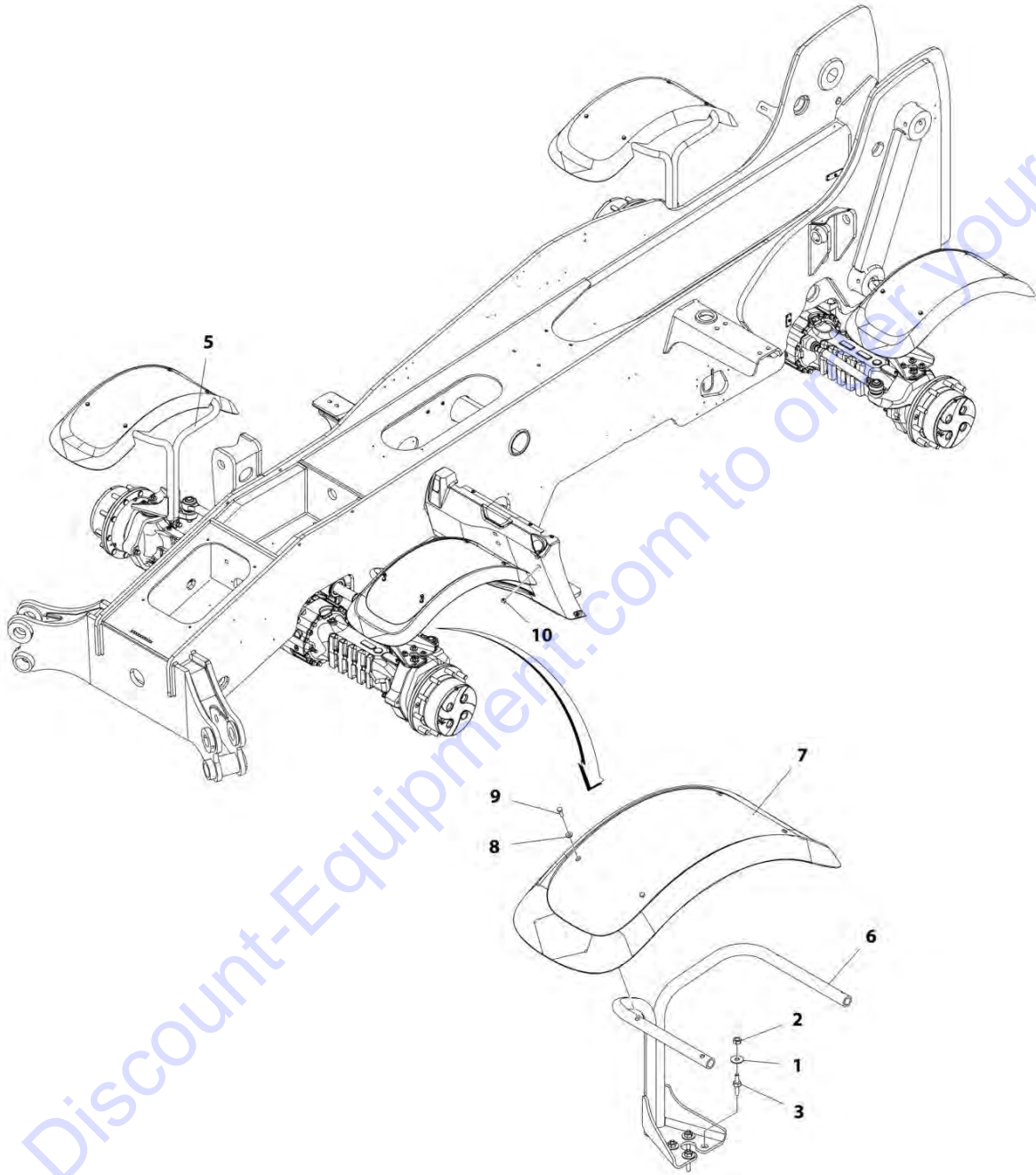
**FIGURE 5-99. TIRE/WHEEL SET 315/95-28 - SOLID**

ITEM	PART NUMBER	QTY	DESCRIPTION	REV
1	1001221503	1	Tire/Wheel Set 315/95-28 - Solid	A
	1001213199J	4	Tire/Wheel Solid 315/95-28/8.50 - 8M Offset	

Go to Discount-Equipment.com to order your parts

# SECTION 5 - DRIVETRAIN

## FIGURE 5-100. FENDER INSTALLATION



ART\_1001171242-E

**SECTION 5 - DRIVETRAIN**

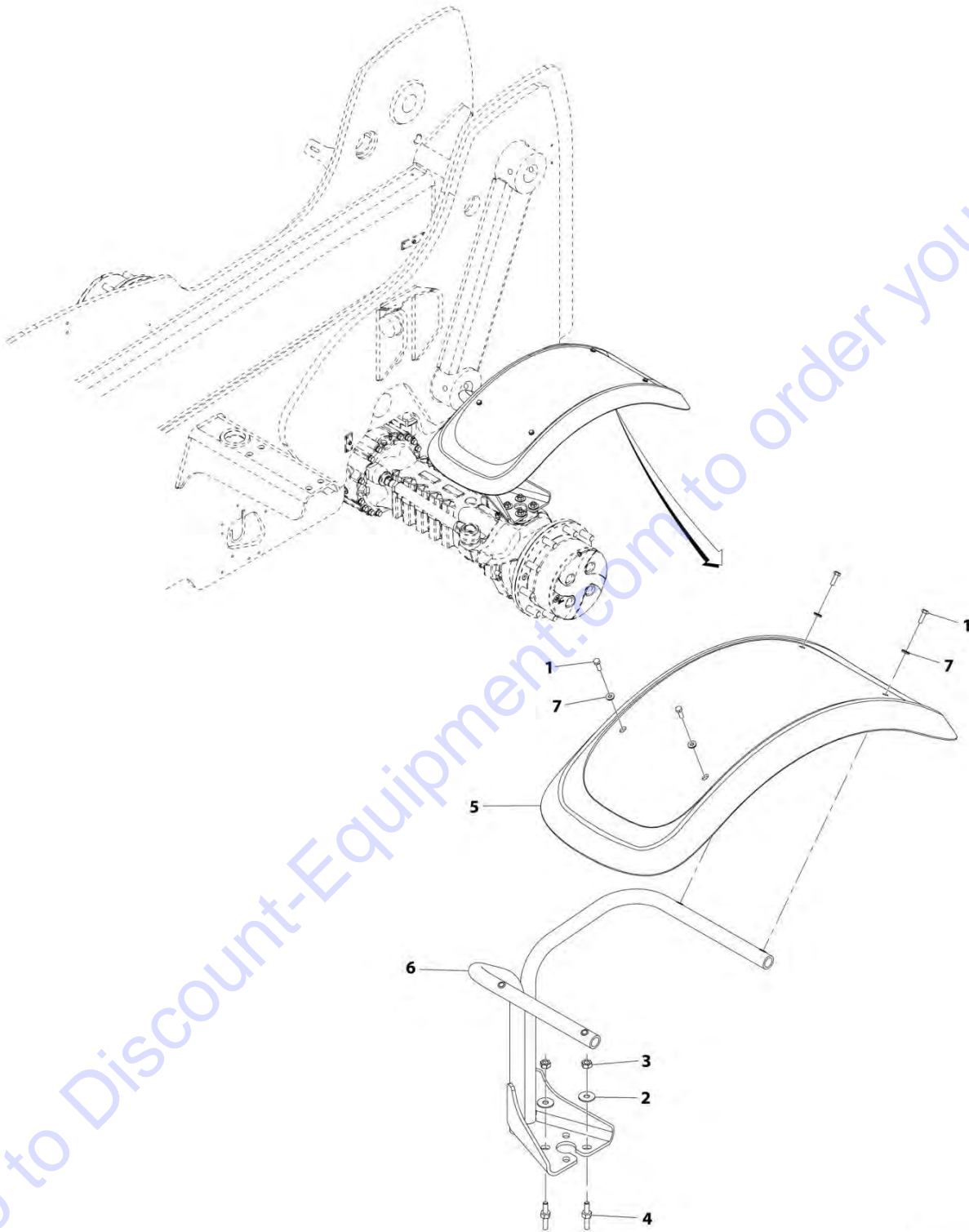
**FIGURE 5-100. FENDER INSTALLATION**

ITEM	PART NUMBER	QTY	DESCRIPTION	REV
	1001171242	1	Fender Installation	E
1	4812102	16	Washer, M12	
2	91513266	16	Nut, M12X1.25	
3	91514118	16	Stud, Fender	
5	1001202513	2	RH Bracket	
6	1001202512	2	LH Bracket	
7	1001168264	4	Fender	
8	1001202786	16	Washer	
9	0760812	16	Screw, M8X25	
10	1001208338	4	Plug	

Go to Discount-Equipment.com to order your parts

# SECTION 5 - DRIVETRAIN

## FIGURE 5-101. CAB FENDER INSTALLATION REAR (LH)



ART\_1001236542-A

**SECTION 5 - DRIVETRAIN**

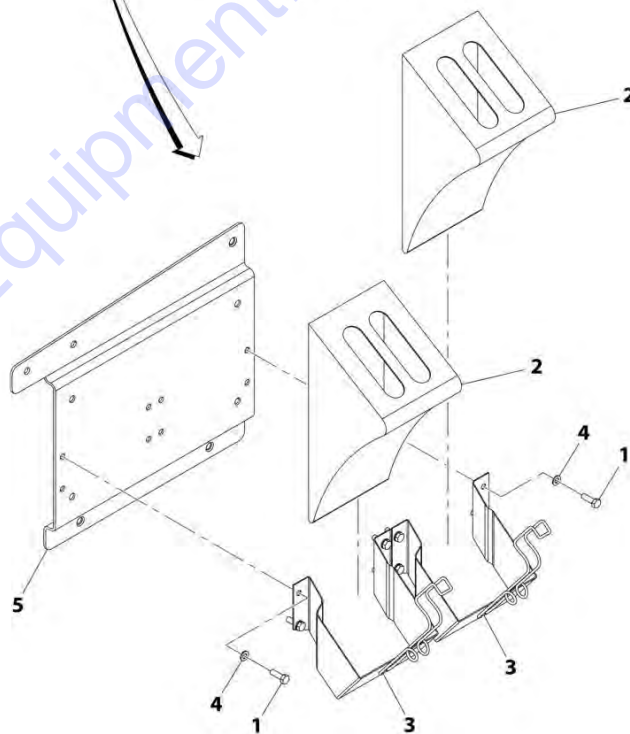
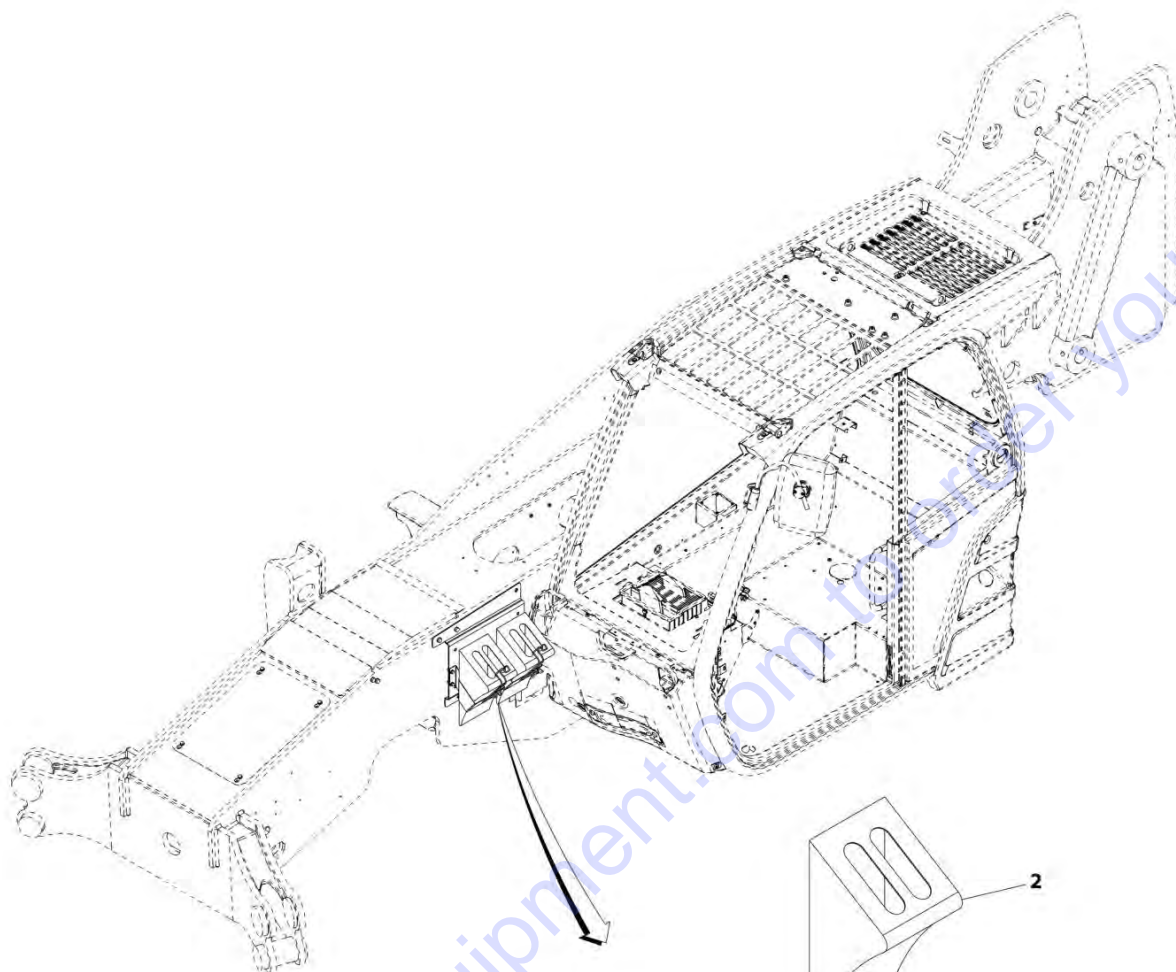
**FIGURE 5-101. CAB FENDER INSTALLATION REAR (LH)**

ITEM	PART NUMBER	QTY	DESCRIPTION	REV
	1001236542	Ref	Cab Fender Installation Rear (LH)	A
1	0760812	4	Bolt, M8X25	
2	4812102	4	Washer, M12	
3	91513266	4	Nut, M12X1.25	
4	91514118	4	Stud	
5	1001168264	1	Fender	
6	1001202512	1	Bracket	
7	1001202786	4	Washer	

Go to Discount-Equipment.com to order your parts

# SECTION 5 - DRIVETRAIN

## FIGURE 5-102. WHEEL CHOCK INSTALLATION



ART\_1001229235-A

**SECTION 5 - DRIVETRAIN**

**FIGURE 5-102. WHEEL CHOCK INSTALLATION**

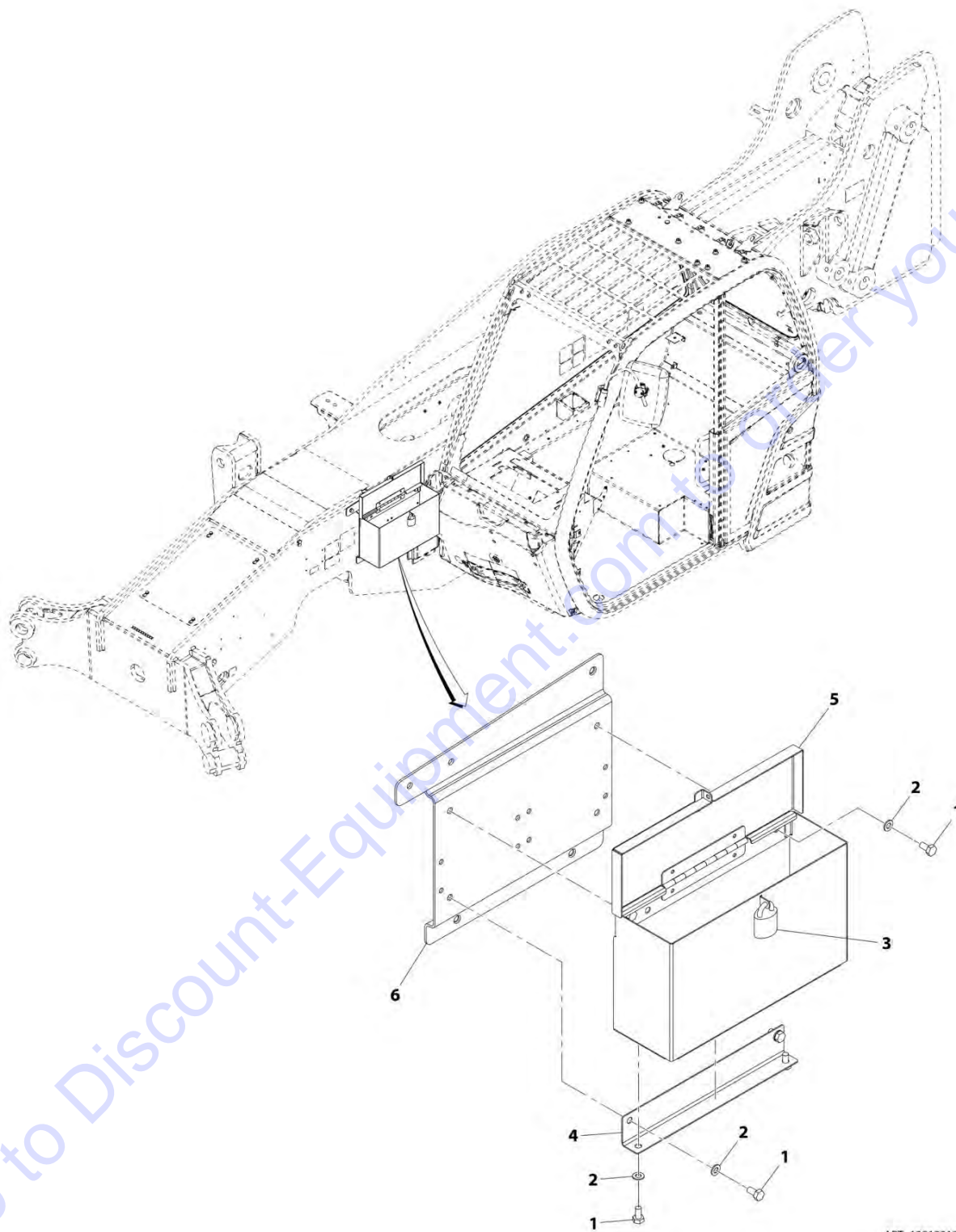
ITEM	PART NUMBER	QTY	DESCRIPTION	REV
	1001229235	Ref	Wheel Chock Installation (If equipped)	A
1	0700812	8	Screw, 8X25 LG	
2	806253	2	Wedge	
3	806264	2	Holder	
4	4811900	8	Washer, 8mm	
5	1001230713J	1	Bracket	

Go to Discount-Equipment.com to order your parts



# SECTION 5 - DRIVETRAIN

## FIGURE 5-103. TOOLBOX INSTALLATION



ART\_1001231244-A

**SECTION 5 - DRIVETRAIN**

**FIGURE 5-103. TOOLBOX INSTALLATION**

ITEM	PART NUMBER	QTY	DESCRIPTION	REV
	1001231244	Ref	ToolBox Installation (If equipped)	A
1	0761010	6	Bolt, M10X20	
2	4812000	6	Washer, M10	
3	1001008687	1	Padlock	
4	1001178729	1	Bracket	
5	1001192836	1	Box	
6	1001230713J	1	Bracket	

Go to Discount-Equipment.com to order your parts

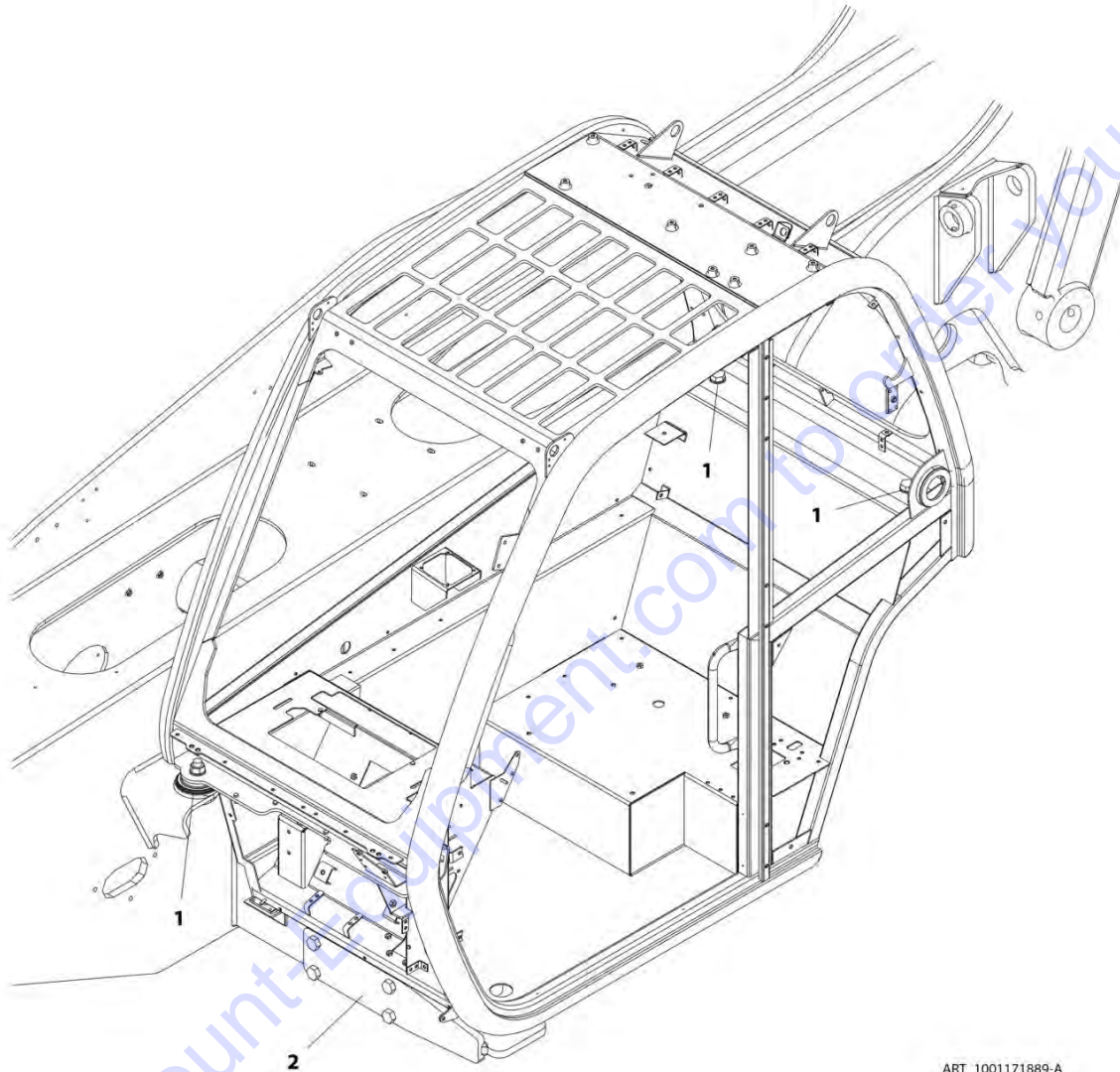


SECTION 6 - CAB

Go to Discount-Equipment.com to order your parts

# SECTION 6 - CAB

## FIGURE 6-1. CAB MOUNTING



ART\_1001171889-A

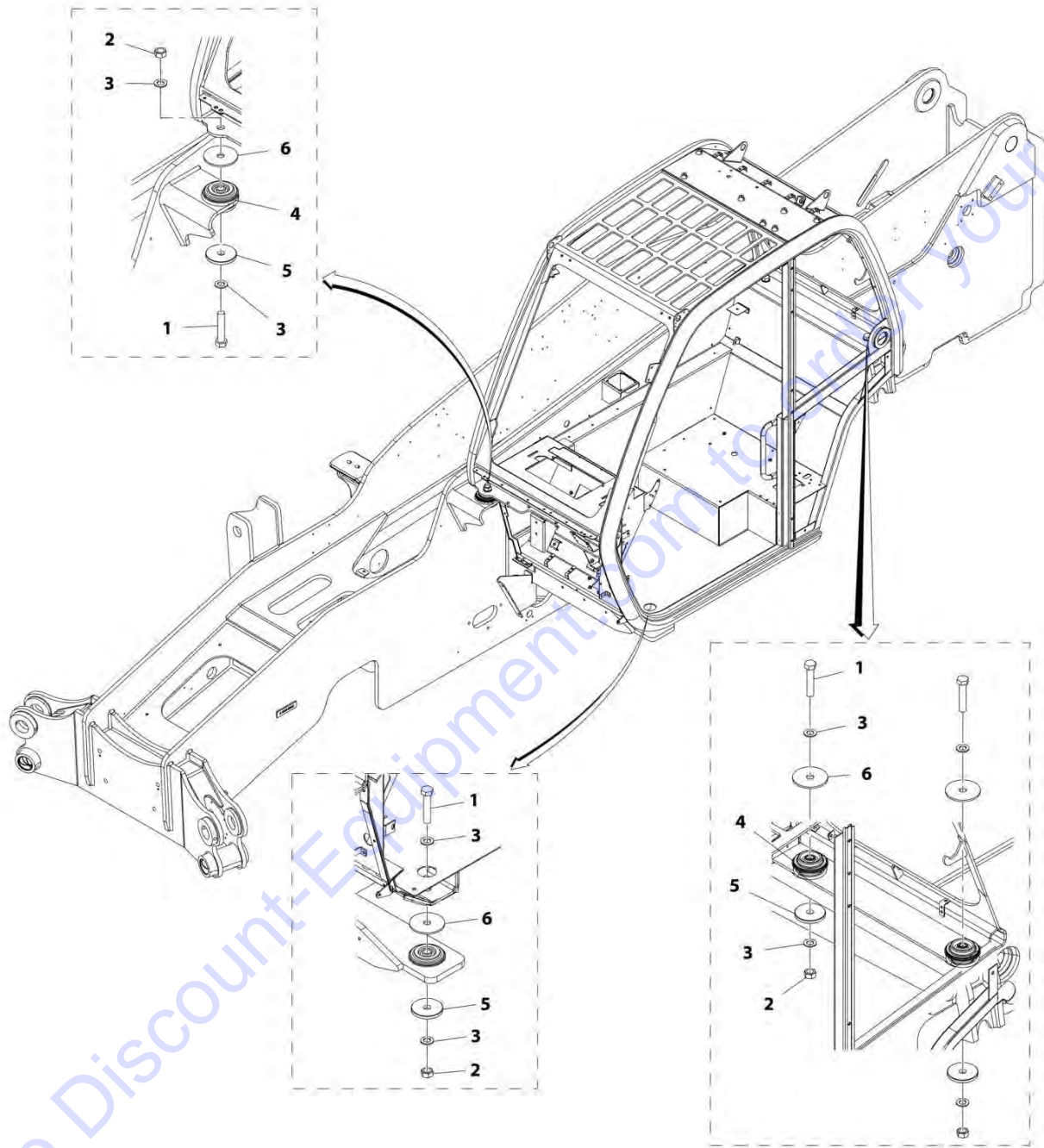
FIGURE 6-1. CAB MOUNTING

ITEM	PART NUMBER	QTY	DESCRIPTION	REV
	1001171889	1	Cab Mounting	A
1	1001155446	1	Installation, Cab Mounts (See Separate Breakdown in this Section)	
2	1001171890	1	Installation, Front Cab Outrigger (See Separate Breakdown in this Section)	

Go to Discount-Equipment.com to order your parts

# SECTION 6 - CAB

## FIGURE 6-2. CAB MOUNTS INSTALLATION



ART\_1001155446-E

FIGURE 6-2. CAB MOUNTS INSTALLATION

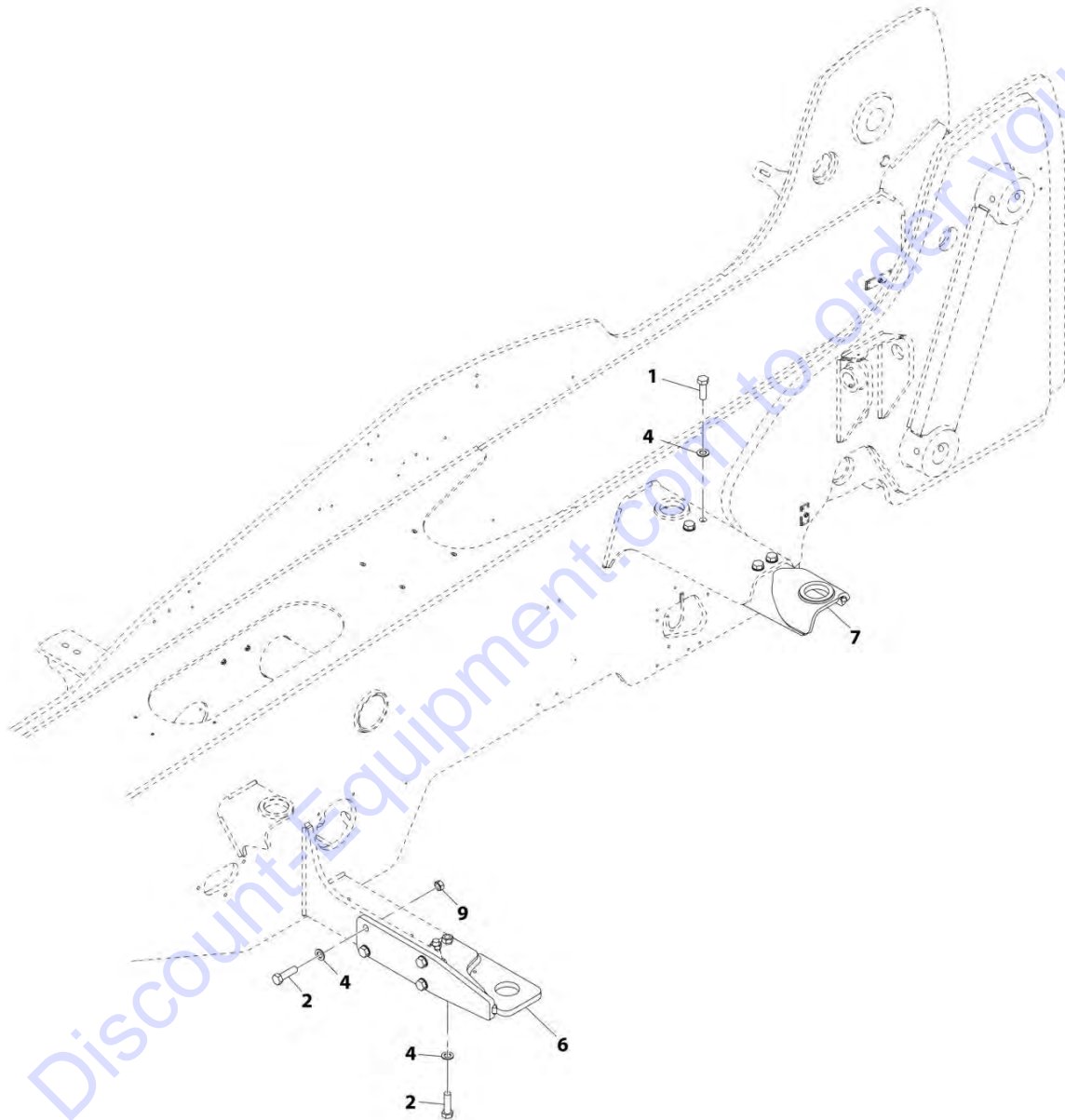
ITEM	PART NUMBER	QTY	DESCRIPTION	REV
	1001155446	Ref	Cab Mounts Installation	E
1	0712027	4	Bolt, M20X100	
2	3332011	4	Nut, M20X2.5	
3	4812500	8	Washer, M20	
4	1001166754	4	Mount, Cab Isolation	
5	1001166755	4	Washer, Cab Rebound	
6	1001220540	4	Washer, Cab Mount	

Go to Discount-Equipment.com to order your parts



# SECTION 6 - CAB

## FIGURE 6-3. FRONT CAB OUTRIGGER INSTALLATION



ART\_1001171890-E

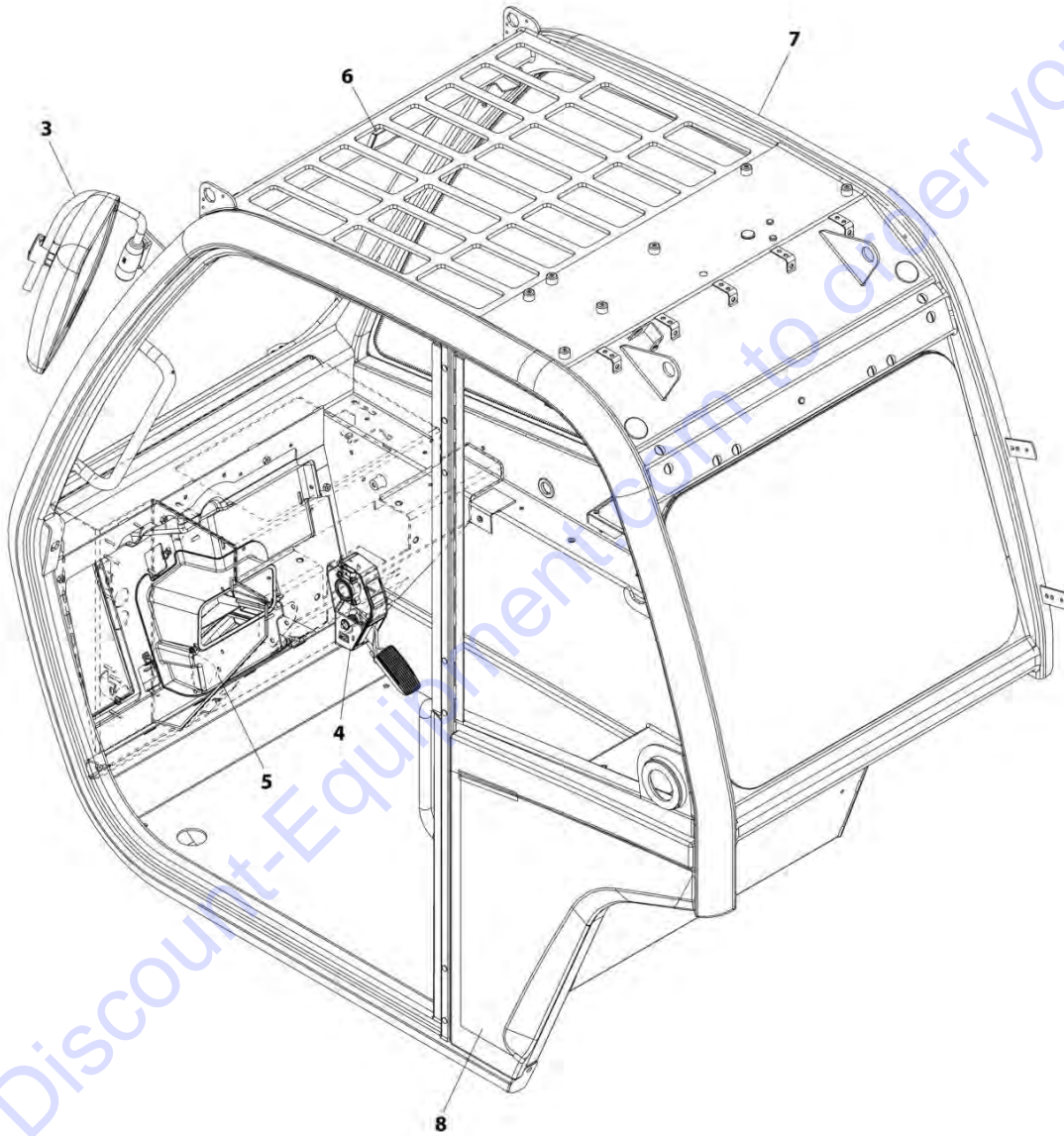
FIGURE 6-3. FRONT CAB OUTRIGGER INSTALLATION

ITEM	PART NUMBER	QTY	DESCRIPTION	REV
	1001171890	Ref	Front Cab Outrigger Installation	E
1	0712020	4	Bolt, M20X60	
2	0712022	6	Bolt, M20X70	
4	4812500	10	Washer, M20	
6	1001171898	NLA	Bracket, Front Lower Cab, (no longer available, use 1001208106 for replacement)	
6	1001208106	1	Bracket, Front Lower Cab	
7	1001171903	NLA	Bracket, Rear Cab Mount, (no longer available, use 1001210782 for replacement)	
7	1001210782	1	Bracket, Rear Cab Mount	
9	3292001	4	Hex Nut, M20X2.5	

Go to Discount-Equipment.com to order your parts

## SECTION 6 - CAB

FIGURE 6-4. OROPS CAB INSTALLATION



ART\_1001154984-G

FIGURE 6-4. OROPS CAB INSTALLATION

ITEM	PART NUMBER	QTY	DESCRIPTION	REV
	1001154984	Ref	OROPS Cab Installation	G
3	1001160508	Ref	Installation, Mirror (See Separate Breakdown in this Section)	
4	1001161499	Ref	Installation, Accelerator Pedal (See Separate Breakdown in Controls Section)	
5	1001170366	Ref	Installation, Front Cover (See Separate Breakdown in this Section)	
6	1001172401	Ref	Installation, Level Indicator (See Separate Breakdown in this Section)	
7	1001214326	Ref	Cab, (See Separate Breakdown in this Section)	
8	1001214331	Ref	Installation, Open Cab, (See Separate Breakdown in this Section)	

Go to Discount-Equipment.com to order your parts

# PARTS FINDER

**Search Website  
by Part Number**



**Search Manual  
Library For Parts  
Manual & Lookup Part  
Numbers – Purchase  
or Request Quote**

**Can't Find Part or  
Manual? Request Help  
by Manufacturer,  
Model & Description**

Discount-Equipment.com is your online resource for quality parts & equipment.

Florida: **561-964-4949** Outside Florida TOLL FREE: **877-690-3101**

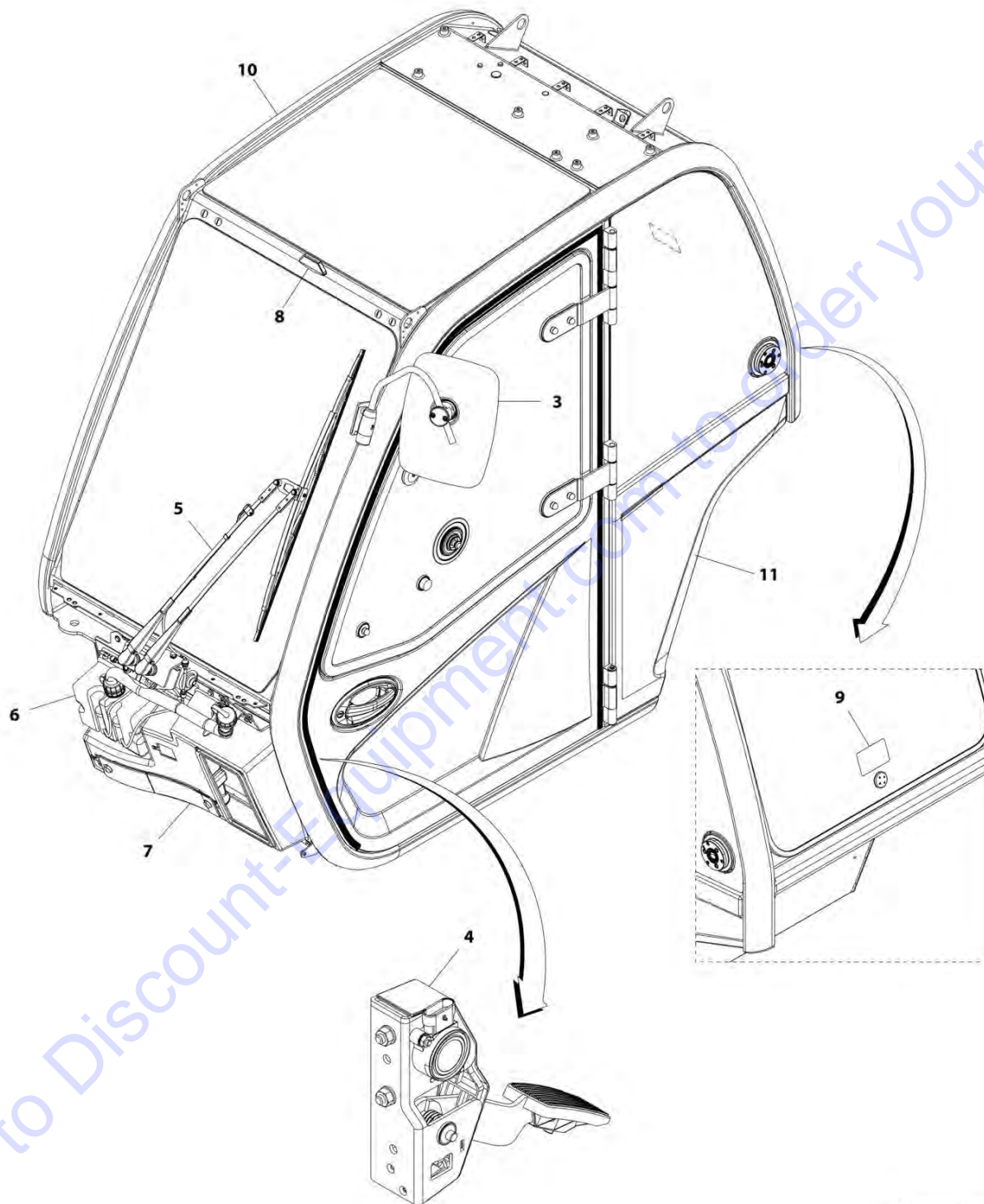
## Need parts?

Click on this link: <http://www.discount-equipment.com/category/5443-parts/> and choose one of the options to help get the right parts and equipment you are looking for. Please have the machine model and serial number available in order to help us get you the correct parts. If you don't find the part on the website or on one of the online manuals, please fill out the request form and one of our experienced staff members will get back to you with a quote for the right part that your machine needs.

We sell worldwide for the brands: Genie, Terex, JLG, MultiQuip, Mikasa, Essick, Whiteman, Mayco, Toro Stone, Diamond Products, Generac Magnum, Airman, Haulotte, Barreto, Power Blanket, Nifty Lift, Atlas Copco, Chicago Pneumatic, Allmand, Miller Curber, Skyjack, Lull, Skytrak, Tsurumi, Husquvarna Target, Stow, Wacker, Sakai, Mi-T-M, Sullair, Basic, Dynapac, MBW, Weber, Bartell, Bennar Newman, Haulotte, Ditch Runner, Menegotti, Morrison, Contec, Buddy, Crown, Edco, Wyco, Bomag, Laymor, EZ Trench, Bil-Jax, F.S. Curtis, Gehl Pavers, Heli, Honda, ICS/PowerGrit, IHI, Partner, Imer, Clipper, MMD, Koshin, Rice, CH&E, General Equipment, Amida, Coleman, NAC, Gradall, Square Shooter, Kent, Stanley, Tamco, Toku, Hatz, Kohler, Robin, Wisconsin, Northrock, Oztec, Toker TK, Rol-Air, APT, Wylie, Ingersoll Rand / Doosan, Innovatech, Con X, Ammann, Mecalac, Makinex, Smith Surface Prep, Small Line, Wanco, Yanmar

# SECTION 6 - CAB

## FIGURE 6-5. EROPS CAB INSTALLATION



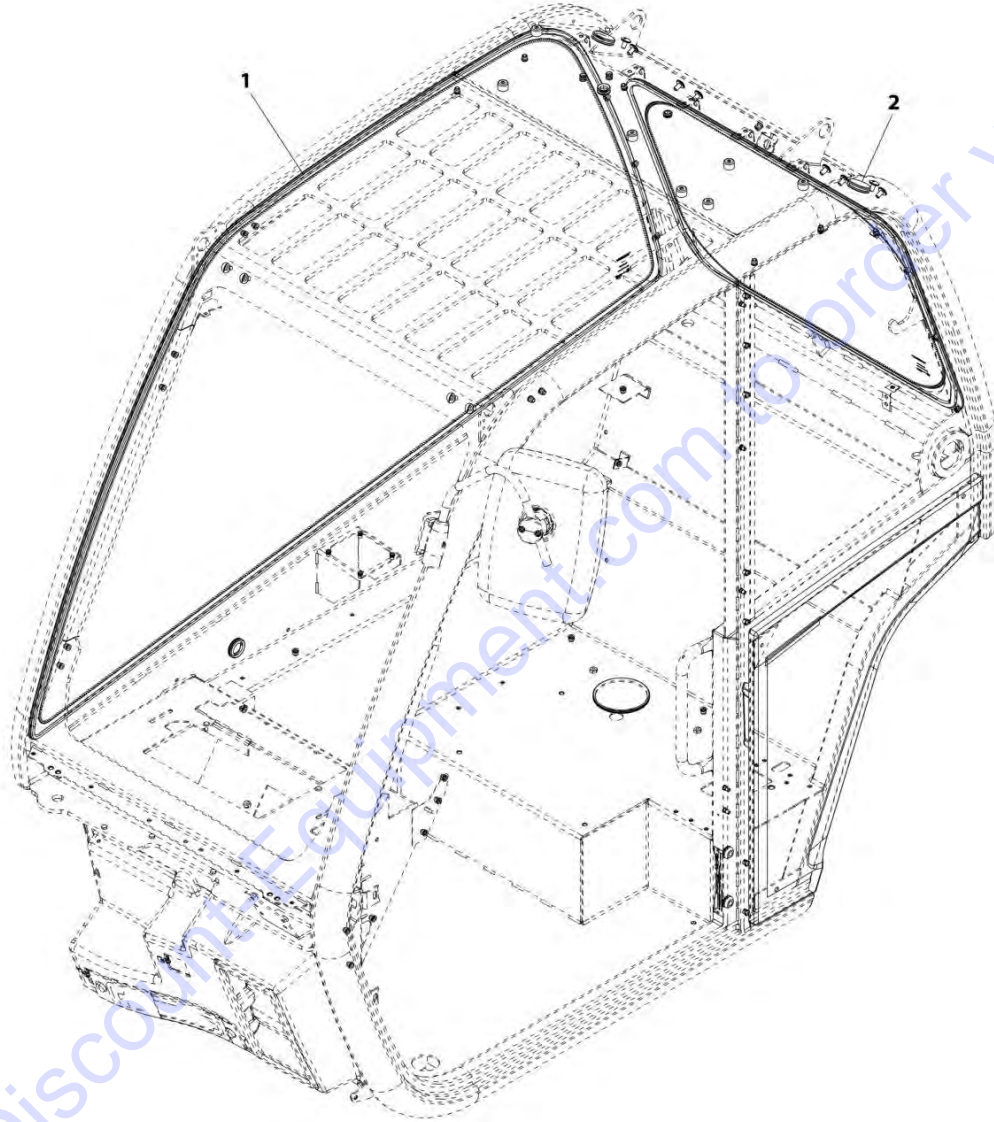
ART\_1001173419-I

FIGURE 6-5. EROPS CAB INSTALLATION

ITEM	PART NUMBER	QTY	DESCRIPTION	REV
	1001173419	Ref	EROPS Cab Installation	I
3	1001160508	Ref	Installation, Mirror (See Separate Breakdown in this Section)	
4	1001161499	Ref	Installation, Accelerator Pedal (See Separate Breakdown in Controls Section)	
5	1001155447	Ref	Installation, Front Wiper (See Separate Breakdown in this Section)	
6	1001162789	Ref	Installation, Washer Tank (See Separate Breakdown in this Section)	
7	1001170366	Ref	Installation, Front Cover (See Separate Breakdown in this Section)	
8	1001172401	Ref	Installation, Level Indicator (See Separate Breakdown in this Section)	
9	8005870	1	Decal, Emergency Exit	
10	1001214326	Ref	Cab, (See Separate Breakdown in this Section)	
11	1001214332	Ref	Installation, Enclosed Cab (See Separate Breakdown in this Section)	

SECTION 6 - CAB

FIGURE 6-6. CAB, TRIM KIT



ART\_1001214331-D



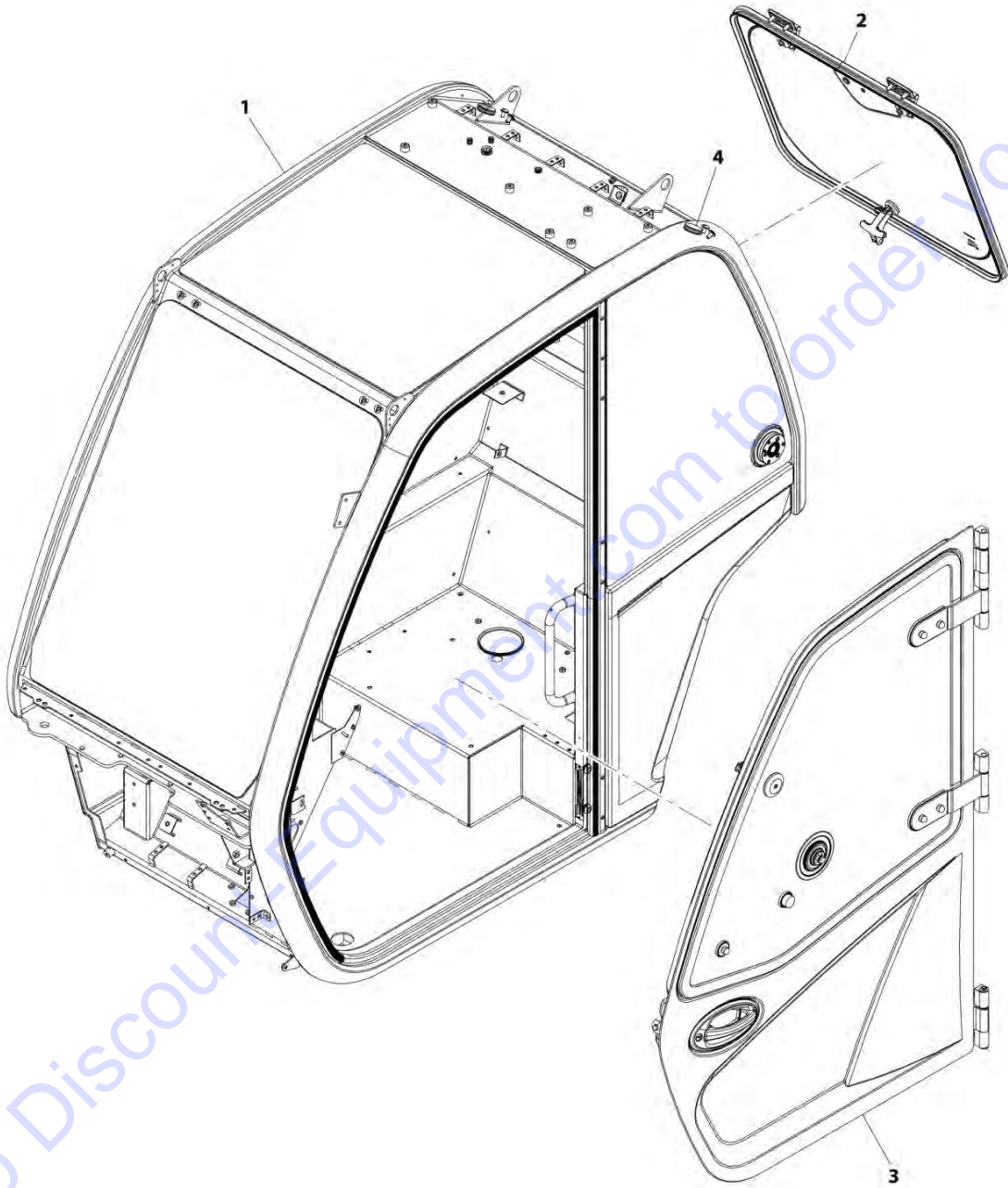
FIGURE 6-6. CAB, TRIM KIT

ITEM	PART NUMBER	QTY	DESCRIPTION	REV
	1001214331	Ref	Open Cab Installation	D
1	1001154721	1	Assembly, Open Cab (See Separate Breakdown in this Section)	
2	1001170495	1	Group, Open Cab Plug (See Separate Breakdown in this Section)	

Go to Discount-Equipment.com to order your parts

# SECTION 6 - CAB

## FIGURE 6-7. CAB, TRIM KIT



ART\_1001214332-F

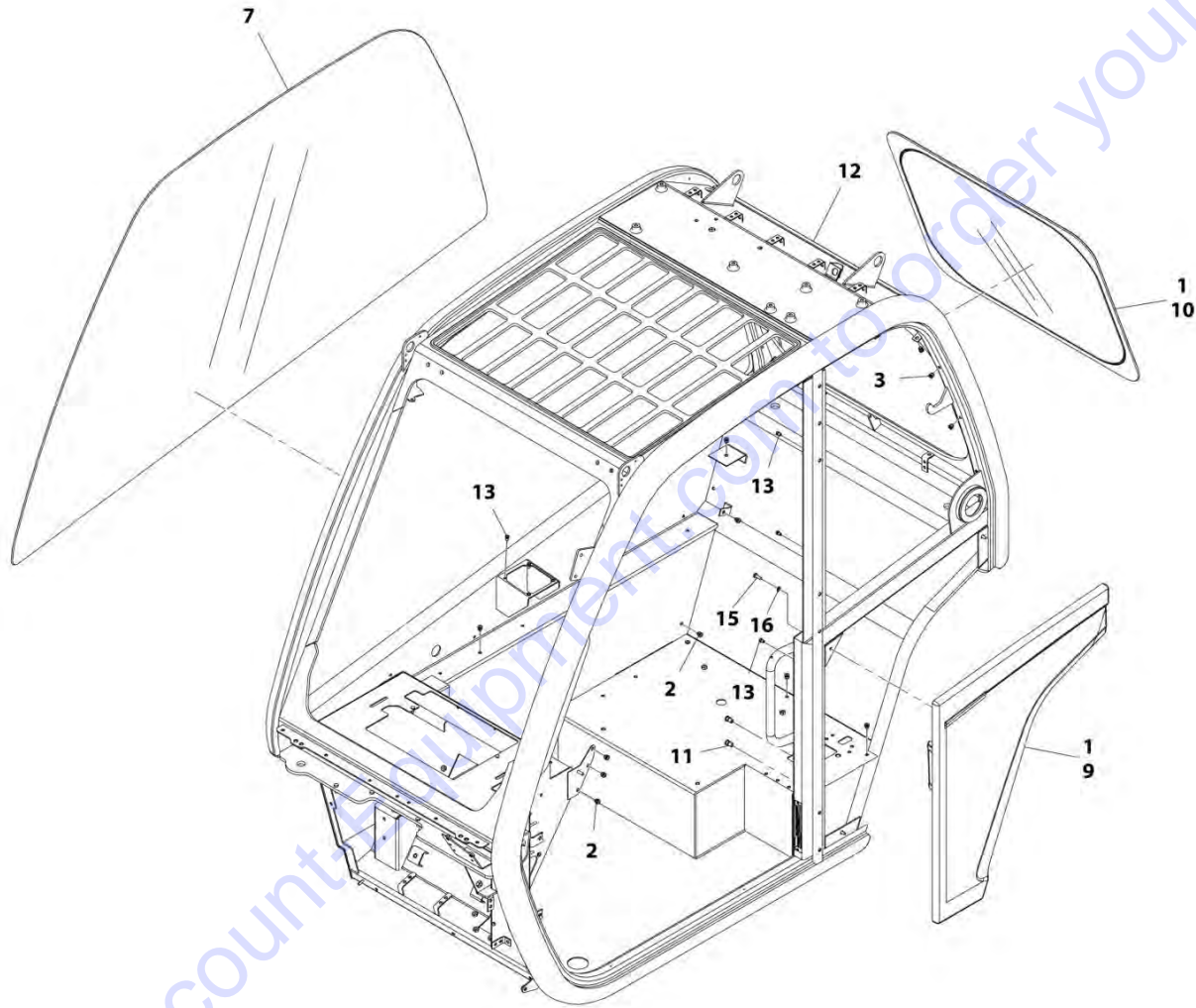
FIGURE 6-7. CAB, TRIM KIT

ITEM	PART NUMBER	QTY	DESCRIPTION	REV
	1001214332	Ref	Enclosed Cab Installation	F
1	1001154365	1	Assembly, Enclosed Cab (See Separate Breakdown in this Section)	
2	1001170500	1	Installation, Rear Window (See Separate Breakdown in this Section)	
3	1001165080	1	Installation, Door (See Separate Breakdown in this Section)	
4	1001170603	1	Group, Enclosed Cab Plug (See Separate Breakdown in this Section)	

Go to Discount-Equipment.com to order your parts

SECTION 6 - CAB

FIGURE 6-8. OPEN CAB ASSEMBLY



ART\_1001154721-I

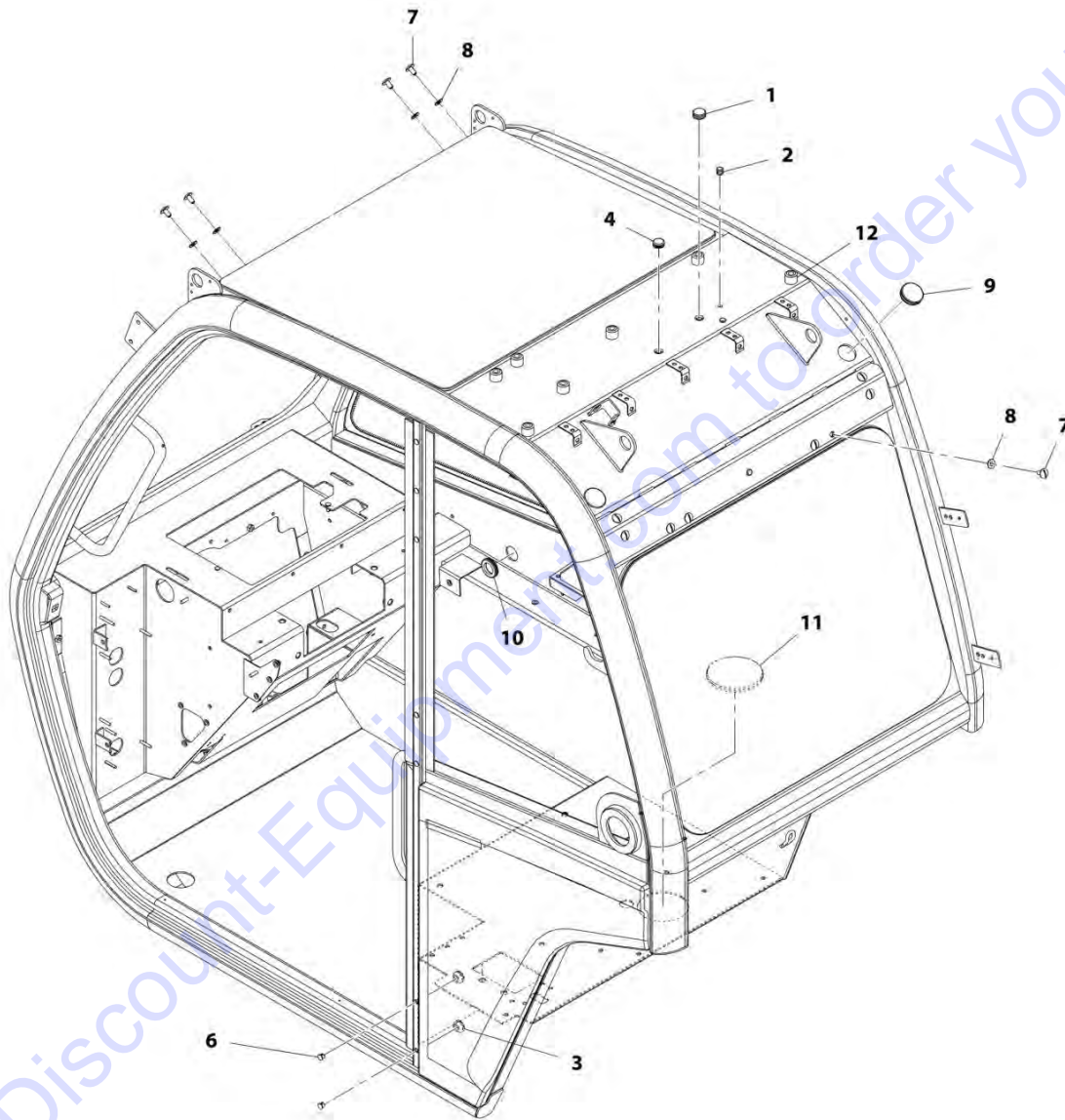
FIGURE 6-8. OPEN CAB ASSEMBLY

ITEM	PART NUMBER	QTY	DESCRIPTION	REV
	1001154721	Ref	Open Cab Assembly	I
1	1001111317	AR	Compound, Locking	
2	2080086	17	Rivnut, M6X1	
3	2080087	16	Rivnut, M8X1.25	
7	1001152947	1	Glass, RH Screen	
9	N.S.S.	1	Panel, Cab Quarter	
10	1001161538	1	Glass, Rear Window	
11	1001172193	2	Rivnut, M5X0.8	
12	See Note	NSS	Weldment, Cab (Note: Not available for purchase)	
13	1001195878	7	Rivnut, M5X0.8	
15	N.S.S.	3	Screw	
16	4811700	3	Washer, M6	

Go to Discount-Equipment.com to order your parts

# SECTION 6 - CAB

## FIGURE 6-9. OPEN CAB PLUG GROUP



ART\_1001170495-E

FIGURE 6-9. OPEN CAB PLUG GROUP

ITEM	PART NUMBER	QTY	DESCRIPTION	REV
	1001170495	Ref	Open Cab Plug Group	E
1	1001176273	1	Plug	
2	1001176272	3	Plug	
3	1001143200	2	Plug	
4	1001176626	1	Plug	
6	1001170374	7	Plug	
7	1001181920	12	Screw, M8X16	
8	1001181921	12	Washer, M8 Rubber	
9	1001182123	2	Plug	
10	1001182139	1	Plug	
11	1001209899	1	Plug	
12	1001219220	1	Cap, Vinyl Round	

Go to Discount-Equipment.com to order your parts

SECTION 6 - CAB

FIGURE 6-10. CAB, EPD CAULK

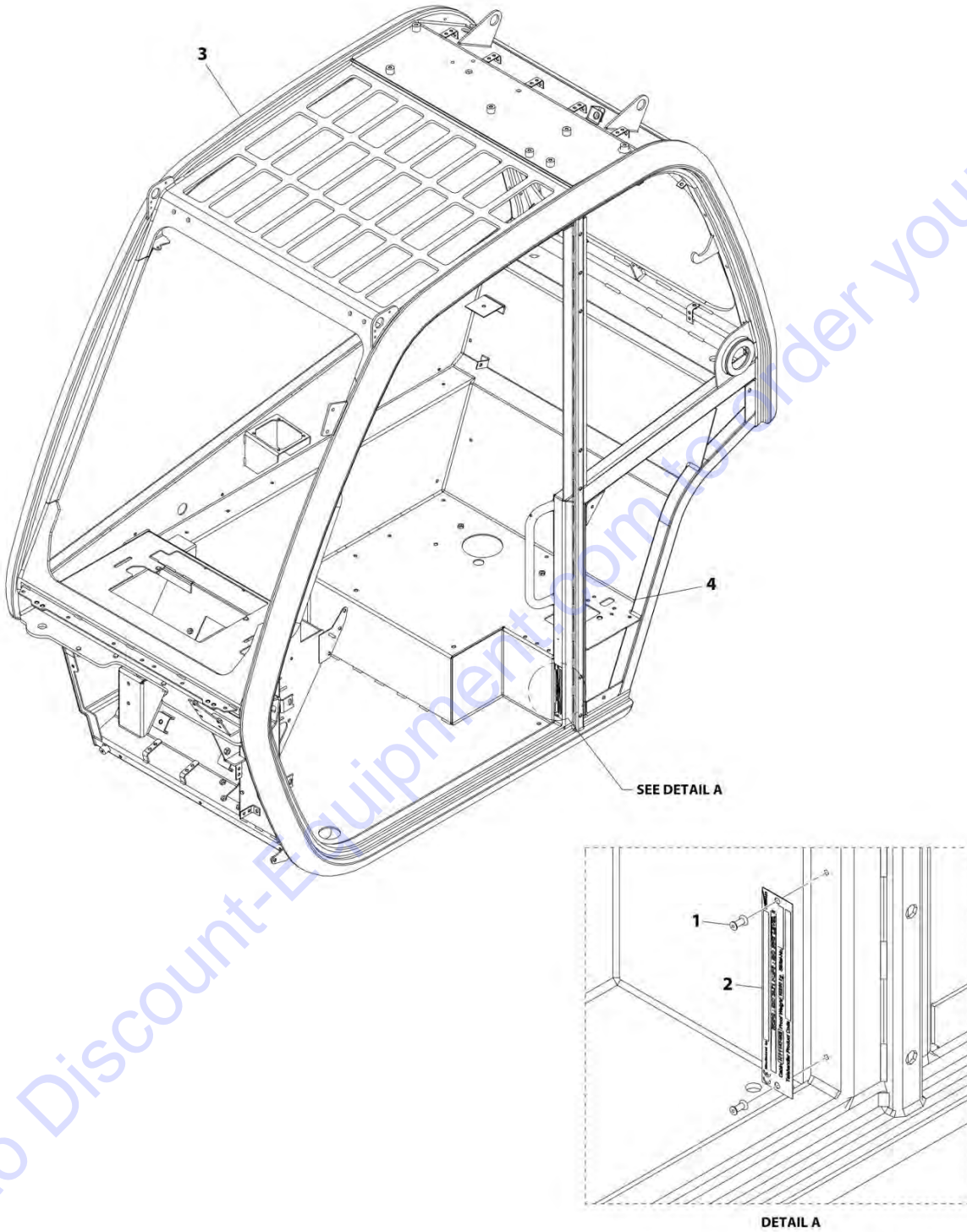




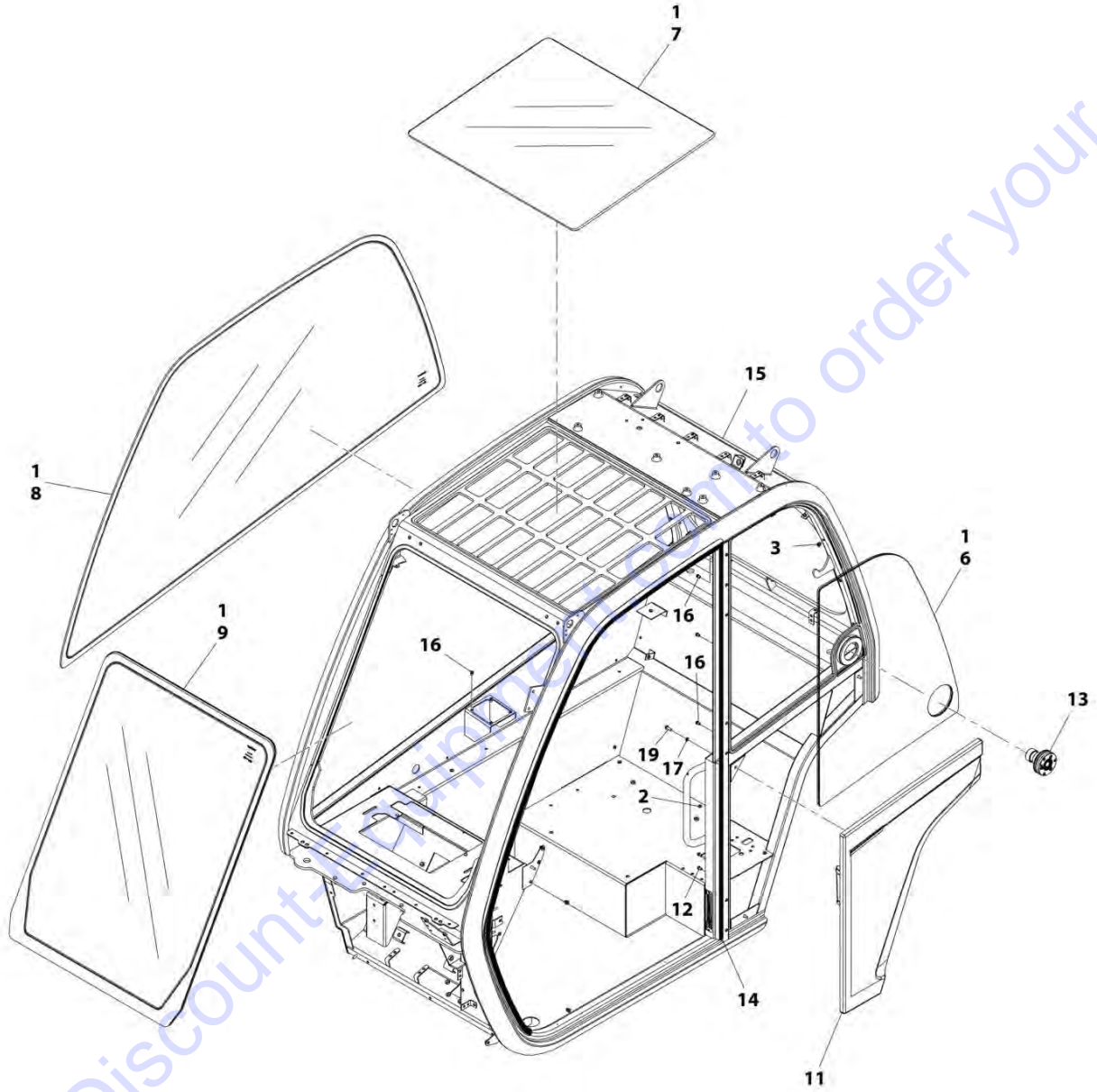
FIGURE 6-10. CAB, EPD CAULK

ITEM	PART NUMBER	QTY	DESCRIPTION	REV
	1001214326	Ref	Cab	D
1	1001099170	2	Rivet, 4	
2	N.S.S.	1	Plate, Serial Number	
3	N.S.S.	1	Weldment	
4	1001205402	AR	Sealant	

Go to Discount-Equipment.com to order your parts

# SECTION 6 - CAB

## FIGURE 6-11. ENCLOSED CAB ASSEMBLY



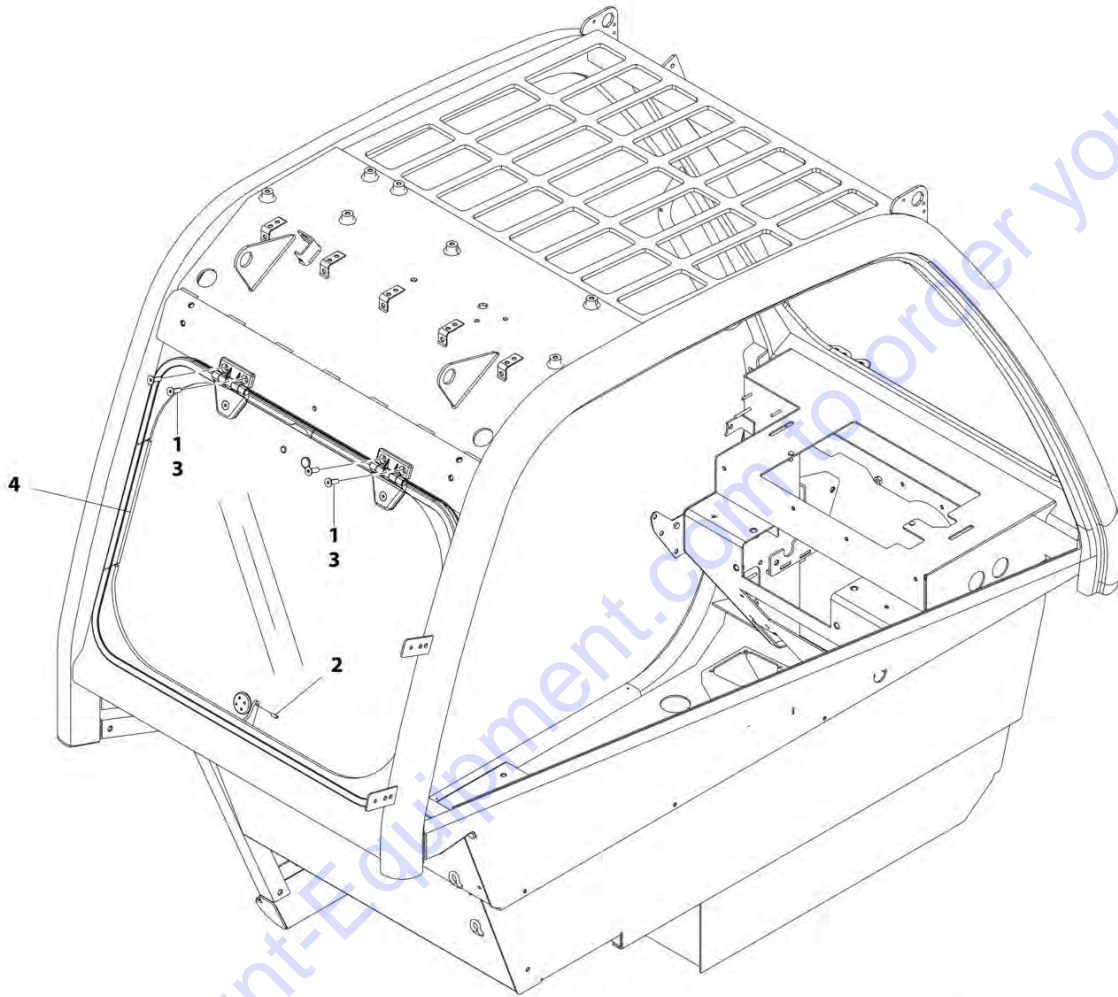
ART\_1001154365-J

FIGURE 6-11. ENCLOSED CAB ASSEMBLY

ITEM	PART NUMBER	QTY	DESCRIPTION	REV
	1001154365	Ref	Enclosed Cab Assembly	J
1	1001111317	AR	Compound, Locking	
2	2080086	17	Rivnut, M6X1	
3	2080087	16	Rivnut, M8X1.25	
6	1001152915	1	Glass, LH Screen	
7	1001152934	1	Glass, Roof	
8	1001152947	1	Glass, RH Screen	
9	1001154419	1	Glass, Front	
11	N.S.S.	1	Panel, Cab Quarter	
12	1001172193	2	Rivnut, M5X0.8	
13	1001174320	1	Latch, Top Window	
14	1001175226	NLA	Seal, Cab Door, (no longer available, use 1001227186 for replacement)	
14	1001227186	1	Seal, Cab Door	
15	See Note	NSS	Weldment, Cab (Note: Not available for purchase)	
16	1001195878	7	Rivnut, M5X0.8	
17	4811700	3	Washer, M6	
19	N.S.S.	3	Screw	

# SECTION 6 - CAB

## FIGURE 6-12. REAR WINDOW INSTALLATION



ART\_1001170500-C

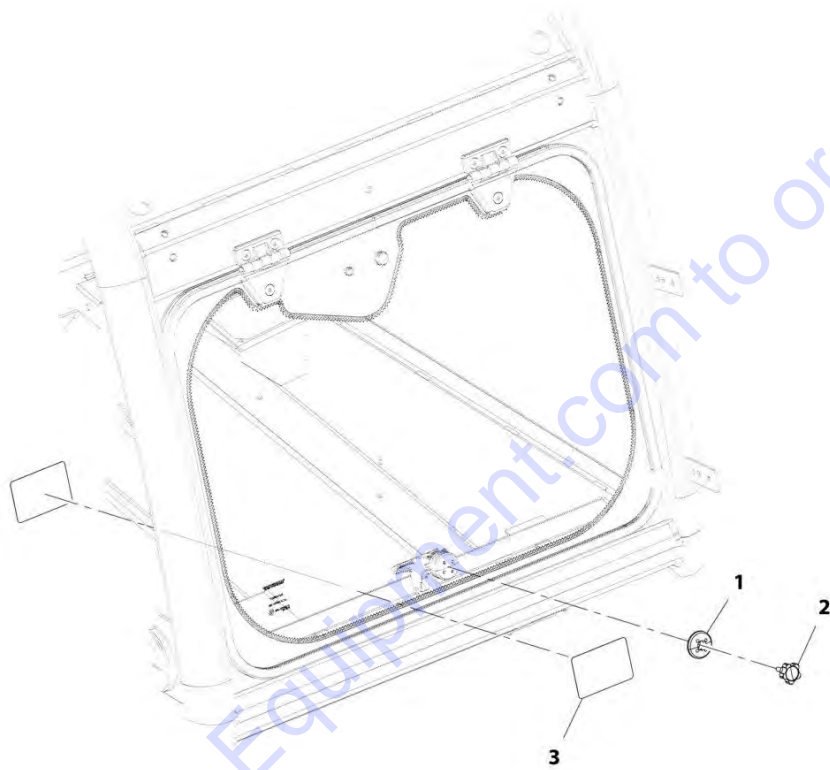
FIGURE 6-12. REAR WINDOW INSTALLATION

ITEM	PART NUMBER	QTY	DESCRIPTION	REV
	1001170500	Ref	Rear Window Installation	C
1	1001095650	AR	Compound, Locking	
2	1001003043	1	Pin, Spring	
3	1001097586	4	Bolt, M8-1.25X25	
4	1001170502	1	Window, Rear (See Separate Breakdown in this Section)	

Go to Discount-Equipment.com to order your parts

# SECTION 6 - CAB

FIGURE 6-13. REAR WINDOW INSTALLATION (WOWIPER) (ANSI)



ART\_1001212047-A

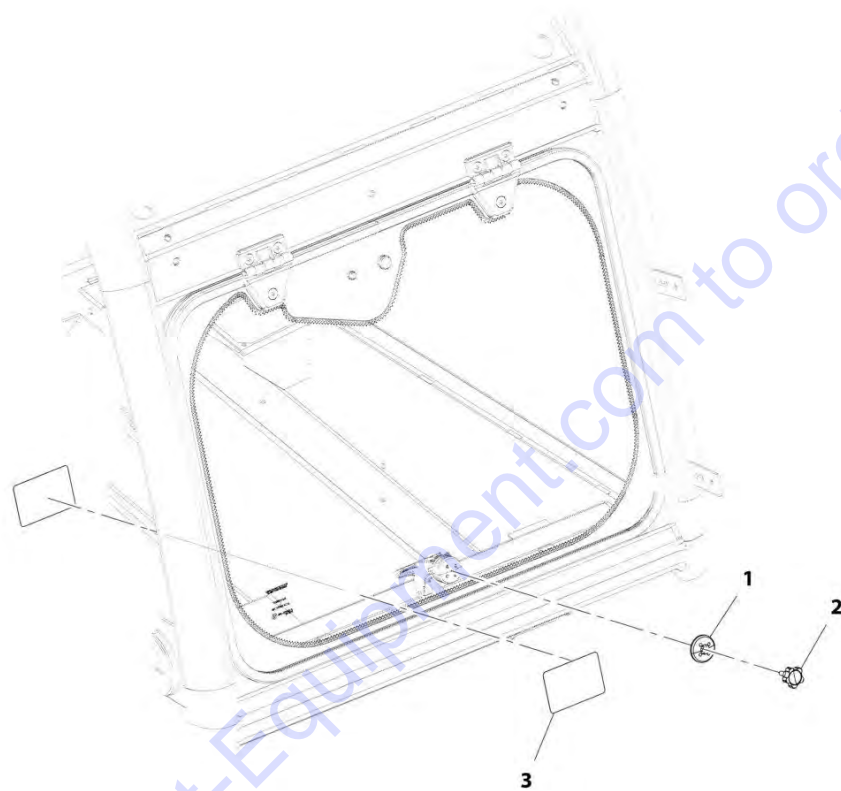
FIGURE 6-13. REAR WINDOW INSTALLATION (WO/WIPER) (ANSI)

ITEM	PART NUMBER	QTY	DESCRIPTION	REV
	1001212047	Ref	External Window Release Installation (ANSI - English)	A
1	1001179008	1	Cap, Latch Window	
2	1001179009	1	Cap, Knob M6	
3	1001212049	2	Decal, Emergency Exit	

Go to Discount-Equipment.com to order your parts

## SECTION 6 - CAB

FIGURE 6-14. REAR WINDOW INSTALLATION (WO/WIPER) (ISO)



ART\_1001212048-A



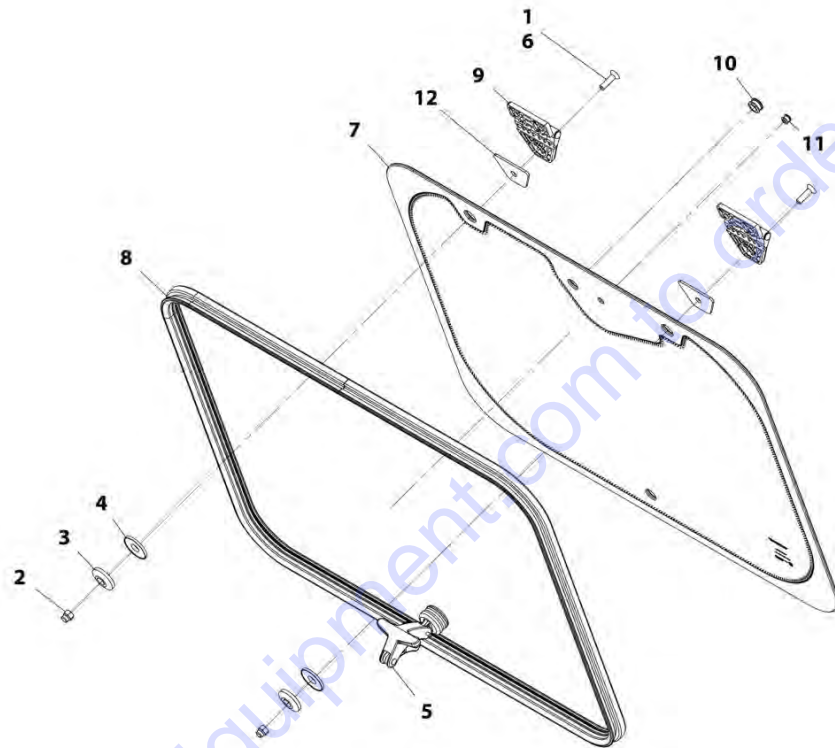
FIGURE 6-14. REAR WINDOW INSTALLATION (WO/WIPER) (ISO)

ITEM	PART NUMBER	QTY	DESCRIPTION	REV
	1001212048	Ref	Rear Window Installation (WO/Wiper) (ISO)	A
1	1001179008	1	Cap, Latch Window	
2	1001179009	1	Cap, Knob M6	
3	1001212050	2	Decal, Emergency Exit	

Go to Discount-Equipment.com to order your parts

# SECTION 6 - CAB

## FIGURE 6-15. REAR WINDOW ASSEMBLY



ART\_1001170502-C

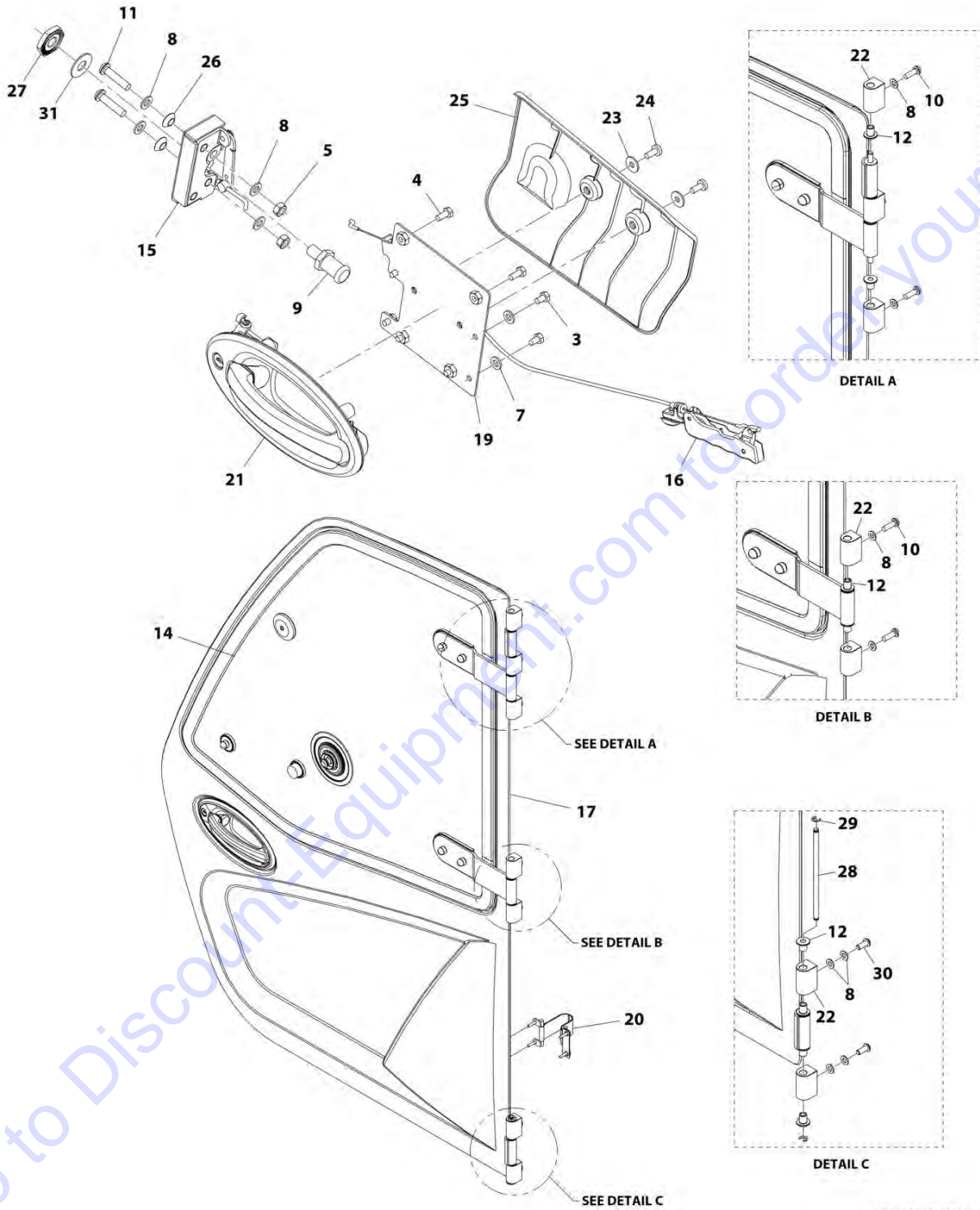
FIGURE 6-15. REAR WINDOW ASSEMBLY

ITEM	PART NUMBER	QTY	DESCRIPTION	REV
	1001170502	Ref	Rear Window Assembly	C
1	1001095650	AR	Compound, Locking	
2	3290806	2	Nut, M8X1.25 Grade 8	
3	8000759	2	Spacer	
4	8004398	2	Washer	
5	1001005368	1	Latch, Window	
6	2080078	2	Fastener, M8X30	
7	1001157481	1	Glass, Rear Window	
8	1001157487	1	Seal	
9	1001139568	2	Hinge	
10	1001171182	1	Grommet	
11	1001171183	1	Grommet	
12	1001181411	2	Gasket, Rear Window Hinge	

Go to Discount-Equipment.com to order your parts

# SECTION 6 - CAB

## FIGURE 6-16. DOOR INSTALLATION



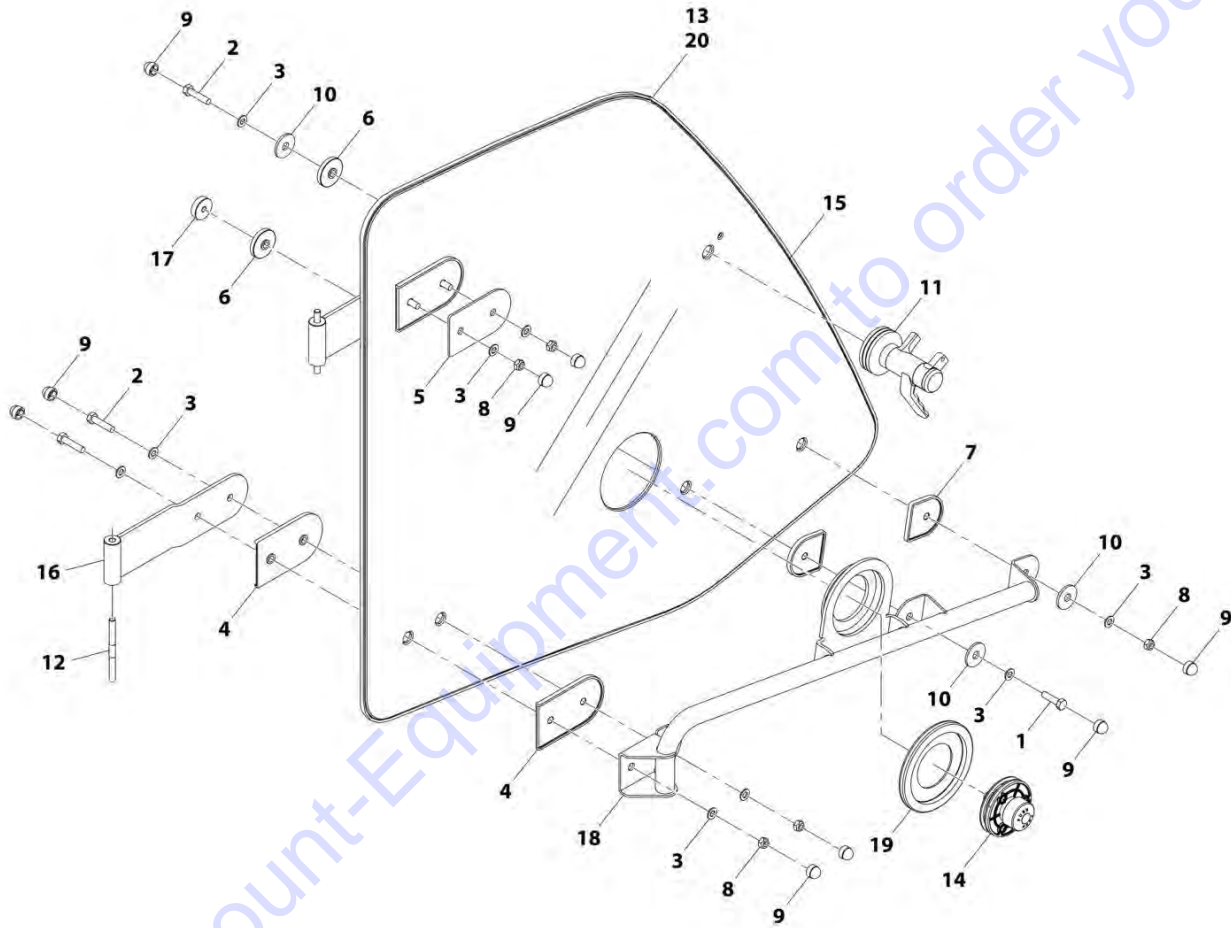
ART\_1001165080-M

FIGURE 6-16. DOOR INSTALLATION

ITEM	PART NUMBER	QTY	DESCRIPTION	REV
	1001165080	Ref	Door Installation	M
3	0760605	4	Bolt, M6X10	
4	0760607	4	Bolt, M6X14	
5	3290801	2	Nut, M8X1.25 Grade 8	
7	4811700	4	Washer, M6	
8	4811900	13	Washer, M8	
9	8000803	1	Pin, Door Striker	
10	1001008988	5	Screw M8X25	
11	1001047062	2	Screw, M8X35	
12	1001107192	10	Sleeve, Hinge	
14	1001205532	1	Assembly, Door Upper Glass (See Separate Breakdown in this Section)	
15	1001192766	1	Assembly, Cab Latch (See Separate Breakdown in this Section)	
16	1001167958	1	Assembly, Cab Door Trigger (See Separate Breakdown in this Section)	
17	1001169881	1	Assembly, Door (See Separate Breakdown in this Section)	
19	1001173298	1	Bracket	
20	1001174295	1	Installation, Door Strap (See Separate Breakdown in this Section)	
21	1001192646	1	Handle, Exterior Door	
22	1001170601J	7	Lug, Hinge	
23	4811702001	2	Washer, M6	
24	4010608002	2	Screw, M6X16	
25	1001175477	1	Cover, Cab Door Interior	
26	1001184439	2	Bushing	
27	1001192309	1	Nut, M12X1	
28	1001213791	1	Pin, Hinge	
29	0498748	1	Clip, Snap Ring	
30	1001164726	1	Bolt, M8X20	
31	1001227802	1	Washer	

# SECTION 6 - CAB

## FIGURE 6-17. DOOR UPPER GLASS ASSEMBLY



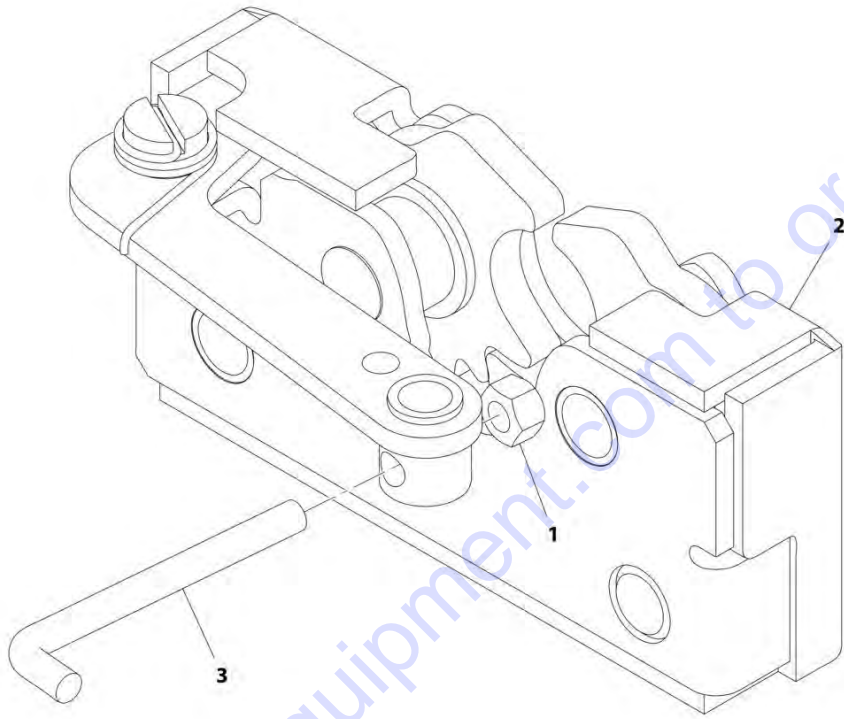
ART\_1001205532-E

FIGURE 6-17. DOOR UPPER GLASS ASSEMBLY

ITEM	PART NUMBER	QTY	DESCRIPTION	REV
	1001205532	Ref	Door Upper Glass Assembly	E
1	0760812	1	Bolt, M8X25	
2	0760815	5	Bolt, M8X35	
3	4811900	11	Washer, 8MM	
4	1001002946	4	Mount, Hinge	
5	1001002947	1	Mount, Hinge	
6	1001002953	2	Mount, Rubber	
7	1001002957	2	Mount, Latch	
8	1001008857	5	Nut, Lock	
9	1001096365	11	Cap, M8	
10	1001141246	3	Mount, Rubber	
11	1001165275	1	Latch, Window	
12	1001166634	2	Pin, Hinge	
13	1001170944	1	Panel, Window Surround	
14	1001174321	1	Striker, Top Window	
15	1001204066	1	Glass, Window	
16	1001204115	2	Hinge	
17	1001222741	1	Buffer, Cab	
18	1001204120	1	Handle	
19	1001213331	1	Gasket	
20	1001215531	AR	Adhesive	

**SECTION 6 - CAB**

**FIGURE 6-18. CAB LATCH ASSEMBLY**



Go to Discount-Equipment.com to order your parts

ART\_1001192766-A



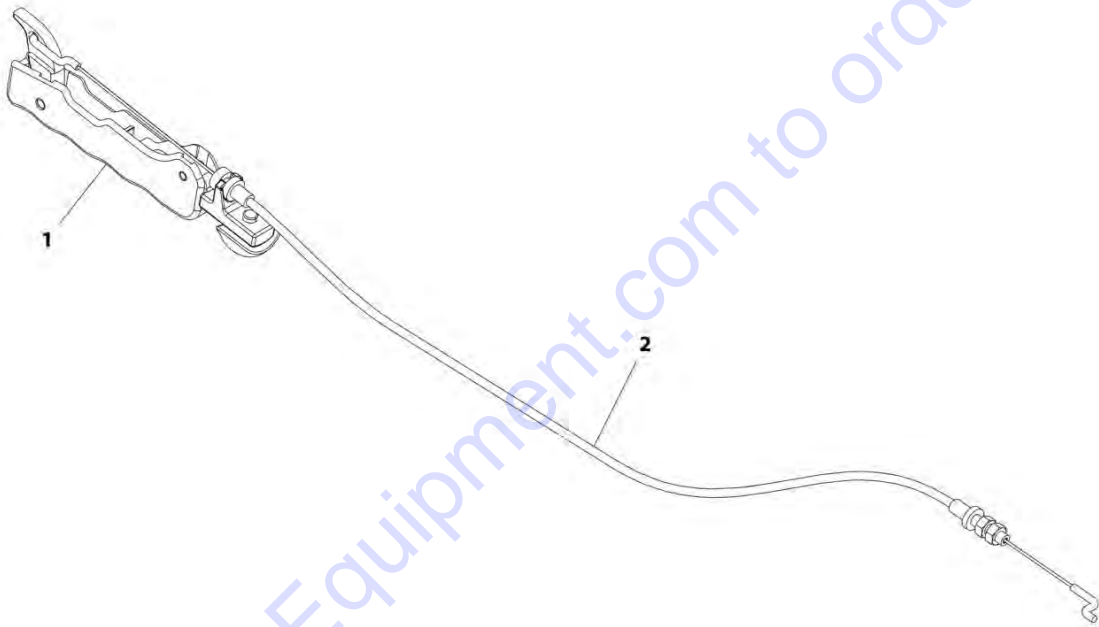
FIGURE 6-18. CAB LATCH ASSEMBLY

ITEM	PART NUMBER	QTY	DESCRIPTION	REV
	1001192766	Ref	Cab Latch Assembly	A
1	3290405	1	Nut, M4X0.7 Grade 8	
2	1001192643	1	Latch	
3	1001192755	1	Link, Door Handle	

Go to Discount-Equipment.com to order your parts

**SECTION 6 - CAB**

**FIGURE 6-19. CAB DOOR TRIGGER ASSEMBLY**



ART\_1001167958-E

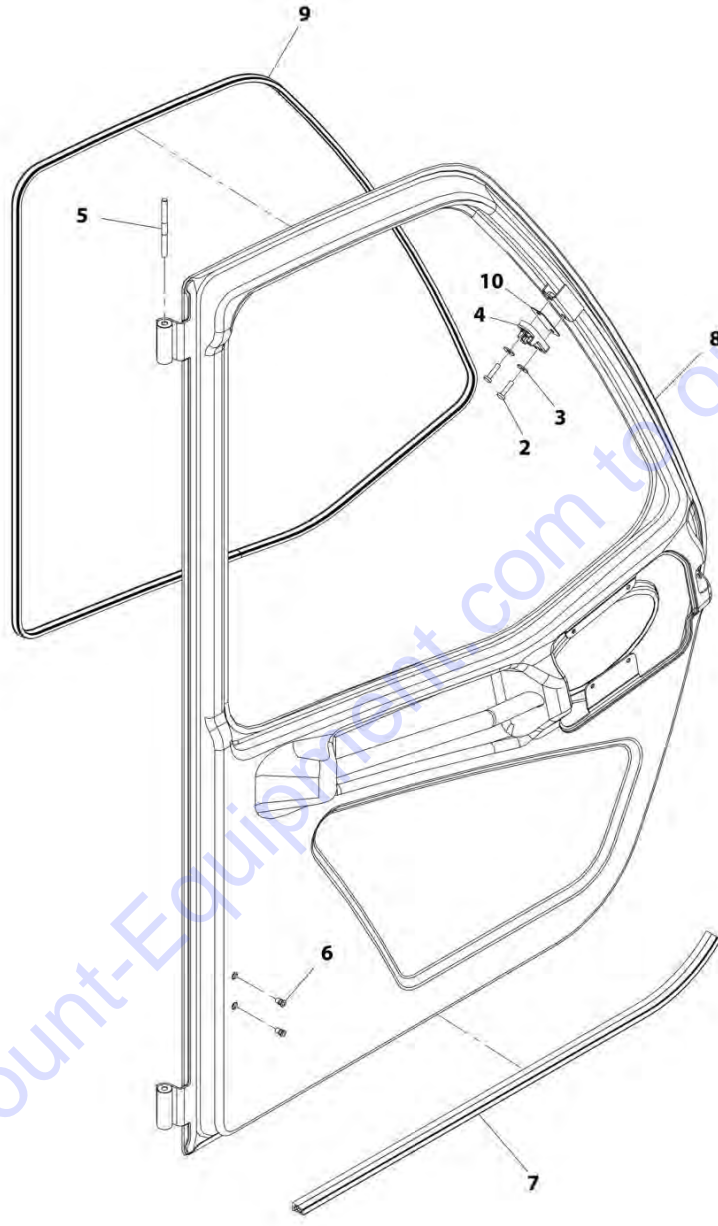
FIGURE 6-19. CAB DOOR TRIGGER ASSEMBLY

ITEM	PART NUMBER	QTY	DESCRIPTION	REV
	1001167958	Ref	Cab Door Trigger Assembly	E
1	1001167937	1	Trigger, Cab Interior Release	
2	1001192644	1	Cable, Cab Latch Release	

Go to Discount-Equipment.com to order your parts

SECTION 6 - CAB

FIGURE 6-20. DOOR ASSEMBLY



ART\_1001169881-J

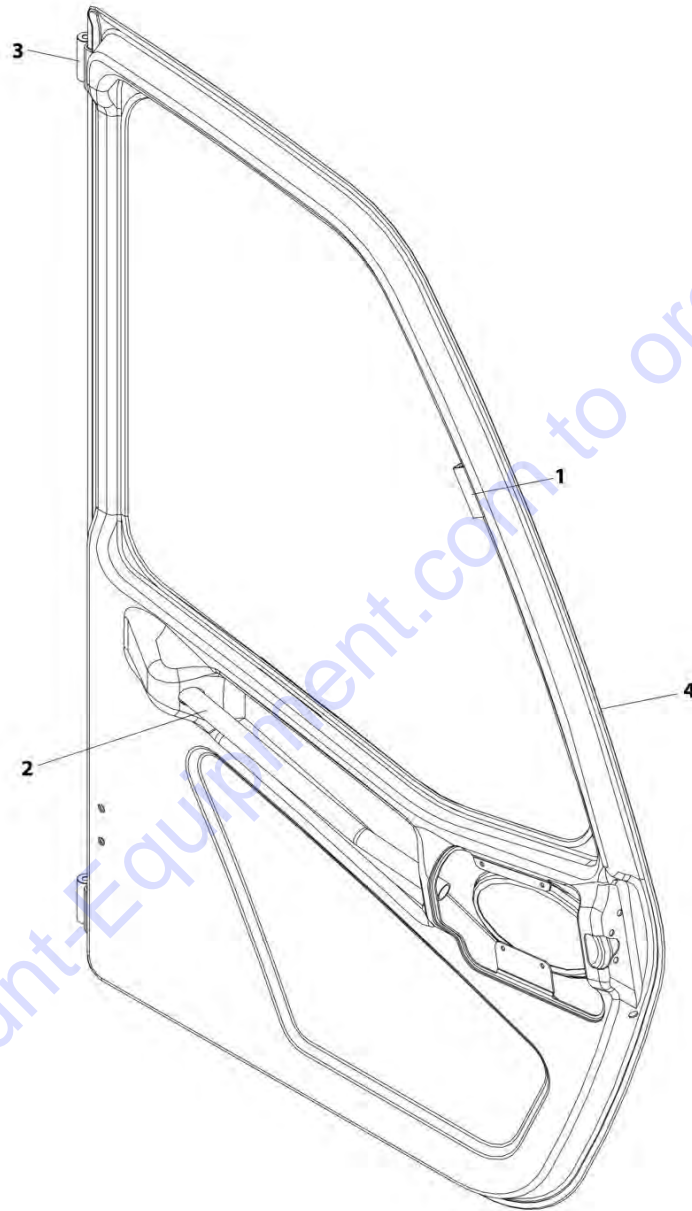
FIGURE 6-20. DOOR ASSEMBLY

ITEM	PART NUMBER	QTY	DESCRIPTION	REV
	1001169881	Ref	Door Assembly	J
2	4010612002	2	Screw, Posi-Drive, M6X25	
3	4811702001	2	Washer, M6	
4	1001165276	1	Plate, Window Latch Striker	
5	1001166634	1	Pin, Hinge	
6	1001172193	2	Rivnut, M5X0.8	
7	1001227188	1	Seal, Cab Door	
8	1001165022J	1	Door, Cab (See Separate Breakdown in this Section)	
9	1001227187	1	Seal, Cab Door Window	
10	1001193210	AR	Shim, Window Latch	

Go to Discount-Equipment.com to order your parts

SECTION 6 - CAB

FIGURE 6-21. CAB DOOR



ART\_1001165022-E

FIGURE 6-21. CAB DOOR

ITEM	PART NUMBER	QTY	DESCRIPTION	REV
	1001165022	Ref	Cab Door	E
1	1001169883	1	Bracket, Window Latch	
2	1001169885	1	Handle, Interior Door	
3	1001171037	1	Plate, Hinge	
4	1001171634	1	Frame, Door	

Go to Discount-Equipment.com to order your parts

# SECTION 6 - CAB

## FIGURE 6-22. DOOR STRAP INSTALLATION

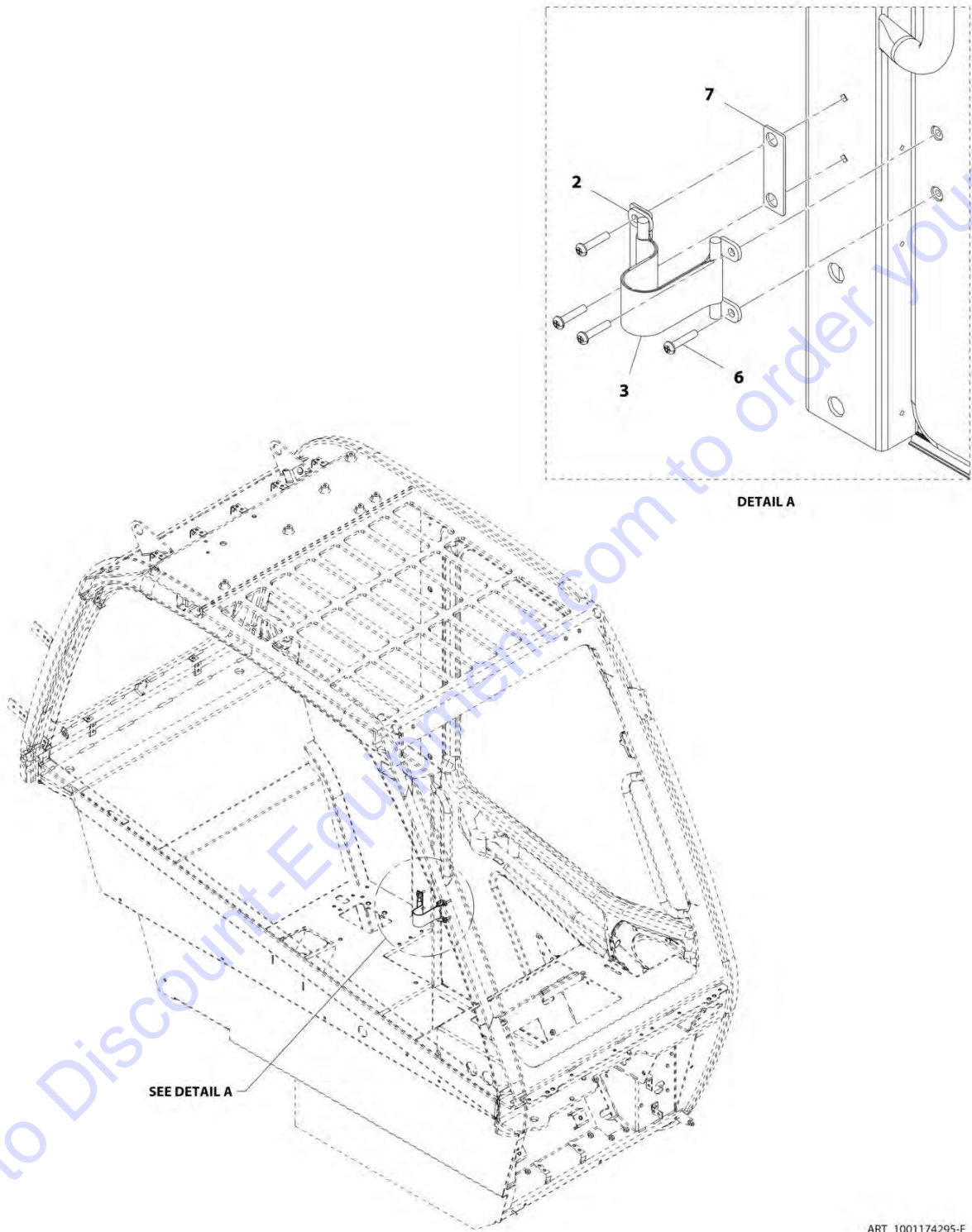




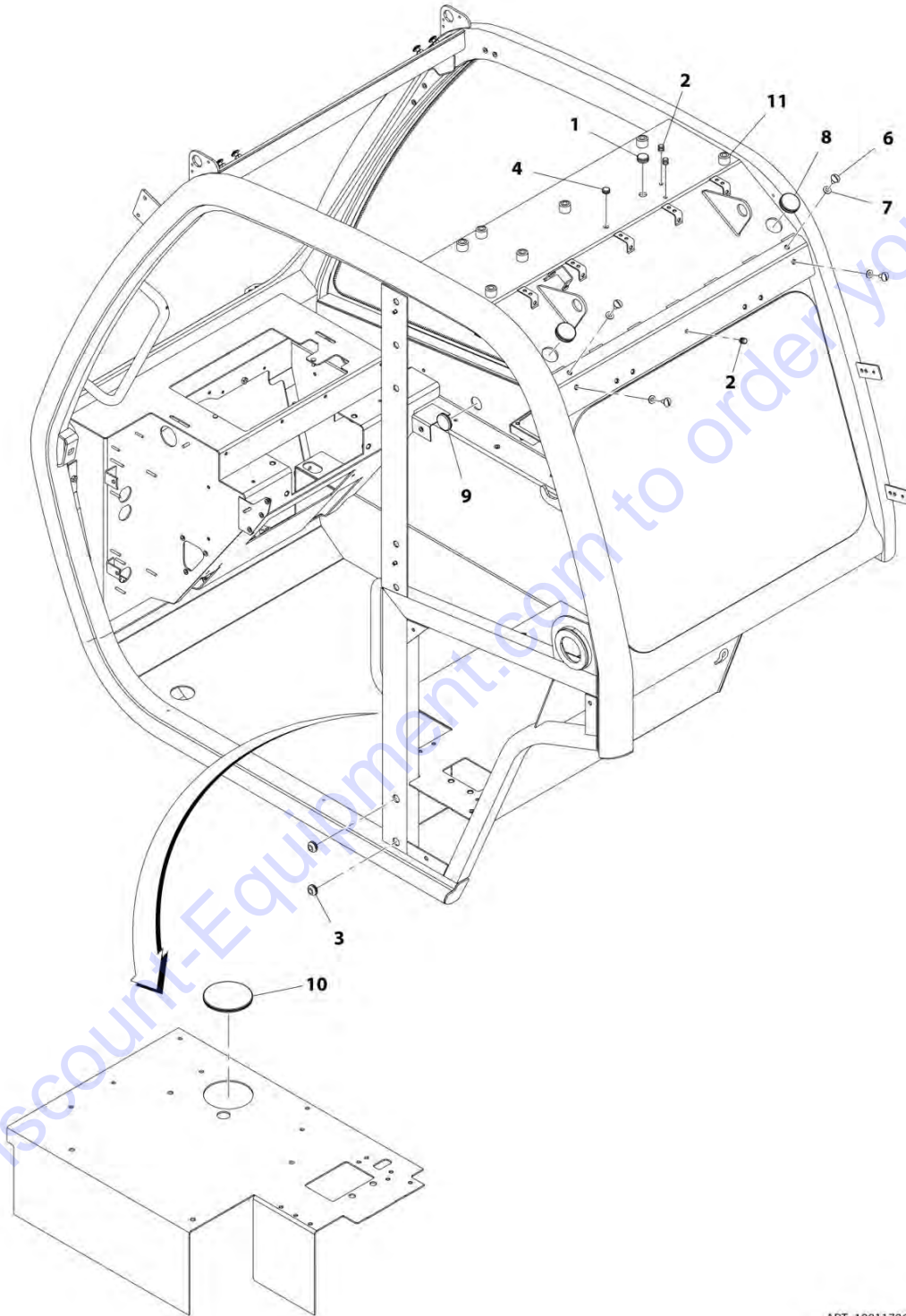
FIGURE 6-22. DOOR STRAP INSTALLATION

ITEM	PART NUMBER	QTY	DESCRIPTION	REV
	1001174295	Ref	Door Strap Installation	F
2	1001230163	2	Bracket, Strap Holder	
3	1001212011	1	Strap, Door Hold Open	
6	8310559	4	Screw	
7	1001191091	1	Plate, Cab Door Strap	

Go to Discount-Equipment.com to order your parts

SECTION 6 - CAB

FIGURE 6-23. ENCLOSED CAB PLUG GROUP



ART\_1001170603-E

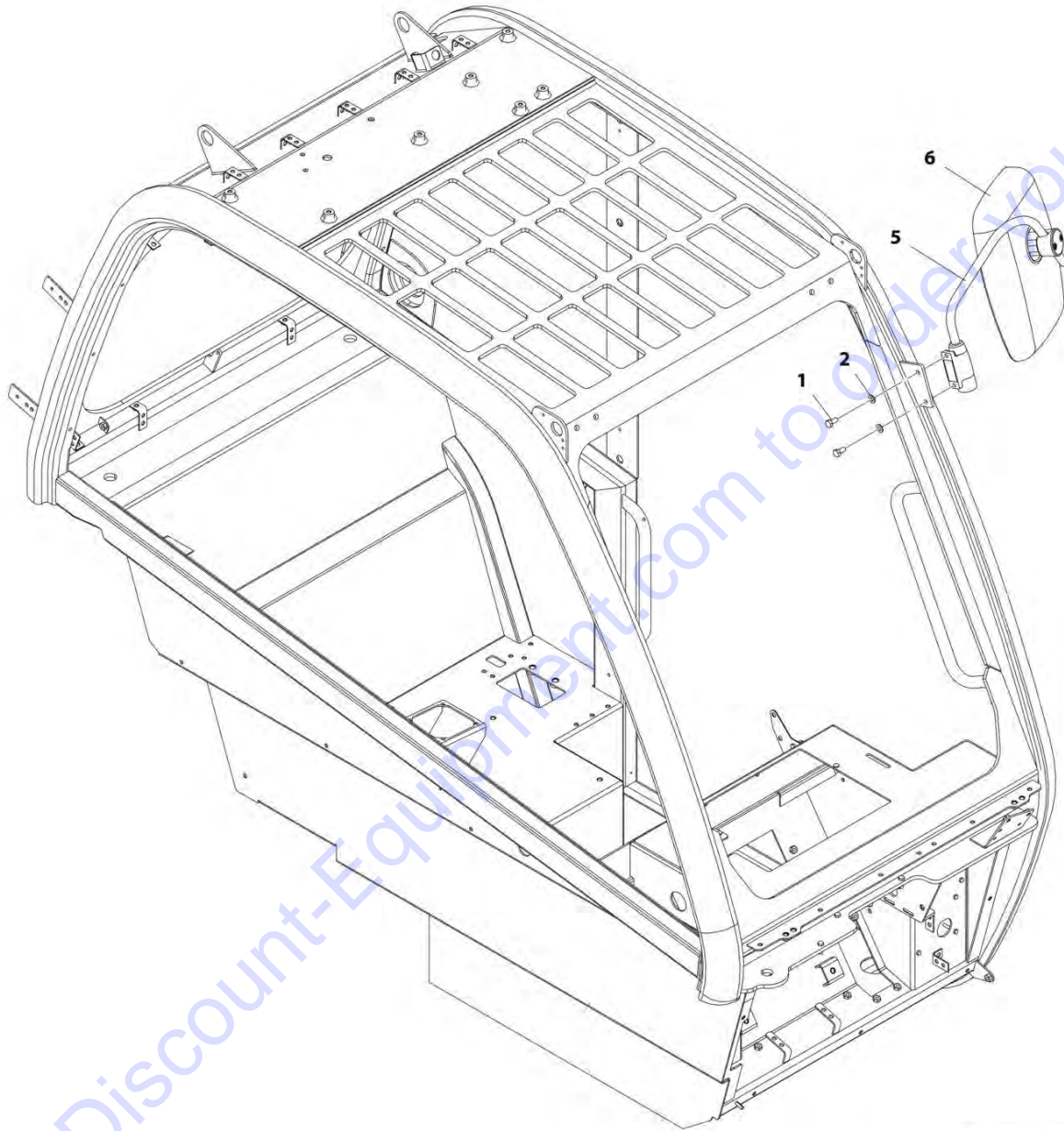
FIGURE 6-23. ENCLOSED CAB PLUG GROUP

ITEM	PART NUMBER	QTY	DESCRIPTION	REV
	1001170603	Ref	Enclosed Cab Plug Group	E
1	1001176273	1	Plug	
2	1001176272	3	Plug	
3	1001143200	2	Plug	
4	1001176626	1	Plug	
6	1001181920	8	Screw, M8X16	
7	1001181921	8	Washer, Rubber M8	
8	1001182123	2	Plug	
9	1001182139	1	Plug	
10	1001209899	1	Plug	
11	1001219220	7	Cap, Vinyl Round	

Go to Discount-Equipment.com to order your parts

# SECTION 6 - CAB

## FIGURE 6-24. BASIC MIRROR INSTALLATION



ART\_1001160508-E

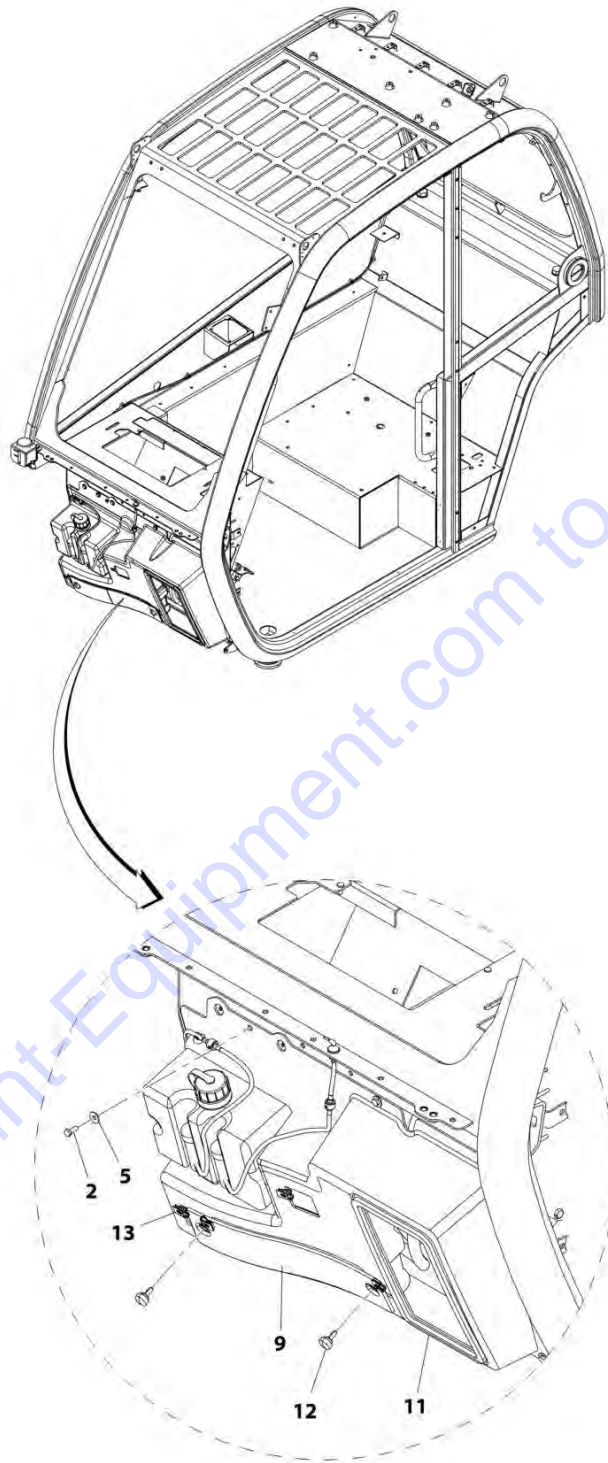
FIGURE 6-24. BASIC MIRROR INSTALLATION

ITEM	PART NUMBER	QTY	DESCRIPTION	REV
	1001160508	Ref	Basic Mirror Installation	E
1	0760808	2	Bolt, M8X16	
2	4811900	2	Washer, M8	
5	1001164655	1	Bracket	
6	80363195	1	Mirror	

Go to Discount-Equipment.com to order your parts

# SECTION 6 - CAB

## FIGURE 6-25. FRONT COVER INSTALLATION



ART\_1001170366-G

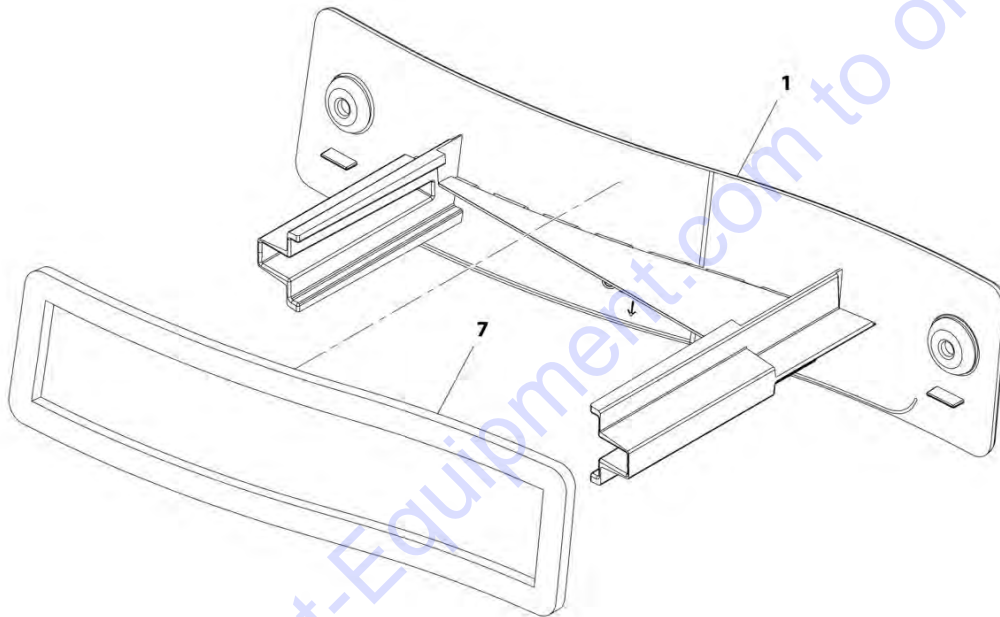
FIGURE 6-25. FRONT COVER INSTALLATION

ITEM	PART NUMBER	QTY	DESCRIPTION	REV
	1001170366	Ref	Front Cover Installation	G
2	0760608	7	Bolt, M6X16	
5	4811702	7	Washer, M6	
9	1001175471	1	Panel, Filter Tray (See Separate Breakdown in this Section)	
11	1001176121	1	Cover, Front Duct (See Separate Breakdown in this Section)	
12	2080092	2	Thumb Screw, M6X16	
13	8305919	4	Nut, M6	

Go to Discount-Equipment.com to order your parts

SECTION 6 - CAB

FIGURE 6-26. FILTER TRAY PANEL



ART\_1001175471-D



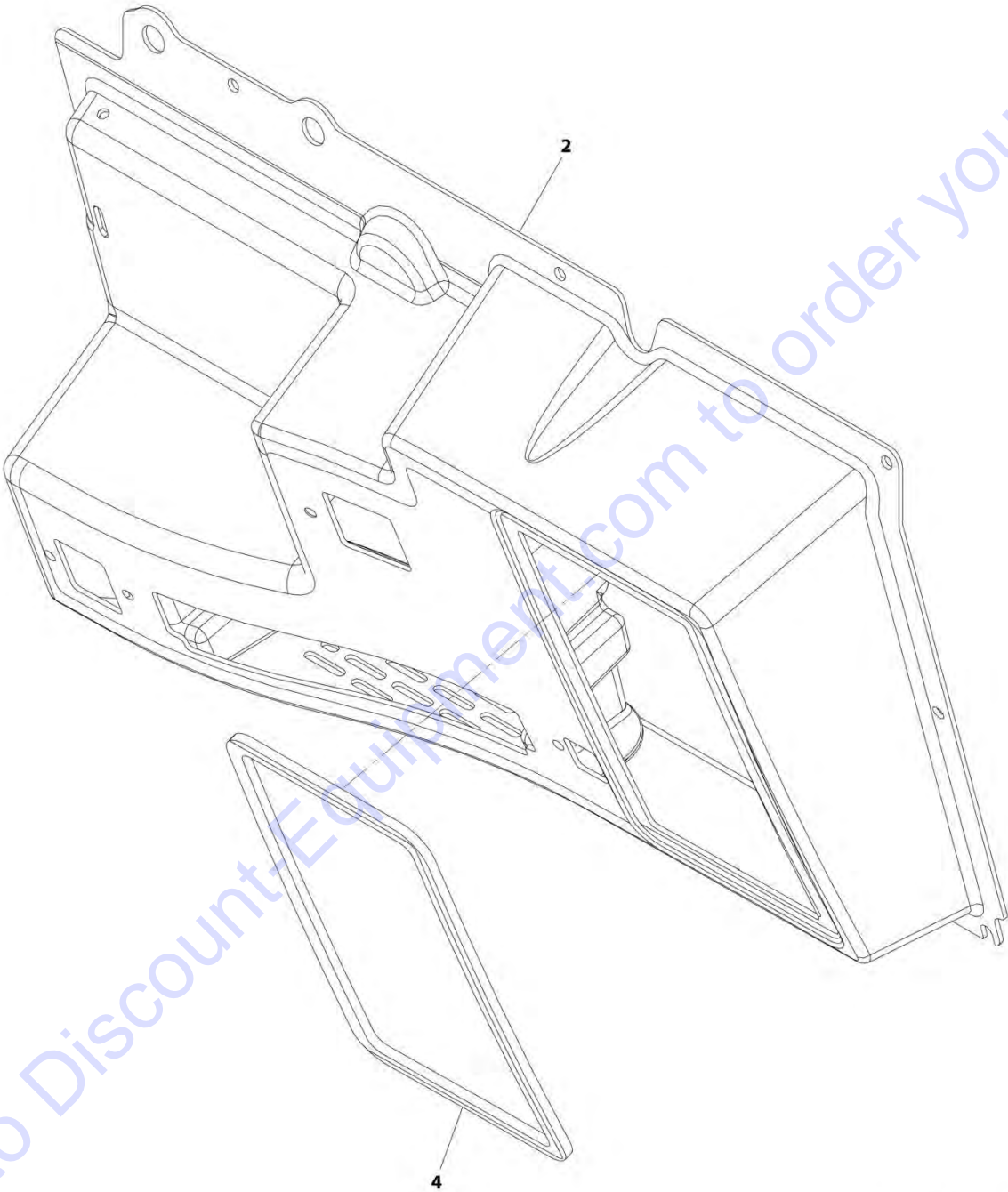
FIGURE 6-26. FILTER TRAY PANEL

ITEM	PART NUMBER	QTY	DESCRIPTION	REV
	1001175471	Ref	Filter Tray Panel	D
1	1001170993	1	Panel, Front Inlet	
7	1001171767	1	Cab, Front Panel Seal	

Go to Discount-Equipment.com to order your parts

**SECTION 6 - CAB**

**FIGURE 6-27. FRONT DUCT COVER**



Go to Discount-Equipment.com to order your parts

ART\_1001176121-G

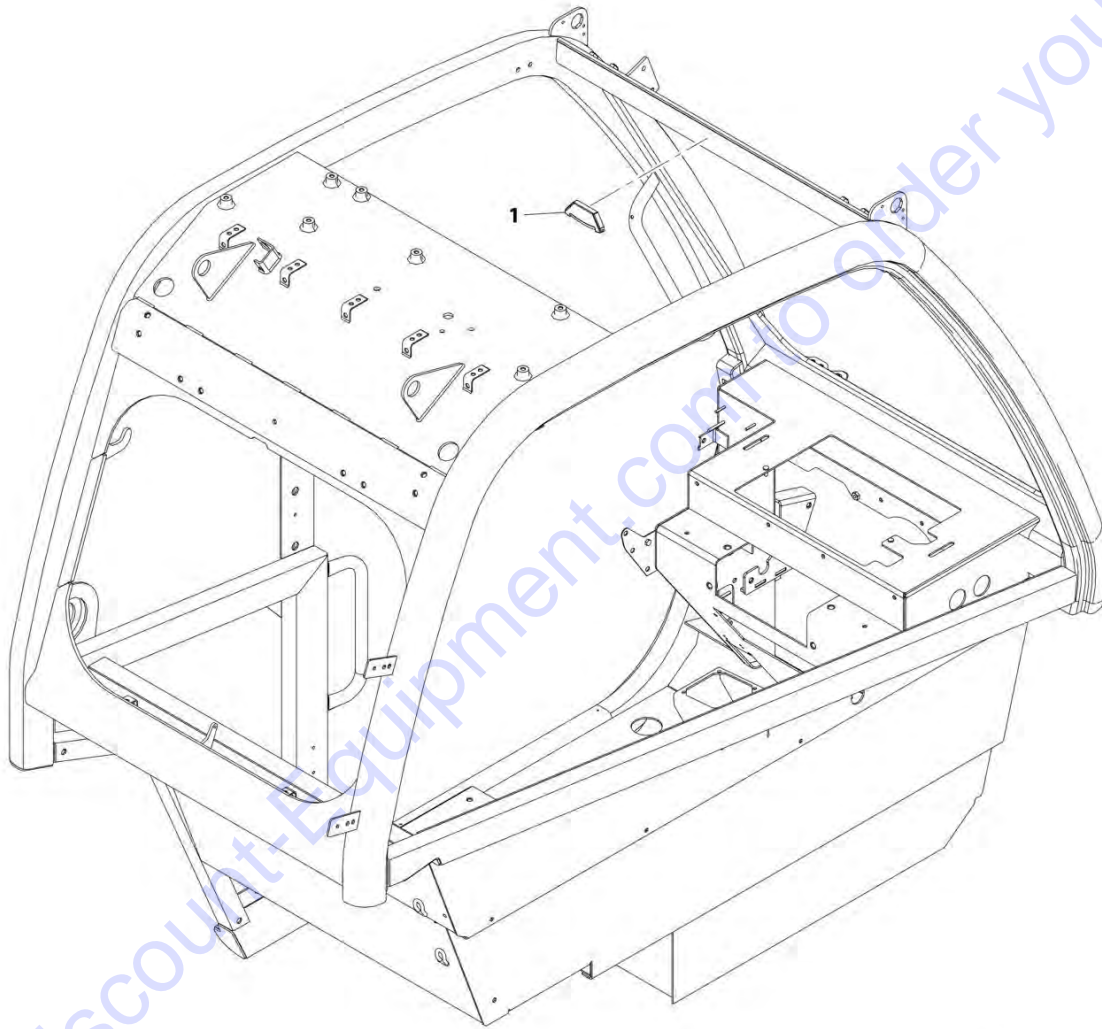
FIGURE 6-27. FRONT DUCT COVER

ITEM	PART NUMBER	QTY	DESCRIPTION	REV
	1001176121	Ref	Font Duct Cover	G
2	1001170326	1	Cover, Front	
4	1001175470	1	Seal, Front Cab Panel	

Go to Discount-Equipment.com to order your parts

## SECTION 6 - CAB

FIGURE 6-28. LEVEL INDICATOR INSTALLATION



ART\_1001172401-C

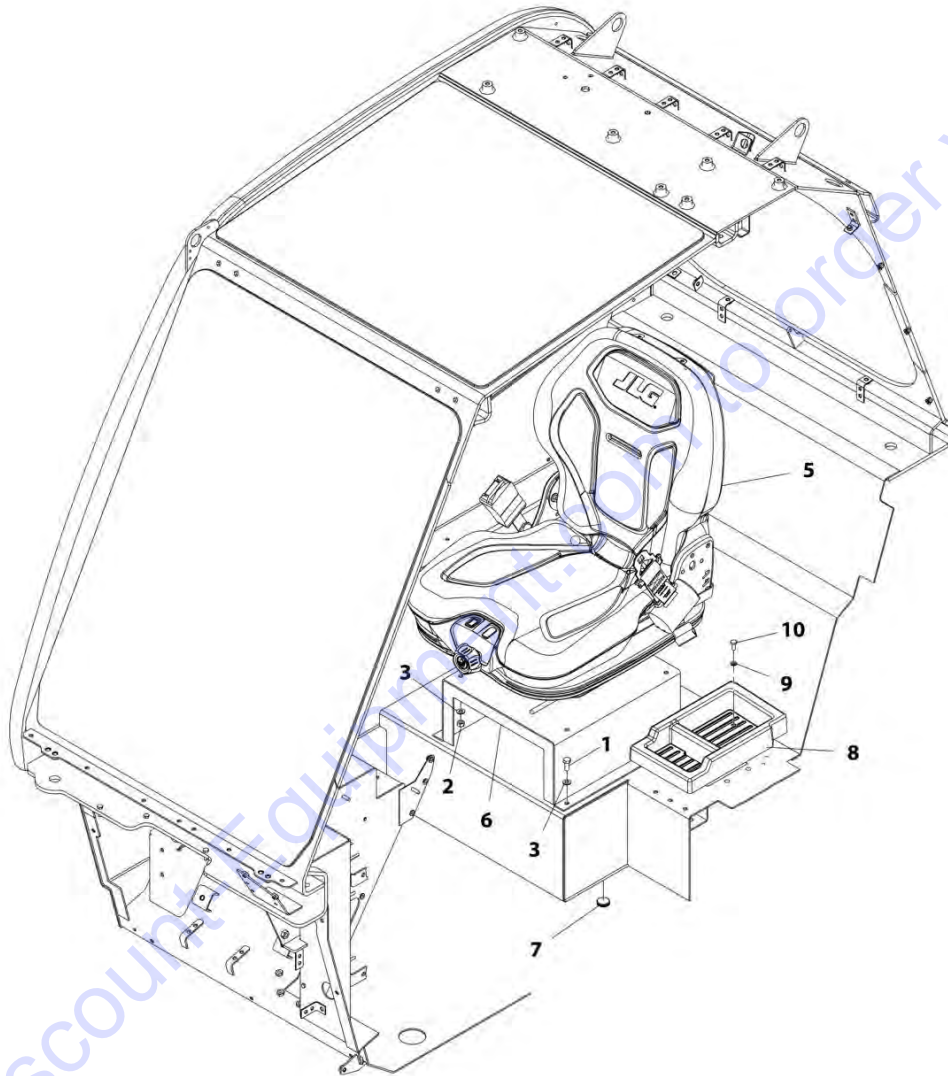
FIGURE 6-28. LEVEL INDICATOR INSTALLATION

ITEM	PART NUMBER	QTY	DESCRIPTION	REV
1	1001172401 8466306	Ref 1	Level Indicator Installation Gauge, Tilt Angle	C

Go to Discount-Equipment.com to order your parts

# SECTION 6 - CAB

## FIGURE 6-29. SEAT INSTALLATION



ART\_1001164615-G

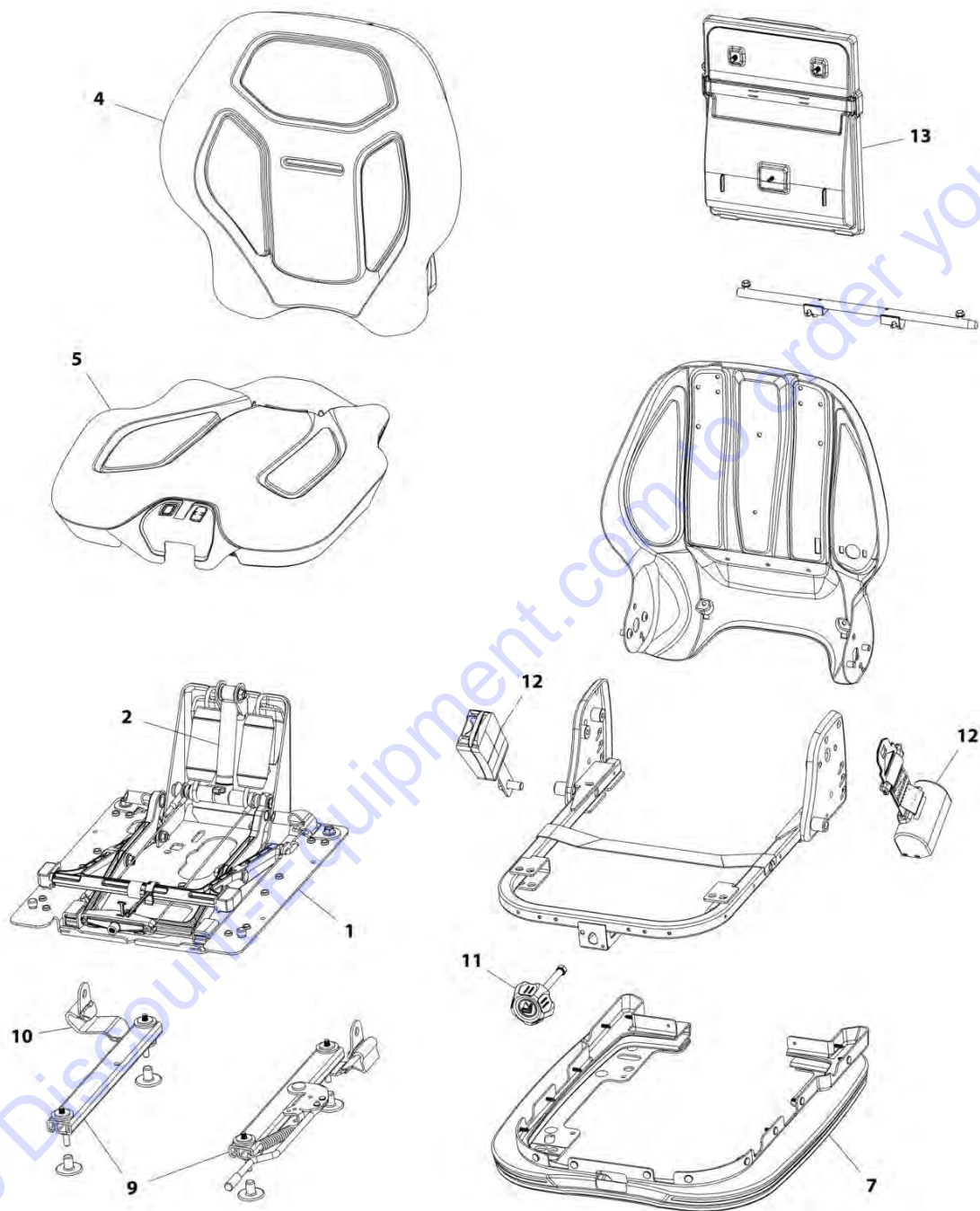
FIGURE 6-29. SEAT INSTALLATION

ITEM	PART NUMBER	QTY	DESCRIPTION	REV
	1001164615	Ref	Seat Installation	G
1	0760810	4	Bolt, M8X20	
2	3311505	4	Nut, Lock 5/16-18	
3	4811900	8	Washer, M8	
5	1001197027	1	Seat (See Separate Breakdown in this Section)	
6	1001164498	1	Plinth, Seat	
7	1001196076	1	Plug	
8	1001170515	1	Insert, Storage Tray	
9	4811700	1	Washer, M6	
10	4010608002	1	Screw, Posi-Drive, M6X16	

Go to Discount-Equipment.com to order your parts

# SECTION 6 - CAB

## FIGURE 6-30. SEAT



ART\_1001197027-D



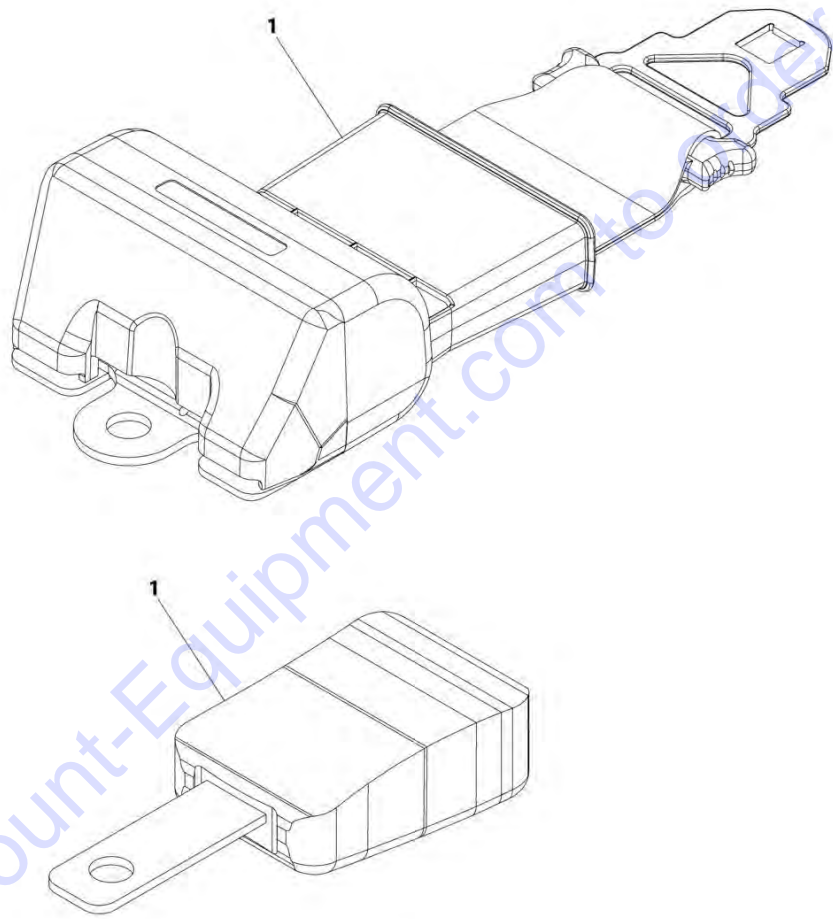
FIGURE 6-30. SEAT

ITEM	PART NUMBER	QTY	DESCRIPTION	REV
	1001197027	Ref	Seat	D
1	70027024	1	Suspension Assembly Kit	
2	70027025	1	Spring Saddle Assembly Kit	
4	70027026	1	Back Cushion Kit	
5	70027028	1	Seat Cushion Assembly Kit	
7	70027030	1	Boot Kit	
9	7026798	1	Adjuster Kit	
10	70027032	1	Tether Strap	
11	70027033	1	Weight Adjust Knob Kit	
12	70027034	2	Seat Belt Kit	
13	70027035	1	Document Box Kit	

Go to Discount-Equipment.com to order your parts

# SECTION 6 - CAB

## FIGURE 6-31. SEAT BELT INSTALLATION (3 INCH)



ART\_1001215778-B

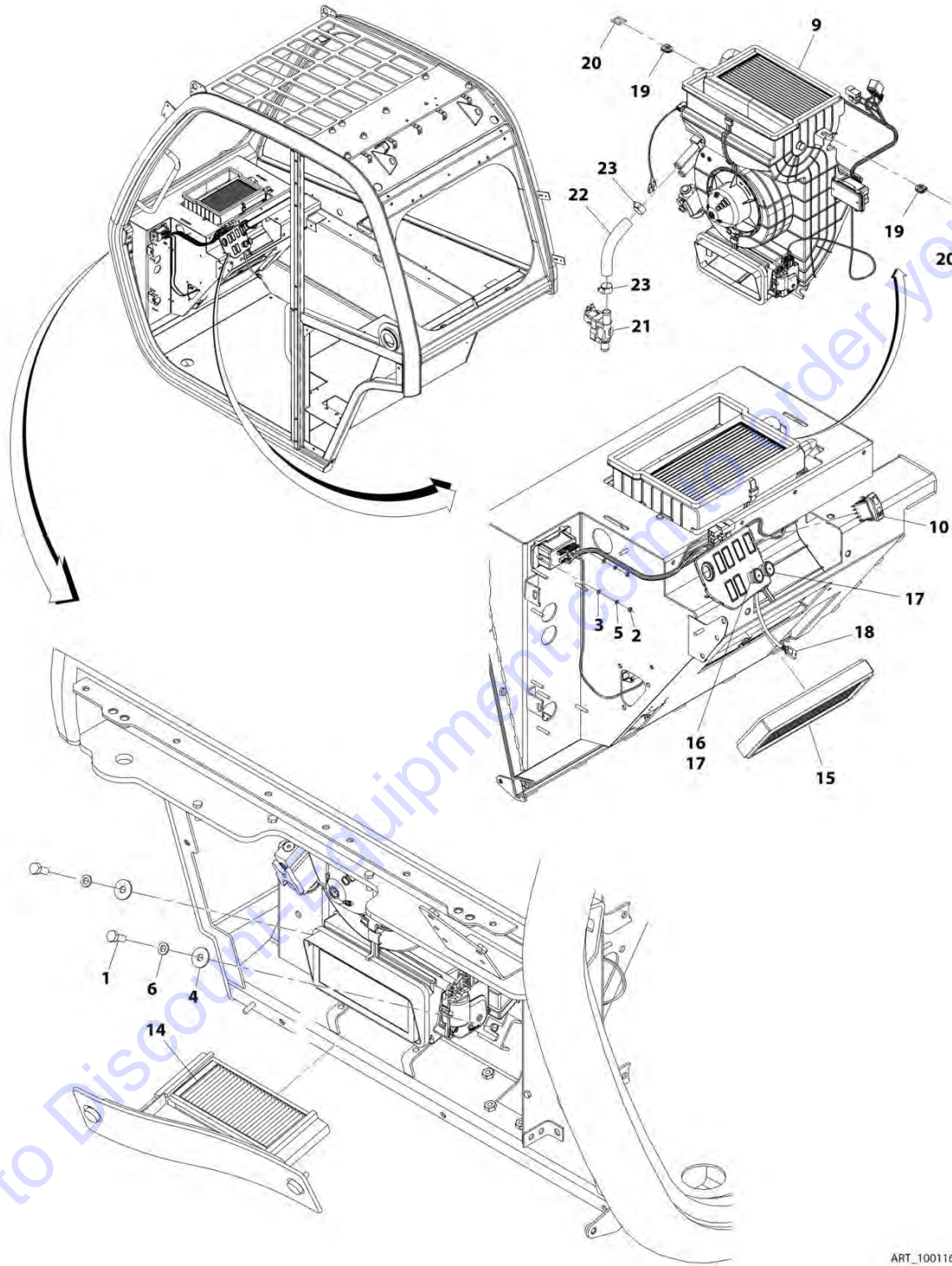
**FIGURE 6-31. SEAT BELT INSTALLATION (3 INCH)**

ITEM	PART NUMBER	QTY	DESCRIPTION	REV
1	1001215778	Ref	Seat Belt Installation (3 Inch)	B

Go to Discount-Equipment.com to order your parts

# SECTION 6 - CAB

## FIGURE 6-32. HEATER INSTALLATION



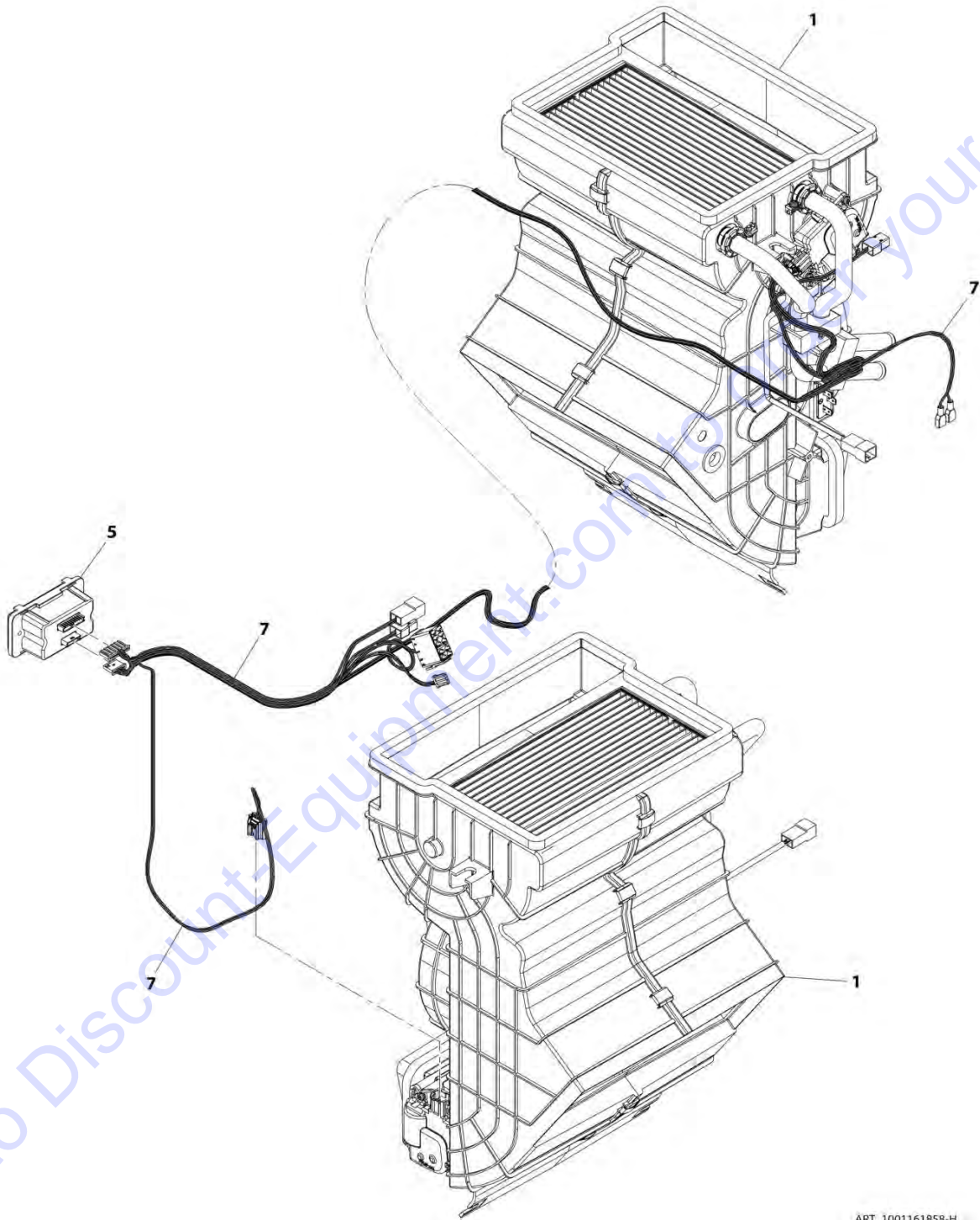
ART\_1001160043-K

FIGURE 6-32. HEATER INSTALLATION

ITEM	PART NUMBER	QTY	DESCRIPTION	REV
	1001160043	Ref	Heater Installation	K
1	0760810	2	Bolt, M8X20	
2	3290401	2	Nut, M4X0.7	
3	4811400	2	Washer, M4	
4	4811902	2	Washer, M8	
5	4831400	2	Washer, Lock M4	
6	4831900	2	Washer, M8	
9	1001161858	1	Assembly, Heater (See Separate Breakdown in this Section)	
10	1001159925	1	Switch, HVAC Recycle	
14	1001218996	1	Filter, HVAC Air	
15	1001172553	1	Filter, HVAC Recirculation Air	
16	1001172547	1	Switch, HVAC Rotary 3 Speed	
17	1001172550	2	Knob, HVAC Control	
18	1001218529	1	Cable, HVAC	
19	1001188590	2	Grommet	
20	1001218542	2	Shim	
21	1001221059	1	Valve, Water	
22	1001221295	1	House	
23	8410009	2	Clamp	

SECTION 6 - CAB

FIGURE 6-33. HEATER ASSEMBLY



ART\_1001161858-H

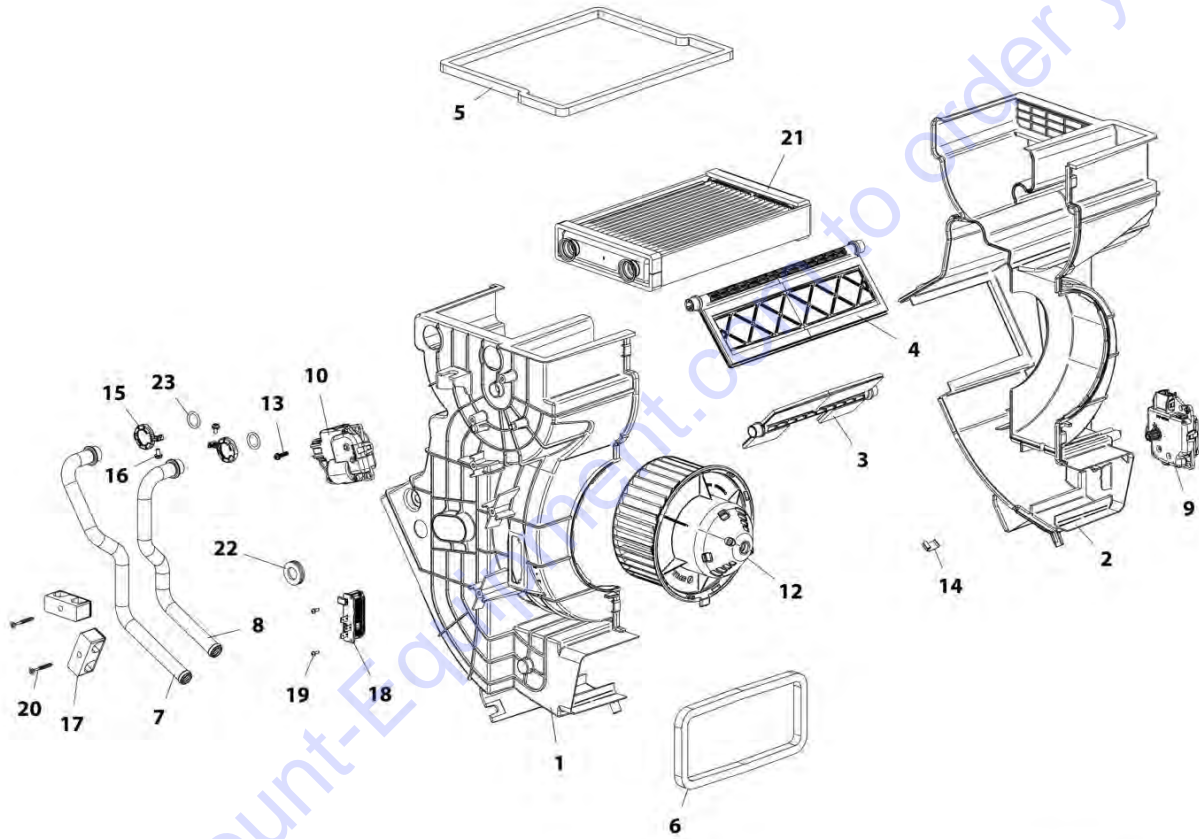
FIGURE 6-33. HEATER ASSEMBLY

ITEM	PART NUMBER	QTY	DESCRIPTION	REV
	1001161858	Ref	Heater Assembly	H
1	1001152908	NLA	Heater, Cab (no longer available, use 1001221052), (For Service, See Separate Breakdown in this Section)	
5	1001221052	1	Heater, Cab (See Separate Breakdown in this Section)	
5	1001172551	1	Actuator, HVAC Cab (See Separate Breakdown in this Section)	
7	1001173571	1	Harness, HVAC Actuator	
7	1001221056	1	Harness, HVAC Actuator	

Go to Discount-Equipment.com to order your parts

SECTION 6 - CAB

FIGURE 6-34. HEATER



ART\_1001152908-E

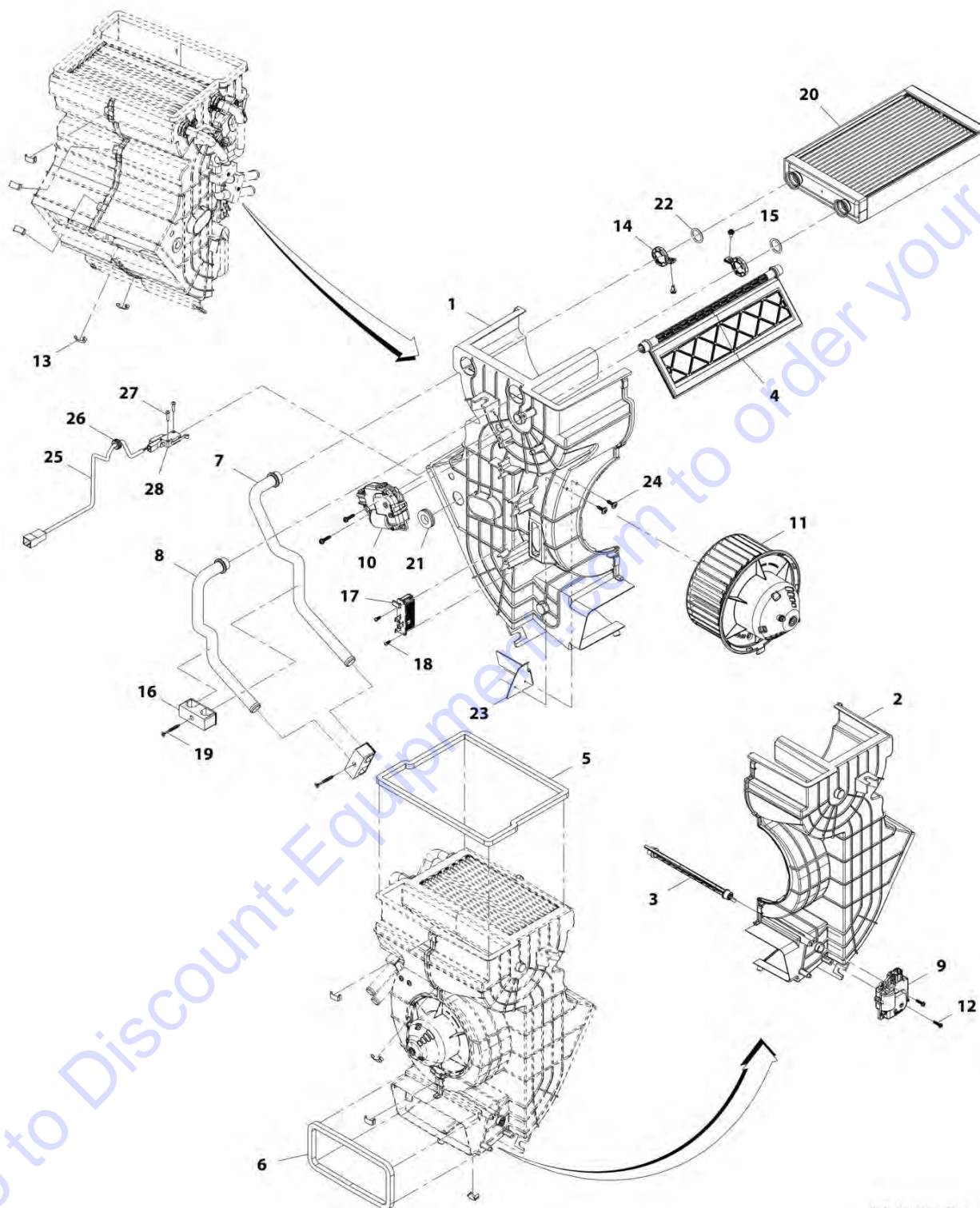


FIGURE 6-34. HEATER

ITEM	PART NUMBER	QTY	DESCRIPTION	REV
	1001152908	NLA	Heater (no longer available, see items 1 through 23 for service or use 1001221052 for replacement)	E
1	1001166091	1	Housing, RH	
2	1001166092	1	Housing, LH	
3	1001184275	1	Flap, Recirculation with Foam	
4	1001184278	1	Flap, Mixing with Foam	
5	1001184294	1	Foam, Air Outlet	
6	1001184295	1	Foam, Air Inlet	
7	1001184296	1	Pipe, Water	
8	1001184297	1	Pipe, Water	
9	1001188577	1	Actuator, Fresh/Recirculation Air	
10	1001188578	1	Actuator, Hot/Cold	
12	1001188594	1	Fan, 12V	
13	1001188602	4	Screw	
14	1001188603	9	Clamp	
15	1001188604	2	Clamp	
16	1001188610	2	Screw	
17	1001188612	2	Clamp	
18	1001188614	1	Resistor	
19	1001188720	2	Screw	
20	1001188725	2	Screw	
21	1001188729	1	Radiator, Heater Core	
22	1001188733	1	Grommet	
23	1001189025	2	O-Ring	

# SECTION 6 - CAB

## FIGURE 6-35. HEATER



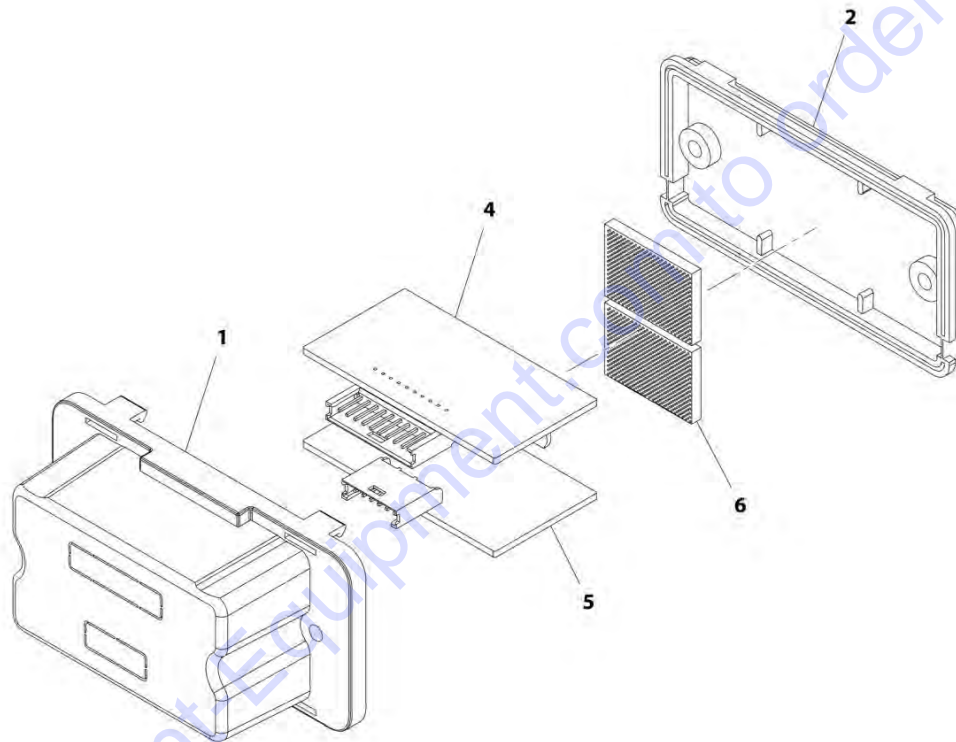
ART\_1001221052-B

FIGURE 6-35. HEATER

ITEM	PART NUMBER	QTY	DESCRIPTION	REV
	1001221052	Ref	Heater	B
1	1001166091	1	Housing, RH	
2	1001166092	1	Housing, LH	
3	1001184275	1	Flap, Recirculation with Foam	
4	1001184278	1	Flap, Mixing with Foam	
5	1001184294	1	Foam, Air Outlet	
6	1001184295	1	Foam, Air Inlet	
7	1001184296	1	Pipe, Water	
8	1001184297	1	Pipe, Water	
9	1001188577	1	Actuator, Fresh/Recirculation Air	
10	1001188578	1	Actuator, Hot/Cold	
11	1001188594	1	Fan, 12V	
12	1001188602	4	Screw	
13	1001188603	9	Clamp	
14	1001188604	2	Clamp	
15	1001188610	2	Screw	
16	1001188612	2	Clamp	
17	1001188614	1	Resistor	
18	1001188720	2	Screw	
19	1001188725	2	Screw	
20	1001188729	1	Radiator, Heater Core	
21	1001188733	1	Grommet	
22	1001189025	2	O-Ring	
23	1001221057	1	Plate	
24	1001221058	2	Screw	
25	1001228132	1	Harness, HVAC Sensor	
26	1001228140	1	Grommet	
27	1001228141	2	Screw	
28	1001228147	1	Valve, Water	

# SECTION 6 - CAB

## FIGURE 6-36. HVAC CAB ACTUATOR



ART\_1001172551-C

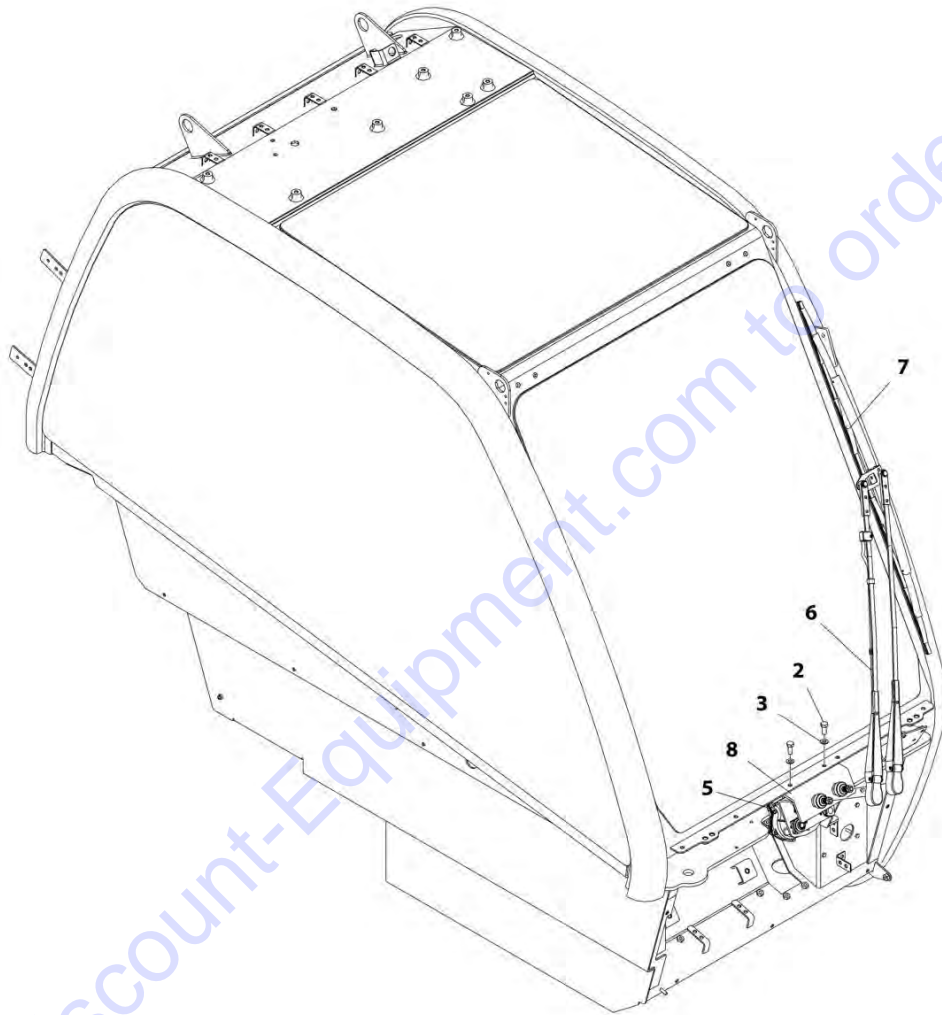
FIGURE 6-36. HVAC CAB ACTUATOR

ITEM	PART NUMBER	QTY	DESCRIPTION	REV
	1001172551	Ref	HVAC Cab Actuator	C
1	1001184306	1	Box, Heater Controller	
2	1001184307	1	Base, Heater Controller Box	
4	1001184309	1	Board, Heater Control	
5	1001184310	1	Board, Heater Control	
6	1001189980	2	Insulator, Heater Controller Box	

Go to Discount-Equipment.com to order your parts

**SECTION 6 - CAB**

**FIGURE 6-37. FRONT WIPER INSTALLATION**



ART\_1001155447-G

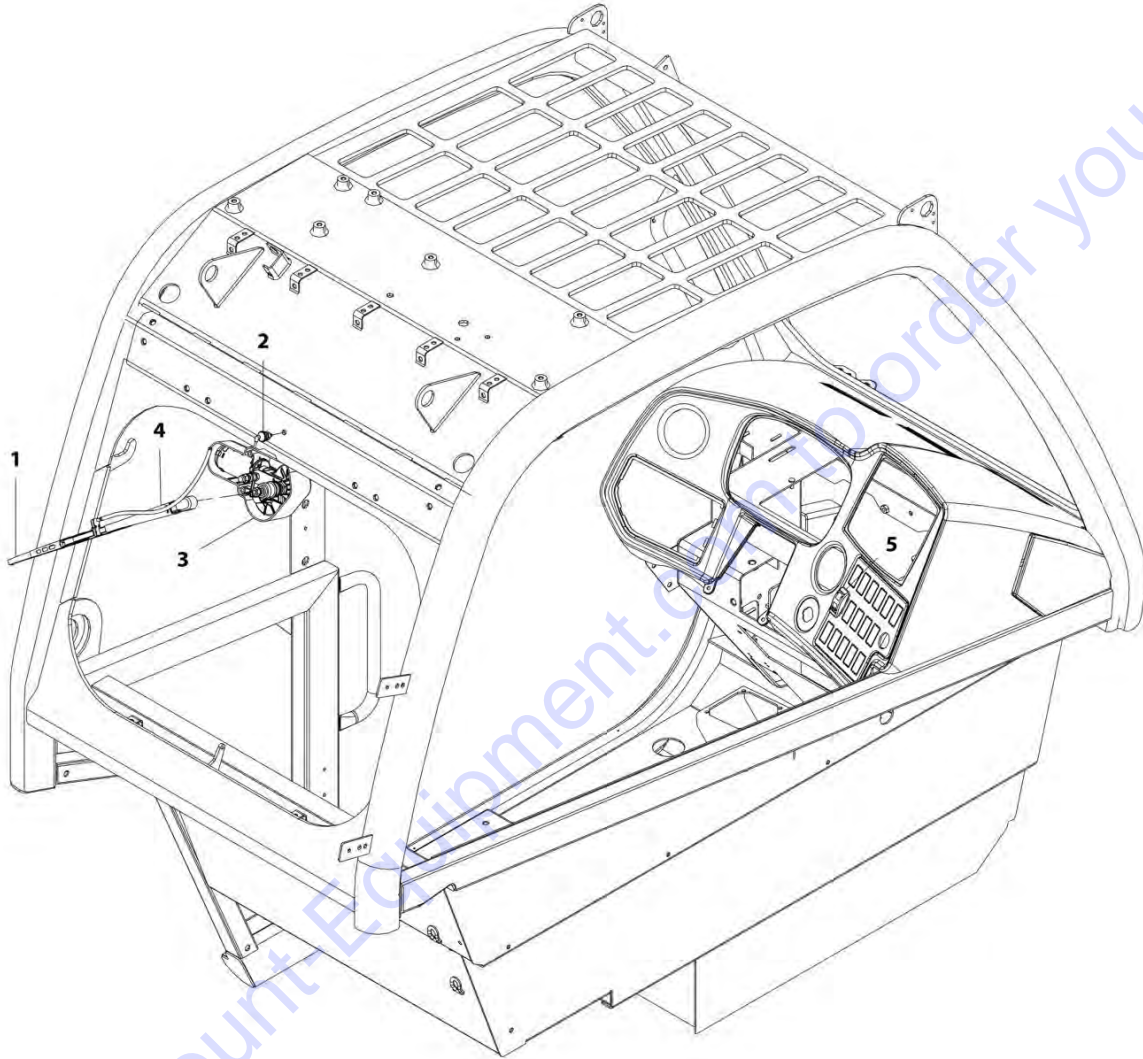
FIGURE 6-37. FRONT WIPER INSTALLATION

ITEM	PART NUMBER	QTY	DESCRIPTION	REV
	1001155447	Ref	Front Wiper Installation	G
2	0760810	2	Bolt, M8X20	
3	4811900	2	Washer, M8	
5	1001214092	1	Motor, Front Wiper	
6	1001212369	1	Arm, Front Wiper	
7	1001141281	1	Blade, Wiper	
8	1001165637	1	Bracket	

Go to Discount-Equipment.com to order your parts

**SECTION 6 - CAB**

**FIGURE 6-38. REAR WIPER INSTALLATION**



ART\_1001176164-B



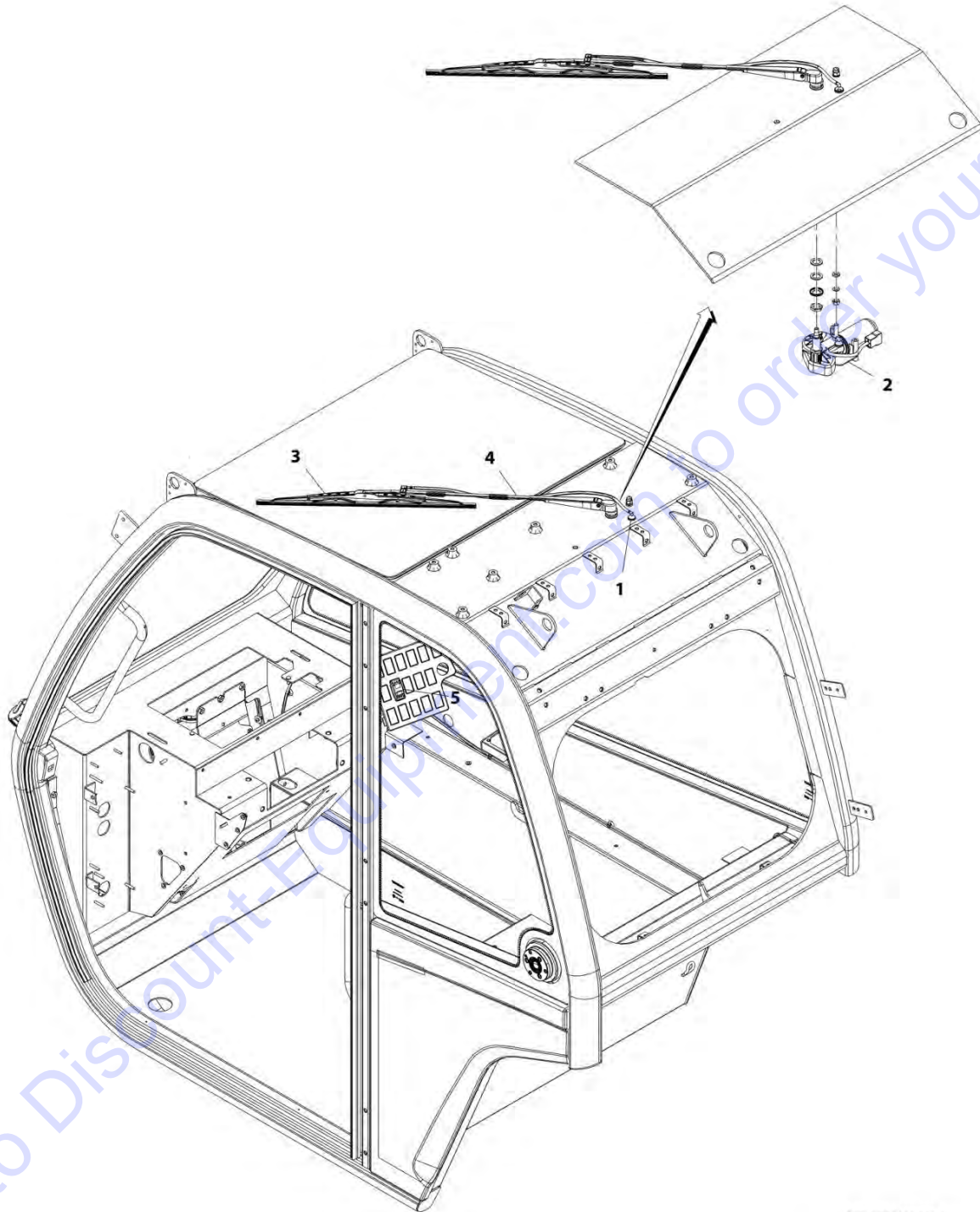
FIGURE 6-38. REAR WIPER INSTALLATION

ITEM	PART NUMBER	QTY	DESCRIPTION	REV
	1001176164	1	Rear Wiper Installation	B
1	4807718	1	Blade, Wiper	
2	1001090343	1	Connector	
3	1001139552	1	Motor, Rear Wiper Window	
4	1001141312	1	Arm, Rear Window Wiper Blade	
5	1001159735	1	Switch, Rear Wiper	

Go to Discount-Equipment.com to order your parts

# SECTION 6 - CAB

## FIGURE 6-39. ROOF WIPER INSTALLATION



ART\_1001155486-B

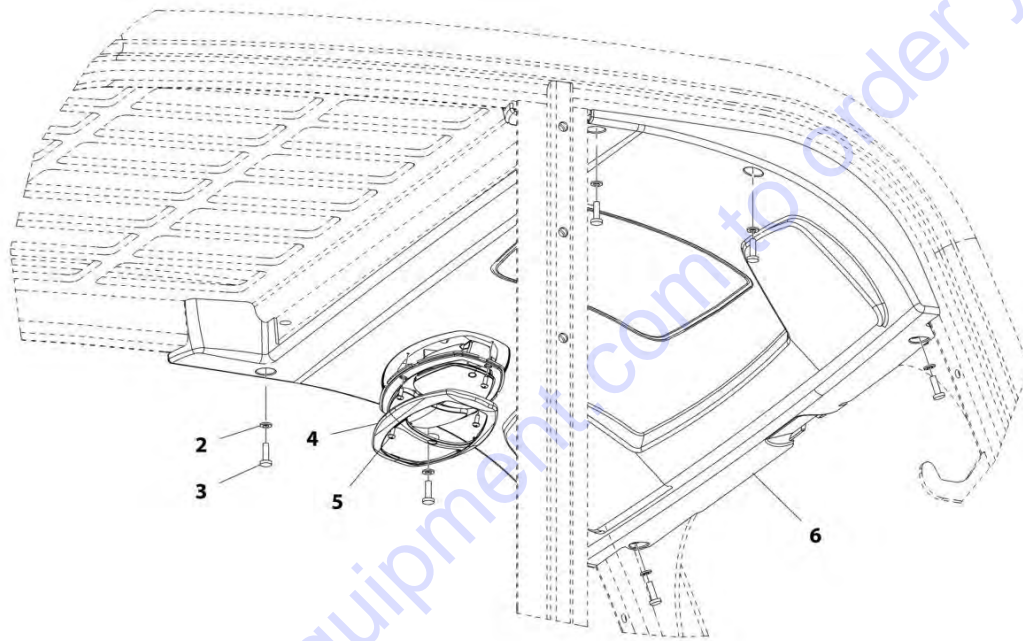
FIGURE 6-39. ROOF WIPER INSTALLATION

ITEM	PART NUMBER	QTY	DESCRIPTION	REV
	1001155486	Ref	Roof Wiper Installation	B
1	1001090343	1	Connector	
2	1001139551	1	Motor, Roof Wiper	
3	1001141313	1	Blade, Roof Wiper	
4	1001141311	1	Arm, Roof Wiper Blade	
5	1001159736	1	Switch, Roof Wiper	

Go to Discount-Equipment.com to order your parts

# SECTION 6 - CAB

## FIGURE 6-40. HEADLINER INSTALLATION



ART\_1001170717-D

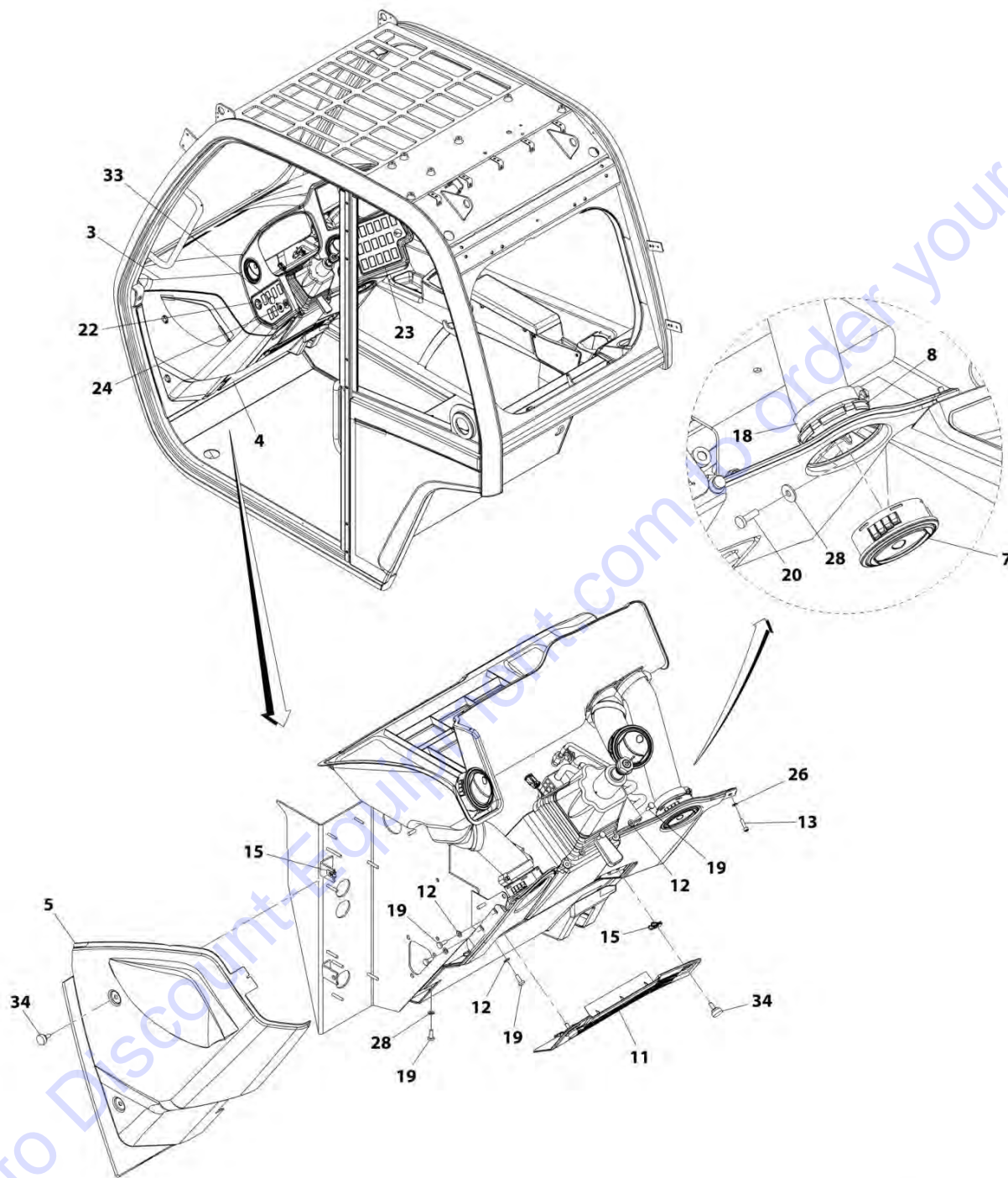
FIGURE 6-40. HEADLINER INSTALLATION

ITEM	PART NUMBER	QTY	DESCRIPTION	REV
	1001170717	Ref	Headliner Installation	D
2	4811700	6	Washer, M6	
3	4010610002	6	Screw, M6X20	
4	1001167015	1	Lamp	
5	7029486	4	Screw	
6	1001161069	1	Panel, Headliner	

Go to Discount-Equipment.com to order your parts

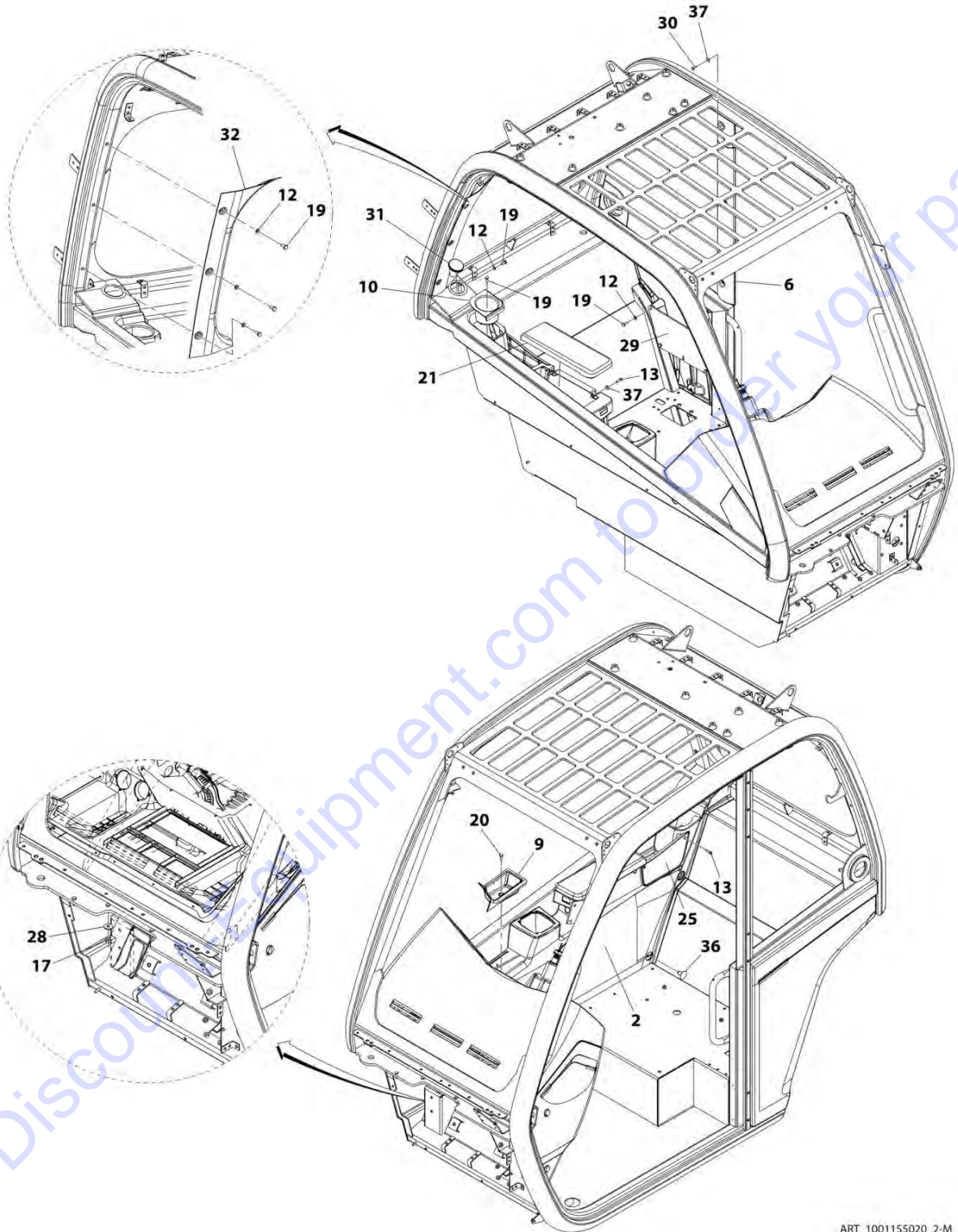
# SECTION 6 - CAB

## FIGURE 6-41. ENCLOSED CAB TRIM INSTALLATION



ART\_1001155020\_1-M

# SECTION 6 - CAB



ART\_1001155020\_2-M

## SECTION 6 - CAB

FIGURE 6-41. ENCLOSED CAB TRIM INSTALLATION

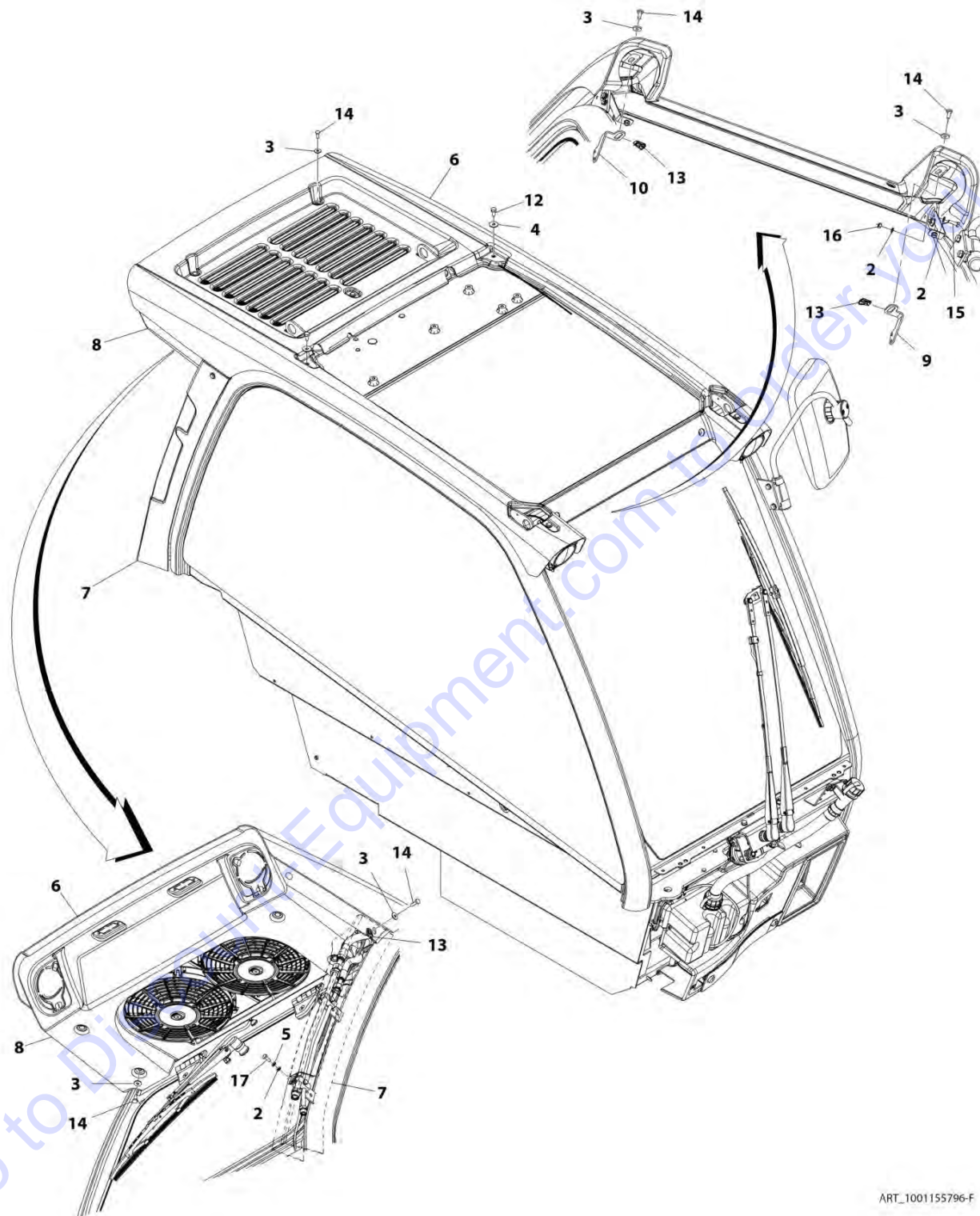
ITEM	PART NUMBER	QTY	DESCRIPTION	REV
	1001155020	1	Enclosed Cab Trim Installation	M
2	1001169605	1	Cover, Side	
3	1001169604	1	Cover, Dash	
4	1001175903	1	Panel, Lower Dash	
5	1001161855	1	Panel, Cover	
6	1001219076	1	Panel, Cover	
7	1001147449	2	Vent, Air	
8	1001149278	2	Vent, Connector	
9	1001169603	1	Panel, Trinket Tray	
10	1001170518	1	Holder, Cup	
11	1001170504	1	Panel, Recirculation Grille Cover	
12	4811700001	14	Washer, M6	
13	4031608001	5	Bolt, M5X20	
15	8305919	4	Nut, M6	
17	3290605	2	Nut, Lock M6X1 Grade 8	
18	8405201	2	Clamp, Gear	
19	4010608002	18	Screw, Posi-Drive, M6X16	
20	4010610002	1	Screw, M6X20	
21	1001161854	1	Armrest	
22	1001219864	1	Plate, LH Switch	
23	1001219865	1	Plate, RH Switch	
24	1001184975	1	Decal, HVAC	
25	1001173965	1	Bezel, RH	
26	4811600	1	Washer, M5	
28	4811702001	6	Washer, M6	
29	1001185179	1	Panel, LH Rear Cover	
30	4010508002	3	Screw, Posi-Drive M5X16	
31	1001223265	1	Plug	
32	1001191617	1	Panel, RH C Post	
33	1001190589	1	Blanking Plug	
34	1001208308	4	Thumb Screw, M6X15	
36	1001211907	1	Screw	
37	4811602001	5	Washer, Flat	





# SECTION 6 - CAB

## FIGURE 6-42. ROOF CAP INSTALLATION (A/C)



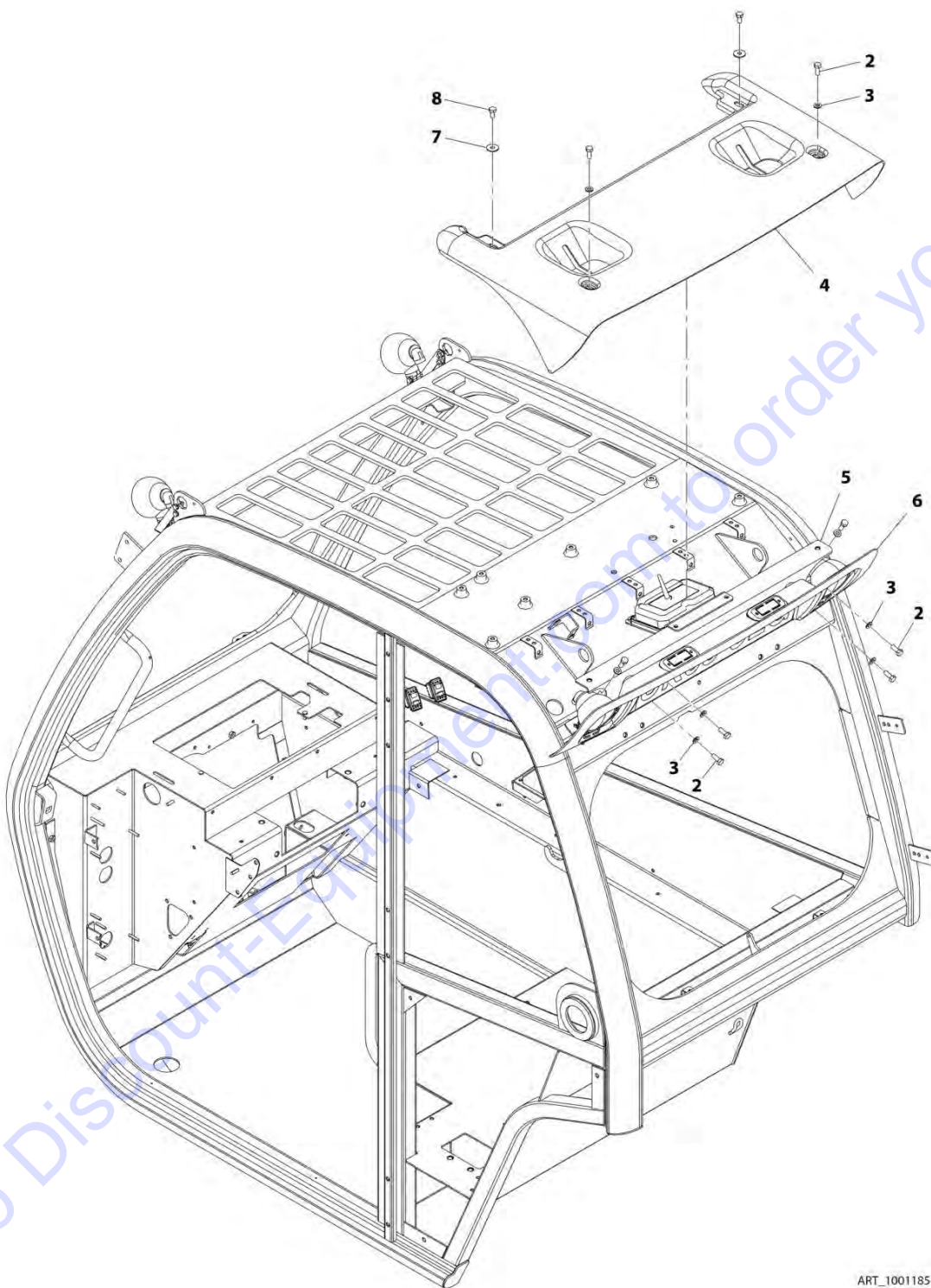
ART\_1001155796-F

FIGURE 6-42. ROOF CAP INSTALLATION (A/C)

ITEM	PART NUMBER	QTY	DESCRIPTION	REV
	1001155796	Ref	Roof Cap Installation (A/C) (Construction)	F
2	4811700	9	Washer, M6	
3	4811702	10	Washer, M6	
4	4811902	2	Washer, M8	
5	4831700	1	Washer, Lock M6	
6	1001155800	1	Cover, Upper Roof Cap	
7	1001174741	1	Cover	
8	1001214156	1	Cover, Lower Roof Cap	
9	1001174800	1	Bracket, Roof Cap	
10	1001174801	1	Bracket, Roof Cap	
12	0760808	2	Bolt, M8X16	
13	8305919	3	Nut, M6	
14	4010610002	10	Screw, Posi-Drive M6X20	
15	0700610	4	Bolt, M6X20	
16	3290601	4	Nut, M6X1	
17	4010608002	1	Screw, Posi-Drive, M6X16	

# SECTION 6 - CAB

## FIGURE 6-43. ROOF CAP INSTALLATION (NO A/C)



ART\_1001185846-D

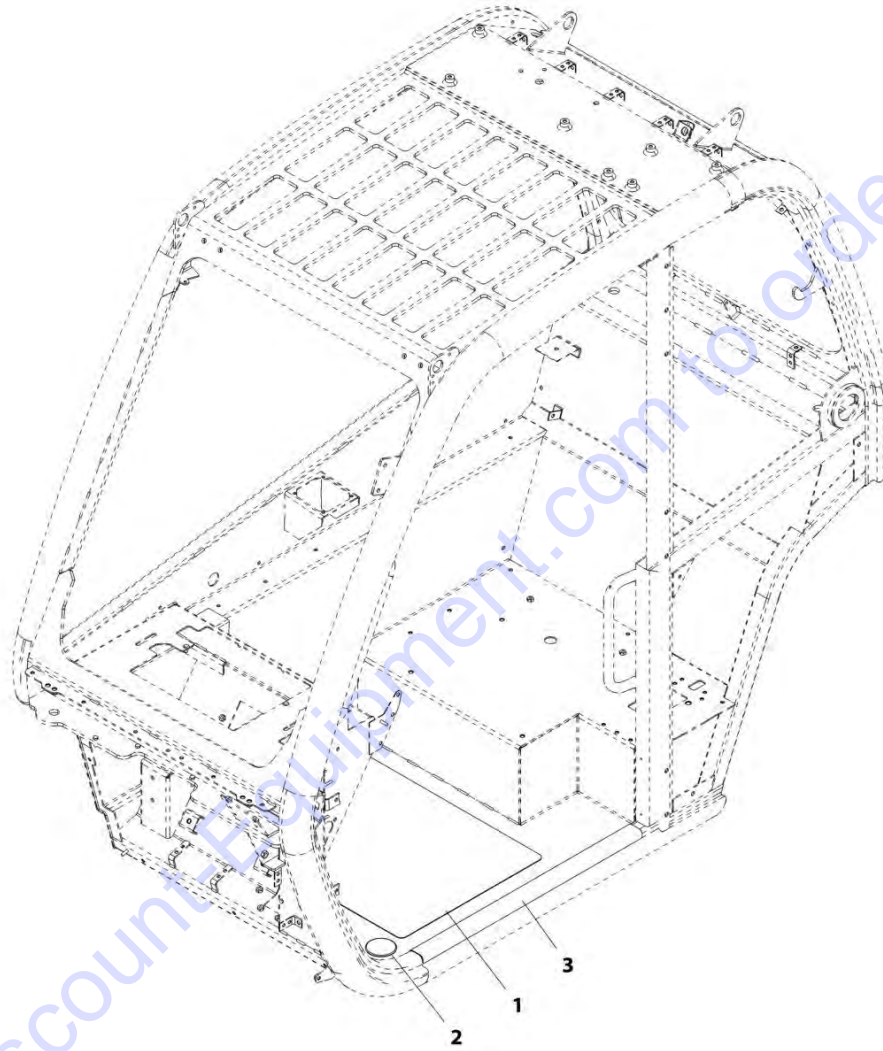
FIGURE 6-43. ROOF CAP INSTALLATION (NO A/C)

ITEM	PART NUMBER	QTY	DESCRIPTION	REV
	1001185846	Ref	Roof Cap Installation (No A/C)	D
2	0760810	8	Bolt, M8X20	
3	4811900	8	Washer, M8	
4	1001182328	1	Cover, Short Upper Roof Cap	
5	1001185633	1	Bracket	
6	1001214535	2	Cover, Short Lower Roof Cap	
7	4811902	2	Washer, M8	
8	0760808	2	Bolt, M8X16	

Go to Discount-Equipment.com to order your parts

# SECTION 6 - CAB

## FIGURE 6-44. NON SKID TAPE INSTALLATION



ART\_1001197219-B

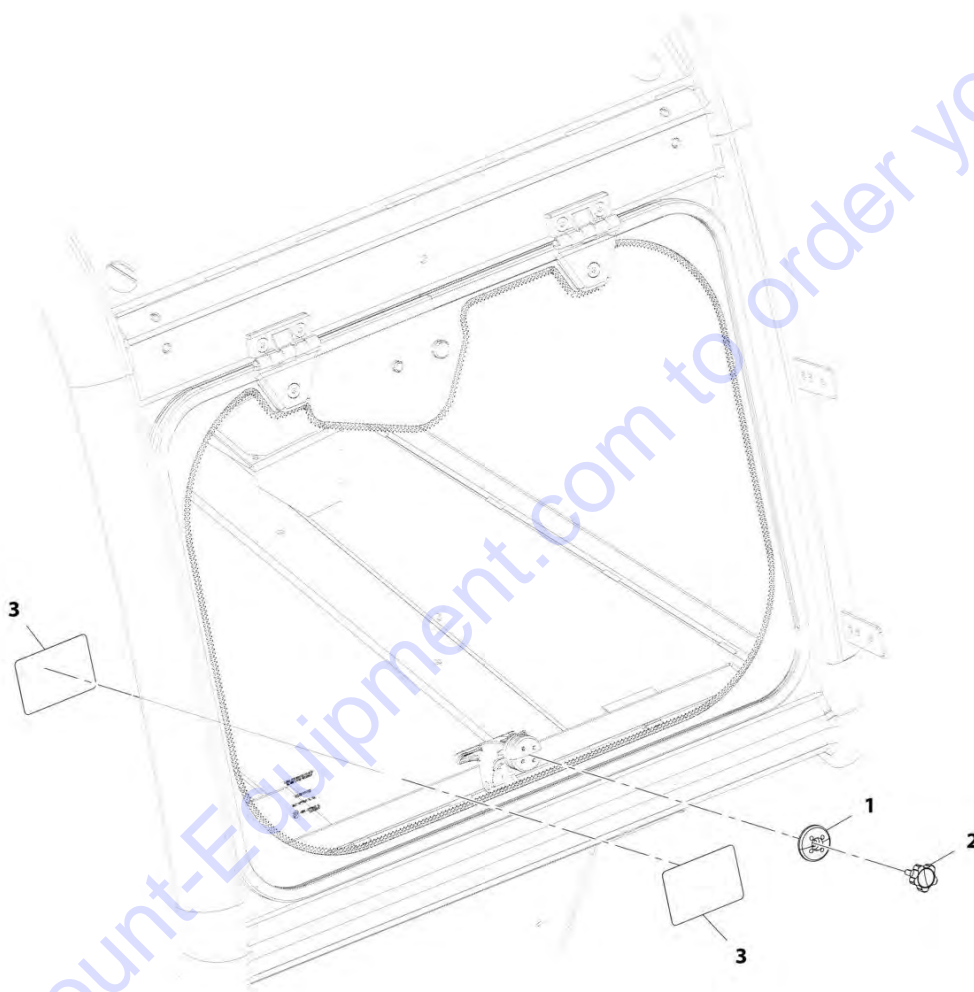
FIGURE 6-44. NON SKID TAPE INSTALLATION

ITEM	PART NUMBER	QTY	DESCRIPTION	REV
	1001197219	1	Non Skid Tape Installation	B
1	1001197217	1	Tape, Non Skid Floor	
2	1001197218	1	Grommet	
3	1001197259	1	Tape, Non Skid Frame	

Go to Discount-Equipment.com to order your parts

# SECTION 6 - CAB

## FIGURE 6-45. EXTERNAL WINDOW RELEASE INSTALLATION (CAN & ISO)



ART\_1001178826-C



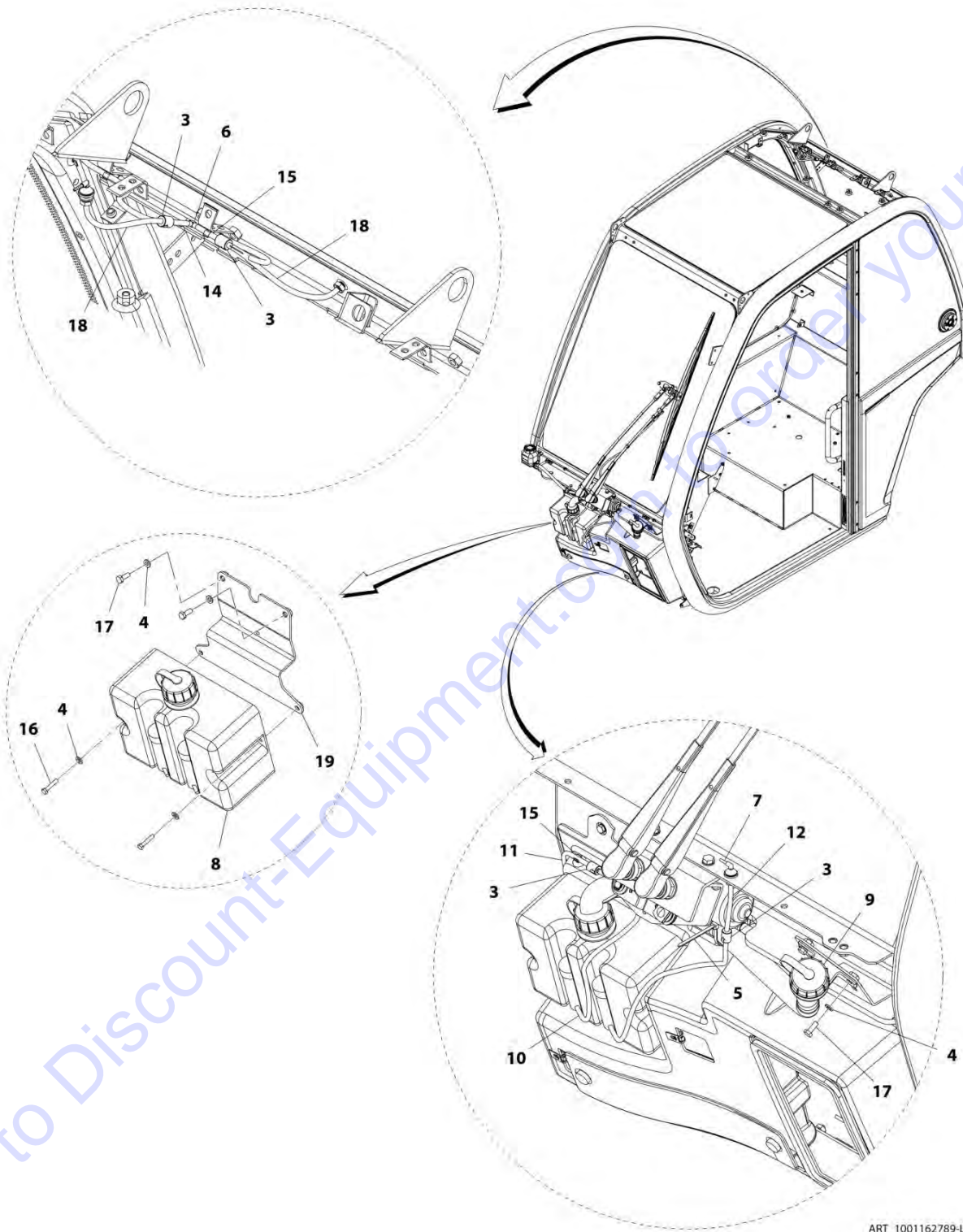
FIGURE 6-45. EXTERNAL WINDOW RELEASE INSTALLATION (CAN &amp; ISO)

ITEM	PART NUMBER	QTY	DESCRIPTION	REV
	1001178826	Ref	External Window Release Installation (ANSI - English/French)	C
1	1001179008	1	Cap, Latch Window	
2	1001179009	1	Knob	
3	1001204709	2	Decal, Emergency Exit (English/French)	

Go to Discount-Equipment.com to order your parts

# SECTION 6 - CAB

## FIGURE 6-46. WASHER TANK INSTALLATION



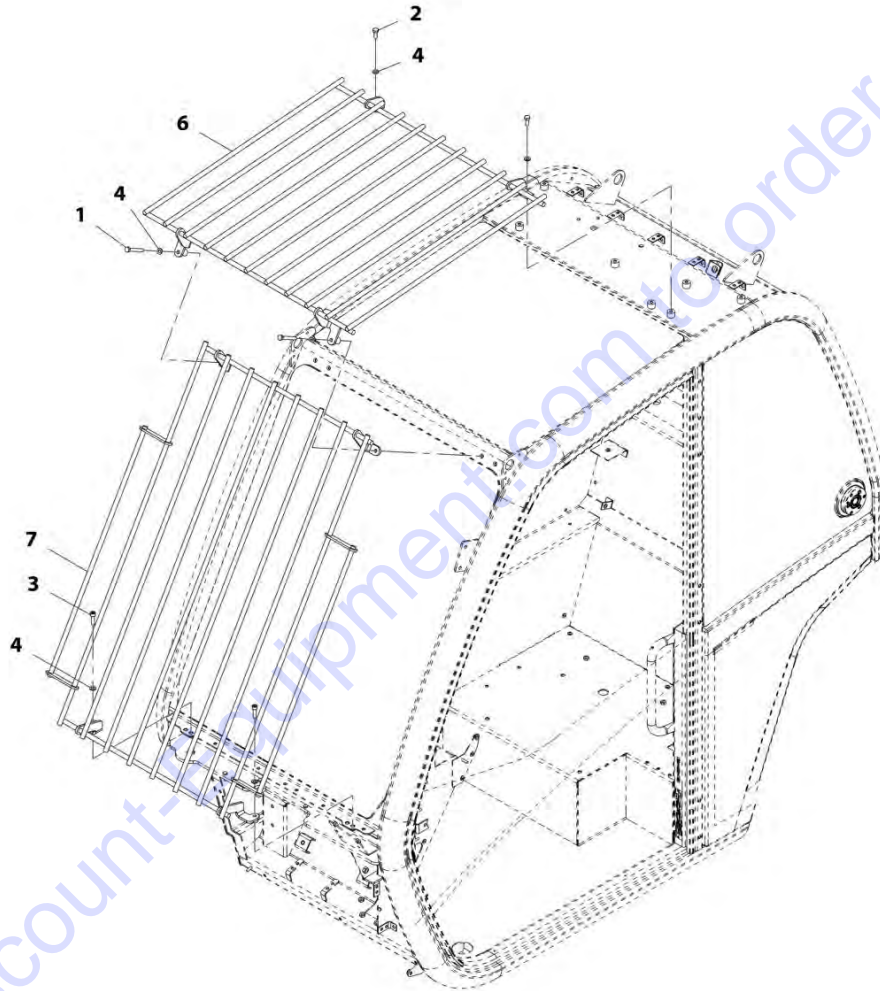
ART\_1001162789-L

FIGURE 6-46. WASHER TANK INSTALLATION

ITEM	PART NUMBER	QTY	DESCRIPTION	REV
	1001162789	Ref	Washer Tank Installation	L
3	1001201331	4	Valve, Check	
4	4811700	6	Washer, M6	
5	471678	2	Strap, Tie	
6	1001008742	1	Coupling, Tee	
7	1001090343	1	Connector	
8	1001165269	1	Bottle, Washer (See Separate Breakdown in this Section)	
9	1001165270	1	Hose, Washer Filler	
10	1001165351	2	Hose	
11	1001165407	1	Hose	
12	1001165416	1	Hose	
14	1001165455	2	Hose	
15	1001165458	16	Hose	
16	0760512	2	Bolt M5X25	
17	0760608	4	Bolt, M6X16	
18	1001178123	2	Hose	
19	1001171756	1	Bracket	

# SECTION 6 - CAB

FIGURE 6-47. CAB GUARD INSTALLATION (TOP AND FRONT)



ART\_100117274-F

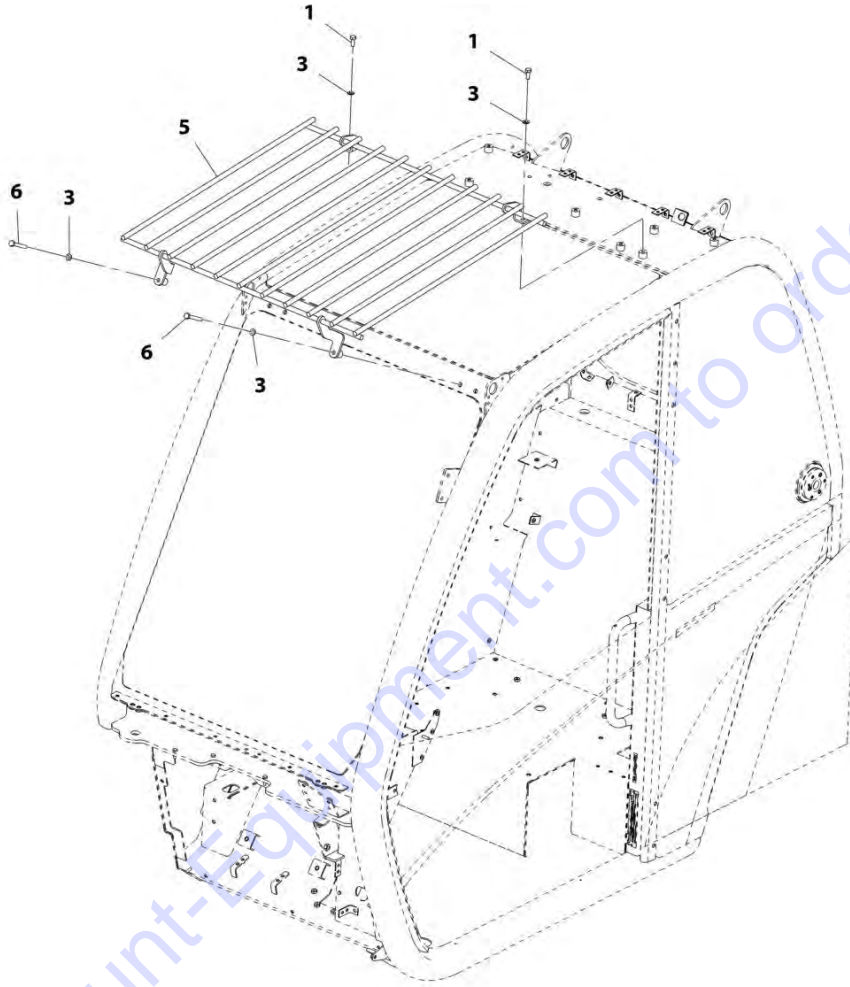
FIGURE 6-47. CAB GUARD INSTALLATION (TOP AND FRONT)

ITEM	PART NUMBER	QTY	DESCRIPTION	REV
	1001172774	Ref	Cab Guard Installation (Top and Front)	F
1	0700820	2	Bolt, M8X60	
2	0760810	2	Bolt, M8X20	
3	4031910	2	Bolt, M8X30	
4	4811900	6	Washer, M8	
6	1001160503	1	Guard, Top Screen	
7	1001180263	1	Guard, Front Screen	

Go to Discount-Equipment.com to order your parts

# SECTION 6 - CAB

## FIGURE 6-48. CAB GUARD INSTALLATION (TOP)



ART\_1001160496-F

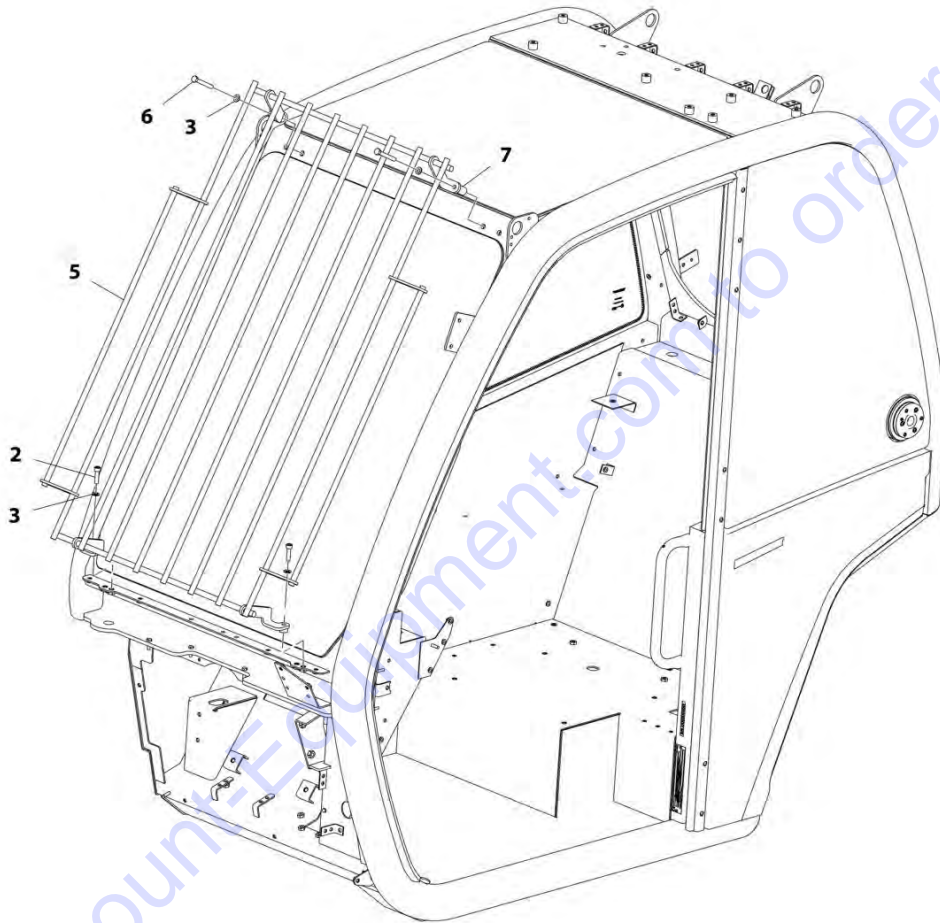
FIGURE 6-48. CAB GUARD INSTALLATION (TOP)

ITEM	PART NUMBER	QTY	DESCRIPTION	REV
	1001160496	Ref	Cab Guard Installation (Top)	F
1	0760810	2	Bolt, M8X20	
3	4811900	4	Washer, M8	
5	1001160503	1	Guard, Top Screen	
6	0700820	2	Bolt, M8X60	

Go to Discount-Equipment.com to order your parts

## SECTION 6 - CAB

FIGURE 6-49. CAB GUARD INSTALLATION (FRONT)



ART\_1001160506-G



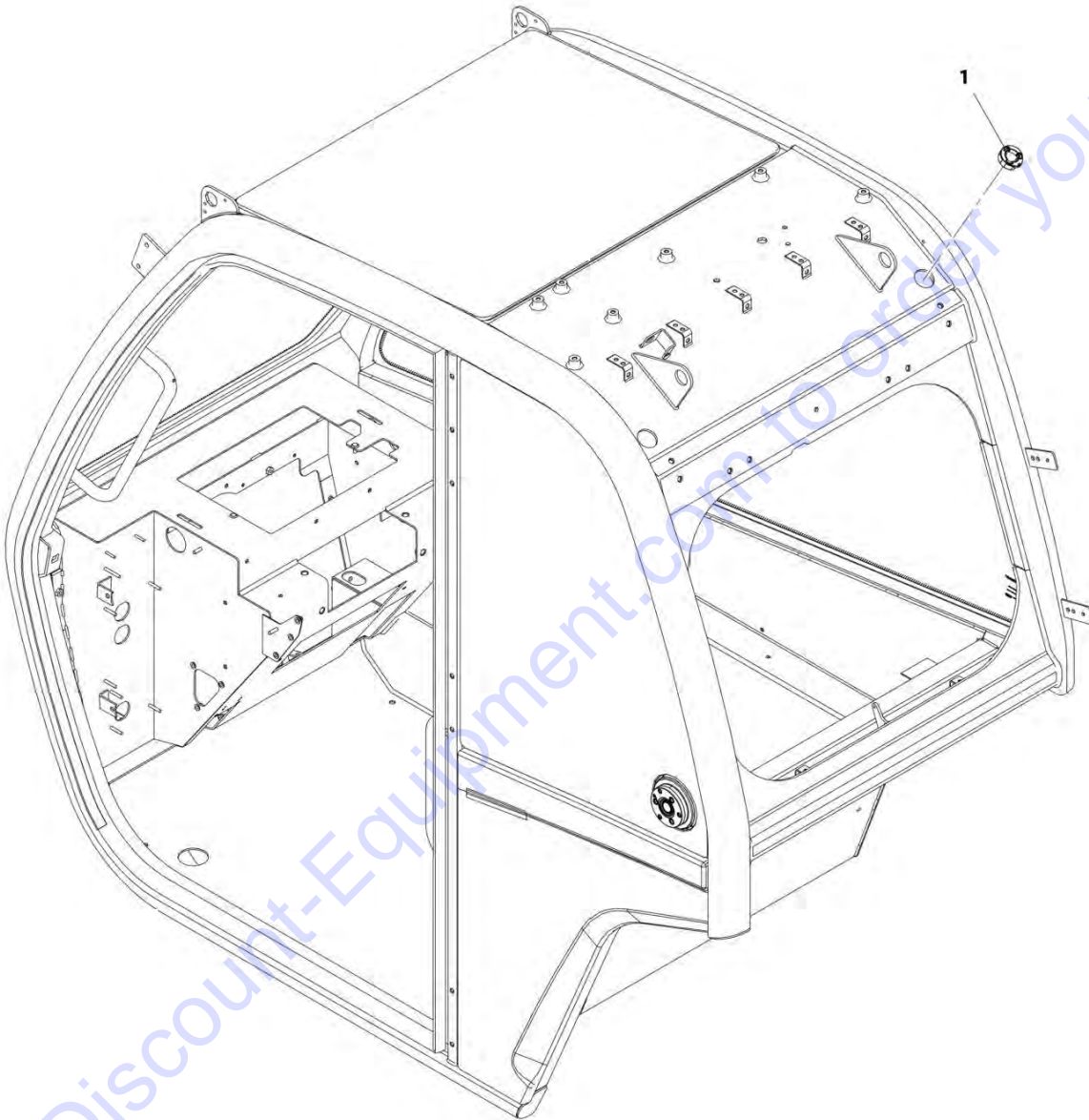
FIGURE 6-49. CAB GUARD INSTALLATION (FRONT)

ITEM	PART NUMBER	QTY	DESCRIPTION	REV
	1001160506	Ref	Cab Guard Installation (Front)	G
2	4031910	2	Bolt, M8X30	
3	4811900	4	Washer, M8	
5	1001180263	1	Guard, Front Screen	
6	0700820	2	Bolt, M8X60	
7	1001173257	2	Spacer	

Go to Discount-Equipment.com to order your parts

# SECTION 6 - CAB

## FIGURE 6-50. ROOF PIGTAIL CAP INSTALLATION



ART\_1001202138-A

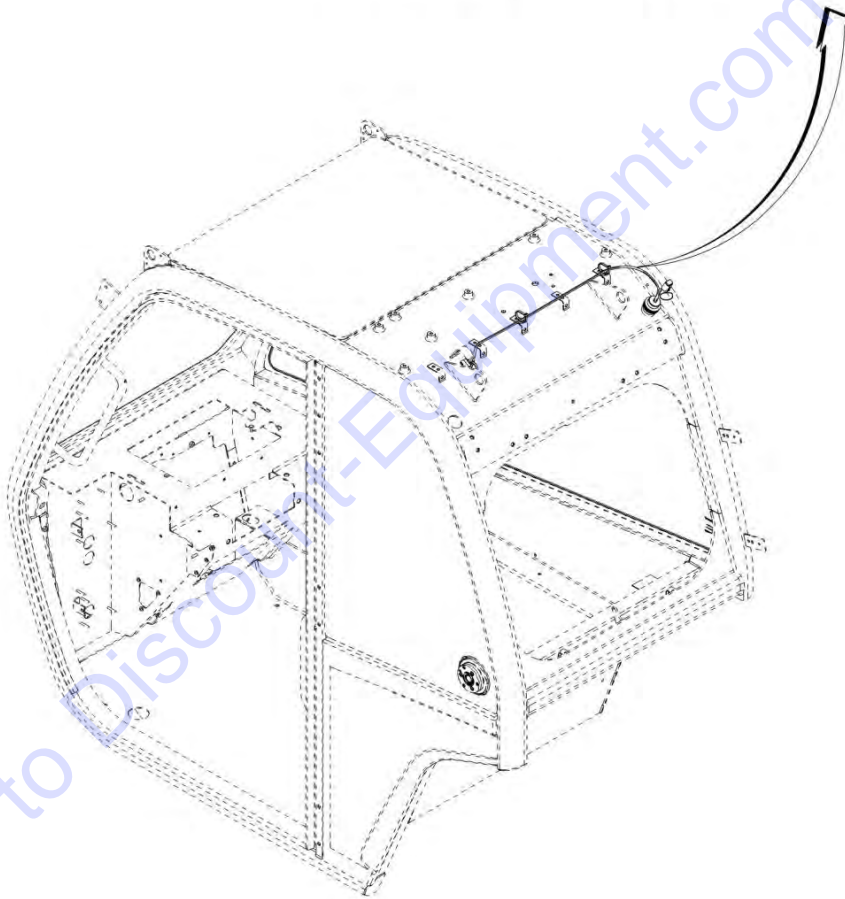
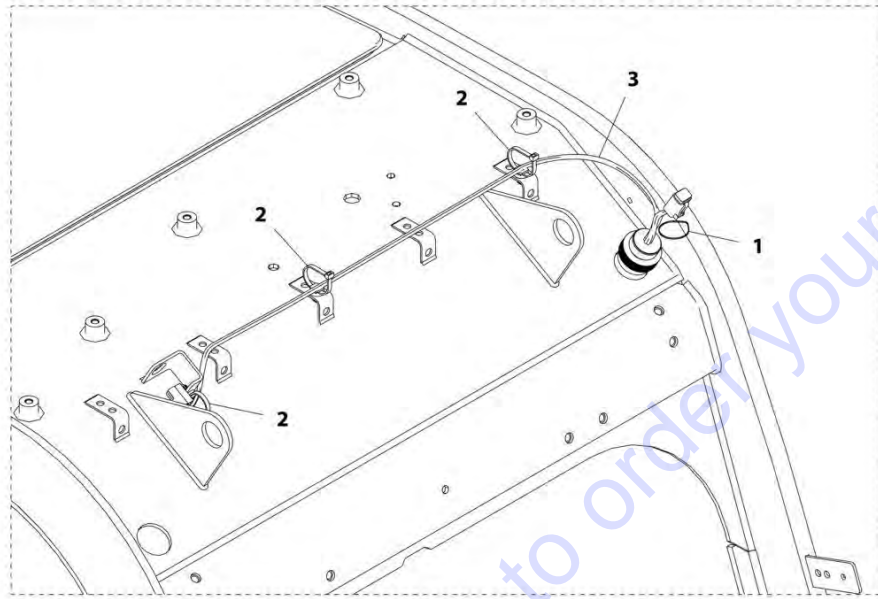
FIGURE 6-50. ROOF PIGTAIL CAP INSTALLATION

ITEM	PART NUMBER	QTY	DESCRIPTION	REV
1	1001202138 1001202134	Ref 1	Roof Pigtail Cap Installation Cap, Deutsch Dust	A

Go to Discount-Equipment.com to order your parts

# SECTION 6 - CAB

## FIGURE 6-51. ROOF PIGTAIL INSTALLATION



ART\_1001202133-A

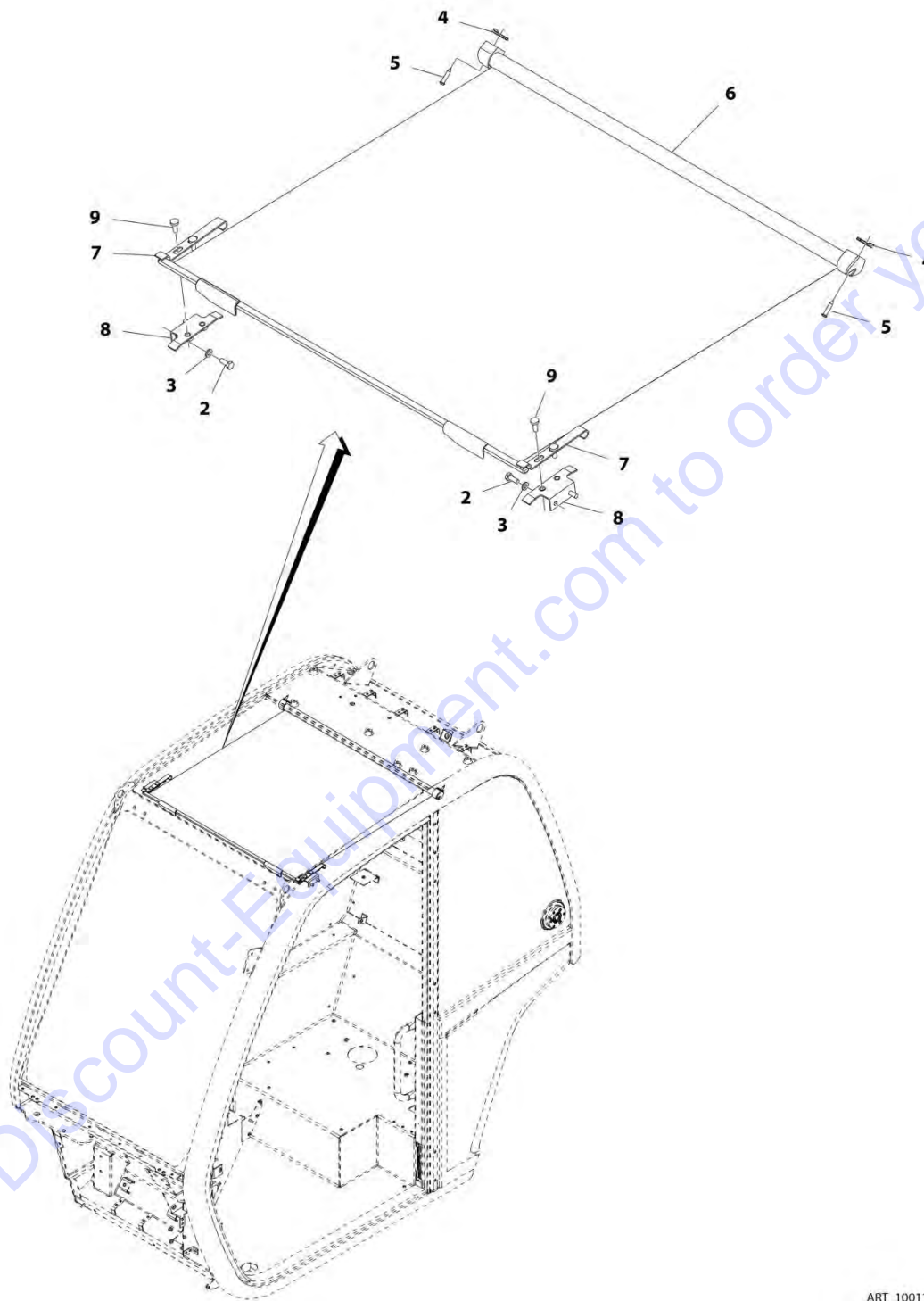
FIGURE 6-51. ROOF PIGTAIL INSTALLATION

ITEM	PART NUMBER	QTY	DESCRIPTION	REV
	1001202133	Ref	Roof Pigtail Installation	A
1	4240033	1	Cable Tie	
2	1001146588	3	Strap	
3	1001202132	1	Harness, Roof Pigtail (See Separate Breakdown in Electrical Section)	

Go to Discount-Equipment.com to order your parts

# SECTION 6 - CAB

## FIGURE 6-52. RETRACTABLE SUNSCREEN INSTALLATION



ART\_1001163151-G

FIGURE 6-52. RETRACTABLE SUNSCREEN INSTALLATION

ITEM	PART NUMBER	QTY	DESCRIPTION	REV
	1001163151	Ref	Retractable Sunscreen Installation	G
2	0760608	4	Bolt, M6X16	
3	4811700	4	Washer, M6	
4	1001111076	2	Nut	
5	1001111147	2	Screw	
6	1001163170	1	Cab, Screen Blind	
7	1001209463	2	Bracket, Sunscreen Mount	
8	1001166385	2	Bracket	
9	4010608002	4	Screw, M6X16	

Go to Discount-Equipment.com to order your parts





# PARTS FINDER

**Search Website  
by Part Number**



**Search Manual  
Library For Parts  
Manual & Lookup Part  
Numbers – Purchase  
or Request Quote**

**Can't Find Part or  
Manual? Request Help  
by Manufacturer,  
Model & Description**

Discount-Equipment.com is your online resource for quality parts & equipment.

Florida: **561-964-4949** Outside Florida TOLL FREE: **877-690-3101**

## Need parts?

Click on this link: <http://www.discount-equipment.com/category/5443-parts/> and choose one of the options to help get the right parts and equipment you are looking for. Please have the machine model and serial number available in order to help us get you the correct parts. If you don't find the part on the website or on one of the online manuals, please fill out the request form and one of our experienced staff members will get back to you with a quote for the right part that your machine needs.

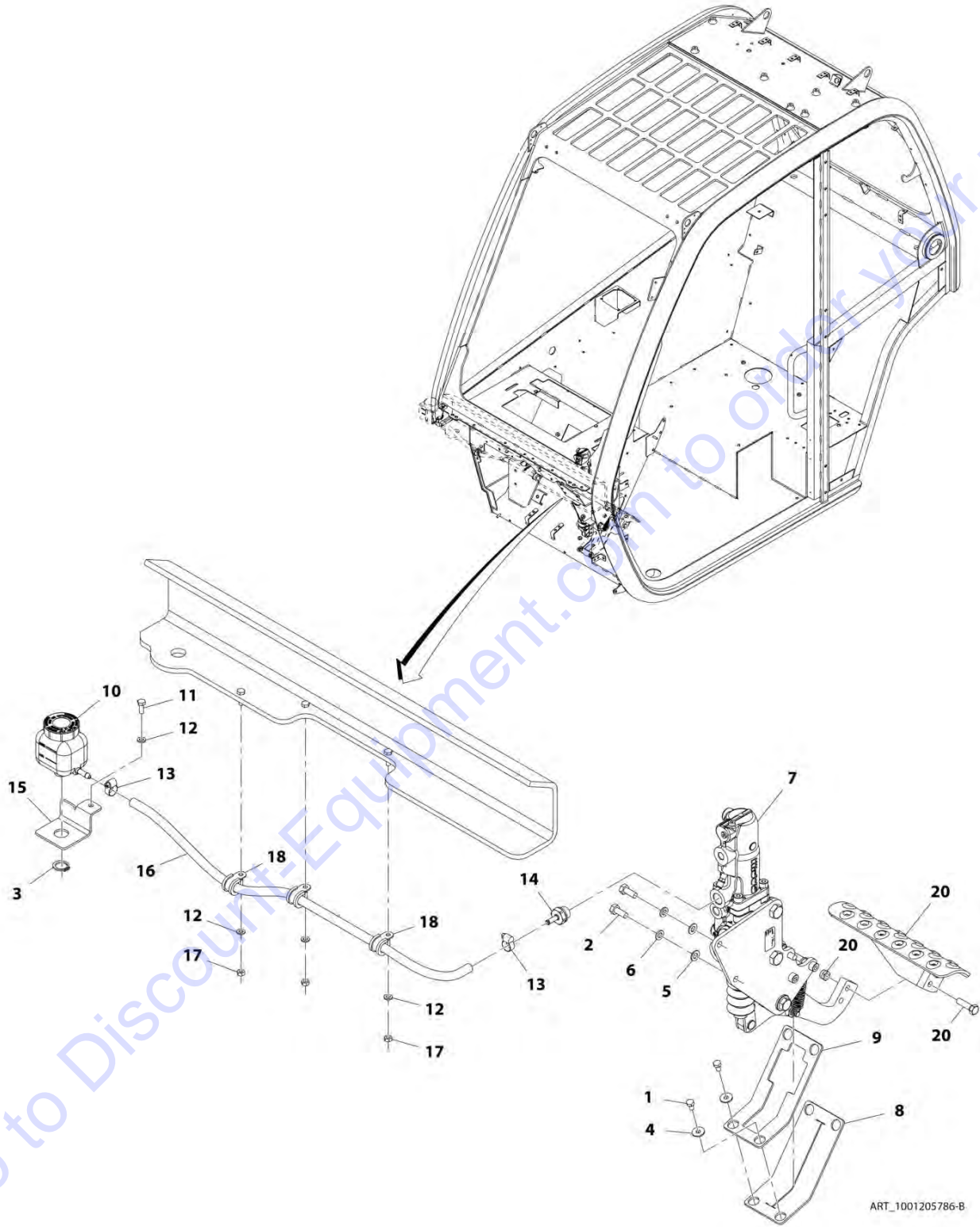
We sell worldwide for the brands: Genie, Terex, JLG, MultiQuip, Mikasa, Essick, Whiteman, Mayco, Toro Stone, Diamond Products, Generac Magnum, Airman, Haulotte, Barreto, Power Blanket, Nifty Lift, Atlas Copco, Chicago Pneumatic, Allmand, Miller Curber, Skyjack, Lull, Skytrak, Tsurumi, Husquvarna Target, Stow, Wacker, Sakai, Mi-T-M, Sullair, Basic, Dynapac, MBW, Weber, Bartell, Bennar Newman, Haulotte, Ditch Runner, Menegotti, Morrison, Contec, Buddy, Crown, Edco, Wyco, Bomag, Laymor, EZ Trench, Bil-Jax, F.S. Curtis, Gehl Pavers, Heli, Honda, ICS/PowerGrit, IHI, Partner, Imer, Clipper, MMD, Koshin, Rice, CH&E, General Equipment, Amida, Coleman, NAC, Gradall, Square Shooter, Kent, Stanley, Tamco, Toku, Hatz, Kohler, Robin, Wisconsin, Northrock, Oztec, Toker TK, Rol-Air, APT, Wylie, Ingersoll Rand / Doosan, Innovatech, Con X, Ammann, Mecalac, Makinex, Smith Surface Prep, Small Line, Wanco, Yanmar

SECTION 7 - CONTROLS

Go to Discount-Equipment.com to order your parts

# SECTION 7 - CONTROLS

## FIGURE 7-1. BRAKE PEDAL INSTALLATION



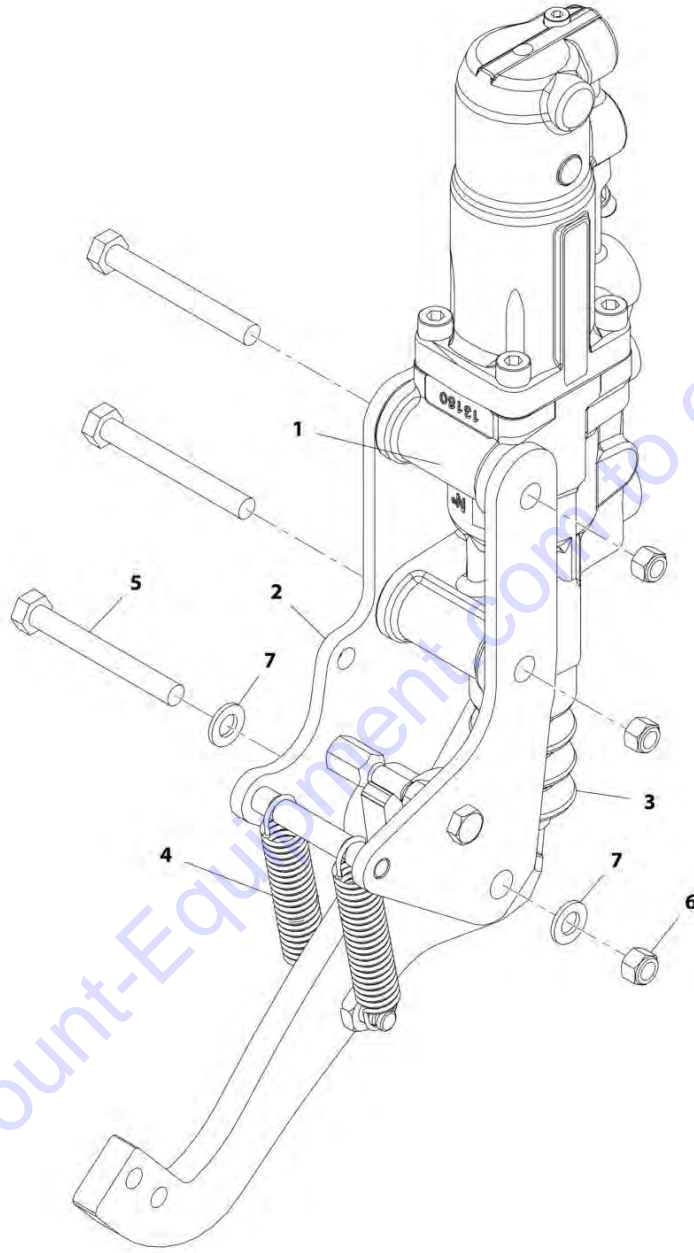
## SECTION 7 - CONTROLS

**FIGURE 7-1. BRAKE PEDAL INSTALLATION**

ITEM	PART NUMBER	QTY	DESCRIPTION	REV
	1001205786	Ref	Brake Pedal Installation	B
1	0760605	4	Bolt, M6X10	
2	0760810	3	Bolt, M8X20	
3	3760348	1	Ring, Retaining	
4	4811702	4	Washer, M6	
5	4811900	3	Washer, M8	
6	4831900	3	Washer, Lock M8	
7	1001197137	1	Pedal, Brake (See Separate Breakdown in this Section)	
8	1001162920	1	Gasket, Brake Pedal	
9	1001162922	1	Plate	
10	1001214220	1	Reservoir, Brake	
11	0760608	1	Bolt, M6X16	
12	4811700	4	Washer, M6	
13	8405009	2	Clamp, Gear	
14	1001171874	1	Fitting, Straight	
15	1001172088	1	Bracket, Brake Reservoir	
16	1001172094	1	Hose, Brake Reservoir	
17	3290601	3	Nut, M6X1	
18	1001170231	3	Clip, M6X15	
20	1001197139	1	Plate, Brake Pedal (See Separate Breakdown in this Section)	

# SECTION 7 - CONTROLS

## FIGURE 7-2. BRAKE PEDAL



ART\_1001197137-B

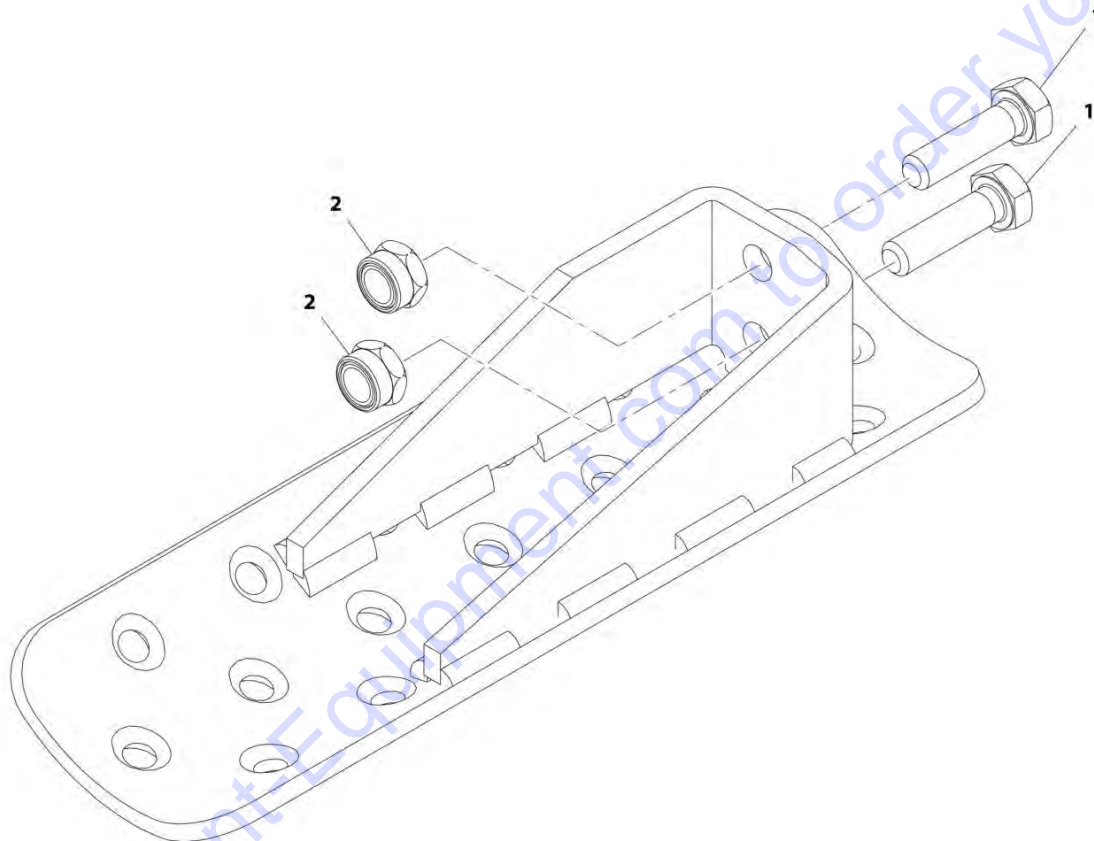
**FIGURE 7-2. BRAKE PEDAL**

ITEM	PART NUMBER	QTY	DESCRIPTION	REV
	1001197137	Ref	Brake Pedal	B
1	70026537	1	Cylinder, Master	
2	70026433	1	Support	
3	70025859	1	Cover, Dust	
4	70025860	2	Spring, Return	
5	0701226	3	Bolt, M12X90	
6	3291205	3	Nut, Lock M12X1.75	
7	4812100	2	Washer, M12	

Go to Discount-Equipment.com to order your parts

# SECTION 7 - CONTROLS

## FIGURE 7-3. BRAKE PEDAL PLATE



ART\_1001197139-A

## SECTION 7 - CONTROLS

### FIGURE 7-3. BRAKE PEDAL PLATE

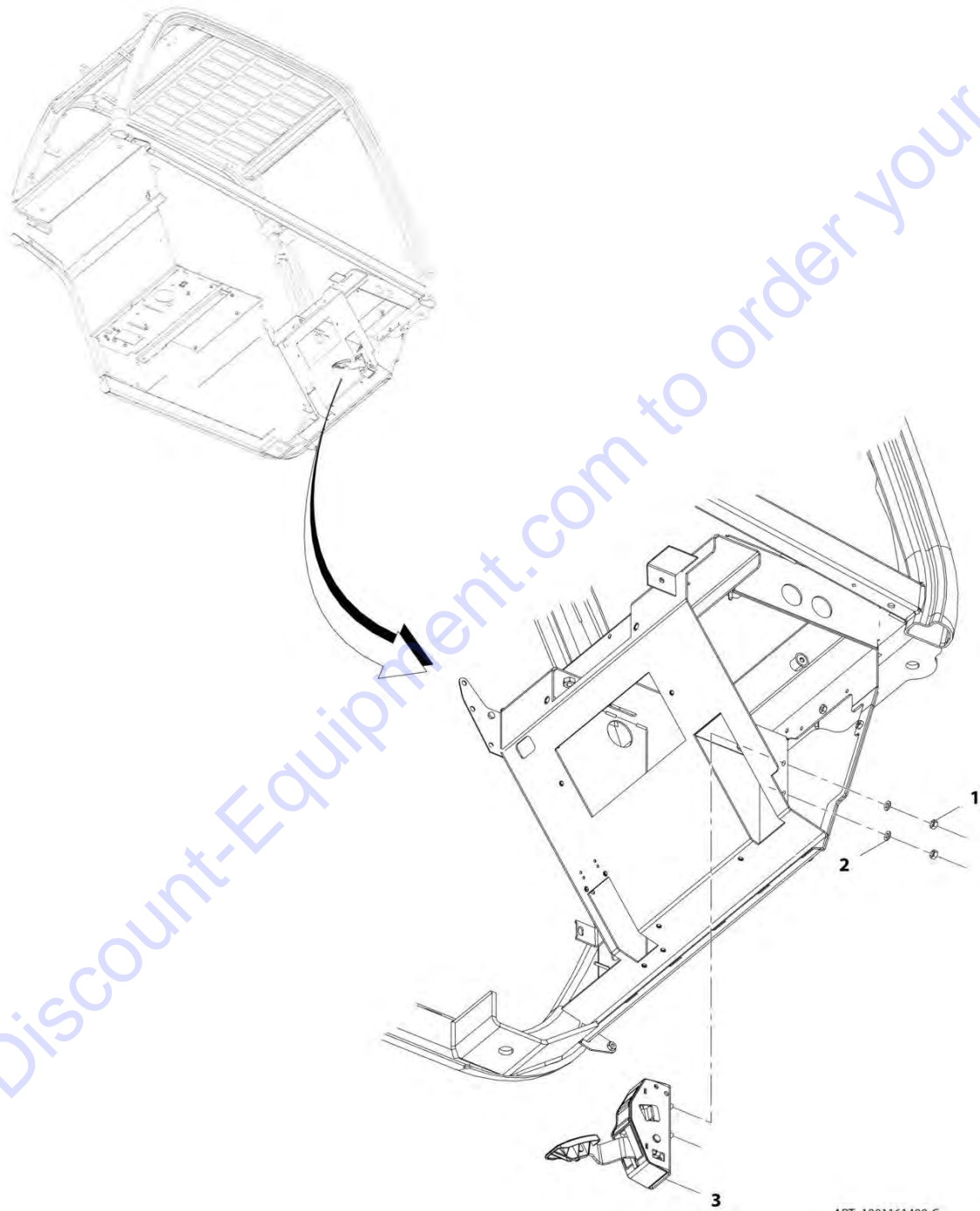
ITEM	PART NUMBER	QTY	DESCRIPTION	REV
	1001197139	Ref	Brake Pedal Plate	A
1	0770814	1	Bolt, M8X30 Grade 10.9	
2	3290805	1	Nut, Lock M8X1.25 Grade 8	

Go to Discount-Equipment.com to order your parts



# SECTION 7 - CONTROLS

## FIGURE 7-4. ACCELERATOR PEDAL INSTALLATION



ART\_1001161499-C

## SECTION 7 - CONTROLS

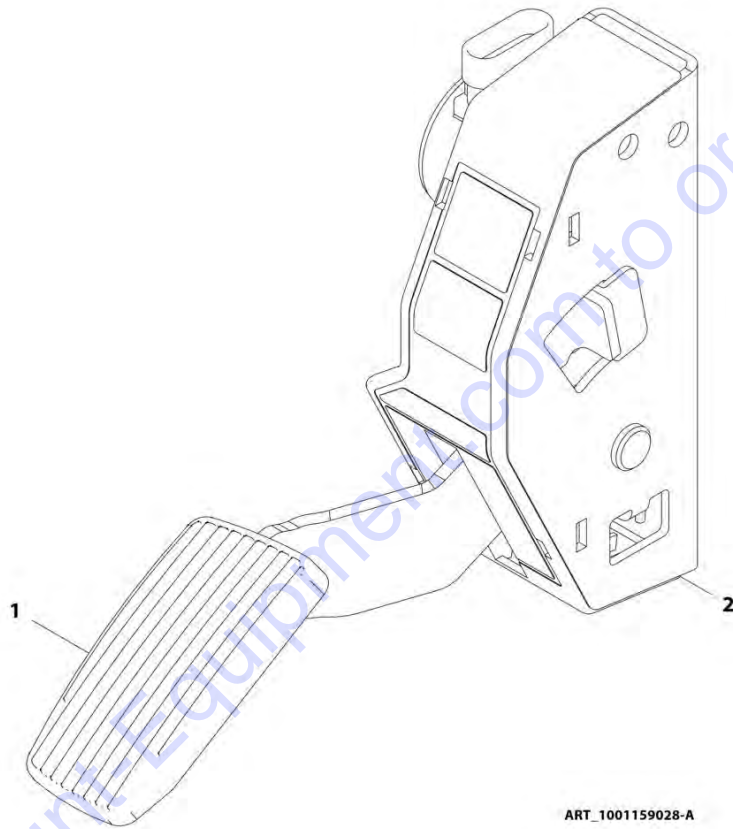
FIGURE 7-4. ACCELERATOR PEDAL INSTALLATION

ITEM	PART NUMBER	QTY	DESCRIPTION	REV
	1001161499	Ref	Accelerator Pedal Installation	C
1	3290801	2	Nut, M8X1.25	
2	4811900	2	Washer, M8	
3	1001159028	1	Pedal, Accelerator (See Separate Breakdown in this Section)	

Go to Discount-Equipment.com to order your parts

## SECTION 7 - CONTROLS

FIGURE 7-5. ACCELERATOR PEDAL



ART\_1001159028-A

## SECTION 7 - CONTROLS

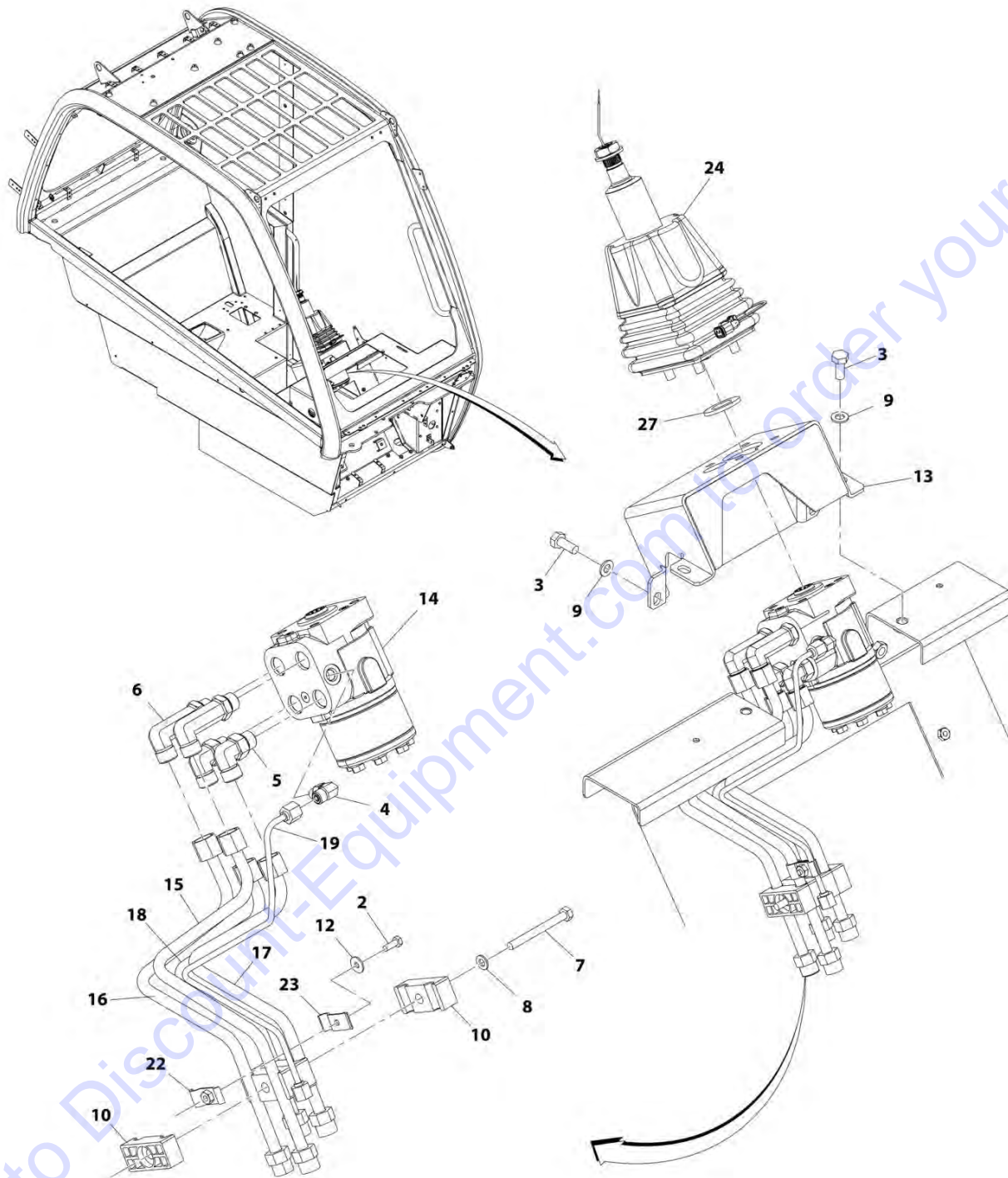
### FIGURE 7-5. ACCELERATOR PEDAL

ITEM	PART NUMBER	QTY	DESCRIPTION	REV
	1001159028	Ref	Accelerator Pedal	A
1	70025816	1	Pad, Rubber	
2	70025817	1	Cover, Rubber	

Go to Discount-Equipment.com to order your parts

# SECTION 7 - CONTROLS

## FIGURE 7-6. STEERING COLUMN INSTALLATION



ART\_1001162707-G

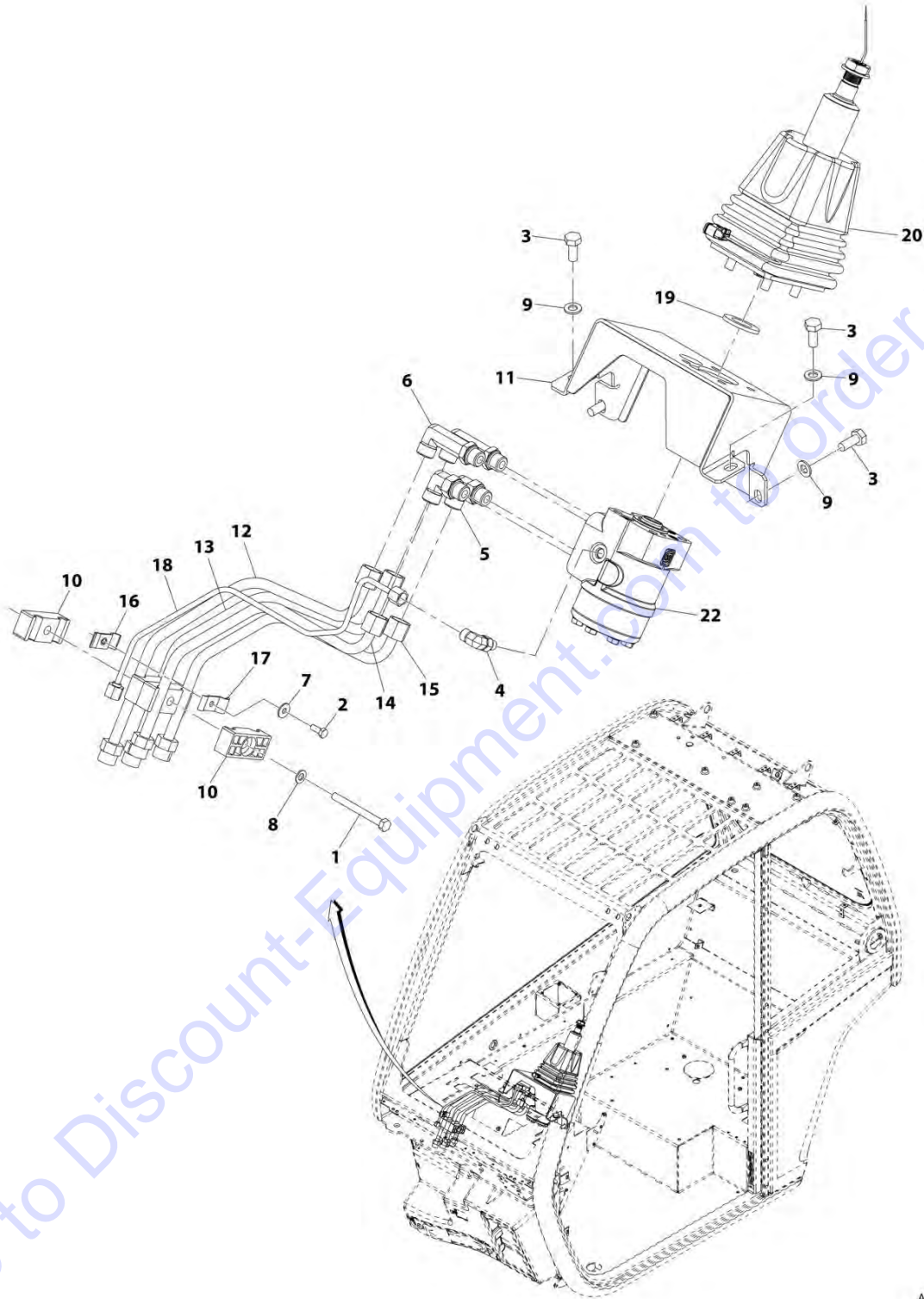
## SECTION 7 - CONTROLS

**FIGURE 7-6. STEERING COLUMN INSTALLATION**

ITEM	PART NUMBER	QTY	DESCRIPTION	REV
	1001162707	Ref	Steering Column Installation	G
2	0760608	1	Bolt, M6X16	
3	0761012	8	Bolt, M10X25	
4	2130404	1	Fitting, 90 ORFS	
5	2130808	2	Fitting, 90 ORFS	
6	2170208	2	Fitting, 90 ORFS	
7	0700824	1	Bolt, M8X80	
8	4811900	1	Washer, M8	
9	4812000	8	Washer, M10	
10	1001004640	4	Clamp	
12	4811702	1	Washer, M6	
13	1001156265	1	Plate	
14	1001160599	1	Valve, Steering Unit (See Separate Breakdown in Hydraulic Components Section)	
15	1001161672	1	Pipe	
16	1001161896	1	Pipe	
17	1001161897	1	Pipe	
18	1001161898	1	Pipe	
19	1001162979	1	Pipe	
22	1001168142	1	Bracket	
23	1001168151	1	Bracket	
24	1001161733	NLA	Column, Steering (no longer available, see 1001214481 for replacement)	
24	1001214481	1	Column, Steering	
27	1001214480	1	Washer	

# SECTION 7 - CONTROLS

## FIGURE 7-7. STEERING COLUMN INSTALLATION (EMERGENCY STEERING)



ART\_1001221994-A

## SECTION 7 - CONTROLS

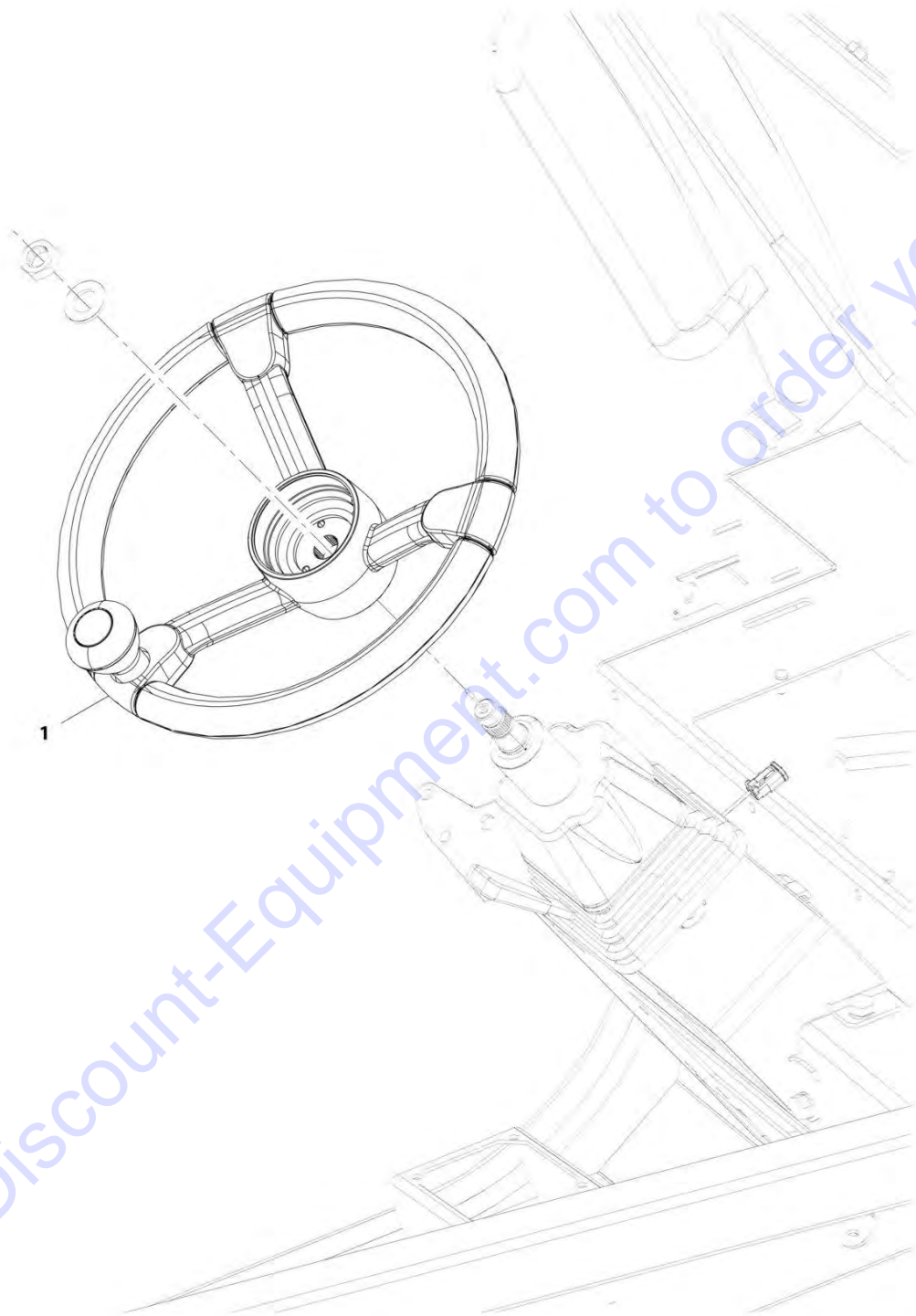
**FIGURE 7-7. STEERING COLUMN INSTALLATION (EMERGENCY STEERING)**

ITEM	PART NUMBER	QTY	DESCRIPTION	REV
	1001221994	Ref	Steering Column Installation (Emergency Steering)	A
1	0700824	1	Bolt, M8X80	
2	0760608	1	Bolt, M6X16	
3	0761012	8	Bolt, M10X25	
4	2130404	1	Fitting, 90 ORFS	
5	2130808	2	Fitting, 90 ORFS	
6	2170208	2	Fitting, 90 ORFS	
7	4811702	1	Washer, M6	
8	4811900	1	Washer, M8	
9	4812000	8	Washer, M10	
10	1001004640	4	Clamp	
11	1001156265	1	Cab, Steering Column Support	
12	1001161672	1	Pipe	
13	1001161896	1	Pipe	
14	1001161897	1	Pipe	
15	1001161898	1	Pipe	
16	1001168142	1	Bracket	
17	1001168151	1	Bracket	
18	1001194282	1	Pipe	
19	1001214480	1	Washer	
20	1001214481	1	Column, Steering	
22	1001219396	1	Valve, Steering Unit	



# SECTION 7 - CONTROLS

## FIGURE 7-8. STEERING WHEEL INSTALLATION



ART\_1001169751-C

## SECTION 7 - CONTROLS

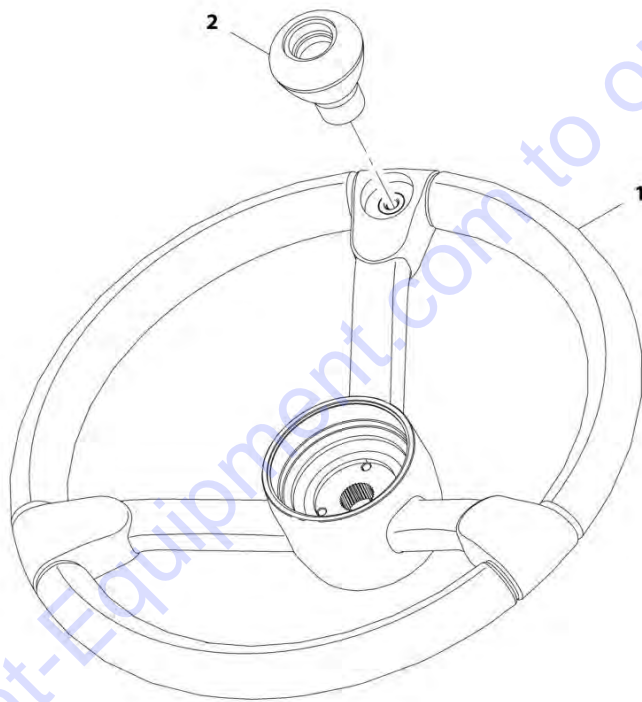
**FIGURE 7-8. STEERING WHEEL INSTALLATION**

ITEM	PART NUMBER	QTY	DESCRIPTION	REV
1	1001169751	Ref	Steering Wheel Installation	C
	1001169354	1	Wheel, Steering (See Separate Breakdown in this Section)	

Go to Discount-Equipment.com to order your parts

## SECTION 7 - CONTROLS

FIGURE 7-9. STEERING WHEEL



ART\_1001169354-D

## SECTION 7 - CONTROLS

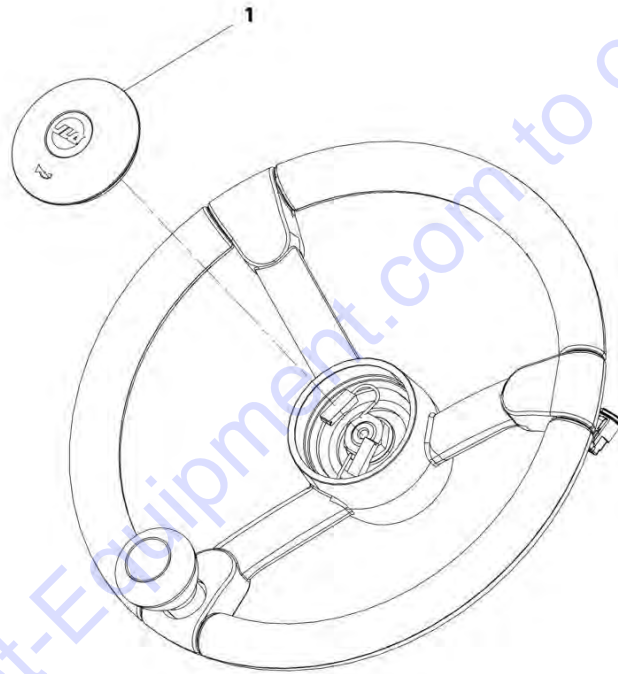
### FIGURE 7-9. STEERING WHEEL

ITEM	PART NUMBER	QTY	DESCRIPTION	REV
	1001169354	Ref	Steering Wheel	D
1	1001169367	1	Wheel, Steering	
2	1001169355	1	Handle, Steer Spinner	

Go to Discount-Equipment.com to order your parts

## SECTION 7 - CONTROLS

FIGURE 7-10. HORN BUTTON INSTALLATION



ART\_1001169763-A

## SECTION 7 - CONTROLS

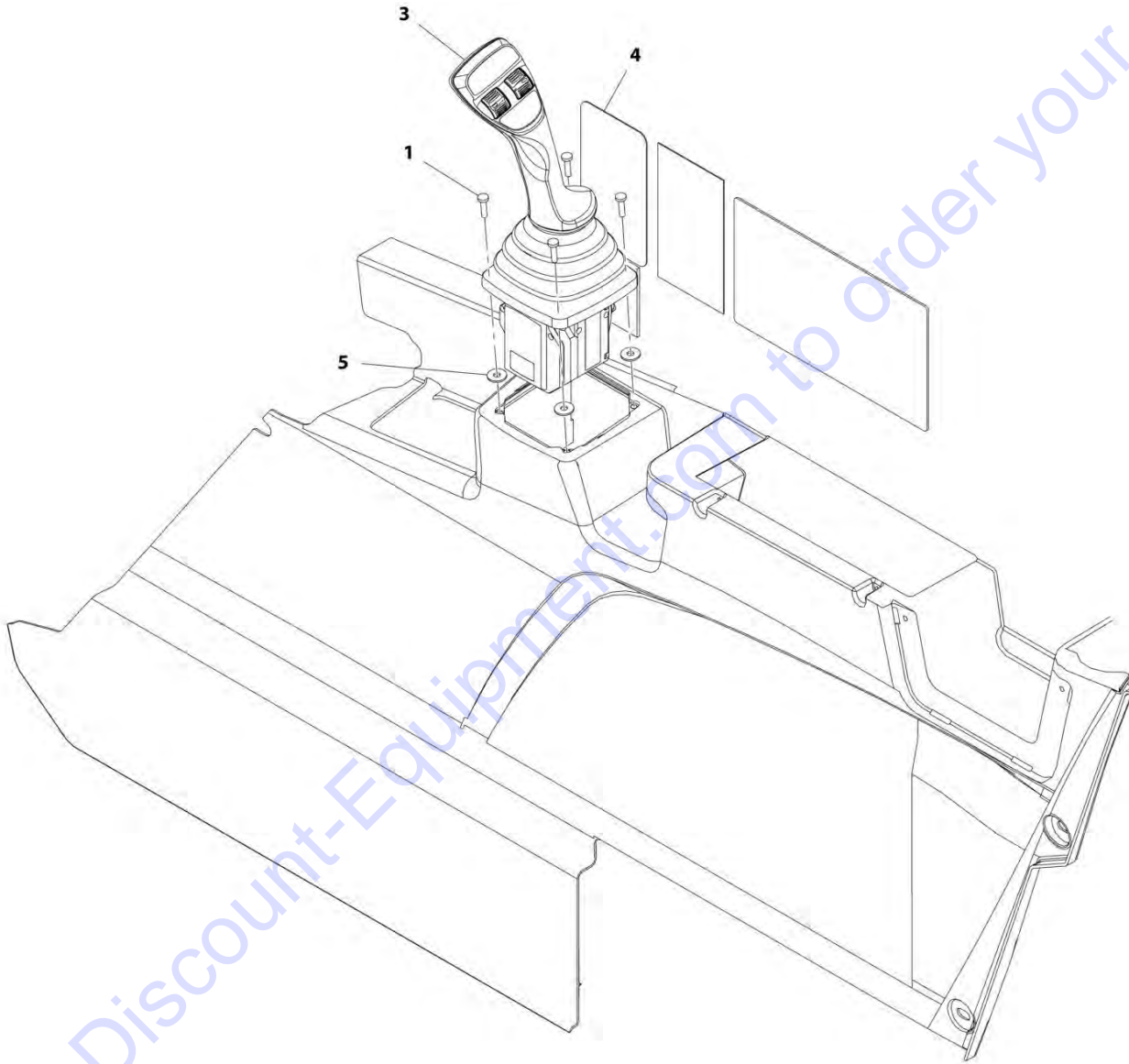
FIGURE 7-10. HORN BUTTON INSTALLATION

ITEM	PART NUMBER	QTY	DESCRIPTION	REV
1	1001169763 1001169268	Ref 1	Horn Button Installation Button, Horn	A

Go to Discount-Equipment.com to order your parts

## SECTION 7 - CONTROLS

FIGURE 7-11. JOYSTICK INSTALLATION (2 ROLLER, 0 BUTTON)



ART\_1001167001-E

## SECTION 7 - CONTROLS

**FIGURE 7-11. JOYSTICK INSTALLATION (2 ROLLER, 0 BUTTON)**

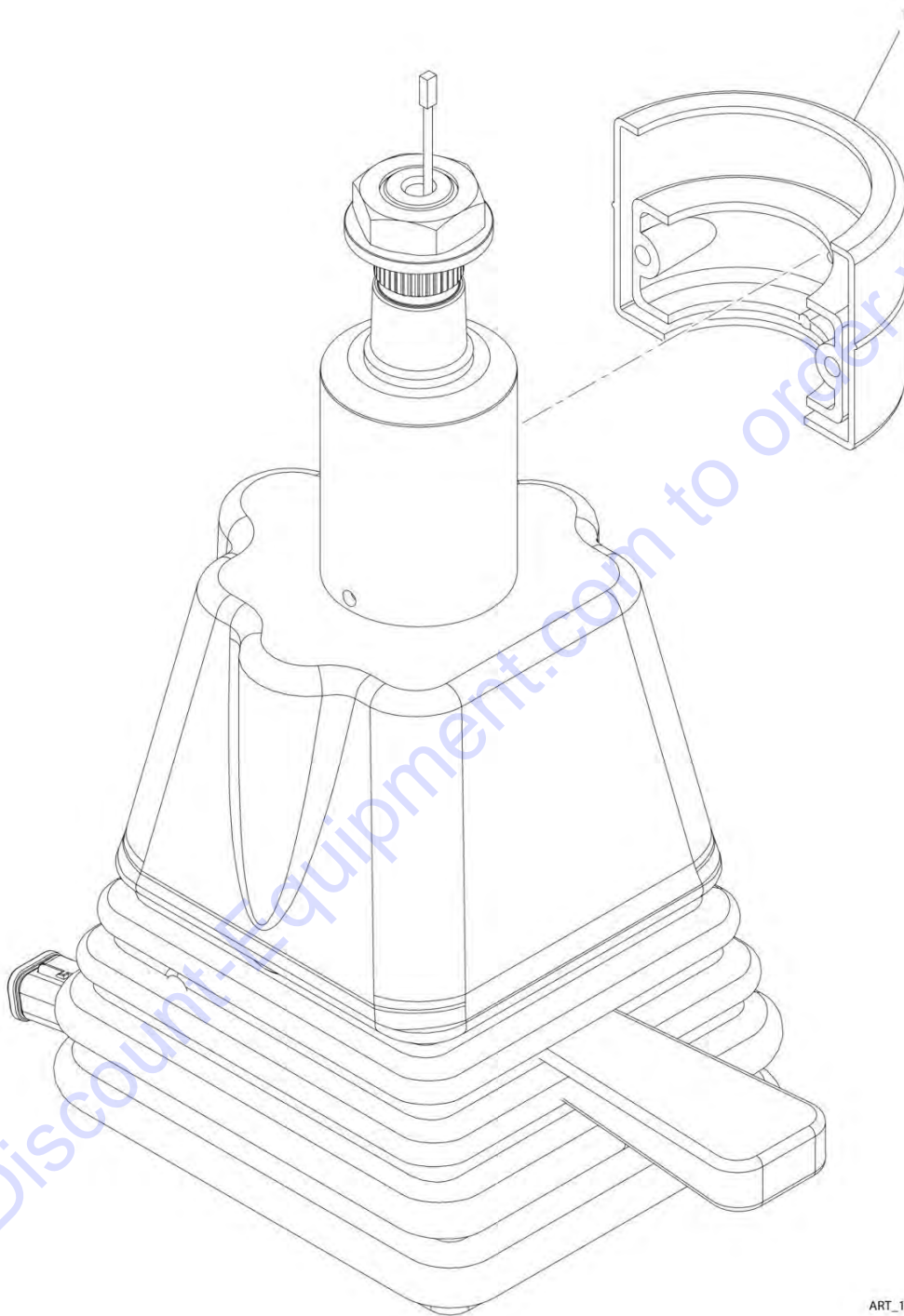
ITEM	PART NUMBER	QTY	DESCRIPTION	REV
	1001167001	Ref	Joystick Installation (2 Roller, 0 Button)	E
1	4010510	4	Screw, M5X20	
3	1001222609	1	Joystick (See Separate Breakdown in this Section)	
4	1001181543	1	Decal, Joystick	
5	4811702001	AR	Washer	

Go to Discount-Equipment.com to order your parts



## SECTION 7 - CONTROLS

FIGURE 7-12. COLUMN CLAMP INSTALLATION



ART\_1001182671-C

## SECTION 7 - CONTROLS

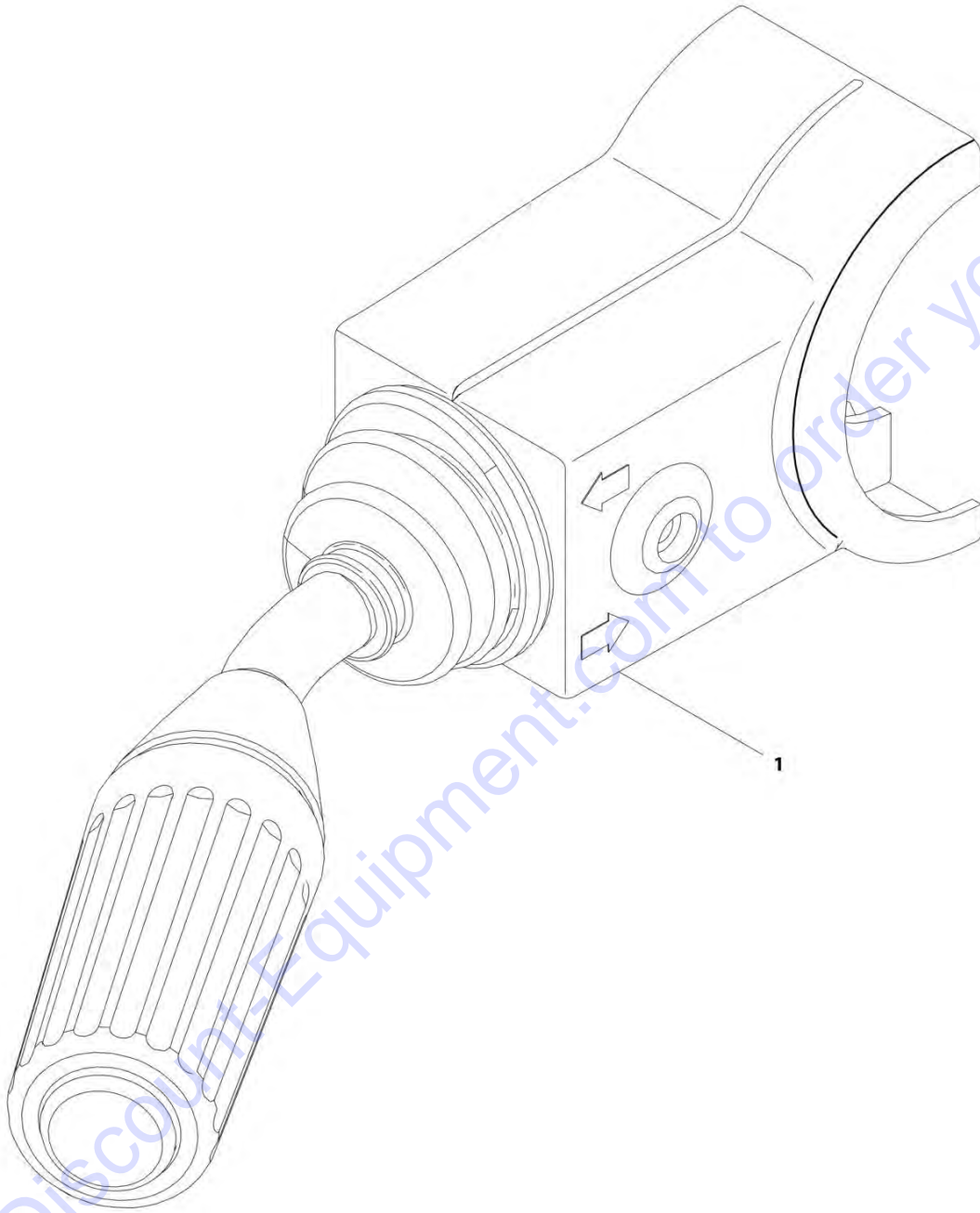
FIGURE 7-12. COLUMN CLAMP INSTALLATION

ITEM	PART NUMBER	QTY	DESCRIPTION	REV
1	1001182671	1	Column Clamp Installation	C
	1001199640	1	Clamp	

Go to Discount-Equipment.com to order your parts

## SECTION 7 - CONTROLS

FIGURE 7-13. WIPER-TURN SWITCH



ART\_1001163695-A

## SECTION 7 - CONTROLS

FIGURE 7-13. WIPER-TURN SWITCH

ITEM	PART NUMBER	QTY	DESCRIPTION	REV
1	1001163695	1	Wiper-Turn Switch	A

Go to Discount-Equipment.com to order your parts

SECTION 7 - CONTROLS

FIGURE 7-14. JOYSTICK

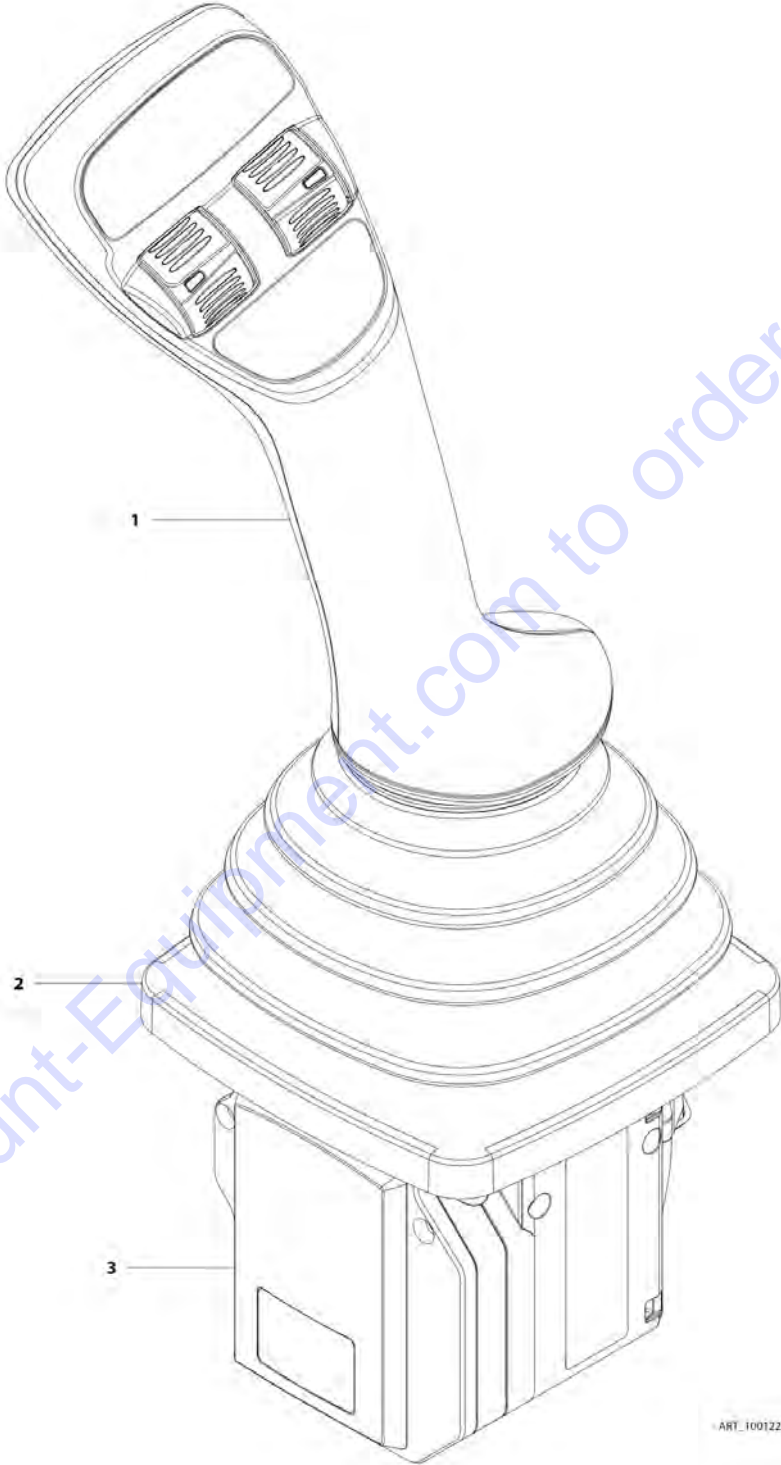


FIGURE 7-14. JOYSTICK

ITEM	PART NUMBER	QTY	DESCRIPTION	REV
	1001222609	Ref	Joystick	A
1	70026257	1	Handle, Joystick	
2	70025844	1	Gaiter	
3	70026258	1	Base, Joystick	

Go to Discount-Equipment.com to order your parts



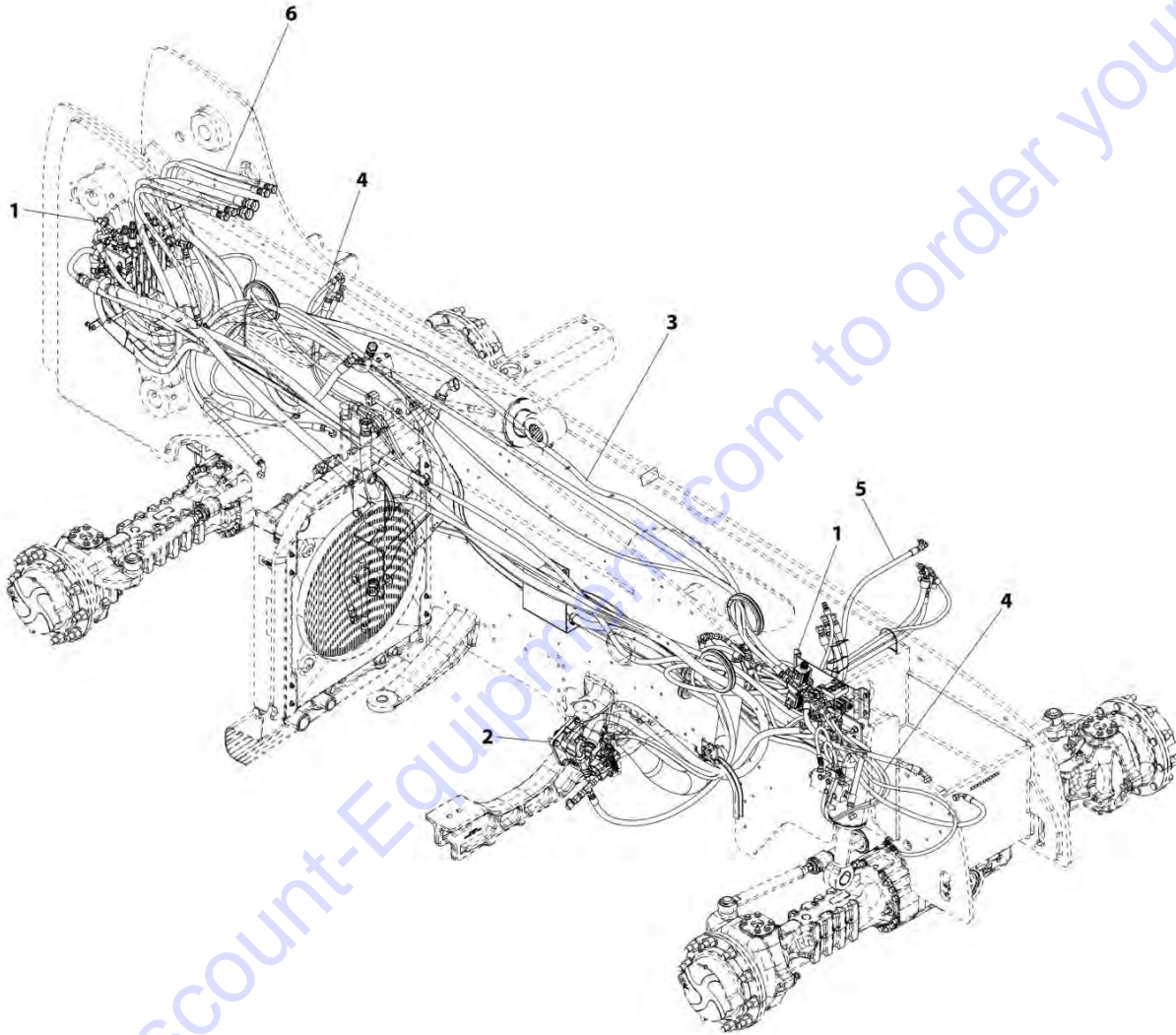
**SECTION 8 - HYDRAULIC CIRCUITS**

Go to [Discount-Equipment.com](http://Discount-Equipment.com) to order your parts



# SECTION 8 - HYDRAULIC CIRCUITS

FIGURE 8-1. MAIN HYDRAULIC INSTALLATION (110HP)



ART\_1001232290-A

## SECTION 8 - HYDRAULIC CIRCUITS

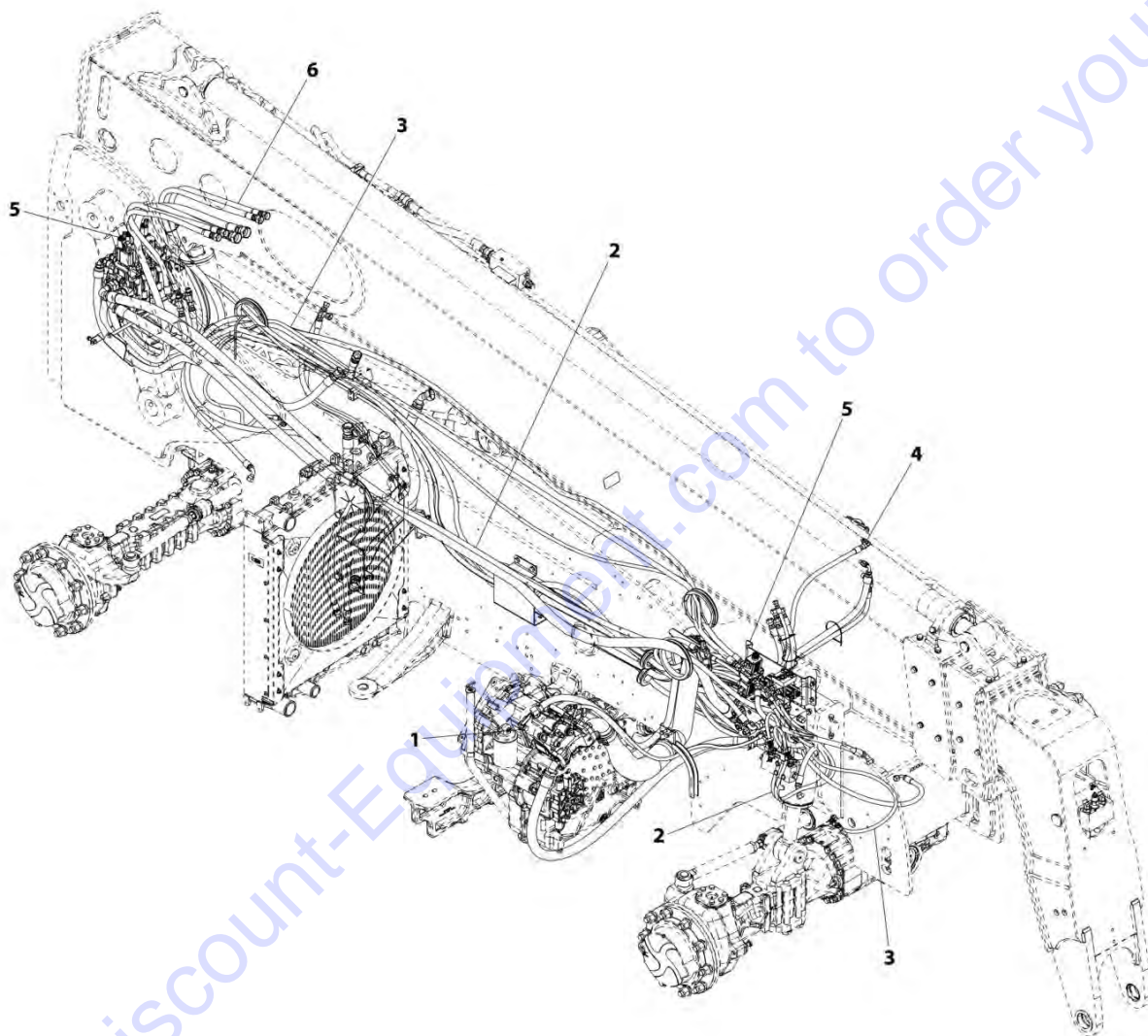
**FIGURE 8-1. MAIN HYDRAULIC INSTALLATION (110HP)**

ITEM	PART NUMBER	QTY	DESCRIPTION	REV
1	1001232290	Ref	Main Hydraulic Installation (No Outriggers) (110HP)	A
	1001169910	Ref	Installation, Valve (No Outriggers) (See Separate Breakdown in this Section)	
2	1001169915	Ref	Installation, Pump (See Separate Breakdown in this Section)	
3	1001171208	Ref	Installation, Hydraulic Lines (110HP) (See Separate Breakdown in this Section)	
4	1001171209	Ref	Installation, Frame Level Hydraulics (No Outriggers) (See Separate Breakdown in this Section)	
5	1001175933	Ref	Installation, Cab Hydraulic (See Separate Breakdown in this Section)	
6	1001189995	Ref	Installation, Boom Hydraulic (See Separate Breakdown in this Section)	

Go to Discount-Equipment.com to order your parts

# SECTION 8 - HYDRAULIC CIRCUITS

## FIGURE 8-2. MAIN HYDRAULIC INSTALLATION (74HP)



ART\_1001225198-A

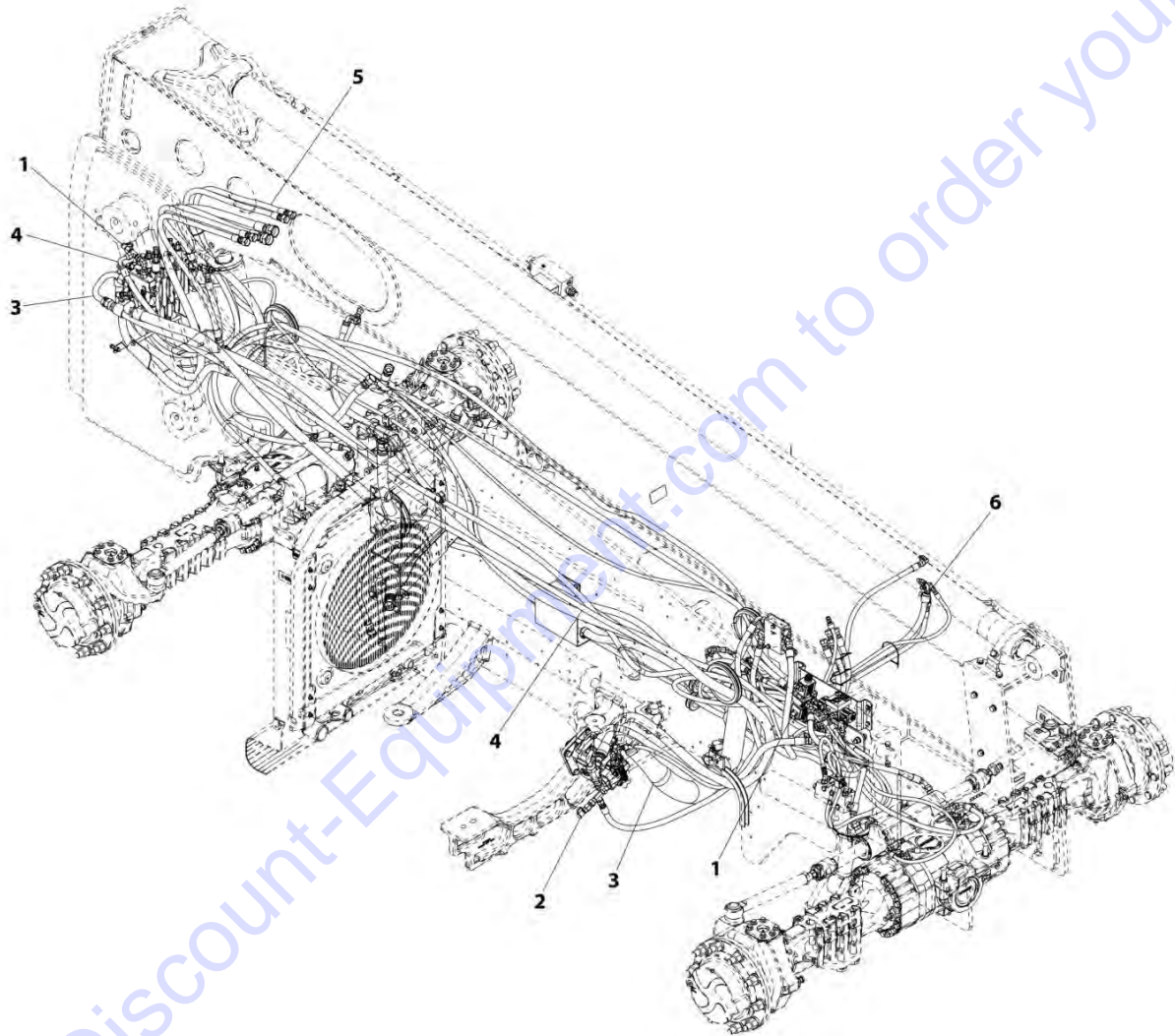
## SECTION 8 - HYDRAULIC CIRCUITS

**FIGURE 8-2. MAIN HYDRAULIC INSTALLATION (74HP)**

ITEM	PART NUMBER	QTY	DESCRIPTION	REV
1	1001225198	Ref	Main Hydraulic Installation (Outriggers 74HP)	A
	1001162670	Ref	Installation, Piston Pump (See Separate Breakdown in this Section)	
2	1001168468	Ref	Installation, Frame Level Hydraulics (See Separate Breakdown in this Section)	
3	1001225200	Ref	Installation, Hydraulic Lines (74HP) (See Separate Breakdown in this Section)	
4	1001225202	Ref	Installation, Cab Hydraulics (See Separate Breakdown in this Section)	
5	1001225748	Ref	Installation, Valve (See Separate Breakdown in this Section)	
6	1001170100	Ref	Installation, Boom Hydraulic (See Separate Breakdown in this Section)	

## SECTION 8 - HYDRAULIC CIRCUITS

FIGURE 8-3. MAIN HYDRAULIC INSTALLATION (EMERGENCY STEERING)



ART\_1001226272-A

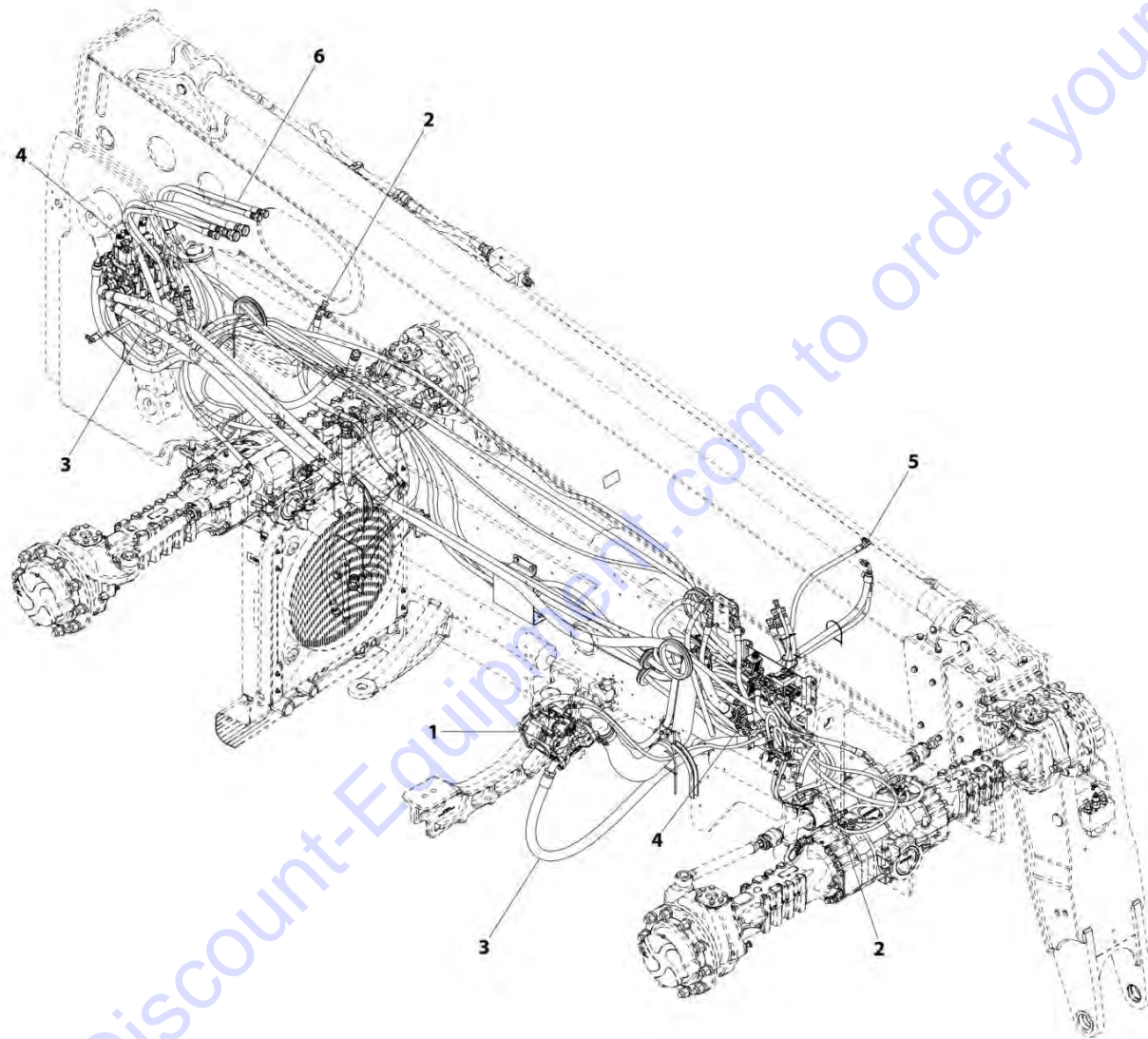
## SECTION 8 - HYDRAULIC CIRCUITS

**FIGURE 8-3. MAIN HYDRAULIC INSTALLATION (EMERGENCY STEERING)**

ITEM	PART NUMBER	QTY	DESCRIPTION	REV
1	1001226272	Ref	Main Hydraulic Installation (Emergency Steering No Outriggers)	A
	1001169910	Ref	Installation, Valve (No Outriggers) (See Separate Breakdown in this Section)	
2	1001169915	Ref	Installation, Pump (See Separate Breakdown in this Section)	
3	1001171208	Ref	Installation, Hydraulic Lines (110HP) (See Separate Breakdown in this Section)	
4	1001171209	Ref	Installation, Frame Level Hydraulics (No Outriggers) (See Separate Breakdown in this Section)	
5	1001189995	Ref	Installation, Boom Hydraulic (See Separate Breakdown in this Section)	
6	1001226271	Ref	Installation, Cab Hydraulic (Emergency Steering) (See Separate Breakdown in this Section)	

## SECTION 8 - HYDRAULIC CIRCUITS

FIGURE 8-4. MAIN HYDRAULIC INSTALLATION - 74HP (EMERGENCY STEERING NO



ART\_1001226919-B

## SECTION 8 - HYDRAULIC CIRCUITS

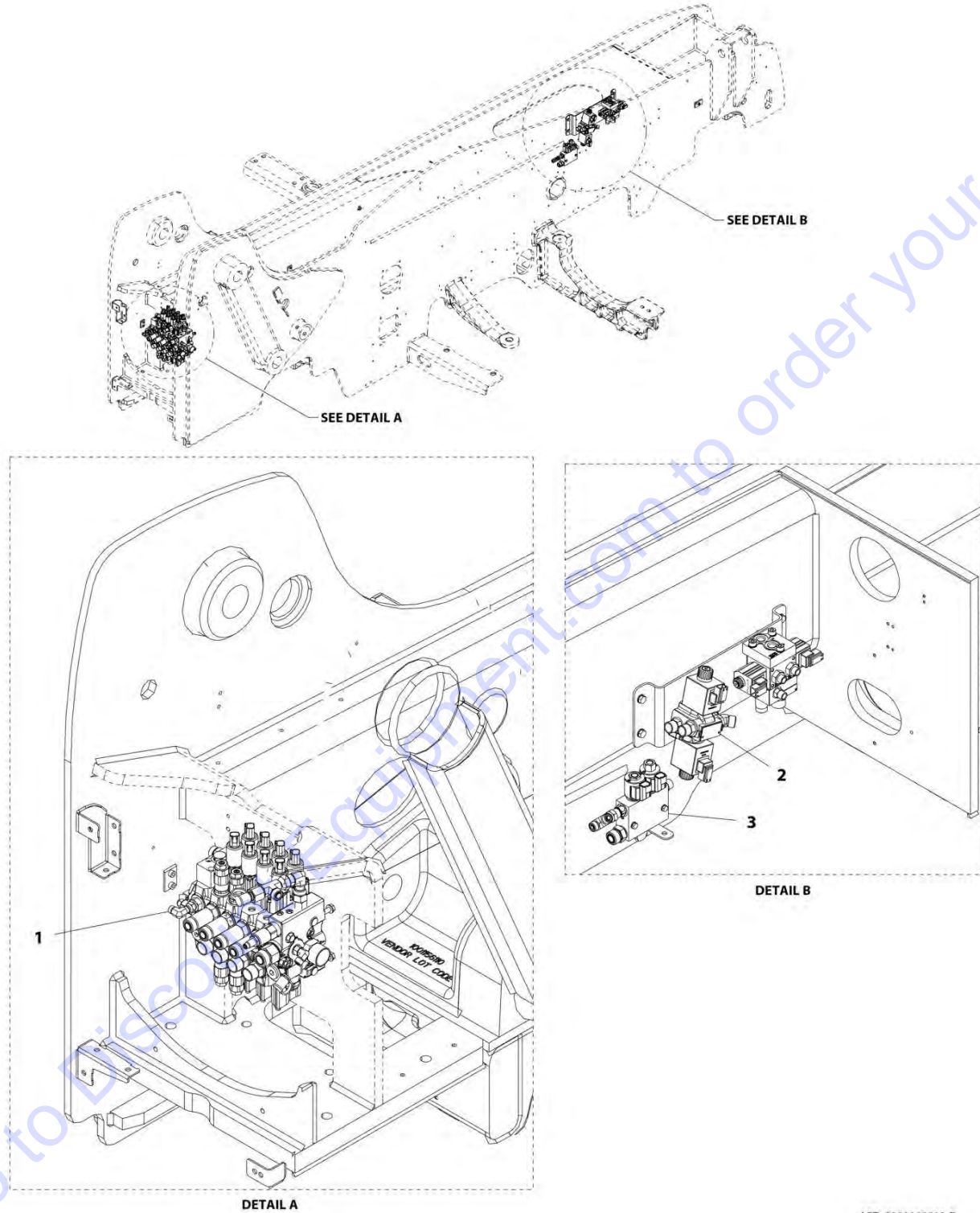
**FIGURE 8-4. MAIN HYDRAULIC INSTALLATION - 74HP (EMERGENCY STEERING NO**

ITEM	PART NUMBER	QTY	DESCRIPTION	REV
	1001226919	Ref	Main Hydraulic Installation - 74HP (Emergency Steering No Outriggers)	B
1	1001162670	Ref	Installation, Piston Pump (See Separate Breakdown in this Section)	
2	1001168468	Ref	Installation, Frame Level Hydraulics (See Separate Breakdown in this Section)	
3	1001225200	Ref	Installation, Hydraulic Lines (74HP) (See Separate Breakdown in this Section)	
4	1001225748	Ref	Installation, Valve (See Separate Breakdown in this Section)	
5	1001226920	Ref	Installation, Hoses Cab Hydraulics (See Separate Breakdown in this Section)	
6	1001170100	Ref	Installation, Boom Hydraulic (See Separate Breakdown in this Section)	



# SECTION 8 - HYDRAULIC CIRCUITS

## FIGURE 8-5. VALVE INSTALLATION (NO OUTRIGGERS)



ART\_1001169910-E

## SECTION 8 - HYDRAULIC CIRCUITS

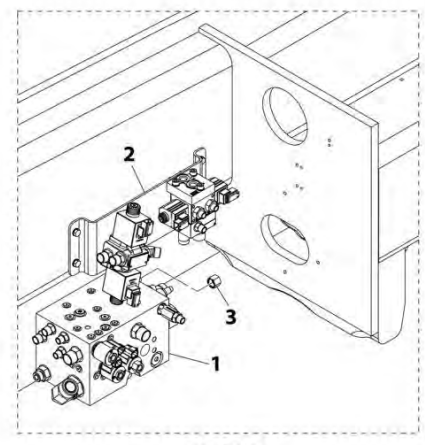
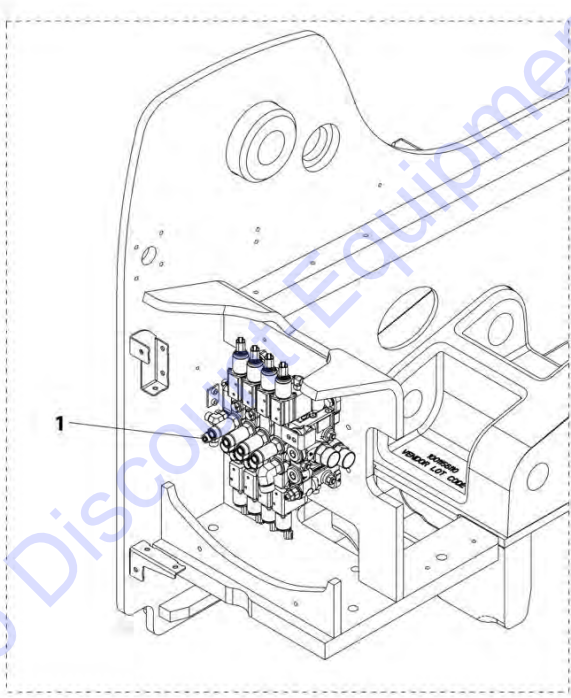
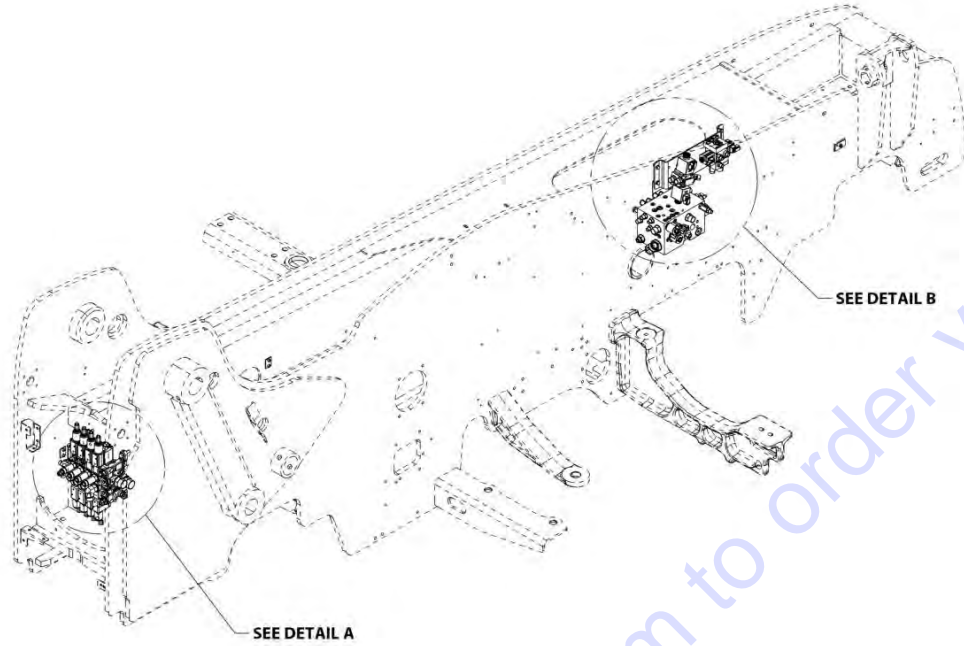
**FIGURE 8-5. VALVE INSTALLATION (NO OUTRIGGERS)**

ITEM	PART NUMBER	QTY	DESCRIPTION	REV
1	1001169910	Ref	Valve Installation (No Outriggers)	E
	1001169346	Ref	Installation, Main Control Valve (See Separate Breakdown in this Section)	
2	1001168465	Ref	Installation, Steering Select and Frame Level Valve (See Separate Breakdown in this Section)	
3	1001172370	Ref	Installation, Park Brake (See Separate Breakdown in this Section)	

Go to Discount-Equipment.com to order your parts

# SECTION 8 - HYDRAULIC CIRCUITS

## FIGURE 8-6. VALVE INSTALLATION



ART\_1001225748-A

## SECTION 8 - HYDRAULIC CIRCUITS

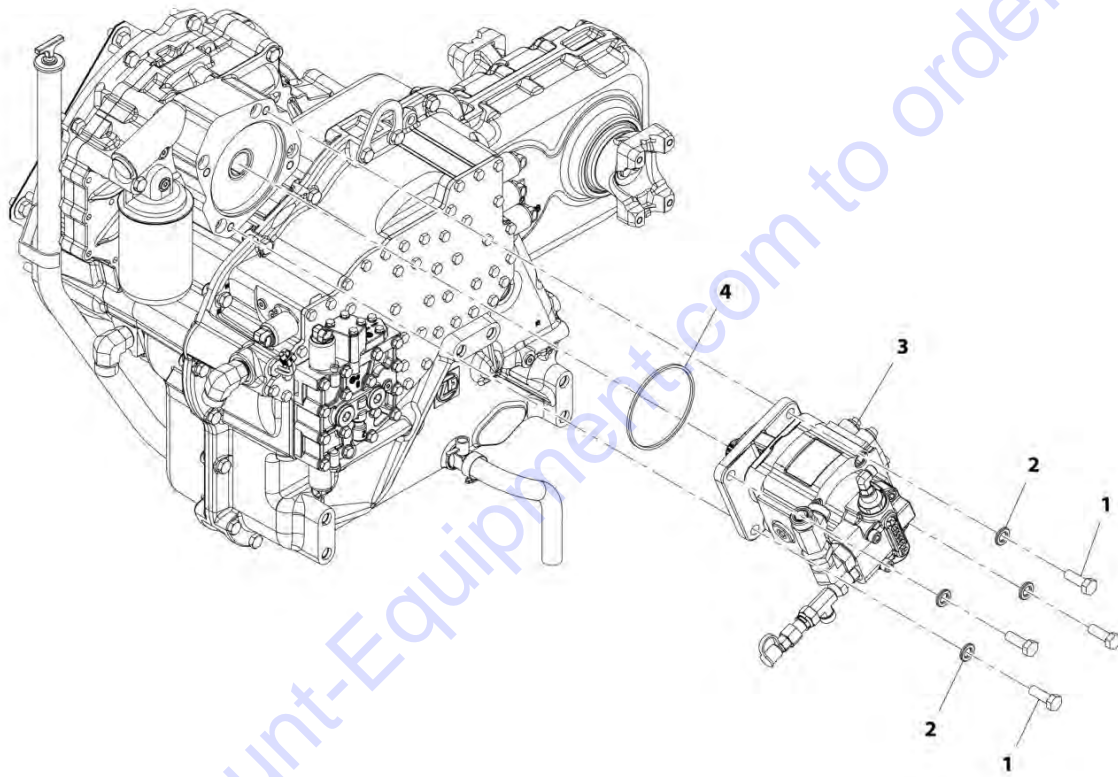
### FIGURE 8-6. VALVE INSTALLATION

ITEM	PART NUMBER	QTY	DESCRIPTION	REV
1	1001225748	Ref	Valve Installation	A
	1001225750	Ref	Installation, Main Control Valve (See Separate Breakdown in this Section)	
2	1001168465	Ref	Installation, Steering Select and Frame Level Valve (See Separate Breakdown in this Section)	
3	2170906	1	Fitting, ORFS	

Go to Discount-Equipment.com to order your parts

# SECTION 8 - HYDRAULIC CIRCUITS

## FIGURE 8-7. PISTON PUMP INSTALLATION



ART\_1001169915-C

## SECTION 8 - HYDRAULIC CIRCUITS

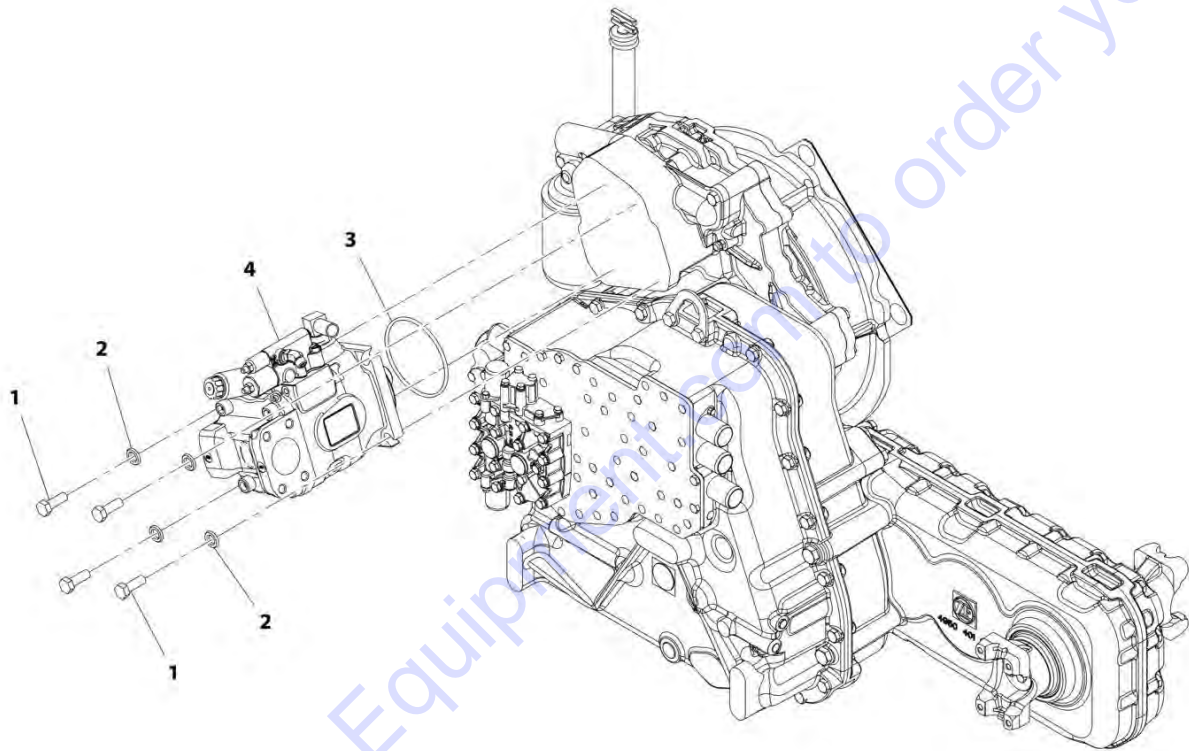
### FIGURE 8-7. PISTON PUMP INSTALLATION

ITEM	PART NUMBER	QTY	DESCRIPTION	REV
	1001169915	Ref	Piston Pump Installation	C
1	0761215	4	Bolt, M12X35	
2	4740532	4	Washer	
3	1001171097	1	Assembly, Piston Pump (See Separate Breakdown in this Section)	
4	80933113	1	O-Ring	

Go to Discount-Equipment.com to order your parts

# SECTION 8 - HYDRAULIC CIRCUITS

## FIGURE 8-8. PISTON PUMP INSTALLATION



ART\_1001162670-C

## SECTION 8 - HYDRAULIC CIRCUITS

FIGURE 8-8. PISTON PUMP INSTALLATION

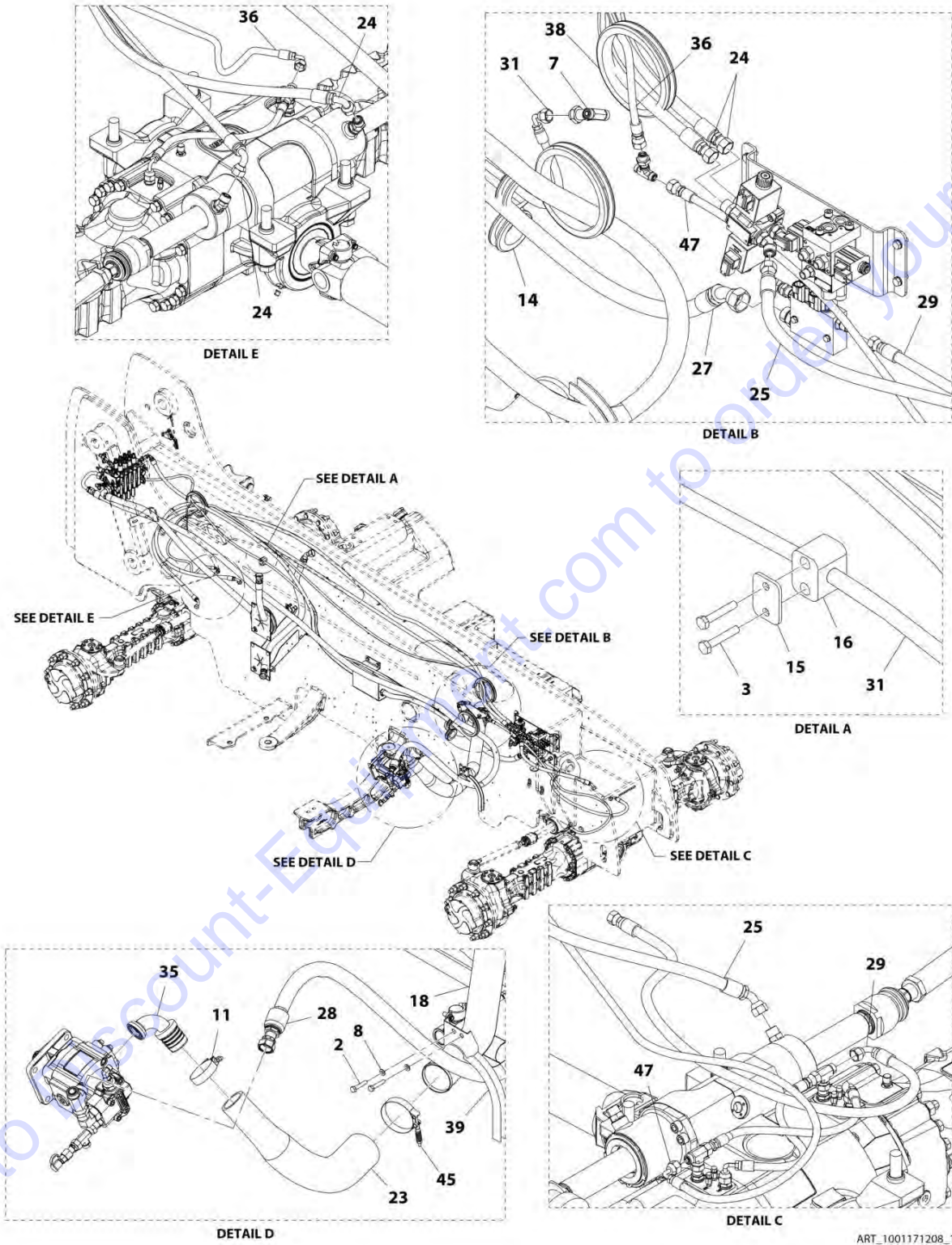
ITEM	PART NUMBER	QTY	DESCRIPTION	REV
	1001162670	Ref	Piston Pump Installation	C
1	0761215	4	Bolt, M12X35	
2	4740532	4	Washer	
3	80933113	1	O-Ring	
4	1001162674	1	Assembly, Piston Pump (See Separate Breakdown in this Section)	

Go to Discount-Equipment.com to order your parts



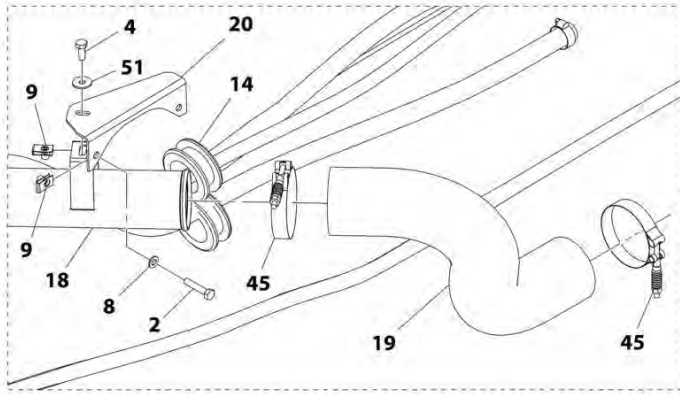
# SECTION 8 - HYDRAULIC CIRCUITS

## FIGURE 8-9. MAIN HYDRAULICS INSTALLATION

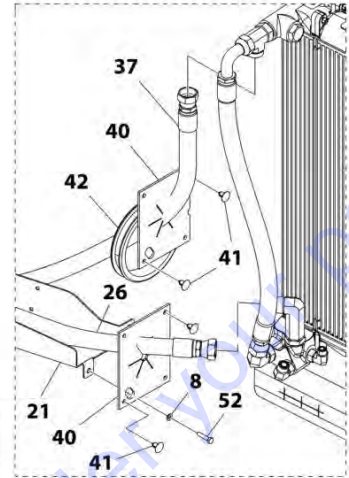


ART\_1001171208\_1-N

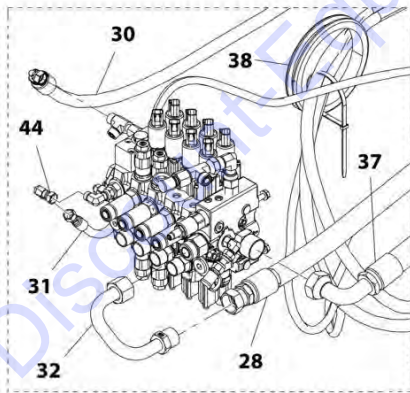
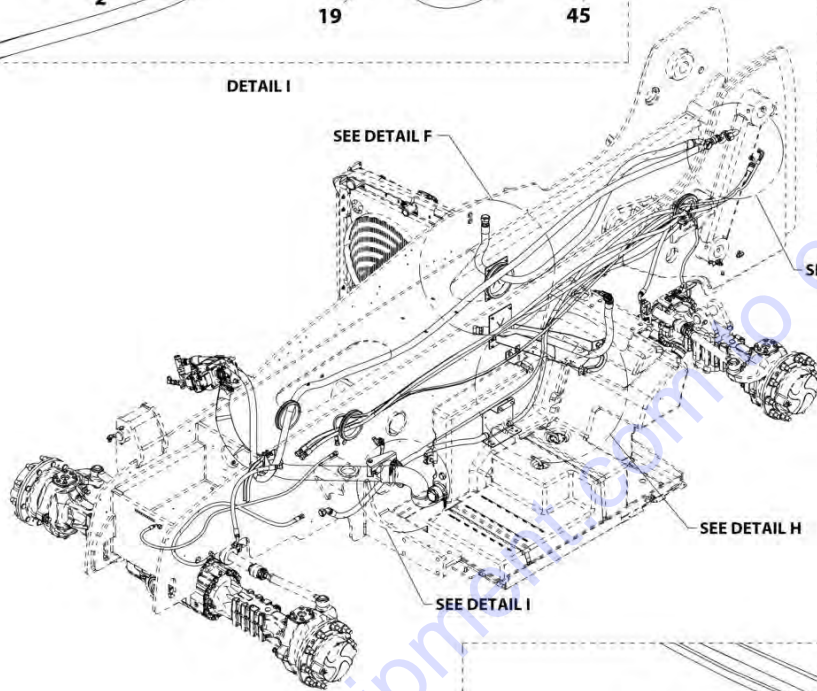
# SECTION 8 - HYDRAULIC CIRCUITS



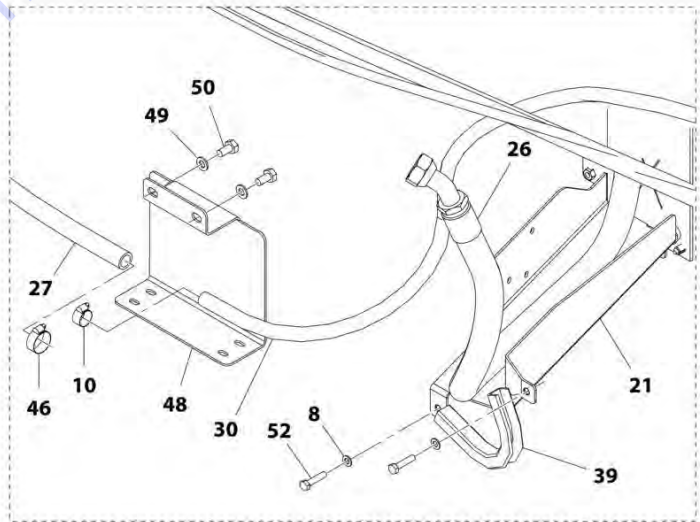
DETAIL I



DETAIL F



DETAIL G



DETAIL H

ART\_1001171208\_2-N

## SECTION 8 - HYDRAULIC CIRCUITS

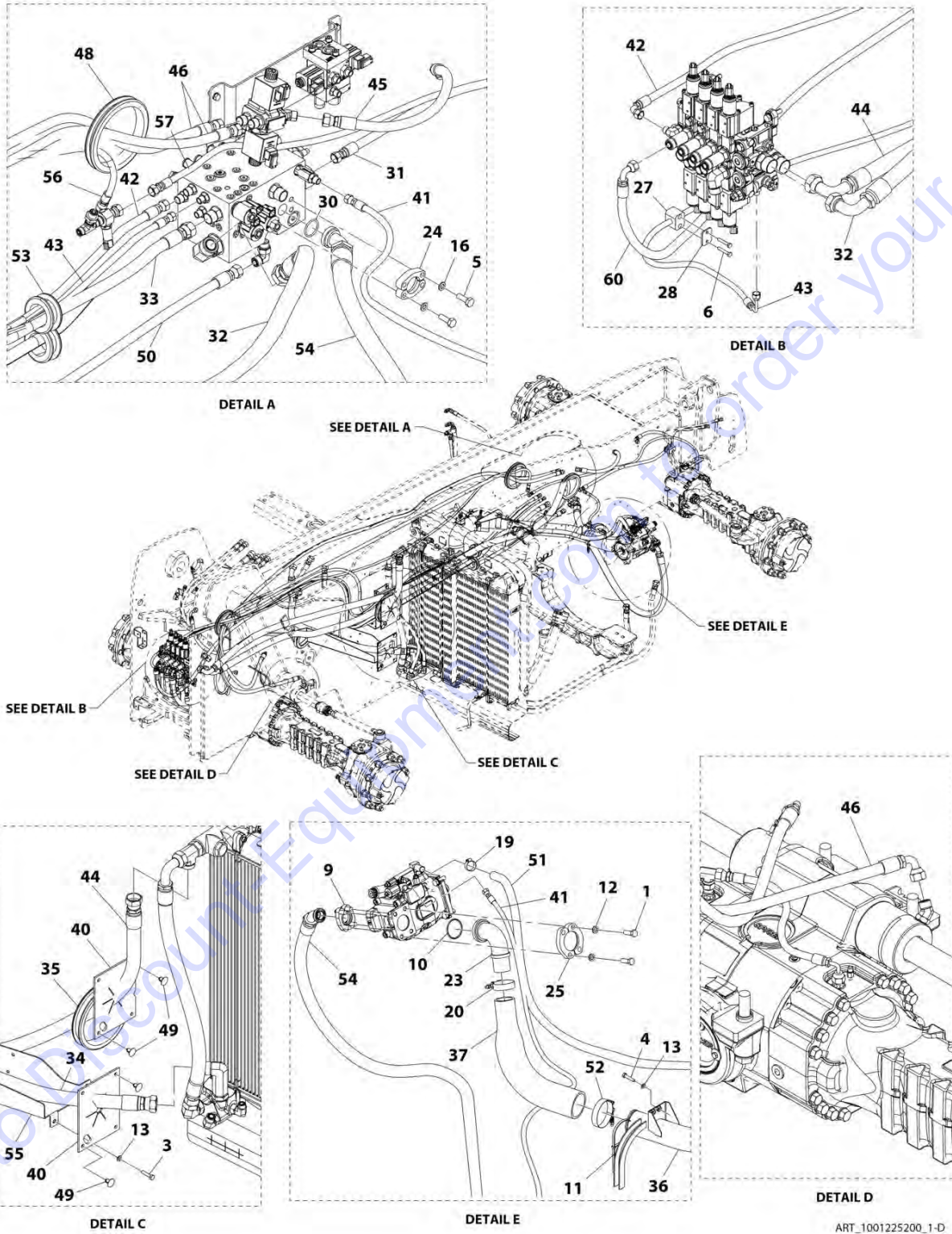
FIGURE 8-9. MAIN HYDRAULICS INSTALLATION

ITEM	PART NUMBER	QTY	DESCRIPTION	REV
	1001171208	Ref	Hydraulic Lines Installation (110HP)	N
2	0700816	4	Bolt, M8X40	
3	0760615	2	Bolt, M6X35	
4	0760810	1	Bolt, M8X20	
7	2221225	1	Fitting, Tee	
8	4811900	8	Washer	
9	8310686	3	Nut, M8X12.5	
10	8405006	1	Clamp, Gear	
11	8405209	1	Clamp, T-Bolt	
14	1001188971	2	Grommet	
15	8769146	1	Cover, Plate	
16	8750030	1	Clamp, Set	
18	1001173446	1	Pipe	
19	1001173451	1	Hose	
20	1001174338	1	Bracket	
21	1001199750	1	Channel	
23	1001175057	1	Hose	
24	1001177273	2	Hose	
25	1001177248	1	Hose	
26	1001161978	1	Hose	
27	1001187872	1	Hose	
28	1001175997	1	Hose	
29	1001176043	1	Hose	
30	1001231874	1	Hose	
31	1001176124	1	Hose	
32	1001176139	1	Pipe	
35	1001176548	1	Fitting, 90	
36	1001202847	1	Hose	
37	1001175699	1	Hose	
38	1001177704	3	Grommet	
39	4060918	467 mm	Trim	
40	1001175347	2	Grommet	
41	1001180306	8	Screw	
42	1001169830	1	Grommet	
44	2172104	1	Fitting, 90 ORFS	
45	1001186843	3	Clamp, T-Bolt	
46	8405007	1	Clamp, Gear	
47	1001203502	1	Hose	
48	1001208881	1	Bracket	
49	4812000	2	Washer, M10	
50	0761010	2	Bolt, M10X20	
51	4811902	1	Washer, M8	
52	0700815	4	Bolt, M8X35	



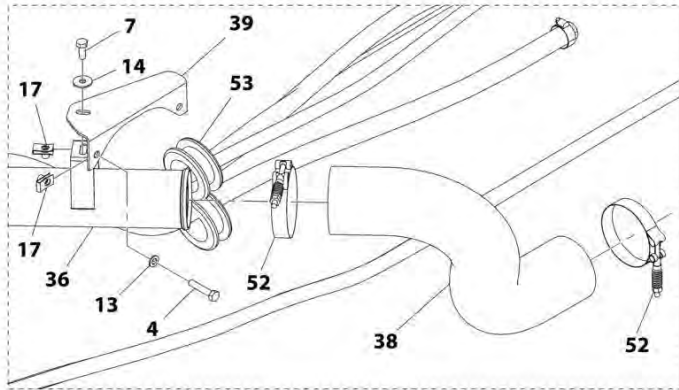
# SECTION 8 - HYDRAULIC CIRCUITS

## FIGURE 8-10. MAIN HYDRAULICS INSTALLATION

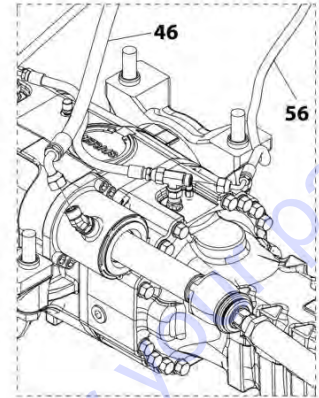


ART\_1001225200\_1-D

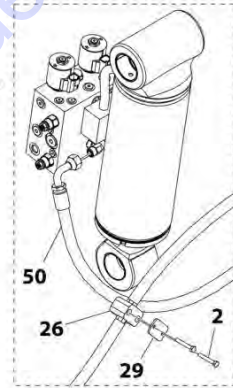
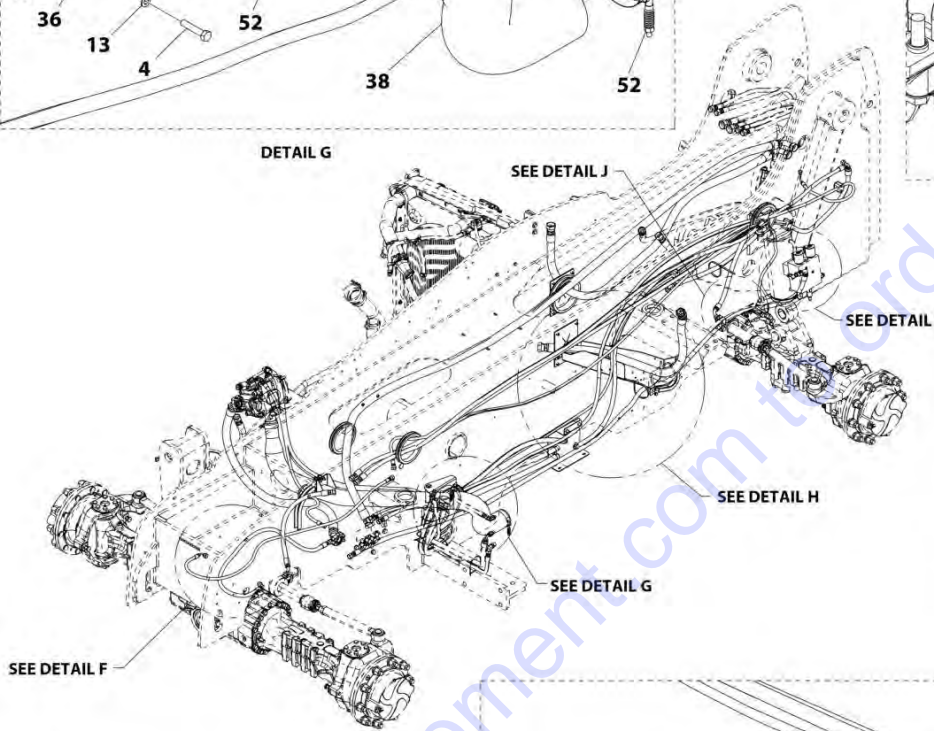
# SECTION 8 - HYDRAULIC CIRCUITS



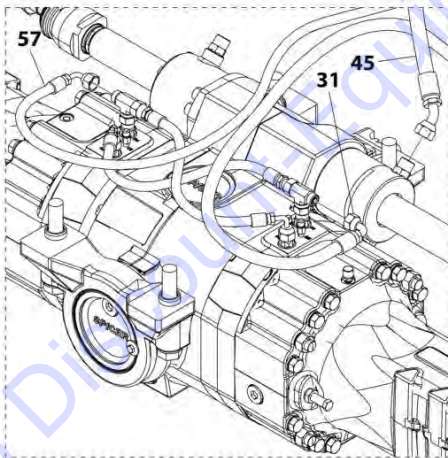
DETAIL G



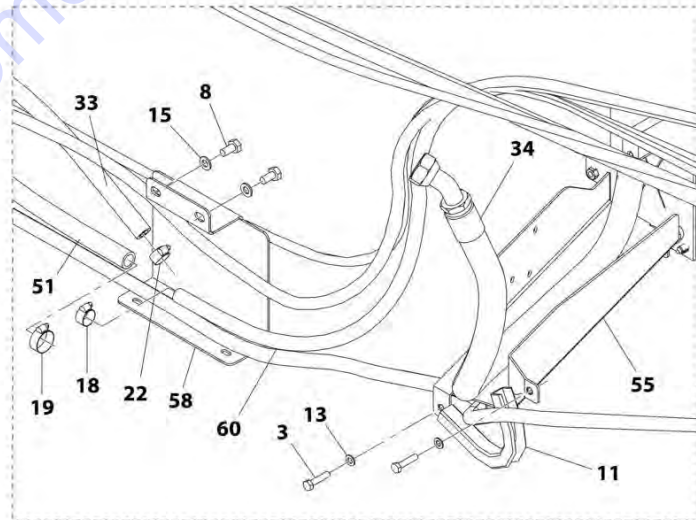
DETAIL J



DETAIL I



DETAIL F



DETAIL H

ART\_1001225200\_2-D

## SECTION 8 - HYDRAULIC CIRCUITS

FIGURE 8-10. MAIN HYDRAULICS INSTALLATION

ITEM	PART NUMBER	QTY	DESCRIPTION	REV
	1001225200	Ref	Hydraulic Lines Installation (74HP)	D
1	0641812	4	Bolt, 1/2-13X1	
2	0700616	2	Bolt, M6X40	
3	0700815	4	Bolt, M8X35	
4	0700816	4	Bolt, M8X40	
5	0701014	4	Bolt, M10X30	
6	0760615	4	Bolt, M6X35	
7	0760810	1	Bolt, M8X20	
8	0761010	2	Bolt, M10X20	
9	2220478	1	Kit, Flange	
10	3790228	1	O-Ring	
11	4060919	467 mm	Trim	
12	4761800	4	Washer, Lock 1/2	
13	4811900	8	Washer, M8	
14	4811902	1	Washer, M8	
15	4812000	2	Washer, M10	
16	4832000	4	Washer, Lock M10	
17	8310686	3	Nut, Retainer M8X12.5	
18	8405006	1	Clamp, Gear	
19	8405007	2	Clamp, Gear	
20	8405209	1	Clamp, T-Bolt	
22	8410009	1	Clamp, Gear	
23	8424233	1	Elbow, 90	
24	8530030	2	Flange	
25	8546407	2	Flange, Half	
26	8750029	1	Clamp, Hose	
27	8750030	2	Clamp, Hose	
28	8769146	2	Plate, Cover	
29	8769153	1	Plate, Cover	
30	91083106	1	O-Ring	
31	1001161535	1	Hose	
32	1001161972	1	Hose	
33	1001161976	1	Hose	
34	1001161978	1	Hose	
35	1001169830	1	Grommet	
36	1001173446	1	Pipe	
37	1001173450	1	Hose	
38	1001173451	1	Hose	
39	1001174338	1	Bracket	
40	1001175347	2	Grommet	
41	1001175694	1	Hose	
42	1001175696	1	Hose	
43	1001175697	1	Hose	
44	1001175699	1	Hose	
45	1001177248	1	Hose	
46	1001177273	2	Hose	
48	1001177704	3	Grommet	
49	1001180306	8	Screw	
50	1001182506	1	Hose	
51	1001186418	1	Hose	

## SECTION 8 - HYDRAULIC CIRCUITS

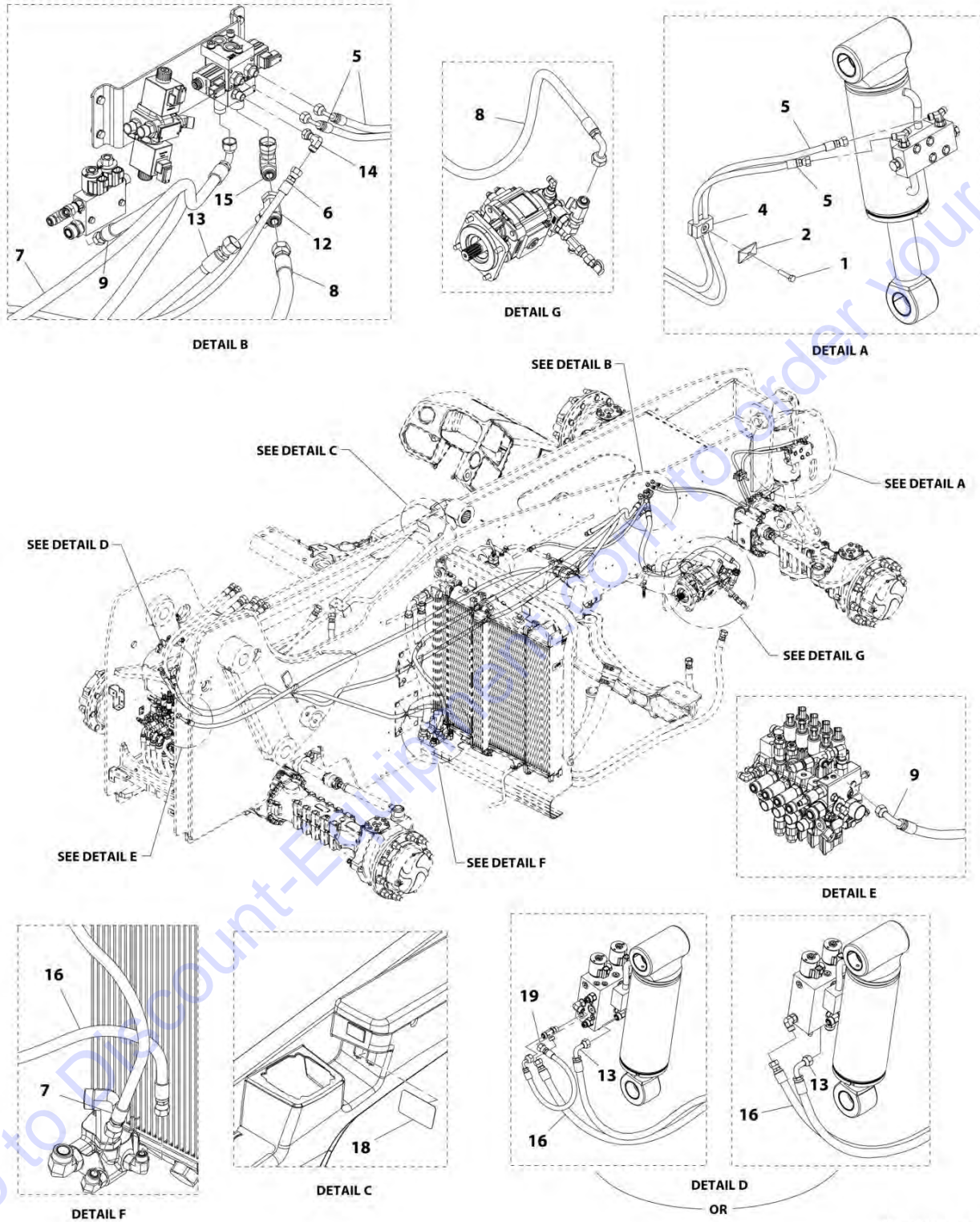
ITEM	PART NUMBER	QTY	DESCRIPTION	REV
52	1001186843	3	Clamp, T-Bolt	
53	1001188971	2	Grommet	
54	1001192098	1	Hose	
55	1001199750	1	Channel	
56	1001202847	1	Hose	
57	1001203502	1	Hose	
58	1001208881	1	Bracket	
60	1001225467	1	Hose	

Go to Discount-Equipment.com to order your parts



# SECTION 8 - HYDRAULIC CIRCUITS

FIGURE 8-11. FRAME LEVEL HYDRAULICS INSTALLATION (NO OUTRIGGERS)



ART\_1001171209-J

## SECTION 8 - HYDRAULIC CIRCUITS

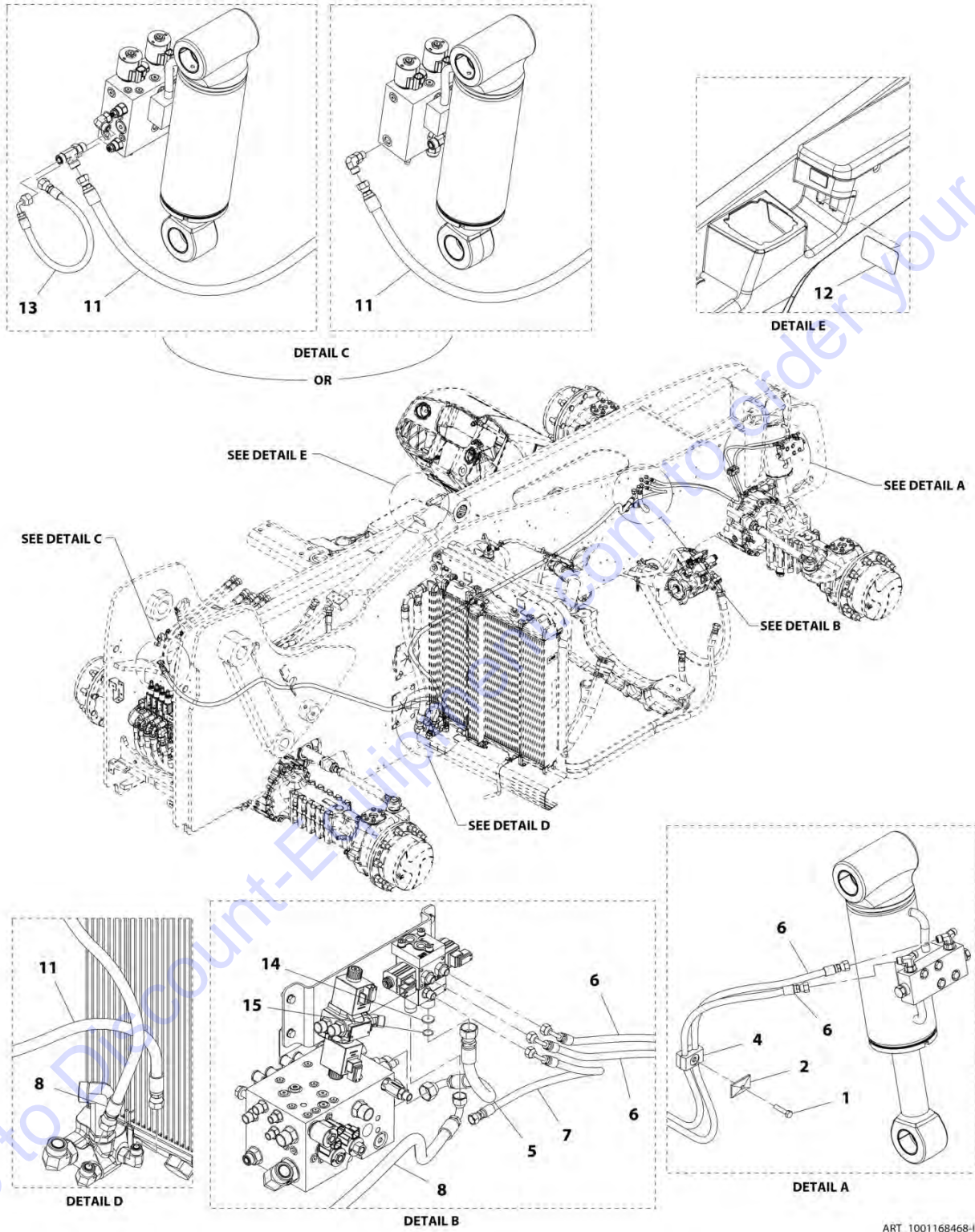
**FIGURE 8-11. FRAME LEVEL HYDRAULICS INSTALLATION (NO OUTRIGGERS)**

ITEM	PART NUMBER	QTY	DESCRIPTION	REV
	1001171209	Ref	Frame Level Hydraulics Installation (No Outriggers)	J
1	0760815	1	Bolt, M8X35	
2	1321752	1	Clamp	
4	77133168	1	Clamp	
5	1001162069	2	Hose	
6	1001176145	1	Hose	
7	1001175704	1	Hose	
8	1001176150	1	Hose	
9	1001188281	1	Hose	
12	2170710	1	Fitting, Tee ORFS	
13	1001185357	1	Hose	
14	2172104	1	Fitting, 90 ORFS	
15	2172110	1	Fitting, 90 ORFS	
16	1001192042	1	Hose	
18	1670836	1	Cover, Boom	
19	1001097810	AR	Hose	

Go to Discount-Equipment.com to order your parts

# SECTION 8 - HYDRAULIC CIRCUITS

## FIGURE 8-12. FRAME LEVEL HYDRAULICS INSTALL (NO OUTRIGGERS)



## SECTION 8 - HYDRAULIC CIRCUITS

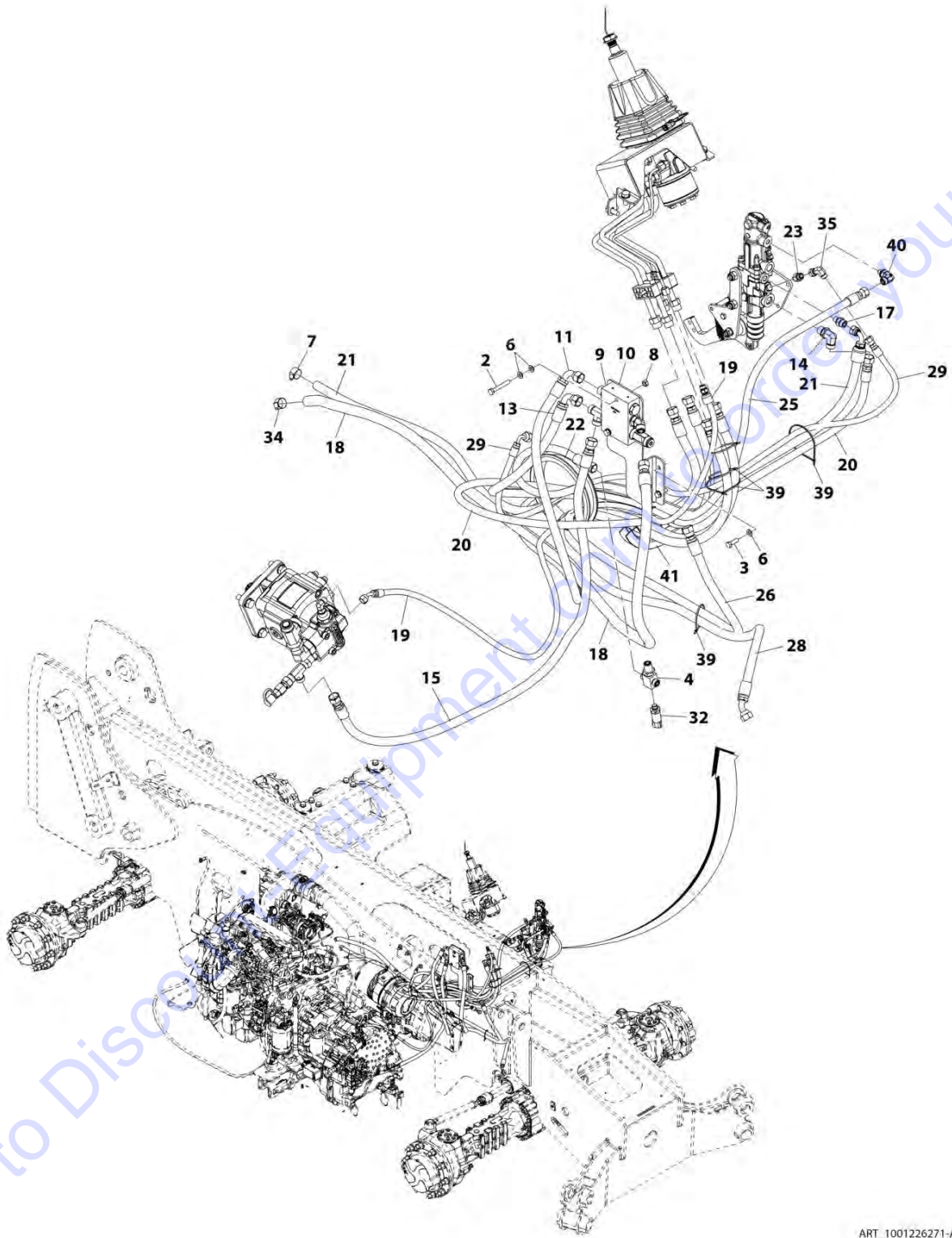
**FIGURE 8-12. FRAME LEVEL HYDRAULICS INSTALL (NO OUTRIGGERS)**

ITEM	PART NUMBER	QTY	DESCRIPTION	REV
	1001168468	Ref	Frame Level Hydraulics Installation (No Outriggers)	I
1	0760815	1	Bolt, M8X35	
2	1321752	1	Clamp	
4	77133168	1	Clamp	
5	1001204090	1	Hose	
6	1001162069	2	Hose	
7	1001175703	1	Hose	
8	1001175704	1	Hose	
11	1001192042	1	Hose	
12	1670836	1	Cover, Boom	
13	1001097810	AR	Hose	
14	1001207296	1	Disc, Orifice	
15	8630005	1	O-Ring	

Go to Discount-Equipment.com to order your parts

# SECTION 8 - HYDRAULIC CIRCUITS

## FIGURE 8-13. CAB HYDRAULIC INSTALLATION



ART\_1001226271-A

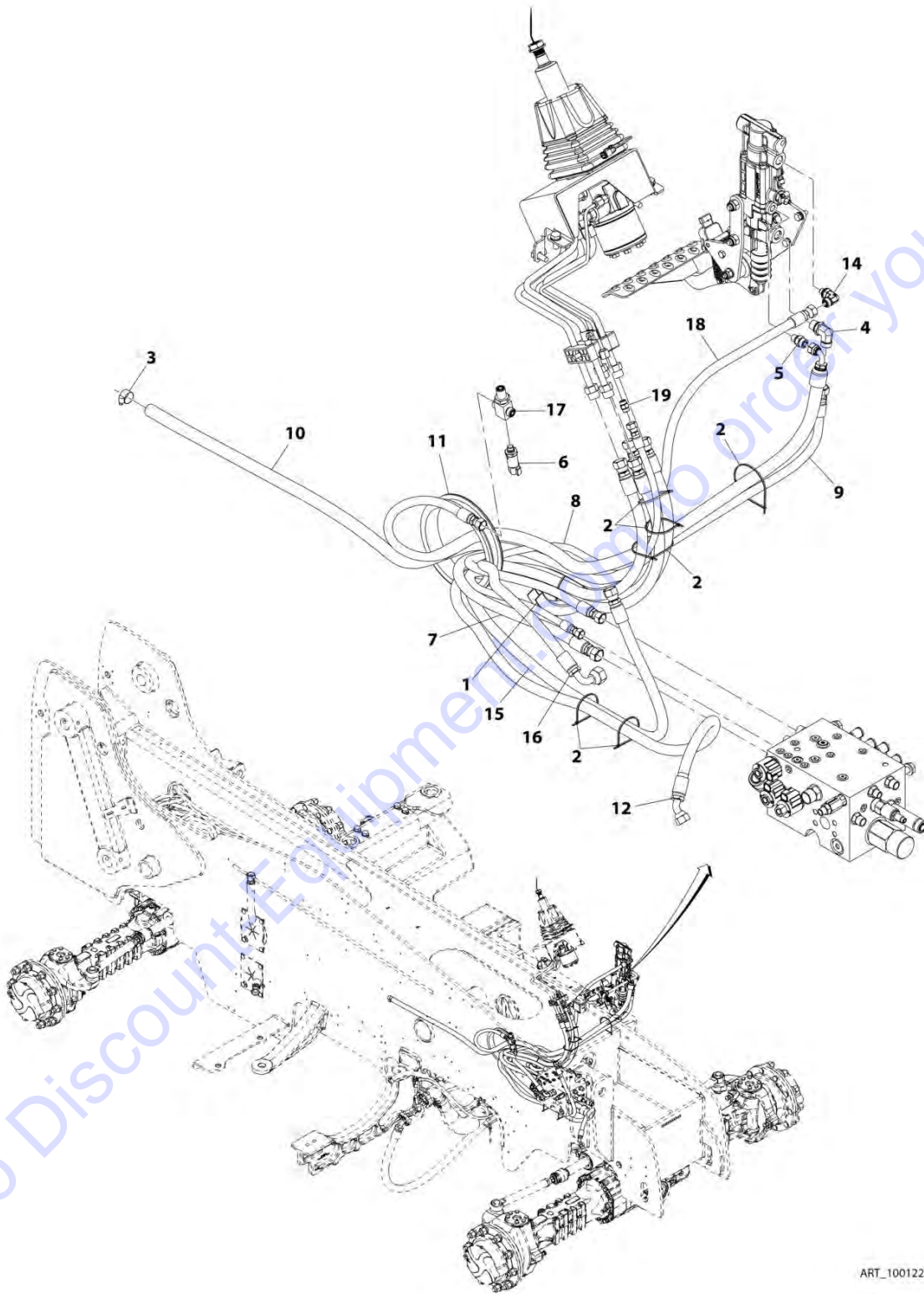
## SECTION 8 - HYDRAULIC CIRCUITS

### FIGURE 8-13. CAB HYDRAULIC INSTALLATION

ITEM	PART NUMBER	QTY	DESCRIPTION	REV
	1001226271	Ref	Cab Hydraulic Installation (Emergency Steering)	A
2	0700819	2	Bolt, M8X55	
3	0760812	2	Bolt, M8X25	
4	1001205756	1	Adapter	
6	4811900	6	Washer, M8	
7	8405006	1	Clamp, Gear	
8	3290801	2	Nut, M8X1.25	
9	1001219191	1	Install, Emergency Steering Manifold (See Separate Breakdown in this Section)	
10	1001221520	1	Bracket	
11	1001221527	1	Hose	
13	1001222090	1	Hose	
14	8770120	1	Fitting, 90 ORFS	
15	1001222132	1	Hose	
17	80233218	1	Fitting, Straight ORFS	
18	1001222158	1	Hose	
19	1001209710	1	Hose	
20	1001186912	1	Hose	
21	1001161528	1	Hose	
22	1001169830	1	Grommet	
23	1001184418	1	Valve, Check	
25	1001222088	1	Hose	
26	1001204152	1	Hose	
28	1001177256	1	Hose	
29	1001175934	1	Hose	
32	1001147340	1	Sensor, Pressure Transducer	
34	8410009	1	Gear Clamp	
35	2172104	1	Fitting, 90 ORFS	
39	4240099	AR	Tie, Wire	
40	1001202962	1	Fitting, 90 ORFS	
41	4060919	230 mm	Trim, Hose Protection	

# SECTION 8 - HYDRAULIC CIRCUITS

## FIGURE 8-14. CAB HYDRAULICS INSTALLATION



ART\_1001225202-C

## SECTION 8 - HYDRAULIC CIRCUITS

**FIGURE 8-14. CAB HYDRAULICS INSTALLATION**

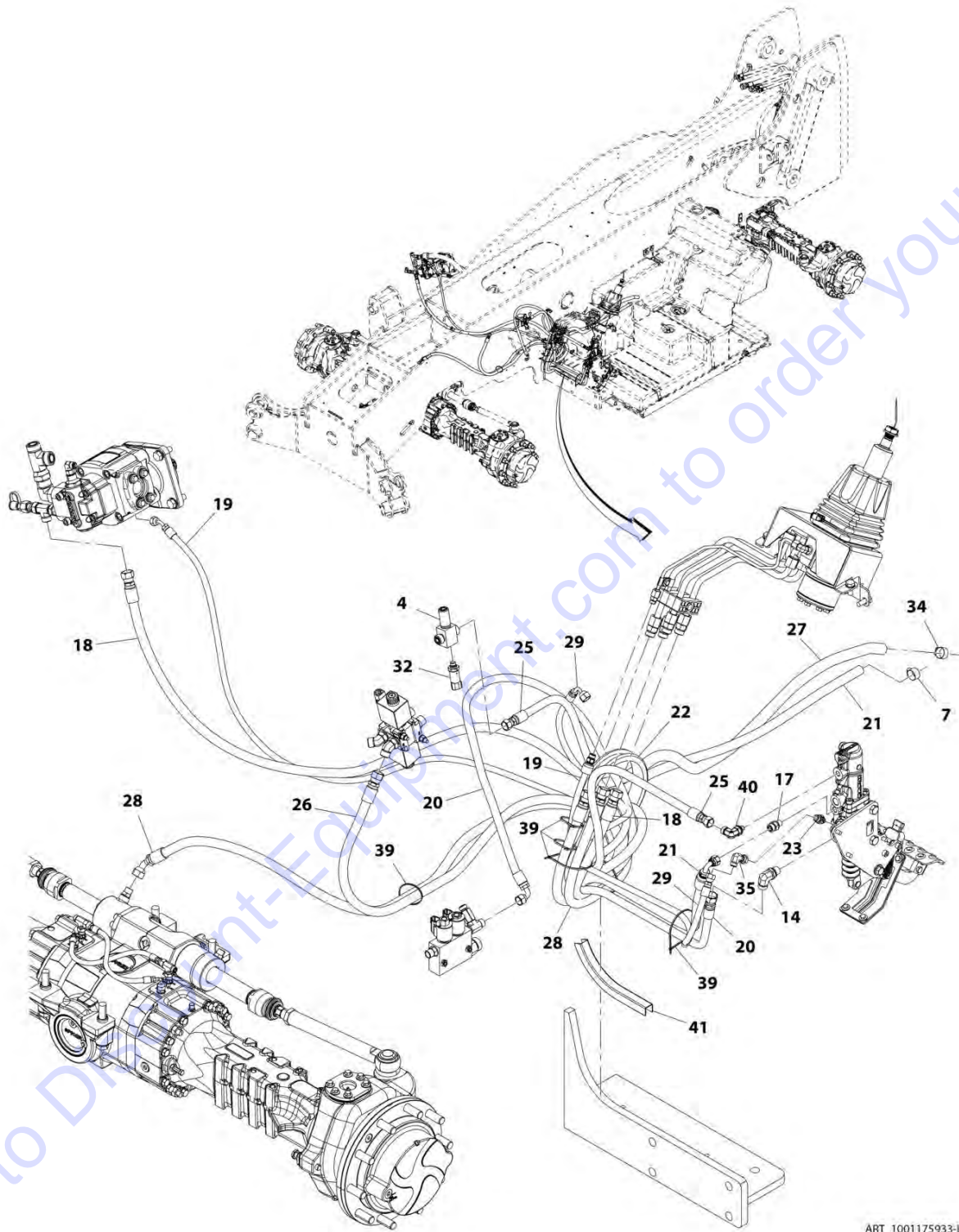
ITEM	PART NUMBER	QTY	DESCRIPTION	REV
	1001225202	Ref	Cab Hydraulic Installation	C
1	4060919	230 mm	Trim, Hose Protection	
2	4240099	AR	Strap, Tie	
3	8405006	1	Clamp, Gear	
4	8770120	1	Fitting, 90 ORFS	
5	80233218	1	Fitting, Straight ORFS	
6	1001147340	1	Sensor, Pressure Transducer	
7	1001161344	1	Hose	
8	1001161346	1	Hose	
9	1001161527	1	Hose	
10	1001161528	1	Hose	
11	1001169830	1	Grommet	
12	1001177256	1	Hose	
14	1001202962	1	Fitting, 90 ORFS	
15	1001204152	1	Hose	
16	1001204154	1	Hose	
17	1001205756	1	Fitting, Tee	
18	1001222088	1	Hose	
19	1001143857	1	Fitting, Straight ORFS	

Go to Discount-Equipment.com to order your parts



# SECTION 8 - HYDRAULIC CIRCUITS

## FIGURE 8-15. CAB HYDRAULIC INSTALLATION



ART\_1001175933-L

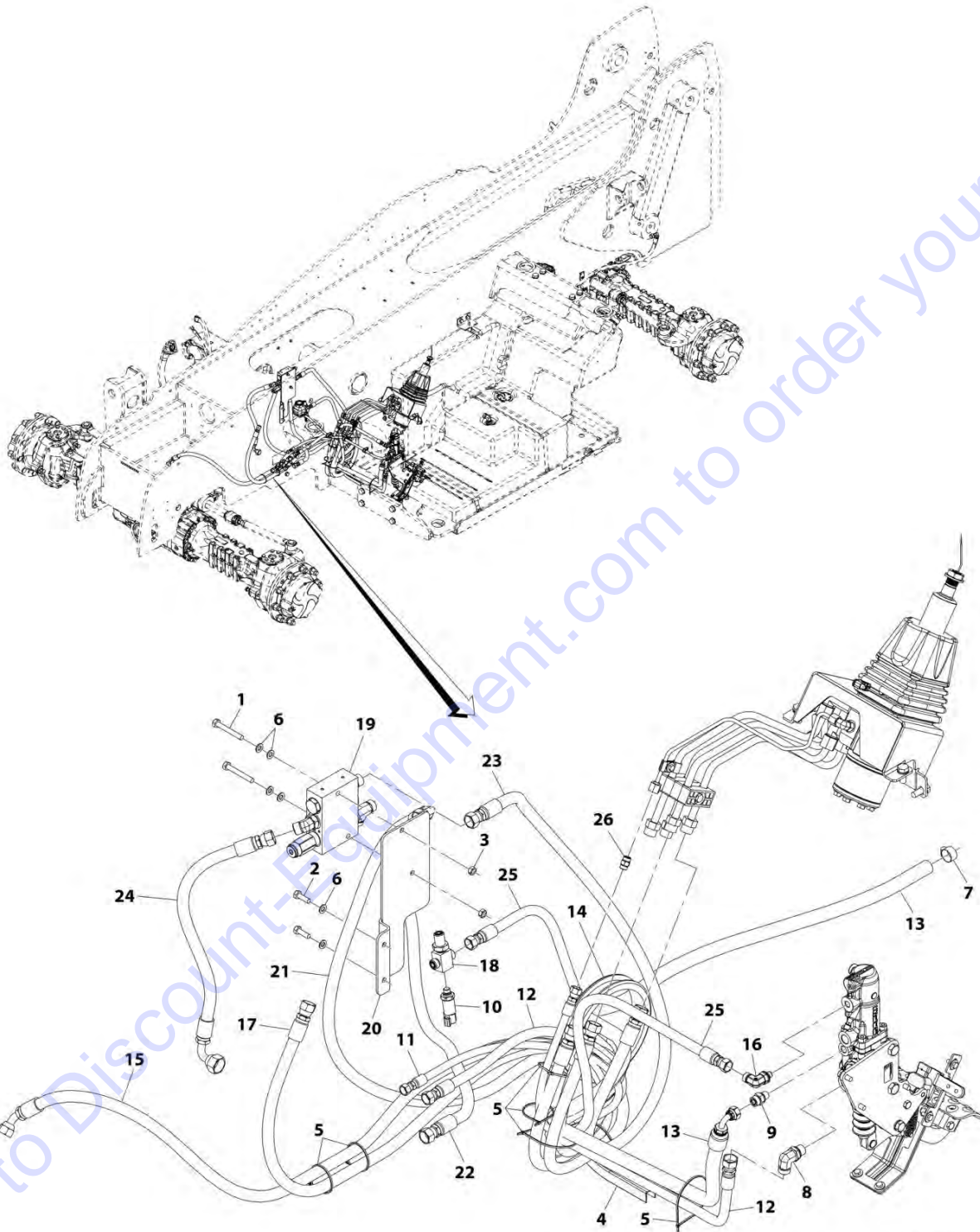
## SECTION 8 - HYDRAULIC CIRCUITS

**FIGURE 8-15. CAB HYDRAULIC INSTALLATION**

ITEM	PART NUMBER	QTY	DESCRIPTION	REV
	1001175933	Ref	Cab Hydraulic Installation	L
4	1001205756	1	Fitting, Tee	
7	8405006	1	Clamp, Gear	
14	8770120	1	Fitting, 90 ORFS	
17	80233218	1	Fitting, Straight ORFS	
18	1001188438	1	Hose	
19	1001188439	NLA	Hose, (no longer available, use 1001209710 for replacement)	
19	1001209710	1	Hose	
20	1001186912	1	Hose	
21	1001161528	1	Hose	
22	1001169830	1	Grommet	
23	1001184418	1	Valve, Check	
25	1001222088	1	Hose	
26	1001204152	1	Hose	
27	1001187850	1	Hose	
28	1001177256	1	Hose	
29	1001175934	1	Hose	
32	1001147340	1	Sensor, Pressure Transducer	
34	8410009	1	Clamp, Gear	
35	2172104	1	Fitting, 90 ORFS	
39	4240099	AR	Strap, Tie	
40	1001202962	1	Fitting, 90 ORFS	
41	4060919	230 mm	Trim, Hose Protection	

# SECTION 8 - HYDRAULIC CIRCUITS

## FIGURE 8-16. CAB HYDRAULIC INSTALLATION (EMERGENCY STEERING)



ART\_1001226920-B

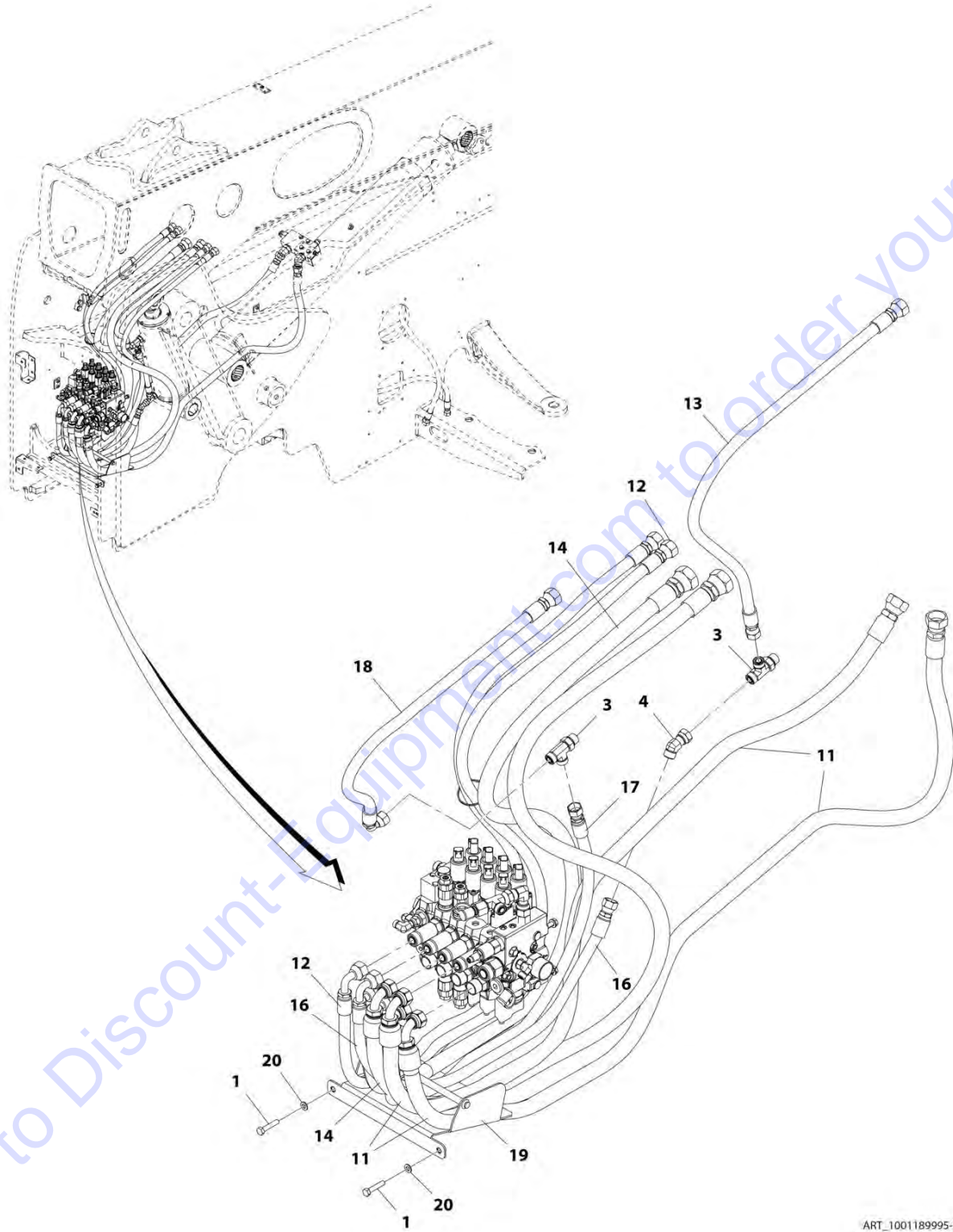
## SECTION 8 - HYDRAULIC CIRCUITS

**FIGURE 8-16. CAB HYDRAULIC INSTALLATION (EMERGENCY STEERING)**

ITEM	PART NUMBER	QTY	DESCRIPTION	REV
	1001226920	Ref	Cab Hydraulic Installation Emergency Steering	B
1	0700820	2	Bolt, M8X60	
2	0760812	2	Bolt, M8X25	
3	3290801	2	Nut, M8X1.25	
4	4060919	230 mm	Trim, Hose Protection	
5	4240099	AR	Tie, Wire	
6	4811900	6	Washer, M8	
7	8405006	1	Clamp, Gear	
8	8770120	1	Fitting, 90 ORFS	
9	80233218	1	Fitting, Straight ORFS	
10	1001147340	1	Sensor, Pressure Transducer	
11	1001161346	1	Hose	
12	1001161527	1	Hose	
13	1001161528	1	Hose	
14	1001169830	1	Grommet	
15	1001177256	1	Hose	
16	1001202962	1	Fitting, 90 ORFS	
17	1001204152	1	Hose	
18	1001205756	1	Adapter	
19	1001219191	1	Installation, Emergency Steering Manifold (See Separate Breakdown in this Section)	
20	1001221520	1	Bracket	
21	1001221527	1	Hose	
22	1001221741	1	Hose	
23	1001221742	1	Hose	
24	1001221744	1	Hose	
25	1001222088	1	Hose	
26	1001143857	1	Fitting, Straight ORFS	

# SECTION 8 - HYDRAULIC CIRCUITS

## FIGURE 8-17. BOOM HYDRAULIC INSTALLATION



Go to Discount-Equipment.com to order your parts

ART\_1001189995-D

## SECTION 8 - HYDRAULIC CIRCUITS

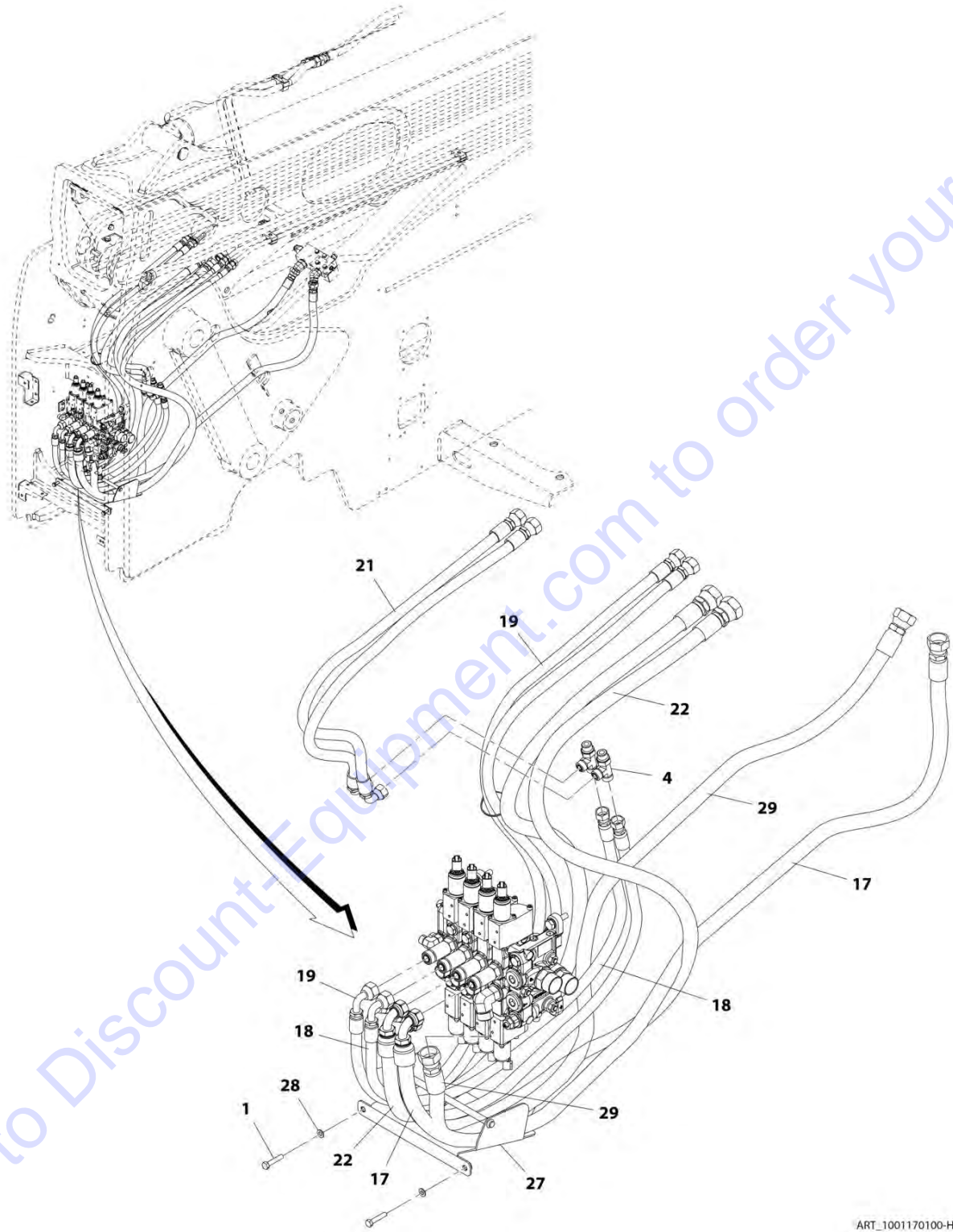
**FIGURE 8-17. BOOM HYDRAULIC INSTALLATION**

ITEM	PART NUMBER	QTY	DESCRIPTION	REV
	1001189995	Ref	Boom Hydraulic Installation	D
1	0700816	2	Bolt, M8X40	
3	2170308	2	Fitting, Tee ORFS	
4	2221231	1	Fitting, 45 ORFS	
11	1001169375	2	Hose	
12	1001169378	2	Hose	
13	1001203963	1	Hose	
14	1001169376	2	Hose	
16	1001203944	1	Hose	
17	1001203954	1	Hose	
18	1001203967	1	Hose	
19	1001193771	1	Channel, Boom Hose	
20	4811900	2	Washer, M8	

Go to Discount-Equipment.com to order your parts

# SECTION 8 - HYDRAULIC CIRCUITS

## FIGURE 8-18. BOOM HYDRAULIC INSTALLATION



ART\_1001170100-H

## SECTION 8 - HYDRAULIC CIRCUITS

### FIGURE 8-18. BOOM HYDRAULIC INSTALLATION

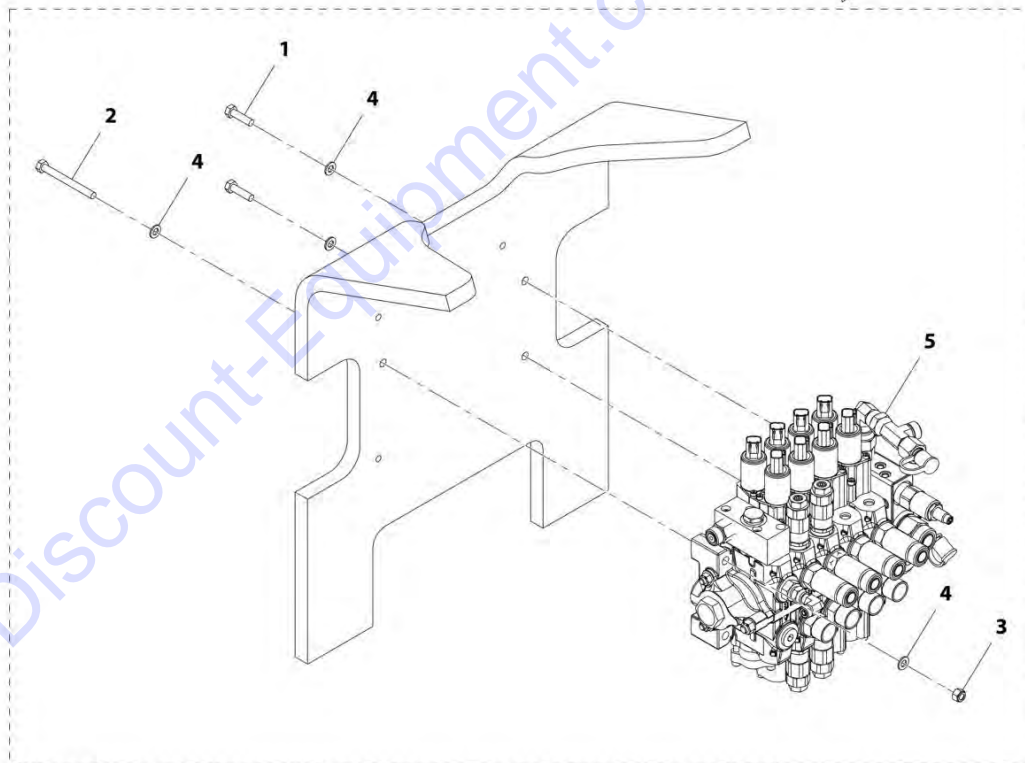
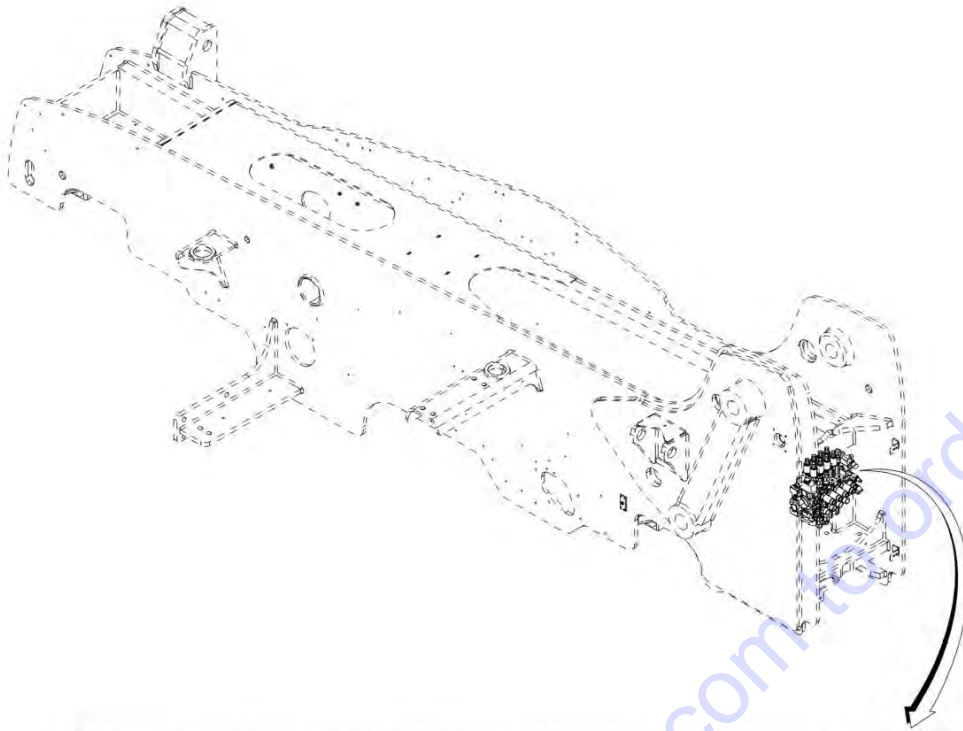
ITEM	PART NUMBER	QTY	DESCRIPTION	REV
	1001170100	Ref	Boom Hydraulic Installation, Emergency Steering	H
1	0700816	2	Bolt, M8X40	
4	2170308	2	Fitting, Tee ORFS	
17	1001169375	1	Hose	
18	1001188637	2	Hose	
19	1001169378	2	Hose	
21	1001175718	1	Hose	
22	1001169376	2	Hose	
27	1001193771	1	Channel, Boom Hose	
28	4811900	2	Washer, M8	
29	1001195217	1	Hose	

Go to Discount-Equipment.com to order your parts



# SECTION 8 - HYDRAULIC CIRCUITS

## FIGURE 8-19. MAIN CONTROL VALVE INSTALLATION



ART\_1001169346-C

## SECTION 8 - HYDRAULIC CIRCUITS

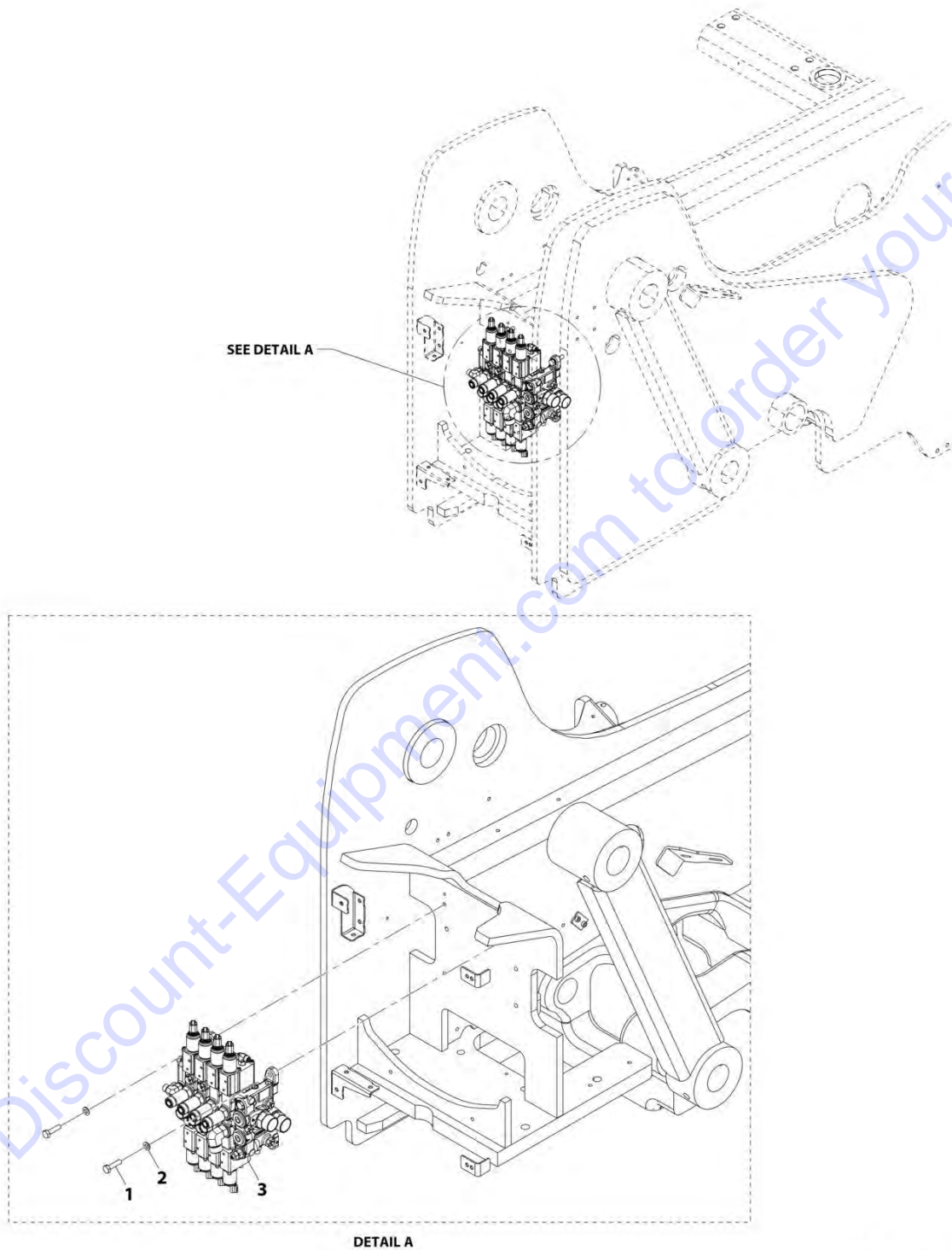
**FIGURE 8-19. MAIN CONTROL VALVE INSTALLATION**

ITEM	PART NUMBER	QTY	DESCRIPTION	REV
	1001169346	Ref	Main Control Valve Installation	C
1	0700814	2	Bolt, M8X30	
2	0700824	1	Bolt, M8X80	
3	3290805	1	Nut, Lock M8X1.25 Grade 8	
4	4811900	4	Washer, M8	
5	1001169349	1	Assembly, Main Control Valve (See Separate Breakdown in this Section)	

Go to Discount-Equipment.com to order your parts

# SECTION 8 - HYDRAULIC CIRCUITS

## FIGURE 8-20. MAIN CONTROL VALVE INSTALLATION



ART\_1001225751-A

## SECTION 8 - HYDRAULIC CIRCUITS

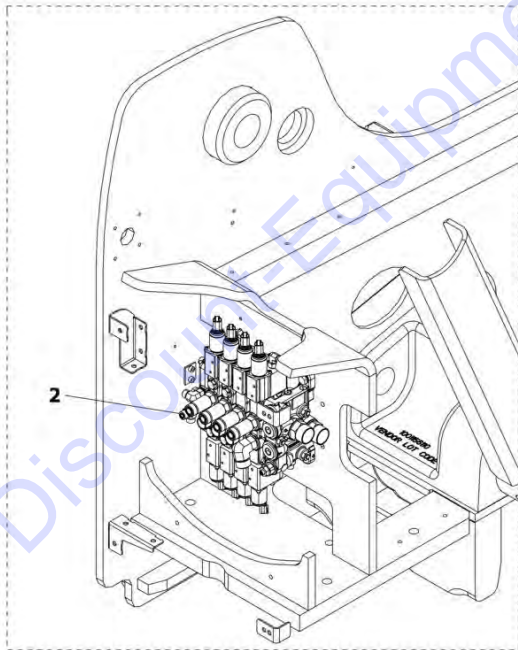
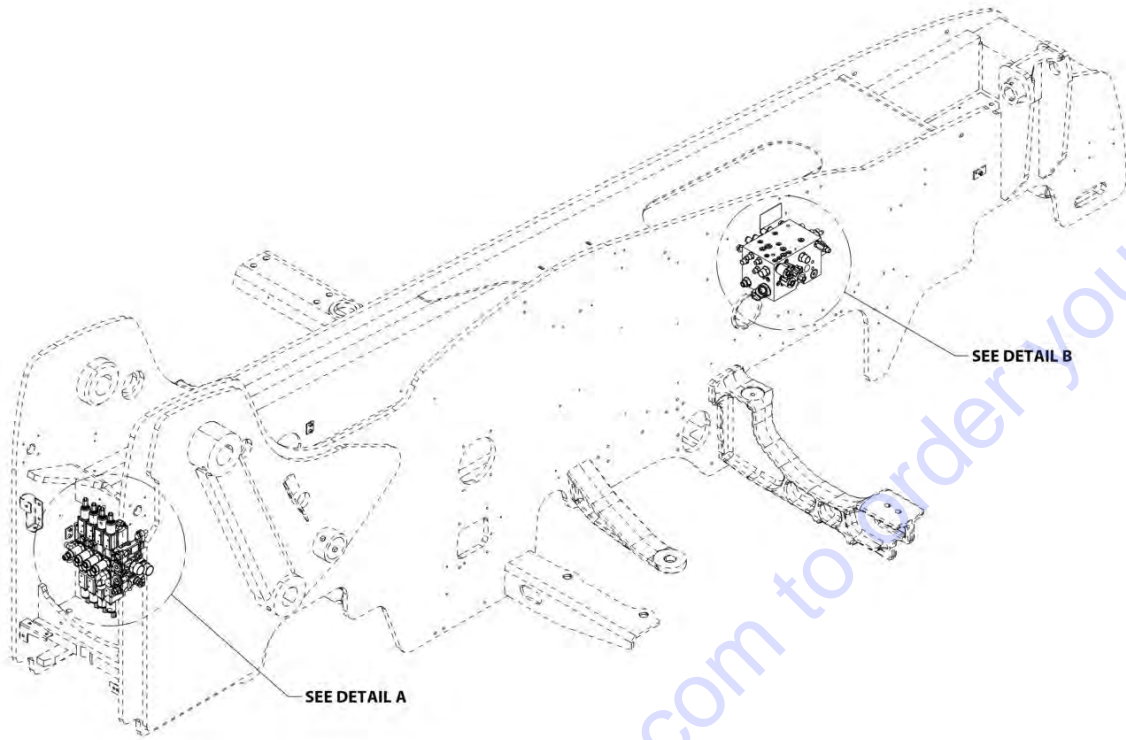
FIGURE 8-20. MAIN CONTROL VALVE INSTALLATION

ITEM	PART NUMBER	QTY	DESCRIPTION	REV
	1001225751	Ref	Main Control Valve Installation	A
1	0701016	3	Bolt, M10X40	
2	4812000	3	Washer, M10	
3	1001225752	1	Assembly, Main Control Valve Assembly (See Separate Breakdown in this Section)	

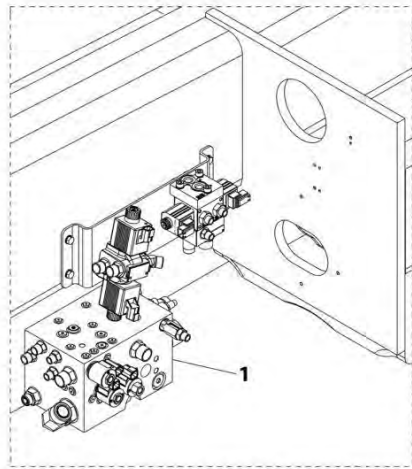
Go to Discount-Equipment.com to order your parts

# SECTION 8 - HYDRAULIC CIRCUITS

## FIGURE 8-21. MAIN HYDRAULIC VALVES INSTALLATION



DETAIL A



DETAIL B

ART\_1001225750-A

## SECTION 8 - HYDRAULIC CIRCUITS

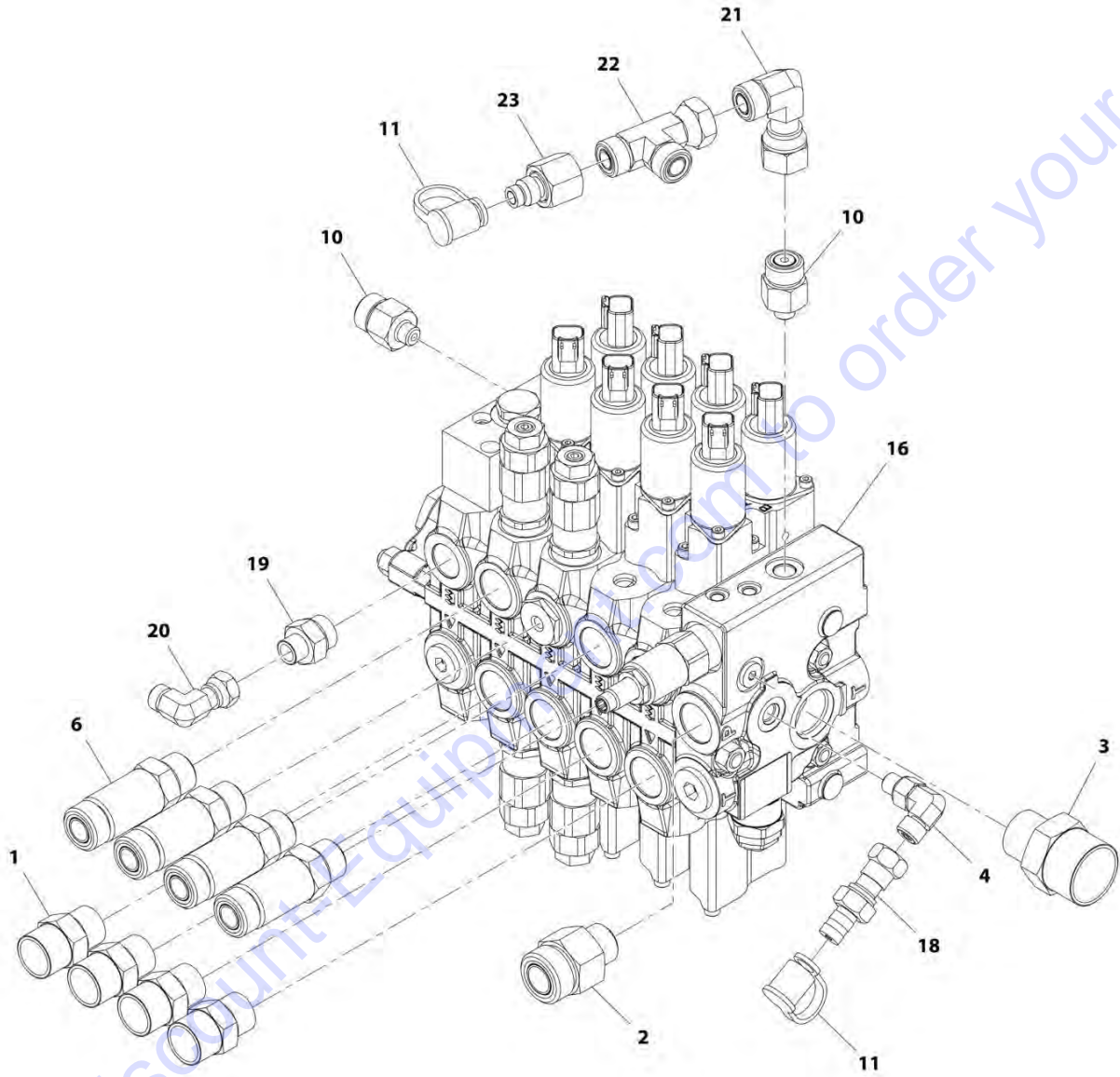
FIGURE 8-21. MAIN HYDRAULIC VALVES INSTALLATION

ITEM	PART NUMBER	QTY	DESCRIPTION	REV
1	1001225750	Ref	Main Hydraulic Valves Installation	A
	1001161308	Ref	Installation, Priority Manifold Valve (See Separate Breakdown in this Section)	
2	1001225751	Ref	Installation, Main Control Valve (See Separate Breakdown in this Section)	

Go to Discount-Equipment.com to order your parts

# SECTION 8 - HYDRAULIC CIRCUITS

## FIGURE 8-22. MAIN CONTROL VALVE ASSEMBLY



ART\_1001169349-G

## SECTION 8 - HYDRAULIC CIRCUITS

**FIGURE 8-22. MAIN CONTROL VALVE ASSEMBLY**

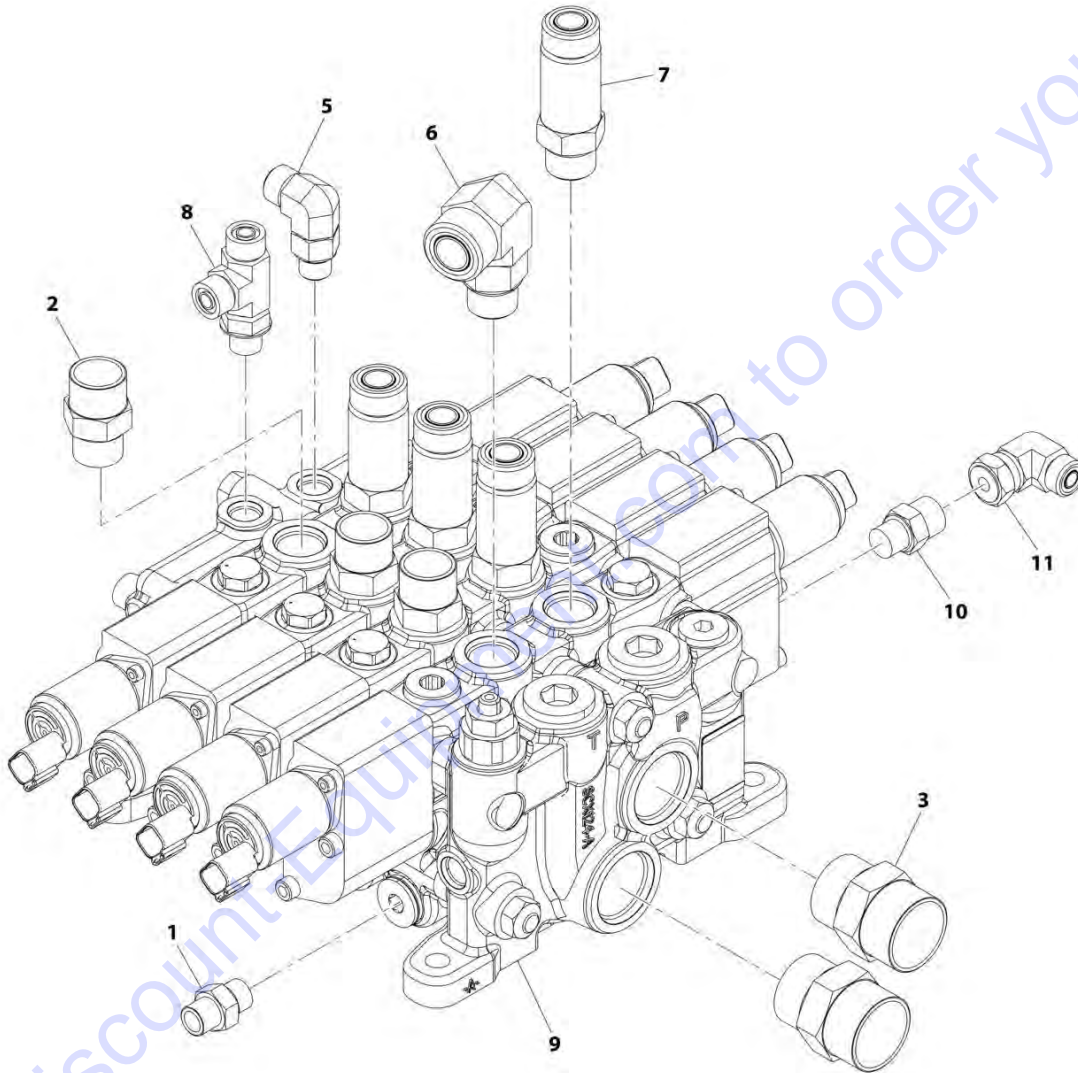
ITEM	PART NUMBER	QTY	DESCRIPTION	REV
	1001169349	Ref	Main Control Valve Assembly	G
1	2111010	4	Fitting, Straight ORFS	
2	2111210	1	Fitting, Straight ORFS	
3	2111612	1	Fitting, Straight ORFS	
4	2130404	1	Fitting, 90 ORFS	
6	2170110	4	Fitting, Straight ORFS	
10	2221233	2	Fitting, Straight ORFS	
11	8430032	2	Plug	
16	1001166765	1	Valve, Main Control (See Separate Breakdown in Hydraulic Components Section)	
18	2221229	1	Fitting, Straight ORFS	
19	2110408	1	Fitting, Straight ORFS	
20	2172104	1	Fitting, 90 ORFS	
21	2172108	1	Fitting, 90 ORFS	
22	2170708	1	Fitting, Tee ORFS	
23	8430082	1	Fitting, Straight ORFS	

Go to Discount-Equipment.com to order your parts



# SECTION 8 - HYDRAULIC CIRCUITS

## FIGURE 8-23. MAIN CONTROL VALVE ASSEMBLY



ART\_1001225752-C

## SECTION 8 - HYDRAULIC CIRCUITS

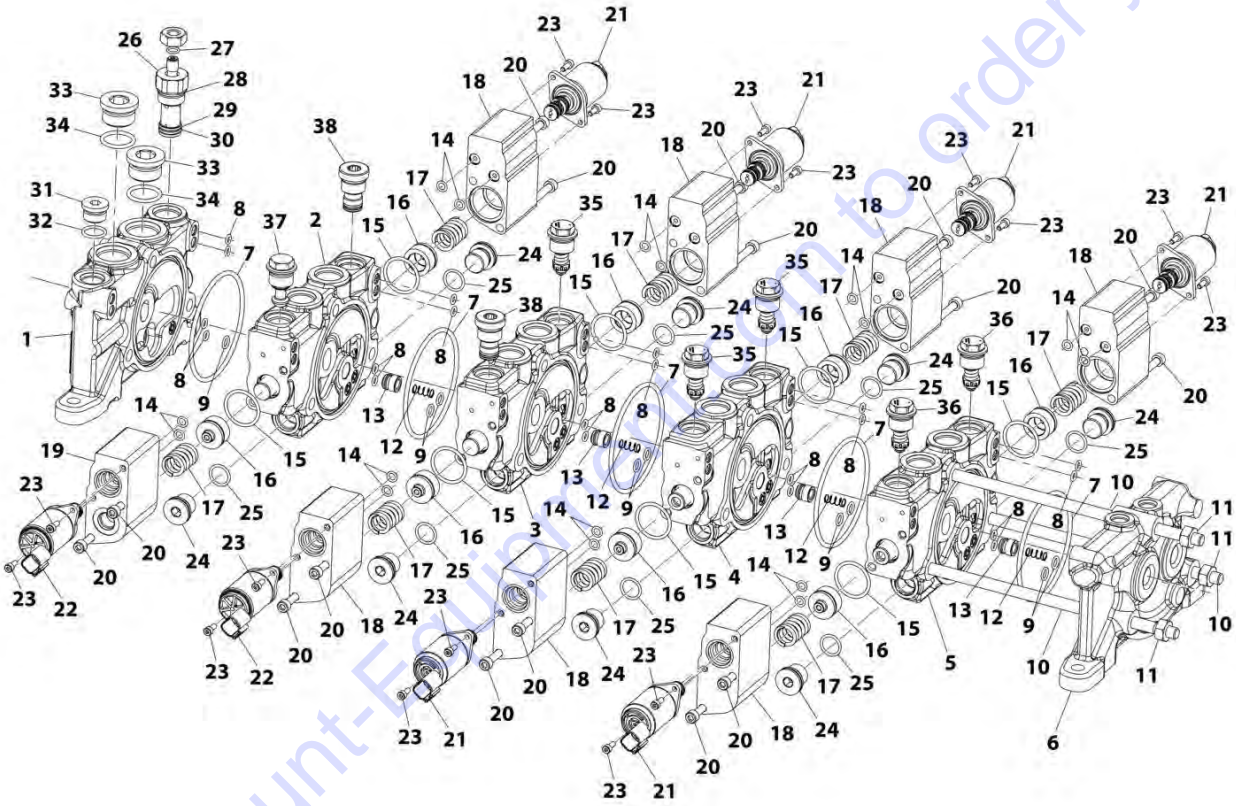
**FIGURE 8-23. MAIN CONTROL VALVE ASSEMBLY**

ITEM	PART NUMBER	QTY	DESCRIPTION	REV
	1001225752	Ref	Main Control Valve Assembly	C
1	2110406	1	Fitting, Straight ORFS	
2	2111010	3	Fitting, Straight ORFS	
3	2111616	2	Fitting, Straight ORFS	
5	2130606	1	Fitting, 90 ORFS	
6	2131210	1	Fitting, 90 ORFS	
7	2170110	4	Fitting, Straight ORFS	
8	2170306	1	Fitting, Tee ORFS	
9		Ref	Valve, Main Control (See Separate Breakdown in HYDRAULIC COMPONENTS Section)	
10	2110606	1	Fitting, Straight ORFS	
11	2172106	1	Adapter, 90	

Go to Discount-Equipment.com to order your parts

# SECTION 8 - HYDRAULIC CIRCUITS

## FIGURE 8-24. MAIN CONTROL VALVE



ART\_1001226812-D

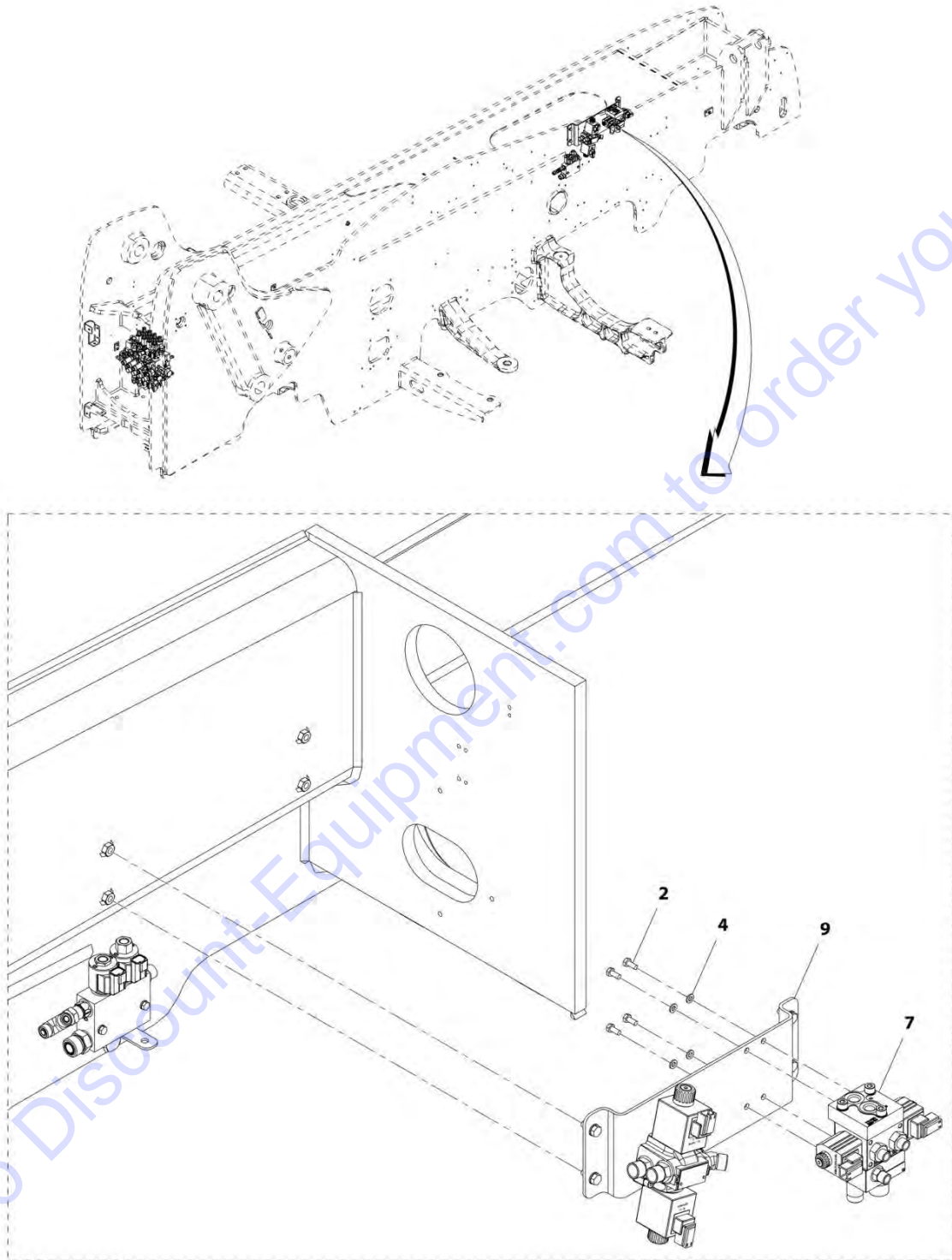
## SECTION 8 - HYDRAULIC CIRCUITS

### FIGURE 8-24. MAIN CONTROL VALVE

ITEM	PART NUMBER	QTY	DESCRIPTION	REV
	1001226812	Ref	Main Control Valve	D
1	70028478	1	Section, Inlet	
2	70028479	1	Section, Spool	
3	70028480	1	Section, Spool	
4	70026387	1	Section, Spool	
5	70028481	1	Section, Spool	
6	70026389	1	Section, Outlet	
7	8034697	5	O-Ring	
8	70050508	20	O-Ring	
9	70050507	9	O-Ring	
10	70026375	3	Rod, Tie	
11	70050481	6	Nut	
12	10837937	4	Spring	
13	10837929	4	Poppet	
14	70026369	16	O-Ring	
15	70026380	8	O-Ring	
16	70026378	8	Spring	
17	70026377	8	Spring	
18	70026381	7	Cap	
19	70028482	1	Cap	
20	70026383	16	Cap	
21	70022013	6	Valve	
22	70028483	2	Valve	
23	70022014	16	Bolt	
24	70050504	8	Plug	
25	70027130	8	O-Ring	
26	70022012	1	Regulator	
27	70026373	1	O-Ring	
28	10837928	1	O-Ring	
29	70026376	1	Ring	
30	70026370	1	O-Ring	
31	8035382	1	Plug	
32	70024202	1	O-Ring	
33	70050472	2	Plug	
34	70026374	2	O-Ring	
35	70022010	3	Valve	
36	70027098	2	Valve	
37	70028484	1	Valve	
38	70022008	2	Plug	

# SECTION 8 - HYDRAULIC CIRCUITS

## FIGURE 8-25. STEERING SELECT AND FRAME LEVEL VALVE INSTALLATION



ART\_1001168465-D

## SECTION 8 - HYDRAULIC CIRCUITS

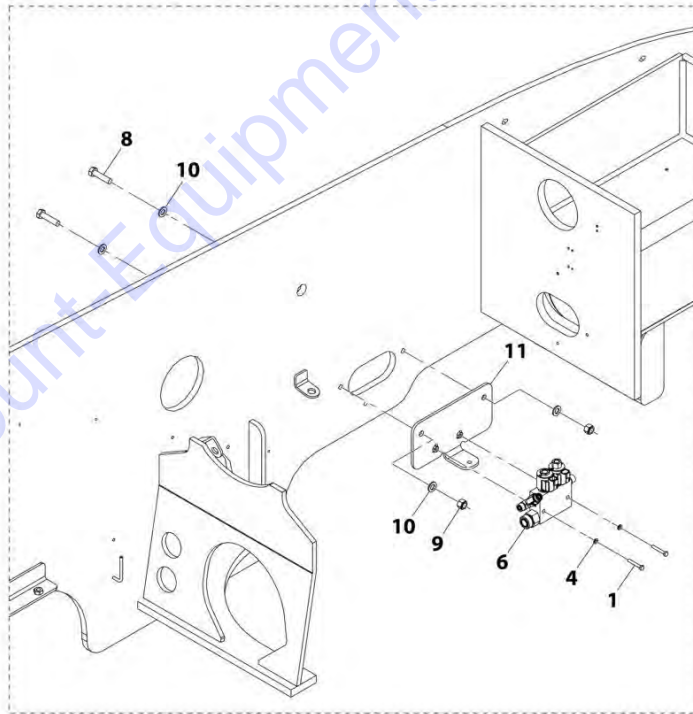
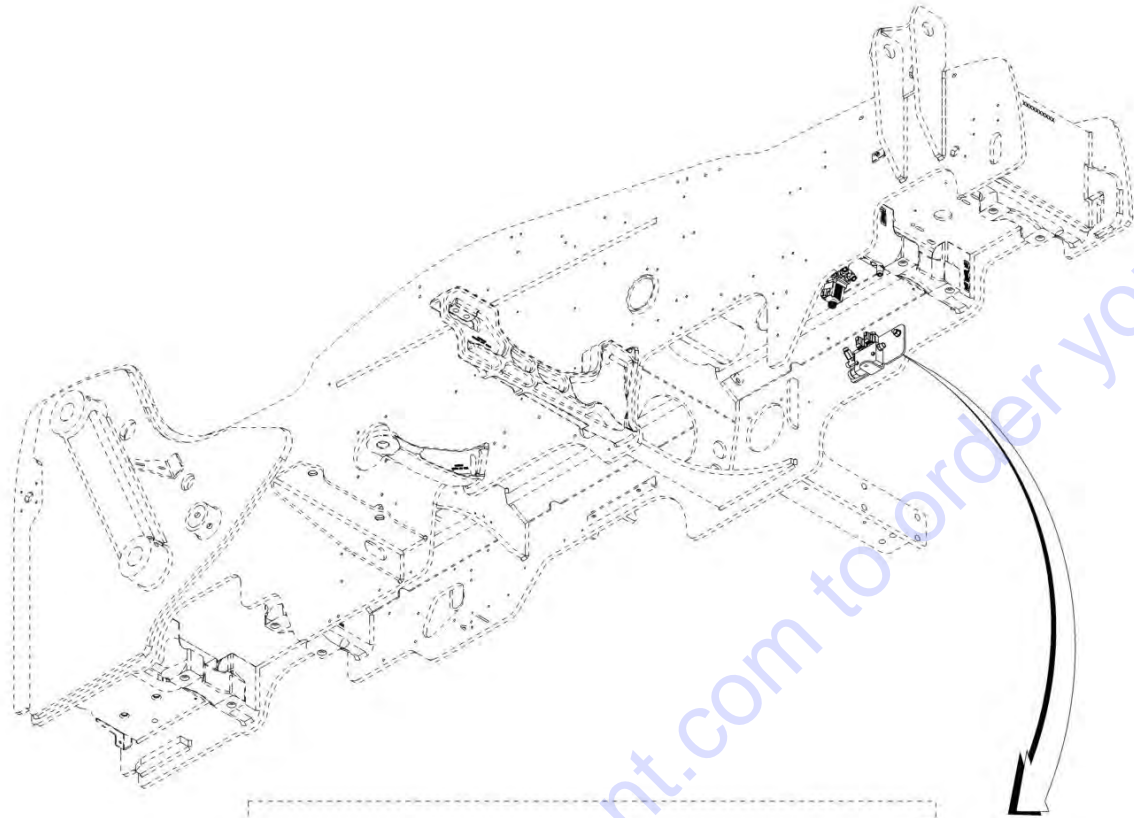
**FIGURE 8-25. STEERING SELECT AND FRAME LEVEL VALVE INSTALLATION**

ITEM	PART NUMBER	QTY	DESCRIPTION	REV
	1001168465	Ref	Steering Select and Frame Level Valve Installation	D
2	0760607	4	Bolt, M6X14	
4	4811700	4	Washer, M6	
7	1001169087	1	Assembly, Frame Level Valve (See Separate Breakdown in this Section)	
9	1001168464	Ref	Installation, Steering Select Valve Mounting (See Separate Breakdown in this Section)	

Go to Discount-Equipment.com to order your parts

# SECTION 8 - HYDRAULIC CIRCUITS

## FIGURE 8-26. PARK BRAKE INSTALLATION



ART\_1001172370-E

## SECTION 8 - HYDRAULIC CIRCUITS

**FIGURE 8-26. PARK BRAKE INSTALLATION**

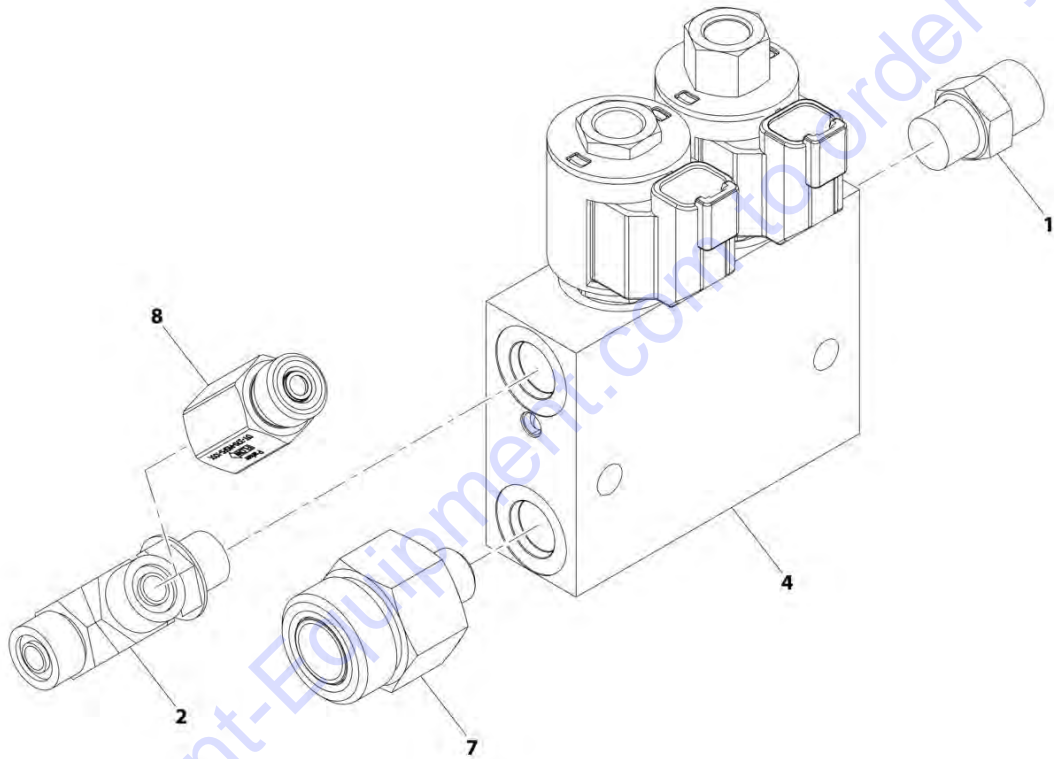
ITEM	PART NUMBER	QTY	DESCRIPTION	REV
	1001172370	Ref	Park Brake Installation	E
1	0700616	2	Bolt, M6X40	
4	4811700	2	Washer, M6	
6	1001170561	1	Installation, Park Brake Valve (See Separate Breakdown in this Section)	
8	0761218	2	Bolt, M12X50	
9	3291205	2	Nut, Lock M12X1.75 Grade 8	
10	4812100	4	Washer, M12	
11	1001225995	1	Bracket Assembly	

Go to Discount-Equipment.com to order your parts



# SECTION 8 - HYDRAULIC CIRCUITS

## FIGURE 8-27. PARK BRAKE VALVE ASSEMBLY



ART\_1001170561-F

## SECTION 8 - HYDRAULIC CIRCUITS

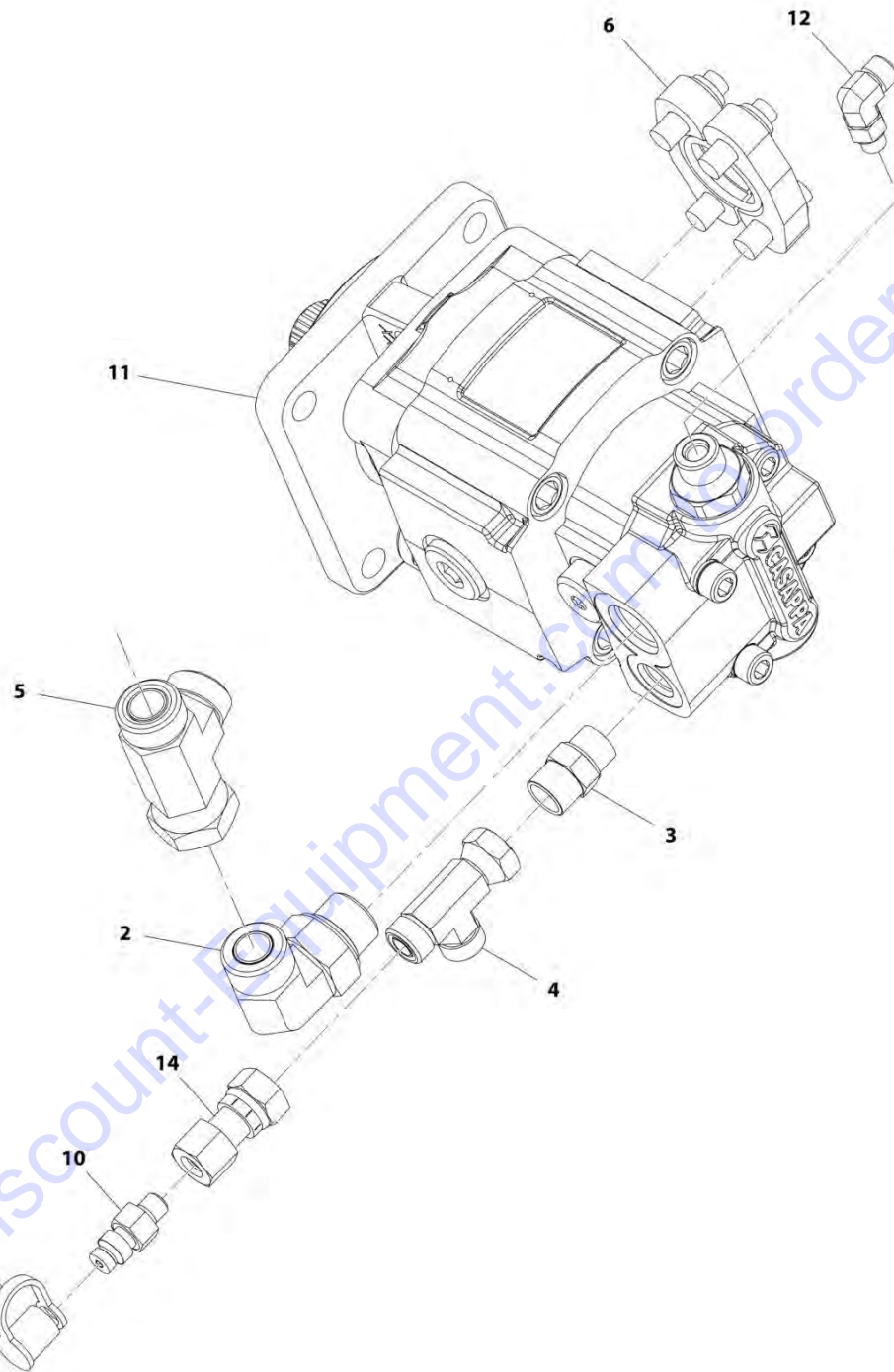
FIGURE 8-27. PARK BRAKE VALVE ASSEMBLY

ITEM	PART NUMBER	QTY	DESCRIPTION	REV
	1001170561	Ref	Park Brake Valve Assembly	F
1	2110606	1	Fitting, Straight ORFS	
2	2170306	1	Fitting, Tee ORFS	
4	1001164652	1	Valve, Park Brake (See Separate Breakdown in Hydraulic Components Section)	
7	1001207758	1	Fitting, Straight ORFS	
8	1001218781	1	Check Valve	

Go to Discount-Equipment.com to order your parts

# SECTION 8 - HYDRAULIC CIRCUITS

## FIGURE 8-28. PISTON PUMP ASSEMBLY



ART\_1001171097-E

## SECTION 8 - HYDRAULIC CIRCUITS

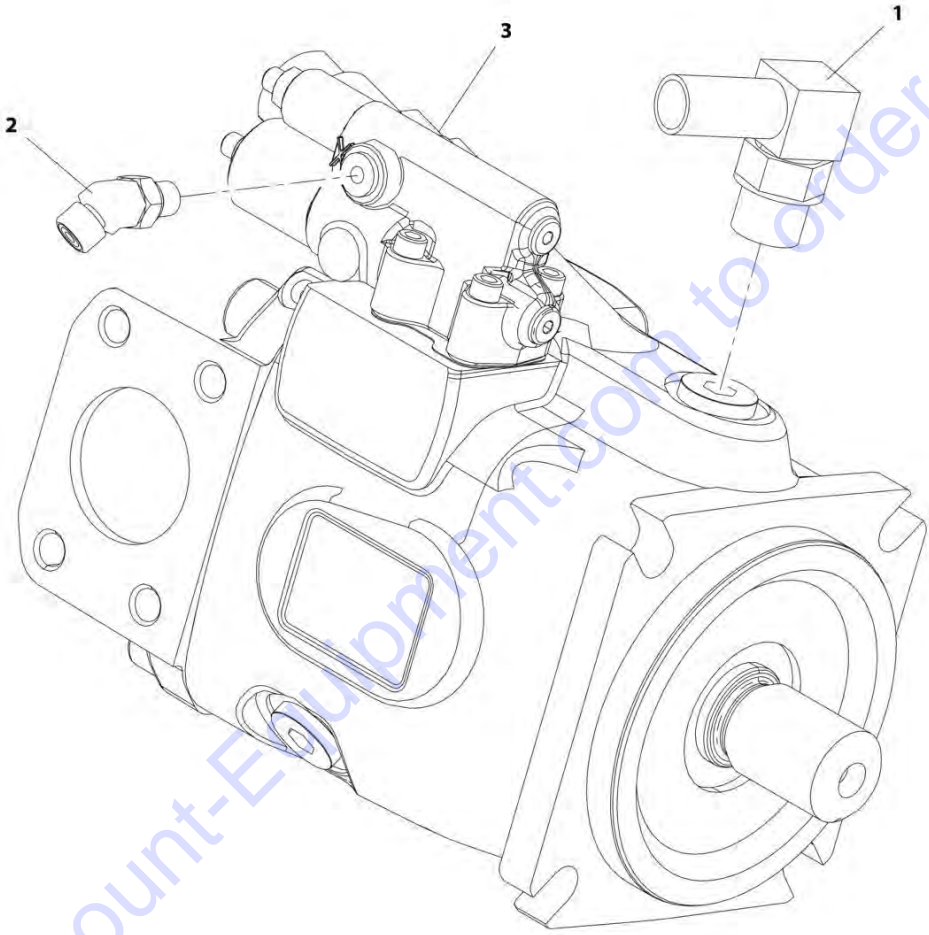
**FIGURE 8-28. PISTON PUMP ASSEMBLY**

ITEM	PART NUMBER	QTY	DESCRIPTION	REV
	1001171097	Ref	Piston Pump Assembly	E
2	2131212	1	Fitting, 90 ORFS	
3	2110808	1	Fitting, Straight ORFS	
4	2170708	1	Fitting, Tee ORFS	
5	2170712	1	Fitting, Tee ORFS	
6	2171820	1	Flange	
9	8430032	1	Plug	
10	8430033	1	Fitting, Straight	
11	1001163746	1	Assembly, Pump (See Separate Breakdown in Hydraulic Components Section)	
12	2130404	1	Fitting, 90 ORFS	
14	1001176529	1	Fitting, Straight ORFS	

Go to Discount-Equipment.com to order your parts

**SECTION 8 - HYDRAULIC CIRCUITS**

**FIGURE 8-29. PISTON PUMP ASSEMBLY**



ART\_1001162674-C

## SECTION 8 - HYDRAULIC CIRCUITS

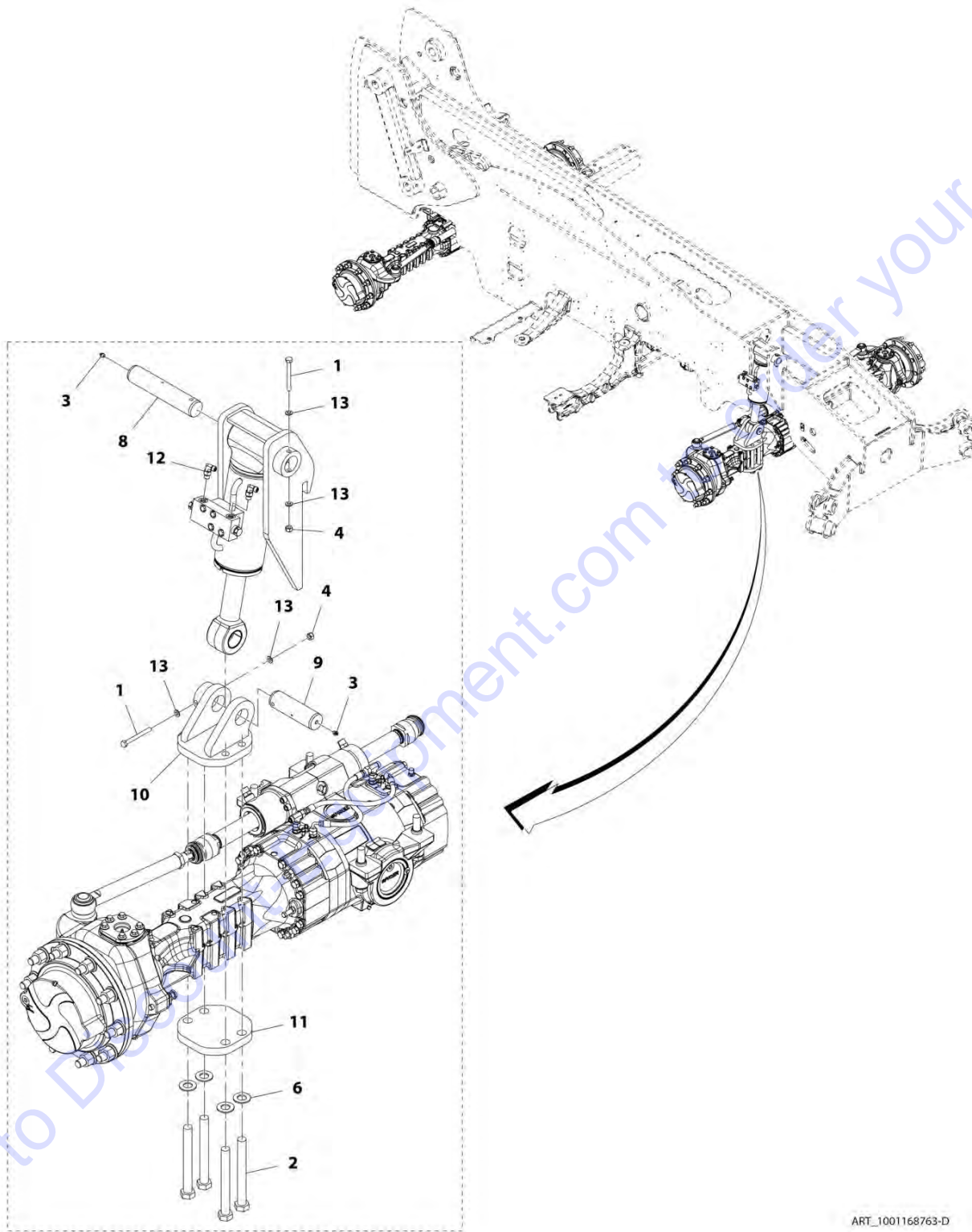
**FIGURE 8-29. PISTON PUMP ASSEMBLY**

ITEM	PART NUMBER	QTY	DESCRIPTION	REV
	1001162674	Ref	Piston Pump Assembly	C
1	8424217	1	Fitting, 90	
2	2150404	1	Fitting, 45 ORFS	
3	1001182279	1	Piston Pump (See Separate Breakdown in Hydraulic Components Section)	

Go to Discount-Equipment.com to order your parts

# SECTION 8 - HYDRAULIC CIRCUITS

## FIGURE 8-30. FRAME LEVEL INSTALLATION



ART\_1001168763-D

## SECTION 8 - HYDRAULIC CIRCUITS

**FIGURE 8-30. FRAME LEVEL INSTALLATION**

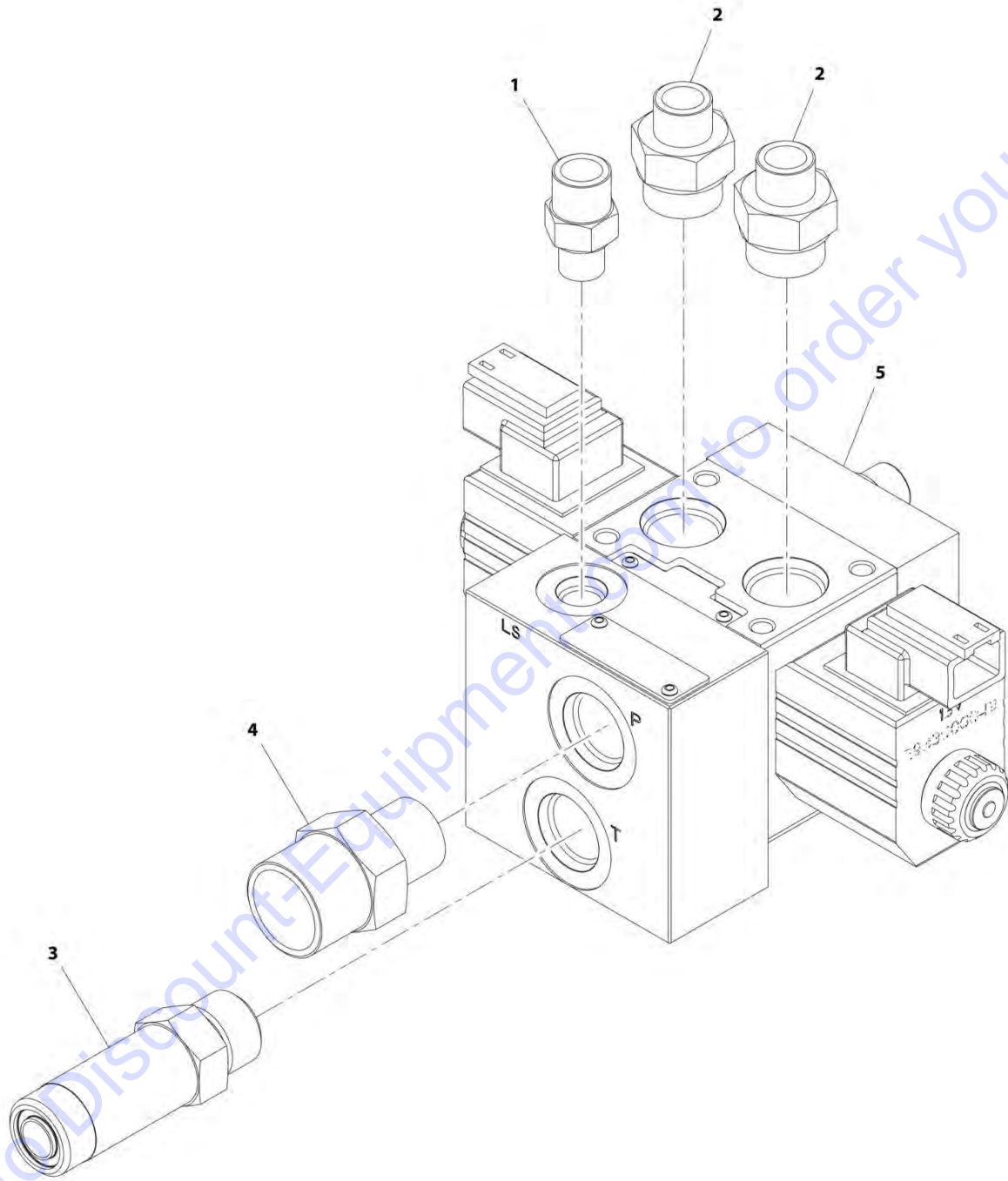
ITEM	PART NUMBER	QTY	DESCRIPTION	REV
	1001168763	Ref	Frame Level Installation	D
1	0711027	2	Bolt, M10X100	
2	0712439	4	Bolt, M24X220	
3	2160016	2	Fitting, Grease	
4	3291005	2	Nut, Lock M10X1.5	
6	5242400	4	Washer, M24	
8	1001164971	1	Pin	
9	1001164972	1	Pin	
10	1001182545	1	Bracket	
11	1001182908	1	Plate	
12	2130406	2	Fitting, 90 ORFS	
13	4812000	4	Washer, M10	

Go to Discount-Equipment.com to order your parts



# SECTION 8 - HYDRAULIC CIRCUITS

## FIGURE 8-31. FRAME LEVEL VALVE ASSEMBLY



ART\_1001169087-E

## SECTION 8 - HYDRAULIC CIRCUITS

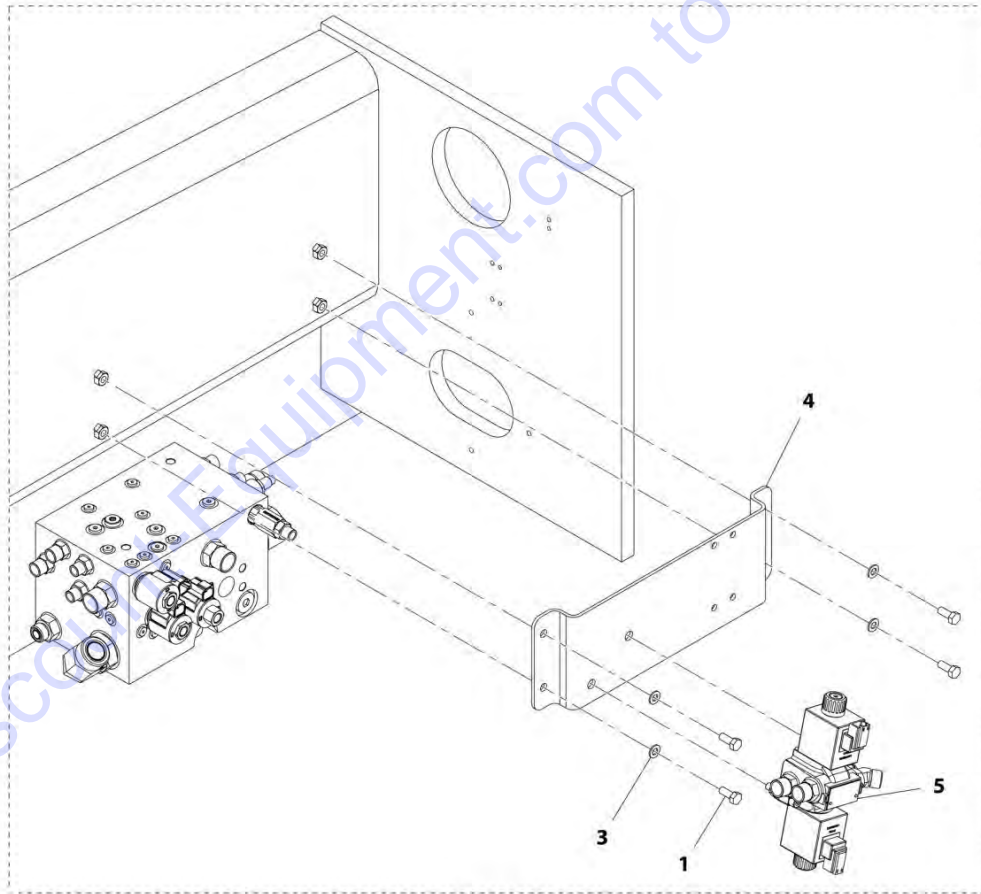
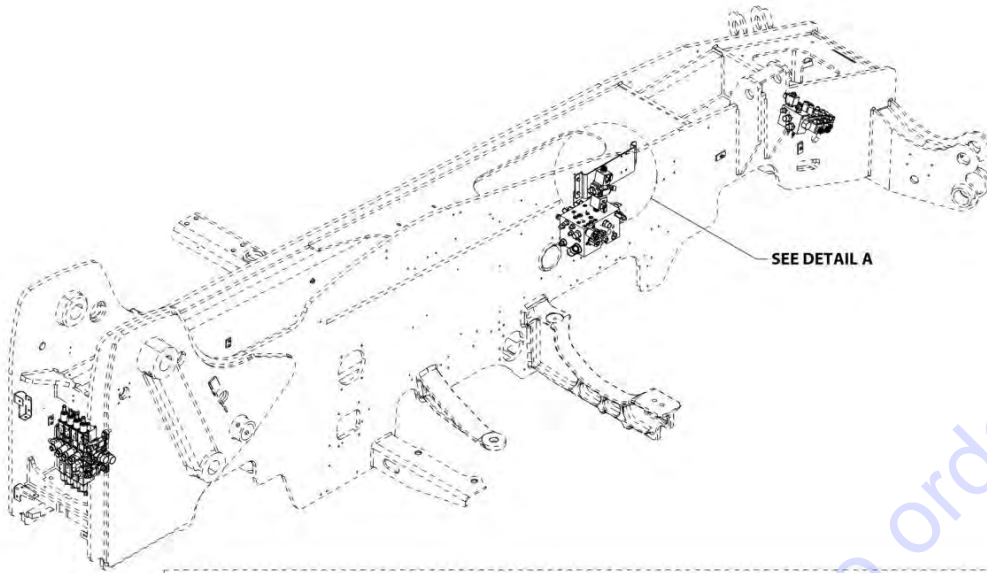
FIGURE 8-31. FRAME LEVEL VALVE ASSEMBLY

ITEM	PART NUMBER	QTY	DESCRIPTION	REV
	1001169087	1	Frame Level Valve Assembly	E
1	2110404	1	Fitting, Straight ORFS	
2	2110408	2	Fitting, Straight ORFS	
3	2170108	1	Fitting, Straight ORFS	
4	2111008	1	Fitting, Straight ORFS	
5	1001162959	1	Valve, Frame Level (See Separate Breakdown in Hydraulic Components Section)	

Go to Discount-Equipment.com to order your parts

# SECTION 8 - HYDRAULIC CIRCUITS

## FIGURE 8-32. STEERING SELECT VALVE MOUNTING INSTALLATION



DETAIL A

ART\_1001168464-E

## SECTION 8 - HYDRAULIC CIRCUITS

**FIGURE 8-32. STEERING SELECT VALVE MOUNTING INSTALLATION**

ITEM	PART NUMBER	QTY	DESCRIPTION	REV
	1001168464	Ref	Steering Select Valve Mounting Installation	E
1	0760810	4	Bolt, M8X20	
3	4811900	4	Washer, M8	
4	1001167437	1	Bracket	
5	1001173702	Ref	Installation, Steering Select Valve (See Separate Breakdown in this Section)	

Go to Discount-Equipment.com to order your parts

# PARTS FINDER

**Search Website  
by Part Number**



**Search Manual  
Library For Parts  
Manual & Lookup Part  
Numbers – Purchase  
or Request Quote**

**Can't Find Part or  
Manual? Request Help  
by Manufacturer,  
Model & Description**

Discount-Equipment.com is your online resource for quality parts & equipment.

Florida: **561-964-4949** Outside Florida TOLL FREE: **877-690-3101**

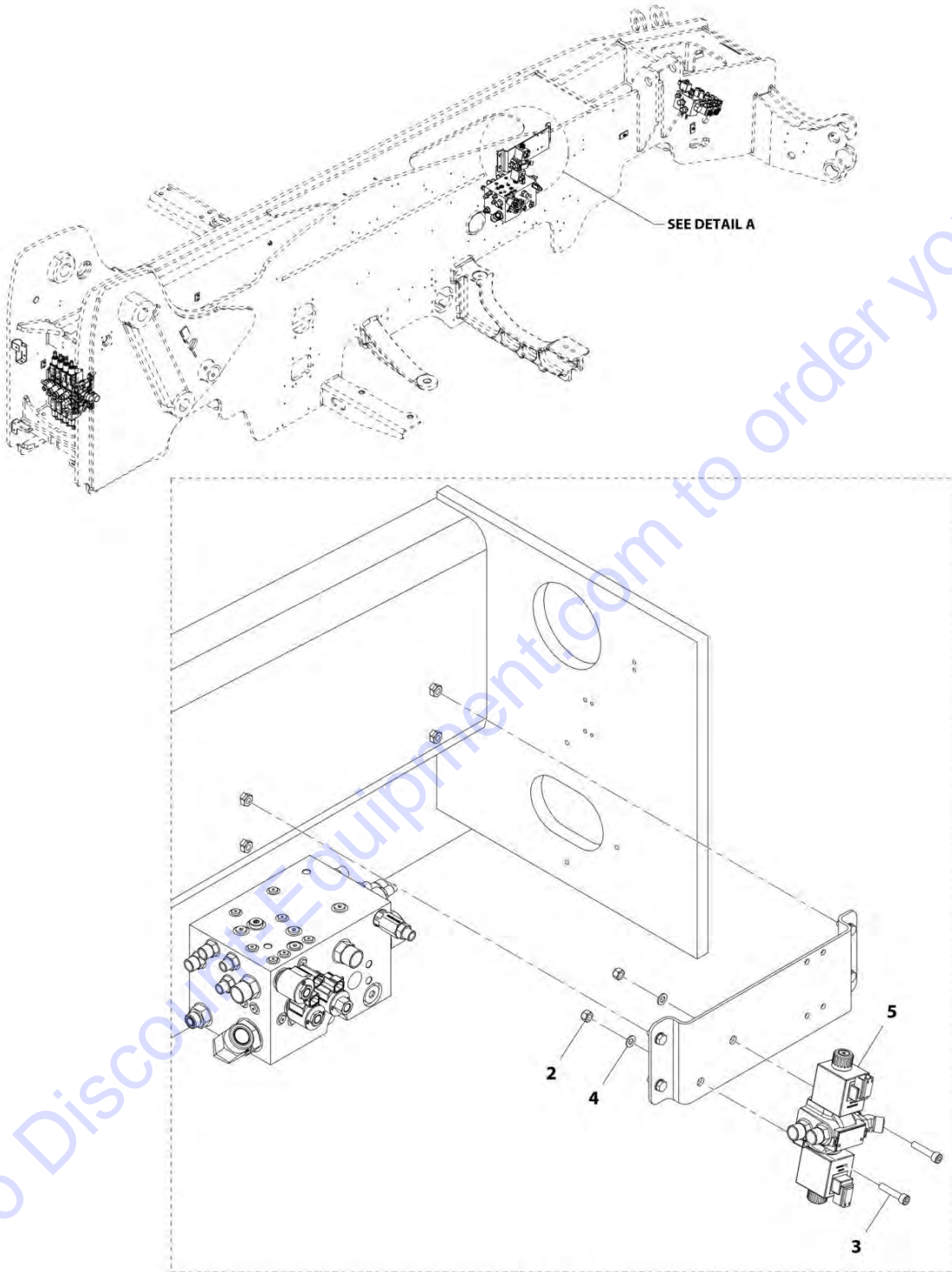
## Need parts?

Click on this link: <http://www.discount-equipment.com/category/5443-parts/> and choose one of the options to help get the right parts and equipment you are looking for. Please have the machine model and serial number available in order to help us get you the correct parts. If you don't find the part on the website or on one of the online manuals, please fill out the request form and one of our experienced staff members will get back to you with a quote for the right part that your machine needs.

We sell worldwide for the brands: Genie, Terex, JLG, MultiQuip, Mikasa, Essick, Whiteman, Mayco, Toro Stone, Diamond Products, Generac Magnum, Airman, Haulotte, Barreto, Power Blanket, Nifty Lift, Atlas Copco, Chicago Pneumatic, Allmand, Miller Curber, Skyjack, Lull, Skytrak, Tsurumi, Husquvarna Target, Stow, Wacker, Sakai, Mi-T-M, Sullair, Basic, Dynapac, MBW, Weber, Bartell, Bennar Newman, Haulotte, Ditch Runner, Menegotti, Morrison, Contec, Buddy, Crown, Edco, Wyco, Bomag, Laymor, EZ Trench, Bil-Jax, F.S. Curtis, Gehl Pavers, Heli, Honda, ICS/PowerGrit, IHI, Partner, Imer, Clipper, MMD, Koshin, Rice, CH&E, General Equipment, Amida, Coleman, NAC, Gradall, Square Shooter, Kent, Stanley, Tamco, Toku, Hatz, Kohler, Robin, Wisconsin, Northrock, Oztec, Toker TK, Rol-Air, APT, Wylie, Ingersoll Rand / Doosan, Innovatech, Con X, Ammann, Mecalac, Makinex, Smith Surface Prep, Small Line, Wanco, Yanmar

# SECTION 8 - HYDRAULIC CIRCUITS

## FIGURE 8-33. STEERING SELECT VALVE INSTALLATION



DETAIL A

ART\_1001173702-D

## SECTION 8 - HYDRAULIC CIRCUITS

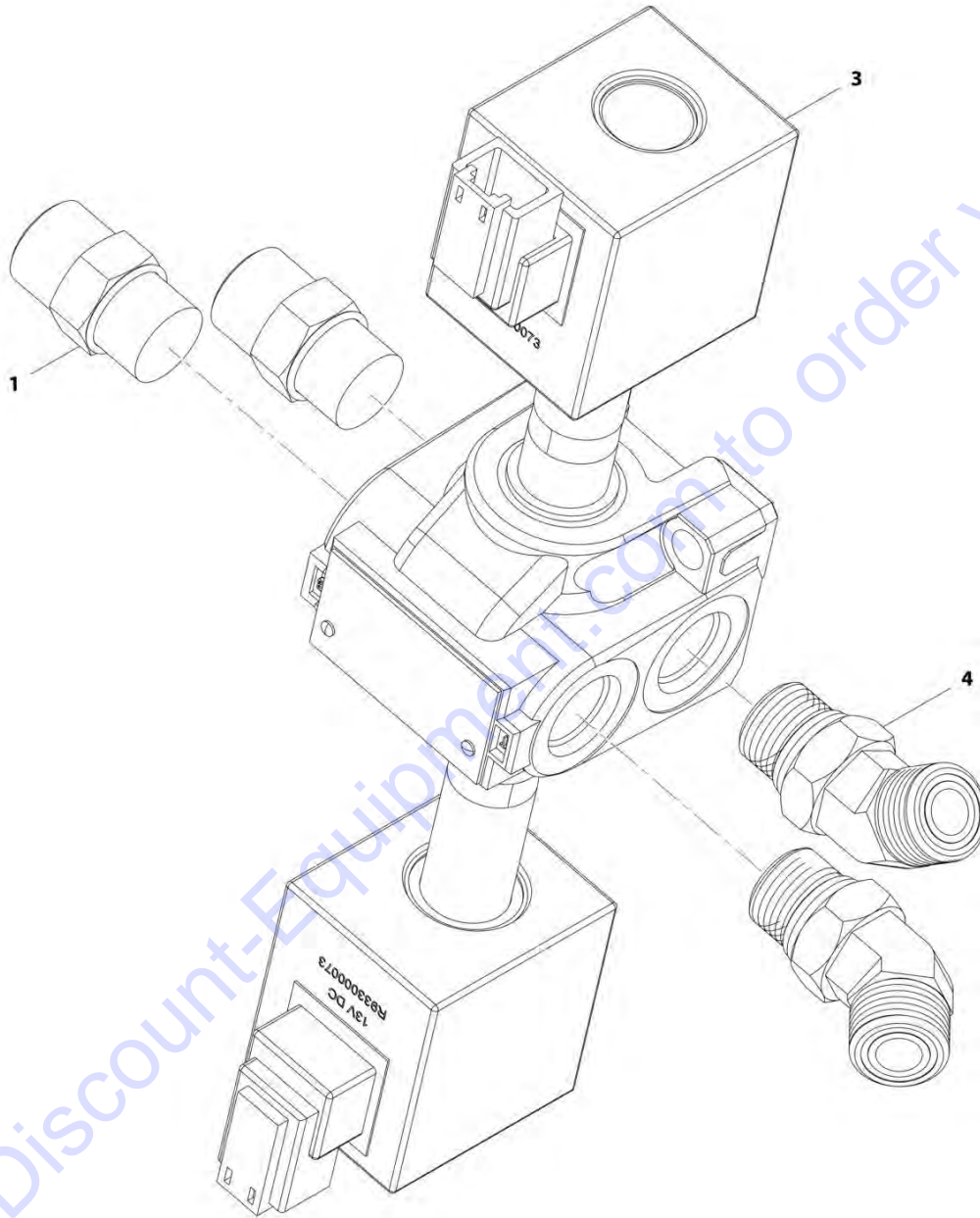
FIGURE 8-33. STEERING SELECT VALVE INSTALLATION

ITEM	PART NUMBER	QTY	DESCRIPTION	REV
	1001173702	Ref	Steering Select Valve Installation	D
2	3290805	2	Nut, Lock M8X1.25	
3	4031912	2	Bolt, M8X40	
4	4811900	2	Washer, M8	
5	1001161304	1	Assembly, Valve (See Separate Breakdown in this Section)	

Go to Discount-Equipment.com to order your parts

# SECTION 8 - HYDRAULIC CIRCUITS

## FIGURE 8-34. STEERING SELECT VALVE ASSEMBLY



ART\_1001161304-B



## SECTION 8 - HYDRAULIC CIRCUITS

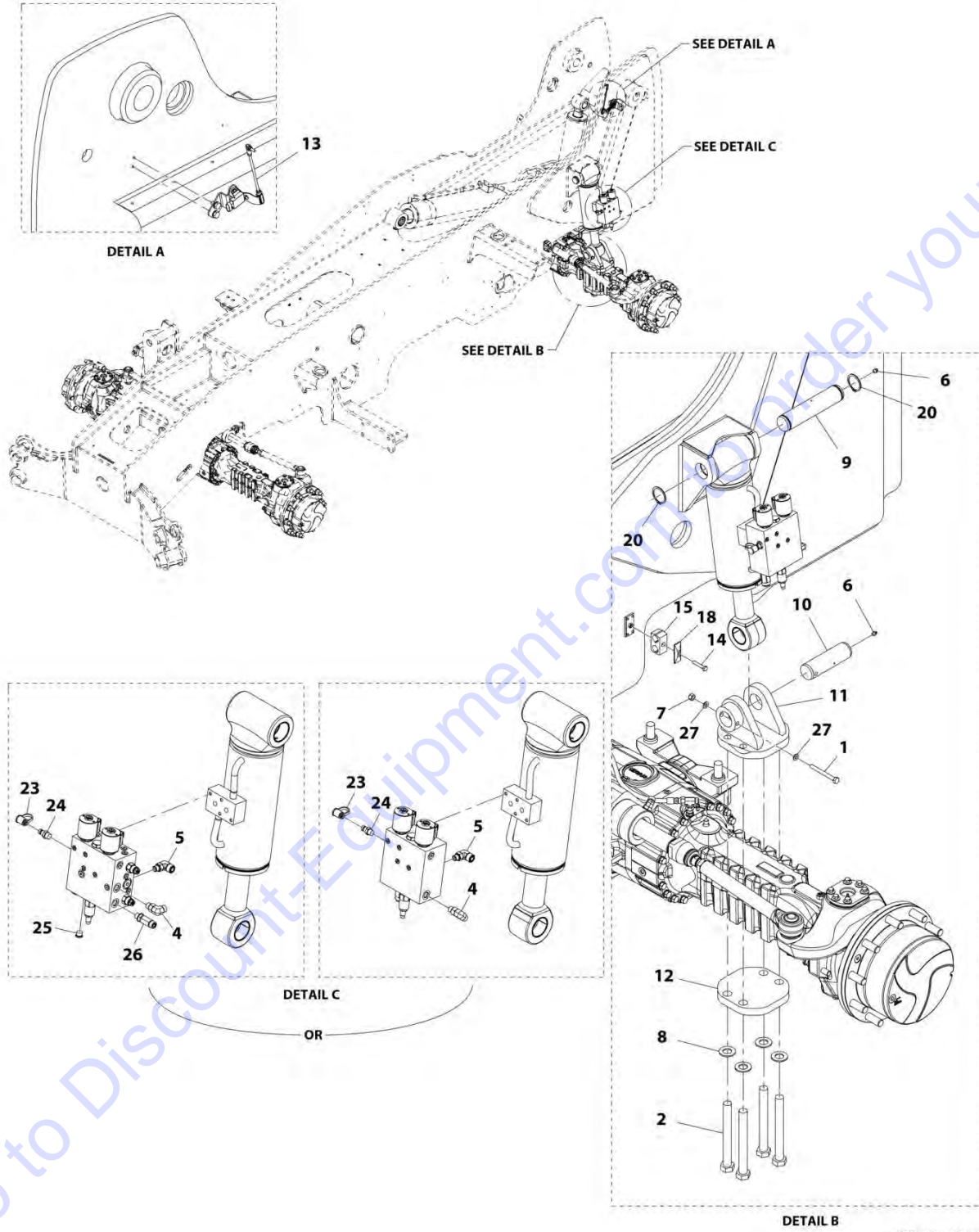
### FIGURE 8-34. STEERING SELECT VALVE ASSEMBLY

ITEM	PART NUMBER	QTY	DESCRIPTION	REV
	1001161304	Ref	Steering Select Valve Assembly	B
1	2110808	2	Fitting, Straight ORFS	
3	1001153748	1	Assembly, Valve (See Separate Breakdown in Hydraulic Components Section)	
4	2150808	2	Fitting, 45 ORFS	

Go to Discount-Equipment.com to order your parts

# SECTION 8 - HYDRAULIC CIRCUITS

## FIGURE 8-35. REAR AXLE STABILIZER INSTALLATION



ART\_1001182910-G

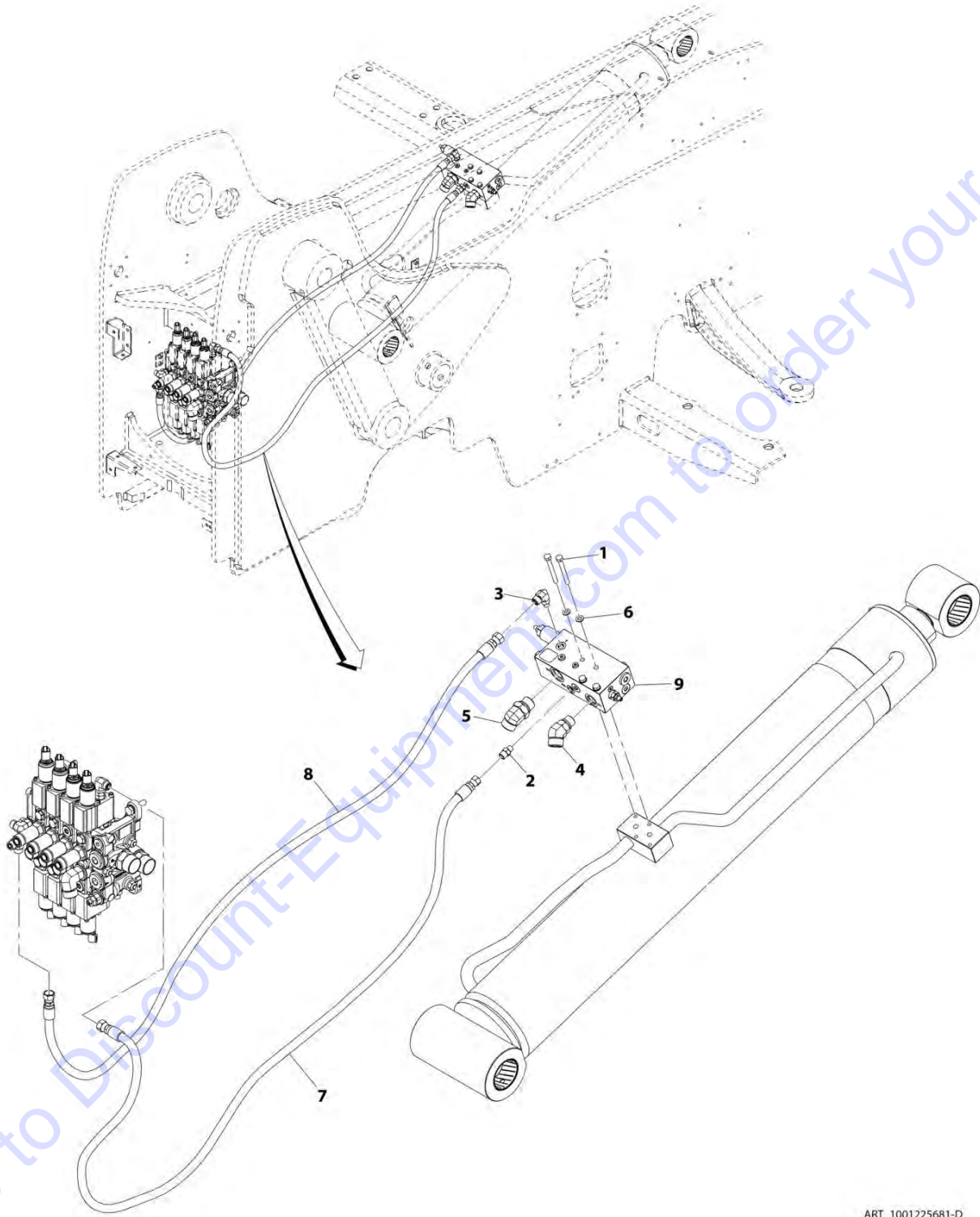
## SECTION 8 - HYDRAULIC CIRCUITS

**FIGURE 8-35. REAR AXLE STABILIZER INSTALLATION**

ITEM	PART NUMBER	QTY	DESCRIPTION	REV
	1001182910	Ref	Rear Axle Stabilizer Installation	G
1	0711027	1	Bolt, M10X100	
2	0712439	4	Bolt, M10.9X24	
4	2130606	1	Fitting, 90 ORFS	
5	2130806	1	Fitting, 90 ORFS	
6	2160016	2	Fitting, Grease	
7	3291005	1	Bolt, M10X1.5	
8	5242400	4	Washer, M24	
9	1001192341	1	Pin	
10	1001164972	1	Pin	
11	1001182903	1	Bracket	
12	1001182908	1	Plate	
13	1001184056	1	Installation, Boom Angle Sensor (See Separate Breakdown in this Section)	
14	0760817	1	Bolt, M8X45	
15	8750016	1	Clamp	
18	77133137	1	Plate	
20	3760493	2	Ring, Retaining	
23	8430032	1	Plug	
24	1001003590	1	Fitting, Straight	
25	2220885	AR	Plug	
26	2170306	AR	Fitting, Tee ORFS	
27	4812000	2	Washer, M10	

# SECTION 8 - HYDRAULIC CIRCUITS

FIGURE 8-36. COUNTERBALANCE VALVE INSTALLATION (LIFT - GLS NO RIDE CONTROL)



ART\_1001225681-D

## SECTION 8 - HYDRAULIC CIRCUITS

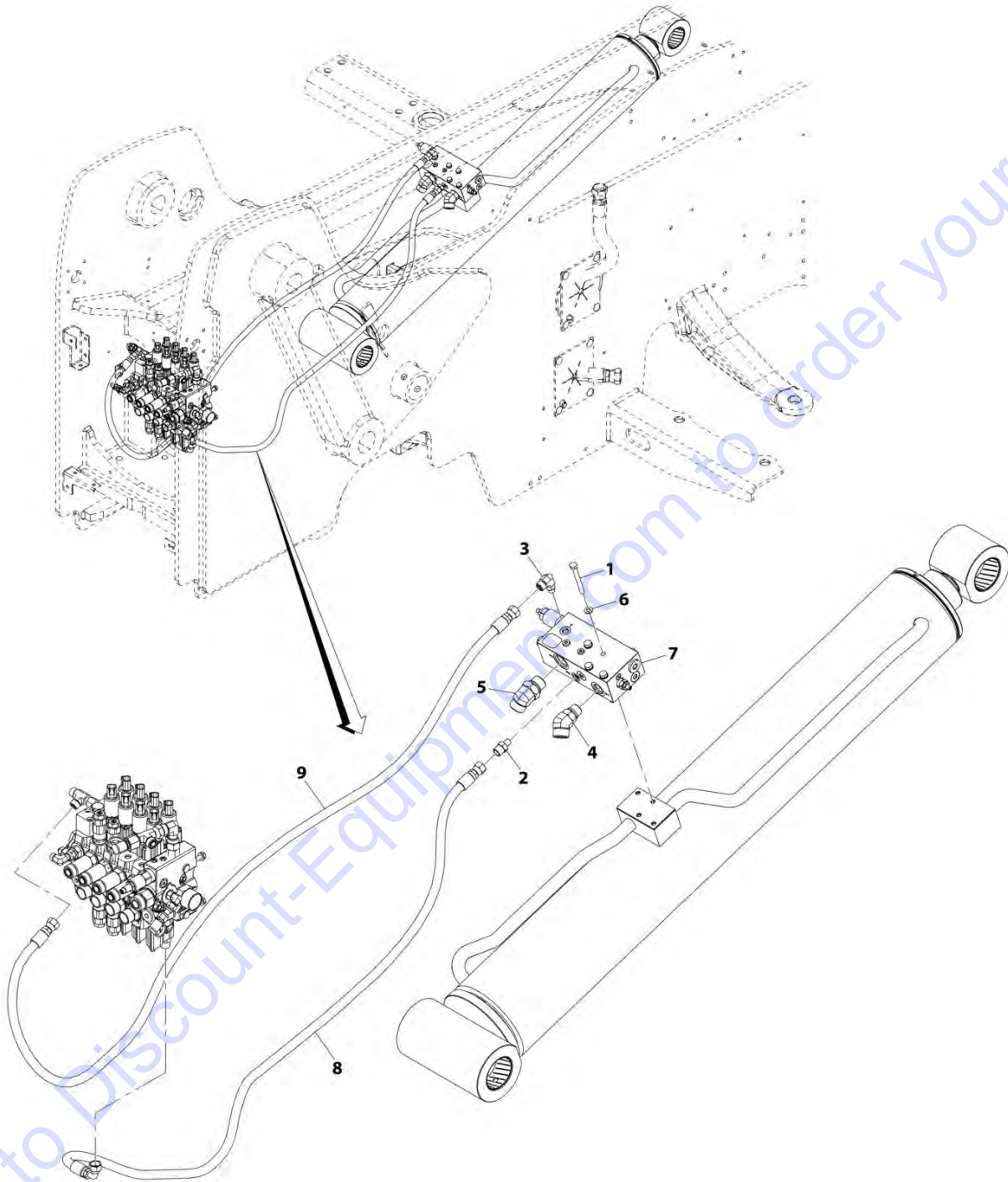
**FIGURE 8-36. COUNTERBALANCE VALVE INSTALLATION (LIFT - GLS NO RIDE CONTROL)**

ITEM	PART NUMBER	QTY	DESCRIPTION	REV
	1001225681	Ref	Counterbalance Valve Installation (Lift - PGLS No Ride Control)	D
1	0700823	4	Bolt, M8X75	
2	2110404	1	Fitting, Straight ORFS	
3	2130604	1	Fitting, 90 ORFS	
4	2151210	1	Fitting, 45 ORFS	
5	2151212	1	Fitting, 45 ORFS	
6	4811900	4	Washer, M8	
7	1001225462	1	Hose	
8	1001225464	1	Hose	
9	1001226035	1	Valve, Counterbalance (PGLS)	

Go to Discount-Equipment.com to order your parts

# SECTION 8 - HYDRAULIC CIRCUITS

## FIGURE 8-37. COUNTERBALANCE VALVE INSTALLATION



ART\_1001232296-A

## SECTION 8 - HYDRAULIC CIRCUITS

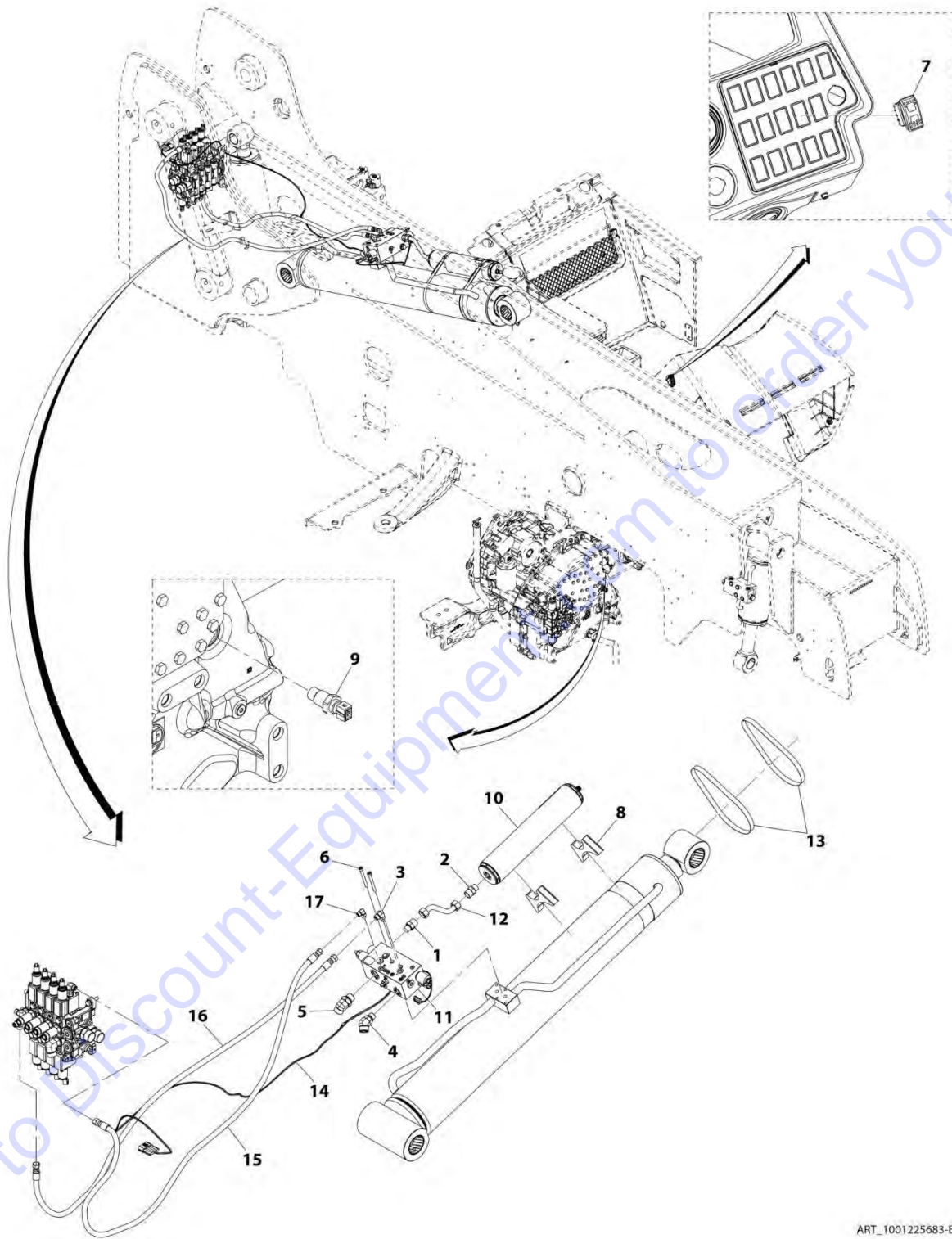
### FIGURE 8-37. COUNTERBALANCE VALVE INSTALLATION

ITEM	PART NUMBER	QTY	DESCRIPTION	REV
	1001232296	Ref	Counterbalance Valve Installation (Lift - PGLS No Ride Control 110HP)	A
1	0700823	4	Bolt, M8X75	
2	2110604	1	Fitting, Straight ORFS	
3	2130604	1	Fitting, 90 ORFS	
4	2151210	1	Fitting, 45 ORFS	
5	2151212	1	Fitting, 45 ORFS	
6	4811900	4	Washer, M8	
7	1001226035	1	Valve, Counterbalance (PGLS)	
8	1001232294	1	Hose	
9	1001232295	1	Hose	

Go to Discount-Equipment.com to order your parts

# SECTION 8 - HYDRAULIC CIRCUITS

## FIGURE 8-38. COUNTERBALANCE VALVE INSTALLATION (LIFT - GLS RIDE CONTROL)



ART\_1001225683-E



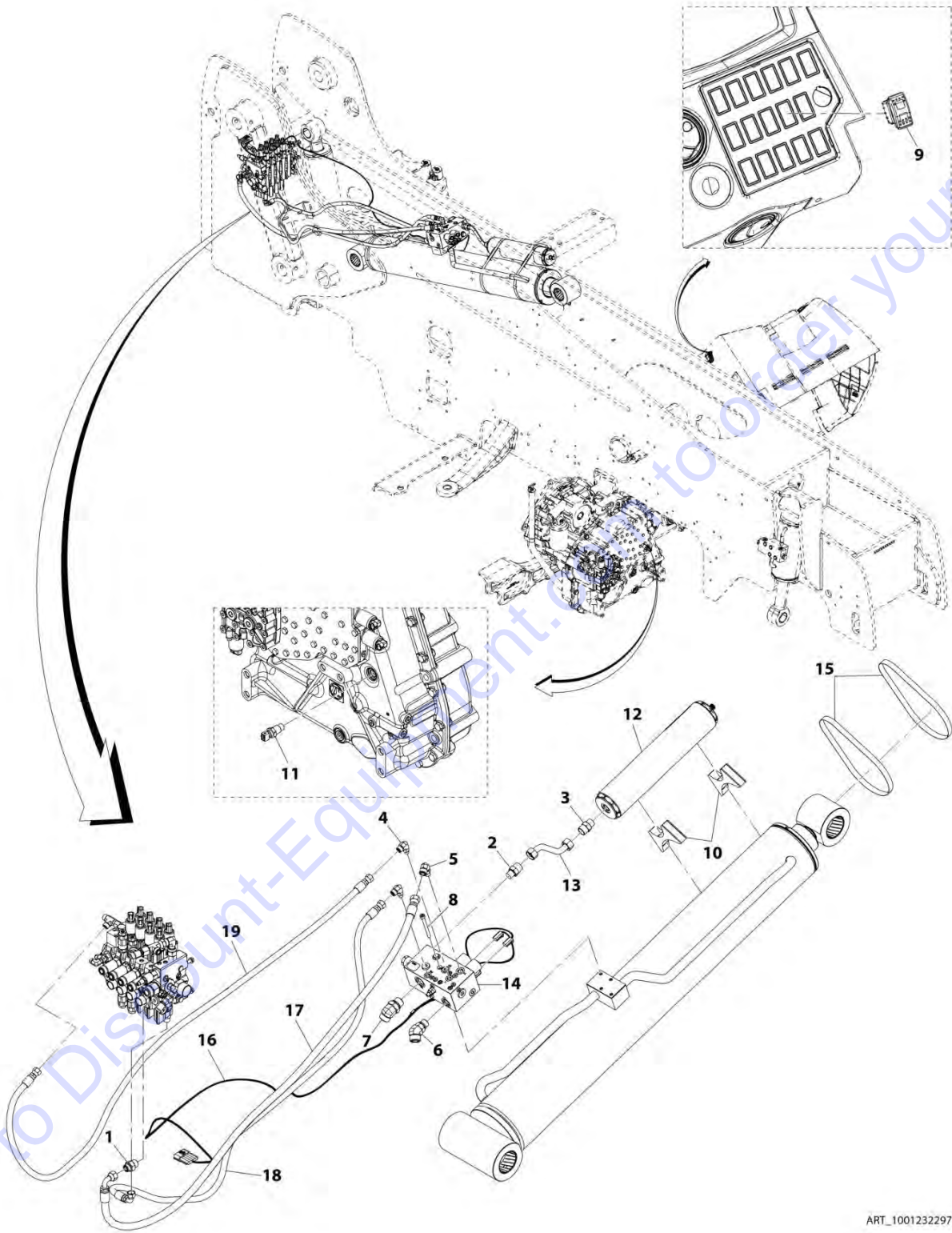
## SECTION 8 - HYDRAULIC CIRCUITS

**FIGURE 8-38. COUNTERBALANCE VALVE INSTALLATION (LIFT - GLS RIDE CONTROL)**

ITEM	PART NUMBER	QTY	DESCRIPTION	REV
	1001225683	Ref	Counterbalance Valve Installation (Lift - PGLS Ride Control 74HP)	E
1	2111008	1	Fitting, Straight ORFS	
2	2111010	1	Fitting, Straight ORFS	
3	2130604	1	Fitting, 90 ORFS	
4	2151210	1	Fitting, 45 ORFS	
5	2151212	1	Fitting, 45 ORFS	
6	4031921	4	Bolt, M8X85	
7	1001159745	1	Switch, Boom Ride	
8	1001175740	2	Bumper, Cylinder Saddle	
9	1001190881	1	Sensor, Speed	
10	1001192435	1	Cylinder, Piston	
11	1001227056	1	Line, Counterbalance Valve (Lift - Ride Control) (See Separate Breakdown in this Section)	
12	1001227137	1	Pipe, Ride Control	
13	1001095396	2	Clamp	
14	1001175676	Ref	Installation, Ride Control CB Valve Harness (Lift) (See Separate Breakdown in Electrical Section)	
15	1001225462	1	Hose	
16	1001225464	1	Hose	
17	2130404	1	Fitting, 90 ORFS	

# SECTION 8 - HYDRAULIC CIRCUITS

## FIGURE 8-39. COUNTERBALANCE VALVE INSTALLATION



ART\_1001232297-C

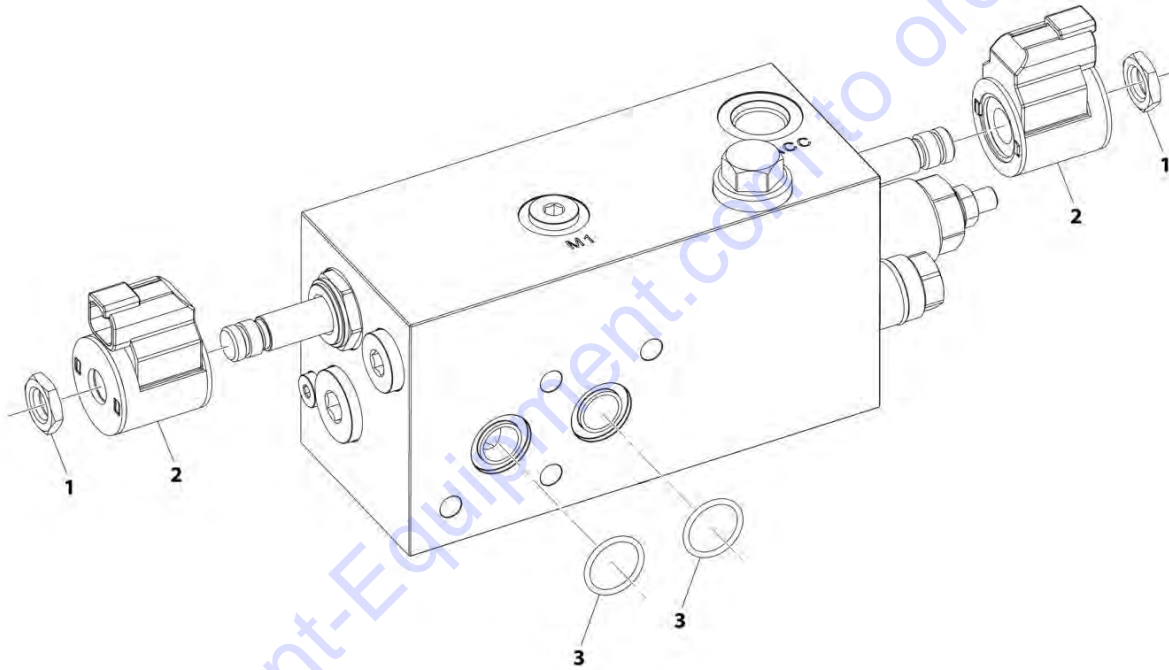
## SECTION 8 - HYDRAULIC CIRCUITS

### FIGURE 8-39. COUNTERBALANCE VALVE INSTALLATION

ITEM	PART NUMBER	QTY	DESCRIPTION	REV
	1001232297	Ref	Counterbalance Valve Installation (Lift - PGLS Ride Control 110HP)	C
1	2110810	1	Fitting, Straight ORFS	
2	2111008	1	Fitting, Straight ORFS	
3	2111010	1	Fitting, Straight ORFS	
4	2130604	2	Fitting, 90 ORFS	
5	2130806	1	Fitting, 90 ORFS	
6	2151210	1	Fitting, 45 ORFS	
7	2151212	1	Fitting, 45 ORFS	
8	4031921	4	Bolt, M8X85	
9	1001159745	1	Switch, Boom Ride	
10	1001175740	2	Bumper, Cylinder Saddle	
11	1001190881	1	Sensor, Speed	
12	1001192435	1	Cylinder, Piston	
13	1001227137	1	Pipe, Ride Control	
14	1001229685	1	Valve, PGLS W/Intgrated Recovery (Lift - Ride Control) (See Separate Breakdown in this Section)	
15	1001095396	2	Clamp	
16	1001175676	Ref	Installation, Ride Control CB Valve Harness (Lift) (See Separate Breakdown in Electrical Section)	
17	1001207295	1	Hose (SN 0160084796 through 0160089563, Excluding 0160089249, 0160089251 and 0160089255)	
17	1001207283	1	Hose (SN 0160089564 to Present, Including 0160089249, 0160089251 and 0160089255)	
18	1001232294	1	Hose	
19	1001232295	1	Hose	

## SECTION 8 - HYDRAULIC CIRCUITS

FIGURE 8-40. COUNTERBALANCE VALVE HYDRAULIC LINES (LIFT - RIDE CONTROL)



ART\_1001227056-A

## SECTION 8 - HYDRAULIC CIRCUITS

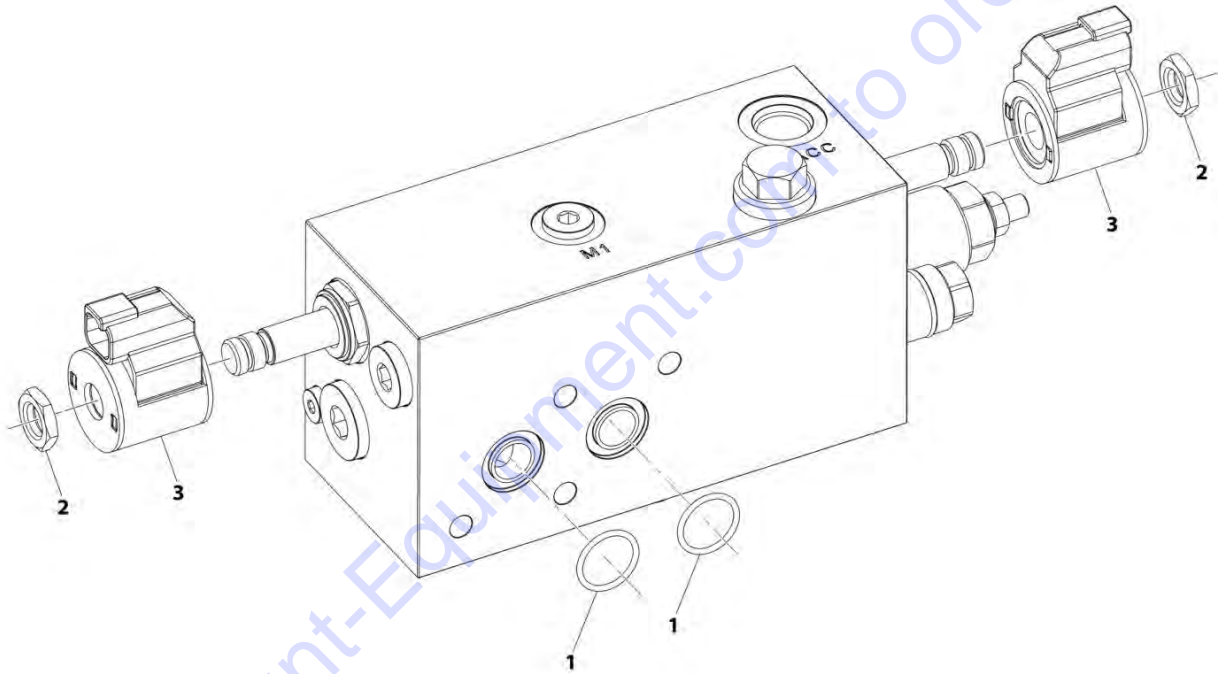
**FIGURE 8-40. COUNTERBALANCE VALVE HYDRAULIC LINES (LIFT - RIDE CONTROL)**

ITEM	PART NUMBER	QTY	DESCRIPTION	REV
	1001227056	Ref	Counterbalance Valve Hydraulic Lines (Lift - Ride Control)	A
1	7022390	2	Nut	
2	70028281	2	Coil	
3	70028453	2	O-Ring	

Go to Discount-Equipment.com to order your parts

# SECTION 8 - HYDRAULIC CIRCUITS

## FIGURE 8-41. INTGRATED RECOVERY VALVE



ART\_1001229685-A

## SECTION 8 - HYDRAULIC CIRCUITS

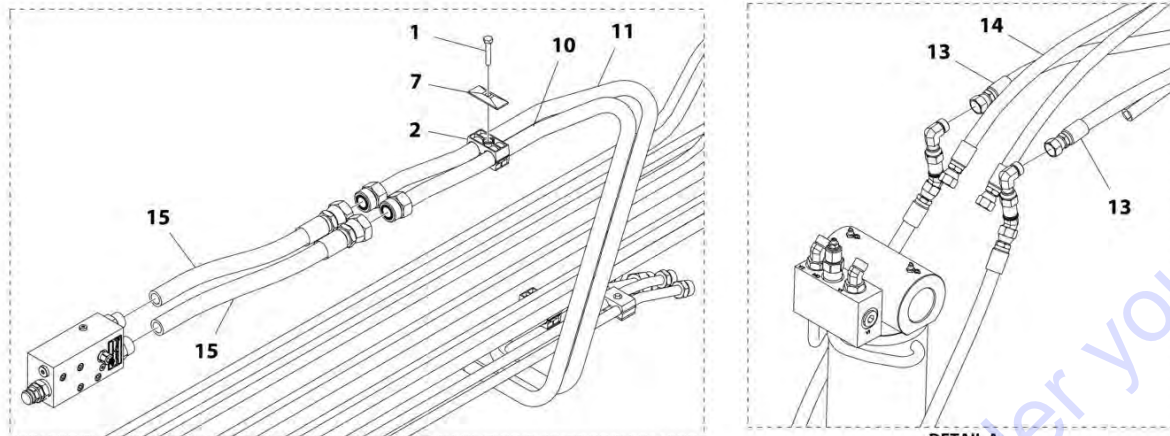
FIGURE 8-41. INTEGRATED RECOVERY VALVE

ITEM	PART NUMBER	QTY	DESCRIPTION	REV
	1001229685	Ref	Integrated Recovery Valve (Lift - Ride Control)	A
1	70028453	2	O-ring	
2	7022390	2	Nut	
3	70028281	2	Coil	

Go to Discount-Equipment.com to order your parts

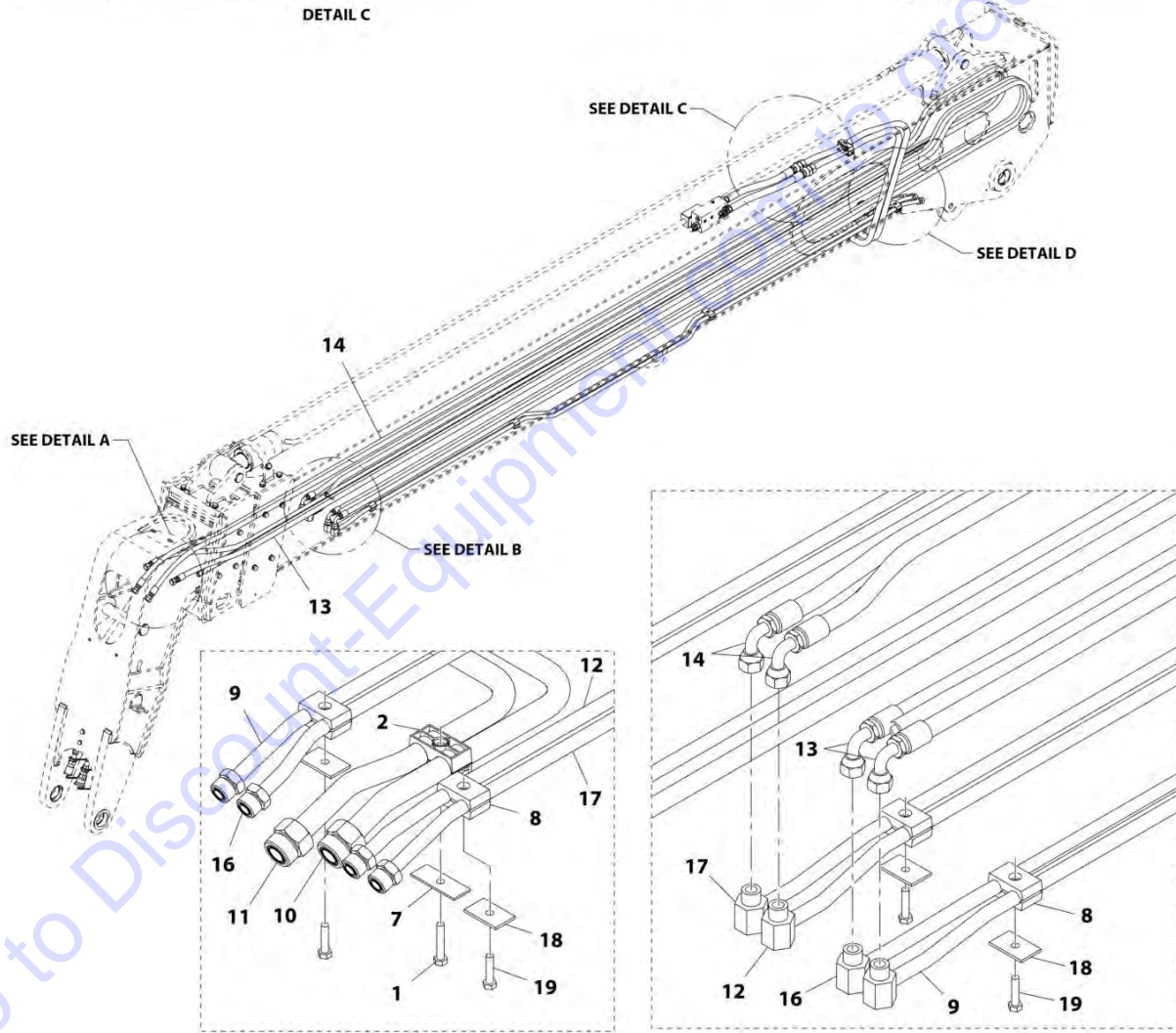
# SECTION 8 - HYDRAULIC CIRCUITS

## FIGURE 8-42. BOOM HYDRAULIC TUBES INSTALLATION



DETAIL C

DETAIL A



DETAIL D

DETAIL B

ART\_1001173470-G



## SECTION 8 - HYDRAULIC CIRCUITS

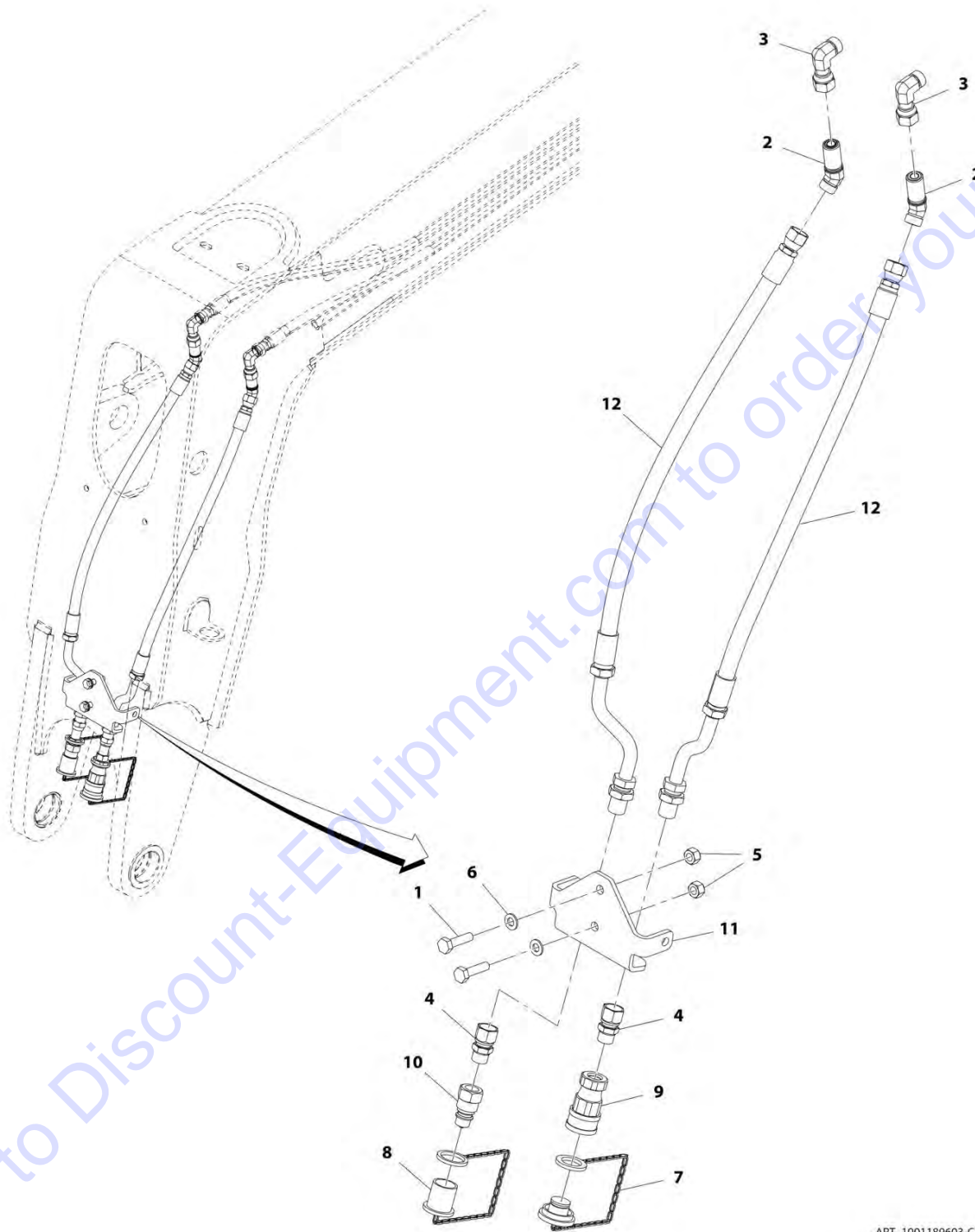
**FIGURE 8-42. BOOM HYDRAULIC TUBES INSTALLATION**

ITEM	PART NUMBER	QTY	DESCRIPTION	REV
	1001173470	Ref	Boom Hydraulic Tubes Installation	G
1	0700817	2	Bolt, M8X45	
2	1321329	2	Clamp	
7	77133137	2	Plate, Cover	
8	77133139	8	Clamp	
9	1001162339	1	Tube	
10	1001162343	1	Tube	
11	1001162344	1	Tube	
12	1001162346	1	Tube	
13	1001163072	1	Hose	
14	1001163073	1	Hose	
15	1001170549	2	Hose	
16	1001173956	1	Tube	
17	1001173957	1	Tube	
18	77133140	8	Plate, Cover	
19	0760815	8	Bolt, M8X35	

Go to Discount-Equipment.com to order your parts

# SECTION 8 - HYDRAULIC CIRCUITS

## FIGURE 8-43. BOOM AUXILIARY HYDRAULICS INSTALLATION



ART\_1001189603-C

## SECTION 8 - HYDRAULIC CIRCUITS

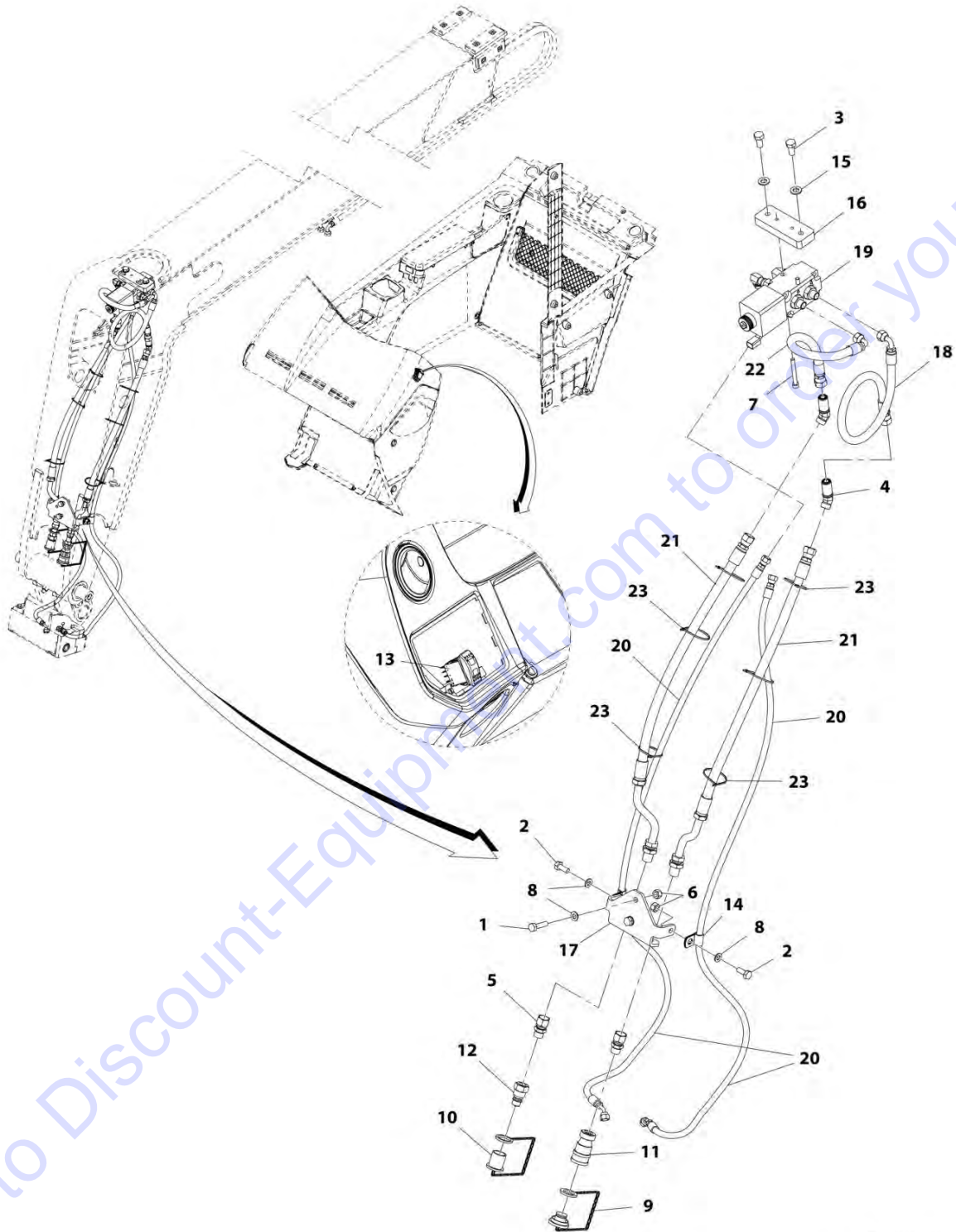
**FIGURE 8-43. BOOM AUXILIARY HYDRAULICS INSTALLATION**

ITEM	PART NUMBER	QTY	DESCRIPTION	REV
	1001189603	Ref	Boom Auxiliary Hydraulics Installation	C
1	0701016	2	Bolt, M10X40	
2	2171308	2	Fitting, 45 ORFS	
3	2172108	2	Fitting, 90 ORFS	
4	1001210775	2	Fitting, Straight	
5	3291005	2	Bolt, M10X1.5	
6	4812000	2	Washer, M10	
7	91043125	1	Plug	
8	91043126	1	Cap	
9	91403413	1	Fitting, Straight	
10	91403414	1	Fitting, Straight	
11	1001164948	1	Bracket	
12	1001189217	2	Hose	

Go to Discount-Equipment.com to order your parts

# SECTION 8 - HYDRAULIC CIRCUITS

## FIGURE 8-44. BOOM AUXILIARY HYDRAULICS (HYDRAULIC COUPLER)



ART\_1001189604-F

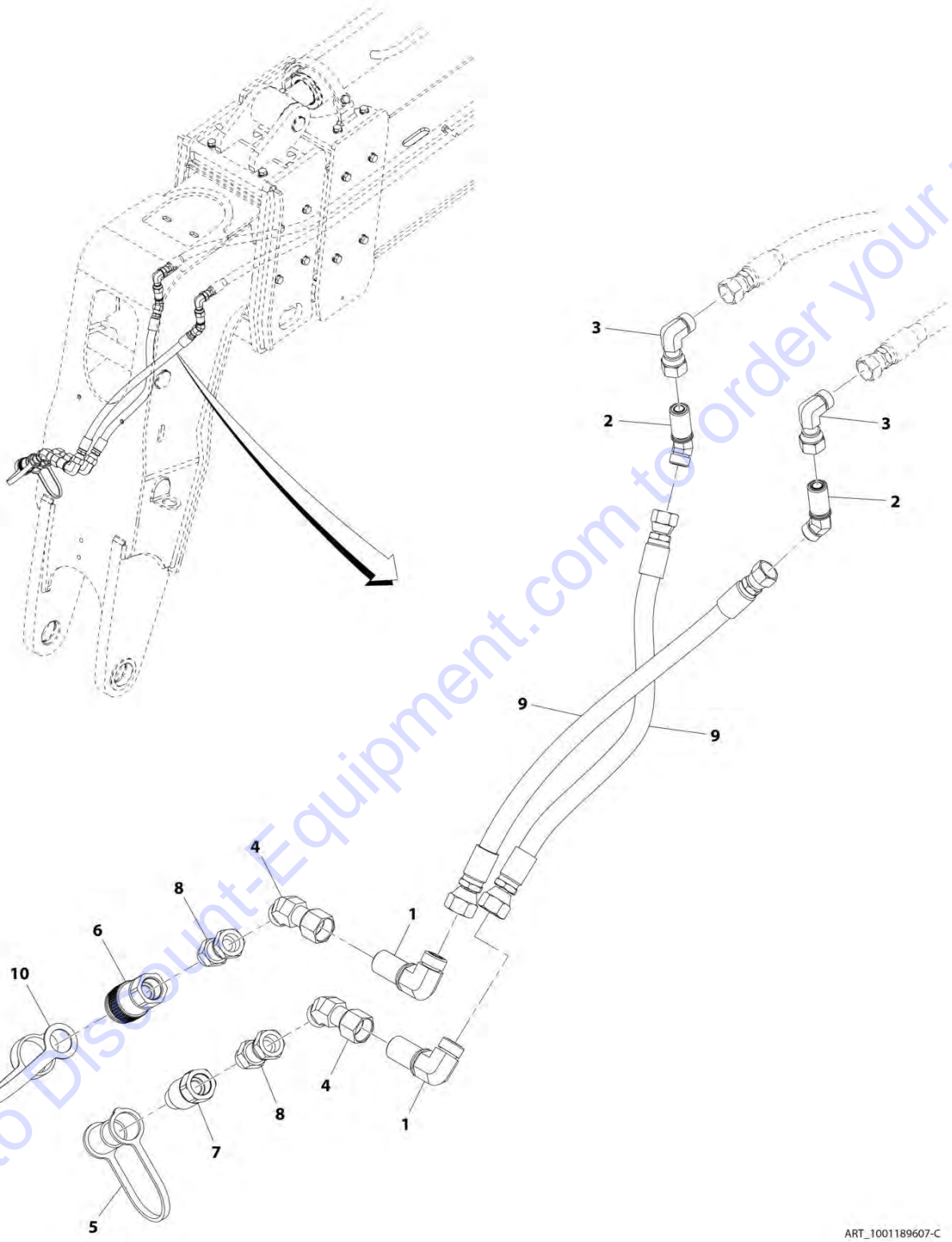
## SECTION 8 - HYDRAULIC CIRCUITS

**FIGURE 8-44. BOOM AUXILIARY HYDRAULICS (HYDRAULIC COUPLER)**

ITEM	PART NUMBER	QTY	DESCRIPTION	REV
	1001189604	Ref	Boom Auxiliary Hydraulics (Hydraulic Coupler)	F
1	0701016	2	Bolt, M10X40	
2	0761012	2	Bolt, M10X25	
3	0761212	2	Bolt, M12X25	
4	2171308	2	Fitting, 45 ORFS	
5	1001210775	2	Fitting, Straight	
6	3291005	4	Nut, Lock M10X1.5	
7	4031918	2	Bolt, M8X70	
8	4812000	4	Washer, M10	
9	91043125	1	Plug	
10	91043126	1	Cap	
11	91403413	1	Fitting, Straight	
12	91403414	1	Fitting, Straight	
13	1001080375	1	Switch	
14	1001080996	2	Clamp	
15	1001125117	2	Washer, M12	
16	1001164870	1	Plate, Valve Attachment	
17	1001164948	1	Bracket	
18	1001189308	1	Hose	
19	1001197182	1	Assembly, Valve Quick Coupler (See Separate Breakdown in this Section)	
20	1001210348	2	Hose	
21	1001189217	2	Hose	
22	1001189299	1	Hose	
23	4240099	6	Strap, Tie	

# SECTION 8 - HYDRAULIC CIRCUITS

## FIGURE 8-45. BOOM AUXILIARY HYDRAULICS (SIDE MOUNTED)



Go to [Discount-Equipment.com](http://Discount-Equipment.com) to order your parts

ART\_1001189607-C

## SECTION 8 - HYDRAULIC CIRCUITS

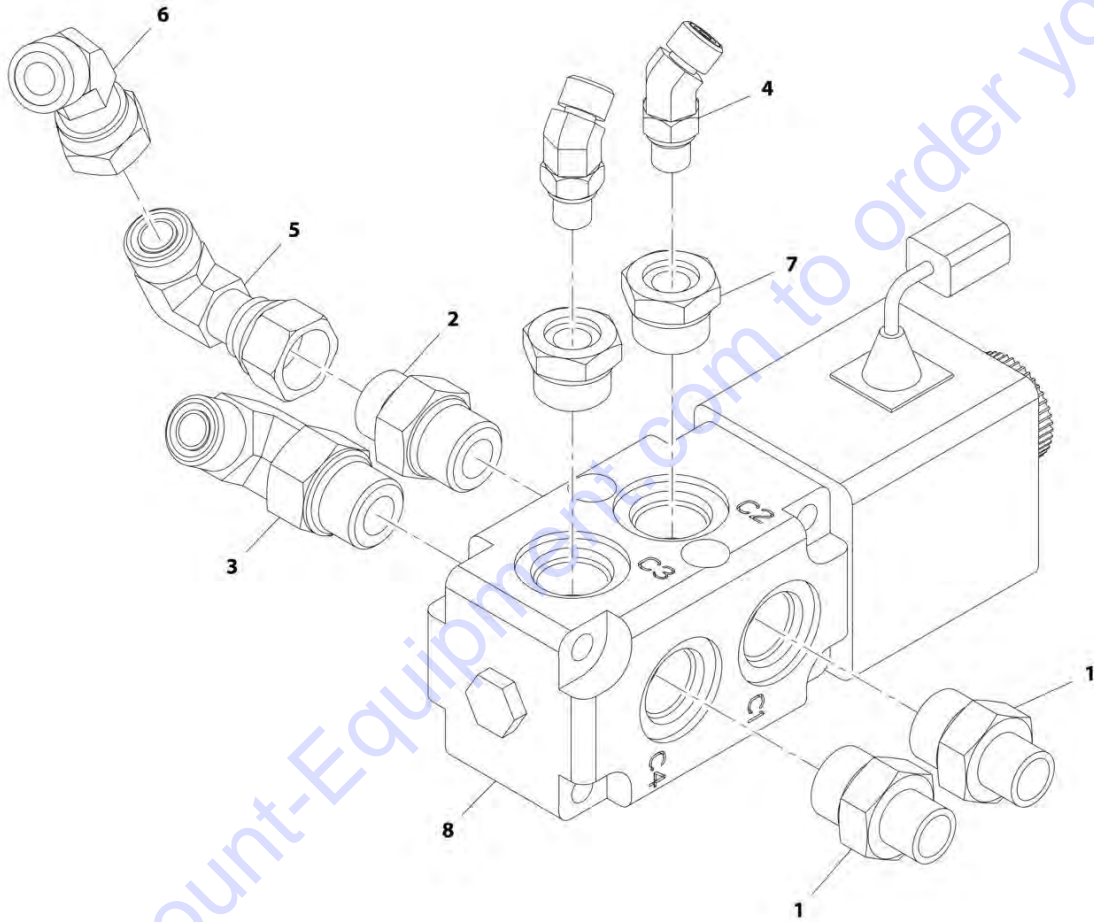
**FIGURE 8-45. BOOM AUXILIARY HYDRAULICS (SIDE MOUNTED)**

ITEM	PART NUMBER	QTY	DESCRIPTION	REV
	1001189607	Ref	Boom Auxiliary Hydraulics (Side Mounted)	C
1	2171210	2	Fitting, 90	
2	2171308	2	Fitting, 45 ORFS	
3	2172108	2	Fitting, 90 ORFS	
4	2172310	2	Fitting, 45 ORFS	
5	8420053	1	Cap, Dust	
6	1001001240	1	Fitting, Straight	
7	1001001241	1	Fitting, Straight	
8	1001001556	2	Fitting, Straight ORFS	
9	1001189310	2	Hose	
10	1001001557	1	Plug, Dust	

Go to Discount-Equipment.com to order your parts

# SECTION 8 - HYDRAULIC CIRCUITS

## FIGURE 8-46. QUICK COUPLER VALVE ASSEMBLY



ART\_1001197182-B



## SECTION 8 - HYDRAULIC CIRCUITS

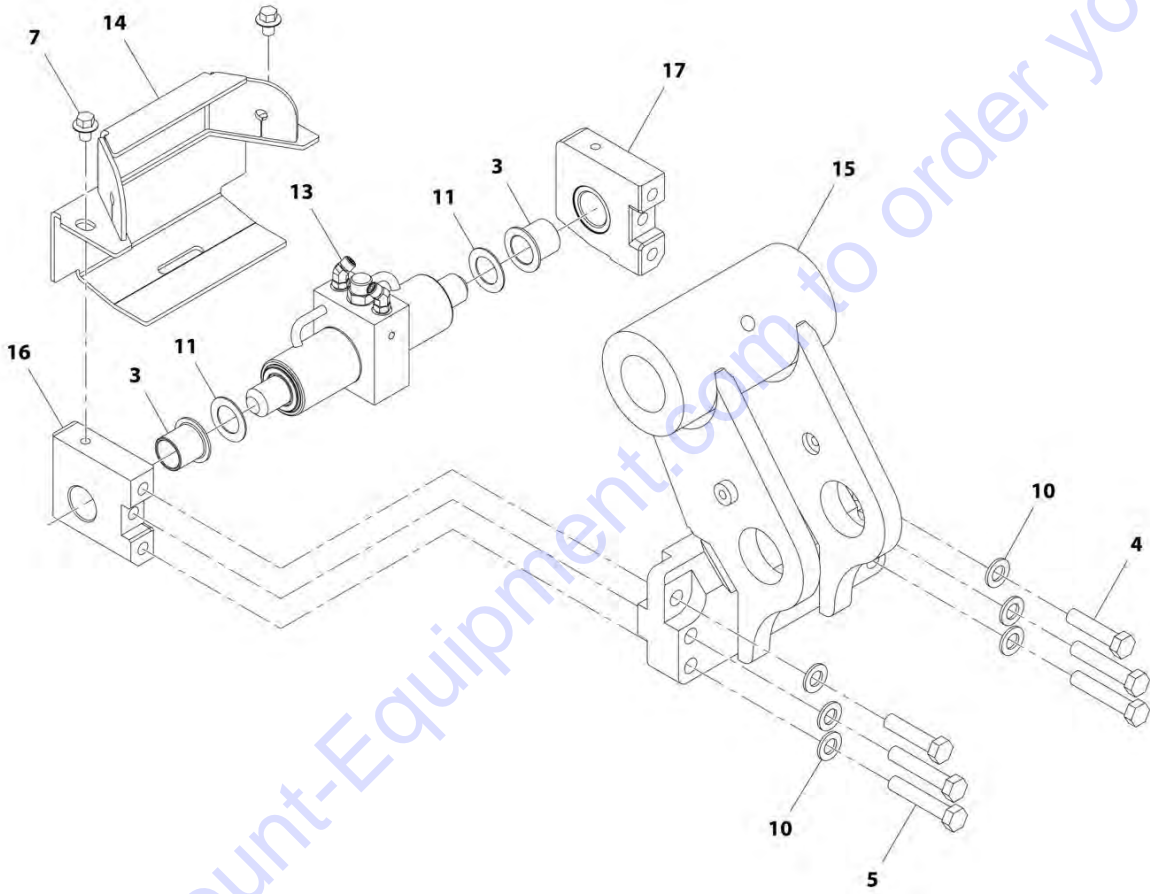
**FIGURE 8-46. QUICK COUPLER VALVE ASSEMBLY**

ITEM	PART NUMBER	QTY	DESCRIPTION	REV
	1001197182	Ref	Quick Coupler Valve Assembly	B
1	2110610	2	Fitting, Straight	
2	2110810	1	Fitting, Straight	
3	2130810	1	Fitting, 90 ORFS	
4	2150404	2	Fitting, 45 ORFS	
5	2172108	1	Fitting, 90 ORFS	
6	2221231	1	Fitting, 45 ORFS	
7	1001001568	2	Reducer	
8	1001104477	1	Valve, Quick Coupler (See Separate Breakdown in Hydraulic Components Section)	

Go to Discount-Equipment.com to order your parts

# SECTION 8 - HYDRAULIC CIRCUITS

## FIGURE 8-47. HYDRAULIC QUICK COUPLER ASSEMBLY



ART\_1001172134-D

## SECTION 8 - HYDRAULIC CIRCUITS

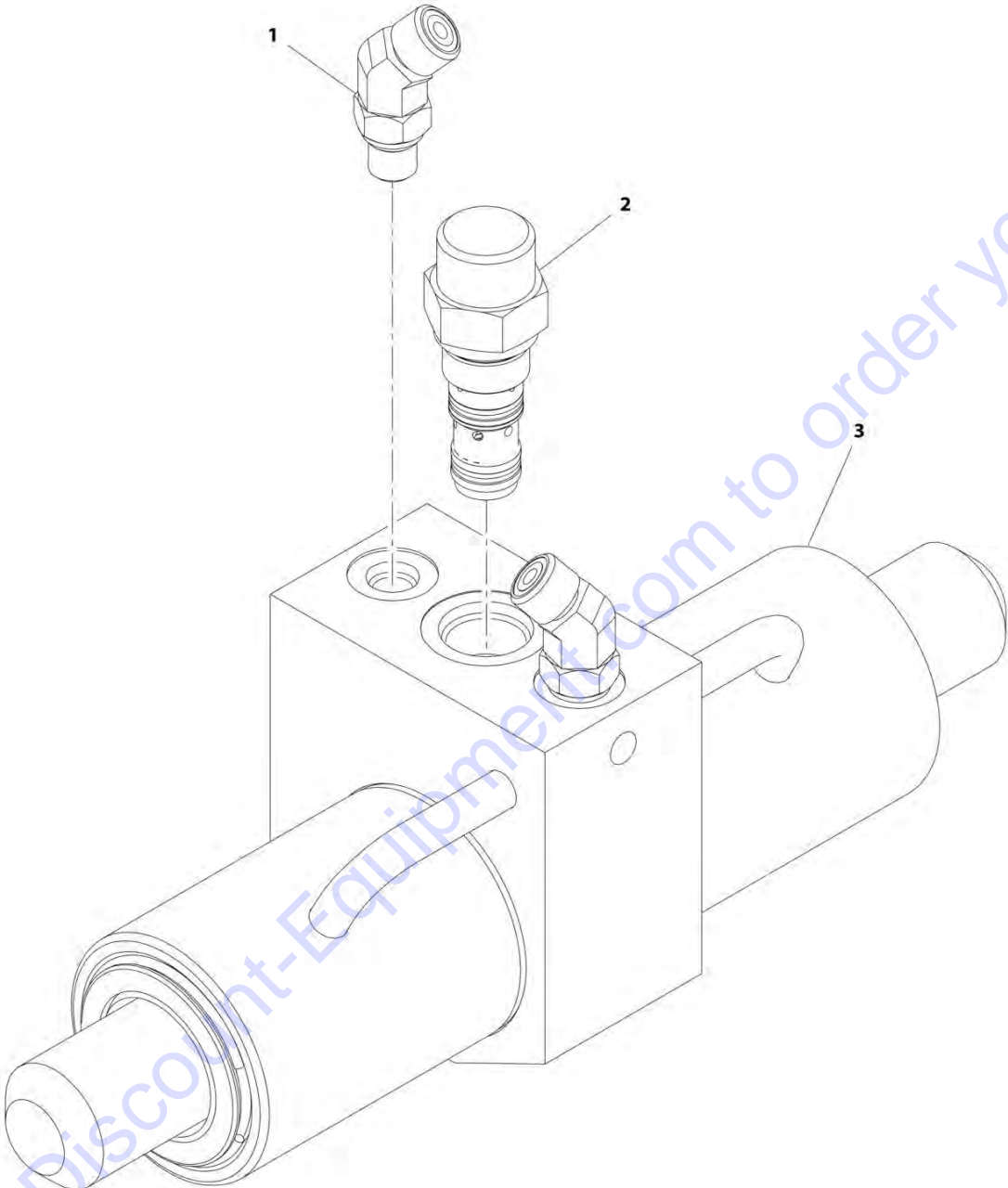
**FIGURE 8-47. HYDRAULIC QUICK COUPLER ASSEMBLY**

ITEM	PART NUMBER	QTY	DESCRIPTION	REV
	1001172134	Ref	Hydraulic Quick Coupler Assembly	D
3	0440321	2	Bearing, Flange	
4	1001191503	2	Bolt, M16X1.5X17 GR10.9	
5	1001191505	4	Bolt, M16X1.5X85 GR10.9	
7	0781208	2	Bolt, M12X16	
10	5241600	6	Washer, M16	
11	91561240	AR	Shim	
13	1001210390	1	Assembly, Quick Coupler Cylinder (See Separate Breakdown in this Section)	
14	1001164860	1	Cover	
15	1001172075	1	Fitting, Straight	
16	1001172077	1	Plate	
17	1001172078	1	Plate	

Go to Discount-Equipment.com to order your parts

**SECTION 8 - HYDRAULIC CIRCUITS**

**FIGURE 8-48. QUICK COUPLER CYLINDER ASSEMBLY**



ART\_1001210390-A

## SECTION 8 - HYDRAULIC CIRCUITS

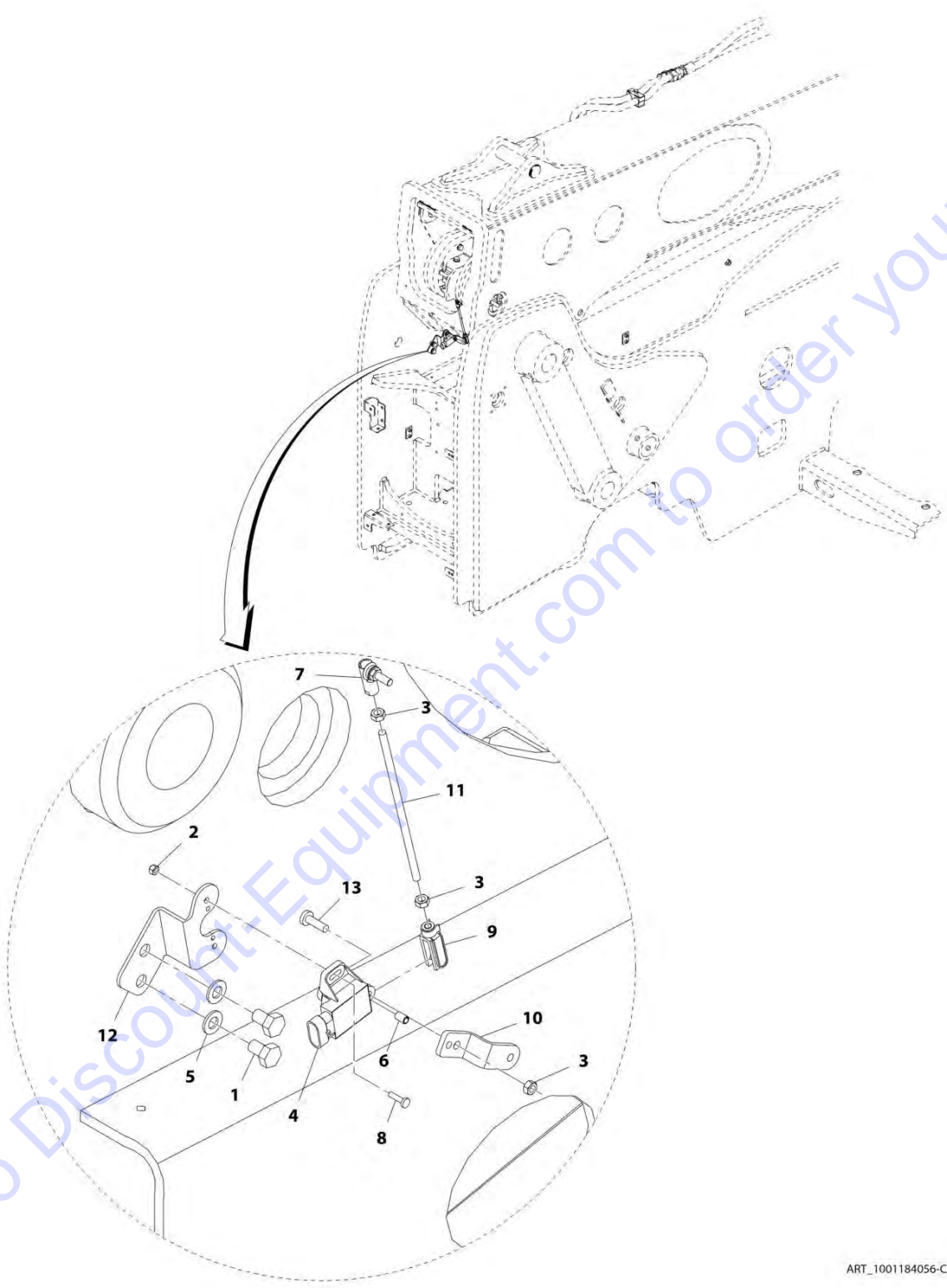
FIGURE 8-48. QUICK COUPLER CYLINDER ASSEMBLY

ITEM	PART NUMBER	QTY	DESCRIPTION	REV
	1001210390	Ref	Quick Coupler Cylinder Assembly	A
1	2150404	2	Fitting, 45 ORFS	
2	1001007056	1	Valve, Check	
3	1001120163	1	Cylinder, Quick Coupler (See Separate Breakdown in Hydraulic Components Section)	

Go to Discount-Equipment.com to order your parts

# SECTION 8 - HYDRAULIC CIRCUITS

## FIGURE 8-49. BOOM ANGLE SENSOR INSTALLATION



ART\_1001184056-C

## SECTION 8 - HYDRAULIC CIRCUITS

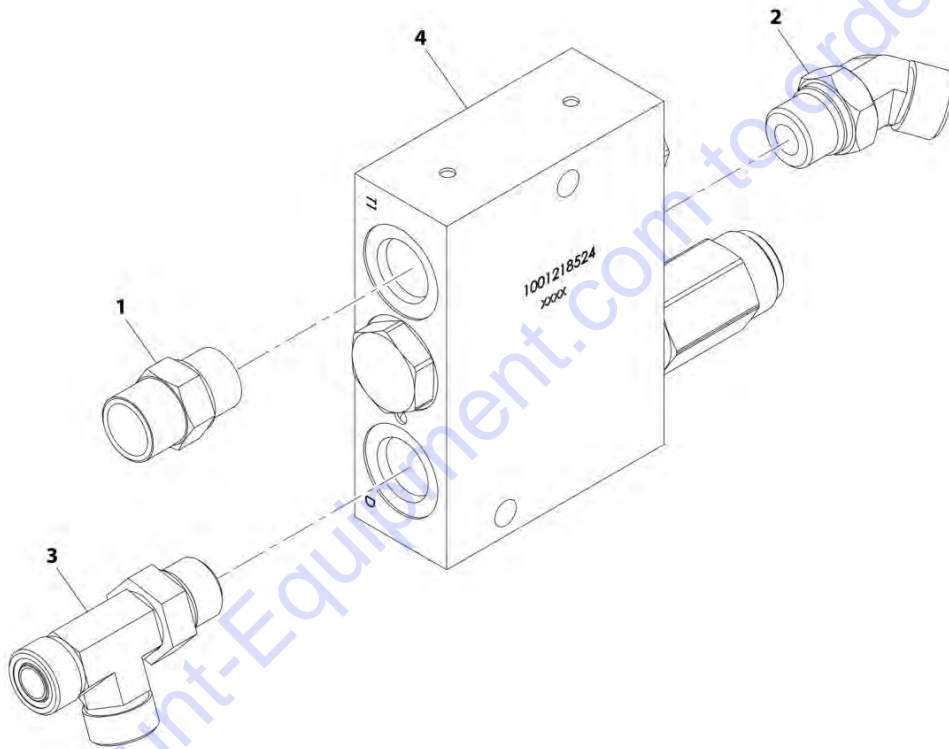
**FIGURE 8-49. BOOM ANGLE SENSOR INSTALLATION**

ITEM	PART NUMBER	QTY	DESCRIPTION	REV
	1001184056	Ref	Boom Angle Sensor Installation	C
1	0761008	2	Bolt, M10X16	
2	3290405	2	Nut, Lock M4X0.7	
3	3290601	3	Nut, M6X1	
4	4000015	1	Sensor, Angle	
5	4812000	2	Washer, M10	
6	1001103156	1	Pin	
7	1001184484	1	Joint, Ball	
8	1001126837	2	Screw, M4X16	
9	1001134274	1	Clevis	
10	1001188787	1	Link, Boom Angle Sensor	
11	1001168482	1	Rod	
12	1001211059	1	Bracket, Boom Angle Sensor	
13	4010610002	1	Screw, M6X20	

Go to Discount-Equipment.com to order your parts

# SECTION 8 - HYDRAULIC CIRCUITS

## FIGURE 8-50. EMERGENCY STEERING MANIFOLD



ART\_1001219191-A



## SECTION 8 - HYDRAULIC CIRCUITS

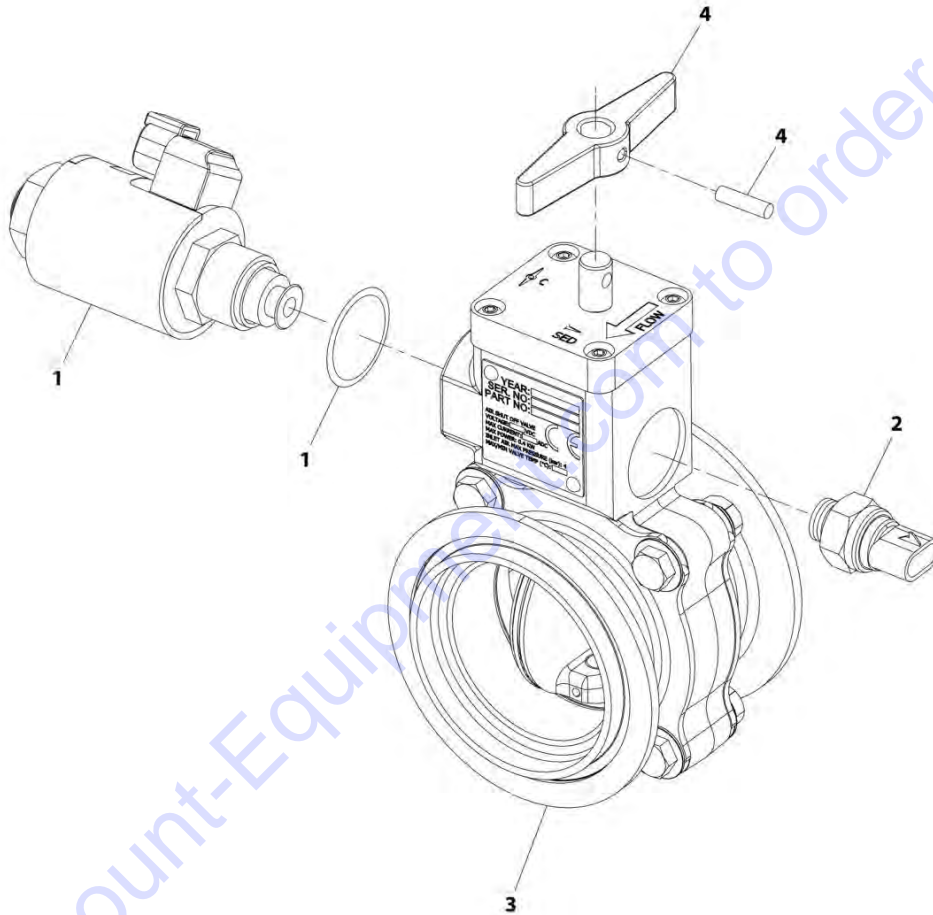
**FIGURE 8-50. EMERGENCY STEERING MANIFOLD**

ITEM	PART NUMBER	QTY	DESCRIPTION	REV
	1001219191	Ref	Emergency Steering Manifold	A
1	2110808	1	Fitting, Straight ORFS	
2	2150808	1	Fitting, 45 ORFS	
3	2170308	1	Fitting, Tee ORFS	
4	1001218524	1	Manifold	

Go to Discount-Equipment.com to order your parts

# SECTION 8 - HYDRAULIC CIRCUITS

## FIGURE 8-51. AIR SHUT OFF VALVE



ART\_1001204032-A

## SECTION 8 - HYDRAULIC CIRCUITS

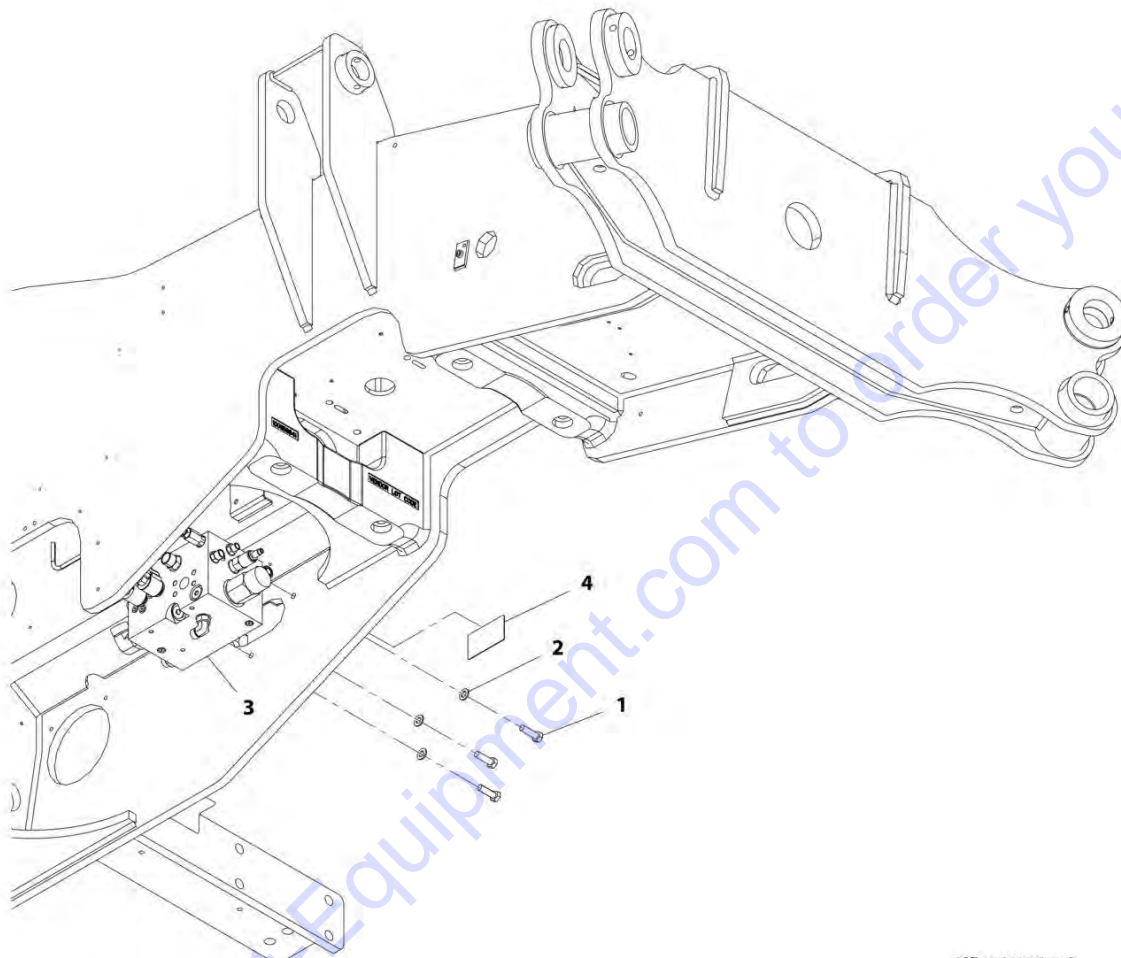
### FIGURE 8-51. AIR SHUT OFF VALVE

ITEM	PART NUMBER	QTY	DESCRIPTION	REV
1	1001204032	Ref	Air Shut Off Valve	A
	70028514	1	Kit, Solenoid 12V	
	N.S.S.	1	Solenoid	
	N.S.S.	1	Coil, 12V	
	N.S.S.	1	O-Ring	
2	70028515	1	Kit, Switch	
	N.S.S.	1	Switch, Ball	
	N.S.S.	1	O-Ring	
3	70028516	1	Kit, Flange and Hardware	
	N.S.S.	1	Flange, Female	
	N.S.S.	1	Flange, Male	
	N.S.S.	4	Bolt	
	N.S.S.	8	Washer	
	N.S.S.	4	Locknut	
4	70028517	1	Handle	
	N.S.S.	1	Handle, Reset	
	N.S.S.	1	Pin	

Go to Discount-Equipment.com to order your parts

## SECTION 8 - HYDRAULIC CIRCUITS

FIGURE 8-52. PRIORITY FUNCTION MANIFOLD INSTALLATION



ART\_1001161308-C

## SECTION 8 - HYDRAULIC CIRCUITS

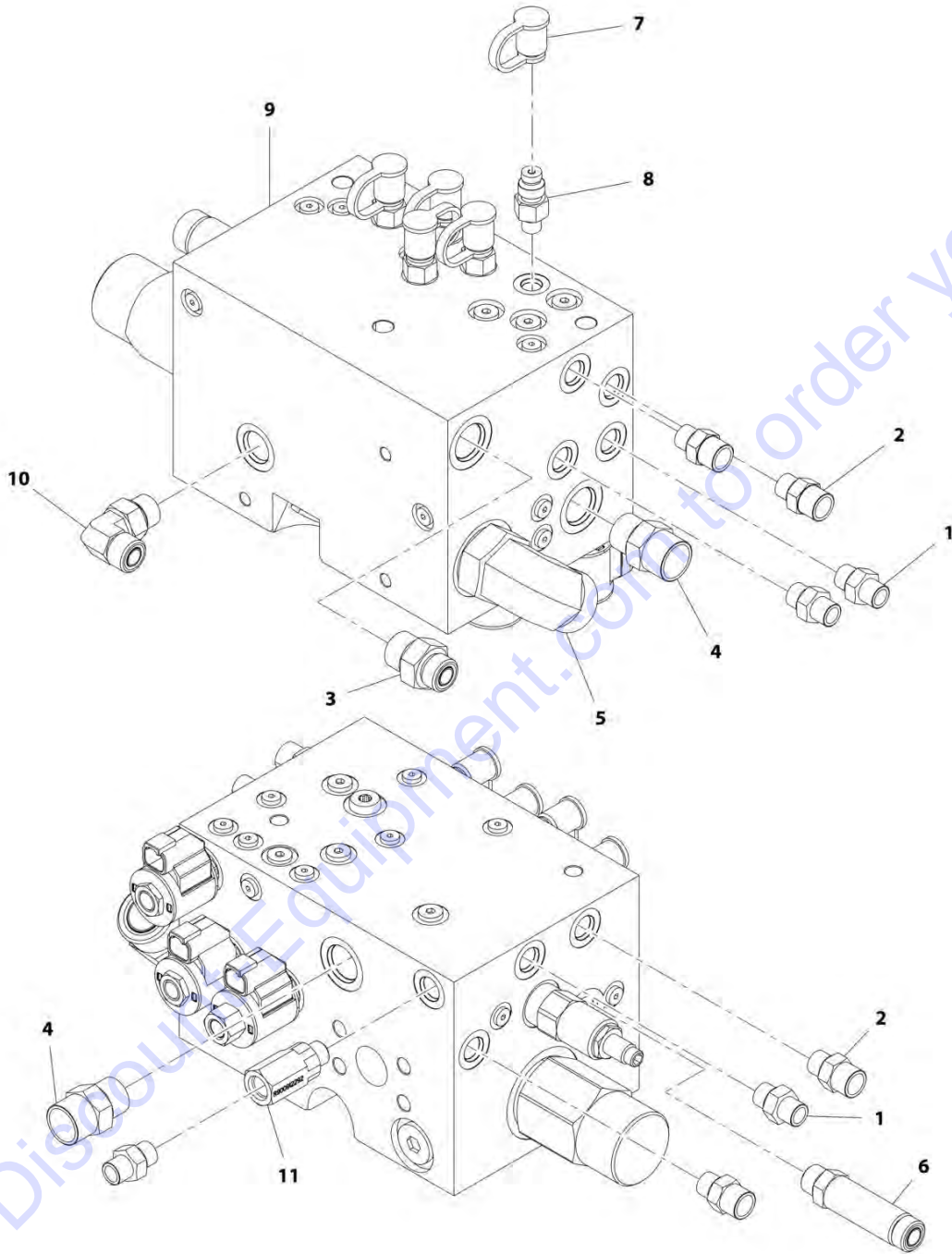
**FIGURE 8-52. PRIORITY FUNCTION MANIFOLD INSTALLATION**

ITEM	PART NUMBER	QTY	DESCRIPTION	REV
	1001161308	Ref	Priority Function Manifold Installation	C
1	0701216	3	Bolt, M12X40	
2	4812100	3	Washer, M12	
3	1001166223	1	Assembly, Priority Manifold Valve (See PRIORITY FUNCTION MANIFOLD VALVE ASSEMBLY for Breakdown)	
4	1001183243	1	Decal, Port ID	

Go to Discount-Equipment.com to order your parts

# SECTION 8 - HYDRAULIC CIRCUITS

## FIGURE 8-53. PRIORITY FUNCTION MANIFOLD VALVE ASSEMBLY



ART\_1001166223-F

## SECTION 8 - HYDRAULIC CIRCUITS

**FIGURE 8-53. PRIORITY FUNCTION MANIFOLD VALVE ASSEMBLY**

ITEM	PART NUMBER	QTY	DESCRIPTION	REV
	1001166223	Ref	Priority Function Manifold Valve Assembly	F
1	2110406	4	Fitting, Straight ORFS	
2	2110606	4	Fitting, Straight ORFS	
3	2110810	1	Fitting, Straight ORFS	
4	2111010	2	Fitting, Straight ORFS	
5	2131616	1	Fitting, 90 ORFS	
6	1001201755	1	Fitting, Straight ORFS	
7	8430032	5	Plug	
8	8430033	5	Fitting, Straight	
9	1001162548	1	Valve, Priority Manifold (See HYDRAULIC COMPONENTS SECTION for Breakdown)	
10	2130808	1	Fitting, 90 ORFS	
11	1001196608	1	Valve, Check	

Go to Discount-Equipment.com to order your parts



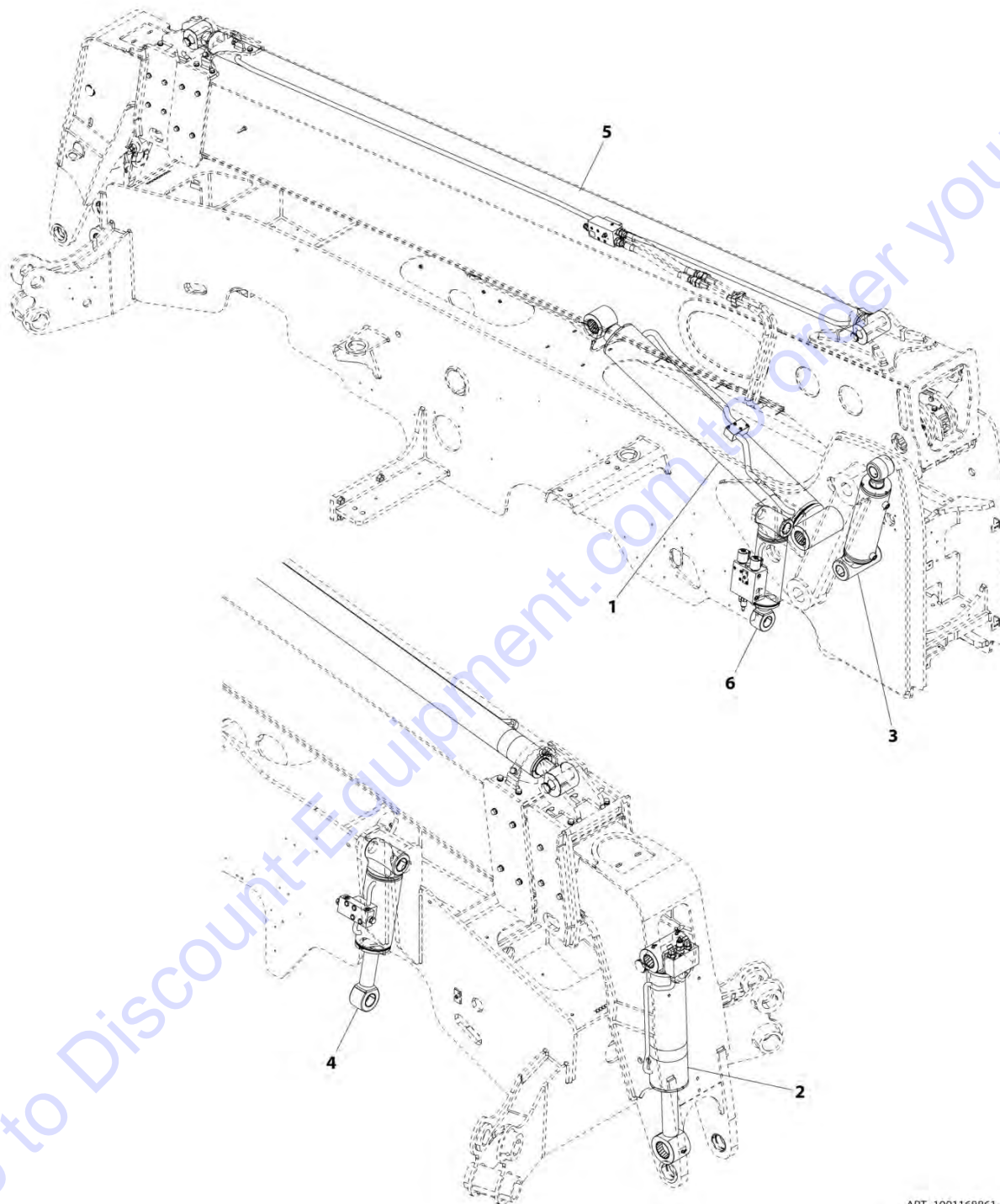


**SECTION 9 - HYDRAULIC COMPONENTS**

Go to [Discount-Equipment.com](http://Discount-Equipment.com) to order your parts

# SECTION 9 - HYDRAULIC COMPONENTS

## FIGURE 9-1. CYLINDER GROUP INSTALLATION



ART\_1001168861-G

## SECTION 9 - HYDRAULIC COMPONENTS

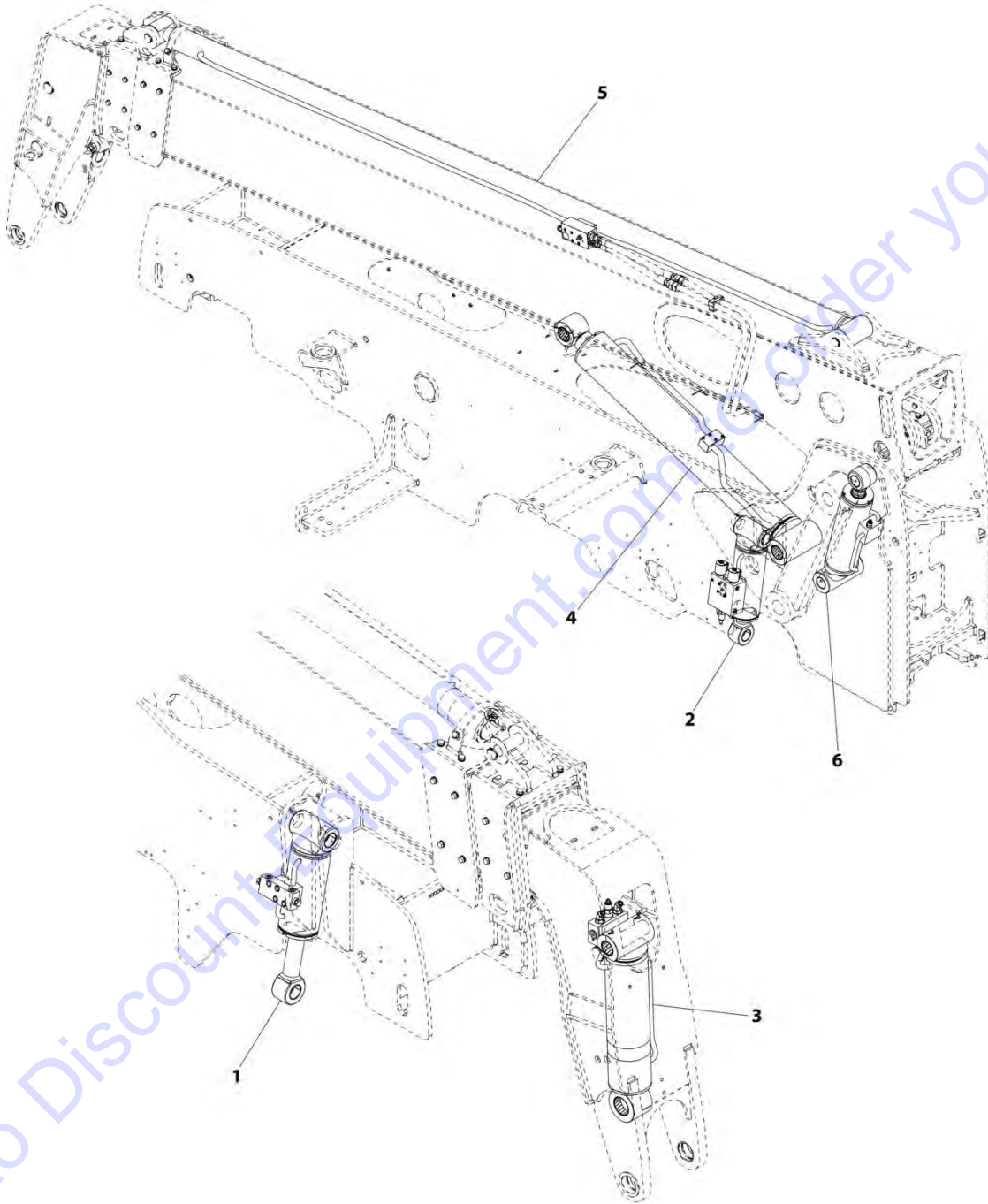
**FIGURE 9-1. CYLINDER GROUP INSTALLATION**

ITEM	PART NUMBER	QTY	DESCRIPTION	REV
	1001168861	Ref	Cylinder Group Installation	G
1	1001204381	NLA	Cylinder, Lift (no longer available, use 1001228096 for replacement) (See Separate Breakdown in this Section)	
1	1001228096	1	Cylinder, Lift (See Separate Breakdown in this Section)	
2	1001184714	1	Cylinder, Tilt (See Separate Breakdown in this Section)	
3	1001197491	1	Cylinder, Compensation (See Separate Breakdown in this Section)	
4	1001162076	1	Cylinder, Frame Level (See Separate Breakdown in this Section)	
5		Ref	Cylinder, Extend/Retract (See Separate Breakdown in this Section)	
6	1001164036	1	Cylinder, Rear Axle Stabilizer (See Separate Breakdown in this Section)	

Go to Discount-Equipment.com to order your parts

# SECTION 9 - HYDRAULIC COMPONENTS

## FIGURE 9-2. CYLINDER GROUP INSTALLATION - 74HP



ART\_1001226793-C

## SECTION 9 - HYDRAULIC COMPONENTS

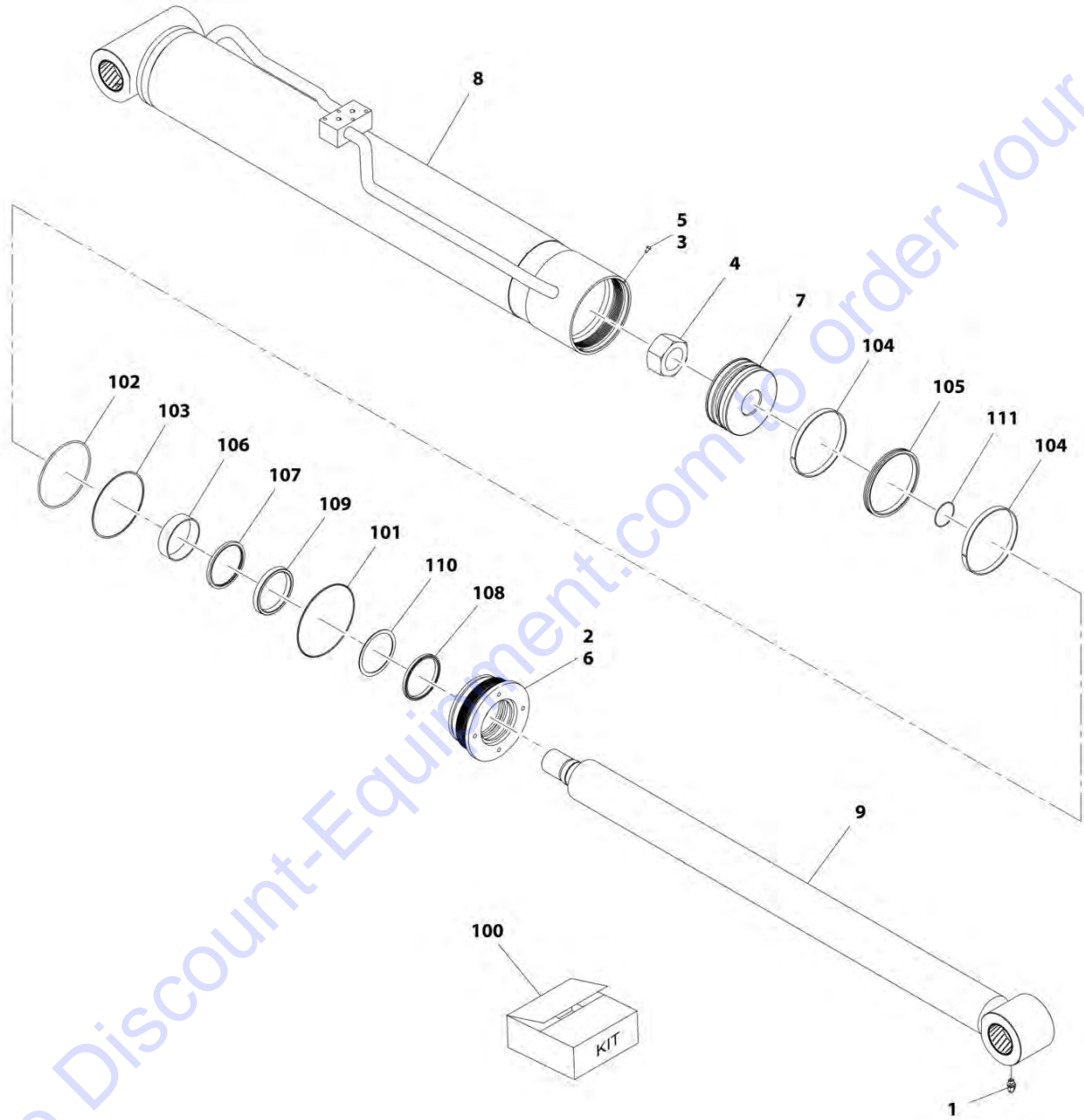
**FIGURE 9-2. CYLINDER GROUP INSTALLATION - 74HP**

ITEM	PART NUMBER	QTY	DESCRIPTION	REV
	1001226793	Ref	Cylinder Group Installation - 74HP	C
1	1001162076	1	Cylinder, Frame Level (See Separate Breakdown in this Section)	
2	1001164036	1	Cylinder, Rear Axle Stabilizer (See Separate Breakdown in this Section)	
3	1001184714	1	Cylinder, Tilt (See Separate Breakdown in this Section)	
4	1001204381	NLA	Cylinder, Lift (no longer available, use 1001228096 for replacement) (See Separate Breakdown in this Section)	
4	1001228096	1	Cylinder, Lift (See Separate Breakdown in this Section)	
5	1001226849	1	Cylinder, Extend/Retract (See Separate Breakdown in this Section)	
6	1001226670	1	Cylinder, Compensation (See Separate Breakdown in this Section)	

Go to Discount-Equipment.com to order your parts

# SECTION 9 - HYDRAULIC COMPONENTS

## FIGURE 9-3. LIFT CYLINDER



ART\_1001204381-C

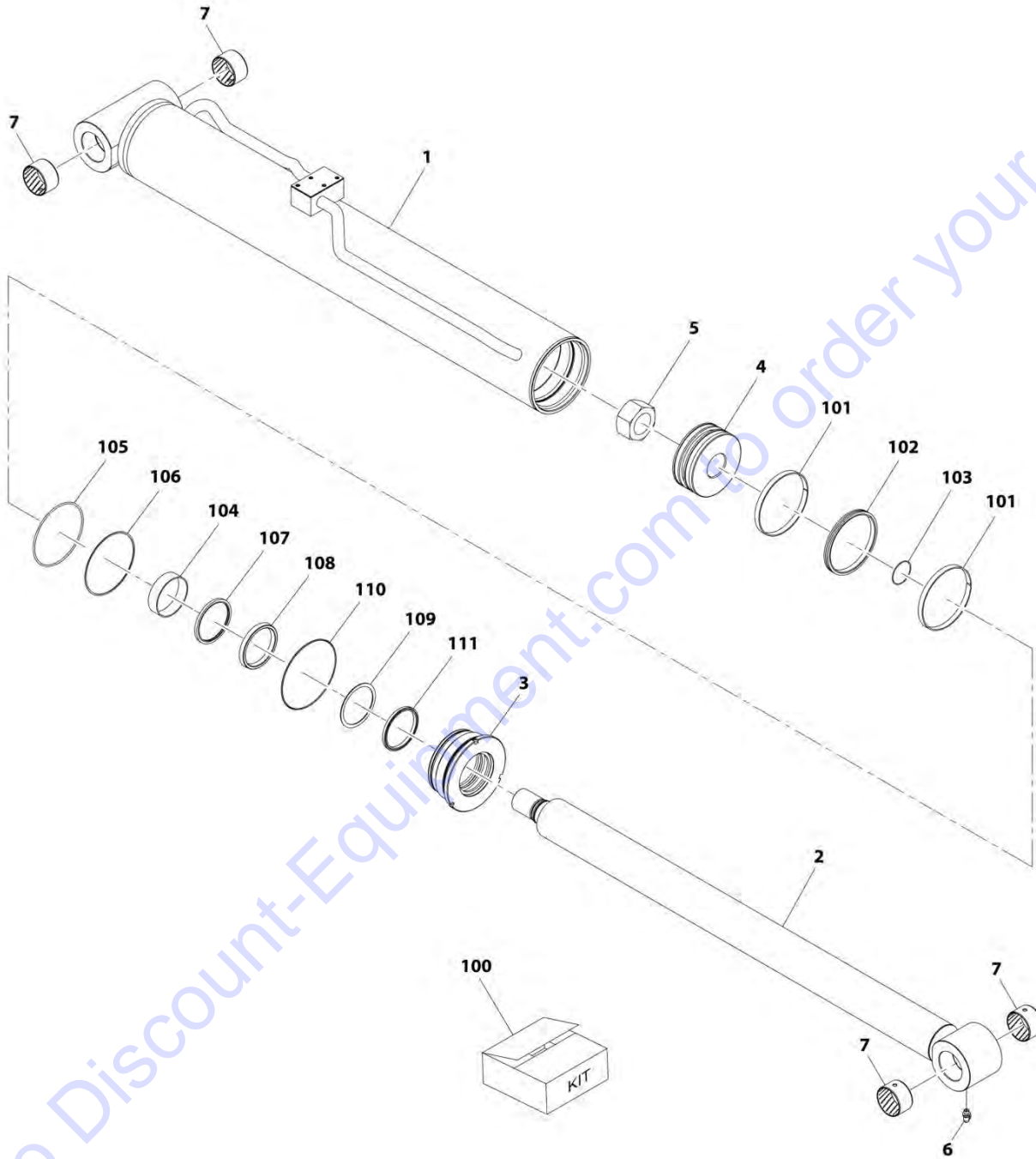
## SECTION 9 - HYDRAULIC COMPONENTS

**FIGURE 9-3. LIFT CYLINDER**

ITEM	PART NUMBER	QTY	DESCRIPTION	REV
	1001204381	Ref	Lift Cylinder (no longer available, use items 1 thru 100 for service or 1001228096 for replacement)	C
1	8770215	1	Fitting, 90	
2	3020043	AR	Lube, Anti-Seize	
3	0100011	AR	Compound, Locking	
4	1001122453	1	Nut, Lock	
5	1001125137	1	Screw, Self Tapping	
6	1001197699	1	Head	
7	1001197700	1	Piston	
8	1001197695	1	Barrel	
9	1001204379	1	Rod	
100	1001197918	1	Kit, Seal (includes items 101 thru 111)	
101	Kit	1	O-Ring	
102	Kit	1	O-Ring	
103	Kit	1	Ring, Backup	
104	Kit	1	Ring, Wear	
105	Kit	1	Seal	
106	Kit	1	Ring, Wear	
107	Kit	1	Seal, Buffer	
108	Kit	1	Seal, Wiper	
109	Kit	1	Seal	
110	Kit	1	Ring, Backup	
111	Kit	1	O-Ring	

# SECTION 9 - HYDRAULIC COMPONENTS

## FIGURE 9-4. LIFT CYLINDER



ART\_1001228096-A



## SECTION 9 - HYDRAULIC COMPONENTS

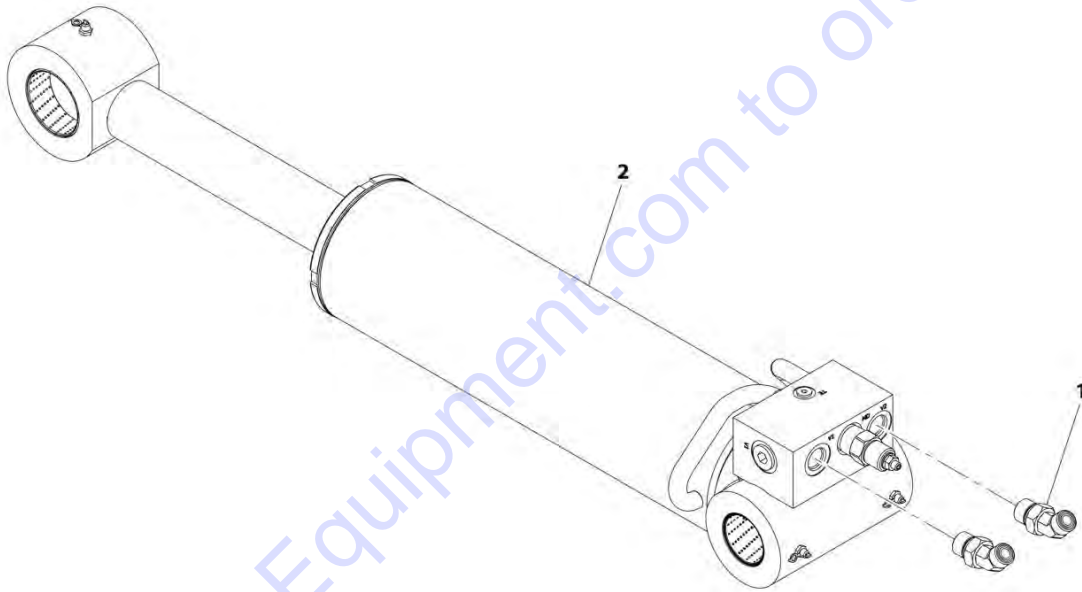
**FIGURE 9-4. LIFT CYLINDER**

ITEM	PART NUMBER	QTY	DESCRIPTION	REV
	1001228096	Ref	Lift Cylinder	A
1	N.S.S.	1	Barrel	
2	70028990	1	Rod	
3	70028991	1	Head	
4	70028992	1	Piston	
5	1001122453	1	Nut, Lock	
6	8770215	1	Fitting, 90	
7	1001170138	4	Bush Bearing	
100	1001197918	1	Kit, Seal (includes items 101 thru 111)	
101	Kit	2	Bearing	
102	Kit	1	Piston Seal	
103	Kit	1	O-Ring	
104	Kit	1	O-Ring	
105	Kit	1	Ring, Backup	
106	Kit	1	Bearing	
107	Kit	1	Buffer	
108	Kit	1	Rod Seal	
109	Kit	1	Ring, Backup	
110	Kit	1	O-Ring	
111	Kit	1	Wiper	

Go to Discount-Equipment.com to order your parts

# SECTION 9 - HYDRAULIC COMPONENTS

## FIGURE 9-5. TILT CYLINDER ASSEMBLY



ART\_1001184714-E

## SECTION 9 - HYDRAULIC COMPONENTS

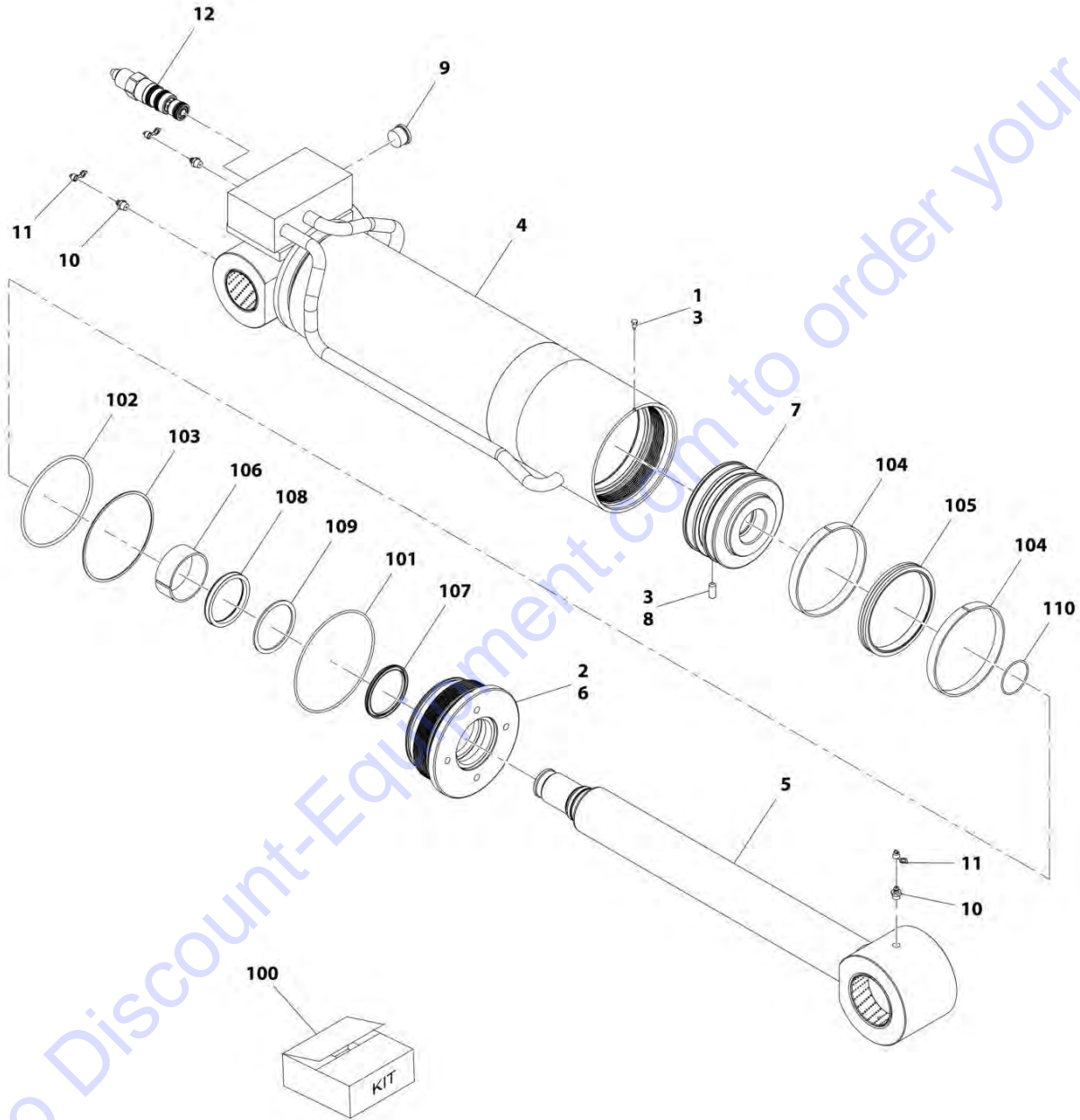
FIGURE 9-5. TILT CYLINDER ASSEMBLY

ITEM	PART NUMBER	QTY	DESCRIPTION	REV
	1001184714	Ref	Tilt Cylinder Assembly	E
1	2150810	2	Fitting, 45 ORFS	
2	1001197574	NLA	Tilt Cylinder (no longer available, use 1001228089 for replacement) (See Separate Breakdown in this Section)	
2	1001228089	1	Tilt Cylinder (See Separate Breakdown in this Section)	

Go to Discount-Equipment.com to order your parts

# SECTION 9 - HYDRAULIC COMPONENTS

## FIGURE 9-6. TILT CYLINDER



ART\_1001197574-C

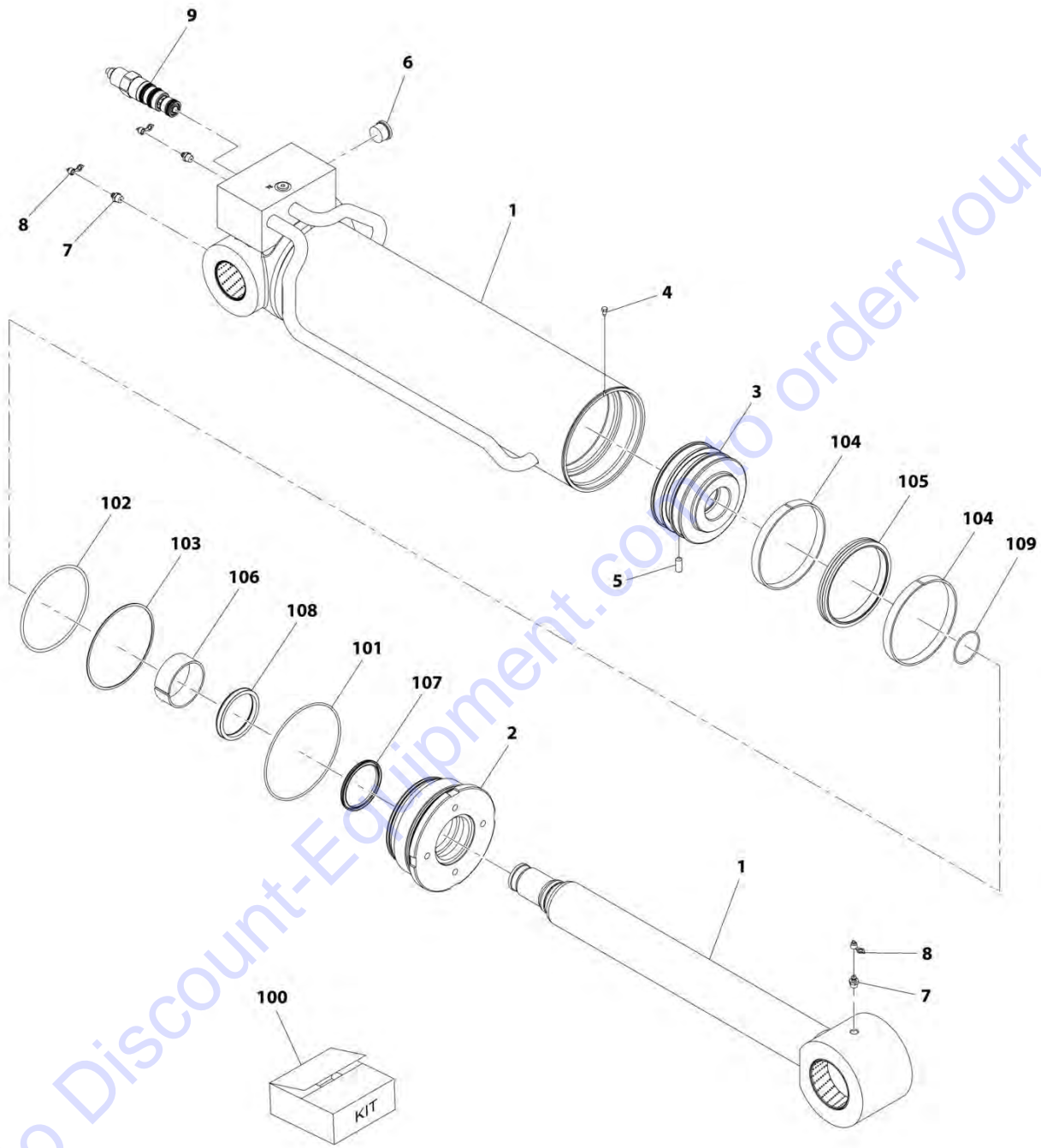
## SECTION 9 - HYDRAULIC COMPONENTS

**FIGURE 9-6. TILT CYLINDER**

ITEM	PART NUMBER	QTY	DESCRIPTION	REV
	1001197574	NLA	Tilt Cylinder (no longer available, use items 1 thru 100 for service or 1001228089 for replacement)	C
1	1001125137	1	Screw, Self Tapping	
2	3020043	AR	Lube, Anti-Seize	
3	0100011	AR	Adhesive, Loctite	
4	1001197576	1	Barrel	
5	1001167727	1	Rod	
6	1001197209	1	Cylinder, Head	
7	1001197210	1	Cylinder, Piston	
8	1001169050	1	Screw, M8X1.25	
9	2220887	1	Plug	
10	2160016	3	Fitting, Grease	
11	8887145	3	Cap, Grease Fitting	
12	1001189888	1	Valve, Counterbalance	
100	1001197801	1	Kit, Seal (includes items 101 thru 110)	
101	Kit	1	O-Ring	
102	Kit	1	O-Ring	
103	Kit	1	Ring, Back-Up	
104	Kit	2	Ring, Piston Wear	
105	Kit	1	Seal, Piston Cap	
106	Kit	1	Ring, Wear	
107	Kit	1	Seal, Rod Wiper	
108	Kit	1	Seal, Rod	
109	Kit	1	Ring, Back-Up	
110	Kit	1	O-Ring	

# SECTION 9 - HYDRAULIC COMPONENTS

## FIGURE 9-7. TILT CYLINDER



ART\_1001228089-A

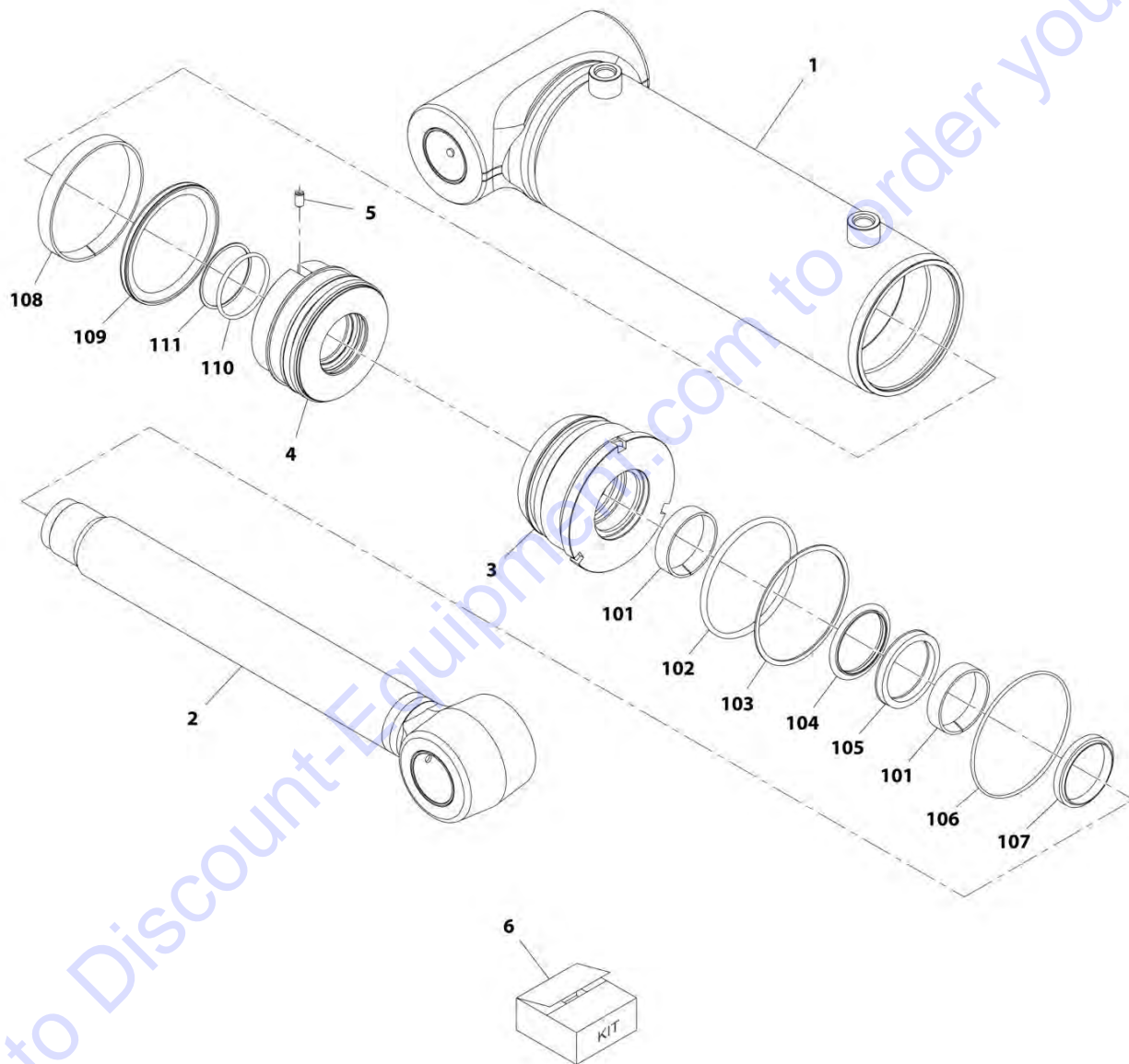
## SECTION 9 - HYDRAULIC COMPONENTS

### FIGURE 9-7. TILT CYLINDER

ITEM	PART NUMBER	QTY	DESCRIPTION	REV
	1001228089	Ref	Tilt Cylinder	A
1	70029042	1	Rod	
2	70029043	1	Gland	
3	70029044	1	Piston	
4	1001125137	1	Screw, Self Tapping	
5	1001169050	1	Screw, M8X1.25	
6	2220887	1	Plug	
7	2160016	3	Fitting, Grease	
8	8887145	3	Cap, Grease Fitting	
9	1001189888	1	Valve, Counterbalance	
100	1001197801	1	Kit, Seal (includes items 101 thru 109)	
101	Kit	1	O-Ring	
102	Kit	1	O-Ring	
103	Kit	1	Ring, Back-Up	
104	Kit	4	Ring, Piston Wear	
105	Kit	1	Seal, Piston Cap	
106	Kit	1	Ring, Wear	
107	Kit	1	Seal, Rod Wiper	
108	Kit	1	Seal, Rod	
109	Kit	1	O-Ring	

# SECTION 9 - HYDRAULIC COMPONENTS

## FIGURE 9-8. COMPENSATION CYLINDER



ART\_1001197491-B



## SECTION 9 - HYDRAULIC COMPONENTS

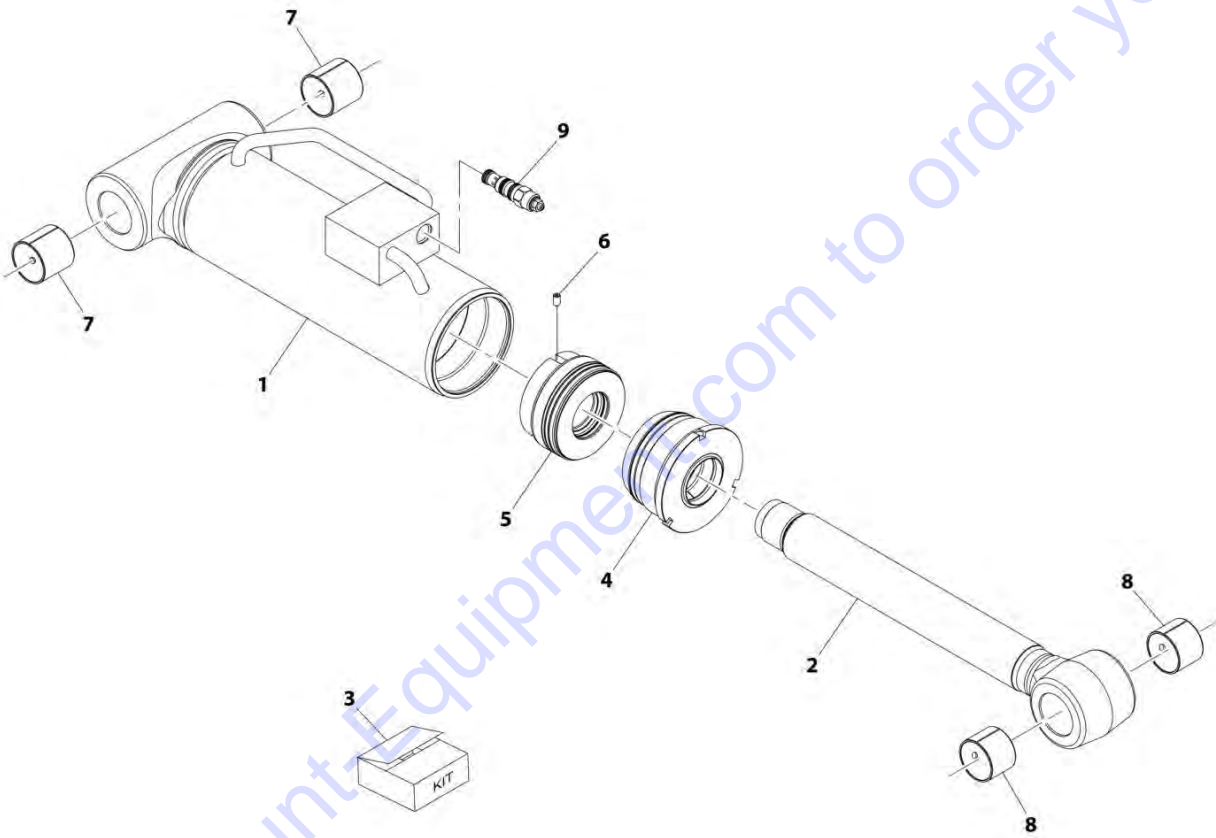
**FIGURE 9-8. COMPENSATION CYLINDER**

ITEM	PART NUMBER	QTY	DESCRIPTION	REV
	1001197491	Ref	Compensation Cylinder	B
1	70026636	1	Body, Assembled	
2	70026436	1	Rod	
3	70026637	1	Guide, Rod	
4	70026638	1	Piston	
5	70020438	1	Screw, Piston Locking	
6	70026639	1	Kit, Seal (includes items 101 thru 111)	
101	Kit	1	Bearing	
102	Kit	2	O-Ring	
103	Kit	1	Ring, Backup	
104	Kit	1	Buffer	
105	Kit	1	Buffer	
106	Kit	1	O-Ring	
107	Kit	1	Wiper	
108	Kit	1	Bearing	
109	Kit	1	Seal, Piston	
110	Kit	1	O-Ring	
111	Kit	2	Ring, Backup	

Go to Discount-Equipment.com to order your parts

# SECTION 9 - HYDRAULIC COMPONENTS

## FIGURE 9-9. COMPENSATION CYLINDER



ART\_1001226670-A

## SECTION 9 - HYDRAULIC COMPONENTS

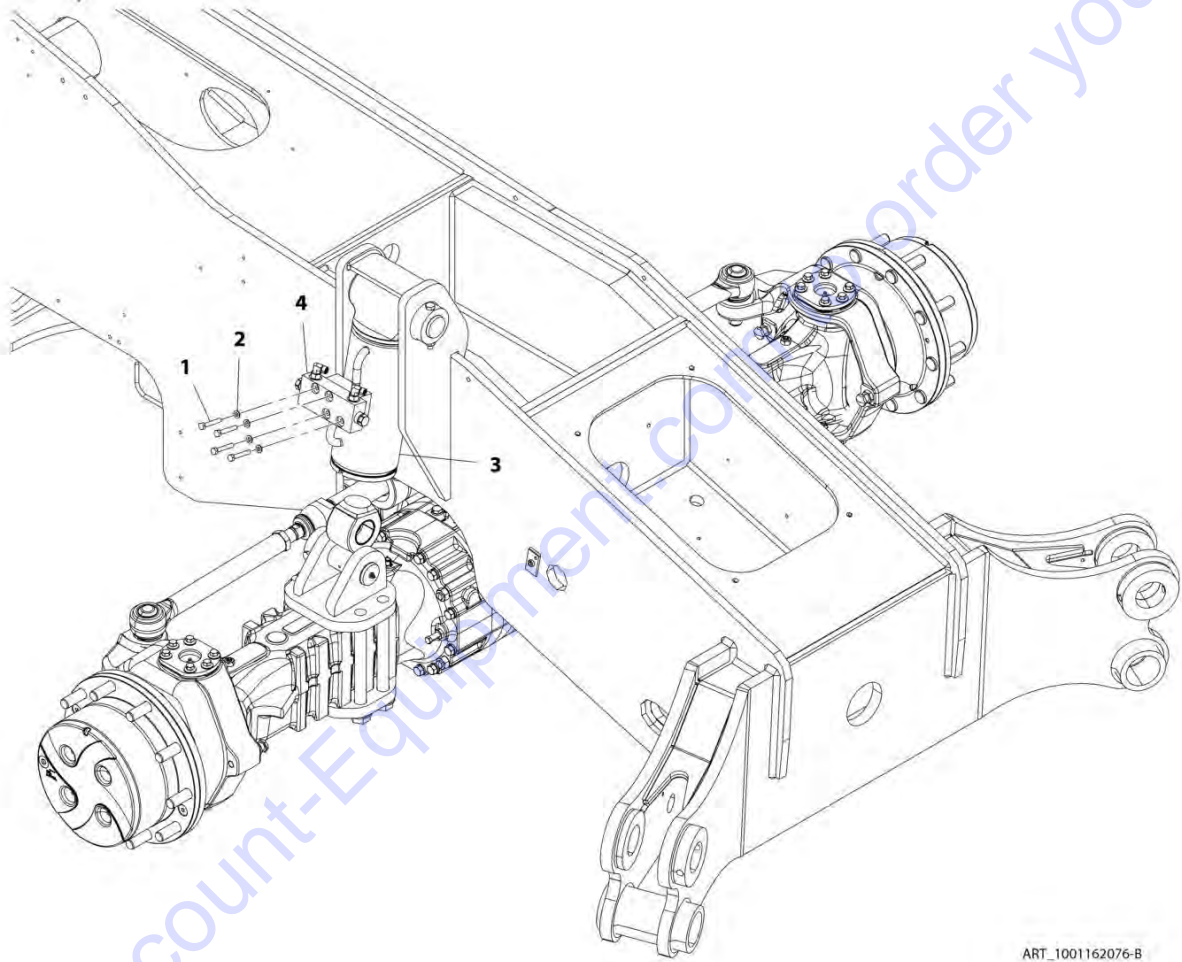
FIGURE 9-9. COMPENSATION CYLINDER

ITEM	PART NUMBER	QTY	DESCRIPTION	REV
	1001226670	Ref	Compensation Cylinder	A
1	N.S.S.	1	Barrel Assembly	
2	70028643	1	Rod Assembly	
3	70026639	1	Seal Kit	
4	70026637	1	Rod Guide	
5	70026638	1	Piston Assembly	
6	70020438	1	Screw	
7	70028644	2	Bearing	
8	70028645	2	Bearing	
9	70028646	1	Valve, Counterbalance	

Go to Discount-Equipment.com to order your parts

# SECTION 9 - HYDRAULIC COMPONENTS

FIGURE 9-10. FRAME LEVEL CYLINDER INSTALLATION



ART\_1001162076-B

## SECTION 9 - HYDRAULIC COMPONENTS

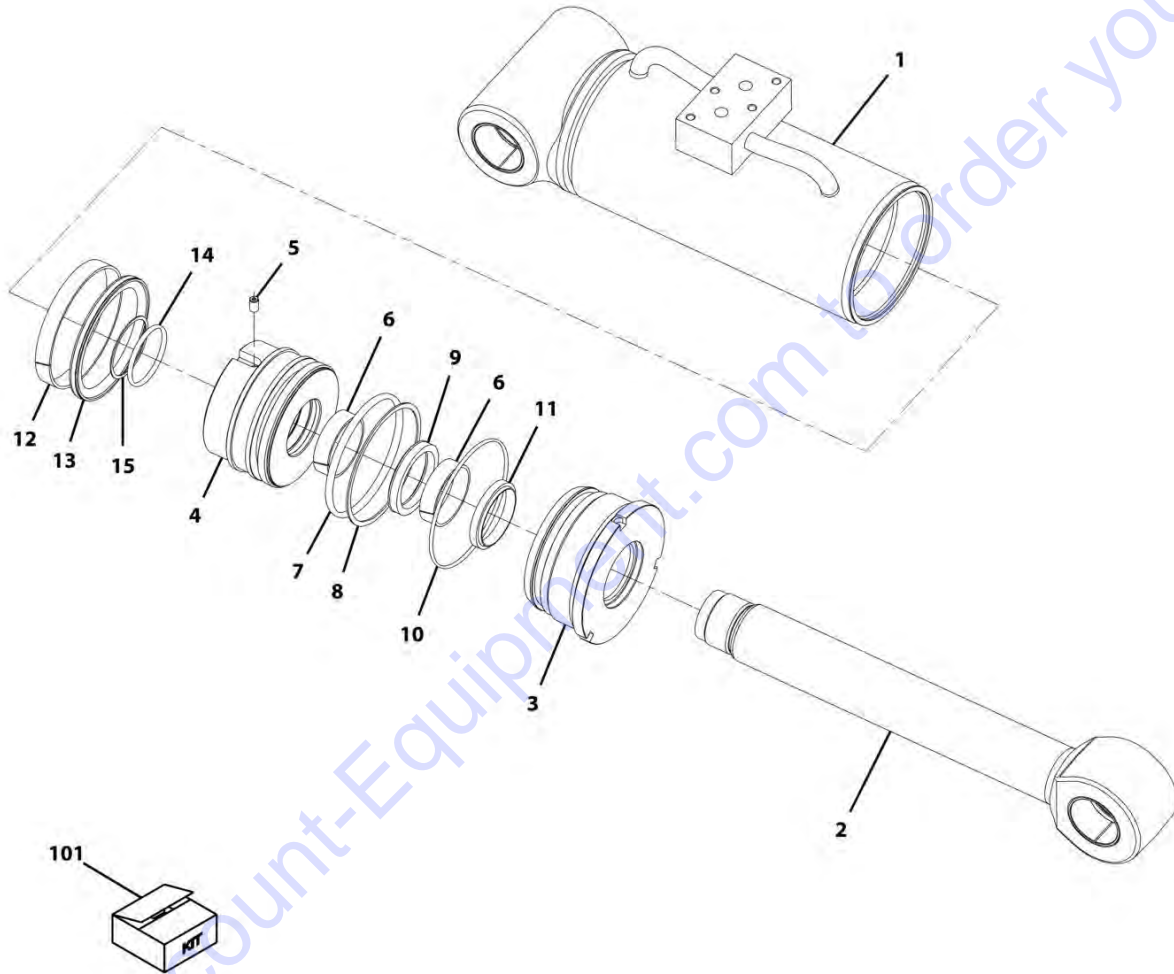
FIGURE 9-10. FRAME LEVEL CYLINDER INSTALLATION

ITEM	PART NUMBER	QTY	DESCRIPTION	REV
	1001162076	Ref	Frame Level Cylinder Installation	B
1	0700818	4	Bolt, M8X50	
2	4811900	4	Washer, M8	
3	1001179369	1	Cylinder, Frame Stability (See Separate Breakdown in this Section)	
4	1001168599	1	Valve, Counterbalance	

Go to Discount-Equipment.com to order your parts

# SECTION 9 - HYDRAULIC COMPONENTS

## FIGURE 9-11. FRAME LEVEL CYLINDER



ART\_1001179369-A

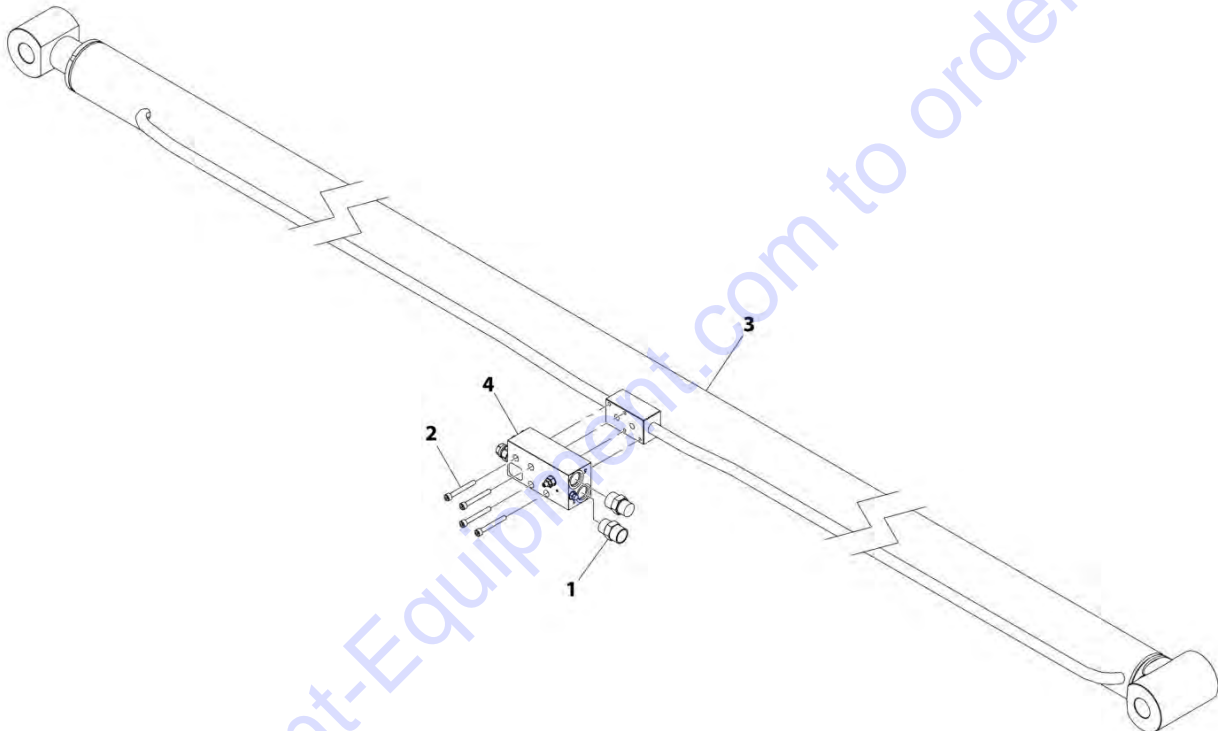
## SECTION 9 - HYDRAULIC COMPONENTS

**FIGURE 9-11. FRAME LEVEL CYLINDER**

ITEM	PART NUMBER	QTY	DESCRIPTION	REV
	1001179369	Ref	Frame Level Cylinder	A
1	70026435	1	Barrel	
2	70026436	1	Rod	
3	70026249	1	Guide, Rod	
4	70026251	1	Piston	
5	70020438	1	Screw	
6	Kit	2	Bearing	
7	Kit	1	O-Ring	
8	Kit	1	Ring, Backup	
9	Kit	1	Seal, Rod	
10	Kit	1	O-Ring	
11	Kit	1	Wiper	
12	Kit	1	Bearing	
13	Kit	1	Seal, Piston	
14	Kit	1	O-Ring	
15	Kit	2	Ring, Backup	
101	70026253	1	Kit, Seal (includes items 6 thru 15)	

**SECTION 9 - HYDRAULIC COMPONENTS**

**FIGURE 9-12. EXTEND/RETRACT CYLINDER ASSEMBLY**



Go to Discount-Equipment.com to order your parts

ART\_1001218577-C



## SECTION 9 - HYDRAULIC COMPONENTS

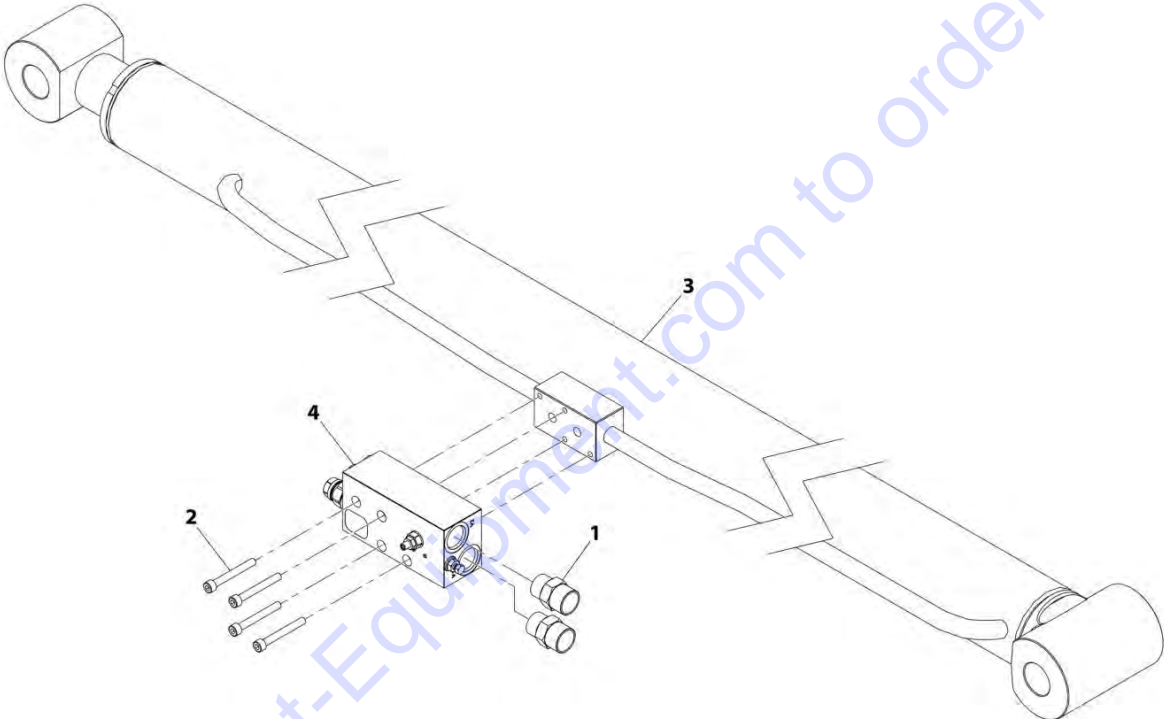
**FIGURE 9-12. EXTEND/RETRACT CYLINDER ASSEMBLY**

ITEM	PART NUMBER	QTY	DESCRIPTION	REV
	1001218577	Ref	Extend/Retract Cylinder Assembly	C
1	2111212	2	Fitting, Straight ORFS	
2	4031917	4	Bolt, M8X65	
3	1001162686	1	Extend/Retract Cylinder (See Separate Breakdown in this Section) <b>(SN 0160084796 through 0160084896)</b>	
3	1001228074	1	Extend/Retract Cylinder (See Separate Breakdown in this Section) <b>(SN 0160084897 to Present)</b>	
4	1001216522	1	Valve, Counterbalance <b>(SN 0160084796 through 0160084896)</b>	
4	1001231065	1	Valve, Counterbalance (includes 2 O-Ring) <b>(SN 0160084897 to Present)</b>	

Go to Discount-Equipment.com to order your parts

**SECTION 9 - HYDRAULIC COMPONENTS**

**FIGURE 9-13. EXTEND/RETRACT CYLINDER**



ART\_1001226849-C

## SECTION 9 - HYDRAULIC COMPONENTS

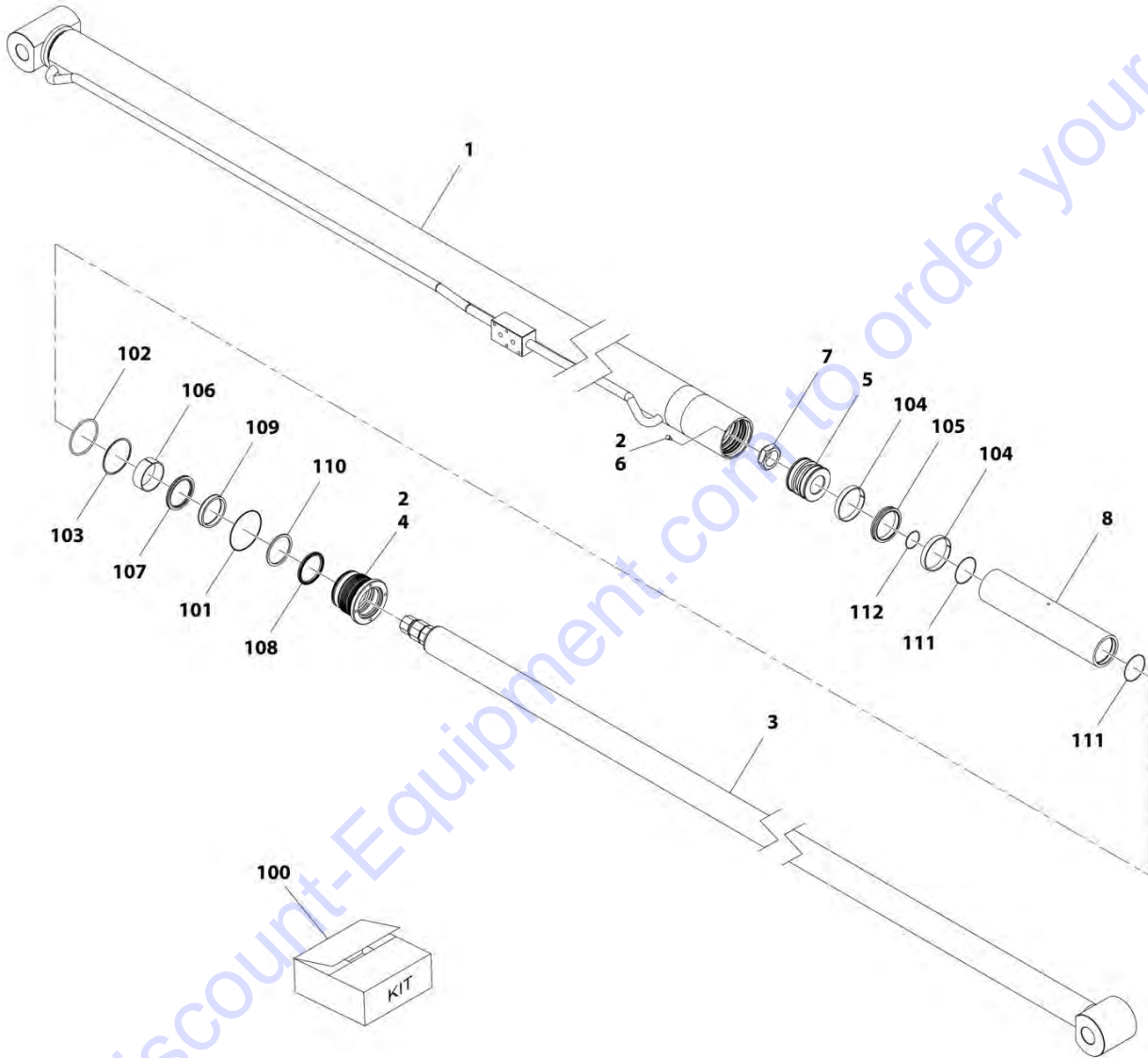
**FIGURE 9-13. EXTEND/RETRACT CYLINDER**

ITEM	PART NUMBER	QTY	DESCRIPTION	REV
	1001226849	Ref	Extend/Retract Cylinder	C
1	2111212	2	Fitting, Straight ORFS	
2	4031917	4	Bolt, M8X65	
3	1001162686	1	Extend/Retract Cylinder (See Separate Breakdown in this Section) <b>(SN 0160084796 through 0160084896)</b>	
3	1001228074	1	Extend/Retract Cylinder (See Separate Breakdown in this Section) <b>(SN 0160084897 to Present)</b>	
4	1001226876	1	Valve, Counterbalance	

Go to Discount-Equipment.com to order your parts

# SECTION 9 - HYDRAULIC COMPONENTS

## FIGURE 9-14. EXTEND/RETRACT CYLINDER



ART\_1001162686-I

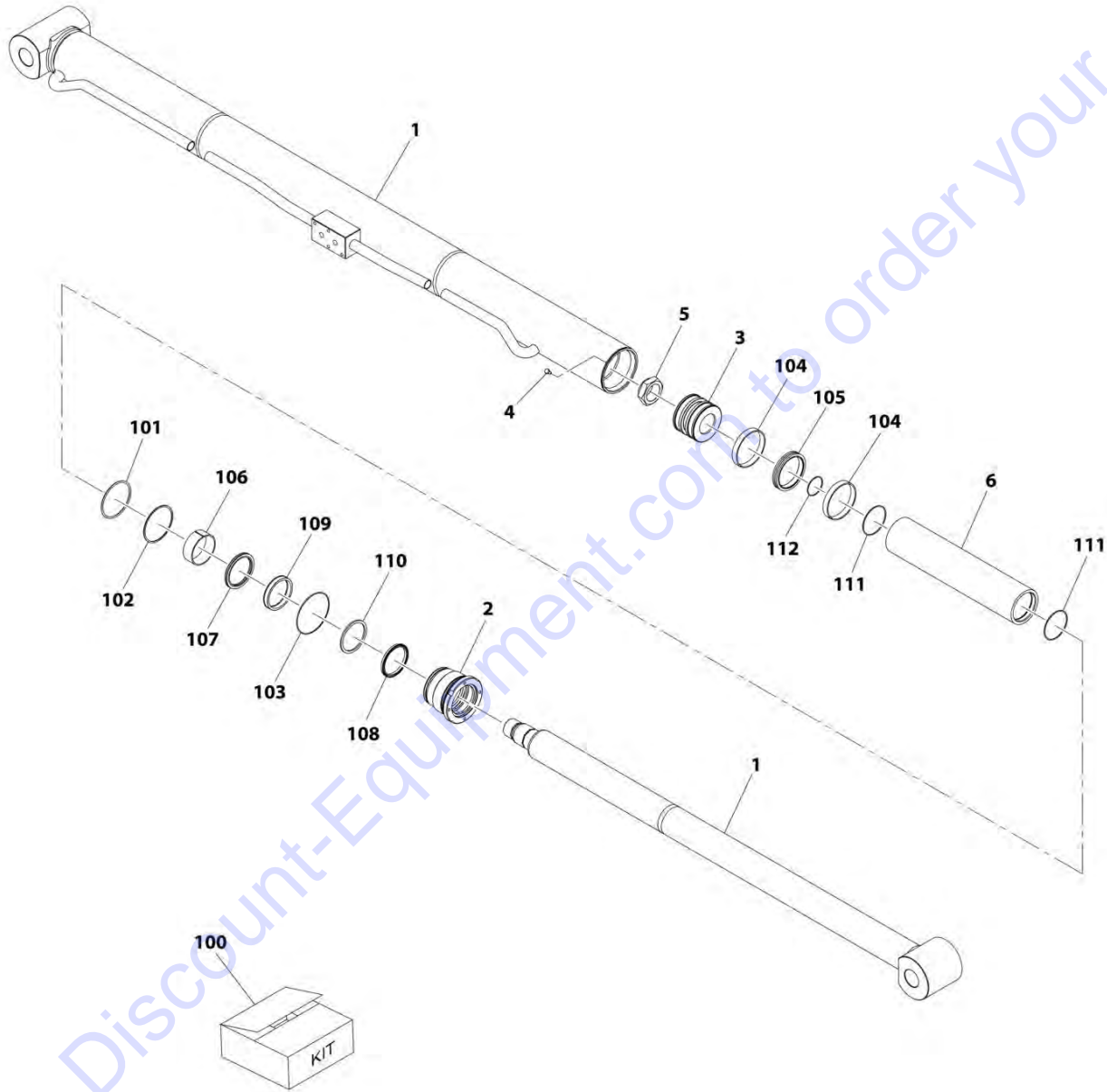
## SECTION 9 - HYDRAULIC COMPONENTS

**FIGURE 9-14. EXTEND/RETRACT CYLINDER**

ITEM	PART NUMBER	QTY	DESCRIPTION	REV
	1001162686	Ref	Extend/Retract Cylinder	I
1	1001167549	1	Barrel	
2	3020043	AR	Lube, Anti-Seize	
3	1001167552	1	Rod	
4	1001167557	1	Head, Cylinder	
5	1001167555	1	Piston, Cylinder	
6	1001125137	1	Screw, Self Tapping	
7	1001167576	1	Nut, Lock	
8	1001168671	1	Sleeve, Spacer	
100	1001168668	1	Kit, Seal (includes items 101 thru 112)	
101	Kit	1	O-Ring	
102	Kit	1	O-Ring	
103	Kit	1	Ring, Back-up	
104	Kit	2	Ring, Wear Piston	
105	Kit	1	Seal, Piston Cap-T	
106	Kit	1	Ring, Wear Head	
107	Kit	1	Seal, Rod Buffer	
108	Kit	1	Seal, Rod Wiper	
109	Kit	1	Seal, Rod	
110	Kit	1	Ring, Back-up	
111	Kit	2	O-Ring	
112	Kit	1	O-Ring	

# SECTION 9 - HYDRAULIC COMPONENTS

## FIGURE 9-15. EXTEND/RETRACT CYLINDER



ART\_1001228074-A

## SECTION 9 - HYDRAULIC COMPONENTS

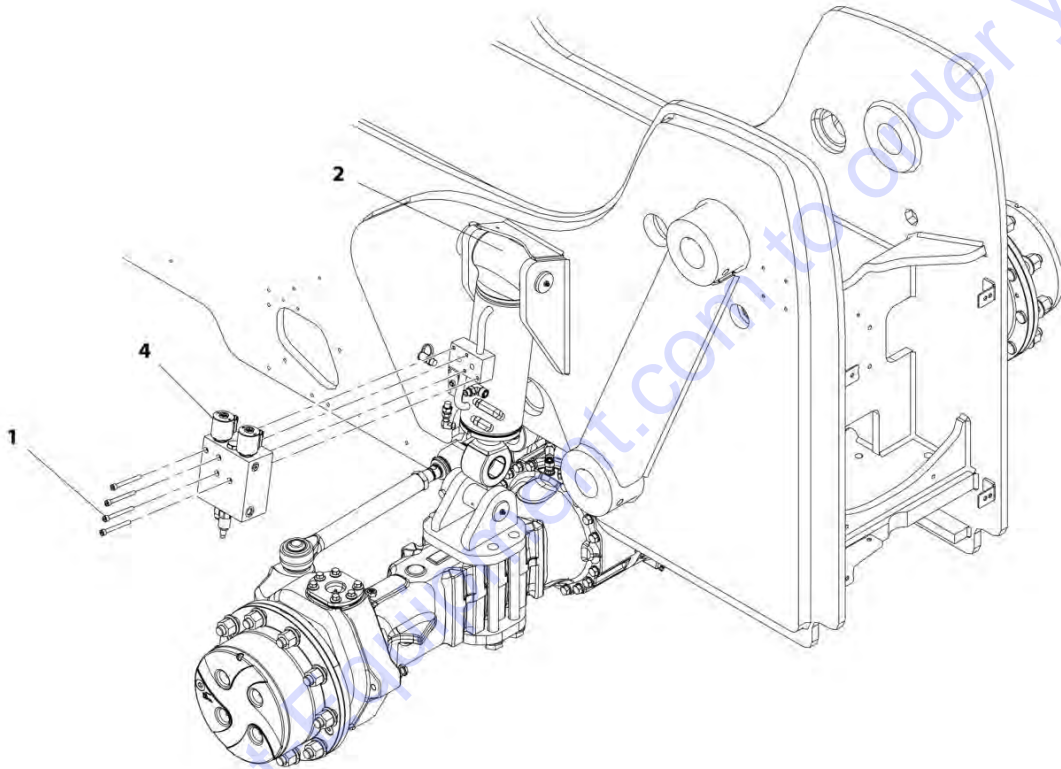
FIGURE 9-15. EXTEND/RETRACT CYLINDER

ITEM	PART NUMBER	QTY	DESCRIPTION	REV
	1001228074	Ref	Extend/Retract Cylinder	A

Go to Discount-Equipment.com to order your parts

# SECTION 9 - HYDRAULIC COMPONENTS

## FIGURE 9-16. REAR AXLE STABILIZER CYLINDER INSTALLATION



ART\_1001164036-E



## SECTION 9 - HYDRAULIC COMPONENTS

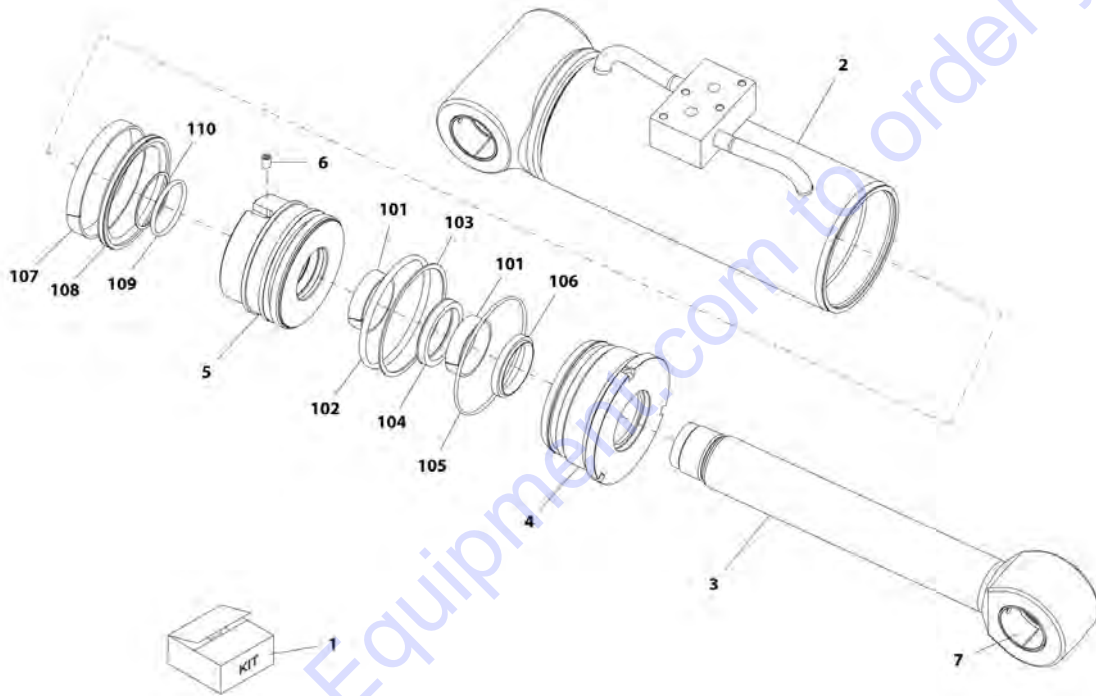
FIGURE 9-16. REAR AXLE STABILIZER CYLINDER INSTALLATION

ITEM	PART NUMBER	QTY	DESCRIPTION	REV
	1001164036	Ref	Rear Axle Stabilizer Cylinder Installation	E
1	4031920	4	Screw, M8X1.25	
2	1001158620	1	Cylinder, Frame Stability (See Separate Breakdown in this Section)	
4		Ref	Valve (See Separate Breakdown in this Section)	

Go to Discount-Equipment.com to order your parts

# SECTION 9 - HYDRAULIC COMPONENTS

FIGURE 9-17. REAR AXLE STABILITY CYLINDER



ART. 1001150620-E

## SECTION 9 - HYDRAULIC COMPONENTS

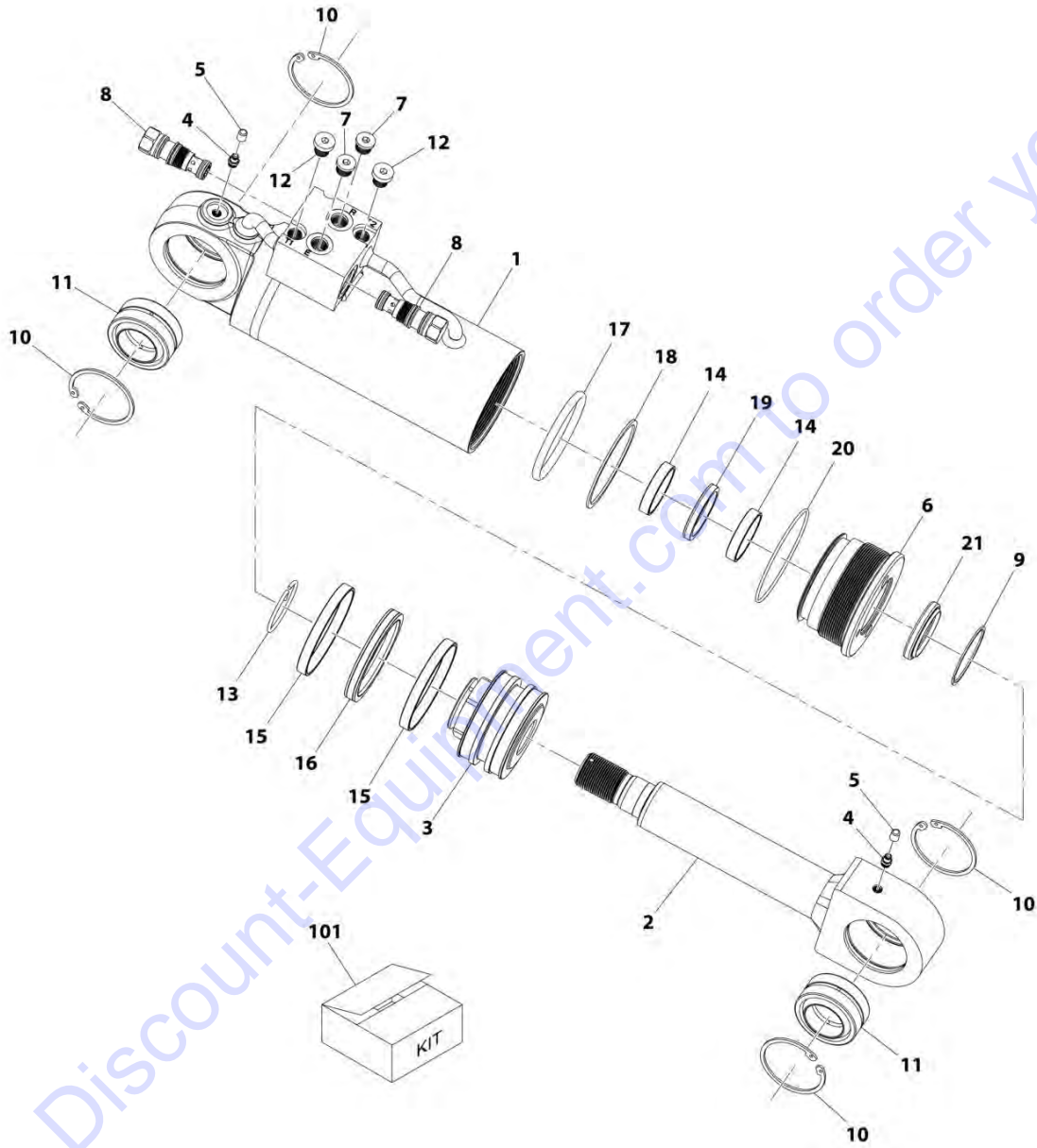
**FIGURE 9-17. REAR AXLE STABILITY CYLINDER**

ITEM	PART NUMBER	QTY	DESCRIPTION	REV
	1001158620	Ref	Rear Axle Stability Cylinder	E
2	70026250	1	Barrel	
3	70026252	1	Rod	
4	70026249	1	Rod, Guide	
5	70026261	1	Piston	
6	70020438	1	Screw	
7	70020476	1	Bushing	
1	70026253	1	Kit, Seal (includes items 101 thru 110)	
101	Kit	2	Bearing	
102	Kit	1	O-Ring	
103	Kit	1	Ring, Back-Up	
104	Kit	1	Seal, Rod	
105	Kit	1	O-Ring	
106	Kit	1	Wiper	
107	Kit	1	Bearing	
108	Kit	1	Seal, Piston	
109	Kit	1	O-Ring	
110	Kit	1	Ring, Back-Up	

Go to Discount-Equipment.com to order your parts

# SECTION 9 - HYDRAULIC COMPONENTS

## FIGURE 9-18. SIDE TILT CYLINDER



ART\_1001163414-A

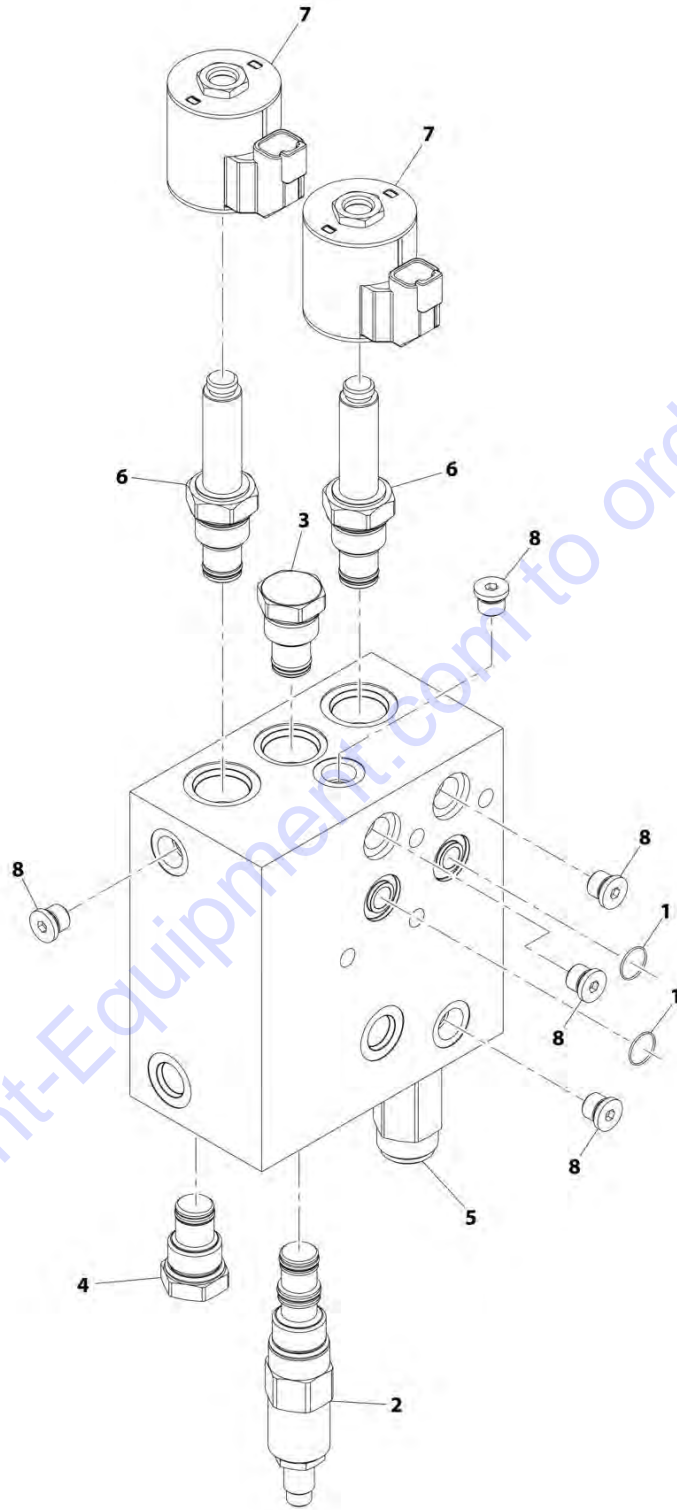
## SECTION 9 - HYDRAULIC COMPONENTS

### FIGURE 9-18. SIDE TILT CYLINDER

ITEM	PART NUMBER	QTY	DESCRIPTION	REV
	1001163414	Ref	Side Tilt Cylinder	A
1	70026056	1	Barrel	
2	70026057	1	Rod	
3	70026058	1	Head, Piston	
4	70025606	2	Nipple, Grease	
5	70024020	2	Fitting, Grease	
6	70003849	1	Gland	
7	70025959	2	Plug	
8	70026059	2	Valve, P.O. Check	
9	70002219	1	Ring, Internal Snap	
10	70026060	4	Ring, Internal Snap	
11	70026061	2	Bearing, Spherical	
12	70024262	2	Plug	
13	70002224	1	Ring, Locking	
14	Kit	2	Ring, Rod Bearing	
15	Kit	2	Ring, Piston Bearing	
16	Kit	1	Seal, Piston	
17	Kit	1	O-Ring	
18	Kit	1	Ring, Back-Up	
19	Kit	1	Seal, Rod	
20	Kit	1	O-Ring	
21	Kit	1	Seal, Wiper	
101	70026062	1	Kit, Seal (includes items 14 thru 21)	

# SECTION 9 - HYDRAULIC COMPONENTS

## FIGURE 9-19. REAR AXLE STABILIZER VALVE



ART\_1001197600-A

## SECTION 9 - HYDRAULIC COMPONENTS

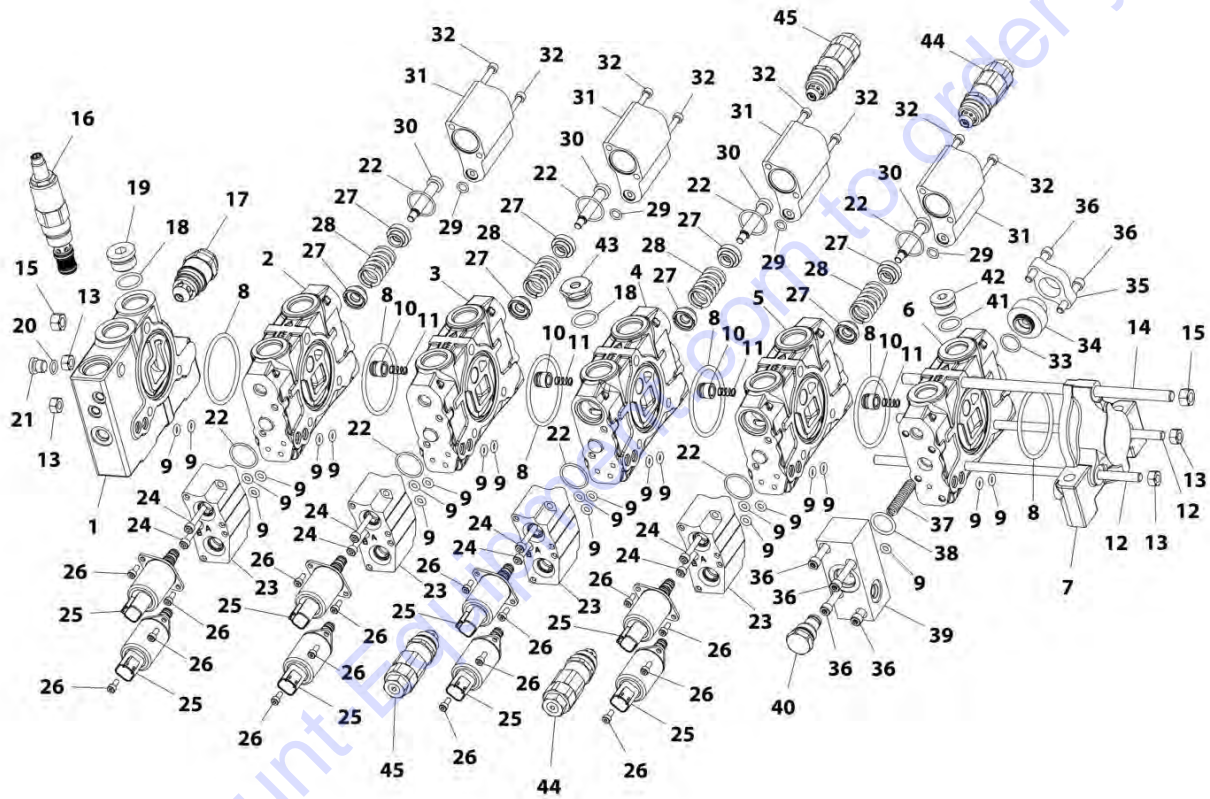
**FIGURE 9-19. REAR AXLE STABILIZER VALVE**

ITEM	PART NUMBER	QTY	DESCRIPTION	REV
	1001197600	Ref	Rear Axle Stabilizer Valve	A
1	70026440	2	O-Ring	
2	70026442	1	Cartridge Valve	
2	7012510	1	Seal Kit	
2	Kit	1	O-Ring	
2	Kit	1	O-Ring	
2	Kit	1	O-Ring	
3	70026443	1	Cartridge Valve	
3	7024808	1	Seal Kit	
3	Kit	1	O-Ring	
3	Kit	1	O-Ring	
4	70026444	1	Cartridge Valve	
4	7022399	1	Seal Kit	
4	Kit	1	O-Ring	
4	Kit	1	O-Ring	
5	70028451	1	Cartridge Valve	
5	7024808	1	Seal Kit	
5	Kit	1	O-Ring	
5	Kit	1	O-Ring	
6	70026445	2	Cartridge Valve	
6	70026446	1	Seal Kit	
6	Kit	1	O-Ring	
7	70003788	2	Coil	
8	2220883	5	Plug	

Go to Discount-Equipment.com to order your parts

# SECTION 9 - HYDRAULIC COMPONENTS

## FIGURE 9-20. MAIN CONTROL VALVE



ART\_1001166765-C



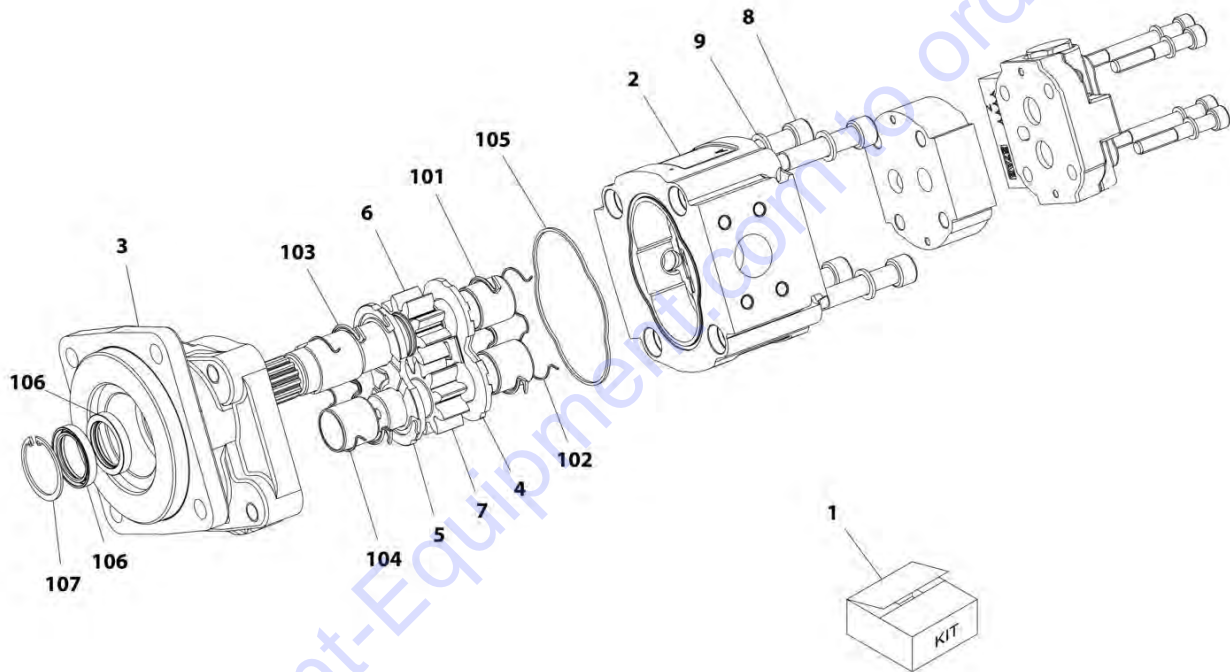
## SECTION 9 - HYDRAULIC COMPONENTS

**FIGURE 9-20. MAIN CONTROL VALVE**

ITEM	PART NUMBER	QTY	DESCRIPTION	REV
	1001166765	1	Main Control Valve	C
1	70026640	1	Section, Inlet	
2	70026641	1	Section, Spool	
3	70026642	1	Section, Spool	
4	70026643	1	Section, Spool	
5	70026644	1	Section, Spool	
6	70026645	1	Section, Spool	
7	70026646	1	Section, Outlet	
8	10837923	6	O-Ring	
9	70026647	25	O-Ring	
10	10837929	4	Poppet	
11	10837937	4	Spring	
12	70026648	2	Rod, Tie	
13	8035348	4	Nut	
14	70026649	1	Rod, Tie	
15	8035346	2	Nut	
16	70026650	1	Valve	
17	70026651	1	Valve	
18	70026652	2	O-Ring	
19	70026653	1	Plug	
20	70026654	1	O-Ring	
21	70026655	1	Plug	
22	70026656	8	O-Ring	
23	70026657	4	Solenoid	
24	70026658	8	Screw	
25	70026659	8	Solenoid	
26	70022014	16	Bolt	
27	70026660	8	Spring, Seat	
28	70026661	4	Spring	
29	70026662	4	O-Ring	
30	70026663	4	Spool	
31	70026664	4	Cap, End	
32	70026665	8	Screw	
33	70026666	1	O-Ring	
34	70026667	1	Spool, Cap	
35	8035373	1	Plate, Seal	
36	8037088	6	Screw	
37	70026668	1	Spring	
38	70026669	1	O-Ring	
39	70026670	1	Cap, End	
40	70026671	1	Regulator, Drain	
41	70026672	1	O-Ring	
42	8035382	1	Plug	
43	70026673	1	Plug	
44	70026674	2	Valve	
45	70026675	2	Valve	

# SECTION 9 - HYDRAULIC COMPONENTS

## FIGURE 9-21. GEAR PUMP



ART\_1001163746-A

## SECTION 9 - HYDRAULIC COMPONENTS

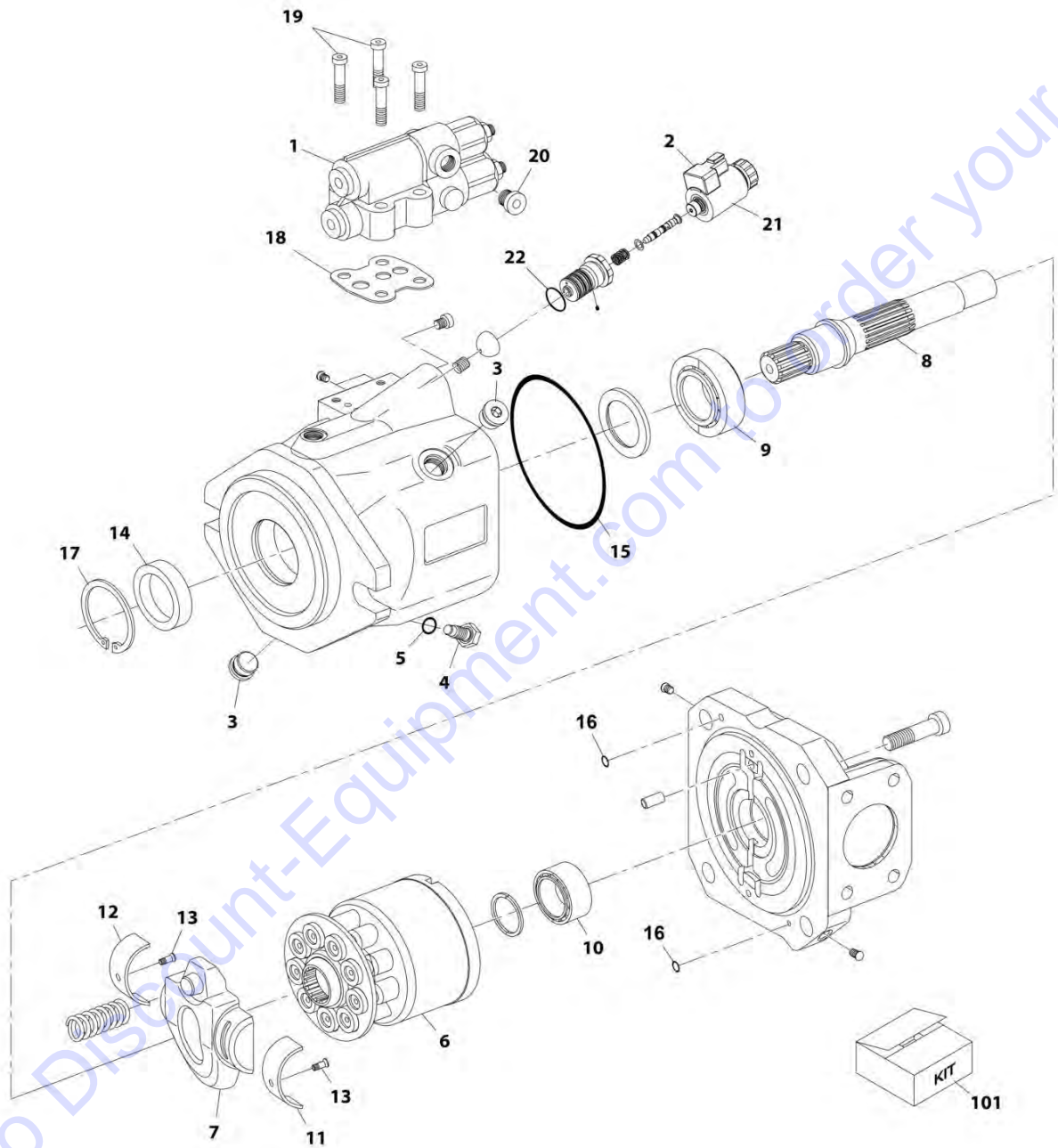
**FIGURE 9-21. GEAR PUMP**

ITEM	PART NUMBER	QTY	DESCRIPTION	REV
	1001163746	Ref	Gear Pump	A
1	70026567	1	Kit, Seal (includes items 101 thru 107)	
2	70026507	1	Housing, Pump	
3	70026508	1	Cover, Front	
4	70026509	1	Plate, Thrust	
5	70026566	1	Plate, Thrust Upper	
6	70026511	1	Shaft, Drive	
7	70026512	1	Shaft, Driven	
8	70026513	4	Bolt M14X100	
9	70026493	4	Washer	
101	Kit	1	Seal	
102	Kit	1	Ring	
103	Kit	1	Seal, Upper	
104	Kit	1	Ring	
105	Kit	1	Seal	
106	Kit	2	Seal	
107	Kit	1	Ring	

Go to Discount-Equipment.com to order your parts

# SECTION 9 - HYDRAULIC COMPONENTS

## FIGURE 9-22. PISTON PUMP



ART\_1001168376-B

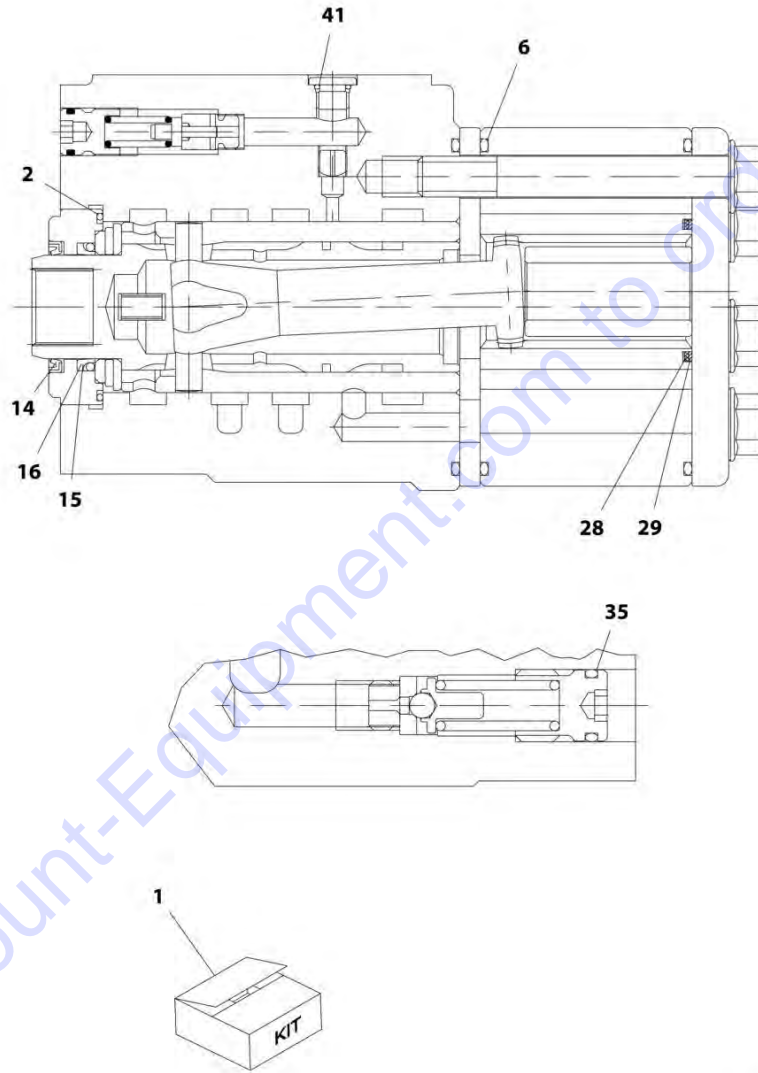
## SECTION 9 - HYDRAULIC COMPONENTS

**FIGURE 9-22. PISTON PUMP**

ITEM	PART NUMBER	QTY	DESCRIPTION	REV
	1001182279	Ref	Piston Pump	B
1	70026572	1	Valve, Control	
2	70024186	1	Valve, Control	
3	70024407	2	Plug	
4	70024408	1	Screw, Stop	
5	Kit	1	O-Ring	
6	70024188	1	Group, Rotary	
7	70026583	1	Plate, Swash	
8	7024939	1	Shaft, Drive	
9	7024943	1	Bearing, Front	
10	7024944	1	Bearing, Rear	
11	70024414	1	Liner, Bearing	
12	70024415	1	Liner, Bearing	
13	7024953	2	Screw, M5X16	
14	80634004	1	Seal, Shaft	
15	Kit	1	O-Ring	
16	Kit	2	Sing, Seal	
17	80334277	1	Ring, Safety	
18	70021867	1	Gasket	
19	7024954	4	Screw, M6X30	
20	70024416	1	Plug	
21	70025897	1	Solenoid	
22	Kit	1	O-Ring	
101	70024189	1	Kit, Seal (includes items 5, 15 thru 16 & 22)	

# SECTION 9 - HYDRAULIC COMPONENTS

FIGURE 9-23. STEERING ORBITAL VALVE



ART\_1001160599-C

## SECTION 9 - HYDRAULIC COMPONENTS

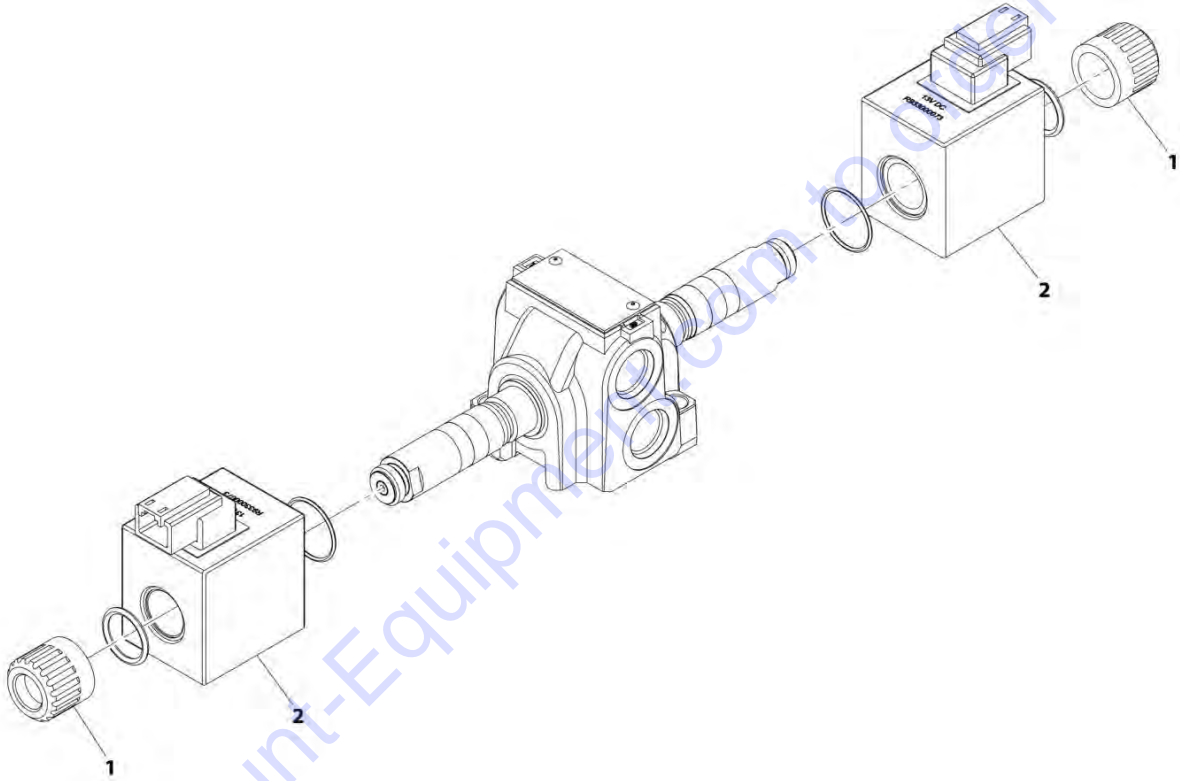
**FIGURE 9-23. STEERING ORBITAL VALVE**

ITEM	PART NUMBER	QTY	DESCRIPTION	REV
	1001160599	Ref	Steering Orbital Valve	C
1	70026401	1	Kit, Seal (includes items 2 thru 41)	
2	Kit	1	O-Ring	
6	Kit	3	O-Ring	
14	Kit	1	Seal, Dust	
15	Kit	1	O-Ring	
16	Kit	1	Seal, Shaft	
28	Kit	1	Washer, Back-Up	
29	Kit	1	Seal, Ring	
35	Kit	3	O-Ring	
41	Kit	2	O-Ring	

Go to Discount-Equipment.com to order your parts

**SECTION 9 - HYDRAULIC COMPONENTS**

**FIGURE 9-24. STEERING SELECT VALVE**



ART\_1001153748-C



## SECTION 9 - HYDRAULIC COMPONENTS

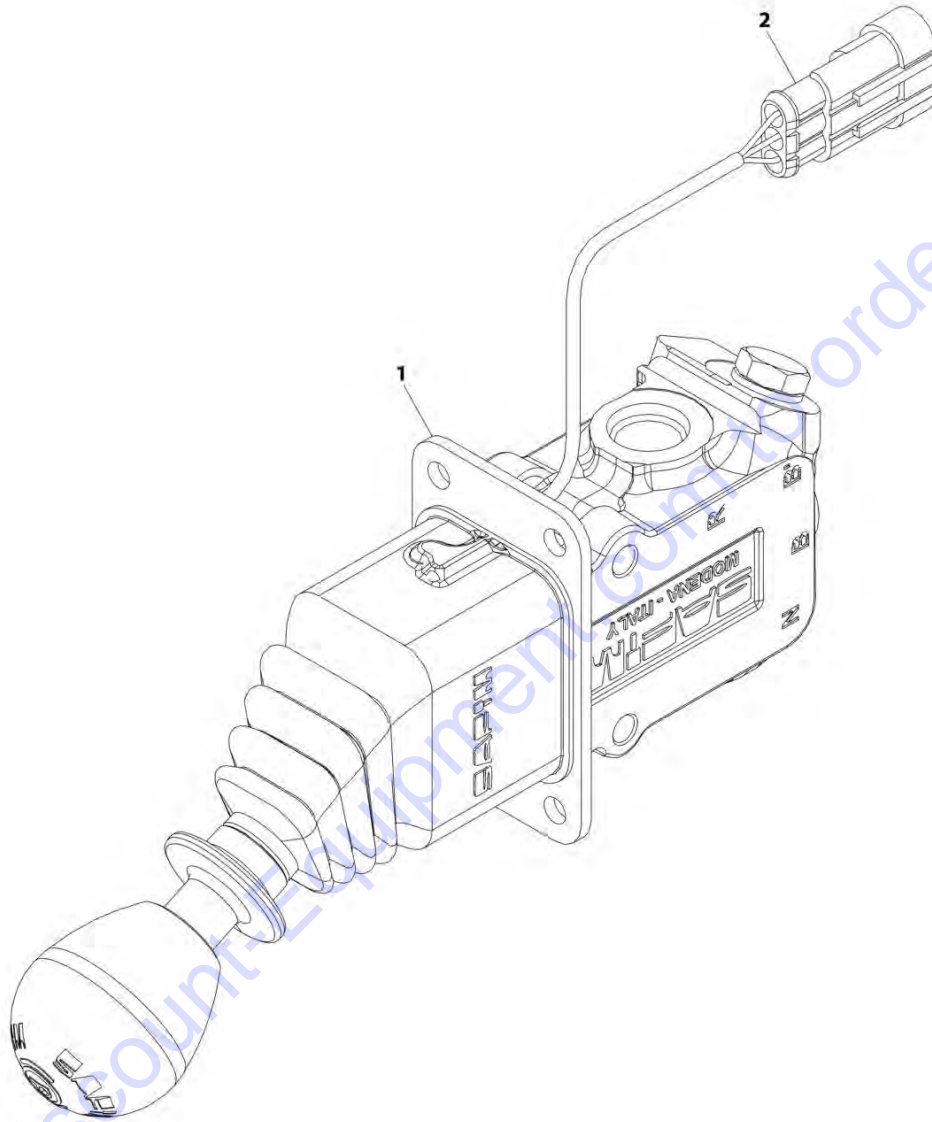
FIGURE 9-24. STEERING SELECT VALVE

ITEM	PART NUMBER	QTY	DESCRIPTION	REV
	1001153748	Ref	Steering Select Valve	C
1	70020867	2	Nut, Coil	
2	70026582	2	Coil	

Go to Discount-Equipment.com to order your parts

## SECTION 9 - HYDRAULIC COMPONENTS

FIGURE 9-25. HYDRAULIC PARK BRAKE RELEASE VALVE



ART\_1001098153-D

## SECTION 9 - HYDRAULIC COMPONENTS

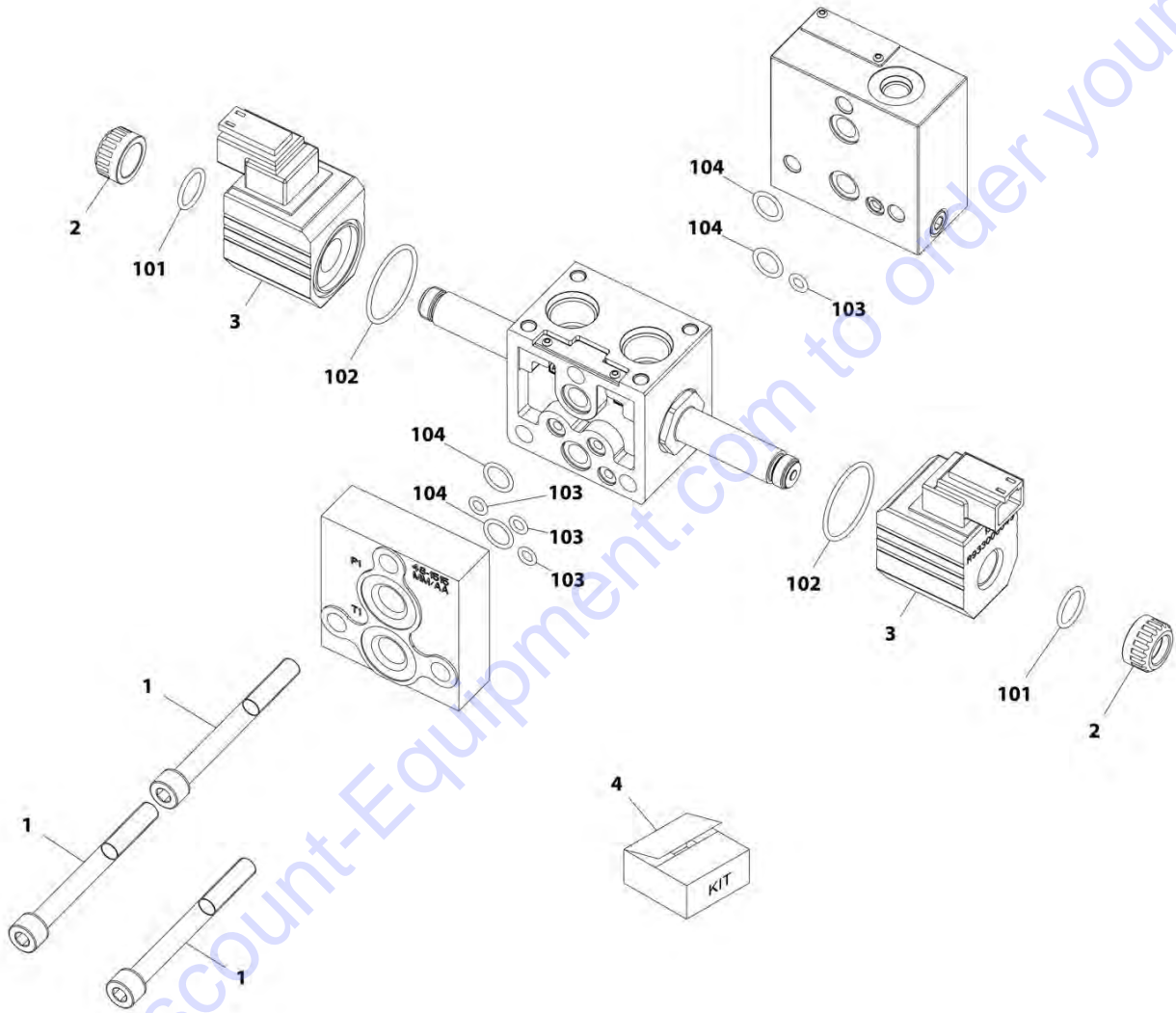
FIGURE 9-25. HYDRAULIC PARK BRAKE RELEASE VALVE

ITEM	PART NUMBER	QTY	DESCRIPTION	REV
	1001098153	Ref	Hydraulic Park Brake Release Valve	D
1	70020922	1	Kit, Seal	
2	70022847	1	Kit, Microswitch	

Go to Discount-Equipment.com to order your parts

# SECTION 9 - HYDRAULIC COMPONENTS

## FIGURE 9-26. FRAME LEVEL VALVE



ART\_1001162959-D

## SECTION 9 - HYDRAULIC COMPONENTS

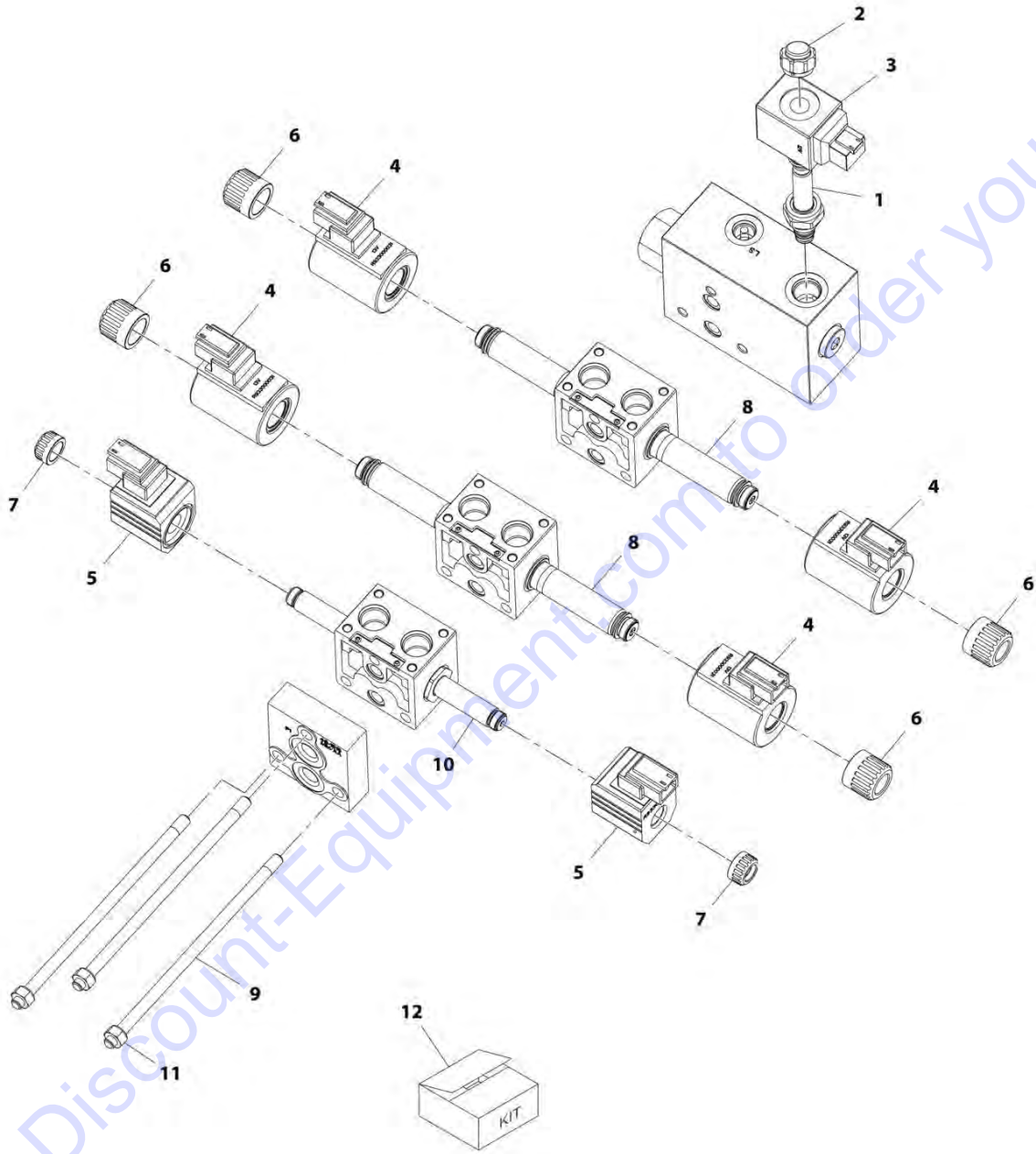
FIGURE 9-26. FRAME LEVEL VALVE

ITEM	PART NUMBER	QTY	DESCRIPTION	REV
	1001162959	Ref	Frame Level Valve	D
1	70026685	3	Screw	
2	70021209	2	Retainer	
3	70021208	2	Coil	
4	70026686	1	Kit, Seal (includes items 101 thru 104)	
101	Kit	2	O-Ring	
102	Kit	2	O-Ring	
103	Kit	4	O-Ring	
104	Kit	4	O-Ring	

Go to Discount-Equipment.com to order your parts

# SECTION 9 - HYDRAULIC COMPONENTS

## FIGURE 9-27. FRAME LEVEL AND OUTRIGGER VALVE



ART\_1001157972-E

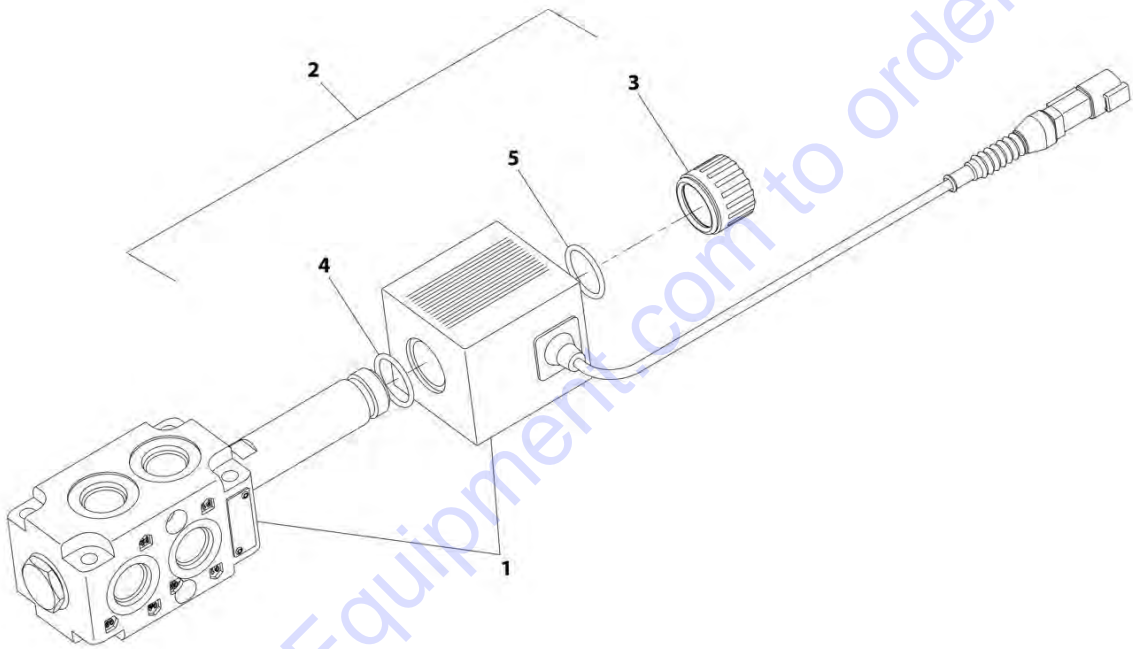
## SECTION 9 - HYDRAULIC COMPONENTS

**FIGURE 9-27. FRAME LEVEL AND OUTRIGGER VALVE**

ITEM	PART NUMBER	QTY	DESCRIPTION	REV
	1001157972	Ref	Valve, Frame Level and Outrigger	E
1	70023327	1	Solenoid	
2	70004654	1	Nut, Coil	
3	70022147	1	Coil	
4	70020868	4	Coil	
5	70021208	2	Coil	
6	70020867	4	Kit, Retainer, W/Seals	
7	70021209	2	Kit, Retainer, W/Seals	
8	70026568	2	Section, Outrigger Valve	
9	70026569	3	Rod, Tie	
10	70021213	1	Section, Frame Level	
11	70026570	3	Nut	
12	70026571	1	Kit, Seal	
	Kit	1	O-Ring	
	Kit	1	O-Ring	
	Kit	1	O-Ring	
	Kit	1	O-Ring	
	Kit	1	O-Ring	
	Kit	1	O-Ring	
	Kit	4	O-Ring	
	Kit	4	O-Ring	
	Kit	2	O-Ring	
	Kit	2	O-Ring	

# SECTION 9 - HYDRAULIC COMPONENTS

FIGURE 9-28. DIVERTOR VALVE



ART\_1001104477-D



# PARTS FINDER

**Search Website  
by Part Number**



**Search Manual  
Library For Parts  
Manual & Lookup Part  
Numbers – Purchase  
or Request Quote**

A screenshot of the "Search Manuals" form. The form is titled "Search Manuals" and includes a search bar, a "Search" button, and several input fields for "Find", "Serial Number", "Part Number", "Brand", "Model", "Year", "Make", "Part Name", "Part Number", "Part Description", and "Part Category". There is also a "Submit" button at the bottom.

**Can't Find Part or  
Manual? Request Help  
by Manufacturer,  
Model & Description**

A screenshot of the "Parts Order Form". The form is titled "Parts Order Form" and includes a "Name" field, a "Phone" field, a "Email" field, and a "Comments" field. There is also a "Submit" button at the bottom.

Discount-Equipment.com is your online resource for quality parts & equipment.

Florida: **561-964-4949** Outside Florida TOLL FREE: **877-690-3101**

**Need parts?**

Click on this link: <http://www.discount-equipment.com/category/5443-parts/> and choose one of the options to help get the right parts and equipment you are looking for. Please have the machine model and serial number available in order to help us get you the correct parts. If you don't find the part on the website or on one of the online manuals, please fill out the request form and one of our experienced staff members will get back to you with a quote for the right part that your machine needs.

We sell worldwide for the brands: Genie, Terex, JLG, MultiQuip, Mikasa, Essick, Whiteman, Mayco, Toro Stone, Diamond Products, Generac Magnum, Airman, Haulotte, Barreto, Power Blanket, Nifty Lift, Atlas Copco, Chicago Pneumatic, Allmand, Miller Curber, Skyjack, Lull, Skytrak, Tsurumi, Husquvarna Target, Stow, Wacker, Sakai, Mi-T-M, Sullair, Basic, Dynapac, MBW, Weber, Bartell, Bennar Newman, Haulotte, Ditch Runner, Menegotti, Morrison, Contec, Buddy, Crown, Edco, Wyco, Bomag, Laymor, EZ Trench, Bil-Jax, F.S. Curtis, Gehl Pavers, Heli, Honda, ICS/PowerGrit, IHI, Partner, Imer, Clipper, MMD, Koshin, Rice, CH&E, General Equipment, Amida, Coleman, NAC, Gradall, Square Shooter, Kent, Stanley, Tamco, Toku, Hatz, Kohler, Robin, Wisconsin, Northrock, Oztec, Toker TK, Rol-Air, APT, Wylie, Ingersoll Rand / Doosan, Innovatech, Con X, Ammann, Mecalac, Makinex, Smith Surface Prep, Small Line, Wanco, Yanmar

## SECTION 9 - HYDRAULIC COMPONENTS

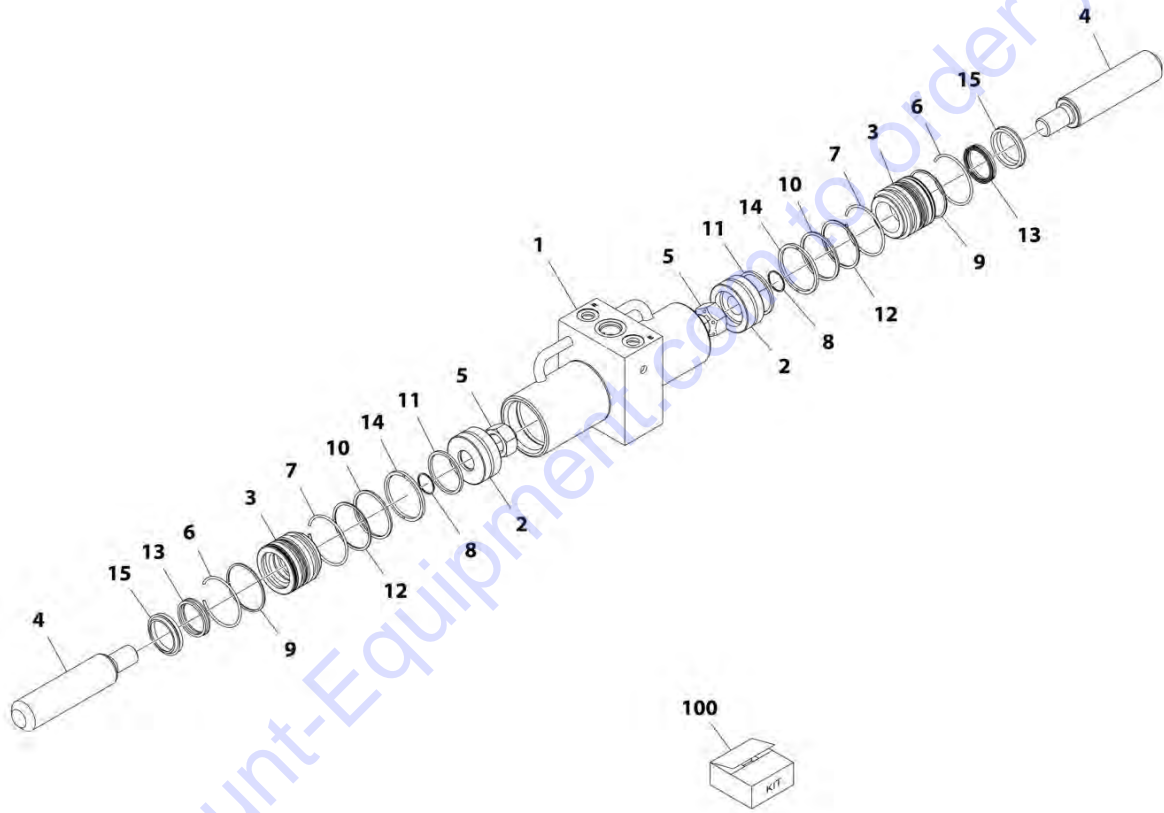
FIGURE 9-28. DIVERTOR VALVE

ITEM	PART NUMBER	QTY	DESCRIPTION	REV
	1001104477	Ref	Divertor Valve	D
1	70020764	1	Coil	
2	70021531	1	Kit, Retainer	
3	Kit	1	Nut	
4	Kit	1	O-Ring	
5	Kit	1	O-Ring	

Go to Discount-Equipment.com to order your parts

# SECTION 9 - HYDRAULIC COMPONENTS

## FIGURE 9-29. QUICK COUPLER CYLINDER



ART\_1001120163-D

## SECTION 9 - HYDRAULIC COMPONENTS

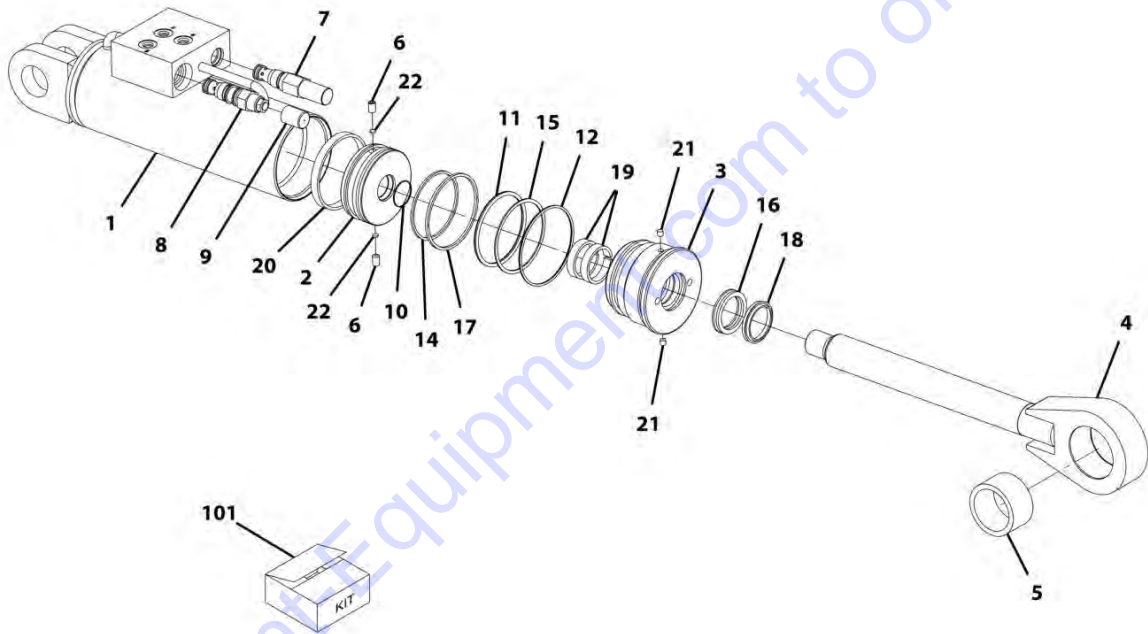
**FIGURE 9-29. QUICK COUPLER CYLINDER**

ITEM	PART NUMBER	QTY	DESCRIPTION	REV
	1001120163	Ref	Quick Coupler Cylinder	D
1	70026211	1	Barrel	
2	70026212	2	Piston	
3	70026213	2	Head Gland	
4	70026214	2	Cylinder Rod	
5	8037140	2	Locknut	
6	Kit	2	Round Retaining Ring	
7	Kit	2	Round Retaining Ring	
8	Kit	2	O-Ring	
9	Kit	2	O-Ring	
10	Kit	2	O-Ring	
11	Kit	2	Square Ring	
12	Kit	2	Backup Ring	
13	Kit	2	Rod Seal	
14	Kit	2	Piston Seal	
15	Kit	2	Rod Wiper	
100	70026215	1	Seal Kit (includes items 6 thru 15)	

Go to Discount-Equipment.com to order your parts

# SECTION 9 - HYDRAULIC COMPONENTS

## FIGURE 9-30. SWING CARRIAGE CYLINDER



ART\_1001103182-B

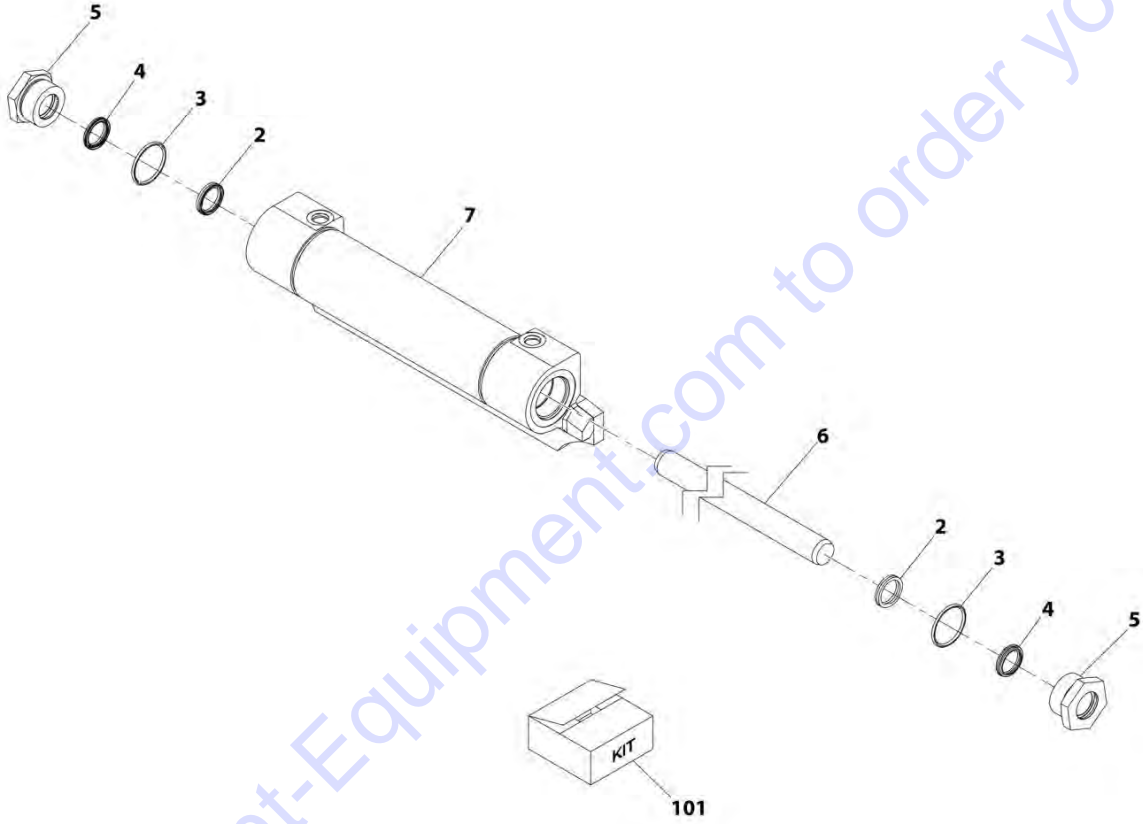
## SECTION 9 - HYDRAULIC COMPONENTS

**FIGURE 9-30. SWING CARRIAGE CYLINDER**

ITEM	PART NUMBER	QTY	DESCRIPTION	REV
	1001103182	Ref	Swing Carriage Cylinder	B
1	70022044	1	Assembly, Tube	
2	8035863	1	Piston	
3	8035862	1	Gland, Head	
4	70022045	1	Assembly, Rod	
5	70022046	1	Bearing	
6	8035536	2	Screw, Set 5/16-18X1/2	
7	70020428	1	Valve, Relief	
7	7024574	1	Kit, Seal	
8	8033786	1	Valve, Counterbalance	
8	8205655	1	Kit, Seal	
11	Kit	1	O-Ring	
12	Kit	1	O-Ring	
13	Kit	1	O-Ring	
14	Kit	1	Ring, Square	
15	Kit	1	Ring, Backup	
16	Kit	1	Seal	
17	Kit	1	Seal, Piston	
18	Kit	1	Wiper, Rod	
19	Kit	2	Wearband	
20	Kit	1	Wearband	
21	Kit	2	Insert	
22	Kit	2	Insert	
101	2915023	1	Kit, Seal (includes items 11 thru 22)	

# SECTION 9 - HYDRAULIC COMPONENTS

FIGURE 9-31. SIDE SHIFT CARRIAGE CYLINDER



ART\_70024539-B

## SECTION 9 - HYDRAULIC COMPONENTS

### FIGURE 9-31. SIDE SHIFT CARRIAGE CYLINDER

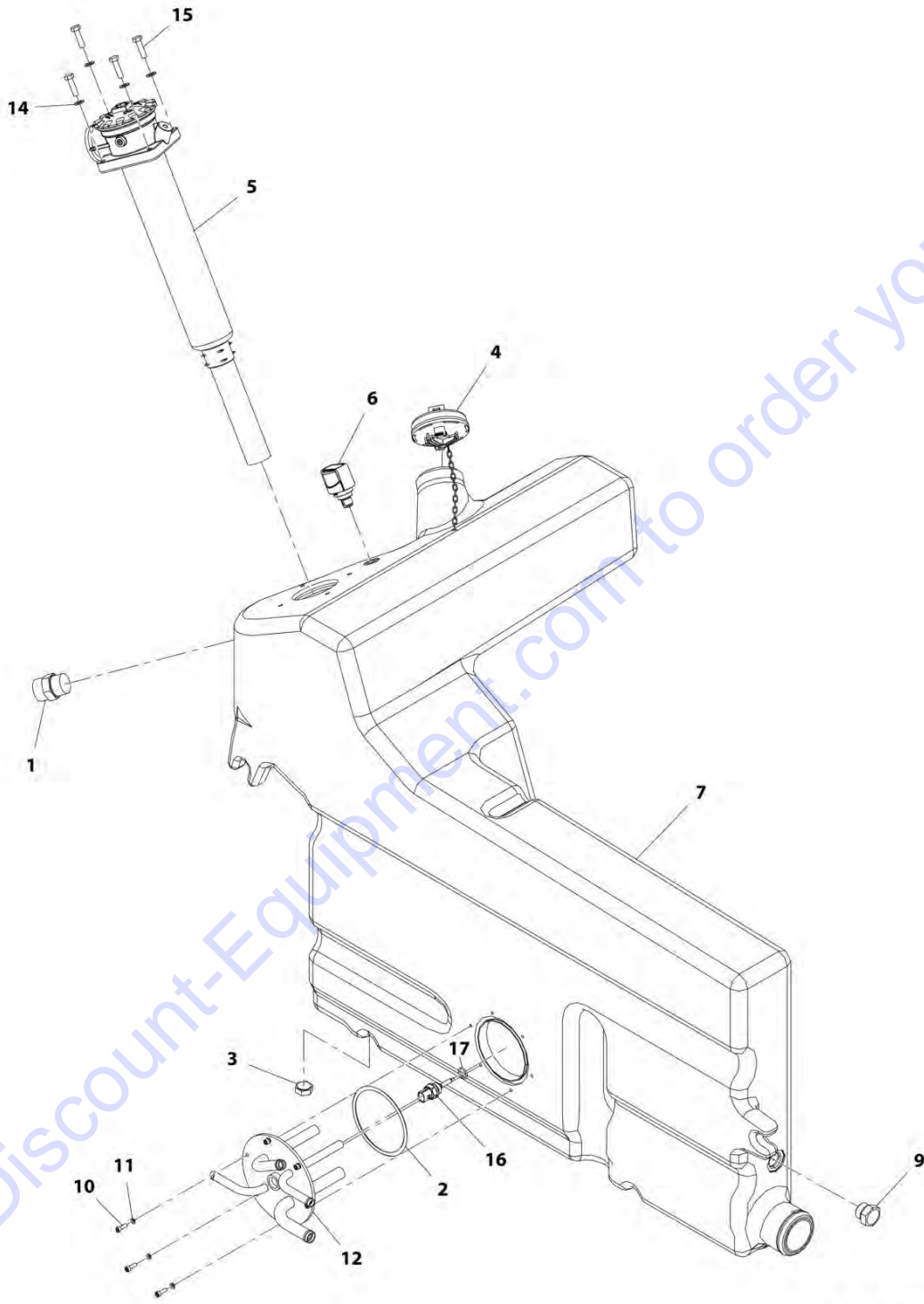
ITEM	PART NUMBER	QTY	DESCRIPTION	REV
	70024539	Ref	Side Shift Carriage Cylinder	B
2	Kit	2	Seal, Rod	
3	70024547	2	O-Ring	
4	Kit	2	Seal, Rod Wiper	
5	70024548	2	Seal, Retainer	
6	N.S.S.	1	Rod	
7	N.S.S.	1	Barrel	
101	70024549	1	Kit, Seal (includes items 2 & 4)	

Go to Discount-Equipment.com to order your parts



# SECTION 9 - HYDRAULIC COMPONENTS

## FIGURE 9-32. TANK HYDRAULIC



ART\_1001163067-N

## SECTION 9 - HYDRAULIC COMPONENTS

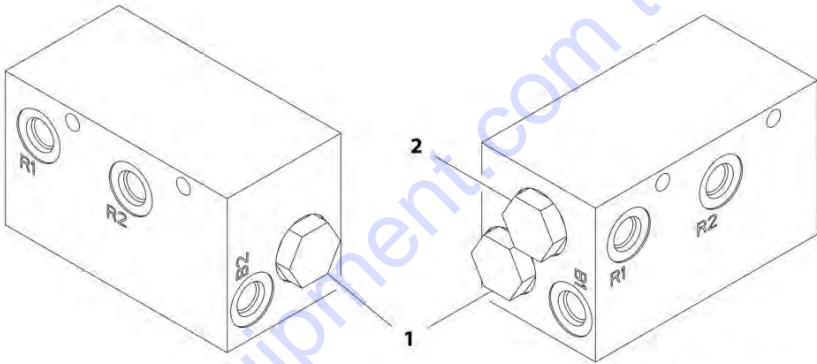
**FIGURE 9-32. TANK HYDRAULIC**

ITEM	PART NUMBER	QTY	DESCRIPTION	REV
	1001163067	Ref	Hydraulic Tank	N
1	2111616	1	Fitting, Straight ORFS	
2	1001003301	1	Seal O-Ring	
3	2220239	1	Plug	
4	1001194981	1	Cap	
5	1001162660	1	Filter	
6	1001162662	1	Filter, Breather	
7	1001162765	1	Tank	
9	2220240	1	Adapter	
10	4031607	6	Screw, M5-0.8X16	
11	4831600	6	Washer, Lock M5	
12	1001167281	1	Manifold, Hydraulic Return	
14	4811900	4	Washer, M8	
15	0700814	4	Bolt, M8X30	
16	1001128478	1	Sensor	
17	1001009163	1	Seal	

Go to Discount-Equipment.com to order your parts

**SECTION 9 - HYDRAULIC COMPONENTS**

**FIGURE 9-33. FLOW DIVIDER VALVE**



ART\_4641501-A

## SECTION 9 - HYDRAULIC COMPONENTS

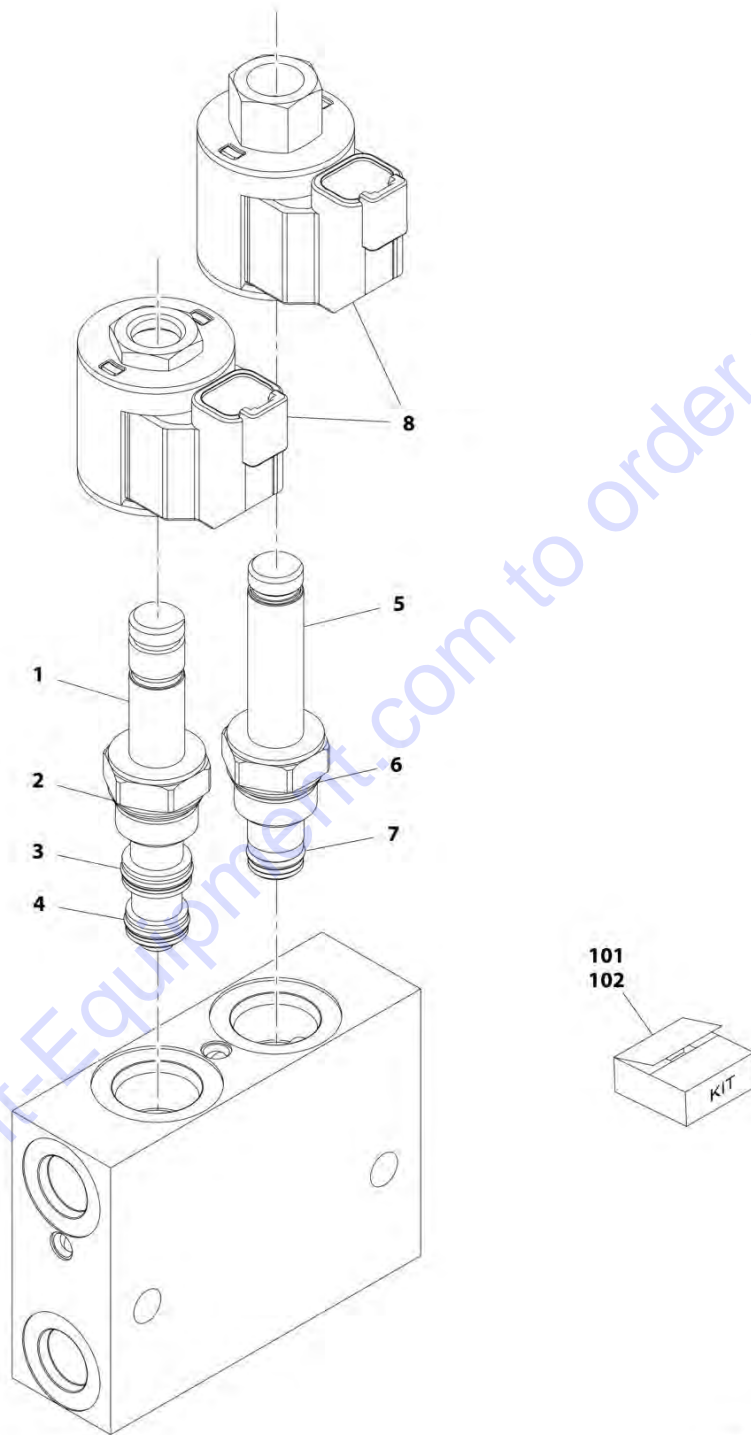
FIGURE 9-33. FLOW DIVIDER VALVE

ITEM	PART NUMBER	QTY	DESCRIPTION	REV
	4641501	Ref	Flow Divider Valve	A
1	70023928	2	Cartridge, PO Check Valve	
2	70023929	1	Cartridge, Valve	

Go to Discount-Equipment.com to order your parts

# SECTION 9 - HYDRAULIC COMPONENTS

## FIGURE 9-34. PARK BRAKE VALVE



ART\_1001164652-A

## SECTION 9 - HYDRAULIC COMPONENTS

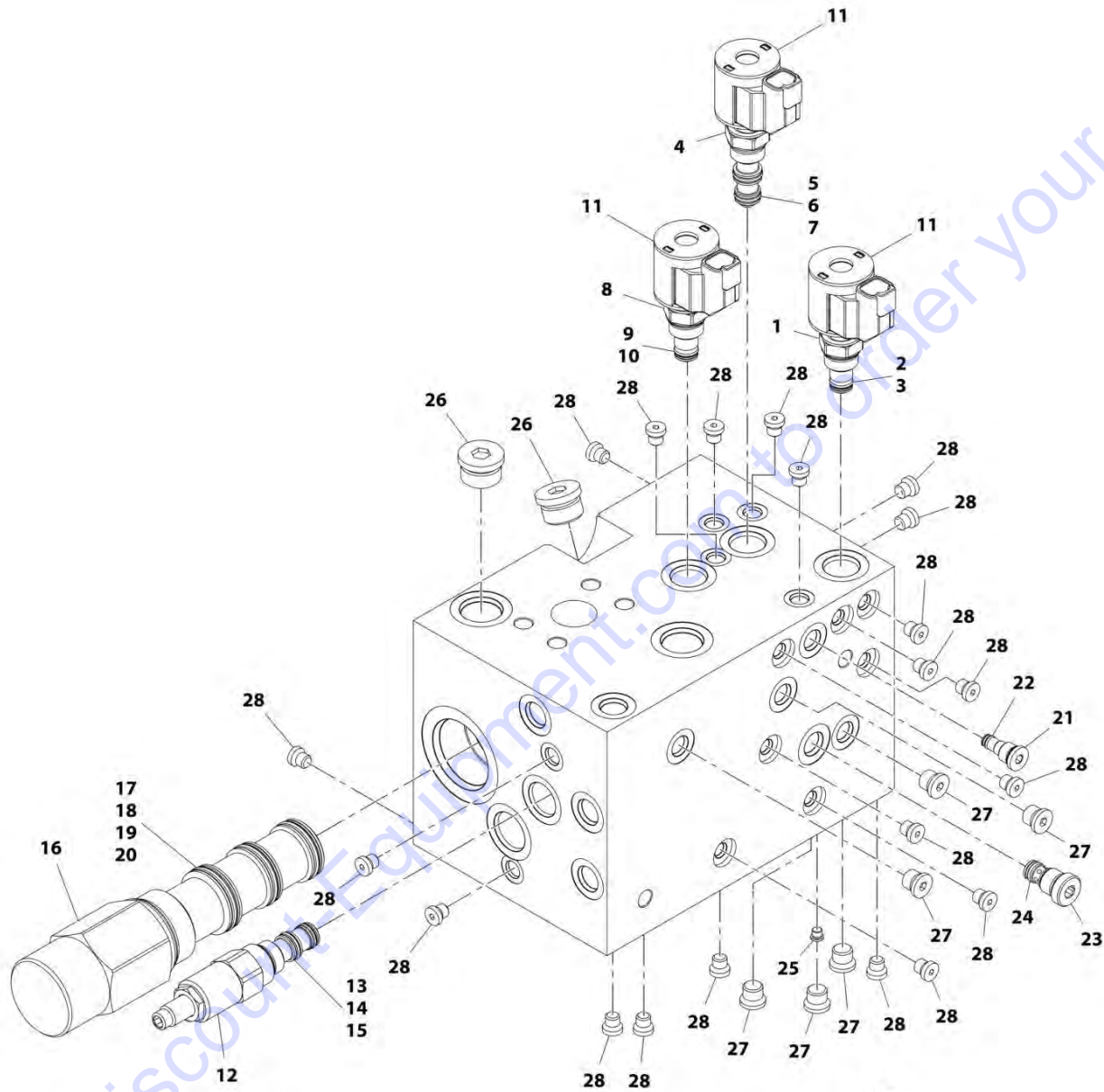
**FIGURE 9-34. PARK BRAKE VALVE**

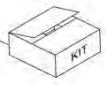
ITEM	PART NUMBER	QTY	DESCRIPTION	REV
	1001164652	1	Park Brake Valve	A
1	7012941	1	Valve	
2	Kit	1	O-Ring	
3	Kit	1	O-Ring	
4	Kit	1	O-Ring	
5	7017410	1	Valve	
6	Kit	1	O-Ring	
7	Kit	1	O-Ring	
8	70002386	2	Coil	
101	7010543	1	Kit, Seal (includes items 2 thru 4)	
102	7012967	1	Kit, Seal (includes items 6 thru 7)	

Go to Discount-Equipment.com to order your parts

# SECTION 9 - HYDRAULIC COMPONENTS

## FIGURE 9-35. PRIORITY MANIFOLD VALVE



- 101
  - 102
  - 103
  - 104
  - 105
  - 106
  - 107
- 

ART\_1001162548-F

## SECTION 9 - HYDRAULIC COMPONENTS

**FIGURE 9-35. PRIORITY MANIFOLD VALVE**

ITEM	PART NUMBER	QTY	DESCRIPTION	REV
	1001162548	Ref	Priority Manifold Valve	F
1	H000071	1	Cartridge	
2	Kit	1	Seal	
3	Kit	1	Seal	
4	7012941	1	Cartridge	
5	Kit	1	Seal	
6	Kit	1	Seal	
7	Kit	1	Seal	
8	7017410	1	Cartridge	
9	Kit	1	Seal	
10	Kit	1	Seal	
11	70002963	3	Coil	
12	70026310	1	Cartridge	
13	Kit	1	Seal	
14	Kit	1	Seal	
15	Kit	1	Seal	
16	70026311	1	Cartridge	
17	Kit	1	Seal	
18	Kit	1	Seal	
19	Kit	1	Seal	
20	Kit	1	Seal	
21	70002975	1	Cartridge	
22	Kit	1	Seal	
23	70026312	1	Cartridge	
24	Kit	1	Seal	
25	70026313	1	Plug	
26	70026314	2	Plug	
27	7017406	6	Plug	
28	70026315	21	Plug	
101	7012953	1	Kit, Seal (includes items 2 thru 3)	
102	7010543	1	Kit, Seal (includes items 5 thru 7)	
103	7012953	1	Kit, Seal (includes items 9 thru 10)	
104	7021653	1	Kit, Seal (includes items 13 thru 15)	
105	70026333	1	Kit, Seal (includes items 17 thru 20)	
106	70002976	1	Kit, Seal (includes items 22)	
107	70026334	1	Kit, Seal (includes items 24)	



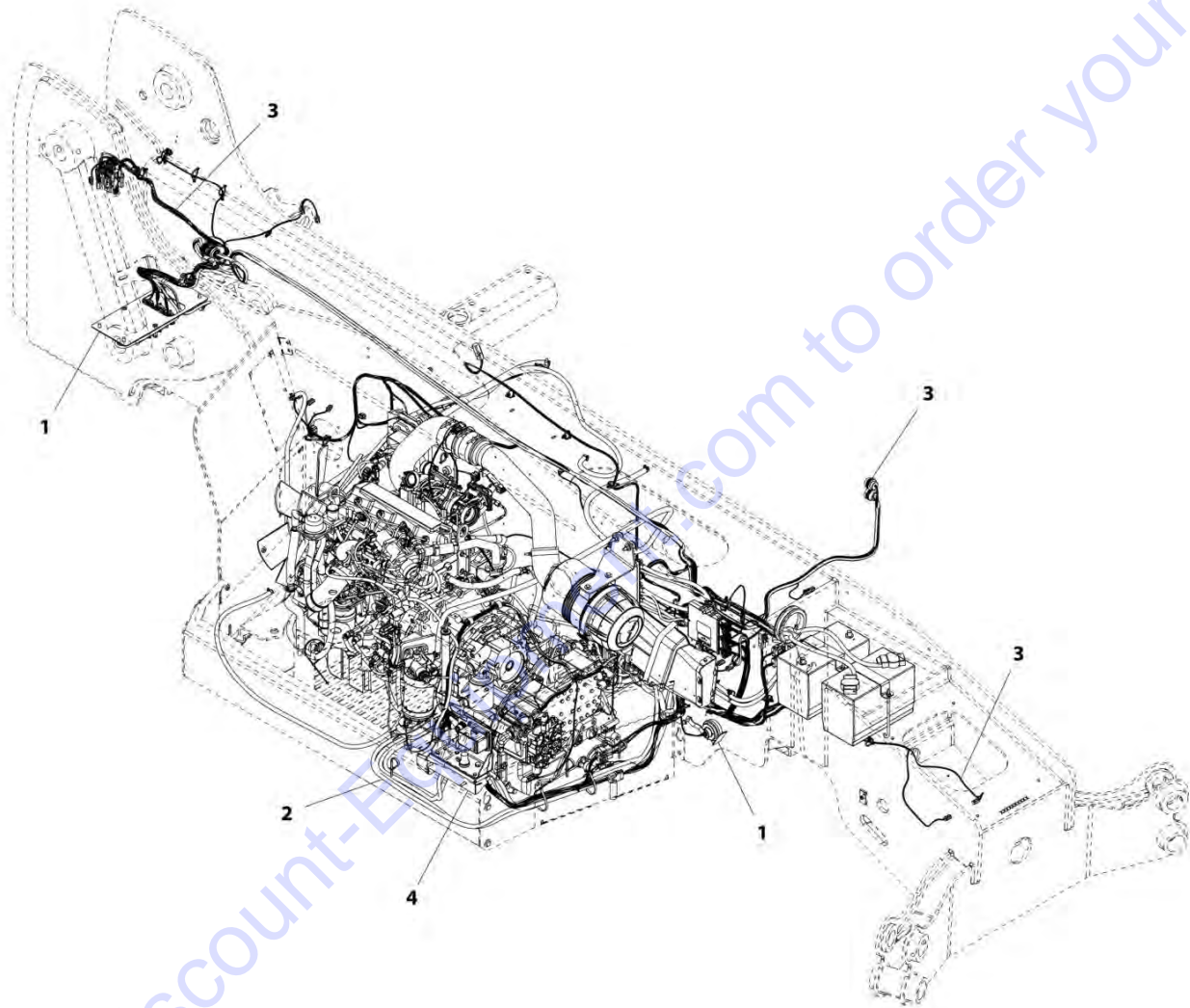


**SECTION 10 - ELECTRICAL**

Go to [Discount-Equipment.com](http://Discount-Equipment.com) to order your parts

# SECTION 10 - ELECTRICAL

## FIGURE 10-1. MAIN ELECTRICAL INSTALLATION (ULS)



ART\_1001173622-C

## SECTION 10 - ELECTRICAL

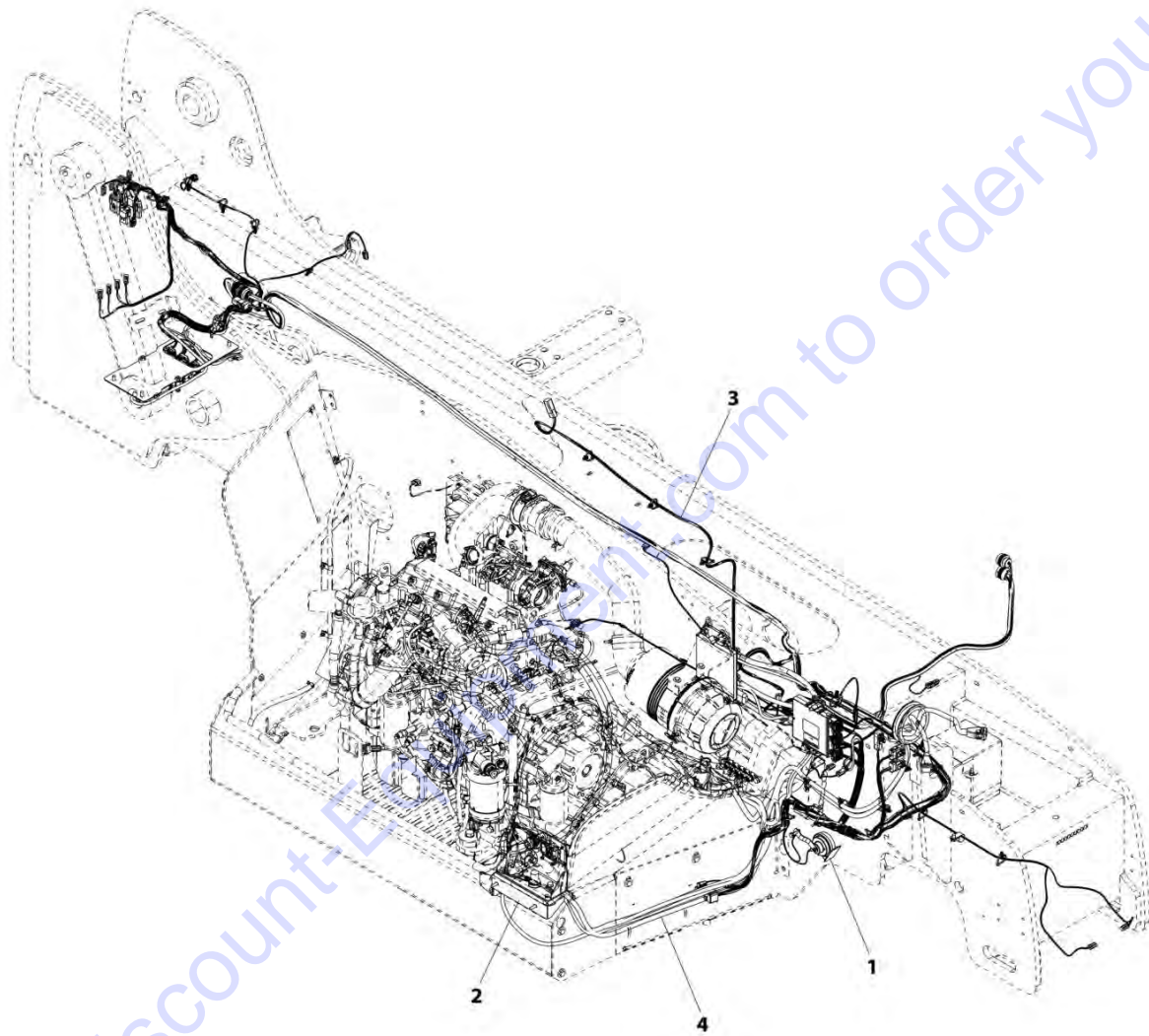
**FIGURE 10-1. MAIN ELECTRICAL INSTALLATION (ULS)**

ITEM	PART NUMBER	QTY	DESCRIPTION	REV
1	1001173622	Ref	Main Electrical Installation (ULS)	C
	1001167051	Ref	Installation, Electrical Frame (See Separate Breakdown in this Section)	
2	1001173531	Ref	Installation, Engine Bay Wiring (ULS) (See Separate Breakdown in this Section)	
3	1001173618	Ref	Installation, Frame Wiring (ULS) (See Separate Breakdown in this Section)	
4		Ref	Installation, Engine Bay Electrical (See Separate Breakdown in this Section)	

Go to Discount-Equipment.com to order your parts

## SECTION 10 - ELECTRICAL

FIGURE 10-2. MAIN ELECTRICAL INSTALLATION (ULS) (74 HP)



ART\_1001225986-B

## SECTION 10 - ELECTRICAL

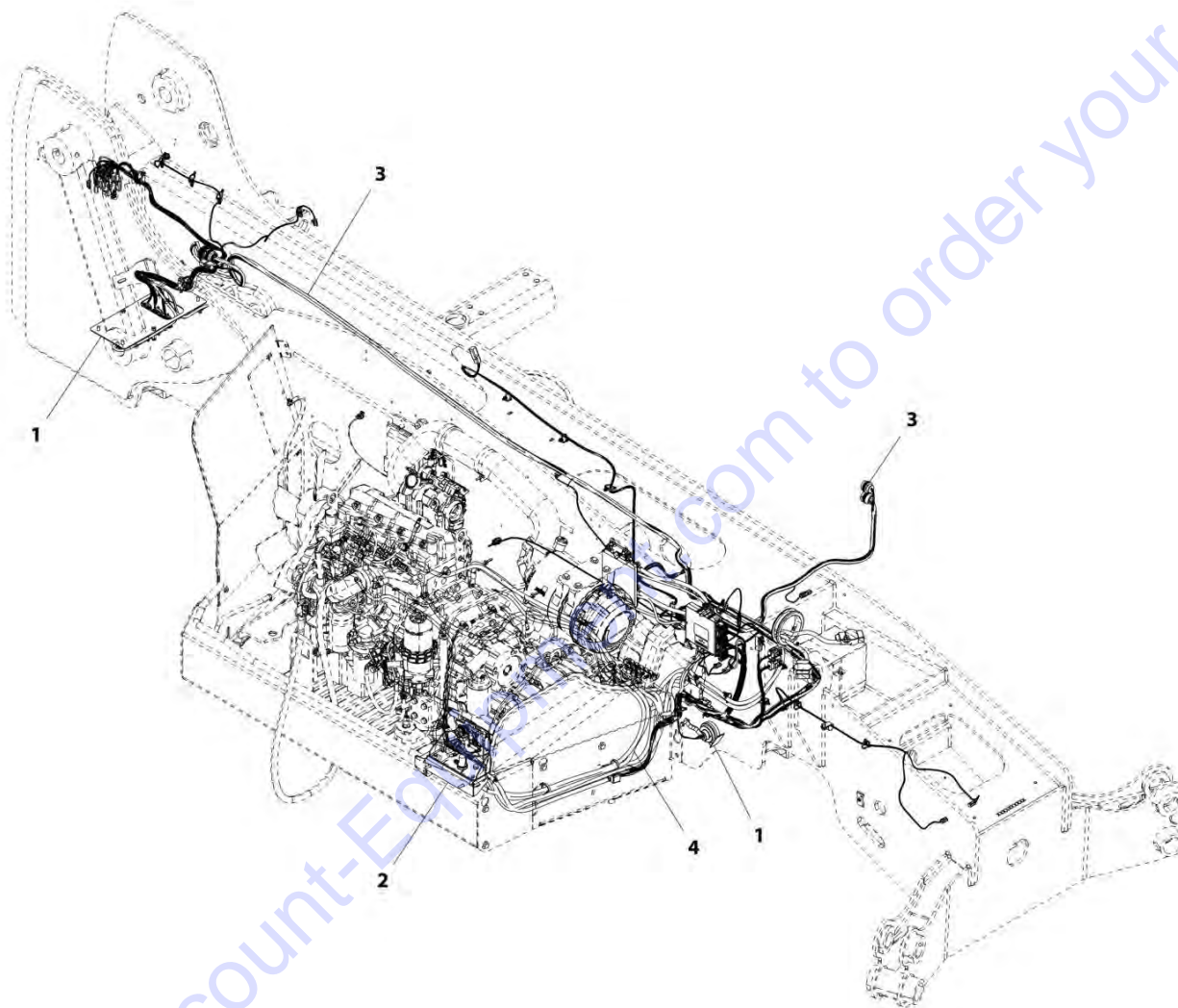
**FIGURE 10-2. MAIN ELECTRICAL INSTALLATION (ULS) (74 HP)**

ITEM	PART NUMBER	QTY	DESCRIPTION	REV
1	1001225986	Ref	Main Electrical Installation (ULS) (74 HP)	B
	1001167051	Ref	Installation, Electrical Frame (See Separate Breakdown in this Section)	
2	1001173765	Ref	Installation, Engine Bay Electrical (See Separate Breakdown in this Section)	
3	1001225987	Ref	Installation, Wiring Frame (See Separate Breakdown in this Section)	
4		Ref	Installation, Engine Bay Wiring (See Separate Breakdown in this Section)	

Go to Discount-Equipment.com to order your parts

# SECTION 10 - ELECTRICAL

## FIGURE 10-3. MAIN ELECTRICAL INSTALLATION (LS)



ART\_1001192302-A

## SECTION 10 - ELECTRICAL

**FIGURE 10-3. MAIN ELECTRICAL INSTALLATION (LS)**

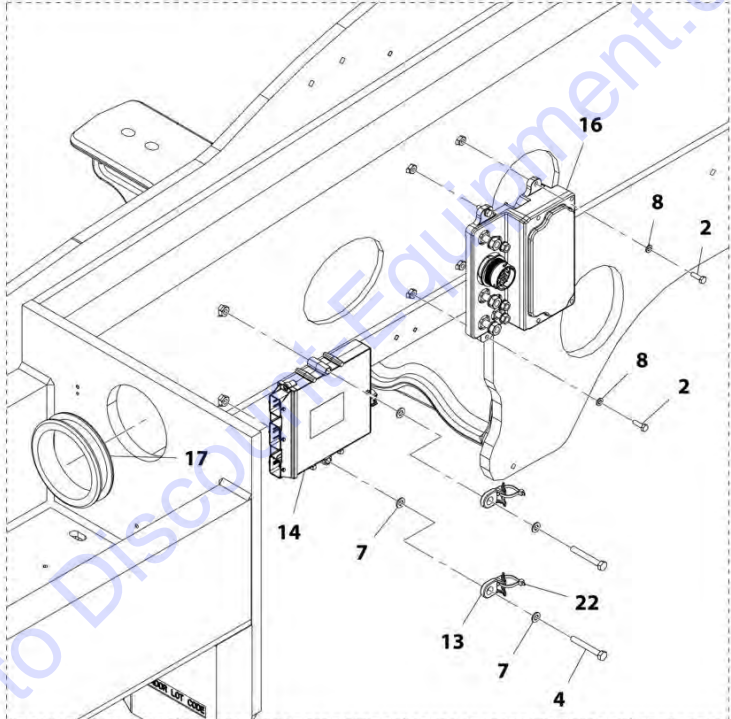
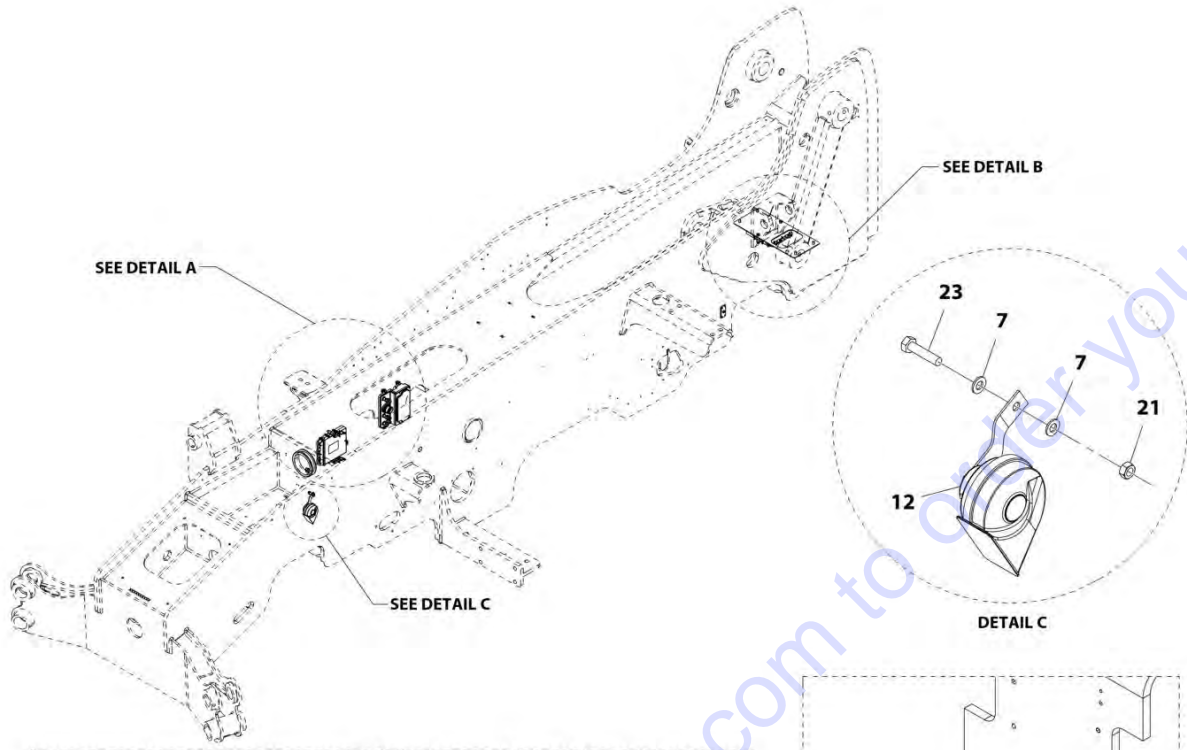
ITEM	PART NUMBER	QTY	DESCRIPTION	REV
1	1001192302	Ref	Main Electrical Installation (LS)	A
	1001167051	Ref	Installation, Electrical Frame (See Separate Breakdown in this Section)	
2	1001173765	Ref	Installation, Engine Bay Electrical (See Separate Breakdown in this Section)	
3	1001192304	Ref	Installation, Frame Wiring (LS) (See Separate Breakdown in this Section)	
4	1001193171	Ref	Installation, Engine Bay Wiring (See Separate Breakdown in this Section)	

Go to Discount-Equipment.com to order your parts

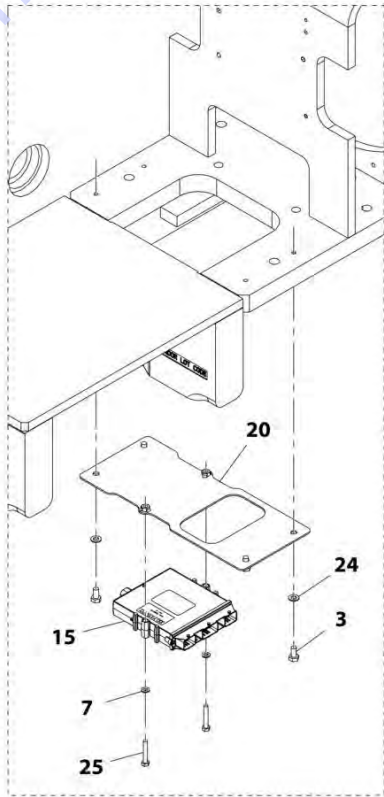


# SECTION 10 - ELECTRICAL

## FIGURE 10-4. ELECTRICAL FRAME INSTALLATION



DETAIL A



DETAIL B

ART\_1001167051-H

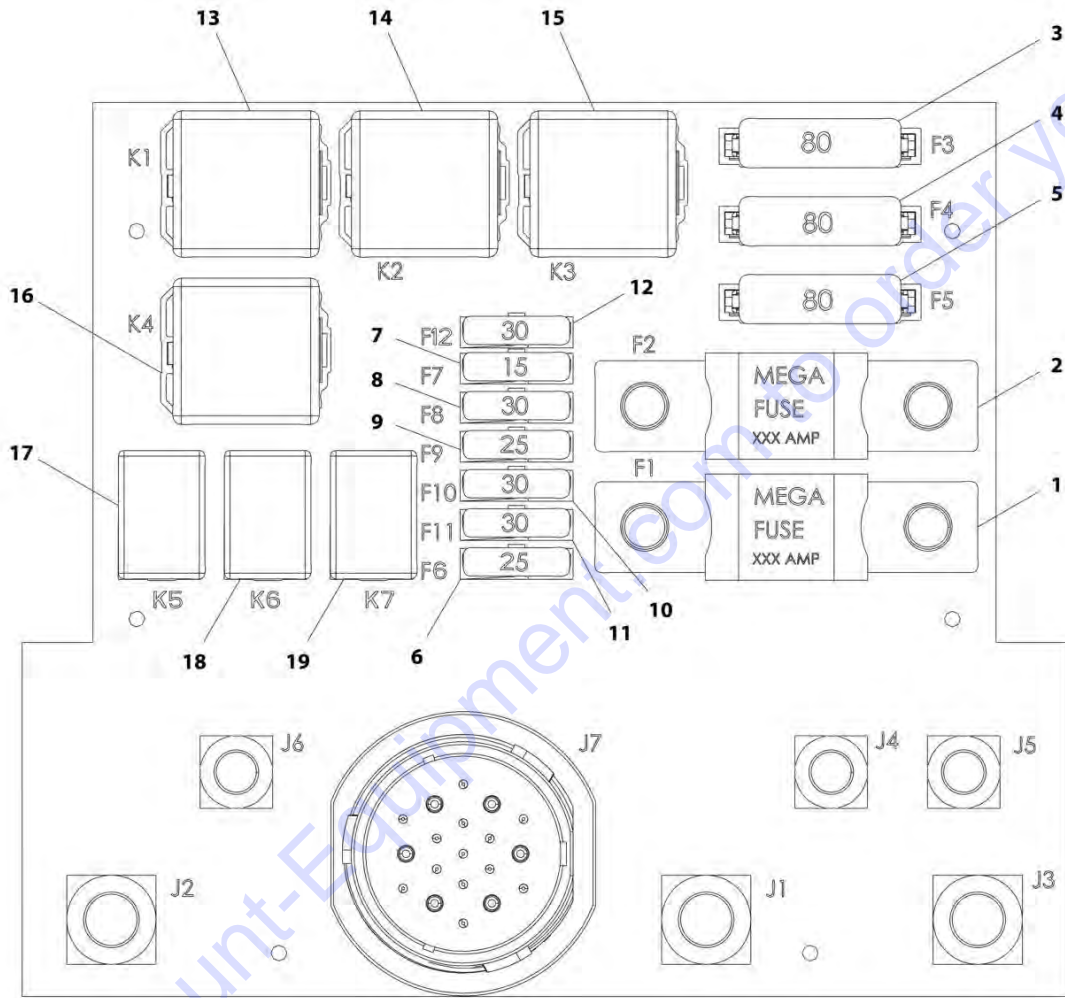
## SECTION 10 - ELECTRICAL

**FIGURE 10-4. ELECTRICAL FRAME INSTALLATION**

ITEM	PART NUMBER	QTY	DESCRIPTION	REV
	1001167051	Ref	Electrical Frame Installation	H
2	0700610	4	Bolt, M6 X 20	
3	0761010	4	Bolt, M10 X 20	
4	0700820	2	Bolt, M8 X 60	
7	4811900	8	Washer, M8	
8	4811700	4	Washer, M6	
12	10713707	1	Horn	
13	1001169146	2	Mount	
14	1001162253	1	Module, Front Frame Control	
15	1001162256	1	Module, Rear Frame Control	
16	1001164402	1	Box, Power Distribution Electrical (See Separate Breakdown in this Section)	
17	1001166397	1	Grommet	
20	1001210450	1	Plate, Mounting	
21	3290801	1	Nut, M8X1.25	
22	1001008559	2	Strap, Cable	
23	0760815	1	Bolt, M8X35	
24	4812000	4	Washer, M10	
25	0700818	2	Bolt, M8X50	

# SECTION 10 - ELECTRICAL

## FIGURE 10-5. POWER DISTRIBUTION ELECTRICAL BOX



ART\_1001164402-F

## SECTION 10 - ELECTRICAL

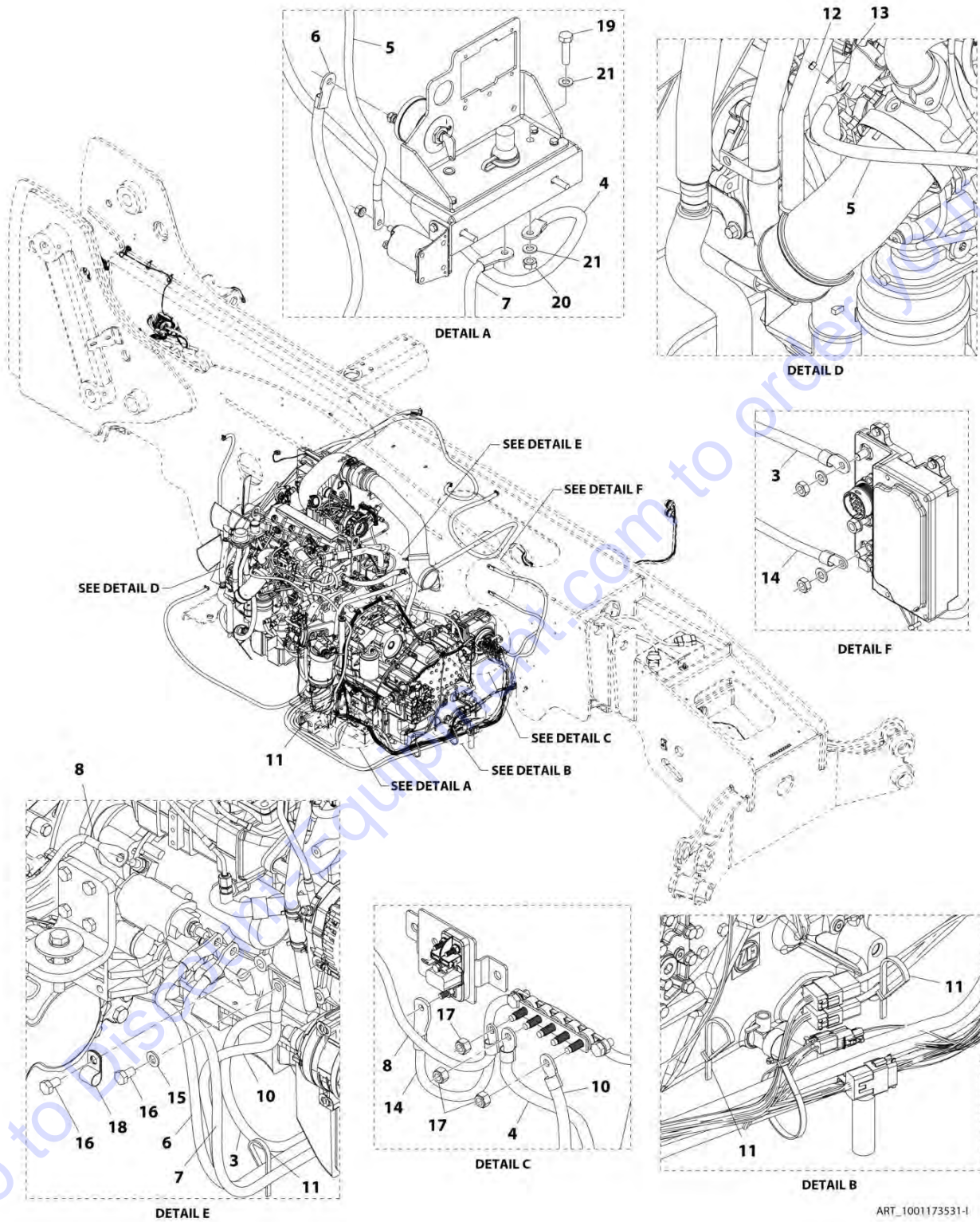
**FIGURE 10-5. POWER DISTRIBUTION ELECTRICAL BOX**

ITEM	PART NUMBER	QTY	DESCRIPTION	REV
	1001164402	Ref	Power Distribution Electrical Box	F
1	1001095336	1	Fuse, 150AMP	
2	70026296	1	Fuse, 200AMP	
3	70026297	1	Fuse, 80AMP	
4	70026297	1	Fuse, 80AMP	
5	70026297	1	Fuse, 80AMP	
6	8229247	1	Fuse, 25AMP	
7	8229244	1	Fuse, 15AMP	
8	8229245	1	Fuse, 30AMP	
9	8229247	1	Fuse, 25AMP	
10	8229245	1	Fuse, 30AMP	
11	8229245	1	Fuse, 30AMP	
12	8229245	1	Fuse, 30AMP	
13	70026294	1	Fuse, 70AMP	
14	70026294	1	Fuse, 70AMP	
15	70026294	1	Fuse, 70AMP	
16	70026294	1	Fuse, 70AMP	
17	70026295	1	Fuse, 35AMP	
18	70026295	1	Fuse, 35AMP	
19	70026295	1	Fuse, 35AMP	

Go to Discount-Equipment.com to order your parts

# SECTION 10 - ELECTRICAL

## FIGURE 10-6. ENGINE BAY WIRING INSTALLATION (ULS)



ART\_1001173531-1

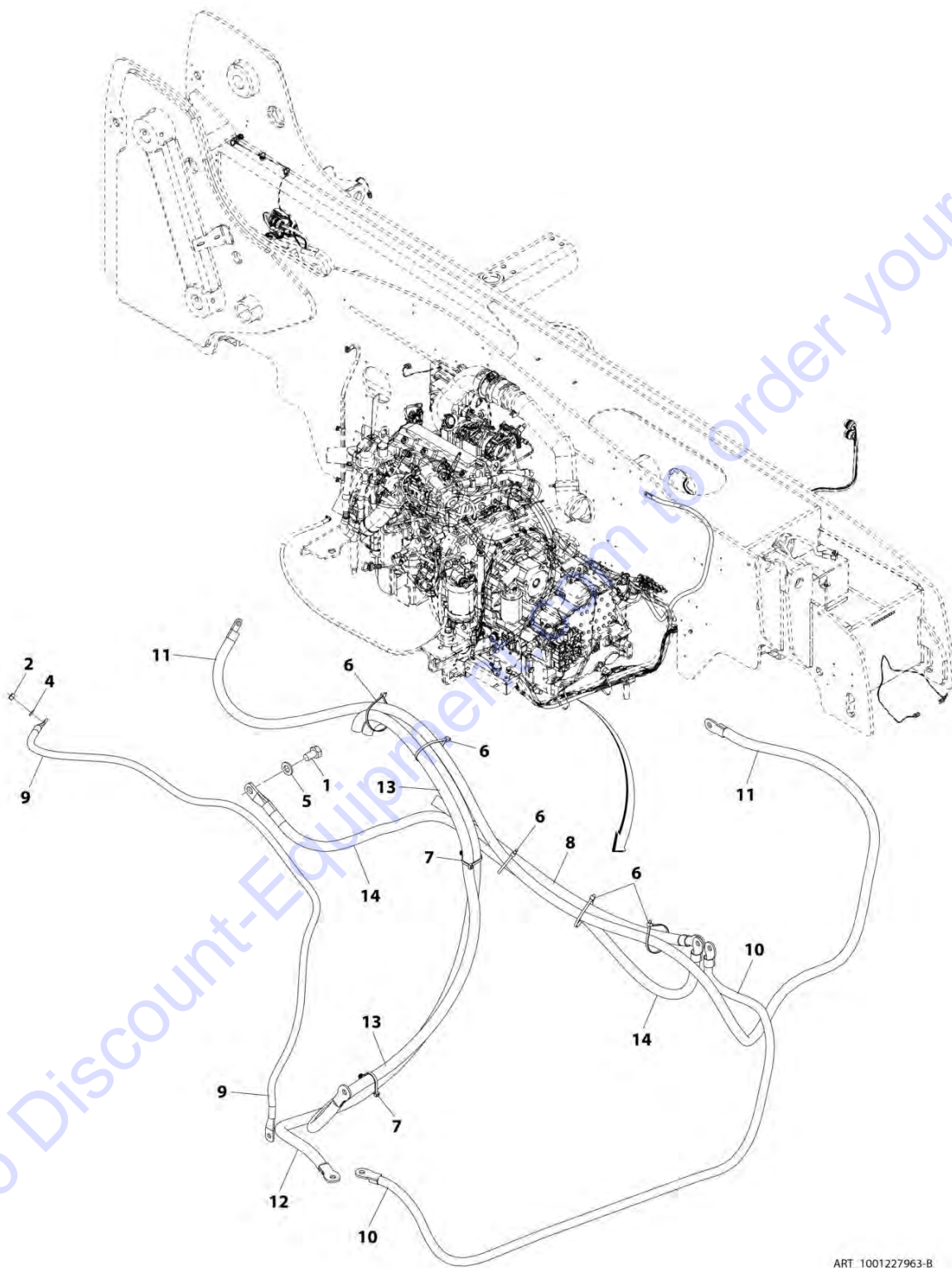
## SECTION 10 - ELECTRICAL

**FIGURE 10-6. ENGINE BAY WIRING INSTALLATION (ULS)**

ITEM	PART NUMBER	QTY	DESCRIPTION	REV
	1001173531	Ref	Engine Bay Wiring Installation (ULS)	1
3	1001170215	1	Cable, PDM to ALT+	
4	1001200102	1	Cable, Ground Buss to Remote Ground	
5	1001170816	1	Cable, Grid Heater	
6	1001170740	1	Cable, Starter to Battery Disconnect	
7	1001170741	1	Cable, Starter to Remote B+	
8	1001170320	1	Cable, Starter Ground	
10	1001170749	1	Cable, Engine Ground	
11	1001008559	5	Strap, Cable	
12	3290605	1	Nut, Lock M6X1	
13	4811700	1	Washer, M6	
14	1001190585	1	Cable, Glow Plug	
15	4812100	1	Washer, M12	
16	0761210	2	Bolt, M12X20	
17	3291005	3	Nut, Lock M10X1.5	
18	8406105	1	Clip, Tube	
19	0701016	1	Bolt, M10X40	
20	3291001	1	Nut, M10X1.5	
21	4812000	2	Washer, M10	

# SECTION 10 - ELECTRICAL

## FIGURE 10-7. ENGINE BAY WIRING INSTALLATION, 74HP (ULS)



## SECTION 10 - ELECTRICAL

**FIGURE 10-7. ENGINE BAY WIRING INSTALLATION, 74HP (ULS)**

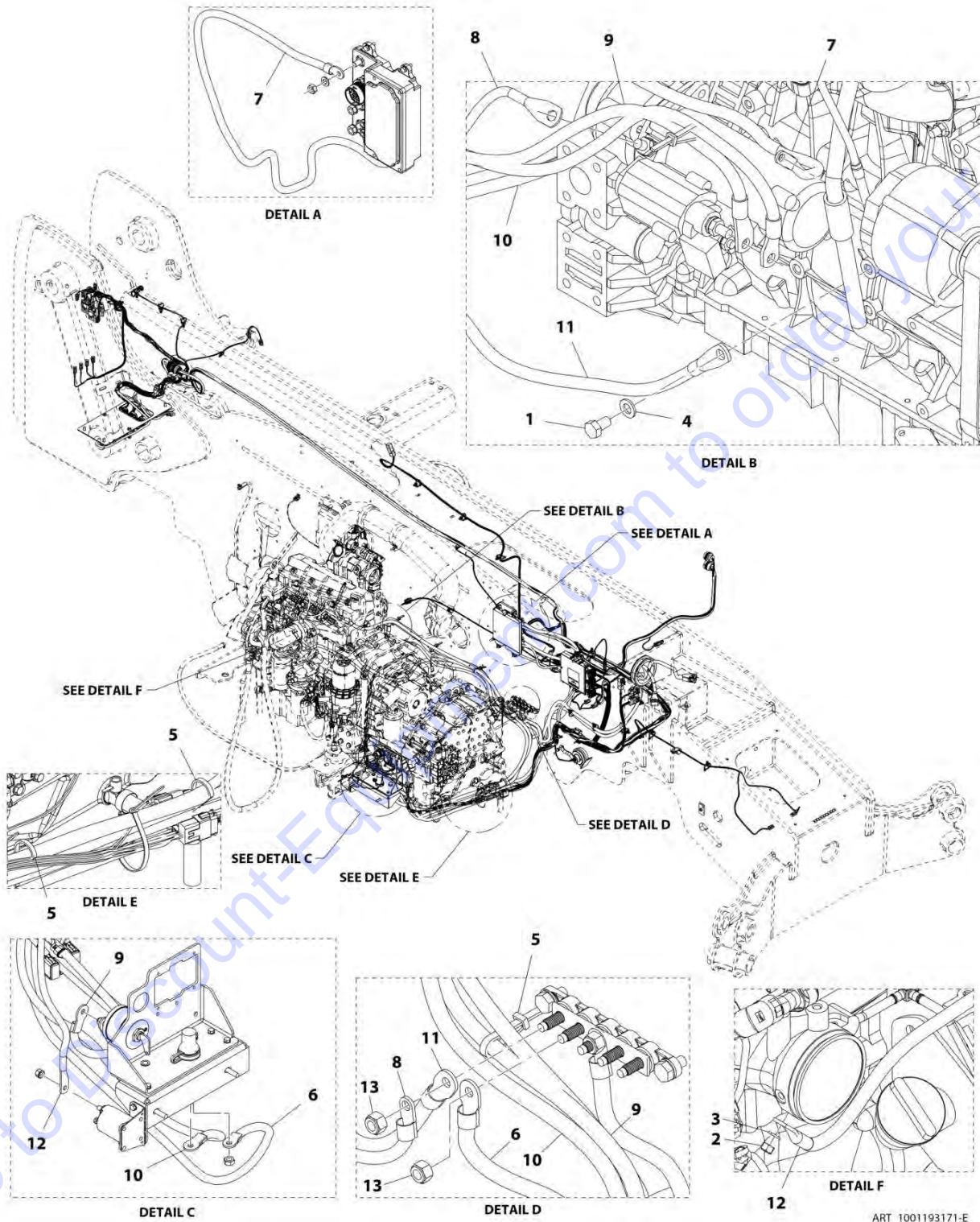
ITEM	PART NUMBER	QTY	DESCRIPTION	REV
	1001227963	Ref	Engine Bay Wiring Installation, 74HP (ULS)	B
1	0761210	1	Bolt, M12X20	
2	3290605	1	Nut, Lock M6X1	
4	4811700	1	Washer, M6	
5	4812100	1	Washer, M12	
6	1001008559	5	Strap, Cable	
7	1001146588	2	Strap, Cable Tie	
8	1001170320	1	Cable, Starter Ground	
9	1001170816	1	Cable, Grid Heater	
10	1001200102	1	Cable, Ground Buss to Remote Ground	
11	1001205254	1	Cable	
12	1001228118	1	Cable, Starter to Remote	
13	1001228119	1	Cable, Starter to Battery Disconnect	
14	1001228490	1	Cable, Engine Ground	

Go to Discount-Equipment.com to order your parts



# SECTION 10 - ELECTRICAL

## FIGURE 10-8. ENGINE BAY WIRING INSTALLATION (LS)



ART\_1001193171-E

## SECTION 10 - ELECTRICAL

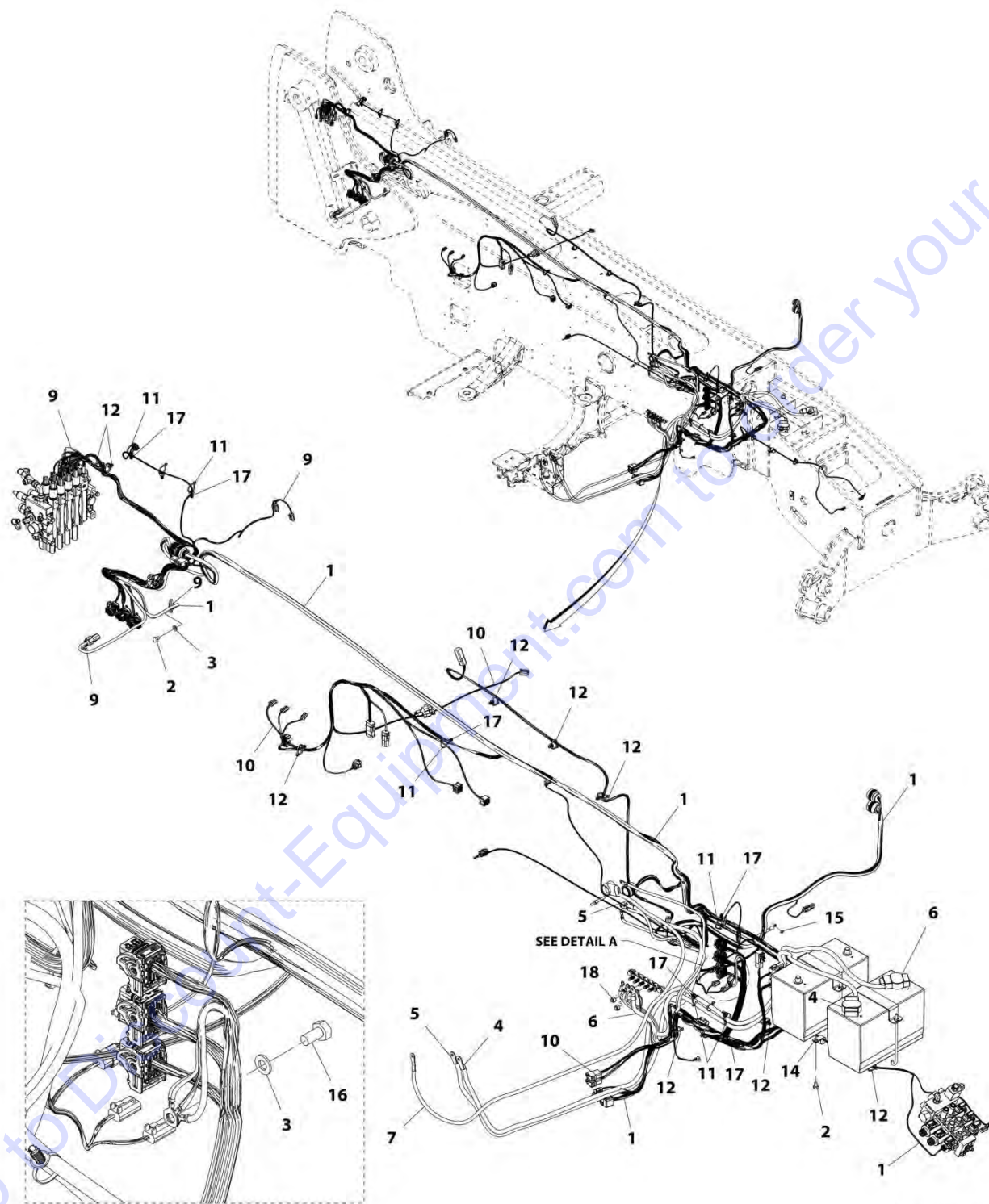
**FIGURE 10-8. ENGINE BAY WIRING INSTALLATION (LS)**

ITEM	PART NUMBER	QTY	DESCRIPTION	REV
	1001193171	Ref	Engine Bay Wiring Installation (LS)	E
1	0761210	1	Bolt, M12X20	
2	3290605	1	Nut, Lock M6X1	
3	4811700	1	Washer, M6	
4	4812100	1	Washer, M12	
5	1001008559	6	Strap, Cable	
6	1001200102	1	Cable, Ground Buss to Remote Ground	
7	1001205254	1	Cable, PDM to Alt+	
8	1001170320	1	Cable, Starter Ground	
9	1001187623	1	Cable, Starter to Battery Disconnect	
10	1001187624	1	Cable, Starter to Remote B+	
11	1001205255	1	Cable, Engine Ground	
12	1001170816	1	Cable, Grid Heater	
13	3291005	2	Nut, Lock M10X1.5	

Go to Discount-Equipment.com to order your parts

# SECTION 10 - ELECTRICAL

## FIGURE 10-9. FRAME WIRING INSTALLATION (ULS)



ART\_1001173618-L

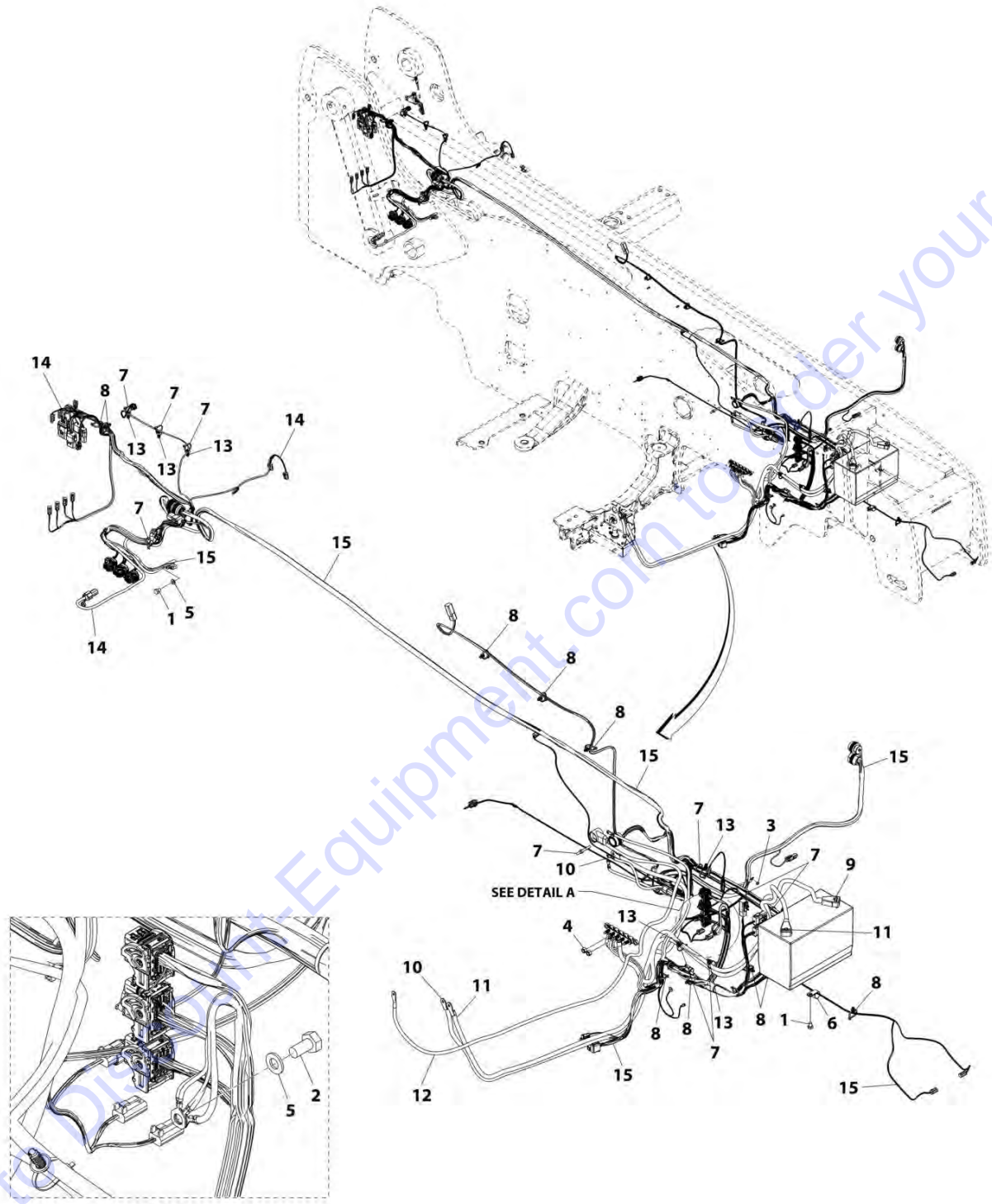
## SECTION 10 - ELECTRICAL

**FIGURE 10-9. FRAME WIRING INSTALLATION (ULS)**

ITEM	PART NUMBER	QTY	DESCRIPTION	REV
	1001173618	Ref	Frame Wiring Installation (ULS)	L
1		Ref	Harness, Front Frame (See Separate Breakdown in this Section)	
2	0761007	2	Bolt, M10X14	
3	4812000	2	Washer, M10	
4	1001203052	1	Cable, Battery + to Battery Disconnect	
5	1001170566	1	Cable, Battery Disconnect to PDM	
6	1001203053	1	Cable, Battery Negative	
7	1001200082	1	Cable, PDM to Grid Heater	
9	1001204351	1	Harness, Rear Frame (See Separate Breakdown in this Section)	
10	1001173091	1	Harness, Engine Chassis Harness (ULS) (See Separate Breakdown in this Section)	
11	1001008559	19	Strap, Cable	
12	1001146588	14	Strap, Cable Tie	
14	8406201	1	Clip, Wire and Tube	
15	3290601	1	Nut, M6X1	
16	0761010	1	Bolt, M10X20	
17	1001202986	9	Strap, Tie	
18	3291005	2	Nut, Lock M10X1.5	

# SECTION 10 - ELECTRICAL

## FIGURE 10-10. FRAME WIRING INSTALLATION (ULS)



ART\_1001225987-B

## SECTION 10 - ELECTRICAL

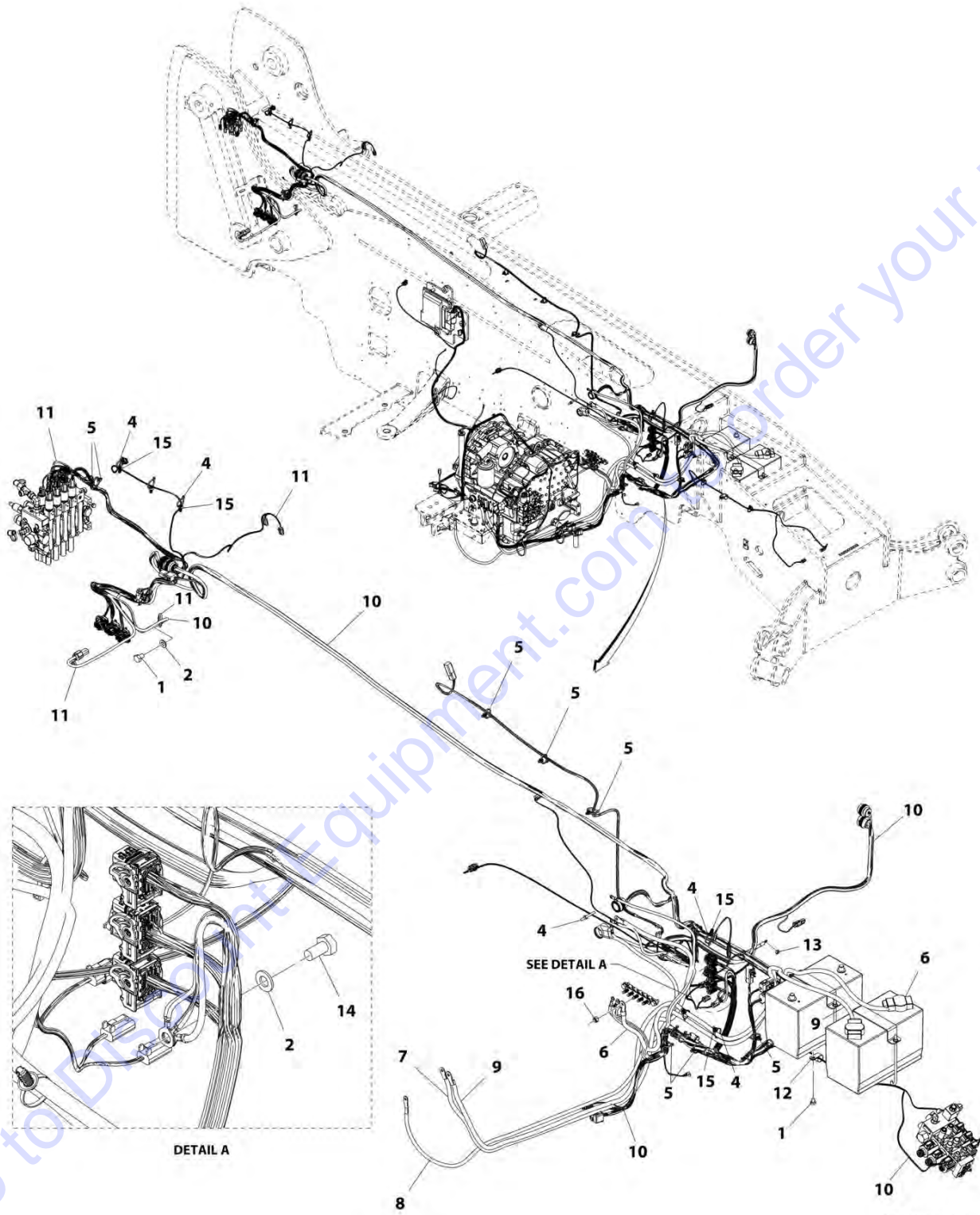
**FIGURE 10-10. FRAME WIRING INSTALLATION (ULS)**

ITEM	PART NUMBER	QTY	DESCRIPTION	REV
	1001225987	Ref	Frame Wiring Installation (ULS)	B
1	0761007	2	Bolt, M10X14	
2	0761010	1	Bolt, M10X20	
3	3290601	1	Nut, M6X1	
4	3291005	5	Nut, Lock M10X1.5	
5	4812000	2	Washer, M10	
6	8406201	1	Clip, Wire and Tube	
7	1001008559	19	Strap, Tie	
8	1001146588	13	Strap, Tie	
9	1001169365	1	Cable, Battery Negative	
10	1001170566	1	Cable, Battery Disconnect to PDM	
11	1001170624	1	Cable, Battery + to Battery Disconnect	
12	1001200082	1	Cable, PDM to Grid Heater	
13	1001202986	8	Strap	
14	1001204352	1	Harness, Rear Frame (See Separate Breakdown in this Section)	
15	1001221728	1	Harness, Front Frame (See Separate Breakdown in this Section)	

Go to Discount-Equipment.com to order your parts

# SECTION 10 - ELECTRICAL

## FIGURE 10-11. FRAME WIRING INSTALLATION (LS)



## SECTION 10 - ELECTRICAL

**FIGURE 10-11. FRAME WIRING INSTALLATION (LS)**

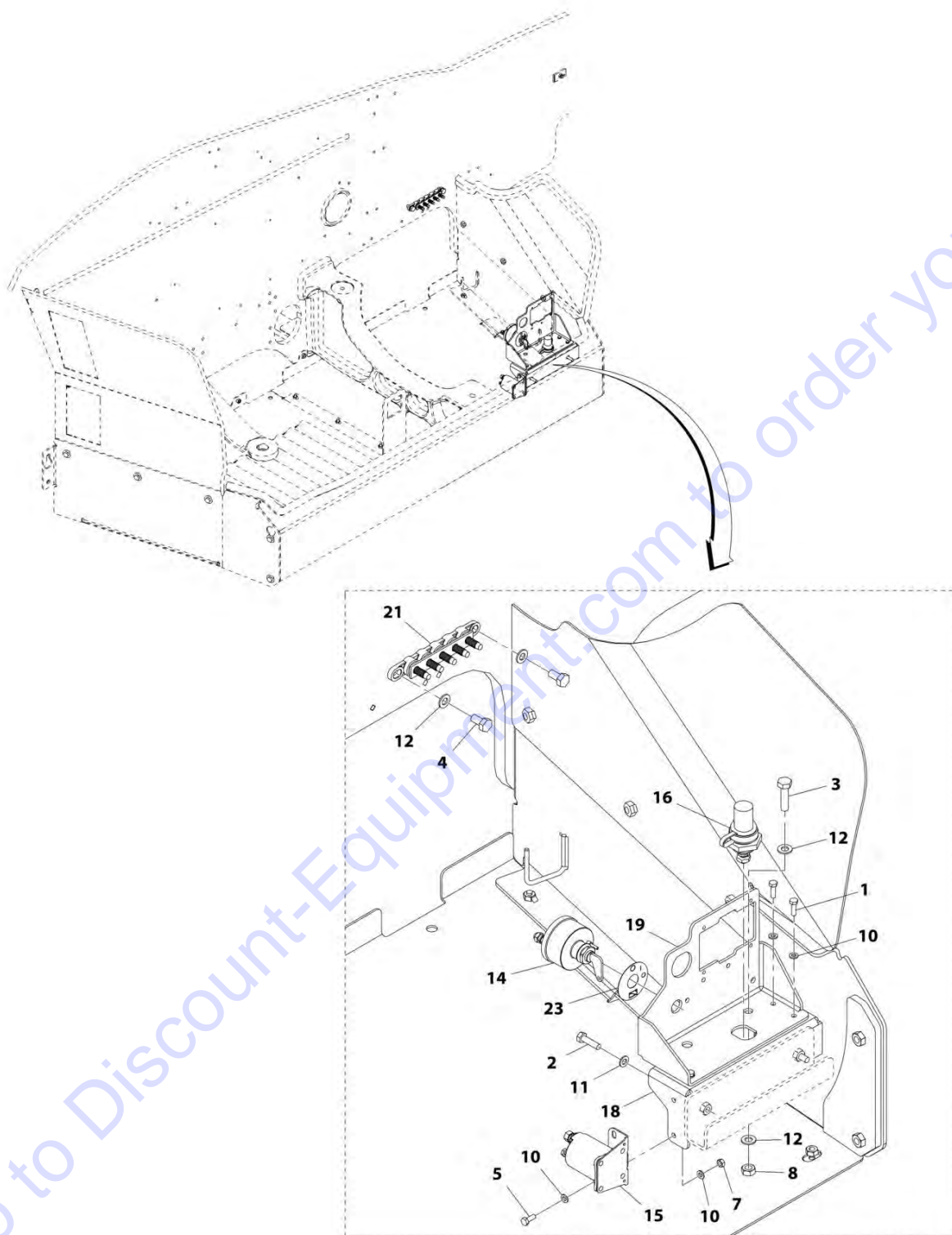
ITEM	PART NUMBER	QTY	DESCRIPTION	REV
	1001192304	Ref	Frame Wiring Installation (LS)	I
1	0761007	2	Bolt, M10X14	
2	4812000	2	Washer, M10	
4	1001008559	19	Strap, Tie	
5	1001146588	13	Strap, Tie	
6	1001203053	1	Cable, Battery Negative	
7	1001170566	1	Cable, Battery Disconnect to PDM	
8	1001200082	1	Cable, PDM to Grid Heater	
9	1001203052	1	Cable, Battery + to Battery Disconnect	
10		Ref	Harness, Frame (See Separate Breakdown in this Section)	
11	1001204351	1	Harness, Rear Frame (See Separate Breakdown in this Section)	
12	8406201	1	Clip, Wire and Tube	
13	3290601	1	Nut, M6X1	
14	0761010	1	Bolt, M10X20	
15	1001202986	8	Strap, Tie	
16	3291005	1	Nut, Lock M10X1.5	

Go to Discount-Equipment.com to order your parts



# SECTION 10 - ELECTRICAL

## FIGURE 10-12. ENGINE BAY ELECTRICAL INSTALLATION



ART\_1001173765-J

## SECTION 10 - ELECTRICAL

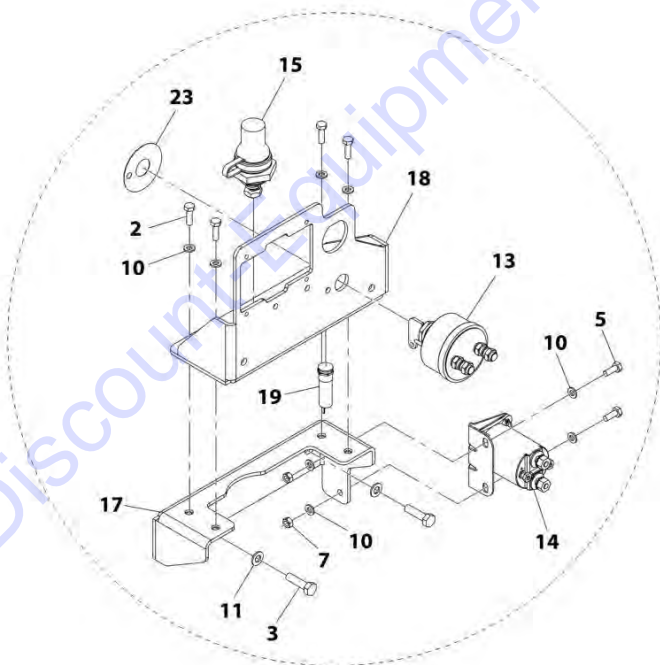
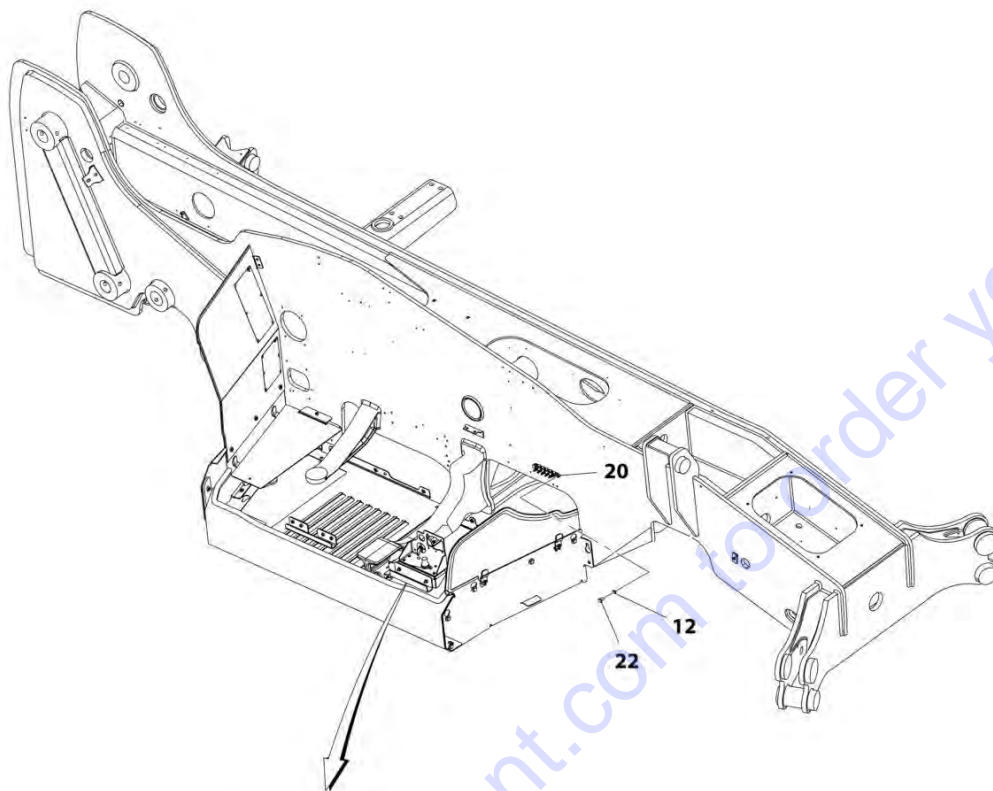
**FIGURE 10-12. ENGINE BAY ELECTRICAL INSTALLATION**

ITEM	PART NUMBER	QTY	DESCRIPTION	REV
	1001173765	Ref	Engine Bay Electrical Installation	J
1	0700610	4	Bolt, M6X20	
2	0700814	2	Bolt, M8X30	
3	0701016	1	Bolt, M10X40	
4	0761010	2	Bolt, M10X20	
5	0760608	2	Bolt, M6X16	
7	3290601	2	Nut, M6X1	
8	3291001	1	Nut, M10X1.5	
10	4811700	8	Washer, M6	
11	4811900	2	Washer, M8	
12	4812000	4	Washer, M10	
14	1001192142	1	Switch	
15	1001117308	1	Relay	
16	1001193993	1	Terminal	
18	1001199099	1	Bracket	
19	1001198321	1	Bracket	
21	1001181128	1	Bussbar	
23	1001008540	1	Plate	

Go to Discount-Equipment.com to order your parts

# SECTION 10 - ELECTRICAL

## FIGURE 10-13. ENGINE BAY ELECTRICAL INSTALLATION (ULS)



ART\_1001163127-I

## SECTION 10 - ELECTRICAL

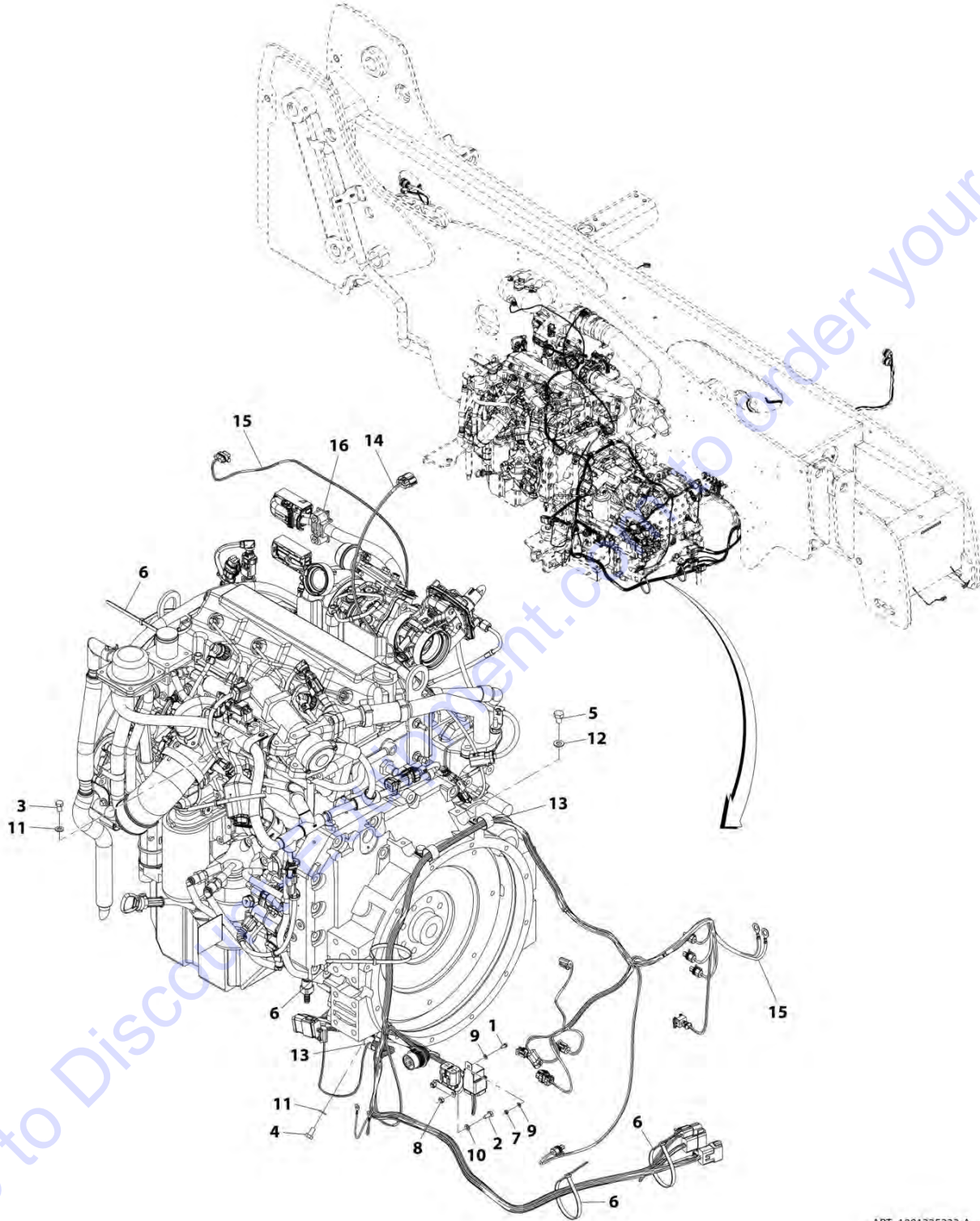
**FIGURE 10-13. ENGINE BAY ELECTRICAL INSTALLATION (ULS)**

ITEM	PART NUMBER	QTY	DESCRIPTION	REV
	1001163127	Ref	Engine Bay Electrical Installation (if equipped for ULS)	1
2	0700610	4	Bolt, M6X20	
3	0700814	2	Bolt, M8X30	
5	0760608	2	Bolt, M6X16	
7	3290601	2	Nut, M6X1 Grade 8	
10	4811700	8	Washer, M6	
11	4811900	2	Washer, M8	
12	4812000	2	Washer, M10	
13	1001192142	1	Switch	
14	1001117308	1	Relay	
15	1001193993	1	Terminal	
17	1001199099	1	Bracket	
18	1001198321	1	Bracket	
19	1001169825	1	Bulb, LED 12V	
20	1001181128	1	Bussbar	
22	0761010	2	Bolt, M10X20	
23	1001008540	1	Plate	

Go to Discount-Equipment.com to order your parts

# SECTION 10 - ELECTRICAL

## FIGURE 10-14. ENGINE WIRING INSTALLATION, 74HP (ULS)



ART\_1001225232-A

## SECTION 10 - ELECTRICAL

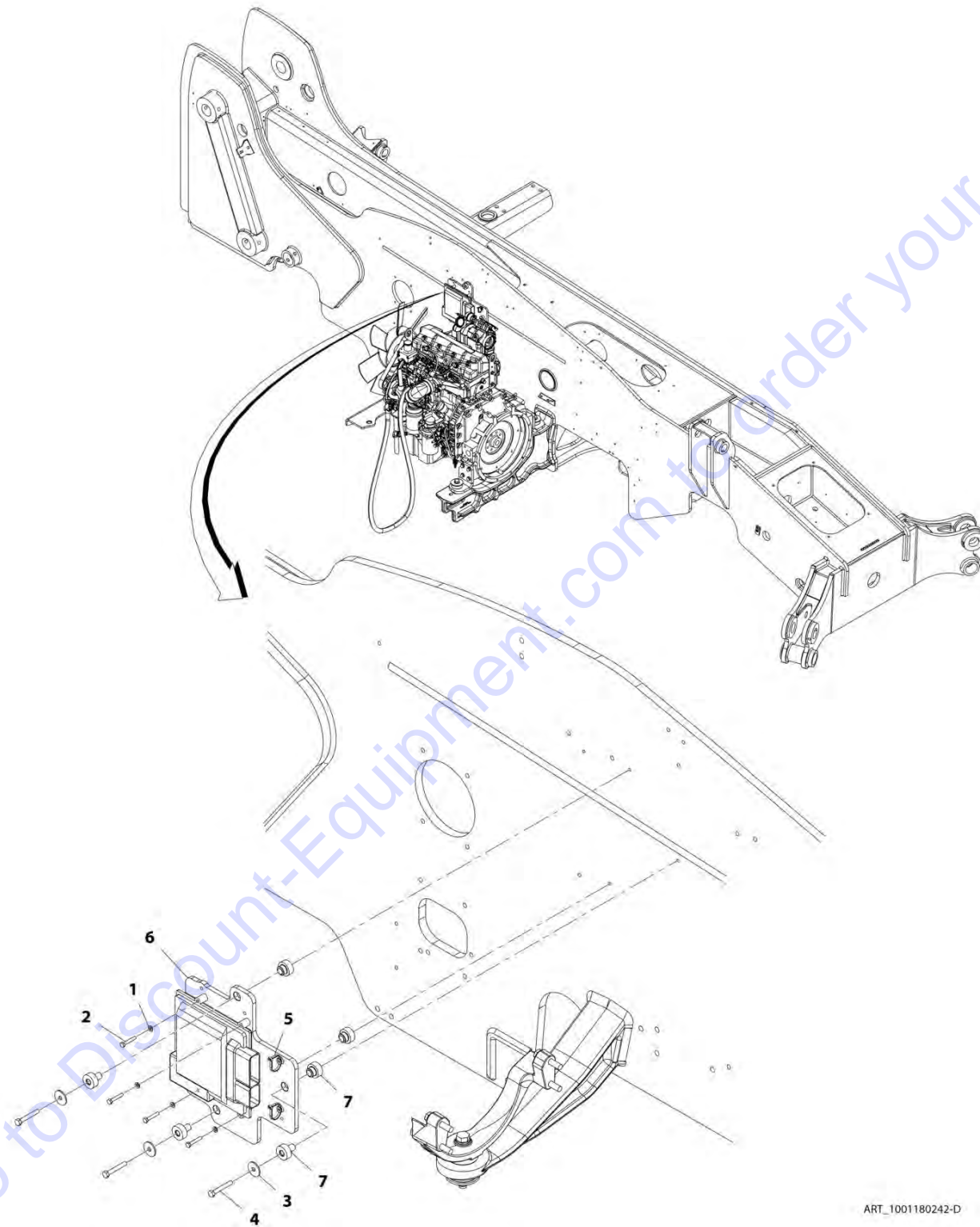
**FIGURE 10-14. ENGINE WIRING INSTALLATION, 74HP (ULS)**

ITEM	PART NUMBER	QTY	DESCRIPTION	REV
	1001225232	Ref	Engine Wiring Installation, 74HP (ULS)	A
1	0760405	1	Bolt, M4X10	
2	0760607	2	Bolt, M6X14	
3	0760807	1	Bolt, M8X14	
4	0760808	1	Bolt, M8X16	
5	0761007	2	Bolt, M10X14	
6	1062255	8	Strap, Tie	
7	3290401	1	Nut, M4X0.7	
8	3290601	2	Nut, M6X1 Grade 8	
9	4811400	2	Washer, M4	
10	4811700	2	Washer, M6	
11	4811900	2	Washer, M8	
12	4812000	2	Washer, M10	
13	8406201	4	Clip	
14	1001184835	1	Harness, TBAP (See Separate Breakdown in this Section)	
15	1001225067	1	Harness, Engine, Cummins 74HP (See Separate Breakdown in this Section)	
16	1001167646	1	Connector, Strain Relief	

Go to Discount-Equipment.com to order your parts

# SECTION 10 - ELECTRICAL

## FIGURE 10-15. ENGINE ECU INSTALLATION (LS)



ART\_1001180242-D

## SECTION 10 - ELECTRICAL

### FIGURE 10-15. ENGINE ECU INSTALLATION (LS)

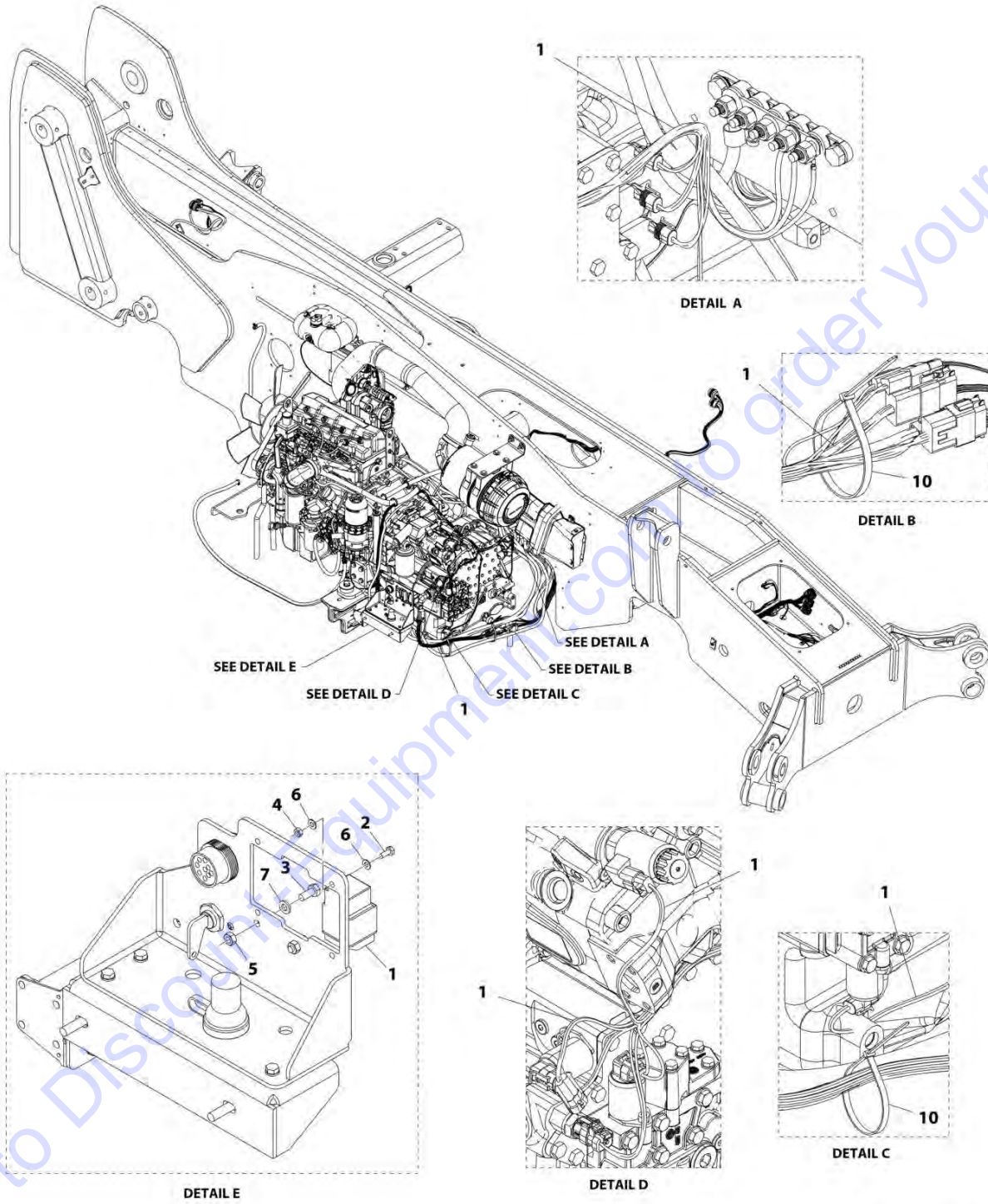
ITEM	PART NUMBER	QTY	DESCRIPTION	REV
	1001180242	Ref	Engine ECM Installation (LS)	D
1	4811700	4	Washer, M6	
2	0760615	4	Bolt, M6X35	
3	1001195089	3	Washer	
4	0700819	3	Bolt, Grade 8	
5	1001146588	2	Strap, Tie	
6	1001192468	1	Bracket	
7	1001192471	3	Mount, Isolator	

Go to Discount-Equipment.com to order your parts



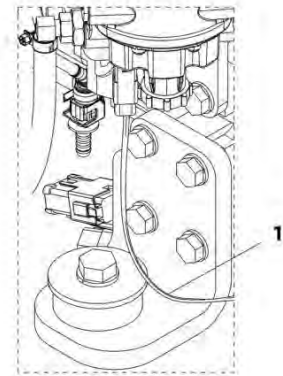
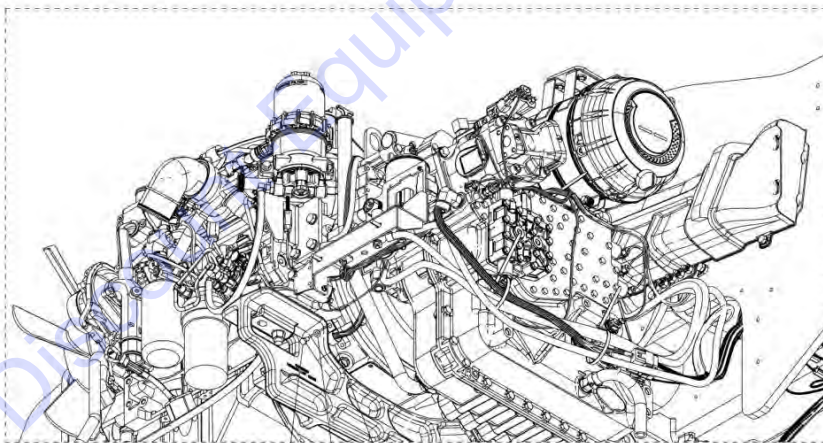
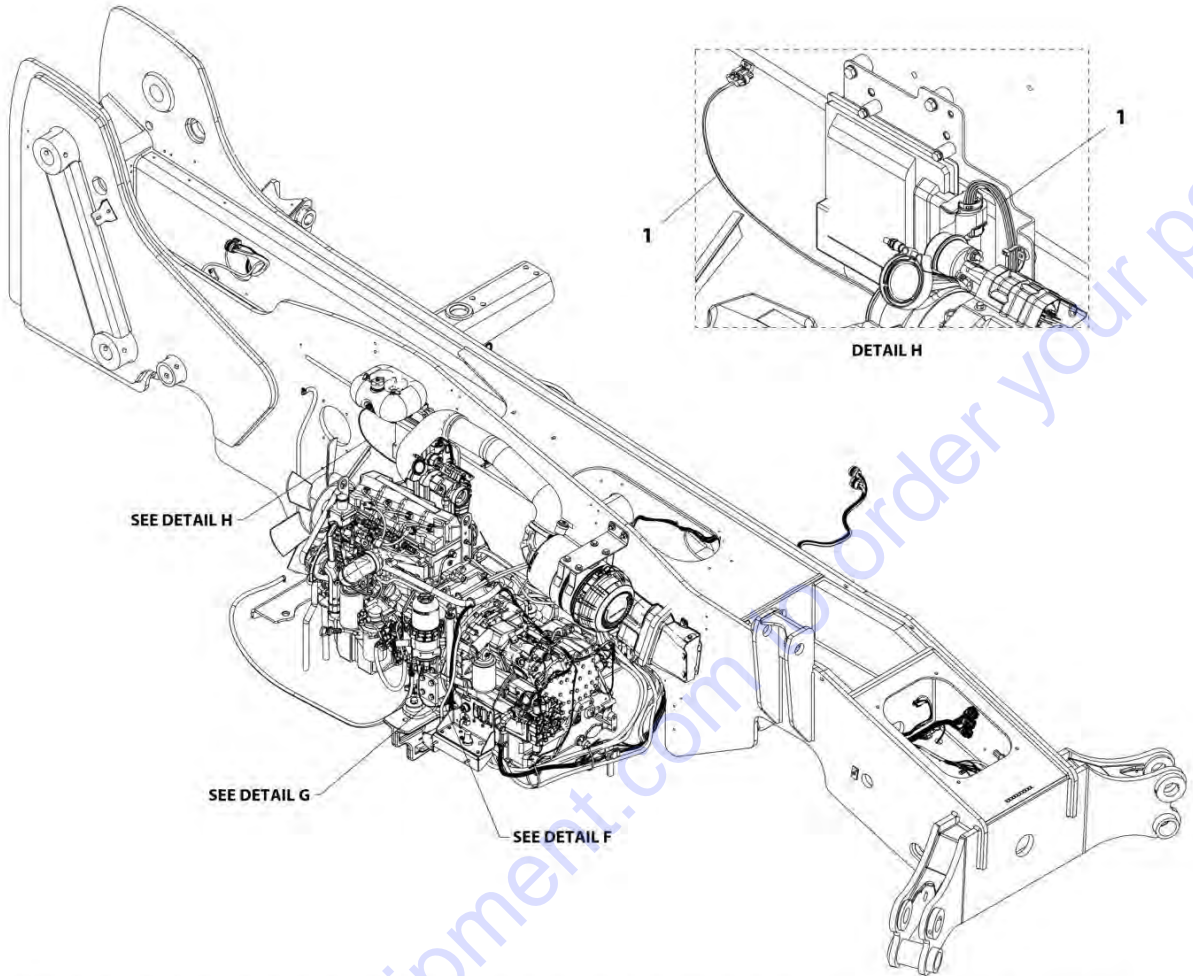
# SECTION 10 - ELECTRICAL

## FIGURE 10-16. ENGINE WIRING INSTALLATION (LS)



ART\_1001163242\_1-H

# SECTION 10 - ELECTRICAL

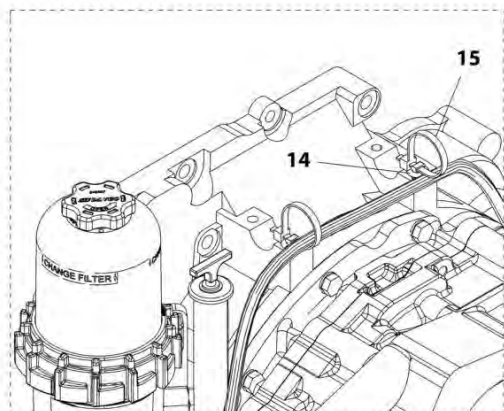


DETAIL G

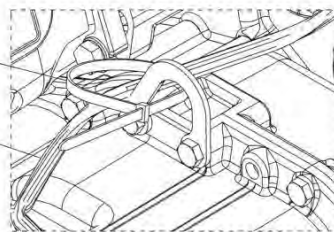
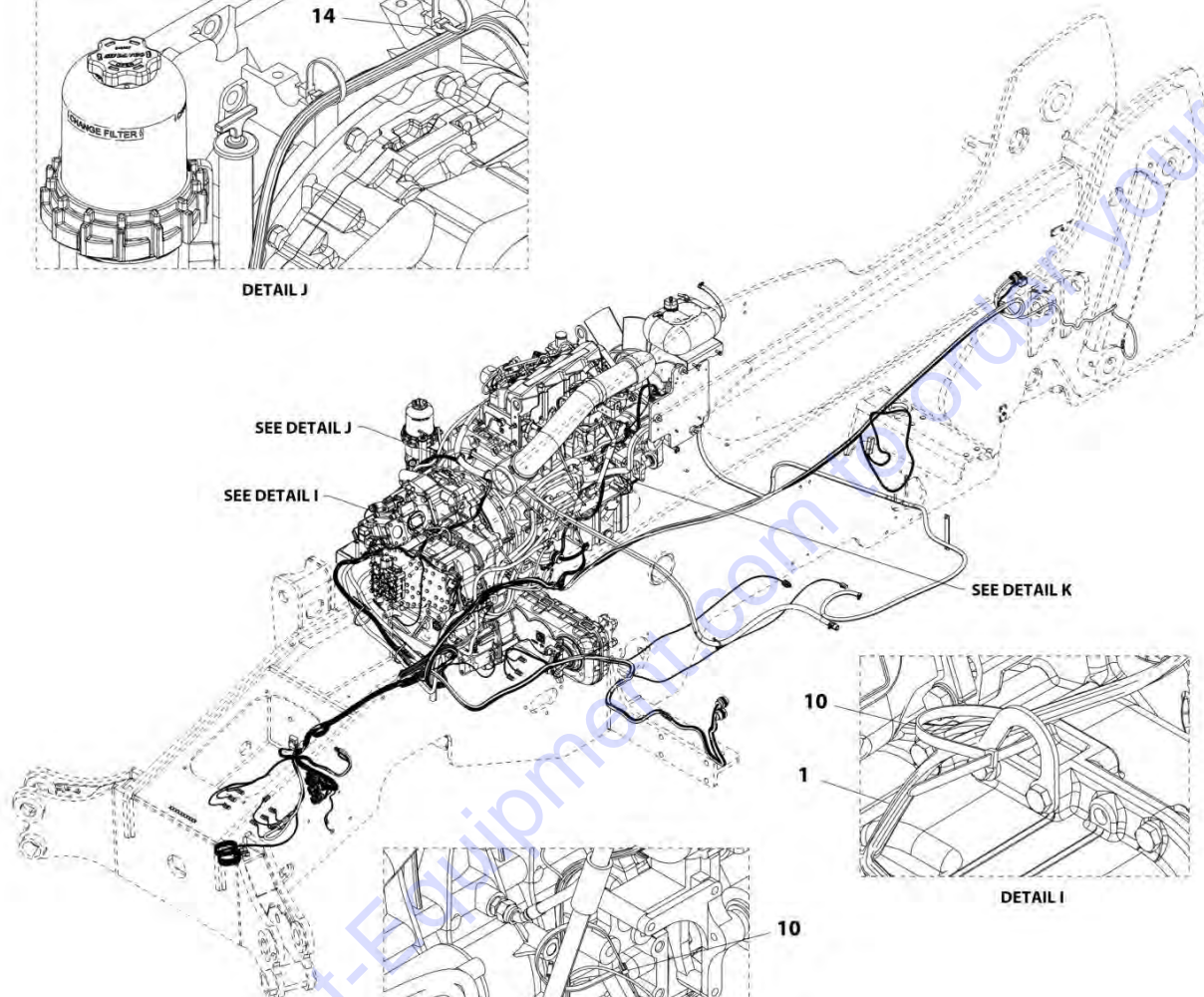
8 11 13 DETAIL F

ART\_1001163242\_2-H

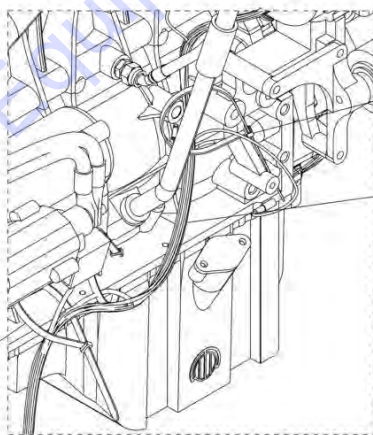
# SECTION 10 - ELECTRICAL



DETAIL J



DETAIL I



DETAIL K

ART\_1001163242\_3-H

## SECTION 10 - ELECTRICAL

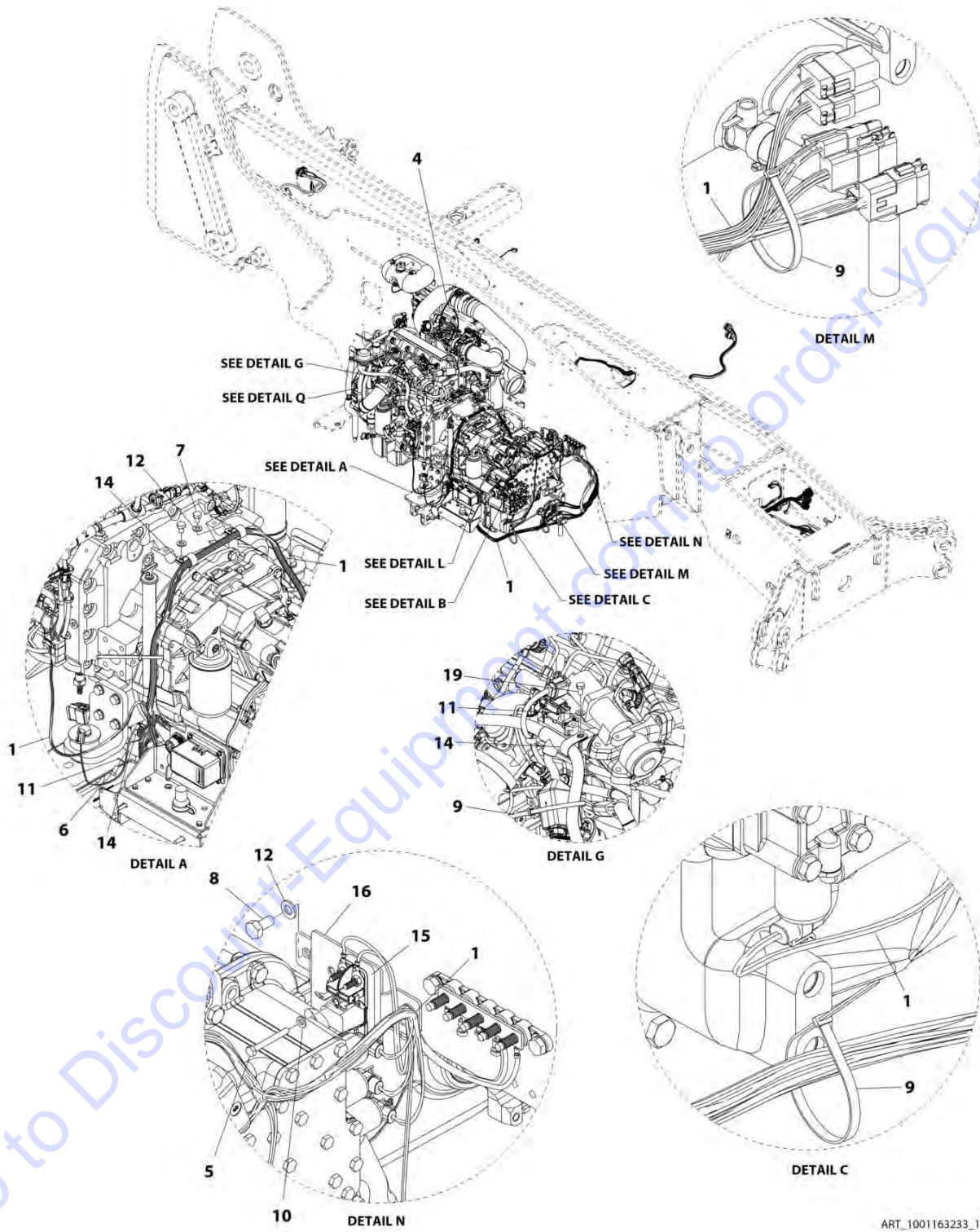
**FIGURE 10-16. ENGINE WIRING INSTALLATION (LS)**

ITEM	PART NUMBER	QTY	DESCRIPTION	REV
	1001163242	Ref	Engine Wiring Installation (LS)	H
1		Ref	Harness, Engine (LS) (See Separate Breakdown in this Section)	
2	0760405	1	Bolt, M4X10	
3	0760607	2	Bolt, M6X14	
4	3290401	1	Nut, M4X0.7	
5	3290601	2	Nut, M6X1 Grade 8	
6	4811400	2	Washer, M4	
7	4811700	2	Washer, M6	
8	0760808	1	Bolt, M8X16	
10	1062255	5	Strap, Tie	
11	4811900	1	Washer, M8	
13	8406201	1	Clip	
14	1001202986	2	Strap, Tie	
15	1001008559	2	Strap, Tie	

Go to Discount-Equipment.com to order your parts

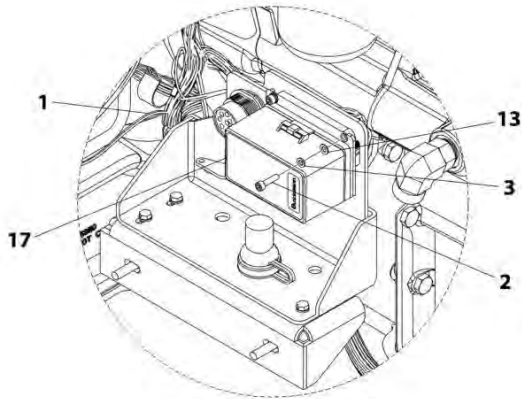
# SECTION 10 - ELECTRICAL

## FIGURE 10-17. ENGINE WIRING INSTALLATION (ULS)

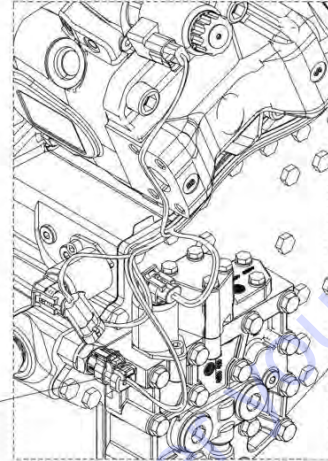


ART\_1001163233\_1-K

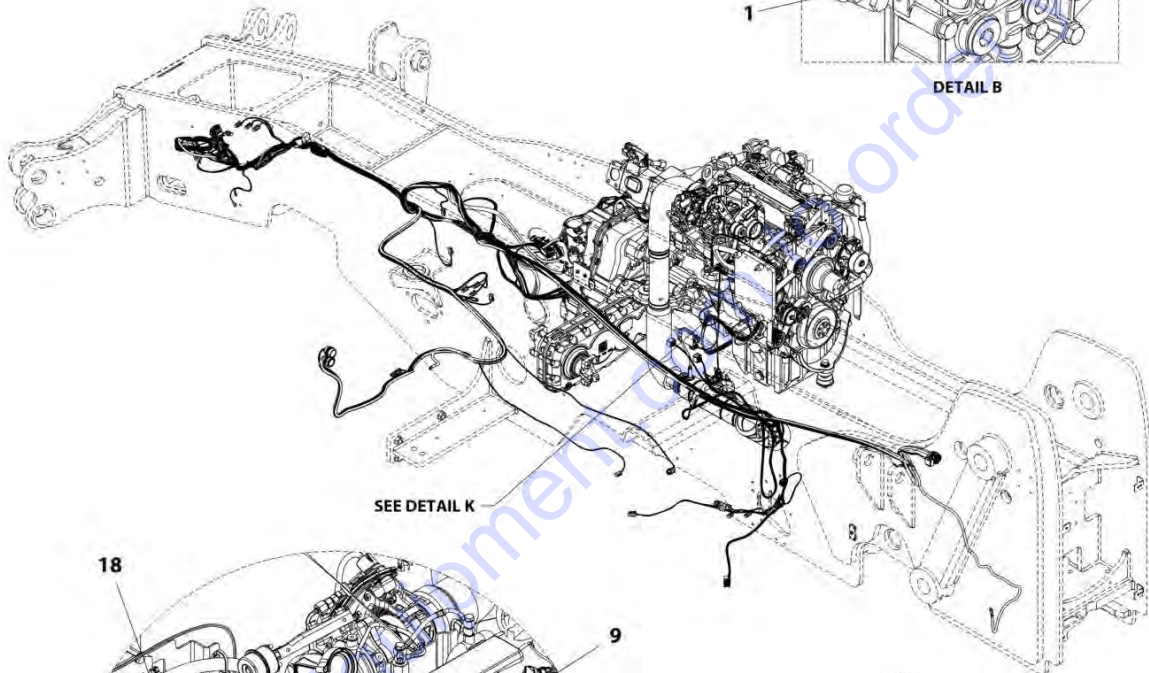
# SECTION 10 - ELECTRICAL



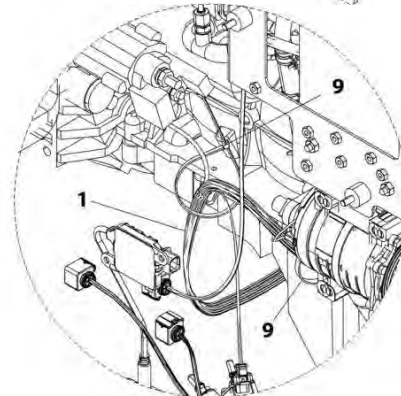
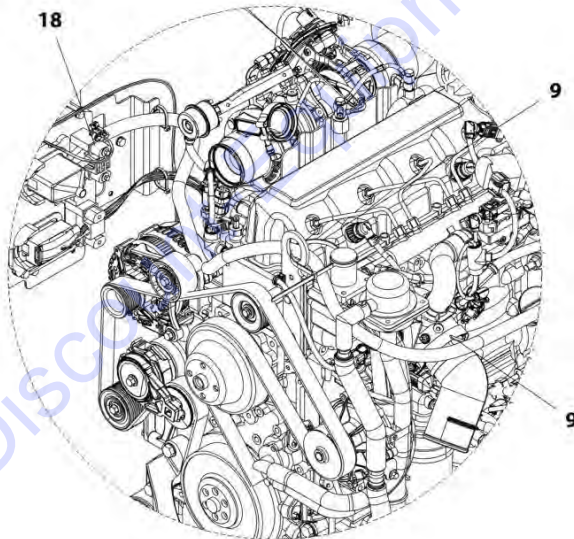
DETAIL L



DETAIL B



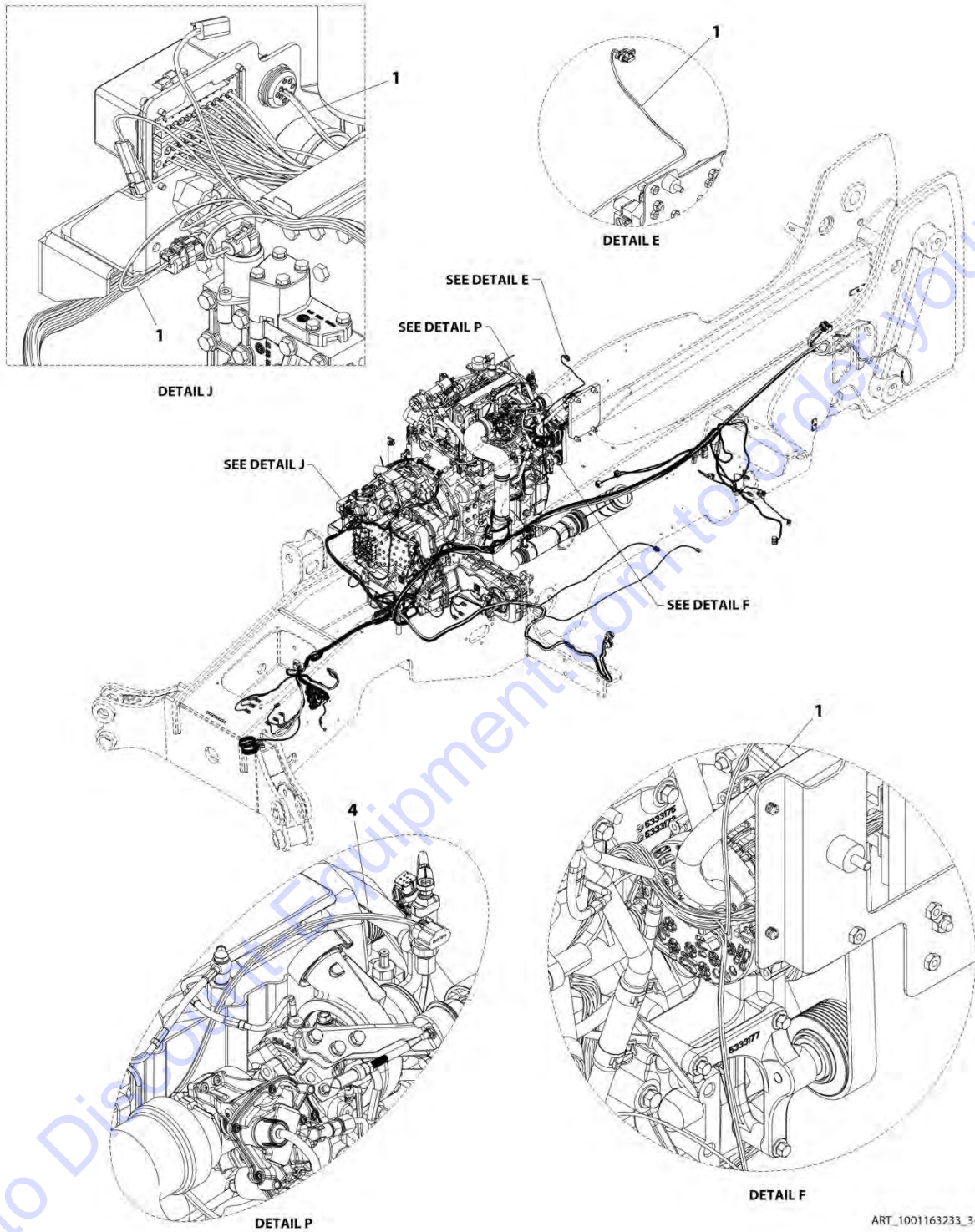
SEE DETAIL K



DETAIL K

ART\_1001163233\_2-K

# SECTION 10 - ELECTRICAL



## SECTION 10 - ELECTRICAL

**FIGURE 10-17. ENGINE WIRING INSTALLATION (ULS)**

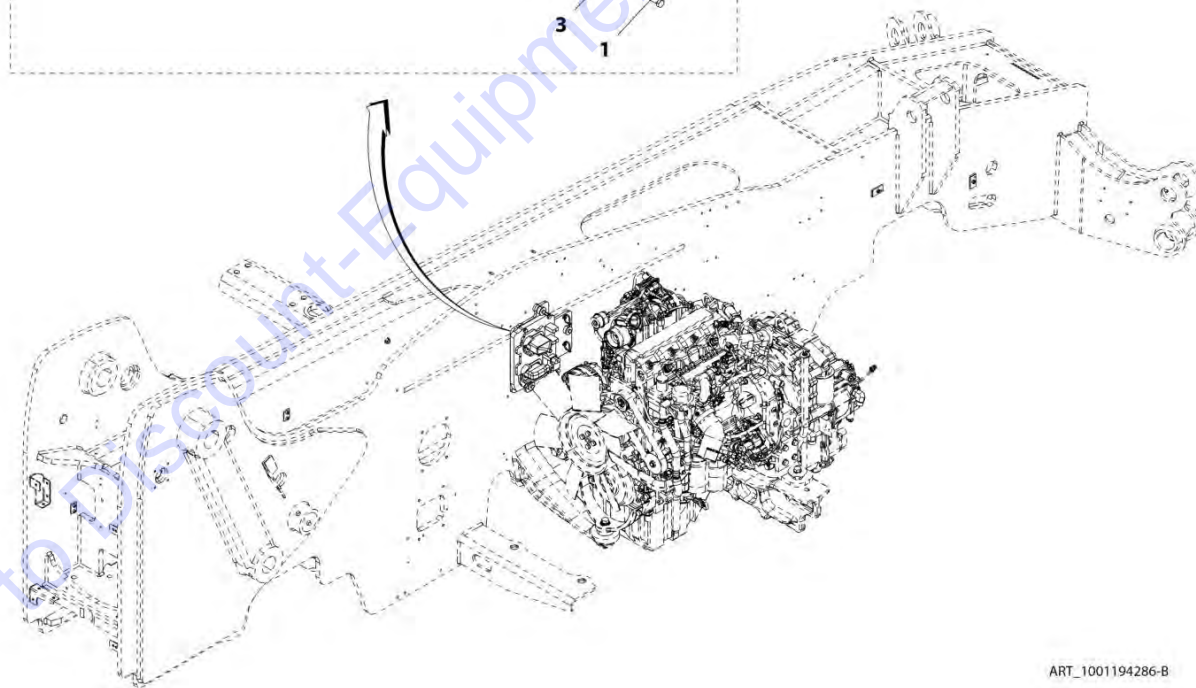
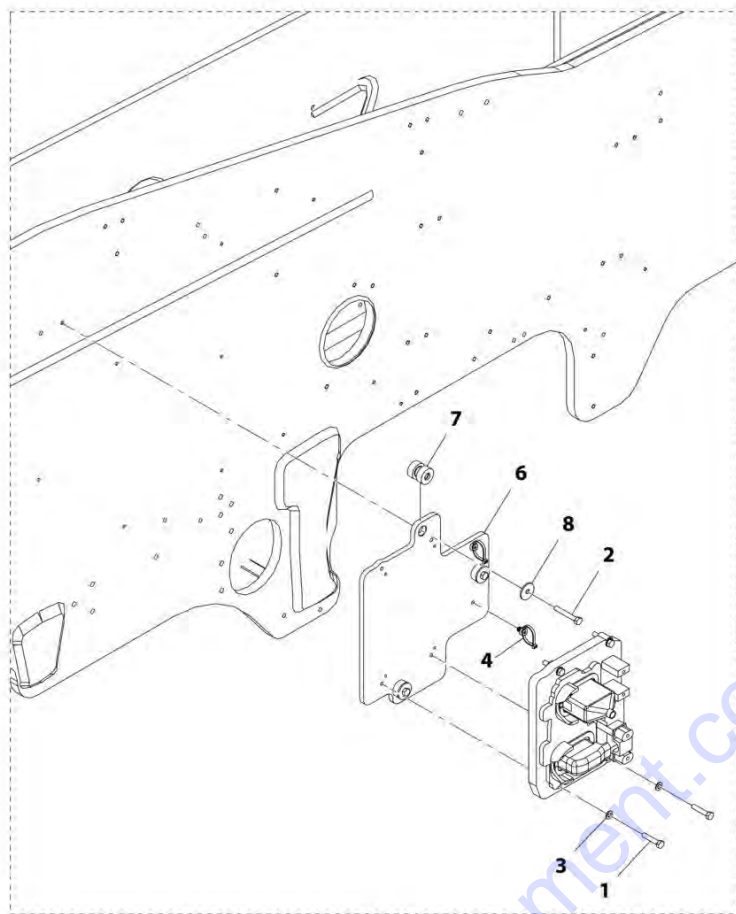
ITEM	PART NUMBER	QTY	DESCRIPTION	REV
	1001163233	Ref	Engine Wiring Installation (ULS)	K
1		Ref	Harness, Engine (ULS) (See Separate Breakdown in this Section)	
2	4031608	4	Screw, M5X20	
3	4811600	4	Washer, M5	
4	1001184835	1	Harness, TBAP (See TBAP HARNESS for Breakdown)	
5	0700618	1	Bolt, M6X50	
6	0760808	1	Bolt, M8X16	
7	0761007	2	Bolt, M10X14	
8	0761010	2	Bolt, M10X20	
9	1062255	8	Strap, Tie	
10	4811700	1	Washer, M6	
11	4811900	2	Washer, M8	
12	4812000	4	Washer, M10	
13	4831600	4	Washer, Lock M5	
14	8406201	4	Clip, Tube	
15	1001131177	1	Fuse, Power Module	
16	1001189046	1	Bracket	
17	1001191486	1	Decal	
18	1001167646	1	Connector, Strain Relief	
19	0760807	1	Bolt, M8X14	

Go to Discount-Equipment.com to order your parts



# SECTION 10 - ELECTRICAL

## FIGURE 10-18. ENGINE ECU INSTALLATION (ULS)



ART\_1001194286-B

## SECTION 10 - ELECTRICAL

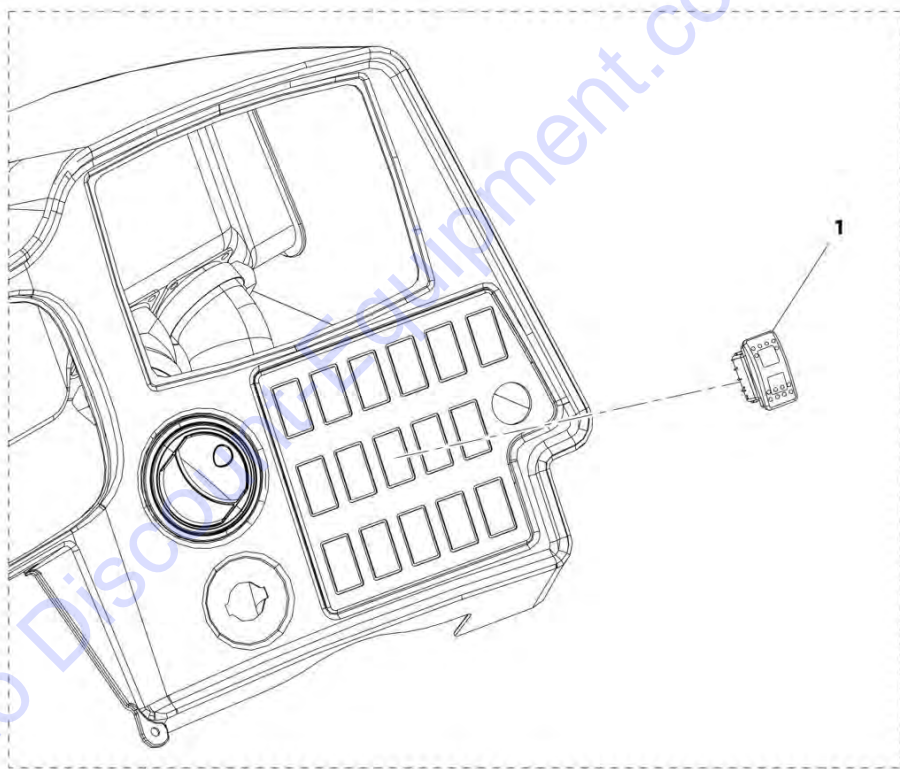
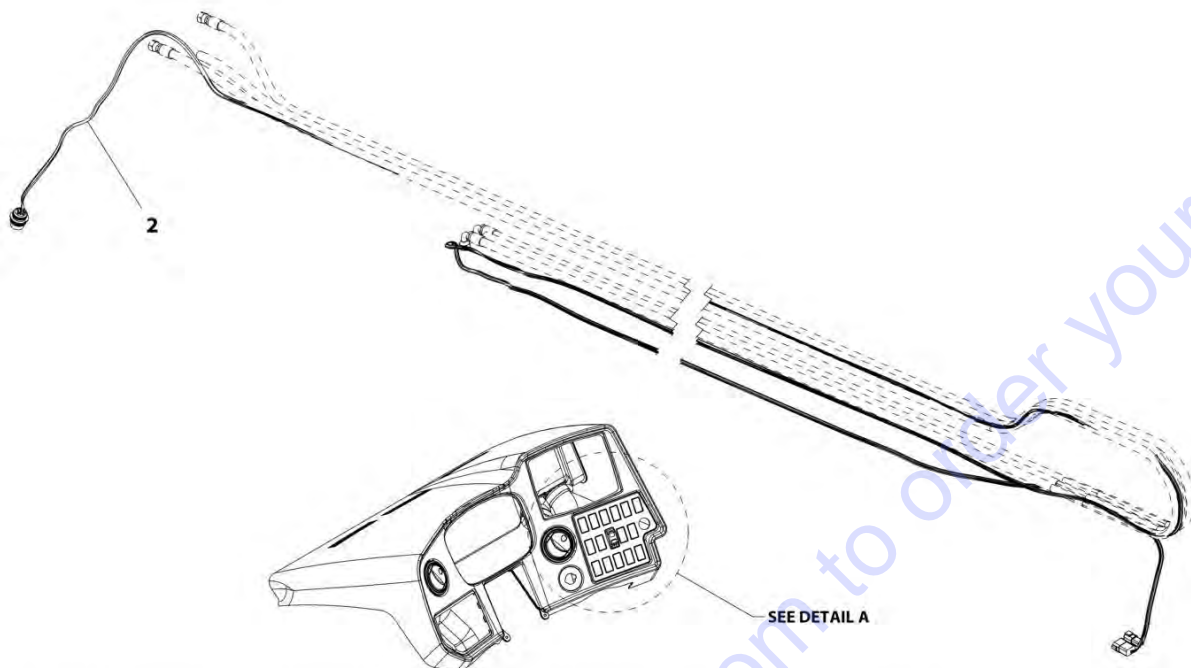
**FIGURE 10-18. ENGINE ECU INSTALLATION (ULS)**

ITEM	PART NUMBER	QTY	DESCRIPTION	REV
	1001194286	Ref	Engine ECU Installation	B
1	0700816	4	Bolt, M8X40	
2	0700819	3	Bolt, M8X55	
3	4811900	4	Washer, M8	
4	1001146588	2	Strap, Tie	
6	1001192468	1	Bracket	
7	1001192471	3	Mount	
8	1001195089	3	Washer	

Go to Discount-Equipment.com to order your parts

# SECTION 10 - ELECTRICAL

## FIGURE 10-19. BOOM AUXILIARY ELECTRIC INSTALLATION



DETAIL A

ART\_1001187532-A

## SECTION 10 - ELECTRICAL

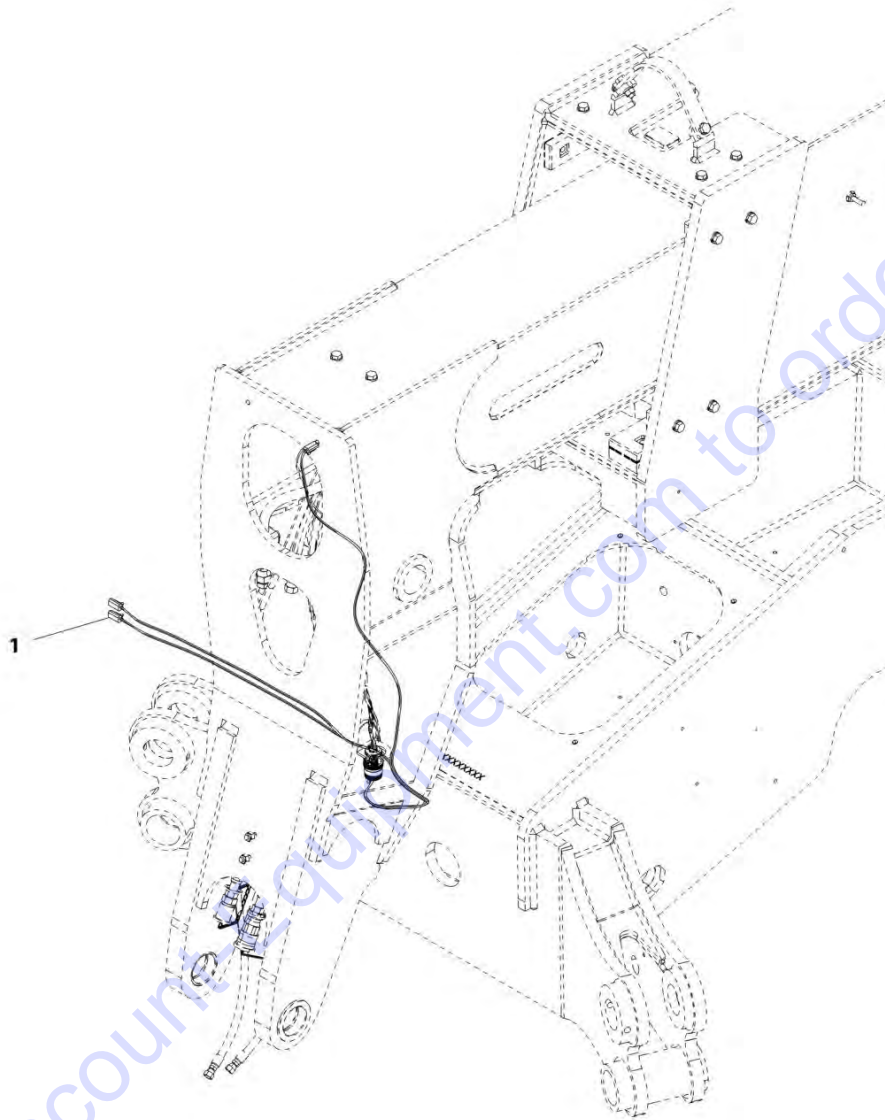
**FIGURE 10-19. BOOM AUXILIARY ELECTRIC INSTALLATION**

ITEM	PART NUMBER	QTY	DESCRIPTION	REV
	1001187532	Ref	Boom Auxiliary Electric Installation	A
1	1001159746	1	Switch, Auxiliary Electric	
2	1001174426	1	Installation, Boom Electrical Harness (See Separate Breakdown in this Section)	

Go to Discount-Equipment.com to order your parts

## SECTION 10 - ELECTRICAL

FIGURE 10-20. BOOM AUXILIARY ELECTRIC HARNESS INSTALLATION



ART\_1001167799-A

## SECTION 10 - ELECTRICAL

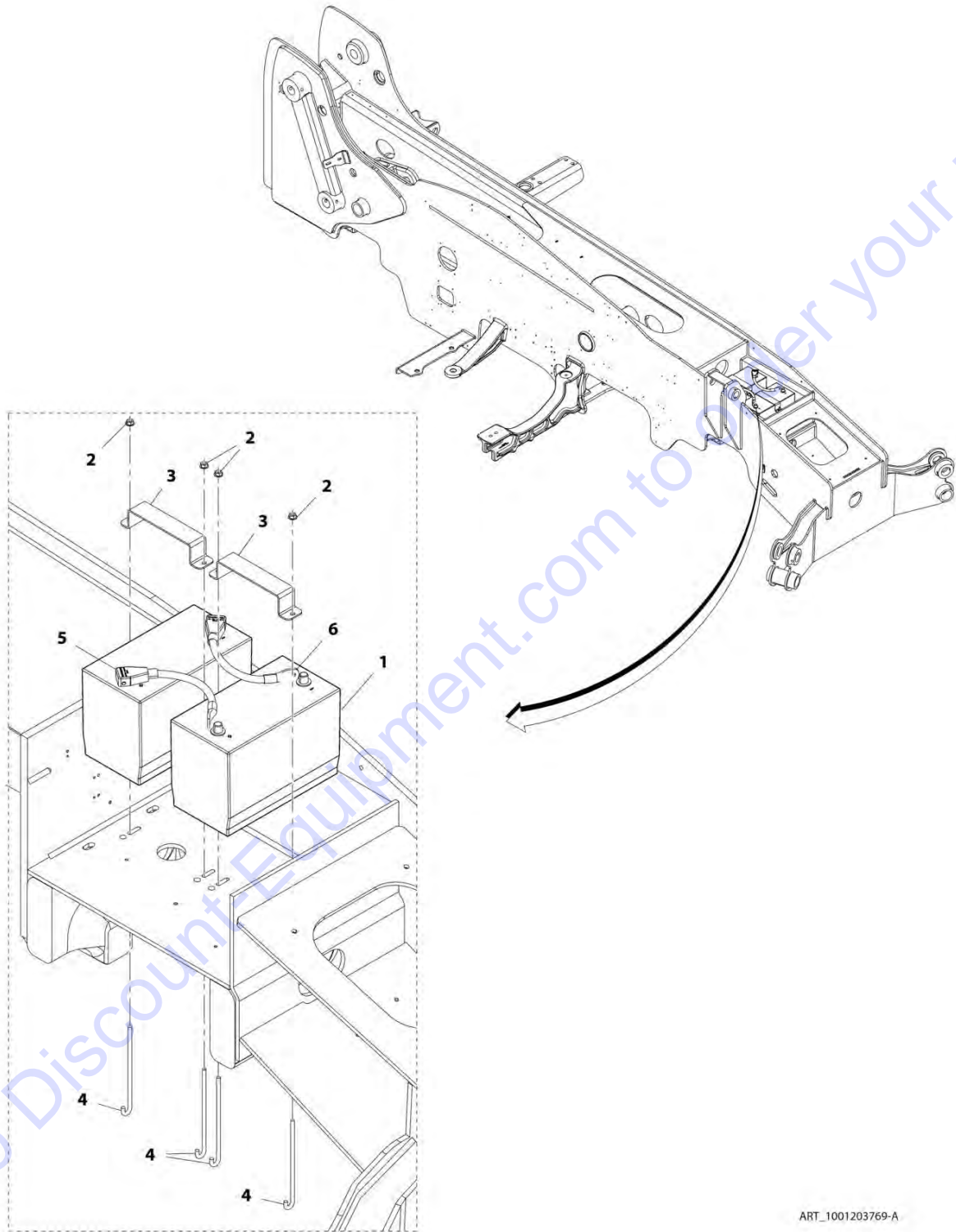
**FIGURE 10-20. BOOM AUXILIARY ELECTRIC HARNESS INSTALLATION**

ITEM	PART NUMBER	QTY	DESCRIPTION	REV
1	1001167799	Ref	Boom Auxiliary Electric Harness Installation	A
	1001167695	1	Harness, Platform (See Separate Breakdown in this Section)	

Go to Discount-Equipment.com to order your parts

# SECTION 10 - ELECTRICAL

## FIGURE 10-21. BATTERY INSTALLATION



ART\_1001203769-A

## SECTION 10 - ELECTRICAL

### FIGURE 10-21. BATTERY INSTALLATION

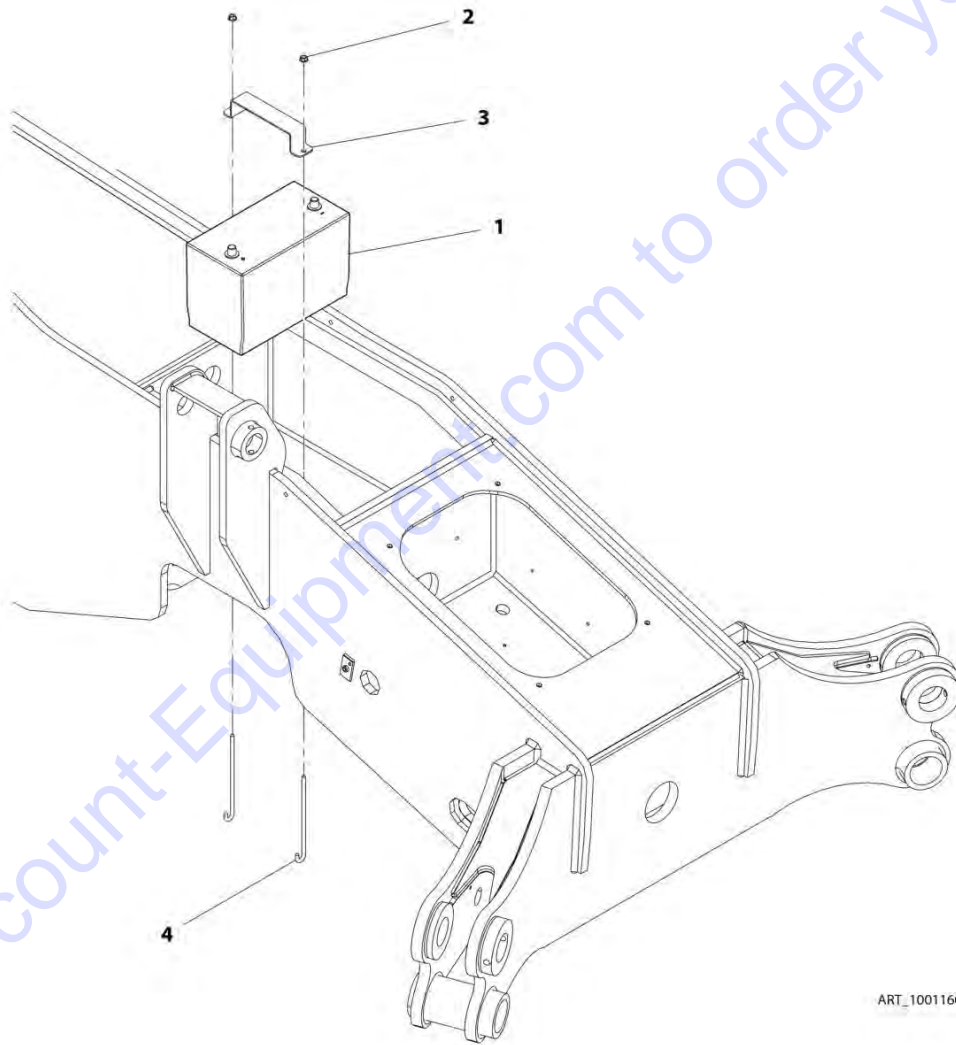
ITEM	PART NUMBER	QTY	DESCRIPTION	REV
	1001203769	Ref	Battery Installation	A
1	0400075	2	Battery, 12V	
2	5220800	4	Nut, M8	
3	1001160927	2	Plate	
4	1001181961	4	J-Bolt	
5	1001203557	1	Cable	
6	1001203558	1	Cable	

Go to Discount-Equipment.com to order your parts



# SECTION 10 - ELECTRICAL

## FIGURE 10-22. BATTERY INSTALLATION



ART\_1001160711-C

## SECTION 10 - ELECTRICAL

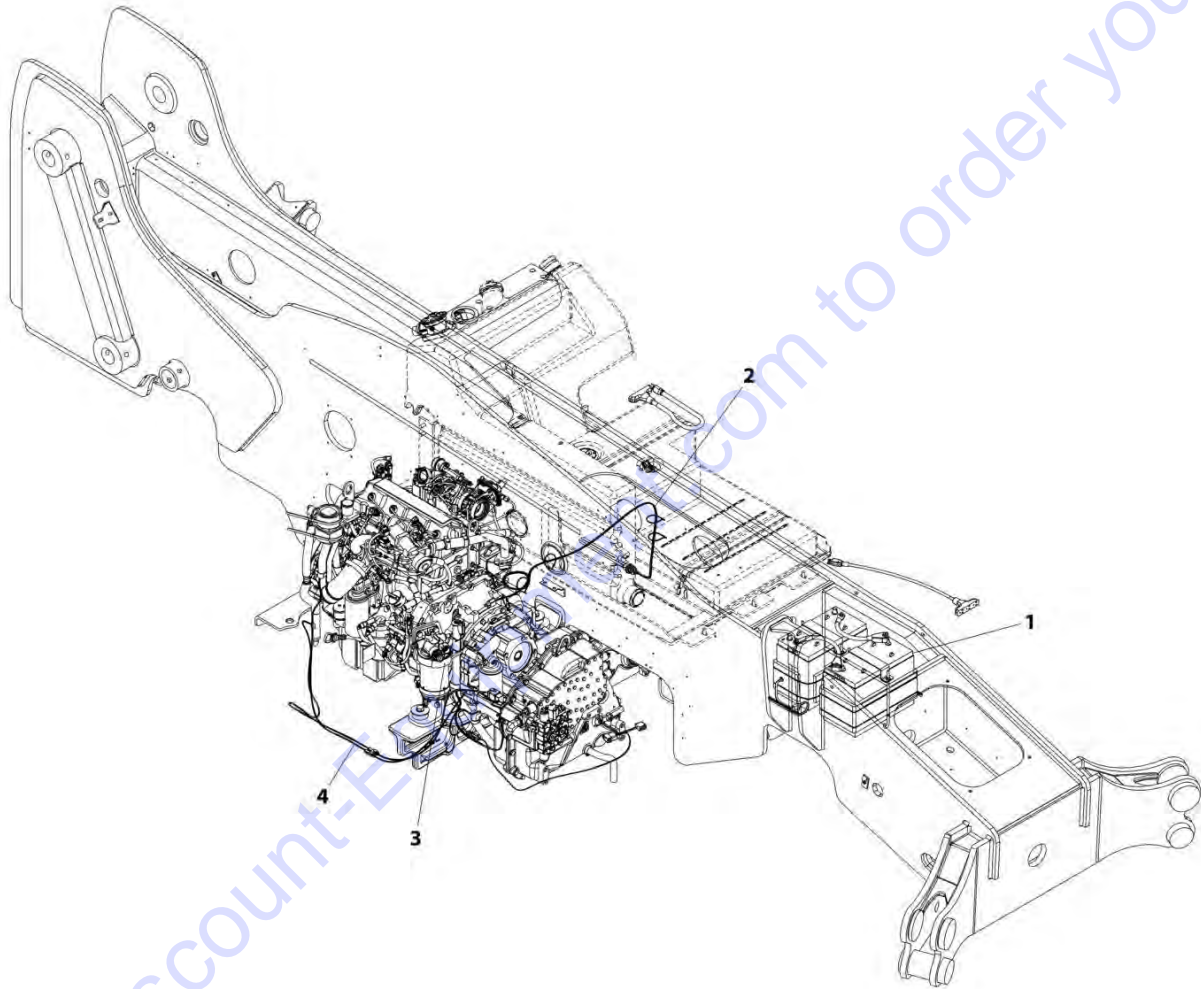
### FIGURE 10-22. BATTERY INSTALLATION

ITEM	PART NUMBER	QTY	DESCRIPTION	REV
	1001160711	Ref	Battery Installation	C
1	0400075	1	Battery, 12V	
2	5220800	2	Nut, M8	
3	1001160927	1	Plate	
4	1001181961	2	J-Bolt	

Go to Discount-Equipment.com to order your parts

## SECTION 10 - ELECTRICAL

FIGURE 10-23. ARCTIC WEATHER PACKAGE INSTALLATION - 110 HP (ULS)



ART\_1001190179-D

## SECTION 10 - ELECTRICAL

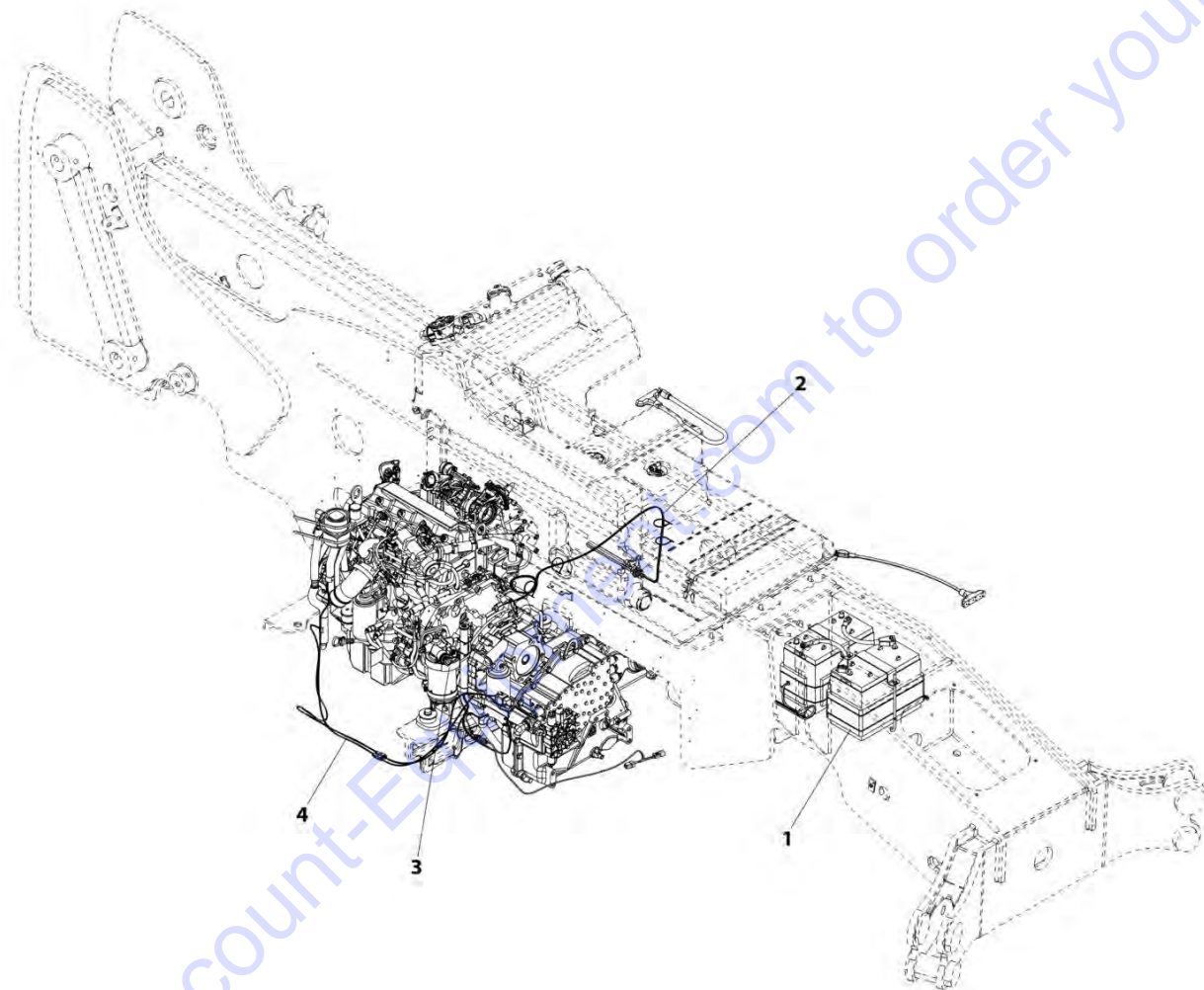
**FIGURE 10-23. ARCTIC WEATHER PACKAGE INSTALLATION - 110 HP (ULS)**

ITEM	PART NUMBER	QTY	DESCRIPTION	REV
1	1001190179	Ref	Arctic Weather Package Installation - 110 HP (ULS)	D
	1001190670	Ref	Installation, Arctic Batteries (See Separate Breakdown in this Section)	
2	1001190671	Ref	Installation, Tank Heater (See Separate Breakdown in this Section)	
3	1001204095	Ref	Installation, Fuel Filter Heater (See Separate Breakdown in this Section)	
4	1001232751	Ref	Heater, Breather - 110 HP (See Separate Breakdown in Engine And Attaching Parts Section)	

Go to Discount-Equipment.com to order your parts

# SECTION 10 - ELECTRICAL

## FIGURE 10-24. ARCTIC WEATHER PACKAGE INSTALLATION - 74 HP (ULS)



ART\_1001237209-A

## SECTION 10 - ELECTRICAL

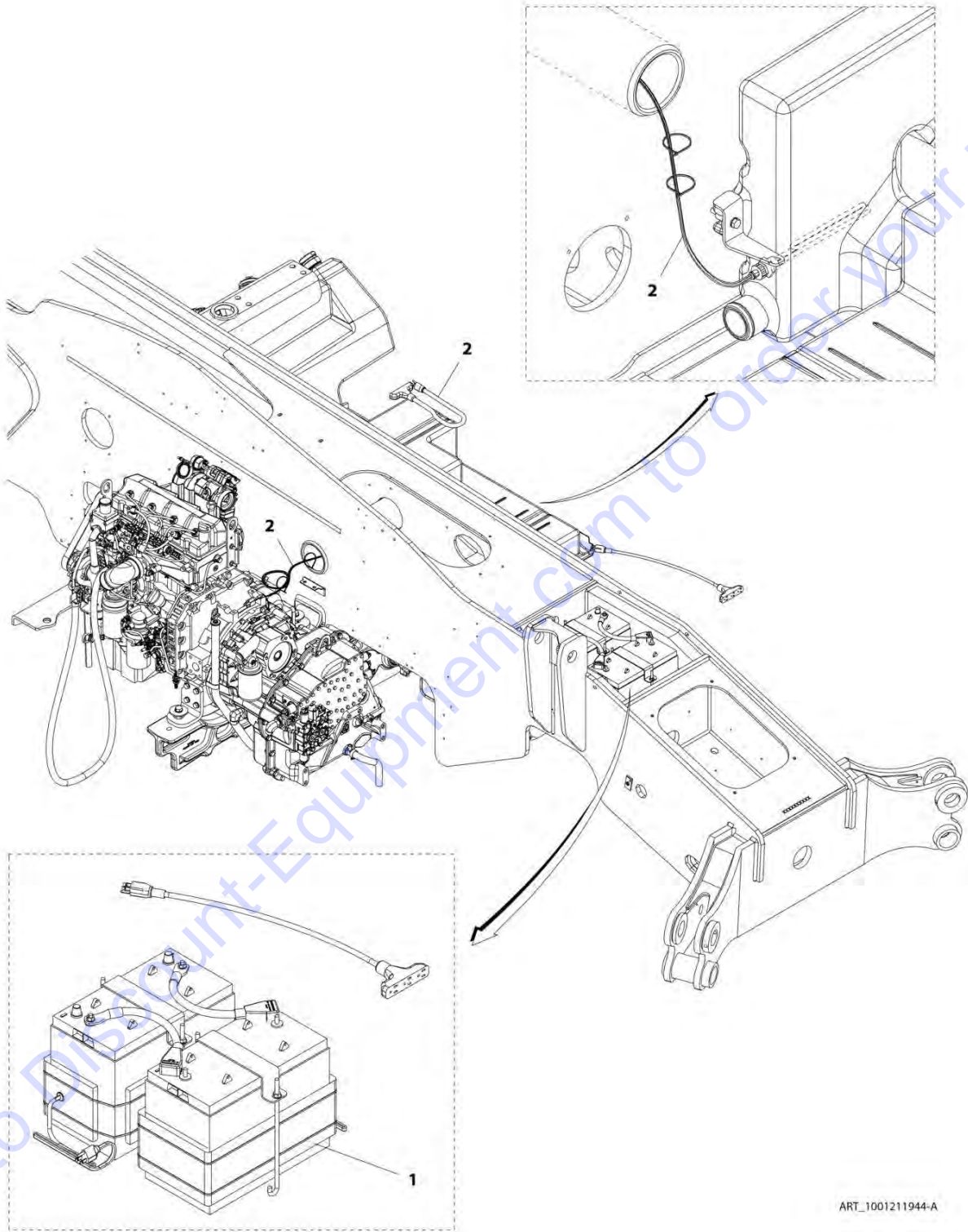
**FIGURE 10-24. ARCTIC WEATHER PACKAGE INSTALLATION - 74 HP (ULS)**

ITEM	PART NUMBER	QTY	DESCRIPTION	REV
1	1001237209	Ref	Arctic Weather Package Installation - 74 HP (ULS)	A
	1001190670	Ref	Installation, Arctic Batteries (See Separate Breakdown in this Section)	
2	1001190671	Ref	Installation, Hydraulic Tank Heater (See Separate Breakdown in this Section)	
3	1001204095	Ref	Installation, Fuel Filter Heater (See Separate Breakdown in this Section)	
4	1001237208	Ref	Heater, Breather - 74 HP (See Separate Breakdown in Engine And Attaching Parts Section)	

Go to Discount-Equipment.com to order your parts

# SECTION 10 - ELECTRICAL

## FIGURE 10-25. ARCTIC COLD WEATHER PACKAGE INSTALLATION (LS)



ART\_1001211944-A

## SECTION 10 - ELECTRICAL

**FIGURE 10-25. ARCTIC COLD WEATHER PACKAGE INSTALLATION (LS)**

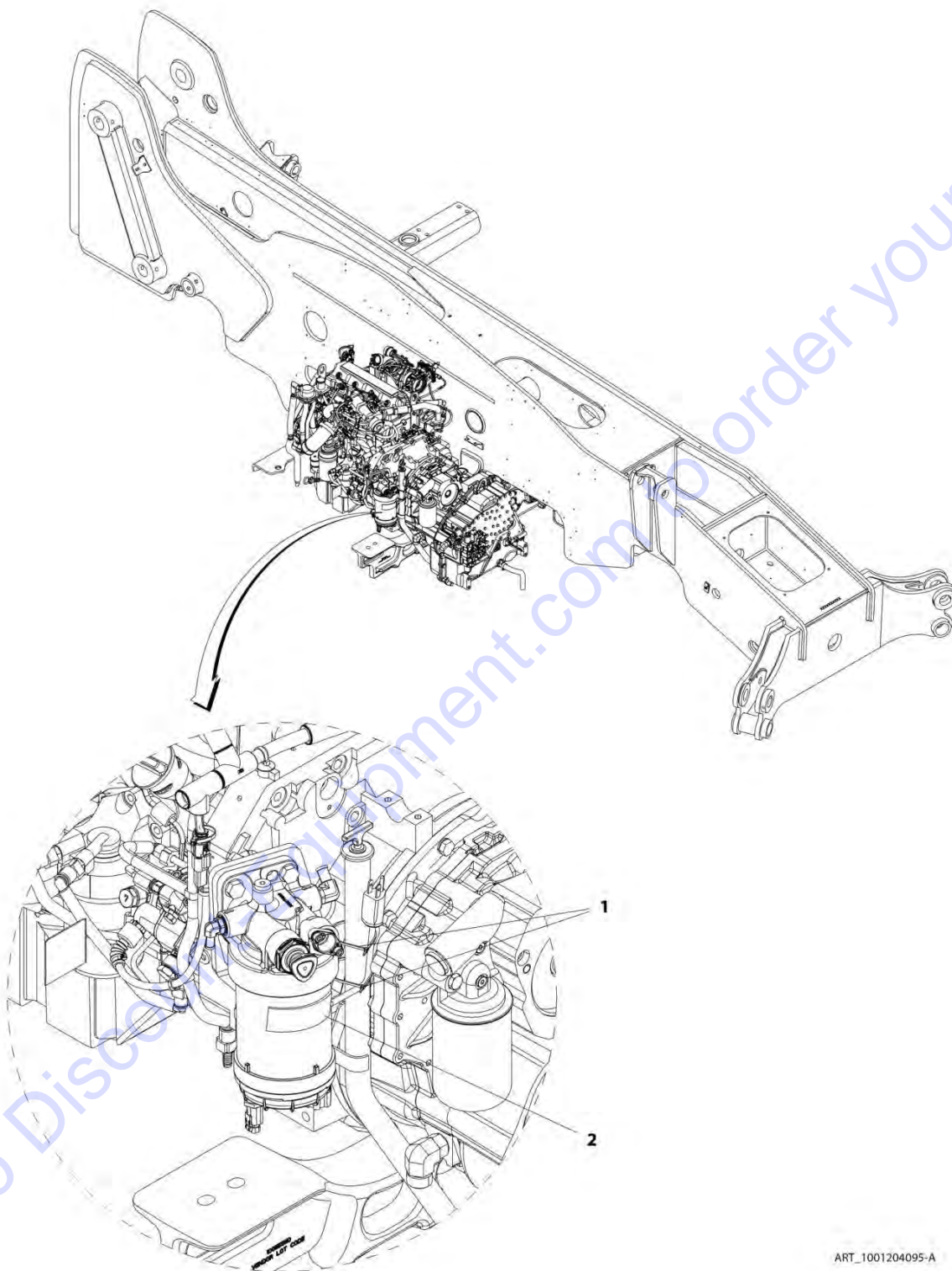
ITEM	PART NUMBER	QTY	DESCRIPTION	REV
1	1001211944	Ref	Arctic Weather Package Installation (LS)	A
	1001190670	Ref	Installation, Arctic Batteries (See Separate Breakdown in this Section)	
2	1001190671	Ref	Installation, Tank Heater (See HYDRAULIC TANK HEATER INSTALLATION for Breakdown)	

Go to Discount-Equipment.com to order your parts



# SECTION 10 - ELECTRICAL

## FIGURE 10-26. FUEL FILTER HEATER INSTALLATION



## SECTION 10 - ELECTRICAL

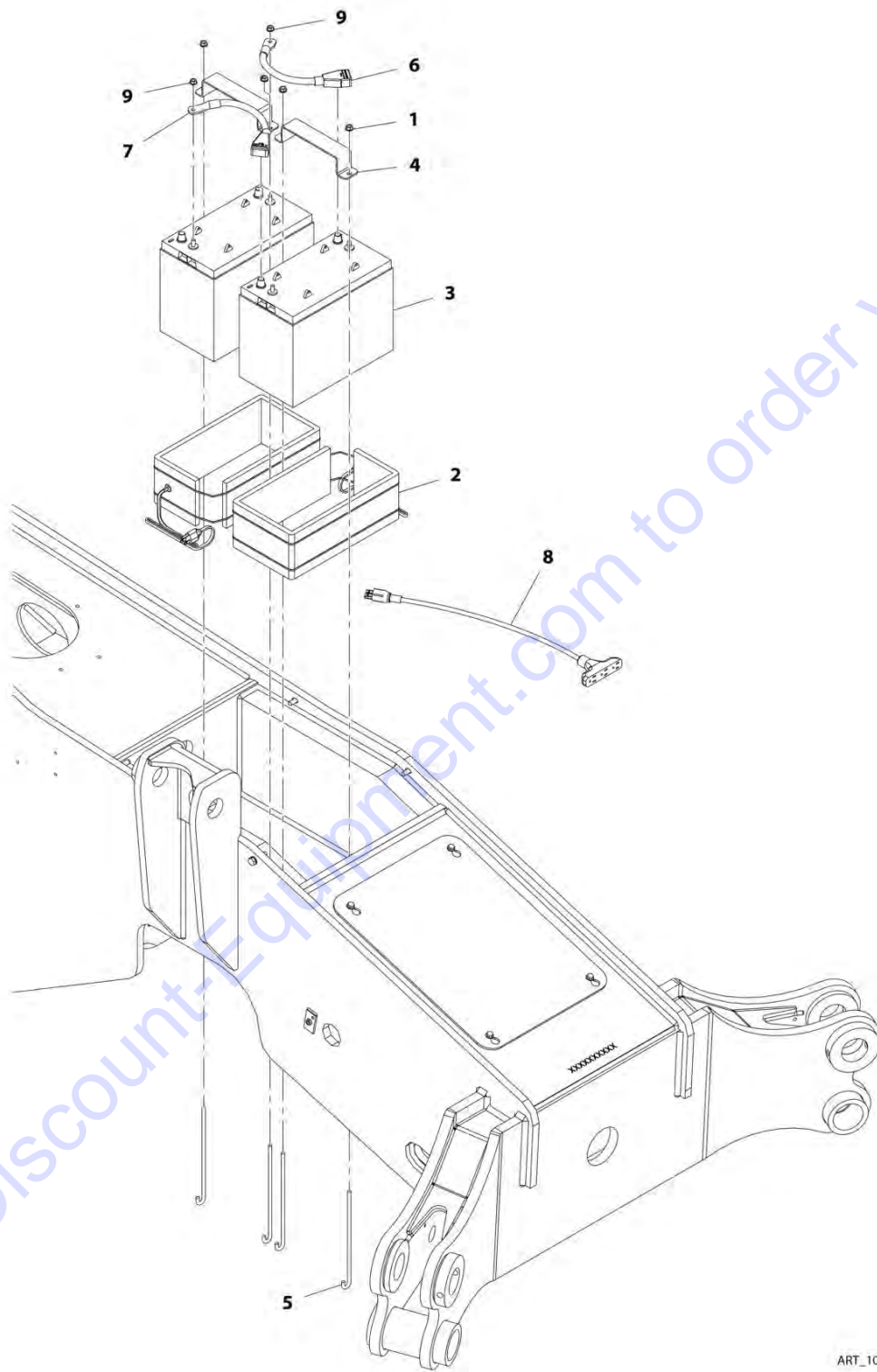
**FIGURE 10-26. FUEL FILTER HEATER INSTALLATION**

ITEM	PART NUMBER	QTY	DESCRIPTION	REV
	1001204095	Ref	Fuel Filter Heater Installation	A
1	4240099	2	Strap, Tie	
2	1001202498	1	Pad	

Go to Discount-Equipment.com to order your parts

# SECTION 10 - ELECTRICAL

## FIGURE 10-27. ARTIC BATTERIES INSTALLATION



ART\_1001190670-C

## SECTION 10 - ELECTRICAL

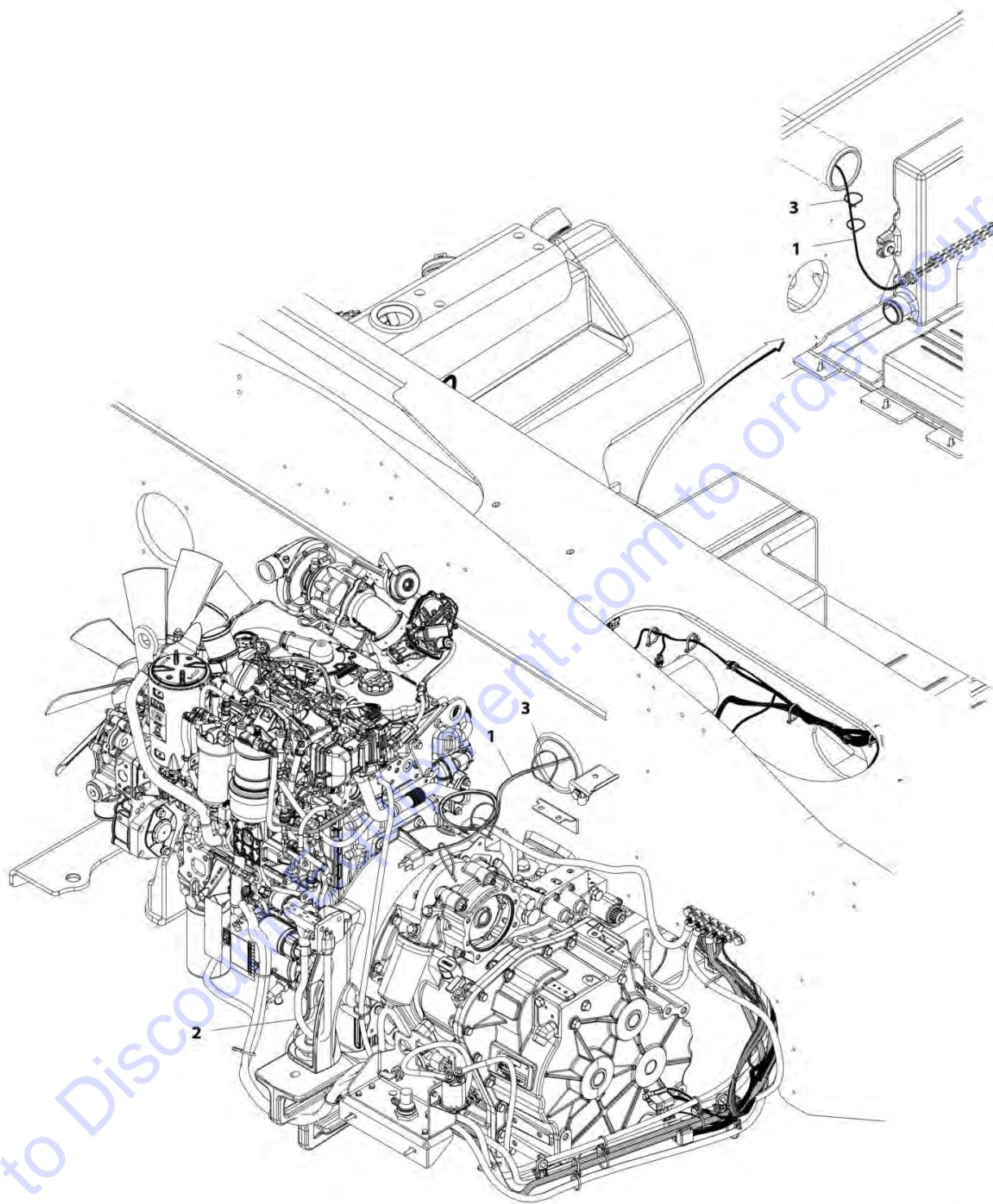
### FIGURE 10-27. ARTIC BATTERIES INSTALLATION

ITEM	PART NUMBER	QTY	DESCRIPTION	REV
	1001190670	Ref	Artic Batteries Installation	C
1	5220800	4	Nut, M8	
2	1001093564	2	Heater, Battery	
3	1001098762	2	Battery, 12V	
4	1001160927	2	Plate	
5	1001160928	4	J-Bolt	
6	1001172495	1	Cable	
7	1001172496	1	Cable	
8	1060626	1	Cord, 3-Way Extension	
9	3311508	2	Nut	

Go to Discount-Equipment.com to order your parts

# SECTION 10 - ELECTRICAL

## FIGURE 10-28. HYDRAULIC TANK HEATER INSTALLATION



ART\_1001190671-B

## SECTION 10 - ELECTRICAL

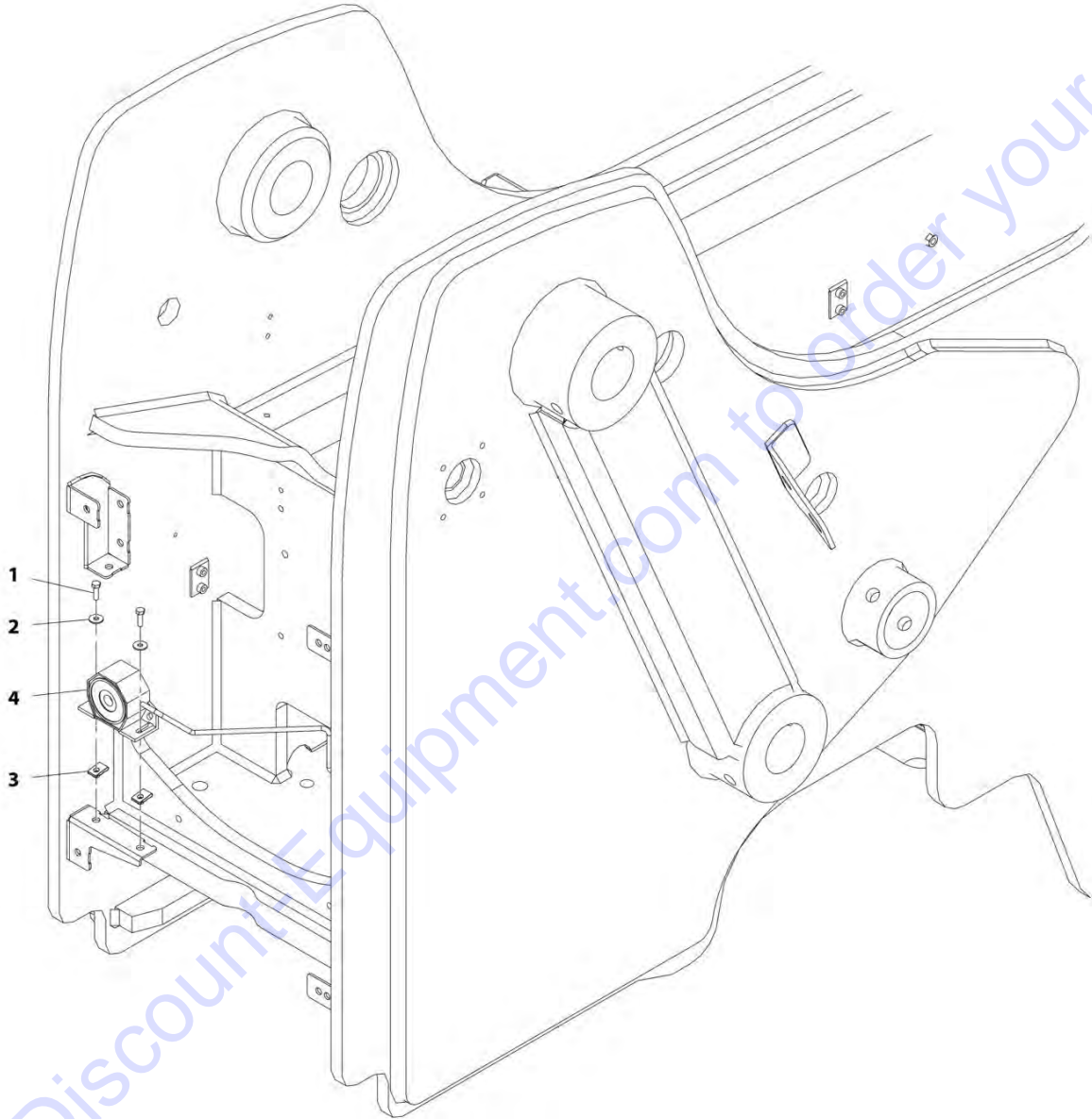
### FIGURE 10-28. HYDRAULIC TANK HEATER INSTALLATION

ITEM	PART NUMBER	QTY	DESCRIPTION	REV
	1001190671	Ref	Hydraulic Tank Heater Installation	B
1	1001105886	1	Heater, Immersion	
2	1060626	1	Cord, 3-Way Extension	
3	4240099	5	Strap, Tie	

Go to Discount-Equipment.com to order your parts

# SECTION 10 - ELECTRICAL

## FIGURE 10-29. BACKUP ALARM INSTALLATION (120 DB)



ART\_1001199183-B

## SECTION 10 - ELECTRICAL

**FIGURE 10-29. BACKUP ALARM INSTALLATION (120 DB)**

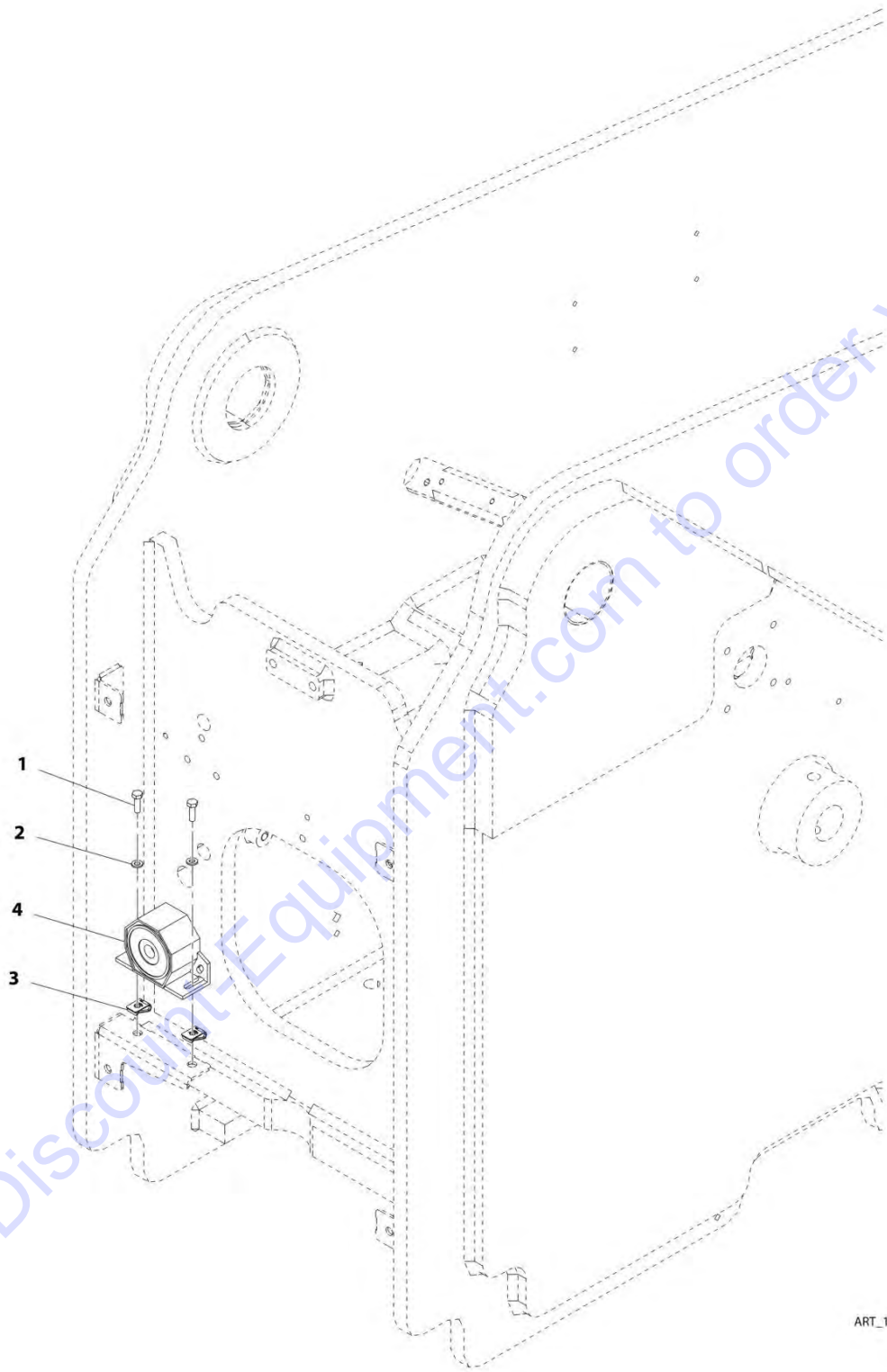
ITEM	PART NUMBER	QTY	DESCRIPTION	REV
	1001199183	Ref	Backup Alarm Installation (120 dB)	B
1	0700610	2	Bolt, M6X20	
2	4811702	2	Washer, M6	
3	1001130220	2	Nut, M6	
4	1001147060	1	Alarm, Backup	

Go to Discount-Equipment.com to order your parts



# SECTION 10 - ELECTRICAL

## FIGURE 10-30. BACKUP ALARM INSTALLATION (97 DB)



ART\_1001192393-D

## SECTION 10 - ELECTRICAL

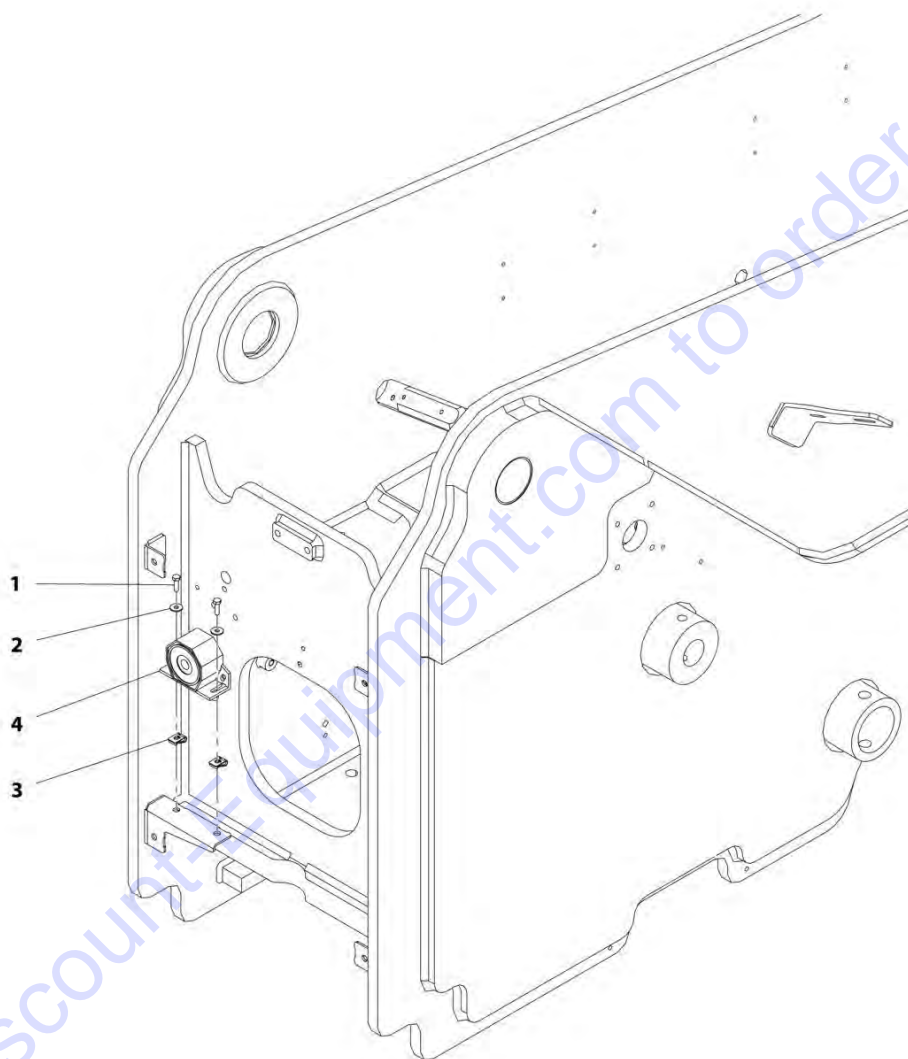
FIGURE 10-30. BACKUP ALARM INSTALLATION (97 DB)

ITEM	PART NUMBER	QTY	DESCRIPTION	REV
	1001192393	Ref	Backup Alarm Installation (97 dB)	D
1	0700610	2	Bolt, M6X20	
2	4811702	2	Washer, M6	
3	8305919	2	Nut, M6	
4	1001101808	1	Alarm, Backup	

Go to Discount-Equipment.com to order your parts

# SECTION 10 - ELECTRICAL

## FIGURE 10-31. WHITE NOISE BACKUP ALARM INSTALLATION



ART\_1001192394-D

## SECTION 10 - ELECTRICAL

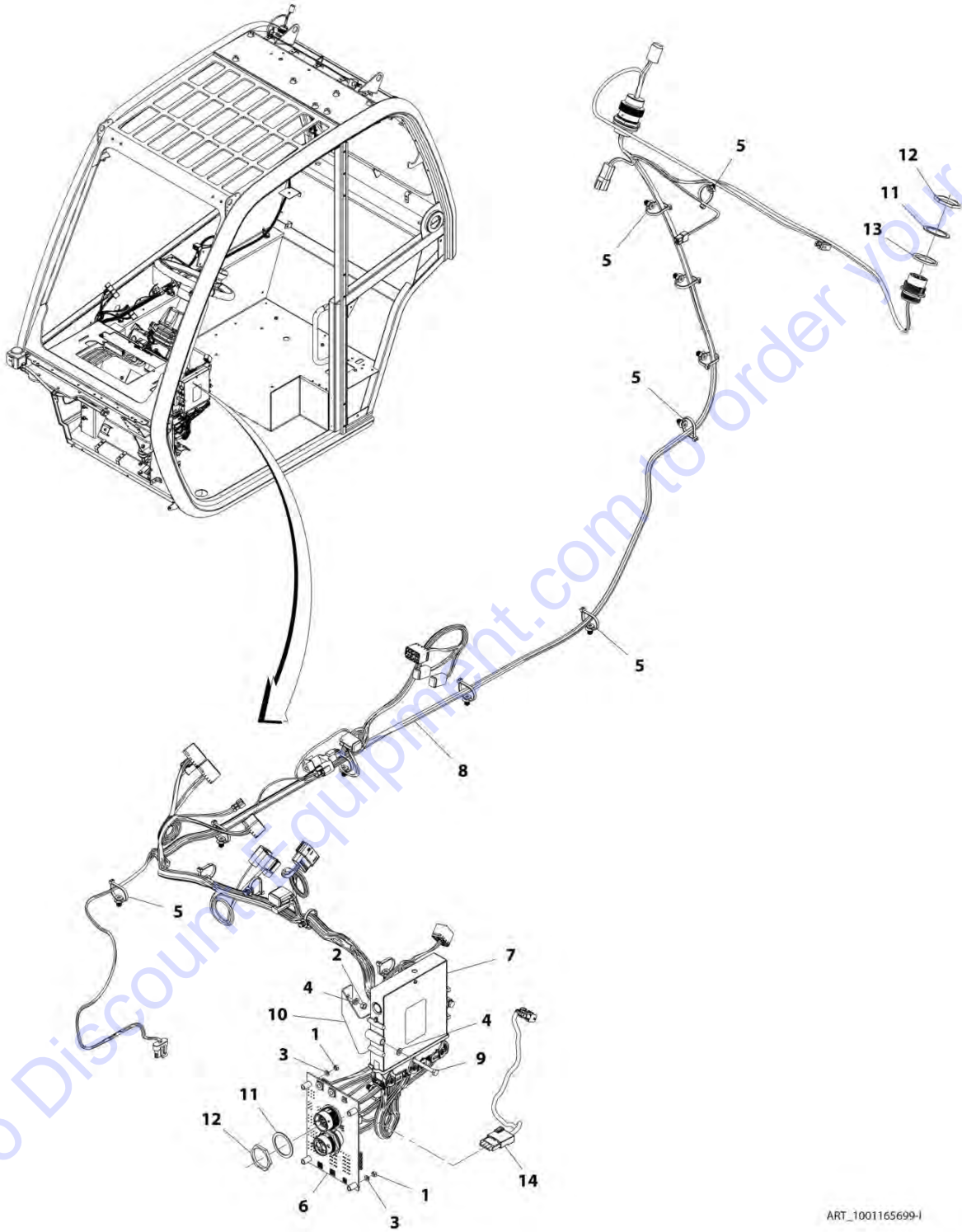
### FIGURE 10-31. WHITE NOISE BACKUP ALARM INSTALLATION

ITEM	PART NUMBER	QTY	DESCRIPTION	REV
	1001192394	Ref	White Noise Backup Alarm Installation	D
1	0700610	2	Bolt, M6X20	
2	4811702	2	Washer, M6	
3	8305919	2	Nut, M6	
4	1001165827	1	Alarm, White Noise Backup	

Go to Discount-Equipment.com to order your parts

# SECTION 10 - ELECTRICAL

## FIGURE 10-32. CAB ELECTRICAL INSTALLATION



ART\_1001165699-I

## SECTION 10 - ELECTRICAL

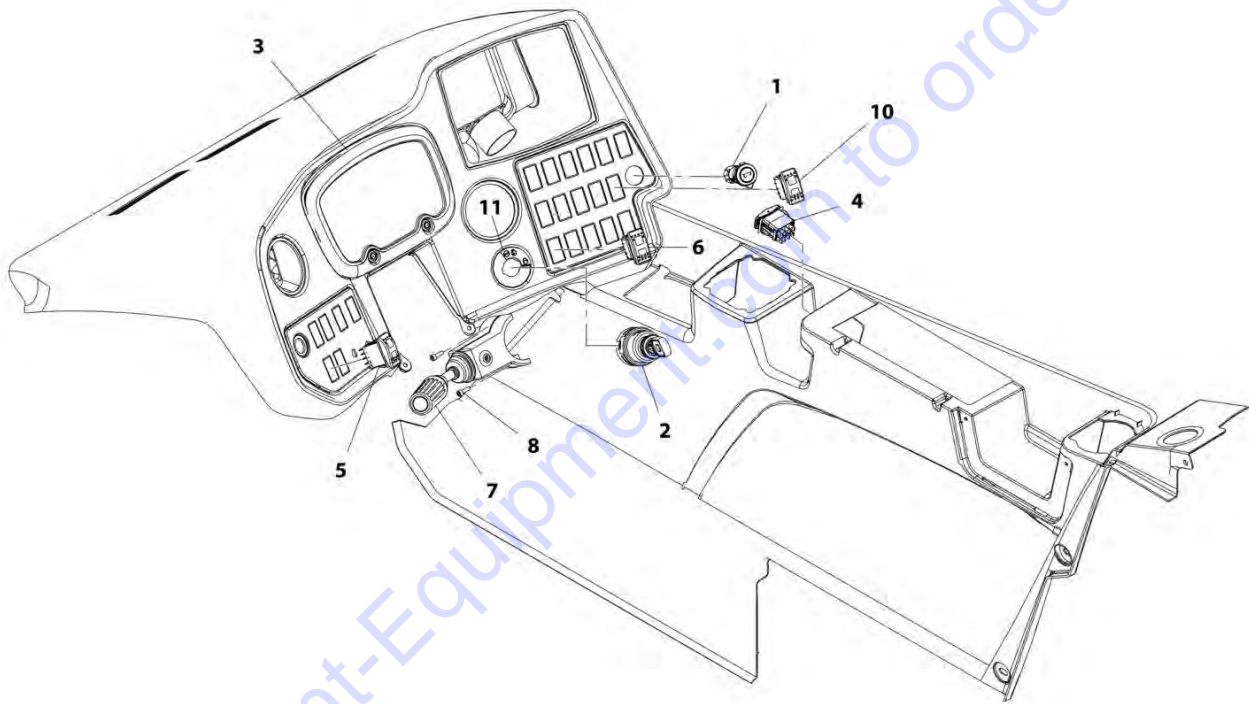
**FIGURE 10-32. CAB ELECTRICAL INSTALLATION**

ITEM	PART NUMBER	QTY	DESCRIPTION	REV
	1001165699	Ref	Cab Electrical Installation	1
1	3290501	3	Nut, M5X0.8	
2	3290601	2	Nut, M6X1	
3	120034	3	Washer, Plastic	
4	4811700	4	Washer, M6	
5	1001146588	16	Strap, Tie	
6	1001161769	1	Assembly, Standard Electrical Board (See Separate Breakdown in this Section)	
7	1001162249	1	Module	
8	1001196451	1	Harness, Cab (See Separate Breakdown in this Section)	
9	0700618	2	Bolt, M6X50	
10	1001178933	1	Bracket	
11	4460496	4	Washer, Terminal Lock	
12	4460497	4	Nut, Terminal	
13	1001211693	2	Seal	
14	1001213988	1	Cable (See Separate Breakdown in this Section)	

Go to Discount-Equipment.com to order your parts

# SECTION 10 - ELECTRICAL

## FIGURE 10-33. DASH ELECTRICAL INSTALLATION



ART\_1001173849-G

## SECTION 10 - ELECTRICAL

**FIGURE 10-33. DASH ELECTRICAL INSTALLATION**

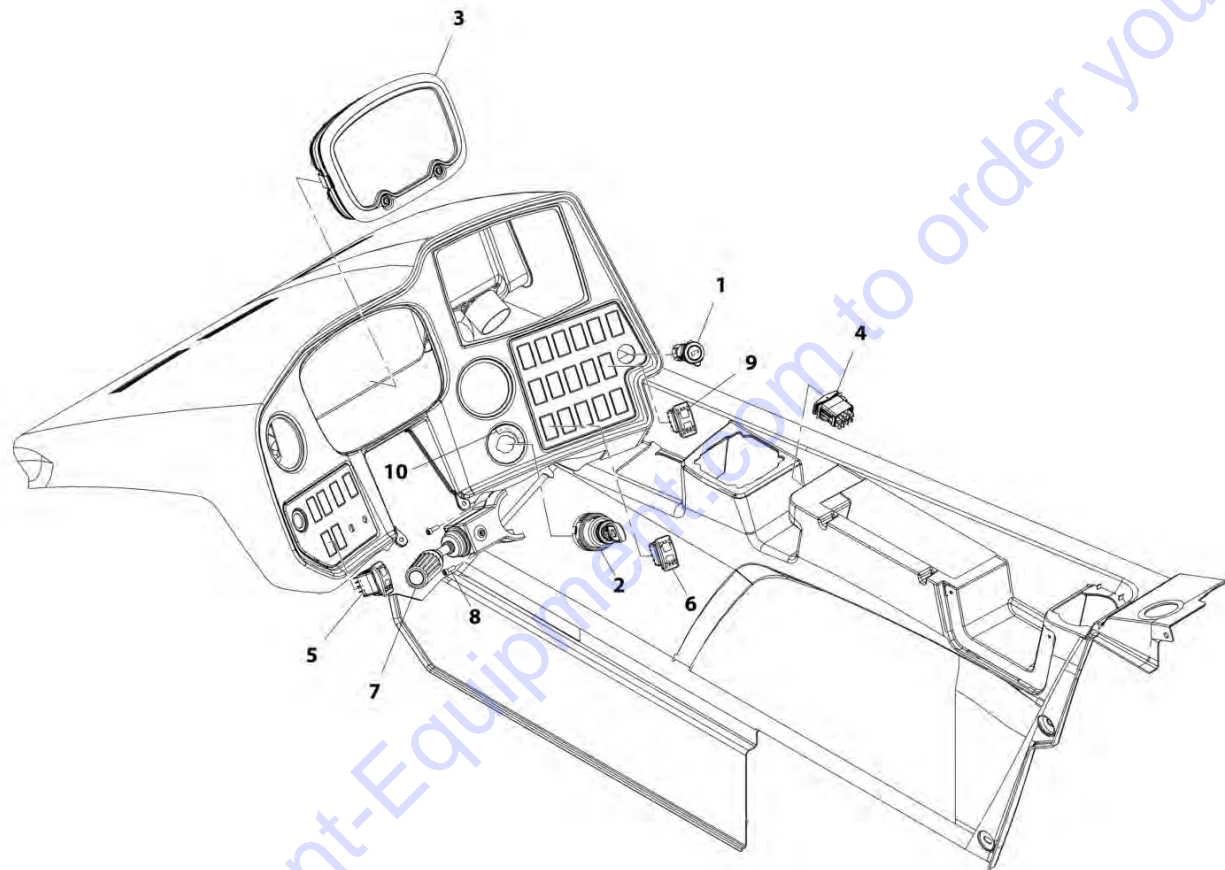
ITEM	PART NUMBER	QTY	DESCRIPTION	REV
	1001173849	Ref	Dash Electrical Installation (if equipped for ULS)	G
1	1001095804	1	Connector, 12V Power Socket	
2	1001102502	1	Switch, 4 Position Key	
2	70022765	1	Key, Ignition	
3	1001158146	1	Cluster, Electrical Gauge	
4	1001212470	1	Switch, Frame Level	
5	1001159753	1	Switch, Park Brake	
6	1001159849	1	Switch, Steer Mode	
7	1001163698	1	Switch, FNR 4 Speed	
8	4031607	2	Screw, M5-0.8X16	
10	1001104654	1	Switch, AUX	
11	1001181531	1	Decal, Ignition Switch	

Go to Discount-Equipment.com to order your parts



# SECTION 10 - ELECTRICAL

## FIGURE 10-34. DASH ELECTRICAL INSTALLATION (LS)



Go to Discount-Equipment.com to order your parts

ART\_1001203225-C

## SECTION 10 - ELECTRICAL

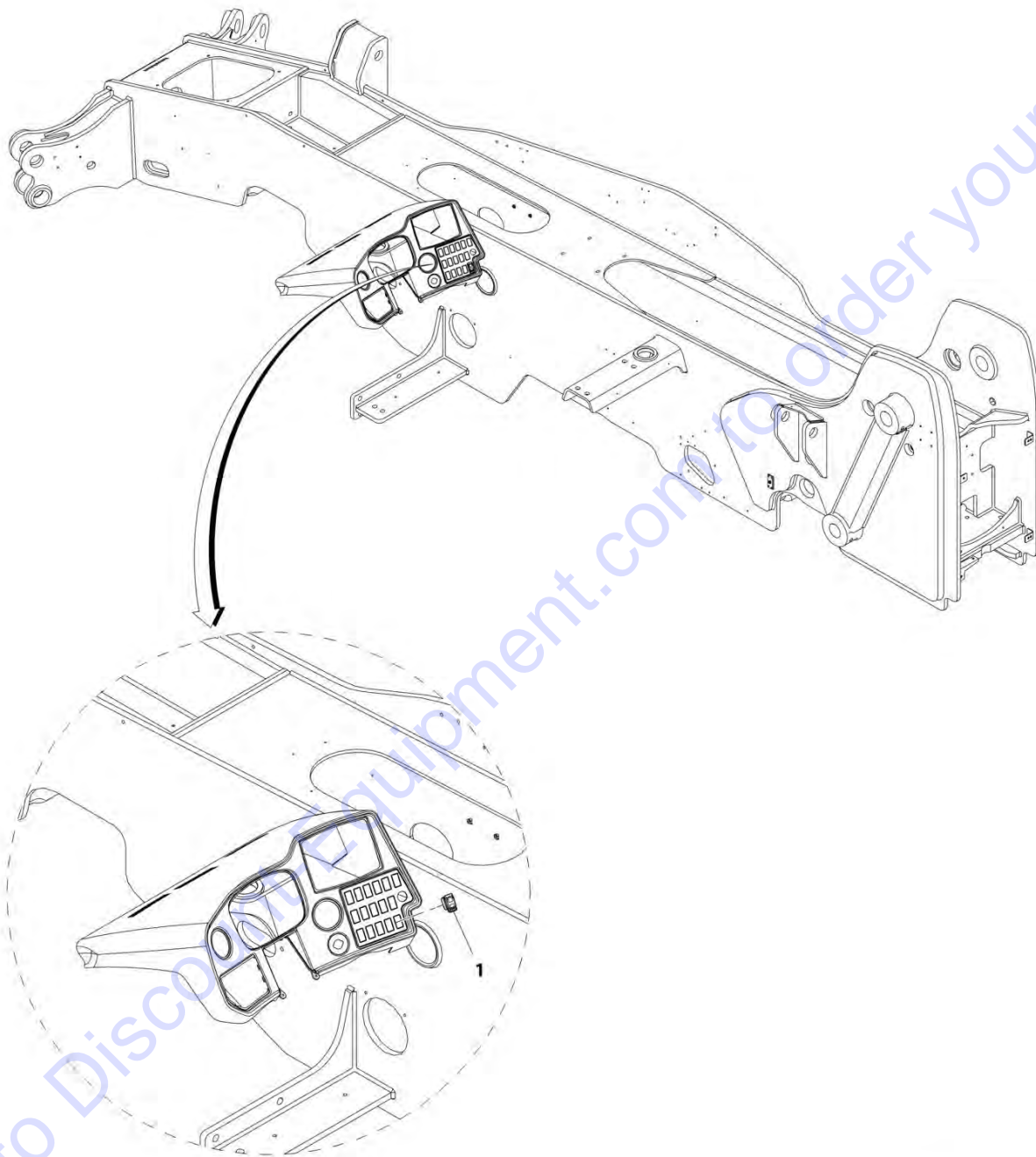
**FIGURE 10-34. DASH ELECTRICAL INSTALLATION (LS)**

ITEM	PART NUMBER	QTY	DESCRIPTION	REV
	1001203225	Ref	Dash Electrical Installation (LS)	C
1	1001095804	1	Connector, 12V Power Socket	
2	1001102502	1	Switch, 4 Position Key	
2	70022765	1	Key, Ignition	
3	1001202454	1	Cluster, Electrical Gauge	
4	1001212470	1	Switch, Frame Level	
5	1001159753	1	Switch, Park Brake	
6	1001159849	1	Switch, Steer Mode	
7	1001163698	1	Switch, FNR 4 Speed	
8	4031607	2	Screw, M5X16	
9	1001104654	1	Switch, AUX	
10	1001181531	1	Decal, Ignition Switch	

Go to Discount-Equipment.com to order your parts

# SECTION 10 - ELECTRICAL

## FIGURE 10-35. SWITCH LIGHT INSTALLATION



ART\_100197282-A

## SECTION 10 - ELECTRICAL

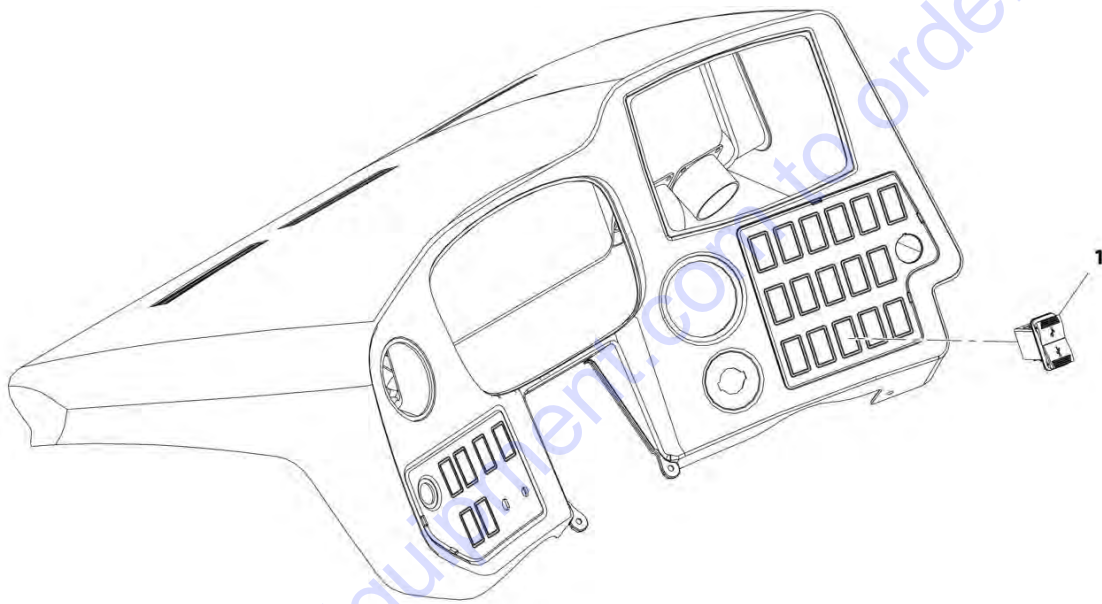
### FIGURE 10-35. SWITCH LIGHT INSTALLATION

ITEM	PART NUMBER	QTY	DESCRIPTION	REV
1	1001197282	Ref	Switch Light Installation	A
	1001163639	1	Switch, Driving Lights	

Go to Discount-Equipment.com to order your parts

# SECTION 10 - ELECTRICAL

## FIGURE 10-36. USB CHARGER INSTALLATION



ART\_1001200152-A

## SECTION 10 - ELECTRICAL

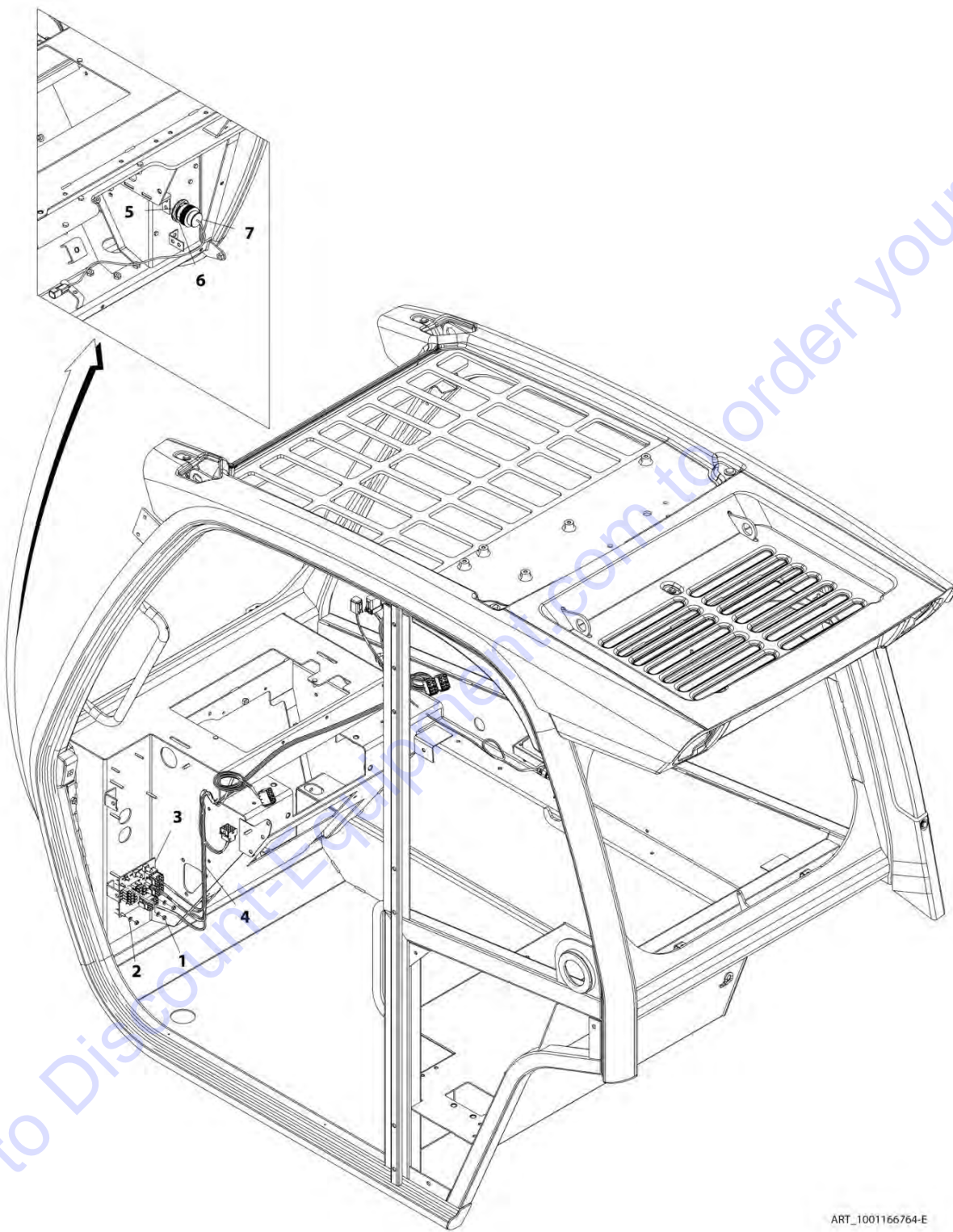
### FIGURE 10-36. USB CHARGER INSTALLATION

ITEM	PART NUMBER	QTY	DESCRIPTION	REV
1	1001200152	Ref	USB Charger Installation	A
	1001174712	1	USB Charger Assembly	

Go to Discount-Equipment.com to order your parts

# SECTION 10 - ELECTRICAL

## FIGURE 10-37. OPEN CAB ELECTRICAL INSTALLATION WITH OPTIONS



ART\_1001166764-E

## SECTION 10 - ELECTRICAL

**FIGURE 10-37. OPEN CAB ELECTRICAL INSTALLATION WITH OPTIONS**

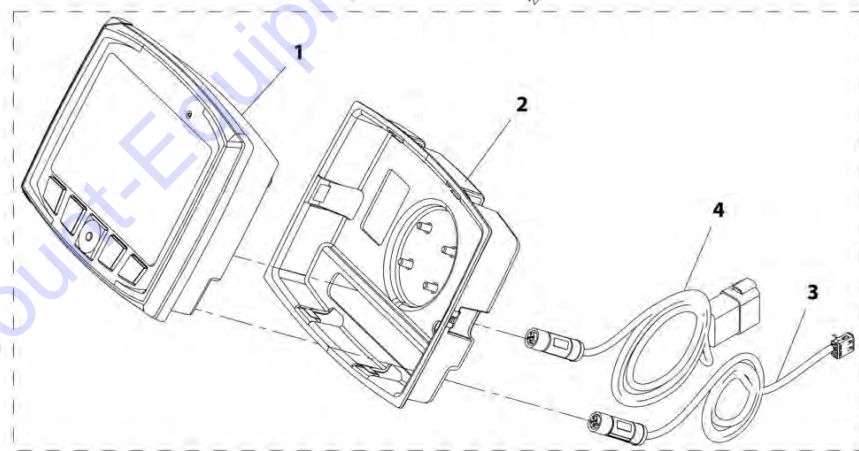
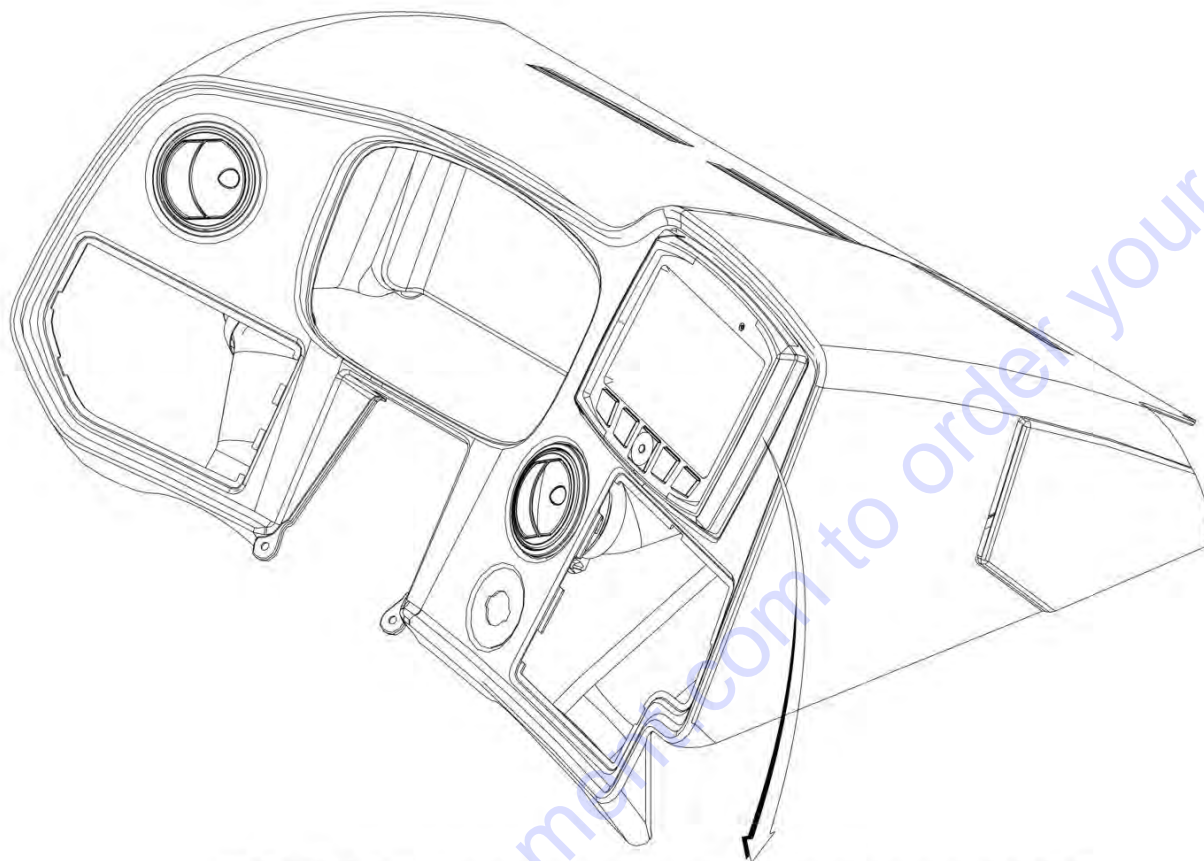
ITEM	PART NUMBER	QTY	DESCRIPTION	REV
	1001166764	Ref	Open Cab Electrical Installation with Options	E
1	3290501	3	Nut, M5X0.8	
2	120034	3	Washer, Plastic	
3	1001161771	1	Assembly, Option 2 Electrical Board (See Separate Breakdown in this Section)	
4	1001163372	1	Harness, Option 2 Cab (See Separate Breakdown in this Section)	
5	4460496	1	Washer, Terminal Lock	
6	4460497	1	Nut, Terminal	
7	1001181573	1	Harness, Cab Option (See Separate Breakdown in this Section)	

Go to Discount-Equipment.com to order your parts



# SECTION 10 - ELECTRICAL

## FIGURE 10-38. MULTIFUNCTION DISPLAY INSTALLATION



ART\_1001176338-B

## SECTION 10 - ELECTRICAL

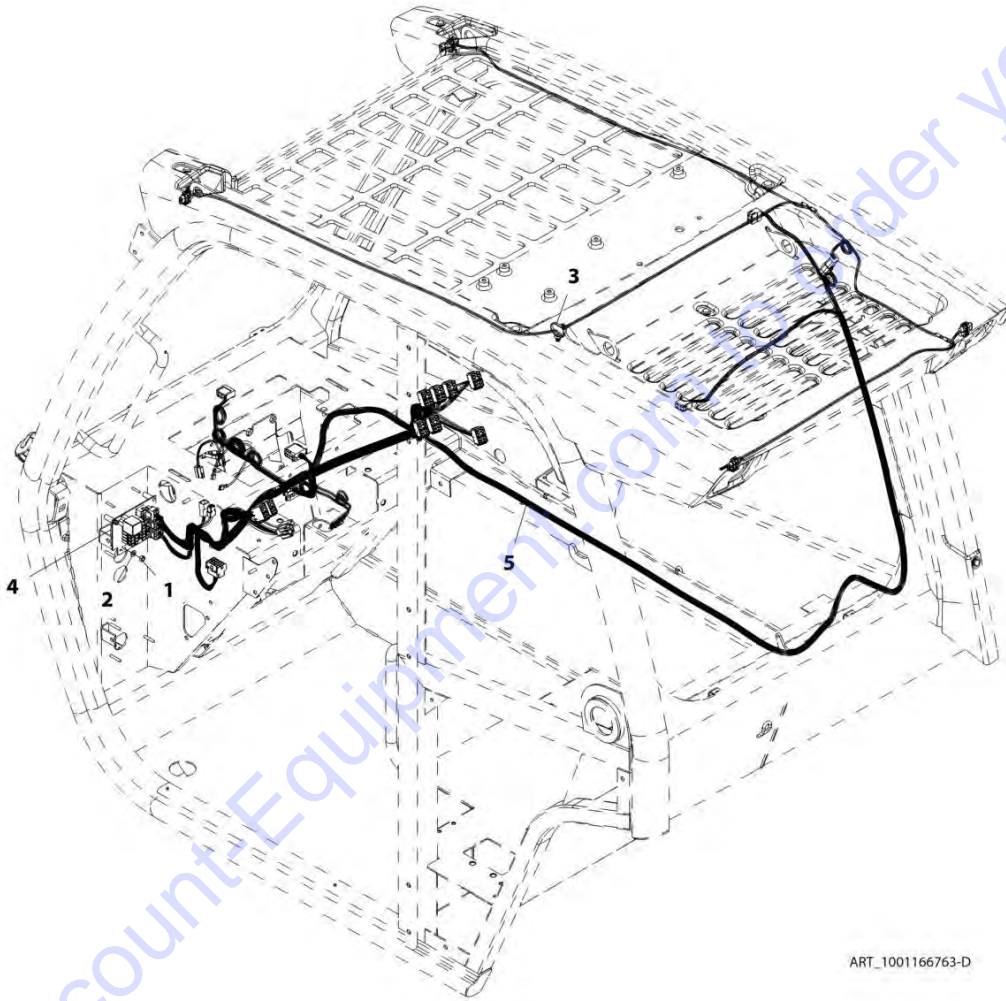
**FIGURE 10-38. MULTIFUNCTION DISPLAY INSTALLATION**

ITEM	PART NUMBER	QTY	DESCRIPTION	REV
	1001176338	Ref	Multifunction Display Installation	B
1	1001211357	1	Display	
2	1001178783	1	Bezel	
3	1001180682	1	Cable	
4	1001180683	1	Cable, Video	

Go to Discount-Equipment.com to order your parts

# SECTION 10 - ELECTRICAL

FIGURE 10-39. ENCLOSED CAB ELECTRICAL INSTALLATION WITH OPTIONS



ART\_1001166763-D

## SECTION 10 - ELECTRICAL

**FIGURE 10-39. ENCLOSED CAB ELECTRICAL INSTALLATION WITH OPTIONS**

ITEM	PART NUMBER	QTY	DESCRIPTION	REV
	1001166763	Ref	Enclosed Cab Electrical Installation with Options	D
1	3290501	1	Nut, M5X0.8	
2	120034	1	Washer, Plastic	
3	1001146588	1	Strap, Tie	
4	1001161770	1	Assembly, Option 1 Electrical Board (See Separate Breakdown in this Section)	
5	1001163371	1	Harness, Option 1 Cab (See Separate Breakdown in this Section)	

Go to Discount-Equipment.com to order your parts

# PARTS FINDER

**Search Website  
by Part Number**



**Search Manual  
Library For Parts  
Manual & Lookup Part  
Numbers – Purchase  
or Request Quote**

**Can't Find Part or  
Manual? Request Help  
by Manufacturer,  
Model & Description**

Discount-Equipment.com is your online resource for quality parts & equipment.

Florida: **561-964-4949** Outside Florida TOLL FREE: **877-690-3101**

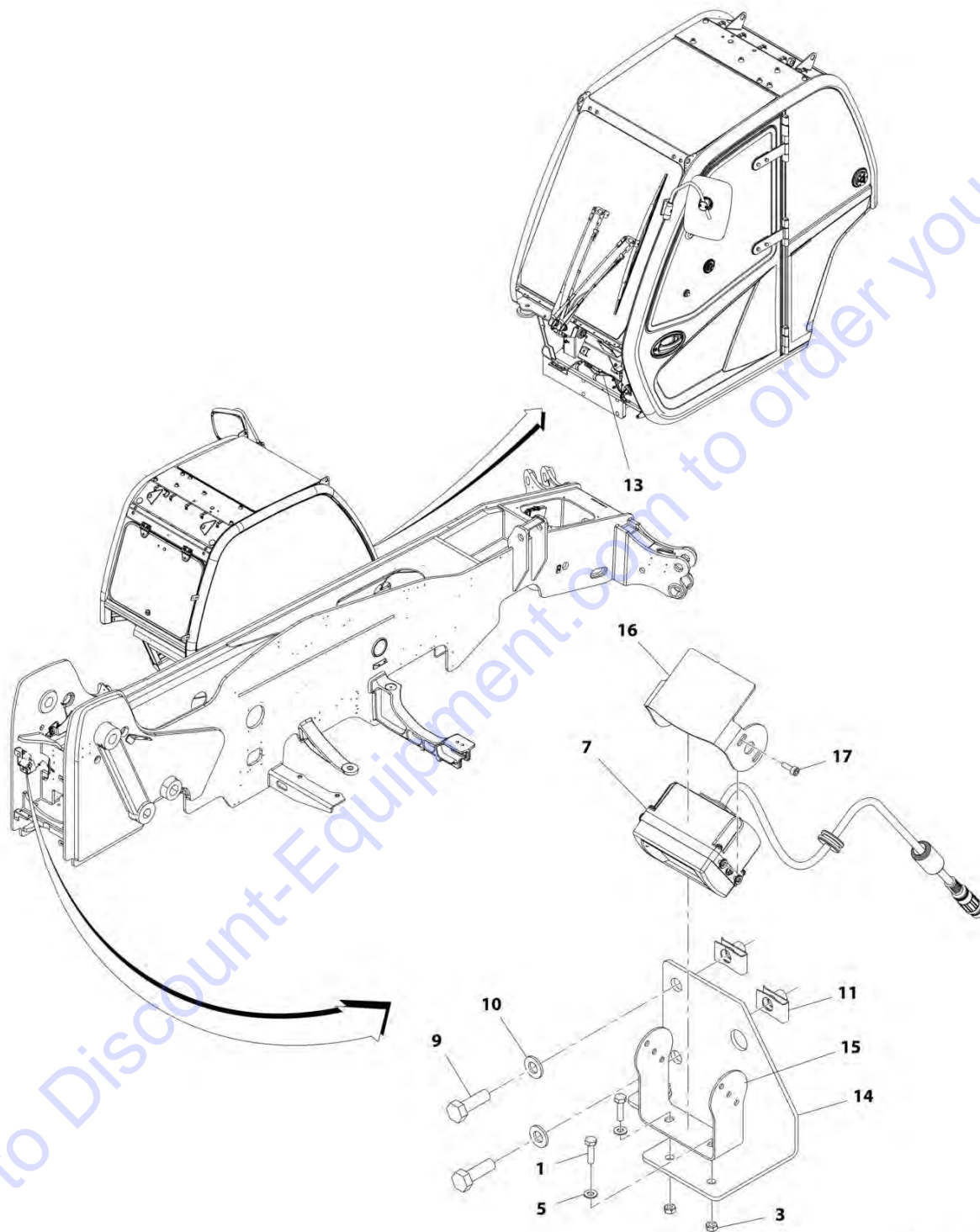
## Need parts?

Click on this link: <http://www.discount-equipment.com/category/5443-parts/> and choose one of the options to help get the right parts and equipment you are looking for. Please have the machine model and serial number available in order to help us get you the correct parts. If you don't find the part on the website or on one of the online manuals, please fill out the request form and one of our experienced staff members will get back to you with a quote for the right part that your machine needs.

We sell worldwide for the brands: Genie, Terex, JLG, MultiQuip, Mikasa, Essick, Whiteman, Mayco, Toro Stone, Diamond Products, Generac Magnum, Airman, Haulotte, Barreto, Power Blanket, Nifty Lift, Atlas Copco, Chicago Pneumatic, Allmand, Miller Curber, Skyjack, Lull, Skytrak, Tsurumi, Husquvarna Target, Stow, Wacker, Sakai, Mi-T-M, Sullair, Basic, Dynapac, MBW, Weber, Bartell, Bennar Newman, Haulotte, Ditch Runner, Menegotti, Morrison, Contec, Buddy, Crown, Edco, Wyco, Bomag, Laymor, EZ Trench, Bil-Jax, F.S. Curtis, Gehl Pavers, Heli, Honda, ICS/PowerGrit, IHI, Partner, Imer, Clipper, MMD, Koshin, Rice, CH&E, General Equipment, Amida, Coleman, NAC, Gradall, Square Shooter, Kent, Stanley, Tamco, Toku, Hatz, Kohler, Robin, Wisconsin, Northrock, Oztec, Toker TK, Rol-Air, APT, Wylie, Ingersoll Rand / Doosan, Innovatech, Con X, Ammann, Mecalac, Makinex, Smith Surface Prep, Small Line, Wanco, Yanmar

# SECTION 10 - ELECTRICAL

## FIGURE 10-40. REVERSE CAMERA INSTALLATION



ART\_1001168031-E

## SECTION 10 - ELECTRICAL

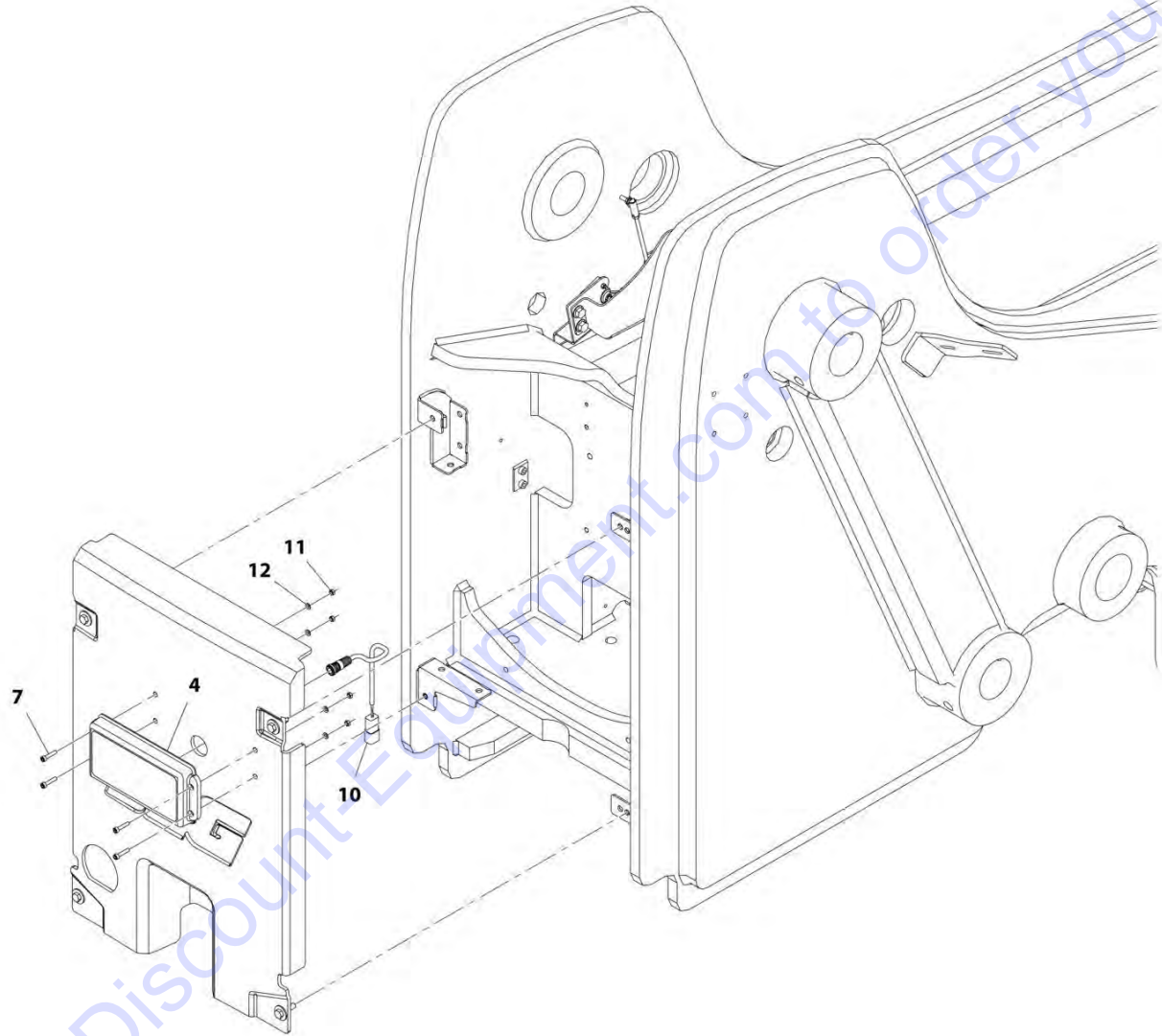
**FIGURE 10-40. REVERSE CAMERA INSTALLATION**

ITEM	PART NUMBER	QTY	DESCRIPTION	REV
	1001168031	Ref	Reverse Camera Installation	E
1	0700408	2	Bolt, M4X16	
3	3290401	2	Nut, M4X0.7	
5	4811400	2	Washer, M4	
7	1001167017	1	Camera	
9	0760812	3	Bolt, M8X25	
10	4811900	3	Washer, M8	
11	8310686	3	Nut, Retainer M8X12.5	
13	1001171962	1	Cable, Reverse Camera	
14	1001202620	1	Bracket, Reverse Camera Mount	
15	1001202621	1	Bracket, Reverse Camera Mount	
16	1001202622	1	Bracket, Reverse Sun Shield	
17	4031205	4	Bolt, M3X10	

Go to Discount-Equipment.com to order your parts

# SECTION 10 - ELECTRICAL

## FIGURE 10-41. REVERSE SENSOR INSTALLATION



ART\_1001172536-H



## SECTION 10 - ELECTRICAL

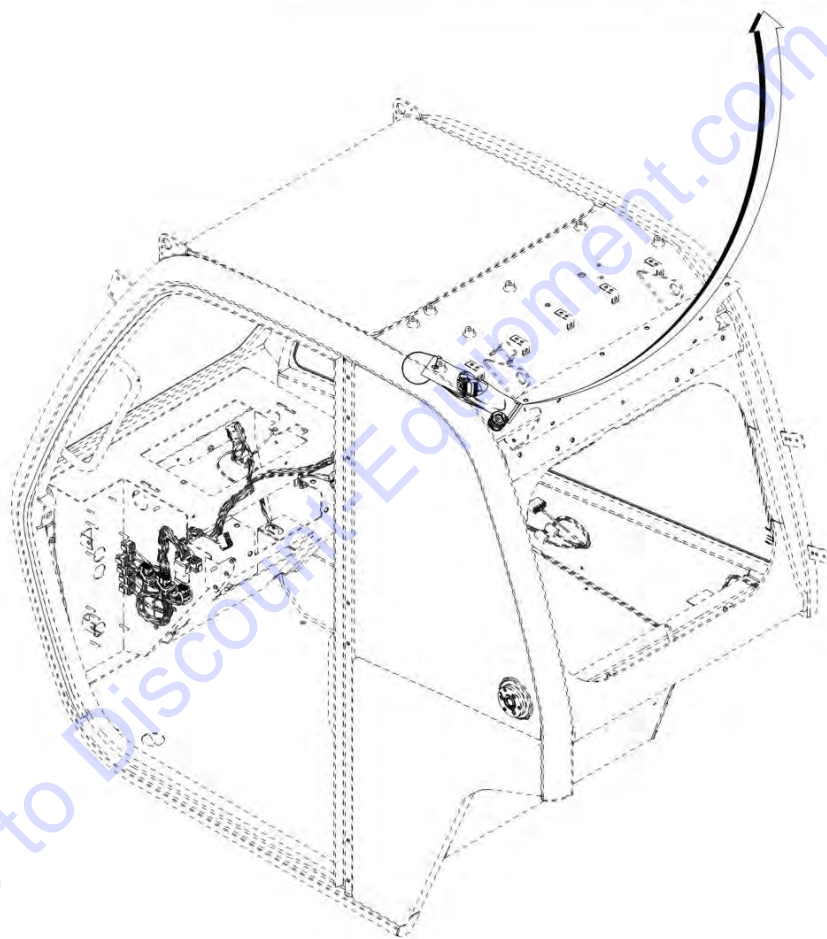
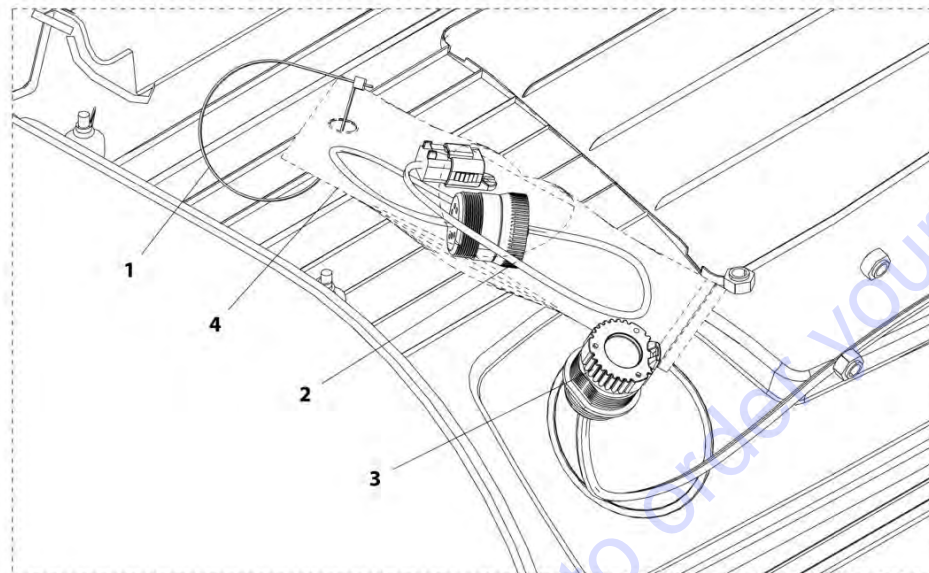
### FIGURE 10-41. REVERSE SENSOR INSTALLATION

ITEM	PART NUMBER	QTY	DESCRIPTION	REV
	1001172536	Ref	Reverse Sensor Installation	H
4	1001189997	1	Sensor, Reverse	
7	5271609	4	Screw, M5X25	
10	1001175776	1	Harness, Reverse Sensor (See Separate Breakdown in this Section)	
11	3290501	4	Nut, M5X0.8	
12	4811600	4	Washer, M5	

Go to Discount-Equipment.com to order your parts

# SECTION 10 - ELECTRICAL

## FIGURE 10-42. TELEMATICS READY INSTALLATION



ART\_1001202519-A

## SECTION 10 - ELECTRICAL

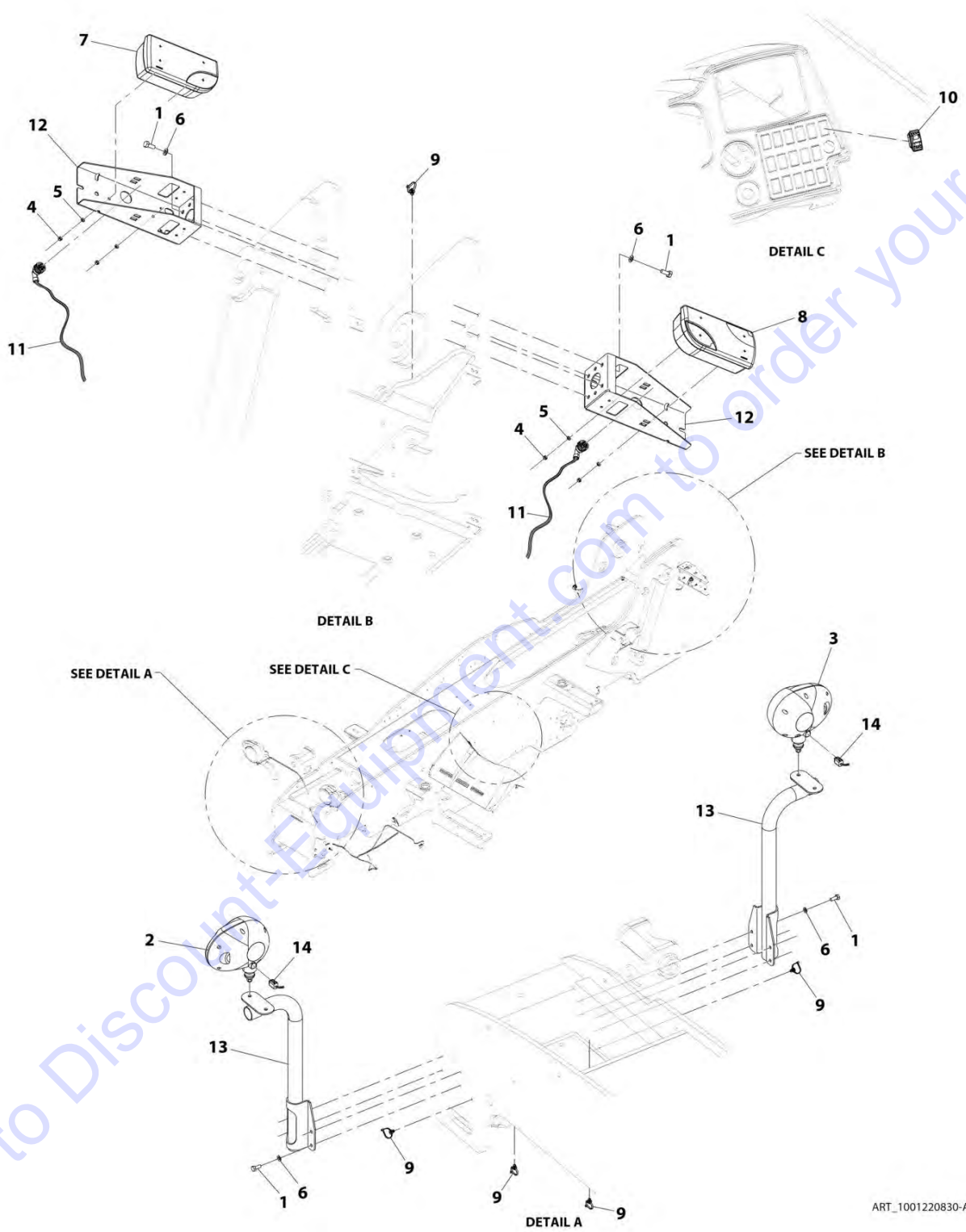
**FIGURE 10-42. TELEMATICS READY INSTALLATION**

ITEM	PART NUMBER	QTY	DESCRIPTION	REV
	1001202519	Ref	Telematics Ready Installation	A
1	8584003	1	Strap, Tie	
2	1001196289	1	Harness, Telematics Ready (See Separate Breakdown in this Section)	
3	1001201162	1	Cap	
4	1001202617	1	Bag	

Go to Discount-Equipment.com to order your parts

# SECTION 10 - ELECTRICAL

## FIGURE 10-43. ROAD LIGHTS INSTALLATION



ART\_1001220830-A

## SECTION 10 - ELECTRICAL

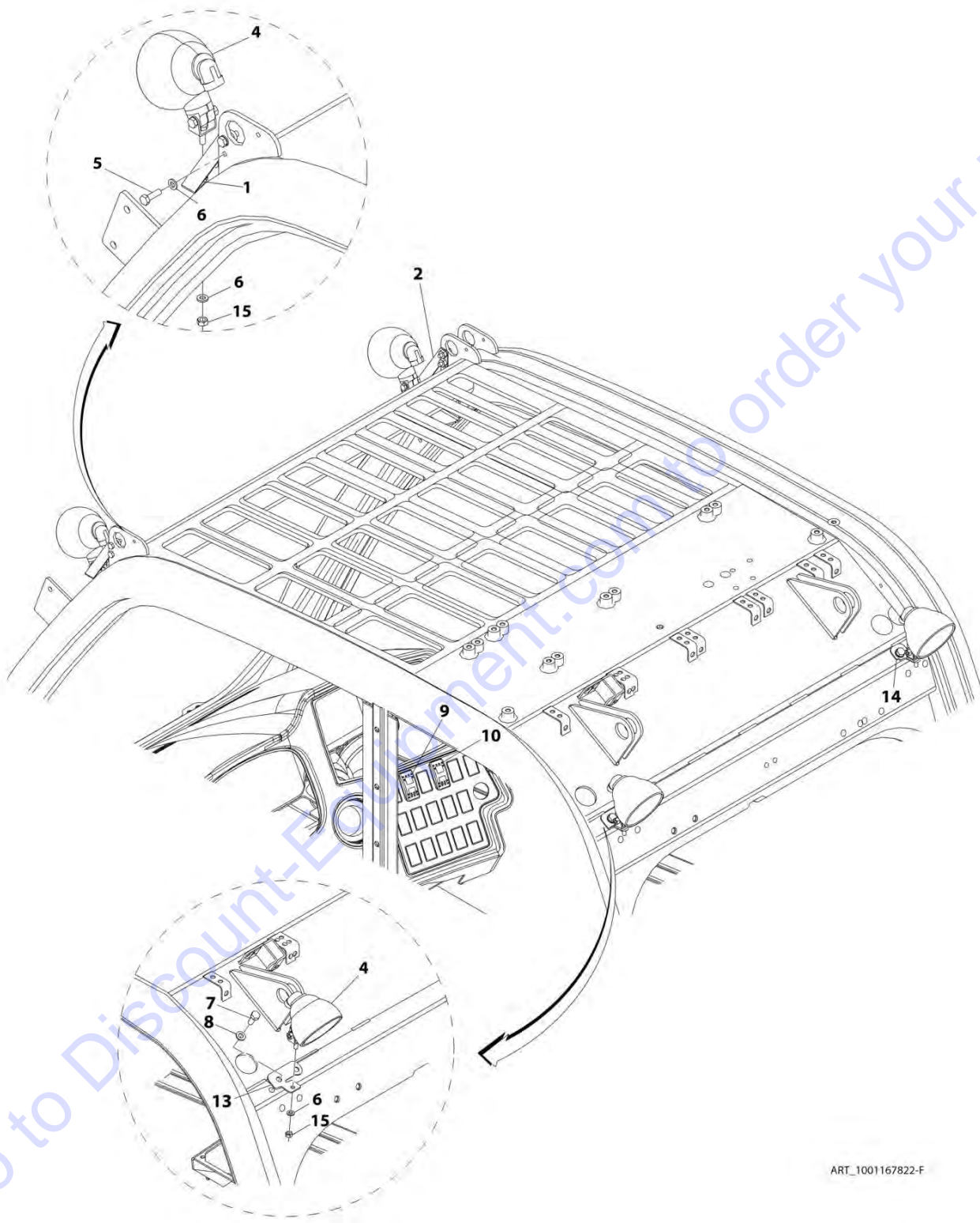
**FIGURE 10-43. ROAD LIGHTS INSTALLATION**

ITEM	PART NUMBER	QTY	DESCRIPTION	REV
	1001220830	Ref	Road Lights Installation	A
1	0761010	16	Bolt, M10X20	
2	2920207	1	Driving Light, LH	
3	2920208	1	Driving Light, RH	
4	3290607	4	Nut, M6X1	
5	4811700	4	Washer, M6	
6	4812000	16	Washer, M10	
7	1001091715	1	Lamp, Rear LH	
8	1001091716	1	Lamp, Rear RH	
9	1001146588	5	Strap, Tie	
10	1001159734	1	Switch	
11	1001173092	1	Harness, HBP Tail Lights (See Separate Breakdown in this Section)	
12	1001196100	2	Bracket	
13	1001220817	2	Bracket	
14	1001165360	1	Harness, Front Frame Headlight (See Separate Breakdown in this Section)	

Go to Discount-Equipment.com to order your parts

# SECTION 10 - ELECTRICAL

## FIGURE 10-44. CAB WORKLIGHTS INSTALLATION (NO A/C)



ART\_1001167822-F

## SECTION 10 - ELECTRICAL

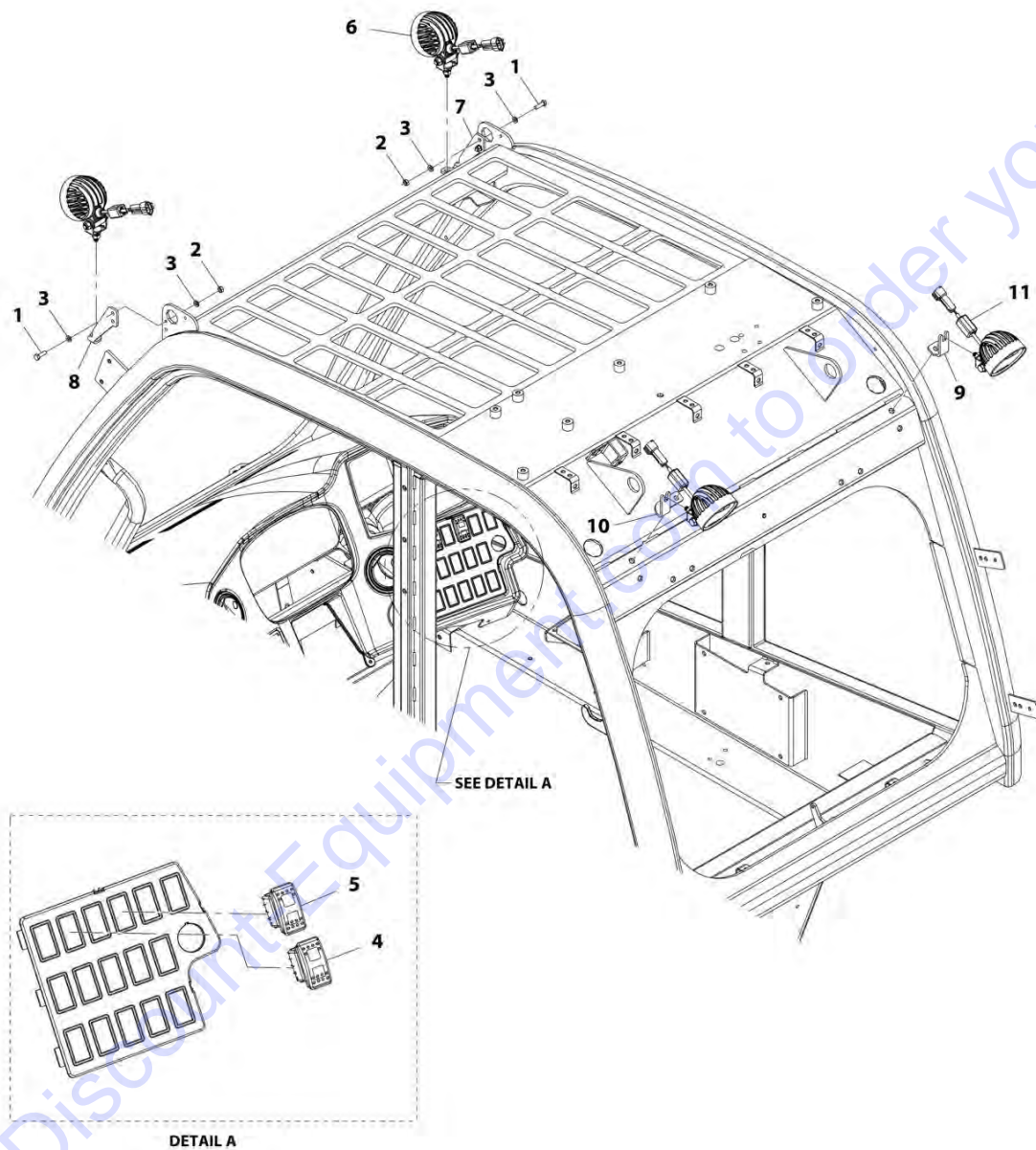
**FIGURE 10-44. CAB WORKLIGHTS INSTALLATION (NO A/C)**

ITEM	PART NUMBER	QTY	DESCRIPTION	REV
	1001167822	Ref	Cab Worklights Installation (No A/C)	F
1	1001186567	1	Bracket, Work Light LH	
2	1001186565	1	Bracket, Work Light RH	
4	2920206	4	Worklight	
5	0700610	4	Bolt, M6X20	
6	4811700	8	Washer, M6	
7	0760810	2	Bolt, M8X20	
8	4811900	2	Washer, M8	
9	1001159845	1	Switch, Front Worklights	
10	1001159846	1	Switch, Rear Worklights	
13	1001183888	1	Bracket, Work Light LH	
14	1001183890	1	Bracket, Work Light RH	
15	3290601	4	Nut, M6X1 Grade 8	

Go to Discount-Equipment.com to order your parts

# SECTION 10 - ELECTRICAL

## FIGURE 10-45. CAB WORKLIGHTS INSTALLATION (NO A/C - LED)



ART\_1001200538-C



## SECTION 10 - ELECTRICAL

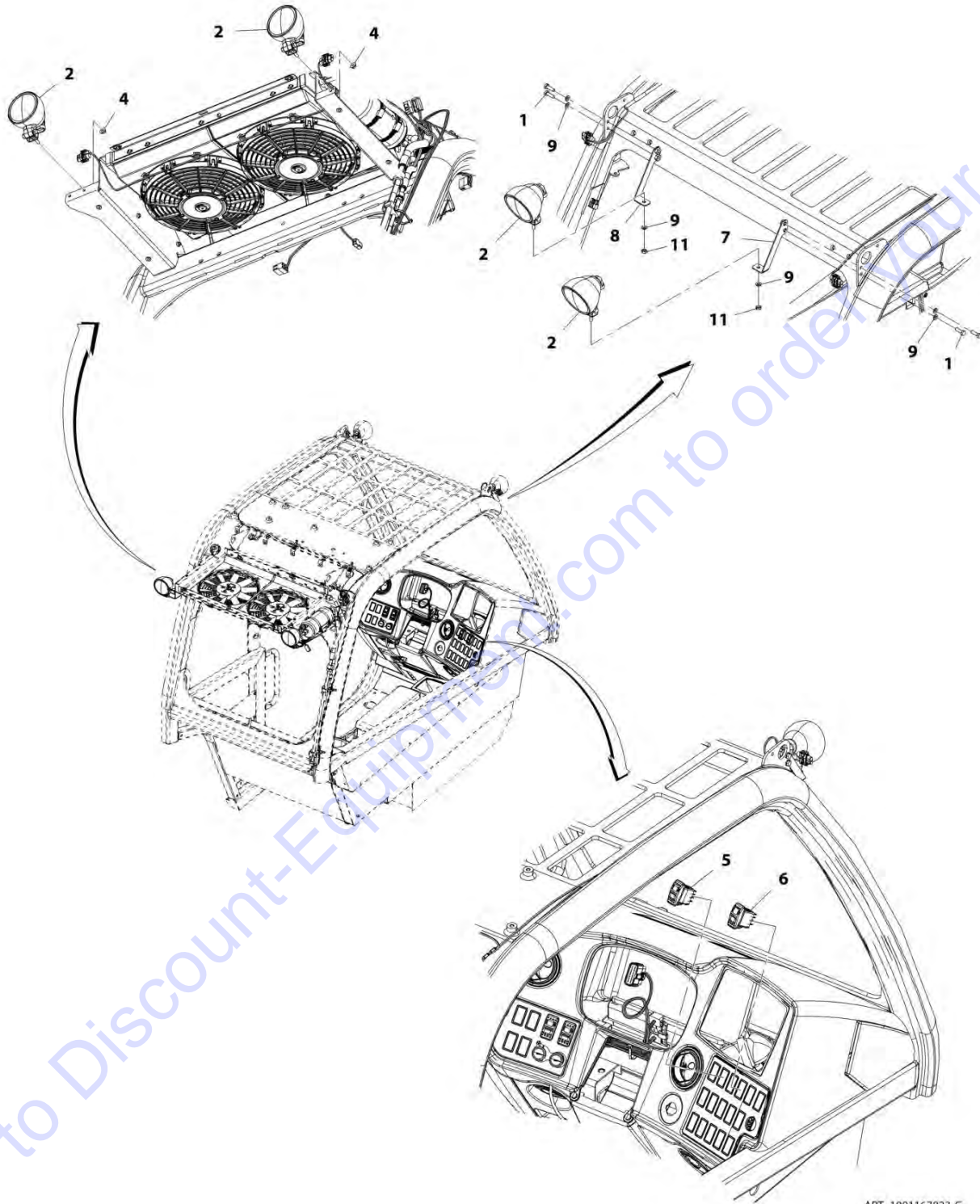
**FIGURE 10-45. CAB WORKLIGHTS INSTALLATION (NO A/C - LED)**

ITEM	PART NUMBER	QTY	DESCRIPTION	REV
	1001200538	Ref	Cab Worklights Installation (No A/C - LED)	C
1	0700610	4	Bolt, M6X20	
2	3290601	4	Nut, M6X1	
3	4811700	8	Washer, M6	
4	1001159845	1	Switch, Front Worklights	
5	1001159846	1	Switch, Rear Worklights	
6	1001203640	4	Lamp, LED Work Light	
7	1001204444	1	Support, LED Work Light RH	
8	1001204445	1	Support, LED Work Light LH	
9	1001204528	1	Support, LED Work Light RH	
10	1001204530	1	Support, LED Work Light LH	
11	1001228989	4	Harness, Ferrite	

Go to Discount-Equipment.com to order your parts

# SECTION 10 - ELECTRICAL

## FIGURE 10-46. CAB WORKLIGHTS INSTALLATION (A/C)



ART\_1001167823-G

## SECTION 10 - ELECTRICAL

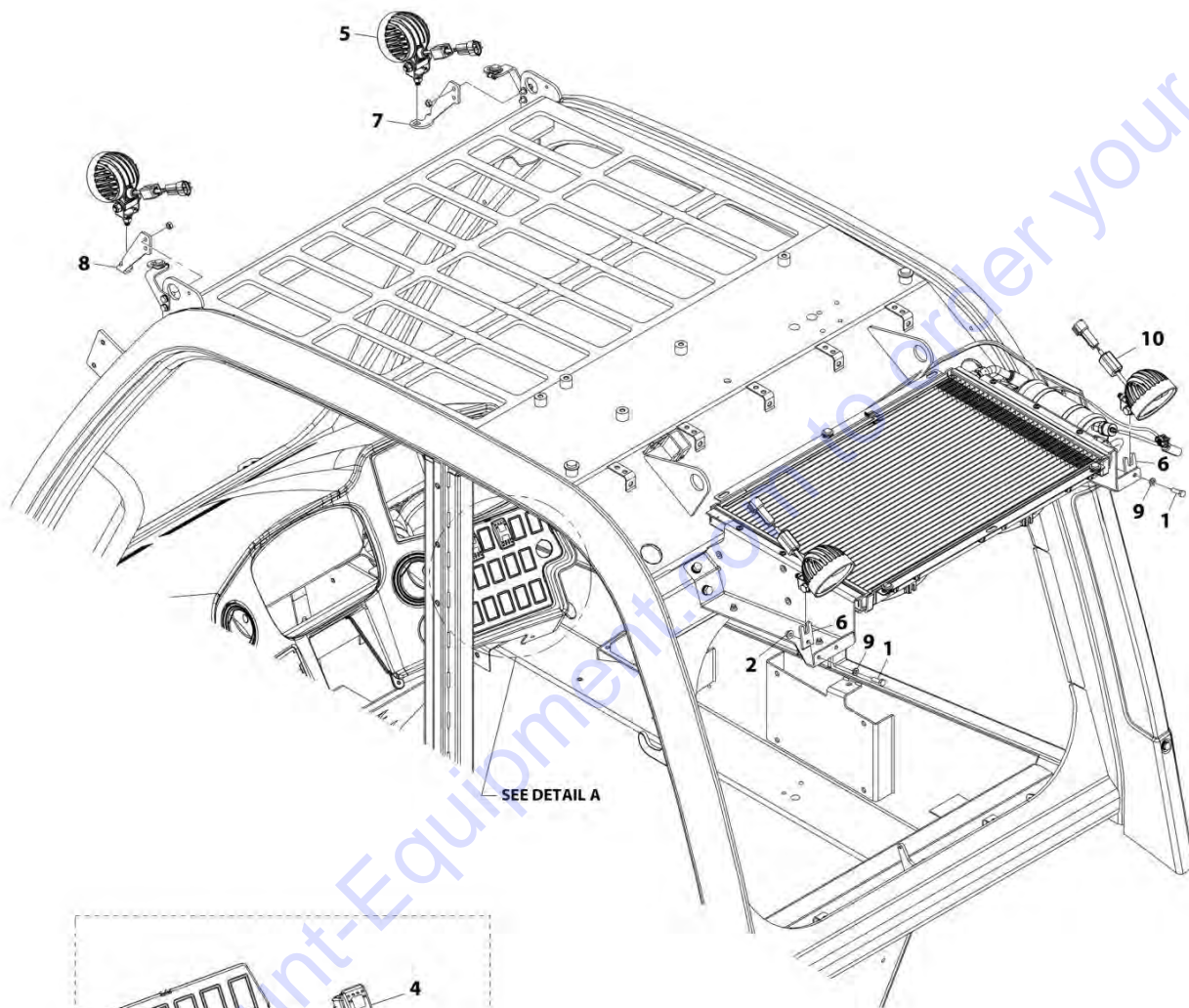
**FIGURE 10-46. CAB WORKLIGHTS INSTALLATION (A/C)**

ITEM	PART NUMBER	QTY	DESCRIPTION	REV
	1001167823	Ref	Cab Worklights Installation (A/C)	G
1	0700610	4	Bolt, M6X20	
2	2920206	4	Worklight	
4	5220600	2	Nut, M6	
5	1001159845	1	Switch, Front Worklights	
6	1001159846	1	Switch, Rear Worklights	
7	1001186567	1	Bracket, Work Light LH	
8	1001186565	1	Bracket, Work Light RH	
9	4811700	6	Washer, M6	
11	3290601	2	Nut, M6X1 Grade 8	

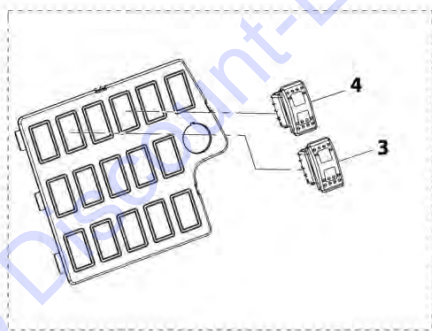
Go to Discount-Equipment.com to order your parts

# SECTION 10 - ELECTRICAL

## FIGURE 10-47. CAB WORKLIGHTS INSTALLATION (A/C - LED)



SEE DETAIL A



DETAIL A

ART\_1001200539-C

## SECTION 10 - ELECTRICAL

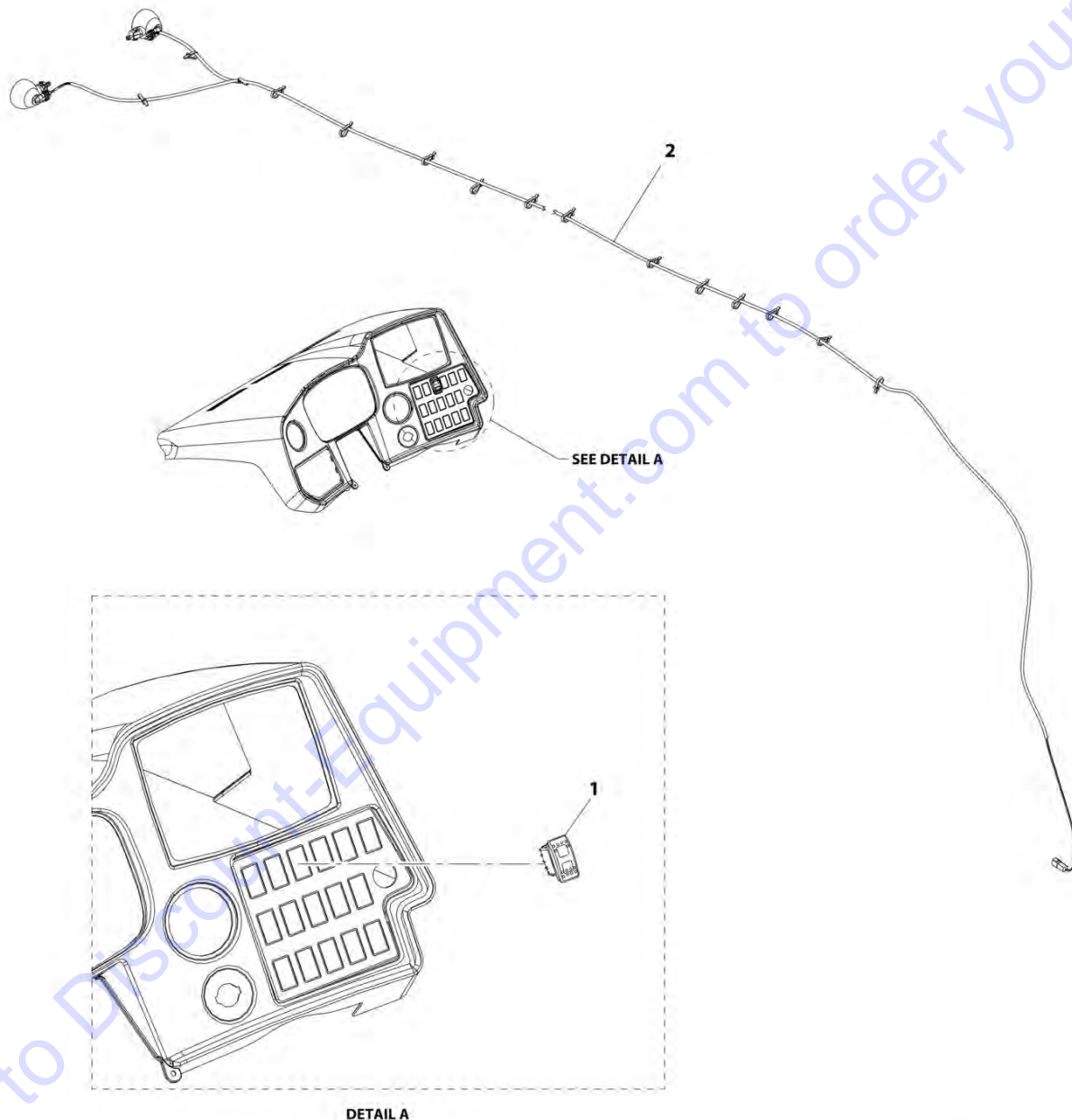
**FIGURE 10-47. CAB WORKLIGHTS INSTALLATION (A/C - LED)**

ITEM	PART NUMBER	QTY	DESCRIPTION	REV
	1001200539	Ref	Cab Worklights Installation (A/C - LED)	C
1	0700610	2	Bolt, M6X20	
2	5220600	2	Nut, M6	
3	1001159845	1	Switch, Front Worklights	
4	1001159846	1	Switch, Rear Worklights	
5	1001203640	4	Lamp, LED Work Light	
6	1001204060	2	Bracket	
7	1001204444	1	Support, LED Work Light RH	
8	1001204445	1	Support, LED Work Light LH	
9	4811700	2	Washer, M6	
10	1001228989	4	Harness, Ferrite	

Go to Discount-Equipment.com to order your parts

# SECTION 10 - ELECTRICAL

## FIGURE 10-48. BOOM WORK LIGHTS INSTALLATION



ART\_1001182083-C

## SECTION 10 - ELECTRICAL

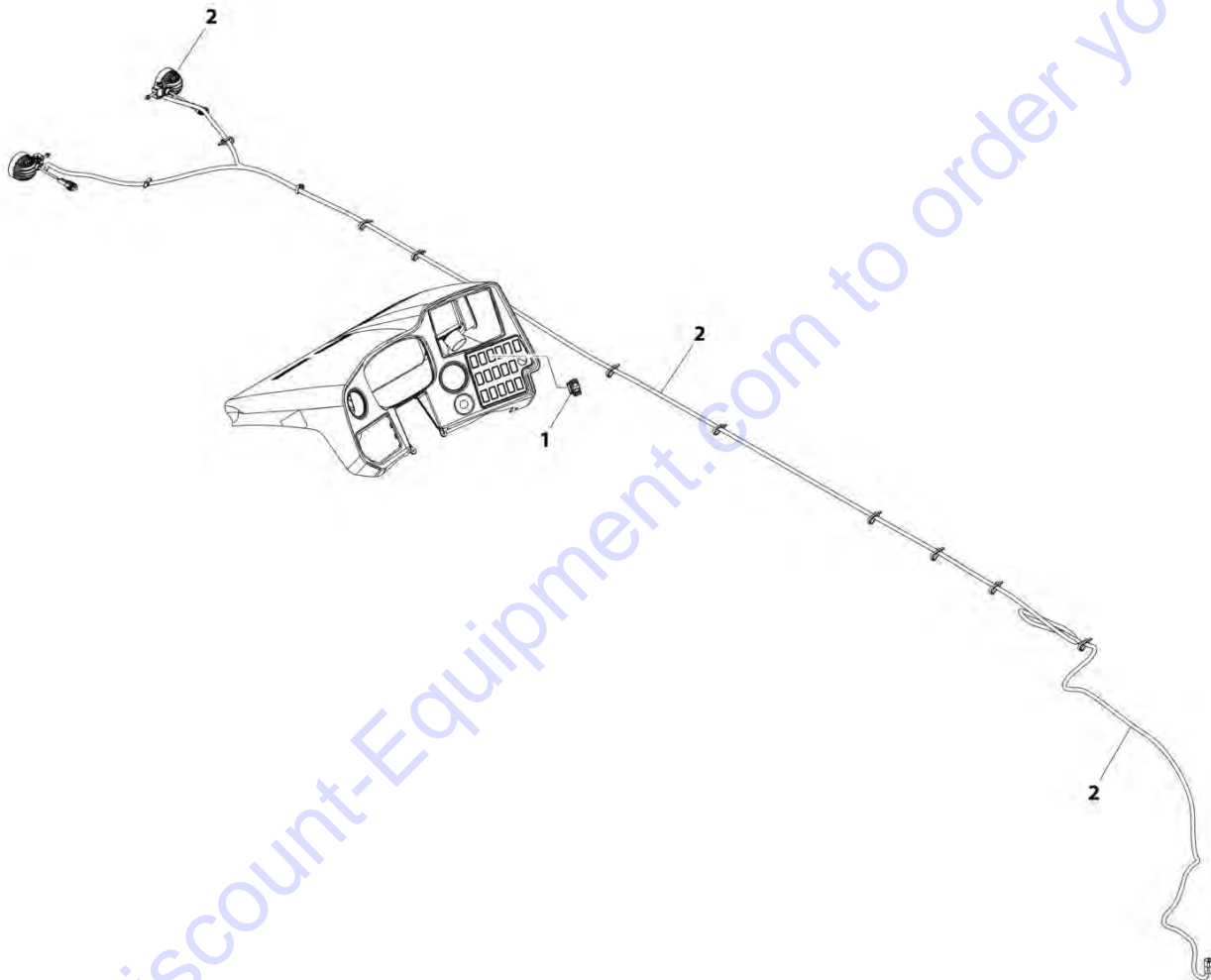
### FIGURE 10-48. BOOM WORK LIGHTS INSTALLATION

ITEM	PART NUMBER	QTY	DESCRIPTION	REV
	1001182083	Ref	Boom Work Lights Installation	C
1	1001159739	1	Switch, Driving Lights	
2	1001174932	Ref	Installation, Boom Work Lights (See Separate Breakdown in this Section)	

Go to Discount-Equipment.com to order your parts

# SECTION 10 - ELECTRICAL

## FIGURE 10-49. BOOM WORK LIGHTS INSTALLATION (LED)



ART\_1001230599-A



## SECTION 10 - ELECTRICAL

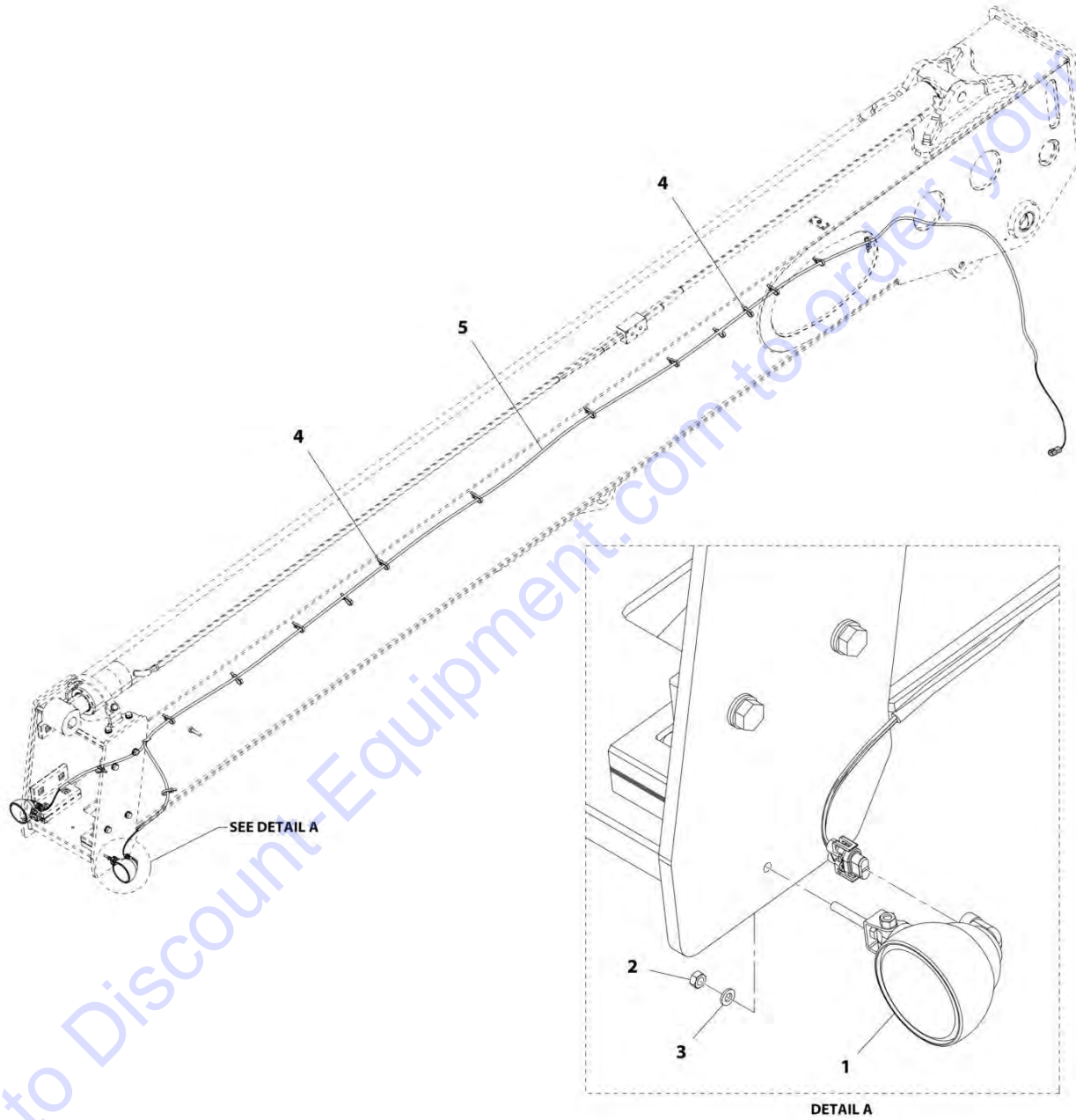
### FIGURE 10-49. BOOM WORK LIGHTS INSTALLATION (LED)

ITEM	PART NUMBER	QTY	DESCRIPTION	REV
	1001230599	Ref	Boom Work Lights Installation	A
1	1001159739	1	Switch, Boom Work Lights	
2	1001230623	1	Installation, Boom LED Work Lights, (See Separate Breakdown in this Section)	

Go to Discount-Equipment.com to order your parts

# SECTION 10 - ELECTRICAL

## FIGURE 10-50. BOOM LIGHTS INSTALLATION



ART\_1001174932-E

## SECTION 10 - ELECTRICAL

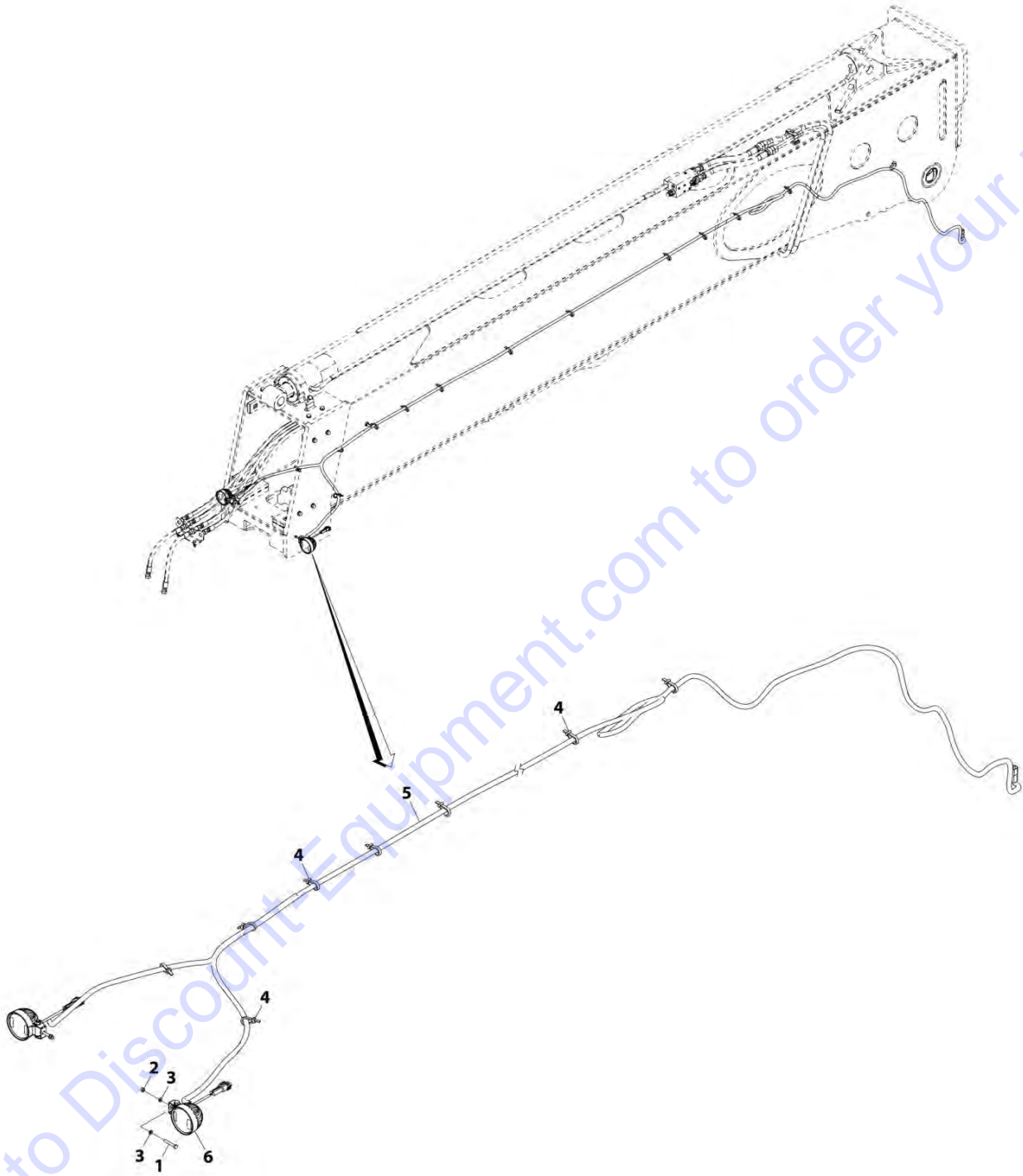
### FIGURE 10-50. BOOM LIGHTS INSTALLATION

ITEM	PART NUMBER	QTY	DESCRIPTION	REV
	1001174932	Ref	Boom Lights Installation	E
1	1001207287	2	Worklight	
2	3290601	2	Nut, M6X1	
3	4811700	2	Washer, M6	
4	1001008923	AR	Strap, Tie	
5	1001167608	1	Harness, Boom Worklight (See Separate Breakdown in this Section)	

Go to Discount-Equipment.com to order your parts

# SECTION 10 - ELECTRICAL

## FIGURE 10-51. BOOM LED LIGHTS INSTALLATION



ART\_1001230623-A

## SECTION 10 - ELECTRICAL

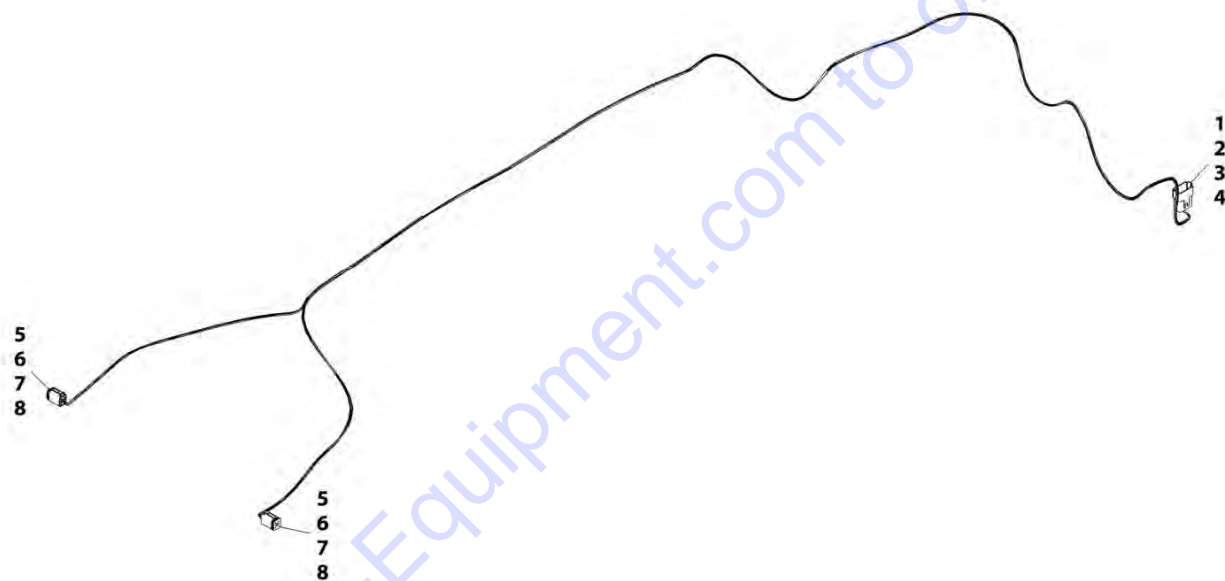
### FIGURE 10-51. BOOM LED LIGHTS INSTALLATION

ITEM	PART NUMBER	QTY	DESCRIPTION	REV
	1001230623	Ref	Boom LED Lights Installation	A
1	0700616	2	Bolt, M6X40	
2	3290601	2	Nut, M6X1	
3	4811700	4	Washer, M6	
4	1001008923	AR	Strap, Cable	
5	1001167608	1	Harness, Boom Worklights (See Separate Breakdown in this Section)	
6	1001203640	2	Lamp, LED Work light	

Go to Discount-Equipment.com to order your parts

# SECTION 10 - ELECTRICAL

## FIGURE 10-52. BOOM WORKLIGHTS HARNESS



ART\_1001167608-E

## SECTION 10 - ELECTRICAL

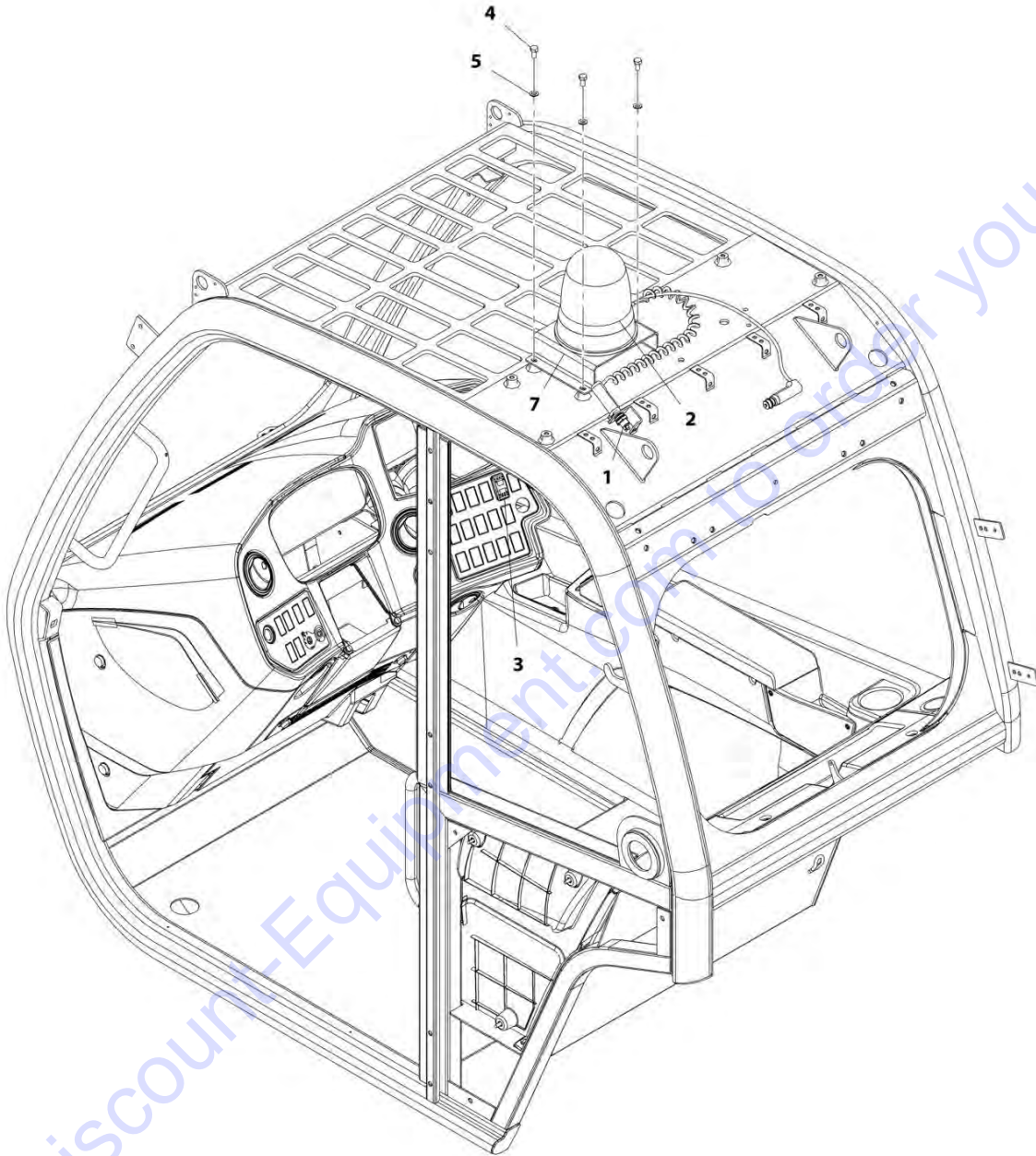
### FIGURE 10-52. BOOM WORKLIGHTS HARNESS

ITEM	PART NUMBER	QTY	DESCRIPTION	REV
	1001167608	Ref	Boom Worklights Harness	E
1	4460932	1	Connector	
2	80604020	1	Lock, Connector	
3	4460464	2	Terminal	
4	4460466	2	Plug	
5	4461115	2	Connector	
6	1001116728	2	Terminal	
7	4460458	2	Seal	
8	1001103564	2	Lock, Terminal	

Go to Discount-Equipment.com to order your parts

# SECTION 10 - ELECTRICAL

## FIGURE 10-53. BEACON INSTALLATION



ART\_1001171162-E



## SECTION 10 - ELECTRICAL

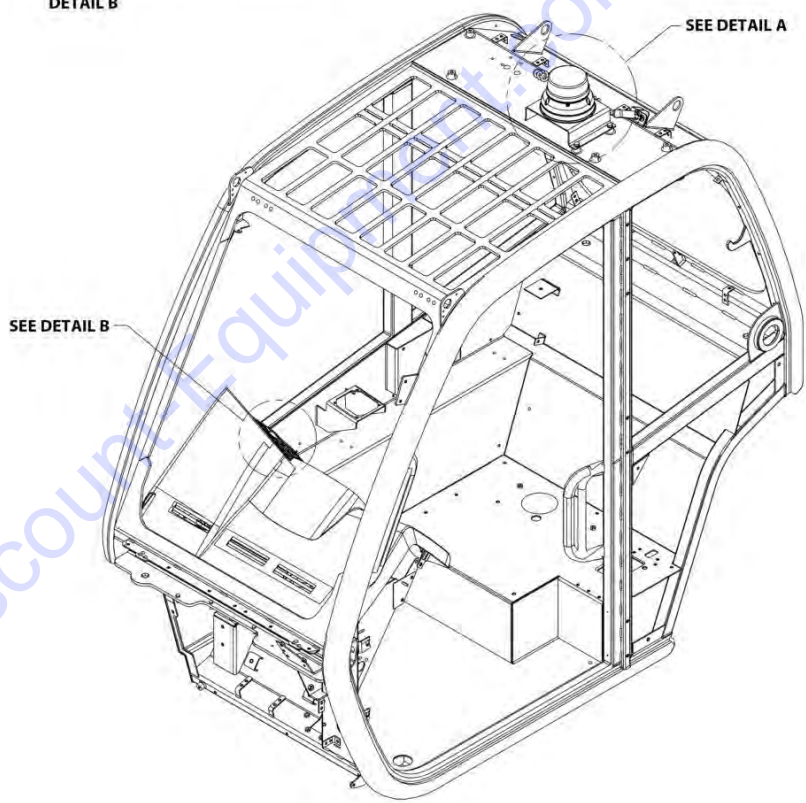
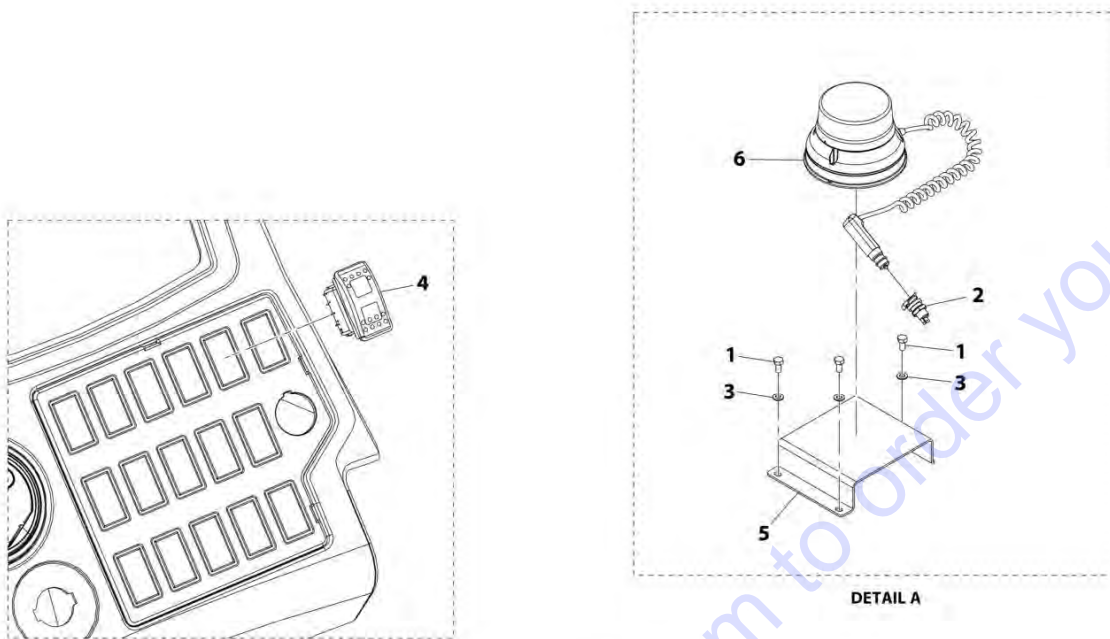
**FIGURE 10-53. BEACON INSTALLATION**

ITEM	PART NUMBER	QTY	DESCRIPTION	REV
	1001171162	Ref	Beacon Installation	E
1	4461174	1	Terminal	
2	1001091573	NLA	Light, Warning, (no longer available, use 1001217623 for replacement)	
2	1001217623	1	Light, Warning	
3	1001159738	1	Switch	
4	0760808	3	Bolt, M8X16	
5	4811900	3	Washer, M8	
7	1001174796	1	Bracket	

Go to Discount-Equipment.com to order your parts

# SECTION 10 - ELECTRICAL

## FIGURE 10-54. BEACON INSTALLATION (LED)



ART\_1001195883-A

## SECTION 10 - ELECTRICAL

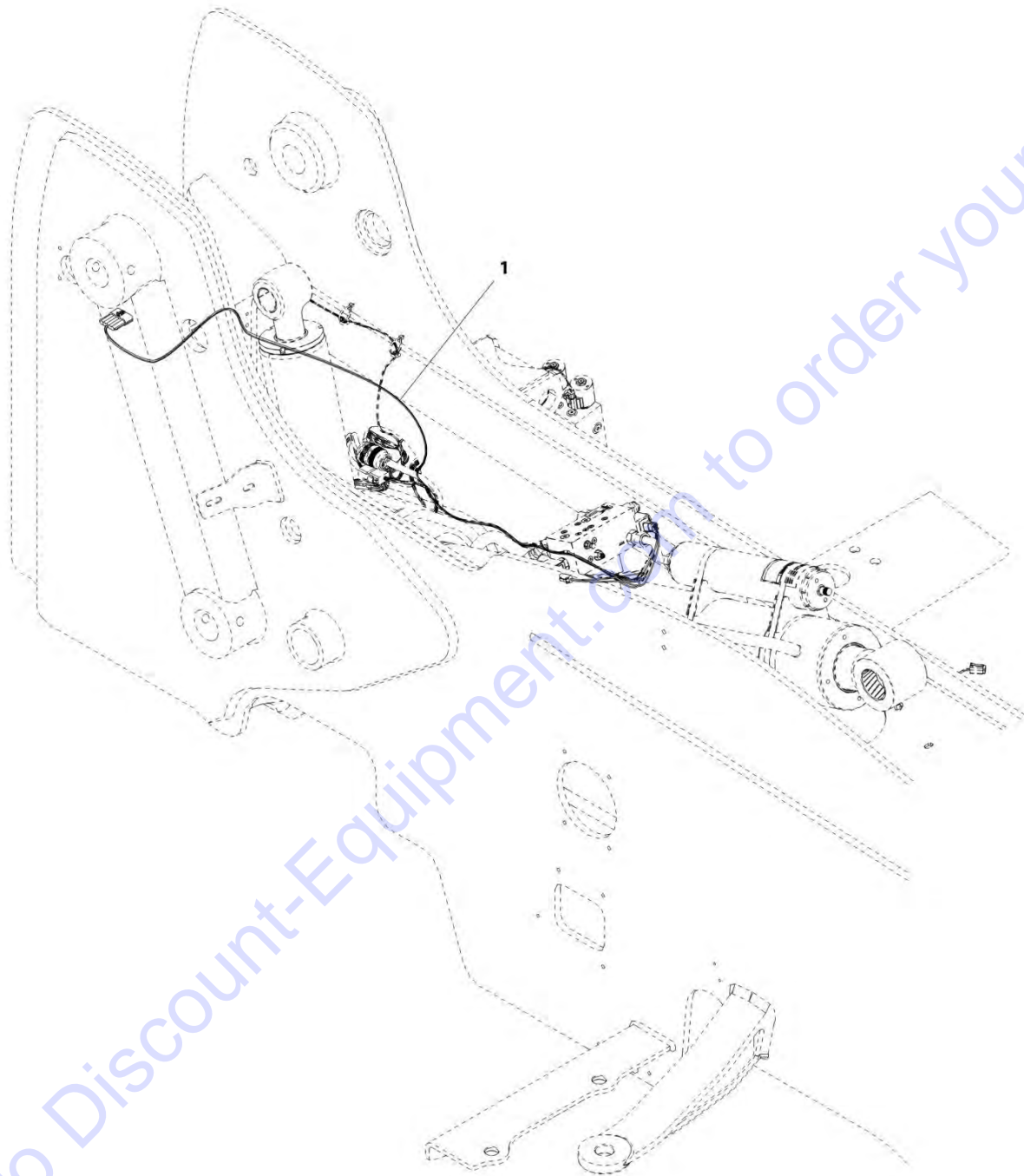
### FIGURE 10-54. BEACON INSTALLATION (LED)

ITEM	PART NUMBER	QTY	DESCRIPTION	REV
	1001195883	Ref	Beacon Installation (LED)	A
1	0760808	3	Bolt, M8X16	
2	4461174	1	Terminal	
3	4811900	3	Washer, M8	
4	1001159738	1	Switch	
5	1001174796	1	Bracket	
6	1001198893	1	Light, Beacon (LED)	

Go to Discount-Equipment.com to order your parts

## SECTION 10 - ELECTRICAL

FIGURE 10-55. RIDE CONTROL CB VALVE HARNESS INSTALLATION (LIFT)



ART\_1001175676-A

## SECTION 10 - ELECTRICAL

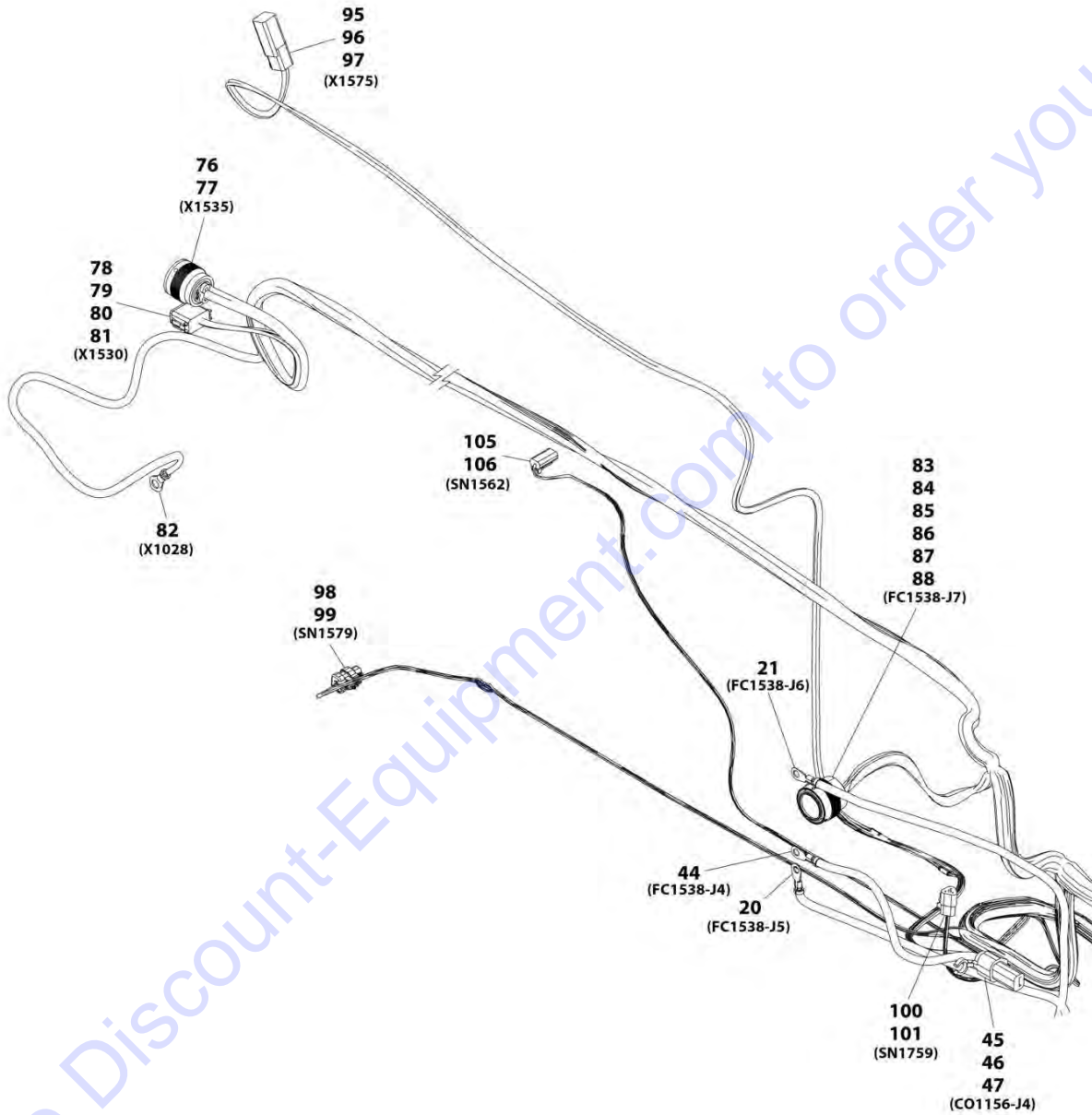
**FIGURE 10-55. RIDE CONTROL CB VALVE HARNESS INSTALLATION (LIFT)**

ITEM	PART NUMBER	QTY	DESCRIPTION	REV
1	1001175676 1001173527	Ref 1	Ride Control CB Valve Harness Installation (Lift) Harness, Ride Control CB Valve (Lift) (See Separate Breakdown in this Section)	A

Go to Discount-Equipment.com to order your parts

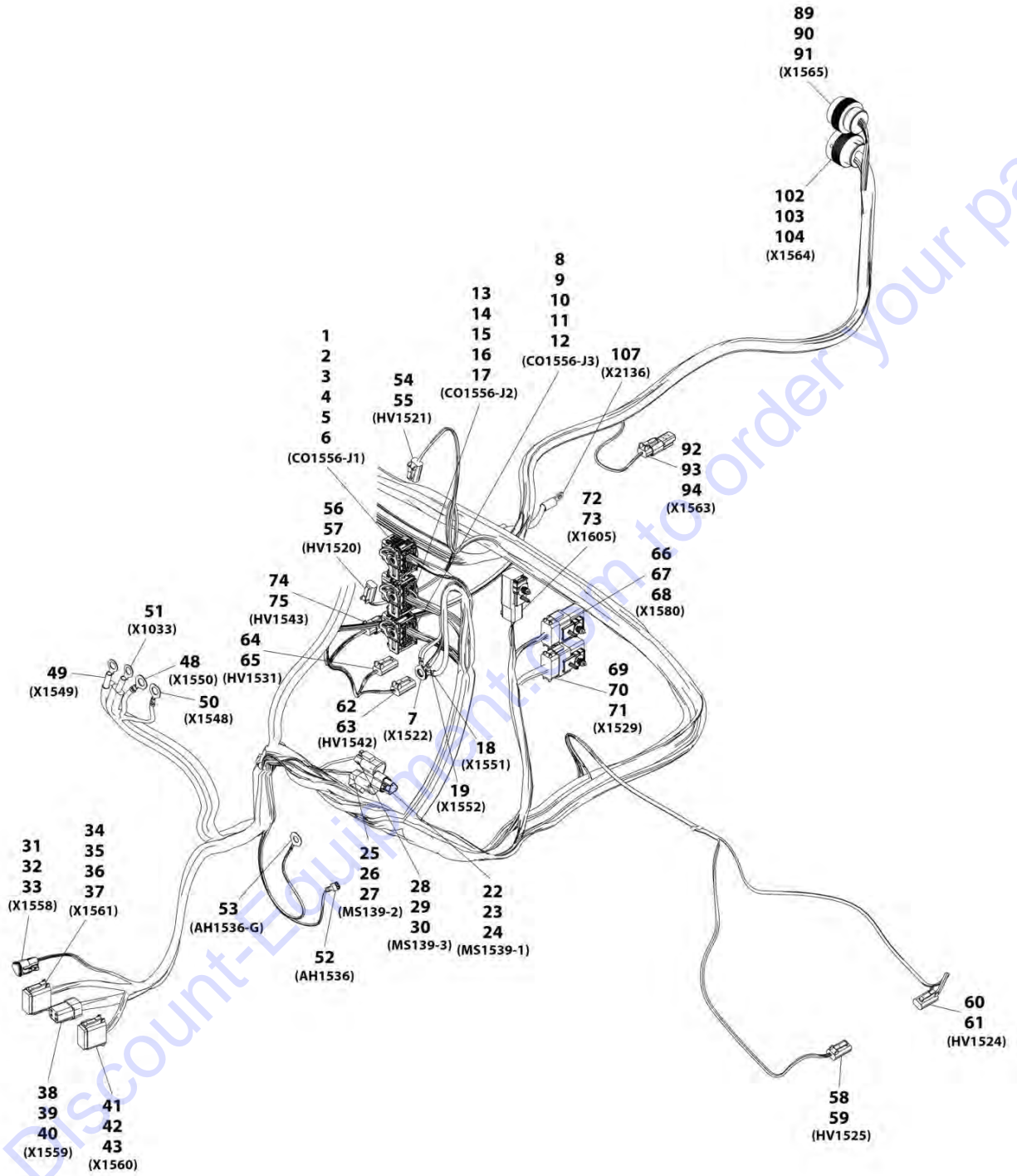
# SECTION 10 - ELECTRICAL

## FIGURE 10-56. FRONT FRAME HARNESS



ART\_1001221728\_1-B

# SECTION 10 - ELECTRICAL



ART\_1001221728\_2-B

# SECTION 10 - ELECTRICAL

## FIGURE 10-56. FRONT FRAME HARNESS

ITEM	PART NUMBER	QTY	DESCRIPTION	REV
	1001221728	Ref	Front Frame Harness	B
1	1001161963	1	Connector	
2	1001161097	21	Terminal	
3	1001161099	5	Terminal	
4	1001161098	1	Terminal	
5	1001161100	19	Plug	
6	1001161101	2	Plug	
7	1001187079	1	Terminal, Ring	
8	1001160500	1	Connector	
9	1001161097	9	Terminal	
10	1001161099	7	Terminal	
11	1001161100	15	Plug	
12	1001161101	1	Plug	
13	1001161957	1	Connector	
14	1001161097	21	Terminal	
15	1001161099	1	Terminal	
16	1001161100	3	Plug	
17	1001161101	7	Plug	
18	1001187080	1	Terminal, Ring	
19	1001187080	1	Terminal, Ring	
20	1001187075	1	Terminal, Ring	
21	1001187075	1	Terminal, Ring	
22	1001116812	1	Connector	
23	4460944	2	Terminal	
24	4460466	1	Plug	
25	4460539	1	Connector	
26	4460944	2	Terminal	
27	4460466	1	Plug	
28	1001116812	1	Connector	
29	4460944	2	Terminal	
30	4460466	1	Plug	
31	1001116812	1	Connector	
32	4460465	2	Terminal	
33	4460466	1	Plug	
34	4460836	1	Connector	
35	4460942	1	Terminal	
36	4460465	10	Terminal	
37	4460466	1	Plug	
38	1001116810	1	Connector	
39	1001150611	3	Terminal	
40	4460509	1	Terminal	
41	4460933	1	Connector	
42	4460465	8	Terminal	
43	4460466	4	Plug	
44	1001187075	1	Terminal, Ring	
45	1001160509	1	Connector	
46	1001160510	1	Terminal	
47	1001175267	1	Seal	
48	1001187080	1	Terminal, Ring	
49	1001128127	1	Terminal, Ring	



## SECTION 10 - ELECTRICAL

ITEM	PART NUMBER	QTY	DESCRIPTION	REV
50	1001187079	1	Terminal, Ring	
51	1001128127	1	Terminal, Ring	
52	8220051	1	Terminal, Blade	
53	1001211775	1	Terminal, Ring	
54	4460891	1	Connector	
55	4460465	2	Terminal	
56	4460891	1	Connector	
57	4460465	2	Terminal	
58	4460891	1	Connector	
59	4460465	2	Terminal	
60	4460891	1	Connector	
61	4460465	2	Terminal	
62	4460891	1	Connector	
63	4460465	2	Terminal	
64	4460891	1	Connector	
65	4460465	2	Terminal	
66	4460836	1	Connector	
67	4460465	7	Terminal	
68	4460466	5	Plug	
69	4460933	1	Connector	
70	4460942	10	Terminal	
71	4460466	2	Plug	
72	4460894	1	Connector	
73	4460465	6	Terminal	
74	4460891	1	Connector	
75	4460465	2	Terminal	
76	1001165310	1	Connector	
77	91013192	2	Terminal	
78	4460933	1	Connector	
79	4460465	3	Terminal	
80	4460942	2	Terminal	
81	4460466	7	Plug	
82	1001187076	1	Terminal, Ring	
83	1001165309	1	Connector	
84	4460465	7	Terminal	
85	4460942	3	Terminal	
86	4460509	3	Terminal	
87	1001150611	3	Terminal	
88	4460466	3	Plug	
89	4461015	1	Connector	
90	4460465	7	Terminal	
91	4460466	7	Plug	
92	4460891	1	Connector	
93	4460942	1	Terminal	
94	4460466	1	Plug	
95	4460894	1	Connector	
96	4460942	4	Terminal	
97	4460465	2	Terminal	
98	1001116950	1	Connector	
99	4460465	2	Terminal	
100	4460539	1	Connector	

## SECTION 10 - ELECTRICAL

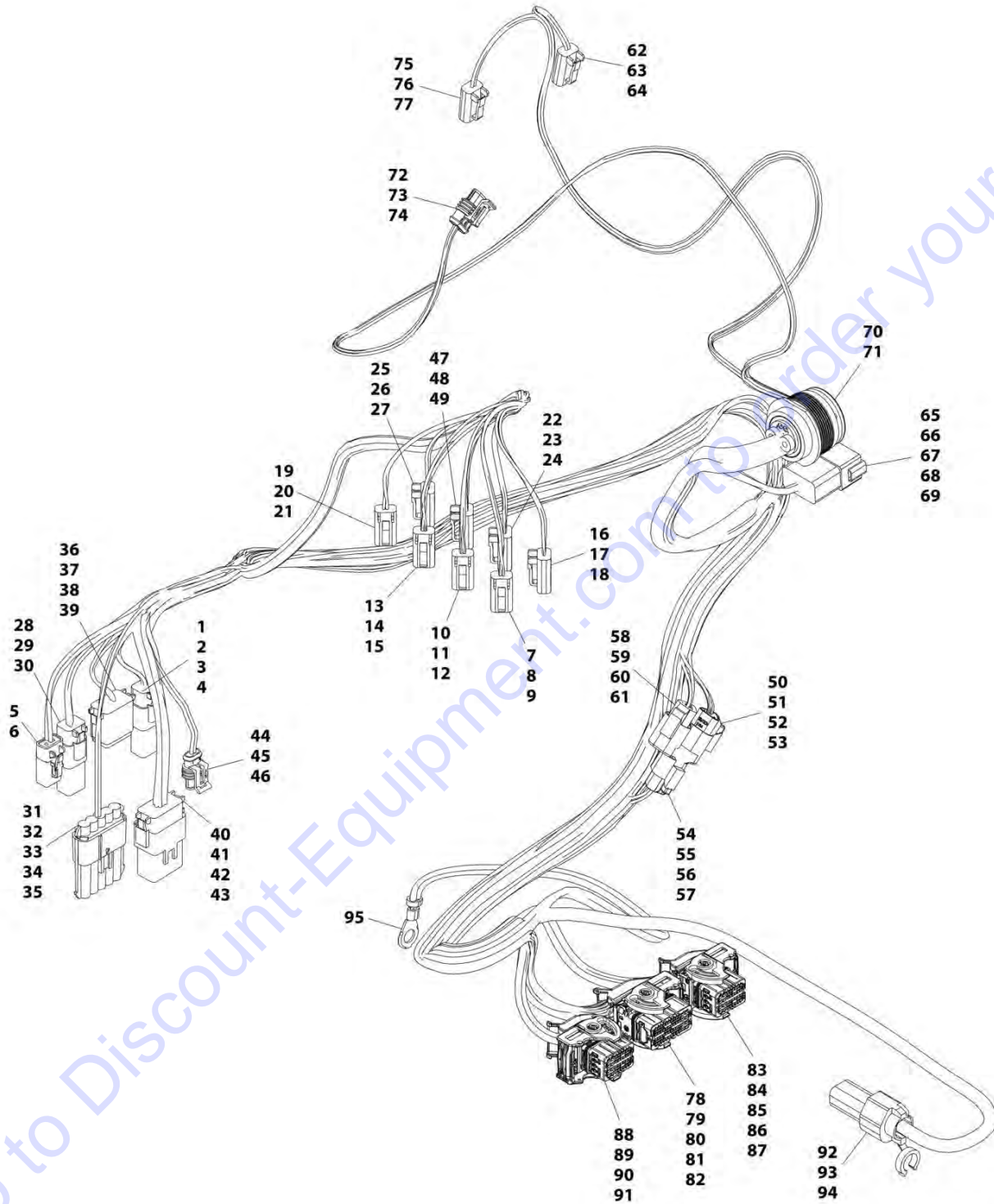
ITEM	PART NUMBER	QTY	DESCRIPTION	REV
101	4460465	3	Terminal	
102	1001118323	1	Connector	
103	4460942	4	Terminal	
104	91013192	2	Terminal	
105	4460891	1	Connector	
106	4460465	2	Terminal	
107	8220116	1	Terminal, Ring	

Go to Discount-Equipment.com to order your parts



# SECTION 10 - ELECTRICAL

## FIGURE 10-57. REAR FRAME HARNESS



ART\_1001204351-A

## SECTION 10 - ELECTRICAL

### FIGURE 10-57. REAR FRAME HARNESS

ITEM	PART NUMBER	QTY	DESCRIPTION	REV
	1001204351	Ref	Rear Frame Harness	A
1	4460884	1	Connector	
2	80604021	1	Lock, Connector	
2	4460465	2	Terminal	
3	4460466	2	Plug	
5	4461018	1	Connector	
6	4460509	2	Terminal	
7	4460891	1	Connector	
8	80604018	1	Lock, Connector	
9	4460465	2	Terminal	
10	4460891	1	Connector	
11	80604018	1	Connector	
12	4460465	2	Terminal	
13	4460891	1	Connector	
14	80604018	1	Lock, Connector	
15	4460465	2	Terminal	
16	4460891	1	Connector	
17	80604018	1	Lock, Connector	
18	4460465	2	Terminal	
19	4460891	1	Connector	
20	80604018	1	Lock, Connector	
21	4460465	2	Terminal	
22	4460891	1	Connector	
23	80604018	1	Lock, Connector	
24	4460465	2	Terminal	
25	4460891	1	Connector	
26	80604018	1	Lock, Connector	
27	4460465	2	Terminal	
28	4460884	1	Connector	
29	4460465	4	Terminal	
30	80604021	1	Lock, Connector	
31	1001121726	1	Connector	
32	1001116728	3	Terminal	
33	1001175265	2	Seal	
34	4460458	1	Seal	
35	1001116727	2	Plug	
36	4460930	1	Connector	
37	8220525	1	Lock, Connector	
38	4460465	2	Terminal	
39	4460466	6	Plug	
40	4460933	1	Connector	
41	80604016	1	Connector, Lock	
42	4460942	10	Terminal	
43	4460466	2	Plug	
44	4461118	1	Connector	
45	1001107854	2	Terminal	
46	1001116763	2	Seal	
47	4460891	1	Connector	
48	80604018	1	Lock, Connector	
49	4460465	2	Terminal	

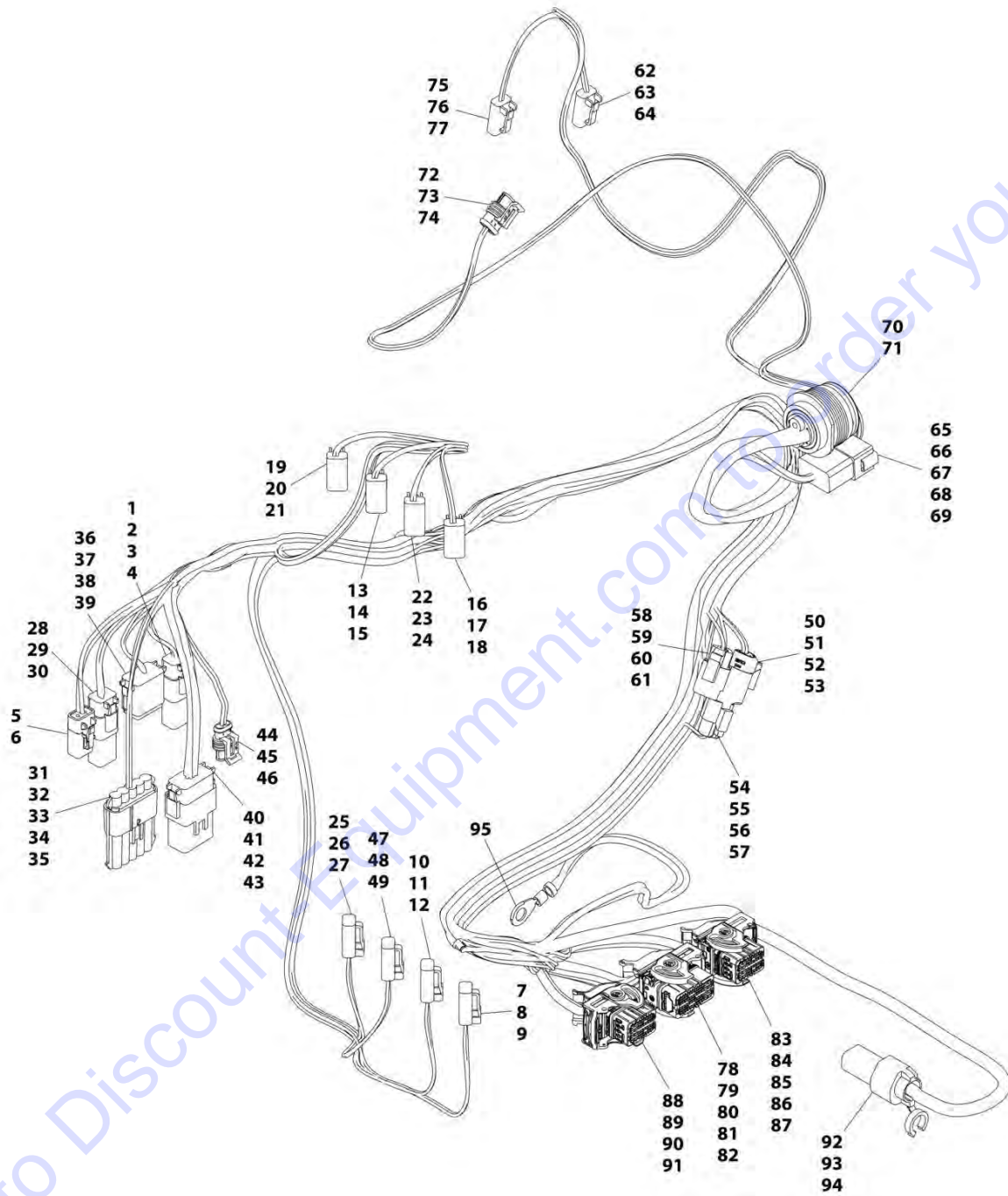
## SECTION 10 - ELECTRICAL

ITEM	PART NUMBER	QTY	DESCRIPTION	REV
50	1001116812	1	Connector	
51	91554019	1	Lock, Connector	
52	4460944	2	Terminal	
53	4460466	1	Plug	
54	1001116812	1	Connector	
55	91554019	1	Lock, Connector	
56	4460944	2	Terminal	
57	4460466	1	Plug	
58	4460539	1	Connector	
59	1001146021	1	Seal	
60	4460944	2	Terminal	
61	4460466	1	Plug	
62	4460891	1	Connector	
63	80604018	1	Lock, Connector	
64	4460465	2	Terminal	
65	4460970	1	Connector	
66	80363179	1	Lock, Connector	
67	4460464	4	Terminal	
68	4460941	1	Terminal	
69	4460466	7	Plug	
70	1001165311	1	Connector	
71	91013191	2	Terminal	
72	4461262	1	Connector	
73	1001107854	3	Terminal	
74	1001104498	3	Seal	
75	4460891	1	Connector	
76	80604018	1	Lock, Connector	
77	4460465	2	Terminal	
78	1001161963	1	Connector	
79	1001161097	21	Terminal	
80	1001161099	5	Terminal	
81	1001161100	19	Plug	
82	1001161101	3	Plug	
83	1001160500	1	Connector	
84	1001161097	2	Terminal	
85	1001161099	7	Terminal	
86	1001161100	22	Plug	
87	1001161101	1	Plug	
88	1001161957	1	Connector	
89	1001161097	7	Terminal	
90	1001161100	17	Plug	
91	1001161101	8	Plug	
92	1001160509	1	Connector	
93	1001160510	1	Terminal	
94	1001175267	1	Seal	
95	1001187076	1	Ring, Terminal	



# SECTION 10 - ELECTRICAL

## FIGURE 10-58. REAR FRAME HARNESS



ART\_1001204352-A



## SECTION 10 - ELECTRICAL

### FIGURE 10-58. REAR FRAME HARNESS

ITEM	PART NUMBER	QTY	DESCRIPTION	REV
	1001204352	Ref	Rear Frame Harness	A
1	4460884	1	Connector	
2	80604021	1	Lock, Connector	
2	4460465	2	Terminal	
3	4460466	2	Plug	
5	4461018	1	Connector	
6	4460509	2	Terminal	
7	4460891	1	Connector	
8	80604018	1	Lock, Connector	
9	4460465	2	Terminal	
10	4460891	1	Connector	
11	80604018	1	Connector	
12	4460465	2	Terminal	
13	4460891	1	Connector	
14	80604018	1	Lock, Connector	
15	4460465	2	Terminal	
16	4460891	1	Connector	
17	80604018	1	Lock, Connector	
18	4460465	2	Terminal	
19	4460891	1	Connector	
20	80604018	1	Lock, Connector	
21	4460465	2	Terminal	
22	4460891	1	Connector	
23	80604018	1	Lock, Connector	
24	4460465	2	Terminal	
25	4460891	1	Connector	
26	80604018	1	Lock, Connector	
27	4460465	2	Terminal	
28	4460884	1	Connector	
29	4460465	4	Terminal	
30	80604021	1	Lock, Connector	
31	1001121726	1	Connector	
32	1001116728	3	Terminal	
33	1001175265	2	Seal	
34	4460458	1	Seal	
35	1001116727	2	Plug	
36	4460930	1	Connector	
37	8220525	1	Lock, Connector	
38	4460465	2	Terminal	
39	4460466	6	Plug	
40	4460933	1	Connector	
41	80604016	1	Connector, Lock	
42	4460942	10	Terminal	
43	4460466	2	Plug	
44	4461118	1	Connector	
45	1001107854	2	Terminal	
46	1001116763	2	Seal	
47	4460891	1	Connector	
48	80604018	1	Lock, Connector	
49	4460465	2	Terminal	

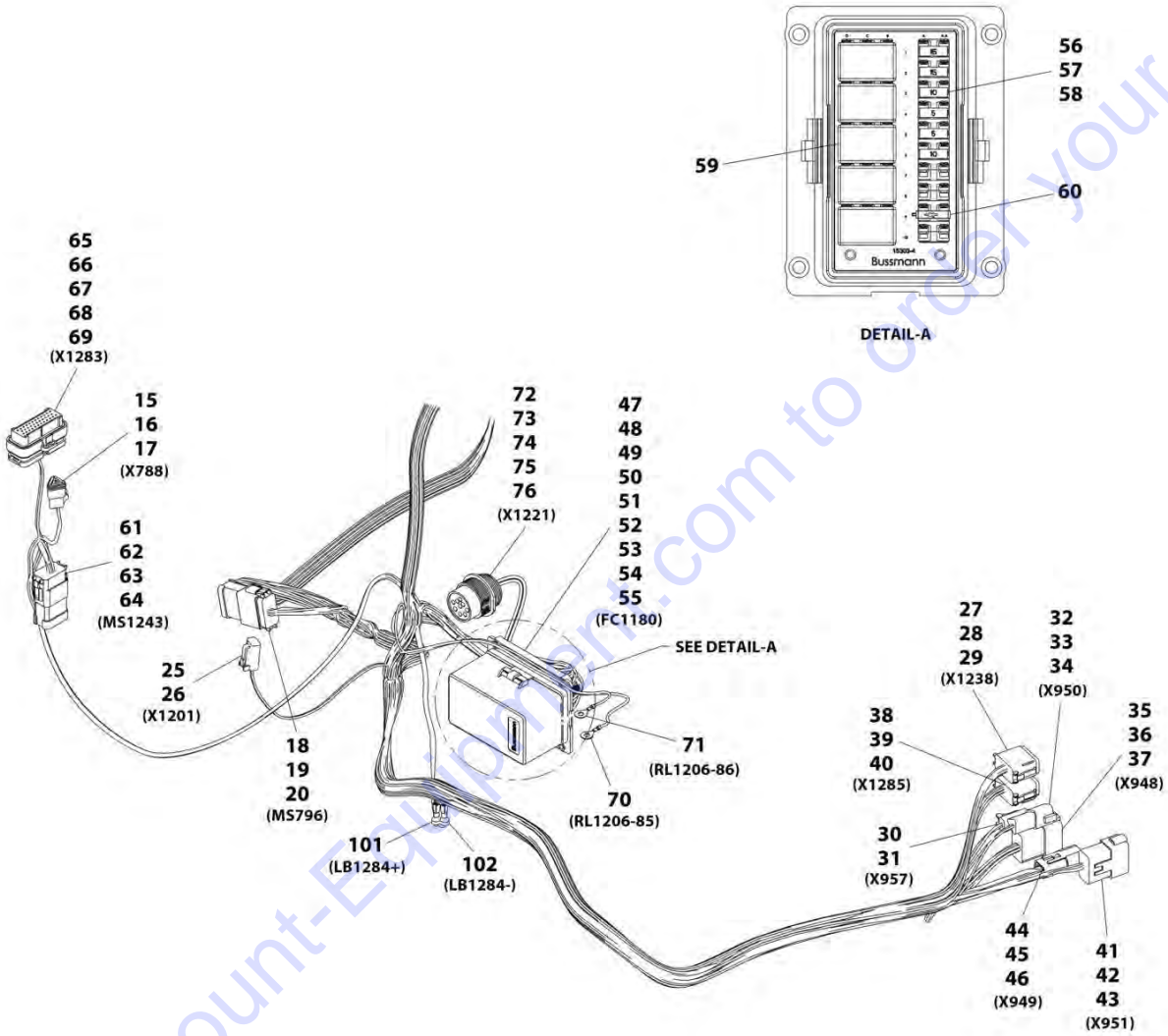
## SECTION 10 - ELECTRICAL

ITEM	PART NUMBER	QTY	DESCRIPTION	REV
50	1001116812	1	Connector	
51	91554019	1	Lock, Connector	
52	4460944	2	Terminal	
53	4460466	1	Plug	
54	1001116812	1	Connector	
55	91554019	1	Lock, Connector	
56	4460944	2	Terminal	
57	4460466	1	Plug	
58	4460539	1	Connector	
59	1001146021	1	Seal	
60	4460944	2	Terminal	
61	4460466	1	Plug	
62	4460891	1	Connector	
63	80604018	1	Lock, Connector	
64	4460465	2	Terminal	
65	4460970	1	Connector	
66	80363179	1	Lock, Connector	
67	4460464	4	Terminal	
68	4460941	1	Terminal	
69	4460466	7	Plug	
70	1001165311	1	Connector	
71	91013191	2	Terminal	
72	4461262	1	Connector	
73	1001107854	3	Terminal	
74	1001104498	3	Seal	
75	4460891	1	Connector	
76	80604018	1	Lock, Connector	
77	4460465	2	Terminal	
78	1001161963	1	Connector	
79	1001161097	21	Terminal	
80	1001161099	5	Terminal	
81	1001161100	19	Plug	
82	1001161101	3	Plug	
83	1001160500	1	Connector	
84	1001161097	2	Terminal	
85	1001161099	7	Terminal	
86	1001161100	22	Plug	
87	1001161101	1	Plug	
88	1001161957	1	Connector	
89	1001161097	7	Terminal	
90	1001161100	17	Plug	
91	1001161101	8	Plug	
92	1001160509	1	Connector	
93	1001160510	1	Terminal	
94	1001175267	1	Seal	
95	1001187076	1	Ring, Terminal	

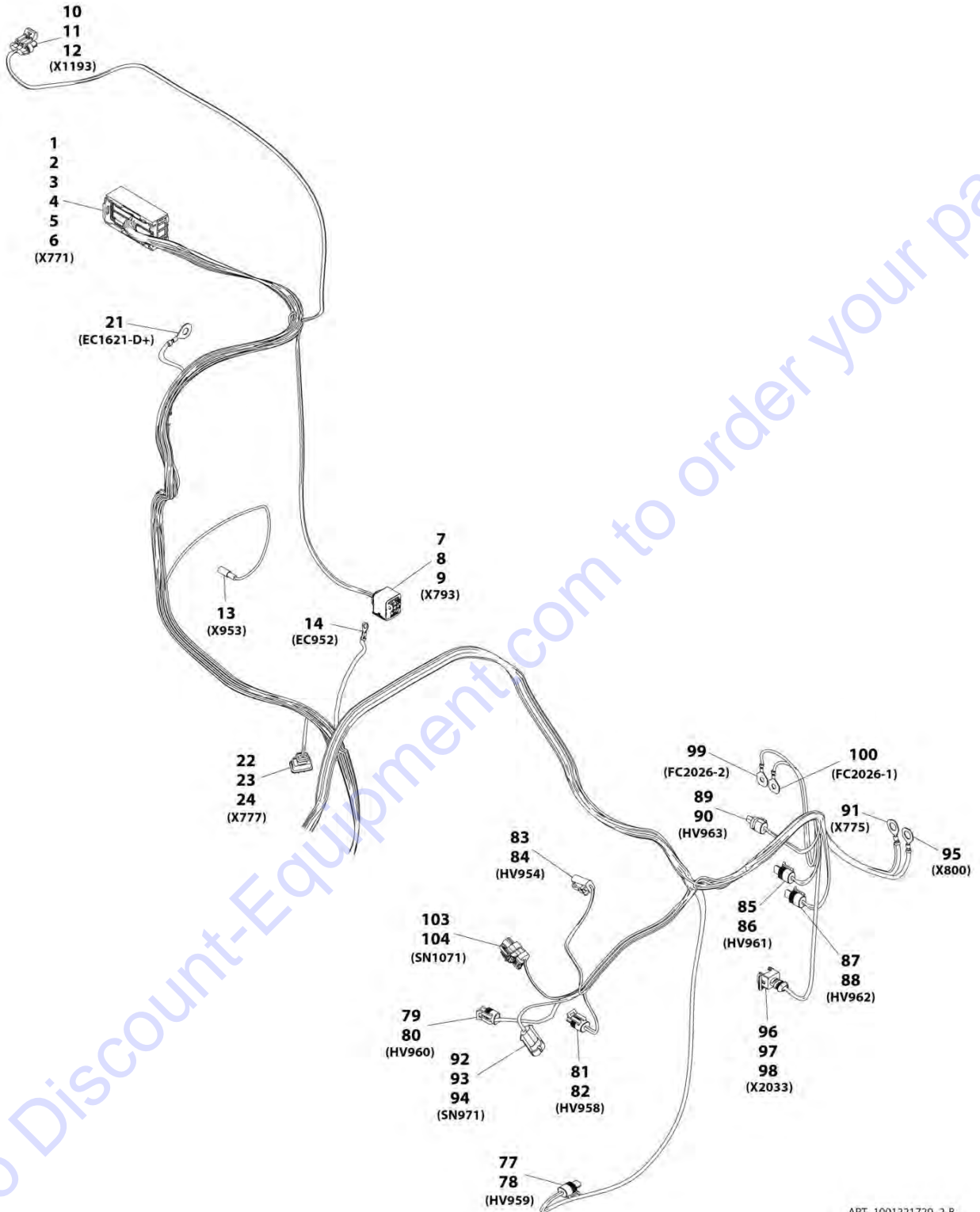


# SECTION 10 - ELECTRICAL

## FIGURE 10-59. ENGINE HARNESS



# SECTION 10 - ELECTRICAL



ART\_1001221729\_2-B

# SECTION 10 - ELECTRICAL

## FIGURE 10-59. ENGINE HARNESS

ITEM	PART NUMBER	QTY	DESCRIPTION	REV
	1001221729	Ref	Engine Harness (if equipped for ULS)	B
1	1001167641	1	Connector	
2	1001167648	9	Terminal	
3	1001167649	30	Terminal	
4	1001167650	59	Plug	
5	1001167643	1	Cover	
6	1001167647	1	Boot, Rubber Connector	
7	1001176935	1	Connector	
8	1001166704	4	Terminal	
9	4461006	4	Seal	
10	1001125027	1	Connector	
11	8220124	3	Terminal	
12	4460608	3	Seal	
13	1001117125	1	Terminal, Snap Plug	
14	1001197407	1	Ring, Terminal	
15	4461095	1	Connector	
16	4460944	2	Terminal	
17	4460466	1	Plug	
18	4460933	1	Connector	
19	4460465	8	Terminal	
20	4460466	4	Plug	
21	1001187070	1	Ring, Terminal	
22	1001126487	1	Connector	
23	1001167656	2	Terminal	
24	1001167657	2	Seal	
25	4460891	1	Connector	
26	4460465	2	Terminal	
27	4460934	1	Connector	
28	4460465	10	Terminal	
29	4460466	2	Plug	
30	4460891	1	Connector	
31	4460465	2	Terminal	
32	1001144147	1	Connector	
33	4460464	2	Terminal	
34	4460466	1	Plug	
35	4460950	1	Connector	
36	4460464	9	Terminal	
37	4460466	3	Plug	
38	4460935	1	Connector	
39	4460465	11	Terminal	
40	4460466	1	Plug	
41	4460970	1	Connector	
42	4460464	8	Terminal	
43	4460466	4	Plug	
44	1001116811	1	Connector	
45	4460508	3	Terminal	
46	1001150610	1	Terminal	
47	4460466	1	Connector	
48	1001190921	1	Seal, Foam Fuse Box	
49	8220098	3	Terminal	

## SECTION 10 - ELECTRICAL

ITEM	PART NUMBER	QTY	DESCRIPTION	REV
50	4460789	9	Seal	
51	8220097	29	Terminal	
52	4460458	23	Seal	
53	4460748	11	Plug	
54	1001116725	2	Terminal	
55	80963067	2	Plug	
56	8229244	2	Fuse, 15amp	
57	80983191	2	Fuse, 10amp	
58	8229242	2	Fuse, 5amp	
59	1001205172	5	Relay, 35amp	
60	1001177597	1	Diode, 6amp	
61	4460930	1	Connector	
62	4460465	6	Terminal	
63	4460466	2	Plug	
64	4460984	1	Bussbar	
65	1001125083	1	Connector	
66	1001195782	7	Plug	
67	1001195781	14	Plug	
68	1001125085	2	Terminal	
69	1001125089	1	Terminal	
70	1001187070	1	Ring, Terminal	
71	1001187070	1	Ring, Terminal	
72	1001112612	1	Connector	
73	4469464	4	Terminal	
74	4460466	5	Plug	
75	4460497	1	Nut	
76	4460496	1	Lockwasher	
77	4460955	1	Connector	
78	1001116748	2	Terminal	
79	4460955	1	Connector	
80	1001116748	2	Terminal	
81	4460955	1	Connector	
82	1001116748	2	Terminal	
83	4460891	1	Connector	
84	4460465	2	Terminal	
85	4460955	1	Connector	
86	1001116748	2	Terminal	
87	4460955	1	Connector	
88	1001116748	2	Terminal	
89	4460955	1	Connector	
90	1001116748	2	Terminal	
91	1001187080	1	Ring, Terminal	
92	1001117073	1	Connector	
93	1001116749	2	Terminal	
94	4460608	2	Seal	
95	1001187079	1	Ring, Terminal	
96	1001190322	1	Connector	
97	4461005	2	Terminal	
98	4461054	2	Seal	
99	1001207171	1	Ring, Terminal	
100	1001207171	1	Ring, Terminal	

## SECTION 10 - ELECTRICAL

ITEM	PART NUMBER	QTY	DESCRIPTION	REV
101	8220108	1	Connector, Female	
102	8220108	1	Connector, Female	
103	1001116950	1	Connector	
104	4460465	2	Terminal	

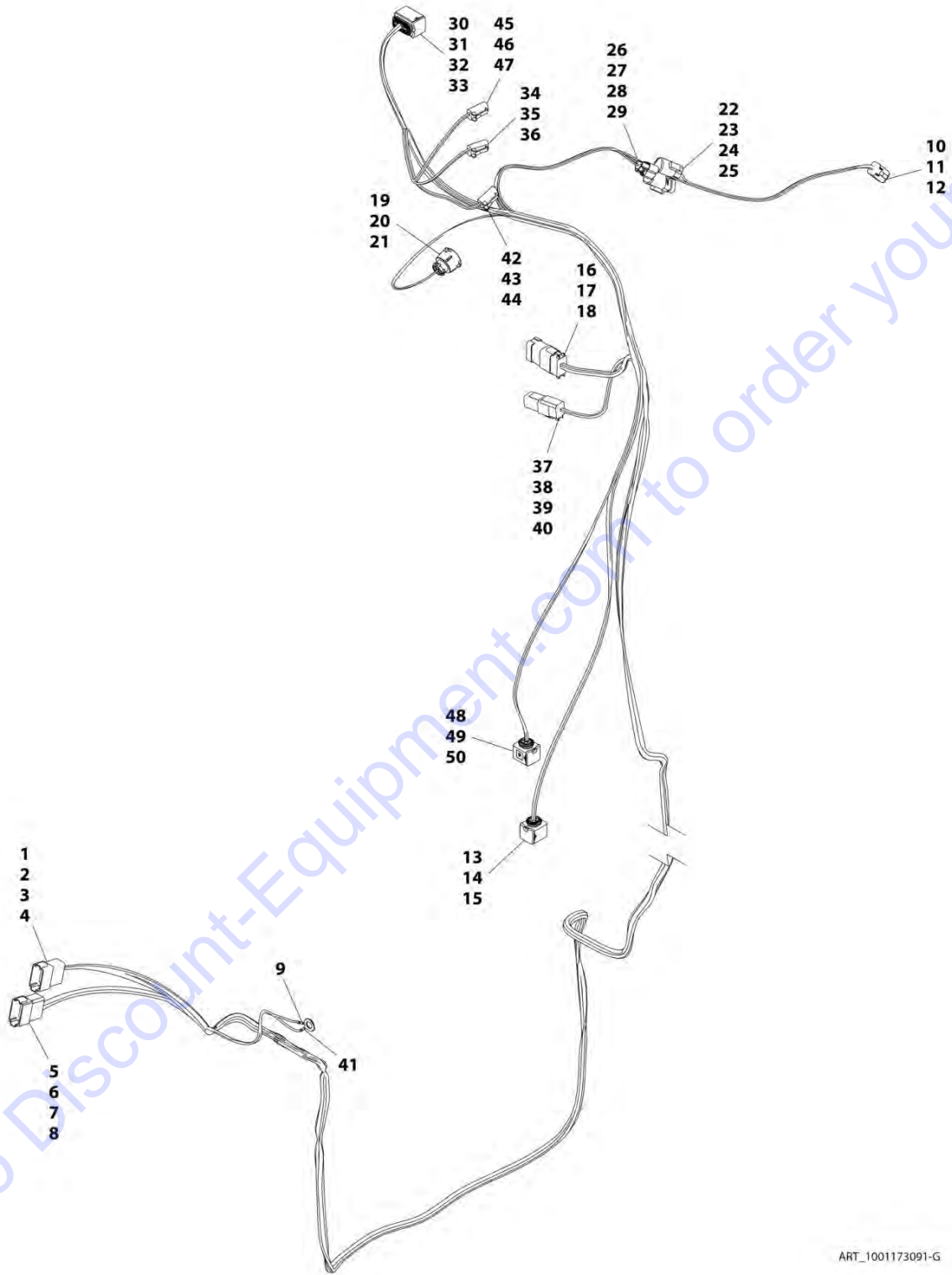
Go to Discount-Equipment.com to order your parts





# SECTION 10 - ELECTRICAL

## FIGURE 10-60. ENGINE CHASSIS HARNESS (ULS)



ART\_1001173091-G

## SECTION 10 - ELECTRICAL

### FIGURE 10-60. ENGINE CHASSIS HARNESS (ULS)

ITEM	PART NUMBER	QTY	DESCRIPTION	REV
	1001173091	Ref	Engine Chassis Harness (ULS)	G
1	4460982	1	Connector	
2	80363179	1	Lock, Connector	
3	4460464	11	Terminal	
4	4460466	1	Plug	
5	1001152742	1	Connector	
6	80363179	1	Lock, Connector	
7	4460464	10	Terminal	
8	4460466	2	Plug	
9	1001187077	1	Terminal, Ring	
10	4460884	1	Connector	
11	80604021	1	Lock, Connector	
12	4460465	4	Terminal	
13	1001167528	1	Connector	
14	1001166704	4	Terminal	
15	1001137578	4	Seal, Terminal	
16	4460930	1	Connector	
17	80604025	1	Lock, Connector	
18	4460465	8	Terminal	
19	1001167620	1	Connector	
20	1001176004	2	Terminal	
21	1001167624	2	Plug	
22	4460539	1	Connector	
23	77363244	1	Lock, Connector	
24	4460944	2	Terminal	
25	4460466	1	Plug	
26	1001116812	1	Connector	
27	91554019	1	Lock, Connector	
28	4460944	2	Terminal	
29	4460466	1	Plug	
30	1001165194	1	Connector	
31	1001166703	10	Terminal	
32	1001126393	10	Seal, Terminal	
33	1001126391	2	Plug	
34	4460891	1	Connector	
35	80604018	1	Lock, Connector	
36	4460465	2	Terminal	
37	4460894	1	Connector	
38	91504107	1	Lock, Connector	
39	4460465	4	Terminal	
40	4460466	2	Plug	
41	1001187077	1	Terminal, Ring	
42	4460891	1	Connector	
43	80604018	1	Lock, Connector	
44	4460465	2	Terminal	
45	4460891	1	Connector	
46	80604018	1	Lock, Connector	
47	4460465	2	Terminal	
48	1001176935	1	Connector	
49	1001166704	4	Terminal	

## SECTION 10 - ELECTRICAL

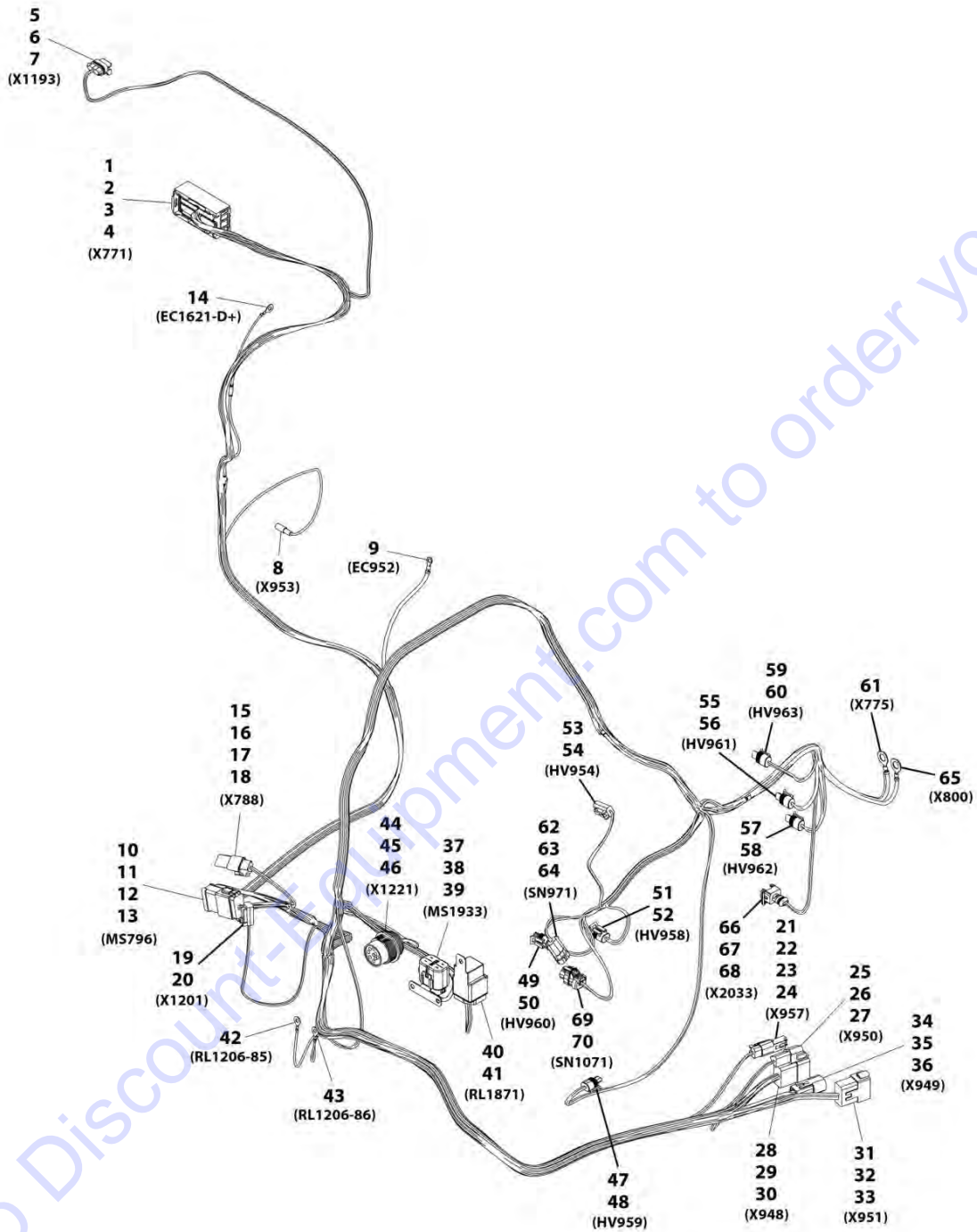
ITEM	PART NUMBER	QTY	DESCRIPTION	REV
50	1001137578	4	Seal, Terminal	

Go to [Discount-Equipment.com](http://Discount-Equipment.com) to order your parts



# SECTION 10 - ELECTRICAL

## FIGURE 10-61. ENGINE HARNESS (ULS) (74HP)



ART\_1001225067-A

## SECTION 10 - ELECTRICAL

**FIGURE 10-61. ENGINE HARNESS (ULS) (74HP)**

ITEM	PART NUMBER	QTY	DESCRIPTION	REV
	1001225067	Ref	Engine Harness, 74HP (ULS)	A
1	1001167641	1	Connector	
2	1001167648	9	Terminal	
3	1001167650	76	Plug	
4	1001167649	11	Terminal	
5	1001125027	1	Connector	
6	8220124	3	Terminal	
7	4460608	3	Seal	
8	1001117125	1	Terminal, Snap Plug	
9	1001197407	1	Ring, Terminal	
10	4460933	1	Connector	
11	1001125677	1	Terminal	
12	4460465	8	Terminal	
13	4460466	4	Plug	
14	1001187070	1	Ring, Terminal	
15	4461095	1	Connector	
16	4461070	1	Terminal	
17	4460944	2	Terminal	
18	4460466	1	Plug	
19	4460891	1	Connector	
20	4460465	2	Terminal	
21	4460891	1	Connector	
22	4460897	1	Terminal	
23	4460466	1	Plug	
24	4460465	2	Terminal	
25	1001144147	1	Connector	
26	4460464	2	Terminal	
27	4460466	1	Plug	
28	4460950	1	Connector	
29	4460464	9	Terminal	
30	4460466	3	Plug	
31	4460970	1	Connector	
32	4460464	8	Terminal	
33	4460466	4	Plug	
34	1001116811	1	Connector	
35	4460508	3	Terminal	
36	1001150610	1	Terminal	
37	80484081	1	Connector	
38	4460746	8	Terminal	
39	1001175265	8	Seal	
40	1001145707	1	Connector	
41	1001116732	4	Terminal	
42	1001187070	1	Ring, Terminal	
43	1001187070	1	Ring, Terminal	
44	1001112612	1	Connector	
45	4460464	4	Terminal	
46	4460466	5	Plug	
47	4460955	1	Connector	
48	1001116748	2	Terminal	
49	4460955	1	Connector	

## SECTION 10 - ELECTRICAL

ITEM	PART NUMBER	QTY	DESCRIPTION	REV
50	1001116748	2	Terminal	
51	4460955	1	Connector	
52	1001116748	2	Terminal	
53	4460891	1	Connector	
54	4460465	2	Terminal	
55	4460955	1	Connector	
56	1001116748	2	Terminal	
57	4460955	1	Connector	
58	1001116748	2	Terminal	
59	4460955	1	Connector	
60	1001116748	2	Terminal	
61	1001187080	1	Ring, Terminal	
62	1001117073	1	Connector	
63	1001116749	2	Terminal	
64	4460608	2	Seal	
65	1001187079	1	Ring, Terminal	
66	1001190322	1	Connector	
67	4461005	2	Terminal	
68	4461054	2	Seal	
69	1001116950	1	Connector	
70	4460465	2	Terminal	

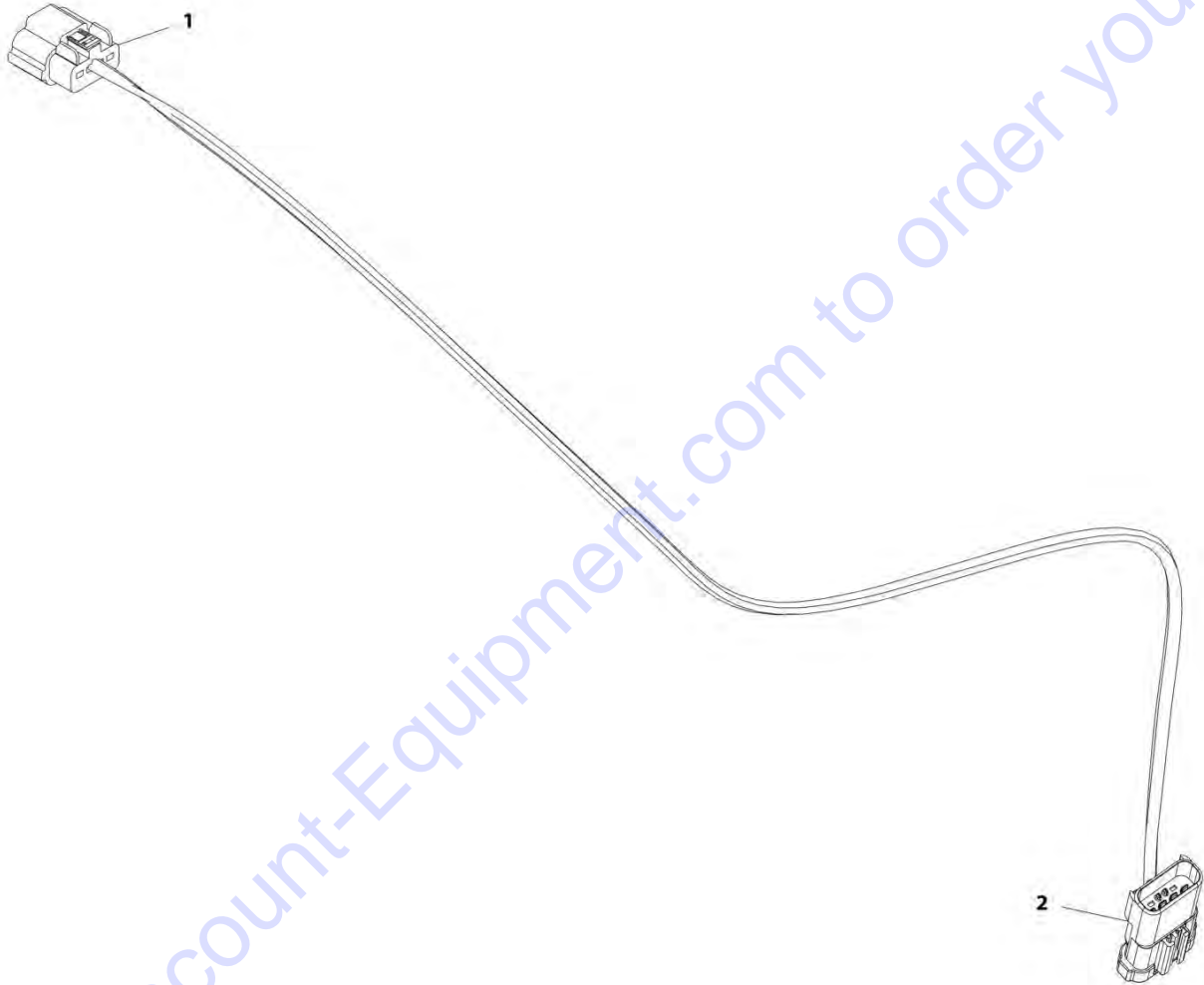
Go to Discount-Equipment.com to order your parts





# SECTION 10 - ELECTRICAL

## FIGURE 10-62. TBAP HARNESS



ART\_1001184835-A

## SECTION 10 - ELECTRICAL

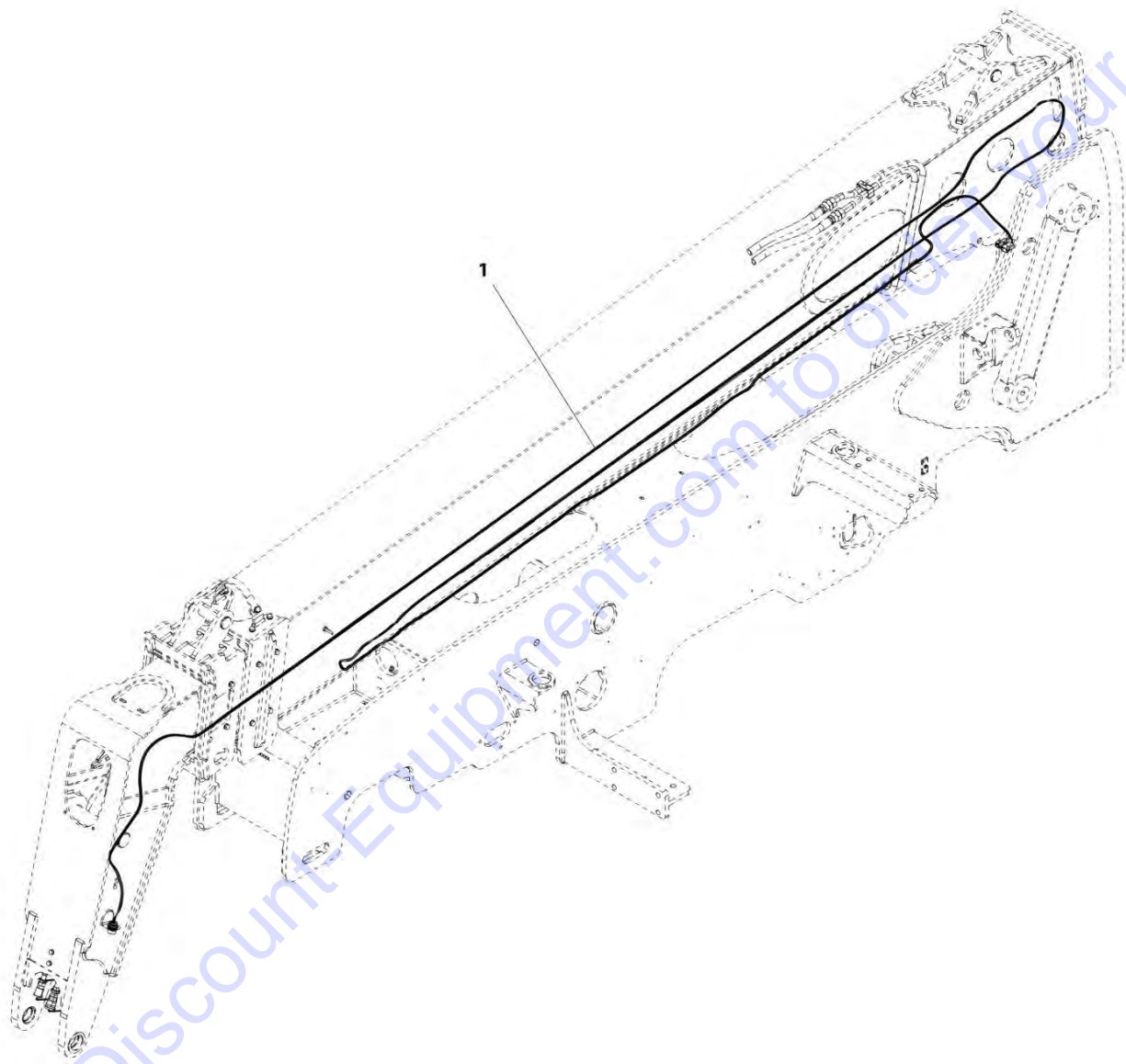
### FIGURE 10-62. TBAP HARNESS

ITEM	PART NUMBER	QTY	DESCRIPTION	REV
1	1001184835	Ref	TBAP Harness	A
	10011184495	1	Connector	
	1001184494	4	Terminal	
	1001184496	4	Seal	
2	1001184491	1	Connector	
	1001184493	4	Terminal	

Go to Discount-Equipment.com to order your parts

# SECTION 10 - ELECTRICAL

## FIGURE 10-63. BOOM ELECTRICAL HARNESS INSTALLATION



ART\_1001174426-E

## SECTION 10 - ELECTRICAL

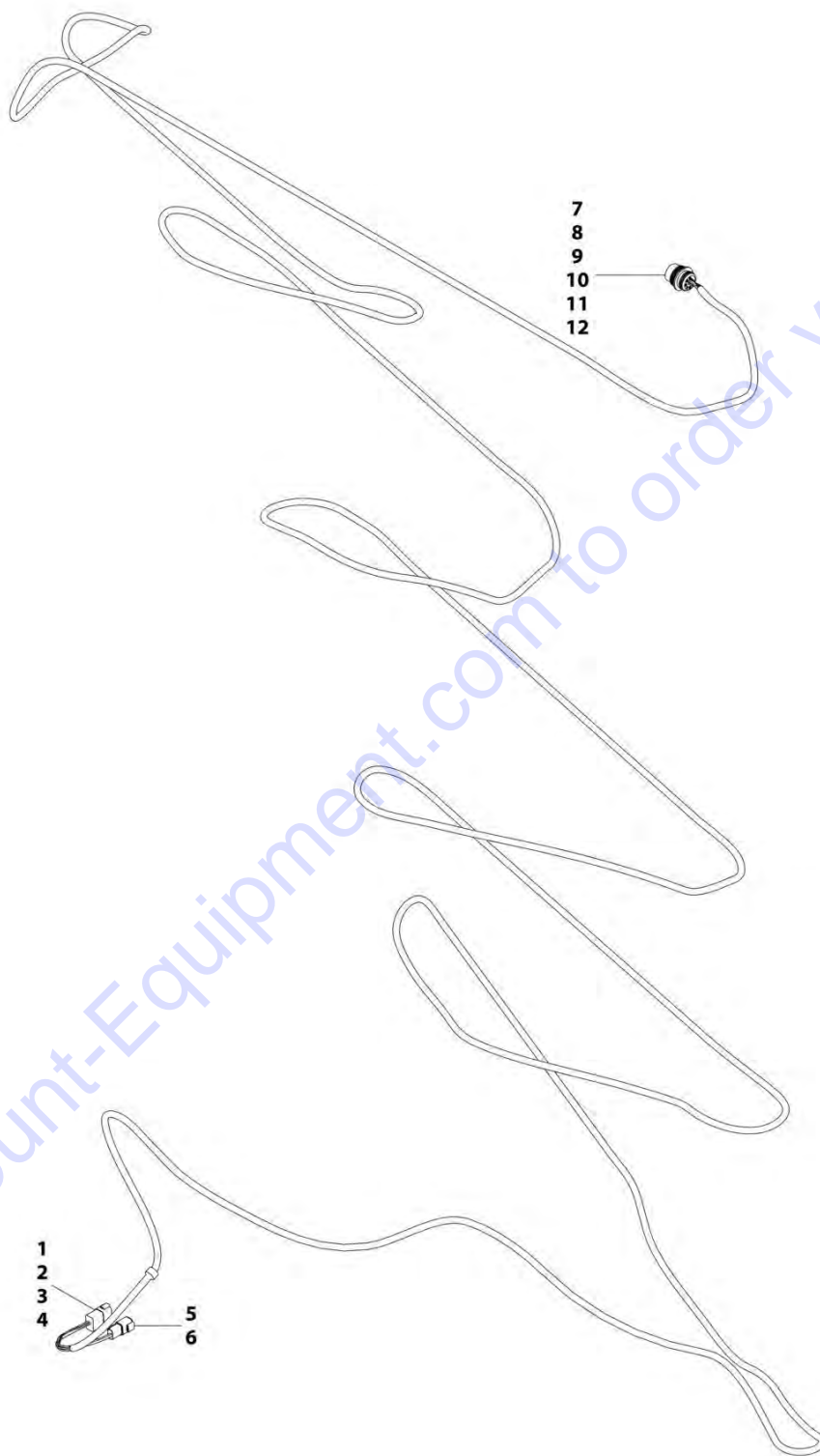
**FIGURE 10-63. BOOM ELECTRICAL HARNESS INSTALLATION**

ITEM	PART NUMBER	QTY	DESCRIPTION	REV
1	1001174426	Ref	Boom Electrical Harness Installation	E
	1001172728	1	Harness, Boom (See Separate Breakdown in this Section)	

Go to Discount-Equipment.com to order your parts

# SECTION 10 - ELECTRICAL

## FIGURE 10-64. BOOM HARNESS



ART\_1001172728-D

**SECTION 10 - ELECTRICAL**

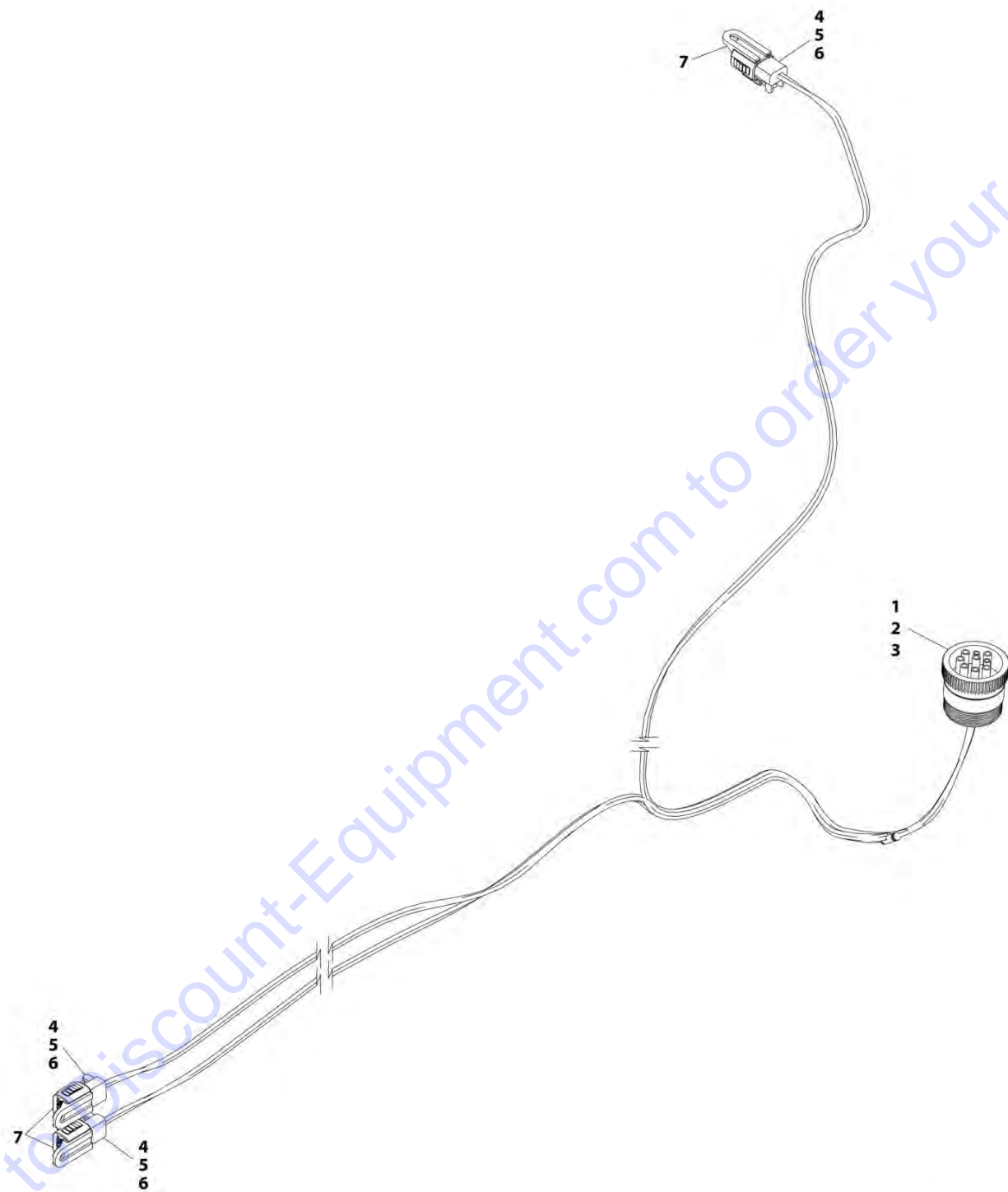
**FIGURE 10-64. BOOM HARNESS**

ITEM	PART NUMBER	QTY	DESCRIPTION	REV
	1001172728	Ref	Boom Harness	D
1	4460931	1	Connector	
2	4460943	2	Terminal	
3	4460464	4	Terminal	
4	4460466	2	Plug	
5	4461017	1	Connector	
6	4460508	2	Terminal	
7	1001112612	1	Connector	
8	1001183221	1	Boot	
9	1001157891	1	Terminal	
10	4460464	4	Terminal	
11	4460943	2	Terminal	
12	4460466	1	Plug	

Go to Discount-Equipment.com to order your parts

# SECTION 10 - ELECTRICAL

## FIGURE 10-65. PLATFORM HARNESS



ART\_1001167695-C



## SECTION 10 - ELECTRICAL

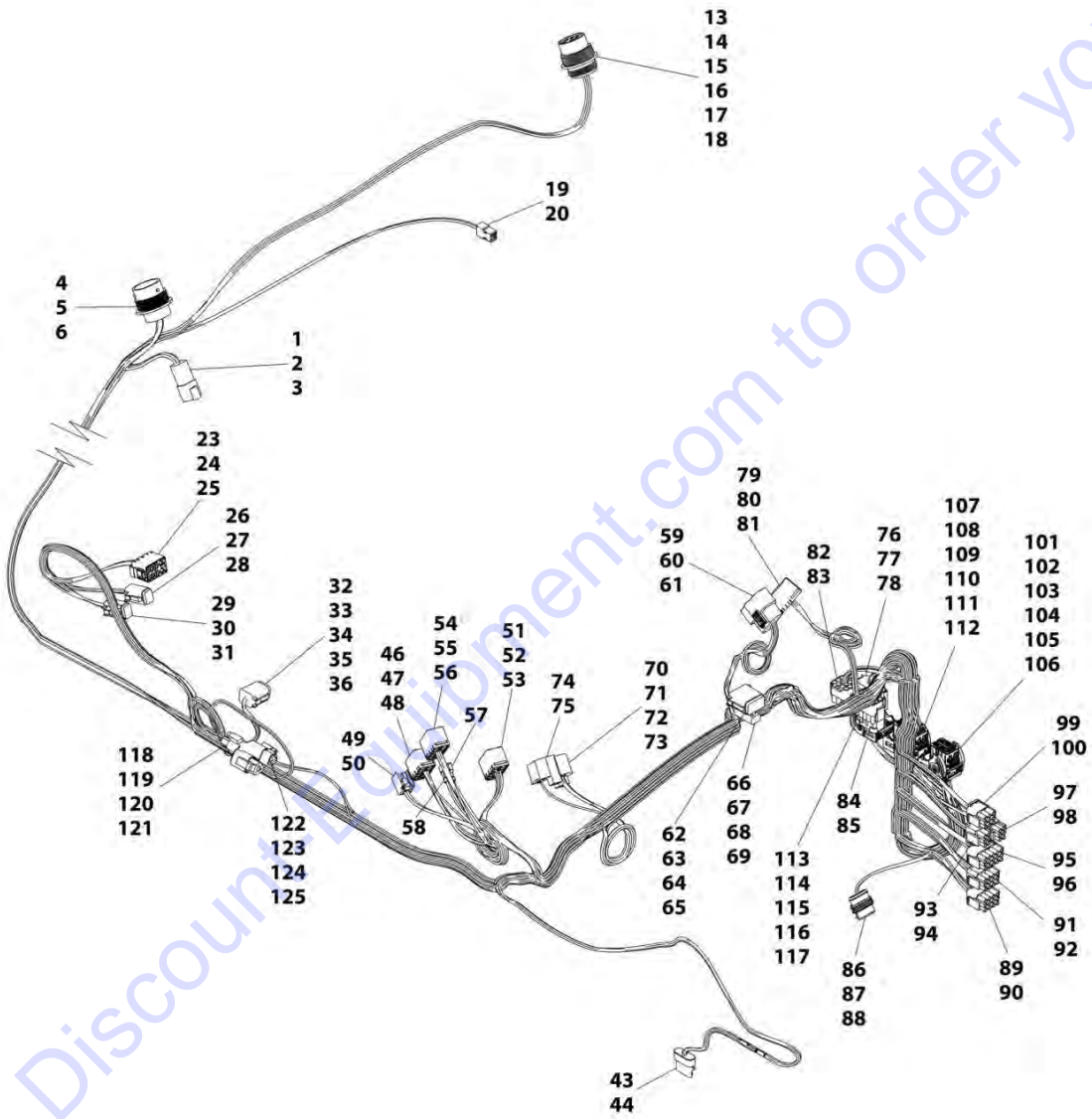
**FIGURE 10-65. PLATFORM HARNESS**

ITEM	PART NUMBER	QTY	DESCRIPTION	REV
	1001167695	Ref	Platform Harness	C
1	1001112796	1	Connector	
2	4460466	5	Terminal	
3	4460465	4	Terminal	
4	4460891	3	Connector, (includes rear seal)	
5	4460465	2	Terminal	
6	80604018	2	Lock, Connector	
7	1001155806	3	Cap, Dust	

Go to Discount-Equipment.com to order your parts

# SECTION 10 - ELECTRICAL

## FIGURE 10-66. CAB HARNESS



ART\_1001196451-C

## SECTION 10 - ELECTRICAL

### FIGURE 10-66. CAB HARNESS

ITEM	PART NUMBER	QTY	DESCRIPTION	REV
	1001196451	Ref	Cab Harness	C
1	4460932	1	Connector	
2	80604020	1	Lock, Connector	
3	4460941	4	Terminal	
4	1001201081	1	Connector	
5	4460941	6	Terminal	
6	4460466	8	Plug	
13	1001112612	1	Connector	
14	4460497	1	Nut	
15	4460496	1	Washer, Lock	
16	4460464	3	Terminal	
17	4460943	2	Terminal	
18	4460466	4	Plug	
19	1001116991	1	Connector	
20	1001118384	2	Terminal	
23	1001117081	1	Connector	
24	1001118384	4	Terminal	
25	1001116723	2	Terminal	
26	4460884	1	Connector	
27	80604021	1	Lock, Connector	
28	4460465	4	Terminal	
29	4460884	1	Connector	
30	80604021	1	Lock, Connector	
31	4460465	4	Terminal	
32	4460894	1	Connector	
33	80604023	1	Lock, Connector	
34	4460465	3	Terminal	
35	4460944	2	Terminal	
36	4460466	1	Plug	
43	1001117064	1	Connector	
44	91554014	6	Terminal	
46	1001117081	1	Connector	
47	1001116723	6	Terminal	
48	1001118384	1	Terminal	
49	1001118684	1	Connector	
50	1001116754	2	Terminal	
51	1001117081	1	Connector	
52	1001118384	5	Terminal	
53	1001116723	6	Terminal	
54	1001117081	1	Connector	
55	1001118384	2	Terminal	
56	1001116723	4	Terminal	
57	8220051	1	Terminal, Female Blade	
58	8220051	1	Terminal, Female Blade	
59	1001162886	1	Connector	
60	1001162887	7	Terminal	
61	1001163340	13	Plug	
62	4460933	1	Connector	
63	80604016	1	Lock, Connector	
64	4460465	9	Terminal	

## SECTION 10 - ELECTRICAL

ITEM	PART NUMBER	QTY	DESCRIPTION	REV
65	4460466	3	Plug	
66	4460897	1	Connector	
67	80604017	1	Lock, Connector	
68	4460464	1	Terminal	
69	4460466	1	Plug	
70	1001118685	1	Connector	
71	1001116723	2	Terminal	
72	1001118383	1	Terminal	
73	1001118384	1	Terminal	
74	1001117121	1	Connector	
75	1001184841	1	Terminal	
76	4460930	1	Connector	
77	80604025	1	Lock, Connector	
78	4460465	8	Terminal	
79	1001117081	1	Connector	
80	1001118384	2	Terminal	
81	1001116723	4	Terminal	
82	4460343	1	Connector	
83	4460268	8	Terminal	
84	4460434	1	Connector	
85	4460268	14	Terminal	
86	1001103012	1	Connector	
87	1001116697	2	Terminal	
88	1001116698	2	Plug	
89	4460343	1	Connector	
90	4460267	10	Terminal	
91	4460343	1	Connector	
92	4460268	9	Terminal	
93	4460225	1	Connector	
94	4460268	5	Terminal	
95	4460434	1	Connector	
96	4460268	10	Terminal	
97	4460225	1	Connector	
98	4460267	3	Terminal	
99	4460265	1	Connector	
100	4460268	5	Terminal	
101	1001160498	1	Connector	
102	1001161095	22	Terminal	
103	1001161098	5	Terminal	
104	1001161099	1	Terminal	
105	1001161100	2	Plug	
106	1001161101	2	Plug	
107	1001160502	1	Connector	
108	1001161095	17	Terminal	
109	1001161098	5	Terminal	
110	1001161099	1	Terminal	
111	1001161100	23	Plug	
112	1001161101	2	Plug	
113	1001161959	1	Connector	
114	1001161095	6	Terminal	
115	1001161098	1	Terminal	

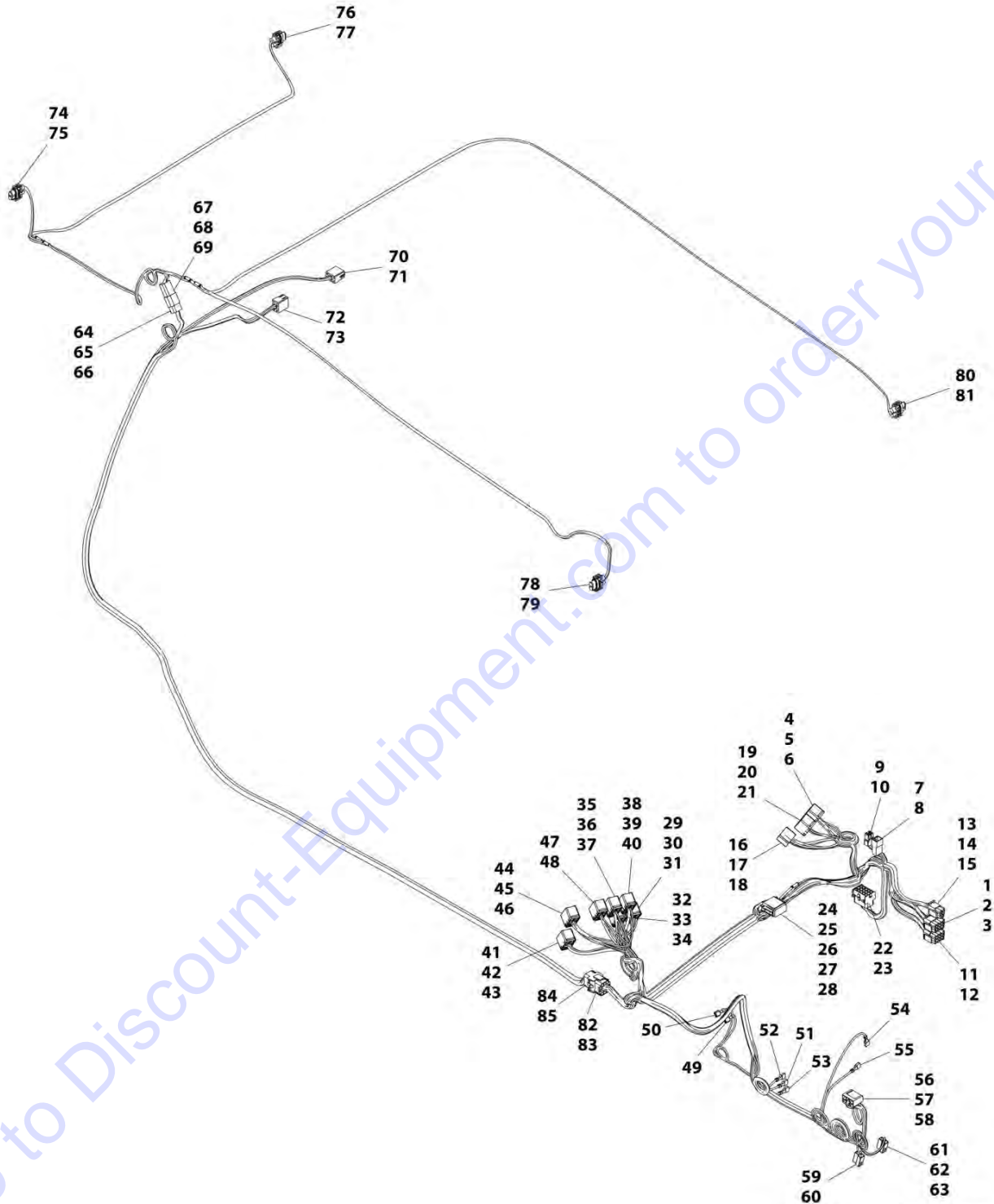
## SECTION 10 - ELECTRICAL

ITEM	PART NUMBER	QTY	DESCRIPTION	REV
116	1001161100	18	Plug	
117	1001161101	7	Plug	
118	1001116812	1	Connector	
119	4460944	2	Terminal	
120	4460466	1	Plug	
121	91554019	1	Lock, Connector	
122	4460539	1	Connector	
123	4460944	2	Terminal	
124	4460466	1	Plug	
125	77363244	1	Lock, Connector	

Go to Discount-Equipment.com to order your parts

# SECTION 10 - ELECTRICAL

## FIGURE 10-67. OPTION 1 CAB HARNESS



ART\_1001163371-F

## SECTION 10 - ELECTRICAL

### FIGURE 10-67. OPTION 1 CAB HARNESS

ITEM	PART NUMBER	QTY	DESCRIPTION	REV
	1001163371	Ref	Option 1 Cab Harness	F
1	4460343	1	Connector	
2	4460268	10	Terminal	
3	4460906	1	Terminal	
4	1001117081	1	Connector	
5	1001116723	6	Terminal	
6	1001118384	1	Terminal	
7	1001116999	1	Connector	
8	1001116700	4	Terminal	
9	1001116991	1	Connector	
10	1001118384	2	Terminal	
11	4460343	1	Connector	
12	4460267	6	Terminal	
13	4460225	1	Connector	
14	4460267	5	Terminal	
15	4460705	1	Terminal	
16	1001173411	1	Connector	
17	1001116716	4	Terminal	
18	1001104519	3	Terminal	
19	1001117081	1	Connector	
20	1001118384	2	Terminal	
21	1001116723	4	Terminal	
22	4460708	1	Connector	
23	4460267	14	Terminal	
24	4460836	1	Connector	
25	4460942	3	Terminal	
26	4460465	8	Terminal	
27	1001157890	1	Terminal	
28	80604016	1	Lock, Connector	
29	1001117081	1	Connector	
30	1001118384	4	Terminal	
31	1001116723	6	Terminal	
32	1001117081	1	Connector	
33	1001118384	3	Terminal	
34	1001116723	4	Terminal	
35	1001117081	1	Connector	
36	1001118384	2	Terminal	
37	1001116723	4	Terminal	
38	1001117081	1	Connector	
39	1001118384	2	Terminal	
40	1001116723	4	Terminal	
41	1001117081	1	Connector	
42	1001116723	8	Terminal	
43	1001118384	2	Terminal	
44	1001117079	1	Connector	
45	1001116723	6	Terminal	
46	1001118384	2	Terminal	
47	1001117081	1	Connector	
48	1001118384	4	Terminal	
49	8220051	1	Female Blade Coupler	

## SECTION 10 - ELECTRICAL

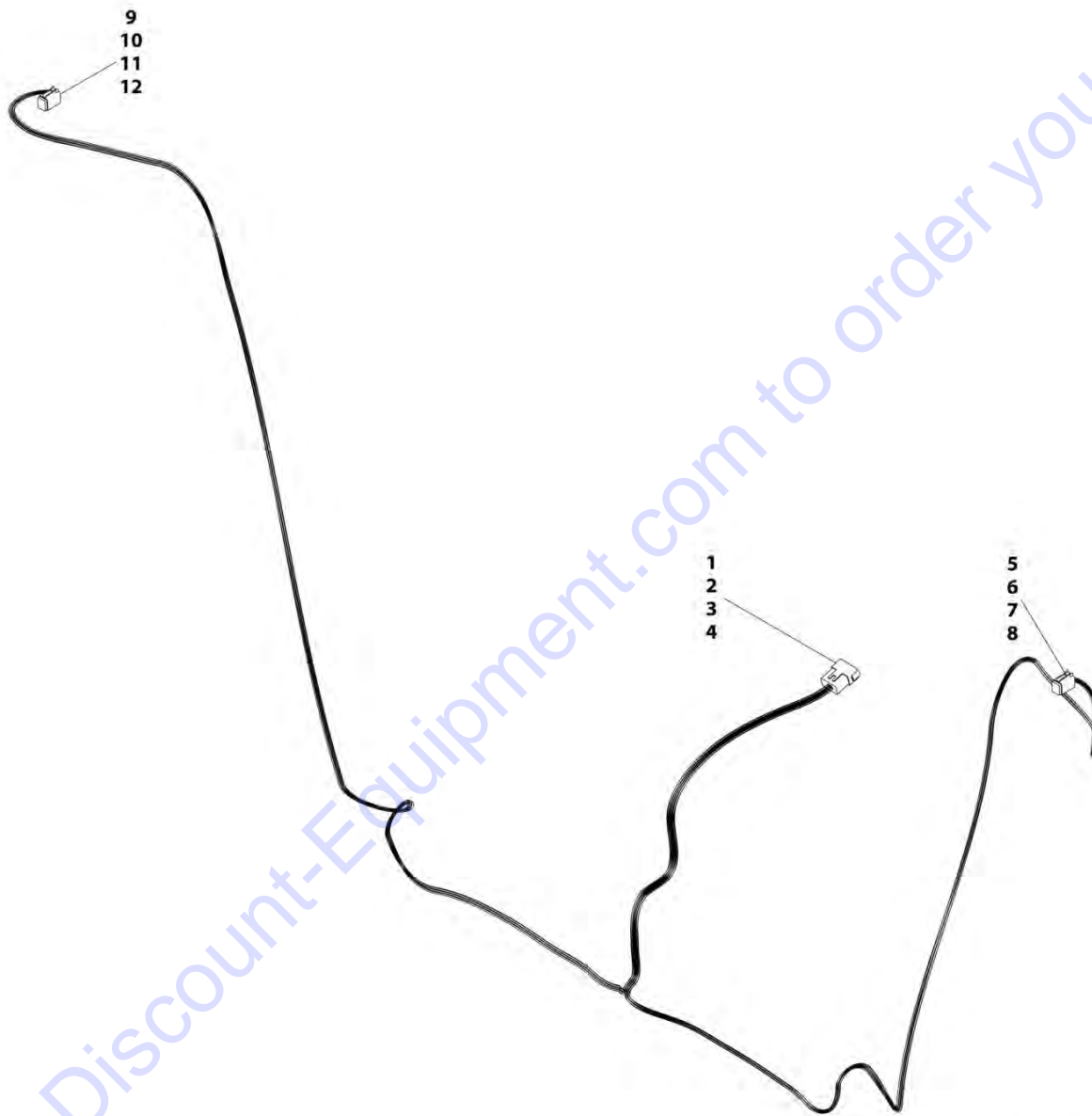
ITEM	PART NUMBER	QTY	DESCRIPTION	REV
50	8220051	1	Female Blade Coupler	
51	8220051	1	Female Blade Coupler	
52	8220051	1	Female Blade Coupler	
53	8220051	1	Female Blade Coupler	
54	8220051	1	Female Blade Coupler	
55	8220051	1	Female Blade Coupler	
56	1001116997	1	Connector	
57	1001118384	4	Terminal	
58	1001116723	1	Terminal	
59	4460994	1	Connector	
60	1001118384	2	Terminal	
61	4460994	1	Connector	
62	1001118384	1	Terminal	
63	1001116723	2	Terminal	
64	4460884	1	Connector	
65	4460942	4	Terminal	
66	80604021	1	Lock, Connector	
67	4460932	1	Connector	
68	4460941	4	Terminal	
69	80604021	1	Lock, Connector	
70	1001116986	1	Connector	
71	1001118384	4	Terminal	
72	1001116986	1	Connector	
73	1001118384	4	Terminal	
74	4461115	1	Connector	
75	1001116747	2	Terminal	
76	4461115	1	Connector	
77	1001116747	2	Terminal	
78	4461115	1	Connector	
79	1001116747	2	Terminal	
80	4461115	1	Connector	
81	1001116747	2	Terminal	
82	4460343	1	Connector	
83	4460268	12	Terminal	
84	4460367	1	Connector	
85	4460267	12	Terminal	





# SECTION 10 - ELECTRICAL

## FIGURE 10-68. FRONT FRAME HEADLIGHT HARNESS



ART\_1001165360-D

**SECTION 10 - ELECTRICAL**

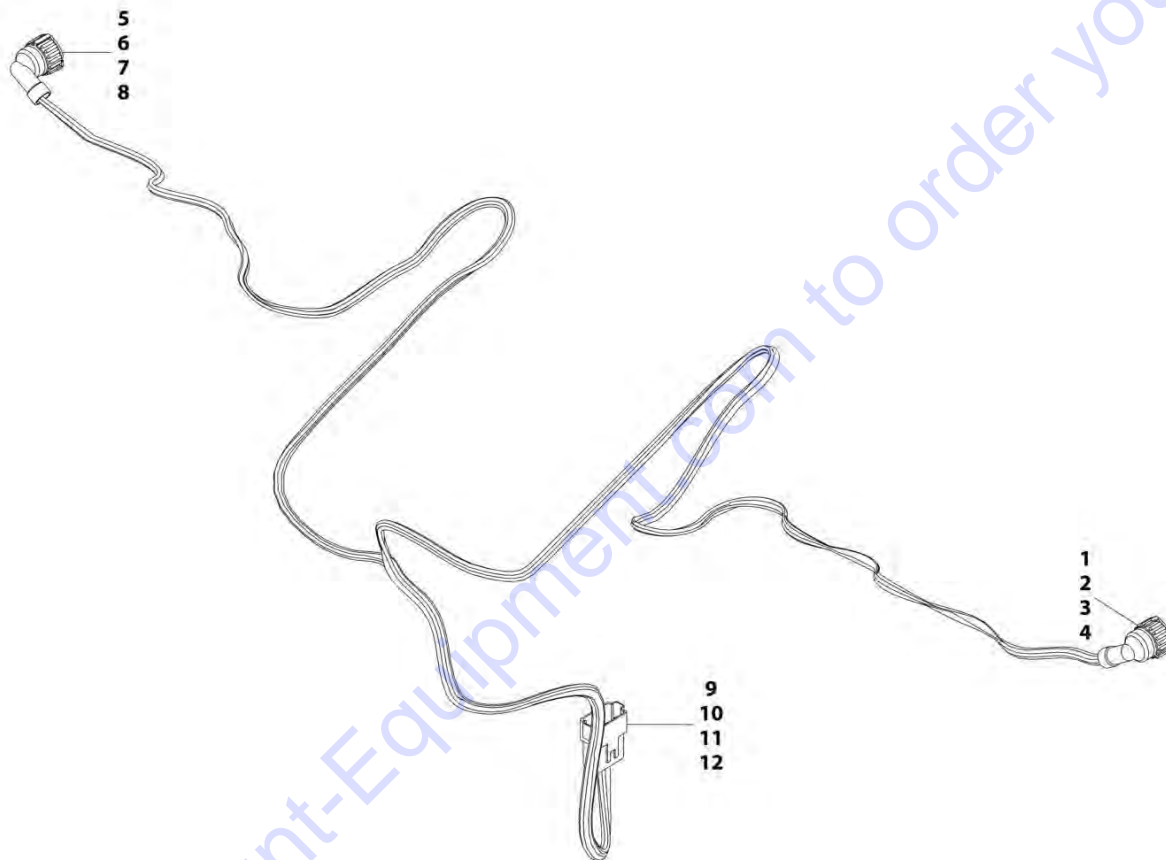
**FIGURE 10-68. FRONT FRAME HEADLIGHT HARNESS**

ITEM	PART NUMBER	QTY	DESCRIPTION	REV
	1001165360	Ref	Front Frame Headlight Harness	D
1	4460970	1	Connector	
2	80363179	1	Lock, Connector	
3	4460941	10	Terminal	
4	4460466	2	Plug	
5	4460894	1	Connector	
6	91504107	1	Lock, Connector	
7	4460942	5	Terminal	
8	4460466	1	Plug	
9	4460894	1	Connector	
10	91504107	1	Lock, Connector	
11	4460942	5	Terminal	
12	4460466	1	Plug	

Go to Discount-Equipment.com to order your parts

# SECTION 10 - ELECTRICAL

## FIGURE 10-69. TAIL LIGHTS HARNESS



ART\_1001173092-D

## SECTION 10 - ELECTRICAL

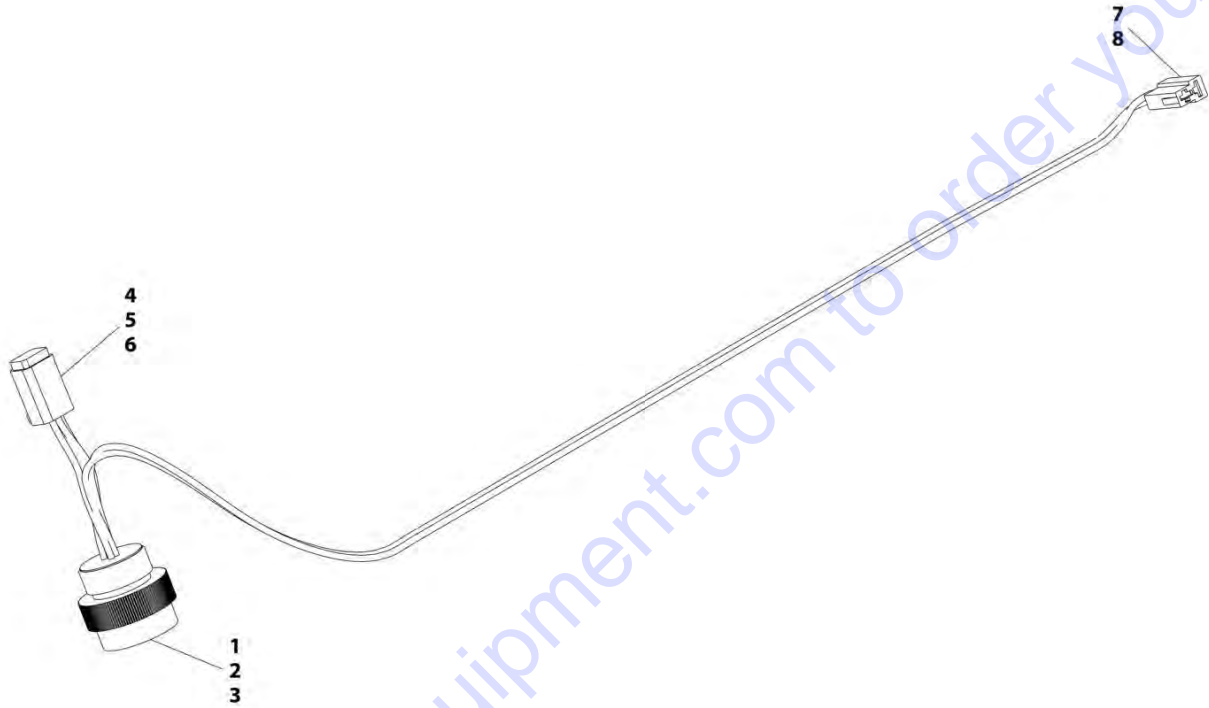
**FIGURE 10-69. TAIL LIGHTS HARNESS**

ITEM	PART NUMBER	QTY	DESCRIPTION	REV
	1001173092	Ref	HBP Tail Lights Harness	D
1	1001116996	1	Connector	
2	1001118392	5	Terminal	
3	4461054	5	Seal	
4	1001116696	2	Plug	
5	1001116996	1	Connector	
6	1001118392	5	Terminal	
7	4461054	5	Seal	
8	1001116696	2	Plug	
9	4460970	1	Connector	
10	80363179	1	Lock, Connector	
11	4460941	10	Terminal	
12	4460466	2	Plug	

Go to Discount-Equipment.com to order your parts

# SECTION 10 - ELECTRICAL

## FIGURE 10-70. ROOF PIGTAIL HARNESS



ART\_1001202132-A

## SECTION 10 - ELECTRICAL

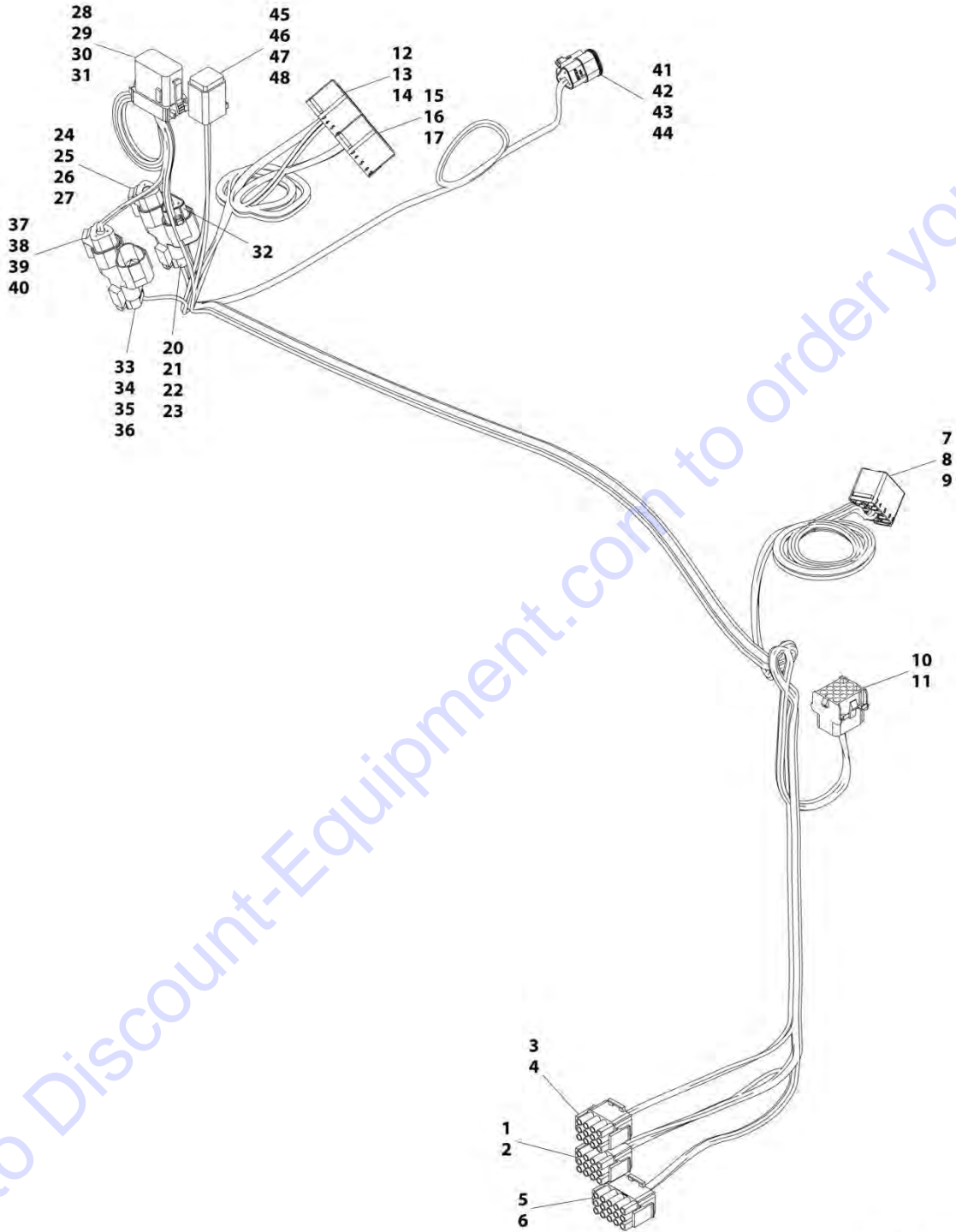
### FIGURE 10-70. ROOF PIGTAIL HARNESS

ITEM	PART NUMBER	QTY	DESCRIPTION	REV
	1001202132	Ref	Roof Pigtail Harness	A
1	1001201080	1	Connector	
2	4460942	6	Terminal	
3	4460466	8	Plug	
4	4460884	1	Connector	
5	4460942	4	Terminal	
6	80604021	1	Wedge Lock	
7	4460994	1	Connector	
8	1001118384	1	Terminal	

Go to Discount-Equipment.com to order your parts

# SECTION 10 - ELECTRICAL

## FIGURE 10-71. OPTION 2 CAB HARNESS



ART\_1001163372-E



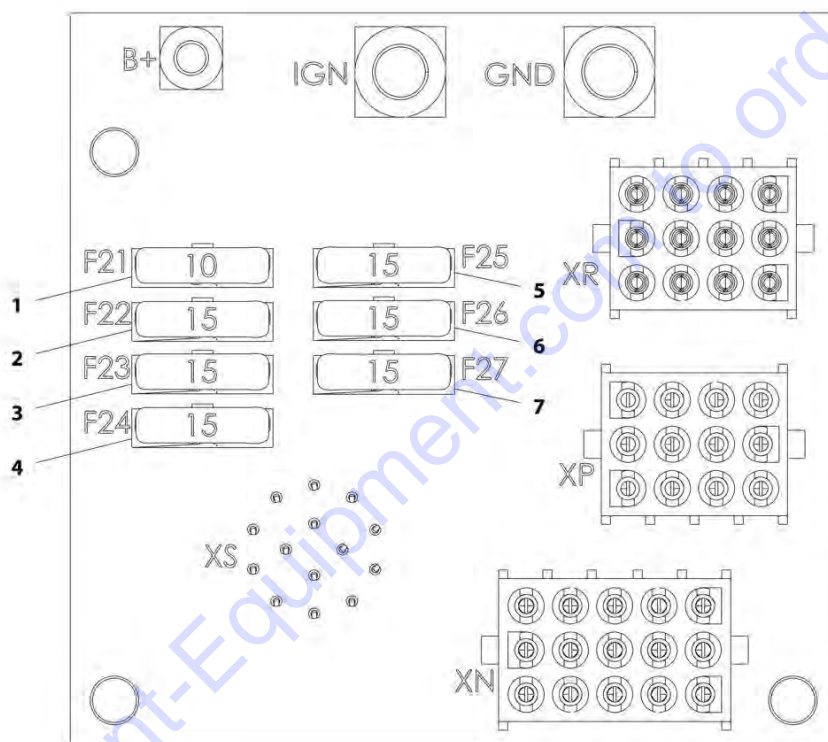
## SECTION 10 - ELECTRICAL

### FIGURE 10-71. OPTION 2 CAB HARNESS

ITEM	PART NUMBER	QTY	DESCRIPTION	REV
	1001163372	Ref	Option 2 Cab Harness	E
1	4460343	1	Connector	
2	4460268	5	Terminal	
3	4460343	1	Connector	
4	4460267	2	Terminal	
5	4460434	1	Connector	
6	4460268	4	Terminal	
7	1001117081	1	Connector	
8	1001116723	6	Terminal	
9	1001118384	1	Terminal	
10	4460367	1	Connector	
11	4460267	6	Terminal	
12	1001117081	1	Connector	
13	1001118384	2	Terminal	
14	1001116723	4	Terminal	
15	1001117081	1	Connector	
16	1001118384	3	Terminal	
17	1001116723	2	Terminal	
20	1001116812	1	Connector	
21	4460944	2	Terminal	
22	4460466	1	Plug	
23	91554019	1	Lock, Connector	
24	4460539	1	Connector	
25	77363244	1	Wedge Lock	
26	4460466	1	Plug	
27	4460944	2	Terminal	
28	1001176333	1	Connector	
29	4460944	4	Terminal	
30	4460466	11	Plug	
31	4460465	3	Terminal	
32	1001116815	1	Connector	
33	1001116812	1	Connector	
34	4460944	2	Terminal	
35	4460466	1	Plug	
36	91554019	1	Connector	
37	4460539	1	Connector	
38	77363244	1	Wedge Lock	
39	4460466	1	Plug	
40	4460944	2	Terminal	
41	1001116812	1	Connector	
42	4460944	2	Terminal	
43	4460466	1	Plug	
44	91554019	1	Lock, Connector	
45	4460930	1	Connector	
46	4460466	6	Plug	
47	4460465	2	Terminal	
48	80604025	1	Lock, Connector	

# SECTION 10 - ELECTRICAL

## FIGURE 10-72. OPTION 2 ELECTRICAL BOARD ASSEMBLY



ART\_1001161771-B

## SECTION 10 - ELECTRICAL

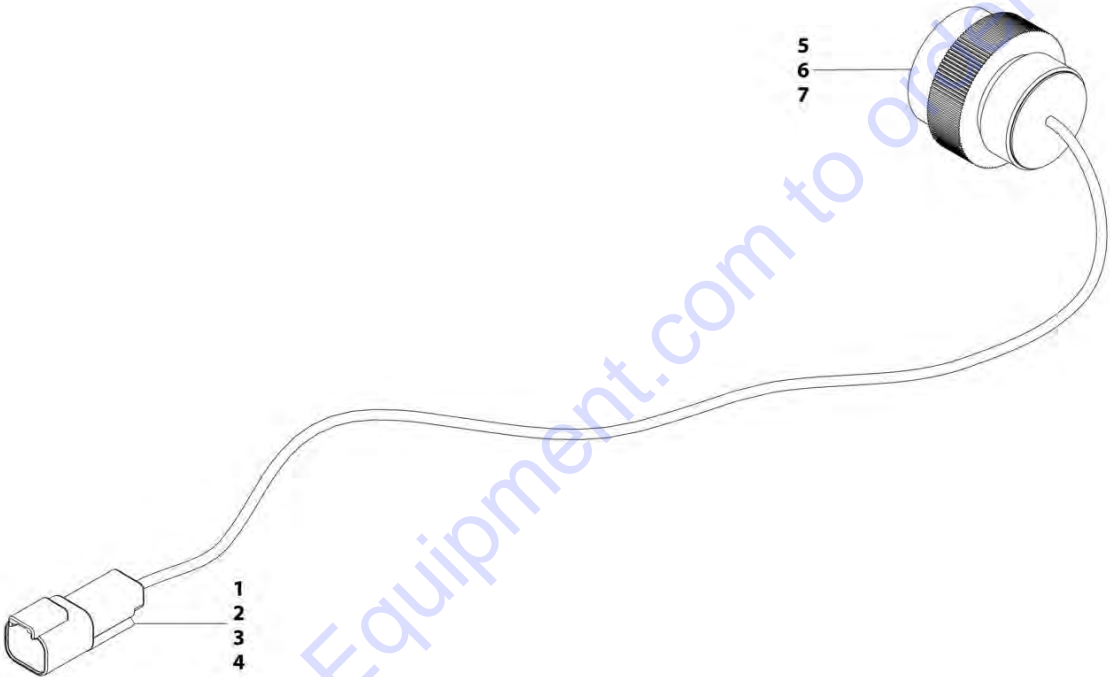
### FIGURE 10-72. OPTION 2 ELECTRICAL BOARD ASSEMBLY

ITEM	PART NUMBER	QTY	DESCRIPTION	REV
	1001161771	Ref	Option 2 Electrical Board Assembly	B
1	80983191	1	Fuse, 10AMP	
2	8229244	1	Fuse, 15AMP	
3	8229244	1	Fuse, 15AMP	
4	8229244	1	Fuse, 15AMP	
5	8229244	1	Fuse, 15AMP	
6	8229244	1	Fuse, 15AMP	
7	8229244	1	Fuse, 15AMP	

Go to Discount-Equipment.com to order your parts

**SECTION 10 - ELECTRICAL**

**FIGURE 10-73. CAB OPTION HARNESS**



ART\_1001181573-B

## SECTION 10 - ELECTRICAL

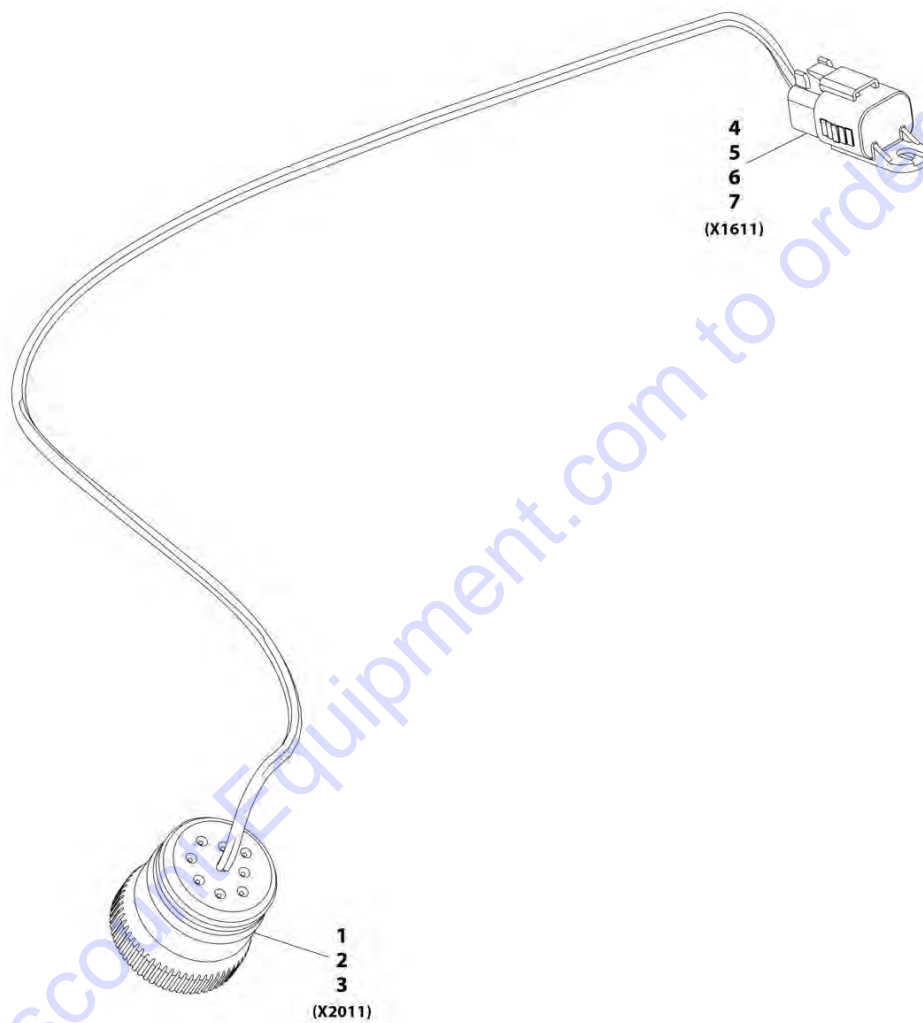
### FIGURE 10-73. CAB OPTION HARNESS

ITEM	PART NUMBER	QTY	DESCRIPTION	REV
	1001181573	Ref	Cab Option Harness	B
1	4460897	1	Connector	
2	4460941	1	Terminal	
3	4460466	1	Seal	
4	80604017	1	Wedge Lock	
5	4461015	1	Connector	
6	4460466	13	Plug	
7	4460942	1	Terminal	

Go to Discount-Equipment.com to order your parts

# SECTION 10 - ELECTRICAL

## FIGURE 10-74. TELEMATICS READY HARNESS



ART\_1001196289-A

## SECTION 10 - ELECTRICAL

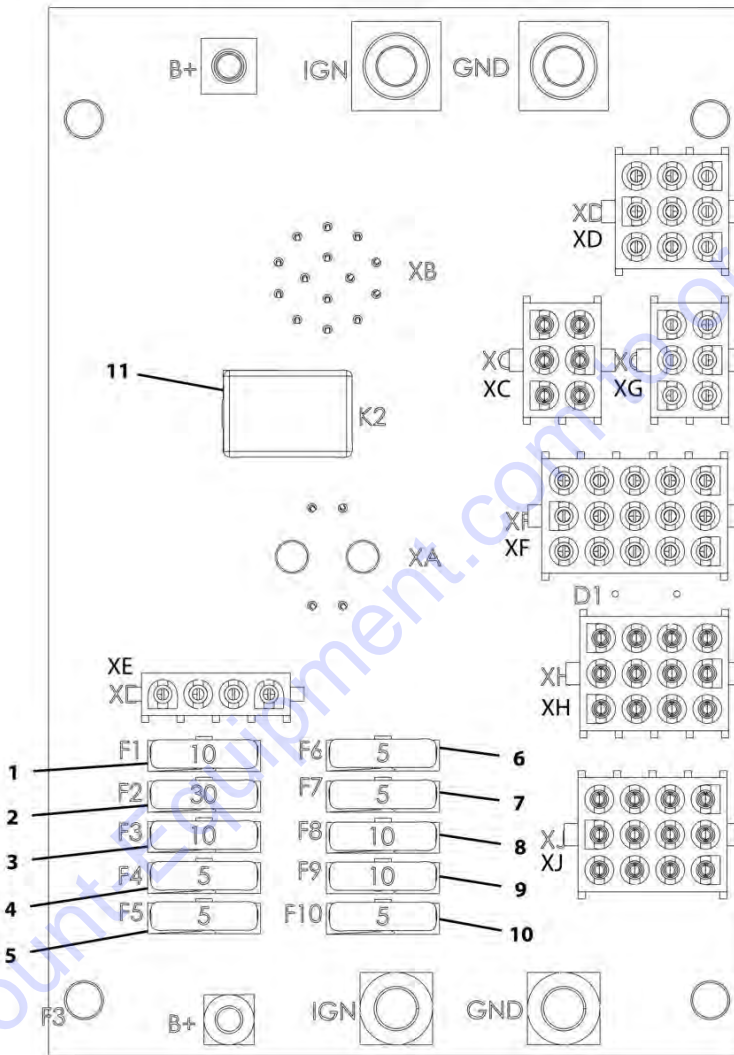
### FIGURE 10-74. TELEMATICS READY HARNESS

ITEM	PART NUMBER	QTY	DESCRIPTION	REV
	1001196289	Ref	Telematics Ready Harness	A
1	1001112796	1	Connector	
2	4460465	3	Terminal	
3	4460466	6	Plug	
4	4460884	1	Connector	
5	4460465	3	Terminal	
6	4460466	1	Plug	
7	80604021	1	Lock, Connector	

Go to Discount-Equipment.com to order your parts

# SECTION 10 - ELECTRICAL

FIGURE 10-75. STANDARD ELECTRICAL BOARD ASSEMBLY



ART\_1001161769-C



## SECTION 10 - ELECTRICAL

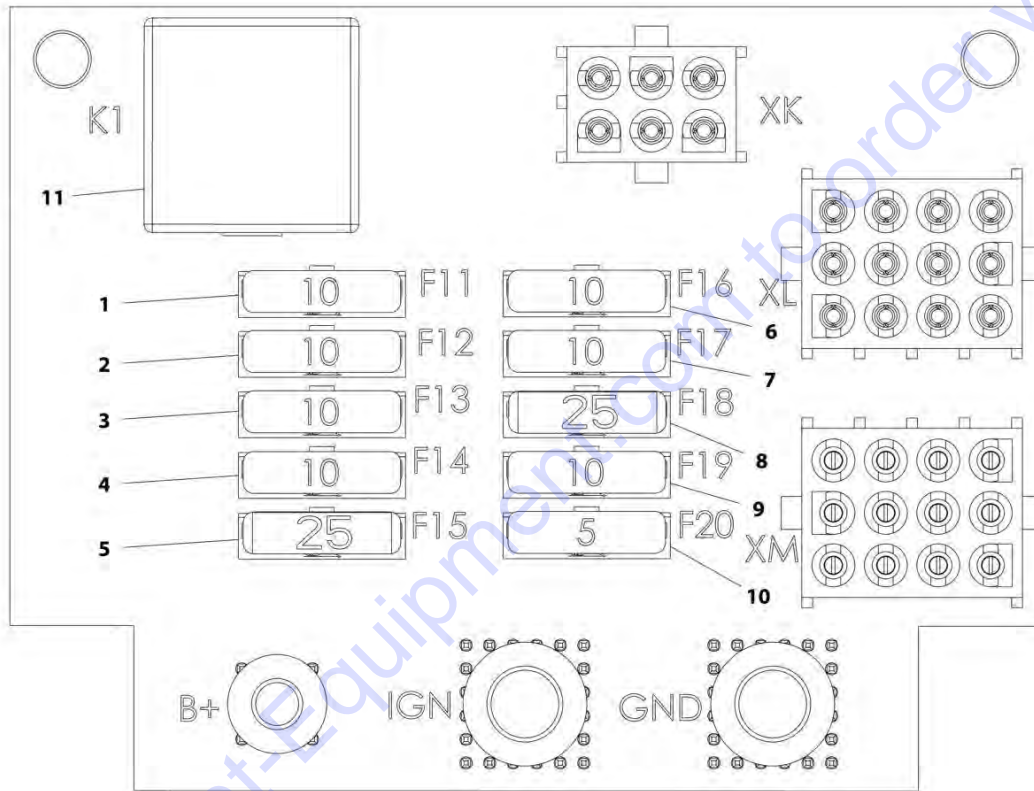
FIGURE 10-75. STANDARD ELECTRICAL BOARD ASSEMBLY

ITEM	PART NUMBER	QTY	DESCRIPTION	REV
	1001161769	Ref	Standard Electrical Board Assembly	C
1	80983191	1	Fuse, 10AMP	
2	8229245	1	Fuse, 30AMP	
3	80983191	1	Fuse, 10AMP	
4	8229242	1	Fuse, 5AMP	
5	8229242	1	Fuse, 5AMP	
6	8229242	1	Fuse, 5AMP	
7	8229242	1	Fuse, 5AMP	
8	80983191	1	Fuse, 10AMP	
9	80983191	1	Fuse, 10AMP	
10	8229242	1	Fuse, 5AMP	
11	70026292	1	Fuse, 35AMP	

Go to Discount-Equipment.com to order your parts

# SECTION 10 - ELECTRICAL

## FIGURE 10-76. OPTION 1 ELECTRICAL BOARD ASSEMBLY



ART\_1001161770-C

## SECTION 10 - ELECTRICAL

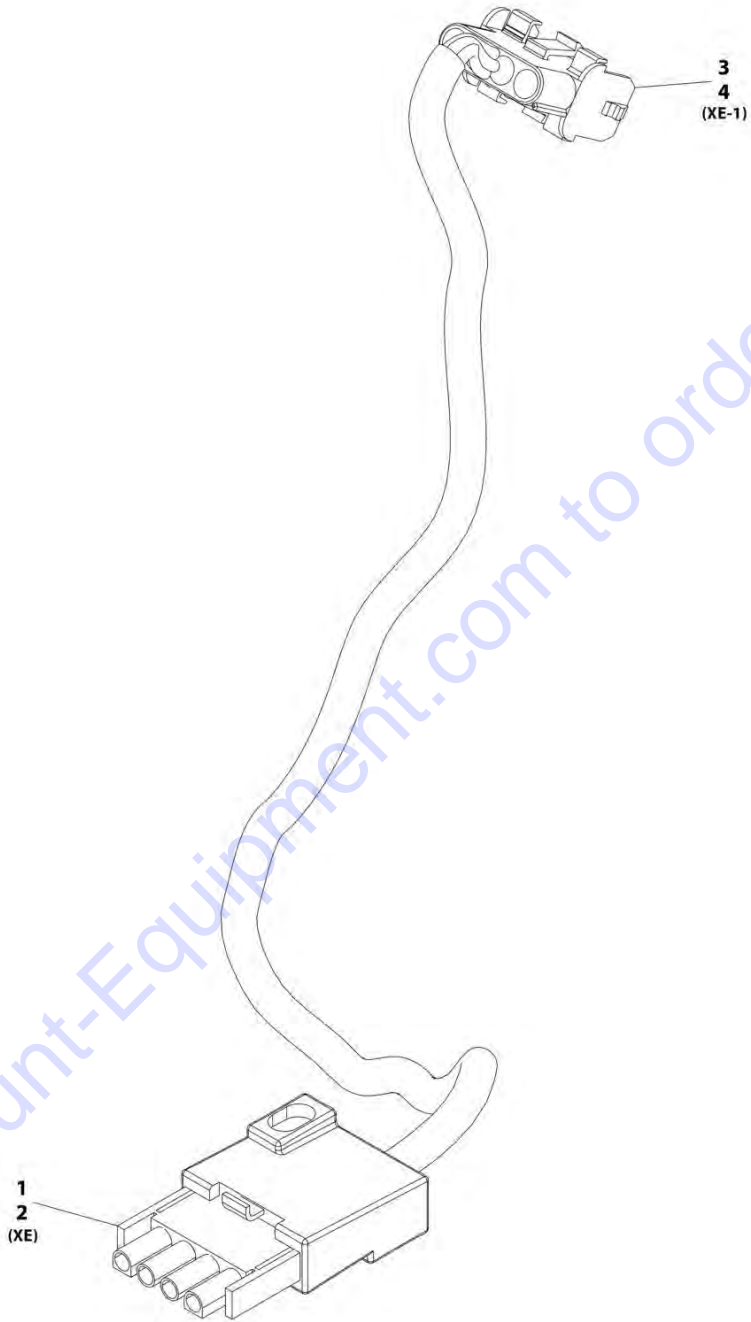
**FIGURE 10-76. OPTION 1 ELECTRICAL BOARD ASSEMBLY**

ITEM	PART NUMBER	QTY	DESCRIPTION	REV
	1001161770	Ref	Option 1 Electrical Board Assembly	C
1	80983191	1	Fuse, 10AMP	
2	80983191	1	Fuse, 10AMP	
3	80983191	1	Fuse, 10AMP	
4	80983191	1	Fuse, 10AMP	
5	8229247	1	Fuse, 25AMP	
6	80983191	1	Fuse, 10AMP	
7	80983191	1	Fuse, 10AMP	
8	8229247	1	Fuse, 25AMP	
9	80983191	1	Fuse, 10AMP	
10	8229242	1	Fuse, 5AMP	
11	70026293	1	Fuse, 50AMP	

Go to Discount-Equipment.com to order your parts

**SECTION 10 - ELECTRICAL**

**FIGURE 10-77. CUMMUNICATION ANALYSER CABLE**



Go to Discount-Equipment.com to order your parts

ART\_1001213988-A

## SECTION 10 - ELECTRICAL

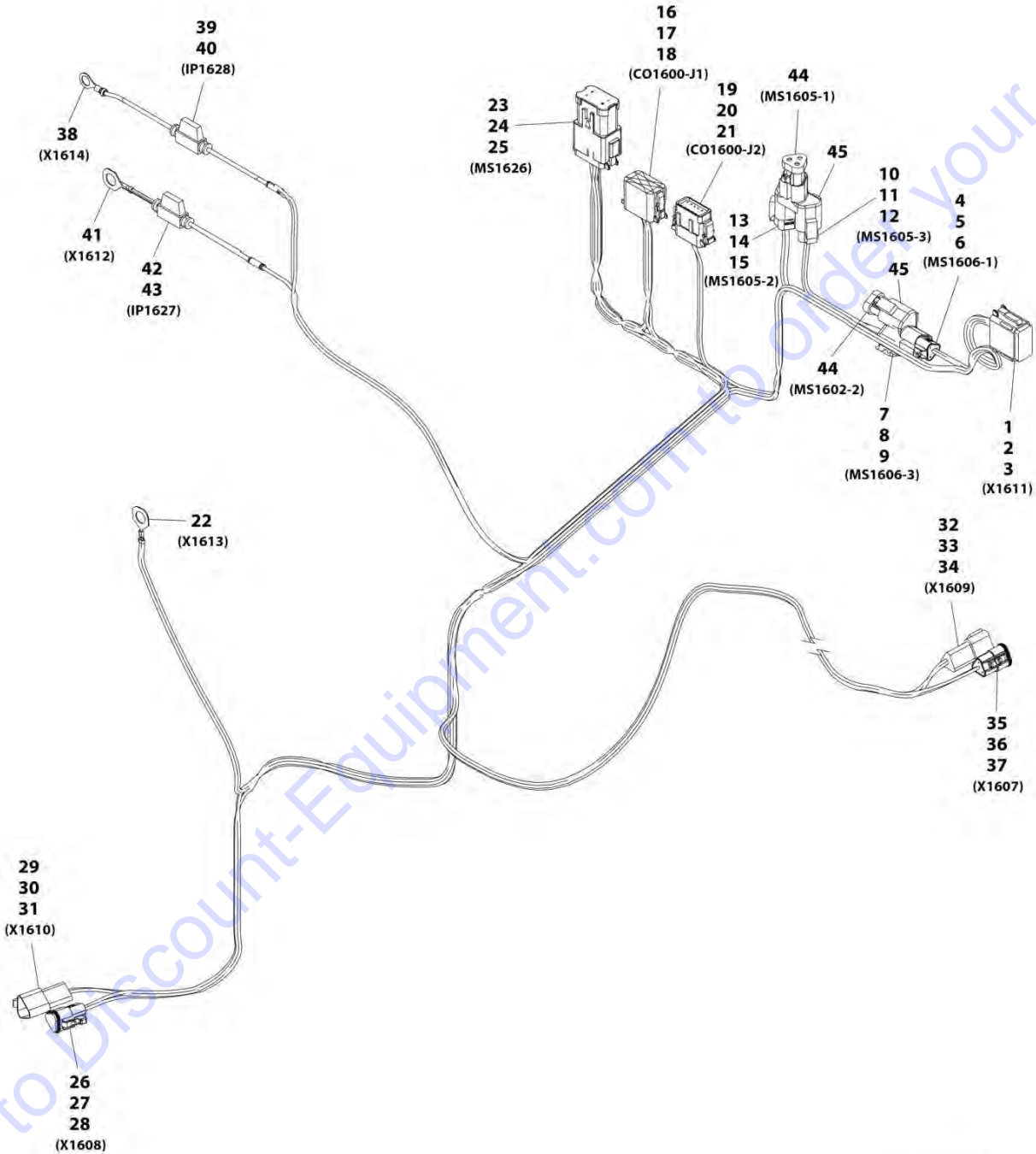
### FIGURE 10-77. CUMMUNICATION ANALYSER CABLE

ITEM	PART NUMBER	QTY	DESCRIPTION	REV
	1001213988	Ref	Communication Analyzer Cable	A
1	4460321	1	Connector	
2	4460268	4	Terminal	
3	4460761	1	Connector	
4	4460267	4	Terminal	

Go to Discount-Equipment.com to order your parts

# SECTION 10 - ELECTRICAL

## FIGURE 10-78. TELEMATICS HARNESS



ART\_1001225259-B

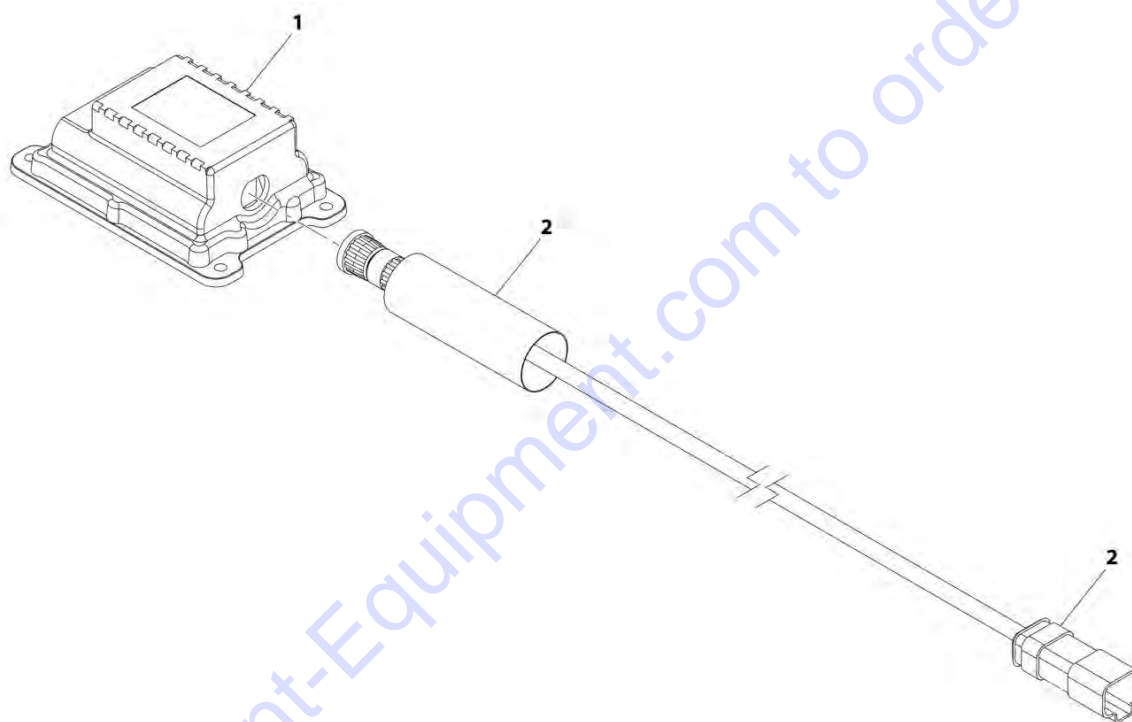
## SECTION 10 - ELECTRICAL

### FIGURE 10-78. TELEMATICS HARNESS

ITEM	PART NUMBER	QTY	DESCRIPTION	REV
	1001225259	Ref	Telematic Harness	B
1	4460933	1	Connector	
2	4460465	5	Terminal	
3	4460466	7	Plug	
4	1001116812	1	Connector	
5	4460465	2	Terminal	
6	4460466	1	Plug	
7	4460539	1	Connector	
8	4460465	2	Terminal	
9	4460466	1	Plug	
10	4460539	1	Connector	
11	4460465	2	Terminal	
12	4460466	1	Plug	
13	1001116812	1	Connector	
14	4460465	2	Terminal	
15	4460466	1	Plug	
16	1001116774	1	Connector	
17	4460518	6	Plug	
18	1001126008	6	Terminal	
19	1001116808	1	Connector	
20	4460518	10	Plug	
21	1001126008	2	Terminal	
22	1001187081	1	Connector	
23	4460933	1	Connector	
24	1001200206	1	Connector, DT 12 Pin 4X3 Buss	
25	4460465	13	Terminal	
26	1001116812	1	Connector	
27	4460465	2	Terminal	
28	4460466	1	Plug	
29	1001144147	1	Connector	
30	4460464	2	Terminal	
31	4460466	1	Plug	
32	1001144147	1	Connector	
33	4460464	2	Terminal	
34	4460466	1	Plug	
35	1001116812	1	Connector	
36	4460465	2	Terminal	
37	4460466	1	Plug	
38	4460670	1	Connector	
39	2400060	1	Connector	
40	8229242	1	Terminal	
41	1001187078	1	Connector	
42	2400060	1	Connector	
43	8229242	1	Terminal	
44	1001116815	2	Connector, 3 Pin	
45	4460945	2	Terminal, 3 Way "T" Receptacle	

# SECTION 10 - ELECTRICAL

FIGURE 10-79. CLEARSKY INSTALLATION 3-WIRE (ANSI)



Go to Discount-Equipment.com to order your parts

ART\_1001229107-C



# PARTS FINDER

**Search Website  
by Part Number**



**Search Manual  
Library For Parts  
Manual & Lookup Part  
Numbers – Purchase  
or Request Quote**

**Can't Find Part or  
Manual? Request Help  
by Manufacturer,  
Model & Description**

Discount-Equipment.com is your online resource for quality parts & equipment.

Florida: **561-964-4949** Outside Florida TOLL FREE: **877-690-3101**

## Need parts?

Click on this link: <http://www.discount-equipment.com/category/5443-parts/> and choose one of the options to help get the right parts and equipment you are looking for. Please have the machine model and serial number available in order to help us get you the correct parts. If you don't find the part on the website or on one of the online manuals, please fill out the request form and one of our experienced staff members will get back to you with a quote for the right part that your machine needs.

We sell worldwide for the brands: Genie, Terex, JLG, MultiQuip, Mikasa, Essick, Whiteman, Mayco, Toro Stone, Diamond Products, Generac Magnum, Airman, Haulotte, Barreto, Power Blanket, Nifty Lift, Atlas Copco, Chicago Pneumatic, Allmand, Miller Curber, Skyjack, Lull, Skytrak, Tsurumi, Husquvarna Target, Stow, Wacker, Sakai, Mi-T-M, Sullair, Basic, Dynapac, MBW, Weber, Bartell, Bennar Newman, Haulotte, Ditch Runner, Menegotti, Morrison, Contec, Buddy, Crown, Edco, Wyco, Bomag, Laymor, EZ Trench, Bil-Jax, F.S. Curtis, Gehl Pavers, Heli, Honda, ICS/PowerGrit, IHI, Partner, Imer, Clipper, MMD, Koshin, Rice, CH&E, General Equipment, Amida, Coleman, NAC, Gradall, Square Shooter, Kent, Stanley, Tamco, Toku, Hatz, Kohler, Robin, Wisconsin, Northrock, Oztec, Toker TK, Rol-Air, APT, Wylie, Ingersoll Rand / Doosan, Innovatech, Con X, Ammann, Mecalac, Makinex, Smith Surface Prep, Small Line, Wanco, Yanmar

## SECTION 10 - ELECTRICAL

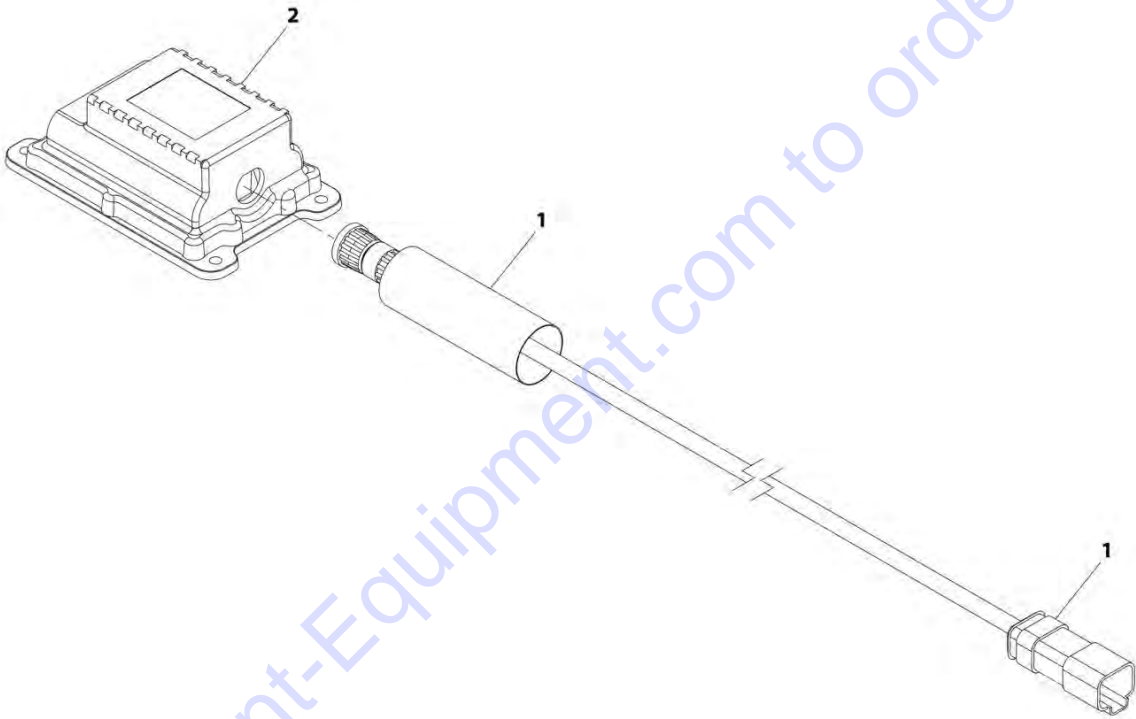
**FIGURE 10-79. CLEARSKY INSTALLATION 3-WIRE (ANSI)**

ITEM	PART NUMBER	QTY	DESCRIPTION	REV
	1001229107	Ref	Clearsky Installation 3-Wire	C
1	1001226328	1	Module, 3W TCU	
2	1001227066	Ref	Telematics Harness (See Separate Breakdown in this Section)	

Go to Discount-Equipment.com to order your parts

**SECTION 10 - ELECTRICAL**

**FIGURE 10-80. CLEARSKY INSTALLATION 3-WIRE (CE)**



Go to Discount-Equipment.com to order your parts

ART\_1001233237-C

## SECTION 10 - ELECTRICAL

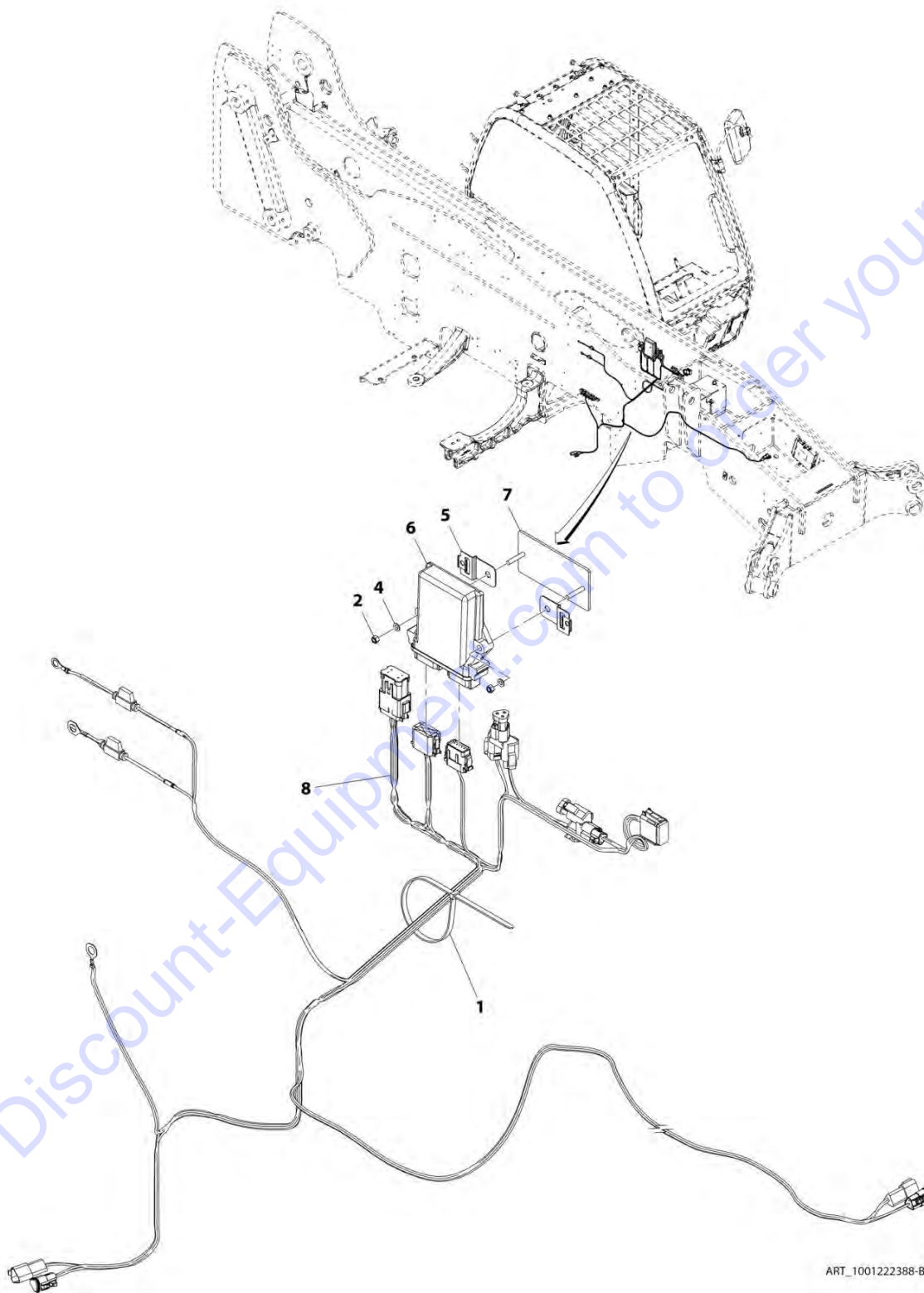
**FIGURE 10-80. CLEARSKY INSTALLATION 3-WIRE (CE)**

ITEM	PART NUMBER	QTY	DESCRIPTION	REV
1	1001233237	Ref	Clearsky Installation 3-Wire	C
	1001227066	Ref	Telematics Harness (See Separate Breakdown in this Section)	
2	1001233236	1	Module, 3W TCU	

Go to Discount-Equipment.com to order your parts

# SECTION 10 - ELECTRICAL

## FIGURE 10-81. CUSTOMER SUPPLIED TELEMATICS CANBUS



ART\_1001222388-B

## SECTION 10 - ELECTRICAL

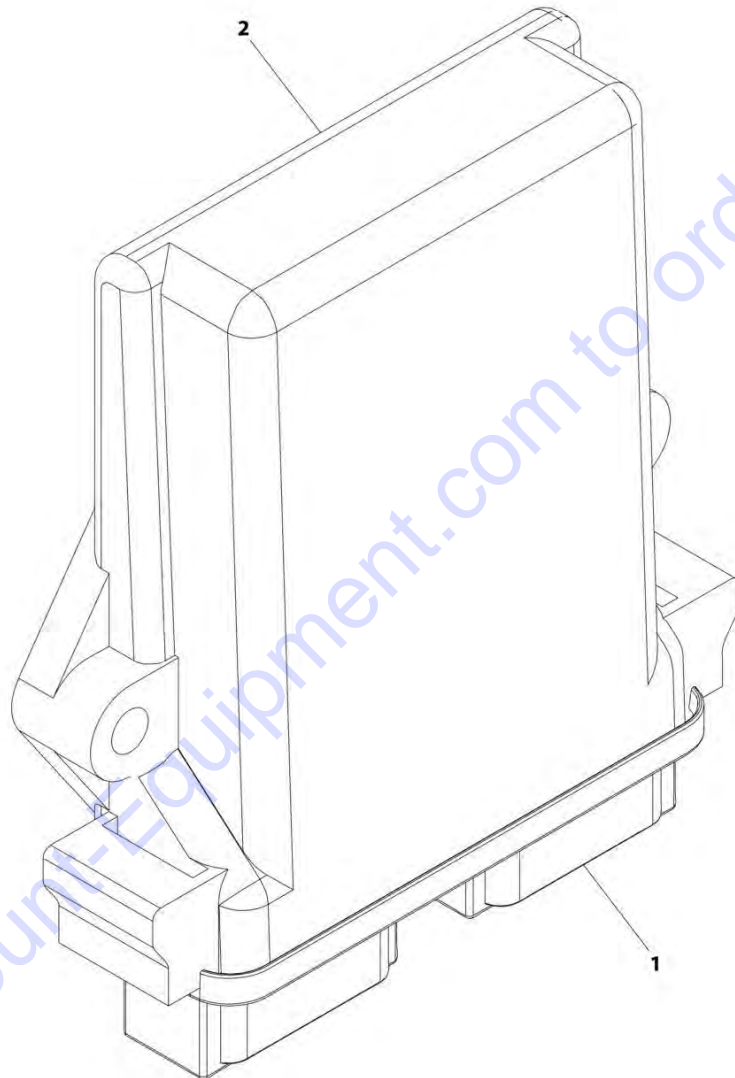
**FIGURE 10-81. CUSTOMER SUPPLIED TELEMATICS CANBUS**

ITEM	PART NUMBER	QTY	DESCRIPTION	REV
	1001222388	Ref	Customer Supplied Telematics Canbus	B
1	1062255	AR	Tie, Strap	
2	3290505	2	Nut, Lock M5X0.8	
4	4811600	2	Washer, M5	
5	1001153749	2	Clip	
6	1001229458	1	Controller, Gateway (See Separate Breakdown in this section)	
7	1001219082	1	Bracket	
8	1001225259	1	Harness, 4ward Telematics (See Separate Breakdown in this section)	

Go to Discount-Equipment.com to order your parts

**SECTION 10 - ELECTRICAL**

**FIGURE 10-82. GATEWAY CONTROLLER**



ART\_1001229458-B

## SECTION 10 - ELECTRICAL

### FIGURE 10-82. GATEWAY CONTROLLER

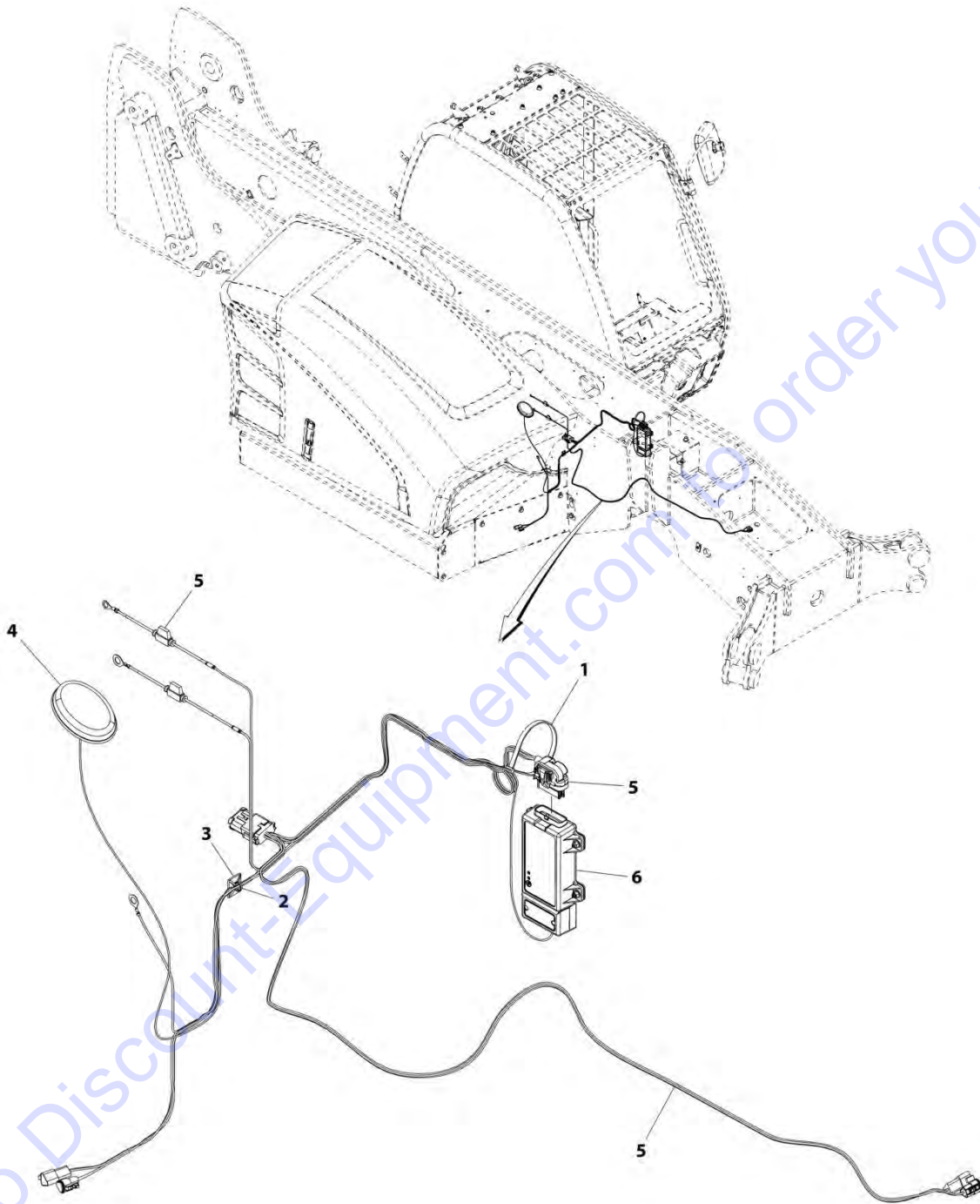
ITEM	PART NUMBER	QTY	DESCRIPTION	REV
	1001229458	Ref	Gateway Controller	B
1	1001100828	1	PC Board	
2	1001100829	1	Box, Circuit Card	
3	1001229457	1	Software, Gateway (not shown)	

Go to Discount-Equipment.com to order your parts



# SECTION 10 - ELECTRICAL

## FIGURE 10-83. TELEMATICS CANBUS INSTALLATION (CLEARSKY 2) (ANSI)



ART\_1001221941-A

## SECTION 10 - ELECTRICAL

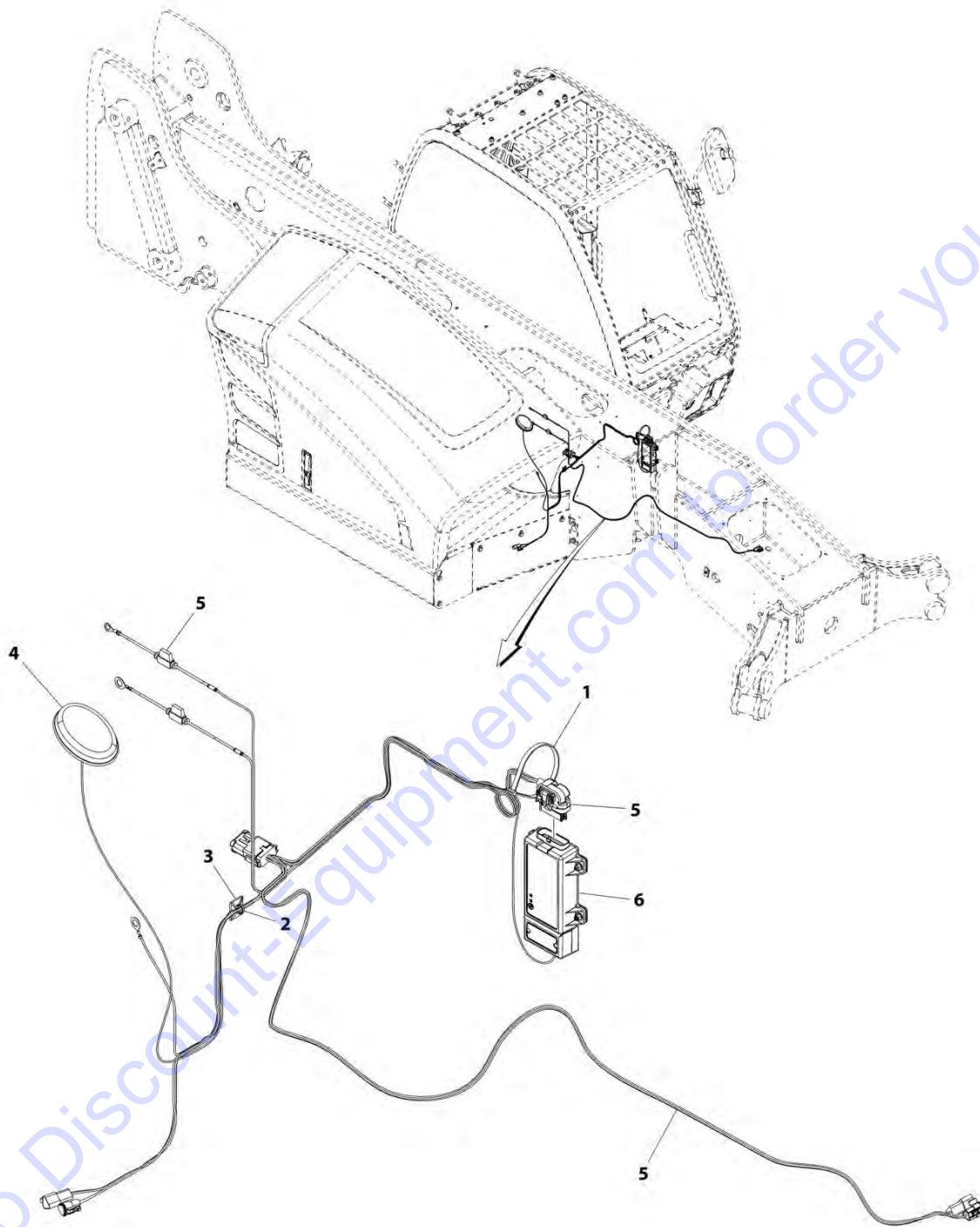
**FIGURE 10-83. TELEMATICS CANBUS INSTALLATION (CLEARSKY 2) (ANSI)**

ITEM	PART NUMBER	QTY	DESCRIPTION	REV
	1001221941	Ref	Telematics Canbus Installation (Clearsky 2)	A
1	1062255	AR	Tie, Strap	
2	4240032	AR	Tie, Strap	
3	4460234	AR	Tie, Strap	
4	1001226799	1	Antenna	
5	1001227297	1	Harness, 4ward Telematics (Clearsky 2) (See Separate Breakdown in this section)	
6	1001229955	1	Module	

Go to Discount-Equipment.com to order your parts

# SECTION 10 - ELECTRICAL

## FIGURE 10-84. TELEMATICS CANBUS INSTALLATION (CLEARSKY 2) (CE)



ART\_1001239249-A

## SECTION 10 - ELECTRICAL

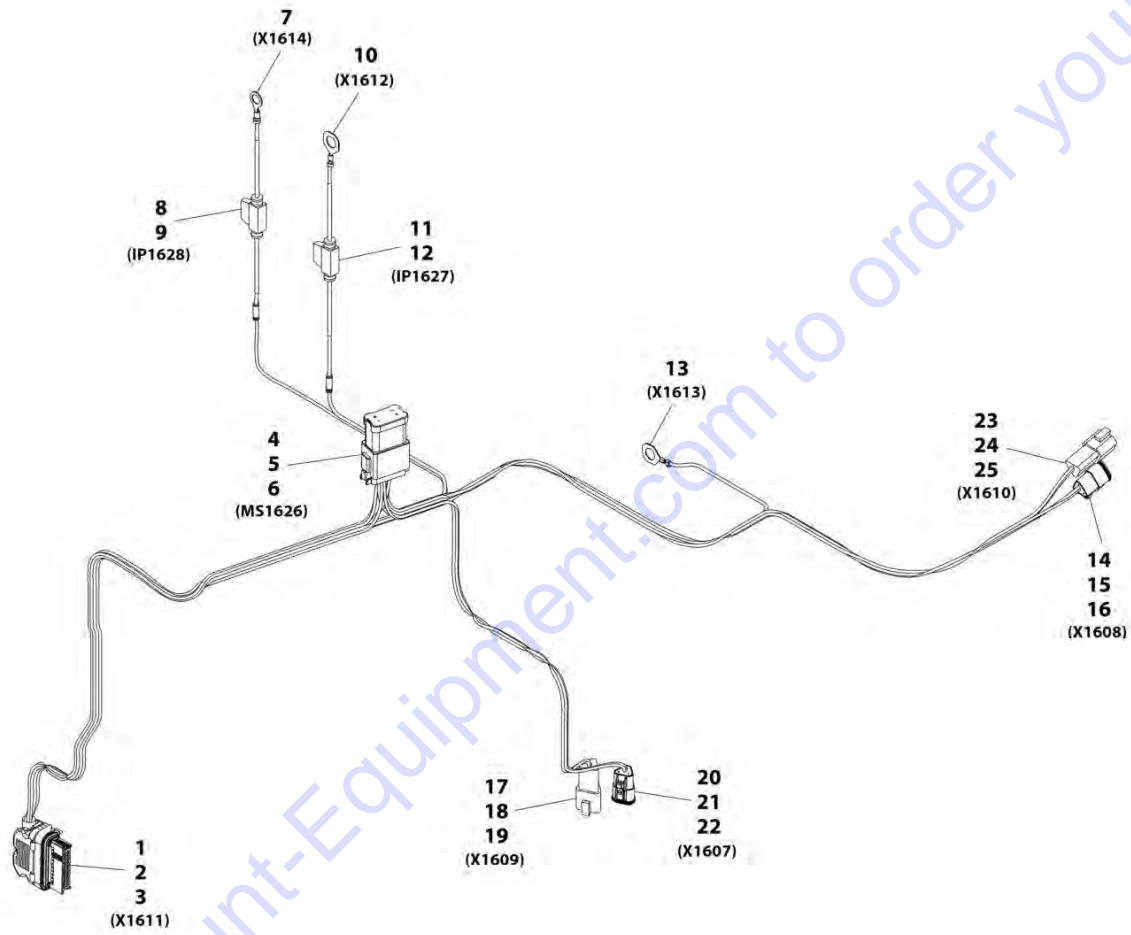
**FIGURE 10-84. TELEMATICS CANBUS INSTALLATION (CLEARSKY 2) (CE)**

ITEM	PART NUMBER	QTY	DESCRIPTION	REV
	1001239249	Ref	Telematics Canbus Installation (Clearsky 2)	A
1	1062255	AR	Tie, Strap	
2	4240032	AR	Tie, Strap	
3	4460234	AR	Tie, Strap	
4	1001226799	1	Antenna	
5	1001227297	1	Harness, 4ward Telematics (Clearsky 2) (See Separate Breakdown in this section)	
6	1001239194	1	Module	

Go to Discount-Equipment.com to order your parts

# SECTION 10 - ELECTRICAL

## FIGURE 10-85. 4WARD TELEMATIC, HARNESS (CLEARSKY 2)



ART\_1001227297-B

## SECTION 10 - ELECTRICAL

**FIGURE 10-85. 4WARD TELEMATIC, HARNESS (CLEARSKY 2)**

ITEM	PART NUMBER	QTY	DESCRIPTION	REV
	1001227297	Ref	4ward Telematic, Harness (Clearsky 2)	B
1	1001226636	1	Connector	
2	1001226637	7	Terminal	
3	1001116731	17	Plug	
4	4460933	1	Connector	
5	4460465	12	Terminal	
6	1001200206	1	Connector, DT 12 Pin 4X3 Buss	
7	4460670	1	Connector	
8	2400060	1	Connector	
9	8229242	1	Fuse, 5amp	
10	1001187078	1	Connector	
11	2400060	1	Connector	
12	8229242	1	Fuse, 5amp	
13	1001187081	1	Connector	
14	1001116812	1	Connector	
15	4460465	2	Terminal	
16	4460466	1	Plug	
17	1001144147	1	Connector	
18	4460464	2	Terminal	
19	4460466	1	Plug	
20	1001116812	1	Connector	
21	4460465	2	Terminal	
22	4460466	1	Plug	
23	1001144147	1	Connector	
24	4460464	2	Terminal	
25	4460466	1	Plug	



## SECTION 10 - ELECTRICAL

### FIGURE 10-86. CONTROL ACCESSORY

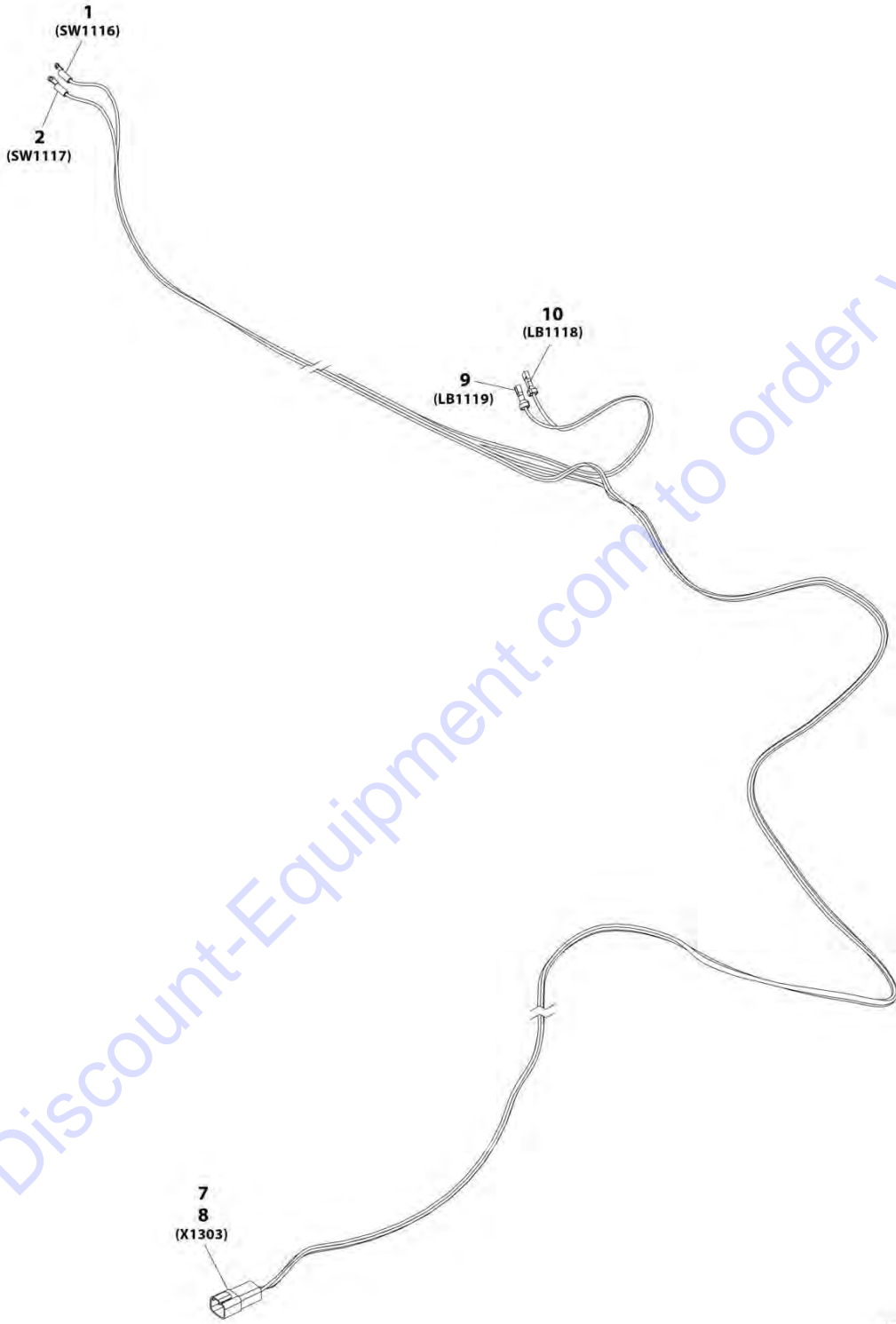
ITEM	PART NUMBER	QTY	DESCRIPTION	REV
	1001203181	Ref	Control Accessory	C
1	1001215630	1	PC Board	
2	0861493	1	Box, Circuit Card	
3	1001215631	1	Decal	
4	1001215632	1	Software (not shown)	

Go to Discount-Equipment.com to order your parts



# SECTION 10 - ELECTRICAL

## FIGURE 10-87. CAB AIR SHUT OFF VALVE HARNESS



ART\_1001231407-C

## SECTION 10 - ELECTRICAL

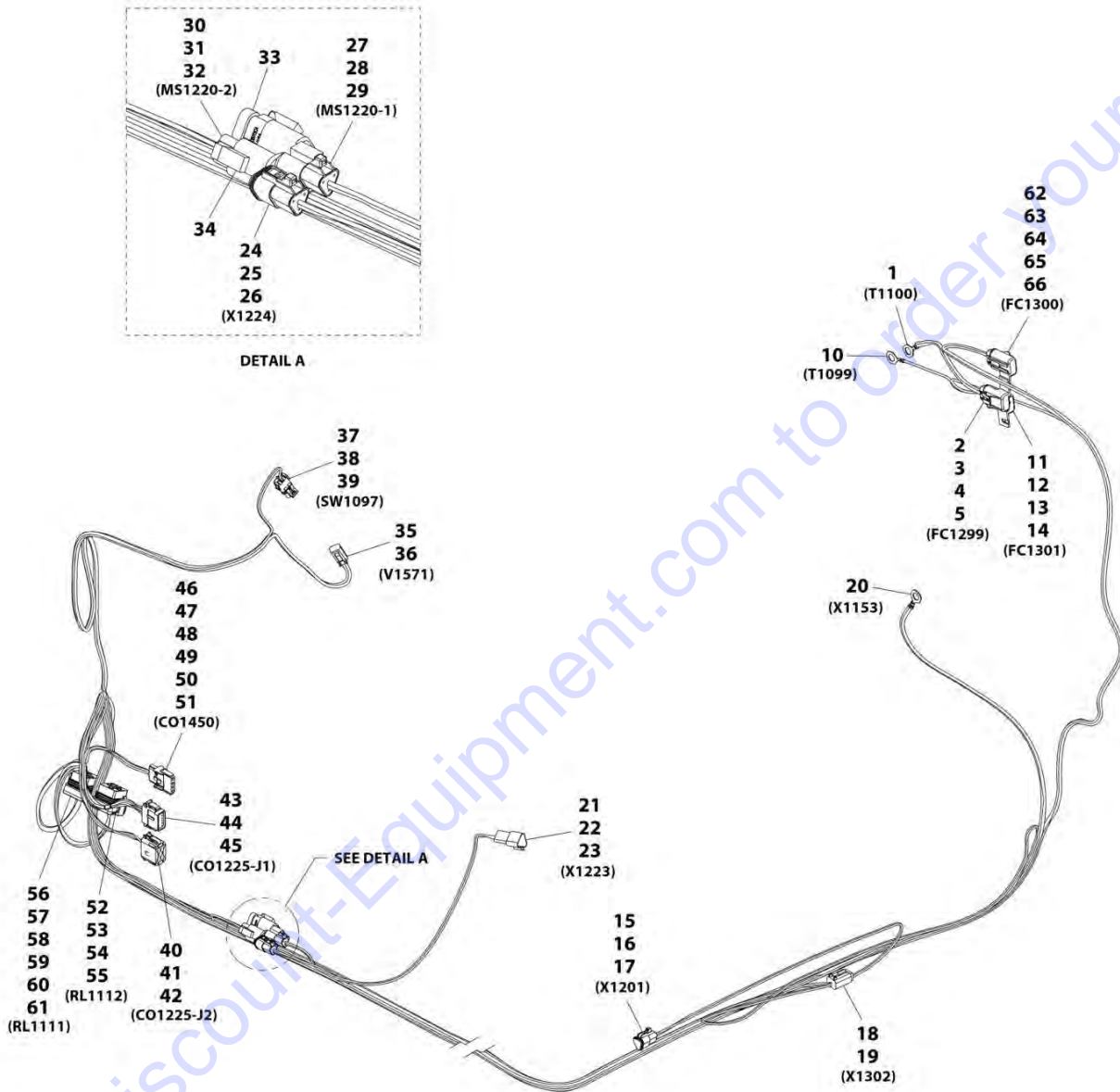
### FIGURE 10-87. CAB AIR SHUT OFF VALVE HARNESS

ITEM	PART NUMBER	QTY	DESCRIPTION	REV
	1001231407	1	Cab Air Shutoff Valve Harness	C
1	8220035	1	Terminal, Ring	
2	8220035	1	Terminal, Ring	
7	4460932	1	Connector	
8	4460464	4	Pin	
9	8220108	1	Connector, Female	
10	8220108	1	Connector, Female	

Go to Discount-Equipment.com to order your parts

# SECTION 10 - ELECTRICAL

## FIGURE 10-88. ENGINE AIR SHUT OFF VALVE HARNESS



ART\_1001231483-C

## SECTION 10 - ELECTRICAL

**FIGURE 10-88. ENGINE AIR SHUT OFF VALVE HARNESS**

ITEM	PART NUMBER	QTY	DESCRIPTION	REV
	1001231483	Ref	Engine Air Shut Off Valve Harness	C
1	1001187079	1	Terminal, Ring	
2	1001231397	1	Connector	
3	8229235	1	Fuse, 20amp	
4	1001231401	2	Terminal	
5	1001230402	2	Seal	
10	1001187078	1	Terminal, Ring	
11	1001231397	1	Connector	
12	8229261	1	Fuse, 20amp	
13	1001231400	2	Terminal	
14	1001230403	2	Seal	
15	1001116812	1	Connector	
16	4460465	2	Terminal	
17	4460466	1	Plug	
18	4460884	1	Connector	
19	4460465	4	Terminal	
20	1001187079	1	Terminal, Ring	
21	1001144147	1	Connector	
22	4460464	2	Terminal	
23	4460466	1	Plug	
24	1001116812	1	Connector	
25	4460465	2	Terminal	
26	4460466	1	Plug	
27	1001116812	1	Connector	
28	4460465	2	Terminal	
29	4460466	1	Plug	
30	4460539	1	Connector	
31	4460465	2	Terminal	
32	4460466	1	Plug	
33	1001116815	1	Connector, 3 Pin	
34	4460945	1	Terminal, 3 Way "T" Receptacle	
35	4460891	1	Connector	
36	1001157890	2	Terminal	
37	4460742	1	Connector	
38	4460475	2	Terminal	
39	4460458	2	Plug	
40	1001116774	1	Connector	
41	4460518	8	Plug	
42	1001126008	4	Terminal	
43	1001116808	1	Connector	
44	1001126008	9	Terminal	
45	4460518	3	Plug	
46	4460761	1	Connector	
47	4460321	1	Terminal	
48	1001118378	4	Terminal	
49	4460809	4	Plug	
50	1001143551	1	Seal	
51	1001218358	1	Lanyard Rope	
52	1001231398	1	Connector	
53	1001231400	4	Terminal	

## SECTION 10 - ELECTRICAL

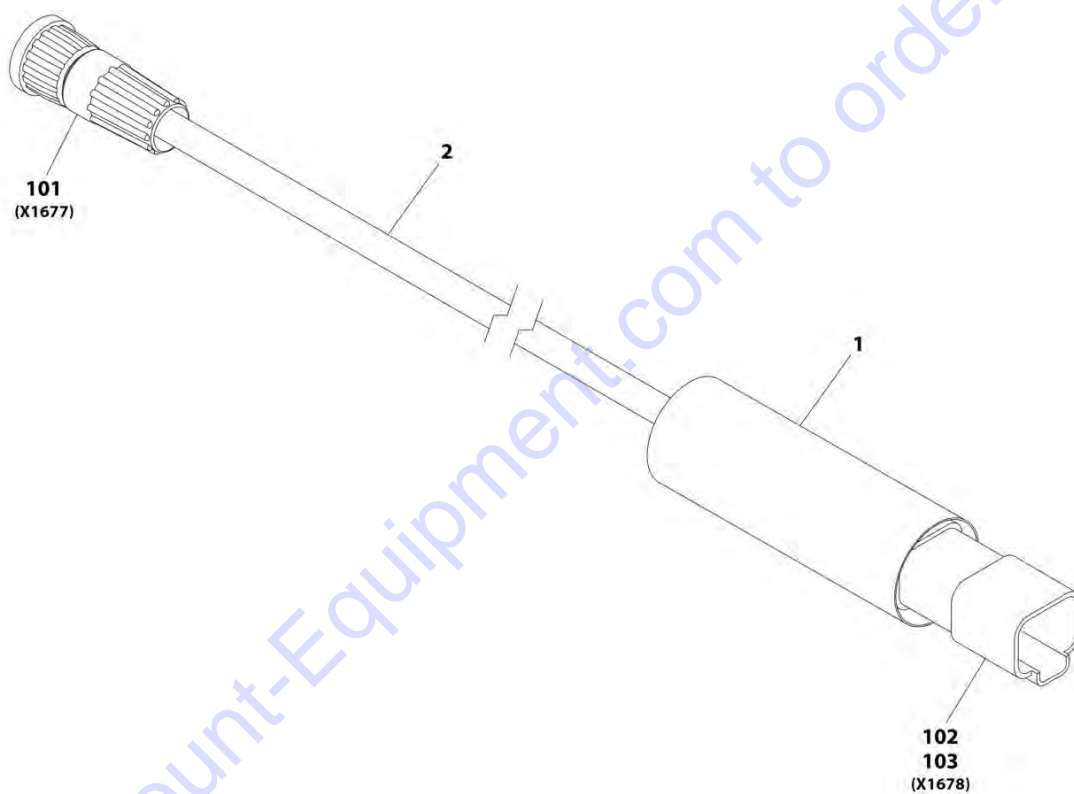
ITEM	PART NUMBER	QTY	DESCRIPTION	REV
54	1001231404	4	Seal	
55	1001231406	1	Plug	
56	1001231398	1	Connector	
57	1001231401	2	Terminal	
58	1001231402	2	Seal	
59	1001231400	2	Terminal	
60	1001231404	2	Seal	
61	1001231406	1	Plug	
62	1001231397	1	Connector	
63	8229234	1	Fuse, 20amp	
64	1001231400	2	Terminal	
65	1001230403	1	Seal	
66	1001230404	1	Seal	

Go to Discount-Equipment.com to order your parts



# SECTION 10 - ELECTRICAL

## FIGURE 10-89. TELEMATICS HARNESS



ART\_1001227066-A

## SECTION 10 - ELECTRICAL

### FIGURE 10-89. TELEMATICS HARNESS

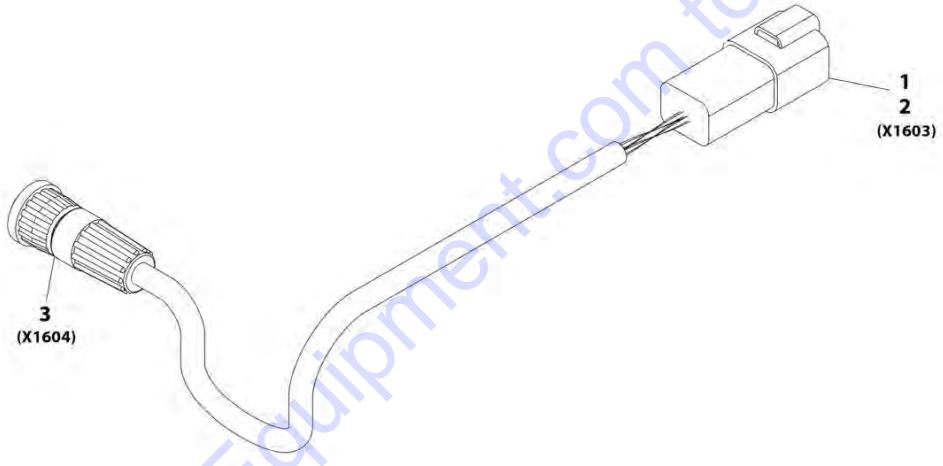
ITEM	PART NUMBER	QTY	DESCRIPTION	REV
	1001227066	Ref	Telematics Harness	A
1	1001226400	0.33 ft	Insulate, Heat Shrink	
2	1001227068	3.3 ft	Cable	
101	1001227266	1	Connector	
102	1001129407	1	Connector	
103	4460464	4	Terminal	

Go to Discount-Equipment.com to order your parts



# SECTION 10 - ELECTRICAL

## FIGURE 10-90. REVERSE SENSOR HARNESS



ART\_1001175776-C

## SECTION 10 - ELECTRICAL

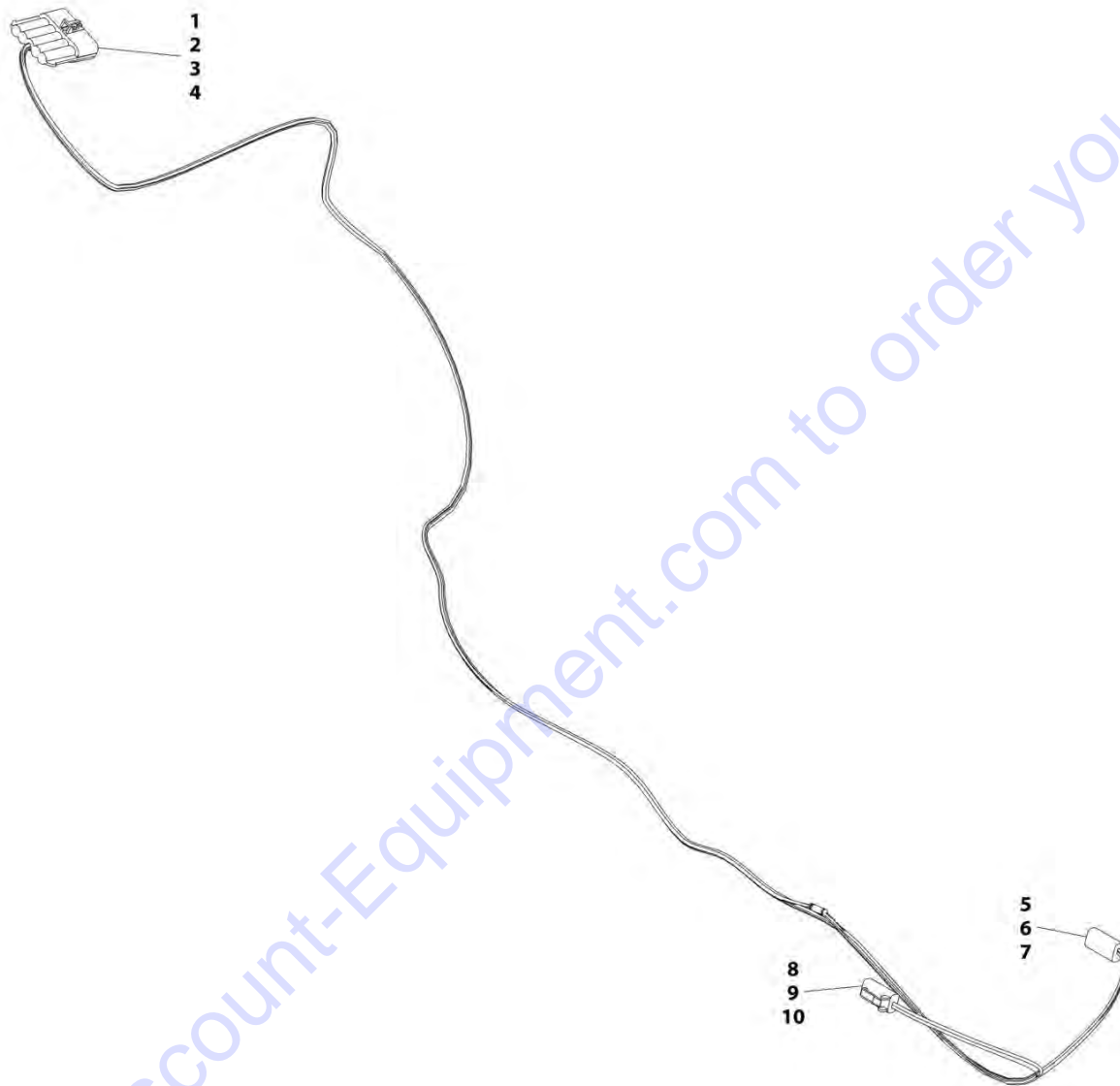
### FIGURE 10-90. REVERSE SENSOR HARNESS

ITEM	PART NUMBER	QTY	DESCRIPTION	REV
	1001175776	Ref	Reverse Sensor Harness	C
1	4460932	1	Connector	
2	4460464	4	Terminal	
3	1001175733	1	Connector	

Go to Discount-Equipment.com to order your parts

# SECTION 10 - ELECTRICAL

## FIGURE 10-91. RIDE CONTROL CB VALVE HARNESS (LIFT)



ART\_1001173527-B

## SECTION 10 - ELECTRICAL

### FIGURE 10-91. RIDE CONTROL CB VALVE HARNESS (LIFT)

ITEM	PART NUMBER	QTY	DESCRIPTION	REV
	1001173527	Ref	Ride Control CB Valve Harness	B
1	1001121727	1	Connector	
2	1001166727	2	Plug	
3	1001116745	2	Terminal	
4	1001116729	1	Terminal	
5	4460891	1	Connector	
6	4460465	2	Terminal	
7	80604018	1	Lock, Secondary	
8	4460891	1	Connector	
9	4460465	2	Terminal	
10	80604018	1	Lock, Secondary	

Go to Discount-Equipment.com to order your parts

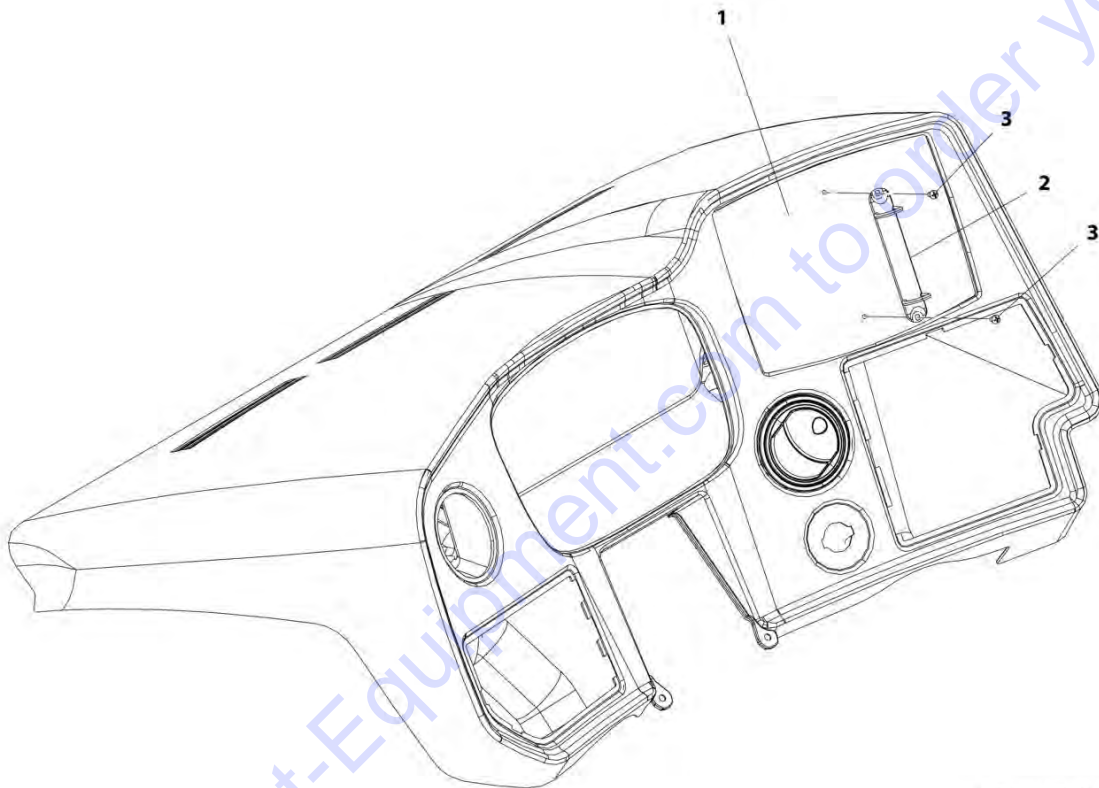


**SECTION 11 - DECALS**

Go to Discount-Equipment.com to order your parts

# SECTION 11 - DECALS

## FIGURE 11-1. CAPACITY CHART HOLDER INSTALLATION



ART\_1001178706-A

**FIGURE 11-1. CAPACITY CHART HOLDER INSTALLATION**

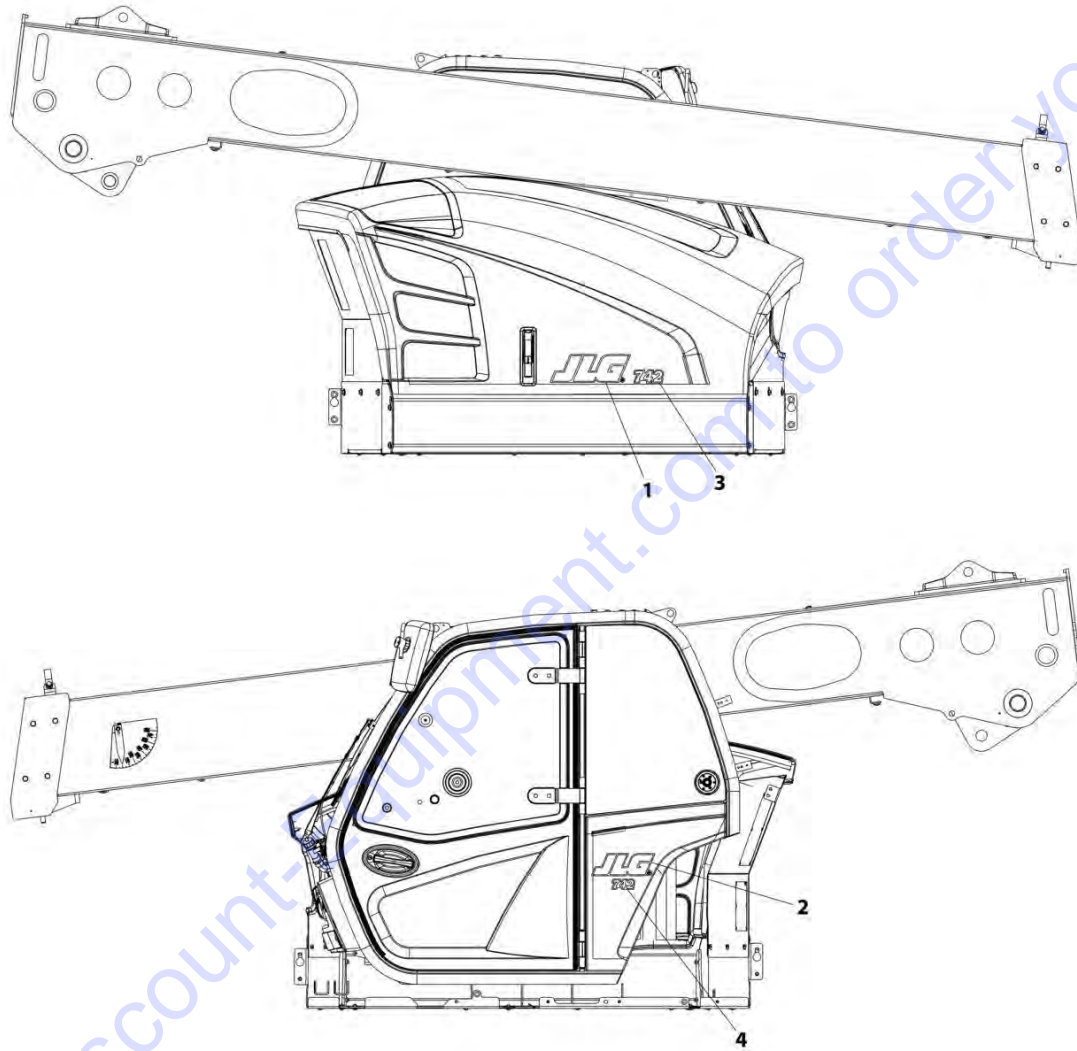
ITEM	PART NUMBER	QTY	DESCRIPTION	REV
	1001178706	Ref	Capacity Chart Holder Installation	A
1	1001179297	1	Load Chart, Bezel	
2	1001005960	1	Holder	
3	7029486	2	Screw	

Go to Discount-Equipment.com to order your parts



# SECTION 11 - DECALS

## FIGURE 11-2. BRAND AND MODEL DECAL INSTALLATION



ART\_1001226709-A

## SECTION 11 - DECALS

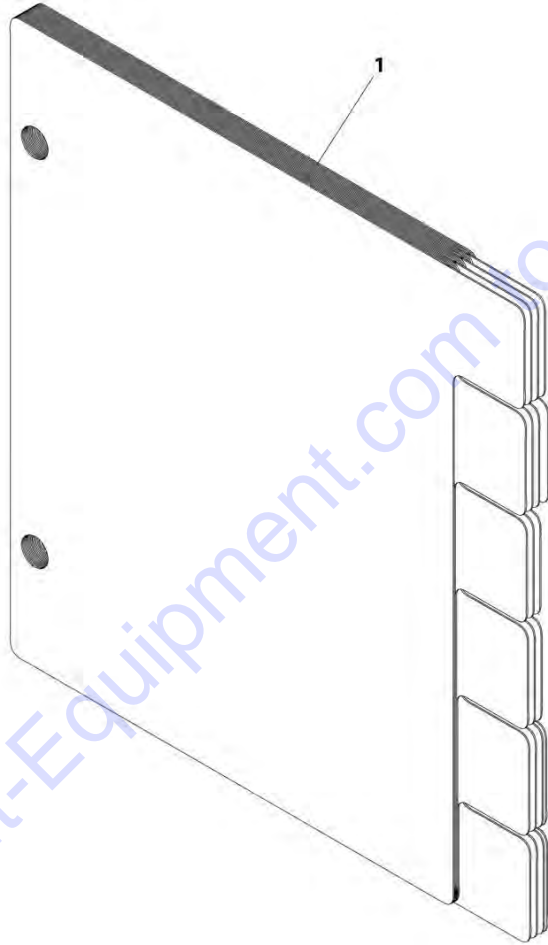
FIGURE 11-2. BRAND AND MODEL DECAL INSTALLATION

ITEM	PART NUMBER	QTY	DESCRIPTION	REV
	1001226709	Ref	Brand and Model Decal Installation	A
1	1001160775	1	Decal, JLG 5 Black	
2	1001169674	1	Decal, JLG	
3	1001226710	1	Decal, JLG 742	
4	1001226711	1	Decal, JLG 742 Cab	

Go to Discount-Equipment.com to order your parts

# SECTION 11 - DECALS

FIGURE 11-3. CAPACITY CHART BOOKLET



ART\_1001226012-D

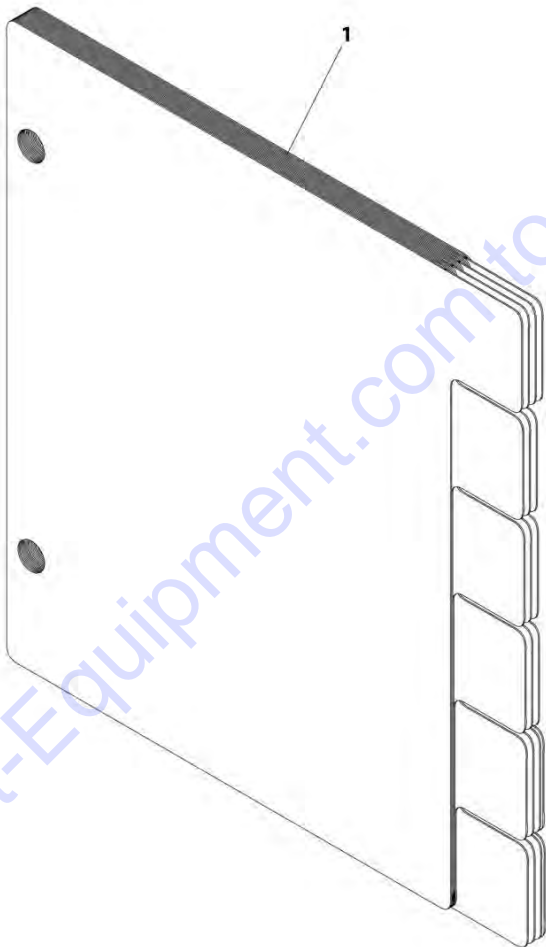
FIGURE 11-3. CAPACITY CHART BOOKLET

ITEM	PART NUMBER	QTY	DESCRIPTION	REV
1	1001226012	1	Capacity Chart Booklet (ANSI) - 742	D

Go to Discount-Equipment.com to order your parts

**SECTION 11 - DECALS**

**FIGURE 11-4. CAPACITY CHART BOOKLET**



Go to Discount-Equipment.com to order your parts

ART\_1001226013-B

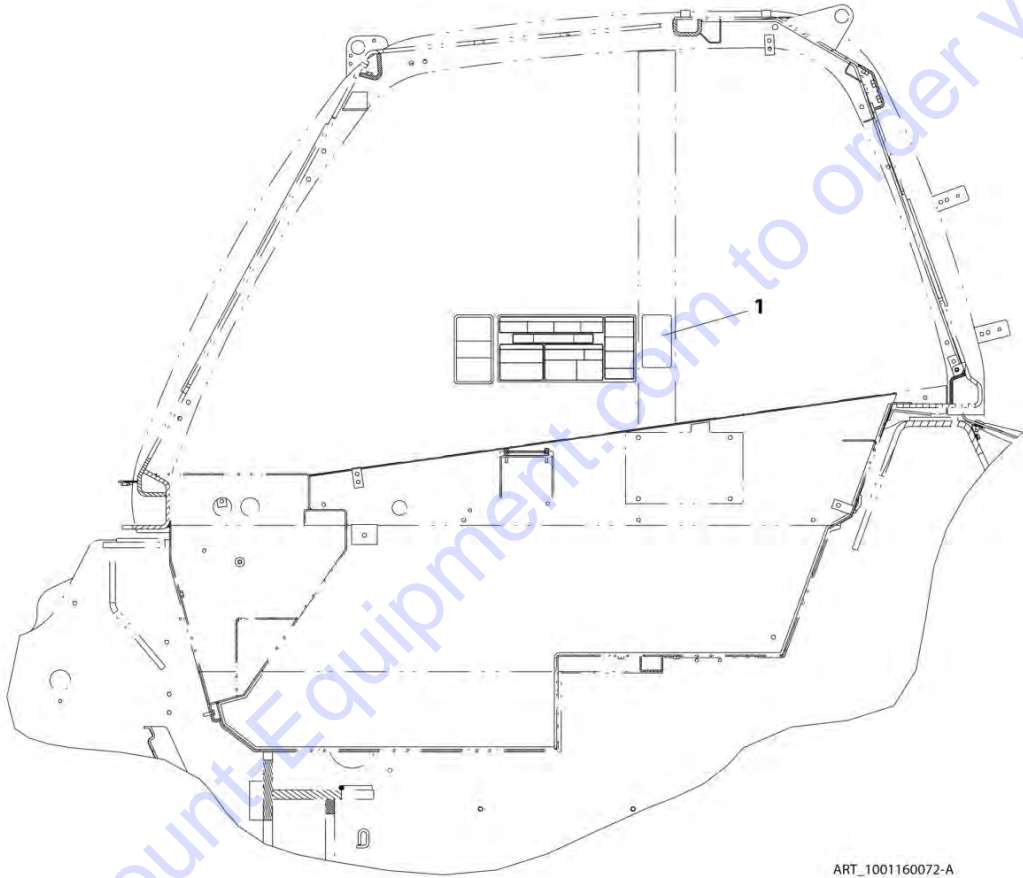
**FIGURE 11-4. CAPACITY CHART BOOKLET**

ITEM	PART NUMBER	QTY	DESCRIPTION	REV
1	1001226013	1	Capacity Chart Booklet (ISO) - 742	B

Go to Discount-Equipment.com to order your parts

**SECTION 11 - DECALS**

**FIGURE 11-5. REVERSE SENSOR SYSTEM DECAL (ENGLISH)**



ART\_1001160072-A

## SECTION 11 - DECALS

FIGURE 11-5. REVERSE SENSOR SYSTEM DECAL (ENGLISH)

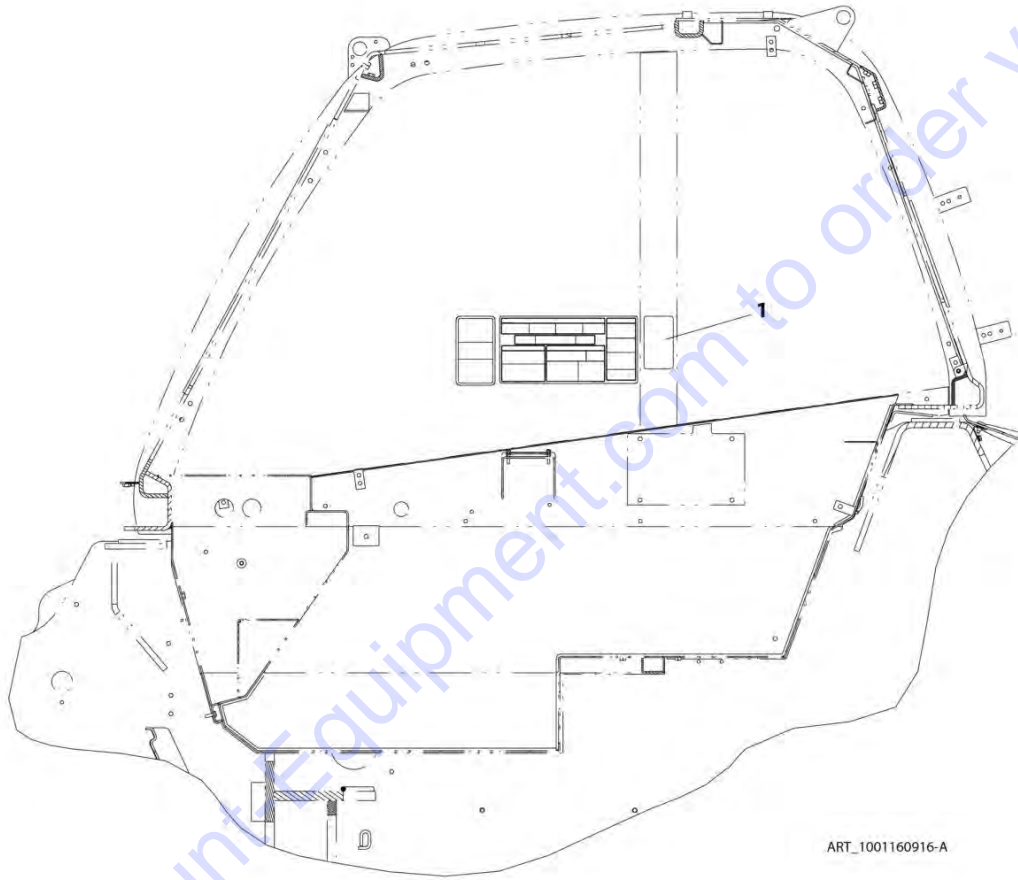
ITEM	PART NUMBER	QTY	DESCRIPTION	REV
1	1001160072	1	Reverse Sensor System Decal (English)	A

Go to Discount-Equipment.com to order your parts



# SECTION 11 - DECALS

## FIGURE 11-6. REVERSE SENSOR SYSTEM DECAL



## SECTION 11 - DECALS

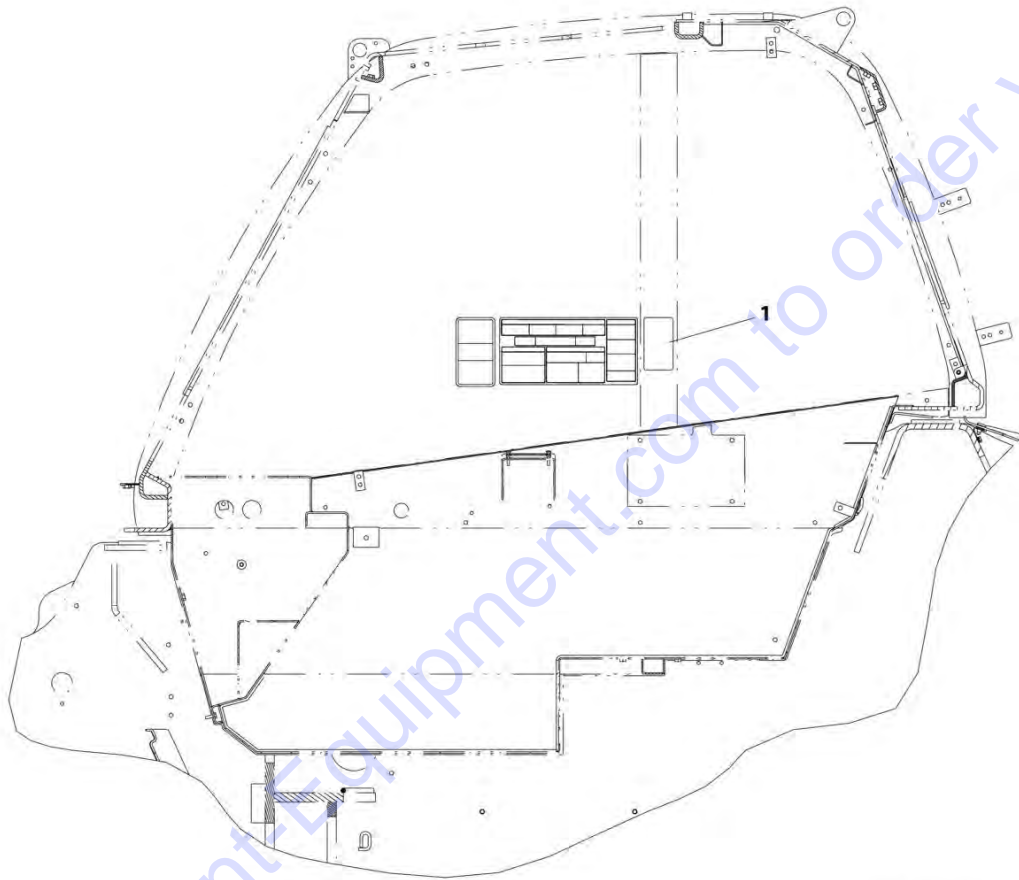
FIGURE 11-6. REVERSE SENSOR SYSTEM DECAL

ITEM	PART NUMBER	QTY	DESCRIPTION	REV
1	1001160916	1	Reverse Sensing System Decal (ISO)	A

Go to Discount-Equipment.com to order your parts

## SECTION 11 - DECALS

FIGURE 11-7. REVERSE SENSING SYSTEM DECAL, (ENGLISH/FRENCH)



ART\_1001160945-A

## SECTION 11 - DECALS

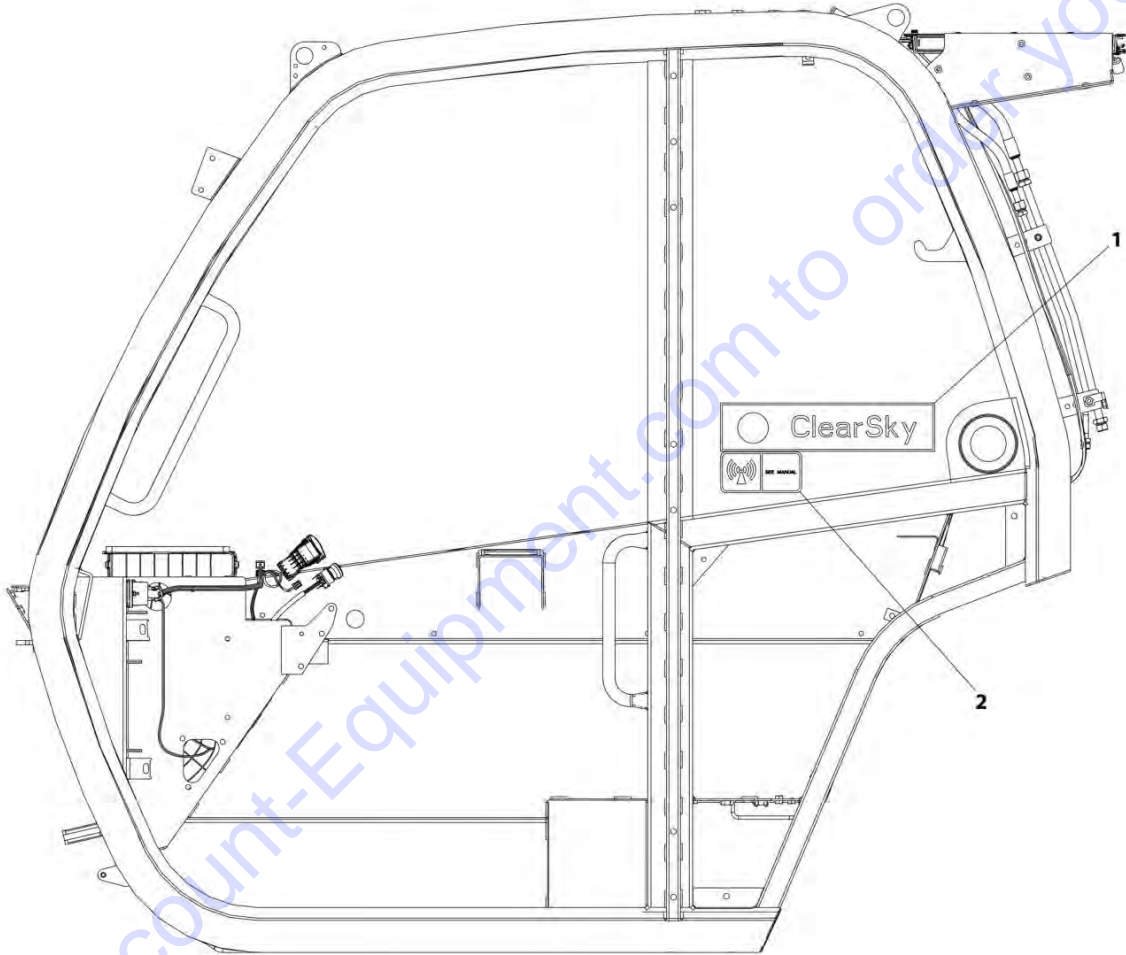
**FIGURE 11-7. REVERSE SENSING SYSTEM DECAL, (ENGLISH/FRENCH)**

ITEM	PART NUMBER	QTY	DESCRIPTION	REV
1	1001160945	1	Reverse Sensing System Decal (ENGLISH/FRENCH)	A

Go to Discount-Equipment.com to order your parts

# SECTION 11 - DECALS

## FIGURE 11-8. CLEARSKY DECAL INSTALLATION



ART\_1001229707-A

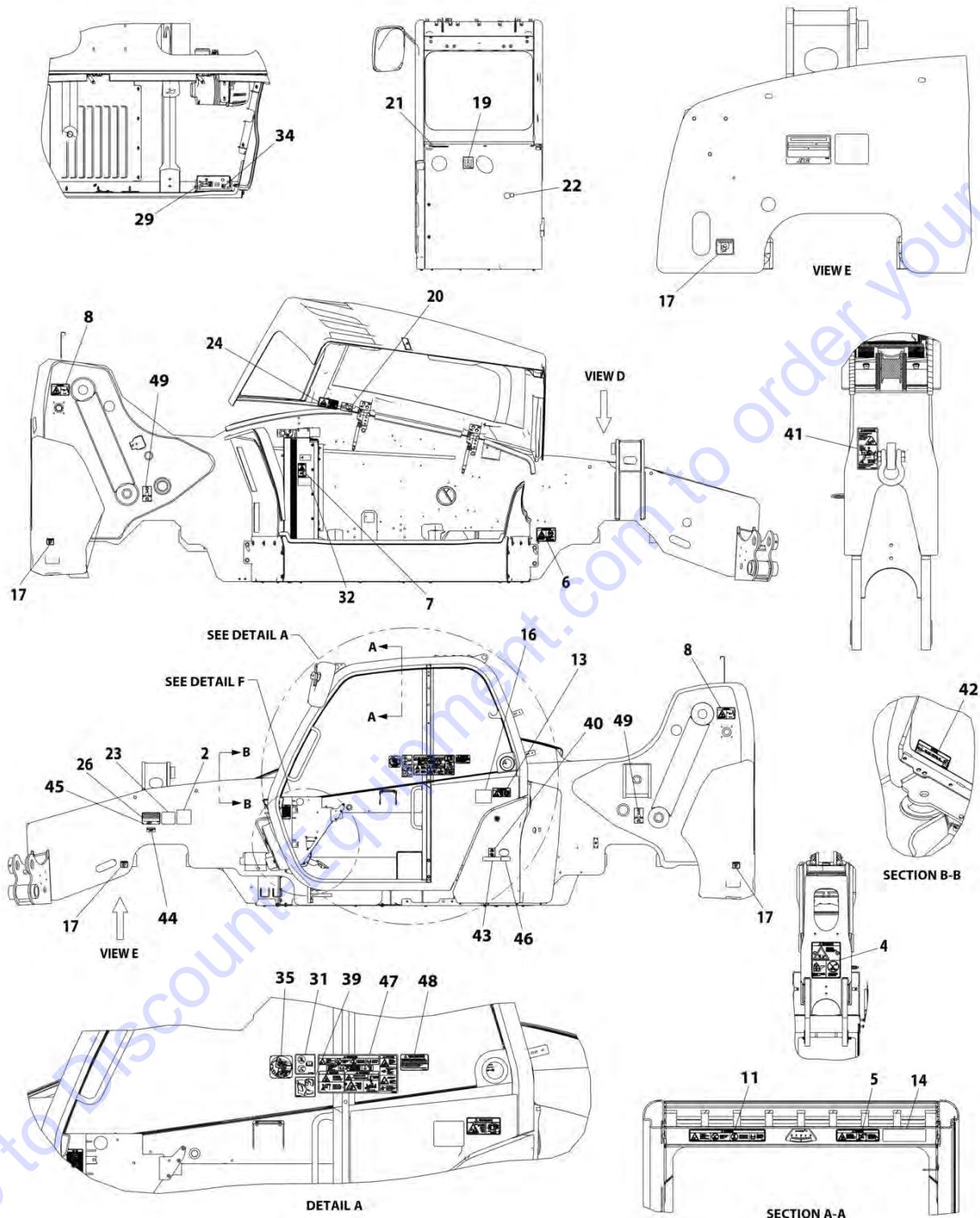
FIGURE 11-8. CLEARSKY DECAL INSTALLATION

ITEM	PART NUMBER	QTY	DESCRIPTION	REV
	1001229707	Ref	Clearsky Decal Installation	A
1	1001116208	1	Clearsky Decal	
2	1001120989	1	Radio Frequency Decal	

Go to Discount-Equipment.com to order your parts

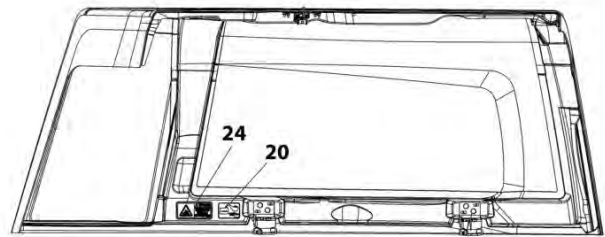
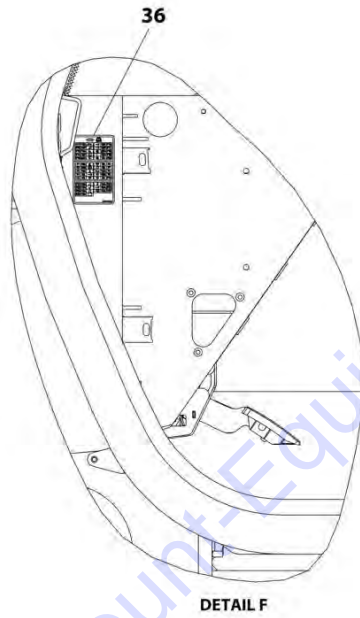
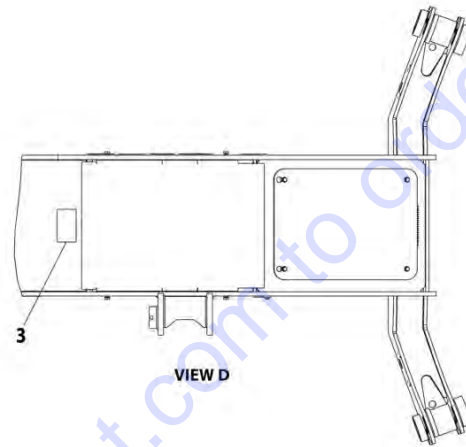
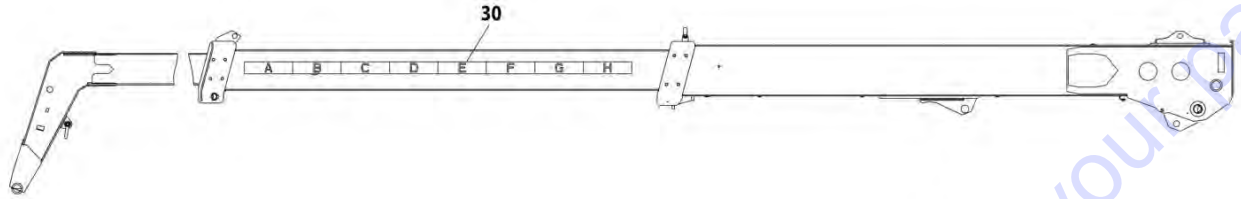
# SECTION 11 - DECALS

## FIGURE 11-9. DECAL INSTALLATION (ANSI) (110 HP)



ART\_1001173429\_1-O

# SECTION 11 - DECALS



ART\_1001173429\_2-O



## SECTION 11 - DECALS

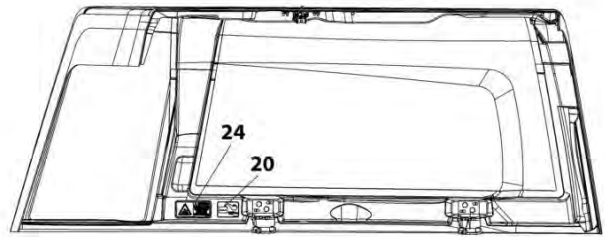
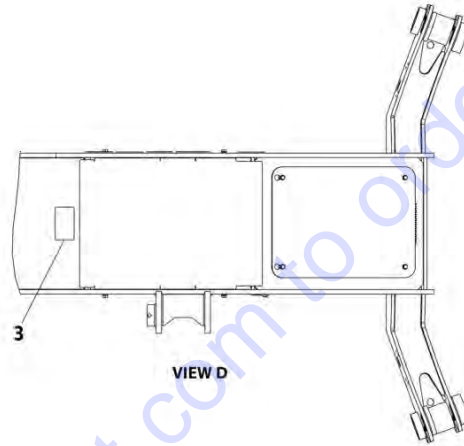
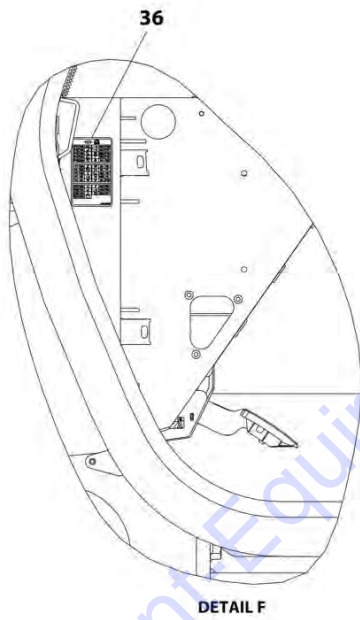
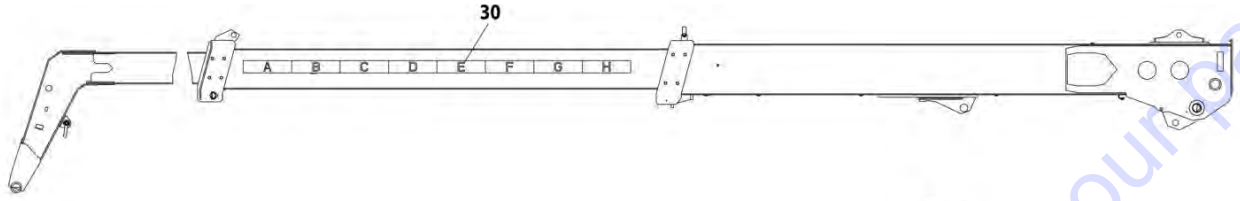
FIGURE 11-9. DECAL INSTALLATION (ANSI) (110 HP)

ITEM	PART NUMBER	QTY	DESCRIPTION	REV
	1001173429	Ref	Decal Installation	0
2	1702631	1	Decal, Bar Code	
3	1706296	1	Decal, Battery Warning	
4	1001195849	1	Decal, Carry Personnel	
5	1706299	1	Decal, Contacting Power Lines Warning	
6	1706300	1	Decal, Ether Warning	
7	1706301	1	Decal, Keep Clear Of Rotating Parts Warning	
8	1706302	2	Decal, Pinch Point Boom Holes	
9	1706303	1	Decal, Read Manual Warning (Not Shown) <b>(SN 0160084796 through 0160086235, Excluding 0160086031)</b>	
10	1706304	1	Decal, Run Over Hazard Warning (Not Shown) <b>(SN 0160084796 through 0160086235, Excluding 0160086031)</b>	
11	1706306	1	Decal, Tip Over Warning	
12	1706767	1	Decal, Machine Roll Away Warning (Not Shown) <b>(SN 0160084796 through 0160086235, Excluding 0160086031)</b>	
13	1706768	1	Decal, Vehicle Roll Away	
14	1706850	1	Decal, Crush Hazard Warning	
15	1706851	1	Decal, Do Not Jump Warning (Not Shown) <b>(SN 0160084796 through 0160086235, Excluding 0160086031)</b>	
16	3251813	1	Decal, USA	
17	4109801	4	Decal, Tie Down Point	
19	1001094708	1	Decal, Hydraulic Oil	
20	1001109053	1	Decal, Coolant Fill	
21	1001218704	1	Decal, Ultra Low Sulfur Diesel	
22	1001130323	1	Decal, Oil Level	
23	1001131271	1	Decal, Patent	
24	1001139578	1	Decal, Hot Fluid Warning	
26	1001229575	1	Decal, Nameplate	
29	1001195855	1	Decal, Battery Disconnect	
30	1001171277	1	Decal, Boom Extend	
31	1001172035	1	Decal, No Weld or Drill	
32	1001173422	1	Decal, MCO 110HP	
34	1001184632	1	Decal, Battery Positive	
35	1001188372	1	Decal, Sway	
36	1001191229	1	Decal, Fuse Panel	
39	1001200101	1	Decal, Manual	
40	1001196806	1	Decal, Diesel Exhaust Fluid	
41	1001207217	1	Decal, Danger Swinging Loads	
42	1001218659	1	Decal, Brake Fluid	
43	1001219212	1	Decal, DEF Fluid	
44	1001223453	1	Decal, ICES	
45	1001009178	4	Decal, Track Metal	
46	1001230310	1	Decal, JLG DEF Tank Service	
47	1707078	1	Decal, Warning/Danger Cab <b>(SN 0160086236 to Present, Including 0160086031)</b>	
48	1001231801	1	Decal, Warning Prop 65 Diesel <b>(SN 0160086236 to Present, Including 0160086031)</b>	
49	1001222650	2	Decal, Axle Lift <b>(SN 0160086236 to Present, Including 0160086031)</b>	





SECTION 11 - DECALS



ART\_1001173431\_2-O

# SECTION 11 - DECALS

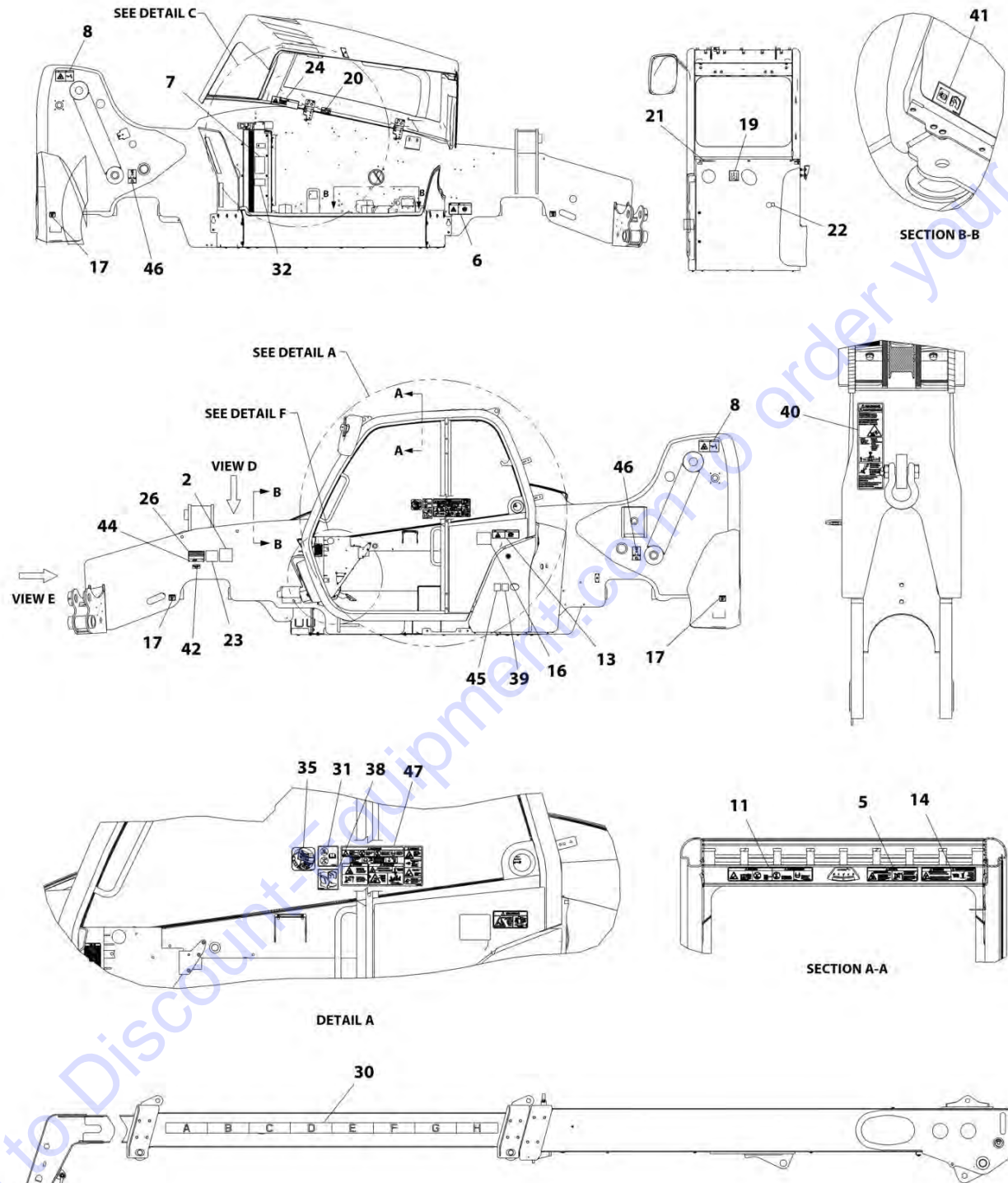
FIGURE 11-10. DECAL INSTALLATION (ISO) (110 HP)

ITEM	PART NUMBER	QTY	DESCRIPTION	REV
	1001173431	1	Decal Installation (ISO)	O
2	1702631	1	Decal, Bar Code	
3	1706281	1	Decal, Battery Warning	
4	1706282	1	Decal, Carry Personnel	
5	1706284	1	Decal, Electrocutation Hazard	
6	1706098	1	Decal, Ether Warning	
7	1706285	1	Decal, Keep Clear of Rotating Parts Warning	
8	1706292	2	Decal, Pinch Point Boom Holes	
9	1706287	1	Decal, Read Manual Warning (Not Shown) <b>(SN 0160084796 through 0160086235, Excluding 0160086031)</b>	
10	1706293	1	Decal, Run Over Hazard Warning (Not Shown) <b>(SN 0160084796 through 0160086235, Excluding 0160086031)</b>	
11	1706288	1	Decal, Tip Over Warning	
12	1706289	1	Decal, Machine Roll Away Warning (Not Shown) <b>(SN 0160084796 through 0160086235, Excluding 0160086031)</b>	
13	1001092878	1	Decal, No Riders	
14	1001092877	1	Decal, Crush Hazard Warning	
15	1706283	1	Decal, Do Not Jump Warning (Not Shown) <b>(SN 0160084796 through 0160086235, Excluding 0160086031)</b>	
16	3251813	1	Decal, USA	
17	4109801	4	Decal, Tie Down Point	
19	1001094708	1	Decal, Hydraulic Oil	
20	1001109053	1	Decal, Coolant Fill	
22	1001130323	1	Decal, Oil Level	
23	1001131271	1	Decal, Patent	
24	1001139942	1	Decal, Hot Fluid Warning	
25	1001143852	1	Decal, EPA (LS)	
26	1001229575	1	Decal, Nameplate	
30	1001171277	1	Decal, Boom Extend	
31	1001172035	1	Decal, No Weld or Drill	
32	1001173422	1	Decal, MCO 110HP	
34	1001184632	1	Decal, Battery Positive	
35	1001188372	1	Decal, Sway	
36	1001191229	1	Decal, Fuse Panel	
39	1001200101	1	Decal, Manual	
41	1001207218	1	Decal, Danger Swinging Loads	
42	1001219211	1	Decal, Brake Fluid	
45	1001009178	4	Decal, Track Metal	
47	1001101895	1	Decal, Warning <b>(SN 0160086236 to Present, Including 0160086031)</b>	
49	1001222650	2	Decal, Axle Lift <b>(SN 0160086236 to Present, Including 0160086031)</b>	



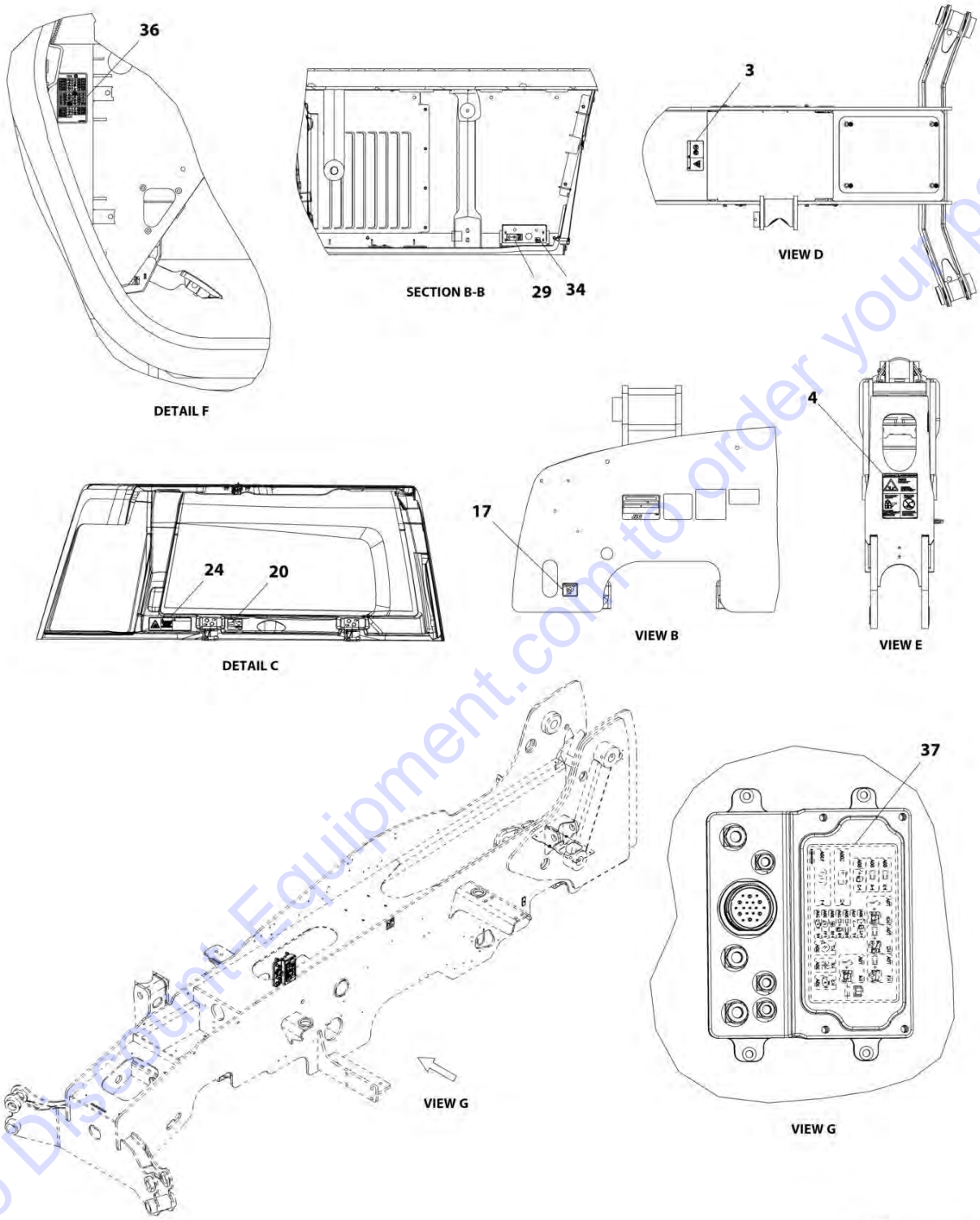
# SECTION 11 - DECALS

## FIGURE 11-11. DECAL INSTALLATION (CSA ENGLISH/FRENCH) (110 HP)



ART\_1001173433\_1-O

# SECTION 11 - DECALS



ART\_1001173433\_2-0



## SECTION 11 - DECALS

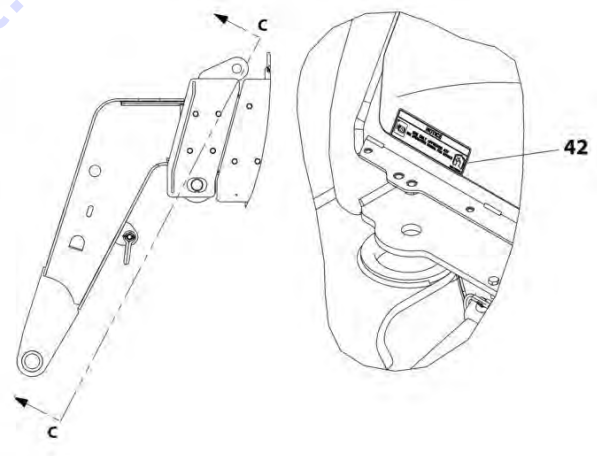
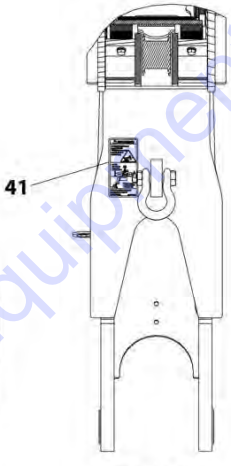
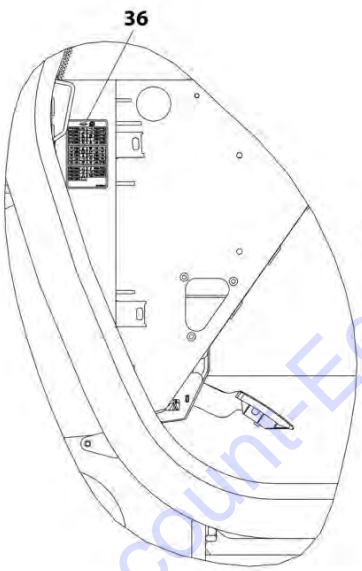
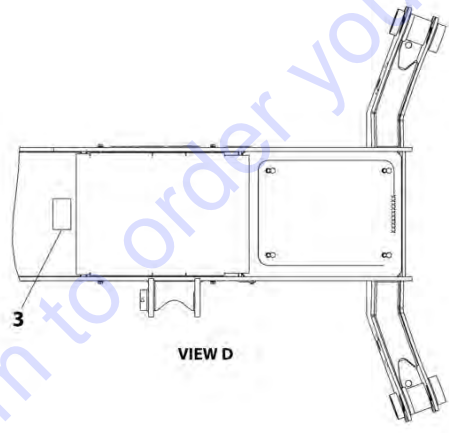
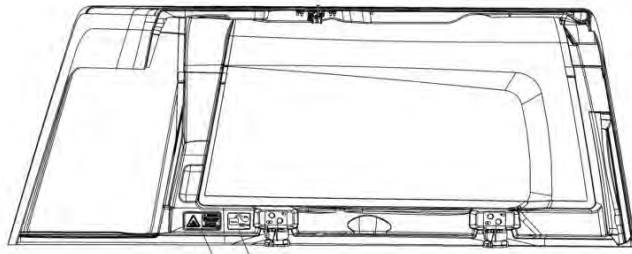
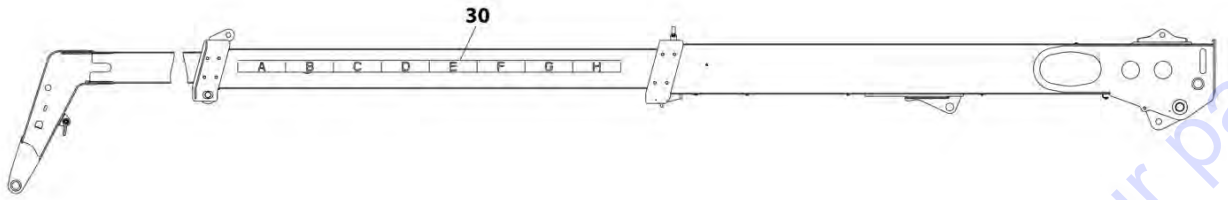
FIGURE 11-11. DECAL INSTALLATION (CSA ENGLISH/FRENCH) (110 HP)

ITEM	PART NUMBER	QTY	DESCRIPTION	REV
	1001173433	Ref	Decal Installation (CSA English/French)	O
2	1702631	1	Decal, Bar Code	
3	1001163174	1	Decal, Battery Warning	
4	1001195851	1	Decal, Carry Personnel	
5	1001163210	1	Decal, Electrocutation Hazard	
6	1001163212	1	Decal, Warning No Either	
7	1001163222	1	Decal, Moving Parts	
8	1001163223	2	Decal, Pinch Point	
9	1001163273	1	Decal, Read Manual (Not Shown) <b>(SN 0160084796 through 0160086235, Excluding 0160086031)</b>	
10	1001163276	1	Decal, Warning Run Over Hazard (Not Shown) <b>(SN 0160084796 through 0160086235, Excluding 0160086031)</b>	
11	1001163285	1	Decal, Warning Tip Over	
12	1001163291	1	Decal, Warning Machine Roll Away (Not Shown) <b>(SN 0160084796 through 0160086235, Excluding 0160086031)</b>	
13	1001163300	1	Decal, No Riders	
14	1001163304	1	Decal, Warning Crushing Hazard	
15	1001163321	1	Decal, Warning Do Not Jump (Not Shown) <b>(SN 0160084796 through 0160086235, Excluding 0160086031)</b>	
16	3251813	1	Decal, USA	
17	4109801	1	Decal, Tie Down Point	
19	1001094708	1	Decal, Hydraulic Oil	
20	1001109053	1	Decal, Coolant Fill	
21	1001163355	1	Decal, Ultra Low Sulfur Diesel	
22	1001130323	1	Decal, Oil Level	
23	1001131271	1	Decal, Patent	
24	1001163323	1	Decal, Warning Hot Fluid	
26	1001229575	1	Decal, Nameplate	
29	1001195855	1	Decal, Battery Disconnect	
30	1001171277	1	Decal, Boom Extend	
31	1001172035	1	Decal, No Weld Or Drill	
32	1001173422	1	Decal, MCO, 130HP	
34	1001184632	1	Decal, Battery Positive	
35	1001188372	1	Decal, Sway	
36	1001191229	1	Decal, Fuse Panel	
37	1001191487	1	Decal, Fuse Panel (Note: Supply with power distribution box)	
38	1001200101	1	Decal, Manual	
39	1001196806	1	Decal, Diesel Exhaust Fluid	
40	1001209625	1	Decal, Danger Swinging Loads	
41	1001219211	1	Decal, Brake Fluid	
42	1001223453	1	Decal, ICES	
44	1001009178	4	Decal, Track Metal	
45	1001230311	1	Decal DEF Tank	
46	1001222650	2	Decal, Axle Lift <b>(SN 0160086236 to Present, Including 0160086031)</b>	
47	1001233558	1	Decal, Warning/Danger Cab <b>(SN 0160086236 to Present, Including 0160086031)</b>	





SECTION 11 - DECALS



ART\_1001227339\_2-G

## SECTION 11 - DECALS

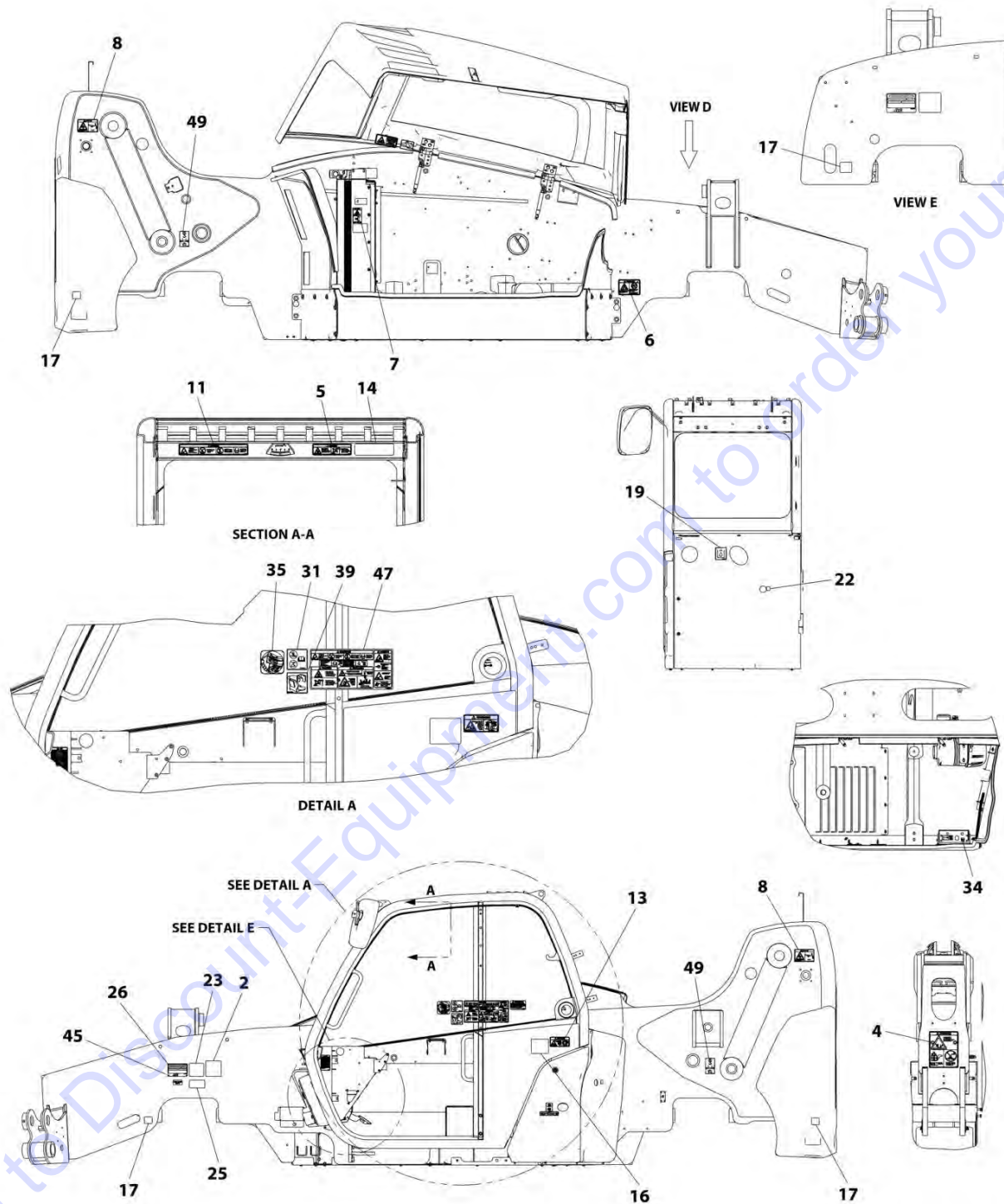
FIGURE 11-12. DECAL INSTALLATION (ANSI) (74 HP)

ITEM	PART NUMBER	QTY	DESCRIPTION	REV
	1001227339	Ref	Decal Installation (ANSI)	G
2	1702631	1	Decal, Bar Code	
3	1706296	1	Decal, Battery Warning	
4	1001195849	1	Decal, Carry Personnel	
5	1706299	1	Decal, Contacting Power Lines Warning	
6	1706300	1	Decal, Ether Warning	
7	1706301	1	Decal, Keep Clear Of Rotating Parts Warning	
8	1706302	2	Decal, Pinch Point Boom Holes	
9	1706303	1	Decal, Read Manual Warning (Not Shown) <b>(SN 0160084796 through 0160086235, Excluding 0160086031)</b>	
10	1706304	1	Decal, Run Over Hazard Warning (Not Shown) <b>(SN 0160084796 through 0160086235, Excluding 0160086031)</b>	
11	1706306	1	Decal, Tip Over Warning	
12	1706767	1	Decal, Machine Roll Away Warning (Not Shown) <b>(SN 0160084796 through 0160086235, Excluding 0160086031)</b>	
13	1706768	1	Decal, Vehicle Roll Away	
14	1706850	1	Decal, Crush Hazard Warning	
15	1706851	1	Decal, Do Not Jump Warning (Not Shown) <b>(SN 0160084796 through 0160086235, Excluding 0160086031)</b>	
16	3251813	1	Decal, USA	
17	4109801	4	Decal, Tie Down Point	
19	1001094708	1	Decal, Hydraulic Oil	
20	1001109053	1	Decal, Coolant Fill	
21	1001218704	1	Decal, Ultra Low Sulfur Diesel	
22	1001130323	1	Decal, Oil Level	
23	1001131271	1	Decal, Patent	
24	1001139578	1	Decal, Hot Fluid Warning	
26	1001229575	1	Decal, Nameplate	
30	1001171277	1	Decal, Boom Extend	
31	1001172035	1	Decal, No Weld or Drill	
32	1001202626	1	Decal, 74HP	
34	1001184632	1	Decal, Battery Positive	
35	1001188372	1	Decal, Sway	
36	1001191229	1	Decal, Fuse Panel	
39	1001200101	1	Decal, Manual	
41	1001207217	1	Decal, Danger Swinging Loads	
42	1001218659	1	Decal, Brake Fluid	
44	1001223453	1	Decal, ICES	
45	1001009178	4	Decal, Track Metal	
47	1707078	1	Decal, Warning/Danger Cab <b>(SN 0160086236 to Present, Including 0160086031)</b>	
48	1001231801	1	Decal, Warning Prop 65 Diesel <b>(SN 0160086236 to Present, Including 0160086031)</b>	
49	1001222650	2	Decal, Axle Lift <b>(SN 0160086236 to Present, Including 0160086031)</b>	



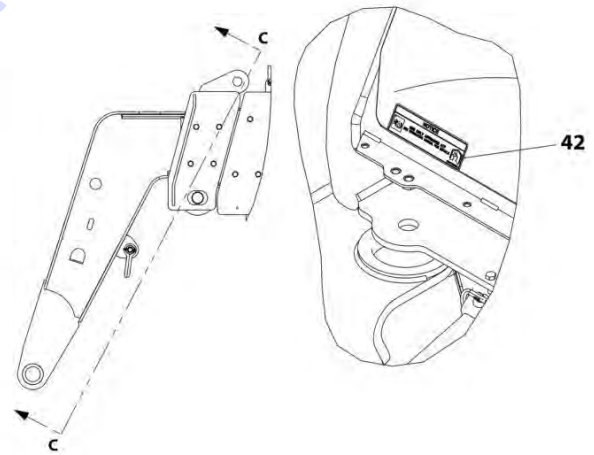
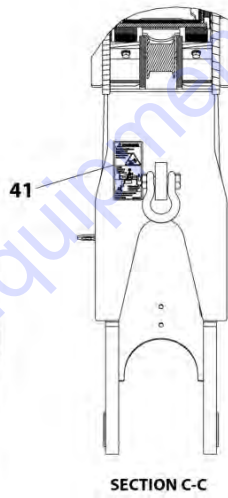
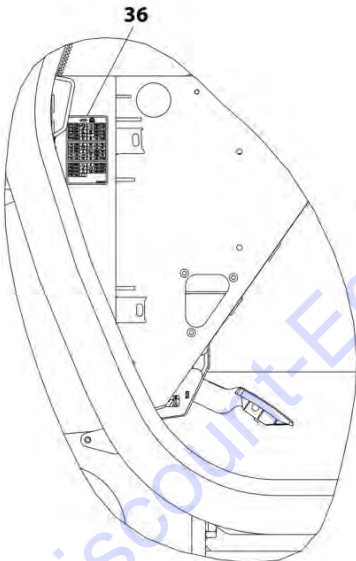
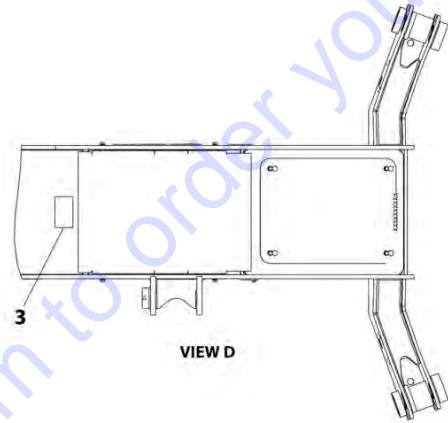
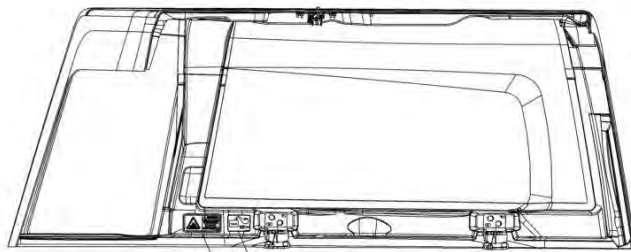
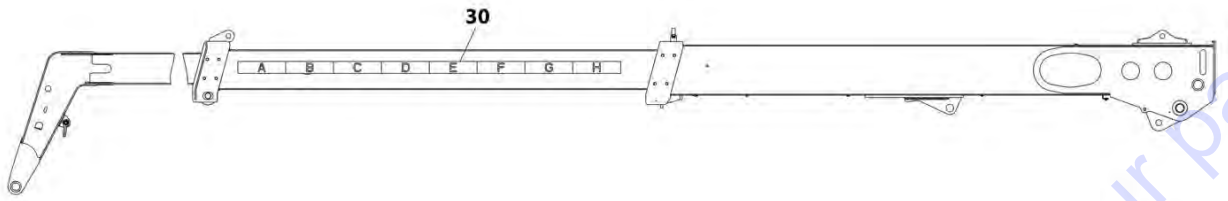
# SECTION 11 - DECALS

## FIGURE 11-13. DECAL INSTALLATION (ISO) (74 HP)



ART\_1001227340\_1-E

# SECTION 11 - DECALS



ART\_1001227340\_2-E



## SECTION 11 - DECALS

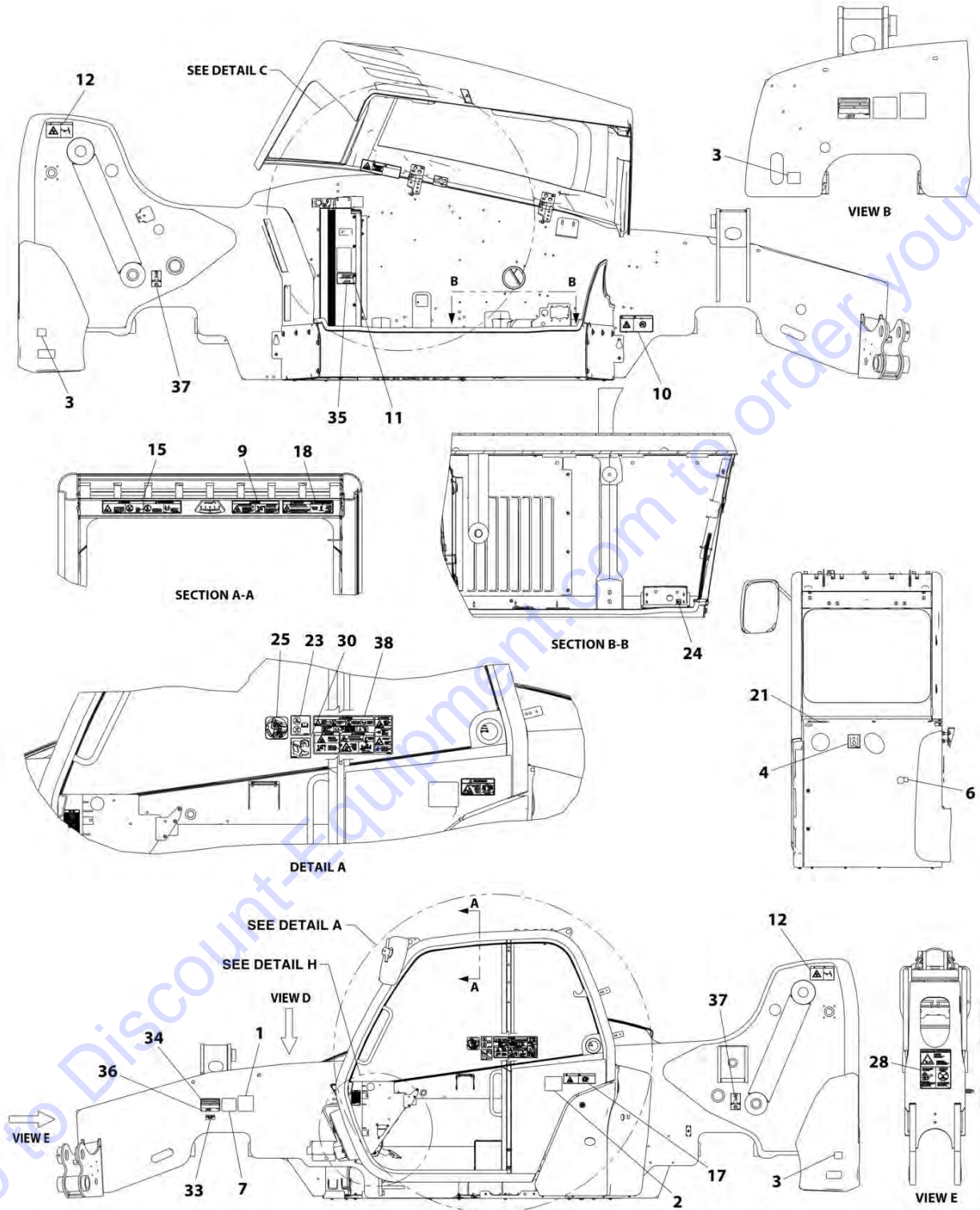
FIGURE 11-13. DECAL INSTALLATION (ISO) (74 HP)

ITEM	PART NUMBER	QTY	DESCRIPTION	REV
	1001227340	Ref	Decal Installation (ISO)	E
2	1702631	1	Decal, Bar Code	
3	1706281	1	Decal, Battery Warning	
4	1706282	1	Decal, Carry Personnel	
5	1706284	1	Decal, Electrocutation Hazard	
6	1706098	1	Decal, Ether Warning	
7	1706285	1	Decal, Keep Clear of Rotating Parts Warning	
8	1706292	2	Decal, Pinch Point Boom Holes	
9	1706287	1	Decal, Read Manual Warning (Not Shown) <b>(SN 0160084796 through 0160086235, Excluding 0160086031)</b>	
10	1706293	1	Decal, Run Over Hazard Warning (Not Shown) <b>(SN 0160084796 through 0160086235, Excluding 0160086031)</b>	
11	1706288	1	Decal, Tip Over Warning	
12	1706289	1	Decal, Machine Roll Away Warning (Not Shown) <b>(SN 0160084796 through 0160086235, Excluding 0160086031)</b>	
13	1001092878	1	Decal, No Riders	
14	1001092877	1	Decal, Crush Hazard Warning	
15	1706283	1	Decal, Do Not Jump Warning (Not Shown) <b>(SN 0160084796 through 0160086235, Excluding 0160086031)</b>	
16	3251813	1	Decal, USA	
17	4109801	4	Decal, Tie Down Point	
19	1001094708	1	Decal, Hydraulic Oil	
20	1001109053	1	Decal, Coolant Fill	
22	1001130323	1	Decal, Oil Level	
23	1001131271	1	Decal, Patent	
24	1001139942	1	Decal, Hot Fluid Warning	
25	1001143852	1	Decal, EPA (LS)	
26	1001229575	1	Decal, Nameplate	
30	1001171277	1	Decal, Boom Extend	
31	1001172035	1	Decal, No Weld or Drill	
34	1001184632	1	Decal, Battery Positive	
35	1001188372	1	Decal, Sway	
36	1001191229	1	Decal, Fuse Panel	
39	1001200101	1	Decal, Manual	
41	1001207218	1	Decal, Danger Swinging Loads	
42	1001219211	1	Decal, Brake Fluid	
45	1001009178	4	Decal, Track Metal	
47	1001101895	1	Decal, Warning <b>(SN 0160086236 to Present, Including 0160086031)</b>	
49	1001222650	2	Decal, Axle Lift <b>(SN 0160086236 to Present, Including 0160086031)</b>	



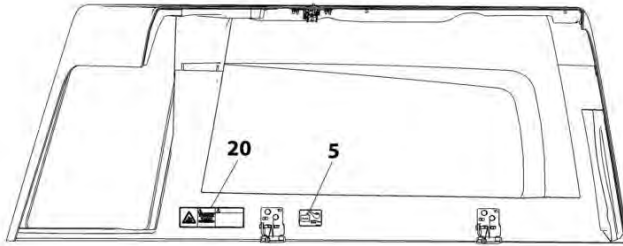
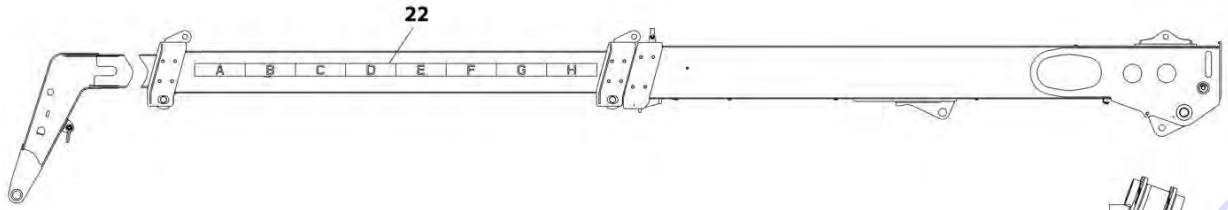
# SECTION 11 - DECALS

## FIGURE 11-14. DECAL INSTALLATION (CSA ENGLISH/FRENCH) (74 HP)

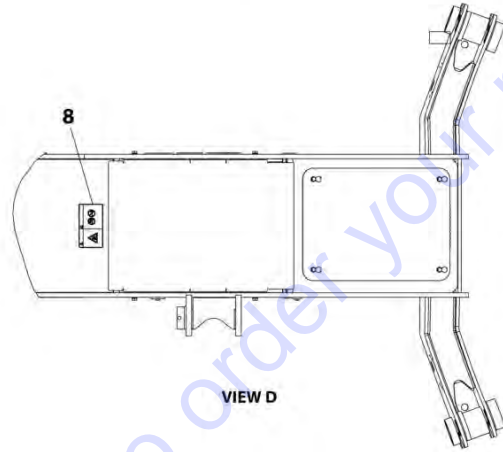


ART\_1001227528\_1-F

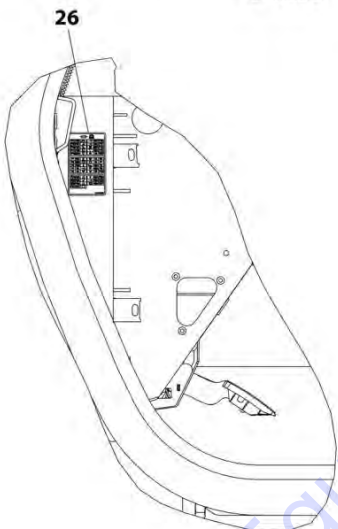
# SECTION 11 - DECALS



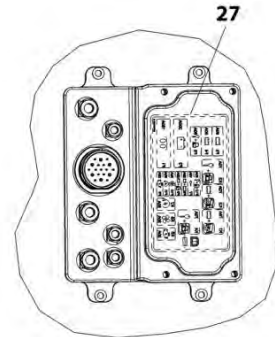
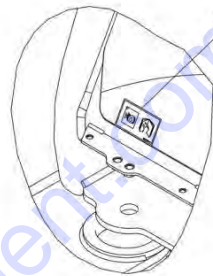
DETAIL C



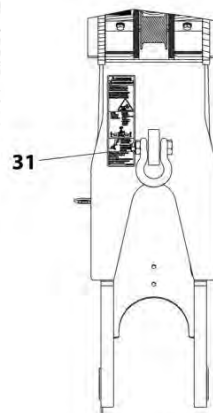
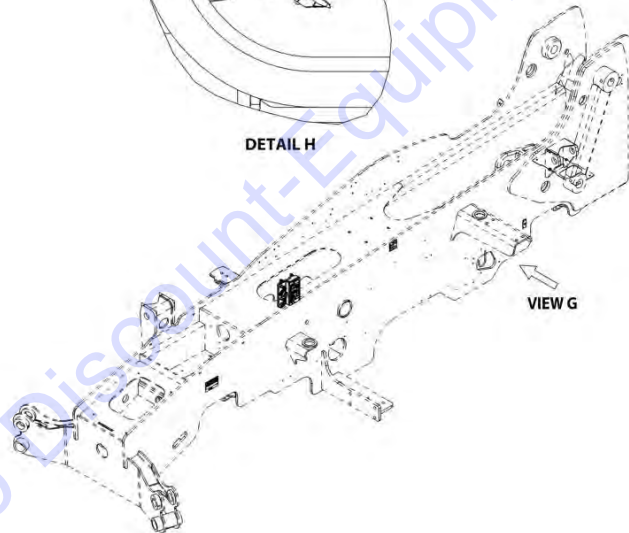
VIEW D



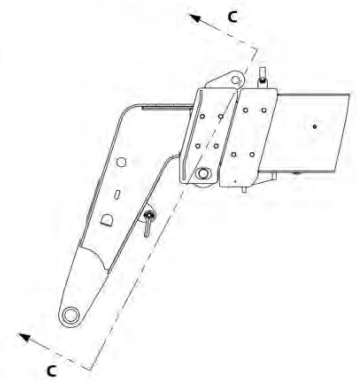
DETAIL H



VIEW G



SECTION C-C



ART\_1001227528\_2-F

## SECTION 11 - DECALS

FIGURE 11-14. DECAL INSTALLATION (CSA ENGLISH/FRENCH) (74 HP)

ITEM	PART NUMBER	QTY	DESCRIPTION	REV
	1001227528	Ref	Decal Installation (CSA English/French)	F
1	1702631	1	Decal, Bar Code	
2	3251813	1	Decal, USA	
3	4109801	4	Decal, Tie Down Point	
4	1001094708	1	Decal, Hydraulic Oil	
5	1001109053	1	Decal, Coolant Fill	
6	1001130323	1	Decal, Oil Level	
7	1001131271	1	Decal, Patent	
8	1001163174	1	Decal, Battery Warning	
9	1001163210	1	Decal, Electrocutation Hazard	
10	1001163212	1	Decal, Warning No Either	
11	1001163222	1	Decal, Moving Parts	
12	1001163223	2	Decal, Pinch Point	
13	1001163273	1	Decal, Read Manual (Not Shown) <b>(SN 0160084796 through 0160086235, Excluding 0160086031)</b>	
14	1001163276	1	Decal, Warning Run Over Hazard (Not Shown) <b>(SN 0160084796 through 0160086235, Excluding 0160086031)</b>	
15	1001163285	1	Decal, Warning Tip Over	
16	1001163291	1	Decal, Warning Machine Roll Away (Not Shown) <b>(SN 0160084796 through 0160086235, Excluding 0160086031)</b>	
17	1001163300	1	Decal, No Riders	
18	1001163304	1	Decal, Warning Crushing Hazard	
19	1001163321	1	Decal, Warning Do Not Jump (Not Shown) <b>(SN 0160084796 through 0160086235, Excluding 0160086031)</b>	
20	1001163323	1	Decal, Warning Hot Fluid	
21	1001163355	1	Decal, Ultra Low Sulfur Diesel	
22	1001171277	1	Decal, Boom Extend	
23	1001172035	1	Decal, No Weld or Drill	
24	1001184632	1	Decal, Battery Positive	
25	1001188372	1	Decal, Sway	
26	1001191229	1	Decal, Fuse Panel	
27	1001191487	1	Decal, Fuse Panel (Note: Supply with power distribution box)	
28	1001195851	1	Decal, Carry Personnel	
30	1001200101	1	Decal, Manual	
31	1001209625	1	Decal, Danger Swinging Loads	
32	1001219211	1	Decal, Brake Fluid	
33	1001223453	1	Decal, ICES	
34	N.S.S.	1	SN Plate	
35	1001202626	1	Decal, 74HP	
36	1001009178	4	Decal, Track Metal	
37	1001222650	2	Decal, Axle Lift <b>(SN 0160086236 to Present, Including 0160086031)</b>	
38	1001233558	1	Decal, Warning/Danger Cab <b>(SN 0160086236 to Present, Including 0160086031)</b>	

**SECTION 12 - RECOMMENDED SPARE PARTS**

**SECTION 12 - RECOMMENDED SPARE PARTS**

Go to Discount-Equipment.com to order your parts

## SECTION 12 - RECOMMENDED SPARE PARTS

FIGURE 12-1. RECOMMENDED SPARE PARTS

ITEM	PART NUMBER	QTY	DESCRIPTION	REV
		Ref	<b>Frame and Attaching Parts</b>	
	1001194978	1	Cap, Locking Fuel	
		Ref	<b>Boom</b>	
	1001163034	AR	Plate, Spacer	
	1001163038	AR	Plate, Spacer	
	1001165367	AR	Plate, Spacer	
	1001163112	AR	Plate, Spacer	
	1001163108	AR	Plate, Spacer	
	1001165171	AR	Pad, Wear	
	1001165172	AR	Pad, Wear	
	1001162469	AR	Pad, Wear	
	1001163029	AR	Pad, Wear	
	1001165173	AR	Pad, Wear	
	1001189793	AR	Shim	
		Ref	<b>Engine and Attaching Parts</b>	
	70026453	1	Cartridge, Fuel Filter (ULS)	
	70026233	1	Filter, Primary Fuel	
	70026234	1	Element, Fuel Filter	
	70026227	1	Starter	
	70026229	1	Fan Belt, V-Ribbed	
	70026242	1	Dipstick	
	70026237	1	Filter, Oil	
	70025852	1	Filter, Air Cylindrical Primary (ULS)	
	70025853	1	Filter, Air Cylindrical Secondary (ULS)	
	70025850	1	Filter, Cylindrical Air Primary (LS)	
	70025851	1	Filter, Cylindrical Air Secondary (LS)	
	70026584	1	Filter, DEF	
	1001208643	1	Kit, Filter, 250 Hour	
	70026237	1	Filter, Oil	
	70026234	1	Element, Fuel Filter	
	70026453	1	Cartridge, Fuel Filter	
	70025852	1	Filter, Cylindrical Air Primary	
	70025853	1	Filter, Cylindrical Air Secondary	
	1001208644	1	Kit, Filter, 1000 Hour	
	70026237	1	Filter, Oil	
	70026234	1	Element, Fuel Filter	
	70026453	1	Cartridge, Fuel Filter	
	70025852	1	Filter, Cylindrical Air Primary	
	70025853	1	Filter, Cylindrical Air Secondary	
	1001162663	1	Element, Filter	
	1001162662	1	Breather, Filter	
	1319726	1	Filter, Transmission	
		Ref	<b>Drivetrain</b>	
	1319726	1	Filter, Transmission Oil	
	1001163698	1	Switch, FNR 4 Speed	
		Ref	<b>Cab</b>	
	1001172546	NLA	Filter, HVAC Air (no longer available, use 1001218996 for replacement)	
	1001218996	1	Filter, HVAC Fresh Air	

## SECTION 12 - RECOMMENDED SPARE PARTS

ITEM	PART NUMBER	QTY	DESCRIPTION	REV
	1001172553	1	Filter, HVAC Recirculation Air	
	1001141281	1	Blade, Front Wiper	
	4807718	1	Blade, Rear Wiper	
	1001141313	1	Blade, Roof Wiper	
		Ref	<b>Hydraulic Components</b>	
	1001197918	1	Kit, Seal, Lift Cylinder	
	1001197801	1	Kit, Seal, Tilt Cylinder	
	70026639	1	Kit, Seal, Compensation Cylinder	
	70026253	1	Kit, Seal, Frame Level Cylinder	
	1001168668	1	Kit, Seal, Extend/Retract Cylinder	
	70026253	1	Kit, Seal, Rear Axle Stability Cylinder	
	70026309	1	Kit, Seal, Outrigger Cylinder	
	70026062	1	Kit, Seal, Side Tilt Cylinder	
	1001194981	1	Cap, Hydraulic	
	1001162660	1	Filter, Hydraulic	
		Ref	<b>Electrical</b>	
	0400075	2	Battery, 12V	
	70022765	1	Key, Ignition	

Go to Discount-Equipment.com to order your parts





**PART NUMBER INDEX**

Go to [Discount-Equipment.com](http://Discount-Equipment.com) to order your parts

# PART NUMBER INDEX

0100011.....743, 749	0711630.....173	1001001557.....719	1001096162.....153, 155, 157, 159
01043892.....269, 271	0711631.....73, 83	1001001568.....721	1001096365.....521
0400075...855, 857, 1061	0711635.....75	1001002946.....521	1001097053.....391, 393
0440321.....723	0712020.....493	1001002947.....521	1001097110.....117
0498748.....519	0712022.....493	1001002953.....521	1001097205.....149
0641404.....47	0712027.....491	1001002957.....521	1001097540.....27, 29, 31
0641405.....159	0712030...289, 291, 295, 297	1001003043.....511	1001097586.....511
0641407.....47	0712042.....33	1001003227.....21	1001097588.....215, 217
0641510.....163	0712439.....689, 699	1001003301.....801	1001097810.....651, 653
0641812.....648	0741408.....47	1001003427.....243	1001098153.....787
0642032.....95, 97, 99	0760405.....837, 843	1001003590.....699	1001098762.....867
0700408.....893	0760507.....243	1001004640.....607, 609	1001098769.....87
0700610...27, 29, 31, 51, 237, 256, 260, 573, 817, 833, 835, 871, 873, 875, 901, 903, 905, 907	0760512.....581	1001005368.....517	1001099170.....507
0700614.....163	0760605...215, 519, 597	1001005960.....1021	1001099351.....145
0700616.....648, 681, 915	0760606.....27, 29, 31	1001007056.....725	1001099901.....139
0700618.....847, 877	0760607...253, 260, 269, 271, 519, 679, 837, 843	1001008540.....833, 835	1001099902.....137
0700812.....483	0760608....89, 201, 251, 537, 581, 593, 597, 607, 609, 833, 835	1001008559....256, 260, 817, 821, 823, 825, 827, 829, 831, 843	1001099976.....459, 463
0700814...27, 29, 31, 227, 667, 801, 833, 835	0760615....69, 644, 648, 839	1001008755.....39	1001100266.....133
0700815....251, 644, 648	0760807....55, 237, 837, 847	1001008857.....521	1001100284.....459
0700816....189, 191, 225, 644, 648, 663, 665, 849	0760808...535, 573, 575, 837, 843, 847, 919, 921	1001008923.....913, 915	1001100323.....457, 459
0700817.....713	076081021, 57, 193, 545, 551, 561, 575, 583, 585, 597, 644, 648, 693, 901	1001008988.....519	1001100822.....131
0700818.....757, 817	0760812...231, 241, 263, 479, 481, 521, 655, 661, 893	1001008999.....21	1001100823.....133
0700819....655, 839, 849	0760815....19, 229, 521, 651, 653, 713, 817	1001009163....391, 393, 801	1001100824.....135
0700820....583, 585, 587, 661, 817	0760817.....699	1001009178..1038, 1042, 1046, 1050, 1054, 1058	1001100828.....997
0700823.....701, 703	0760823.....37, 245	1001009996.....81, 717	1001100829.....997
0700824....607, 609, 667	0761007...827, 829, 831, 837, 847	1001009343....563, 565, 581	1001100967.....143
0700826.....251	0761008.....727	1001009573.....919	1001101458.....45
0700827.....239, 241	0761010..21, 23, 25, 195, 215, 217, 229, 231, 233, 391, 393, 485, 644, 648, 817, 827, 829, 831, 833, 835, 847, 899	1001009715.....899	1001101808.....873
0701014...19, 21, 43, 229, 648	0761012...193, 195, 207, 209, 265, 607, 609, 717	1001009716.....899	1001101867.....55, 67
0701016...27, 29, 31, 229, 231, 669, 715, 717, 821, 833	0761210...207, 253, 821, 823, 825	1001009951.....77	1001101895...1042, 1054
0701017.....233, 263	0761212.....717	10010092391.....121	1001102502.....879, 881
0701018....193, 195, 207, 209, 231	0761214....39, 45, 81, 85	10010092481.....153	1001102813.....159, 163
0701020.....39, 207, 209	0761215.....37, 639, 641	10010092482.....153	1001103012.....962
0701027.....181, 187	0761218....207, 209, 681	10010092877..1042, 1054	1001103156.....727
0701215.....185	0770814.....601	10010092878..1042, 1054	1001103182.....101, 797
0701216....173, 183, 733	0771210.....55, 57, 209	10010093171.....149	1001103564.....917
0701220.....173	0771212.....55, 57	10010093564.....867	1001103637.....153
0701224.....89	0781016.....185	10010094134.....125	1001103730.....155
0701226.....599	0781208.....723	10010094136.....125	1001103736.....157
0701227.....55, 173	0791605.....225	10010094708..1038, 1042, 1046, 1050, 1054, 1058	1001104477.....721, 793
0711015.....391, 393	0860520.....159	10010095336.....819	1001104498.....932, 936
0711027.....689, 699	0861493.....1005	10010095396.....705, 707	1001104519.....965
0711214.....53, 57	1001001240.....719	10010095418.....101	1001104654.....879, 881
0711215.....53, 55, 89	1001001241.....719	10010095650..45, 47, 511, 517	1001104685.....237
0711216.....53, 55, 57	1001001556.....719	10010095738.....439	1001105441.....91
0711217.....53, 55, 57		10010095744.....439	1001105886.....869
0711218....53, 55, 57, 89		10010095804....879, 881	1001107192.....519
0711219.....57		10010095810.....159	1001107854.....931, 932, 935, 936
0711224.....55		10010096019.....157	1001109053..1038, 1042, 1046, 1050, 1054, 1058
0711225.....55		10010096020.....157	1001110704.....101
0711226.....55		10010096021.....155	1001111076.....593
0711227.....75		10010096023.....155	1001111147.....593
0711228.....73		10010096024.....157	1001111190.....101
0711626.....173		10010096025.....155	1001111317.....503, 509
0711629.....173			1001112612.....941, 949, 957, 961
			1001112796.....959, 981
			1001112902....27, 29, 31
			1001114495.....219, 221
			1001114803.....207, 209
			1001116208.....1035
			1001116696.....971
			1001116697.....962

## PART NUMBER INDEX

1001116698 ..... 962	1001125137..... 743, 749, 751, 765	1001150610..... 940, 949	1001160503 ..... 583, 585
1001116700 ..... 965	1001125677..... 949	1001150611 ..... 926, 927	1001160506 ..... 587
1001116716 ..... 965	1001126008..... 989, 1009	1001152742..... 945	1001160508 ..... 495, 497, 535
1001116723 ..... 961, 962, 965, 966, 975	1001126391..... 945	1001152908..... 553, 555	1001160509 ..... 926, 932, 936
1001116725 ..... 941	1001126393..... 945	1001152915..... 509	1001160510 ..... 926, 932, 936
1001116727 ..... 931, 935	1001126487..... 940	1001152934..... 509	1001160599 ..... 607, 783
1001116728 ..... 917, 931, 935	1001126837..... 727	1001152947..... 503, 509	1001160711 ..... 857
1001116729 ..... 1017	1001128127..... 926, 927	1001153748..... 697, 785	1001160735 ..... 35
1001116731 ..... 1003	1001128144..... 225	1001153749..... 995	1001160775 ..... 1023
1001116732 ..... 949	1001128341..... 225	1001154365..... 501, 509	1001160888 ..... 173
1001116745 ..... 1017	1001128478..... 391, 393, 801	1001154419..... 509	1001160916 ..... 1031
1001116747 ..... 966	1001128478..... 391, 393, 801	1001154511 ..... 167, 175	1001160927 ..... 855, 857, 867
1001116748 ..... 941, 949, 950	1001128594..... 175, 177, 179	1001154721 ..... 499, 503	1001160928 ..... 867
1001116749 ..... 941, 950	1001128714..... 231	1001154790..... 171, 179	1001160945 ..... 1033
1001116754 ..... 961	1001128890..... 147	1001154984..... 495	1001161055 ..... 55
1001116763 ..... 931, 935	1001128901..... 231	1001155020..... 570	1001161069 ..... 567
1001116774 ..... 989, 1009	1001128901..... 231	1001155261 ..... 229	1001161095 ..... 962
1001116808 ..... 989, 1009	1001129407..... 1013	1001155446..... 489, 491	1001161097 ..... 926, 932, 936
1001116810 ..... 926	1001129407..... 1013	1001155447 ..... 497, 561	1001161098 ..... 926, 962
1001116811 ..... 940, 949	1001130220..... 27, 29, 31, 871	1001155486..... 565	1001161099 ..... 926, 932, 936, 962
1001116812 ..... 926, 932, 936, 945, 963, 975, 989, 1003, 1009	1001130323.. 1038, 1042, 1046, 1050, 1054, 1058	1001155540..... 207, 209	1001161100 ..... 926, 932, 936, 962, 963
1001116815 ..... 975, 989, 1009	1001131177..... 847	1001155796..... 573	1001161101 ..... 926, 932, 936, 962, 963
1001116950 ..... 927, 942, 950	1001131271.. 1038, 1042, 1046, 1050, 1054, 1058	1001155800..... 573	1001161304 ..... 695, 697
1001116986 ..... 966	1001132168..... 23, 25	1001155806..... 959	1001161308 ..... 671, 733
1001116991 ..... 961, 965	1001133534..... 185	1001156265..... 607, 609	1001161344 ..... 657
1001116996 ..... 971	1001134274..... 727	1001157481..... 517	1001161346 ..... 657, 661
1001116997 ..... 966	1001136975..... 256, 260	1001157487..... 517	1001161499 ..... 495, 497, 603
1001116999 ..... 965	1001137512..... 127	1001157663..... 239, 241	1001161527 ..... 657, 661
1001117064 ..... 961	1001137578..... 945, 946	1001157890..... 965, 1009	1001161528 ..... 655, 657, 659, 661
1001117073 ..... 941, 950	1001138348..... 219, 221	1001157891..... 957	1001161535 ..... 648
1001117079 ..... 965	1001139375..... 293, 299	1001157972..... 791	1001161538 ..... 503
1001117081 ..... 961, 962, 965, 975	1001139551..... 565	1001158146..... 879	1001161664 ..... 167, 171, 391
1001117121 ..... 962	1001139552..... 563	1001158620..... 769, 771	1001161672 ..... 607, 609
1001117125 ..... 940, 949	1001139568..... 517	1001159028..... 603, 605	1001161733 ..... 607
1001117308 ..... 833, 835	1001139578.. 1038, 1050	1001159347 ..... 207, 209, 211	1001161769 ..... 877, 983
1001118323 ..... 928	1001139942.. 1042, 1054	1001159734..... 899	1001161770 ..... 891, 985
1001118378 ..... 1009	1001141246..... 521	1001159735..... 563	1001161771 ..... 887, 977
1001118383 ..... 962	1001141281..... 561, 1061	1001159736..... 565	1001161854 ..... 570
1001118384 ..... 961, 962, 965, 966, 973, 975	1001141311..... 565	1001159738..... 919, 921	1001161855 ..... 570
1001118392 ..... 971	1001141312..... 563	1001159739..... 909, 911	1001161858 ..... 551, 553
10011184495 ..... 953	1001141313..... 565, 1061	1001159745..... 705, 707	1001161896 ..... 607, 609
1001118684 ..... 961	1001141400..... 256, 260	1001159746..... 851	1001161897 ..... 607, 609
1001118685 ..... 962	100114142790..... 103	1001159753..... 879, 881	1001161898 ..... 607, 609
1001120163 ..... 725, 795	1001142790..... 103	1001159845..... 901, 903, 905, 907	1001161920 ..... 219, 221
1001120963 ..... 457	1001143200..... 505, 533	1001159846..... 901, 903, 905, 907	1001161957 ..... 926, 932, 936
1001120989 ..... 1035	1001143551..... 1009	1001159849..... 879, 881	1001161959 ..... 962
1001121101 ..... 465	1001143692..... 91	1001159881 ..... 229	1001161963 ..... 926, 932, 936
1001121519 ..... 465	1001143852.. 1042, 1054	1001159882 ..... 229	1001161972 ..... 648
1001121726 ..... 931, 935	1001143857..... 657, 661	1001159925..... 551	1001161976 ..... 648
1001121727 ..... 1017	1001144147..... 940, 949, 989, 1003, 1009	1001160043..... 551	1001161978 ..... 644, 648
1001121955 ..... 225	1001144629J..... 159	1001160072..... 1029	1001162069 ..... 651, 653
1001122453 ..... 743, 745	1001145707..... 949	1001160116..... 173	1001162076 ..... 739, 741, 757
1001125027 ..... 940, 949	1001146021..... 932, 936	1001160253..... 19	1001162212 ..... 205
1001125083 ..... 941	1001146160..... 147	1001160255..... 43	
1001125085 ..... 941	1001146588..... 256, 260, 591, 823, 827, 829, 831, 839, 849, 877, 891, 899	1001160396..... 171	
1001125089 ..... 941	1001147060..... 871	1001160397..... 207	
1001125117 ... 53, 55, 57, 89, 717	1001147340..... 655, 657, 659, 661	1001160402..... 209	
	1001147449..... 570	1001160420..... 227	
	1001149160..... 27, 29, 31	1001160426..... 239	
	1001149278..... 570	1001160496..... 585	
		1001160498..... 962	
		1001160500..... 926, 932, 936	
		1001160502..... 962	

# PART NUMBER INDEX

1001162239.....19, 21	1001163245..... 207, 215	1001165173 ..... 55, 1060	1001167552.....765
1001162240J.....21	1001163246..... 207, 219	1001165194 ..... 945	1001167555.....765
1001162249.....877	1001163247..... 207, 209, 223	1001165269 ..... 581	1001167557.....765
1001162253.....817	1001163248..... 209, 217	1001165270 ..... 581	1001167576.....765
1001162256.....817	1001163249..... 209, 221	1001165275 ..... 521	1001167608.....913, 915, 917
1001162281.....229, 231, 233	1001163253..... 229, 253	1001165276 ..... 527	1001167620.....945
1001162339.....713	1001163254..... 239, 241, 265	1001165309 ..... 927	1001167624.....945
1001162343.....713	1001163273.. 1046, 1058	1001165310 ..... 927	1001167641.....940, 949
1001162344.....713	1001163276.. 1046, 1058	1001165311 ..... 932, 936	1001167643.....940
1001162346.....713	1001163285.. 1046, 1058	1001165351 ..... 581	1001167646.....837, 847
1001162469.....1060	1001163291.. 1046, 1058	1001165360 ..... 899, 969	1001167647.....940
1001162548.....735, 807	1001163300.. 1046, 1058	1001165367 .. 53, 55, 57, 1060	1001167648.....940, 949
1001162597.....229	1001163304.. 1046, 1058	1001165407 ..... 581	1001167649.....940, 949
1001162660.....801, 1061	1001163321.. 1046, 1058	1001165416 ..... 581	1001167650.....940, 949
1001162662.....801, 1060	1001163322.. 1046, 1058	1001165455 ..... 581	1001167656.....940
1001162663.....1060	1001163323.. 1046, 1058	1001165458 ..... 581	1001167657.....940
1001162670.....629, 633, 641	1001163340.....961	1001165590 ..... 61	1001167695.....853, 959
1001162674.....641, 687	1001163355.. 1046, 1058	1001165637 ..... 561	1001167727.....749
1001162686.....761, 763, 765	1001163371..... 891, 965	1001165699 ..... 877	1001167761.....79, 81, 83
1001162707.....607	1001163372..... 887, 975	1001165739 ..... 61	1001167762.....79, 81, 85
1001162765.....801	1001163414.....773	1001165827 ..... 875	1001167799.....853
1001162789.....497, 581	1001163546.....229	1001165833 ..... 289, 305	1001167806.....87
1001162886.....961	1001163637.....225	1001165834 ..... 295	1001167822.....901
1001162887.....961	1001163639.....883	1001166091 ..... 555, 557	1001167823.....905
1001162920.....597	1001163695.....621	1001166092 ..... 555, 557	1001167937.....525
1001162922.....597	1001163698..... 879, 881, 1060	1001166163 ..... 59	1001167958.....519, 525
1001162959.....691, 789	1001163704.....57	1001166223 ..... 733, 735	1001167971.....253
1001162979.....607	1001163712.....57	1001166233 ..... 59	1001168030.....207, 209
1001163029..55, 57, 1060	1001163723.....213	1001166235 ..... 59	1001168031.....893
1001163034.....53, 55, 57, 1060	1001163746..... 685, 779	1001166385 ..... 593	1001168142.....607, 609
1001163038.....53, 1060	1001163746..... 685, 779	1001166397 ..... 817	1001168151.....607, 609
1001163067.....39, 801	1001163841.....61	1001166416 ..... 219, 221	1001168264.....479, 481
1001163072.....713	1001164019.....47	1001166430 ..... 215, 217	1001168272.....245
1001163073.....713	1001164036..... 739, 741, 769	1001166449 ..... 189, 191	1001168464.....679, 693
1001163082.....207, 209, 213	1001164039.....61	1001166450 ..... 189	1001168465.....635, 637, 679
1001163108.....55, 1060	1001164183.....47	1001166451 ..... 191	1001168468.....629, 633, 653
1001163112.....1060	1001164402..... 817, 819	1001166565 ..... 195, 199	1001168482.....727
1001163127.....835	1001164404.....229	1001166566 ..... 193, 197	1001168529.....279, 289
1001163133.....235	1001164498.....545	1001166634 ..... 521, 527	1001168530.....275, 279
1001163134.....237	1001164567.....91	1001166698 ..... 23	1001168536.....283, 295
1001163136.....53, 55	1001164615.....545	1001166703 ..... 945	1001168537.....275, 283
1001163151.....593	1001164652.....535	1001166704 ..... 940, 945	1001168538.....275
1001163170.....593	1001164655.....535	1001166716 ..... 195	1001168539.....275
1001163174...1046, 1058	1001164726.....519	1001166727 ..... 1017	1001168560.....229
1001163210...1046, 1058	1001164837.....229	1001166754 ..... 491	1001168561.....55
1001163212...1046, 1058	1001164838.....229	1001166755 ..... 491	1001168574.....51, 55
1001163222...1046, 1058	1001164838.....229	1001166763 ..... 891	1001168575.....55
1001163223...1046, 1058	1001164860.....723	1001166764 ..... 887	1001168587.....55
1001163227.....167, 169, 171, 173	1001164870.....717	1001166765 ..... 673, 777	1001168589.....57
1001163230.....167, 171, 181	1001164871.....83	1001166925 ..... 219	1001168599.....757
1001163231.....167, 169, 256	1001164881.....85	1001166993 ..... 219	1001168634.....71
1001163232.....167, 205	1001164884.....79, 81	1001167001 ..... 617	1001168638.....229, 245
1001163233.....167, 847	1001164885.....79, 81	1001167015 ..... 567	1001168656.....51
1001163235.....167, 169, 183	1001164948..... 715, 717	1001167017 ..... 893	1001168668.....765, 1061
1001163238.....171, 191	1001164964.....247	1001167051 ..... 811, 813, 815, 817	1001168671.....765
1001163239.....171, 195	1001164966.....245, 247	1001167078 ..... 207, 209, 225	1001168735.....51, 57
1001163241.....171, 260	1001164967.....247, 249	1001167167 ..... 229	1001168736.....57
1001163242.....171, 843	1001164971.....689	1001167168 ..... 229	1001168755.....57, 69
	1001164972.....689, 699	1001167186 ..... 227	1001168757.....69
	1001165022.....529	1001167281 ..... 801	1001168760.....27, 29, 31
	1001165022J.....527	1001167357 ..... 239, 241	1001168761.....27, 29, 31
	1001165080.....501, 519	1001167437 ..... 693	1001168763.....689
	1001165171...53, 55, 57, 1060	1001167528 ..... 945	1001168771.....189
	1001165172...53, 55, 57, 1060	1001167549 ..... 765	1001168795.....173
			1001168797.....173

## PART NUMBER INDEX

1001168822 ..... 205	1001170138..... 745	1001171889.....489	1001173543 ..... 63
1001168834 ..... 19, 23	1001170171..... 391, 393, 395	1001171890.....489, 493	1001173544 ..... 63
1001168861 ..... 739	1001170215..... 821	1001171898.....493	1001173546 ..... 207, 209
1001168963 ..... 51, 53	1001170231.....597	1001171903.....493	1001173571 ..... 553
1001168964J ..... 53	1001170320..... 821, 823, 825	1001171962.....893	1001173618 ..... 811, 827
1001168987 ..... 53	1001170326.....541	1001172035..1038, 1042, 1046, 1050, 1054, 1058	1001173622 ..... 811
1001169009 ..... 167	1001170366..... 495, 497, 537	1001172075.....723	1001173626 ..... 229, 233
1001169011 ..... 167, 169, 189	1001170374..... 505	1001172077.....723	1001173702 ..... 693, 695
1001169012 ..... 167, 169, 193	1001170495..... 499, 505	1001172078.....723	1001173765 ..... 813, 815, 833
1001169050 ..... 749, 751	1001170500..... 501, 511	1001172088.....597	1001173849 ..... 879
1001169087 ..... 679, 691	1001170502..... 511, 517	1001172094.....597	1001173956 ..... 713
1001169146 ..... 817	1001170504.....570	1001172134.....81, 723	1001173957 ..... 713
1001169155 ..... 189, 191	1001170515.....545	1001172146.....39	1001173965 ..... 570
1001169173 ..... 207, 209	1001170518.....570	1001172147.....39	1001174271 ..... 229, 251
1001169174 ..... 207, 209	1001170549..... 713	1001172160.....27	1001174295 ..... 519, 531
1001169207 ..... 223	1001170561..... 681, 683	1001172178.....243	1001174320 ..... 509
1001169209 ..... 69	1001170566..... 827, 829, 831	1001172193.....503, 509, 527	1001174321 ..... 521
1001169214 ..... 69	1001170601J..... 519	1001172370..... 635, 681	1001174338 ..... 644, 648
1001169265 ..... 21	1001170603..... 501, 533	1001172401..... 495, 497, 543	1001174356 ..... 207, 209
1001169268 ..... 615	1001170616.....303	1001172495.....867	1001174426 ..... 851, 955
1001169278 ..... 51, 59	1001170624..... 829	1001172496.....867	1001174712 ..... 885
1001169279 ..... 59	1001170628..... 79	1001172536.....895	1001174726 ..... 63
1001169326 ..... 51, 61	1001170631..... 81	1001172546.....1060	1001174741 ..... 573
1001169327 ..... 61	1001170645..... 27, 29, 31	1001172547.....551	1001174795 ..... 247, 249
1001169346 ..... 635, 667	1001170711..... 89	1001172550.....551	1001174796 ..... 919, 921
1001169348 ..... 275, 277, 287	1001170717.....567	1001172551.....553, 559	1001174800 ..... 573
1001169349 ..... 667, 673	1001170740..... 821	1001172553.....551, 1061	1001174801 ..... 573
1001169351 ..... 287, 303	1001170741..... 821	1001172591.....219, 221	1001174832 ..... 221
1001169354 ..... 611, 613	1001170749..... 821	1001172643.....31	1001174932 ..... 909, 913
1001169355 ..... 613	1001170816..... 821, 823, 825	1001172728.....955, 957	1001175057 ..... 644
1001169365 ..... 829	1001170944..... 521	1001172755.....256, 260	1001175201 ..... 245
1001169367 ..... 613	1001170993..... 539	1001172774.....583	1001175226 ..... 509
1001169375 ..... 663, 665	1001171037.....529	1001172836.....287, 301	1001175265 ..... 931, 935, 949
1001169376 ..... 663, 665	1001171097..... 639, 685	1001172953.....215	1001175267 ..... 926, 932, 936
1001169378 ..... 663, 665	1001171153..... 35, 37	1001172995.....89	1001175269 ..... 181
1001169393 ..... 223	1001171154..... 35, 39	1001172997.....89	1001175347 ..... 644, 648
1001169409 ..... 205	1001171162..... 919	1001172999.....89	1001175470 ..... 541
1001169410 ..... 205	1001171179..... 39	1001173091..... 827, 945	1001175471 ..... 537, 539
1001169454 ..... 37	1001171182.....517	1001173092..... 899, 971	1001175477 ..... 519
1001169461 ..... 39	1001171183.....517	1001173111.....71, 73	1001175485 ..... 89
1001169602 ..... 37	1001171208..... 627, 631, 644	1001173113.....73	1001175486 ..... 89
1001169603 ..... 570	1001171209..... 627, 631, 651	1001173114.....71, 75	1001175676 ..... 705, 707, 923
1001169604 ..... 570	1001171242..... 479	1001173115.....75	1001175694 ..... 648
1001169605 ..... 570	1001171277.. 1038, 1042, 1046, 1050, 1054, 1058	1001173116.....75	1001175696 ..... 648
1001169674 ..... 1023	1001171363..... 229	1001173117.....71, 77	1001175696 ..... 648
1001169751 ..... 611	1001171451..... 51	1001173118.....77	1001175697 ..... 648
1001169763 ..... 615	1001171634.....529	1001173257.....587	1001175699 ..... 644, 648
1001169825 ..... 835	1001171701.....229	1001173298.....519	1001175703 ..... 653
1001169830 ..... 644, 648, 655, 657, 659, 661	1001171756.....581	1001173411.....965	1001175704 ..... 651, 653
1001169850 ..... 233	1001171764.....79, 91	1001173419.....497	1001175718 ..... 665
1001169867 ..... 243	1001171767.....539	1001173422..1038, 1042, 1046	1001175733 ..... 1015
1001169881 ..... 519, 527	1001171772..... 27, 29, 31	1001173429.....1038	1001175740 ..... 705, 707
1001169883 ..... 529	1001171808..... 87	1001173431.....1042	1001175776 ..... 895, 1015
1001169885 ..... 529	1001171860.....279, 281, 293	1001173433.....1046	1001175903 ..... 570
1001169910 ..... 627, 631, 635	1001171863..... 283, 285, 299	1001173446.....644, 648	1001175933 ..... 627, 659
1001169915 ..... 627, 631, 639	1001171874.....597	1001173450.....648	1001175934 ..... 655, 659
1001169965 ..... 207, 209	1001171885..... 19	1001173451.....644, 648	1001175997 ..... 644
1001170071 ..... 37		1001173452.....207, 209	1001176004 ..... 945
1001170072 ..... 37		1001173457.....207, 209	1001176043 ..... 644
1001170100 ..... 629, 633, 665		1001173470.....51, 713	1001176121 ..... 537, 541
		1001173527.....923, 1017	1001176124 ..... 644
		1001173531.....811, 821	1001176139 ..... 644
		1001173542.....51, 63	1001176145 ..... 651
			1001176150 ..... 651

# PART NUMBER INDEX

1001176164.....563	1001182545.....689	1001187076.....927, 932, 936	1001191091.....531
1001176228.....171	1001182671.....619	1001187077.....945	1001191168.....251
1001176272.....505, 533	1001182903.....699	1001187078...989, 1003, 1009	1001191229..1038, 1042, 1046, 1050, 1054, 1058
1001176273.....505, 533	1001182908.....689, 699	1001187079.....926, 927, 941, 950, 1009	1001191348.....233
1001176333.....975	1001182910.....699	1001187080.....926, 941, 950	1001191486.....847
1001176338.....889	1001183177.....193	1001187081....989, 1003	1001191487...1046, 1058
1001176515.....141	1001183221.....957	1001187532.....851	1001191503.....723
1001176529.....685	1001183243.....733	1001187623.....825	1001191505.....723
1001176548.....644	1001183759.....229	1001187624.....825	1001191603.....43
1001176626.....505, 533	1001183827.....201	1001187785.....59	1001191617.....570
1001176935.....940, 945	1001183829.....201	1001187850.....659	1001191635.....43
1001176945.....229	1001183830.....193	1001187872.....644	1001192042.....651, 653
1001177248.....644, 648	1001183831.....195	1001188246.....53	1001192098.....649
1001177256.....655, 657, 659, 661	1001183835.....193, 195, 201	1001188281.....651	1001192142.....833, 835
1001177273.....644, 648	1001183836.....229	1001188372.1038, 1042, 1046, 1050, 1054, 1058	1001192302.....815
1001177597.....941	1001183888.....901	1001188438.....659	1001192304.....815, 831
1001177653J.....33	1001183890.....901	1001188439.....659	1001192309.....519
1001177704.....644, 648	1001184017.....265	1001188577.....555, 557	1001192341.....699
1001178123.....581	1001184056.....699, 727	1001188578.....555, 557	1001192393.....873
1001178706.....1021	1001184076.....21	1001188590.....551	1001192394.....875
1001178729.....485	1001184275.....555, 557	1001188594.....555, 557	1001192435.....705, 707
1001178783.....889	1001184278.....555, 557	1001188602.....555, 557	1001192468.....839, 849
1001178791.....245	1001184294.....555, 557	1001188603.....555, 557	1001192471.....839, 849
1001178826.....579	1001184295.....555, 557	1001188604.....555, 557	1001192643.....523
1001178933.....877	1001184296.....555, 557	1001188610.....555, 557	1001192644.....525
1001179008.....513, 515, 579	1001184297.....555, 557	1001188612.....555, 557	1001192646.....519
1001179009.....513, 515, 579	1001184306.....559	1001188614.....555, 557	1001192711.....163
1001179206.....229, 233	1001184307.....559	1001188637.....665	1001192720.....163
1001179297.....1021	1001184310.....559	1001188720.....555, 557	1001192755.....523
1001179369.....757, 759	1001184418.....655, 659	1001188725.....555, 557	1001192766.....519, 523
1001179376.....221	1001184439.....519	1001188729.....555, 557	1001192836.....485
1001179968.....233, 263	1001184484.....727	1001188733.....555, 557	1001192875.....163
1001179972.....233	1001184491.....953	1001188787.....727	1001192876.....163
1001179973.....263	1001184493.....953	1001188971.....644, 649	1001192877.....163
1001180076.....171, 185	1001184494.....953	1001189025.....555, 557	1001193026.....239, 241
1001180078.....185	1001184496.....953	1001189046.....847	1001193171.....815, 825
1001180226.....263	1001184632.1038, 1042, 1046, 1050, 1054, 1058	1001189217.....715, 717	1001193210.....527
1001180227.....263	1001184714.....739, 741, 747	1001189299.....717	1001193525.....163
1001180242.....171, 839	1001184835.....837, 847, 953	1001189308.....717	1001193540.....163
1001180263.....583, 587	1001184841.....962	1001189310.....719	1001193577.....89
1001180306.....644, 648	1001184975.....570	1001189492.....55	1001193729.....163
1001180542.....215, 217	1001185179.....570	1001189603.....715	1001193771.....663, 665
1001180553.....215, 217	1001185278.....193	1001189604.....717	1001193993.....833, 835
1001180682.....889	1001185357.....651	1001189607.....719	1001194282.....609
1001180683.....889	1001185497.....189	1001189793.55, 57, 1060	1001194286.....167, 169, 849
1001181128.....833, 835	1001185498.....191	1001189888.....749, 751	1001194534.....195
1001181411.....517	1001185505.....189	1001189980.....559	1001194978.....41, 1060
1001181531.....879, 881	1001185633.....575	1001189995.....627, 631, 663	1001194981.....801, 1061
1001181543.....617	1001185846.....575	1001190179.....859	1001195082.....163
1001181573.....887, 979	1001186225.....391, 393	1001190187.....55	1001195089.....839, 849
1001181625.....215, 217	1001186342.....256, 260	1001190322.....941, 950	1001195217.....665
1001181815.....233	1001186418.....648	1001190585.....821	1001195518.....173
1001181920.....505, 533	1001186565.....901, 905	1001190589.....570	1001195781.....941
1001181921.....505, 533	1001186567.....901, 905	1001190670.....859, 861, 863, 867	1001195782.....941
1001181961.....855, 857	1001186705.....265	1001190671.....859, 861, 863, 869	1001195849...1038, 1050
1001182011.....215, 217	1001186843.....644, 649	1001190881.....705, 707	1001195851...1046, 1058
1001182012.....215, 217	1001186859.....51	1001190921.....940	1001195855...1038, 1046
1001182083.....909	1001186898.....193, 195	1001190980.....260	1001195878.....503, 509
1001182094.....183	1001186912.....655, 659		1001195883.....921
1001182123.....505, 533	1001187070.....940, 941, 949		1001195970.....129
1001182139.....505, 533	1001187075.....926		1001196076.....545
1001182279.....687, 781			1001196100.....899
1001182328.....575			1001196289.....897, 981
1001182506.....648			1001196354.....253
			1001196404.....21

## PART NUMBER INDEX

1001196421 ..... 253	1001202132..... 591, 973	1001204488..... 27, 29, 31	1001212369 ..... 561
1001196422 ..... 21	1001202133..... 591	1001204528..... 903	1001212470 ..... 879, 881
1001196426J ..... 21	1001202134..... 589	1001204530..... 903	1001213126J ..... 21
1001196440 ..... 253, 260	1001202138..... 589	1001204709..... 579	1001213199J ..... 477
1001196451 ..... 877, 961	1001202247..... 203	1001205172..... 941	1001213210 ..... 267
1001196491 ..... 265	1001202454..... 881	1001205254..... 823, 825	1001213331 ..... 521
1001196608 ..... 735	1001202487..... 203	1001205255..... 825	1001213791 ..... 519
1001196665 ..... 169, 177	1001202491..... 203	1001205336..... 73	1001213988 ..... 877, 987
1001196806 .. 1038, 1046	1001202498..... 865	1001205402..... 507	1001214092 ..... 561
1001196929 ..... 89	1001202512..... 479, 481	1001205532..... 519, 521	1001214156 ..... 573
1001196931 ..... 89	1001202513..... 479	1001205756..... 655, 657, 659, 661	1001214220 ..... 597
1001197027 ..... 545, 547	1001202519..... 897	1001205786..... 597	1001214326 ..... 495, 497, 507
1001197137 ..... 597, 599	1001202526..... 205	1001206019..... 183	1001214331 ..... 495, 499
1001197139 ..... 597, 601	1001202617..... 897	1001206332..... 241	1001214332 ..... 497, 501
1001197182 ..... 717, 721	1001202620..... 893	1001206448..... 241	1001214480 ..... 607, 609
1001197209 ..... 749	1001202621..... 893	1001206588..... 256, 260	1001214481 ..... 607, 609
1001197210 ..... 749	1001202622..... 893	1001206746..... 31	1001214535 ..... 575
1001197217 ..... 577	1001202626... 1050, 1058	1001206980..... 203	1001215319 ..... 247, 249
1001197218 ..... 577	1001202786..... 479, 481	1001207171 ..... 941	1001215476 ..... 203
1001197219 ..... 577	1001202847..... 644, 649	1001207217... 1038, 1050	1001215531 ..... 521
1001197259 ..... 577	1001202904..... 161	1001207218... 1042, 1054	1001215630 ..... 1005
1001197282 ..... 883	1001202962..... 655, 657, 659, 661	1001207282..... 243	1001215631 ..... 1005
1001197299 ..... 256, 260	1001202986..... 256, 260, 827, 829, 831, 843	1001207283..... 707	1001215632 ..... 1005
1001197339 ..... 19	1001203052..... 827, 831	1001207287..... 913	1001215778 ..... 549
1001197407 ..... 940, 949	1001203053..... 827, 831	1001207295..... 707	1001215941 ..... 203
1001197491 ..... 739, 753	1001203053..... 827, 831	1001207296..... 653	1001216522 ..... 761
1001197574 ..... 747, 749	1001203181..... 203, 1005	1001207343..... 27, 29, 31	1001217467 ..... 183
1001197576 ..... 749	1001203225..... 881	1001207557..... 243	1001217623 ..... 919
1001197600 ..... 775	1001203502..... 644, 649	1001207606..... 151	1001218341 ..... 33
1001197695 ..... 743	1001203503..... 163	1001207758..... 683	1001218358 ..... 1009
1001197699 ..... 743	1001203557..... 855	1001208106..... 493	1001218487 ..... 33
1001197700 ..... 743	1001203558..... 855	1001208186..... 233	1001218524 ..... 729
1001197801 ..... 749, 751, 1061	1001203640..... 903, 907, 915	1001208308..... 570	1001218529 ..... 551
1001197918 ..... 743, 745, 1061	1001203769..... 855	1001208338..... 479	1001218542 ..... 551
1001198321 ..... 833, 835	1001203932..... 19	1001208643..... 1060	1001218577 ..... 761
1001198355 ..... 163	1001203933..... 19	1001208644..... 1060	1001218659 .. 1038, 1050
1001198893 ..... 921	1001203934..... 19	1001208881 ..... 644, 649	1001218704 .. 1038, 1050
1001199099 ..... 833, 835	1001203944..... 663	1001209387..... 23, 25	1001218781 ..... 683
1001199183 ..... 871	1001203954..... 663	1001209388..... 21	1001218996 .... 551, 1060
1001199640 ..... 619	1001203954..... 663	1001209463..... 593	1001219076 ..... 570
1001199670 ..... 251	1001203963..... 663	1001209625... 1046, 1058	1001219082 ..... 203, 995
1001199750 ..... 644, 649	1001203967..... 663	1001209710..... 655, 659	1001219191 ..... 655, 661, 729
1001199807 ..... 471, 473	1001204032..... 203, 731	1001209899..... 505, 533	1001219211 . 1042, 1046, 1054, 1058
1001199808 ..... 469, 471	1001204045..... 57	1001210348..... 717	1001219212 ..... 1038
1001199810 ..... 469, 473	1001204047..... 57	1001210390..... 723, 725	1001219220 ..... 505, 533
1001200082 ..... 827, 829, 831	1001204060..... 907	1001210450..... 817	1001219396 ..... 609
1001200101 . 1038, 1042, 1046, 1050, 1054, 1058	1001204066..... 521	1001210707..... 39	1001219864 ..... 570
1001200102 ..... 821, 823, 825	1001204086..... 21	1001210775..... 715, 717	1001219865 ..... 570
1001200151 ..... 469	1001204090..... 653	1001210782..... 493	1001220540 ..... 491
1001200152 ..... 885	1001204095..... 859, 861, 865	1001211059..... 727	1001220553J ..... 17
1001200206 .... 989, 1003	1001204115..... 521	1001211357..... 889	1001220760 ..... 391, 393
1001200239 ..... 185	1001204120..... 521	1001211428..... 243	1001220817 ..... 899
1001200538 ..... 903	1001204144..... 229, 231	1001211429..... 243	1001220830 ..... 899
1001200539 ..... 907	1001204152..... 655, 657, 659, 661	1001211432..... 37, 243	1001221052 ..... 553, 557
1001200555 ..... 237	1001204154..... 657	1001211516..... 99	1001221056 ..... 553
1001200989 ..... 57	1001204351..... 827, 831, 931	1001211693..... 877	1001221057 ..... 557
1001201080 ..... 973	1001204352..... 829, 935	1001211747..... 243	1001221058 ..... 557
1001201081 ..... 961	1001204379..... 743	1001211775..... 927	1001221059 ..... 551
1001201162 ..... 897	1001204381..... 739, 741, 743	1001211907..... 570	1001221295 ..... 551
1001201331 ..... 581	1001204444..... 903, 907	1001211913..... 33	1001221503 ..... 477
1001201646 ..... 27, 31	1001204445..... 903, 907	1001211944..... 863	1001221520 ..... 655, 661
1001201755 ..... 735	1001204486..... 21	1001212011..... 531	1001221527 ..... 655, 661
		1001212047..... 513	1001221728 ..... 829, 926
		1001212048..... 515	1001221729 ..... 940
		1001212049..... 513	
		1001212050..... 515	



# PART NUMBER INDEX

1001221741.....661	1001226849..... 741, 763	1001231065..... 761	10732095.....425
1001221742.....661	1001226876..... 763	1001231244..... 485	10837923.....777
1001221744.....661	1001226919..... 633	1001231397 .. 1009, 1010	10837928.....677
1001221941.....999	1001226920..... 633, 661	1001231398 .. 1009, 1010	10837929..... 677, 777
1001221994.....609	1001227056..... 705, 709	1001231400 .. 1009, 1010	10837937..... 677, 777
1001222088.....655, 657, 659, 661	1001227066..... 991, 993, 1013	1001231401 .. 1009, 1010	1170012.....95
1001222090.....655	1001227068..... 1013	1001231402..... 1010	1170021.....95
1001222132.....655	1001227077..... 203	1001231404..... 1010	1170024.....97
1001222158.....655	1001227137..... 705, 707	1001231406..... 1010	120034.....877, 887, 891
1001222388.....995	1001227186..... 509	1001231407 ... 203, 1007	1250808.....299
1001222609.....617, 623	1001227187..... 527	1001231483 ... 203, 1009	1319229.....399
1001222650..1038, 1042, 1046, 1050, 1054, 1058	1001227188..... 527	1001231692..... 147	1319436.....449
1001222741.....521	1001227234..... 231	1001231801 .. 1038, 1050	1319558.....403
1001223265.....570	1001227266..... 1013	1001231874..... 644	1319563.....403
1001223453..1038, 1046, 1050, 1058	1001227286..... 393	1001232147..... 45	1319571.... 405, 407, 423, 437, 449
1001224030.....231	1001227297 ... 999, 1001, 1003	1001232290..... 627	1319576.....423
1001224031.....231	1001227339..... 1050	1001232294..... 703, 707	1319590.....405
1001225067.....837, 949	1001227340..... 1054	1001232295..... 703, 707	1319593.... 409, 411, 413, 415, 417, 419
1001225126.....231	1001227340..... 1054	1001232296..... 703	1319594.... 409, 411, 413, 415, 417, 419
1001225198.....629	1001227379..... 115	1001232297..... 707	1319595.... 409, 411, 413, 415, 419
1001225200.....629, 633, 648	1001227528..... 1058	1001232299..... 45	1319596.... 413, 415, 419
1001225202.....629, 657	1001227802..... 519	1001232336..... 45, 47	1319600.... 409, 411, 413, 415, 417, 419
1001225230.....169	1001227962..... 169, 393	1001232338..... 45	1319601.... 409, 411, 413, 415, 417, 419
1001225231.....169, 187	1001227963..... 823	1001232439..... 269, 271	1319605.... 413, 415, 419
1001225232.....169, 837	1001227964..... 203	1001232440..... 269, 271	1319607.....413
1001225259.....989, 995	1001228074..... 761, 763, 767	1001232500..... 147	1319608..... 413, 423
1001225281.....285, 297	1001228089..... 747, 751	1001232556..... 269	1319614.....415
1001225282.....277, 285	1001228096..... 739, 741, 745	1001232588..... 47	1319615.... 409, 411, 415, 419
1001225283.....281, 291	1001228118..... 823	1001232624..... 269, 271	1319617.....409, 411
1001225284.....277, 281	1001228119..... 823	1001232624..... 269, 271	1319618.....409, 411
1001225285.....277	1001228132..... 557	1001232751..... 269, 859	1319620.....409, 411
1001225313.....231	1001228140..... 557	1001233236..... 993	1319621.....409, 411
1001225402.....231	1001228141..... 557	1001233237..... 993	1319622.....409, 411
1001225462.....701, 705	1001228273..... 203	1001233558 .. 1046, 1058	1319623.....409, 411
1001225464.....701, 705	1001228490..... 823	1001234455..... 25	1319625.....409, 411
1001225467.....649	1001228516..... 231	1001235100..... 243	1319626.....409, 411
1001225681.....701	1001228643..... 203	1001235963..... 19, 25	1319627.....409, 411
1001225683.....705	1001228872..... 205	1001236542..... 481	1319628.....409, 411
1001225748.....629, 633, 637	1001228989..... 903, 907	1001237171..... 271	1319629.....409, 411
1001225750.....637, 671	1001229107..... 991	1001237208..... 271, 861	1319630.....409, 411
1001225751.....669, 671	1001229235..... 483	1001237209..... 861	1319631.....409, 411
1001225752.....669, 675	1001229457..... 997	1001238948..... 29	1319632.....409, 411
1001225982.....187	1001229458..... 995, 997	1001239194..... 1001	1319635.....419
1001225986.....813	1001229575.. 1038, 1042, 1046, 1050, 1054	1001239249..... 1001	1319636.... 409, 411, 419
1001225987.....813, 829	1001229685..... 707, 711	1001239539..... 203	1319638.....409, 411
1001225995.....681	1001229707..... 1035	1001241836..... 19	1319647.....455
1001226012.....1025	1001229955..... 999	1001241838..... 463	1319648.....455
1001226013.....1027	1001230163..... 531	1001241839..... 461, 463	1319683.....427
1001226035.....701, 703	1001230239..... 147	1001241840..... 467	1319684.....427
1001226271.....631, 655	1001230241..... 147	1001241846..... 461	1319685.....427
1001226272.....631	1001230310..... 1038	1001241847..... 467	1319686.....427
1001226328.....991	1001230311..... 1046	1005182600..... 291, 331	1319687.....427
1001226400.....1013	1001230402..... 1009	1005183200..... 297, 375	1319688.....427
1001226636.....1003	1001230403.. 1009, 1010	1060379..... 159	1319689.....427
1001226637.....1003	1001230404..... 1010	1060626..... 867, 869	1319694.....427
1001226670.....741, 755	1001230419..... 249	1062255 ... 167, 169, 241, 837, 843, 847, 995, 999, 1001	1319719.....431
1001226709.....1023	1001230421..... 245, 249	10700681..... 125	1319726..... 435, 1060
1001226710.....1023	1001230599..... 911	10705034..... 105	
1001226711.....1023	1001230623..... 911, 915	10713707..... 817	
1001226793.....741	1001230713J ... 483, 485	10719267..... 191	
1001226799.....999, 1001	1001231002..... 253	10731709 .. 405, 427, 431	
1001226812.....677	1001231003..... 253	10731744..... 407	
		10731845 .. 413, 415, 419	
		10731959..... 455	
		10732071..... 427	
		10732072..... 427	

## PART NUMBER INDEX

1320748 ..... 451, 453	2130606 ... 105, 107, 675, 699	2340045.....109	3520186 ..... 43
1320754 ..... 451, 453	2130608 ..... 105	2400060.....989, 1003	3575947 ..... 181
1321094 .... 175, 177, 179	2130806 ..... 699, 707	24921332...229, 231, 233	3740080 ..... 203
1321329 ..... 713	2130808 ... 607, 609, 735	2600281.....159	3760170 ..... 159
1321752 ..... 651, 653	2130810 ..... 213, 721	2717160.....105	3760348 ..... 597
1322039 .... 175, 177, 179	2131010 ..... 213	2717161.....105	3760491 ..... 63
1322040 .... 175, 177, 179	2131210 ... 391, 393, 675	2717162.....105	3760493 ..... 63, 699
1670836 ..... 651, 653	2131212 ..... 223, 685	2717283.....105	3790151 ..... 203
1701509 ..... 159	2131616 ..... 213, 735	2717287.....101	3790152 ..... 203
1702631 ..... 1038, 1042, 1046, 1050, 1054, 1058	2144605 ..... 293, 299	2915023.....797	3790228 ..... 648
1702773 .... 153, 155, 157	2150404 ... 687, 721, 725	2920206.....901, 905	3820020 ..... 159
1704277 ..... 159	2150808 ..... 697, 729	2920207.....899	3900379 ..... 27, 29, 31
1704885 .... 153, 155, 157	2150810 ..... 747	2920208.....899	3968141... 309, 335, 351, 379
1706098 ..... 1042, 1054	2151210 ... 701, 703, 705, 707	2940074.....159	3984312 ..... 353
1706281 ..... 1042, 1054	2151212 ... 701, 703, 705, 707	3020043....743, 749, 765	4000015 ..... 727
1706282 ..... 1042, 1054	2160016 ... 53, 55, 73, 75, 83, 689, 699, 749, 751	31200160.....153	4010508002 ..... 570
1706283 ..... 1042, 1054	2170108 ..... 691	31200386.....157	4010510 ..... 617
1706284 ..... 1042, 1054	2170110 ..... 673, 675	31200387.....155	4010608002 .... 519, 545, 570, 573, 593
1706285 ..... 1042, 1054	2170208 ..... 607, 609	31200388.....155	4010610002 .... 567, 570, 573, 727
1706287 ..... 1042, 1054	2170212 ..... 223	3251813.....1038, 1042, 1046, 1050, 1054, 1058	4010612002 ..... 527
1706288 ..... 1042, 1054	2170216 ..... 213	3290401....551, 837, 843, 893	4031205 ..... 893
1706289 ..... 1042, 1054	2170306 ... 675, 683, 699	3290405.....523, 727	4031607 .... 801, 879, 881
1706292 ..... 1042, 1054	2170308 ... 663, 665, 729	3290501....269, 271, 877, 887, 891, 895	4031608 .... 269, 271, 847
1706293 ..... 1042, 1054	2170316 ..... 213	3290505.....89, 203, 995	4031608001 ..... 570
1706296 ..... 1038, 1050	2170708 ..... 673, 685	3290601....89, 163, 237, 256, 260, 269, 271, 573, 597, 727, 827, 829, 831, 833, 835, 837, 843, 877, 901, 903, 905, 913, 915	4031910 ..... 583, 587
1706299 ..... 1038, 1050	2170710 ..... 651	3290605...23, 25, 69, 570, 821, 823, 825	4031912 ..... 695
1706300 ..... 1038, 1050	2170712 ..... 685	3290607 ..... 899	4031917 ..... 761, 763
1706301 ..... 1038, 1050	2170806 ..... 293, 299	3290801....189, 191, 229, 241, 251, 519, 603, 655, 661, 817	4031918 ..... 717
1706302 163, 1038, 1050	2170906 ..... 637	3290805....601, 667, 695	4031920 ..... 769
1706303 ..... 1038, 1050	2171210 ..... 719	3290806.....517	4031921 ..... 705, 707
1706304 ..... 1038, 1050	2171308 .... 715, 717, 719	3291001....193, 195, 207, 209, 229, 231, 233, 821, 833	4060918 ..... 644
1706306 ..... 1038, 1050	2171820 ..... 685	3291005.....87, 689, 699, 715, 717, 821, 825, 827, 829, 831	4060919... 648, 655, 657, 659, 661
1706767 ..... 1038, 1050	2172104 ... 644, 651, 655, 659, 673	3291201.....45, 53	4105262 ..... 87
1706768 ..... 1038, 1050	2172106 ..... 675	3291205.73, 75, 599, 681	4109801 ..... 1038, 1042, 1046, 1050, 1054, 1058
1706850 ..... 1038, 1050	2172108 ... 673, 715, 719, 721	3291605....73, 75, 77, 83	4110422... 137, 139, 143, 145, 147
1706851 ..... 1038, 1050	2172110 ..... 651	3292001.....493	4110473 ..... 105
1706892 ..... 153	2172310 ..... 719	3300240.....95, 97, 99	4240032 ..... 999, 1001
1707078 ..... 1038, 1050	2180467 ..... 225	3311405.....47, 159	4240033 ..... 591
2080040 ..... 159	2200223 ..... 209, 235	3311502.....163	4240099... 655, 657, 659, 661, 717, 865, 869
2080078 ..... 517	2200224 ..... 215, 217	3311505.....545	4460225 ..... 962, 965
2080086 ..... 503, 509	2220218 ..... 185	3311508.....867	4460234 ..... 999, 1001
2080087 ..... 503, 509	2220237 ..... 207, 209	3331615.....173	4460265 ..... 962
2080092 ..... 537	2220239 ..... 801	3332011 ..... 51, 491	4460267 ... 962, 965, 966, 975, 987
2110404 ..... 691, 701	2220240 ..... 801	3332411 ..... 51	4460268 ... 962, 965, 966, 975, 987
2110406 ..... 675, 735	2220242 ..... 213	3340829.....47	4460321 ..... 987, 1009
2110408 ..... 673, 691	2220244 ..... 101	3391410.....163	4460343... 962, 965, 966, 975
2110604 ..... 703	2220473 ..... 101	3421453.....159	4460367 ..... 966, 975
2110606 ... 107, 675, 683, 735	2220478 ..... 648	3423242.....97	4460434 ..... 962, 975
2110610 ..... 721	2220609 ..... 101	3423275.....95	4460458 ... 917, 931, 935, 941, 1009
2110808 ... 293, 685, 697, 729	2220628 ..... 101	3423276.....99, 101	4460464 ... 917, 932, 936, 940, 945, 949, 957, 961, 962, 989, 1003, 1007, 1009, 1013, 1015
2110810 .... 707, 721, 735	2220810 ..... 185	3440620.....147	4460465 ... 926, 927, 928, 931, 932, 935, 936, 940, 941, 942, 945,
2111008 .... 691, 705, 707	2220883 ..... 775	3520072.....159	
2111010 ... 673, 675, 705, 707, 735	2220885 ..... 699		
2111210 ..... 673	2220887 ..... 749, 751		
2111212 ..... 761, 763	2221225 ..... 644		
2111612 ..... 673	2221229 ..... 673		
2111616 ..... 675, 801	2221231 ..... 663, 721		
2130404 ... 607, 609, 673, 685, 705	2221233 ..... 673		
2130406 ..... 689	2340037 ..... 123		
2130604 ... 701, 703, 705, 707	2340038 ..... 111		
	2340039 ..... 119		

# PART NUMBER INDEX

949, 950, 959, 961, 962, 965, 975, 981, 989, 1003, 1009, 1017	4460970 ... 932, 936, 940, 949, 969, 971	4811902 ... 19, 21, 27, 29, 31, 189, 191, 193, 227, 551, 573, 575, 644, 648	70021387 ..... 143
4460466 .... 917, 926, 927, 931, 932, 935, 936, 940, 941, 945, 949, 957, 959, 961, 962, 963, 969, 971, 973, 975, 979, 981, 989, 1003, 1009	4460982 ..... 945	4812000 ... 19, 23, 25, 27, 29, 31, 39, 43, 87, 181, 193, 195, 207, 209, 215, 217, 229, 231, 233, 263, 265, 391, 393, 485, 607, 609, 644, 648, 669, 689, 699, 715, 717, 727, 817, 821, 827, 829, 831, 833, 835, 837, 847, 899	70021415 ..... 143, 145
4460475 ..... 1009	4460984 ..... 941	4812002 19, 21, 187, 193, 195, 207, 209	70021440 ..... 141
4460496 .... 877, 887, 941, 961	4460994 ..... 966, 973	4812100 ... 37, 39, 53, 73, 75, 81, 173, 183, 185, 599, 681, 733, 821, 823, 825	70021526 ..... 423
4460497 .... 877, 887, 941, 961	4461005 ..... 941, 950	4812102 .... 37, 207, 209, 479, 481	70021531 ..... 793
4460508 .... 940, 949, 957	4461006 ..... 940	4812300 .. 73, 75, 77, 173	70021613 ..... 355, 385
4460509 .... 926, 927, 931, 935	4461015 ..... 927, 979	4812500 ..... 51, 491, 493	70021867 ..... 781
4460518 ..... 989, 1009	4461017 ..... 957	4812700 ..... 51	70021920 ..... 407
4460539 .... 926, 927, 932, 936, 945, 963, 975, 989, 1009	4461018 ..... 931, 935	4831400 ..... 551	70021921 ..... 143, 145
4460608 .... 940, 941, 949, 950	4461054 .... 941, 950, 971	4831600 ... 269, 271, 801, 847	70021935 ..... 143, 145
4460670 ..... 989, 1003	4461070 ..... 949	4831700 .... 253, 260, 573	70021977 ..... 143, 145
4460705 ..... 965	4461095 ..... 940, 949	4831900 .... 227, 551, 597	70021978 ..... 143, 145
4460708 ..... 965	4461115 ..... 917, 966	4832000 .... 207, 209, 648	70021979 ..... 143, 145
4460742 ..... 1009	4461118 ..... 931, 935	4832100 ..... 207, 209	70022008 ..... 677
4460746 ..... 949	4461174 ..... 919, 921	5220600 ..... 905, 907	70022010 ..... 677
4460748 ..... 941	4461262 ..... 932, 936	5220800 .... 855, 857, 867	70022012 ..... 677
4460761 ..... 987, 1009	4469464 ..... 941	5241600 ..... 723	70022013 ..... 677
4460789 ..... 941	4520370 ..... 475	5242400 .... 163, 689, 699	70022014 ..... 677, 777
4460809 ..... 1009	4641501 ..... 107, 803	5271609 ..... 895	70022028 ..... 143, 145
4460836 .... 926, 927, 965	4641502 ..... 105, 107	6604662 ..... 101	70022044 ..... 797
4460884 .... 931, 935, 945, 961, 966, 973, 981, 1009	4679000268 ..... 47	70000656 ..... 427	70022045 ..... 797
4460891 .... 927, 928, 931, 932, 935, 936, 940, 941, 945, 949, 950, 959, 1009, 1017	4711400 ..... 159	70002219 ..... 773	70022046 ..... 797
4460894 .... 927, 945, 961, 969	471678 ..... 581	70002224 ..... 773	70022075.. 409, 411, 413, 415, 417, 419
4460897 .... 949, 962, 979	4740003 ..... 85	70002386 ..... 805	70022147 ..... 791
4460906 ..... 965	4740274 ..... 207, 209	70002963 ..... 807	70022527 ..... 143, 145
4460930 .... 931, 935, 941, 945, 962, 975	4740532 ..... 639, 641	70002975 ..... 807	70022528 ..... 143, 145
4460931 ..... 957	4751400 ..... 47	70003788 ..... 775	70022529 ..... 143, 145
4460932 .... 917, 961, 966, 1007, 1015	4761800 ..... 648	70003849 ..... 773	70022634... 175, 177, 179
4460933 .... 926, 927, 931, 935, 940, 949, 961, 989, 1003	4807718 ..... 563, 1061	70004654 ..... 791	70022765.. 879, 881, 1061
4460934 ..... 940	4811400 ... 551, 837, 843, 893	70020428 ..... 797	70022797.. 309, 335, 351, 379
4460935 ..... 940	4811600 .... 89, 203, 269, 271, 570, 847, 895, 995	70020438 . 753, 755, 759, 771	70022798 ..... 353, 381
4460941 .... 932, 936, 961, 966, 969, 971, 979	4811602001 ..... 570	70020476 ..... 771	70022799 ..... 353, 381
4460942 .... 926, 927, 928, 931, 935, 965, 966, 969, 973, 979	4811700 ... 23, 25, 27, 29, 31, 51, 69, 89, 163, 237, 251, 256, 260, 269, 271, 503, 509, 519, 545, 567, 573, 581, 593, 597, 679, 681, 817, 821, 823, 825, 833, 835, 837, 839, 843, 847, 877, 899, 901, 903, 905, 907, 913, 915	70020555 ..... 149, 151	70022847 ..... 787
4460943 ..... 957, 961	4811700001 ..... 570	70020764 ..... 793	70022997 ..... 103
4460944 .... 926, 932, 936, 940, 945, 949, 961, 963, 975	4811702 ... 201, 237, 537, 573, 597, 607, 609, 871, 873, 875	70020867 ..... 785, 791	70023327 ..... 791
4460945 ..... 989, 1009	4811702001 .... 519, 527, 570, 617	70020868 ..... 791	70023404 ..... 405, 449
4460950 ..... 940, 949	4811900 . 37, 55, 57, 225, 229, 231, 237, 239, 241, 245, 251, 263, 483, 519, 521, 535, 545, 561, 575, 583, 585, 587, 597, 603, 607, 609, 644, 648, 655, 661, 663, 665, 667, 693, 695, 701, 703, 757, 801, 817, 833, 835, 837, 843, 847, 849, 893, 901, 919, 921	70020922 ..... 787	70023474 ..... 447
4460955 .... 941, 949, 950		70021140 .. 351, 361, 379	70023475 ..... 449
		70021208 ..... 789, 791	70023476 ..... 449
		70021209 ..... 789, 791	70023502 ..... 445
		70021213 ..... 791	70023736... 175, 177, 179
		70021227 ..... 417	70023800 ..... 449
		70021228 ..... 417	70023801 ..... 449
		70021268 ..... 417	70023885 ..... 407, 439
		70021269 ..... 417	70023900.. 311, 327, 353, 365, 369
		70021342 ..... 145	70023928 ..... 803
		70021349 ..... 143, 145	70023929 ..... 803
			70023933 ..... 175, 177
			70024016... 175, 177, 179
			70024020 ..... 773
			70024059 ..... 143, 145
			70024060 ..... 145
			70024062 ..... 141
			70024123 ..... 103
			70024186 ..... 781
			70024188 ..... 781
			70024189 ..... 781
			70024202 ..... 677
			70024210.. 313, 341, 355, 385
			70024213 ..... 313, 341
			70024262 ..... 773
			70024306 ..... 127
			70024307 ..... 127

## PART NUMBER INDEX

70024407 ..... 781	70026061 ..... 773	70026359 ..... 211	70026558 ..... 441
70024408 ..... 781	70026062 ..... 773, 1061	70026360 ..... 211	70026559 ..... 443
70024414 ..... 781	70026082 ..... 211	70026369 ..... 677	70026561 ..... 427
70024415 ..... 781	70026211 ..... 795	70026370 ..... 677	70026566 ..... 779
70024416 ..... 781	70026212 ..... 795	70026373 ..... 677	70026567 ..... 779
70024519 ..... 349, 377	70026213 ..... 795	70026374 ..... 677	70026568 ..... 791
70024522 . 309, 335, 351, 379	70026214 ..... 795	70026375 ..... 677	70026569 ..... 791
70024535 ..... 103	70026215 ..... 795	70026376 ..... 677	70026570 ..... 791
70024536 ..... 103	70026220 ..... 175, 177	70026377 ..... 677	70026571 ..... 791
70024537 ..... 103	70026221 ..... 177	70026378 ..... 677	70026572 ..... 781
70024538 ..... 103	70026222 ..... 177, 179	70026380 ..... 677	70026582 ..... 785
70024539 ..... 103, 799	70026223 ..... 175	70026381 ..... 677	70026583 ..... 781
70024540 ..... 103	70026224 .. 175, 177, 179	70026383 ..... 677	70026584 ..... 247, 1060
70024541 ..... 103	70026225 .. 175, 177, 179	70026387 ..... 677	70026622 . 311, 337, 353, 381
70024542 ..... 103	70026226 .. 175, 177, 179	70026389 ..... 677	70026623 ..... 313, 341
70024543 ..... 103	70026227 ..... 1060	70026393 ..... 197	70026624 . 311, 337, 353, 381
70024544 ..... 103	70026228 .. 175, 177, 179	70026394 ..... 197	70026625 . 311, 325, 338, 353, 367, 381
70024545 ..... 103	70026229 . 175, 177, 179, 1060	70026395 ..... 199	70026626 . 311, 338, 353, 381
70024546 ..... 103	70026230 .. 175, 177, 179	70026396 ..... 199	70026627 . 311, 338, 353, 381
70024547 ..... 799	70026231 .. 175, 177, 179	70026401 ..... 783	70026630 . 317, 329, 345, 359, 373, 389
70024548 ..... 799	70026232 .. 175, 177, 179	70026433 ..... 599	70026631 . 309, 335, 351, 379
70024549 ..... 799	70026233 . 175, 177, 179, 1060	70026435 ..... 759	70026634 ..... 351
70024550 ..... 103	70026234 177, 179, 1060	70026436 ..... 753, 759	70026636 ..... 753
70024551 ..... 103	70026235 .. 175, 177, 179	70026440 ..... 775	70026637 ..... 753, 755
70024552 ..... 103	70026236 ..... 175	70026442 ..... 775	70026638 ..... 753, 755
70024553 ..... 103	70026237 . 175, 177, 179, 1060	70026443 ..... 775	70026639 753, 755, 1061
70024554 ..... 103	70026238 . 311, 337, 353, 381	70026444 ..... 775	70026640 ..... 777
70024555 ..... 103	70026241 .. 175, 177, 179	70026445 ..... 775	70026641 ..... 777
70024872 ..... 307, 333	70026242 ..... 1060	70026446 ..... 775	70026642 ..... 777
70024881 . 337, 345, 381, 389	70026243 ..... 267	70026449 . 175, 177, 1060	70026643 ..... 777
70024895 ..... 433	70026244 ..... 267	70026493 ..... 779	70026644 ..... 777
70025011 ..... 311, 337	70026245 ..... 267	70026507 ..... 779	70026645 ..... 777
70025012 ..... 311, 337	70026247 ..... 267	70026508 ..... 779	70026646 ..... 777
70025014 ..... 311, 337	70026248 ..... 267	70026509 ..... 779	70026647 ..... 777
70025555 ..... 335, 379	70026249 ..... 759, 771	70026511 ..... 779	70026648 ..... 777
70025556 ..... 335, 379	70026250 ..... 771	70026512 ..... 779	70026649 ..... 777
70025561 ..... 337, 381	70026251 ..... 759	70026513 ..... 779	70026650 ..... 777
70025562 . 311, 337, 353, 379, 381	70026252 ..... 771	70026515 ..... 403	70026651 ..... 777
70025569 ..... 361, 379	70026253 759, 771, 1061	70026516 .. 403, 405, 407, 439	70026652 ..... 777
70025570 ..... 361, 379	70026257 ..... 623	70026517 ... 405, 427, 431	70026653 ..... 777
70025606 ..... 773	70026258 ..... 623	70026518 ..... 405	70026654 ..... 777
70025816 ..... 605	70026261 ..... 771	70026519 ..... 407	70026655 ..... 777
70025817 ..... 605	70026262 ..... 313, 341	70026520 ..... 407	70026656 ..... 777
70025821 ..... 371, 385	70026292 ..... 983	70026521 ..... 407	70026657 ..... 777
70025822 ..... 371, 385	70026293 ..... 985	70026527 . 409, 411, 413, 415, 417, 419	70026658 ..... 777
70025823 .. 313, 341, 385	70026293 ..... 985	70026528 .. 409, 411, 413, 415, 417, 419	70026659 ..... 777
70025841 ..... 355, 371	70026294 ..... 819	70026529 . 409, 411, 413, 415, 417, 419	70026660 ..... 777
70025844 ..... 623	70026295 ..... 819	70026530 ..... 413	70026661 ..... 777
70025850 ..... 199, 1060	70026296 ..... 819	70026531 ..... 415	70026662 ..... 777
70025851 ..... 199, 1060	70026297 ..... 819	70026532 ..... 417	70026663 ..... 777
70025852 ..... 197, 1060	70026309 ..... 1061	70026535 ..... 419	70026664 ..... 777
70025853 ..... 197, 1060	70026310 ..... 807	70026536 ... 421, 447, 449	70026665 ..... 777
70025859 ..... 599	70026311 ..... 807	70026537 ..... 599	70026666 ..... 777
70025860 ..... 599	70026312 ..... 807	70026538 ..... 425	70026667 ..... 777
70025884 .. 329, 373, 389	70026313 ..... 807	70026539 ..... 425	70026668 ..... 777
70025897 ..... 781	70026314 ..... 807	70026544 ..... 425, 427	70026669 ..... 777
70025959 ..... 773	70026315 ..... 807	70026546 ..... 427	70026670 ..... 777
70025981 ..... 341	70026333 ..... 807	70026547 ..... 427	70026671 ..... 777
70026031 ..... 309, 351	70026334 ..... 807	70026548 ..... 427	70026672 ..... 777
70026056 ..... 773	70026353 ..... 211	70026549 ..... 427	70026673 ..... 777
70026057 ..... 773	70026354 ..... 211	70026554 ..... 427	
70026058 ..... 773	70026355 ..... 211	70026555 ..... 427	
70026059 ..... 773	70026356 ..... 211	70026556 ..... 427	
70026060 ..... 773	70026357 ..... 211		

## PART NUMBER INDEX

70026674.....777	70028516.....731	7026765.....417	7029850....409, 411, 413,
70026675.....777	70028517.....731	7026766.....417	415, 417, 419
70026685.....789	70028643.....755	7026769 ... 417, 423, 451,	7029852....409, 411, 413,
70026686.....789	70028644.....755	453	415, 417, 419
70026698.....143, 145	70028645.....755	7026771.....423	7029972.....407
70026699.....141	70028646.....755	7026772.....423	7029973.....405
70026745.....151	70028990.....745	7026773.....423	7062922.....101
70026746.....151	70028991.....745	7026774.....423	7110702.....101
70026747.....141	70028992.....745	7026775.....423	7110712.....101
70026749..307, 333, 349,	70029042.....751	7026776.....425	7110722.....101
377	70029043.....751	7026780.....425	7114032.....67
70026798..325, 337, 367,	70029044.....751	7026781.....425	7117502.....67
381	70029473.....249	7026782.....429	7138978.....65
70026799..315, 343, 357,	70029474.....249	7026783.....429	7138979.....65
387	70029475.....249	7026784.....429	7138986.....55, 65
70026800.....179	70029476.....249	7026787.....427	7139918.....105
70026801.....179	70041616..175, 177, 179	7026788.....427	7300435.....173
70026944.....141	70041617..175, 177, 179	7026789.....427	7301408.....113
70026946.....141	70041619..175, 177, 179	7026791.....431	7301568.....105
70026948.....141	70041620..175, 177, 179	7026792.....407, 431	77133137.....699, 713
70026949.....141	70050472.....677	7026793.....431	77133139.....713
70027009.....143	70050481.....677	7026794.....407, 431	77133140.....713
70027024.....547	70050504.....677	7026798.....547	77133168.....651, 653
70027025.....547	70050507.....677	7027254.....437	77363244..945, 963, 975
70027026.....547	70050508.....677	7027255.....437	8000759.....517
70027028.....547	7010543.....805, 807	7027267.....417	8000803.....519
70027030.....547	7012510.....775	7027269.....451	8004398.....517
70027032.....547	7012941.....805, 807	7027270.....451	8005870.....497
70027033.....547	7012953.....807	7027271.....453	8007749.....309
70027034.....547	7012967.....805	7027272.....453	8007751.....319, 335
70027035.....547	7017406.....807	7027273.....455	8007755.....319, 335
70027098.....677	7017410.....805, 807	7028710 ... 309, 319, 335	80204005..307, 321, 333,
70027114.....338, 382	7021653.....807	7028714 ... 311, 337, 353,	337, 349, 363, 377, 381
70027130.....677	7022390.....709, 711	381	80204012...311, 338, 382
70027281.....177, 179	7022399.....775	7028715 ... 311, 337, 353,	80204060.....313, 341
70027315.....337, 381	7024574.....797	381	80204065..311, 337, 353,
70027317.....341, 385	7024808.....775	7028716 ... 311, 337, 353,	381
70027705.....267	7024939.....781	381	80204071...311, 337, 381
70027706.....267	7024943.....781	7028721 ... 311, 337, 353,	80204108.....313, 341
70027772.....385	7024944.....781	381	80204117..311, 313, 329,
70028281.....709, 711	7024953.....781	7028733 ... 311, 338, 353,	337, 341, 345, 353,
70028387..333, 337, 377,	7024954.....781	381	355, 373, 381, 385, 389
381	7026577.....449	7028734.....313, 341	80204281..313, 341, 355,
70028392.....337, 381	7026578.....449	7028735.....313, 341	385
70028450.....175, 177	7026744.....399	7029129.....319, 335	80233218..655, 657, 659,
70028451.....775	7026745.....399	7029131 ... 319, 335, 361,	661
70028453.....709, 711	7026746.....401	379	80304227.....417
70028468.....343, 387	7026747.....403	7029267.....425, 427	80304394...407, 423, 431
70028469..333, 337, 377,	7026748.....403	7029286 ... 323, 337, 365,	80304405.....403
381	7026749.....403	381	80334277.....781
70028470.....379	7026750.....405	7029431 ... 311, 323, 337,	8033786.....797
70028471.....335, 379	7026751.....405	353, 365, 381	8034697.....677
70028472.....379	7026752.....405	7029486.....567, 1021	8035346.....777
70028473.....337, 381	7026753.....407	7029520.....149	8035348.....777
70028474.....337, 381	7026754.....407	7029521.....149	8035373.....777
70028475.....343, 387	7026755.....407	7029528 ... 315, 343, 357,	8035382.....677, 777
70028476.....343, 387	7026756.....407	387	8035536.....797
70028477.....343, 387	7026757.....409	7029529 ... 315, 343, 357,	8035862.....797
70028478.....677	7026758 ... 409, 411, 413,	387	8035863.....797
70028479.....677	415, 417, 419	7029692.....145	8036190.....413, 415
70028480.....677	7026759 ... 409, 411, 413,	7029737 ... 311, 337, 353,	80363179..932, 936, 945,
70028481.....677	415, 417, 419	381	969, 971
70028482.....677	7026760 ... 409, 411, 413,	7029786.....355, 385	80363195.....535
70028483.....677	415, 417, 419	7029788.....313, 341	8036528.....425, 427
70028484.....677	7026761 ... 409, 411, 413,	7029849 ... 409, 411, 413,	8036529.....425
70028514.....731	415, 417, 419	415, 417, 419	8036847.....405, 407
70028515.....731	7026762.....411		8037088.....777

## PART NUMBER INDEX

8037140 ..... 795	8405201 .... 215, 217, 570	90554054..... 143, 145	91474585. 323, 337, 365, 381
80484081 ..... 949	8405202 ..... 215, 217	90554062..... 145	91474586.. 323, 327, 369
80604016 . 931, 935, 961, 965	8405209 ..... 644, 648	90554076..... 145	91474587. 323, 327, 365, 369
80604017 ..... 962, 979	8405212 .... 203, 219, 221	90554080..... 149	91474591. 309, 335, 351, 379
80604018 . 931, 932, 935, 936, 945, 959, 1017	8405305 .... 203, 219, 221	91013191..... 932, 936	91474592..... 335
80604020 ..... 917, 961	8405402 ..... 195	91013192..... 927, 928	91474593..... 361, 379
80604021 . 931, 935, 945, 961, 966, 973, 981	8406102 ..... 265	91043125..... 715, 717	91474595..... 361, 379
80604023 ..... 961	8406105 ..... 821	91043126..... 715, 717	91475054..... 475
80604025 .. 945, 962, 975	8406112 ..... 256, 260	91053419..... 203	91475055..... 475
806253 ..... 483	8406201 ... 237, 827, 829, 831, 837, 843, 847	91083106..... 648	91504107..... 945, 969
806264 ..... 483	8410007 ..... 189	91403193..... 275, 277	91513266..... 479, 481
80634004 ..... 781	8410009 ... 205, 237, 551, 648, 655, 659	91403413.. 101, 103, 105, 143, 715, 717	91514081. 311, 337, 353, 381
8065062 ..... 101	8410011 ..... 189, 191	91403414.. 101, 103, 105, 143, 715, 717	91514082. 311, 337, 353, 381
80933113 ..... 639, 641	8410013 .... 205, 215, 217	91403448..... 147	91514083..... 311, 337
80933367 ..... 189, 191	8410019 ..... 215	91413025..... 189, 191	91514084..... 311, 337
80963067 ..... 941	8420053 ... 101, 103, 105, 143, 719	91473151..... 301	91514095. 311, 337, 353, 381
80983191 . 941, 977, 983, 985	8420055 ... 101, 103, 105, 143	91473206..... 471, 473	91514098. 307, 333, 349, 377
82033995 ..... 205, 237	8424217 ..... 687	91474507.. 307, 311, 333, 337, 349, 377	91514099. 311, 329, 353, 373
8205655 ..... 797	8424233 ..... 648	91474512.. 307, 333, 349, 377	91514098. 307, 333, 349, 377
8220035 ..... 1007	8430032 ... 673, 685, 699, 735	91474513.. 307, 311, 349, 353	91514099. 311, 329, 353, 373
8220051 ... 927, 961, 965, 966	8430033 ..... 685, 735	91474515.. 329, 345, 373, 389	91514111. 311, 337, 353, 381
8220097 ..... 941	8430034 ..... 185	91474516.. 329, 345, 373, 389	91514112. 311, 337, 353, 381
8220098 ..... 940	8430082 ..... 673	91474522.. 315, 343, 357, 387	91514113..... 311, 353
8220108 ..... 942, 1007	8466306 ..... 543	91474524..... 311, 353	91514114..... 311, 353
8220116 ..... 928	8530030 ..... 648	91474529.. 309, 335, 351, 379	91514115..... 311, 353
8220124 ..... 940, 949	8546407 ..... 648	91474533.. 309, 335, 351, 379	91514117.. 311, 337, 381
8220525 ..... 931, 935	8580315 ..... 101	91474539.. 309, 335, 351, 379	91514118..... 479, 481
8229234 ..... 1010	8584001 ..... 101	91474539.. 309, 335, 351, 379	91514123.. 309, 335, 351, 379
8229235 ..... 1009	8584003 ..... 897	91474547... 309, 335, 351	91514146. 321, 337, 353, 363, 381
8229242 ... 941, 983, 985, 989, 1003	8630003 ..... 105	91474549..... 319, 335	91514147. 321, 337, 363, 381
8229244 .... 819, 941, 977	8630005 ..... 653	91474550.. 319, 335, 361, 379	91514148. 321, 337, 363, 381
8229245 ..... 819, 983	8642207 ..... 101	91474551.. 319, 335, 361, 379	91514149. 311, 321, 337, 353, 363, 381
8229247 ..... 819, 985	86683122 ..... 269, 271	91474553.. 319, 335, 361, 379	91514154. 313, 341, 355, 385
8229261 ..... 1009	86683211 ..... 229, 231	91474559..... 313, 341	91514159. 313, 341, 355, 385
8275212 ..... 229, 233	86883127 ..... 229	91474560..... 313, 341	91514165..... 313, 371
8278020 ..... 207, 209	8750016 ..... 699	91474561..... 313, 341	91514181. 311, 337, 353, 381
8303634 ..... 101, 105	8750029 ..... 648	91474564..... 313, 341	91514183. 311, 337, 353, 381
8303658 ..... 105	8750030 ..... 644, 648	91474565..... 313, 341	91514188. 307, 311, 349, 353
8303715 ..... 101	8769132 ..... 101	91474568.. 313, 341, 355, 385	91514189. 311, 337, 353, 381
8305624 ..... 105	8769146 ..... 644, 648	91474569..... 355	91554014..... 961
8305643 ..... 101, 105	8769153 ..... 648	91474570..... 313, 341	91554019. 932, 936, 945, 963, 975
8305919 ... 201, 537, 570, 573, 873, 875	8770016 ..... 101	91474571..... 313	91561240..... 723
8307904 ..... 101	8770120 ... 655, 657, 659, 661	91474572..... 313	H000071 ..... 807
8307918 ..... 101	8770215 ..... 743, 745	91474573..... 313	N.S.S.337, 345, 381, 385, 389, 755
8310160 ..... 101	8786514 ... 459, 463, 471, 473	91474576.. 311, 337, 353, 381	
8310161 ..... 101	8841322 ..... 439	91474579.. 325, 337, 367, 381	
8310302 ..... 105	8880218-OM..... 301, 303	91474580.. 325, 337, 367, 381	
8310435 ..... 105	8881802 ..... 253	91474583..... 311, 353	
8310559 ..... 531	8887145 ..... 749, 751	91474584.. 311, 337, 353, 381	
8310620 ..... 33, 289, 291, 295, 297	90200003 95, 97, 99, 101, 105		
8310686 .... 644, 648, 893	90206195 ..... 229		
8380008 ..... 143	90206198 ..... 21		
8405006 ... 644, 648, 655, 657, 659, 661	90451058 ..... 105		
8405007 ... 215, 391, 393, 644, 648	90554016 . 141, 143, 145, 151		
8405009 ... 215, 217, 245, 597	90554020 ..... 143, 145		
8405101 ..... 215, 217	90554033 ..... 141		
	90554034 ..... 141		
	90554042 ..... 143, 145		

# PARTS FINDER

**Search Website  
by Part Number**



**Search Manual  
Library For Parts  
Manual & Lookup Part  
Numbers – Purchase  
or Request Quote**

A screenshot of the "Search Manuals" form. The form has a title "Search Manuals" and a subtitle "Please enter the model number and serial number of your machine." Below the subtitle, there are several input fields: "Find" (with a dropdown menu), "Serial Number" (with a dropdown menu), "Year" (with a dropdown menu), "Make" (with a dropdown menu), "Part Number" (with a dropdown menu), and "Category" (with a dropdown menu). There is a "Search" button at the bottom of the form.

**Can't Find Part or  
Manual? Request Help  
by Manufacturer,  
Model & Description**

A screenshot of the "Parts Order Form". The form has a title "Parts Order Form" and a subtitle "Please fill out the form below." Below the subtitle, there are several input fields: "Manufacturer" (with a dropdown menu), "Model" (with a dropdown menu), "Description" (with a dropdown menu), "Part Number" (with a dropdown menu), "Quantity" (with a dropdown menu), "Date" (with a dropdown menu), and "Name" (with a dropdown menu). There is a "Submit" button at the bottom of the form.

Discount-Equipment.com is your online resource for quality parts & equipment.

Florida: **561-964-4949** Outside Florida TOLL FREE: **877-690-3101**

**Need parts?**

Click on this link: <http://www.discount-equipment.com/category/5443-parts/> and choose one of the options to help get the right parts and equipment you are looking for. Please have the machine model and serial number available in order to help us get you the correct parts. If you don't find the part on the website or on one of the online manuals, please fill out the request form and one of our experienced staff members will get back to you with a quote for the right part that your machine needs.

We sell worldwide for the brands: Genie, Terex, JLG, MultiQuip, Mikasa, Essick, Whiteman, Mayco, Toro Stone, Diamond Products, Generac Magnum, Airman, Haulotte, Barreto, Power Blanket, Nifty Lift, Atlas Copco, Chicago Pneumatic, Allmand, Miller Curber, Skyjack, Lull, Skytrak, Tsurumi, Husquvarna Target, Stow, Wacker, Sakai, Mi-T-M, Sullair, Basic, Dynapac, MBW, Weber, Bartell, Bennar Newman, Haulotte, Ditch Runner, Menegotti, Morrison, Contec, Buddy, Crown, Edco, Wyco, Bomag, Laymor, EZ Trench, Bil-Jax, F.S. Curtis, Gehl Pavers, Heli, Honda, ICS/PowerGrit, IHI, Partner, Imer, Clipper, MMD, Koshin, Rice, CH&E, General Equipment, Amida, Coleman, NAC, Gradall, Square Shooter, Kent, Stanley, Tamco, Toku, Hatz, Kohler, Robin, Wisconsin, Northrock, Oztec, Toker TK, Rol-Air, APT, Wylie, Ingersoll Rand / Doosan, Innovatech, Con X, Ammann, Mecalac, Makinex, Smith Surface Prep, Small Line, Wanco, Yanmar