



Illustrated Parts Manual

Models

1732

31211280

Revised

January 18, 2019 - Rev D



Go to Discount-Equipment.com to order your parts

PARTS FINDER

**Search Website
by Part Number**



**Search Manual
Library For Parts
Manual & Lookup Part
Numbers – Purchase
or Request Quote**

**Can't Find Part or
Manual? Request Help
by Manufacturer,
Model & Description**

Discount-Equipment.com is your online resource for quality parts & equipment.

Florida: **561-964-4949** Outside Florida TOLL FREE: **877-690-3101**

Need parts?

Click on this link: <http://www.discount-equipment.com/category/5443-parts/> and choose one of the options to help get the right parts and equipment you are looking for. Please have the machine model and serial number available in order to help us get you the correct parts. If you don't find the part on the website or on one of the online manuals, please fill out the request form and one of our experienced staff members will get back to you with a quote for the right part that your machine needs.

We sell worldwide for the brands: Genie, Terex, JLG, MultiQuip, Mikasa, Essick, Whiteman, Mayco, Toro Stone, Diamond Products, Generac Magnum, Airman, Haulotte, Barreto, Power Blanket, Nifty Lift, Atlas Copco, Chicago Pneumatic, Allmand, Miller Curber, Skyjack, Lull, Skytrak, Tsurumi, Husquvarna Target, Stow, Wacker, Sakai, Mi-T-M, Sullair, Basic, Dynapac, MBW, Weber, Bartell, Bennar Newman, Haulotte, Ditch Runner, Menegotti, Morrison, Contec, Buddy, Crown, Edco, Wyco, Bomag, Laymor, EZ Trench, Bil-Jax, F.S. Curtis, Gehl Pavers, Heli, Honda, ICS/PowerGrit, IHI, Partner, Imer, Clipper, MMD, Koshin, Rice, CH&E, General Equipment, Amida, Coleman, NAC, Gradall, Square Shooter, Kent, Stanley, Tamco, Toku, Hatz, Kohler, Robin, Wisconsin, Northrock, Oztec, Toker TK, Rol-Air, APT, Wylie, Ingersoll Rand / Doosan, Innovatech, Con X, Ammann, Mecalac, Makinex, Smith Surface Prep, Small Line, Wanco, Yanmar

EFFECTIVITY PAGE

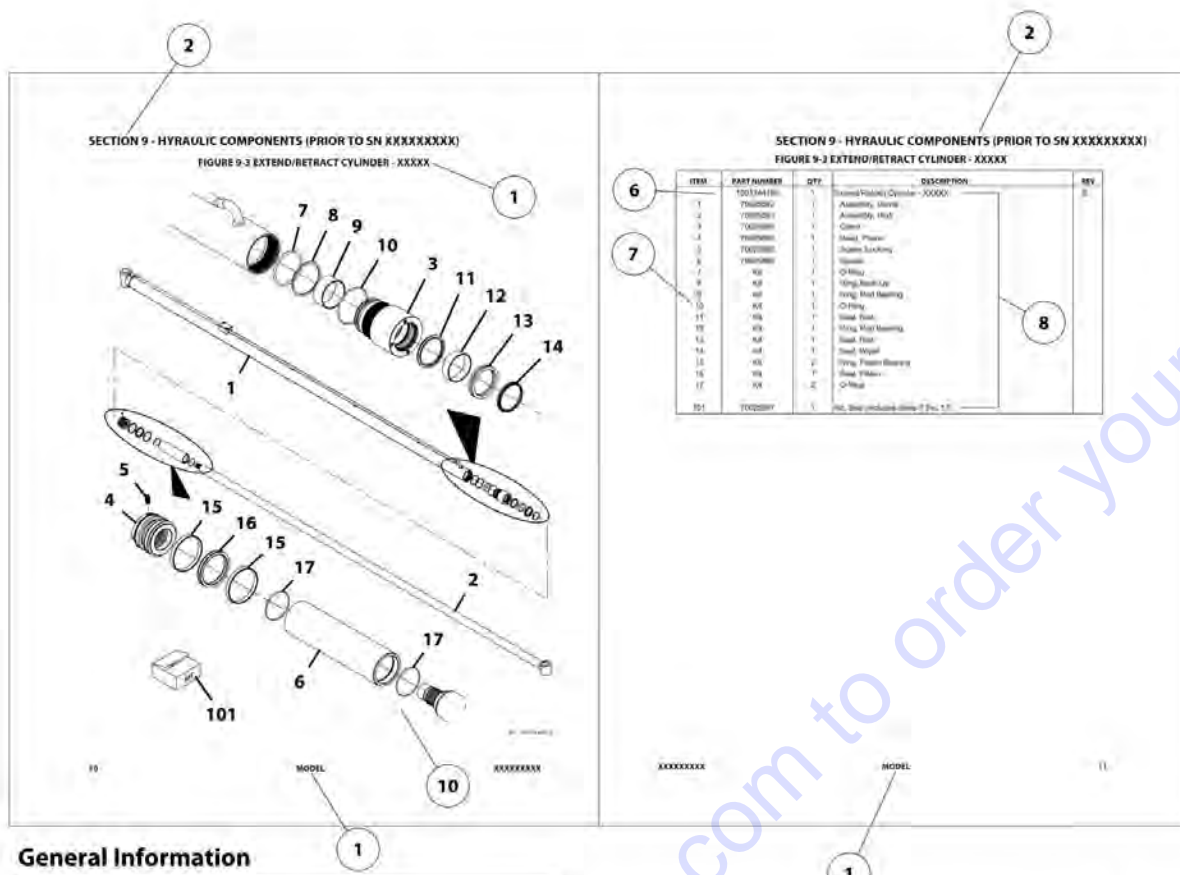
May 1, 2017 - A - Original Issue of Manual

October 13, 2017 - B - Revised Manual

July 18, 2018 - C - Revised Manual

January 18, 2019 - D - Revised Manual

Go to Discount-Equipment.com to order your parts



General Information

1. MACHINE IDENTIFICATION

Machines are identified by model and in some cases a combination of model, serial number (S/N) or regional standard (e.g. ANSI, CE, CSA, AUS). Components may also be identified by S/N or manufacturer. Common components that may be identified by these characteristics are attachments, engine, transmission and hydraulic components.

2. PARTS MANUAL ORGANIZATION

Product information in this manual is organized under section titles. Frame, Engine and Electrical are a few examples. Each section is organized by Figure and page number. The information within the Figure is then organized by item number, part number, description and corresponding illustration(s).

3. TABLE OF CONTENTS

A table of contents (TOC) is found toward the beginning of the manual. Figure number, description and page number are provided for quick reference to the page containing the related information.

4. RECOMMENDED SPARE PARTS

The Recommended Spare Parts, located near the end of the manual, references most frequently used maintenance parts.

5. PARTS NUMBER INDEX

A numerical index listing all part numbers and the corresponding page number(s) appears at the back of the manual.

6. NON-SERVICED PARTS

In some instances it is necessary to display non-serviced parts, assemblies or installations. In the case of assemblies and installations there will be a Ref in the QTY column and a note after the item description stating what is available for service within. In the case of parts that are not available for service within assemblies or components there will be a NSS (Not Sold Separately) listed in the part number column of the manual.

7. PARTS LIST ITEM NUMBERS

Numbers shown in the Item column correspond to numbers used in the associated illustration(s). Item numbers which are missing from sequence and are not shown in the illustration(s) are not used on that page.

8. INDENTED PART DESCRIPTION

An indented part description is included in the item under which it is indented.

9. ABBREVIATIONS AND SYMBOLS

AC	Alternating Current
A/C	Air Conditioning
ADE	Advanced Design Electronics
AG	Agriculture
AMP	Amperage
ANSI	American National Standards Institute
AR	As Required
ASSY	Assembly
AUS	Australia
AUX	Auxiliary
AWG	American Wire Gauge
CAC	Charge Air Cooler
CE	European Conformity
CM	Centimeter
CONST	Construction
CSA	Canadian Standards Association
DEF	Diesel Exhaust Fluid
DIA	Diameter
DC	Direct Current
DTZ	Decentralized Transmission Zeros
ECU	Electronic Control Unit
EMS	Emergency Stop
FNR	Forward Neutral Reverse
FT	Foot
GA	Gauge
GR	Grade
HBP	High Boom Pivot
HHP	High Horse Power
HOC	Hydraulic Oil Cooler
HVAC	Heating, Ventilating, and Air Conditioning
ID	Inside Diameter
IN	Inch
ISO	International Organization for Standards
ITSDF	Industrial Truck Standards Development Foundation
JIC	Joint Industry Council
KG	Kilogram
KW	Kilowatt
L	Liter

LB	Pound
LBP	Low Boom Pivot
LCD	Liquid Crystal Display
LED	Light Emitting Diode
LH	Left Hand
LHD	Left Hand Drive
LHP	Low Horse Power
LMIS	Load Management Indicator System
LS	Low Sulfur
LSI	Load Stability Indicator
LSS	Load Sensing System
M ³	Cubic Meter
MA	Milliamp
M(m)	Metric/Meter
MM	Millimeter
N	Newton
NACD	North America Construction Division
NLA	No Longer Available
NSS	Not Sold Separately
OD	Outside Diameter
ORB	O-Ring Boss
ORFS	O-Ring Face Seal
OZ	Ounce
PR	Ply Rating
QT	Quart
QTY	Quantity
REF	Reference
REV	Revision
RH	Right Hand
RHD	Right Hand Drive
RHOC	Remote Hydraulic Oil Cooler
RUS	Russia
SAE	Society of Automotive Engineers
SAHR	Spring Applied Hydraulically Released
SN	Serial Number
SPD	Speed
TLU	Torque Lock Up
UGM	Universal Ground Module

10. ILLUSTRATION REFERENCE LETTERS

When necessary, illustrations may contain reference letters that are intended to track information from one point to another in the illustration such as harnesses and hoses or any other information that has been separated in the illustration

Note: Due to continuous product improvements, JLG Industries, Inc. reserves the right to make specification changes without prior notification.

TABLE OF CONTENTS

SECTION 1 - FRAME AND ATTACHING PARTS.....	15
FIGURE 1-1. FRAME WELDMENT	16
FIGURE 1-2. GROMMETS INSTALLATION	18
FIGURE 1-3. TANK INSTALLATION.....	20
FIGURE 1-4. FUEL TANK INSTALLATION.....	22
FIGURE 1-5. HYDRAULIC TANK INSTALLATION	24
FIGURE 1-6. TANK SUPPORT INSTALLATION.....	26
FIGURE 1-7. FUEL TANK ASSEMBLY	28
FIGURE 1-8. LOCKING FUEL CAP	30
FIGURE 1-9. HYDRAULIC TANK ASSEMBLY.....	32
FIGURE 1-10. COUNTERWEIGHT INSTALLATION.....	34
FIGURE 1-11. ENGINE ENCLOSURE INSTALLATION.....	36
FIGURE 1-12. ENGINE ENCLOSURE ASSEMBLY.....	38
FIGURE 1-13. HOOD ASSEMBLY	40
FIGURE 1-14. HOOD ASSEMBLY	42
FIGURE 1-15. COVER INSTALLATION (ULS).....	44
FIGURE 1-16. FRAME COVER INSTALLATION	46
FIGURE 1-17. MIRROR INSTALLATION	48
SECTION 2 - BOOM	51
FIGURE 2-1. BOOM INSTALLATION.....	52
FIGURE 2-2. BOOM ASSEMBLY.....	54
FIGURE 2-3. FIRST BOOM SECTION ASSEMBLY.....	56
FIGURE 2-4. SECOND BOOM SECTION ASSEMBLY.....	58
FIGURE 2-5. COUPLER INSTALLATION (MANUAL)	60
FIGURE 2-6. COUPLER INSTALLATION (HYDRAULIC)	62
FIGURE 2-7. COUPLER LOCKING CYLINDER ASSEMBLY	64
FIGURE 2-8. MANUAL COUPLER PIN HOLDER INSTALLATION.....	66
FIGURE 2-9. BOOM BRUSHES INSTALLATION	68
SECTION 3 - ATTACHMENTS	71
FIGURE 3-1. ATTACHMENT RECOGNITION INSTALLATION.....	72
FIGURE 3-2. COMPONENTS ATTACHMENT RECOGNITION	74
FIGURE 3-3. CARRIAGE ASSEMBLY, (60IN/1524MM)	76
FIGURE 3-4. CARRIAGE ASSEMBLY, (72IN/1829MM)	78
FIGURE 3-5. CARRIAGE ASSEMBLY, (87IN/2290MM)	80
FIGURE 3-6. DUAL FORK POSITIONING SIDE SHIFT CARRIAGE, (75IN/1899MM)	82
FIGURE 3-7. DUAL FORK POSITIONING CARRIAGE, (72IN/1829MM).....	84
FIGURE 3-8. BUCKET (2.6 YD ³ /2.0M ³).....	86
FIGURE 3-9. BUCKET (5.23 YD ³).....	88
FIGURE 3-10. 4 IN 1 BUCKET (2.6 YD ³ /2.0M ³)	90
FIGURE 3-11. 4 IN 1 BUCKET (1.3 YD ³ /1.0M ³)	92
FIGURE 3-12. GRAPPLE BUCKET (1.7 YD ³ /1.3M ³).....	94
FIGURE 3-13. GRAPPLE BUCKET (2.6 YD ³ /2.0M ³).....	96
FIGURE 3-14. TRUSS BOOM (7.6 TON)	98
FIGURE 3-15. CRANE HOOK (7.6 TON)	100
FIGURE 3-16. BALE HANDLER (ROUND)	102
FIGURE 3-17. BALE HANDLER (SQUARE)	106
FIGURE 3-18. PIPE HANDLER CARRIAGE	108
FIGURE 3-19. TIRE HANDLER CARRIAGE	112
FIGURE 3-20. LOG HANDLER CARRIAGE.....	114
FIGURE 3-21. STEEL COIL HANDLER CARRIAGE.....	118
FIGURE 3-22. PALLET FORK (2.25X6X48).....	120
FIGURE 3-23. PALLET FORK (2.25X6X60).....	122
FIGURE 3-24. PALLET FORK (2.25X6X72).....	124
FIGURE 3-25. PALLET FORK (2.25X6X96).....	126
FIGURE 3-26. FORK RETENTION INSTALLATION.....	128
FIGURE 3-27. HOOK ATTACH, FORK MOUNTED	130
SECTION 4 - ENGINE AND ATTACHING PARTS	133
FIGURE 4-1. ENGINE POD COMPONENT INSTALLATION (ULS).....	134
FIGURE 4-2. ENGINE POD COMPONENT INSTALLATION (MINING) (ULS)	136

TABLE OF CONTENTS

FIGURE 4-3. ENGINE INSTALLATION (ULS)	138
FIGURE 4-4. ENGINE (100KW - ULS).....	140
FIGURE 4-5. ENGINE MOUNT INSTALLATION	144
FIGURE 4-6. AIR INTAKE INSTALLATION (ULS).....	146
FIGURE 4-7. AIR CLEANER INSTALLATION	148
FIGURE 4-8. PRIMARY FUEL FILTER INSTALLATION (ULS)	150
FIGURE 4-9. REMOTE FUEL PUMP INSTALLATION	152
FIGURE 4-10. FUEL LINES INSTALLATION.....	154
FIGURE 4-11. HYDROSTATIC ADAPTOR INSTALLATION	156
FIGURE 4-12. DUAL DRIVE SUPPORT ASSEMBLY.....	158
FIGURE 4-13. HYDROSTATIC DRIVE PUMP INSTALLATION	160
FIGURE 4-14. HYDROSTATIC DRIVE PUMP ASSEMBLY	162
FIGURE 4-15. IMPLEMENT PUMP INSTALLATION	164
FIGURE 4-16. IMPLEMENT PUMP ASSEMBLY	166
FIGURE 4-17. DEF COOLANT LINES INSTALLATION (ULS)	168
FIGURE 4-18. COOLING PACKAGE INSTALLATION	170
FIGURE 4-19. COOLING PACKAGE INSTALLATION	172
FIGURE 4-20. RADIATOR	176
FIGURE 4-21. COOLANT LINES INSTALLATION.....	178
FIGURE 4-22. RADIATOR LINES INSTALLATION	180
FIGURE 4-23. SURGE TANK INSTALLATION	182
FIGURE 4-24. TRANSMISION OIL COOLER LINES INSTALLATION	184
FIGURE 4-25. FAN GUARD INSTALLATION	186
FIGURE 4-26. FAN GUARD (REVERSING) INSTALLATION.....	188
FIGURE 4-27. COOLING FAN INSTALLATION	190
FIGURE 4-28. REVERSE COOLING FAN INSTALLATION	192
FIGURE 4-29. COMPRESSOR COVER INSTALLATION.....	194
FIGURE 4-30. EXHAUST INSTALLATION (ULS).....	196
FIGURE 4-31. DEF CONTROL MODULE INSTALLATION	198
FIGURE 4-32. DEF LINES INSTALLATION.....	200
FIGURE 4-33. DEF TANK INSTALLATION	202
FIGURE 4-34. DEF TANK ASSEMBLY.....	204
FIGURE 4-35. HEATER LINES INSTALLATION (ULS)	206
FIGURE 4-36. A/C PUMP INSTALLATION	208
FIGURE 4-37. A/C LINES INSTALLATION.....	210
FIGURE 4-38. BLOCK HEATER INSTALLATION (115V) (ULS)	212
FIGURE 4-39. HEATED BREATHER TUBE INSTALLATION.....	214
FIGURE 4-40. RADIATOR LINES INSTALLATION	216
SECTION 5 - DRIVETRAIN	219
FIGURE 5-1. DRIVETRAIN INSTALLATION	220
FIGURE 5-2. FRONT AXLE INSTALLATION.....	222
FIGURE 5-3. FRONT AXLE MOUNTING INSTALLATION	224
FIGURE 5-4. FRONT AXLE LINES INSTALLATION	226
FIGURE 5-5. REAR AXLE INSTALLATION	228
FIGURE 5-6. REAR AXLE MOUNTING INSTALLATION.....	230
FIGURE 5-7. REAR AXLE LINES INSTALLATION.....	232
FIGURE 5-8. FRONT AXLE.....	234
FIGURE 5-9. FRONT AXLE, CENTRAL HOUSING.....	236
FIGURE 5-10. FRONT AXLE, DIFFERENTIAL.....	238
FIGURE 5-11. FRONT AXLE, HUB REDUCTION	240
FIGURE 5-12. FRONT AXLE, BRAKES.....	242
FIGURE 5-13. FRONT AXLE, STEERING	244
FIGURE 5-14. FRONT AXLE, TRUNION.....	246
FIGURE 5-15. REAR AXLE	248
FIGURE 5-16. REAR AXLE, CENTRAL HOUSING	250
FIGURE 5-17. REAR AXLE, DIFFERENTIAL	252
FIGURE 5-18. REAR AXLE, HUB REDUCTION.....	254
FIGURE 5-19. REAR AXLE, BRAKES	256
FIGURE 5-20. REAR AXLE, STEERING	258
FIGURE 5-21. REAR AXLE, TRUNION	260
FIGURE 5-22. DIFFERENTIAL KIT.....	262
FIGURE 5-23. DIFFERENTIAL KIT.....	264
FIGURE 5-24. STEERING CASE KIT (RF, LR)	266
FIGURE 5-25. STEERING CASE KIT (LF, RR)	268
FIGURE 5-26. TRUNION KIT.....	270

TABLE OF CONTENTS

FIGURE 5-27. RING GEAR SUPPORT KIT	272
FIGURE 5-28. REDUCTION BUSHING KIT	274
FIGURE 5-29. PLANET GEAR CARRIER KIT	276
FIGURE 5-30. RALP INSTALLATION	278
FIGURE 5-31. RALP MECHANICAL INSTALLATION	280
FIGURE 5-32. GEARBOX INSTALLATION	282
FIGURE 5-33. GEAR BOX	284
FIGURE 5-34. HYDROSTATIC MOTOR INSTALLATION	288
FIGURE 5-35. HYDROSTATIC MOTOR ASSEMBLY	290
FIGURE 5-36. DRIVE SHAFT INSTALLATION	292
FIGURE 5-37. TIRE/WHEEL SET (AIR 17.5-25 - 20 PLY)	294
FIGURE 5-38. RIGHT TIRE/WHEEL ASSEMBLY (AIR 17.5-25 - 20 PLY)	296
FIGURE 5-39. LEFT TIRE/WHEEL ASSEMBLY (AIR 17.5-25 - 20 PLY)	298
FIGURE 5-40. TIRE/WHEEL SET (FOAM 17.5-25 - 20 PLY)	300
FIGURE 5-41. TIRE/WHEEL SET (AIR 17.5 R25 - RADIAL)	302
FIGURE 5-42. RIGHT TIRE/WHEEL ASSEMBLY (AIR 17.5 R25 - RADIAL)	304
FIGURE 5-43. LEFT TIRE/WHEEL ASSEMBLY (AIR 17.5 R25 - RADIAL)	306
FIGURE 5-44. FENDER INSTALLATION	308
FIGURE 5-45. RH FENDER ASSEMBLY	310
FIGURE 5-46. LH FENDER ASSEMBLY	312
SECTION 6 - CAB	315
FIGURE 6-1. CAB MOUNTING INSTALLATION	316
FIGURE 6-2. FRONT CAB MOUNT BRACKET INSTALLATION	318
FIGURE 6-3. CAB MOUNTS INSTALLATION	320
FIGURE 6-4. CAB COMPONENTS INSTALLATION	322
FIGURE 6-5. CAB INSTALLATION	324
FIGURE 6-6. CAB ASSEMBLY	326
FIGURE 6-7. DOOR INSTALLATION	328
FIGURE 6-8. DOOR ASSEMBLY	330
FIGURE 6-9. DOOR UPPER GLASS ASSEMBLY	332
FIGURE 6-10. CAB LATCH ASSEMBLY	334
FIGURE 6-11. CAB DOOR TRIGGER ASSEMBLY	336
FIGURE 6-12. DOOR STRAP INSTALLATION	338
FIGURE 6-13. REAR WINDOW INSTALLATION	340
FIGURE 6-14. REAR WINDOW GROUP	342
FIGURE 6-15. CAB PLUG GROUP	344
FIGURE 6-16. BASIC MIRROR INSTALLATION	346
FIGURE 6-17. INTERIOR MIRROR INSTALLATION	348
FIGURE 6-18. INTERIOR MIRROR	350
FIGURE 6-19. FRONT WIPER INSTALLATION	352
FIGURE 6-20. WASHER TANK INSTALLATION	354
FIGURE 6-21. WASHER BOTTLE	356
FIGURE 6-22. FRONT COVER INSTALLATION	358
FIGURE 6-23. FRONT DUCT COVER	360
FIGURE 6-24. FILTER TRAY PANEL	362
FIGURE 6-25. LEVEL INDICATOR INSTALLATION	364
FIGURE 6-26. REAR WIPER INSTALLATION	366
FIGURE 6-27. MULTIFUNCTION DISPLAY INSTALLATION	368
FIGURE 6-28. SEAT INSTALLATION (CLOTH)	370
FIGURE 6-29. SEAT ASSEMBLY	372
FIGURE 6-30. SEAT INSTALLATION (AIR SUSPENSION - STANDARD)	374
FIGURE 6-31. SEAT ASSEMBLY (AIR SUSPENSION - STANDARD)	376
FIGURE 6-32. SEAT INSTALLATION (AIR SUSPENSION - PREMIUM)	378
FIGURE 6-33. SEAT ASSEMBLY (AIR SUSPENSION - PREMIUM)	380
FIGURE 6-34. HEATER INSTALLATION	382
FIGURE 6-35. HEATER AND A/C INSTALLATION (CAB PARTS)	384
FIGURE 6-36. CAB CONDENSER ASSEMBLY	388
FIGURE 6-37. CONDENSER	390
FIGURE 6-38. A/C RECEIVER DRIER	392
FIGURE 6-39. HEATER ASSEMBLY	394
FIGURE 6-40. HEATER AND A/C ASSEMBLY	396
FIGURE 6-41. HVAC CAB ACTUATOR	398
FIGURE 6-42. HEATER	400
FIGURE 6-43. HEATER	402
FIGURE 6-44. HEATER AND A/C	404

TABLE OF CONTENTS

FIGURE 6-45. ROOF WIPER INSTALLATION	406
FIGURE 6-46. HEADLINER INSTALLATION	408
FIGURE 6-47. HEADLINER/RADIO READY PACKAGE INSTALLATION	410
FIGURE 6-48. CAB TRIM INSTALLATION	412
FIGURE 6-49. DASH COVER ASSEMBLY	416
FIGURE 6-50. REAR PANEL COVER ASSEMBLY	418
FIGURE 6-51. ADJUSTABLE ARMREST INSTALLATION	420
FIGURE 6-52. ROOF CAP INSTALLATION (NO A/C)	422
FIGURE 6-53. ROOF CAP INSTALLATION (A/C)	424
FIGURE 6-54. RETRACTABLE SUNSCREEN INSTALLATION	426
FIGURE 6-55. FLOOR MAT INSTALLATION	428
FIGURE 6-56. SEAT BELT INSTALLATION (3IN)	430
FIGURE 6-57. SEAT BELT INSTALLATION (2IN)	432
FIGURE 6-58. ENCLOSED CAB FRONT COVER INSTALLATION	434
FIGURE 6-59. CAB GUARD INSTALLATION (TOP)	436
FIGURE 6-60. CAB GUARD INSTALLATION (FRONT)	438
FIGURE 6-61. CAB GUARD INSTALLATION (TOP AND FRONT)	440
FIGURE 6-62. EXTERNAL WINDOW RELEASE INSTALLATION (ANSI - ENGLISH)	442
FIGURE 6-63. EXTERNAL WINDOW RELEASE INSTALLATION (ENGLISH/FRENCH)	444
 SECTION 7 - CONTROLS	 447
FIGURE 7-1. ACCELERATOR PEDAL INSTALLATION	448
FIGURE 7-2. ACCELERATOR PEDAL	450
FIGURE 7-3. BRAKE PEDAL INSTALLATION	452
FIGURE 7-4. BRAKE PEDAL ASSEMBLY	454
FIGURE 7-5. BRAKE SENSOR INSTALLATION	456
FIGURE 7-6. SWITCH PLATE ASSEMBLY	458
FIGURE 7-7. PARK BRAKE INSTALLATION	460
FIGURE 7-8. TILT STEERING COLUMN INSTALLATION	462
FIGURE 7-9. TILT STEERING COLUMN	464
FIGURE 7-10. COLUMN SHIFT INSTALLATION (2 SPEED)	466
FIGURE 7-11. COLUMN SHIFT INSTALLATION (0 SPEED)	468
FIGURE 7-12. STEERING WHEEL INSTALLATION	470
FIGURE 7-13. STEERING WHEEL	472
FIGURE 7-14. HORN BUTTON INSTALLATION	474
FIGURE 7-15. JOYSTICK INSTALLATION (2 SPEED)	476
FIGURE 7-16. JOYSTICK INSTALLATION	478
FIGURE 7-17. WIPER-TURN SWITCH	480
 SECTION 8 - HYDRAULIC CIRCUITS	 483
FIGURE 8-1. MAIN HYDRAULIC INSTALLATION	484
FIGURE 8-2. BOOM HYDRAULIC INSTALLATION	486
FIGURE 8-3. REMOTE GREASE INSTALLATION	488
FIGURE 8-4. FRAME LEVEL INSTALLATION	490
FIGURE 8-5. FRAME LEVEL CYLINDER INSTALLATION	492
FIGURE 8-6. FRAME LEVEL VALVE ASSEMBLY	494
FIGURE 8-7. BOOM RAISE HOSE INSTALLATION (NO RIDE CONTROL)	496
FIGURE 8-8. BOOM RAISE COUNTERBALANCE VALVE (NO RIDE CONTROL)	498
FIGURE 8-9. BOOM RAISE HOSE INSTALLATION (RIDE CONTROL)	500
FIGURE 8-10. RIDE AND FLOAT VALVE ASSEMBLY	502
FIGURE 8-11. BOOM AUX HYDRAULIC INSTALLATION (MANUAL - SINGLE)	504
FIGURE 8-12. BOOM AUX HYDRAULIC INSTALLATION (MANUAL - TWIN)	506
FIGURE 8-13. DIVERTER VALVE ASSEMBLY	508
FIGURE 8-14. BOOM AUX HYDRAULIC INSTALLATION (HYDRAULIC - SINGLE)	510
FIGURE 8-15. DIVERTER VALVE ASSEMBLY	512
FIGURE 8-16. BOOM AUX HYDRAULIC INSTALLATION (HYDRAULIC - TWIN)	514
FIGURE 8-17. DIVERTER VALVE ASSEMBLY	516
FIGURE 8-18. RALP HYDRAULIC LINES INSTALLATION	518
FIGURE 8-19. MAIN CONTROL VALVE INSTALLATION	520
FIGURE 8-20. MAIN CONTROL VALVE ASSEMBLY	522
FIGURE 8-21. STEERING SELECT VALVE INSTALLATION	524
FIGURE 8-22. STEERING SELECT VALVE ASSEMBLY	526
FIGURE 8-23. FRAME LEVEL VALVE INSTALLATION	528
FIGURE 8-24. FRAME LEVEL VALVE ASSEMBLY	530
FIGURE 8-25. CAB HYDRAULICS INSTALLATION	532

TABLE OF CONTENTS

FIGURE 8-26. SOLENOID VALVE INSTALLATION.....	534
FIGURE 8-27. SOLENOID VALVE ASSEMBLY.....	536
FIGURE 8-28. CHECK VALVE INSTALLATION.....	538
FIGURE 8-29. CHECK VALVE ASSEMBLY.....	540
FIGURE 8-30. SPEED CONTROL VALVE INSTALLATION.....	542
FIGURE 8-31. SPEED CONTROL VALVE ASSEMBLY.....	544
FIGURE 8-32. ENGINE BAY HYDRAULIC INSTALLATION.....	546
FIGURE 8-33. INCHING VALVE INSTALLATION.....	548
FIGURE 8-34. INCHING VALVE ASSEMBLY.....	550
FIGURE 8-35. CHARGE FILTER LINES INSTALLATION.....	552
FIGURE 8-36. CHARGE FILTER INSTALLATION.....	554
FIGURE 8-37. IMPLEMENT PUMP FILTER ASSEMBLY.....	556
FIGURE 8-38. FRAME HYDRAULIC INSTALLATION.....	558
FIGURE 8-39. MANIFOLD INSTALLATION.....	560
FIGURE 8-40. MANIFOLD ASSEMBLY.....	562
FIGURE 8-41. BOOM HYDRAULIC LINE INSTALLATION.....	564
FIGURE 8-42. PRIORITY MANIFOLD INSTALLATION.....	566
FIGURE 8-43. PRIORITY VALVE ASSEMBLY.....	568
FIGURE 8-44. PRIORITY MANIFOLD INSTALLATION (PLATFORM READY).....	570
FIGURE 8-45. PRIORITY VALVE ASSEMBLY (PLATFORM READY).....	572
FIGURE 8-46. VALVE ASSEMBLY, BUCKET (5.23 YD ³ /4.0M ³).....	574
SECTION 9 - HYDRAULIC COMPONENTS.....	577
FIGURE 9-1. CYLINDER GROUP INSTALLATION.....	578
FIGURE 9-2. LIFT CYLINDER INSTALLATION.....	580
FIGURE 9-3. LIFT CYLINDER.....	582
FIGURE 9-4. COMPENSATION CYLINDER INSTALLATION.....	584
FIGURE 9-5. COMPENSATION CYLINDER.....	586
FIGURE 9-6. COUPLER LOCKING CYLINDER.....	588
FIGURE 9-7. EXTEND/RETRACT CYLINDER INSTALLATION.....	590
FIGURE 9-8. EXTEND/RETRACT CYLINDER.....	592
FIGURE 9-9. TILT CYLINDER.....	594
FIGURE 9-10. FRAME LEVEL CYLINDER.....	596
FIGURE 9-11. RALP CYLINDER INSTALLATION.....	598
FIGURE 9-12. FORK POSITIONING CYLINDER ASSEMBLY.....	600
FIGURE 9-13. SIDE SHIFT CYLINDER ASSEMBLY.....	602
FIGURE 9-14. UPPER CYLINDER ASSEMBLY.....	604
FIGURE 9-15. LOWER CYLINDER ASSEMBLY.....	606
FIGURE 9-16. REAR AXLE LOCK VALVE INSTALLATION.....	608
FIGURE 9-17. CYLINDER ASSEMBLY.....	610
FIGURE 9-18. CYLINDER ASSEMBLY.....	612
FIGURE 9-19. LOG HANDLER CARRIAGE CYLINDER ASSEMBLY.....	614
FIGURE 9-20. HYDROSTATIC MOTOR.....	616
FIGURE 9-21. HYDROSTATIC PUMP.....	618
FIGURE 9-22. IMPLEMENT PUMP.....	620
FIGURE 9-23. MAIN CONTROL VALVE.....	622
FIGURE 9-24. STEERING SELECT VALVE.....	624
FIGURE 9-25. FRAME LEVEL VALVE.....	626
FIGURE 9-26. SOLENOID VALVE.....	628
FIGURE 9-27. INCHING VALVE.....	630
FIGURE 9-28. PRIORITY VALVE ASSEMBLY.....	632
FIGURE 9-29. BOOM RAISE VALVE (RIDE CONTROL).....	634
FIGURE 9-30. DIVERTOR VALVE.....	636
FIGURE 9-31. DIVERTOR VALVE.....	638
FIGURE 9-32. STEER UNIT VALVE.....	640
FIGURE 9-33. COUNTERBALANCE VALVE INSTALLATION.....	642
FIGURE 9-34. COUNTERBALANCE VALVE.....	644
FIGURE 9-35. COUNTERBALANCE VALVE.....	646
FIGURE 9-36. COUNTERBALANCE VALVE.....	648
FIGURE 9-37. SPEED CONTROL VALVE.....	650
FIGURE 9-38. AIR SHUT OFF VALVE.....	652
FIGURE 9-39. ASO VALVE.....	654
SECTION 10 - ELECTRICAL.....	657
FIGURE 10-1. MAIN ELECTRICAL INSTALLATION (ULS).....	658

TABLE OF CONTENTS

FIGURE 10-2. MAIN ELECTRICAL INSTALLTION, MINING (ULS)	660
FIGURE 10-3. FRAME ELECTRICAL INSTALLATION.....	662
FIGURE 10-4. ENGINE POD ELECTRICAL INSTALLATION (ULS)	664
FIGURE 10-5. ENGINE POD COMPONENT INSTALLATION (MINING) (ULS).....	666
FIGURE 10-6. FRAME WIRING INSTALLATION	668
FIGURE 10-7. FRAME WIRING INSTALLTION, MINING (ULS)	670
FIGURE 10-8. ENGINE BAY ELECTRICAL INSTALLATION (ULS).....	672
FIGURE 10-9. POWER DISTRIBUTION ELECTRICAL BOX	674
FIGURE 10-10. REAR FRAME MODULE INSTALLATION	676
FIGURE 10-11. ENGINE WIRING INSTALLATION (ULS).....	678
FIGURE 10-12. ENGINE WIRING INSTALLATION (MINING) (ULS).....	680
FIGURE 10-13. ENGINE ECU INSTALLATION.....	682
FIGURE 10-14. BATTERY INSTALLATION.....	684
FIGURE 10-15. DUAL BATTERY INSTALLATION	686
FIGURE 10-16. ARTIC BATTERY PACKAGE INSTALLATION (115V)	688
FIGURE 10-17. ARCTIC BATTERIES INSTALLATION (115V)	690
FIGURE 10-18. HYDRAULIC TANK HEATER INSTALLATION (115V).....	692
FIGURE 10-19. BACKUP ALARM INSTALLATION	694
FIGURE 10-20. BACKUP ALARM INSTALLATION (WHITE NOISE)	696
FIGURE 10-21. EMERGENCY STOP EXTERNAL INSTALLATION.....	698
FIGURE 10-22. CAB ELECTRICAL INSTALLATION.....	700
FIGURE 10-23. DASH ELECTRICAL INSTALLATION	702
FIGURE 10-24. LIGHT SWITCH INSTALLATION	704
FIGURE 10-25. BOOM HARNESS INSTALLATION	706
FIGURE 10-26. BOOM HARNESS INSTALLATION	708
FIGURE 10-27. BOOM AUX HARNESS INSTALLATION.....	710
FIGURE 10-28. DRIVING LIGHT INSTALLATION (RH DIP)	712
FIGURE 10-29. DRIVING LIGHT INSTALLATION (LED) (RH DIP).....	714
FIGURE 10-30. CAB WORKLIGHTS INSTALLATION (NO A/C - LED).....	716
FIGURE 10-31. CAB WORKLIGHTS INSTALLATION (A/C - LED)	718
FIGURE 10-32. BOOM WORK LIGHTS (LED)	720
FIGURE 10-33. BOOM WORK LIGHT INSTALLATION (LED)	722
FIGURE 10-34. BEACON INSTALLATION	724
FIGURE 10-35. BEACON INSTALLATION (LED).....	726
FIGURE 10-36. BEACON (REMOTE BOOM CONTROL) INSTALLATION.....	728
FIGURE 10-37. BEACON (LED) (REMOTE BOOM CONTROL) INSTALLATION.....	730
FIGURE 10-38. REVERSE CAMERA INSTALLATION.....	732
FIGURE 10-39. REVERSE SENSOR INSTALLATION	734
FIGURE 10-40. TELEMATICS READY INSTALLATION	736
FIGURE 10-41. CLEARSKY INSTALLATION (NO A/C - SHORT ROOF CAP) (Prior to SN 0160087894)	738
FIGURE 10-42. CLEARSKY INSTALLATION (A/C - LONG ROOF CAP) (Prior to SN 0160087894)	740
FIGURE 10-43. INSTALLATION, TELEMATICS CANBUS ASSEMBLY (CLEARSKY 2) (SN 0160087894 to Present).....	742
FIGURE 10-44. LSI INSTALLATION.....	744
FIGURE 10-45. LSI DISPLAY INSTALLATION.....	746
FIGURE 10-46. LSI SENSOR INSTALLATION.....	748
FIGURE 10-47. LMIS INSTALLATION (HIGH END DISPLAY).....	750
FIGURE 10-48. LMIS BEACON LIGHT INSTALLATION	752
FIGURE 10-49. LMIS CONTROL PACKAGE INSTALLATION	754
FIGURE 10-50. LMIS WIRING INSTALLATION	756
FIGURE 10-51. RIDE CONTROL WIRING INSTALLATION.....	758
FIGURE 10-52. BOOM RIDE CONTROL HARNESS	760
FIGURE 10-53. TILT SENSOR INSTALLATION.....	762
FIGURE 10-54. LMIS CONTROLLER INSTALLATION	764
FIGURE 10-55. LMIS CABLE REEL INSTALLATION.....	766
FIGURE 10-56. BOOM ANGLE SENSOR INSTALLATION (LMIS)	768
FIGURE 10-57. BOOM ANGLE SENSOR INSTALLATION (NO LMIS).....	770
FIGURE 10-58. BOOM RETRACT SENSOR INSTALLATION	772
FIGURE 10-59. ENGINE HARNESS (ULS)	774
FIGURE 10-60. ENGINE HARNESS (MINING) (ULS).....	780
FIGURE 10-61. FUEL PUMP HARNESS.....	786
FIGURE 10-62. FUEL PUMP HARNESS (MINING) (ULS)	788
FIGURE 10-63. GLOW PLUG RELAY HARNESS.....	790
FIGURE 10-64. GLOW PLUG RELAY HARNESS (MINING) (ULS)	792
FIGURE 10-65. BOOM HARNESS	794
FIGURE 10-66. BOOM AUX HARNESS.....	796
FIGURE 10-67. CAB HARNESS.....	798
FIGURE 10-68. STANDARD ELECTRICAL BOARD ASSEMBLY.....	806

TABLE OF CONTENTS

FIGURE 10-69. OPTION 1 ELECTRICAL BOARD ASSEMBLY	808
FIGURE 10-70. OPTION 2 ELECTRICAL BOARD ASSEMBLY	810
FIGURE 10-71. CAB OPTION HARNESS.....	812
FIGURE 10-72. FRONT FRAME HARNESS.....	814
FIGURE 10-73. REAR FRAME HARNESS	818
FIGURE 10-74. FRONT FRAME HARNESS, MINING	822
FIGURE 10-75. REAR FRAME HARNESS, MINING	826
FIGURE 10-76. SEAT ADAPTOR HARNESS	830
FIGURE 10-77. A/C OPTION HARNESS	832
FIGURE 10-78. IGNITION SWITCH HARNESS.....	834
FIGURE 10-79. REVERSE SENSOR HARNESS.....	836
FIGURE 10-80. TELEMATICS READY HARNESS.....	838
FIGURE 10-81. CLEARSKY HARNESS (A/C) (Prior to SN 0160087894).....	840
FIGURE 10-82. CLEARSKY HARNESS (NO A/C) (Prior to SN 0160087894)	842
FIGURE 10-83. 4WARD TELEMATIC, HARNESS (CLEARSKY 2) (SN 0160087894 to Present).....	844
FIGURE 10-84. LMIS CHASSIS OPTION HARNESS	846
FIGURE 10-85. LMIS BOOM HARNESS	850
FIGURE 10-86. PLATFORM READY HARNESS	852
FIGURE 10-87. LMIS BEACON OPTION HARNESS.....	854
FIGURE 10-88. PROXIMITY SENSOR HARNESS	856
FIGURE 10-89. HEADLIGHT HARNESS	858
FIGURE 10-90. BOOM WORKLIGHTS HARNESS.....	860
FIGURE 10-91. LICENSE LIGHT HARNESS	862
FIGURE 10-92. AIR SHUTOFF VALVE HARNESS	864
FIGURE 10-93. AIR SHUT OFF VALVE HARNESS (ENGINE)	866
FIGURE 10-94. TELEMATICS OPTION HARNESS (SN 0160087894 to Present)	870
FIGURE 10-95. CLEARSKY INSTALLATION 3-WIRE (ANSI)	872
FIGURE 10-96. TELEMATICS HARNESS	874
FIGURE 10-97. TELEMATICS INSTALLATION, UNITED RENTALS	876
FIGURE 10-98. BOOM HARNESS.....	878
SECTION 11 - DECALS.....	881
FIGURE 11-1. CAPACITY CHART HOLDER INSTALLATION	882
FIGURE 11-2. REVERSE SENSOR SYSTEM DECAL (ENGLISH)	884
FIGURE 11-3. REVERSE SENSING SYSTEM DECAL, (ENGLISH/FRENCH)	886
FIGURE 11-4. CAPACITY CHART	888
FIGURE 11-5. 1732 DECAL INSTALLATION.....	890
FIGURE 11-6. DECAL INSTALLATION (ENGLISH).....	892
FIGURE 11-7. DECAL INSTALLATION (ENGLISH/FRENCH).....	896
FIGURE 11-8. CLEARSKY DECAL INSTALLATION.....	900
SECTION 12 - RECOMMENDED SPARE PARTS	903
FIGURE 12-1. RECOMMENDED SPARE PARTS	904
PART NUMBER INDEX	905

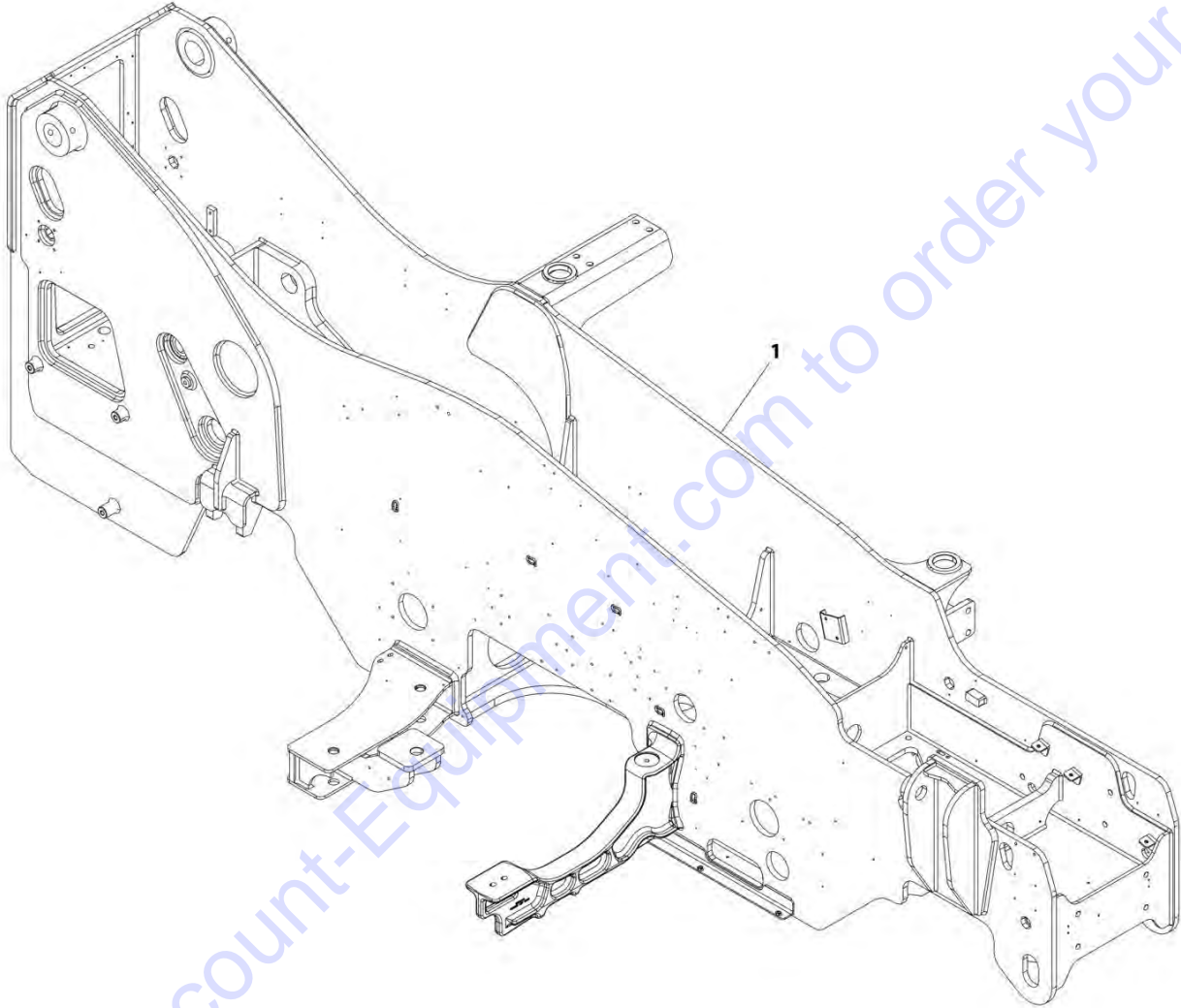
SECTION 1 - FRAME AND ATTACHING PARTS

SECTION 1 - FRAME AND ATTACHING PARTS

Go to Discount-Equipment.com to order your parts

SECTION 1 - FRAME AND ATTACHING PARTS

FIGURE 1-1. FRAME WELDMENT



Go to Discount-Equipment.com to order your parts

ART_1001201418J-O

SECTION 1 - FRAME AND ATTACHING PARTS

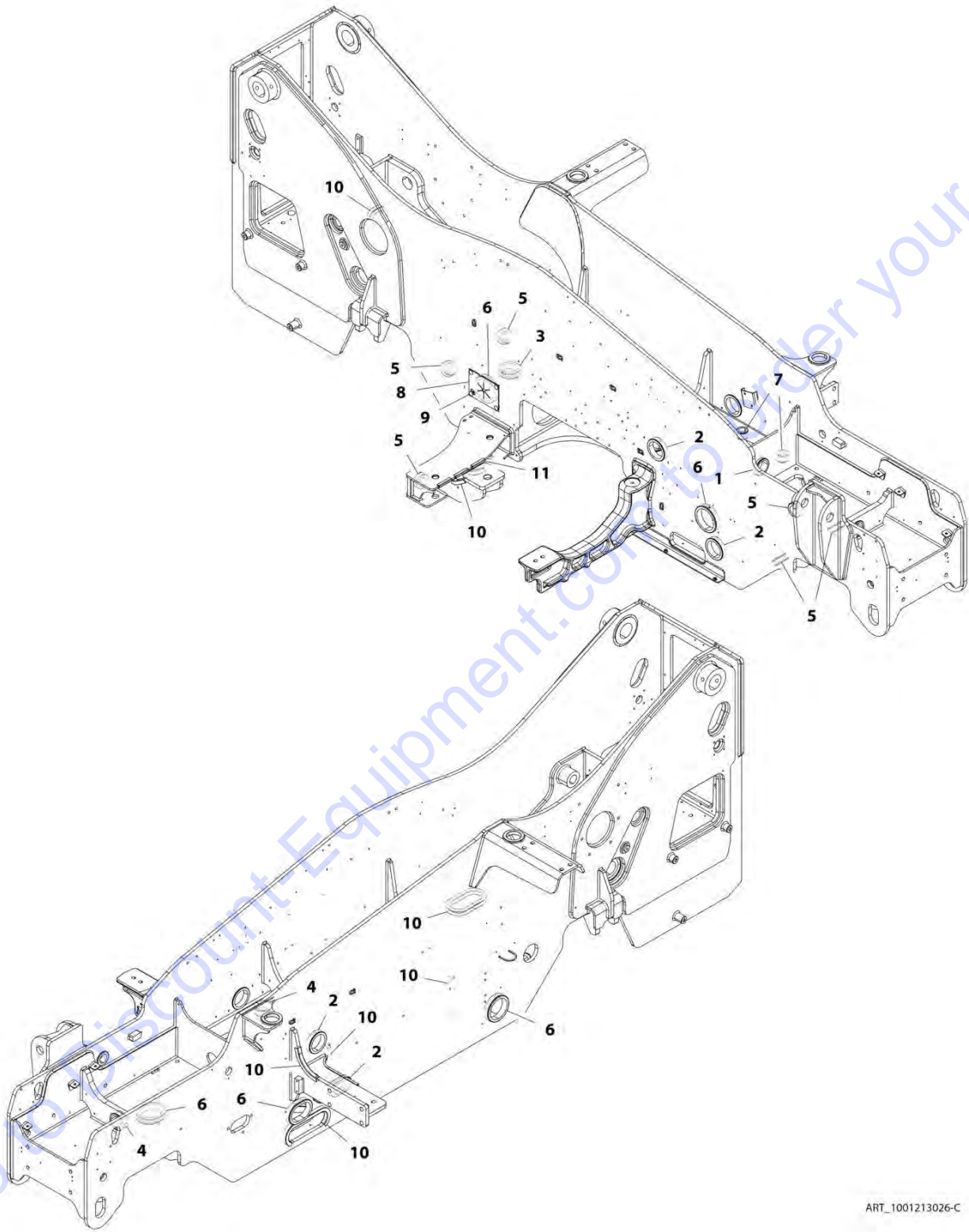
FIGURE 1-1. FRAME WELDMENT

ITEM	PART NUMBER	QTY	DESCRIPTION	REV
1	1001201418J	1	Frame Weldment	0

Go to Discount-Equipment.com to order your parts

SECTION 1 - FRAME AND ATTACHING PARTS

FIGURE 1-2. GROMMETS INSTALLATION



ART_1001213026-C

SECTION 1 - FRAME AND ATTACHING PARTS

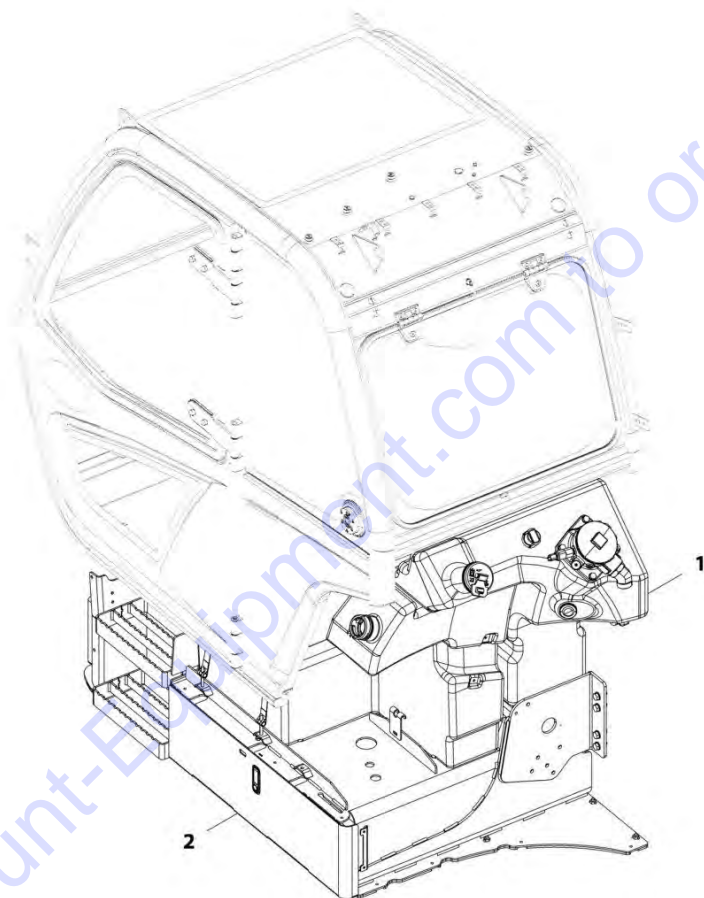
FIGURE 1-2. GROMMETS INSTALLATION

ITEM	PART NUMBER	QTY	DESCRIPTION	REV
	1001213026	Ref	Grommets Installation	C
1	1001009018	1	Grommet	
2	1001028264	4	Grommet	
3	1001028291	1	Grommet	
4	1001028306	2	Grommet	
5	1001028308	6	Grommet	
6	1001028377	5	Grommet	
7	1001028400	2	Grommet	
8	1001175347	1	Grommet	
9	1001180306	4	Screw	
10	4060919	2030 mm	Trim,Hose Protection	
11	90206202	270 mm	Trim Lock	

Go to Discount-Equipment.com to order your parts

SECTION 1 - FRAME AND ATTACHING PARTS

FIGURE 1-3. TANK INSTALLATION



ART_1001185927-C

SECTION 1 - FRAME AND ATTACHING PARTS

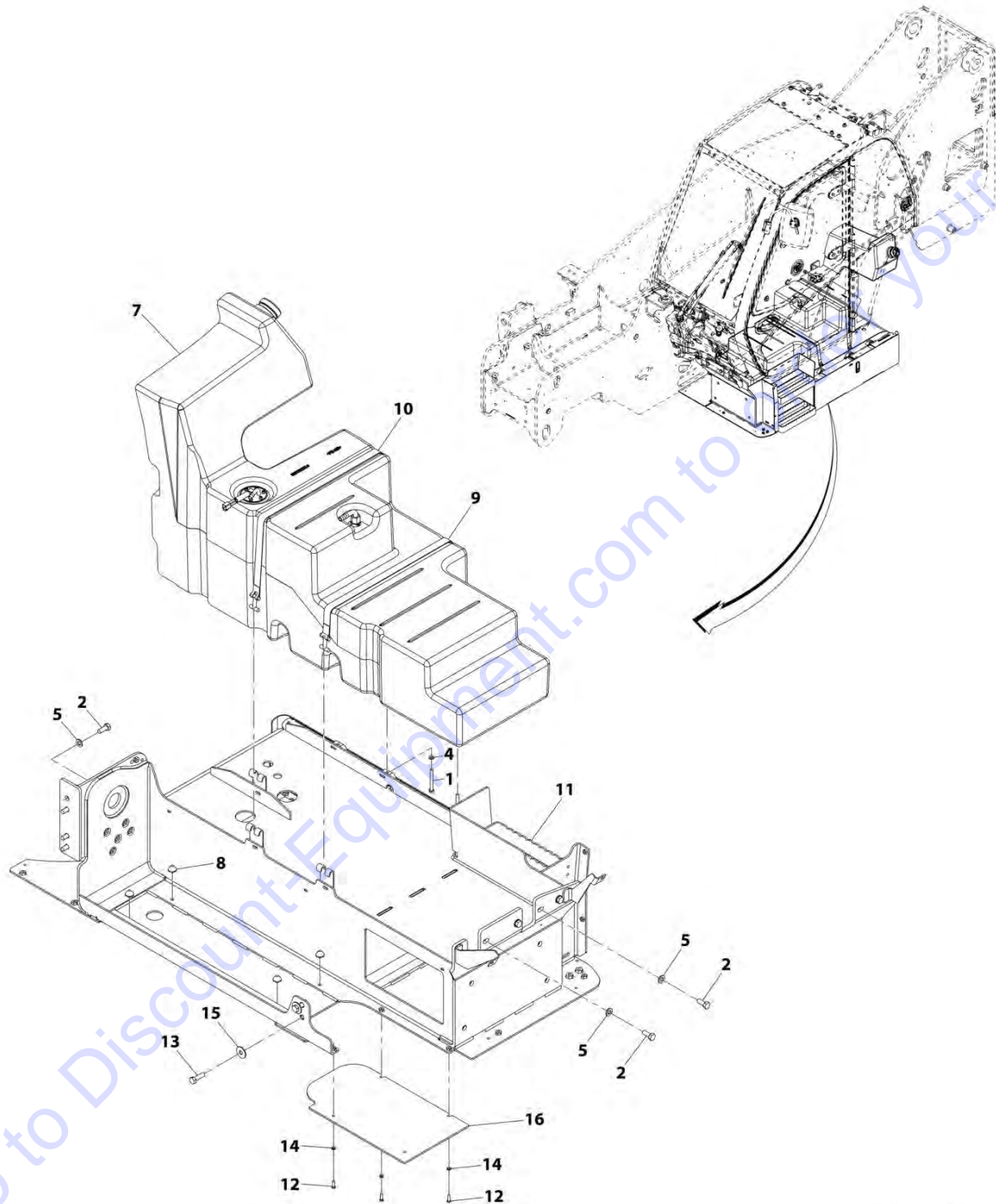
FIGURE 1-3. TANK INSTALLATION

ITEM	PART NUMBER	QTY	DESCRIPTION	REV
1	1001185927	Ref	Tank Installation	C
	1001179850	Ref	Installation, Hydraulic Tank (See Separate Breakdown in this Section)	
2	1001185929	Ref	Installation, Fuel Tank (See Separate Breakdown in this Section)	

Go to Discount-Equipment.com to order your parts

SECTION 1 - FRAME AND ATTACHING PARTS

FIGURE 1-4. FUEL TANK INSTALLATION



ART_1001185929-G

SECTION 1 - FRAME AND ATTACHING PARTS

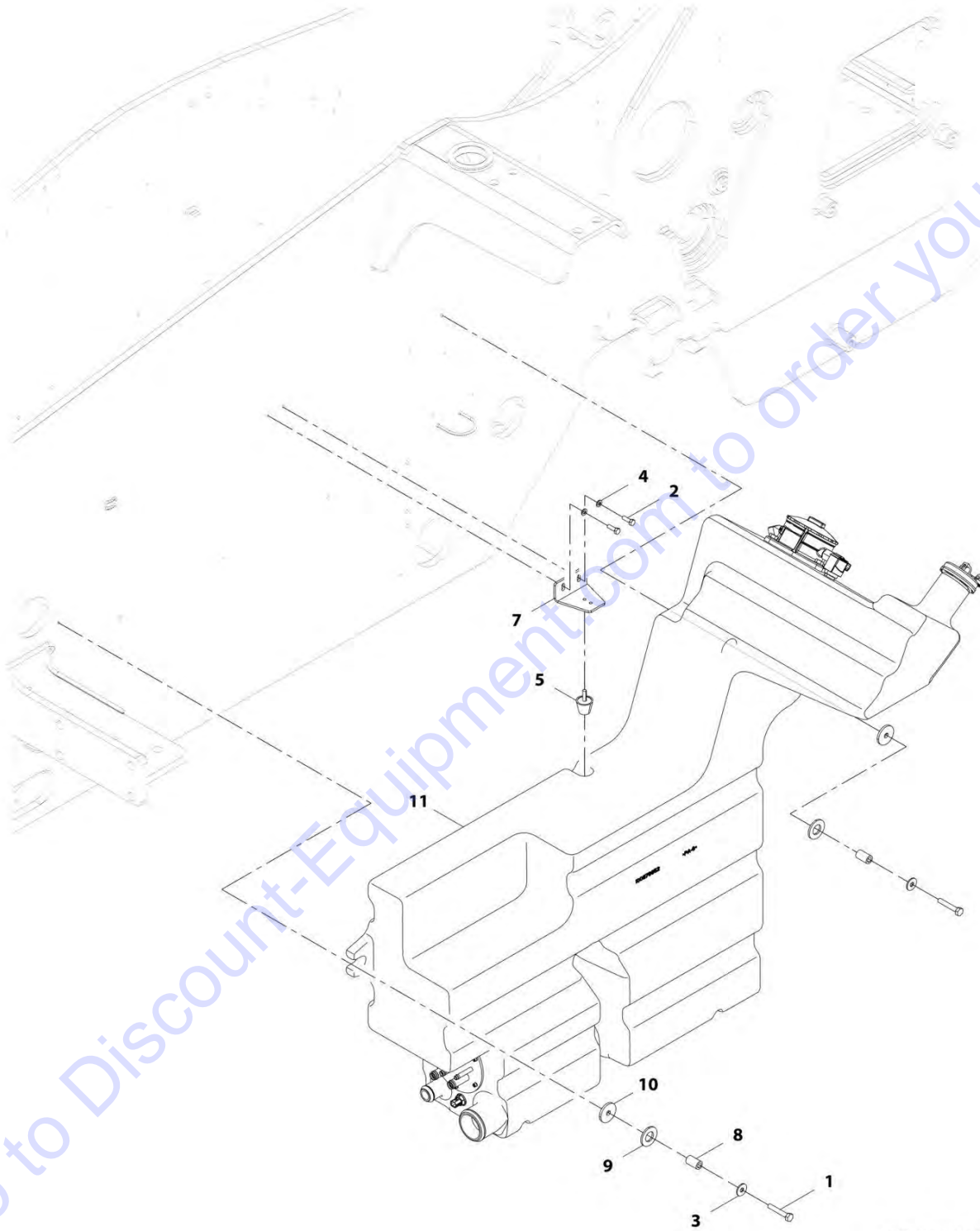
FIGURE 1-4. FUEL TANK INSTALLATION

ITEM	PART NUMBER	QTY	DESCRIPTION	REV
	1001185929	Ref	Fuel Tank Installation	G
1	0760823	2	Bolt, M8X75	
2	0761214	8	Bolt, M12X30	
4	4811900	2	Washer, M8	
5	4812100	8	Washer, M12	
7	1001192125	1	Assembly, Fuel Tank (See Separate Breakdown in this Section)	
8	1001169454	4	Buffer	
9	1001178474	1	Strap	
10	1001178693	1	Strap	
11	1001185930	Ref	Installation, Tank Support (See Separate Breakdown in this Section)	
12	0700610	3	Bolt, M6X20	
13	0701216	2	Bolt, M12X40	
14	4811700	3	Washer, M6	
15	4812102	2	Washer, M12	
16	1001197480	1	Plate	

Go to Discount-Equipment.com to order your parts

SECTION 1 - FRAME AND ATTACHING PARTS

FIGURE 1-5. HYDRAULIC TANK INSTALLATION



ART_1001179850-C

SECTION 1 - FRAME AND ATTACHING PARTS

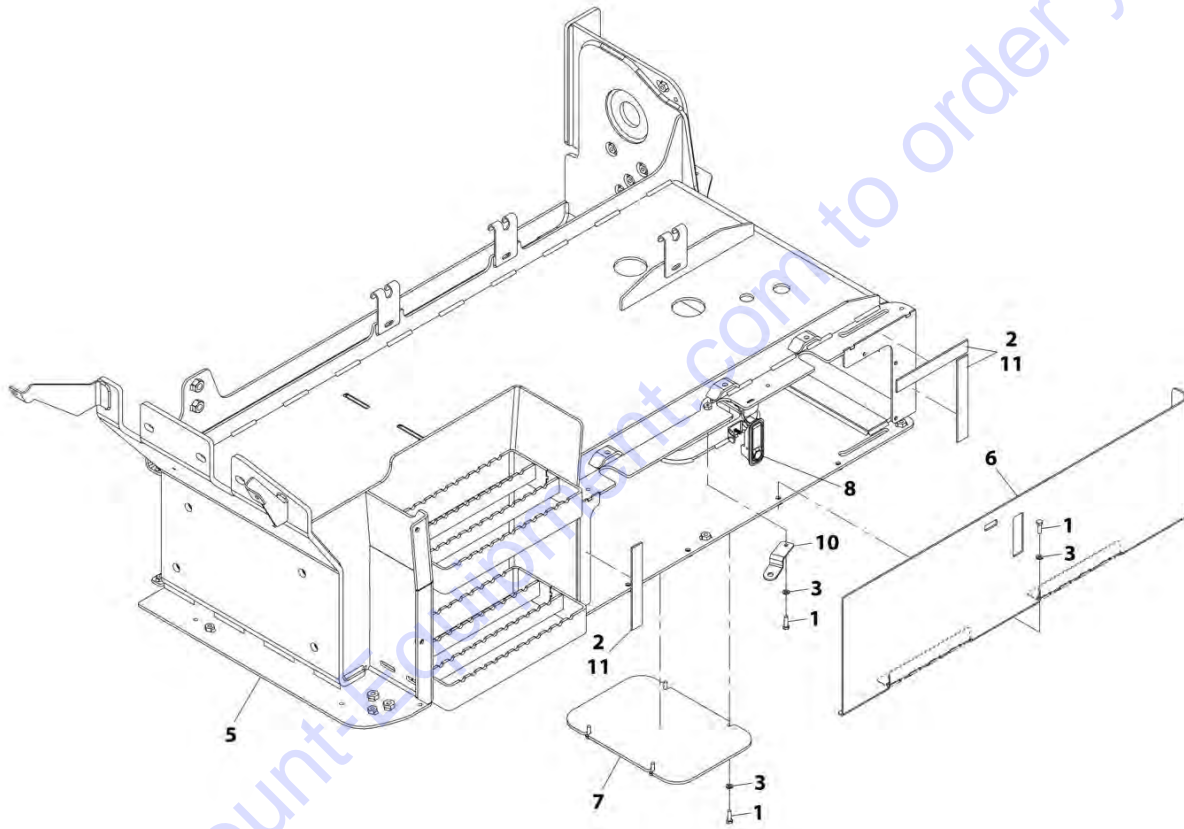
FIGURE 1-5. HYDRAULIC TANK INSTALLATION

ITEM	PART NUMBER	QTY	DESCRIPTION	REV
	1001179850	Ref	Hydraulic Tank Installation	C
1	0701020	2	Bolt, M10X60	
2	0760812	2	Bolt, M8X25	
3	4812002	2	Washer, M10	
4	4811900	2	Washer, M8	
5	1001008575	1	Bumper, Conical	
7	1001177082	1	Bracket	
8	1001171179	2	Spacer	
9	1001172146	2	Washer, Rubber	
10	1001172147	2	Washer, M10	
11	1001179851	1	Assembly, Hydraulic Tank (See Separate Breakdown in this Section)	

Go to Discount-Equipment.com to order your parts

SECTION 1 - FRAME AND ATTACHING PARTS

FIGURE 1-6. TANK SUPPORT INSTALLATION



ART_1001185930-K

SECTION 1 - FRAME AND ATTACHING PARTS

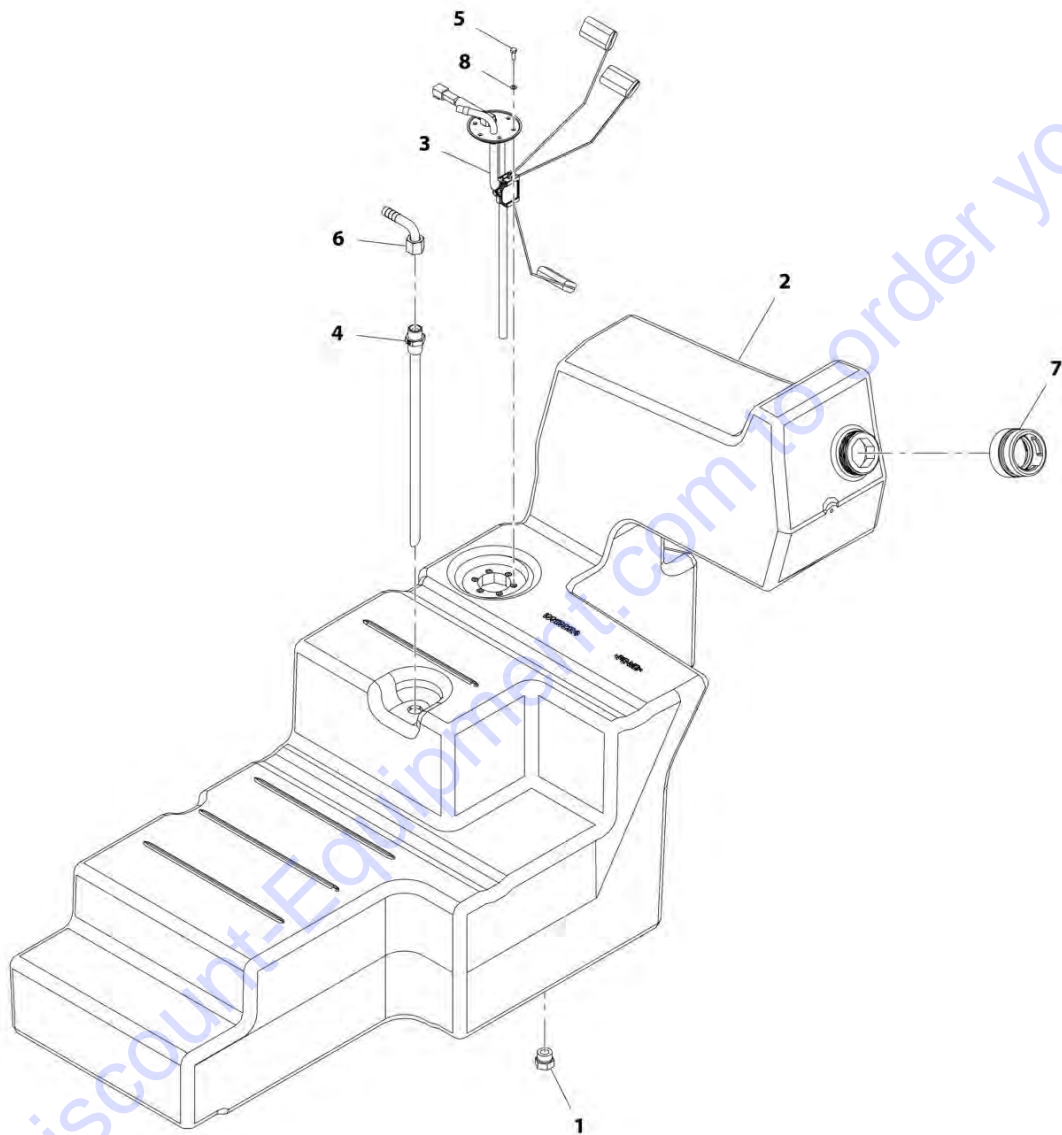
FIGURE 1-6. TANK SUPPORT INSTALLATION

ITEM	PART NUMBER	QTY	DESCRIPTION	REV
	1001185930	Ref	Tank Support Installation	K
1	0700610	9	Bolt, M6X20	
2	4280307	3	Strip	
3	4811700	9	Washer, M6	
5	1001185931	1	Plate, Support	
6	1001185933	1	Cover	
7	1001185935	1	Cover	
8	1001189246	1	Latch, Locking	
10	1001197481	1	Plate	
11	0100081	AR	Compound, Locking	

Go to Discount-Equipment.com to order your parts

SECTION 1 - FRAME AND ATTACHING PARTS

FIGURE 1-7. FUEL TANK ASSEMBLY



ART_1001192125-C

SECTION 1 - FRAME AND ATTACHING PARTS

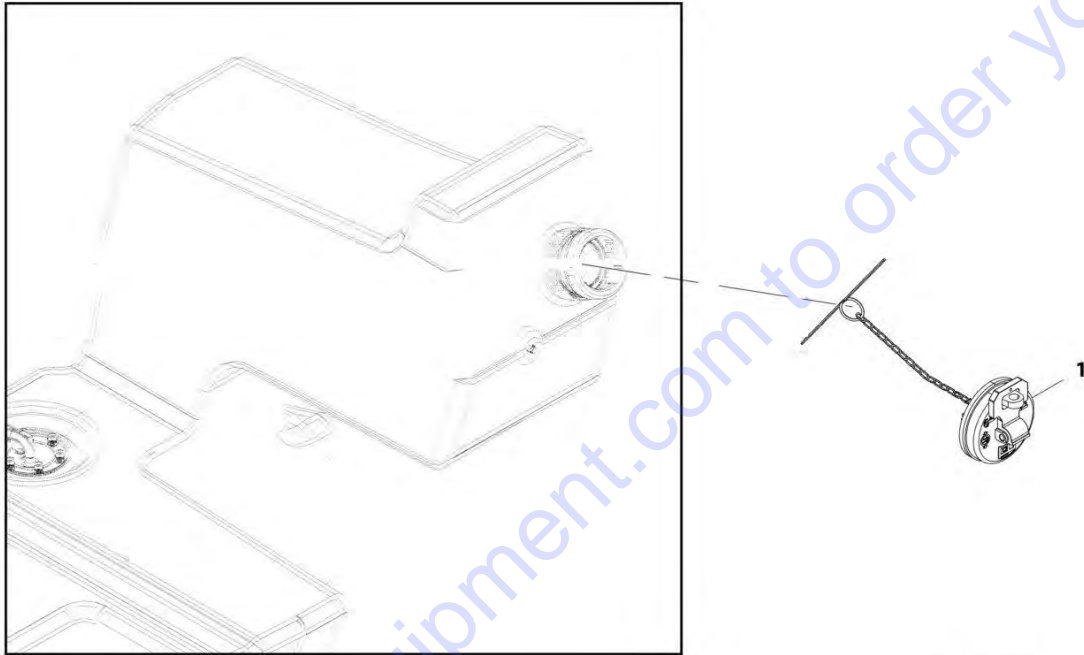
FIGURE 1-7. FUEL TANK ASSEMBLY

ITEM	PART NUMBER	QTY	DESCRIPTION	REV
	1001192125	Ref	Fuel Tank Assembly	C
1	1001003427	1	Plug	
2	1001192124	1	Tank, Fuel	
3	1001222188	1	Sender, Fuel Level	
4	1001170106	1	Pipe, Fuel Supply	
5	4031607	6	Bolt, M5X16	
6	1001172693	1	Fitting, 90	
7	1001192392	1	Adapter	
8	1001222190	6	Washer	

Go to Discount-Equipment.com to order your parts

SECTION 1 - FRAME AND ATTACHING PARTS

FIGURE 1-8. LOCKING FUEL CAP



ART_1001194980-A

SECTION 1 - FRAME AND ATTACHING PARTS

FIGURE 1-8. LOCKING FUEL CAP

ITEM	PART NUMBER	QTY	DESCRIPTION	REV
1	1001194980	Ref	Locking Fuel Cap	A

Go to Discount-Equipment.com to order your parts

SECTION 1 - FRAME AND ATTACHING PARTS

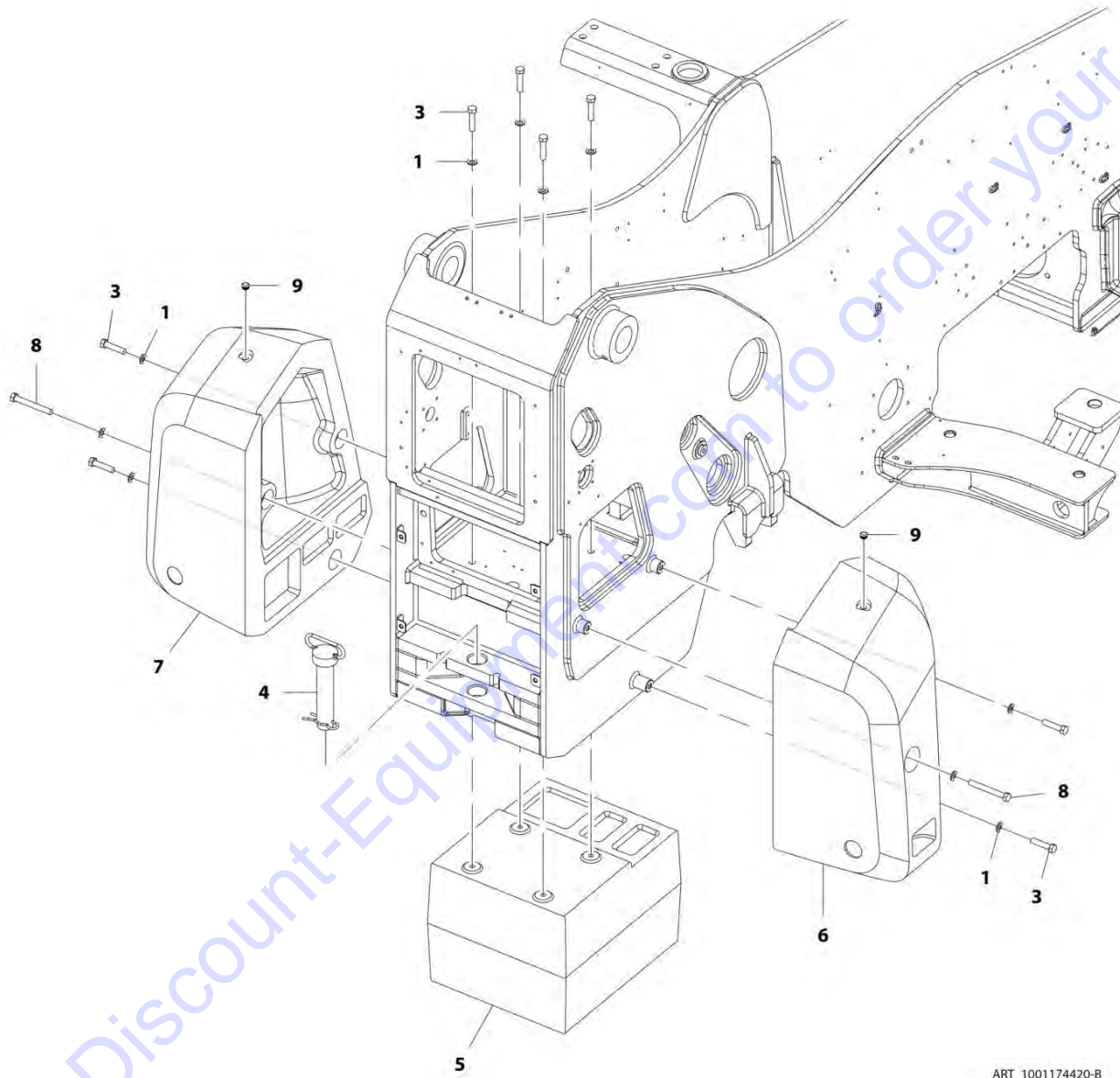
FIGURE 1-9. HYDRAULIC TANK ASSEMBLY

ITEM	PART NUMBER	QTY	DESCRIPTION	REV
	1001179851	Ref	Hydraulic Tank Assembly	I
1	0761012	4	Bolt, M10X25	
2	2152020	1	Fitting, 45 ORFS	
3	2220240	1	Fitting, Straight	
4	4031607	6	Bolt, M5-.8X16	
5	4812000	4	Washer, M10	
6	4831600	6	Washer, Lock M5	
7	1001003301	1	Seal O-Ring	
8	2220239	1	Plug	
10	1001128478	1	Sensor	
11	1001194981	1	Cap, Hydraulic	
12	1001162662	1	Filter, Breather	
13	1001179852	1	Tank, Hydraulic	
14	1001191157	1	Manifold, Hydraulic Return	
15	1001191163	1	Filter	
15	1001191685	1	Element, Filter	

Go to Discount-Equipment.com to order your parts

SECTION 1 - FRAME AND ATTACHING PARTS

FIGURE 1-10. COUNTERWEIGHT INSTALLATION



ART_1001174420-B

SECTION 1 - FRAME AND ATTACHING PARTS

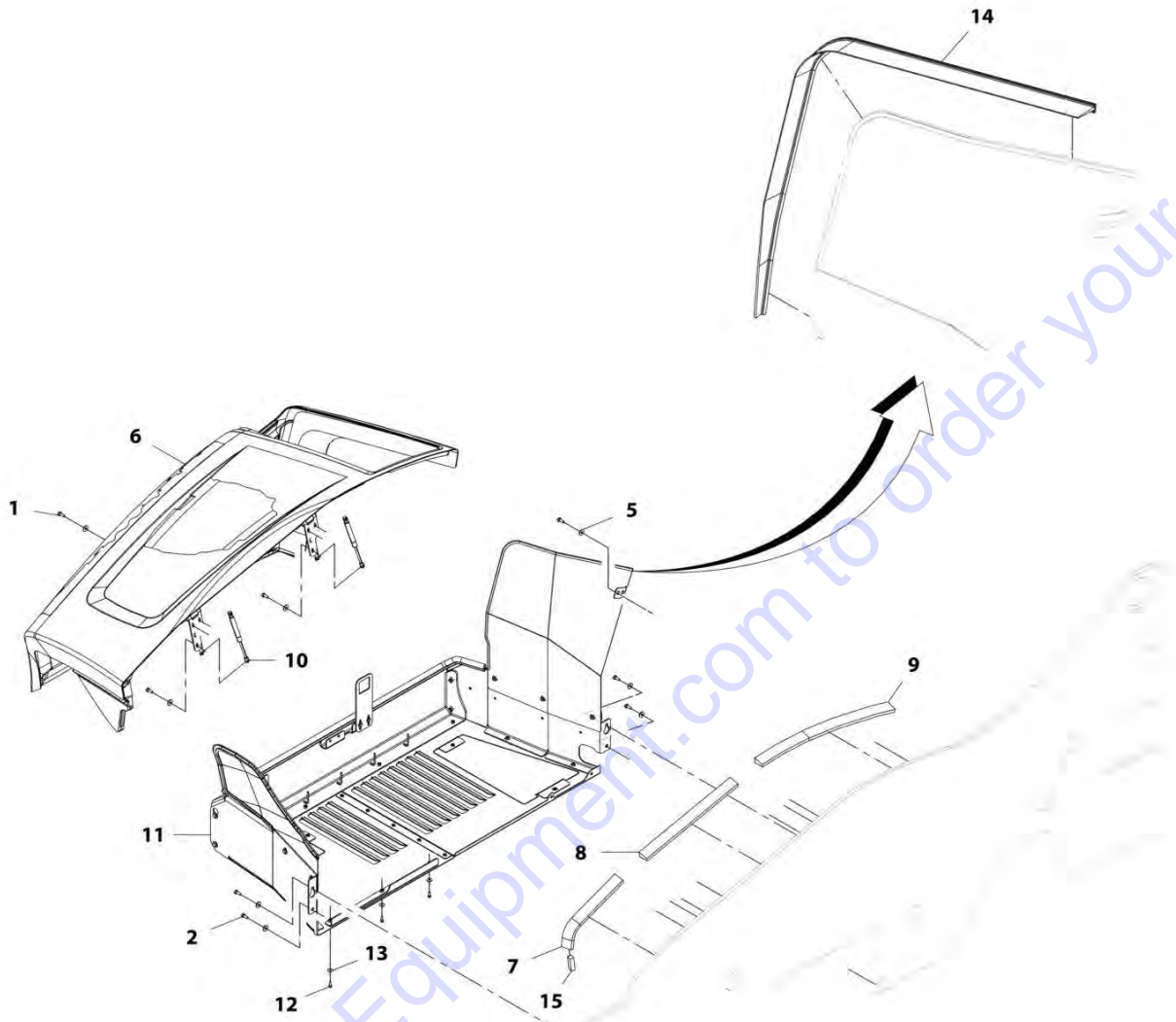
FIGURE 1-10. COUNTERWEIGHT INSTALLATION

ITEM	PART NUMBER	QTY	DESCRIPTION	REV
	1001174420	Ref	Counterweight Installation	B
1	4812300	10	Washer, M16	
3	1001094516	8	Bolt, M16X70 Grade 10.9	
4	1001197955	1	Pin, Hitch	
5	1001213322	1	Counterweight, 900KG	
6	1001213325J	1	Counterweight	
7	1001213326J	1	Counterweight	
8	0711630	2	Bolt, M16X130 Grade 10.9	
9	3520193	2	Plug	

Go to Discount-Equipment.com to order your parts

SECTION 1 - FRAME AND ATTACHING PARTS

FIGURE 1-11. ENGINE ENCLOSURE INSTALLATION



ART_1001192320-I

SECTION 1 - FRAME AND ATTACHING PARTS

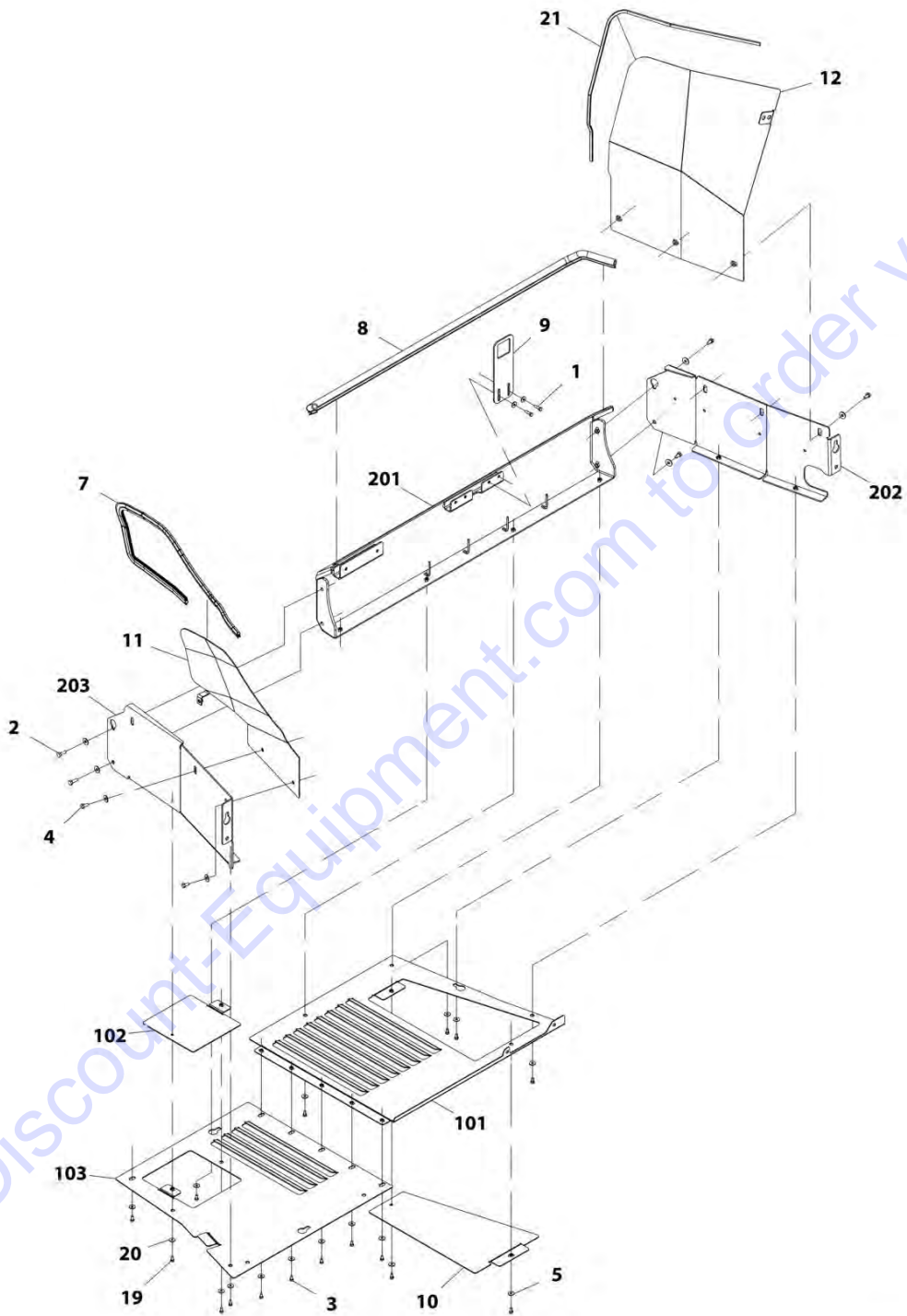
FIGURE 1-11. ENGINE ENCLOSURE INSTALLATION

ITEM	PART NUMBER	QTY	DESCRIPTION	REV
	1001192320	Ref	Engine Enclosure Installation	I
1	0761010	1	Bolt, M10X20	
2	0761012	11	Bolt, M10X25	
5	4812002	12	Washer, M10	
6	1001168834	NLA	Assembly, Hood (no longer available, use 1001235963 for replacement) (See Separate Breakdown in this Section)	
6	1001235963	Ref	Assembly, Hood (See Seperate Breakdown in this Section)	
7	1001203932	1	Seal	
8	1001203933	1	Seal	
9	1001203934	1	Seal	
10	1001171885	2	Spring, Gas	
11	1001192622	Ref	Assembly, Engine Enclosure (See Separate Breakdown in this Section)	
12	0760810	3	Bolt, M8X20	
13	4811902	3	Washer, M8	
14	1001197339	1	Seal	
15	1001229609	1	Seal, Foam Gasket	

Go to Discount-Equipment.com to order your parts

SECTION 1 - FRAME AND ATTACHING PARTS

FIGURE 1-12. ENGINE ENCLOSURE ASSEMBLY



ART_1001192622-I

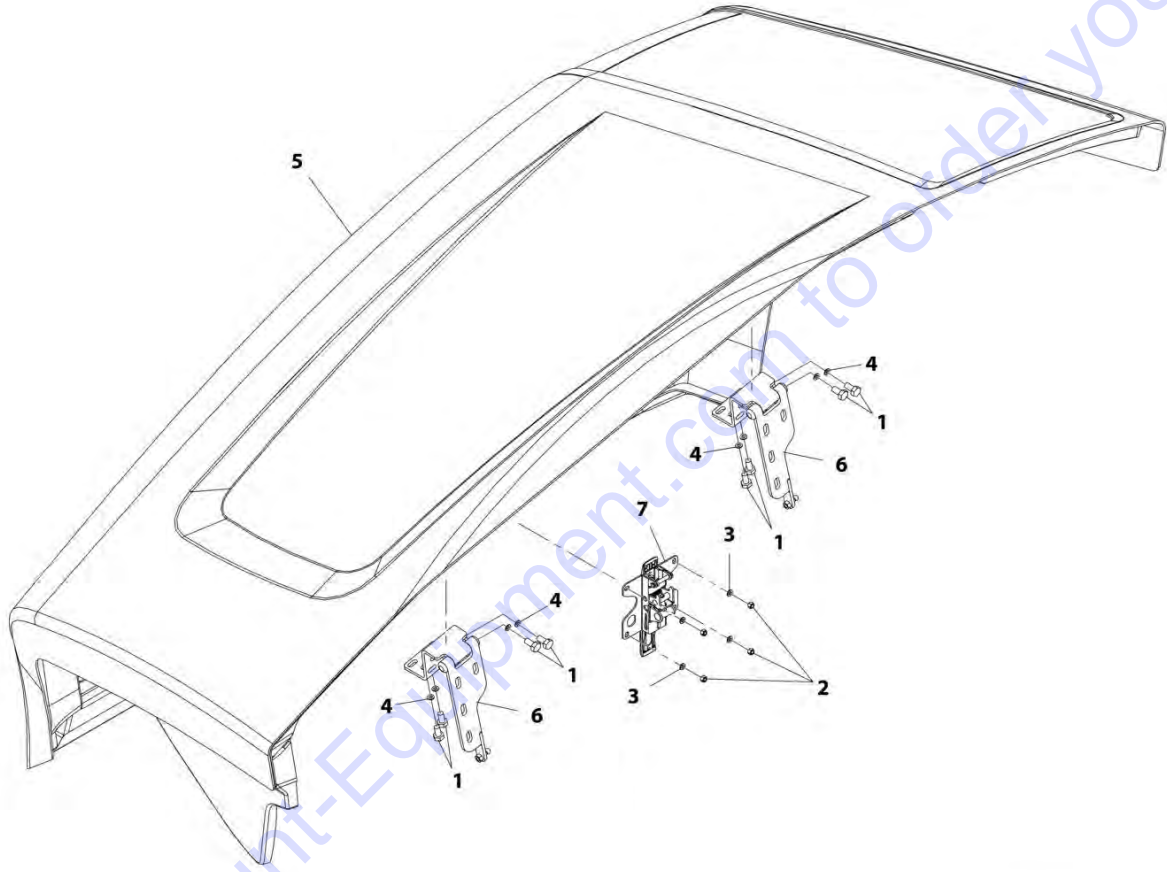
SECTION 1 - FRAME AND ATTACHING PARTS

FIGURE 1-12. ENGINE ENCLOSURE ASSEMBLY

ITEM	PART NUMBER	QTY	DESCRIPTION	REV
	1001192622	Ref	Engine Enclosure Assembly	I
1	0700814	2	Bolt, M8X30	
2	0701014	4	Bolt, M10X30	
3	0760807	5	Bolt, M8X14	
4	0761010	6	Bolt, M10X20	
5	4811902	19	Washer, M8	
7	1001003227	1573 mm	Seal	
8	1001204486	1785 mm	Seal	
9	1001209388	1	Latch, Hood	
10	1001169265	1	Plate, Access Panel	
11	1001219115	1	Panel, Front Wheel	
12	1001192627	1	Panel, Rear Cover	
19	0760808	12	Bolt, M8X16	
20	4812002	10	Washer, M10	
21	1001008999	1381 mm	Trim, Edge	
101	1001192631	1	Panel, Bottom Cover	
102	1001194969	1	Panel, Access	
103	1001219250	1	Panel, Bottom Front Cover	
201	1001192623J	1	Panel, Side Skirt	
202	1001224450J	1	Panel, Rear Skirt	
203	1001219113J	1	Panel, Front Skirt	

SECTION 1 - FRAME AND ATTACHING PARTS

FIGURE 1-13. HOOD ASSEMBLY



ART_1001168834-K

SECTION 1 - FRAME AND ATTACHING PARTS

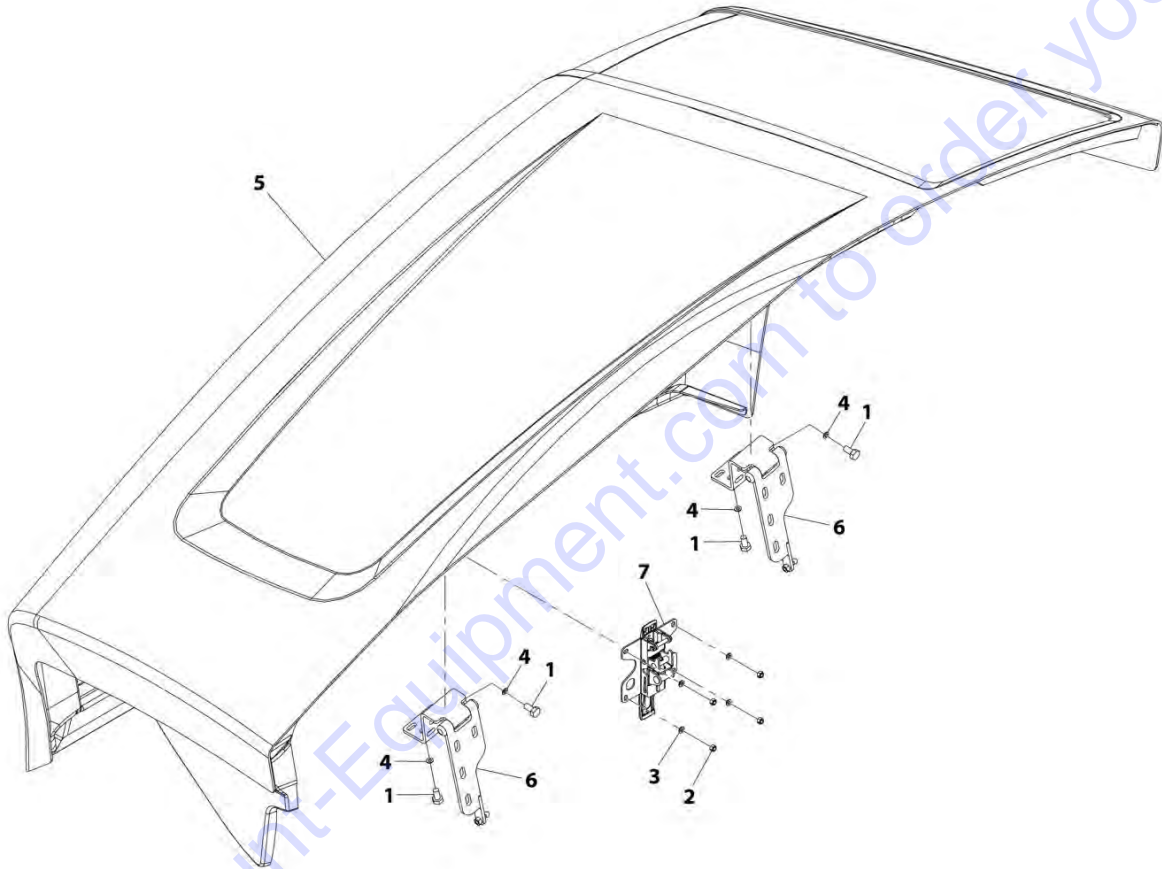
FIGURE 1-13. HOOD ASSEMBLY

ITEM	PART NUMBER	QTY	DESCRIPTION	REV
	1001168834	NLA	Hood Assembly (no longer available, use items 1 thru 7 for service or 1001235963 for replacement)	K
1	0761010	8	Bolt, M10X20	
2	3290605	4	Nut, Lock M6X1	
3	4811700	4	Washer, M6	
4	4812000	8	Washer, M10	
5	1001166698	1	Hood	
6	1001209387	2	Hinge, Hood	
7	1001132168	1	Latch, Hood	

Go to Discount-Equipment.com to order your parts

SECTION 1 - FRAME AND ATTACHING PARTS

FIGURE 1-14. HOOD ASSEMBLY



ART_1001235963-B

SECTION 1 - FRAME AND ATTACHING PARTS

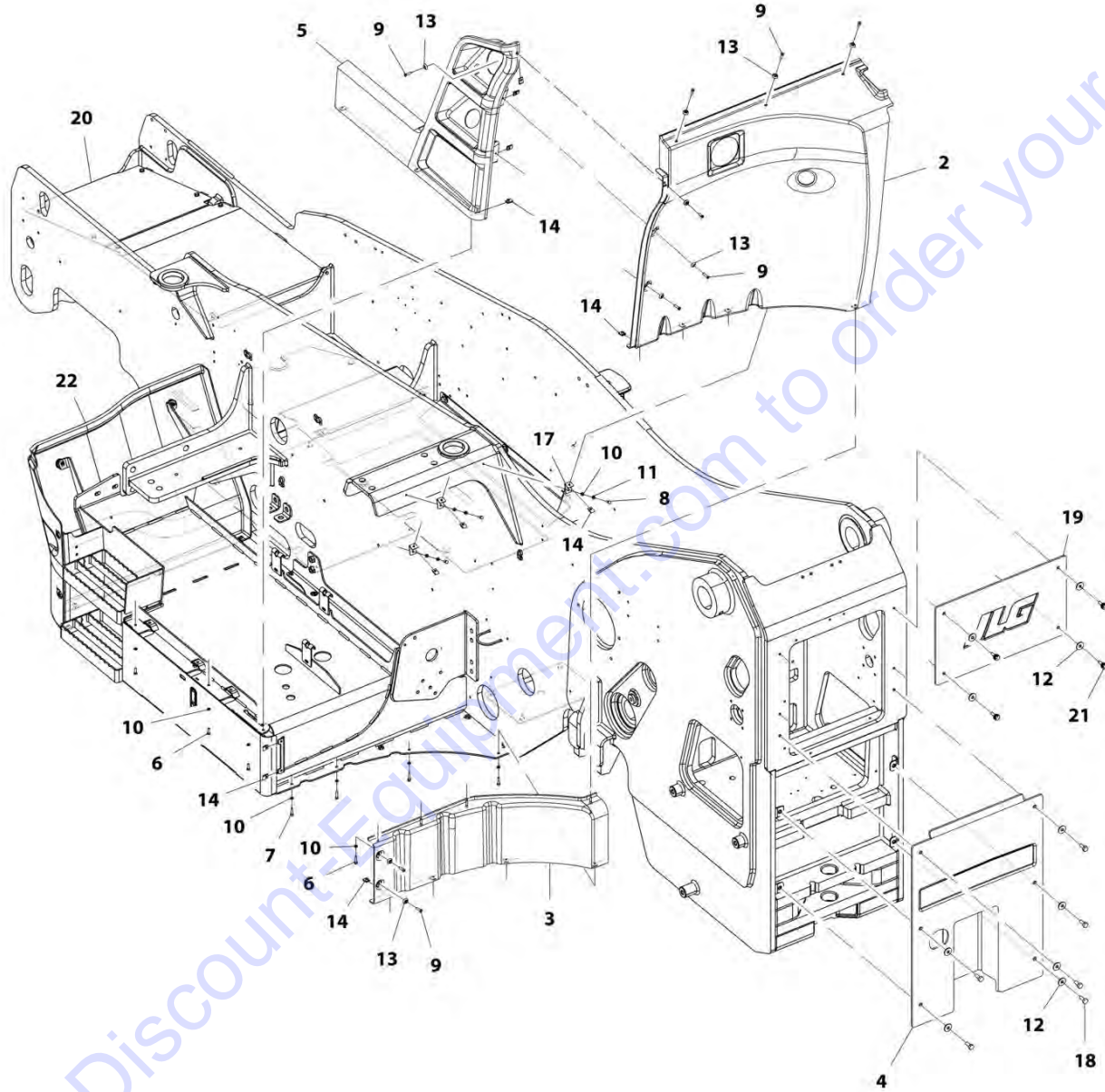
FIGURE 1-14. HOOD ASSEMBLY

ITEM	PART NUMBER	QTY	DESCRIPTION	REV
	1001235963	Ref	Hood Assembly	B
1	0761010	8	Bolt, M10X20	
2	3290605	4	Nut, Lock M6X1	
3	4811700	4	Washer, M6	
4	4812000	8	Washer, M10	
5	1001234455	1	Hood	
6	1001209387	2	Hinge, Hood	
7	1001132168	1	Latch, Hood	

Go to Discount-Equipment.com to order your parts

SECTION 1 - FRAME AND ATTACHING PARTS

FIGURE 1-15. COVER INSTALLATION (ULS)



ART_1001184869-1

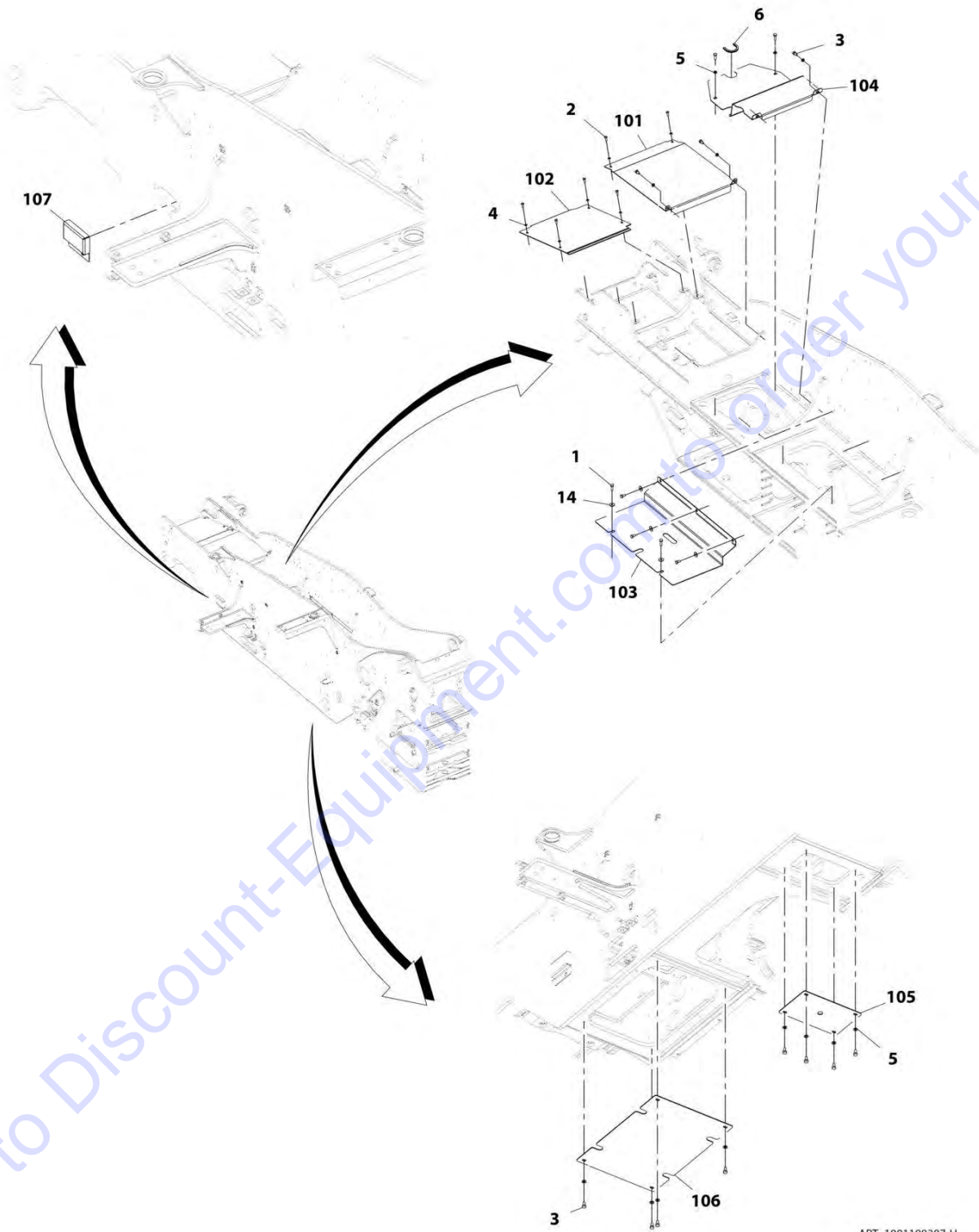
SECTION 1 - FRAME AND ATTACHING PARTS

FIGURE 1-15. COVER INSTALLATION (ULS)

ITEM	PART NUMBER	QTY	DESCRIPTION	REV
	1001184869	Ref	Cover Installation (ULS)	I
2	1001184872	1	Cover, Rear Tank	
3	1001184874	1	Cover, Lower Rear Tank	
4	1001213834	1	Cover, Rear Frame	
5	1001168758	1	Cover, Side Tank	
6	0700610	7	Bolt, M6X20	
7	0700612	4	Bolt, M6X25	
8	0760607	3	Bolt, M6X14	
9	0630576	9	Screw, M6X20	
10	4811700	14	Washer, M6	
11	4831700	3	Washer, Lock M6	
12	4812002	10	Washer, M10	
13	1001097540	9	Washer, M6	
14	1001130220	19	Nut, M6	
17	1001231385	3	Plate, Angle Mount	
18	0761012	6	Bolt, M10X25	
19	1001213833	1	Cover, Rear Frame	
20	1001198307	Ref	Installation, Frame Cover (See Separate Breakdown in this Section)	
21	1001161439	4	Screw	
22	1001201848	Ref	Installation, Front Lower Cover (See Separate Breakdown in this Section)	

SECTION 1 - FRAME AND ATTACHING PARTS

FIGURE 1-16. FRAME COVER INSTALLATION



Go to Discount-Equipment.com to order your parts

ART_1001198307-H

SECTION 1 - FRAME AND ATTACHING PARTS

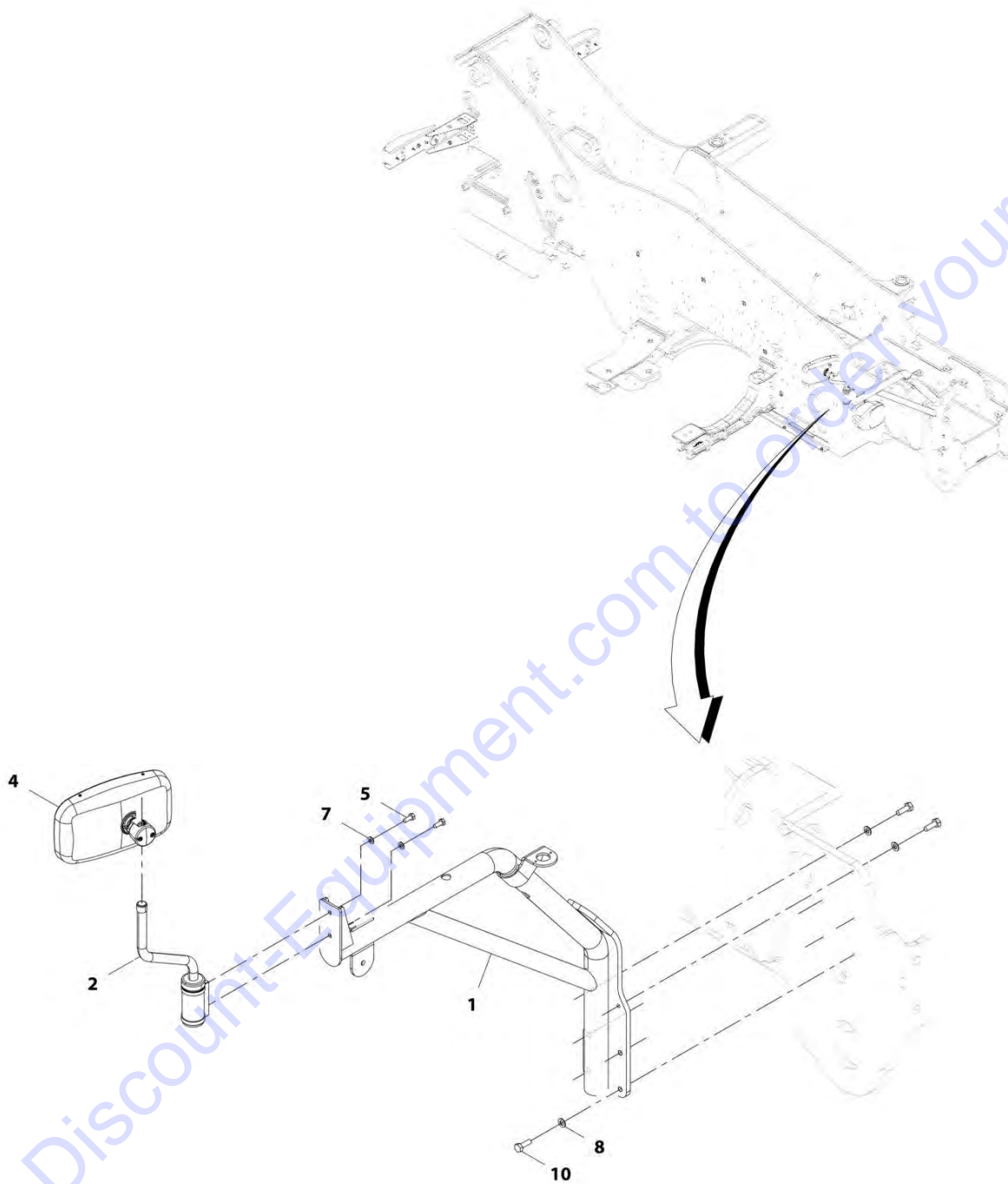
FIGURE 1-16. FRAME COVER INSTALLATION

ITEM	PART NUMBER	QTY	DESCRIPTION	REV
	1001198307	Ref	Frame Cover Installation	H
1	0701014	4	Bolt, M10X30	
2	0760810	6	Bolt, M8X20	
3	0761010	15	Bolt, M10X20	
4	4811900	6	Washer, M8	
5	4812000	14	Washer, M10	
6	90206196	0.15 m	Gasket	
14	4812002	5	Washer, M10	
101	1001197056	1	Cover, Battery	
102	1001197057	1	Plate, Valve Cover	
103	1001197733	1	Plate, Frame Cover	
104	1001197734	1	Plate, Frame Cover	
105	1001211899	1	Plate, Frame Cover	
106	1001211900	1	Plate, Frame Cover	
107	1001218694	1	Cover	

Go to Discount-Equipment.com to order your parts

SECTION 1 - FRAME AND ATTACHING PARTS

FIGURE 1-17. MIRROR INSTALLATION



ART_1001192324-E

SECTION 1 - FRAME AND ATTACHING PARTS

FIGURE 1-17. MIRROR INSTALLATION

ITEM	PART NUMBER	QTY	DESCRIPTION	REV
	1001192324	Ref	Mirror Installation	E
1	1001206099	1	Bracket	
2	1001209346	1	Bracket	
4	1001191635	1	Mirror, Convex	
5	0760810	2	Bolt, M8X20	
7	4811900	2	Bolt, M8X20	
8	4812000	6	Washer, M10	
10	0701014	6	Bolt, M10X30	

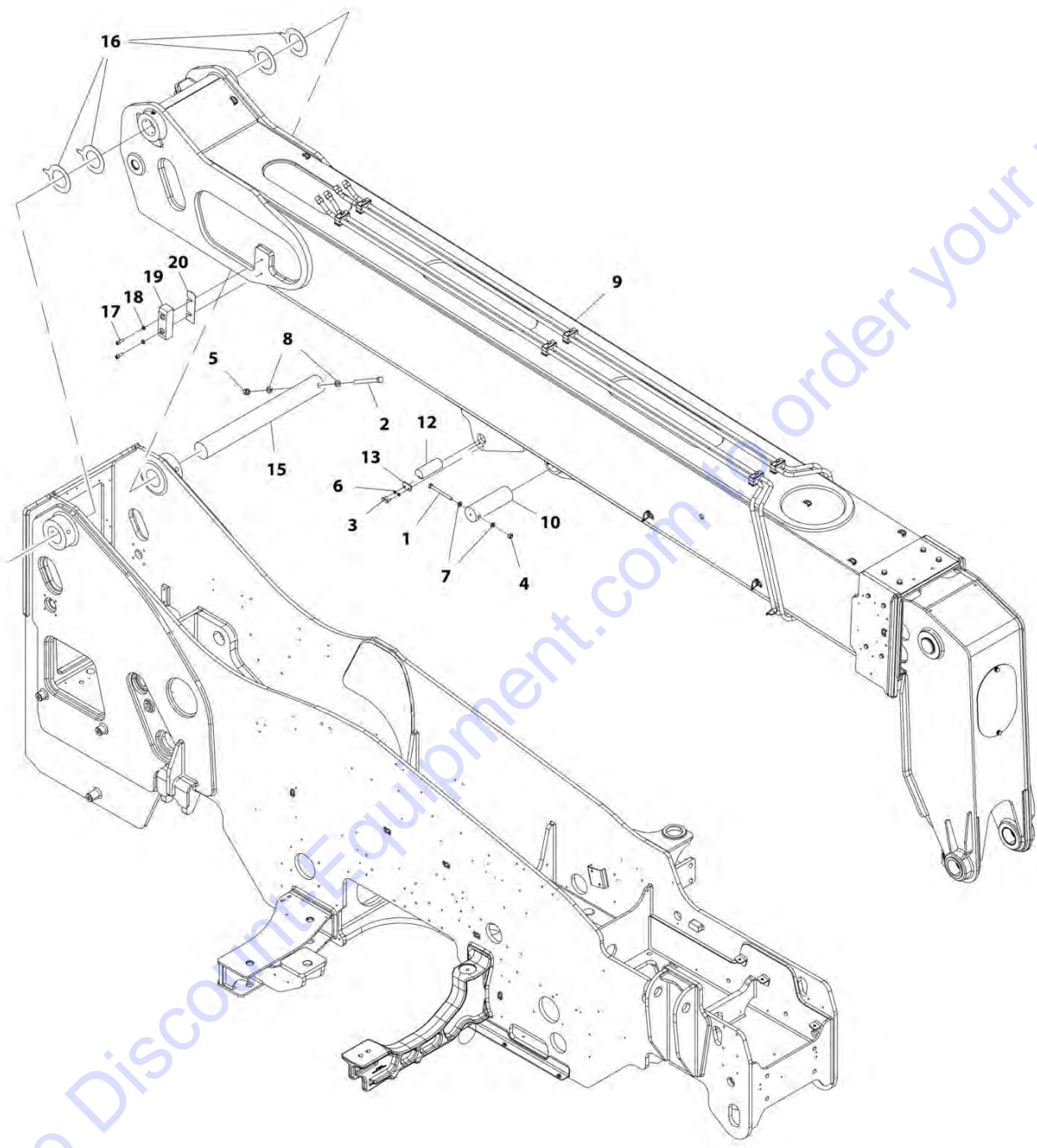
Go to Discount-Equipment.com to order your parts

SECTION 2 - BOOM

Go to Discount-Equipment.com to order your parts

SECTION 2 - BOOM

FIGURE 2-1. BOOM INSTALLATION



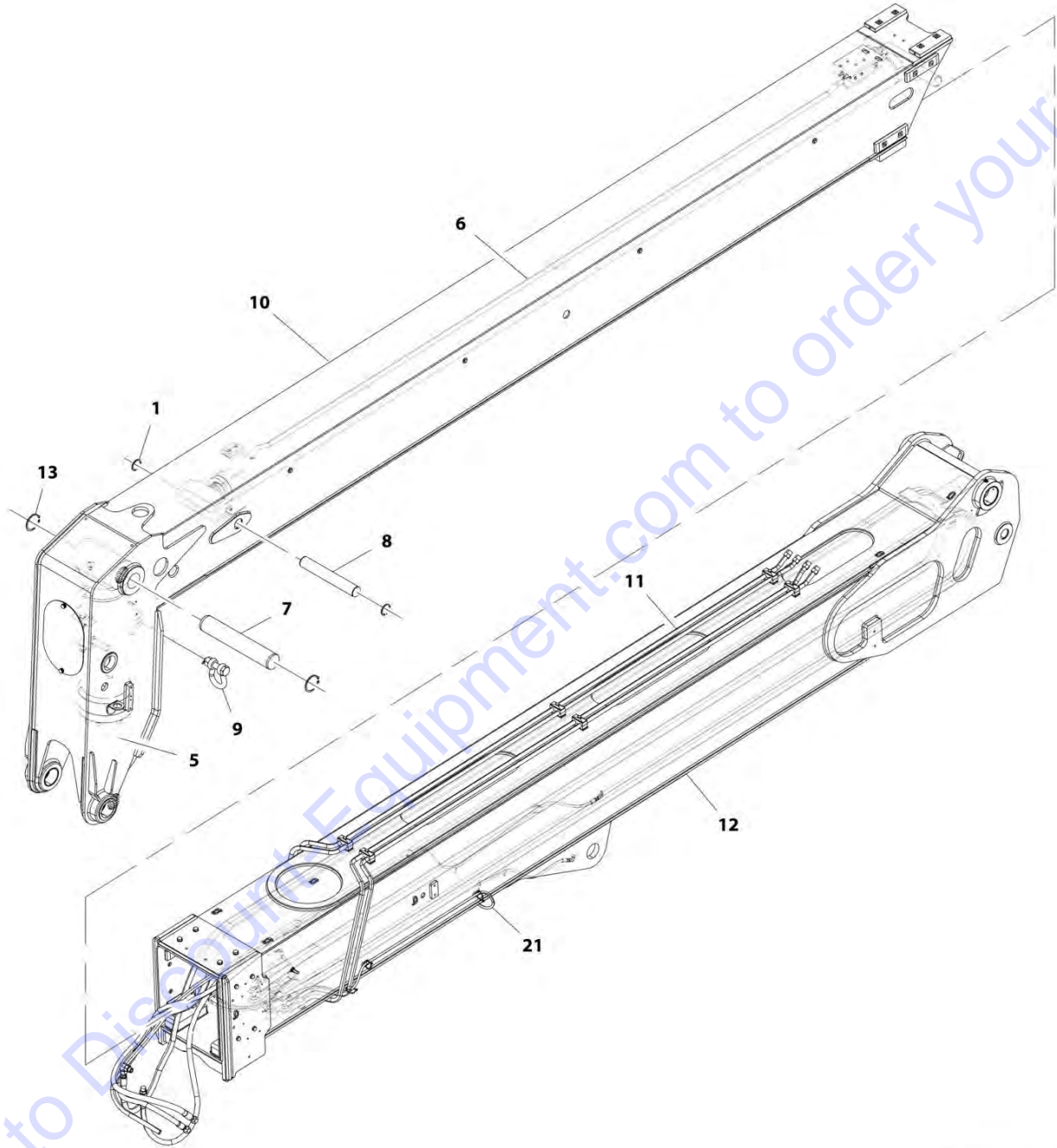
ART_1001192352-C

FIGURE 2-1. BOOM INSTALLATION

ITEM	PART NUMBER	QTY	DESCRIPTION	REV
	1001192352	Ref	Boom Installation	C
1	0701230	1	Bolt, M12X130	
2	0711635	1	Bolt, M16X180 Grade 10.9	
3	0760810	2	Bolt, M8X20	
4	3291205	1	Nut, Lock M12X1.75 Grade 8	
5	3291605	1	Nut, Lock M16X2 Grade 8	
6	4811900	2	Washer, M8	
7	4812100	2	Washer, M12	
8	4812300	2	Washer, M16	
9	1001174103	1	Assembly, Boom Section (See Separate Breakdown in this Section)	
10	1001190254	1	Pin	
12	1001190256	1	Pin	
13	1001190257	1	Plate	
15	1001190260	1	Pin	
16	1001219953	4	Shim	
17	4032010	4	Bolt, M10X30	
18	4812000	4	Washer, M10	
19	1001195655	2	Pad, M44X50X160	
20	1001219905	AR	Shim	

SECTION 2 - BOOM

FIGURE 2-2. BOOM ASSEMBLY



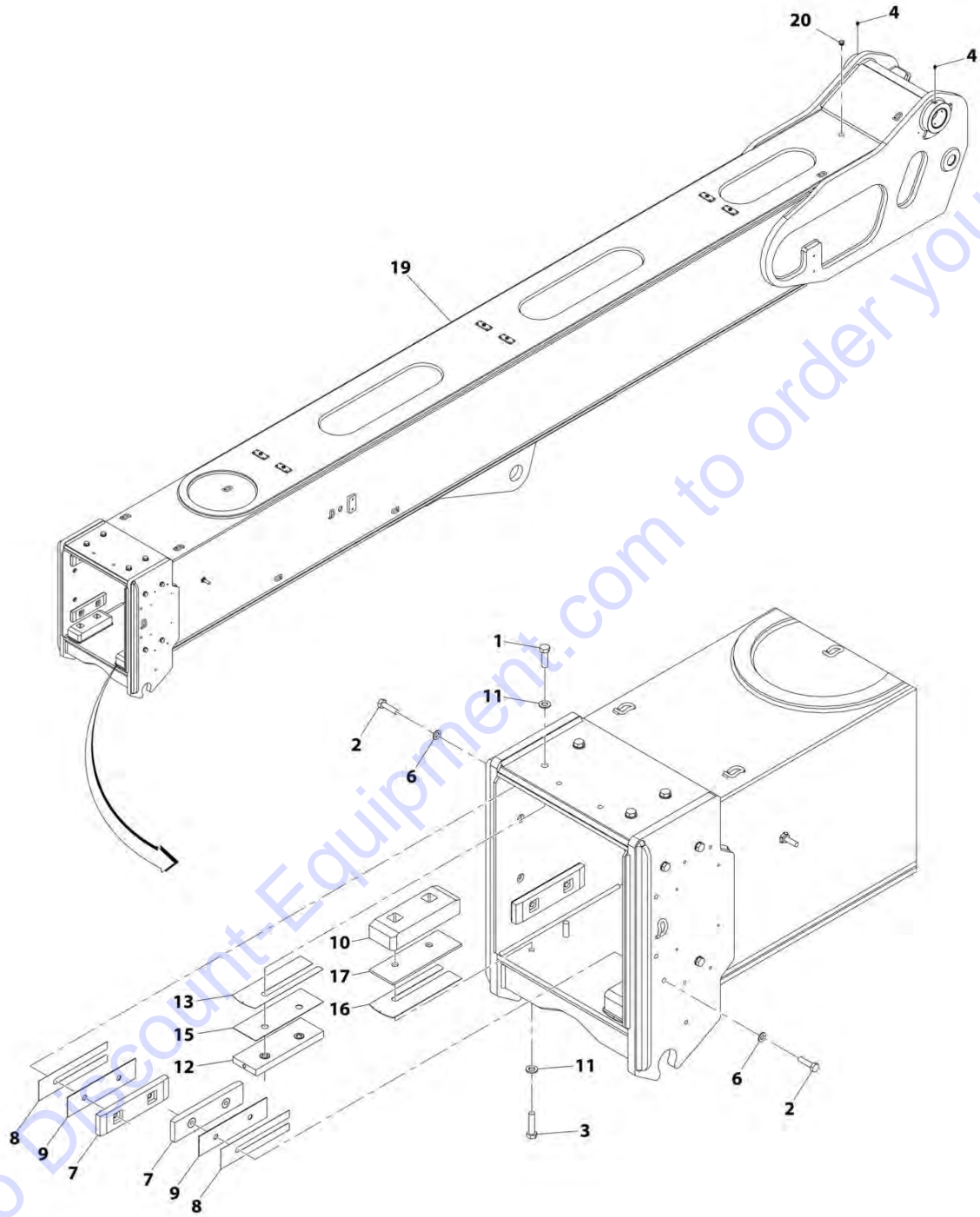
ART_1001174103-E

FIGURE 2-2. BOOM ASSEMBLY

ITEM	PART NUMBER	QTY	DESCRIPTION	REV
	1001174103	Ref	Boom Assembly	E
1	314689	2	Ring, Retaining M50	
5	1001174812	1	Cylinder, Tilt (See Separate Breakdown in Hydraulic Components Section)	
6	1001178157	1	Cylinder, Inner Extend/Retract (See Separate Breakdown in Hydraulic Components Section)	
7	1001203989	1	Pin	
8	1001190253	1	Pin	
9	1001191110	1	Shackle, M25	
10	1001191752	1	Assembly, Boom Section (See Separate Breakdown in this Section)	
11	1001193100	1	Installation, Boom Hydraulic Tubes (See Separate Breakdown in Hydraulic Circuits Section)	
12	1001195636	1	Assembly, First Boom Section (See Separate Breakdown in this Section)	
13	1001197262	2	Ring, Retaining	
21	1001217352	1	Installation, Boom Remote Grease (See Separate Breakdown in Hydraulic Circuits Section)	

SECTION 2 - BOOM

FIGURE 2-3. FIRST BOOM SECTION ASSEMBLY



ART_1001195636-H

SECTION 2 - BOOM

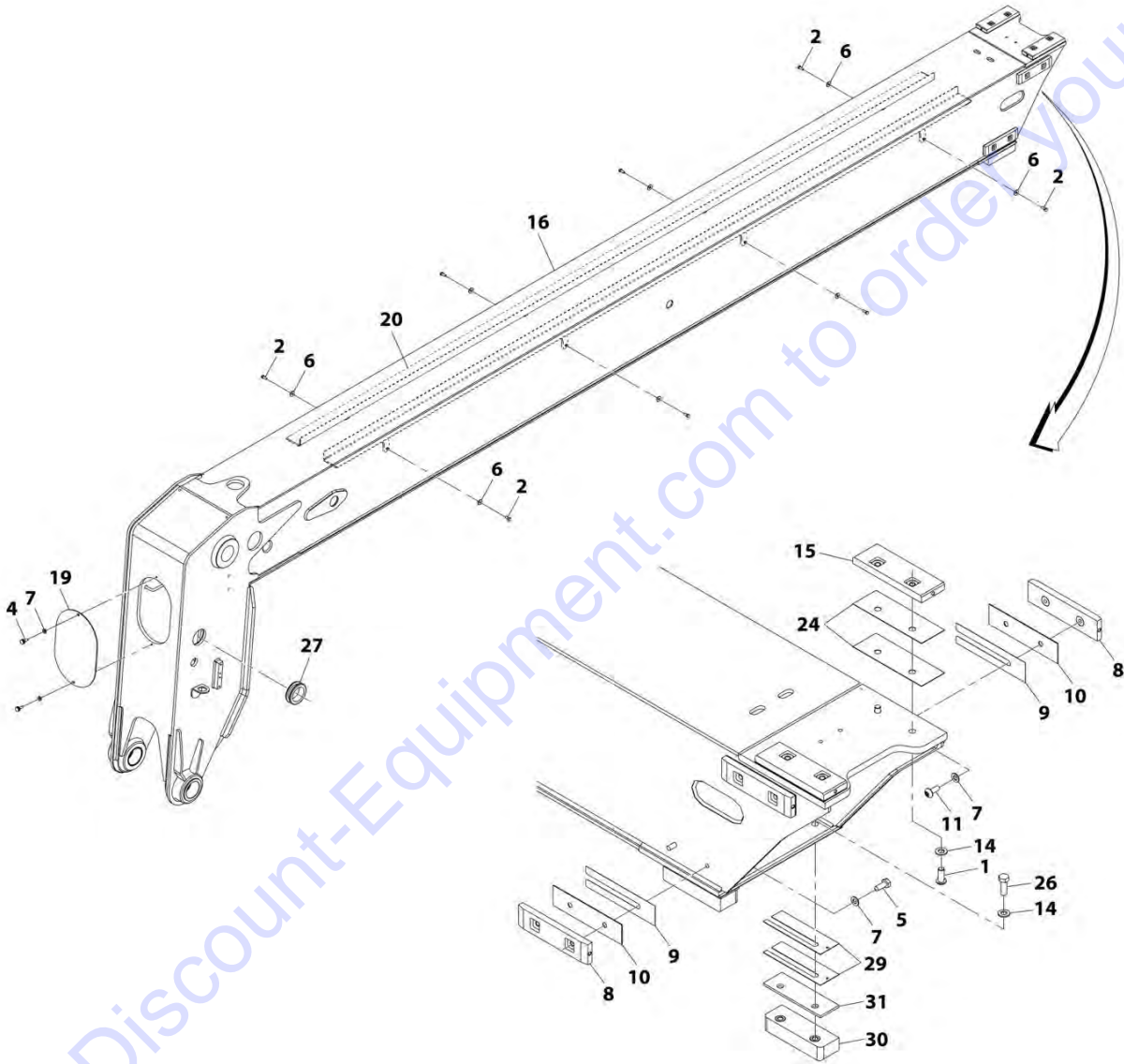
FIGURE 2-3. FIRST BOOM SECTION ASSEMBLY

ITEM	PART NUMBER	QTY	DESCRIPTION	REV
	1001195636	Ref	First Boom Section Assembly	H
1	0711216	4	Bolt, M12X40 Grade 10.9	
2	0711016	8	Bolt, M10X40 Grade 10.9	
3	0711218	4	Bolt, M12X50 Grade 10.9	
4	2160016	2	Fitting, Grease	
6	4812000	AR	Washer, M10	
7	8002200	4	Pad	
8	8008640	AR	Shim	
9	1001003031	4	Shim	
10	1001227337	2	Pad	
11	1001125117	AR	Washer, M12	
12	1001227334	2	Pad	
13	1001195194	AR	Shim	
15	1001195737	2	Shim	
16	1001195738	AR	Shim	
17	1001195739	2	Shim	
19	1001195637J	1	Boom	
20	3520193	1	Plug	

Go to Discount-Equipment.com to order your parts

SECTION 2 - BOOM

FIGURE 2-4. SECOND BOOM SECTION ASSEMBLY



ART_1001191752-L

SECTION 2 - BOOM

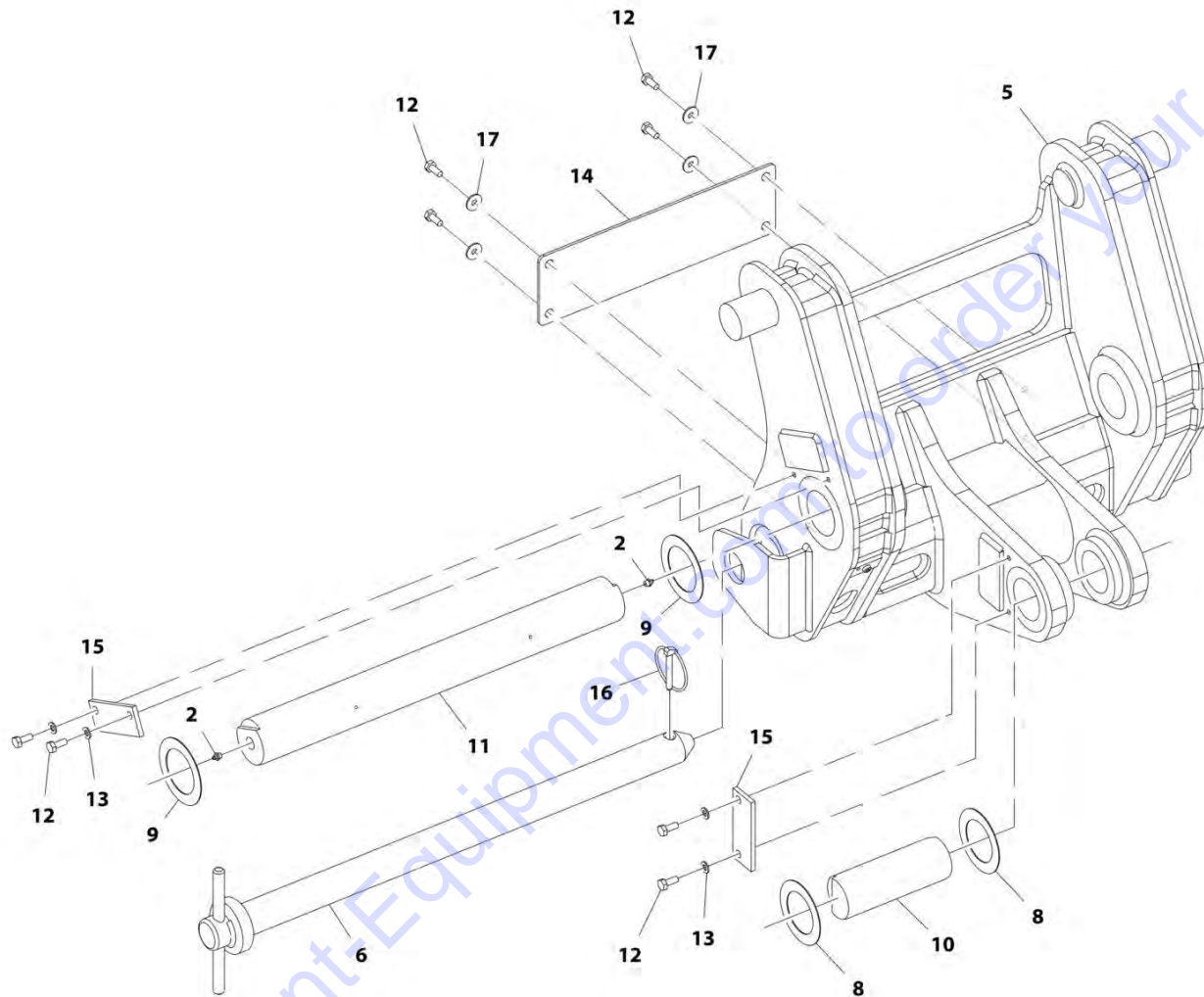
FIGURE 2-4. SECOND BOOM SECTION ASSEMBLY

ITEM	PART NUMBER	QTY	DESCRIPTION	REV
	1001191752	Ref	Second Boom Section Assembly	L
1	1001229056	1	Screw, M12X30	
2	0760810	8	Bolt, M8X20	
4	1001161439	2	Screw	
5	0771012	4	Bolt, M10X25 Grade 10.9	
6	4811902	8	Washer, M8	
7	4812000	AR	Washer, M10	
8	8002200	4	Pad	
9	8008640	AR	Shim	
10	1001003031	4	Shim	
11	1001009325	4	Screw	
14	1001125117	AR	Washer, M12	
15	1001227334	2	Pad	
16	1001191753	1	Boom	
19	1001191789	1	Plate	
20	1001203987	2	Bracket	
24	1001195737	4	Shim	
26	0711215	4	Bolt, M12X35 Grade 10.9	
27	1001028415	1	Grommet	
29	1001163104	AR	Plate	
30	1001165175	2	Pad	
31	1001215464	2	Shim	

Go to Discount-Equipment.com to order your parts

SECTION 2 - BOOM

FIGURE 2-5. COUPLER INSTALLATION (MANUAL)



ART_1001174104-G

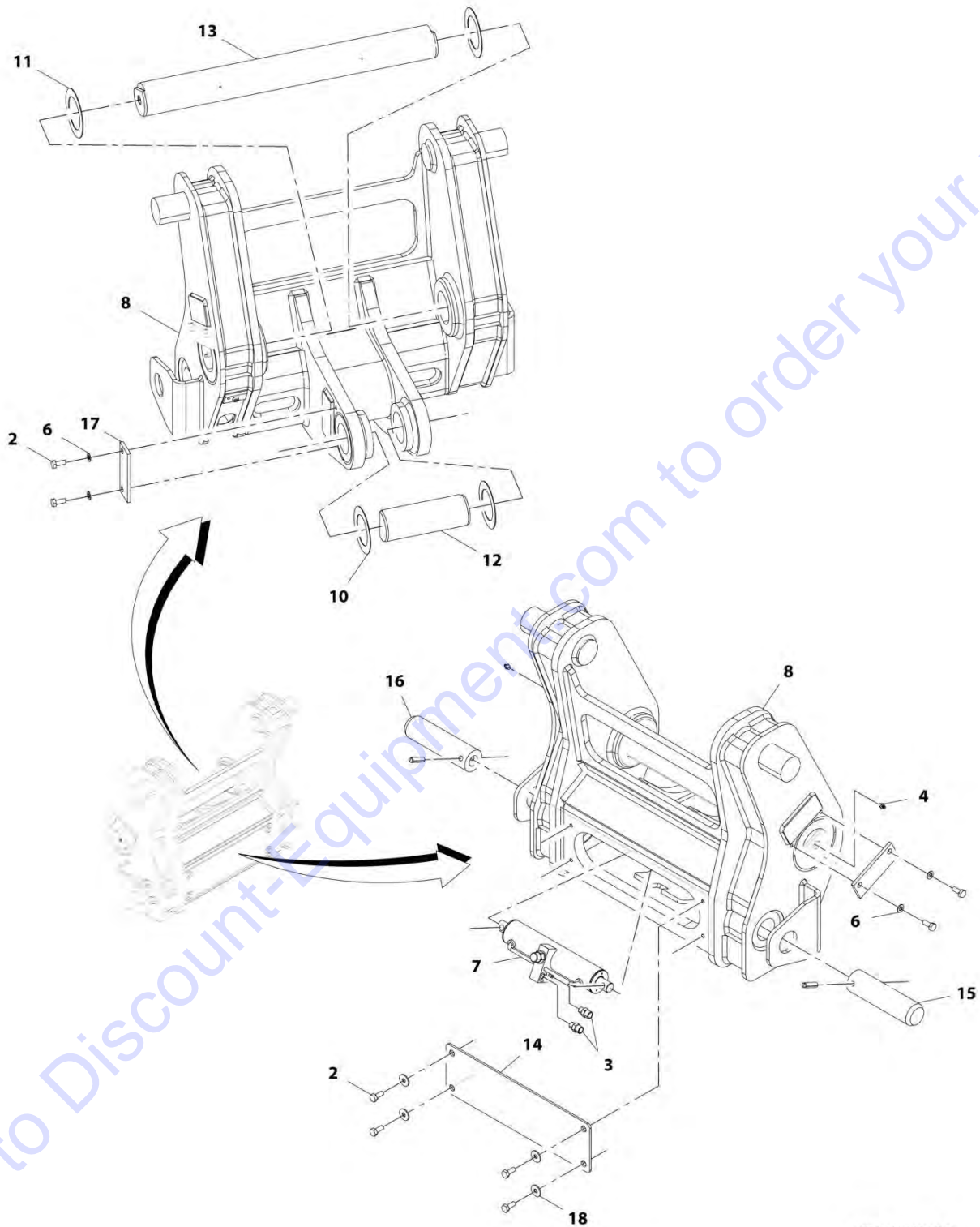
FIGURE 2-5. COUPLER INSTALLATION (MANUAL)

ITEM	PART NUMBER	QTY	DESCRIPTION	REV
	1001174104	Ref	Coupler Installation (Manual)	G
2	2160016	2	Fitting, Grease	
5	1001187820	1	Coupling, Manual	
6	1001187821	1	Pin	
8	1001187847	AR	Shim	
9	1001187848	AR	Shim	
10	1001190250	1	Pin, Tilt	
11	1001190264	1	Pin	
12	0761012	8	Bolt, M10X25	
13	4812000	4	Washer, M10	
14	1001200393	1	Plate, Front Cover	
15	1001210326	2	Plate	
16	1001003803	1	Pin	
17	4812002	4	Washer, M10	

Go to Discount-Equipment.com to order your parts

SECTION 2 - BOOM

FIGURE 2-6. COUPLER INSTALLATION (HYDRAULIC)



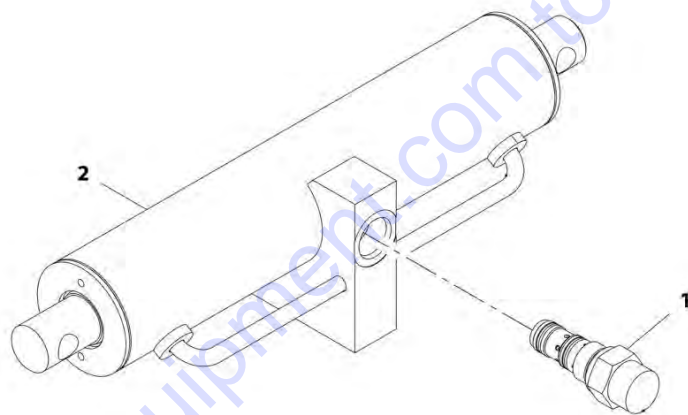
ART_1001192358-D

FIGURE 2-6. COUPLER INSTALLATION (HYDRAULIC)

ITEM	PART NUMBER	QTY	DESCRIPTION	REV
	1001192358	Ref	Coupler Installation (Hydraulic)	D
2	0761012	8	Bolt, M10X25	
3	2110606	2	Fitting, Straight ORFS	
4	2160016	2	Fitting, Grease	
6	4812000	4	Washer, M10	
7	1001145391	1	Assembly, Coupler Locking Cylinder (See Seperate Breakdown in this Section)	
8	1001187820	1	Carriage	
10	1001187847	AR	Shim, M76X115X1.5	
11	1001187848	AR	Shim, M81X120X1.5	
12	1001190250	1	Pin, Tilt	
13	1001190264	1	Pin, Coupler	
14	1001200393	1	Plate, Front Cover	
15	1001200395	2	Pin	
16	1001184610	2	Pin	
17	1001210326	2	Plate, Pin Retention	
18	4812002	4	Washer, M10	

SECTION 2 - BOOM

FIGURE 2-7. COUPLER LOCKING CYLINDER ASSEMBLY



ART_1001145391-A

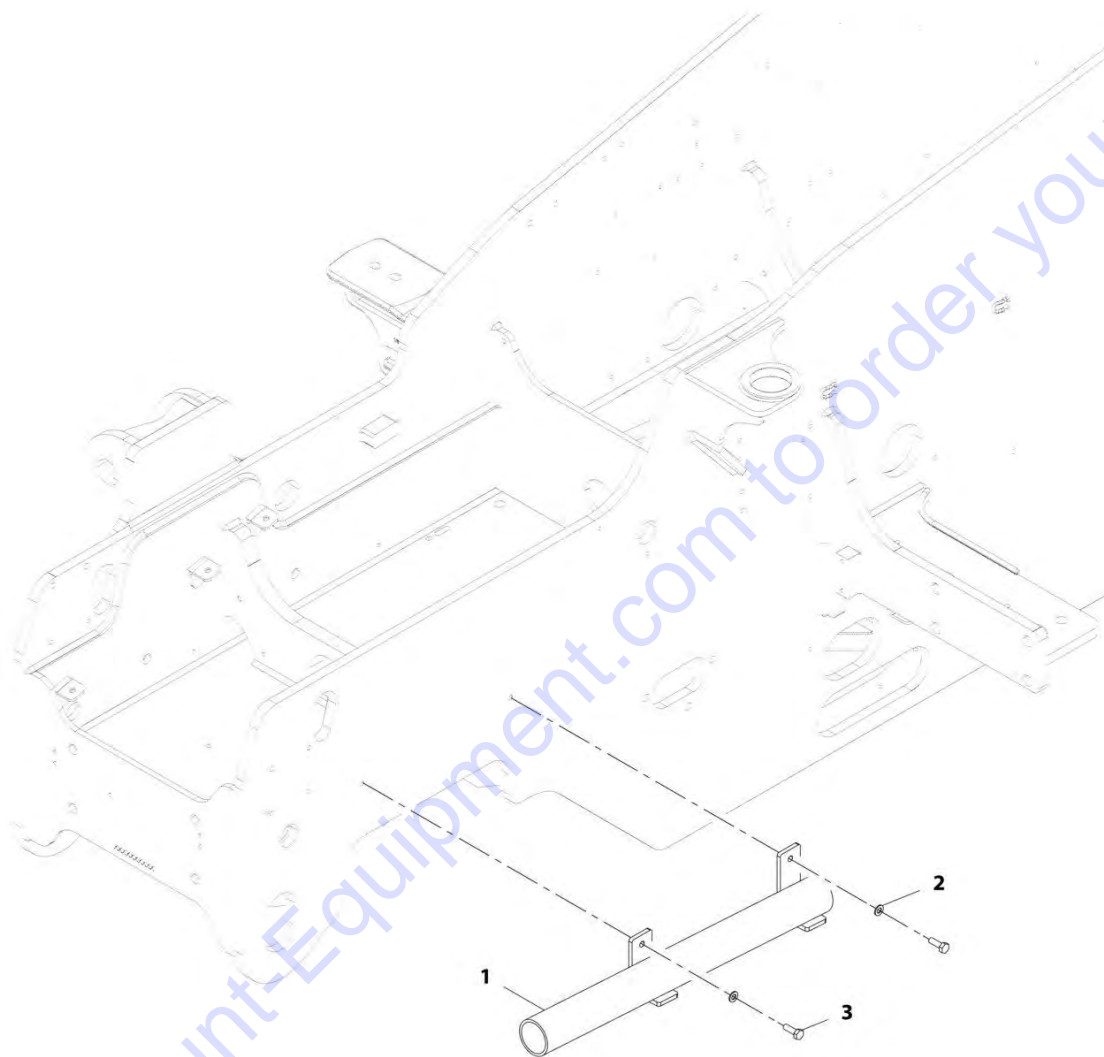
FIGURE 2-7. COUPLER LOCKING CYLINDER ASSEMBLY

ITEM	PART NUMBER	QTY	DESCRIPTION	REV
	1001145391	Ref	Coupler Locking Cylinder Assembly	A
1	1001007056	1	Valve, Check	
2	1001145390	1	Cylinder, Coupler Locking (See Seperate Breakdown in Hydraulic Components Section)	

Go to Discount-Equipment.com to order your parts

SECTION 2 - BOOM

FIGURE 2-8. MANUAL COUPLER PIN HOLDER INSTALLATION



ART_1001220641-A

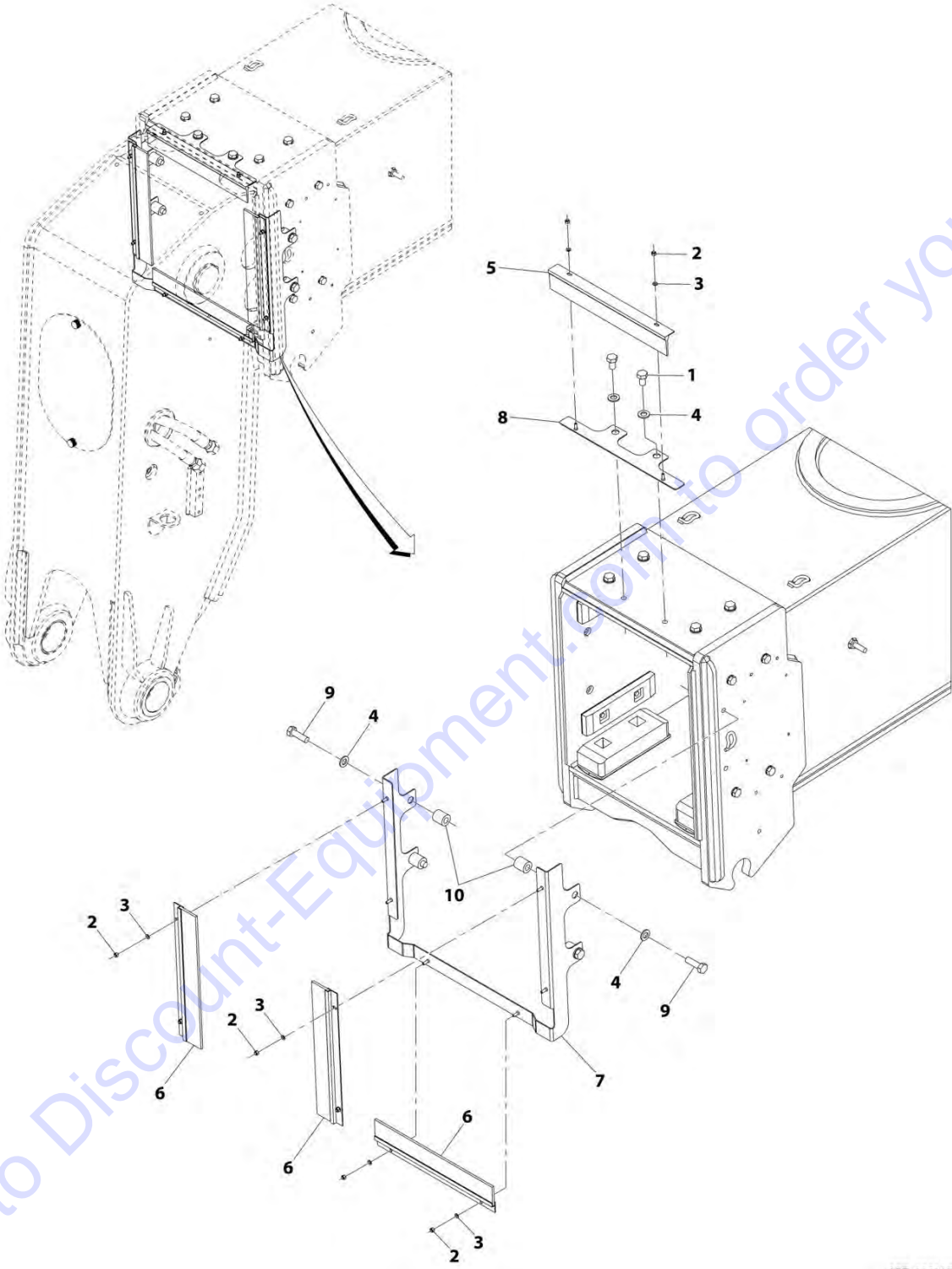
FIGURE 2-8. MANUAL COUPLER PIN HOLDER INSTALLATION

ITEM	PART NUMBER	QTY	DESCRIPTION	REV
	1001220641	Ref	Manual Coupler Pin Holder Installation	A
1	1001220248	1	Bracket, Pin Holder	
2	4812000	2	Washer, M10	
3	0701014	2	Bolt, M10X30	

Go to Discount-Equipment.com to order your parts

SECTION 2 - BOOM

FIGURE 2-9. BOOM BRUSHES INSTALLATION



ART_1001174431-C

FIGURE 2-9. BOOM BRUSHES INSTALLATION

ITEM	PART NUMBER	QTY	DESCRIPTION	REV
	1001174431	Ref	Boom Brushes Installation	C
1	0761210	2	Bolt, M12X20	
2	3290505	8	Nut, Lock M5X0.8 Grade 8	
3	4811600	8	Washer, M5	
4	1001125117	6	Washer, M12	
5	1001172999	1	Brush	
6	1001173679	3	Brush	
7	1001196878	1	Bracket	
8	1001196879	1	Bracket	
9	0701216	4	Bolt, M12X40	
10	1001220286	4	Tube	

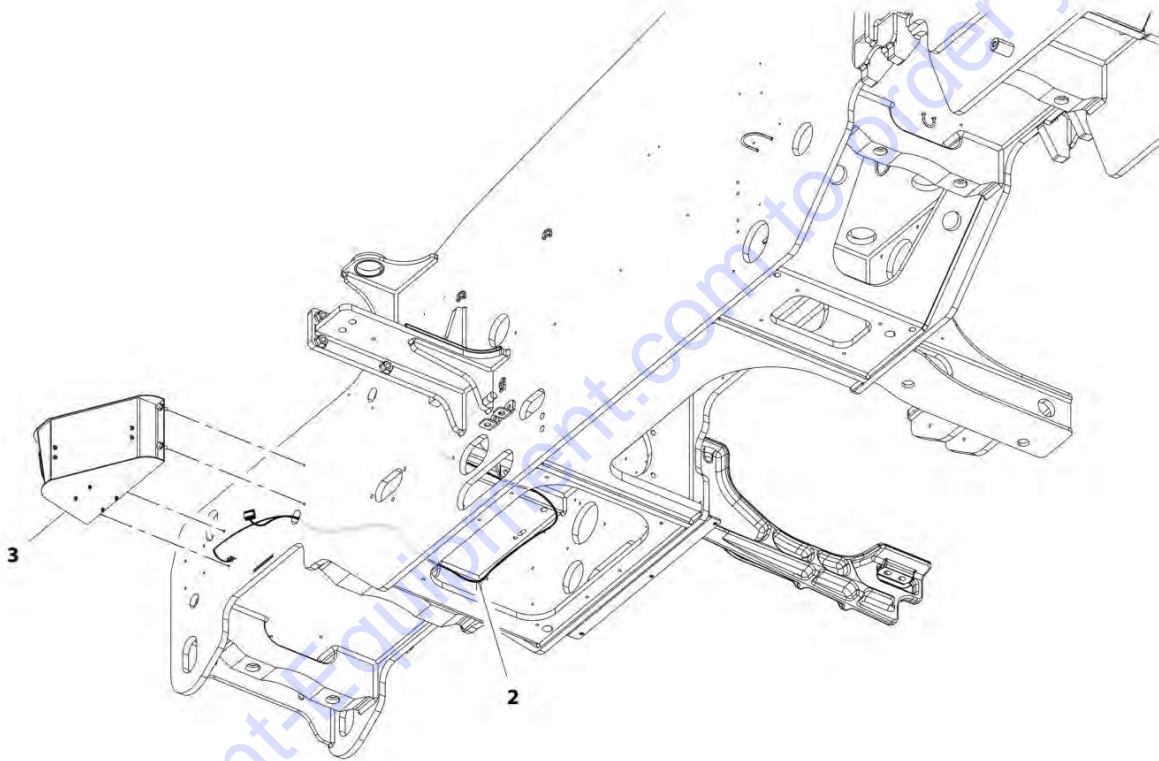
Go to Discount-Equipment.com to order your parts

SECTION 3 - ATTACHMENTS

Go to Discount-Equipment.com to order your parts

SECTION 3 - ATTACHMENTS

FIGURE 3-1. ATTACHMENT RECOGNITION INSTALLATION



ART_1001195881-C

SECTION 3 - ATTACHMENTS

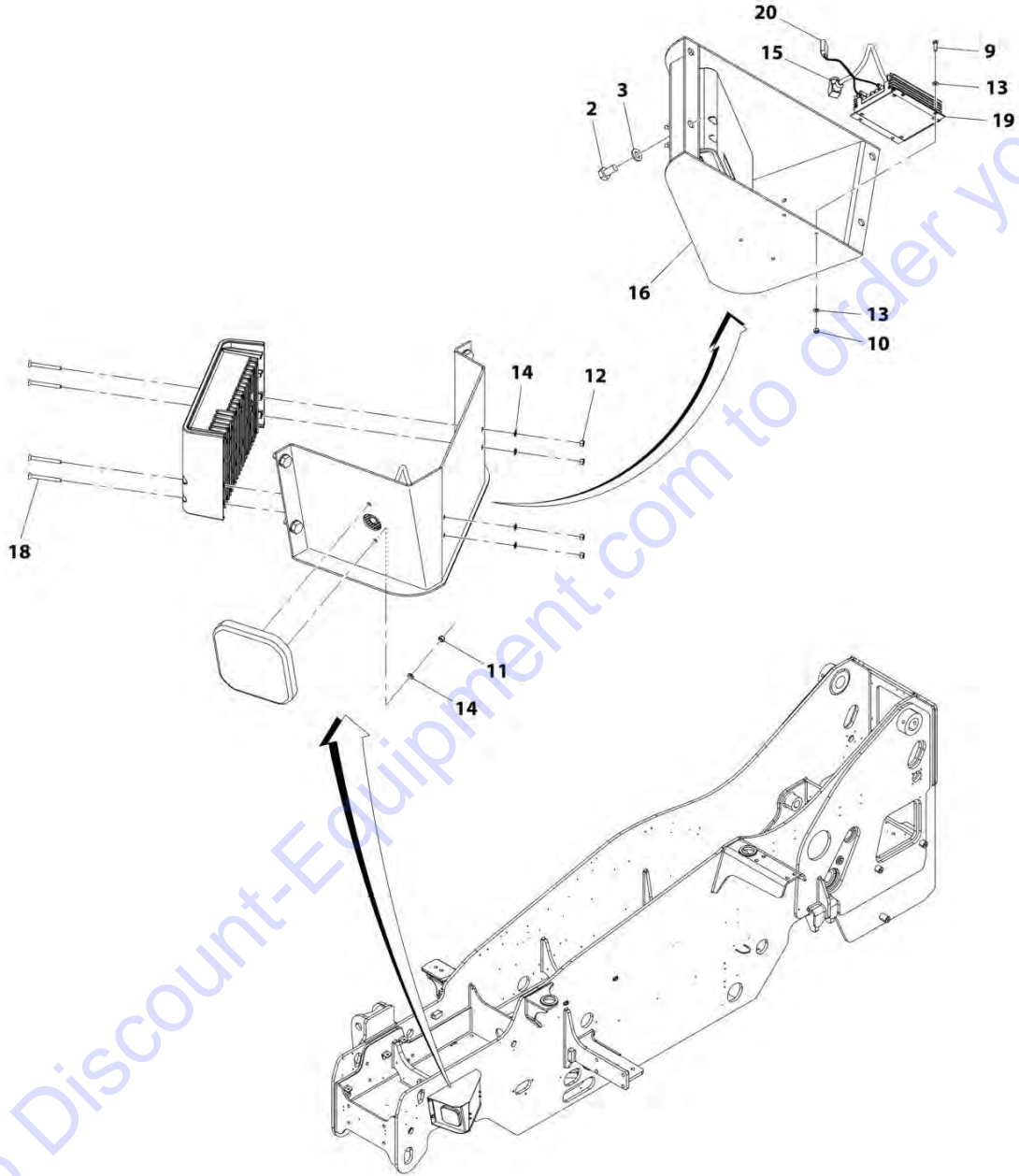
FIGURE 3-1. ATTACHMENT RECOGNITION INSTALLATION

ITEM	PART NUMBER	QTY	DESCRIPTION	REV
	1001195881	Ref	Attachment Recognition Installation	C
2	1001206843	1	Cable	
3	1001207866	1	Installation, Components Attachment Recognition (See Separate Breakdown in this Section)	

Go to Discount-Equipment.com to order your parts

SECTION 3 - ATTACHMENTS

FIGURE 3-2. COMPONENTS ATTACHMENT RECOGNITION INSTALLATION



ART_1001207866-E

SECTION 3 - ATTACHMENTS

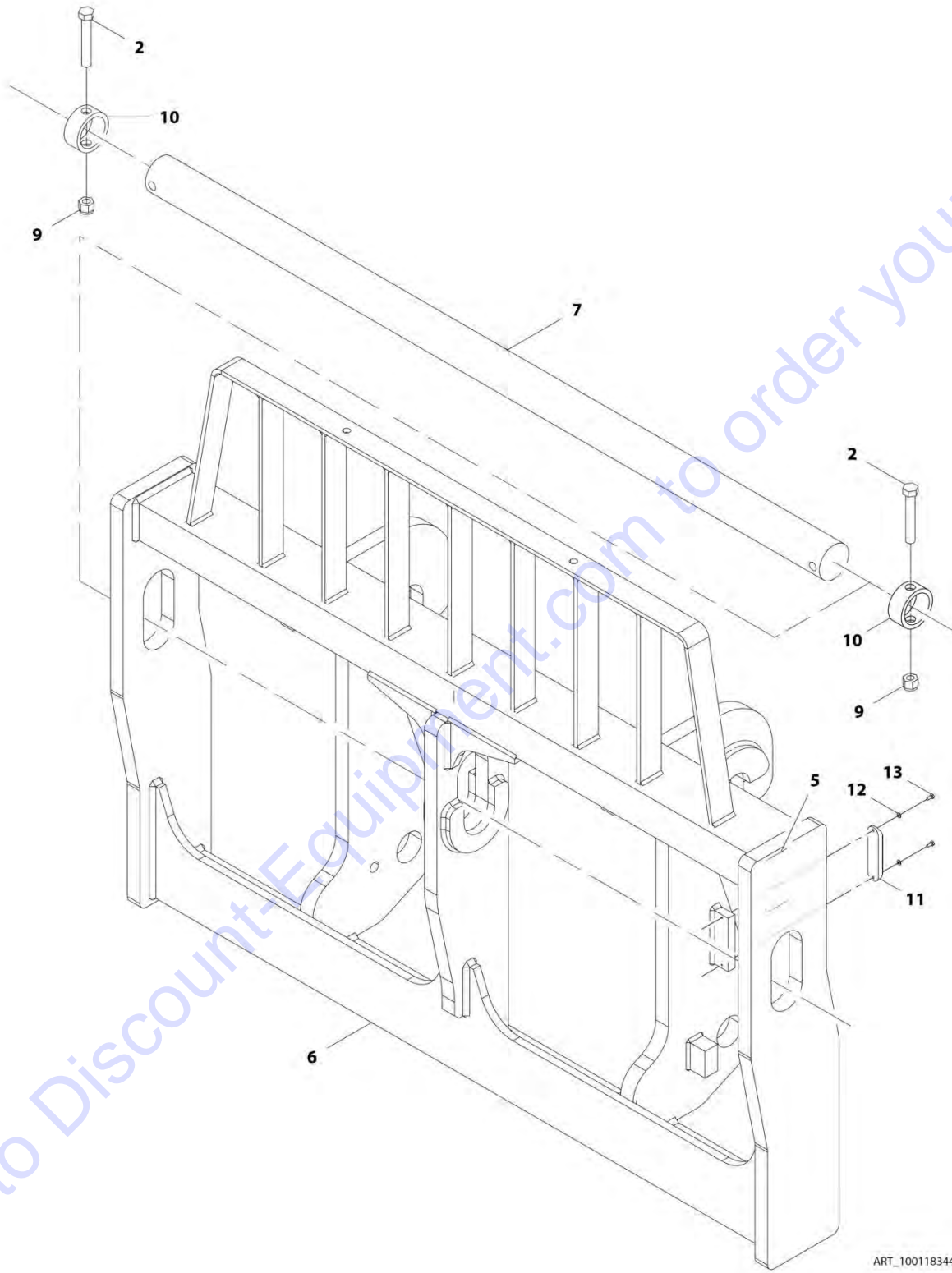
FIGURE 3-2. COMPONENTS ATTACHMENT RECOGNITION INSTALLATION

ITEM	PART NUMBER	QTY	DESCRIPTION	REV
	1001207866	Ref	Components Attachment Recognition Installation	E
2	0761010	4	Bolt, M10X20	
3	4812000	4	Washer, M10	
9	0760407	4	Bolt, M4X14	
10	3290405	4	Nut, Lock M4X0.7 Grade 8	
11	3290505	2	Nut, Lock M5X0.8 Grade 8	
12	3290507	4	Nut, Lock M5X0.8	
13	4811400	8	Washer, M4	
14	4811600	6	Washer, M5	
15	1001206725	1	Cable	
16	1001232988	1	Bracket, Attachment Recognition	
18	1001234395	4	Screw, M5X50	
19	1001234596	1	Control, Voltage	
20	1001234802	1	Harness	

Go to Discount-Equipment.com to order your parts

SECTION 3 - ATTACHMENTS

FIGURE 3-3. CARRIAGE ASSEMBLY, (60IN/1524MM)



ART_1001183447-E

SECTION 3 - ATTACHMENTS

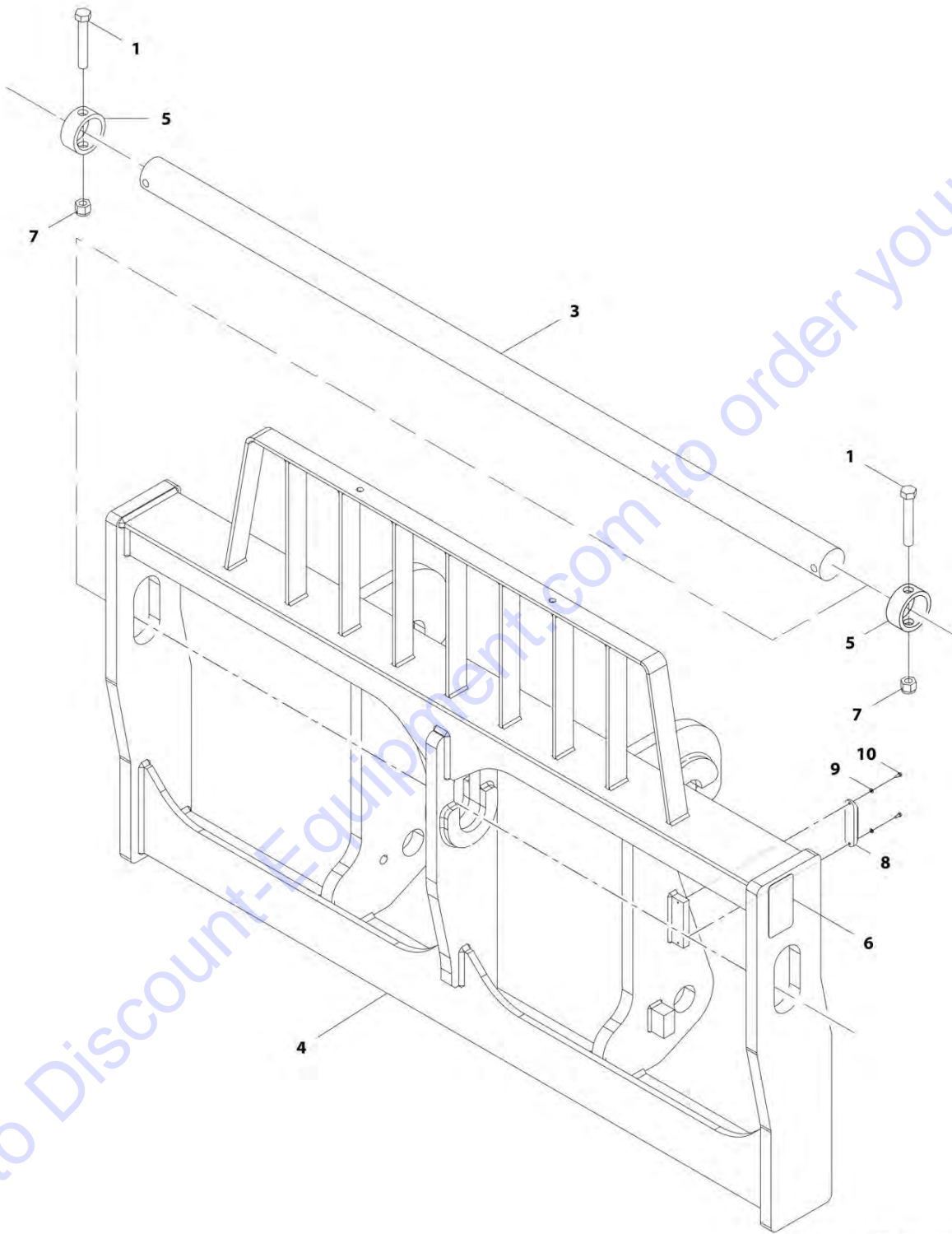
FIGURE 3-3. CARRIAGE ASSEMBLY, (60IN/1524MM)

ITEM	PART NUMBER	QTY	DESCRIPTION	REV
	1001183447	1	Carriage Assembly, (60in/1524mm)	E
2	0701628	2	Bolt, M16X110	
5	N.S.S.	1	Plate, Serial Number	
6	N.S.S.	1	Weldment, Carriage	
7	1001191108	1	Pin	
9	3291605	2	Nut, Lock M16X2 Grade 8	
10	1001218755	2	Collar, Shaft	
11	1001227670	1	Tag, RFID	
12	4811400	2	Washer, M4	
13	0760405	2	Bolt, M4X10	

Go to Discount-Equipment.com to order your parts

SECTION 3 - ATTACHMENTS

FIGURE 3-4. CARRIAGE ASSEMBLY, (72IN/1829MM)



ART_1001214415-D

SECTION 3 - ATTACHMENTS

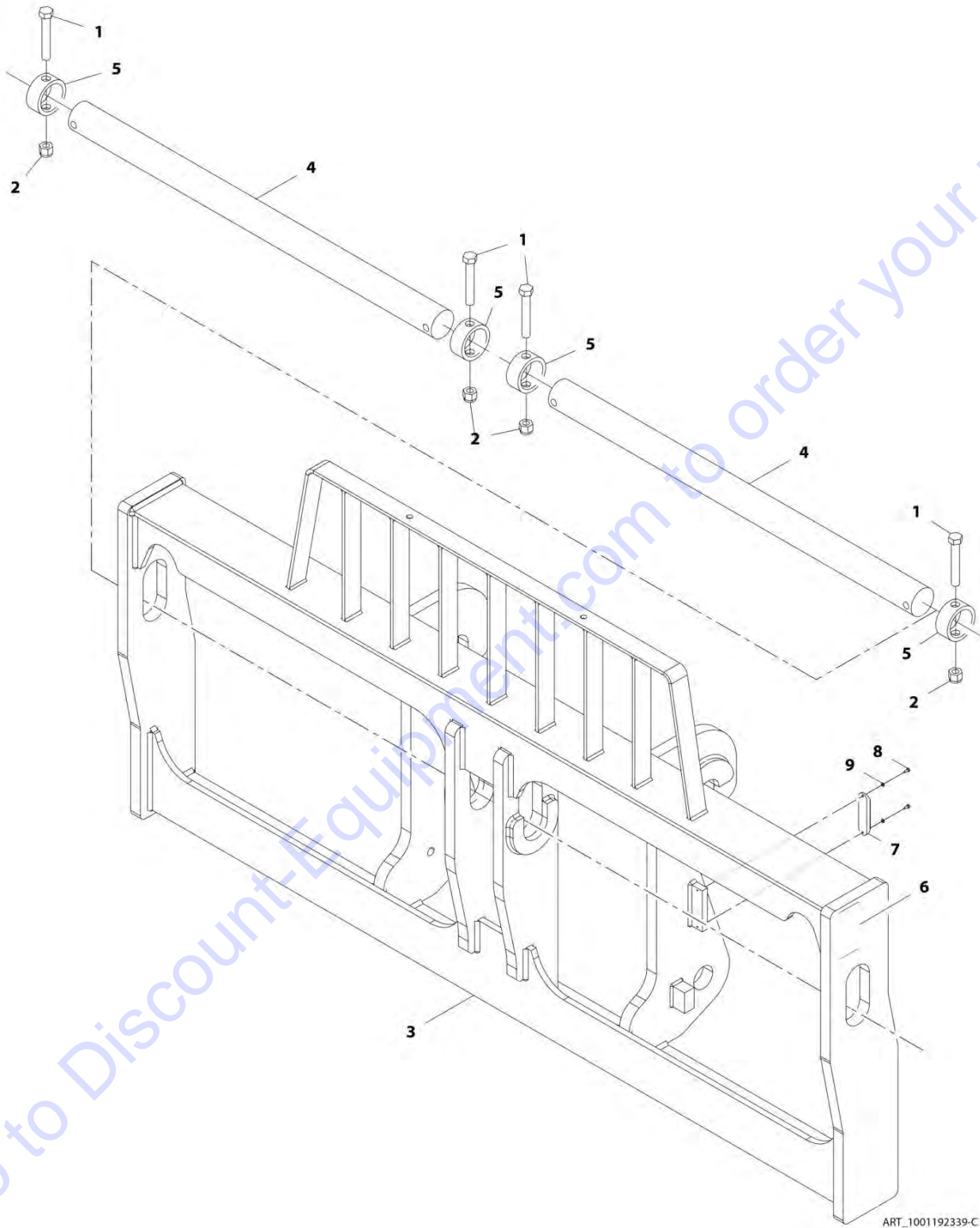
FIGURE 3-4. CARRIAGE ASSEMBLY, (72IN/1829MM)

ITEM	PART NUMBER	QTY	DESCRIPTION	REV
	1001214415	1	Carriage Assembly, (72in/1829mm)	D
1	0701628	2	Bolt, M16X110	
3	1001214254	1	Pin	
4	N.S.S.	1	Weldment, Carriage	
5	1001218755	2	Collar, Shaft	
6	N.S.S.	1	Plate, Serial Number	
7	3291605	2	Nut, Lock M16X2 Grade 8	
8	1001227670	1	Tag, RFID	
9	4811400	2	Washer, M4	
10	0760405	2	Bolt, M4X10	

Go to Discount-Equipment.com to order your parts

SECTION 3 - ATTACHMENTS

FIGURE 3-5. CARRIAGE ASSEMBLY, (87IN/2290MM)



ART_1001192339-C

SECTION 3 - ATTACHMENTS

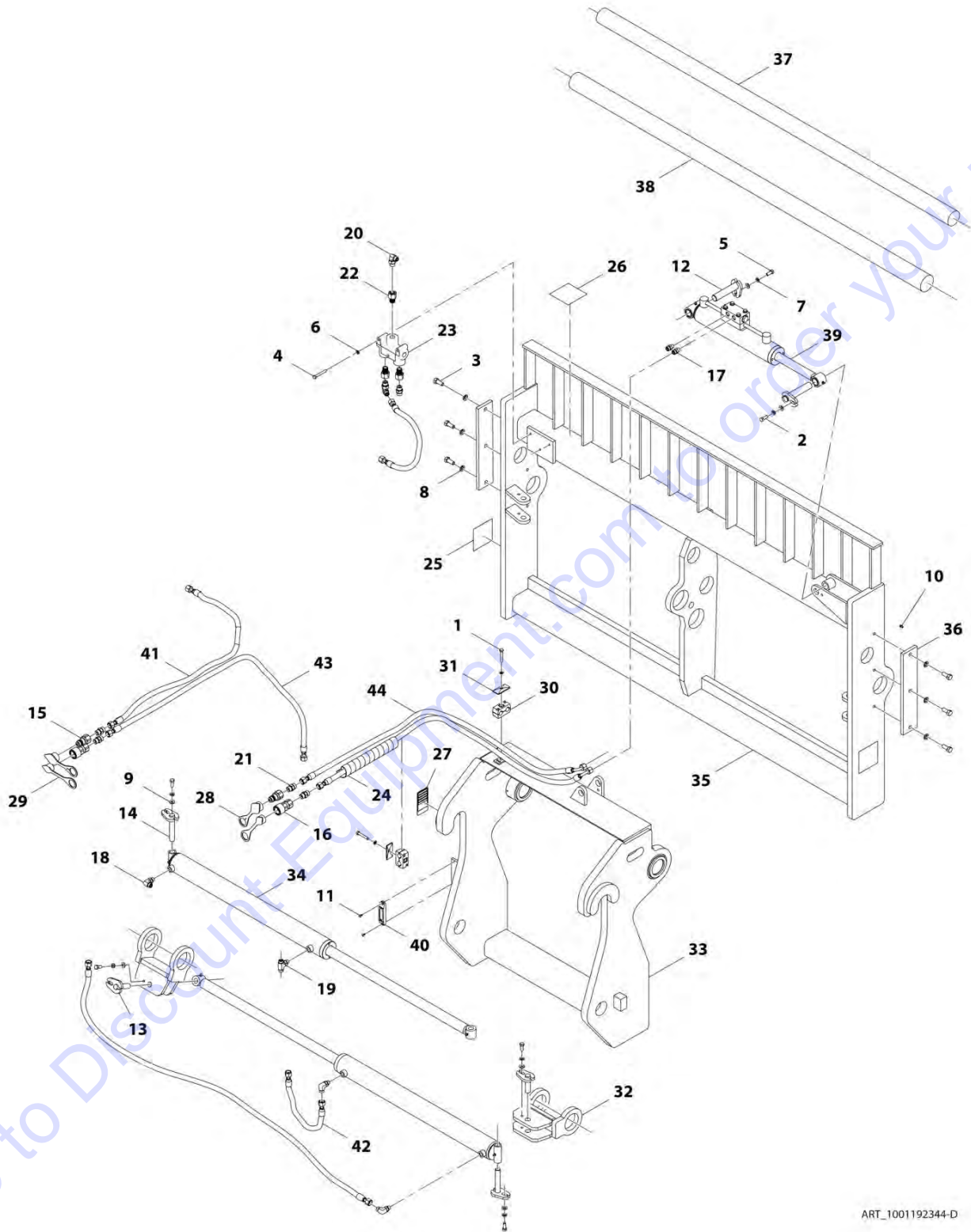
FIGURE 3-5. CARRIAGE ASSEMBLY, (87IN/2290MM)

ITEM	PART NUMBER	QTY	DESCRIPTION	REV
	1001192339	1	Carriage Assembly, (87in/2290mm)	C
1	0701628	4	Bolt, M16X110	
2	3291605	4	Nut, Lock M16X2 Grade 8	
3	N.S.S.	1	Weldment, Carriage	
4	1001218754	2	Pin	
5	1001218755	4	Collar, Shaft	
6	N.S.S.	1	Plate, Serial Number	
7	1001227670	1	Tag, RFID	
8	0760405	2	Bolt, M4X10	
9	4811400	2	Washer, M4	

Go to Discount-Equipment.com to order your parts

SECTION 3 - ATTACHMENTS

FIGURE 3-6. DUAL FORK POSITIONING SIDE SHIFT CARRIAGE, (75IN/1899MM)



ART_1001192344-D

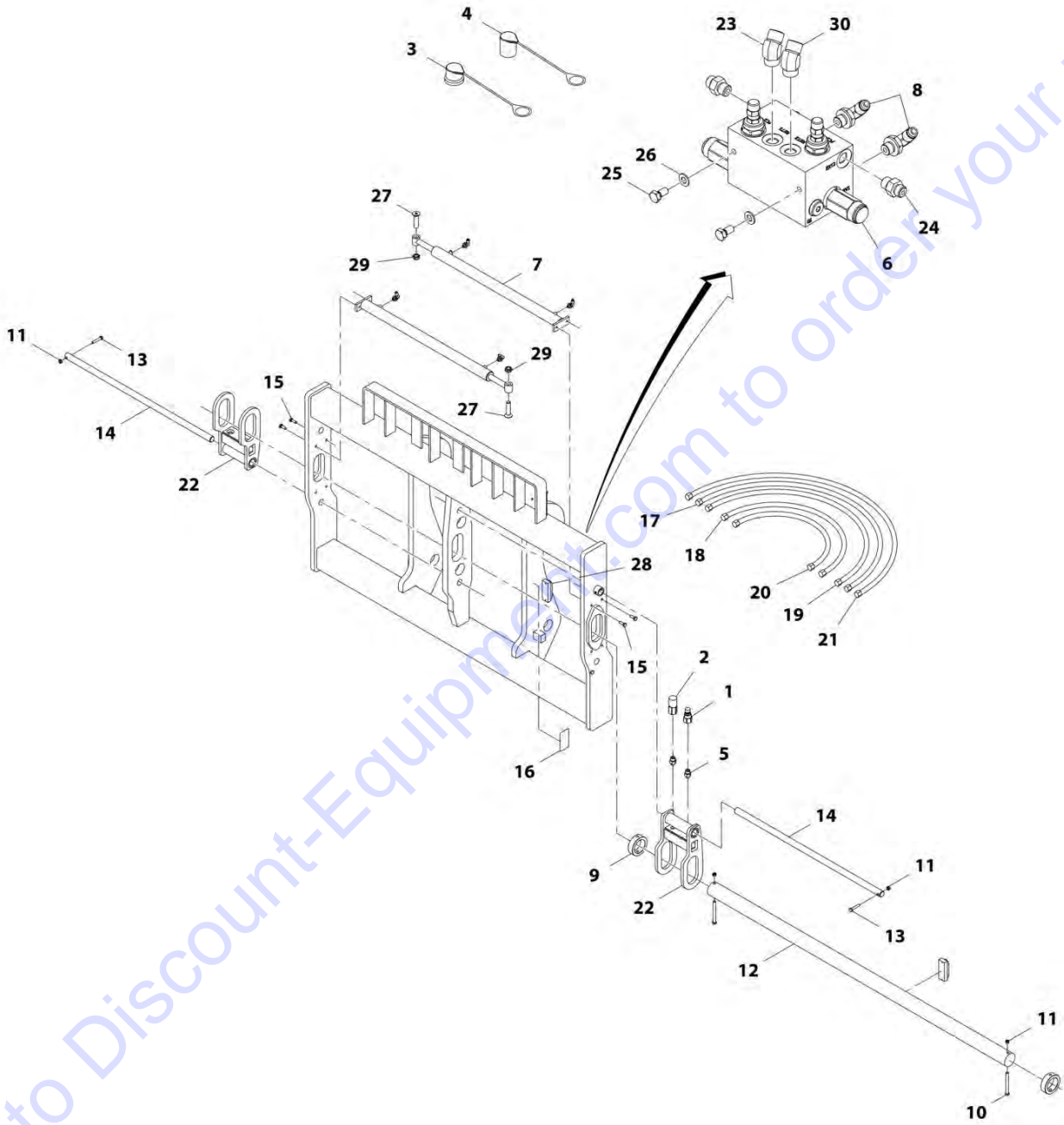
SECTION 3 - ATTACHMENTS

FIGURE 3-6. DUAL FORK POSITIONING SIDE SHIFT CARRIAGE, (75IN/1899MM)

ITEM	PART NUMBER	QTY	DESCRIPTION	REV
	1001192344	1	Dual Fork Positioning Side Shift Carriage, (75in/1899mm)	D
1	70028485	2	Bolt	
2	70021349	1	Bolt, 3/8X1	
3	70027989	6	Bolt	
4	70028591	3	Bolt	
5	7029704	5	Bolt, 3/8-24X1	
6	90554067	5	Washer, Lock 5/16	
7	90554042	6	Washer, Lock 3/8	
8	90554020	6	Washer, Lock 1/2	
9	7029703	6	Washer, Flat	
10	90554045	1	Zerk, Grease	
11	70028554	2	Screw	
12	7029702	2	Pin	
13	70028592	2	Pin	
14	70028593	2	Pin	
15	1001101041	2	Adapter, Male Quick Disconnect	
16	1001101042	2	Adapter, Female Quick Disconnect	
17	70028486	2	Fitting	
18	70028525	3	Elbow, 90	
19	70028594	1	Fitting	
20	70028526	2	Elbow, 90	
21	70028488	5	Fitting	
22	70028595	3	Fitting	
23	70028596	1	Valve	
24	70028597	1	Protector, Hose	
25	90554017	2	Decal, Danger Pinch Point	
26	7029711	1	Decal, High Pressure	
27	N.S.S.	1	Plate, Serial Number	
28	8420053	2	Plug, Dust	
29	8420055	2	Plug, Dust	
30	70028495	2	Clamp	
31	70028496	2	Plate, Clamp	
32	70028598	2	Clevis	
33	N.S.S.	1	Weldment	
34	70028599	2	Assembly, Fork Positioning Cylinder (See Separate Breakdown in Hydraulic Components Section)	
35	N.S.S.	1	Weldment	
36	70028600	2	Pin	
37	70028601	1	Pin	
38	70028602	1	Pin	
39	70028603	1	Assembly, Side Shift Cylinder (See Separate Breakdown in Hydraulic Components Section)	
40	1001227670	1	Tag, RFID	
41	70028604	2	Hose	
42	70028605	2	Hose	
43	70028606	1	Hose	
44	70028607	2	Hose	

SECTION 3 - ATTACHMENTS

FIGURE 3-7. DUAL FORK POSITIONING CARRIAGE, (72IN/1829MM)



ART_1001192342-D

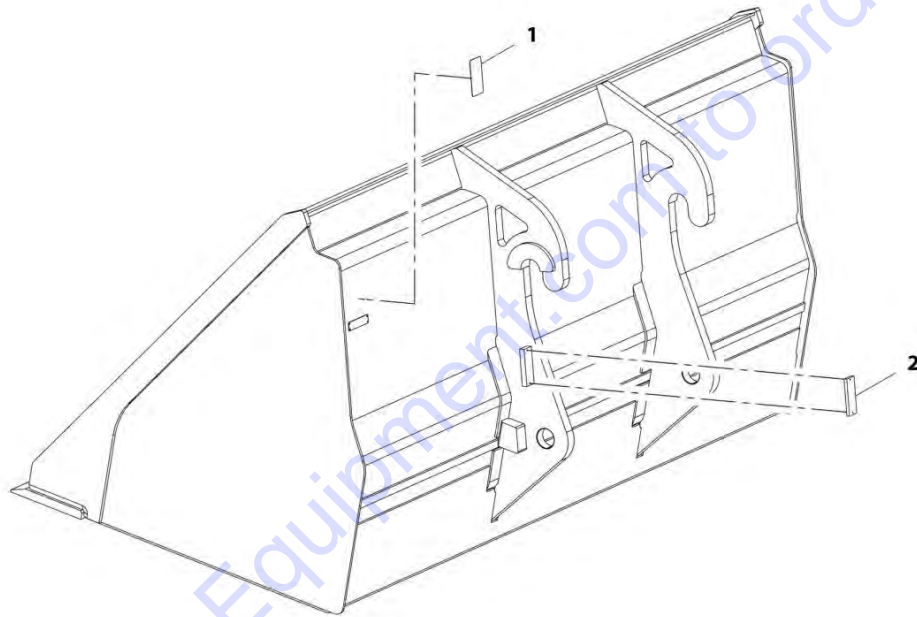
SECTION 3 - ATTACHMENTS

FIGURE 3-7. DUAL FORK POSITIONING CARRIAGE, (72IN/1829MM)

ITEM	PART NUMBER	QTY	DESCRIPTION	REV
	1001192342	1	Dual Fork Positioning Carriage, (72in/1829mm)	D
1	1001101041	1	Coupler, Male Hydraulic	
2	1001101042	1	Coupler, Female Hydraulic	
3	8420053	1	Cap	
4	8420055	1	Cap	
5	1001008834	2	Fitting, Straight	
6	70027896	1	Valve	
7	70028505	2	Cylinder, Forkpositioner	
8	2150606	4	Fitting, 45 ORFS	
9	70028506	2	Collar	
10	70027889	2	Bolt, M10x120	
11	70027890	4	Nut M10	
12	70028507	1	Shaft, Floating	
13	70027881	2	Bolt, M10x55	
14	70028508	2	Shaft, Forkpositioner	
15	70027880	4	Bolt, M10x30	
16	N.S.S.	1	Plate, Serial Number	
17	70028509	1	Hose	
18	70028510	1	Hose	
19	70028511	1	Hose	
20	70028512	1	Hose	
21	70027899	2	Hose	
22	70028513	2	Cage, Fork	
23	2150606	1	Fitting, 45 ORFS	
24	2110606	2	Fitting, Straight ORFS	
25	70027882	2	Bolt, M8X16	
26	70027879	2	Washer	
27	70027888	3	Screw, Countersunk M20x80	
28	1001227670	1	Tag, RFID	
29	70027887	2	Nut, M20	
30	2170206	1	Fitting, 90 ORFS	

SECTION 3 - ATTACHMENTS

FIGURE 3-8. BUCKET (2.6 YD³/2.0M³)



ART_1001192615-E

SECTION 3 - ATTACHMENTS

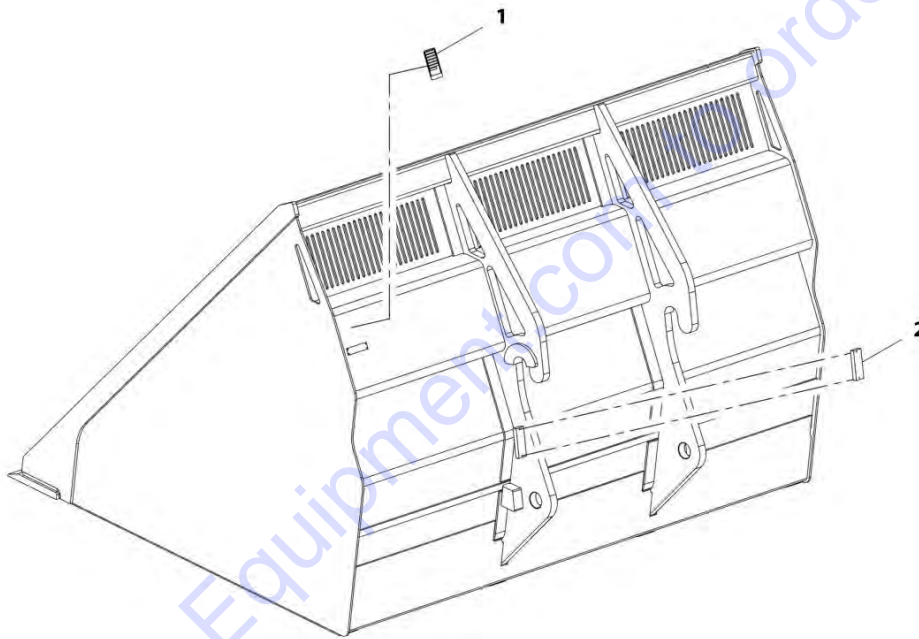
FIGURE 3-8. BUCKET (2.6 YD³/2.0M³)

ITEM	PART NUMBER	QTY	DESCRIPTION	REV
	1001192615	Ref	Bucket (2.6 yd ³ /2.0m ³)	E
1	N.S.S.	1	Plate, Serial Number	
2	1001227670	1	Tag, RFID	

Go to Discount-Equipment.com to order your parts

SECTION 3 - ATTACHMENTS

FIGURE 3-9. BUCKET (5.23 YD3)



ART_1001192616-D

SECTION 3 - ATTACHMENTS

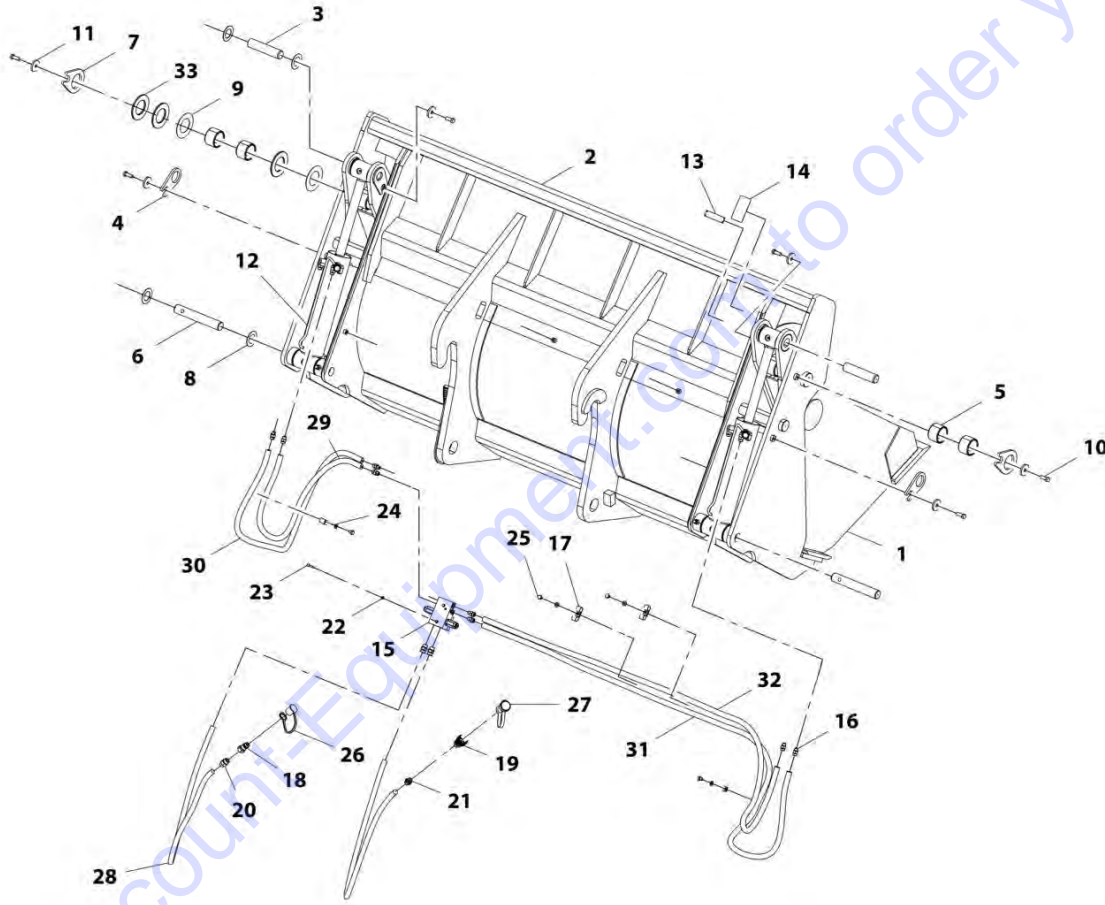
FIGURE 3-9. BUCKET (5.23 YD3)

ITEM	PART NUMBER	QTY	DESCRIPTION	REV
	1001192616	Ref	Bucket (5.23 yd ³ /4.0m ³)	D
1	N.S.S.	1	Plate, Serial Number	
2	1001227670	1	Tag, RFID	

Go to Discount-Equipment.com to order your parts

SECTION 3 - ATTACHMENTS

FIGURE 3-10. 4 IN 1 BUCKET (2.6 YD³/2.0M³)



ART_1001192614-D

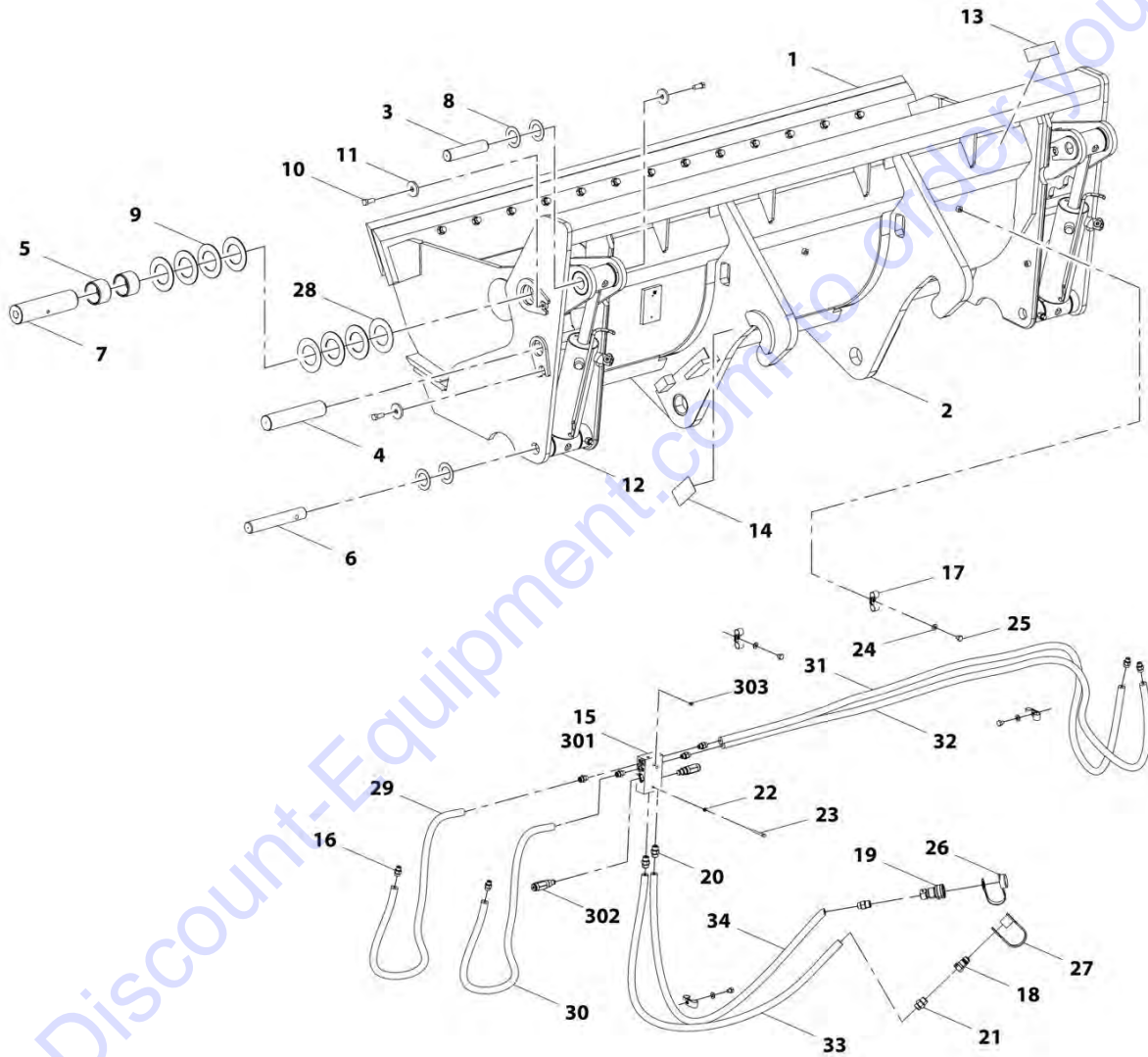
SECTION 3 - ATTACHMENTS

FIGURE 3-10. 4 IN 1 BUCKET (2.6 YD³/2.0M³)

ITEM	PART NUMBER	QTY	DESCRIPTION	REV
	1001192614	Ref	4 in 1 Bucket (2.6 yd ³ /2.0m ³)	D
1	N.S.S.	1	Assembly, Scarifier	
2	N.S.S.	1	Assembly, Bucket	
3	70028563	2	Pin	
4	70028564	2	Pin	
5	70028565	4	Bushing	
6	70028566	2	Pin	
7	70028567	2	Pin	
8	70028568	8	Shim	
9	70028569	6	Shim	
10	70028570	6	Capscrew	
11	70028571	6	Washer	
12	70028572	2	Cylinder, 4 in 1 Bucket (See Separate Breakdown in Hydraulic Components Section)	
13	N.S.S.	1	Plate, Serial Number	
14	N.S.S.	1	Plate, Serial Number JLG	
15	70028573	1	Valve Assembly, 4 in 1 Bucket (See Separate Breakdown in Hydraulic Circuits Section)	
16	70024130	8	Fitting	
17	70026481	8	Clamp	
18	1001101041	1	Adapter, Male Quick Disconnect	
19	1001101042	1	Adapter, Female Quick Disconnect	
20	70022938	2	Fitting, Straight	
21	70028263	2	Fitting, Straight	
22	70026480	2	Fitting, Straight	
23	70026479	2	Bolt, M6X50	
24	70026482	4	Washer, M10	
25	70026483	4	Bolt, M10X16	
26	8420055	1	Cap, Dust	
27	8420053	1	Cap, Dust	
28	70028744	1	Hose	
29	70028745	1	Hose	
30	70028746	1	Hose	
31	70028747	1	Hose	
32	70028748	1	Hose	
33	70028574	12	Shim	

SECTION 3 - ATTACHMENTS

FIGURE 3-11. 4 IN 1 BUCKET (1.3 YD³/1.0M³)



ART_1001228427-A

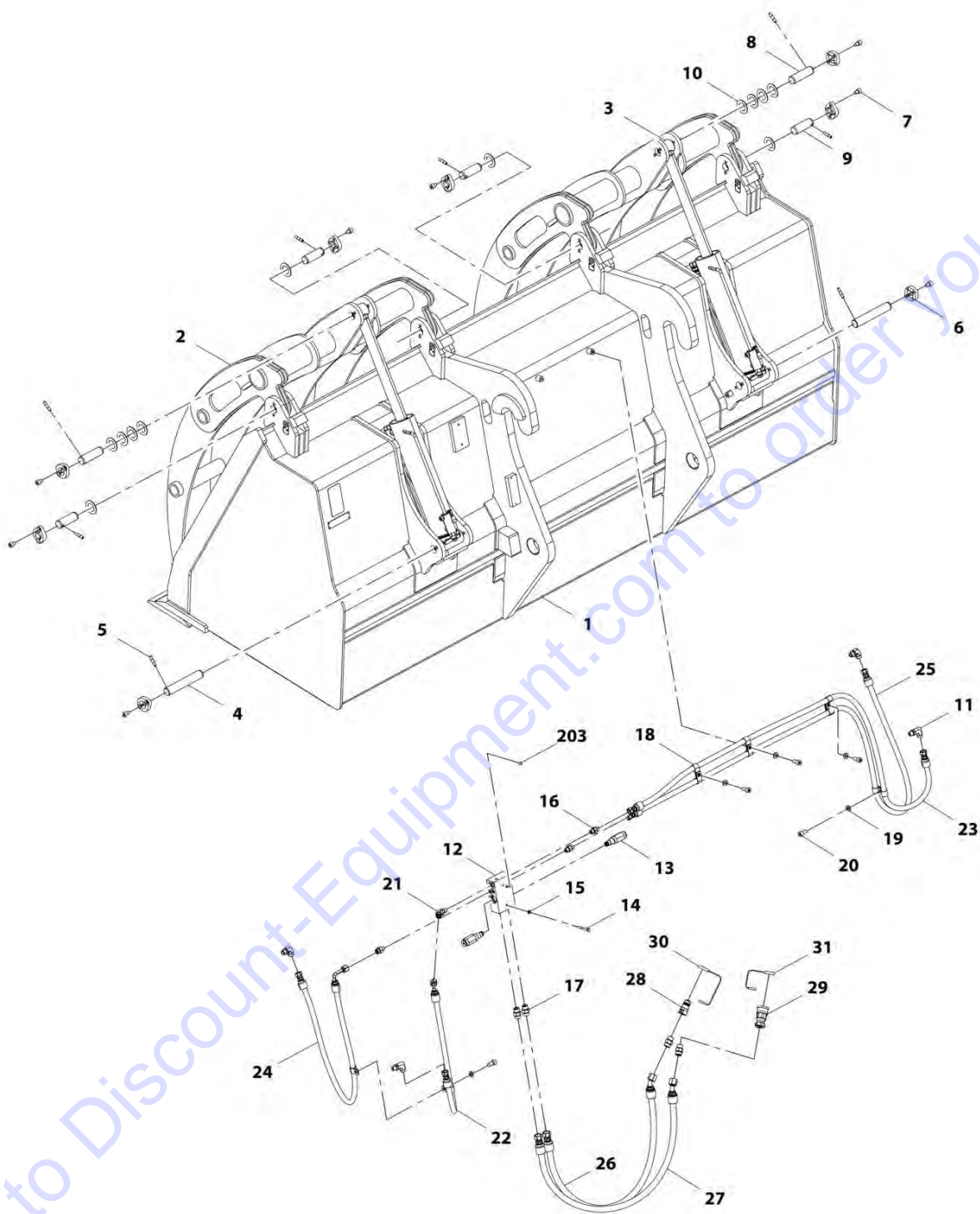
SECTION 3 - ATTACHMENTS

FIGURE 3-11. 4 IN 1 BUCKET (1.3 YD³/1.0M³)

ITEM	PART NUMBER	QTY	DESCRIPTION	REV
	1001228427	Ref	4 in 1 Bucket (1.3 yd ³ /1.0m ³)	A
1	N.S.S.	1	Assembly, Front Bucket	
2	N.S.S.	1	Assembly, Back Bucket	
3	70028563	2	Pin	
4	70028564	2	Pin	
5	70028565	4	Bushing	
6	70028566	2	Pin	
7	70028567	2	Pin	
8	70028568	8	Shim	
9	70028569	6	Shim	
10	70028570	6	Capscrew	
11	70028571	6	Washer	
12	70028572	2	Assembly, 4 In 1 Bucket Cylinder (5.23 yd ³ /4.0m ³) (See Separate Breakdown in Hydraulic Components Section)	
13	N.S.S.	1	Plate, Name	
14	N.S.S.	1	Plate, Serial Number	
15	70028573	1	Assembly, 4 In 1 Bucket Valve (5.23 yd ³ /4.0m ³) (See Separate Breakdown in Hydraulic Circuits Section)	
16	70024130	8	Fitting, Straight	
17	70026481	8	Clamp, Hose	
18	1001101041	1	Adapter, Male Quick Disconnect	
19	1001101042	1	Adapter, Female Quick Disconnect	
20	70022938	2	Fitting, Straight	
21	70028263	2	Fitting, Straight	
22	70026480	2	Washer, M6	
23	70026479	2	Bolt, M6X50	
24	70026482	4	Washer, M10	
25	70026483	4	Bolt, M10X16	
26	8420055	1	Plug, Dust	
27	8420053	1	Plug, Cap	
28	70028574	12	Shim	
29	70028575	1	Hose	
30	70028576	1	Hose	
31	70028577	1	Hose	
32	70028578	1	Hose	
33	70028579	1	Hose	
34	70028580	1	Hose	
301	70026477	1	Manifold	
302	70028589	2	Cartridge, Relief	
303	70026614	2	Plug	

SECTION 3 - ATTACHMENTS

FIGURE 3-12. GRAPPLE BUCKET (1.7 YD³/1.3M³)



ART_1001223435-B

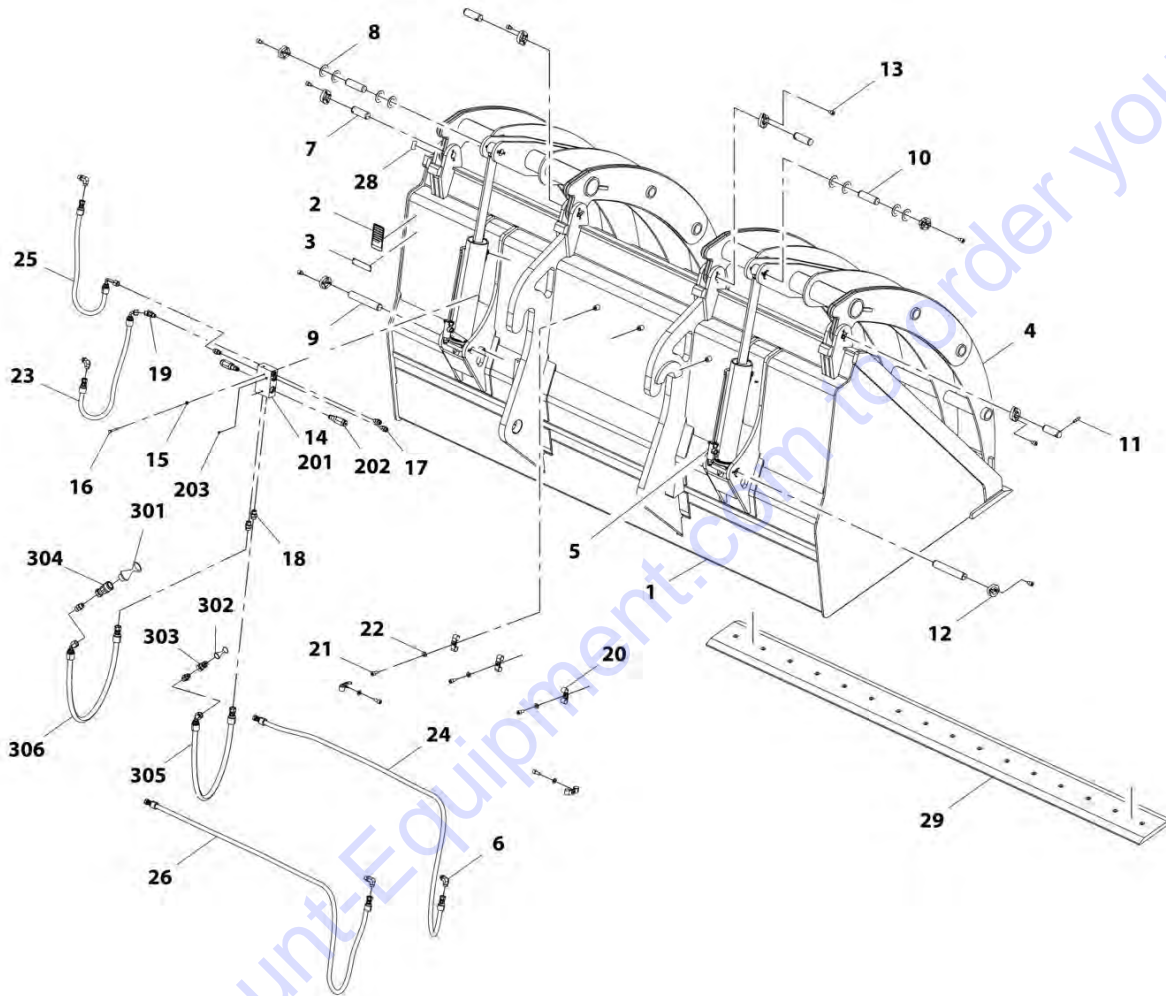
SECTION 3 - ATTACHMENTS

FIGURE 3-12. GRAPPLE BUCKET (1.7 YD³/1.3M³)

ITEM	PART NUMBER	QTY	DESCRIPTION	REV
	1001223435	Ref	Grapple Bucket (1.7 yd ³ /1.3m ³)	B
1	N.S.S.	1	Bucket	
2	N.S.S.	1	Grapple	
3	70026469	2	Assembly, Cylinder, (See Separate Breakdown in Hydraulic Components Section)	
4	70026470	2	Pin	
5	70026471	8	Pin Drive - Lock	
6	70026472	8	Retainer	
7	70026473	16	Capscrew, M10X12	
8	70026474	2	Pin	
9	70026475	4	Pin	
10	70026476	32	Shim	
11	70024123	4	Fitting, 90	
12	70026477	1	Manifold	
13	70026478	2	Cartridge, Relief Valve	
14	70026479	2	Bolt, M6X50	
15	70026480	2	Washer, M6	
16	70024130	3	Fitting, Straight	
17	70022938	4	Fitting, Straight	
18	70026481	10	Clamp, Hose	
19	70026482	5	Washer, M10	
20	70028672	5	Bolt, M10X20	
21	70026616	1	Fitting, 45	
22	70028749	1	Hose	
23	70028750	1	Hose	
24	70028751	1	Hose	
25	70028752	1	Hose	
26	70028753	1	Hose	
27	70028697	1	Hose	
28	1001101041	1	Adapter, Male Quick Disconnect	
29	1001101042	1	Adapter, Female Quick Disconnect	
30	8420053	1	Cap, Dust	
31	8420055	1	Plug, Dust	
203	70026614	2	Plug	

SECTION 3 - ATTACHMENTS

FIGURE 3-13. GRAPPLE BUCKET (2.6 YD³/2.0M³)



ART_1001192617-C

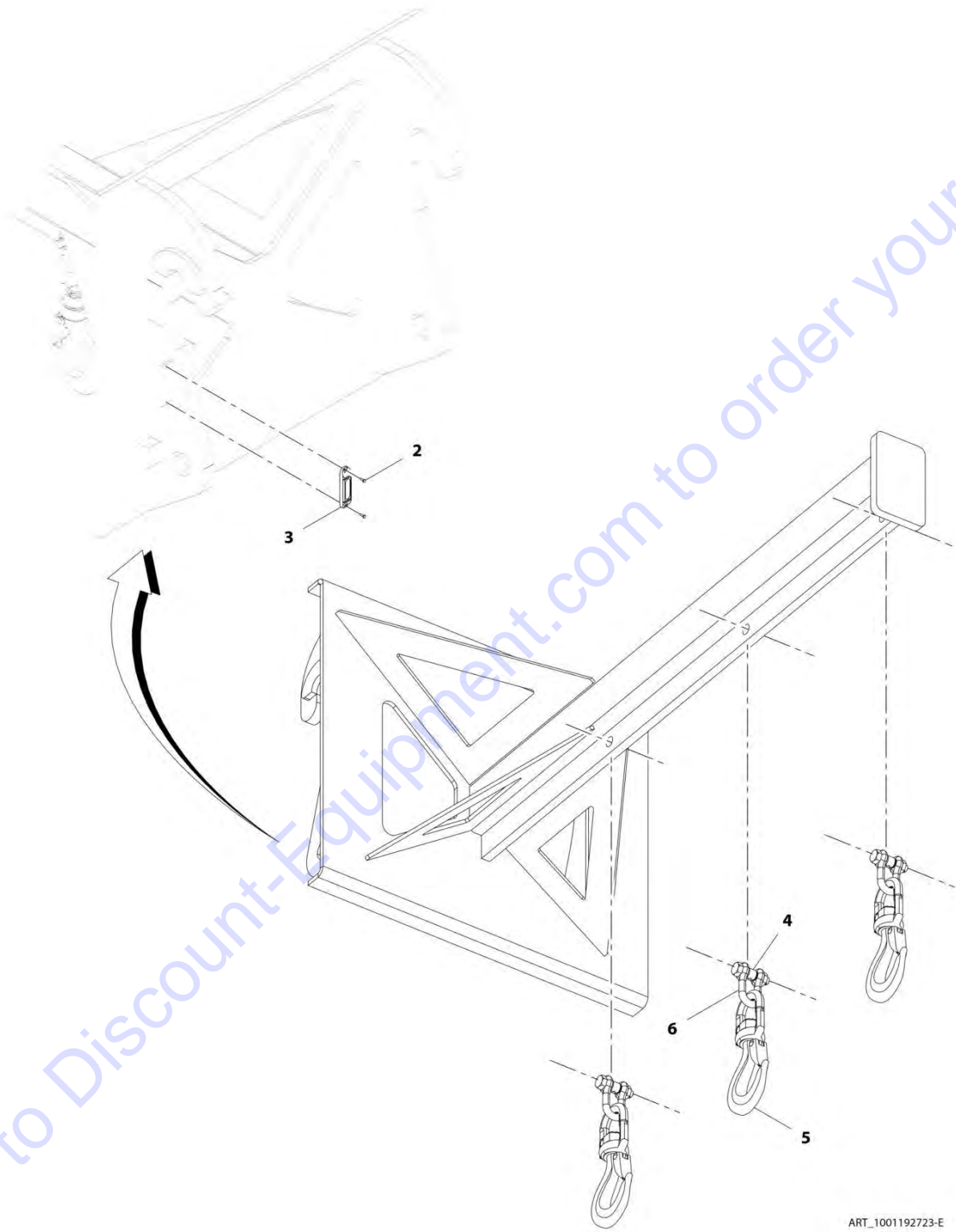
SECTION 3 - ATTACHMENTS

FIGURE 3-13. GRAPPLE BUCKET (2.6 YD³/2.0M³)

ITEM	PART NUMBER	QTY	DESCRIPTION	REV
	1001192617	Ref	Grapple Bucket (2.6 yd ³ /2.0m ³)	C
1	N.S.S.	1	Bucket	
2	N.S.S.	1	Plate, Serial Number	
3	N.S.S.	1	Nameplate	
4	N.S.S.	1	Grapple	
5	70026469	2	Assembly, Cylinder (See Separate Breakdown in Hydraulic Components Section)	
6	70024123	4	Fitting, 90	
7	70026475	4	Pin	
8	70026476	12	Shim	
9	70026470	2	Pin	
10	70026474	2	Pin	
11	70026471	8	Pin, Lock	
12	70026472	8	Retainer	
13	70026473	16	Capscrew, M10X12	
14	N.S.S.	1	Valve, Relief	
15	70026480	2	Washer, M6	
16	70026479	2	Bolt, M6X50	
17	70024130	3	Fitting, Straight	
18	70022938	4	Fitting, Straight	
19	70026616	1	Fitting, 45	
20	70026481	10	Clamp, Hose	
21	70028672	5	Bolt, M10X20	
22	70026482	5	Washer, M10	
23	70028738	1	Hose	
24	70028739	1	Hose	
25	70028740	1	Hose	
26	70028741	1	Hose	
28	70024538	8	Decal, Pinch Point	
29	70028742	1	Guard, Edge	
201	70026477	1	Manifold	
202	70026478	2	Cartridge, Relief Valve	
203	70026614	2	Plug	
301	8420055	1	Plug, Dust	
302	8420053	1	Cap, Dust	
303	1001101041	1	Coupler, Male Hydraulic	
304	1001101042	1	Coupler, Female Hydraulic	
305	70028743	1	Hose	
306	70028734	1	Hose	

SECTION 3 - ATTACHMENTS

FIGURE 3-14. TRUSS BOOM (7.6 TON)



ART_1001192723-E

SECTION 3 - ATTACHMENTS

FIGURE 3-14. TRUSS BOOM (7.6 TON)

ITEM	PART NUMBER	QTY	DESCRIPTION	REV
	1001192723	1	Truss Boom (7.6 ton)	E
2	70028554	2	Screw	
3	1001227670	1	Tag, RFID	
4	70020555	3	Bushing	
5	70026745	3	Hook	
6	70026746	3	Shackle, Chain	

Go to Discount-Equipment.com to order your parts

PARTS FINDER

**Search Website
by Part Number**



**Search Manual
Library For Parts
Manual & Lookup Part
Numbers – Purchase
or Request Quote**

**Can't Find Part or
Manual? Request Help
by Manufacturer,
Model & Description**

Discount-Equipment.com is your online resource for quality parts & equipment.

Florida: **561-964-4949** Outside Florida TOLL FREE: **877-690-3101**

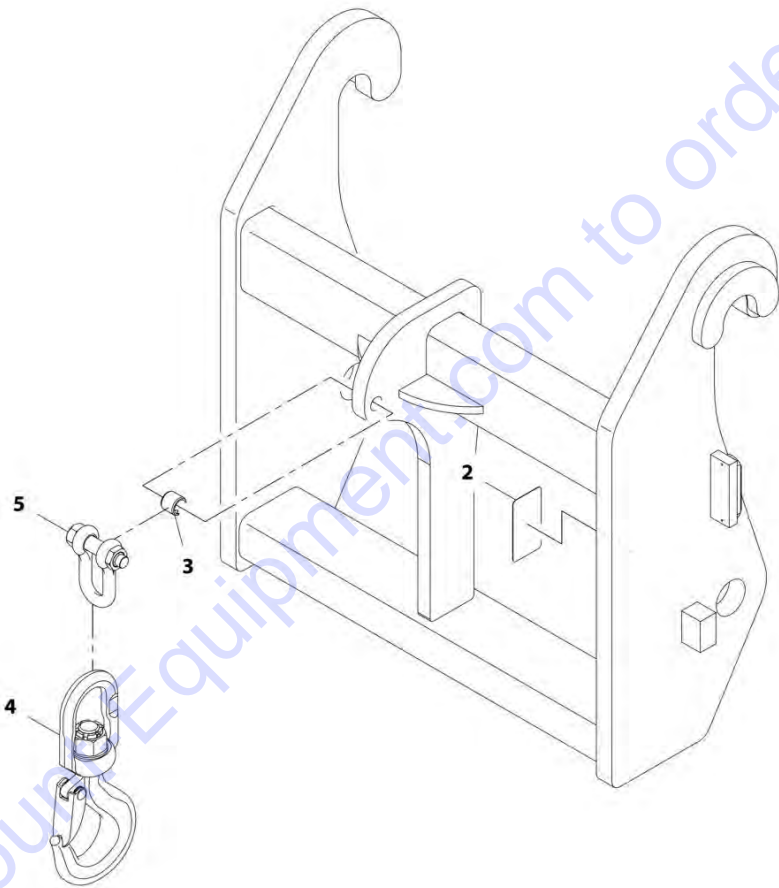
Need parts?

Click on this link: <http://www.discount-equipment.com/category/5443-parts/> and choose one of the options to help get the right parts and equipment you are looking for. Please have the machine model and serial number available in order to help us get you the correct parts. If you don't find the part on the website or on one of the online manuals, please fill out the request form and one of our experienced staff members will get back to you with a quote for the right part that your machine needs.

We sell worldwide for the brands: Genie, Terex, JLG, MultiQuip, Mikasa, Essick, Whiteman, Mayco, Toro Stone, Diamond Products, Generac Magnum, Airman, Haulotte, Barreto, Power Blanket, Nifty Lift, Atlas Copco, Chicago Pneumatic, Allmand, Miller Curber, Skyjack, Lull, Skytrak, Tsurumi, Husquvarna Target, Stow, Wacker, Sakai, Mi-T-M, Sullair, Basic, Dynapac, MBW, Weber, Bartell, Bennar Newman, Haulotte, Ditch Runner, Menegotti, Morrison, Contec, Buddy, Crown, Edco, Wyco, Bomag, Laymor, EZ Trench, Bil-Jax, F.S. Curtis, Gehl Pavers, Heli, Honda, ICS/PowerGrit, IHI, Partner, Imer, Clipper, MMD, Koshin, Rice, CH&E, General Equipment, Amida, Coleman, NAC, Gradall, Square Shooter, Kent, Stanley, Tamco, Toku, Hatz, Kohler, Robin, Wisconsin, Northrock, Oztec, Toker TK, Rol-Air, APT, Wylie, Ingersoll Rand / Doosan, Innovatech, Con X, Ammann, Mecalac, Makinex, Smith Surface Prep, Small Line, Wanco, Yanmar

SECTION 3 - ATTACHMENTS

FIGURE 3-15. CRANE HOOK (7.6 TON)



ART_1001192700-D

SECTION 3 - ATTACHMENTS

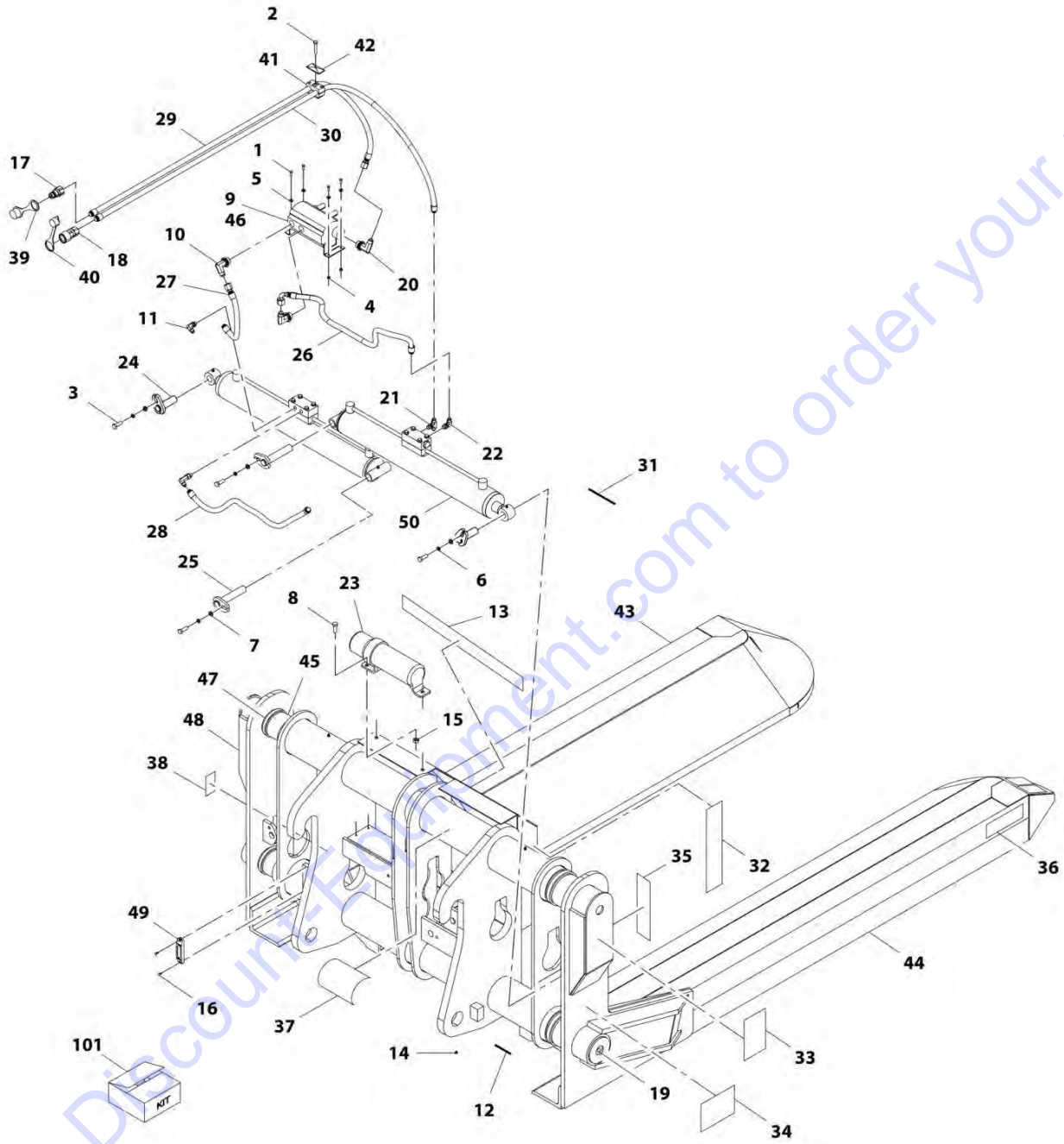
FIGURE 3-15. CRANE HOOK (7.6 TON)

ITEM	PART NUMBER	QTY	DESCRIPTION	REV
	1001192700	1	Crane Hook, (7.6 ton)	D
2	90554016	1	Decal, Made in USA	
3	70020555	1	Bushing	
4	70026745	1	Hook, Swivel	
5	70026746	1	Shackle, Chain	

Go to Discount-Equipment.com to order your parts

SECTION 3 - ATTACHMENTS

FIGURE 3-16. BALE HANDLER (ROUND)



ART_1001192649-C

SECTION 3 - ATTACHMENTS

FIGURE 3-16. BALE HANDLER (ROUND)

ITEM	PART NUMBER	QTY	DESCRIPTION	REV
	1001192649	Ref	Bale Handler (round)	C
1	70027773	4	Bolt	
2	70028485	1	Screw	
3	70021349	4	Bolt, 3/8X1	
4	90554066	4	Nut	
5	90554067	4	Washer, Lock	
6	90554042	4	Washer, Lock	
7	70021350	4	Washer	
8	70028635	3	Bolt	
9	70028636	1	Plug w/O-Ring	
10	70028637	2	Fitting, 90	
11	90554065	1	Fitting, 90	
12	7029712	4	Decal, Grease	
13	70028638	1	Decal, Stand Clear Warning	
14	90554045	4	Fitting, Grease	
15	70028615	3	Nut	
16	70028554	2	Screw	
17	1001101041	1	Adapter, Male Quick Disconnect	
18	70028616	1	Fitting, Straight	
19	70028617	4	Plug	
20	70028618	1	Fitting, 90	
21	70028619	1	Fitting, Tee	
22	70028620	1	Fitting, 90	
23	1001101042	1	Adapter, Female Quick Disconnect	
24	70028489	2	Pin	
25	70028490	2	Pin	
26	70028621	1	Hose	
27	70028622	1	Hose	
28	70028623	1	Hose	
29	70028624	1	Hose	
30	7029709	1	Hose	
31	7029711	1	Decal, High Pressure Warning	
32	70028625	2	Decal, Pinch Point	
33	70028626	1	Decal, Transport Warning	
34	70028627	1	Decal, Safety Warning	
35	70028628	6	Decal, Red Reflexite	
36	70028629	6	Decal, Amber Reflexite	
37	70028630	1	Decal, Module Staging	
38	N.S.S.	1	Plate, Serial Number	
39	8420053	1	Cap, Dust	
40	8420055	1	Cap, Dust	
41	70028495	1	Clamp	
42	70028496	1	Plate, Clamp	
43	N.S.S.	1	Arm, RH	
44	N.S.S.	1	Arm, LH	
45	70028631	4	Wrap	
46	70028632	1	Valve, Flow Divider	
47	70028633	8	Clamp	
48	N.S.S.	1	Weldment	
49	1001227670	1	Tag, RFID	

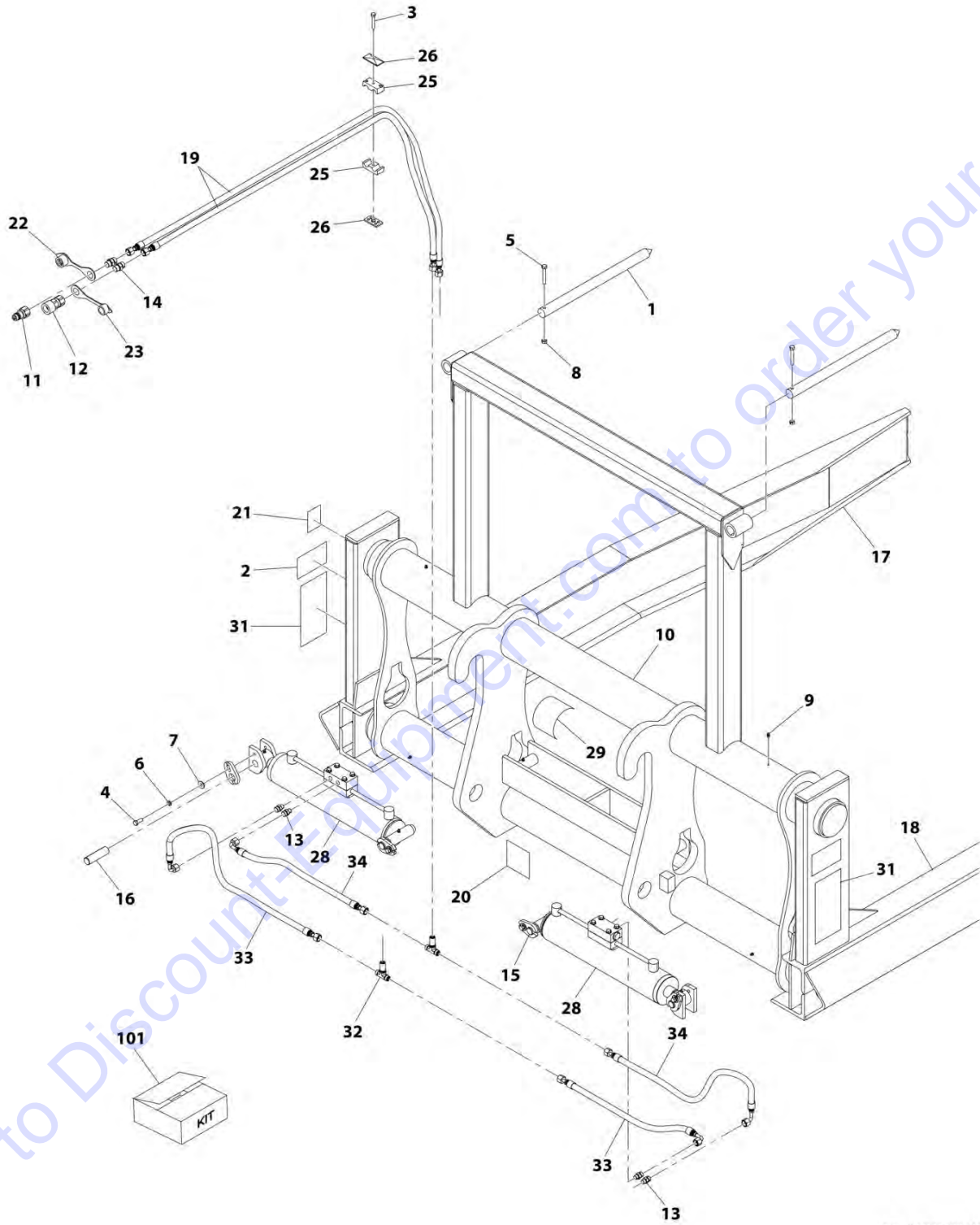
SECTION 3 - ATTACHMENTS

ITEM	PART NUMBER	QTY	DESCRIPTION	REV
50	70028634	2	Assembly, Cylinder	
101	Kit	1	Kit, Seal	

Go to Discount-Equipment.com to order your parts

SECTION 3 - ATTACHMENTS

FIGURE 3-17. BALE HANDLER (SQUARE)



ART_1001192650-D

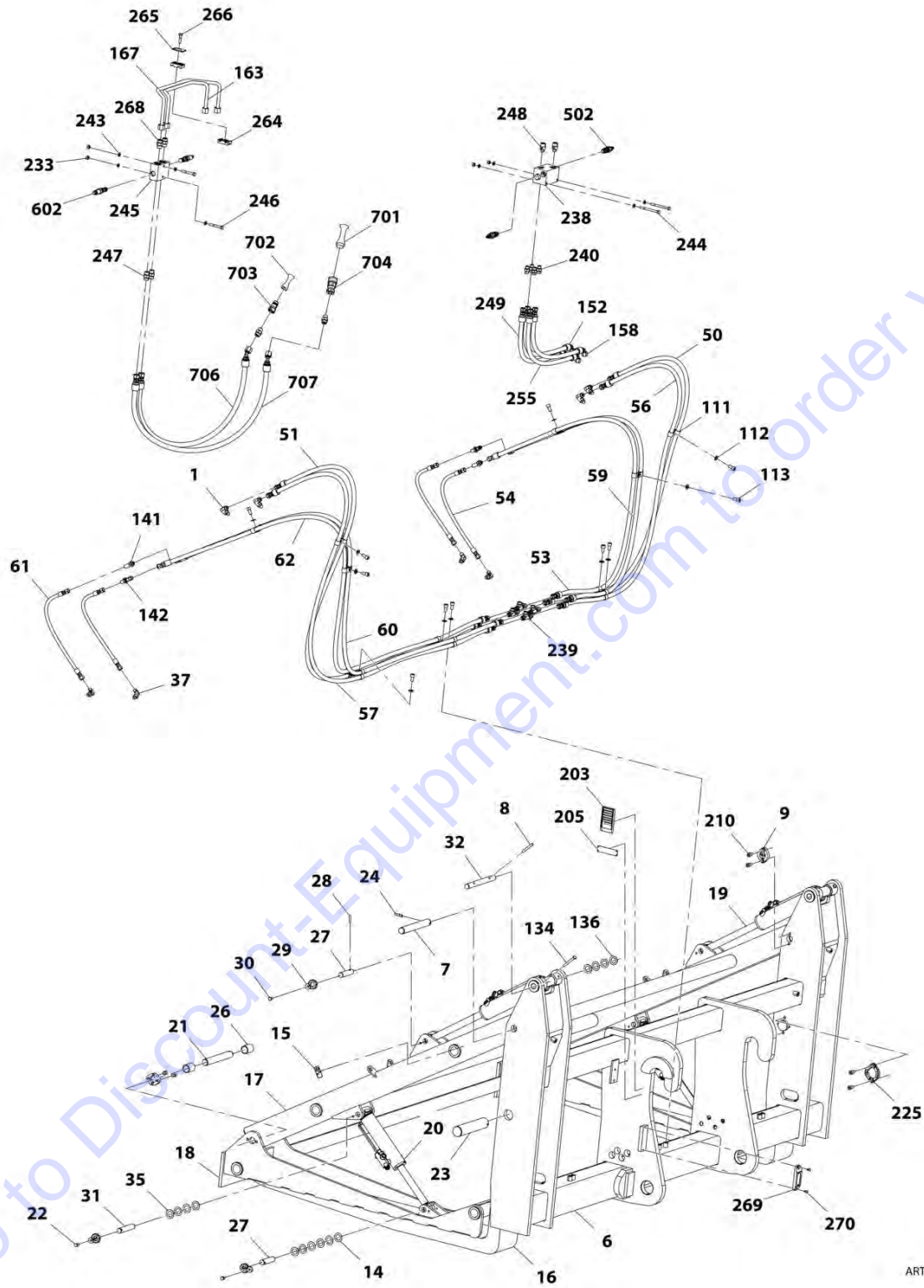
SECTION 3 - ATTACHMENTS

FIGURE 3-17. BALE HANDLER (SQUARE)

ITEM	PART NUMBER	QTY	DESCRIPTION	REV
	1001192650	Ref	Bale Handler (square)	D
1	70028499	2	Spear	
2	70028500	2	Decal, Pinch Point	
3	70028485	2	Screw	
4	70021349	4	Bolt, 3/8X1	
5	70021422	2	Screw	
6	90554042	4	Washer, Lock 3/8	
7	70021350	4	Washer, Flat	
8	70021367	2	Nut, Lock 3/8	
9	90554045	4	Fitting, Grease	
10	N.S.S.	1	Weldment, Main Frame	
11	1001101041	1	Coupler, Male Hydraulic	
12	1001101042	1	Coupler, Female Hydraulic	
13	70028486	4	Fitting	
14	70028488	2	Fitting	
15	70028489	2	Pin	
16	70028490	2	Pin	
17	N.S.S.	1	Weldment, Left Bale Arm	
18	N.S.S.	1	Weldment, Right Bale Arm	
19	70028491	2	Hose	
20	7029711	1	Decal, High Pressure Warning	
21	N.S.S.	1	Plate, Serial Number	
22	8420053	1	Cap, Dust	
23	8420055	1	Cap, Dust	
25	70028495	2	Clamp	
26	70028496	2	Plate, Clamp	
28	70028497	2	Assembly, Cylinder	
29	70028498	1	Decal, Read Manual	
31	70028501	2	Decal, Falling Load	
32	70028487	2	Fitting, Tee	
33	70028492	1	Hose	
34	70028493	1	Hose	
101	70028494	1	Kit, Seal	

SECTION 3 - ATTACHMENTS

FIGURE 3-18. PIPE HANDLER CARRIAGE



ART_1001192722-D

SECTION 3 - ATTACHMENTS

FIGURE 3-18. PIPE HANDLER CARRIAGE

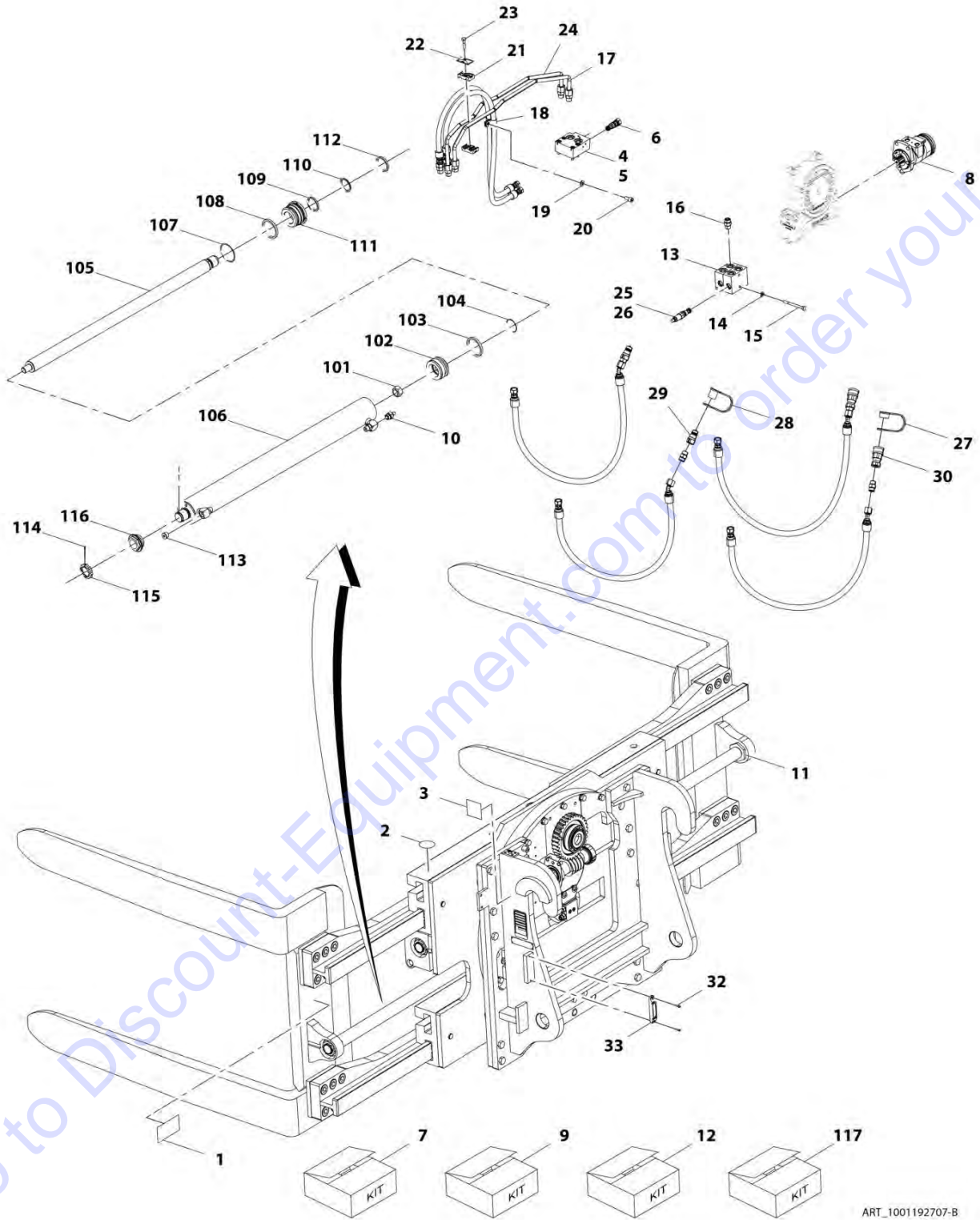
ITEM	PART NUMBER	QTY	DESCRIPTION	REV
	1001192722	Ref	Pipe Handler Carriage	D
1	70024123	4	Adapter, 90 (includes o-ring)	
6	N.S.S.	1	Carriage	
7	70028648	2	Pin	
8	70026471	4	Pin	
9	70026472	4	Retainer	
14	70026476	12	Shim	
15	70024538	2	Decal, Pinch Point	
16	70028649	2	Fork	
17	70028650	1	Arm	
18	70028651	1	Pad, Contact	
19	70028652	1	Assembly, Upper Cylinder (See Separate Breakdown in Hydraulic Components Section)	
20	70028653	1	Assembly, Lower Cylinder (See Separate Breakdown in Hydraulic Components Section)	
21	70028654	2	Pin	
22	70026473	4	Capscrew, M10X12	
23	70028655	2	Pin	
24	70028405	2	Pin	
26	70026501	8	Bushing	
27	70028656	4	Pin	
28	70028253	6	Pin	
29	70028262	6	Retainer	
30	70028657	6	Bolt, M8X16	
31	70028658	2	Pin	
32	70028659	2	Pin	
35	70028660	8	Shim	
37	70028661	4	Fittin, 90	
50	70028662	1	Hose	
51	70028663	1	Hose	
53	70028664	1	Hose	
54	70028665	2	Hose	
56	70028666	1	Hose	
57	70028667	1	Hose	
59	70028668	1	Hose	
60	70028669	1	Hose	
61	70028670	2	Hose	
62	70028671	1	Hose	
111	70026481	24	Clamp, Hose	
112	70026482	12	Washer	
113	70028672	12	Bolt, M10X20	
134	70028406	2	Capscrew	
136	70028767	4	Shim	
141	70028768	2	Fitting, Straight	
142	70028673	2	Fitting, 45	
152	70028674	1	Hose	
158	70028675	1	Hose	
163	70028676	1	Pipe	
167	70028677	1	Pipe	
203	N.S.S.	1	Plate, Serial Number	

SECTION 3 - ATTACHMENTS

ITEM	PART NUMBER	QTY	DESCRIPTION	REV
205	N.S.S.	1	Plate, Name	
210	70028678	8	Bolt	
225	70028679	2	Retainer	
233	70028680	6	Nut, M8	
238	N.S.S.	1	Valve	
239	70028267	4	Fitting, Straight	
240	70024130	4	Fitting, Straight	
243	70024721	8	Washer, M8	
244	70028681	2	Bolt, M8X90	
245	N.S.S.	1	Valve, Relief	
246	70028682	2	Bolt, M8X60	
247	70028683	2	Fitting, Straight	
248	70028684	2	Fitting, Straight	
249	70028685	1	Hose	
255	70028686	1	Hose	
264	70028687	1	Clamp	
265	70028688	1	Cover	
266	70028689	1	Bolt, M8X35	
268	70022938	4	Fitting, Straight	
269	1001227670	1	Tag, RFID	
270	70028690	2	Bolt, M4X16	
501	N.S.S.	1	Valve, Relief	
502	70024772	2	Valve, Cartridge	
601	N.S.S.	1	Valve, Sequence	
602	70028695	2	Valve, Cartridge	
701	8420055	1	Plug, Dust	
702	8420053	1	Plug, Cap	
703	1001101041	1	Adapter, Male Quick Disconnect	
704	1001101042	1	Adapter, Female Quick Disconnect	
706	70028696	1	Hose	
707	70028697	1	Hose	

SECTION 3 - ATTACHMENTS

FIGURE 3-19. TIRE HANDLER CARRIAGE



ART_1001192707-B

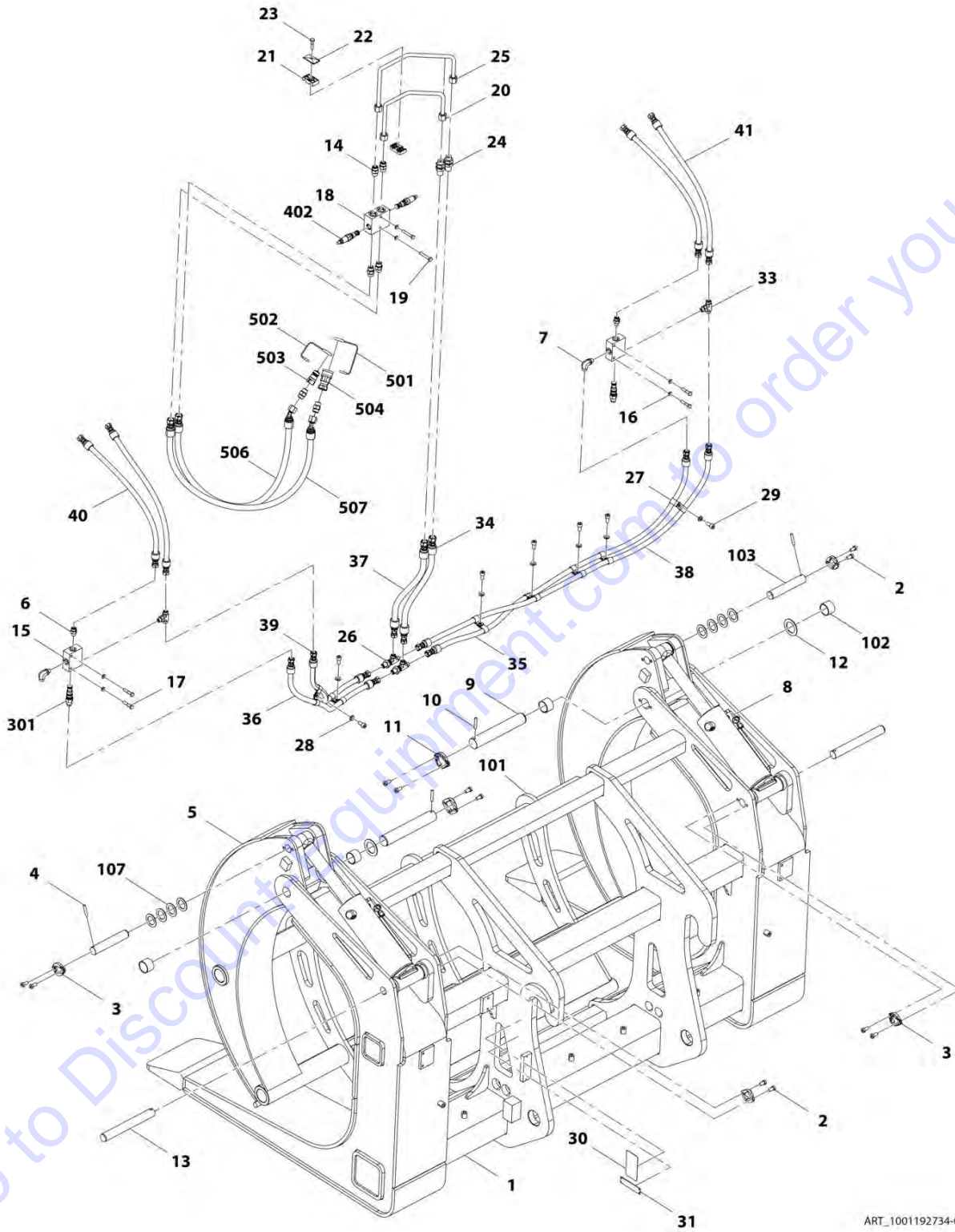
SECTION 3 - ATTACHMENTS

FIGURE 3-19. TIRE HANDLER CARRIAGE

ITEM	PART NUMBER	QTY	DESCRIPTION	REV
	1001192707	Ref	Tire Handler Carriage	B
1	70024538	2	Decal, Warning	
2	70024787	1	Decal, No Step	
3	70028785	1	Decal, Quick Change Hook	
4	70024731	1	Assembly, Check Valve	
5	70024732	1	Manifold	
6	70024733	2	Valve, Check	
7	70024734	2	Kit, Check Valve	
8	70028786	1	Motor, Drive	
9	70028114	1	Kit, Service	
10	70028787	2	Cartridge, Restrictor	
11	70028788	2	Assembly, Cylinder	
12	70028793	1	Kit, Service (includes Items 114 thru 116)	
13	70028794	1	Valve, Pressure Control	
14	70024721	2	Washer, M8	
15	70028681	2	Bolt, M8X90	
16	70022938	8	Fitting, Straight	
17	70028795	1	Pipe	
18	70026481	2	Clamp, Hose	
19	70026482	1	Washer	
20	70028672	1	Bolt, M10X20	
21	70028687	1	Clamp	
22	70028688	1	Cover	
23	70028689	1	Bolt, M8X35	
24	70028796	1	Pipe	
25	70024772	4	Valve, Relief	
26	70028115	4	Kit, Seal	
27	8420055	2	Plug, Dust	
28	8420053	2	Cap, Dust	
29	1001101041	2	Adapter, Male Quick Disconnect	
30	1001101042	2	Adapter, Female Quick Disconnect	
32	70028690	2	Bolt, M4X16	
33	1001227670	1	Tag, RFID	
101	70026503	1	Nut	
102	70028789	1	Piston	
103	Kit	1	Seal	
104	Kit	1	O-Ring	
105	70028790	1	Rod	
106	Kit	1	Shell	
107	Kit	1	O-Ring	
108	Kit	1	Backup Ring	
109	Kit	1	Seal	
110	Kit	1	Ring	
111	70028791	1	Retainer	
112	Kit	1	Wiper	
113	70028119	1	Plug	
114	Kit	1	Pin	
115	Kit	1	Retainer	
116	Kit	1	Nut	
117	70028792	1	Kit, Seal (includes items 101 thru 113)	

SECTION 3 - ATTACHMENTS

FIGURE 3-20. LOG HANDLER CARRIAGE



ART_1001192734-C

SECTION 3 - ATTACHMENTS

FIGURE 3-20. LOG HANDLER CARRIAGE

ITEM	PART NUMBER	QTY	DESCRIPTION	REV
	1001192734	Ref	Log Handler Carriage	C
1	N.S.S.	1	Frame	
2	70028701	8	Capscrew, M10X20	
3	70028702	2	Retainer	
4	70028703	4	Pin	
5	N.S.S.	1	Grapple	
6	70024130	2	Fitting, Straight	
7	70024123	2	Fitting, 90	
8	70028704	2	Assembly, Log Handler Carriage Cylinder (See Separate Breakdown in Hydraulic Components Section)	
9	70028705	2	Pin	
10	70028706	2	Pin	
11	70028707	2	Retainer	
12	70028708	2	Shim	
13	70028709	2	Pin	
14	70022938	4	Fitting, Straight	
15	N.S.S.	2	Valve	
16	70024721	6	Washer, M8	
17	70028710	4	Capscrew	
18	N.S.S.	1	Valve, Relief	
19	70028711	2	Capscrew	
20	70028712	1	Pipe	
21	70028687	1	Clamp	
22	70028688	1	Plate, Cover	
23	70028689	1	Bolt, M8X35	
24	70028713	2	Fitting, Straight	
25	70028714	1	Pipe	
26	70028267	2	Fitting, Tee	
27	70026481	14	Clamp, Hose	
28	70026482	7	Washer, M10	
29	70028672	7	Bolt, M10X20	
30	N.S.S.	1	Plate, Serial Number	
31	N.S.S.	1	Plate, Name	
33	70028715	2	Fitting, Tee	
34	70028716	1	Hose	
35	70028717	1	Hose	
36	70028718	1	Hose	
37	70028719	1	Hose	
38	70028720	1	Hose	
39	70028721	1	Hose	
40	70028722	2	Hose	
41	70028723	2	Hose	
101	70028724	1	Arm	
102	70028725	4	Bearing	
103	70028726	2	Pin	
107	70028727	8	Shim	
301	70026504	2	Valve, Counterbalance	
402	70024772	2	Valve, Relief	
501	8420055	1	Plug, Dust	
502	8420053	1	Plug, Cap	

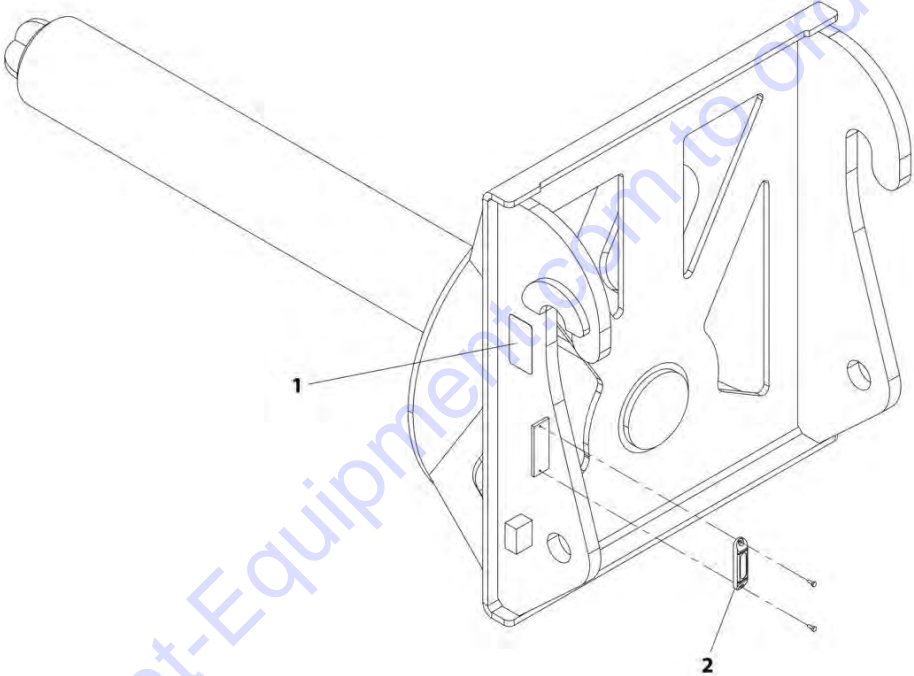
SECTION 3 - ATTACHMENTS

ITEM	PART NUMBER	QTY	DESCRIPTION	REV
503	1001101041	1	Adapter, Male Quick Disconnect	
504	1001101042	1	Adapter, Female Quick Disconnect	
506	70028734	1	Hose	
507	70028697	1	Hose	

Go to Discount-Equipment.com to order your parts

SECTION 3 - ATTACHMENTS

FIGURE 3-21. STEEL COIL HANDLER CARRIAGE



ART_1001192735-E

SECTION 3 - ATTACHMENTS

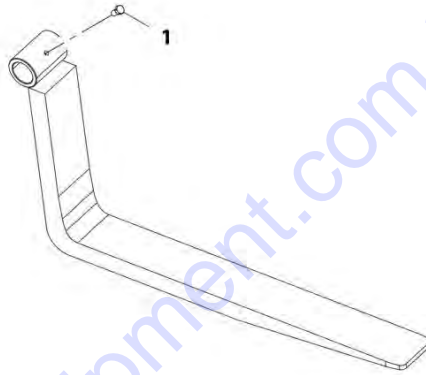
FIGURE 3-21. STEEL COIL HANDLER CARRIAGE

ITEM	PART NUMBER	QTY	DESCRIPTION	REV
	1001192735	1	Steel Coil Handler Carriage	E
1	N.S.S.	1	Plate, Serial Number	
2	1001227670	1	Tag, RFID	

Go to Discount-Equipment.com to order your parts

SECTION 3 - ATTACHMENTS

FIGURE 3-22. PALLET FORK (2.25X6X48)



ART_1001196952-B

SECTION 3 - ATTACHMENTS

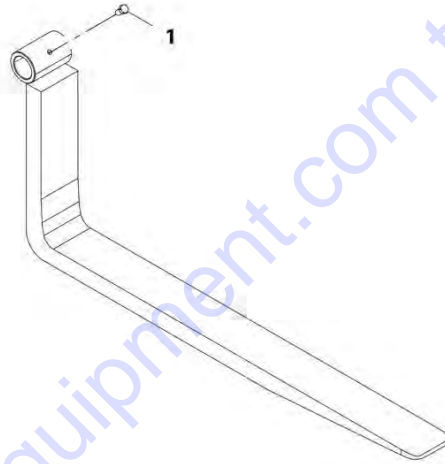
FIGURE 3-22. PALLET FORK (2.25X6X48)

ITEM	PART NUMBER	QTY	DESCRIPTION	REV
1	1001196952	1	Pallet Fork (2.25X6X48)	B
	70027180	1	Screw, M16X30	
	Note	Ref	FORKS RATED LESS THAN THE ATTACHMENT OR MACHINE'S CAPACITY DECREASES CAPACITY OF THE ATTACHMENT OR MACHINE TO THAT OF THE FORKS. FORKS RATED MORE THAN THE ATTACHMENT OR MACHINE'S CAPACITY DO NOT INCREASE ATTACHMENT OR MACHINE'S CAPACITY.	
	Note	Ref	PLEASE CONSULT DISCOUNT-EQUIPMENT TO DETERMINE THE CORRECT FORKS APPLICABLE TO YOUR SPECIFIC CARRIAGE ASSEMBLY AND APPLICATION.	

Go to Discount-Equipment.com to order your parts

SECTION 3 - ATTACHMENTS

FIGURE 3-23. PALLET FORK (2.25X6X60)



ART_1001196951-B

SECTION 3 - ATTACHMENTS

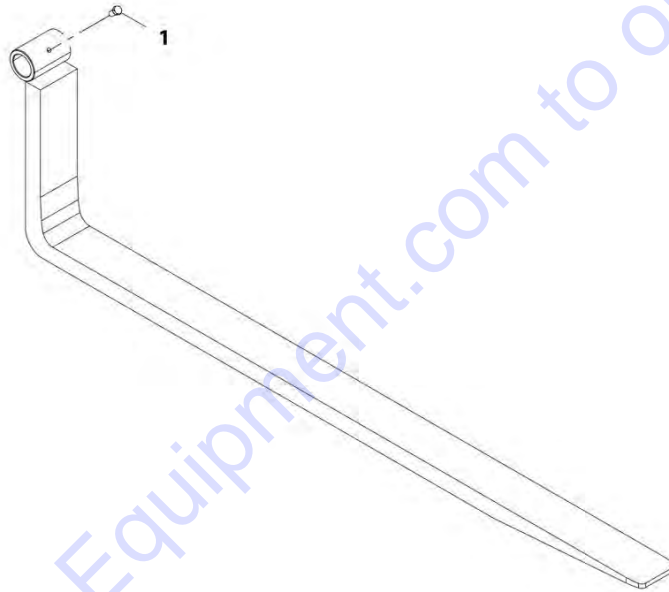
FIGURE 3-23. PALLET FORK (2.25X6X60)

ITEM	PART NUMBER	QTY	DESCRIPTION	REV
1	1001196951	1	Pallet Fork (2.25X6X60)	B
	70027180	1	Screw, M16X30	
	Note	Ref	<p>FORKS RATED LESS THAN THE ATTACHMENT OR MACHINE'S CAPACITY DECREASES CAPACITY OF THE ATTACHMENT OR MACHINE TO THAT OF THE FORKS. FORKS RATED MORE THAN THE ATTACHMENT OR MACHINE'S CAPACITY DO NOT INCREASE ATTACHMENT OR MACHINE'S CAPACITY.</p>	
	Note	Ref	<p>PLEASE CONSULT DISCOUNT-EQUIPMENT TO DETERMINE THE CORRECT FORKS APPLICABLE TO YOUR SPECIFIC CARRIAGE ASSEMBLY AND APPLICATION.</p>	

Go to Discount-Equipment.com to order your parts

SECTION 3 - ATTACHMENTS

FIGURE 3-24. PALLET FORK (2.25X6X72)



ART_1001196950-B

SECTION 3 - ATTACHMENTS

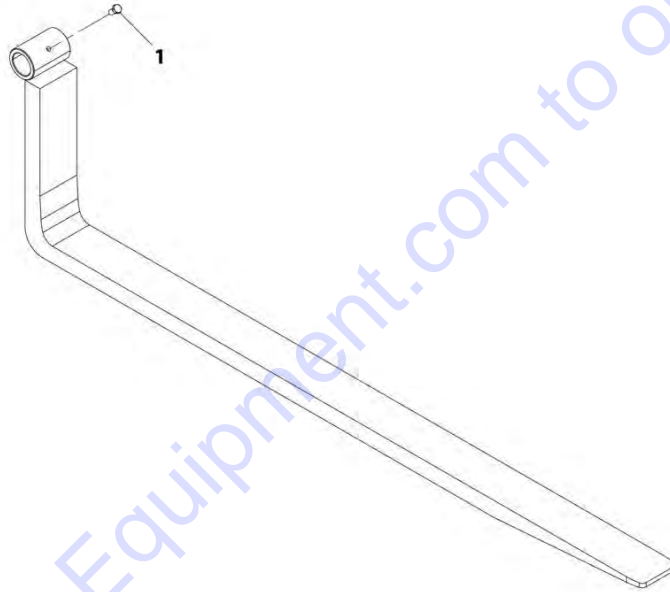
FIGURE 3-24. PALLET FORK (2.25X6X72)

ITEM	PART NUMBER	QTY	DESCRIPTION	REV
1	1001196950	1	Pallet Fork (2.25X6X72)	B
	70027180	1 2	Screw, M16X30	
	Note	Ref	<p>FORKS RATED LESS THAN THE ATTACHMENT OR MACHINE'S CAPACITY DECREASES CAPACITY OF THE ATTACHMENT OR MACHINE TO THAT OF THE FORKS. FORKS RATED MORE THAN THE ATTACHMENT OR MACHINE'S CAPACITY DO NOT INCREASE ATTACHMENT OR MACHINE'S CAPACITY.</p>	
	Note	Ref	<p>PLEASE CONSULT DISCOUNT-EQUIPMENT TO DETERMINE THE CORRECT FORKS APPLICABLE TO YOUR SPECIFIC CARRIAGE ASSEMBLY AND APPLICATION.</p>	

Go to Discount-Equipment.com to order your parts

SECTION 3 - ATTACHMENTS

FIGURE 3-25. PALLET FORK (2.25X6X96)



ART_1001196949-B

SECTION 3 - ATTACHMENTS

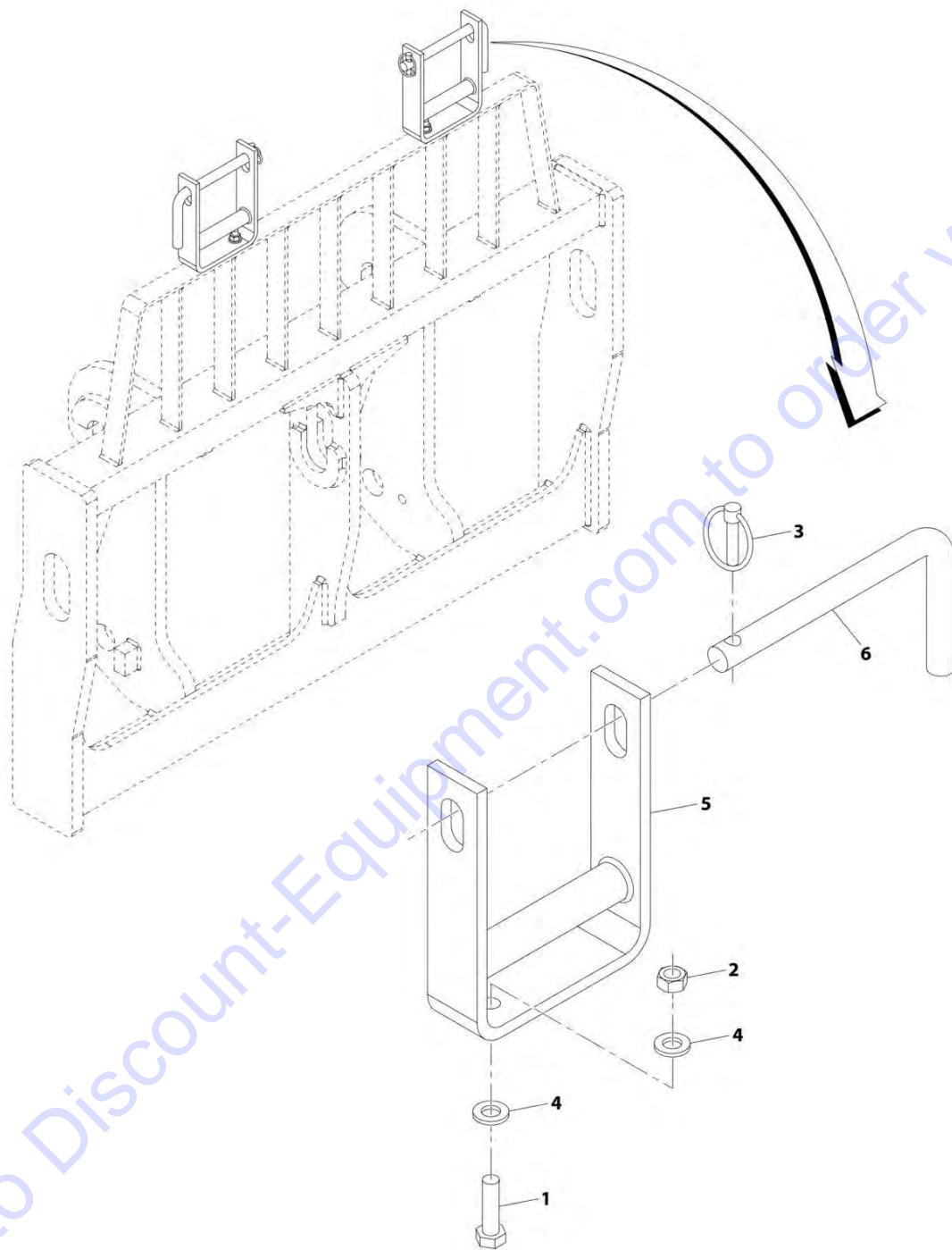
FIGURE 3-25. PALLET FORK (2.25X6X96)

ITEM	PART NUMBER	QTY	DESCRIPTION	REV
1	1001196949	1	Pallet Fork (2.25X6X96)	B
	70027180	1 2	Screw, M16X30	
	Note	Ref	FORKS RATED LESS THAN THE ATTACHMENT OR MACHINE'S CAPACITY DECREASES CAPACITY OF THE ATTACHMENT OR MACHINE TO THAT OF THE FORKS. FORKS RATED MORE THAN THE ATTACHMENT OR MACHINE'S CAPACITY DO NOT INCREASE ATTACHMENT OR MACHINE'S CAPACITY.	
	Note	Ref	PLEASE CONSULT DISCOUNT-EQUIPMENT TO DETERMINE THE CORRECT FORKS APPLICABLE TO YOUR SPECIFIC CARRIAGE ASSEMBLY AND APPLICATION.	

Go to Discount-Equipment.com to order your parts

SECTION 3 - ATTACHMENTS

FIGURE 3-26. FORK RETENTION INSTALLATION



ART_1001196778-C

SECTION 3 - ATTACHMENTS

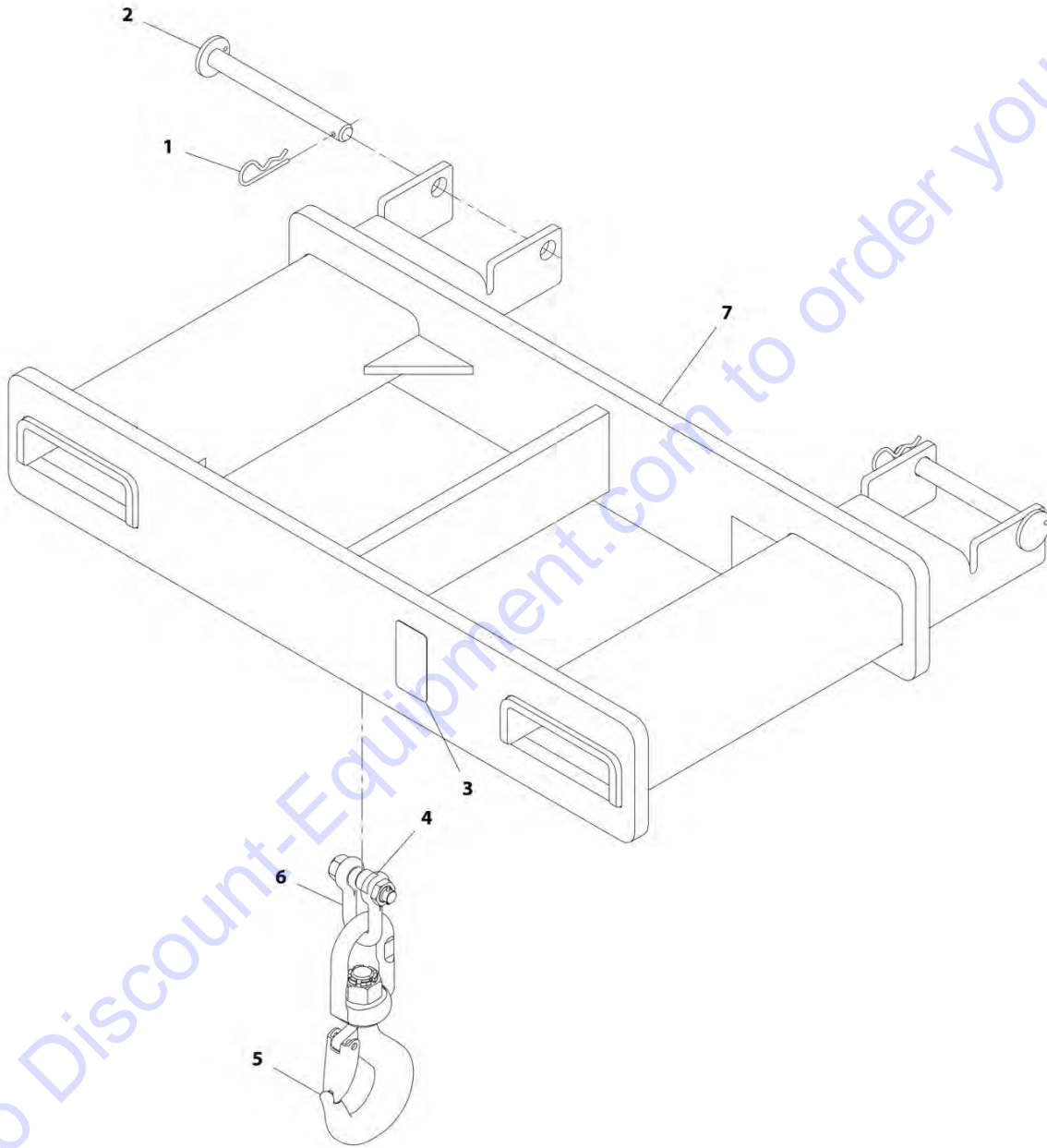
FIGURE 3-26. FORK RETENTION INSTALLATION

ITEM	PART NUMBER	QTY	DESCRIPTION	REV
	1001196778	Ref	Fork Retention Installation	C
1	0761217	1	Bolt, M12X45	
2	3291201	1	Nut, M12X1.75	
3	1001109387	1	Pin, Linch	
4	5241200	2	Washer, M12	
5	1001196779	1	Bracket, Fork Retention	
6	1001196782	1	Pin, Fork Retention	

Go to Discount-Equipment.com to order your parts

SECTION 3 - ATTACHMENTS

FIGURE 3-27. HOOK ATTACH, FORK MOUNTED



ART_1001193803-A

SECTION 3 - ATTACHMENTS

FIGURE 3-27. HOOK ATTACH, FORK MOUNTED

ITEM	PART NUMBER	QTY	DESCRIPTION	REV
	1001193803	Ref	Hook, Fork Mounted	A
1	7029520	2	Pin, Cotter	
2	1001093171	2	Pin	
3	N.S.S.	1	S/N Plate	
4	70020555	1	Bushing	
5	70026745	1	Hook	
6	70026746	1	Shackle, Chain	
7	N.S.S.	1	Weldment, Crane Hook	

Go to Discount-Equipment.com to order your parts

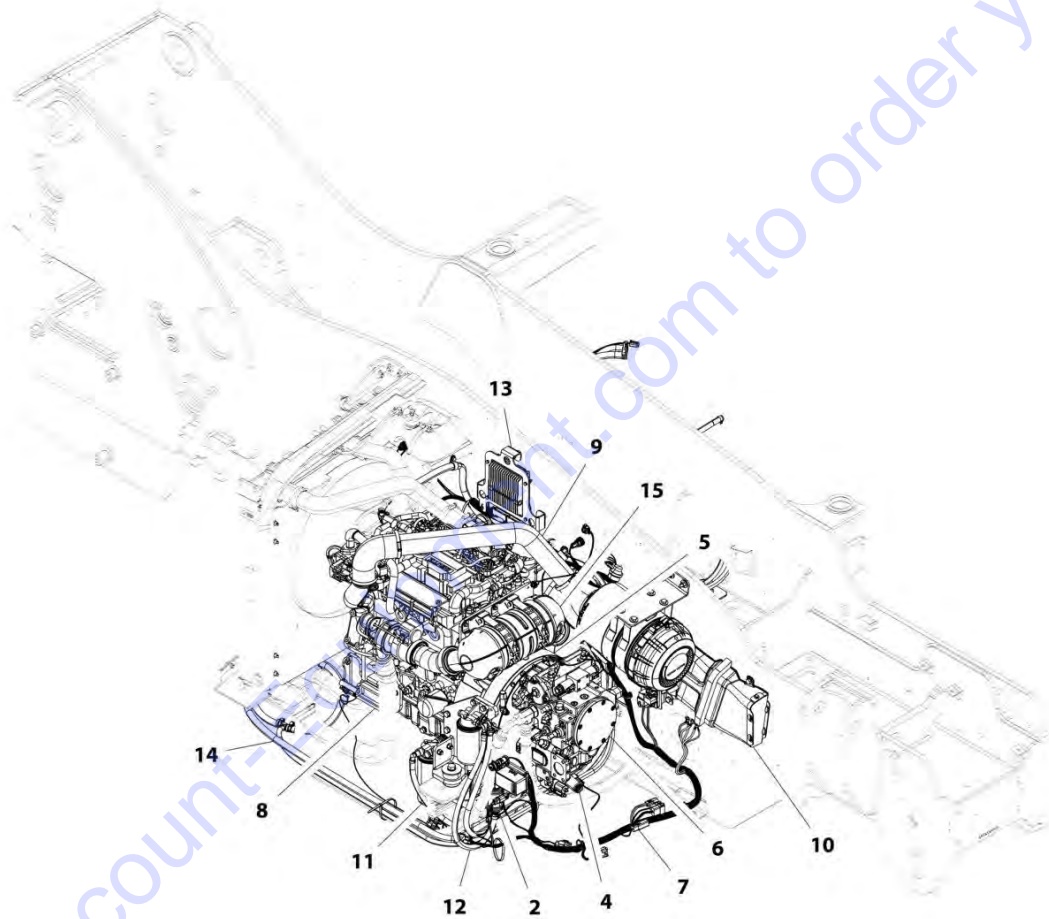
SECTION 4 - ENGINE AND ATTACHING PARTS

SECTION 4 - ENGINE AND ATTACHING PARTS

Go to Discount-Equipment.com to order your parts

SECTION 4 - ENGINE AND ATTACHING PARTS

FIGURE 4-1. ENGINE POD COMPONENT INSTALLATION (ULS)



ART_1001200443-D

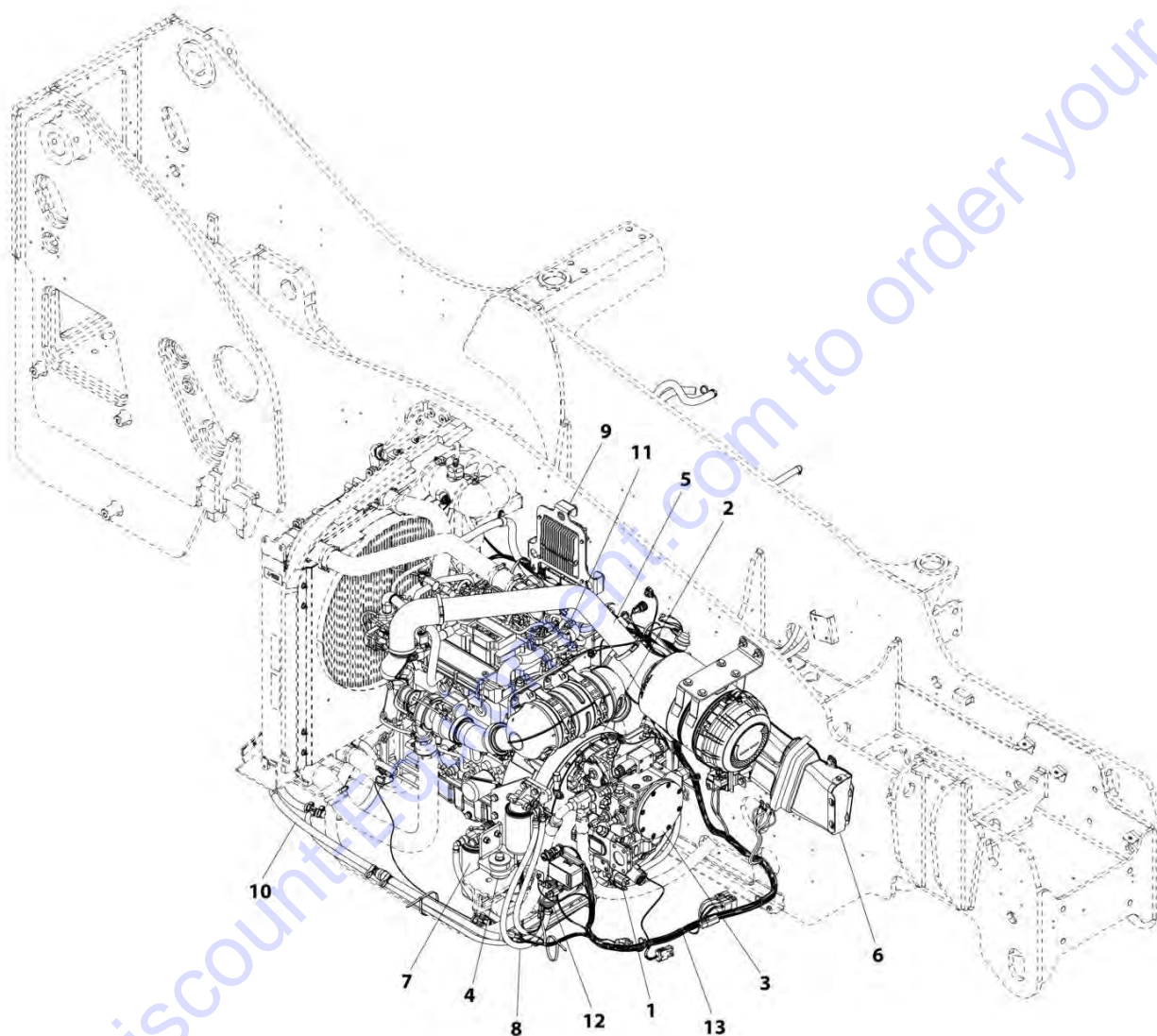
SECTION 4 - ENGINE AND ATTACHING PARTS

FIGURE 4-1. ENGINE POD COMPONENT INSTALLATION (ULS)

ITEM	PART NUMBER	QTY	DESCRIPTION	REV
	1001200443	Ref	Engine Pod Component Installation (ULS)	D
2	1001221041	1	Installation, Remote Fuel Pump (See Seperate Breakdown in this Section)	
4	1001193393	1	Installation, Implement Pump (See Seperate Breakdown in this Section)	
5	1001193703	1	Installation, Hydrostatic Adaptor (See Seperate Breakdown in this Section)	
6	1001193704	1	Installation, Hydrostatic Drive Pump (See Seperate Breakdown in this Section)	
7	1001200106	1	Installation, Engine Wiring (See Seperate Breakdown in Electrical Section)	
8	1001200862	1	Installation, Engine Mount (See Seperate Breakdown in this Section)	
9	1001200863	1	Installation, Air Intake (See Seperate Breakdown in this Section)	
10	1001200864	1	Installation, Air Cleaner (See Seperate Breakdown in this Section)	
11	1001200865	1	Installation, Primary Fuel Filter (See Seperate Breakdown in this Section)	
12	1001200866	1	Installation, Fuel Lines (See Seperate Breakdown in this Section)	
13	1001200869	1	Installation, Engine ECU (See Seperate Breakdown in Electrical Section)	
14	1001201298	1	Installation, DEF Coolant Lines (See Seperate Breakdown in this Section)	
15	1001201425	1	Installation, Engine (See Seperate Breakdown in this Section)	

SECTION 4 - ENGINE AND ATTACHING PARTS

FIGURE 4-2. ENGINE POD COMPONENT INSTALLATION (MINING) (ULS)



ART_1001228727-A

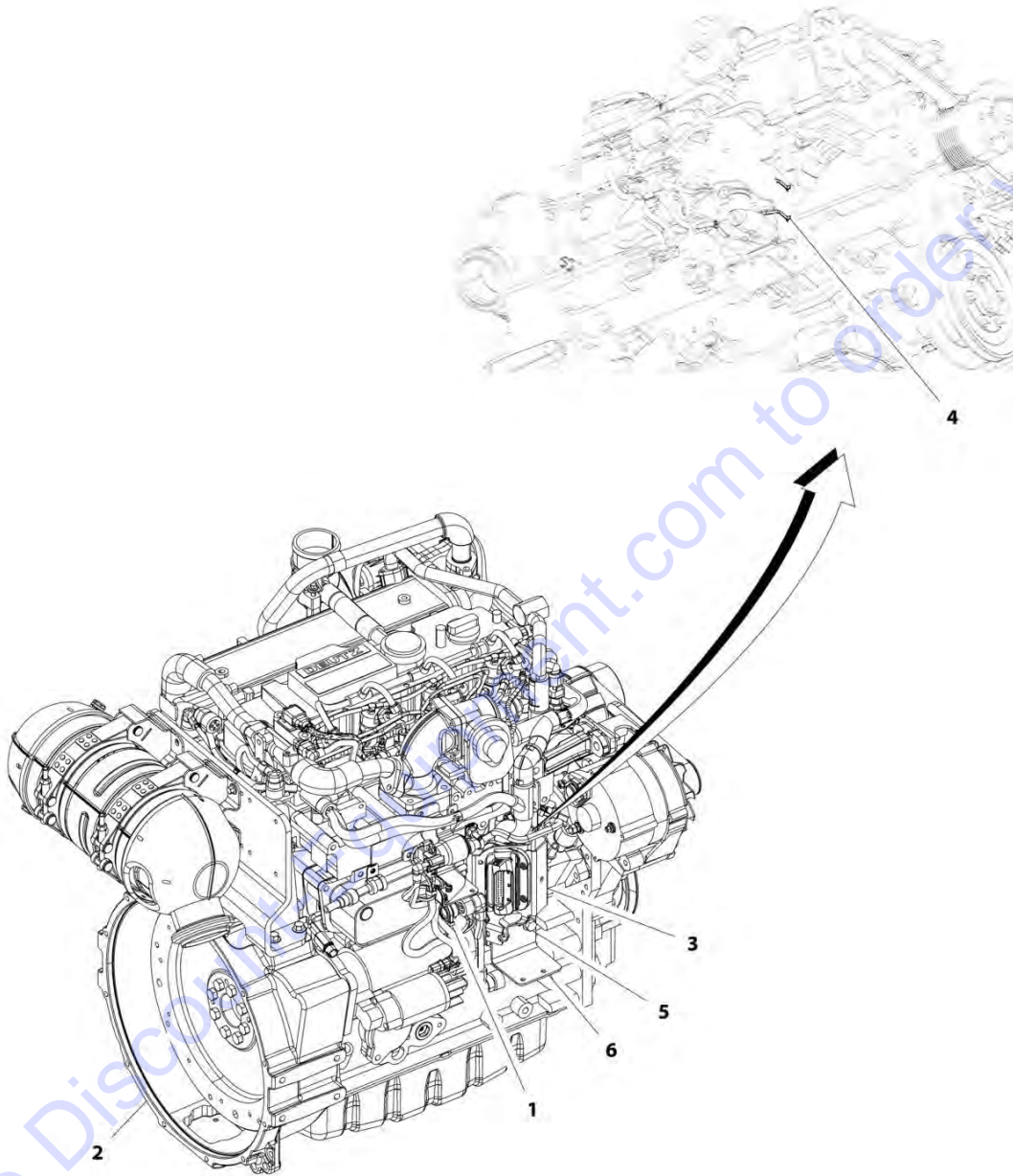
SECTION 4 - ENGINE AND ATTACHING PARTS

FIGURE 4-2. ENGINE POD COMPONENT INSTALLATION (MINING) (ULS)

ITEM	PART NUMBER	QTY	DESCRIPTION	REV
	1001228727	Ref	Engine Pod Component Installation (Mining) (ULS)	A
1	1001193393	1	Installation, Implement Pump (See Seperate Breakdown in this Section)	
2	1001193703	1	Installation, Hydrostatic Adaptor (See Seperate Breakdown in this Section)	
3	1001193704	1	Installation, Hydrostatic Drive Pump (See Seperate Breakdown in this Section)	
4	1001200862	1	Installation, Engine Mount (See Seperate Breakdown in this Section)	
5	1001200863	1	Installation, Air Intake (See Seperate Breakdown in this Section)	
6	1001200864	1	Installation, Air Cleaner (See Seperate Breakdown in this Section)	
7	1001200865	1	Installation, Primary Fuel Filter (See Seperate Breakdown in this Section)	
8	1001200866	1	Installation, Fuel Lines (See Seperate Breakdown in this Section)	
9	1001200869	1	Installation, Engine ECU (See Seperate Breakdown in Electrical Section)	
10	1001201298	1	Installation, DEF Coolant Lines (See Seperate Breakdown in this Section)	
11	1001201425	1	Installation, Engine (See Seperate Breakdown in this Section)	
12	1001221041	1	Installation, Remote Fuel Pump (See Seperate Breakdown in this Section)	
13	1001228728	1	Installation, Engine Wiring (See Seperate Breakdown in Electrical Section)	

SECTION 4 - ENGINE AND ATTACHING PARTS

FIGURE 4-3. ENGINE INSTALLATION (ULS)



ART_1001201425-D

SECTION 4 - ENGINE AND ATTACHING PARTS

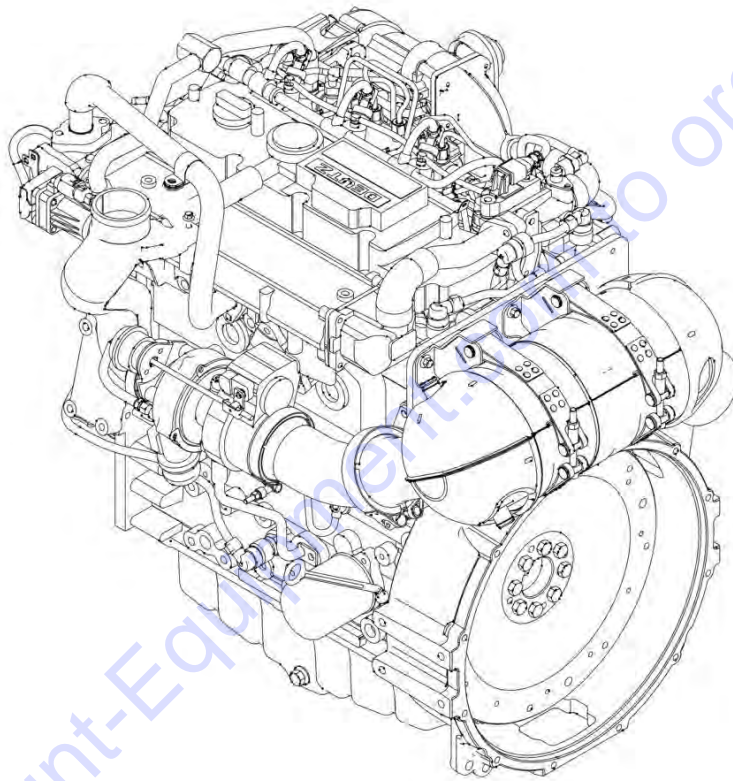
FIGURE 4-3. ENGINE INSTALLATION (ULS)

ITEM	PART NUMBER	QTY	DESCRIPTION	REV
	1001201425	Ref	Engine Installation (ULS)	D
1	1001004720	4	Strap, Cable	
2	1001197414	1	Engine (See Seperate breakdown in this Section)	
3	1001202901	1	Bracket, ECU Connector	
4	1001008559	2	Strap, Cable	
5	5251012	2	Bolt, M10X25	
6	1001222460	1	Bracket, Fuel Supply	

Go to Discount-Equipment.com to order your parts

SECTION 4 - ENGINE AND ATTACHING PARTS

FIGURE 4-4. ENGINE (100KW - ULS)



ART_1001197414-1

SECTION 4 - ENGINE AND ATTACHING PARTS

FIGURE 4-4. ENGINE (100KW - ULS)

ITEM	PART NUMBER	QTY	DESCRIPTION	REV
	1001197414	Ref	Engine (100kW - ULS)	I
	70027657	1	Dipstick	
	7020442	1	O-Ring	
	70025755	1	Tube, Dipstick	
	70025765	1	Pan, Oil	
	70025786	1	Plug	
	70025757	1	Flywheel	
	7020208	1	Gear, Ring	
	70126616	1	Bearing	
	70027567	1	Belt	
	70025737	1	Sensor, Wheel	
	70025743	1	Pulley, V-Groove	
	70124445	1	Crankcase	
	70025763	1	Pump, Oil	
	70024494	1	Cooler, Oil	
	70024495	1	Gasket	
	7016331	1	Filter, Oil	
	70024504	1	Sensor, Pressure	
	70024489	1	Line, Lube	
	70005490	1	Line, Return	
	70005730	1	Pipe, Transfer	
	70025722	1	Line, Oil Suction	
	70024487	1	Pump, Fuel Injector	
	70027417	1	Filter, Fuel (Secondary)	
	70004512	1	Element, Fuel Filter (Secondary)	
	70024961	1	Filter, Fuel (Primary)	
	70025153	1	Element, Fuel Filter (Primary)	
	70006144	1	Pump, Fuel	
	70024507	1	Sensor, Pressure	
	70005492	1	Valve, Throttle	
	70025772	1	Manifold, Air Charge	
	70005495	1	Module, Engine Control	
	70026011	1	Pump, Water	
	70025775	1	Pulley, V-Ribbed Belt	
	70024918	1	Sensor, Temperature	
	70024493	1	Gasket	
	70005504	1	Sensor, Pressure	
	70005505	1	O-Ring	
	70027405	2	Sensor, Temperature	
	70005507	2	O-Ring	
	70005510	1	Manifold, Exhaust	
	70005511	1	Gasket	
	70027426	1	Module, EGR	
	70005513	1	Valve, Control	
	70025768	1	Valve, Shuttle	
	70028417	1	Turbocharger	
	70024484	1	Roller, Idler	
	70028418	1	Tensioner, Belt	
	70028419	1	Belt, V-Ribbed	
	70027404	1	Alternator	

SECTION 4 - ENGINE AND ATTACHING PARTS

ITEM	PART NUMBER	QTY	DESCRIPTION	REV
	70025535	1	Starter	
	70025780	1	Relay	
	70026210	1	Sensor, Speed	
	70005191	1	O-Ring	
	70025761	1	Connector	
	70024474	1	Plug, Glow	
	70025760	1	Rail, Connecting	
	70005544	1	Unit, Metering	
	70005548	1	Pump, DEF Supply	
	70005549	1	Filter, DEF	
	70005523	1	Sensor, Pressure	
	70024505	1	Sensor, Temperature	
	70005556	1	Sensor, Temperature	
	70005522	1	Sensor	
	70005524	1	Sensor	
	70005559	1	Sensor, Temperature	
	70005507	1	O-Ring	
	70005557	1	Pipe	
	70005558	1	Clip	
	70025877	3	Clamp	
	70025242	3	Gasket	
	70025707	1	Set, Gasket	

SECTION 4 - ENGINE AND ATTACHING PARTS

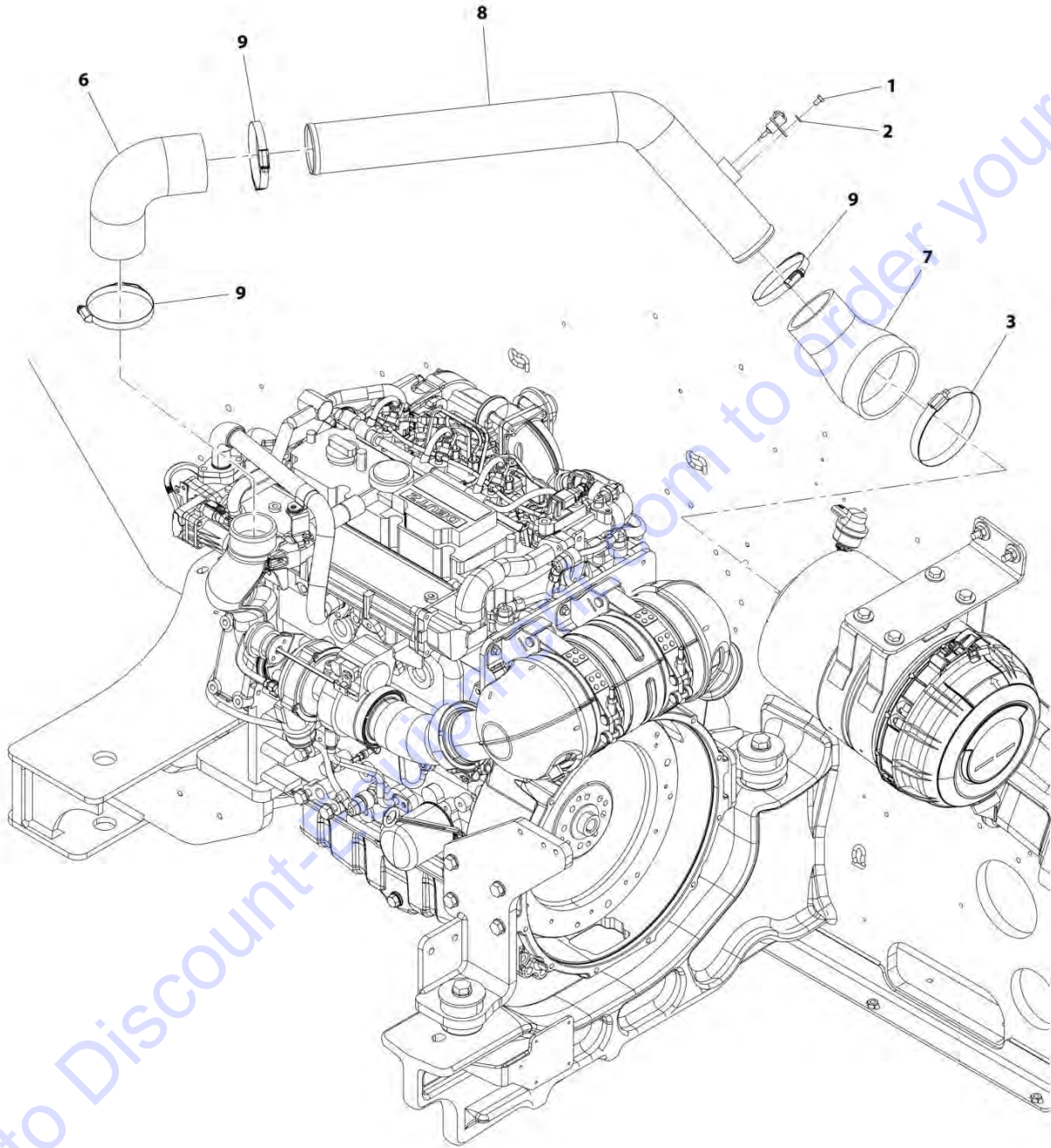
FIGURE 4-5. ENGINE MOUNT INSTALLATION

ITEM	PART NUMBER	QTY	DESCRIPTION	REV
	1001200862	Ref	Engine Mount Installation	D
1	0761214	4	Bolt, M12X30	
2	0761215	8	Bolt, M12X35	
3	0701618	2	Bolt M16 X 50	
4	0701626	1	Bolt, M16X90	
5	0701628	1	Bolt, M16X110	
6	0701630	1	Bolt, M16X130	
7	3291605	2	Nut, Lock M16X2	
8	4812100	11	Washer, M12	
9	4812300	7	Washer, M16	
10	7300435	3	Washer	
11	1001188757	1	Mount, Engine	
12	1001200871	1	Bracket, Engine Mount	
13	1001200872	1	Bracket, Engine Mount	
14	1001200873	1	Bracket, Engine Mount	
15	1001200874	1	Bracket, Fuel Pump	
16	1001197072	2	Mount, Engine	
17	8406105	1	Clip, Tube	

Go to Discount-Equipment.com to order your parts

SECTION 4 - ENGINE AND ATTACHING PARTS

FIGURE 4-6. AIR INTAKE INSTALLATION (ULS)



ART_1001200863-B

SECTION 4 - ENGINE AND ATTACHING PARTS

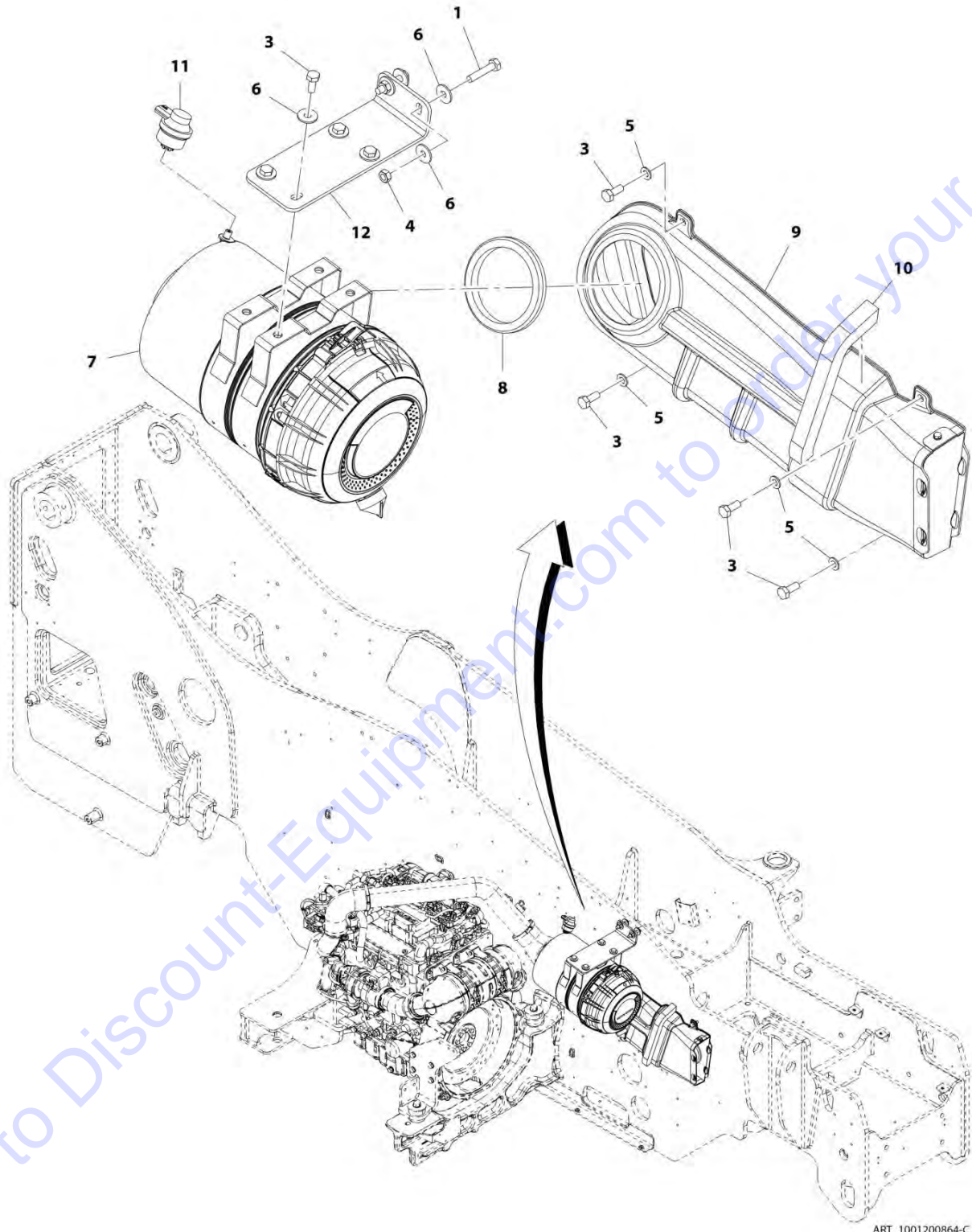
FIGURE 4-6. AIR INTAKE INSTALLATION (ULS)

ITEM	PART NUMBER	QTY	DESCRIPTION	REV
	1001200863	Ref	Air Intake Installation (ULS)	B
1	0760605	1	Bolt, M6X10	
2	4811700	1	Washer, M6	
3	8405402	1	Clamp	
6	1001182881	1	Hose	
7	1001200885	1	Hose	
8	1001200886	1	Tube	
9	1001226523	3	Clamp	

Go to Discount-Equipment.com to order your parts

SECTION 4 - ENGINE AND ATTACHING PARTS

FIGURE 4-7. AIR CLEANER INSTALLATION



ART_1001200864-C

SECTION 4 - ENGINE AND ATTACHING PARTS

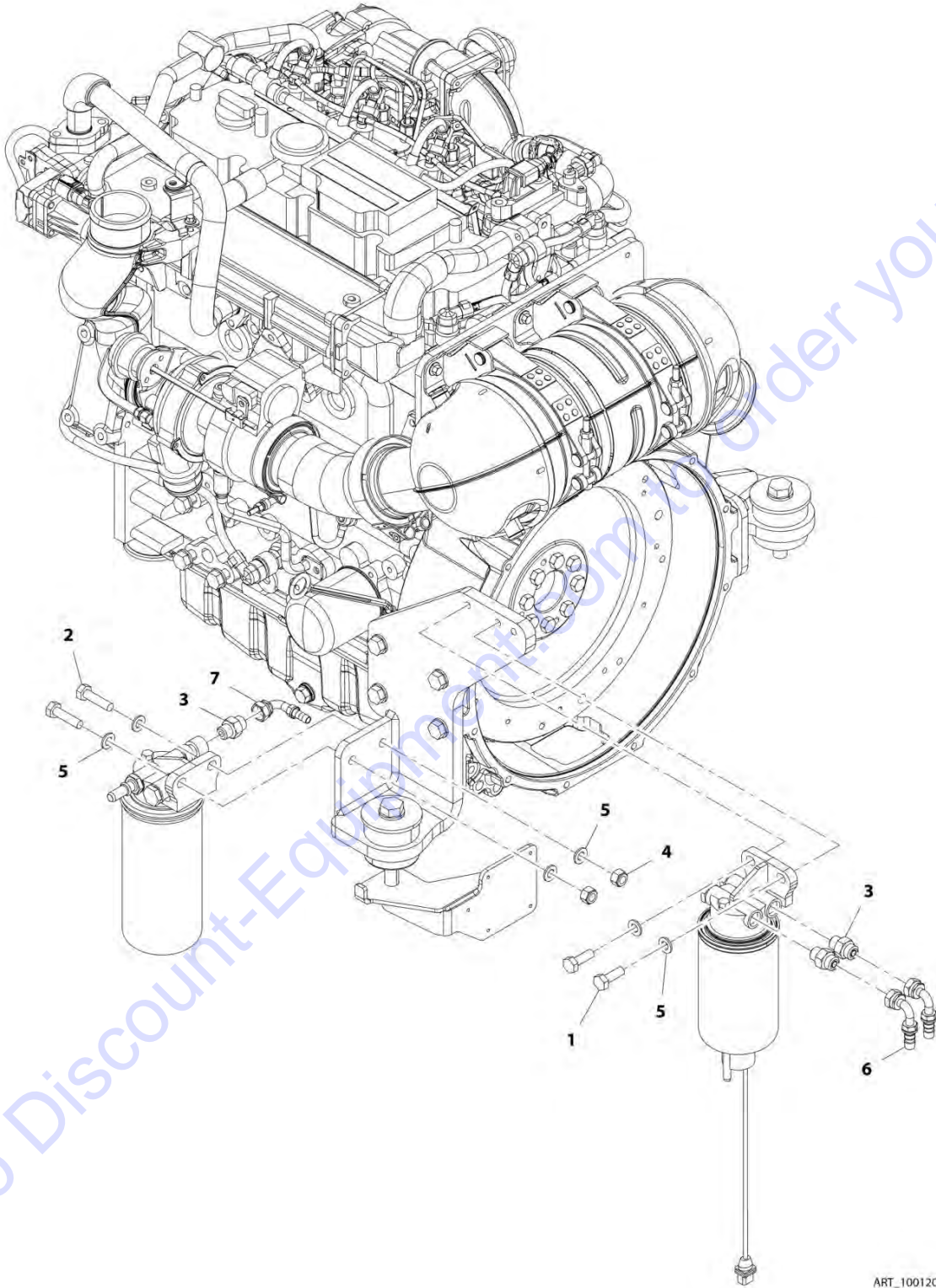
FIGURE 4-7. AIR CLEANER INSTALLATION

ITEM	PART NUMBER	QTY	DESCRIPTION	REV
	1001200864	Ref	Air Cleaner Installation	C
1	0701018	2	Bolt, M10X50	
3	0761012	8	Bolt, M10X25	
4	3291001	2	Nut, M10X1.5	
5	4812000	4	Washer, M10	
6	4812002	8	Washer, M10	
7	1001166565	1	Filter, Air Cleaner (See Seperate Breakdown in this Section)	
8	1001183831	1	Grommet	
9	1001183835	1	Air Intake Duct Installation (See Seperate Breakdown in this Section)	
10	1001186898	1	Seal	
11	1001166715	1	Indicator	
12	1001194534	1	Bracket, Air Cleaner Mount	

Go to Discount-Equipment.com to order your parts

SECTION 4 - ENGINE AND ATTACHING PARTS

FIGURE 4-8. PRIMARY FUEL FILTER INSTALLATION (ULS)



ART_1001200865-C

SECTION 4 - ENGINE AND ATTACHING PARTS

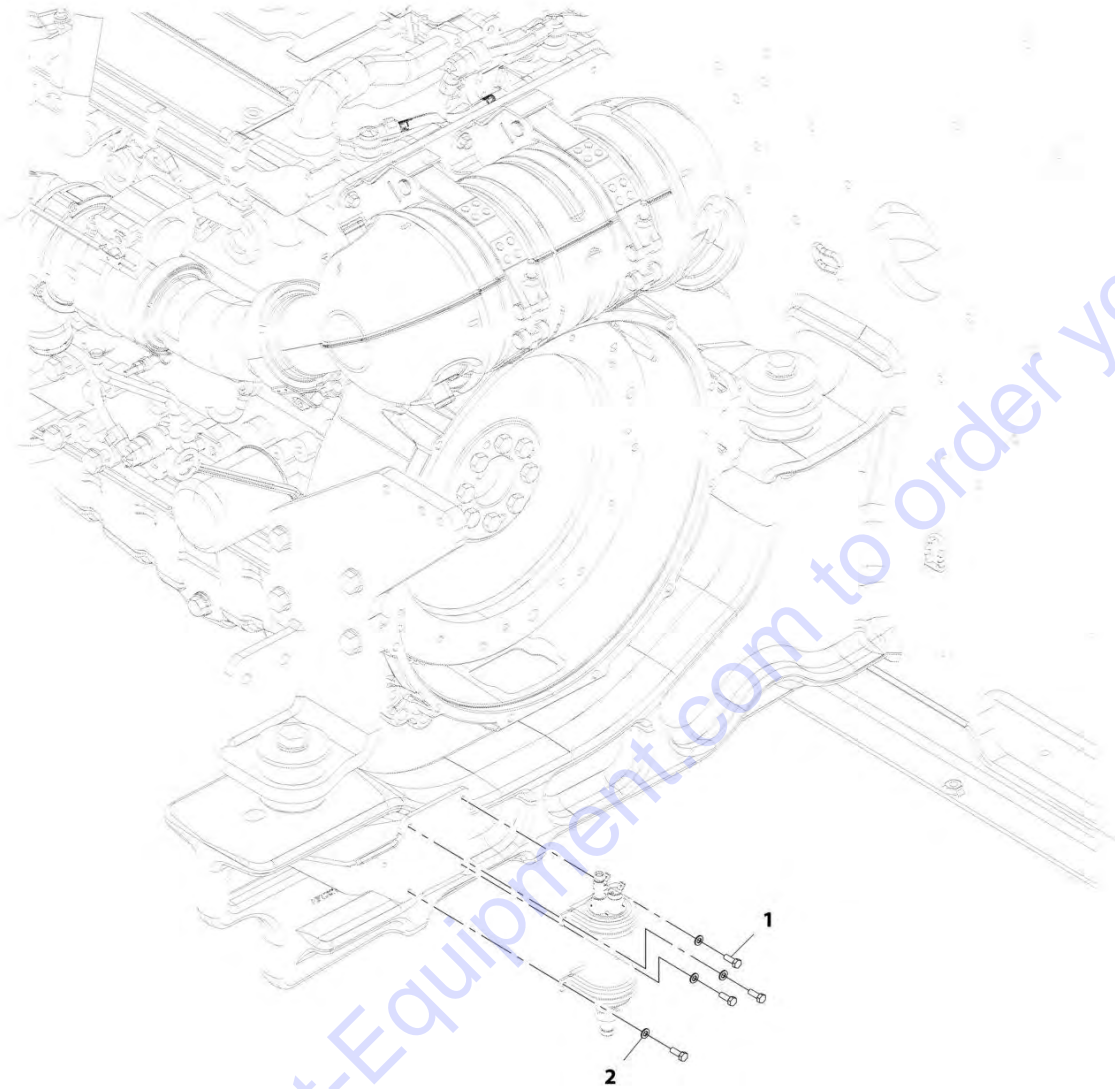
FIGURE 4-8. PRIMARY FUEL FILTER INSTALLATION (ULS)

ITEM	PART NUMBER	QTY	DESCRIPTION	REV
	1001200865	Ref	Primary Fuel Filter Installation	C
1	0701014	2	Bolt, M10X30	
2	0701016	2	Bolt, M10X40	
3	2144606	3	Fitting, Straight ORFS	
4	3291005	2	Nut, Lock M10X1.5	
5	4812000	6	Washer, M10	
6	1001095301	2	Fitting, 90 ORFS	
7	1001133793	1	Fitting, 90 ORFS	

Go to Discount-Equipment.com to order your parts

SECTION 4 - ENGINE AND ATTACHING PARTS

FIGURE 4-9. REMOTE FUEL PUMP INSTALLATION



ART_1001221041-B

SECTION 4 - ENGINE AND ATTACHING PARTS

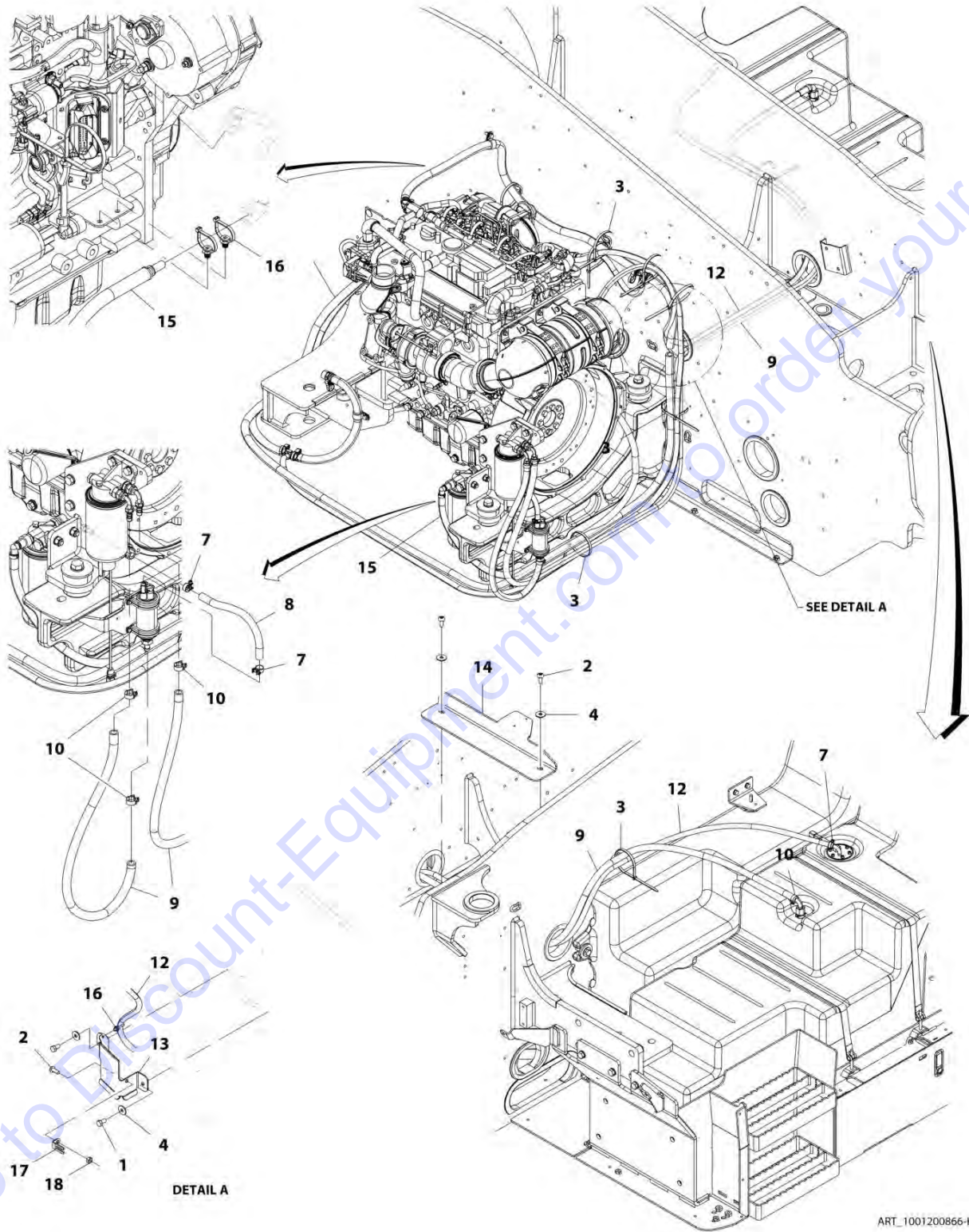
FIGURE 4-9. REMOTE FUEL PUMP INSTALLATION

ITEM	PART NUMBER	QTY	DESCRIPTION	REV
	1001221041	Ref	Remote Fuel Pump Installation	B
1	0760507	4	Bolt, M5X14	
2	4811600	4	Washer, M5	

Go to Discount-Equipment.com to order your parts

SECTION 4 - ENGINE AND ATTACHING PARTS

FIGURE 4-10. FUEL LINES INSTALLATION



ART_1001200866-K

SECTION 4 - ENGINE AND ATTACHING PARTS

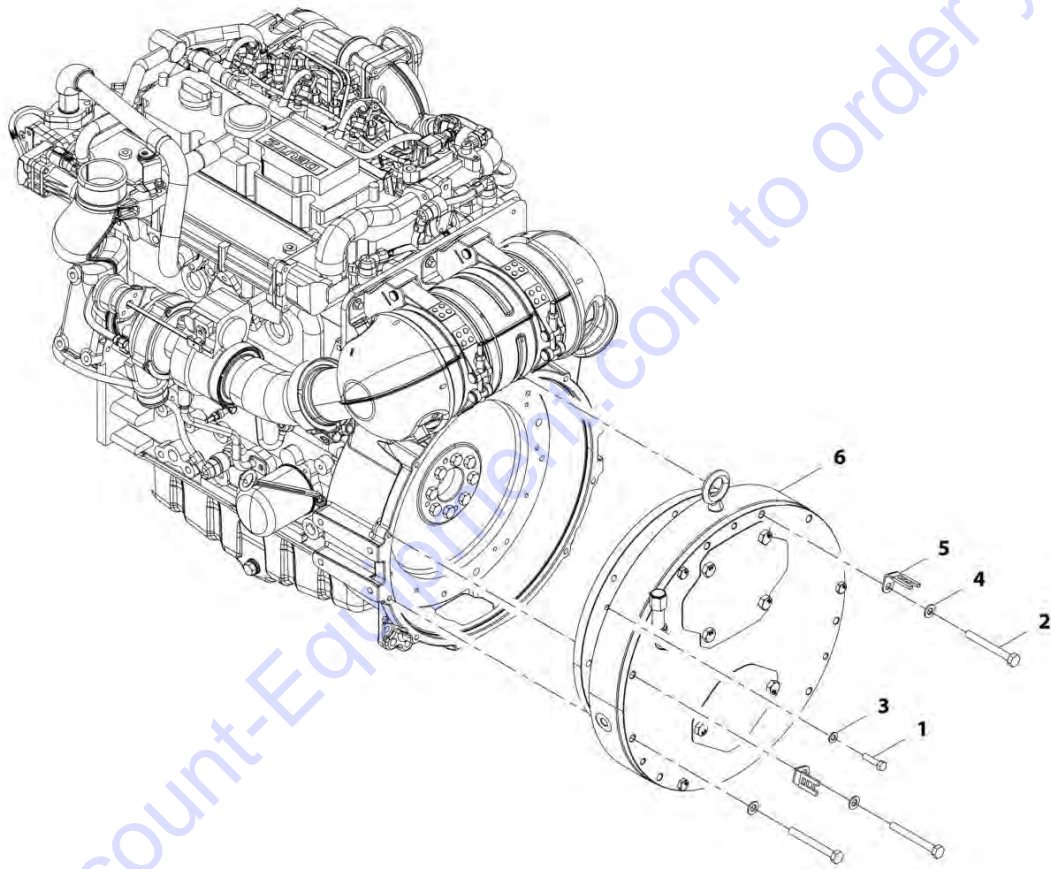
FIGURE 4-10. FUEL LINES INSTALLATION

ITEM	PART NUMBER	QTY	DESCRIPTION	REV
	1001200866	Ref	Fuel Lines Installation	K
1	0761010	2	Bolt, M10X20	
2	1001009325	3	Screw	
3	1062255	6	Strap, Tie	
4	4812002	4	Washer, M10	
7	1001136975	3	Clamp	
8	1001165035	260 mm	Hose	
9	1001172755	4060 mm	Hose	
10	1001175568	4	Clip	
12	1001228248	1	Hose	
13	1001210870	1	Plate	
14	1001221868	1	Channel, Frame	
15	1001232850	1	Hose	
16	1001146588	3	Strap, Tie	
17	1001003305	1	Clip	
18	3291001	1	Nut, M10X1.5 Grade 8	

Go to Discount-Equipment.com to order your parts

SECTION 4 - ENGINE AND ATTACHING PARTS

FIGURE 4-11. HYDROSTATIC ADAPTOR INSTALLATION



ART_1001193703-D

SECTION 4 - ENGINE AND ATTACHING PARTS

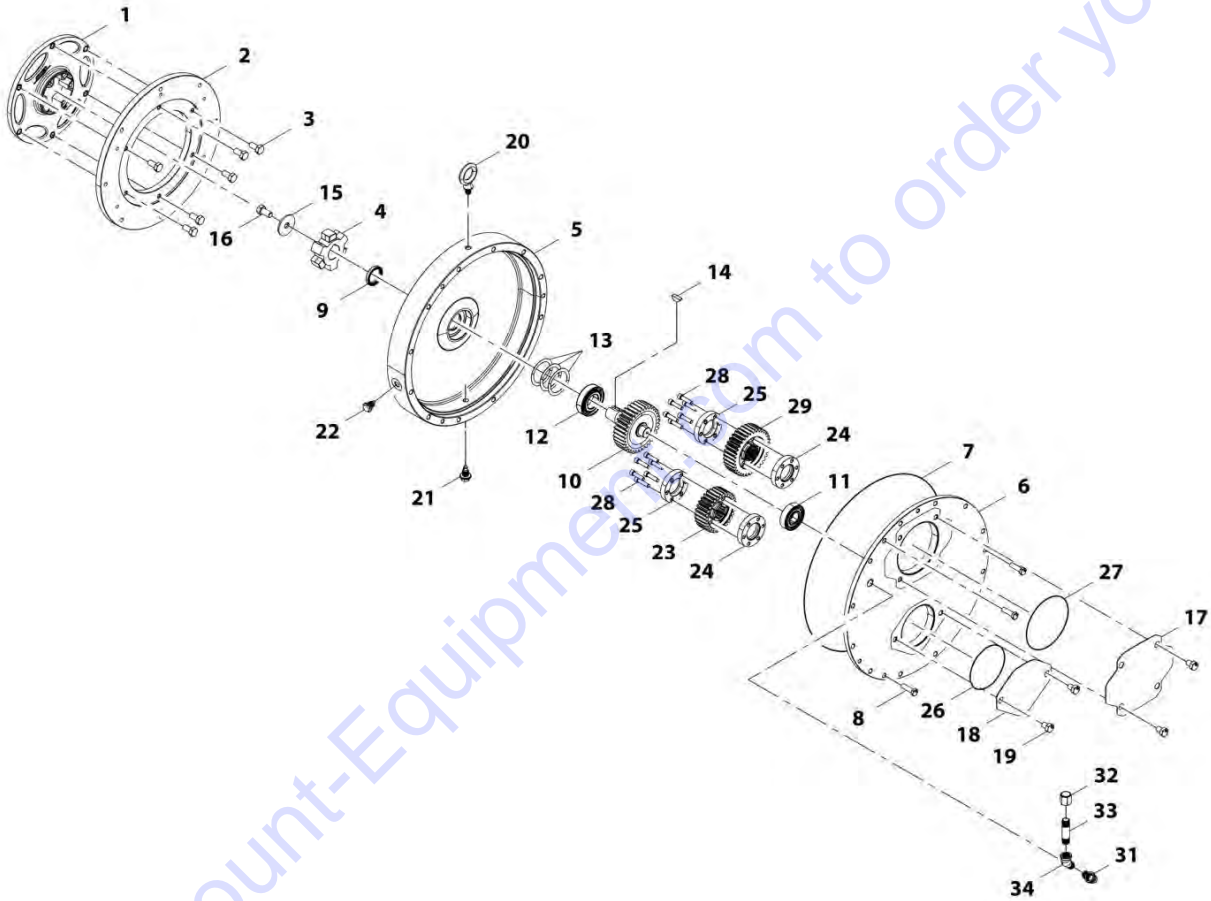
FIGURE 4-11. HYDROSTATIC ADAPTOR INSTALLATION

ITEM	PART NUMBER	QTY	DESCRIPTION	REV
	1001193703	Ref	Hydrostatic Adaptor Installation	D
1	0641510	6	Bolt, 5/16-18X1.25	
2	0701026	12	Bolt, M10X90	
3	4811900	6	Washer, M8	
4	4812000	10	Washer, M10	
5	1001003305	2	Clip	
6	1001193705	1	Assembly, Dual Drive Support (See Seperate Breakdown in this Section)	

Go to Discount-Equipment.com to order your parts

SECTION 4 - ENGINE AND ATTACHING PARTS

FIGURE 4-12. DUAL DRIVE SUPPORT ASSEMBLY



ART_1001193705-E

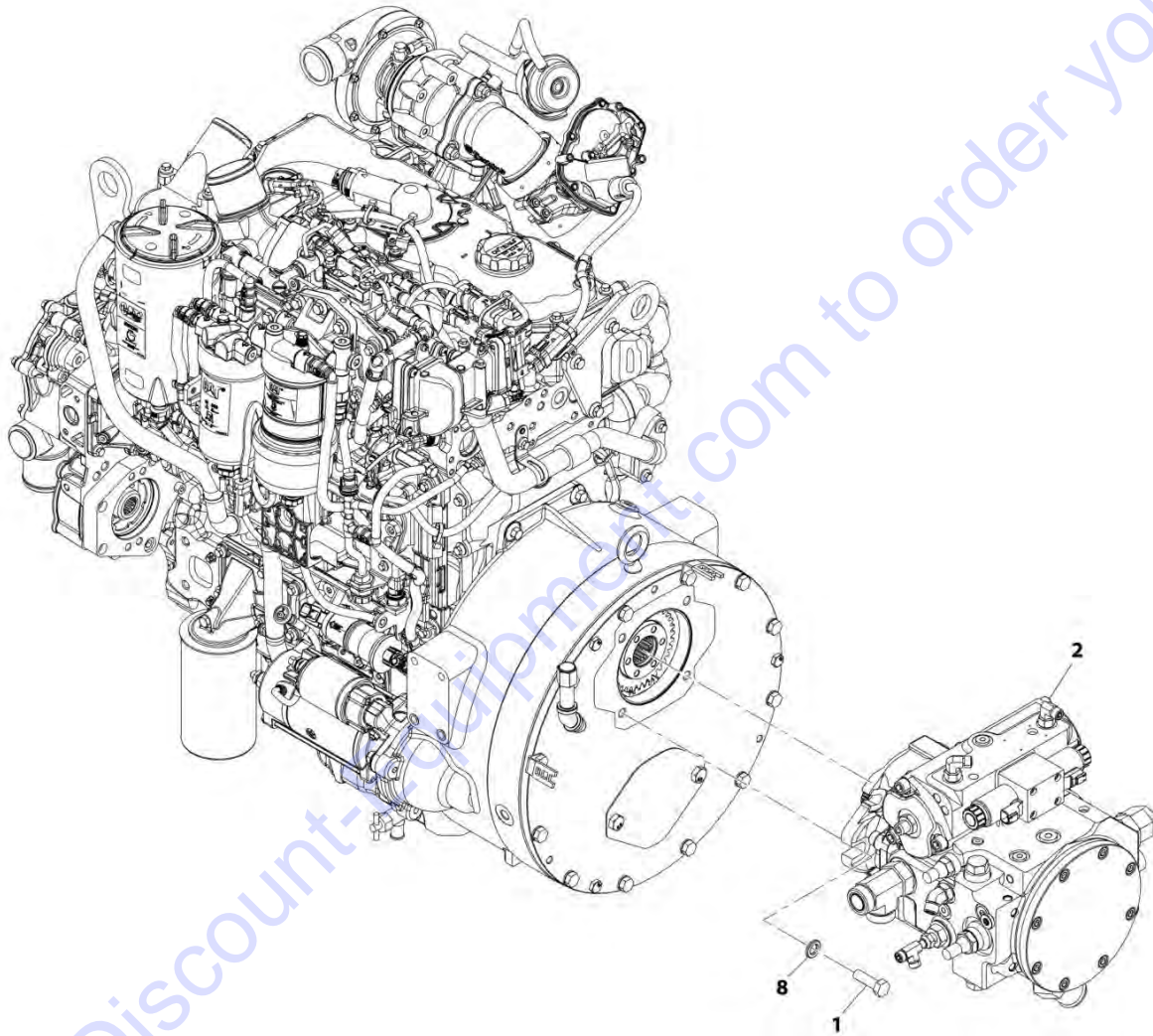
SECTION 4 - ENGINE AND ATTACHING PARTS

FIGURE 4-12. DUAL DRIVE SUPPORT ASSEMBLY

ITEM	PART NUMBER	QTY	DESCRIPTION	REV
	1001193705	Ref	Dual Drive Support Assembly	E
1	70028327	1	Plate, Flex	
2	70028328	1	Plate, Flywheel Adapter	
3	70028329	6	Bolt	
4	70028330	1	Hub, Flex	
5	70028331	1	Gear Box Half, Input Side	
6	70028332	1	Gear Box Half, Output Side	
7	70028333	1	O-Ring	
8	70028334	3	Bolt	
9	70028335	1	Seal, Shaft	
10	70028336	1	Gear, Input Shaft	
11	70028337	1	Bearing, Angular Contact	
12	70028338	1	Bearing, Angular Contact	
13	70028339	3	Washer	
14	70028340	1	Key	
15	70028341	1	Washer	
16	70028342	1	Bolt	
17	70028343	1	Cover, Pump Mount Implement	
18	70028344	1	Cover, Pump Mount Hydrastat	
19	70028345	6	Bolt	
20	70028346	1	Eyebolt, Modified	
21	70028347	1	Plug	
22	70028348	1	Plug	
23	70028349	1	Pump, Gear, 30 Tooth	
24	70028350	2	Locking Ring, Tapered	
25	70028351	2	Locking Ring, Tapered	
26	70028352	1	O-Ring	
27	70028353	1	O-Ring	
28	70028354	12	Bolt	
29	70028355	1	Pump, Gear, 35 Tooth	
31	70028357	1	Adapter, 90	
32	70028358	1	Breather	
33	70028359	1	Nipple	
34	70028360	1	Adapter, 45	

SECTION 4 - ENGINE AND ATTACHING PARTS

FIGURE 4-13. HYDROSTATIC DRIVE PUMP INSTALLATION



ART-1001193704-D

SECTION 4 - ENGINE AND ATTACHING PARTS

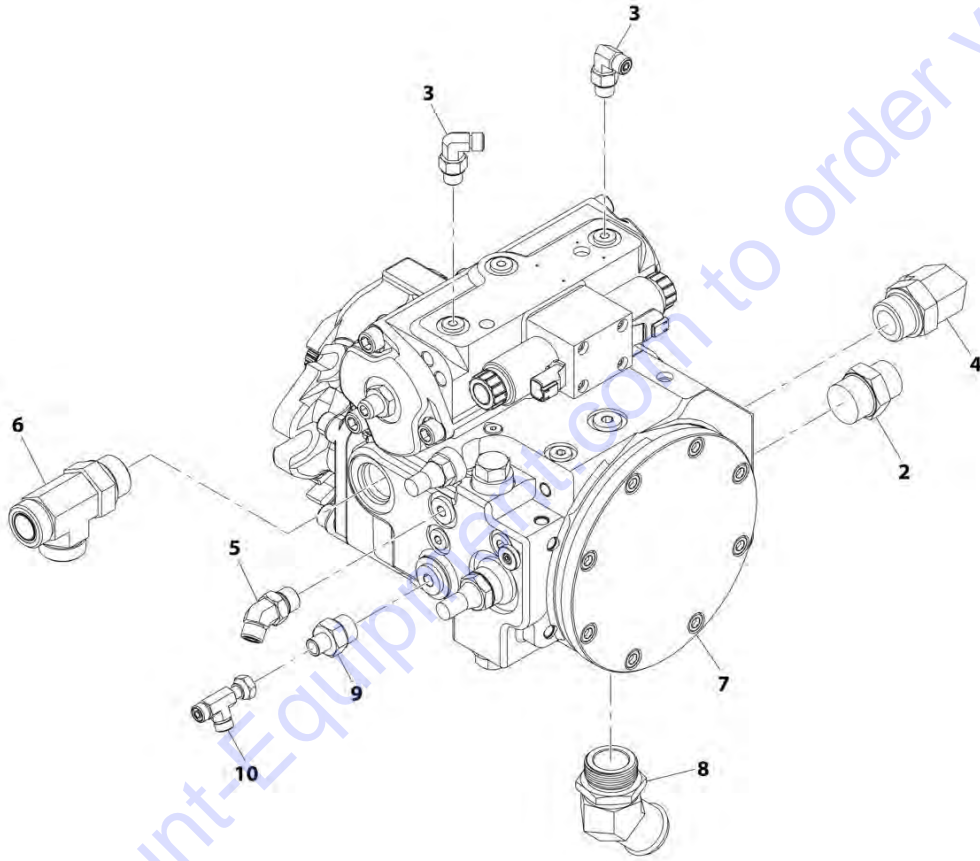
FIGURE 4-13. HYDROSTATIC DRIVE PUMP INSTALLATION

ITEM	PART NUMBER	QTY	DESCRIPTION	REV
	1001193704	Ref	Hydrostatic Drive Pump Installation	D
1	0711216	4	Bolt, M12X40	
2	1001210771	1	Assembly, Hydrostatic Drive Pump (See Seperate Breakdown in this Section)	
8	4740532	4	Washer, M12	

Go to Discount-Equipment.com to order your parts

SECTION 4 - ENGINE AND ATTACHING PARTS

FIGURE 4-14. HYDROSTATIC DRIVE PUMP ASSEMBLY



ART_1001210771-C

SECTION 4 - ENGINE AND ATTACHING PARTS

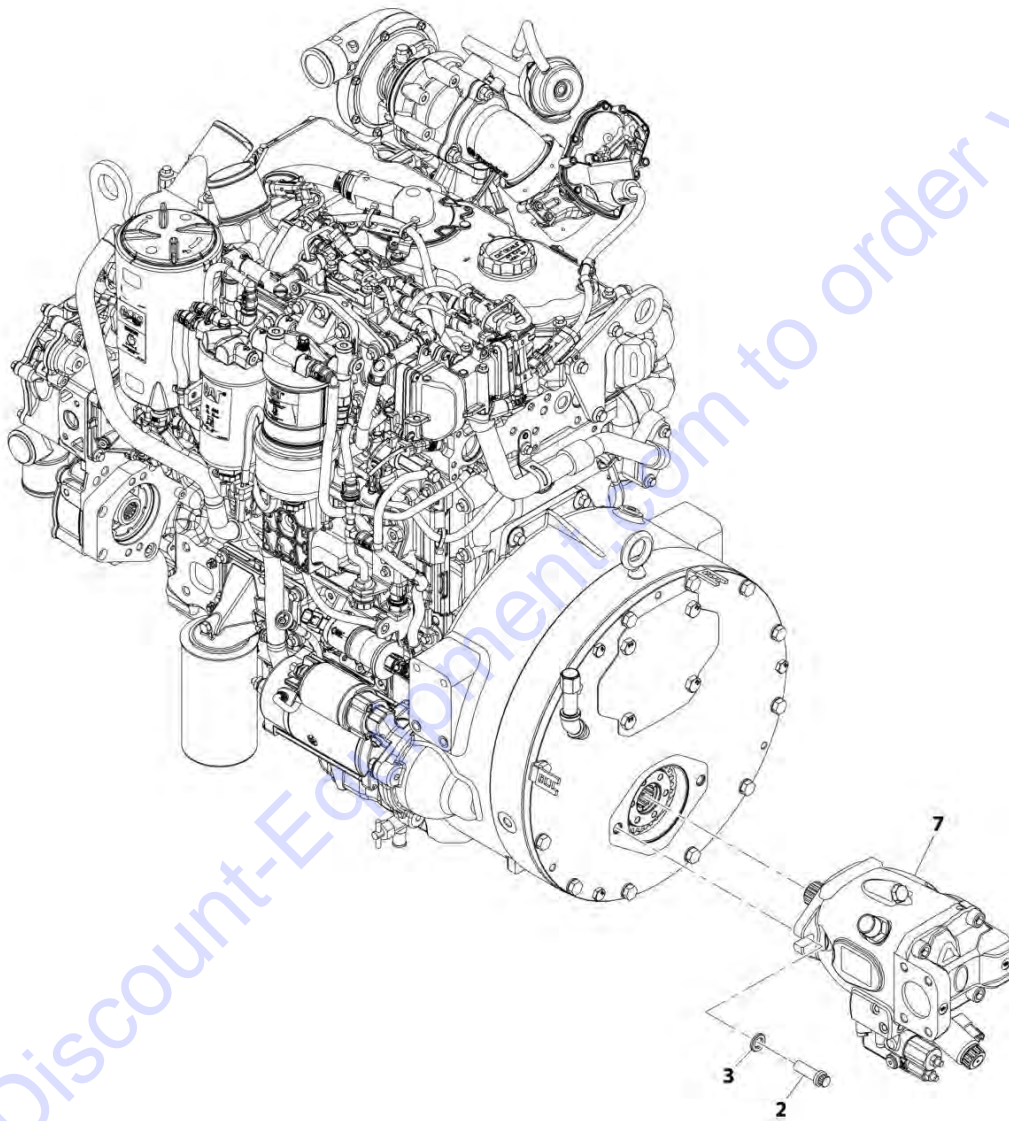
FIGURE 4-14. HYDROSTATIC DRIVE PUMP ASSEMBLY

ITEM	PART NUMBER	QTY	DESCRIPTION	REV
	1001210771	Ref	Hydrostatic Drive Pump Assembly	C
2	2111216	1	Fitting, Straight ORFS	
3	2130406	2	Fitting, 90 ORFS	
4	2131216	1	Fitting, 90 ORFS	
5	2150608	1	Fitting, 45 ORFS	
6	2170316	1	Fitting, TEE ORFS	
7	1001193307	1	Pump, Hydrostatic Drive (See Seperate Breakdown in Hydraulic Components Section)	
8	1001196664	1	Fitting, 45	
9	2110410	1	Fitting, Straight ORFS	
10	2170704	1	Fitting, Tee ORFS	

Go to Discount-Equipment.com to order your parts

SECTION 4 - ENGINE AND ATTACHING PARTS

FIGURE 4-15. IMPLEMENT PUMP INSTALLATION



ART_1001193393-E

SECTION 4 - ENGINE AND ATTACHING PARTS

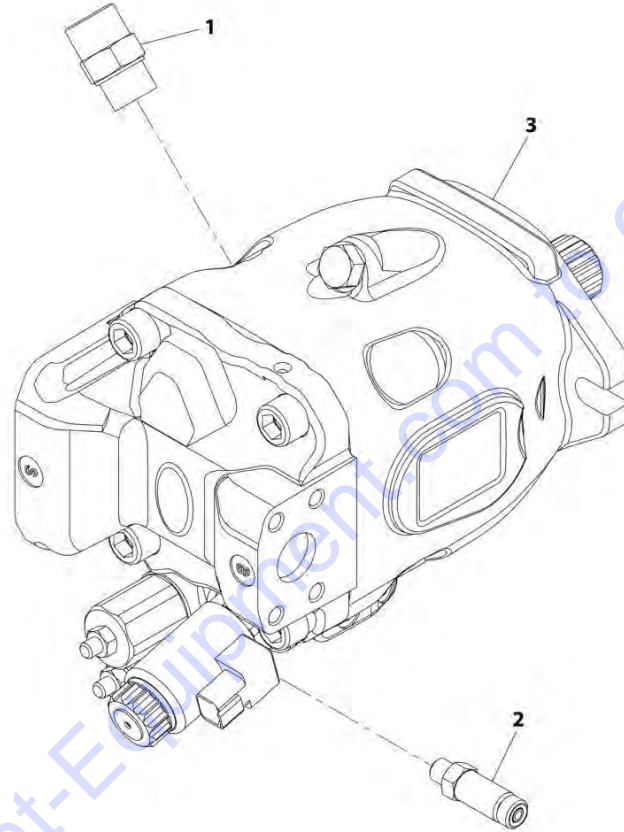
FIGURE 4-15. IMPLEMENT PUMP INSTALLATION

ITEM	PART NUMBER	QTY	DESCRIPTION	REV
	1001193393	Ref	Implement Pump Installation	E
2	1001238781	2	Screw Flange	
3	4740532	2	Washer	
7	1001212739	1	Assembly, Implement Pump (See Seperate Breakdown in this Section)	

Go to Discount-Equipment.com to order your parts

SECTION 4 - ENGINE AND ATTACHING PARTS

FIGURE 4-16. IMPLEMENT PUMP ASSEMBLY



ART_1001212739-A

SECTION 4 - ENGINE AND ATTACHING PARTS

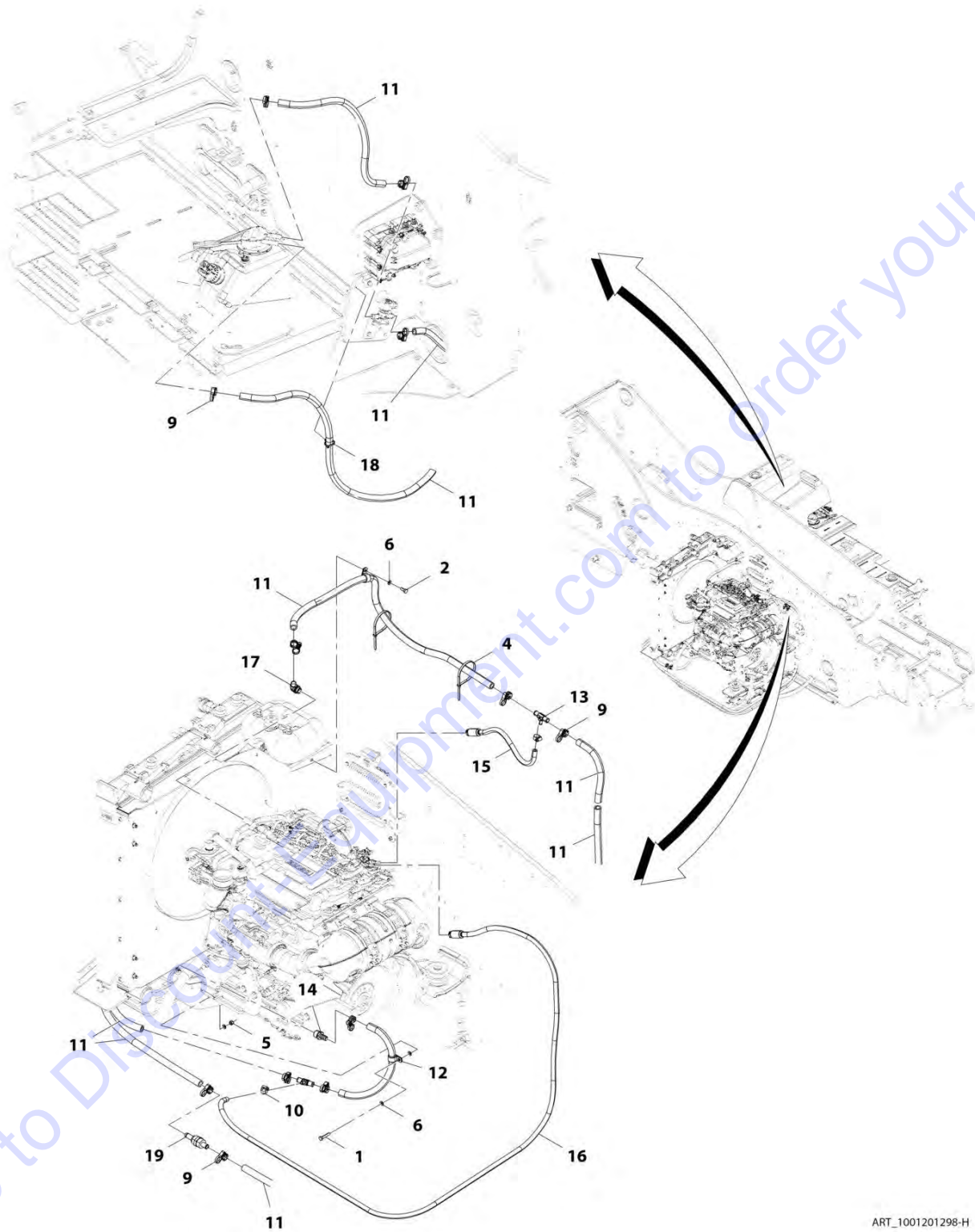
FIGURE 4-16. IMPLEMENT PUMP ASSEMBLY

ITEM	PART NUMBER	QTY	DESCRIPTION	REV
	1001212739	Ref	Implement Pump Assembly	A
1	2111010	1	Fitting, Straight ORFS	
2	2170104	1	Fitting, Straight ORFS	
3	1001180070	1	Pump, Implement (See Seperate Breakdown in Hydraulic Component Section)	

Go to Discount-Equipment.com to order your parts

SECTION 4 - ENGINE AND ATTACHING PARTS

FIGURE 4-17. DEF COOLANT LINES INSTALLATION (ULS)



ART_1001201298-H

SECTION 4 - ENGINE AND ATTACHING PARTS

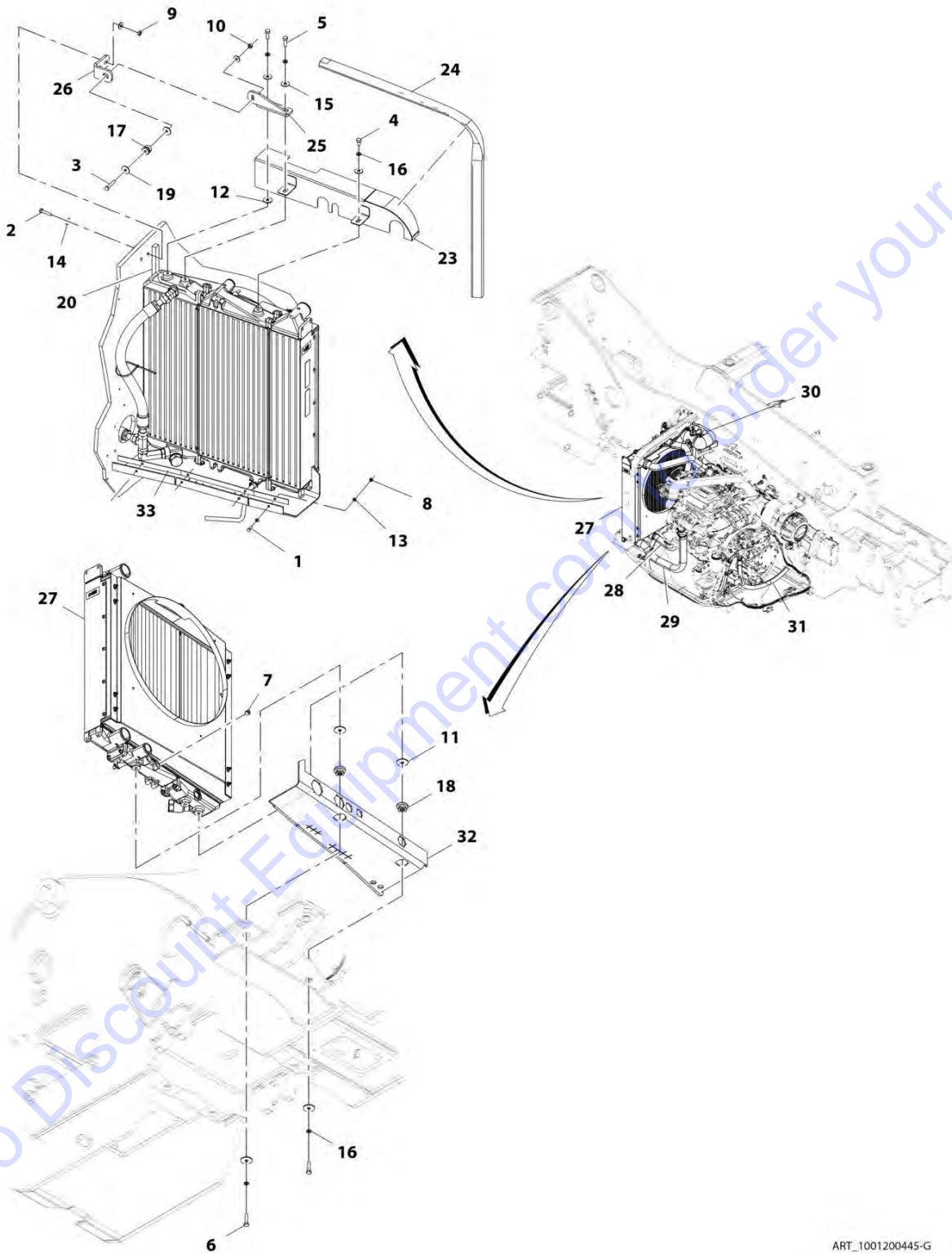
FIGURE 4-17. DEF COOLANT LINES INSTALLATION (ULS)

ITEM	PART NUMBER	QTY	DESCRIPTION	REV
	1001201298	Ref	DEF Coolant Lines Installation (ULS)	H
1	0700816	1	Bolt, M8X40	
2	0760810	1	Bolt, M8X20	
4	1062255	AR	Strap, Tie	
5	3290805	1	Nut, M8X1.25	
6	4811900	3	Washer, M8	
9	1001202526	12	Clamp	
10	8410013	2	Clamp	
11	82033995	9695 mm	Hose	
12	1001100319	2	Clip	
13	1001162212	2	Pipe	
14	1001167409	1	Pipe	
15	1001201299	1	Hose	
16	1001201300	1	Hose	
17	1001203005	1	Fitting, 45	
18	1001146588	1	Strap, Tie	
19	1001228872	1	Filter	

Go to Discount-Equipment.com to order your parts

SECTION 4 - ENGINE AND ATTACHING PARTS

FIGURE 4-18. COOLING PACKAGE INSTALLATION



ART_1001200445-G

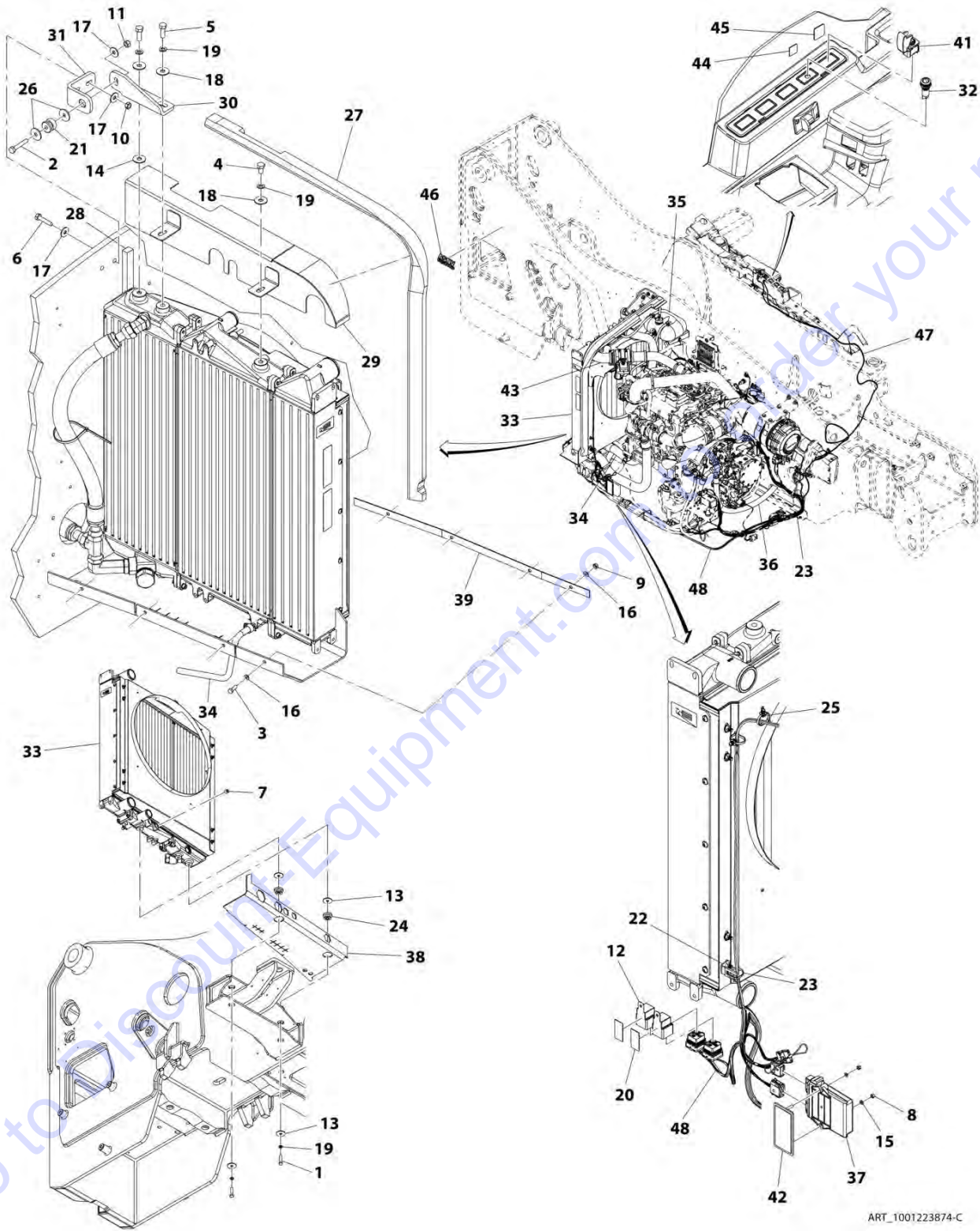
SECTION 4 - ENGINE AND ATTACHING PARTS

FIGURE 4-18. COOLING PACKAGE INSTALLATION

ITEM	PART NUMBER	QTY	DESCRIPTION	REV
	1001200445	Ref	Cooling Package Installation	G
1	0760812	4	Bolt,M8X25	
2	0701018	2	Bolt, M10X50	
3	0701020	1	Bolt, M10X60	
4	0761210	1	Bolt, M12X20	
5	0761215	2	Bolt, M12X35	
6	0761218	2	Bolt, M12X50	
7	2200223	1	Plug	
8	3290801	4	Nut, M8X1.25	
9	3291001	2	Nut, M10X1.5	
10	3291005	1	Nut, Lock M10X1.5	
11	4740274	4	Washer	
12	4740550	1	Washer, M12	
13	4811900	8	Washer, M8	
14	4812002	5	Washer, M10	
15	4812102	3	Washer, M12	
16	4832100	5	Washer, Lock M12	
17	8278020	1	Mount	
18	1001114803	2	Mount	
19	1001155540	2	Washer	
20	1001173457	1	Seal	
23	1001196191	1	Bracket, Air Baffle	
24	1001173452	1	Seal	
25	1001200498	1	Bracket, Radiator	
26	1001200499	1	Bracket, Frame	
27	1001201301	1	Radiator, (See Seperate Breakdown in this Section)	
28	1001201302	Ref	Installation, Coolant Lines (See Seperate Breakdown in this Section)	
29	1001201303	Ref	Installation, Radiator Lines (See Seperate Breakdown in this Section)	
30	1001201304	Ref	Installation, Surge Tank (See Seperate Breakdown in this Section)	
31	1001201305	Ref	Installation, Transmission Oil Cooler Lines (See Seperate Breakdown in this Section)	
32	1001203947	1	Panel, Air Dam	
33	1001203948	1	Plate, Air Dam	

SECTION 4 - ENGINE AND ATTACHING PARTS

FIGURE 4-19. COOLING PACKAGE INSTALLATION



ART_1001223874-C

SECTION 4 - ENGINE AND ATTACHING PARTS

FIGURE 4-19. COOLING PACKAGE INSTALLATION

ITEM	PART NUMBER	QTY	DESCRIPTION	REV
	1001223874	Ref	Cooling Package Installation	C
1	0701018	2	Bolt, M10X50	
2	0701020	1	Bolt, M10X60	
3	0760812	4	Bolt, M8X25	
4	0761210	1	Bolt, M12X20	
5	0761215	2	Bolt, M12X35	
6	0761218	2	Bolt, M12X50	
7	2200223	1	Plug	
8	3290505	2	Nut, M5X0.8	
9	3290801	4	Nut, M8X1.25	
10	3291001	2	Nut, M10X1.5	
11	3291005	1	Nut, Lock M10X1.5	
12	3740080	2	Relay	
13	4740274	4	Washer	
14	4740550	1	Washer, M12	
15	4811600	2	Washer, M5	
16	4811900	8	Washer, M8	
17	4812002	5	Washer, M10	
18	4812102	3	Washer, M12	
19	4832100	5	Washer, Lock M12	
20	7169541	AR	Tape	
21	8278020	1	Mount	
22	1001003305	1	Clip	
23	1001008559	4	Strap, Cable	
24	1001114803	2	Mount	
25	1001146588	2	Strap, Cable	
26	1001155540	2	Washer	
27	1001173452	1	Seal, Foam Gasket	
28	1001173457	1	Seal	
29	1001196191	1	Bracket, Air Baffle	
30	1001200498	1	Bracket, Radiator	
31	1001200499	1	Bracket, Frame	
32	1001200631	1	Lamp, LED Indicator	
33	1001201301	1	Radiator, (See Separate Breakdown in this Section)	
34	1001201302	Ref	Installation, Coolant Lines (See Separate Breakdown in this Section)	
35	1001201304	Ref	Installation, Surge Tank (See Separate Breakdown in this Section)	
36	1001201305	Ref	Installation, Transmission Oil Cooler Lines (See Separate Breakdown in this Section)	
37	1001203181	1	Accessory, Control	
38	1001203947	1	Panel, Air Dam	
39	1001203948	1	Plate, Air Dam	
41	1001215941	1	Switch	
42	1001219082	1	Bracket	
43	1001223869	1	Installation, Radiator Lines (See Separate Breakdown in this Section)	
44	1001227077	1	Decal, Air Shut Off	
45	1001227964	1	Decal, ASOV Test	
46	1001228643	1	Decal, ASOV Equipped	
47	1001231407	1	Harness, POSI Air Shutoff (See Separate Breakdown in Electrical	

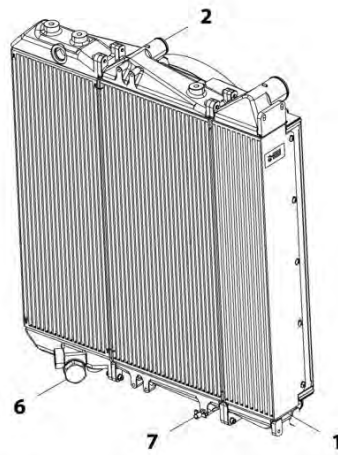
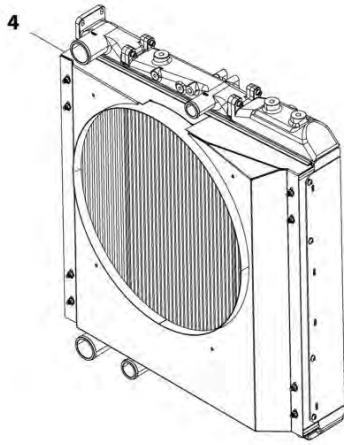
SECTION 4 - ENGINE AND ATTACHING PARTS

ITEM	PART NUMBER	QTY	DESCRIPTION	REV
48	1001231483	1	Section) Harness, POSI Air Shutoff (See Separate Breakdown in Electrical Section)	

Go to Discount-Equipment.com to order your parts

SECTION 4 - ENGINE AND ATTACHING PARTS

FIGURE 4-20. RADIATOR



ART_1001201301-D

SECTION 4 - ENGINE AND ATTACHING PARTS

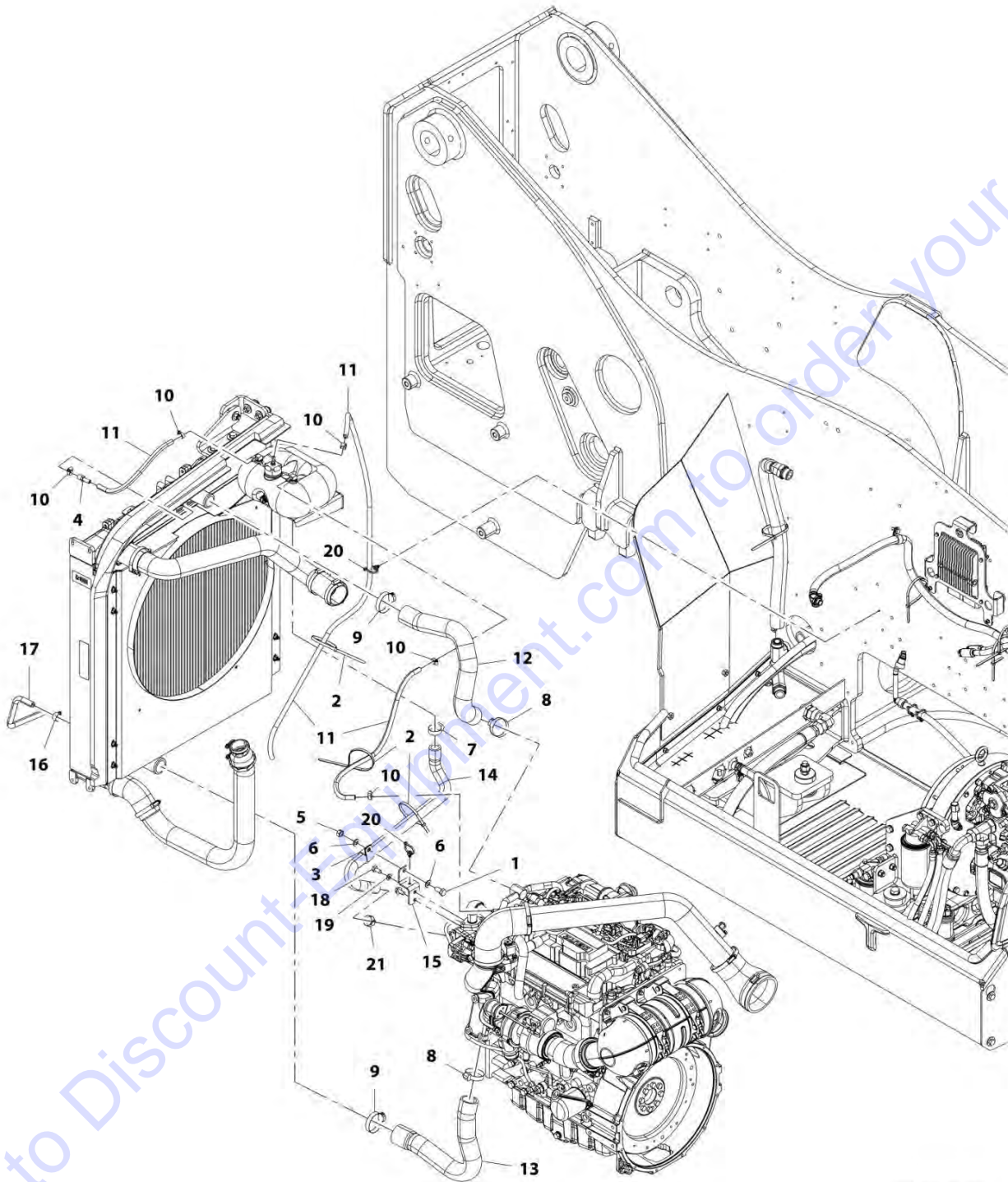
FIGURE 4-20. RADIATOR

ITEM	PART NUMBER	QTY	DESCRIPTION	REV
	1001201301	Ref	Radiator, Cooling Package	D
1	70026353	1	Cooler, Air Charge	
2	70026354	1	Radiator	
4	70026359	2	Bracket, Shroud Mounting	
6	70026082	1	Valve, Bypass	
7	70026081	1	Petcock	

Go to Discount-Equipment.com to order your parts

SECTION 4 - ENGINE AND ATTACHING PARTS

FIGURE 4-21. COOLANT LINES INSTALLATION



ART_1001201302-E

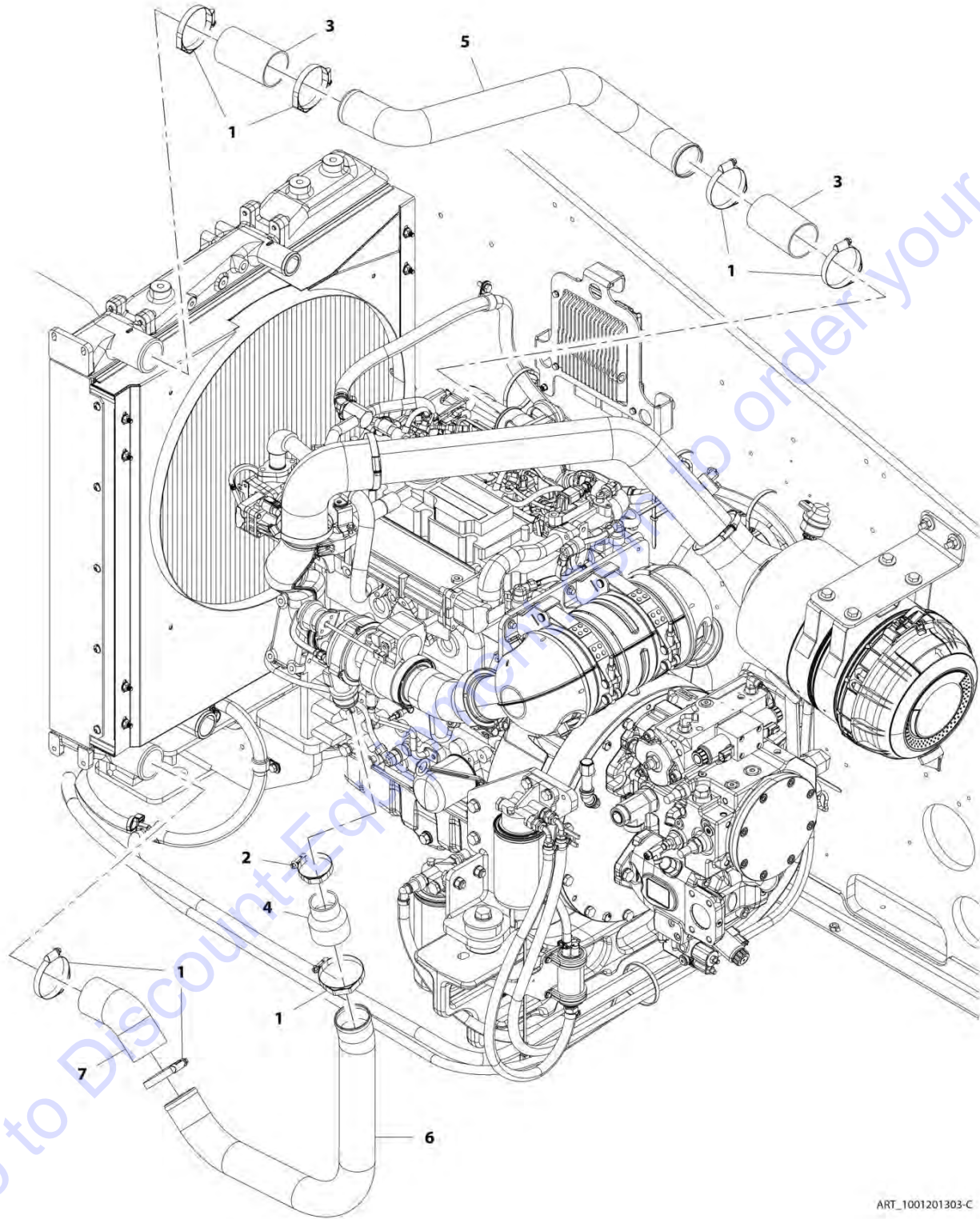
SECTION 4 - ENGINE AND ATTACHING PARTS

FIGURE 4-21. COOLANT LINES INSTALLATION

ITEM	PART NUMBER	QTY	DESCRIPTION	REV
	1001201302	Ref	Coolant Lines Installation	E
1	0761212	1	Bolt, M12X25	
2	1062255	3	Strap, Tie	
3	1320060	1	Clamp, Hose	
4	2220767	1	Fitting	
5	3291201	1	Nut, M12	
6	4812100	2	Washer, M12	
7	8405101	1	Clamp, Gear	
8	8405104	2	Clamp, Gear	
9	8405201	2	Clamp, Gear	
10	8405009	5	Clamp, Gear	
11	1001180542	2465 mm	Hose	
12	1001217762	1	Hose	
13	1001201309	1	Hose	
14	1001217763	1	Hose	
15	1001217761	1	Bracket	
16	8405006	1	Clamp, Gear	
17	1001180553	370 mm	Hose	
18	0761010	1	Bolt, M12X20	
19	4812000	1	Washer, M10	
20	1001146588	2	Strap, Tie	
21	8405007	1	Clamp, Gear	

SECTION 4 - ENGINE AND ATTACHING PARTS

FIGURE 4-22. RADIATOR LINES INSTALLATION



ART_1001201303-C

SECTION 4 - ENGINE AND ATTACHING PARTS

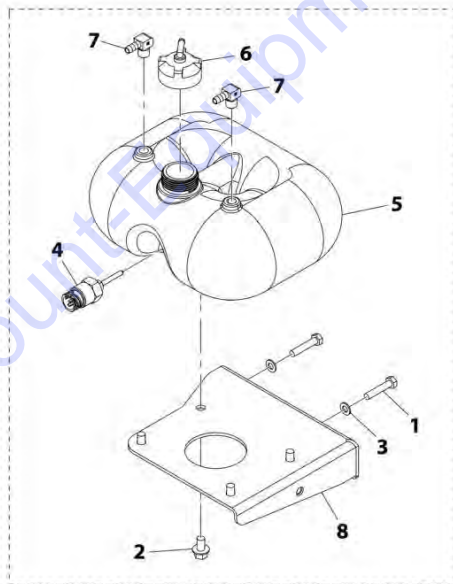
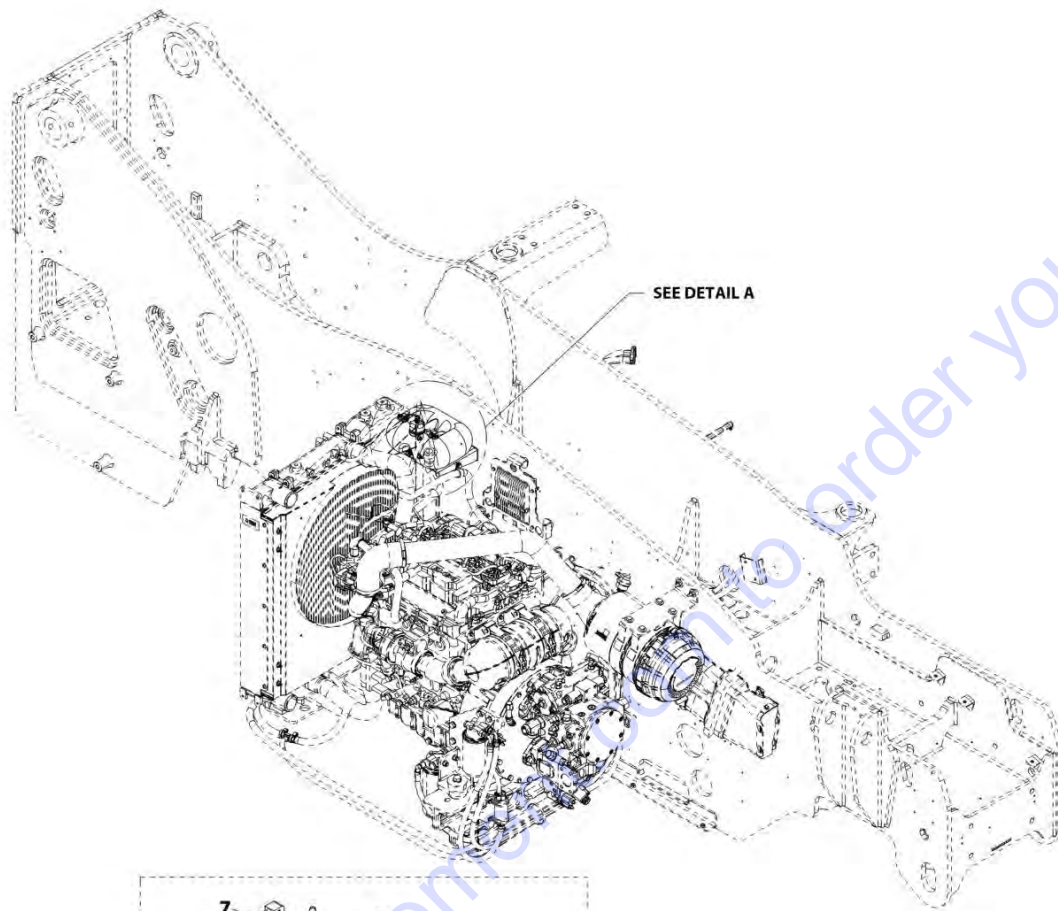
FIGURE 4-22. RADIATOR LINES INSTALLATION

ITEM	PART NUMBER	QTY	DESCRIPTION	REV
	1001201303	Ref	Radiator Lines Installation	C
1	1001215022	7	Clamp	
2	1001215024	1	Clamp	
3	1001114495	2	Hose	
4	1001173528	1	Coupling, Reducer	
5	1001201314	1	Pipe	
6	1001201315	1	Pipe	
7	1001201316	1	Elbow, 45	

Go to Discount-Equipment.com to order your parts

SECTION 4 - ENGINE AND ATTACHING PARTS

FIGURE 4-23. SURGE TANK INSTALLATION



DETAIL A

ART_1001201304-B

SECTION 4 - ENGINE AND ATTACHING PARTS

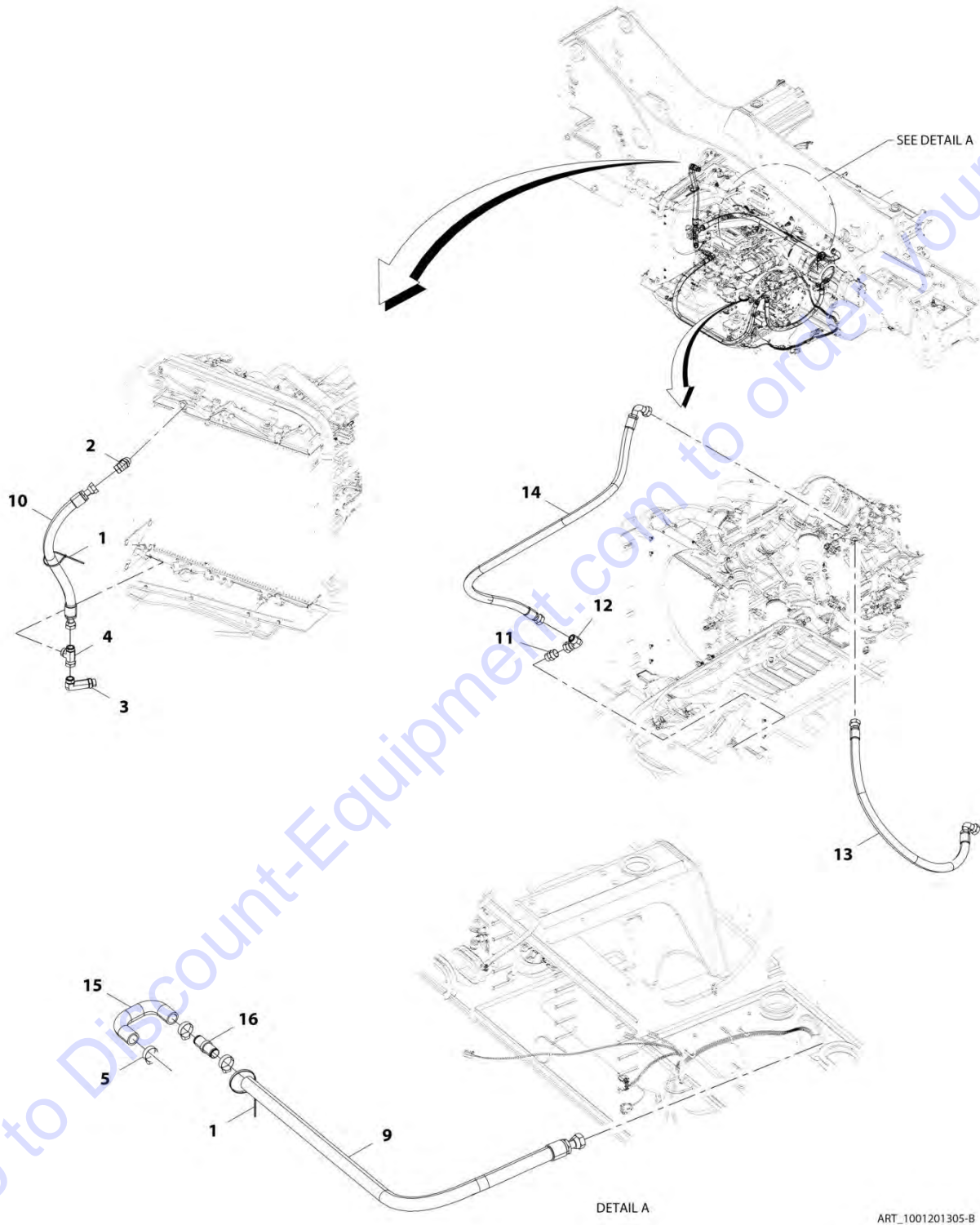
FIGURE 4-23. SURGE TANK INSTALLATION

ITEM	PART NUMBER	QTY	DESCRIPTION	REV
	1001201304	Ref	Surge Tank Installation	B
1	0700816	2	Bolt, M8X40	
2	0791605	4	Screw	
3	4811900	2	Washer, M8	
4	1001138827	1	Sensor, Coolant Level	
5	1001128144	1	Tank, Coolant	
6	1001128341	1	Cap	
7	1001169368	2	Fitting, Hose Barb	
8	1001201317	1	Bracket, Coolant Tank	

Go to Discount-Equipment.com to order your parts

SECTION 4 - ENGINE AND ATTACHING PARTS

FIGURE 4-24. TRANSMISION OIL COOLER LINES INSTALLATION



ART_1001201305-B

SECTION 4 - ENGINE AND ATTACHING PARTS

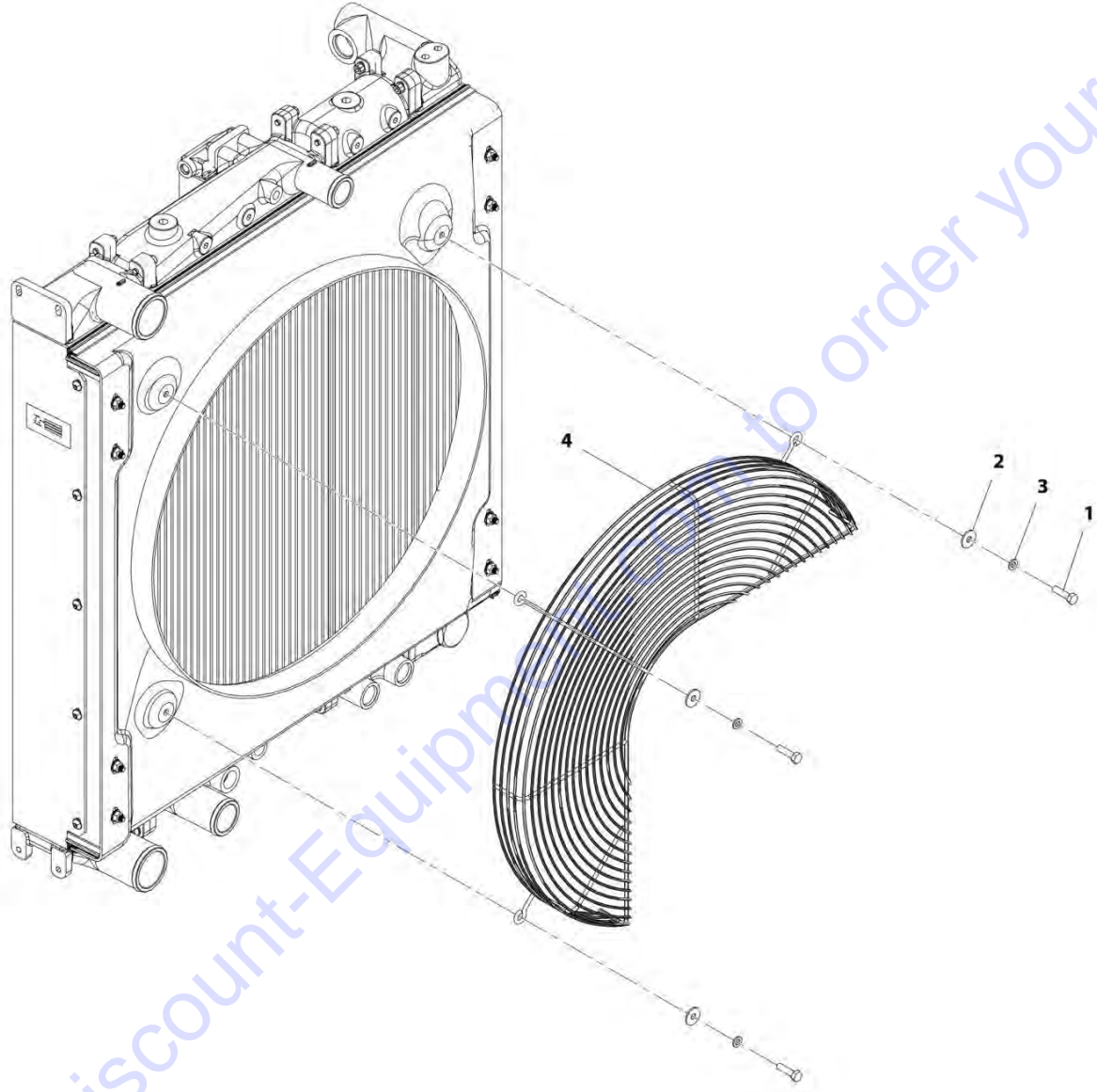
FIGURE 4-24. TRANSMISION OIL COOLER LINES INSTALLATION

ITEM	PART NUMBER	QTY	DESCRIPTION	REV
	1001201305	Ref	Transmission Oil Cooler Lines Installation	B
1	1062255	AR	Strap, Tie	
2	2151616	1	Fitting, 45 ORFS	
3	2170216	1	Fitting, 90 ORFS	
4	2170716	1	Fitting, Tee ORFS	
5	8405102	3	Clamp, Gear	
9	1001205564	1	Hose	
10	1001205565	1	Hose	
11	2111616	1	Fitting, Straight ORFS	
12	2172116	1	Fitting, 90 ORFS	
13	1001211616	1	Hose	
14	1001211617	1	Hose	
15	1001212920	1	Hose	
16	1001212921	1	Fitting, Straight	

Go to Discount-Equipment.com to order your parts

SECTION 4 - ENGINE AND ATTACHING PARTS

FIGURE 4-25. FAN GUARD INSTALLATION



ART_1001160420-D

SECTION 4 - ENGINE AND ATTACHING PARTS

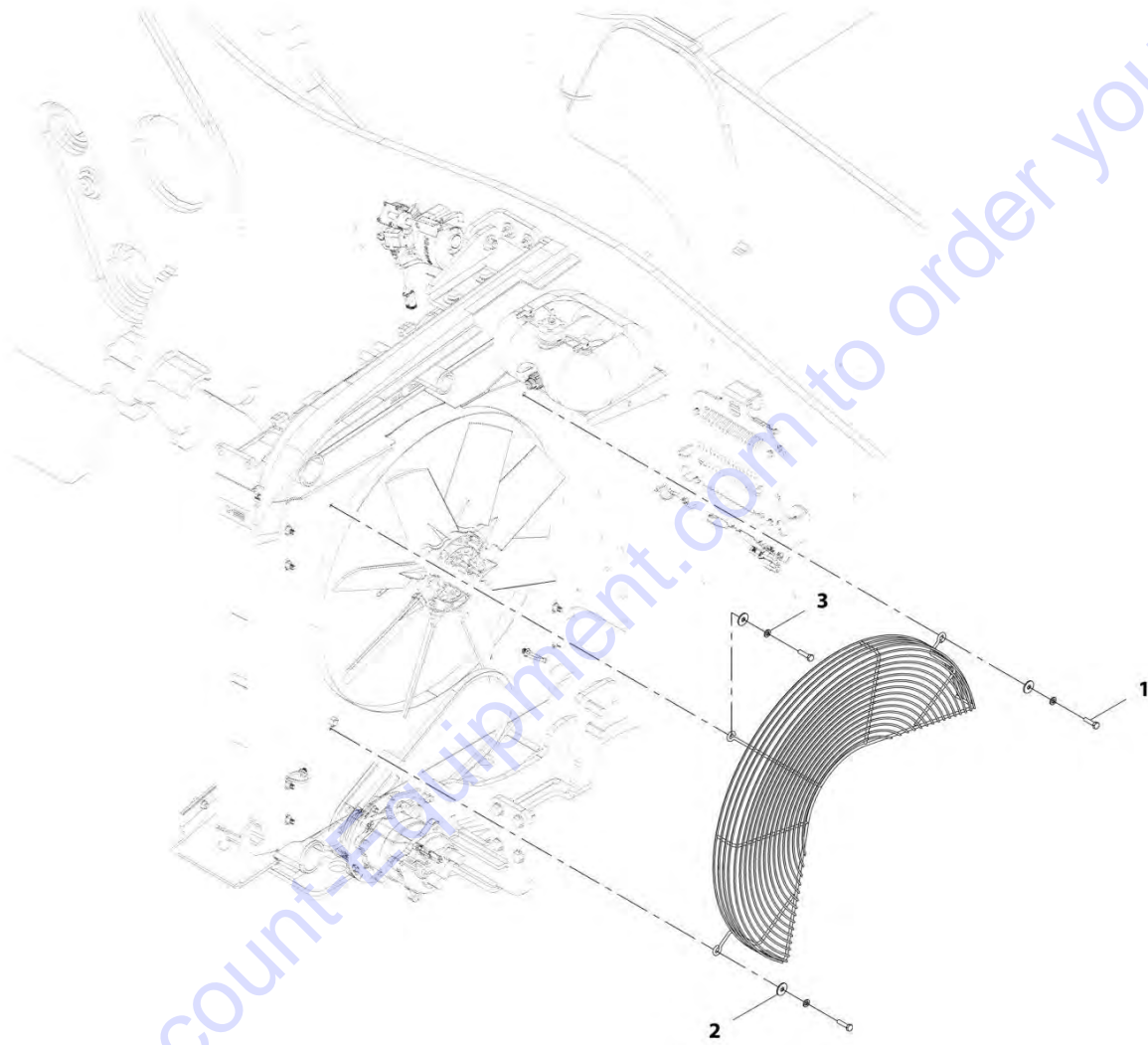
FIGURE 4-25. FAN GUARD INSTALLATION

ITEM	PART NUMBER	QTY	DESCRIPTION	REV
	1001160420	Ref	Fan Guard Installation	D
1	0700814	3	Bolt, M8X30	
2	4811902	3	Washer, M8	
3	4831900	3	Washer, Lock M8	
4	1001167186	1	Grill	

Go to Discount-Equipment.com to order your parts

SECTION 4 - ENGINE AND ATTACHING PARTS

FIGURE 4-26. FAN GUARD (REVERSING) INSTALLATION



ART_1001217754-B

SECTION 4 - ENGINE AND ATTACHING PARTS

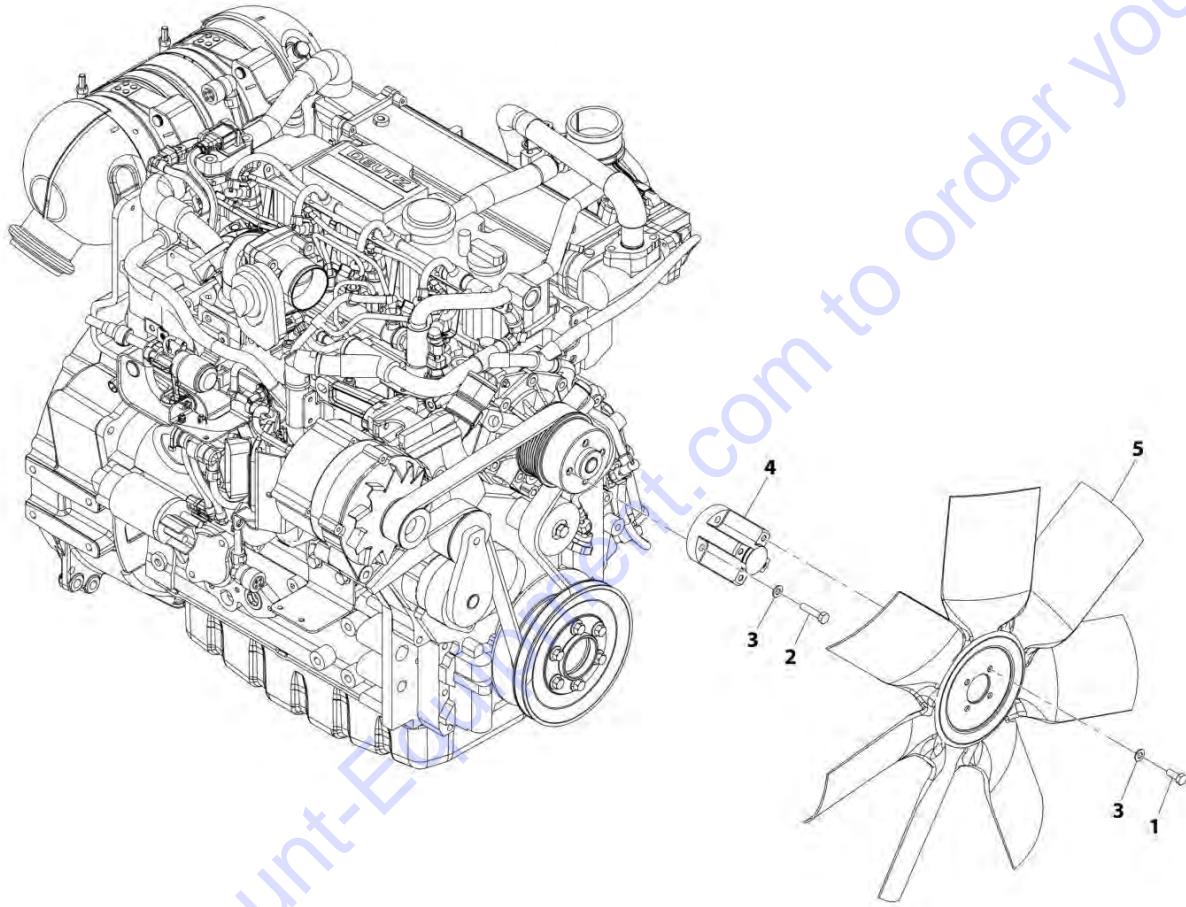
FIGURE 4-26. FAN GUARD (REVERSING) INSTALLATION

ITEM	PART NUMBER	QTY	DESCRIPTION	REV
	1001217754	1	Fan Guard (Reversing) Installation	B
1	0700814	3	Bolt, M8X30	
2	4811902	3	Washer, M8	
3	4831900	3	Washer, Lock M8	
4	1001217755	1	Grill	

Go to Discount-Equipment.com to order your parts

SECTION 4 - ENGINE AND ATTACHING PARTS

FIGURE 4-27. COOLING FAN INSTALLATION



ART_1001214123-A

SECTION 4 - ENGINE AND ATTACHING PARTS

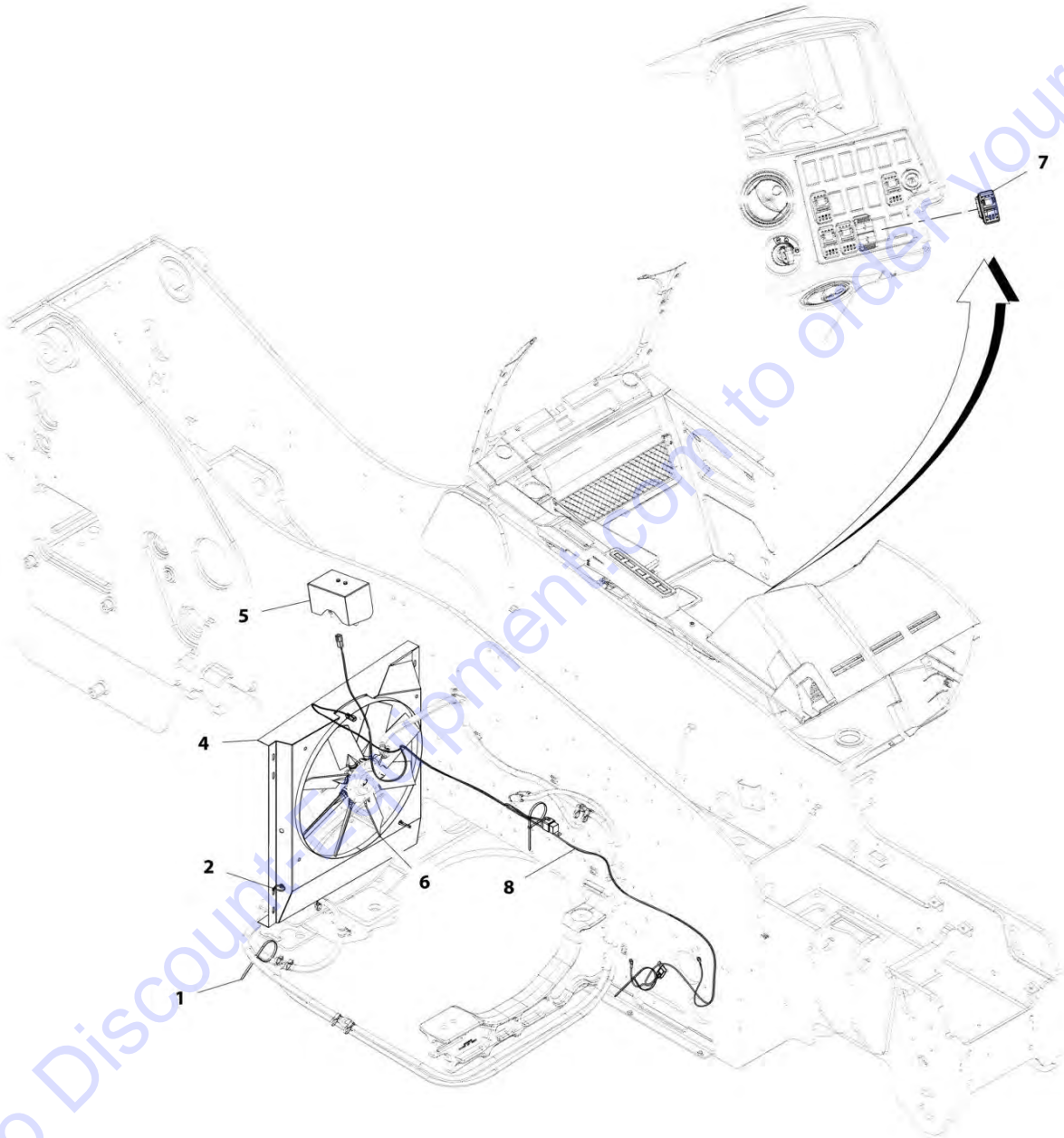
FIGURE 4-27. COOLING FAN INSTALLATION

ITEM	PART NUMBER	QTY	DESCRIPTION	REV
	1001214123	Ref	Cooling Fan Installation	A
1	0760810	4	Bolt, M8X20	
2	0770815	4	Bolt, M8X35 Grade 10.9	
3	4811900	8	Washer, M8	
4	1001170311	1	Adapter, Fan	
5	1001185026	1	Fan	

Go to Discount-Equipment.com to order your parts

SECTION 4 - ENGINE AND ATTACHING PARTS

FIGURE 4-28. REVERSE COOLING FAN INSTALLATION



ART_1001217753-C

SECTION 4 - ENGINE AND ATTACHING PARTS

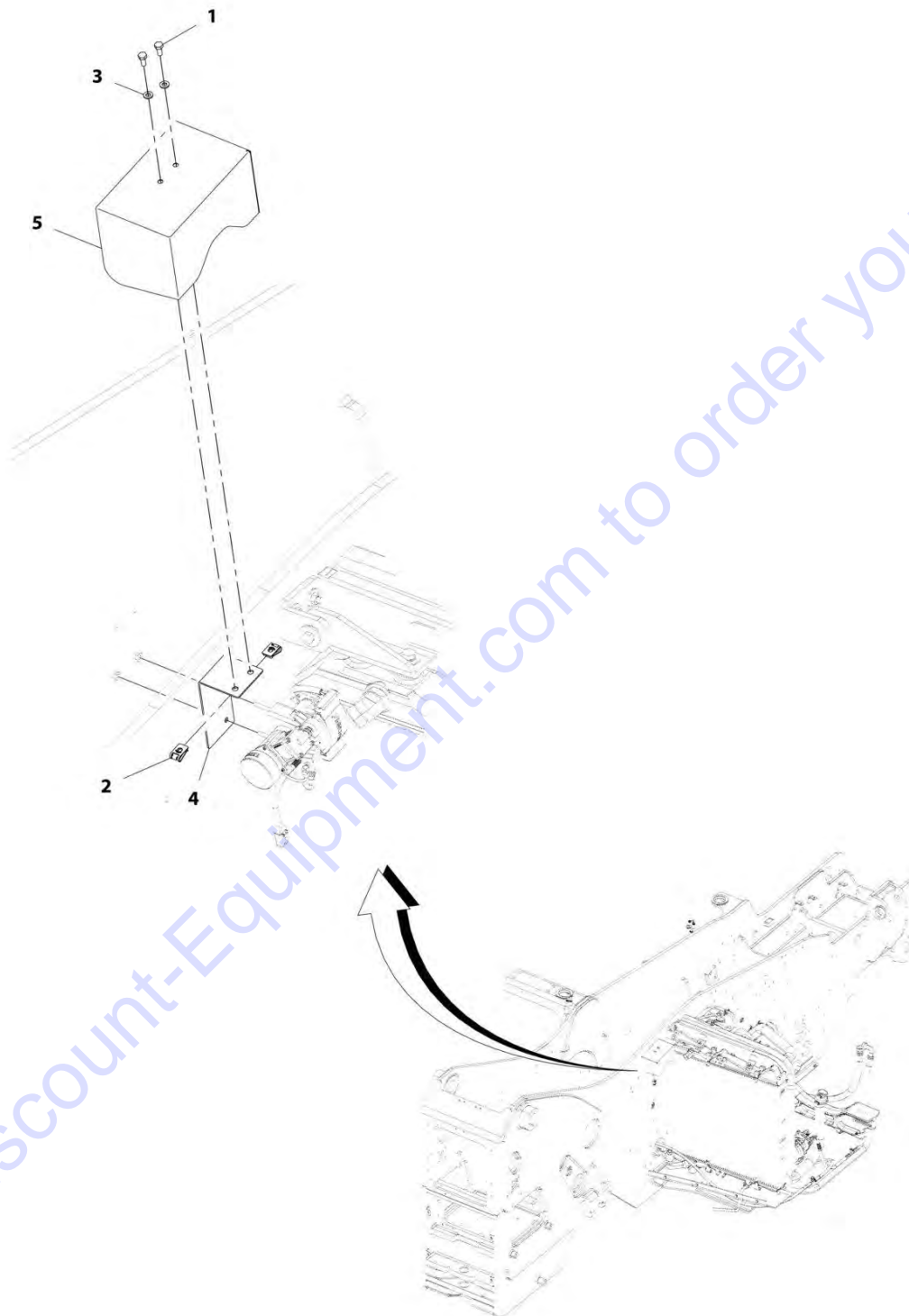
FIGURE 4-28. REVERSE COOLING FAN INSTALLATION

ITEM	PART NUMBER	QTY	DESCRIPTION	REV
	1001217753	Ref	Reverse Cooling Fan Installation	C
1	1062255	3	Strap, Tie	
2	1001146588	2	Strap, Fir Tree Cable Tie	
4	1001217756	1	Shroud	
5	1001217757	1	Installation, Cover (See Separate Breakdown in this Section)	
6	1001217760	1	Kit, Reversing Fan	
7	1001145204	1	Switch	
8	1001221493	1	Harness, Reversing Fan (See Separate Breakdown in Electrical Section)	

Go to Discount-Equipment.com to order your parts

SECTION 4 - ENGINE AND ATTACHING PARTS

FIGURE 4-29. COMPRESSOR COVER INSTALLATION



Go to Discount-Equipment.com to order your parts

ART_1001217757-A

SECTION 4 - ENGINE AND ATTACHING PARTS

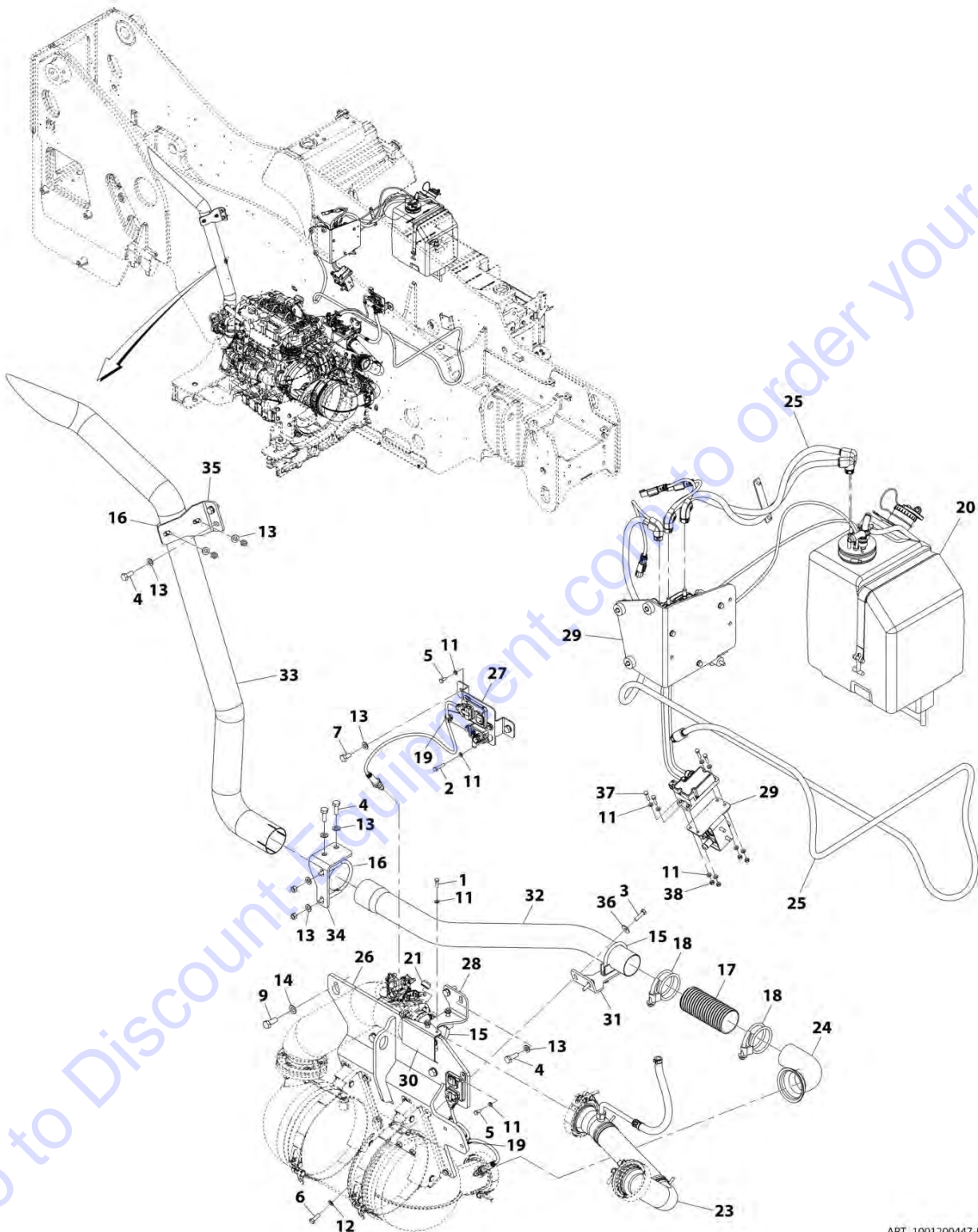
FIGURE 4-29. COMPRESSOR COVER INSTALLATION

ITEM	PART NUMBER	QTY	DESCRIPTION	REV
	1001217757	Ref	Compressor Cover Installation	A
1	0760607	2	Bolt, M6X14	
2	8305919	2	Nut, M6	
3	8307219	2	Washer, M6	
4	1001217758	1	Bracket	
5	1001217759	1	Cover	

Go to Discount-Equipment.com to order your parts

SECTION 4 - ENGINE AND ATTACHING PARTS

FIGURE 4-30. EXHAUST INSTALLATION (ULS)



ART_1001200447-I

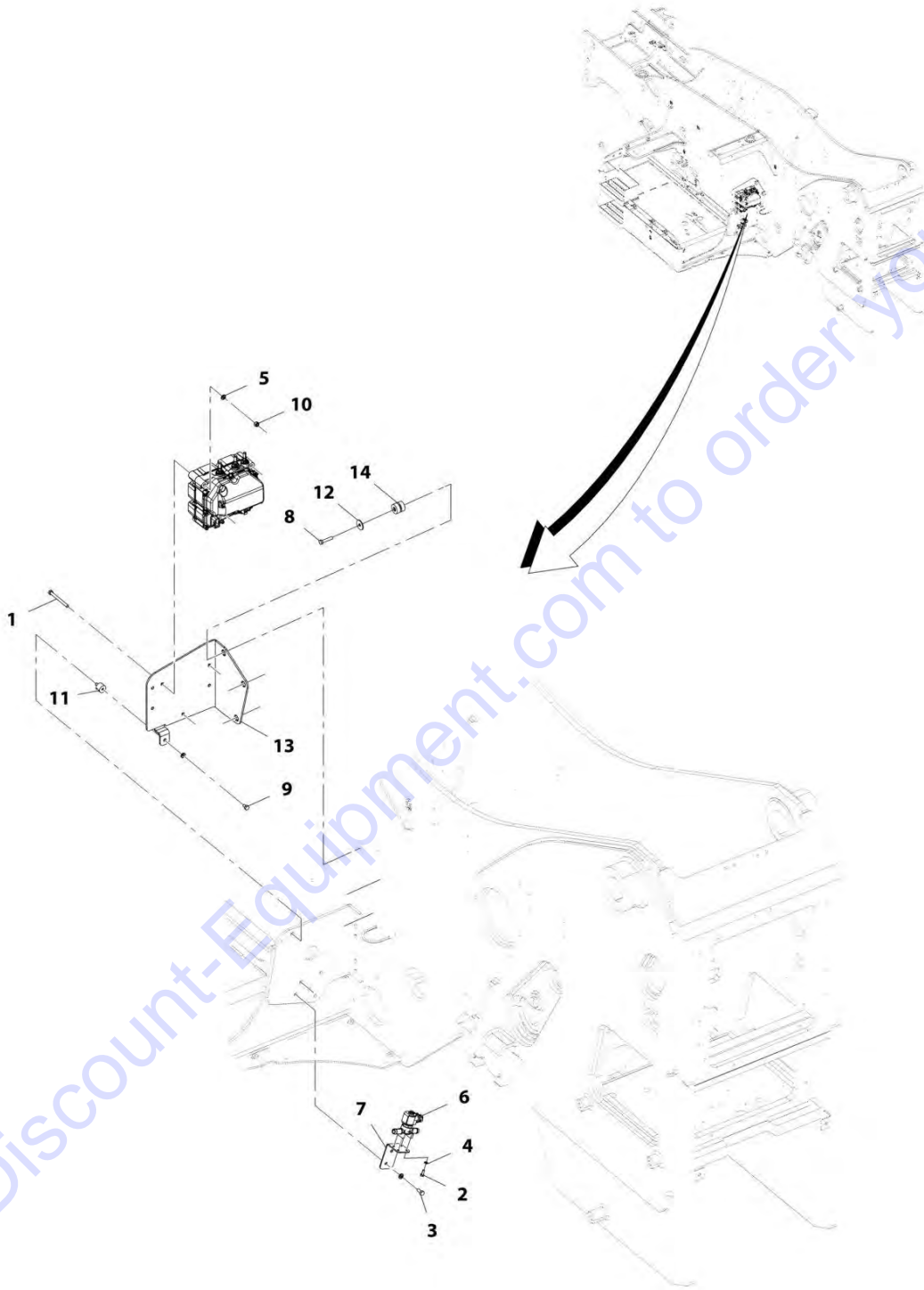
SECTION 4 - ENGINE AND ATTACHING PARTS

FIGURE 4-30. EXHAUST INSTALLATION (ULS)

ITEM	PART NUMBER	QTY	DESCRIPTION	REV
	1001200447	Ref	Exhaust Installation (ULS)	I
1	0700610	1	Bolt, M6X20	
2	0700614	2	Bolt, M6X30	
3	0700814	2	Bolt, M8X30	
4	0701014	6	Bolt, M10X30	
5	0760607	4	Bolt, M6X14	
6	0760812	8	Bolt, M8X25	
7	0761010	2	Bolt, M10X20	
9	0761214	4	Bolt, M12X30	
11	4811700	1	Washer, M6	
12	4811900	8	Washer, M8	
13	4812000	12	Washer, M10	
14	4812100	4	Washer, M12	
15	8275212	2	Clamp	
16	24921332	2	Clamp	
17	77213042	1	Tube, Flexible	
18	91163268	2	Clamp	
19	1001146588	3	Strap, Tie	
20	1001212923	Ref	Installation, DEF Tank, (See Seperate Breakdown in this Section)	
21	1001171913	1	Cap	
23	1001199902	1	Pipe	
24	1001200249	1	Pipe	
25	1001200867	Ref	Installation, DEF Lines (See Seperate Breakdown in this Section)	
26	1001201856	1	Bracket	
27	1001201857	1	Bracket	
28	1001201858	1	Support	
29	1001202018	Ref	Installation, DEF Control Module (See Seperate Breakdown in this Section)	
30	1001202021	1	Plate	
31	1001202899	1	Bracket	
32	1001204411	1	Pipe	
33	1001226797	1	Pipe, Tail	
34	1001204413	1	Bracket	
35	1001204414	1	Bracket	
36	4811902	2	Washer, M8	
37	0760612	4	Bolt, M6X25	
38	3290605	4	Nut, M6X1	

SECTION 4 - ENGINE AND ATTACHING PARTS

FIGURE 4-31. DEF CONTROL MODULE INSTALLATION



Go to Discount-Equipment.com to order your parts

ART_1001202018-E

PARTS FINDER

**Search Website
by Part Number**



**Search Manual
Library For Parts
Manual & Lookup Part
Numbers – Purchase
or Request Quote**

**Can't Find Part or
Manual? Request Help
by Manufacturer,
Model & Description**

Discount-Equipment.com is your online resource for quality parts & equipment.

Florida: **561-964-4949** Outside Florida TOLL FREE: **877-690-3101**

Need parts?

Click on this link: <http://www.discount-equipment.com/category/5443-parts/> and choose one of the options to help get the right parts and equipment you are looking for. Please have the machine model and serial number available in order to help us get you the correct parts. If you don't find the part on the website or on one of the online manuals, please fill out the request form and one of our experienced staff members will get back to you with a quote for the right part that your machine needs.

We sell worldwide for the brands: Genie, Terex, JLG, MultiQuip, Mikasa, Essick, Whiteman, Mayco, Toro Stone, Diamond Products, Generac Magnum, Airman, Haulotte, Barreto, Power Blanket, Nifty Lift, Atlas Copco, Chicago Pneumatic, Allmand, Miller Curber, Skyjack, Lull, Skytrak, Tsurumi, Husquvarna Target, Stow, Wacker, Sakai, Mi-T-M, Sullair, Basic, Dynapac, MBW, Weber, Bartell, Bennar Newman, Haulotte, Ditch Runner, Menegotti, Morrison, Contec, Buddy, Crown, Edco, Wyco, Bomag, Laymor, EZ Trench, Bil-Jax, F.S. Curtis, Gehl Pavers, Heli, Honda, ICS/PowerGrit, IHI, Partner, Imer, Clipper, MMD, Koshin, Rice, CH&E, General Equipment, Amida, Coleman, NAC, Gradall, Square Shooter, Kent, Stanley, Tamco, Toku, Hatz, Kohler, Robin, Wisconsin, Northrock, Oztec, Toker TK, Rol-Air, APT, Wylie, Ingersoll Rand / Doosan, Innovatech, Con X, Ammann, Mecalac, Makinex, Smith Surface Prep, Small Line, Wanco, Yanmar

SECTION 4 - ENGINE AND ATTACHING PARTS

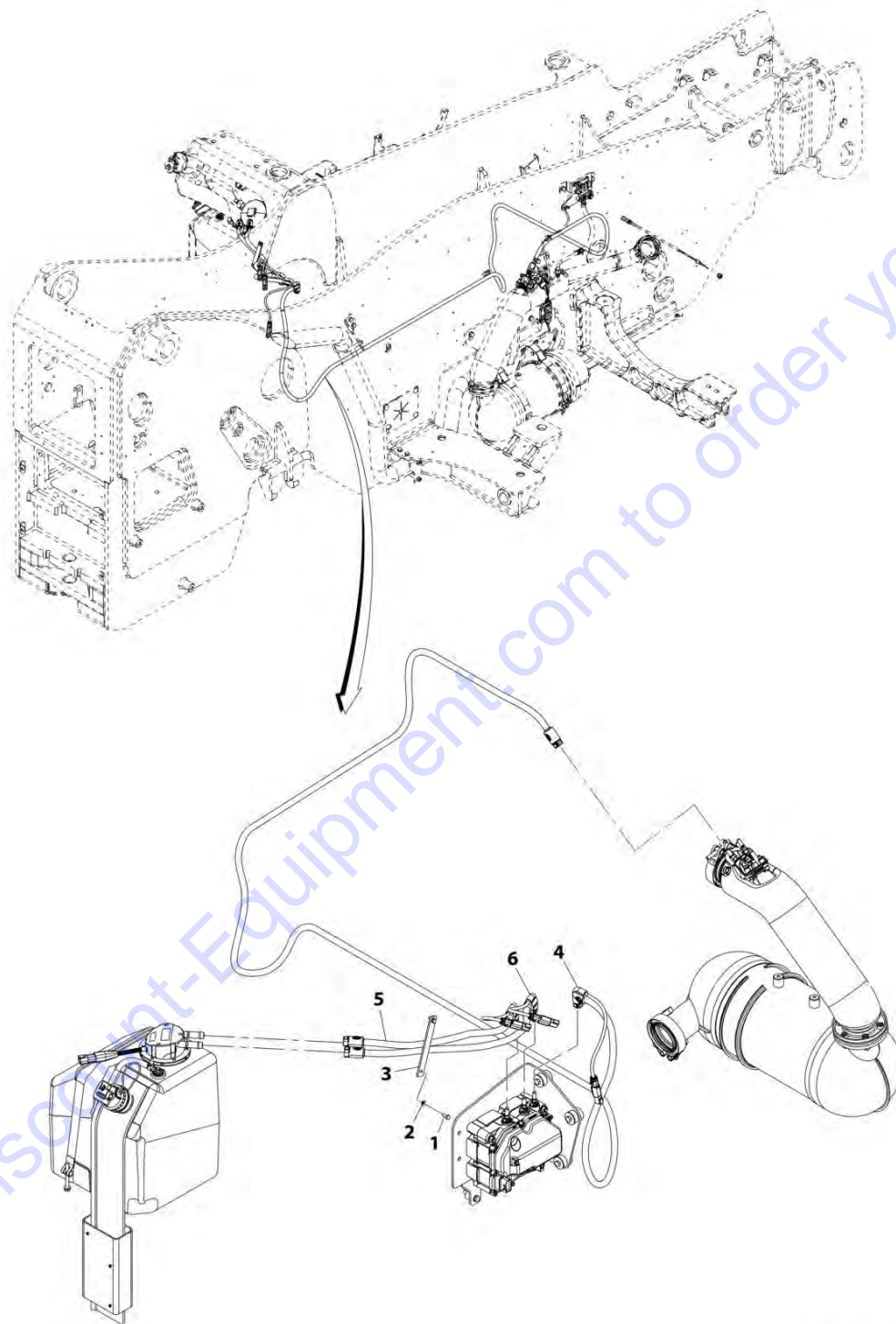
FIGURE 4-31. DEF CONTROL MODULE INSTALLATION

ITEM	PART NUMBER	QTY	DESCRIPTION	REV
	1001202018	Ref	DEF Control Module Installation	E
1	0700826	3	Bolt, M8X90	
2	0760608	4	Bolt, M6X16	
3	0760810	2	Bolt, M8X20	
4	4811700	4	Washer, M6	
5	4811900	9	Washer, M8	
6	1001199670	1	Valve, DEF Tank Coolant Flow	
7	1001223509	1	Bracket	
8	0700816	3	Bolt, M8X40	
9	0760806	1	Bolt, M8X12	
10	3290805	3	Nut, Lock M8X1.25 Grade 8	
11	1001179907	1	Mount, Isolator	
12	1001195089	3	Washer	
13	1001221349	1	Bracket	
14	1001221383	3	Mount, Isolator	

Go to Discount-Equipment.com to order your parts

SECTION 4 - ENGINE AND ATTACHING PARTS

FIGURE 4-32. DEF LINES INSTALLATION



ART_1001200867-D

SECTION 4 - ENGINE AND ATTACHING PARTS

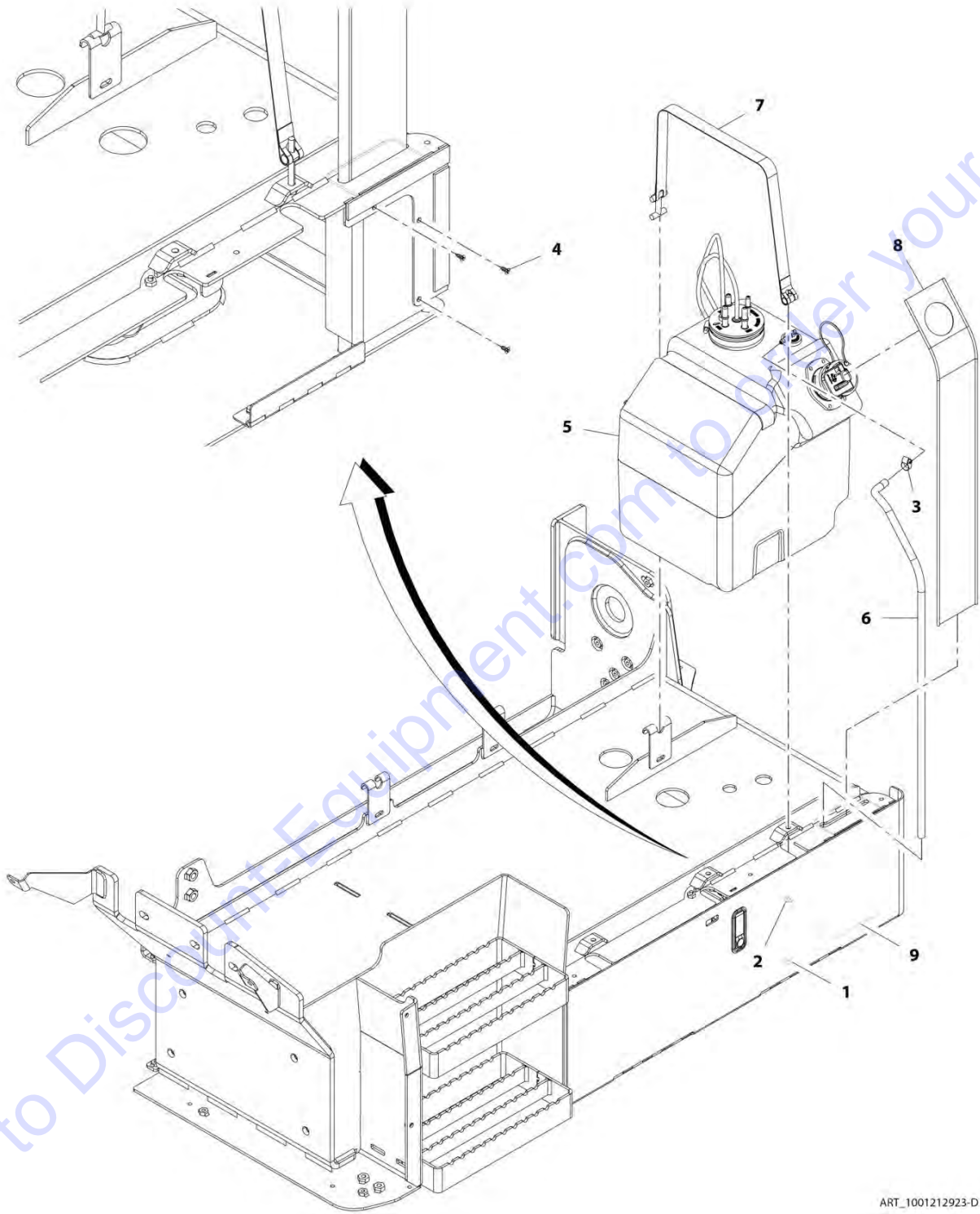
FIGURE 4-32. DEF LINES INSTALLATION

ITEM	PART NUMBER	QTY	DESCRIPTION	REV
	1001200867	Ref	DEF Lines Installation	D
1	0760607	2	Bolt, M6X14	
2	4831700	2	Washer, Lock M6	
3	1001173873	1	Plate	
4	1001180437	1	Hose	
5	1001199822	1	Hose	
6	1001199823	1	Hose	

Go to Discount-Equipment.com to order your parts

SECTION 4 - ENGINE AND ATTACHING PARTS

FIGURE 4-33. DEF TANK INSTALLATION



ART_1001212923-D

SECTION 4 - ENGINE AND ATTACHING PARTS

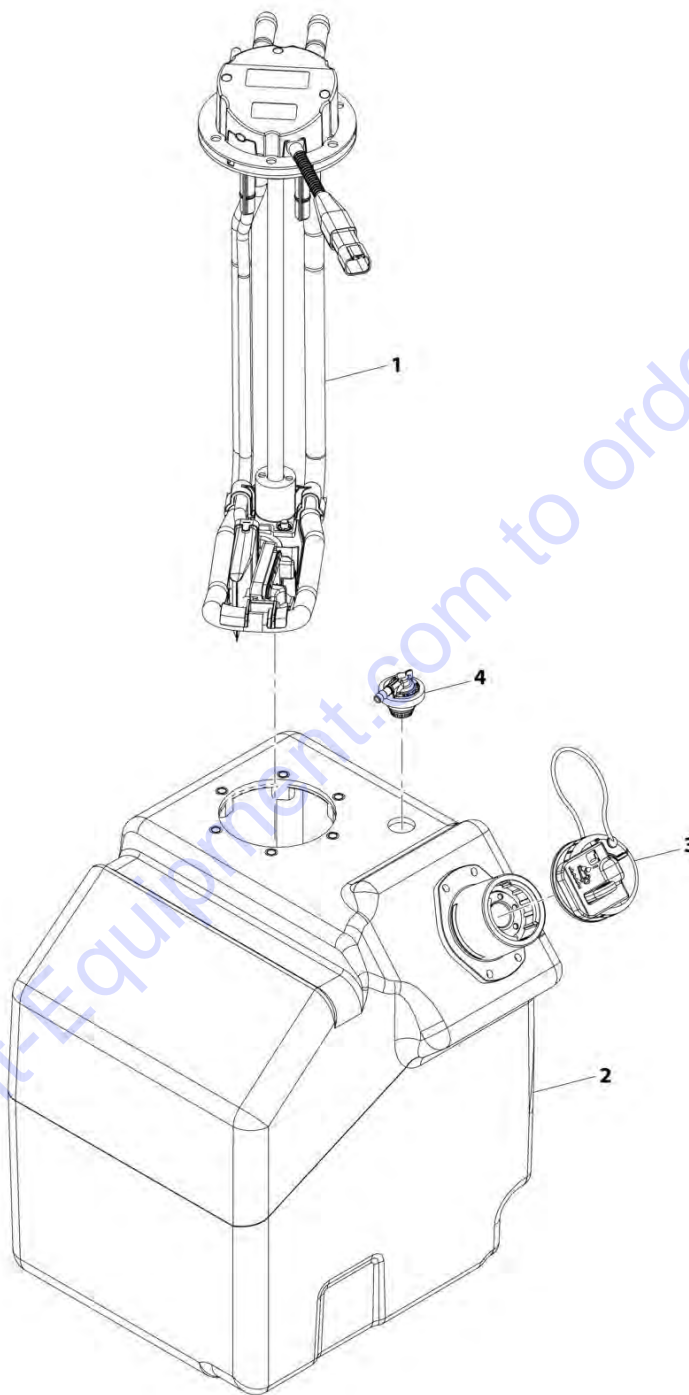
FIGURE 4-33. DEF TANK INSTALLATION

ITEM	PART NUMBER	QTY	DESCRIPTION	REV
	1001212923	Ref	DEF Tank Installation	D
1	0760823	1	Bolt, M8X75	
2	4811900	1	Washer, M8	
3	8405009	1	Clamp	
4	1001226681	3	Screw	
5	1001230423	1	Assembly, DEF Tank (See Seperate Breakdown in this Section)	
6	1001175201	813 mm	Hose	
7	1001178791	1	Strap, Tank	
8	1001212924	1	Guard, Spill	
9	1001212925	1	Tube, Drain	

Go to Discount-Equipment.com to order your parts

SECTION 4 - ENGINE AND ATTACHING PARTS

FIGURE 4-34. DEF TANK ASSEMBLY



ART_1001225676-B

SECTION 4 - ENGINE AND ATTACHING PARTS

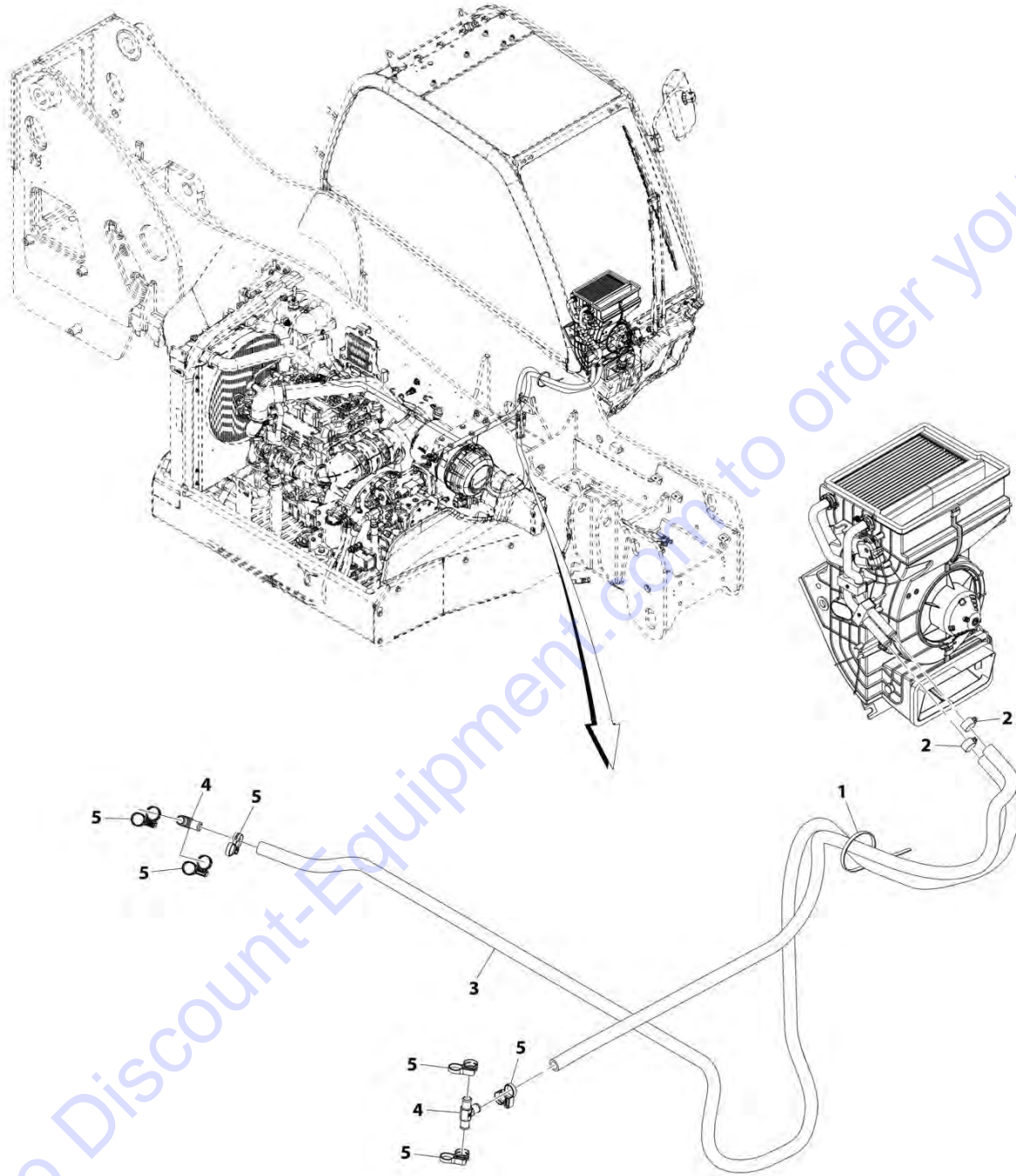
FIGURE 4-34. DEF TANK ASSEMBLY

ITEM	PART NUMBER	QTY	DESCRIPTION	REV
	1001225676	Ref	Def Tank Assembly	B
1	1001225677	1	DEF, Header	
2	1001164967	1	Tank, DEF	
3	1001174795	1	Cap	
4	1001215319	1	Valve, DEF Breather	

Go to Discount-Equipment.com to order your parts

SECTION 4 - ENGINE AND ATTACHING PARTS

FIGURE 4-35. HEATER LINES INSTALLATION (ULS)



ART_1001200451-D

SECTION 4 - ENGINE AND ATTACHING PARTS

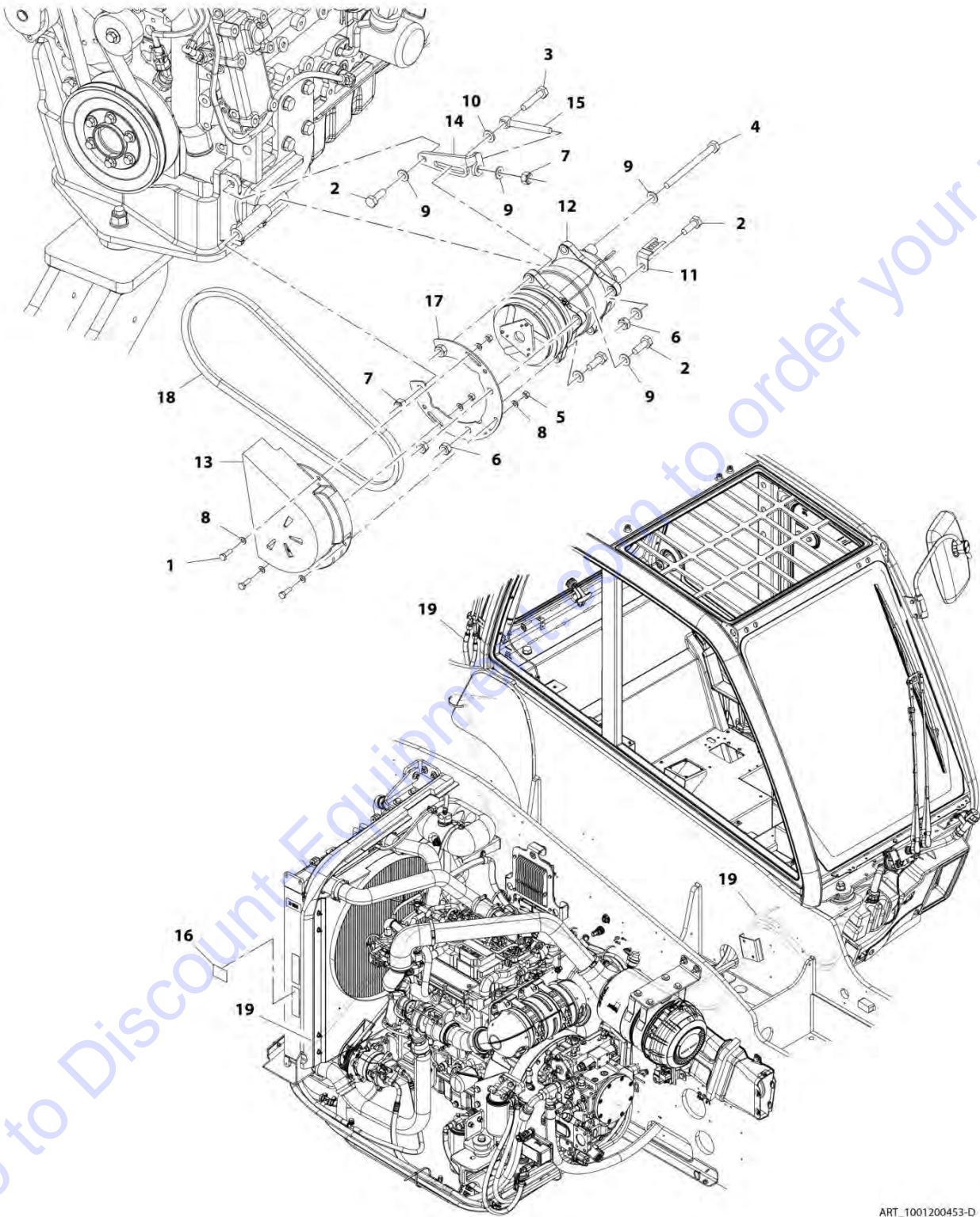
FIGURE 4-35. HEATER LINES INSTALLATION (ULS)

ITEM	PART NUMBER	QTY	DESCRIPTION	REV
	1001200451	Ref	Heater Lines Installation (ULS)	D
1	1062255	AR	Strap, Tie	
2	8410009	2	Clamp	
3	82033995	4620 mm	Hose	
4	1001170432	2	Fitting, Tee	
5	1001202526	6	Clamp	

Go to Discount-Equipment.com to order your parts

SECTION 4 - ENGINE AND ATTACHING PARTS

FIGURE 4-36. A/C PUMP INSTALLATION



ART_1001200453-D

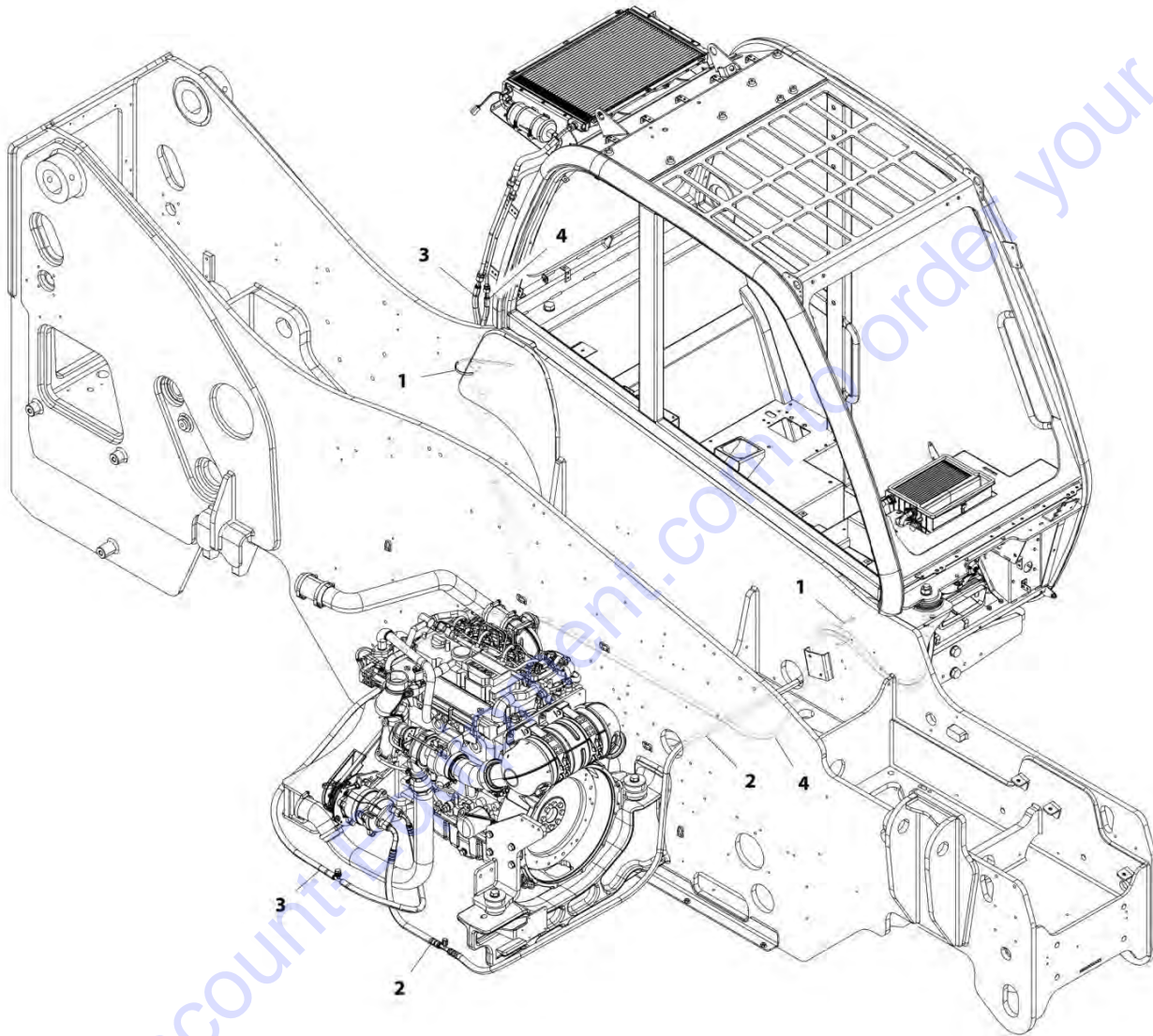
SECTION 4 - ENGINE AND ATTACHING PARTS

FIGURE 4-36. A/C PUMP INSTALLATION

ITEM	PART NUMBER	QTY	DESCRIPTION	REV
	1001200453	Ref	A/C Pump Installation	D
1	0700610	3	Bolt, M6X20	
2	0701014	4	Bolt, M10X30	
3	0701018	1	Bolt, M10X50	
4	0711030	1	Bolt, M10X130 Grade 10.9	
5	3290605	3	Nut, Lock M6X1	
6	3291001	3	Nut, M10X1.5	
7	3291005	2	Nut, lock M10X1.5	
8	4811700	6	Washer, M6	
9	4812000	6	Washer, M10	
10	5241000	1	Washer, M10	
11	1001003305	1	Clip	
12	1001107339	1	Compressor, A/C Clutch	
13	1001138945	1	Cover, Compressor	
14	1001188855	1	Plate, A/C Belt Tensioner	
15	1001188856	1	Rod, Tensioner	
16	1001227090	1	Decal, A/C Installation	
17	1001193797	1	Support, Cover	
18	1001200701	1	Belt, Drive	
19	1001202321	Ref	A/C Lines Installation (See Seperate Breakdown in this Section)	

SECTION 4 - ENGINE AND ATTACHING PARTS

FIGURE 4-37. A/C LINES INSTALLATION



ART_1001202321-D

SECTION 4 - ENGINE AND ATTACHING PARTS

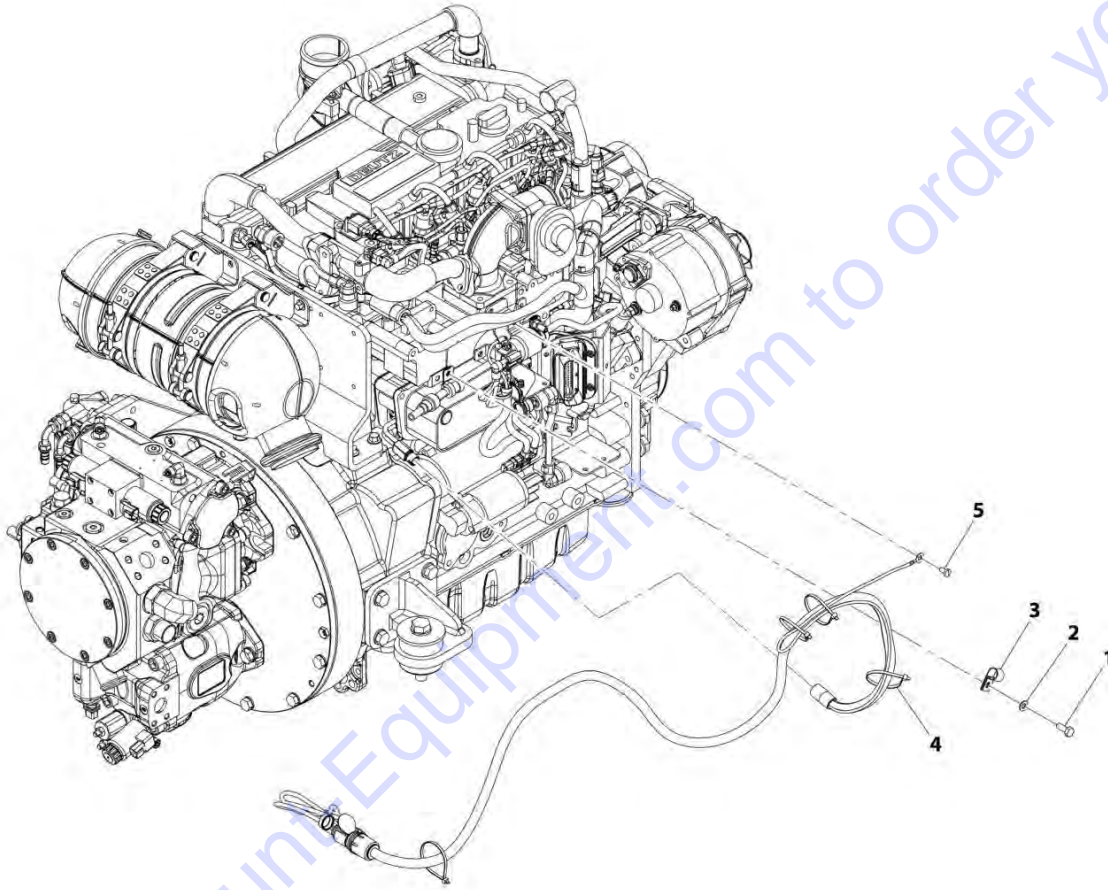
FIGURE 4-37. A/C LINES INSTALLATION

ITEM	PART NUMBER	QTY	DESCRIPTION	REV
	1001202321	Ref	A/C Lines Installation	D
1	1062255	2	Strap, Tie	
2	1001216798	1	Hose	
3	1001216799	1	Hose	
4	1001202325	1	Hose	

Go to Discount-Equipment.com to order your parts

SECTION 4 - ENGINE AND ATTACHING PARTS

FIGURE 4-38. BLOCK HEATER INSTALLATION (115V) (ULS)



ART_1001214349-C

SECTION 4 - ENGINE AND ATTACHING PARTS

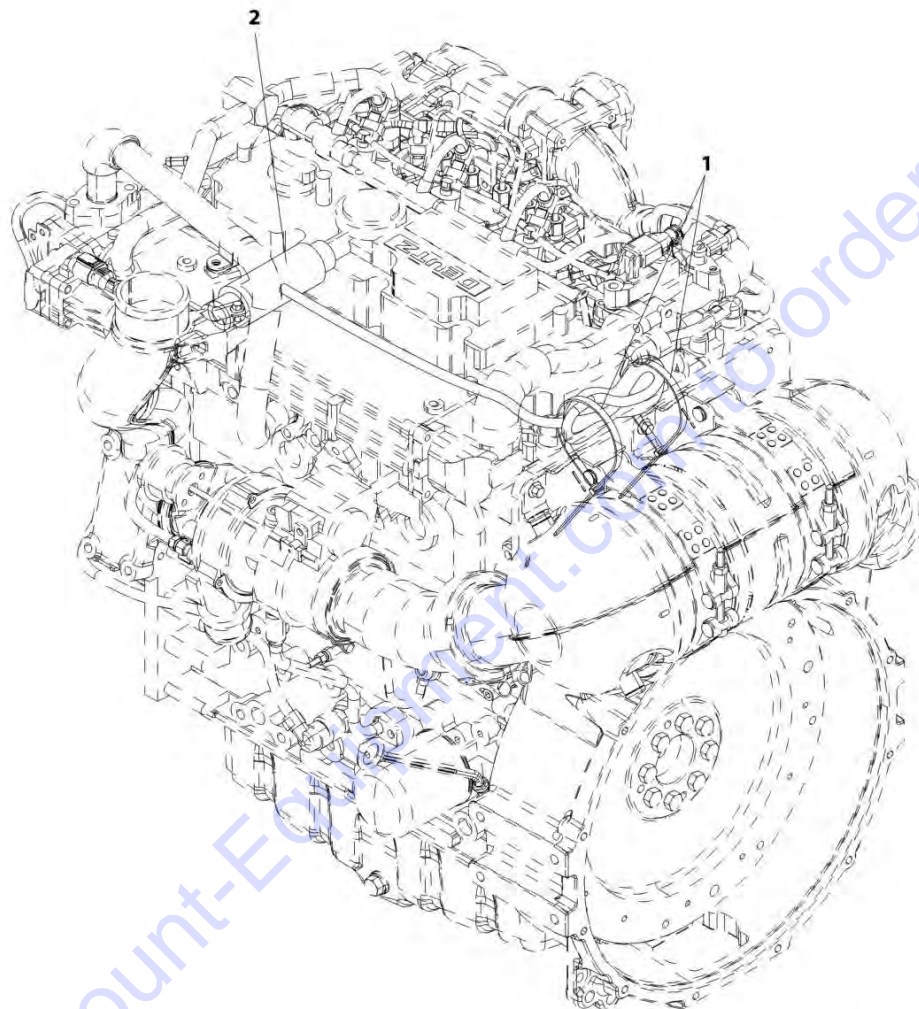
FIGURE 4-38. BLOCK HEATER INSTALLATION (115V) (ULS)

ITEM	PART NUMBER	QTY	DESCRIPTION	REV
	1001214349	1	Block Heater Installation (115V) (ULS)	C
1	0760810	1	Bolt, M8X20	
2	4811900	1	Washer, M8	
3	8406112	1	Clip	
4	1001008559	4	Strap, Cable	
5	1001099566	1	Screw, M6-1X12	

Go to Discount-Equipment.com to order your parts

SECTION 4 - ENGINE AND ATTACHING PARTS

FIGURE 4-39. HEATED BREATHER TUBE INSTALLATION



ART_1001233024-A

SECTION 4 - ENGINE AND ATTACHING PARTS

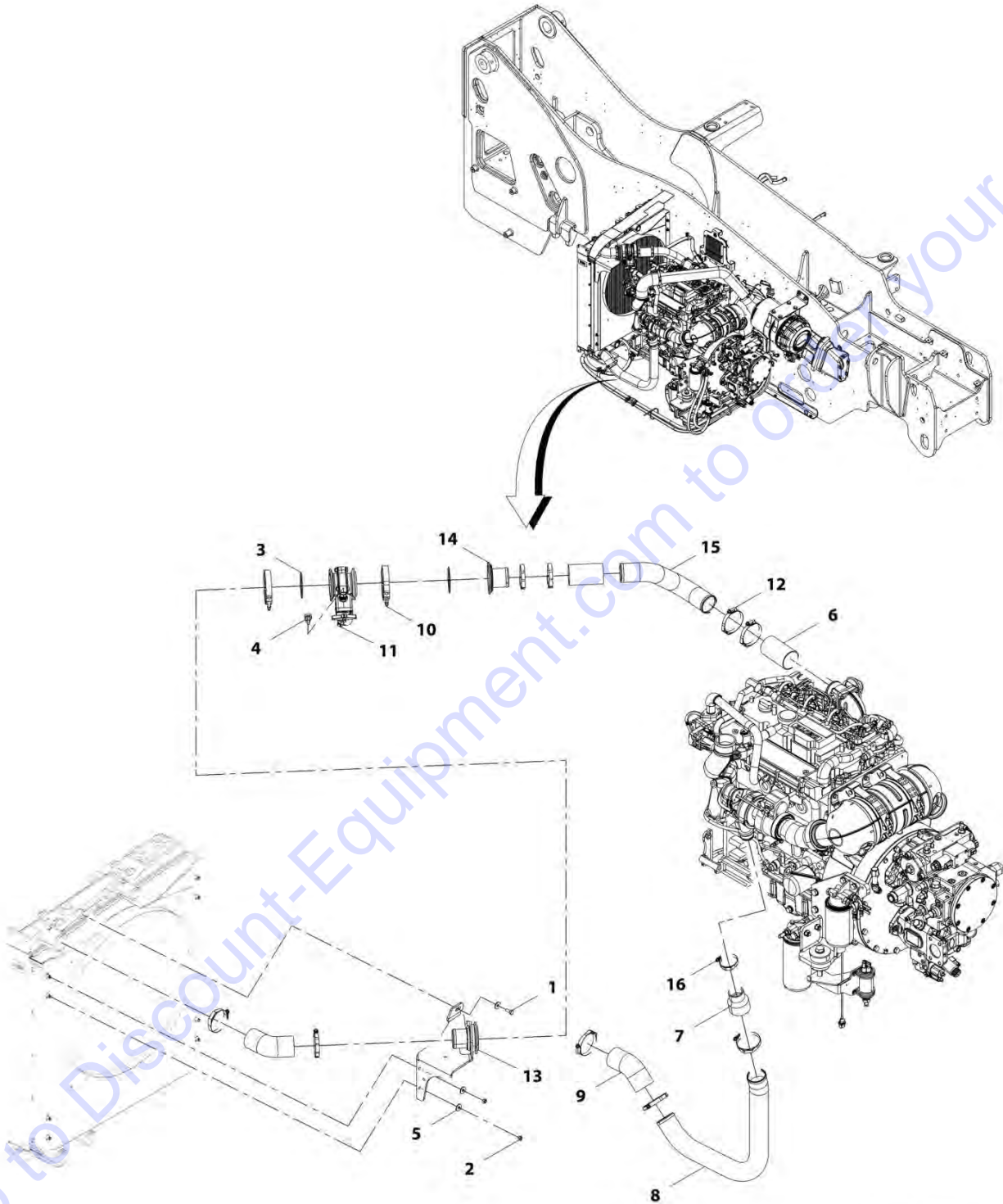
FIGURE 4-39. HEATED BREATHER TUBE INSTALLATION

ITEM	PART NUMBER	QTY	DESCRIPTION	REV
	1001233024	Ref	Heated Breather Tube Installation	A
1	1062255	2	Strap, Tie	
2	1001232509	1	Hose	

Go to Discount-Equipment.com to order your parts

SECTION 4 - ENGINE AND ATTACHING PARTS

FIGURE 4-40. RADIATOR LINES INSTALLATION



ART_1001223869-B

SECTION 4 - ENGINE AND ATTACHING PARTS

FIGURE 4-40. RADIATOR LINES INSTALLATION

ITEM	PART NUMBER	QTY	DESCRIPTION	REV
	1001223869	Ref	CAC Lines Installation	B
1	0760810	1	Bolt, M8X20	
2	3290801	2	Nut, M8X1.25	
3	3790152	2	Ring	
4	4460742	1	Connector	
5	4811902	3	Washer, M8	
6	1001114495	2	Hose	
7	1001173528	1	Fitting, Straight	
8	1001201315	1	Pipe	
9	1001201316	2	Hose	
10	1001202247	2	Clamp	
11	1001204032	1	Valve, Shut Off (See Separate Breakdown in Hydraulic Components Section)	
12	1001215022	9	Clamp	
13	1001223618	1	Valve, ASO (See Separate Breakdown in Hydraulic Components Section)	
14	1001223628	1	Valve, ASO	
15	1001223645	1	Pipe	
16	1001215024	1	Clamp	

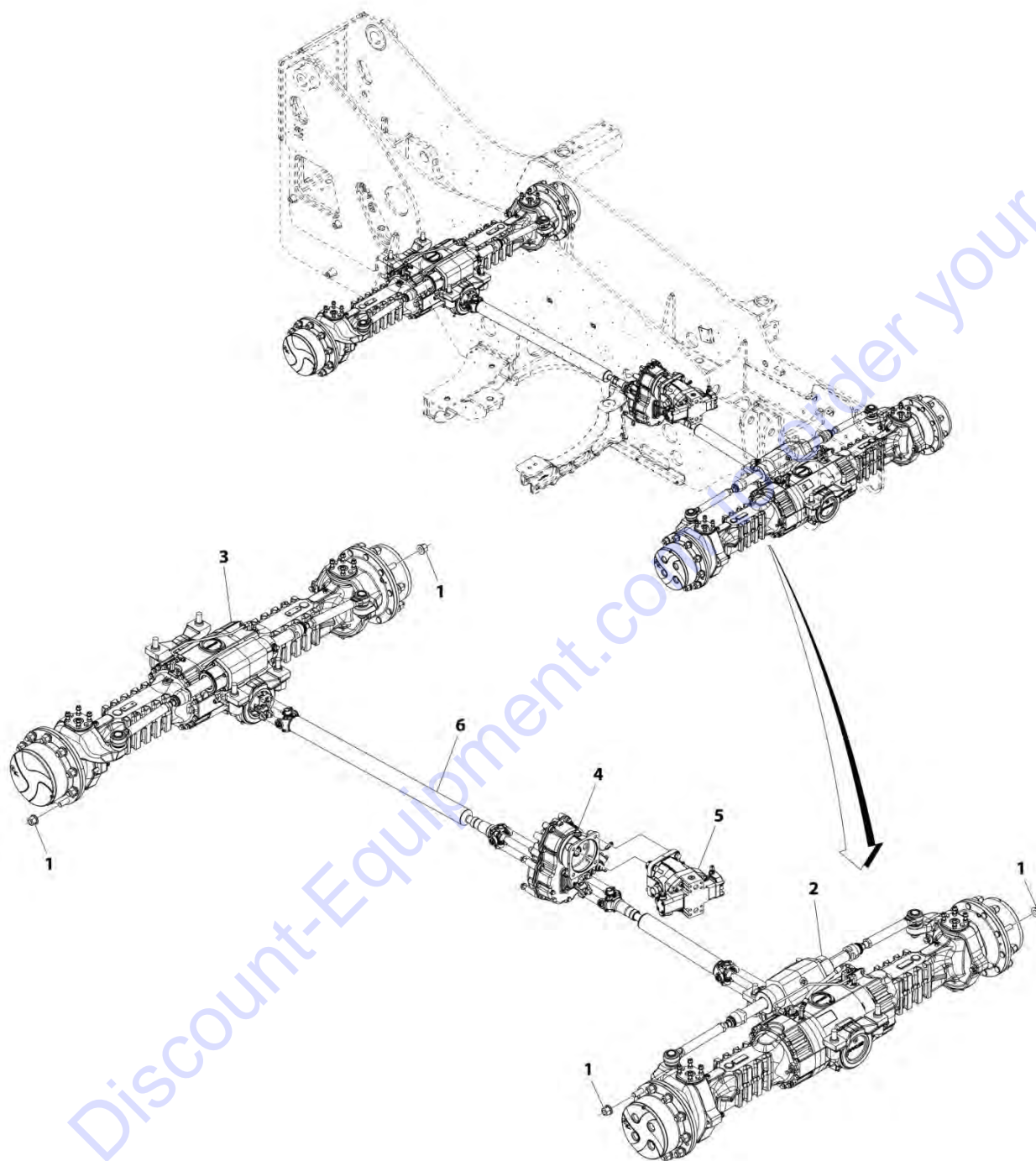
Go to Discount-Equipment.com to order your parts

SECTION 5 - DRIVETRAIN

Go to Discount-Equipment.com to order your parts

SECTION 5 - DRIVETRAIN

FIGURE 5-1. DRIVETRAIN INSTALLATION



ART_1001184976-B

SECTION 5 - DRIVETRAIN

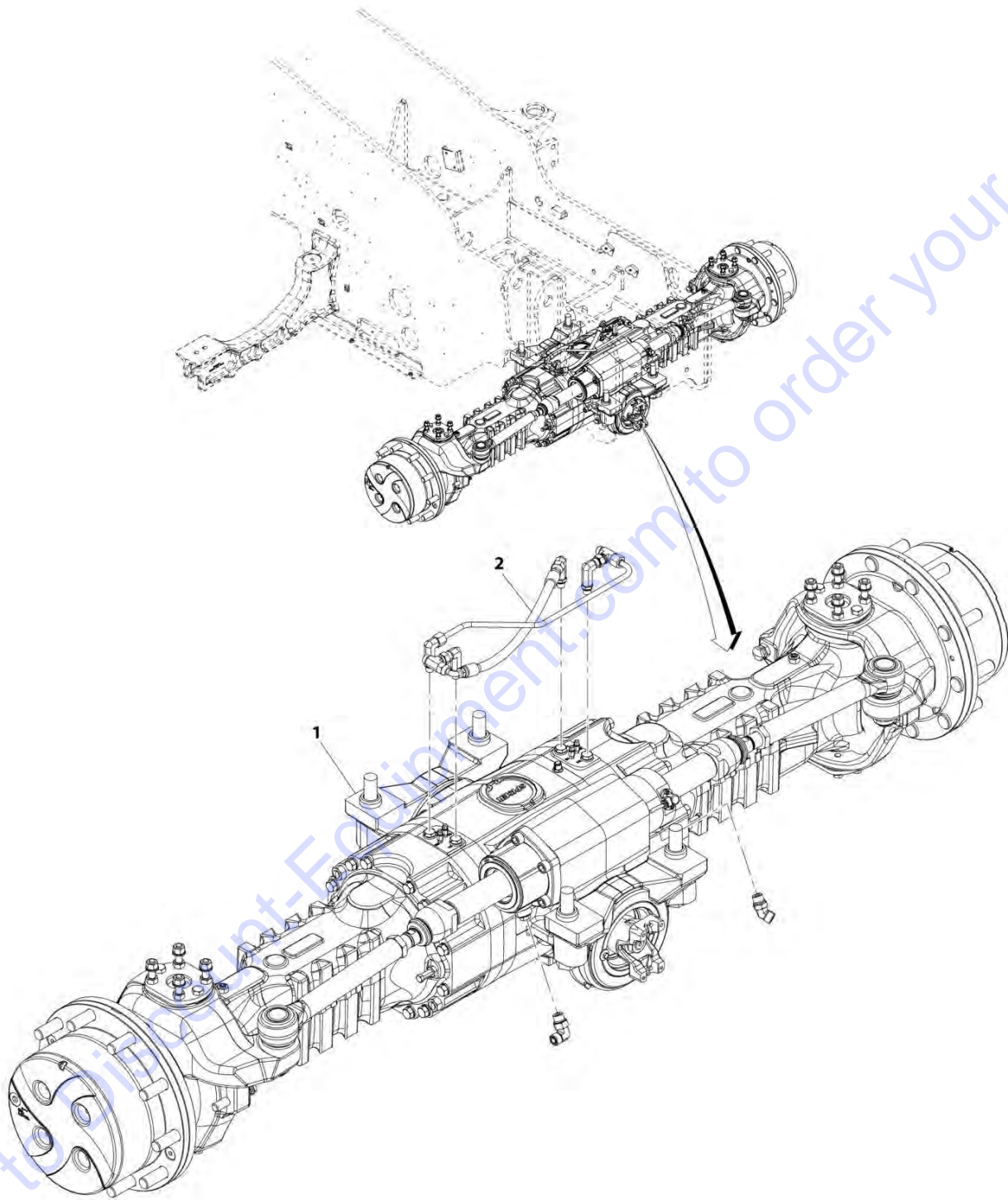
FIGURE 5-1. DRIVETRAIN INSTALLATION

ITEM	PART NUMBER	QTY	DESCRIPTION	REV
	1001184976	Ref	Drivetrain Installation	B
1	91403193	40	Nut, Lug M22X1.5	
2	1001184977	Ref	Installation, Front Axle (See Seperate Breakdown in this Section)	
3	1001184978	Ref	Installation, Rear Axle (See Seperate Breakdown in this Section)	
4	1001184979	Ref	Installation, Gearbox (See Seperate Breakdown in this Section)	
5	1001184980	Ref	Installation, Hydrostatic Motor (See Seperate Breakdown in this Section)	
6	1001184981	Ref	Installation, Drive Shaft (See Seperate Breakdown in this Section)	

Go to Discount-Equipment.com to order your parts

SECTION 5 - DRIVETRAIN

FIGURE 5-2. FRONT AXLE INSTALLATION



ART_1001184977-B

SECTION 5 - DRIVETRAIN

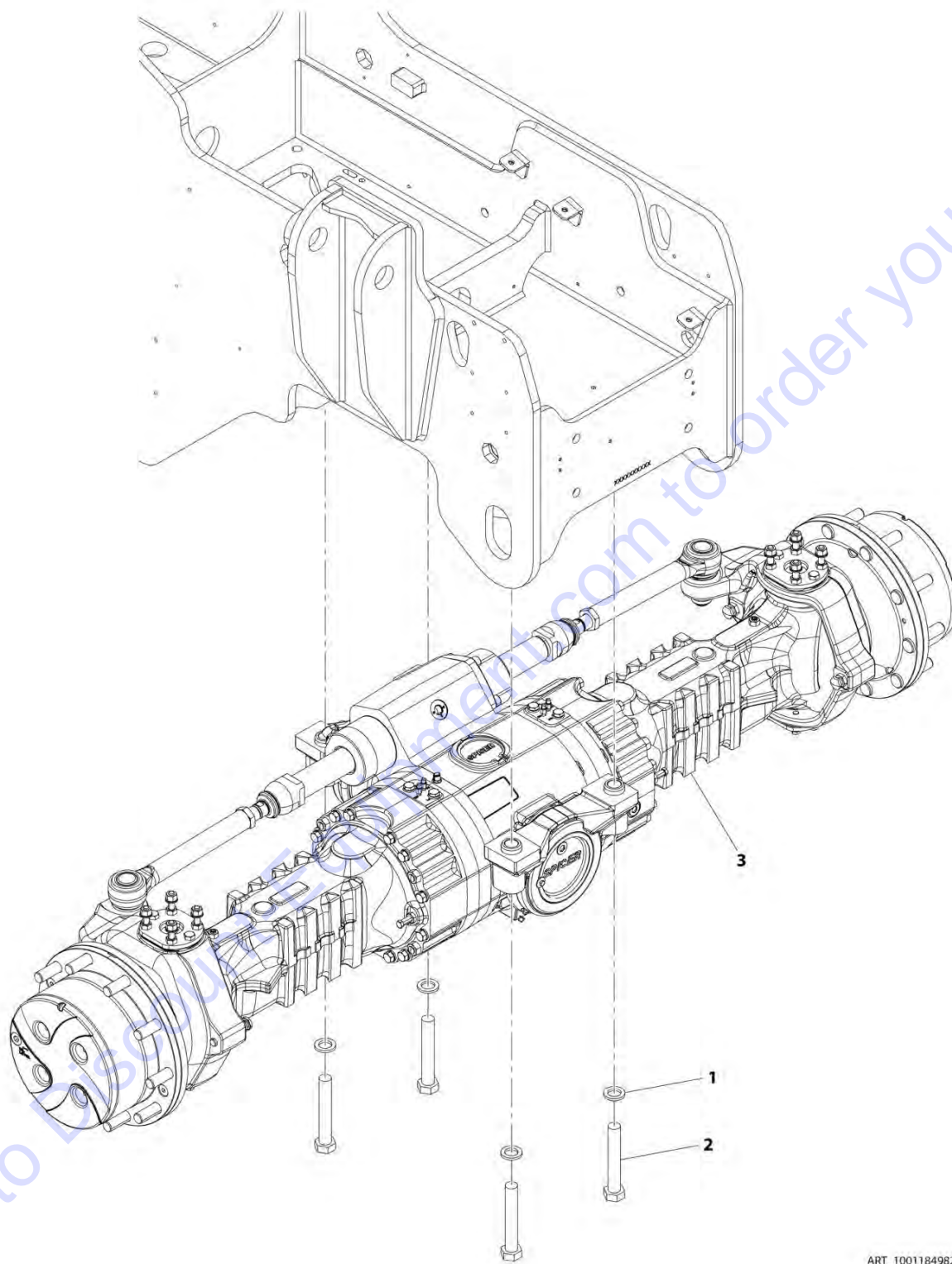
FIGURE 5-2. FRONT AXLE INSTALLATION

ITEM	PART NUMBER	QTY	DESCRIPTION	REV
1	1001184977	Ref	Front Axle Installation	B
	1001184982	Ref	Installation, Front Axle Mounting (See Seperate Breakdown in this Section)	
2	1001207898	Ref	Installation, Front Axle Lines (See Seperate Breakdown in this Section)	

Go to Discount-Equipment.com to order your parts

SECTION 5 - DRIVETRAIN

FIGURE 5-3. FRONT AXLE MOUNTING INSTALLATION



ART_1001184982-B

SECTION 5 - DRIVETRAIN

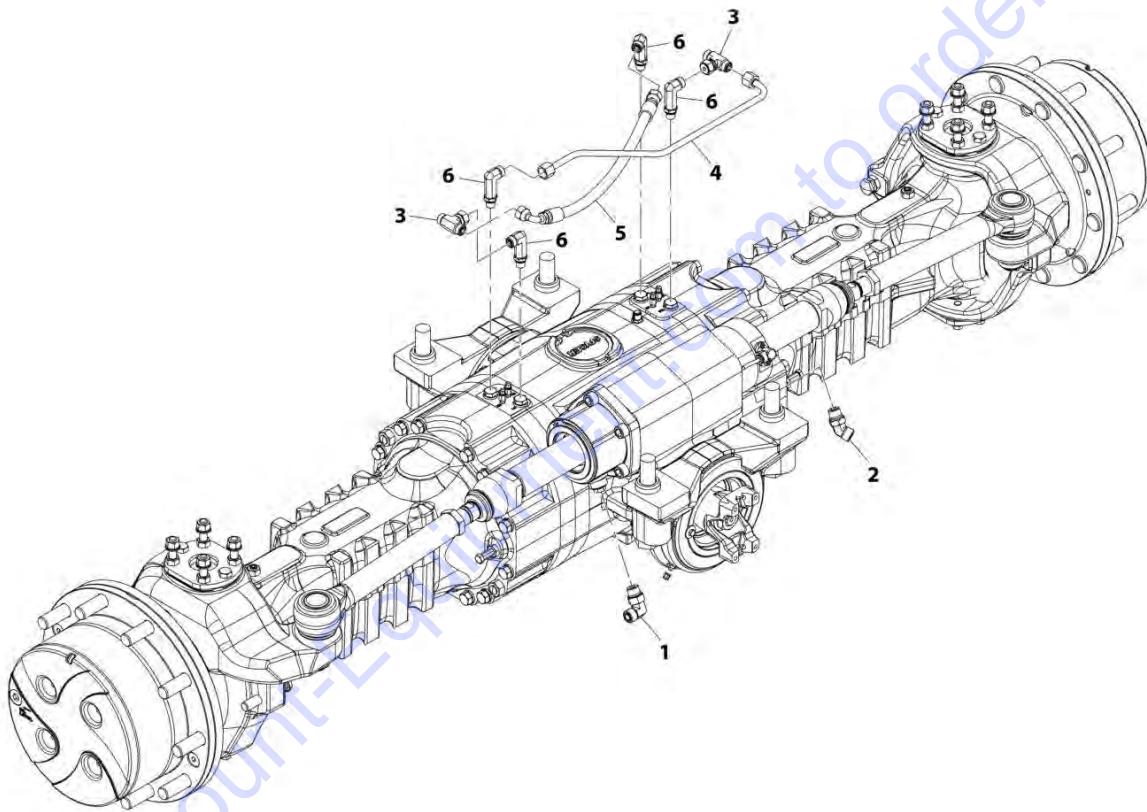
FIGURE 5-3. FRONT AXLE MOUNTING INSTALLATION

ITEM	PART NUMBER	QTY	DESCRIPTION	REV
	1001184982	Ref	Front Axle Mounting Installation	B
1	4892600	4	Washer	
2	1001097587	4	Bolt, M24-3X150 Grade 10.9	
3	1001184984	1	Axle, Front (See Seperate Breakdown in this Section)	

Go to Discount-Equipment.com to order your parts

SECTION 5 - DRIVETRAIN

FIGURE 5-4. FRONT AXLE LINES INSTALLATION



ART_1001207898-C

SECTION 5 - DRIVETRAIN

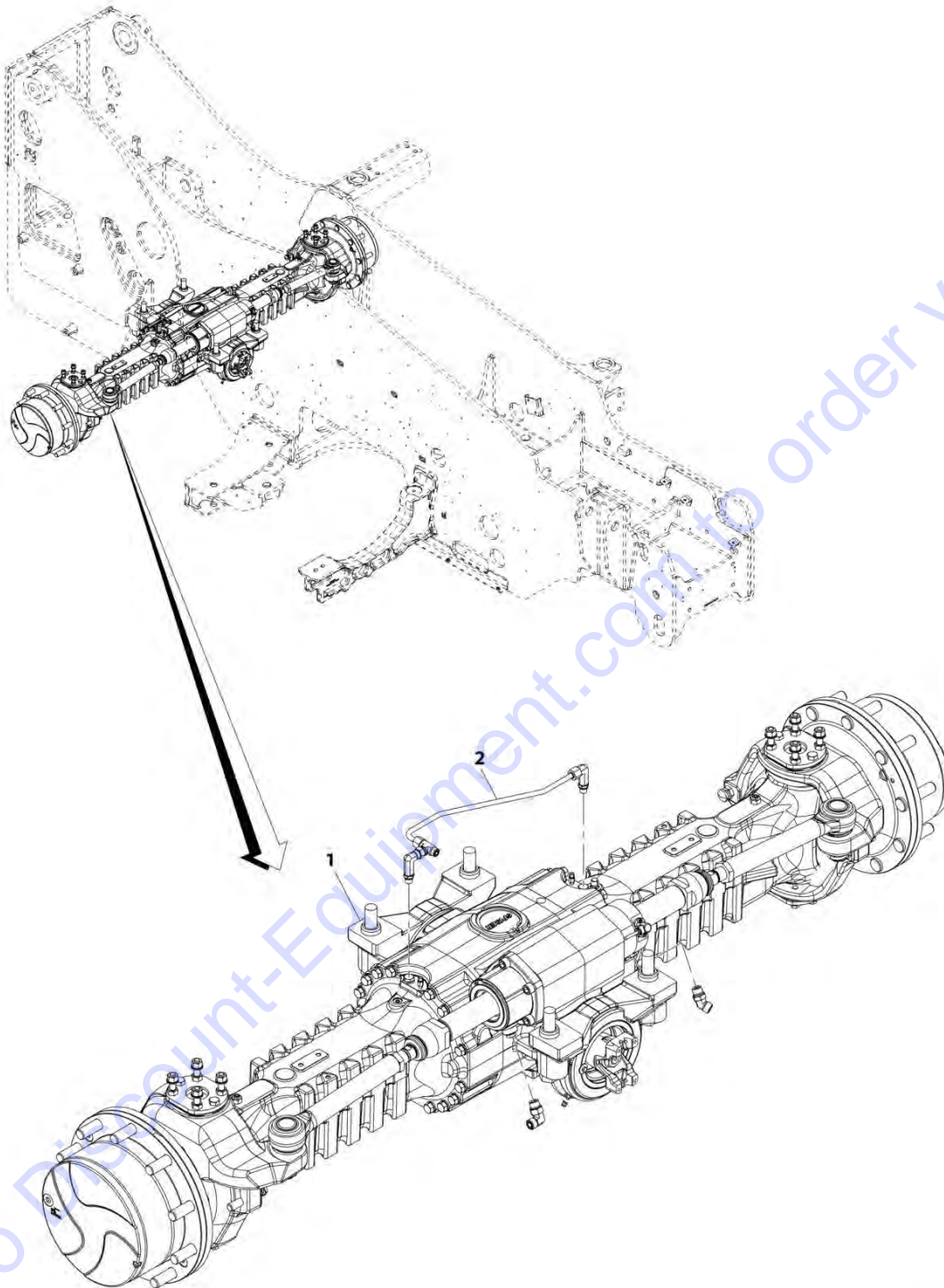
FIGURE 5-4. FRONT AXLE LINES INSTALLATION

ITEM	PART NUMBER	QTY	DESCRIPTION	REV
	1001207898	Ref	Front Axle Lines Installation	C
1	2130808	1	Fitting, 90 ORFS	
2	2150808	1	Fitting, 45 ORFS	
3	2170806	2	Fitting, Tee ORFS	
4	1001224598	1	Tube	
5	1001210281	1	Hose	
6	1001210769	4	Fitting, 90 ORFS	

Go to Discount-Equipment.com to order your parts

SECTION 5 - DRIVETRAIN

FIGURE 5-5. REAR AXLE INSTALLATION



ART_1001184978-B

SECTION 5 - DRIVETRAIN

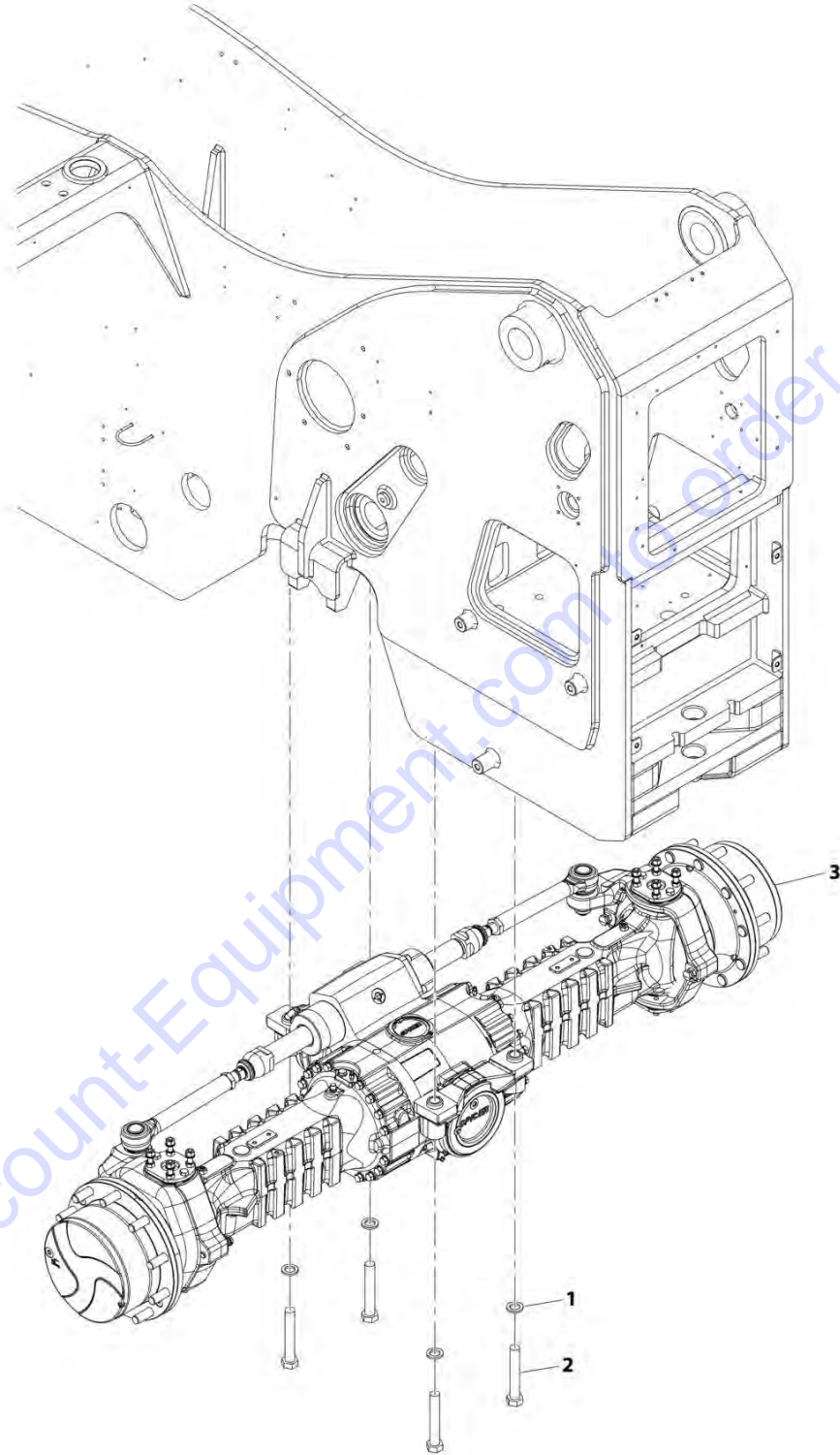
FIGURE 5-5. REAR AXLE INSTALLATION

ITEM	PART NUMBER	QTY	DESCRIPTION	REV
1	1001184978	Ref	Rear Axle Installation	B
	1001184983	Ref	Installation, Rear Axle Mounting (See Seperate Breakdown in this Section)	
2	1001207899	Ref	Installation, Rear Axle Lines (See Seperate Breakdown in this Section)	

Go to Discount-Equipment.com to order your parts

SECTION 5 - DRIVETRAIN

FIGURE 5-6. REAR AXLE MOUNTING INSTALLATION



ART_1001184983-B

SECTION 5 - DRIVETRAIN

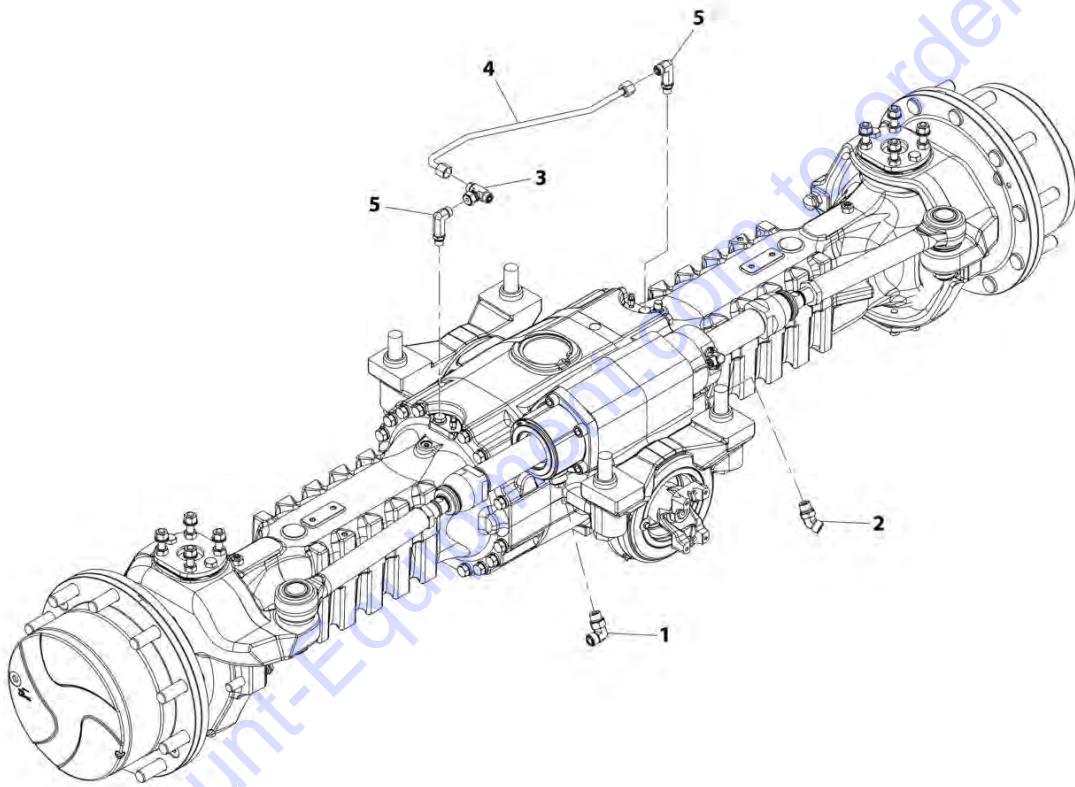
FIGURE 5-6. REAR AXLE MOUNTING INSTALLATION

ITEM	PART NUMBER	QTY	DESCRIPTION	REV
	1001184983	Ref	Rear Axle Mounting Installation	B
1	4892600	4	Washer	
2	1001097587	4	Bolt, M24-3X150 Grade 10.9	
3	1001184985	Ref	Axle, Rear (See Seperate Breakdown in this Section)	

Go to Discount-Equipment.com to order your parts

SECTION 5 - DRIVETRAIN

FIGURE 5-7. REAR AXLE LINES INSTALLATION



ART_1001207899-C

SECTION 5 - DRIVETRAIN

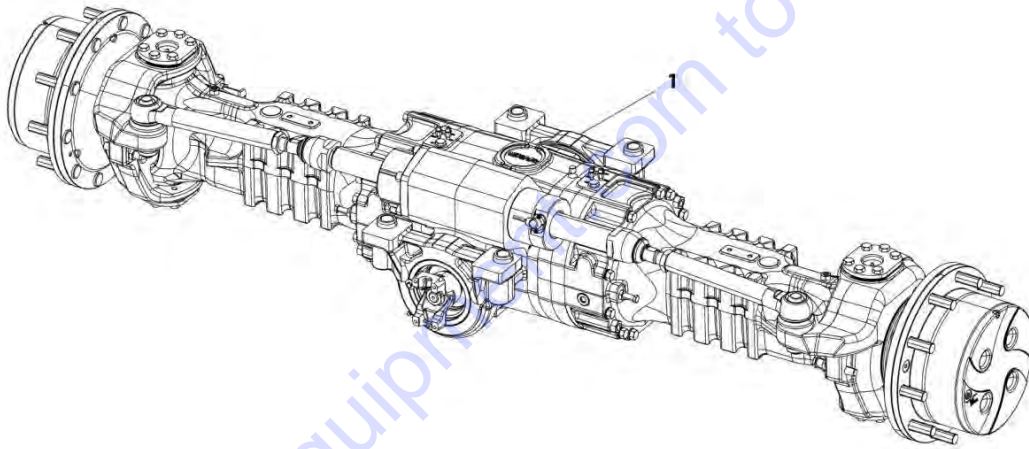
FIGURE 5-7. REAR AXLE LINES INSTALLATION

ITEM	PART NUMBER	QTY	DESCRIPTION	REV
	1001207899	Ref	Rear Axle Lines Installation	C
1	2130808	1	Fitting, 90 ORFS	
2	2150808	1	Fitting, 45 ORFS	
3	2170806	1	Fitting, Tee ORFS	
4	1001224938	1	Tube	
5	1001210769	2	Fitting, 90 ORFS	

Go to Discount-Equipment.com to order your parts

SECTION 5 - DRIVETRAIN

FIGURE 5-8. FRONT AXLE



ART_1001184984-E

SECTION 5 - DRIVETRAIN

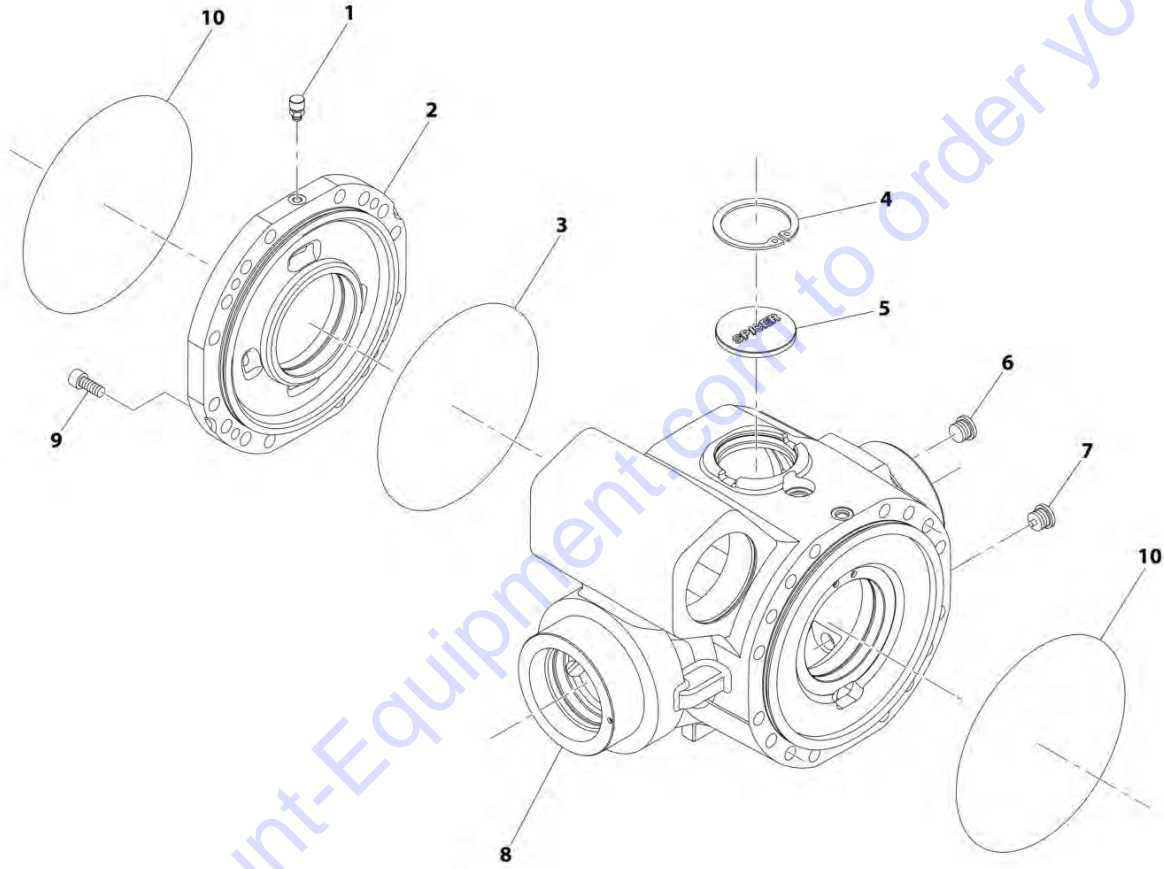
FIGURE 5-8. FRONT AXLE

ITEM	PART NUMBER	QTY	DESCRIPTION	REV
	1001184984	Ref	Front Axle	E
		Ref	Front Axle, Central Housing (See Separate Breakdown in this Section)	
		Ref	Front Axle, Differential (See Separate Breakdown in this Section)	
		Ref	Front Axle, Hub Reduction (See Separate Breakdown in this Section)	
		Ref	Front Axle, Brakes (See Separate Breakdown in this Section)	
		Ref	Front Axle, Steering (See Separate Breakdown in this Section)	
		Ref	Front Axle, Trunnion (See Separate Breakdown in this Section)	

Go to Discount-Equipment.com to order your parts

SECTION 5 - DRIVETRAIN

FIGURE 5-9. FRONT AXLE, CENTRAL HOUSING



ART_1001184984_1-E

SECTION 5 - DRIVETRAIN

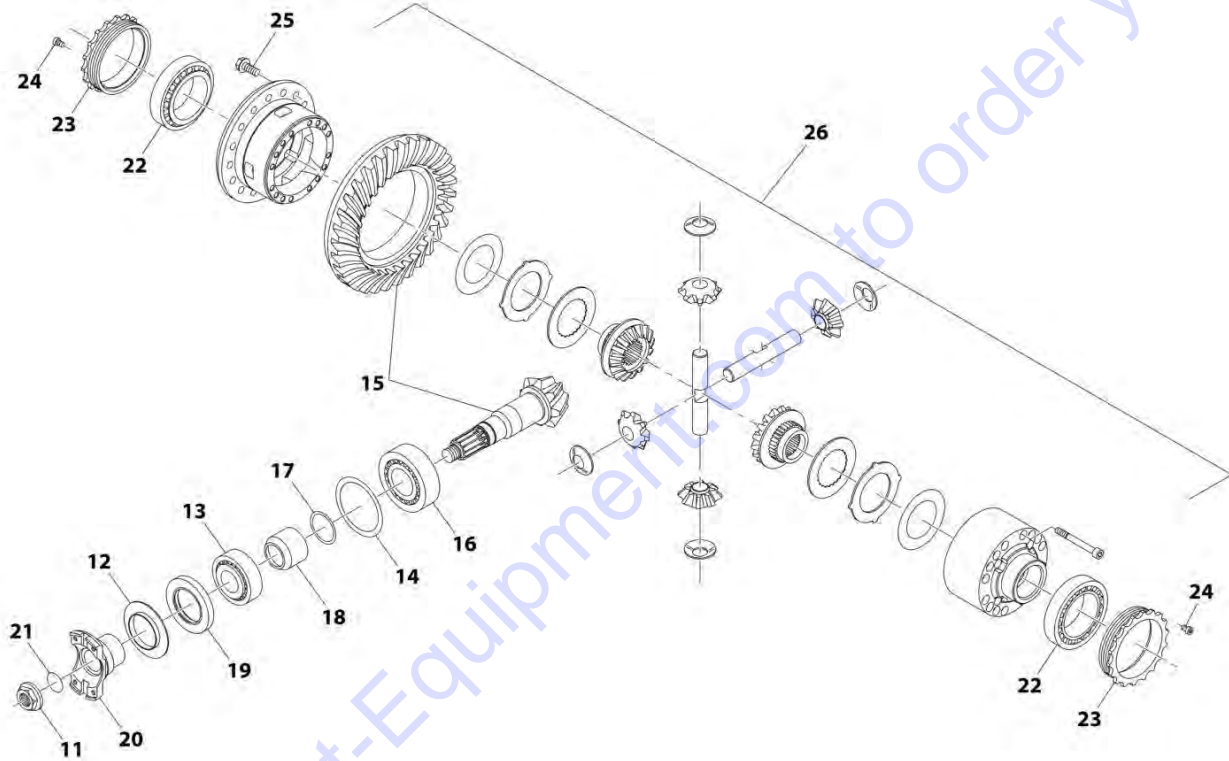
FIGURE 5-9. FRONT AXLE, CENTRAL HOUSING

ITEM	PART NUMBER	QTY	DESCRIPTION	REV
1	91474512	1	Vent	
2	7029288	1	Cover, Intermediate	
3	80204002	1	O-Ring	
4	80204005	1	Circlip	
5	91514098	1	Plug	
6	70028389	1	Plug	
7	70028388	1	Plug	
8	70025335	1	Housing	
9	91514101	4	Bolt	
10	91514089	2	O-Ring	

Go to Discount-Equipment.com to order your parts

SECTION 5 - DRIVETRAIN

FIGURE 5-10. FRONT AXLE, DIFFERENTIAL



ART_1001184984_2-E

SECTION 5 - DRIVETRAIN

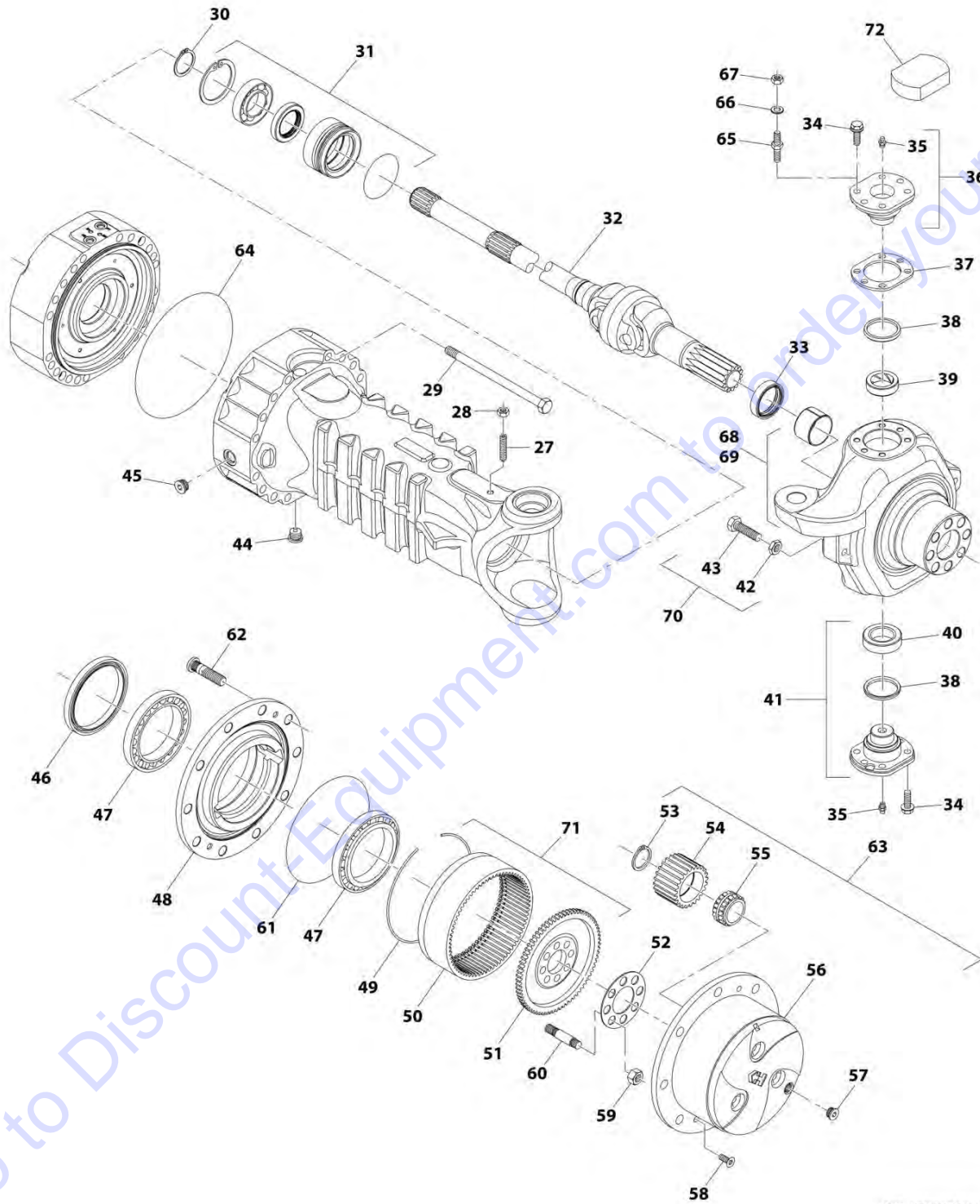
FIGURE 5-10. FRONT AXLE, DIFFERENTIAL

ITEM	PART NUMBER	QTY	DESCRIPTION	REV
11	80204043	1	Nut	
12	91514130	1	Plate, Cover	
13	80204048	1	Bearing, Tape Roller	
14	70023469	1	Shim	
15	70028391	1	Gear, Bevel Set	
16	80204035	1	Bearing, Tape Roller	
17	70023494	1	Ring	
18	70022140	1	Spacer	
19	70025887	1	Seal	
20	70028401	1	Flange	
21	10725554	1	O-Ring	
22	80204033	2	Bearing, Tape Roller	
23	91514133	2	Nut, Ring	
24	91514134	2	Bolt	
25	91514123	16	Bolt	
26	70028390	1	Kit, Differential (See Separate Breakdown in this Section)	

Go to Discount-Equipment.com to order your parts

SECTION 5 - DRIVETRAIN

FIGURE 5-11. FRONT AXLE, HUB REDUCTION



ART_1001184984_3-E

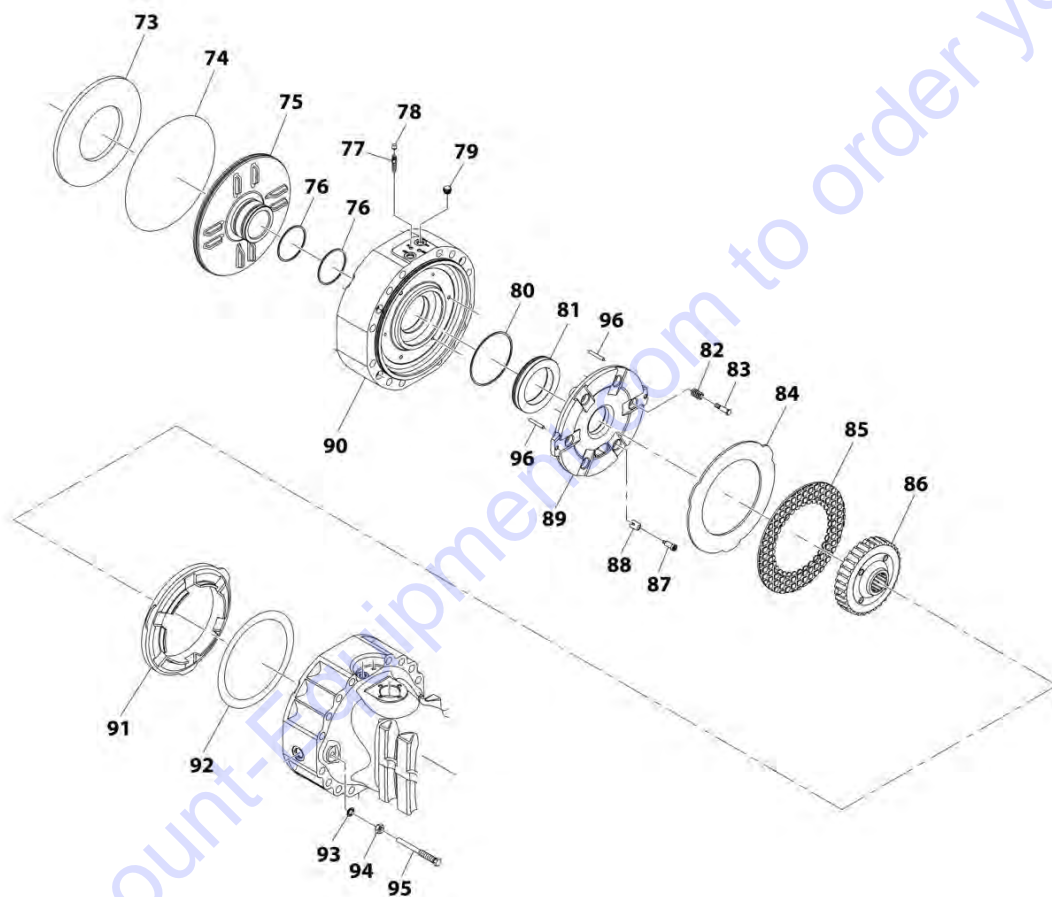
SECTION 5 - DRIVETRAIN

FIGURE 5-11. FRONT AXLE, HUB REDUCTION

ITEM	PART NUMBER	QTY	DESCRIPTION	REV
27	91514081	2	Bolt	
28	91514082	2	Nut	
29	70025012	24	Bolt	
30	80204071	2	Circlip	
31	91514149	2	Kit, Reduction Bushing (See Separate Breakdown in this Section)	
32	70028396	2	Joint, Double Universal	
33	70026238	2	Seal	
34	70025562	20	Bolt	
35	70024881	2	Fitting, Grease	
36	91514112	2	Pin	
37	70025561	1	Shim	
38	7028716	2	Seal, Dust	
39	7028714	2	Bushing	
40	91514095	2	Bearing	
41	7028715	2	Pin	
42	80204065	4	Nut	
43	91514117	4	Bolt	
44	70028388	2	Plug	
45	70028389	2	Plug	
46	70026002	2	Seal	
47	80204076	4	Bearing, Taper Roller	
48	91514174	2	Hub, Wheel	
49	91514175	2	Circlip	
50	70024147	2	Gear, Ring	
51	91514177	2	Support, Ring Gear	
52	91514178	2	Plate	
53	91514184	8	Circlip	
54	91514185	8	Gear, Planet	
55	91514186	8	Bearing	
56	7029317	2	Carrier, Planet Gear	
57	70028387	2	Plug	
58	91514189	4	Bolt, Countersunk	
59	91514179	16	Nut	
60	91514180	16	Stud	
61	91514181	2	O-Ring	
62	80214120	20	Stud	
63	7029743	2	Kit, Planet Gear Carrier	
64	91514089	2	O-Ring	
65	70025014	8	Stud	
66	91514084	8	Washer	
67	91514083	8	Nut	
68	70026260	1	Kit, Steering Case (left) (See Separate Breakdown in this Section)	
69	70026261	1	Kit, Steering Case (right) (See Separate Breakdown in this Section)	
70	7028733	4	Bolt, Steering Adjust	
71	70024146	2	Kit, Ring Gear Support (See Separate Breakdown in this Section)	
72	70028392	2	Cover	

SECTION 5 - DRIVETRAIN

FIGURE 5-12. FRONT AXLE, BRAKES



ART_1001184984_4-E

SECTION 5 - DRIVETRAIN

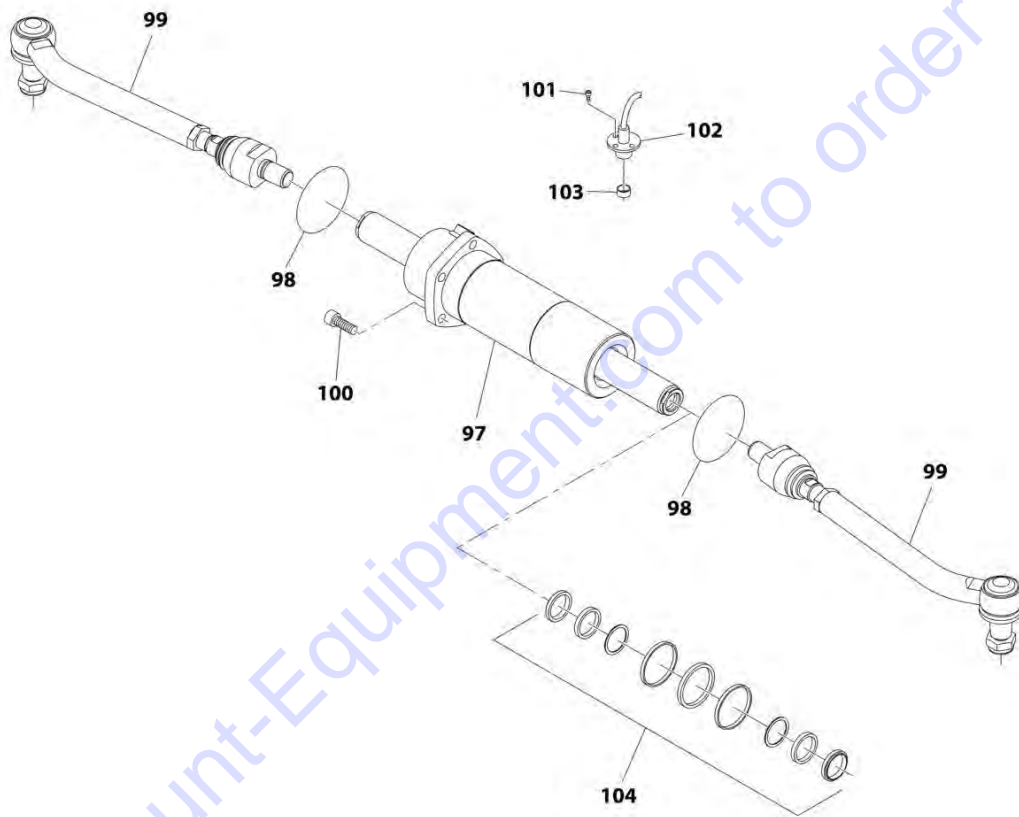
FIGURE 5-12. FRONT AXLE, BRAKES

ITEM	PART NUMBER	QTY	DESCRIPTION	REV
73	91514151	2	Washer	
74	91514089	2	O-Ring	
75	70027092	2	Piston	
76	70026262	4	Seal	
77	80204281	4	Bolt, Bleeding	
78	80204117	4	Plug	
79	91514154	4	Plug	
80	70026263	2	Seal	
81	70027796	2	Piston	
82	91514159	6	Spring	
83	70024210	6	Bolt, Adjusting	
84	70027022	6	Disc, Intermediate Brake	
85	7029735	6	Disc, Brake	
86	7029734	2	Bushing, Reduction	
87	7029787	6	Bolt, Adjusting	
88	70027317	6	Spring	
89	70024849	2	Disc, Intermediate Brake	
90	70024848	2	Cover	
91	70026264	2	Spacer	
92	70025970	1	Shim	
93	80204108	4	Washer, Lock	
94	80204060	4	Nut	
95	70024213	4	Bolt	
96	70024215	4	Dowel	

Go to Discount-Equipment.com to order your parts

SECTION 5 - DRIVETRAIN

FIGURE 5-13. FRONT AXLE, STEERING



ART_1001184984_5-E

SECTION 5 - DRIVETRAIN

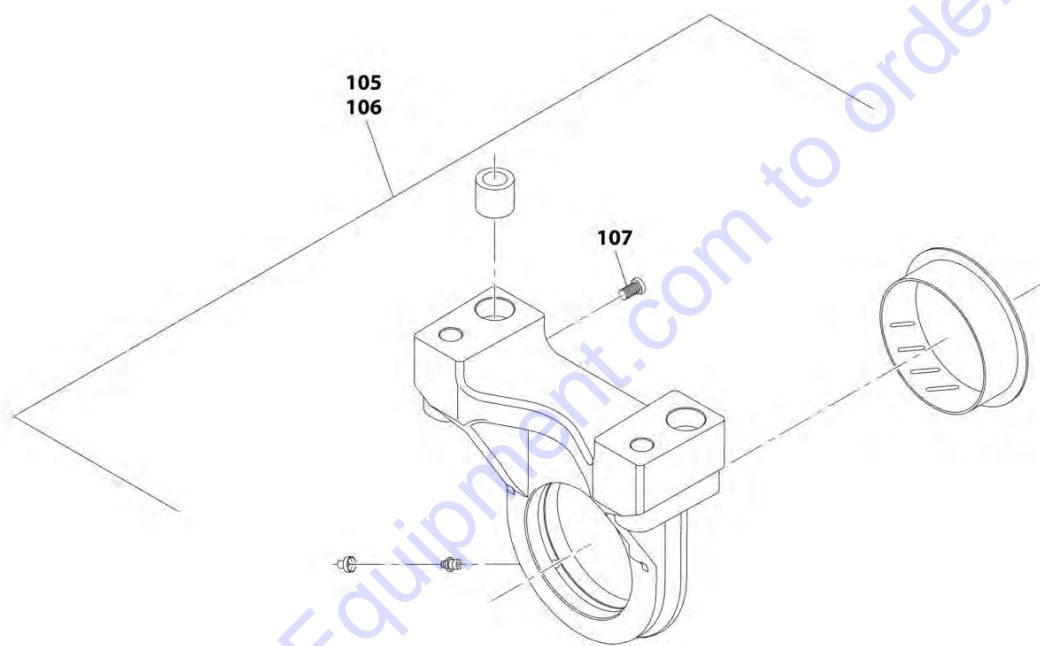
FIGURE 5-13. FRONT AXLE, STEERING

ITEM	PART NUMBER	QTY	DESCRIPTION	REV
97	70028393	1	Cylinder	
98	80204143	2	O-Ring	
99	70028394	2	Rod, Articulated Tie	
99	70022773	2	Nut	
100	80204144	5	Bolt	
101	8008175	2	Bolt	
102	70027986	1	Optical Sensor	
103	7029307	1	Plug	
104	7029127	1	Kit, Seal	

Go to Discount-Equipment.com to order your parts

SECTION 5 - DRIVETRAIN

FIGURE 5-14. FRONT AXLE, TRUNION



ART_1001184984_6-E

SECTION 5 - DRIVETRAIN

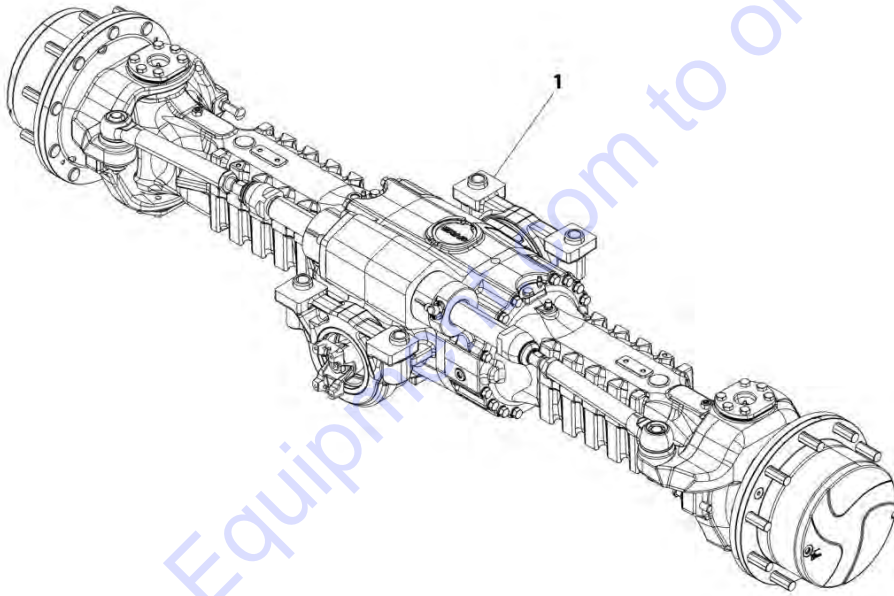
FIGURE 5-14. FRONT AXLE, TRUNION

ITEM	PART NUMBER	QTY	DESCRIPTION	REV
105	70026266	1	Kit, Trunnion (See Separate Breakdown in this Section)	
106	70026265	1	Support	
107	70025884	1	Bolt	

Go to Discount-Equipment.com to order your parts

SECTION 5 - DRIVETRAIN

FIGURE 5-15. REAR AXLE



ART_1001184985-E

SECTION 5 - DRIVETRAIN

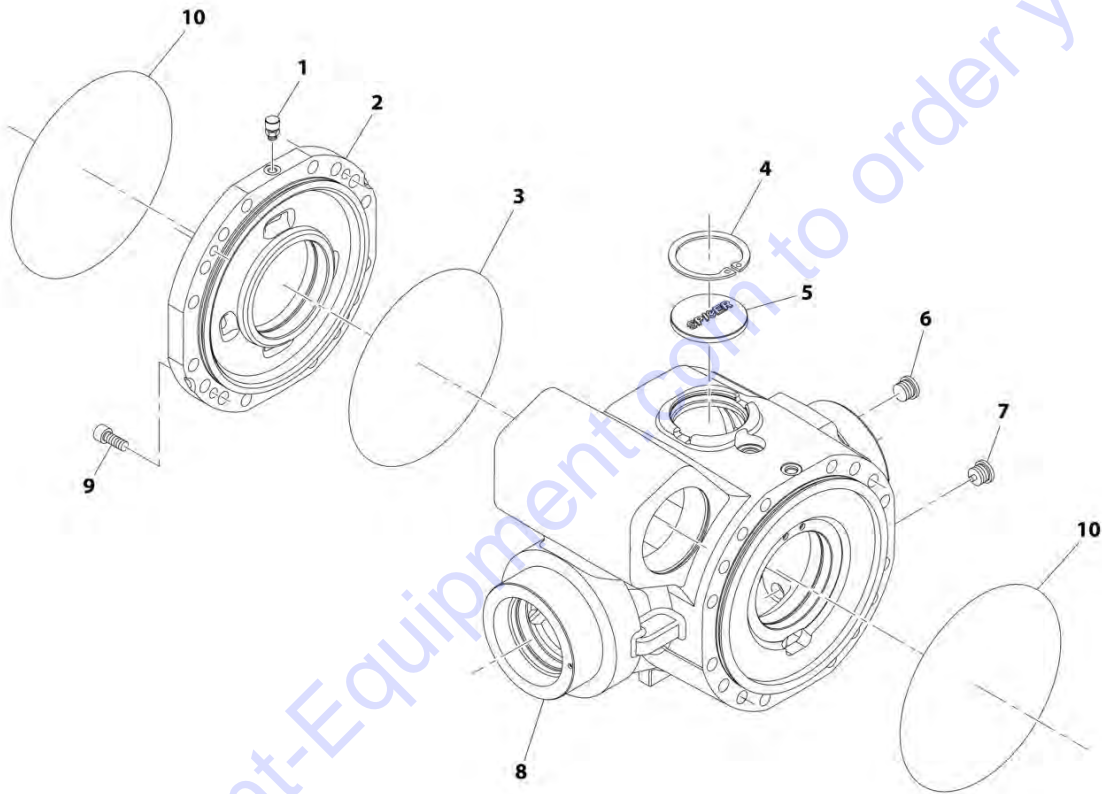
FIGURE 5-15. REAR AXLE

ITEM	PART NUMBER	QTY	DESCRIPTION	REV
1	1001184985	Ref	Rear Axle	E
		Ref	Rear Axle, Central Housing (See Separate Breakdown in this Section)	
		Ref	Rear Axle, Differential (See Separate Breakdown in this Section)	
		Ref	Rear Axle, Hub Reduction (See Separate Breakdown in this Section)	
		Ref	Rear Axle, Brakes (See Separate Breakdown in this Section)	
		Ref	Rear Axle, Steering (See Separate Breakdown in this Section)	
		Ref	Rear Axle, Trunion (See Separate Breakdown in this Section)	

Go to Discount-Equipment.com to order your parts

SECTION 5 - DRIVETRAIN

FIGURE 5-16. REAR AXLE, CENTRAL HOUSING



ART_1001184985_1-E

SECTION 5 - DRIVETRAIN

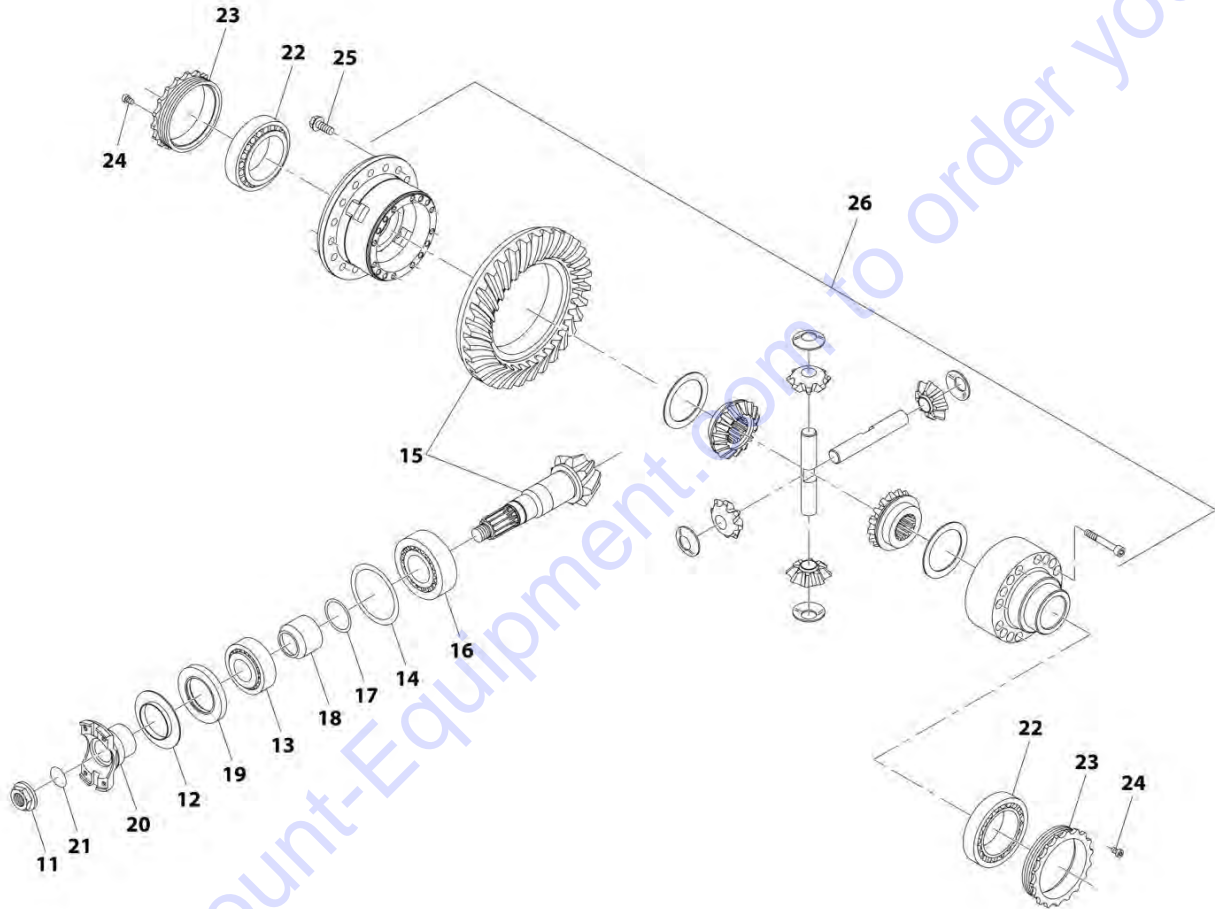
FIGURE 5-16. REAR AXLE, CENTRAL HOUSING

ITEM	PART NUMBER	QTY	DESCRIPTION	REV
1	91474512	1	Vent	
2	7029288	1	Cover, Intermediate	
3	80204002	1	O-Ring	
4	80204005	1	Circlip	
5	91514098	1	Plug	
6	70028389	1	Plug	
7	70028388	1	Plug	
8	70025335	1	Housing	
9	91514101	4	Bolt	
10	91514089	2	O-Ring	

Go to Discount-Equipment.com to order your parts

SECTION 5 - DRIVETRAIN

FIGURE 5-17. REAR AXLE, DIFFERENTIAL



ART_1001184985_2-E

SECTION 5 - DRIVETRAIN

FIGURE 5-17. REAR AXLE, DIFFERENTIAL

ITEM	PART NUMBER	QTY	DESCRIPTION	REV
11	80204043	1	Nut	
12	91514130	1	Plate, Cover	
13	80204048	1	Bearing, Taper Roller	
14	70023469	1	Shim	
15	70028399	1	Gear, Bevel Set	
16	80204035	1	Bearing, Taper Roller	
17	70023494	1	Ring	
18	70022140	1	Spacer	
19	70025887	1	Seal	
20	70028401	1	Flange	
21	10725554	1	O-Ring	
22	80204033	2	Bearing, Taper Roller	
23	91514133	2	Nut, Ring	
24	91514134	2	Bolt	
25	39844923	16	Bolt	
26	70028398	1	Kit, Differential (See Separate Breakdown in this Section)	

Go to Discount-Equipment.com to order your parts

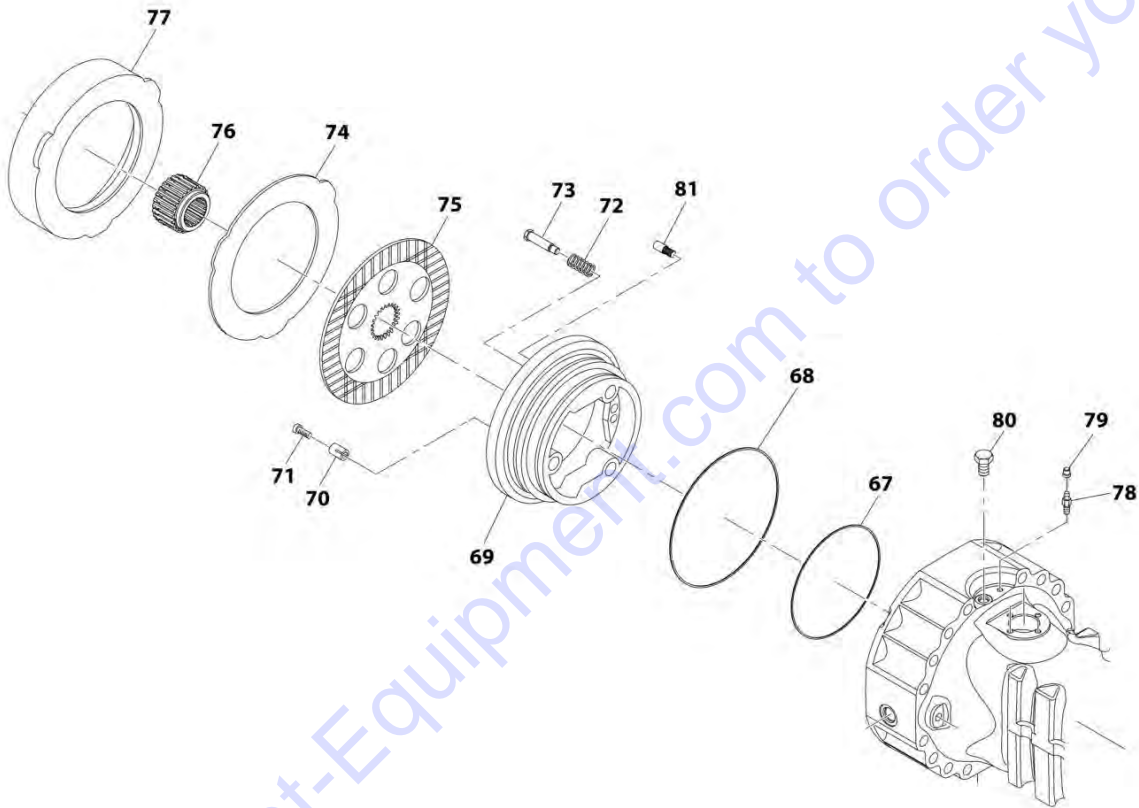
SECTION 5 - DRIVETRAIN

FIGURE 5-18. REAR AXLE, HUB REDUCTION

ITEM	PART NUMBER	QTY	DESCRIPTION	REV
27	70028400	2	Case, Axle	
28	91514081	2	Bolt	
29	91514082	2	Nut	
30	70028397	32	Bolt	
31	80204071	2	Circlip	
32	91514149	2	Kit, Reduction Bushing (See Separate Breakdown in this Section)	
33	70028396	2	Joint, Double Universal	
34	70026238	2	Seal	
35	70025562	20	Bolt	
36	70024881	2	Fitting, Grease	
37	91514112	2	Pin	
38	70025561	1	Shim	
39	7028716	2	Seal, Dust	
40	7028714	2	Bushing	
41	91514095	2	Bearing	
42	7028715	2	Pin	
43	80204065	4	Nut	
44	91514117	4	Bolt	
45	70028388	2	Plug	
46	70028387	2	Plug	
47	70026002	2	Seal	
48	80204076	4	Bearing, Taper Roller	
49	91514174	2	Hub, Wheel	
50	91514175	2	Circlip	
51	70024147	2	Gear, Ring	
52	91514177	2	Gear, Ring Support	
53	91514178	2	Plate, Locking	
54	70028389	2	Plug	
55	91514189	4	Bolt, Countersunk	
56	91514179	16	Nut	
57	91514180	16	Stud	
58	91514181	2	O-Ring	
59	80214120	20	Stud	
60	7029733	2	Kit, Planet Gear Carrier (See Separate Breakdown in this Section)	
61	70026260	1	Kit, Steering Case (Right) (See Separate Breakdown in this Section)	
62	70026261	1	Kit, Steering Case (left) (See Separate Breakdown in this Section)	
63	7028733	4	Bolt, Steering Adjust	
64	70024146	2	Kit, Ring Gear Support (See Separate Breakdown in this Section)	
65	80204012	2	Plug	
66	70028392	2	Cover	

SECTION 5 - DRIVETRAIN

FIGURE 5-19. REAR AXLE, BRAKES



ART_1001184985_4-E

SECTION 5 - DRIVETRAIN

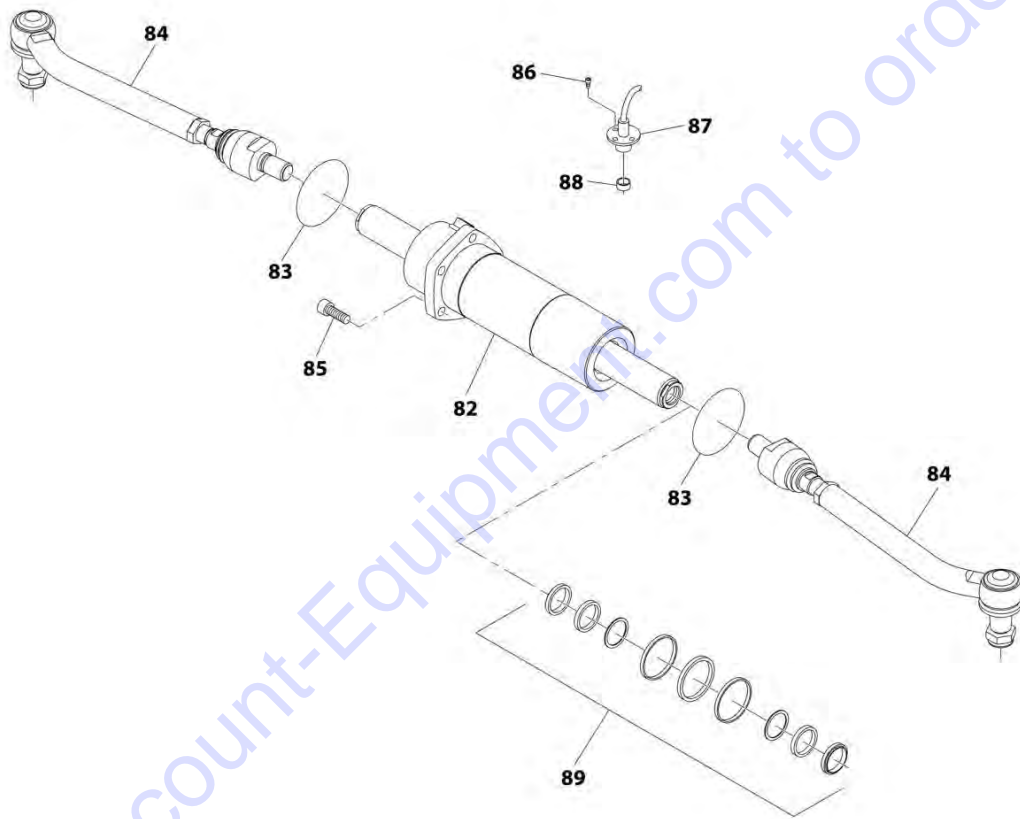
FIGURE 5-19. REAR AXLE, BRAKES

ITEM	PART NUMBER	QTY	DESCRIPTION	REV
67	70026747	2	Seal	
68	70026748	2	Seal	
69	70024216	2	Piston	
70	70027317	6	Spring	
71	7029785	6	Bolt, Adjusting	
72	91514159	6	Spring	
73	70024210	6	Bolt, Adjusting	
74	70027022	6	Disc, Intermediate Brake	
75	7029735	6	Disc, Brake	
76	7029734	2	Bushing, Reduction	
77	70021606	2	Spacer	
78	80204281	2	Bolt, Bleeding	
79	80204117	2	Plug	
80	91514154	2	Bolt	
81	70021613	2	Bolt, Pilot	

Go to Discount-Equipment.com to order your parts

SECTION 5 - DRIVETRAIN

FIGURE 5-20. REAR AXLE, STEERING



ART_1001184985_5-E

SECTION 5 - DRIVETRAIN

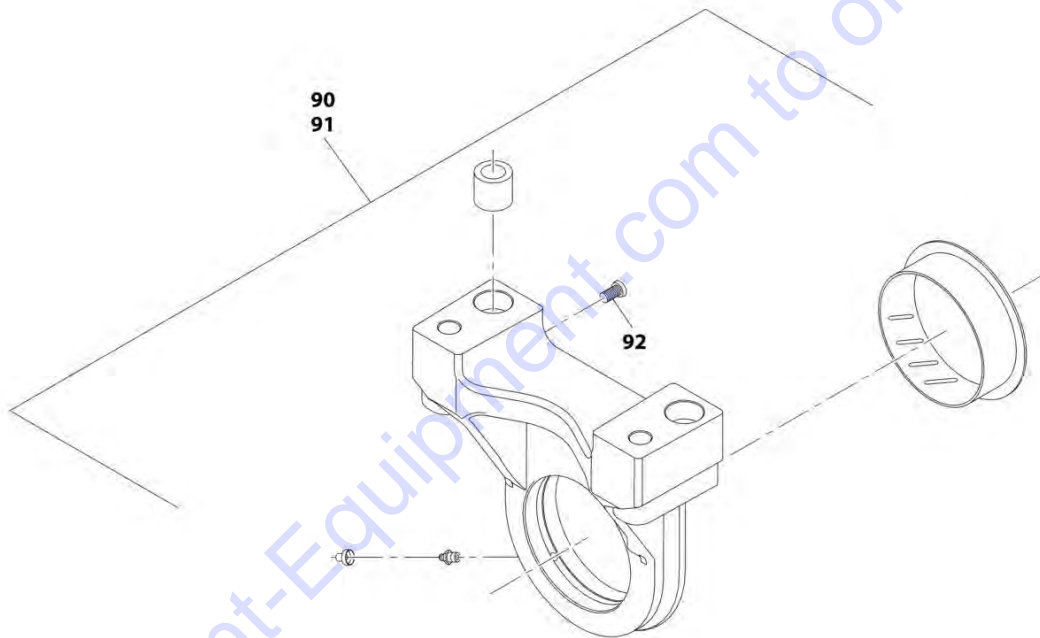
FIGURE 5-20. REAR AXLE, STEERING

ITEM	PART NUMBER	QTY	DESCRIPTION	REV
82	70028393	1	Cylinder	
83	80204143	2	O-Ring	
84	70028394	2	Rod, Articulated Tie	
84	70022773	2	Nut	
85	80204144	5	Bolt	
86	8008175	2	Bolt	
87	70027986	1	Sensor, Optical	
88	7029307	1	Plug	
89	7029127	1	Kit, Seal	

Go to Discount-Equipment.com to order your parts

SECTION 5 - DRIVETRAIN

FIGURE 5-21. REAR AXLE, TRUNION



ART_1001184985_6-E

SECTION 5 - DRIVETRAIN

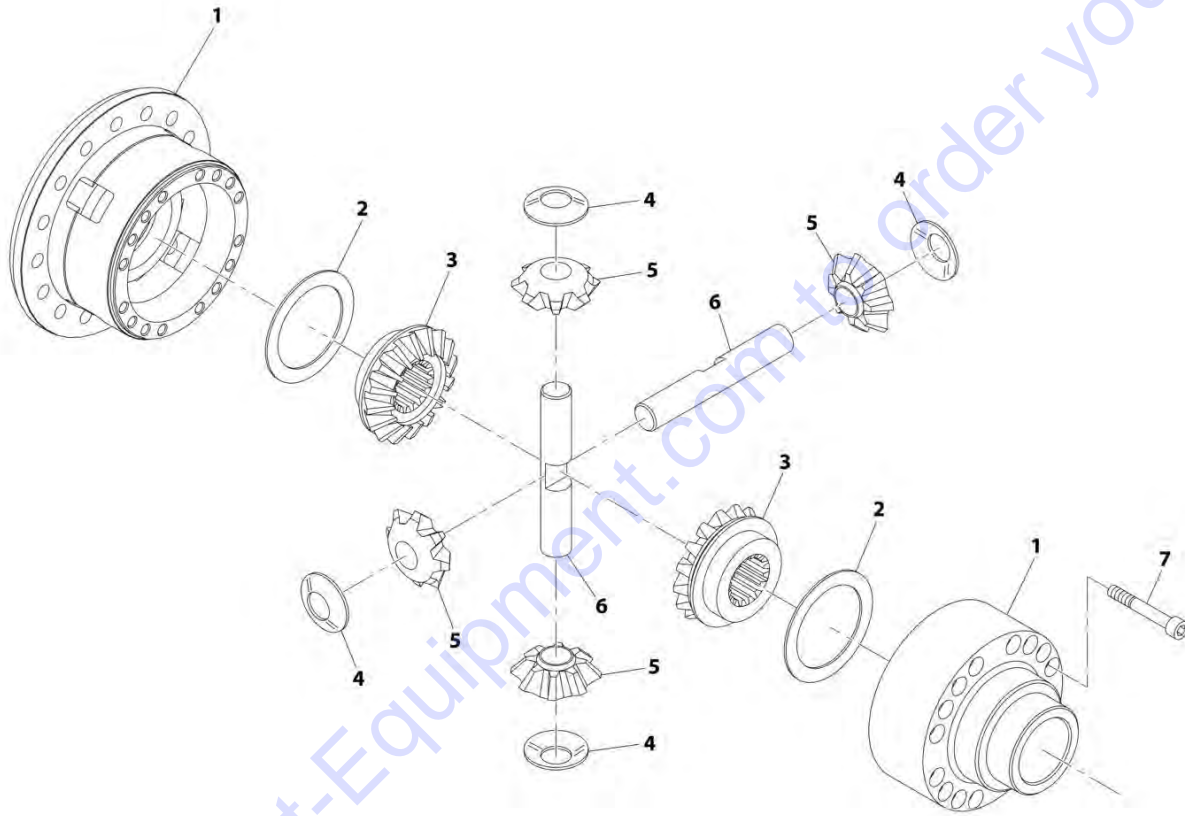
FIGURE 5-21. REAR AXLE, TRUNION

ITEM	PART NUMBER	QTY	DESCRIPTION	REV
90	70026266	1	Kit, Trunnion (See Separate Breakdown in this Section)	
91	70026265	1	Support	
92	70025884	1	Bolt	

Go to Discount-Equipment.com to order your parts

SECTION 5 - DRIVETRAIN

FIGURE 5-22. DIFFERENTIAL KIT



ART_70028398

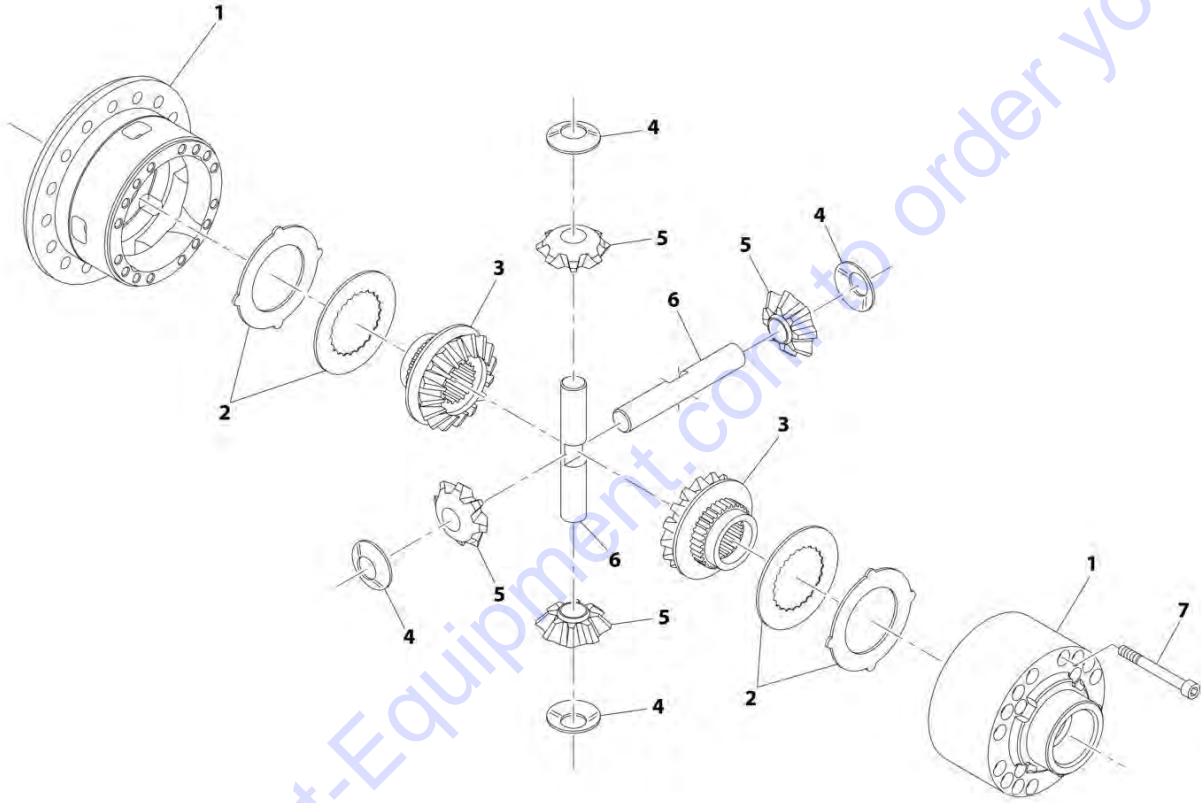
FIGURE 5-22. DIFFERENTIAL KIT

ITEM	PART NUMBER	QTY	DESCRIPTION	REV
	70028398	Ref	Differential Kit	
1	70025337	1	Carrier, Differential	
2	70023493	2	Washer, Friction	
3	70025338	2	Gear, Differential Side	
4	70027105	4	Washer, Friction	
5	70025339	4	Pinion, Differential	
6	70023490	2	Shaft, Differential	
7	70023489	15	Bolt	

Go to Discount-Equipment.com to order your parts

SECTION 5 - DRIVETRAIN

FIGURE 5-23. DIFFERENTIAL KIT



ART_70028390

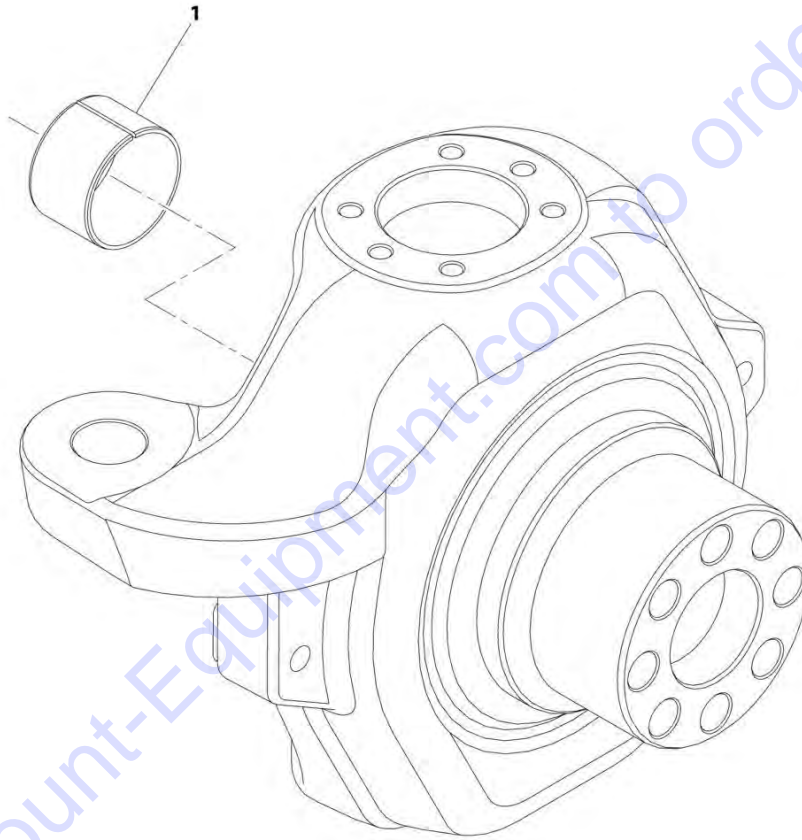
FIGURE 5-23. DIFFERENTIAL KIT

ITEM	PART NUMBER	QTY	DESCRIPTION	REV
	70028390	Ref	Differential Kit	
1	70024004	2	Carrier, Differential	
2	70026750	2	Disc, Clutch	
3	70025856	2	Gear, Differential Side	
4	70027105	4	Washer, Friction	
5	70025339	4	Pinion, Differential	
6	70023490	2	Shaft, Differential	
7	91514143	15	Bolt	

Go to Discount-Equipment.com to order your parts

SECTION 5 - DRIVETRAIN

FIGURE 5-24. STEERING CASE KIT (RF, LR)



ART_70026260

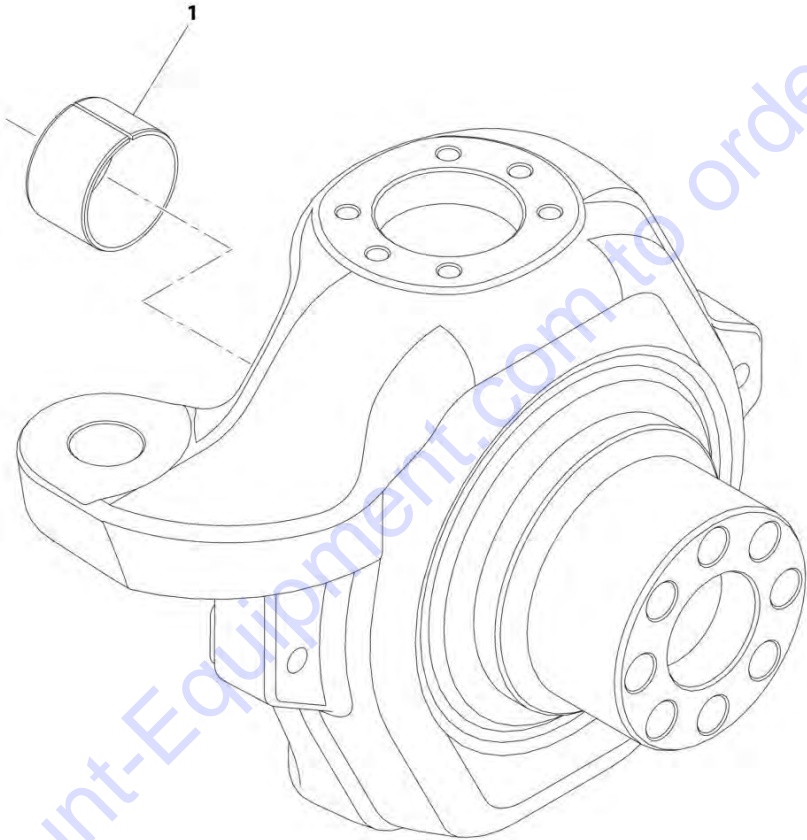
FIGURE 5-24. STEERING CASE KIT (RF, LR)

ITEM	PART NUMBER	QTY	DESCRIPTION	REV
1	70026260 91514111	Ref 1	Steering Case Kit (RF, LR) Bushing, Thrust	

Go to Discount-Equipment.com to order your parts

SECTION 5 - DRIVETRAIN

FIGURE 5-25. STEERING CASE KIT (LF, RR)



Go to Discount-Equipment.com to order your parts

ART_70026261

SECTION 5 - DRIVETRAIN

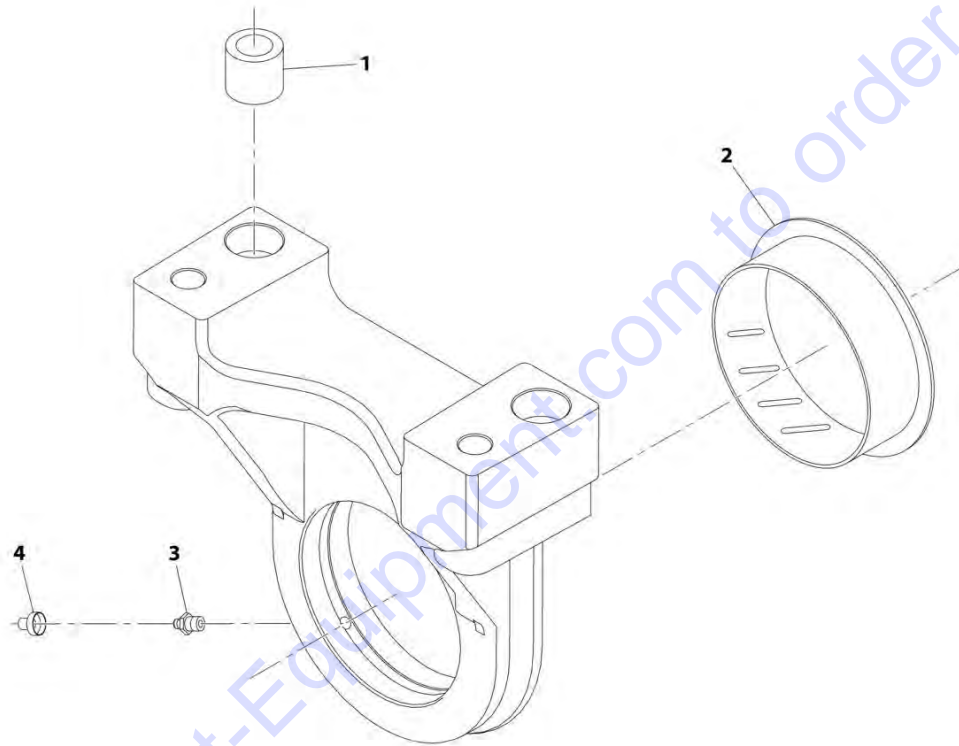
FIGURE 5-25. STEERING CASE KIT (LF, RR)

ITEM	PART NUMBER	QTY	DESCRIPTION	REV
1	70026261 91514111	Ref 1	Steering Case Kit (RR) Bushing, Thrust	

Go to Discount-Equipment.com to order your parts

SECTION 5 - DRIVETRAIN

FIGURE 5-26. TRUNION KIT



ART_70026266

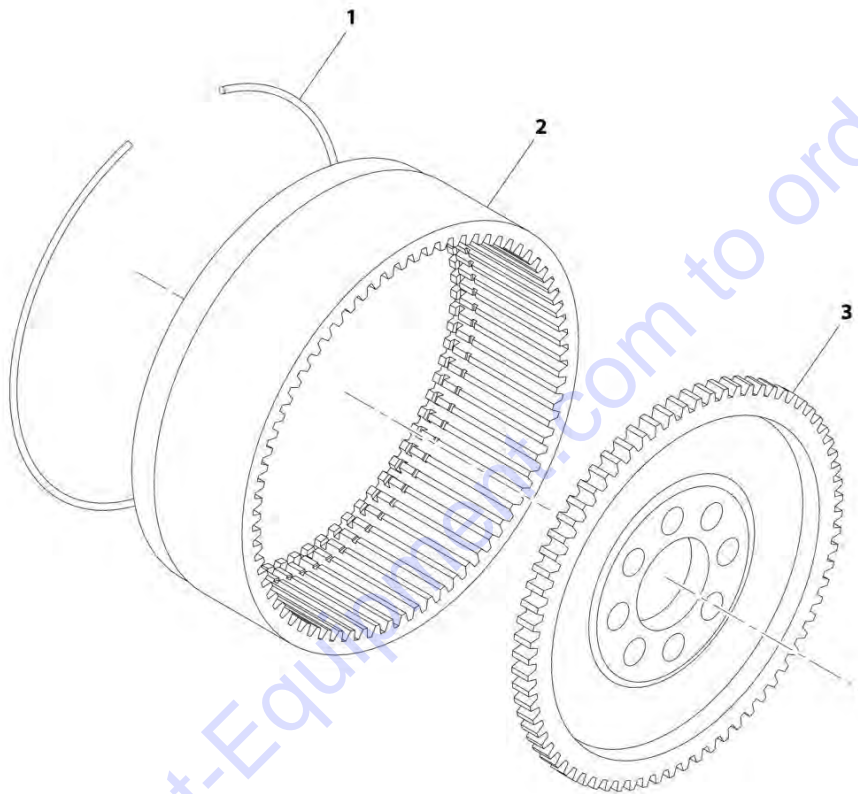
FIGURE 5-26. TRUNION KIT

ITEM	PART NUMBER	QTY	DESCRIPTION	REV
	70026266	Ref	Trunion Kit	
1	7029290	2	Bushing, Reduction	
2	91514090	1	Bushing, Thrust	
3	70024881	1	Fitting, Grease	
4	80204117	1	Plug	

Go to Discount-Equipment.com to order your parts

SECTION 5 - DRIVETRAIN

FIGURE 5-27. RING GEAR SUPPORT KIT



ART_70024146

SECTION 5 - DRIVETRAIN

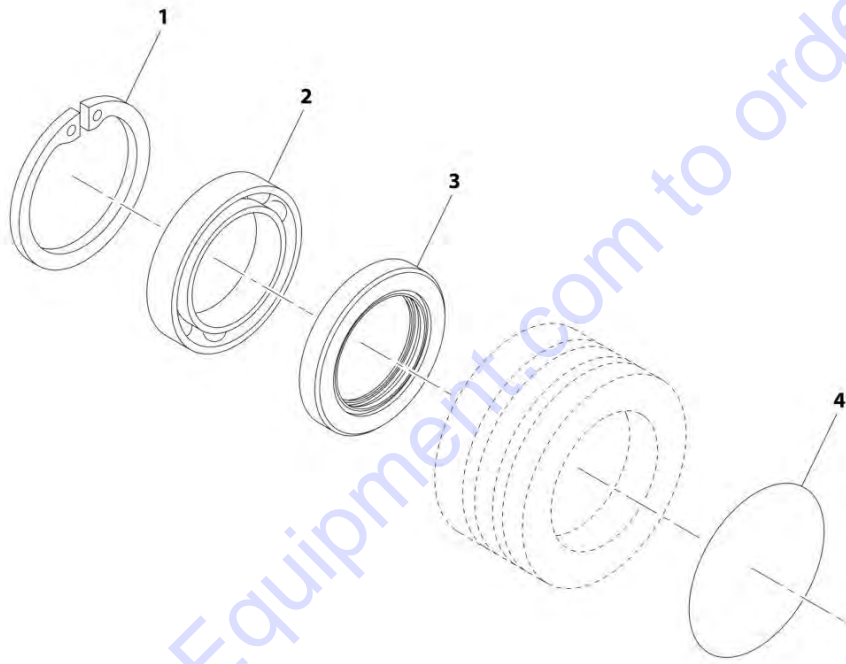
FIGURE 5-27. RING GEAR SUPPORT KIT

ITEM	PART NUMBER	QTY	DESCRIPTION	REV
	70024146	Ref	Ring Gear Support Kit	
1	91514175	1	Circlip	
2	70024147	1	Gear, Ring	
3	91514177	1	Gear, Ring Support	

Go to Discount-Equipment.com to order your parts

SECTION 5 - DRIVETRAIN

FIGURE 5-28. REDUCTION BUSHING KIT



ART_91514149

SECTION 5 - DRIVETRAIN

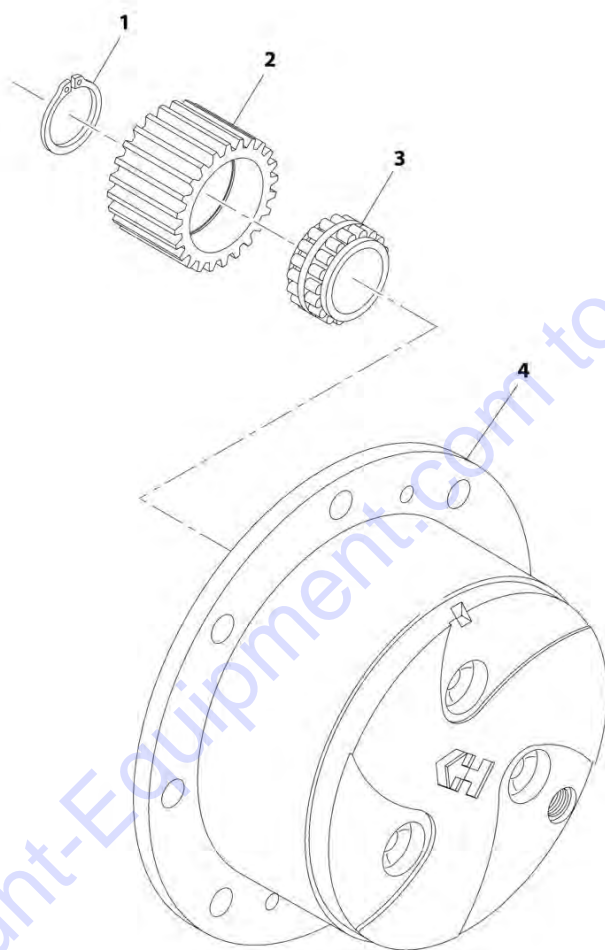
FIGURE 5-28. REDUCTION BUSHING KIT

ITEM	PART NUMBER	QTY	DESCRIPTION	REV
	91514149	Ref	Reduction Bushing Kit	
1	80204005	2	Circlip	
2	91514146	2	Bearing, Ball	
3	91514147	2	Seal	
4	91514148	2	O-Ring	

Go to Discount-Equipment.com to order your parts

SECTION 5 - DRIVETRAIN

FIGURE 5-29. PLANET GEAR CARRIER KIT



ART_7029733

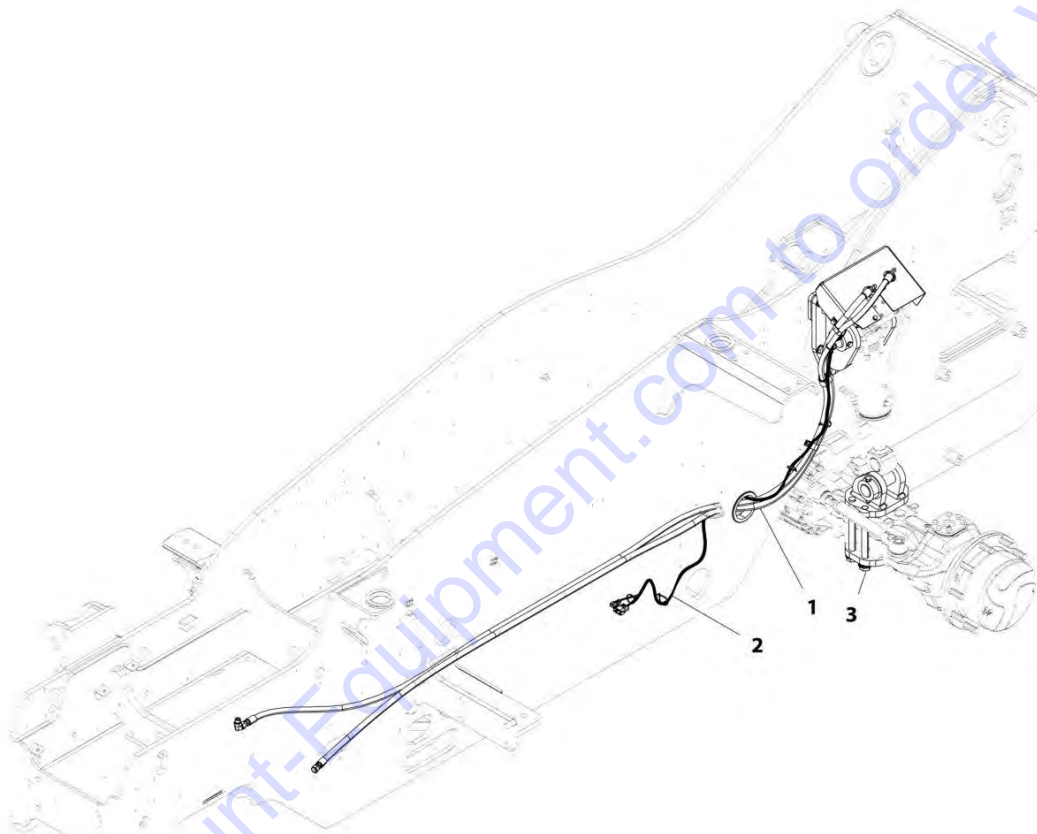
FIGURE 5-29. PLANET GEAR CARRIER KIT

ITEM	PART NUMBER	QTY	DESCRIPTION	REV
	7029733	Ref	Planet Gear Carrier Kit	
1	91514184	3	Circlip	
2	91514185	6	Gear, Planet	
3	91514186	6	Bearing	
4	7026731	1	Carrier, Planet Gear	

Go to Discount-Equipment.com to order your parts

SECTION 5 - DRIVETRAIN

FIGURE 5-30. RALP INSTALLATION



ART_1001192713-B

SECTION 5 - DRIVETRAIN

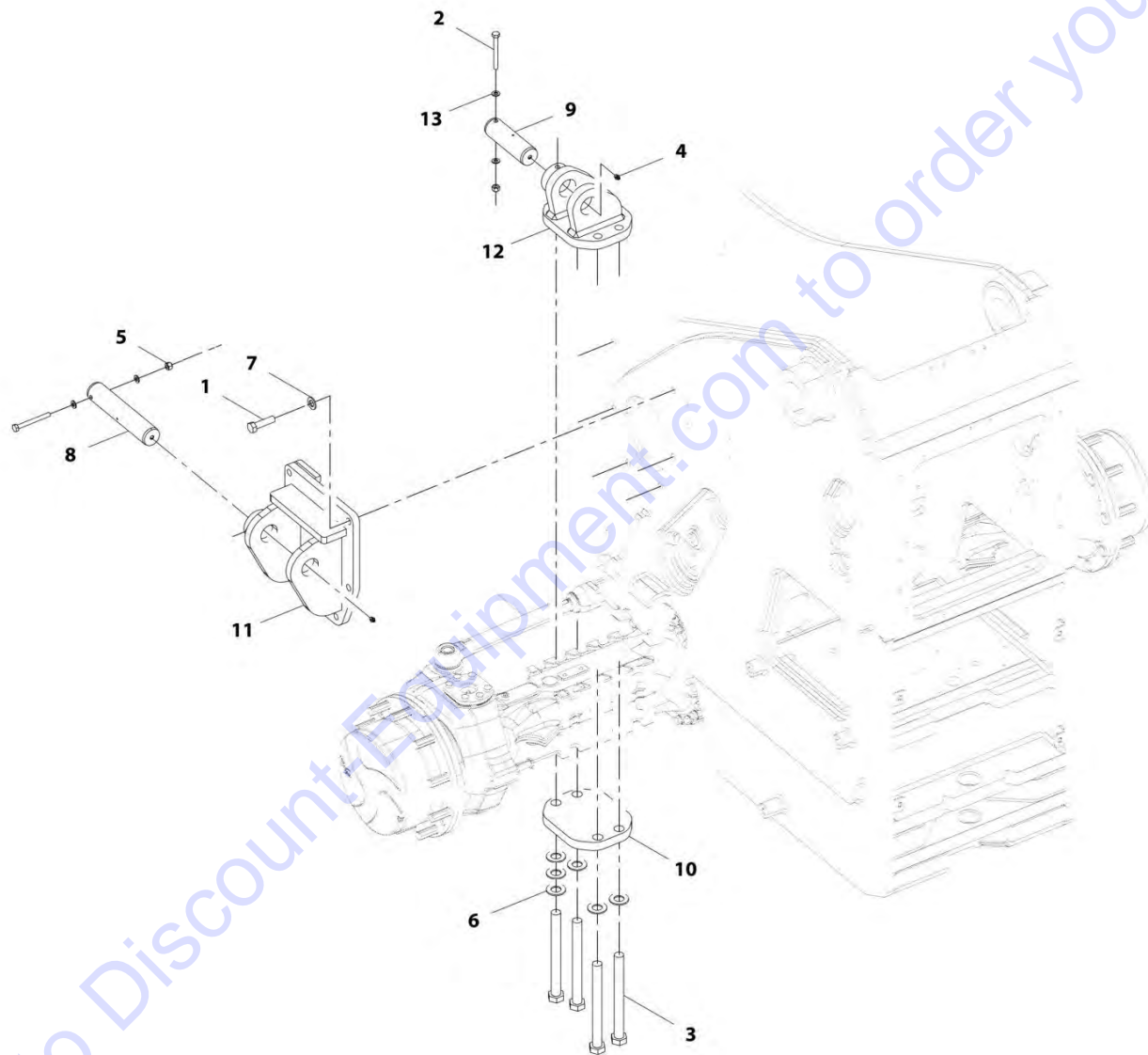
FIGURE 5-30. RALP INSTALLATION

ITEM	PART NUMBER	QTY	DESCRIPTION	REV
	1001192713	Ref	RALP Installation	B
1	1001192555	1	Installation, RALP Hydraulic Lines (See Separate Breakdown in Hydraulic Circuits Section)	
2	1001193576	1	Installation, RALP Option Harness	
3	1001200177	1	Installation, RALP Mechanical (See Separate Breakdown in this Section)	

Go to Discount-Equipment.com to order your parts

SECTION 5 - DRIVETRAIN

FIGURE 5-31. RALP MECHANICAL INSTALLATION



ART_1001200177-D

SECTION 5 - DRIVETRAIN

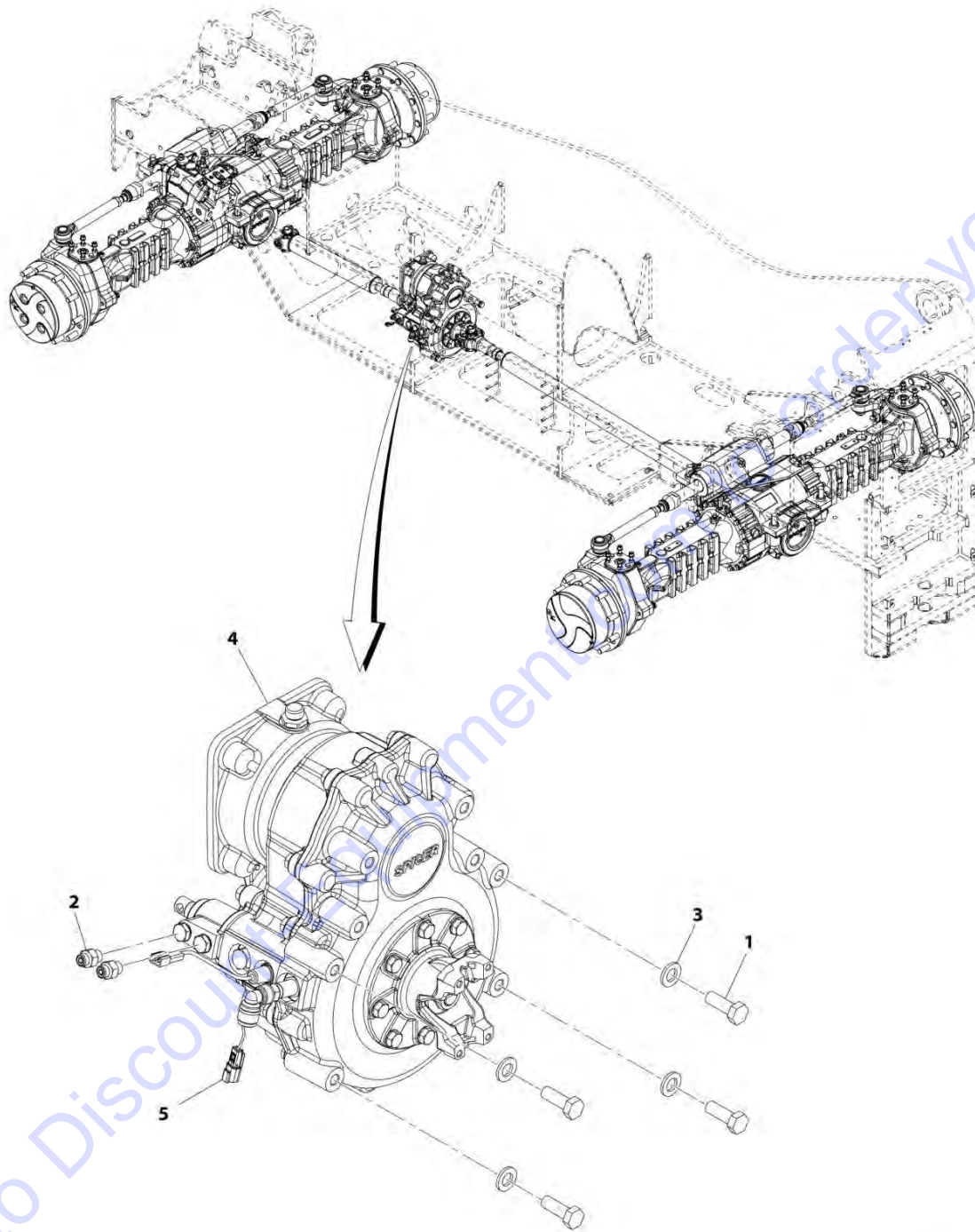
FIGURE 5-31. RALP MECHANICAL INSTALLATION

ITEM	PART NUMBER	QTY	DESCRIPTION	REV
	1001200177	Ref	RALP Mechanical Installation	D
1	0771620	6	Bolt, M16X60 Grade 10.9	
2	0711027	2	Bolt, M10X100	
3	0712442	4	Bolt, M24X250	
4	2160016	2	Fitting, Grease	
5	3291005	2	Nut, Lock M10X1.5	
6	5242400	6	Washer, M24	
7	5241600	6	Washer, M16	
8	1001164971	1	Pin	
9	1001164972	1	Pin	
10	1001168629	1	Plate	
11	1001193918J	1	Bracket	
12	1001193919	1	Bracket	
13	4812000	4	Washer, M10	

Go to Discount-Equipment.com to order your parts

SECTION 5 - DRIVETRAIN

FIGURE 5-32. GEARBOX INSTALLATION



ART_1001184979-E

SECTION 5 - DRIVETRAIN

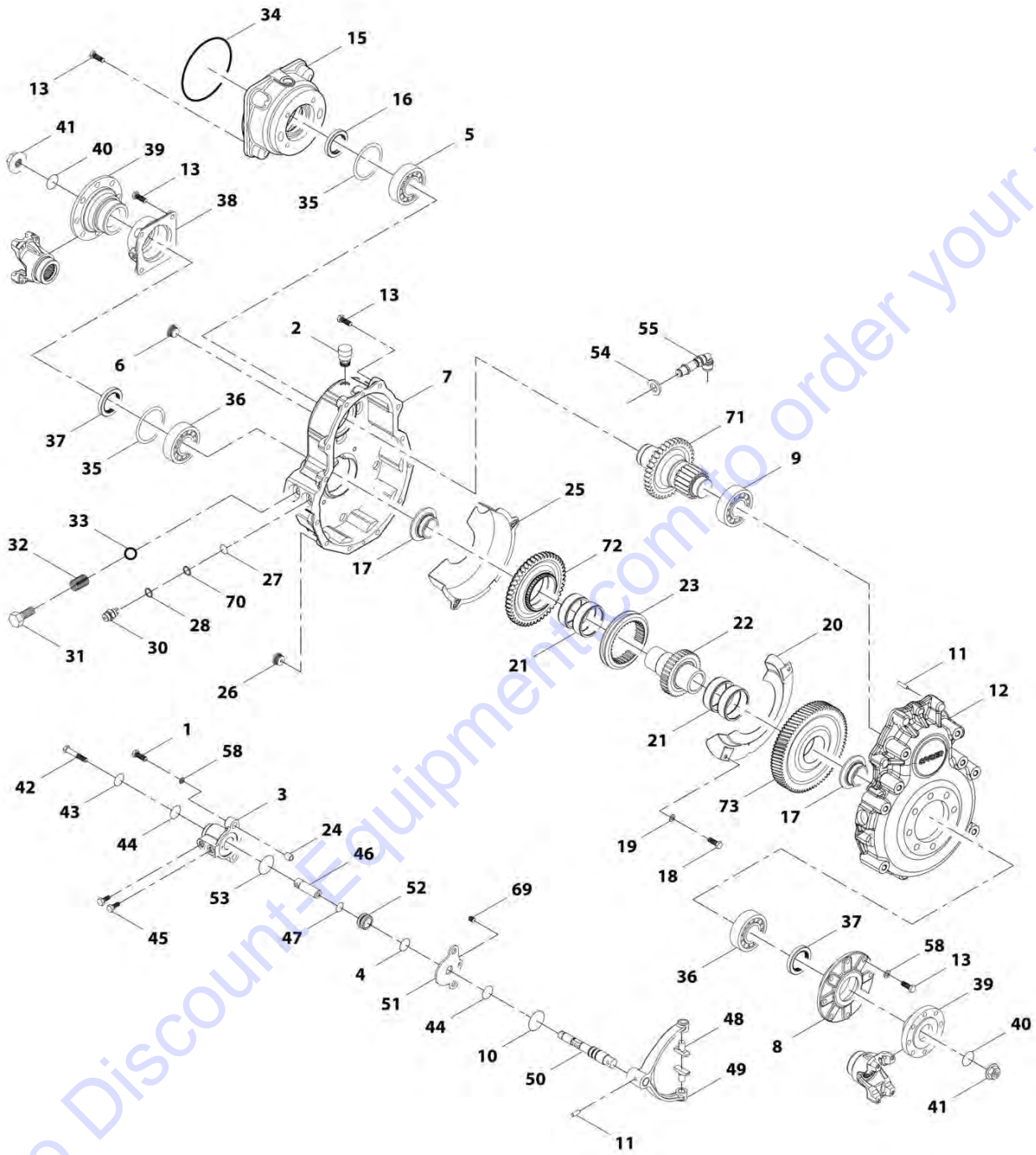
FIGURE 5-32. GEARBOX INSTALLATION

ITEM	PART NUMBER	QTY	DESCRIPTION	REV
	1001184979	Ref	Gearbox Installation	E
1	0771416	4	Bolt, M14-2X40 Grade 10.9	
2	2144603	1	Fitting, Straight ORFS	
3	5241400	4	Washer, M14	
4	1001184986	1	Gearbox (See Seperate Breakdown in this Section)	
5	1001229981	1	Harness, Vehicle Speed Pigtail	

Go to Discount-Equipment.com to order your parts

SECTION 5 - DRIVETRAIN

FIGURE 5-33. GEAR BOX



ART_1001184986-D

SECTION 5 - DRIVETRAIN

FIGURE 5-33. GEAR BOX

ITEM	PART NUMBER	QTY	DESCRIPTION	REV
	1001184986	Ref	Gear box	D
1	70028817	2	Bolt	
2	70028818	1	Plug	
3	70028819	1	Cylinder	
4	70028820	1	O-Ring	
5	91514146	1	Bearing, Ball	
6	80204016	1	Plug	
7	70028821	1	Housing	
8	70028822	1	Cover	
9	70026904	1	Bearing, Ball	
10	3986405	1	O-Ring	
11	70026892	3	Dowel	
12	70028823	1	Housing	
13	70026911	28	Bolt	
15	70026897	1	Cover	
16	70026896	1	Seal	
17	70028824	2	Spacer	
18	70026909	2	Bolt	
19	70027110	2	Washer, Lock	
20	70028825	1	Plate, Cover	
21	70028826	4	Bearing	
22	70028827	1	Shaft	
23	70028828	1	Sleeve	
24	70028829	2	Pin	
25	70026908	1	Sheet	
26	80204007	1	Plug	
27	1001081085	1	O-Ring	
28	80203020	1	Washer	
30	70028830	1	Switch	
31	70028831	1	Bolt	
32	80203021	1	Spring	
33	70020276	1	Ball, Detend	
34	80204176	1	O-Ring	
35	70027862	2	Kit, Shim	
36	91474364	2	Bearing, Ball	
37	70026901	2	Seal	
38	70028832	1	Cover	
39	70026898	2	Flange	
40	80204215	2	O-Ring	
41	70026631	2	Nut	
42	70028833	1	Bolt	
43	70028834	1	O-Ring	
44	70028835	2	Sleeve	
45	91514154	2	Bolt	
46	70028836	1	Bar	
47	70027109	1	O-Ring	
48	70028837	2	Pin	
49	70028838	1	Fork, Selector	
50	70028839	1	Shaft	
51	70028840	1	Plate, Cover	

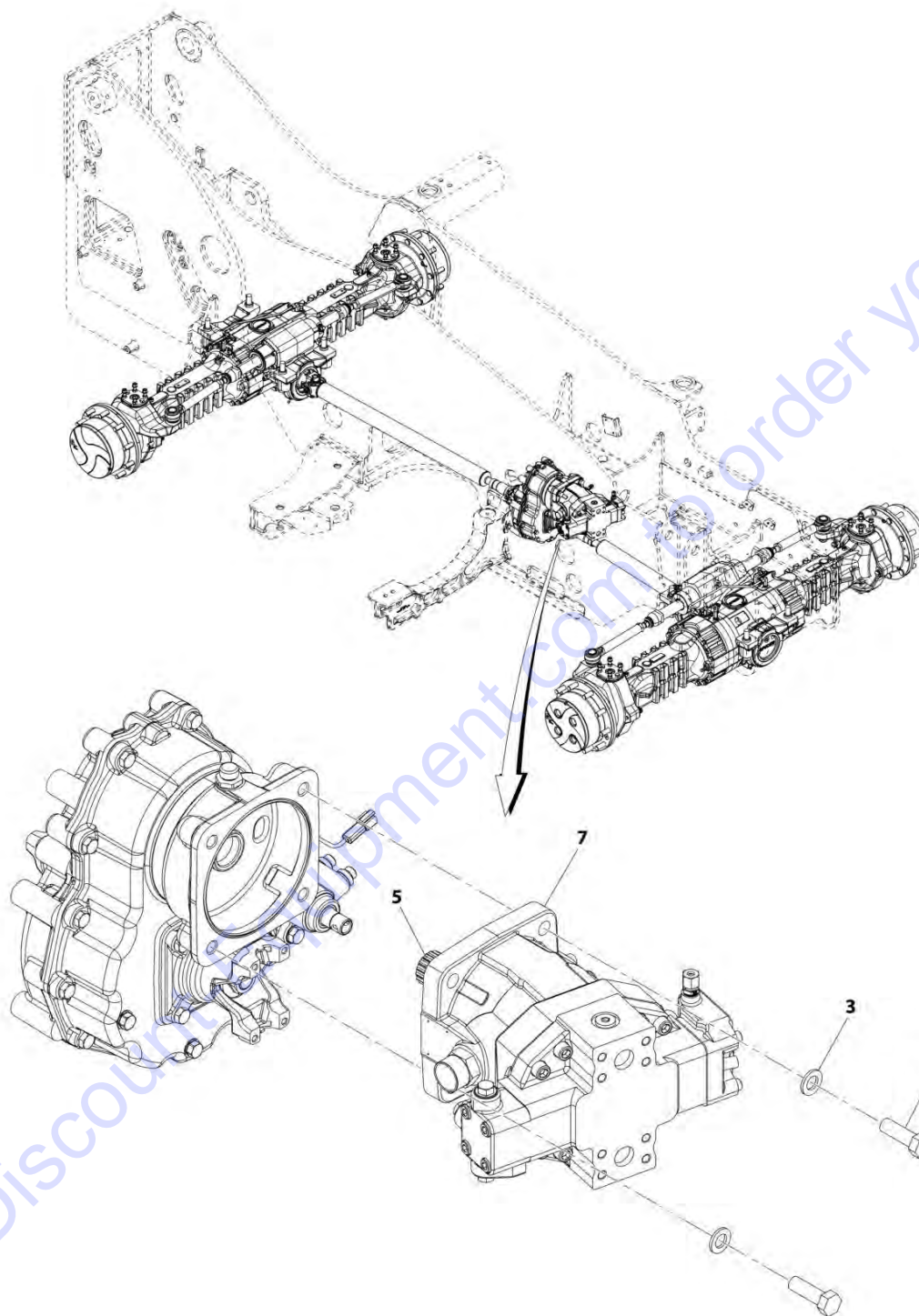
SECTION 5 - DRIVETRAIN

ITEM	PART NUMBER	QTY	DESCRIPTION	REV
52	70028841	1	Piston	
53	70028842	1	O-Ring	
54	70028844	1	Washer	
55	70028801	1	Sensor, Speed	
58	70028843	10	Washer	
69	70028845	1	Bolt	
70	70026927	1	Washer, Seal	
71	70028846	1	Shaft, Input	
72	70028847	1	Gear	
73	70028848	1	Gear	

Go to Discount-Equipment.com to order your parts

SECTION 5 - DRIVETRAIN

FIGURE 5-34. HYDROSTATIC MOTOR INSTALLATION



ART_1001184980-D

SECTION 5 - DRIVETRAIN

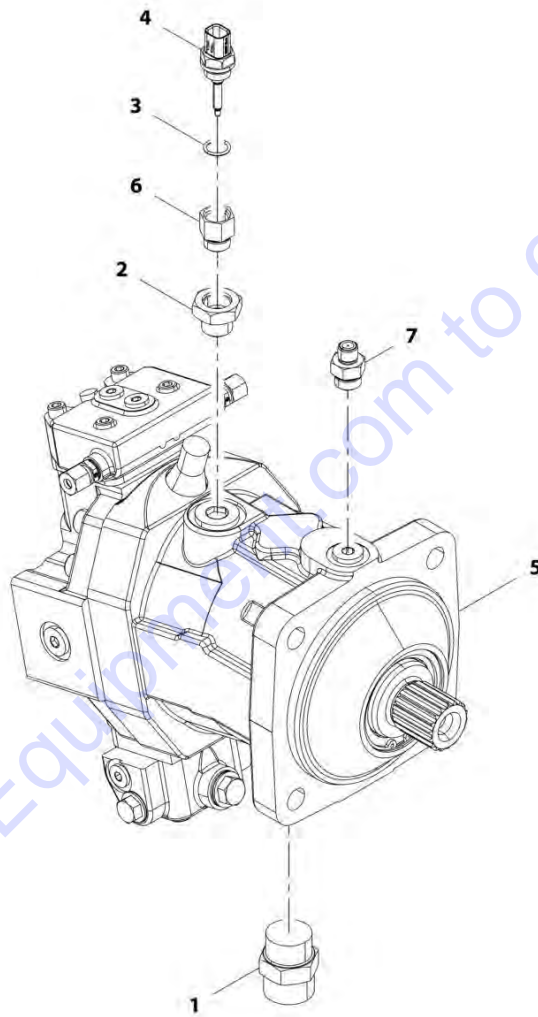
FIGURE 5-34. HYDROSTATIC MOTOR INSTALLATION

ITEM	PART NUMBER	QTY	DESCRIPTION	REV
	1001184980	Ref	Hydrostatic Motor Installation	D
1	0771618	4	Bolt, M16X50	
3	4812300	4	Washer, M16	
5	3020037	AR	Lube, Grease	
7	1001217620	1	Assembly, Hydrostatic Drive Motor (See Seperate Breakdown in this Section)	

Go to Discount-Equipment.com to order your parts

SECTION 5 - DRIVETRAIN

FIGURE 5-35. HYDROSTATIC MOTOR ASSEMBLY



ART_1001217620-B

SECTION 5 - DRIVETRAIN

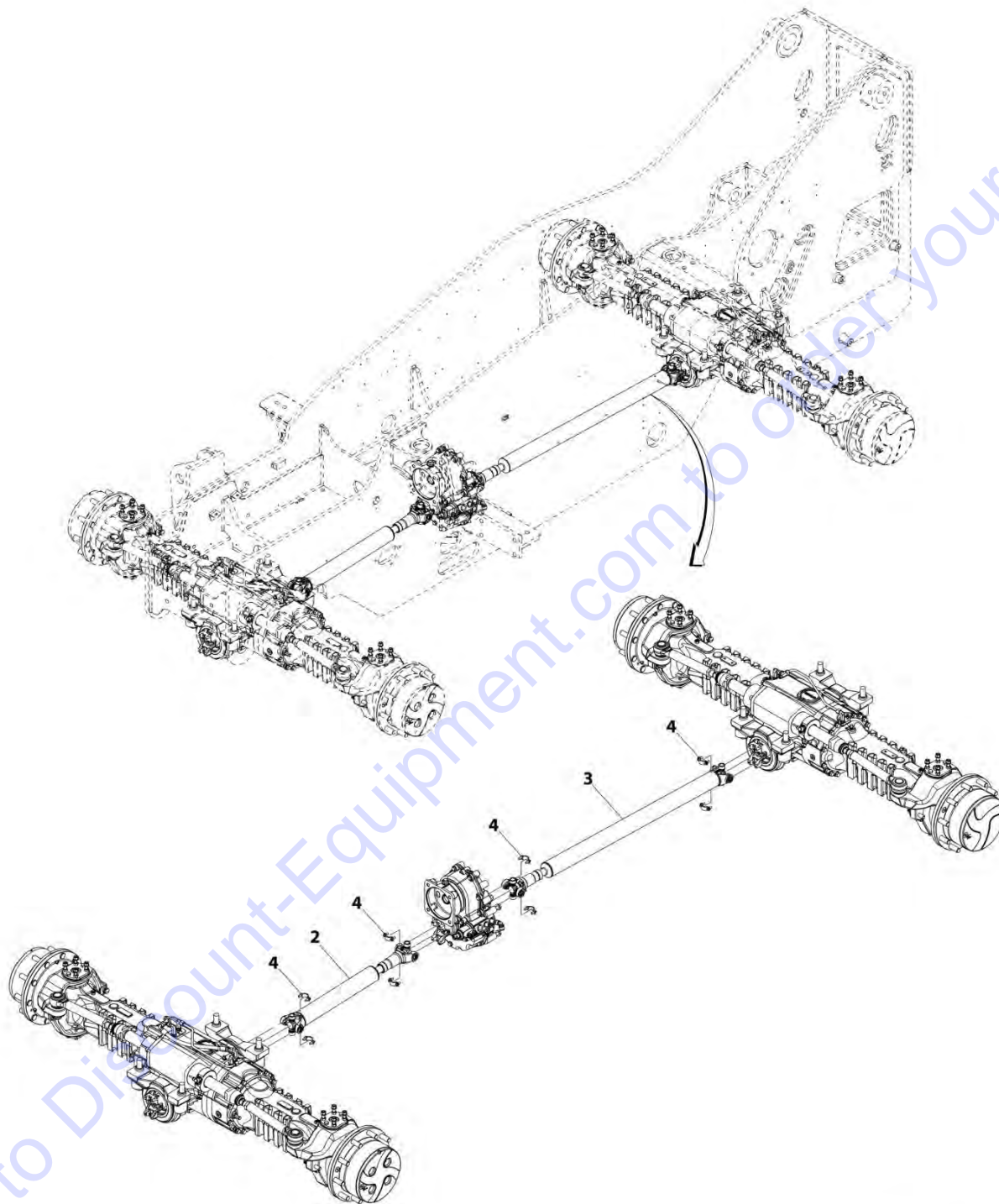
FIGURE 5-35. HYDROSTATIC MOTOR ASSEMBLY

ITEM	PART NUMBER	QTY	DESCRIPTION	REV
	1001217620	Ref	Hydrostatic Motor Assembly	B
1	2111616	1	Fitting, Straight ORFS	
2	2220811	1	Fitting, Straight	
3	1001009163	1	O-Ring	
4	1001128478	1	Sensor	
5	1001193308	1	Motor, Hydrostatic (See Separate Breakdown in Hydraulic Components Section)	
6	1001220760	1	Fitting, Straight	
7	1001217669	1	Fitting, Straight	

Go to Discount-Equipment.com to order your parts

SECTION 5 - DRIVETRAIN

FIGURE 5-36. DRIVE SHAFT INSTALLATION



ART_1001184981-B

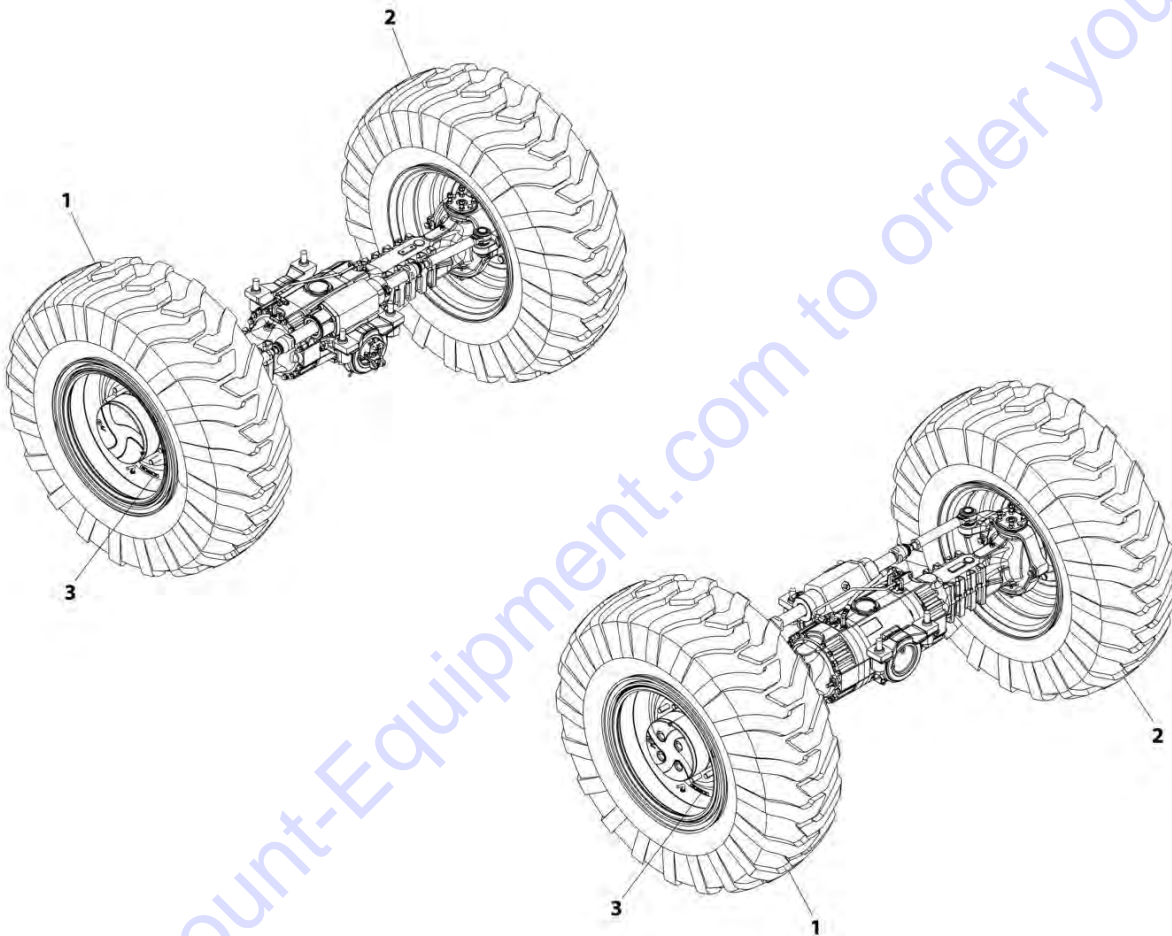
FIGURE 5-36. DRIVE SHAFT INSTALLATION

ITEM	PART NUMBER	QTY	DESCRIPTION	REV
	1001184981	Ref	Drive Shaft Installation	B
2	1001184987	1	Assembly, Drive Shaft	
3	1001184988	1	Assembly, Drive Shaft	
4	8880219-OM	4	Kit, Strap	

Go to Discount-Equipment.com to order your parts

SECTION 5 - DRIVETRAIN

FIGURE 5-37. TIRE/WHEEL SET (AIR 17.5-25 - 20 PLY)



ART_1001192168-C

SECTION 5 - DRIVETRAIN

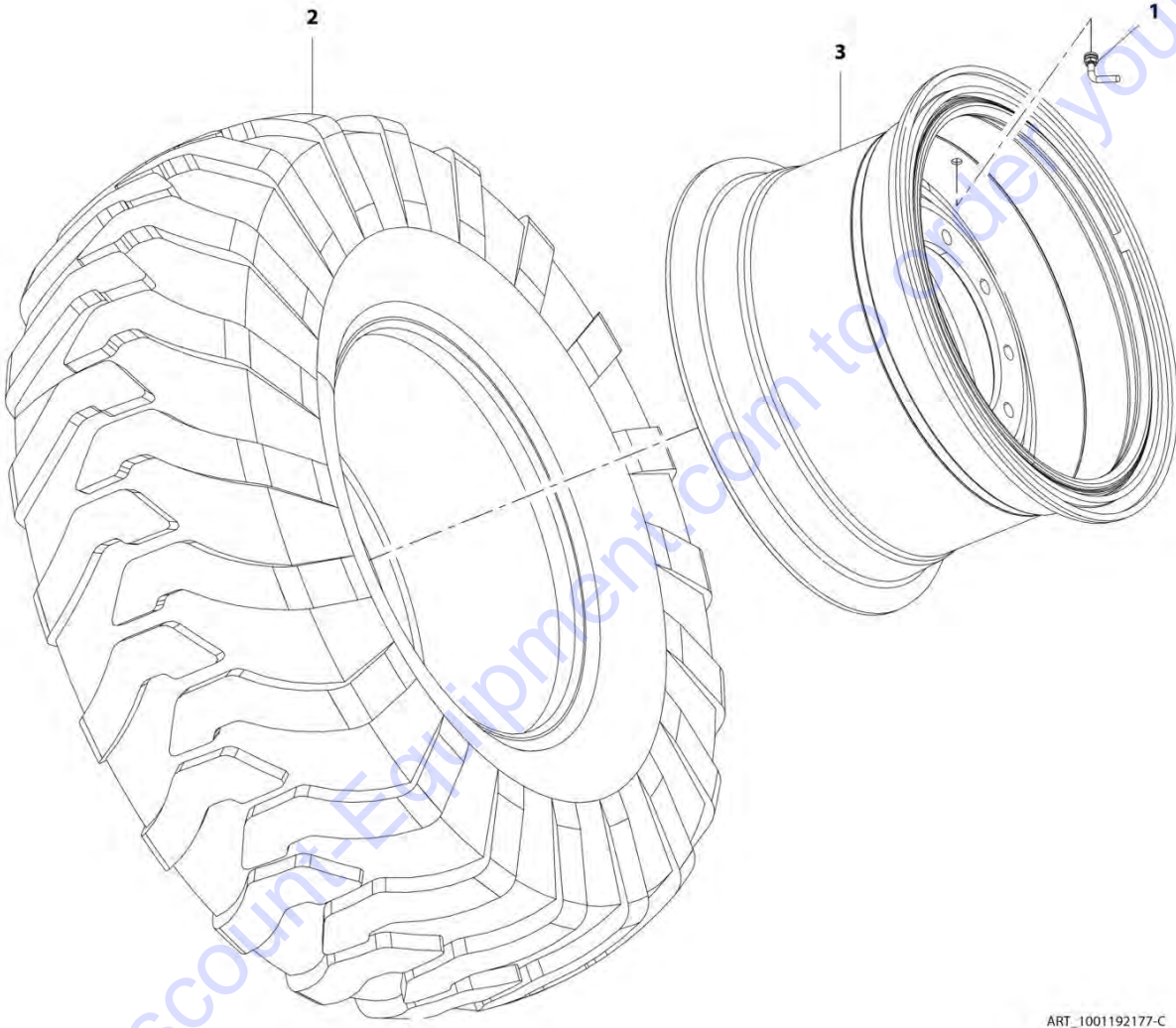
FIGURE 5-37. TIRE/WHEEL SET (AIR 17.5-25 - 20 PLY)

ITEM	PART NUMBER	QTY	DESCRIPTION	REV
1	1001192168	1	Tire/Wheel Set (Air 17.5-25 - 20 PLY)	C
	1001192177	2	Assembly, Right Tire/Wheel (Air 17.5-25 - 20 PLY) (See Seperate Breakdown in this Section)	
2	1001192178	2	Assembly, Left Tire/Wheel (Air 17.5-25 - 20 PLY) (See Seperate Breakdown in this Section)	
3	1001229201	4	Decal	

Go to Discount-Equipment.com to order your parts

SECTION 5 - DRIVETRAIN

FIGURE 5-38. RIGHT TIRE/WHEEL ASSEMBLY (AIR 17.5-25 - 20 PLY)



ART_1001192177-C

SECTION 5 - DRIVETRAIN

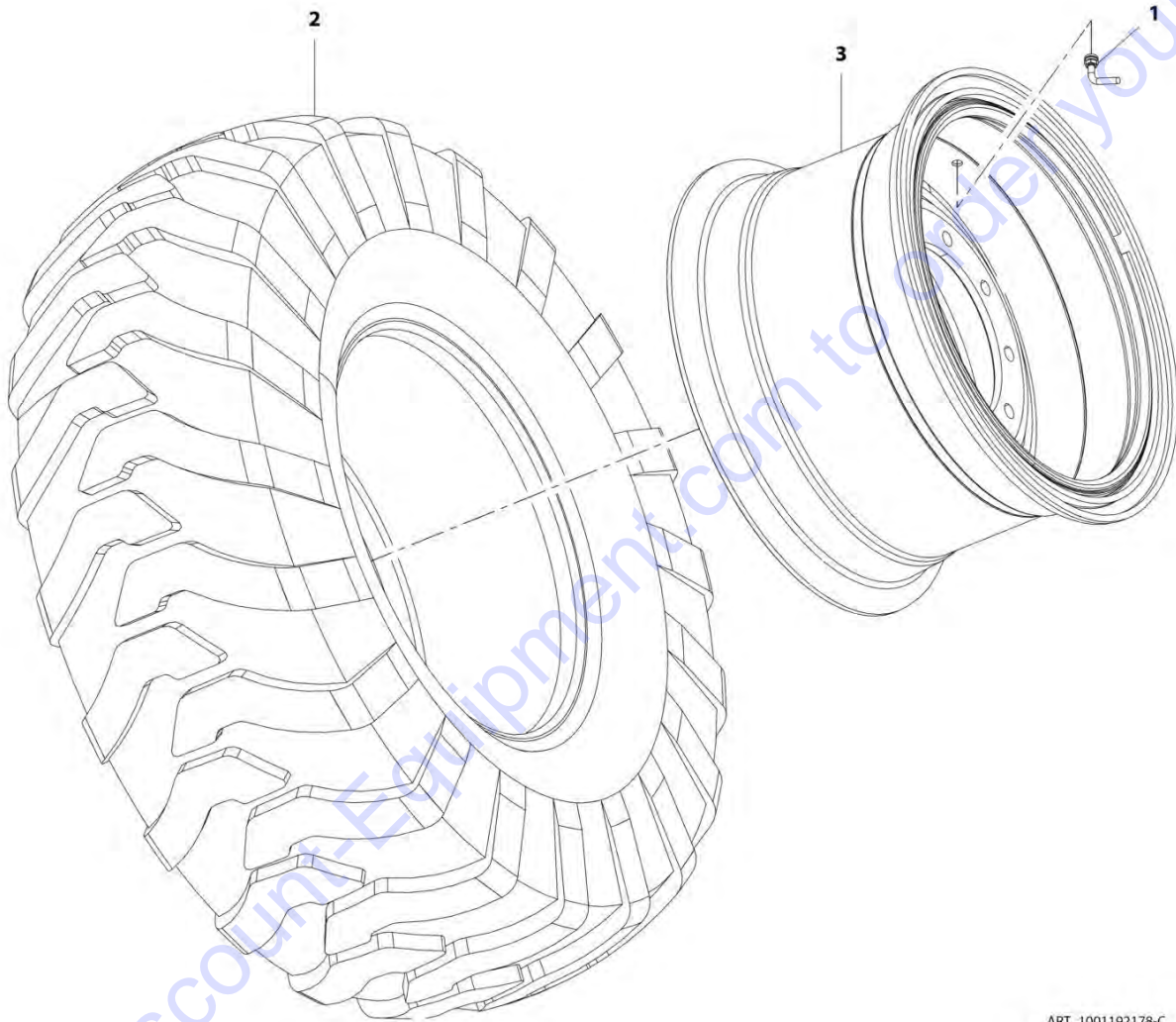
FIGURE 5-38. RIGHT TIRE/WHEEL ASSEMBLY (AIR 17.5-25 - 20 PLY)

ITEM	PART NUMBER	QTY	DESCRIPTION	REV
	1001192177	Ref	Right Tire/Wheel Assembly (Air 17.5-25 - 20 PLY)	C
1	8786549	1	Valve, Stem	
2	1001187423	1	Tire, 17.5-25 20 PLY	
3	1001189288J	1	Wheel, 25X14.0 DTU 10 Hole	

Go to Discount-Equipment.com to order your parts

SECTION 5 - DRIVETRAIN

FIGURE 5-39. LEFT TIRE/WHEEL ASSEMBLY (AIR 17.5-25 - 20 PLY)



ART_1001192178-C

SECTION 5 - DRIVETRAIN

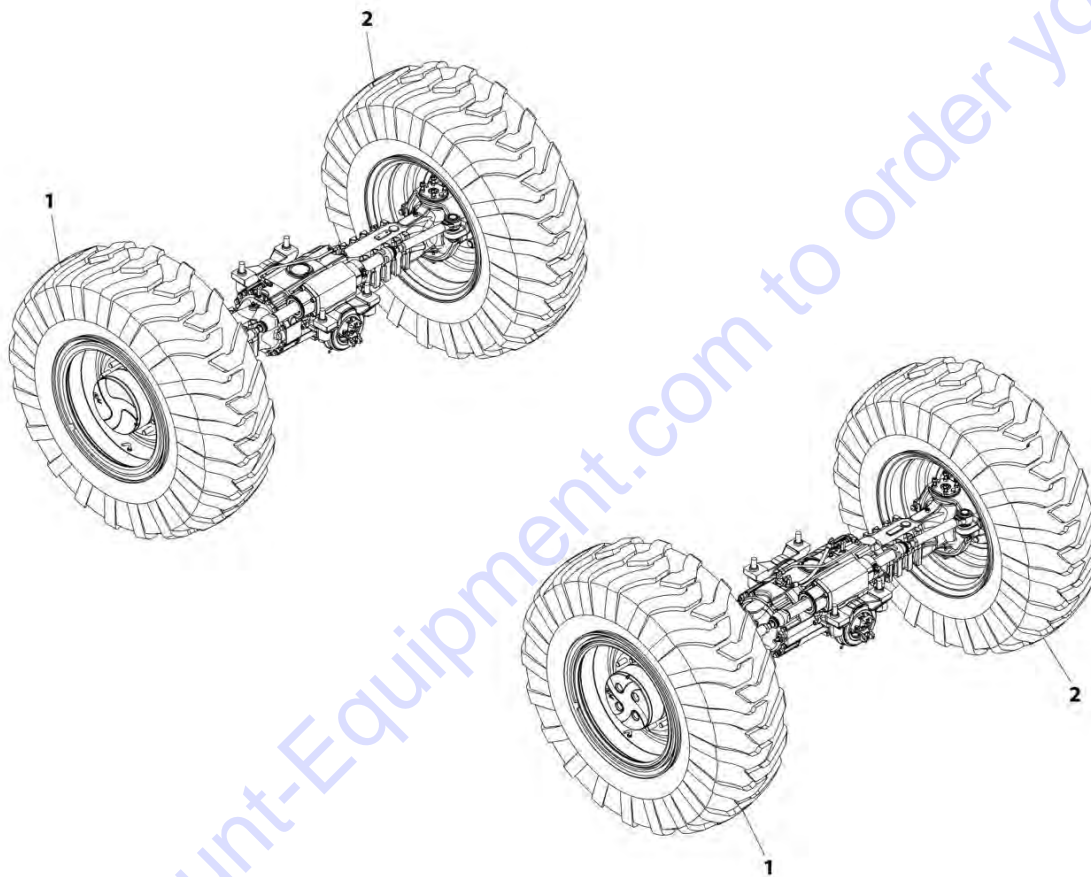
FIGURE 5-39. LEFT TIRE/WHEEL ASSEMBLY (AIR 17.5-25 - 20 PLY)

ITEM	PART NUMBER	QTY	DESCRIPTION	REV
	1001192178	Ref	Left Tire/Wheel Assembly (Air 17.5-25 - 20 PLY)	C
1	8786549	1	Valve, Stem	
2	1001187423	1	Tire, 17.5-25 20 PLY	
3	1001189288J	1	Wheel, 25X14.0 DTU 10 Hole	

Go to Discount-Equipment.com to order your parts

SECTION 5 - DRIVETRAIN

FIGURE 5-40. TIRE/WHEEL SET (FOAM 17.5-25 - 20 PLY)



ART_1001192170-A

SECTION 5 - DRIVETRAIN

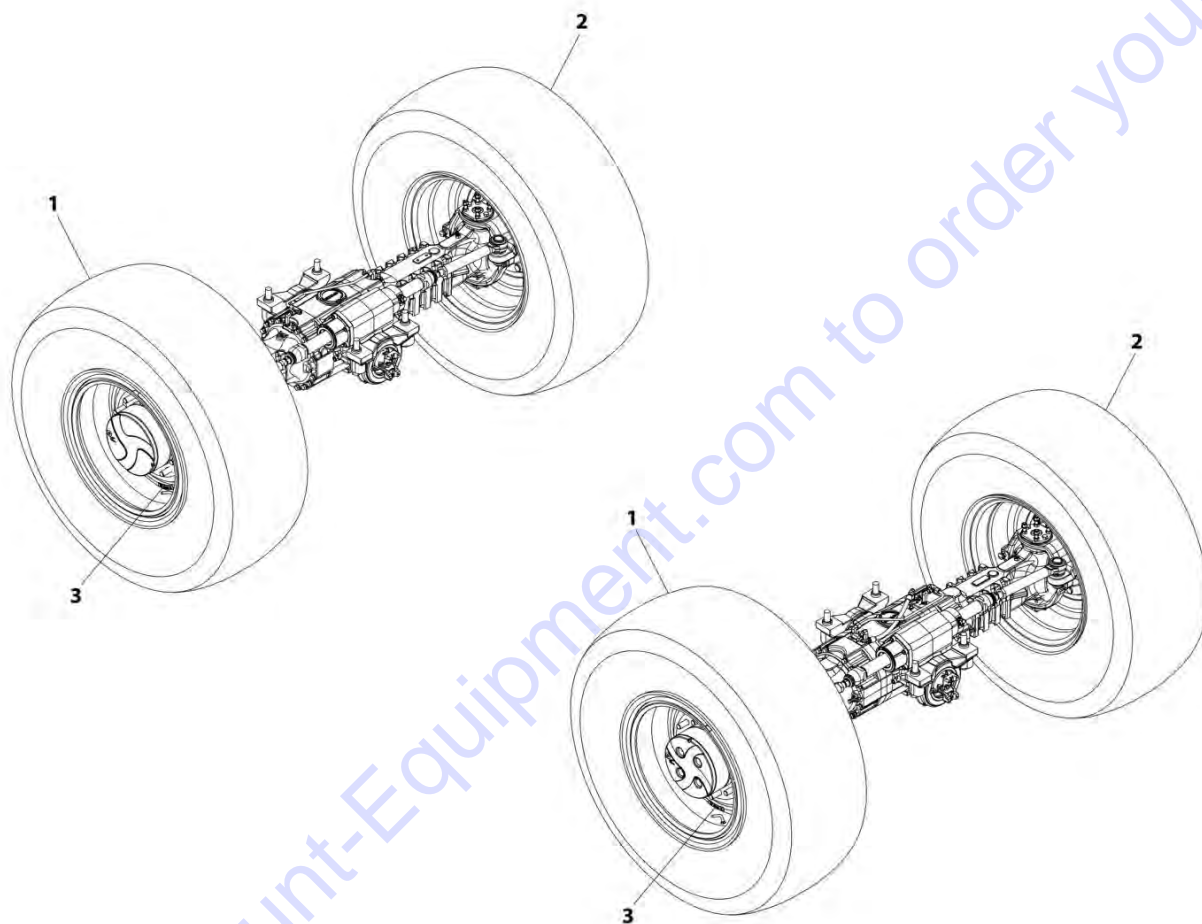
FIGURE 5-40. TIRE/WHEEL SET (FOAM 17.5-25 - 20 PLY)

ITEM	PART NUMBER	QTY	DESCRIPTION	REV
	1001192170	1	Tire/Wheel Set (Foam 17.5-25 - 20 PLY)	A
1	1001192180	2	Assembly, Right Tire/Wheel (Foam 17.5-25 - 20 PLY)	
2	1001192181	2	Assembly, Left Tire/Wheel (Foam 17.5-25 - 20 PLY)	

Go to Discount-Equipment.com to order your parts

SECTION 5 - DRIVETRAIN

FIGURE 5-41. TIRE/WHEEL SET (AIR 17.5 R25 - RADIAL)



ART_1001221270-A

SECTION 5 - DRIVETRAIN

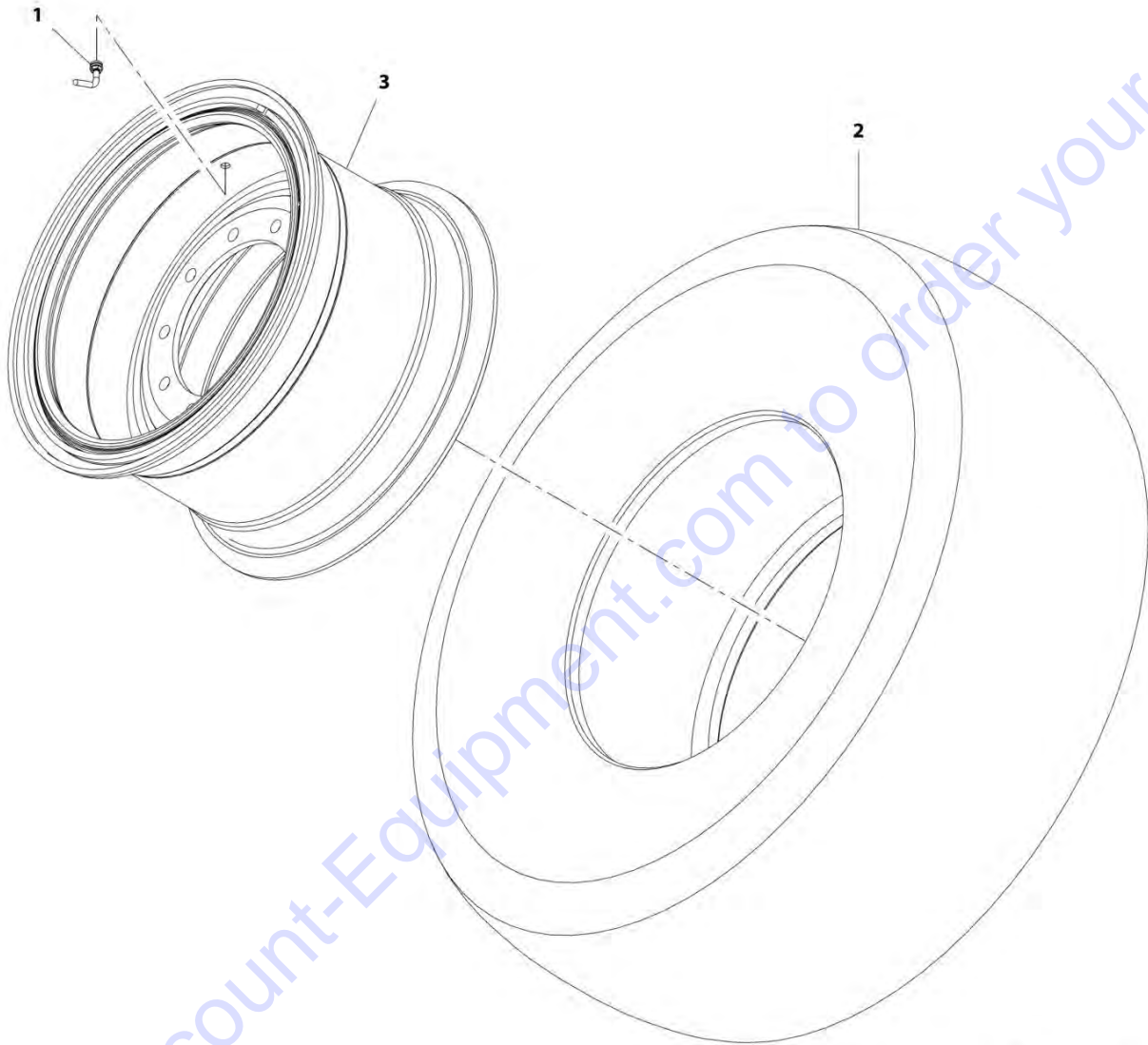
FIGURE 5-41. TIRE/WHEEL SET (AIR 17.5 R25 - RADIAL)

ITEM	PART NUMBER	QTY	DESCRIPTION	REV
1	1001221270	1	Tire/Wheel Set (Air 17.5 R25 - Radial)	A
	1001221157	2	Assembly, Right Tire/Wheel (Air 17.5 R25 - Radial) (See Sperate Breakdown in this Section)	
2	1001221321	2	Assembly, Left Tire/Wheel (Air 17.5 R25 - Radial) (See Seperate Breakdown in this Section)	
3	1001221734	4	Decal	

Go to Discount-Equipment.com to order your parts

SECTION 5 - DRIVETRAIN

FIGURE 5-42. RIGHT TIRE/WHEEL ASSEMBLY (AIR 17.5 R25 - RADIAL)



ART_1001221157-C

SECTION 5 - DRIVETRAIN

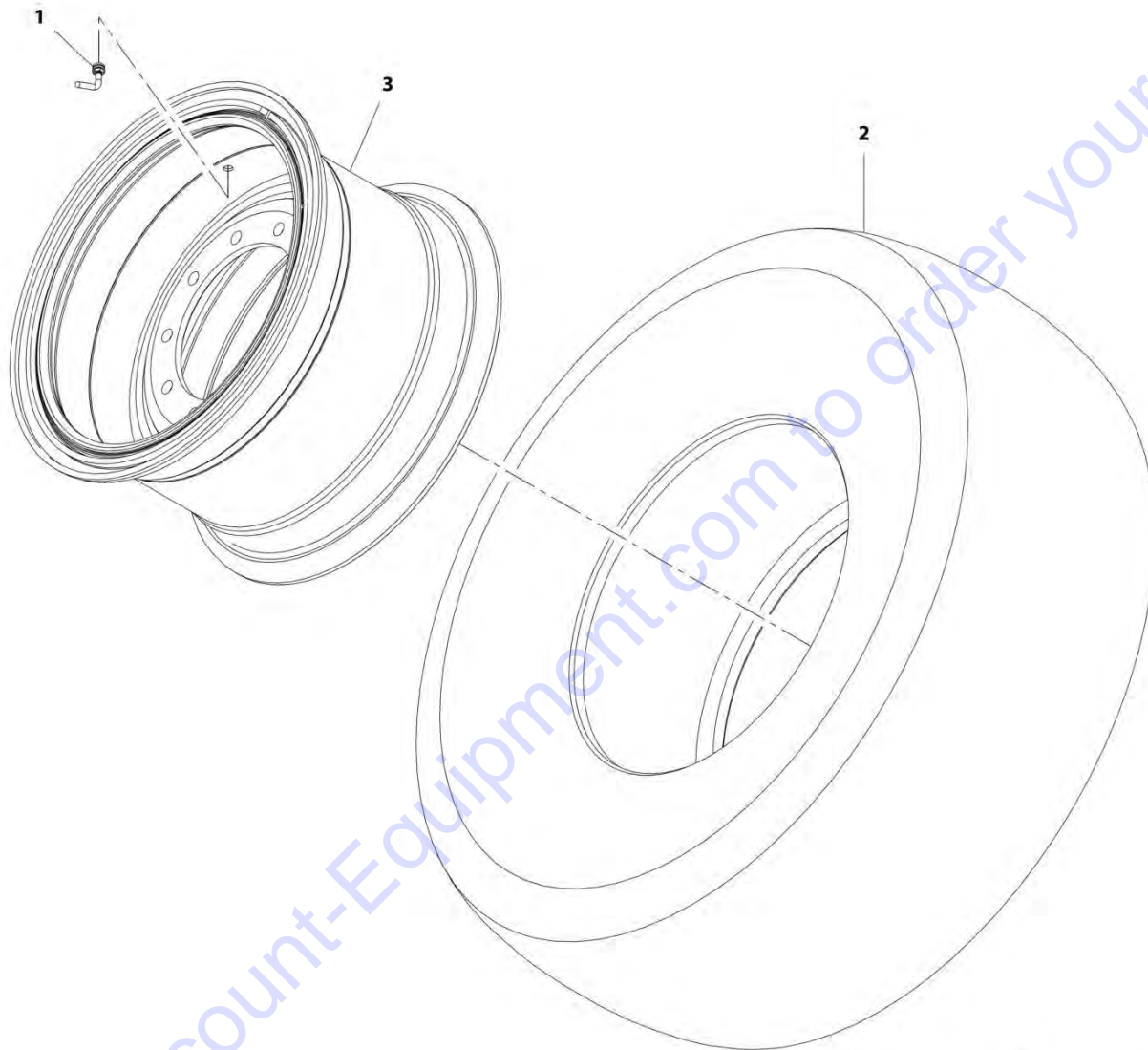
FIGURE 5-42. RIGHT TIRE/WHEEL ASSEMBLY (AIR 17.5 R25 - RADIAL)

ITEM	PART NUMBER	QTY	DESCRIPTION	REV
	1001221157	Ref	Right Tire/Wheel Assembly (Air 17.5 R25 - Radial)	C
1	8786549	1	Valve, Stem	
2	1001221087	1	Tire, 17.5 R25 Radial	
3	1001189288J	1	Wheel, 25X14.0 DTU 10 Hole	

Go to Discount-Equipment.com to order your parts

SECTION 5 - DRIVETRAIN

FIGURE 5-43. LEFT TIRE/WHEEL ASSEMBLY (AIR 17.5 R25 - RADIAL)



ART_1001221321-C

SECTION 5 - DRIVETRAIN

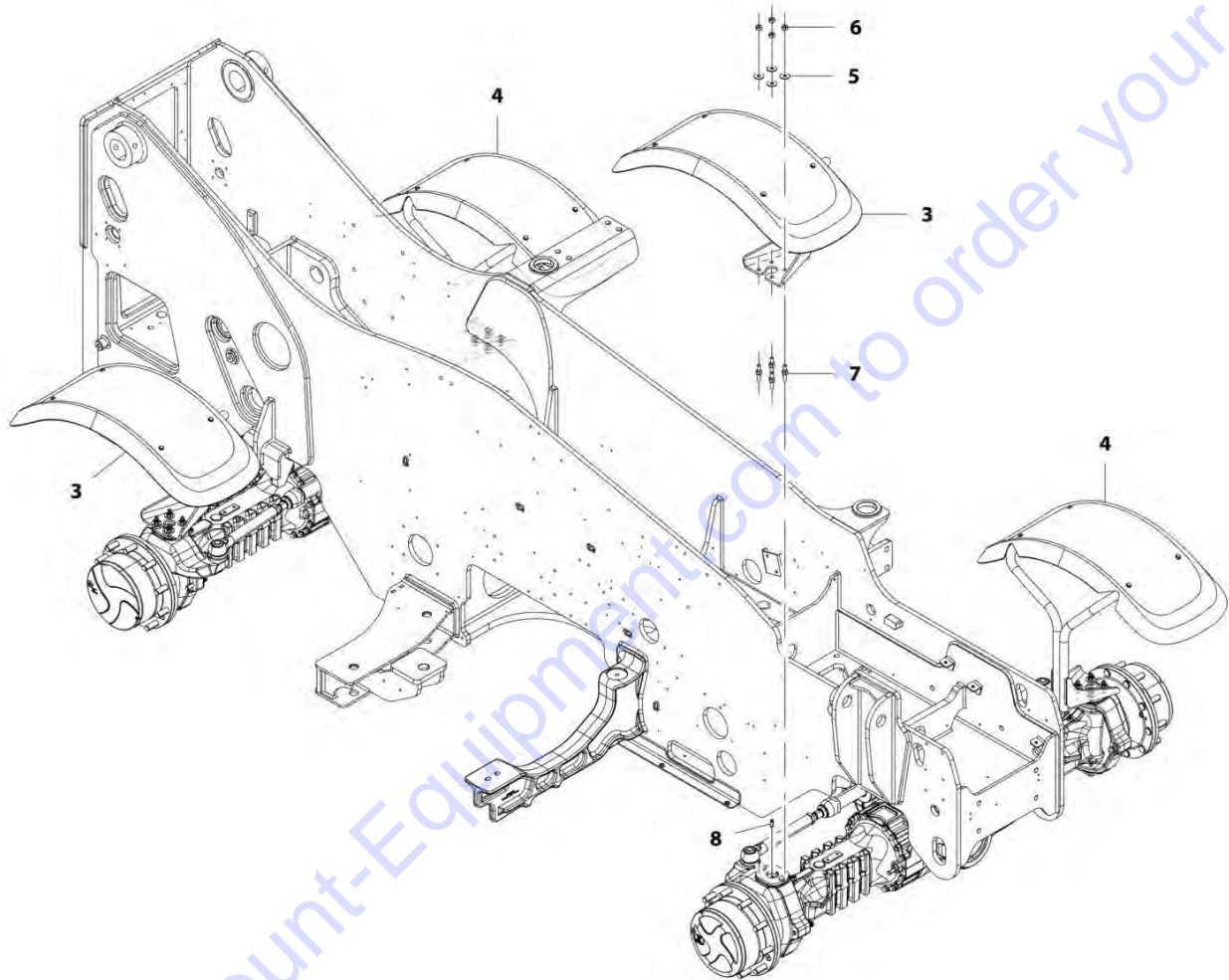
FIGURE 5-43. LEFT TIRE/WHEEL ASSEMBLY (AIR 17.5 R25 - RADIAL)

ITEM	PART NUMBER	QTY	DESCRIPTION	REV
	1001221321	Ref	Left Tire/Wheel Assembly (Air 17.5 R25 - Radial)	C
1	8786549	1	Valve, Stem	
2	1001221087	1	Tire, 17.5 R25 Radial	
3	1001189288J	1	Wheel, 25X14.0 DTU 10 Hole	

Go to Discount-Equipment.com to order your parts

SECTION 5 - DRIVETRAIN

FIGURE 5-44. FENDER INSTALLATION



ART_1001174129-E

SECTION 5 - DRIVETRAIN

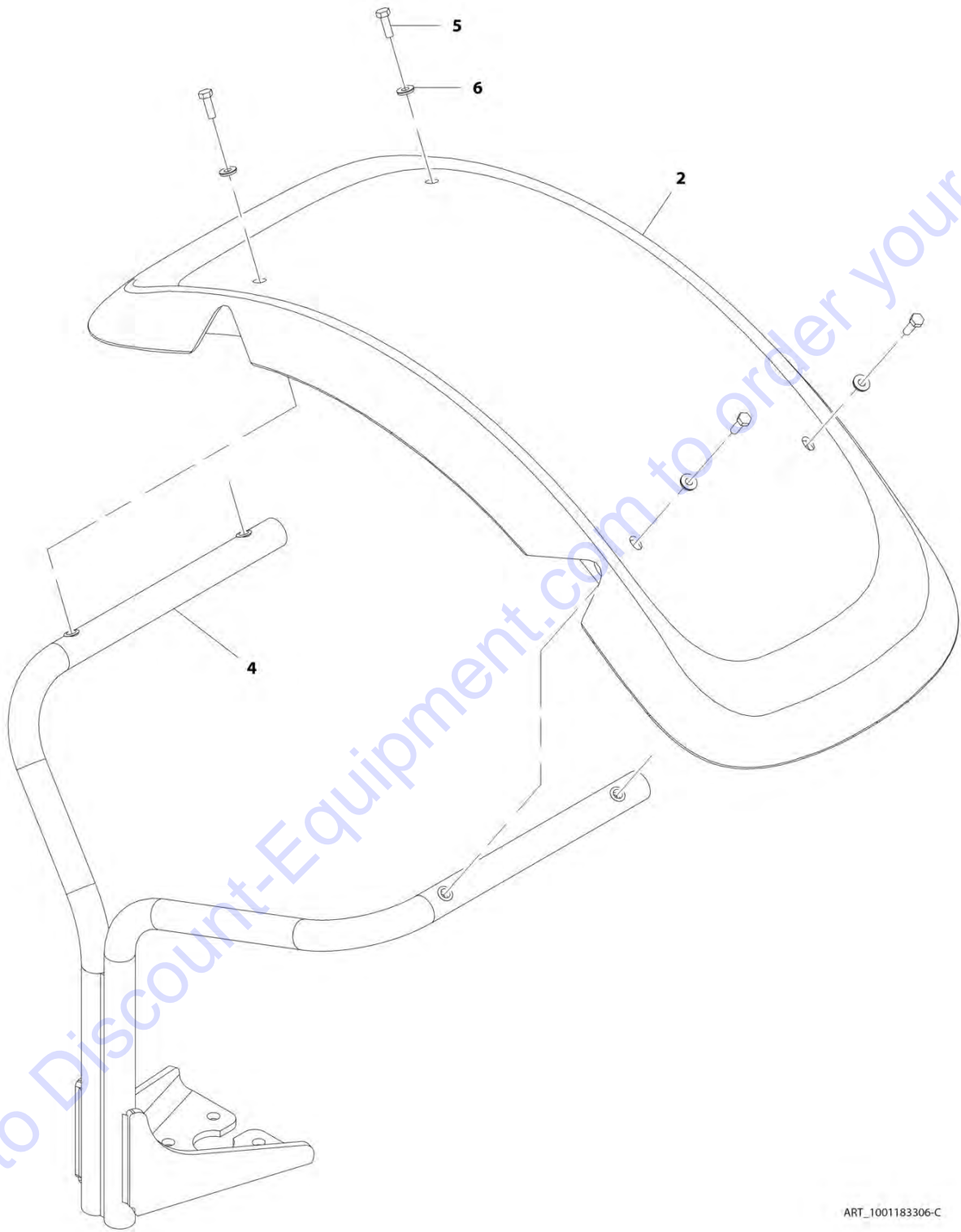
FIGURE 5-44. FENDER INSTALLATION

ITEM	PART NUMBER	QTY	DESCRIPTION	REV
	1001174129	Ref	Fender Installation	E
3	1001183306	2	Assembly, RH Fender (See Separate Breakdown in this Section)	
4	1001183307	2	Assembly, LH Fender (See Separate Breakdown in this Section)	
5	4812102	16	Washer, M12	
6	91513266	16	Nut, M12X1.25	
7	91514118	16	Stud, Fender	
8	1001225317	4	Fitting, Grease	

Go to Discount-Equipment.com to order your parts

SECTION 5 - DRIVETRAIN

FIGURE 5-45. RH FENDER ASSEMBLY



ART_1001183306-C

SECTION 5 - DRIVETRAIN

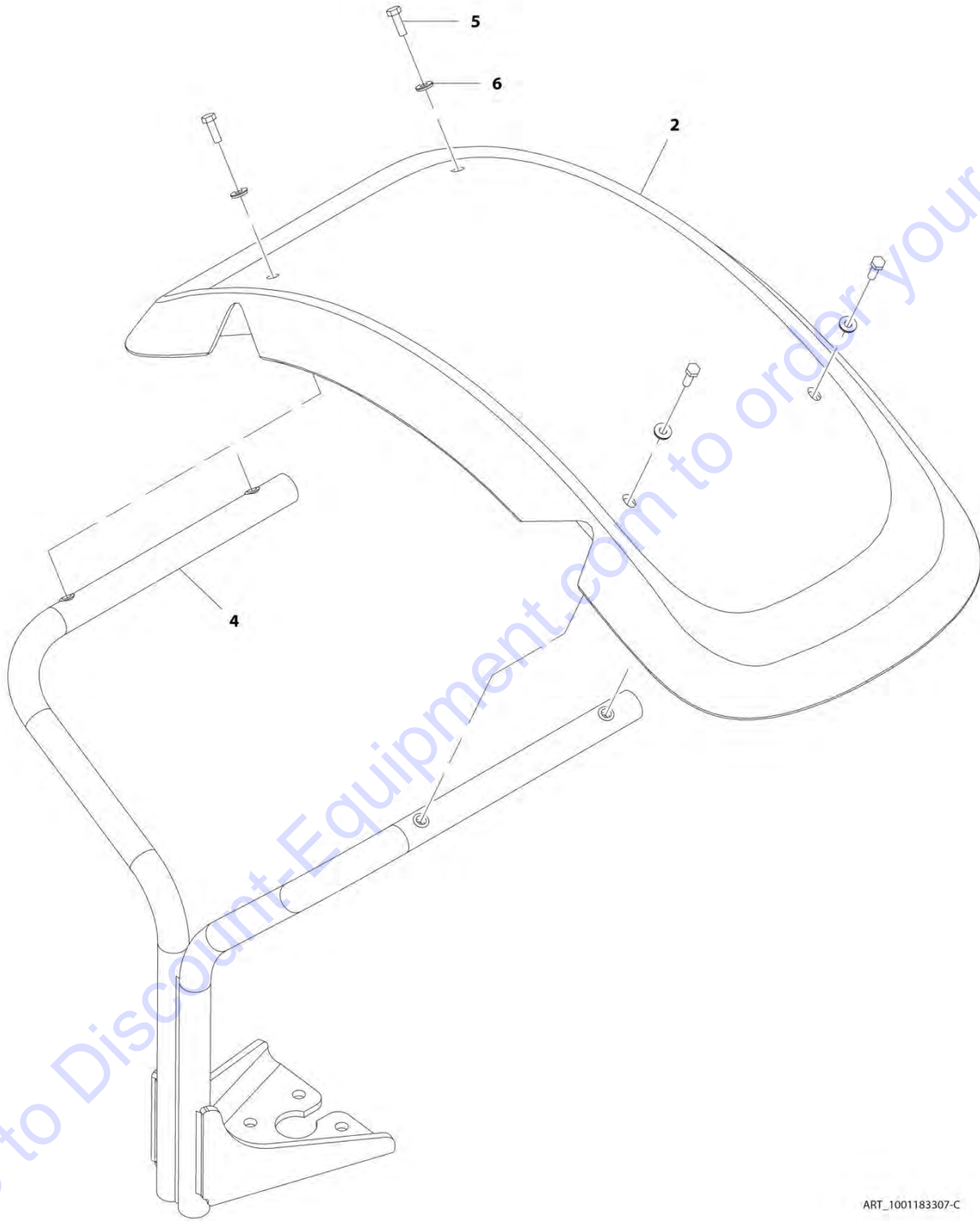
FIGURE 5-45. RH FENDER ASSEMBLY

ITEM	PART NUMBER	QTY	DESCRIPTION	REV
	1001183306	Ref	RH Fender Assembly	C
2	1001168264	1	Fender	
4	1001183308	1	Bracket	
5	0760812	4	Bolt, M8X25	
6	1001202786	4	Washer	

Go to Discount-Equipment.com to order your parts

SECTION 5 - DRIVETRAIN

FIGURE 5-46. LH FENDER ASSEMBLY



ART_1001183307-C

SECTION 5 - DRIVETRAIN

FIGURE 5-46. LH FENDER ASSEMBLY

ITEM	PART NUMBER	QTY	DESCRIPTION	REV
	1001183307	Ref	LH Fender Assembly	C
2	1001168264	1	Fender	
4	1001183309	1	Bracket	
5	0760812	4	Bolt, M8X25	
6	1001202786	4	Washer	

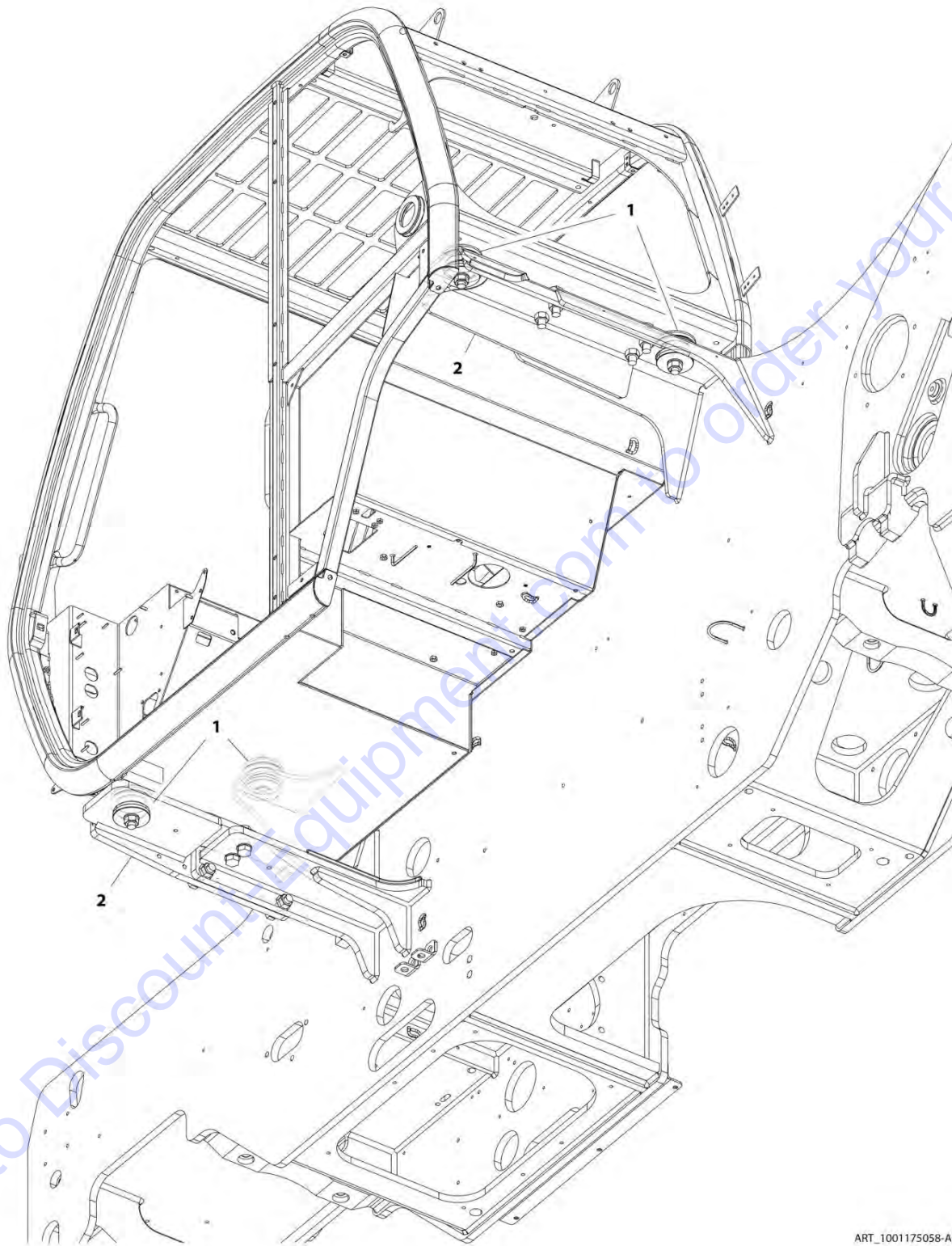
Go to Discount-Equipment.com to order your parts

SECTION 6 - CAB

Go to Discount-Equipment.com to order your parts

SECTION 6 - CAB

FIGURE 6-1. CAB MOUNTING INSTALLATION



ART_1001175058-A

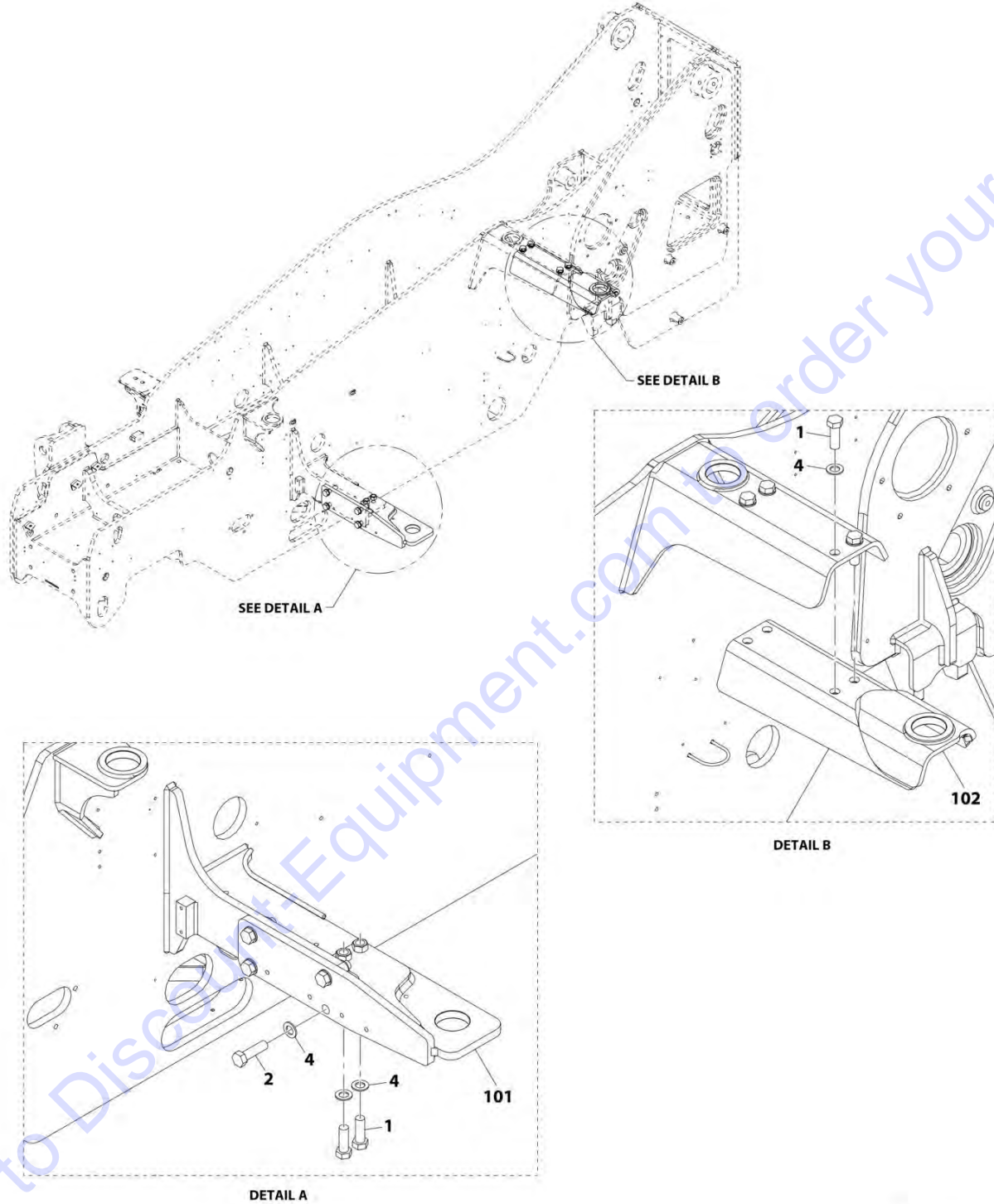
FIGURE 6-1. CAB MOUNTING INSTALLATION

ITEM	PART NUMBER	QTY	DESCRIPTION	REV
1	1001175058	Ref	Cab Mounting Installation	A
	1001155446	Ref	Installation, Cab Mount (See Separate Breakdown in this Section)	
2	1001191255	Ref	Installation, Front Cab Mount Bracket (See Separate Breakdown in this Section)	

Go to Discount-Equipment.com to order your parts

SECTION 6 - CAB

FIGURE 6-2. FRONT CAB MOUNT BRACKET INSTALLATION



ART_1001191255-E

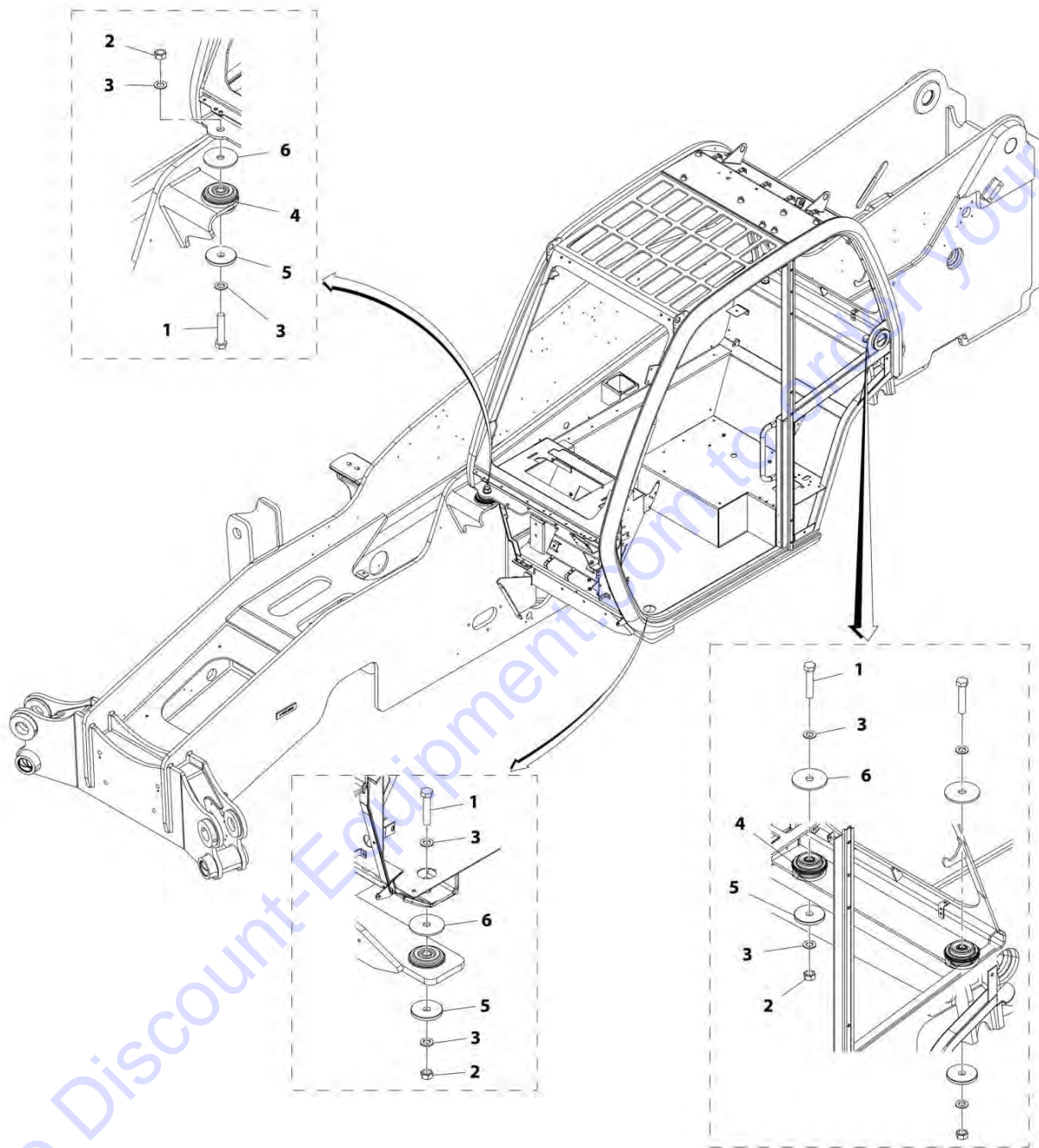
FIGURE 6-2. FRONT CAB MOUNT BRACKET INSTALLATION

ITEM	PART NUMBER	QTY	DESCRIPTION	REV
	1001191255	Ref	Front Cab Mount Bracket Installation	E
1	0712020	6	Bolt, M20X60	
2	0712022	4	Bolt, M20X70	
4	4812500	10	Washer, M20	
101	1001191256	1	Bracket	
102	1001191257	1	Bracket	

Go to Discount-Equipment.com to order your parts

SECTION 6 - CAB

FIGURE 6-3. CAB MOUNTS INSTALLATION



ART_1001155446-E

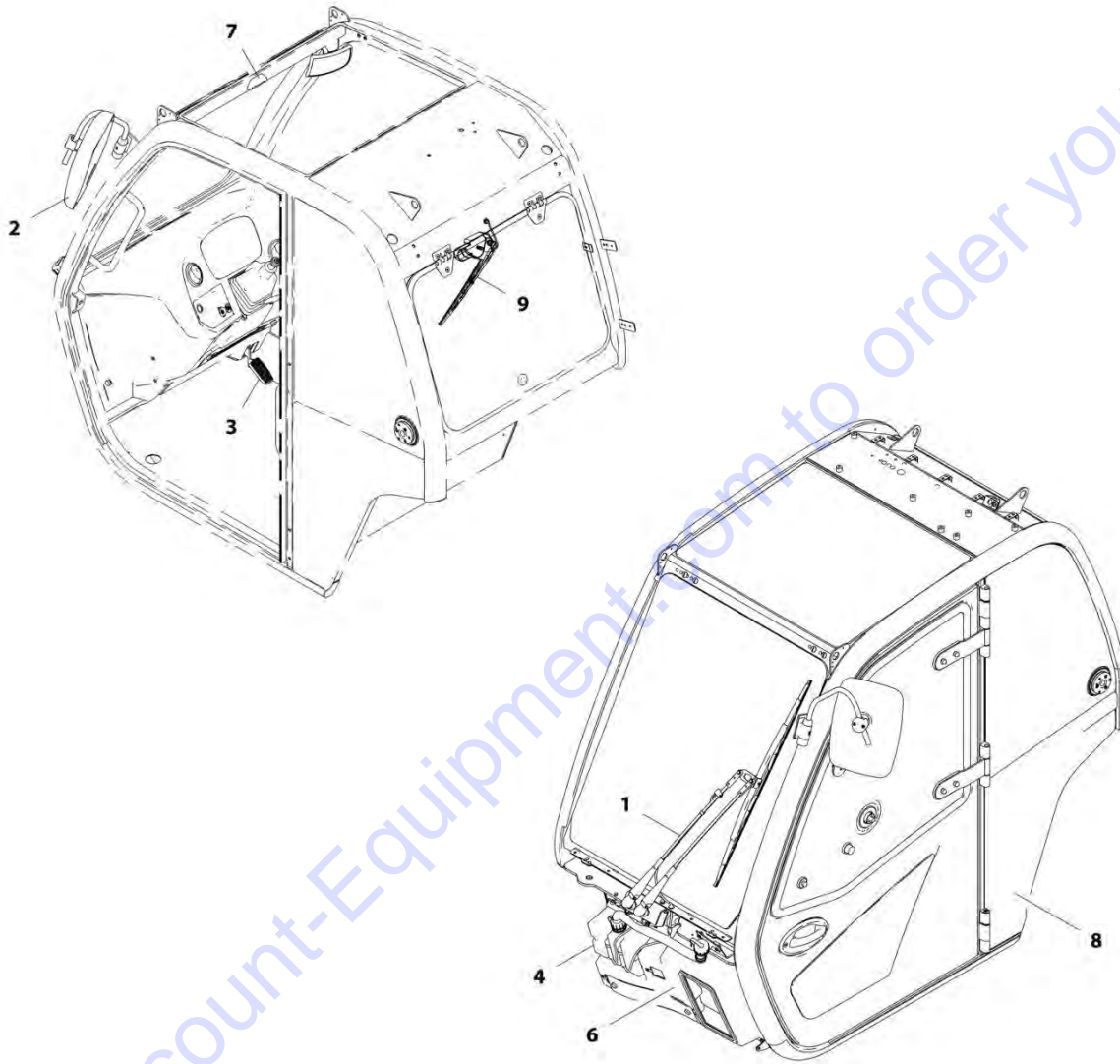
FIGURE 6-3. CAB MOUNTS INSTALLATION

ITEM	PART NUMBER	QTY	DESCRIPTION	REV
	1001155446	Ref	Cab Mounts Installation	E
1	0712027	4	Bolt, M20X100	
2	3332011	4	Nut, M20X2.5	
3	4812500	8	Washer, M20	
4	1001166754	4	Mount, Cab Isolation	
5	1001166755	4	Washer, Cab Rebound	
6	1001220540	4	Washer, Cab Mount	

Go to Discount-Equipment.com to order your parts

SECTION 6 - CAB

FIGURE 6-4. CAB COMPONENTS INSTALLATION



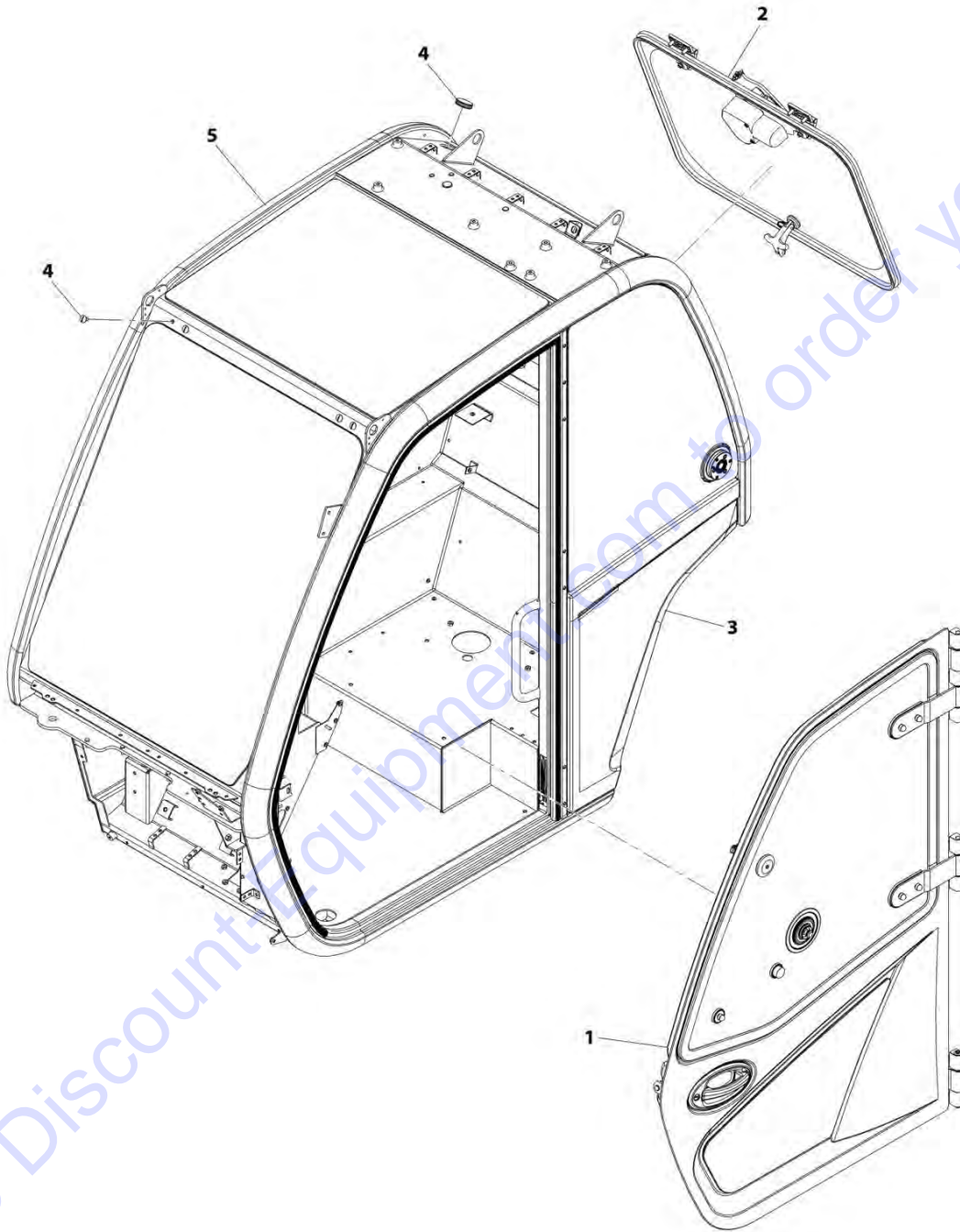
ART_1001194698-E

FIGURE 6-4. CAB COMPONENTS INSTALLATION

ITEM	PART NUMBER	QTY	DESCRIPTION	REV
	1001194698	Ref	Cab Components Installation	E
1	1001155447	Ref	Installation, Front Wiper (See Seperate Breakdown in this Section)	
2	1001160508	Ref	Installation, Basic Mirror (See Seperate Breakdown in this Section)	
3	1001161499	Ref	Installation, Accelerator Pedal (See Seperate Breakdown in Controls Section)	
4	1001162789	Ref	Installation, Washer, Tank (See Seperate Breakdown in this Section)	
6	1001170366	Ref	Installation, Front Cover (See Seperate Breakdown in this Section)	
7	1001172401	Ref	Installation, Level Indicator (See Seperate Breakdown in this Section)	
8	1001194699	Ref	Installation, Cab (See Seperate Breakdown in this Section)	
9	1001220329	Ref	Installation, Rear Wiper (See Seperate Breakdown in this Section)	

SECTION 6 - CAB

FIGURE 6-5. CAB INSTALLATION



ART_1001194699-H

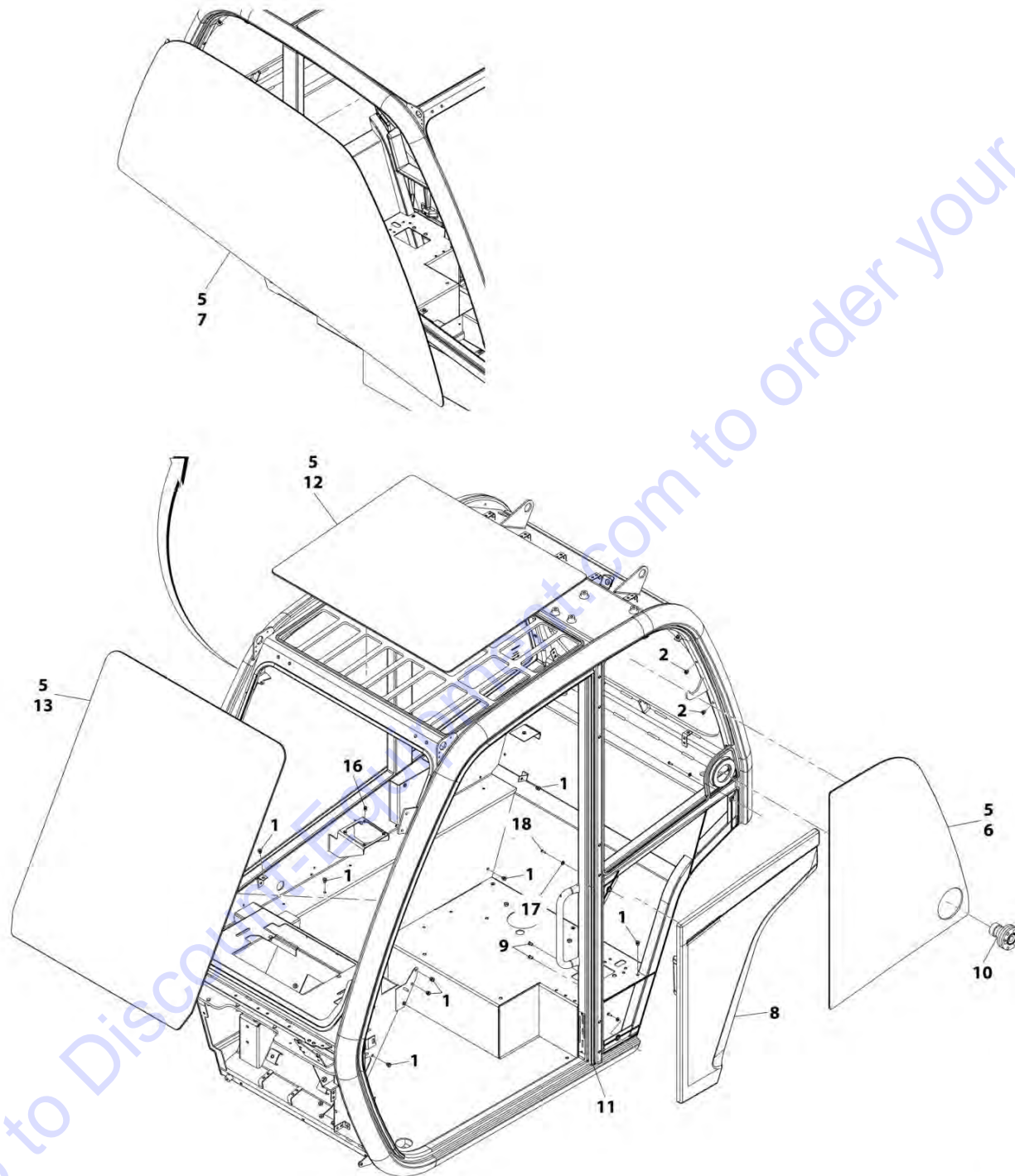
FIGURE 6-5. CAB INSTALLATION

ITEM	PART NUMBER	QTY	DESCRIPTION	REV
	1001194699	Ref	Cab Installation	H
1	1001155228	Ref	Installation, Cab Door (See Seperate Breakdown in this Section)	
2	1001220339	Ref	Installation, Rear Window (See Seperate Breakdown in this Section)	
3	1001194700	1	Assembly, Cab Group (See Seperate Breakdown in this Section)	
4	1001195814	1	Group, Cab Plug (See Seperate Breakdown in this Section)	
5	N.S.S.	1	Weldment, Cab	

Go to Discount-Equipment.com to order your parts

SECTION 6 - CAB

FIGURE 6-6. CAB ASSEMBLY



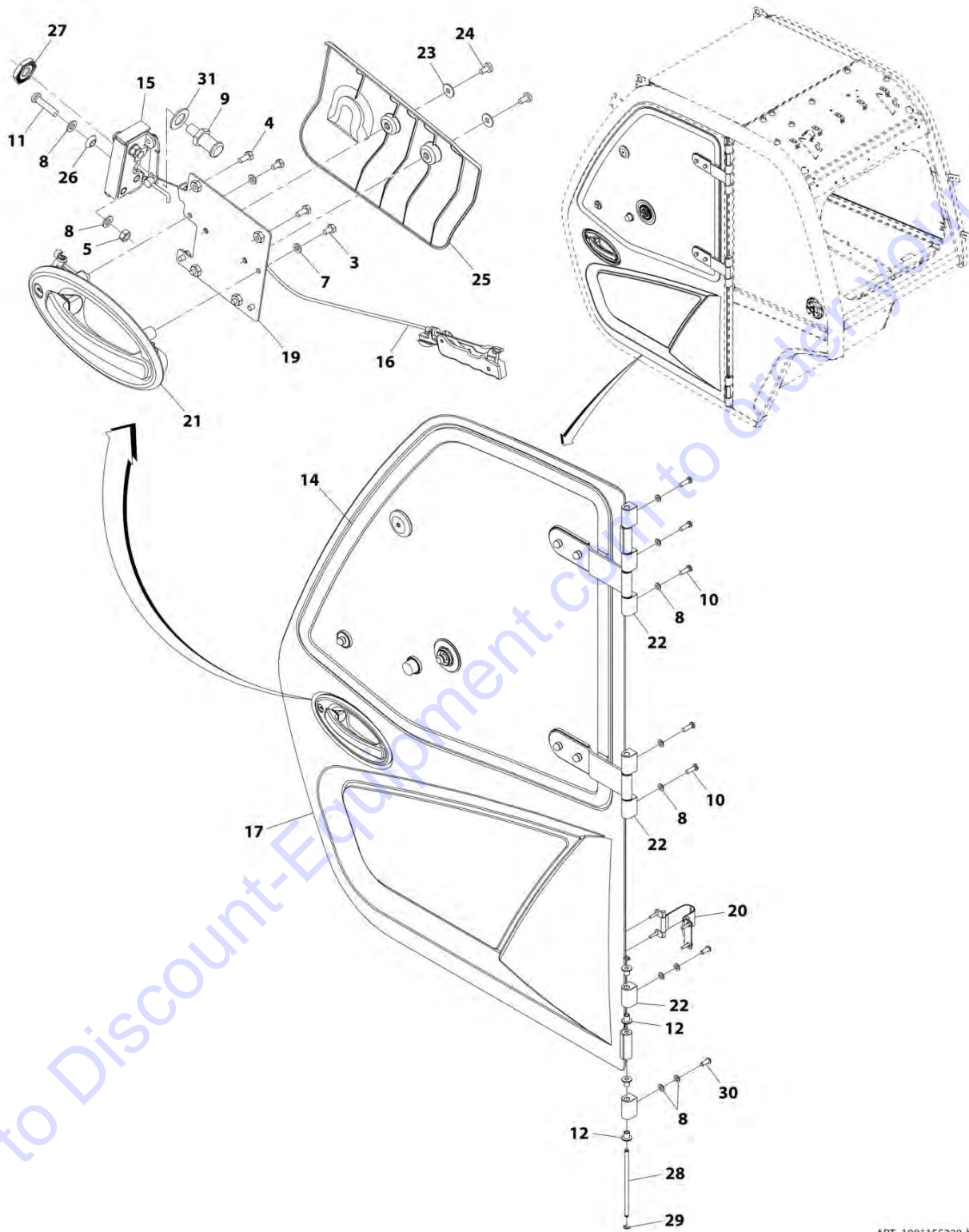
ART_1001194700-F

FIGURE 6-6. CAB ASSEMBLY

ITEM	PART NUMBER	QTY	DESCRIPTION	REV
	1001194700	Ref	Cab Assembly	F
1	2080086	25	Rivnut, M6X1	
2	2080087	16	Rivnut, M8X1.25	
5	1001111317	AR	Compound, Locking	
6	1001152915	1	Glass, LH Screen	
7	1001152947	1	Glass, RH Screen	
8	1001160345	1	Panel, Cab Quarter	
9	1001172193	2	Rivnut, M5X0.8	
10	1001174320	1	Latch, Top Window	
11	1001227186	1	Seal, Cab Door	
12	1001178159	1	Glass, Roof Laminated	
13	1001178160	1	Glass, Front Laminated	
16	1001195878	4	Rivnut, M5X0.8	
17	4811700	3	Washer, M6	
18	0750804	3	Screw	

SECTION 6 - CAB

FIGURE 6-7. DOOR INSTALLATION



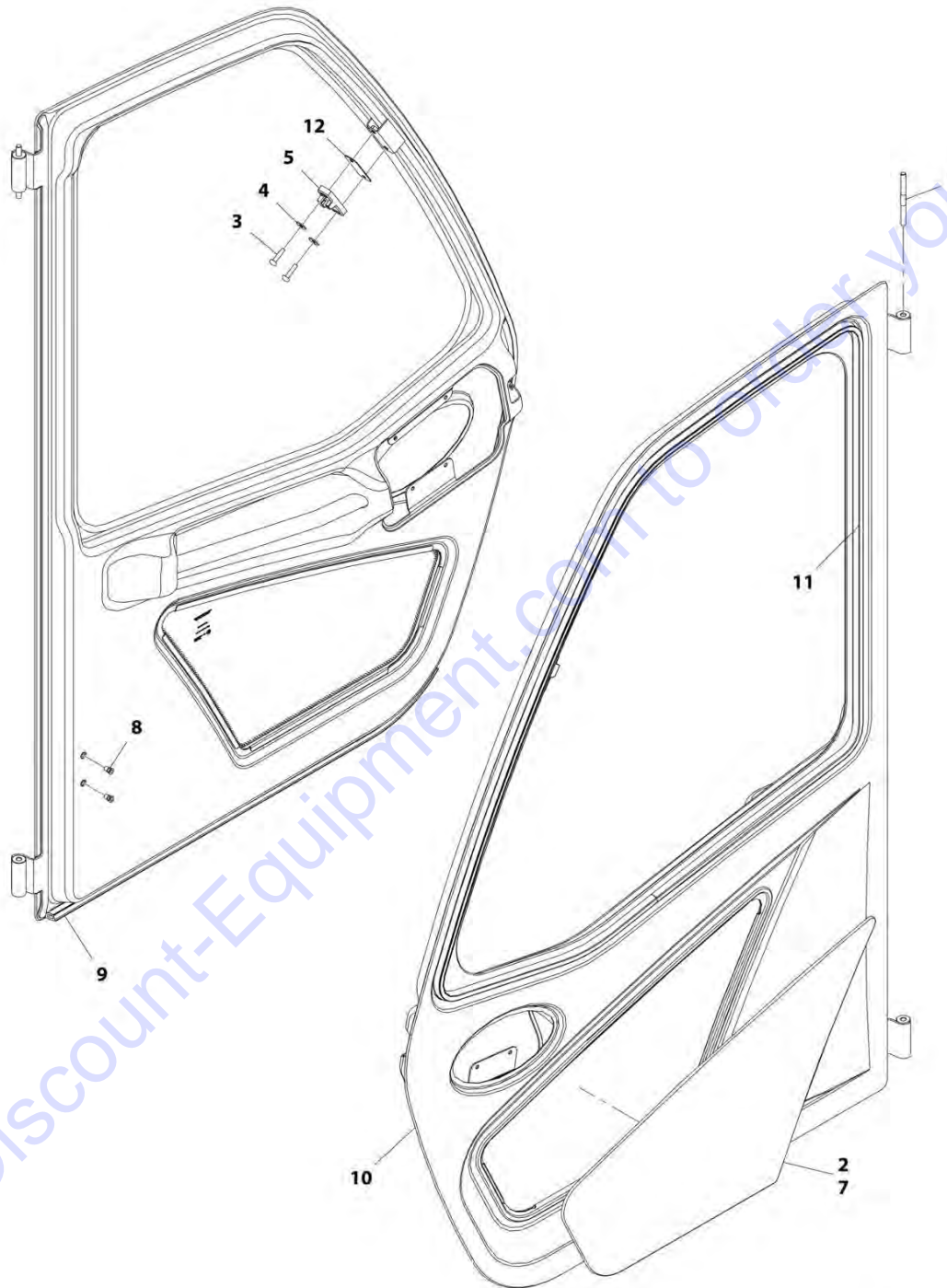
ART_1001155228-M

FIGURE 6-7. DOOR INSTALLATION

ITEM	PART NUMBER	QTY	DESCRIPTION	REV
	1001155228	Ref	Door Installation	M
3	0760605	4	Bolt, M6X10	
4	0760607	4	Bolt, M6X14	
5	3290801	2	Nut, M8X1.25 Grade 8	
7	4811700	4	Washer, M6	
8	4811900	13	Washer, M8	
9	8000803	1	Pin, Door Striker	
10	1001008988	5	Screw M8X25	
11	1001047062	2	Screw, M8X35	
12	1001107192	10	Sleeve, Hinge	
14	1001205532	1	Assembly, Door Upper Glass (See Separate Breakdown in this Section)	
15	1001192766	1	Assembly, Cab Latch (See Separate Breakdown in this Section)	
16	1001167958	1	Assembly, Cab Door Trigger (See Separate Breakdown in this Section)	
17	1001170114	1	Assembly, Door (See Separate Breakdown in this Section)	
19	1001173298	1	Bracket	
20	1001174295	1	Installation, Door Strap (See Separate Breakdown in this Section)	
21	1001192646	1	Handle, Exterior Door	
22	1001170601J	7	Lug, Hinge	
23	4811702001	2	Washer, M6	
24	4010608002	2	Screw, Posi-Drive, M6X16	
25	1001175477	1	Cover, Cab Door Interior	
26	1001184439	2	Bushing	
27	1001192309	1	Nut, M12X1	
28	1001213791	1	Pin	
29	0498748	2	Washer, Lock M7	
30	1001164726	2	Bolt, M8X20	
31	1001227802	1	Washer	

SECTION 6 - CAB

FIGURE 6-8. DOOR ASSEMBLY



ART_1001170114-J

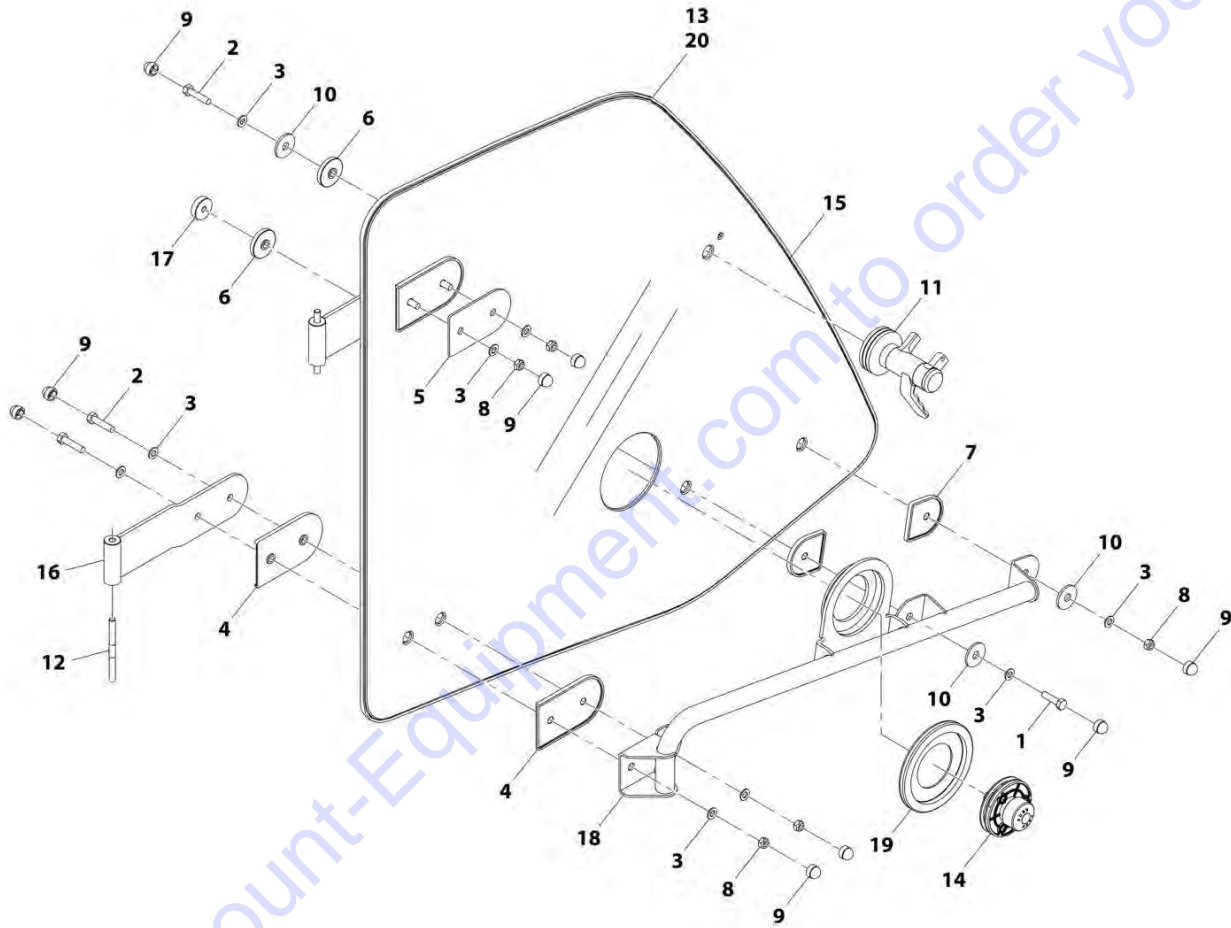
FIGURE 6-8. DOOR ASSEMBLY

ITEM	PART NUMBER	QTY	DESCRIPTION	REV
	1001170114	Ref	Door Assembly	J
2	1001111317	AR	Compound, Locking	
3	4010612002	2	Screw, M6X25	
4	4811702001	2	Washer, 6MM	
5	1001165276	1	Plate, Window Latch Striker	
6	1001166634	1	Pin, Hinge	
7	1001169880	1	Window, Lower Glass	
8	1001172193	2	Rivnut, M5X0.8	
9	1001227188	1	Seal, Cab Door	
10	1001170113J	1	Door, Cab (See Separate Breakdown in this Section)	
11	1001227187	1	Seal, Cab Door Window	
12	1001193210	AR	Shim, Window Latch	

Go to Discount-Equipment.com to order your parts

SECTION 6 - CAB

FIGURE 6-9. DOOR UPPER GLASS ASSEMBLY



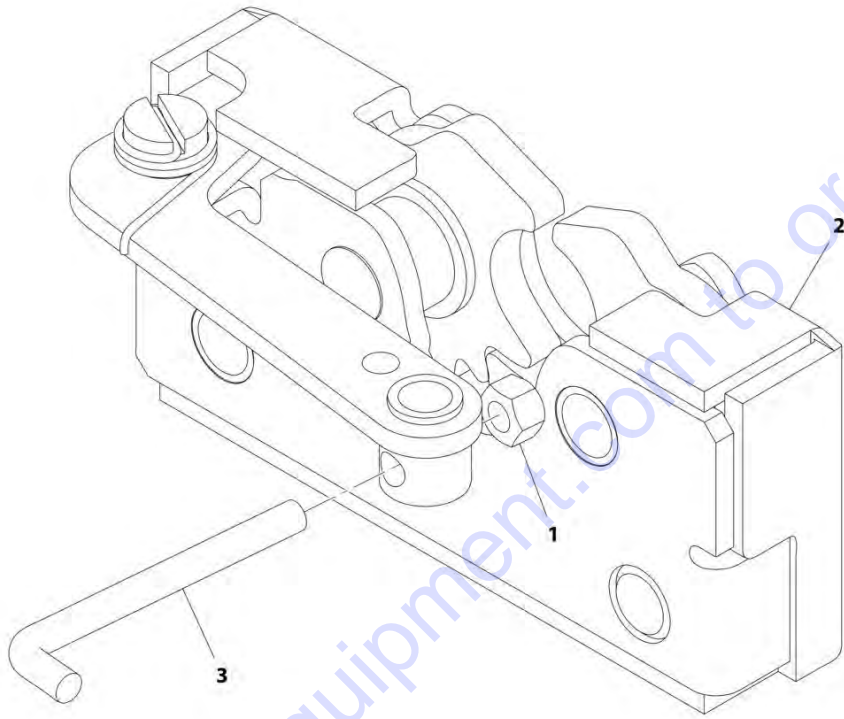
ART_1001205532-E

FIGURE 6-9. DOOR UPPER GLASS ASSEMBLY

ITEM	PART NUMBER	QTY	DESCRIPTION	REV
	1001205532	Ref	Door Upper Glass Assembly	E
1	0760812	1	Bolt, M8X25	
2	0760815	5	Bolt, M8X35	
3	4811900	11	Washer, 8MM	
4	1001002946	4	Mount, Hinge	
5	1001002947	1	Mount, Hinge	
6	1001002953	2	Mount, Rubber	
7	1001002957	2	Mount, Latch	
8	1001008857	5	Nut, Lock	
9	1001096365	11	Cap, M8	
10	1001141246	3	Mount, Rubber	
11	1001165275	1	Latch, Window	
12	1001166634	2	Pin, Hinge	
13	1001170944	1	Panel, Window Surround	
14	1001174321	1	Striker, Top Window	
15	1001204066	1	Glass, Window	
16	1001204115	2	Hinge	
17	1001222741	1	Buffer, Cab	
18	1001204120	1	Handle	
19	1001213331	1	Gasket	
20	1001215531	AR	Adhesive	

SECTION 6 - CAB

FIGURE 6-10. CAB LATCH ASSEMBLY



ART_1001192766-A

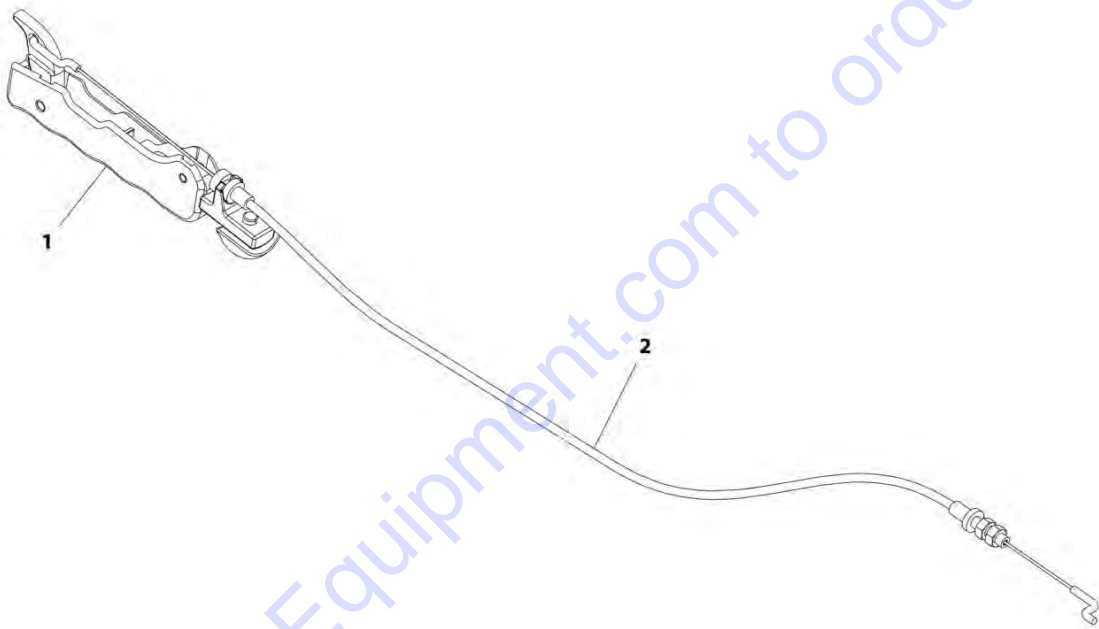
FIGURE 6-10. CAB LATCH ASSEMBLY

ITEM	PART NUMBER	QTY	DESCRIPTION	REV
	1001192766	Ref	Cab Latch Assembly	A
1	3290405	1	Nut, M4X0.7 Grade 8	
2	1001192643	1	Latch	
3	1001192755	1	Link, Door Handle	

Go to Discount-Equipment.com to order your parts

SECTION 6 - CAB

FIGURE 6-11. CAB DOOR TRIGGER ASSEMBLY



ART_1001167958-E

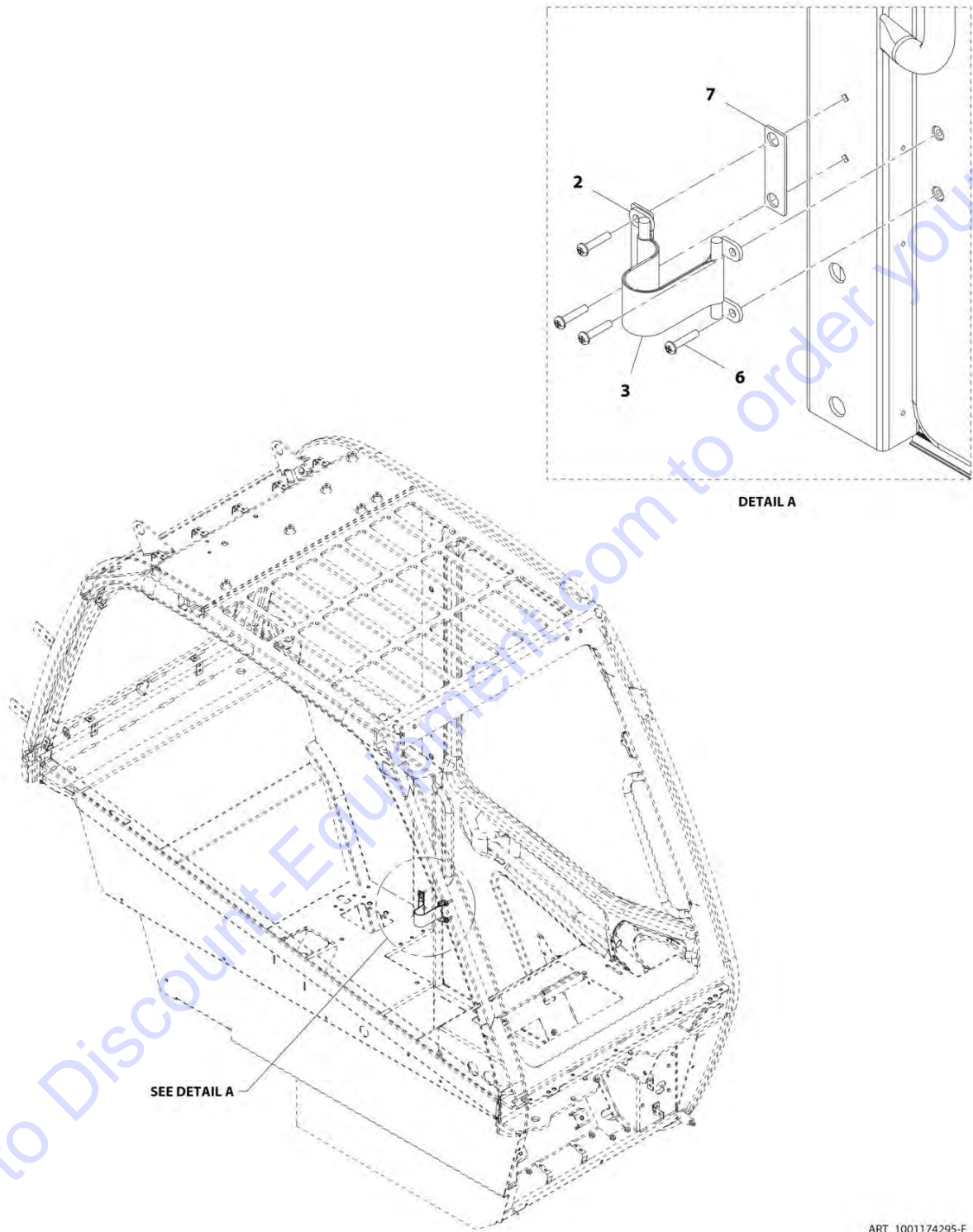
FIGURE 6-11. CAB DOOR TRIGGER ASSEMBLY

ITEM	PART NUMBER	QTY	DESCRIPTION	REV
	1001167958	Ref	Cab Door Trigger Assembly	E
1	1001167937	1	Trigger, Cab Interior Release	
2	1001192644	1	Cable, Cab Latch Release	

Go to Discount-Equipment.com to order your parts

SECTION 6 - CAB

FIGURE 6-12. DOOR STRAP INSTALLATION



ART_1001174295-F

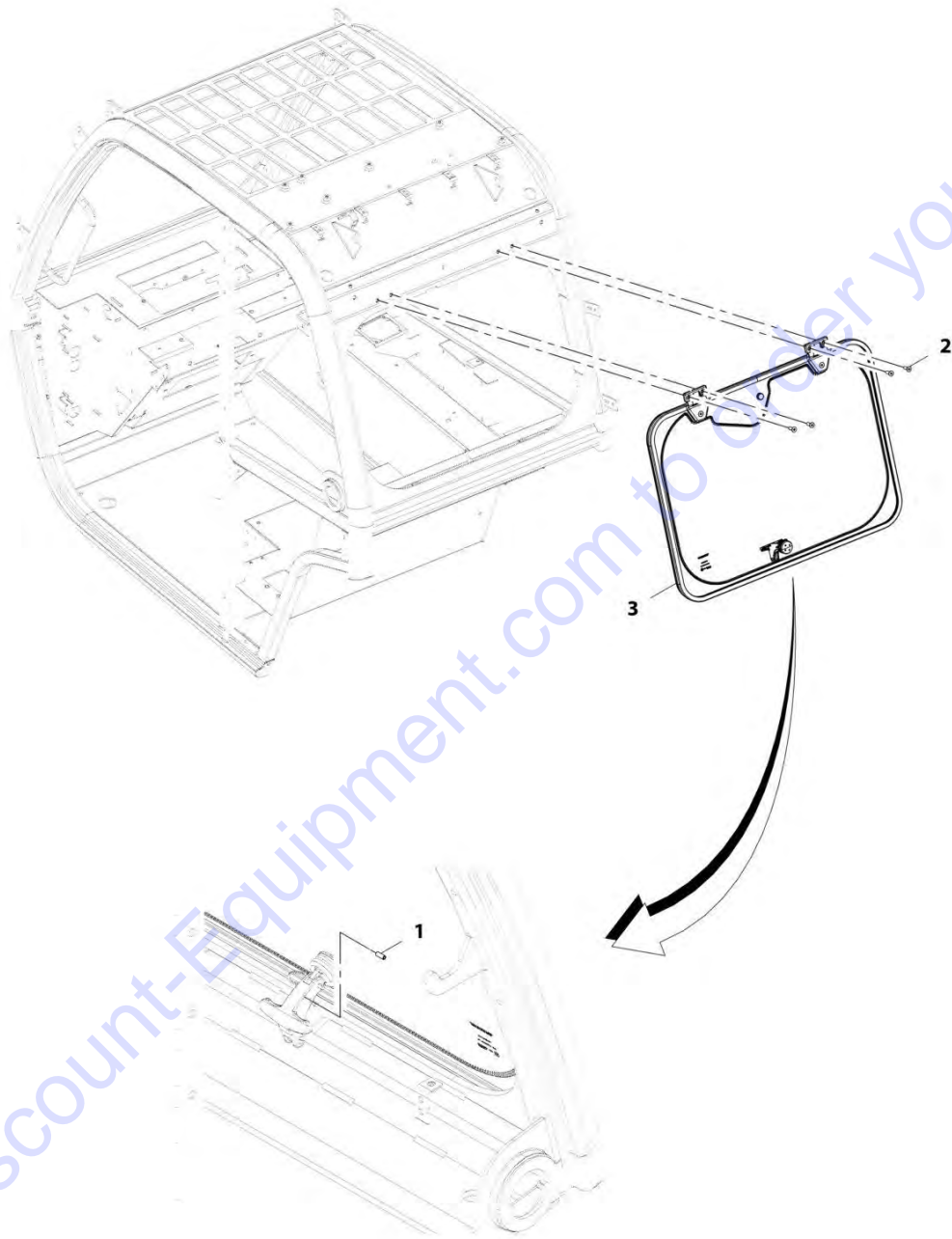
FIGURE 6-12. DOOR STRAP INSTALLATION

ITEM	PART NUMBER	QTY	DESCRIPTION	REV
	1001174295	Ref	Door Strap Installation	F
2	1001230163	2	Bracket, Strap Holder	
3	1001212011	1	Strap, Door Hold Open	
6	8310559	4	Screw	
7	1001191091	1	Plate, Cab Door Strap	

Go to Discount-Equipment.com to order your parts

SECTION 6 - CAB

FIGURE 6-13. REAR WINDOW INSTALLATION



Go to Discount-Equipment.com to order your parts

ART_1001220339-A

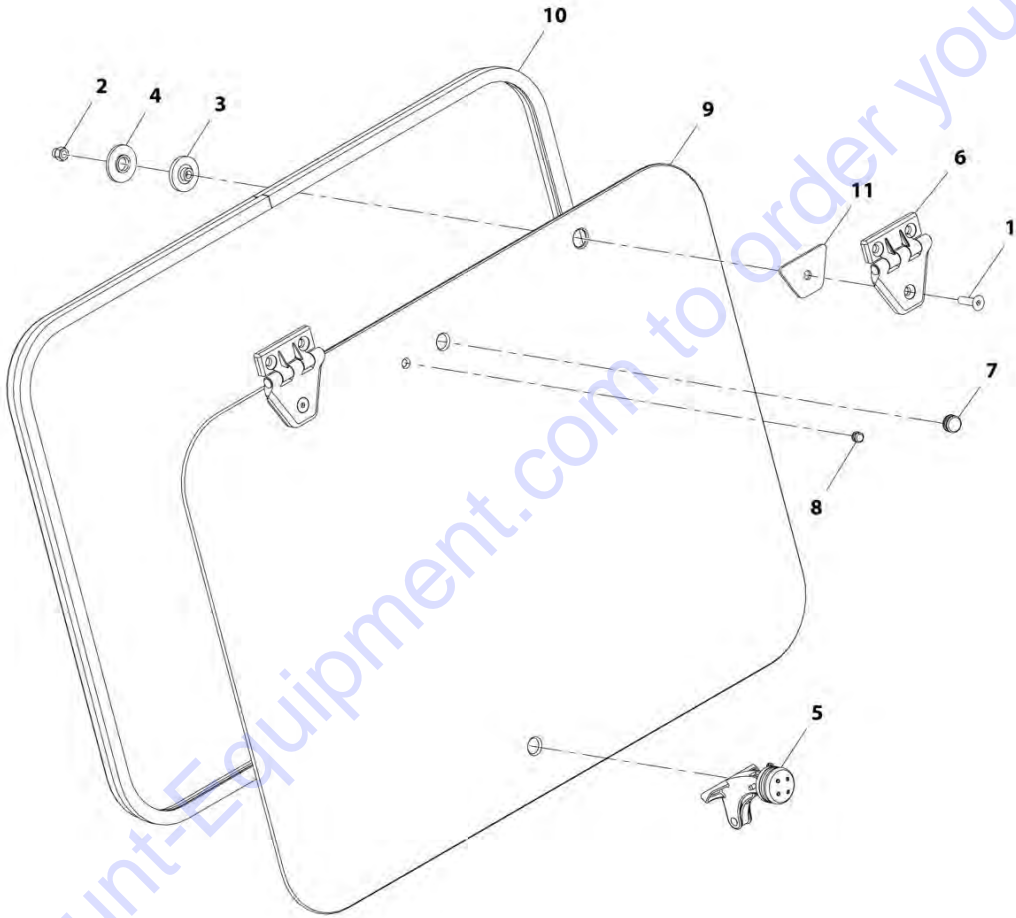
FIGURE 6-13. REAR WINDOW INSTALLATION

ITEM	PART NUMBER	QTY	DESCRIPTION	REV
	1001220339	Ref	Rear Window Installation	A
1	1001003043	1	Pin, Spring	
2	1001097586	4	Screw, M8X1.25	
3	1001220338	1	Assembly, Rear Window (See Separate Breakdown in this Section)	

Go to Discount-Equipment.com to order your parts

SECTION 6 - CAB

FIGURE 6-14. REAR WINDOW GROUP



ART_1001220338-A

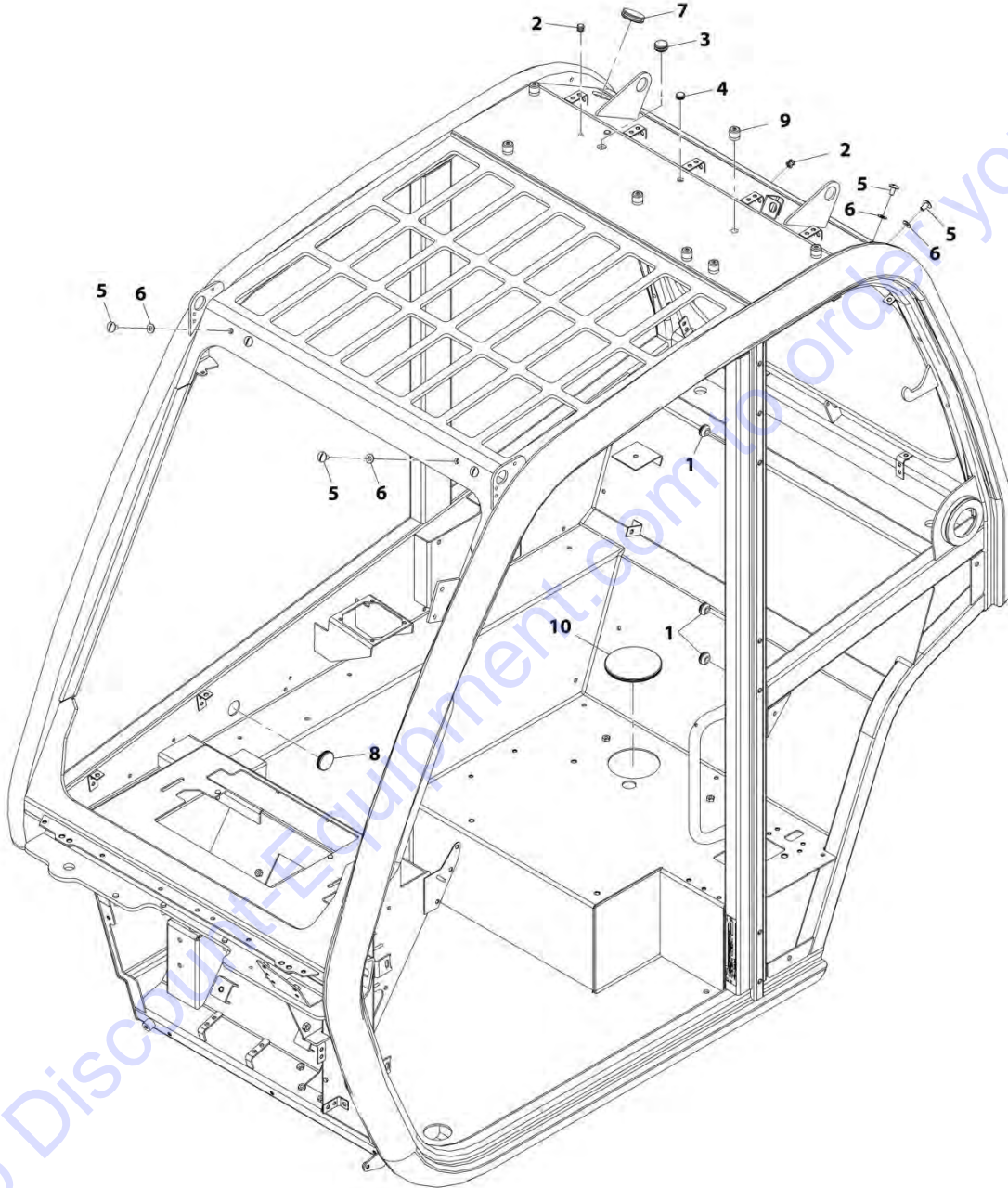
FIGURE 6-14. REAR WINDOW GROUP

ITEM	PART NUMBER	QTY	DESCRIPTION	REV
	1001220338	Ref	Rear Window Group	A
1	2080078	2	Fastener, M8X30	
2	3290806	2	Nut, M8X1.25 Grade 8	
3	8000759	2	Spacer	
4	8004398	2	Spacer	
5	1001005368	1	Latch, Window	
6	1001139568	2	Hinge	
7	1001171182	1	Grommet	
8	1001171183	1	Grommet	
9	1001178680	1	Glass, Rear Window	
10	1001178681	1	Seal	
11	1001181411	2	Gasket, Rear Window Hinge	

Go to Discount-Equipment.com to order your parts

SECTION 6 - CAB

FIGURE 6-15. CAB PLUG GROUP



ART_1001195814-C

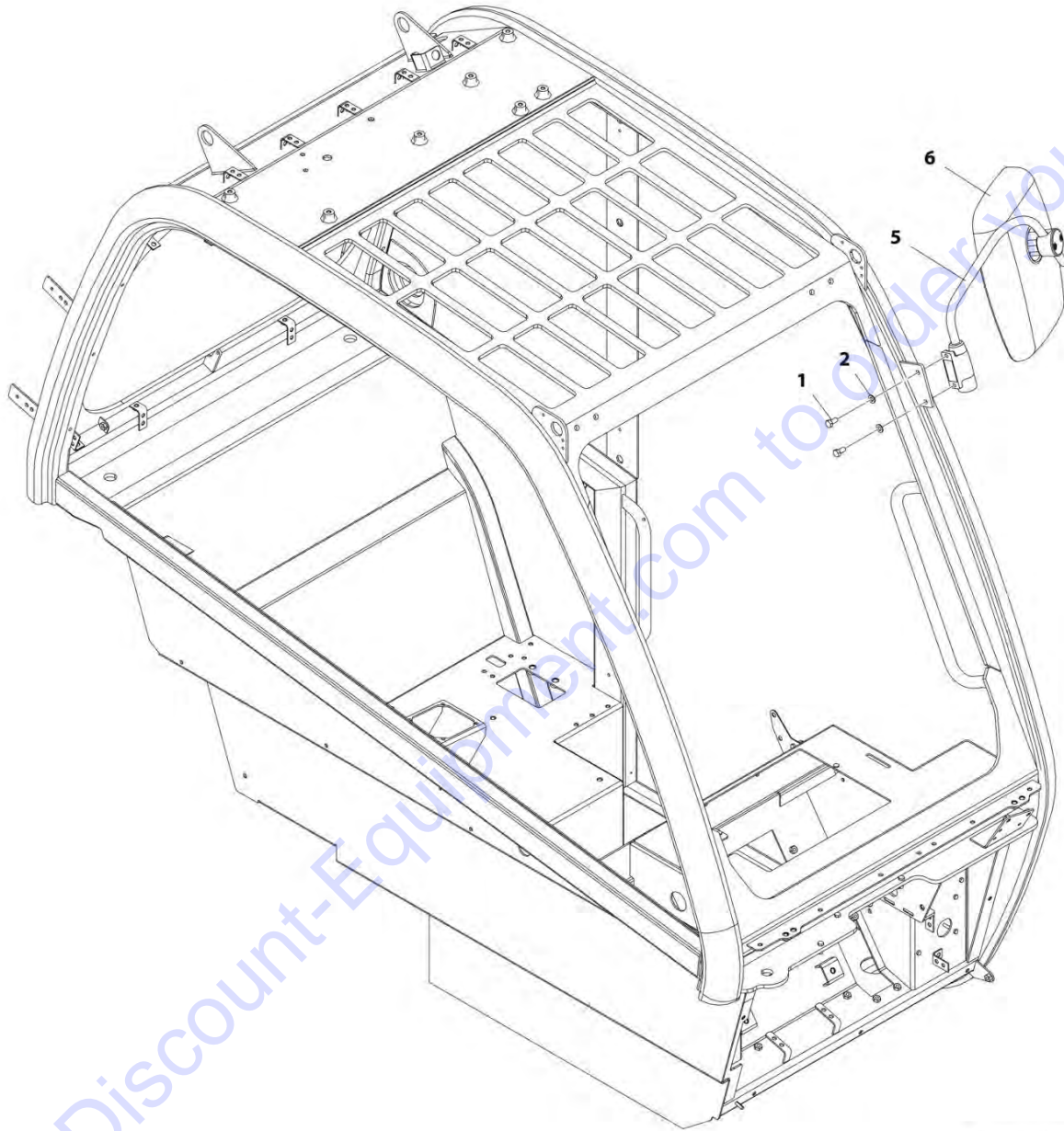
FIGURE 6-15. CAB PLUG GROUP

ITEM	PART NUMBER	QTY	DESCRIPTION	REV
	1001195814	Ref	Cab Plug Group	C
1	1001143200	7	Plug	
2	1001176272	3	Plug	
3	1001176273	1	Plug	
4	1001176626	1	Plug	
5	1001181920	8	Screw, Nylon M8X16	
6	1001181921	8	Washer, Rubber M8	
7	1001182123	2	Plug	
8	1001182139	1	Plug	
9	1001219220	7	Plug	
10	1001209899	1	Plug	

Go to Discount-Equipment.com to order your parts

SECTION 6 - CAB

FIGURE 6-16. BASIC MIRROR INSTALLATION



ART_1001160508-E

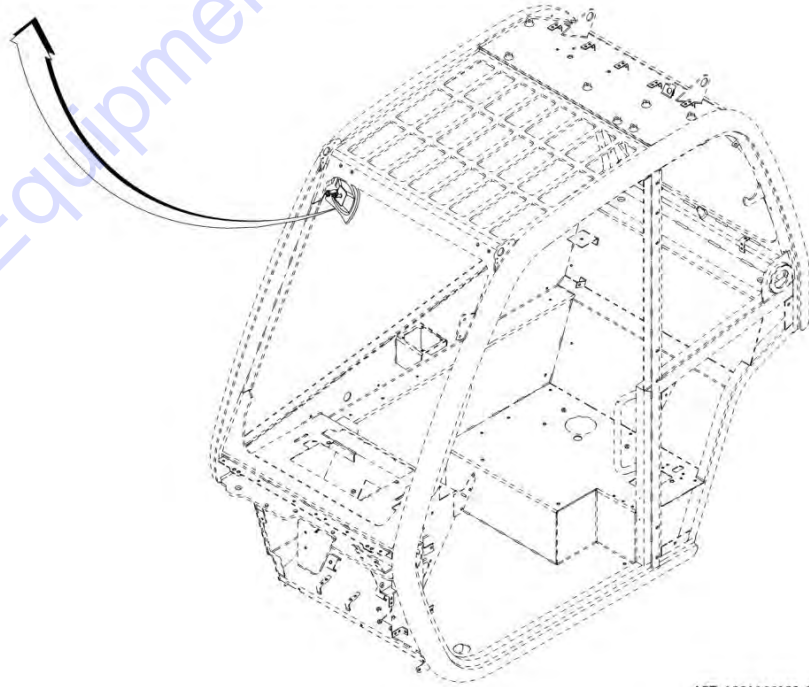
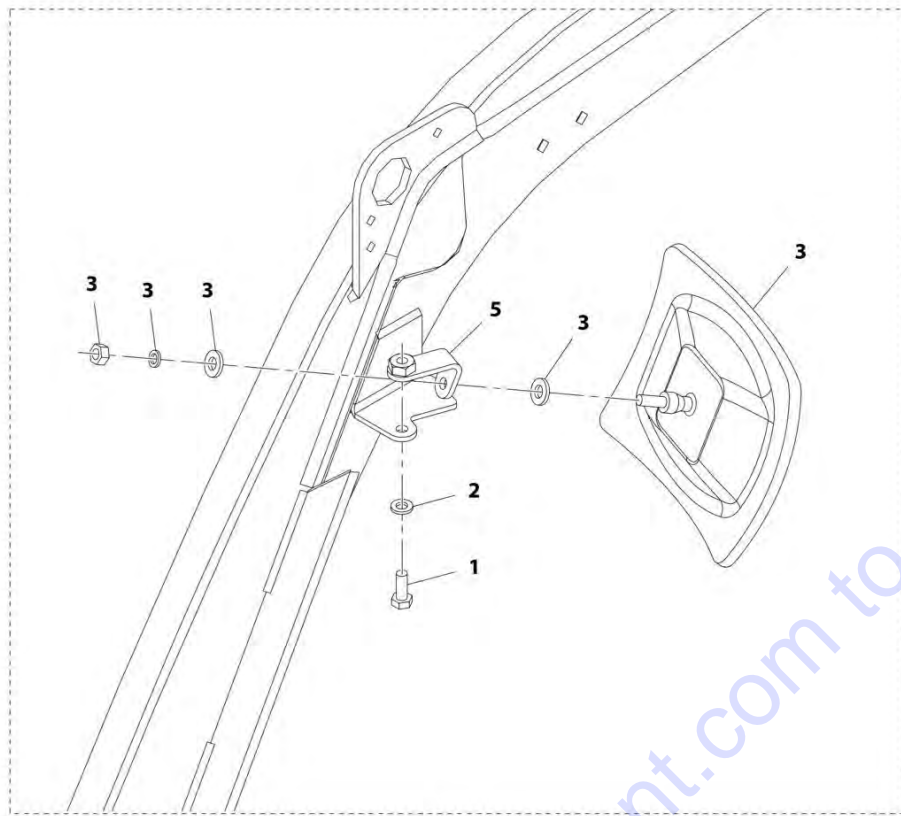
FIGURE 6-16. BASIC MIRROR INSTALLATION

ITEM	PART NUMBER	QTY	DESCRIPTION	REV
	1001160508	Ref	Basic Mirror Installation	E
1	0760808	2	Bolt, M8X16	
2	4811900	2	Washer, M8	
5	1001164655	1	Bracket	
6	80363195	1	Mirror	

Go to Discount-Equipment.com to order your parts

SECTION 6 - CAB

FIGURE 6-17. INTERIOR MIRROR INSTALLATION



ART_1001166192-C

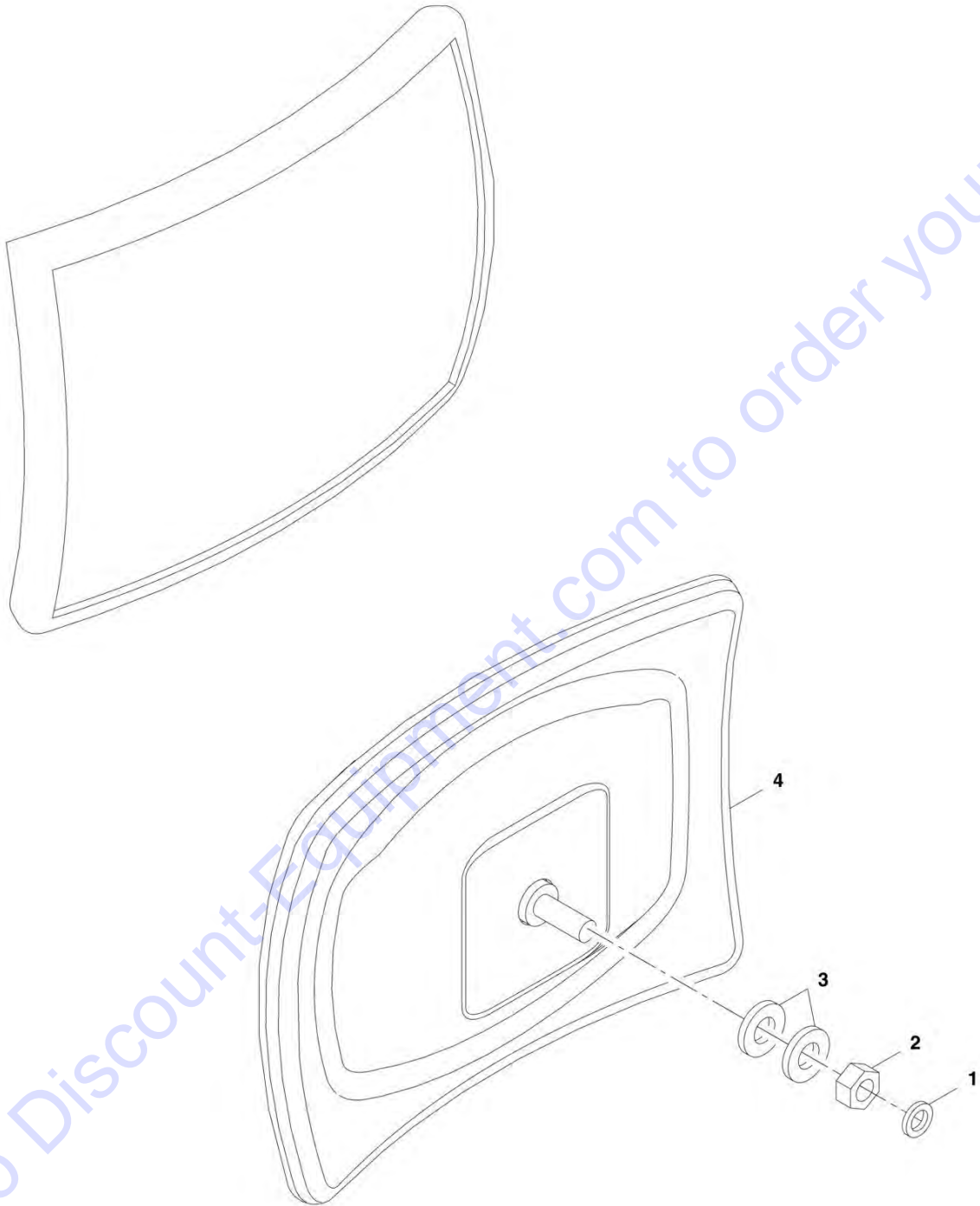
FIGURE 6-17. INTERIOR MIRROR INSTALLATION

ITEM	PART NUMBER	QTY	DESCRIPTION	REV
	1001166192	Ref	Interior Mirror Installation	C
1	0760608	1	Bolt, M6X16	
2	4811700	1	Washer, M6	
3	1001007641	1	Mirror, Interior (See Separate Breakdown in this Section)	
5	1001166191	1	Bracket	

Go to Discount-Equipment.com to order your parts

SECTION 6 - CAB

FIGURE 6-18. INTERIOR MIRROR



ART_1001007641-B

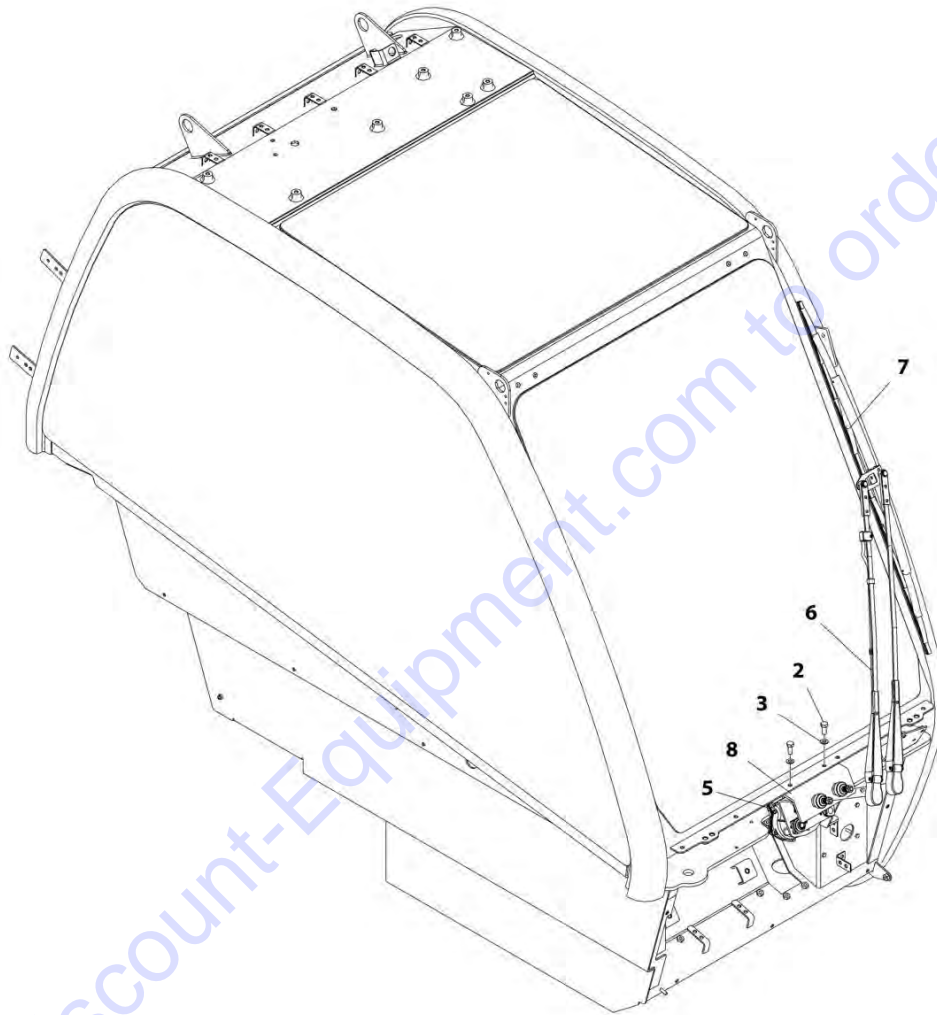
FIGURE 6-18. INTERIOR MIRROR

ITEM	PART NUMBER	QTY	DESCRIPTION	REV
	1001007641	Ref	Mirror, Interior	B
1	1001008475	1	Washer, Lock 12	
2	1001008604	1	Nut	
3	1001009124	2	Washer	
4	1001010839	1	Mirror	

Go to Discount-Equipment.com to order your parts

SECTION 6 - CAB

FIGURE 6-19. FRONT WIPER INSTALLATION



ART_1001155447-G

FIGURE 6-19. FRONT WIPER INSTALLATION

ITEM	PART NUMBER	QTY	DESCRIPTION	REV
	1001155447	Ref	Front Wiper Installation	G
2	0760810	2	Bolt, M8X20	
3	4811900	2	Washer, M8	
5	1001214092	1	Motor, Front Wiper	
6	1001212369	1	Arm, Front Wiper	
7	1001141281	1	Blade, Wiper	
8	1001165637	1	Bracket	

Go to Discount-Equipment.com to order your parts

SECTION 6 - CAB

FIGURE 6-20. WASHER TANK INSTALLATION

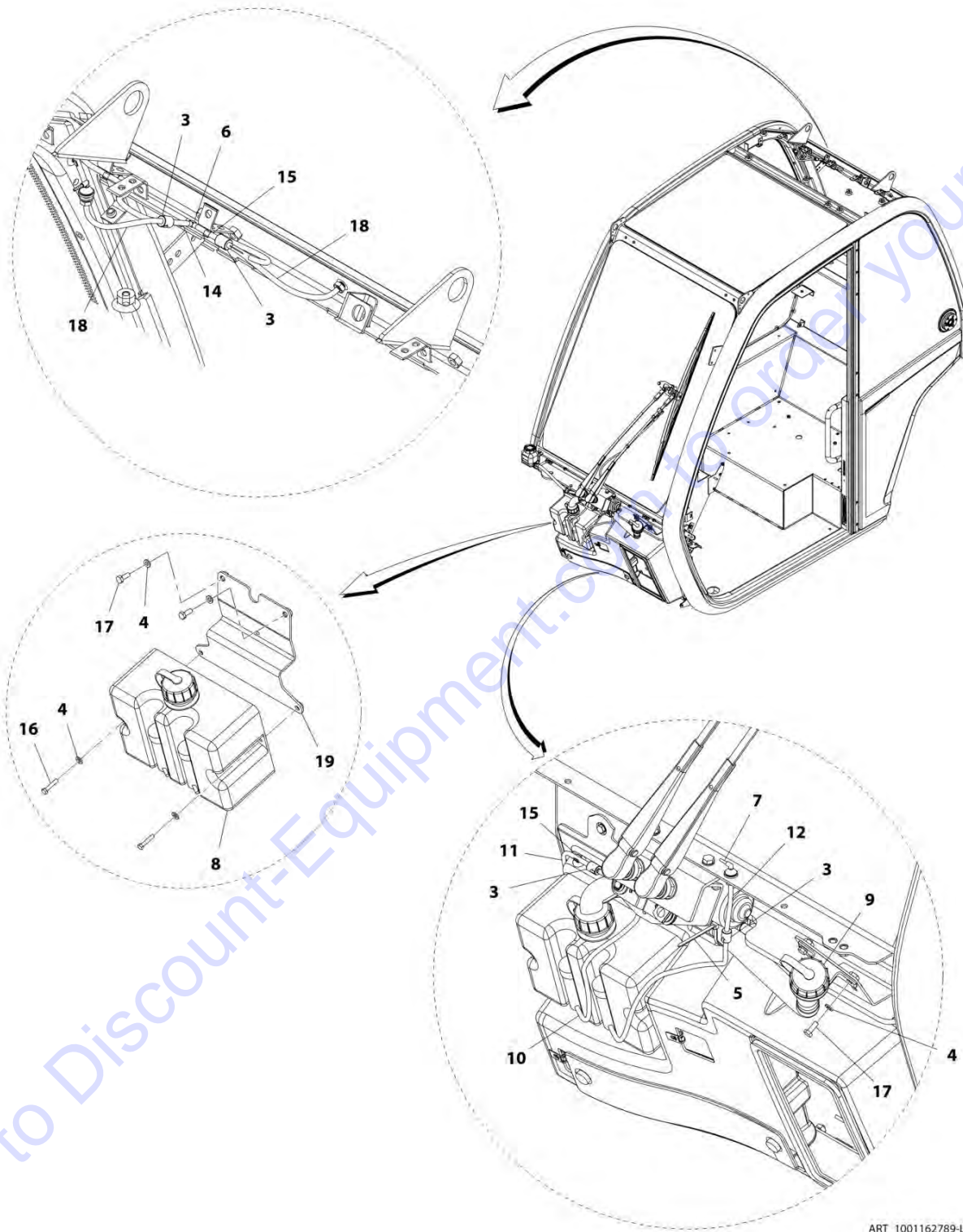
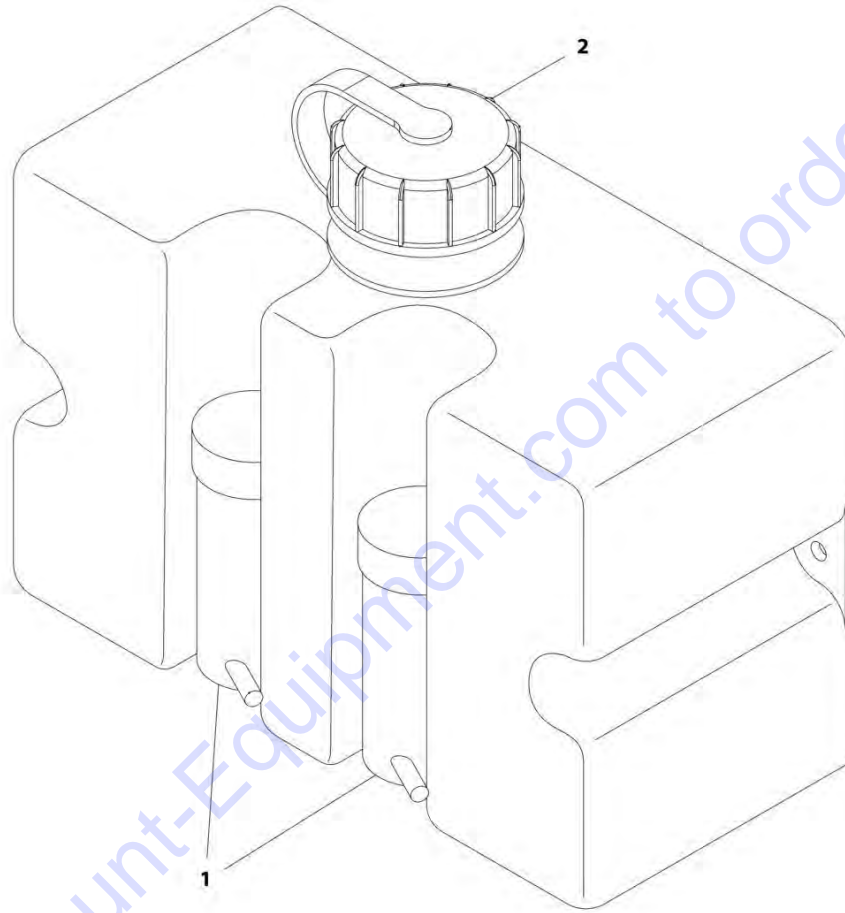


FIGURE 6-20. WASHER TANK INSTALLATION

ITEM	PART NUMBER	QTY	DESCRIPTION	REV
	1001162789	Ref	Washer Tank Installation	L
3	1001201331	4	Valve, Check	
4	4811700	6	Washer, M6	
5	471678	2	Strap, Tie	
6	1001008742	1	Coupling, Tee	
7	1001090343	1	Connector	
8	1001165269	1	Bottle, Washer (See Separate Breakdown in this Section)	
9	1001165270	1	Hose, Washer Filler	
10	1001165351	2	Hose	
11	1001165407	1	Hose	
12	1001165416	1	Hose	
14	1001165455	2	Hose	
15	1001165458	16	Hose	
16	0760512	2	Bolt M5X25	
17	0760608	4	Bolt, M6X16	
18	1001178123	2	Hose	
19	1001171756	1	Bracket	

SECTION 6 - CAB

FIGURE 6-21. WASHER BOTTLE



ART_1001165269-B

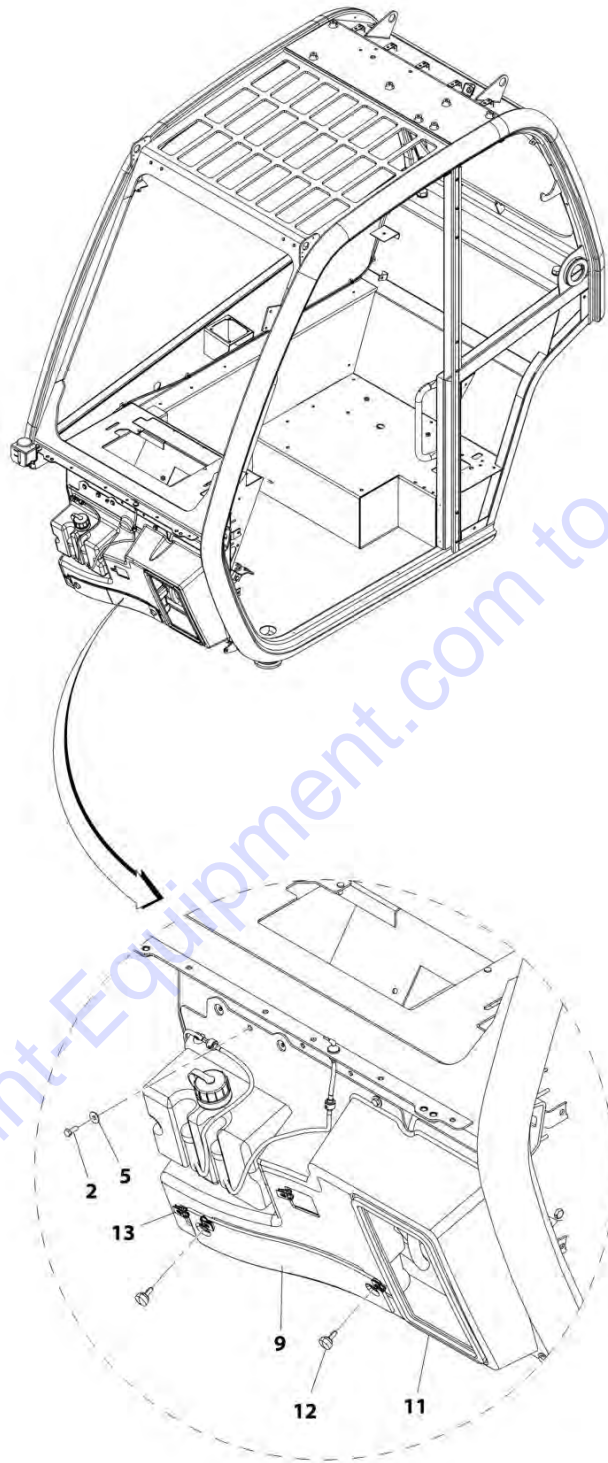
FIGURE 6-21. WASHER BOTTLE

ITEM	PART NUMBER	QTY	DESCRIPTION	REV
	1001165269	Ref	Washer Bottle	B
1	1001165327	2	Motor, Washer	
2	1001165273	1	Cap, Washer	

Go to Discount-Equipment.com to order your parts

SECTION 6 - CAB

FIGURE 6-22. FRONT COVER INSTALLATION



ART_1001170366-G

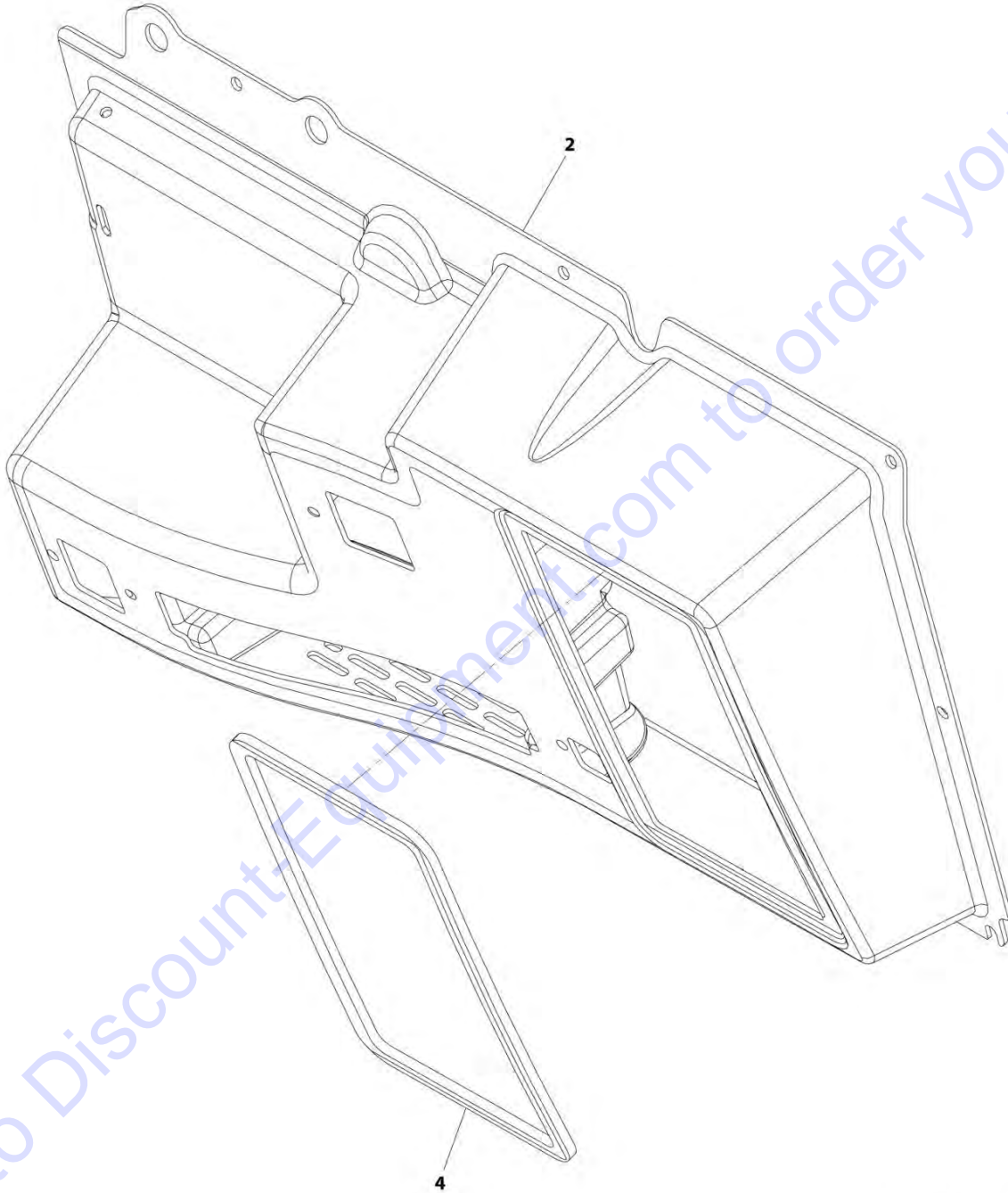
FIGURE 6-22. FRONT COVER INSTALLATION

ITEM	PART NUMBER	QTY	DESCRIPTION	REV
	1001170366	Ref	Front Cover Installation	G
2	0760608	7	Bolt, M6X16	
5	4811702	7	Washer, M6	
9	1001175471	1	Panel, Filter Tray (See Separate Breakdown in this Section)	
11	1001176121	1	Cover, Front Duct (See Separate Breakdown in this Section)	
12	2080092	2	Thumb Screw, M6X16	
13	8305919	4	Nut, M6	

Go to Discount-Equipment.com to order your parts

SECTION 6 - CAB

FIGURE 6-23. FRONT DUCT COVER



Go to Discount-Equipment.com to order your parts

ART_1001176121-G

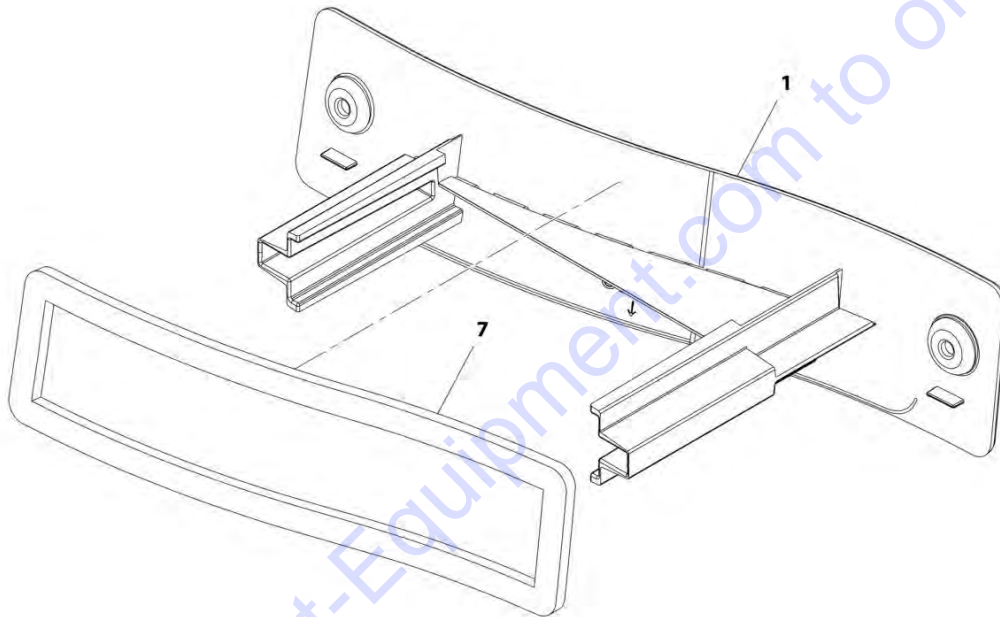
FIGURE 6-23. FRONT DUCT COVER

ITEM	PART NUMBER	QTY	DESCRIPTION	REV
	1001176121	Ref	Font Duct Cover	G
2	1001170326	1	Cover, Front	
4	1001175470	1	Seal, Front Cab Panel	

Go to Discount-Equipment.com to order your parts

SECTION 6 - CAB

FIGURE 6-24. FILTER TRAY PANEL



ART_1001175471-D

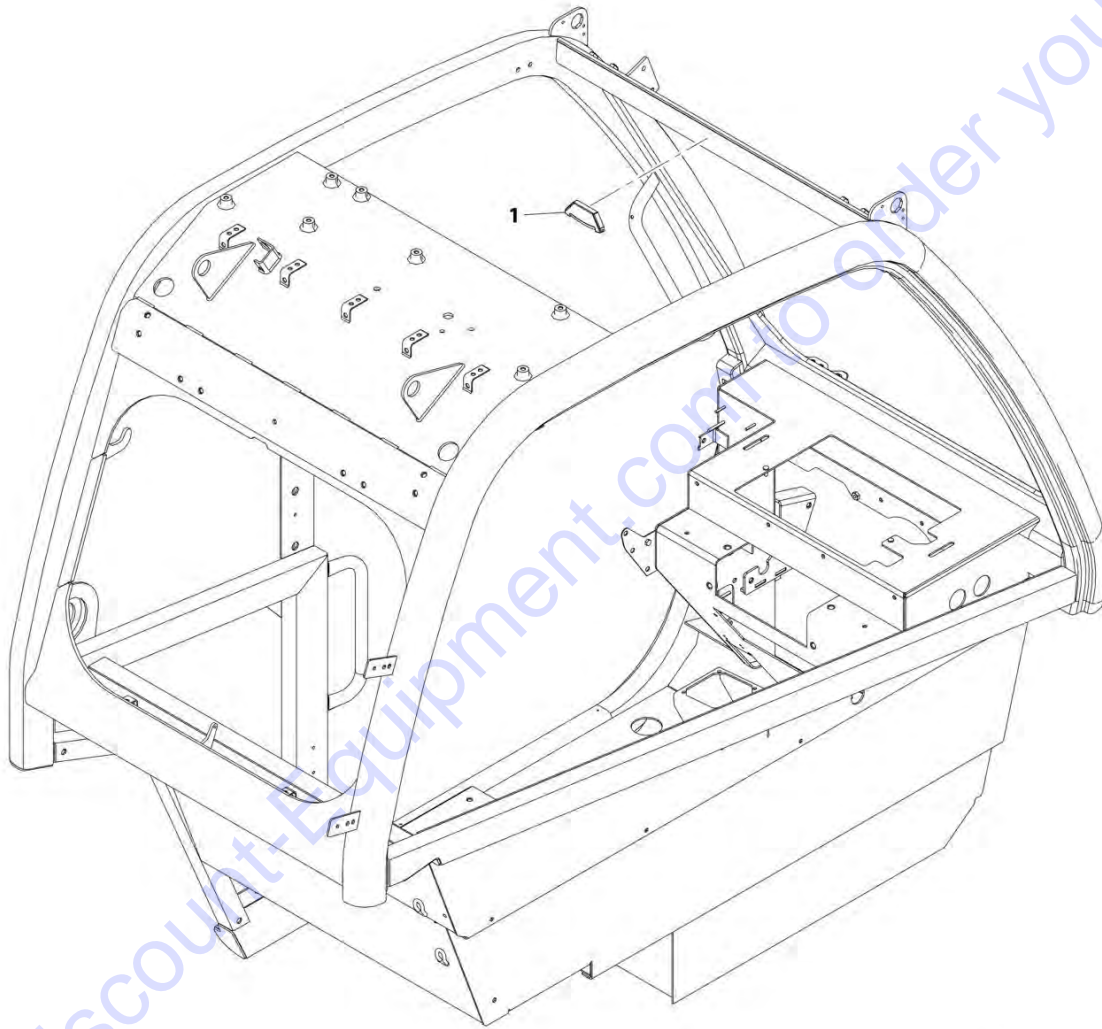
FIGURE 6-24. FILTER TRAY PANEL

ITEM	PART NUMBER	QTY	DESCRIPTION	REV
	1001175471	Ref	Filter Tray Panel	D
1	1001170993	1	Panel, Front Inlet	
7	1001171767	1	Cab, Front Panel Seal	

Go to Discount-Equipment.com to order your parts

SECTION 6 - CAB

FIGURE 6-25. LEVEL INDICATOR INSTALLATION



ART_1001172401-C

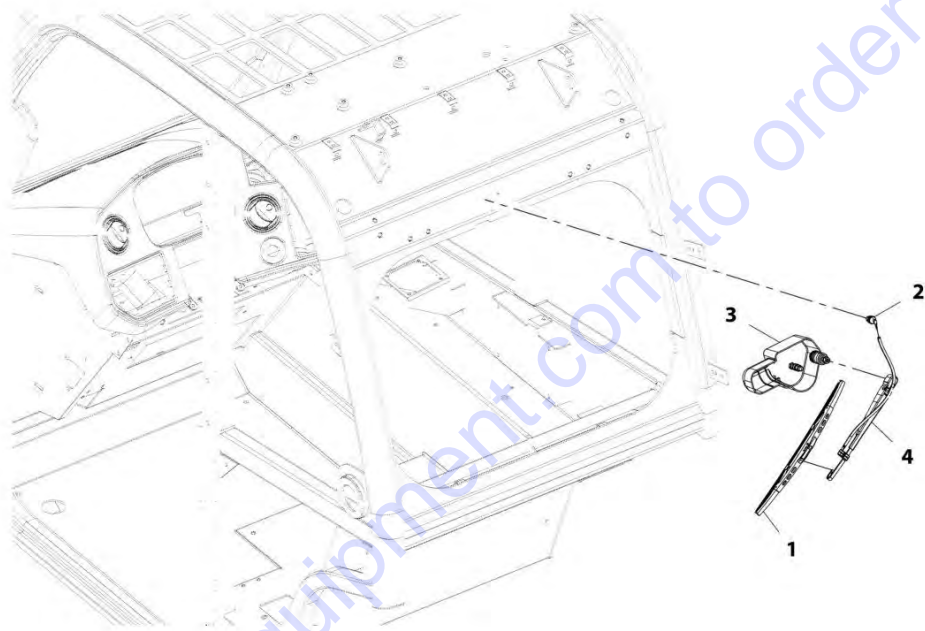
FIGURE 6-25. LEVEL INDICATOR INSTALLATION

ITEM	PART NUMBER	QTY	DESCRIPTION	REV
1	1001172401 8466306	Ref 1	Level Indicator Installation Gauge, Tilt Angle	C

Go to Discount-Equipment.com to order your parts

SECTION 6 - CAB

FIGURE 6-26. REAR WIPER INSTALLATION



Go to Discount-Equipment.com to order your parts

ART_100120329-A

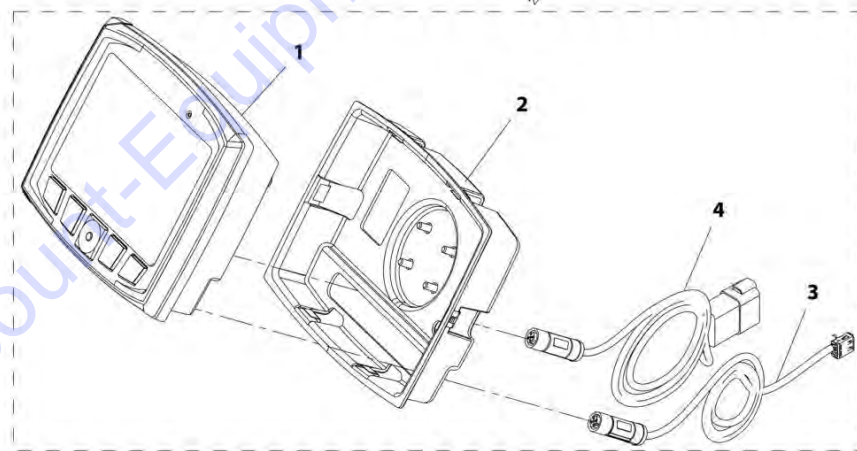
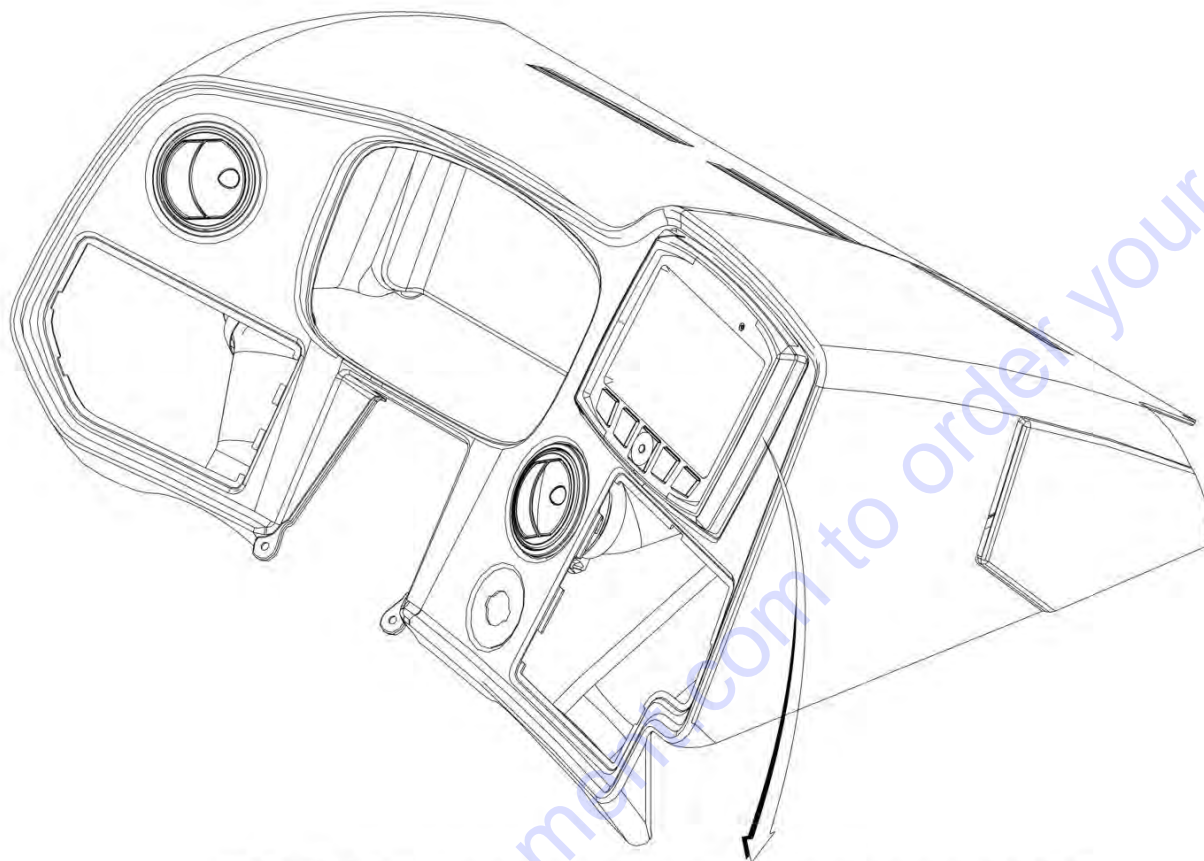
FIGURE 6-26. REAR WIPER INSTALLATION

ITEM	PART NUMBER	QTY	DESCRIPTION	REV
	1001220329	Ref	Rear Wiper Installation	A
1	4807718	1	Wiper Blade, Oslv Italia	
2	1001090343	1	Connector	
3	1001139552	1	Motor, Wiper, Rear Window	
4	1001141312	1	Blade, Arm, Rear Window	

Go to Discount-Equipment.com to order your parts

SECTION 6 - CAB

FIGURE 6-27. MULTIFUNCTION DISPLAY INSTALLATION



ART_1001176338-B

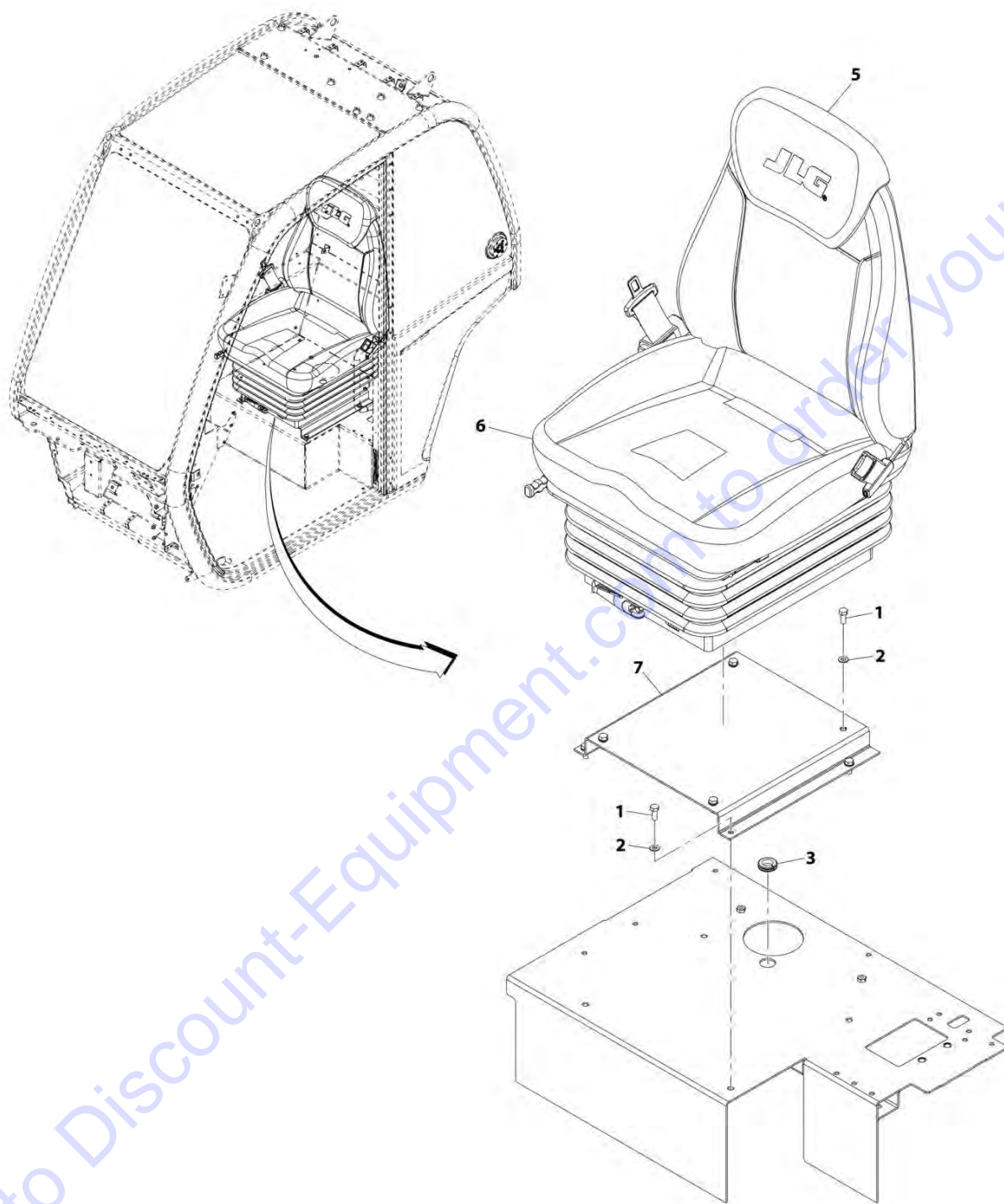
FIGURE 6-27. MULTIFUNCTION DISPLAY INSTALLATION

ITEM	PART NUMBER	QTY	DESCRIPTION	REV
	1001176338	Ref	Multifunction Display Installation	B
1	1001211357	1	Display	
2	1001178783	1	Bezel	
3	1001180682	1	Cable	
4	1001180683	1	Cable, Video	

Go to Discount-Equipment.com to order your parts

SECTION 6 - CAB

FIGURE 6-28. SEAT INSTALLATION (CLOTH)



ART_1001158601-D

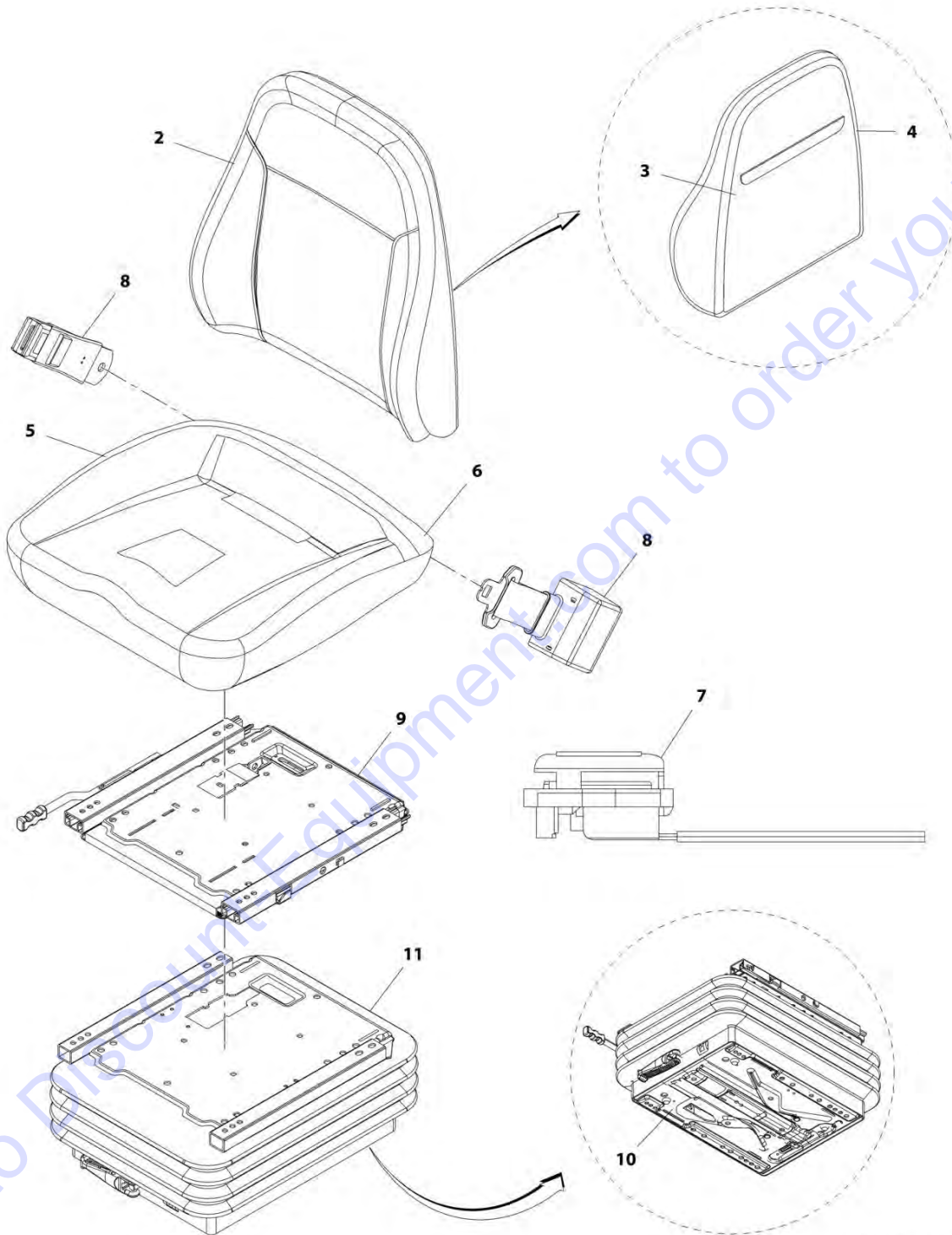
FIGURE 6-28. SEAT INSTALLATION (CLOTH)

ITEM	PART NUMBER	QTY	DESCRIPTION	REV
	1001158601	Ref	Seat Installation (Cloth)	D
1	0760810	8	Bolt, M8X20	
2	4811900	8	Washer, M8	
3	1001216974	1	Grommet	
5	1001119467	1	Headrest, Cloth	
6	1001150294	1	Assembly, Seat (See Separate Breakdown in this Section)	
7	1001158738C	1	Plinth, Seat	

Go to Discount-Equipment.com to order your parts

SECTION 6 - CAB

FIGURE 6-29. SEAT ASSEMBLY



ART_1001150294-E

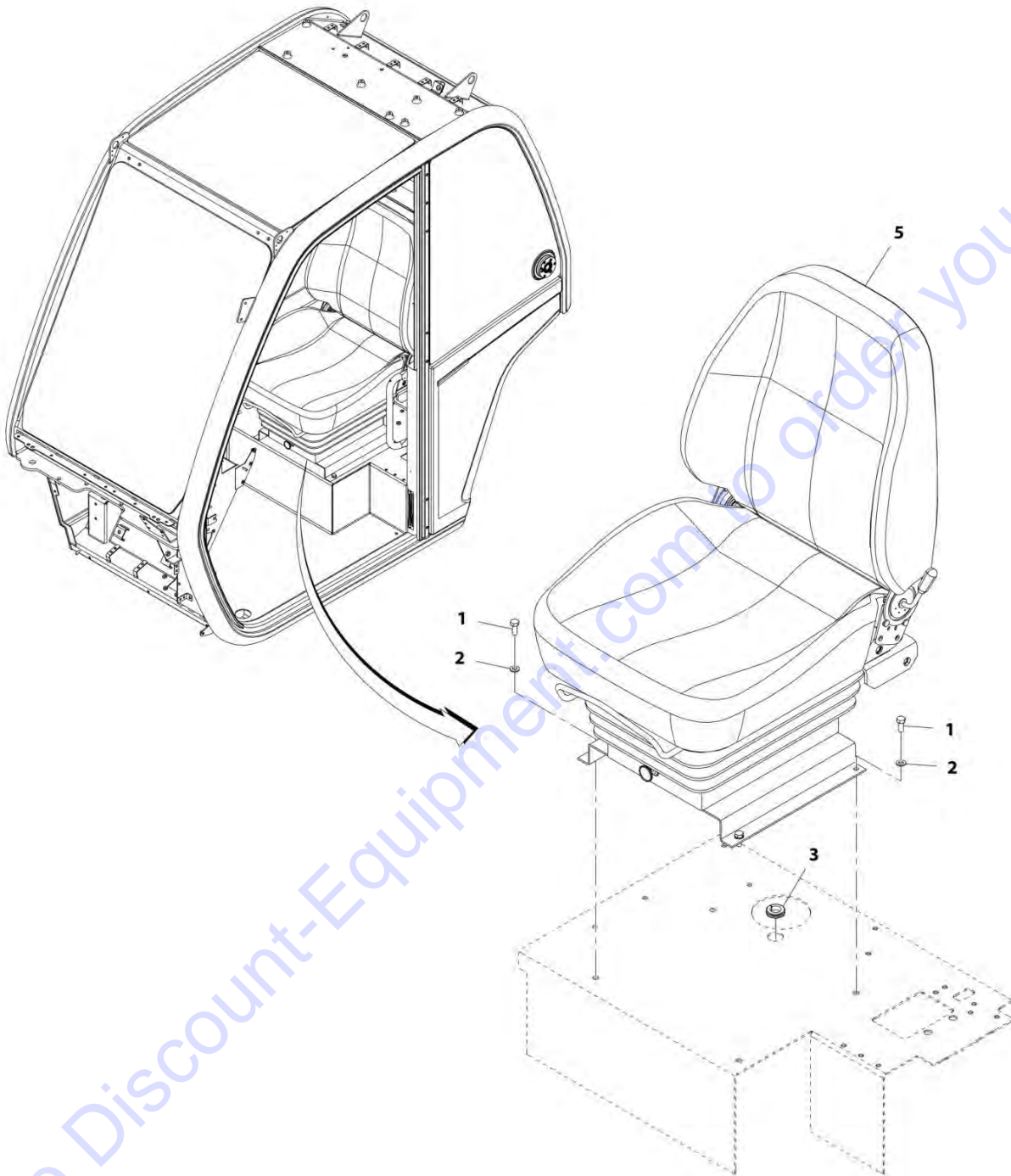
FIGURE 6-29. SEAT ASSEMBLY

ITEM	PART NUMBER	QTY	DESCRIPTION	REV
	1001150294	1	Seat Assembly	E
2	70025489	1	Fabric, Upper Seat	
3	70025490	1	Cover, Back	
4	70025483	1	Foam, Back	
5	70025491	1	Cover, Seat	
6	70025485	1	Foam, Seat	
7	70025486	1	Switch, Contact	
8	7029767	1	Belt, Seat	
9	70021252	1	Rail, Slide	
10	70021251	1	Unit, Suspension	
11	70022034	1	Cover, Rubber	

Go to Discount-Equipment.com to order your parts

SECTION 6 - CAB

FIGURE 6-30. SEAT INSTALLATION (AIR SUSPENSION - STANDARD)



ART_1001158596-D

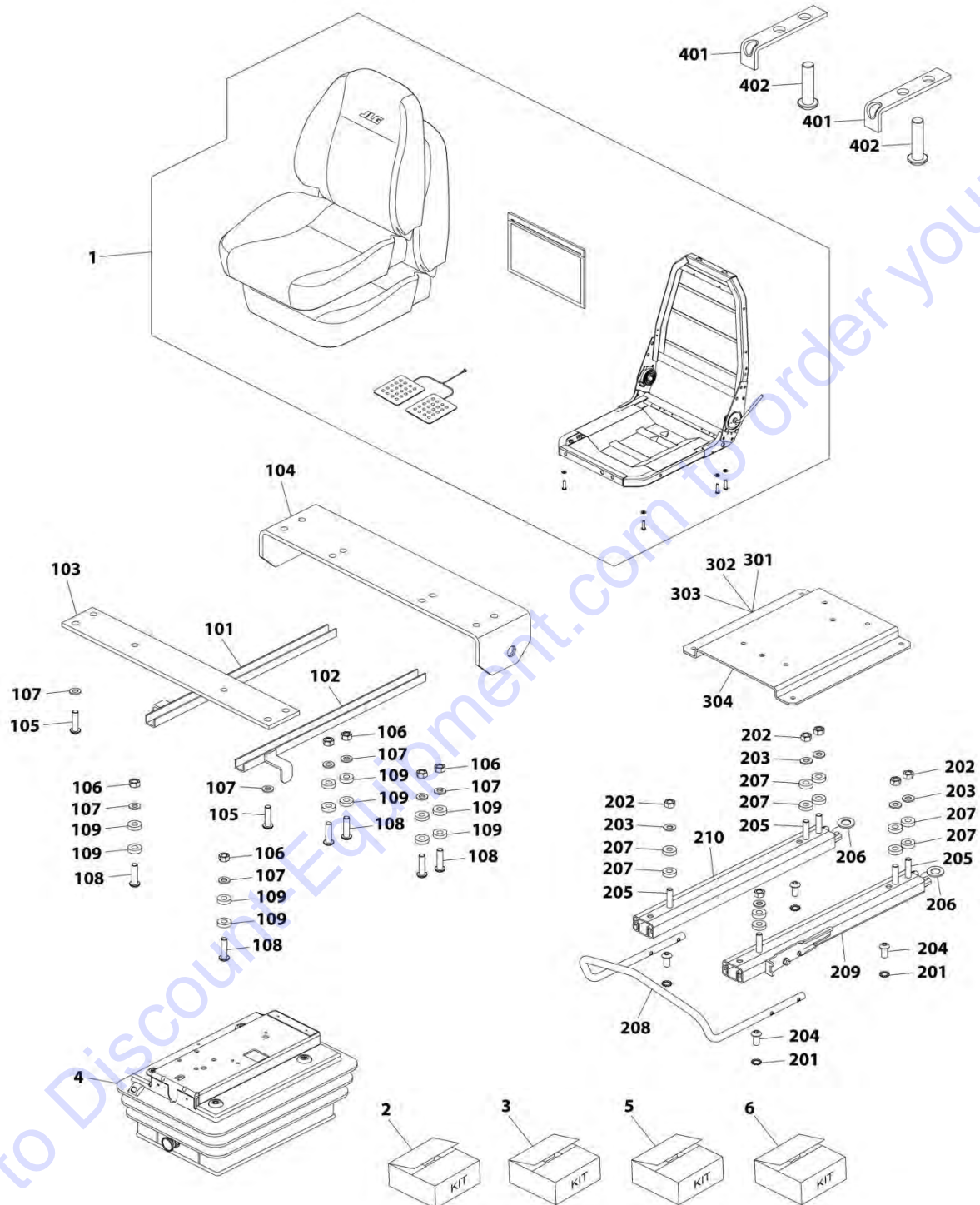
FIGURE 6-30. SEAT INSTALLATION (AIR SUSPENSION - STANDARD)

ITEM	PART NUMBER	QTY	DESCRIPTION	REV
	1001158596	Ref	Seat Installation (Standard)	D
1	0760810	4	Bolt, M8X20	
2	4811900	4	Washer, M8	
3	1001216974	1	Grommet	
5	1001165573	1	Assembly, Seat (See Separate Breakdown in this Section)	

Go to Discount-Equipment.com to order your parts

SECTION 6 - CAB

FIGURE 6-31. SEAT ASSEMBLY (AIR SUSPENSION - STANDARD)



ART_1001165573-C

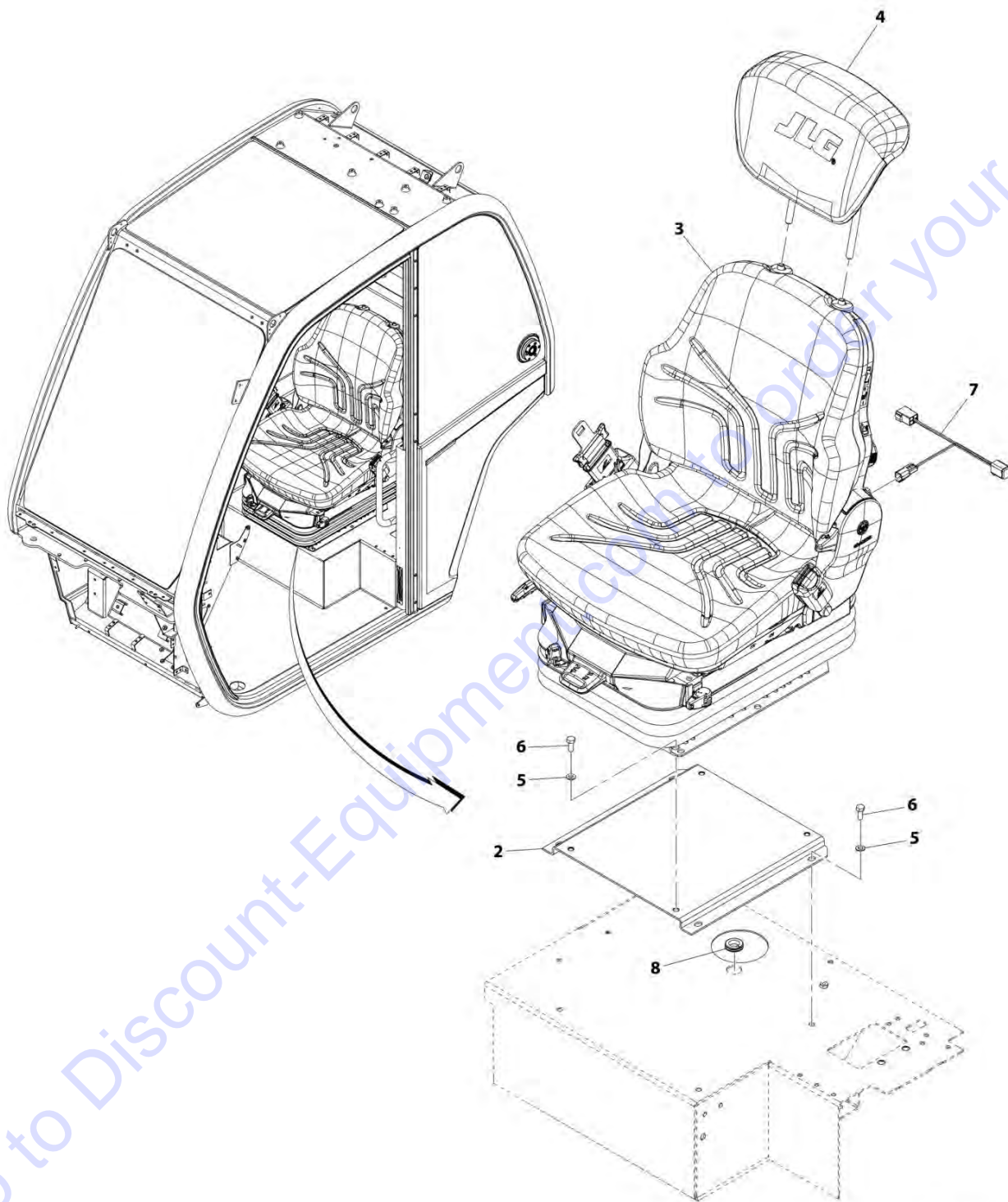
SECTION 6 - CAB

FIGURE 6-31. SEAT ASSEMBLY (AIR SUSPENSION - STANDARD)

ITEM	PART NUMBER	QTY	DESCRIPTION	REV
	1001165573	1	Seat Assembly	C
1	70027392	1	Assembly, Upper Seat (See Separate Breakdown in this Section)	
2	70021317	1	Kit, Cross Strap (includes items 101 thru 109)	
3	70021318	1	Kit, Fore and Aft Adjustment (includes items 201 thru 210)	
4	70021319	1	Kit, Suspension (See Separate Breakdown in this Section)	
5	70027395	1	Kit, Adapter Plate (includes items 301 thru 304)	
6	70021322	1	Kit, Slide Rail Stop (includes items 401 & 402)	
101	N.S.S.	1	Channel	
102	N.S.S.	1	Channel	
103	N.S.S.	1	Plate, Strap	
104	N.S.S.	1	Plate, Strap	
105	N.S.S.	4	Bolt, M8X25	
106	N.S.S.	6	Nut, M8	
107	N.S.S.	10	Washer	
108	N.S.S.	6	Bolt, M8X30	
109	N.S.S.	12	Spacer	
201	N.S.S.	4	Washer, Spring M8	
202	N.S.S.	1	Nut, M8	
203	N.S.S.	1	Washer	
204	N.S.S.	1	Bolt, M8X16	
205	N.S.S.	1	Bolt, M8X30	
206	N.S.S.	1	Washer	
207	N.S.S.	1	Spacer	
208	N.S.S.	1	Handle	
209	N.S.S.	1	Rail, Slide	
210	N.S.S.	1	Rail, Slide	
301	N.S.S.	1	Bolt, M8X25	
302	N.S.S.	1	Bolt, M8X16	
303	N.S.S.	1	Washer	
304	N.S.S.	1	Plate, Adapter	
401	N.S.S.	1	Stop, Sliderrail	
402	N.S.S.	1	Bolt, M8X16	

SECTION 6 - CAB

FIGURE 6-32. SEAT INSTALLATION (AIR SUSPENSION - PREMIUM)



ART_1001182530-F

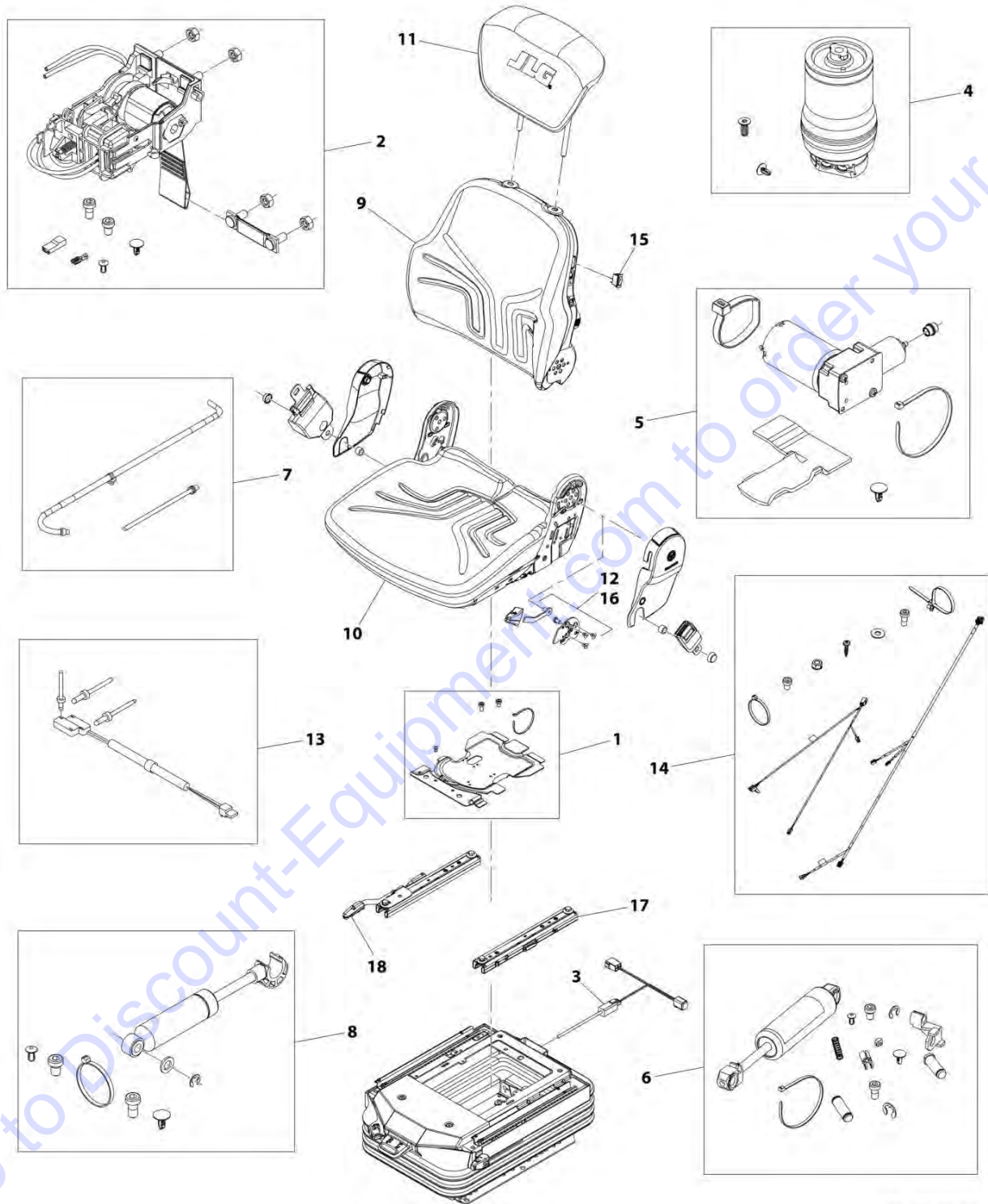
FIGURE 6-32. SEAT INSTALLATION (AIR SUSPENSION - PREMIUM)

ITEM	PART NUMBER	QTY	DESCRIPTION	REV
	1001182530	Ref	Seat Installation (Air Suspension - Premium)	F
2	1001158736C	1	Plinth, Seat	
3	1001169135	1	Assembly, Seat (See Separate Breakdown in this Section)	
4	1001182529	1	Headrest	
5	4811900	8	Washer, M8	
6	0760810	8	Bolt, M8X20	
7	1001168531	1	Harness, Seat Adaptor (See Separate Breakdown in Electrical Section)	
8	1001216974	1	Grommet	

Go to Discount-Equipment.com to order your parts

SECTION 6 - CAB

FIGURE 6-33. SEAT ASSEMBLY (AIR SUSPENSION - PREMIUM)



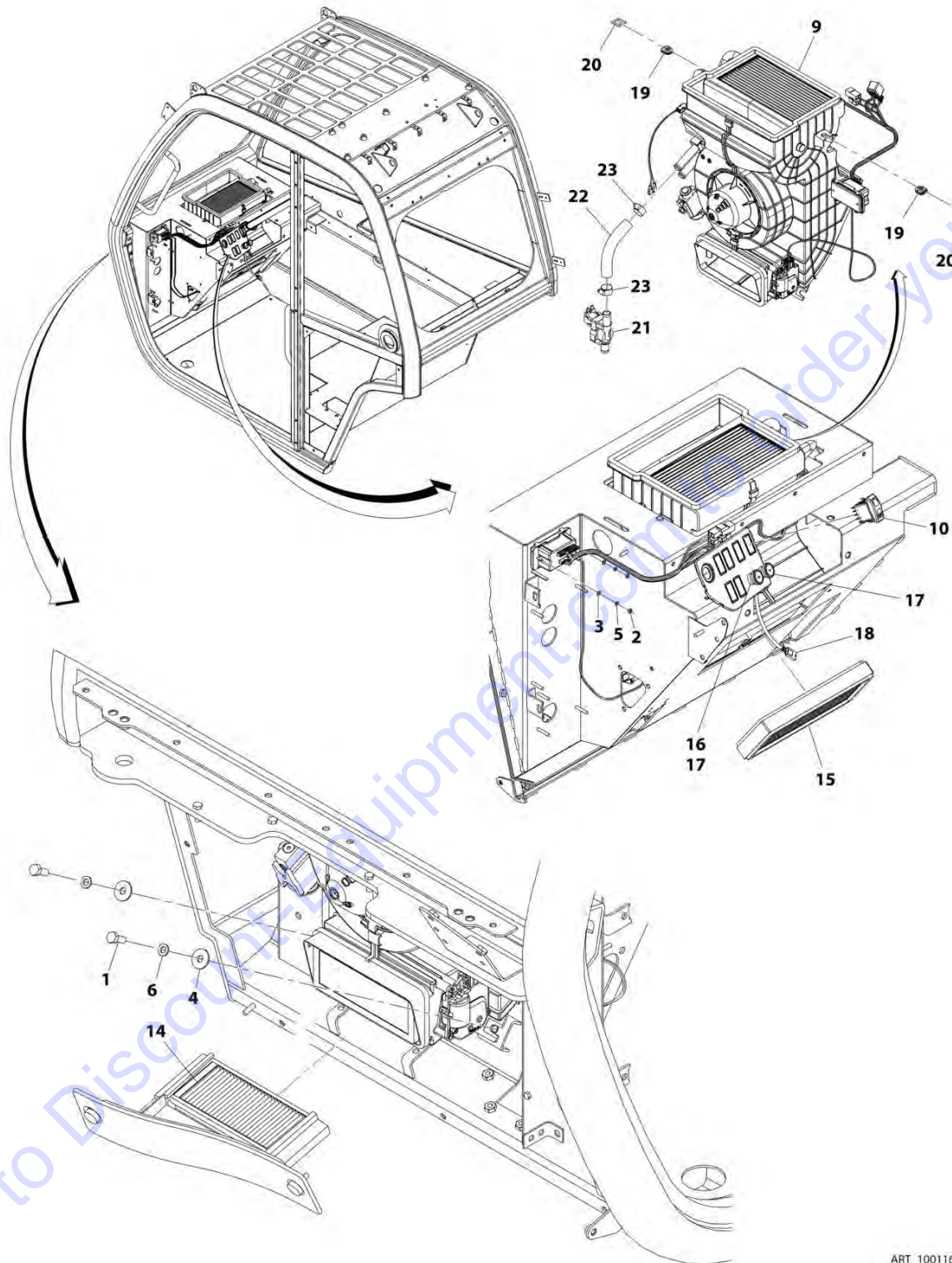
ART_1001169135-B

FIGURE 6-33. SEAT ASSEMBLY (AIR SUSPENSION - PREMIUM)

ITEM	PART NUMBER	QTY	DESCRIPTION	REV
	1001169135	Ref	Seat Assembly	B
1	70024856	1	Cover	
2	70023182	1	Control Level Kit	
3	70023186	1	Wiring Harness, Air/Safeswitch	
4	70023184	1	Air Spring Kit	
5	70024857	1	Compressor, 12V	
6	70023181	1	Shock Absorber Kit	
7	70024459	1	Air Tubes Kit	
8	70023189	2	Shock Absorber Kit	
9	70023179	1	Back Cushion Kit	
10	70024858	1	Seat Cushion Kit	
11	1001182529	1	Headrest, Cloth	
12	70024859	1	Backrest Actuator	
13	70028326	1	Switch	
14	70024861	1	Wiring Harness	
15	70024107	1	Switch, Heater	
16	7028621	1	Handle, Backrest Angle Adjust	
17	3986643	1	Adjust Slide Kit	
18	3986610	1	Handle	

SECTION 6 - CAB

FIGURE 6-34. HEATER INSTALLATION



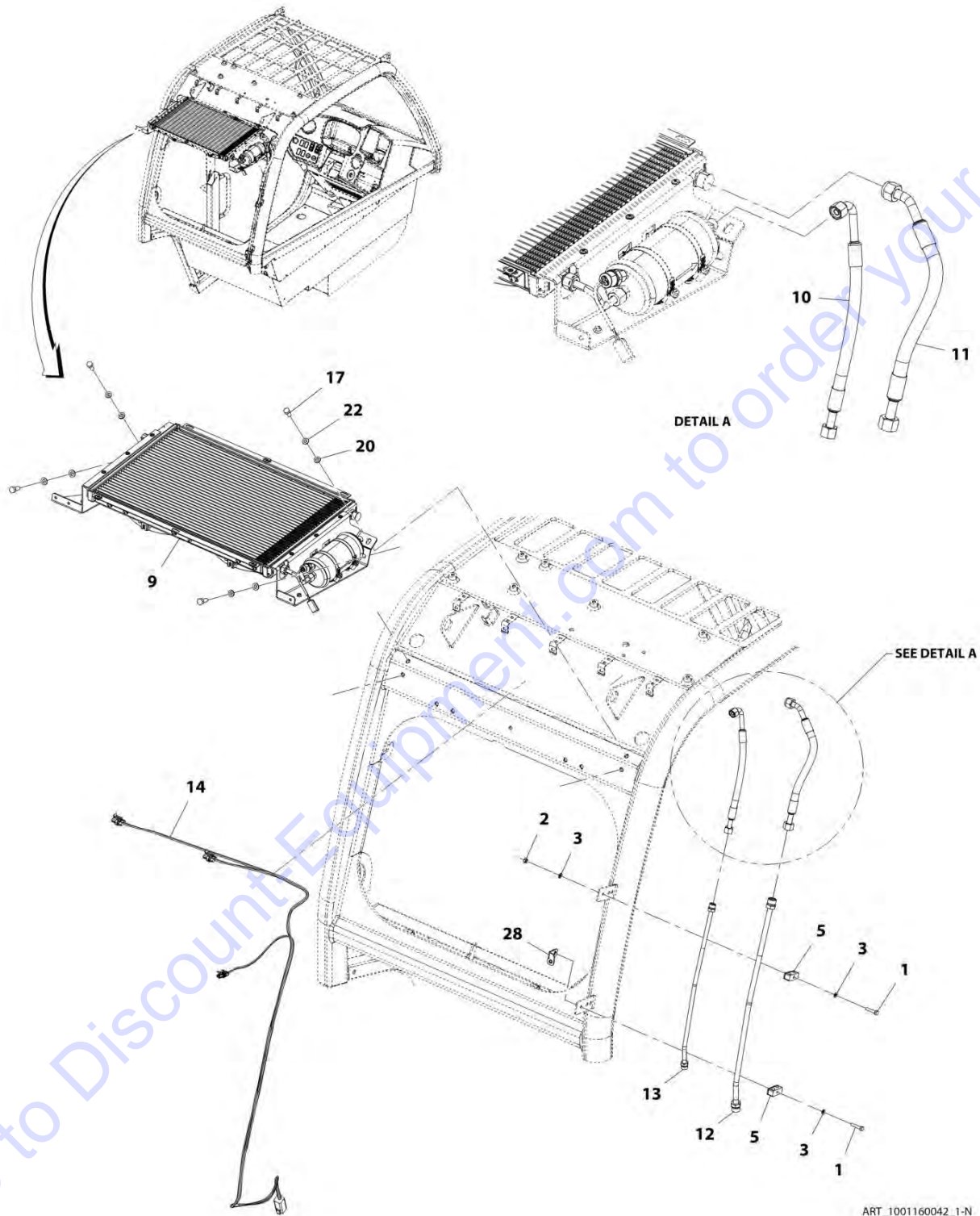
ART_1001160043-K

FIGURE 6-34. HEATER INSTALLATION

ITEM	PART NUMBER	QTY	DESCRIPTION	REV
	1001160043	Ref	Heater Installation	K
1	0760810	2	Bolt, M8X20	
2	3290401	2	Nut, M4X0.7	
3	4811400	2	Washer, M4	
4	4811902	2	Washer, M8	
5	4831400	2	Washer, Lock M4	
6	4831900	2	Washer, M8	
9	1001161858	1	Assembly, Heater (See Separate Breakdown in this Section)	
10	1001159925	1	Switch, HVAC Recycle	
14	1001218996	1	Filter, HVAC Air	
15	1001172553	1	Filter, HVAC Recirculation Air	
16	1001172547	1	Switch, HVAC Rotary 3 Speed	
17	1001172550	2	Knob, HVAC Control	
18	1001218529	1	Cable, HVAC	
19	1001188590	2	Grommet	
20	1001218542	2	Shim	
21	1001221059	1	Valve, Water	
22	1001221295	1	House	
23	8410009	2	Clamp	

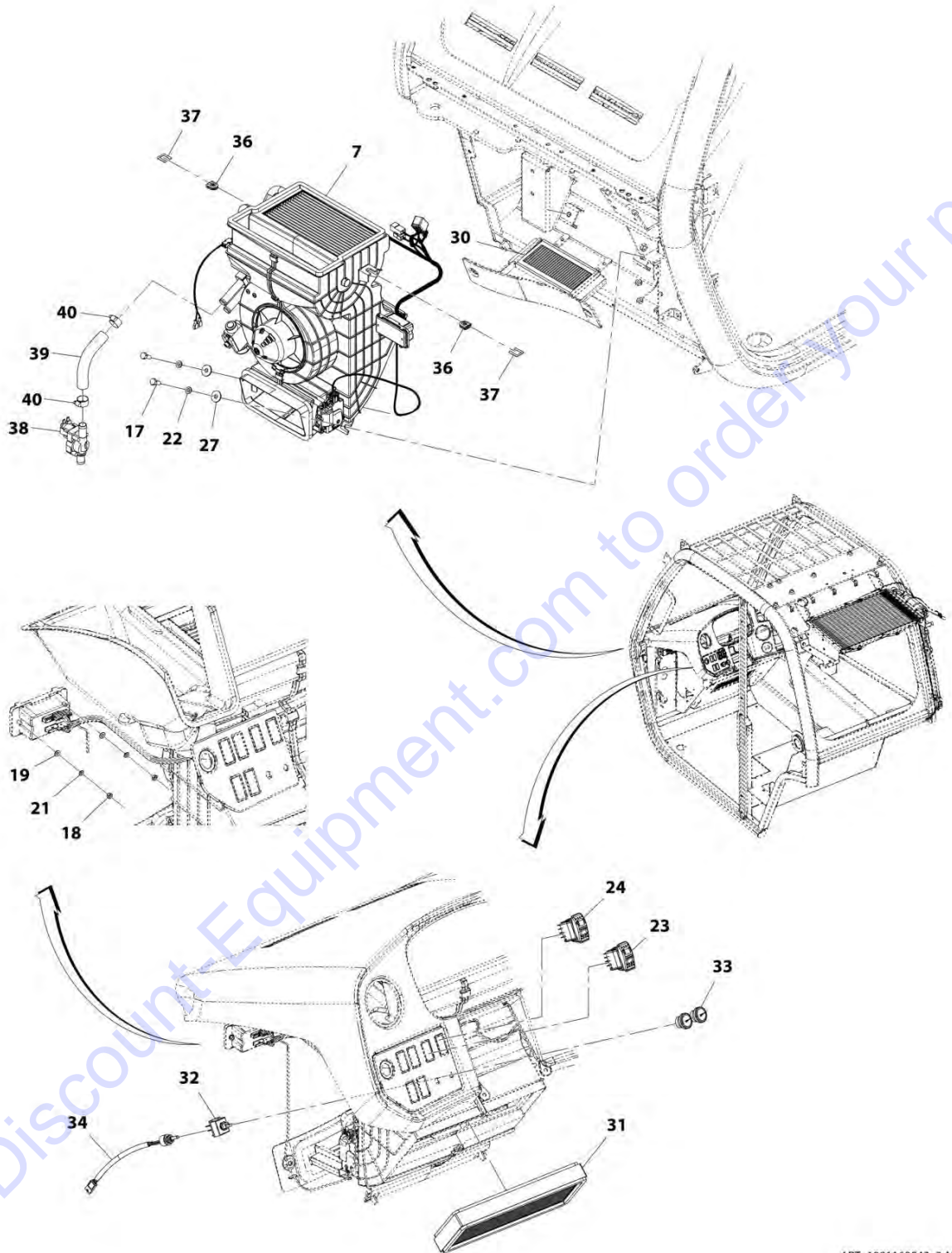
SECTION 6 - CAB

FIGURE 6-35. HEATER AND A/C INSTALLATION (CAB PARTS)



ART_1001160042_1-N

SECTION 6 - CAB



ART_1001160042_2-N

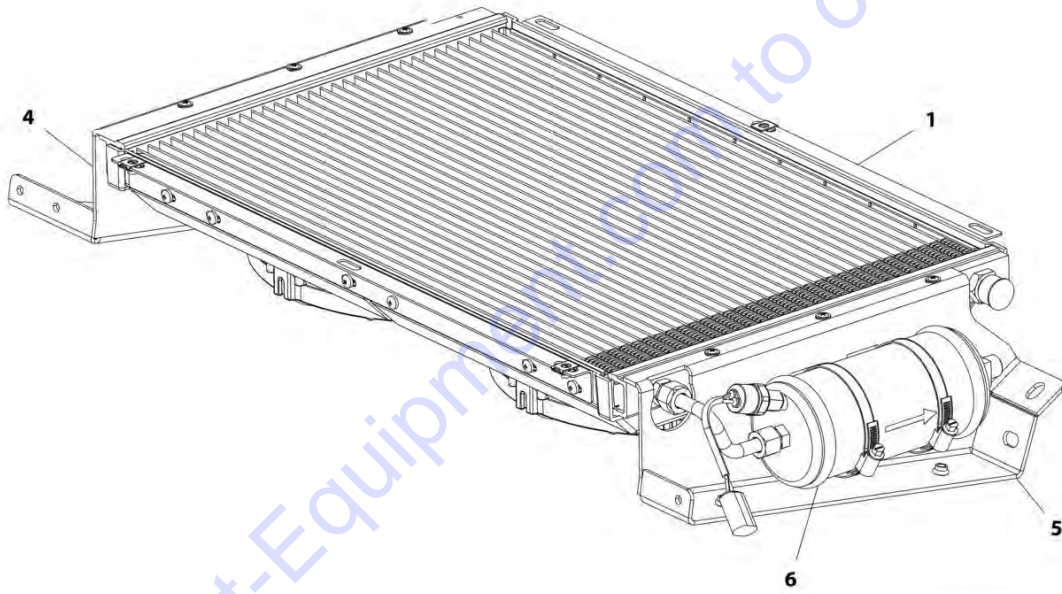
SECTION 6 - CAB

FIGURE 6-35. HEATER AND A/C INSTALLATION (CAB PARTS)

ITEM	PART NUMBER	QTY	DESCRIPTION	REV
	1001160042	Ref	Heater and A/C Installation (cab parts)	N
1	0700614	2	Bolt, M6X30	
2	3290601	1	Nut, M6X1	
3	4811700	3	Washer, M6	
5	1001145539	2	Support, Pipe	
7	1001188303	1	Assembly, Heater and A/C (See Separate Breakdown in this Section)	
9	1001162953	1	Assembly, Cab Condenser (See Separate Breakdown in this Section)	
10	1001168327	1	Hose	
11	1001168330	1	Hose	
12	1001168331	1	Tube	
13	1001168456	1	Tube	
14	1001169151	1	Harness, A/C Option (See Separate Breakdown in Electrical Section)	
17	0760810	6	Bolt, M8X20 GR8.8	
18	3290401	2	Nut, M4X0.7	
19	4811400	2	Washer, M4	
20	4811900	4	Washer, M8	
21	4831400	2	Washer, Lock M4	
22	4831900	6	Washer, Lock M8	
23	1001159925	1	Switch, HVAC Recycle	
24	1001160326	1	Switch, HVAC On/Off	
27	4811902	2	Washer, M8	
28	1001178170	1	Bracket	
30	1001218996	1	Filter, HVAC Fresh Air	
31	1001172553	1	Filter, HVAC Air Recirculation	
32	1001172547	1	Switch, HVAC Rotary 3 Speed	
33	1001172550	2	Knob, HVAC Control	
34	1001218529	1	Cable, HVAC	
35	1320022	1	Clamp	
36	1001188590	2	Grommet	
37	1001218542	2	Shim	
38	1001221059	1	Valve, Water	
39	1001221295	1	Hose	
40	8410009	2	Clamp	

SECTION 6 - CAB

FIGURE 6-36. CAB CONDENSER ASSEMBLY



ART_1001162953-F

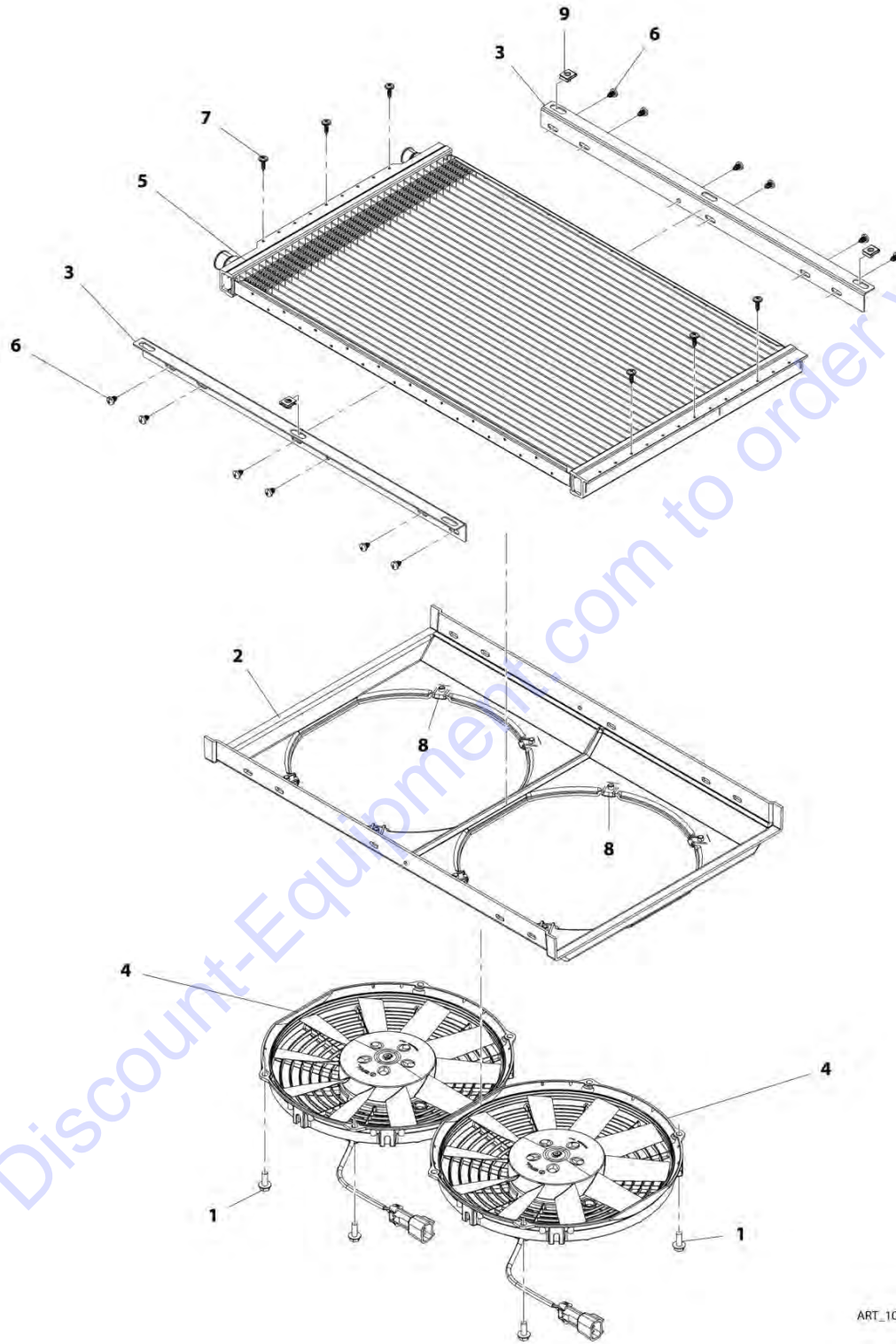
FIGURE 6-36. CAB CONDENSER ASSEMBLY

ITEM	PART NUMBER	QTY	DESCRIPTION	REV
	1001162953	Ref	Cab Condenser Assembly	F
1	1001167266	1	Condenser (See Separate Breakdown in this Section)	
4	1001179080	1	Bracket	
5	1001179081	1	Bracket	
6	1001179130	1	Drier, A/C Receiver (See Separate Breakdown in this Section)	

Go to Discount-Equipment.com to order your parts

SECTION 6 - CAB

FIGURE 6-37. CONDENSER



ART_1001167266-C

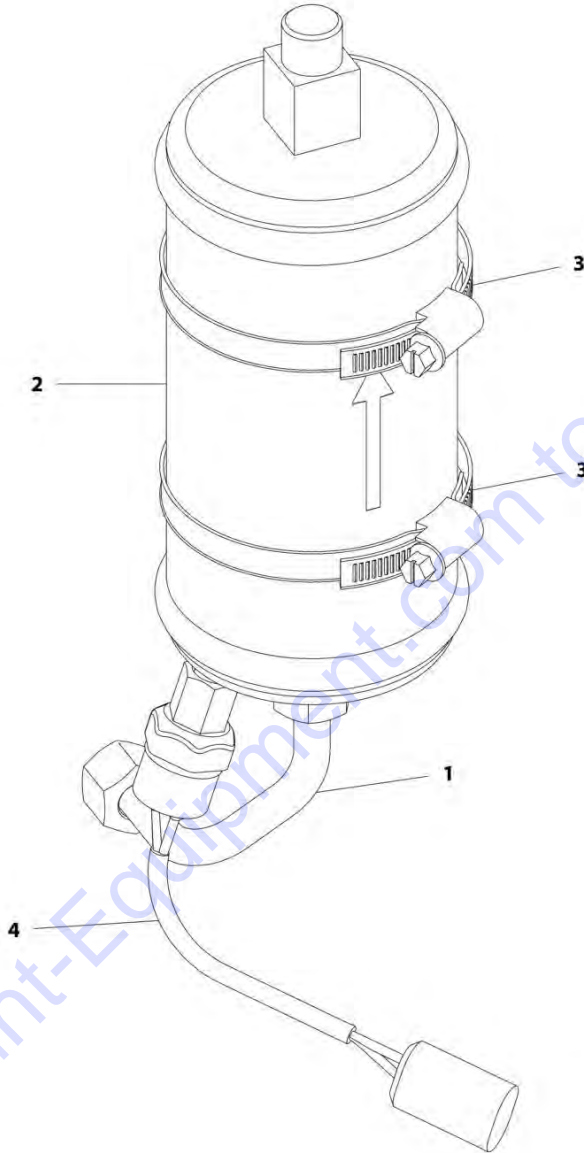
FIGURE 6-37. CONDENSER

ITEM	PART NUMBER	QTY	DESCRIPTION	REV
	1001167266	Ref	Condenser	C
1	5250608	8	Bolt, M6X16	
2	1001195342	1	Bracket, Condenser Fan Mount	
3	1001195343	2	Support, Condenser	
4	1001195345	2	Fan, Condenser	
5	1001195346	1	Condenser	
6	1001195385	12	Screw, M3.9X9.5	
7	1001195386	6	Screw, M4.2X16	
8	1001195437	8	Clip, M6X1	
9	1001195438	3	Clip, M6X1	

Go to Discount-Equipment.com to order your parts

SECTION 6 - CAB

FIGURE 6-38. A/C RECEIVER DRIER



ART_1001179130-B

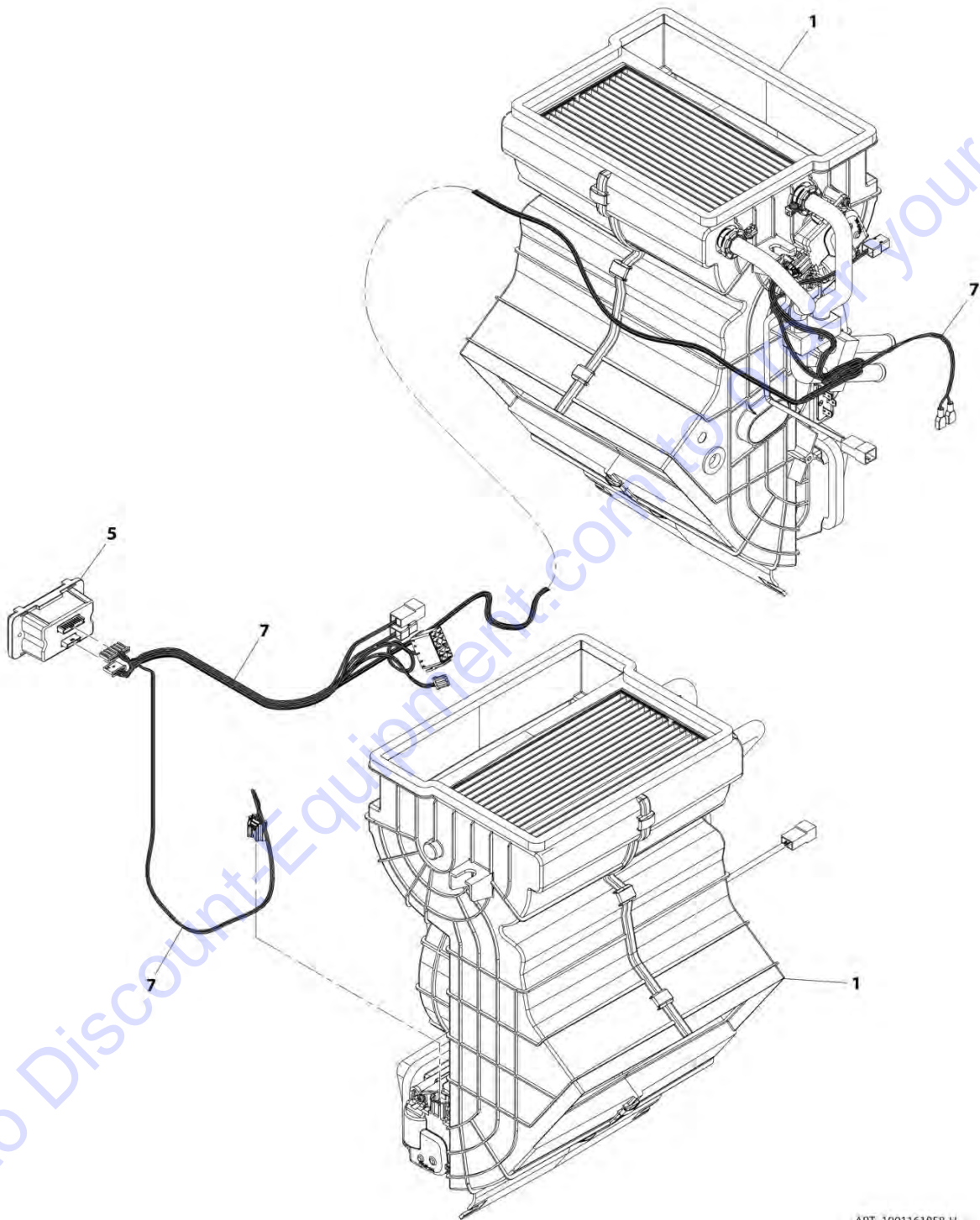
FIGURE 6-38. A/C RECEIVER DRIER

ITEM	PART NUMBER	QTY	DESCRIPTION	REV
	1001179130	Ref	A/C Receiver Drier	B
1	1001184403	1	Tube, Heater	
2	1001184404	1	Receiver, Heater Drier	
3	1001184405	2	Clamp	
4	1001184406	1	Connector, Heater	

Go to Discount-Equipment.com to order your parts

SECTION 6 - CAB

FIGURE 6-39. HEATER ASSEMBLY



ART_1001161858-H

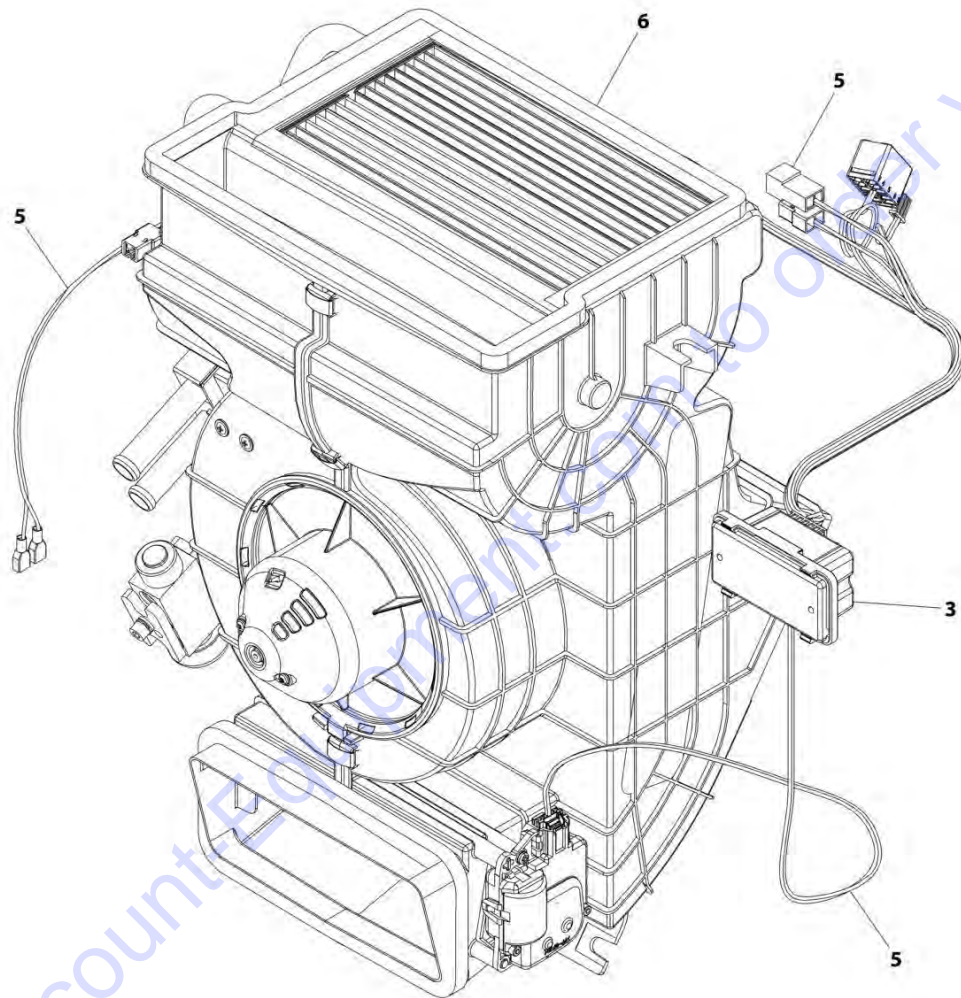
FIGURE 6-39. HEATER ASSEMBLY

ITEM	PART NUMBER	QTY	DESCRIPTION	REV
1	1001161858	Ref	Heater Assembly	H
	1001152908	NLA	Heater, Cab (no longer available, use 1001221052), (For Service, See Separate Breakdown in this Section) (Prior to SN 0160083830)	
5	1001221052	1	Heater, Cab (See Separate Breakdown in this Section) (SN 0160083830 to Present)	
5	1001172551	1	Actuator, HVAC Cab (See Separate Breakdown in this Section)	
7	1001173571	1	Harness, HVAC Actuator (Prior to SN 0160083830)	
7	1001221056	1	Harness, HVAC Actuator (SN 0160083830 to Present)	

Go to Discount-Equipment.com to order your parts

SECTION 6 - CAB

FIGURE 6-40. HEATER AND A/C ASSEMBLY



ART_1001188303-G

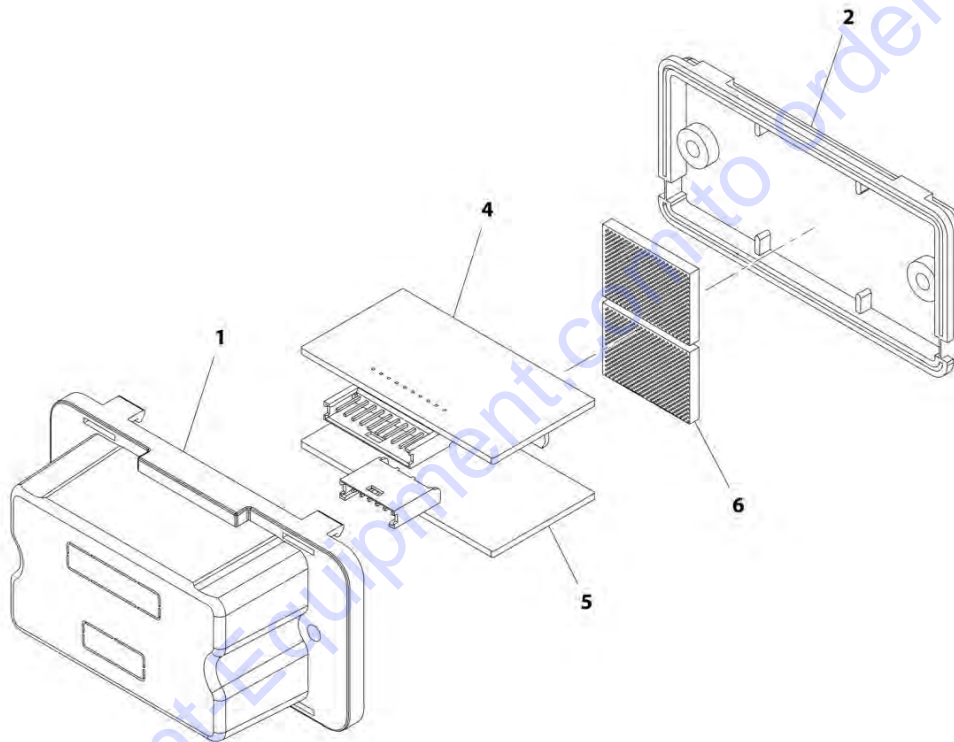
FIGURE 6-40. HEATER AND A/C ASSEMBLY

ITEM	PART NUMBER	QTY	DESCRIPTION	REV
	1001188303	Ref	Heater and A/C Assembly	G
3	1001172551	1	Actuator, HVAC Cab (See Separate Breakdown in this Section)	
5	1001221056	1	Harness, HVAC Actuator	
6	1001221054	1	Heater and A/C (See Separate Breakdown in this Section)	

Go to Discount-Equipment.com to order your parts

SECTION 6 - CAB

FIGURE 6-41. HVAC CAB ACTUATOR



ART_1001172551-C

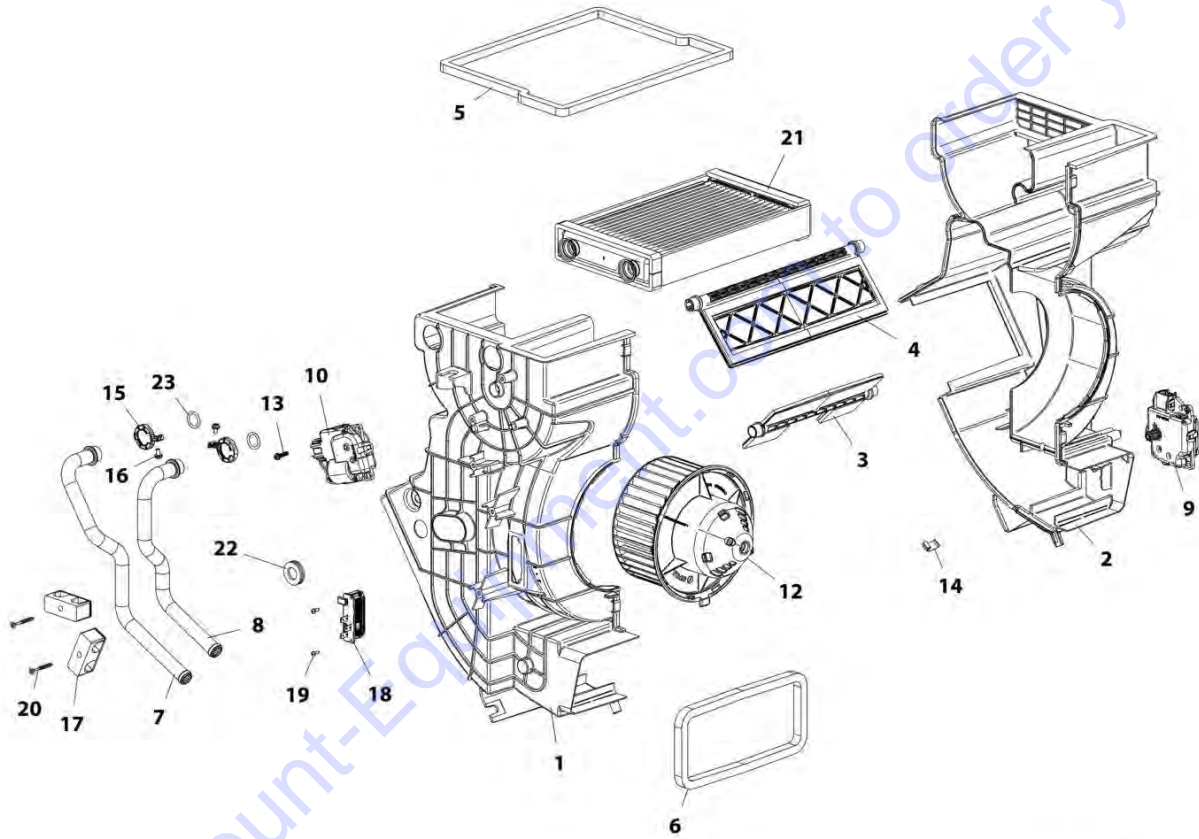
FIGURE 6-41. HVAC CAB ACTUATOR

ITEM	PART NUMBER	QTY	DESCRIPTION	REV
	1001172551	Ref	HVAC Cab Actuator	C
1	1001184306	1	Box, Heater Controller	
2	1001184307	1	Base, Heater Controller Box	
4	1001184309	1	Board, Heater Control	
5	1001184310	1	Board, Heater Control	
6	1001189980	2	Insulator, Heater Controller Box	

Go to Discount-Equipment.com to order your parts

SECTION 6 - CAB

FIGURE 6-42. HEATER



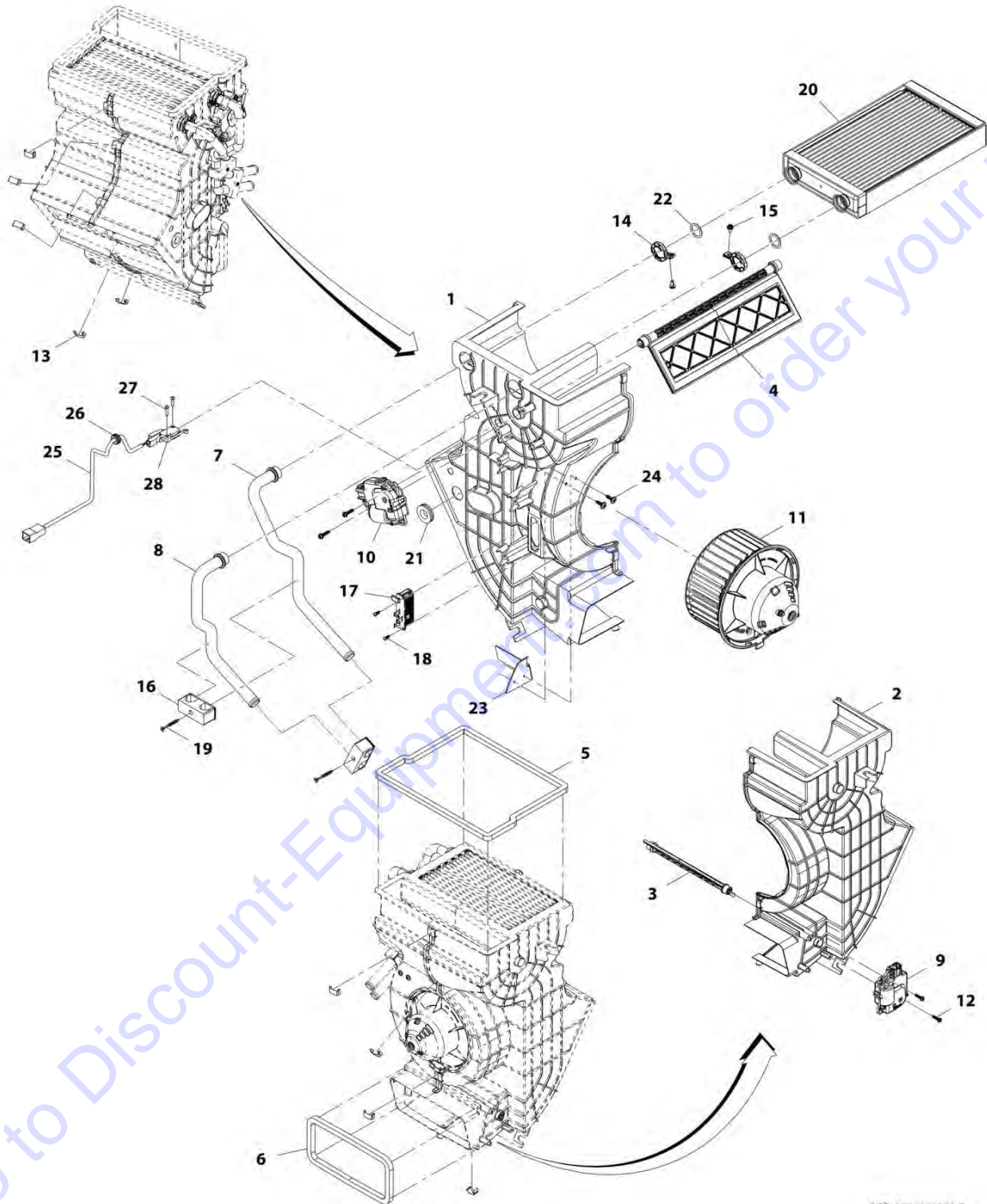
ART_1001152908-E

FIGURE 6-42. HEATER

ITEM	PART NUMBER	QTY	DESCRIPTION	REV
	1001152908	NLA	Heater (no longer available, see items 1 through 23 for service or use 1001221052 for replacement)	E
1	1001166091	1	Housing, RH	
2	1001166092	1	Housing, LH	
3	1001184275	1	Flap, Recirculation with Foam	
4	1001184278	1	Flap, Mixing with Foam	
5	1001184294	1	Foam, Air Outlet	
6	1001184295	1	Foam, Air Inlet	
7	1001184296	1	Pipe, Water	
8	1001184297	1	Pipe, Water	
9	1001188577	1	Actuator, Fresh/Recirculation Air	
10	1001188578	1	Actuator, Hot/Cold	
12	1001188594	1	Fan, 12V	
13	1001188602	4	Screw	
14	1001188603	9	Clamp	
15	1001188604	2	Clamp	
16	1001188610	2	Screw	
17	1001188612	2	Clamp	
18	1001188614	1	Resistor	
19	1001188720	2	Screw	
20	1001188725	2	Screw	
21	1001188729	1	Radiator, Heater Core	
22	1001188733	1	Grommet	
23	1001189025	2	O-Ring	

SECTION 6 - CAB

FIGURE 6-43. HEATER



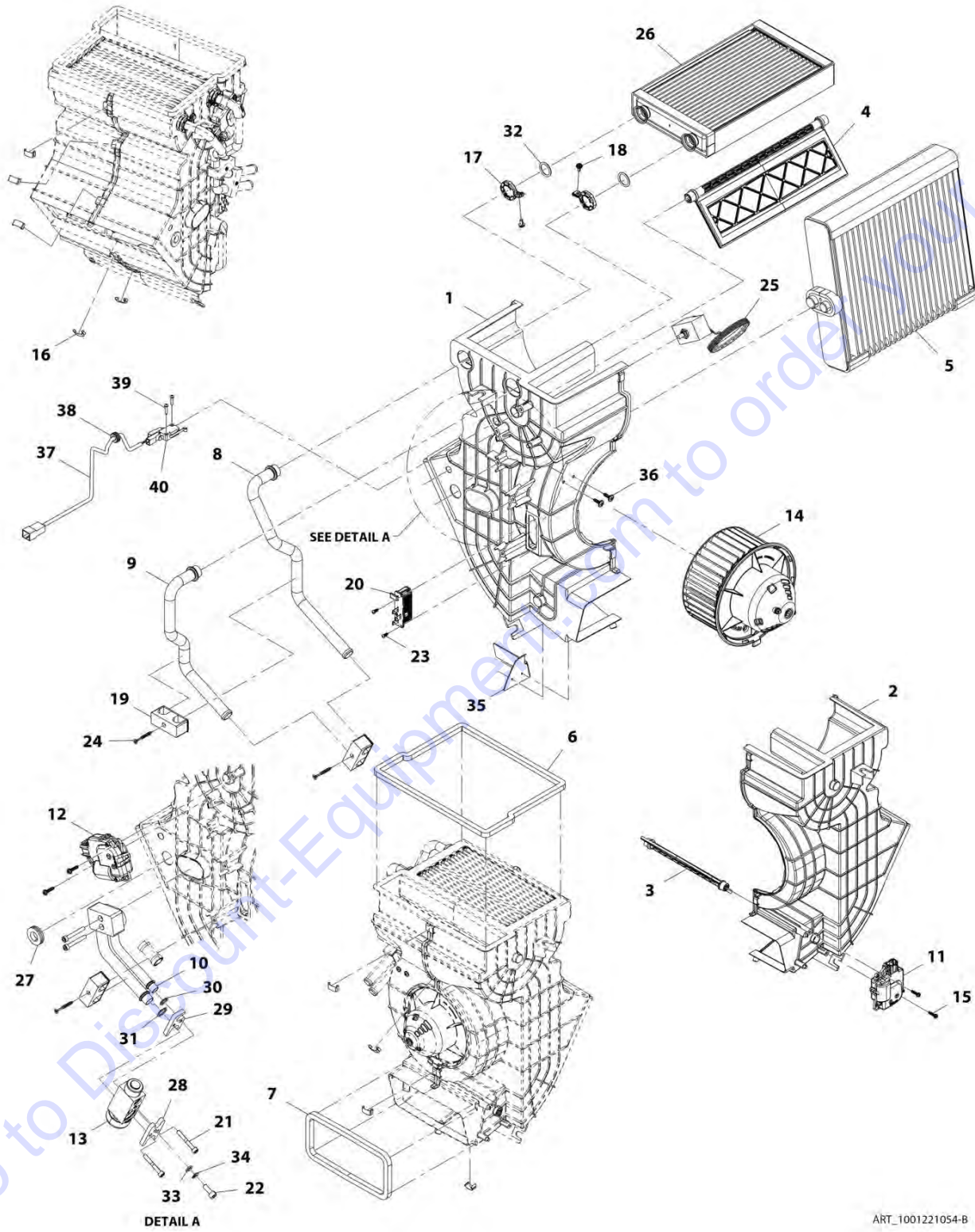
ART_1001221052-B

FIGURE 6-43. HEATER

ITEM	PART NUMBER	QTY	DESCRIPTION	REV
	1001221052	Ref	Heater	B
1	1001166091	1	Housing, RH	
2	1001166092	1	Housing, LH	
3	1001184275	1	Flap, Recirculation with Foam	
4	1001184278	1	Flap, Mixing with Foam	
5	1001184294	1	Foam, Air Outlet	
6	1001184295	1	Foam, Air Inlet	
7	1001184296	1	Pipe, Water	
8	1001184297	1	Pipe, Water	
9	1001188577	1	Actuator, Fresh/Recirculation Air	
10	1001188578	1	Actuator, Hot/Cold	
11	1001188594	1	Fan, 12V	
12	1001188602	4	Screw	
13	1001188603	9	Clamp	
14	1001188604	2	Clamp	
15	1001188610	2	Screw	
16	1001188612	2	Clamp	
17	1001188614	1	Resistor	
18	1001188720	2	Screw	
19	1001188725	2	Screw	
20	1001188729	1	Radiator, Heater Core	
21	1001188733	1	Grommet	
22	1001189025	2	O-Ring	
23	1001221057	1	Plate	
24	1001221058	2	Screw	
25	1001228132	1	Harness, HVAC Sensor	
26	1001228140	1	Grommet	
27	1001228141	2	Screw	
28	1001228147	1	Valve, Water	

SECTION 6 - CAB

FIGURE 6-44. HEATER AND A/C



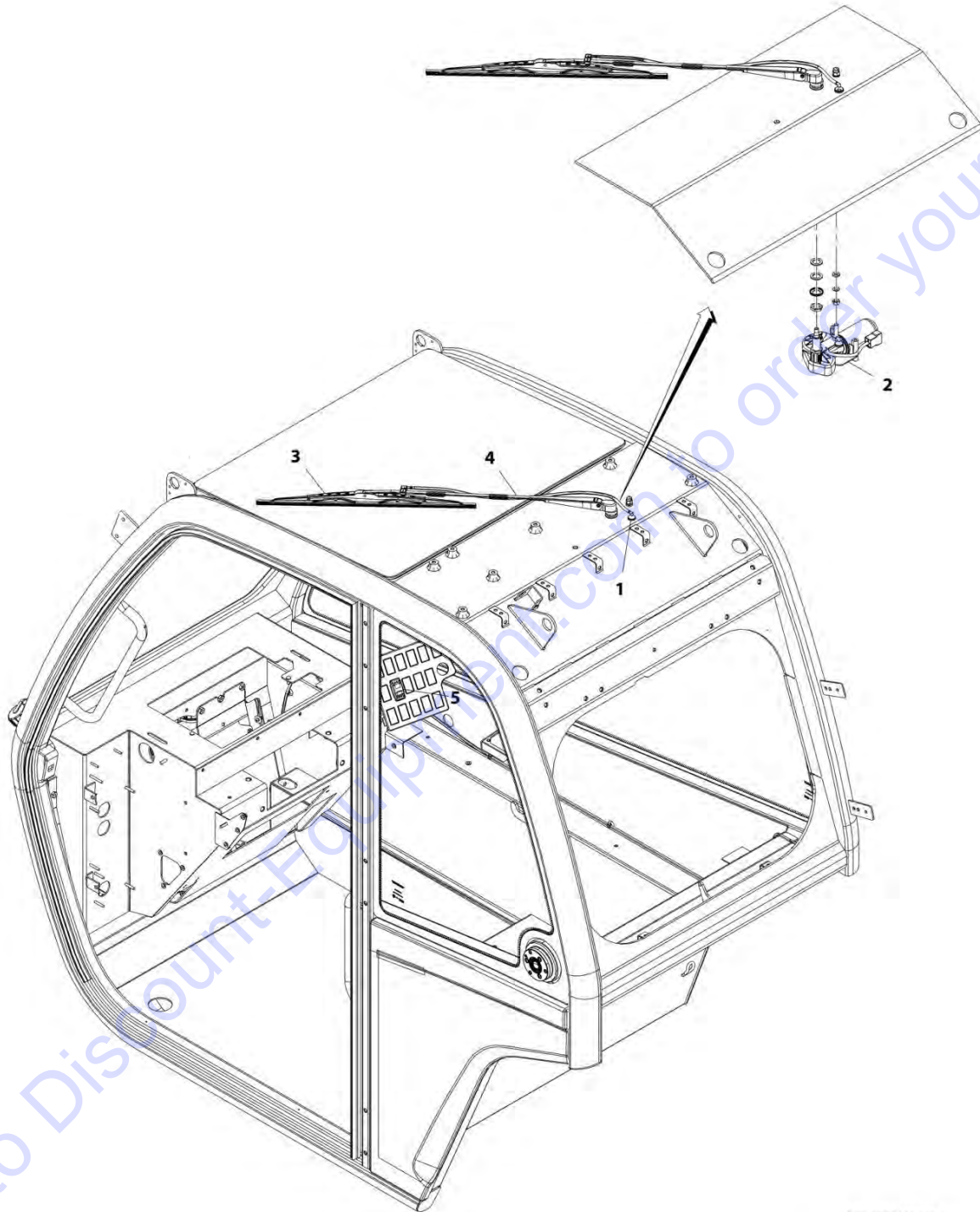
ART_1001221054-B

FIGURE 6-44. HEATER AND A/C

ITEM	PART NUMBER	QTY	DESCRIPTION	REV
	1001221054	Ref	Heater and A/C	B
1	1001166091	1	Housing, HVAC RH	
2	1001166092	1	Housing, HVAC LH	
3	1001184275	1	Foam, Heater Flap	
4	1001184278	1	Foam, Heater Mixing Flap	
5	1001184280	1	Evaporator, Heater	
6	1001184294	1	Seal, Heater Foam	
7	1001184295	1	Seal, Air Inlet Foam	
8	1001184296	1	Pipe, Heater Water	
9	1001184297	1	Pipe, Heater Water	
10	1001184427	1	Pipe, Heater	
11	1001188577	1	Actuator, Fresh/Recirculation Air	
12	1001188578	1	Actuator, Hot/Cold Mixing	
13	1001188592	1	Valve, HVAC Expansion	
14	1001188594	1	Fan, HVAC Centrifugal 12V	
15	1001188602	4	Screw, M4	
16	1001188603	9	Clamp, HVAC Case	
17	1001188604	2	Clamp, HVAC Pipe	
18	1001188610	2	Screw, M4X0.7	
19	1001188612	3	Clamp, Pipe	
20	1001188614	1	Resistor	
21	1001188618	4	Screw, M5	
22	1001188619	1	Screw, M6	
23	1001188720	2	Screw, M2.9X9.5	
24	1001188725	3	Screw, M4X35	
25	1001188728	1	Sensor, HVAC Thermostat	
26	1001188729	1	Radiator, Heater Core	
27	1001188733	1	Grommet	
28	1001188817	1	Clamp, Hose	
29	1001188818	1	Clamp, HVAC EVAP/Valve	
30	1001189023	1	O-Ring	
31	1001189024	1	O-Ring	
32	1001189025	2	O-Ring	
33	1001189048	1	Washer	
34	1001189054	1	Washer, Spring	
35	1001221057	1	Plate	
36	1001221058	2	Screw	
37	1001228132	1	Harness, HVAC Sensor	
38	1001228140	1	Grommet	
39	1001228141	2	Screw	
40	1001228147	1	Valve, Water Sensor	

SECTION 6 - CAB

FIGURE 6-45. ROOF WIPER INSTALLATION



ART_1001155486-B

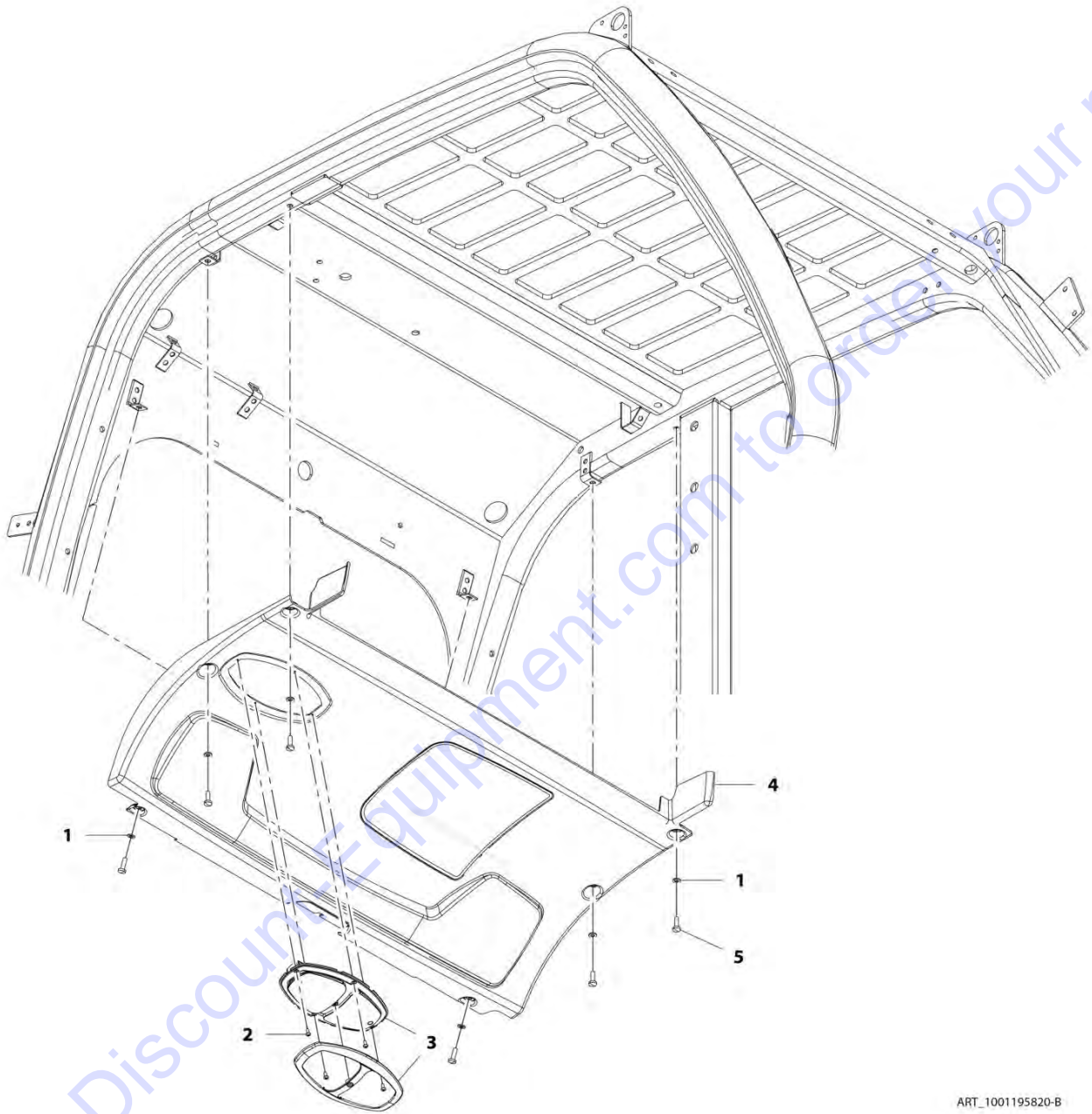
FIGURE 6-45. ROOF WIPER INSTALLATION

ITEM	PART NUMBER	QTY	DESCRIPTION	REV
	1001155486	Ref	Roof Wiper Installation	B
1	1001090343	1	Connector	
2	1001139551	1	Motor, Roof Wiper	
3	1001141313	1	Blade, Roof Wiper	
4	1001141311	1	Arm, Roof Wiper Blade	
5	1001159736	1	Switch, Roof Wiper	

Go to Discount-Equipment.com to order your parts

SECTION 6 - CAB

FIGURE 6-46. HEADLINER INSTALLATION



ART_1001195820-B

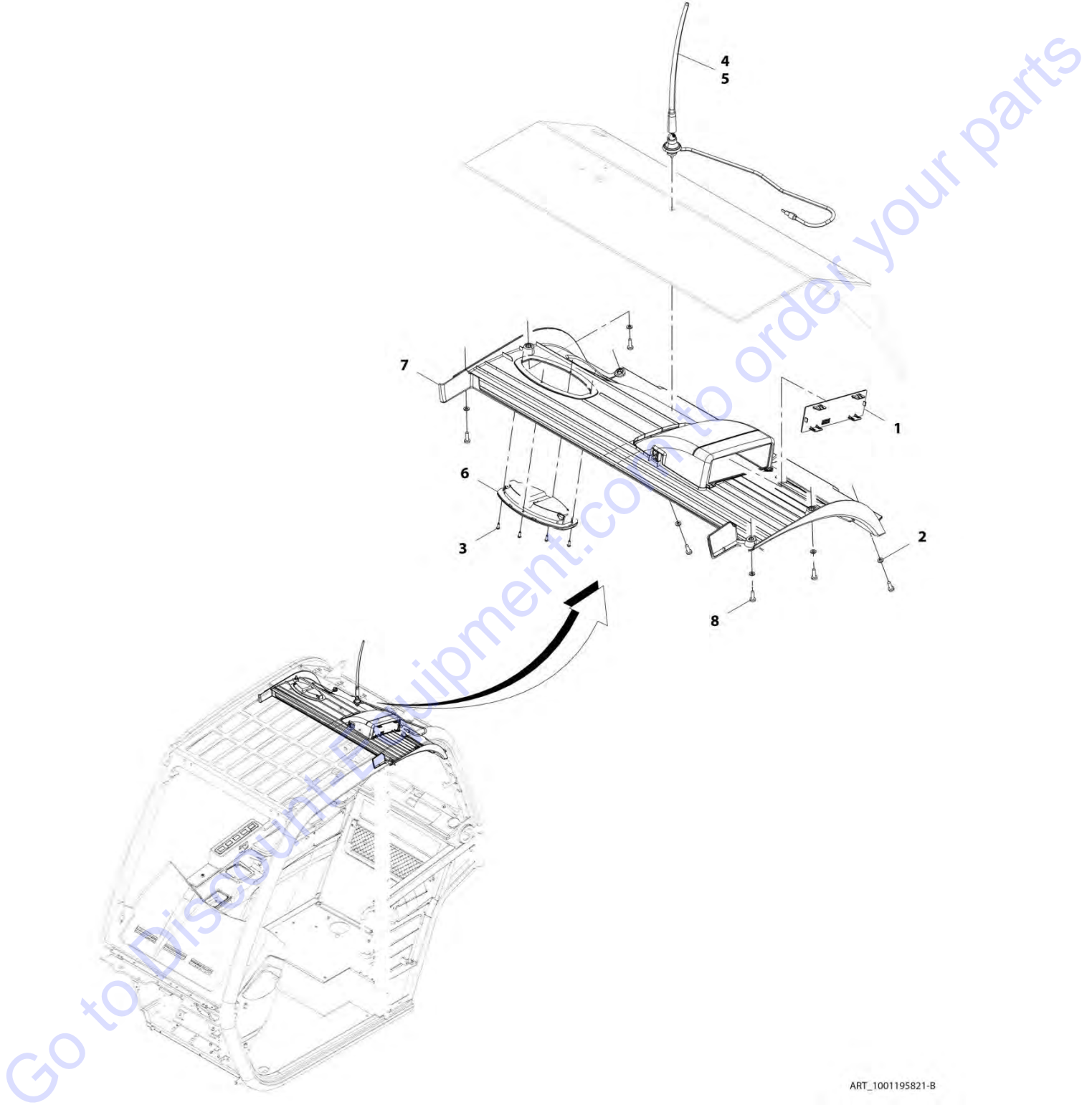
FIGURE 6-46. HEADLINER INSTALLATION

ITEM	PART NUMBER	QTY	DESCRIPTION	REV
	1001195820	Ref	Headliner Installation	B
1	4811700	6	Washer, M6	
2	7029486	4	Screw	
3	1001167015	1	Lamp, Dome	
4	1001195822	1	Panel, Headliner	
5	4010610002	6	Screw, M6X20	

Go to Discount-Equipment.com to order your parts

SECTION 6 - CAB

FIGURE 6-47. HEADLINER/RADIO READY PACKAGE INSTALLATION



ART_1001195821-B

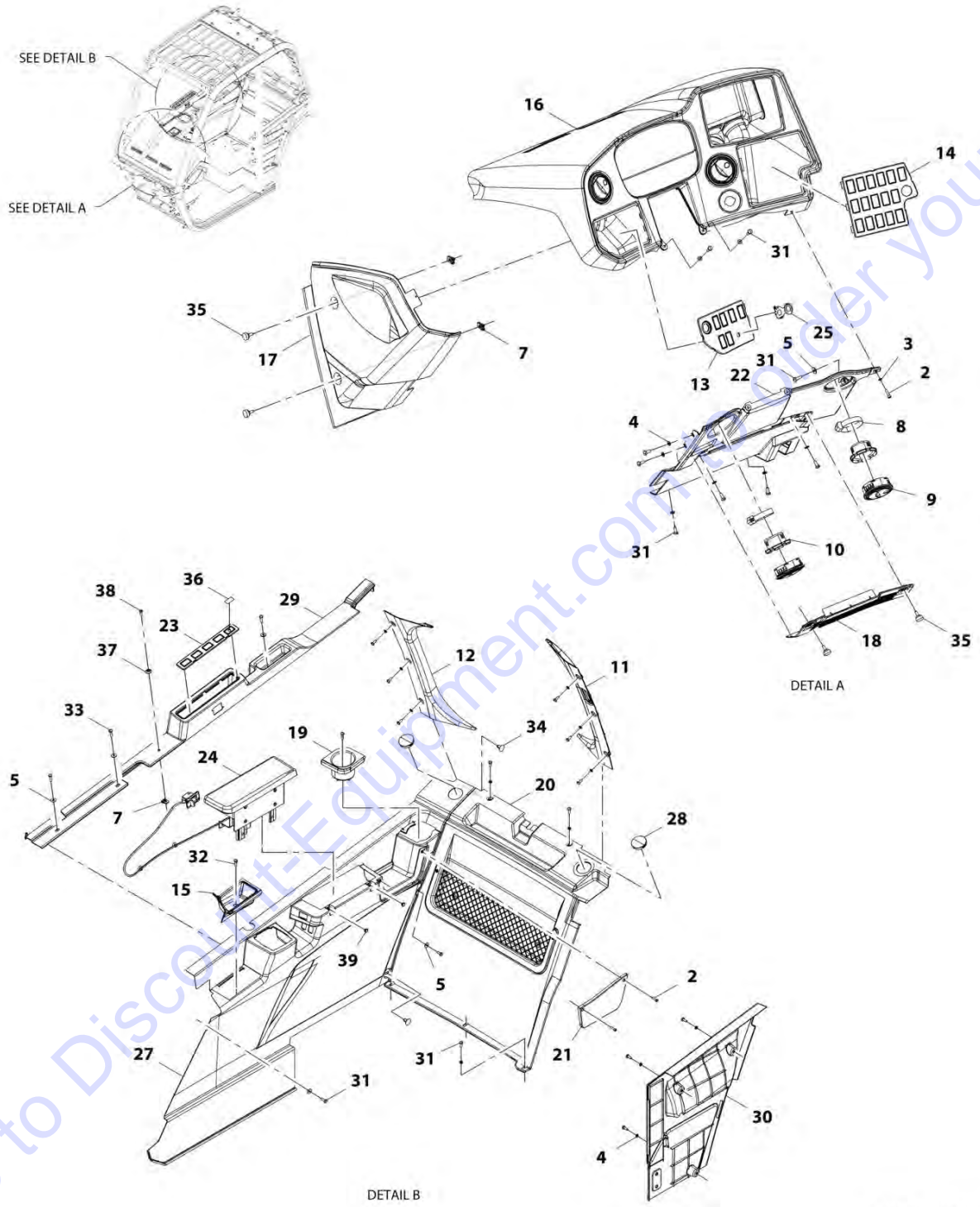
FIGURE 6-47. HEADLINER/RADIO READY PACKAGE INSTALLATION

ITEM	PART NUMBER	QTY	DESCRIPTION	REV
	1001195821	Ref	Headliner/Radio Ready Package Installation	B
1	1001200968	1	Plate	
2	4811700	6	Washer, 6M	
3	7029486	4	Screw	
4	8005901	1	Antenna	
5	1001116128	AR	Sealant, Polysiloxane	
6	1001167015	1	Lamp	
7	1001195823	1	Cover, Headliner	
8	4010610002	6	Screw, M6X20	

Go to Discount-Equipment.com to order your parts

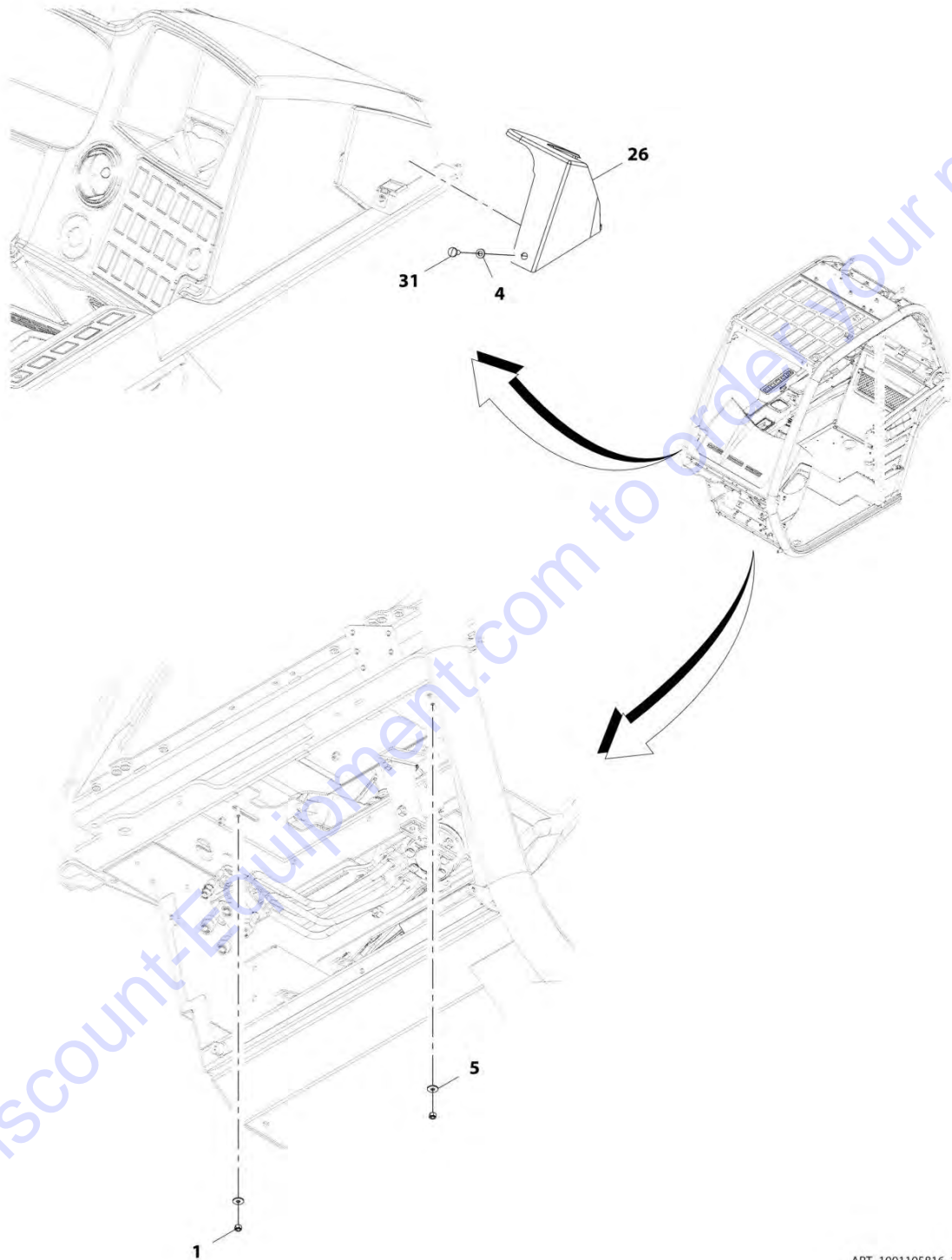
SECTION 6 - CAB

FIGURE 6-48. CAB TRIM INSTALLATION



ART_1001195816_1-I

SECTION 6 - CAB



ART_1001195816_2-I

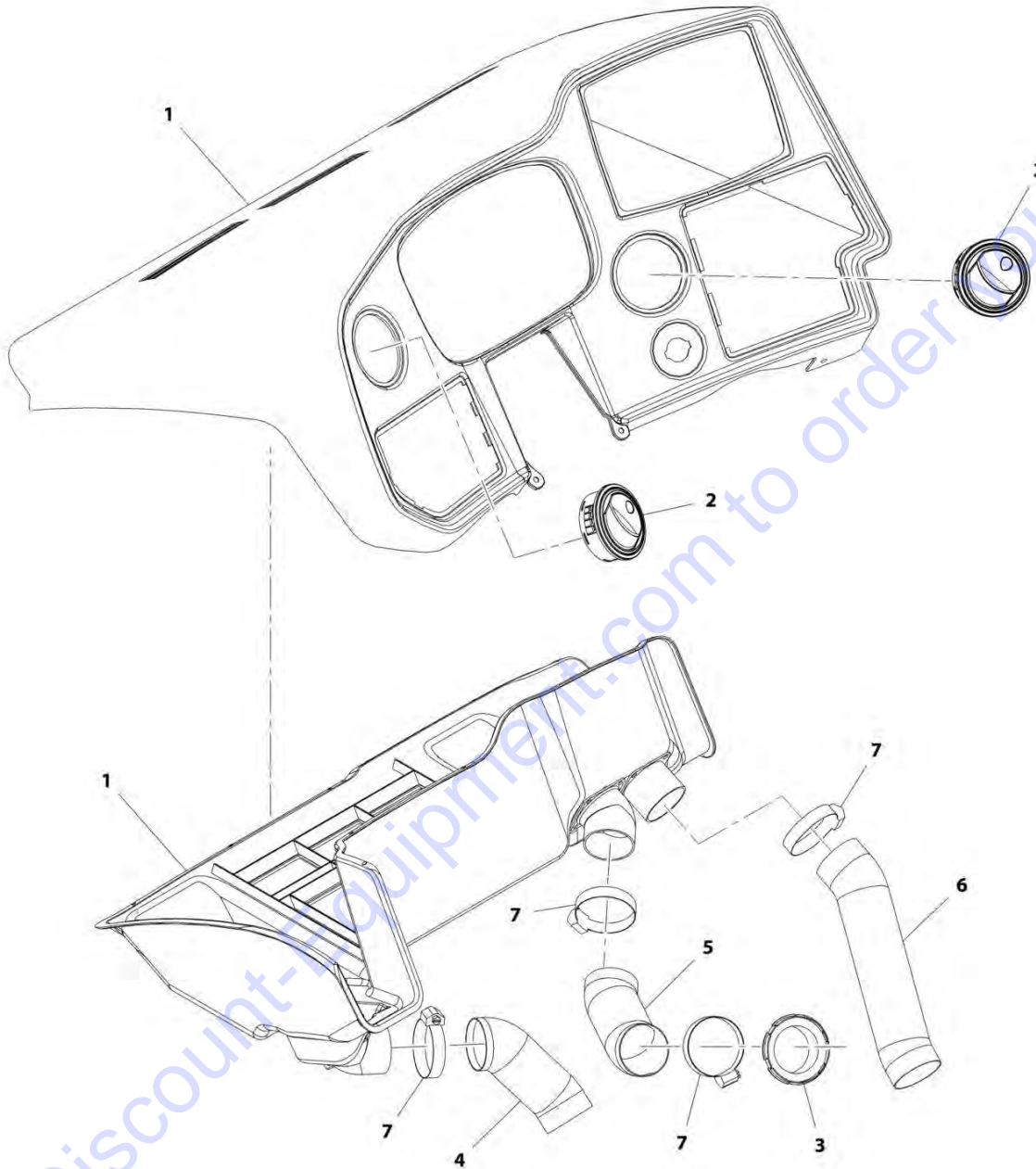
SECTION 6 - CAB

FIGURE 6-48. CAB TRIM INSTALLATION

ITEM	PART NUMBER	QTY	DESCRIPTION	REV
	1001195816	Ref	Cab Trim Installation	I
1	3290605	2	Nut, Lock M6X1	
2	4031608001	3	Screw, M5X20	
3	4811600	1	Washer, M5	
4	4811700001	23	Washer, M6	
5	4811702001	7	Washer, M6	
7	8305919	2	Nut, M6	
8	8405201	2	Clamp	
9	1001147449	2	Vent	
10	1001149278	2	Connector, Vent	
11	1001161252	1	Cover, LH C-Post	
12	1001161253	1	Cover, RH C-Post	
13	1001219864	1	Plate, Switch	
14	1001219865	1	Plate, Switch	
15	1001169603	1	Tray	
16	1001169604	1	Assembly, Dash Cover (See Seperate Breakdown in this Section)	
17	1001161855	1	Cover, Side Dash	
18	1001170504	1	Cover, Recirculation Grille	
19	1001170518	1	Holder, Cup	
20	1001170519	1	Assembly, Rear Panel Cover (See Seperate Breakdown in this Section)	
21	1001173965	1	Bezel, Net	
22	1001175903	1	Cover, Lower Dash	
23	1001219863	1	Plate, Switch	
24	1001181726	1	Installation, Armrest (See Seperate Breakdown in this Section)	
25	1001184975	1	Decal, HVAC	
26	1001185870	1	Cover, Lower A-Post	
27	1001189182	1	Cover, RH Side	
28	1001223265	2	Grommet	
29	1001195817	1	Cover, RH Extension	
30	1001195818	1	Panel, LH Side	
31	4010608002	26	Screw, M6X16	
32	4010610002	1	Screw, M6X20	
33	4010612002	3	Screw, M6X25	
34	1001211907	2	Screw	
35	1001208308	4	Thumb Screw, M6X15	
36	1001226481	1	Decal, Blank	
37	1001098150	1	Washer, M6	
38	1001132564	1	Screw, M6X20	
39	1001227133	2	Grommet	

SECTION 6 - CAB

FIGURE 6-49. DASH COVER ASSEMBLY



ART_1001169604-C

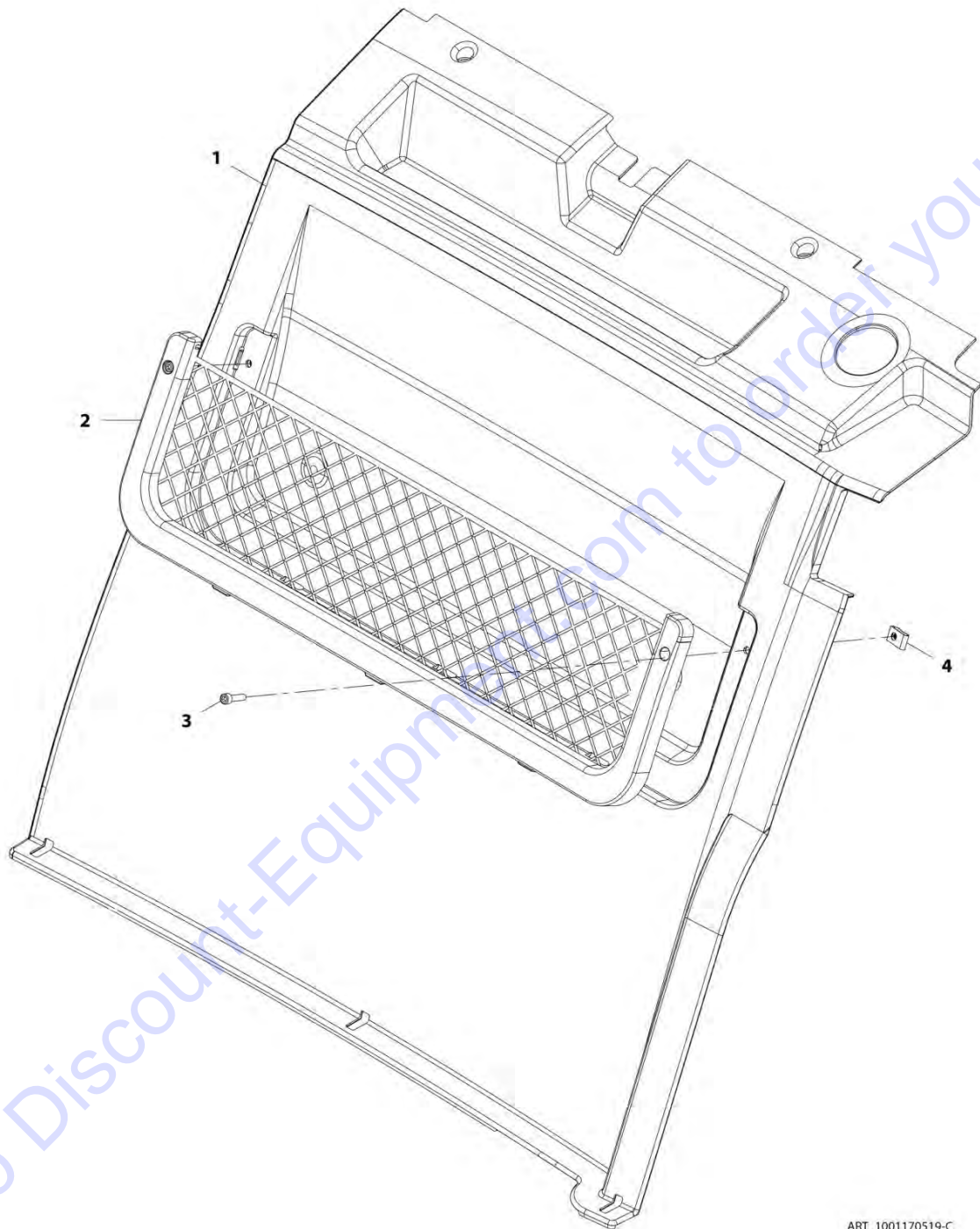
FIGURE 6-49. DASH COVER ASSEMBLY

ITEM	PART NUMBER	QTY	DESCRIPTION	REV
	1001169604	Ref	Dash Cover Assembly (Construction)	C
1	1001161851	1	Panel, Top Dash	
2	1001147449	2	Vent, Air	
3	1001149278	1	Vent, Connector	
4	1001174652	1	Hose	
5	1001174653	1	Hose	
6	1001174655	1	Hose	
7	8405201	4	Clamp, Gear	

Go to Discount-Equipment.com to order your parts

SECTION 6 - CAB

FIGURE 6-50. REAR PANEL COVER ASSEMBLY



ART_1001170519-C

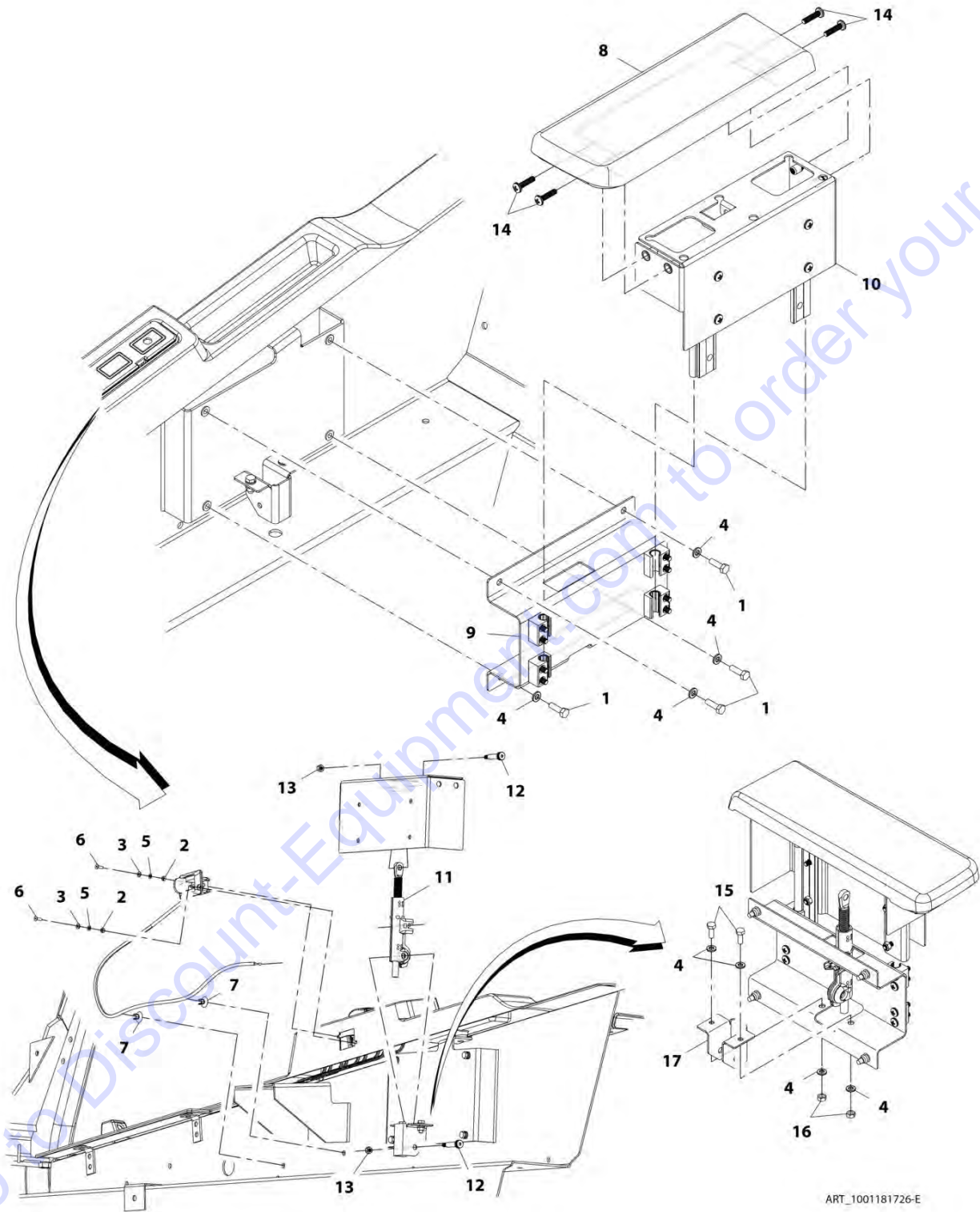
FIGURE 6-50. REAR PANEL COVER ASSEMBLY

ITEM	PART NUMBER	QTY	DESCRIPTION	REV
	1001170519	Ref	Rear Panel Cover Assembly	C
1	1001161067	1	Panel, Rear	
2	1001170514	1	Storage Net, Rear Panel	
3	4031608	2	Bolt, M5X20	
4	1001183550	2	Nut, Cage M5	

Go to Discount-Equipment.com to order your parts

SECTION 6 - CAB

FIGURE 6-51. ADJUSTABLE ARMREST INSTALLATION



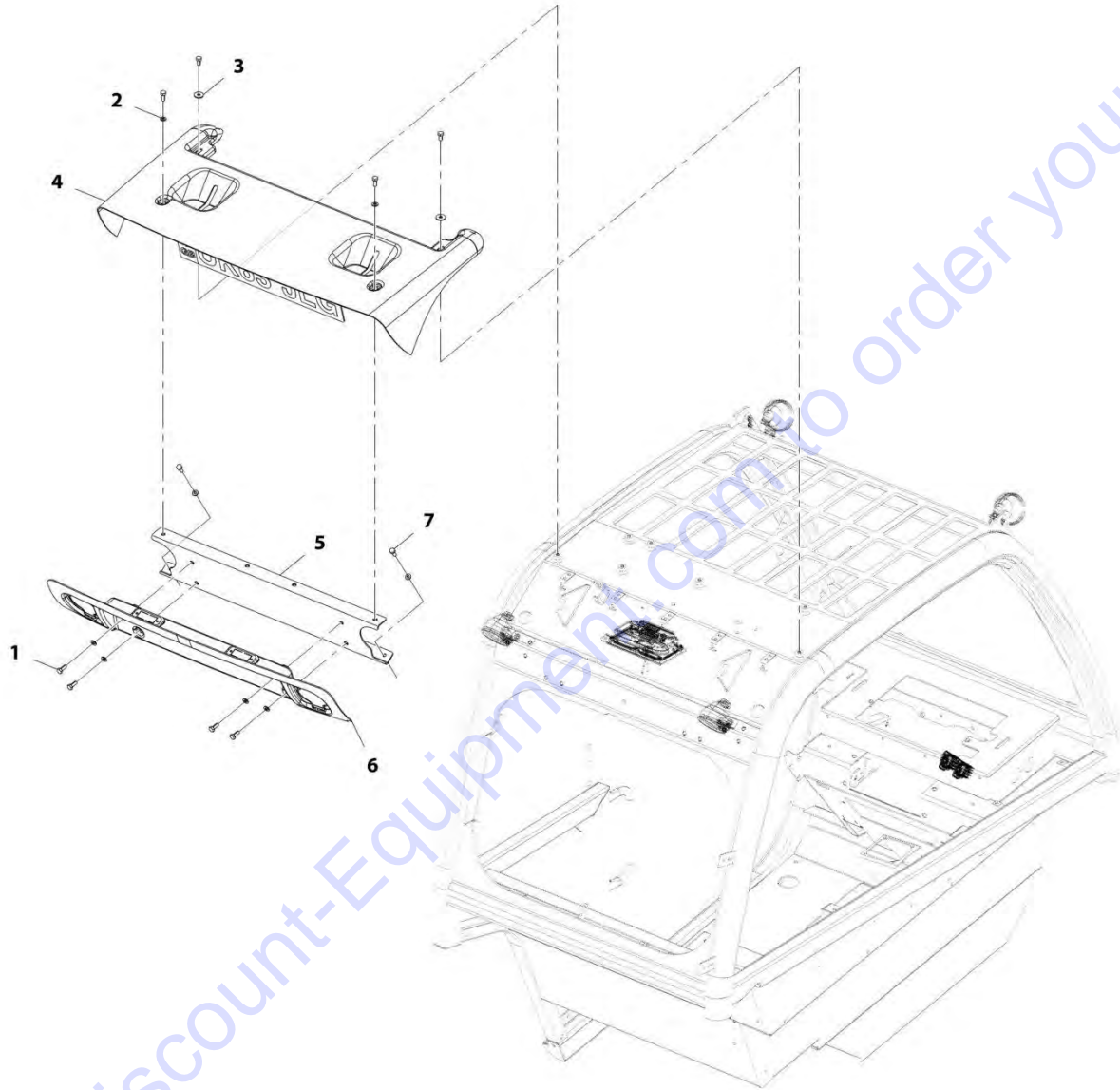
ART_1001181726-E

FIGURE 6-51. ADJUSTABLE ARMREST INSTALLATION

ITEM	PART NUMBER	QTY	DESCRIPTION	REV
	1001181726	Ref	Adjustable Armrest Installation	E
1	0700610	4	Bolt, M6X20	
2	3290401	2	Nut, M4X0.7	
3	4811400	2	Washer, M4	
4	4811700	8	Washer, M6	
5	4831400	2	Washer, Lock M4	
6	1001097244	2	Screw, M4X12	
7	1001165458	4	Hose	
8	1001191281	1	Armrest	
9	1001191283	1	Bracket, Fixed Armrest	
10	1001191284	1	Bracket, Moving Armrest	
11	1001191285	1	Spring	
12	1001191370	2	Screw, M6	
13	3290605	2	Nut, M6X1 Grade 8	
14	4010612002	4	Screw, M6X25	
15	0760608	2	Bolt, M6X16	
16	3290601	2	Nut, M6X1	
17	1001212468	1	Bracket, Locking Spring Mount	

SECTION 6 - CAB

FIGURE 6-52. ROOF CAP INSTALLATION (NO A/C)



ART_1001216265-B

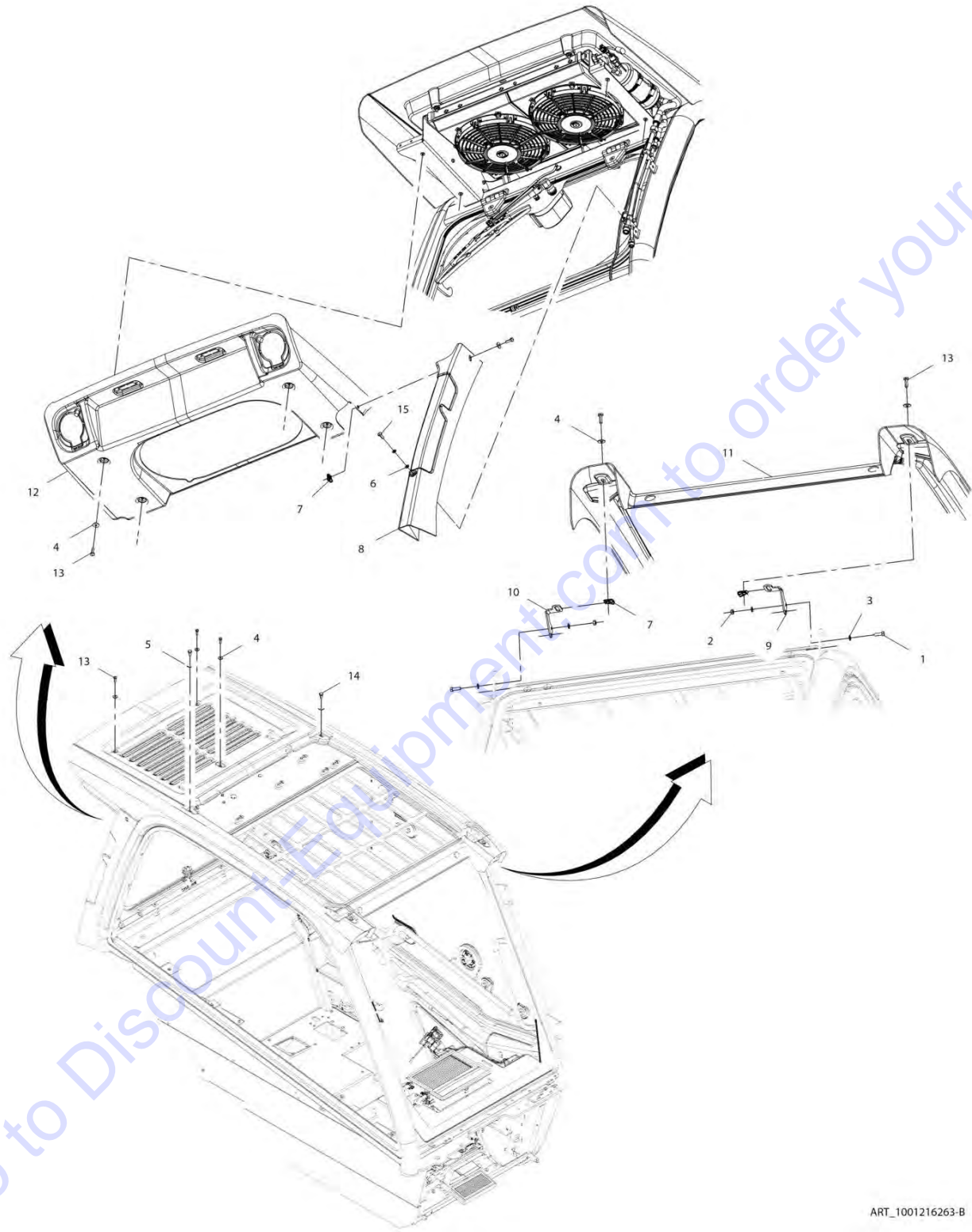
FIGURE 6-52. ROOF CAP INSTALLATION (NO A/C)

ITEM	PART NUMBER	QTY	DESCRIPTION	REV
	1001216265	Ref	Roof Cap Installation (no A/C)	B
1	0760810	8	Bolt, M8X20	
2	4811900	8	Washer, M8	
3	4811902	2	Washer, M8	
4	1001182330	1	Cover, Short Upper Roof Cap	
5	1001185633	1	Bracket, Roof Cap Mount	
6	1001216270	1	Cover, Short Lower Roof Cap	
7	0760808	2	Bolt, M8X16	

Go to Discount-Equipment.com to order your parts

SECTION 6 - CAB

FIGURE 6-53. ROOF CAP INSTALLATION (A/C)



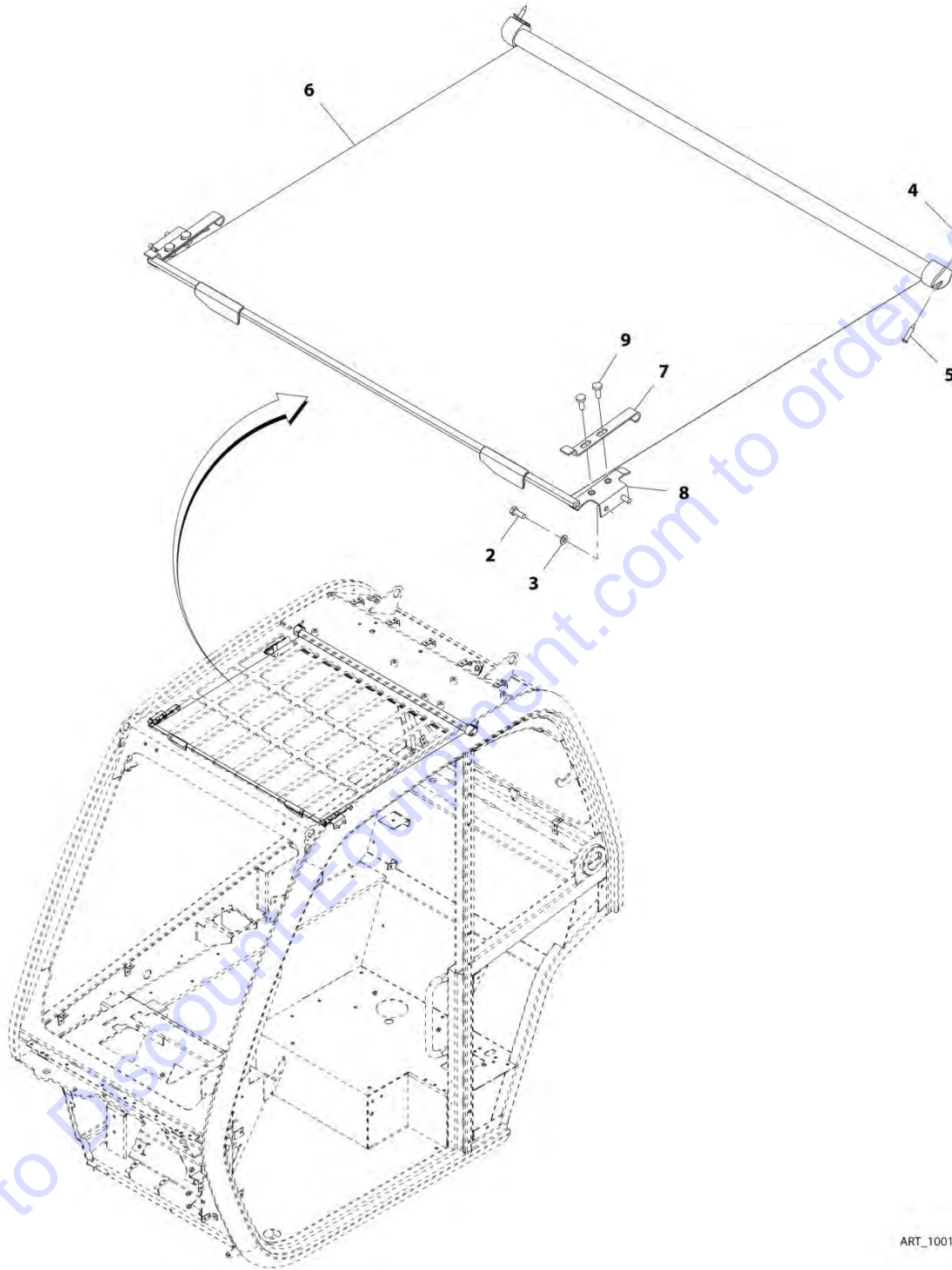
ART_1001216263-B

FIGURE 6-53. ROOF CAP INSTALLATION (A/C)

ITEM	PART NUMBER	QTY	DESCRIPTION	REV
	1001216263	Ref	Roof Cap (A/C) Installation	B
1	0700610	4	Bolt, M6X20	
2	3290601	4	Nut, M6X1	
3	4811700	9	Washer, M6	
4	4811702	10	Washer, M6	
5	4811902	2	Washer, M8	
6	4831700	1	Washer, Lock M6	
7	8305919	3	Nut, M6	
8	1001174741	1	Cover	
9	1001174800	1	Bracket	
10	1001174801	1	Bracket	
11	1001216267	1	Cover, Upper Roof Cap	
12	1001216269	1	Cover, Lower Roof Cap	
13	4010610002	10	Screw, Posi-Drive M6X20	
14	0760808	2	Bolt, M8X16	
15	4010608002	1	Screw, M6X16	

SECTION 6 - CAB

FIGURE 6-54. RETRACTABLE SUNSCREEN INSTALLATION



ART_1001179482-D

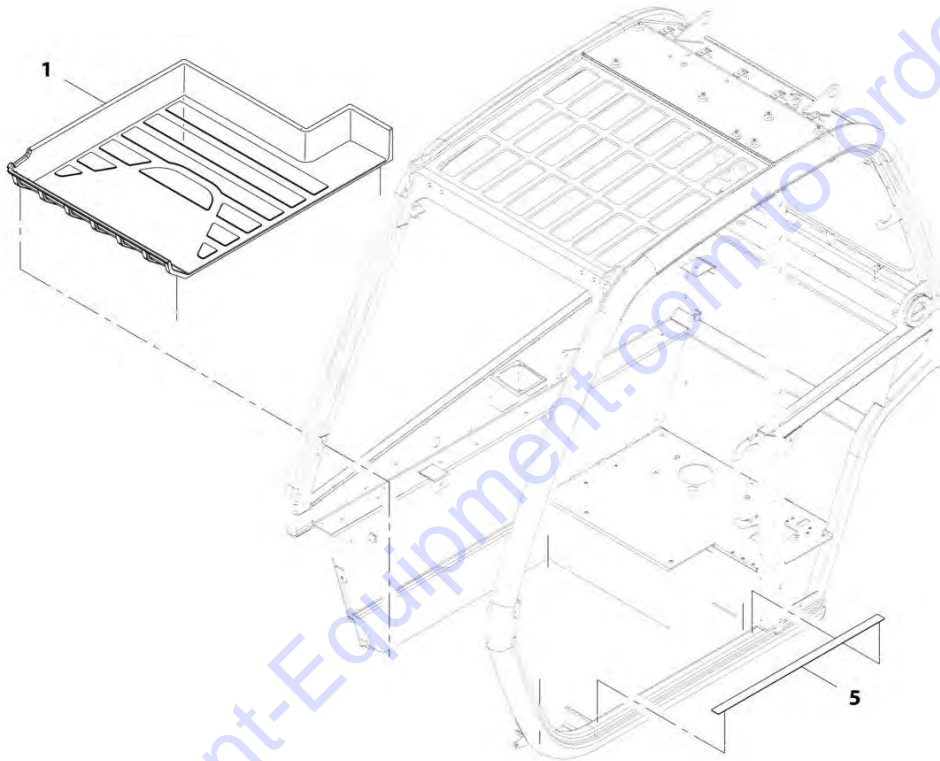
FIGURE 6-54. RETRACTABLE SUNSCREEN INSTALLATION

ITEM	PART NUMBER	QTY	DESCRIPTION	REV
	1001179482	Ref	Retractable Sunscreen Installation	D
2	0760608	4	Bolt, M6X16	
3	4811700	4	Washer, M6	
4	1001111076	2	Nut, Spire	
5	1001111147	2	Screw, Self Tapping	
6	1001179483	1	Cab, Sun Blind	
7	1001209463	2	Bracket	
8	1001166385	2	Bracket	
9	4010608002	4	Screw, Posi-Drive M6X16	

Go to Discount-Equipment.com to order your parts

SECTION 6 - CAB

FIGURE 6-55. FLOOR MAT INSTALLATION



ART_1001161080-E

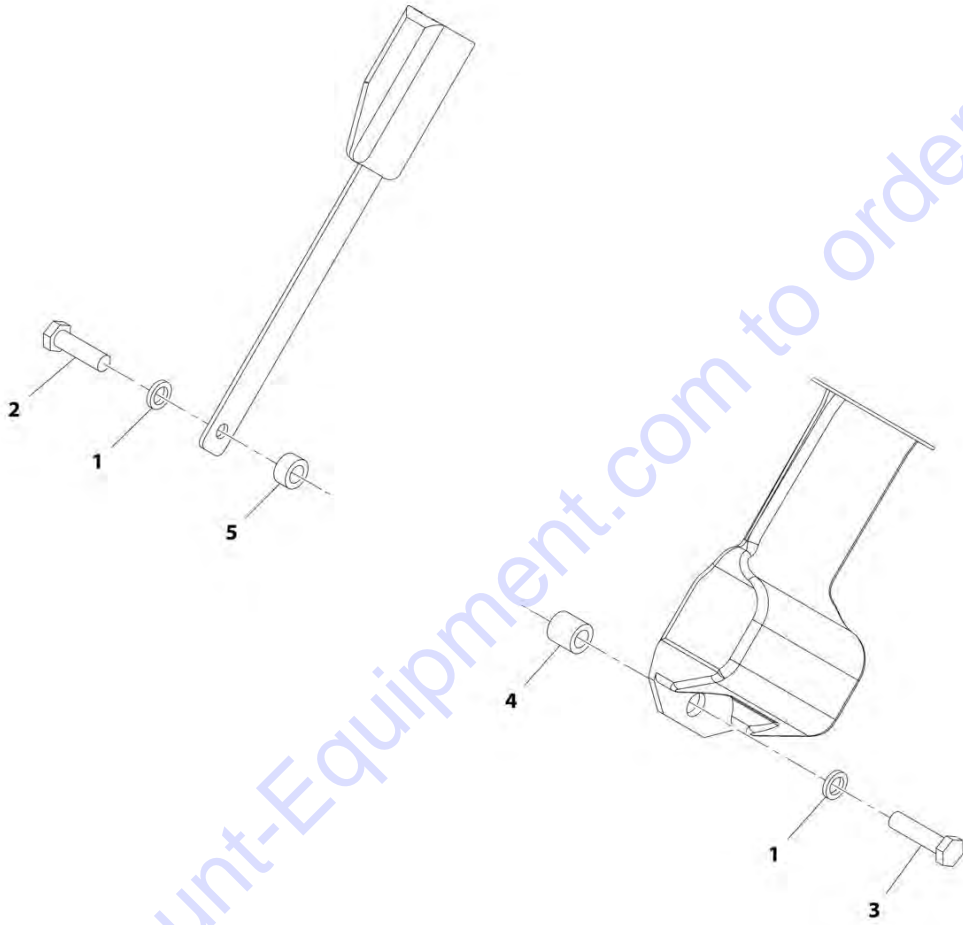
FIGURE 6-55. FLOOR MAT INSTALLATION

ITEM	PART NUMBER	QTY	DESCRIPTION	REV
	1001161080	Ref	Floor Mat Installation	E
1	1001161078	1	Cab, Floor Mat	
5	1001197259	1	Tape, Frame Non Skid	

Go to Discount-Equipment.com to order your parts

SECTION 6 - CAB

FIGURE 6-56. SEAT BELT INSTALLATION (3IN)



ART_1001006731-B

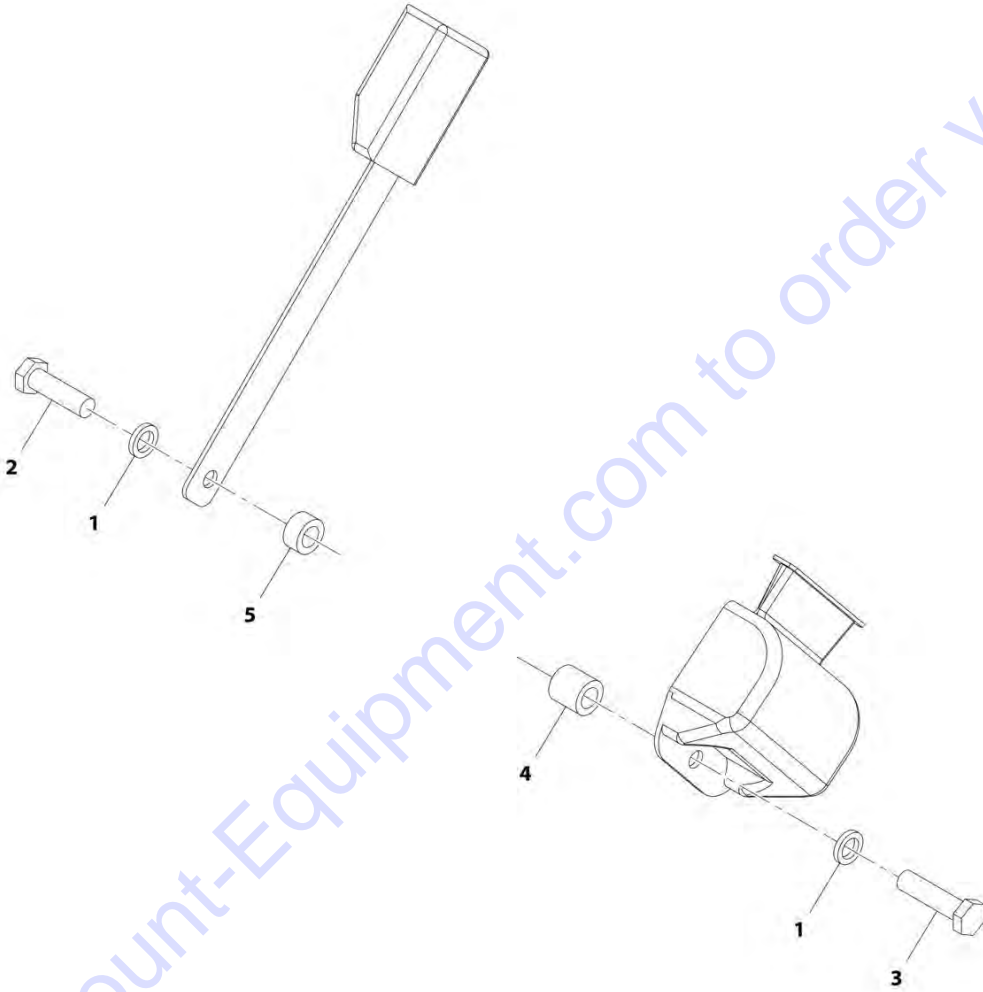
FIGURE 6-56. SEAT BELT INSTALLATION (3IN)

ITEM	PART NUMBER	QTY	DESCRIPTION	REV
	1001006731	Ref	Seat Belt Installation (3IN)	B
1	1001010646	2	Washer	
2	1001010647	1	Bolt	
3	1001010648	1	Bolt	
4	1001010649	1	Spacer	
5	1001010650	1	Spacer	

Go to Discount-Equipment.com to order your parts

SECTION 6 - CAB

FIGURE 6-57. SEAT BELT INSTALLATION (2IN)



ART_1001006730-E

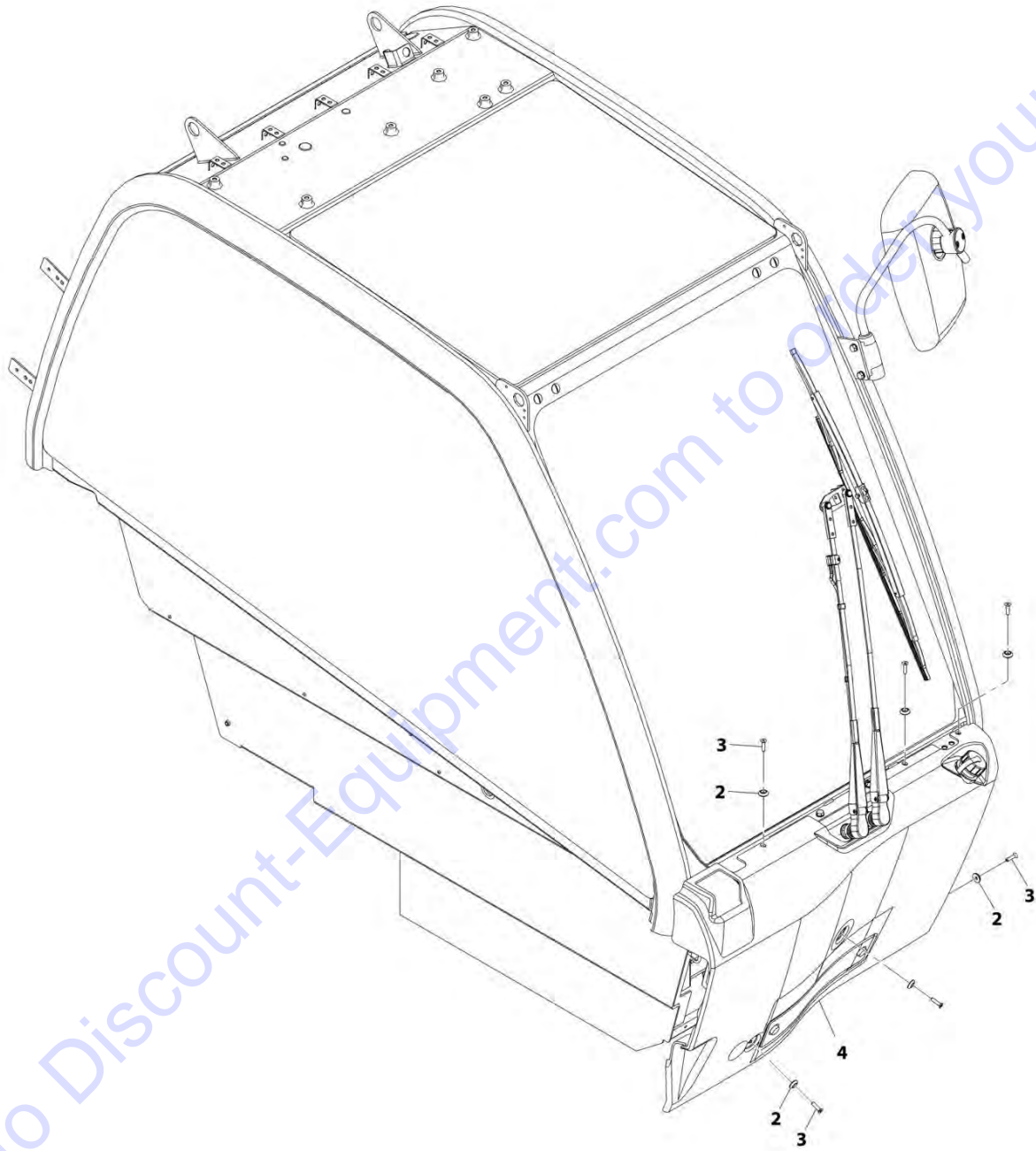
FIGURE 6-57. SEAT BELT INSTALLATION (2IN)

ITEM	PART NUMBER	QTY	DESCRIPTION	REV
	1001006730	Ref	Seat Belt Installation (2IN)	E
1	1001010646	2	Washer	
2	1001010647	1	Bolt	
3	1001010648	1	Bolt	
4	1001010649	1	Spacer, Shim	
5	1001010650	1	Spacer, Shim	

Go to Discount-Equipment.com to order your parts

SECTION 6 - CAB

FIGURE 6-58. ENCLOSED CAB FRONT COVER INSTALLATION



ART_1001179592-G

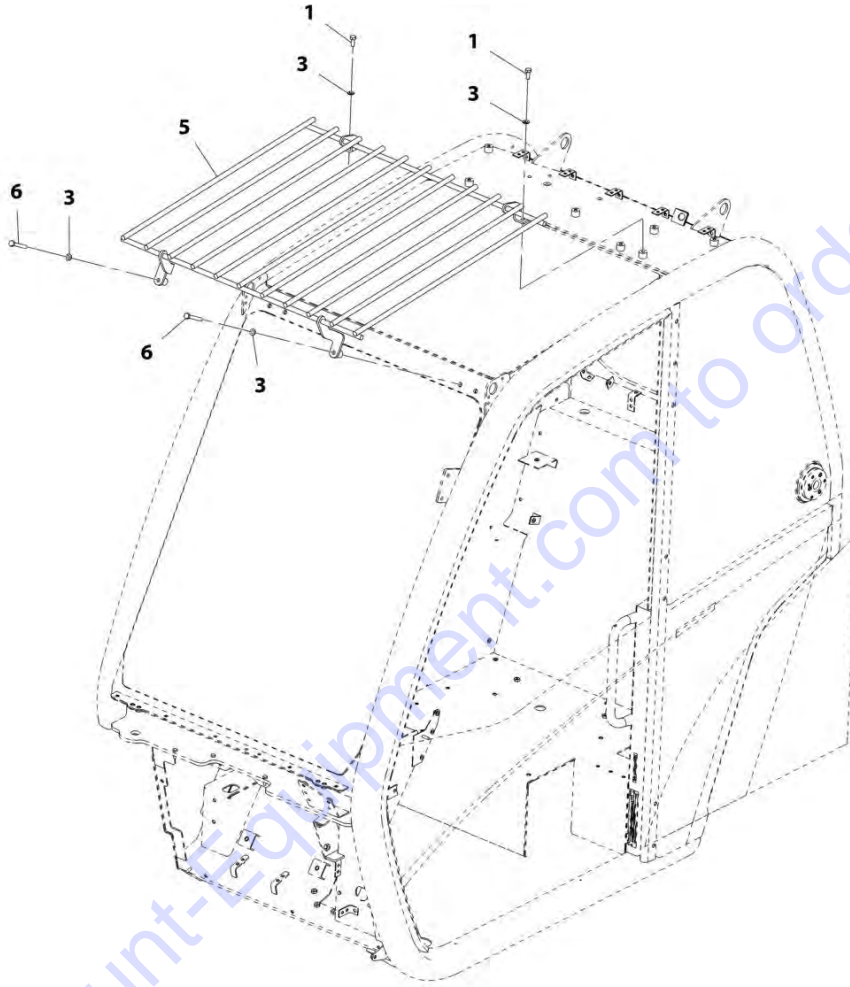
FIGURE 6-58. ENCLOSED CAB FRONT COVER INSTALLATION

ITEM	PART NUMBER	QTY	DESCRIPTION	REV
	1001179592	Ref	Front Nose Cone Installation (No Sidelight)	G
2	1001097540	6	Washer, M6	
3	3900379	6	Screw, M6-1X25 Grade 10.9	
4	1001170325	1	Cover, Front	

Go to Discount-Equipment.com to order your parts

SECTION 6 - CAB

FIGURE 6-59. CAB GUARD INSTALLATION (TOP)



ART_1001160496-F

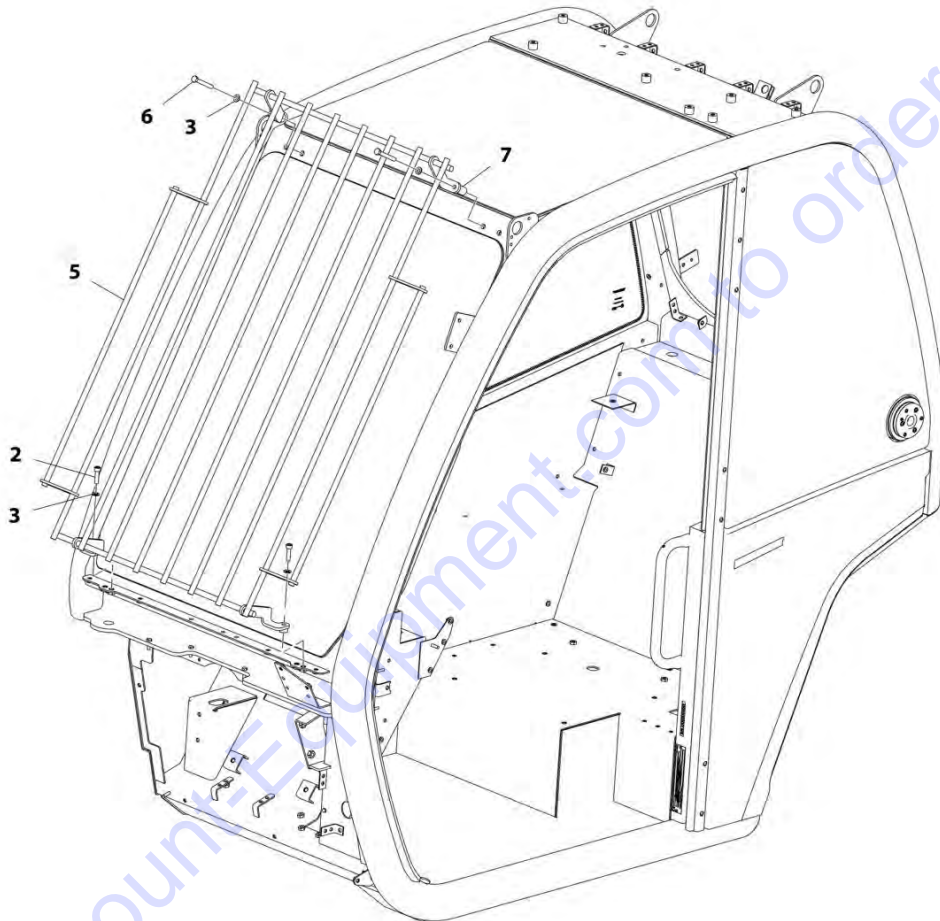
FIGURE 6-59. CAB GUARD INSTALLATION (TOP)

ITEM	PART NUMBER	QTY	DESCRIPTION	REV
	1001160496	Ref	Cab Guard Installation (Top)	F
1	0760810	2	Bolt, M8X20	
3	4811900	4	Washer, M8	
5	1001160503	1	Guard, Top Screen	
6	0700820	2	Bolt, M8X60	

Go to Discount-Equipment.com to order your parts

SECTION 6 - CAB

FIGURE 6-60. CAB GUARD INSTALLATION (FRONT)



ART_1001160506-G

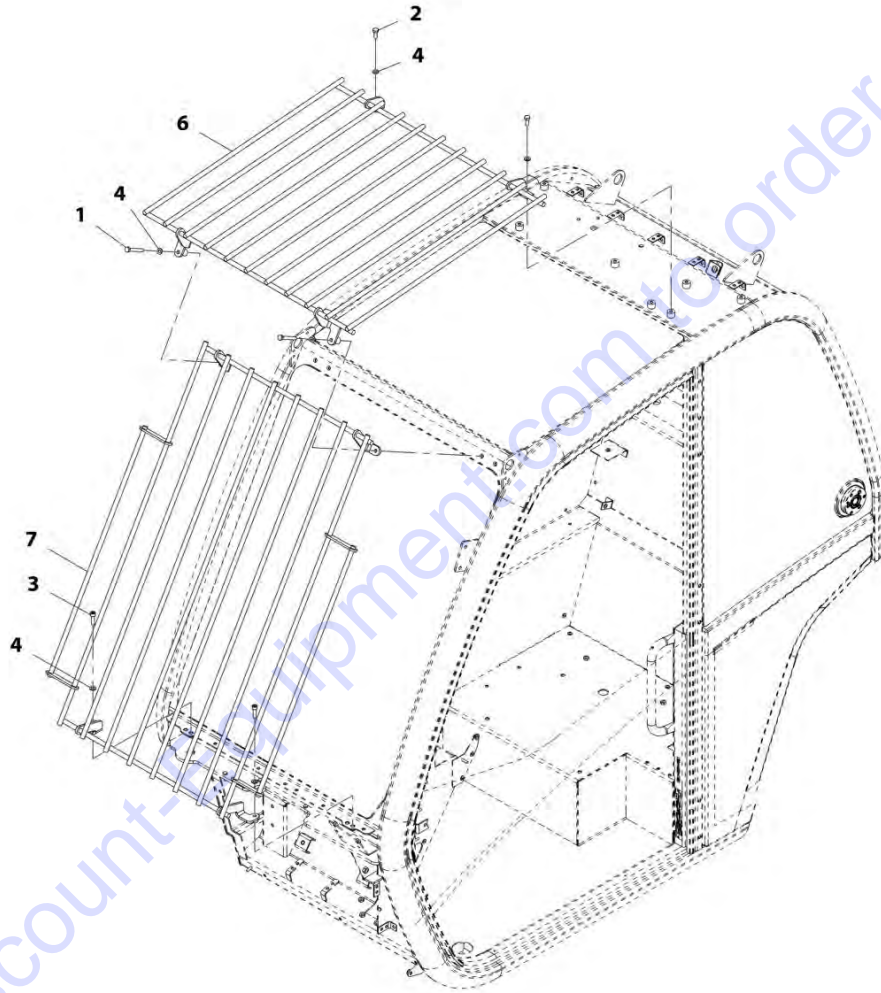
FIGURE 6-60. CAB GUARD INSTALLATION (FRONT)

ITEM	PART NUMBER	QTY	DESCRIPTION	REV
	1001160506	Ref	Cab Guard Installation (Front)	G
2	4031910	2	Bolt, M8X30	
3	4811900	4	Washer, M8	
5	1001180263	1	Guard, Front Screen	
6	0700820	2	Bolt, M8X60	
7	1001173257	2	Spacer	

Go to Discount-Equipment.com to order your parts

SECTION 6 - CAB

FIGURE 6-61. CAB GUARD INSTALLATION (TOP AND FRONT)



ART_1001172774-F

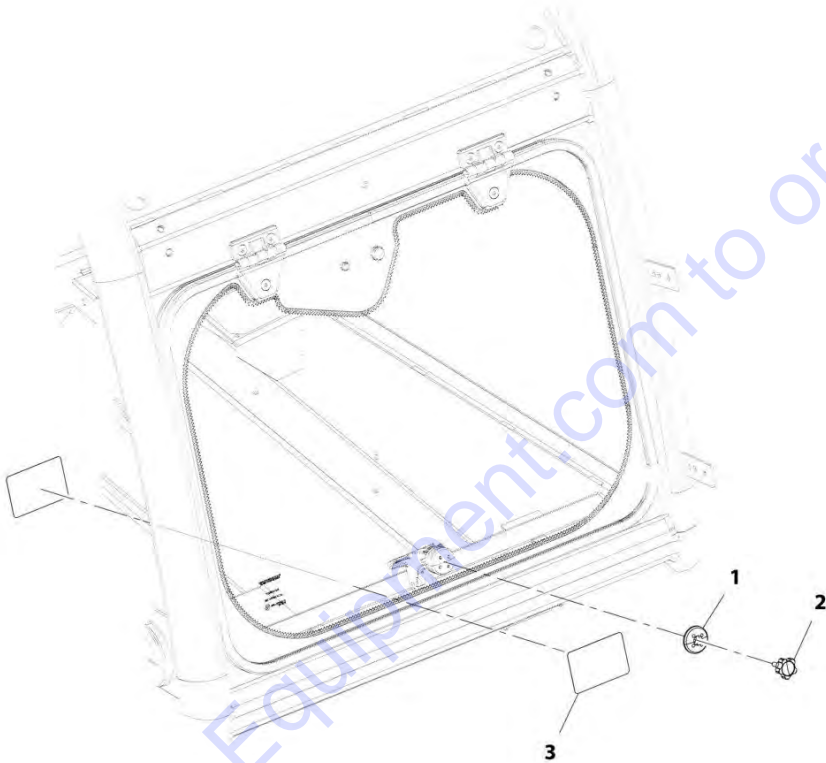
FIGURE 6-61. CAB GUARD INSTALLATION (TOP AND FRONT)

ITEM	PART NUMBER	QTY	DESCRIPTION	REV
	1001172774	Ref	Cab Guard Installation (Top and Front)	F
1	0700820	2	Bolt, M8X60	
2	0760810	2	Bolt, M8X20	
3	4031910	2	Bolt, M8X30	
4	4811900	6	Washer, M8	
6	1001160503	1	Guard, Top Screen	
7	1001180263	1	Guard, Front Screen	

Go to Discount-Equipment.com to order your parts

SECTION 6 - CAB

FIGURE 6-62. EXTERNAL WINDOW RELEASE INSTALLATION (ANSI - ENGLISH)



ART_1001212047-A

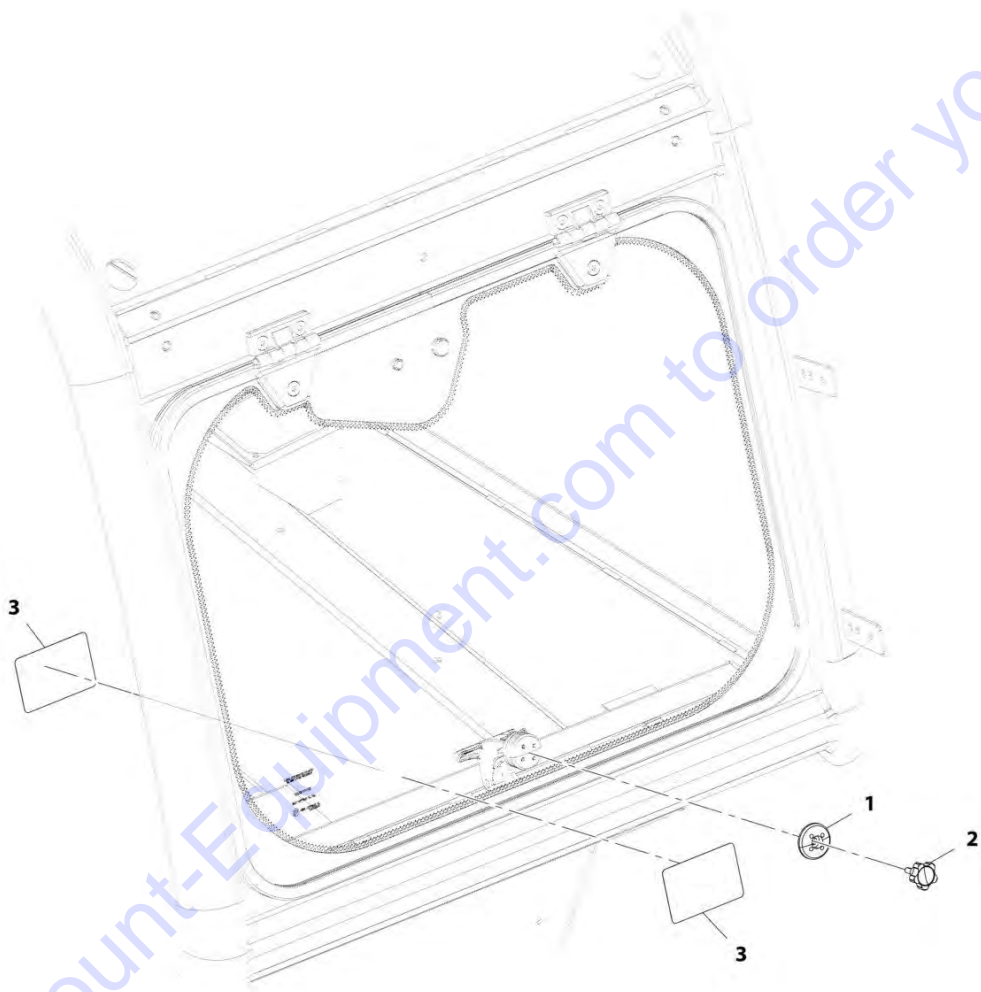
FIGURE 6-62. EXTERNAL WINDOW RELEASE INSTALLATION (ANSI - ENGLISH)

ITEM	PART NUMBER	QTY	DESCRIPTION	REV
	1001212047	Ref	Rear Window Installation (WO/Wiper) (ANSI)	A
1	1001179008	1	Cap, Latch Window	
2	1001179009	1	Cap, Knob M6	
3	1001212049	2	Decal, Emergency Exit	

Go to Discount-Equipment.com to order your parts

SECTION 6 - CAB

FIGURE 6-63. EXTERNAL WINDOW RELEASE INSTALLATION (ENGLISH/FRENCH)



ART_1001178826-C

FIGURE 6-63. EXTERNAL WINDOW RELEASE INSTALLATION (ENGLISH/FRENCH)

ITEM	PART NUMBER	QTY	DESCRIPTION	REV
	1001178826	Ref	External Window Release Installation (ANSI - English/French)	C
1	1001179008	1	Cap, Latch Window	
2	1001179009	1	Knob	
3	1001204709	2	Decal, Emergency Exit (English/French)	

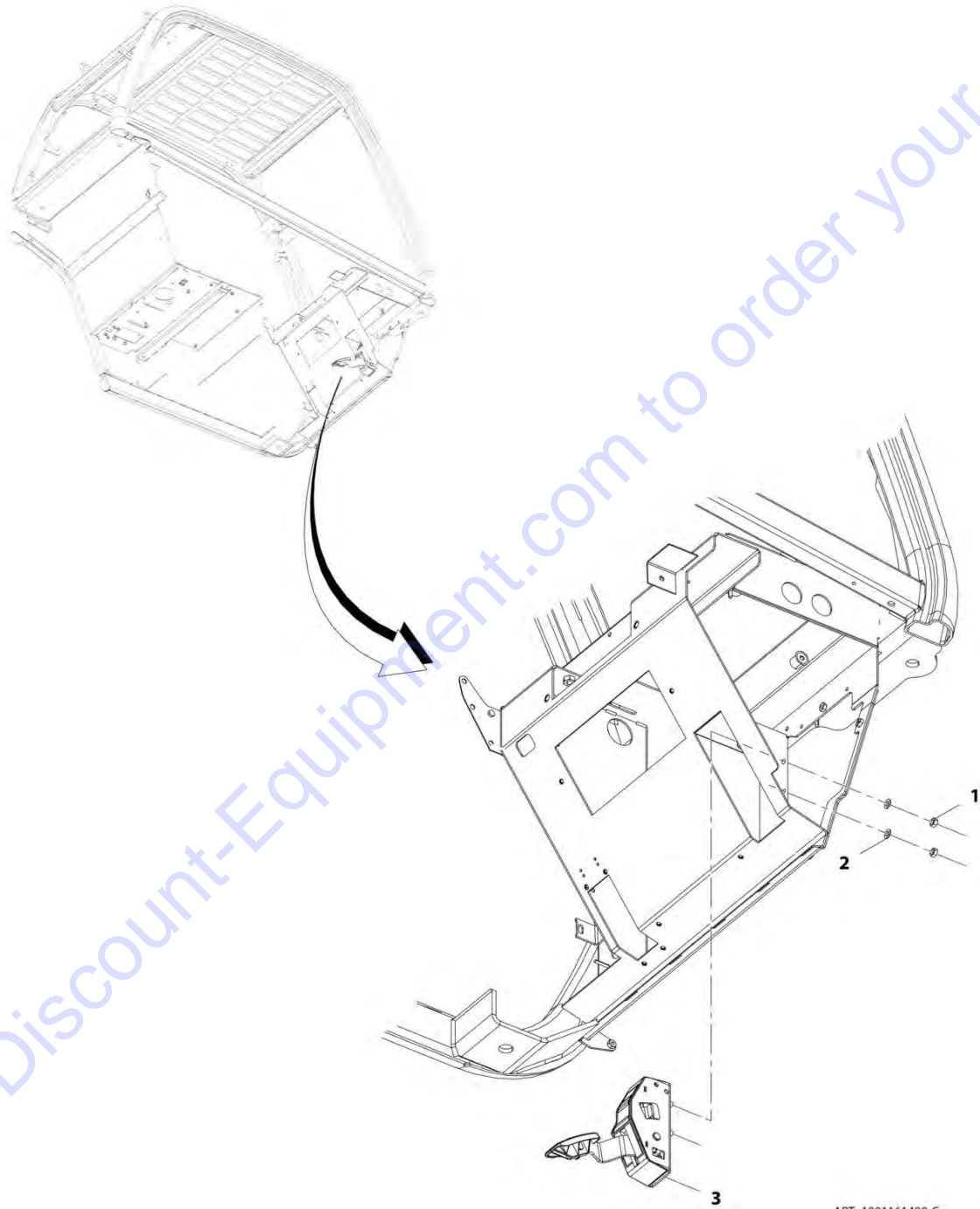
Go to Discount-Equipment.com to order your parts

SECTION 7 - CONTROLS

Go to Discount-Equipment.com to order your parts

SECTION 7 - CONTROLS

FIGURE 7-1. ACCELERATOR PEDAL INSTALLATION



ART_1001161499-C

SECTION 7 - CONTROLS

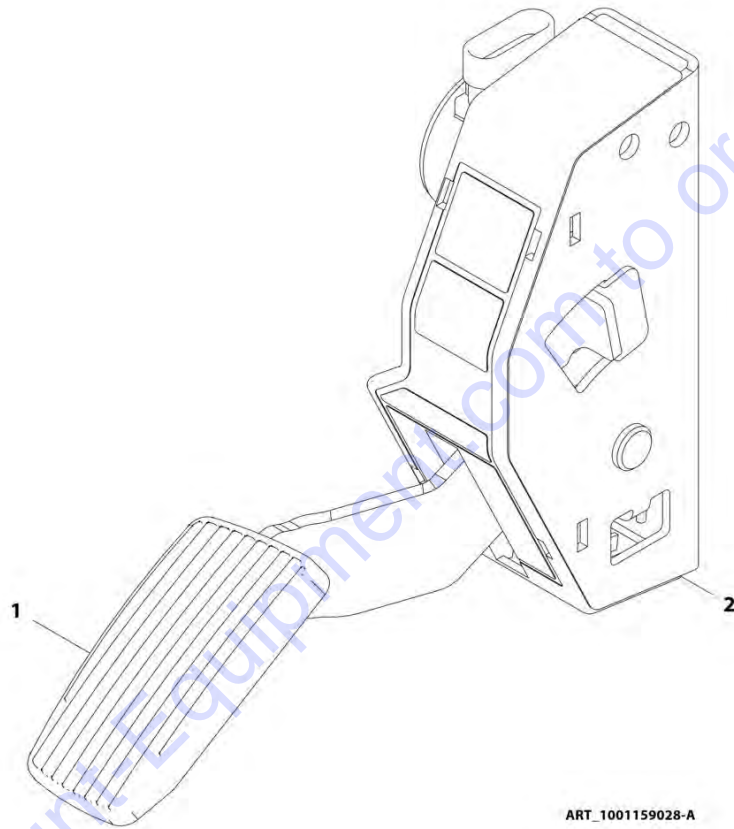
FIGURE 7-1. ACCELERATOR PEDAL INSTALLATION

ITEM	PART NUMBER	QTY	DESCRIPTION	REV
	1001161499	Ref	Accelerator Pedal Installation	C
1	3290801	2	Nut, M8X1.25	
2	4811900	2	Washer, M8	
3	1001159028	1	Pedal, Accelerator (See Separate Breakdown in this Section)	

Go to Discount-Equipment.com to order your parts

SECTION 7 - CONTROLS

FIGURE 7-2. ACCELERATOR PEDAL



ART_1001159028-A

SECTION 7 - CONTROLS

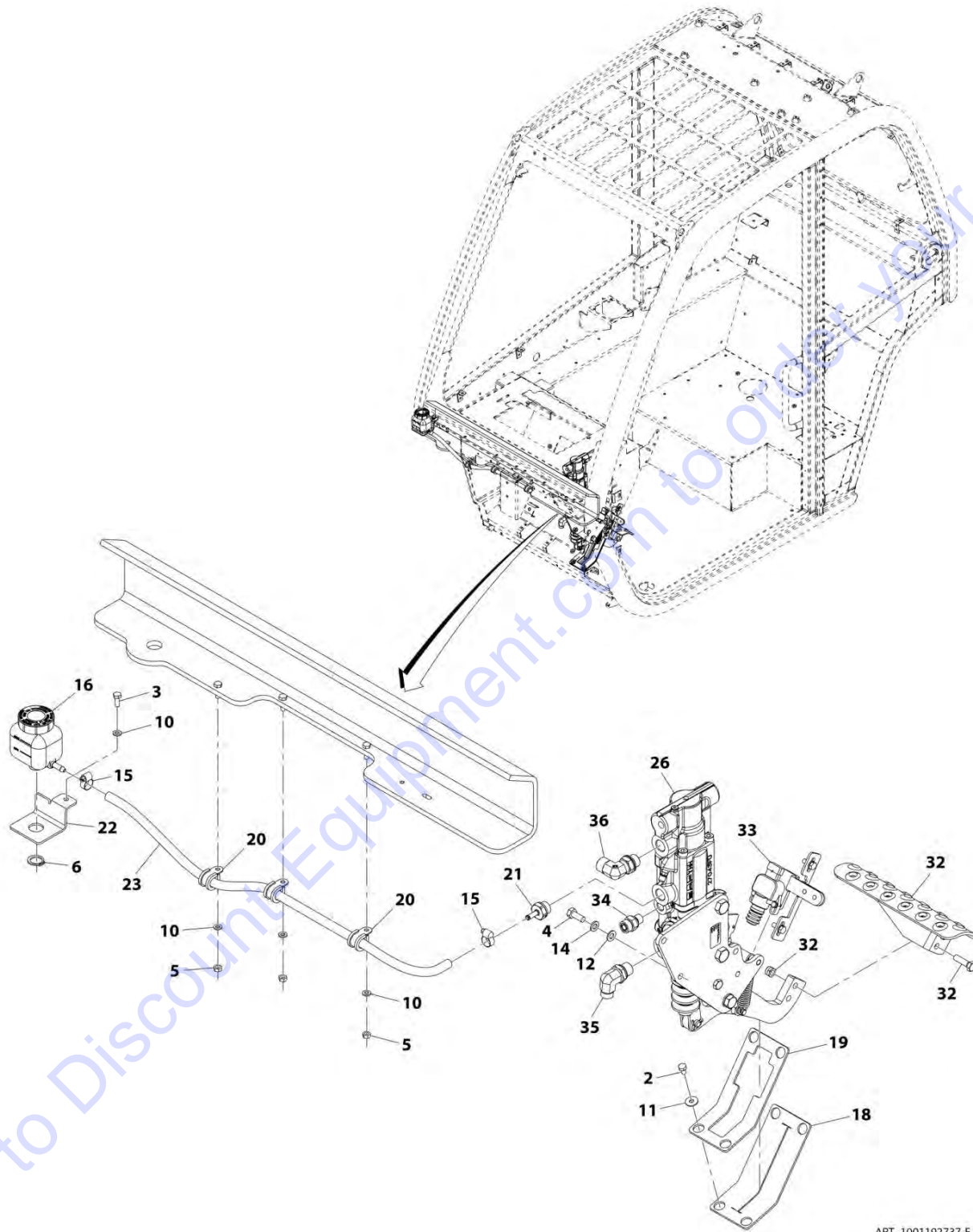
FIGURE 7-2. ACCELERATOR PEDAL

ITEM	PART NUMBER	QTY	DESCRIPTION	REV
	1001159028	Ref	Accelerator Pedal	A
1	70025816	1	Pad, Rubber	
2	70025817	1	Cover, Rubber	

Go to Discount-Equipment.com to order your parts

SECTION 7 - CONTROLS

FIGURE 7-3. BRAKE PEDAL INSTALLATION



ART_1001192737-E

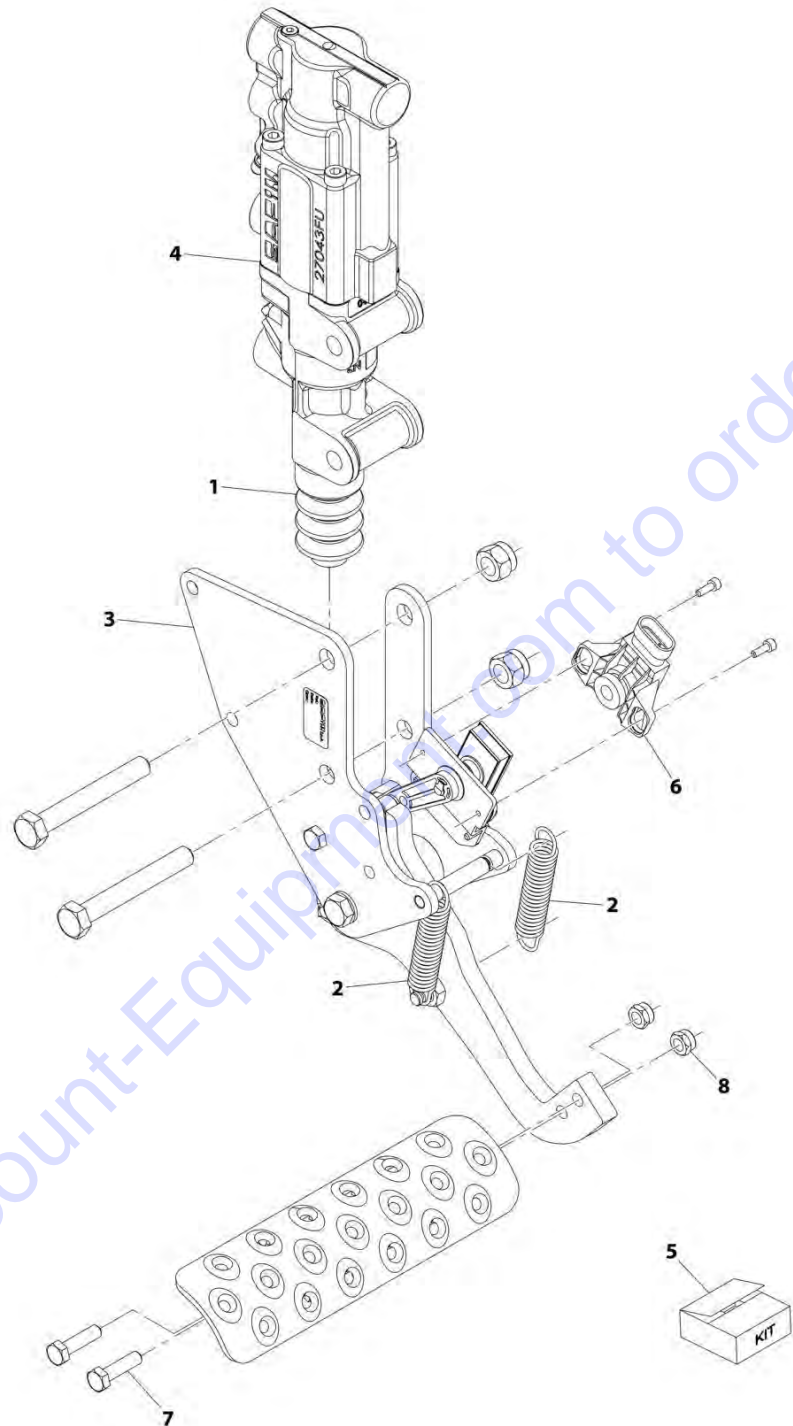
SECTION 7 - CONTROLS

FIGURE 7-3. BRAKE PEDAL INSTALLATION

ITEM	PART NUMBER	QTY	DESCRIPTION	REV
	1001192737	Ref	Brake Pedal Installation	E
2	0760605	4	Bolt, M6X10	
3	0760608	1	Bolt, M6X16	
4	0760810	3	Bolt, M8X20	
5	3290601	3	Nut, M6X1	
6	3760348	1	Ring, Retaining	
10	4811700	4	Washer, M6	
11	4811702	4	Washer, M6	
12	4811900	3	Washer, M8	
14	4831900	3	Washer, Lock M8	
15	8405009	2	Clamp	
16	1001214220	1	Reservoir, Brake	
18	1001162920	1	Seal	
19	1001162922	1	Plate	
20	1001170231	3	Clip	
21	1001171874	1	Fitting, Straight	
22	1001172088	1	Bracket	
23	1001172094	1	Hose	
26	1001213265	1	Assembly, Brake Pedal (See Seperate Breakdown in this Section)	
32	1001197139	1	Plate, Brake Pedal	
33	1001205061	Ref	Installation, Brake Sensor (See Seperate Breakdown in this Section)	
34	80233218	1	Fitting, Straight ORFS	
35	80333151	1	Fitting, 90 ORFS	
36	1001168054	1	Fitting, 90 ORFS	

SECTION 7 - CONTROLS

FIGURE 7-4. BRAKE PEDAL ASSEMBLY



ART_1001213265-A

SECTION 7 - CONTROLS

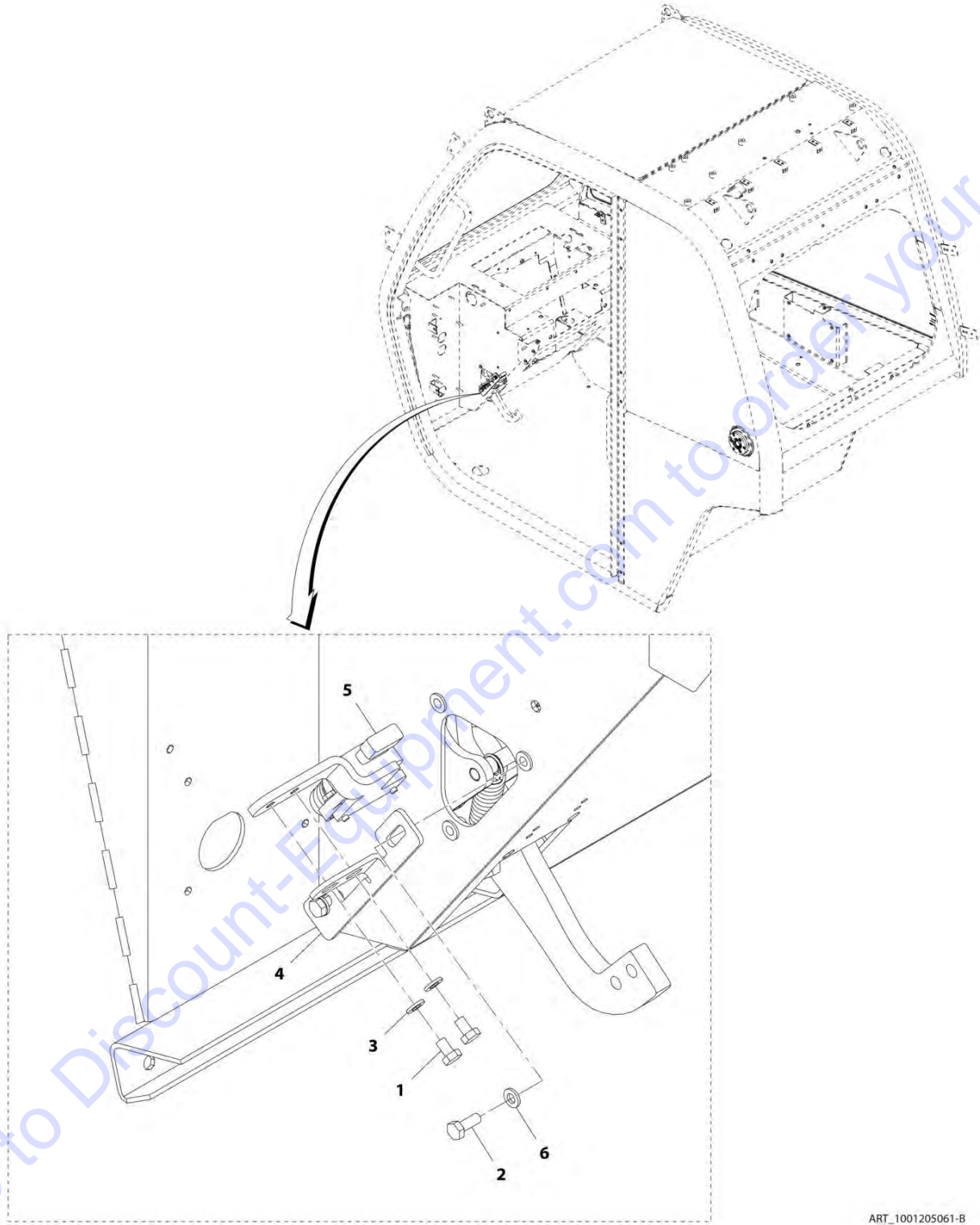
FIGURE 7-4. BRAKE PEDAL ASSEMBLY

ITEM	PART NUMBER	QTY	DESCRIPTION	REV
	1001213265	Ref	Brake Pedal Assembly	A
1	70025859	1	Cover, Dust	
2	70025860	2	Spring, Return	
3	70028381	1	Support, Pedal	
4	70028382	1	Cylinder, Master	
5	70026434	1	Kit, Seal	
6	70028383	1	Sensor, Angle	
7	0770814	2	Bolt, M8X30 Grade 10.9	
8	3290805	2	Nut, Lock M8X1.25 Grade 8	

Go to Discount-Equipment.com to order your parts

SECTION 7 - CONTROLS

FIGURE 7-5. BRAKE SENSOR INSTALLATION



ART_1001205061-B

SECTION 7 - CONTROLS

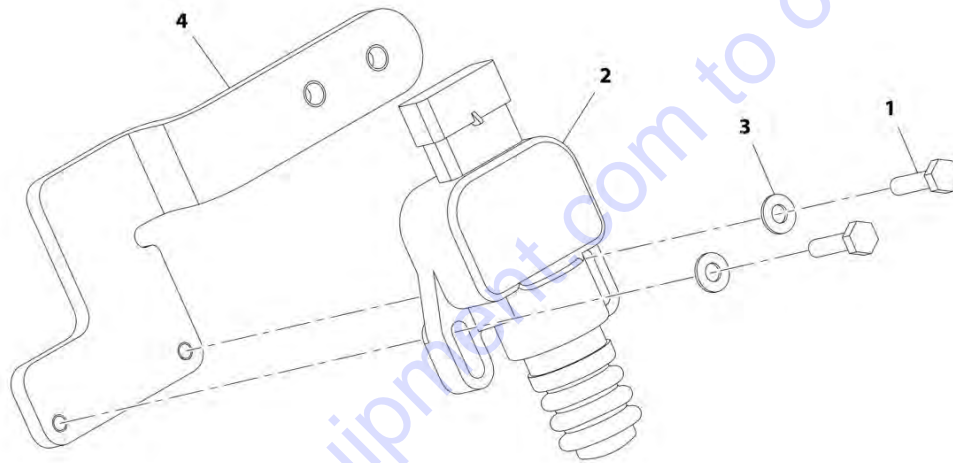
FIGURE 7-5. BRAKE SENSOR INSTALLATION

ITEM	PART NUMBER	QTY	DESCRIPTION	REV
	1001205061	Ref	Brake Sensor Installation	B
1	0760605	2	Bolt, M6X10	
2	0760608	2	Bolt, M6X16	
3	4811700	2	Washer, M6	
4	1001201499	1	Plate, Switch Adjustment	
5	1001201501	1	Assembly, Switch Plate (See Separate Breakdown in this Section)	
6	4811702	2	Washer, M6	

Go to Discount-Equipment.com to order your parts

SECTION 7 - CONTROLS

FIGURE 7-6. SWITCH PLATE ASSEMBLY



ART_1001201501-A

SECTION 7 - CONTROLS

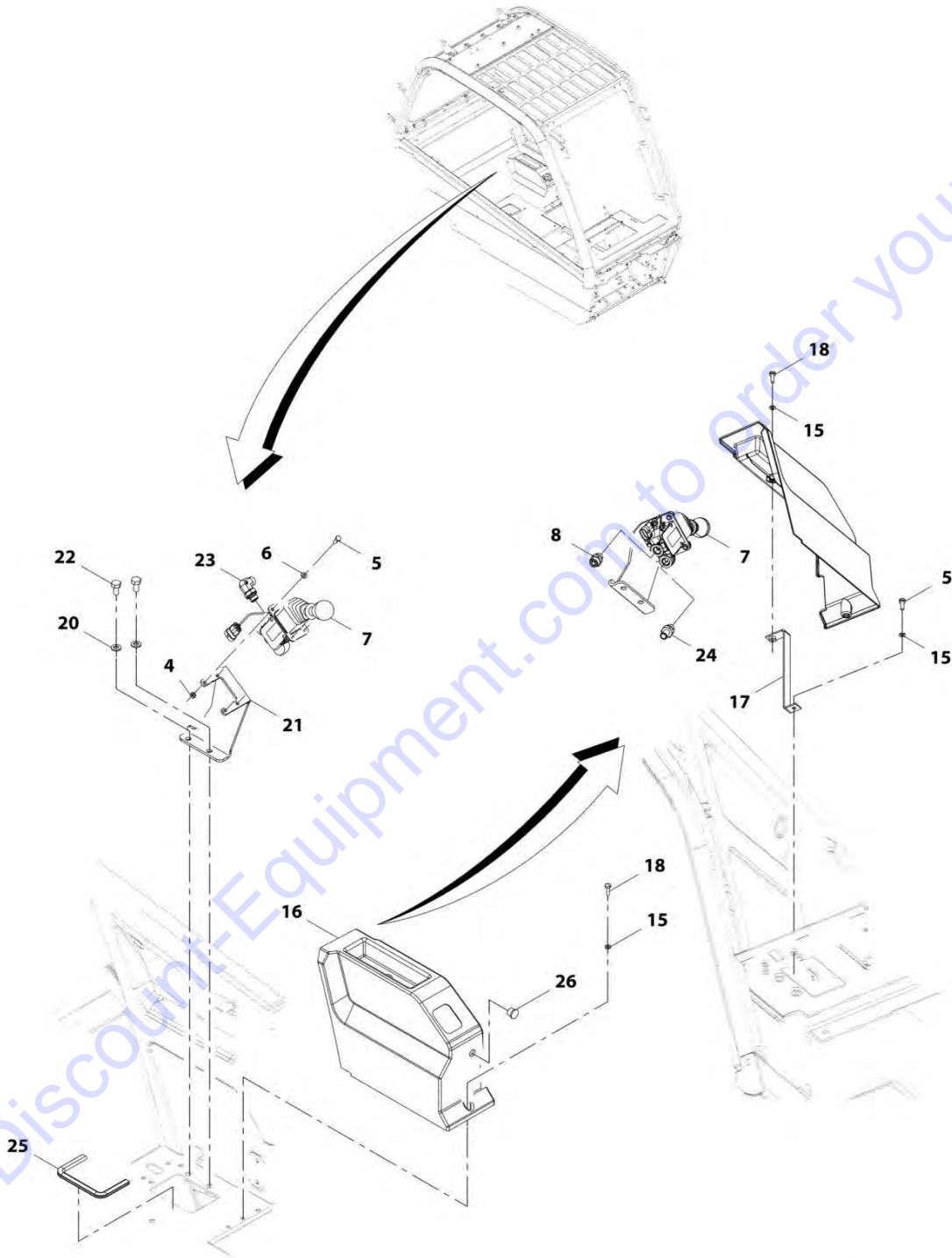
FIGURE 7-6. SWITCH PLATE ASSEMBLY

ITEM	PART NUMBER	QTY	DESCRIPTION	REV
	1001201501	Ref	Switch Plate Assembly	A
1	0700408	2	Bolt, M4X16	
2	4360658	1	Switch, Brake Light	
3	4811400	2	Washer, M4	
4	1001201500	1	Plate	

Go to Discount-Equipment.com to order your parts

SECTION 7 - CONTROLS

FIGURE 7-7. PARK BRAKE INSTALLATION



ART_1001162062-M

SECTION 7 - CONTROLS

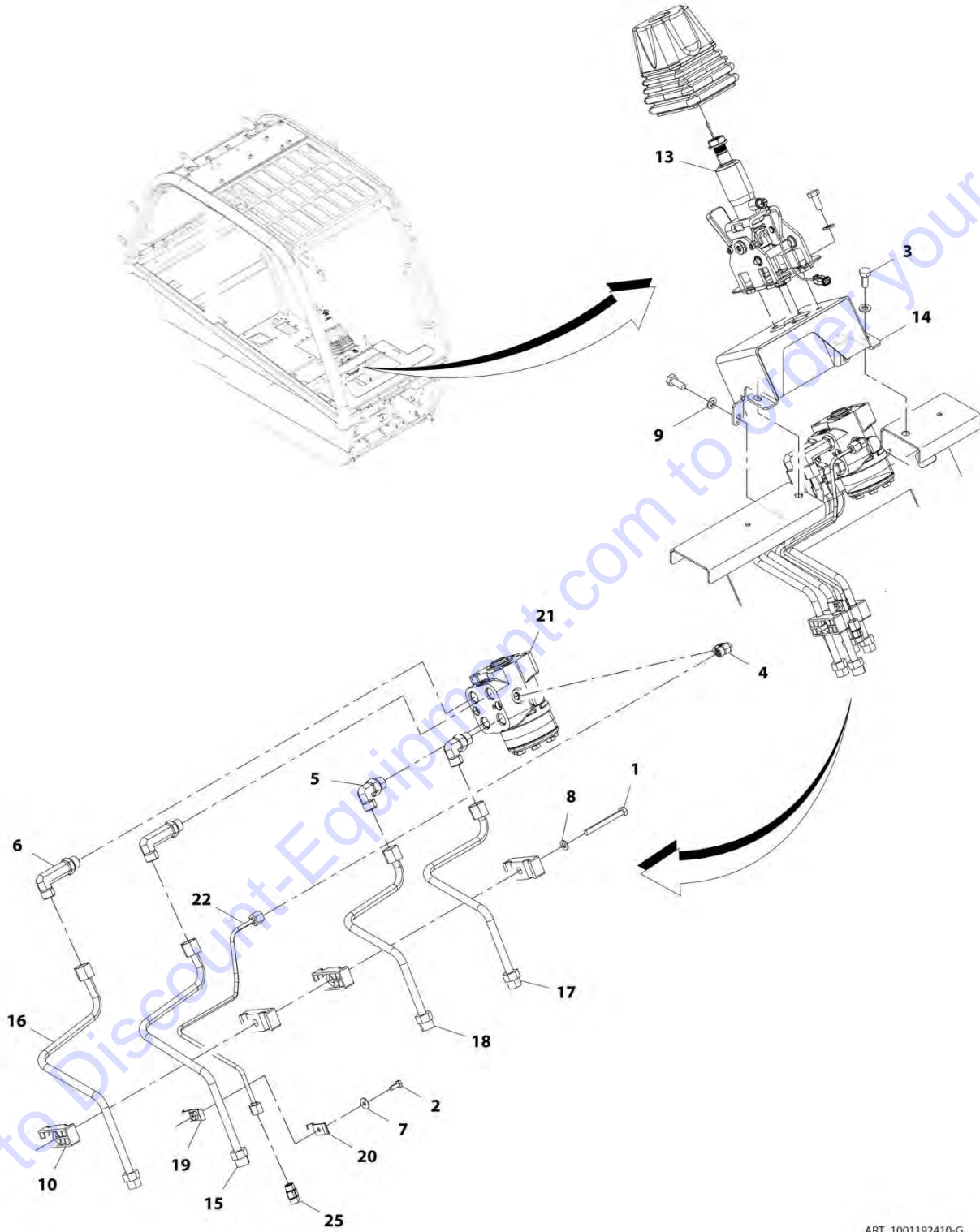
FIGURE 7-7. PARK BRAKE INSTALLATION

ITEM	PART NUMBER	QTY	DESCRIPTION	REV
	1001162062	Ref	Park Brake Installation	M
4	3290601	4	Nut, M6X1	
5	0760608	5	Bolt, M6X16	
6	4831700	4	Washer, Lock M6	
7	1001207956	1	Hydraulic Hand Brake	
7	70020922	1	Kit, Seal	
8	1001101702	1	Fitting, Straight ORFS	
15	4811700	3	Washer, M6	
16	1001193474	1	Panel	
17	1001195254	1	Bracket	
18	4010610002	2	Screw, M6X20	
20	4812000	2	Washer, M10	
21	1001191915	1	Bracket	
22	0761010	2	Bolt, M10X20	
23	1001125222	1	Fitting, 90 ORFS	
24	1001206744	1	Fitting, Grease	
25	1001208037	1	Seal	
26	3520028	1	Plug	

Go to Discount-Equipment.com to order your parts

SECTION 7 - CONTROLS

FIGURE 7-8. TILT STEERING COLUMN INSTALLATION



ART_1001192410-G

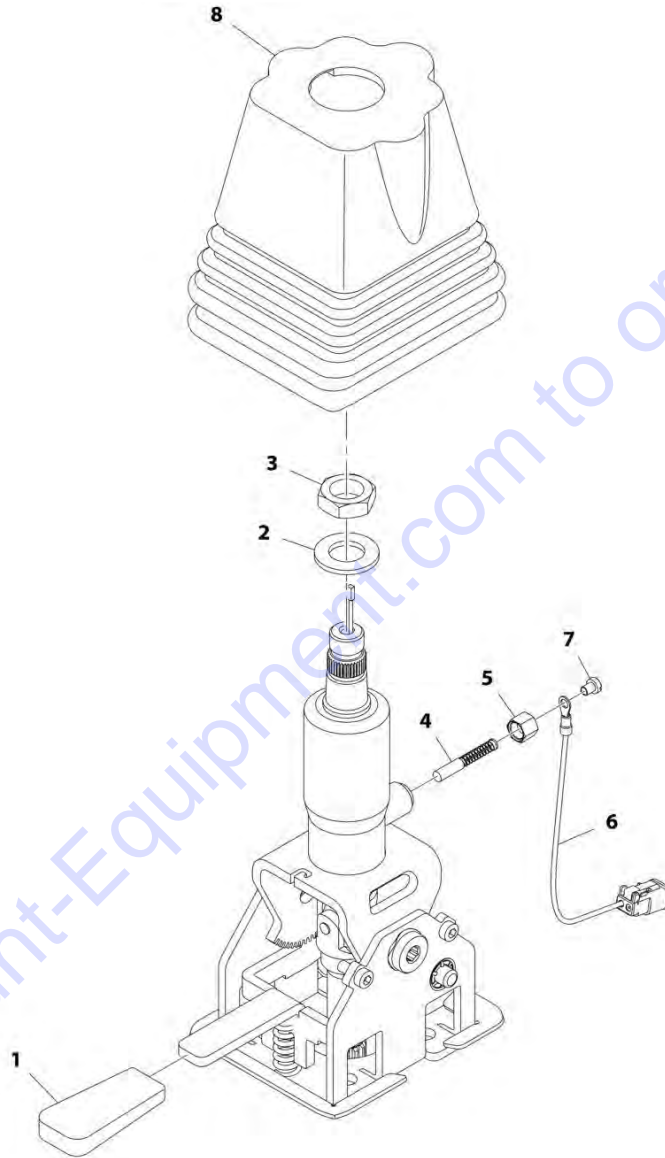
SECTION 7 - CONTROLS

FIGURE 7-8. TILT STEERING COLUMN INSTALLATION

ITEM	PART NUMBER	QTY	DESCRIPTION	REV
	1001192410	Ref	Tilt Steering Column Installation	G
1	0700824	1	Bolt, M8X80	
2	0760608	1	Bolt, M6X16	
3	0761012	8	Bolt, M10X25	
4	2130404	1	Fitting, 90 ORFS	
5	2130808	2	Fitting, 90 ORFS	
6	2170208	2	Fitting, 90 ORFS	
7	4811702	1	Washer, M6	
8	4811900	1	Washer, M8	
9	4812000	8	Washer, M10	
10	1001004640	4	Clamp	
13	1001155276	1	Column, Tilt Steering (See Separate Breakdown in this Section)	
14	1001156265	1	Bracket, Support	
15	1001161672	1	Pipe	
16	1001161896	1	Pipe	
17	1001161897	1	Pipe	
18	1001161898	1	Pipe	
19	1001168142	1	Bracket	
20	1001168151	1	Bracket	
21	1001178670	1	Valve, Steering Unit	
22	1001194282	1	Pipe	
25	1001227945	1	Valve, Check	

SECTION 7 - CONTROLS

FIGURE 7-9. TILT STEERING COLUMN



ART_1001155276-F

SECTION 7 - CONTROLS

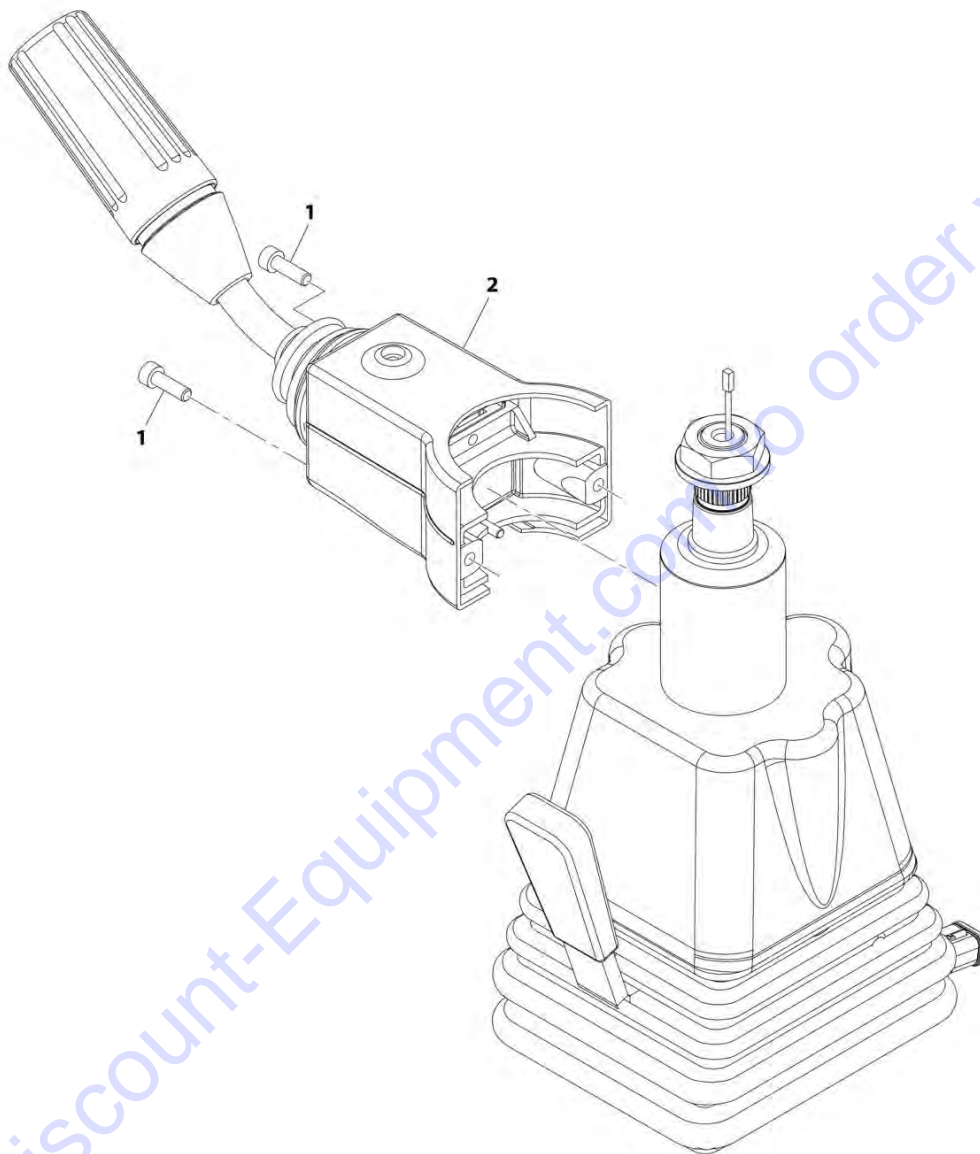
FIGURE 7-9. TILT STEERING COLUMN

ITEM	PART NUMBER	QTY	DESCRIPTION	REV
	1001155276	Ref	Tilt Steering Column	F
1	70026366	1	Knob	
2	70026364	1	Washer	
3	70026363	1	Nut	
4	70026362	1	Contact, Sliding	
5	70026361	1	Cap, Brass	
6	70026367	1	Cable	
7	70026365	1	Screw, Cap	
8	1001184504	1	Gaiter	

Go to Discount-Equipment.com to order your parts

SECTION 7 - CONTROLS

FIGURE 7-10. COLUMN SHIFT INSTALLATION (2 SPEED)



ART_1001220507-A

SECTION 7 - CONTROLS

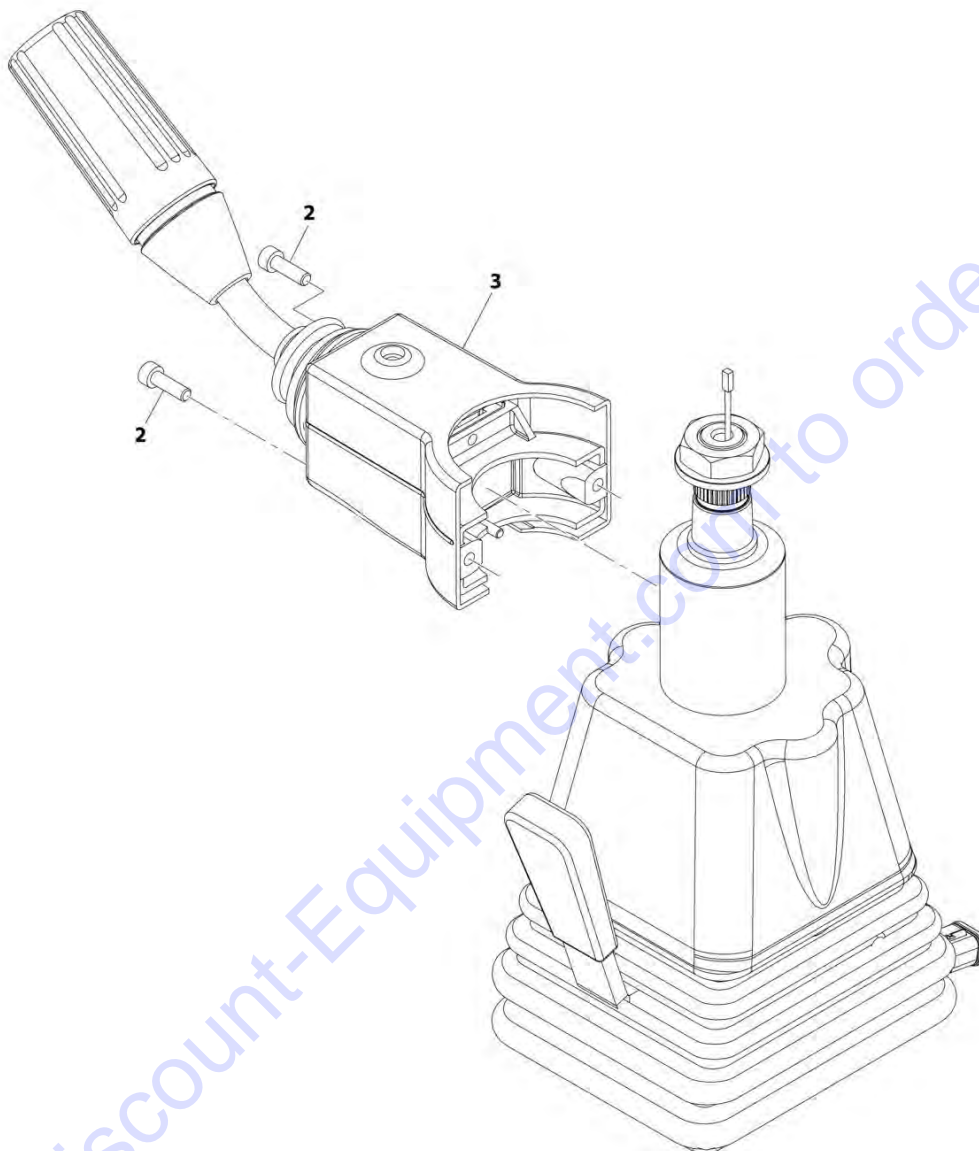
FIGURE 7-10. COLUMN SHIFT INSTALLATION (2 SPEED)

ITEM	PART NUMBER	QTY	DESCRIPTION	REV
	1001220507	Ref	Column Shift Installation (2 Speed)	A
1	4031607	2	Bolt, M5-0.8X16	
2	1001197667	1	Lever, FNR (2 Speed)	

Go to Discount-Equipment.com to order your parts

SECTION 7 - CONTROLS

FIGURE 7-11. COLUMN SHIFT INSTALLATION (0 SPEED)



ART_1001179931-C

SECTION 7 - CONTROLS

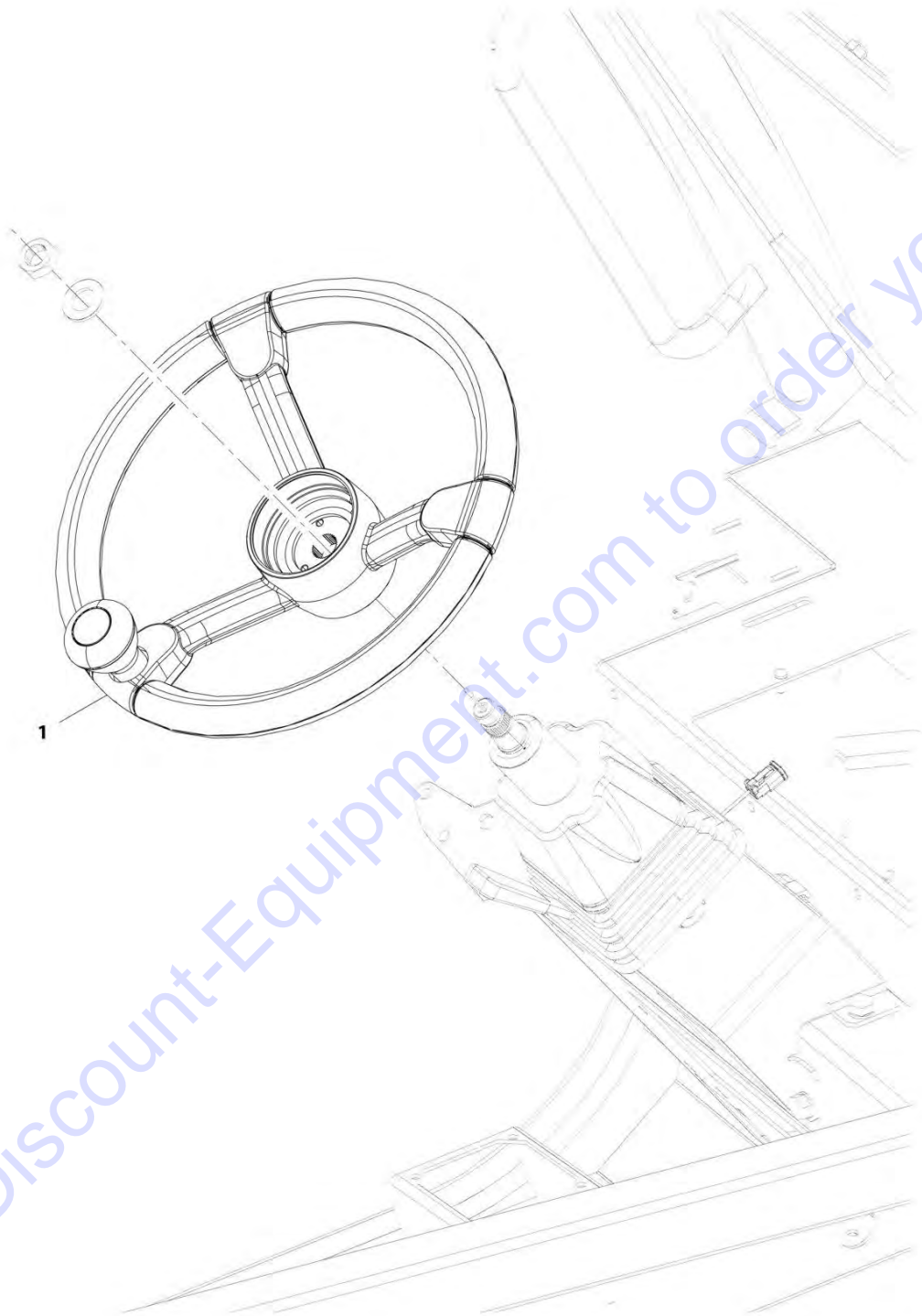
FIGURE 7-11. COLUMN SHIFT INSTALLATION (0 SPEED)

ITEM	PART NUMBER	QTY	DESCRIPTION	REV
	1001179931	Ref	Column Shift Installation (0 Speed)	C
2	4031607	2	Bolt, M5-0.8X16	
3	1001163697	1	Lever, FNR (0 Speed)	

Go to Discount-Equipment.com to order your parts

SECTION 7 - CONTROLS

FIGURE 7-12. STEERING WHEEL INSTALLATION



ART_1001169751-C

SECTION 7 - CONTROLS

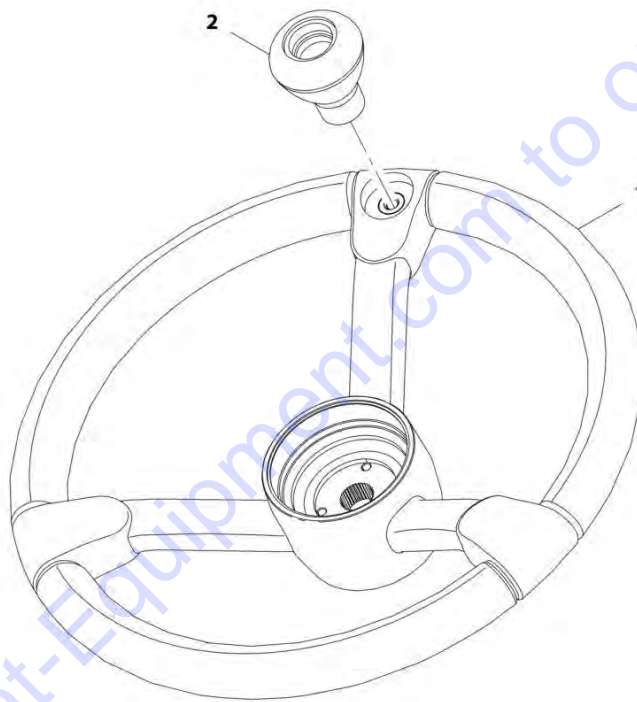
FIGURE 7-12. STEERING WHEEL INSTALLATION

ITEM	PART NUMBER	QTY	DESCRIPTION	REV
1	1001169751 1001169354	Ref 1	Steering Wheel Installation Wheel, Steering (See Separate Breakdown in this Section)	C

Go to Discount-Equipment.com to order your parts

SECTION 7 - CONTROLS

FIGURE 7-13. STEERING WHEEL



ART_1001169354-D

SECTION 7 - CONTROLS

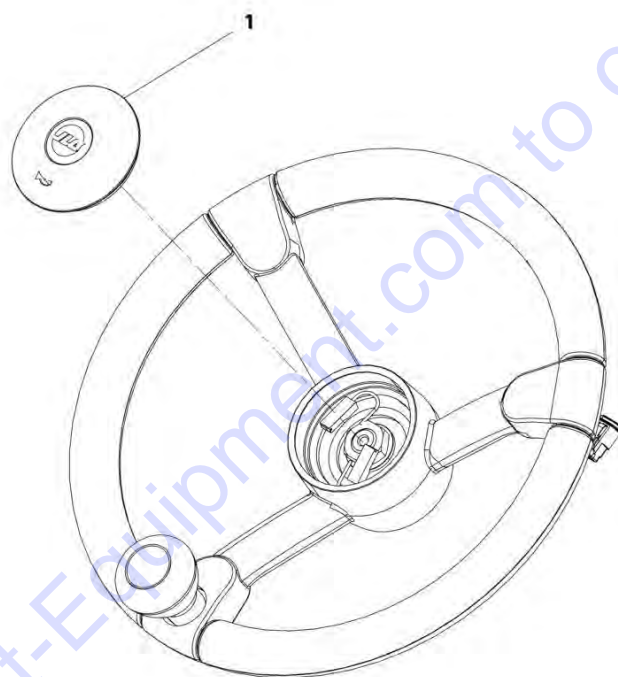
FIGURE 7-13. STEERING WHEEL

ITEM	PART NUMBER	QTY	DESCRIPTION	REV
	1001169354	Ref	Steering Wheel	D
1	1001169367	1	Wheel, Steering	
2	1001169355	1	Handle, Steer Spinner	

Go to Discount-Equipment.com to order your parts

SECTION 7 - CONTROLS

FIGURE 7-14. HORN BUTTON INSTALLATION



ART_1001169763-A

SECTION 7 - CONTROLS

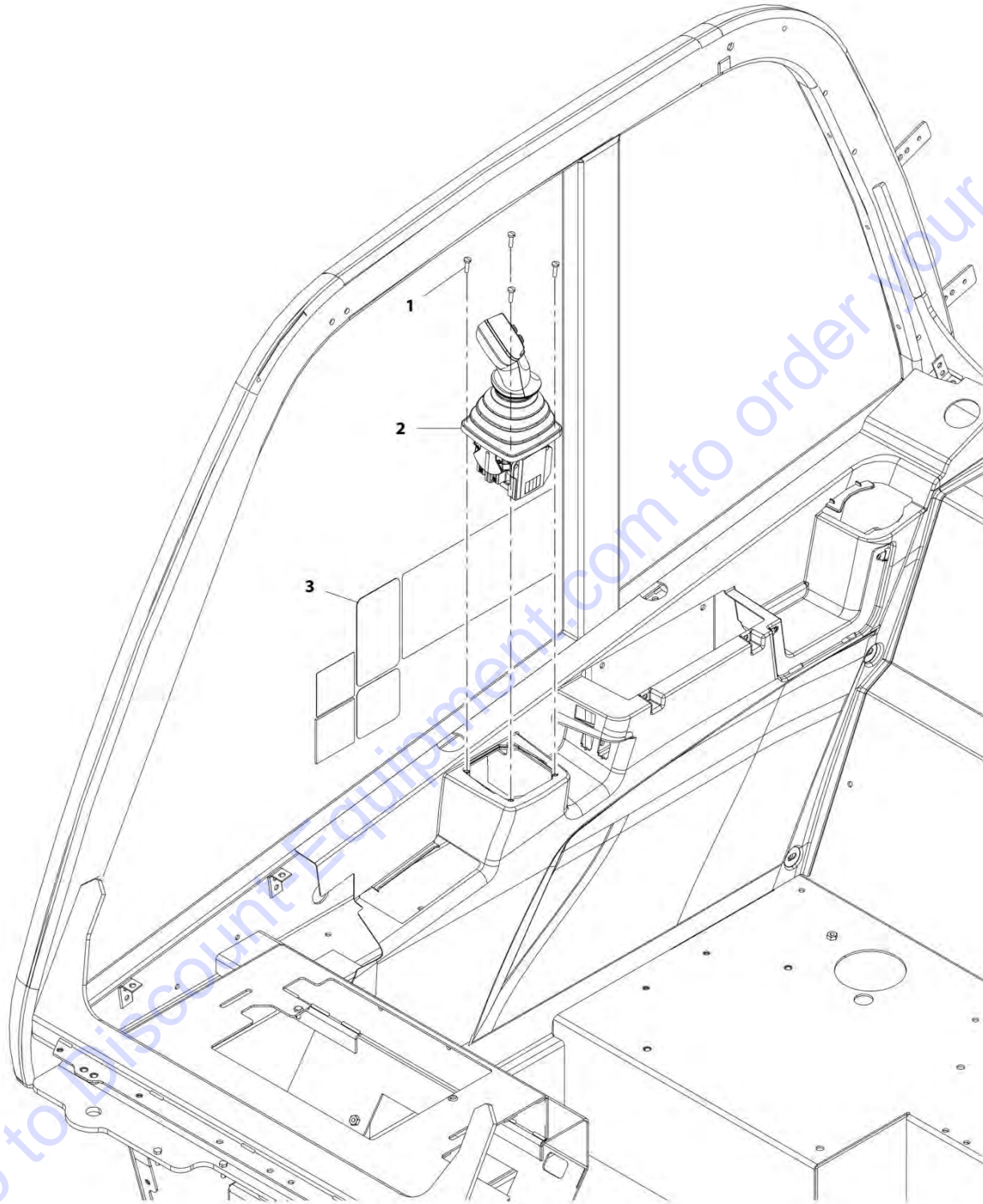
FIGURE 7-14. HORN BUTTON INSTALLATION

ITEM	PART NUMBER	QTY	DESCRIPTION	REV
1	1001169763 1001169268	Ref 1	Horn Button Installation Button, Horn	A

Go to Discount-Equipment.com to order your parts

SECTION 7 - CONTROLS

FIGURE 7-15. JOYSTICK INSTALLATION (2 SPEED)



ART_1001216757-B

SECTION 7 - CONTROLS

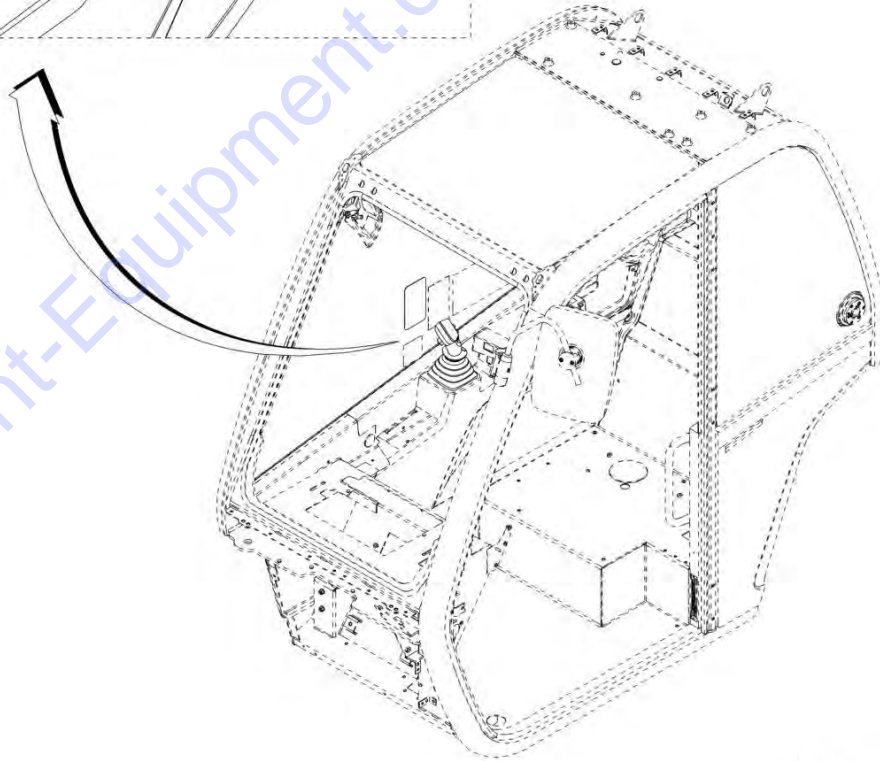
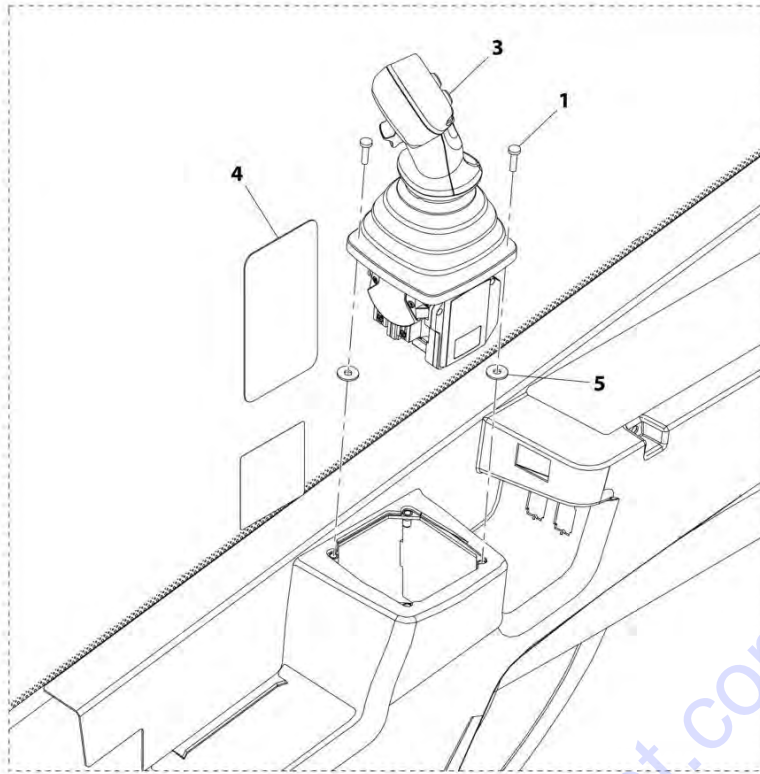
FIGURE 7-15. JOYSTICK INSTALLATION (2 SPEED)

ITEM	PART NUMBER	QTY	DESCRIPTION	REV
	1001216757	Ref	Joystick Installation (2 Speed)	B
1	4010510	4	Screw, M5X20	
2	1001222606	1	Joystick, 2R2B	
3	1001216803	1	Decal	

Go to Discount-Equipment.com to order your parts

SECTION 7 - CONTROLS

FIGURE 7-16. JOYSTICK INSTALLATION



ART_1001167004-F

SECTION 7 - CONTROLS

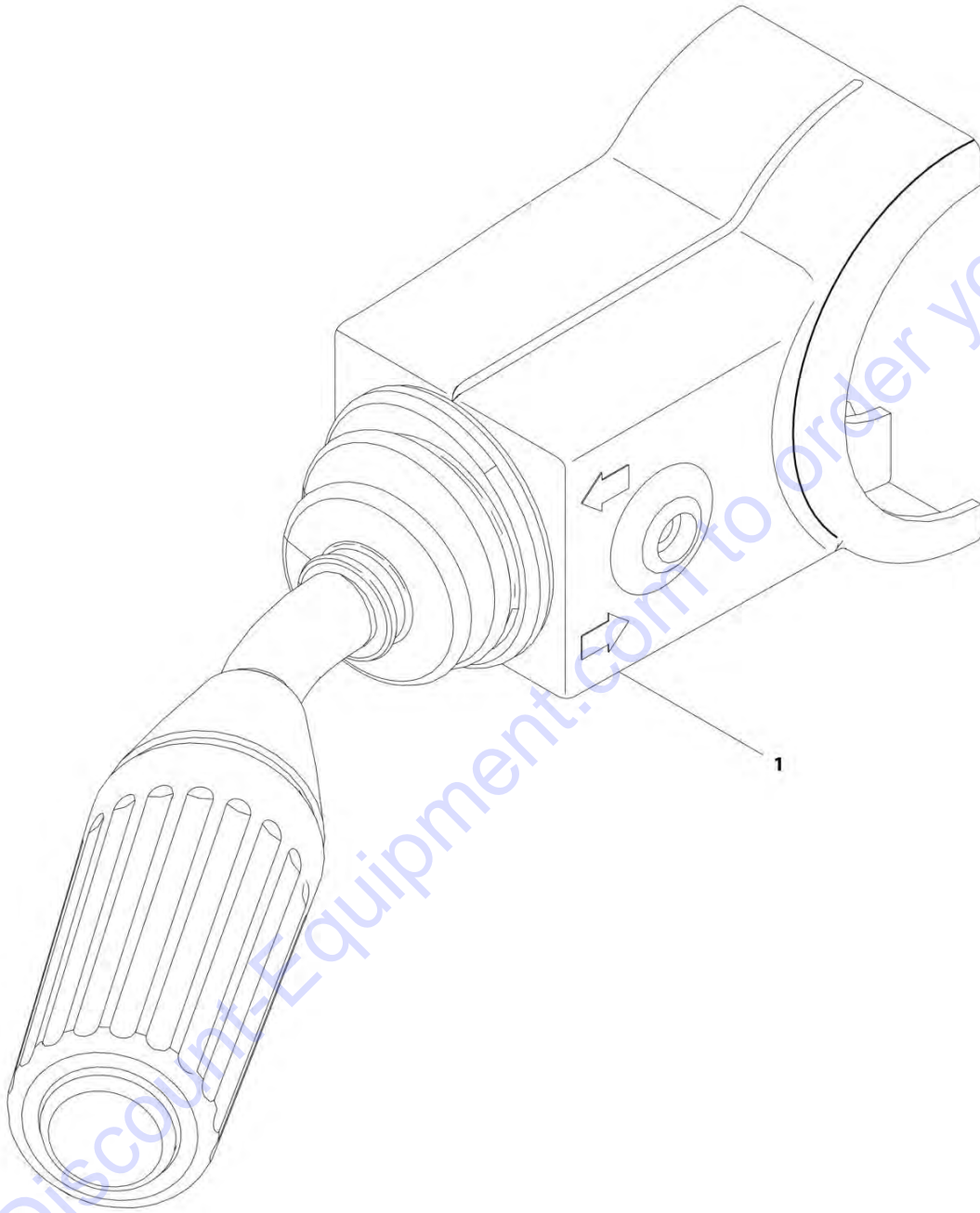
FIGURE 7-16. JOYSTICK INSTALLATION

ITEM	PART NUMBER	QTY	DESCRIPTION	REV
	1001167004	Ref	Joystick Installation	F
1	4010510	4	Screw, M5X20	
3	1001222603	1	Joystick	
4	1001236404	1	Decal, Joystick	
5	4811702001	AR	Washer, M6	

Go to Discount-Equipment.com to order your parts

SECTION 7 - CONTROLS

FIGURE 7-17. WIPER-TURN SWITCH



ART_1001163695-A

SECTION 7 - CONTROLS

FIGURE 7-17. WIPER-TURN SWITCH

ITEM	PART NUMBER	QTY	DESCRIPTION	REV
1	1001163695	1	Wiper-Turn Switch	A

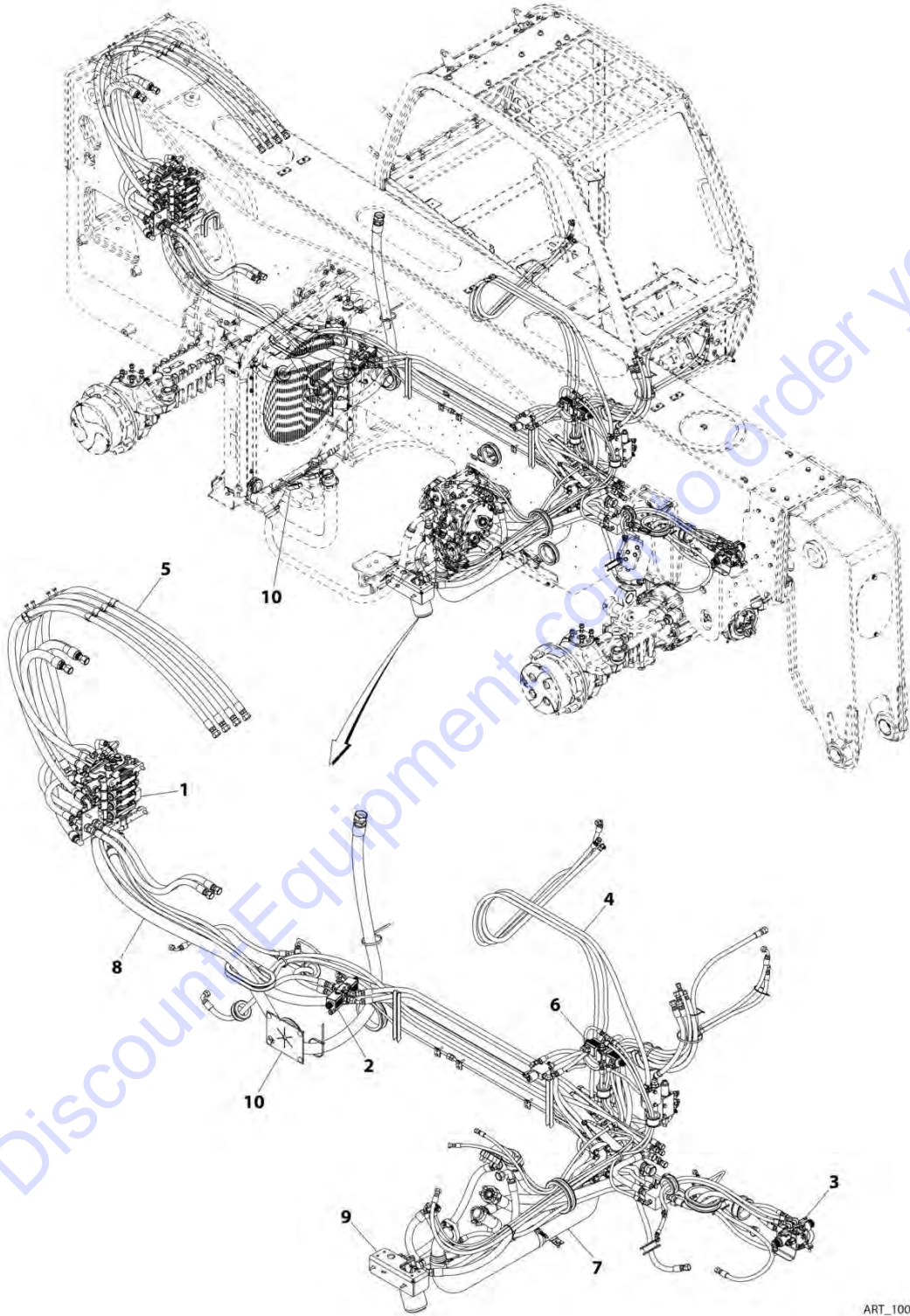
Go to Discount-Equipment.com to order your parts

SECTION 8 - HYDRAULIC CIRCUITS

Go to Discount-Equipment.com to order your parts

SECTION 8 - HYDRAULIC CIRCUITS

FIGURE 8-1. MAIN HYDRAULIC INSTALLATION



ART_1001201812-D

SECTION 8 - HYDRAULIC CIRCUITS

FIGURE 8-1. MAIN HYDRAULIC INSTALLATION

ITEM	PART NUMBER	QTY	DESCRIPTION	REV
1	1001201812	Ref	Main Hydraulic Installation	D
	1001192889	Ref	Installation, Main Control Valve (See Seperate Breakdown in this Section)	
2	1001193516	Ref	Installation, Steering Select Valve (See Seperate Breakdown in this Section)	
3	1001193517	Ref	Installation, Frame Level Valve (See Seperate Breakdown in this Section)	
4	1001193709	Ref	Installation, Cab Hydraulics (See Seperate Breakdown in this Section)	
5	1001211606	Ref	Installation, Boom Lines (See Seperate Breakdown in this Section)	
6	1001197196	Ref	Installation, Speed Control Valve (See Seperate Breakdown in this Section)	
7	1001202024	Ref	Installation, Engine Bay Hydraulic (See Seperate Breakdown in this Section)	
8	1001202025	Ref	Installation, Frame Hydraulics (See Seperate Breakdown in this Section)	
9	1001202026	Ref	Installation, Charge Filter Lines	
10	1001213026	Ref	Installation, Grommets (See Seperate Breakdown in Frame and Attaching Parts Section)	

Go to Discount-Equipment.com to order your parts

SECTION 8 - HYDRAULIC CIRCUITS

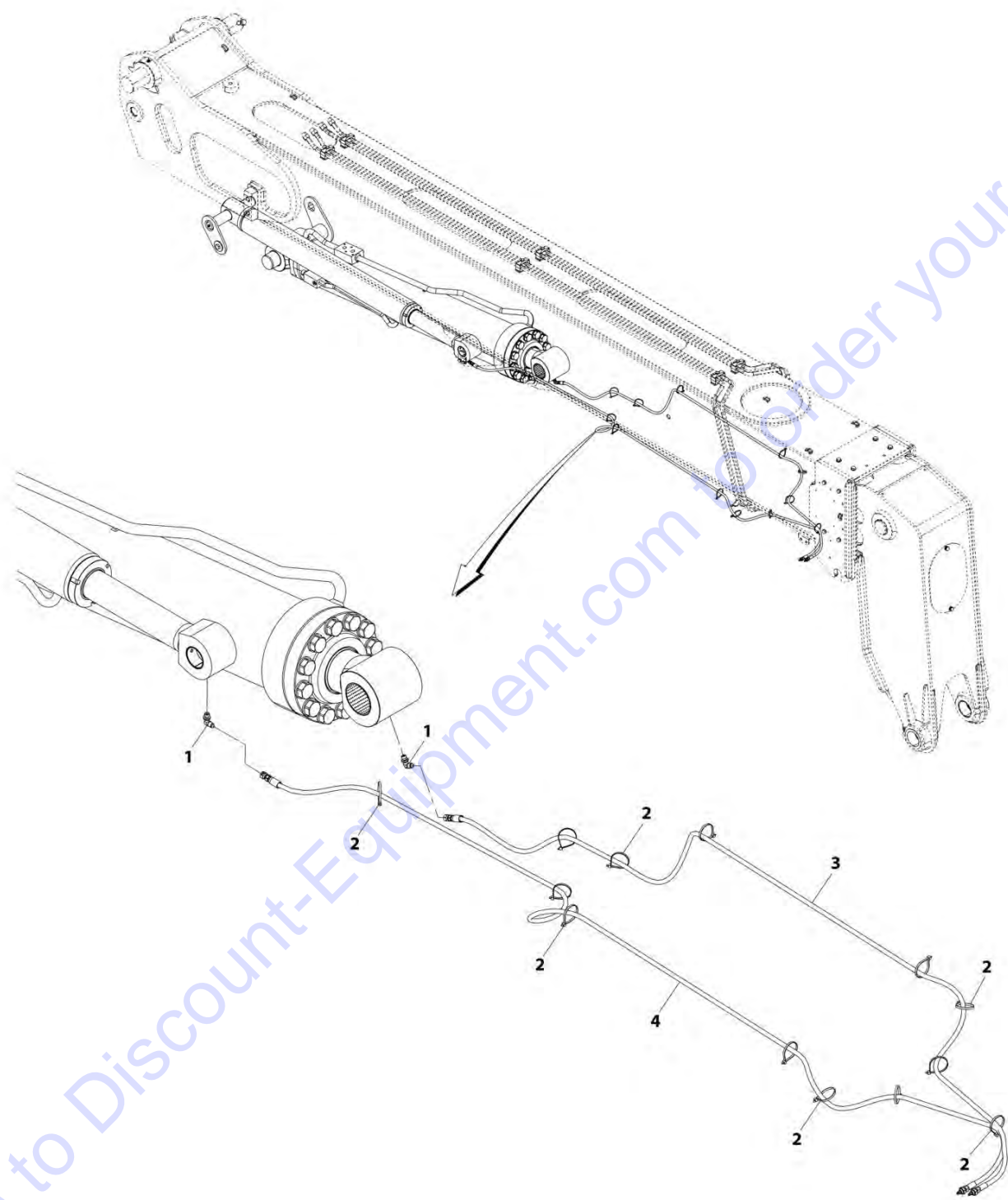
FIGURE 8-2. BOOM HYDRAULIC INSTALLATION

ITEM	PART NUMBER	QTY	DESCRIPTION	REV
	1001193100	Ref	Boom Hydraulic Installation	F
1	2111010	1	Fitting, Straight ORFS	
2	2131010	1	Fitting, ORFS	
3	77133136	8	Clamp	
4	77133137	8	Plate, Twin Hose Cover	
5	0700817	8	Bolt, M8X45	
6	1001206242	1	Hose	
7	1001209200	1	Pipe	
8	1001209201	1	Pipe	
9	1001209202	1	Pipe	
10	1001209203	1	Pipe	
11	1001193465	1	Hose	
12	0760810	2	Bolt, M8X20	
13	0761012	2	Bolt, M10X25	
14	4811900	2	Washer, M8	
15	4812000	2	Washer, M10	
16	1001214661	1	Plate	
17	1001215470	1	Support, Hose	

Go to Discount-Equipment.com to order your parts

SECTION 8 - HYDRAULIC CIRCUITS

FIGURE 8-3. REMOTE GREASE INSTALLATION



ART_1001217352-B

SECTION 8 - HYDRAULIC CIRCUITS

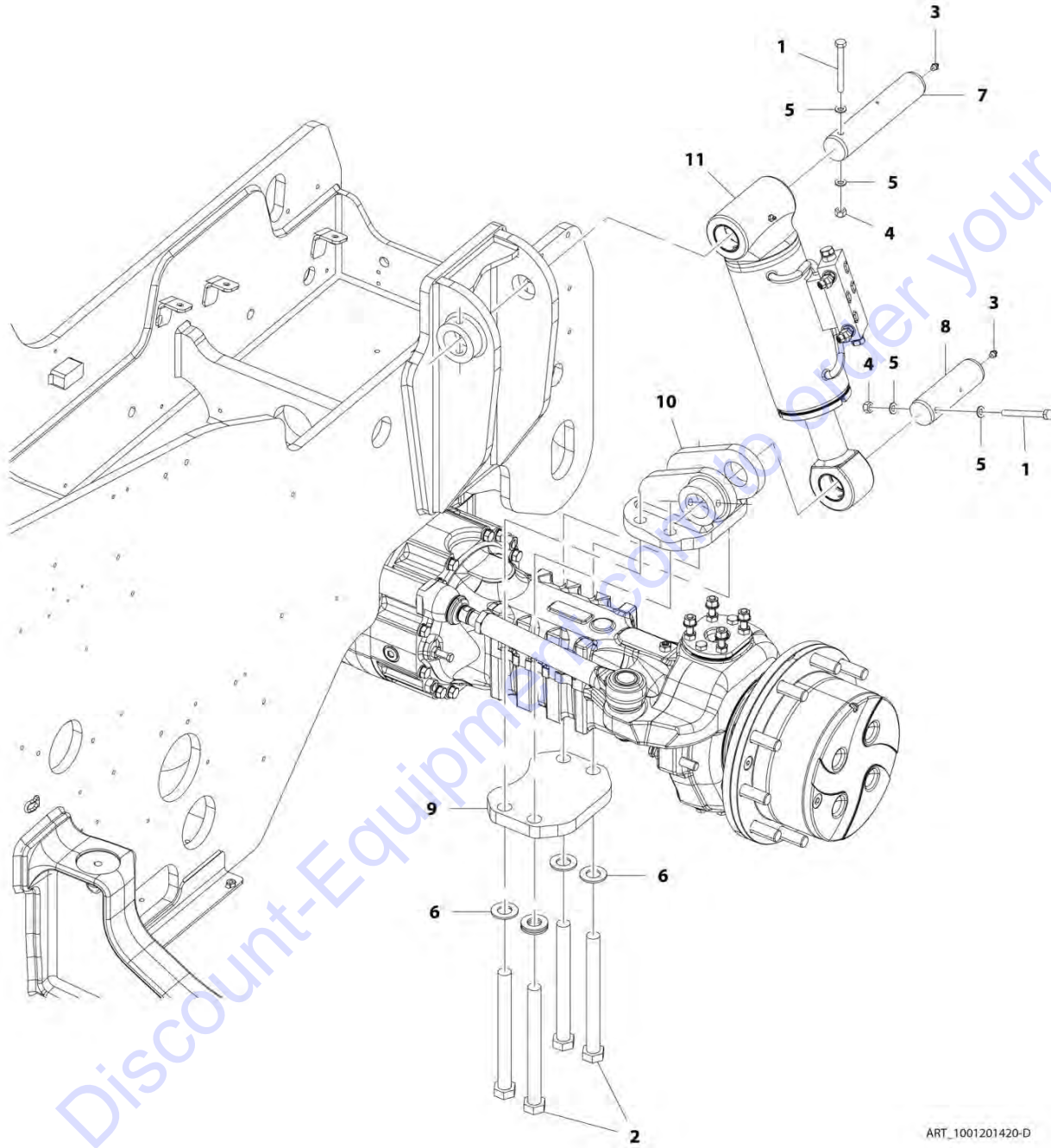
FIGURE 8-3. REMOTE GREASE INSTALLATION

ITEM	PART NUMBER	QTY	DESCRIPTION	REV
	1001217352	Ref	Remote Grease Installation	B
1	8770215	2	Fitting, 90 ORFS	
2	1001008559	13	Strap, Cable	
3	1001217354	1	Hose	
4	1001217355	1	Hose	

Go to Discount-Equipment.com to order your parts

SECTION 8 - HYDRAULIC CIRCUITS

FIGURE 8-4. FRAME LEVEL INSTALLATION



ART_1001201420-D

SECTION 8 - HYDRAULIC CIRCUITS

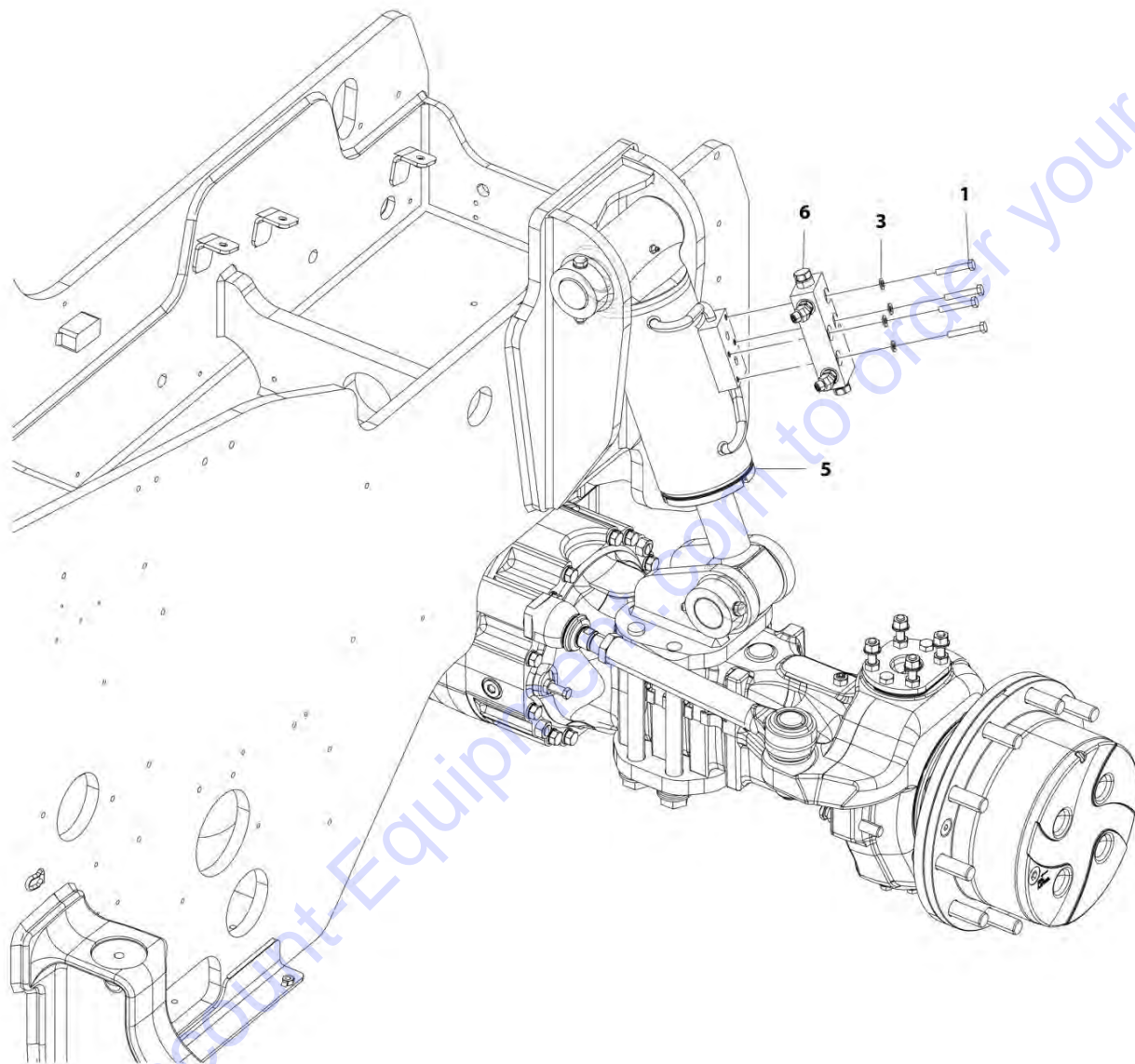
FIGURE 8-4. FRAME LEVEL INSTALLATION

ITEM	PART NUMBER	QTY	DESCRIPTION	REV
	1001201420	Ref	Frame Level Installation	D
1	0701027	2	Bolt, M10X100	
2	0712442	4	Bolt, M24X250 Grade 10.9	
3	2160016	2	Fitting, Grease	
4	3291005	2	Nut, Lock M0X1.5 Grade 8	
5	4812000	4	Washer, M10	
6	5242400	6	Washer, M24	
7	1001164971	1	Pin	
8	1001164972	1	Pin	
9	1001207325	1	Plate, Sway Bottom	
10	1001200226	1	Bracket, Axle Sway	
11	1001201074	Ref	Installation, Frame Level Cylinder (See Separate Breakdown in this Section)	

Go to Discount-Equipment.com to order your parts

SECTION 8 - HYDRAULIC CIRCUITS

FIGURE 8-5. FRAME LEVEL CYLINDER INSTALLATION



ART_T001201074-B

SECTION 8 - HYDRAULIC CIRCUITS

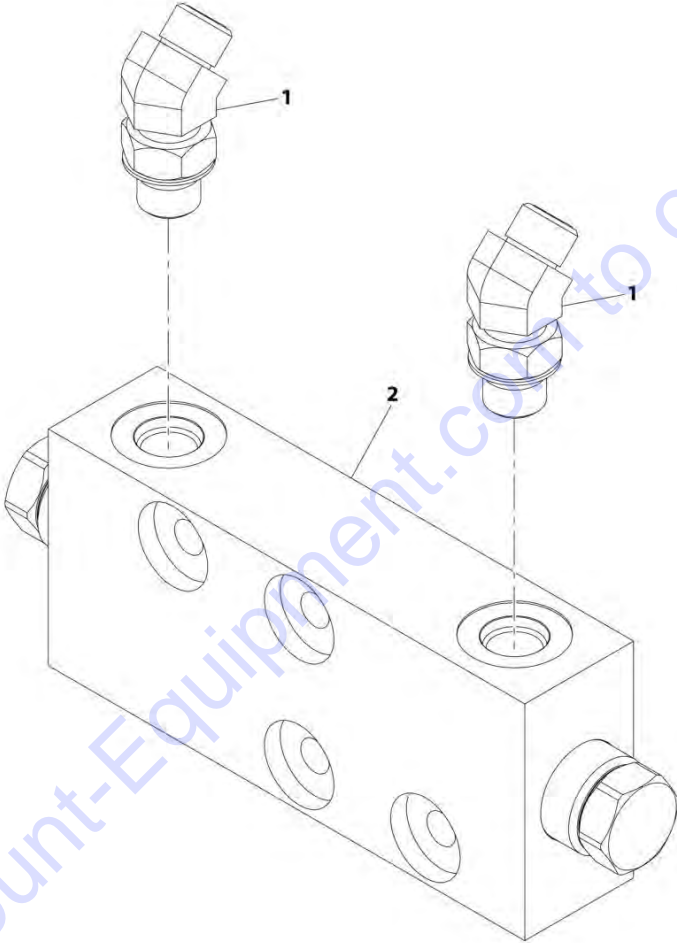
FIGURE 8-5. FRAME LEVEL CYLINDER INSTALLATION

ITEM	PART NUMBER	QTY	DESCRIPTION	REV
	1001201074	Ref	Frame Level Cylinder Installation	B
1	0700818	4	Bolt, M8X50	
3	4811900	4	Washer, M8	
5	1001201073	1	Cylinder, Frame Level (See Separate Breakdown in Hydraulic Components Section)	
6	1001217482	1	Assembly, Frame Level Valve (See Separate Breakdown in this Section)	

Go to Discount-Equipment.com to order your parts

SECTION 8 - HYDRAULIC CIRCUITS

FIGURE 8-6. FRAME LEVEL VALVE ASSEMBLY



ART_1001217482-A

SECTION 8 - HYDRAULIC CIRCUITS

FIGURE 8-6. FRAME LEVEL VALVE ASSEMBLY

ITEM	PART NUMBER	QTY	DESCRIPTION	REV
	1001217482	Ref	Frame Level Valve Assembly	A
1	2150406	2	Fitting, 45 ORFS	
2	1001168599	1	Valve, Counterbalance (See Seperate Breakdown in the Hydraulic Component Section)	

Go to Discount-Equipment.com to order your parts

PARTS FINDER

**Search Website
by Part Number**



**Search Manual
Library For Parts
Manual & Lookup Part
Numbers – Purchase
or Request Quote**

Search Manuals

Part Number:

Serial Number:

Make:

Model:

Part Name:

Quantity:

Submit

**Can't Find Part or
Manual? Request Help
by Manufacturer,
Model & Description**

Parts Order Form

Manufacturer:

Model:

Description:

Quantity:

Submit

Discount-Equipment.com is your online resource for quality parts & equipment.

Florida: **561-964-4949** Outside Florida TOLL FREE: **877-690-3101**

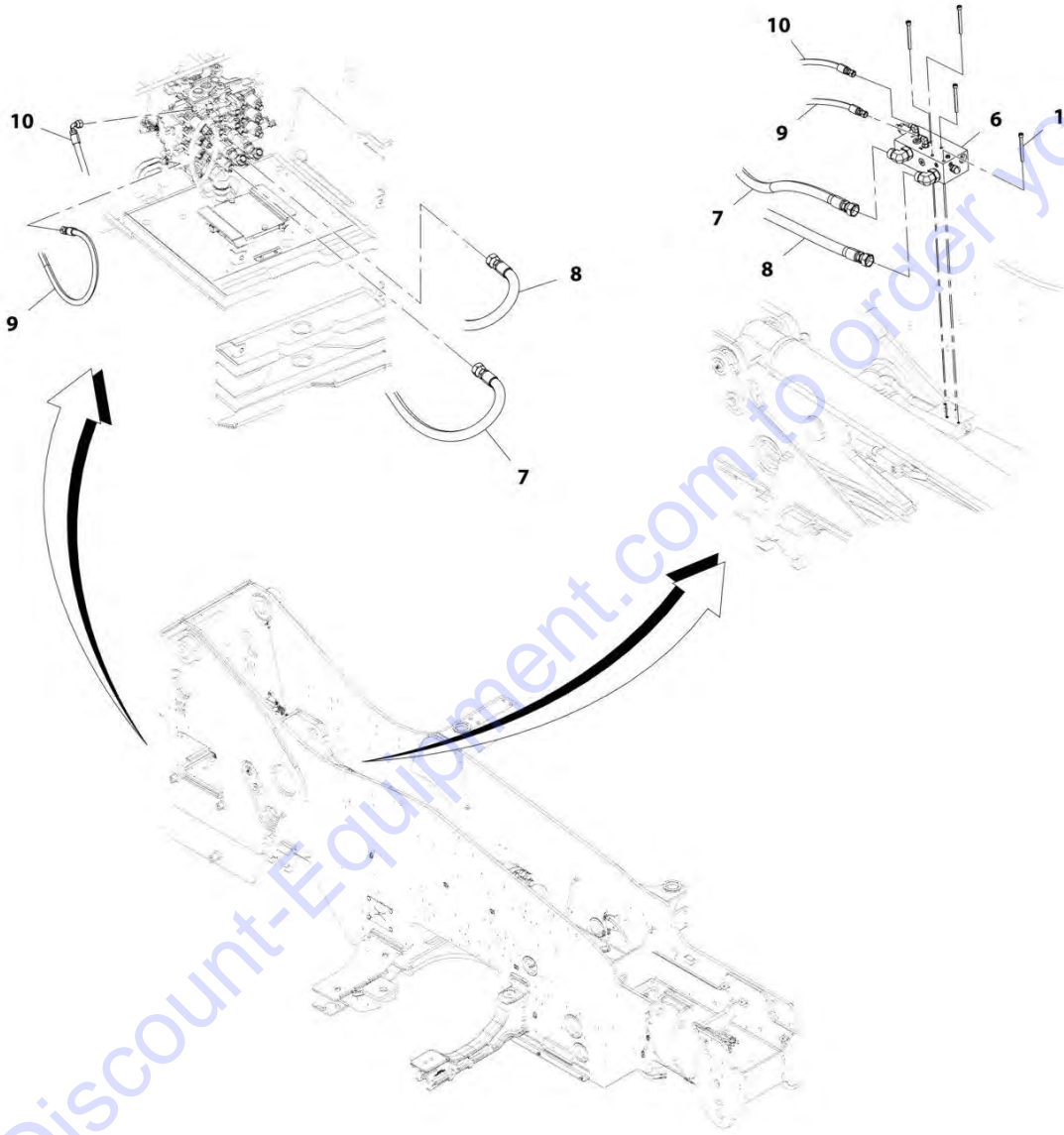
Need parts?

Click on this link: <http://www.discount-equipment.com/category/5443-parts/> and choose one of the options to help get the right parts and equipment you are looking for. Please have the machine model and serial number available in order to help us get you the correct parts. If you don't find the part on the website or on one of the online manuals, please fill out the request form and one of our experienced staff members will get back to you with a quote for the right part that your machine needs.

We sell worldwide for the brands: Genie, Terex, JLG, MultiQuip, Mikasa, Essick, Whiteman, Mayco, Toro Stone, Diamond Products, Generac Magnum, Airman, Haulotte, Barreto, Power Blanket, Nifty Lift, Atlas Copco, Chicago Pneumatic, Allmand, Miller Curber, Skyjack, Lull, Skytrak, Tsurumi, Husquvarna Target, Stow, Wacker, Sakai, Mi-T-M, Sullair, Basic, Dynapac, MBW, Weber, Bartell, Bennar Newman, Haulotte, Ditch Runner, Menegotti, Morrison, Contec, Buddy, Crown, Edco, Wyco, Bomag, Laymor, EZ Trench, Bil-Jax, F.S. Curtis, Gehl Pavers, Heli, Honda, ICS/PowerGrit, IHI, Partner, Imer, Clipper, MMD, Koshin, Rice, CH&E, General Equipment, Amida, Coleman, NAC, Gradall, Square Shooter, Kent, Stanley, Tamco, Toku, Hatz, Kohler, Robin, Wisconsin, Northrock, Oztec, Toker TK, Rol-Air, APT, Wylie, Ingersoll Rand / Doosan, Innovatech, Con X, Ammann, Mecalac, Makinex, Smith Surface Prep, Small Line, Wanco, Yanmar

SECTION 8 - HYDRAULIC CIRCUITS

FIGURE 8-7. BOOM RAISE HOSE INSTALLATION (NO RIDE CONTROL)



Go to Discount-Equipment.com to order your parts

ART_1001194702-F

SECTION 8 - HYDRAULIC CIRCUITS

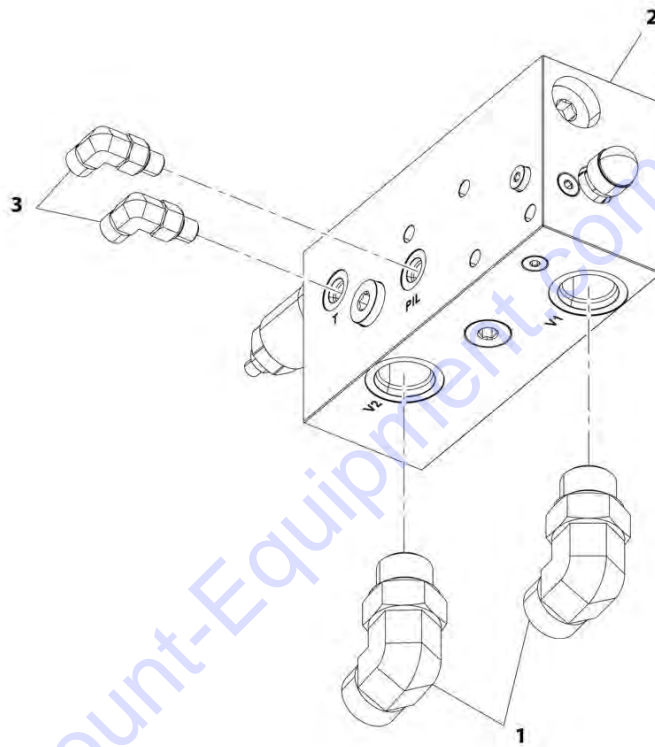
FIGURE 8-7. BOOM RAISE HOSE INSTALLATION (NO RIDE CONTROL)

ITEM	PART NUMBER	QTY	DESCRIPTION	REV
	1001194702	Ref	Boom Raise Hose Installation (no Ride Control)	F
1	4031921	4	Bolt, M8X85	
6	1001219764	1	Valve, Boom Raise Counterbalance (no Ride Control) (See Separate Breakdown in this Section)	
7	1001225392	1	Hose, ORFS	
8	1001225393	1	Hose, ORFS	
9	1001226828	1	Hose, ORFS	
10	1001226829	1	Hose, ORFS	

Go to Discount-Equipment.com to order your parts

SECTION 8 - HYDRAULIC CIRCUITS

FIGURE 8-8. BOOM RAISE COUNTERBALANCE VALVE (NO RIDE CONTROL)



ART_1001219764-C

SECTION 8 - HYDRAULIC CIRCUITS

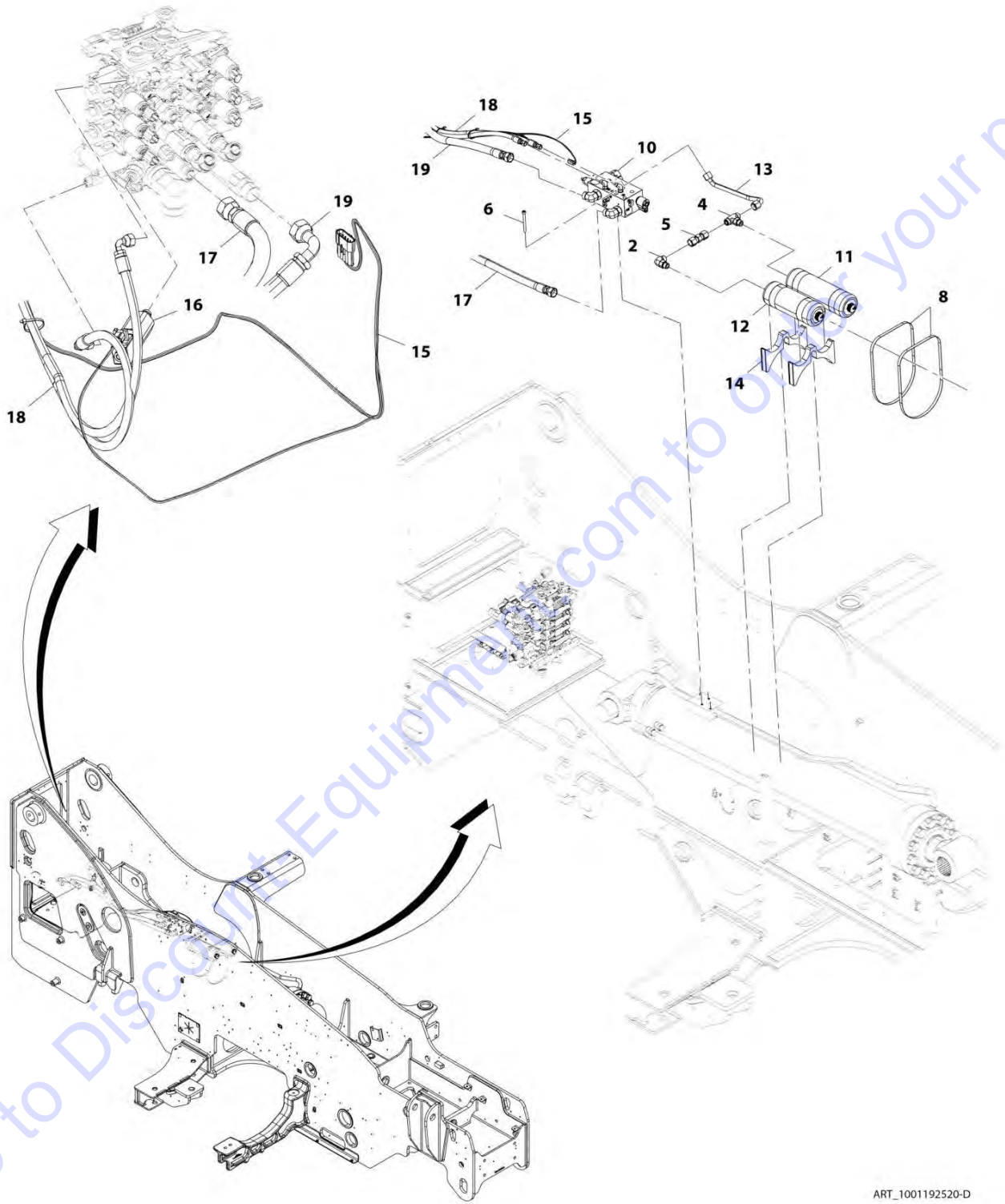
FIGURE 8-8. BOOM RAISE COUNTERBALANCE VALVE (NO RIDE CONTROL)

ITEM	PART NUMBER	QTY	DESCRIPTION	REV
	1001219764	Ref	Boom Raise Counterbalance Valve (no Ride Control)	C
1	2131212	2	Fitting, 90 ORFS	
2	1001224944	1	Valve, GLS (See Seperate Breakdown in Hydraulic Components Section)	
3	2130404	2	Fitting, 90 ORFS	

Go to Discount-Equipment.com to order your parts

SECTION 8 - HYDRAULIC CIRCUITS

FIGURE 8-9. BOOM RAISE HOSE INSTALLATION (RIDE CONTROL)



ART_1001192520-D

SECTION 8 - HYDRAULIC CIRCUITS

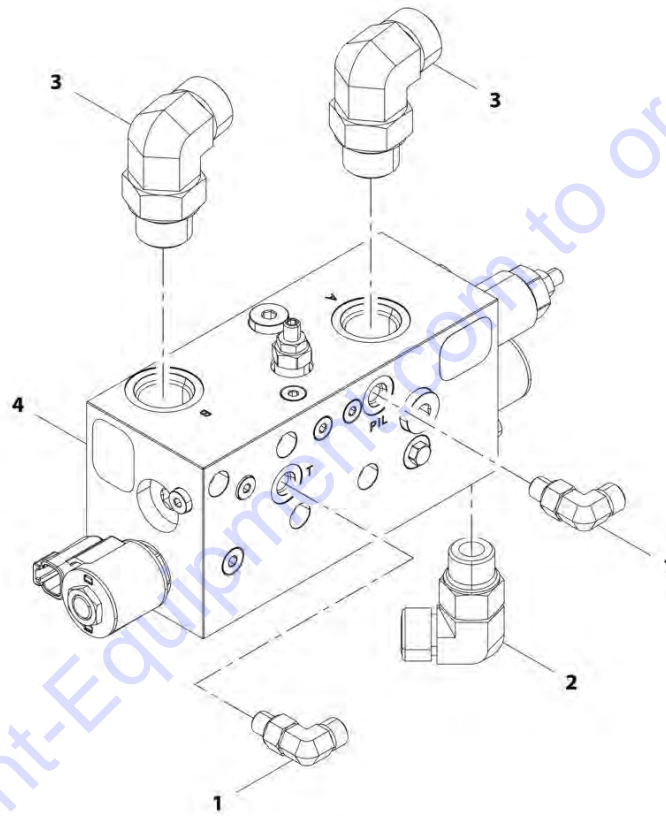
FIGURE 8-9. BOOM RAISE HOSE INSTALLATION (RIDE CONTROL)

ITEM	PART NUMBER	QTY	DESCRIPTION	REV
	1001192520	Ref	Boom Raise Hose Installation (Ride Control)	D
2	2131010	1	Fitting, 90 ORFS	
4	2170410	1	Fitting, Tee ORFS	
5	2172410	1	Fitting, Straight ORFS	
6	4031921	4	Bolt, M8X85	
8	1001214829	2	Clamp	
10	1001219765	1	Assembly, Ride and Float Valve (See Separate Breakdown in this Section)	
11	1001192771	1	Cylinder, Piston	
12	1001192772	1	Cylinder, Piston	
13	1001225390	1	Pipe	
14	1001196402	2	Bumper	
15	1001200105	1	Installation, Ride Control Wiring (See Separate Breakdown in Electrical Section)	
16	1001202020	1	Valve, MCV Tank Cartridge	
17	1001225393	1	Hose	
18	1001226829	2	Hose	
19	1001227440	1	Hose	

Go to Discount-Equipment.com to order your parts

SECTION 8 - HYDRAULIC CIRCUITS

FIGURE 8-10. RIDE AND FLOAT VALVE ASSEMBLY



ART_1001219765-B

SECTION 8 - HYDRAULIC CIRCUITS

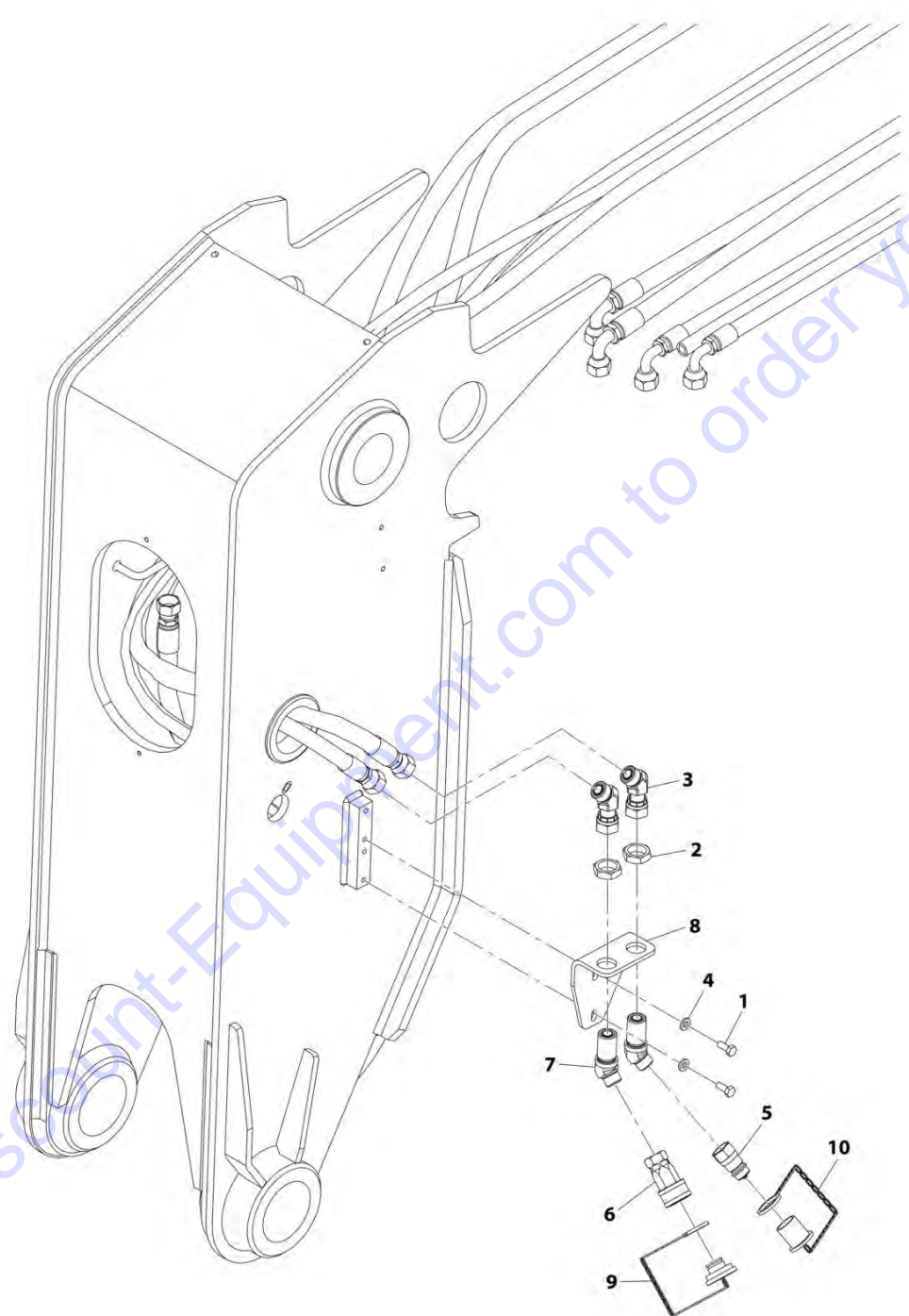
FIGURE 8-10. RIDE AND FLOAT VALVE ASSEMBLY

ITEM	PART NUMBER	QTY	DESCRIPTION	REV
	1001219765	1	Ride and Float Valve Assembly	B
1	2130404	2	Fitting, 90 ORFS	
2	2131010	1	Fitting, 90 ORFS	
3	2131212	2	Fitting, 90 ORFS	
4	1001224945	1	Valve, GLS (See Separate Breakdown in Hydraulic Components Section)	

Go to Discount-Equipment.com to order your parts

SECTION 8 - HYDRAULIC CIRCUITS

FIGURE 8-11. BOOM AUX HYDRAULIC INSTALLATION (MANUAL - SINGLE)



ART_1001192363-D

SECTION 8 - HYDRAULIC CIRCUITS

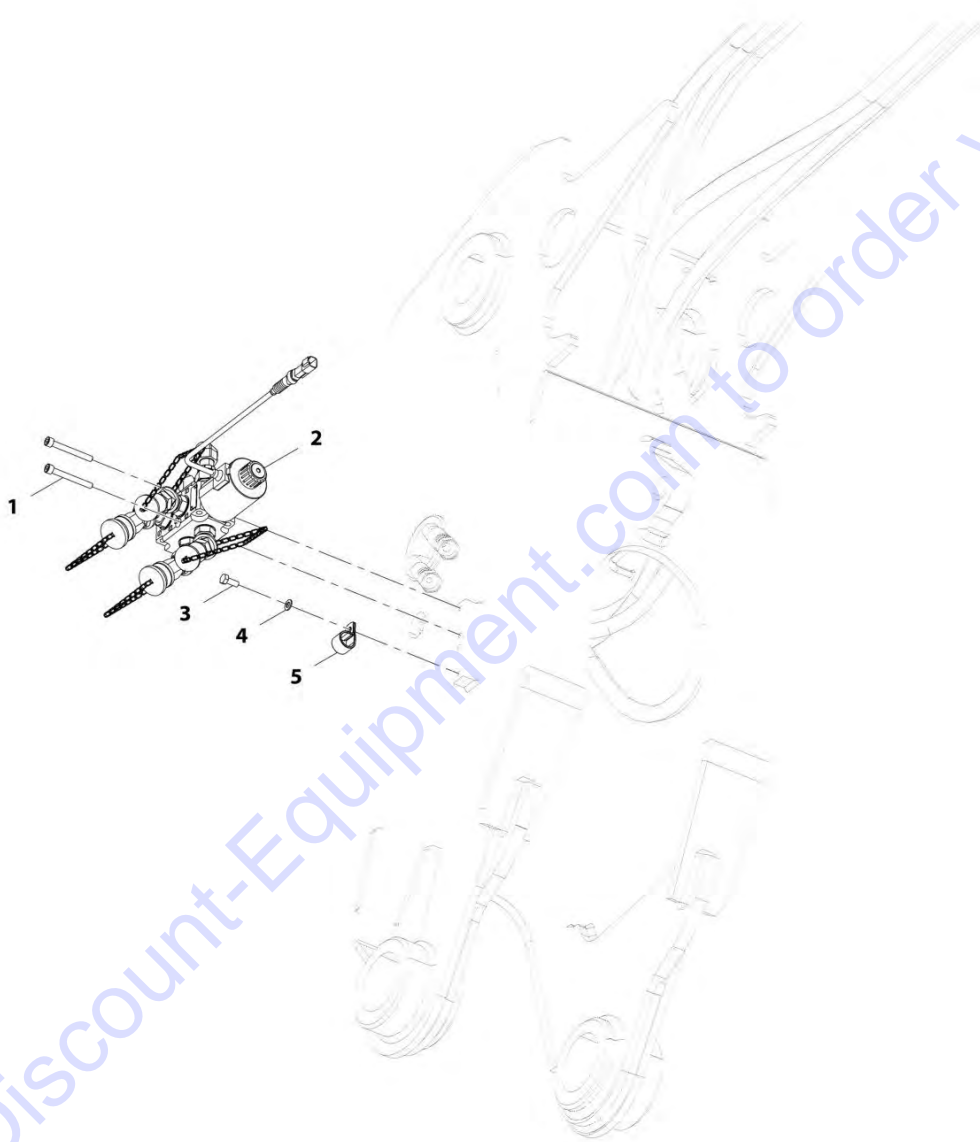
FIGURE 8-11. BOOM AUX HYDRAULIC INSTALLATION (MANUAL - SINGLE)

ITEM	PART NUMBER	QTY	DESCRIPTION	REV
	1001192363	Ref	Boom Aux Hydraulic Installation (manual - single)	D
1	0760810	2	Bolt, M8X20	
2	8770075	2	Fitting, ORFS	
3	1001147416	2	Fitting, 45 ORFS	
4	5240800	2	Washer, M8	
5	1001101041	1	Coupling, Male Quick Disconnect	
6	1001101042	1	Coupling, Female Quick Disconnect	
7	1001217553	2	Fitting, 45 ORFS	
8	1001217552	1	Bracket	
9	91043125	1	Plug	
10	91043126	1	Cap, Dust	

Go to Discount-Equipment.com to order your parts

SECTION 8 - HYDRAULIC CIRCUITS

FIGURE 8-12. BOOM AUX HYDRAULIC INSTALLATION (MANUAL - TWIN)



Go to Discount-Equipment.com to order your parts

ART_1001192366-C

SECTION 8 - HYDRAULIC CIRCUITS

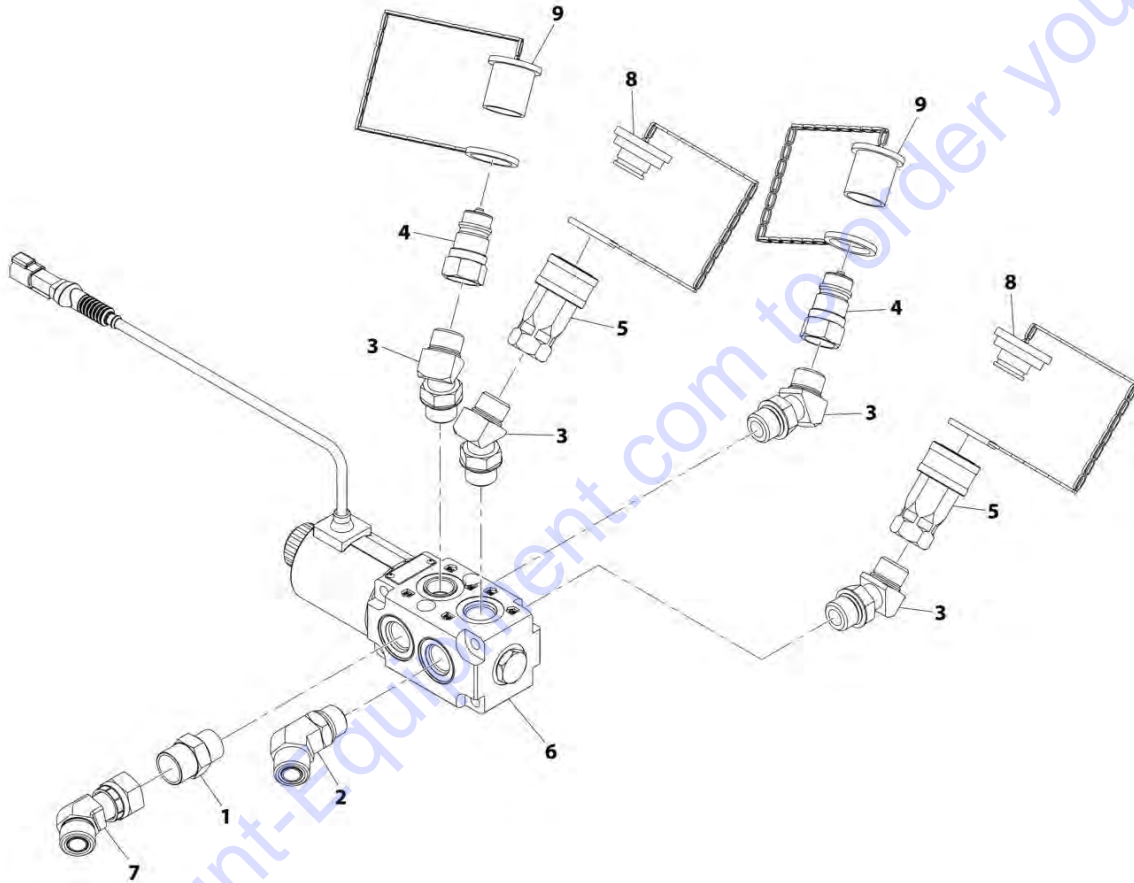
FIGURE 8-12. BOOM AUX HYDRAULIC INSTALLATION (MANUAL - TWIN)

ITEM	PART NUMBER	QTY	DESCRIPTION	REV
	1001192366	Ref	Boom Aux Hydraulic Installation (manual - twin)	C
1	4031918	2	Bolt, M8X70	
2	1001213318	1	Assembly, Diverter Valve (manual - twin) (See Seperate Breakdown in this Section)	
3	0760810	1	Bolt, M8X20	
4	4811900	1	Washer, M8	
5	8406202	1	Clip	

Go to Discount-Equipment.com to order your parts

SECTION 8 - HYDRAULIC CIRCUITS

FIGURE 8-13. DIVERTER VALVE ASSEMBLY



ART_1001213318-B

SECTION 8 - HYDRAULIC CIRCUITS

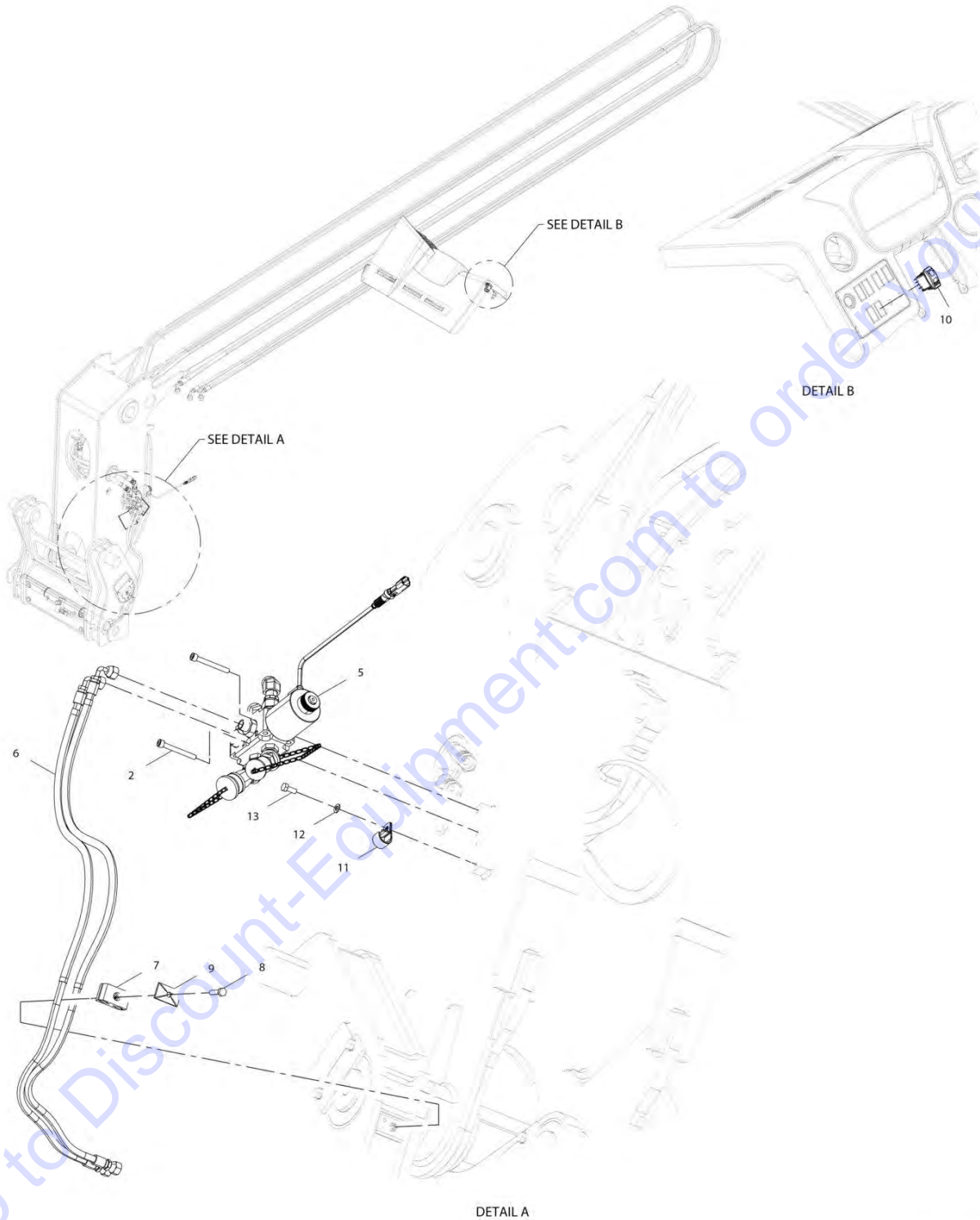
FIGURE 8-13. DIVERTER VALVE ASSEMBLY

ITEM	PART NUMBER	QTY	DESCRIPTION	REV
	1001213318	Ref	Diverter Valve Assembly	B
1	2111010	1	Fitting, Straight ORFS	
2	2151010	1	Fitting, 45 ORFS	
3	1001005904	4	Fitting, 45	
4	1001101041	2	Adapter, Male Quick Disconnect	
5	1001101042	2	Adapter, Female Quick Disconnect	
6	1001110023	1	Valve, Diverter (See Seperate Breakdown in Hydraulic Components Section)	
7	1001147416	1	Fitting, 45 ORFS	
8	91043125	2	Plug	
9	91043126	2	Cap	

Go to Discount-Equipment.com to order your parts

SECTION 8 - HYDRAULIC CIRCUITS

FIGURE 8-14. BOOM AUX HYDRAULIC INSTALLATION (HYDRAULIC - SINGLE)



Go to Discount-Equipment.com to order your parts

ART_1001192365-E

SECTION 8 - HYDRAULIC CIRCUITS

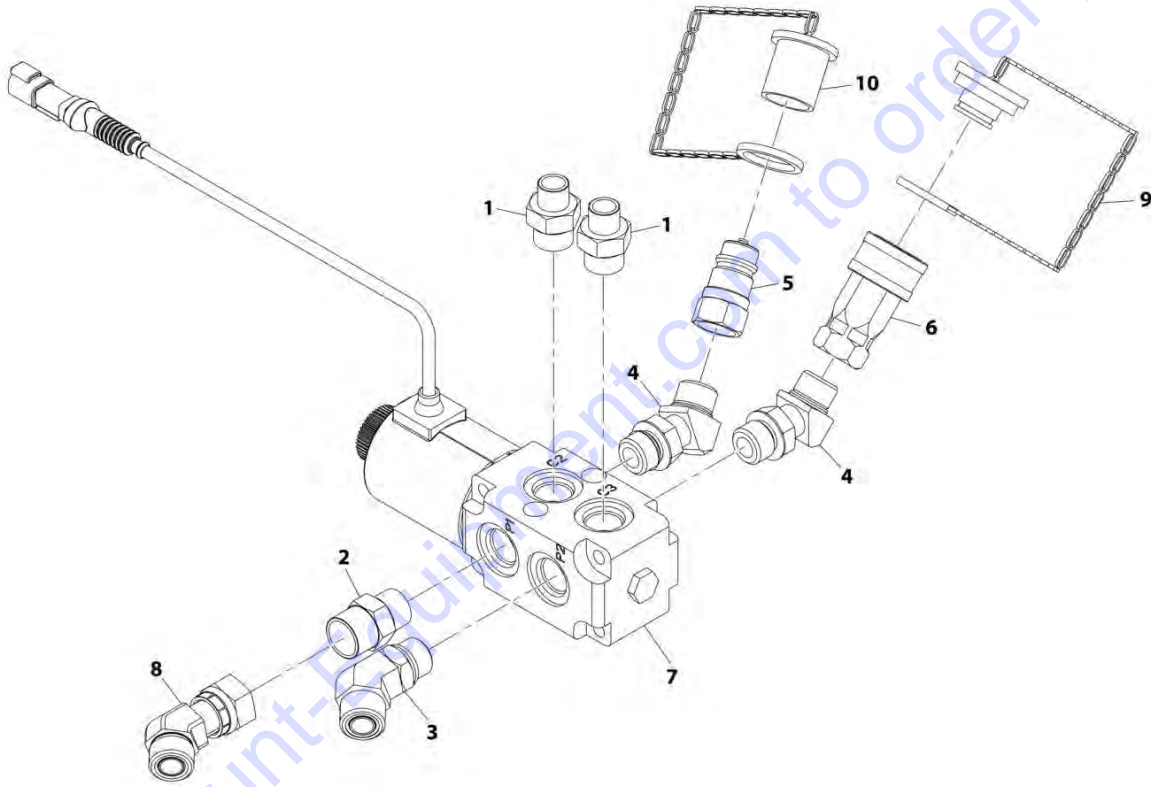
FIGURE 8-14. BOOM AUX HYDRAULIC INSTALLATION (HYDRAULIC - SINGLE)

ITEM	PART NUMBER	QTY	DESCRIPTION	REV
	1001192365	Ref	Boom Aux Hydraulic Installation (hydraulic - single)	E
2	4031918	2	Bolt, M8X70	
5	1001213317	1	Assembly, Diverter Valve (hydraulic - single) (See Seperate Breakdown in this Section)	
6	1001193111	2	Hose	
7	8769126	1	Clamp	
8	0760815	1	Bolt, M8X35	
9	8769123	1	Plate, Cover	
10	1001080375	1	Switch	
11	8406202	1	Clip	
12	4811900	1	Washer, M8	
13	0760810	1	Bolt, M8X20	

Go to Discount-Equipment.com to order your parts

SECTION 8 - HYDRAULIC CIRCUITS

FIGURE 8-15. DIVERTER VALVE ASSEMBLY



ART_1001213317-B

SECTION 8 - HYDRAULIC CIRCUITS

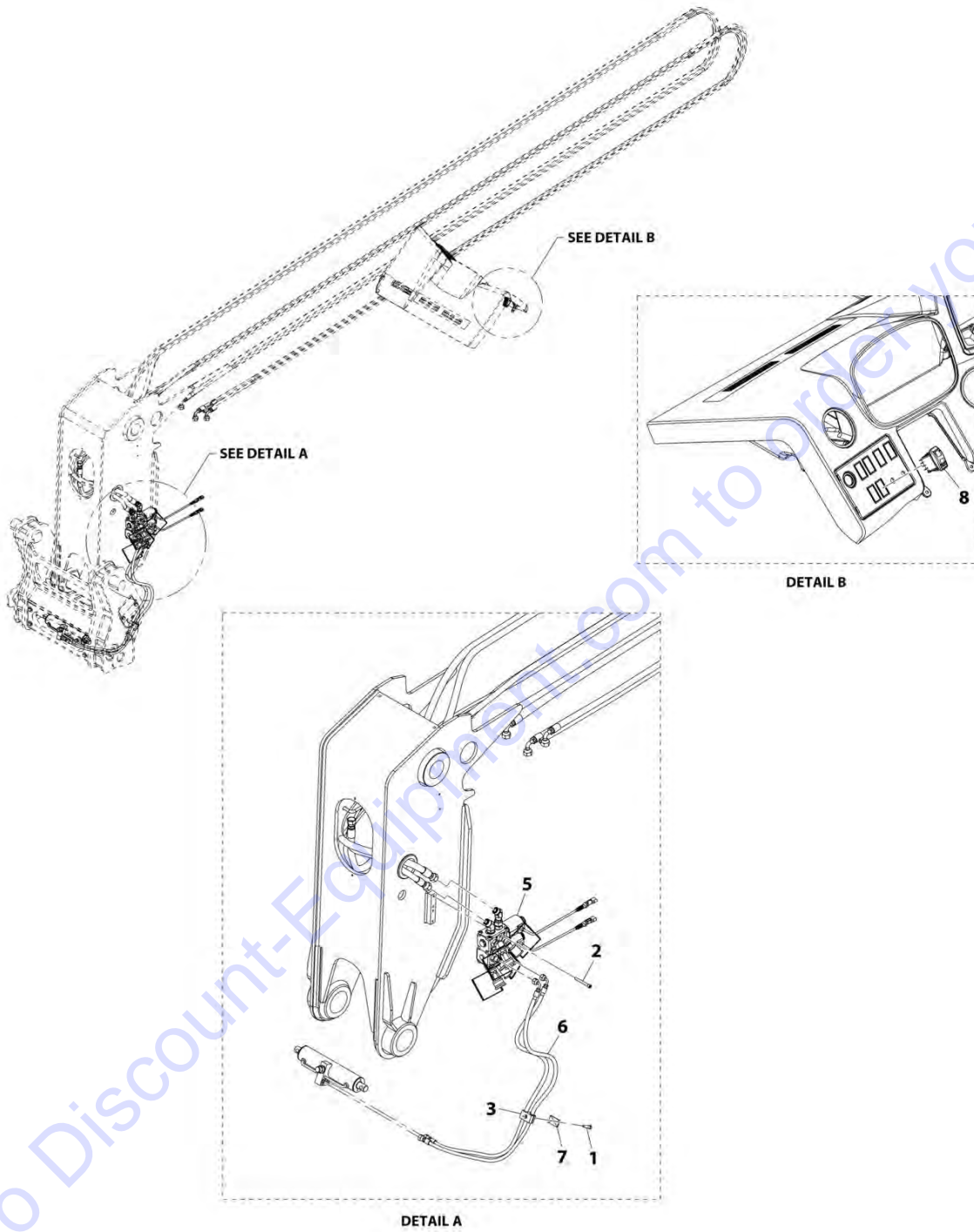
FIGURE 8-15. DIVERTER VALVE ASSEMBLY

ITEM	PART NUMBER	QTY	DESCRIPTION	REV
	1001213317	Ref	Diverter Valve Assembly	B
1	2110610	2	Fitting, Straight ORFS	
2	2111010	1	Fitting, Straight ORFS	
3	2151010	1	Fitting, 45 ORFS	
4	1001005904	2	Fitting, 45	
5	1001101041	1	Fitting, Male Quick Disconnect	
6	1001101042	1	Fitting, Female Quick Disconnect	
7	1001104477	1	Valve, Divertor (See Seperate Breakdown in Hydraulic Components Section)	
8	1001147416	1	Fitting, 45 ORFS	
9	91043125	1	Plug	
10	91043126	1	Cap, Dust	

Go to Discount-Equipment.com to order your parts

SECTION 8 - HYDRAULIC CIRCUITS

FIGURE 8-16. BOOM AUX HYDRAULIC INSTALLATION (HYDRAULIC - TWIN)



ART_1001192367-C

SECTION 8 - HYDRAULIC CIRCUITS

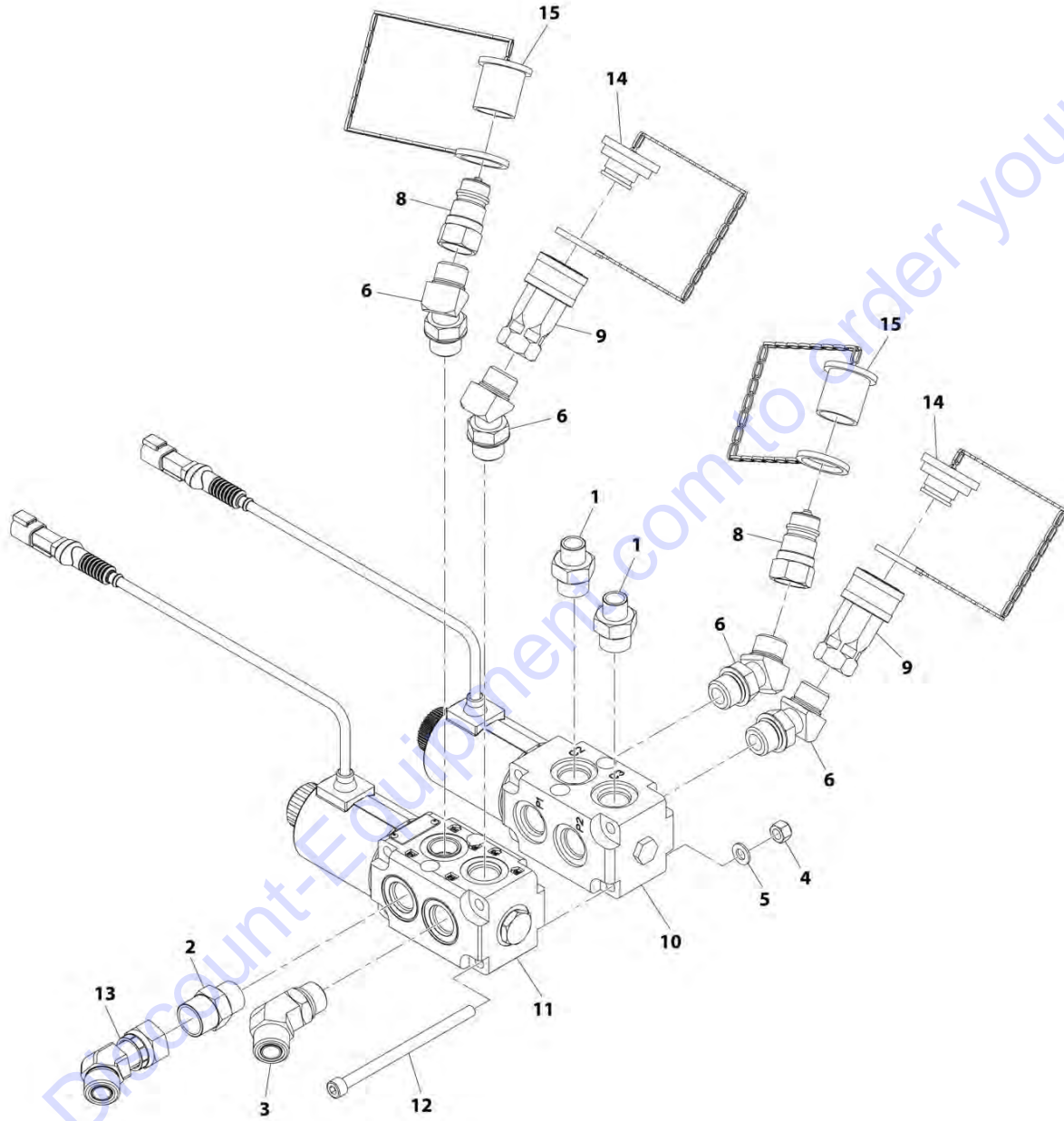
FIGURE 8-16. BOOM AUX HYDRAULIC INSTALLATION (HYDRAULIC - TWIN)

ITEM	PART NUMBER	QTY	DESCRIPTION	REV
	1001192367	Ref	Boom Aux Hydraulic Installation (hydraulic - twin)	C
1	0760815	1	Bolt, M8X35	
2	4031918	3	Bolt, M8X70	
3	8769126	1	Clamp	
5	1001213319	1	Assembly, Diverter Valve (hydraulic - twin) (See Seperate Breakdown in this Section)	
6	1001193111	2	Hose	
7	8769123	1	Plate, Cover	
8	1001080375	1	Switch	

Go to Discount-Equipment.com to order your parts

SECTION 8 - HYDRAULIC CIRCUITS

FIGURE 8-17. DIVERTER VALVE ASSEMBLY



ART_1001213319-C

SECTION 8 - HYDRAULIC CIRCUITS

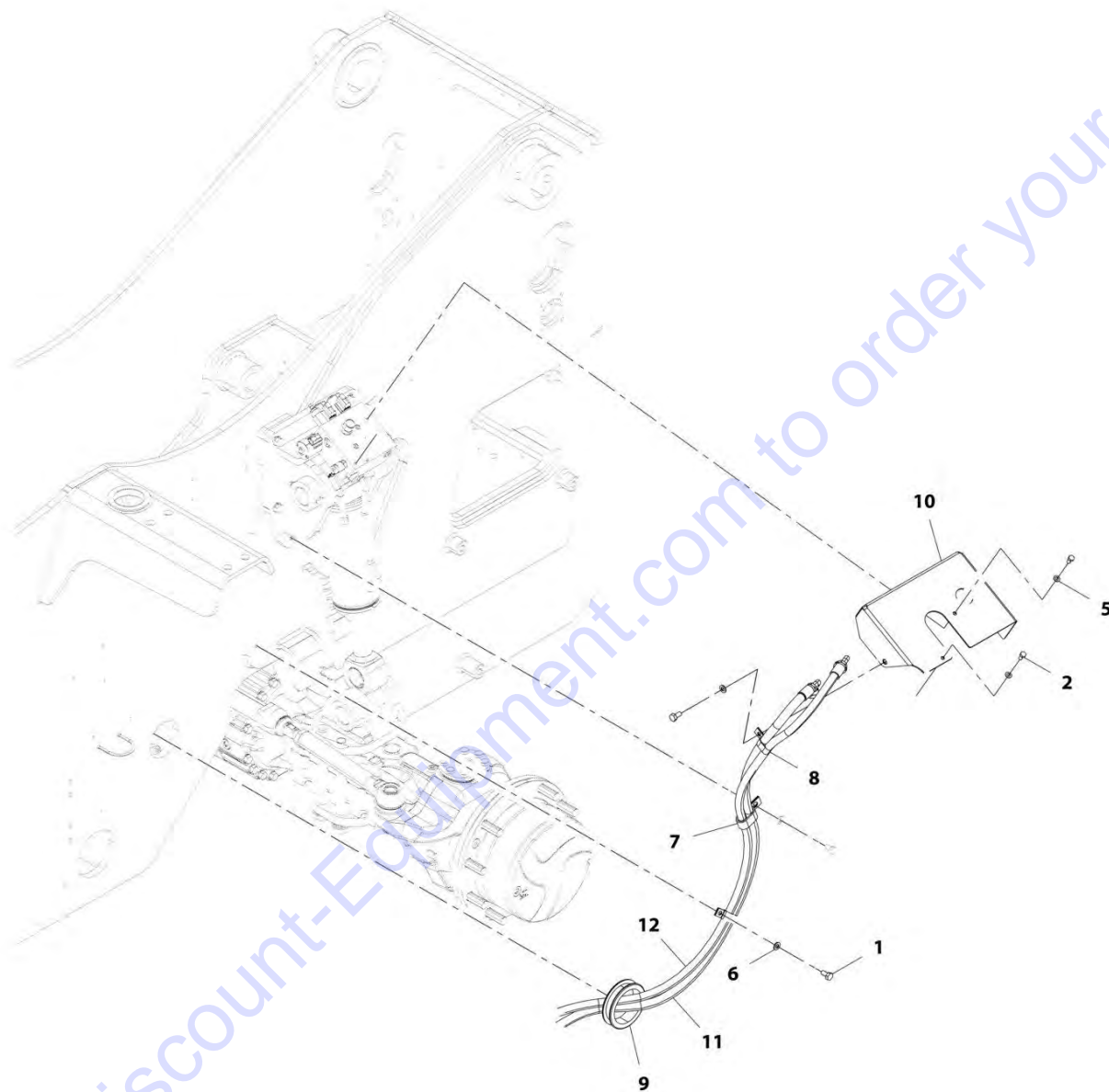
FIGURE 8-17. DIVERTER VALVE ASSEMBLY

ITEM	PART NUMBER	QTY	DESCRIPTION	REV
	1001213319	Ref	Diverter Valve Assembly	C
1	2110610	2	Fitting, Straight ORFS	
2	2111010	1	Fitting, Straight ORFS	
3	2151010	1	Fitting, 45 ORFS	
4	3290805	4	Nut, Lock M8X1.25	
5	4811900	4	Washer, M8	
6	1001005904	4	Fitting, 45	
8	1001101041	2	Fitting, Male Quick Disconnect	
9	1001101042	2	Fitting, Female Quick Disconnect	
10	1001104477	1	Valve, Divertor (See Seperate Breakdown in Hydraulic Component Section)	
11	1001110023	1	Valve, Divertor (See Seperate Breakdown in Hydraulic Components Section)	
12	1001110115	4	Bolt, M8X100	
13	1001147416	1	Fitting, 45 ORFS	
14	91043125	2	Plug	
15	91043126	2	Cap	

Go to Discount-Equipment.com to order your parts

SECTION 8 - HYDRAULIC CIRCUITS

FIGURE 8-18. RALP HYDRAULIC LINES INSTALLATION



ART_1001192555-B

SECTION 8 - HYDRAULIC CIRCUITS

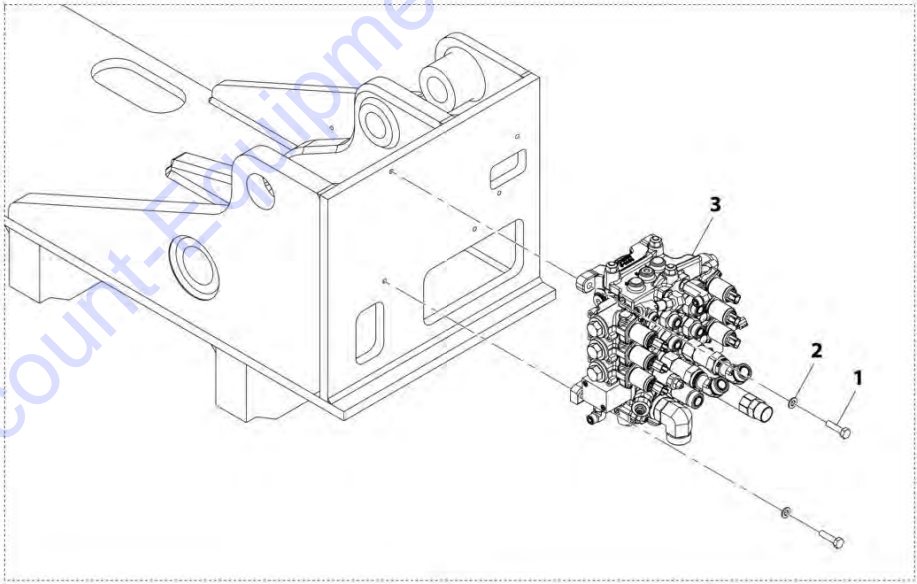
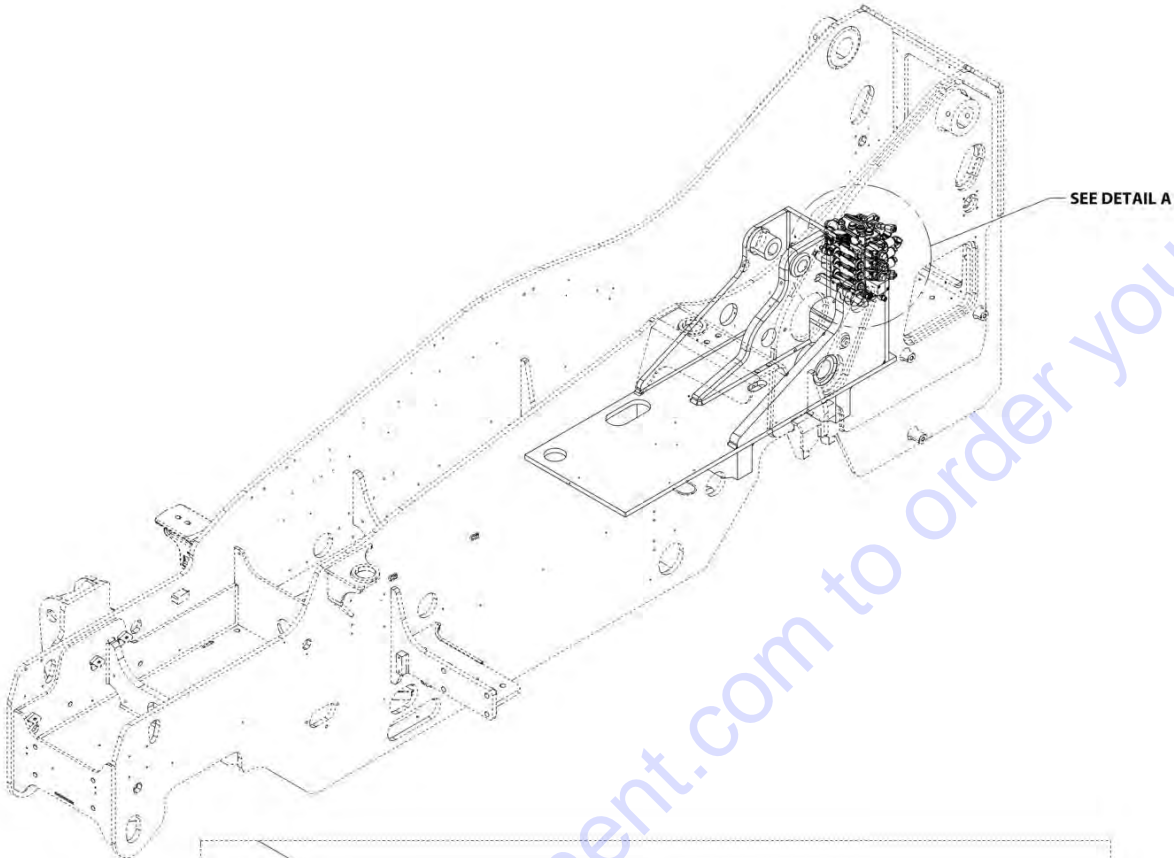
FIGURE 8-18. RALP HYDRAULIC LINES INSTALLATION

ITEM	PART NUMBER	QTY	DESCRIPTION	REV
	1001192555	1	RALP Hydraulic Lines Installation	B
1	0761010	2	Bolt, M10X20	
2	0760808	2	Bolt, M8X16	
5	4811900	2	Washer, M8	
6	4812000	2	Washer, M10	
7	1001026125	1	Clip	
8	1001026121	2	Clip	
9	1001028264	1	Grommet	
10	1001206608	1	Shield	
11	1001206607	1	Hose	
12	1001197489	1	Hose	

Go to Discount-Equipment.com to order your parts

SECTION 8 - HYDRAULIC CIRCUITS

FIGURE 8-19. MAIN CONTROL VALVE INSTALLATION



DETAIL A

ART_1001192889-C

SECTION 8 - HYDRAULIC CIRCUITS

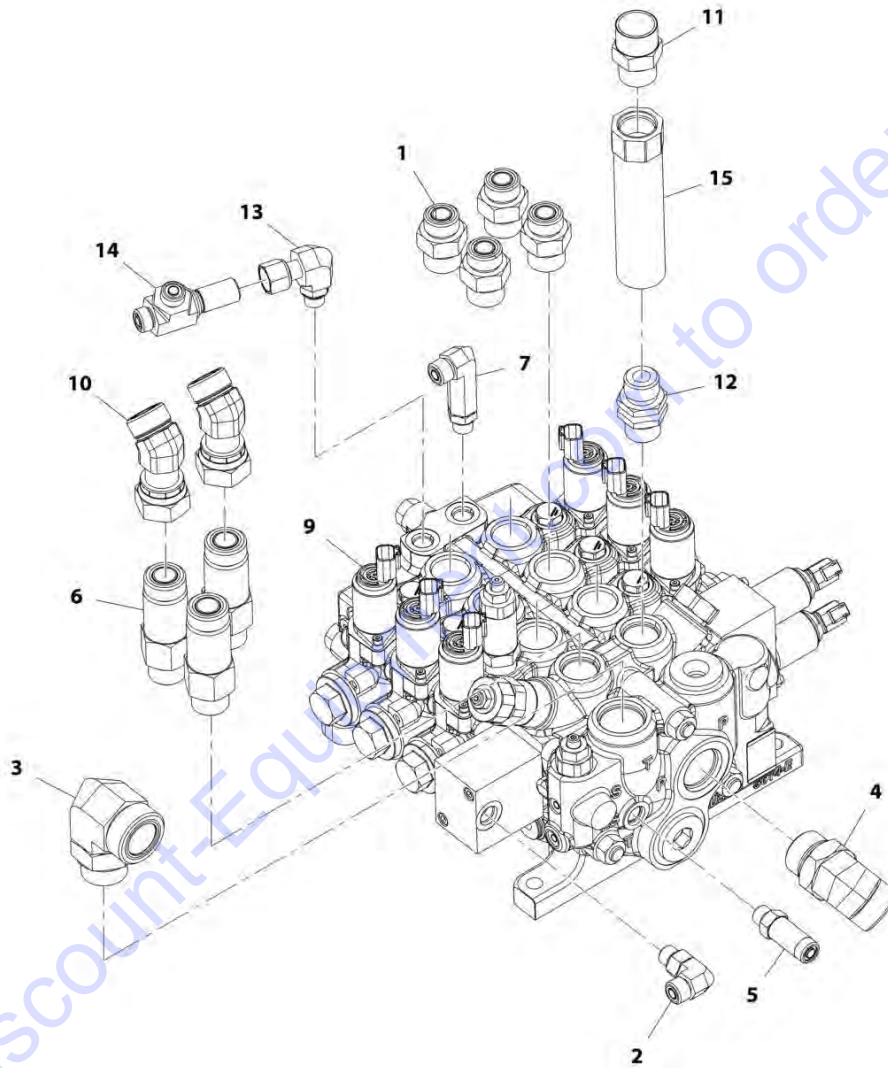
FIGURE 8-19. MAIN CONTROL VALVE INSTALLATION

ITEM	PART NUMBER	QTY	DESCRIPTION	REV
	1001192889	Ref	Main Control Valve Installation	C
1	0701016	3	Bolt, M10X40	
2	4812000	3	Washer, M10	
3	1001192890	1	Assembly, Main Control Valve (See Separate Breakdown in this Section)	

Go to Discount-Equipment.com to order your parts

SECTION 8 - HYDRAULIC CIRCUITS

FIGURE 8-20. MAIN CONTROL VALVE ASSEMBLY



ART_1001192890-D

SECTION 8 - HYDRAULIC CIRCUITS

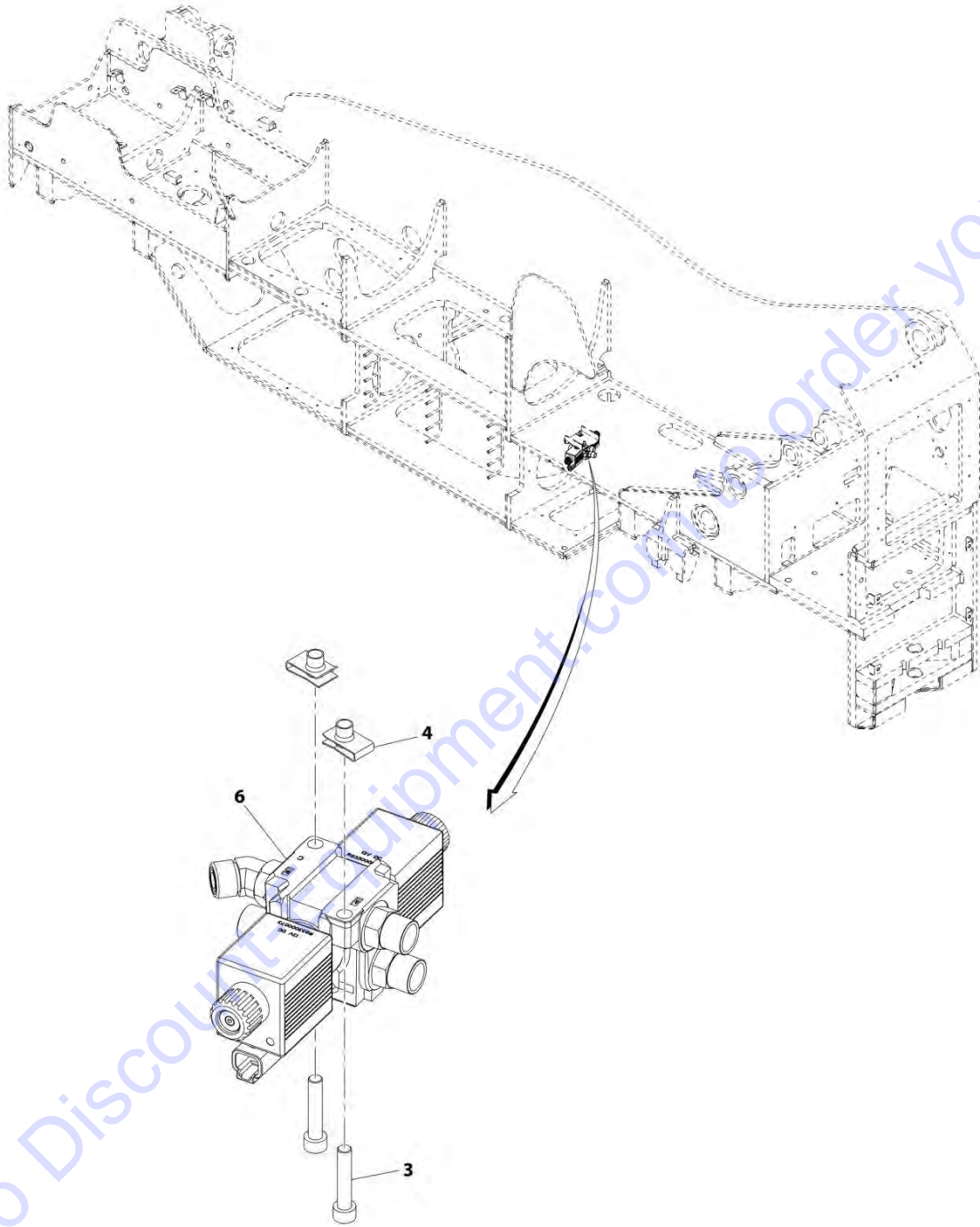
FIGURE 8-20. MAIN CONTROL VALVE ASSEMBLY

ITEM	PART NUMBER	QTY	DESCRIPTION	REV
	1001192890	Ref	Main Control Valve Assembly	D
1	2111012	4	Fitting, Straight ORFS	
2	2130606	1	Fitting, 90 ORFS	
3	2132016	1	Fitting, 90 ORFS	
4	2151616	1	Fitting, 45 ORFS	
5	2170106	1	Fitting, Straight ORFS	
6	2170112	3	Fitting, Straight ORFS	
7	2170206	1	Fitting, 90 ORFS	
9	1001192891	1	Valve, Main Control (See Separate Breakdown in Hydraulic Components Section)	
10	1001151238	2	Fitting, 45 ORFS	
11	2111212	1	Fitting, Straight ORFS	
12	8770030	1	Fitting, Straight ORFS	
13	8770104	1	Fitting, 90 ORFS	
14	8770286	1	Fitting, Tee ORFS	
15	1001224946	1	Valve, Check	

Go to Discount-Equipment.com to order your parts

SECTION 8 - HYDRAULIC CIRCUITS

FIGURE 8-21. STEERING SELECT VALVE INSTALLATION



ART_1001193516-B

SECTION 8 - HYDRAULIC CIRCUITS

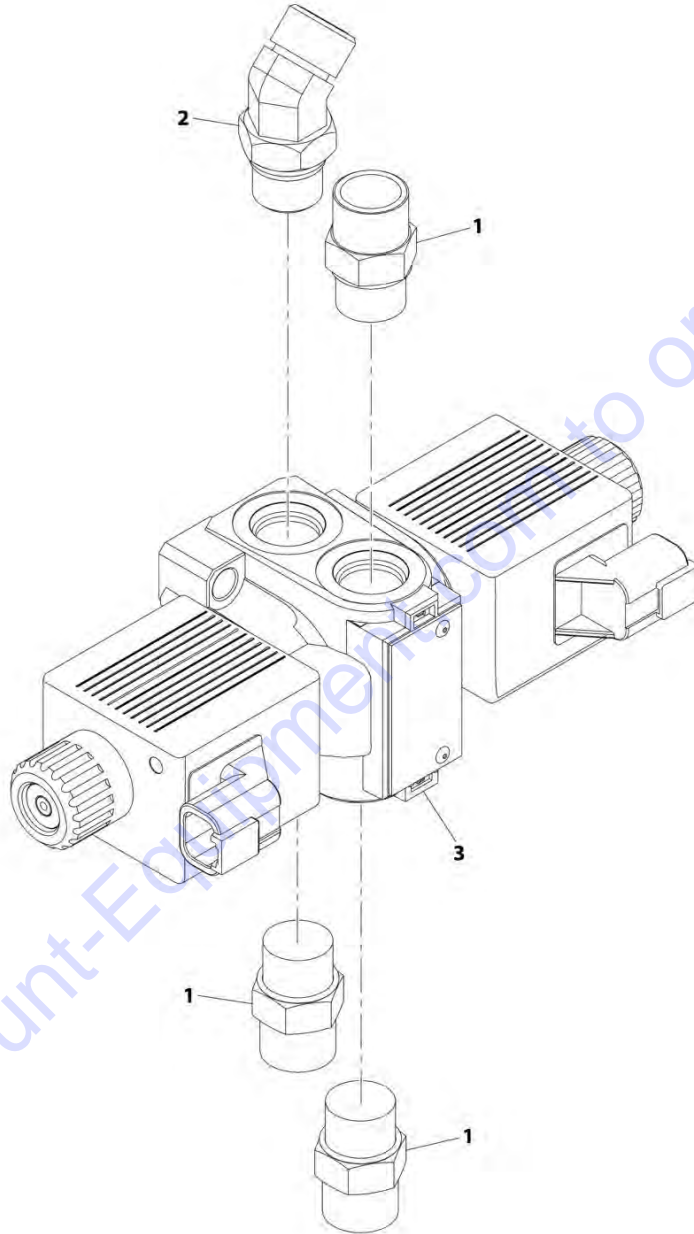
FIGURE 8-21. STEERING SELECT VALVE INSTALLATION

ITEM	PART NUMBER	QTY	DESCRIPTION	REV
	1001193516	Ref	Steering Select Valve Installation	B
3	4031912	2	Bolt, M8X40	
4	8310686	2	Nut, M8X12.5	
6	1001212418	1	Assembly, Steering Select Valve (See Seperate Breakdown in this Section)	

Go to Discount-Equipment.com to order your parts

SECTION 8 - HYDRAULIC CIRCUITS

FIGURE 8-22. STEERING SELECT VALVE ASSEMBLY



ART_1001212418-A

SECTION 8 - HYDRAULIC CIRCUITS

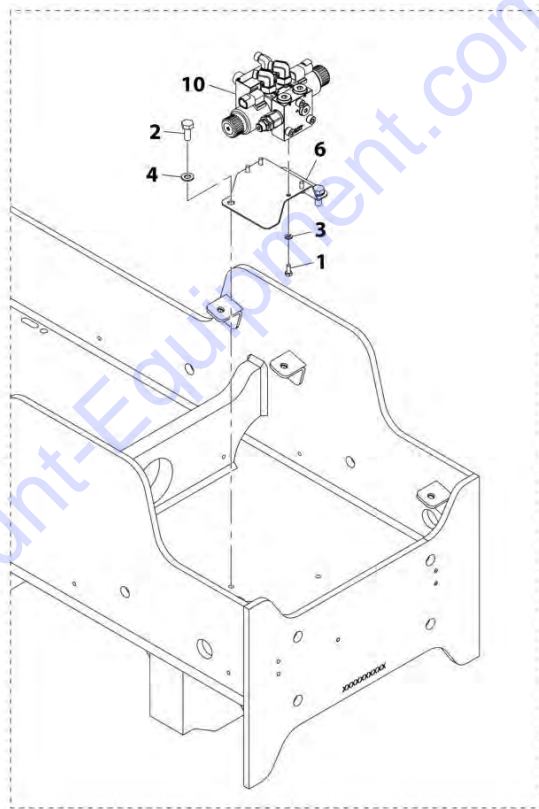
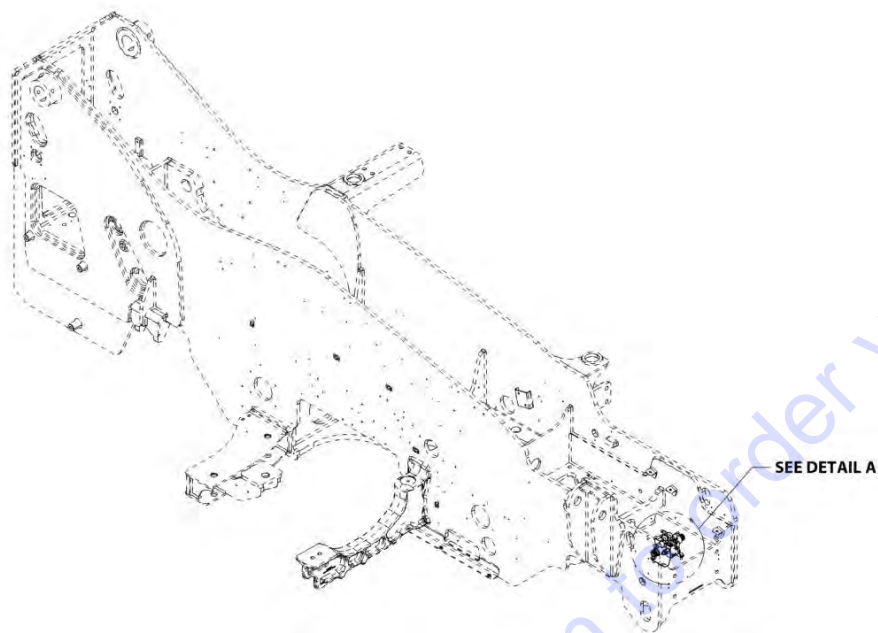
FIGURE 8-22. STEERING SELECT VALVE ASSEMBLY

ITEM	PART NUMBER	QTY	DESCRIPTION	REV
	1001212418	Ref	Steering Select Valve Assembly	A
1	2110808	3	Fitting, Straight ORFS	
2	2150808	1	Fitting, 45 ORFS	
3	1001153748	1	Valve, Steering Select (See Seperate Breakdown in Hydraulic Component Section)	

Go to Discount-Equipment.com to order your parts

SECTION 8 - HYDRAULIC CIRCUITS

FIGURE 8-23. FRAME LEVEL VALVE INSTALLATION



DETAIL A

ART_1001193517-D

SECTION 8 - HYDRAULIC CIRCUITS

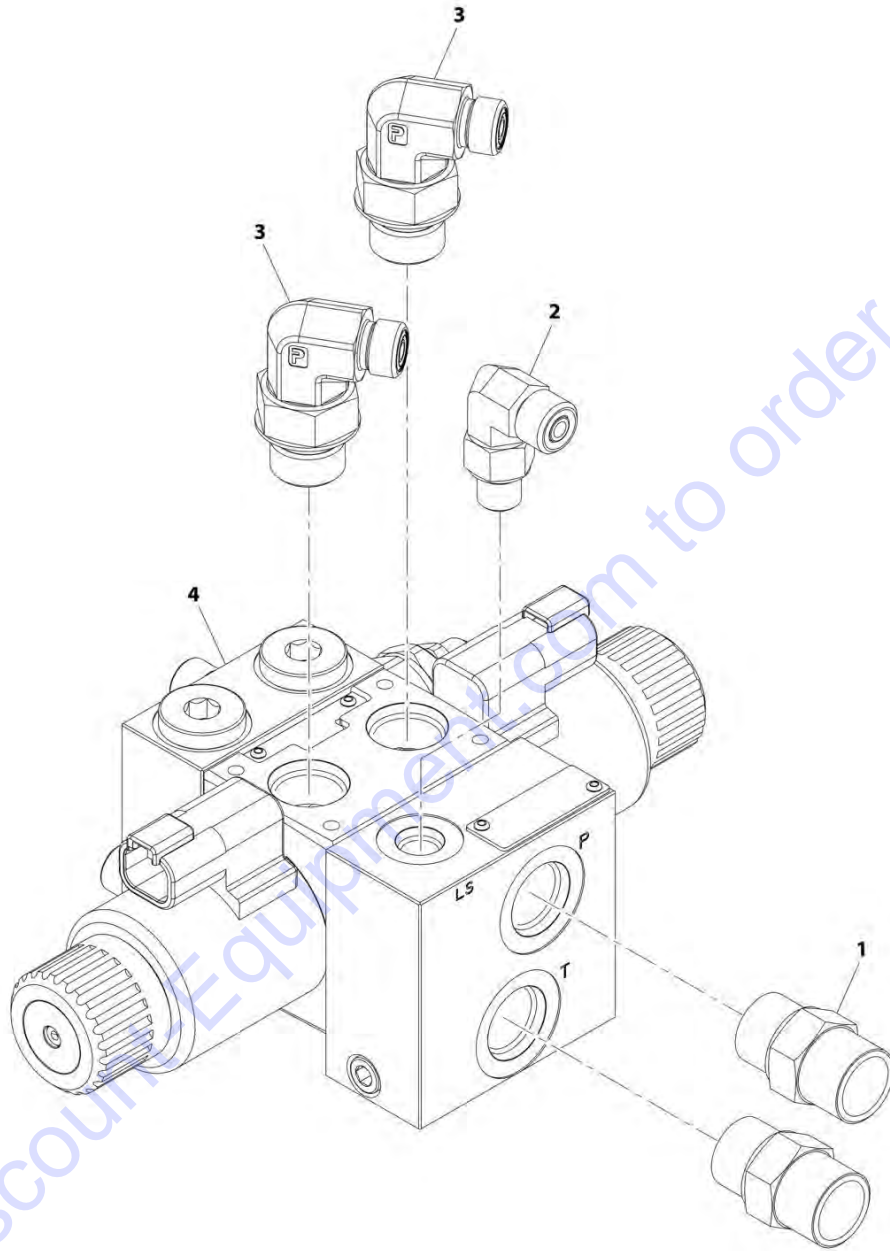
FIGURE 8-23. FRAME LEVEL VALVE INSTALLATION

ITEM	PART NUMBER	QTY	DESCRIPTION	REV
	1001193517	Ref	Frame Level Valve Installation	D
1	0760607	4	Bolt, M6X14	
2	0761012	2	Bolt, M10X25	
3	4811700	4	Washer, M6	
4	4812000	2	Washer, M10	
6	1001195733	1	Bracket	
10	1001215341	1	Assembly, Frame Level Valve (See Seperate Breakdown in this Section)	

Go to Discount-Equipment.com to order your parts

SECTION 8 - HYDRAULIC CIRCUITS

FIGURE 8-24. FRAME LEVEL VALVE ASSEMBLY



ART_1001215341-B

SECTION 8 - HYDRAULIC CIRCUITS

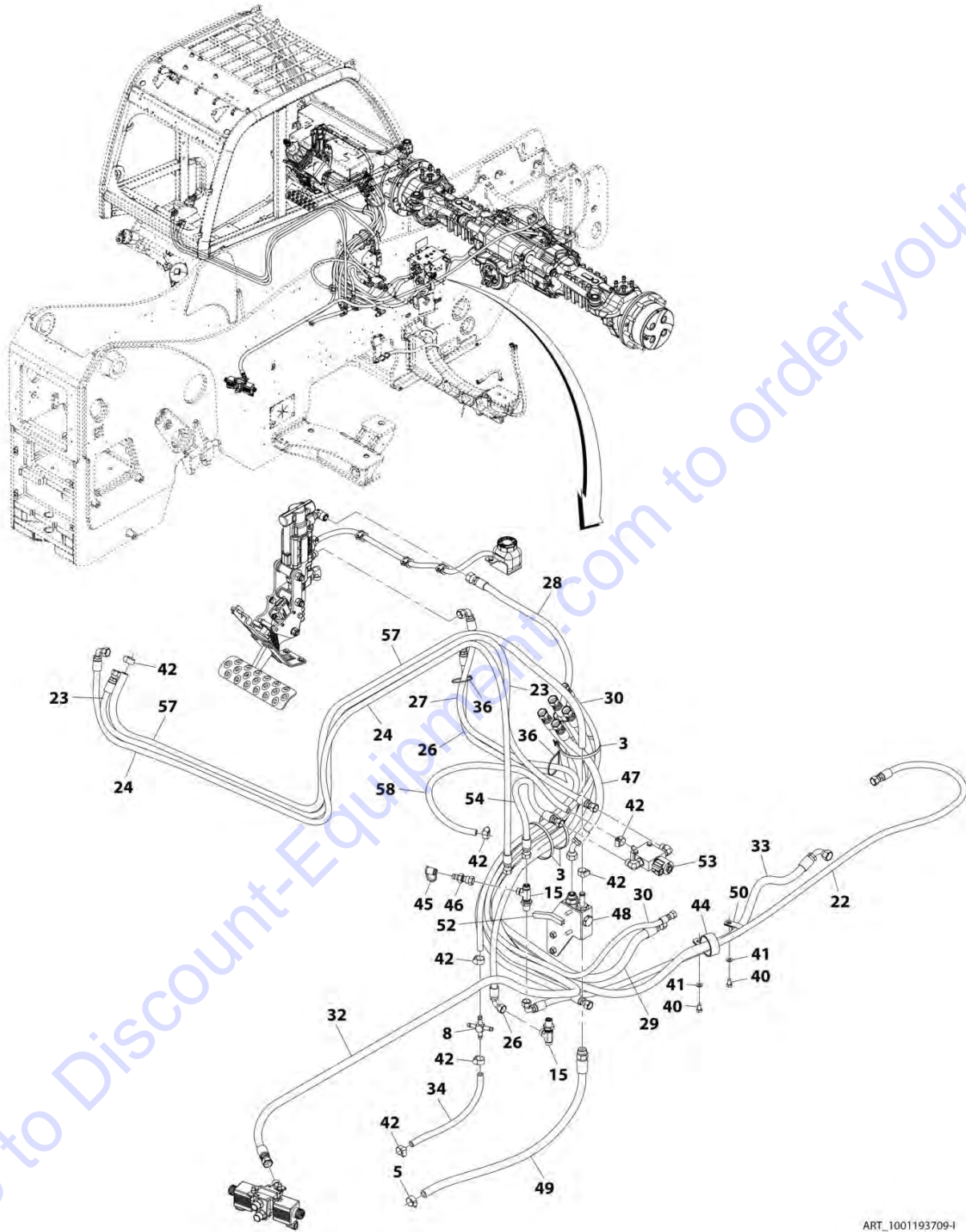
FIGURE 8-24. FRAME LEVEL VALVE ASSEMBLY

ITEM	PART NUMBER	QTY	DESCRIPTION	REV
	1001215341	Ref	Frame Level Valve Assembly	B
1	2110808	2	Fitting, Straight ORFS	
2	2130404	1	Fitting, 90 ORFS	
3	2130408	2	Fitting, 90 ORFS	
4	1001219615	1	Valve, Frame Level (See Seperate Breakdown in Hydraulic Components Section)	

Go to Discount-Equipment.com to order your parts

SECTION 8 - HYDRAULIC CIRCUITS

FIGURE 8-25. CAB HYDRAULICS INSTALLATION



ART_1001193709-I

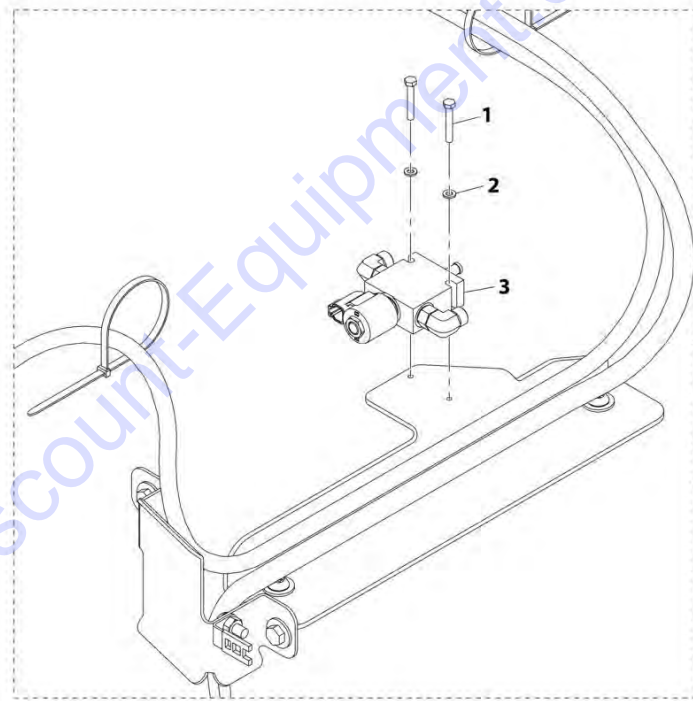
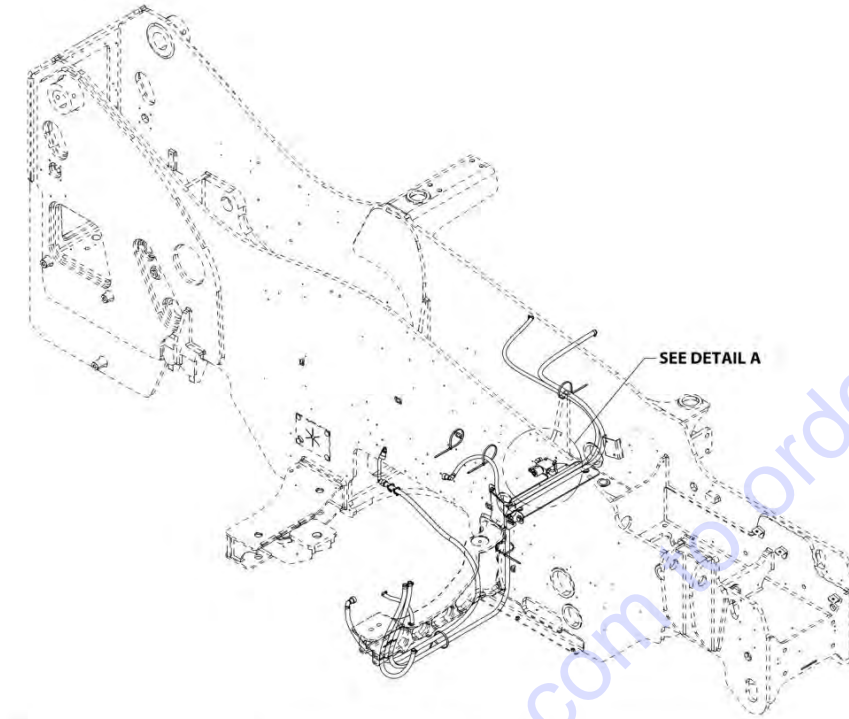
SECTION 8 - HYDRAULIC CIRCUITS

FIGURE 8-25. CAB HYDRAULICS INSTALLATION

ITEM	PART NUMBER	QTY	DESCRIPTION	REV
	1001193709	Ref	Cab Hydraulics Installation	I
3	4240018	3	Strap, Cable	
5	8405006	1	Clamp	
8	1001215256	1	Fitting, Cross Barb	
15	88662434	2	Fitting, Tee ORFS	
22	1001210800	1	Hose	
23	1001221989	1	Hose	
24	1001210327	1	Hose	
26	1001196989	1	Hose	
27	1001206709	1	Hose	
28	1001210282	1	Hose	
29	1001196992	1	Hose	
30	1001196993	1	Hose	
32	1001196995	1	Hose	
33	1001196996	1	Hose	
34	1001196997	1	Hose	
36	4240099	3	Tie, Wire	
40	0760807	2	Bolt, M8X14	
41	4811900	2	Washer, M8	
42	8410013	7	Clamp	
44	85941018	1	Clamp	
45	8430032	1	Plug	
46	8430081	1	Fitting, Straight ORFS	
47	1001212787	1	Hose	
48	1001212788	Ref	Installation, Check Valve (See Separate Breakdown in this Section)	
49	1001212880	1	Hose	
50	8406201	1	Clip	
52	90206198	186 mm	Compound, Locking	
53	1001221987	Ref	Installation, Solenoid Valve (See Separate Breakdown in this Section)	
54	1001221988	1	Hose	
57	2720160	2290 mm	Hose	
58	1001008654	750 mm	Hose	

SECTION 8 - HYDRAULIC CIRCUITS

FIGURE 8-26. SOLENOID VALVE INSTALLATION



DETAIL A

ART_1001221987-A

SECTION 8 - HYDRAULIC CIRCUITS

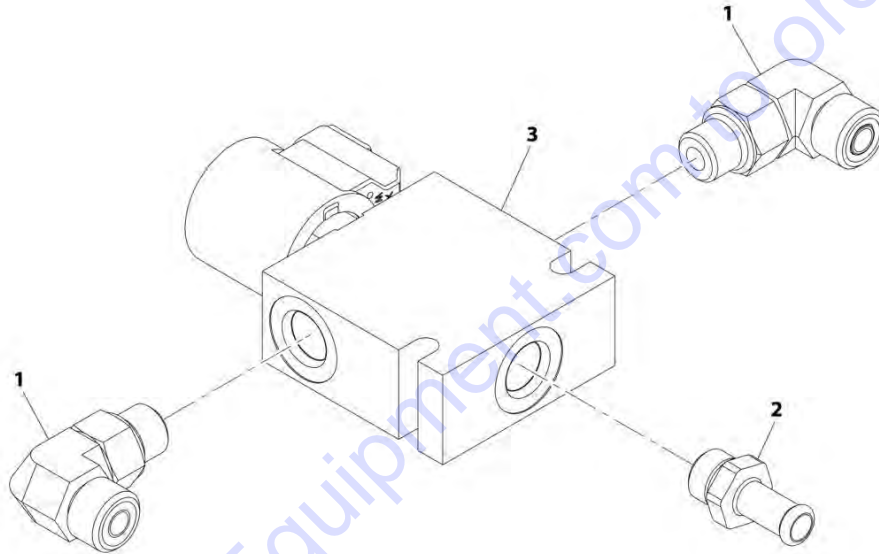
FIGURE 8-26. SOLENOID VALVE INSTALLATION

ITEM	PART NUMBER	QTY	DESCRIPTION	REV
	1001221987	Ref	Solenoid Valve Installation	A
1	0700616	2	Bolt, M6X40	
2	4811700	2	Washer, M6	
3	1001221986	1	Assembly, Solenoid Valve (See Seperate Breakdown in this Section)	

Go to Discount-Equipment.com to order your parts

SECTION 8 - HYDRAULIC CIRCUITS

FIGURE 8-27. SOLENOID VALVE ASSEMBLY



ART_1001221986-A

SECTION 8 - HYDRAULIC CIRCUITS

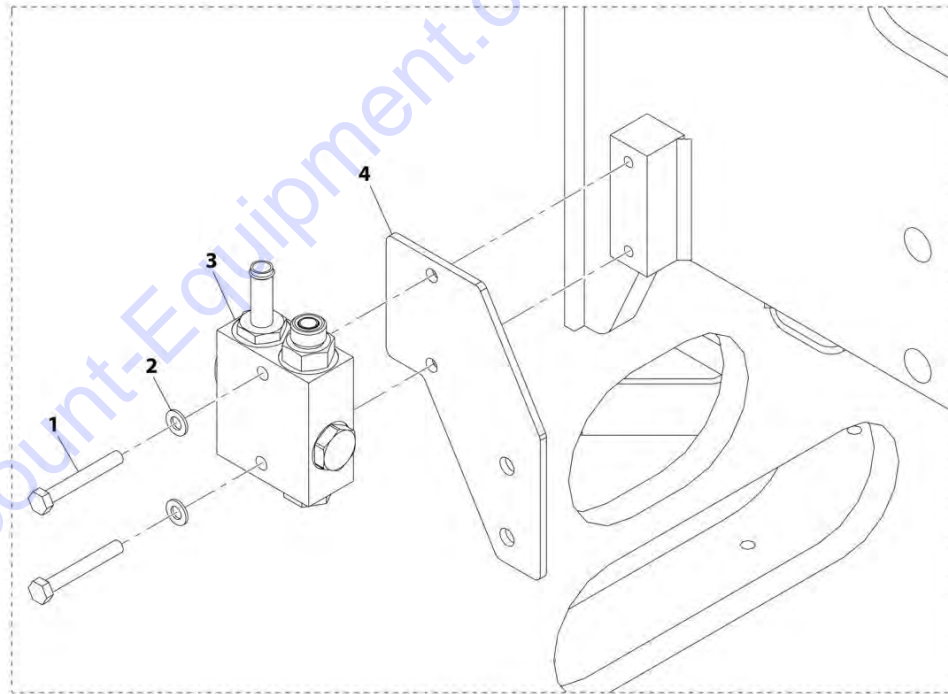
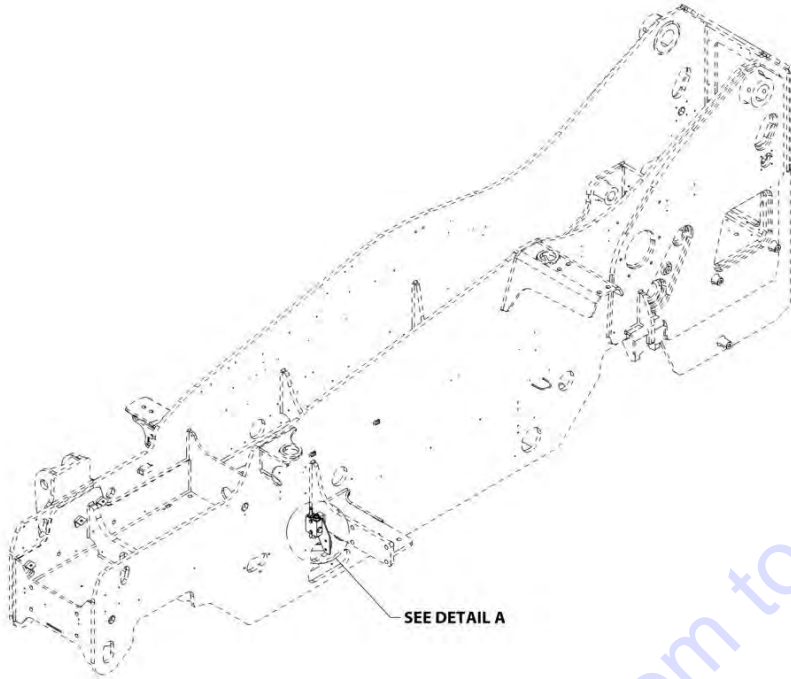
FIGURE 8-27. SOLENOID VALVE ASSEMBLY

ITEM	PART NUMBER	QTY	DESCRIPTION	REV
	1001221986	Ref	Solenoid Valve Assembly	A
1	2130606	2	Fitting, 90 ORFS	
2	1001168030	1	Fitting, Hose Barb	
3	1001221928	1	Valve, Solenoid (See Seperate Breakdown in Hydraulic Components Section)	

Go to Discount-Equipment.com to order your parts

SECTION 8 - HYDRAULIC CIRCUITS

FIGURE 8-28. CHECK VALVE INSTALLATION



DETAIL A

ART_1001212788-A

SECTION 8 - HYDRAULIC CIRCUITS

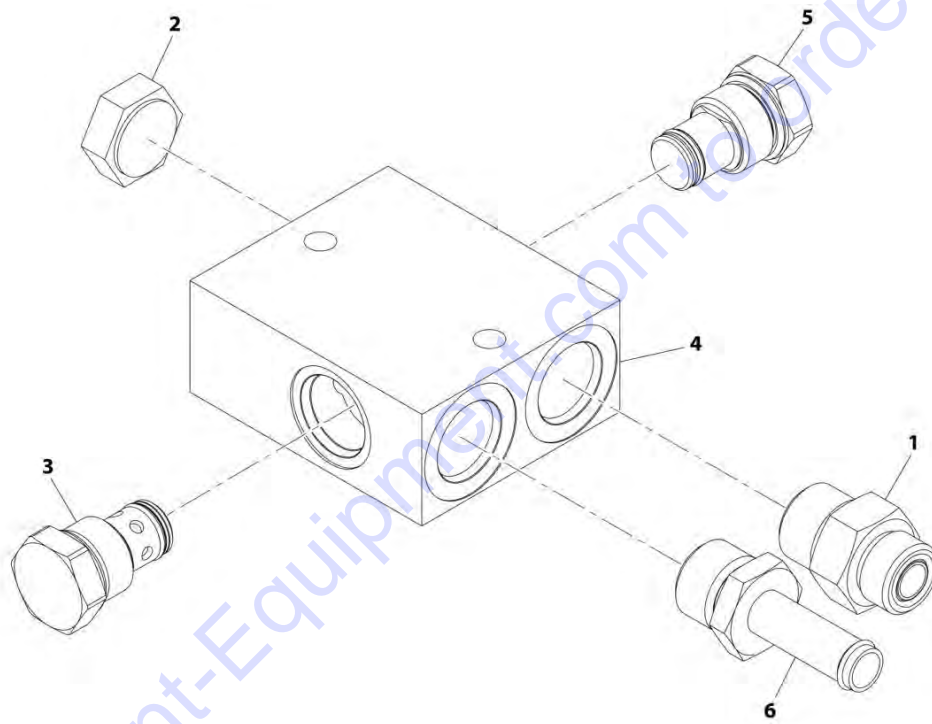
FIGURE 8-28. CHECK VALVE INSTALLATION

ITEM	PART NUMBER	QTY	DESCRIPTION	REV
	1001212788	Ref	Check Valve Installation	A
1	0700820	2	Bolt, M8X60	
2	4811900	2	Washer, M8	
3	1001212789	1	Assembly, Check Valve (See Seperate Breakdown in this Section)	
4	1001219659	1	Plate	

Go to Discount-Equipment.com to order your parts

SECTION 8 - HYDRAULIC CIRCUITS

FIGURE 8-29. CHECK VALVE ASSEMBLY



ART_1001212789-C

SECTION 8 - HYDRAULIC CIRCUITS

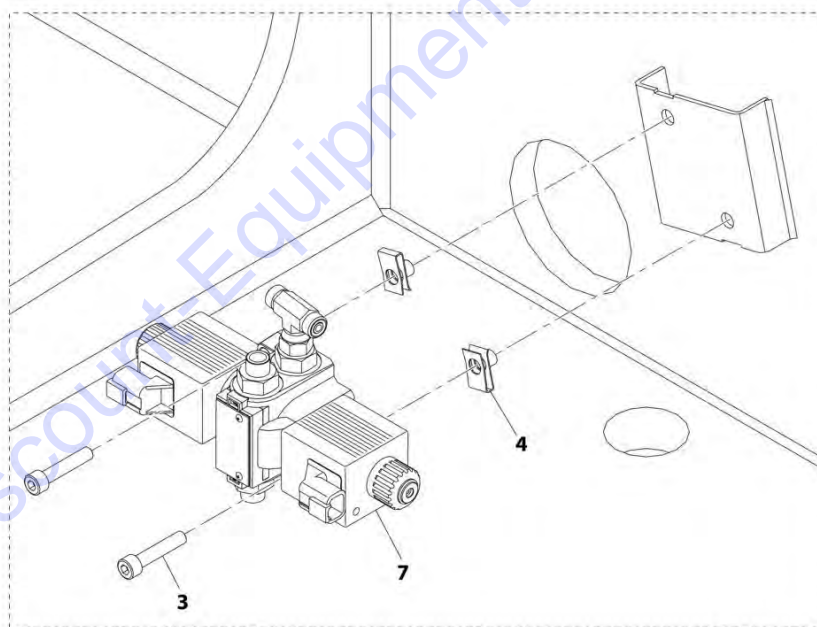
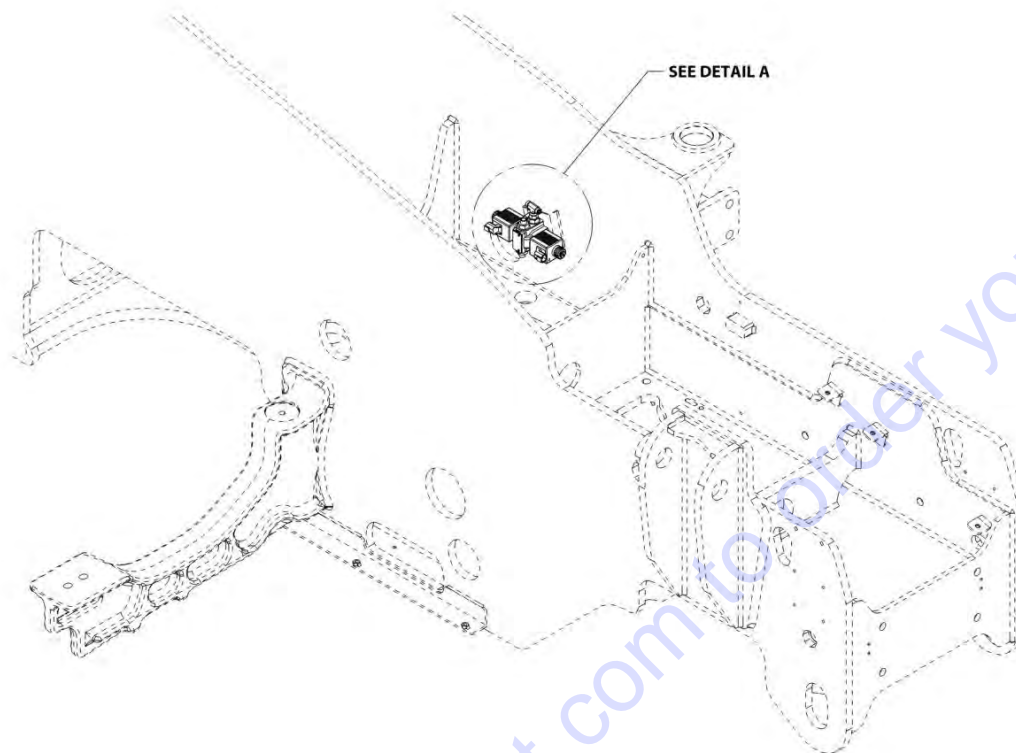
FIGURE 8-29. CHECK VALVE ASSEMBLY

ITEM	PART NUMBER	QTY	DESCRIPTION	REV
	1001212789	Ref	Check Valve Assembly	C
1	2110810	1	Fitting, Straight ORFS	
2	2220239	1	Plug	
3	1001231393	1	1001212789	
4	1001210780	1	Manifold, Dual Check Valve (See Seperate Breakdown in Hydraulic Components Section)	
5	1001210801	1	Valve, Check	
6	1001225656	1	Fitting, Barb	

Go to Discount-Equipment.com to order your parts

SECTION 8 - HYDRAULIC CIRCUITS

FIGURE 8-30. SPEED CONTROL VALVE INSTALLATION



DETAIL A

ART_1001197196-B

SECTION 8 - HYDRAULIC CIRCUITS

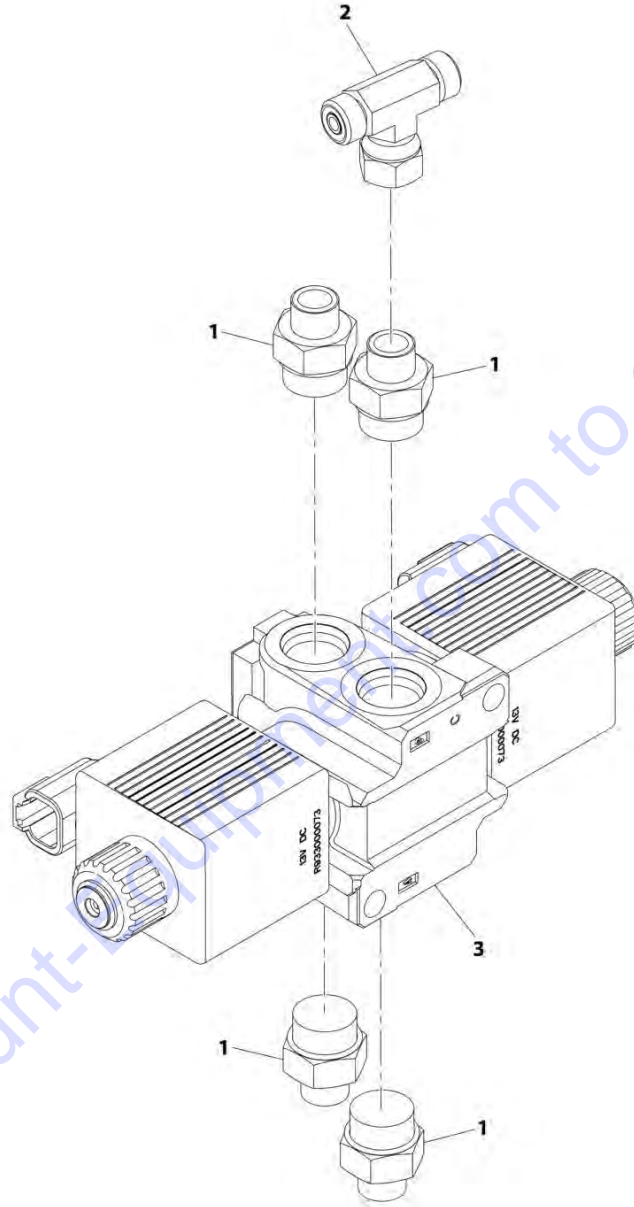
FIGURE 8-30. SPEED CONTROL VALVE INSTALLATION

ITEM	PART NUMBER	QTY	DESCRIPTION	REV
	1001197196	Ref	Speed Control Valve Installation	B
3	4031912	2	Bolt, M8X40	
4	8310686	2	Nut, M8X12.5	
7	1001220643	1	Assembly, Speed Control Valve (See Seperate Breakdown in this Section)	

Go to Discount-Equipment.com to order your parts

SECTION 8 - HYDRAULIC CIRCUITS

FIGURE 8-31. SPEED CONTROL VALVE ASSEMBLY



ART_1001220643-A

SECTION 8 - HYDRAULIC CIRCUITS

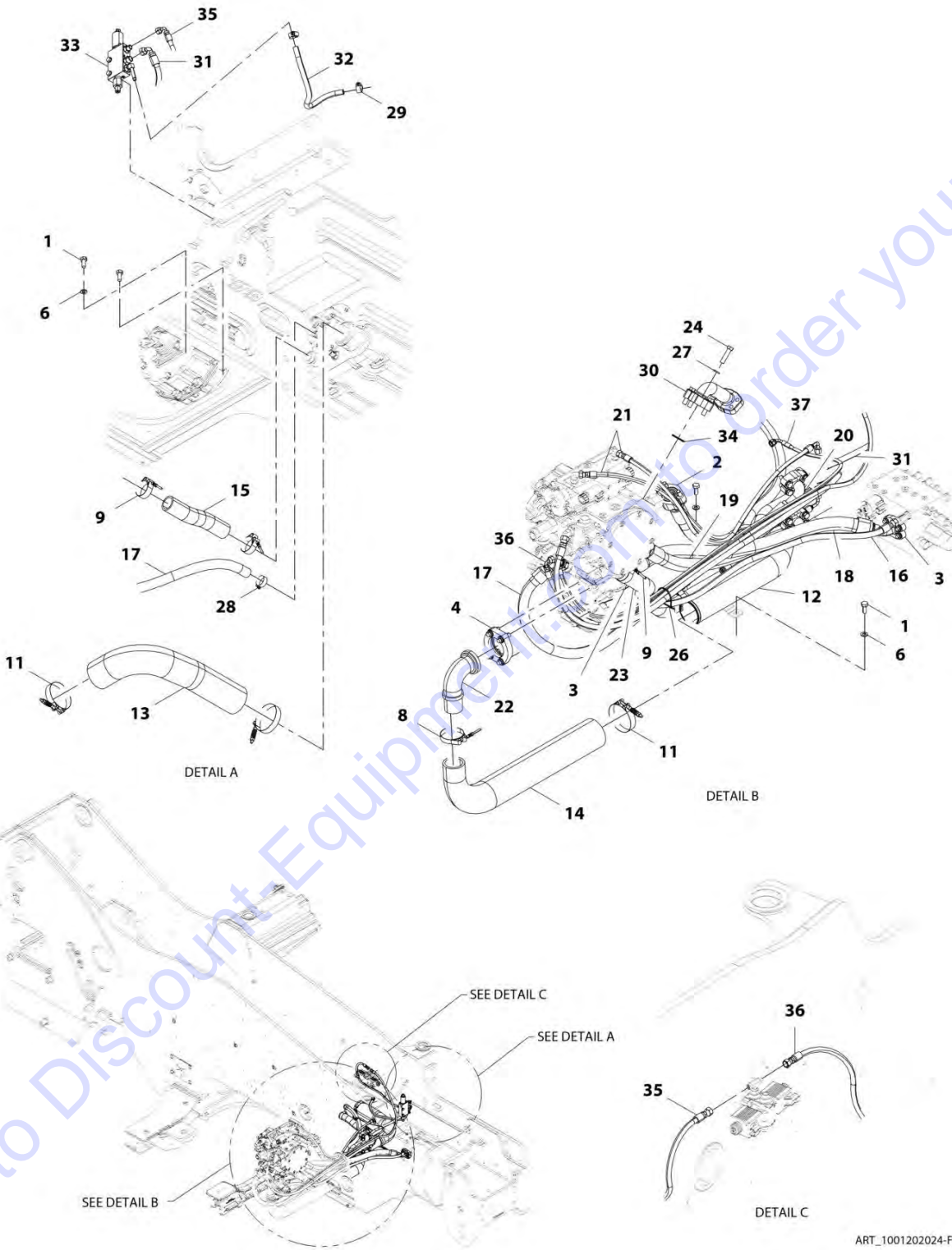
FIGURE 8-31. SPEED CONTROL VALVE ASSEMBLY

ITEM	PART NUMBER	QTY	DESCRIPTION	REV
	1001220643	Ref	Speed Control Valve Assembly	A
1	2110408	4	Fitting, Straight ORFS	
2	2170804	1	Fitting, Tee	
3	4641520	1	Valve, Speed Control (See Seperate Breakdown in Hydraulic Components Section)	

Go to Discount-Equipment.com to order your parts

SECTION 8 - HYDRAULIC CIRCUITS

FIGURE 8-32. ENGINE BAY HYDRAULIC INSTALLATION



ART_1001202024-F

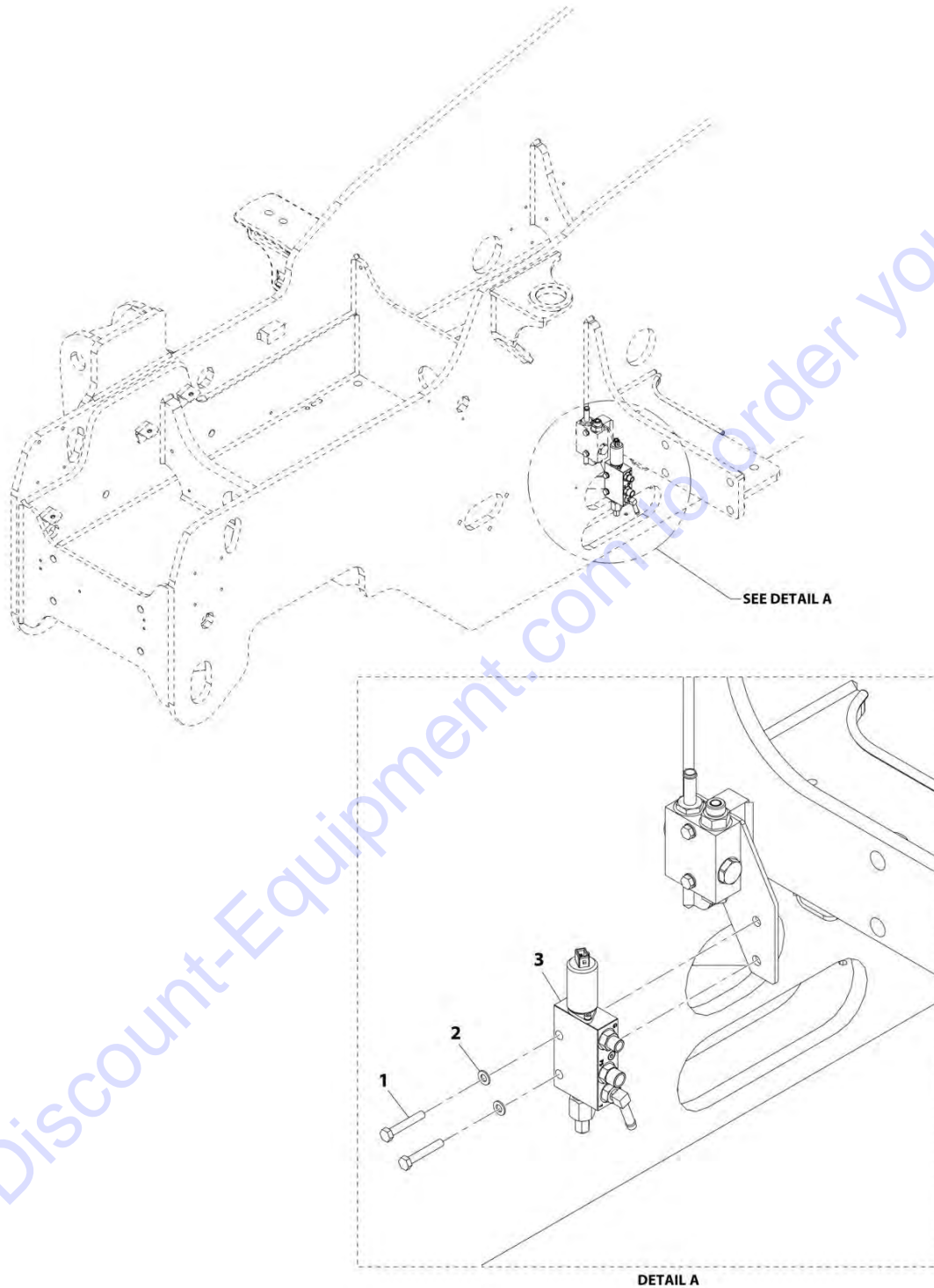
SECTION 8 - HYDRAULIC CIRCUITS

FIGURE 8-32. ENGINE BAY HYDRAULIC INSTALLATION

ITEM	PART NUMBER	QTY	DESCRIPTION	REV
	1001202024	Ref	Engine Bay Installation	F
1	0761012	4	Bolt, M10X25	
2	1001217948	4	Kit, Flange (includes mounting hardware and o-ring)	
3	2171816	2	Kit, Flange (includes mounting hardware and o-ring)	
4	2171832	1	Kit, Flange (includes mounting hardware and o-ring)	
6	4812000	4	Washer, M10	
8	1001005438	1	Clamp	
9	1001014231	4	Clamp	
11	1001186843	3	Clamp	
12	1001187272	1	Pipe	
13	1001187273	1	Hose	
14	1001187275	1	Hose	
15	1001193461	1	Hose	
16	1001196959	1	Hose	
17	1001215802	1	Hose	
18	1001214431	1	Hose	
19	1001214430	1	Hose	
20	1001214429	1	Hose	
21	1001215539	2	Hose	
22	8424233	1	Fitting, 90	
23	1001202027	1	Hose	
24	0681714	4	Bolt, 7/16-14X1 3/4 Grade 8	
26	4240099	AR	Tie, Wire	
27	4761700	4	Washer, Lock 7/16	
28	8405007	1	Clamp	
29	8410013	2	Clamp	
30	1001200870	1	Fitting, 90	
31	1001213306	1	Hose	
32	1001213307	1	Hose	
33	1001213308	1	Installation, Inching Valve (See Seperate Breakdown in this Section)	
34	91083106	1	O-Ring	
35	1001215093	1	Hose	
36	1001215212	1	Hose	
37	1001223109	1	Hose	

SECTION 8 - HYDRAULIC CIRCUITS

FIGURE 8-33. INCHING VALVE INSTALLATION



ART_1001213308-A

SECTION 8 - HYDRAULIC CIRCUITS

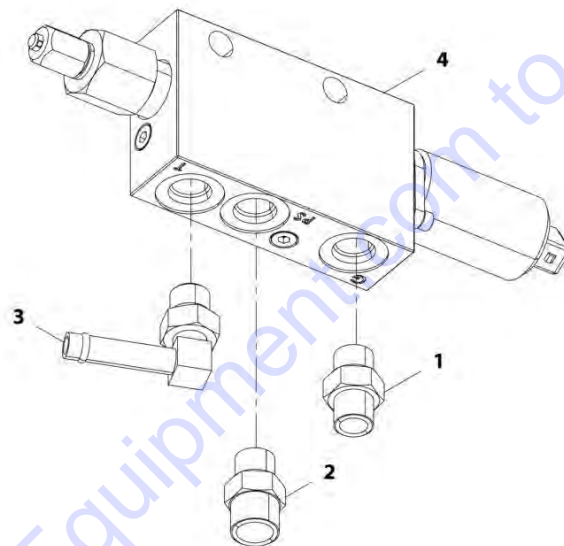
FIGURE 8-33. INCHING VALVE INSTALLATION

ITEM	PART NUMBER	QTY	DESCRIPTION	REV
	1001213308	Ref	Inching Valve Installation	A
1	0700818	2	Bolt, M8X50	
2	4811900	2	Washer, M8	
3	1001213309	1	Assembly, Inching Valve (See Seperate Breakdown in this Section)	

Go to Discount-Equipment.com to order your parts

SECTION 8 - HYDRAULIC CIRCUITS

FIGURE 8-34. INCHING VALVE ASSEMBLY



ART_1001213309-B

SECTION 8 - HYDRAULIC CIRCUITS

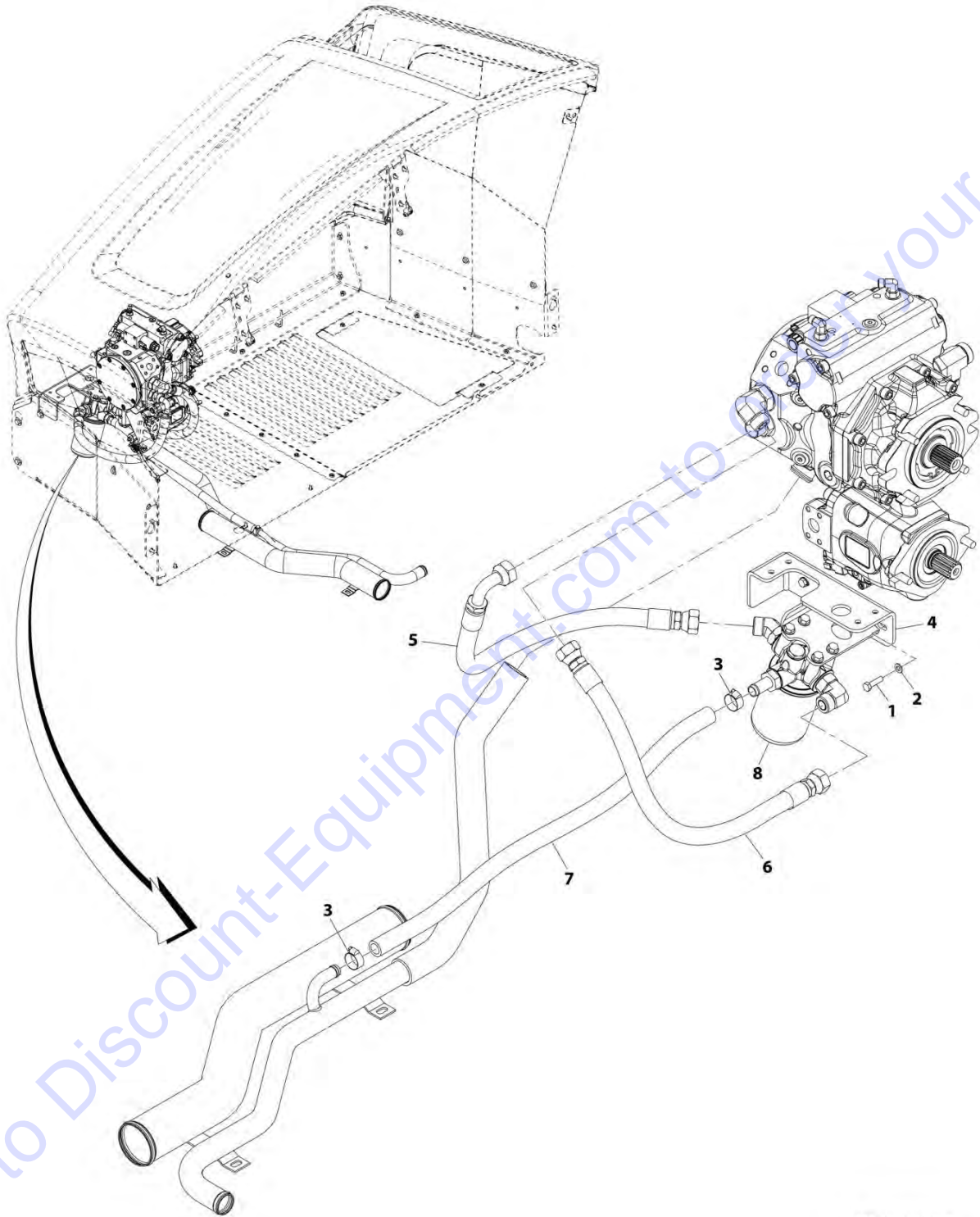
FIGURE 8-34. INCHING VALVE ASSEMBLY

ITEM	PART NUMBER	QTY	DESCRIPTION	REV
	1001213309	Ref	Inching Valve Assembly	B
1	2110406	1	Fitting, Straight ORFS	
2	2110606	1	Fitting, Straight ORFS	
3	8430034	1	Elbow, 90	
4	1001213311	1	Valve, Inching (See Seperate Breakdown in Hydraulic Component Section)	

Go to Discount-Equipment.com to order your parts

SECTION 8 - HYDRAULIC CIRCUITS

FIGURE 8-35. CHARGE FILTER LINES INSTALLATION



ART_1001202026-B

SECTION 8 - HYDRAULIC CIRCUITS

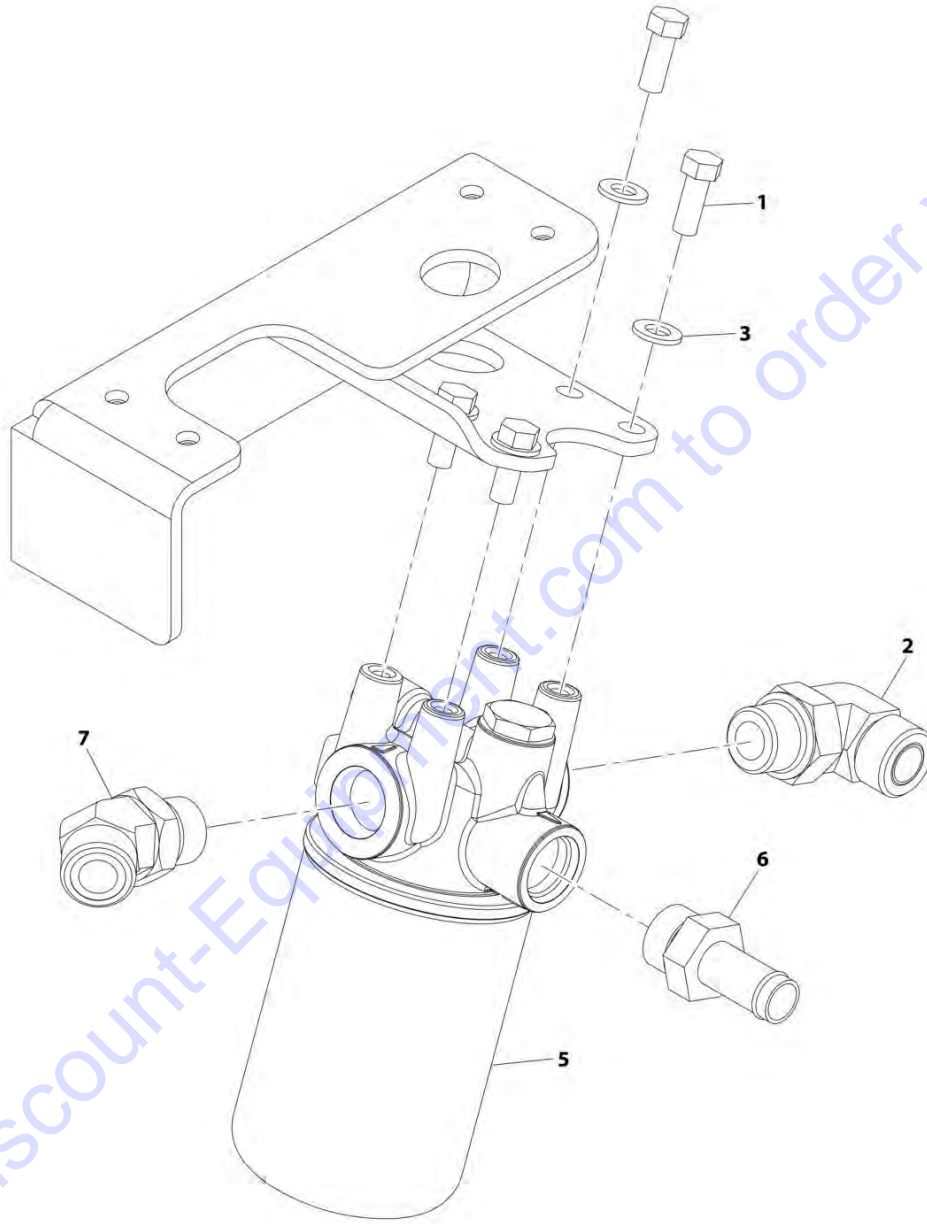
FIGURE 8-35. CHARGE FILTER LINES INSTALLATION

ITEM	PART NUMBER	QTY	DESCRIPTION	REV
	1001202026	Ref	Charge Filter Lines Installation	B
1	0700814	2	Bolt, M8X30	
2	4811900	2	Washer, M8	
3	8405007	2	Clamp	
4	1001195431	1	Bracket	
5	1001195433	1	Hose	
6	1001195434	1	Hose	
7	1001195435	1	Hose	
8	1001202038	Ref	Installation, Charge Filter (See Seperate Breakdown in this Section)	

Go to Discount-Equipment.com to order your parts

SECTION 8 - HYDRAULIC CIRCUITS

FIGURE 8-36. CHARGE FILTER INSTALLATION



ART_1001195430-C

SECTION 8 - HYDRAULIC CIRCUITS

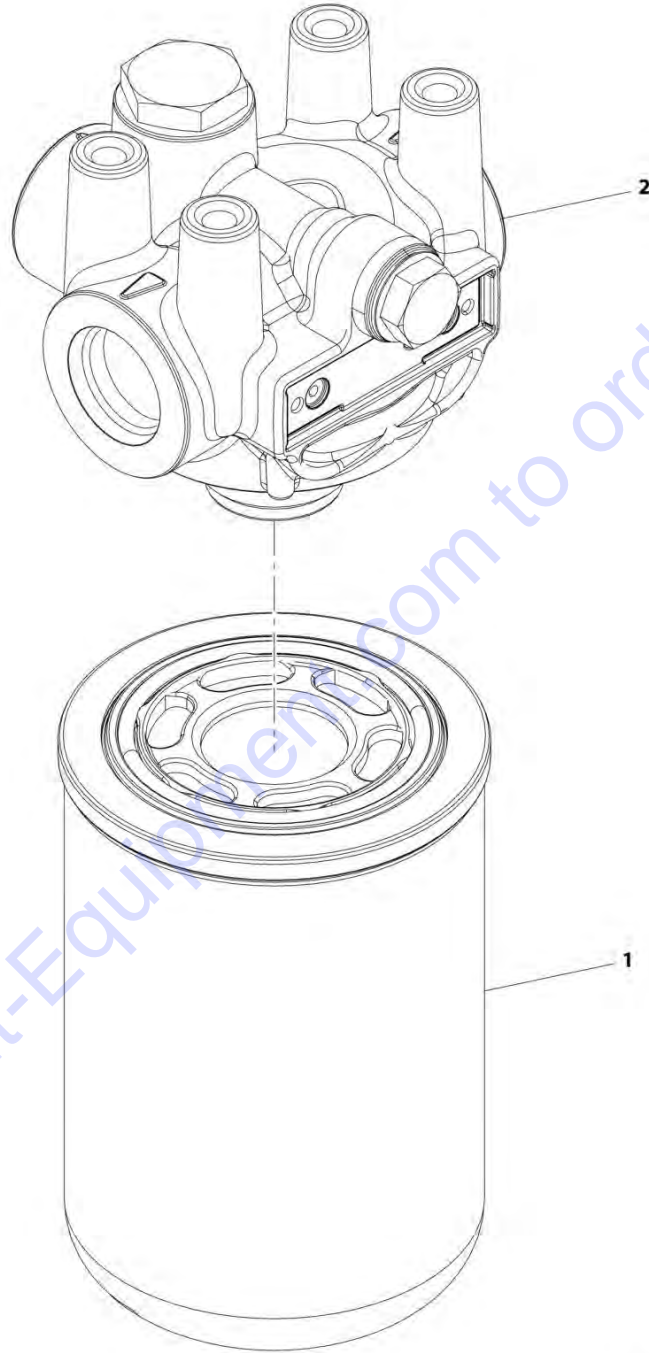
FIGURE 8-36. CHARGE FILTER INSTALLATION

ITEM	PART NUMBER	QTY	DESCRIPTION	REV
	1001195430	Ref	Charge Filter Installation	C
1	0641608	4	Bolt, 3/8-16X1	
2	2131212	1	Fitting, 90 ORFS	
3	4812000	4	Washer, M10	
5	1001141976	1	Assembly, Charge Filter (See Seperate Breakdown in this Section)	
6	1001183700	1	Fitting, Barb	
7	2151212	1	Fitting, 45 ORFS	

Go to Discount-Equipment.com to order your parts

SECTION 8 - HYDRAULIC CIRCUITS

FIGURE 8-37. IMPLEMENT PUMP FILTER ASSEMBLY



ART_1001141976-A

SECTION 8 - HYDRAULIC CIRCUITS

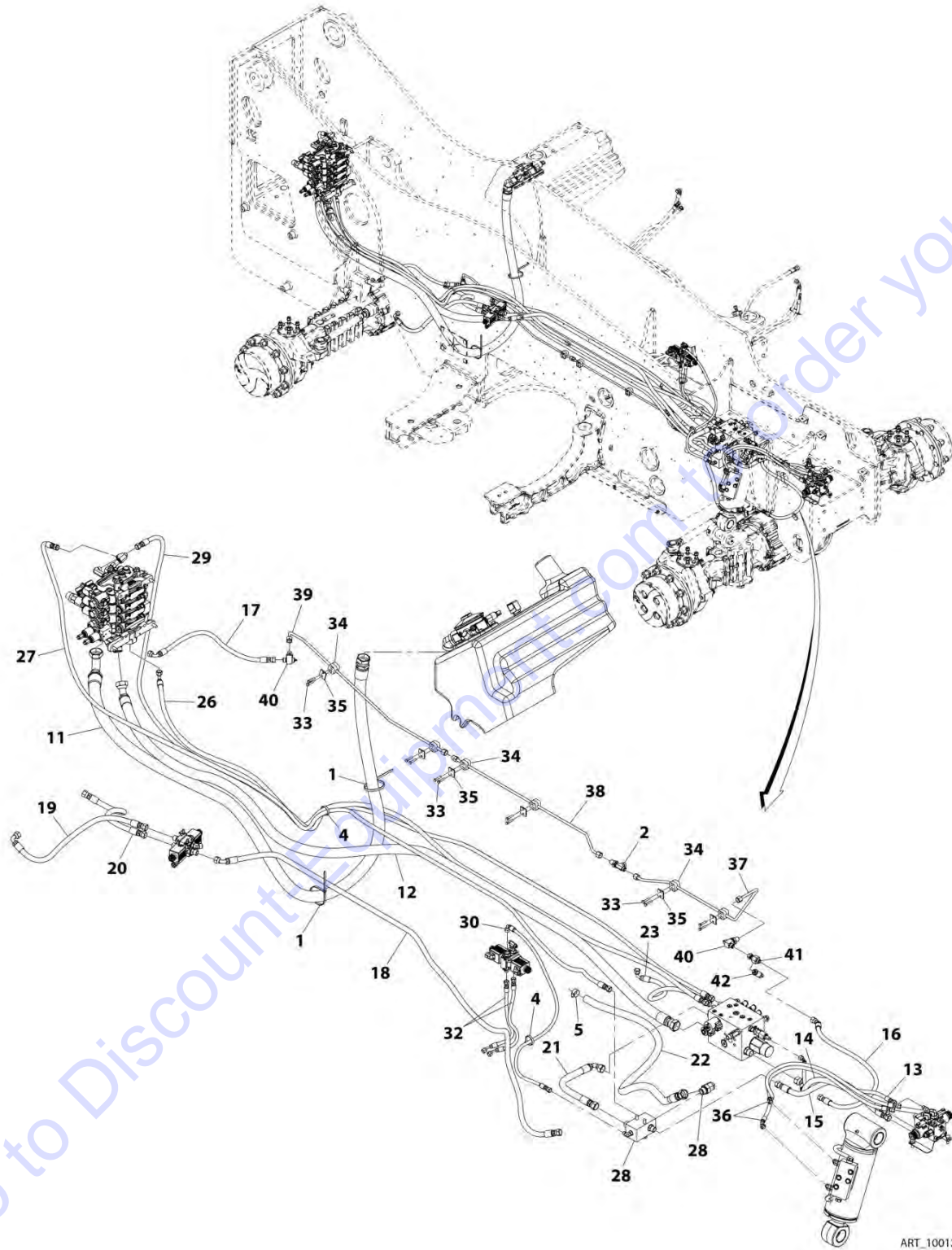
FIGURE 8-37. IMPLEMENT PUMP FILTER ASSEMBLY

ITEM	PART NUMBER	QTY	DESCRIPTION	REV
	1001141976	Ref	Implement Pump Filter Assembly	A
1	1001141461	1	Filter	
2	1001141462	1	Pump, Filter	

Go to Discount-Equipment.com to order your parts

SECTION 8 - HYDRAULIC CIRCUITS

FIGURE 8-38. FRAME HYDRAULIC INSTALLATION



ART_1001202025-F

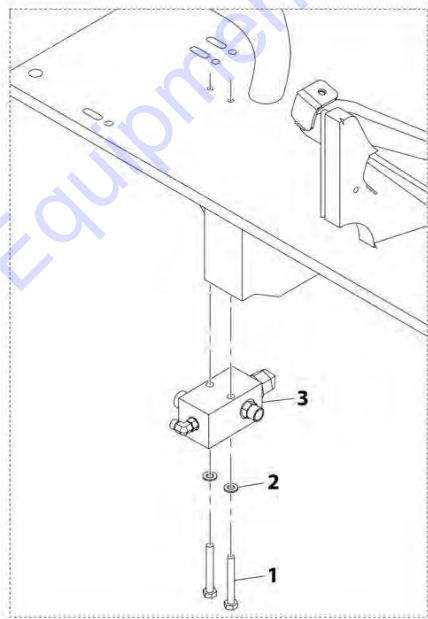
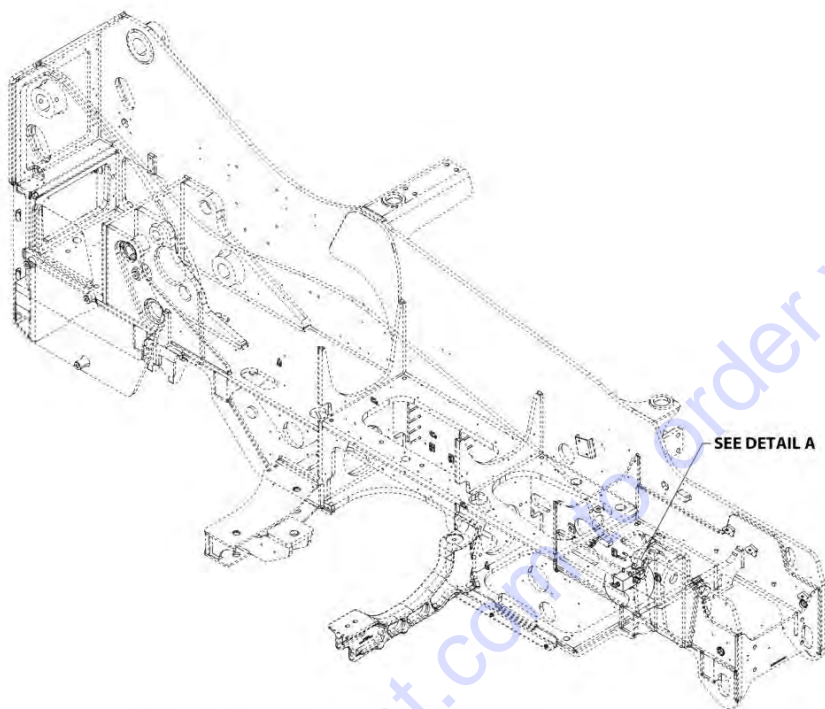
SECTION 8 - HYDRAULIC CIRCUITS

FIGURE 8-38. FRAME HYDRAULIC INSTALLATION

ITEM	PART NUMBER	QTY	DESCRIPTION	REV
	1001202025	Ref	Frame Hydraulic Installation	F
1	1062255	2	Strap, Tie	
2	88662434	1	Fitting, Tee ORFS	
4	4240018	2	Strap, Tie	
5	8405007	1	Clamp	
11	1001196964	1	Hose	
12	1001196967	1	Hose	
13	1001210635	1	Hose	
14	1001196969	1	Hose	
15	1001196970	1	Hose	
16	1001208532	1	Hose	
17	1001208534	1	Hose	
18	1001196973	1	Hose	
19	1001196974	1	Hose	
20	1001196975	1	Hose	
21	1001196976	1	Hose	
22	1001196977	1	Hose	
23	1001196978	1	Hose	
26	1001196981	1	Hose	
27	1001196982	1	Hose	
28	1001197197	Ref	Installation, Manifold (See Seperate Breakdown in this Section)	
29	1001197199	1	Hose	
30	1001197200	1	Hose	
32	1001211020	2	Hose	
33	0700614	12	Bolt, M6X30	
34	9106-3040	6	Clamp	
35	9106-3039	6	Plate, Cover	
36	1001205573	2	Hose	
37	1001207788	1	Pipe	
38	1001207789	1	Pipe	
39	1001207790	1	Pipe	
40	1001210797	2	Bleeder, Brake	
41	1001111140	1	Fitting, ORFS	
42	1001147340	1	Sensor, Pressure	

SECTION 8 - HYDRAULIC CIRCUITS

FIGURE 8-39. MANIFOLD INSTALLATION



DETAIL A

ART_1001197197-B

SECTION 8 - HYDRAULIC CIRCUITS

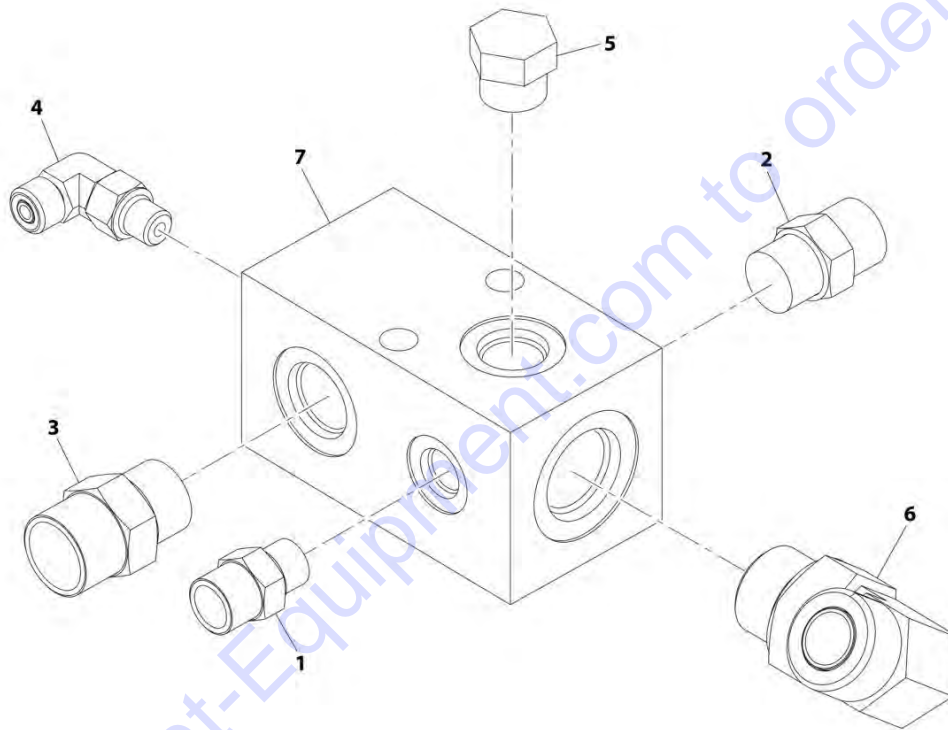
FIGURE 8-39. MANIFOLD INSTALLATION

ITEM	PART NUMBER	QTY	DESCRIPTION	REV
	1001197197	Ref	Manifold Installation	B
1	0701024	2	Bolt, M10X80	
2	4812000	2	Washer, M10	
3	1001197198	1	Assembly, Manifold (See Seperate Breakdown in this Section)	

Go to Discount-Equipment.com to order your parts

SECTION 8 - HYDRAULIC CIRCUITS

FIGURE 8-40. MANIFOLD ASSEMBLY



ART_1001197198-D

SECTION 8 - HYDRAULIC CIRCUITS

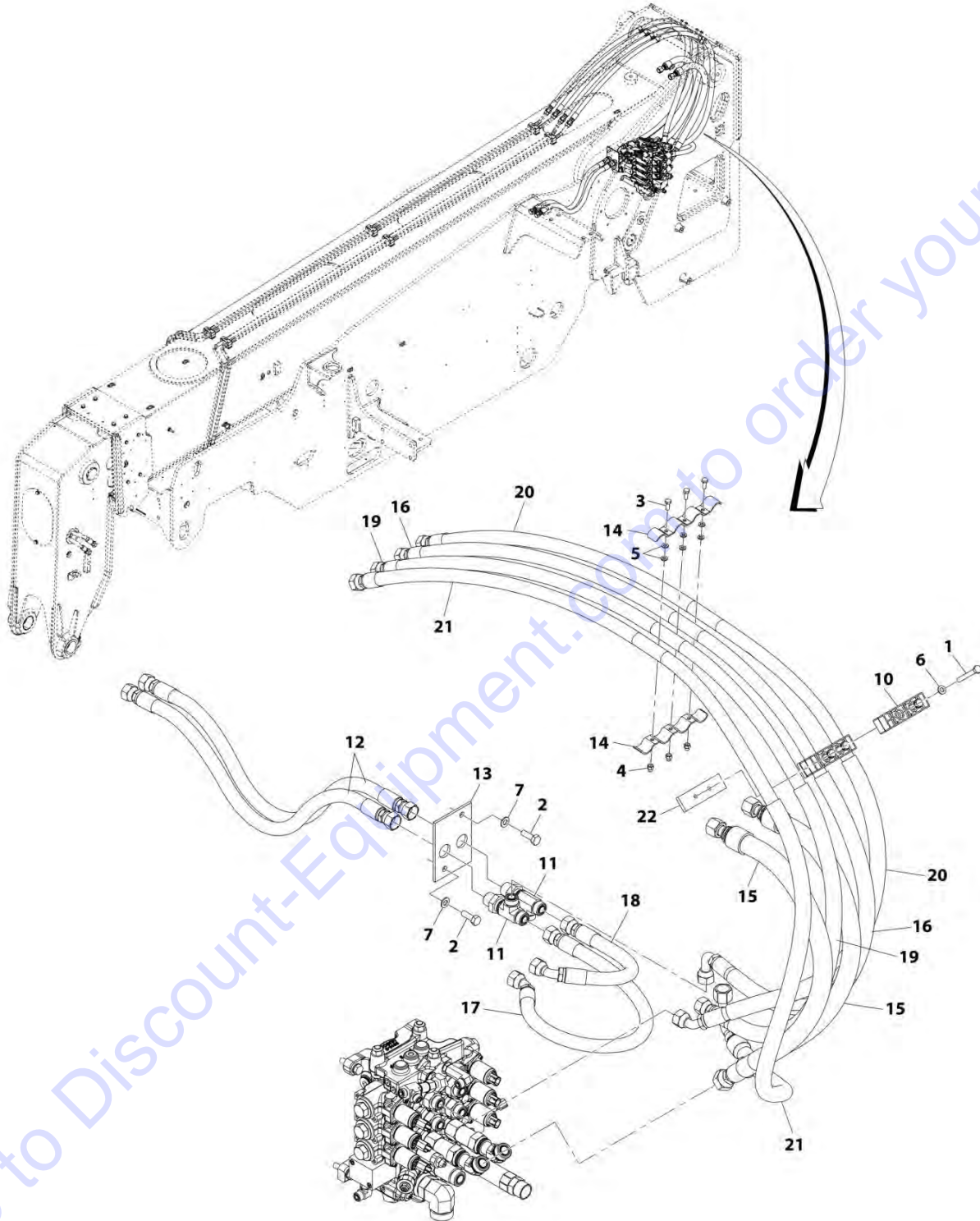
FIGURE 8-40. MANIFOLD ASSEMBLY

ITEM	PART NUMBER	QTY	DESCRIPTION	REV
	1001197198	Ref	Manifold Assembly	D
1	2110606	1	Fitting, Straight ORFS	
2	2110808	1	Fitting, Straight ORFS	
3	2111010	1	Fitting, Straight ORFS	
4	2130404	1	Fitting, 90 ORFS	
5	2220238	1	Plug	
6	2131212	1	Fitting, 90 ORFS	
7	1001228504	1	Manifold	

Go to Discount-Equipment.com to order your parts

SECTION 8 - HYDRAULIC CIRCUITS

FIGURE 8-41. BOOM HYDRAULIC LINE INSTALLATION



ART_1001211606-F

SECTION 8 - HYDRAULIC CIRCUITS

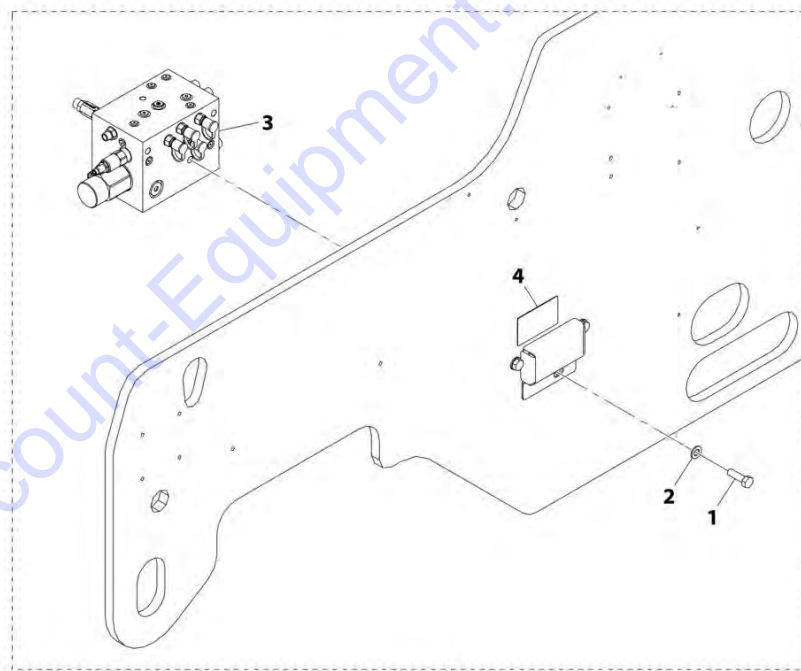
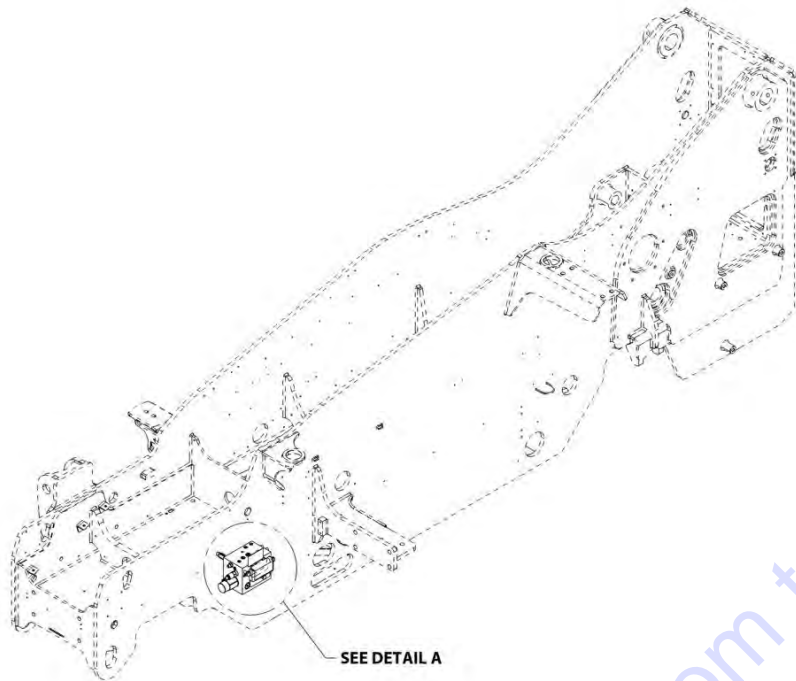
FIGURE 8-41. BOOM HYDRAULIC LINE INSTALLATION

ITEM	PART NUMBER	QTY	DESCRIPTION	REV
	1001211606	Ref	Boom Hydraulic Line Installation	F
1	0700821	4	Bolt, M8X65	
2	0701014	2	Bolt, M10X30	
3	0760608	3	Bolt, M6X16	
4	3290606	3	Nut, M6X1 Grade 8	
5	4811700	6	Washer, M6	
6	4811900	4	Washer, M8	
7	4812000	2	Washer, M10	
10	1001098128	2	Clamp, Triple	
11	1001192096	2	Fitting, Tee ORFS	
12	1001210525	2	Hose, M16 ORFS	
13	1001197011	1	Plate	
14	1001205618	2	Clamp, Hoses	
15	1001220473	2	Hose, M19 ORFS	
16	1001210524	1	Hose, M16 ORFS	
17	1001209418	1	Hose, M16 ORFS	
18	1001209419	1	Hose, M16 ORFS	
19	1001210526	1	Hose, M16 ORFS	
20	1001215859	1	Hose, M16 ORFS	
21	1001215860	1	Hose, M16 ORFS	
22	1001226557	2	Plate	

Go to Discount-Equipment.com to order your parts

SECTION 8 - HYDRAULIC CIRCUITS

FIGURE 8-42. PRIORITY MANIFOLD INSTALLATION



DETAIL A

ART_1001192885-B

SECTION 8 - HYDRAULIC CIRCUITS

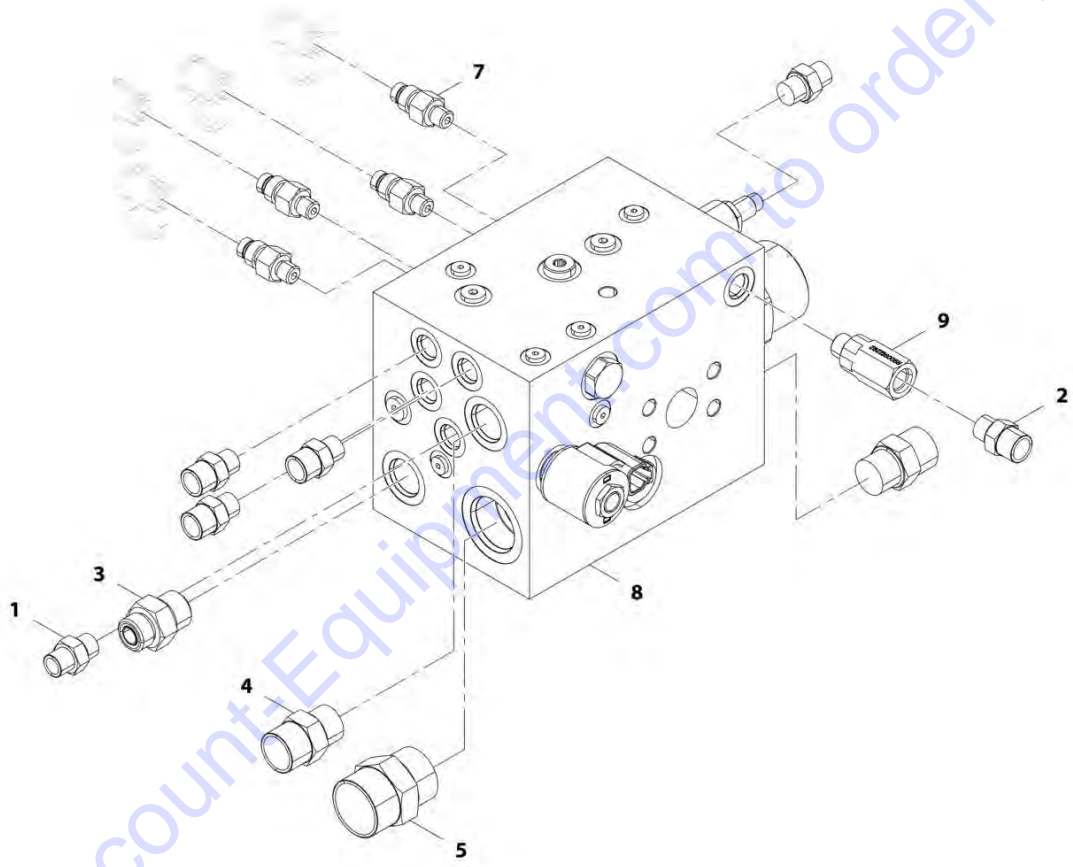
FIGURE 8-42. PRIORITY MANIFOLD INSTALLATION

ITEM	PART NUMBER	QTY	DESCRIPTION	REV
	1001192885	Ref	Priority Manifold Installation	B
1	0701216	3	Bolt, M12X40	
2	4812100	3	Washer, M12	
3	1001192886	1	Assembly, Priority Valve (See Seperate Breakdown in this Section)	
4	1001192887	1	Decal	

Go to Discount-Equipment.com to order your parts

SECTION 8 - HYDRAULIC CIRCUITS

FIGURE 8-43. PRIORITY VALVE ASSEMBLY



ART_1001192886-D

SECTION 8 - HYDRAULIC CIRCUITS

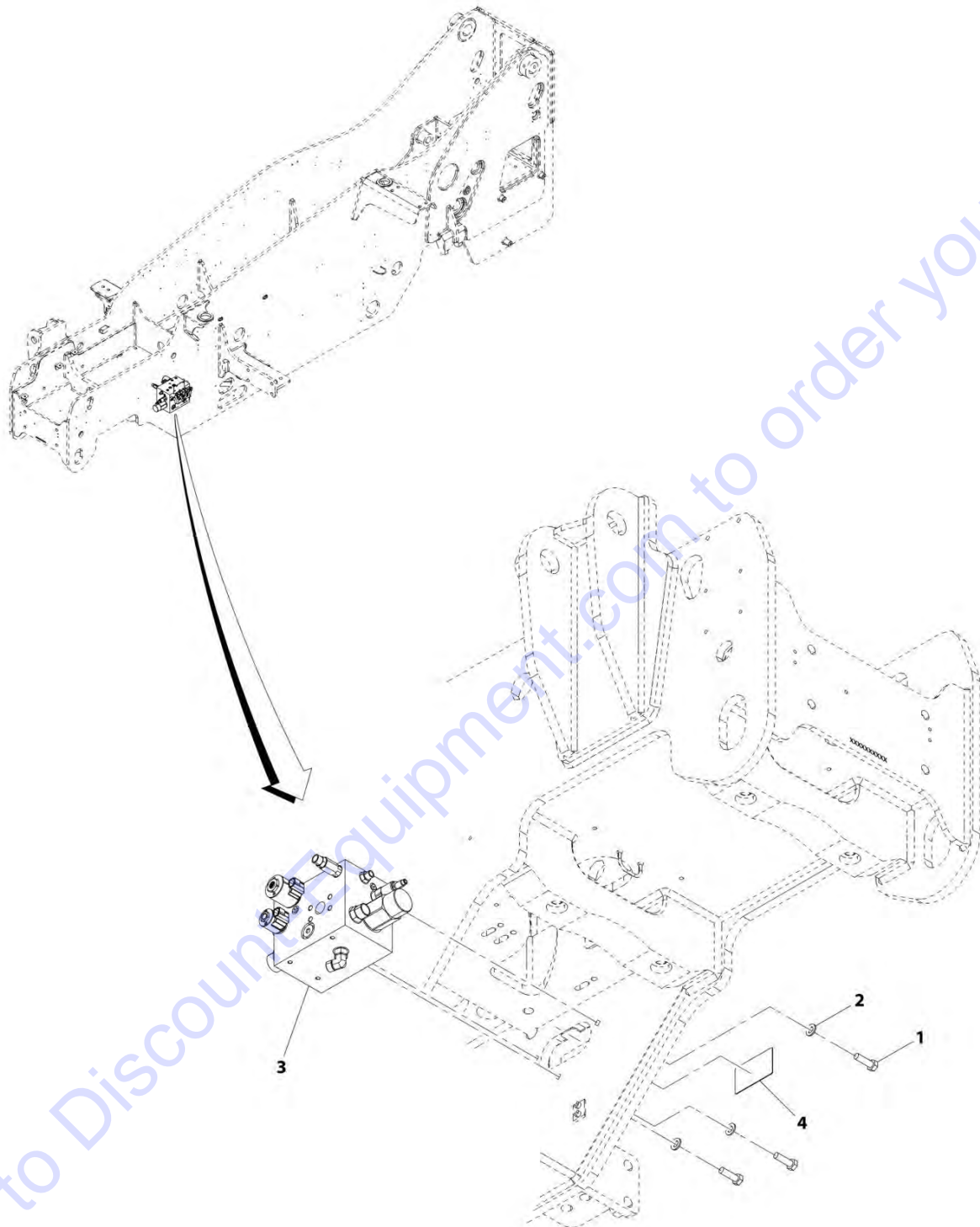
FIGURE 8-43. PRIORITY VALVE ASSEMBLY

ITEM	PART NUMBER	QTY	DESCRIPTION	REV
	1001192886	1	Priority Valve Assembly	D
1	2110406	2	Fitting, Straight ORFS	
2	2110606	4	Fitting, Straight ORFS	
3	2110810	1	Fitting, Straight ORFS	
4	2111010	2	Fitting, Straight ORFS	
5	2111616	1	Fitting, Straight ORFS	
7	8430033	4	Fitting, Straight	
8	1001192888	1	Assembly, Priority Valve(See Separate Breakdown in Hydraulic Components Section)	
9	1001187355	1	Valve, Check	

Go to Discount-Equipment.com to order your parts

SECTION 8 - HYDRAULIC CIRCUITS

FIGURE 8-44. PRIORITY MANIFOLD INSTALLATION (PLATFORM READY)



ART_1001193836-B

SECTION 8 - HYDRAULIC CIRCUITS

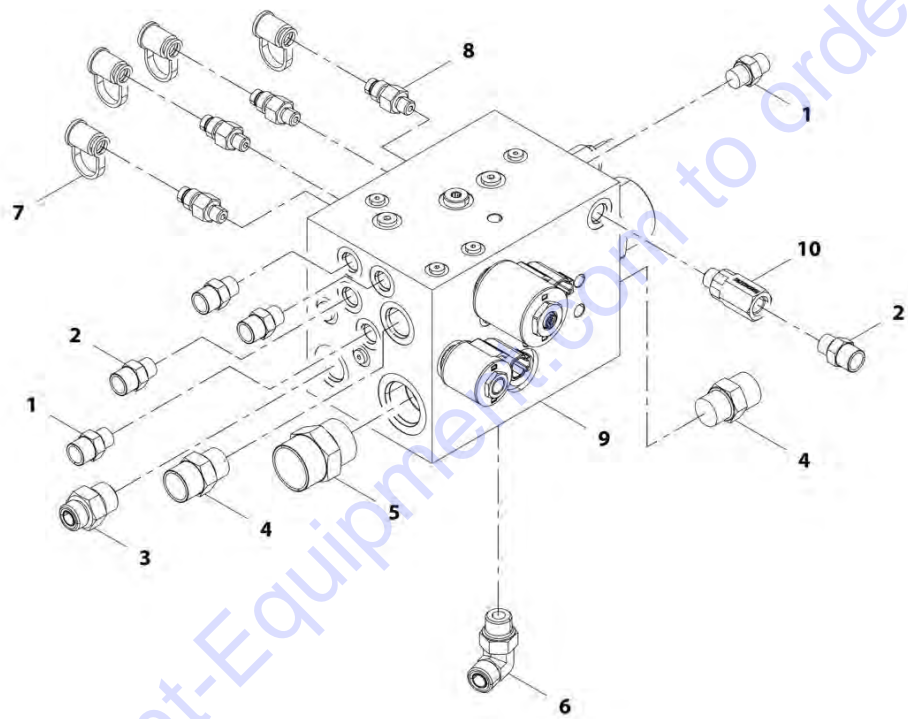
FIGURE 8-44. PRIORITY MANIFOLD INSTALLATION (PLATFORM READY)

ITEM	PART NUMBER	QTY	DESCRIPTION	REV
	1001193836	Ref	Priority Manifold Installation (Platform Ready)	B
1	0701216	3	Bolt, M12X40, Grade 10.9	
2	4812100	3	Washer, M12	
3	1001193838	1	Assembly, Priority Valve (Platform Ready) (See Seperate Breakdown in this Section)	
4	1001192887	1	Decal, Port ID	

Go to Discount-Equipment.com to order your parts

SECTION 8 - HYDRAULIC CIRCUITS

FIGURE 8-45. PRIORITY VALVE ASSEMBLY (PLATFORM READY)



Go to Discount-Equipment.com to order your parts

ART_1001193838-B

SECTION 8 - HYDRAULIC CIRCUITS

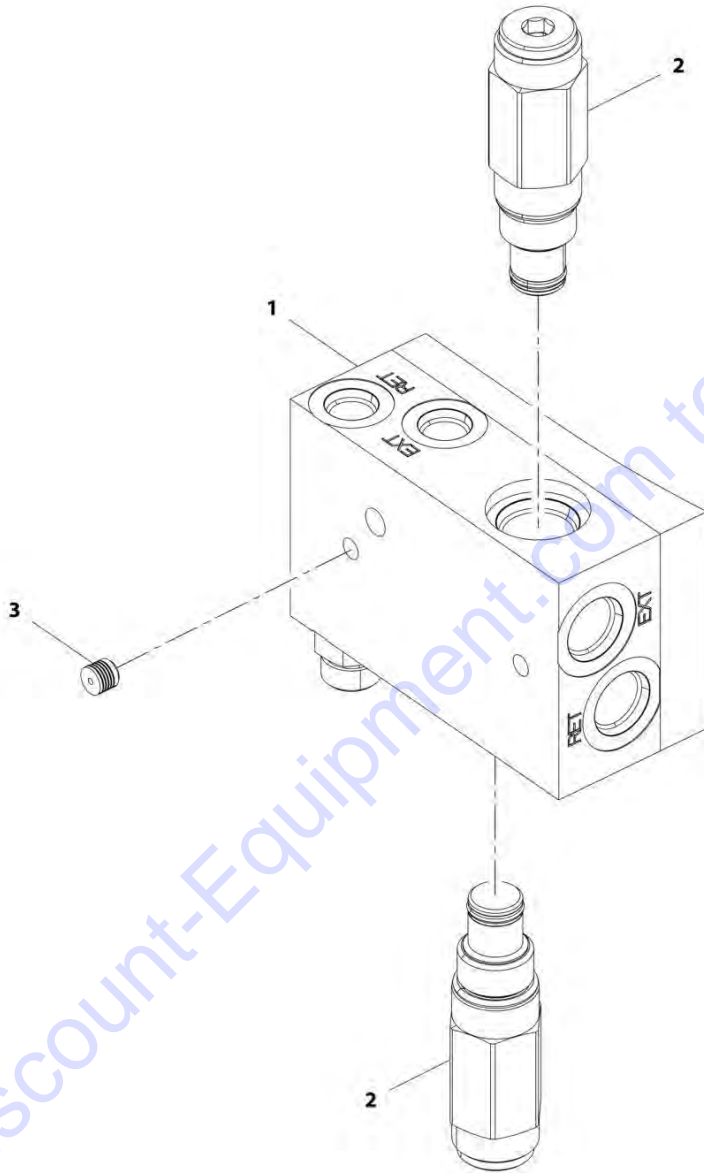
FIGURE 8-45. PRIORITY VALVE ASSEMBLY (PLATFORM READY)

ITEM	PART NUMBER	QTY	DESCRIPTION	REV
	1001193838	Ref	Priority Valve Assembly (Platform Ready)	B
1	2110406	2	Fitting, Straight ORFS	
2	2110606	4	Fitting, Straight ORFS	
3	2110810	1	Fitting, Straight ORFS	
4	2111010	2	Fitting, Straight ORFS	
5	2111616	1	Fitting, Straight ORFS	
6	2130808	1	Fitting, 90 ORFS	
7	8430032	4	Plug	
8	8430033	4	Fitting, Straight	
9	1001193839	1	Assembly, Priority Valve (Platform Ready)	
10	1001187355	1	Valve, Check	

Go to Discount-Equipment.com to order your parts

SECTION 8 - HYDRAULIC CIRCUITS

FIGURE 8-46. VALVE ASSEMBLY, BUCKET (5.23 YD³/4.0M³)



ART_70028573-D

SECTION 8 - HYDRAULIC CIRCUITS

FIGURE 8-46. VALVE ASSEMBLY, BUCKET (5.23 YD³/4.0M³)

ITEM	PART NUMBER	QTY	DESCRIPTION	REV
	70028573	Ref	4 In 1 Bucket Valve Assembly (5.23 yd ³ /4.0m ³)	D
1	70026477	1	Manifold	
2	70028589	2	Cartridge, Relief	
3	70026614	2	Plug	

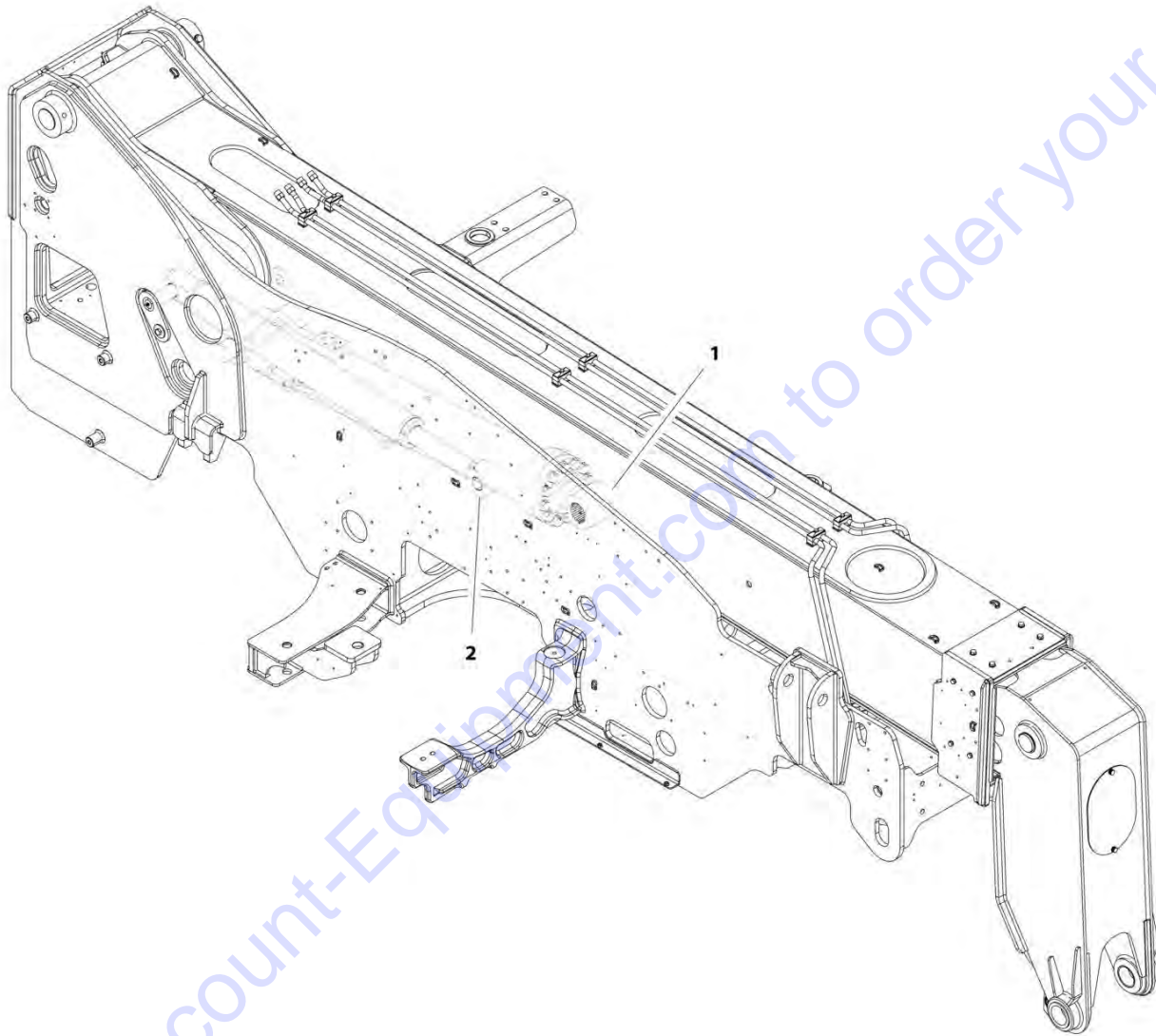
Go to Discount-Equipment.com to order your parts

SECTION 9 - HYDRAULIC COMPONENTS

Go to Discount-Equipment.com to order your parts

SECTION 9 - HYDRAULIC COMPONENTS

FIGURE 9-1. CYLINDER GROUP INSTALLATION



ART_1001174107-B

SECTION 9 - HYDRAULIC COMPONENTS

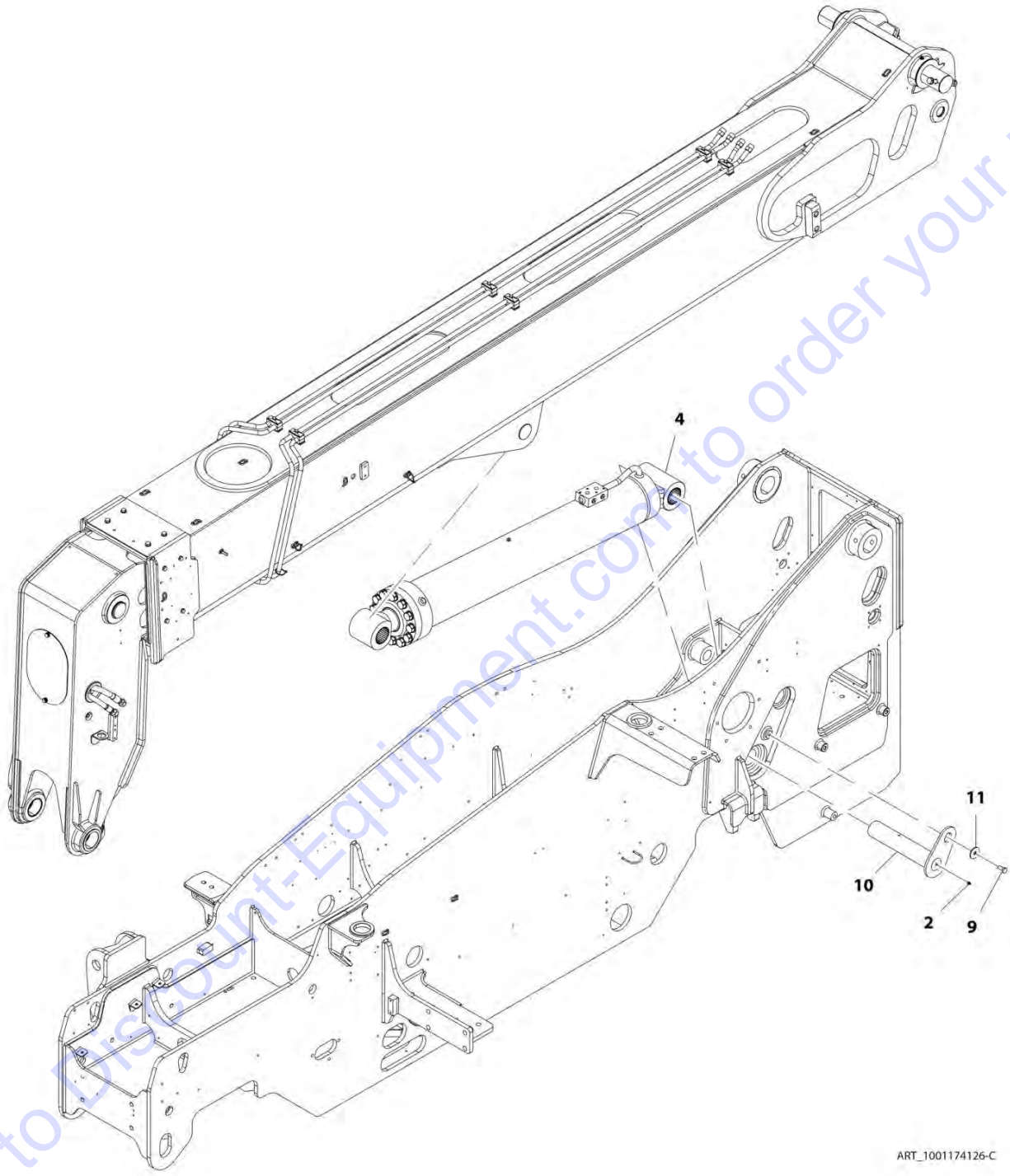
FIGURE 9-1. CYLINDER GROUP INSTALLATION

ITEM	PART NUMBER	QTY	DESCRIPTION	REV
1	1001174107	Ref	Cylinder Group Installation	B
	1001174126	Ref	Installation, Lift Cylinder (See Separate Breakdown in Hydraulic Components Section)	
2	1001177526	Ref	Installation, Compensation Cylinder (See Separate Breakdown in Hydraulic Components Section)	

Go to Discount-Equipment.com to order your parts

SECTION 9 - HYDRAULIC COMPONENTS

FIGURE 9-2. LIFT CYLINDER INSTALLATION



ART_1001174126-C

SECTION 9 - HYDRAULIC COMPONENTS

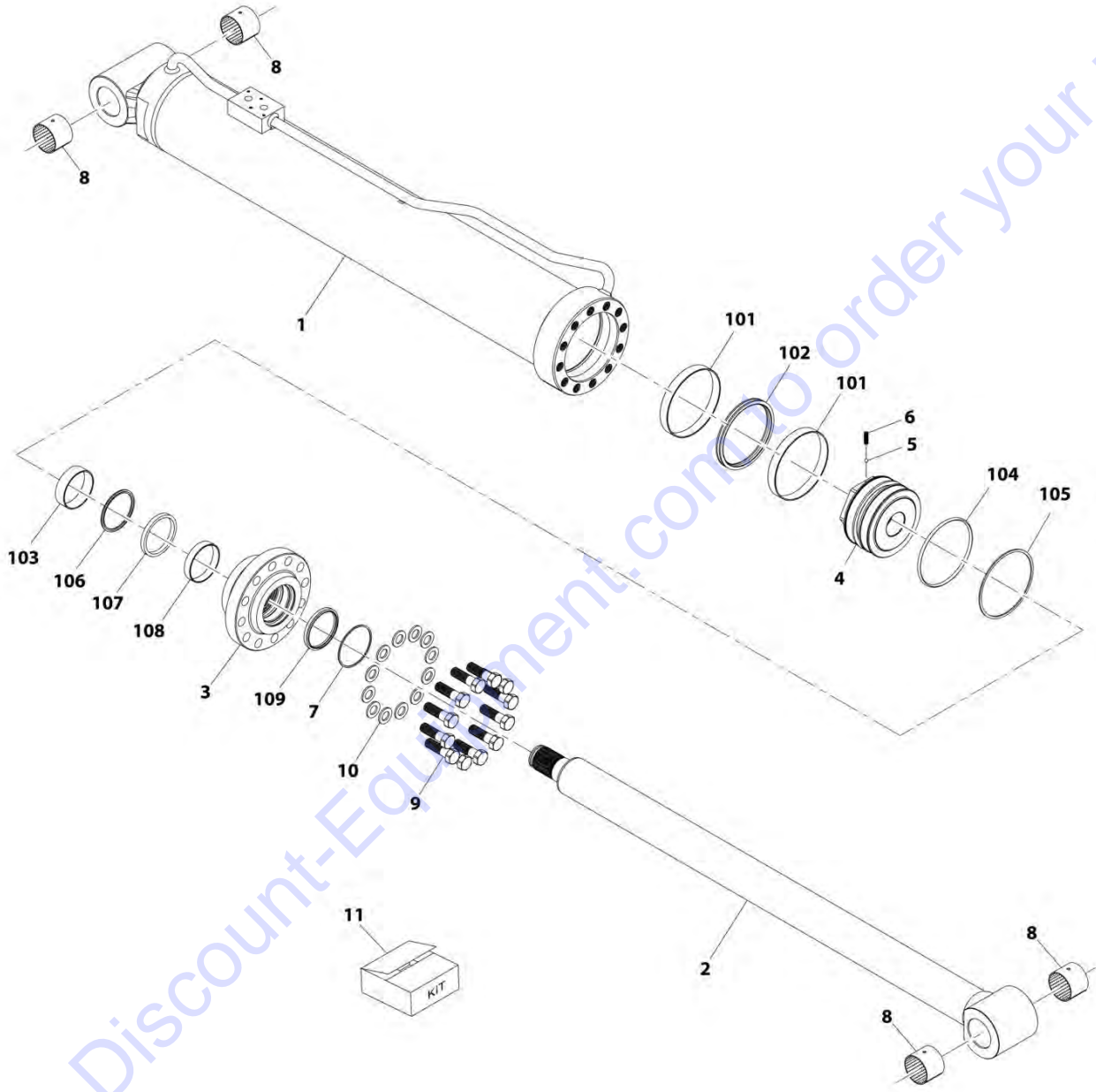
FIGURE 9-2. LIFT CYLINDER INSTALLATION

ITEM	PART NUMBER	QTY	DESCRIPTION	REV
	1001174126	Ref	Lift Cylinder Installation	C
2	2160016	1	Fitting, Grease	
4	1001174811	1	Cylinder, Lift (See Separate Breakdown in Hydraulic Components Section)	
9	0771414	1	Bolt, M14X30 Grade 10.9	
10	1001216331	1	Pin	
11	1001217226	1	Washer	

Go to Discount-Equipment.com to order your parts

SECTION 9 - HYDRAULIC COMPONENTS

FIGURE 9-3. LIFT CYLINDER



ART_1001174811-E

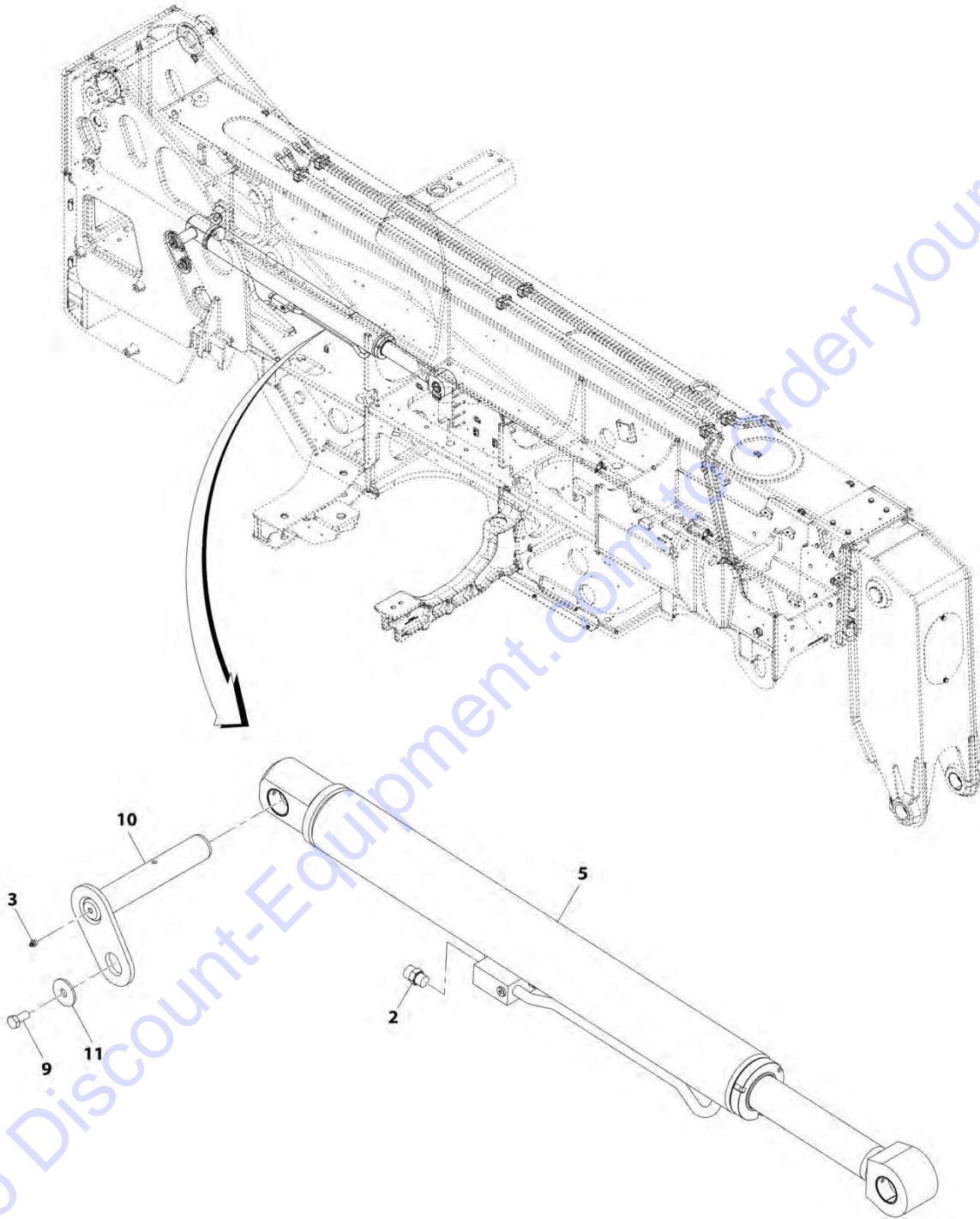
SECTION 9 - HYDRAULIC COMPONENTS

FIGURE 9-3. LIFT CYLINDER

ITEM	PART NUMBER	QTY	DESCRIPTION	REV
	1001174811	Ref	Lift Cylinder	E
1	N.S.S.	1	Barrel	
2	70028306	1	Rod	
3	70028307	1	Head	
4	70028308	1	Piston	
5	70025614	1	Bearing	
6	70028309	1	Screw, Locking	
7	70025590	1	Ring, Snap	
8	70028310	4	Bushing	
9	70028311	12	Bearing	
10	70028312	12	Washer	
11	70028313	1	Kit, Seal (includes items 101 thru 109)	
101	Kit	2	Ring, Wear	
102	Kit	1	Seal, Piston	
103	Kit	1	Ring, Wear	
104	Kit	1	O-Ring	
105	Kit	1	Ring, Back-up	
106	Kit	1	Seal, Rod	
107	Kit	1	Seal, Rod	
108	Kit	1	Ring, Wear	
109	Kit	1	Wiper	

SECTION 9 - HYDRAULIC COMPONENTS

FIGURE 9-4. COMPENSATION CYLINDER INSTALLATION



ART_1001177526-C

SECTION 9 - HYDRAULIC COMPONENTS

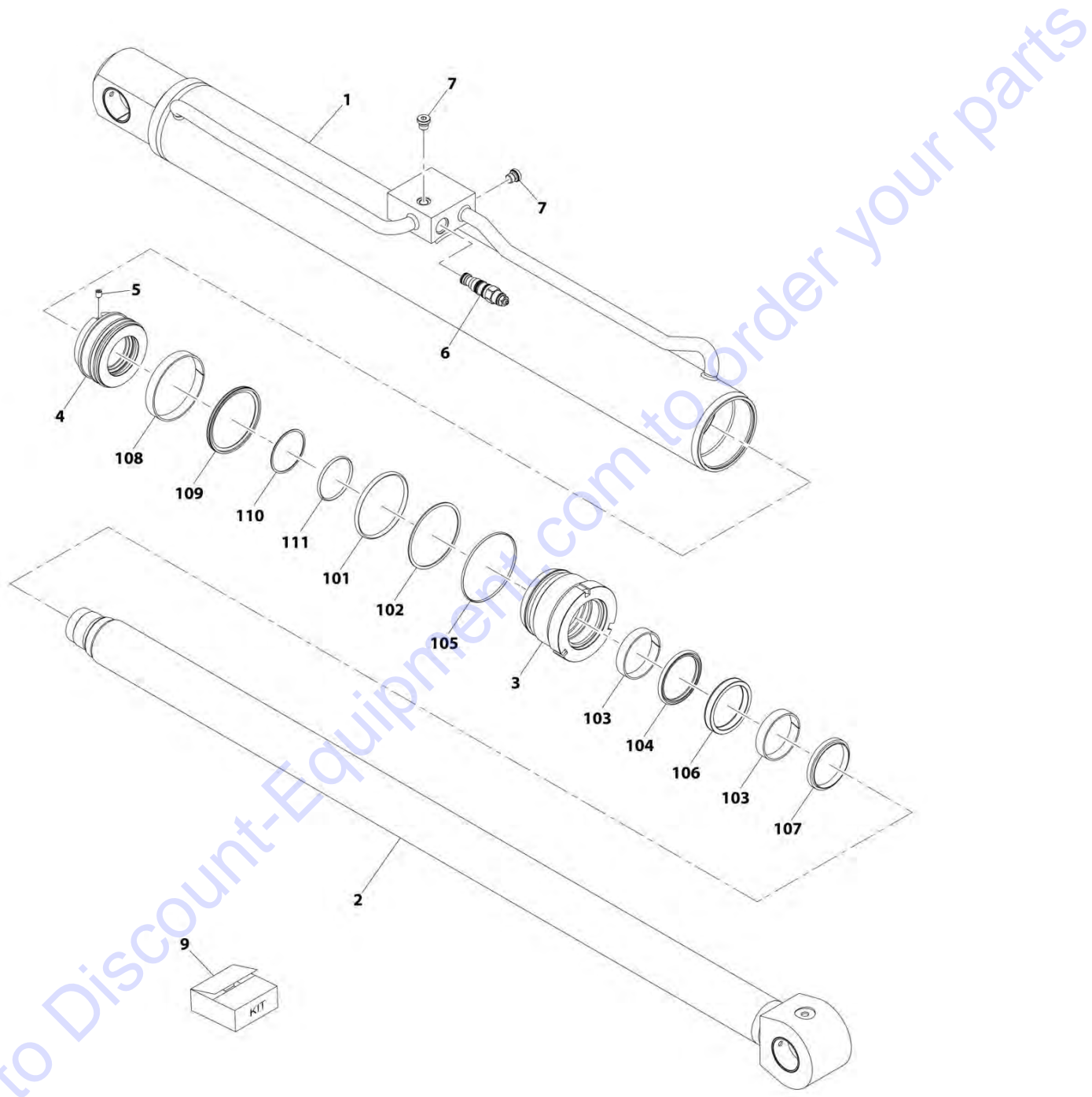
FIGURE 9-4. COMPENSATION CYLINDER INSTALLATION

ITEM	PART NUMBER	QTY	DESCRIPTION	REV
	1001177526	Ref	Compensation Cylinder Installation	C
2	2111010	2	Fitting, Straight ORFS	
3	2160016	1	Fitting, Grease	
5	1001174813	1	Cylinder, Compensation (See Seperate Breakdown in this Section)	
9	0771414	1	Bolt, M14X30	
10	1001216333	1	Pin	
11	1001217226	1	Washer	

Go to Discount-Equipment.com to order your parts

SECTION 9 - HYDRAULIC COMPONENTS

FIGURE 9-5. COMPENSATION CYLINDER



ART_1001174813-H

SECTION 9 - HYDRAULIC COMPONENTS

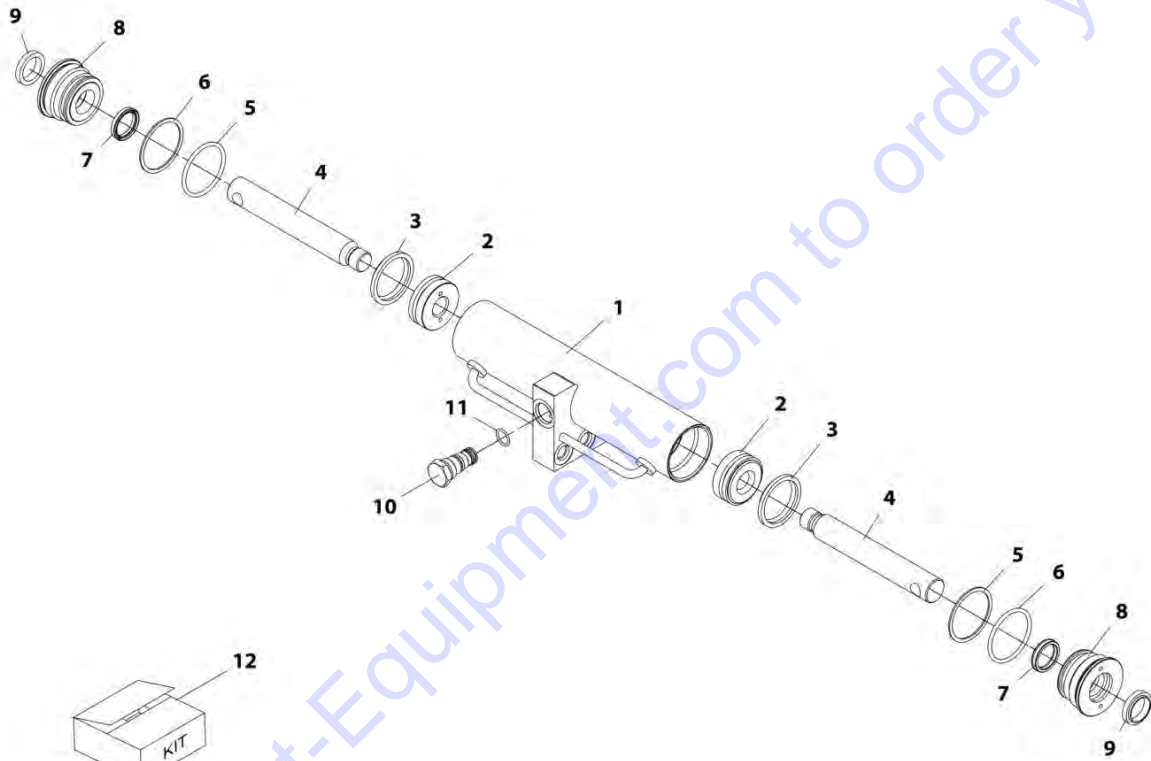
FIGURE 9-5. COMPENSATION CYLINDER

ITEM	PART NUMBER	QTY	DESCRIPTION	REV
	1001174813	Ref	Compensation Cylinder	H
1	N.S.S.	1	Assembled Body	
2	70028376	1	Assembled Rod	
3	70028377	1	Rod Guide	
4	70028378	1	Piston	
5	70026838	1	Screw	
6	70028384	1	Cartridge valve	
7	70028379	2	Plug	
9	70028380	1	Kit, Seal (includes items 101 thru 111)	
101	Kit	1	O-Ring	
102	Kit	1	Backup Ring	
103	Kit	2	Bearing	
104	Kit	1	Buffer	
105	Kit	1	O-Ring	
106	Kit	1	Rod Seal	
107	Kit	1	Wiper	
108	Kit	1	Bearing	
109	Kit	1	Piston Seal	
110	Kit	1	Backup Ring	
111	Kit	1	O-Ring	

Go to Discount-Equipment.com to order your parts

SECTION 9 - HYDRAULIC COMPONENTS

FIGURE 9-6. COUPLER LOCKING CYLINDER



ART_1001145390-A

SECTION 9 - HYDRAULIC COMPONENTS

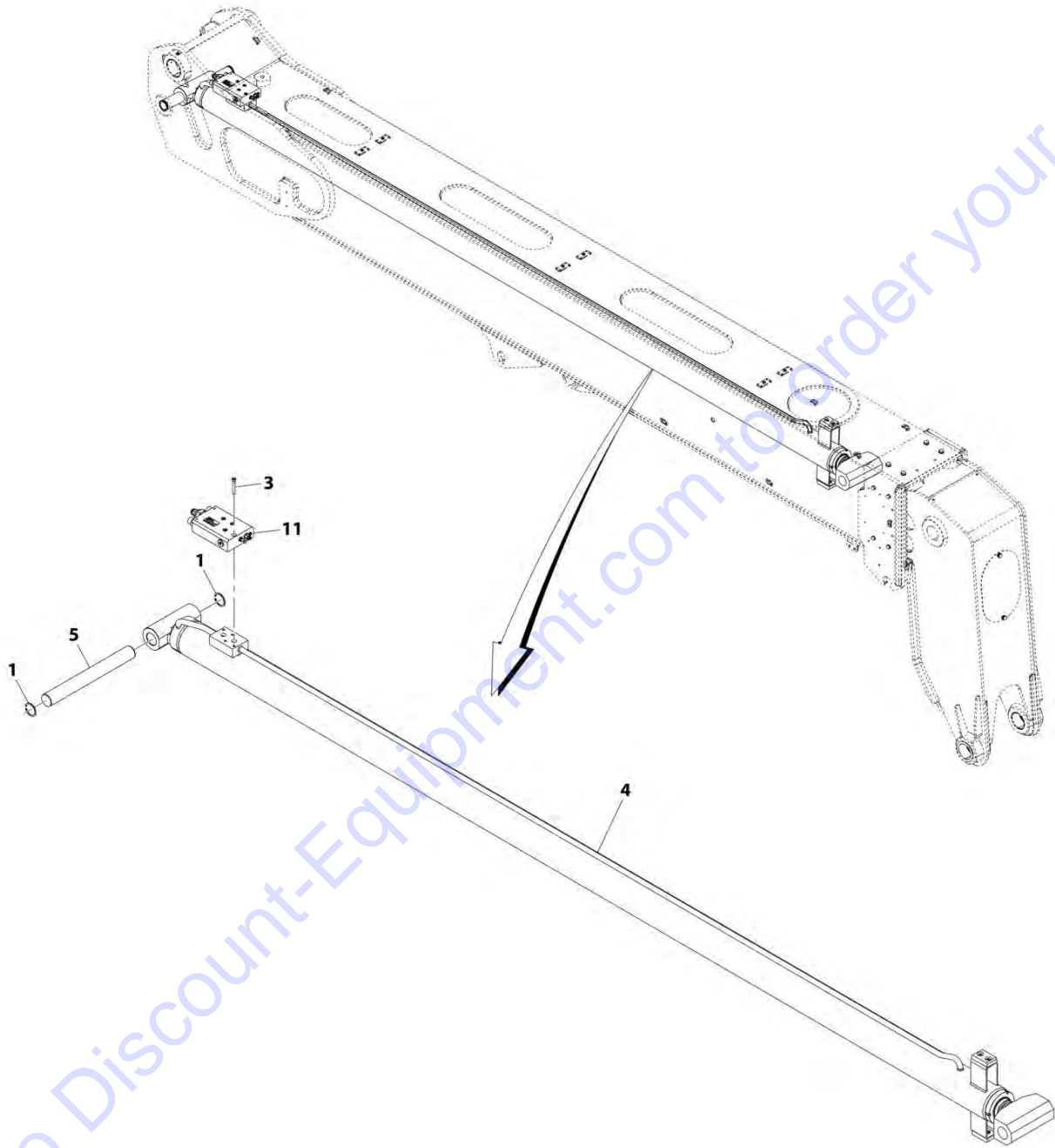
FIGURE 9-6. COUPLER LOCKING CYLINDER

ITEM	PART NUMBER	QTY	DESCRIPTION	REV
	1001145390	Ref	Coupler Locking Cylinder	A
1	70024164	2	Body	
2	70024165	2	Piston	
3	Kit	2	Seal, Piston	
4	70024166	2	Rod	
5	Kit	2	O-Ring	
6	Kit	2	Ring, Backup	
7	Kit	2	Seal, Rod	
8	70024167	2	Gland	
9	Kit	2	Seal, Wiper	
10	1001007056	1	Valve, Check	
11	91574001	1	Seal, Check Valve	
12	70024168	1	Kit, Seal (includes items 3, 5, 6, 7 & 9)	

Go to Discount-Equipment.com to order your parts

SECTION 9 - HYDRAULIC COMPONENTS

FIGURE 9-7. EXTEND/RETRACT CYLINDER INSTALLATION



ART_1001178157-D

SECTION 9 - HYDRAULIC COMPONENTS

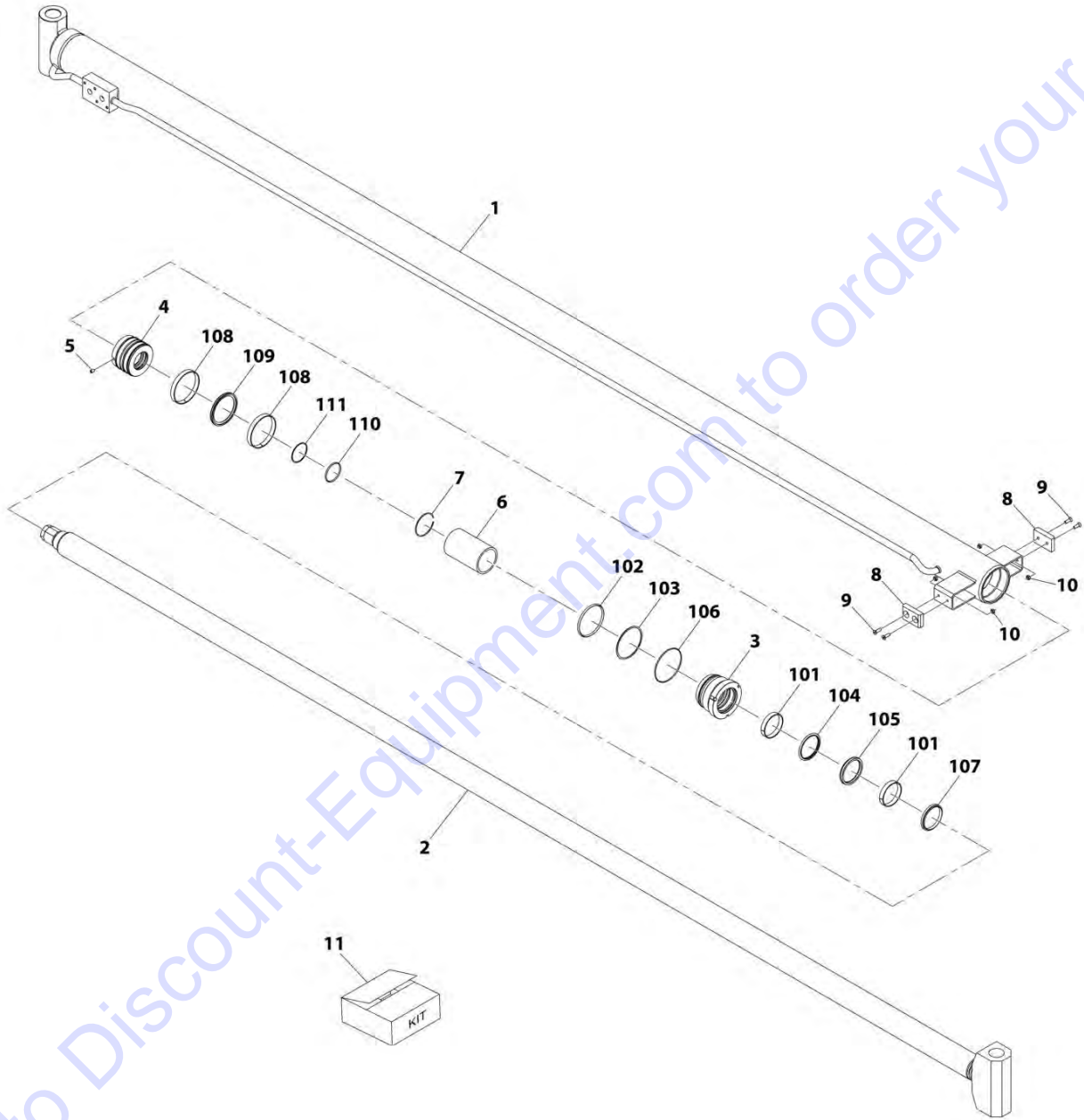
FIGURE 9-7. EXTEND/RETRACT CYLINDER INSTALLATION

ITEM	PART NUMBER	QTY	DESCRIPTION	REV
	1001178157	Ref	Extend/Retract Cylinder Installation	D
1	314689	2	Ring, Retaining	
3	4031916	4	Bolt, M8X60	
4	1001174814	1	Cylinder, Extend/Retract (See Seperate Breakdown in this Section)	
5	1001190259	1	Pin	
11	1001212312	1	Installation, Counterbalance Valve (see Seperate Breakdown in this Section)	

Go to Discount-Equipment.com to order your parts

SECTION 9 - HYDRAULIC COMPONENTS

FIGURE 9-8. EXTEND/RETRACT CYLINDER



ART_1001174814-H

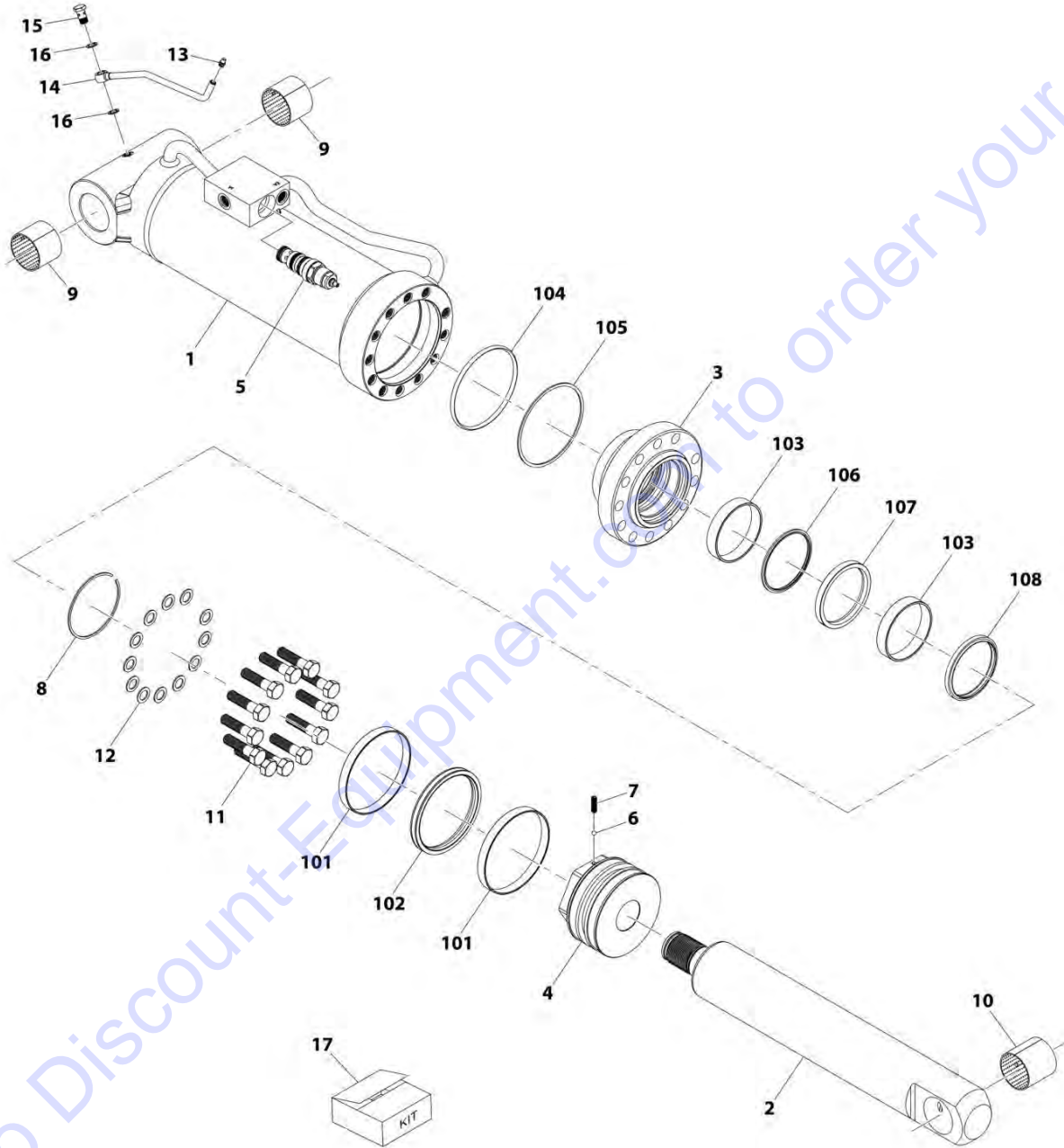
SECTION 9 - HYDRAULIC COMPONENTS

FIGURE 9-8. EXTEND/RETRACT CYLINDER

ITEM	PART NUMBER	QTY	DESCRIPTION	REV
	1001174814	Ref	Extend/Retract Cylinder	H
1	N.S.S.	1	Barrel	
2	70028371	1	Rod	
3	70028372	1	Head	
4	70026408	1	Piston	
5	70020438	1	Screw	
6	70026407	1	Spacer	
7	70026411	1	Ring	
8	70027811	2	Pad, Wear	
9	70028373	4	Screw	
10	70028374	4	Nut	
11	70028375	1	Seal kit (includes items 101 thru 111)	
101	Kit	2	Bearing	
102	Kit	1	O-Ring	
103	Kit	1	Ring, Backup	
104	Kit	1	Ring, Wear	
105	Kit	1	Seal, Rod	
106	Kit	1	O-Ring	
107	Kit	1	Wiper	
108	Kit	2	Bearing	
109	Kit	1	Seal, Piston	
110	Kit	1	O-Ring	
111	Kit	1	Ring, Backup	

SECTION 9 - HYDRAULIC COMPONENTS

FIGURE 9-9. TILT CYLINDER



ART_1001174812-D

PARTS FINDER

**Search Website
by Part Number**



**Search Manual
Library For Parts
Manual & Lookup Part
Numbers – Purchase
or Request Quote**

**Can't Find Part or
Manual? Request Help
by Manufacturer,
Model & Description**

Discount-Equipment.com is your online resource for quality parts & equipment.

Florida: **561-964-4949** Outside Florida TOLL FREE: **877-690-3101**

Need parts?

Click on this link: <http://www.discount-equipment.com/category/5443-parts/> and choose one of the options to help get the right parts and equipment you are looking for. Please have the machine model and serial number available in order to help us get you the correct parts. If you don't find the part on the website or on one of the online manuals, please fill out the request form and one of our experienced staff members will get back to you with a quote for the right part that your machine needs.

We sell worldwide for the brands: Genie, Terex, JLG, MultiQuip, Mikasa, Essick, Whiteman, Mayco, Toro Stone, Diamond Products, Generac Magnum, Airman, Haulotte, Barreto, Power Blanket, Nifty Lift, Atlas Copco, Chicago Pneumatic, Allmand, Miller Curber, Skyjack, Lull, Skytrak, Tsurumi, Husquvarna Target, Stow, Wacker, Sakai, Mi-T-M, Sullair, Basic, Dynapac, MBW, Weber, Bartell, Bennar Newman, Haulotte, Ditch Runner, Menegotti, Morrison, Contec, Buddy, Crown, Edco, Wyco, Bomag, Laymor, EZ Trench, Bil-Jax, F.S. Curtis, Gehl Pavers, Heli, Honda, ICS/PowerGrit, IHI, Partner, Imer, Clipper, MMD, Koshin, Rice, CH&E, General Equipment, Amida, Coleman, NAC, Gradall, Square Shooter, Kent, Stanley, Tamco, Toku, Hatz, Kohler, Robin, Wisconsin, Northrock, Oztec, Toker TK, Rol-Air, APT, Wylie, Ingersoll Rand / Doosan, Innovatech, Con X, Ammann, Mecalac, Makinex, Smith Surface Prep, Small Line, Wanco, Yanmar

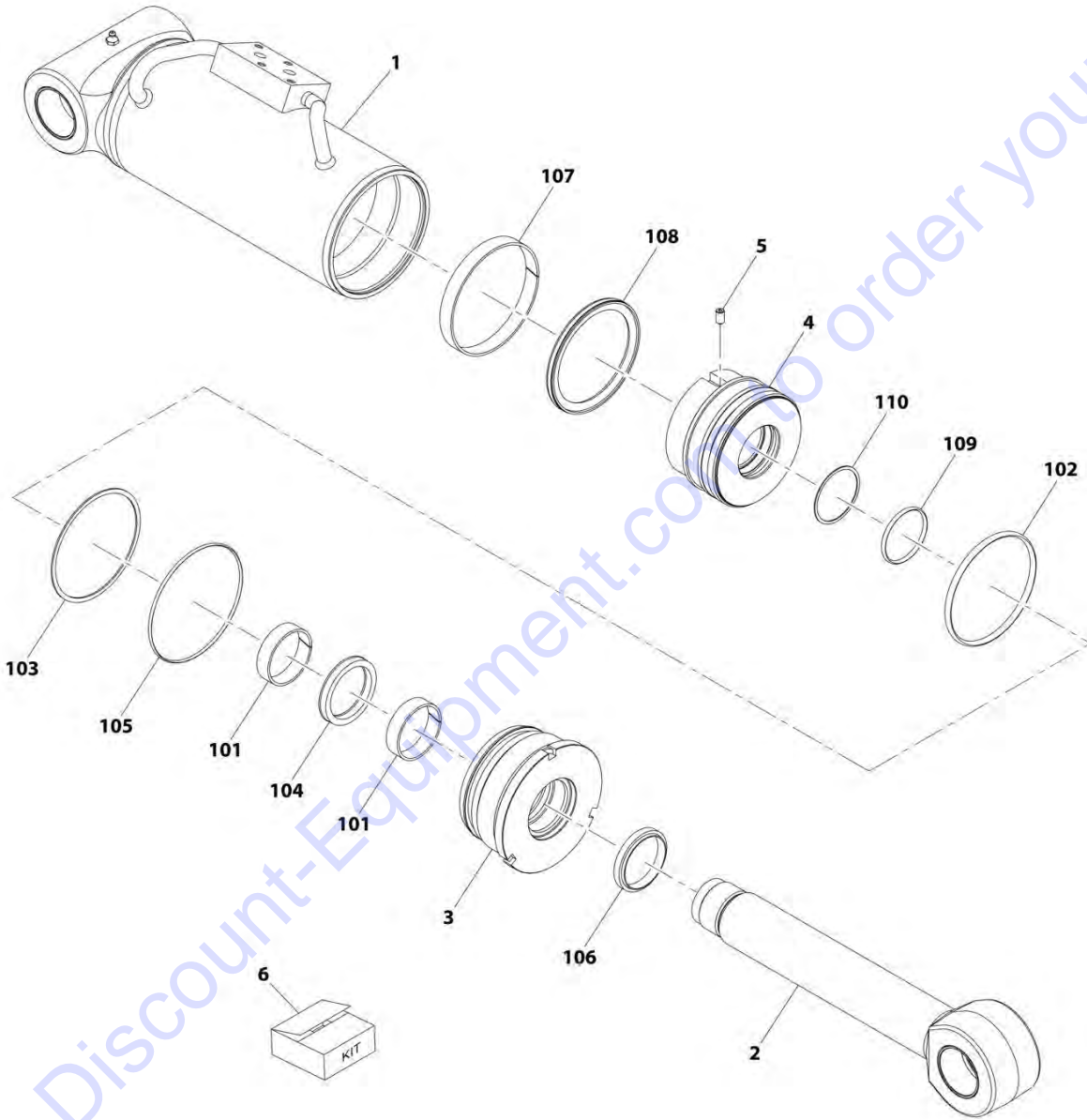
SECTION 9 - HYDRAULIC COMPONENTS

FIGURE 9-9. TILT CYLINDER

ITEM	PART NUMBER	QTY	DESCRIPTION	REV
	1001174812	Ref	Tilt Cylinder	D
1	N.S.S.	1	Barrel	
2	70028314	1	Rod	
3	70028315	1	Piston	
4	70028316	1	Head	
5	70028317	1	Valve, Counterbalance	
6	70025614	1	Bearing	
7	70028309	1	Screw, Locking	
8	70028318	1	Ring, Snap	
9	70028310	2	Bushing	
10	70028319	1	Bushing	
11	70028320	12	Bolt	
12	70028321	12	Washer	
13	70029941	2	Fitting, Grease	
14	70028322	1	Pipe	
15	70024035	1	Screw	
16	70028323	2	Washer	
17	70028324	1	Kit, Seal (includes items 101 thru 108)	
101	Kit	2	Ring, Piston	
102	Kit	1	Seal, Piston	
103	Kit	2	Ring, Rod	
104	Kit	1	"O" Ring	
105	Kit	1	Ring, Back-Up	
106	Kit	1	Seal, Rod	
107	Kit	1	Seal, Rod	
108	Kit	1	Wiper	

SECTION 9 - HYDRAULIC COMPONENTS

FIGURE 9-10. FRAME LEVEL CYLINDER



ART_1001201073-E

SECTION 9 - HYDRAULIC COMPONENTS

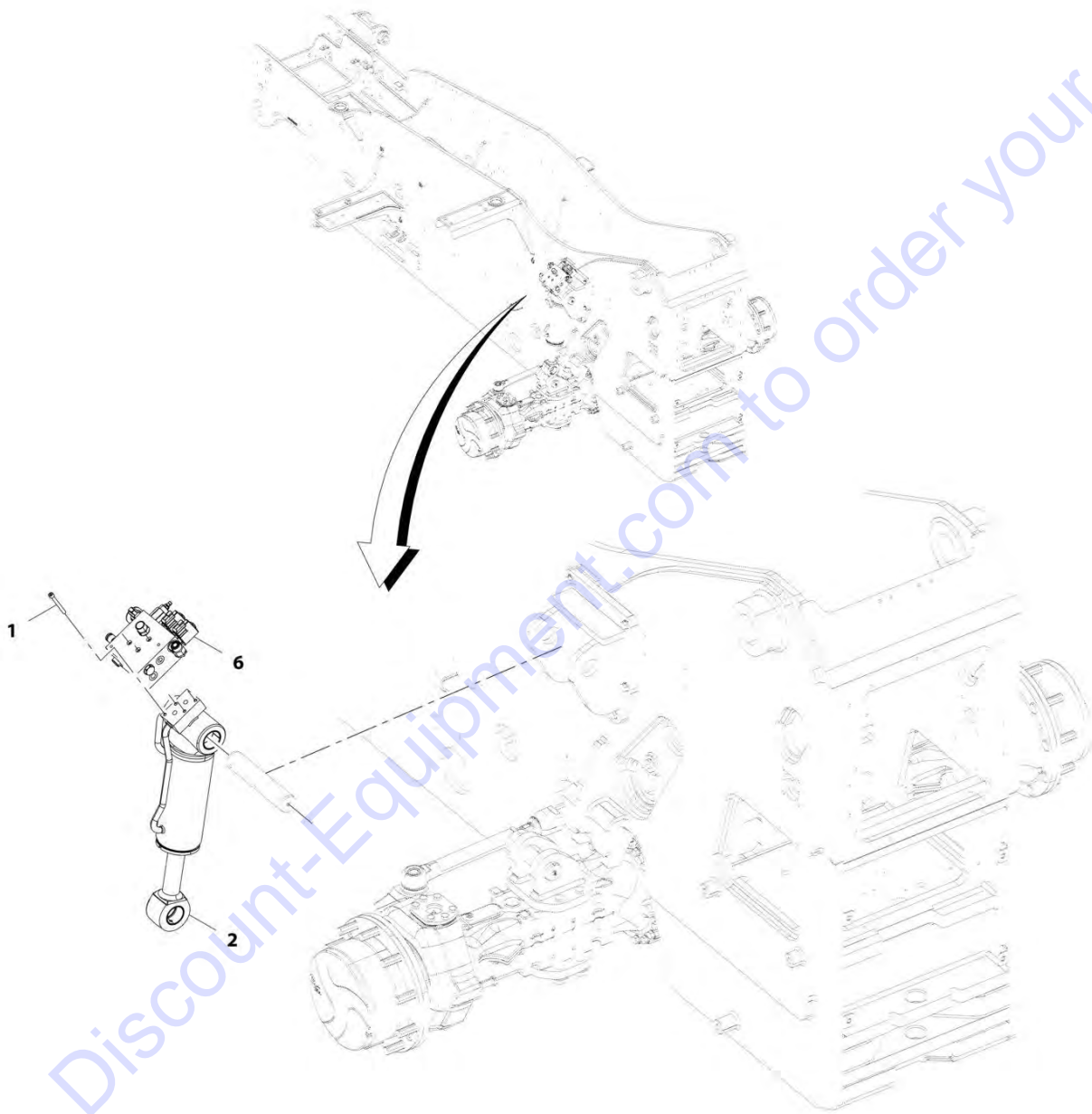
FIGURE 9-10. FRAME LEVEL CYLINDER

ITEM	PART NUMBER	QTY	DESCRIPTION	REV
	1001201073	Ref	Frame Level Cylinder	E
1	N.S.S.	1	Barrel	
2	70028362	1	Rod	
3	70026249	1	Head	
4	70026251	1	Piston	
5	70020438	1	Screw, Locking	
6	70026253	1	Seal kit (includes items 101 thru 110)	
101	Kit	2	Bearing	
102	Kit	1	O-Ring	
103	Kit	1	Backup Ring	
104	Kit	1	Rod Seal	
105	Kit	1	O-Ring	
106	Kit	1	Wiper	
107	Kit	1	Bearing	
108	Kit	1	Piston Seal	
109	Kit	1	O-Ring	
110	Kit	1	Backup Ring	

Go to Discount-Equipment.com to order your parts

SECTION 9 - HYDRAULIC COMPONENTS

FIGURE 9-11. RALP CYLINDER INSTALLATION



ART_1001193917-D

SECTION 9 - HYDRAULIC COMPONENTS

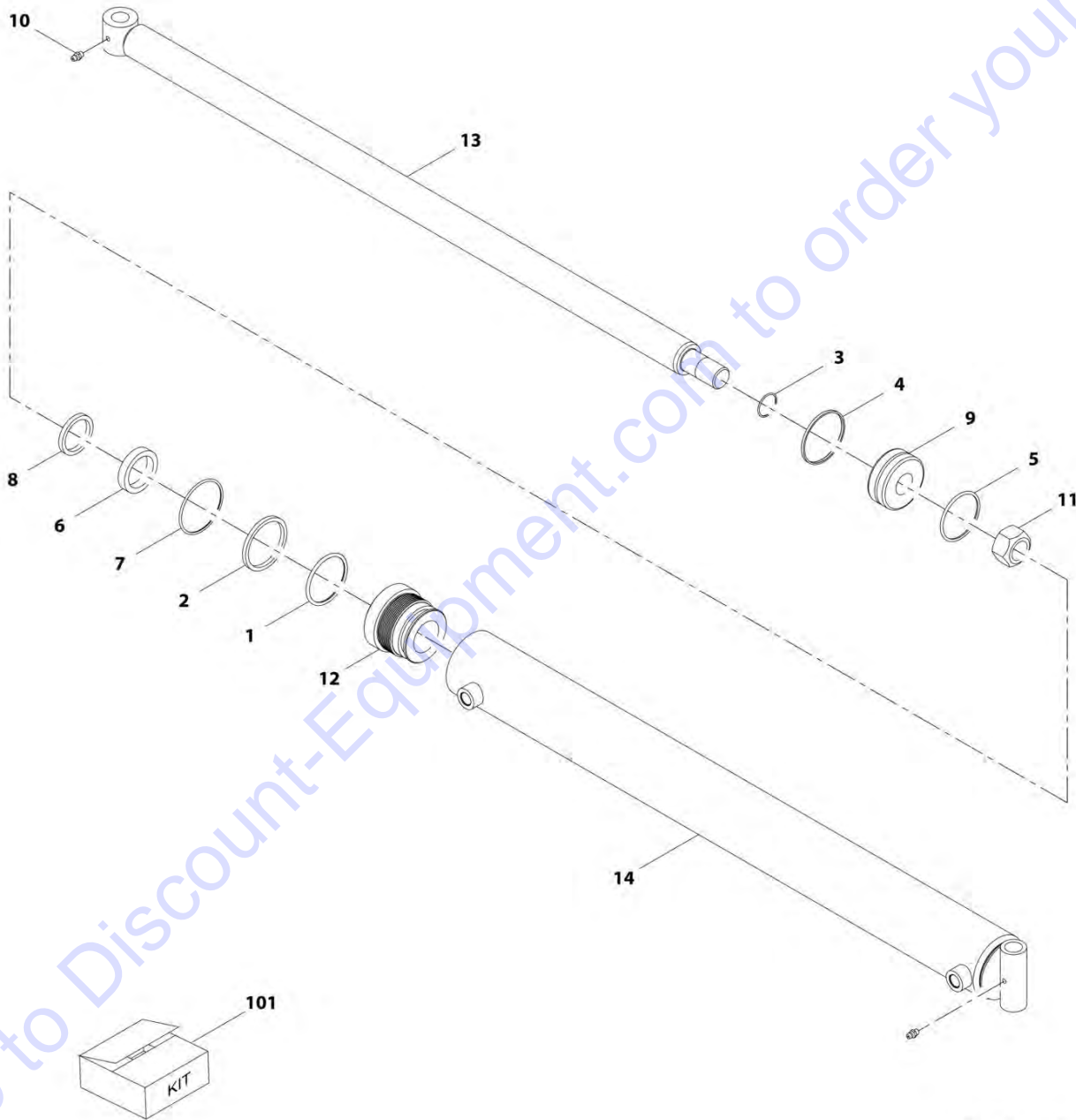
FIGURE 9-11. RALP CYLINDER INSTALLATION

ITEM	PART NUMBER	QTY	DESCRIPTION	REV
	1001193917	Ref	RALP Cylinder Installation	D
1	4031920	4	Screw, M8X1.25	
2	1001204576	1	Cylinder, RALP	
6	1001212511	1	Installation, Rear Axle Lock Valve (See Separate Breakdown in this Section)	

Go to Discount-Equipment.com to order your parts

SECTION 9 - HYDRAULIC COMPONENTS

FIGURE 9-12. FORK POSITIONING CYLINDER ASSEMBLY



ART_70028599-C

SECTION 9 - HYDRAULIC COMPONENTS

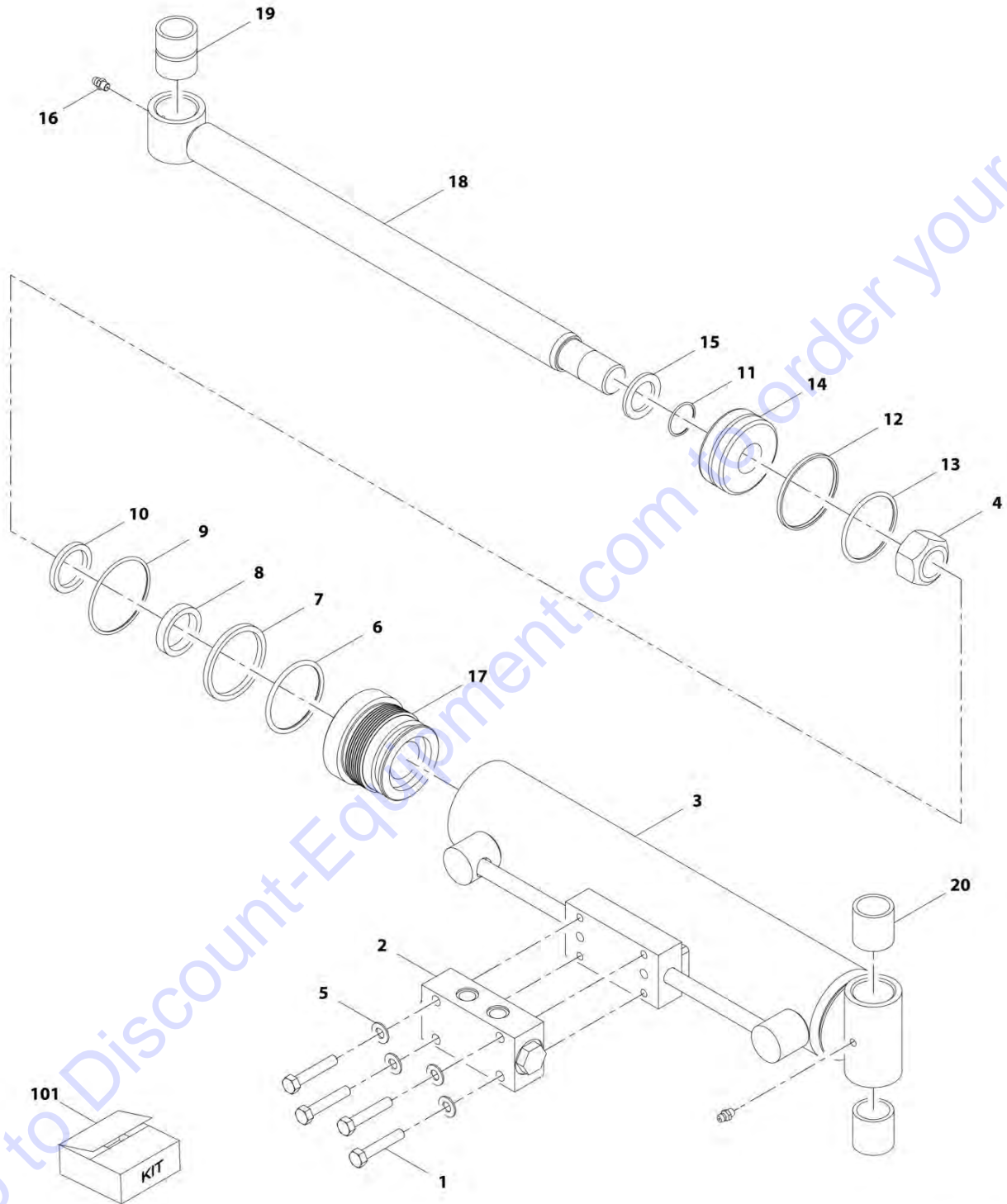
FIGURE 9-12. FORK POSITIONING CYLINDER ASSEMBLY

ITEM	PART NUMBER	QTY	DESCRIPTION	REV
	70028599	Ref	Fork Positioning Cylinder Assembly	C
1	Kit	1	O-Ring	
2	Kit	1	O-Ring	
3	Kit	1	O-Ring	
4	Kit	1	Seal	
5	Kit	1	O-Ring	
6	Kit	1	Seal	
7	Kit	1	O-Ring	
8	Kit	1	Seal	
9	70028609	1	Piston, Cylinder	
10	90554045	2	Fitting, Grease	
11	70021440	1	Nut	
12	70028610	1	Gland, Cylinder	
13	70028611	1	Rod	
14	N.S.S.	1	Tube	
101	Kit	1	Kit, Seal	

Go to Discount-Equipment.com to order your parts

SECTION 9 - HYDRAULIC COMPONENTS

FIGURE 9-13. SIDE SHIFT CYLINDER ASSEMBLY



ART_70028603-C

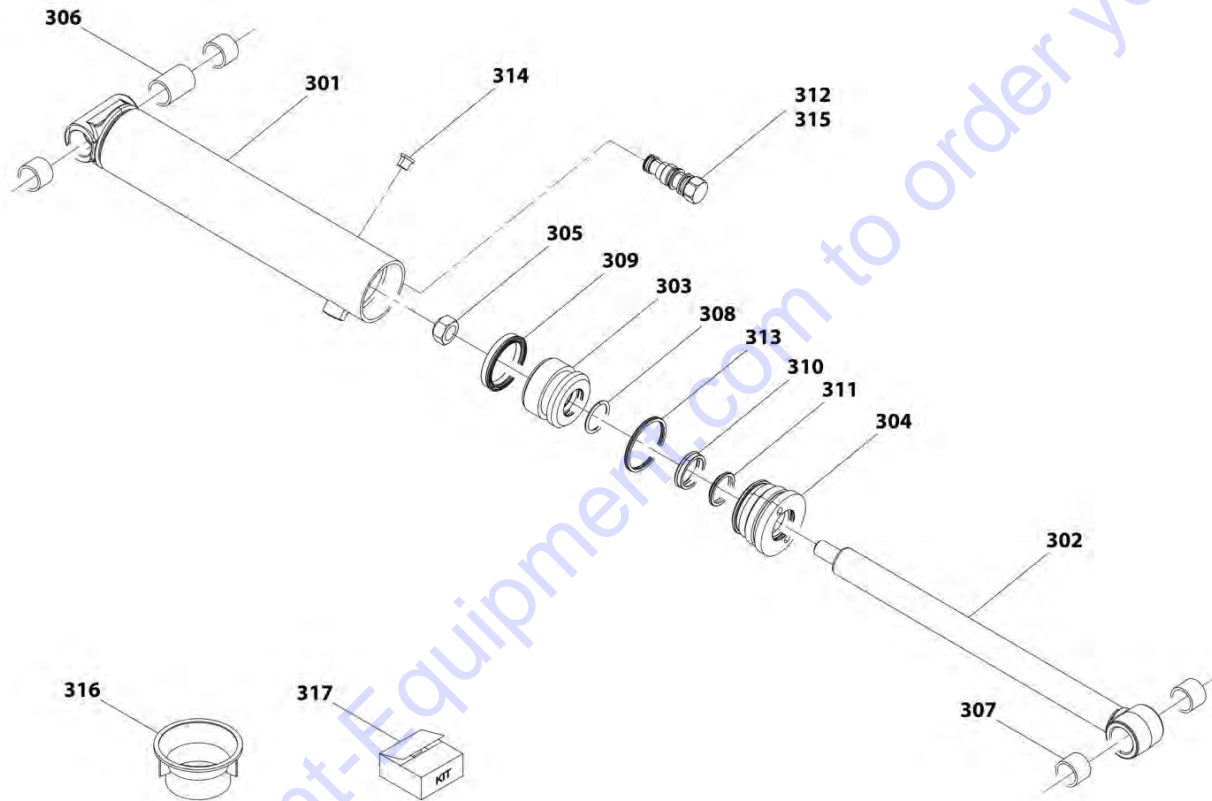
SECTION 9 - HYDRAULIC COMPONENTS

FIGURE 9-13. SIDE SHIFT CYLINDER ASSEMBLY

ITEM	PART NUMBER	QTY	DESCRIPTION	REV
	70028603	Ref	Side Shift Cylinder Assembly	C
1	70028612	4	Bolt	
2	70028613	1	Valve	
3	N.S.S.	1	Tube	
4	70021440	1	Nut	
5	70028614	4	Washer, Flat	
6	Kit	1	O-Ring	
7	Kit	1	O-Ring	
8	Kit	1	Seal	
9	Kit	1	O-Ring	
10	Kit	1	Seal	
11	Kit	1	O-Ring	
12	Kit	1	Seal	
13	Kit	1	O-Ring	
14	70021451	1	Piston	
15	70021444	1	Spacer	
16	90554045	2	Fitting, Grease	
17	70021446	1	Gland, Cylinder	
18	70021445	1	Rod	
19	70021447	1	Bushing	
20	70021448	2	Bushing	
101	70021452	1	Kit, Seal (includes items 6 thru 13)	

SECTION 9 - HYDRAULIC COMPONENTS

FIGURE 9-14. UPPER CYLINDER ASSEMBLY



ART_70028652-D

SECTION 9 - HYDRAULIC COMPONENTS

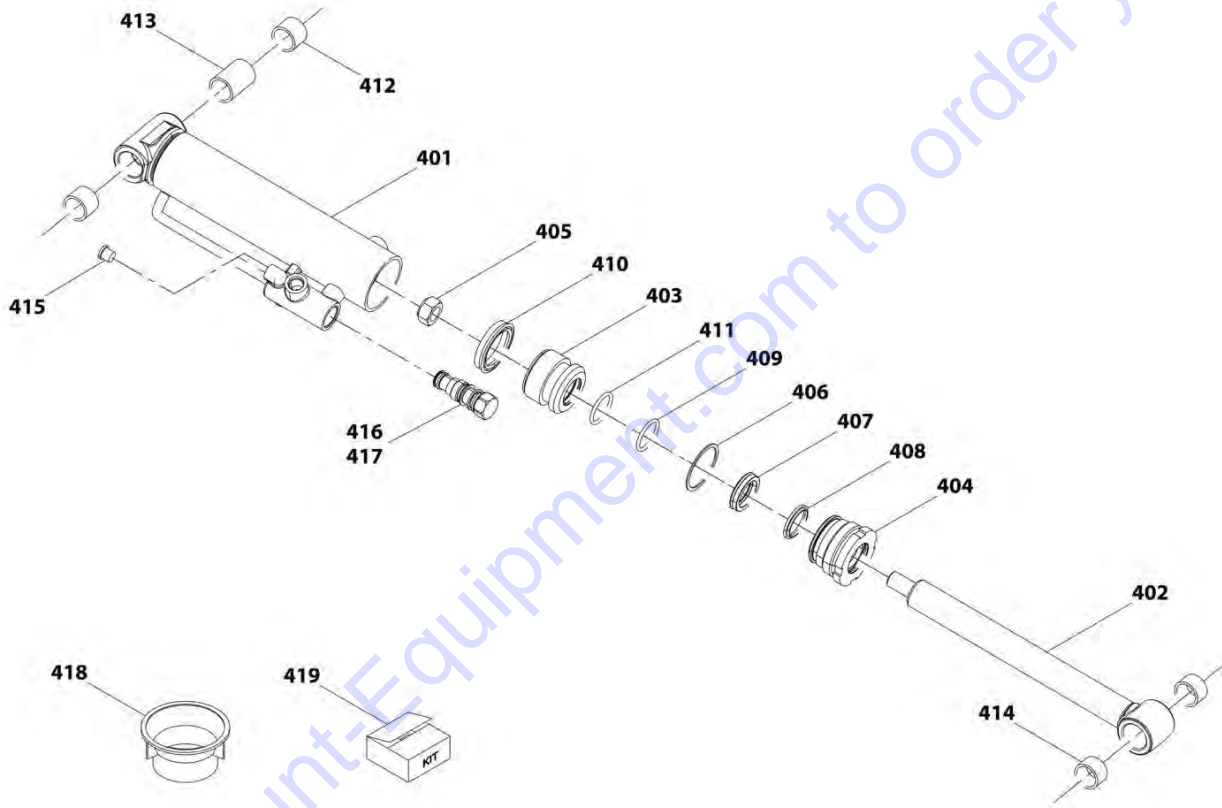
FIGURE 9-14. UPPER CYLINDER ASSEMBLY

ITEM	PART NUMBER	QTY	DESCRIPTION	REV
	70028652	Ref	Upper Cylinder Assembly	D
301	N.S.S.	1	Barrel	
302	70028270	1	Rod	
303	70028254	1	Piston	
304	70028255	1	Retainer	
305	70028258	1	Nut	
306	70028257	1	Spacer	
307	70028256	4	Bushing	
308	N.S.S.	1	O-Ring	
309	N.S.S.	1	Seal	
310	N.S.S.	1	Seal	
311	N.S.S.	1	Wiper	
312	70026502	1	Valve, Check	
313	N.S.S.	1	Seal	
314	70024129	2	Plug	
315	70024734	1	Kit, Check Valve	
316	70028691	1	Tool, Seal Loader	
317	70028770	1	Kit, Seal	

Go to Discount-Equipment.com to order your parts

SECTION 9 - HYDRAULIC COMPONENTS

FIGURE 9-15. LOWER CYLINDER ASSEMBLY



ART_70028653-D

SECTION 9 - HYDRAULIC COMPONENTS

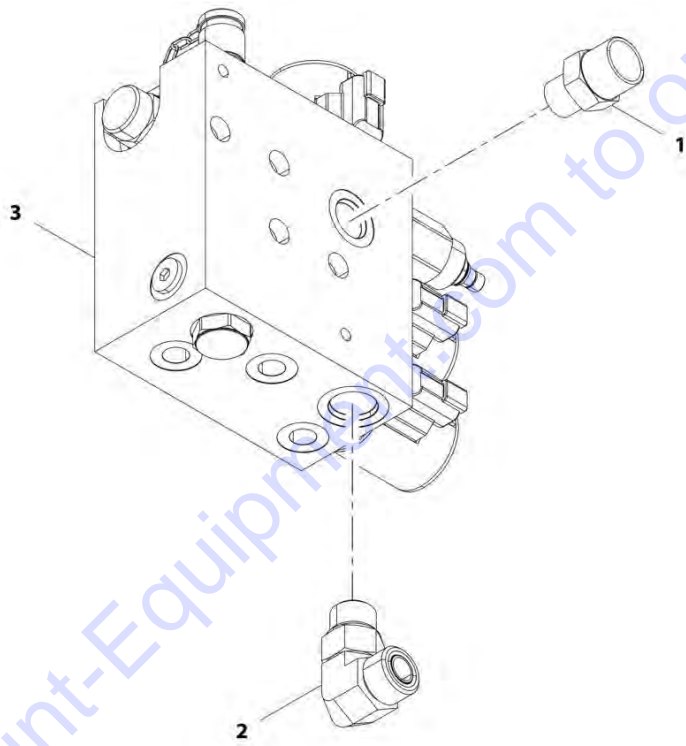
FIGURE 9-15. LOWER CYLINDER ASSEMBLY

ITEM	PART NUMBER	QTY	DESCRIPTION	REV
	70028653	Ref	Lower Cylinder Assembly	D
401	N.S.S.	1	Barrel	
402	70028692	1	Rod	
403	70024142	1	Piston	
404	70028693	1	Retainer	
405	70028258	1	Nut	
406	N.S.S.	1	Ring, Backup	
407	N.S.S.	1	Seal	
408	N.S.S.	1	Wiper	
409	N.S.S.	1	O-Ring	
410	N.S.S.	1	Seal	
411	N.S.S.	1	O-Ring	
412	70028256	2	Bushing	
413	70028257	1	Spacer	
414	70028694	2	Bushing	
415	70024129	2	Plug	
416	70026502	1	Valve, Check	
417	70024734	1	Kit, Check Valve	
418	70028691	1	Tool, Seal Loader	
419	70028771	1	Kit, Seal	

Go to Discount-Equipment.com to order your parts

SECTION 9 - HYDRAULIC COMPONENTS

FIGURE 9-16. REAR AXLE LOCK VALVE INSTALLATION



ART_1001212511-A

SECTION 9 - HYDRAULIC COMPONENTS

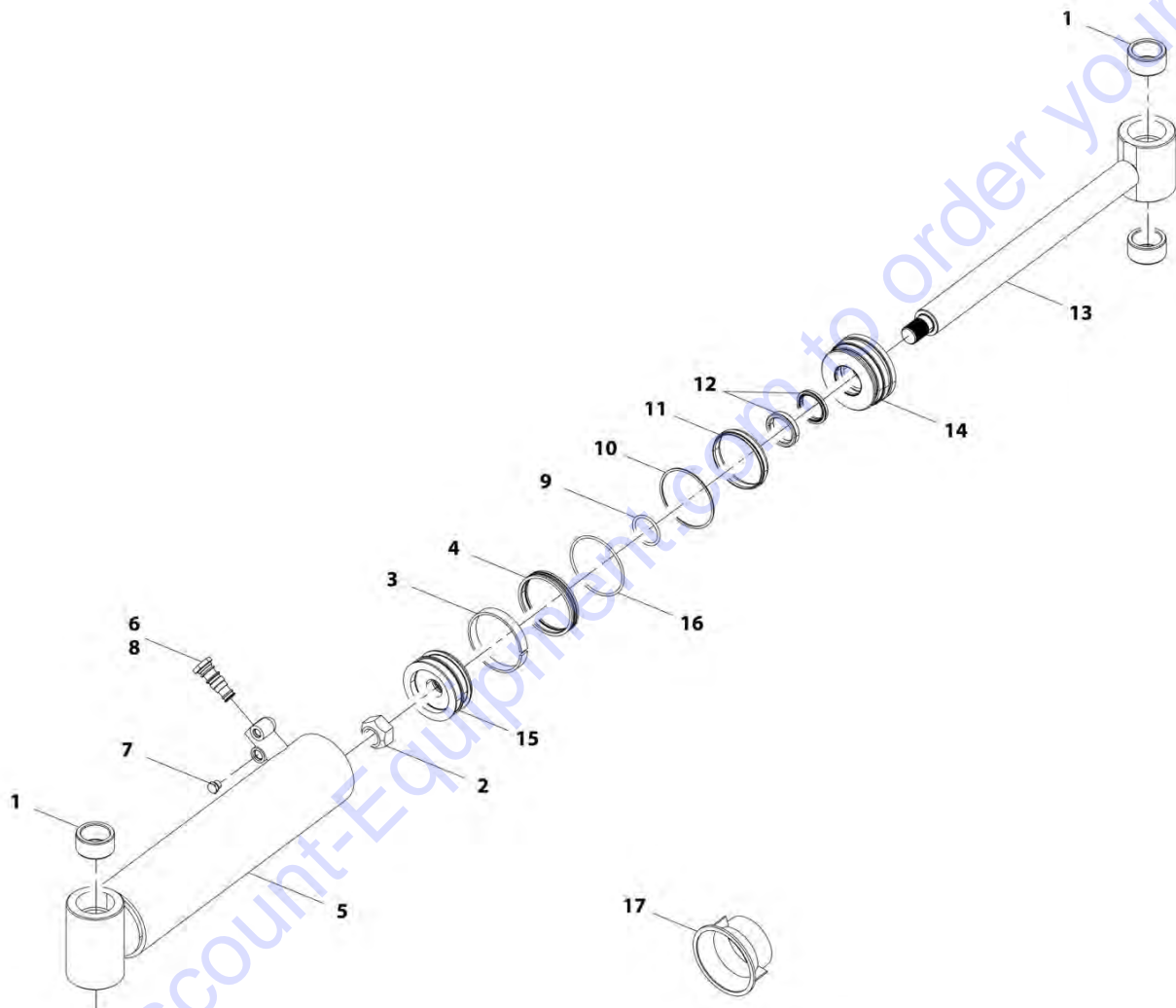
FIGURE 9-16. REAR AXLE LOCK VALVE INSTALLATION

ITEM	PART NUMBER	QTY	DESCRIPTION	REV
	1001212511	Ref	Rear Axle Lock Valve Installation	A
1	2111008	1	Fitting, Straight ORFS	
2	2131010	1	Fitting, ORFS	
3	1001188203	1	Valve, Rear Axle Lock	

Go to Discount-Equipment.com to order your parts

SECTION 9 - HYDRAULIC COMPONENTS

FIGURE 9-17. CYLINDER ASSEMBLY



ART_70028572-D

SECTION 9 - HYDRAULIC COMPONENTS

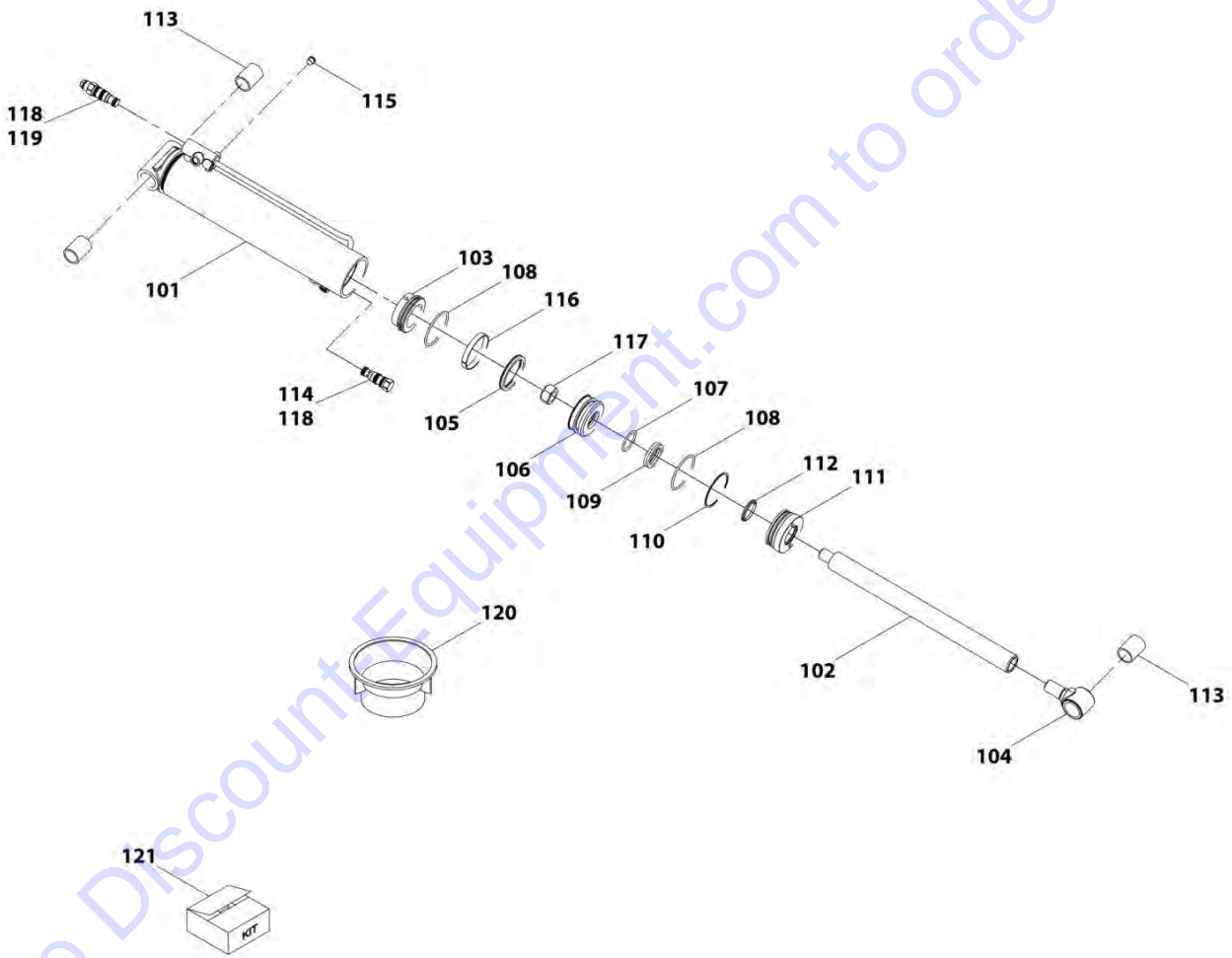
FIGURE 9-17. CYLINDER ASSEMBLY

ITEM	PART NUMBER	QTY	DESCRIPTION	REV
	70028572	Ref	4 In 1Bucket Cylinder Assembly (5.23 yd ³ /4.0m ³)	D
1	70028581	4	Bearing	
2	70028582	1	Nut	
3	N.S.S.	1	Ring, Wear	
4	N.S.S.	1	Seal	
5	N.S.S.	1	Assembly, Barrel	
6	Kit	1	Kit, Check Valve	
7	70028583	1	Fitting, Straight	
8	70028584	1	Valve, Check	
9	N.S.S.	1	O-Ring	
10	N.S.S.	1	Ring, Back-up	
11	N.S.S.	1	Seal	
12	N.S.S.	2	Wiper	
13	70028585	1	Rod	
14	70028586	1	Retainer	
15	70028587	1	Piston	
16	N.S.S.	1	O-Ring	
17	70028588	1	Tool, Seal Loader	

Go to Discount-Equipment.com to order your parts

SECTION 9 - HYDRAULIC COMPONENTS

FIGURE 9-18. CYLINDER ASSEMBLY



ART_70026469-C

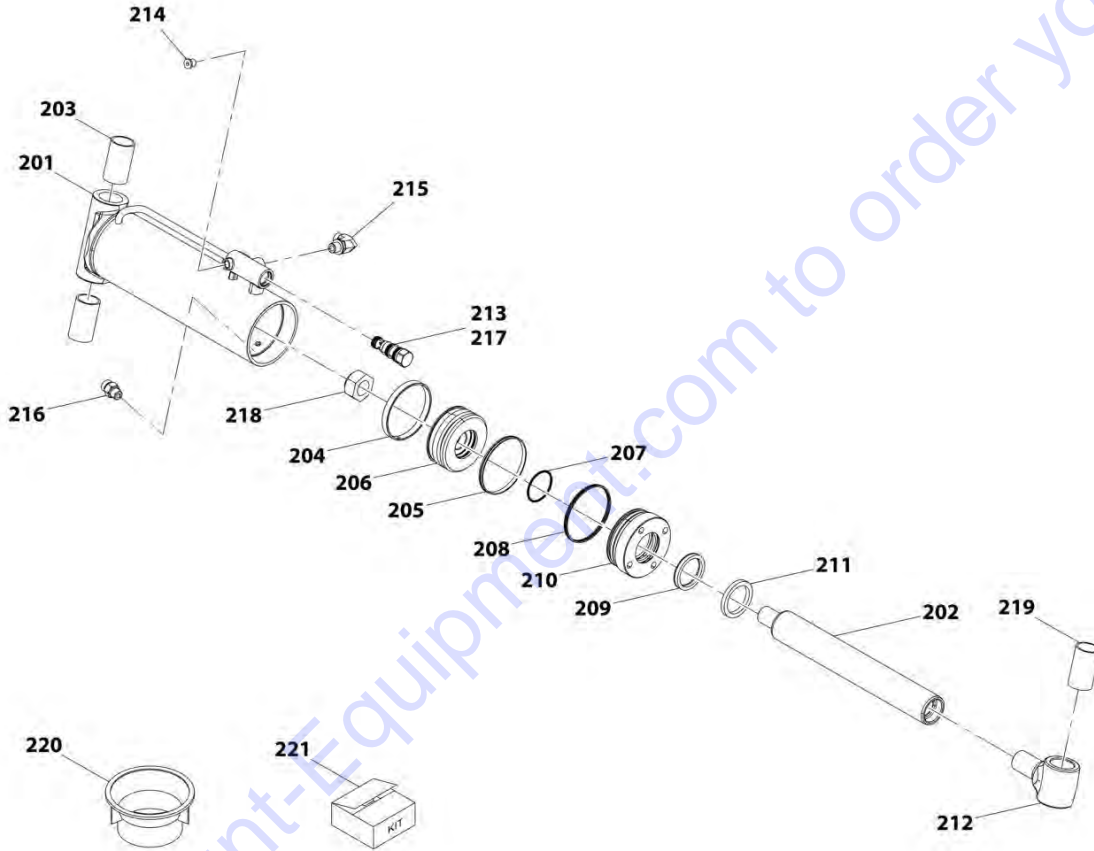
SECTION 9 - HYDRAULIC COMPONENTS

FIGURE 9-18. CYLINDER ASSEMBLY

ITEM	PART NUMBER	QTY	DESCRIPTION	REV
	70026469	Ref	Grapple Bucket Cylinder Assembly (2.6 yd ³ /2.0m ³)	C
101	N.S.S.	1	Barrel	
102	70026496	1	Rod	
103	70026497	1	Spacer	
104	70026498	1	End, Rod	
105	Kit	1	Seal	
106	70026499	1	Piston	
107	Kit	1	O-Ring	
108	Kit	2	O-Ring	
109	Kit	1	Ring, Backup	
110	Kit	1	Seal	
111	70026500	1	Retainer	
112	Kit	1	Wiper	
113	70026501	3	Bushing	
114	70026502	1	Valve, Check	
115	70024129	4	Plug	
116	Kit	1	Ring, Wear	
117	70026503	1	Nut	
118	70024734	2	Kit, Check Valve Service	
119	70026504	1	Valve, Counterbalance	
120	70026505	1	Tool, Seal Loader	
121	70026506	1	Kit, Service	

SECTION 9 - HYDRAULIC COMPONENTS

FIGURE 9-19. LOG HANDLER CARRIAGE CYLINDER ASSEMBLY



Go to Discount-Equipment.com to order your parts

ART_70028704-C

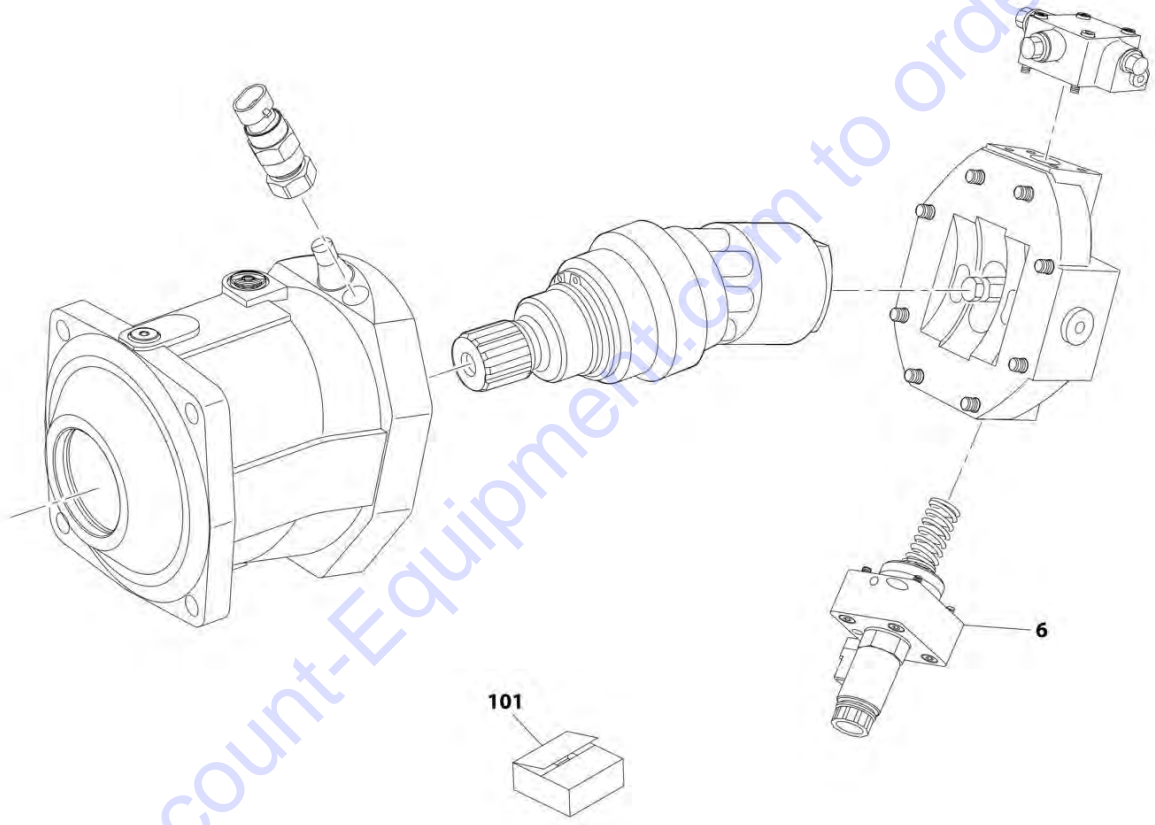
SECTION 9 - HYDRAULIC COMPONENTS

FIGURE 9-19. LOG HANDLER CARRIAGE CYLINDER ASSEMBLY

ITEM	PART NUMBER	QTY	DESCRIPTION	REV
	70028704	Ref	Log Handler Carriage Cylinder Assembly	C
201	N.S.S.	1	Barrel	
202	70028728	1	Rod	
203	70028729	2	Bushing	
204	N.S.S.	1	Ring, Wear	
205	N.S.S.	1	Seal	
206	70028730	1	Piston	
207	N.S.S.	1	O-Ring	
208	N.S.S.	1	Seal	
209	N.S.S.	1	Seal	
210	70028731	1	Retainer	
211	N.S.S.	1	Wiper	
212	N.S.S.	1	End, Rod (included with item 202)	
213	70024733	1	Valve, Check	
214	70024129	2	Plug	
215	70024123	1	Fitting, 90	
216	70024130	1	Fitting, Straight	
217	70024734	1	Kit, Check Valve	
218	70028732	1	Nut	
219	70028729	1	Bushing (included with item 202)	
220	70028588	1	Tool, Seal Loader	
221	70028733	1	Kit, Seal (includes items 204, 205, 207, 208, 208, 211, 220)	

SECTION 9 - HYDRAULIC COMPONENTS

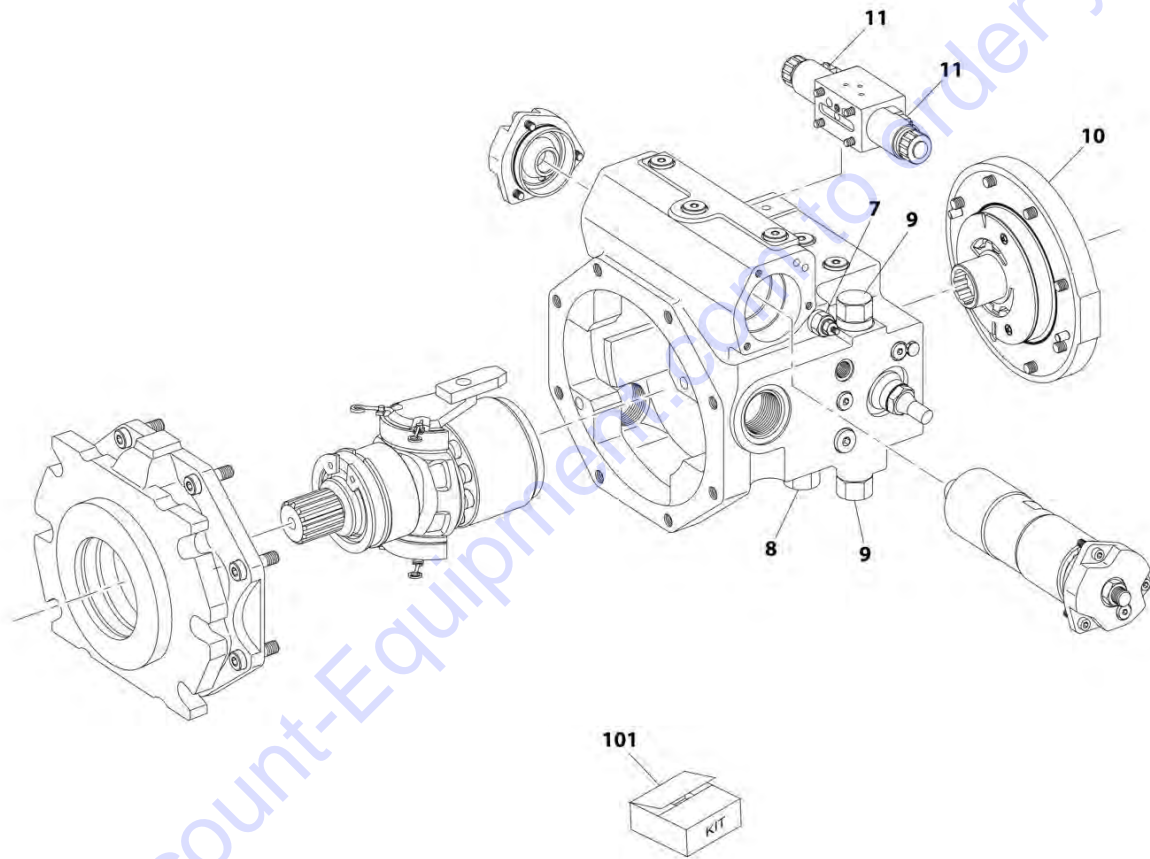
FIGURE 9-20. HYDROSTATIC MOTOR



ART_1001193308-C

SECTION 9 - HYDRAULIC COMPONENTS

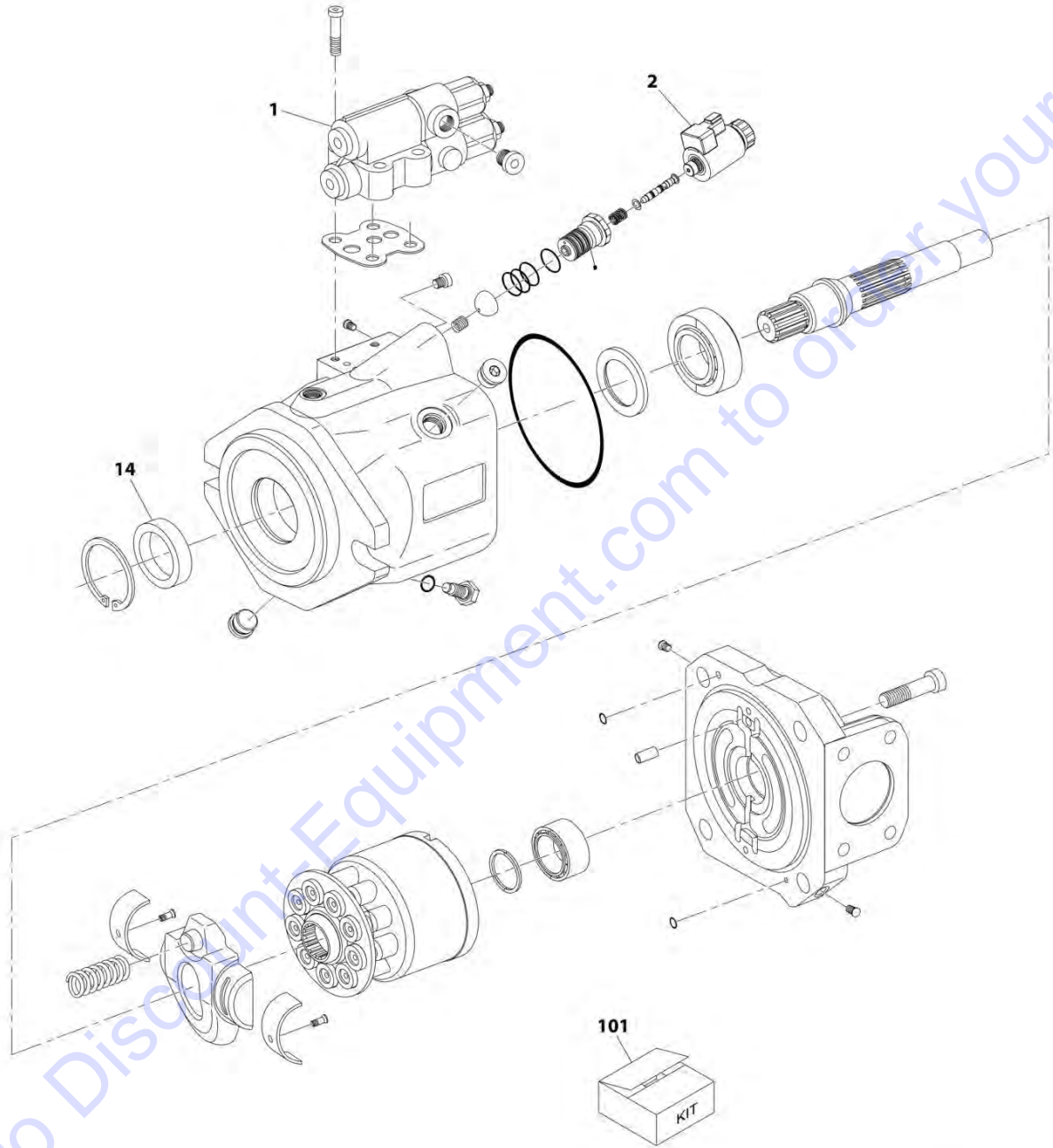
FIGURE 9-21. HYDROSTATIC PUMP



ART_1001193307-D

SECTION 9 - HYDRAULIC COMPONENTS

FIGURE 9-22. IMPLEMENT PUMP



ART_1001180070-F

SECTION 9 - HYDRAULIC COMPONENTS

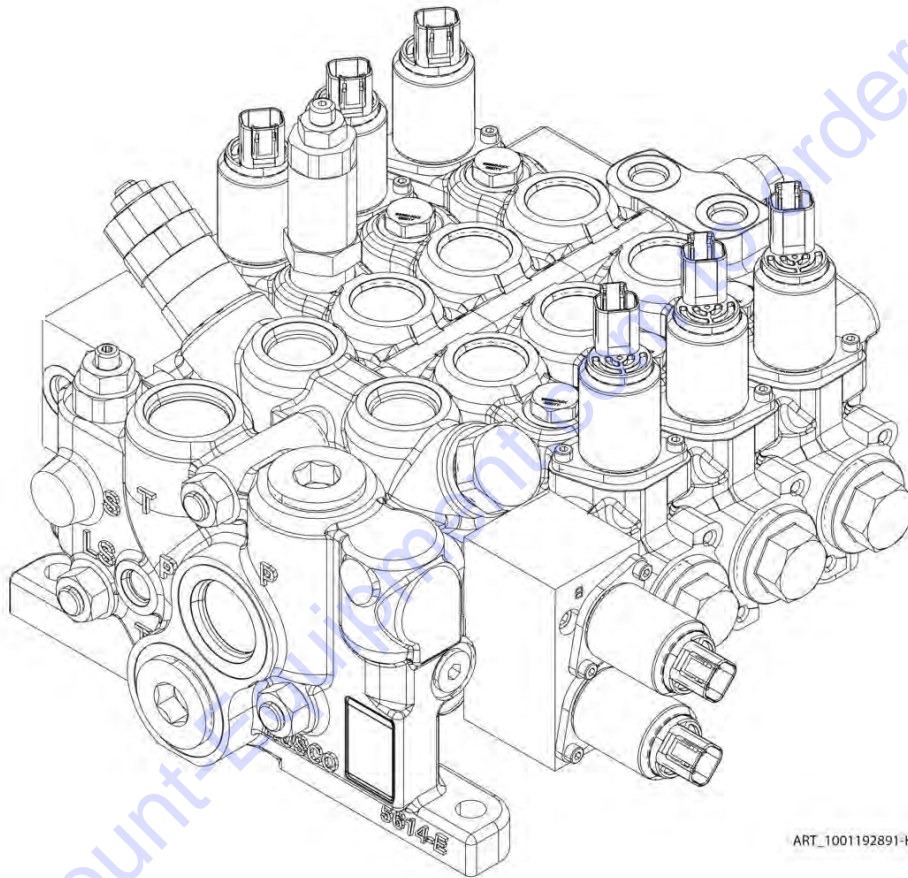
FIGURE 9-22. IMPLEMENT PUMP

ITEM	PART NUMBER	QTY	DESCRIPTION	REV
	1001180070	1	Implement Pump	F
1	70027595	1	Controller, DSR	
2	70028412	1	Controller, EK	
14	7024947	1	Seal, Shaft	
101	70028413	1	Kit, Seal	
	Kit	1	Seal	
	Kit	1	Plug	
	Kit	2	Plug	
	Kit	2	O-Ring	
	Kit	1	O-Ring	

Go to Discount-Equipment.com to order your parts

SECTION 9 - HYDRAULIC COMPONENTS

FIGURE 9-23. MAIN CONTROL VALVE



ART_1001192891-H

SECTION 9 - HYDRAULIC COMPONENTS

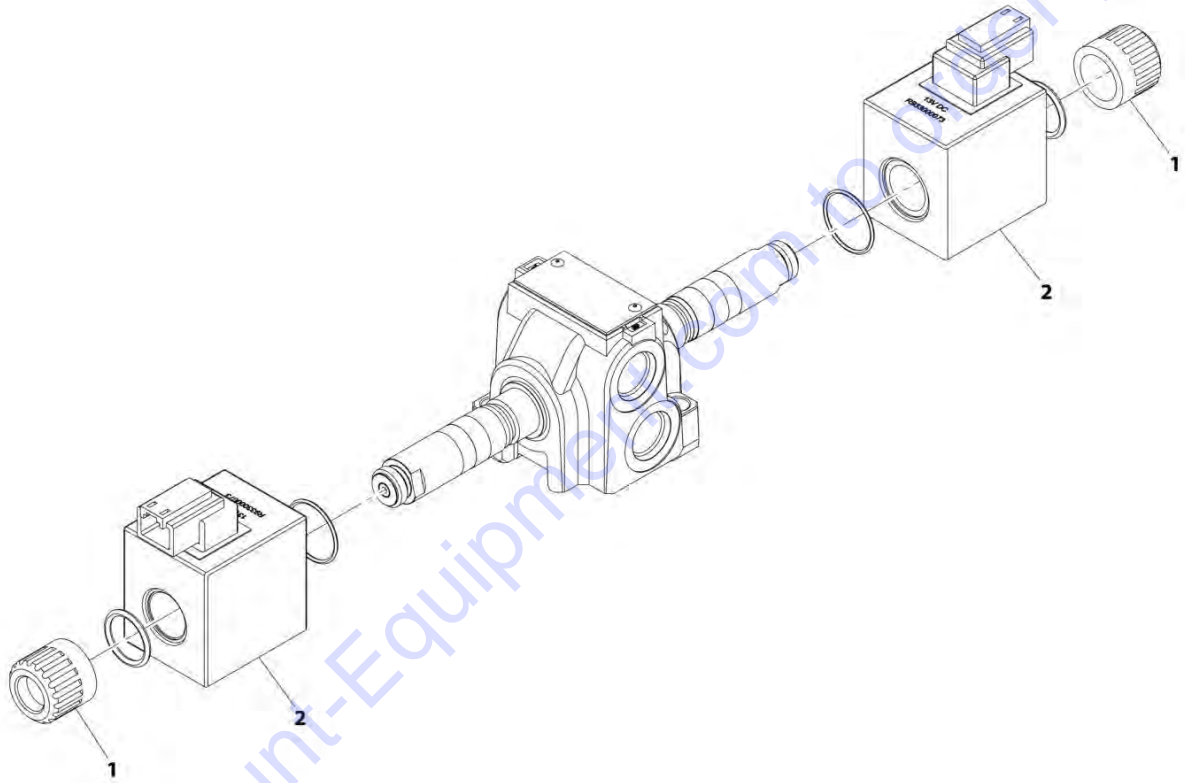
FIGURE 9-23. MAIN CONTROL VALVE

ITEM	PART NUMBER	QTY	DESCRIPTION	REV
	1001192891	Ref	Main Control Valve	H

Go to Discount-Equipment.com to order your parts

SECTION 9 - HYDRAULIC COMPONENTS

FIGURE 9-24. STEERING SELECT VALVE



ART_1001153748-C

SECTION 9 - HYDRAULIC COMPONENTS

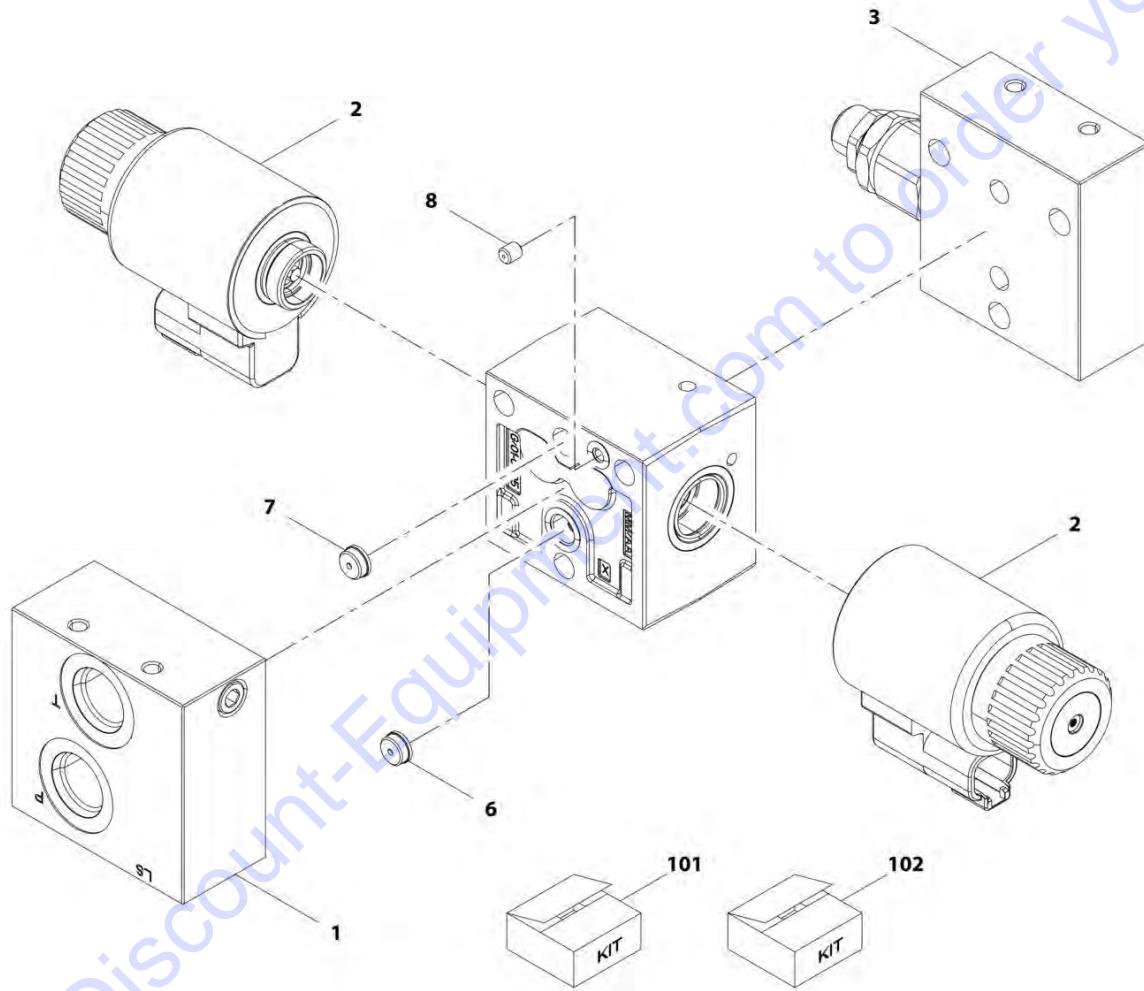
FIGURE 9-24. STEERING SELECT VALVE

ITEM	PART NUMBER	QTY	DESCRIPTION	REV
	1001153748	Ref	Steering Select Valve	C
1	70020867	2	Nut, Coil	
2	70026582	2	Coil	

Go to Discount-Equipment.com to order your parts

SECTION 9 - HYDRAULIC COMPONENTS

FIGURE 9-25. FRAME LEVEL VALVE



ART_1001219615-D

SECTION 9 - HYDRAULIC COMPONENTS

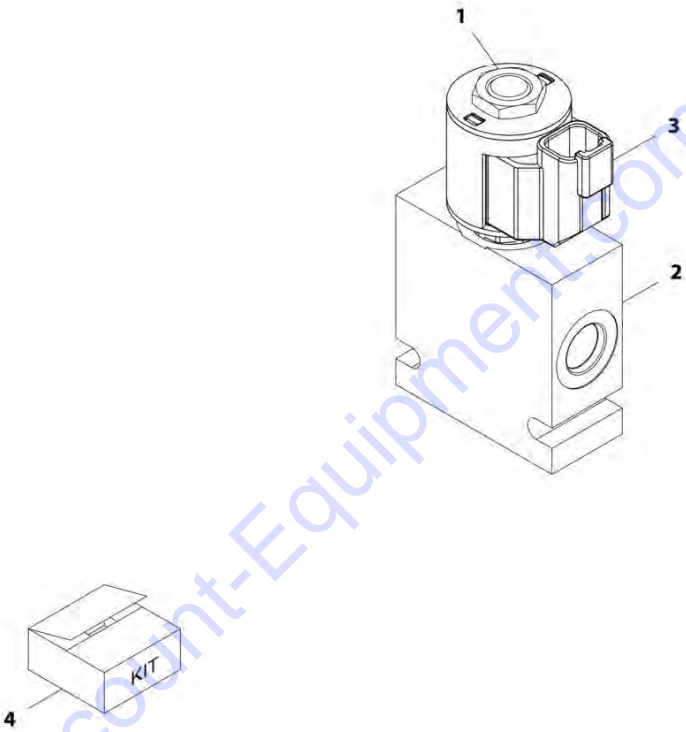
FIGURE 9-25. FRAME LEVEL VALVE

ITEM	PART NUMBER	QTY	DESCRIPTION	REV
	1001219615	Ref	Frame Level Valve	D
1	70028414	1	Valve, Section	
2	70004595	2	Coil	
3	70028504	1	Plate	
6	70028415	1	Screw	
7	70028243	1	Screw	
8	70028416	1	Screw	
101	70028502	2	Kit, Coil Nut	
	Kit	1	Nut	
	Kit	1	O-Ring	
102	70028503	1	Kit, Bolt and Seal	
	Kit	3	Bolt	
	Kit	3	Washer	
	Kit	2	O-Ring	
	Kit	4	O-Ring	
	Kit	2	O-Ring	

Go to Discount-Equipment.com to order your parts

SECTION 9 - HYDRAULIC COMPONENTS

FIGURE 9-26. SOLENOID VALVE



ART_1001221928-A

SECTION 9 - HYDRAULIC COMPONENTS

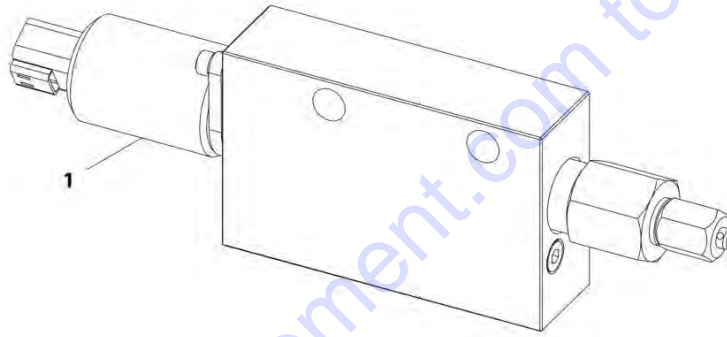
FIGURE 9-26. SOLENOID VALVE

ITEM	PART NUMBER	QTY	DESCRIPTION	REV
	1001221928	Ref	Solenoid Valve	A
1	70004387	1	Cartridge	
2	N.S.S.	Ref	Body	
3	70002963	1	Coil	
4	7010543	1	Kit, Seal	

Go to Discount-Equipment.com to order your parts

SECTION 9 - HYDRAULIC COMPONENTS

FIGURE 9-27. INCHING VALVE



ART_1001213311-B

SECTION 9 - HYDRAULIC COMPONENTS

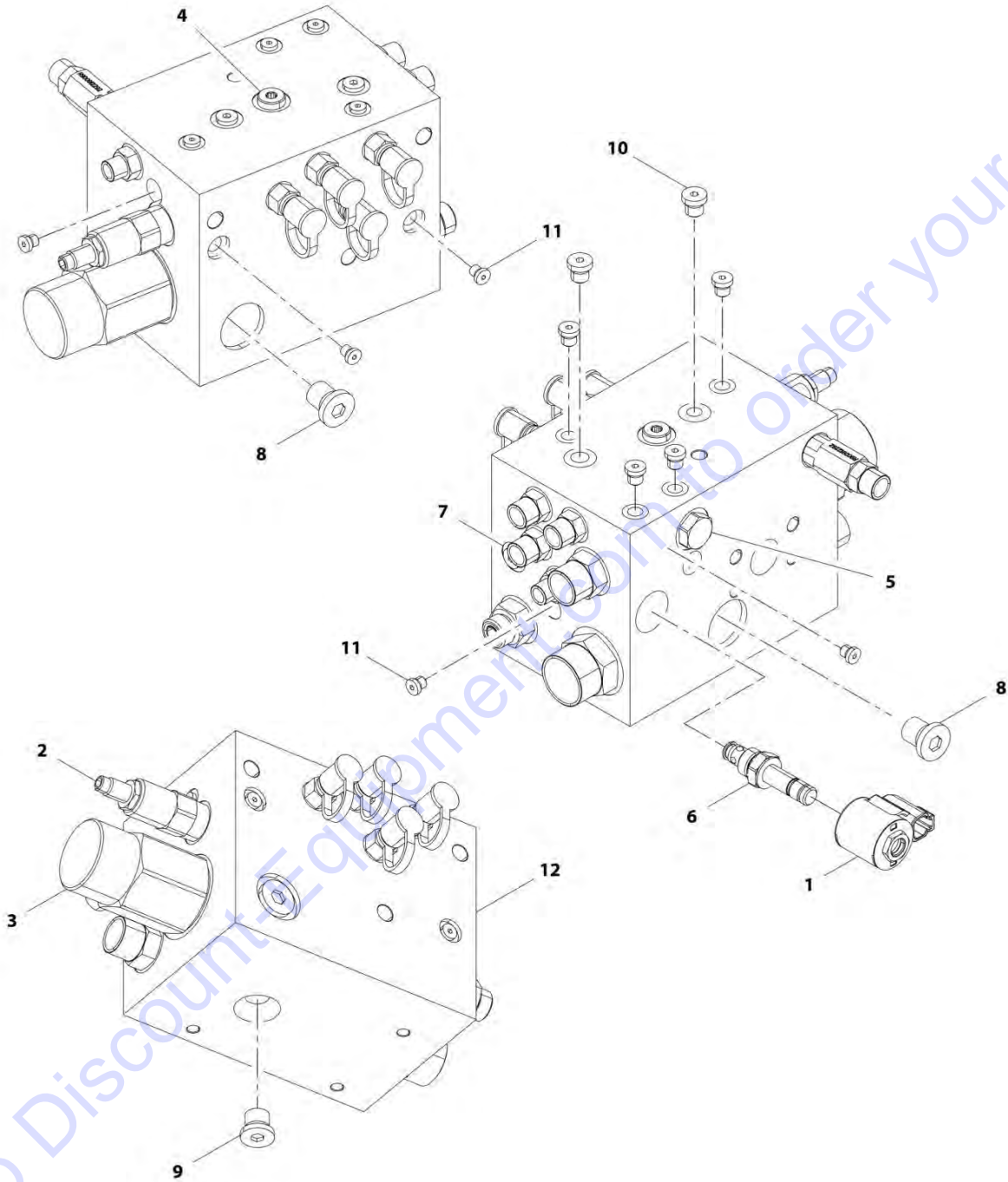
FIGURE 9-27. INCHING VALVE

ITEM	PART NUMBER	QTY	DESCRIPTION	REV
1	1001213311 70028361	Ref 1	Inching Valve Valve, Proportional	B

Go to Discount-Equipment.com to order your parts

SECTION 9 - HYDRAULIC COMPONENTS

FIGURE 9-28. PRIORITY VALVE ASSEMBLY



ART_1001192888-E

SECTION 9 - HYDRAULIC COMPONENTS

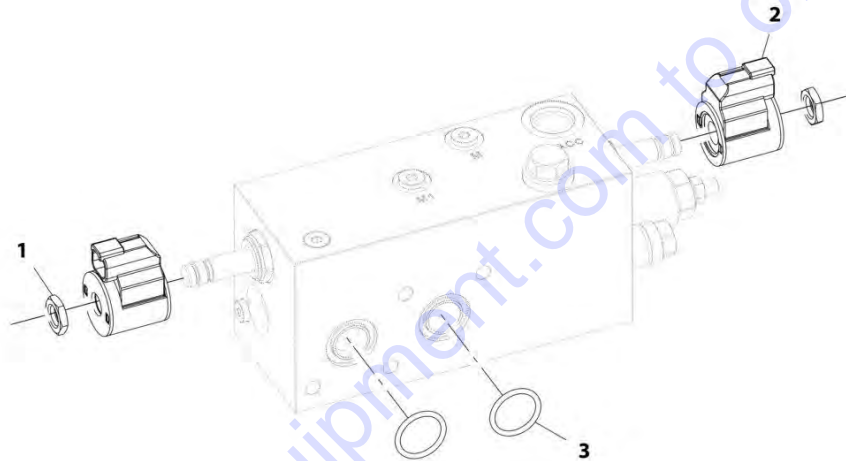
FIGURE 9-28. PRIORITY VALVE ASSEMBLY

ITEM	PART NUMBER	QTY	DESCRIPTION	REV
	1001192888	Ref	Priority Valve Assembly	E
1	70028905	1	Cartridge	
2	70028904	1	Cartridge	
3	70028903	1	Cartridge	
4	70026312	1	Cartridge	
5	70028902	1	Cartridge	
6	70002963	1	Coil	
7	70006427	1	Orifice	
8	70026314	2	Plug	
9	2220886	1	Plug	
10	2220883	3	Plug	
11	70026315	9	Plug	
12	N.S.S.	1	Block	

Go to Discount-Equipment.com to order your parts

SECTION 9 - HYDRAULIC COMPONENTS

FIGURE 9-29. BOOM RAISE VALVE (RIDE CONTROL)



ART_1001224945-C

SECTION 9 - HYDRAULIC COMPONENTS

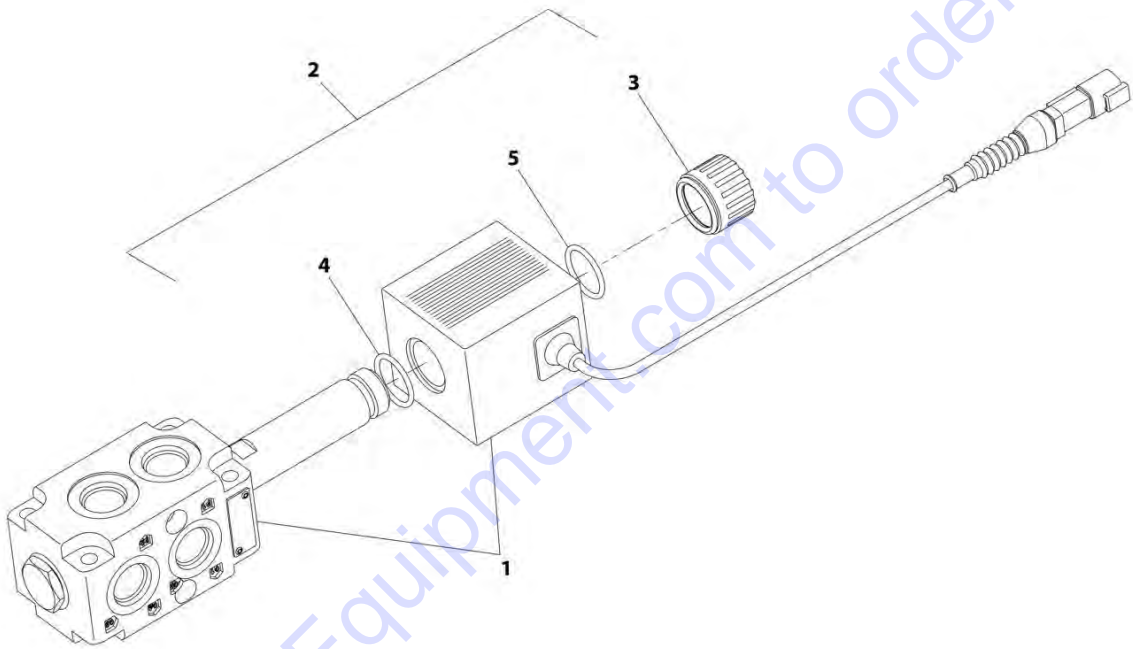
FIGURE 9-29. BOOM RAISE VALVE (RIDE CONTROL)

ITEM	PART NUMBER	QTY	DESCRIPTION	REV
	1001224945	Ref	Boom Raise Valve (Ride Control)	C
1	7022390	2	Nut	
2	70028281	2	Coil	
3	70028282	2	O-Ring	

Go to Discount-Equipment.com to order your parts

SECTION 9 - HYDRAULIC COMPONENTS

FIGURE 9-30. DIVERTOR VALVE



ART_1001104477-D

SECTION 9 - HYDRAULIC COMPONENTS

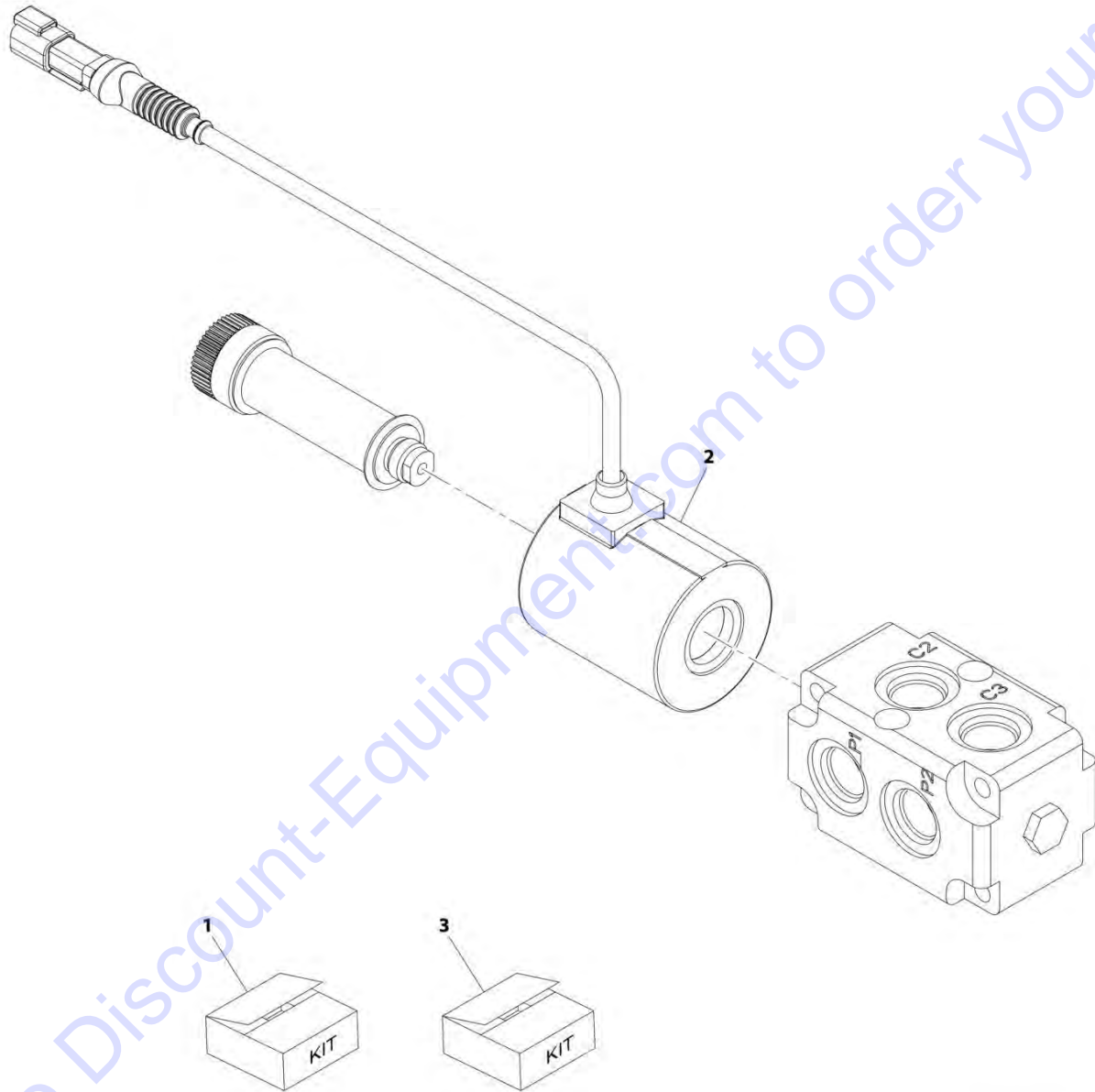
FIGURE 9-30. DIVERTOR VALVE

ITEM	PART NUMBER	QTY	DESCRIPTION	REV
	1001104477	Ref	Divertor Valve	D
1	70020764	1	Coil	
2	70021531	1	Kit, Retainer	
3	Kit	1	Nut	
4	Kit	1	O-Ring	
5	Kit	1	O-Ring	

Go to Discount-Equipment.com to order your parts

SECTION 9 - HYDRAULIC COMPONENTS

FIGURE 9-31. DIVERTOR VALVE



ART_100110023-B

SECTION 9 - HYDRAULIC COMPONENTS

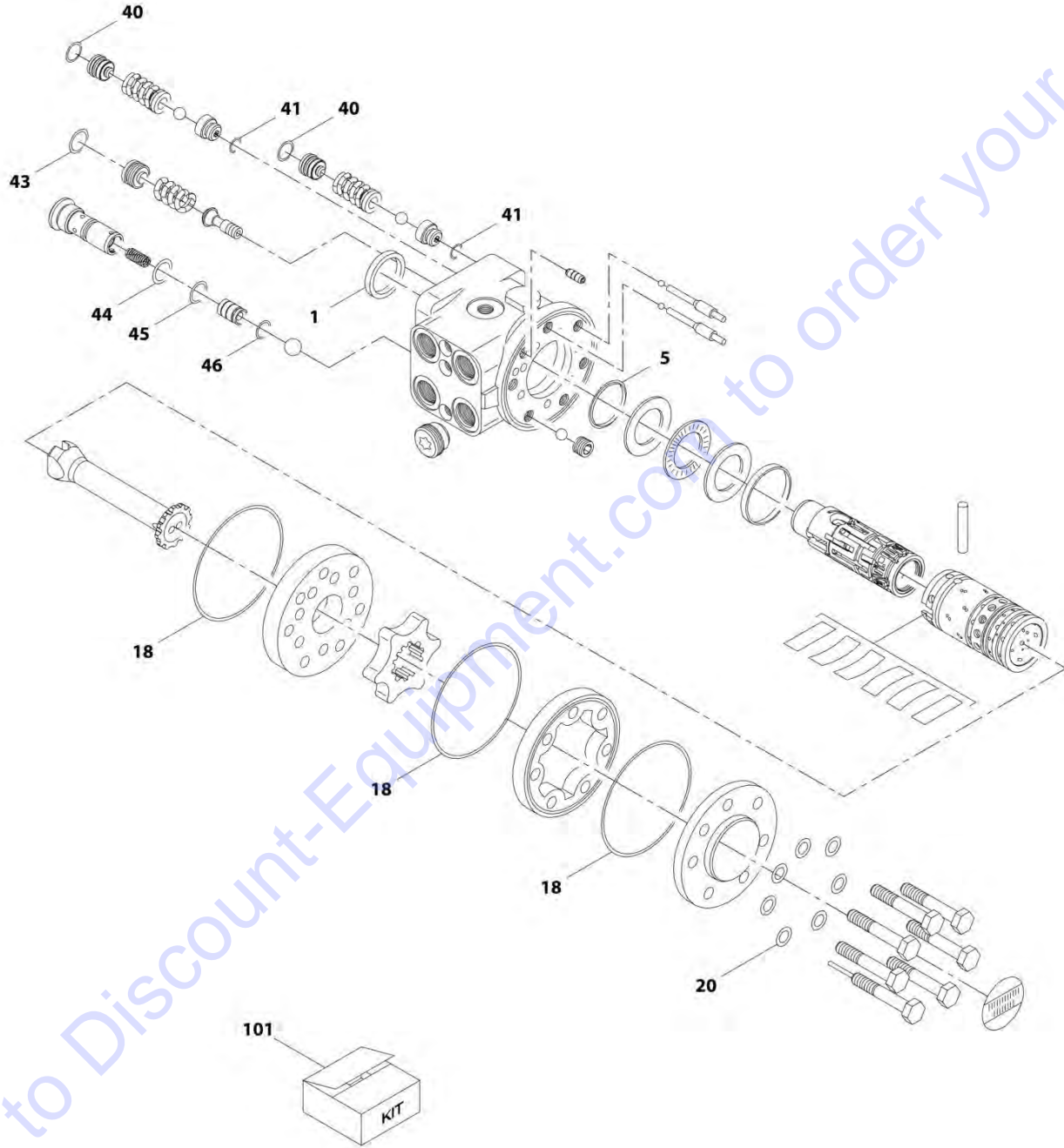
FIGURE 9-31. DIVERTOR VALVE

ITEM	PART NUMBER	QTY	DESCRIPTION	REV
	1001110023	Ref	Divertor Valve	B
1	70027596	1	Kit, Seal	
	Kit	2	O-Ring	
2	70020764	1	Coil	
3	70021531	1	Kit, Coil Nut	
	N.S.S.	1	O-Ring	
	N.S.S.	1	O-Ring	
	N.S.S.	1	Nut	

Go to Discount-Equipment.com to order your parts

SECTION 9 - HYDRAULIC COMPONENTS

FIGURE 9-32. STEER UNIT VALVE



ART_1001178670-B

SECTION 9 - HYDRAULIC COMPONENTS

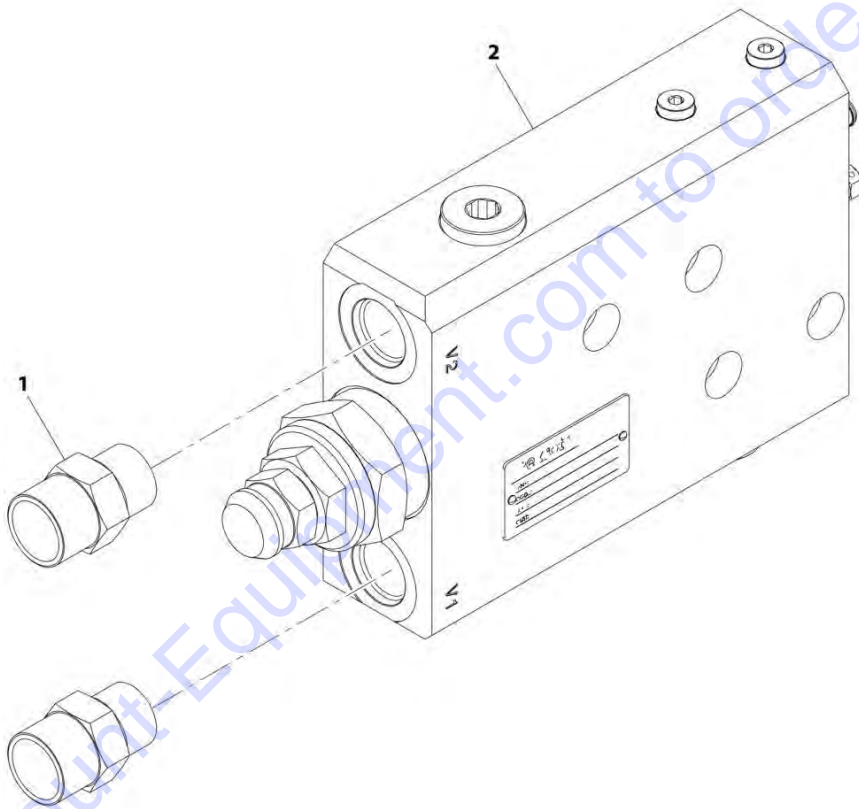
FIGURE 9-32. STEER UNIT VALVE

ITEM	PART NUMBER	QTY	DESCRIPTION	REV
	1001178670	Ref	Steer Unit Valve	B
1	Kit	2	Ring, Dust Seal	
5	Kit	2	Seal, Shaft	
18	Kit	2	O-Ring	
20	Kit	2	Washer	
40	Kit	2	O-Ring	
41	Kit	2	O-Ring	
43	Kit	2	O-Ring	
44	Kit	2	O-Ring	
45	Kit	2	O-Ring	
46	Kit	2	O-Ring	
101	70028285	1	Kit, Seal (includes items 1, 5, 18, 20, 40, 41 and 43 thru 46)	

Go to Discount-Equipment.com to order your parts

SECTION 9 - HYDRAULIC COMPONENTS

FIGURE 9-33. COUNTERBALANCE VALVE INSTALLATION



ART_1001212312-A

SECTION 9 - HYDRAULIC COMPONENTS

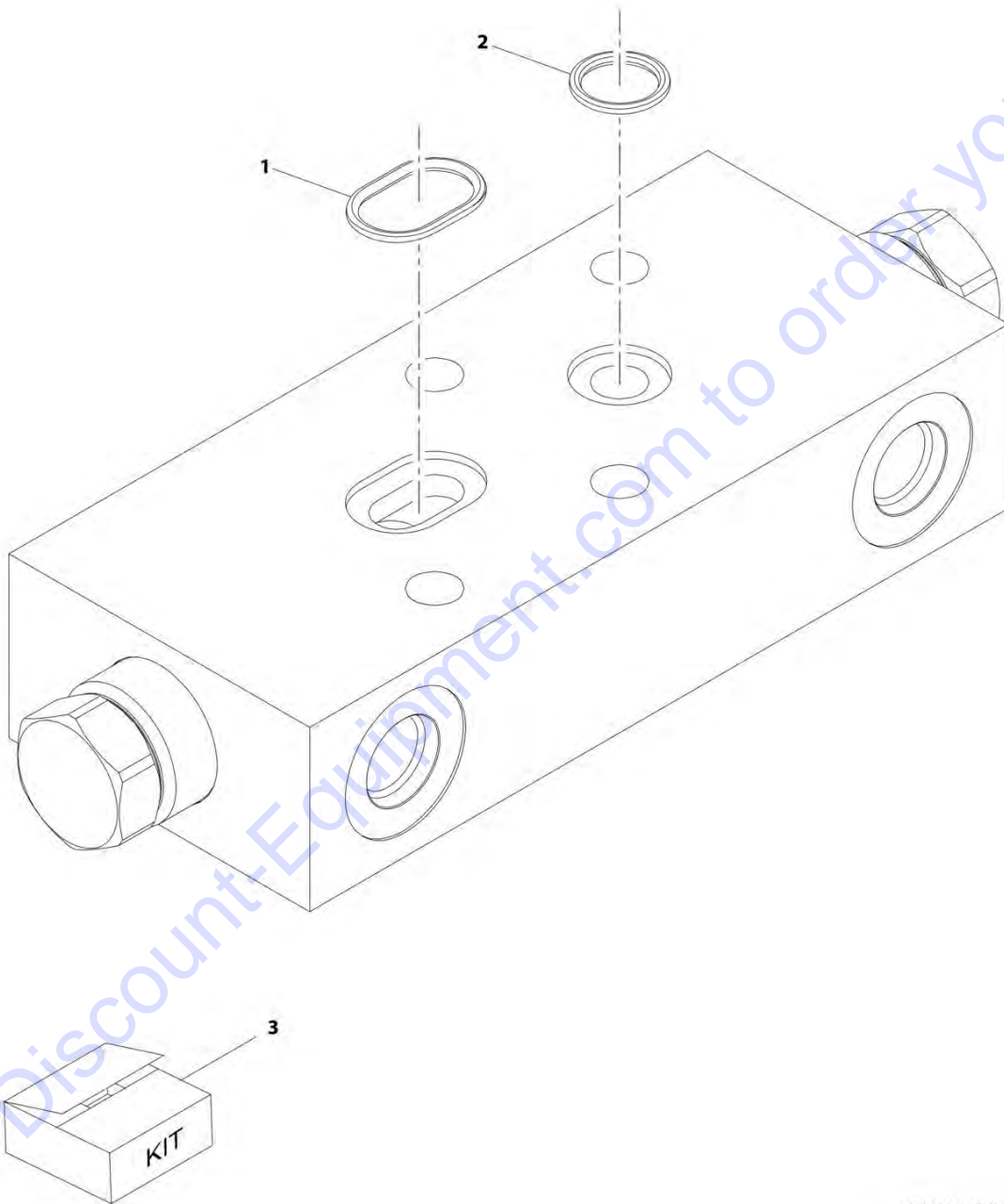
FIGURE 9-33. COUNTERBALANCE VALVE INSTALLATION

ITEM	PART NUMBER	QTY	DESCRIPTION	REV
	1001212312	Ref	Counterbalance Valve Installation	A
1	2111010	2	Fitting, Straight ORFS	
2	1001209862	1	Valve, Counterbalance (See Seperate Breakdown in this Section)	

Go to Discount-Equipment.com to order your parts

SECTION 9 - HYDRAULIC COMPONENTS

FIGURE 9-34. COUNTERBALANCE VALVE



ART_1001168599-C

SECTION 9 - HYDRAULIC COMPONENTS

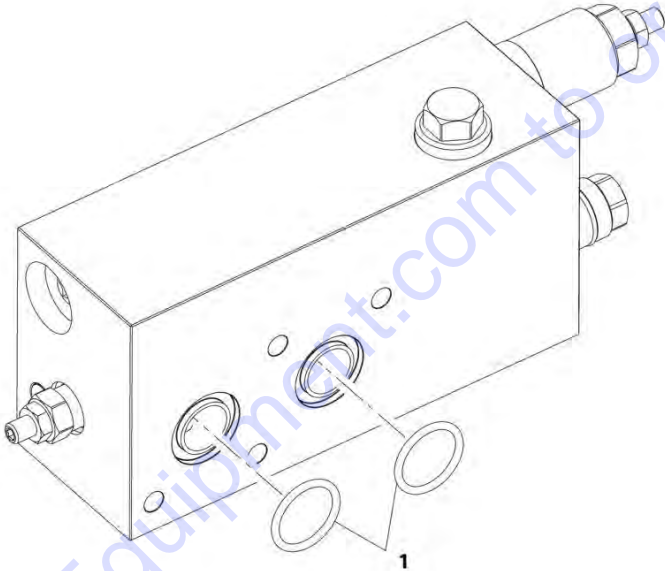
FIGURE 9-34. COUNTERBALANCE VALVE

ITEM	PART NUMBER	QTY	DESCRIPTION	REV
	1001168599	Ref	Counterbalance Valve	C
1	Kit	1	O-Ring	
2	Kit	1	O-Ring	
3	70028421	1	Kit, Seal (includes items 1 thru 2)	

Go to Discount-Equipment.com to order your parts

SECTION 9 - HYDRAULIC COMPONENTS

FIGURE 9-35. COUNTERBALANCE VALVE



Go to Discount-Equipment.com to order your parts

ART_1001224944-C

SECTION 9 - HYDRAULIC COMPONENTS

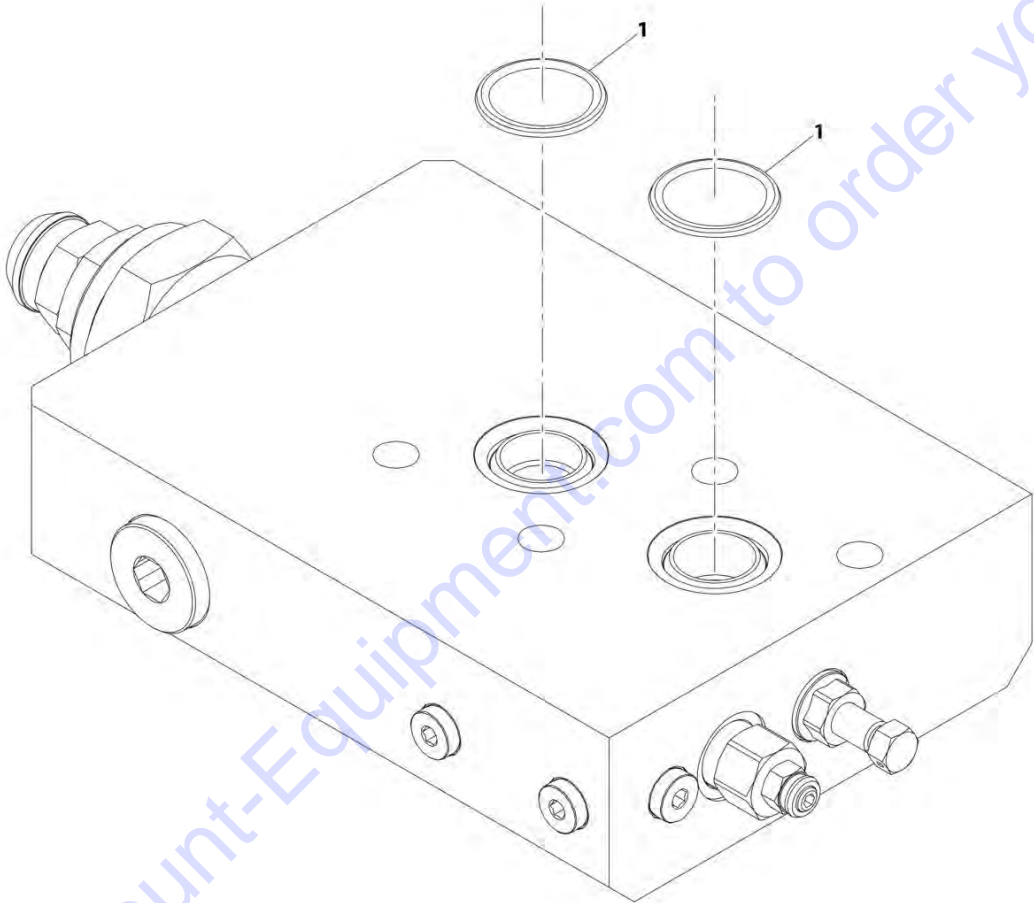
FIGURE 9-35. COUNTERBALANCE VALVE

ITEM	PART NUMBER	QTY	DESCRIPTION	REV
1	1001224944 70028282	Ref 1	Counterbalance Valve O-Ring	C

Go to Discount-Equipment.com to order your parts

SECTION 9 - HYDRAULIC COMPONENTS

FIGURE 9-36. COUNTERBALANCE VALVE



ART_1001209862-E

SECTION 9 - HYDRAULIC COMPONENTS

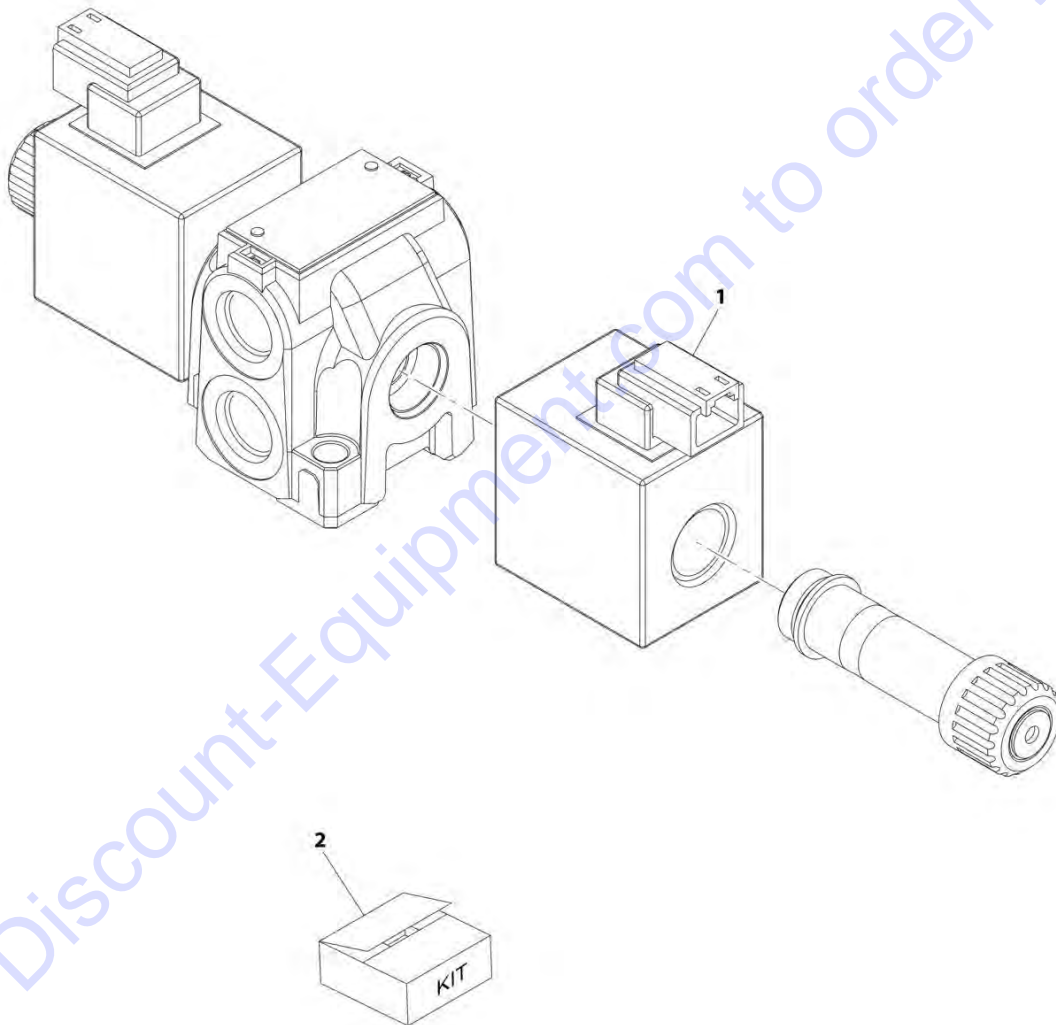
FIGURE 9-36. COUNTERBALANCE VALVE

ITEM	PART NUMBER	QTY	DESCRIPTION	REV
1	1001209862	Ref	Counterbalance Valve	E
	70028422	2	O-Ring	

Go to Discount-Equipment.com to order your parts

SECTION 9 - HYDRAULIC COMPONENTS

FIGURE 9-37. SPEED CONTROL VALVE



ART_4641520-B

SECTION 9 - HYDRAULIC COMPONENTS

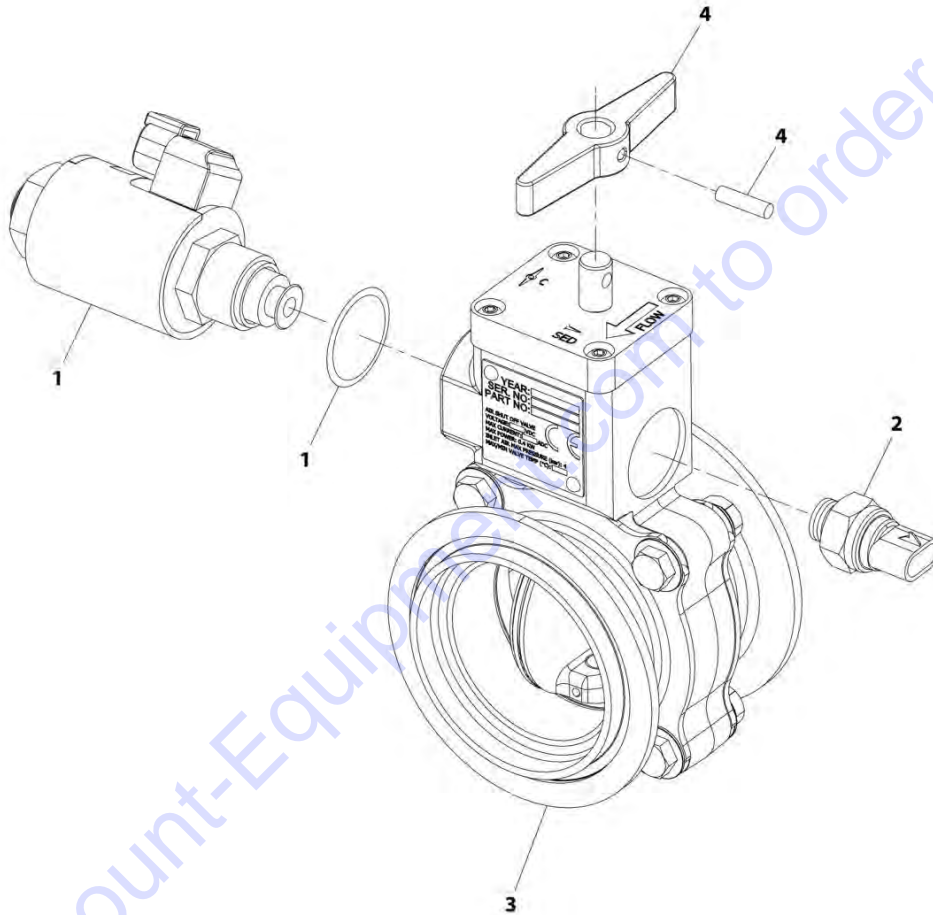
FIGURE 9-37. SPEED CONTROL VALVE

ITEM	PART NUMBER	QTY	DESCRIPTION	REV
	4641520	Ref	Speed Control Valve	B
1	70026582	1	Coil	
2	70020867	1	Kit, Coil Nut	
	N.S.S.	1	Seal	
	N.S.S.	1	Seal	
	N.S.S.	1	Nut, Coil	

Go to Discount-Equipment.com to order your parts

SECTION 9 - HYDRAULIC COMPONENTS

FIGURE 9-38. AIR SHUT OFF VALVE



ART_1001204032-A

SECTION 9 - HYDRAULIC COMPONENTS

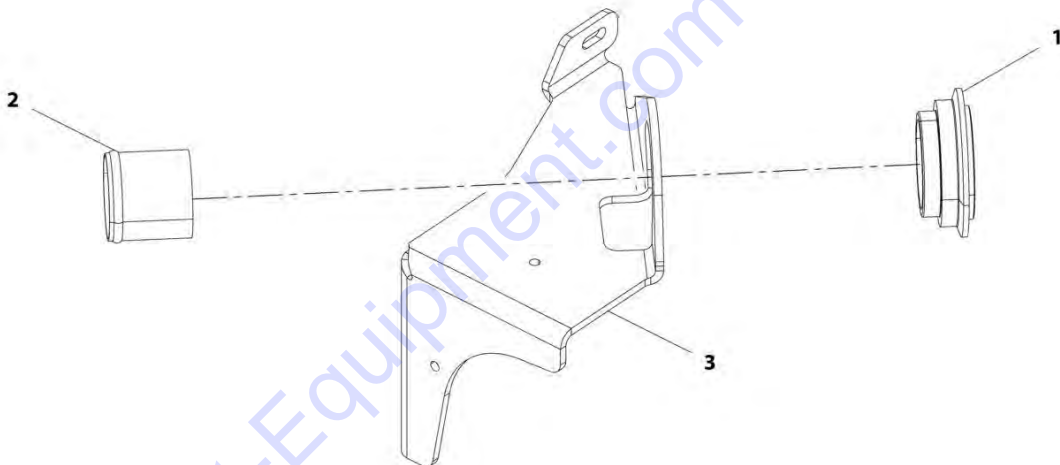
FIGURE 9-38. AIR SHUT OFF VALVE

ITEM	PART NUMBER	QTY	DESCRIPTION	REV
	1001204032	Ref	Air Shut Off Valve	A
1	70028514	1	Kit, Solenoid 12V	
	N.S.S.	1	Solenoid	
	N.S.S.	1	Coil, 12V	
	N.S.S.	1	O-Ring	
2	70028515	1	Kit, Switch	
	N.S.S.	1	Switch, Ball	
	N.S.S.	1	O-Ring	
3	70028516	1	Kit, Flange and Hardware	
	N.S.S.	1	Flange, Female	
	N.S.S.	1	Flange, Male	
	N.S.S.	4	Bolt	
	N.S.S.	8	Washer	
	N.S.S.	4	Locknut	
4	70028517	1	Handle	
	N.S.S.	1	Handle, Reset	
	N.S.S.	1	Pin	

Go to Discount-Equipment.com to order your parts

SECTION 9 - HYDRAULIC COMPONENTS

FIGURE 9-39. ASO VALVE



ART_1001223618-A

SECTION 9 - HYDRAULIC COMPONENTS

FIGURE 9-39. ASO VALVE

ITEM	PART NUMBER	QTY	DESCRIPTION	REV
	1001223618	Ref	ASO Valve	A
1	1001204057	1	Plate	
2	1001206954	1	Tube	
3	1001223622	1	Bracket	

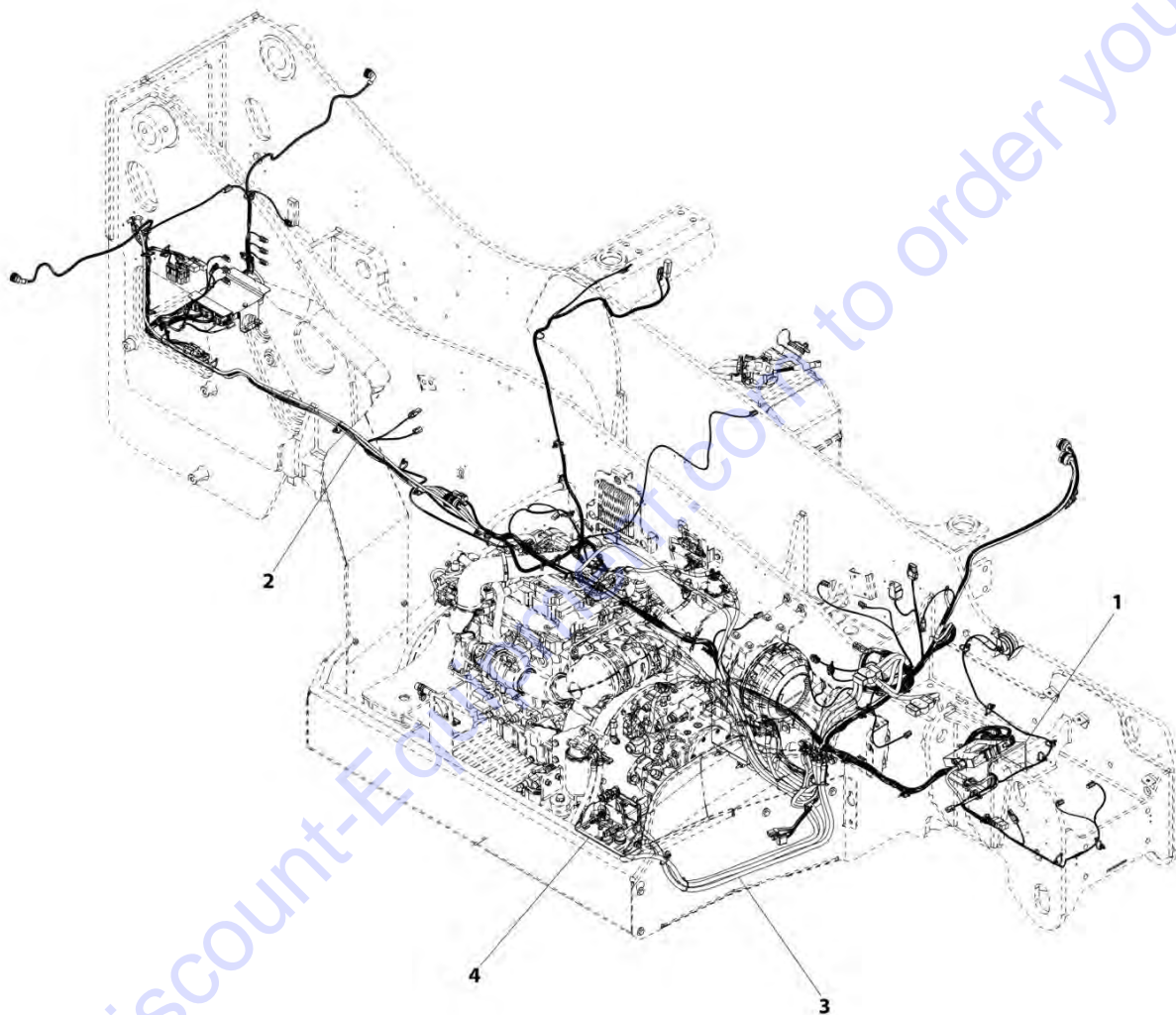
Go to Discount-Equipment.com to order your parts

SECTION 10 - ELECTRICAL

Go to Discount-Equipment.com to order your parts

SECTION 10 - ELECTRICAL

FIGURE 10-1. MAIN ELECTRICAL INSTALLATION (ULS)



ART_1001192537-B

SECTION 10 - ELECTRICAL

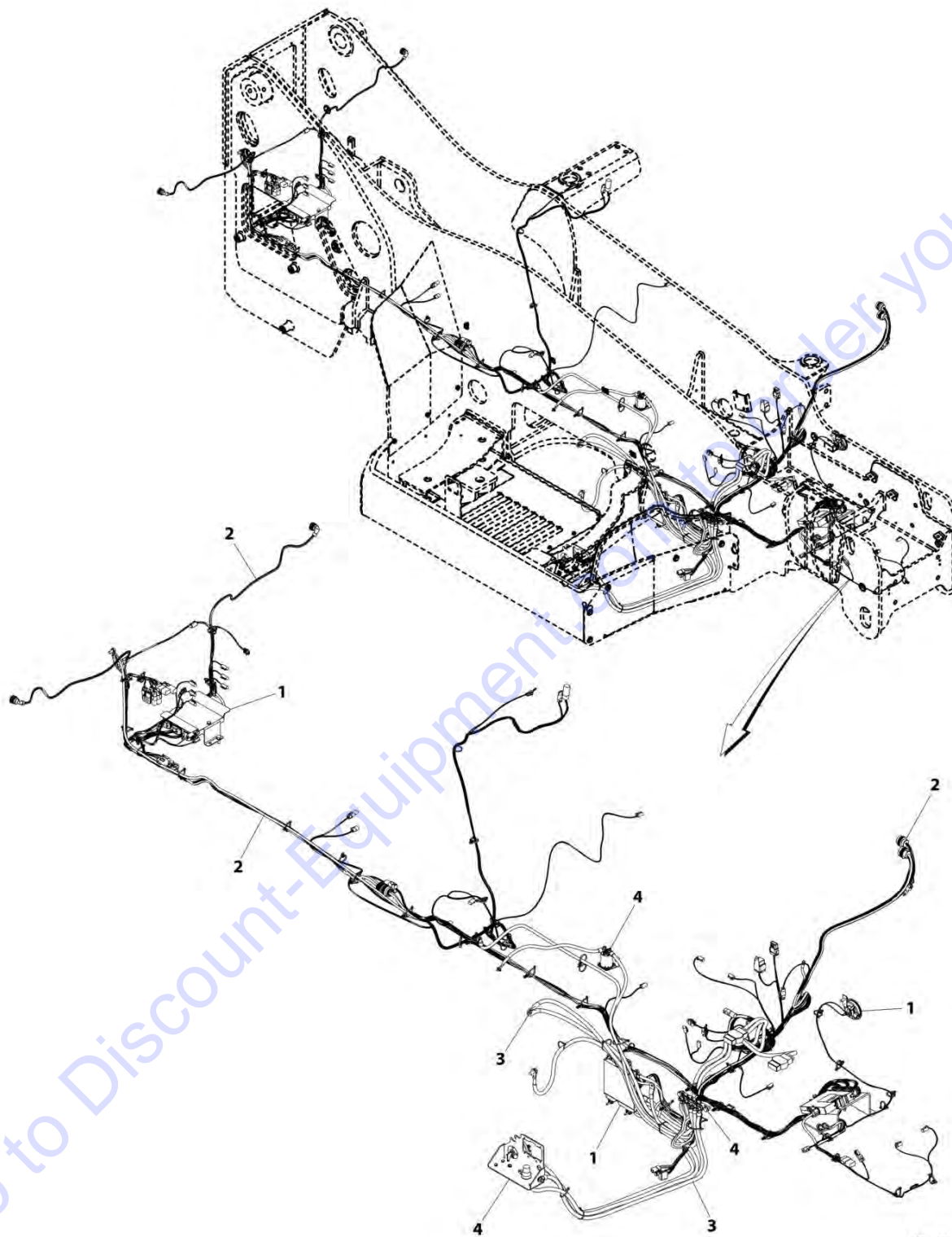
FIGURE 10-1. MAIN ELECTRICAL INSTALLATION (ULS)

ITEM	PART NUMBER	QTY	DESCRIPTION	REV
1	1001192537	Ref	Main Electrical Installation (ULS)	B
	1001183272	Ref	Installation, Frame Electrical (See Seperate Breakdown in this Section)	
2	1001200159	Ref	Installation, Frame Wiring (See Seperate Breakdown in this Section)	
3	1001200160	Ref	Installation, Engine Bay Electrical	
4	1001202172	Ref	Installation, Engine Pod Electrical (ULS) (See Seperate Breakdown in this Section)	

Go to Discount-Equipment.com to order your parts

SECTION 10 - ELECTRICAL

FIGURE 10-2. MAIN ELECTRICAL INSTALLTION, MINING (ULS)



ART_1001228738-A

SECTION 10 - ELECTRICAL

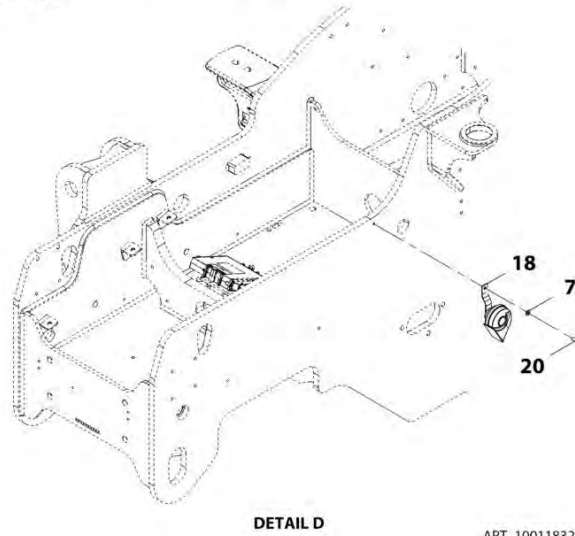
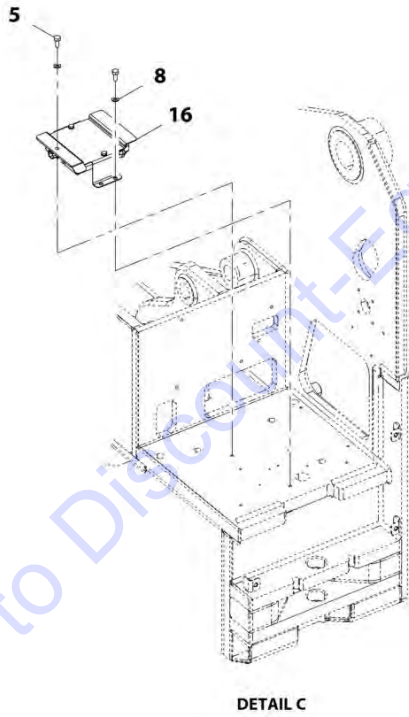
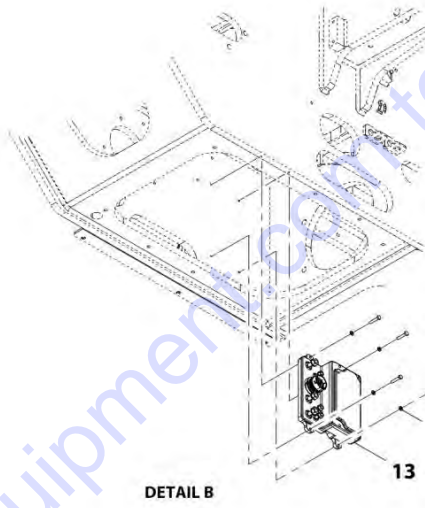
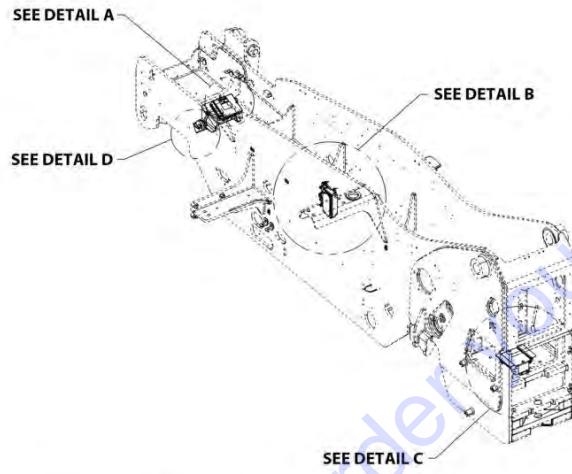
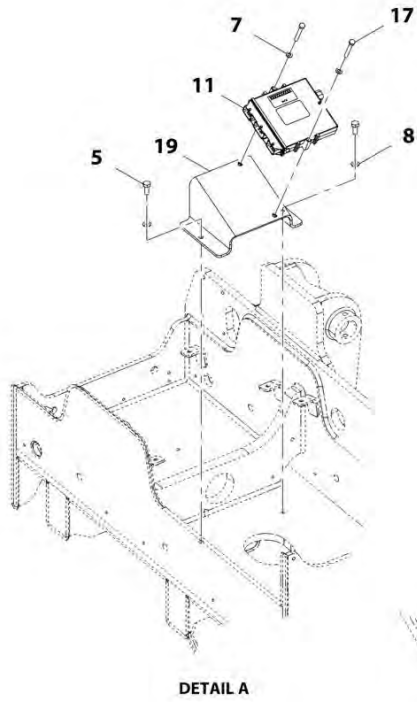
FIGURE 10-2. MAIN ELECTRICAL INSTALLTION, MINING (ULS)

ITEM	PART NUMBER	QTY	DESCRIPTION	REV
1	1001228738	Ref	Main Electrical Installation, Mining (ULS)	A
	1001183272	Ref	Installation, Frame Electrical (See Seperate Breakdown in this Section)	
2	1001228739	Ref	Installation, Frame Wiring (See Seperate Breakdown in this Section)	
3	1001200160	Ref	Installation, Engine Bay Electrical	
4	1001202172	Ref	Installation, Engine Pod Electrical (ULS) (See Seperate Breakdown in this Section)	

Go to Discount-Equipment.com to order your parts

SECTION 10 - ELECTRICAL

FIGURE 10-3. FRAME ELECTRICAL INSTALLATION



ART_1001183272-G

SECTION 10 - ELECTRICAL

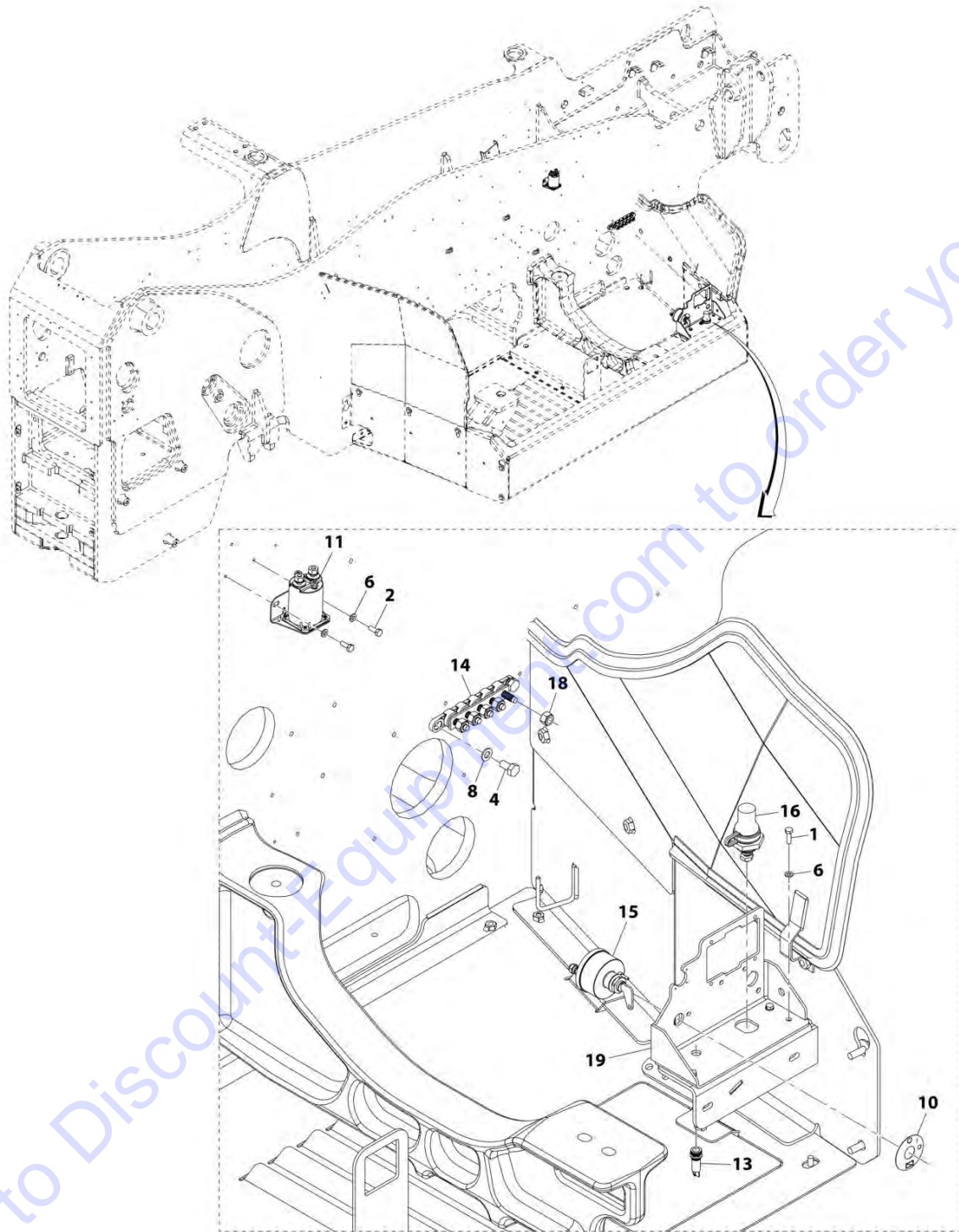
FIGURE 10-3. FRAME ELECTRICAL INSTALLATION

ITEM	PART NUMBER	QTY	DESCRIPTION	REV
	1001183272	Ref	Frame Electrical Installation	G
1	0700614	4	Bolt, M6X30	
5	0761012	4	Bolt, M10X25	
7	4811900	3	Washer, M8	
8	4812000	4	Washer, M10	
9	4831700	4	Washer, Lock M6	
11	1001162253	1	Control, Front Frame Module	
13	1001164402	1	Box, Power Distribution Electrical (See Seperate Breakdown in this Section)	
16	1001210770	1	Installation, Rear Frame Module (See Seperate Breakdown in this Section)	
17	0700820	2	Bolt, M8X60	
18	10713707	1	Horn	
19	1001215208	1	Bracket	
20	0760812	1	Bolt, M8X25	
21	1001180620	AR	Adhesive, Loctite	

Go to Discount-Equipment.com to order your parts

SECTION 10 - ELECTRICAL

FIGURE 10-4. ENGINE POD ELECTRICAL INSTALLATION (ULS)



ART_1001202172-B

SECTION 10 - ELECTRICAL

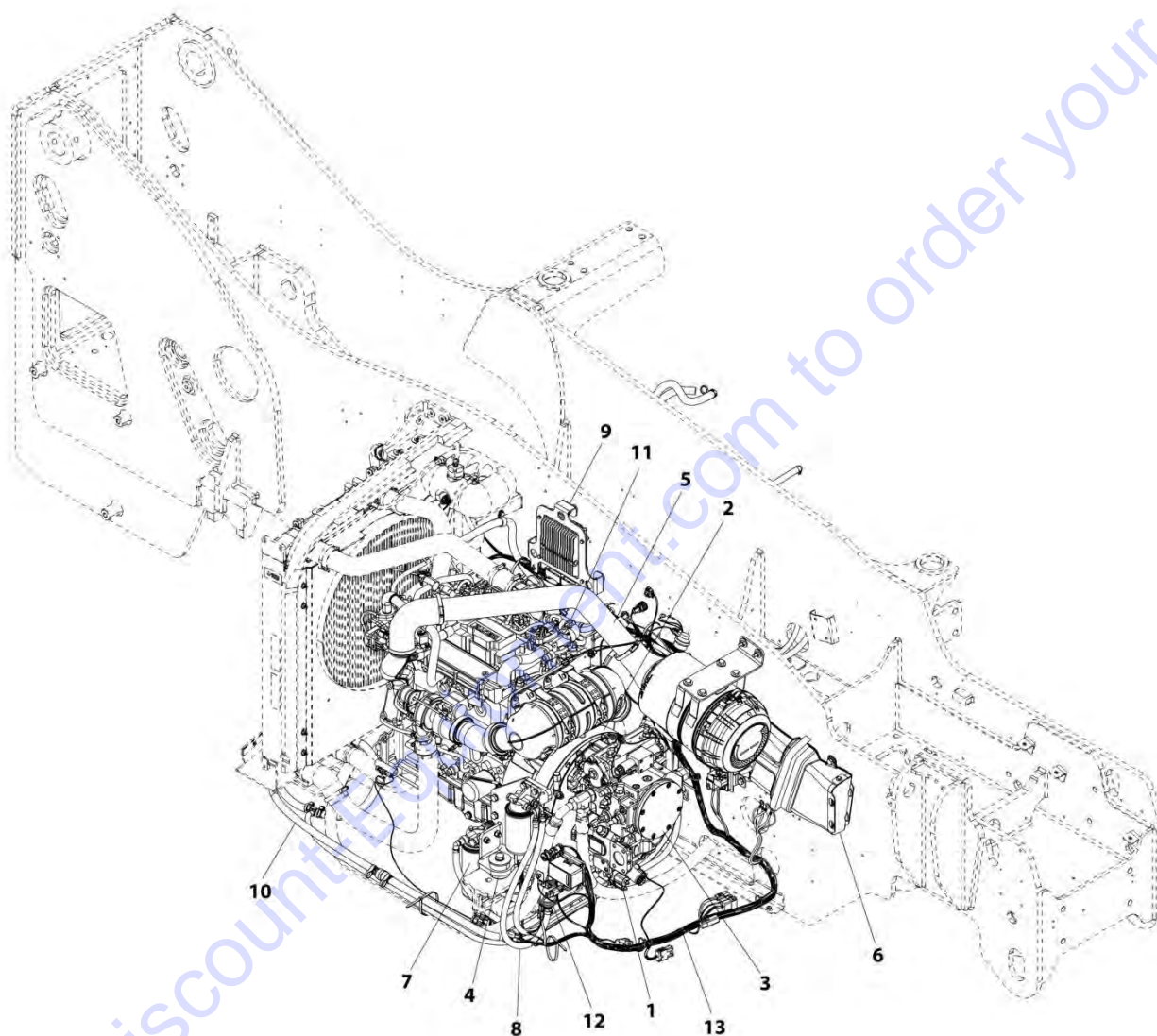
FIGURE 10-4. ENGINE POD ELECTRICAL INSTALLATION (ULS)

ITEM	PART NUMBER	QTY	DESCRIPTION	REV
	1001202172	Ref	Engine Pod Electrical Installation (ULS)	B
1	0700610	4	Bolt, M6X20	
2	0760608	2	Bolt, M6X16	
4	0761010	2	Bolt, M10X20	
6	4811700	6	Washer, M6	
8	4812000	2	Washer, M10	
10	1001008540	1	Plate	
11	1001117308	1	Relay	
13	1001169825	1	Lamp, 12V Yellow	
14	1001181128	1	Bussbar	
15	1001192142	1	Switch, Disconnect	
16	1001193993	1	Terminal, Battery	
18	3291005	5	Nut, Lock M10X1.5	
19	1001212886	1	Bracket	

Go to Discount-Equipment.com to order your parts

SECTION 10 - ELECTRICAL

FIGURE 10-5. ENGINE POD COMPONENT INSTALLATION (MINING) (ULS)



ART_1001228727-A

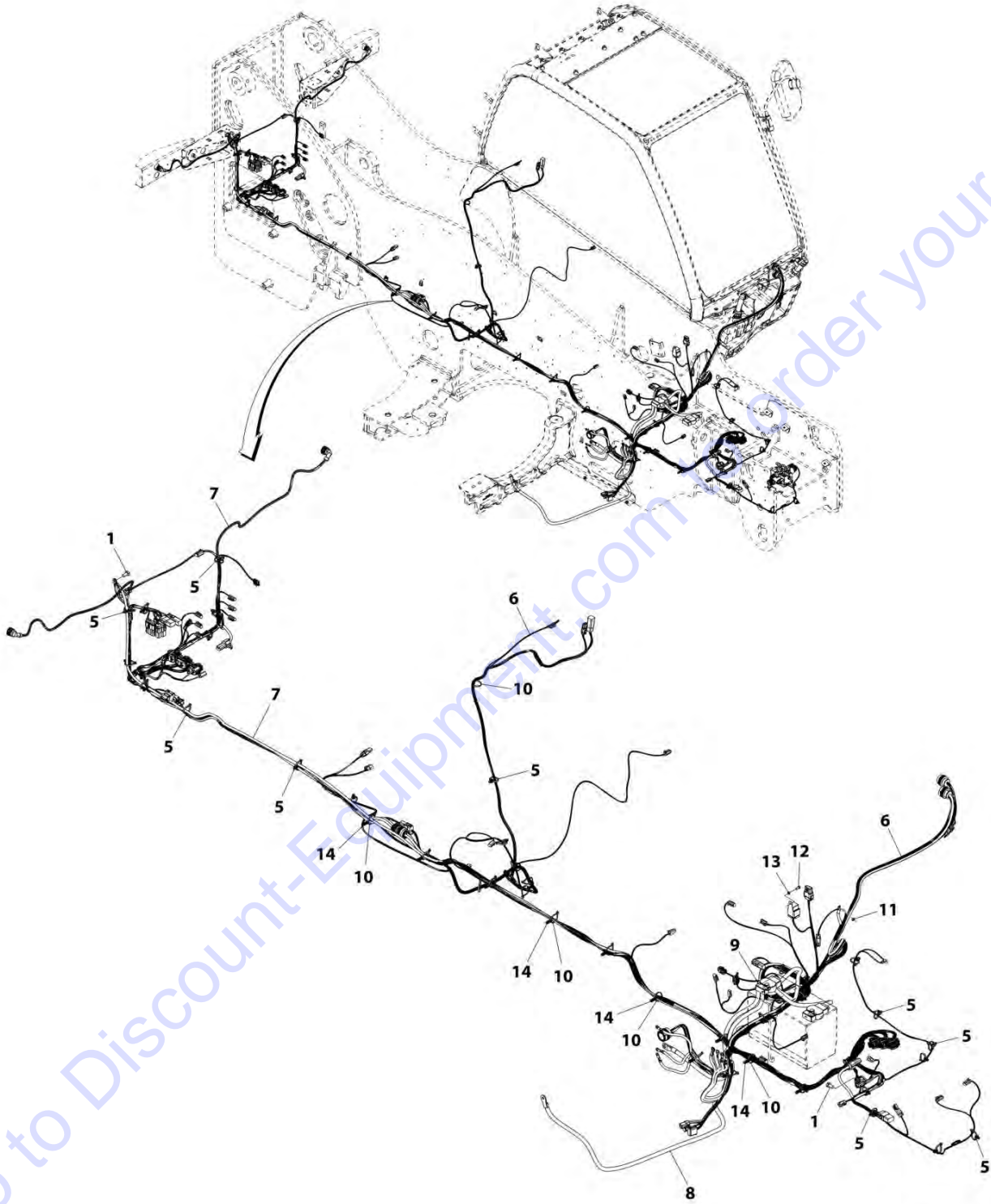
SECTION 10 - ELECTRICAL

FIGURE 10-5. ENGINE POD COMPONENT INSTALLATION (MINING) (ULS)

ITEM	PART NUMBER	QTY	DESCRIPTION	REV
	1001228727	Ref	Engine Pod Component Installation (Mining) (ULS)	A
1	1001193393	1	Installation, Implement Pump (See Seperate Breakdown in this Section)	
2	1001193703	1	Installation, Hydrostatic Adaptor (See Seperate Breakdown in this Section)	
3	1001193704	1	Installation, Hydrostatic Drive Pump (See Seperate Breakdown in this Section)	
4	1001200862	1	Installation, Engine Mount (See Seperate Breakdown in this Section)	
5	1001200863	1	Installation, Air Intake (See Seperate Breakdown in this Section)	
6	1001200864	1	Installation, Air Cleaner (See Seperate Breakdown in this Section)	
7	1001200865	1	Installation, Primary Fuel Filter (See Seperate Breakdown in this Section)	
8	1001200866	1	Installation, Fuel Lines (See Seperate Breakdown in this Section)	
9	1001200869	1	Installation, Engine ECU (See Seperate Breakdown in Electrical Section)	
10	1001201298	1	Installation, DEF Coolant Lines (See Seperate Breakdown in this Section)	
11	1001201425	1	Installation, Engine (See Seperate Breakdown in this Section)	
12	1001221041	1	Installation, Remote Fuel Pump (See Seperate Breakdown in this Section)	
13	1001228728	1	Installation, Engine Wiring (See Seperate Breakdown in Electrical Section)	

SECTION 10 - ELECTRICAL

FIGURE 10-6. FRAME WIRING INSTALLATION



ART_1001200159-G

SECTION 10 - ELECTRICAL

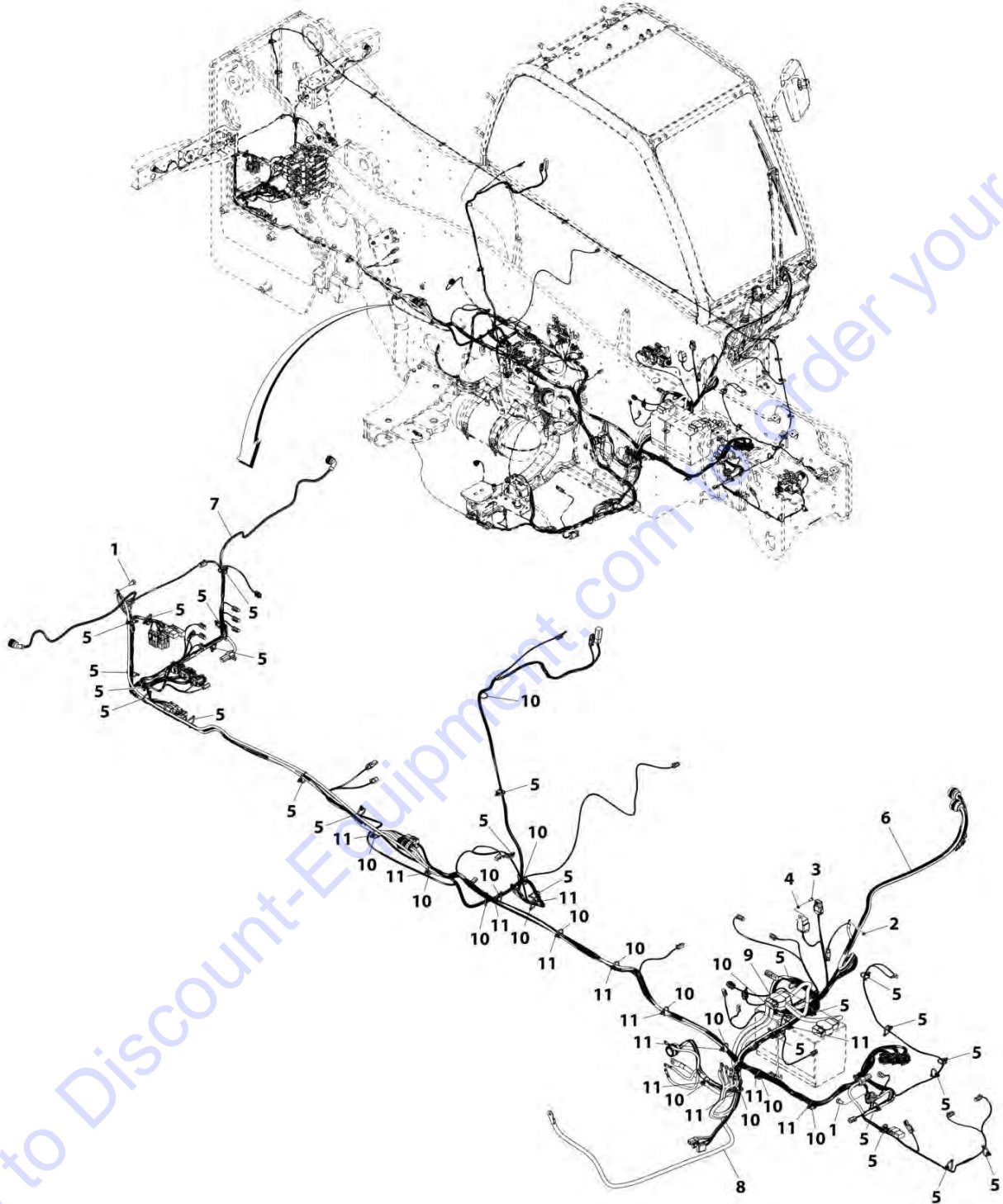
FIGURE 10-6. FRAME WIRING INSTALLATION

ITEM	PART NUMBER	QTY	DESCRIPTION	REV
	1001200159	Ref	Frame Wiring Installation	G
1	0761010	2	Bolt, M10X20	
5	1001146588	25	Tie, Cable	
6	1001184396	1	Harness, Front Frame (See Seperate Breakdown in this Section)	
7	1001184397	1	Harness, Rear Frame (See Seperate Breakdown in this Section)	
8	1001200168	1	Cable, Negative Battery	
9	1001200169	1	Cable, Positive Battery	
10	1001008559	16	Strap, Cable	
11	3290601	1	Nut, M6X1	
12	0760607	1	Bolt, M6X14	
13	4811700	1	Washer, M6	
14	1001202986	13	Strap Push Mount	

Go to Discount-Equipment.com to order your parts

SECTION 10 - ELECTRICAL

FIGURE 10-7. FRAME WIRING INSTALLTION, MINING (ULS)



ART_1001228739-8

SECTION 10 - ELECTRICAL

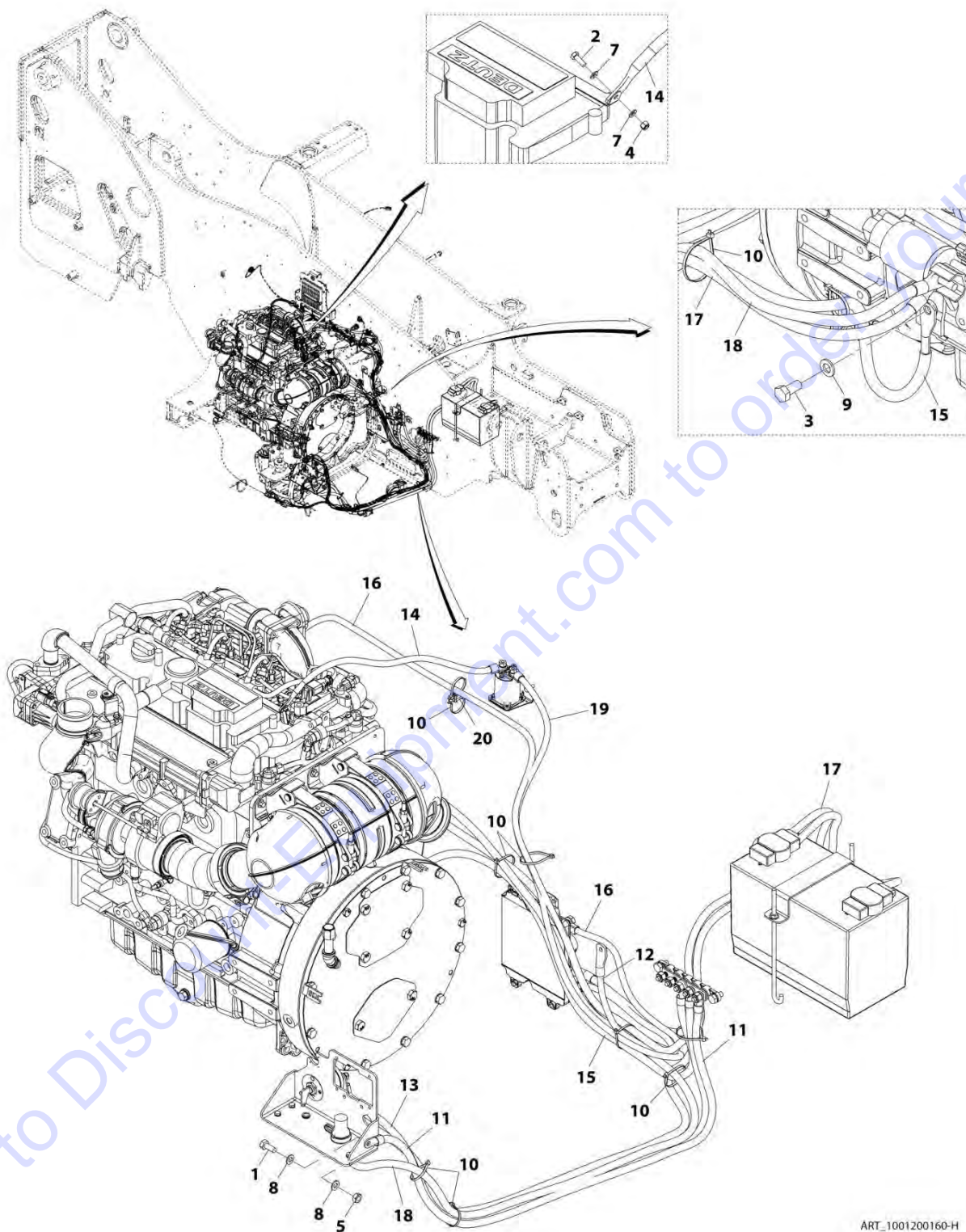
FIGURE 10-7. FRAME WIRING INSTALLTION, MINING (ULS)

ITEM	PART NUMBER	QTY	DESCRIPTION	REV
	1001228739	Ref	Frame Wiring Installation, Mining (ULS)	B
1	0761010	2	Bolt, M10X20	
2	3290601	1	Nut, M6X1	
3	0760607	1	Bolt, M6X14	
4	4811700	1	Washer, M6	
5	1001146588	25	Tie, Cable	
6	1001228740	1	Harness, Front Frame (See Seperate Breakdown in this Section)	
7	1001228741	1	Harness, Rear Frame (See Seperate Breakdown in this Section)	
8	1001200168	1	Cable, Negative Battery	
9	1001200169	1	Cable, Positive Battery	
10	1001008559	16	Strap, Cable	
11	1001202986	13	Push Mount, Strap	

Go to Discount-Equipment.com to order your parts

SECTION 10 - ELECTRICAL

FIGURE 10-8. ENGINE BAY ELECTRICAL INSTALLATION (ULS)



ART_1001200160-H

SECTION 10 - ELECTRICAL

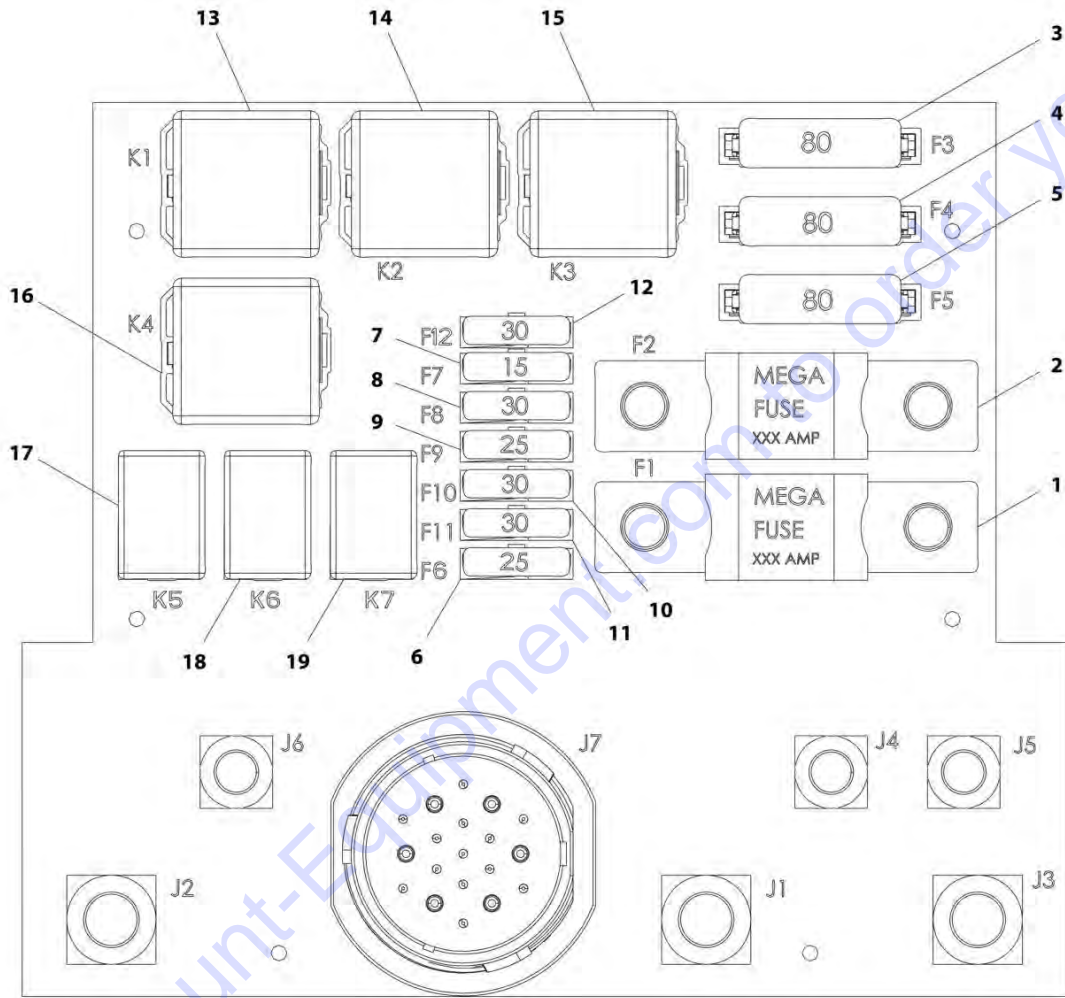
FIGURE 10-8. ENGINE BAY ELECTRICAL INSTALLATION (ULS)

ITEM	PART NUMBER	QTY	DESCRIPTION	REV
	1001200160	Ref	Engine Bay Electrical Installation	H
1	0761012	1	Bolt, M10X25	
2	0760507	1	Bolt, M5X14	
3	0761212	1	Bolt, M12X25	
4	3290505	1	Nut, Lock M5X0.8	
5	3291001	1	Nut, M10X1.5	
7	4811600	2	Washer, M5	
8	4812000	2	Washer, M10	
9	4812100	1	Washer, M12	
10	1001008559	10	Tie, Strap	
11	1001194103	1	Cable	
12	1001194244	1	Cable	
13	1001196502	1	Cable	
14	1001200161	1	Cable	
15	1001200162	1	Cable	
16	1001200164	1	Cable	
17	1001200165	1	Cable	
18	1001200166	1	Cable	
19	1001200167	1	Cable	
20	1001004723	1	Saddle	

Go to Discount-Equipment.com to order your parts

SECTION 10 - ELECTRICAL

FIGURE 10-9. POWER DISTRIBUTION ELECTRICAL BOX



ART_1001164402-F

SECTION 10 - ELECTRICAL

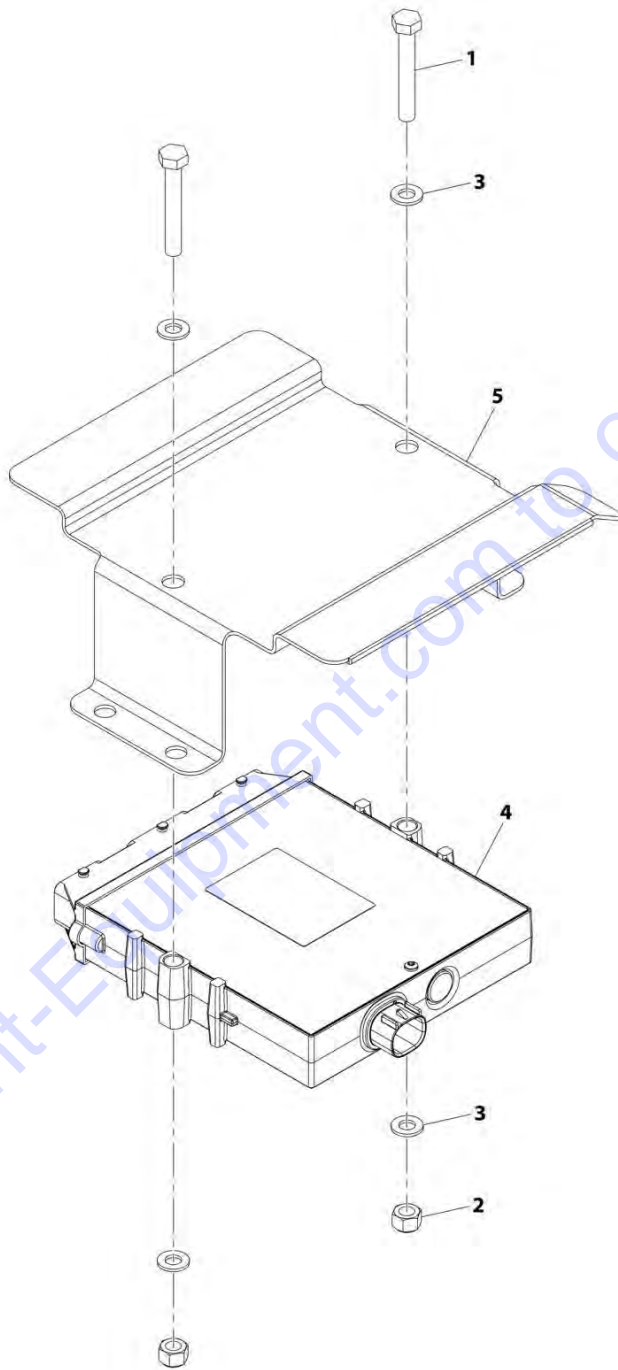
FIGURE 10-9. POWER DISTRIBUTION ELECTRICAL BOX

ITEM	PART NUMBER	QTY	DESCRIPTION	REV
	1001164402	Ref	Power Distribution Electrical Box	F
1	1001095336	1	Fuse, 150AMP	
2	70026296	1	Fuse, 200AMP	
3	70026297	1	Fuse, 80AMP	
4	70026297	1	Fuse, 80AMP	
5	70026297	1	Fuse, 80AMP	
6	8229247	1	Fuse, 25AMP	
7	8229244	1	Fuse, 15AMP	
8	8229245	1	Fuse, 30AMP	
9	8229247	1	Fuse, 25AMP	
10	8229245	1	Fuse, 30AMP	
11	8229245	1	Fuse, 30AMP	
12	8229245	1	Fuse, 30AMP	
13	70026294	1	Fuse, 70AMP	
14	70026294	1	Fuse, 70AMP	
15	70026294	1	Fuse, 70AMP	
16	70026294	1	Fuse, 70AMP	
17	70026295	1	Fuse, 35AMP	
18	70026295	1	Fuse, 35AMP	
19	70026295	1	Fuse, 35AMP	

Go to Discount-Equipment.com to order your parts

SECTION 10 - ELECTRICAL

FIGURE 10-10. REAR FRAME MODULE INSTALLATION



ART_1001210770-C

SECTION 10 - ELECTRICAL

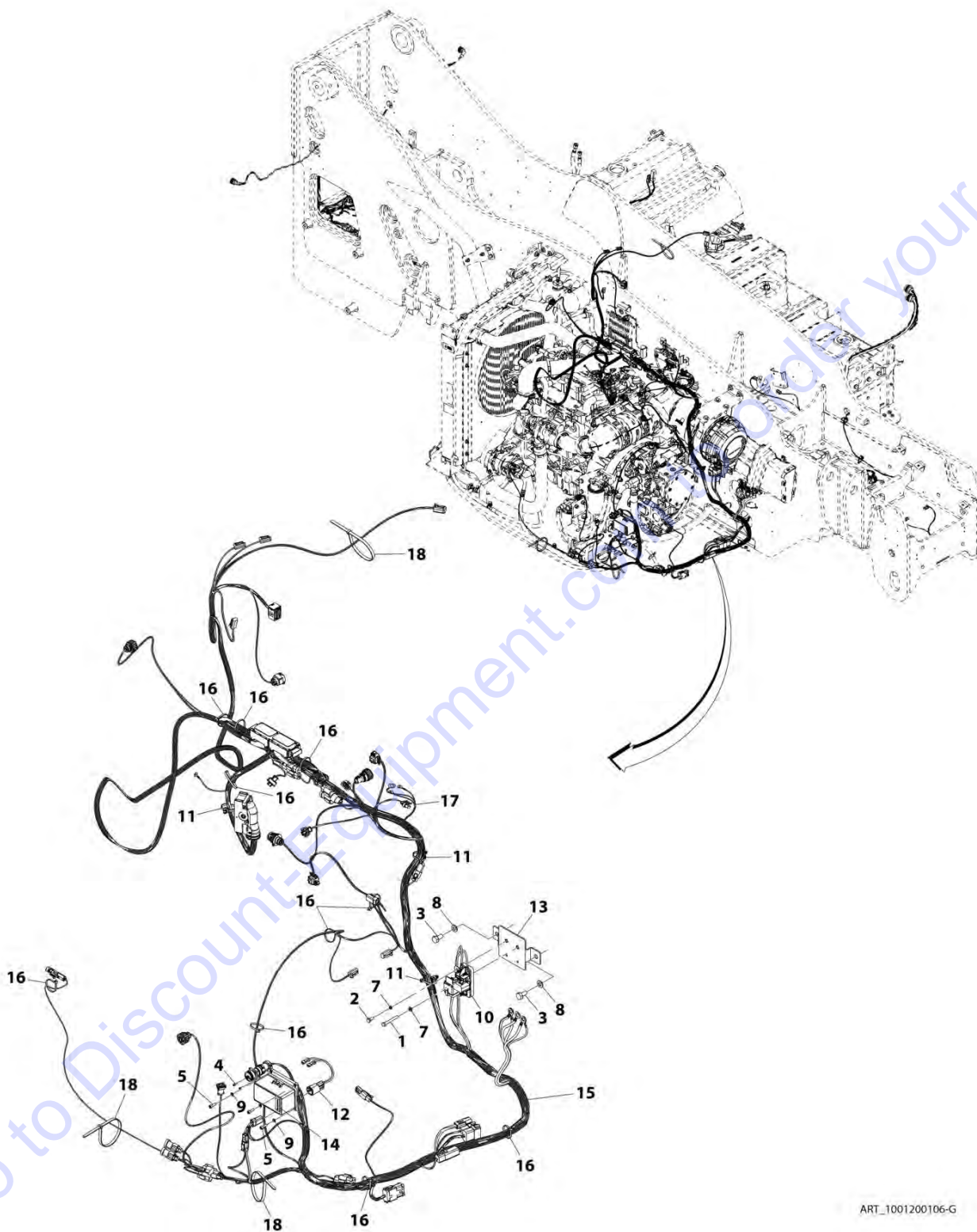
FIGURE 10-10. REAR FRAME MODULE INSTALLATION

ITEM	PART NUMBER	QTY	DESCRIPTION	REV
	1001210770	Ref	Rear Frame Module Installation	C
1	0700819	2	Bolt, M8X55	
2	3290805	2	Nut, Lock M8X1.25	
3	4811900	4	Washer, M8	
4	1001162256	1	Control, Rear Frame Module	
5	1001225980	1	Bracket	

Go to Discount-Equipment.com to order your parts

SECTION 10 - ELECTRICAL

FIGURE 10-11. ENGINE WIRING INSTALLATION (ULS)



ART_1001200106-G

SECTION 10 - ELECTRICAL

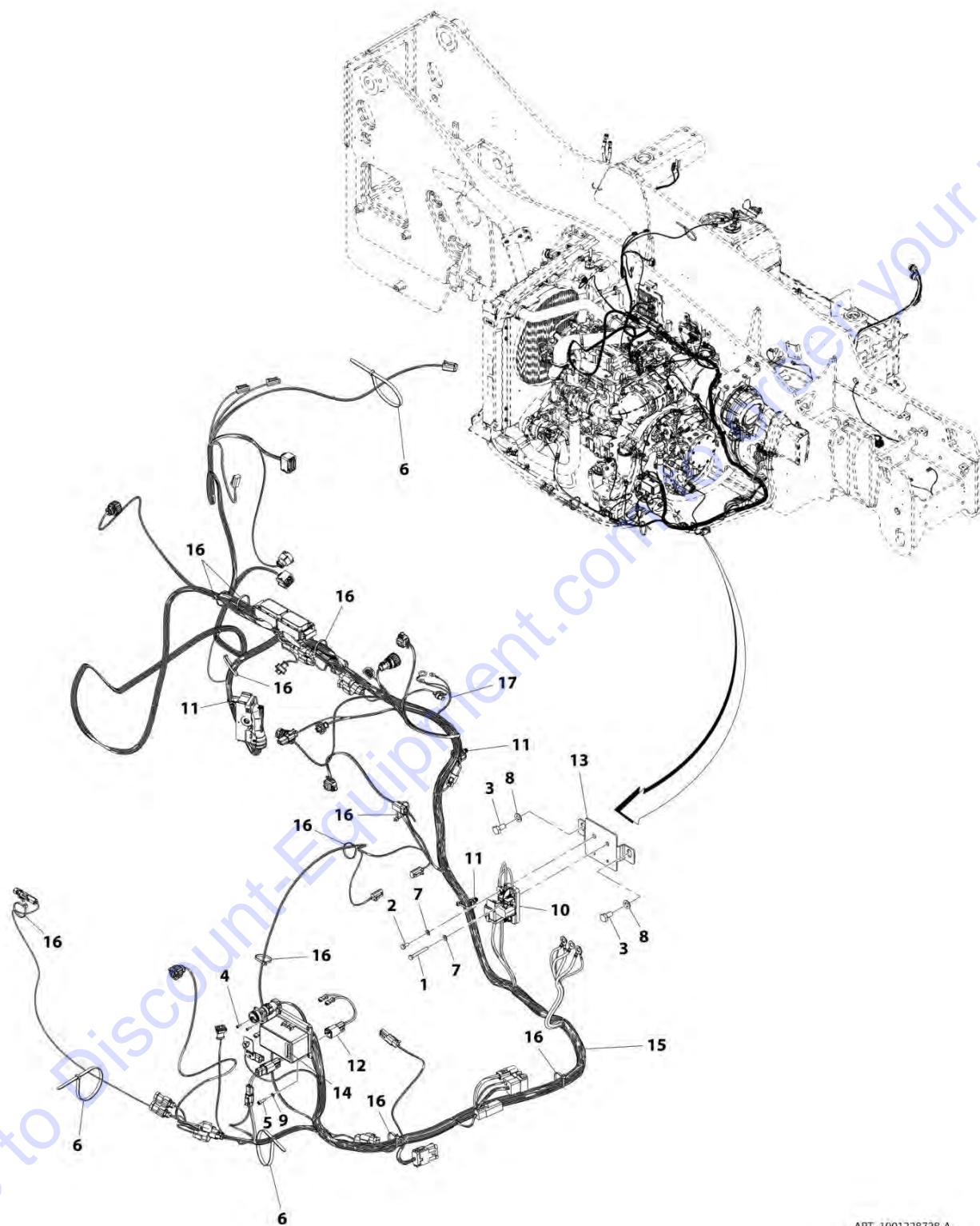
FIGURE 10-11. ENGINE WIRING INSTALLATION (ULS)

ITEM	PART NUMBER	QTY	DESCRIPTION	REV
	1001200106	Ref	Engine Wiring Installation (ULS)	G
1	0700618	1	Bolt, M6X50	
2	0760607	1	Bolt, M6X14	
3	0761010	2	Bolt M10X20	
4	4031205	3	Bolt, M3X10	
5	4031607	4	Bolt, M5-0.8X16	
7	4811700	2	Washer, M6	
8	4812000	2	Washer, M10	
9	4831600	4	Washer, Lock M5	
10	1001131177	1	Fuse	
11	1001146588	3	Strap, Cable Tie	
12	1001182929	1	Harness, Fuel Pump (See Seperate Breakdown in this Section)	
13	1001189046	1	Bracket	
14	1001191546	1	Decal, Fuse	
15	1001200108	1	Harness, Engine (ULS) (See Seperate Breakdown in this Section)	
16	1001008559	11	Strap, Cable	
17	1001182930	1	Harness, Glow Plug Relay (See Seperate Breakdown in this Section)	
18	1062255	4	Strap, Tie	

Go to Discount-Equipment.com to order your parts

SECTION 10 - ELECTRICAL

FIGURE 10-12. ENGINE WIRING INSTALLATION (MINING) (ULS)



ART_1001228728-A

SECTION 10 - ELECTRICAL

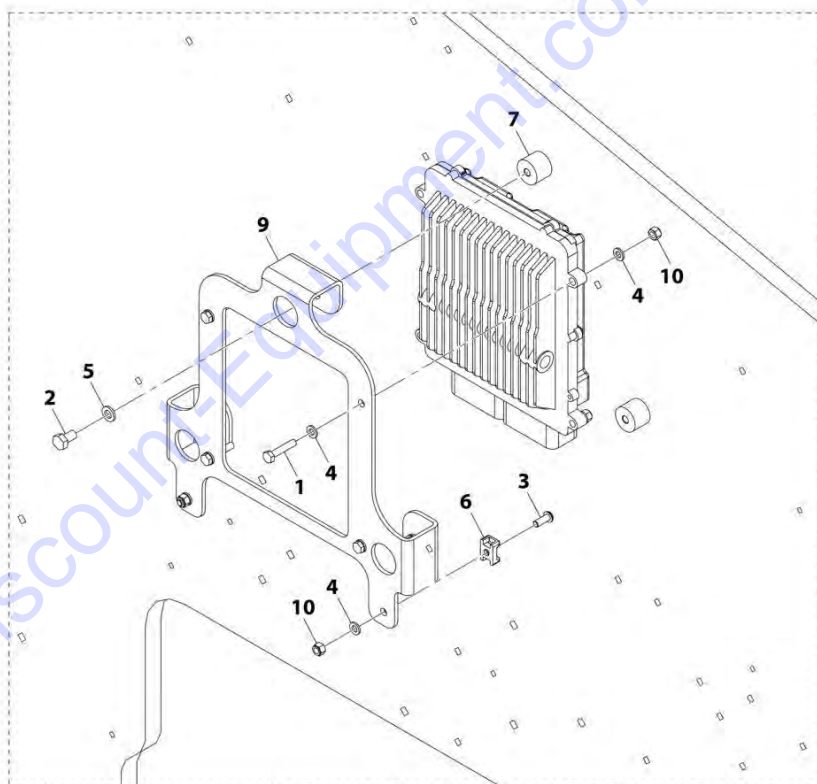
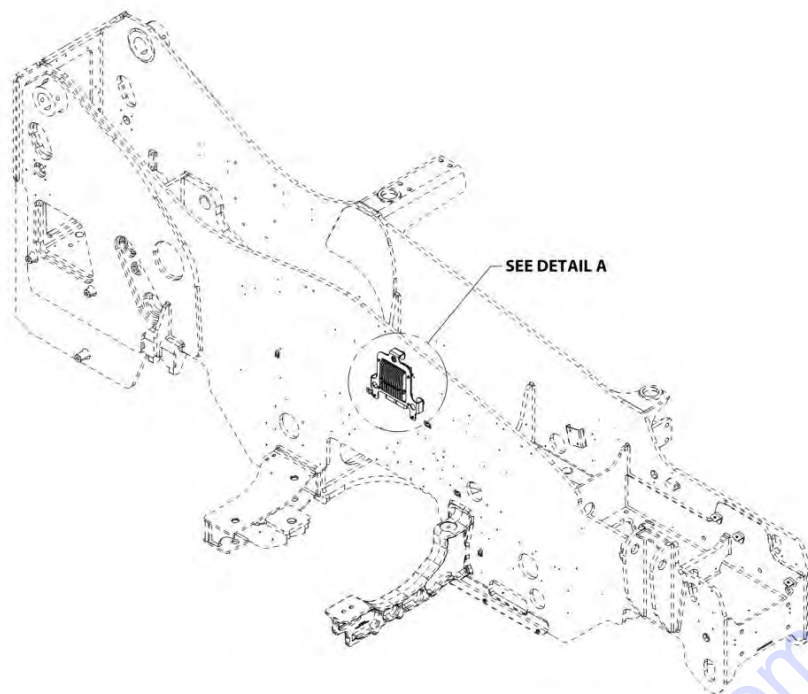
FIGURE 10-12. ENGINE WIRING INSTALLATION (MINING) (ULS)

ITEM	PART NUMBER	QTY	DESCRIPTION	REV
	1001228728	Ref	Engine Wiring Installation (Mining) (ULS)	A
1	0700618	1	Bolt, M6X50	
2	0760607	1	Bolt, M6X14	
3	0761010	2	Bolt, M10X20	
4	4031205	3	Bolt, M3X10	
5	4031607	4	Bolt, M5X16	
6	1062255	4	Strap, Tie	
7	4811700	2	Washer, M6	
8	4812000	2	Washer, M10	
9	4831600	4	Washer, Lock M5	
10	1001131177	1	Fuse	
11	1001146588	3	Strap, Cable Tie	
12	1001228733	1	Harness, Fuel Pump (See Seperate Breakdown in this Section)	
13	1001189046	1	Bracket	
14	1001191546	1	Decal, Fuse	
15	1001228731	1	Harness, Engine (Mining) (ULS) (See Seperate Breakdown in this Section)	
16	1001008559	11	Strap, Cable	
17	1001228732	1	Harness, Glow Plug Relay (See Seperate Breakdown in this Section)	

Go to Discount-Equipment.com to order your parts

SECTION 10 - ELECTRICAL

FIGURE 10-13. ENGINE ECU INSTALLATION



DETAIL A

ART_1001200869-B

SECTION 10 - ELECTRICAL

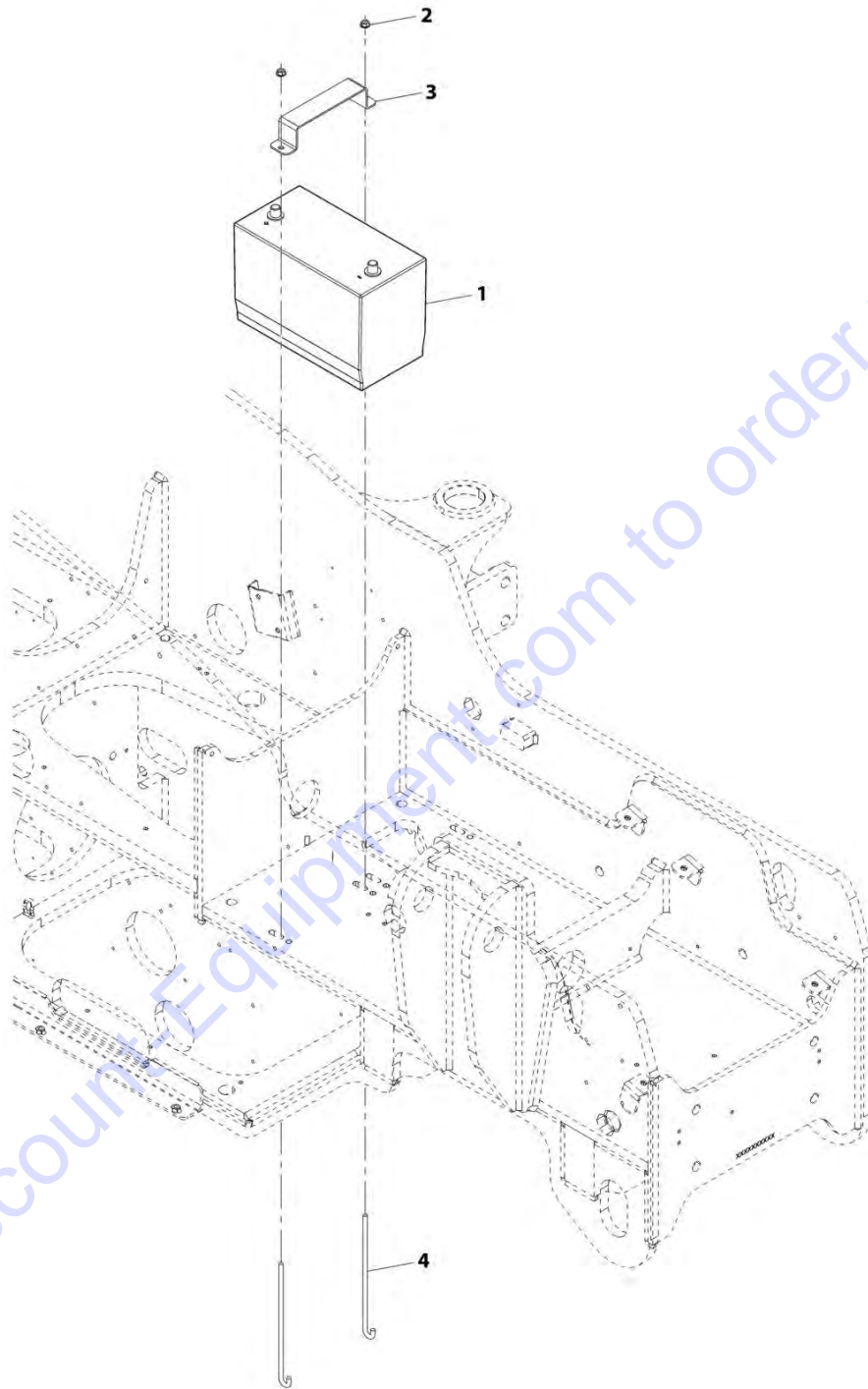
FIGURE 10-13. ENGINE ECU INSTALLATION

ITEM	PART NUMBER	QTY	DESCRIPTION	REV
	1001200869	Ref	Engine ECU Installation	B
1	0700614	4	Bolt, M6X30	
2	0760807	3	Bolt, M8X14	
3	3900357	2	Capscrew, M6X16	
4	4811700	10	Washer, M6	
5	4831900	3	Washer, Lock M8	
6	1001138645	2	Mount, Cable Tie	
7	1001179907	3	Mount, Isolator	
9	1001210397	1	Plate	
10	3290605	6	Nut, Lock M6X1	

Go to Discount-Equipment.com to order your parts

SECTION 10 - ELECTRICAL

FIGURE 10-14. BATTERY INSTALLATION



ART_1001186855-A

SECTION 10 - ELECTRICAL

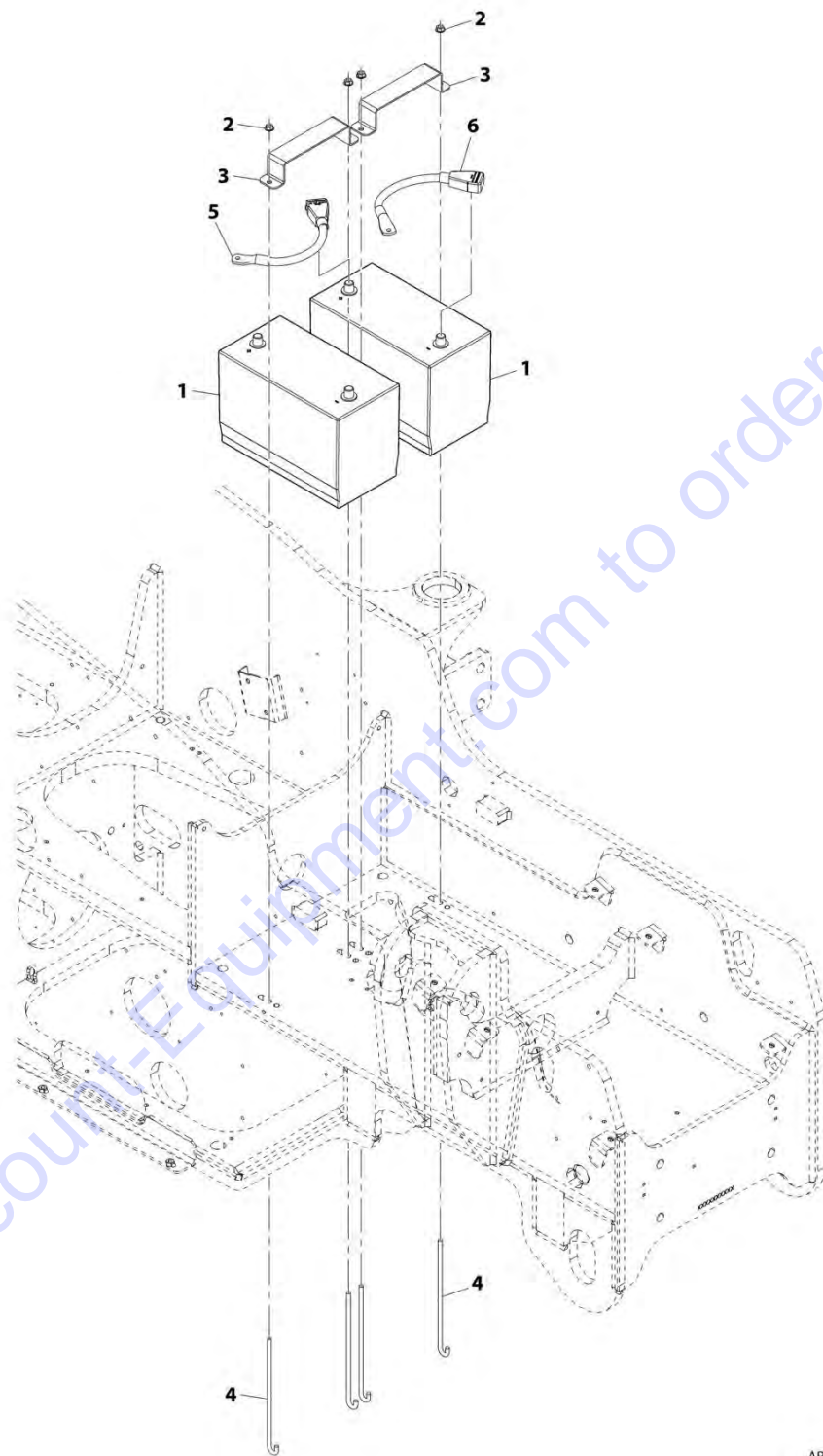
FIGURE 10-14. BATTERY INSTALLATION

ITEM	PART NUMBER	QTY	DESCRIPTION	REV
	1001186855	Ref	Battery Installation	A
1	0400075	1	Battery, 12V	
2	5220800	2	Nut, Ripp M8	
3	1001160927	1	Plate	
4	1001160928	2	J-Bolt	

Go to Discount-Equipment.com to order your parts

SECTION 10 - ELECTRICAL

FIGURE 10-15. DUAL BATTERY INSTALLATION



ART_1001211445-B

SECTION 10 - ELECTRICAL

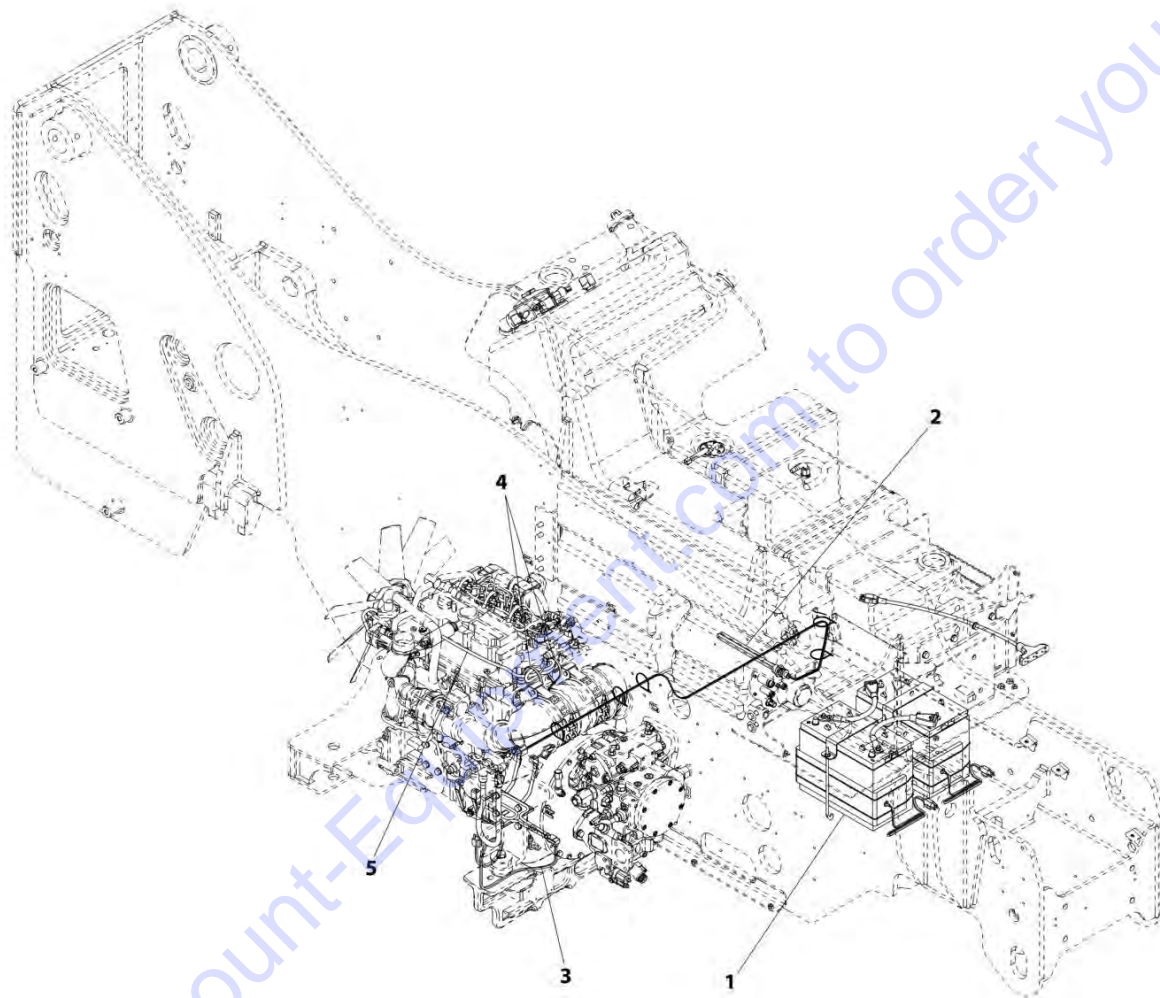
FIGURE 10-15. DUAL BATTERY INSTALLATION

ITEM	PART NUMBER	QTY	DESCRIPTION	REV
	1001211445	Ref	Dual Battery Installation	B
1	0400075	2	Battery, 12V	
2	5220800	4	Nut, Ripp M8	
3	1001160927	2	Plate	
4	1001160928	4	J-Bolt	
5	1001172495	1	Cable, Positive Battery	
6	1001172496	1	Cable, Negative Battery	

Go to Discount-Equipment.com to order your parts

SECTION 10 - ELECTRICAL

FIGURE 10-16. ARTIC BATTERY PACKAGE INSTALLATION (115V)



ART_1001186856-D

SECTION 10 - ELECTRICAL

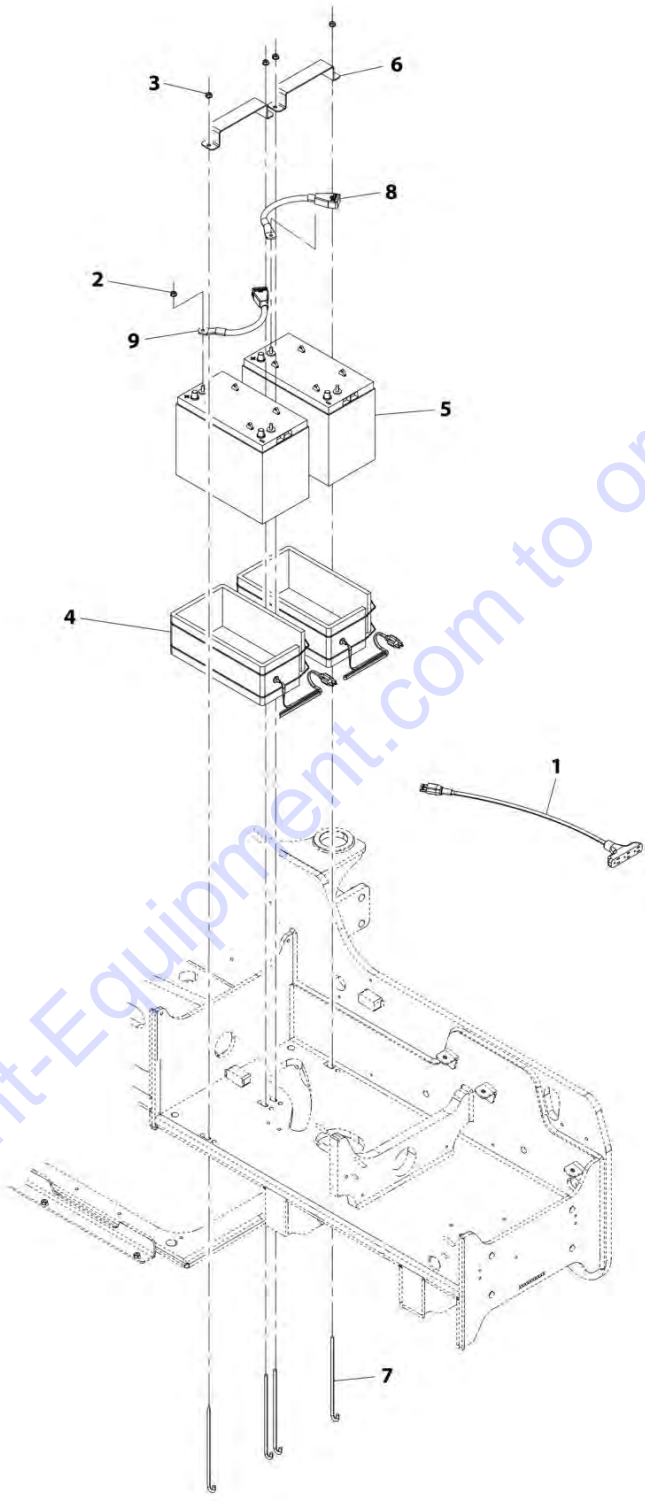
FIGURE 10-16. ARTIC BATTERY PACKAGE INSTALLATION (115V)

ITEM	PART NUMBER	QTY	DESCRIPTION	REV
	1001186856	Ref	Artic Battery Package Installation (115V)	D
1	1001195582	1	Installation, Arctic Battery Package (115V) (See Seperate Breakdown in this Section)	
2	1001195593	1	Installation, Hydraulic Tank Heater (115V) (See Seperate Breakdown in this Section)	
3	2580040	1	Heater, Engine Oil Pan	
4	1062255	2	Tie, Strap	
5	1001232509	1	Tube, Heated Breather	

Go to Discount-Equipment.com to order your parts

SECTION 10 - ELECTRICAL

FIGURE 10-17. ARCTIC BATTERIES INSTALLATION (115V)



Go to Discount-Equipment.com to order your parts

ART_1001195582-B

SECTION 10 - ELECTRICAL

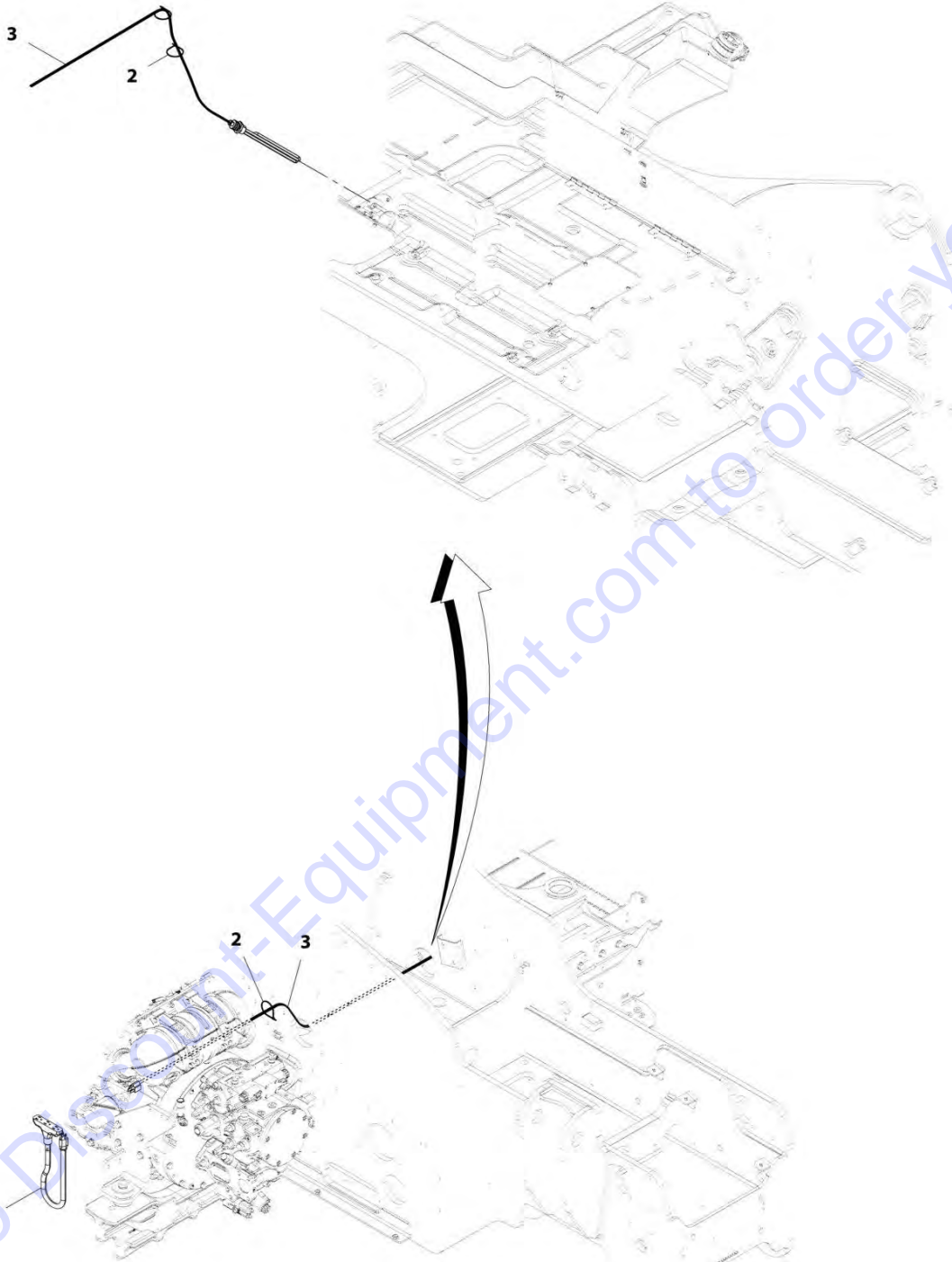
FIGURE 10-17. ARCTIC BATTERIES INSTALLATION (115V)

ITEM	PART NUMBER	QTY	DESCRIPTION	REV
	1001195582	Ref	Arctic Batteries Installation (115V)	B
1	1060626	1	Cord, 3-Way Extension	
2	3311508	2	Nut, 5/16-18	
3	5220800	4	Nut, M8	
4	1001093564	2	Heater, Battery	
5	1001098762	2	Battery, 12V	
6	1001160927	2	Plate, Battery Hold Down	
7	1001160928	4	J-Bolt	
8	1001172495	1	Cable, Positive Battery	
9	1001172496	1	Cable, Negative Battery	

Go to Discount-Equipment.com to order your parts

SECTION 10 - ELECTRICAL

FIGURE 10-18. HYDRAULIC TANK HEATER INSTALLATION (115V)



ART_1001195593-B

SECTION 10 - ELECTRICAL

FIGURE 10-18. HYDRAULIC TANK HEATER INSTALLATION (115V)

ITEM	PART NUMBER	QTY	DESCRIPTION	REV
	1001195593	Ref	Hydraulic Tank Heater Installation (115V)	B
1	1060626	1	Cord, 3-Way Extension	
2	4240099	AR	Tie, Wire	
3	1001105886	1	Heater, Immersion	

Go to Discount-Equipment.com to order your parts

PARTS FINDER

**Search Website
by Part Number**



**Search Manual
Library For Parts
Manual & Lookup Part
Numbers – Purchase
or Request Quote**

**Can't Find Part or
Manual? Request Help
by Manufacturer,
Model & Description**

Discount-Equipment.com is your online resource for quality parts & equipment.

Florida: **561-964-4949** Outside Florida TOLL FREE: **877-690-3101**

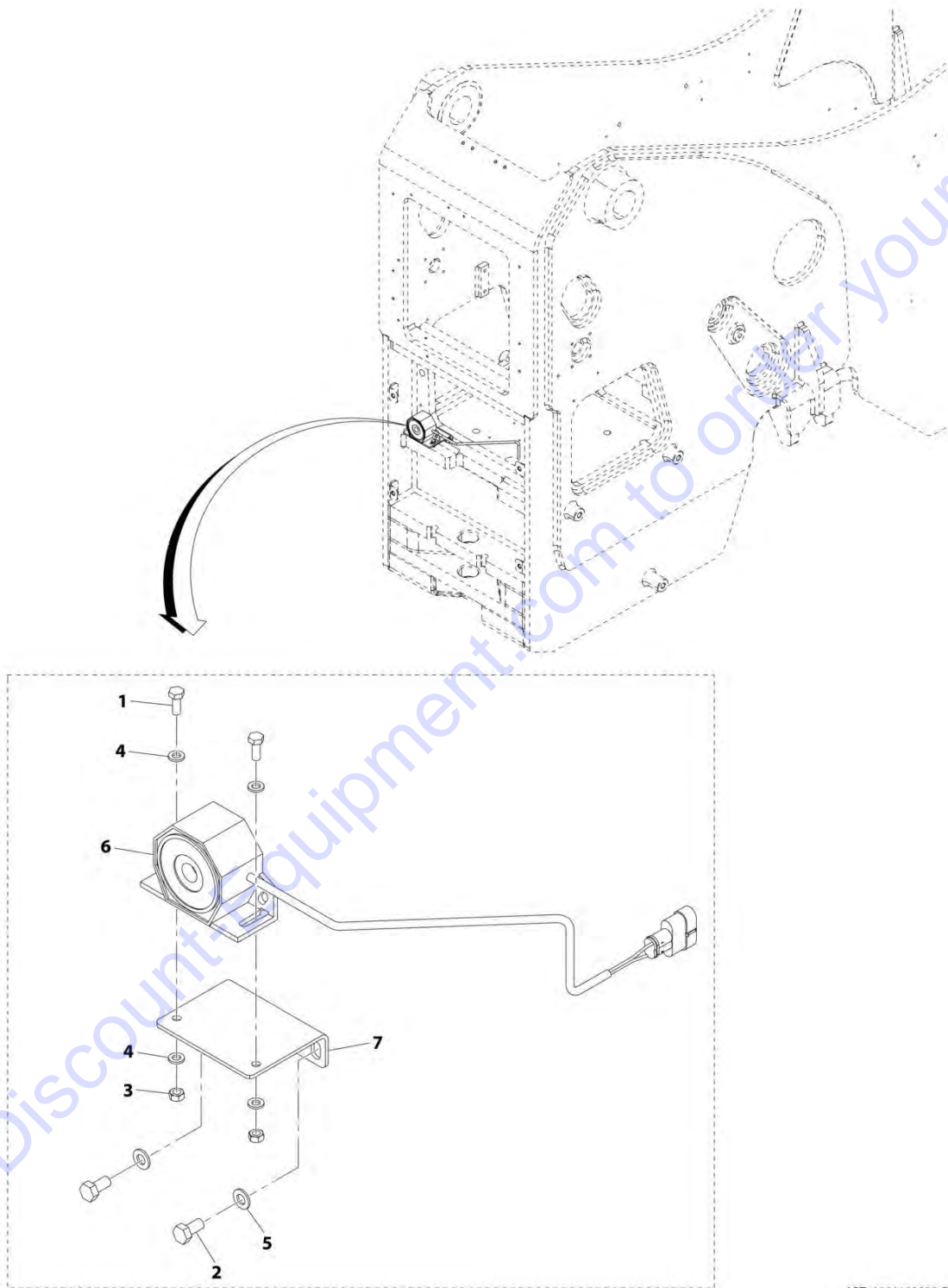
Need parts?

Click on this link: <http://www.discount-equipment.com/category/5443-parts/> and choose one of the options to help get the right parts and equipment you are looking for. Please have the machine model and serial number available in order to help us get you the correct parts. If you don't find the part on the website or on one of the online manuals, please fill out the request form and one of our experienced staff members will get back to you with a quote for the right part that your machine needs.

We sell worldwide for the brands: Genie, Terex, JLG, MultiQuip, Mikasa, Essick, Whiteman, Mayco, Toro Stone, Diamond Products, Generac Magnum, Airman, Haulotte, Barreto, Power Blanket, Nifty Lift, Atlas Copco, Chicago Pneumatic, Allmand, Miller Curber, Skyjack, Lull, Skytrak, Tsurumi, Husquvarna Target, Stow, Wacker, Sakai, Mi-T-M, Sullair, Basic, Dynapac, MBW, Weber, Bartell, Bennar Newman, Haulotte, Ditch Runner, Menegotti, Morrison, Contec, Buddy, Crown, Edco, Wyco, Bomag, Laymor, EZ Trench, Bil-Jax, F.S. Curtis, Gehl Pavers, Heli, Honda, ICS/PowerGrit, IHI, Partner, Imer, Clipper, MMD, Koshin, Rice, CH&E, General Equipment, Amida, Coleman, NAC, Gradall, Square Shooter, Kent, Stanley, Tamco, Toku, Hatz, Kohler, Robin, Wisconsin, Northrock, Oztec, Toker TK, Rol-Air, APT, Wylie, Ingersoll Rand / Doosan, Innovatech, Con X, Ammann, Mecalac, Makinex, Smith Surface Prep, Small Line, Wanco, Yanmar

SECTION 10 - ELECTRICAL

FIGURE 10-19. BACKUP ALARM INSTALLATION



ART_1001192323-D

SECTION 10 - ELECTRICAL

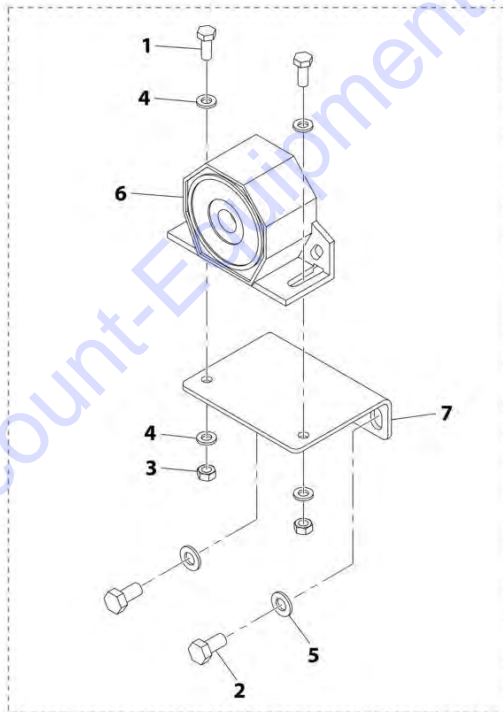
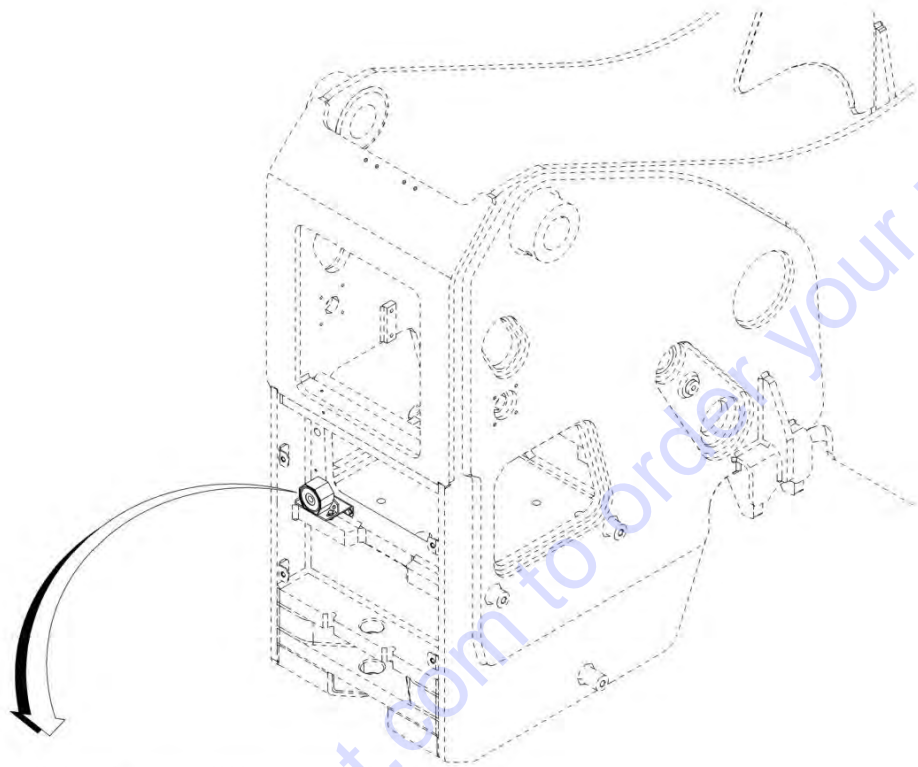
FIGURE 10-19. BACKUP ALARM INSTALLATION

ITEM	PART NUMBER	QTY	DESCRIPTION	REV
	1001192323	Ref	Backup Alarm Installation	D
1	0760608	2	Bolt, M6X16	
2	0760808	2	Bolt, M8X16	
3	3290601	2	Nut, M6X1	
4	4811700	4	Washer, M6	
5	4811900	2	Washer, M8	
6	1001101808	1	Alarm, Backup	
7	1001193698	1	Bracket	

Go to Discount-Equipment.com to order your parts

SECTION 10 - ELECTRICAL

FIGURE 10-20. BACKUP ALARM INSTALLATION (WHITE NOISE)



ART_1001195263-B

SECTION 10 - ELECTRICAL

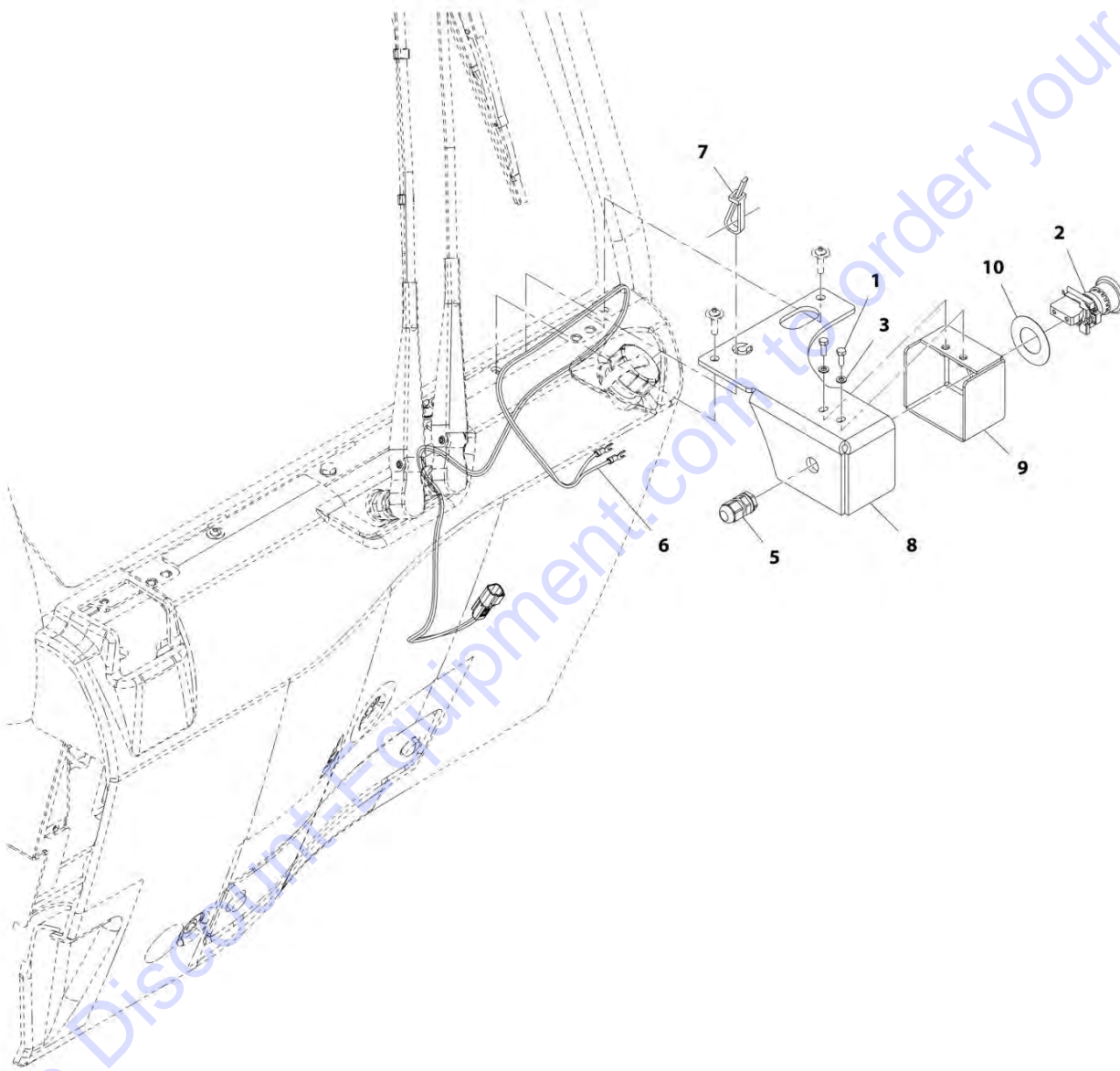
FIGURE 10-20. BACKUP ALARM INSTALLATION (WHITE NOISE)

ITEM	PART NUMBER	QTY	DESCRIPTION	REV
	1001195263	Ref	Backup Alarm Installation (White Noise)	B
1	0760608	2	Bolt, M6X16	
2	0760808	2	Bolt, M8X16	
3	3290601	2	Nut, M6X1	
4	4811700	4	Washer, M6	
5	4811900	2	Washer, M8	
6	1001165827	1	Alarm, Backup (White Noise)	
7	1001193698	1	Bracket	

Go to Discount-Equipment.com to order your parts

SECTION 10 - ELECTRICAL

FIGURE 10-21. EMERGENCY STOP EXTERNAL INSTALLATION



ART_1001195721-C

SECTION 10 - ELECTRICAL

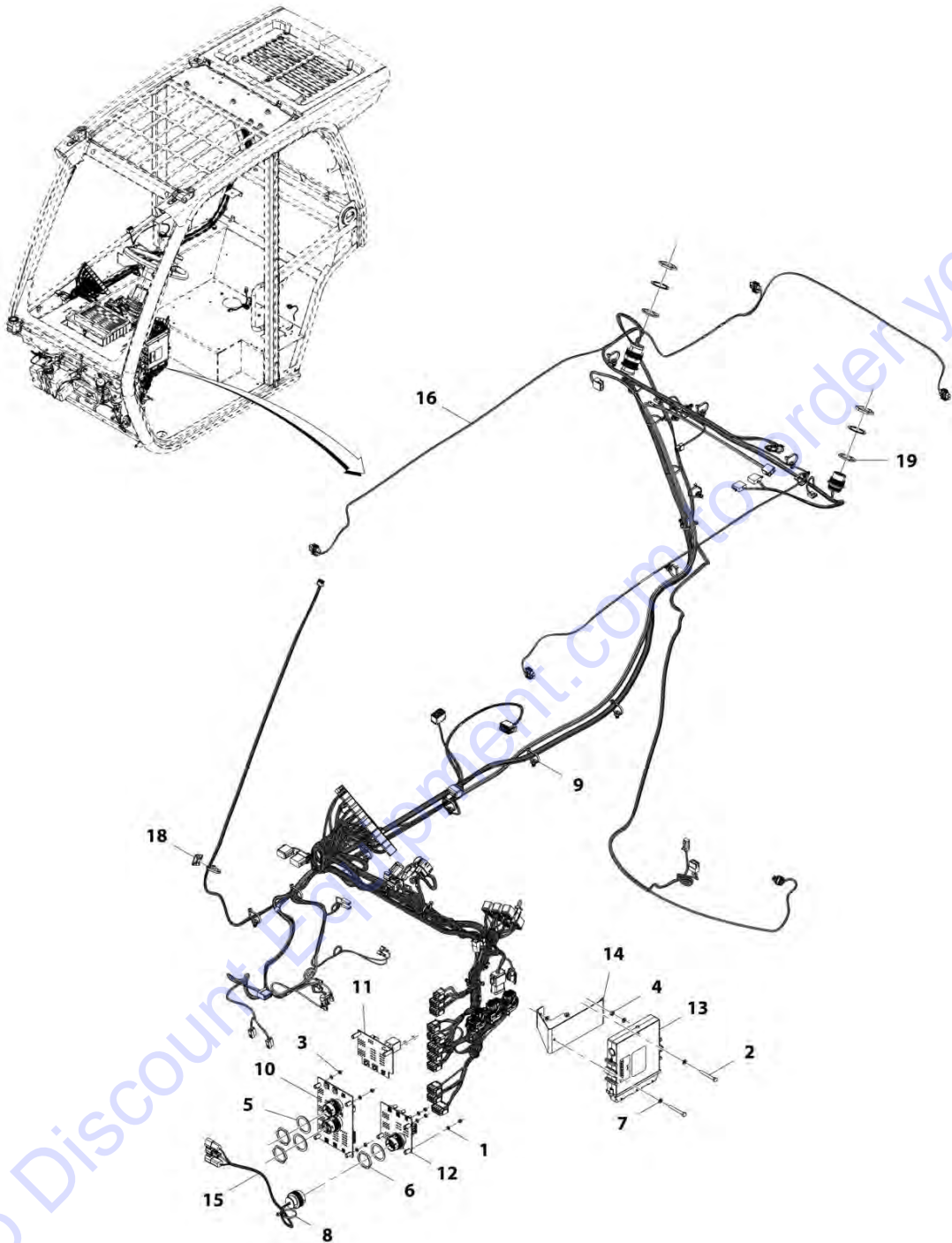
FIGURE 10-21. EMERGENCY STOP EXTERNAL INSTALLATION

ITEM	PART NUMBER	QTY	DESCRIPTION	REV
	1001195721	Ref	Emergency Stop External Installation	C
1	0760507	2	Bolt, M5X14	
2	4360475	1	Switch, E-Stop	
3	4811600	2	Washer, M5	
5	4461000	1	Connector	
6	1001217320	1	Harness, External EMS	
7	1001008559	1	Strap, Tie	
8	1001220859	1	Bracket	
9	1001220861	1	Shield	
10	1704260	1	Decal, EMS	

Go to Discount-Equipment.com to order your parts

SECTION 10 - ELECTRICAL

FIGURE 10-22. CAB ELECTRICAL INSTALLATION



ART_1001192558-H

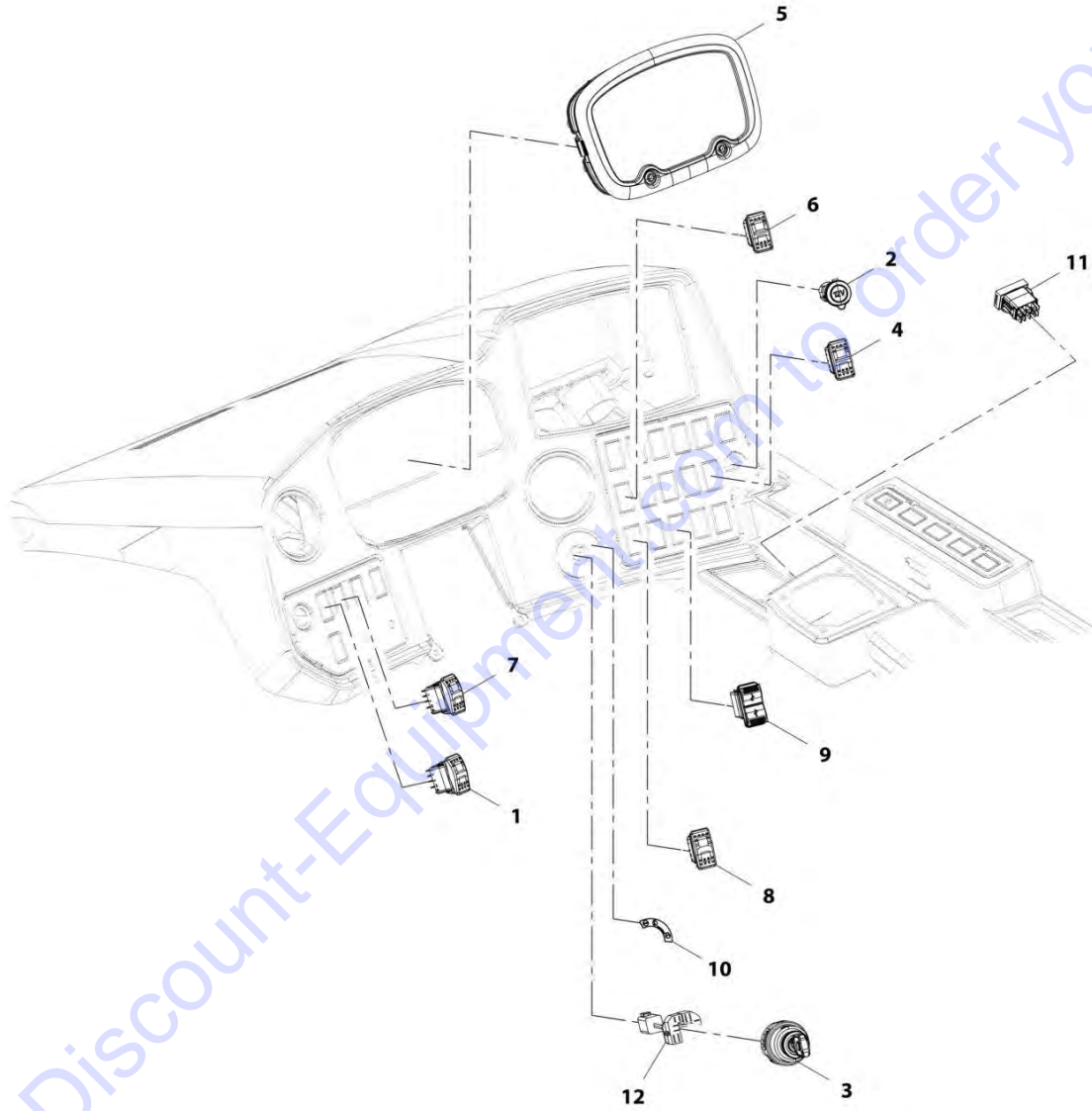
SECTION 10 - ELECTRICAL

FIGURE 10-22. CAB ELECTRICAL INSTALLATION

ITEM	PART NUMBER	QTY	DESCRIPTION	REV
	1001192558	Ref	Cab Electrical Installation	H
1	120034	7	Washer, Plastic	
2	0700618	2	Bolt, M6X50	
3	3290501	7	Nut, M5X0.8	
4	3290601	2	Nut, M6X1	
5	4460496	5	Washer, Terminal Lock	
6	4460497	5	Nut, Terminal	
7	4811700	4	Washer, M6	
8	1001008559	2	Strap, Cable Tie	
9	1001146588	24	Strap, Cable Tie	
10	1001161769	1	Assembly, Standard Electrical Board (See Separate Breakdown in Electrical Section)	
11	1001161770	1	Assembly, Option 1 Electrical Board (See Separate Breakdown in Electrical Section)	
12	1001161771	1	Assembly, Option 2 Electrical Board (See Separate Breakdown in Electrical Section)	
13	1001162249	1	Module, Cab Control	
14	1001178933	1	Bracket	
15	1001181681	1	Harness, Cab Option LBP (See Separate Breakdown in Electrical Section)	
16	1001193940	1	Harness, Cab (See Separate Breakdown in Electrical Section)	
18	4460234	1	Terminal, Mount Cable Tie	
19	1001211693	2	Seal	

SECTION 10 - ELECTRICAL

FIGURE 10-23. DASH ELECTRICAL INSTALLATION



ART_1001220717-C

SECTION 10 - ELECTRICAL

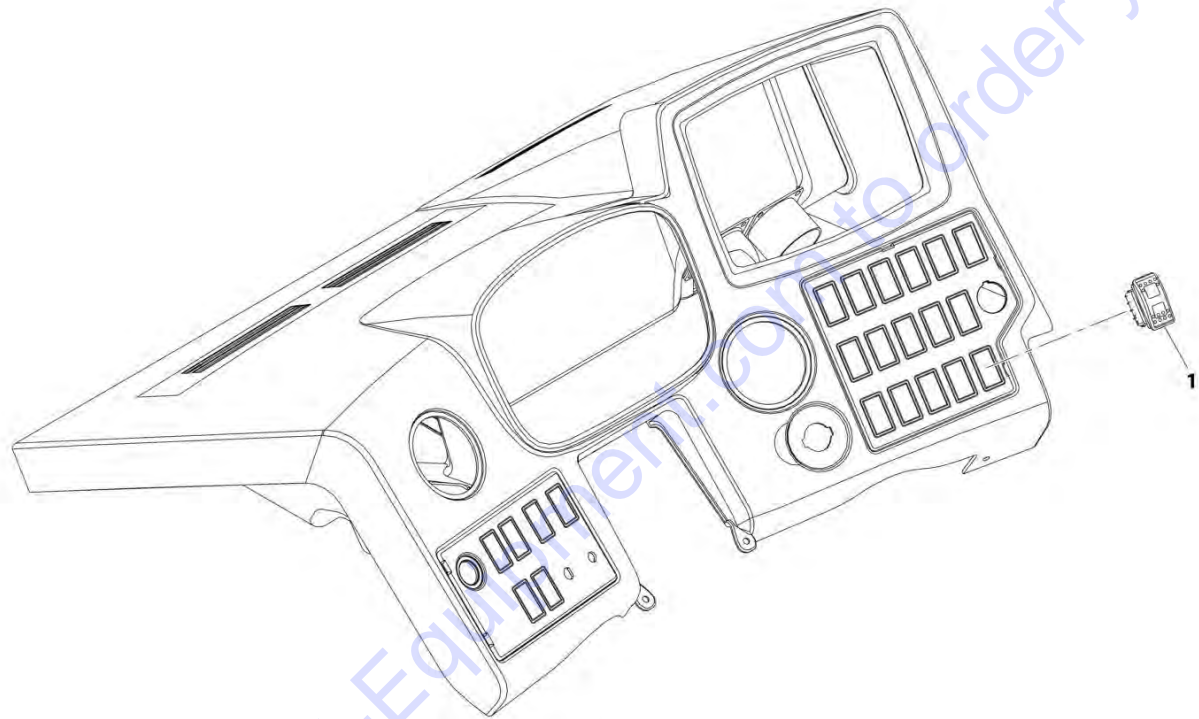
FIGURE 10-23. DASH ELECTRICAL INSTALLATION

ITEM	PART NUMBER	QTY	DESCRIPTION	REV
	1001220717	Ref	Dash Electrical Installation	C
1	1001080978	1	Switch, Lift/Loader	
2	1001095804	1	Connector, 12V Power Socket	
3	1001102502	1	Switch, 4 Position Key	
3	70022765	1	Key, Ignition (set of 2)	
4	1001104654	1	Switch, AUX Decomp	
5	1001158146	1	Cluster, Electrical Gauge	
6	1001159735	1	Switch, Rear Wiper	
7	1001159741	1	Switch, Constant AUX	
8	1001159849	1	Switch, Steer Mode	
9	1001174712	1	Charger, USB	
10	1001181531	1	Decal, Ignition Switch	
11	1001212470	1	Switch, Frame Level	
12	1001223968	1	Harness, Ignition Switch (See Separate Breakdown in this Section)	

Go to Discount-Equipment.com to order your parts

SECTION 10 - ELECTRICAL

FIGURE 10-24. LIGHT SWITCH INSTALLATION



ART_1001215121-A

SECTION 10 - ELECTRICAL

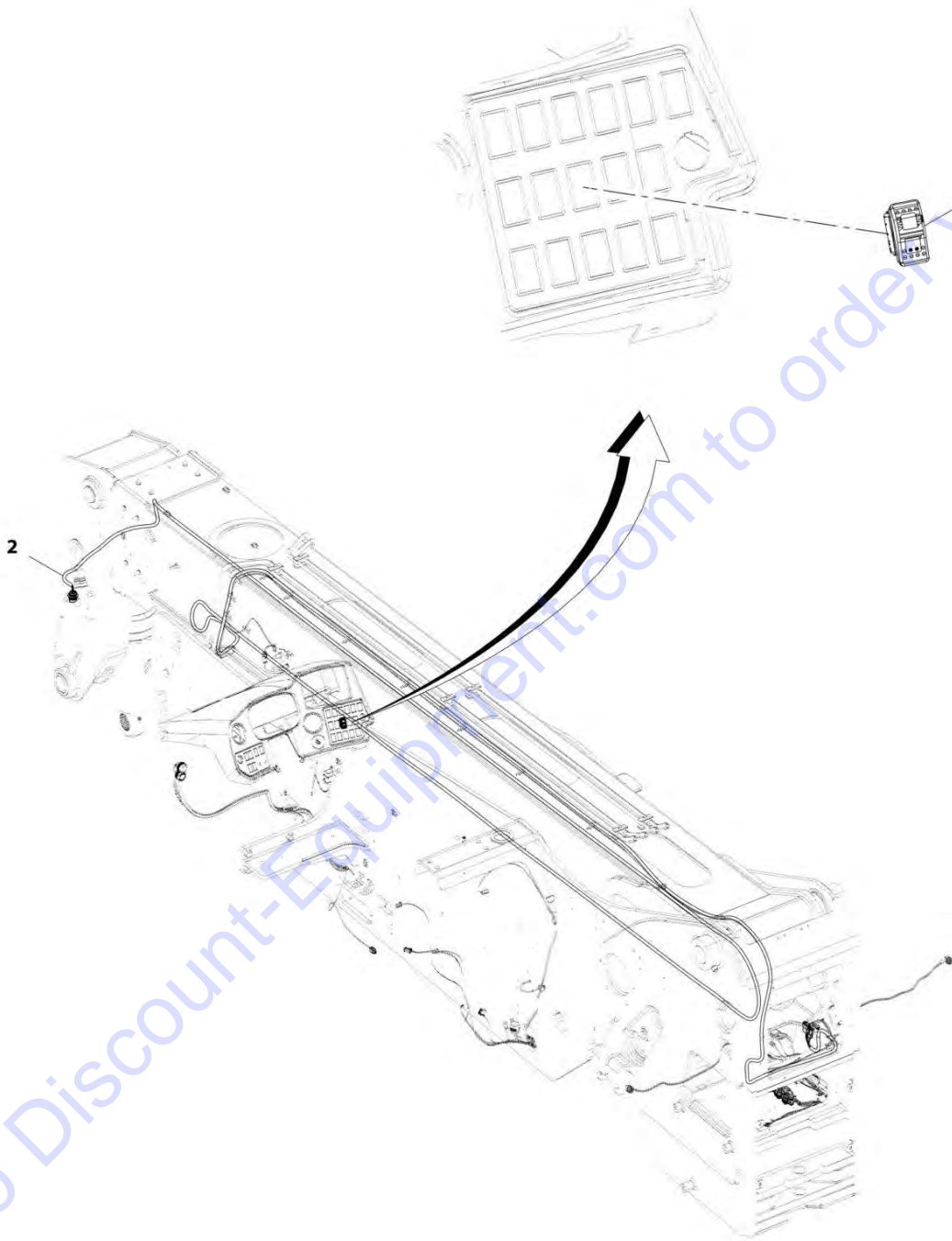
FIGURE 10-24. LIGHT SWITCH INSTALLATION

ITEM	PART NUMBER	QTY	DESCRIPTION	REV
1	1001215121 1001163639	Ref 1	Light Switch Installation Switch, Light	A

Go to Discount-Equipment.com to order your parts

SECTION 10 - ELECTRICAL

FIGURE 10-25. BOOM HARNESS INSTALLATION



ART_1001192575-B

SECTION 10 - ELECTRICAL

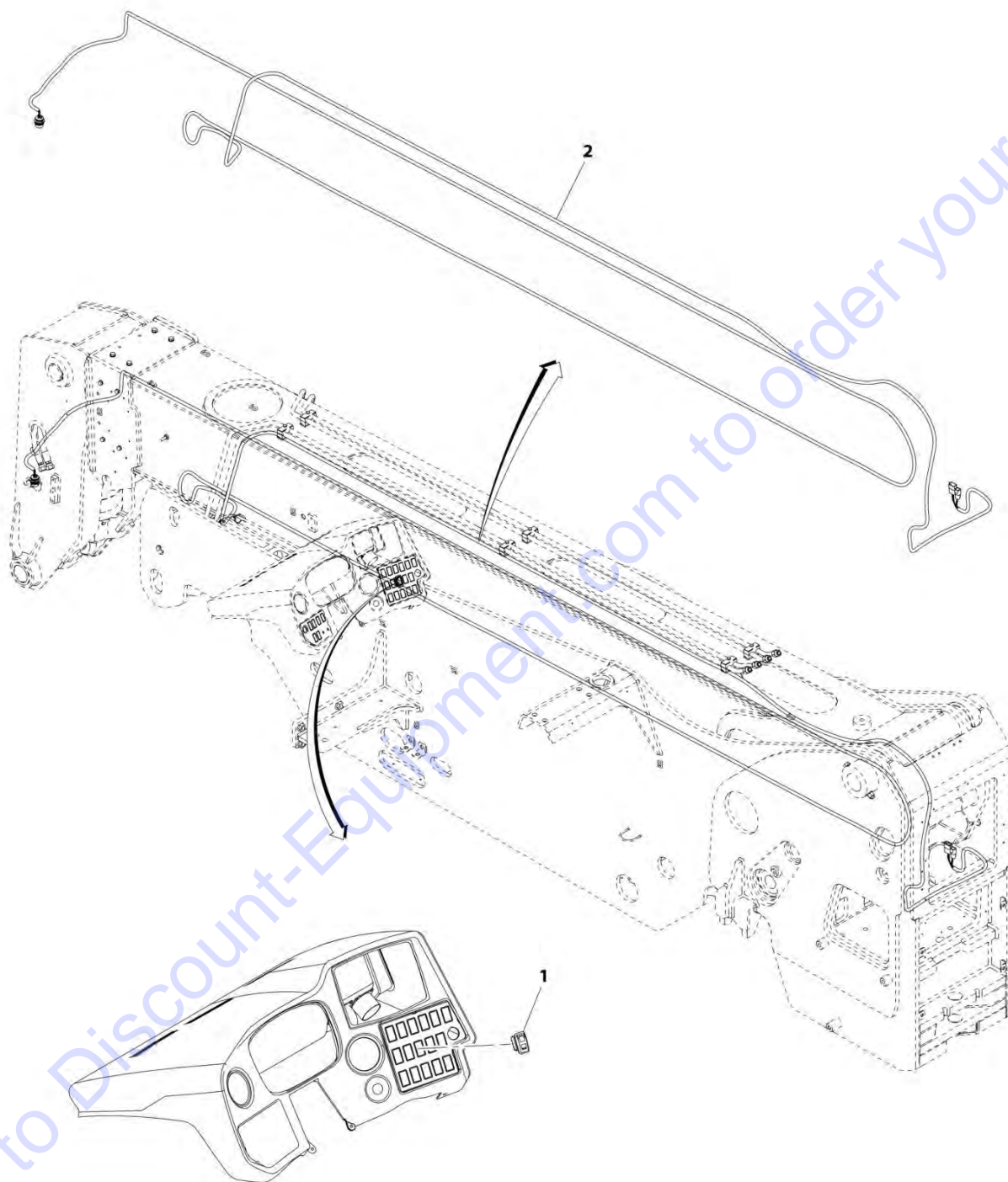
FIGURE 10-25. BOOM HARNESS INSTALLATION

ITEM	PART NUMBER	QTY	DESCRIPTION	REV
	1001192575	Ref	Boom Harness Installation	B
1	1001159746	1	Switch, Aux Electric	
2	1001201124	1	Harness, Boom (See Seperate Breakdown in this Section)	

Go to Discount-Equipment.com to order your parts

SECTION 10 - ELECTRICAL

FIGURE 10-26. BOOM HARNESS INSTALLATION



ART_1001228743-A

SECTION 10 - ELECTRICAL

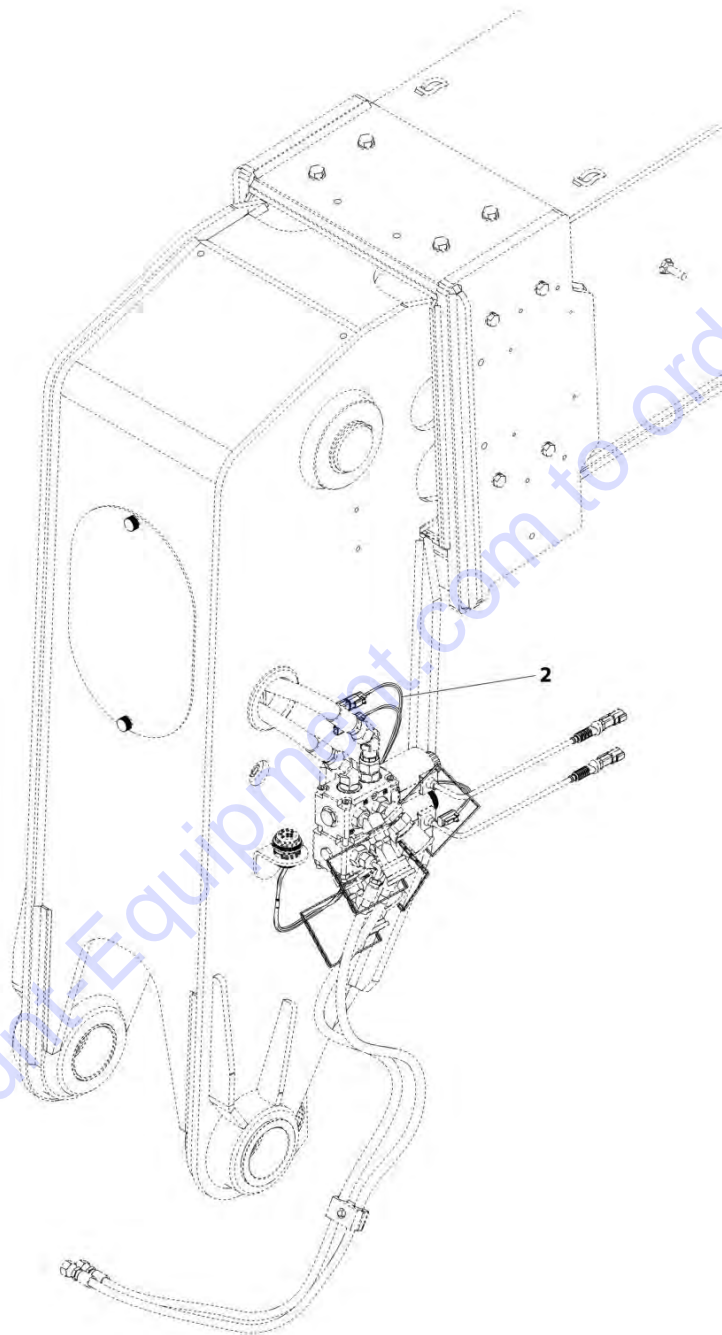
FIGURE 10-26. BOOM HARNESS INSTALLATION

ITEM	PART NUMBER	QTY	DESCRIPTION	REV
	1001228743	Ref	Boom Harness Installation	A
1	1001159746	1	Switch, Aux Electric	
2	1001228744	1	Harness, Boom (See Seperate Breakdown in this Section)	

Go to Discount-Equipment.com to order your parts

SECTION 10 - ELECTRICAL

FIGURE 10-27. BOOM AUX HARNESS INSTALLATION



ART_1001192370-C

SECTION 10 - ELECTRICAL

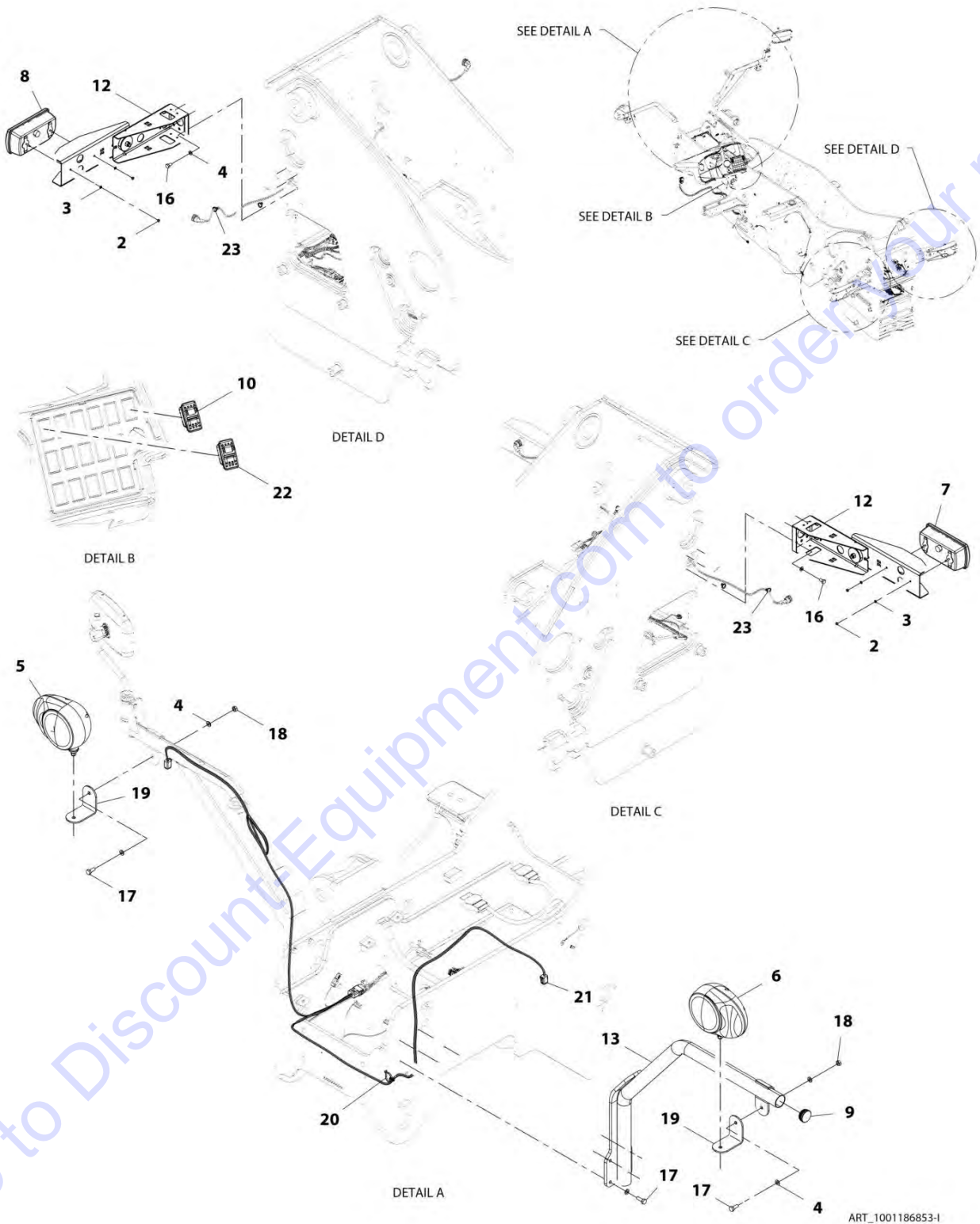
FIGURE 10-27. BOOM AUX HARNESS INSTALLATION

ITEM	PART NUMBER	QTY	DESCRIPTION	REV
2	1001192370	Ref	Boom Aux Harness Installation	C
	1001206633	1	Harness, Boom AUX (See Seperate Breakdown in this Section)	

Go to Discount-Equipment.com to order your parts

SECTION 10 - ELECTRICAL

FIGURE 10-28. DRIVING LIGHT INSTALLATION (RH DIP)



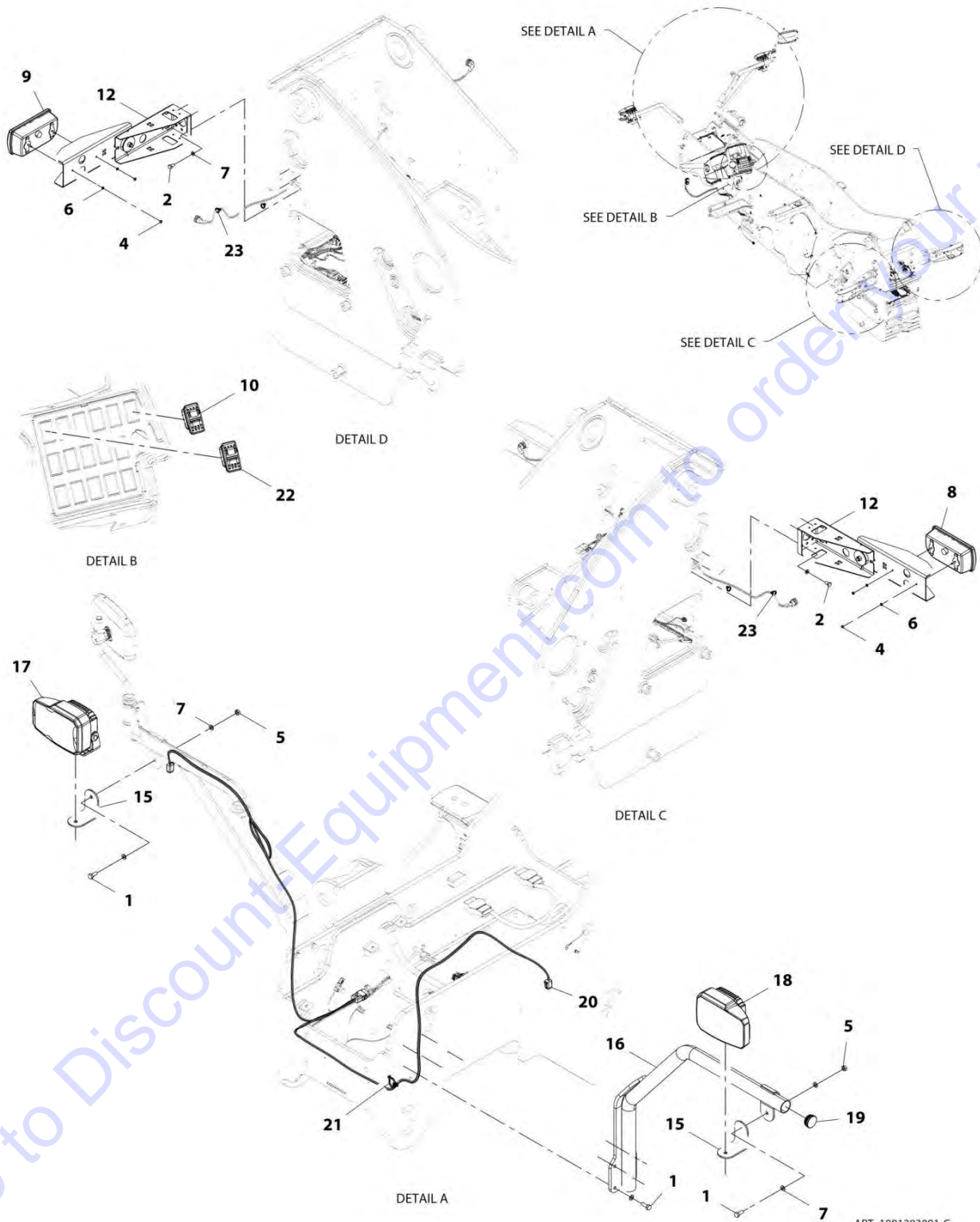
SECTION 10 - ELECTRICAL

FIGURE 10-28. DRIVING LIGHT INSTALLATION (RH DIP)

ITEM	PART NUMBER	QTY	DESCRIPTION	REV
	1001186853	Ref	Driving Light Installation (RH Dip)	I
2	3290607	4	Nut, Lock M6X1	
3	4811700	4	Washer, M6	
4	4812000	16	Washer, M10	
5	2920208	1	Light, Driving (RH) (RH Dip)	
	7029969	1	Bulb, 4W	
	7029970	1	Bulb, 55W	
	7029971	1	Bulb, 21W	
6	2920207	1	Light, Driving (LH) (RH Dip)	
	7029969	1	Bulb, 4W	
	7029970	1	Bulb, 55W	
	7029971	1	Bulb, 21W	
7	1001091715	1	Light, Rear (LH)	
	70021341	1	Bulb, 5W	
	70021340	1	Bulb, 21W	
	7029971	1	Bulb, 21W	
8	1001091716	1	Light, Rear (RH)	
	70021341	1	Bulb, 5W	
	70021340	1	Bulb, 21W	
	7029971	1	Bulb, 21W	
9	1001209697	1	Cap	
10	1001159734	1	Switch, Hazard	
12	1001183112	2	Assembly, Rear Light Bracket (See Seperate Breakdown in this Section)	
13	1001206100	1	Bracket	
16	0761010	8	Bolt, M10X20	
17	0701014	6	Bolt, M10X30	
18	3291001	2	Nut, M10X1.5	
19	1001203368	2	Bracket	
20	1001146588	1	Strap, Tie	
21	1001215693	1	Harness, Headlight (See Seperate Breakdown in this Section)	
22	1001159737	1	Switch, Fog Lights	
23	1001008559	4	Strap, Cable	

SECTION 10 - ELECTRICAL

FIGURE 10-29. DRIVING LIGHT INSTALLATION (LED) (RH DIP)



ART_1001203081-G

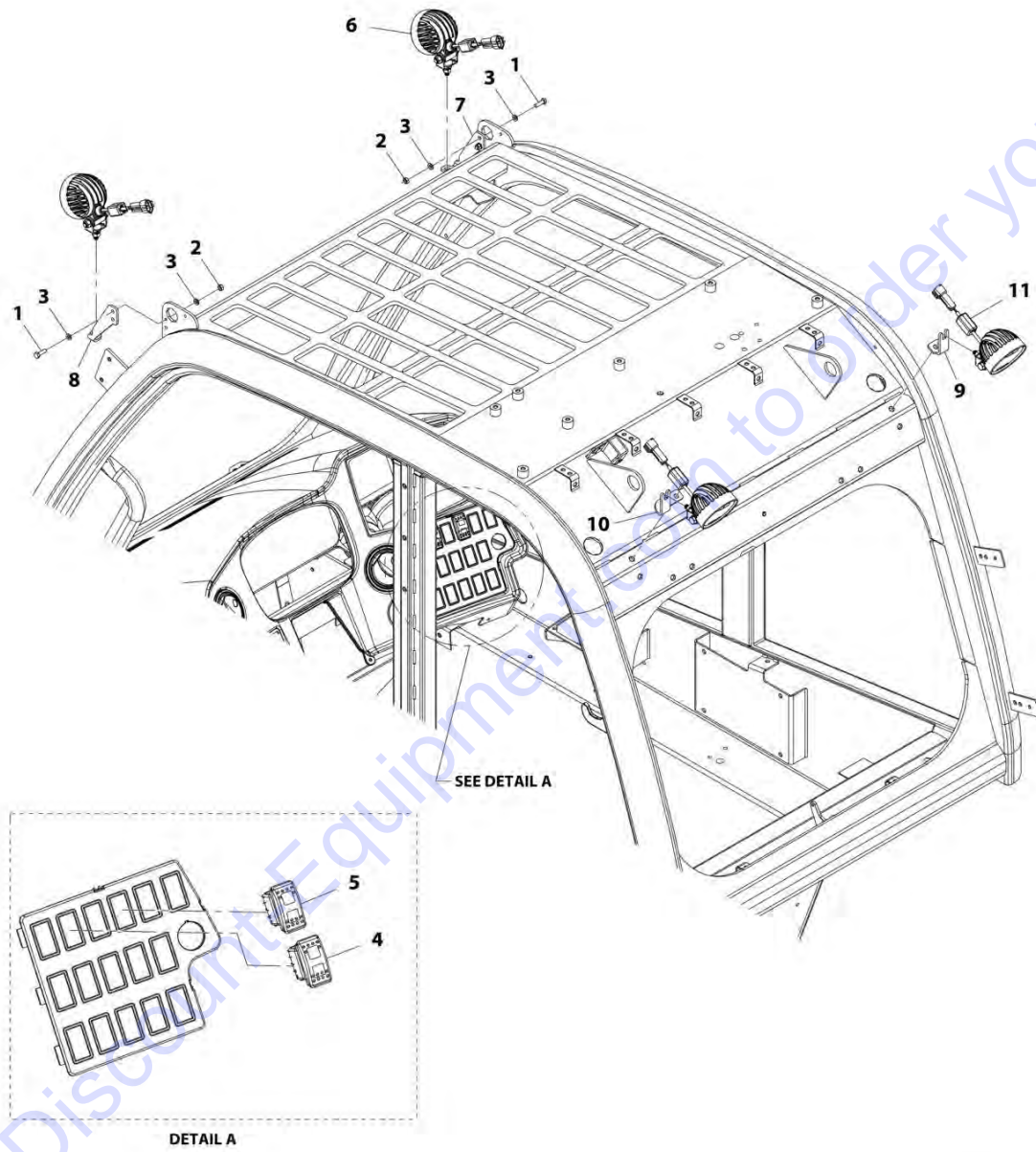
SECTION 10 - ELECTRICAL

FIGURE 10-29. DRIVING LIGHT INSTALLATION (LED) (RH DIP)

ITEM	PART NUMBER	QTY	DESCRIPTION	REV
	1001203081	Ref	Driving Light Installation (LED) (RH Dip)	G
1	0701014	6	Bolt, M10X30	
2	0761010	8	Bolt, M10X20	
4	3290607	4	Bolt, M6X1	
5	3291001	2	Nut, M10X1.5	
6	4811700	4	Washer, M6	
7	4812000	16	Washer, M10	
8	1001091715	1	Light, Rear (LH)	
	70021341	1	Bulb, 5W	
	70021340	1	Bulb, 21W	
	7029971	1	Bulb, 21W	
9	1001091716	1	Light, Rear (RH)	
	70021341	1	REPLACEMENT BULB, 12V-5W	
	70021340	1	Bulb, 21W	
	7029971	1	Bulb, 21W	
10	1001159734	1	Switch, Hazard	
12	1001183112	2	Assembly, Rear Light Bracket (See Seperate Breakdown in this Section)	
15	1001203368	2	Bracket	
16	1001206100	1	Bracket	
17	1001209690	1	Light, Driving (RH - LED) (RH Dip)	
18	1001209691	1	Light, Driving (LH - LED) (LH Dip)	
19	1001209697	1	Cap	
20	1001215693	1	Harness, Headlights (See Seperate Breakdown in this Section)	
21	1001146588	1	Strap, Cable Tie	
22	1001159737	1	Switch, Fog Lights	
23	1001008559	4	Strap, Cable Tie	

SECTION 10 - ELECTRICAL

FIGURE 10-30. CAB WORKLIGHTS INSTALLATION (NO A/C - LED)



ART_1001200538-C

SECTION 10 - ELECTRICAL

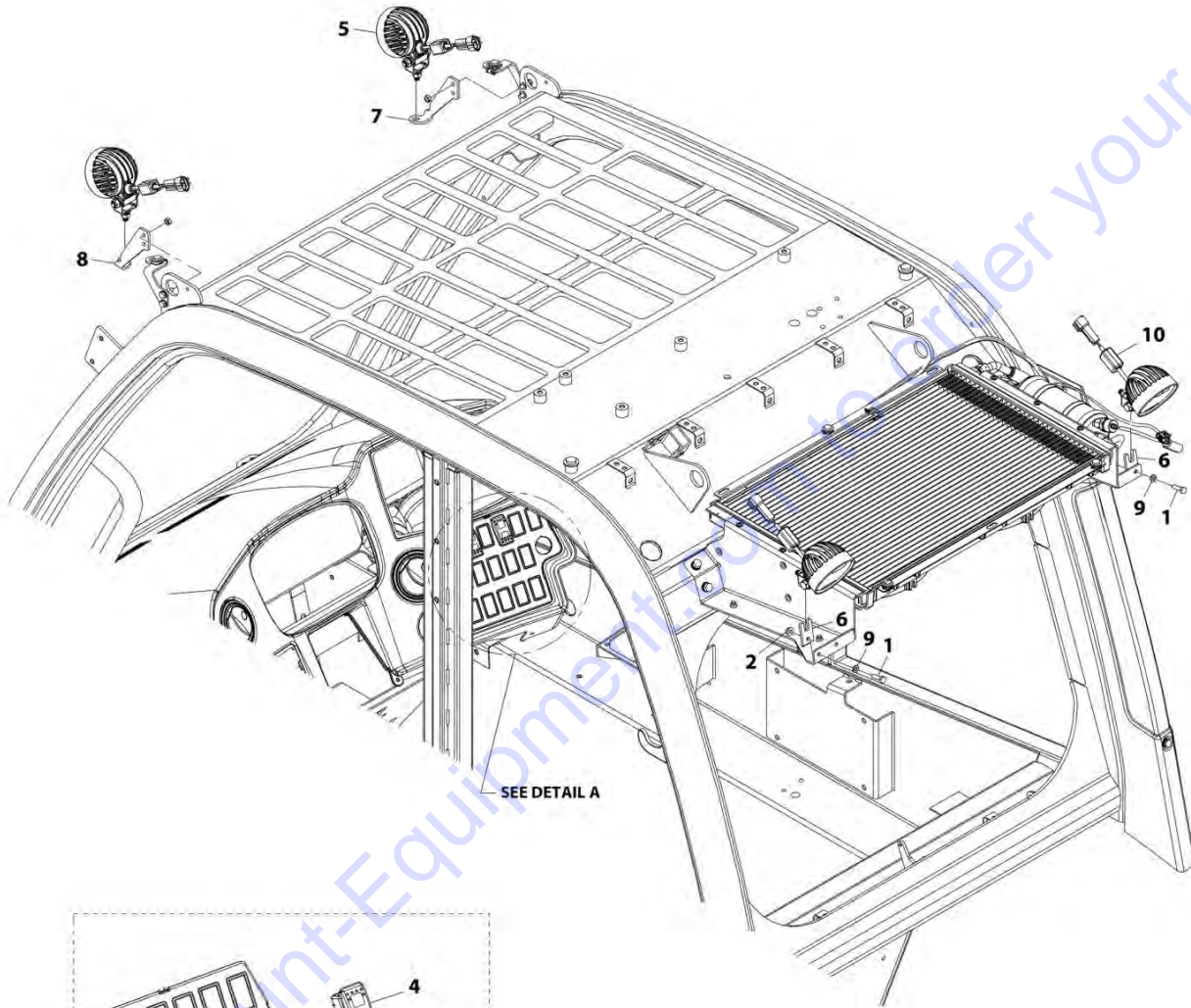
FIGURE 10-30. CAB WORKLIGHTS INSTALLATION (NO A/C - LED)

ITEM	PART NUMBER	QTY	DESCRIPTION	REV
	1001200538	Ref	Cab Worklights Installation (No A/C - LED)	C
1	0700610	4	Bolt, M6X20	
2	3290601	4	Nut, M6X1	
3	4811700	8	Washer, M6	
4	1001159845	1	Switch, Front Worklights	
5	1001159846	1	Switch, Rear Worklights	
6	1001203640	4	Lamp, LED Work Light	
7	1001204444	1	Support, LED Work Light RH	
8	1001204445	1	Support, LED Work Light LH	
9	1001204528	1	Support, LED Work Light RH	
10	1001204530	1	Support, LED Work Light LH	
11	1001228989	4	Harness, Ferrite	

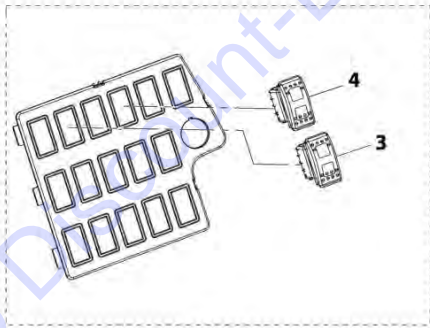
Go to Discount-Equipment.com to order your parts

SECTION 10 - ELECTRICAL

FIGURE 10-31. CAB WORKLIGHTS INSTALLATION (A/C - LED)



SEE DETAIL A



DETAIL A

ART_1001200539-C

SECTION 10 - ELECTRICAL

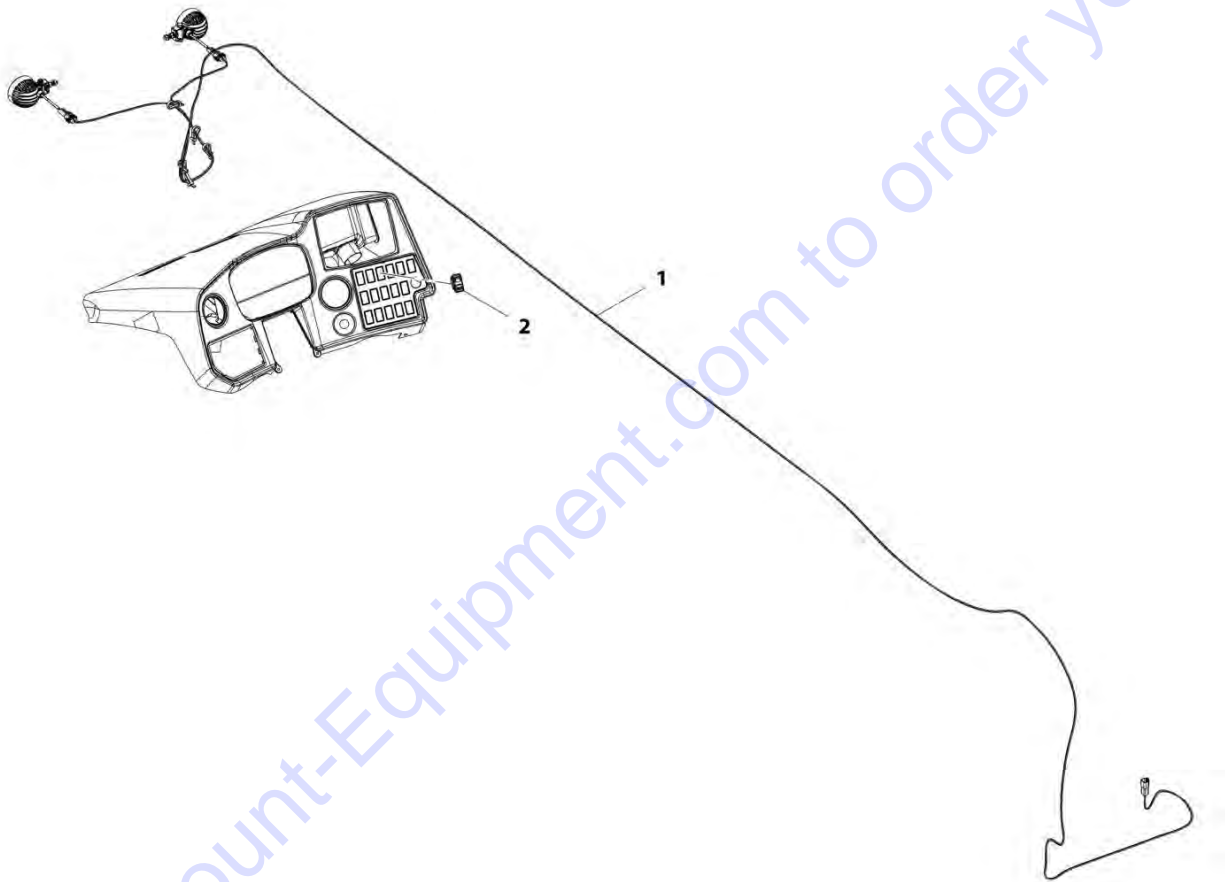
FIGURE 10-31. CAB WORKLIGHTS INSTALLATION (A/C - LED)

ITEM	PART NUMBER	QTY	DESCRIPTION	REV
	1001200539	Ref	Cab Worklights Installation (A/C - LED)	C
1	0700610	2	Bolt, M6X20	
2	5220600	2	Nut, M6	
3	1001159845	1	Switch, Front Worklights	
4	1001159846	1	Switch, Rear Worklights	
5	1001203640	4	Lamp, LED Work Light	
6	1001204060	2	Bracket	
7	1001204444	1	Support, LED Work Light RH	
8	1001204445	1	Support, LED Work Light LH	
9	4811700	2	Washer, M6	
10	1001228989	4	Harness, Ferrite	

Go to Discount-Equipment.com to order your parts

SECTION 10 - ELECTRICAL

FIGURE 10-32. BOOM WORK LIGHTS (LED)



Go to Discount-Equipment.com to order your parts

ART_1001209427-B

SECTION 10 - ELECTRICAL

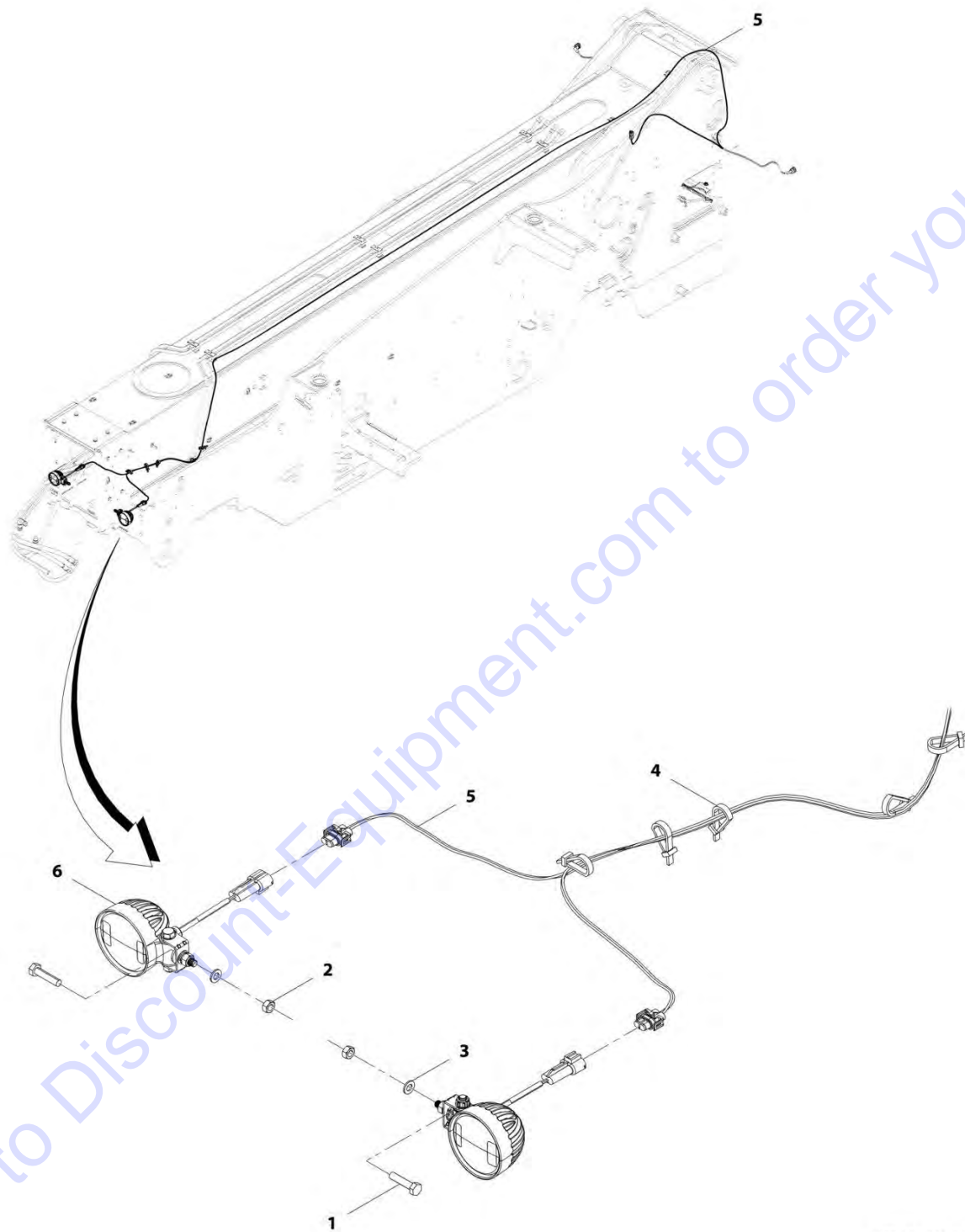
FIGURE 10-32. BOOM WORK LIGHTS (LED)

ITEM	PART NUMBER	QTY	DESCRIPTION	REV
	1001209427	Ref	Boom Work Lights (LED)	B
1	1001159739	1	Switch, Boom Worklights	
2	1001209456	1	Installation, LED Boom Work lights (See Seperate Breakdown in this Section)	

Go to Discount-Equipment.com to order your parts

SECTION 10 - ELECTRICAL

FIGURE 10-33. BOOM WORK LIGHT INSTALLATION (LED)



ART_1001209456-C

SECTION 10 - ELECTRICAL

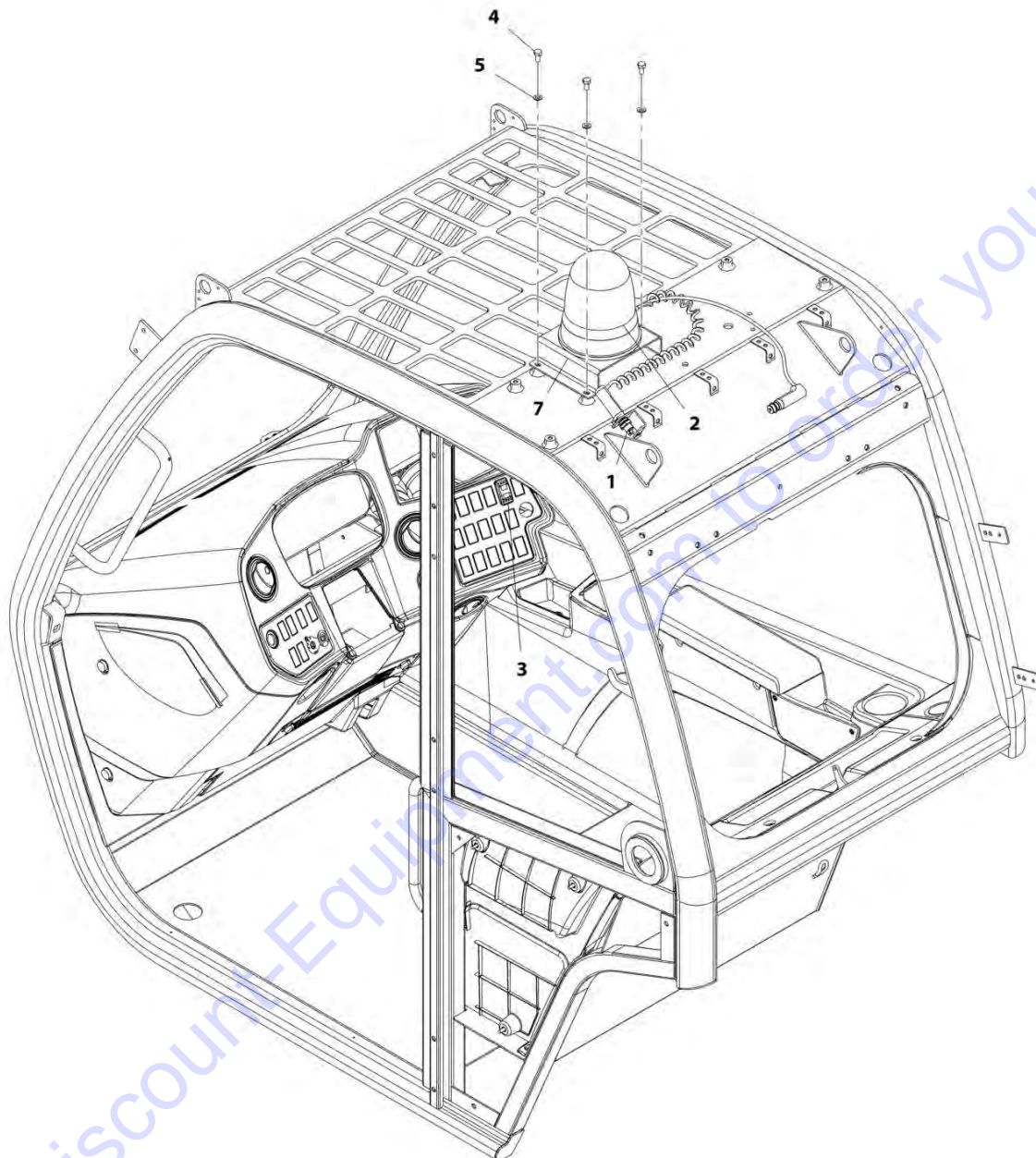
FIGURE 10-33. BOOM WORK LIGHT INSTALLATION (LED)

ITEM	PART NUMBER	QTY	DESCRIPTION	REV
	1001209456	Ref	Boom Work Light Installation (LED)	C
1	0700815	2	Bolt, M8X35	
2	3290801	2	Nut, M8X1.25	
3	4811900	2	Washer, M8	
4	1001008923	5	Strap, Cable	
5	1001184796	1	Harness, Boom Work Lights (See Seperate Breakdown in this Section)	
6	1001203640	2	Lamp, LED Worklight (See Seperate Breakdown in this Section)	

Go to Discount-Equipment.com to order your parts

SECTION 10 - ELECTRICAL

FIGURE 10-34. BEACON INSTALLATION



ART_1001171162-E

SECTION 10 - ELECTRICAL

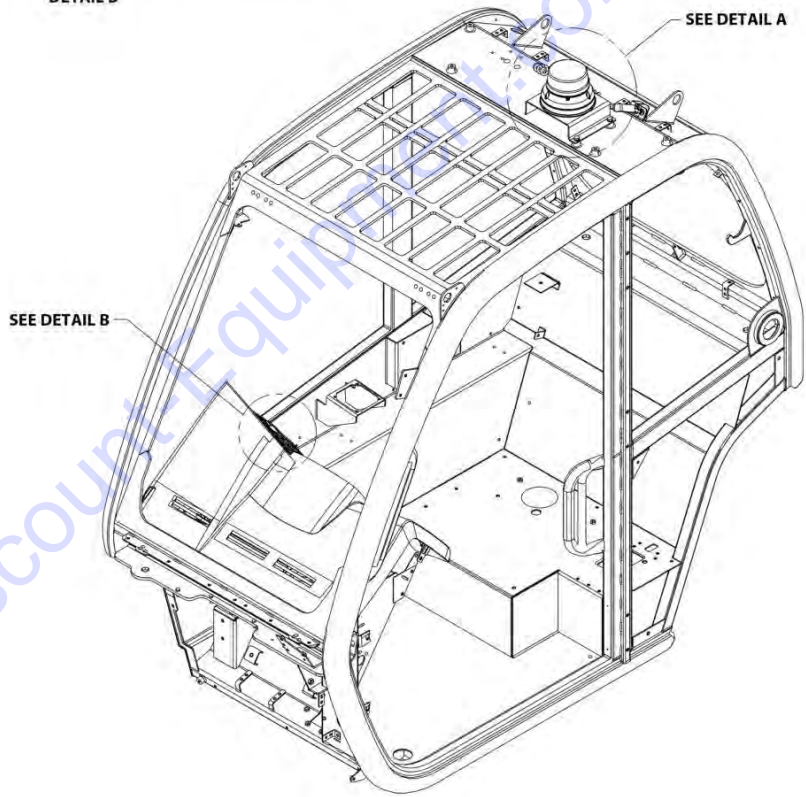
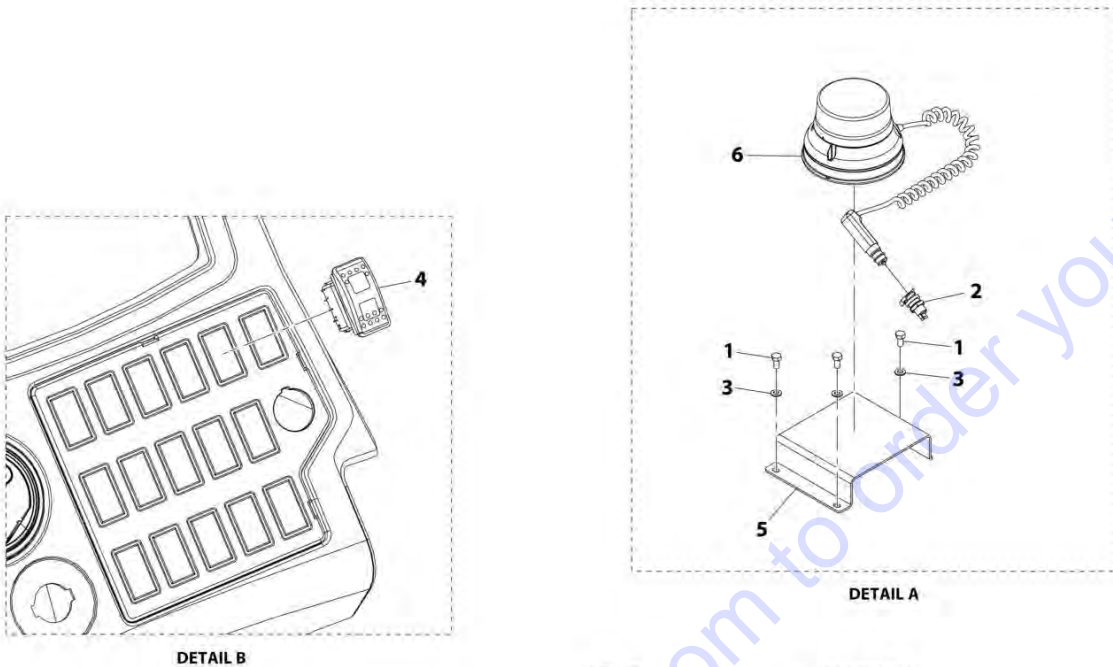
FIGURE 10-34. BEACON INSTALLATION

ITEM	PART NUMBER	QTY	DESCRIPTION	REV
	1001171162	Ref	Beacon Installation	E
1	4461174	1	Terminal	
2	1001091573	NLA	Light, Warning, (no longer available, use 1001217623 for replacement)	
2	1001217623	1	Light, Warning	
3	1001159738	1	Switch	
4	0760808	3	Bolt, M8X16	
5	4811900	3	Washer, M8	
7	1001174796	1	Bracket	

Go to Discount-Equipment.com to order your parts

SECTION 10 - ELECTRICAL

FIGURE 10-35. BEACON INSTALLATION (LED)



ART_1001195883-A

SECTION 10 - ELECTRICAL

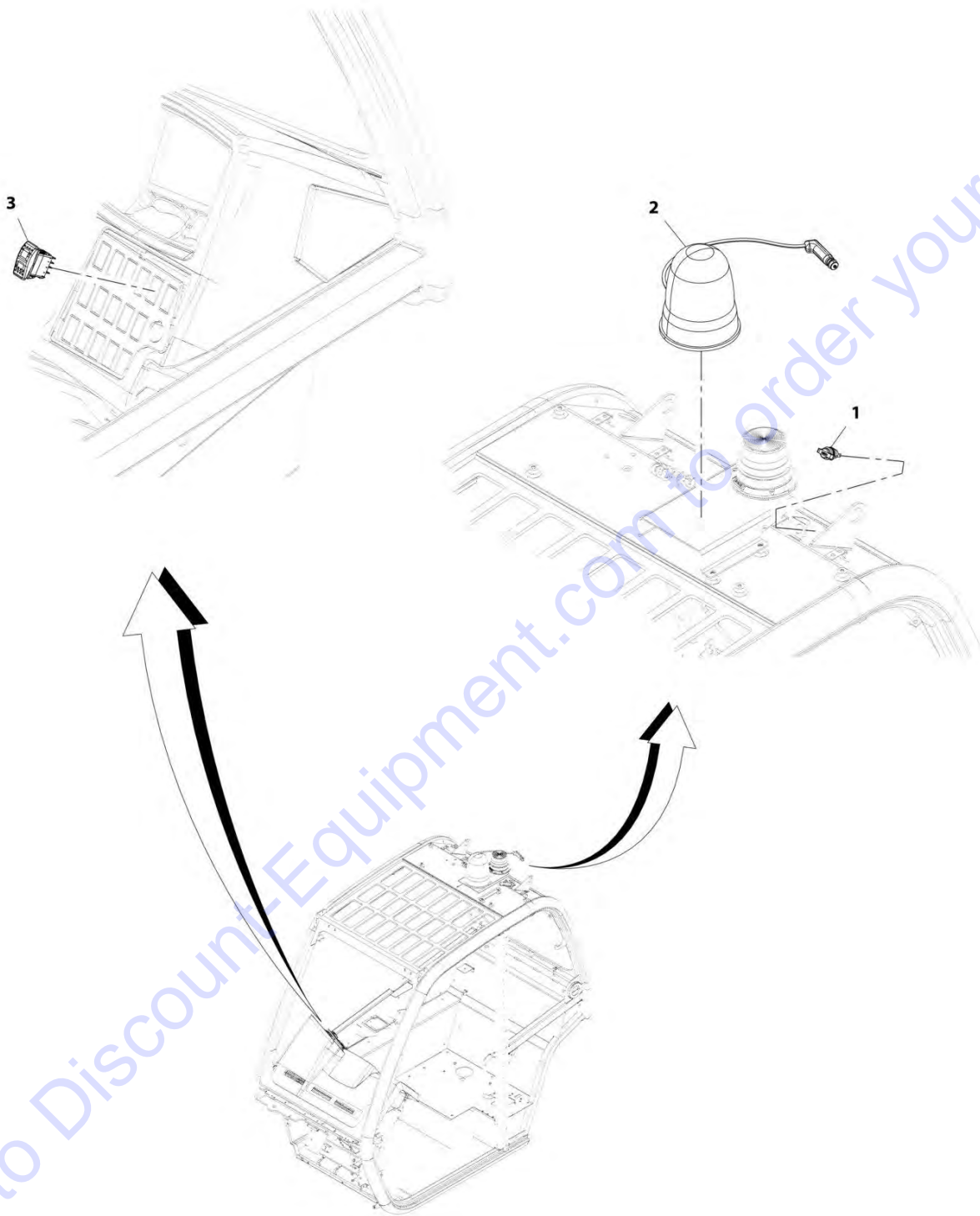
FIGURE 10-35. BEACON INSTALLATION (LED)

ITEM	PART NUMBER	QTY	DESCRIPTION	REV
	1001195883	Ref	Beacon Installation (LED)	A
1	0760808	3	Bolt, M8X16	
2	4461174	1	Terminal	
3	4811900	3	Washer, M8	
4	1001159738	1	Switch	
5	1001174796	1	Bracket	
6	1001198893	1	Light, Beacon (LED)	

Go to Discount-Equipment.com to order your parts

SECTION 10 - ELECTRICAL

FIGURE 10-36. BEACON (REMOTE BOOM CONTROL) INSTALLATION



Go to DiscountEquipment.com to order your parts

ART_1001209357-B

SECTION 10 - ELECTRICAL

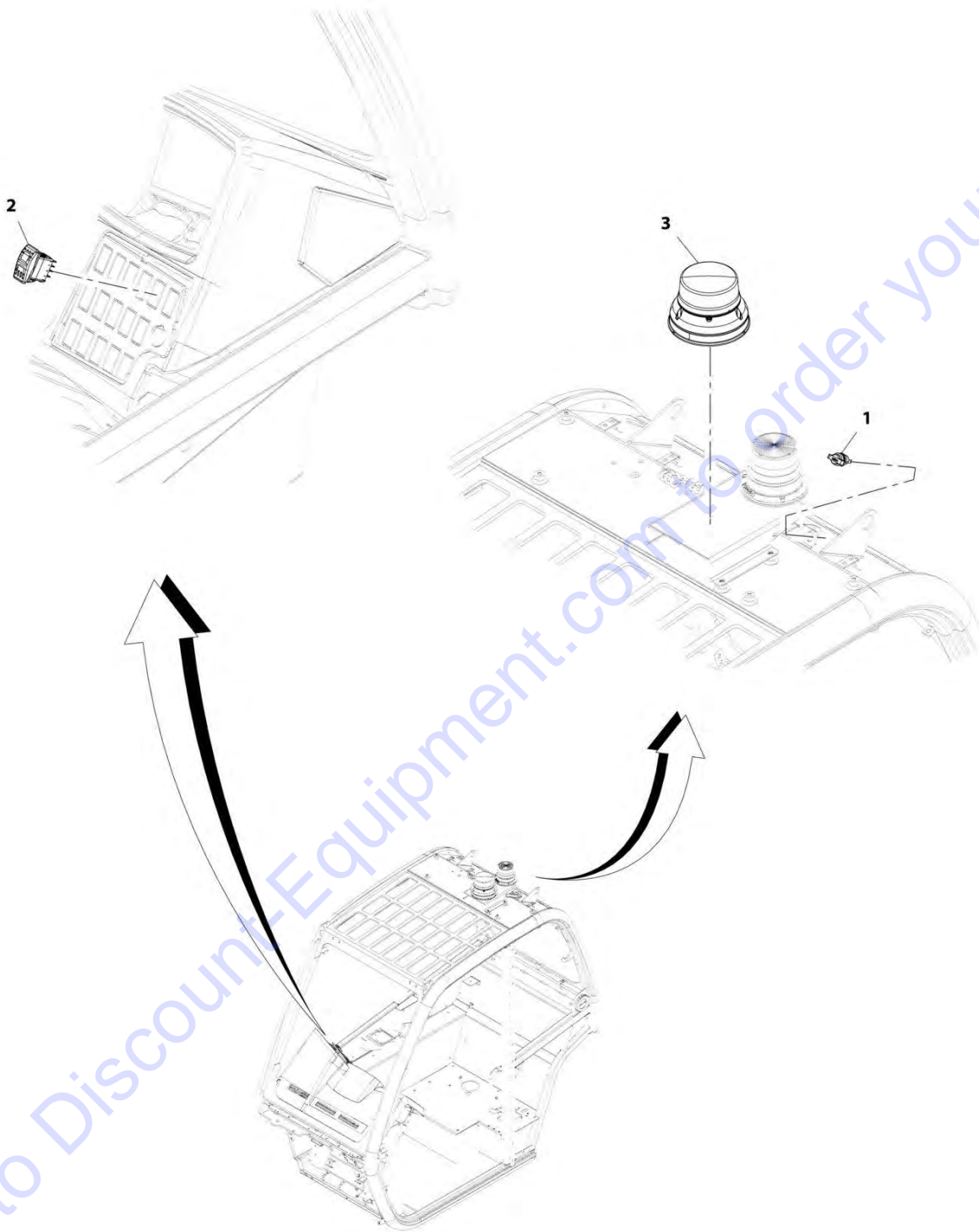
FIGURE 10-36. BEACON (REMOTE BOOM CONTROL) INSTALLATION

ITEM	PART NUMBER	QTY	DESCRIPTION	REV
	1001209357	Ref	Beacon (Remote Boom Control) Installation	B
1	4461174	1	Terminal, 12 Volt	
2	1001217623	1	Light, Warning	
3	1001159738	1	Switch, Beacon	

Go to Discount-Equipment.com to order your parts

SECTION 10 - ELECTRICAL

FIGURE 10-37. BEACON (LED) (REMOTE BOOM CONTROL) INSTALLATION



Go to DiscountEquipment.com to order your parts

ART_1001209358-A

SECTION 10 - ELECTRICAL

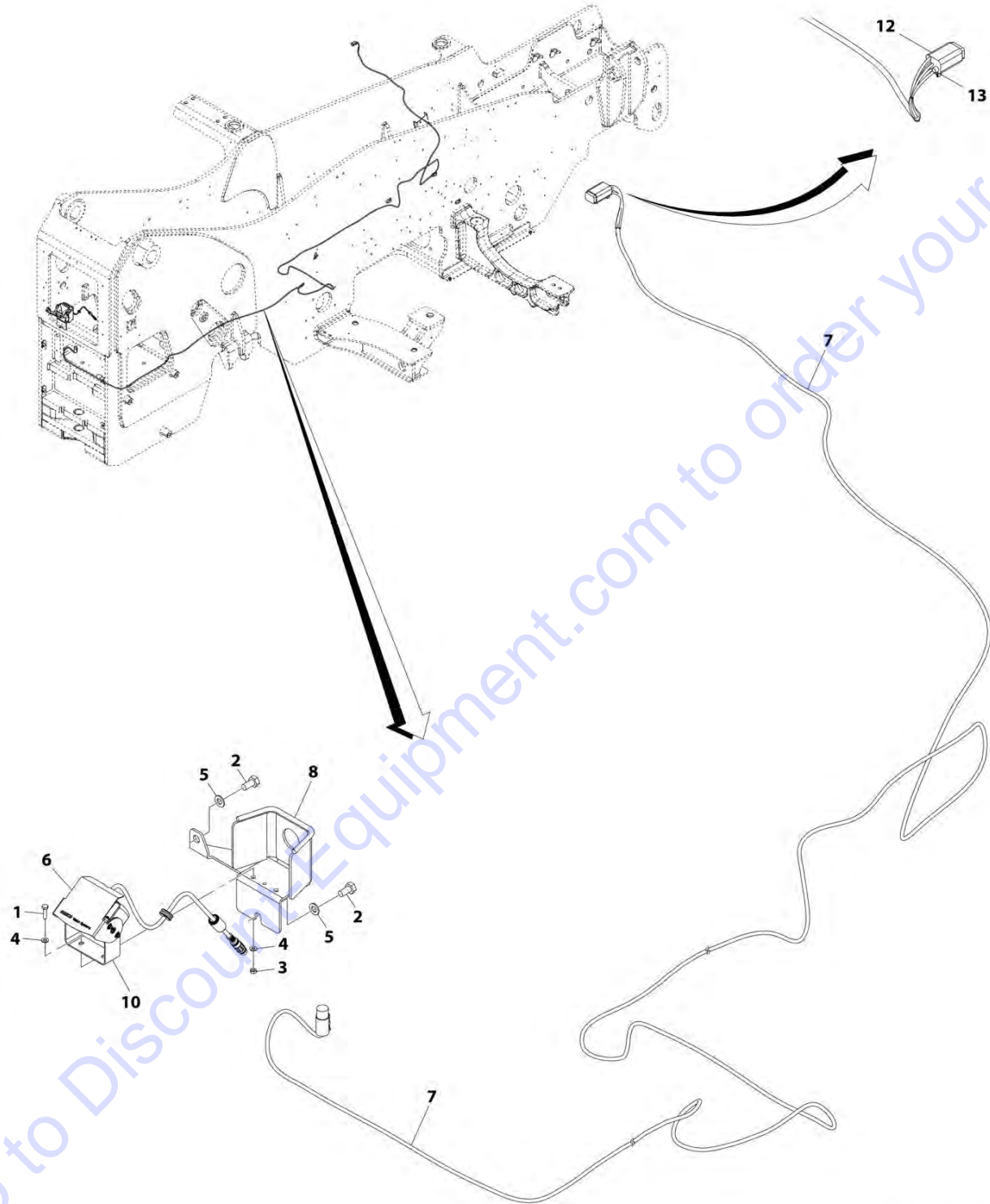
FIGURE 10-37. BEACON (LED) (REMOTE BOOM CONTROL) INSTALLATION

ITEM	PART NUMBER	QTY	DESCRIPTION	REV
	1001209358	Ref	Beacon (LED) (Remote Boom Control) Installation	A
1	4461174	1	Terminal, 12 Volt	
2	1001159738	1	Switch, Beacon	
3	1001198893	1	Light, Warning	

Go to Discount-Equipment.com to order your parts

SECTION 10 - ELECTRICAL

FIGURE 10-38. REVERSE CAMERA INSTALLATION



ART_1001192321-G

SECTION 10 - ELECTRICAL

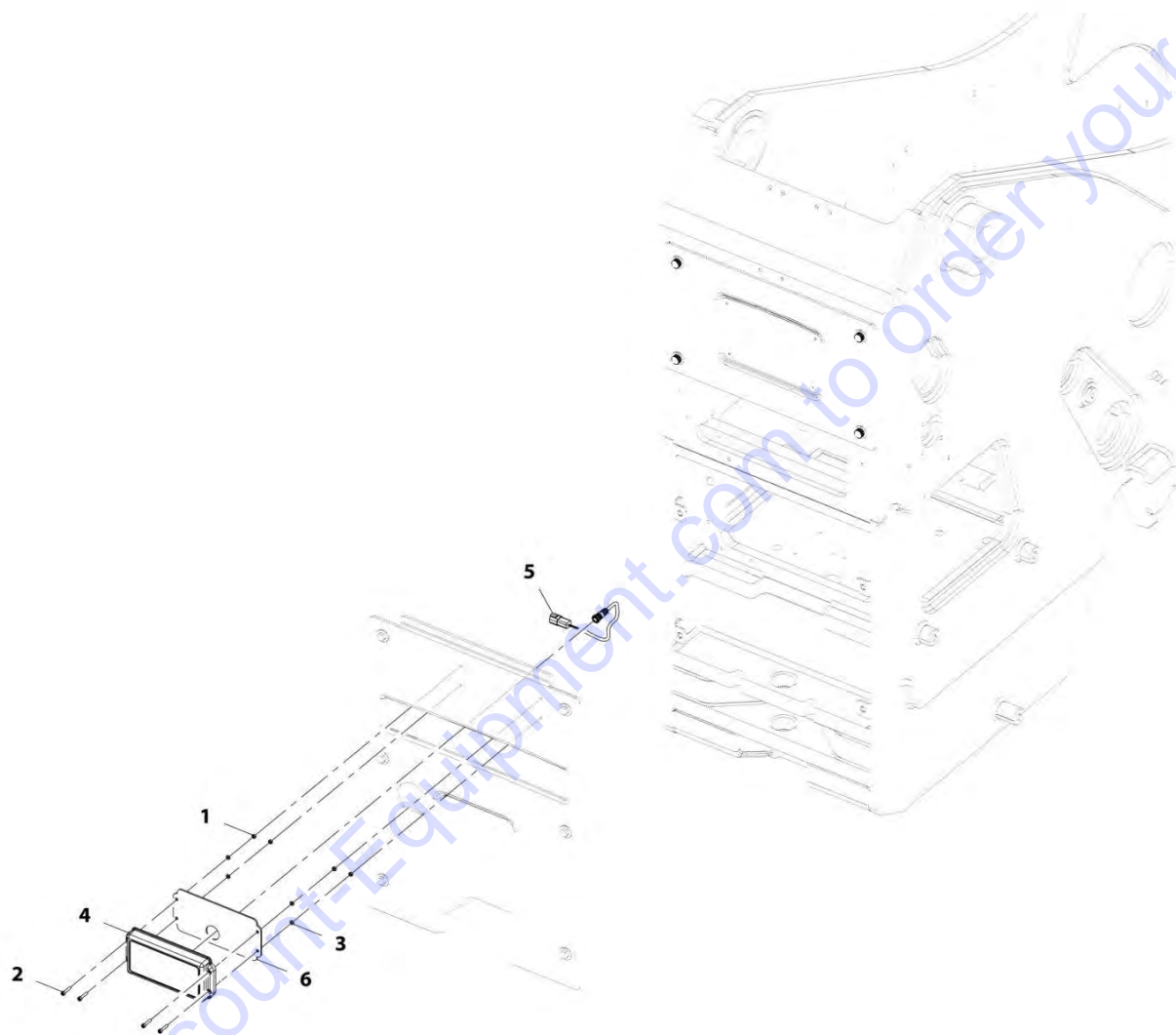
FIGURE 10-38. REVERSE CAMERA INSTALLATION

ITEM	PART NUMBER	QTY	DESCRIPTION	REV
	1001192321	Ref	Reverse Camera Installation	G
1	0700408	2	Bolt, M4X16	
2	0760808	2	Bolt, M8X16	
3	3290401	2	Nut, M4X0.7	
4	4811400	4	Washer, M4	
5	4811900	2	Washer, M8	
6	1001167017	1	Camera, Reverse	
7	1001171962	1	Cable, Camera	
8	1001205307	1	Bracket	
10	1001202621	1	Bracket	
12	4460884	1	Connector	
13	4460466	1	Terminal	

Go to Discount-Equipment.com to order your parts

SECTION 10 - ELECTRICAL

FIGURE 10-39. REVERSE SENSOR INSTALLATION



ART_1001192322-E

SECTION 10 - ELECTRICAL

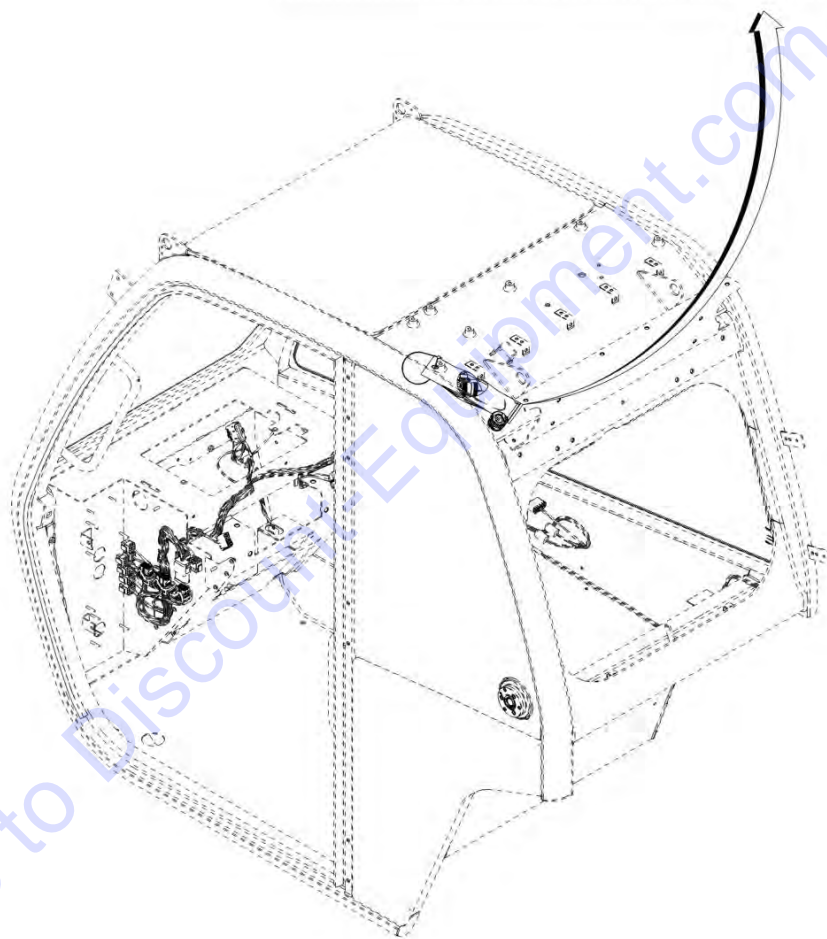
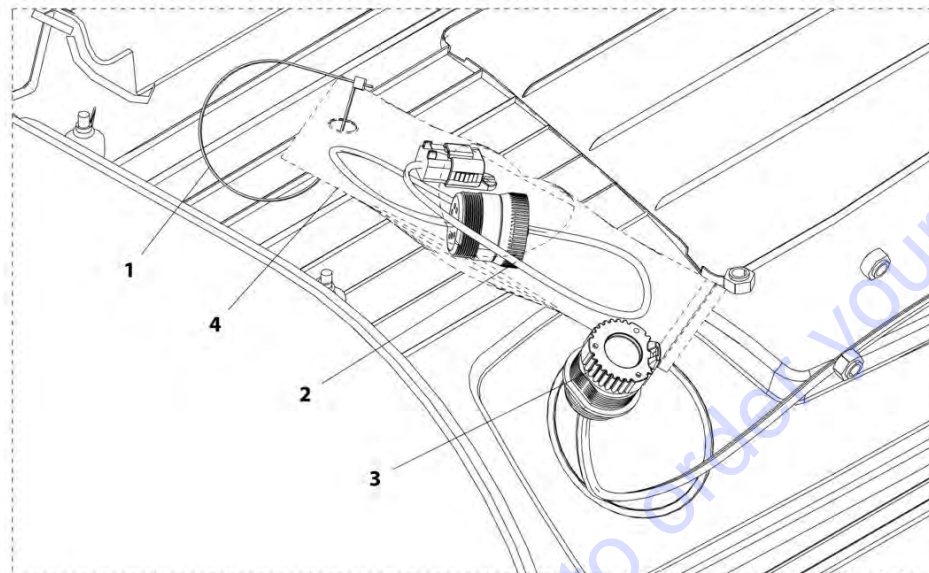
FIGURE 10-39. REVERSE SENSOR INSTALLATION

ITEM	PART NUMBER	QTY	DESCRIPTION	REV
	1001192322	Ref	Reverse Sensor Installation	E
1	3290501	4	Nut, M5X0.8	
2	5271609	4	Screw, M5X25	
3	4811600	4	Washer, M5	
4	1001189997	1	Sensor, Reverse	
5	1001175776	1	Harness, Reverse Sensor (See Seperate Breakdown in this Section)	
6	1001231217	1	Plate	

Go to Discount-Equipment.com to order your parts

SECTION 10 - ELECTRICAL

FIGURE 10-40. TELEMATICS READY INSTALLATION



ART_1001202519-A

SECTION 10 - ELECTRICAL

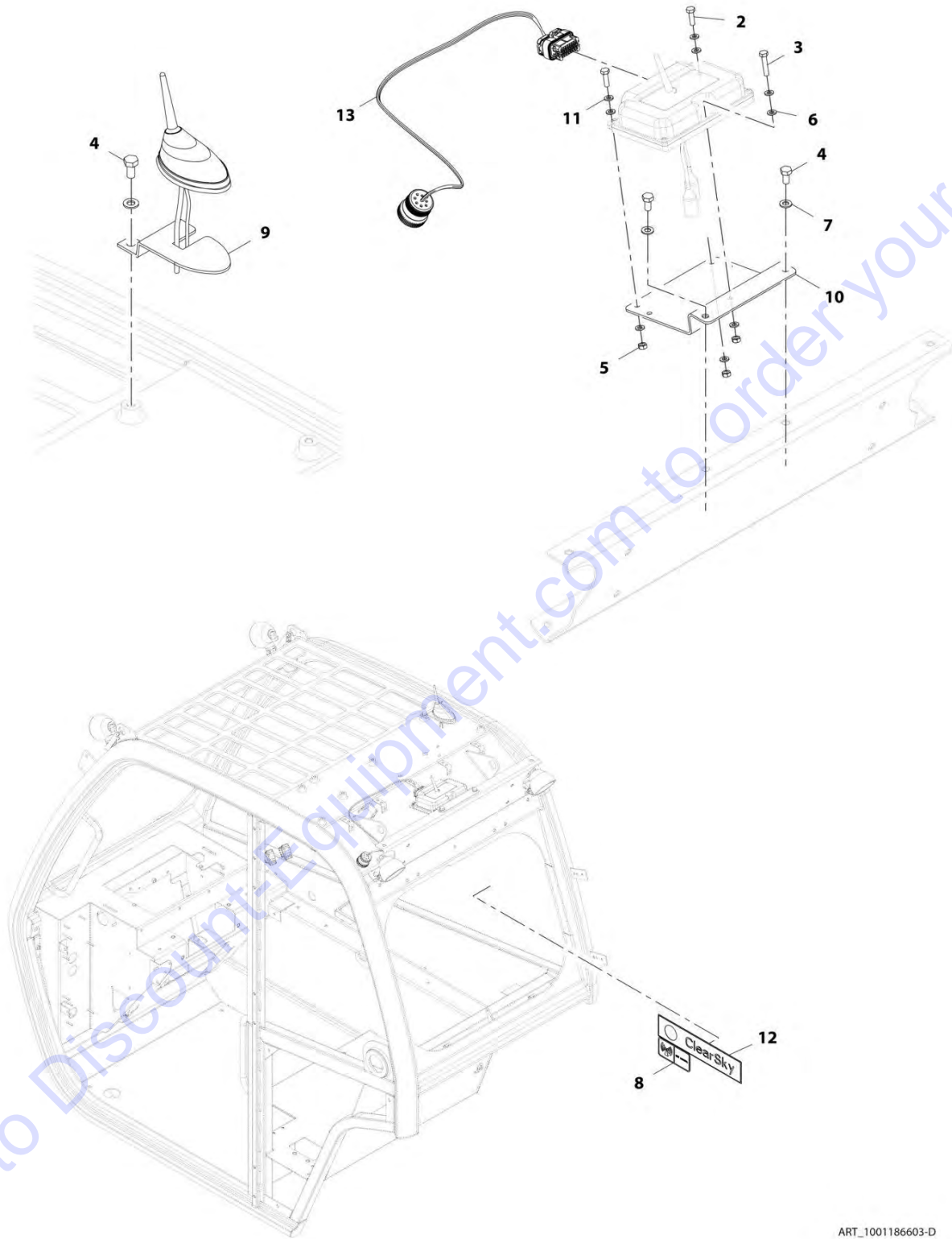
FIGURE 10-40. TELEMATICS READY INSTALLATION

ITEM	PART NUMBER	QTY	DESCRIPTION	REV
	1001202519	Ref	Telematics Ready Installation	A
1	8584003	1	Strap, Tie	
2	1001196289	1	Harness, Telematics Ready (See Separate Breakdown in this Section)	
3	1001201162	1	Cap	
4	1001202617	1	Bag	

Go to Discount-Equipment.com to order your parts

SECTION 10 - ELECTRICAL

FIGURE 10-41. CLEARSKY INSTALLATION (NO A/C - SHORT ROOF CAP) (Prior to SN 0160087894)



ART_1001186603-D

SECTION 10 - ELECTRICAL

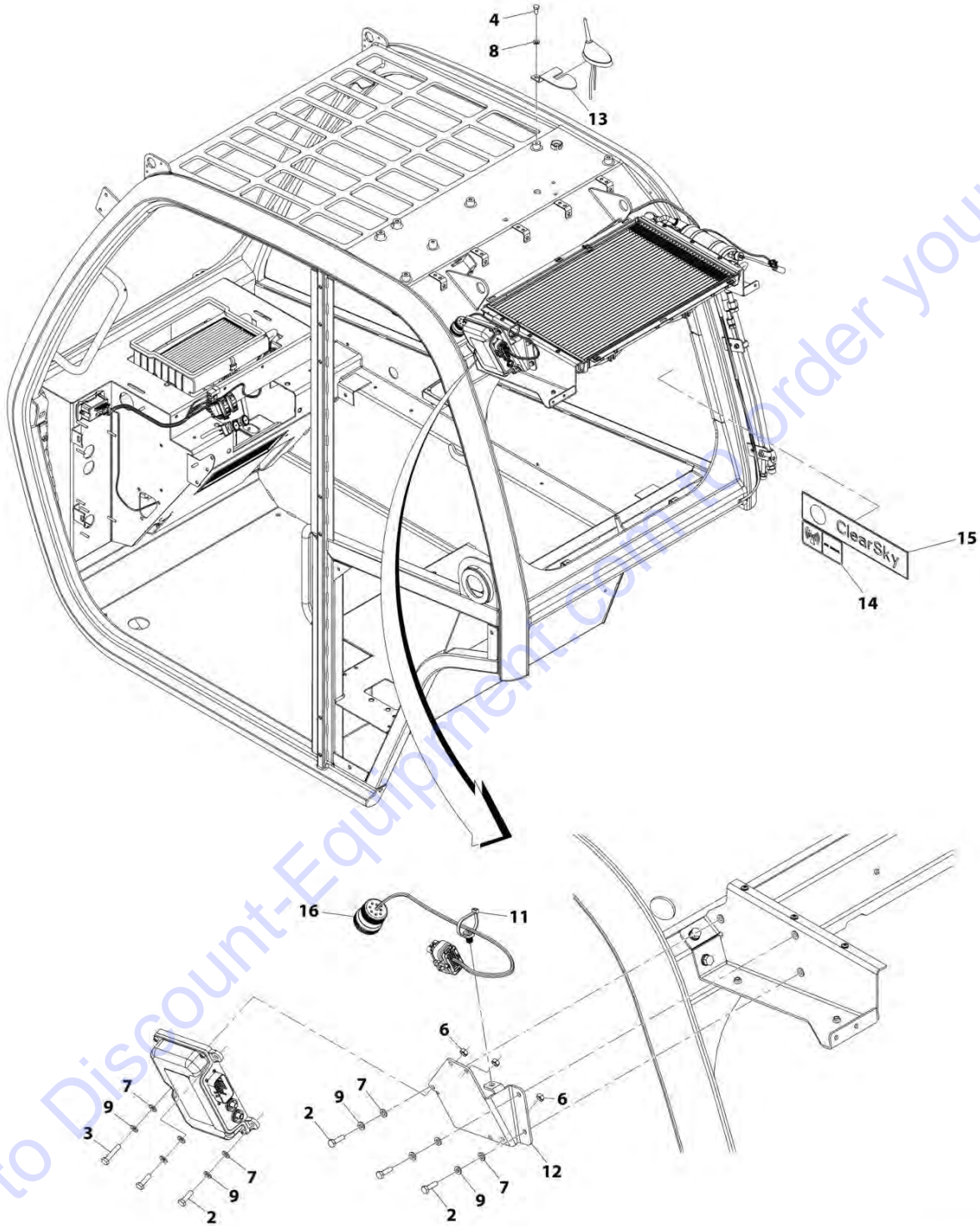
FIGURE 10-41. CLEARSKY INSTALLATION (NO A/C - SHORT ROOF CAP) (Prior to SN 0160087894)

ITEM	PART NUMBER	QTY	DESCRIPTION	REV
	1001186603	Ref	Clearsky Installation (No A/C - Short Roof Cap)	D
2	0700610	2	Bolt, M6X20	
3	0700614	1	Bolt, M6X30	
4	0760808	3	Bolt, M8X16	
5	3290601	3	Nut, M6X1 Grade 8	
6	4811700	6	Washer, M6	
7	4811900	3	Washer, M8	
8	1001120989	1	Decal, Radio Frequency	
9	1001174372	1	Bracket, Antenna	
10	1001185722	1	Bracket	
11	4831700	3	Washer, Lock M6	
12	1001116208	1	Decal, Clearsky	
13	1001196452	1	Harness, Clearsky (See Separate Breakdown in this Section)	

Go to Discount-Equipment.com to order your parts

SECTION 10 - ELECTRICAL

FIGURE 10-42. CLEARSKY INSTALLATION (A/C - LONG ROOF CAP) (Prior to SN 0160087894)



ART_1001174368-G

SECTION 10 - ELECTRICAL

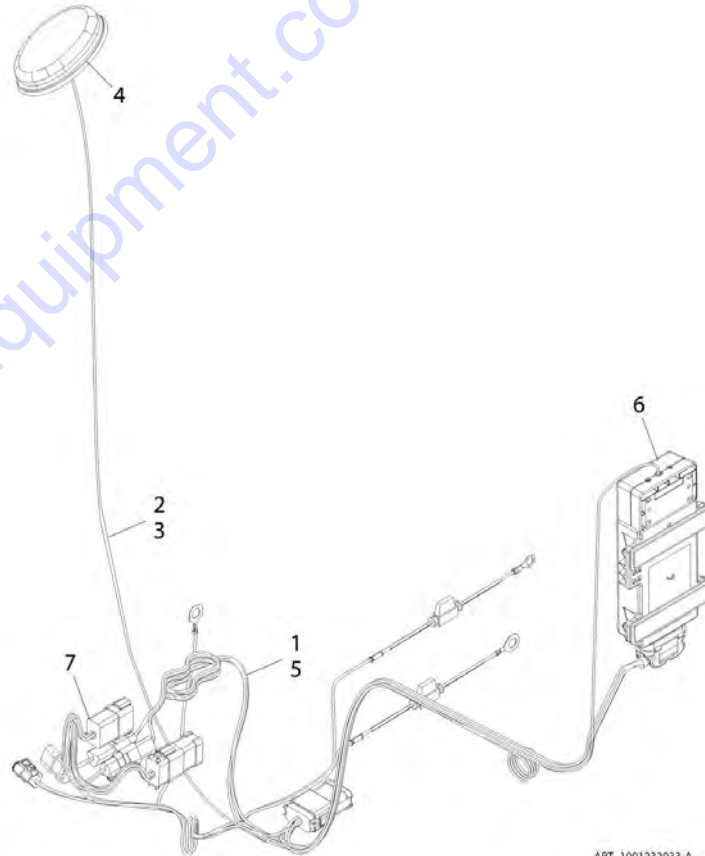
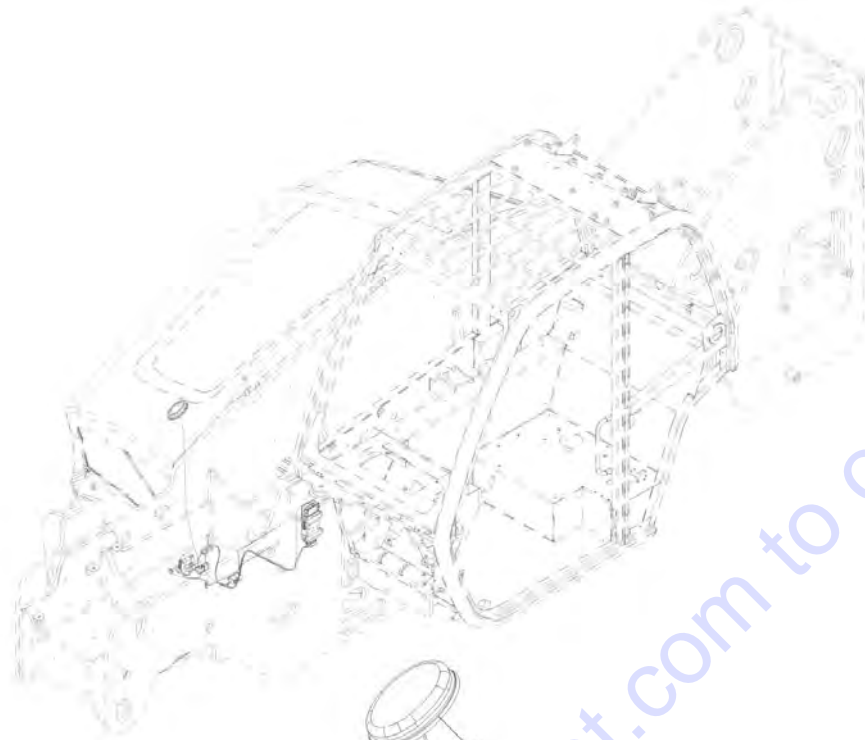
FIGURE 10-42. CLEARSKY INSTALLATION (A/C - LONG ROOF CAP) (Prior to SN 0160087894)

ITEM	PART NUMBER	QTY	DESCRIPTION	REV
	1001174368	Ref	Clearsky Installation (A/C - Long Roof Cap)	G
2	0700610	5	Bolt, M6X20	
3	0700614	1	Bolt, M6X30	
4	0760808	1	Bolt, M8X16	
6	3290601	3	Nut, M6X1 Grade 8	
7	4811700	6	Washer, M6	
8	4811900	1	Washer, M8	
9	4831700	6	Washer, Lock M6	
11	1001146588	1	Strap, Cable	
12	1001220947	1	Bracket	
13	1001174372	1	Bracket, Antenna	
14	1001120989	1	Decal, Radio Frequency	
15	1001116208	1	Decal, Clearsky	
16	1001196452	1	Harness, Clearsky (See Separate Breakdown in this Section)	

Go to Discount-Equipment.com to order your parts

SECTION 10 - ELECTRICAL

FIGURE 10-43. INSTALLATION, TELEMATICS CANBUS ASSEMBLY (CLEARSKY 2) (SN 0160087894 to Present)



ART_1001232033-A

SECTION 10 - ELECTRICAL

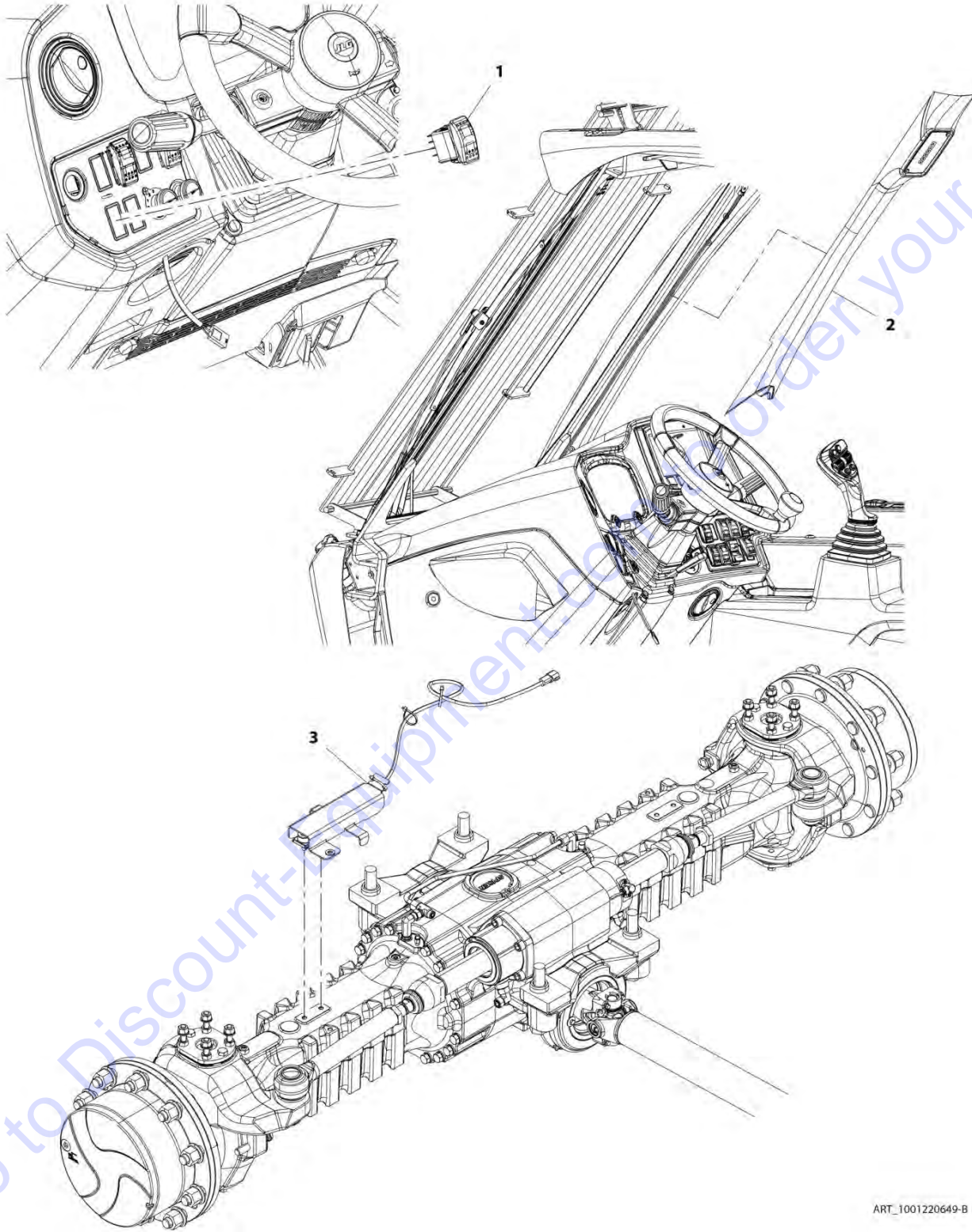
FIGURE 10-43. INSTALLATION, TELEMATICS CANBUS ASSEMBLY (CLEARSKY 2) (SN 0160087894 to Present)

ITEM	PART NUMBER	QTY	DESCRIPTION	REV
	1001232033	Ref	Clearsky Installation	A
1	1062255	1	Strap, Tie	
2	4240032	1	Strap, Tie	
3	4460234	1	Mount, Cable Tie	
4	1001226799	1	Antenna	
5	1001227297	1	Harness, Clearsky (See Separate Breakdown in Electrical Section)	
6	1001229955	1	Module	
7	1001232298	1	Harness, Telematics Option (See Separate Breakdown in Electrical Section)	

Go to Discount-Equipment.com to order your parts

SECTION 10 - ELECTRICAL

FIGURE 10-44. LSI INSTALLATION



ART_1001220649-B

SECTION 10 - ELECTRICAL

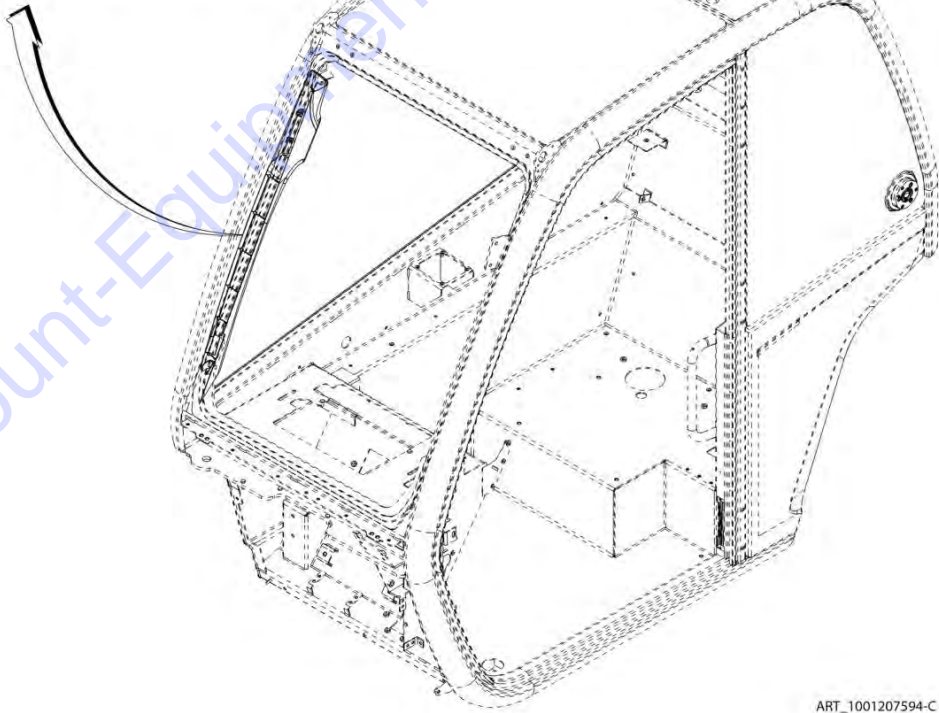
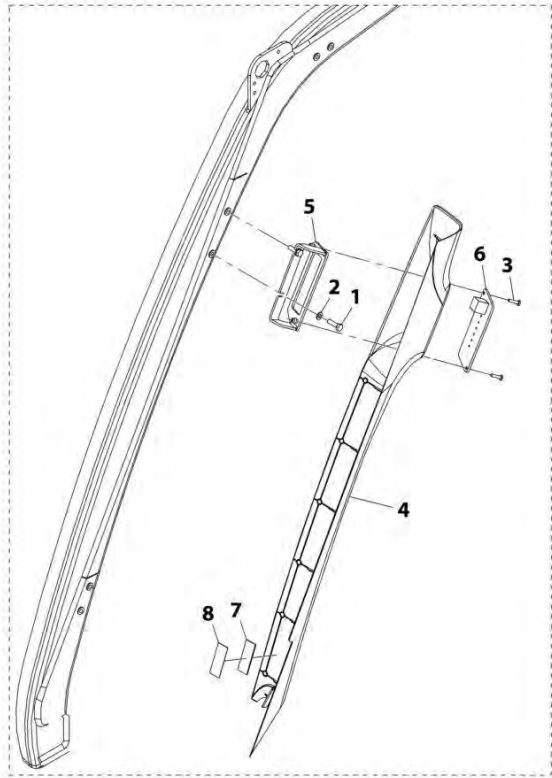
FIGURE 10-44. LSI INSTALLATION

ITEM	PART NUMBER	QTY	DESCRIPTION	REV
	1001220649	Ref	LSI Installation	B
1	1001159742	1	Switch, LSI Override	
2	1001207594	Ref	Installation, LSI Display (See Seperate Breakdown in this Section)	
3	1001220650	Ref	Installation, LSI Sensor (See Seperate breakdown in this Section)	

Go to Discount-Equipment.com to order your parts

SECTION 10 - ELECTRICAL

FIGURE 10-45. LSI DISPLAY INSTALLATION



ART_1001207594-C

SECTION 10 - ELECTRICAL

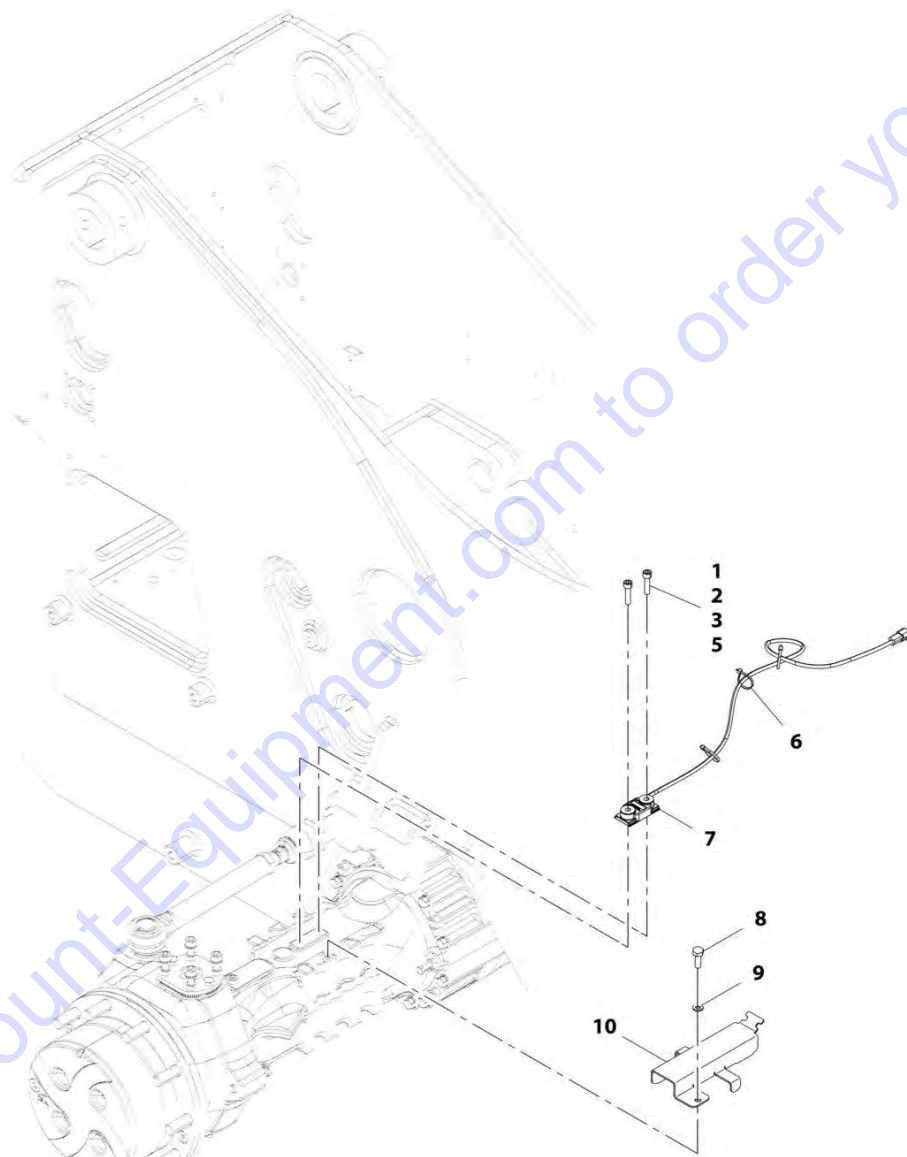
FIGURE 10-45. LSI DISPLAY INSTALLATION

ITEM	PART NUMBER	QTY	DESCRIPTION	REV
	1001207594	Ref	LSI Display Installation	C
1	0760610	2	Bolt, M6X20	
2	4811700	2	Washer, M6	
3	1001126837	2	Screw, M4X16	
4	1001182839	1	Cover	
5	1001214401	1	Bracket	
6	1001213752	1	Display, LSI	
7	1001221318	1	Tape, Hook Fastener	
8	1001221319	1	Tape, Hook Fastener	

Go to Discount-Equipment.com to order your parts

SECTION 10 - ELECTRICAL

FIGURE 10-46. LSI SENSOR INSTALLATION



ART_1001220650-B

SECTION 10 - ELECTRICAL

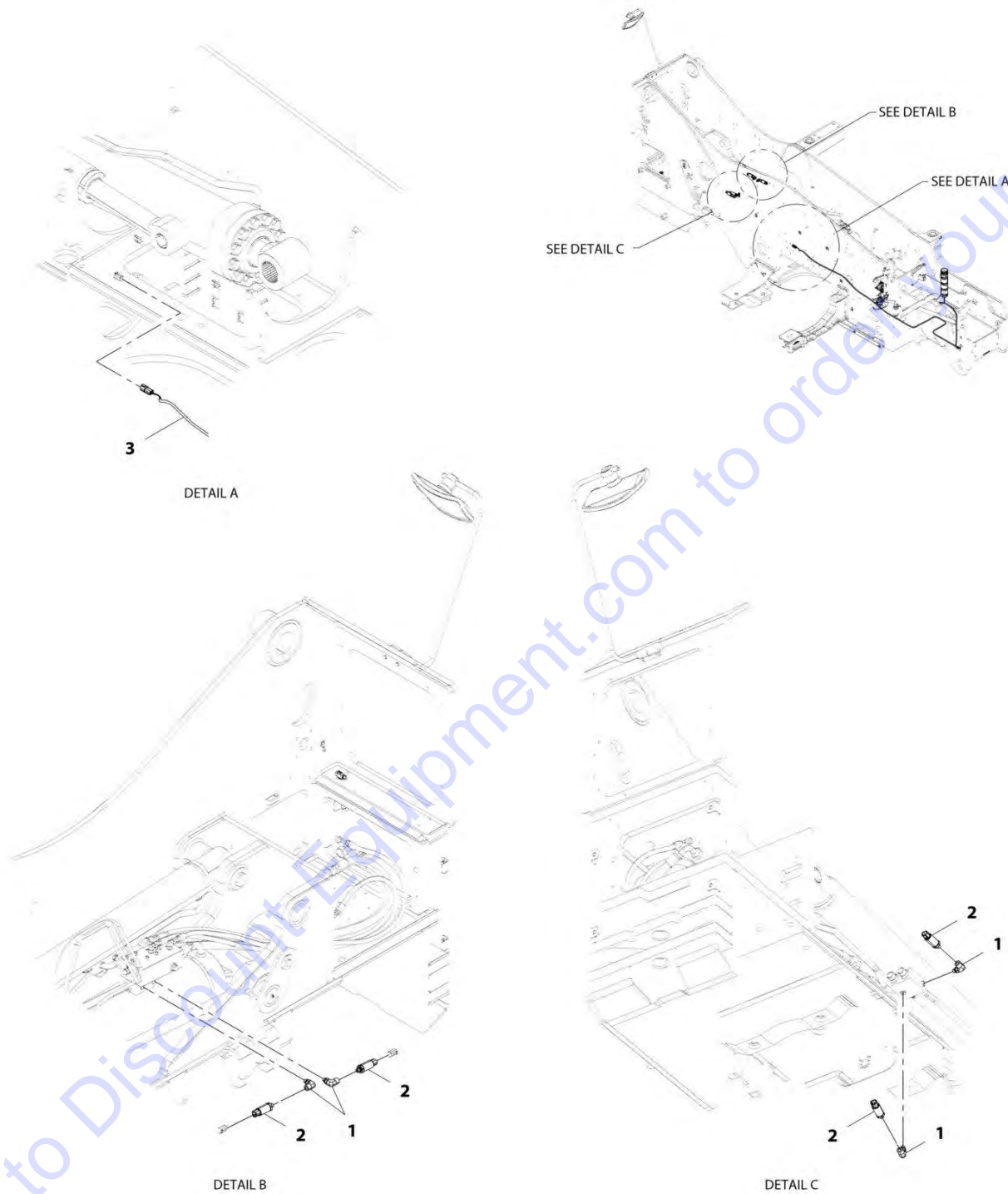
FIGURE 10-46. LSI SENSOR INSTALLATION

ITEM	PART NUMBER	QTY	DESCRIPTION	REV
	1001220650	Ref	LSI Sensor Installation	B
1	5272012	2	Bolt, M10X40	
2	1001116128	AR	Sealant	
3	1001125465	AR	Compound, Locking	
5	1001129425	AR	Compound, Locking	
6	1001008559	3	Strap, Cable	
7	1001160730	1	Sensor, LSI	
8	0761010	1	Bolt, M10X20	
9	4812000	1	Washer, M10	
10	1001230850	1	Bracket, LSI Cover	

Go to Discount-Equipment.com to order your parts

SECTION 10 - ELECTRICAL

FIGURE 10-47. LMIS INSTALLATION (HIGH END DISPLAY)



ART_1001183549-B

SECTION 10 - ELECTRICAL

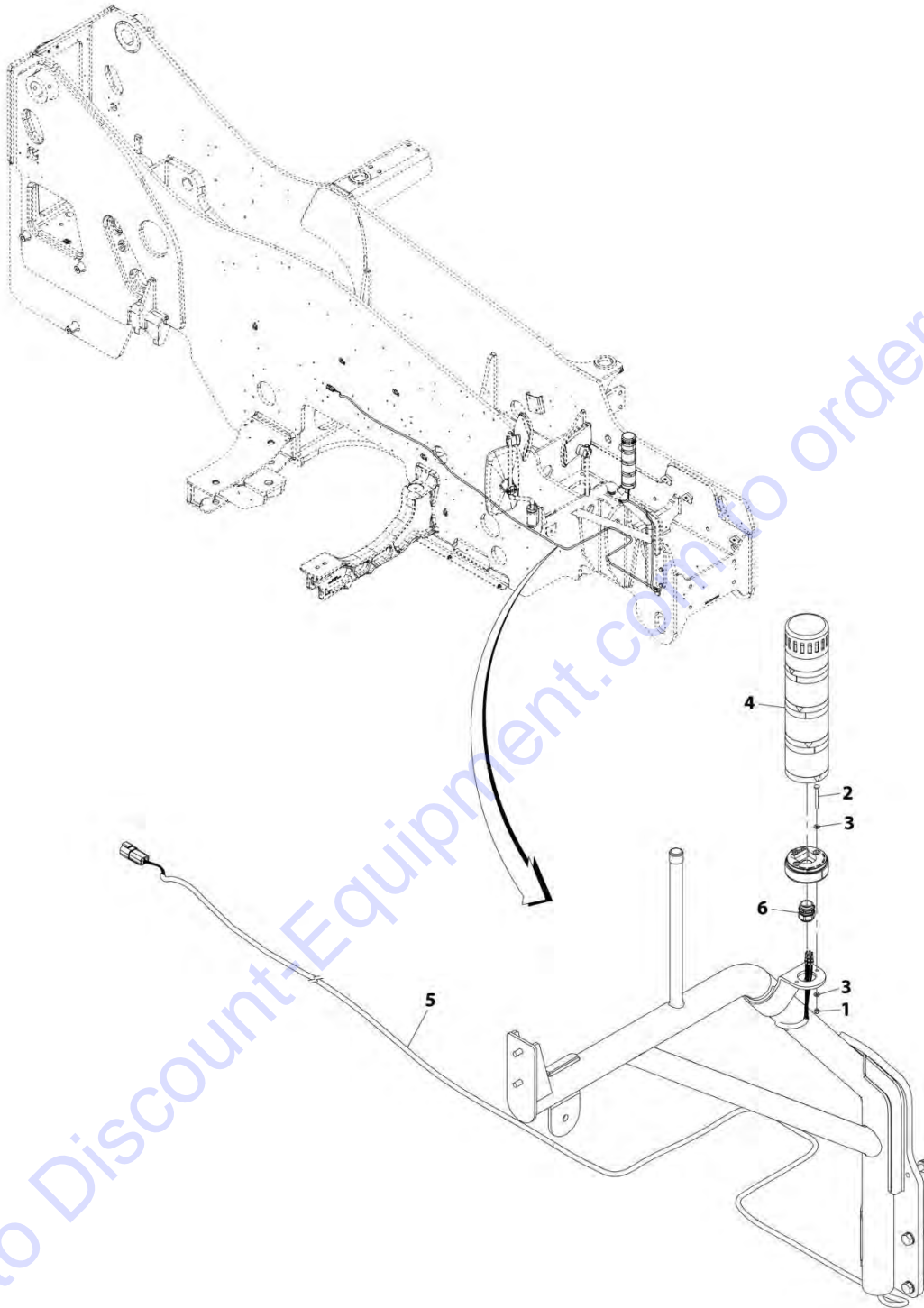
FIGURE 10-47. LMIS INSTALLATION (HIGH END DISPLAY)

ITEM	PART NUMBER	QTY	DESCRIPTION	REV
	1001183549	Ref	LMIS Installation (High End Display)	B
1	1001101855	4	Fitting, 90	
2	1001162885	4	Sensor, LMIS	
3	1001195591	1	Installation, LMIS Beacon Light (See Seperate Breakdown in this Section)	

Go to Discount-Equipment.com to order your parts

SECTION 10 - ELECTRICAL

FIGURE 10-48. LMIS BEACON LIGHT INSTALLATION



ART_1001195591-D

SECTION 10 - ELECTRICAL

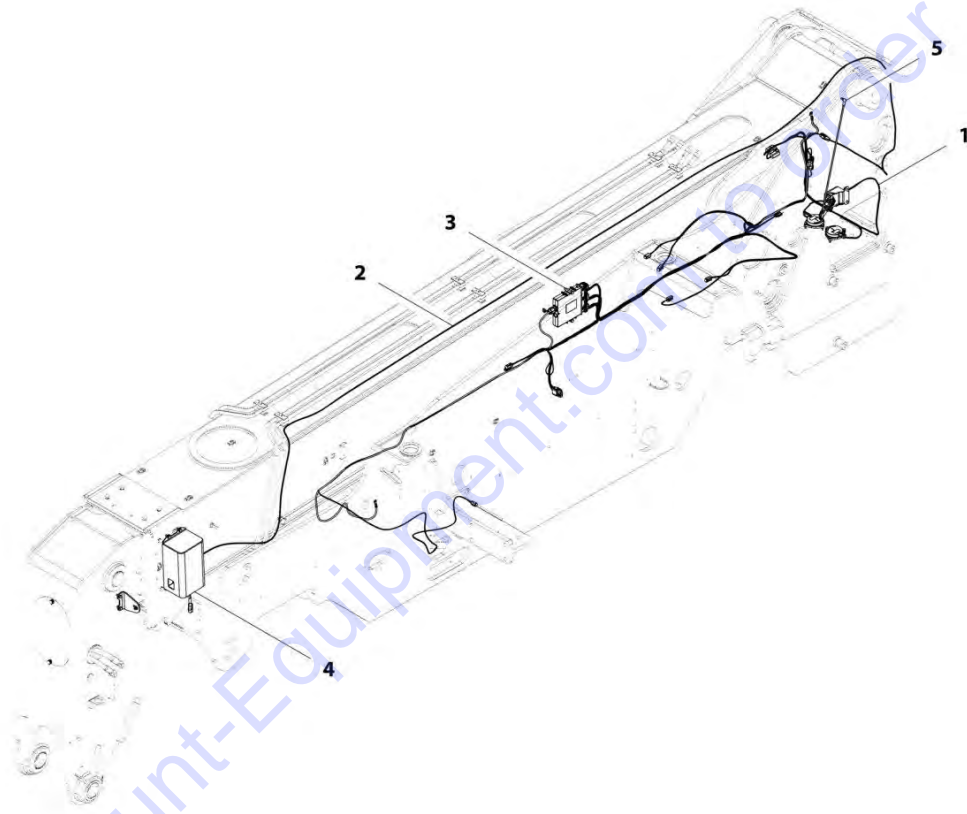
FIGURE 10-48. LMIS BEACON LIGHT INSTALLATION

ITEM	PART NUMBER	QTY	DESCRIPTION	REV
	1001195591	Ref	LMIS Beacon Light Installation	D
1	3290405	2	Nut, Lock M4X0.7	
2	4010416	2	Screw, M4X40	
3	4811400	4	Washer, M4	
4	1001108661	1	Light, LMIS Beacon	
5	1001117247	1	Harness, LMIS Beacon Option (See Seperate Breakdown in this Section)	
6	E000269	1	Relief, Strain	

Go to Discount-Equipment.com to order your parts

SECTION 10 - ELECTRICAL

FIGURE 10-49. LMIS CONTROL PACKAGE INSTALLATION



ART_1001192431-F

SECTION 10 - ELECTRICAL

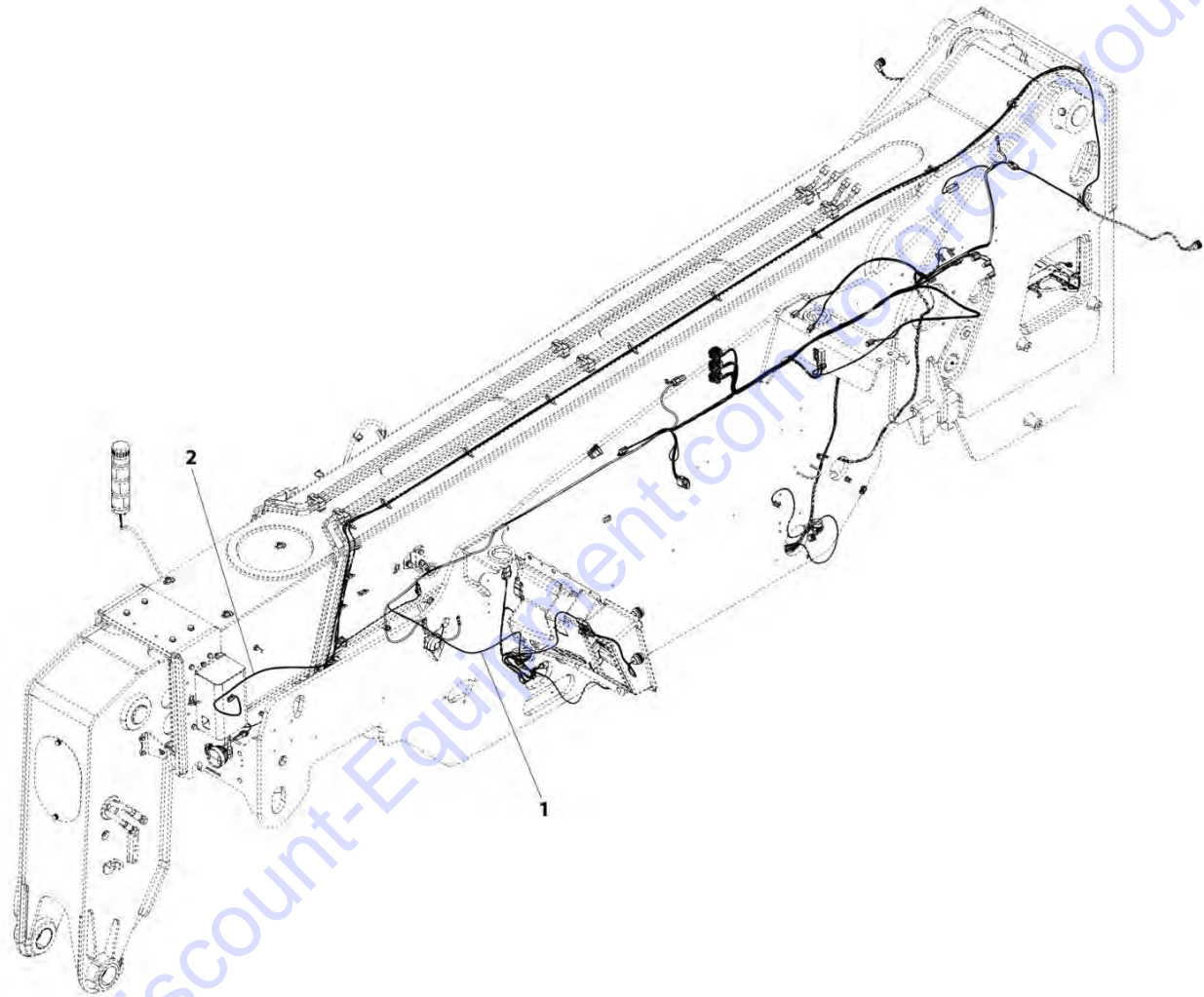
FIGURE 10-49. LMIS CONTROL PACKAGE INSTALLATION

ITEM	PART NUMBER	QTY	DESCRIPTION	REV
	1001192431	Ref	LMIS Control Package Installation	F
1	1001195200	1	Installation, Tilt Sensor (See Seperate Breakdown in this Section)	
2	1001195201	1	Installation, LMIS Wiring (See Seperate Breakdown in this Section)	
3	1001195471	1	Installation, LMIS Controller (See Seperate Breakdown in this Section)	
4	1001195473	1	Installation, LMIS Cable Reel (See Seperate Breakdown in this Section)	
5	1001195590	1	Installation, Boom Angle Sensor (LMIS) (See Seperate Breakdown in this Section)	

Go to Discount-Equipment.com to order your parts

SECTION 10 - ELECTRICAL

FIGURE 10-50. LMIS WIRING INSTALLATION



ART_1001195201-D

SECTION 10 - ELECTRICAL

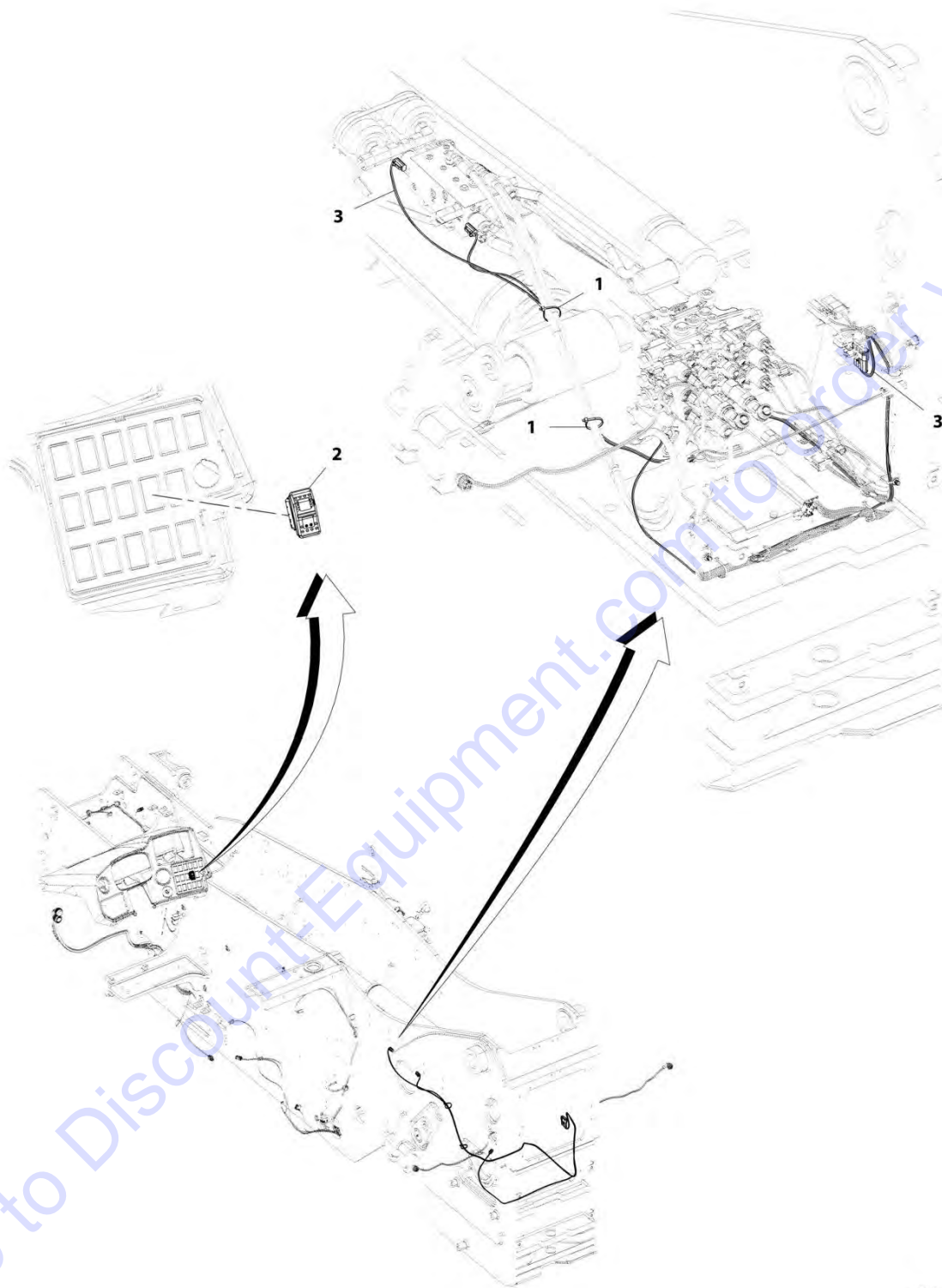
FIGURE 10-50. LMIS WIRING INSTALLATION

ITEM	PART NUMBER	QTY	DESCRIPTION	REV
1	1001195201	Ref	LMIS Wiring Installation	D
	1001184795	1	Harness, Chassis Option (See Seperate Breakdown in this Section)	
2	1001192619	1	Harness, LMIS Boom (See Seperate Breakdown in this Section)	

Go to Discount-Equipment.com to order your parts

SECTION 10 - ELECTRICAL

FIGURE 10-51. RIDE CONTROL WIRING INSTALLATION



ART_1001200105-B

SECTION 10 - ELECTRICAL

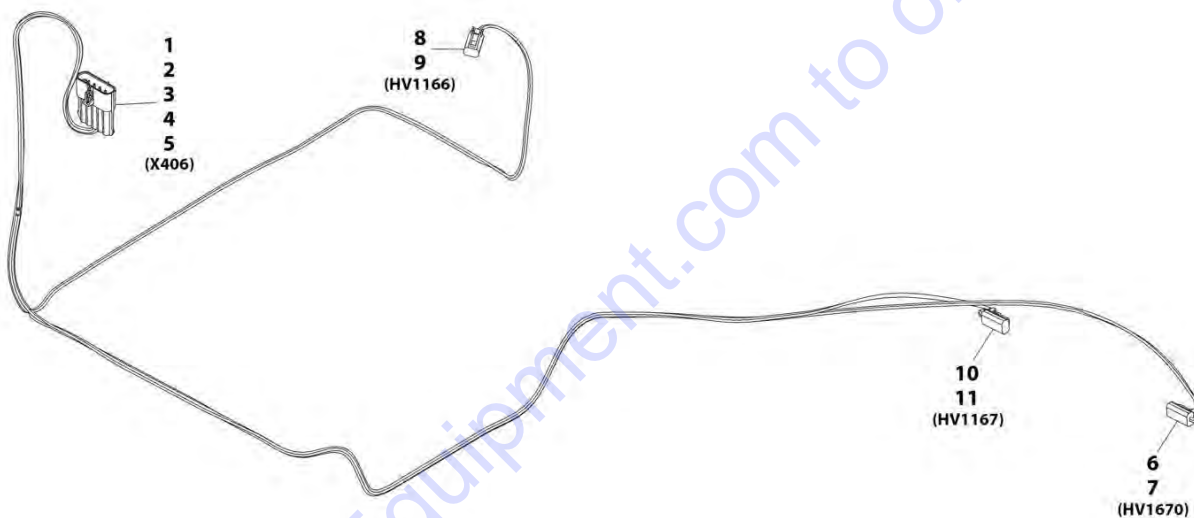
FIGURE 10-51. RIDE CONTROL WIRING INSTALLATION

ITEM	PART NUMBER	QTY	DESCRIPTION	REV
	1001200105	Ref	Ride Control Wiring Installation	B
1	1001008559	2	Strap, Cable Tie	
2	1001159745	1	Switch, Boom Ride	
3	1001197668	1	Harness, Boom Ride Float (See Separate Breakdown in this Section)	

Go to Discount-Equipment.com to order your parts

SECTION 10 - ELECTRICAL

FIGURE 10-52. BOOM RIDE CONTROL HARNESS



ART_1001197668-C

SECTION 10 - ELECTRICAL

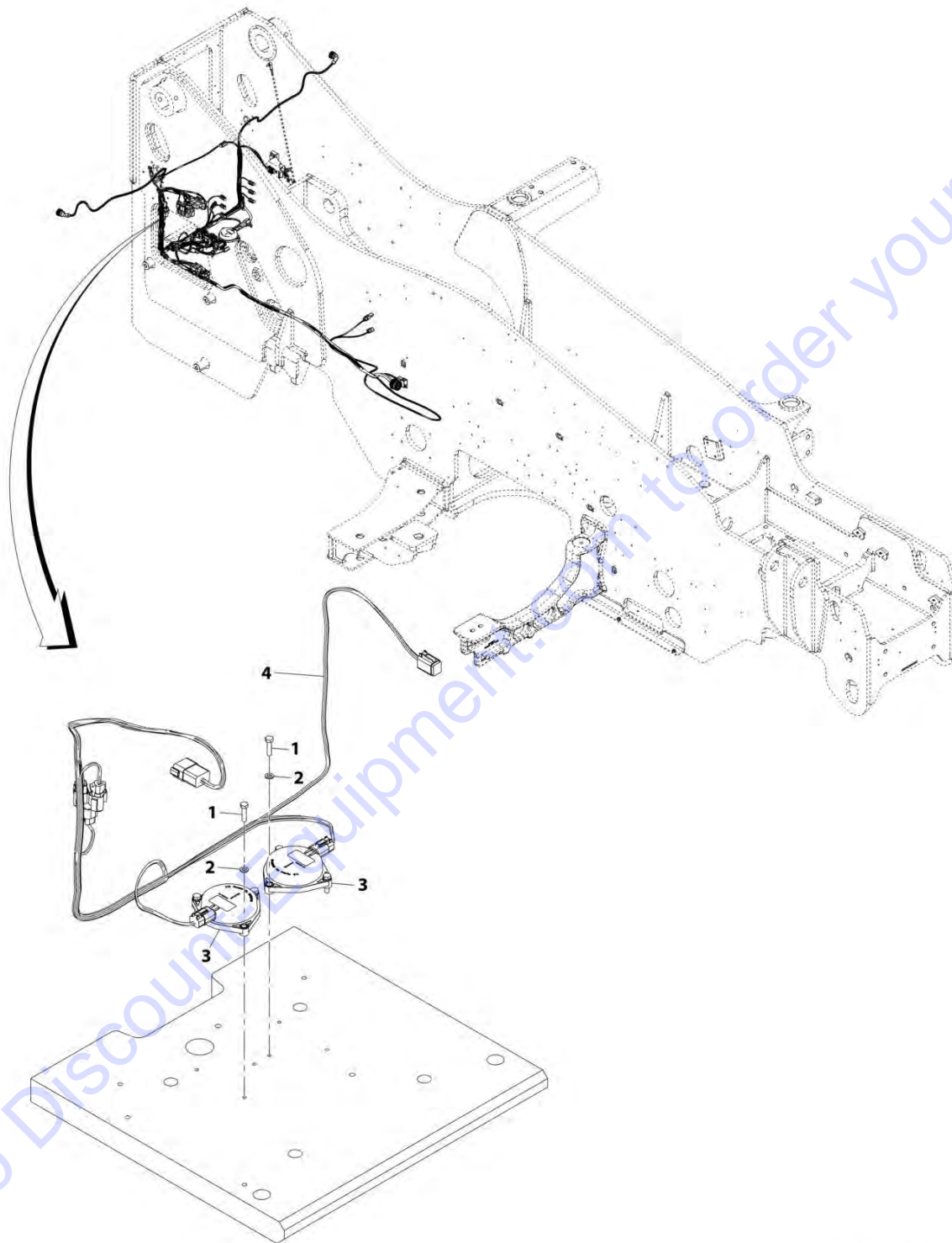
FIGURE 10-52. BOOM RIDE CONTROL HARNESS

ITEM	PART NUMBER	QTY	DESCRIPTION	REV
	1001197668	Ref	Boom Ride Control Harness	C
1	1001121727	1	Connector	
2	1001116745	3	Terminal	
3	1001116729	1	Terminal	
4	4460458	4	Terminal Seal	
5	1001116727	1	Plug	
6	4460891	1	Connector	
7	4460465	2	Terminal	
8	4460891	1	Connector	
9	4460465	2	Terminal	
10	4460891	1	Connector	
11	4460465	2	Terminal	

Go to Discount-Equipment.com to order your parts

SECTION 10 - ELECTRICAL

FIGURE 10-53. TILT SENSOR INSTALLATION



ART_1001195200-B

SECTION 10 - ELECTRICAL

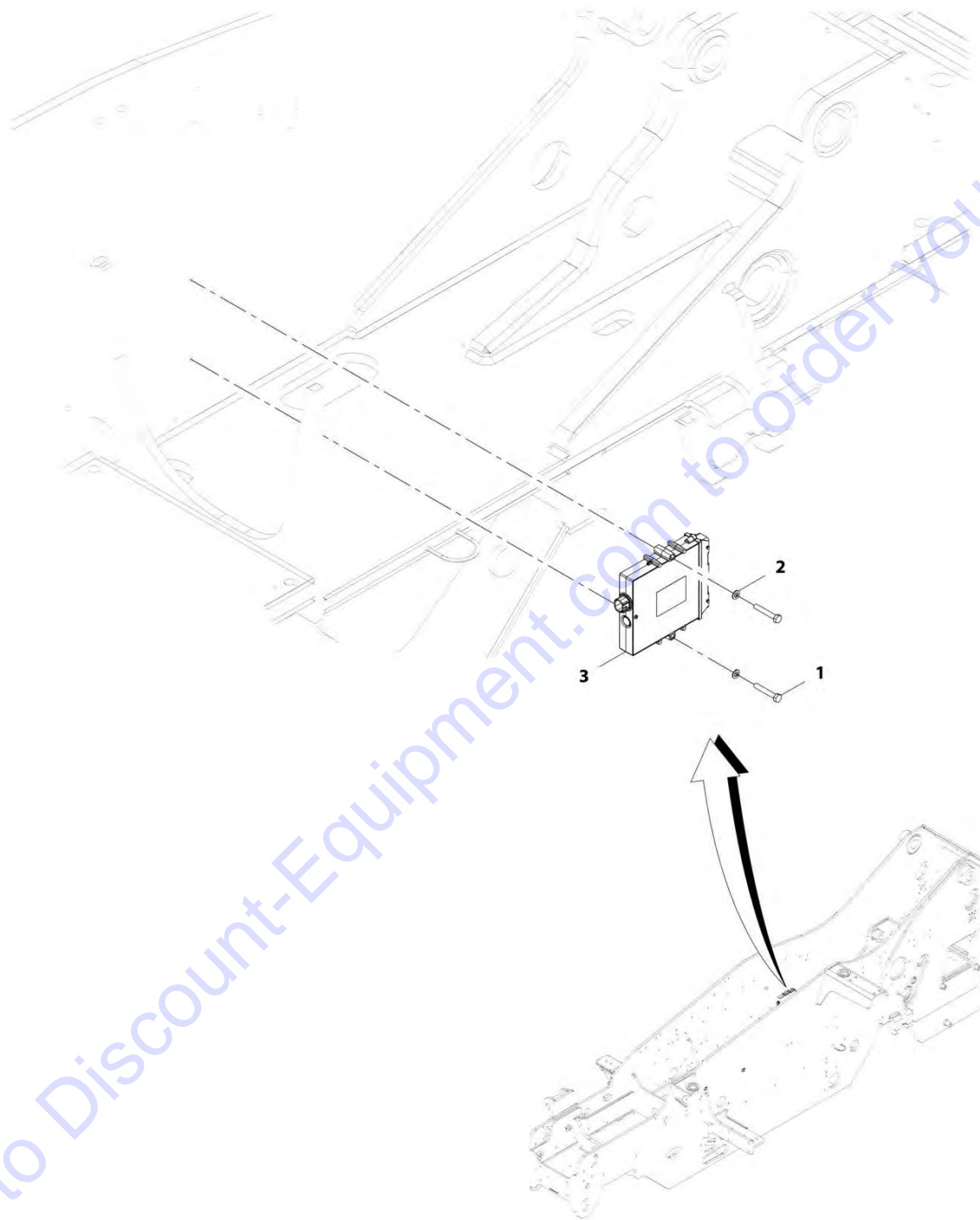
FIGURE 10-53. TILT SENSOR INSTALLATION

ITEM	PART NUMBER	QTY	DESCRIPTION	REV
	1001195200	Ref	Tilt Sensor Installation	B
1	0700612	6	Bolt, M6X25	
2	4811700	6	Washer, M6	
3	1001163095	2	Sensor, Tilt	
4	1001195202	1	Harness, Platform Ready (See Seperate Breakdown in this Section)	

Go to Discount-Equipment.com to order your parts

SECTION 10 - ELECTRICAL

FIGURE 10-54. LMIS CONTROLLER INSTALLATION



ART_1001195471-B

SECTION 10 - ELECTRICAL

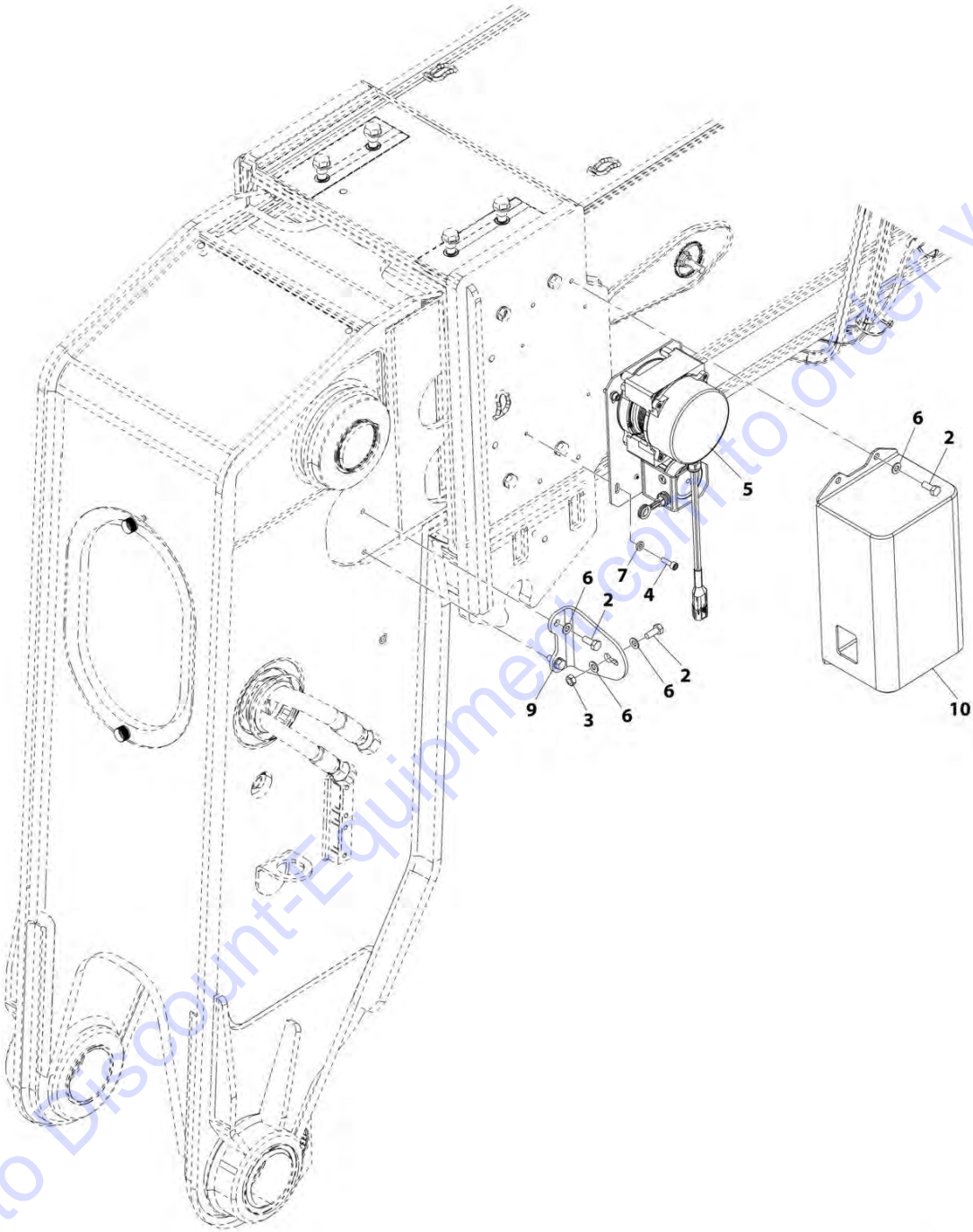
FIGURE 10-54. LMIS CONTROLLER INSTALLATION

ITEM	PART NUMBER	QTY	DESCRIPTION	REV
	1001195471	Ref	LMIS Controller Installation	B
1	0700818	2	Bolt, M8X50	
2	4811900	2	Washer, M8	
3	1001179901	1	Module, LMIS Control	

Go to Discount-Equipment.com to order your parts

SECTION 10 - ELECTRICAL

FIGURE 10-55. LMIS CABLE REEL INSTALLATION



ART_1001195473-D

SECTION 10 - ELECTRICAL

FIGURE 10-55. LMIS CABLE REEL INSTALLATION

ITEM	PART NUMBER	QTY	DESCRIPTION	REV
	1001195473	Ref	LMIS Cable Reel Installation	D
2	0760810	7	Bolt, M8X20	
3	3290801	1	Nut, M8X1.25	
4	4031708	4	Screw, M6X20	
5	1001223903	1	Sensor, Boom Length	
6	4811900	8	Washer, M8	
7	5240600	4	Washer, M6	
9	1001224127	1	Bracket	
10	1001224128	1	Panel	

Go to Discount-Equipment.com to order your parts

SECTION 10 - ELECTRICAL

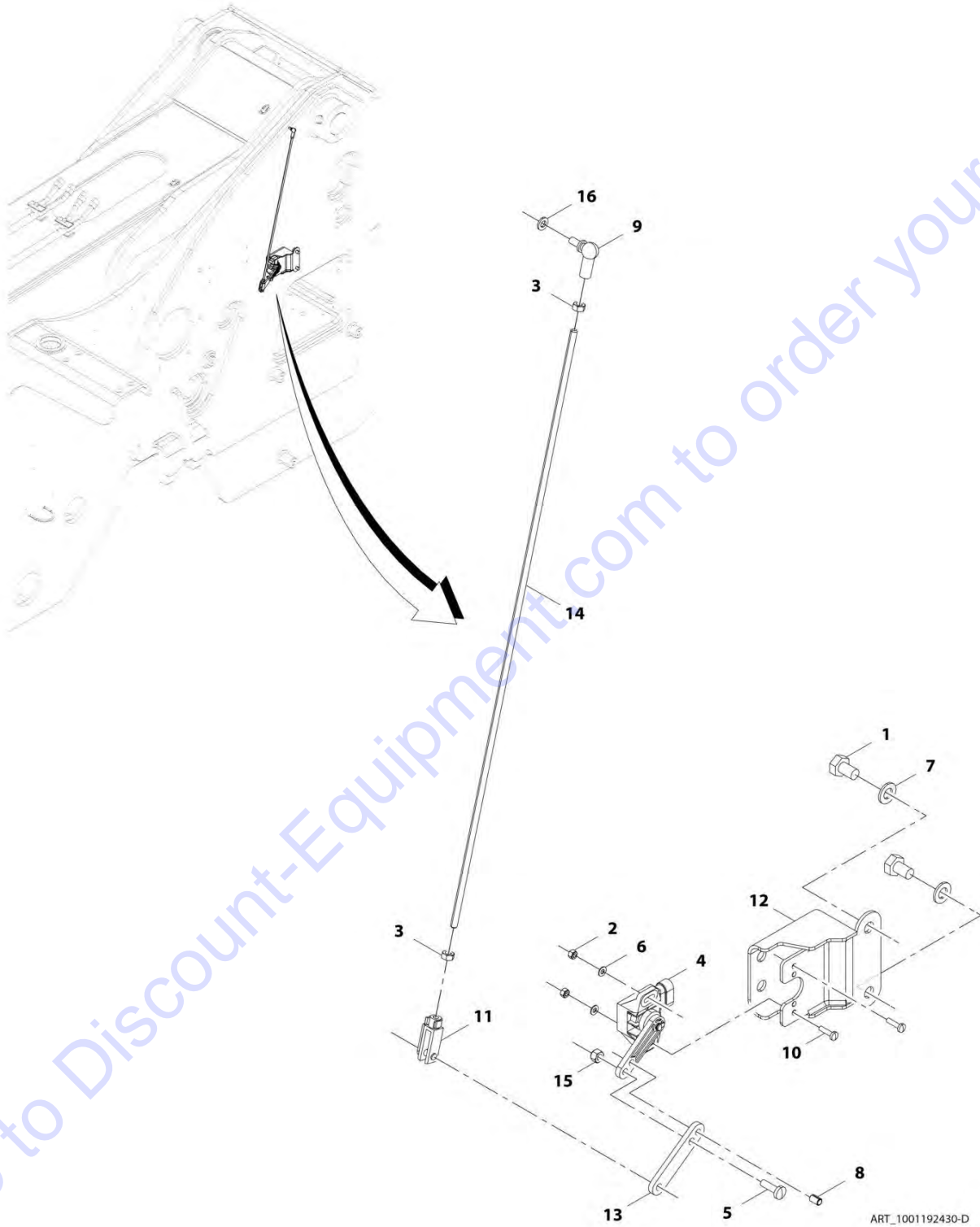
FIGURE 10-56. BOOM ANGLE SENSOR INSTALLATION (LMIS)

ITEM	PART NUMBER	QTY	DESCRIPTION	REV
	1001195590	Ref	Boom Angle Sensor Installation (LMIS)	D
1	0761008	2	Bolt, M10X16	
2	3290405	2	Nut, Lock M4X0.7	
3	3290601	2	Nut, M6X1	
4	4010416	2	Screw, M4X40	
5	4010610	1	Screw, M6X20	
6	4811400	2	Washer, M4	
7	4812000	2	Washer, M10	
8	1001099717	1	Sensor, Boom Angle	
9	1001103156	1	Pin	
10	1001103300	1	Fitting, Ball Joint	
11	1001134274	1	Clevis	
12	1001213775	1	Bracket	
13	1001195731	1	Link, Boom Angle Sensor	
14	1001195732	1	Rod	
15	3290605	1	Nut, Lock M6X1	
16	4811700	1	Washer, M6	

Go to Discount-Equipment.com to order your parts

SECTION 10 - ELECTRICAL

FIGURE 10-57. BOOM ANGLE SENSOR INSTALLATION (NO LMIS)



ART_1001192430-D

SECTION 10 - ELECTRICAL

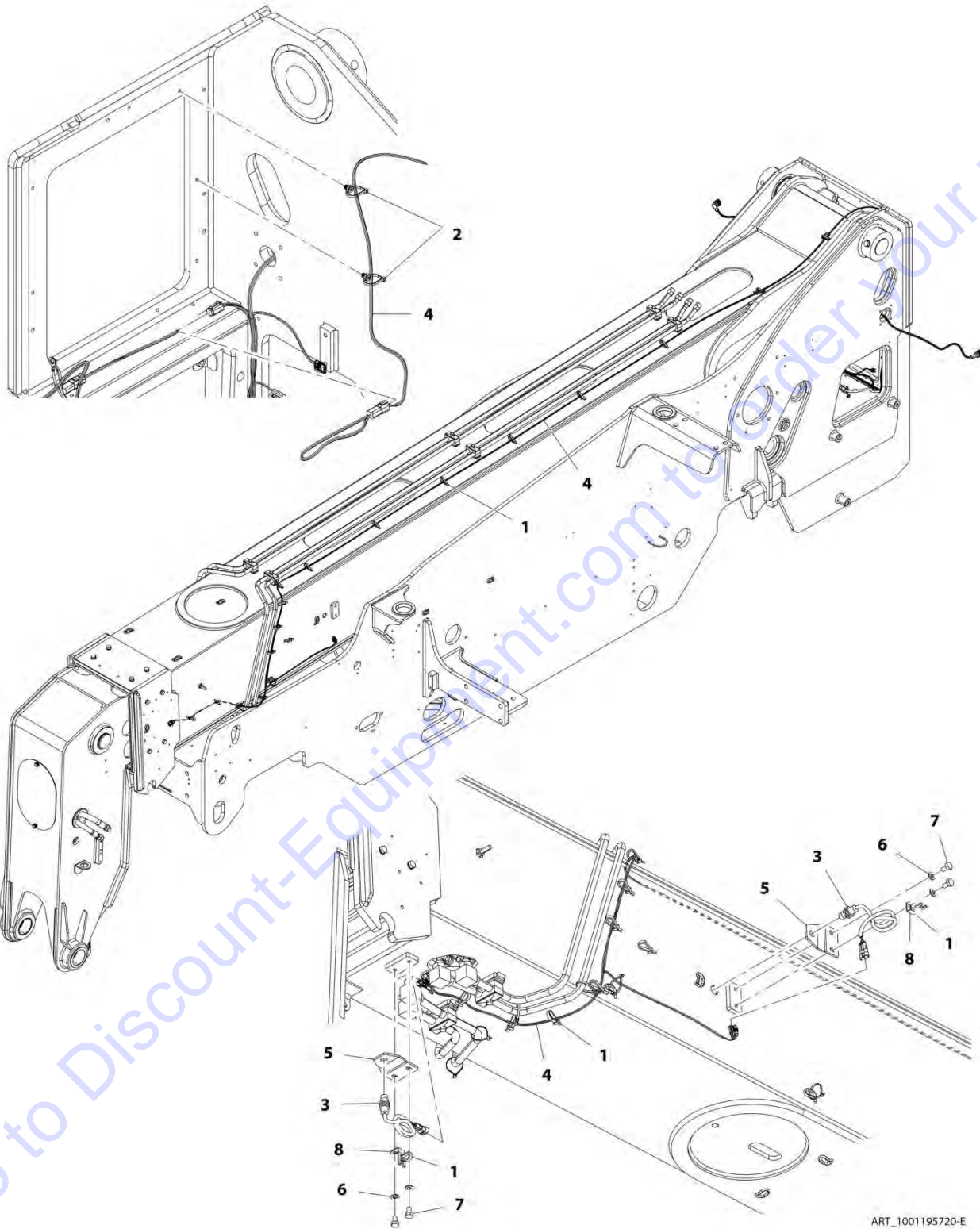
FIGURE 10-57. BOOM ANGLE SENSOR INSTALLATION (NO LMIS)

ITEM	PART NUMBER	QTY	DESCRIPTION	REV
	1001192430	Ref	Boom Angle Sensor Installation (no LMIS)	D
1	0761008	2	Bolt, M10X16	
2	3290405	2	Nut, Lock M4X0.7	
3	3290601	2	Nut, M6X1	
4	4000015	1	Sensor, Boom Angle	
5	4010610	1	Screw, M6X20	
6	4811400	2	Washer, M4	
7	4812000	2	Washer, M10	
8	1001103156	1	Pin	
9	1001103300	1	Fitting, Ball Joint	
10	1001126837	2	Screw, M4X16	
11	1001134274	1	Clevis	
12	1001213775	1	Bracket	
13	1001195731	1	Link	
14	1001195732	1	Rod	
15	3290605	1	Nut, Lock M6X1	
16	4811700	1	Washer, M6	

Go to Discount-Equipment.com to order your parts

SECTION 10 - ELECTRICAL

FIGURE 10-58. BOOM RETRACT SENSOR INSTALLATION



ART_1001195720-E

SECTION 10 - ELECTRICAL

FIGURE 10-58. BOOM RETRACT SENSOR INSTALLATION

ITEM	PART NUMBER	QTY	DESCRIPTION	REV
	1001195720	Ref	Boom Retract Sensor Installation	E
1	1001008923	19	Strap, Cable	
2	1001146588	2	Strap, Fir Tree Cable Tie	
3	1001183024	2	Sensor	
4	1001195953	1	Harness, Proximity Sensor	
5	1001210567	2	Bracket	
6	4812000	4	Washer, M10	
7	0761009	4	Bolt	
8	1001003305	2	Clip	

Go to Discount-Equipment.com to order your parts

SECTION 10 - ELECTRICAL

FIGURE 10-59. ENGINE HARNESS (ULS)

ITEM	PART NUMBER	QTY	DESCRIPTION	REV
	1001200108	Ref	Engine Harness (ULS)	L
1	1001202723	1	Connector	
2	1001167623	5	Plug	
3	1001166555	13	Terminal	
4	1001167621	50	Terminal	
5	1001167622	37	Plug	
6	4460539	1	Connector	
7	4460465	3	Terminal	
8	1001126487	1	Connector	
9	1001167635	2	Terminal	
10	1001126485	2	Terminal Seal	
11	1001167631	1	Connector	
12	1001167630	4	Terminal	
13	1001126485	4	Terminal Seal	
14	1001187070	1	Ring Terminal	
15	1001148842	1	Connector	
16	1001148841	3	Terminal	
17	1001135651	1	Plug	
18	1001135650	3	Terminal Seal	
19	1001202722	1	Connector	
20	1001166551	6	Terminal	
21	1001126353	6	Terminal Seal	
22	1001167622	58	Plug	
23	1001167621	21	Terminal	
24	1001167623	6	Plug	
25	1001138116	1	Connector	
26	1001187882	1	Cover	
27	1001133715	3	Terminal	
28	1001135650	4	Terminal Seal	
29	1001126487	1	Connector	
30	1001167634	2	Terminal	
31	1001126485	2	Terminal Seal	
32	1001209097	1	Connector	
33	8220124	2	Terminal	
34	4460608	2	Terminal Seal	
35	1001126362	1	Connector	
36	1001166556	26	Terminal	
37	1001126393	36	Terminal Seal	
38	1001126391	19	Plug	
39	4461008	2	Plug	
40	4461006	2	Terminal Seal	
41	4461054	2	Terminal Wire Seal	
42	1001166543	4	Terminal	
43	1001166774	10	Terminal	
44	1001126487	1	Connector	
45	1001167634	2	Terminal	
46	1001126485	2	Terminal Seal	
47	1001116811	1	Connector	
48	1001150610	2	Terminal	
49	4460508	1	Terminal	

SECTION 10 - ELECTRICAL

ITEM	PART NUMBER	QTY	DESCRIPTION	REV
50	4460466	1	Plug	
51	1001144147	1	Connector	
52	4460464	2	Terminal	
53	4460466	1	Plug	
54	4460894	1	Connector	
55	4460892	1	Mating Connector	
56	4460466	1	Plug	
57	4460465	5	Terminal	
58	1001126245	1	Connector	
59	1001126008	2	Terminal	
60	1001167629	1	Connector	
61	1001167630	4	Terminal	
62	1001126485	4	Terminal Seal	
63	1001207171	1	Ring Terminal, (with boot)	
64	1001207171	1	Ring Terminal, (with boot)	
65	1001118282	1	Connector	
66	1001116734	2	Terminal	
67	1001116732	2	Terminal	
68	1001128128	1	Plug	
69	1001187080	1	Ring Terminal	
70	1001187080	1	Ring Terminal	
71	1001187078	1	Ring Terminal	
72	1001187080	1	Ring Terminal	
73	1001187080	1	Ring Terminal	
74	4460970	1	Connector	
75	4460464	9	Terminal	
76	4460466	2	Plug	
77	1001167616	1	Connector	
78	1001190921	1	Fuse Box Foam Seal	
79	4460748	7	Plug	
80	8220097	23	Terminal	
81	1001175265	19	Terminal Seal	
82	8220098	9	Terminal	
83	4460458	11	Terminal Seal	
84	1001116725	6	Terminal	
85	80963067	1	Terminal Seal	
86	1001190037	5	Terminal Seal	
87	2902443	1	Connector	
88	4461071	6	Terminal	
89	1001201885	1	Faston Terminal	
90	1001201885	1	Faston Terminal	
91	4460891	1	Connector	
92	4460465	2	Terminal	
93	4460891	1	Connector	
94	4460465	2	Terminal	
95	4460891	1	Connector	
96	4460465	2	Terminal	
97	4460897	1	Mating Connector	
98	1001167636	1	Connector	
99	1001166707	2	Terminal	
100	4461006	2	Terminal Seal	

SECTION 10 - ELECTRICAL

ITEM	PART NUMBER	QTY	DESCRIPTION	REV
101	1001116812	1	Connector	
102	4460944	2	Terminal	
103	4460466	1	Plug	
104	4461095	1	Connector	
105	4461070	1	Terminator Resistor	
106	4460944	2	Terminal	
107	4460466	1	Plug	
108	4460891	1	Connector	
109	4460897	1	Mating Connector	
110	4460465	2	Terminal	
111	4460539	1	Connector	
112	4460944	2	Terminal	
113	4460466	1	Plug	
114	4460933	1	Connector	
115	1001125677	1	Mating Connector	
116	4460465	12	Terminal	
117	4461018	1	Connector	
118	4460509	2	Terminal	
119	80963056	1	Connector	
120	80963055	1	Mating Connector	
121	4460979	1	Terminal	
122	1001175265	1	Terminal Seal	
123	4461095	1	Connector	
124	4461070	1	Terminator Resistor	
125	4460944	2	Terminal	
126	4460466	1	Plug	
127	1001133714	1	Connector	
128	1001133715	3	Terminal	
129	1001135650	3	Terminal Seal	
130	1001135651	1	Plug	
131	1001116812	1	Connector	
132	4460944	2	Terminal	
133	4460466	1	Plug	
134	1001133714	1	Connector	
135	1001133715	3	Terminal	
136	1001135650	3	Terminal Seal	
137	1001135651	1	Plug	
138	4460891	1	Connector	
139	4460942	2	Terminal	
140	4460891	1	Connector	
141	4460942	2	Terminal	
142	4460884	1	Connector	
143	4460465	4	Terminal	
144	1001165194	1	Connector	
145	1001126391	2	Plug	
146	1001166556	8	Terminal	
147	1001166774	2	Terminal	
148	1001126393	10	Terminal Seal	
150	4460891	1	Connector	
151	4460942	2	Terminal	
152	1001167620	1	Connector	

SECTION 10 - ELECTRICAL

ITEM	PART NUMBER	QTY	DESCRIPTION	REV
153	1001176004	2	Terminal	
154	1001176002	2	Terminal Seal	
155	1001167624	2	Plug	
156	1001116812	1	Connector	
157	4460944	2	Terminal	
158	4460466	1	Plug	
159	4460539	1	Connector	
160	4460944	2	Terminal	
161	4460466	1	Plug	
162	4460891	1	Connector	
163	4460897	1	Mating Connector	
164	4460466	1	Plug	
165	4460465	2	Terminal	
166	4460539	1	Connector	
167	4460944	2	Terminal	
168	4460466	1	Plug	
169	1001116812	1	Connector	
170	4460944	2	Terminal	
171	4460466	1	Plug	
172	1001116812	1	Connector	
173	4460944	2	Terminal	
174	4460466	1	Plug	
175	4460539	1	Connector	
176	4460944	2	Terminal	
177	4460466	1	Plug	

SECTION 10 - ELECTRICAL

FIGURE 10-60. ENGINE HARNESS (MINING) (ULS)

ITEM	PART NUMBER	QTY	DESCRIPTION	REV
	1001228731	Ref	Engine Harness (Mining) (ULS)	B
1	1001202723	1	Connector	
2	1001167623	5	Plug	
3	1001166555	13	Terminal	
4	1001167621	50	Terminal	
5	1001167622	37	Plug	
6	4460539	1	Connector	
7	4460465	3	Terminal	
8	1001126487	1	Connector	
9	1001167635	2	Terminal	
10	1001126485	2	Terminal Seal	
11	1001167631	1	Connector	
12	1001167630	4	Terminal	
13	1001126485	4	Terminal Seal	
14	1001187070	1	Ring Terminal	
15	1001148842	1	Connector	
16	1001148841	3	Terminal	
17	1001135651	1	Plug	
18	1001135650	3	Terminal Seal	
19	1001202722	1	Connector	
20	1001166551	6	Terminal	
21	1001126353	6	Terminal Seal	
22	1001167622	58	Plug	
23	1001167621	21	Terminal	
24	1001167623	6	Plug	
25	1001138116	1	Connector	
26	1001187882	1	Cover	
27	1001133715	3	Terminal	
28	1001135650	4	Terminal Seal	
29	1001126487	1	Connector	
30	1001167634	2	Terminal	
31	1001126485	2	Terminal Seal	
32	1001209097	1	Connector	
33	8220124	2	Terminal	
34	4460608	2	Terminal Seal	
35	1001126362	1	Connector	
36	1001166556	26	Terminal	
37	1001126393	36	Terminal Seal	
38	1001126391	20	Plug	
39	4461008	2	Plug	
40	4461006	2	Seal	
41	4461054	2	Terminal Wire Seal	
42	1001166543	4	Terminal	
43	1001166774	10	Terminal	
44	1001126487	1	Connector	
45	1001167634	2	Terminal	
46	1001126485	2	Terminal Seal	
47	1001116812	1	Connector	
48	4460944	2	Terminal	
49	4460466	1	Plug	

SECTION 10 - ELECTRICAL

ITEM	PART NUMBER	QTY	DESCRIPTION	REV
50	4460539	1	Connector	
51	4460944	2	Terminal	
52	4460466	1	Plug	
53	4460891	1	Connector	
54	4460897	1	Mating Connector	
55	4460465	2	Terminal	
56	4460466	1	Plug	
57	4460539	1	Connector	
58	4460944	2	Terminal	
59	4460466	1	Plug	
60	1001116812	1	Connector	
61	4460944	2	Terminal	
62	4460466	1	Plug	
63	1001116811	1	Connector	
64	1001150610	2	Terminal	
65	4460508	1	Terminal	
66	4460466	1	Plug	
67	1001144147	1	Connector	
68	4460464	2	Terminal	
69	4460466	1	Plug	
70	4460894	1	Connector	
71	4460892	1	Mating Connector	
72	4460466	1	Plug	
73	4460465	5	Terminal	
74	1001126245	1	Connector	
75	1001126008	2	Terminal	
76	1001167629	1	Connector	
77	1001167630	4	Terminal	
78	1001126485	4	Terminal Seal	
79	1001207171	1	Ring Terminal, (with boot)	
80	1001207171	1	Ring Terminal, (with boot)	
81	1001118282	1	Connector	
82	1001116734	2	Terminal	
83	1001116732	2	Terminal	
84	1001128128	1	Plug	
85	1001187080	1	Ring Terminal	
86	1001187080	1	Ring Terminal	
87	1001187078	1	Ring Terminal	
88	1001187080	1	Ring Terminal	
89	1001187080	1	Ring Terminal	
90	4460970	1	Connector	
91	4460464	9	Terminal	
92	4460466	2	Plug	
93	1001167616	1	Connector	
94	1001190921	1	Fuse Box Foam Seal	
95	4460748	9	Plug	
96	8220097	21	Terminal	
97	1001175265	19	Terminal Seal	
98	8220098	9	Terminal	
99	4460458	11	Terminal Seal	
100	1001116725	6	Terminal	

SECTION 10 - ELECTRICAL

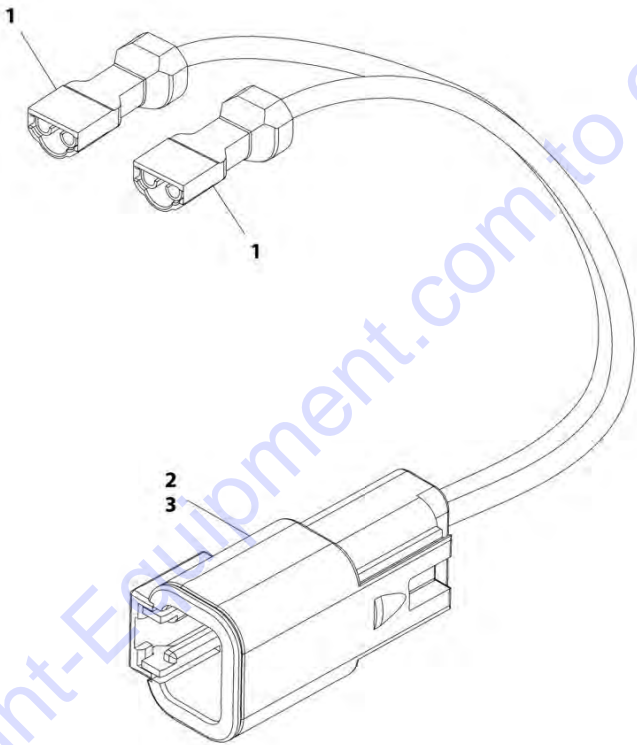
ITEM	PART NUMBER	QTY	DESCRIPTION	REV
101	80963067	1	Terminal Seal	
102	1001190037	5	Terminal Seal	
103	2902443	1	Connector	
104	4461071	6	Terminal	
105	1001201885	1	Faston Terminal	
106	1001201885	1	Faston Terminal	
107	4460891	1	Connector	
108	4460465	2	Terminal	
109	4460891	1	Connector	
110	4460465	2	Terminal	
111	4460891	1	Connector	
112	4460465	2	Terminal	
113	4460897	1	Mating Connector	
114	4460466	1	Plug	
115	1001167636	1	Connector	
116	1001166707	2	Terminal	
117	4461006	2	Terminal Seal	
118	1001116812	1	Connector	
119	4460944	2	Terminal	
120	4460466	1	Plug	
121	4461095	1	Connector	
122	4461070	1	Terminator Resistor	
123	4460944	2	Terminal	
124	4460466	1	Plug	
125	4460891	1	Connector	
126	4460897	1	Mating Connector	
127	4460465	2	Terminal	
128	4460466	1	Plug	
129	4460539	1	Connector	
130	4460944	2	Terminal	
131	4460466	1	Plug	
132	4460933	1	Connector	
133	1001125677	1	Mating Connector	
134	4460465	12	Terminal	
135	4461018	1	Connector	
136	4460509	2	Terminal	
137	80963056	1	Connector	
138	80963055	1	Mating Connector	
139	4460979	1	Terminal	
140	1001175265	1	Terminal Seal	
141	1001116727	1	Plug	
142	4461095	1	Connector	
143	4461070	1	Terminator Resistor	
144	4460944	2	Terminal	
145	4460466	1	Plug	
146	1001133714	1	Connector	
147	1001133715	3	Terminal	
148	1001135650	3	Terminal Seal	
149	1001135651	1	Plug	
150	1001116812	1	Connector	
151	4460944	2	Terminal	

SECTION 10 - ELECTRICAL

ITEM	PART NUMBER	QTY	DESCRIPTION	REV
152	4460466	1	Plug	
153	4460539	1	Connector	
154	4460944	2	Terminal	
155	4460466	1	Plug	
156	1001116812	1	Connector	
157	4460944	2	Terminal	
158	4460466	1	Plug	
159	1001133714	1	Connector	
160	1001133715	3	Terminal	
161	1001135650	3	Terminal Seal	
162	1001135651	1	Plug	
163	4460891	1	Connector	
164	4460942	2	Terminal	
165	4460891	1	Connector	
166	4460942	2	Terminal	
167	4460884	1	Connector	
168	4460465	4	Terminal	
169	1001165194	1	Connector	
170	1001126391	2	Plug	
171	1001166556	8	Terminal	
172	1001166774	2	Terminal	
173	1001126393	10	Terminal Seal	
174	4460891	1	Connector	
175	4460942	2	Terminal	
176	1001167620	1	Connector	
177	1001176004	2	Terminal	
178	1001176002	2	Terminal Seal	
179	1001167624	2	Plug	
180	1001116815	3	Connector	
181	4460945	4	Connector, 3 Way	

SECTION 10 - ELECTRICAL

FIGURE 10-61. FUEL PUMP HARNESS



ART_1001182929-E

SECTION 10 - ELECTRICAL

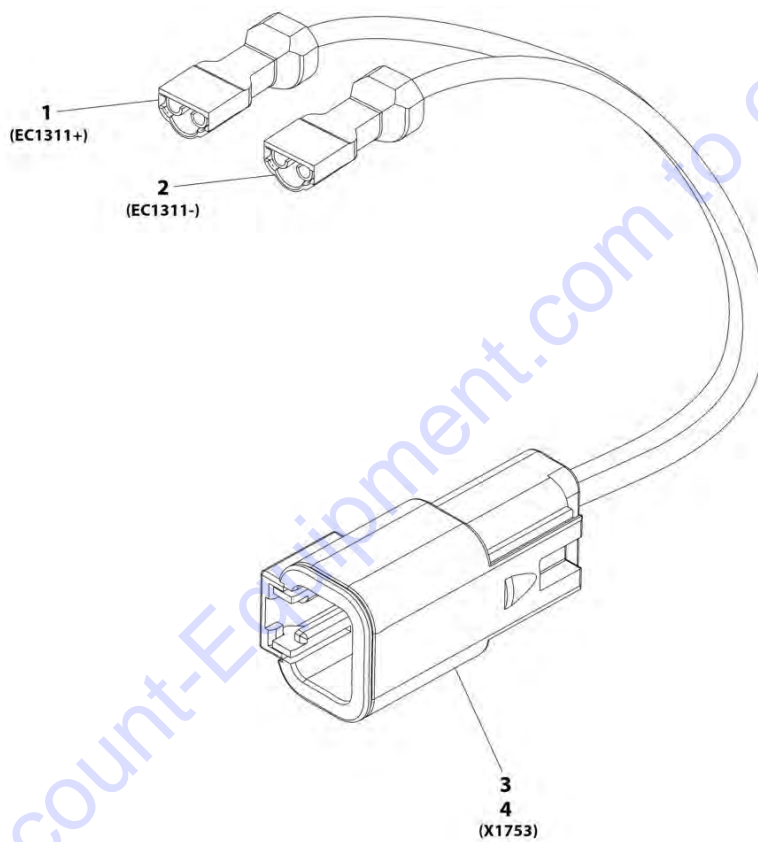
FIGURE 10-61. FUEL PUMP HARNESS

ITEM	PART NUMBER	QTY	DESCRIPTION	REV
	1001182929	Ref	Fuel Pump Harness	E
1	8220043	2	Connector	
2	4461017	1	Connector	
3	4460508	2	Terminal	

Go to Discount-Equipment.com to order your parts

SECTION 10 - ELECTRICAL

FIGURE 10-62. FUEL PUMP HARNESS (MINING) (ULS)



ART_1001228733-A

SECTION 10 - ELECTRICAL

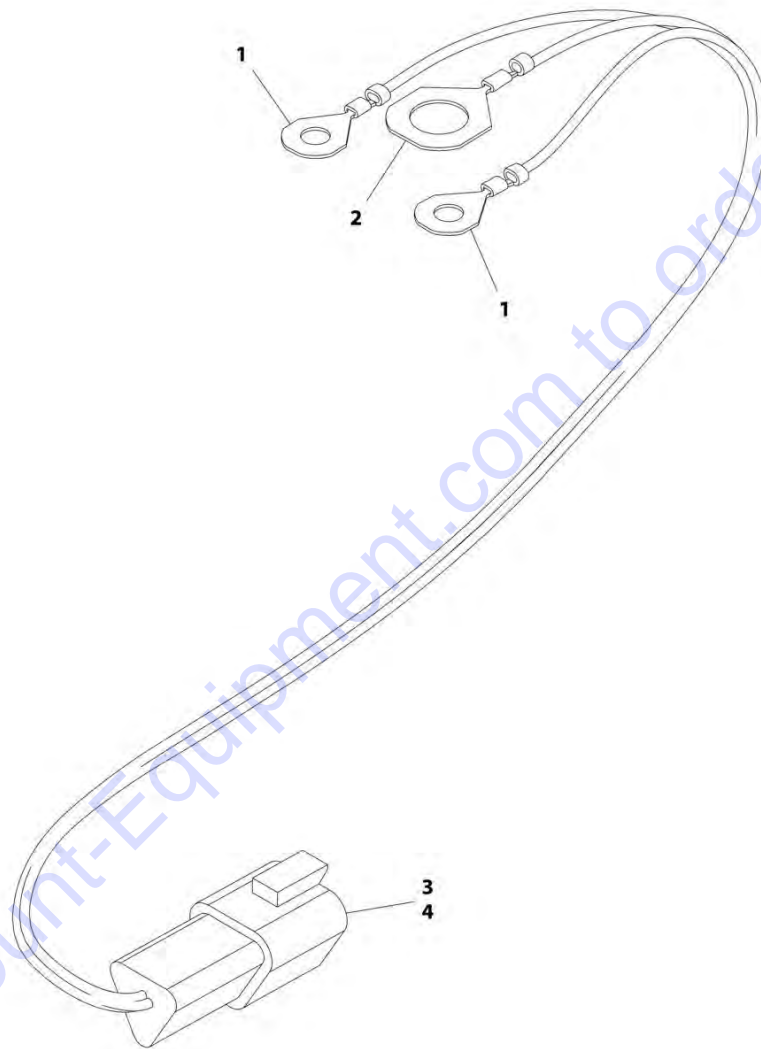
FIGURE 10-62. FUEL PUMP HARNESS (MINING) (ULS)

ITEM	PART NUMBER	QTY	DESCRIPTION	REV
	1001228733	Ref	Fuel Pump Harness (Mining) (ULS)	A
1	8220043	1	Connector	
2	8220043	1	Connector	
3	4461017	1	Connector	
4	4460508	2	Terminal	

Go to Discount-Equipment.com to order your parts

SECTION 10 - ELECTRICAL

FIGURE 10-63. GLOW PLUG RELAY HARNESS



ART_1001182930-C

SECTION 10 - ELECTRICAL

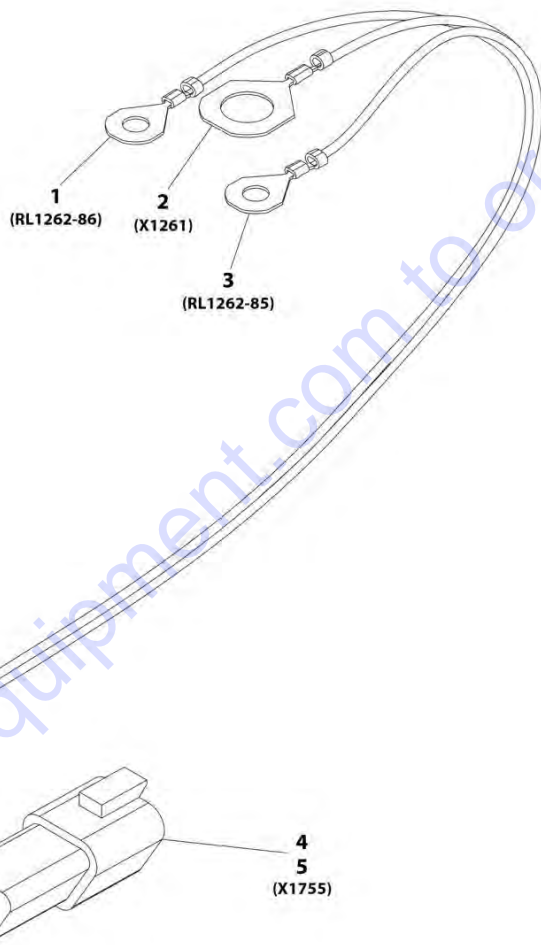
FIGURE 10-63. GLOW PLUG RELAY HARNESS

ITEM	PART NUMBER	QTY	DESCRIPTION	REV
	1001182930	Ref	Glow Plug Relay Harness	C
1	1001187070	2	Ring, Terminal	
2	1001187077	1	Ring, Terminal	
3	4460536	1	Connector	
4	4460464	3	Terminal	

Go to Discount-Equipment.com to order your parts

SECTION 10 - ELECTRICAL

FIGURE 10-64. GLOW PLUG RELAY HARNESS (MINING) (ULS)



ART_1001228732-A

PARTS FINDER

**Search Website
by Part Number**



**Search Manual
Library For Parts
Manual & Lookup Part
Numbers – Purchase
or Request Quote**

**Can't Find Part or
Manual? Request Help
by Manufacturer,
Model & Description**

Discount-Equipment.com is your online resource for quality parts & equipment.

Florida: **561-964-4949** Outside Florida TOLL FREE: **877-690-3101**

Need parts?

Click on this link: <http://www.discount-equipment.com/category/5443-parts/> and choose one of the options to help get the right parts and equipment you are looking for. Please have the machine model and serial number available in order to help us get you the correct parts. If you don't find the part on the website or on one of the online manuals, please fill out the request form and one of our experienced staff members will get back to you with a quote for the right part that your machine needs.

We sell worldwide for the brands: Genie, Terex, JLG, MultiQuip, Mikasa, Essick, Whiteman, Mayco, Toro Stone, Diamond Products, Generac Magnum, Airman, Haulotte, Barreto, Power Blanket, Nifty Lift, Atlas Copco, Chicago Pneumatic, Allmand, Miller Curber, Skyjack, Lull, Skytrak, Tsurumi, Husquvarna Target, Stow, Wacker, Sakai, Mi-T-M, Sullair, Basic, Dynapac, MBW, Weber, Bartell, Bennar Newman, Haulotte, Ditch Runner, Menegotti, Morrison, Contec, Buddy, Crown, Edco, Wyco, Bomag, Laymor, EZ Trench, Bil-Jax, F.S. Curtis, Gehl Pavers, Heli, Honda, ICS/PowerGrit, IHI, Partner, Imer, Clipper, MMD, Koshin, Rice, CH&E, General Equipment, Amida, Coleman, NAC, Gradall, Square Shooter, Kent, Stanley, Tamco, Toku, Hatz, Kohler, Robin, Wisconsin, Northrock, Oztec, Toker TK, Rol-Air, APT, Wylie, Ingersoll Rand / Doosan, Innovatech, Con X, Ammann, Mecalac, Makinex, Smith Surface Prep, Small Line, Wanco, Yanmar

SECTION 10 - ELECTRICAL

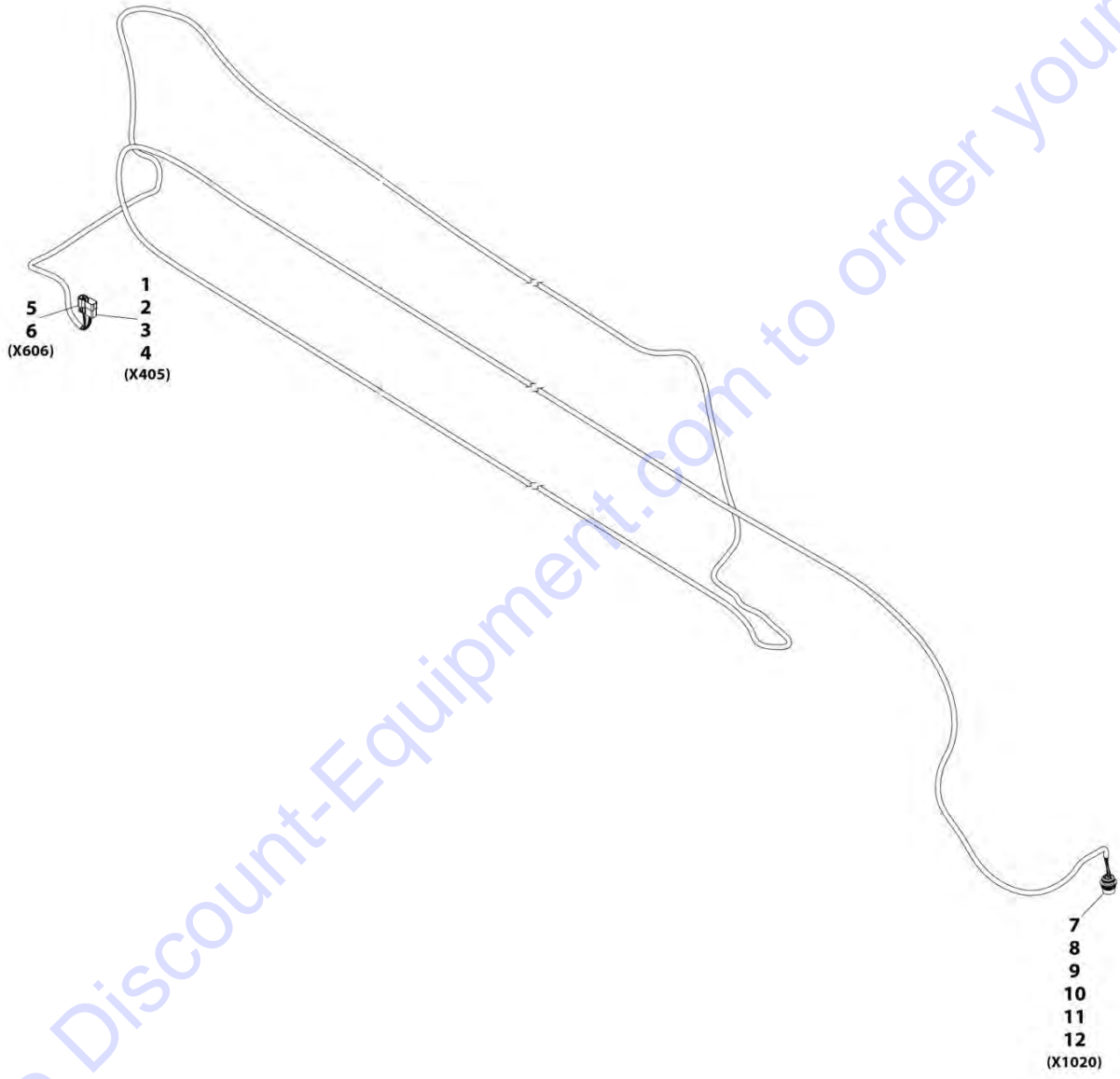
FIGURE 10-64. GLOW PLUG RELAY HARNESS (MINING) (ULS)

ITEM	PART NUMBER	QTY	DESCRIPTION	REV
	1001228732	Ref	Glow Plug Relay Harness (Mining) (ULS)	A
1	1001187070	1	Ring, Terminal	
2	1001187077	1	Ring, Terminal	
3	1001187070	1	Ring, Terminal	
4	4460536	1	Connector	
5	4460464	3	Terminal	

Go to Discount-Equipment.com to order your parts

SECTION 10 - ELECTRICAL

FIGURE 10-65. BOOM HARNESS



Go to Discount-Equipment.com to order your parts

ART_1001201124-B

SECTION 10 - ELECTRICAL

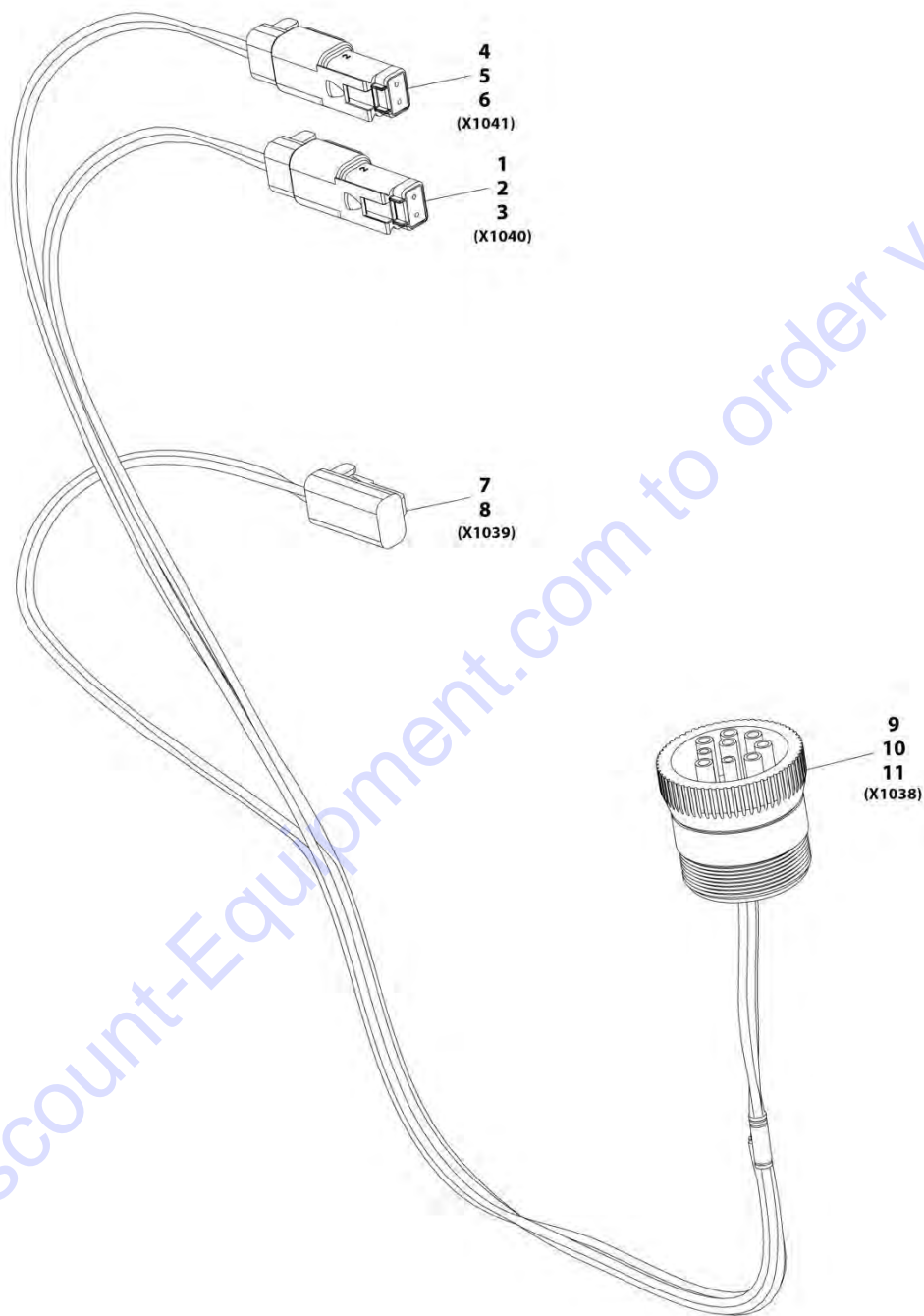
FIGURE 10-65. BOOM HARNESS

ITEM	PART NUMBER	QTY	DESCRIPTION	REV
	1001201124	Ref	Boom Harness	B
1	4460931	1	Connector	
2	4460943	2	Terminal	
3	4460464	4	Terminal	
4	4460466	2	Plug	
5	4461017	1	Connector	
6	4460508	2	Terminal	
7	1001112612	1	Connector	
8	1001183221	1	Boot	
9	1001157891	2	Terminal	
10	4460464	4	Terminal	
11	4460943	2	Terminal	
12	4460466	1	Plug	

Go to Discount-Equipment.com to order your parts

SECTION 10 - ELECTRICAL

FIGURE 10-66. BOOM AUX HARNESS



ART_1001206633-A

SECTION 10 - ELECTRICAL

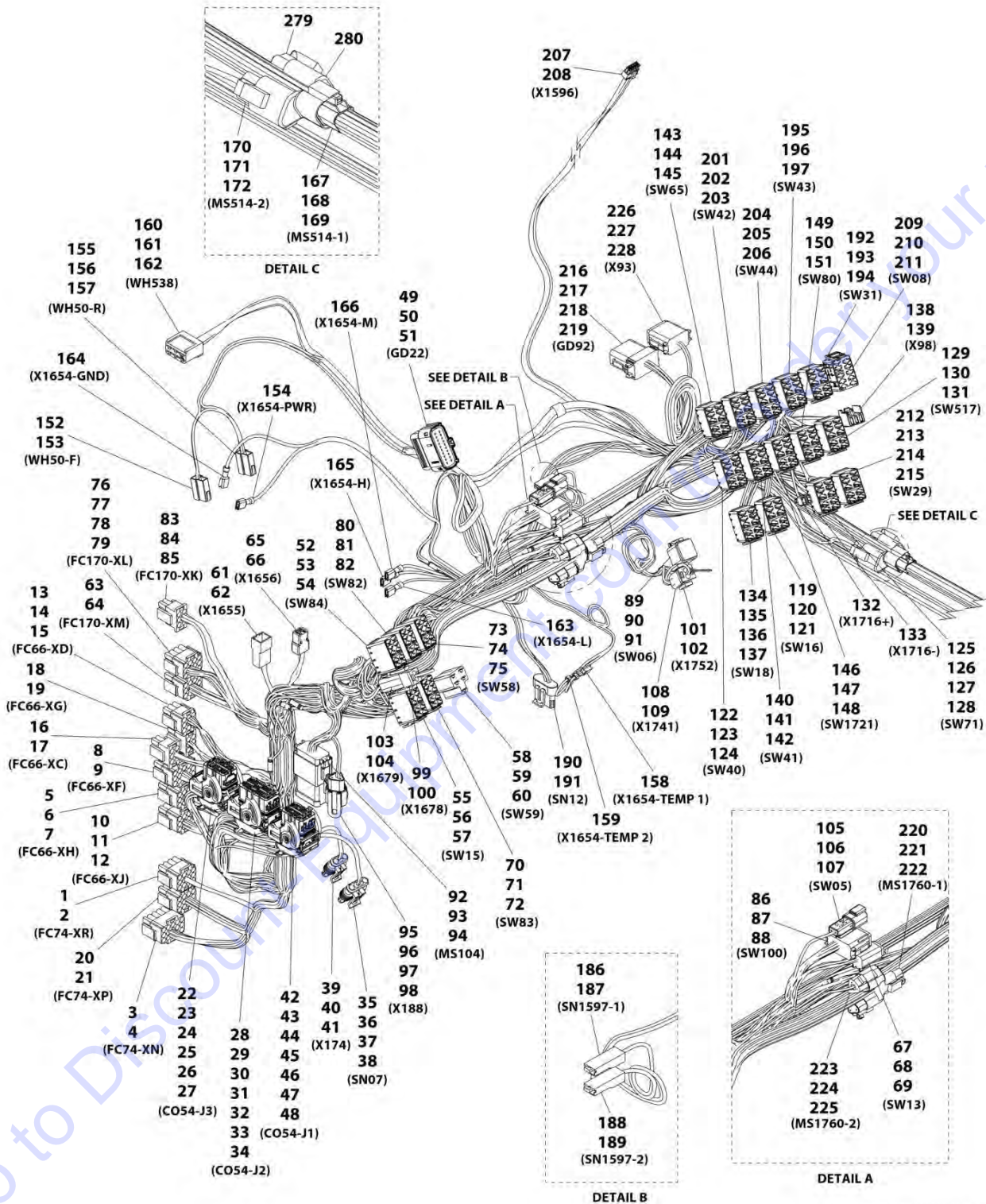
FIGURE 10-66. BOOM AUX HARNESS

ITEM	PART NUMBER	QTY	DESCRIPTION	REV
	1001206633	Ref	Boom Aux Harness	A
1	4460891	1	Connector	
2	7760897	1	Mating Connector	
3	4460465	2	Terminal	
4	4460891	1	Connector	
5	7760897	1	Mating Connector	
6	4460465	2	Terminal	
7	4460891	1	Connector	
8	4460465	2	Terminal	
9	1001112796	1	Connector	
10	4460465	4	Terminal	
11	4460466	5	Plug	

Go to Discount-Equipment.com to order your parts

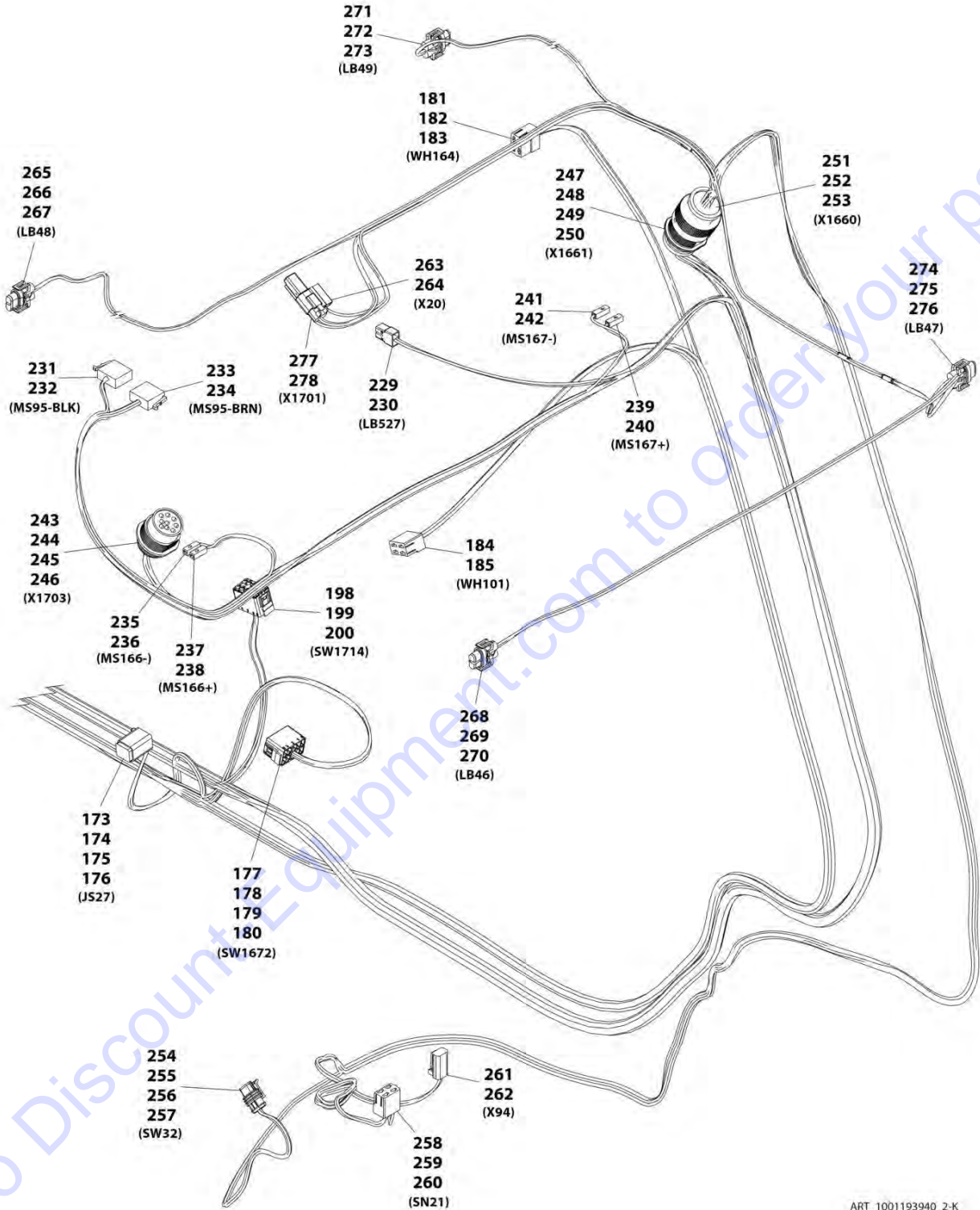
SECTION 10 - ELECTRICAL

FIGURE 10-67. CAB HARNESS



ART_1001193940_1-K

SECTION 10 - ELECTRICAL



ART_1001193940_2-K

SECTION 10 - ELECTRICAL

FIGURE 10-67. CAB HARNESS

ITEM	PART NUMBER	QTY	DESCRIPTION	REV
	1001193940	Ref	Cab Harness	K
1	4460343	1	Connector	
2	4460267	3	Terminal	
3	4460434	1	Connector	
4	4460268	9	Terminal	
5	4460343	1	Connector	
6	4460268	8	Terminal	
7	10011223457	1	Terminal	
8	4460434	1	Connector	
9	4460268	15	Terminal	
10	4460343	1	Connector	
11	4460267	8	Terminal	
12	1001223456	1	Terminal	
13	4460265	1	Connector	
14	1001223457	3	Terminal	
15	4460268	6	Terminal	
16	4460225	1	Connector	
17	4460267	4	Terminal	
18	4460225	1	Connector	
19	4460268	5	Terminal	
20	4460343	1	Connector	
21	4460268	8	Terminal	
22	1001161959	1	Connector	
23	943191201	1	Cover	
24	1001161100	10	Plug	
25	1001161097	14	Terminal	
26	1001161098	1	Terminal	
27	1001161101	7	Plug	
28	1001160502	1	Connector	
29	643201301	1	Cover	
30	1001161097	20	Terminal	
31	1001161100	20	Plug	
32	1001161098	5	Terminal	
33	1001161099	1	Terminal	
34	1001161101	2	Plug	
35	1001103012	1	Connector	
36	1001116698	2	Plug	
37	1001116697	2	Terminal	
38	1001104498	2	Terminal Seal	
39	4461262	1	Connector	
40	1001107854	3	Terminal	
41	1001104498	3	Terminal Seal	
42	1001160498	1	Connector	
43	643191201	1	Cover	
44	1001161097	19	Terminal	
45	1001161100	5	Plug	
46	1001161098	5	Terminal	
47	1001161101	2	Plug	
48	1001161099	1	Terminal	
49	1001162886	1	Connector	

SECTION 10 - ELECTRICAL

ITEM	PART NUMBER	QTY	DESCRIPTION	REV
50	1001163340	13	Plug	
51	1001162887	7	Terminal	
52	1001117081	1	Connector	
53	1001116723	6	Terminal	
54	1001222455	1	Terminal	
55	1001117081	1	Connector	
56	1001116723	6	Terminal	
57	1001223455	1	Terminal	
58	1001173411	1	Connector	
59	1001116716	3	Terminal	
60	1001104519	3	Terminal	
61	1001116999	1	Connector	
62	1001116700	4	Terminal	
63	4460343	1	Connector	
64	4460267	7	Terminal	
65	1001116991	1	Connector	
66	1001116723	2	Terminal	
67	4460933	1	Connector	
68	4460466	6	Plug	
69	4460465	6	Terminal	
70	1001117081	1	Connector	
71	1001116723	6	Terminal	
72	1001223455	1	Terminal	
73	1001117081	1	Connector	
74	1001116723	4	Terminal	
75	1001118384	2	Terminal	
76	4460343	1	Connector	
77	4460268	8	Terminal	
78	4460906	1	Terminal	
79	1001223457	1	Terminal	
80	1001117081	1	Connector	
81	1001116723	6	Terminal	
82	1001223455	1	Terminal	
83	4460225	1	Connector	
84	4460267	5	Terminal	
85	4460705	1	Terminal	
86	4460836	1	Connector	
87	4460942	4	Terminal	
88	4460465	8	Terminal	
89	4460894	1	Connector	
90	4460465	4	Terminal	
91	4460466	2	Plug	
92	4460933	1	Connector	
93	1001125677	1	Mating Connector	
94	4460465	12	Terminal	
95	1001116812	1	Connector	
96	1001144296	1	Cap	
97	4460944	2	Terminal	
98	4460466	1	Plug	
99	4460320	1	Connector	
100	4460267	2	Terminal	

SECTION 10 - ELECTRICAL

ITEM	PART NUMBER	QTY	DESCRIPTION	REV
101	4460320	1	Connector	
102	4460267	2	Terminal	
103	4460424	1	Connector	
104	4460268	2	Terminal	
105	4460897	1	Connector	
106	4460464	1	Terminal	
107	4460466	1	Plug	
108	4460424	1	Connector	
109	4460268	2	Terminal	
119	1001117081	1	Connector	
120	1001116723	6	Terminal	
121	1001223455	1	Terminal	
122	1001117081	1	Connector	
123	1001116723	6	Terminal	
124	1001118384	4	Terminal	
125	1001117081	1	Connector	
126	1001116723	6	Terminal	
127	1001223455	2	Terminal	
128	1001118384	2	Terminal	
129	1001117081	1	Connector	
130	1001116723	6	Terminal	
131	1001223455	1	Terminal	
132	1001194421	1	Terminal	
133	1001194421	1	Terminal	
134	1001117081	1	Connector	
135	1001116723	6	Terminal	
136	1001223455	3	Terminal	
137	1001118384	2	Terminal	
138	1001118684	1	Connector	
139	1001116754	2	Terminal	
140	1001117081	1	Connector	
141	1001116723	4	Terminal	
142	1001118384	3	Terminal	
143	1001117081	1	Connector	
144	1001116723	6	Terminal	
145	1001118384	1	Terminal	
146	1001117081	1	Connector	
147	1001116723	6	Terminal	
148	1001118384	1	Terminal	
149	1001117081	1	Connector	
150	1001116723	6	Terminal	
151	1001223455	1	Terminal	
152	4460994	1	Connector	
153	1001118384	2	Terminal	
154	8220051	1	Terminal	
155	4460994	1	Connector	
156	1001118384	1	Terminal	
157	1001116723	2	Terminal	
158	1001194421	1	Terminal	
159	1001194421	1	Terminal	
160	1001116997	1	Connector	

SECTION 10 - ELECTRICAL

ITEM	PART NUMBER	QTY	DESCRIPTION	REV
161	1001118384	4	Terminal	
162	1001116723	1	Terminal	
163	8220051	1	Terminal	
164	8220051	1	Terminal	
165	8220051	1	Terminal	
166	8220051	1	Terminal	
167	1001116812	1	Connector	
168	4460944	2	Terminal	
169	4460466	1	Plug	
170	4460539	1	Connector	
171	4460944	2	Terminal	
172	4460466	1	Plug	
173	4460894	1	Connector	
174	4460465	3	Terminal	
175	4460466	1	Plug	
176	4460944	2	Terminal	
177	1001117081	1	Connector	
178	1001116723	2	Terminal	
179	1001223455	2	Terminal	
180	1001118384	2	Terminal	
181	1001116986	1	Connector	
182	1001117011	1	Mating Connector	
183	1001118384	4	Terminal	
184	1001116986	1	Connector	
185	1001118384	4	Terminal	
186	1001116995	1	Connector	
187	1001118379	1	Terminal	
188	1001116995	1	Connector	
189	1001118379	1	Terminal	
190	1001117064	1	Connector	
191	91554014	6	Terminal	
192	1001117081	1	Connector	
193	1001116723	4	Terminal	
194	1001118384	2	Terminal	
195	1001117081	1	Connector	
196	1001116723	4	Terminal	
197	1001118384	2	Terminal	
198	1001117081	1	Connector	
199	1001223455	2	Terminal	
200	1001118384	4	Terminal	
201	1001117081	1	Connector	
202	1001116723	4	Terminal	
203	1001118384	2	Terminal	
204	1001117081	1	Connector	
205	1001116723	4	Terminal	
206	1001118384	2	Terminal	
207	1001150735	1	Connector	
208	1001150737	7	Terminal	
209	1001117079	1	Connector	
210	1001223455	2	Terminal	
211	1001116723	6	Terminal	

SECTION 10 - ELECTRICAL

ITEM	PART NUMBER	QTY	DESCRIPTION	REV
212	1001117081	1	Connector	
213	1001116723	8	Terminal	
214	1001118384	1	Terminal	
215	1001223455	1	Terminal	
216	1001176333	1	Connector	
217	4460466	11	Plug	
218	4460465	3	Terminal	
219	4460944	4	Terminal	
220	1001116812	1	Connector	
221	4460944	2	Terminal	
222	4460466	1	Plug	
223	4460539	1	Connector	
224	4460944	2	Terminal	
225	4460466	1	Plug	
226	4460930	1	Connector	
227	4460931	1	Mating Connector	
228	4460466	6	Plug	
229	1001116991	1	Connector	
230	1001118384	2	Terminal	
231	1001116985	1	Connector	
232	1001118386	3	Terminal	
233	1001116984	1	Connector	
234	1001118386	4	Terminal	
235	1001116998	1	Connector	
236	1001118387	1	Terminal	
237	1001116998	1	Connector	
238	1001118387	1	Terminal	
239	1001116998	1	Connector	
240	1001118387	1	Terminal	
241	1001116998	1	Connector	
242	1001118387	1	Terminal	
243	1001112612	1	Connector	
244	4460464	3	Terminal	
245	4460943	2	Terminal	
246	4460466	4	Plug	
247	1001137000	1	Connector	
248	4460928	3	Terminal	
249	1001126008	13	Terminal	
250	4460518	5	Plug	
251	1001136999	1	Connector	
252	1001126011	16	Terminal	
253	4460518	5	Plug	
254	4461262	1	Connector	
255	1001107854	2	Terminal	
256	1001116698	1	Terminal	
257	1001104498	3	Terminal Seal	
258	1001116986	1	Connector	
259	1001118384	3	Terminal	
260	1001116723	2	Terminal	
261	4460891	1	Connector	
262	4460465	2	Terminal	

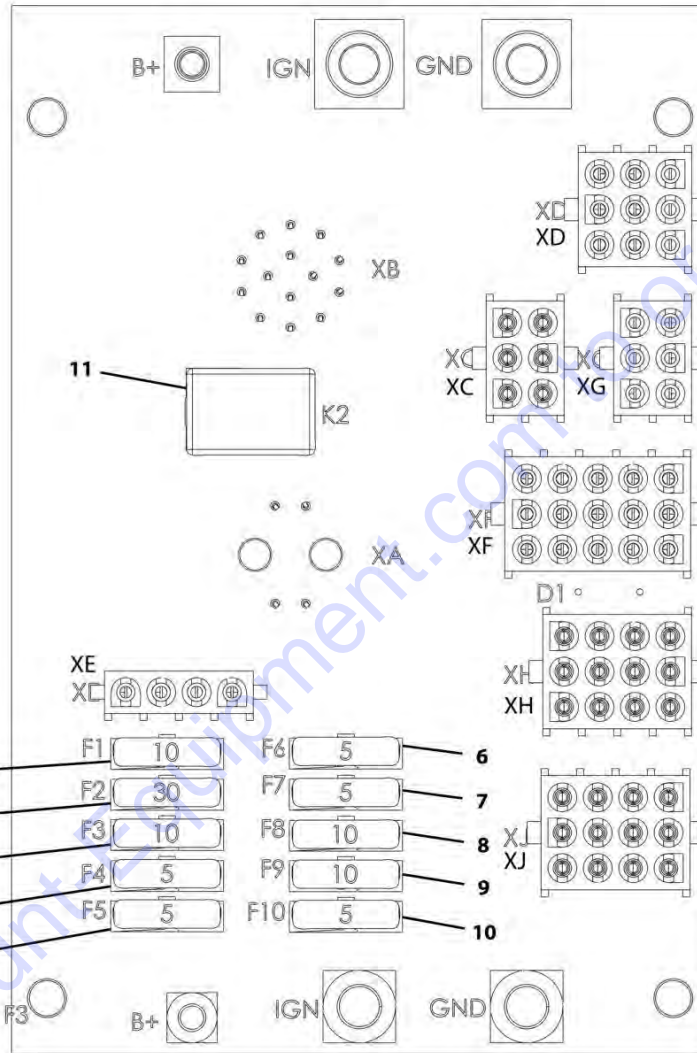
SECTION 10 - ELECTRICAL

ITEM	PART NUMBER	QTY	DESCRIPTION	REV
263	4460944	1	Connector	
264	1001118384	2	Terminal	
265	4461115	1	Connector	
266	4460746	2	Terminal	
267	4460458	2	Terminal Seal	
268	4461115	1	Connector	
269	4460746	2	Terminal	
270	4460458	2	Terminal Seal	
271	4461115	1	Connector	
272	4460746	2	Terminal	
273	4460458	2	Terminal Seal	
274	4461115	1	Connector	
275	4460746	2	Terminal	
276	4460458	2	Terminal Seal	
277	4460891	1	Connector	
278	4460465	2	Terminal	
279	1001116815	1	Connector	
280	4460945	1	Connector, 3 Way	

Go to Discount-Equipment.com to order your parts

SECTION 10 - ELECTRICAL

FIGURE 10-68. STANDARD ELECTRICAL BOARD ASSEMBLY



ART_1001161769-C

SECTION 10 - ELECTRICAL

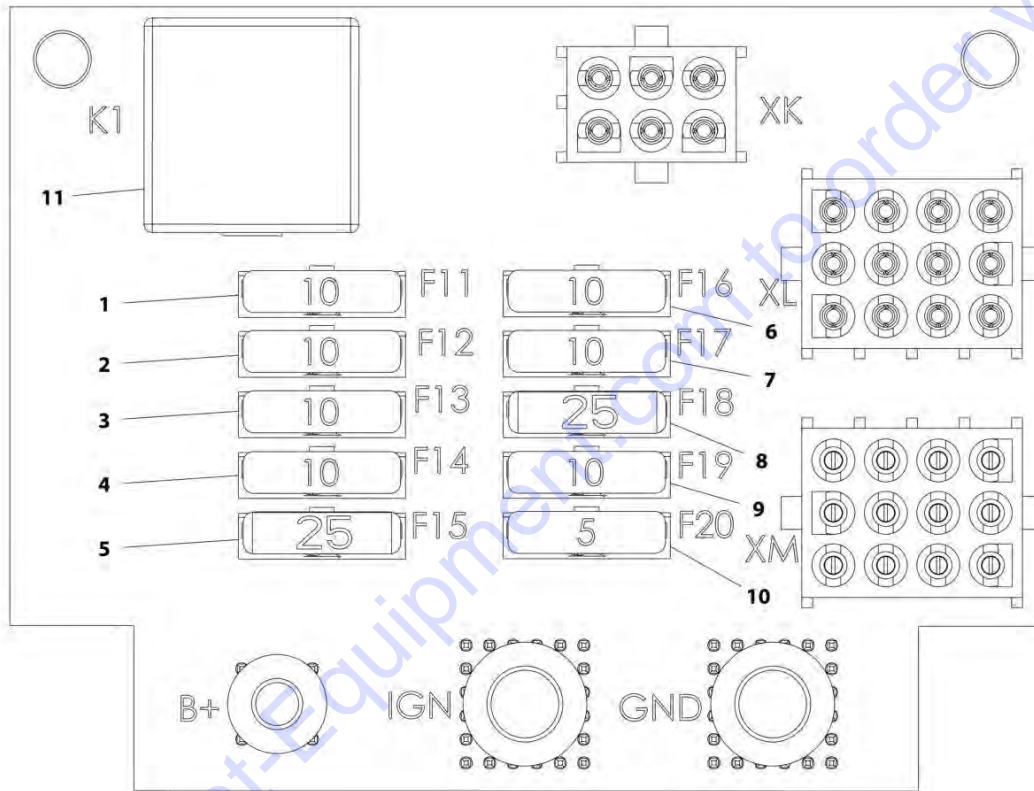
FIGURE 10-68. STANDARD ELECTRICAL BOARD ASSEMBLY

ITEM	PART NUMBER	QTY	DESCRIPTION	REV
	1001161769	Ref	Standard Electrical Board Assembly	C
1	80983191	1	Fuse, 10AMP	
2	8229245	1	Fuse, 30AMP	
3	80983191	1	Fuse, 10AMP	
4	8229242	1	Fuse, 5AMP	
5	8229242	1	Fuse, 5AMP	
6	8229242	1	Fuse, 5AMP	
7	8229242	1	Fuse, 5AMP	
8	80983191	1	Fuse, 10AMP	
9	80983191	1	Fuse, 10AMP	
10	8229242	1	Fuse, 5AMP	
11	70026292	1	Fuse, 35AMP	

Go to Discount-Equipment.com to order your parts

SECTION 10 - ELECTRICAL

FIGURE 10-69. OPTION 1 ELECTRICAL BOARD ASSEMBLY



ART_1001161770-C

SECTION 10 - ELECTRICAL

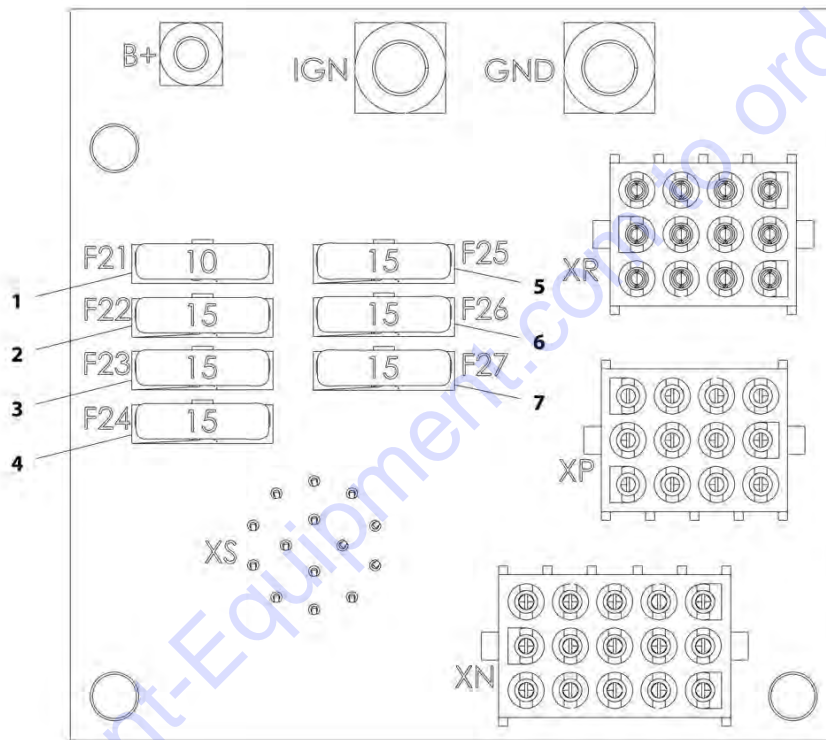
FIGURE 10-69. OPTION 1 ELECTRICAL BOARD ASSEMBLY

ITEM	PART NUMBER	QTY	DESCRIPTION	REV
	1001161770	Ref	Option 1 Electrical Board Assembly	C
1	80983191	1	Fuse, 10AMP	
2	80983191	1	Fuse, 10AMP	
3	80983191	1	Fuse, 10AMP	
4	80983191	1	Fuse, 10AMP	
5	8229247	1	Fuse, 25AMP	
6	80983191	1	Fuse, 10AMP	
7	80983191	1	Fuse, 10AMP	
8	8229247	1	Fuse, 25AMP	
9	80983191	1	Fuse, 10AMP	
10	8229242	1	Fuse, 5AMP	
11	70026293	1	Fuse, 50AMP	

Go to Discount-Equipment.com to order your parts

SECTION 10 - ELECTRICAL

FIGURE 10-70. OPTION 2 ELECTRICAL BOARD ASSEMBLY



ART_1001161771-B

SECTION 10 - ELECTRICAL

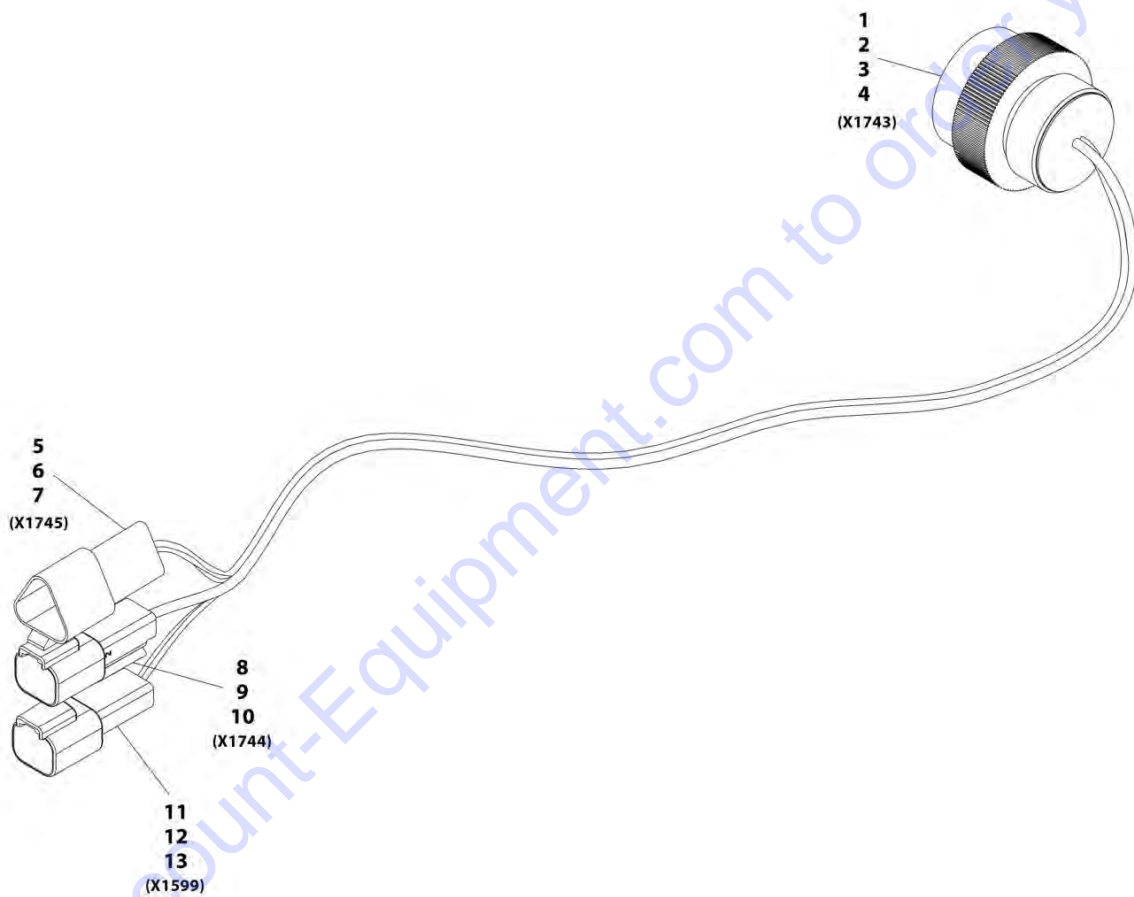
FIGURE 10-70. OPTION 2 ELECTRICAL BOARD ASSEMBLY

ITEM	PART NUMBER	QTY	DESCRIPTION	REV
	1001161771	Ref	Option 2 Electrical Board Assembly	B
1	80983191	1	Fuse, 10AMP	
2	8229244	1	Fuse, 15AMP	
3	8229244	1	Fuse, 15AMP	
4	8229244	1	Fuse, 15AMP	
5	8229244	1	Fuse, 15AMP	
6	8229244	1	Fuse, 15AMP	
7	8229244	1	Fuse, 15AMP	

Go to Discount-Equipment.com to order your parts

SECTION 10 - ELECTRICAL

FIGURE 10-71. CAB OPTION HARNESS



ART_1001181681-C

SECTION 10 - ELECTRICAL

FIGURE 10-71. CAB OPTION HARNESS

ITEM	PART NUMBER	QTY	DESCRIPTION	REV
	1001181681	Ref	Cab Option Harness	C
1	4461015	1	Connector	
2	4460465	5	Terminal	
3	4460466	8	Plug	
4	4460942	1	Terminal	
5	1001144147	1	Connector	
6	4460943	2	Terminal	
7	4460466	1	Plug	
8	4460897	1	Connector	
9	4460941	1	Terminal	
10	4460466	1	Plug	
11	4460932	1	Connector	
12	4460464	3	Terminal	
13	4460466	1	Plug	

Go to Discount-Equipment.com to order your parts

SECTION 10 - ELECTRICAL

FIGURE 10-72. FRONT FRAME HARNESS

ITEM	PART NUMBER	QTY	DESCRIPTION	REV
	1001184396	Ref	Front Frame Harness	J
1	4460891	1	Connector	
2	4460897	1	Mating Connector	
3	4460466	2	Plug	
4	4460465	2	Terminal	
5	1001161957	1	Connector	
6	643191201	1	Cover	
7	1001161100	12	Plug	
8	1001161097	12	Terminal	
9	1001161101	5	Plug	
10	1001161098	3	Terminal	
11	1001161963	1	Connector	
12	643201301	1	Cover	
13	1001161097	21	Terminal	
14	1001161100	19	Plug	
15	1001161099	6	Terminal	
16	1001161098	1	Terminal	
17	1001161101	1	Plug	
18	1001160500	1	Connector	
19	643191201	1	Cover	
20	1001161097	10	Terminal	
21	1001161100	15	Plug	
22	1001161099	7	Terminal	
23	4460933	1	Connector	
24	4460970	1	Mating Connector	
25	4460466	2	Plug	
26	4460942	10	Terminal	
27	4460466	2	Plug	
28	1001160509	1	Connector	
29	1001160510	1	Terminal	
30	1001175267	1	Seal	
31	1001187080	1	Ring Terminal	
32	4460891	1	Connector	
33	4460465	2	Terminal	
34	4460891	1	Connector	
35	4460465	2	Terminal	
36	1001187080	1	Ring Terminal	
37	1001187079	1	Ring Terminal	
38	1001187079	1	Ring Terminal	
39	4460539	1	Connector	
40	4460465	3	Terminal	
41	8220051	1	Ring Terminal	
42	1001187073	1	Ring Terminal	
43	4460539	1	Connector	
44	4460465	3	Terminal	
45	4460933	1	Connector	
46	4460465	11	Terminal	
47	4460466	1	Plug	
48	1001116812	1	Connector	
49	4460465	2	Terminal	

SECTION 10 - ELECTRICAL

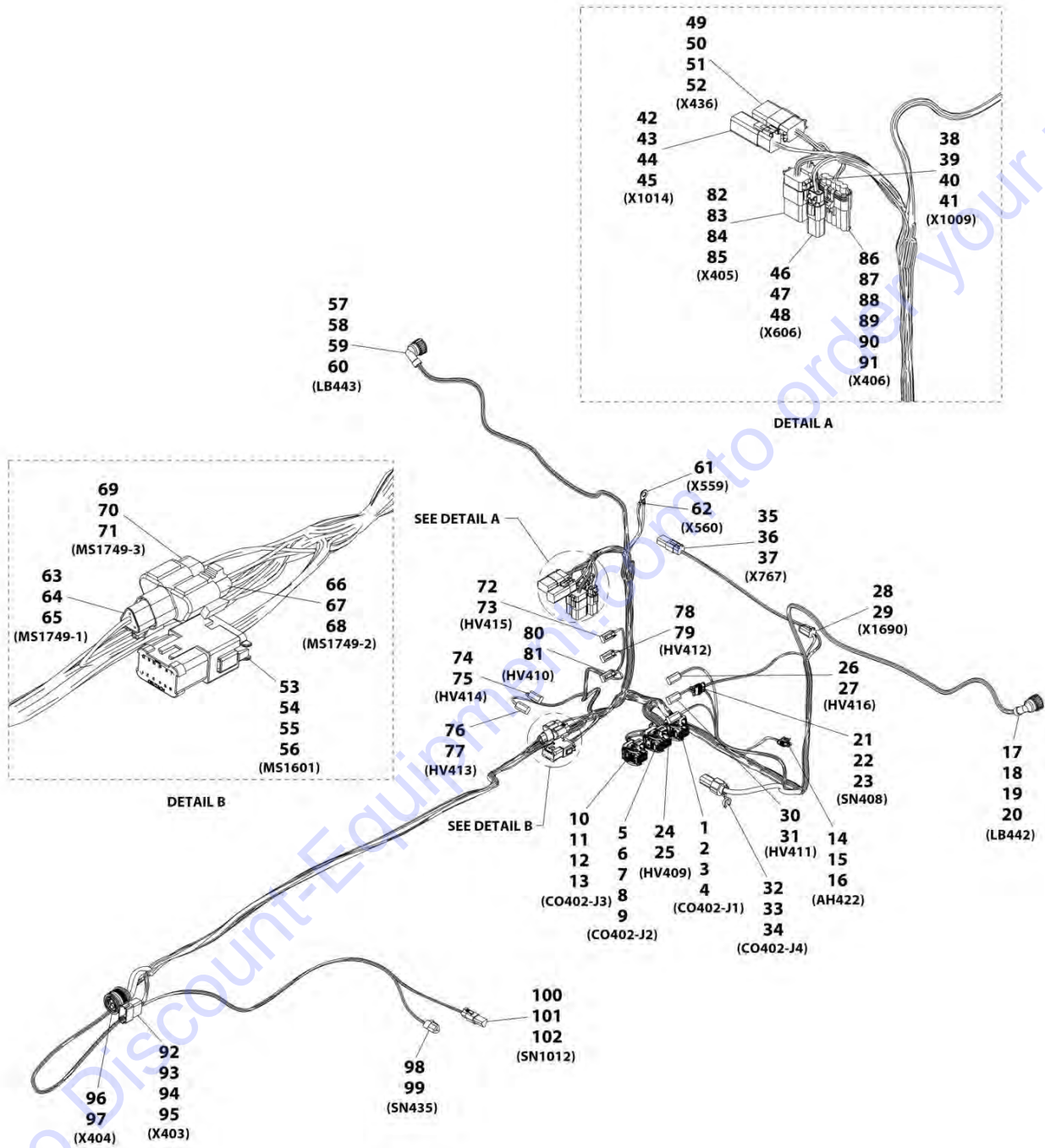
ITEM	PART NUMBER	QTY	DESCRIPTION	REV
50	4460466	1	Plug	
51	1001116810	1	Connector	
52	1001150611	4	Terminal	
53	1001165309	1	Connector	
54	4460466	2	Plug	
55	4460465	9	Terminal	
56	4460942	2	Terminal	
57	4460509	3	Terminal	
58	1001150611	3	Terminal	
59	1001187079	1	Ring Terminal	
60	1001187076	1	Ring Terminal	
61	1001187079	1	Ring Terminal	
62	1001187076	1	Ring Terminal	
63	1001187075	1	Ring Terminal	
64	4460891	1	Connector	
65	4460465	2	Terminal	
66	1001117109	1	Ring Terminal	
67	1001187075	1	Ring Terminal	
68	1001187075	1	Ring Terminal	
69	4461015	1	Connector	
70	4460465	12	Terminal	
71	4460466	2	Plug	
72	4460891	1	Connector	
73	4460465	2	Terminal	
74	4460891	1	Connector	
75	4460465	2	Terminal	
76	4461290	1	Connector	
77	4460928	2	Terminal	
78	1001118323	1	Connector	
79	4460942	4	Terminal	
80	91013192	2	Terminal	
81	4460891	1	Connector	
82	4460465	2	Terminal	
83	4460891	1	Connector	
84	4460897	1	Mating Connector	
85	4460942	1	Terminal	
86	4460466	1	Plug	
87	1001116950	1	Connector	
88	4460465	2	Terminal	
89	4460891	1	Connector	
90	4460465	2	Terminal	
91	4460884	1	Connector	
92	4460932	1	Mating Connector	
93	4460466	1	Sealing Plug	
94	4460465	3	Terminal	
95	4460942	1	Terminal	
96	1001118202	1	Connector	
97	1001116732	4	Terminal	
98	1001128128	1	Plug	
99	4460891	1	Connector	
100	4460897	1	Mating Connector	

SECTION 10 - ELECTRICAL

ITEM	PART NUMBER	QTY	DESCRIPTION	REV
101	4460465	2	Terminal	
102	4460891	1	Connector	
103	4460465	2	Terminal	
104	4460897	1	Connector	
105	4460464	2	Terminal	
106	8220116	1	Ring Terminal	
107	1001116950	1	Connector	
108	4460465	2	Terminal	
109	4460930	1	Connector	
110	4460984	1	Mating Connector	
111	4460465	8	Terminal	
112	1001116774	1	Connector	
113	1001132169	1	Mating Connector	
114	4460518	7	Plug	
115	1001126008	5	Terminal	
116	4460891	1	Connector	
117	4460897	1	Mating Connector	
118	4460465	2	Terminal	
119	1001165310	1	Connector	
120	91013192	2	Terminal	
121	1001187076	1	Ring Terminal	
122	4460891	1	Connector	
123	4460897	1	Mating Connector	
124	4460942	2	Terminal	
125	4460894	1	Connector	
126	4460899	1	Mating Connector	
127	4460465	2	Terminal	
128	4460942	4	Terminal	
129	4460891	1	Connector	
130	4460465	2	Terminal	
131	4460891	1	Connector	
132	4460465	2	Terminal	
133	4460891	1	Connector	
134	4460465	2	Terminal	
135	4460891	1	Connector	
136	4460465	2	Terminal	
137	4460933	1	Connector	
138	4460465	6	Terminal	
139	4460942	1	Terminal	
140	4460466	5	Plug	

SECTION 10 - ELECTRICAL

FIGURE 10-73. REAR FRAME HARNESS



ART_1001184397-H

SECTION 10 - ELECTRICAL

FIGURE 10-73. REAR FRAME HARNESS

ITEM	PART NUMBER	QTY	DESCRIPTION	REV
	1001184397	Ref	Rear Frame Harness	H
1	1001161957	1	Connector	
2	1001161097	6	Terminal	
3	1001161100	18	Plug	
4	1001161101	8	Plug	
5	1001161963	1	Connector	
6	1001161097	26	Terminal	
7	1001161100	14	Plug	
8	1001161099	6	Terminal	
9	1001161101	2	Plug	
10	1001160500	1	Connector	
11	1001161100	18	Plug	
12	1001161097	6	Terminal	
13	1001161099	8	Terminal	
14	4461118	1	Connector	
15	1001107854	2	Terminal	
16	1001116763	2	Terminal Seal	
17	1001116996	1	Connector	
18	1001118392	6	Terminal	
19	1001116696	1	Plug	
20	4461054	6	Terminal Seal	
21	4461262	1	Connector	
22	1001107854	3	Terminal	
23	1001104498	3	Terminal Seal	
24	4460891	1	Connector	
25	4460465	2	Terminal	
26	4460891	1	Connector	
27	4460465	2	Terminal	
28	4460884	1	Connector	
29	4460465	4	Terminal	
30	4460891	1	Connector	
31	4460465	2	Terminal	
32	1001160509	1	Connector	
33	1001160510	1	Terminal	
34	1001175267	1	Terminal Seal	
35	4460884	1	Connector	
36	4460932	1	Mating Connector	
37	4460465	4	Terminal	
38	4460884	1	Connector	
39	4460932	1	Mating Connector	
40	4460466	2	Plug	
41	4460465	2	Terminal	
42	4460894	1	Connector	
43	4460899	1	Mating Connector	
44	4460466	3	Plug	
45	4460465	3	Terminal	
46	4461018	1	Connector	
47	4461017	1	Mating Connector	
48	4460509	2	Terminal	
49	4460930	1	Connector	

SECTION 10 - ELECTRICAL

ITEM	PART NUMBER	QTY	DESCRIPTION	REV
50	4460931	1	Mating Connector	
51	4460466	2	Plug	
52	4460465	6	Terminal	
53	4460933	1	Connector	
54	1001125677	1	Bussbar Connector	
55	4460465	10	Terminal	
56	4460466	2	Plug	
57	1001116996	1	Connector	
58	1001118392	6	Terminal	
59	1001116696	1	Plug	
60	4461054	6	Terminal Seal	
61	1001187080	1	Ring Terminal	
62	1001187079	1	Ring Terminal	
63	1001116812	1	Connector	
64	4460944	2	Terminal	
65	4460466	1	Plug	
66	4460539	1	Connector	
67	4460944	2	Terminal	
68	4460466	1	Plug	
69	1001116812	1	Connector	
70	4460944	2	Terminal	
71	4460466	1	Plug	
72	4460891	1	Connector	
73	4460465	2	Terminal	
74	4460891	1	Connector	
75	4460465	2	Terminal	
76	4460891	1	Connector	
77	4460465	2	Terminal	
78	4460891	1	Connector	
79	4460465	2	Terminal	
80	4460891	1	Connector	
81	4460465	2	Terminal	
82	4460930	1	Connector	
83	4460931	1	Mating Connector	
84	4460466	2	Plug	
85	4460465	6	Terminal	
86	1001121726	1	Connector	
87	1001121727	1	Mating Connector	
88	1001116728	4	Terminal	
89	4460748	1	Plug	
90	1001175265	3	Terminal Seal	
91	4460458	1	Terminal Seal	
92	4460970	1	Connector	
93	4460464	6	Terminal	
94	4460941	1	Terminal	
95	4460466	5	Plug	
96	1001165311	1	Connector	
97	91013191	2	Terminal	
98	4460539	1	Connector	
99	4460944	3	Terminal	
100	4460539	1	Connector	

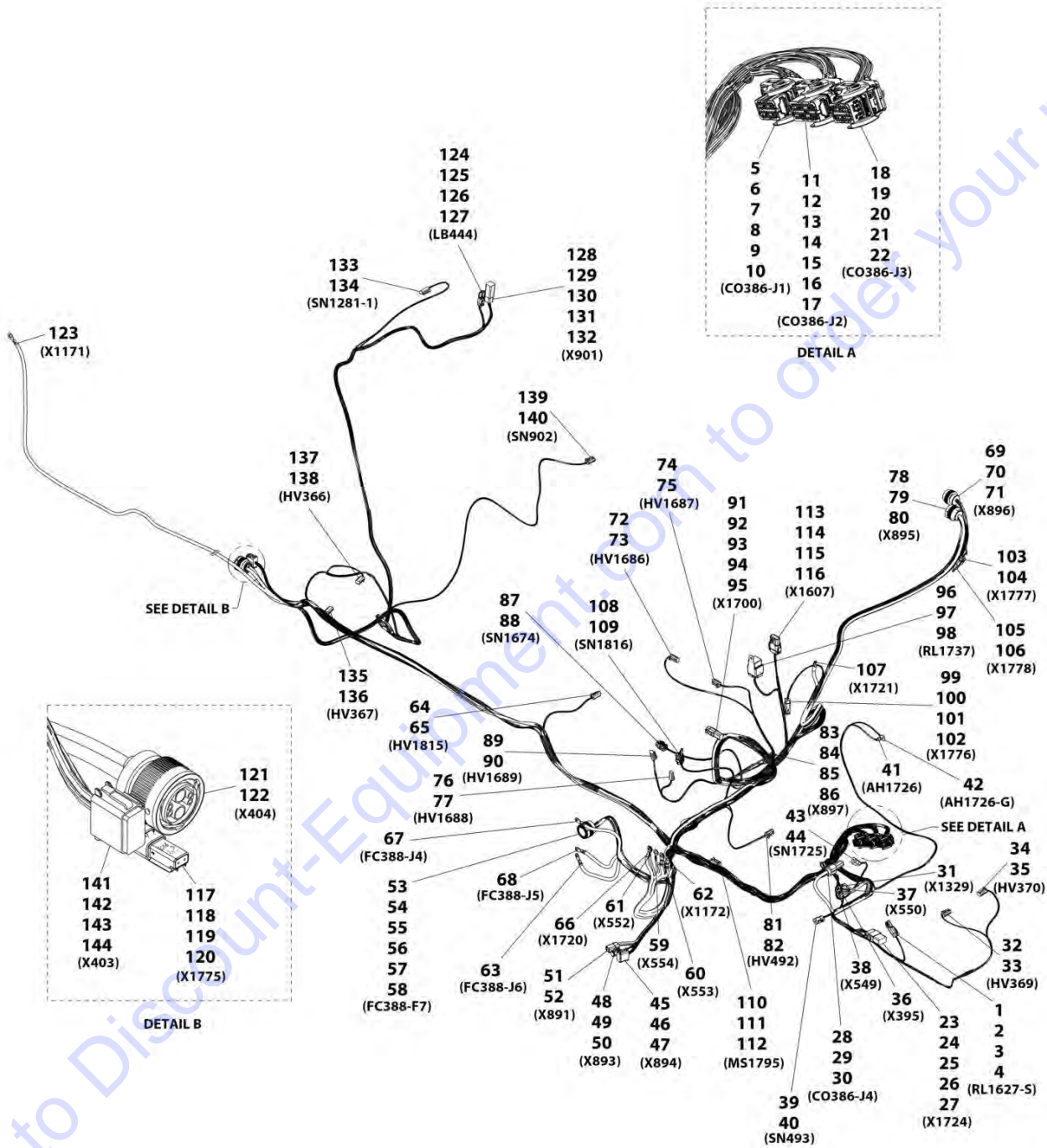
SECTION 10 - ELECTRICAL

ITEM	PART NUMBER	QTY	DESCRIPTION	REV
101	4460536	1	Mating Connector	
102	4460465	3	Terminal	

Go to Discount-Equipment.com to order your parts

SECTION 10 - ELECTRICAL

FIGURE 10-74. FRONT FRAME HARNESS, MINING



ART_1001228740-B

SECTION 10 - ELECTRICAL

FIGURE 10-74. FRONT FRAME HARNESS, MINING

ITEM	PART NUMBER	QTY	DESCRIPTION	REV
	1001228740	Ref	Front Frame Harness, Mining	B
1	4460891	1	Connector	
2	4460897	1	Mating Connector	
3	4460466	2	Plug	
4	4460465	2	Terminal	
5	1001161957	1	Connector	
6	643191201	1	Cover	
7	1001161100	12	Plug	
8	1001161097	12	Terminal	
9	1001161101	5	Plug	
10	1001161098	3	Terminal	
11	1001161963	1	Connector	
12	643201301	1	Cover	
13	1001161097	22	Terminal	
14	1001161100	19	Plug	
15	1001161099	6	Terminal	
16	1001161098	1	Terminal	
17	1001161101	1	Plug	
18	1001160500	1	Connector	
19	643191201	1	Cover	
20	1001161097	10	Terminal	
21	1001161100	15	Plug	
22	1001161099	7	Terminal	
23	4460933	1	Connector	
24	4460970	1	Mating Connector	
25	4460466	2	Plug	
26	4460942	10	Terminal	
27	4460466	2	Plug	
28	1001160509	1	Connector	
29	1001160510	1	Terminal	
30	1001175267	1	Seal	
31	1001187080	1	Ring Terminal	
32	4460891	1	Connector	
33	4460465	2	Terminal	
34	4460891	1	Connector	
35	4460465	2	Terminal	
36	1001187080	1	Ring Terminal	
37	1001187079	1	Ring Terminal	
38	1001187079	1	Ring Terminal	
39	4460539	1	Connector	
40	4460465	3	Terminal	
41	8220051	1	Ring Terminal	
42	1001187073	1	Ring Terminal	
43	4460539	1	Connector	
44	4460465	3	Terminal	
45	4460933	1	Connector	
46	4460465	11	Terminal	
47	4460466	1	Plug	
48	1001116812	1	Connector	
49	4460465	2	Terminal	

SECTION 10 - ELECTRICAL

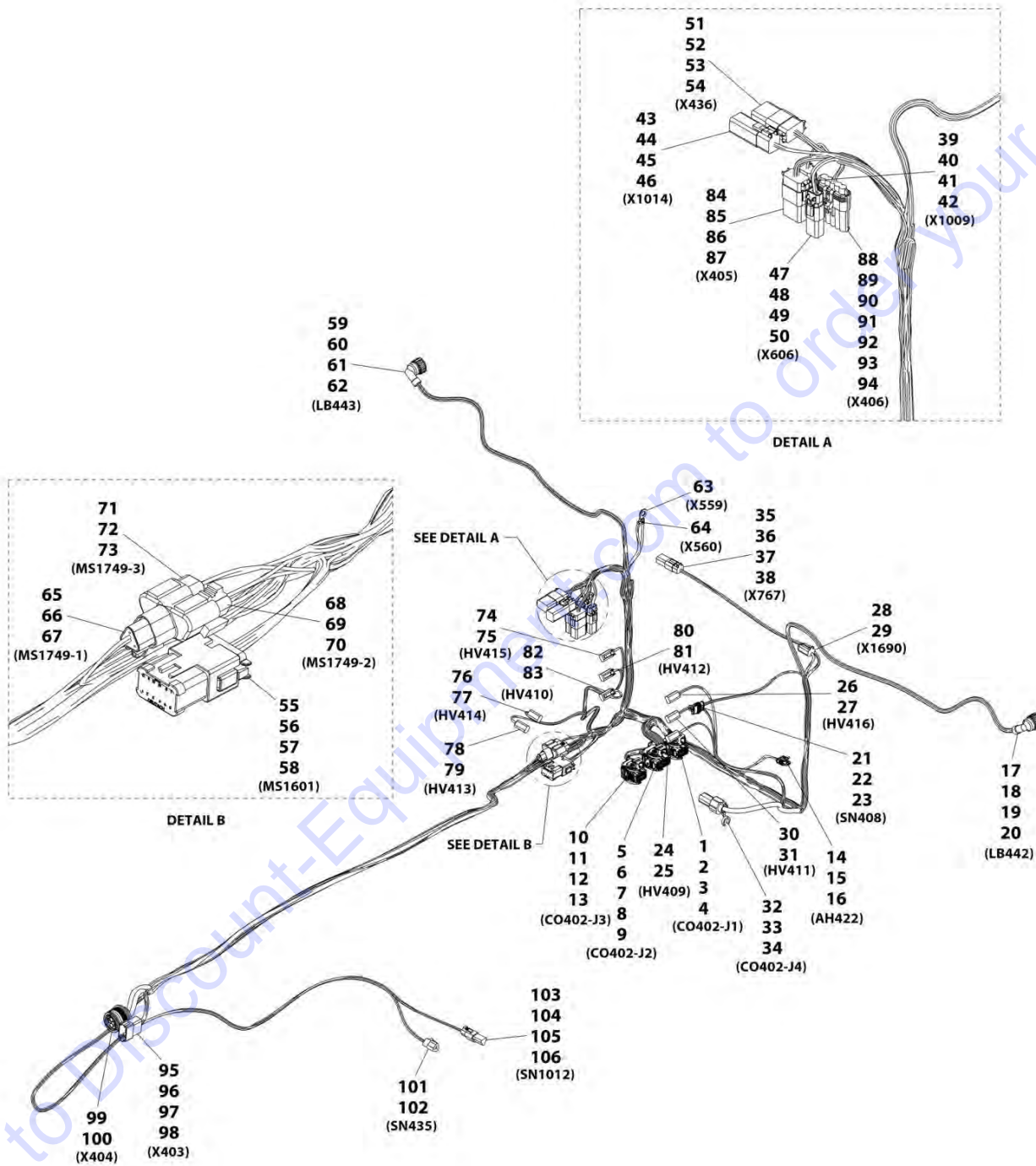
ITEM	PART NUMBER	QTY	DESCRIPTION	REV
50	4460466	1	Plug	
51	1001116810	1	Connector	
52	1001150611	4	Terminal	
53	1001165309	1	Connector	
54	4460466	2	Plug	
55	4460465	9	Terminal	
56	4460942	2	Terminal	
57	4460509	3	Terminal	
58	1001150611	3	Terminal	
59	1001187079	1	Ring Terminal	
60	1001187076	1	Ring Terminal	
61	1001187079	1	Ring Terminal	
62	1001187076	1	Ring Terminal	
63	1001187075	1	Ring Terminal	
64	4460891	1	Connector	
65	4460465	2	Terminal	
66	1001117109	1	Ring Terminal	
67	1001187075	1	Ring Terminal	
68	1001187075	1	Ring Terminal	
69	4461015	1	Connector	
70	4460465	12	Terminal	
71	4460466	2	Plug	
72	4460891	1	Connector	
73	4460465	2	Terminal	
74	4460891	1	Connector	
75	4460465	2	Terminal	
76	4461290	1	Connector	
77	4460928	2	Terminal	
78	1001118323	1	Connector	
79	4460942	4	Terminal	
80	91013192	2	Terminal	
81	4460891	1	Connector	
82	4460465	2	Terminal	
83	4460891	1	Connector	
84	4460897	1	Mating Connector	
85	4460942	1	Terminal	
86	4460466	1	Plug	
87	1001116950	1	Connector	
88	4460465	2	Terminal	
89	4460891	1	Connector	
90	4460465	2	Terminal	
91	4460884	1	Connector	
92	4460932	1	Mating Connector	
93	4460466	1	Sealing Plug	
94	4460465	3	Terminal	
95	4460942	1	Terminal	
96	1001118282	1	Connector	
97	1001116732	4	Terminal	
98	1001128128	1	Plug	
99	4460891	1	Connector	
100	4460897	1	Mating Connector	

SECTION 10 - ELECTRICAL

ITEM	PART NUMBER	QTY	DESCRIPTION	REV
101	4460465	2	Terminal	
102	4460466	1	Plug	
103	4460891	1	Connector	
104	4460465	2	Terminal	
105	4460897	1	Connector	
106	4460464	2	Terminal	
107	8220116	1	Ring Terminal	
108	1001116950	1	Connector	
109	4460465	2	Terminal	
110	4460930	1	Connector	
111	4460984	1	Mating Connector	
112	4460465	8	Terminal	
113	1001116774	1	Connector	
114	1001132169	1	Mating Connector	
115	4460518	7	Plug	
116	1001126008	5	Terminal	
117	4460891	1	Connector	
118	4460897	1	Mating Connector	
119	4460465	2	Terminal	
120	4460466	1	Plug	
121	1001165310	1	Connector	
122	91013192	2	Terminal	
123	1001187076	1	Ring Terminal	
124	4460891	1	Connector	
125	4460897	1	Mating Connector	
126	4460942	2	Terminal	
127	4460466	1	Plug	
128	4460894	1	Connector	
129	4460899	1	Mating Connector	
130	4460466	1	Plug	
131	4460465	2	Terminal	
132	4460942	4	Terminal	
133	4460891	1	Connector	
134	4460465	2	Terminal	
135	4460891	1	Connector	
136	4460465	2	Terminal	
137	4460891	1	Connector	
138	4460465	2	Terminal	
139	4460891	1	Connector	
140	4460465	2	Terminal	
141	4460933	1	Connector	
142	4460465	6	Terminal	
143	4460942	1	Terminal	
144	4460466	5	Plug	

SECTION 10 - ELECTRICAL

FIGURE 10-75. REAR FRAME HARNESS, MINING



ART_1001228741-A

SECTION 10 - ELECTRICAL

FIGURE 10-75. REAR FRAME HARNESS, MINING

ITEM	PART NUMBER	QTY	DESCRIPTION	REV
	1001228741	Ref	Front Frame Harness, Mining	A
1	1001161957	1	Connector	
2	1001161097	6	Terminal	
3	1001161100	18	Plug	
4	1001161101	8	Plug	
5	1001161963	1	Connector	
6	1001161097	26	Terminal	
7	1001161100	14	Plug	
8	1001161099	6	Terminal	
9	1001161101	2	Plug	
10	1001160500	1	Connector	
11	1001161100	18	Plug	
12	1001161097	6	Terminal	
13	1001161099	8	Terminal	
14	4461118	1	Connector	
15	1001107854	2	Terminal	
16	1001116763	2	Terminal Seal	
17	1001116996	1	Connector	
18	1001118392	6	Terminal	
19	1001116696	1	Plug	
20	4461054	6	Terminal Seal	
21	4461262	1	Connector	
22	1001107854	3	Terminal	
23	1001104498	3	Terminal Seal	
24	4460891	1	Connector	
25	4460465	2	Terminal	
26	4460891	1	Connector	
27	4460465	2	Terminal	
28	4460884	1	Connector	
29	4460465	4	Terminal	
30	4460891	1	Connector	
31	4460465	2	Terminal	
32	1001160509	1	Connector	
33	1001160510	1	Terminal	
34	1001175267	1	Terminal Seal	
35	4460884	1	Connector	
36	4460932	1	Mating Connector	
37	4460465	4	Terminal	
38	4460466	1	Plug	
39	4460884	1	Connector	
40	4460932	1	Mating Connector	
41	4460466	2	Plug	
42	4460465	2	Terminal	
43	4460894	1	Connector	
44	4460899	1	Mating Connector	
45	4460466	3	Plug	
46	4460465	3	Terminal	
47	4461018	1	Connector	
48	4461017	1	Mating Connector	
49	4460509	2	Terminal	

SECTION 10 - ELECTRICAL

ITEM	PART NUMBER	QTY	DESCRIPTION	REV
51	4460930	1	Connector	
52	4460931	1	Mating Connector	
53	4460466	2	Plug	
54	4460465	6	Terminal	
55	4460933	1	Connector	
56	1001125677	1	Bussbar Connector	
57	4460465	10	Terminal	
58	4460466	2	Plug	
59	1001116996	1	Connector	
60	1001118392	6	Terminal	
61	1001116696	1	Plug	
62	4461054	6	Terminal Seal	
63	1001187080	1	Ring Terminal	
64	1001187079	1	Ring Terminal	
65	1001116812	1	Connector	
66	4460944	2	Terminal	
67	4460466	1	Plug	
68	4460539	1	Connector	
69	4460944	2	Terminal	
70	4460466	1	Plug	
71	1001116812	1	Connector	
72	4460944	2	Terminal	
73	4460466	1	Plug	
74	4460891	1	Connector	
75	4460465	2	Terminal	
76	4460891	1	Connector	
77	4460465	2	Terminal	
78	4460891	1	Connector	
79	4460465	2	Terminal	
80	4460891	1	Connector	
81	4460465	2	Terminal	
82	4460891	1	Connector	
83	4460465	2	Terminal	
84	4460930	1	Connector	
85	4460931	1	Mating Connector	
86	4460466	2	Plug	
87	4460465	6	Terminal	
88	1001121726	1	Connector	
89	1001121727	1	Mating Connector	
90	1001116728	4	Terminal	
91	1001116727	1	Plug	
92	4460748	1	Plug	
93	1001175265	3	Terminal Seal	
94	4460458	1	Terminal Seal	
95	4460970	1	Connector	
96	4460464	6	Terminal	
97	4460941	1	Terminal	
98	4460466	5	Plug	
99	1001165311	1	Connector	
100	91013191	2	Terminal	
101	4460539	1	Connector	

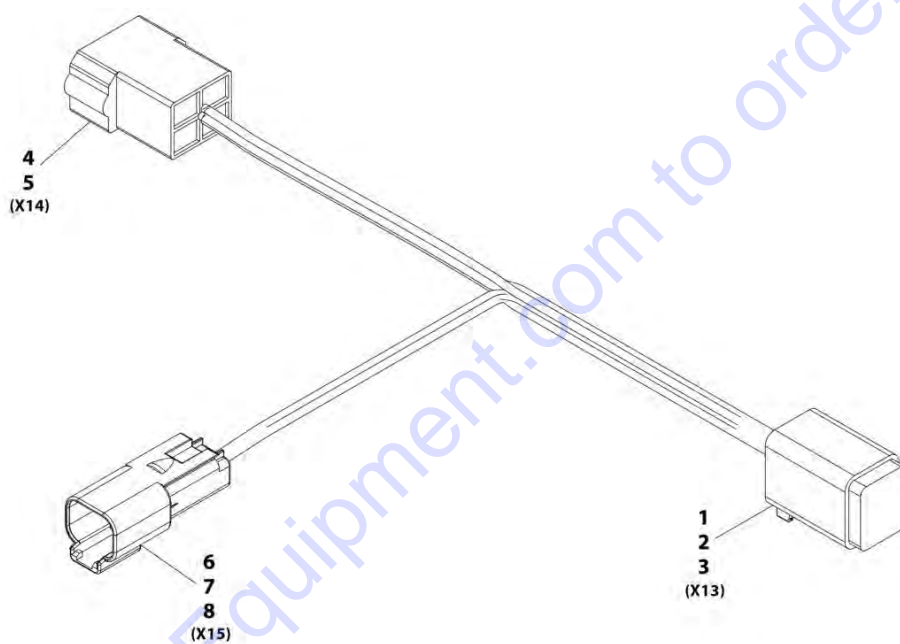
SECTION 10 - ELECTRICAL

ITEM	PART NUMBER	QTY	DESCRIPTION	REV
102	4460944	3	Terminal	
103	4460539	1	Connector	
104	4460536	1	Mating Connector	
105	4460466	1	Plug	
106	4460465	3	Terminal	

Go to Discount-Equipment.com to order your parts

SECTION 10 - ELECTRICAL

FIGURE 10-76. SEAT ADAPTOR HARNESS



ART_1001168531-A

SECTION 10 - ELECTRICAL

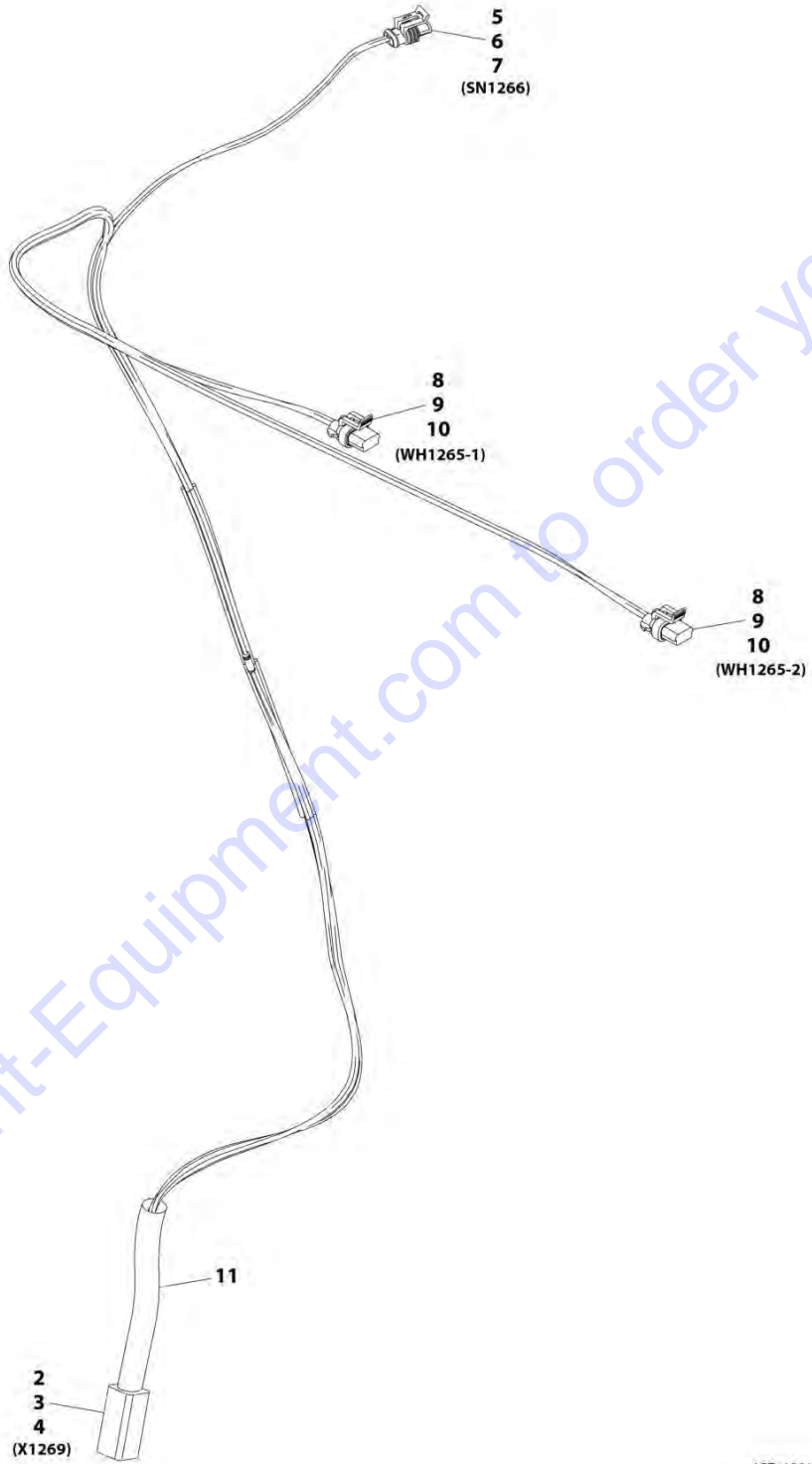
FIGURE 10-76. SEAT ADAPTOR HARNESS

ITEM	PART NUMBER	QTY	DESCRIPTION	REV
	1001168531	Ref	Seat Adaptor Harness	A
1	4460894	1	Connector	
2	91504107	1	Lock, Connector	
3	4460465	6	Terminal	
4	1001117011	1	Connector	
5	1001116700	3	Terminal	
6	4460897	1	Connector	
7	80604017	1	Lock, Connector	
8	4460943	2	Terminal	

Go to Discount-Equipment.com to order your parts

SECTION 10 - ELECTRICAL

FIGURE 10-77. A/C OPTION HARNESS



ART_1001169151-E

SECTION 10 - ELECTRICAL

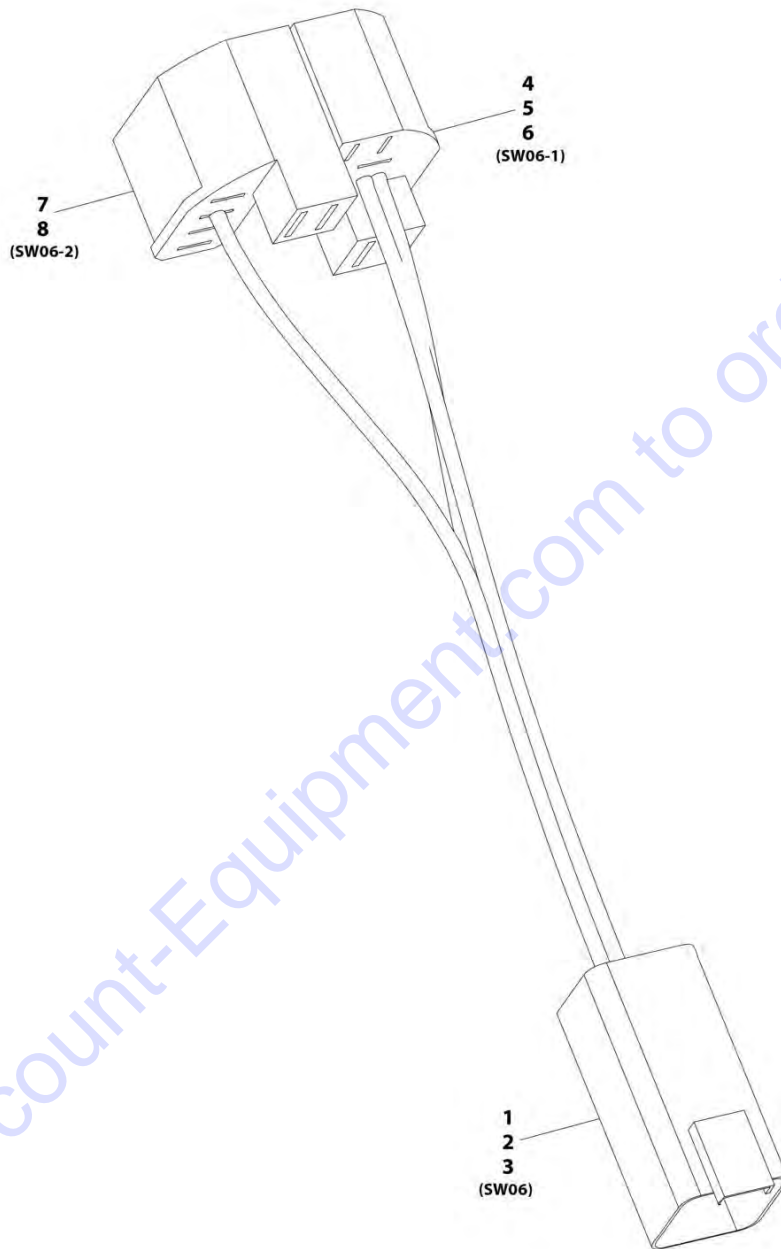
FIGURE 10-77. A/C OPTION HARNESS

ITEM	PART NUMBER	QTY	DESCRIPTION	REV
	1001169151	Ref	A/C Option Harness	E
2	4460899	1	Connector	
3	4460941	4	Terminal	
4	4460464	2	Terminal	
5	4461118	1	Connector	
6	1001107854	2	Terminal	
7	1001116763	2	Seal	
8	1001117021	2	Connector	
9	1001116747	4	Terminal	
10	4460789	4	Seal	
11	70028546	1	Backshell	

Go to Discount-Equipment.com to order your parts

SECTION 10 - ELECTRICAL

FIGURE 10-78. IGNITION SWITCH HARNESS



ART_1001223968-A

SECTION 10 - ELECTRICAL

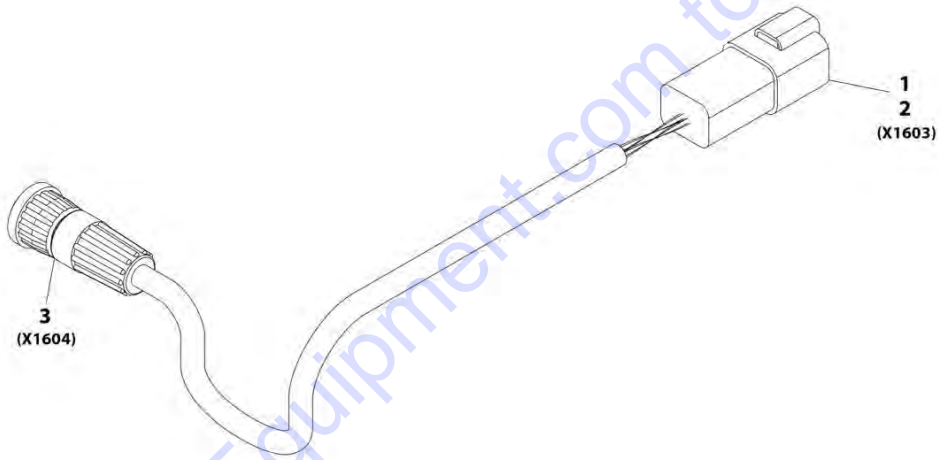
FIGURE 10-78. IGNITION SWITCH HARNESS

ITEM	PART NUMBER	QTY	DESCRIPTION	REV
	1001223968	Ref	Ignition Switch Harness	A
1	4460899	1	Connector	
2	4460464	3	Terminal	
3	4460466	3	Plug	
4	1001118685	1	Connector	
5	1001104519	1	Terminal	
6	1001118383	1	Terminal	
7	1001117121	1	Connector	
8	1001104519	1	Terminal	

Go to Discount-Equipment.com to order your parts

SECTION 10 - ELECTRICAL

FIGURE 10-79. REVERSE SENSOR HARNESS



ART_1001175776-C

SECTION 10 - ELECTRICAL

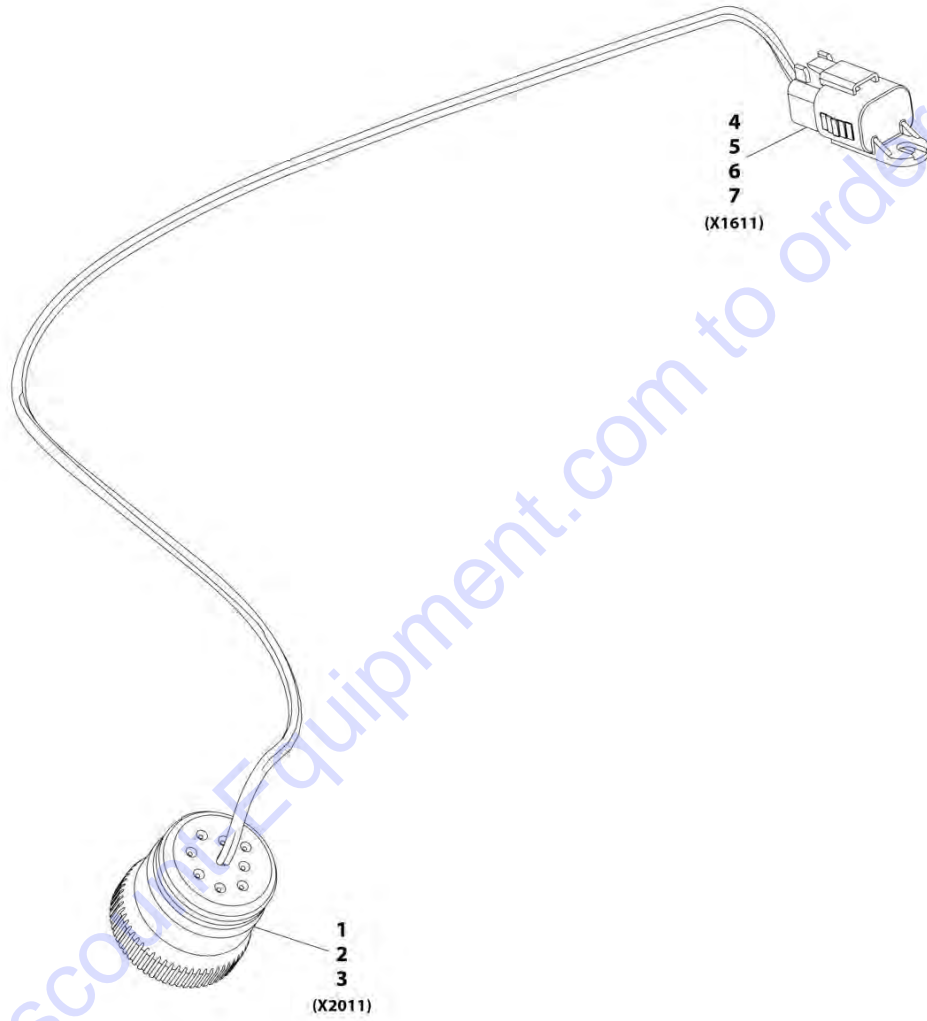
FIGURE 10-79. REVERSE SENSOR HARNESS

ITEM	PART NUMBER	QTY	DESCRIPTION	REV
	1001175776	Ref	Reverse Sensor Harness	C
1	4460932	1	Connector	
2	4460464	4	Terminal	
3	1001175733	1	Connector	

Go to Discount-Equipment.com to order your parts

SECTION 10 - ELECTRICAL

FIGURE 10-80. TELEMATICS READY HARNESS



ART_1001196289-A

SECTION 10 - ELECTRICAL

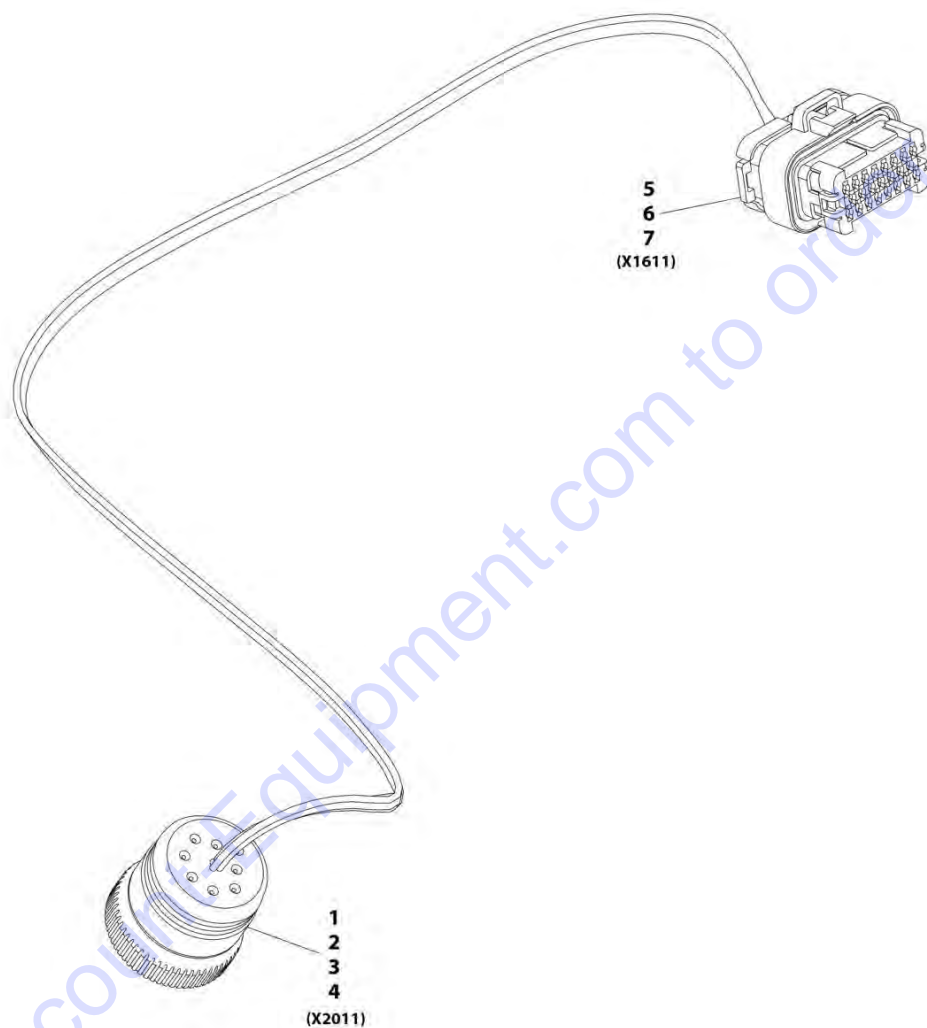
FIGURE 10-80. TELEMATICS READY HARNESS

ITEM	PART NUMBER	QTY	DESCRIPTION	REV
	1001196289	Ref	Telematics Ready Harness	A
1	1001112796	1	Connector	
2	4460465	3	Terminal	
3	4460466	6	Plug	
4	4460884	1	Connector	
5	4460465	3	Terminal	
6	4460466	1	Plug	
7	80604021	1	Lock, Connector	

Go to Discount-Equipment.com to order your parts

SECTION 10 - ELECTRICAL

FIGURE 10-81. CLEARSKY HARNESS (A/C) (Prior to SN 0160087894)



ART_1001196452-A

SECTION 10 - ELECTRICAL

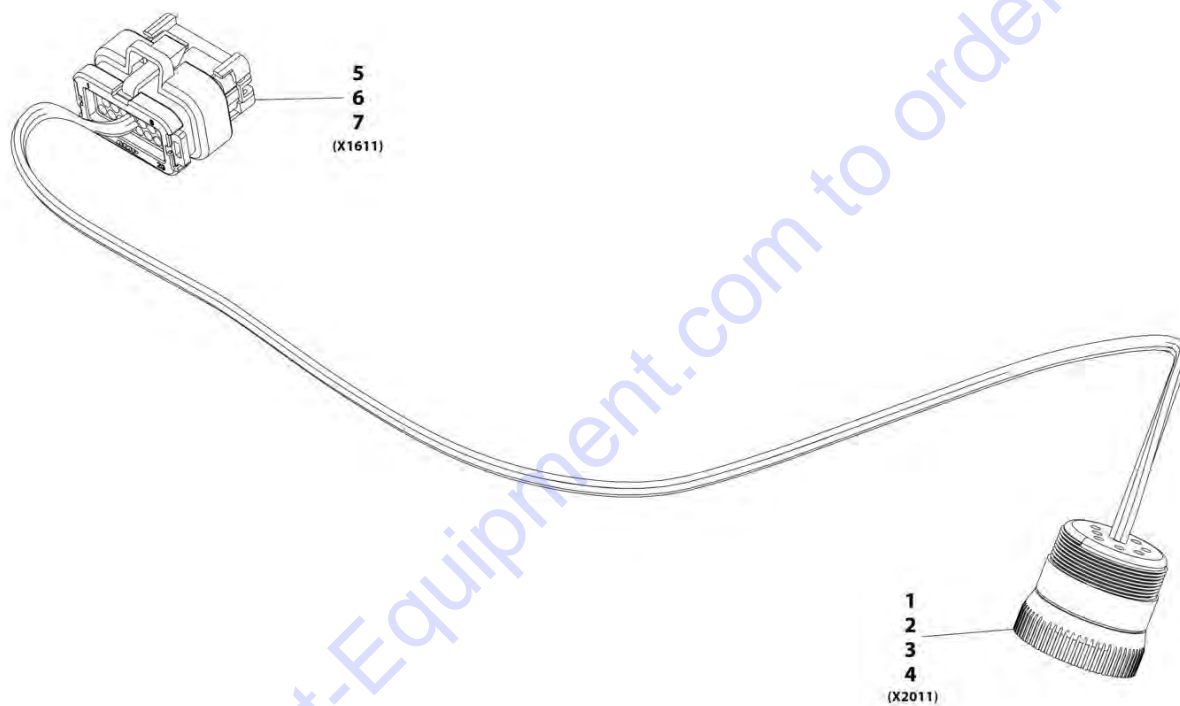
FIGURE 10-81. CLEARSKY HARNESS (A/C) (Prior to SN 0160087894)

ITEM	PART NUMBER	QTY	DESCRIPTION	REV
	1001196452	Ref	Clearsky Harness (A/C)	A
1	1001112796	1	Connector	
2	4460465	3	Terminal	
3	4460944	2	Terminal	
4	4460466	4	Plug	
5	1001116994	1	Connector	
6	4460871	5	Terminal	
7	4460905	18	Plug	

Go to Discount-Equipment.com to order your parts

SECTION 10 - ELECTRICAL

FIGURE 10-82. CLEARSKY HARNESS (NO A/C) (Prior to SN 0160087894)



ART_1001176587-C

SECTION 10 - ELECTRICAL

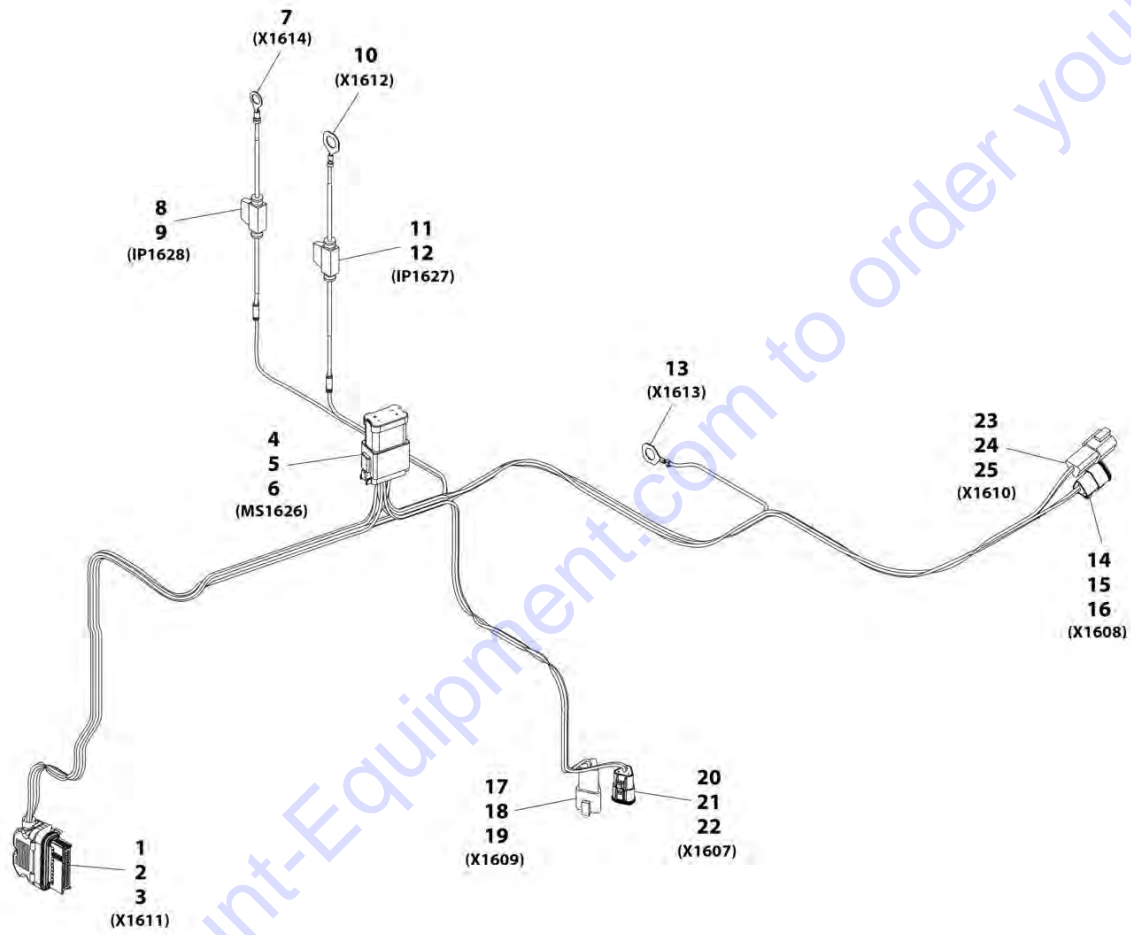
FIGURE 10-82. CLEARSKY HARNESS (NO A/C) (Prior to SN 0160087894)

ITEM	PART NUMBER	QTY	DESCRIPTION	REV
	1001176587	Ref	Clearsky Harness (no A/C)	C
1	1001112796	1	Connector	
2	4460465	3	Terminal	
3	4460944	2	Terminal	
4	4460466	4	Plug	
5	1001116994	1	Connector	
6	4460871	5	Terminal	
7	4460905	18	Plug	

Go to Discount-Equipment.com to order your parts

SECTION 10 - ELECTRICAL

FIGURE 10-83. 4WARD TELEMATIC, HARNESS (CLEARSKY 2) (SN 0160087894 to Present)



ART_1001227297-B

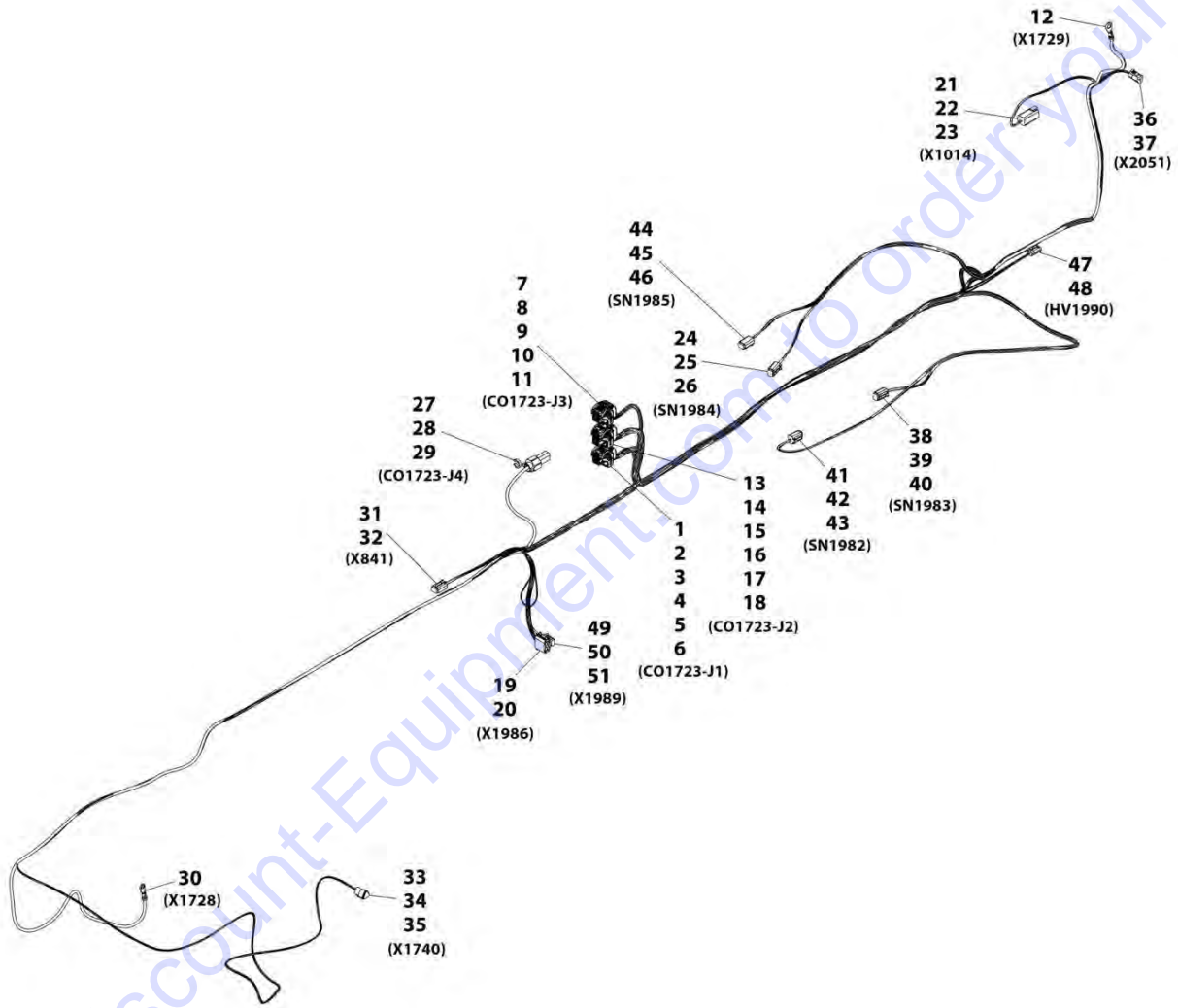
SECTION 10 - ELECTRICAL

FIGURE 10-83. 4WARD TELEMATIC, HARNESS (CLEARSKY 2) (SN 0160087894 to Present)

ITEM	PART NUMBER	QTY	DESCRIPTION	REV
	1001227297	Ref	4ward Telematic, Harness (Clearsky 2)	B
1	1001226636	1	Connector	
2	1001226637	7	Terminal	
3	1001116731	17	Plug	
4	4460933	1	Connector	
5	4460465	12	Terminal	
6	1001200206	1	Connector, DT 12 Pin 4X3 Buss	
7	4460670	1	Connector	
8	2400060	1	Connector	
9	8229242	1	Fuse, 5amp	
10	1001187078	1	Connector	
11	2400060	1	Connector	
12	8229242	1	Fuse, 5amp	
13	1001187081	1	Connector	
14	1001116812	1	Connector	
15	4460465	2	Terminal	
16	4460466	1	Plug	
17	1001144147	1	Connector	
18	4460464	2	Terminal	
19	4460466	1	Plug	
20	1001116812	1	Connector	
21	4460465	2	Terminal	
22	4460466	1	Plug	
23	1001144147	1	Connector	
24	4460464	2	Terminal	
25	4460466	1	Plug	

SECTION 10 - ELECTRICAL

FIGURE 10-84. LMIS CHASSIS OPTION HARNESS



ART_1001184795-E

SECTION 10 - ELECTRICAL

FIGURE 10-84. LMIS CHASSIS OPTION HARNESS

ITEM	PART NUMBER	QTY	DESCRIPTION	REV
	1001184795	Ref	LMIS Chassis Option Harness	E
1	1001161957	1	Connector	
2	1001161097	17	Terminal	
3	1001161100	7	Plug	
4	1001161101	2	Plug	
5	1001161098	2	Terminal	
6	1001161099	4	Terminal	
7	1001160500	1	Connector	
8	1001161100	16	Plug	
9	1001161097	8	Terminal	
10	1001161101	7	Plug	
11	1001161098	1	Terminal	
12	1001187076	1	Ring Terminal	
13	1001161963	1	Connector	
14	1001161097	24	Terminal	
15	1001161100	16	Plug	
16	1001161095	1	Terminal	
17	1001161099	3	Terminal	
18	1001161101	4	Plug	
19	1001116774	1	Connector	
20	4460928	12	Terminal	
21	4460899	1	Connector	
22	4460464	3	Terminal	
23	4460466	3	Plug	
24	4460884	1	Connector	
25	4460942	1	Terminal	
26	4460465	3	Terminal	
27	1001160509	1	Connector	
28	1001160510	1	Terminal	
29	1001175266	1	Terminal Seal	
30	1001187075	1	Ring Terminal	
31	4460884	1	Connector	
32	4460465	4	Terminal	
33	1001116812	1	Connector	
34	4460944	2	Terminal	
35	4460466	1	Plug	
36	4460539	1	Connector	
37	4460465	3	Terminal	
38	4460884	1	Connector	
39	4460942	1	Terminal	
40	4460465	3	Terminal	
41	4460884	1	Connector	
42	4460942	1	Terminal	
43	4460465	3	Terminal	
44	4460884	1	Connector	
45	4460942	1	Terminal	
46	4460465	3	Terminal	
47	4460891	1	Connector	
48	4460465	2	Terminal	
49	4460891	1	Connector	

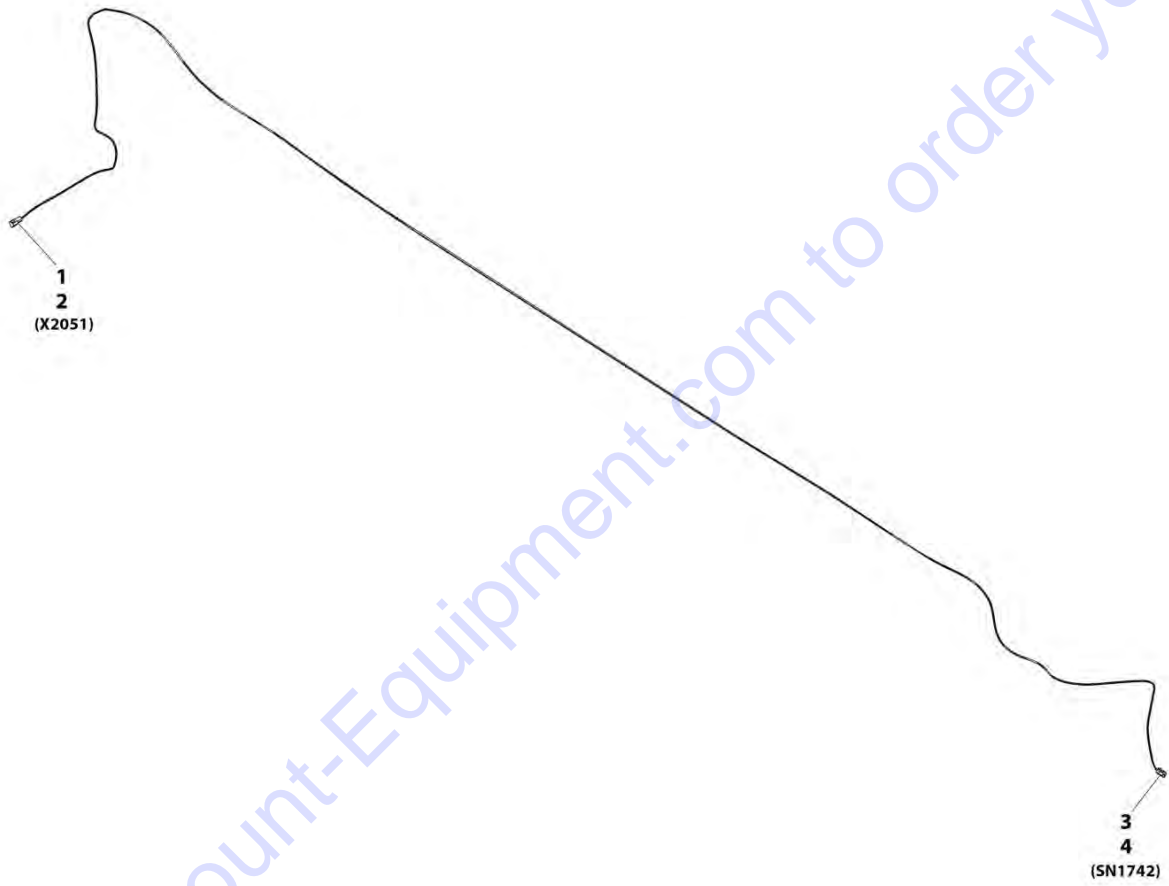
SECTION 10 - ELECTRICAL

ITEM	PART NUMBER	QTY	DESCRIPTION	REV
50	4460465	1	Terminal	
51	4460942	1	Terminal	

Go to Discount-Equipment.com to order your parts

SECTION 10 - ELECTRICAL

FIGURE 10-85. LMIS BOOM HARNESS



ART_1001192619-C

SECTION 10 - ELECTRICAL

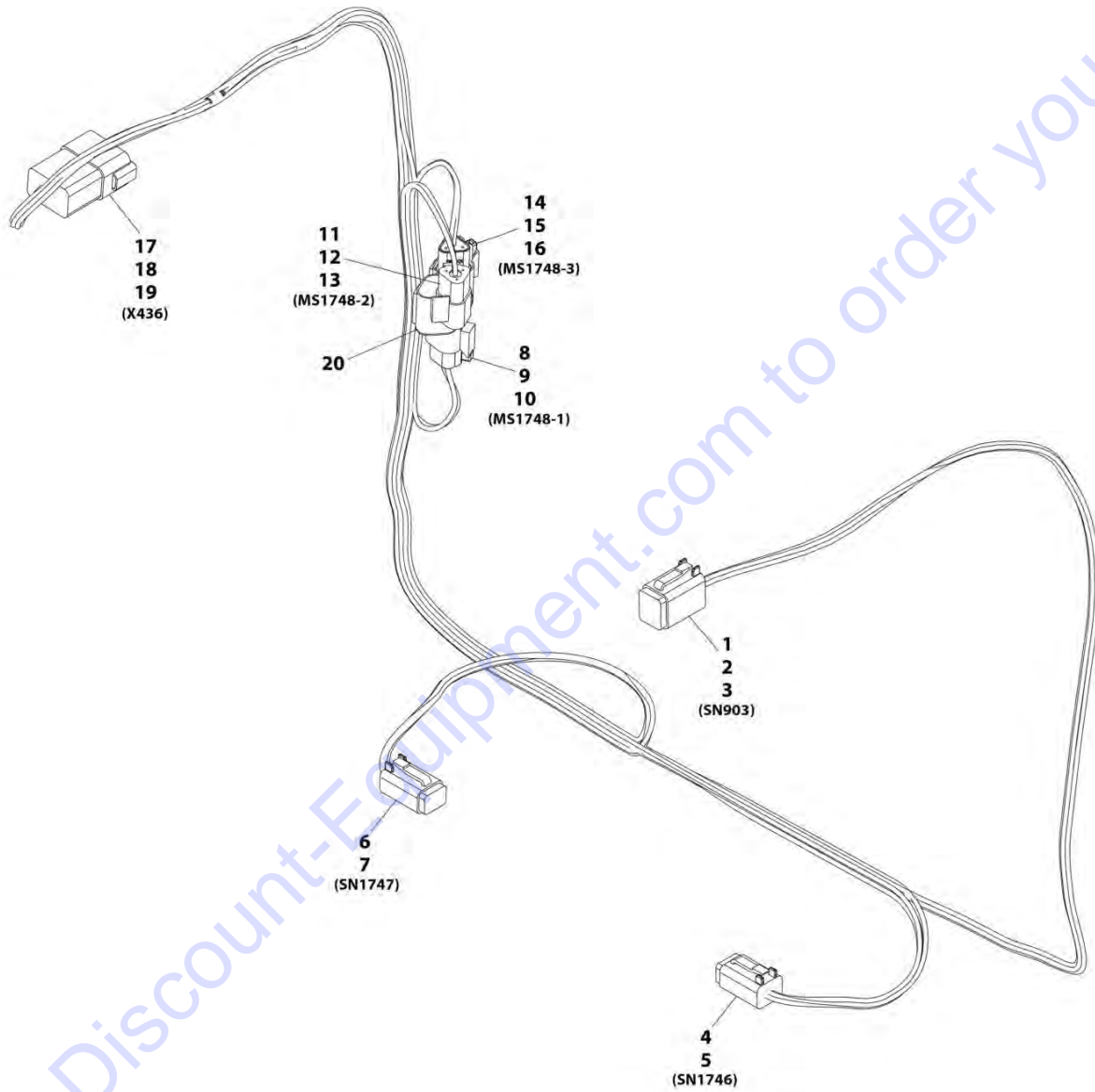
FIGURE 10-85. LMIS BOOM HARNESS

ITEM	PART NUMBER	QTY	DESCRIPTION	REV
	1001192619	Ref	LMIS Boom Harness	C
1	4460536	1	Connector	
2	4460464	3	Terminal	
3	4460539	1	Connector	
4	4460465	3	Terminal	

Go to Discount-Equipment.com to order your parts

SECTION 10 - ELECTRICAL

FIGURE 10-86. PLATFORM READY HARNESS



ART_1001195202-A

SECTION 10 - ELECTRICAL

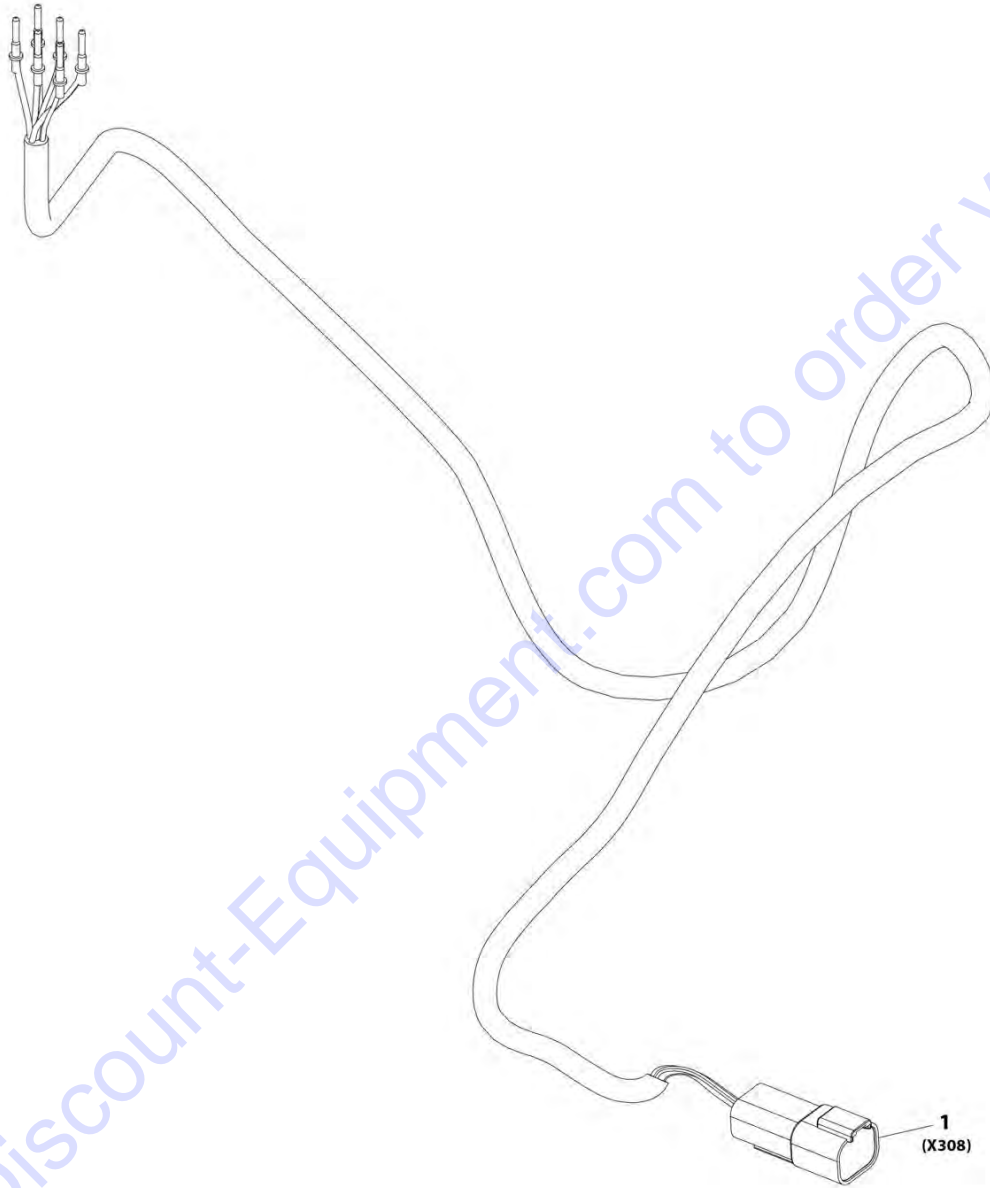
FIGURE 10-86. PLATFORM READY HARNESS

ITEM	PART NUMBER	QTY	DESCRIPTION	REV
	1001195202	Ref	Platform Ready Harness	A
1	4460894	1	Connector	
2	4460465	4	Terminal	
3	4460466	2	Plug	
4	4460884	1	Connector	
5	4460944	4	Terminal	
6	4460884	1	Connector	
7	4460944	4	Terminal	
8	1001116812	1	Connector	
9	4460944	2	Terminal	
10	4460466	1	Plug	
11	4460539	1	Connector	
12	4460944	2	Terminal	
13	4460466	1	Plug	
14	1001116812	1	Connector	
15	4460944	2	Terminal	
16	4460466	1	Plug	
17	4460931	1	Connector	
18	4460464	6	Terminal	
19	4460466	2	Plug	
20	4460945	1	Connector, 3 Way	

Go to Discount-Equipment.com to order your parts

SECTION 10 - ELECTRICAL

FIGURE 10-87. LMIS BEACON OPTION HARNESS



ART_100117247-B

SECTION 10 - ELECTRICAL

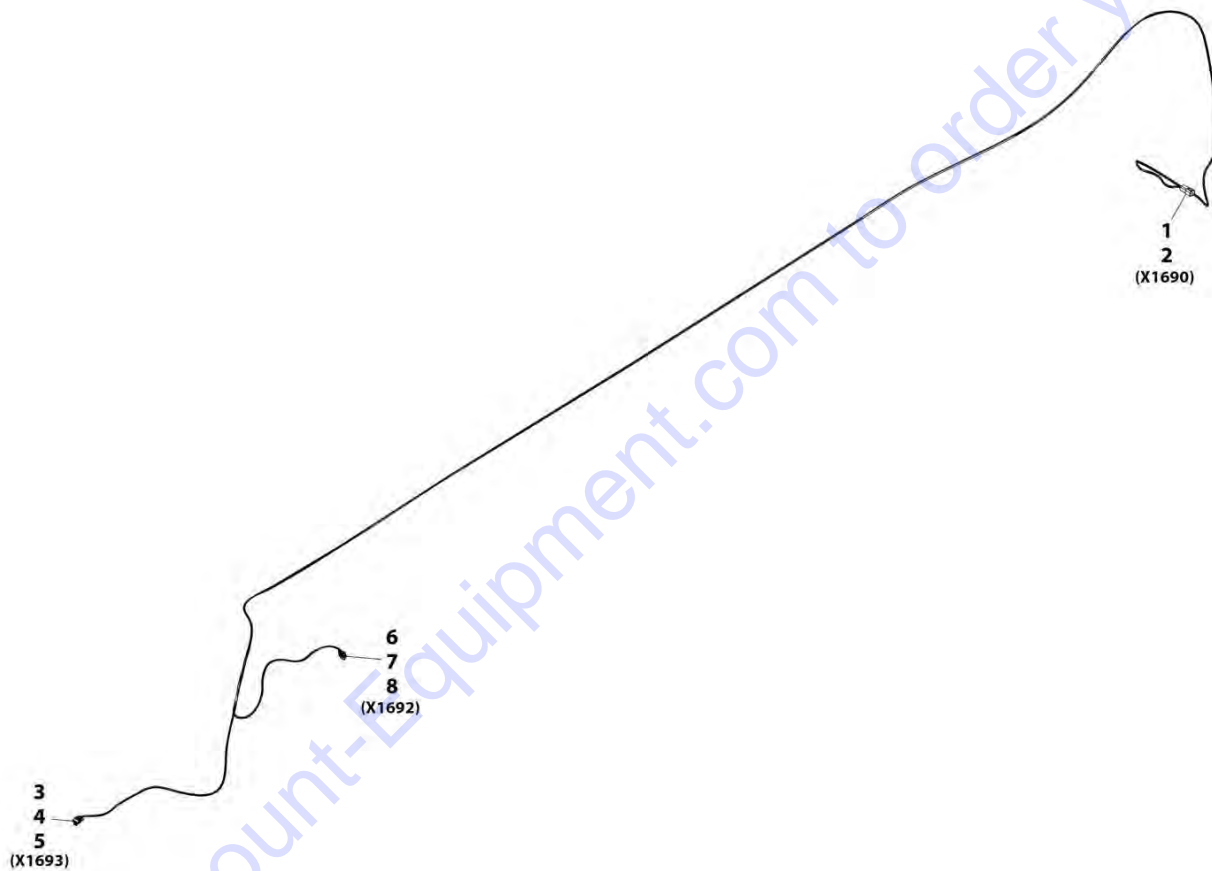
FIGURE 10-87. LMIS BEACON OPTION HARNESS

ITEM	PART NUMBER	QTY	DESCRIPTION	REV
1	1001117247 4460932	Ref 1	LMIS Beacon Option Harness Connector	B

Go to Discount-Equipment.com to order your parts

SECTION 10 - ELECTRICAL

FIGURE 10-88. PROXIMITY SENSOR HARNESS



ART_1001195953-F

SECTION 10 - ELECTRICAL

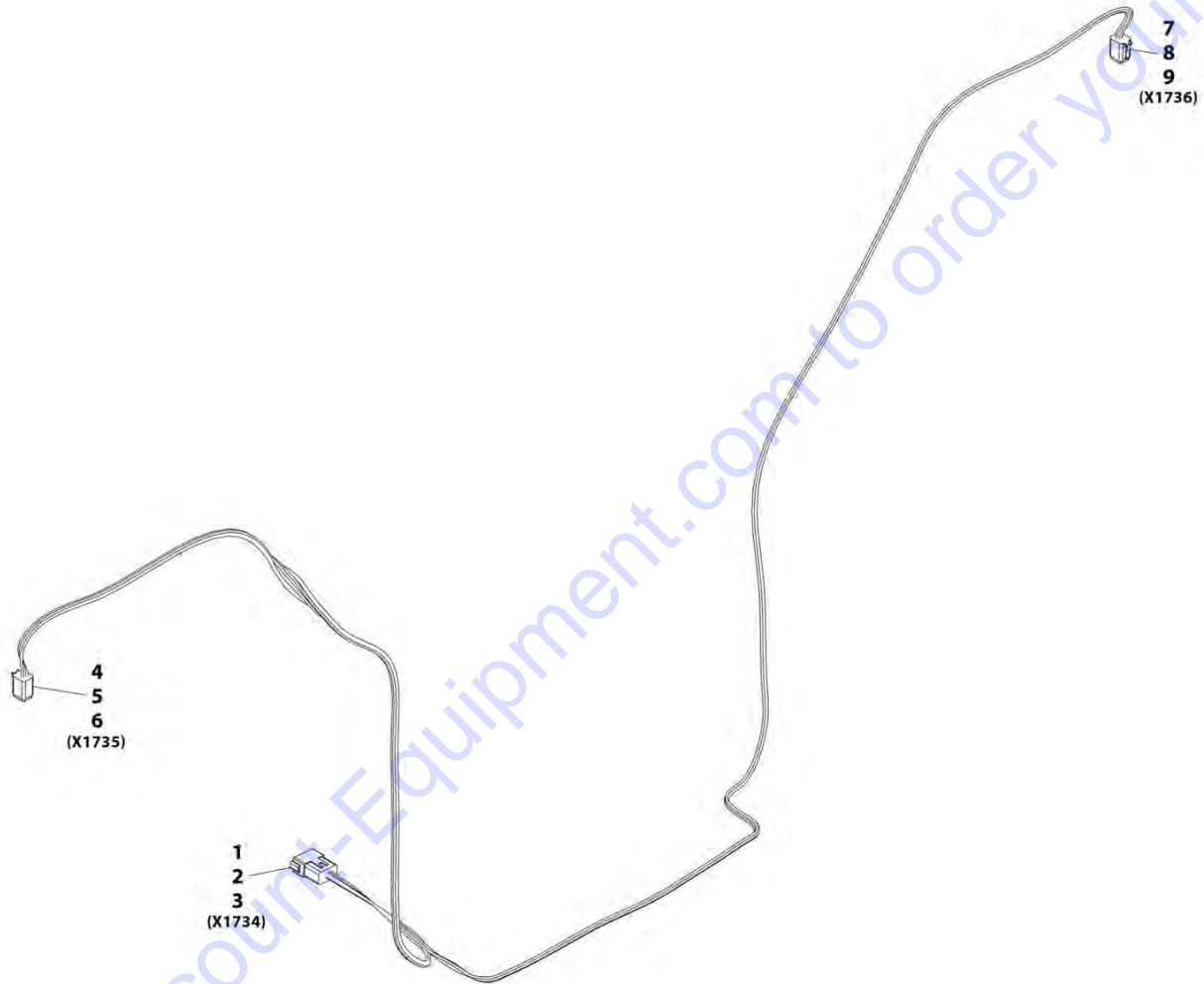
FIGURE 10-88. PROXIMITY SENSOR HARNESS

ITEM	PART NUMBER	QTY	DESCRIPTION	REV
	1001195953	Ref	Proximity Sensor Harness	F
1	4460932	1	Connector	
2	4460464	4	Terminal	
3	4461262	1	Connector	
4	1001107854	3	Terminal	
5	1001104498	3	Terminal Seal	
6	4461262	1	Connector	
7	1001107854	3	Terminal	
8	1001104498	3	Terminal Seal	

Go to Discount-Equipment.com to order your parts

SECTION 10 - ELECTRICAL

FIGURE 10-89. HEADLIGHT HARNESS



ART_1001215693-B

SECTION 10 - ELECTRICAL

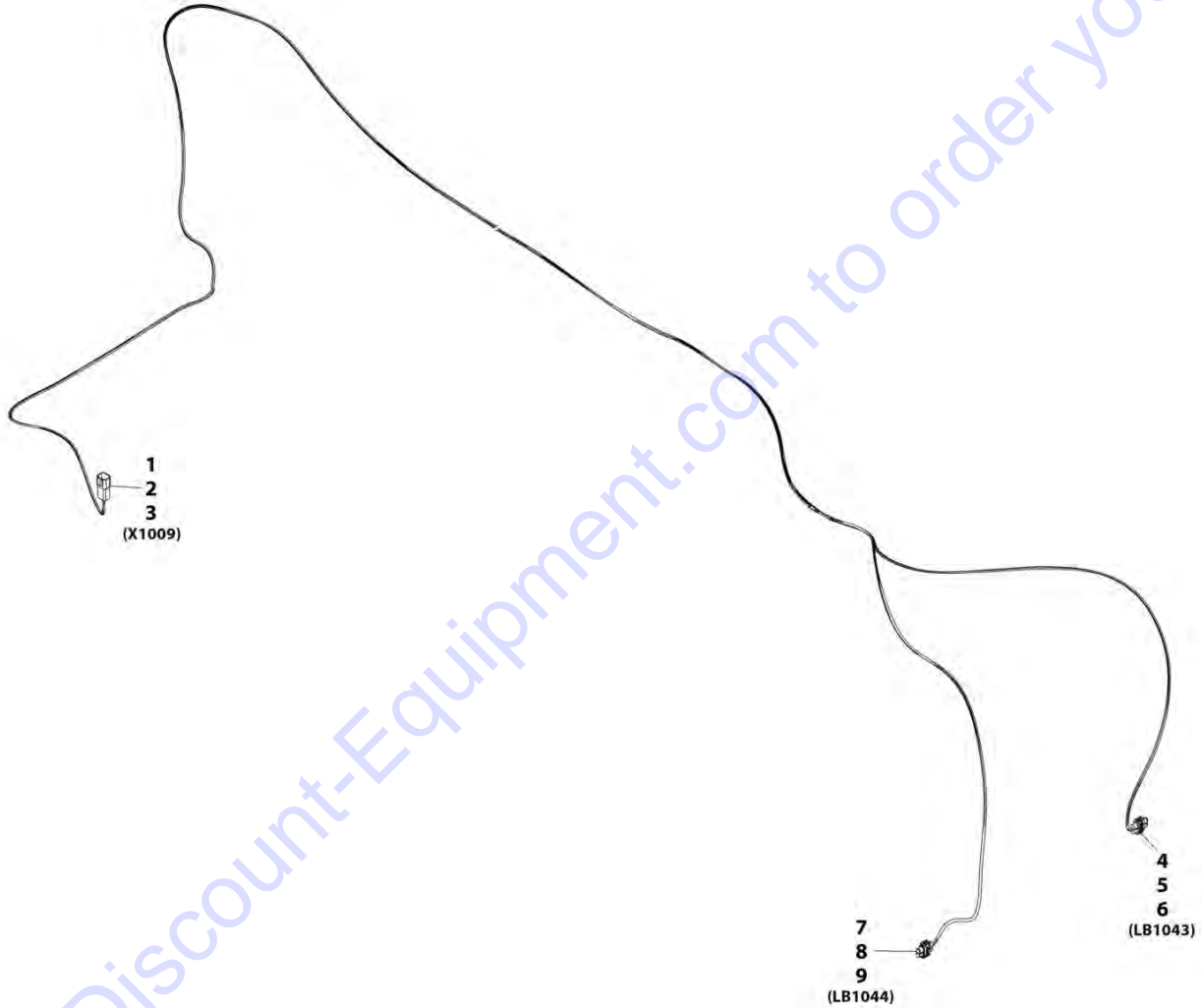
FIGURE 10-89. HEADLIGHT HARNESS

ITEM	PART NUMBER	QTY	DESCRIPTION	REV
	1001215693	Ref	Headlight Harness	B
1	4460970	1	Connector	
2	4460941	10	Terminal	
3	4460466	2	Plug	
4	4460894	1	Connector	
5	4460942	5	Terminal	
6	4460466	1	Plug	
7	4460894	1	Connector	
8	4460942	5	Terminal	
9	4460466	1	Plug	

Go to Discount-Equipment.com to order your parts

SECTION 10 - ELECTRICAL

FIGURE 10-90. BOOM WORKLIGHTS HARNESS



ART_1001184796-D

SECTION 10 - ELECTRICAL

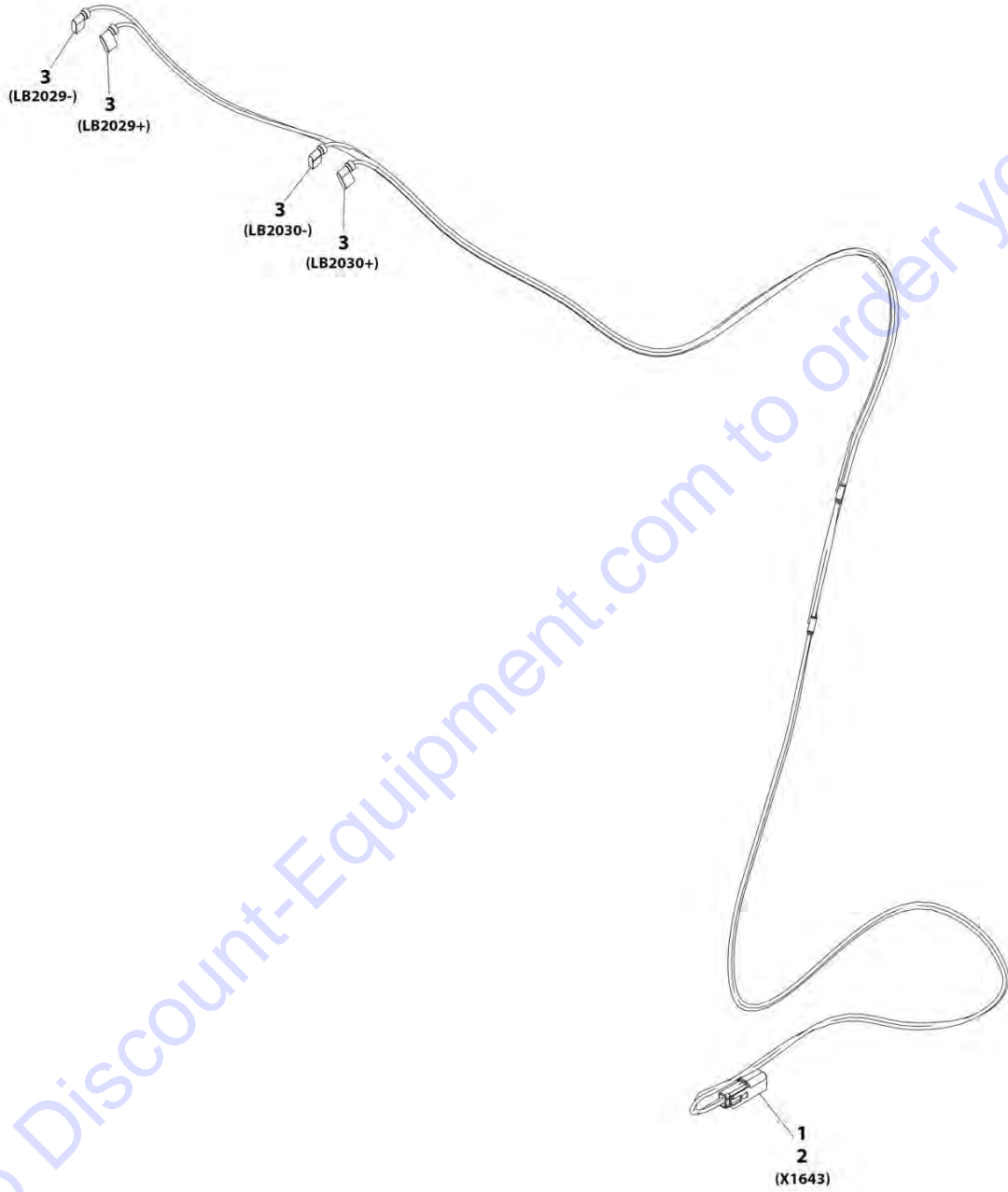
FIGURE 10-90. BOOM WORKLIGHTS HARNESS

ITEM	PART NUMBER	QTY	DESCRIPTION	REV
	1001184796	Ref	Boom Worklights Harness	D
1	4460932	1	Connector	
2	4460464	2	Terminal	
3	4460466	2	Plug	
4	4461115	1	Connector	
5	1001116728	2	Terminal	
6	4460458	2	Terminal Seal	
7	4461115	1	Connector	
8	1001116728	2	Terminal	
9	4460458	2	Terminal Seal	

Go to Discount-Equipment.com to order your parts

SECTION 10 - ELECTRICAL

FIGURE 10-91. LICENSE LIGHT HARNESS



ART_1001178053-C

SECTION 10 - ELECTRICAL

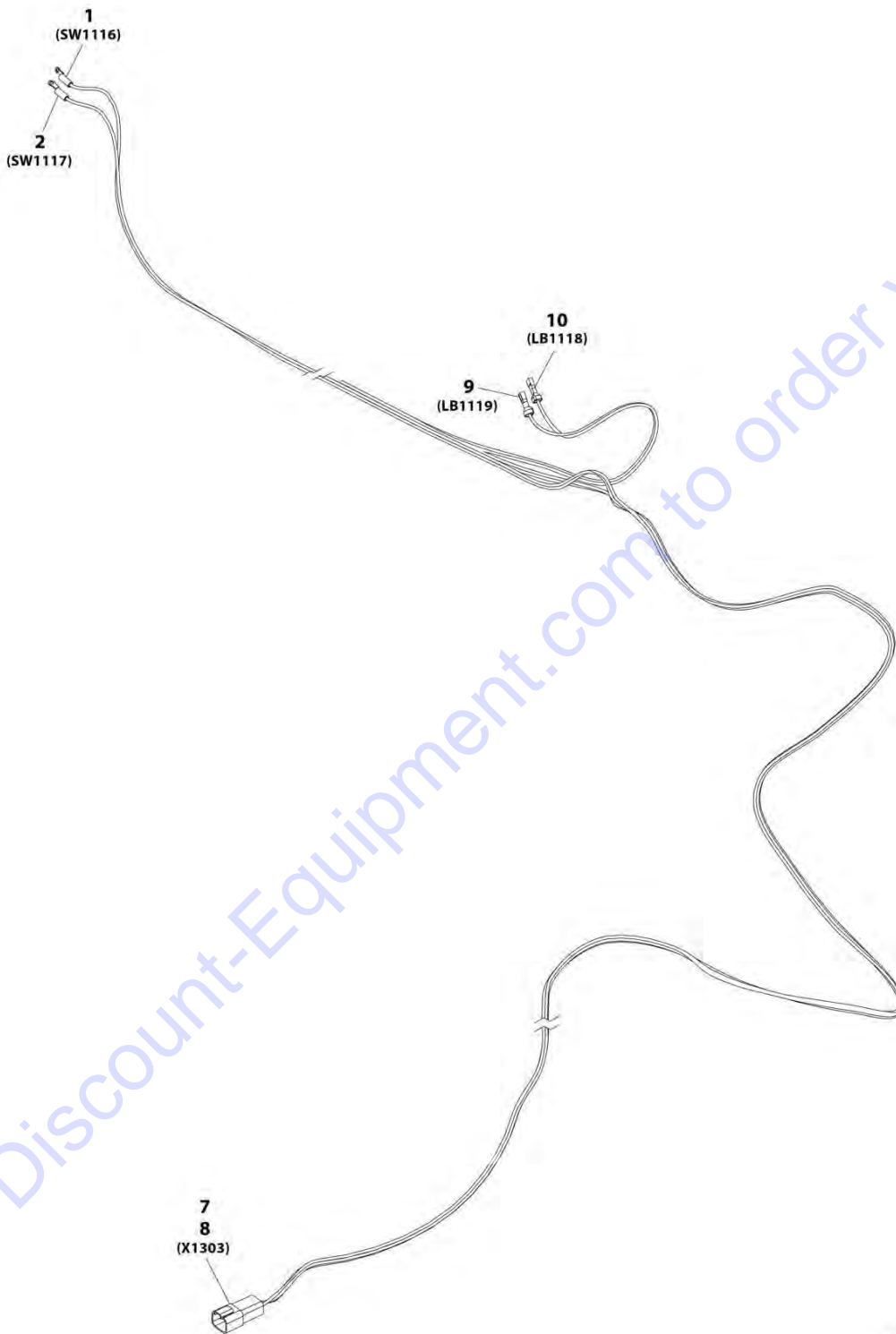
FIGURE 10-91. LICENSE LIGHT HARNESS

ITEM	PART NUMBER	QTY	DESCRIPTION	REV
	1001178053	Ref	License Light Harness	C
1	4460897	1	Connector	
2	4460941	2	Terminal	
3	1001190396	4	Connector	

Go to Discount-Equipment.com to order your parts

SECTION 10 - ELECTRICAL

FIGURE 10-92. AIR SHUTOFF VALVE HARNESS



ART_1001231407-C

SECTION 10 - ELECTRICAL

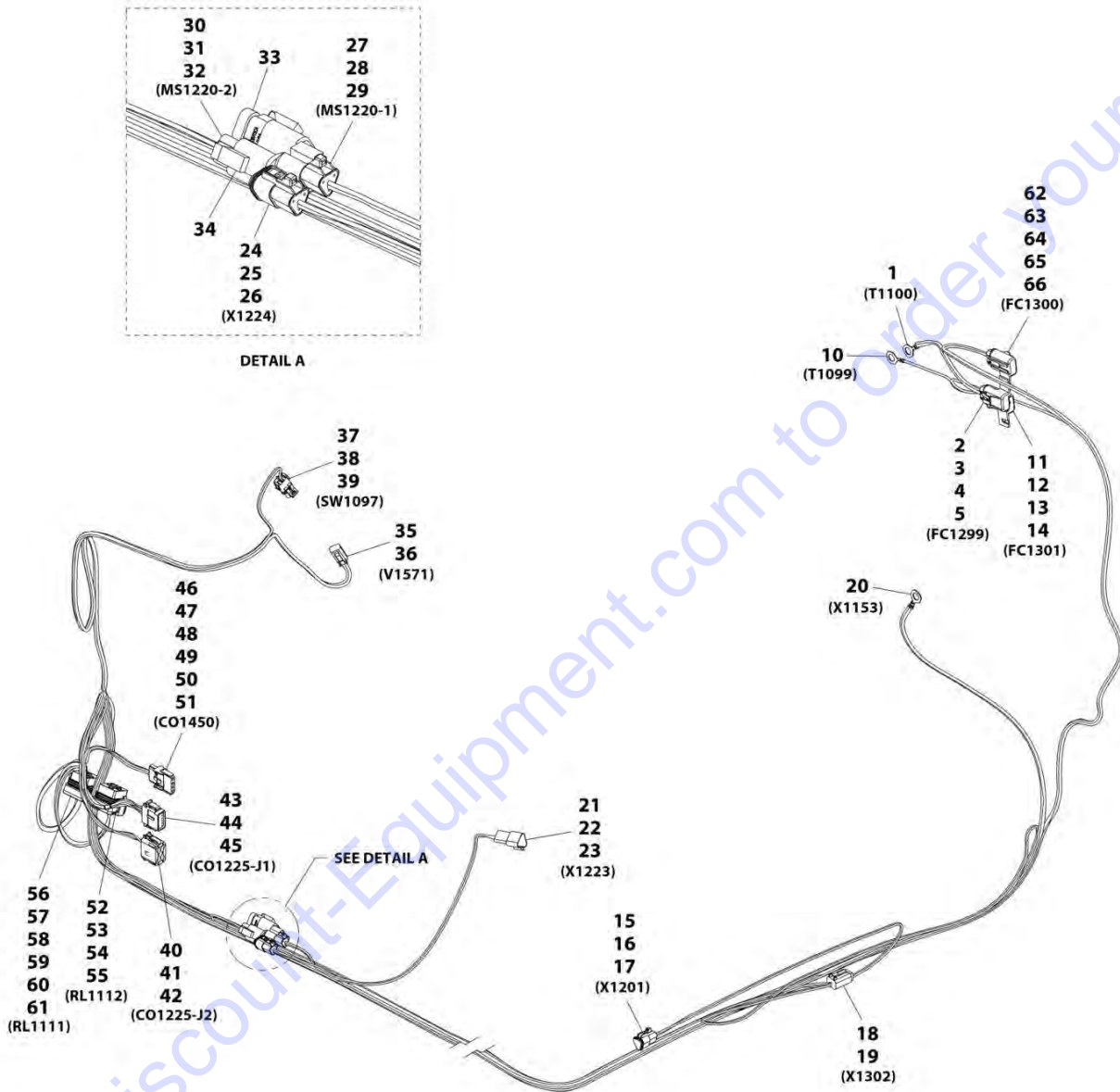
FIGURE 10-92. AIR SHUTOFF VALVE HARNESS

ITEM	PART NUMBER	QTY	DESCRIPTION	REV
	1001231407	1	Cab Air Shutoff Valve Harness	C
1	8220035	1	Terminal, Ring	
2	8220035	1	Terminal, Ring	
7	4460932	1	Connector	
8	4460464	4	Pin	
9	8220108	1	Connector, Female	
10	8220108	1	Connector, Female	

Go to Discount-Equipment.com to order your parts

SECTION 10 - ELECTRICAL

FIGURE 10-93. AIR SHUT OFF VALVE HARNESS (ENGINE)



ART_1001231483-C

SECTION 10 - ELECTRICAL

FIGURE 10-93. AIR SHUT OFF VALVE HARNESS (ENGINE)

ITEM	PART NUMBER	QTY	DESCRIPTION	REV
	1001231483	Ref	Engine Air Shut Off Valve Harness	C
1	1001187079	1	Terminal, Ring	
2	1001231397	1	Connector	
3	8229235	1	Fuse, 20amp	
4	1001231401	2	Terminal	
5	1001230402	2	Seal	
10	1001187078	1	Terminal, Ring	
11	1001231397	1	Connector	
12	8229261	1	Fuse, 20amp	
13	1001231400	2	Terminal	
14	1001230403	2	Seal	
15	1001116812	1	Connector	
16	4460465	2	Terminal	
17	4460466	1	Plug	
18	4460884	1	Connector	
19	4460465	4	Terminal	
20	1001187079	1	Terminal, Ring	
21	1001144147	1	Connector	
22	4460464	2	Terminal	
23	4460466	1	Plug	
24	1001116812	1	Connector	
25	4460465	2	Terminal	
26	4460466	1	Plug	
27	1001116812	1	Connector	
28	4460465	2	Terminal	
29	4460466	1	Plug	
30	4460539	1	Connector	
31	4460465	2	Terminal	
32	4460466	1	Plug	
33	1001116815	1	Connector, 3 Pin	
34	4460945	1	Terminal, 3 Way "T" Receptacle	
35	4460891	1	Connector	
36	1001157890	2	Terminal	
37	4460742	1	Connector	
38	4460475	2	Terminal	
39	4460458	2	Plug	
40	1001116774	1	Connector	
41	4460518	8	Plug	
42	1001126008	4	Terminal	
43	1001116808	1	Connector	
44	1001126008	9	Terminal	
45	4460518	3	Plug	
46	4460761	1	Connector	
47	4460321	1	Terminal	
48	1001118378	4	Terminal	
49	4460809	4	Plug	
50	1001143551	1	Seal	
51	1001218358	1	Lanyard Rope	
52	1001231398	1	Connector	
53	1001231400	4	Terminal	

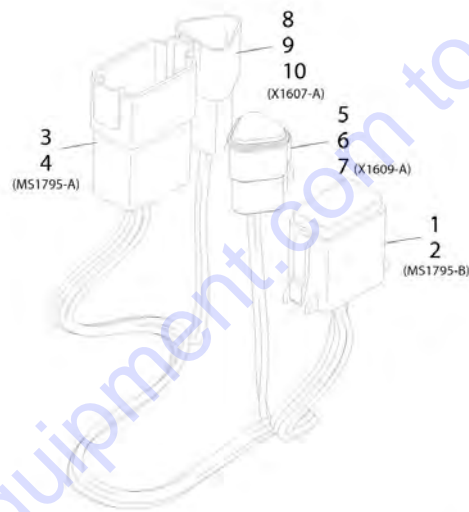
SECTION 10 - ELECTRICAL

ITEM	PART NUMBER	QTY	DESCRIPTION	REV
54	1001231404	4	Seal	
55	1001231406	1	Plug	
56	1001231398	1	Connector	
57	1001231401	2	Terminal	
58	1001231402	2	Seal	
59	1001231400	2	Terminal	
60	1001231404	2	Seal	
61	1001231406	1	Plug	
62	1001231397	1	Connector	
63	8229234	1	Fuse, 20amp	
64	1001231400	2	Terminal	
65	1001230403	1	Seal	
66	1001230404	1	Seal	

Go to Discount-Equipment.com to order your parts

SECTION 10 - ELECTRICAL

FIGURE 10-94. TELEMATICS OPTION HARNESS (SN 0160087894 to Present)



ART_1001232298-A

Go to Discount-Equipment.com to order your parts

SECTION 10 - ELECTRICAL

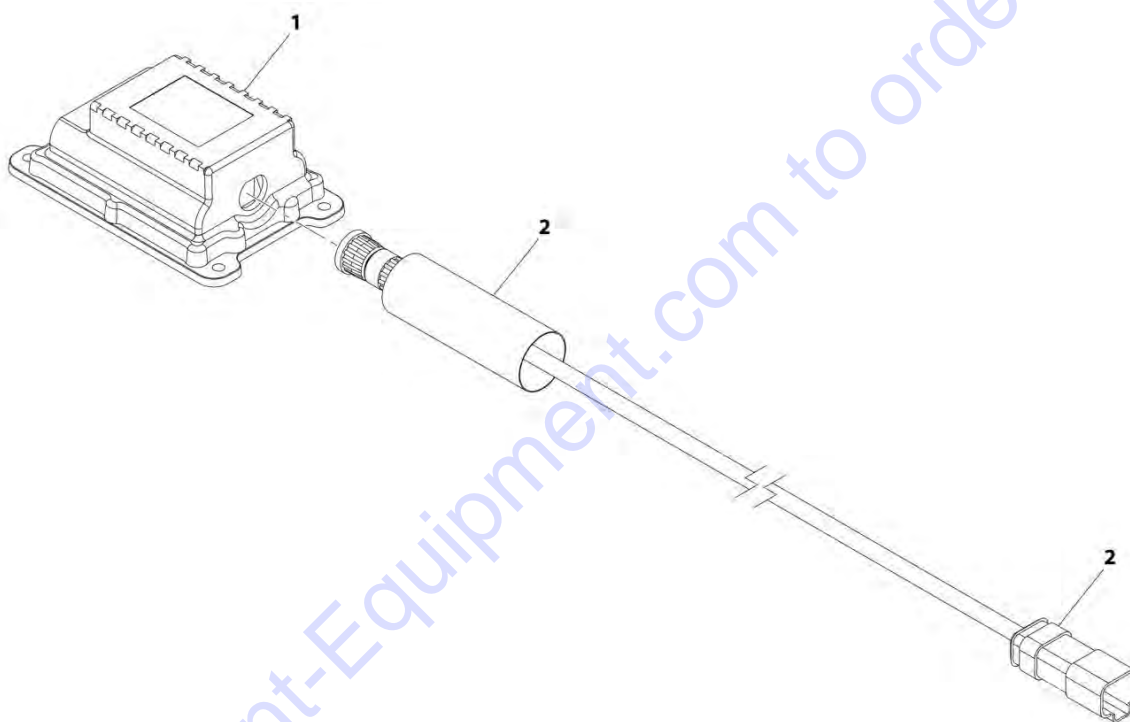
FIGURE 10-94. TELEMATICS OPTION HARNESS (SN 0160087894 to Present)

ITEM	PART NUMBER	QTY	DESCRIPTION	REV
	1001232298	Ref	Telematics Option Harness	A
1	4460930	1	Connector	
2	4460465	8	Terminal	
3	4460931	1	Mating Connector	
4	4460464	8	Terminal	
5	1001116812	1	Connector	
6	4460465	2	Terminal	
7	4460466	1	Plug	
8	1001144147	1	Connector	
9	4460464	2	Terminal	
10	4460466	1	Plug	

Go to Discount-Equipment.com to order your parts

SECTION 10 - ELECTRICAL

FIGURE 10-95. CLEARSKY INSTALLATION 3-WIRE (ANSI)



Go to Discount-Equipment.com to order your parts

ART_1001229107-C

SECTION 10 - ELECTRICAL

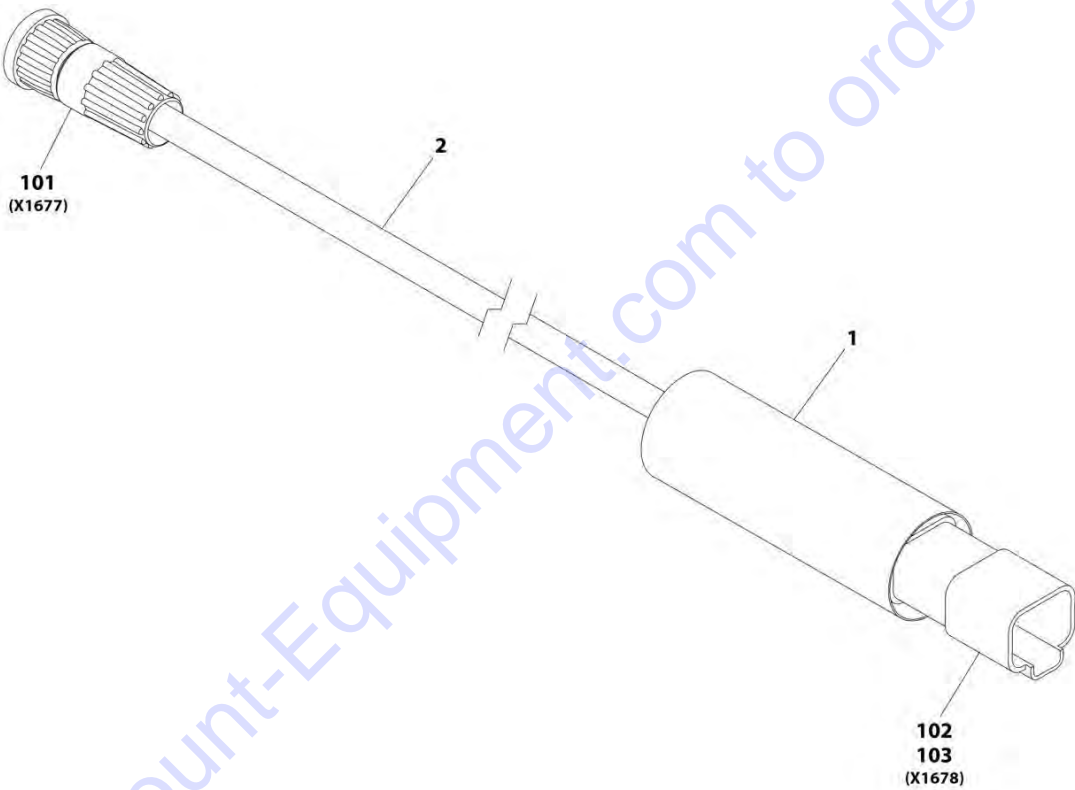
FIGURE 10-95. CLEARSKY INSTALLATION 3-WIRE (ANSI)

ITEM	PART NUMBER	QTY	DESCRIPTION	REV
	1001229107	Ref	Clearsky Installation 3-Wire	C
1	1001226328	1	Module, 3W TCU	
2	1001227066	Ref	Telematics Harness (See Separate Breakdown in this Section)	

Go to Discount-Equipment.com to order your parts

SECTION 10 - ELECTRICAL

FIGURE 10-96. TELEMATICS HARNESS



ART_1001227066-A

SECTION 10 - ELECTRICAL

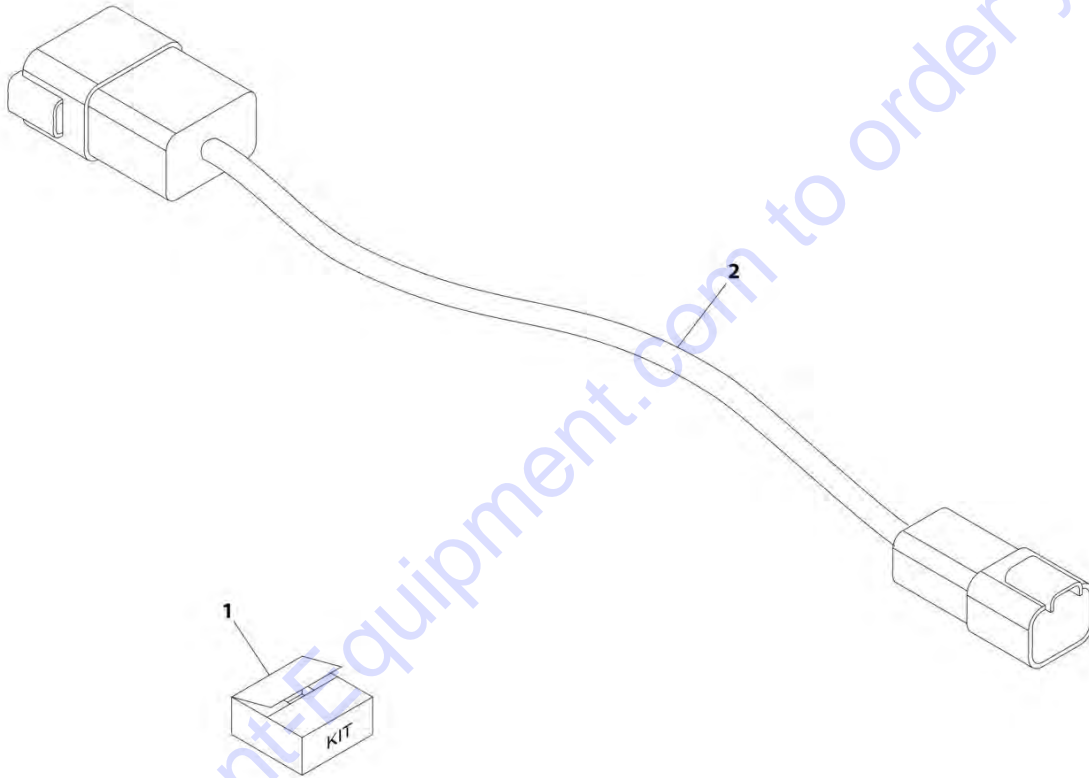
FIGURE 10-96. TELEMATICS HARNESS

ITEM	PART NUMBER	QTY	DESCRIPTION	REV
	1001227066	Ref	Telematics Harness	A
1	1001226400	0.33 ft	Insulate, Heat Shrink	
2	1001227068	3.3 ft	Cable	
101	1001227266	1	Connector	
102	1001129407	1	Connector	
103	4460464	4	Terminal	

Go to Discount-Equipment.com to order your parts

SECTION 10 - ELECTRICAL

FIGURE 10-97. TELEMATICS INSTALLATION, UNITED RENTALS



ART_1001195610-A

SECTION 10 - ELECTRICAL

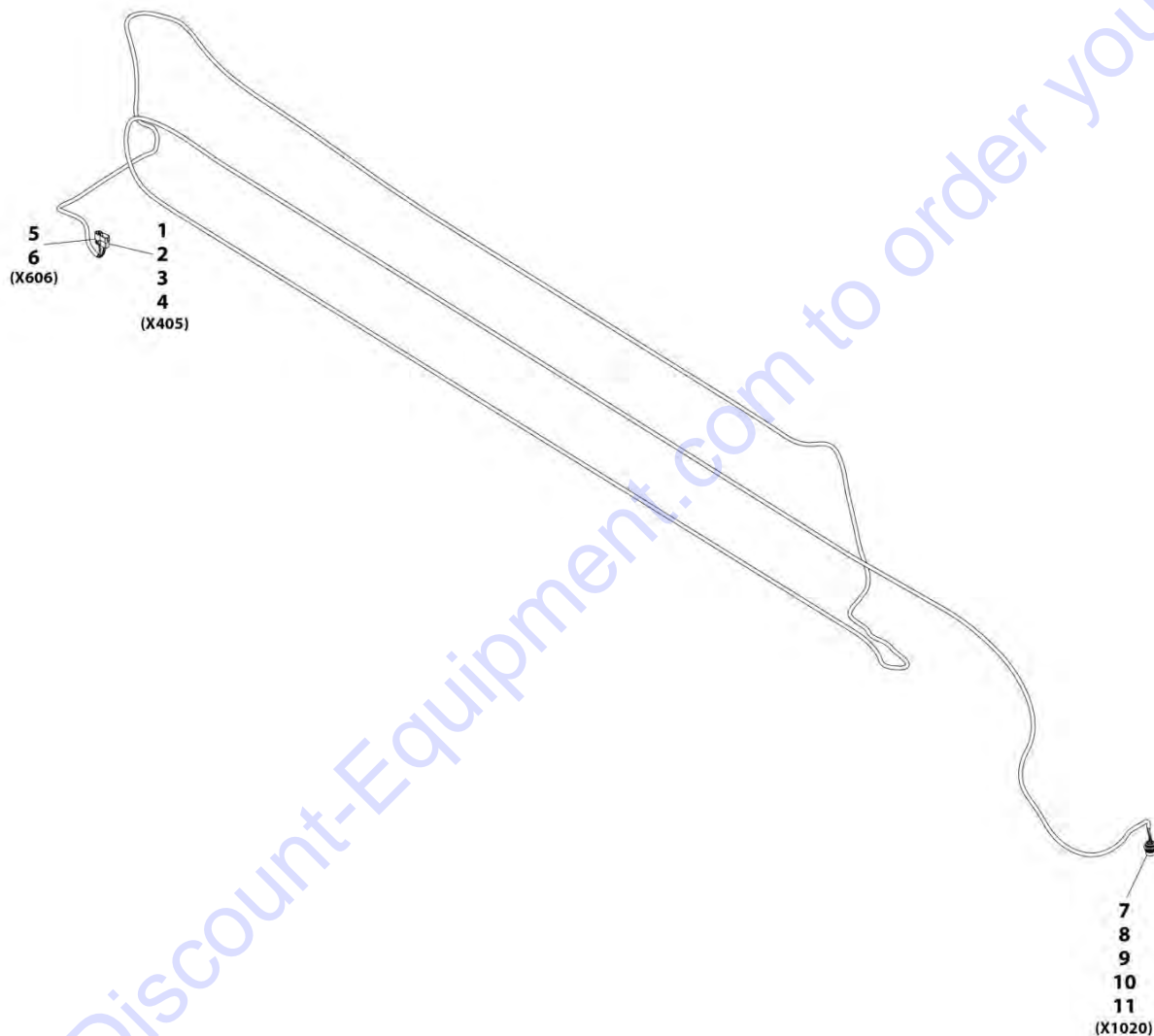
FIGURE 10-97. TELEMATICS INSTALLATION, UNITED RENTALS

ITEM	PART NUMBER	QTY	DESCRIPTION	REV
	1001195610	Ref	Telematics Installation, United Rentals	A
1	N.S.S.	1	Telematics Kit	
2	1001195423	1	Harness, Jumper	

Go to Discount-Equipment.com to order your parts

SECTION 10 - ELECTRICAL

FIGURE 10-98. BOOM HARNESS



ART_1001228744-A

SECTION 10 - ELECTRICAL

FIGURE 10-98. BOOM HARNESS

ITEM	PART NUMBER	QTY	DESCRIPTION	REV
	1001228744	Ref	Boom Harness	A
1	4460931	1	Connector	
2	4460943	2	Terminal	
3	4460464	4	Terminal	
4	4460466	2	Plug	
5	4461017	1	Connector	
6	4460508	2	Terminal	
7	1001112612	1	Connector	
8	1001157891	2	Terminal	
9	4460464	4	Terminal	
10	4460943	2	Terminal	
11	4460466	1	Plug	

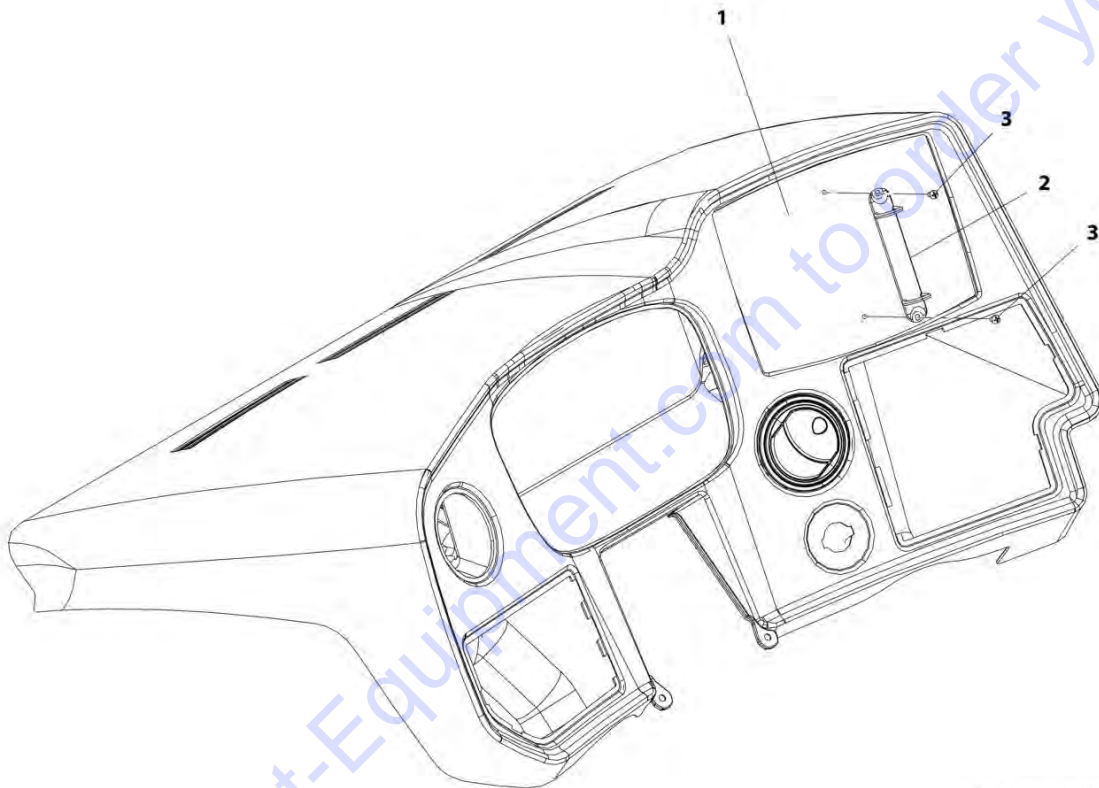
Go to Discount-Equipment.com to order your parts

SECTION 11 - DECALS

Go to Discount-Equipment.com to order your parts

SECTION 11 - DECALS

FIGURE 11-1. CAPACITY CHART HOLDER INSTALLATION



ART_1001178706-A

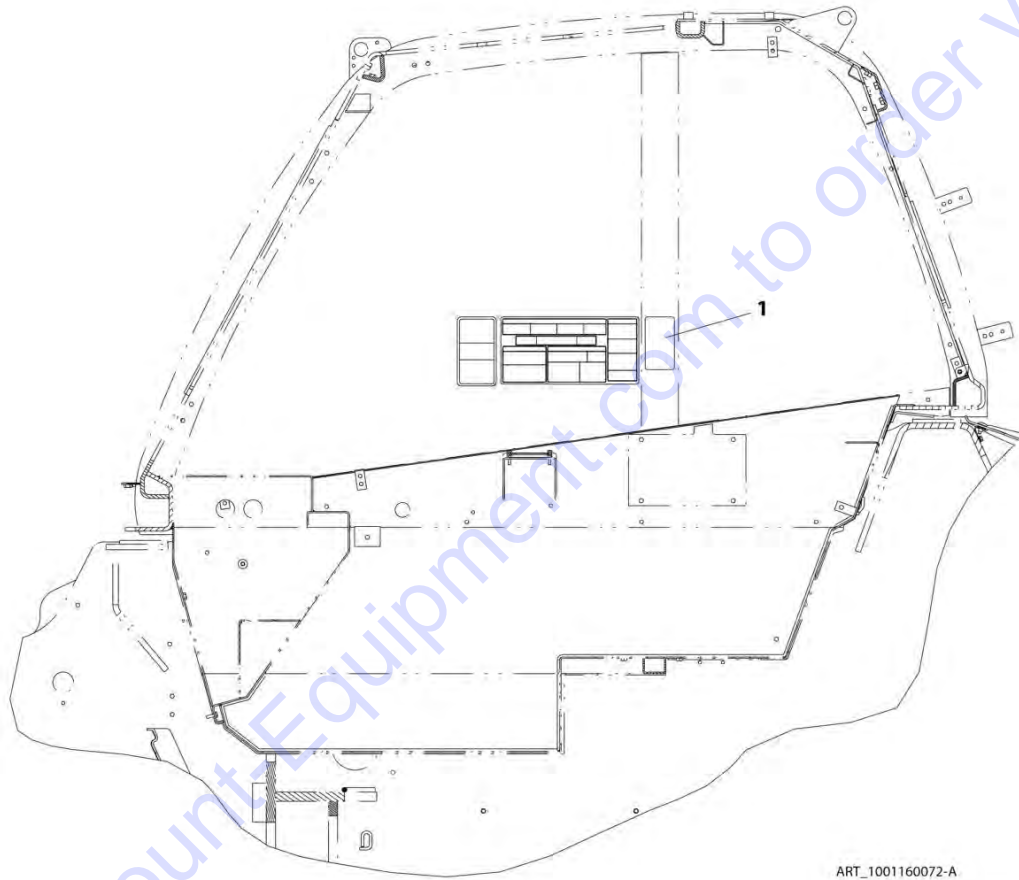
FIGURE 11-1. CAPACITY CHART HOLDER INSTALLATION

ITEM	PART NUMBER	QTY	DESCRIPTION	REV
	1001178706	Ref	Capacity Chart Holder Installation	A
1	1001179297	1	Load Chart, Bezel	
2	1001005960	1	Holder	
3	7029486	2	Screw	

Go to Discount-Equipment.com to order your parts

SECTION 11 - DECALS

FIGURE 11-2. REVERSE SENSOR SYSTEM DECAL (ENGLISH)



ART_1001160072-A

SECTION 11 - DECALS

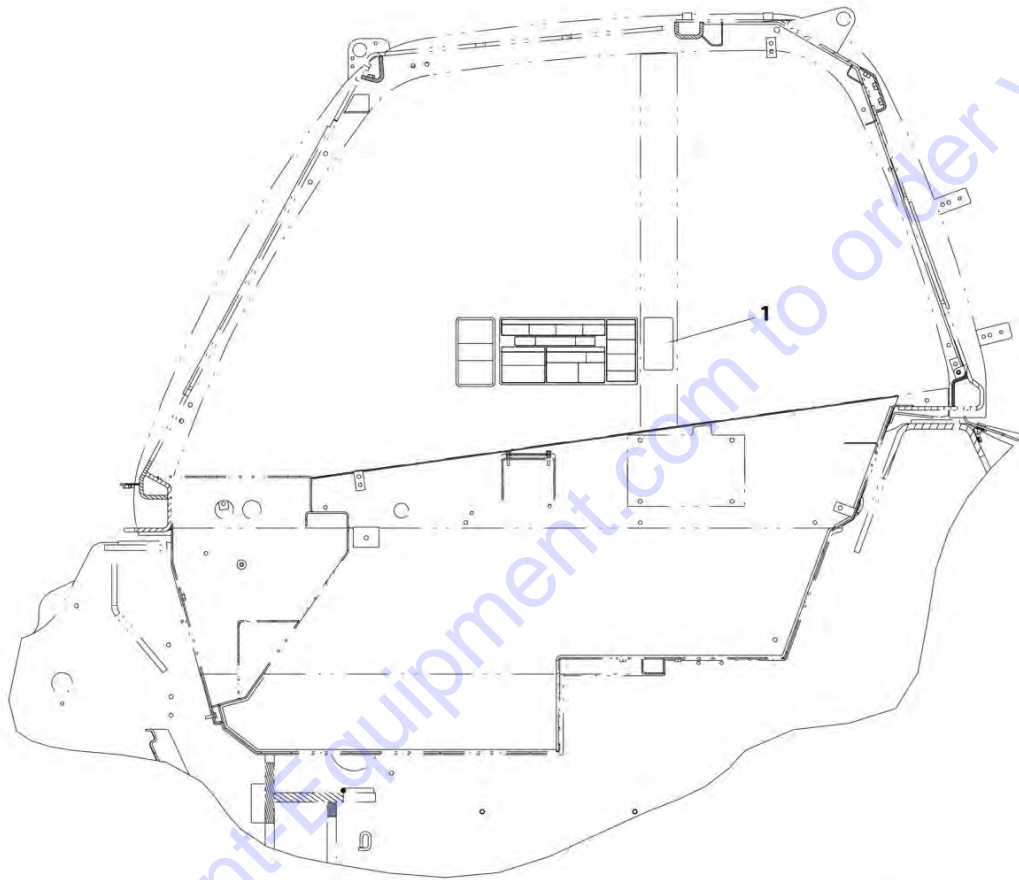
FIGURE 11-2. REVERSE SENSOR SYSTEM DECAL (ENGLISH)

ITEM	PART NUMBER	QTY	DESCRIPTION	REV
1	1001160072	1	Reverse Sensor System Decal (English)	A

Go to Discount-Equipment.com to order your parts

SECTION 11 - DECALS

FIGURE 11-3. REVERSE SENSING SYSTEM DECAL, (ENGLISH/FRENCH)



ART_1001160945-A

SECTION 11 - DECALS

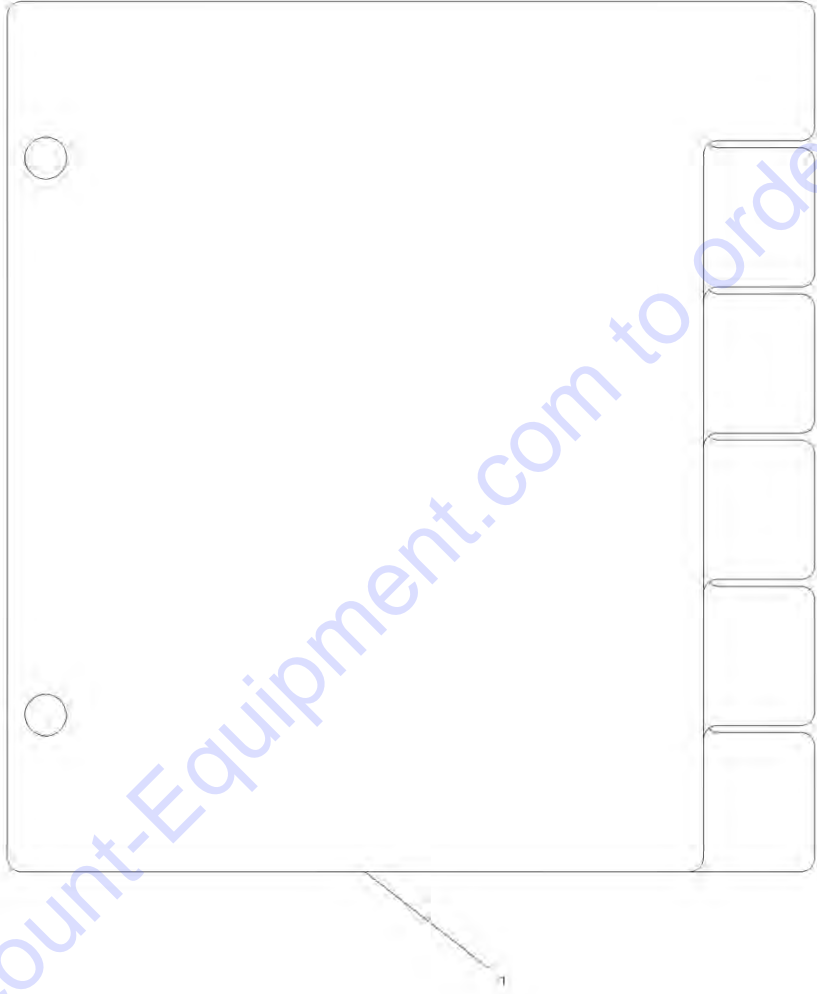
FIGURE 11-3. REVERSE SENSING SYSTEM DECAL, (ENGLISH/FRENCH)

ITEM	PART NUMBER	QTY	DESCRIPTION	REV
1	1001160945	1	Reverse Sensing System Decal (ENGLISH/FRENCH)	A

Go to Discount-Equipment.com to order your parts

SECTION 11 - DECALS

FIGURE 11-4. CAPACITY CHART



ART_1001233431-B

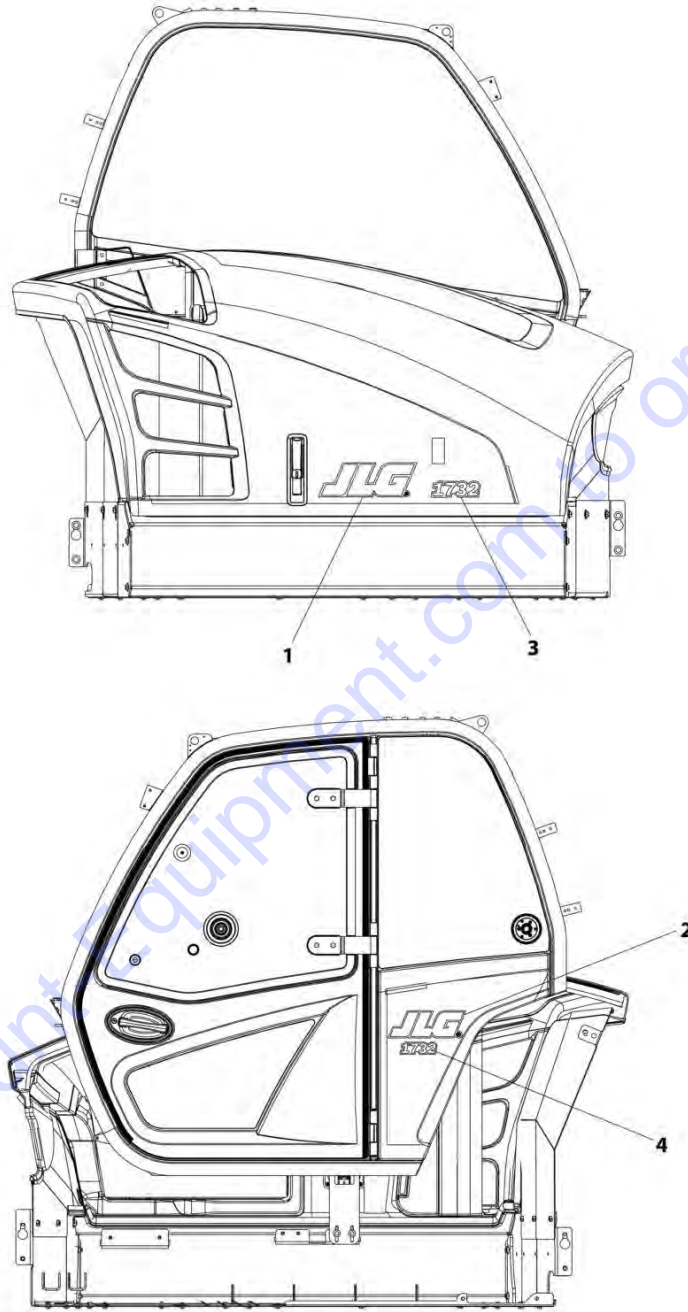
FIGURE 11-4. CAPACITY CHART

ITEM	PART NUMBER	QTY	DESCRIPTION	REV
1	1001233431	1	Capacity Chart	B

Go to Discount-Equipment.com to order your parts

SECTION 11 - DECALS

FIGURE 11-5. 1732 DECAL INSTALLATION



ART_1001226532-A

FIGURE 11-5. 1732 DECAL INSTALLATION

ITEM	PART NUMBER	QTY	DESCRIPTION	REV
	1001226532	Ref	1732 Decal Installation	A
1	1001160775	1	Decal, JLG 5 Black	
2	1001169674	1	Decal, JLG M100X285	
3	1001226534	1	Decal, JLG 1732 Hood	
4	1001226535	1	Decal, JLG 1732 Cab	

Go to Discount-Equipment.com to order your parts

PARTS FINDER

**Search Website
by Part Number**



**Search Manual
Library For Parts
Manual & Lookup Part
Numbers – Purchase
or Request Quote**

A screenshot of the "Search Manuals" form. The form is titled "Search Manuals" and includes a search bar, a "Search" button, and a "Clear" button. Below the search bar, there are several input fields for "Find", "Serial Number", "Year", "Make", "Model", "Part Number", "Part Name", "Part Description", and "Part Category". A "Submit" button is located at the bottom of the form.

**Can't Find Part or
Manual? Request Help
by Manufacturer,
Model & Description**

A screenshot of the "Parts Order Form". The form is titled "Parts Order Form" and includes a "Submit" button. Below the button, there are several input fields for "Manufacturer", "Model", "Description", "Part Number", "Part Name", "Part Description", and "Part Category". A "Submit" button is located at the bottom of the form.

Discount-Equipment.com is your online resource for quality parts & equipment.

Florida: **561-964-4949** Outside Florida TOLL FREE: **877-690-3101**

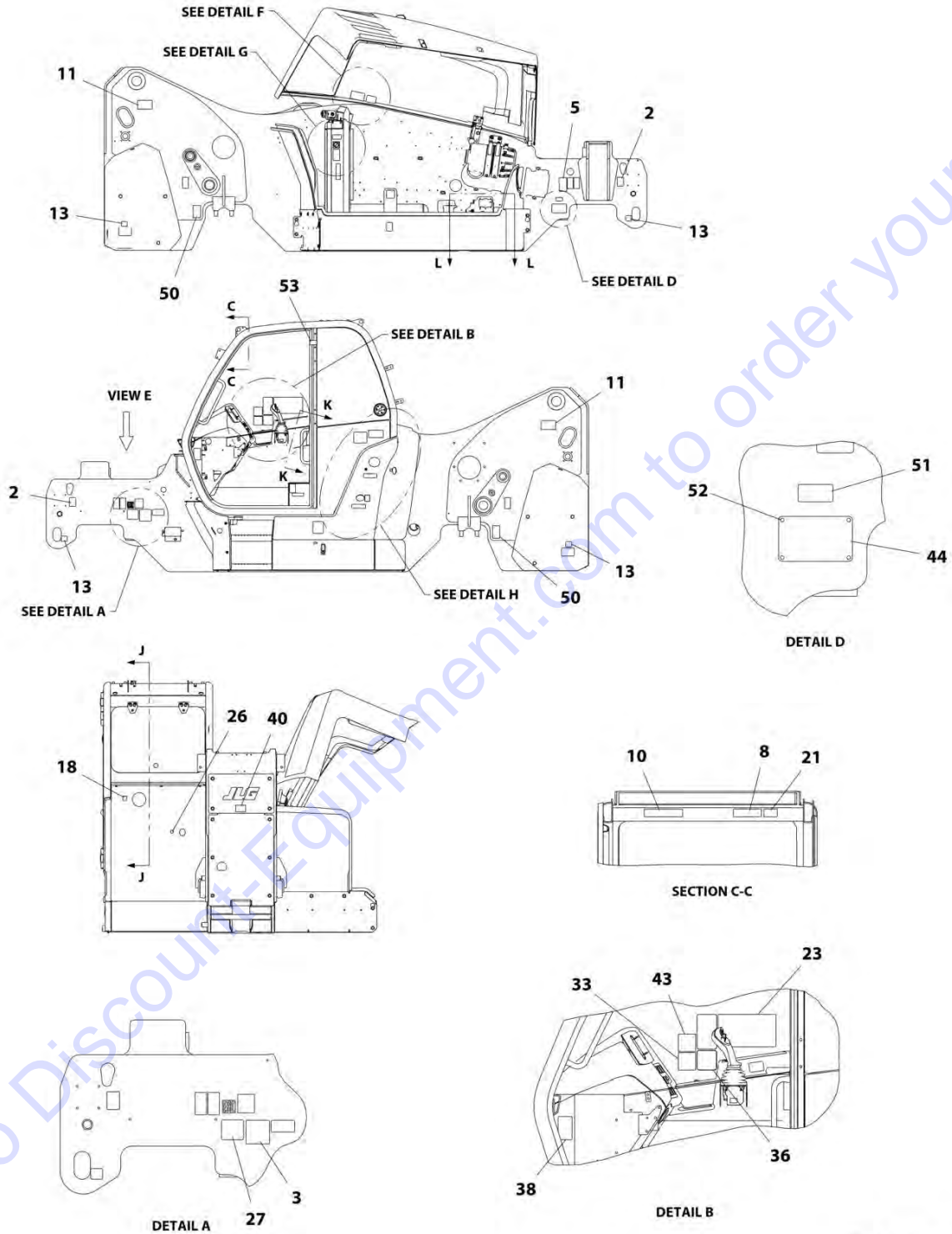
Need parts?

Click on this link: <http://www.discount-equipment.com/category/5443-parts/> and choose one of the options to help get the right parts and equipment you are looking for. Please have the machine model and serial number available in order to help us get you the correct parts. If you don't find the part on the website or on one of the online manuals, please fill out the request form and one of our experienced staff members will get back to you with a quote for the right part that your machine needs.

We sell worldwide for the brands: Genie, Terex, JLG, MultiQuip, Mikasa, Essick, Whiteman, Mayco, Toro Stone, Diamond Products, Generac Magnum, Airman, Haulotte, Barreto, Power Blanket, Nifty Lift, Atlas Copco, Chicago Pneumatic, Allmand, Miller Curber, Skyjack, Lull, Skytrak, Tsurumi, Husquvarna Target, Stow, Wacker, Sakai, Mi-T-M, Sullair, Basic, Dynapac, MBW, Weber, Bartell, Bennar Newman, Haulotte, Ditch Runner, Menegotti, Morrison, Contec, Buddy, Crown, Edco, Wyco, Bomag, Laymor, EZ Trench, Bil-Jax, F.S. Curtis, Gehl Pavers, Heli, Honda, ICS/PowerGrit, IHI, Partner, Imer, Clipper, MMD, Koshin, Rice, CH&E, General Equipment, Amida, Coleman, NAC, Gradall, Square Shooter, Kent, Stanley, Tamco, Toku, Hatz, Kohler, Robin, Wisconsin, Northrock, Oztec, Toker TK, Rol-Air, APT, Wylie, Ingersoll Rand / Doosan, Innovatech, Con X, Ammann, Mecalac, Makinex, Smith Surface Prep, Small Line, Wanco, Yanmar

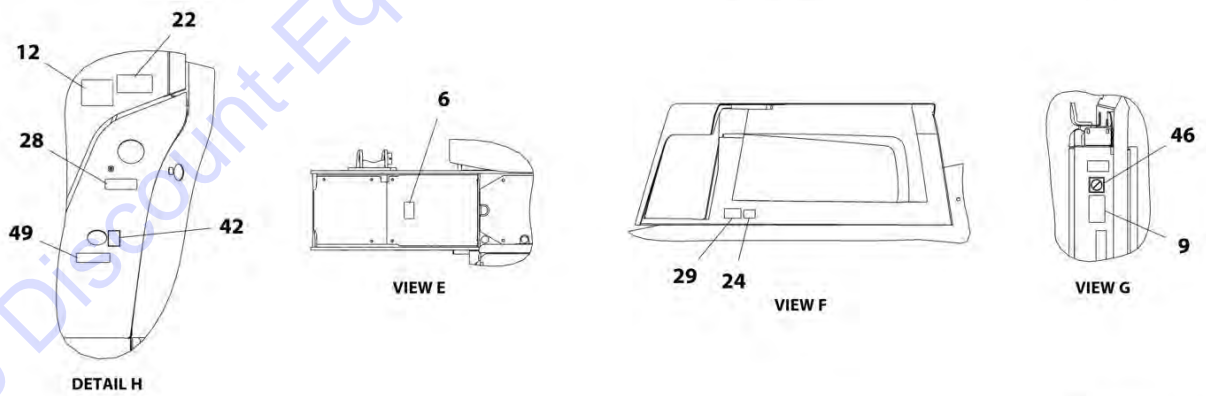
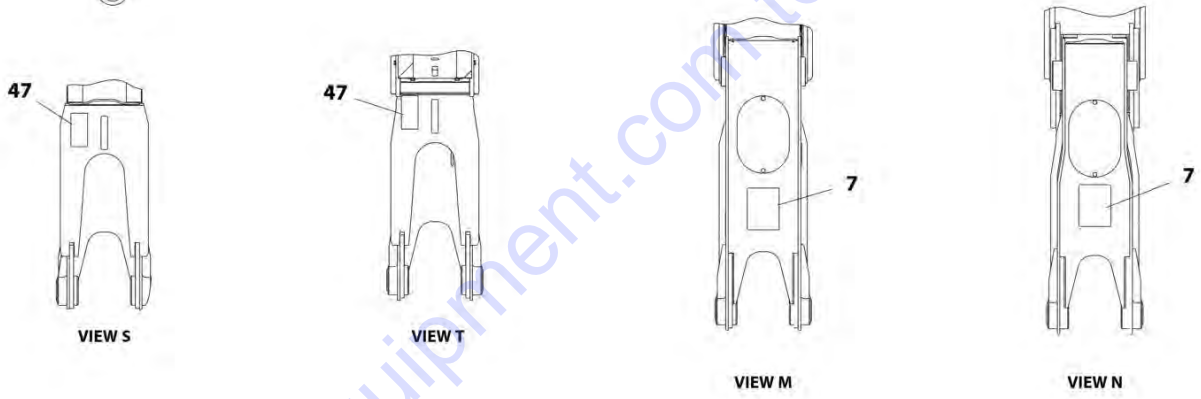
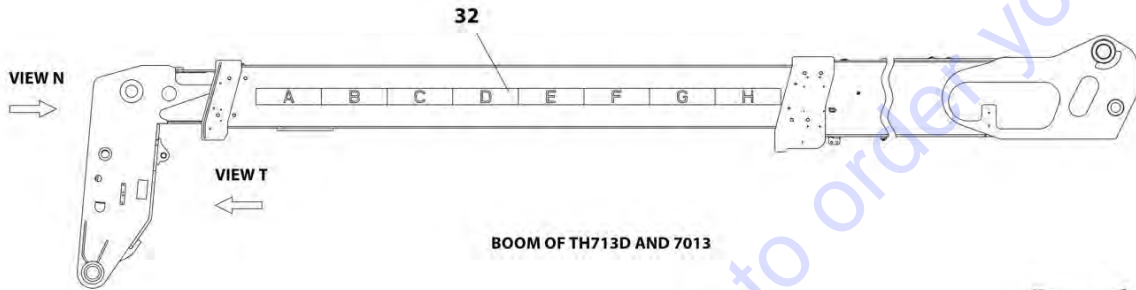
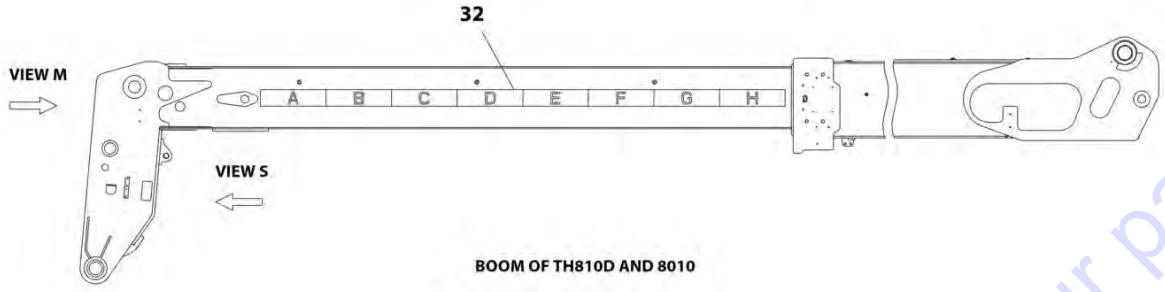
SECTION 11 - DECALS

FIGURE 11-6. DECAL INSTALLATION (ENGLISH)



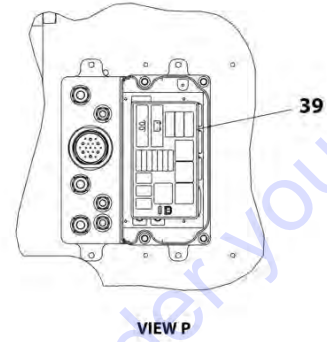
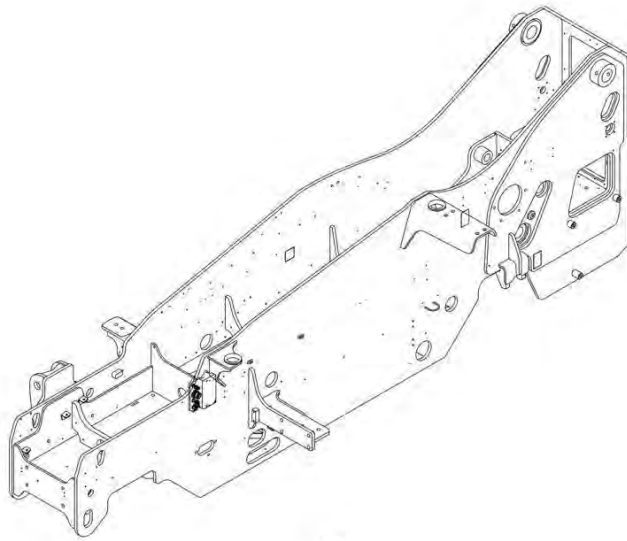
ART_1001192745_1-H

SECTION 11 - DECALS

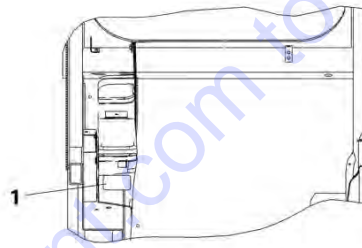


ART_1001192745_2-H

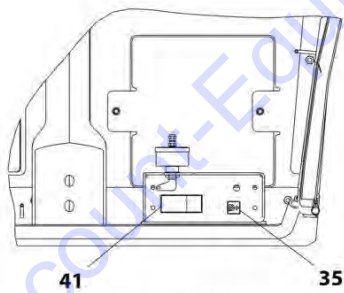
SECTION 11 - DECALS



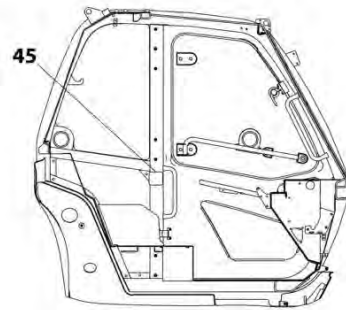
VIEW P



SECTION K-K



SECTION L-L



SECTION J-J

ART_1001192745_3-H

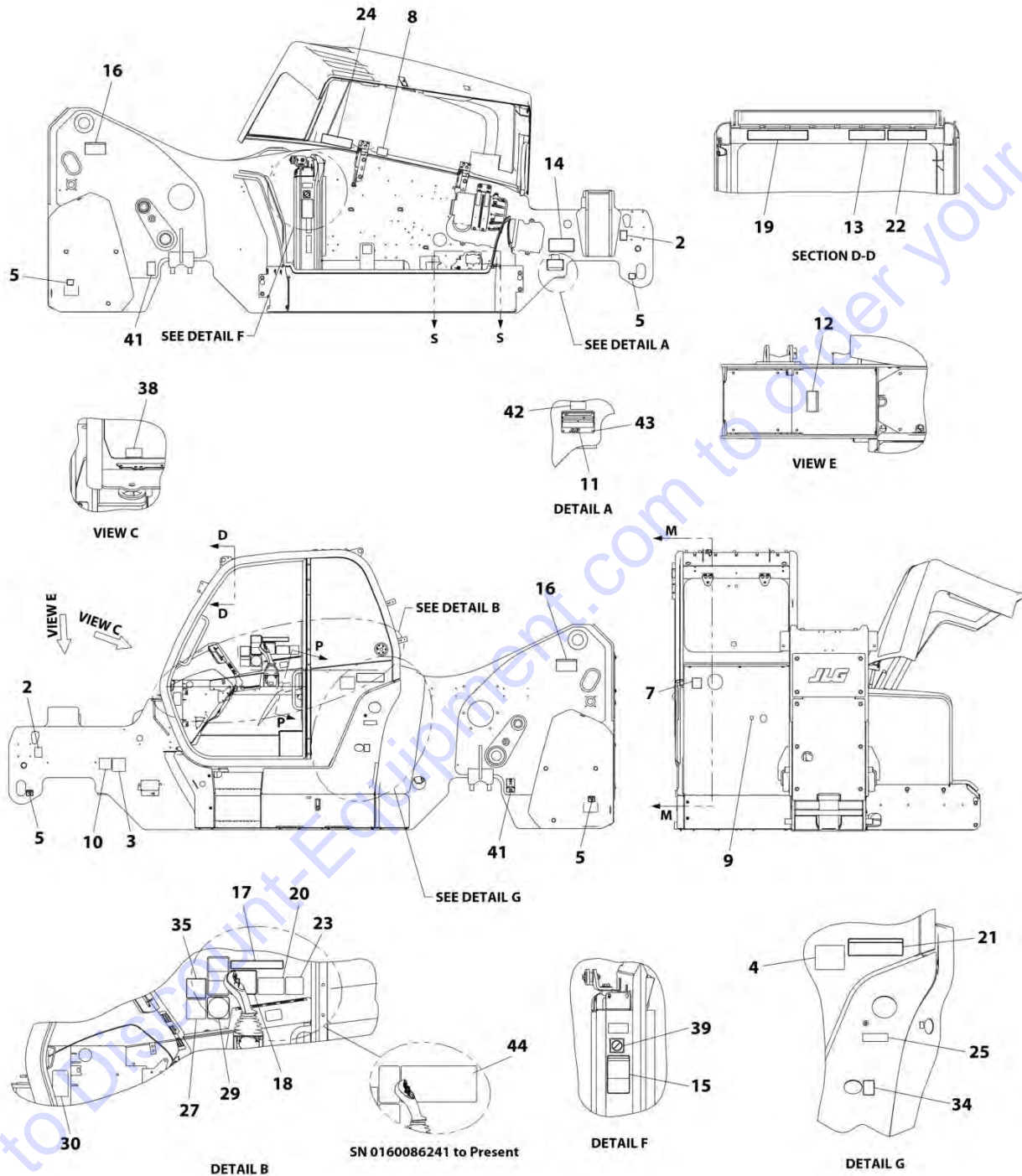
SECTION 11 - DECALS

FIGURE 11-6. DECAL INSTALLATION (ENGLISH)

ITEM	PART NUMBER	QTY	DESCRIPTION	REV
	1001192745	Ref	Decal Installation (English)	H
1	1670836	1	Cover, Boom	
2	1701500	2	Decal, Lift	
3	1702631	1	Decal, Bar Code	
5	1706300	1	Decal, Ether Warning	
6	1706296	1	Decal, Battery Warning	
7	1001195849	1	Decal, Carry Personnel	
8	1706299	1	Decal, Contacting Power Lines Warning	
9	1706301	1	Decal, Keep Clear Of Rotating Parts Warning	
10	1706306	1	Decal, Tip Over Warning	
11	1706302	2	Decal, Pinch Point Boom Holes	
12	3251813	1	Decal, USA	
13	4109801	4	Decal, Tie Down Point	
18	1001094708	1	Decal, Hydraulic Oil	
21	1706850	1	Decal, Crush Hazard Warning	
22	1706768	1	Decal, Vehicle Roll Away	
23	1707078	1	Decal, Warning/Danger	
24	1001109053	1	Decal, Coolant Fill	
26	1001130323	1	Decal, Oil Level	
27	1001131271	1	Decal, Patent	
28	1001218704	1	Decal, Ultra Low Sulfur Diesel	
29	1001139578	1	Decal, Hot Fluid Warning	
32	1001171277	1	Decal, Boom Extend	
33	1001172035	1	Decal, No Weld or Drill	
35	1001184632	1	Decal, Battery Positive	
36	1001188372	1	Decal, Sway	
38	1001191229	1	Decal, Fuse Panel	
39	1001191487	1	Decal, Fuse Panel	
41	1001195855	1	Decal, Battery Disconnect	
42	1001196806	1	Decal, Diesel Exhaust Fluid	
43	1001227287	1	Decal, Manual	
44	1001229575	1	Decal, SN Plate JLG	
44	1001154580	1	Decal, SN Plate JLG	
45	1001214206	1	Decal, Park Brake	
46	AU2105	1	Decal, No Karcher	
47	1001207217	1	Decal, Danger Swinging Loads	
48	1001218659	1	Decal, Brake Fluid	
49	1001219212	1	Decal, DEF Fluid	
50	1001222650	2	Decal, Axle Lift	
51	1001223453	1	DECAL,ICES (CAN)	
52	1001009178	4	Tack-Metal	
53	1001231801	1	Decal, Warning Prop 65	

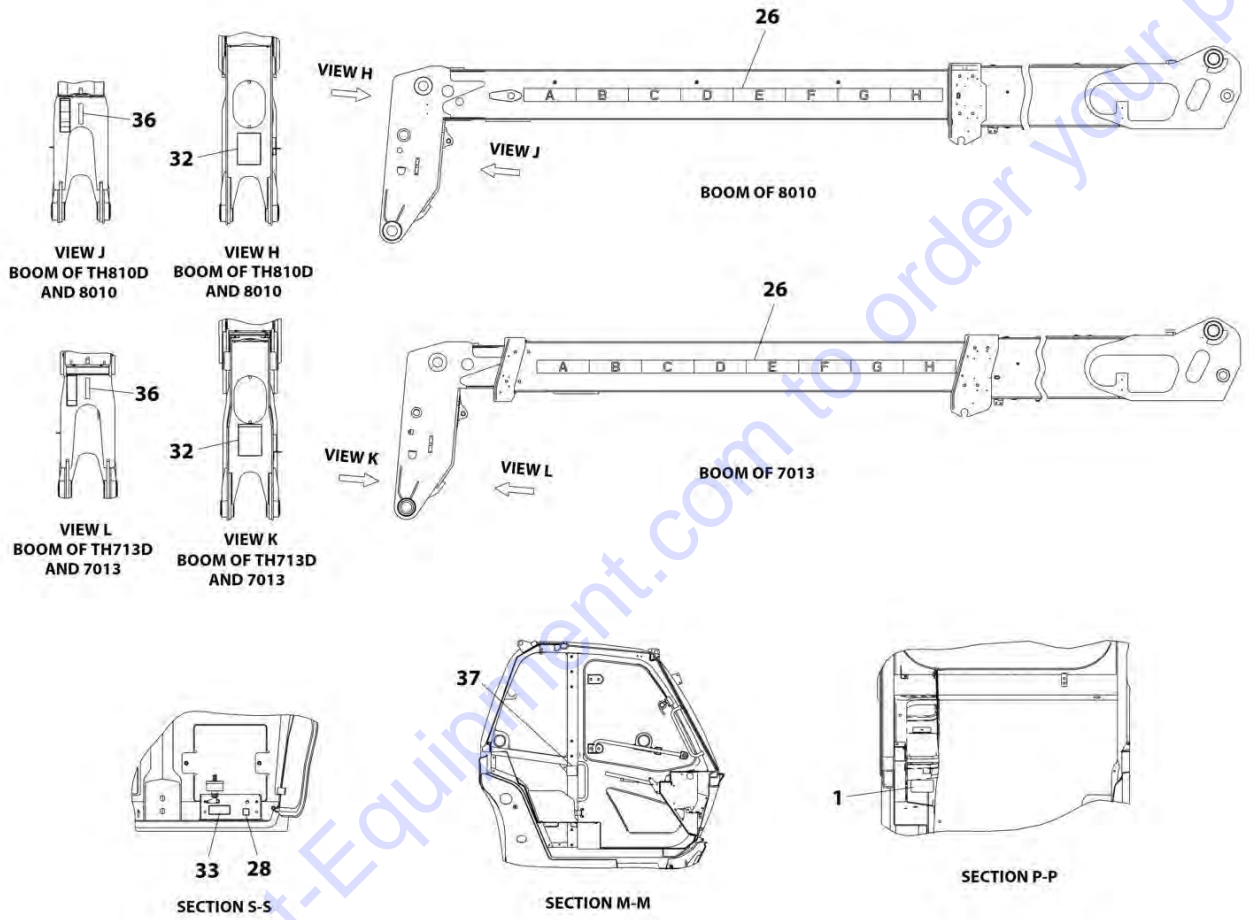
SECTION 11 - DECALS

FIGURE 11-7. DECAL INSTALLATION (ENGLISH/FRENCH)



ART_1001220230_1-H

SECTION 11 - DECALS



ART_1001220230_2-H

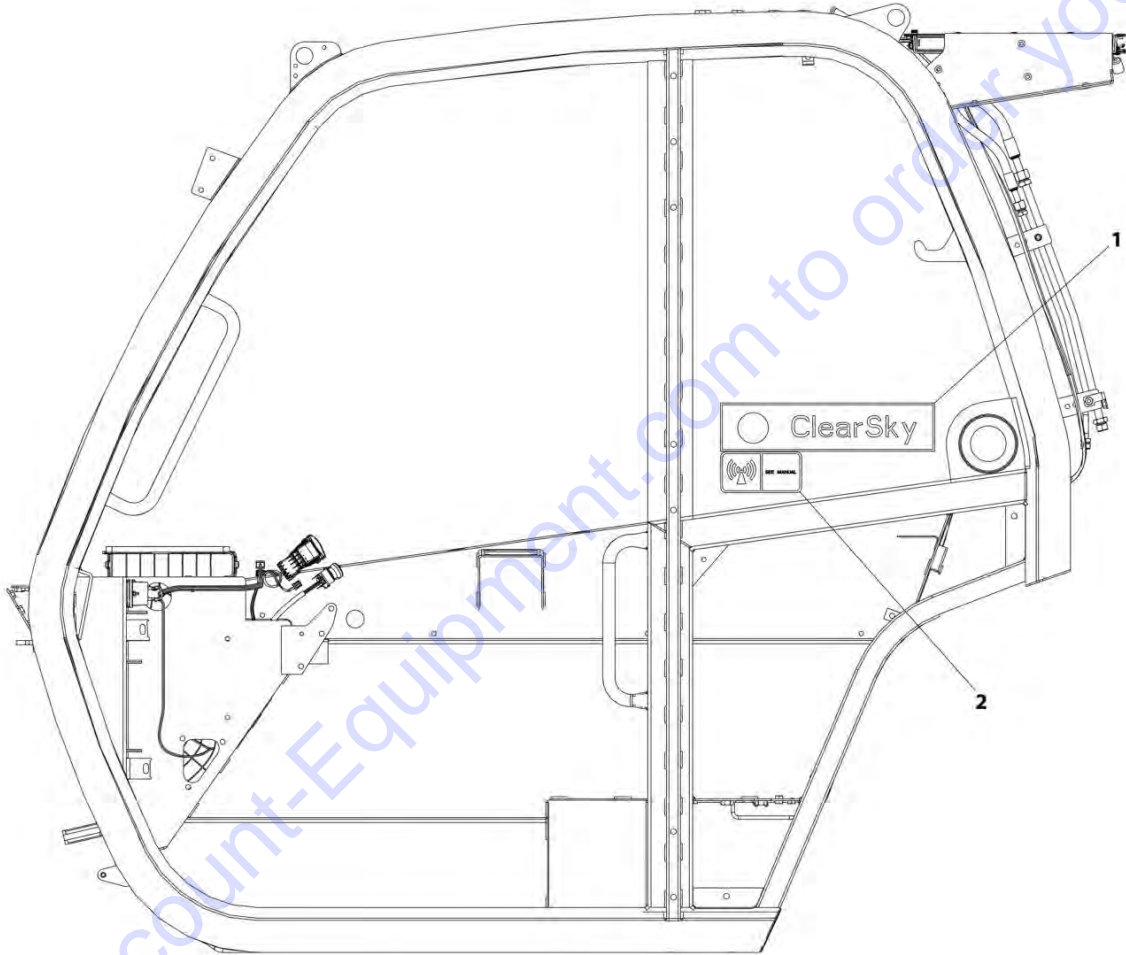
SECTION 11 - DECALS

FIGURE 11-7. DECAL INSTALLATION (ENGLISH/FRENCH)

ITEM	PART NUMBER	QTY	DESCRIPTION	REV
	1001220230	Ref	Decal Installation (English/French)	H
1	1670836	1	Cover, Boom	
2	1701500	2	Decal, Lift	
3	1702631	1	Decal, Bar Code	
4	3251813	1	Decal, USA	
5	4109801	4	Decal, Tie Down Point	
7	1001094708	1	Decal, Hydraulic Oil	
8	1001109053	1	Decal, Coolant Fill	
9	1001130323	1	Decal, Oil Level	
10	1001131271	1	Decal, Patent Telehandlers USA/Canada	
11	1001229575	1	Decal, SN Plate JLG	
12	1001163174	1	Decal, Battery Warning	
13	1001163210	1	Decal, Electrocutation Hazard	
14	1001163212	1	Decal, Warning No Either	
15	1001163222	1	Decal, Moving Parts	
16	1001163223	2	Decal, Pinch Point	
17	1001163273	1	Decal, Read Manual (Prior to SN 0160086241)	
18	1001163276	1	Decal, Warning Run Over Hazard (Prior to SN 0160086241)	
19	1001163285	1	Decal, Warning Tip Over	
20	1001163291	1	Decal, Warning Machine Roll Away (Prior to SN 0160086241)	
21	1001163300	1	Decal, No Riders	
22	1001163304	1	Decal, Warning Crushing Hazard	
23	1001163321	1	Decal, Warning Do Not Jump (Prior to SN 0160086241)	
24	1001163323	1	Decal, Warning Hot Fluid	
25	1001163355	1	Decal, Ultra Low Sulfur Diesel	
26	1001171277	1	Decal, Boom Extend	
27	1001172035	1	Decal, No Weld or Drill	
28	1001184632	1	Decal, Battery Positive	
29	1001188372	1	Decal, Sway	
30	1001191229	1	Decal, Fuse Panel	
32	1001195851	1	Decal, Carry Personnel	
33	1001195855	1	Decal, Battery Disconnect	
34	1001196806	1	Decal, Diesel Exhaust Fluid	
35	1001227287	1	Decal, Manual	
36	1001209625	1	Decal, Danger Swinging Loads	
37	1001214206	1	Decal, Park Brake	
38	1001219211	1	Decal, Brake Fluid	
39	AU2105	1	Decal, No Karcher	
41	1001222650	2	Decal, Axle Lift	
42	1001223453	1	Decal, ICES	
43	1001009178	4	Tack, Metal	
44	1001233558	1	Decal, Warning/Danger - Cab (SN 0160086241 to Present)	

SECTION 11 - DECALS

FIGURE 11-8. CLEARSKY DECAL INSTALLATION



ART_1001229707-A

FIGURE 11-8. CLEARSKY DECAL INSTALLATION

ITEM	PART NUMBER	QTY	DESCRIPTION	REV
	1001229707	Ref	Clearsky Decal Installation	A
1	1001116208	1	Clearsky Decal	
2	1001120989	1	Radio Frequency Decal	

Go to Discount-Equipment.com to order your parts

SECTION 12 - RECOMMENDED SPARE PARTS

SECTION 12 - RECOMMENDED SPARE PARTS

Go to Discount-Equipment.com to order your parts

SECTION 12 - RECOMMENDED SPARE PARTS

FIGURE 12-1. RECOMMENDED SPARE PARTS

ITEM	PART NUMBER	QTY	DESCRIPTION	REV
		Ref	Frame and Attaching Parts	
	1001194980	1	Cap, Locking Fuel	
	1001142659	1	Cap, Hydraulic	
	1001191685	1	Filter, Hydraulic	
		Ref	Boom	
	1001219953	AR	Shim	
	1001219905	AR	Shim	
	8008640	AR	Shim	
	1001003031	AR	Shim	
	1001195194	AR	Shim	
	1001195737	AR	Shim	
	1001195738	AR	Shim	
	1001195739	AR	Shim	
	1001215464	AR	Shim	
	1001195655	AR	Pad, M44X50X160	
	8002200	AR	Pad, M15X50X200	
	1001227337	AR	Pad, M39X70X200	
	1001227334	AR	Pad, M17X67X198	
	1001165175	AR	Pad, M34X54X165	
		Ref	Engine & Attaching Parts	
	7016331	1	Filter, Oil	
	70024961	1	Filter, Fuel (Primary)	
	70027417	1	Filter, Fuel (Secondary)	
	70005549	1	Filter, DEF	
	70027657	1	Dipstick	
	70028419	1	Belt, V-Ribbed	
	1001166565	1	Filter, Air Cleaner	
		Ref	Cab	
	1001218996	1	Filter, HVAC Air	
	1001172553	1	Filter, HVAC Recirculation Air	
	4807718	1	Blade, Rear Wiper	
	1001141281	1	Blade, Front Wiper	
	1001141313	1	Blade, Roof Wiper	
		Ref	Hydraulic Components	
	70028313	1	Kit, Lift Cylinder Seal	
	70028380	1	Kit, Compensation Cylinder Seal	
	70028375	1	Kit, Extend Retract Cylinder Seal	
	70028324	1	Kit, Tilt Cylinder Seal	
	70026253	1	Kit, Frame Level Cylinder Seal	
	70027601	1	Kit, Hydrostatic Motor Seal	
	70028410	1	Kit, Hydrostatic Pump Seal	
	70028413	1	Kit, Implement Pump Seal	
		Ref	Electrical	
	0400075	1	Battery, 12V	
	70022765	1	Key, Ignition (Set of 2)	

PART NUMBER INDEX

Go to Discount-Equipment.com to order your parts

PART NUMBER INDEX

0100081.....27	0760608... 199, 349, 355,	1001006731 431	1001101041.... 83, 85, 91,
0400075.....685, 687, 904	359, 421, 427, 453,	1001007056 65, 589	93, 95, 97, 103, 107,
0498748.....329	457, 461, 463, 565,	1001007641 349, 351	110, 113, 116, 505,
0630576.....45	665, 695, 697	1001008475 351	509, 513, 517
0641510.....157	0760610..... 747	1001008540 665	1001101042.... 83, 85, 91,
0641608.....555	0760612 197	1001008559 139, 173,	93, 95, 97, 103, 107,
0681714.....547	0760806 199	213, 489, 669, 671,	110, 113, 116, 505,
0700408.....459, 733	0760807 39, 533, 683	673, 679, 681, 699,	509, 513, 517
0700610...23, 27, 45, 197,	0760808 39, 347, 423,	701, 713, 715, 749, 759	1001101702.....461
209, 421, 425, 665,	425, 519, 695, 697,	1001008575 25	1001101808.....695
717, 719, 739, 741	725, 727, 733, 739, 741	1001008604 351	1001101855.....751
0700612.....45, 763	0760810... 37, 47, 49, 53,	1001008654 533	1001102502.....703
0700614...197, 386, 559,	59, 169, 191, 199, 213,	1001008742 355	1001103012.....800
663, 683, 739, 741	217, 353, 371, 375,	1001008834 85	1001103156.....769, 771
0700616.....535	379, 383, 386, 423,	1001008857 333	1001103300.....769, 771
0700618...679, 681, 701	437, 441, 453, 487,	1001008923 723, 773	1001104477.....513, 517,
0700814...39, 187, 189,	505, 507, 511, 767	1001008988 329	637
197, 553	0760812 25, 171, 173,	1001008999 39	1001104498.....800, 804,
0700815.....723	197, 311, 313, 333, 663	1001009018 19	819, 827, 857
0700816...169, 183, 199	0760815 333, 511, 515	1001009124 351	1001104519.....801, 835
0700817.....487	0760823 23, 203	1001009163 291	1001104654.....703
0700818...493, 549, 765	0761008 769, 771	1001009178 895, 898	1001105886.....693
0700819.....677	0761009 773	1001009325 59, 155	1001107192.....329
0700820...437, 439, 441,	0761010... 37, 39, 41, 43,	1001010646 431, 433	1001107339.....209
539, 663	47, 75, 155, 179, 197,	1001010647 431, 433	1001107854.....800, 804,
0700821.....565	461, 519, 665, 669,	1001010648 431, 433	819, 827, 833, 857
0700824.....463	671, 679, 681, 713,	1001010649 431, 433	1001108661.....753
0700826.....199	715, 749	1001010650 431, 433	1001109053.....895, 898
0701014...39, 47, 49, 67,	0761012... 33, 37, 45, 61,	1001010839 351	1001109387.....129
151, 197, 209, 565,	63, 149, 463, 487, 529,	1001014231 547	1001110023.....509, 517,
713, 715	547, 663, 673	1001026121 519	639
0701016.....151, 521	0761210 69, 171, 173	1001026125 519	1001110115.....517
0701018...149, 171, 173,	0761212 179, 673	1001028264 19, 519	1001111076.....427
209	0761214 23, 145, 197	1001028291 19	1001111140.....559
0701020...25, 171, 173	0761215... 145, 171, 173	1001028306 19	1001111147.....427
0701024.....561	0761217 129	1001028308 19	1001111317.....327, 331
0701026.....157	0761218 171, 173	1001028377 19	1001112612.....795, 804,
0701027.....491	0770814 455	1001028400 19	879
0701216.23, 69, 567, 571	0770815 191	1001028415 59	1001112796.....797, 839,
0701230.....53	0771012 59	1001047062 329	841, 843
0701618.....145	0771414 581, 585	1001080375 511, 515	1001114495.....181, 217
0701626.....145	0771416 283	1001080978 703	1001114803.....171, 173
0701628...77, 79, 81, 145	0771618 289	1001081085 285	1001116128.....411, 749
0701630.....145	0771620 281	1001090343 355, 367,	1001116208.....739, 741,
0711016.....57	0791605 183	407	901
0711027.....281	1001002946 333	1001091573 725	1001116696.....819, 820,
0711030.....209	1001002947 333	1001091715 713, 715	827, 828
0711215.....59	1001002953 333	1001091716 713, 715	1001116697.....800
0711216.....57, 161	1001002957 333	1001093171 131	1001116698.....800, 804
0711218.....57	1001003031 .. 57, 59, 904	1001093564 691	1001116700.....801, 831
0711630.....35	1001003043 341	1001094516 35	1001116716.....801
0711635.....53	1001003227 39	1001094708 895, 898	1001116723.....801, 802,
0712020.....319	1001003301 33	1001095301 151	803, 804
0712022.....319	1001003305 155, 157,	1001095336 675	1001116725.....776, 782
0712027.....321	173, 209, 773	1001095804 703	1001116727.....761, 783,
0712442.....281, 491	1001003427 29	1001096365 333	828
0750804.....327	1001003803 61	1001097244 421	1001116728.....820, 828,
0760405.....77, 79, 81	1001004640 463	1001097540 45, 435	861
0760407.....75	1001004720 139	1001097586 341	1001116729.....761
0760507...153, 673, 699	1001004723 673	1001097587 225, 231	1001116731.....845
0760512.....355	1001005368 343	1001098128 565	1001116732.....776, 782,
0760605...147, 329, 453,	1001005438 547	1001098150 414	816, 824
457	1001005904 509, 513,	1001098762 691	1001116734.....776, 782
0760607...45, 195, 197,	517	1001099566 213	1001116745.....761
201, 329, 529, 669,	1001005960 883	1001099717 769	1001116747.....833
671, 679, 681	1001006730 433	1001100319 169	1001116754.....802

PART NUMBER INDEX

1001116763 819, 827, 833	1001126245..... 776, 782	669, 671, 679, 681, 701, 713, 715, 741, 773	1001160510 815, 819, 823, 827, 847
1001116774 817, 825, 847, 867	1001126353..... 775, 781	1001147340.....559	1001160730 749
1001116808 867	1001126362..... 775, 781	1001147416.....505, 509, 513, 517	1001160775 891
1001116810 816, 824	1001126391..... 775, 777, 781, 784	1001147449..... 414, 417	1001160927 685, 687, 691
1001116811 775, 782	1001126393..... 775, 777, 781, 784	1001148841..... 775, 781	1001160928 685, 687, 691
1001116812 777, 778, 781, 782, 783, 784, 801, 803, 804, 815, 820, 823, 828, 845, 847, 853, 867, 871	1001126485..... 775, 776, 781, 782	1001148842..... 775, 781	1001160945 887
1001116815 784, 805, 867	1001126487..... 775, 781	1001149278..... 414, 417	1001161067 419
1001116950 816, 817, 824, 825	1001126837..... 747, 771	1001150294..... 371, 373	1001161078 429
1001116984 804	1001128128..... 776, 782, 816, 824	1001150610..... 775, 782	1001161080 429
1001116985 804	1001128144..... 183	1001150611 816, 824	1001161095 847
1001116986 803, 804	1001128341..... 183	1001150735 803	1001161097 800, 815, 819, 823, 827, 847
1001116991 801, 804	1001128478..... 33, 291	1001150737 803	1001161098 800, 815, 823, 847
1001116994 841, 843	1001129407..... 875	1001151238..... 523	1001161099 800, 815, 819, 823, 827, 847
1001116995 803	1001129425..... 749	1001152908..... 395, 401	1001161100 800, 815, 819, 823, 827, 847
1001116996 819, 820, 827, 828	1001130220..... 45	1001152915..... 327	1001161101 800, 815, 819, 823, 827, 847
1001116997 802	1001130323..... 895, 898	1001152947..... 327	1001161252 414
1001116998 804	1001131177..... 679, 681	1001153748..... 527, 625	1001161253 414
1001116999 801	1001131271..... 895, 898	1001154580 895	1001161439 45, 59
1001117011 803, 831	1001132168..... 41, 43	1001155228..... 325, 329	1001161499 323, 449
1001117021 833	1001132169..... 817, 825	1001155276..... 463, 465	1001161672 463
1001117064 803	1001132564..... 414	1001155446..... 317, 321	1001161769 701, 807
1001117079 803	1001133714..... 777, 783, 784	1001155447..... 323, 353	1001161770 701, 809
1001117081 801, 802, 803, 804	1001133715..... 775, 777, 781, 783, 784	1001155486 407	1001161771 701, 811
1001117109 816, 824	1001133793..... 151	1001155540 171, 173	1001161851 417
1001117121 835	1001134274..... 769, 771	1001156265 463	1001161855 414
1001117247 753, 855	1001135650..... 775, 777, 781, 783, 784	1001157890..... 867	1001161858 383, 395
1001117308 665	1001135651..... 775, 777, 781, 783, 784	1001157891 795, 879	1001161896 463
1001118202 816	1001136975..... 155	1001158146 703	1001161897 463
1001118282 776, 782, 824	1001136999 804	1001158596 375	1001161898 463
1001118323 816, 824	1001137000 804	1001158601 371	1001161957 815, 819, 823, 827, 847
1001118378 867	1001138116..... 775, 781	1001158736C 379	1001161959 800
1001118379 803	1001138645..... 683	1001158738C 371	1001161963 815, 819, 823, 827, 847
1001118383 835	1001138827..... 183	1001159028..... 449, 451	1001162062 461
1001118384 801, 802, 803, 804, 805	1001138945..... 209	1001159734..... 713, 715	1001162212 169
1001118386 804	1001139551..... 407	1001159735 703	1001162249 701
1001118387 804	1001139552..... 367	1001159736 407	1001162253 663
1001118392 819, 820, 827, 828	1001139568..... 343	1001159737 713, 715	1001162256 677
1001118684 802	1001139578..... 895	1001159738 725, 727, 729, 731	1001162662 33
1001118685 835	1001141246..... 333	1001159739 721	1001162789 323, 355
1001119467 371	1001141281..... 353, 904	1001159741 703	1001162885 751
1001120989 739, 741, 901	1001141311..... 407	1001159742 745	1001162886 800
1001121726 820, 828	1001141312..... 367	1001159745 759	1001162887 801
1001121727 761, 820, 828	1001141313..... 407, 904	1001159746 707, 709	1001162920 453
10011223457 800	1001141461..... 557	1001159845 717, 719	1001162922 453
1001125117 57, 59, 69	1001141462..... 557	1001159846 717, 719	1001162953 386, 389
1001125222 461	1001141976..... 555, 557	1001159849 703	1001163095 763
1001125465 749	1001142659..... 904	1001159925 383, 386	1001163104 59
1001125677 777, 783, 801, 820, 828	1001143200..... 345	1001160042 386	1001163174 898
1001126008 776, 782, 804, 817, 825, 867	1001143551..... 867	1001160043 383	1001163210 898
1001126011 804	1001144147..... 776, 782, 813, 845, 867, 871	1001160072 885	1001163212 898
	1001144296..... 801	1001160326 386	1001163222 898
	1001145204..... 193	1001160345 327	1001163223 898
	1001145390..... 65, 589	1001160420 187	1001163273 898
	1001145391..... 63, 65	1001160496 437	1001163276 898
	1001145539..... 386	1001160498 800	1001163285 898
	1001146588..... 155, 169, 173, 179, 193, 197,	1001160500 815, 819, 823, 827, 847	1001163291 898
		1001160502 800	1001163300 898
		1001160503 437, 441	
		1001160506 439	
		1001160508 323, 347	
		1001160509 815, 819, 823, 827, 847	

PART NUMBER INDEX

1001163304.....898	1001167629.....776, 782	1001172088.....453	1001175903.....414
1001163321.....898	1001167630.....775, 776, 781, 782	1001172094.....453	1001176002.....778, 784
1001163323.....898	1001167631.....775, 781	1001172146.....25	1001176004.....778, 784
1001163340.....801	1001167634.....775, 781	1001172147.....25	1001176121.....359, 361
1001163355.....898	1001167635.....775, 781	1001172193.....327, 331	1001176272.....345
1001163639.....705	1001167636.....776, 783	1001172401.....323, 365	1001176273.....345
1001163695.....481	1001167937.....337	1001172495.....687, 691	1001176333.....804
1001163697.....469	1001167958.....329, 337	1001172496.....687, 691	1001176338.....369
1001164402.....663, 675	1001168030.....537	1001172547.....383, 386	1001176587.....843
1001164655.....347	1001168054.....453	1001172550.....383, 386	1001176626.....345
1001164726.....329	1001168142.....463	1001172551.....395, 397, 399	1001177082.....25
1001164967.....205	1001168151.....463	1001172553.....383, 386, 904	1001177526.....579, 585
1001164971.....281, 491	1001168264.....311, 313	1001172693.....29	1001178053.....863
1001164972.....281, 491	1001168327.....386	1001172755.....155	1001178123.....355
1001165035.....155	1001168330.....386	1001172774.....441	1001178157.....55, 591
1001165175.....59, 904	1001168331.....386	1001172999.....69	1001178159.....327
1001165194.....777, 784	1001168456.....386	1001173257.....439	1001178160.....327
1001165269.....355, 357	1001168531.....379, 831	1001173298.....329	1001178170.....386
1001165270.....355	1001168599.....495, 645	1001173411.....801	1001178474.....23
1001165273.....357	1001168629.....281	1001173452.....171, 173	1001178670.....463, 641
1001165275.....333	1001168758.....45	1001173457.....171, 173	1001178680.....343
1001165276.....331	1001169135.....379, 381	1001173528.....181, 217	1001178681.....343
1001165309.....816, 824	1001169151.....386, 833	1001173571.....395	1001178693.....23
1001165310.....817, 825	1001169265.....39	1001173679.....69	1001178706.....883
1001165311.....820, 828	1001169268.....475	1001173873.....201	1001178783.....369
1001165327.....357	1001169354.....471, 473	1001173965.....414	1001178791.....203
1001165351.....355	1001169355.....473	1001174103.....53, 55	1001178826.....445
1001165407.....355	1001169367.....473	1001174104.....61	1001178933.....701
1001165416.....355	1001169368.....183	1001174107.....579	1001179008.....443, 445
1001165455.....355	1001169454.....23	1001174126.....579, 581	1001179080.....389
1001165458.....355, 421	1001169603.....414	1001174129.....309	1001179081.....389
1001165573.....375, 377	1001169604.....414, 417	1001174295.....329, 339	1001179130.....389, 393
1001165637.....353	1001169674.....891	1001174320.....327	1001179297.....883
1001165827.....697	1001169751.....471	1001174321.....333	1001179482.....427
1001166091.....401, 403, 405	1001169763.....475	1001174368.....741	1001179483.....427
1001166092.....401, 403, 405	1001169825.....665	1001174372.....739, 741	1001179592.....435
1001166191.....349	1001169880.....331	1001174420.....35	1001179850.....21, 25
1001166192.....349	1001170106.....29	1001174431.....69	1001179851.....25, 33
1001166385.....427	1001170113J.....331	1001174652.....417	1001179852.....33
1001166543.....775, 781	1001170114.....329, 331	1001174653.....417	1001179901.....765
1001166551.....775, 781	1001170231.....453	1001174655.....417	1001179907.....199, 683
1001166555.....775, 781	1001170311.....191	1001174712.....703	1001179931.....469
1001166556.....775, 777, 781, 784	1001170325.....435	1001174741.....425	1001180070.....167, 621
1001166565.....149, 904	1001170326.....361	1001174745.....205	1001180263.....439, 441
1001166634.....331, 333	1001170366.....323, 359	1001174796.....725, 727	1001180306.....19
1001166698.....41	1001170432.....207	1001174800.....425	1001180437.....201
1001166707.....776, 783	1001170504.....414	1001174801.....425	1001180542.....179
1001166715.....149	1001170514.....419	1001174811.....581, 583	1001180553.....179
1001166754.....321	1001170518.....414	1001174812.....55, 595	1001180620.....663
1001166755.....321	1001170519.....414, 419	1001174813.....585, 587	1001180682.....369
1001166774.....775, 777, 781, 784	1001170601J.....329	1001174814.....591, 593	1001180683.....369
1001167004.....479	1001170944.....333	1001175058.....317	1001181128.....665
1001167015.....409, 411	1001170993.....363	1001175201.....203	1001181411.....343
1001167017.....733	1001171162.....725	1001175265.....776, 777, 782, 783, 820, 828	1001181531.....703
1001167186.....187	1001171179.....25	1001175266.....847	1001181681.....701, 813
1001167266.....389, 391	1001171182.....343	1001175267.....815, 819, 823, 827	1001181726.....414, 421
1001167409.....169	1001171183.....343	1001175347.....19	1001181920.....345
1001167616.....776, 782	1001171277.....895, 898	1001175470.....361	1001181921.....345
1001167620.....777, 784	1001171756.....355	1001175471.....359, 363	1001182123.....345
1001167621.....775, 781	1001171767.....363	1001175477.....329	1001182139.....345
1001167622.....775, 781	1001171874.....453	1001175568.....155	1001182330.....423
1001167623.....775, 781	1001171885.....37	1001175733.....837	1001182529.....379, 381
1001167624.....778, 784	1001171913.....197	1001175776.....735, 837	1001182530.....379
	1001171962.....733		1001182839.....747
	1001172035.....895, 898		1001182881.....147
			1001182929.....679, 787

PART NUMBER INDEX

1001182930 679, 791	1001185927..... 21	1001188729..... 401, 403, 405	1001192321 733
1001183024 773	1001185929..... 21, 23	1001188733..... 401, 403, 405	1001192322 735
1001183112 713, 715	1001185930..... 23, 27	1001188757 145	1001192323 695
1001183221 795	1001185931..... 27	1001188817 405	1001192324 49
1001183272 659, 661, 663	1001185933..... 27	1001188818 405	1001192339 81
1001183306 309, 311	1001185935..... 27	1001188855 209	1001192342 85
1001183307 309, 313	1001186603..... 739	1001188856 209	1001192344 83
1001183308 311	1001186843..... 547	1001189023 405	1001192352 53
1001183309 313	1001186853..... 713	1001189024 405	1001192358 63
1001183447 77	1001186855..... 685	1001189025 401, 403, 405	1001192363 505
1001183549 751	1001186856..... 689	1001189046 679, 681	1001192365 511
1001183550 419	1001186898..... 149	1001189048 405	1001192366 507
1001183700 555	1001187070..... 775, 781, 791, 793	1001189054 405	1001192367 515
1001183831 149	1001187073..... 815, 823	1001189182 414	1001192370 711
1001183835 149	1001187075..... 816, 824, 847	1001189246 27	1001192392 29
1001184275 401, 403, 405	1001187076..... 816, 817, 824, 825, 847	1001189288J 297, 299, 305, 307	1001192410 463
1001184278 401, 403, 405	1001187077..... 791, 793	1001189980 399	1001192430 771
1001184280 405	1001187078..... 776, 782, 845, 867	1001189997 735	1001192431 755
1001184294 401, 403, 405	1001187079..... 815, 816, 820, 823, 824, 828, 867	1001190037 776, 783	1001192520 501
1001184295 401, 403, 405	1001187080..... 776, 782, 815, 820, 823, 828	1001190250 61, 63	1001192537 659
1001184296 401, 403, 405	1001187080..... 776, 782, 815, 820, 823, 828	1001190253 55	1001192555 279, 519
1001184297 401, 403, 405	1001187081..... 845	1001190254 53	1001192558 701
1001184306 399	1001187081..... 845	1001190256 53	1001192575 707
1001184307 399	1001187272..... 547	1001190257 53	1001192614 91
1001184309 399	1001187273..... 547	1001190259 591	1001192615 87
1001184310 399	1001187275..... 547	1001190260 53	1001192616 89
1001184396 669, 815	1001187355..... 569, 573	1001190264 61, 63	1001192617 97
1001184397 669, 819	1001187423..... 297, 299	1001190396 863	1001192619 757, 851
1001184403 393	1001187820..... 61, 63	1001190921 776, 782	1001192622 37, 39
1001184404 393	1001187821..... 61	1001191091 339	1001192623J 39
1001184405 393	1001187847..... 61, 63	1001191108 77	1001192627 39
1001184406 393	1001187848..... 61, 63	1001191110 55	1001192631 39
1001184427 405	1001187882..... 775, 781	1001191157 33	1001192643 335
1001184439 329	1001188203..... 609	1001191163 33	1001192644 337
1001184504 465	1001188303..... 386, 397	1001191229 895, 898	1001192646 329
1001184610 63	1001188372..... 895, 898	1001191255 317, 319	1001192649 103
1001184632 895, 898	1001188577..... 401, 403, 405	1001191256 319	1001192650 107
1001184795 757, 847	1001188578..... 401, 403, 405	1001191257 319	1001192700 101
1001184796 723, 861	1001188590..... 383, 386	1001191281 421	1001192707 113
1001184869 45	1001188592..... 405	1001191283 421	1001192713 279
1001184872 45	1001188594..... 401, 403, 405	1001191284 421	1001192722 109
1001184874 45	1001188602..... 401, 403, 405	1001191285 421	1001192723 99
1001184875 414	1001188603..... 401, 403, 405	1001191370 421	1001192734 115
1001184976 221	1001188604..... 401, 403, 405	1001191487 895	1001192735 119
1001184977 221, 223	1001188610..... 401, 403, 405	1001191546 679, 681	1001192737 453
1001184978 221, 229	1001188612..... 401, 403, 405	1001191635 49	1001192745 895
1001184979 221, 283	1001188614..... 401, 403, 405	1001191685 33, 904	1001192755 335
1001184980 221, 289	1001188618..... 405	1001191752 55, 59	1001192766 329, 335
1001184981 221, 293	1001188619..... 405	1001191753 59	1001192771 501
1001184982 223, 225	1001188720..... 401, 403, 405	1001191789 59	1001192772 501
1001184983 229, 231	1001188725..... 401, 403, 405	1001191915 461	1001192885 567
1001184984 225, 235	1001188728..... 405	1001192096 565	1001192886 567, 569
1001184985 231, 249		1001192124 29	1001192887 567, 571
1001184986 283, 285		1001192125 23, 29	1001192888 569, 633
1001184987 293		1001192142 665	1001192889 485, 521
1001184988 293		1001192168 295	1001192890 521, 523
1001185026 191		1001192170 301	1001192891 523, 623
1001185633 423		1001192177 295, 297	1001193100 55, 487
1001185722 739		1001192178 295, 299	1001193111 511, 515
1001185870 414		1001192180 301	1001193210 331
		1001192181 301	1001193307 163, 619
		1001192309 329	1001193308 291, 617
		1001192320 37	1001193393 135, 137, 165, 667
			1001193461 547
			1001193465 487
			1001193474 461

PART NUMBER INDEX

1001193516.....485, 525	1001195733..... 529	1001197339..... 37	1001200968.....411
1001193517.....485, 529	1001195737.. 57, 59, 904	1001197414..... 139, 141	1001201073.....493, 597
1001193576.....279	1001195738..... 57, 904	1001197480..... 23	1001201074.....491, 493
1001193698.....695, 697	1001195739..... 57, 904	1001197481..... 27	1001201124.....707, 795
1001193703.....135, 137, 157, 667	1001195814..... 325, 345	1001197489..... 519	1001201162.....737
1001193704.....135, 137, 161, 667	1001195816..... 414	1001197667..... 467	1001201298.....135, 137, 169, 667
1001193705.....157, 159	1001195817..... 414	1001197668..... 759, 761	1001201299.....169
1001193709.....485, 533	1001195818..... 414	1001197733..... 47	1001201300.....169
1001193797.....209	1001195820..... 409	1001197734..... 47	1001201301.....171, 173, 177
1001193803.....131	1001195821..... 411	1001197955..... 35	1001201302.....171, 173, 179
1001193836.....571	1001195822..... 409	1001198307..... 45, 47	1001201303.....171, 181
1001193838.....571, 573	1001195823..... 411	1001198893..... 727, 731	1001201304.....171, 173, 183
1001193839.....573	1001195849..... 895	1001199670..... 199	1001201305.....171, 173, 185
1001193917.....599	1001195851..... 898	1001199822..... 201	1001201309.....179
1001193918J.....281	1001195855..... 895, 898	1001199823..... 201	1001201314.....181
1001193919.....281	1001195878..... 327	1001199902..... 197	1001201315.....181, 217
1001193940.....701, 800	1001195881..... 73	1001200105..... 501, 759	1001201316.....181, 217
1001193993.....665	1001195883..... 727	1001200106..... 135, 679	1001201317.....183
1001194103.....673	1001195953..... 773, 857	1001200108..... 679, 775	1001201331.....355
1001194244.....673	1001196191..... 171, 173	1001200159..... 659, 669	1001201418J.....17
1001194282.....463	1001196289..... 737, 839	1001200160..... 659, 661, 673	1001201420.....491
1001194421.....802	1001196402..... 501	1001200161..... 673	1001201425.....135, 137, 139, 667
1001194534.....149	1001196452..... 739, 741, 841	1001200162..... 673	1001201499.....457
1001194698.....323	1001196502..... 673	1001200164..... 673	1001201500.....459
1001194699.....323, 325	1001196664..... 163	1001200165..... 673	1001201501.....457, 459
1001194700.....325, 327	1001196778..... 129	1001200166..... 673	1001201812.....485
1001194702.....497	1001196779..... 129	1001200167..... 673	1001201848.....45
1001194969.....39	1001196782..... 129	1001200168..... 669, 671	1001201856.....197
1001194980.....31, 904	1001196806..... 895, 898	1001200169..... 669, 671	1001201857.....197
1001194981.....33	1001196878..... 69	1001200177..... 279, 281	1001201858.....197
1001195089.....199	1001196879..... 69	1001200206..... 845	1001201885.....776, 783
1001195194.....57, 904	1001196949..... 127	1001200226..... 491	1001202018.....197, 199
1001195200.....755, 763	1001196950..... 125	1001200249..... 197	1001202020.....501
1001195201.....755, 757	1001196951..... 123	1001200393..... 61, 63	1001202021.....197
1001195202.....763, 853	1001196952..... 121	1001200395..... 63	1001202024.....485, 547
1001195254.....461	1001196959..... 547	1001200443..... 135	1001202025.....485, 559
1001195263.....697	1001196964..... 559	1001200445..... 171	1001202026.....485, 553
1001195342.....391	1001196967..... 559	1001200447..... 197	1001202027.....547
1001195343.....391	1001196969..... 559	1001200451..... 207	1001202038.....553
1001195345.....391	1001196970..... 559	1001200453..... 209	1001202172.....659, 661, 665
1001195346.....391	1001196973..... 559	1001200498..... 171, 173	1001202247.....217
1001195385.....391	1001196974..... 559	1001200499..... 171, 173	1001202321.....209, 211
1001195386.....391	1001196975..... 559	1001200538..... 717	1001202325.....211
1001195423.....877	1001196976..... 559	1001200539..... 719	1001202519.....737
1001195430.....555	1001196977..... 559	1001200631..... 173	1001202526.....169, 207
1001195431.....553	1001196978..... 559	1001200701..... 209	1001202617.....737
1001195433.....553	1001196981..... 559	1001200862..... 135, 137, 145, 667	1001202621.....733
1001195434.....553	1001196982..... 559	1001200863..... 135, 137, 147, 667	1001202722.....775, 781
1001195435.....553	1001196989..... 533	1001200864..... 135, 137, 149, 667	1001202723.....775, 781
1001195437.....391	1001196992..... 533	1001200865..... 135, 137, 151, 667	1001202786.....311, 313
1001195438.....391	1001196993..... 533	1001200866..... 135, 137, 155, 667	1001202899.....197
1001195471.....755, 765	1001196995..... 533	1001200867..... 197, 201	1001202901.....139
1001195473.....755, 767	1001196996..... 533	1001200869..... 135, 137, 667, 683	1001202986.....669, 671
1001195582.....689, 691	1001196997..... 533	1001200870..... 547	1001203005.....169
1001195590.....755, 769	1001197011..... 565	1001200871..... 145	1001203081.....715
1001195591.....751, 753	1001197056..... 47	1001200872..... 145	1001203181.....173
1001195593.....689, 693	1001197057..... 47	1001200873..... 145	1001203368.....713, 715
1001195610.....877	1001197072..... 145	1001200874..... 145	1001203640.....717, 719, 723
1001195636.....55, 57	1001197139..... 453	1001200885..... 147	1001203932.....37
1001195637J.....57	1001197196..... 485, 543	1001200886..... 147	
1001195655.....53, 904	1001197197..... 559, 561		
1001195720.....773	1001197198..... 561, 563		
1001195721.....699	1001197199..... 559		
1001195731.....769, 771	1001197200..... 559		
1001195732.....769, 771	1001197259..... 429		
	1001197262..... 55		

PART NUMBER INDEX

1001203933..... 37	1001209427..... 721	1001213322..... 35	1001217755..... 189
1001203934..... 37	1001209456..... 721, 723	1001213325J..... 35	1001217756..... 193
1001203947..... 171, 173	1001209463..... 427	1001213326J..... 35	1001217757..... 193, 195
1001203948..... 171, 173	1001209625..... 898	1001213331..... 333	1001217758..... 195
1001203987..... 59	1001209690..... 715	1001213752..... 747	1001217759..... 195
1001203989..... 55	1001209691..... 715	1001213775..... 769, 771	1001217760..... 193
1001204032..... 217, 653	1001209697..... 713, 715	1001213791..... 329	1001217761..... 179
1001204057..... 655	1001209862..... 643, 649	1001213833..... 45	1001217762..... 179
1001204060..... 719	1001209899..... 345	1001213834..... 45	1001217763..... 179
1001204066..... 333	1001210281..... 227	1001214092..... 353	1001217948..... 547
1001204115..... 333	1001210282..... 533	1001214123..... 191	1001218358..... 867
1001204120..... 333	1001210326..... 61, 63	1001214206..... 895, 898	1001218529..... 383, 386
1001204411..... 197	1001210327..... 533	1001214220..... 453	1001218542..... 383, 386
1001204413..... 197	1001210397..... 683	1001214254..... 79	1001218659..... 895
1001204414..... 197	1001210524..... 565	1001214349..... 213	1001218694..... 47
1001204444..... 717, 719	1001210525..... 565	1001214401..... 747	1001218704..... 895
1001204445..... 717, 719	1001210526..... 565	1001214415..... 79	1001218754..... 81
1001204486..... 39	1001210567..... 773	1001214429..... 547	1001218755..... 77, 79, 81
1001204528..... 717	1001210635..... 559	1001214430..... 547	1001218996..... 383, 386, 904
1001204530..... 717	1001210769..... 227, 233	1001214431..... 547	1001219082..... 173
1001204576..... 599	1001210770..... 663, 677	1001214661..... 487	1001219113J..... 39
1001204709..... 445	1001210771..... 161, 163	1001214829..... 501	1001219115..... 39
1001205061..... 453, 457	1001210780..... 541	1001215022..... 181, 217	1001219211..... 898
1001205307..... 733	1001210797..... 559	1001215024..... 181, 217	1001219212..... 895
1001205532..... 329, 333	1001210800..... 533	1001215093..... 547	1001219220..... 345
1001205564..... 185	1001210801..... 541	1001215121..... 705	1001219250..... 39
1001205565..... 185	1001210870..... 155	1001215208..... 663	1001219615..... 531, 627
1001205573..... 559	1001211020..... 559	1001215212..... 547	1001219659..... 539
1001205618..... 565	1001211357..... 369	1001215256..... 533	1001219764..... 497, 499
1001206099..... 49	1001211445..... 687	1001215319..... 205	1001219765..... 501, 503
1001206100..... 713, 715	1001211606..... 485, 565	1001215341..... 529, 531	1001219863..... 414
1001206242..... 487	1001211616..... 185	1001215464..... 59, 904	1001219864..... 414
1001206607..... 519	1001211617..... 185	1001215470..... 487	1001219865..... 414
1001206608..... 519	1001211693..... 701	1001215531..... 333	1001219905..... 53, 904
1001206633..... 711, 797	1001211899..... 47	1001215539..... 547	1001219953..... 53, 904
1001206709..... 533	1001211900..... 47	1001215693..... 713, 715, 859	1001220230..... 898
1001206725..... 75	1001211907..... 414	1001215802..... 547	1001220248..... 67
1001206744..... 461	1001212011..... 339	1001215859..... 565	1001220286..... 69
1001206843..... 73	1001212047..... 443	1001215860..... 565	1001220329..... 323, 367
1001206954..... 655	1001212049..... 443	1001215941..... 173	1001220338..... 341, 343
1001207171..... 776, 782	1001212312..... 591, 643	1001216263..... 425	1001220339..... 325, 341
1001207217..... 895	1001212369..... 353	1001216265..... 423	1001220473..... 565
1001207325..... 491	1001212418..... 525, 527	1001216267..... 425	1001220507..... 467
1001207594..... 745, 747	1001212468..... 421	1001216269..... 425	1001220540..... 321
1001207788..... 559	1001212470..... 703	1001216270..... 423	1001220641..... 67
1001207789..... 559	1001212511..... 599, 609	1001216331..... 581	1001220643..... 543, 545
1001207790..... 559	1001212739..... 165, 167	1001216333..... 585	1001220649..... 745
1001207866..... 73, 75	1001212787..... 533	1001216757..... 477	1001220650..... 745, 749
1001207898..... 223, 227	1001212788..... 533, 539	1001216798..... 211	1001220717..... 703
1001207899..... 229, 233	1001212789..... 539, 541	1001216799..... 211	1001220760..... 291
1001207956..... 461	1001212880..... 533	1001216803..... 477	1001220859..... 699
1001208037..... 461	1001212886..... 665	1001216974..... 371, 375, 379	1001220861..... 699
1001208308..... 414	1001212920..... 185	1001217226..... 581, 585	1001220947..... 741
1001208532..... 559	1001212921..... 185	1001217320..... 699	1001221041..... 135, 137, 153, 667
1001208534..... 559	1001212923..... 197, 203	1001217352..... 55, 489	1001221052..... 395, 403
1001209097..... 775, 781	1001212924..... 203	1001217354..... 489	1001221054..... 397, 405
1001209200..... 487	1001212925..... 203	1001217355..... 489	1001221056..... 395, 397
1001209201..... 487	1001213026..... 19, 485	1001217482..... 493, 495	1001221057..... 403, 405
1001209202..... 487	1001213265..... 453, 455	1001217552..... 505	1001221058..... 403, 405
1001209203..... 487	1001213306..... 547	1001217553..... 505	1001221059..... 383, 386
1001209346..... 49	1001213307..... 547	1001217620..... 289, 291	1001221087..... 305, 307
1001209357..... 729	1001213308..... 547, 549	1001217623..... 725, 729	1001221157..... 303, 305
1001209358..... 731	1001213309..... 549, 551	1001217669..... 291	1001221270..... 303
1001209387..... 41, 43	1001213311..... 551, 631	1001217753..... 193	1001221295..... 383, 386
1001209388..... 39	1001213317..... 511, 513	1001217754..... 189	1001221318..... 747
1001209418..... 565	1001213318..... 507, 509		
1001209419..... 565	1001213319..... 515, 517		

PART NUMBER INDEX

1001221319.....747	1001226829.....497, 501	1001231407.....173, 865	2130808.....227, 233, 463, 573
1001221321.....303, 307	1001227066.....873, 875	1001231483.....174, 867	2131010....487, 501, 503, 609
1001221349.....199	1001227068.....875	1001231801.....895	2131212....499, 503, 555, 563
1001221383.....199	1001227077.....173	1001232033.....743	2131216.....163
1001221493.....193	1001227090.....209	1001232298.....743, 871	2132016.....523
1001221734.....303	1001227133.....414	1001232509.....215, 689	2144603.....283
1001221868.....155	1001227186.....327	1001232850.....155	2144606.....151
1001221928.....537, 629	1001227187.....331	1001232988.....75	2150406.....495
1001221986.....535, 537	1001227188.....331	1001233024.....215	2150606.....85
1001221987.....533, 535	1001227266.....875	1001233431.....889	2150608.....163
1001221988.....533	1001227287.....895, 898	1001233558.....898	2150808....227, 233, 527
1001221989.....533	1001227297.....743, 845	1001234395.....75	2151010....509, 513, 517
1001222188.....29	1001227334..57, 59, 904	1001234455.....43	2151212.....555
1001222190.....29	1001227337.....57, 904	1001234596.....75	2151616.....185, 523
1001222455.....801	1001227440.....501	1001234802.....75	2152020.....33
1001222460.....139	1001227670...77, 79, 81, 83, 85, 87, 89, 99, 103, 110, 113, 119	1001235963.....37, 43	2160016..57, 61, 63, 281, 491, 581, 585
1001222603.....479	1001227802.....329	1001236404.....479	2170104.....167
1001222606.....477	1001227945.....463	1001238781.....165	2170106.....523
1001222650.....895, 898	1001227964.....173	1060626.....691, 693	2170112.....523
1001222741.....333	1001228132.....403, 405	1062255...155, 169, 179, 185, 193, 207, 211, 215, 559, 679, 681, 689, 743	2170206.....85, 523
1001223109.....547	1001228140.....403, 405	10713707.....663	2170208.....463
1001223265.....414	1001228141.....403, 405	10725554.....239, 253	2170216.....185
1001223435.....95	1001228147.....403, 405	120034.....701	2170316.....163
1001223453.....895, 898	1001228248.....155	1320022.....386	2170410.....501
1001223455.....801, 802, 803, 804	1001228427.....93	1320060.....179	2170704.....163
1001223456.....800	1001228504.....563	1670836.....895, 898	2170716.....185
1001223457.....800, 801	1001228643.....173	1701500.....895, 898	2170804.....545
1001223509.....199	1001228727.....137, 667	1702631.....895, 898	2170806.....227, 233
1001223618.....217, 655	1001228728.....137, 667, 681	1704260.....699	2171816.....547
1001223622.....655	1001228731.....681, 781	1706296.....895	2171832.....547
1001223628.....217	1001228732.....681, 793	1706299.....895	2172116.....185
1001223645.....217	1001228733.....681, 789	1706300.....895	2172410.....501
1001223869.....173, 217	1001228738.....661	1706301.....895	2200223.....171, 173
1001223874.....173	1001228739.....661, 671	1706302.....895	2220238.....563
1001223903.....767	1001228740.....671, 823	1706306.....895	2220239.....33, 541
1001223968.....703, 835	1001228741.....671, 827	1706768.....895	2220240.....33
1001224127.....767	1001228743.....709	1706850.....895	2220767.....179
1001224128.....767	1001228744.....709, 879	1707078.....895	2220811.....291
1001224450J.....39	1001228872.....169	2080078.....343	2220883.....633
1001224598.....227	1001228989.....717, 719	2080086.....327	2220886.....633
1001224938.....233	1001229056.....59	2080087.....327	2400060.....845
1001224944.....499, 647	1001229107.....873	2080092.....359	24921332.....197
1001224945.....503, 635	1001229201.....295	2110406...551, 569, 573	2580040.....689
1001224946.....523	1001229575.....895, 898	2110408.....545	2720160.....533
1001225317.....309	1001229609.....37	2110410.....163	2902443.....776, 783
1001225390.....501	1001229707.....901	211060663, 85, 551, 563, 569, 573	2920207.....713
1001225392.....497	1001229955.....743	2110610.....513, 517	2920208.....713
1001225393.....497, 501	1001229981.....283	2110808...527, 531, 563	3020037.....289
1001225656.....541	1001230163.....339	2110810...541, 569, 573	314689.....55, 591
1001225676.....205	1001230402.....867	2111008.....609	3251813.....895, 898
1001225677.....205	1001230403.....867, 868	2111010...167, 487, 509, 513, 517, 563, 569, 573, 585, 643	3290401....383, 386, 421, 733
1001225980.....677	1001230404.....868	2111012.....523	3290405.....75, 335, 753, 769, 771
1001226328.....873	1001230404.....868	2111212.....523	3290501.....701, 735
1001226400.....875	1001230423.....203	2111216.....163	3290505.69, 75, 173, 673
1001226481.....414	1001230850.....749	2111616...185, 291, 569, 573	3290507.....75
1001226523.....147	1001231217.....735	2130404...463, 499, 503, 531, 563	3290601....386, 421, 425, 453, 461, 669, 671, 695, 697, 701, 717, 739, 741, 769, 771
1001226532.....891	1001231385.....45	2130406.....163	329060541, 43, 197, 209, 414, 421, 683, 769, 771
1001226534.....891	1001231393.....541	2130408.....531	
1001226535.....891	1001231397.....867, 868	2130606.....523, 537	
1001226557.....565	1001231398.....867, 868		
1001226636.....845	1001231400.....867, 868		
1001226637.....845	1001231401.....867, 868		
1001226681.....203	1001231402.....868		
1001226797.....197	1001231404.....868		
1001226799.....743	1001231406.....868		
1001226828.....497			

PART NUMBER INDEX

3290606 565	4460424 802	823, 824, 825, 827,	4641520 545, 651
3290607 713, 715	4460434 800	828, 847, 867	471678 355
3290801 ... 171, 173, 217,	4460458 ... 761, 776, 782,	4460892 776, 782	4740274 171, 173
329, 449, 723, 767	805, 820, 828, 861, 867	4460894 776, 782, 801,	4740532 161, 165
3290805 ... 169, 199, 455,	4460464 ... 776, 782, 791,	803, 817, 819, 825,	4740550 171, 173
517, 677	793, 795, 802, 804,	827, 831, 853, 859	4761700 547
3290806 343	813, 817, 820, 825,	4460897 776, 777, 778,	4807718 367, 904
3291001 ... 149, 155, 171,	828, 833, 835, 837,	782, 783, 802, 813,	4811400 ... 75, 77, 79, 81,
173, 209, 673, 713, 715	845, 847, 851, 853,	815, 816, 817, 823,	383, 386, 421, 459,
3291005 ... 151, 171, 173,	857, 861, 865, 867,	824, 825, 831, 863	733, 753, 769, 771
209, 281, 491, 665	871, 875, 879	4460899 817, 819, 825,	481160069, 75, 153, 173,
3291201 129, 179	4460465 ... 761, 775, 776,	827, 833, 835, 847	414, 673, 699, 735
3291205 53	777, 778, 781, 782,	4460905 841, 843	4811700 ... 23, 27, 41, 43,
3291605 ... 53, 77, 79, 81,	783, 784, 797, 801,	4460906 801	45, 147, 197, 199, 209,
145	803, 804, 805, 813,	4460928 804, 816, 824,	327, 329, 349, 355,
3311508 691	815, 816, 817, 819,	847	386, 409, 411, 421,
3332011 321	820, 821, 823, 824,	4460930 804, 817, 819,	425, 427, 453, 457,
3520028 461	825, 827, 828, 829,	820, 825, 828, 871	461, 529, 535, 565,
3520193 35, 57	831, 839, 841, 843,	4460931 795, 804, 820,	665, 669, 671, 679,
3740080 173	845, 847, 848, 851,	828, 853, 871, 879	681, 683, 695, 697,
3760348 453	853, 867, 871	4460932 813, 816, 819,	701, 713, 715, 717,
3790152 217	4460466 ... 733, 776, 777,	824, 827, 837, 855,	719, 739, 741, 747,
3900357 683	778, 781, 782, 783,	857, 861, 865	763, 769, 771
3900379 435	784, 795, 797, 801,	4460933 777, 783, 801,	4811700001 414
39844923 253	802, 803, 804, 813,	815, 817, 820, 823,	4811702 ... 359, 425, 453,
3986405 285	815, 816, 817, 819,	825, 828, 845	457, 463
3986610 381	820, 823, 824, 825,	4460941 813, 820, 828,	4811702001 329, 331,
3986643 381	827, 828, 829, 835,	833, 859, 863	414, 479
4000015 771	839, 841, 843, 845,	4460942 777, 784, 801,	4811900 ... 23, 25, 47, 49,
4010416 753, 769	847, 853, 859, 861,	813, 815, 816, 817,	53, 157, 169, 171, 173,
4010510 477, 479	867, 871, 879	823, 824, 825, 847,	183, 191, 197, 199,
4010608002 329, 414,	4460475 867	848, 859	203, 213, 329, 333,
425, 427	4460496 701	4460943 795, 804, 813,	347, 353, 371, 375,
4010610 769, 771	4460497 701	831, 879	379, 386, 423, 437,
4010610002 409, 411,	4460508 ... 775, 782, 787,	4460944 777, 778, 781,	439, 441, 449, 453,
414, 425, 461	789, 795, 879	782, 783, 784, 801,	463, 487, 493, 507,
4010612002 331, 414,	4460509 ... 777, 783, 816,	803, 804, 805, 820,	511, 517, 519, 533,
421	819, 824, 827	828, 829, 841, 843,	539, 549, 553, 565,
4031205 679, 681	4460518 ... 804, 817, 825,	847, 853	663, 677, 695, 697,
403160729, 33, 467, 469,	867	4460945 784, 805, 853,	723, 725, 727, 733,
679, 681	4460536 ... 791, 793, 821,	867	739, 741, 765, 767
4031608 419	829, 851	4460970 776, 782, 815,	4811902 . 37, 39, 59, 187,
4031608001 414	4460539 ... 775, 777, 778,	820, 823, 828, 859	189, 197, 217, 383,
4031708 767	781, 782, 783, 784,	4460979 777, 783	386, 423, 425
4031910 439, 441	803, 804, 815, 820,	4460984 817, 825	4812000 ... 33, 41, 43, 47,
4031912 525, 543	823, 828, 829, 847,	4460994 802	49, 53, 57, 59, 61, 63,
4031916 591	851, 853, 867	4461000 699	67, 75, 149, 151, 157,
4031918 ... 507, 511, 515	4460608 775, 781	4461006 775, 776, 781,	179, 197, 209, 281,
4031920 599	4460670 845	783	461, 463, 487, 491,
4031921 497, 501	4460705 801	4461008 775, 781	519, 521, 529, 547,
4032010 53	4460742 217, 867	4461015 813, 816, 824	555, 561, 565, 663,
4060919 19	4460746 805	4461017 787, 789, 795,	665, 673, 679, 681,
4109801 895, 898	4460748 ... 776, 782, 820,	819, 827, 879	713, 715, 749, 769,
4240018 533, 559	828	4461018 777, 783, 819,	771, 773
4240032 743	4460761 867	827	4812002 ... 25, 37, 39, 45,
4240099 ... 533, 547, 693	4460789 833	4461054 775, 781, 819,	47, 61, 63, 149, 155,
4280307 27	4460809 867	820, 827, 828	171, 173
4360475 699	4460836 801	4461070 777, 783	481210023, 53, 145, 179,
4360658 459	4460871 841, 843	4461071 776, 783	197, 567, 571, 673
4460225 800, 801	4460884 ... 733, 777, 784,	4461095 777, 783	4812102 23, 171, 173,
4460234 701, 743	816, 819, 824, 827,	4461115 805, 861	309
4460265 800	839, 847, 853, 867	4461118 819, 827, 833	4812300 .35, 53, 145, 289
4460267 ... 800, 801, 802	4460891 ... 761, 776, 777,	4461174 725, 727, 729,	4812500 319, 321
4460268 ... 800, 801, 802	778, 782, 783, 784,	731	4831400 ... 383, 386, 421
4460320 801, 802	797, 804, 805, 815,	4461262 800, 804, 819,	4831600 33, 679, 681
4460321 867	816, 817, 819, 820,	827, 857	4831700 45, 201, 425,
4460343 800, 801		4461290 816, 824	461, 663, 739, 741

PART NUMBER INDEX

4831900..... 187, 189, 383, 386, 453, 683	70021446..... 603	70024848..... 243	70026263..... 243
4832100..... 171, 173	70021447..... 603	70024849..... 243	70026264..... 243
4892600..... 225, 231	70021448..... 603	70024856..... 381	70026265..... 247, 261
5220600..... 719	70021451..... 603	70024857..... 381	70026266... 247, 261, 271
5220800..... 685, 687, 691	70021452..... 603	70024858..... 381	70026292..... 807
5240600..... 767	70021531..... 637, 639	70024859..... 381	70026293..... 809
5240800..... 505	70021606..... 257	70024861..... 381	70026294..... 675
5241000..... 209	70021613..... 257	70024881 .. 241, 255, 271	70026295..... 675
5241200..... 129	70022034..... 373	70024918..... 141	70026296..... 675
5241400..... 283	70022140..... 239, 253	70024945..... 619	70026297..... 675
5241600..... 281	70022726..... 619	70024946..... 619	70026312..... 633
5242400..... 281, 491	70022765..... 703, 904	70024961..... 141, 904	70026314..... 633
5250608..... 391	70022773..... 245, 259	70025012..... 241	70026315..... 633
5251012..... 139	70022938.. 91, 93, 95, 97, 110, 113, 115	70025014..... 241	70026353..... 177
5271609..... 735	70023179..... 381	70025153..... 141	70026354..... 177
5272012..... 749	70023181..... 381	70025242..... 142	70026359..... 177
643191201.. 800, 815, 823	70023182..... 381	70025335..... 237, 251	70026361..... 465
643201301.. 800, 815, 823	70023184..... 381	70025337..... 263	70026362..... 465
70002963..... 629, 633	70023186..... 381	70025338..... 263	70026363..... 465
70004387..... 629	70023189..... 381	70025339..... 263, 265	70026364..... 465
70004512..... 141	70023469..... 239, 253	70025483..... 373	70026365..... 465
70004595..... 627	70023489..... 263	70025485..... 373	70026366..... 465
70005191..... 142	70023490..... 263, 265	70025486..... 373	70026367..... 465
70005490..... 141	70023493..... 263	70025489..... 373	70026407..... 593
70005492..... 141	70023494..... 239, 253	70025490..... 373	70026408..... 593
70005495..... 141	70024004..... 265	70025491..... 373	70026411..... 593
70005504..... 141	70024035..... 595	70025535..... 142	70026434..... 455
70005505..... 141	70024107..... 381	70025561..... 241, 255	70026469..... 95, 97, 613
70005507..... 141, 142	70024123..... 95, 97, 109, 115, 615	70025562..... 241, 255	70026470..... 95, 97
70005510..... 141	70024129.. 605, 607, 613, 615	70025590..... 583	70026471..... 95, 97, 109
70005511..... 141	70024130.. 91, 93, 95, 97, 110, 115, 615	70025614..... 583, 595	70026472..... 95, 97, 109
70005513..... 141	70024142..... 607	70025707..... 142	70026473..... 95, 97, 109
70005522..... 142	70024146 .. 241, 255, 273	70025722..... 141	70026474..... 95, 97
70005523..... 142	70024147 .. 241, 255, 273	70025737..... 141	70026475..... 95, 97
70005524..... 142	70024164..... 589	70025743..... 141	70026476..... 95, 97, 109
70005544..... 142	70024165..... 589	70025755..... 141	70026477.. 93, 95, 97, 575
70005548..... 142	70024166..... 589	70025757..... 141	70026478..... 95, 97
70005549..... 142, 904	70024167..... 589	70025760..... 142	70026479... 91, 93, 95, 97
70005556..... 142	70024168..... 589	70025761..... 142	70026480... 91, 93, 95, 97
70005557..... 142	70024169..... 589	70025763..... 141	70026481.. 91, 93, 95, 97, 109, 113, 115
70005558..... 142	70024210..... 243, 257	70025765..... 141	70026482.. 91, 93, 95, 97, 109, 113, 115
70005559..... 142	70024213..... 243	70025768..... 141	70026483..... 91, 93
70005730..... 141	70024215..... 243	70025772..... 141	70026496..... 613
70006144..... 141	70024216..... 257	70025775..... 141	70026497..... 613
70006427..... 633	70024459..... 381	70025780..... 142	70026498..... 613
70020276..... 285	70024474..... 142	70025786..... 141	70026499..... 613
70020438..... 593, 597	70024484..... 141	70025816..... 451	70026500..... 613
70020555..... 99, 101, 131	70024487..... 141	70025817..... 451	70026501..... 109, 613
70020764..... 637, 639	70024489..... 141	70025856..... 265	70026502... 605, 607, 613
70020867..... 625, 651	70024493..... 141	70025859..... 455	70026503..... 113, 613
70020922..... 461	70024494..... 141	70025877..... 142	70026504..... 115, 613
70021251..... 373	70024495..... 141	70025884..... 247, 261	70026505..... 613
70021252..... 373	70024504..... 141	70025887..... 239, 253	70026506..... 613
70021317..... 377	70024505..... 142	70025970..... 243	70026509..... 613
70021318..... 377	70024507..... 141	70026002..... 241, 255	70026582..... 625, 651
70021319..... 377	70024538..... 97, 109, 113	70026011..... 141	70026614.. 93, 95, 97, 575
70021322..... 377	70024721 .. 110, 113, 115	70026081..... 177	70026616..... 95, 97
70021340..... 713, 715	70024731..... 113	70026082..... 177	70026631..... 285
70021341..... 713, 715	70024732..... 113	70026210..... 142	70026745..... 99, 101, 131
70021349..... 83, 103, 107	70024733..... 113, 615	70026238..... 241, 255	70026746..... 99, 101, 131
70021350..... 103, 107	70024734.. 113, 605, 607, 613, 615	70026249..... 597	70026747..... 257
70021367..... 107	70024772.. 110, 113, 115	70026251..... 597	70026748..... 257
70021422..... 107	70024787..... 113	70026253..... 597, 904	70026750..... 265
70021440..... 601, 603		70026260 .. 241, 255, 267	70026838..... 587
70021444..... 603		70026261 .. 241, 255, 269	70026892..... 285
70021445..... 603		70026262..... 243	70026896..... 285

PART NUMBER INDEX

70026897	285	70028312	583	70028389..	237, 241, 251, 255	70028565	91, 93
70026898	285	70028313	583, 904	70028390.....	239, 265	70028566	91, 93
70026901	285	70028314	595	70028391.....	239	70028567	91, 93
70026904	285	70028315	595	70028392.....	241, 255	70028568	91, 93
70026908	285	70028316	595	70028393.....	245, 259	70028569	91, 93
70026909	285	70028317	595	70028394.....	245, 259	70028570	91, 93
70026911	285	70028318	595	70028396.....	241, 255	70028571	91, 93
70026927	286	70028319	595	70028397.....	255	70028572	91, 93, 611
70027022	243, 257	70028320	595	70028398.....	253, 263	70028573	91, 93, 575
70027092	243	70028321	595	70028399.....	253	70028574	91, 93
70027105	263, 265	70028322	595	70028400.....	255	70028575	93
70027109	285	70028323	595	70028401.....	239, 253	70028576	93
70027110	285	70028324	595, 904	70028405.....	109	70028577	93
70027180	121, 123, 125, 127	70028326	381	70028406.....	109	70028578	93
70027317	243, 257	70028327	159	70028410.....	619, 904	70028579	93
70027392	377	70028328	159	70028411.....	619	70028580	93
70027395	377	70028329	159	70028412.....	621	70028581	611
70027404	141	70028330	159	70028413.....	621, 904	70028582	611
70027405	141	70028331	159	70028414.....	627	70028583	611
70027417	141, 904	70028332	159	70028415.....	627	70028584	611
70027426	141	70028333	159	70028416.....	627	70028585	611
70027567	141	70028334	159	70028417.....	141	70028586	611
70027595	621	70028335	159	70028418.....	141	70028587	611
70027596	639	70028336	159	70028419.....	141, 904	70028588	611, 615
70027598	619	70028337	159	70028420.....	617	70028589	93, 575
70027601	617, 904	70028338	159	70028421.....	645	70028591	83
70027657	141, 904	70028339	159	70028422.....	649	70028592	83
70027773	103	70028340	159	70028485.....	83, 103, 107	70028593	83
70027796	243	70028341	159	70028486.....	83, 107	70028594	83
70027811	593	70028342	159	70028487.....	107	70028595	83
70027862	285	70028343	159	70028488.....	83, 107	70028596	83
70027879	85	70028344	159	70028489.....	103, 107	70028597	83
70027880	85	70028345	159	70028490.....	103, 107	70028598	83
70027881	85	70028346	159	70028491.....	107	70028599	83, 601
70027882	85	70028347	159	70028492.....	107	70028600	83
70027887	85	70028348	159	70028493.....	107	70028601	83
70027888	85	70028349	159	70028494.....	107	70028602	83
70027889	85	70028350	159	70028495.....	83, 103, 107	70028603	83, 603
70027890	85	70028351	159	70028496.....	83, 103, 107	70028604	83
70027896	85	70028352	159	70028497.....	107	70028605	83
70027899	85	70028353	159	70028498.....	107	70028606	83
70027986	245, 259	70028354	159	70028499.....	107	70028607	83
70027989	83	70028355	159	70028500.....	107	70028609	601
70028114	113	70028357	159	70028501.....	107	70028610	601
70028115	113	70028358	159	70028502.....	627	70028611	601
70028119	113	70028359	159	70028503.....	627	70028612	603
70028243	627	70028360	159	70028504.....	627	70028613	603
70028253	109	70028361	631	70028504.....	627	70028614	603
70028254	605	70028362	597	70028505.....	85	70028615	103
70028255	605	70028371	593	70028506.....	85	70028616	103
70028256	605, 607	70028372	593	70028507.....	85	70028617	103
70028257	605, 607	70028373	593	70028508.....	85	70028618	103
70028258	605, 607	70028374	593	70028509.....	85	70028619	103
70028262	109	70028375	593, 904	70028510.....	85	70028620	103
70028263	91, 93	70028376	587	70028511.....	85	70028621	103
70028267	110, 115	70028377	587	70028512.....	85	70028622	103
70028270	605	70028378	587	70028513.....	85	70028623	103
70028281	635	70028379	587	70028514.....	653	70028624	103
70028282	635, 647	70028380	587, 904	70028515.....	653	70028625	103
70028285	641	70028381	455	70028516.....	653	70028626	103
70028306	583	70028382	455	70028517.....	653	70028627	103
70028307	583	70028383	455	70028525.....	83	70028628	103
70028308	583	70028384	587	70028526.....	83	70028629	103
70028309	583, 595	70028387	241, 255	70028546.....	833	70028630	103
70028310	583, 595	70028388	237, 241, 251, 255	70028554.....	83, 99, 103	70028631	103
70028311	583			70028563.....	91, 93	70028632	103
				70028564.....	91, 93	70028633	103

PART NUMBER INDEX

70028634.....	104	70028712.....	115	70028828.....	285	77213042.....	197
70028635.....	103	70028713.....	115	70028829.....	285	7760897.....	797
70028636.....	103	70028714.....	115	70028830.....	285	8000759.....	343
70028637.....	103	70028715.....	115	70028831.....	285	8000803.....	329
70028638.....	103	70028716.....	115	70028832.....	285	8002200.....	57, 59, 904
70028648.....	109	70028717.....	115	70028833.....	285	8004398.....	343
70028649.....	109	70028718.....	115	70028834.....	285	8005901.....	411
70028650.....	109	70028719.....	115	70028835.....	285	8008175.....	245, 259
70028651.....	109	70028720.....	115	70028836.....	285	8008640.....	57, 59, 904
70028652.....	109, 605	70028721.....	115	70028837.....	285	80203020.....	285
70028653.....	109, 607	70028722.....	115	70028838.....	285	80203021.....	285
70028654.....	109	70028723.....	115	70028839.....	285	80204002.....	237, 251
70028655.....	109	70028724.....	115	70028840.....	285	80204005.....	237, 251, 275
70028656.....	109	70028725.....	115	70028841.....	286	80204007.....	285
70028657.....	109	70028726.....	115	70028842.....	286	80204012.....	255
70028658.....	109	70028727.....	115	70028843.....	286	80204016.....	285
70028659.....	109	70028728.....	615	70028844.....	286	80204033.....	239, 253
70028660.....	109	70028729.....	615	70028845.....	286	80204035.....	239, 253
70028661.....	109	70028730.....	615	70028846.....	286	80204043.....	239, 253
70028662.....	109	70028731.....	615	70028847.....	286	80204048.....	239, 253
70028663.....	109	70028732.....	615	70028848.....	286	80204060.....	243
70028664.....	109	70028733.....	615	70028902.....	633	80204065.....	241, 255
70028665.....	109	70028734.....	97, 116	70028903.....	633	80204071.....	241, 255
70028666.....	109	70028738.....	97	70028904.....	633	80204076.....	241, 255
70028667.....	109	70028739.....	97	70028905.....	633	80204108.....	243
70028668.....	109	70028740.....	97	70029941.....	595	80204117.....	243, 257, 271
70028669.....	109	70028741.....	97	7010543.....	629	80204143.....	245, 259
70028670.....	109	70028742.....	97	70124445.....	141	80204144.....	245, 259
70028671.....	109	70028743.....	97	70126616.....	141	80204176.....	285
70028672.....	95, 97, 109, 113, 115	70028744.....	91	7016331.....	141, 904	80204215.....	285
70028673.....	109	70028745.....	91	7020208.....	141	80204281.....	243, 257
70028674.....	109	70028746.....	91	7020442.....	141	80214120.....	241, 255
70028675.....	109	70028747.....	91	7022390.....	635	80233218.....	453
70028676.....	109	70028748.....	91	7024947.....	621	80333151.....	453
70028677.....	109	70028749.....	95	7026731.....	277	80363195.....	347
70028678.....	110	70028750.....	95	7028621.....	381	80604017.....	831
70028679.....	110	70028751.....	95	7028714.....	241, 255	80604021.....	839
70028680.....	110	70028752.....	95	7028715.....	241, 255	80963055.....	777, 783
70028681.....	110, 113	70028753.....	95	7028716.....	241, 255	80963056.....	777, 783
70028682.....	110	70028767.....	109	7028733.....	241, 255	80963067.....	776, 783
70028683.....	110	70028768.....	109	7029127.....	245, 259	80983191.....	807, 809, 811
70028684.....	110	70028768.....	109	7029288.....	237, 251	82033995.....	169, 207
70028685.....	110	70028770.....	605	7029290.....	271	8220035.....	865
70028686.....	110	70028771.....	607	7029307.....	245, 259	8220043.....	787, 789
70028687.....	110, 113, 115	70028785.....	113	7029317.....	241	8220051.....	802, 803, 815, 823
70028688.....	110, 113, 115	70028786.....	113	7029486.....	409, 411, 883	8220097.....	776, 782
70028689.....	110, 113, 115	70028787.....	113	7029520.....	131	8220098.....	776, 782
70028690.....	110, 113	70028788.....	113	7029702.....	83	8220108.....	865
70028691.....	605, 607	70028789.....	113	7029703.....	83	8220116.....	817, 825
70028692.....	607	70028790.....	113	7029704.....	83	8220124.....	775, 781
70028693.....	607	70028791.....	113	7029709.....	103	8229234.....	868
70028694.....	607	70028792.....	113	7029711.....	83, 103, 107	8229235.....	867
70028695.....	110	70028793.....	113	7029712.....	103	8229242.....	807, 809, 845
70028696.....	110	70028794.....	113	7029733.....	255, 277	8229244.....	675, 811
70028697.....	95, 110, 116	70028795.....	113	7029734.....	243, 257	8229245.....	675, 807
70028701.....	115	70028796.....	113	7029735.....	243, 257	8229247.....	675, 809
70028702.....	115	70028801.....	286	7029743.....	241	8229261.....	867
70028703.....	115	70028817.....	285	7029767.....	373	8275212.....	197
70028704.....	115, 615	70028818.....	285	7029785.....	257	8278020.....	171, 173
70028705.....	115	70028819.....	285	7029787.....	243	8305919.....	195, 359, 414, 425
70028706.....	115	70028820.....	285	7029969.....	713	8307219.....	195
70028707.....	115	70028821.....	285	7029970.....	713	8310559.....	339
70028708.....	115	70028822.....	285	7029971.....	713, 715	8310686.....	525, 543
70028709.....	115	70028823.....	285	7169541.....	173	8405006.....	179, 533
70028710.....	115	70028824.....	285	7300435.....	145		
70028711.....	115	70028825.....	285	77133136.....	487		
		70028826.....	285	77133137.....	487		
		70028827.....	285				

PART NUMBER INDEX

8405007 ... 179, 547, 553, 559	8769123 511, 515	91043126..505, 509, 513, 517	91514134 239, 253
8405009 179, 203, 453	8769126 511, 515	9106-3039.....559	91514143 265
8405101 179	8770030 523	9106-3040.....559	91514146 275, 285
8405102 185	8770075 505	91083106.....547	91514147 275
8405104 179	8770104 523	91163268.....197	91514148 275
8405201 ... 179, 414, 417	8770215 489	91403193.....221	91514149 .. 241, 255, 275
8405402 147	8770286 523	91474364.....285	91514151 243
8406105 145	8786549 ... 297, 299, 305, 307	91474512.....237, 251	91514154 .. 243, 257, 285
8406112 213	88662434 533, 559	91504107.....831	91514159 243, 257
8406201 533	8880219-OM.....293	91513266.....309	91514174 241, 255
8406202 507, 511	90206196 47	91514081 241, 255	91514175 .. 241, 255, 273
8410009 207, 383, 386	90206198 533	91514082 241, 255	91514177 .. 241, 255, 273
8410013 169, 533, 547	90206202 19	91514083 241	91514178 241, 255
8420053 ... 83, 85, 91, 93, 95, 97, 103, 107, 110, 113, 115	90554016 101	91514084 241	91514179 241, 255
8420055 ... 83, 85, 91, 93, 95, 97, 103, 107, 110, 113, 115	90554017 83	91514089..237, 241, 243, 251	91514180 241, 255
8424233 547	90554020 83	91514090.....271	91514181 241, 255
8430032 533, 573	90554042 83, 103, 107	91514095.....241, 255	91514184 241, 277
8430033 569, 573	90554045 ... 83, 103, 107, 601, 603	91514098.....237, 251	91514185 241, 277
8430034 551	90554065 103	91514101 237, 251	91514186 241, 277
8430081 533	90554066 103	91514111 267, 269	91514189 241, 255
8466306 365	90554067 83, 103	91514112 241, 255	91554014 803
8584003 737	91013191 820, 828	91514117 241, 255	91574001 589
85941018 533	91013192 . 816, 817, 824, 825	91514118 309	943191201 800
	91043125 . 505, 509, 513, 517	91514123 239	AU2105 895, 898
		91514130 239, 253	E000269..... 753
		91514133 239, 253	N.S.S.....77, 79, 81, 629

PARTS FINDER

**Search Website
by Part Number**



**Search Manual
Library For Parts
Manual & Lookup Part
Numbers – Purchase
or Request Quote**

**Can't Find Part or
Manual? Request Help
by Manufacturer,
Model & Description**

Discount-Equipment.com is your online resource for quality parts & equipment.

Florida: **561-964-4949** Outside Florida TOLL FREE: **877-690-3101**

Need parts?

Click on this link: <http://www.discount-equipment.com/category/5443-parts/> and choose one of the options to help get the right parts and equipment you are looking for. Please have the machine model and serial number available in order to help us get you the correct parts. If you don't find the part on the website or on one of the online manuals, please fill out the request form and one of our experienced staff members will get back to you with a quote for the right part that your machine needs.

We sell worldwide for the brands: Genie, Terex, JLG, MultiQuip, Mikasa, Essick, Whiteman, Mayco, Toro Stone, Diamond Products, Generac Magnum, Airman, Haulotte, Barreto, Power Blanket, Nifty Lift, Atlas Copco, Chicago Pneumatic, Allmand, Miller Curber, Skyjack, Lull, Skytrak, Tsurumi, Husquvarna Target, Stow, Wacker, Sakai, Mi-T-M, Sullair, Basic, Dynapac, MBW, Weber, Bartell, Bennar Newman, Haulotte, Ditch Runner, Menegotti, Morrison, Contec, Buddy, Crown, Edco, Wyco, Bomag, Laymor, EZ Trench, Bil-Jax, F.S. Curtis, Gehl Pavers, Heli, Honda, ICS/PowerGrit, IHI, Partner, Imer, Clipper, MMD, Koshin, Rice, CH&E, General Equipment, Amida, Coleman, NAC, Gradall, Square Shooter, Kent, Stanley, Tamco, Toku, Hatz, Kohler, Robin, Wisconsin, Northrock, Oztec, Toker TK, Rol-Air, APT, Wylie, Ingersoll Rand / Doosan, Innovatech, Con X, Ammann, Mecalac, Makinex, Smith Surface Prep, Small Line, Wanco, Yanmar