



---

# Illustrated Parts Manual

**Models**

**1644**

**31211281**

*Revised*

*January 18, 2019 - Rev D*



An Oshkosh Corporation Company

---

# PARTS FINDER

**Search Website  
by Part Number**



**Search Manual  
Library For Parts  
Manual & Lookup Part  
Numbers – Purchase  
or Request Quote**

**Can't Find Part or  
Manual? Request Help  
by Manufacturer,  
Model & Description**

Discount-Equipment.com is your online resource for quality parts & equipment.

Florida: **561-964-4949** Outside Florida TOLL FREE: **877-690-3101**

## Need parts?

Click on this link: <http://www.discount-equipment.com/category/5443-parts/> and choose one of the options to help get the right parts and equipment you are looking for. Please have the machine model and serial number available in order to help us get you the correct parts. If you don't find the part on the website or on one of the online manuals, please fill out the request form and one of our experienced staff members will get back to you with a quote for the right part that your machine needs.

We sell worldwide for the brands: Genie, Terex, JLG, MultiQuip, Mikasa, Essick, Whiteman, Mayco, Toro Stone, Diamond Products, Generac Magnum, Airman, Haulotte, Barreto, Power Blanket, Nifty Lift, Atlas Copco, Chicago Pneumatic, Allmand, Miller Curber, Skyjack, Lull, Skytrak, Tsurumi, Husquvarna Target, Stow, Wacker, Sakai, Mi-T-M, Sullair, Basic, Dynapac, MBW, Weber, Bartell, Bennar Newman, Haulotte, Ditch Runner, Menegotti, Morrison, Contec, Buddy, Crown, Edco, Wyco, Bomag, Laymor, EZ Trench, Bil-Jax, F.S. Curtis, Gehl Pavers, Heli, Honda, ICS/PowerGrit, IHI, Partner, Imer, Clipper, MMD, Koshin, Rice, CH&E, General Equipment, Amida, Coleman, NAC, Gradall, Square Shooter, Kent, Stanley, Tamco, Toku, Hatz, Kohler, Robin, Wisconsin, Northrock, Oztec, Toker TK, Rol-Air, APT, Wylie, Ingersoll Rand / Doosan, Innovatech, Con X, Ammann, Mecalac, Makinex, Smith Surface Prep, Small Line, Wanco, Yanmar

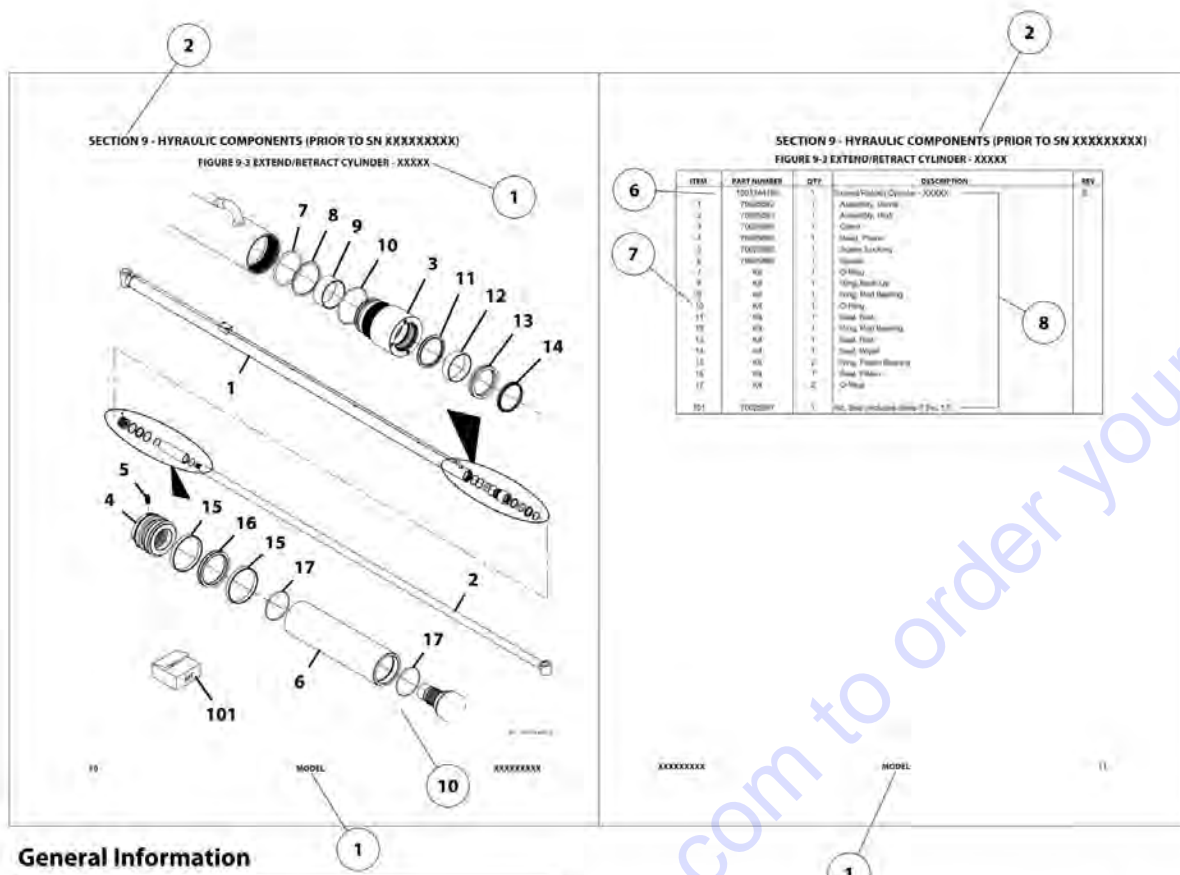


## EFFECTIVITY PAGE

May 1, 2017 - A - Original Issue of Manual  
October 13, 2017 - B - Revised Manual  
July 18, 2018 - C - Revised Manual  
January 18, 2019 - D - Revised Manual

Go to [Discount-Equipment.com](http://Discount-Equipment.com) to order your parts





**General Information**

**1. MACHINE IDENTIFICATION**

Machines are identified by model and in some cases a combination of model, serial number (S/N) or regional standard (e.g. ANSI, CE, CSA, AUS). Components may also be identified by S/N or manufacturer. Common components that may be identified by these characteristics are attachments, engine, transmission and hydraulic components.

**2. PARTS MANUAL ORGANIZATION**

Product information in this manual is organized under section titles. Frame, Engine and Electrical are a few examples. Each section is organized by Figure and page number. The information within the Figure is then organized by item number, part number, description and corresponding illustration(s).

**3. TABLE OF CONTENTS**

A table of contents (TOC) is found toward the beginning of the manual. Figure number, description and page number are provided for quick reference to the page containing the related information.

**4. RECOMMENDED SPARE PARTS**

The Recommended Spare Parts, located near the end of the manual, references most frequently used maintenance parts.

**5. PARTS NUMBER INDEX**

A numerical index listing all part numbers and the corresponding page number(s) appears at the back of the manual.

**6. NON-SERVICED PARTS**

In some instances it is necessary to display non-serviced parts, assemblies or installations. In the case of assemblies and installations there will be a Ref in the QTY column and a note after the item description stating what is available for service within. In the case of parts that are not available for service within assemblies or components there will be a NSS (Not Sold Separately) listed in the part number column of the manual.

**7. PARTS LIST ITEM NUMBERS**

Numbers shown in the Item column correspond to numbers used in the associated illustration(s). Item numbers which are missing from sequence and are not shown in the illustration(s) are not used on that page.

**8. INDENTED PART DESCRIPTION**

An indented part description is included in the item under which it is indented.

## 9. ABBREVIATIONS AND SYMBOLS

AC	Alternating Current
A/C	Air Conditioning
ADE	Advanced Design Electronics
AG	Agriculture
AMP	Amperage
ANSI	American National Standards Institute
AR	As Required
ASSY	Assembly
AUS	Australia
AUX	Auxiliary
AWG	American Wire Gauge
CAC	Charge Air Cooler
CE	European Conformity
CM	Centimeter
CONST	Construction
CSA	Canadian Standards Association
DEF	Diesel Exhaust Fluid
DIA	Diameter
DC	Direct Current
DTZ	Decentralized Transmission Zeros
ECU	Electronic Control Unit
EMS	Emergency Stop
FNR	Forward Neutral Reverse
FT	Foot
GA	Gauge
GR	Grade
HBP	High Boom Pivot
HHP	High Horse Power
HOC	Hydraulic Oil Cooler
HVAC	Heating, Ventilating, and Air Conditioning
ID	Inside Diameter
IN	Inch
ISO	International Organization for Standards
ITSDF	Industrial Truck Standards Development Foundation
JIC	Joint Industry Council
KG	Kilogram
KW	Kilowatt
L	Liter

LB	Pound
LBP	Low Boom Pivot
LCD	Liquid Crystal Display
LED	Light Emitting Diode
LH	Left Hand
LHD	Left Hand Drive
LHP	Low Horse Power
LMIS	Load Management Indicator System
LS	Low Sulfur
LSI	Load Stability Indicator
LSS	Load Sensing System
M <sup>3</sup>	Cubic Meter
MA	Milliamp
M(m)	Metric/Meter
MM	Millimeter
N	Newton
NACD	North America Construction Division
NLA	No Longer Available
NSS	Not Sold Separately
OD	Outside Diameter
ORB	O-Ring Boss
ORFS	O-Ring Face Seal
OZ	Ounce
PR	Ply Rating
QT	Quart
QTY	Quantity
REF	Reference
REV	Revision
RH	Right Hand
RHD	Right Hand Drive
RHOC	Remote Hydraulic Oil Cooler
RUS	Russia
SAE	Society of Automotive Engineers
SAHR	Spring Applied Hydraulically Released
SN	Serial Number
SPD	Speed
TLU	Torque Lock Up
UGM	Universal Ground Module

## 10. ILLUSTRATION REFERENCE LETTERS

When necessary, illustrations may contain reference letters that are intended to track information from one point to another in the illustration such as harnesses and hoses or any other information that has been separated in the illustration

**Note:** Due to continuous product improvements, JLG Industries, Inc. reserves the right to make specification changes without prior notification.



# TABLE OF CONTENTS

SECTION 1 - FRAME AND ATTACHING PARTS.....	15
FIGURE 1-1. FRAME WELDMENT .....	16
FIGURE 1-2. GROMMETS INSTALLATION .....	18
FIGURE 1-3. TANK INSTALLATION.....	20
FIGURE 1-4. FUEL TANK INSTALLATION.....	22
FIGURE 1-5. HYDRAULIC TANK INSTALLATION .....	24
FIGURE 1-6. TANK SUPPORT INSTALLATION.....	26
FIGURE 1-7. FUEL TANK ASSEMBLY .....	28
FIGURE 1-8. LOCKING FUEL CAP .....	30
FIGURE 1-9. HYDRAULIC TANK ASSEMBLY.....	32
FIGURE 1-10. COUNTERWEIGHT INSTALLATION.....	34
FIGURE 1-11. ENGINE ENCLOSURE INSTALLATION.....	36
FIGURE 1-12. ENGINE ENCLOSURE ASSEMBLY.....	38
FIGURE 1-13. HOOD ASSEMBLY .....	40
FIGURE 1-14. HOOD ASSEMBLY .....	42
FIGURE 1-15. COVER INSTALLATION (ULS).....	44
FIGURE 1-16. FRAME COVER INSTALLATION .....	46
FIGURE 1-17. MIRROR INSTALLATION .....	48
SECTION 2 - BOOM .....	51
FIGURE 2-1. BOOM INSTALLATION.....	52
FIGURE 2-2. BOOM ASSEMBLY.....	54
FIGURE 2-3. FIRST BOOM SECTION ASSEMBLY.....	56
FIGURE 2-4. SECOND BOOM SECTION ASSEMBLY.....	58
FIGURE 2-5. THIRD BOOM SECTION ASSEMBLY .....	60
FIGURE 2-6. COUPLER INSTALLATION (MANUAL) .....	62
FIGURE 2-7. COUPLER INSTALLATION (HYDRAULIC) .....	64
FIGURE 2-8. COUPLER LOCKING CYLINDER ASSEMBLY .....	66
FIGURE 2-9. MANUAL COUPLER PIN HOLDER INSTALLATION.....	68
FIGURE 2-10. BOOM BRUSHES INSTALLATION .....	70
SECTION 3 - ATTACHMENTS .....	73
FIGURE 3-1. ATTACHMENT RECOGNITION INSTALLATION.....	74
FIGURE 3-2. COMPONENTS ATTACHMENT RECOGNITION INSTALLATION .....	76
FIGURE 3-3. CARRIAGE ASSEMBLY, (60IN/1524MM) .....	78
FIGURE 3-4. CARRIAGE ASSEMBLY, (72IN/1829MM) .....	80
FIGURE 3-5. CARRIAGE ASSEMBLY, (87IN/2290MM) .....	82
FIGURE 3-6. DUAL FORK POSITIONING SIDE SHIFT CARRIAGE, (75IN/1899MM) .....	84
FIGURE 3-7. DUAL FORK POSITIONING CARRIAGE, (72IN/1829MM).....	86
FIGURE 3-8. BUCKET (2.6 YD <sup>3</sup> /2.0M <sup>3</sup> ).....	88
FIGURE 3-9. BUCKET (5.23 YD <sup>3</sup> ).....	90
FIGURE 3-10. 4 IN 1 BUCKET (1.3 YD <sup>3</sup> /1.0M <sup>3</sup> ) .....	92
FIGURE 3-11. GRAPPLE BUCKET (1.7 YD <sup>3</sup> /1.3M <sup>3</sup> ).....	94
FIGURE 3-12. TRUSS BOOM (7.6 TON) .....	96
FIGURE 3-13. CRANE HOOK (7.6 TON) .....	98
FIGURE 3-14. BALE HANDLER (ROUND) .....	100
FIGURE 3-15. BALE HANDLER (SQUARE) .....	104
FIGURE 3-16. PIPE HANDLER CARRIAGE .....	106
FIGURE 3-17. LOG HANDLER CARRIAGE.....	110
FIGURE 3-18. STEEL COIL HANDLER CARRIAGE.....	114
FIGURE 3-19. PALLET FORK (2.25X6X48).....	116
FIGURE 3-20. PALLET FORK (2.25X6X60).....	118
FIGURE 3-21. PALLET FORK (2.25X6X72).....	120
FIGURE 3-22. PALLET FORK (2.25X6X96).....	122
FIGURE 3-23. FORK RETENTION INSTALLATION .....	124
FIGURE 3-24. HOOK ATTACH, FORK MOUNTED .....	126
SECTION 4 - ENGINE AND ATTACHING PARTS .....	129
FIGURE 4-1. ENGINE POD COMPONENT INSTALLATION (ULS).....	130
FIGURE 4-2. ENGINE POD COMPONENT INSTALLATION (MINING) (ULS) .....	132
FIGURE 4-3. ENGINE INSTALLATION (ULS) .....	134
FIGURE 4-4. ENGINE (100KW - ULS).....	136

# TABLE OF CONTENTS

FIGURE 4-5. ENGINE MOUNT INSTALLATION .....	140
FIGURE 4-6. AIR INTAKE INSTALLATION (ULS) .....	142
FIGURE 4-7. AIR CLEANER INSTALLATION .....	144
FIGURE 4-8. PRIMARY FUEL FILTER INSTALLATION (ULS) .....	146
FIGURE 4-9. REMOTE FUEL PUMP INSTALLATION .....	148
FIGURE 4-10. FUEL LINES INSTALLATION .....	150
FIGURE 4-11. HYDROSTATIC ADAPTOR INSTALLATION .....	152
FIGURE 4-12. DUAL DRIVE SUPPORT ASSEMBLY .....	154
FIGURE 4-13. HYDROSTATIC DRIVE PUMP INSTALLATION .....	156
FIGURE 4-14. HYDROSTATIC DRIVE PUMP ASSEMBLY .....	158
FIGURE 4-15. IMPLEMENT PUMP INSTALLATION .....	160
FIGURE 4-16. IMPLEMENT PUMP ASSEMBLY .....	162
FIGURE 4-17. DEF COOLANT LINES INSTALLATION (ULS) .....	164
FIGURE 4-18. COOLING PACKAGE INSTALLATION .....	166
FIGURE 4-19. COOLING PACKAGE INSTALLATION .....	168
FIGURE 4-20. RADIATOR .....	172
FIGURE 4-21. COOLANT LINES INSTALLATION .....	174
FIGURE 4-22. RADIATOR LINES INSTALLATION .....	176
FIGURE 4-23. SURGE TANK INSTALLATION .....	178
FIGURE 4-24. TRANSMISION OIL COOLER LINES INSTALLATION .....	180
FIGURE 4-25. FAN GUARD INSTALLATION .....	182
FIGURE 4-26. FAN GUARD (REVERSING) INSTALLATION .....	184
FIGURE 4-27. COOLING FAN INSTALLATION .....	186
FIGURE 4-28. REVERSE COOLING FAN INSTALLATION .....	188
FIGURE 4-29. COMPRESSOR COVER INSTALLATION .....	190
FIGURE 4-30. EXHAUST INSTALLATION (ULS) .....	192
FIGURE 4-31. DEF CONTROL MODULE INSTALLATION .....	194
FIGURE 4-32. DEF LINES INSTALLATION .....	196
FIGURE 4-33. DEF TANK INSTALLATION .....	198
FIGURE 4-34. DEF TANK ASSEMBLY .....	200
FIGURE 4-35. HEATER LINES INSTALLATION (ULS) .....	202
FIGURE 4-36. A/C PUMP INSTALLATION .....	204
FIGURE 4-37. A/C LINES INSTALLATION .....	206
FIGURE 4-38. BLOCK HEATER INSTALLATION (115V) (ULS) .....	208
FIGURE 4-39. HEATED BREATHER TUBE INSTALLATION .....	210
SECTION 5 - DRIVETRAIN .....	213
FIGURE 5-1. DRIVETRAIN INSTALLATION .....	214
FIGURE 5-2. FRONT AXLE INSTALLATION .....	216
FIGURE 5-3. FRONT AXLE MOUNTING INSTALLATION .....	218
FIGURE 5-4. FRONT AXLE LINES INSTALLATION .....	220
FIGURE 5-5. REAR AXLE INSTALLATION .....	222
FIGURE 5-6. REAR AXLE MOUNTING INSTALLATION .....	224
FIGURE 5-7. REAR AXLE LINES INSTALLATION .....	226
FIGURE 5-8. FRONT AXLE .....	228
FIGURE 5-9. FRONT AXLE, CENTRAL HOUSING .....	230
FIGURE 5-10. FRONT AXLE, DIFFERENTIAL .....	232
FIGURE 5-11. FRONT AXLE, HUB REDUCTION .....	234
FIGURE 5-12. FRONT AXLE, BRAKES .....	236
FIGURE 5-13. FRONT AXLE, STEERING .....	238
FIGURE 5-14. FRONT AXLE, TRUNION .....	240
FIGURE 5-15. REAR AXLE .....	242
FIGURE 5-16. REAR AXLE, CENTRAL HOUSING .....	244
FIGURE 5-17. REAR AXLE, DIFFERENTIAL .....	246
FIGURE 5-18. REAR AXLE, HUB REDUCTION .....	248
FIGURE 5-19. REAR AXLE, BRAKES .....	250
FIGURE 5-20. REAR AXLE, STEERING .....	252
FIGURE 5-21. REAR AXLE, TRUNION .....	254
FIGURE 5-22. DIFFERENTIAL KIT .....	256
FIGURE 5-23. DIFFERENTIAL KIT .....	258
FIGURE 5-24. STEERING CASE KIT (RF, LR) .....	260
FIGURE 5-25. STEERING CASE KIT (LF, RR) .....	262
FIGURE 5-26. TRUNION KIT .....	264
FIGURE 5-27. RING GEAR SUPPORT KIT .....	266
FIGURE 5-28. REDUCTION BUSHING KIT .....	268
FIGURE 5-29. PLANET GEAR CARRIER KIT .....	270



# TABLE OF CONTENTS

FIGURE 5-30. RALP INSTALLATION .....	272
FIGURE 5-31. RALP MECHANICAL INSTALLATION.....	274
FIGURE 5-32. GEARBOX INSTALLATION.....	276
FIGURE 5-33. GEAR BOX .....	278
FIGURE 5-34. HYDROSTATIC MOTOR INSTALLATION.....	282
FIGURE 5-35. HYDROSTATIC MOTOR ASSEMBLY .....	284
FIGURE 5-36. DRIVE SHAFT INSTALLATION.....	286
FIGURE 5-37. TIRE/WHEEL SET (AIR 17.5-25 - 20 PLY).....	288
FIGURE 5-38. RIGHT TIRE/WHEEL ASSEMBLY (AIR 17.5-25 - 20 PLY) .....	290
FIGURE 5-39. LEFT TIRE/WHEEL ASSEMBLY (AIR 17.5-25 - 20 PLY).....	292
FIGURE 5-40. TIRE/WHEEL SET (FOAM 17.5-25 - 20 PLY) .....	294
FIGURE 5-41. TIRE/WHEEL SET (AIR 17.5 R25 - RADIAL) .....	296
FIGURE 5-42. RIGHT TIRE/WHEEL ASSEMBLY (AIR 17.5 R25 - RADIAL).....	298
FIGURE 5-43. LEFT TIRE/WHEEL ASSEMBLY (AIR 17.5 R25 - RADIAL) .....	300
FIGURE 5-44. FENDER INSTALLATION.....	302
FIGURE 5-45. RH FENDER ASSEMBLY .....	304
FIGURE 5-46. LH FENDER ASSEMBLY .....	306
SECTION 6 - CAB.....	309
FIGURE 6-1. CAB MOUNTING INSTALLATION.....	310
FIGURE 6-2. FRONT CAB MOUNT BRACKET INSTALLATION.....	312
FIGURE 6-3. CAB MOUNTS INSTALLATION.....	314
FIGURE 6-4. CAB COMPONENTS INSTALLATION.....	316
FIGURE 6-5. CAB INSTALLATION .....	318
FIGURE 6-6. CAB ASSEMBLY .....	320
FIGURE 6-7. CAB DOOR INSTALLATION .....	322
FIGURE 6-8. CAB DOOR ASSEMBLY.....	324
FIGURE 6-9. CAB DOOR WINDOW INSTALLATION.....	326
FIGURE 6-10. CAB LATCH ASSEMBLY.....	328
FIGURE 6-11. CAB DOOR TRIGGER ASSEMBLY .....	330
FIGURE 6-12. DOOR STRAP INSTALLATION.....	332
FIGURE 6-13. REAR WINDOW INSTALLATION.....	334
FIGURE 6-14. REAR WINDOW GROUP .....	336
FIGURE 6-15. CAB PLUG GROUP.....	338
FIGURE 6-16. BASIC MIRROR INSTALLATION .....	340
FIGURE 6-17. INTERIOR MIRROR INSTALLATION.....	342
FIGURE 6-18. INTERIOR MIRROR .....	344
FIGURE 6-19. FRONT WIPER INSTALLATION.....	346
FIGURE 6-20. WASHER TANK INSTALLATION .....	348
FIGURE 6-21. WASHER BOTTLE .....	350
FIGURE 6-22. FRONT COVER INSTALLATION .....	352
FIGURE 6-23. FRONT DUCT COVER .....	354
FIGURE 6-24. FILTER TRAY PANEL .....	356
FIGURE 6-25. LEVEL INDICATOR INSTALLATION.....	358
FIGURE 6-26. REAR WIPER INSTALLATION.....	360
FIGURE 6-27. MULTIFUNCTION DISPLAY INSTALLATION .....	362
FIGURE 6-28. SEAT INSTALLATION (MECHANICAL) .....	364
FIGURE 6-29. SEAT ASSEMBLY (MECHANICAL).....	366
FIGURE 6-30. SEAT INSTALLATION (AIR SUSPENSION - STANDARD).....	368
FIGURE 6-31. SEAT ASSEMBLY (AIR SUSPENSION - STANDARD).....	370
FIGURE 6-32. SEAT INSTALLATION (AIR SUSPENSION - PREMIUM) .....	372
FIGURE 6-33. SEAT ASSEMBLY (AIR SUSPENSION - PREMIUM).....	374
FIGURE 6-34. HEATER INSTALLATION (CAB PARTS) .....	376
FIGURE 6-35. HEATER AND A/C INSTALLATION (CAB PARTS).....	378
FIGURE 6-36. CAB CONDENSER ASSEMBLY.....	382
FIGURE 6-37. CONDENSER .....	384
FIGURE 6-38. A/C RECEIVER DRIER.....	386
FIGURE 6-39. HEATER ASSEMBLY .....	388
FIGURE 6-40. HEATER AND A/C ASSEMBLY.....	390
FIGURE 6-41. HVAC CAB ACTUATOR .....	392
FIGURE 6-42. HEATER .....	394
FIGURE 6-43. HEATER .....	396
FIGURE 6-44. HEATER AND A/C .....	398
FIGURE 6-45. ROOF WIPER INSTALLATION .....	400
FIGURE 6-46. HEADLINER INSTALLATION .....	402
FIGURE 6-47. HEADLINER/RADIO READY PACKAGE INSTALLATION .....	404

# TABLE OF CONTENTS

FIGURE 6-48. CAB TRIM INSTALLATION .....	406
FIGURE 6-49. DASH COVER ASSEMBLY .....	410
FIGURE 6-50. REAR PANEL COVER ASSEMBLY .....	412
FIGURE 6-51. ADJUSTABLE ARMREST INSTALLATION .....	414
FIGURE 6-52. ROOF CAP INSTALLATION (NO A/C) .....	416
FIGURE 6-53. ROOF CAP INSTALLATION (A/C) .....	418
FIGURE 6-54. RETRACTABLE SUNSCREEN INSTALLATION .....	420
FIGURE 6-55. FLOOR MAT INSTALLATION .....	422
FIGURE 6-56. SEAT BELT INSTALLATION (3IN) .....	424
FIGURE 6-57. SEAT BELT INSTALLATION (2IN) .....	426
FIGURE 6-58. ENCLOSED CAB FRONT COVER INSTALLATION .....	428
FIGURE 6-59. CAB GUARD INSTALLATION (TOP) .....	430
FIGURE 6-60. CAB GUARD INSTALLATION (FRONT) .....	432
FIGURE 6-61. CAB GUARD INSTALLATION (TOP AND FRONT) .....	434
FIGURE 6-62. EXTERNAL WINDOW RELEASE INSTALLATION (ANSI - ENGLISH) .....	436
FIGURE 6-63. EXTERNAL WINDOW RELEASE INSTALLATION (ANSI - ENGLISH/FRENCH) .....	438
 SECTION 7 - CONTROLS .....	 441
FIGURE 7-1. ACCELERATOR PEDAL INSTALLATION .....	442
FIGURE 7-2. ACCELERATOR PEDAL .....	444
FIGURE 7-3. BRAKE PEDAL INSTALLATION .....	446
FIGURE 7-4. BRAKE PEDAL ASSEMBLY .....	448
FIGURE 7-5. BRAKE SENSOR INSTALLATION .....	450
FIGURE 7-6. SWITCH PLATE ASSEMBLY .....	452
FIGURE 7-7. PARK BRAKE INSTALLATION .....	454
FIGURE 7-8. TILT STEERING COLUMN INSTALLATION .....	456
FIGURE 7-9. TILT STEERING COLUMN .....	458
FIGURE 7-10. COLUMN SHIFT INSTALLATION (2 SPEED) .....	460
FIGURE 7-11. COLUMN SHIFT INSTALLATION (0 SPEED) .....	462
FIGURE 7-12. STEERING WHEEL INSTALLATION .....	464
FIGURE 7-13. STEERING WHEEL .....	466
FIGURE 7-14. HORN BUTTON INSTALLATION .....	468
FIGURE 7-15. JOYSTICK INSTALLATION (2 SPEED) .....	470
FIGURE 7-16. JOYSTICK INSTALLATION (0 SPEED) .....	472
FIGURE 7-17. WIPER-TURN SWITCH .....	474
 SECTION 8 - HYDRAULIC CIRCUITS .....	 477
FIGURE 8-1. MAIN HYDRAULIC INSTALLATION .....	478
FIGURE 8-2. BOOM HYDRAULIC INSTALLATION .....	480
FIGURE 8-3. REMOTE GREASE INSTALLATION .....	482
FIGURE 8-4. FRAME LEVEL INSTALLATION .....	484
FIGURE 8-5. FRAME LEVEL CYLINDER INSTALLATION .....	486
FIGURE 8-6. FRAME LEVEL VALVE ASSEMBLY .....	488
FIGURE 8-7. BOOM RAISE HOSE INSTALLATION (NO RIDE CONTROL) .....	490
FIGURE 8-8. BOOM RAISE COUNTERBALANCE VALVE (NO RIDE CONTROL) .....	492
FIGURE 8-9. BOOM RAISE HOSE INSTALLATION (RIDE CONTROL) .....	494
FIGURE 8-10. RIDE AND FLOAT VALVE ASSEMBLY .....	496
FIGURE 8-11. BOOM AUX HYDRAULIC INSTALLATION (MANUAL - SINGLE) .....	498
FIGURE 8-12. BOOM AUX HYDRAULIC INSTALLATION (MANUAL - TWIN) .....	500
FIGURE 8-13. DIVERTER VALVE ASSEMBLY .....	502
FIGURE 8-14. BOOM AUX HYDRAULIC INSTALLATION (HYDRAULIC - SINGLE) .....	504
FIGURE 8-15. DIVERTER VALVE ASSEMBLY .....	506
FIGURE 8-16. BOOM AUX HYDRAULIC INSTALLATION (HYDRAULIC - TWIN) .....	508
FIGURE 8-17. DIVERTER VALVE ASSEMBLY .....	510
FIGURE 8-18. RALP HYDRAULIC LINES INSTALLATION .....	512
FIGURE 8-19. MAIN CONTROL VALVE INSTALLATION .....	514
FIGURE 8-20. MAIN CONTROL VALVE ASSEMBLY .....	516
FIGURE 8-21. STEERING SELECT VALVE INSTALLATION .....	518
FIGURE 8-22. STEERING SELECT VALVE ASSEMBLY .....	520
FIGURE 8-23. FRAME LEVEL VALVE INSTALLATION .....	522
FIGURE 8-24. FRAME LEVEL VALVE ASSEMBLY .....	524
FIGURE 8-25. CAB HYDRAULICS INSTALLATION .....	526
FIGURE 8-26. SOLENOID VALVE INSTALLATION .....	528
FIGURE 8-27. SOLENOID VALVE ASSEMBLY .....	530
FIGURE 8-28. CHECK VALVE INSTALLATION .....	532

# TABLE OF CONTENTS

FIGURE 8-29. CHECK VALVE ASSEMBLY .....	534
FIGURE 8-30. SPEED CONTROL VALVE INSTALLATION .....	536
FIGURE 8-31. SPEED CONTROL VALVE ASSEMBLY .....	538
FIGURE 8-32. ENGINE BAY HYDRAULIC INSTALLATION .....	540
FIGURE 8-33. INCHING VALVE INSTALLATION .....	542
FIGURE 8-34. INCHING VALVE ASSEMBLY .....	544
FIGURE 8-35. CHARGE FILTER LINES INSTALLATION .....	546
FIGURE 8-36. CHARGE FILTER INSTALLATION .....	548
FIGURE 8-37. IMPLEMENT PUMP FILTER ASSEMBLY .....	550
FIGURE 8-38. FRAME HYDRAULIC INSTALLATION .....	552
FIGURE 8-39. MANIFOLD INSTALLATION .....	554
FIGURE 8-40. MANIFOLD ASSEMBLY .....	556
FIGURE 8-41. BOOM HYDRAULIC LINES INSTALLATION .....	558
FIGURE 8-42. PRIORITY MANIFOLD INSTALLATION .....	560
FIGURE 8-43. PRIORITY VALVE ASSEMBLY .....	562
FIGURE 8-44. PRIORITY MANIFOLD INSTALLATION (PLATFORM READY) .....	564
SECTION 9 - HYDRAULIC COMPONENTS .....	567
FIGURE 9-1. CYLINDER GROUP INSTALLATION .....	568
FIGURE 9-2. LIFT CYLINDER INSTALLATION .....	570
FIGURE 9-3. LIFT CYLINDER .....	572
FIGURE 9-4. COMPENSATION CYLINDER INSTALLATION .....	574
FIGURE 9-5. COMPENSATION CYLINDER .....	576
FIGURE 9-6. COUPLER LOCKING CYLINDER .....	578
FIGURE 9-7. EXTEND/RETRACT CYLINDER INSTALLATION .....	580
FIGURE 9-8. TILT CYLINDER .....	582
FIGURE 9-9. FRAME LEVEL CYLINDER .....	584
FIGURE 9-10. RALP CYLINDER INSTALLATION .....	586
FIGURE 9-11. FORK POSITIONING CYLINDER ASSEMBLY .....	588
FIGURE 9-12. SIDE SHIFT CYLINDER ASSEMBLY .....	590
FIGURE 9-13. UPPER CYLINDER ASSEMBLY .....	592
FIGURE 9-14. LOWER CYLINDER ASSEMBLY .....	594
FIGURE 9-15. REAR AXLE LOCK VALVE INSTALLATION .....	596
FIGURE 9-16. LOG HANDLER CARRIAGE CYLINDER ASSEMBLY .....	598
FIGURE 9-17. HYDROSTATIC MOTOR .....	600
FIGURE 9-18. HYDROSTATIC PUMP .....	602
FIGURE 9-19. IMPLEMENT PUMP .....	604
FIGURE 9-20. MAIN CONTROL VALVE .....	606
FIGURE 9-21. STEERING SELECT VALVE .....	608
FIGURE 9-22. FRAME LEVEL VALVE .....	610
FIGURE 9-23. SOLENOID VALVE .....	612
FIGURE 9-24. INCHING VALVE .....	614
FIGURE 9-25. PRIORITY VALVE ASSEMBLY .....	616
FIGURE 9-26. BOOM RAISE VALVE (RIDE CONTROL) .....	618
FIGURE 9-27. DIVERTOR VALVE .....	620
FIGURE 9-28. DIVERTOR VALVE .....	622
FIGURE 9-29. STEER UNIT VALVE .....	624
FIGURE 9-30. COUNTERBALANCE VALVE INSTALLATION .....	626
FIGURE 9-31. COUNTERBALANCE VALVE .....	628
FIGURE 9-32. COUNTERBALANCE VALVE .....	630
FIGURE 9-33. COUNTERBALANCE VALVE .....	632
FIGURE 9-34. SPEED CONTROL VALVE .....	634
SECTION 10 - ELECTRICAL .....	637
FIGURE 10-1. MAIN ELECTRICAL INSTALLATION (ULS) .....	638
FIGURE 10-2. MAIN ELECTRICAL INSTALLATION, MINING (ULS) .....	640
FIGURE 10-3. FRAME ELECTRICAL INSTALLATION .....	642
FIGURE 10-4. ENGINE POD ELECTRICAL INSTALLATION (ULS) .....	644
FIGURE 10-5. ENGINE POD COMPONENT INSTALLATION (MINING) (ULS) .....	646
FIGURE 10-6. FRAME WIRING INSTALLATION .....	648
FIGURE 10-7. FRAME WIRING INSTALLATION, MINING .....	650
FIGURE 10-8. ENGINE BAY ELECTRICAL INSTALLATION (ULS) .....	652
FIGURE 10-9. POWER DISTRIBUTION ELECTRICAL BOX .....	654
FIGURE 10-10. REAR FRAME MODULE INSTALLATION .....	656
FIGURE 10-11. ENGINE WIRING INSTALLATION (ULS) .....	658



# TABLE OF CONTENTS

FIGURE 10-12. ENGINE WIRING INSTALLATION (MINING) (ULS).....	660
FIGURE 10-13. ENGINE ECU INSTALLATION.....	662
FIGURE 10-14. BATTERY INSTALLATION.....	664
FIGURE 10-15. DUAL BATTERY INSTALLATION.....	666
FIGURE 10-16. ARTIC BATTERY PACKAGE INSTALLATION (115V).....	668
FIGURE 10-17. ARCTIC BATTERIES INSTALLATION (115V).....	670
FIGURE 10-18. HYDRAULIC TANK HEATER INSTALLATION (115V).....	672
FIGURE 10-19. BACKUP ALARM INSTALLATION.....	674
FIGURE 10-20. BACKUP ALARM INSTALLATION (WHITE NOISE).....	676
FIGURE 10-21. EMERGENCY STOP EXTERNAL INSTALLATION.....	678
FIGURE 10-22. CAB ELECTRICAL INSTALLATION.....	680
FIGURE 10-23. DASH ELECTRICAL INSTALLATION.....	682
FIGURE 10-24. LIGHT SWITCH INSTALLATION.....	684
FIGURE 10-25. BOOM HARNESS INSTALLATION.....	686
FIGURE 10-26. BOOM HARNESS INSTALLATION.....	688
FIGURE 10-27. BOOM AUX HARNESS INSTALLATION.....	690
FIGURE 10-28. DRIVING LIGHT INSTALLATION (RH DIP).....	692
FIGURE 10-29. DRIVING LIGHT INSTALLATION (LED) (RH DIP).....	694
FIGURE 10-30. CAB WORKLIGHTS INSTALLATION (NO A/C - LED).....	696
FIGURE 10-31. CAB WORKLIGHTS INSTALLATION (A/C - LED).....	698
FIGURE 10-32. BOOM WORK LIGHTS (LED).....	700
FIGURE 10-33. BOOM WORK LIGHT INSTALLATION (LED).....	702
FIGURE 10-34. BEACON INSTALLATION.....	704
FIGURE 10-35. BEACON INSTALLATION (LED).....	706
FIGURE 10-36. BEACON (REMOTE BOOM CONTROL) INSTALLATION.....	708
FIGURE 10-37. BEACON (LED) (REMOTE BOOM CONTROL) INSTALLATION.....	710
FIGURE 10-38. REVERSE CAMERA INSTALLATION.....	712
FIGURE 10-39. REVERSE SENSOR INSTALLATION.....	714
FIGURE 10-40. TELEMATICS READY INSTALLATION.....	716
FIGURE 10-41. CLEARSKY INSTALLATION (NO A/C - SHORT ROOF CAP) (Prior to SN 0160087899).....	718
FIGURE 10-42. CLEARSKY INSTALLATION (A/C - LONG ROOF CAP) (Prior to SN 0160087899).....	720
FIGURE 10-43. INSTALLATION, TELEMATICS CANBUS ASSEMBLY (CLEARSKY 2) (SN 0160087899 to Present).....	722
FIGURE 10-44. LSI INSTALLATION.....	724
FIGURE 10-45. LSI DISPLAY INSTALLATION.....	726
FIGURE 10-46. LSI SENSOR INSTALLATION.....	728
FIGURE 10-47. LMIS INSTALLATION (HIGH END DISPLAY).....	730
FIGURE 10-48. LMIS BEACON LIGHT INSTALLATION.....	732
FIGURE 10-49. LMIS CONTROL PACKAGE INSTALLATION.....	734
FIGURE 10-50. LMIS WIRING INSTALLATION.....	736
FIGURE 10-51. RIDE CONTROL WIRING INSTALLATION.....	738
FIGURE 10-52. BOOM RIDE CONTROL HARNESS.....	740
FIGURE 10-53. TILT SENSOR INSTALLATION.....	742
FIGURE 10-54. LMIS CONTROLLER INSTALLATION.....	744
FIGURE 10-55. LMIS CABLE REEL INSTALLATION.....	746
FIGURE 10-56. BOOM ANGLE SENSOR INSTALLATION (LMIS).....	748
FIGURE 10-57. BOOM ANGLE SENSOR INSTALLATION (NO LMIS).....	750
FIGURE 10-58. BOOM RETRACT SENSOR INSTALLATION.....	752
FIGURE 10-59. ENGINE HARNESS (ULS).....	754
FIGURE 10-60. ENGINE HARNESS (MINING) (ULS).....	760
FIGURE 10-61. FUEL PUMP HARNESS.....	766
FIGURE 10-62. FUEL PUMP HARNESS (MINING) (ULS).....	768
FIGURE 10-63. GLOW PLUG RELAY HARNESS.....	770
FIGURE 10-64. GLOW PLUG RELAY HARNESS (MINING) (ULS).....	772
FIGURE 10-65. BOOM HARNESS.....	774
FIGURE 10-66. BOOM AUX HARNESS.....	776
FIGURE 10-67. CAB HARNESS.....	778
FIGURE 10-68. STANDARD ELECTRICAL BOARD ASSEMBLY.....	786
FIGURE 10-69. OPTION 1 ELECTRICAL BOARD ASSEMBLY.....	788
FIGURE 10-70. OPTION 2 ELECTRICAL BOARD ASSEMBLY.....	790
FIGURE 10-71. CAB OPTION HARNESS.....	792
FIGURE 10-72. FRONT FRAME HARNESS.....	794
FIGURE 10-73. REAR FRAME HARNESS.....	798
FIGURE 10-74. SEAT ADAPTOR HARNESS.....	802
FIGURE 10-75. A/C OPTION HARNESS.....	804
FIGURE 10-76. IGNITION SWITCH HARNESS.....	806
FIGURE 10-77. REVERSE SENSOR HARNESS.....	808
FIGURE 10-78. TELEMATICS READY HARNESS.....	810

# TABLE OF CONTENTS

FIGURE 10-79. CLEARSKY HARNESS (A/C) (Prior to SN 0160087899).....	812
FIGURE 10-80. CLEARSKY HARNESS (NO A/C) (Prior to SN 0160087899) .....	814
FIGURE 10-81. 4WARD TELEMATIC, HARNESS (CLEARSKY 2) (SN 0160087899 to Present) .....	816
FIGURE 10-82. LMIS CHASSIS OPTION HARNESS .....	818
FIGURE 10-83. LMIS BOOM HARNESS .....	822
FIGURE 10-84. PLATFORM READY HARNESS.....	824
FIGURE 10-85. LMIS BEACON OPTION HARNESS.....	826
FIGURE 10-86. PROXIMITY SENSOR HARNESS .....	828
FIGURE 10-87. HEADLIGHT HARNESS .....	830
FIGURE 10-88. BOOM WORKLIGHTS HARNESS.....	832
FIGURE 10-89. LICENSE LIGHT HARNESS .....	834
FIGURE 10-90. AIR SHUTOFF VALVE HARNESS .....	836
FIGURE 10-91. AIR SHUT OFF VALVE HARNESS (ENGINE) .....	838
FIGURE 10-92. TELEMATICS OPTION HARNESS (SN 0160087899 to Present) .....	842
FIGURE 10-93. CLEARSKY INSTALLATION 3-WIRE (ANSI) .....	844
FIGURE 10-94. TELEMATICS HARNESS .....	846
FIGURE 10-95. TELEMATICS INSTALLATION, UNITED RENTALS .....	848
FIGURE 10-96. FRONT FRAME HARNESS.....	850
FIGURE 10-97. REAR FRAME HARNESS .....	854
FIGURE 10-98. BOOM HARNESS.....	858
SECTION 11 - DECALS.....	861
FIGURE 11-1. CAPACITY CHART HOLDER INSTALLATION .....	862
FIGURE 11-2. REVERSE SENSOR SYSTEM DECAL (ENGLISH) .....	864
FIGURE 11-3. REVERSE SENSING SYSTEM DECAL, (ENGLISH/FRENCH) .....	866
FIGURE 11-4. CAPACITY CHART.....	868
FIGURE 11-5. 1644 DECAL INSTALLATION.....	870
FIGURE 11-6. DECAL INSTALLATION (ENGLISH).....	872
FIGURE 11-7. DECAL INSTALLATION (ENGLISH/FRENCH).....	876
FIGURE 11-8. CLEARSKY DECAL INSTALLATION.....	880
SECTION 12 - RECOMMENDED SPARE PARTS .....	883
FIGURE 12-1. RECOMMENDED SPARE PARTS .....	884
PART NUMBER INDEX .....	885



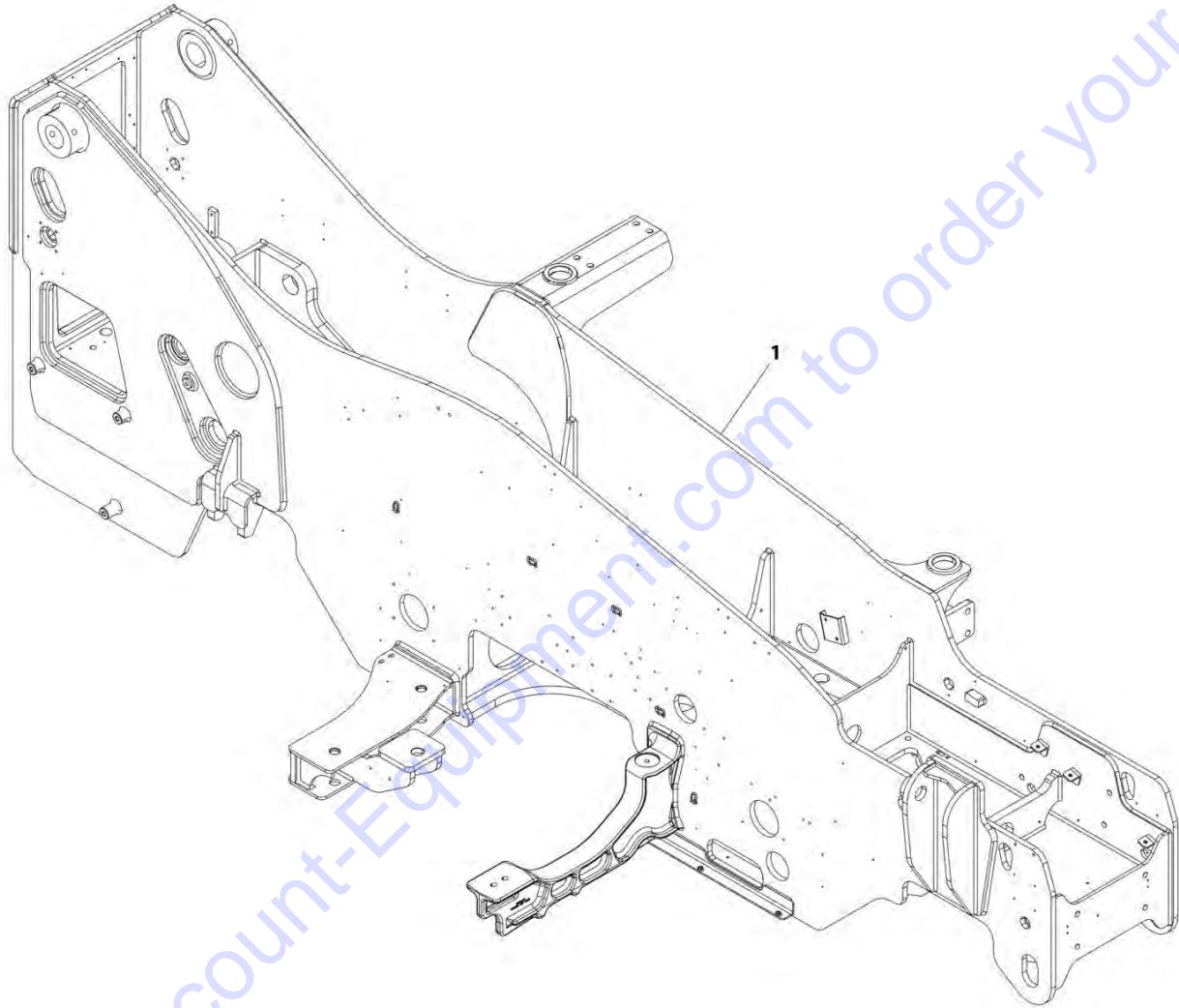
## SECTION 1 - FRAME AND ATTACHING PARTS

### SECTION 1 - FRAME AND ATTACHING PARTS

Go to [Discount-Equipment.com](http://Discount-Equipment.com) to order your parts

# SECTION 1 - FRAME AND ATTACHING PARTS

FIGURE 1-1. FRAME WELDMENT



ART\_1001201418J-O

## SECTION 1 - FRAME AND ATTACHING PARTS

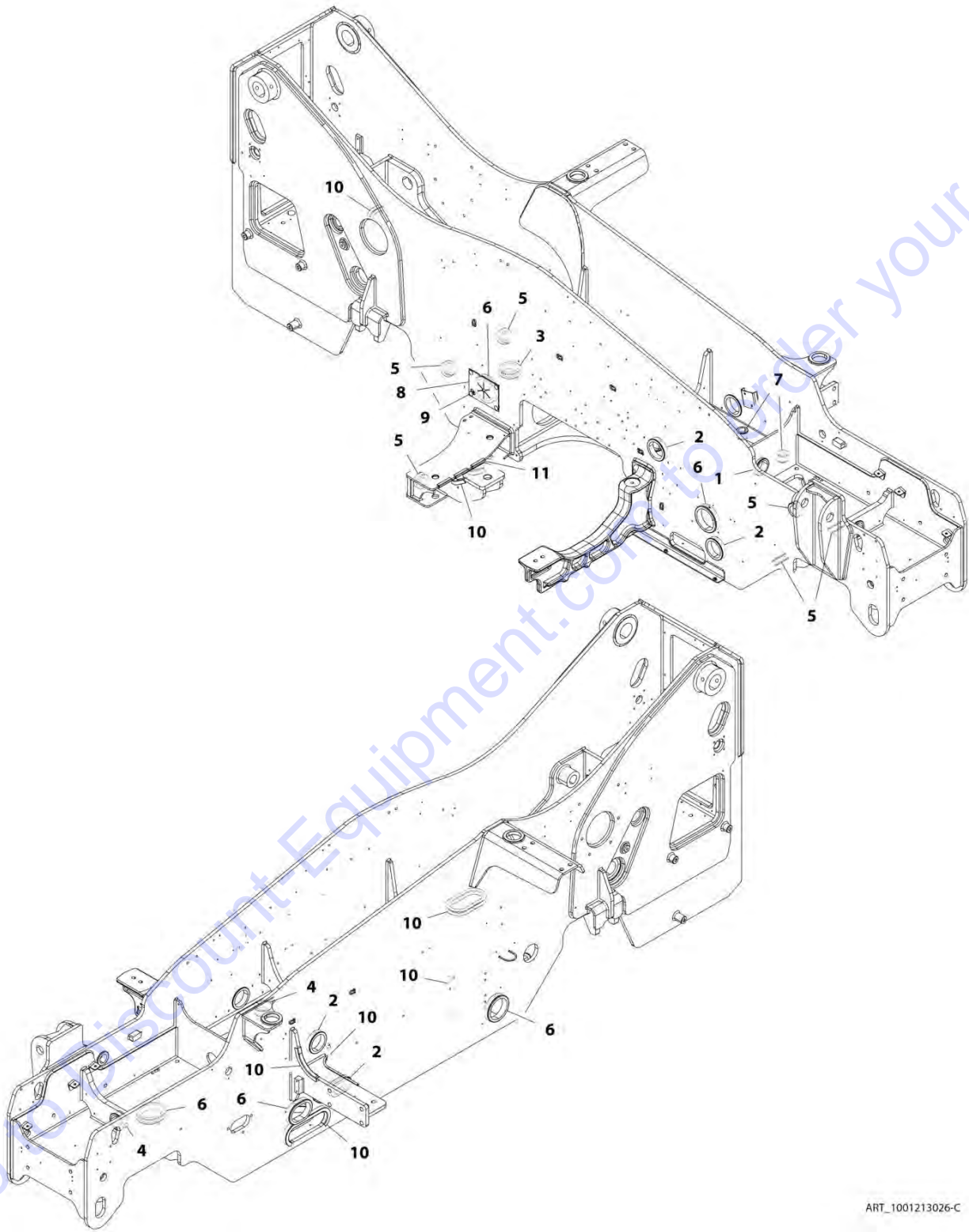
FIGURE 1-1. FRAME WELDMENT

ITEM	PART NUMBER	QTY	DESCRIPTION	REV
1	1001201418J	1	Frame Weldment	0

Go to Discount-Equipment.com to order your parts

# SECTION 1 - FRAME AND ATTACHING PARTS

## FIGURE 1-2. GROMMETS INSTALLATION



ART\_1001213026-C

## SECTION 1 - FRAME AND ATTACHING PARTS

**FIGURE 1-2. GROMMETS INSTALLATION**

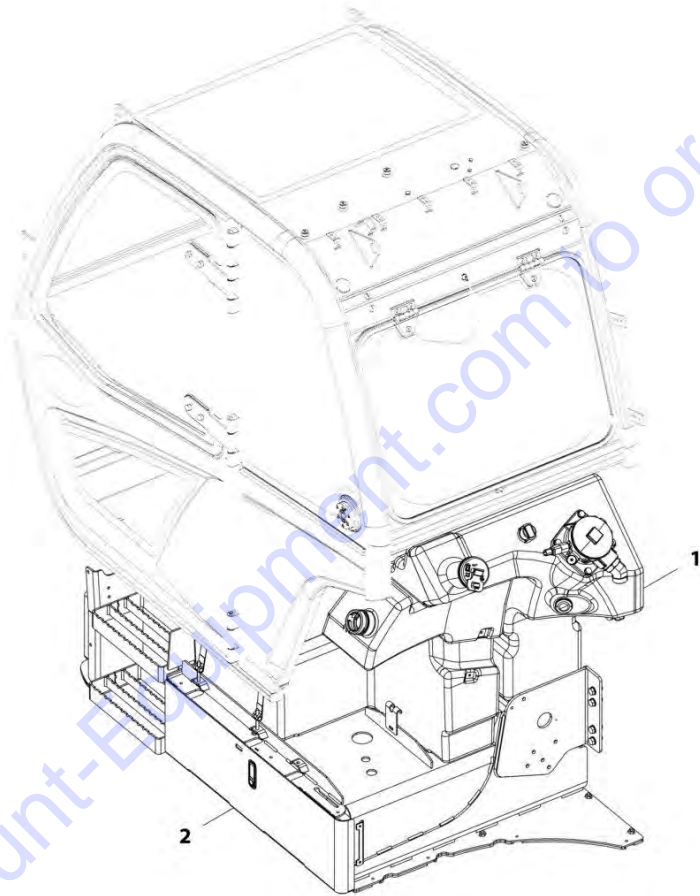
ITEM	PART NUMBER	QTY	DESCRIPTION	REV
	1001213026	Ref	Grommets Installation	C
1	1001009018	1	Grommet	
2	1001028264	4	Grommet	
3	1001028291	1	Grommet	
4	1001028306	2	Grommet	
5	1001028308	6	Grommet	
6	1001028377	5	Grommet	
7	1001028400	2	Grommet	
8	1001175347	1	Grommet	
9	1001180306	4	Screw	
10	4060919	2030 mm	Trim,Hose Protection	
11	90206202	270 mm	Trim Lock	

Go to Discount-Equipment.com to order your parts



# SECTION 1 - FRAME AND ATTACHING PARTS

## FIGURE 1-3. TANK INSTALLATION



ART\_1001217931-B

## SECTION 1 - FRAME AND ATTACHING PARTS

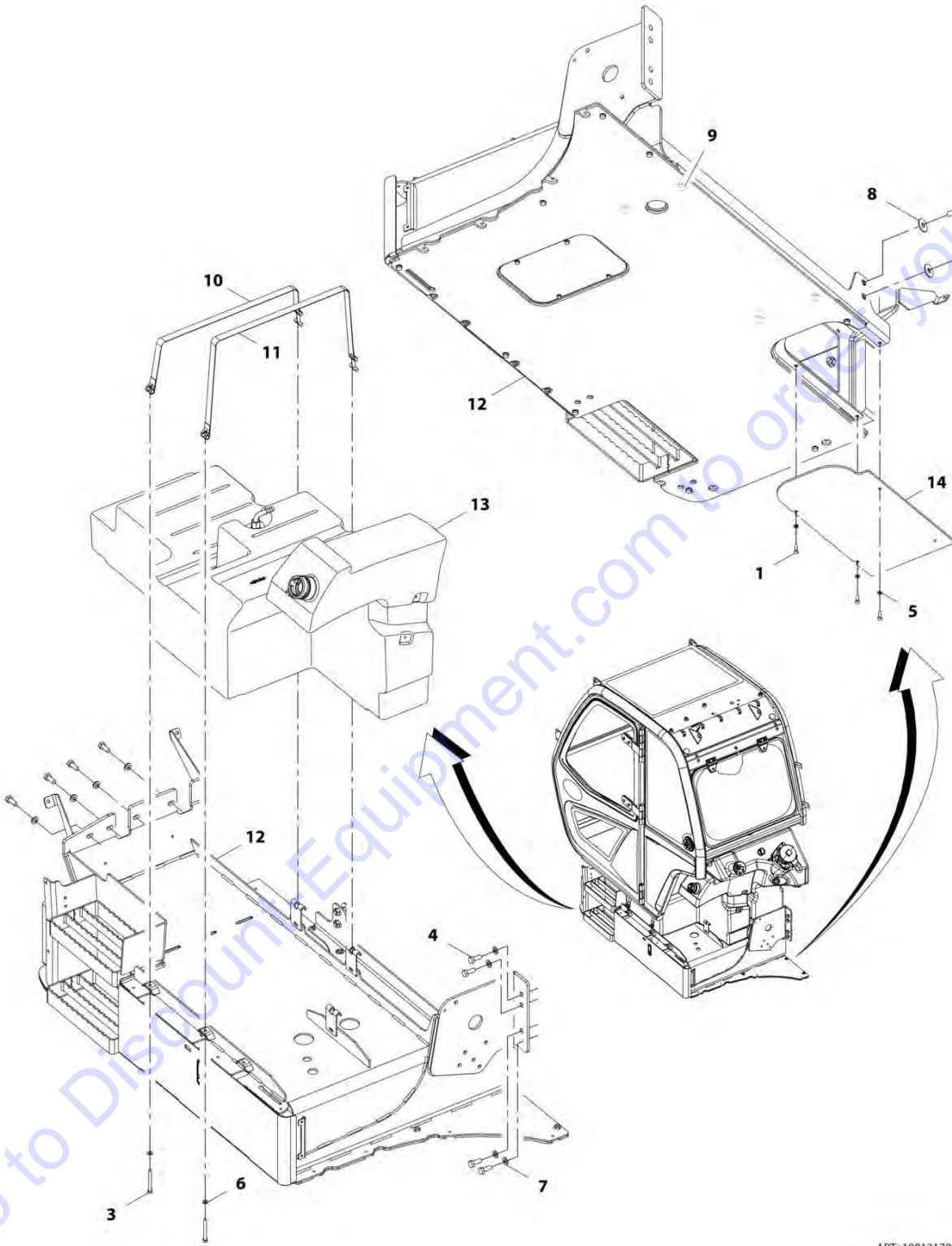
FIGURE 1-3. TANK INSTALLATION

ITEM	PART NUMBER	QTY	DESCRIPTION	REV
1	1001217931	Ref	Tank Installation	B
	1001179850	1	Installation, Hydraulic Tank (See Separate Breakdown in this Section)	
2	1001217932	1	Installation, Fuel Tank (See Separate Breakdown in this Section)	

Go to Discount-Equipment.com to order your parts

# SECTION 1 - FRAME AND ATTACHING PARTS

## FIGURE 1-4. FUEL TANK INSTALLATION



ART\_1001217932-C

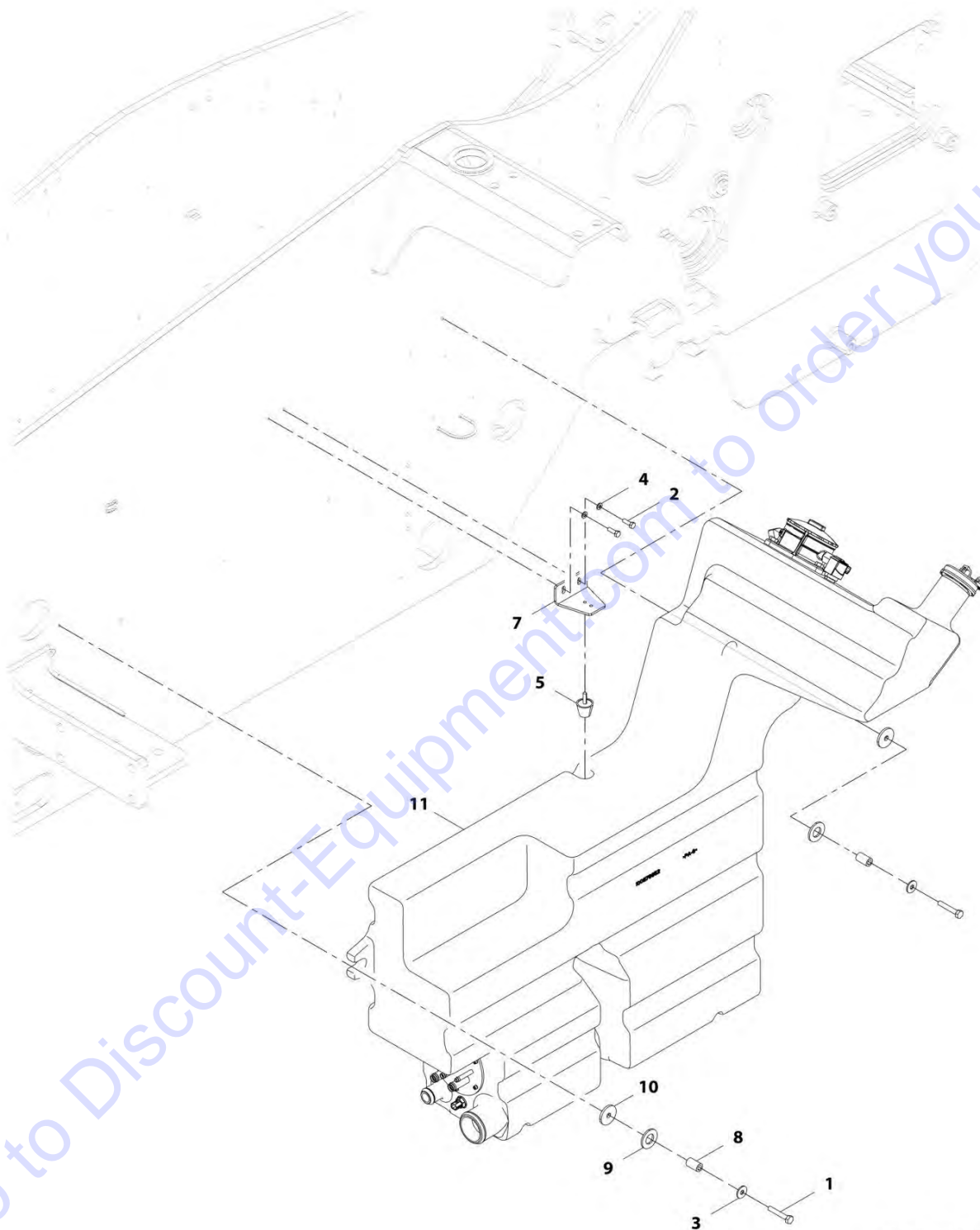
## SECTION 1 - FRAME AND ATTACHING PARTS

**FIGURE 1-4. FUEL TANK INSTALLATION**

ITEM	PART NUMBER	QTY	DESCRIPTION	REV
	1001217932	Ref	Fuel Tank Installation	C
1	0700610	3	Bolt, M6X20	
2	0701216	2	Bolt, M12X40	
3	0760823	2	Bolt, M8X75	
4	0761214	8	Bolt, M12X30	
5	4811700	3	Washer, M6	
6	4811900	2	Washer, M8	
7	4812100	8	Washer, M12	
8	4812102	2	Washer, M12	
9	1001169454	4	Mount	
10	1001178474	1	Strap, Tank	
11	1001178693	1	Strap, Tank	
12	1001217933	Ref	Installation, Tank Support (See Separate Breakdown in this Section)	
13	1001192125	1	Assembly, Fuel Tank (See Separate Breakdown in this Section)	
14	1001197480	1	Plate	

# SECTION 1 - FRAME AND ATTACHING PARTS

## FIGURE 1-5. HYDRAULIC TANK INSTALLATION



ART\_1001179850-C

## SECTION 1 - FRAME AND ATTACHING PARTS

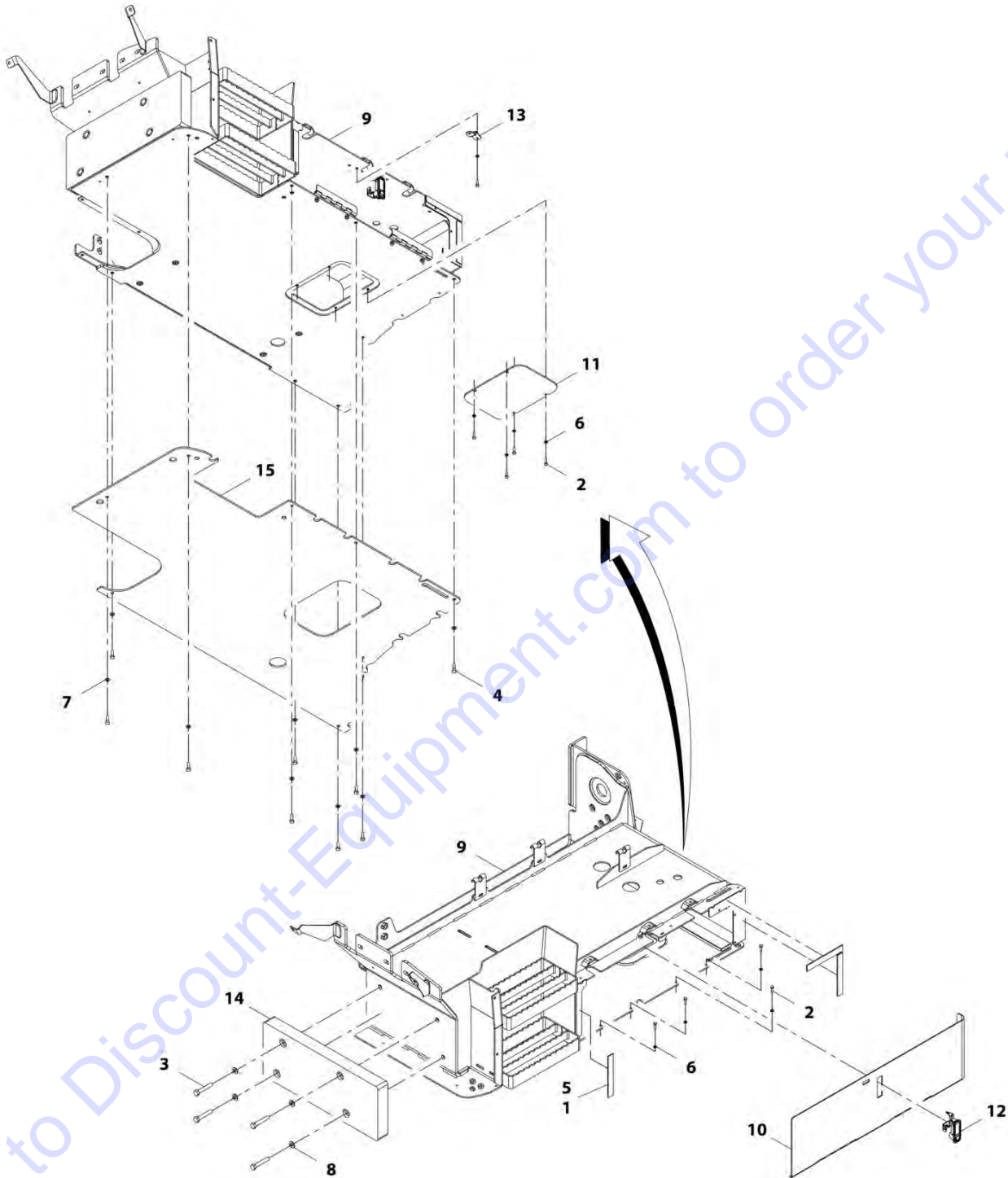
FIGURE 1-5. HYDRAULIC TANK INSTALLATION

ITEM	PART NUMBER	QTY	DESCRIPTION	REV
	1001179850	Ref	Hydraulic Tank Installation	C
1	0701020	2	Bolt, M10X60	
2	0760812	2	Bolt, M8X25	
3	4812002	2	Washer, M10	
4	4811900	2	Washer, M8	
5	1001008575	1	Bumper, Conical	
7	1001177082	1	Bracket	
8	1001171179	2	Spacer	
9	1001172146	2	Washer, Rubber	
10	1001172147	2	Washer, M10	
11	1001179851	1	Assembly, Hydraulic Tank (See Separate Breakdown in this Section)	

Go to Discount-Equipment.com to order your parts

# SECTION 1 - FRAME AND ATTACHING PARTS

## FIGURE 1-6. TANK SUPPORT INSTALLATION



ART\_1001217933-D

## SECTION 1 - FRAME AND ATTACHING PARTS

**FIGURE 1-6. TANK SUPPORT INSTALLATION**

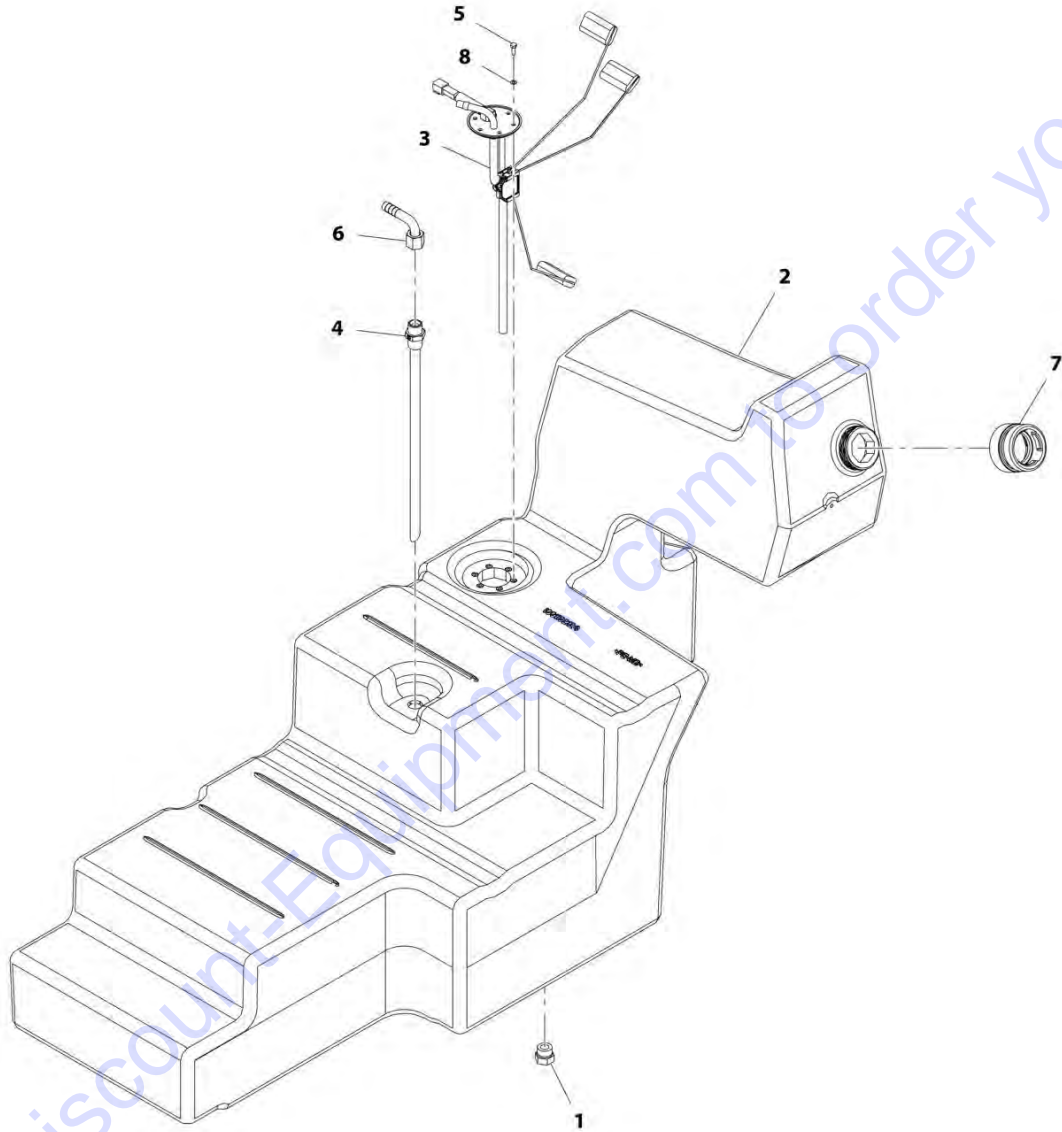
ITEM	PART NUMBER	QTY	DESCRIPTION	REV
	1001217933	Ref	Tank Support Installation	D
1	0100081	AR	Adhesive, Loctite	
2	0700610	9	Bolt, M6X20	
3	0701222	4	Bolt, M12X70	
4	0760812	9	Bolt, M8X25	
5	4280307	3	Strip, Rubber	
6	4811700	9	Washer, M6	
7	4811900	9	Washer, M8	
8	4812100	4	Washer, M12	
9	1001185931	1	Plate, Support	
10	1001185933	1	Cover	
11	1001185935	1	Cover	
12	1001189246	1	Latch	
13	1001197481	1	Plate, Padlock	
14	1001201588	1	Weight, Front Tank Support	
15	1001201589	1	Weight, Bottom Tank Support	

Go to Discount-Equipment.com to order your parts



# SECTION 1 - FRAME AND ATTACHING PARTS

## FIGURE 1-7. FUEL TANK ASSEMBLY



ART\_1001192125-C

## SECTION 1 - FRAME AND ATTACHING PARTS

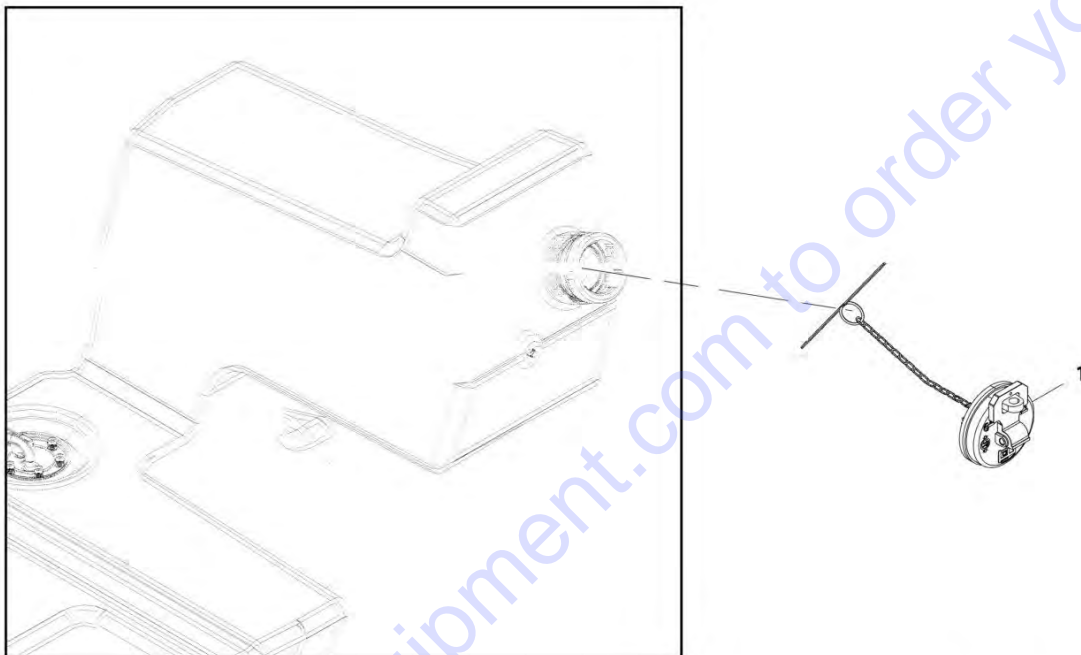
### FIGURE 1-7. FUEL TANK ASSEMBLY

ITEM	PART NUMBER	QTY	DESCRIPTION	REV
	1001192125	Ref	Fuel Tank Assembly	C
1	1001003427	1	Plug	
2	1001192124	1	Tank, Fuel	
3	1001222188	1	Sender, Fuel Level	
4	1001170106	1	Pipe, Fuel Supply	
5	4031607	6	Bolt, M5X16	
6	1001172693	1	Fitting, 90	
7	1001192392	1	Adapter	
8	1001222190	6	Washer	

Go to Discount-Equipment.com to order your parts

# SECTION 1 - FRAME AND ATTACHING PARTS

FIGURE 1-8. LOCKING FUEL CAP



ART\_1001194980-A

## SECTION 1 - FRAME AND ATTACHING PARTS

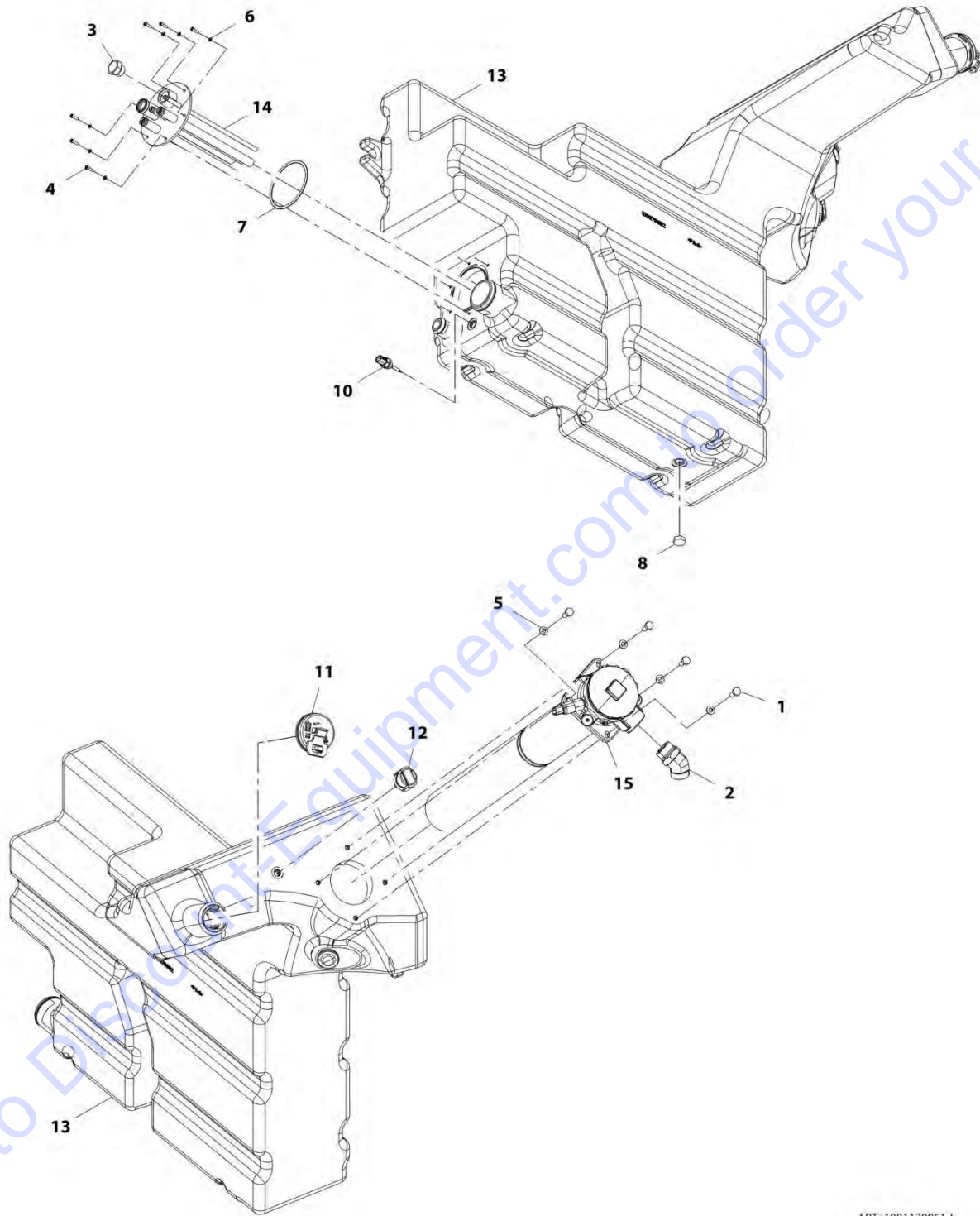
FIGURE 1-8. LOCKING FUEL CAP

ITEM	PART NUMBER	QTY	DESCRIPTION	REV
1	1001194980	Ref	Locking Fuel Cap	A

Go to Discount-Equipment.com to order your parts

# SECTION 1 - FRAME AND ATTACHING PARTS

## FIGURE 1-9. HYDRAULIC TANK ASSEMBLY



ART\_1001179851-I

## SECTION 1 - FRAME AND ATTACHING PARTS

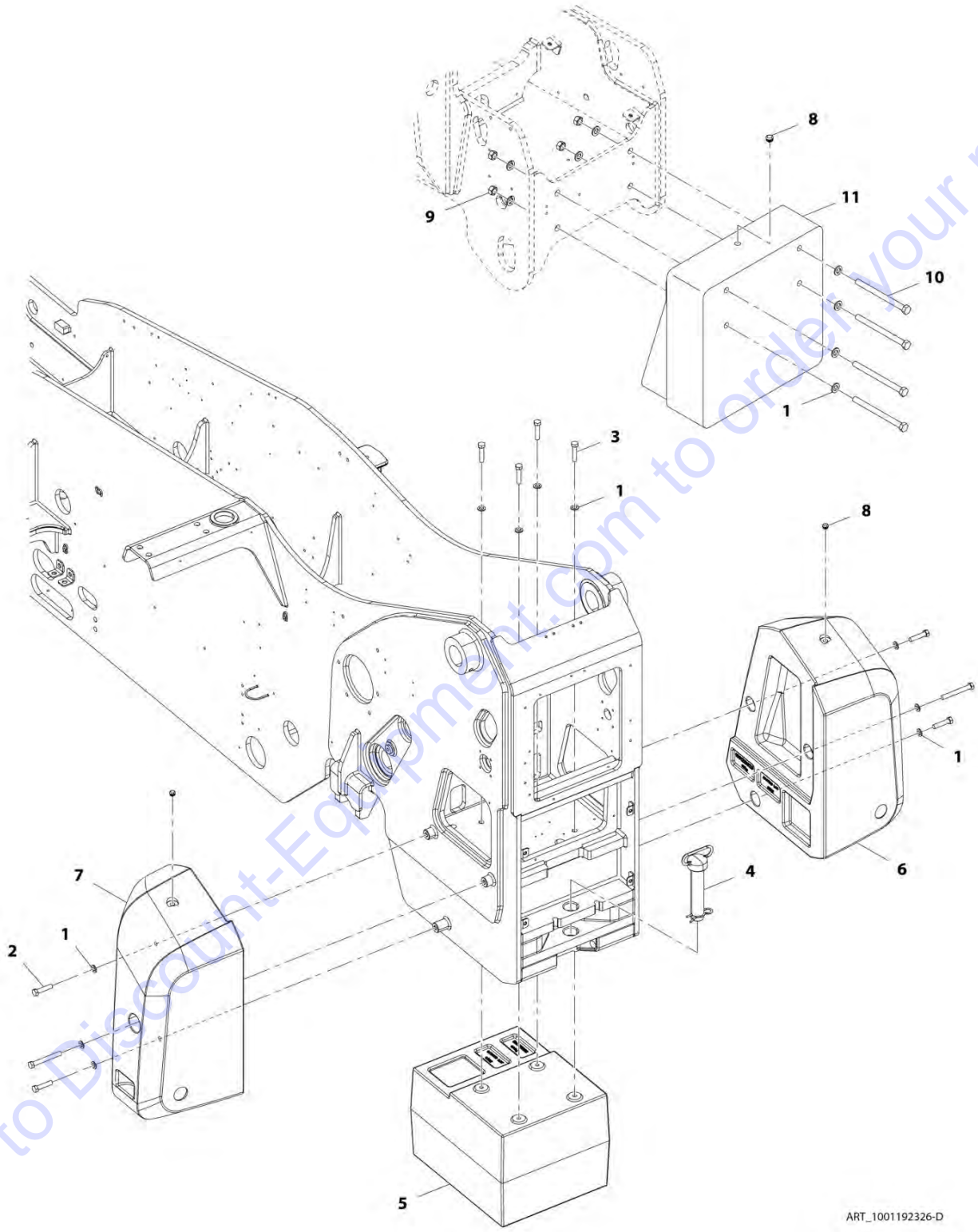
**FIGURE 1-9. HYDRAULIC TANK ASSEMBLY**

ITEM	PART NUMBER	QTY	DESCRIPTION	REV
	1001179851	Ref	Hydraulic Tank Assembly	I
1	0761012	4	Bolt, M10X25	
2	2152020	1	Fitting, 45 ORFS	
3	2220240	1	Fitting, Straight	
4	4031607	6	Bolt, M5-.8X16	
5	4812000	4	Washer, M10	
6	4831600	6	Washer, Lock M5	
7	1001003301	1	Seal O-Ring	
8	2220239	1	Plug	
10	1001128478	1	Sensor	
11	1001194981	1	Cap, Hydraulic	
12	1001162662	1	Filter, Breather	
13	1001179852	1	Tank, Hydraulic	
14	1001191157	1	Manifold, Hydraulic Return	
15	1001191163	1	Filter	
15	1001191685	1	Element, Filter	

Go to Discount-Equipment.com to order your parts

# SECTION 1 - FRAME AND ATTACHING PARTS

## FIGURE 1-10. COUNTERWEIGHT INSTALLATION



ART\_1001192326-D

## SECTION 1 - FRAME AND ATTACHING PARTS

**FIGURE 1-10. COUNTERWEIGHT INSTALLATION**

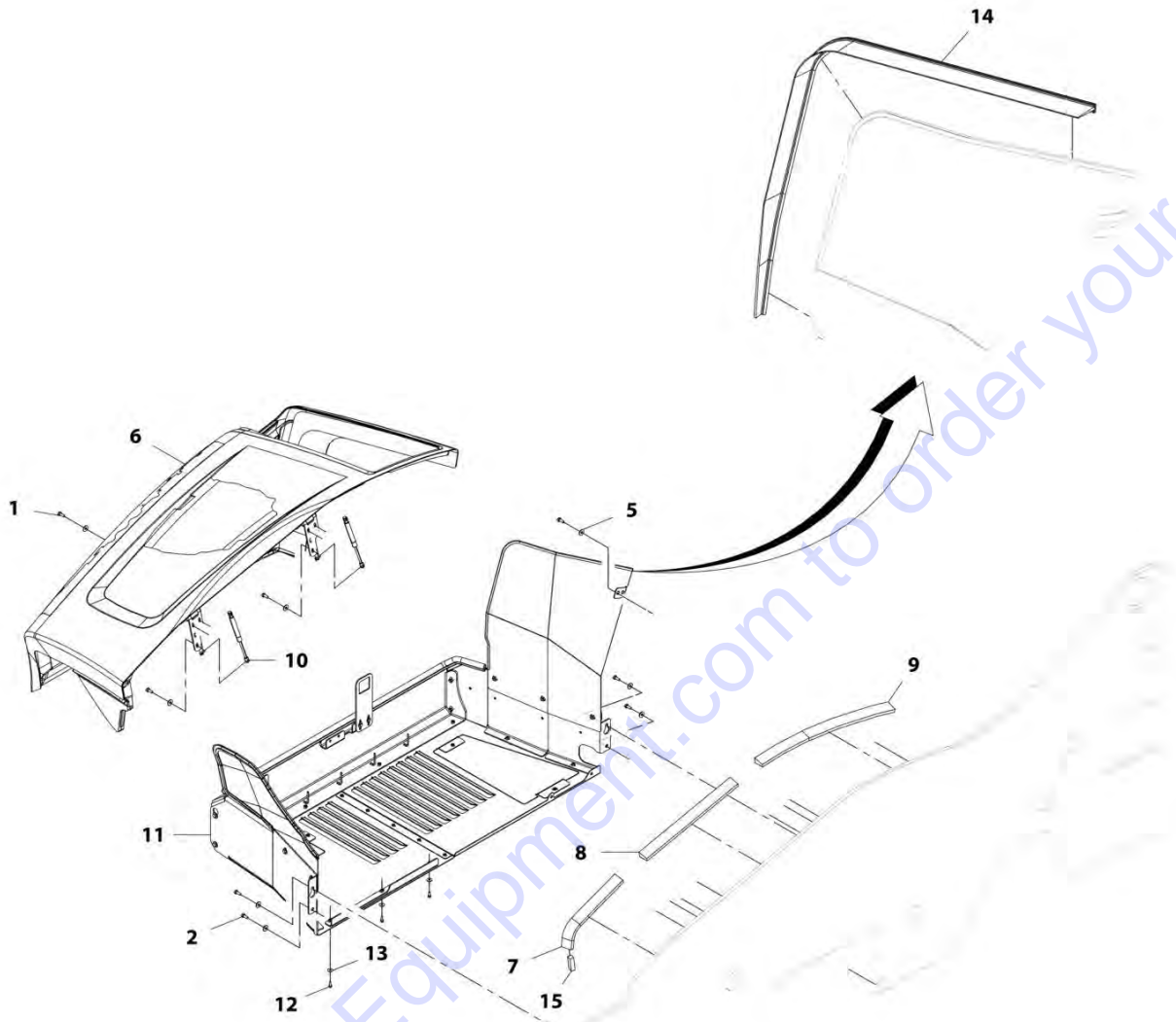
ITEM	PART NUMBER	QTY	DESCRIPTION	REV
	1001192326	Ref	Counterweight Installation	D
1	4812300	18	Washer, M6	
2	0711630	2	Bolt, M16X130	
3	1001094516	8	Bolt, M16X70 Grade 10.9	
4	1001197955	1	Pin	
5	1001213322	1	Counterweight	
6	1001213323J	1	Counterweight	
7	1001213324J	1	Counterweight	
8	3520193	3	Plug	
9	3291601	4	Nut, M16X2 Grade 8	
10	1001091951	4	Bolt, M16X200	
11	1001229407	NLA	Counterweight (no longer available, use 1001229686 for replacement)	
11	1001229686	1	Counterweight	

Go to Discount-Equipment.com to order your parts



# SECTION 1 - FRAME AND ATTACHING PARTS

FIGURE 1-11. ENGINE ENCLOSURE INSTALLATION



Go to Discount-Equipment.com to order your parts

ART\_1001192320-I

## SECTION 1 - FRAME AND ATTACHING PARTS

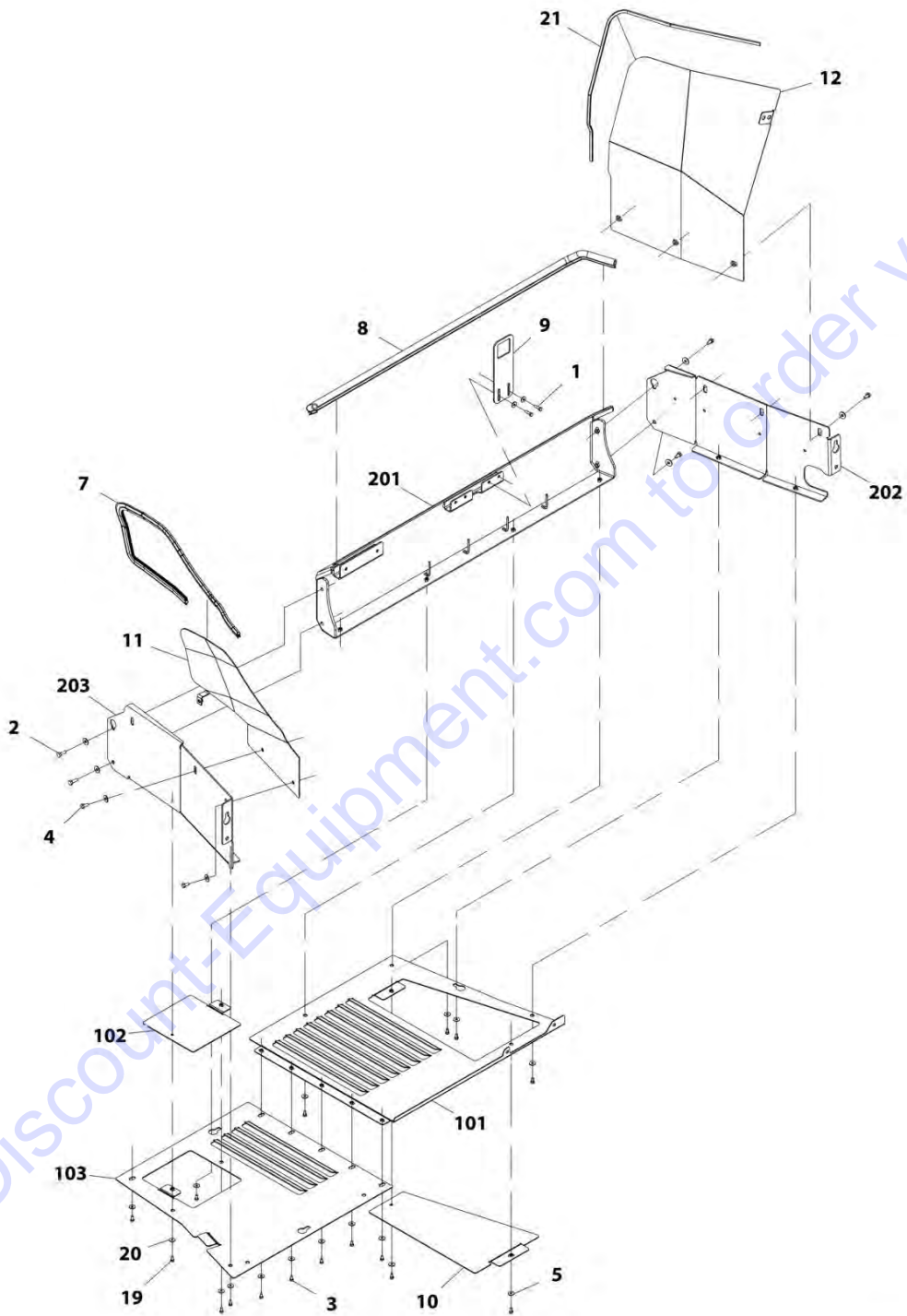
**FIGURE 1-11. ENGINE ENCLOSURE INSTALLATION**

ITEM	PART NUMBER	QTY	DESCRIPTION	REV
	1001192320	Ref	Engine Enclosure Installation	I
1	0761010	1	Bolt, M10X20	
2	0761012	11	Bolt, M10X25	
5	4812002	12	Washer, M10	
6	1001168834	NLA	Assembly, Hood (no longer available, use 1001235963 for replacement) (See Separate Breakdown in this Section)	
6	1001235963	Ref	Assembly, Hood (See Seperate Breakdown in this Section)	
7	1001203932	1	Seal	
8	1001203933	1	Seal	
9	1001203934	1	Seal	
10	1001171885	2	Spring, Gas	
11	1001192622	Ref	Assembly, Engine Enclosure (See Separate Breakdown in this Section)	
12	0760810	3	Bolt, M8X20	
13	4811902	3	Washer, M8	
14	1001197339	1	Seal	
15	1001229609	1	Seal, Foam Gasket	

Go to Discount-Equipment.com to order your parts

# SECTION 1 - FRAME AND ATTACHING PARTS

## FIGURE 1-12. ENGINE ENCLOSURE ASSEMBLY



ART\_1001192622-I

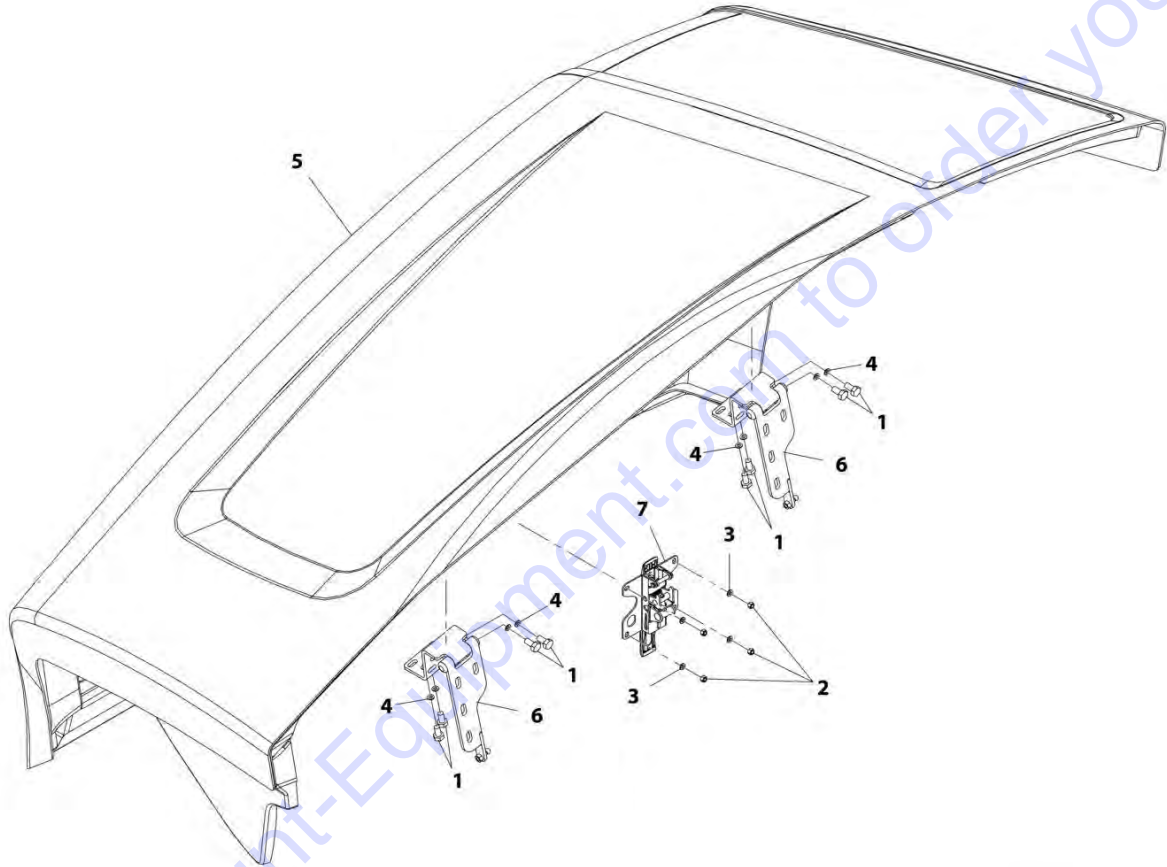
# SECTION 1 - FRAME AND ATTACHING PARTS

## FIGURE 1-12. ENGINE ENCLOSURE ASSEMBLY

ITEM	PART NUMBER	QTY	DESCRIPTION	REV
	1001192622	Ref	Engine Enclosure Assembly	I
1	0700814	2	Bolt, M8X30	
2	0701014	4	Bolt, M10X30	
3	0760807	5	Bolt, M8X14	
4	0761010	6	Bolt, M10X20	
5	4811902	19	Washer, M8	
7	1001003227	1573 mm	Seal	
8	1001204486	1785 mm	Seal	
9	1001209388	1	Latch, Hood	
10	1001169265	1	Plate, Access Panel	
11	1001219115	1	Panel, Front Wheel	
12	1001192627	1	Panel, Rear Cover	
19	0760808	12	Bolt, M8X16	
20	4812002	10	Washer, M10	
21	1001008999	1381 mm	Trim, Edge	
101	1001192631	1	Panel, Bottom Cover	
102	1001194969	1	Panel, Access	
103	1001219250	1	Panel, Bottom Front Cover	
201	1001192623J	1	Panel, Side Skirt	
202	1001224450J	1	Panel, Rear Skirt	
203	1001219113J	1	Panel, Front Skirt	

# SECTION 1 - FRAME AND ATTACHING PARTS

FIGURE 1-13. HOOD ASSEMBLY



ART\_1001168834-K

## SECTION 1 - FRAME AND ATTACHING PARTS

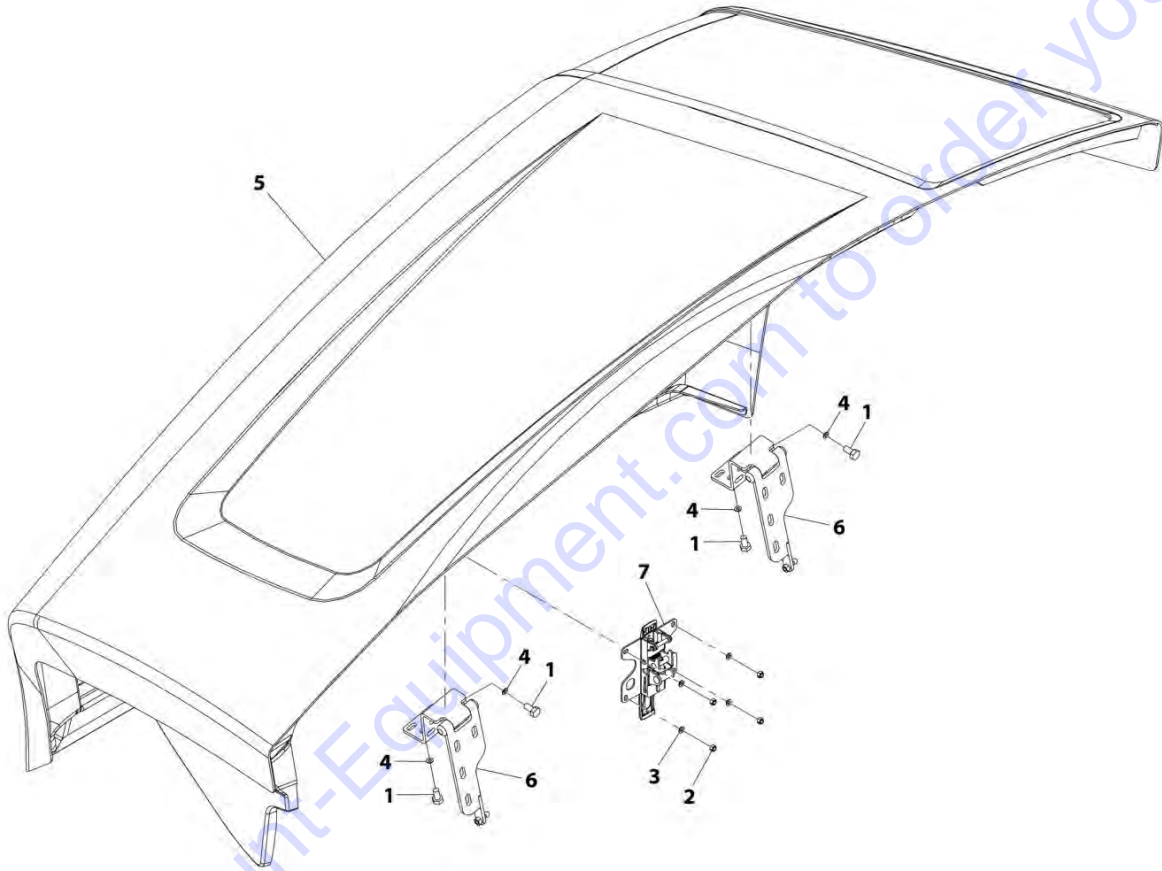
FIGURE 1-13. HOOD ASSEMBLY

ITEM	PART NUMBER	QTY	DESCRIPTION	REV
	1001168834	NLA	Hood Assembly (no longer available, use items 1 thru 7 for service or 1001235963 for replacement)	K
1	0761010	8	Bolt, M10X20	
2	3290605	4	Nut, Lock M6X1	
3	4811700	4	Washer, M6	
4	4812000	8	Washer, M10	
5	1001166698	1	Hood	
6	1001209387	2	Hinge, Hood	
7	1001132168	1	Latch, Hood	

Go to Discount-Equipment.com to order your parts

# SECTION 1 - FRAME AND ATTACHING PARTS

FIGURE 1-14. HOOD ASSEMBLY



ART\_1001235963-B

# SECTION 1 - FRAME AND ATTACHING PARTS

## FIGURE 1-14. HOOD ASSEMBLY

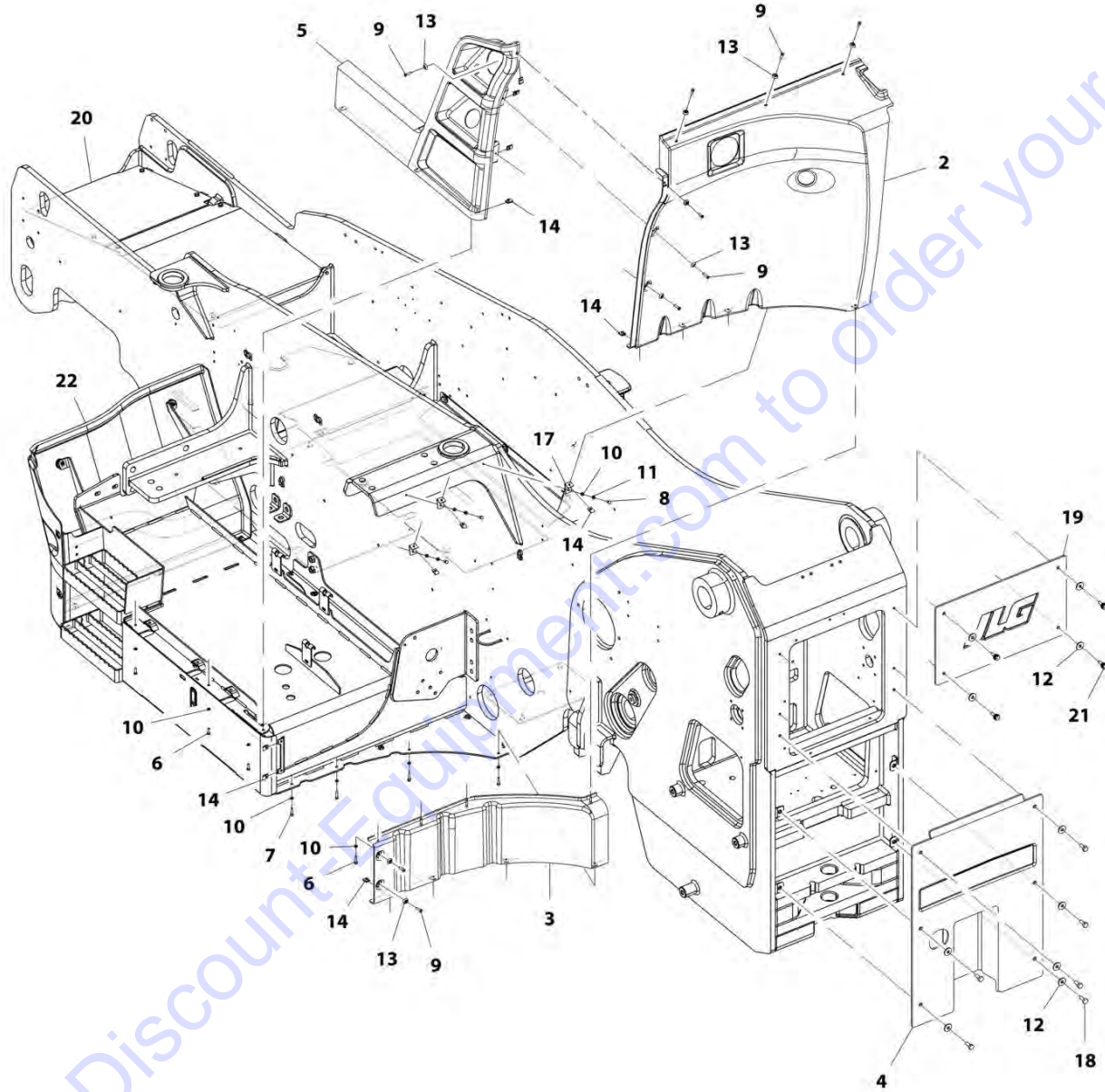
ITEM	PART NUMBER	QTY	DESCRIPTION	REV
	1001235963	Ref	Hood Assembly	B
1	0761010	8	Bolt, M10X20	
2	3290605	4	Nut, Lock M6X1	
3	4811700	4	Washer, M6	
4	4812000	8	Washer, M10	
5	1001234455	1	Hood	
6	1001209387	2	Hinge, Hood	
7	1001132168	1	Latch, Hood	

Go to Discount-Equipment.com to order your parts



# SECTION 1 - FRAME AND ATTACHING PARTS

## FIGURE 1-15. COVER INSTALLATION (ULS)



ART\_1001184869-1

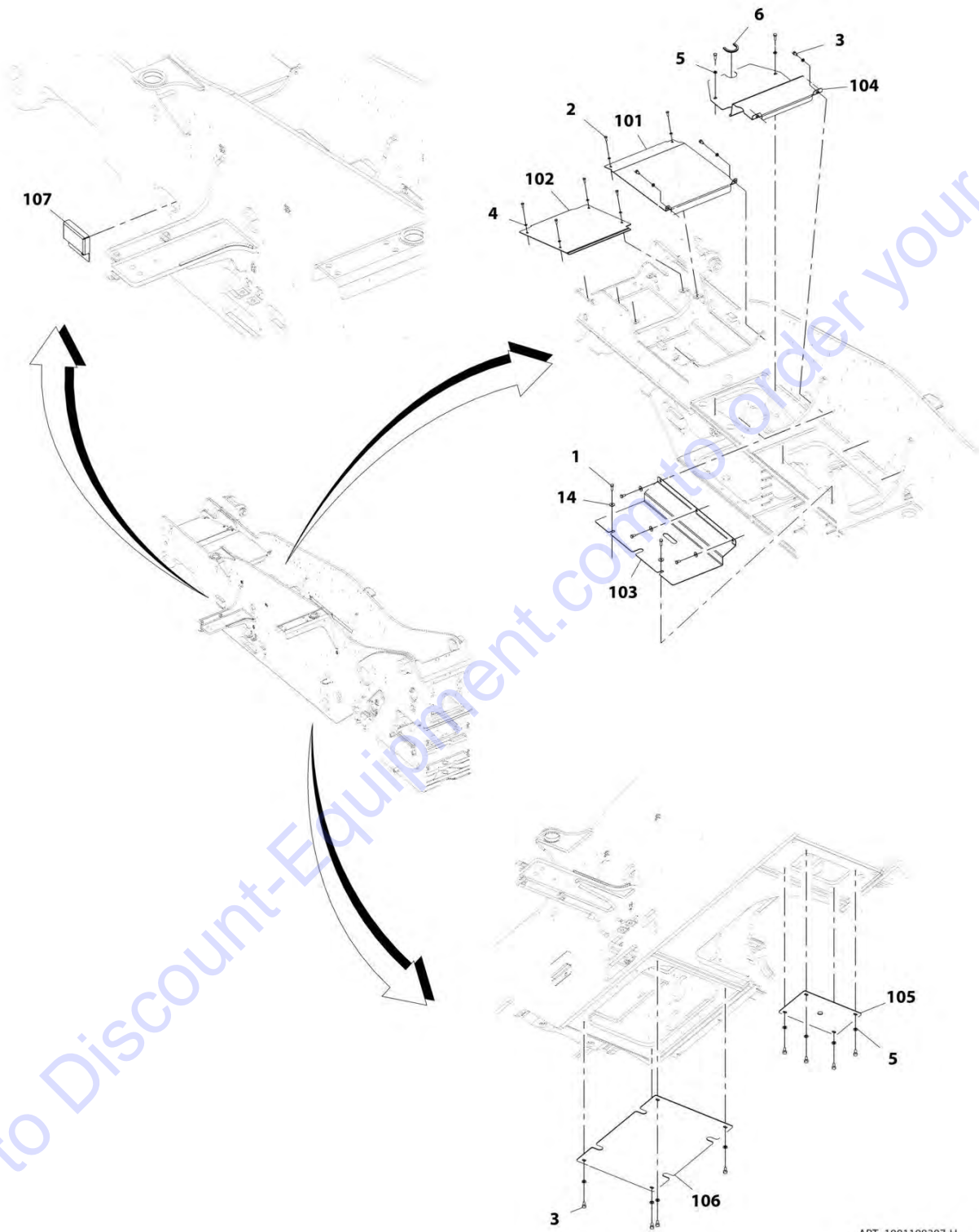
## SECTION 1 - FRAME AND ATTACHING PARTS

**FIGURE 1-15. COVER INSTALLATION (ULS)**

ITEM	PART NUMBER	QTY	DESCRIPTION	REV
	1001184869	Ref	Cover Installation (ULS)	1
2	1001184872	1	Cover, Rear Tank	
3	1001184874	1	Cover, Lower Rear Tank	
4	1001213834	1	Cover, Rear Frame	
5	1001168758	1	Cover, Side Tank	
6	0700610	7	Bolt, M6X20	
7	0700612	4	Bolt, M6X25	
8	0760607	3	Bolt, M6X14	
9	0630576	9	Screw, M6X20	
10	4811700	14	Washer, M6	
11	4831700	3	Washer, Lock M6	
12	4812002	10	Washer, M10	
13	1001097540	9	Washer, M6	
14	1001130220	19	Nut, M6	
17	1001231385	3	Plate, Angle Mount	
18	0761012	6	Bolt, M10X25	
19	1001213833	1	Cover, Rear Frame	
20	1001198307	Ref	Installation, Frame Cover (See Separate Breakdown in this Section)	
21	1001161439	4	Screw	
22	1001201848	Ref	Installation, Front Lower Cover (See Separate Breakdown in this Section)	

# SECTION 1 - FRAME AND ATTACHING PARTS

## FIGURE 1-16. FRAME COVER INSTALLATION



ART\_1001198307-H

## SECTION 1 - FRAME AND ATTACHING PARTS

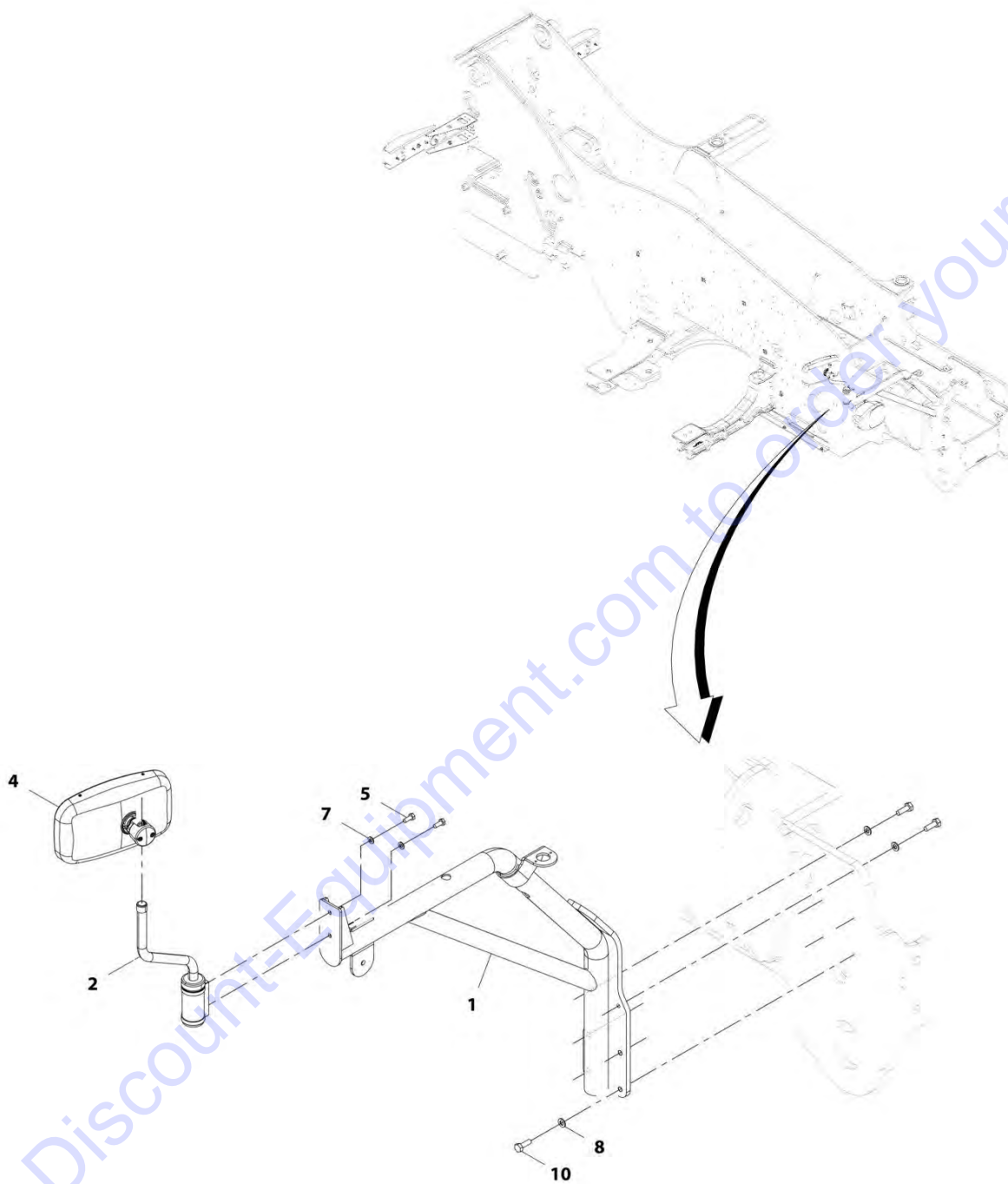
**FIGURE 1-16. FRAME COVER INSTALLATION**

ITEM	PART NUMBER	QTY	DESCRIPTION	REV
	1001198307	Ref	Frame Cover Installation	H
1	0701014	4	Bolt, M10X30	
2	0760810	6	Bolt, M8X20	
3	0761010	15	Bolt, M10X20	
4	4811900	6	Washer, M8	
5	4812000	14	Washer, M10	
6	90206196	0.15 m	Gasket	
14	4812002	5	Washer, M10	
101	1001197056	1	Cover, Battery	
102	1001197057	1	Plate, Valve Cover	
103	1001197733	1	Plate, Frame Cover	
104	1001197734	1	Plate, Frame Cover	
105	1001211899	1	Plate, Frame Cover	
106	1001211900	1	Plate, Frame Cover	
107	1001218694	1	Cover	

Go to Discount-Equipment.com to order your parts

# SECTION 1 - FRAME AND ATTACHING PARTS

## FIGURE 1-17. MIRROR INSTALLATION



ART\_1001192324-E

# SECTION 1 - FRAME AND ATTACHING PARTS

## FIGURE 1-17. MIRROR INSTALLATION

ITEM	PART NUMBER	QTY	DESCRIPTION	REV
	1001192324	Ref	Mirror Installation	E
1	1001206099	1	Bracket	
2	1001209346	1	Bracket	
4	1001191635	1	Mirror, Convex	
5	0760810	2	Bolt, M8X20	
7	4811900	2	Bolt, M8X20	
8	4812000	6	Washer, M10	
10	0701014	6	Bolt, M10X30	

Go to Discount-Equipment.com to order your parts



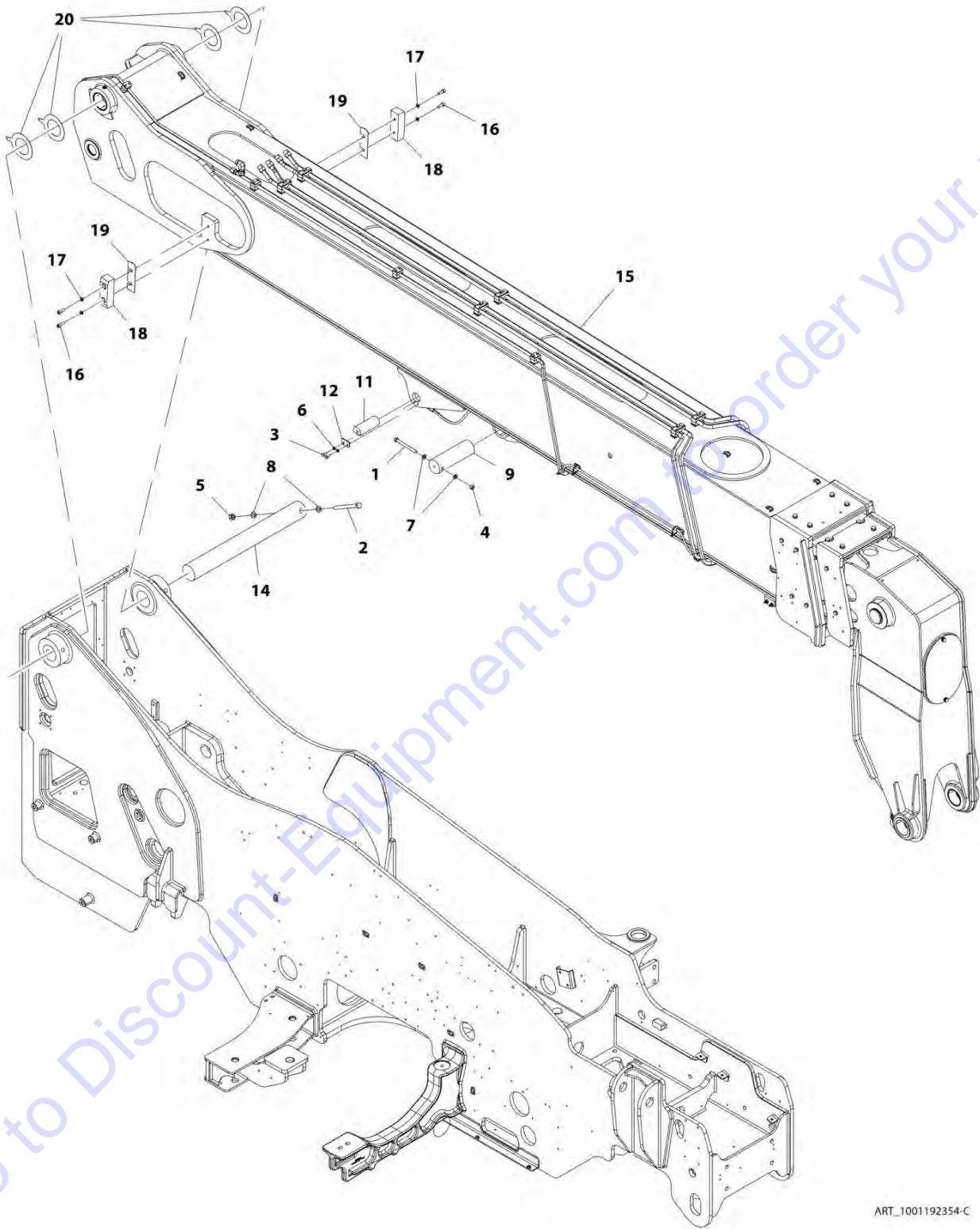
SECTION 2 - BOOM

Go to Discount-Equipment.com to order your parts



# SECTION 2 - BOOM

## FIGURE 2-1. BOOM INSTALLATION



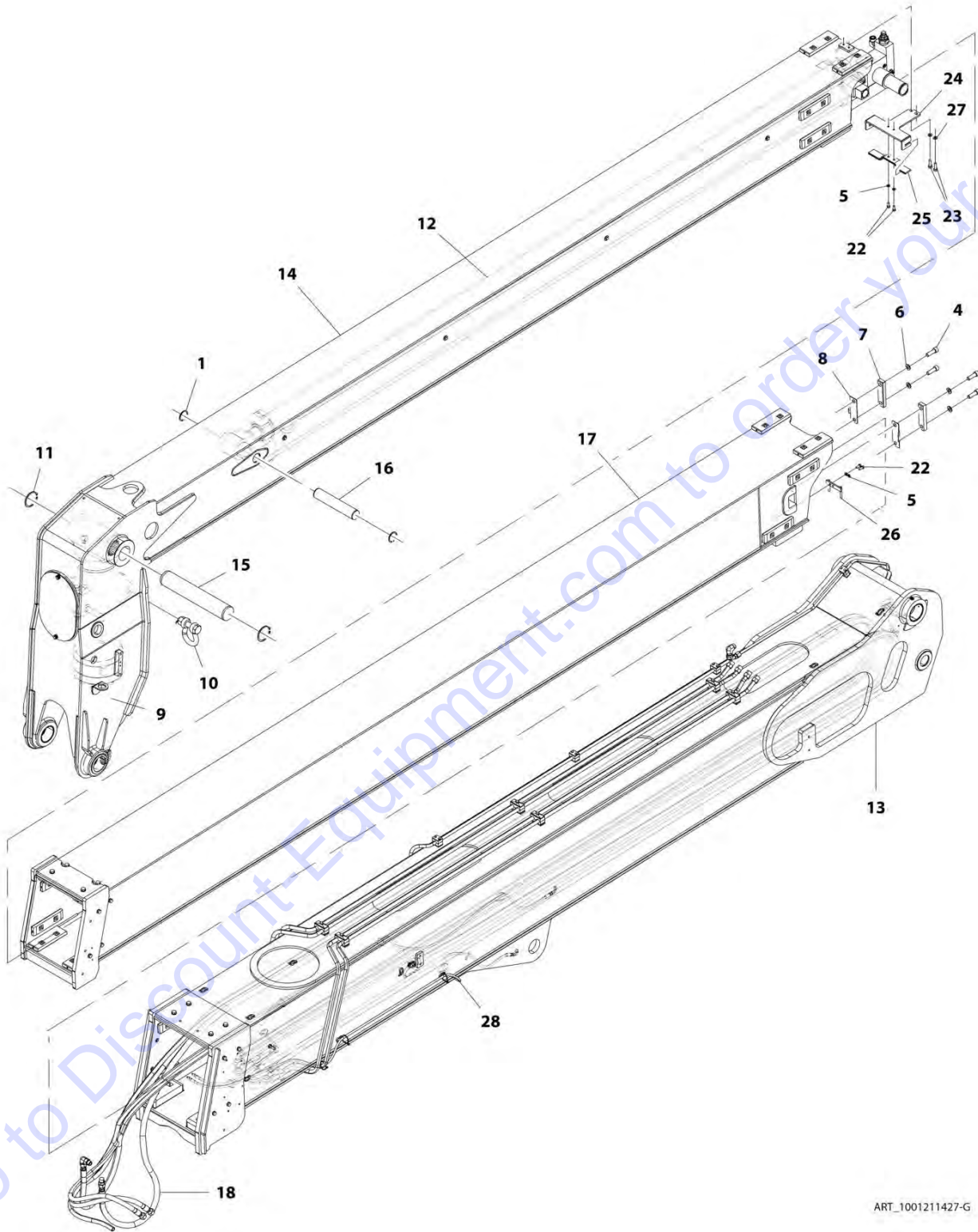
ART\_1001192354-C

FIGURE 2-1. BOOM INSTALLATION

ITEM	PART NUMBER	QTY	DESCRIPTION	REV
	1001192354	Ref	Boom Installation	C
1	0711230	1	Bolt, M12X130	
2	0711635	1	Bolt, M16X180	
3	0760810	2	Bolt, M8X20	
4	3291205	1	Nut, Lock M12X1.75	
5	3291605	1	Nut, Lock M16X2	
6	4811900	2	Washer, M8	
7	4812100	2	Washer, M12	
8	4812300	2	Washer, M16	
9	1001190254	1	Pin, Lift Cylinder	
11	1001190256	1	Pin, Compensation Cylinder	
12	1001190257	1	Plate, Pin Retainer	
14	1001190260	1	Pin, Boom Pivot	
15	1001211427	1	Assembly, Boom (See Seperate Breakdown in this Section)	
16	4032010	4	Bolt, M10X30	
17	4812000	4	Washer, M10	
18	1001195655	2	Pad, M44X50X160	
19	1001219905	AR	Shim, M50X169X1	
20	1001219953	AR	Shim, Boom Pivot	

# SECTION 2 - BOOM

## FIGURE 2-2. BOOM ASSEMBLY



ART\_1001211427-G

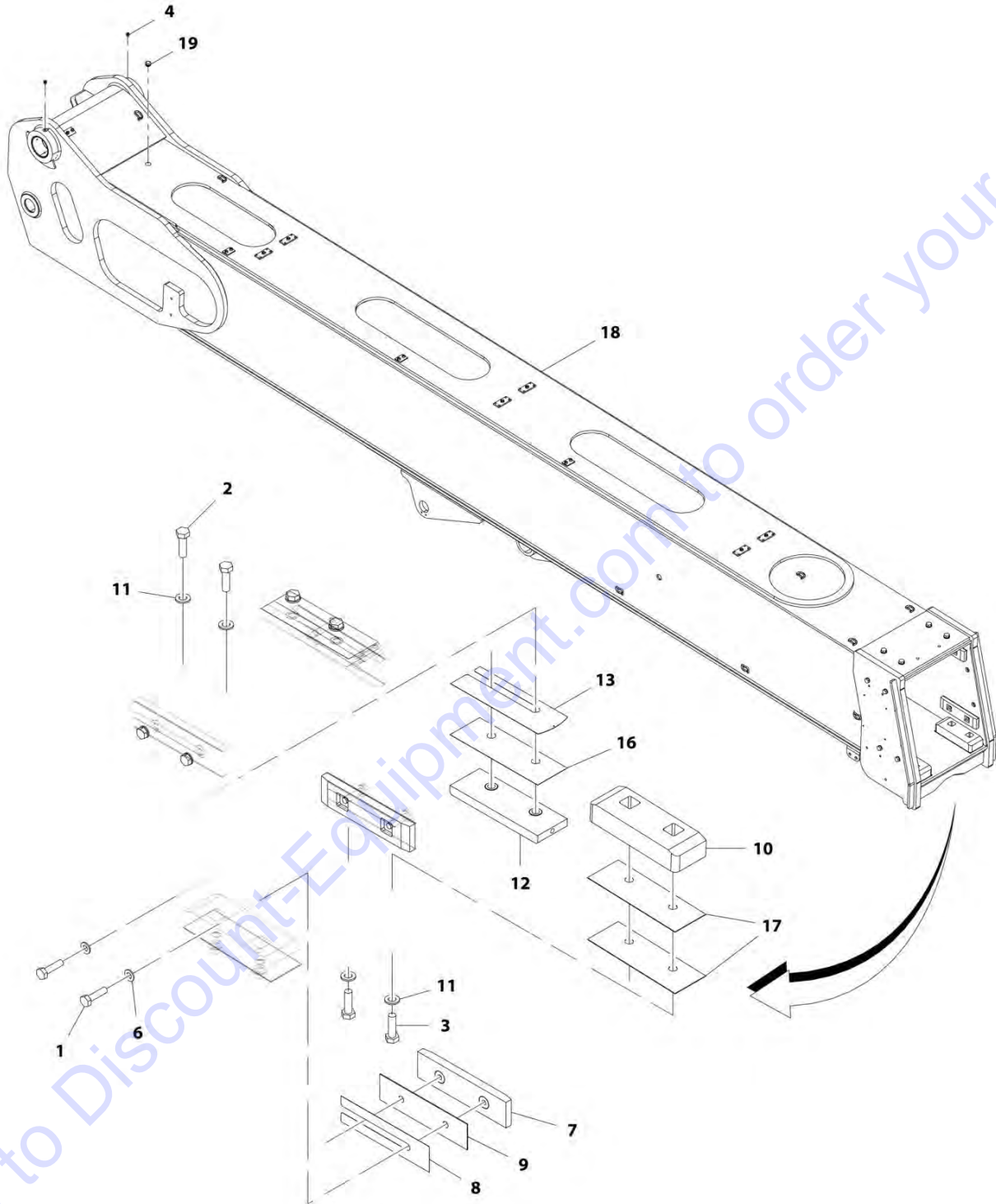
## SECTION 2 - BOOM

**FIGURE 2-2. BOOM ASSEMBLY**

ITEM	PART NUMBER	QTY	DESCRIPTION	REV
	1001211427	Ref	Boom Assembly	G
1	314689	2	Ring, Retaining M50	
4	4032314	4	Bolt, M16X50	
5	4811900	4	Washer, M8	
6	4812300	4	Washer, M16	
7	1001213959	2	Plate, Clamp	
8	1001213961	2	Plate, Trunion Block Guide	
9	1001174812	1	Cylinder, Tilt (See Seperate Breakdown in Hydraulic Components Section)	
10	1001191110	1	Shackle	
11	1001197262	2	Ring, Snap M75	
12	1001199325	Ref	Installation, Extend/Retract Cylinder (See Seperate Breakdown in Hydraulic Components Section)	
13	1001201266	1	Assembly, First Boom Section (See Seperate Breakdown in this Section)	
14	1001203985	1	Assembly, Third Boom Section (See Seperate Breakdown in this Section)	
15	1001203989	1	Pin, Tilt	
16	1001203990	1	Pin, Extend/Retract	
17	1001204177	1	Assembly, Second Boom Section (See Seperate Breakdown in this Section)	
18	1001205375	Ref	Installation, Boom Hydraulic (See Seperate Breakdown in Hydraulic Circuit Section)	
22	0760810	4	Bolt, M8X20	
23	0711015	2	Bolt, M10X35	
24	1001230986	1	Support, Hose	
25	1001230967	1	Plate, Support	
26	1001213462	1	Support, Hose	
27	4812000	2	Washer, M10	
28	1001217353	Ref	Installation, Remote Grease (See Seperate Breakdown in Hydraulic Circuit Section)	

# SECTION 2 - BOOM

## FIGURE 2-3. FIRST BOOM SECTION ASSEMBLY



ART\_1001201266-G

## SECTION 2 - BOOM

**FIGURE 2-3. FIRST BOOM SECTION ASSEMBLY**

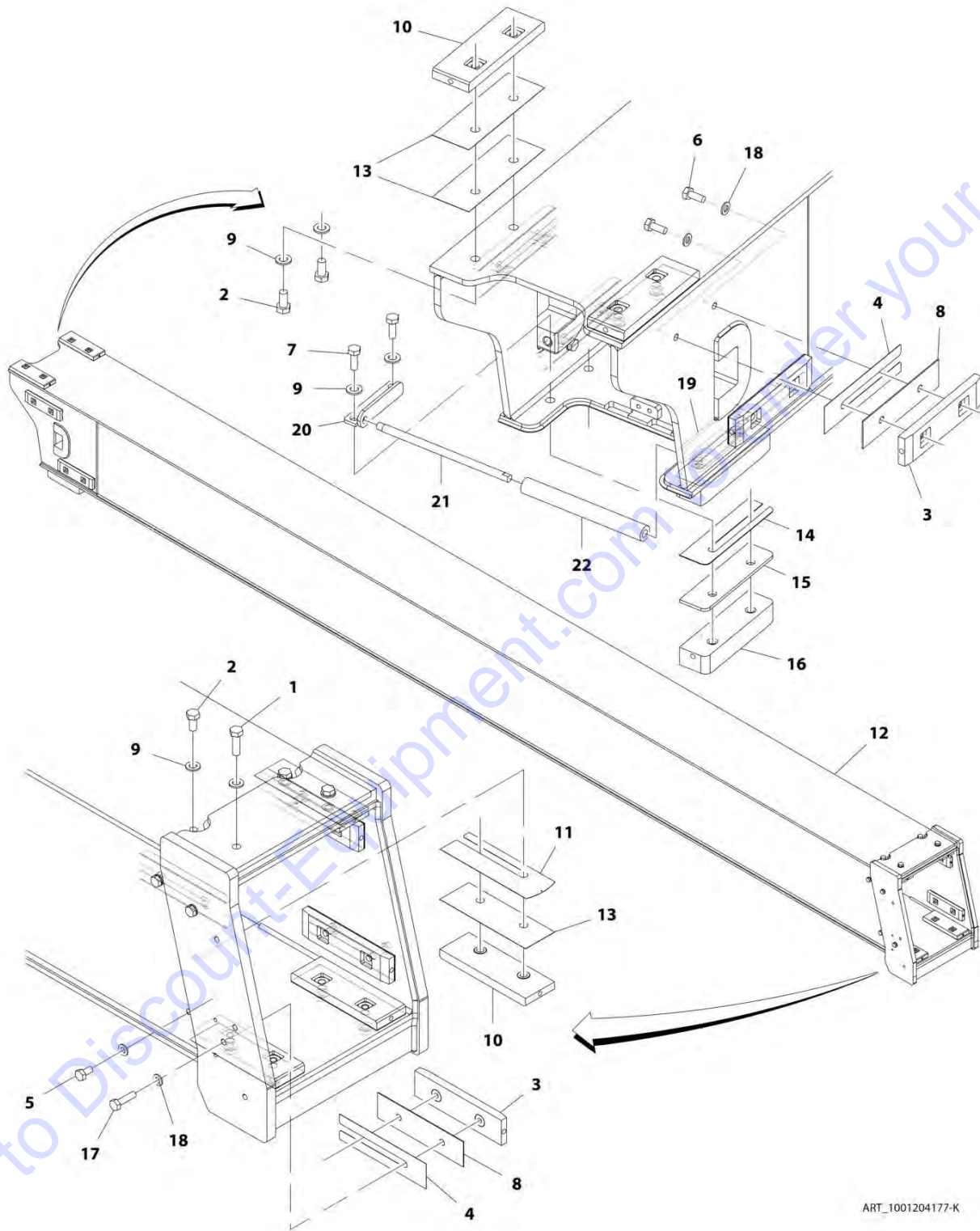
ITEM	PART NUMBER	QTY	DESCRIPTION	REV
	1001201266	Ref	First Boom Section Assembly	G
1	0711017	8	Bolt, M10X45	
2	0711216	4	Bolt, M12X40	
3	0711217	4	Bolt, M12X45	
4	2160016	2	Fitting, Grease	
6	4812000	AR	Washer, M10	
7	8002200	4	Pad, M15X50X200	
8	8008640	AR	Shim, M50X200X0.5	
9	1001003031	4	Shim, M50X198X1.5	
10	1001227337	2	Pad, M70X200X39	
11	1001125117	AR	Washer, M12	
12	1001227334	2	Pad, Wear	
13	1001195194	AR	Shim, M67X204X0.5	
16	1001195737	2	Shim	
17	1001201269	AR	Shim, M70X200X1	
18	1001201267J	1	Weldment, Boom	
19	3520193	1	Plug	

Go to Discount-Equipment.com to order your parts



# SECTION 2 - BOOM

## FIGURE 2-4. SECOND BOOM SECTION ASSEMBLY



ART\_1001204177-K

## SECTION 2 - BOOM

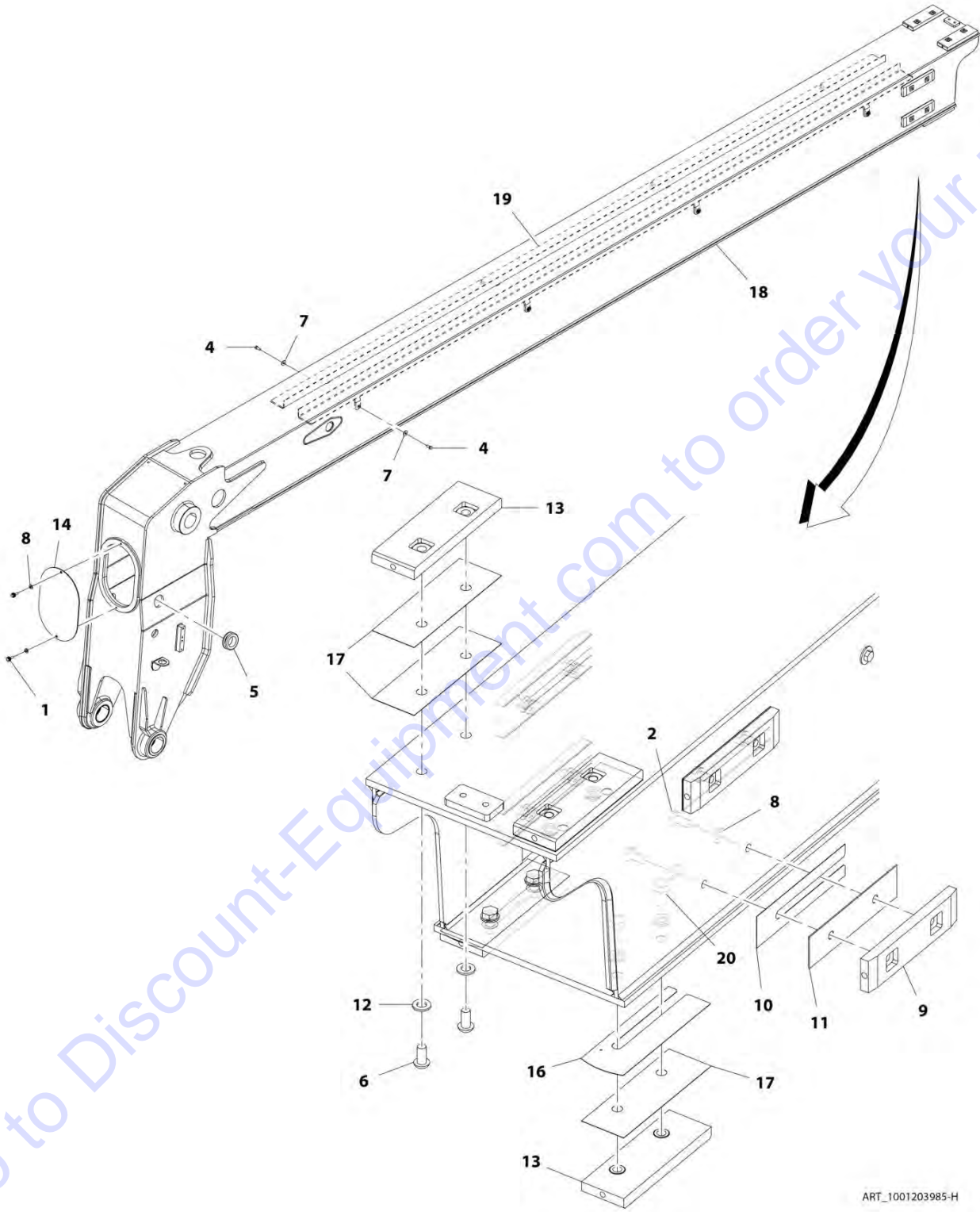
**FIGURE 2-4. SECOND BOOM SECTION ASSEMBLY**

ITEM	PART NUMBER	QTY	DESCRIPTION	REV
	1001204177	Ref	Second Boom Section Assembly	K
1	0711216	4	Bolt, M12X40 Grade 10.9	
2	0771212	8	Bolt, M12X25 Grade 10.9	
3	8002200	8	Pad, M15X50X200	
4	8008640	AR	Shim, M50X200X0.5	
5	0771010	4	Bolt, M10X20 Grade 10.9	
6	0771012	8	Bolt, M10X25 Grade 10.9	
7	0711215	4	Bolt, M12X35 Grade 10.9	
8	1001003031	8	Shim, M50X198X1.5	
9	1001125117	AR	Washer, M12	
10	1001227334	6	Pad, M34X54X165	
11	1001195194	AR	Shim, M0.5X67X204	
12	1001204178	1	Boom, Second	
13	1001195737	AR	Shim	
14	1001204198	AR	Shim, M1X49X181	
15	1001204199	2	Shim, M49X181X5	
16	1001204200	2	Pad, M35X49X181	
17	0711016	4	Bolt, M10X40 Grade 10.9	
18	4812000	AR	Washer, M10	
19	1001223902	1	Bracket, RH	
20	1001223920	1	Bracket, LH	
21	1001223948	1	Pin	
22	1001223983	1	Roller	



# SECTION 2 - BOOM

## FIGURE 2-5. THIRD BOOM SECTION ASSEMBLY



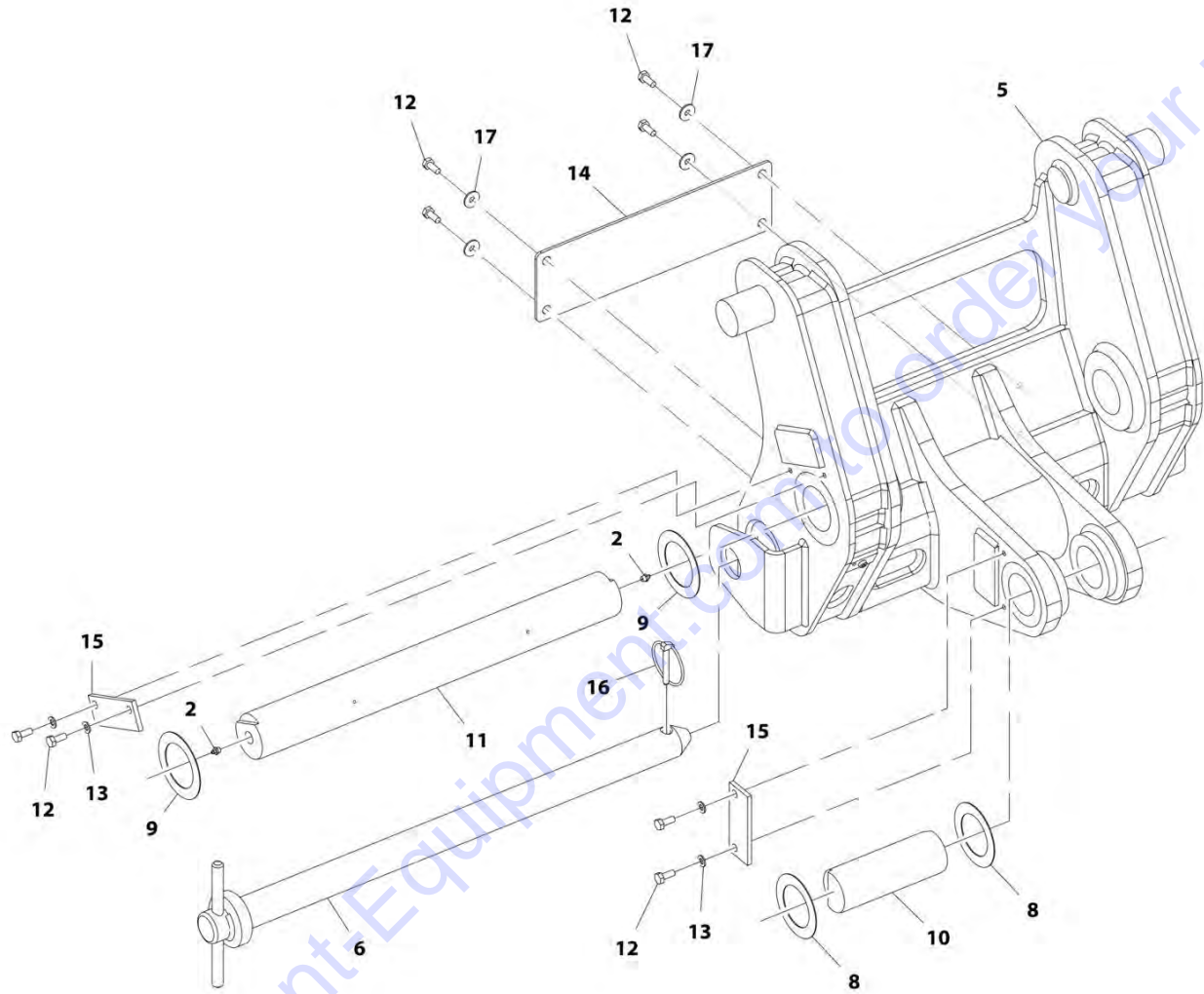
## SECTION 2 - BOOM

**FIGURE 2-5. THIRD BOOM SECTION ASSEMBLY**

ITEM	PART NUMBER	QTY	DESCRIPTION	REV
	1001203985	Ref	Third Boom Section Assembly	H
1	1001161439	2	Screw	
2	0771010	8	Bolt, M10X20 Grade 10.9	
4	0760810	8	Bolt, M8X20	
5	1001188971	1	Grommet	
6	1001229057	4	Screw, M12X25	
7	4811902	8	Washer, M8	
8	4812000	AR	Washer, M10	
9	8002200	4	Pad, M15X50X200	
10	8008640	AR	Shim, M50X200X0.5	
11	1001003031	4	Shim, M50X198X1.5	
12	1001125117	AR	Washer, M12	
13	1001227334	4	Pad	
14	1001191789	1	Plate, Boom Front Cover	
16	1001195194	AR	Shim, M0.5X67X204	
17	1001195737	AR	Shim	
18	1001203986	1	Weldment, Third Boom Section	
19	1001203987	2	Bracket, Hose Support Tray	
20	0771212	4	Bolt, M12X25	

# SECTION 2 - BOOM

## FIGURE 2-6. COUPLER INSTALLATION (MANUAL)



ART\_1001174104-G

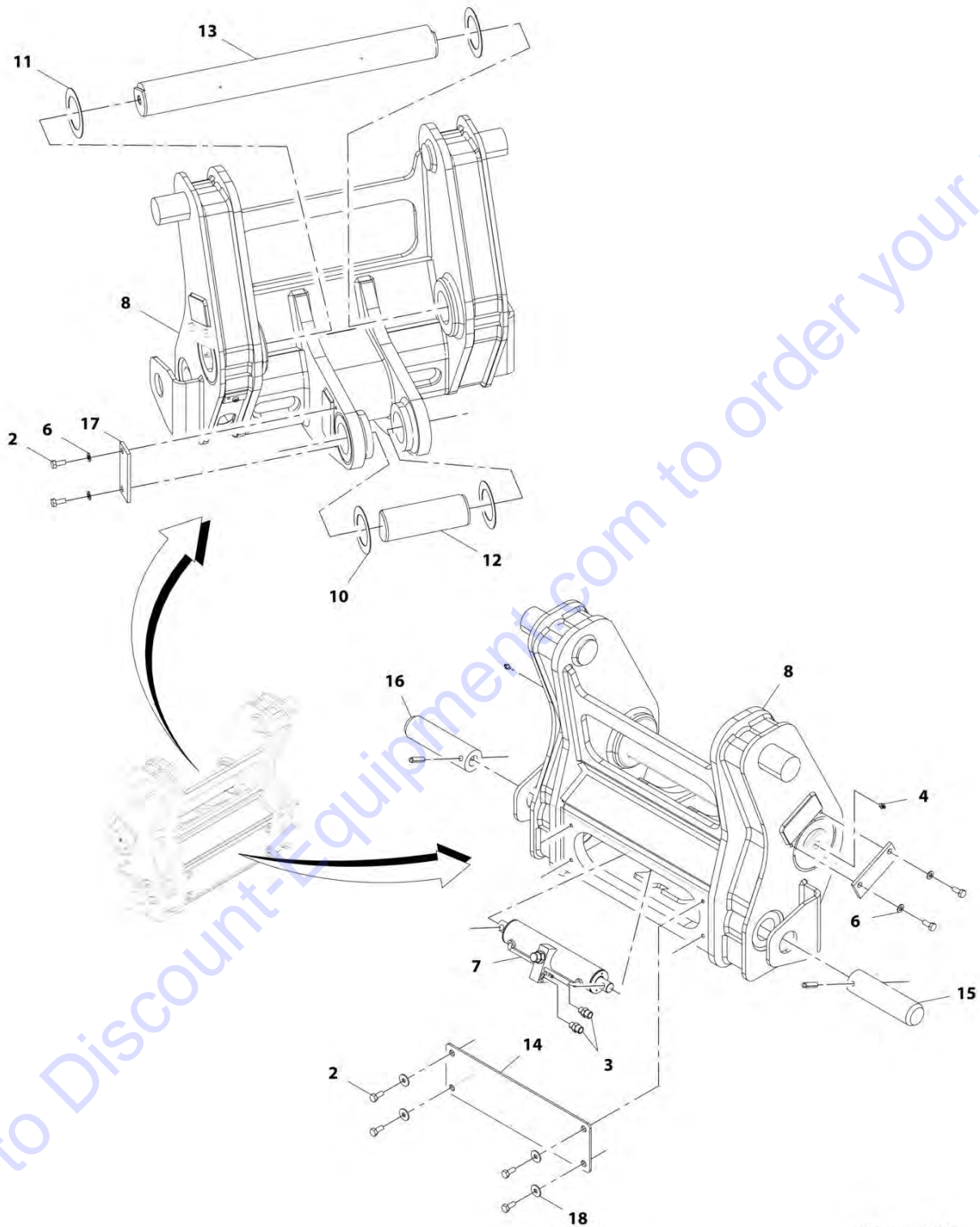
FIGURE 2-6. COUPLER INSTALLATION (MANUAL)

ITEM	PART NUMBER	QTY	DESCRIPTION	REV
	1001174104	Ref	Coupler Installation (Manual)	G
2	2160016	2	Fitting, Grease	
5	1001187820	1	Coupling, Manual	
6	1001187821	1	Pin	
8	1001187847	AR	Shim	
9	1001187848	AR	Shim	
10	1001190250	1	Pin, Tilt	
11	1001190264	1	Pin	
12	0761012	8	Bolt, M10X25	
13	4812000	4	Washer, M10	
14	1001200393	1	Plate, Front Cover	
15	1001210326	2	Plate	
16	1001003803	1	Pin	
17	4812002	4	Washer, M10	

Go to Discount-Equipment.com to order your parts

# SECTION 2 - BOOM

## FIGURE 2-7. COUPLER INSTALLATION (HYDRAULIC)



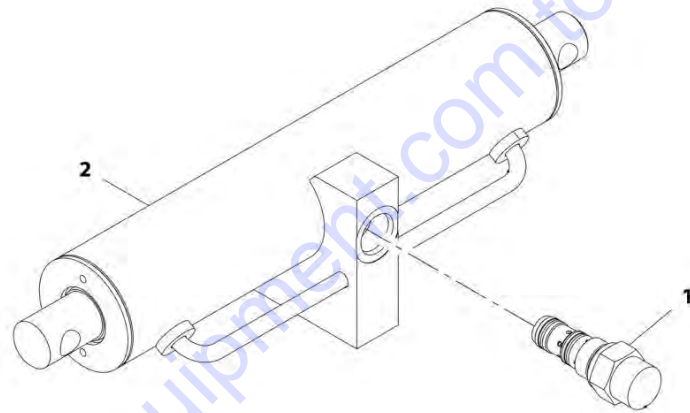
ART\_1001192358-D

FIGURE 2-7. COUPLER INSTALLATION (HYDRAULIC)

ITEM	PART NUMBER	QTY	DESCRIPTION	REV
	1001192358	Ref	Coupler Installation (Hydraulic)	D
2	0761012	8	Bolt, M10X25	
3	2110606	2	Fitting, Straight ORFS	
4	2160016	2	Fitting, Grease	
6	4812000	4	Washer, M10	
7	1001145391	1	Assembly, Coupler Locking Cylinder (See Seperate Breakdown in this Section)	
8	1001187820	1	Carriage	
10	1001187847	AR	Shim, M76X115X1.5	
11	1001187848	AR	Shim, M81X120X1.5	
12	1001190250	1	Pin, Tilt	
13	1001190264	1	Pin, Coupler	
14	1001200393	1	Plate, Front Cover	
15	1001200395	2	Pin	
16	1001184610	2	Pin	
17	1001210326	2	Plate, Pin Retention	
18	4812002	4	Washer, M10	

## SECTION 2 - BOOM

FIGURE 2-8. COUPLER LOCKING CYLINDER ASSEMBLY



ART\_1001145391-A

FIGURE 2-8. COUPLER LOCKING CYLINDER ASSEMBLY

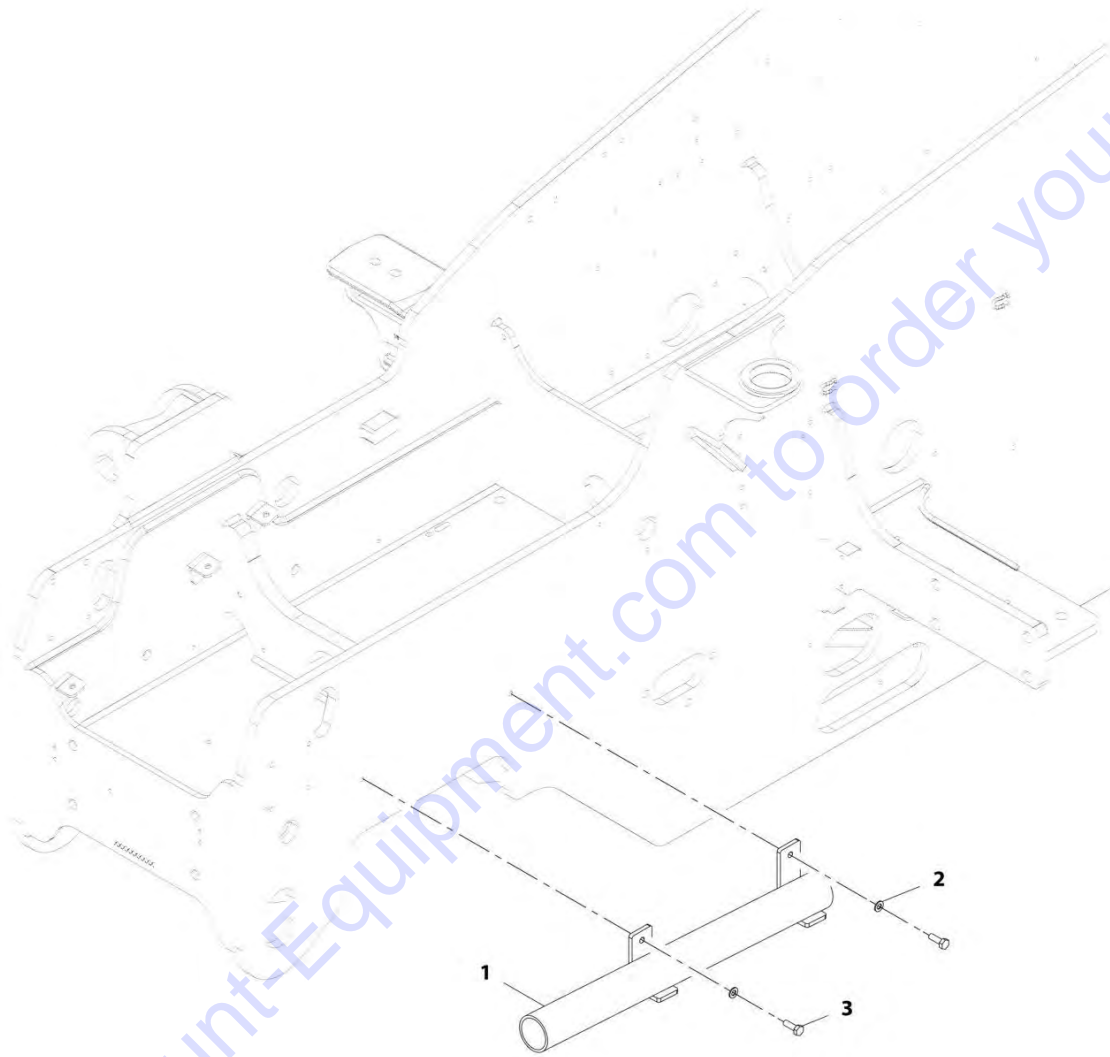
ITEM	PART NUMBER	QTY	DESCRIPTION	REV
	1001145391	Ref	Coupler Locking Cylinder Assembly	A
1	1001007056	1	Valve, Check	
2	1001145390	1	Cylinder, Coupler Locking (See Seperate Breakdown in Hydraulic Components Section)	

Go to Discount-Equipment.com to order your parts



## SECTION 2 - BOOM

FIGURE 2-9. MANUAL COUPLER PIN HOLDER INSTALLATION



ART\_1001220641-A

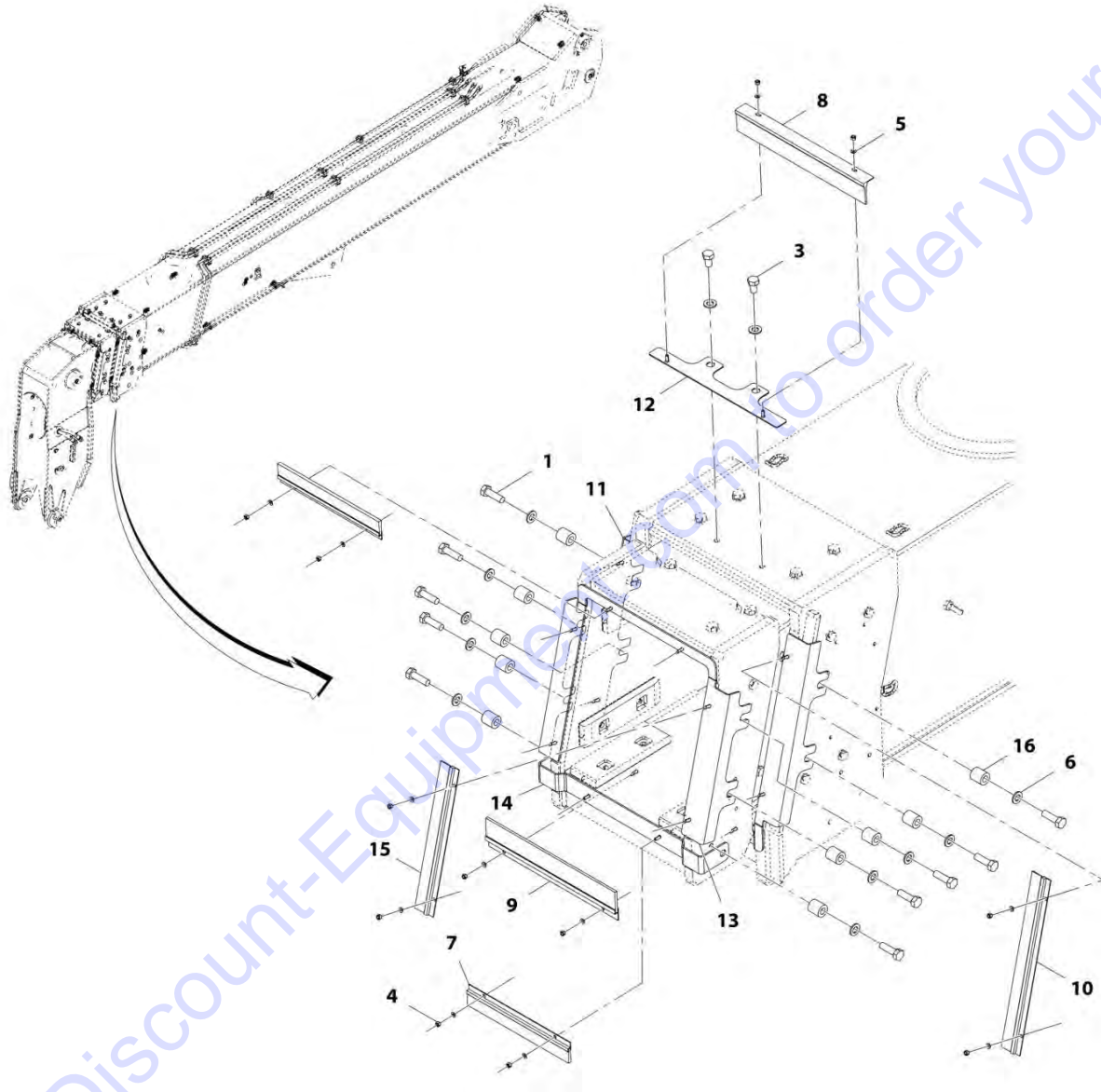
FIGURE 2-9. MANUAL COUPLER PIN HOLDER INSTALLATION

ITEM	PART NUMBER	QTY	DESCRIPTION	REV
	1001220641	Ref	Manual Coupler Pin Holder Installation	A
1	1001220248	1	Bracket, Pin Holder	
2	4812000	2	Washer, M10	
3	0701014	2	Bolt, M10X30	

Go to Discount-Equipment.com to order your parts

# SECTION 2 - BOOM

## FIGURE 2-10. BOOM BRUSHES INSTALLATION



ART\_1001201432-C

FIGURE 2-10. BOOM BRUSHES INSTALLATION

ITEM	PART NUMBER	QTY	DESCRIPTION	REV
	1001201432	Ref	Boom Brushes Installation	C
1	0701216	10	Bolt, M12X40	
3	0761210	2	Bolt, M12X20	
4	3290505	16	Nut, Lock M5X0.8	
5	4811600	16	Washer, M5	
6	1001125117	12	Washer, M12	
7	1001172995	2	Brush, Boom	
8	1001172999	1	Brush, Boom	
9	1001173679	1	Brush, Boom	
10	1001173739	2	Brush, Boom	
11	1001205619	1	Bracket, Boom Brush	
12	1001196879	1	Bracket, Boom Brush	
13	1001205621	1	Bracket, Boom Brush	
14	1001205622	1	Bracket, Boom Brush	
15	1001205627	2	Brush, Boom	
16	1001220286	10	Spacer	

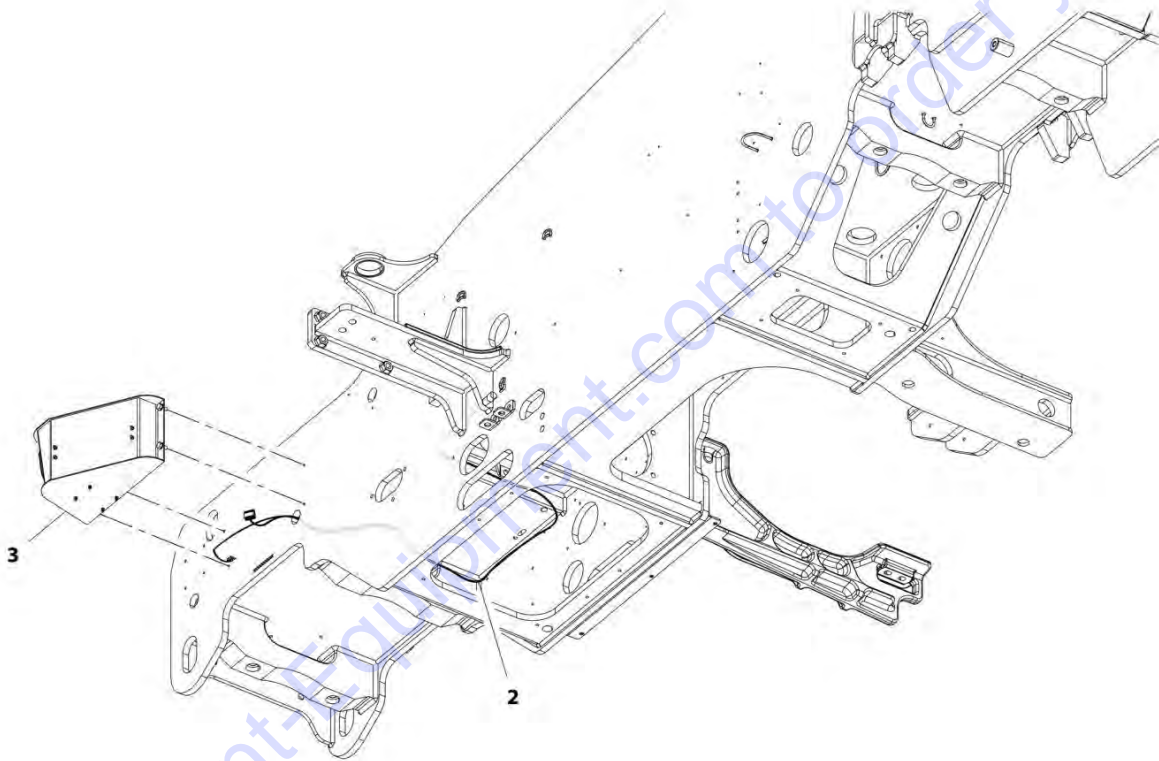


**SECTION 3 - ATTACHMENTS**

Go to [Discount-Equipment.com](http://Discount-Equipment.com) to order your parts

## SECTION 3 - ATTACHMENTS

FIGURE 3-1. ATTACHMENT RECOGNITION INSTALLATION



ART\_1001195881-C

## SECTION 3 - ATTACHMENTS

**FIGURE 3-1. ATTACHMENT RECOGNITION INSTALLATION**

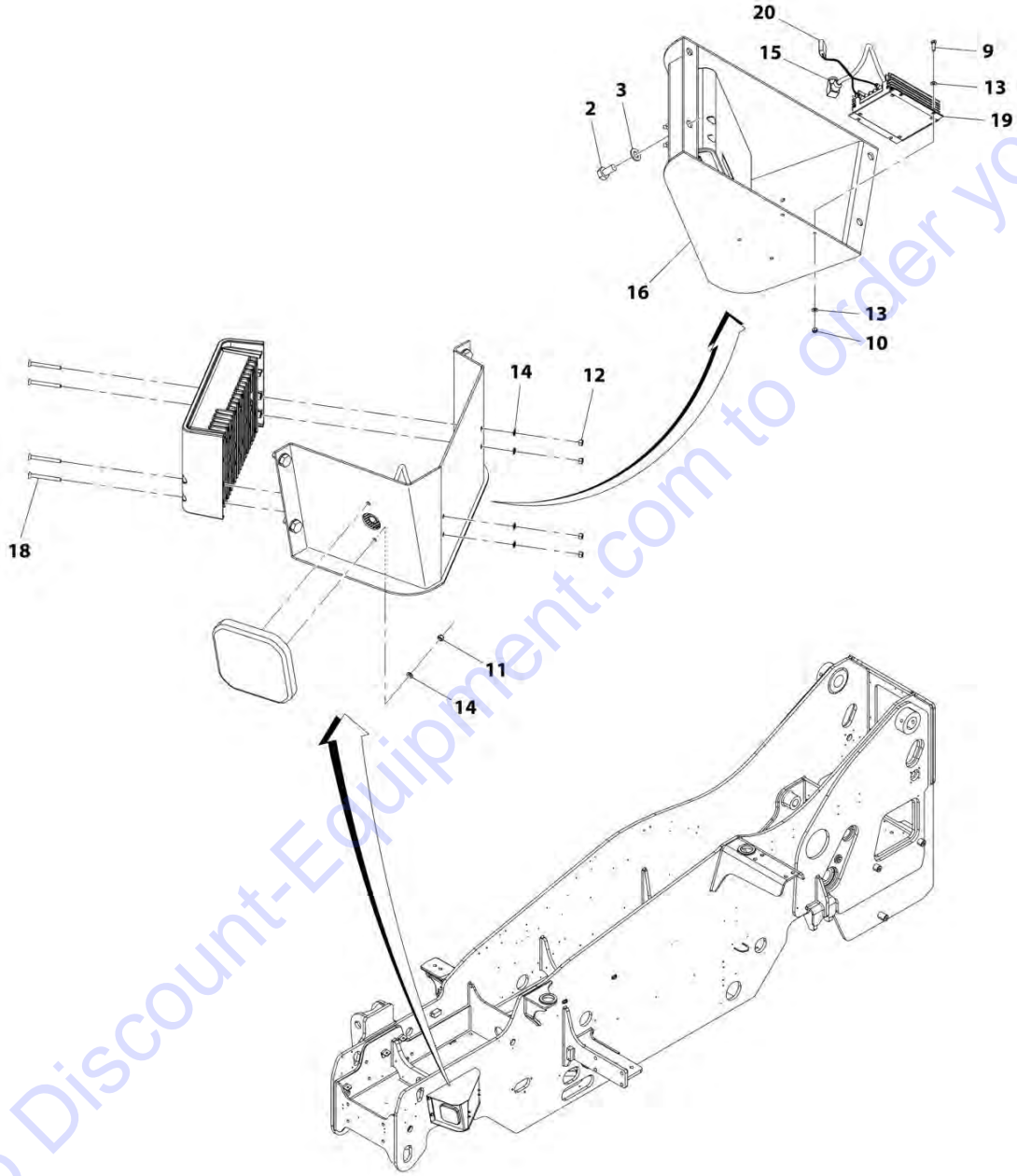
ITEM	PART NUMBER	QTY	DESCRIPTION	REV
	1001195881	Ref	Attachment Recognition Installation	C
2	1001206843	1	Cable	
3	1001207866	1	Installation, Components Attachment Recognition (See Separate Breakdown in this Section)	

Go to Discount-Equipment.com to order your parts



# SECTION 3 - ATTACHMENTS

## FIGURE 3-2. COMPONENTS ATTACHMENT RECOGNITION INSTALLATION



ART\_1001207866-E

## SECTION 3 - ATTACHMENTS

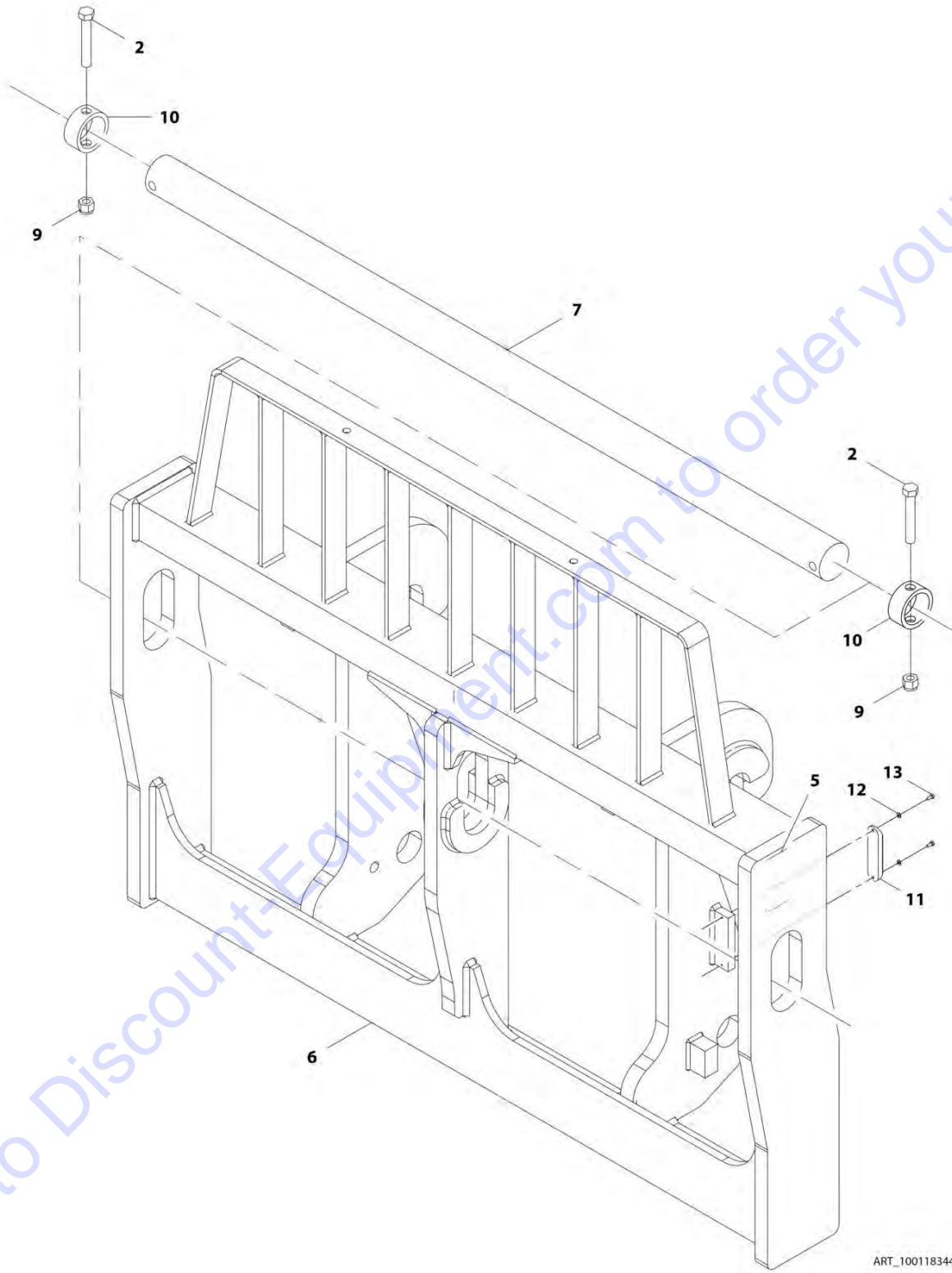
**FIGURE 3-2. COMPONENTS ATTACHMENT RECOGNITION INSTALLATION**

ITEM	PART NUMBER	QTY	DESCRIPTION	REV
	1001207866	Ref	Components Attachment Recognition Installation	E
2	0761010	4	Bolt, M10X20	
3	4812000	4	Washer, M10	
9	0760407	4	Bolt, M4X14	
10	3290405	4	Nut, Lock M4X0.7 Grade 8	
11	3290505	2	Nut, Lock M5X0.8 Grade 8	
12	3290507	4	Nut, Lock M5X0.8	
13	4811400	8	Washer, M4	
14	4811600	6	Washer, M5	
15	1001206725	1	Cable	
16	1001232988	1	Bracket, Attachment Recognition	
18	1001234395	4	Screw, M5X50	
19	1001234596	1	Control, Voltage	
20	1001234802	1	Harness	

Go to Discount-Equipment.com to order your parts

# SECTION 3 - ATTACHMENTS

## FIGURE 3-3. CARRIAGE ASSEMBLY, (60IN/1524MM)



ART\_1001183447-E

## SECTION 3 - ATTACHMENTS

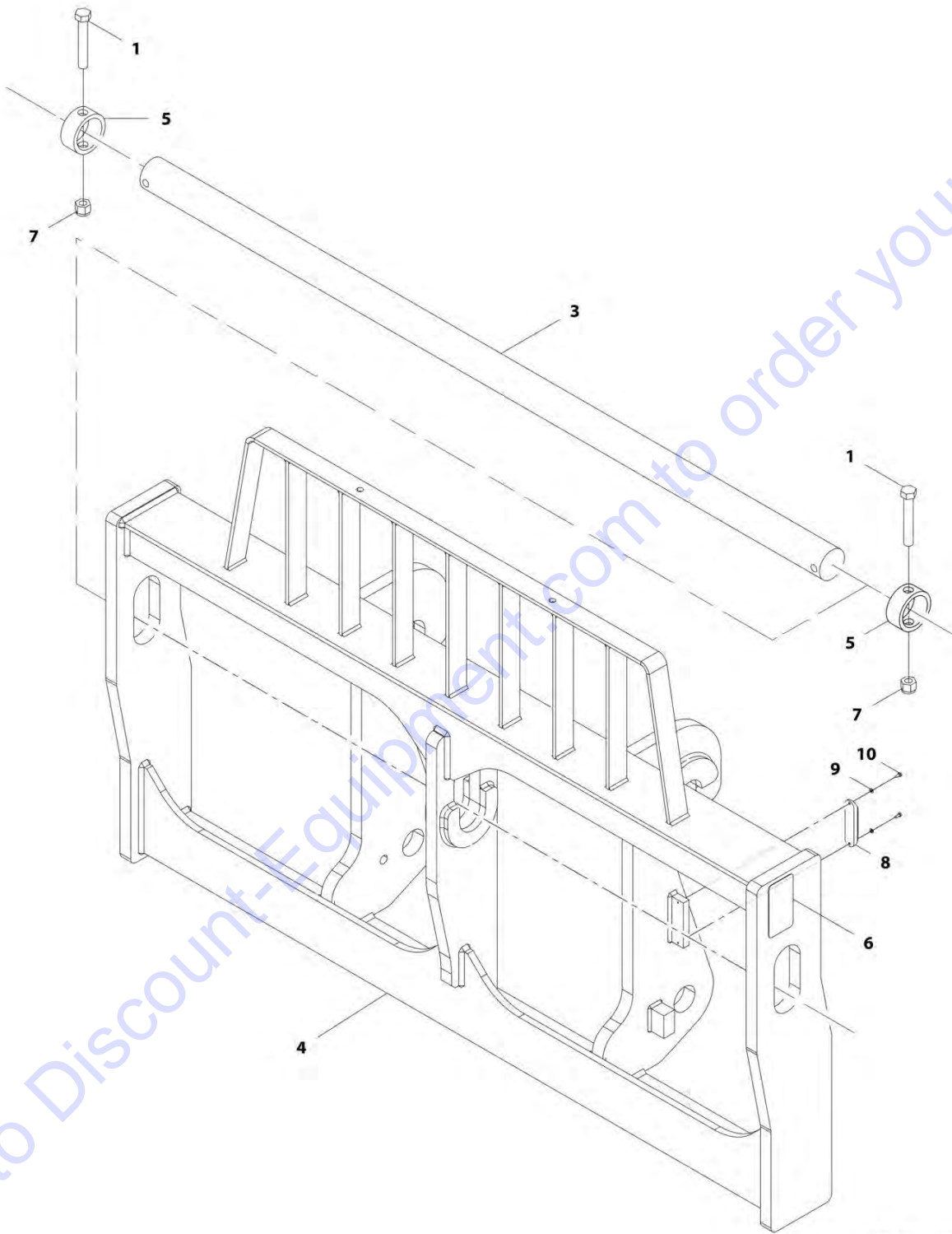
**FIGURE 3-3. CARRIAGE ASSEMBLY, (60IN/1524MM)**

ITEM	PART NUMBER	QTY	DESCRIPTION	REV
	1001183447	1	Carriage Assembly, (60in/1524mm)	E
2	0701628	2	Bolt, M16X110	
5	N.S.S.	1	Plate, Serial Number	
6	N.S.S.	1	Weldment, Carriage	
7	1001191108	1	Pin	
9	3291605	2	Nut, Lock M16X2 Grade 8	
10	1001218755	2	Collar, Shaft	
11	1001227670	1	Tag, RFID	
12	4811400	2	Washer, M4	
13	0760405	2	Bolt, M4X10	

Go to Discount-Equipment.com to order your parts

# SECTION 3 - ATTACHMENTS

## FIGURE 3-4. CARRIAGE ASSEMBLY, (72IN/1829MM)



ART\_1001214415-D

## SECTION 3 - ATTACHMENTS

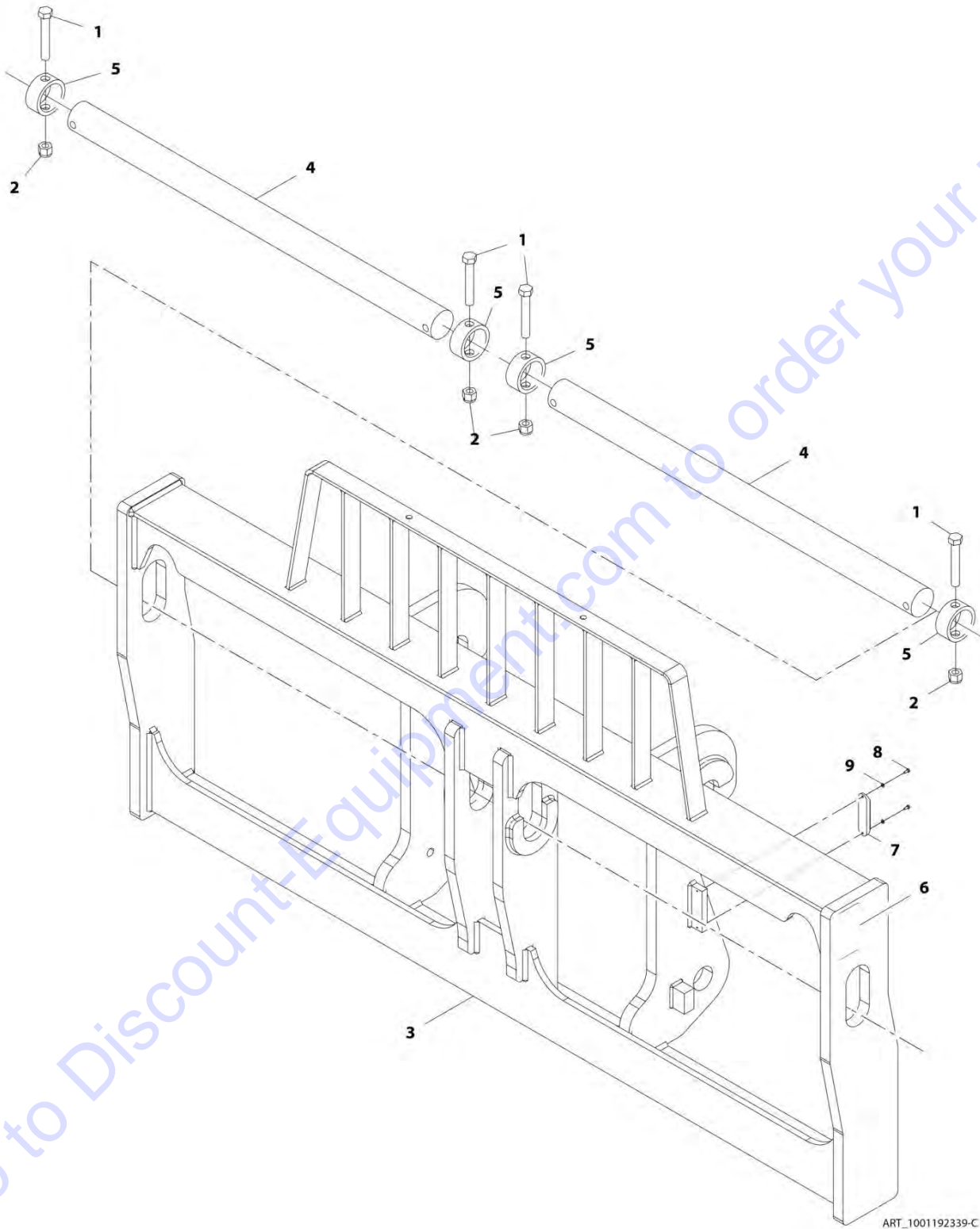
**FIGURE 3-4. CARRIAGE ASSEMBLY, (72IN/1829MM)**

ITEM	PART NUMBER	QTY	DESCRIPTION	REV
	1001214415	1	Carriage Assembly, (72in/1829mm)	D
1	0701628	2	Bolt, M16X110	
3	1001214254	1	Pin	
4	N.S.S.	1	Weldment, Carriage	
5	1001218755	2	Collar, Shaft	
6	N.S.S.	1	Plate, Serial Number	
7	3291605	2	Nut, Lock M16X2 Grade 8	
8	1001227670	1	Tag, RFID	
9	4811400	2	Washer, M4	
10	0760405	2	Bolt, M4X10	

Go to Discount-Equipment.com to order your parts

# SECTION 3 - ATTACHMENTS

## FIGURE 3-5. CARRIAGE ASSEMBLY, (87IN/2290MM)



ART\_1001192339-C

## SECTION 3 - ATTACHMENTS

**FIGURE 3-5. CARRIAGE ASSEMBLY, (87IN/2290MM)**

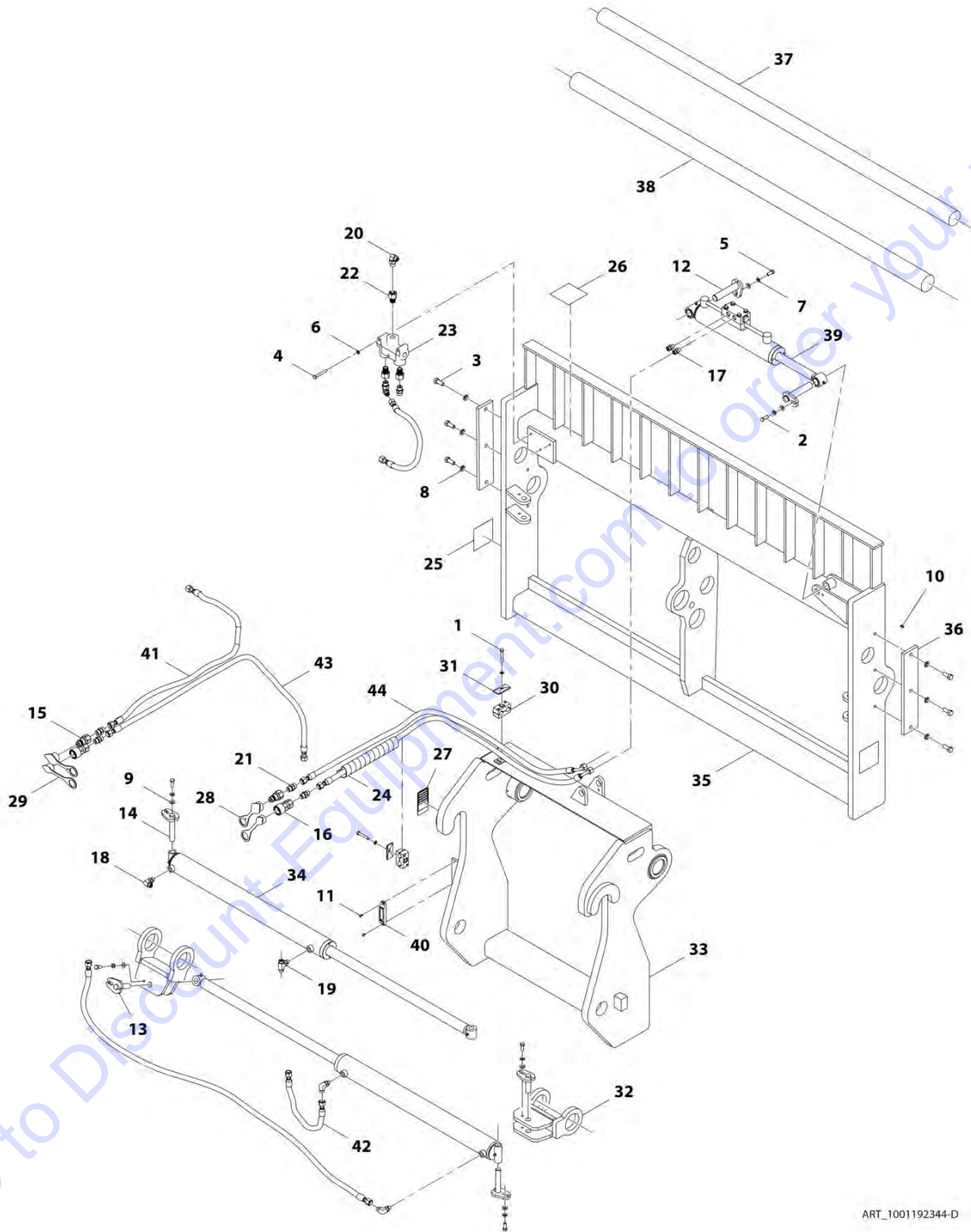
ITEM	PART NUMBER	QTY	DESCRIPTION	REV
	1001192339	1	Carriage Assembly, (87in/2290mm)	C
1	0701628	4	Bolt, M16X110	
2	3291605	4	Nut, Lock M16X2 Grade 8	
3	N.S.S.	1	Weldment, Carriage	
4	1001218754	2	Pin	
5	1001218755	4	Collar, Shaft	
6	N.S.S.	1	Plate, Serial Number	
7	1001227670	1	Tag, RFID	
8	0760405	2	Bolt, M4X10	
9	4811400	2	Washer, M4	

Go to Discount-Equipment.com to order your parts



# SECTION 3 - ATTACHMENTS

## FIGURE 3-6. DUAL FORK POSITIONING SIDE SHIFT CARRIAGE, (75IN/1899MM)



ART\_1001192344-D

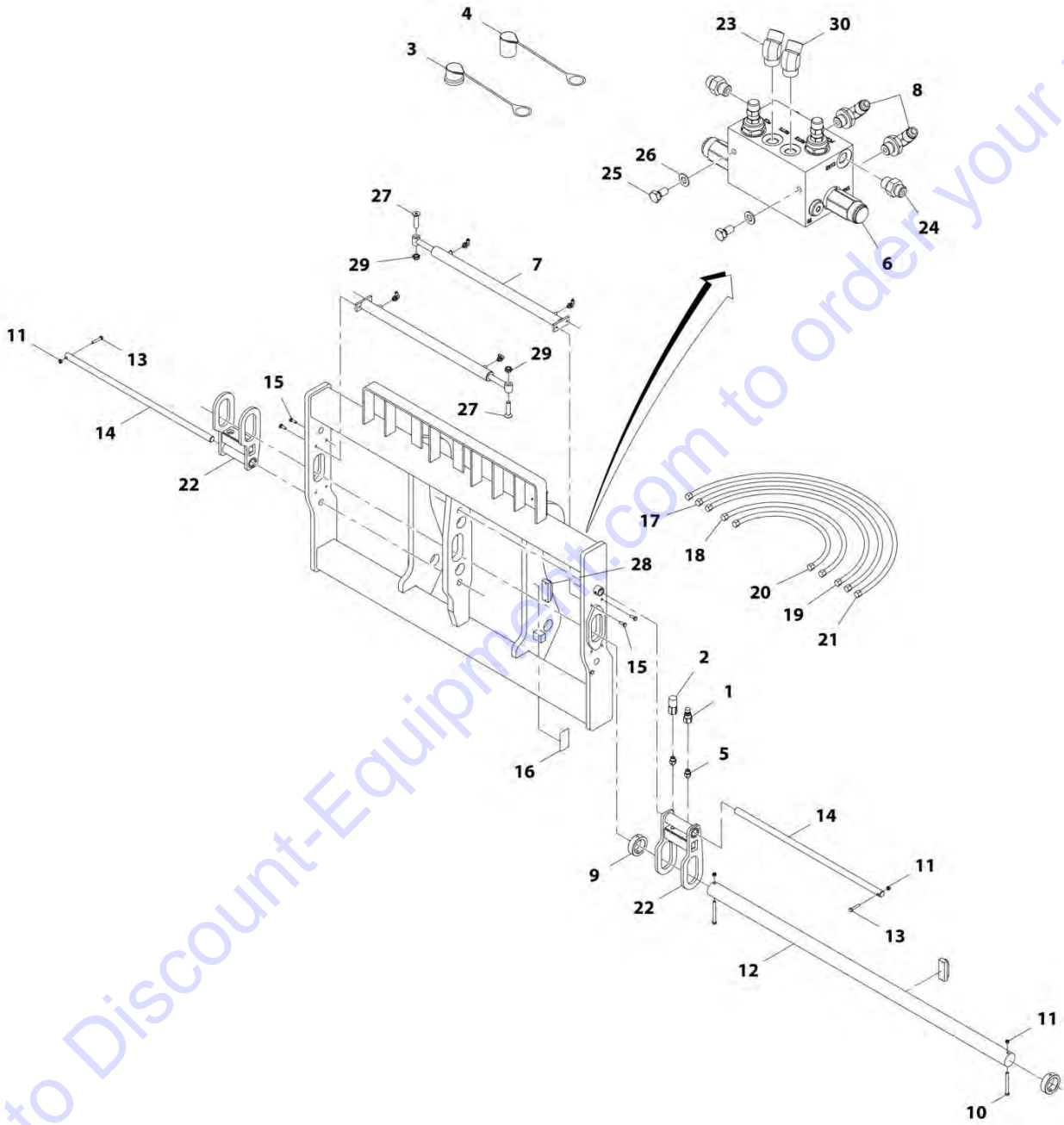
## SECTION 3 - ATTACHMENTS

**FIGURE 3-6. DUAL FORK POSITIONING SIDE SHIFT CARRIAGE, (75IN/1899MM)**

ITEM	PART NUMBER	QTY	DESCRIPTION	REV
	1001192344	1	Dual Fork Positioning Side Shift Carriage, (75in/1899mm)	D
1	70028485	2	Bolt	
2	70021349	1	Bolt, 3/8X1	
3	70027989	6	Bolt	
4	70028591	3	Bolt	
5	7029704	5	Bolt, 3/8-24X1	
6	90554067	5	Washer, Lock 5/16	
7	90554042	6	Washer, Lock 3/8	
8	90554020	6	Washer, Lock 1/2	
9	7029703	6	Washer, Flat	
10	90554045	1	Zerk, Grease	
11	70028554	2	Screw	
12	7029702	2	Pin	
13	70028592	2	Pin	
14	70028593	2	Pin	
15	1001101041	2	Adapter, Male Quick Disconnect	
16	1001101042	2	Adapter, Female Quick Disconnect	
17	70028486	2	Fitting	
18	70028525	3	Elbow, 90	
19	70028594	1	Fitting	
20	70028526	2	Elbow, 90	
21	70028488	5	Fitting	
22	70028595	3	Fitting	
23	70028596	1	Valve	
24	70028597	1	Protector, Hose	
25	90554017	2	Decal, Danger Pinch Point	
26	7029711	1	Decal, High Pressure	
27	N.S.S.	1	Plate, Serial Number	
28	8420053	2	Plug, Dust	
29	8420055	2	Plug, Dust	
30	70028495	2	Clamp	
31	70028496	2	Plate, Clamp	
32	70028598	2	Clevis	
33	N.S.S.	1	Weldment	
34	70028599	2	Assembly, Fork Positioning Cylinder (See Separate Breakdown in Hydraulic Components Section)	
35	N.S.S.	1	Weldment	
36	70028600	2	Pin	
37	70028601	1	Pin	
38	70028602	1	Pin	
39	70028603	1	Assembly, Side Shift Cylinder (See Separate Breakdown in Hydraulic Components Section)	
40	1001227670	1	Tag, RFID	
41	70028604	2	Hose	
42	70028605	2	Hose	
43	70028606	1	Hose	
44	70028607	2	Hose	

# SECTION 3 - ATTACHMENTS

## FIGURE 3-7. DUAL FORK POSITIONING CARRIAGE, (72IN/1829MM)



ART\_1001192342-D

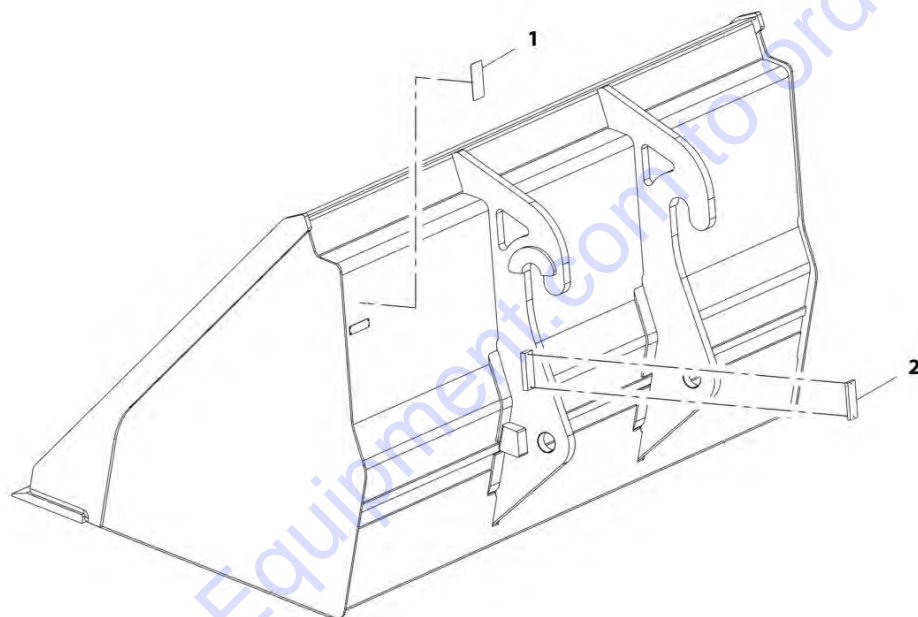
## SECTION 3 - ATTACHMENTS

**FIGURE 3-7. DUAL FORK POSITIONING CARRIAGE, (72IN/1829MM)**

ITEM	PART NUMBER	QTY	DESCRIPTION	REV
	1001192342	1	Dual Fork Positioning Carriage, (72in/1829mm)	D
1	1001101041	1	Coupler, Male Hydraulic	
2	1001101042	1	Coupler, Female Hydraulic	
3	8420053	1	Cap	
4	8420055	1	Cap	
5	1001008834	2	Fitting, Straight	
6	70027896	1	Valve	
7	70028505	2	Cylinder, Forkpositioner	
8	2150606	4	Fitting, 45 ORFS	
9	70028506	2	Collar	
10	70027889	2	Bolt, M10x120	
11	70027890	4	Nut M10	
12	70028507	1	Shaft, Floating	
13	70027881	2	Bolt, M10x55	
14	70028508	2	Shaft, Forkpositioner	
15	70027880	4	Bolt, M10x30	
16	N.S.S.	1	Plate, Serial Number	
17	70028509	1	Hose	
18	70028510	1	Hose	
19	70028511	1	Hose	
20	70028512	1	Hose	
21	70027899	2	Hose	
22	70028513	2	Cage, Fork	
23	2150606	1	Fitting, 45 ORFS	
24	2110606	2	Fitting, Straight ORFS	
25	70027882	2	Bolt, M8X16	
26	70027879	2	Washer	
27	70027888	3	Screw, Countersunk M20x80	
28	1001227670	1	Tag, RFID	
29	70027887	2	Nut, M20	
30	2170206	1	Fitting, 90 ORFS	

## SECTION 3 - ATTACHMENTS

FIGURE 3-8. BUCKET (2.6 YD<sup>3</sup>/2.0M<sup>3</sup>)



ART\_1001192615-E

## SECTION 3 - ATTACHMENTS

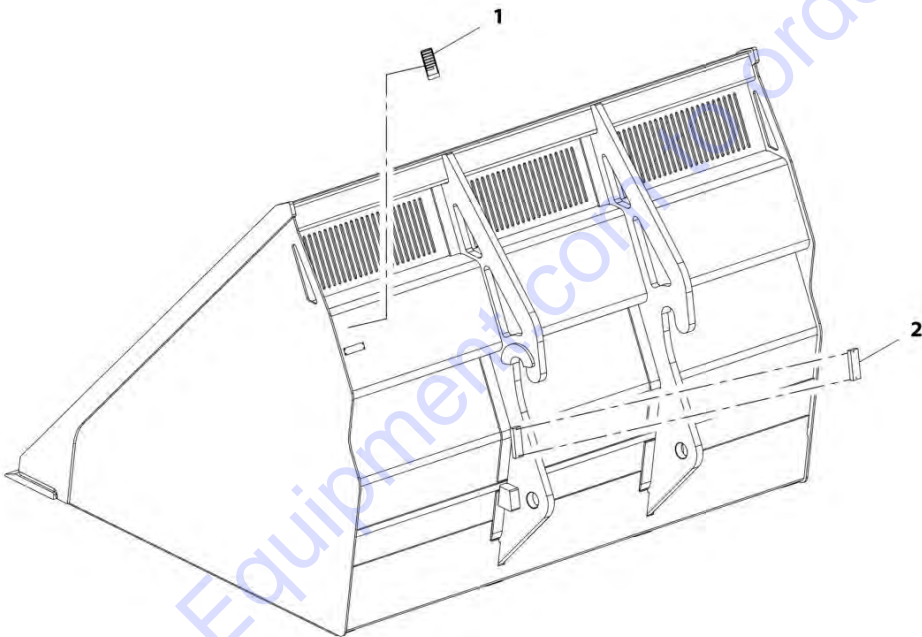
**FIGURE 3-8. BUCKET (2.6 YD<sup>3</sup>/2.0M<sup>3</sup>)**

ITEM	PART NUMBER	QTY	DESCRIPTION	REV
	1001192615	Ref	Bucket (2.6 yd <sup>3</sup> /2.0m <sup>3</sup> )	E
1	N.S.S.	1	Plate, Serial Number	
2	1001227670	1	Tag, RFID	

Go to Discount-Equipment.com to order your parts

**SECTION 3 - ATTACHMENTS**

**FIGURE 3-9. BUCKET (5.23 YD3)**



ART\_1001192616-D

## SECTION 3 - ATTACHMENTS

**FIGURE 3-9. BUCKET (5.23 YD3)**

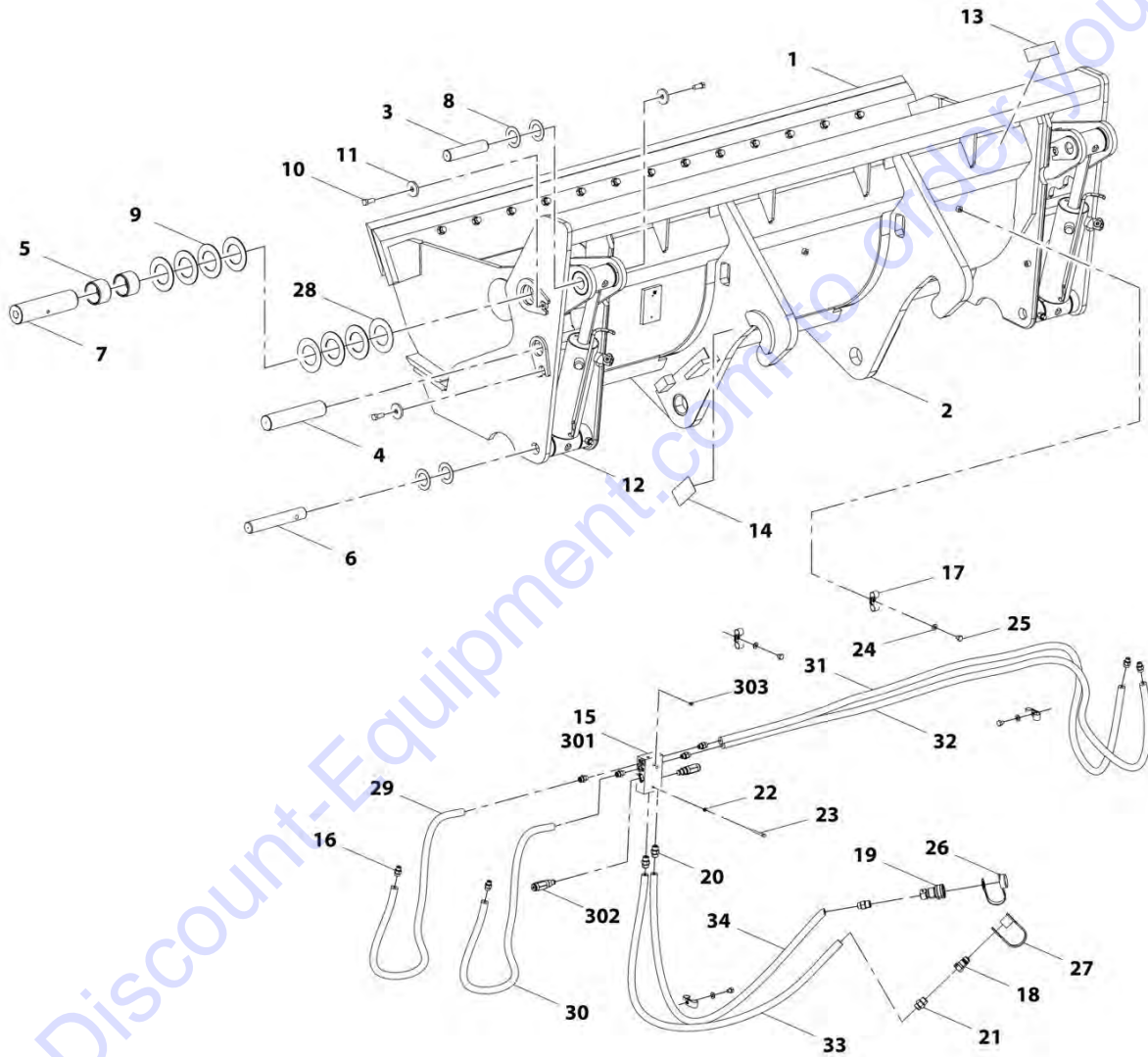
ITEM	PART NUMBER	QTY	DESCRIPTION	REV
	1001192616	Ref	Bucket (5.23 yd <sup>3</sup> /4.0m <sup>3</sup> )	D
1	N.S.S.	1	Plate, Serial Number	
2	1001227670	1	Tag, RFID	

Go to Discount-Equipment.com to order your parts



# SECTION 3 - ATTACHMENTS

## FIGURE 3-10. 4 IN 1 BUCKET (1.3 YD<sup>3</sup>/1.0M<sup>3</sup>)



ART\_1001228427-A

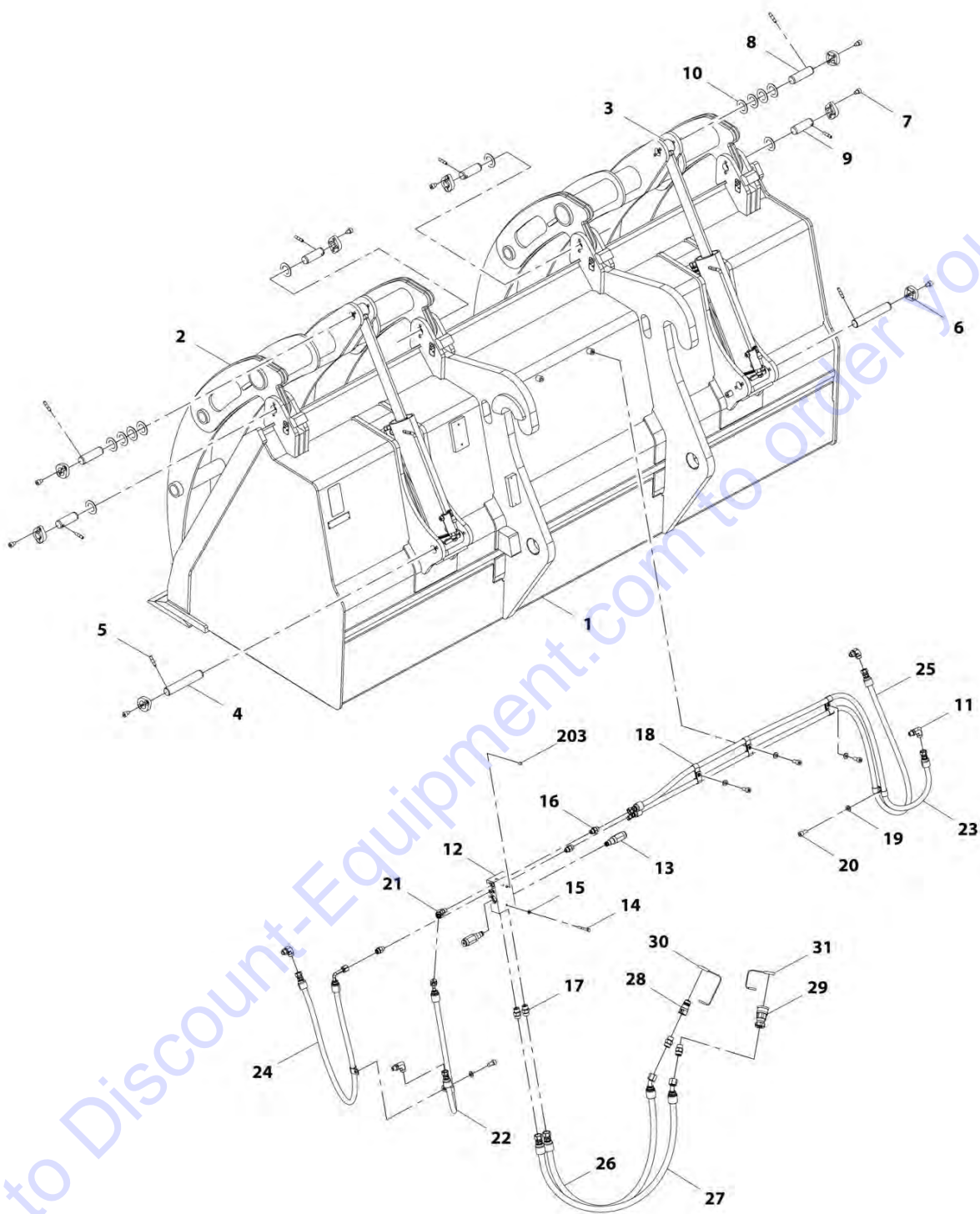
## SECTION 3 - ATTACHMENTS

**FIGURE 3-10. 4 IN 1 BUCKET (1.3 YD<sup>3</sup>/1.0M<sup>3</sup>)**

ITEM	PART NUMBER	QTY	DESCRIPTION	REV
	1001228427	Ref	4 in 1 Bucket (1.3 yd <sup>3</sup> /1.0m <sup>3</sup> )	A
1	N.S.S.	1	Assembly, Front Bucket	
2	N.S.S.	1	Assembly, Back Bucket	
3	70028563	2	Pin	
4	70028564	2	Pin	
5	70028565	4	Bushing	
6	70028566	2	Pin	
7	70028567	2	Pin	
8	70028568	8	Shim	
9	70028569	6	Shim	
10	70028570	6	Capscrew	
11	70028571	6	Washer	
12	70028572	2	Assembly, 4 In 1 Bucket Cylinder (5.23 yd <sup>3</sup> /4.0m <sup>3</sup> ) (See Separate Breakdown in Hydraulic Components Section)	
13	N.S.S.	1	Plate, Name	
14	N.S.S.	1	Plate, Serial Number	
15	70028573	1	Assembly, 4 In 1 Bucket Valve (5.23 yd <sup>3</sup> /4.0m <sup>3</sup> ) (See Separate Breakdown in Hydraulic Circuits Section)	
16	70024130	8	Fitting, Straight	
17	70026481	8	Clamp, Hose	
18	1001101041	1	Adapter, Male Quick Disconnect	
19	1001101042	1	Adapter, Female Quick Disconnect	
20	70022938	2	Fitting, Straight	
21	70028263	2	Fitting, Straight	
22	70026480	2	Washer, M6	
23	70026479	2	Bolt, M6X50	
24	70026482	4	Washer, M10	
25	70026483	4	Bolt, M10X16	
26	8420055	1	Plug, Dust	
27	8420053	1	Plug, Cap	
28	70028574	12	Shim	
29	70028575	1	Hose	
30	70028576	1	Hose	
31	70028577	1	Hose	
32	70028578	1	Hose	
33	70028579	1	Hose	
34	70028580	1	Hose	
301	70026477	1	Manifold	
302	70028589	2	Cartridge, Relief	
303	70026614	2	Plug	

# SECTION 3 - ATTACHMENTS

## FIGURE 3-11. GRAPPLE BUCKET (1.7 YD<sup>3</sup>/1.3M<sup>3</sup>)



ART\_1001223435-B

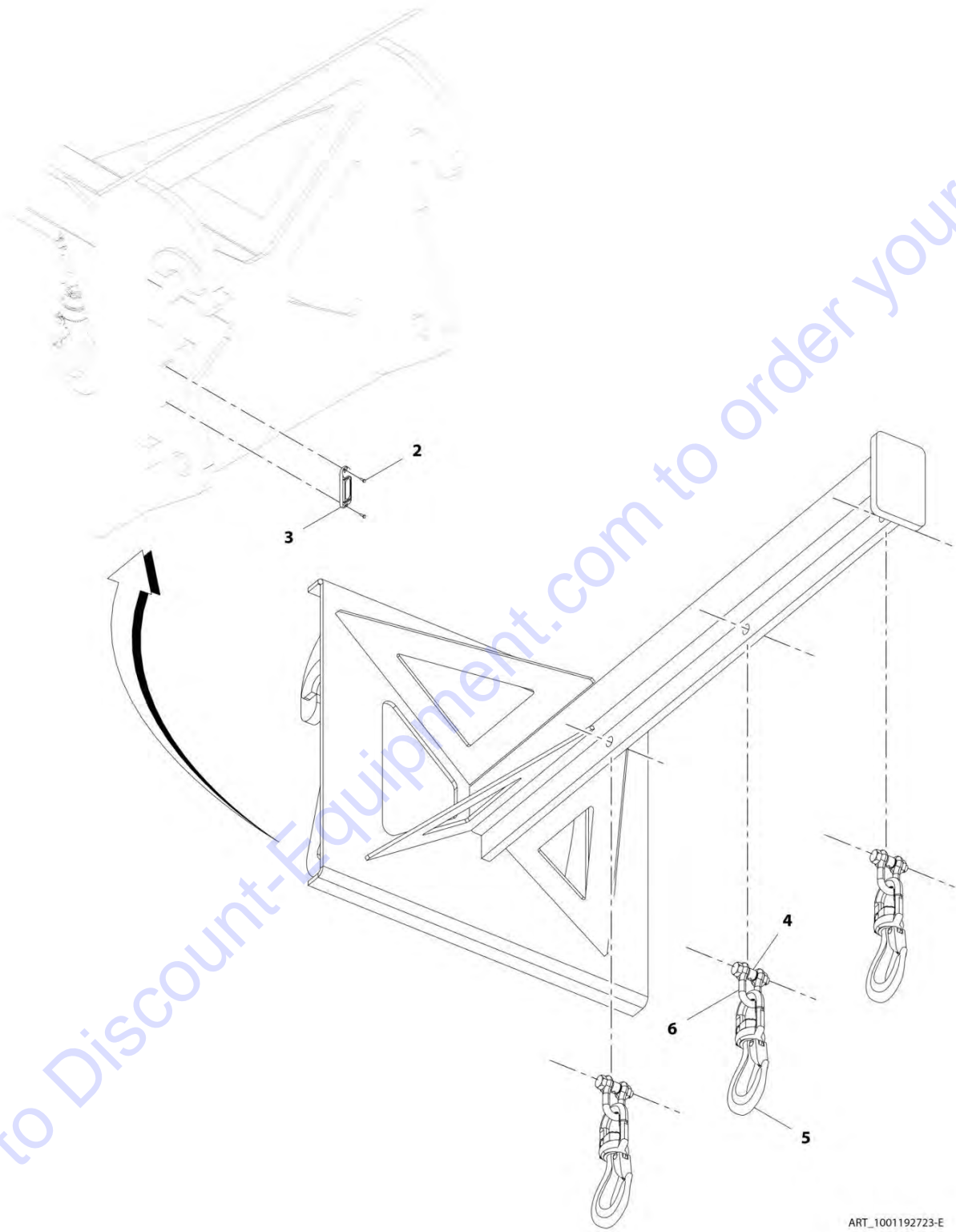
## SECTION 3 - ATTACHMENTS

**FIGURE 3-11. GRAPPLE BUCKET (1.7 YD<sup>3</sup>/1.3M<sup>3</sup>)**

ITEM	PART NUMBER	QTY	DESCRIPTION	REV
	1001223435	Ref	Grapple Bucket (1.7 yd <sup>3</sup> /1.3m <sup>3</sup> )	B
1	N.S.S.	1	Bucket	
2	N.S.S.	1	Grapple	
3	70026469	2	Assembly, Cylinder, (See Separate Breakdown in Hydraulic Components Section)	
4	70026470	2	Pin	
5	70026471	8	Pin Drive - Lock	
6	70026472	8	Retainer	
7	70026473	16	Capscrew, M10X12	
8	70026474	2	Pin	
9	70026475	4	Pin	
10	70026476	32	Shim	
11	70024123	4	Fitting, 90	
12	70026477	1	Manifold	
13	70026478	2	Cartridge, Relief Valve	
14	70026479	2	Bolt, M6X50	
15	70026480	2	Washer, M6	
16	70024130	3	Fitting, Straight	
17	70022938	4	Fitting, Straight	
18	70026481	10	Clamp, Hose	
19	70026482	5	Washer, M10	
20	70028672	5	Bolt, M10X20	
21	70026616	1	Fitting, 45	
22	70028749	1	Hose	
23	70028750	1	Hose	
24	70028751	1	Hose	
25	70028752	1	Hose	
26	70028753	1	Hose	
27	70028697	1	Hose	
28	1001101041	1	Adapter, Male Quick Disconnect	
29	1001101042	1	Adapter, Female Quick Disconnect	
30	8420053	1	Cap, Dust	
31	8420055	1	Plug, Dust	
203	70026614	2	Plug	

# SECTION 3 - ATTACHMENTS

## FIGURE 3-12. TRUSS BOOM (7.6 TON)



ART\_1001192723-E

## SECTION 3 - ATTACHMENTS

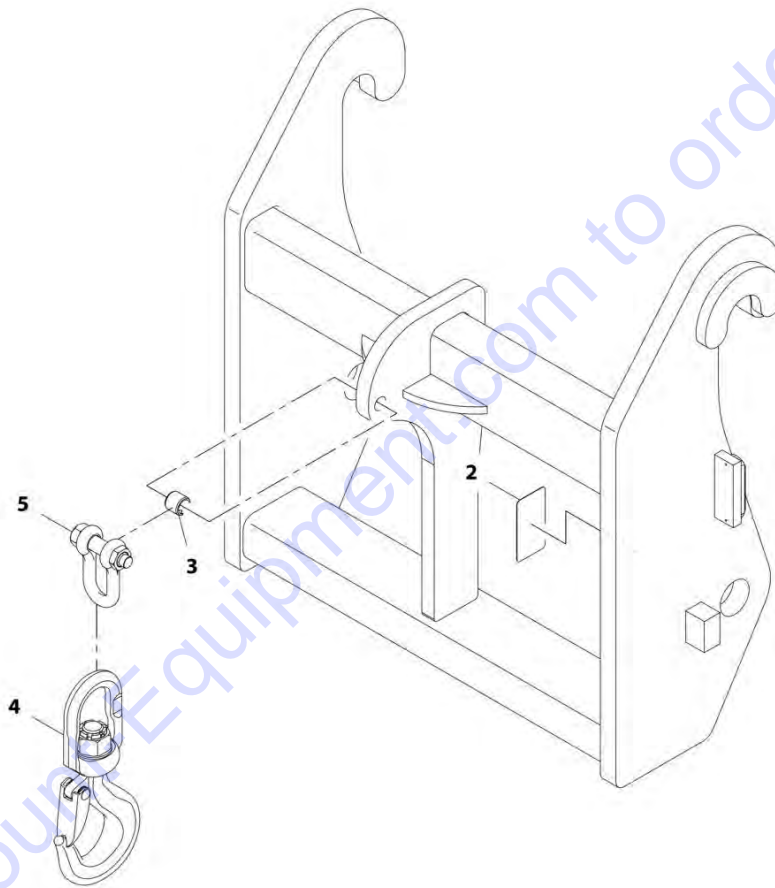
FIGURE 3-12. TRUSS BOOM (7.6 TON)

ITEM	PART NUMBER	QTY	DESCRIPTION	REV
	1001192723	1	Truss Boom (7.6 ton)	E
2	70028554	2	Screw	
3	1001227670	1	Tag, RFID	
4	70020555	3	Bushing	
5	70026745	3	Hook	
6	70026746	3	Shackle, Chain	

Go to Discount-Equipment.com to order your parts

## SECTION 3 - ATTACHMENTS

FIGURE 3-13. CRANE HOOK (7.6 TON)



ART\_1001192700-D

## SECTION 3 - ATTACHMENTS

### FIGURE 3-13. CRANE HOOK (7.6 TON)

ITEM	PART NUMBER	QTY	DESCRIPTION	REV
	1001192700	1	Crane Hook, (7.6 ton)	D
2	90554016	1	Decal, Made in USA	
3	70020555	1	Bushing	
4	70026745	1	Hook, Swivel	
5	70026746	1	Shackle, Chain	

Go to Discount-Equipment.com to order your parts



# PARTS FINDER

**Search Website  
by Part Number**



**Search Manual  
Library For Parts  
Manual & Lookup Part  
Numbers – Purchase  
or Request Quote**

**Can't Find Part or  
Manual? Request Help  
by Manufacturer,  
Model & Description**

Discount-Equipment.com is your online resource for quality parts & equipment.

Florida: **561-964-4949** Outside Florida TOLL FREE: **877-690-3101**

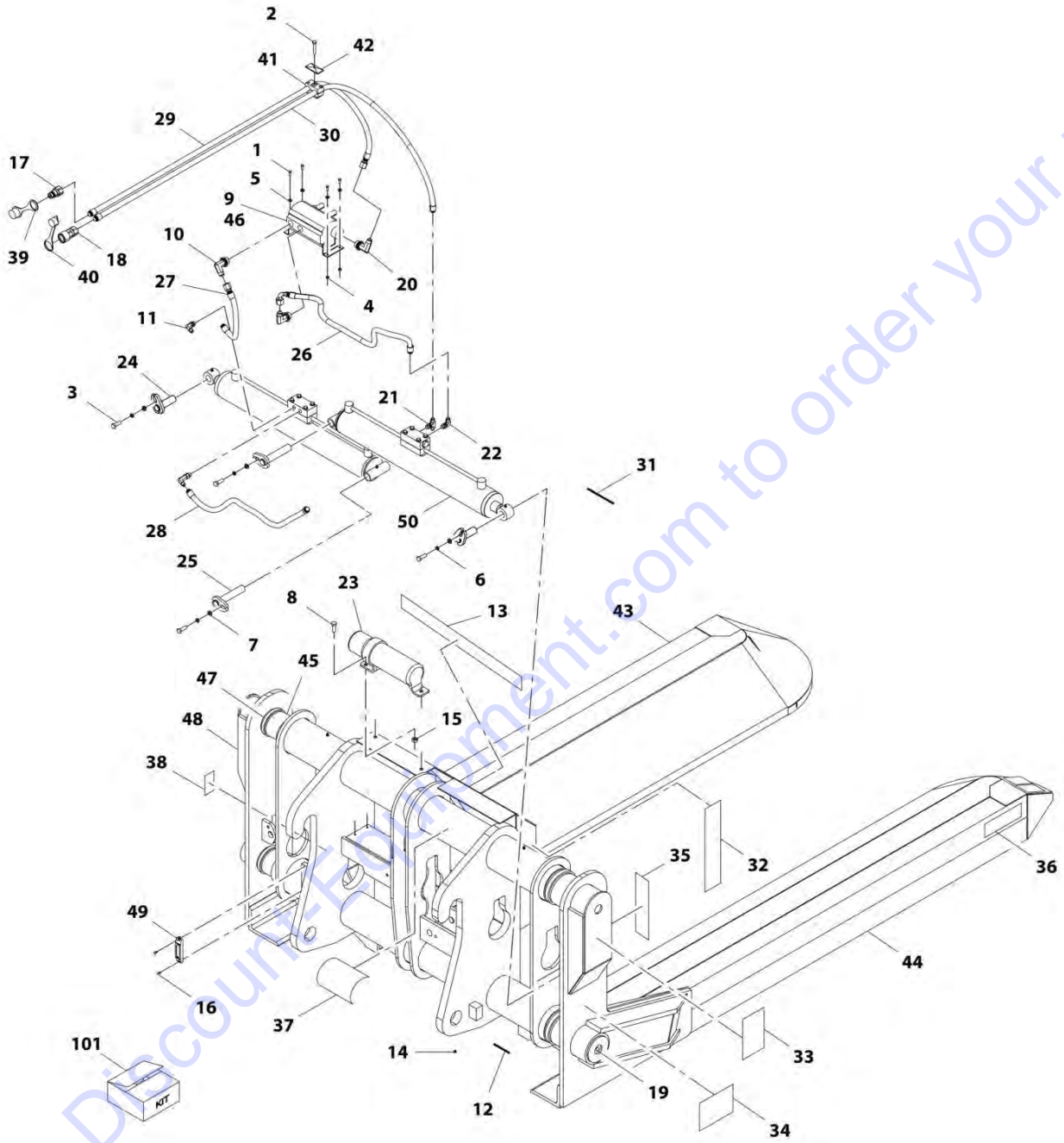
## Need parts?

Click on this link: <http://www.discount-equipment.com/category/5443-parts/> and choose one of the options to help get the right parts and equipment you are looking for. Please have the machine model and serial number available in order to help us get you the correct parts. If you don't find the part on the website or on one of the online manuals, please fill out the request form and one of our experienced staff members will get back to you with a quote for the right part that your machine needs.

We sell worldwide for the brands: Genie, Terex, JLG, MultiQuip, Mikasa, Essick, Whiteman, Mayco, Toro Stone, Diamond Products, Generac Magnum, Airman, Haulotte, Barreto, Power Blanket, Nifty Lift, Atlas Copco, Chicago Pneumatic, Allmand, Miller Curber, Skyjack, Lull, Skytrak, Tsurumi, Husquvarna Target, Stow, Wacker, Sakai, Mi-T-M, Sullair, Basic, Dynapac, MBW, Weber, Bartell, Bennar Newman, Haulotte, Ditch Runner, Menegotti, Morrison, Contec, Buddy, Crown, Edco, Wyco, Bomag, Laymor, EZ Trench, Bil-Jax, F.S. Curtis, Gehl Pavers, Heli, Honda, ICS/PowerGrit, IHI, Partner, Imer, Clipper, MMD, Koshin, Rice, CH&E, General Equipment, Amida, Coleman, NAC, Gradall, Square Shooter, Kent, Stanley, Tamco, Toku, Hatz, Kohler, Robin, Wisconsin, Northrock, Oztec, Toker TK, Rol-Air, APT, Wylie, Ingersoll Rand / Doosan, Innovatech, Con X, Ammann, Mecalac, Makinex, Smith Surface Prep, Small Line, Wanco, Yanmar

# SECTION 3 - ATTACHMENTS

## FIGURE 3-14. BALE HANDLER (ROUND)



ART\_1001192649-C

## SECTION 3 - ATTACHMENTS

### FIGURE 3-14. BALE HANDLER (ROUND)

ITEM	PART NUMBER	QTY	DESCRIPTION	REV
	1001192649	Ref	Bale Handler (round)	C
1	70027773	4	Bolt	
2	70028485	1	Screw	
3	70021349	4	Bolt, 3/8X1	
4	90554066	4	Nut	
5	90554067	4	Washer, Lock	
6	90554042	4	Washer, Lock	
7	70021350	4	Washer	
8	70028635	3	Bolt	
9	70028636	1	Plug w/O-Ring	
10	70028637	2	Fitting, 90	
11	90554065	1	Fitting, 90	
12	7029712	4	Decal, Grease	
13	70028638	1	Decal, Stand Clear Warning	
14	90554045	4	Fitting, Grease	
15	70028615	3	Nut	
16	70028554	2	Screw	
17	1001101041	1	Adapter, Male Quick Disconnect	
18	70028616	1	Fitting, Straight	
19	70028617	4	Plug	
20	70028618	1	Fitting, 90	
21	70028619	1	Fitting, Tee	
22	70028620	1	Fitting, 90	
23	1001101042	1	Adapter, Female Quick Disconnect	
24	70028489	2	Pin	
25	70028490	2	Pin	
26	70028621	1	Hose	
27	70028622	1	Hose	
28	70028623	1	Hose	
29	70028624	1	Hose	
30	7029709	1	Hose	
31	7029711	1	Decal, High Pressure Warning	
32	70028625	2	Decal, Pinch Point	
33	70028626	1	Decal, Transport Warning	
34	70028627	1	Decal, Safety Warning	
35	70028628	6	Decal, Red Reflexite	
36	70028629	6	Decal, Amber Reflexite	
37	70028630	1	Decal, Module Staging	
38	N.S.S.	1	Plate, Serial Number	
39	8420053	1	Cap, Dust	
40	8420055	1	Cap, Dust	
41	70028495	1	Clamp	
42	70028496	1	Plate, Clamp	
43	N.S.S.	1	Arm, RH	
44	N.S.S.	1	Arm, LH	
45	70028631	4	Wrap	
46	70028632	1	Valve, Flow Divider	
47	70028633	8	Clamp	
48	N.S.S.	1	Weldment	
49	1001227670	1	Tag, RFID	

### SECTION 3 - ATTACHMENTS

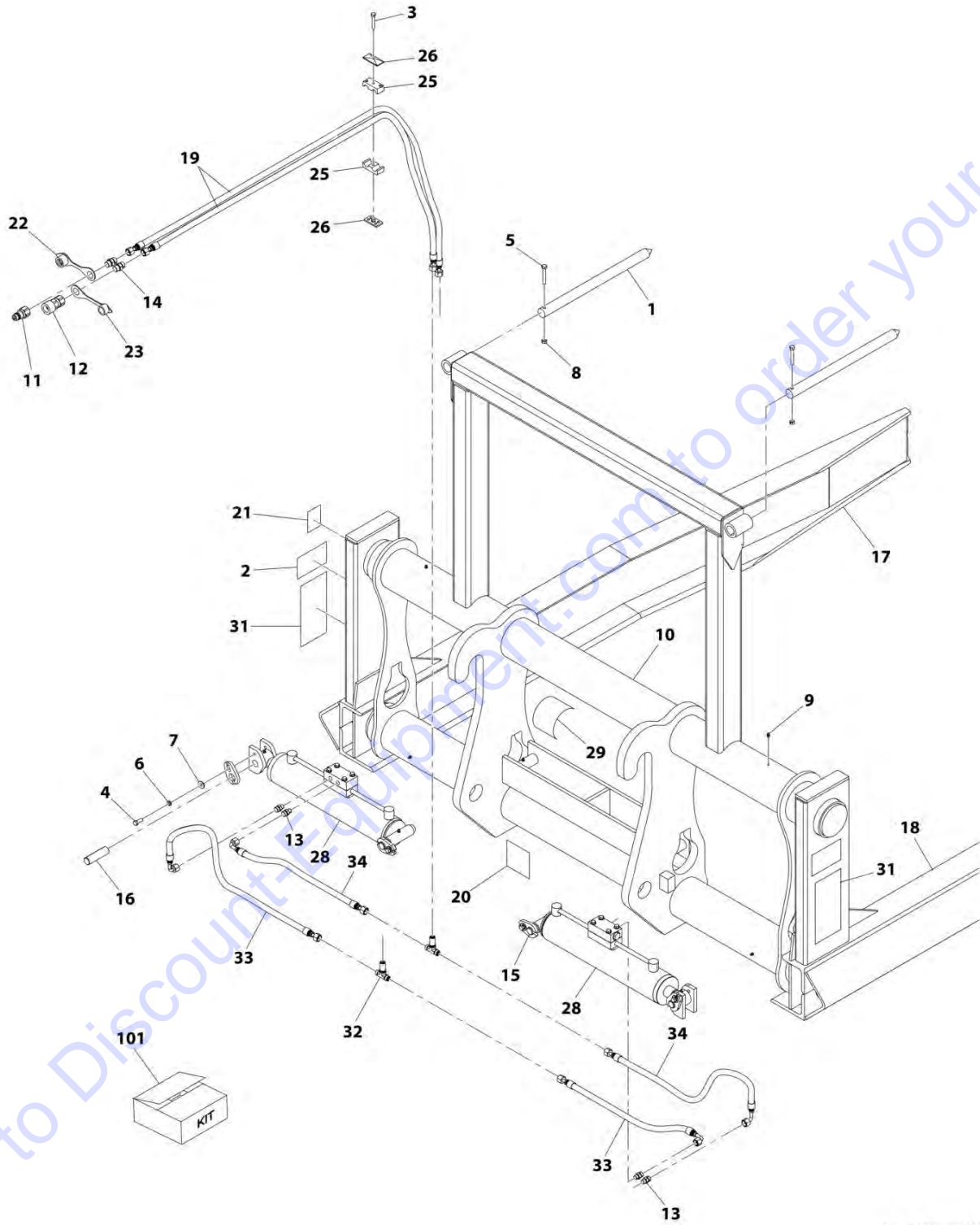
ITEM	PART NUMBER	QTY	DESCRIPTION	REV
50	70028634	2	Assembly, Cylinder	
101	Kit	1	Kit, Seal	

Go to [Discount-Equipment.com](http://Discount-Equipment.com) to order your parts



# SECTION 3 - ATTACHMENTS

## FIGURE 3-15. BALE HANDLER (SQUARE)



ART\_1001192650-D

## SECTION 3 - ATTACHMENTS

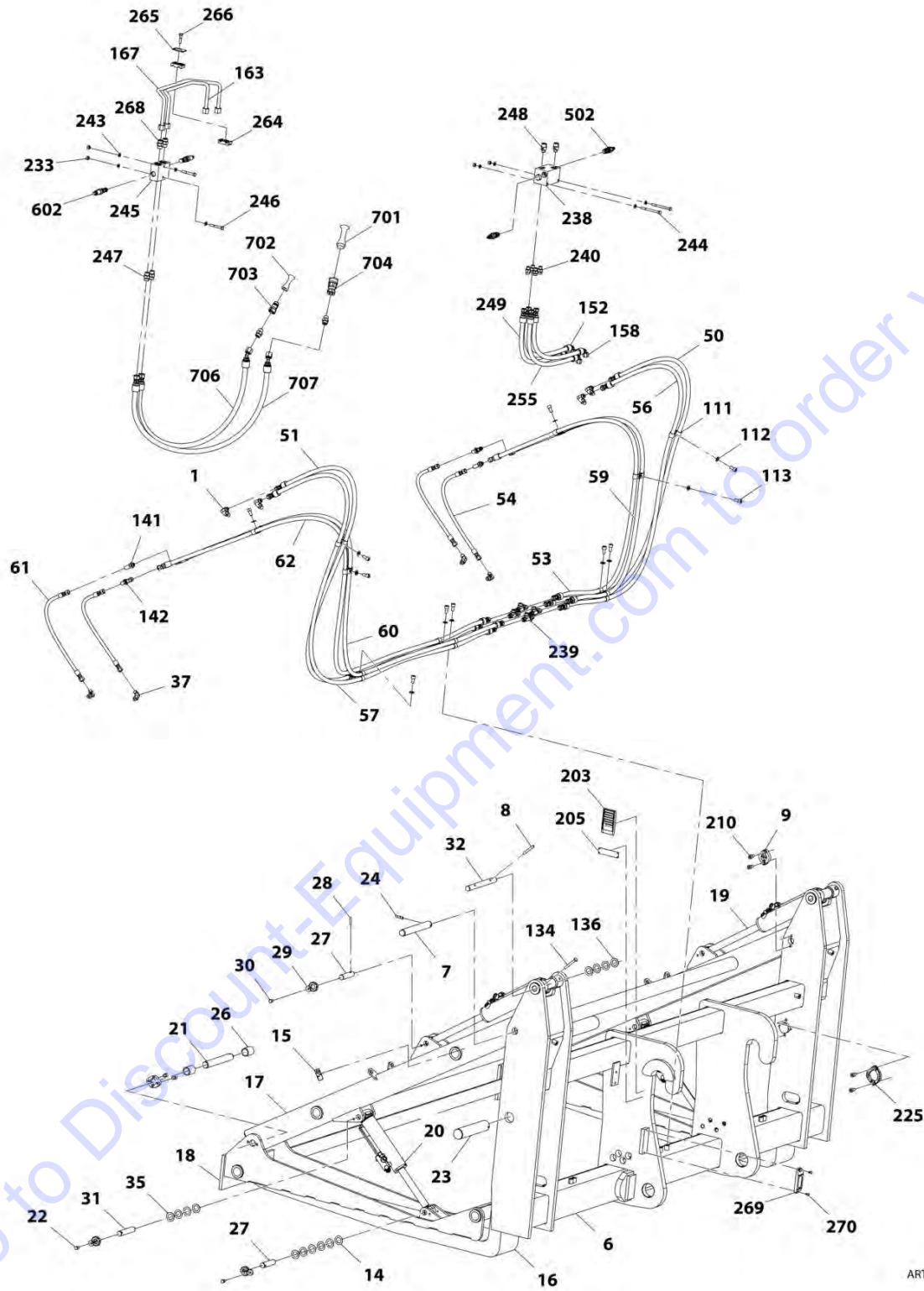
**FIGURE 3-15. BALE HANDLER (SQUARE)**

ITEM	PART NUMBER	QTY	DESCRIPTION	REV
	1001192650	Ref	Bale Handler (square)	D
1	70028499	2	Spear	
2	70028500	2	Decal, Pinch Point	
3	70028485	2	Screw	
4	70021349	4	Bolt, 3/8X1	
5	70021422	2	Screw	
6	90554042	4	Washer, Lock 3/8	
7	70021350	4	Washer, Flat	
8	70021367	2	Nut, Lock 3/8	
9	90554045	4	Fitting, Grease	
10	N.S.S.	1	Weldment, Main Frame	
11	1001101041	1	Coupler, Male Hydraulic	
12	1001101042	1	Coupler, Female Hydraulic	
13	70028486	4	Fitting	
14	70028488	2	Fitting	
15	70028489	2	Pin	
16	70028490	2	Pin	
17	N.S.S.	1	Weldment, Left Bale Arm	
18	N.S.S.	1	Weldment, Right Bale Arm	
19	70028491	2	Hose	
20	7029711	1	Decal, High Pressure Warning	
21	N.S.S.	1	Plate, Serial Number	
22	8420053	1	Cap, Dust	
23	8420055	1	Cap, Dust	
25	70028495	2	Clamp	
26	70028496	2	Plate, Clamp	
28	70028497	2	Assembly, Cylinder	
29	70028498	1	Decal, Read Manual	
31	70028501	2	Decal, Falling Load	
32	70028487	2	Fitting, Tee	
33	70028492	1	Hose	
34	70028493	1	Hose	
101	70028494	1	Kit, Seal	



# SECTION 3 - ATTACHMENTS

## FIGURE 3-16. PIPE HANDLER CARRIAGE



ART\_1001192722-D



## SECTION 3 - ATTACHMENTS

### FIGURE 3-16. PIPE HANDLER CARRIAGE

ITEM	PART NUMBER	QTY	DESCRIPTION	REV
	1001192722	Ref	Pipe Handler Carriage	D
1	70024123	4	Adapter, 90 (includes o-ring)	
6	N.S.S.	1	Carriage	
7	70028648	2	Pin	
8	70026471	4	Pin	
9	70026472	4	Retainer	
14	70026476	12	Shim	
15	70024538	2	Decal, Pinch Point	
16	70028649	2	Fork	
17	70028650	1	Arm	
18	70028651	1	Pad, Contact	
19	70028652	1	Assembly, Upper Cylinder (See Separate Breakdown in Hydraulic Components Section)	
20	70028653	1	Assembly, Lower Cylinder (See Separate Breakdown in Hydraulic Components Section)	
21	70028654	2	Pin	
22	70026473	4	Capscrew, M10X12	
23	70028655	2	Pin	
24	70028405	2	Pin	
26	70026501	8	Bushing	
27	70028656	4	Pin	
28	70028253	6	Pin	
29	70028262	6	Retainer	
30	70028657	6	Bolt, M8X16	
31	70028658	2	Pin	
32	70028659	2	Pin	
35	70028660	8	Shim	
37	70028661	4	Fittin, 90	
50	70028662	1	Hose	
51	70028663	1	Hose	
53	70028664	1	Hose	
54	70028665	2	Hose	
56	70028666	1	Hose	
57	70028667	1	Hose	
59	70028668	1	Hose	
60	70028669	1	Hose	
61	70028670	2	Hose	
62	70028671	1	Hose	
111	70026481	24	Clamp, Hose	
112	70026482	12	Washer	
113	70028672	12	Bolt, M10X20	
134	70028406	2	Capscrew	
136	70028767	4	Shim	
141	70028768	2	Fitting, Straight	
142	70028673	2	Fitting, 45	
152	70028674	1	Hose	
158	70028675	1	Hose	
163	70028676	1	Pipe	
167	70028677	1	Pipe	
203	N.S.S.	1	Plate, Serial Number	

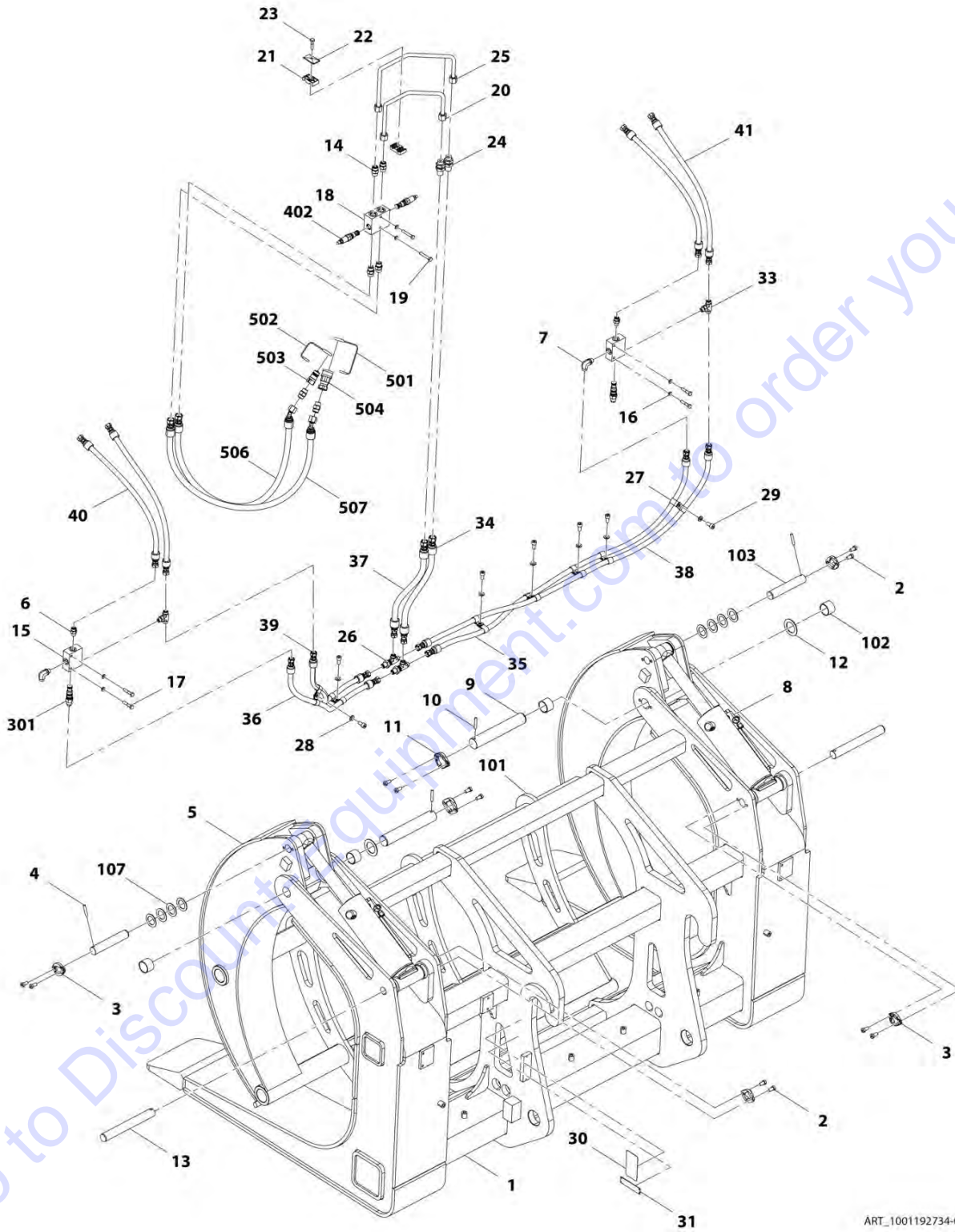
## SECTION 3 - ATTACHMENTS

ITEM	PART NUMBER	QTY	DESCRIPTION	REV
205	N.S.S.	1	Plate, Name	
210	70028678	8	Bolt	
225	70028679	2	Retainer	
233	70028680	6	Nut, M8	
238	N.S.S.	1	Valve	
239	70028267	4	Fitting, Straight	
240	70024130	4	Fitting, Straight	
243	70024721	8	Washer, M8	
244	70028681	2	Bolt, M8X90	
245	N.S.S.	1	Valve, Relief	
246	70028682	2	Bolt, M8X60	
247	70028683	2	Fitting, Straight	
248	70028684	2	Fitting, Straight	
249	70028685	1	Hose	
255	70028686	1	Hose	
264	70028687	1	Clamp	
265	70028688	1	Cover	
266	70028689	1	Bolt, M8X35	
268	70022938	4	Fitting, Straight	
269	1001227670	1	Tag, RFID	
270	70028690	2	Bolt, M4X16	
501	N.S.S.	1	Valve, Relief	
502	70024772	2	Valve, Cartridge	
601	N.S.S.	1	Valve, Sequence	
602	70028695	2	Valve, Cartridge	
701	8420055	1	Plug, Dust	
702	8420053	1	Plug, Cap	
703	1001101041	1	Adapter, Male Quick Disconnect	
704	1001101042	1	Adapter, Female Quick Disconnect	
706	70028696	1	Hose	
707	70028697	1	Hose	



# SECTION 3 - ATTACHMENTS

## FIGURE 3-17. LOG HANDLER CARRIAGE



ART\_1001192734-C

## SECTION 3 - ATTACHMENTS

### FIGURE 3-17. LOG HANDLER CARRIAGE

ITEM	PART NUMBER	QTY	DESCRIPTION	REV
	1001192734	Ref	Log Handler Carriage	C
1	N.S.S.	1	Frame	
2	70028701	8	Capscrew, M10X20	
3	70028702	2	Retainer	
4	70028703	4	Pin	
5	N.S.S.	1	Grapple	
6	70024130	2	Fitting, Straight	
7	70024123	2	Fitting, 90	
8	70028704	2	Assembly, Log Handler Carriage Cylinder (See Separate Breakdown in Hydraulic Components Section)	
9	70028705	2	Pin	
10	70028706	2	Pin	
11	70028707	2	Retainer	
12	70028708	2	Shim	
13	70028709	2	Pin	
14	70022938	4	Fitting, Straight	
15	N.S.S.	2	Valve	
16	70024721	6	Washer, M8	
17	70028710	4	Capscrew	
18	N.S.S.	1	Valve, Relief	
19	70028711	2	Capscrew	
20	70028712	1	Pipe	
21	70028687	1	Clamp	
22	70028688	1	Plate, Cover	
23	70028689	1	Bolt, M8X35	
24	70028713	2	Fitting, Straight	
25	70028714	1	Pipe	
26	70028267	2	Fitting, Tee	
27	70026481	14	Clamp, Hose	
28	70026482	7	Washer, M10	
29	70028672	7	Bolt, M10X20	
30	N.S.S.	1	Plate, Serial Number	
31	N.S.S.	1	Plate, Name	
33	70028715	2	Fitting, Tee	
34	70028716	1	Hose	
35	70028717	1	Hose	
36	70028718	1	Hose	
37	70028719	1	Hose	
38	70028720	1	Hose	
39	70028721	1	Hose	
40	70028722	2	Hose	
41	70028723	2	Hose	
101	70028724	1	Arm	
102	70028725	4	Bearing	
103	70028726	2	Pin	
107	70028727	8	Shim	
301	70026504	2	Valve, Counterbalance	
402	70024772	2	Valve, Relief	
501	8420055	1	Plug, Dust	
502	8420053	1	Plug, Cap	

### SECTION 3 - ATTACHMENTS

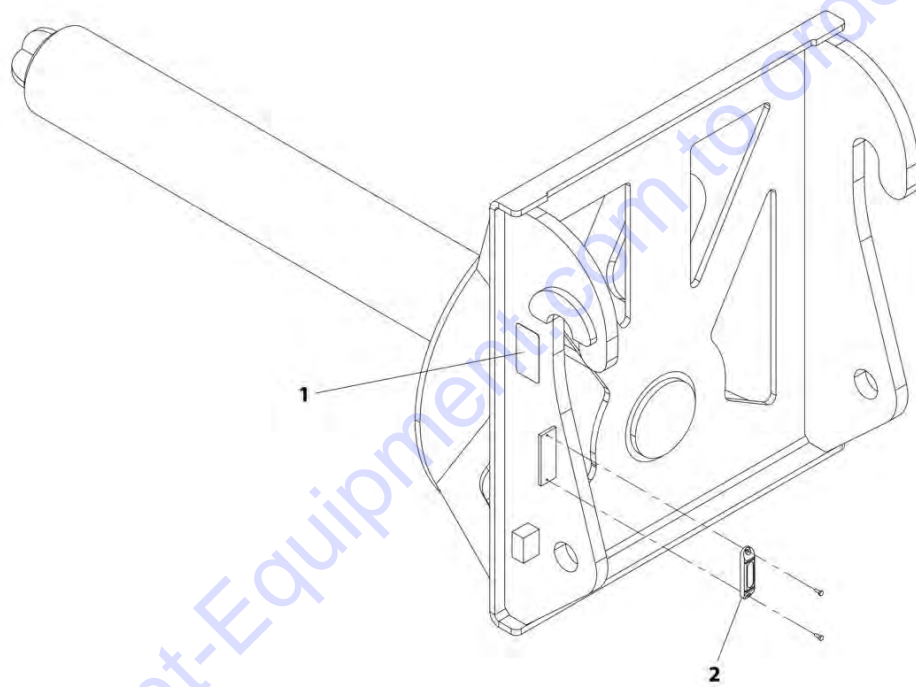
ITEM	PART NUMBER	QTY	DESCRIPTION	REV
503	1001101041	1	Adapter, Male Quick Disconnect	
504	1001101042	1	Adapter, Female Quick Disconnect	
506	70028734	1	Hose	
507	70028697	1	Hose	

Go to Discount-Equipment.com to order your parts



## SECTION 3 - ATTACHMENTS

FIGURE 3-18. STEEL COIL HANDLER CARRIAGE



ART\_1001192735-E



## SECTION 3 - ATTACHMENTS

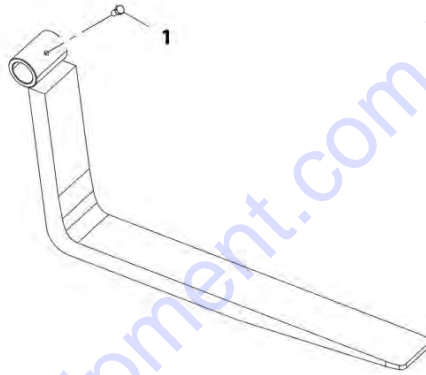
### FIGURE 3-18. STEEL COIL HANDLER CARRIAGE

ITEM	PART NUMBER	QTY	DESCRIPTION	REV
	1001192735	1	Steel Coil Handler Carriage	E
1	N.S.S.	1	Plate, Serial Number	
2	1001227670	1	Tag, RFID	

Go to Discount-Equipment.com to order your parts

## SECTION 3 - ATTACHMENTS

FIGURE 3-19. PALLET FORK (2.25X6X48)



ART\_1001196952-B

## SECTION 3 - ATTACHMENTS

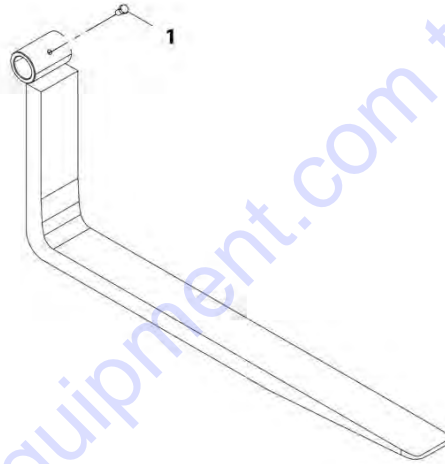
**FIGURE 3-19. PALLET FORK (2.25X6X48)**

ITEM	PART NUMBER	QTY	DESCRIPTION	REV
1	1001196952	1	Pallet Fork (2.25X6X48)	B
	70027180	1	Screw, M16X30	
	Note	Ref	<p>FORKS RATED LESS THAN THE ATTACHMENT OR MACHINE'S CAPACITY DECREASES CAPACITY OF THE ATTACHMENT OR MACHINE TO THAT OF THE FORKS. FORKS RATED MORE THAN THE ATTACHMENT OR MACHINE'S CAPACITY DO NOT INCREASE ATTACHMENT OR MACHINE'S CAPACITY.</p>	
	Note	Ref	<p>PLEASE CONSULT DISCOUNT-EQUIPMENT TO DETERMINE THE CORRECT FORKS APPLICABLE TO YOUR SPECIFIC CARRIAGE ASSEMBLY AND APPLICATION.</p>	

Go to Discount-Equipment.com to order your parts

## SECTION 3 - ATTACHMENTS

FIGURE 3-20. PALLET FORK (2.25X6X60)



ART\_1001196951-B

## SECTION 3 - ATTACHMENTS

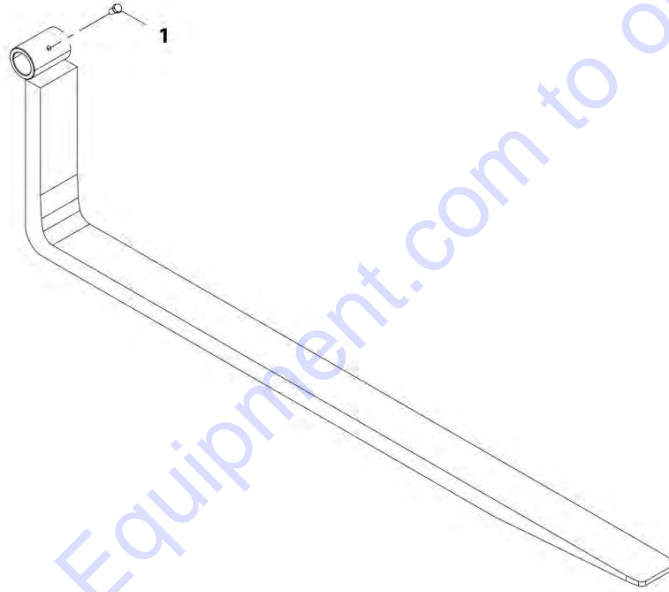
**FIGURE 3-20. PALLET FORK (2.25X6X60)**

ITEM	PART NUMBER	QTY	DESCRIPTION	REV
1	1001196951	1	Pallet Fork (2.25X6X60)	B
	70027180	1	Screw, M16X30	
	Note	Ref	<p>FORKS RATED LESS THAN THE ATTACHMENT OR MACHINE'S CAPACITY DECREASES CAPACITY OF THE ATTACHMENT OR MACHINE TO THAT OF THE FORKS. FORKS RATED MORE THAN THE ATTACHMENT OR MACHINE'S CAPACITY DO NOT INCREASE ATTACHMENT OR MACHINE'S CAPACITY.</p>	
	Note	Ref	<p>PLEASE CONSULT DISCOUNT-EQUIPMENT TO DETERMINE THE CORRECT FORKS APPLICABLE TO YOUR SPECIFIC CARRIAGE ASSEMBLY AND APPLICATION.</p>	

Go to Discount-Equipment.com to order your parts

## SECTION 3 - ATTACHMENTS

FIGURE 3-21. PALLET FORK (2.25X6X72)



ART\_1001196950-B

## SECTION 3 - ATTACHMENTS

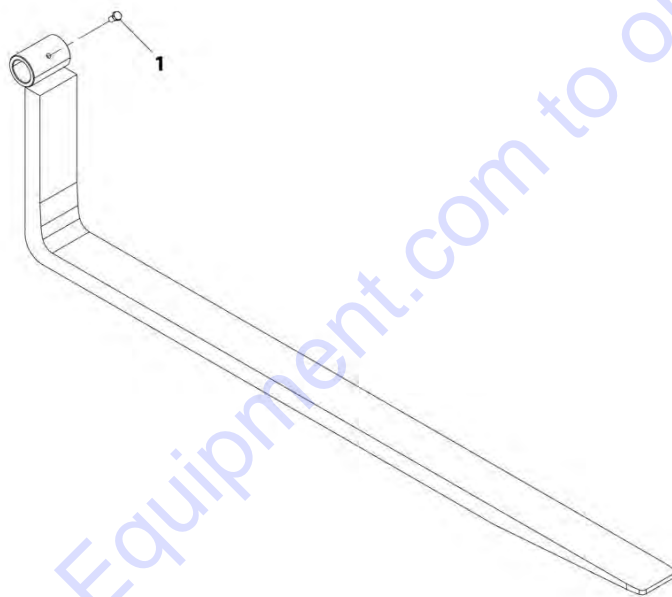
**FIGURE 3-21. PALLET FORK (2.25X6X72)**

ITEM	PART NUMBER	QTY	DESCRIPTION	REV
1	1001196950	1	Pallet Fork (2.25X6X72)	B
	70027180	1 2	Screw, M16X30	
	Note	Ref	FORKS RATED LESS THAN THE ATTACHMENT OR MACHINE'S CAPACITY DECREASES CAPACITY OF THE ATTACHMENT OR MACHINE TO THAT OF THE FORKS. FORKS RATED MORE THAN THE ATTACHMENT OR MACHINE'S CAPACITY DO NOT INCREASE ATTACHMENT OR MACHINE'S CAPACITY.	
	Note	Ref	PLEASE CONSULT DISCOUNT-EQUIPMENT TO DETERMINE THE CORRECT FORKS APPLICABLE TO YOUR SPECIFIC CARRIAGE ASSEMBLY AND APPLICATION.	

Go to Discount-Equipment.com to order your parts

## SECTION 3 - ATTACHMENTS

FIGURE 3-22. PALLET FORK (2.25X6X96)



ART\_1001196949-B



## SECTION 3 - ATTACHMENTS

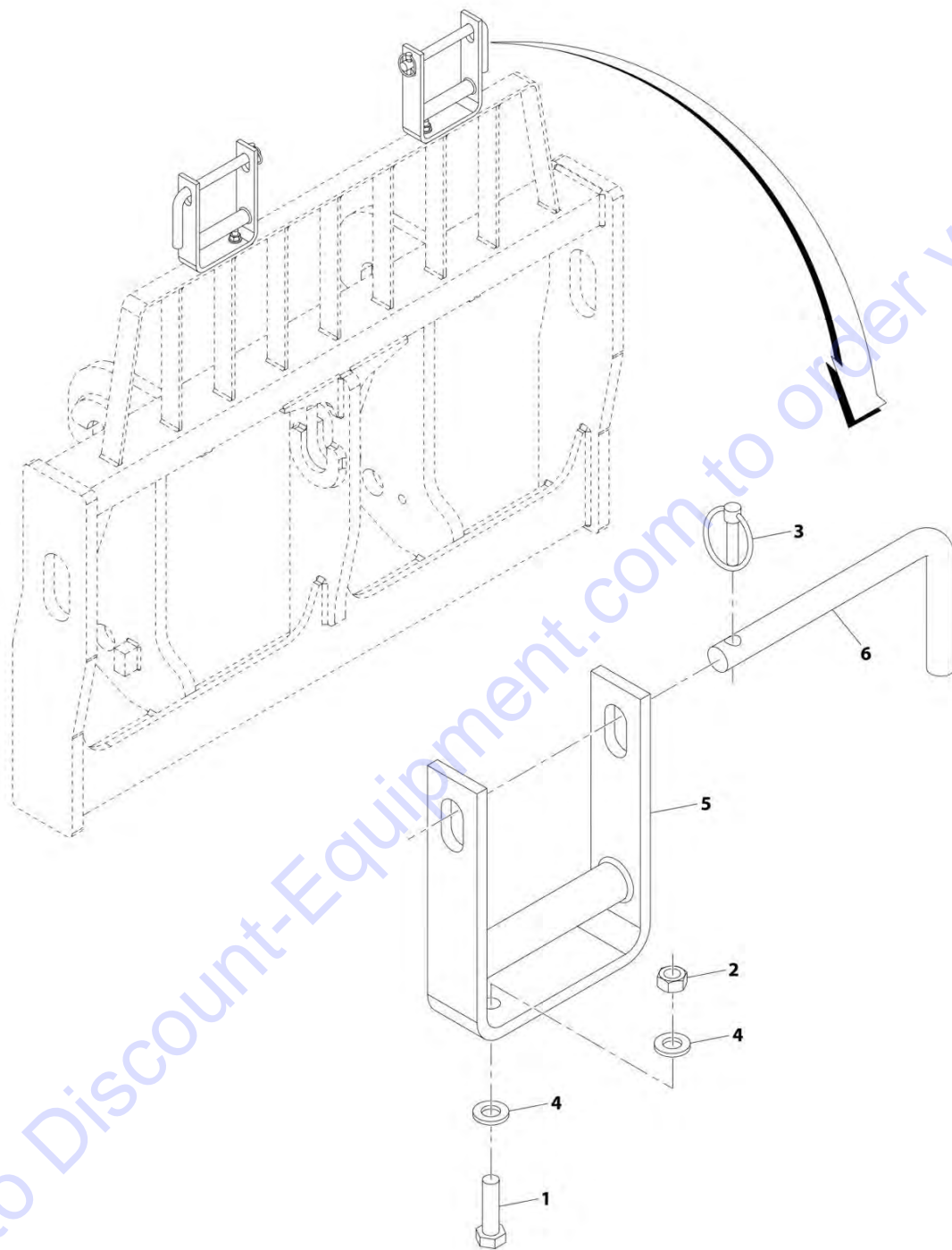
**FIGURE 3-22. PALLET FORK (2.25X6X96)**

ITEM	PART NUMBER	QTY	DESCRIPTION	REV
1	1001196949	1	Pallet Fork (2.25X6X96)	B
	70027180	1 2	Screw, M16X30	
	Note	Ref	FORKS RATED LESS THAN THE ATTACHMENT OR MACHINE'S CAPACITY DECREASES CAPACITY OF THE ATTACHMENT OR MACHINE TO THAT OF THE FORKS. FORKS RATED MORE THAN THE ATTACHMENT OR MACHINE'S CAPACITY DO NOT INCREASE ATTACHMENT OR MACHINE'S CAPACITY.	
	Note	Ref	PLEASE CONSULT DISCOUNT-EQUIPMENT TO DETERMINE THE CORRECT FORKS APPLICABLE TO YOUR SPECIFIC CARRIAGE ASSEMBLY AND APPLICATION.	

Go to Discount-Equipment.com to order your parts

# SECTION 3 - ATTACHMENTS

## FIGURE 3-23. FORK RETENTION INSTALLATION



Go to Discount-Equipment.com to order your parts

ART\_1001196778-C

## SECTION 3 - ATTACHMENTS

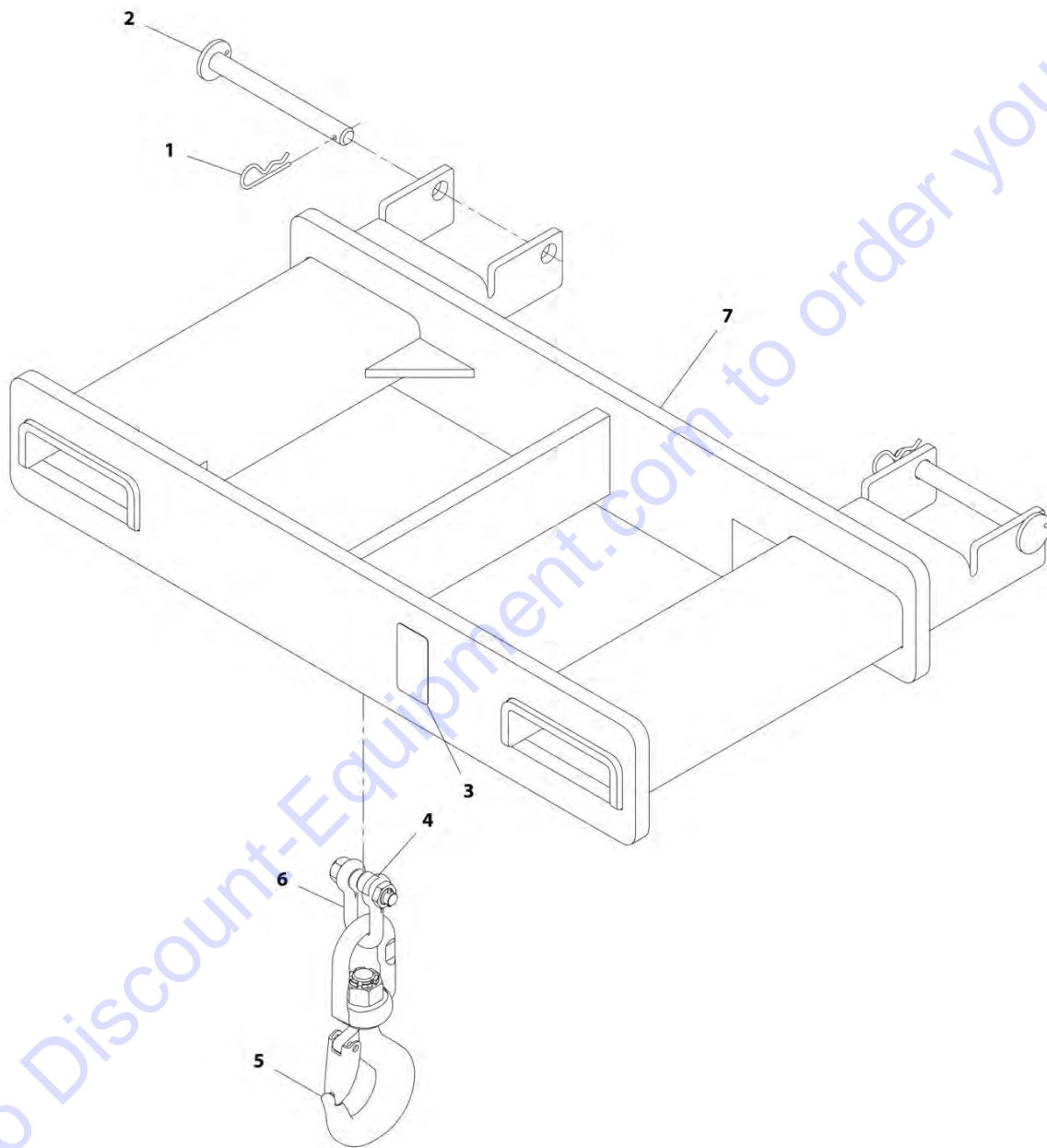
### FIGURE 3-23. FORK RETENTION INSTALLATION

ITEM	PART NUMBER	QTY	DESCRIPTION	REV
	1001196778	Ref	Fork Retention Installation	C
1	0761217	1	Bolt, M12X45	
2	3291201	1	Nut, M12X1.75	
3	1001109387	1	Pin, Linch	
4	5241200	2	Washer, M12	
5	1001196779	1	Bracket, Fork Retention	
6	1001196782	1	Pin, Fork Retention	

Go to Discount-Equipment.com to order your parts

# SECTION 3 - ATTACHMENTS

## FIGURE 3-24. HOOK ATTACH, FORK MOUNTED



ART\_1001193803-A

## SECTION 3 - ATTACHMENTS

### FIGURE 3-24. HOOK ATTACH, FORK MOUNTED

ITEM	PART NUMBER	QTY	DESCRIPTION	REV
	1001193803	Ref	Hook, Fork Mounted	A
1	7029520	2	Pin, Cotter	
2	1001093171	2	Pin	
3	N.S.S.	1	S/N Plate	
4	70020555	1	Bushing	
5	70026745	1	Hook	
6	70026746	1	Shackle, Chain	
7	N.S.S.	1	Weldment, Crane Hook	

Go to Discount-Equipment.com to order your parts



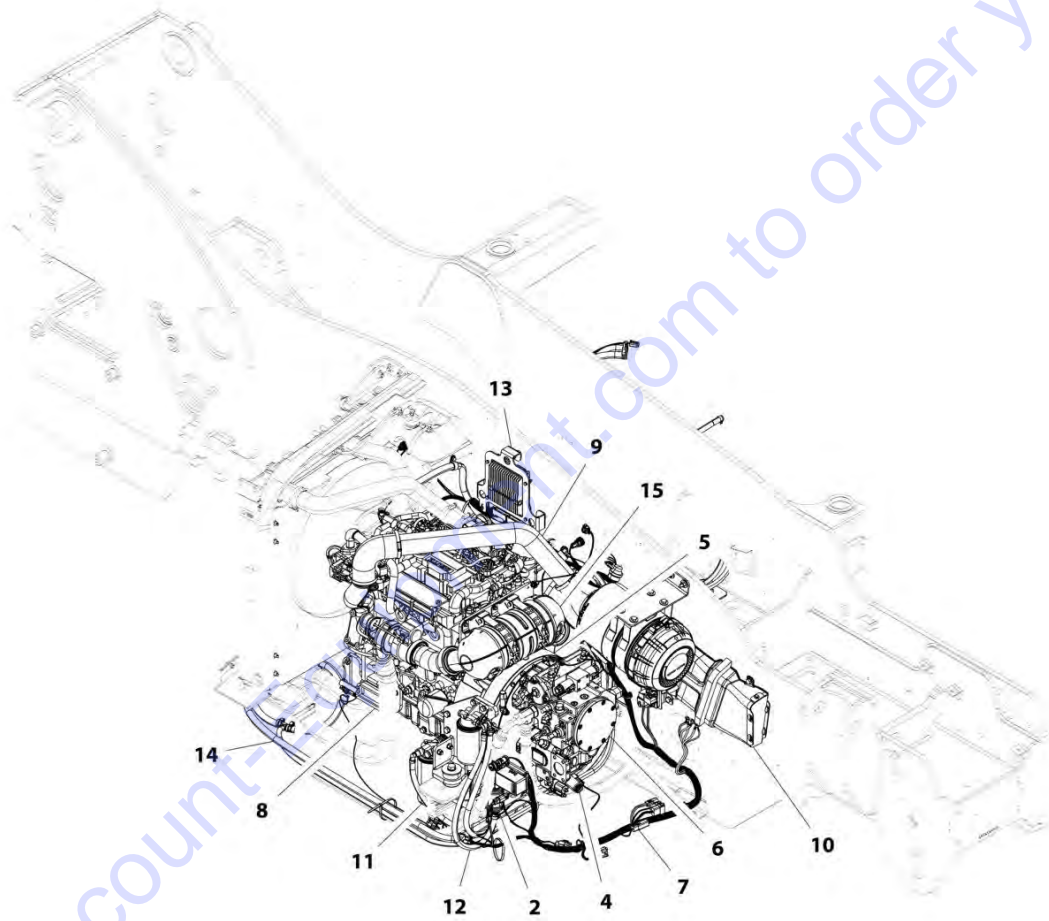
## SECTION 4 - ENGINE AND ATTACHING PARTS

## SECTION 4 - ENGINE AND ATTACHING PARTS

Go to Discount-Equipment.com to order your parts

## SECTION 4 - ENGINE AND ATTACHING PARTS

FIGURE 4-1. ENGINE POD COMPONENT INSTALLATION (ULS)



ART\_1001200443-D



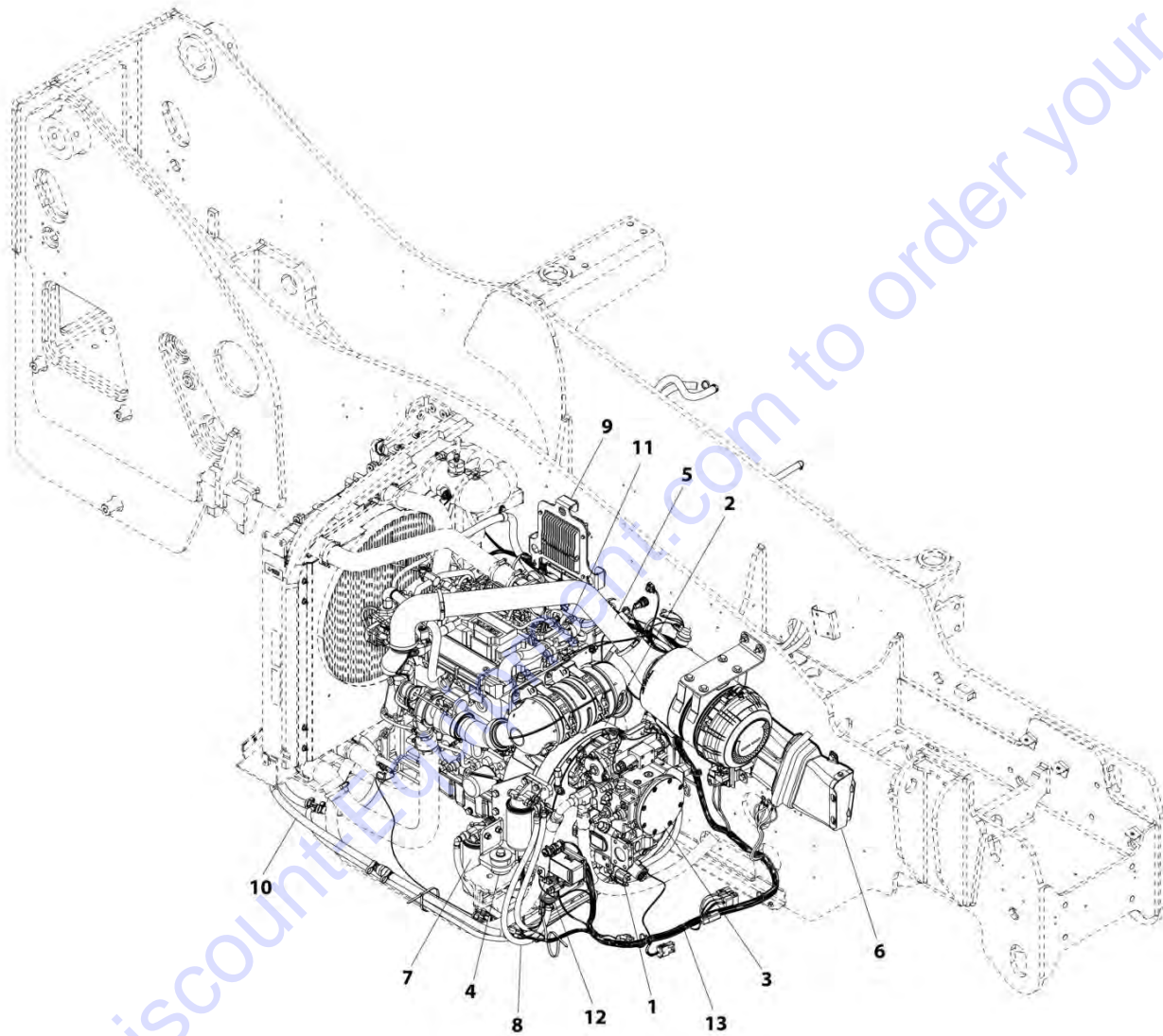
## SECTION 4 - ENGINE AND ATTACHING PARTS

**FIGURE 4-1. ENGINE POD COMPONENT INSTALLATION (ULS)**

ITEM	PART NUMBER	QTY	DESCRIPTION	REV
	1001200443	Ref	Engine Pod Component Installation (ULS)	D
2	1001221041	1	Installation, Remote Fuel Pump (See Seperate Breakdown in this Section)	
4	1001193393	1	Installation, Implement Pump (See Seperate Breakdown in this Section)	
5	1001193703	1	Installation, Hydrostatic Adaptor (See Seperate Breakdown in this Section)	
6	1001193704	1	Installation, Hydrostatic Drive Pump (See Seperate Breakdown in this Section)	
7	1001200106	1	Installation, Engine Wiring (See Seperate Breakdown in Electrical Section)	
8	1001200862	1	Installation, Engine Mount (See Seperate Breakdown in this Section)	
9	1001200863	1	Installation, Air Intake (See Seperate Breakdown in this Section)	
10	1001200864	1	Installation, Air Cleaner (See Seperate Breakdown in this Section)	
11	1001200865	1	Installation, Primary Fuel Filter (See Seperate Breakdown in this Section)	
12	1001200866	1	Installation, Fuel Lines (See Seperate Breakdown in this Section)	
13	1001200869	1	Installation, Engine ECU (See Seperate Breakdown in Electrical Section)	
14	1001201298	1	Installation, DEF Coolant Lines (See Seperate Breakdown in this Section)	
15	1001201425	1	Installation, Engine (See Seperate Breakdown in this Section)	

# SECTION 4 - ENGINE AND ATTACHING PARTS

## FIGURE 4-2. ENGINE POD COMPONENT INSTALLATION (MINING) (ULS)



ART\_1001228727-A

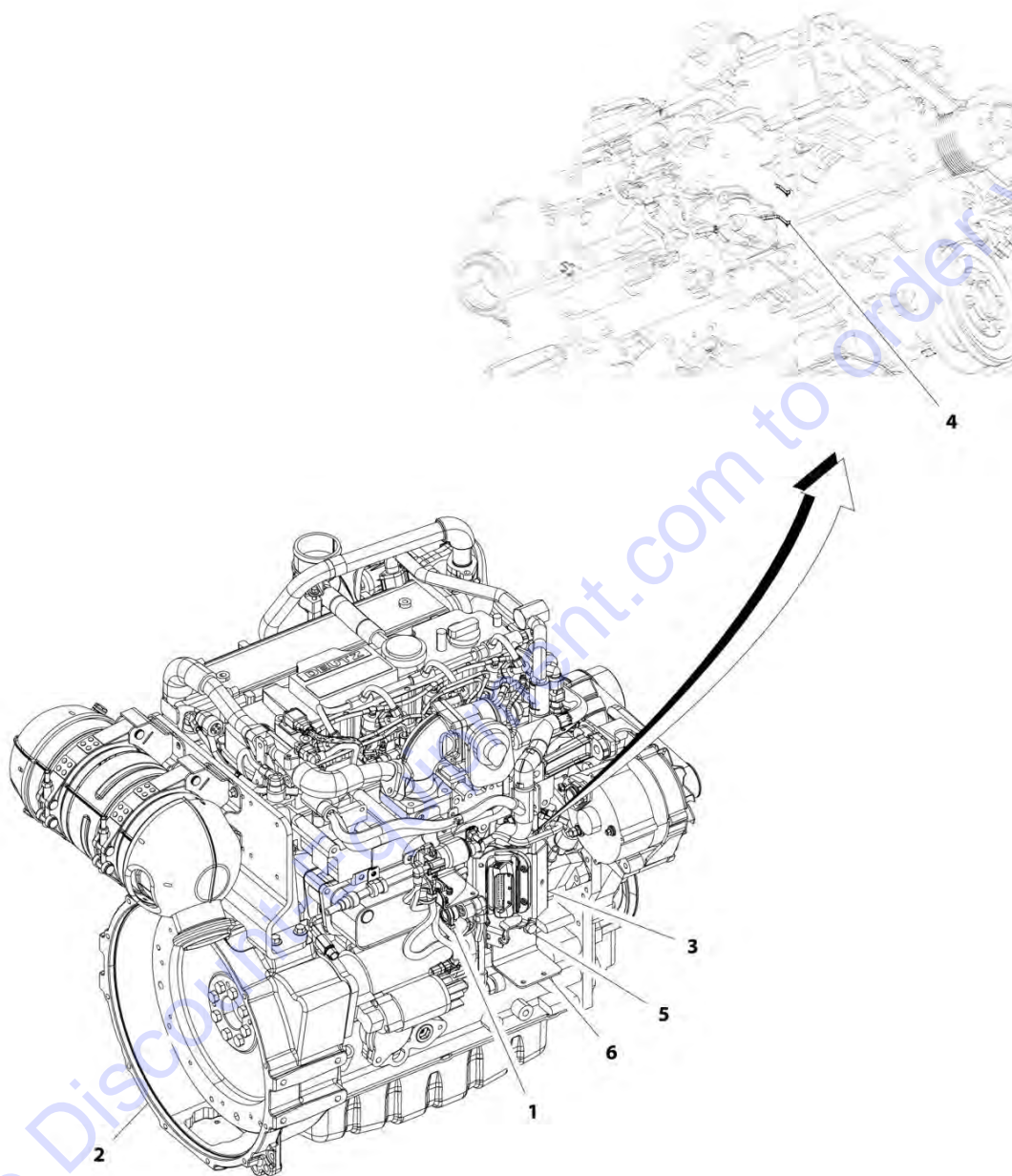
## SECTION 4 - ENGINE AND ATTACHING PARTS

**FIGURE 4-2. ENGINE POD COMPONENT INSTALLATION (MINING) (ULS)**

ITEM	PART NUMBER	QTY	DESCRIPTION	REV
	1001228727	Ref	Engine Pod Component Installation (Mining) (ULS)	A
1	1001193393	1	Installation, Implement Pump (See Seperate Breakdown in this Section)	
2	1001193703	1	Installation, Hydrostatic Adaptor (See Seperate Breakdown in this Section)	
3	1001193704	1	Installation, Hydrostatic Drive Pump (See Seperate Breakdown in this Section)	
4	1001200862	1	Installation, Engine Mount (See Seperate Breakdown in this Section)	
5	1001200863	1	Installation, Air Intake (See Seperate Breakdown in this Section)	
6	1001200864	1	Installation, Air Cleaner (See Seperate Breakdown in this Section)	
7	1001200865	1	Installation, Primary Fuel Filter (See Seperate Breakdown in this Section)	
8	1001200866	1	Installation, Fuel Lines (See Seperate Breakdown in this Section)	
9	1001200869	1	Installation, Engine ECU (See Seperate Breakdown in Electrical Section)	
10	1001201298	1	Installation, DEF Coolant Lines (See Seperate Breakdown in this Section)	
11	1001201425	1	Installation, Engine (See Seperate Breakdown in this Section)	
12	1001221041	1	Installation, Remote Fuel Pump (See Seperate Breakdown in this Section)	
13	1001228728	1	Installation, Engine Wiring (See Seperate Breakdown in Electrical Section)	

# SECTION 4 - ENGINE AND ATTACHING PARTS

FIGURE 4-3. ENGINE INSTALLATION (ULS)



ART\_1001201425-D

## SECTION 4 - ENGINE AND ATTACHING PARTS

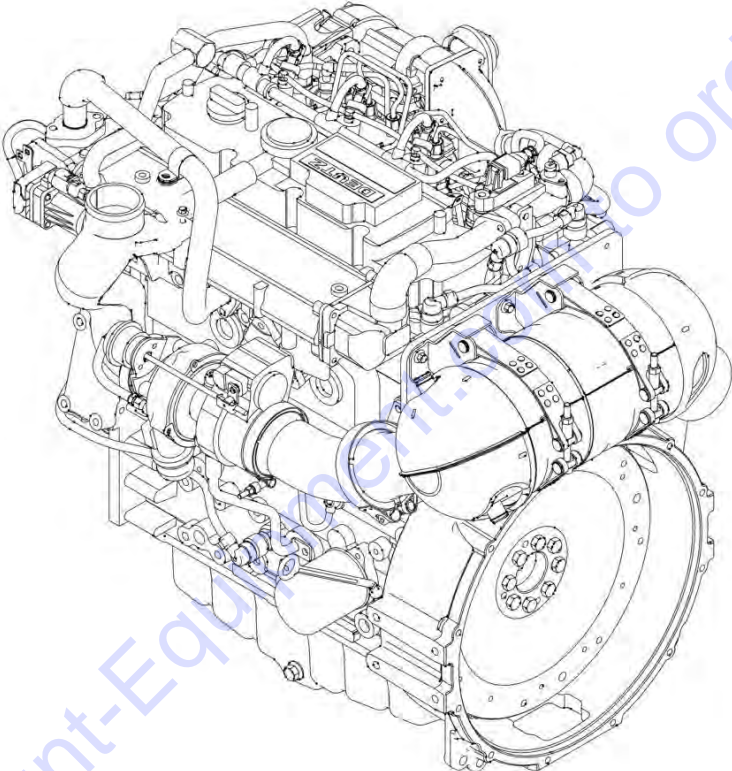
FIGURE 4-3. ENGINE INSTALLATION (ULS)

ITEM	PART NUMBER	QTY	DESCRIPTION	REV
	1001201425	Ref	Engine Installation (ULS)	D
1	1001004720	4	Strap, Cable	
2	1001197414	1	Engine (See Seperate breakdown in this Section)	
3	1001202901	1	Bracket, ECU Connector	
4	1001008559	2	Strap, Cable	
5	5251012	2	Bolt, M10X25	
6	1001222460	1	Bracket, Fuel Supply	

Go to Discount-Equipment.com to order your parts

**SECTION 4 - ENGINE AND ATTACHING PARTS**

**FIGURE 4-4. ENGINE (100KW - ULS)**



ART\_1001197414-1

## SECTION 4 - ENGINE AND ATTACHING PARTS

**FIGURE 4-4. ENGINE (100KW - ULS)**

ITEM	PART NUMBER	QTY	DESCRIPTION	REV
	1001197414	Ref	Engine (100kW - ULS)	1
	70027657	1	Dipstick	
	7020442	1	O-Ring	
	70025755	1	Tube, Dipstick	
	70025765	1	Pan, Oil	
	70025786	1	Plug	
	70025757	1	Flywheel	
	7020208	1	Gear, Ring	
	70126616	1	Bearing	
	70027567	1	Belt	
	70025737	1	Sensor, Wheel	
	70025743	1	Pulley, V-Groove	
	70124445	1	Crankcase	
	70025763	1	Pump, Oil	
	70024494	1	Cooler, Oil	
	70024495	1	Gasket	
	7016331	1	Filter, Oil	
	70024504	1	Sensor, Pressure	
	70024489	1	Line, Lube	
	70005490	1	Line, Return	
	70005730	1	Pipe, Transfer	
	70025722	1	Line, Oil Suction	
	70024487	1	Pump, Fuel Injector	
	70027417	1	Filter, Fuel (Secondary)	
	70004512	1	Element, Fuel Filter (Secondary)	
	70024961	1	Filter, Fuel (Primary)	
	70025153	1	Element, Fuel Filter (Primary)	
	70006144	1	Pump, Fuel	
	70024507	1	Sensor, Pressure	
	70005492	1	Valve, Throttle	
	70025772	1	Manifold, Air Charge	
	70005495	1	Module, Engine Control	
	70026011	1	Pump, Water	
	70025775	1	Pulley, V-Ribbed Belt	
	70024918	1	Sensor, Temperature	
	70024493	1	Gasket	
	70005504	1	Sensor, Pressure	
	70005505	1	O-Ring	
	70027405	2	Sensor, Temperature	
	70005507	2	O-Ring	
	70005510	1	Manifold, Exhaust	
	70005511	1	Gasket	
	70027426	1	Module, EGR	
	70005513	1	Valve, Control	
	70025768	1	Valve, Shuttle	
	70028417	1	Turbocharger	
	70024484	1	Roller, Idler	
	70028418	1	Tensioner, Belt	
	70028419	1	Belt, V-Ribbed	
	70027404	1	Alternator	



## SECTION 4 - ENGINE AND ATTACHING PARTS

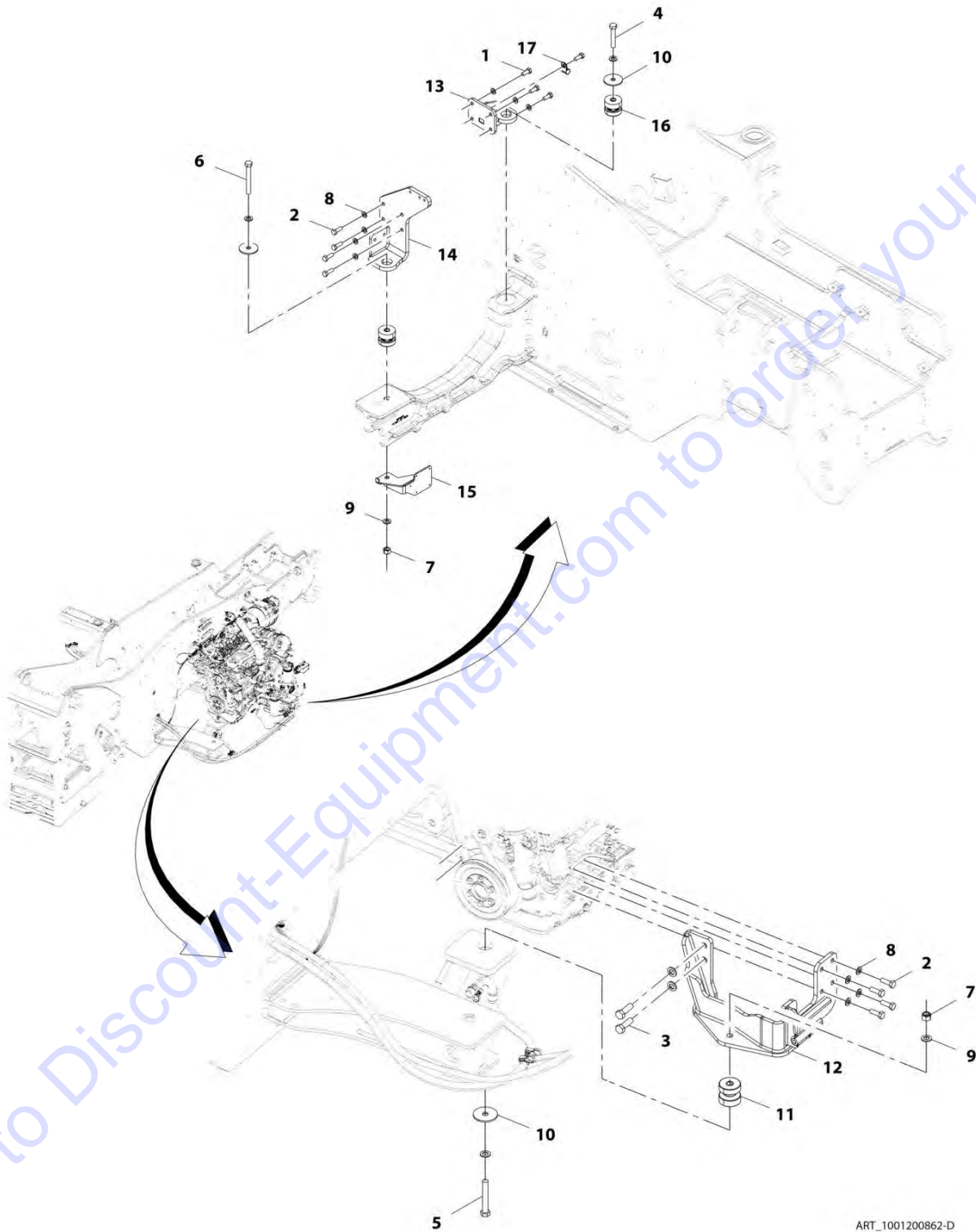
ITEM	PART NUMBER	QTY	DESCRIPTION	REV
	70025535	1	Starter	
	70025780	1	Relay	
	70026210	1	Sensor, Speed	
	70005191	1	O-Ring	
	70025761	1	Connector	
	70024474	1	Plug, Glow	
	70025760	1	Rail, Connecting	
	70005544	1	Unit, Metering	
	70005548	1	Pump, DEF Supply	
	70005549	1	Filter, DEF	
	70005523	1	Sensor, Pressure	
	70024505	1	Sensor, Temperature	
	70005556	1	Sensor, Temperature	
	70005522	1	Sensor	
	70005524	1	Sensor	
	70005559	1	Sensor, Temperature	
	70005507	1	O-Ring	
	70005557	1	Pipe	
	70005558	1	Clip	
	70025877	3	Clamp	
	70025242	3	Gasket	
	70025707	1	Set, Gasket	





# SECTION 4 - ENGINE AND ATTACHING PARTS

## FIGURE 4-5. ENGINE MOUNT INSTALLATION



ART\_1001200862-D

## SECTION 4 - ENGINE AND ATTACHING PARTS

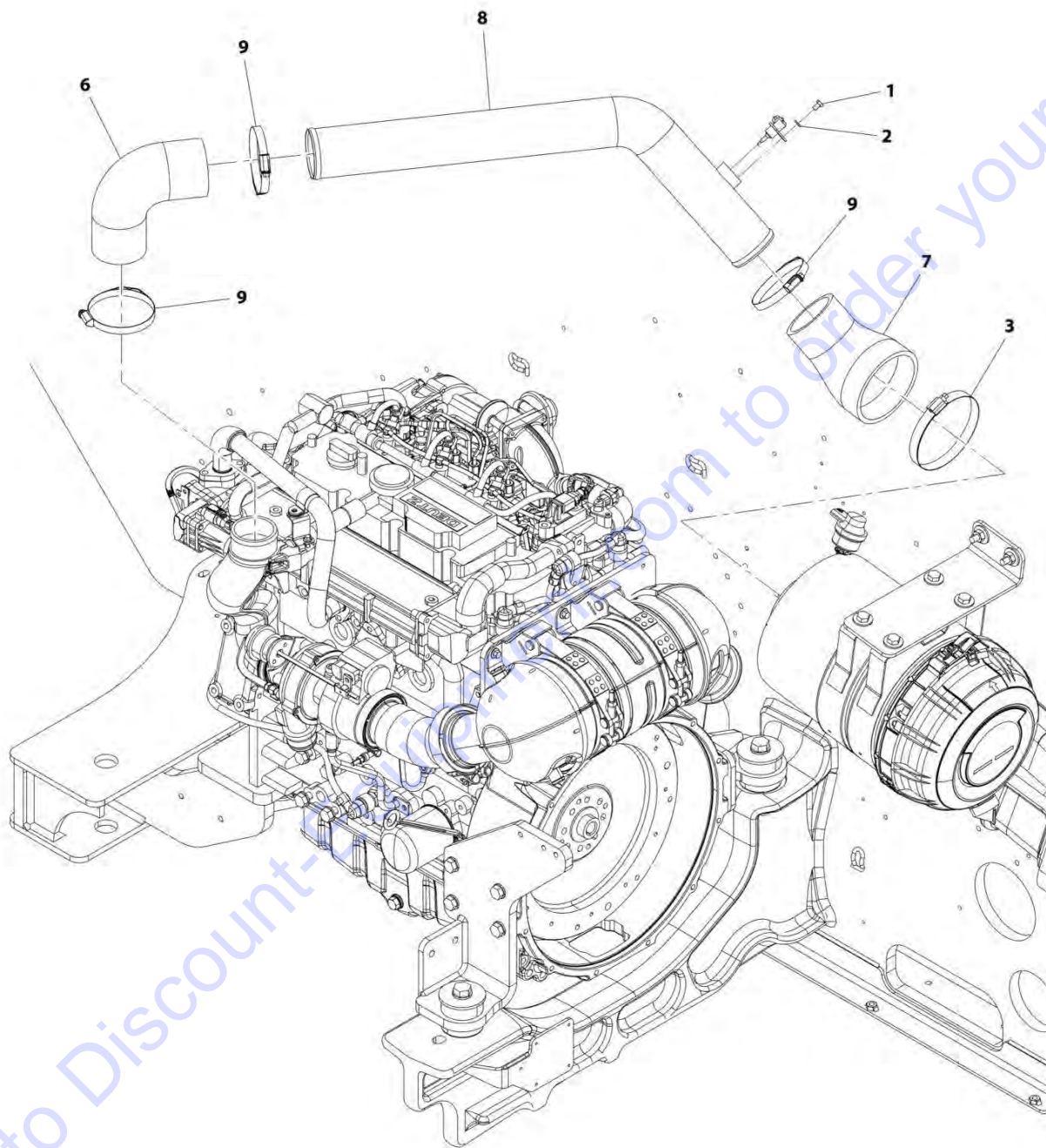
**FIGURE 4-5. ENGINE MOUNT INSTALLATION**

ITEM	PART NUMBER	QTY	DESCRIPTION	REV
	1001200862	Ref	Engine Mount Installation	D
1	0761214	4	Bolt, M12X30	
2	0761215	8	Bolt, M12X35	
3	0701618	2	Bolt M16 X 50	
4	0701626	1	Bolt, M16X90	
5	0701628	1	Bolt, M16X110	
6	0701630	1	Bolt, M16X130	
7	3291605	2	Nut, Lock M16X2	
8	4812100	11	Washer, M12	
9	4812300	7	Washer, M16	
10	7300435	3	Washer	
11	1001188757	1	Mount, Engine	
12	1001200871	1	Bracket, Engine Mount	
13	1001200872	1	Bracket, Engine Mount	
14	1001200873	1	Bracket, Engine Mount	
15	1001200874	1	Bracket, Fuel Pump	
16	1001197072	2	Mount, Engine	
17	8406105	1	Clip, Tube	

Go to Discount-Equipment.com to order your parts

# SECTION 4 - ENGINE AND ATTACHING PARTS

## FIGURE 4-6. AIR INTAKE INSTALLATION (ULS)



ART\_1001200863-B

## SECTION 4 - ENGINE AND ATTACHING PARTS

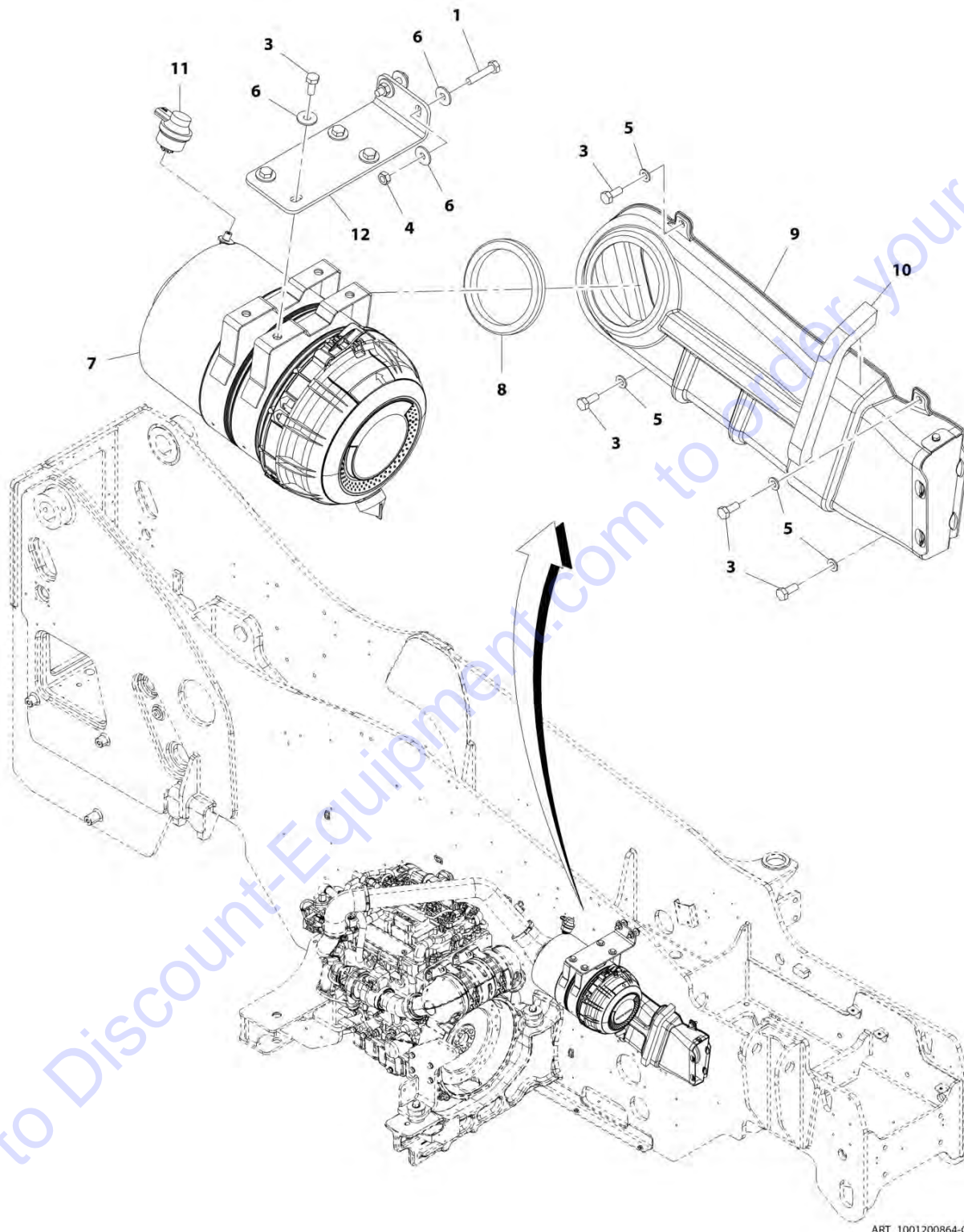
FIGURE 4-6. AIR INTAKE INSTALLATION (ULS)

ITEM	PART NUMBER	QTY	DESCRIPTION	REV
	1001200863	Ref	Air Intake Installation (ULS)	B
1	0760605	1	Bolt, M6X10	
2	4811700	1	Washer, M6	
3	8405402	1	Clamp	
6	1001182881	1	Hose	
7	1001200885	1	Hose	
8	1001200886	1	Tube	
9	1001226523	3	Clamp	

Go to Discount-Equipment.com to order your parts

# SECTION 4 - ENGINE AND ATTACHING PARTS

## FIGURE 4-7. AIR CLEANER INSTALLATION



ART\_1001200864-C

## SECTION 4 - ENGINE AND ATTACHING PARTS

FIGURE 4-7. AIR CLEANER INSTALLATION

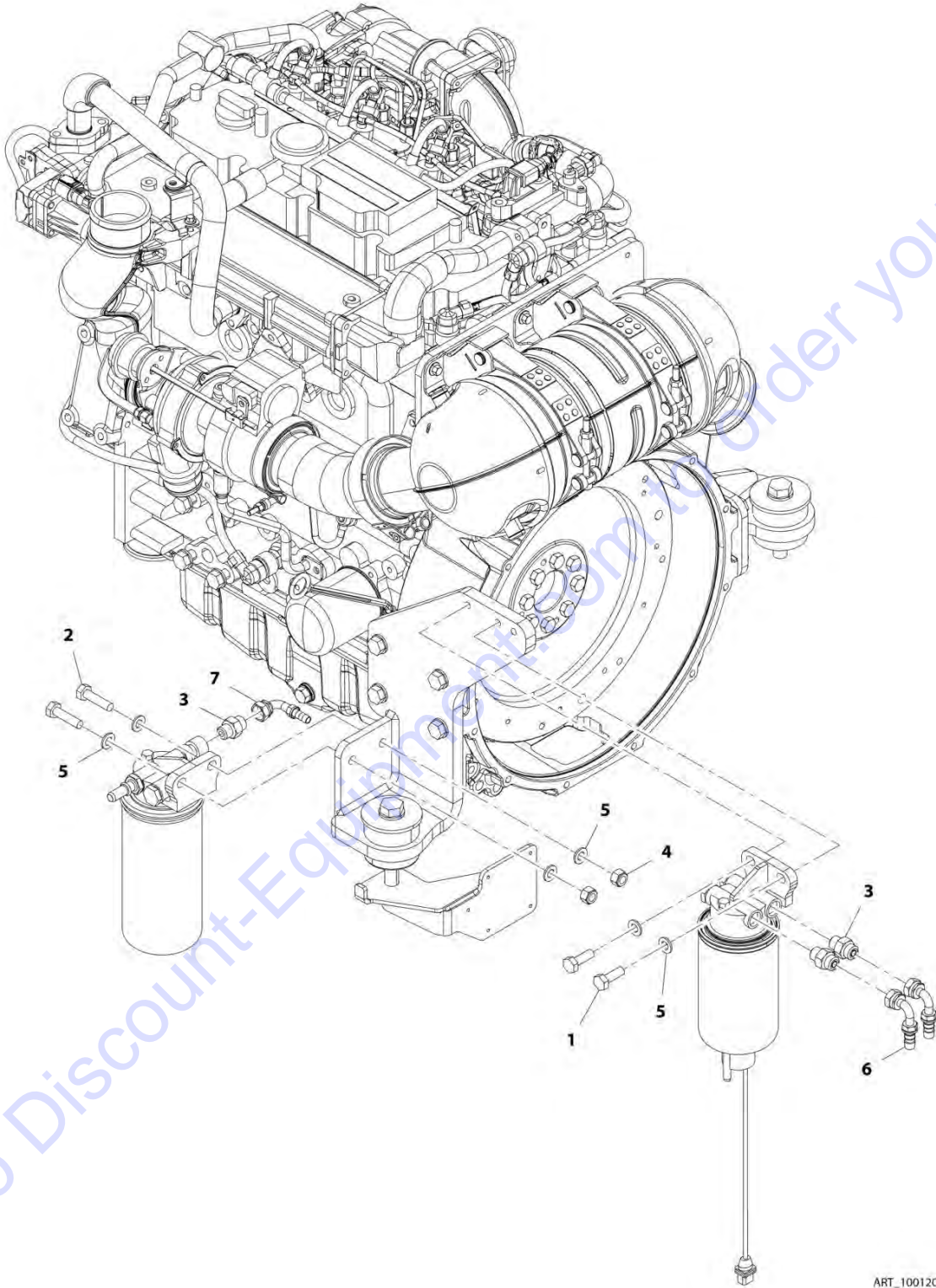
ITEM	PART NUMBER	QTY	DESCRIPTION	REV
	1001200864	Ref	Air Cleaner Installation	C
1	0701018	2	Bolt, M10X50	
3	0761012	8	Bolt, M10X25	
4	3291001	2	Nut, M10X1.5	
5	4812000	4	Washer, M10	
6	4812002	8	Washer, M10	
7	1001166565	1	Filter, Air Cleaner (See Seperate Breakdown in this Section)	
8	1001183831	1	Grommet	
9	1001183835	1	Air Intake Duct Installation (See Seperate Breakdown in this Section)	
10	1001186898	1	Seal	
11	1001166715	1	Indicator	
12	1001194534	1	Bracket, Air Cleaner Mount	

Go to Discount-Equipment.com to order your parts



# SECTION 4 - ENGINE AND ATTACHING PARTS

## FIGURE 4-8. PRIMARY FUEL FILTER INSTALLATION (ULS)



ART\_1001200865-C



## SECTION 4 - ENGINE AND ATTACHING PARTS

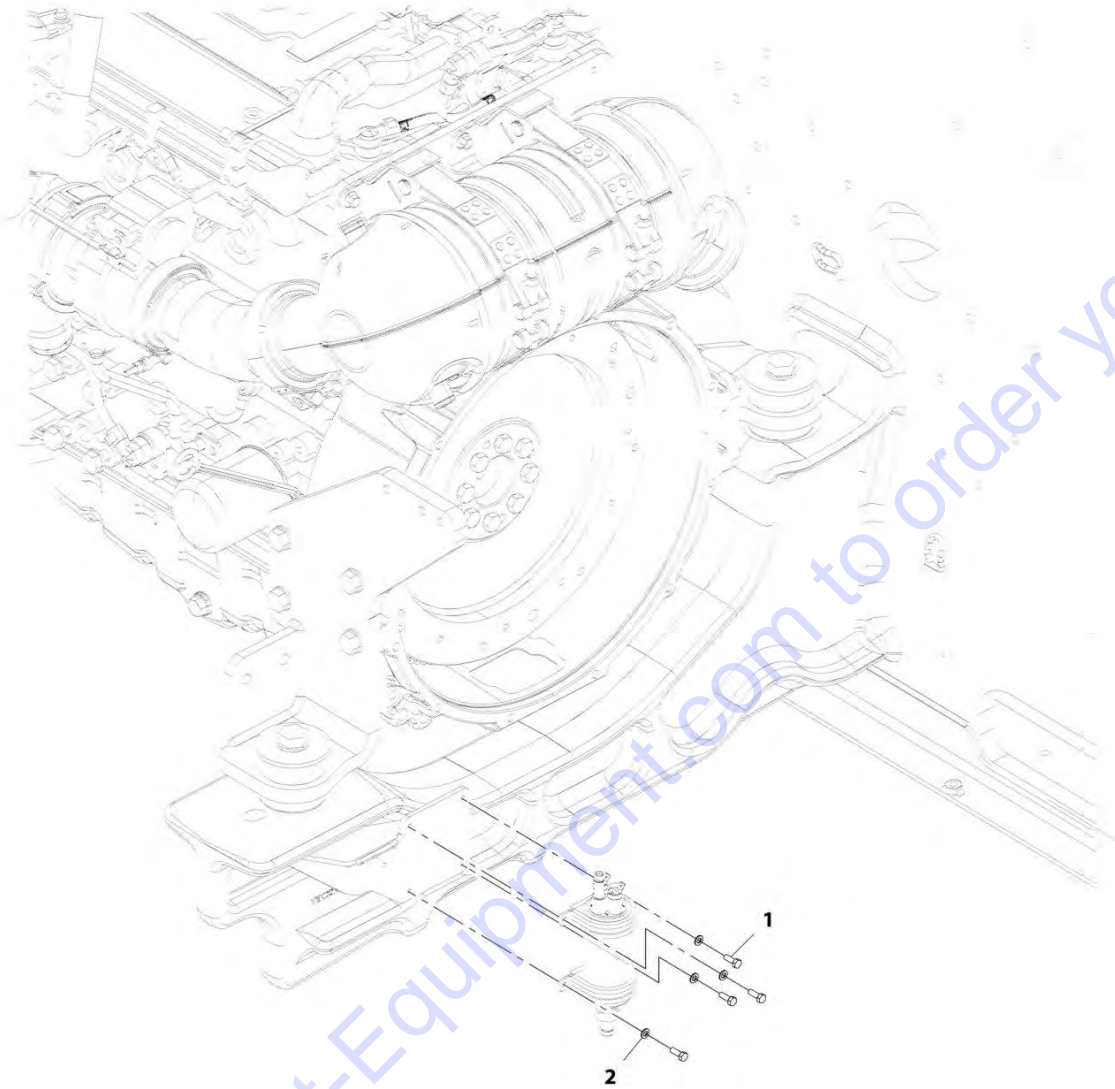
FIGURE 4-8. PRIMARY FUEL FILTER INSTALLATION (ULS)

ITEM	PART NUMBER	QTY	DESCRIPTION	REV
	1001200865	Ref	Primary Fuel Filter Installation	C
1	0701014	2	Bolt, M10X30	
2	0701016	2	Bolt, M10X40	
3	2144606	3	Fitting, Straight ORFS	
4	3291005	2	Nut, Lock M10X1.5	
5	4812000	6	Washer, M10	
6	1001095301	2	Fitting, 90 ORFS	
7	1001133793	1	Fitting, 90 ORFS	

Go to Discount-Equipment.com to order your parts

# SECTION 4 - ENGINE AND ATTACHING PARTS

## FIGURE 4-9. REMOTE FUEL PUMP INSTALLATION



ART\_1001221041-B

## SECTION 4 - ENGINE AND ATTACHING PARTS

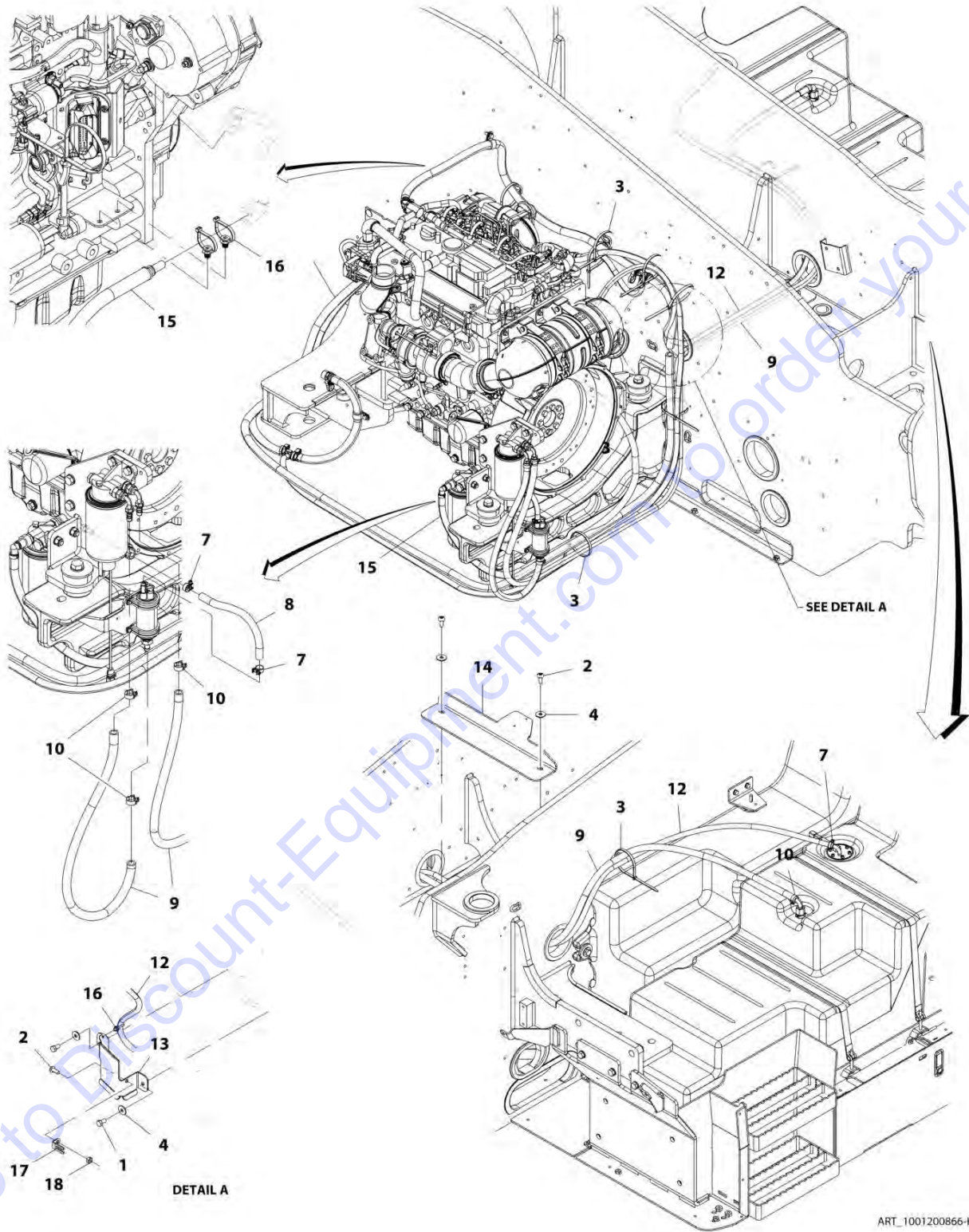
FIGURE 4-9. REMOTE FUEL PUMP INSTALLATION

ITEM	PART NUMBER	QTY	DESCRIPTION	REV
	1001221041	Ref	Remote Fuel Pump Installation	B
1	0760507	4	Bolt, M5X14	
2	4811600	4	Washer, M5	

Go to Discount-Equipment.com to order your parts

# SECTION 4 - ENGINE AND ATTACHING PARTS

## FIGURE 4-10. FUEL LINES INSTALLATION



ART\_1001200866-K

## SECTION 4 - ENGINE AND ATTACHING PARTS

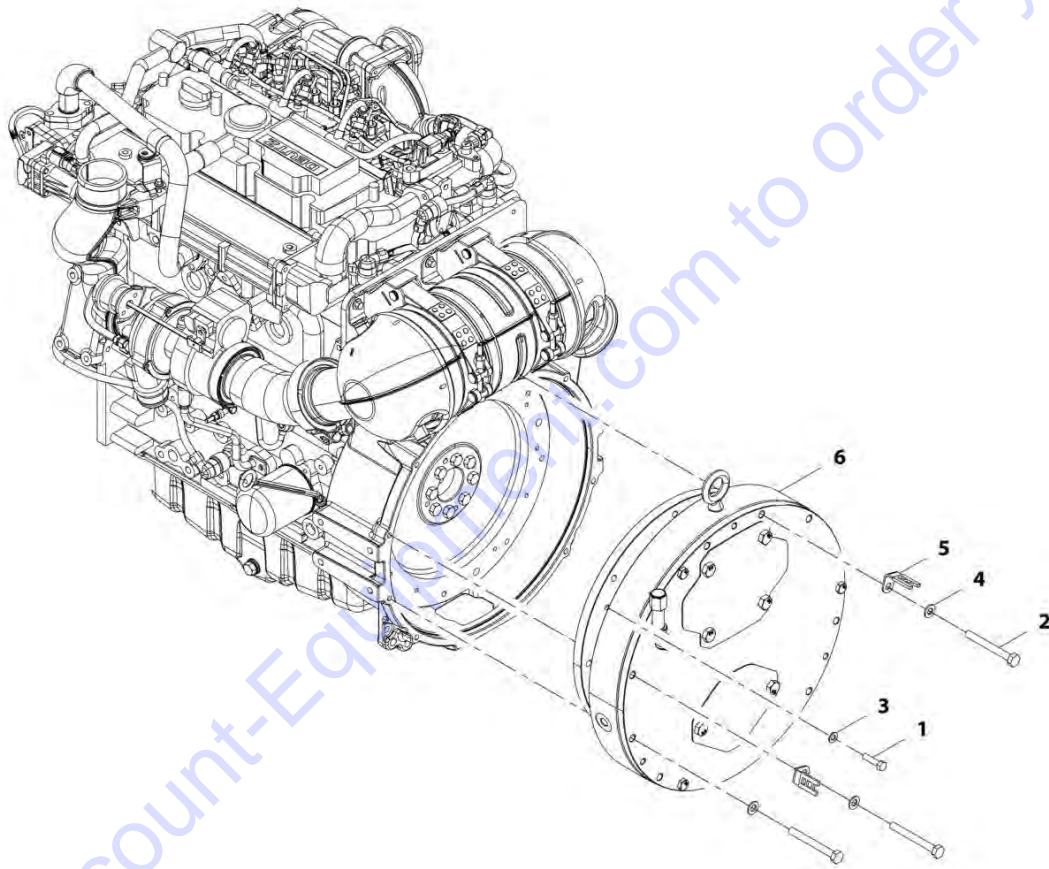
**FIGURE 4-10. FUEL LINES INSTALLATION**

ITEM	PART NUMBER	QTY	DESCRIPTION	REV
	1001200866	Ref	Fuel Lines Installation	K
1	0761010	2	Bolt, M10X20	
2	1001009325	3	Screw	
3	1062255	6	Strap, Tie	
4	4812002	4	Washer, M10	
7	1001136975	3	Clamp	
8	1001165035	260 mm	Hose	
9	1001172755	4060 mm	Hose	
10	1001175568	4	Clip	
12	1001228248	1	Hose	
13	1001210870	1	Plate	
14	1001221868	1	Channel, Frame	
15	1001232850	1	Hose	
16	1001146588	3	Strap, Tie	
17	1001003305	1	Clip	
18	3291001	1	Nut, M10X1.5 Grade 8	

Go to Discount-Equipment.com to order your parts

# SECTION 4 - ENGINE AND ATTACHING PARTS

## FIGURE 4-11. HYDROSTATIC ADAPTOR INSTALLATION



ART\_1001193703-D

## SECTION 4 - ENGINE AND ATTACHING PARTS

FIGURE 4-11. HYDROSTATIC ADAPTOR INSTALLATION

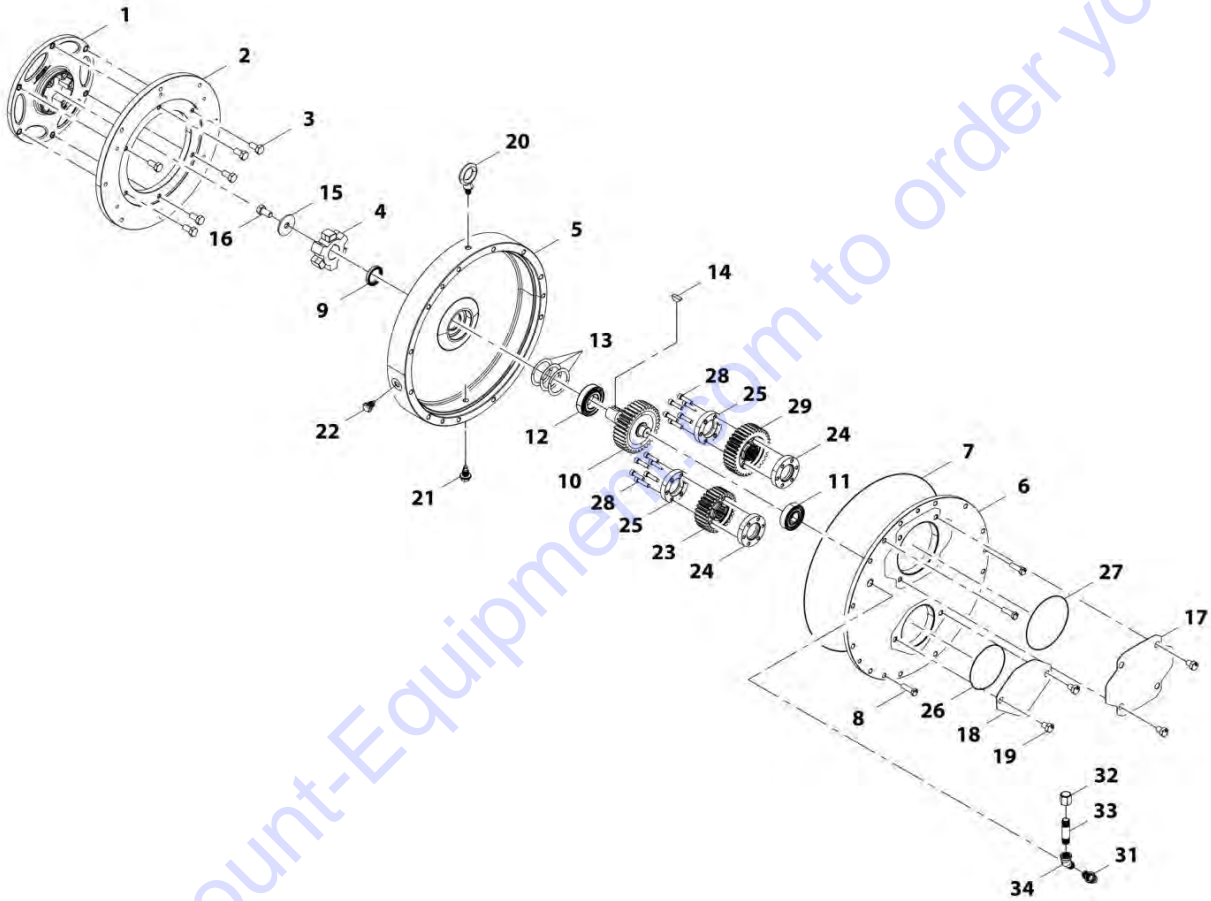
ITEM	PART NUMBER	QTY	DESCRIPTION	REV
	1001193703	Ref	Hydrostatic Adaptor Installation	D
1	0641510	6	Bolt, 5/16-18X1.25	
2	0701026	12	Bolt, M10X90	
3	4811900	6	Washer, M8	
4	4812000	10	Washer, M10	
5	1001003305	2	Clip	
6	1001193705	1	Assembly, Dual Drive Support (See Seperate Breakdown in this Section)	

Go to Discount-Equipment.com to order your parts



# SECTION 4 - ENGINE AND ATTACHING PARTS

## FIGURE 4-12. DUAL DRIVE SUPPORT ASSEMBLY



ART\_1001193705-E



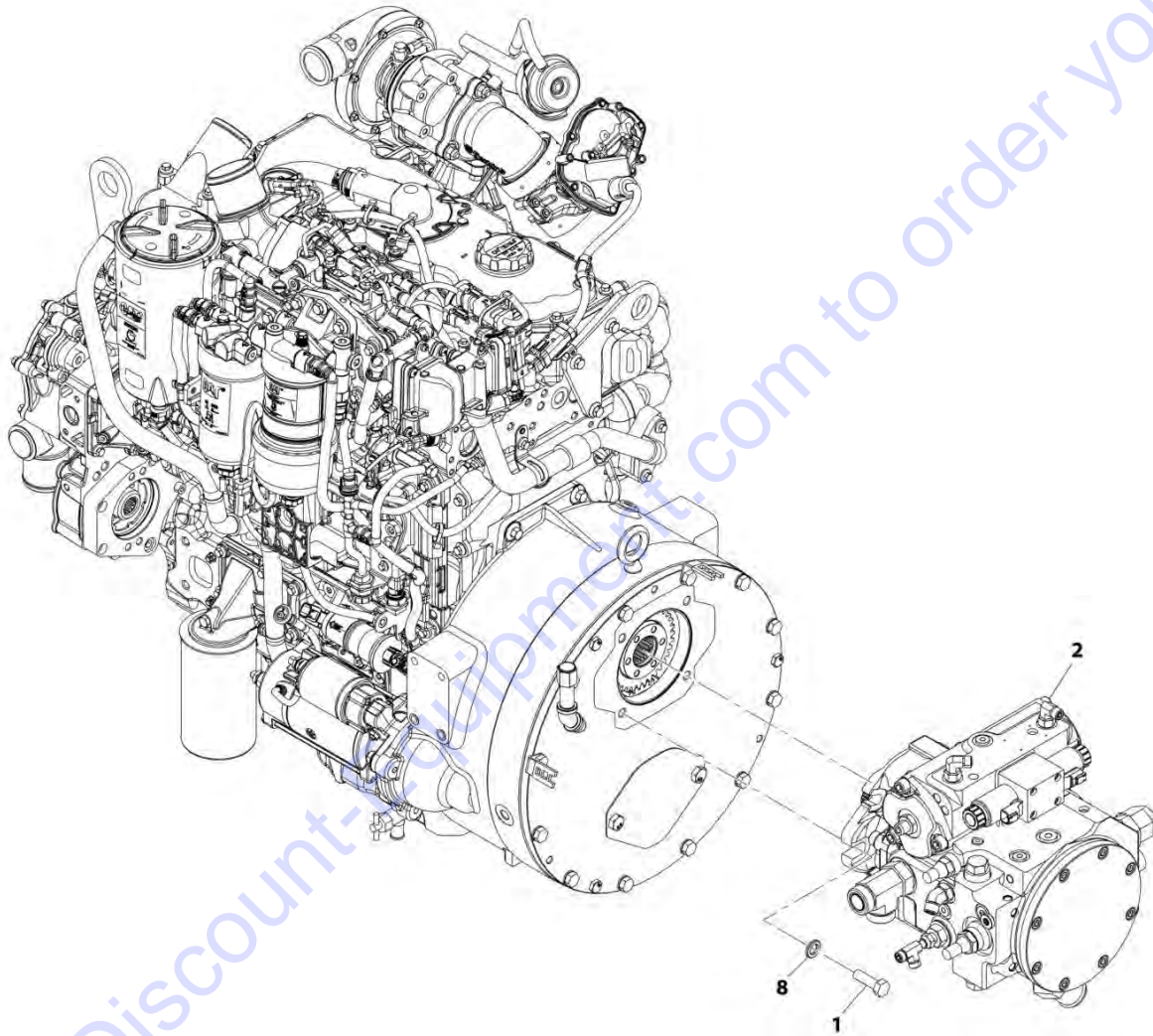
## SECTION 4 - ENGINE AND ATTACHING PARTS

**FIGURE 4-12. DUAL DRIVE SUPPORT ASSEMBLY**

ITEM	PART NUMBER	QTY	DESCRIPTION	REV
	1001193705	Ref	Dual Drive Support Assembly	E
1	70028327	1	Plate, Flex	
2	70028328	1	Plate, Flywheel Adapter	
3	70028329	6	Bolt	
4	70028330	1	Hub, Flex	
5	70028331	1	Gear Box Half, Input Side	
6	70028332	1	Gear Box Half, Output Side	
7	70028333	1	O-Ring	
8	70028334	3	Bolt	
9	70028335	1	Seal, Shaft	
10	70028336	1	Gear, Input Shaft	
11	70028337	1	Bearing, Angular Contact	
12	70028338	1	Bearing, Angular Contact	
13	70028339	3	Washer	
14	70028340	1	Key	
15	70028341	1	Washer	
16	70028342	1	Bolt	
17	70028343	1	Cover, Pump Mount Implement	
18	70028344	1	Cover, Pump Mount Hydrastat	
19	70028345	6	Bolt	
20	70028346	1	Eyebolt, Modified	
21	70028347	1	Plug	
22	70028348	1	Plug	
23	70028349	1	Pump, Gear, 30 Tooth	
24	70028350	2	Locking Ring, Tapered	
25	70028351	2	Locking Ring, Tapered	
26	70028352	1	O-Ring	
27	70028353	1	O-Ring	
28	70028354	12	Bolt	
29	70028355	1	Pump, Gear, 35 Tooth	
31	70028357	1	Adapter, 90	
32	70028358	1	Breather	
33	70028359	1	Nipple	
34	70028360	1	Adapter, 45	

## SECTION 4 - ENGINE AND ATTACHING PARTS

FIGURE 4-13. HYDROSTATIC DRIVE PUMP INSTALLATION



ART-1001193704-D

## SECTION 4 - ENGINE AND ATTACHING PARTS

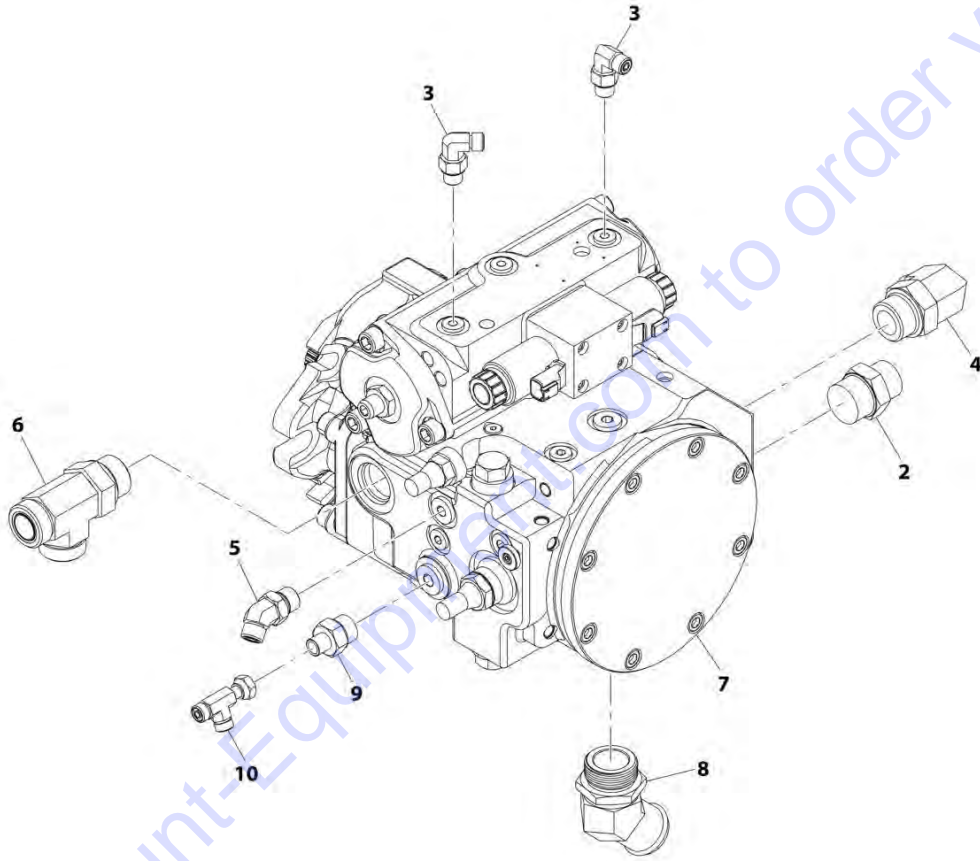
FIGURE 4-13. HYDROSTATIC DRIVE PUMP INSTALLATION

ITEM	PART NUMBER	QTY	DESCRIPTION	REV
	1001193704	Ref	Hydrostatic Drive Pump Installation	D
1	0711216	4	Bolt, M12X40	
2	1001210771	1	Assembly, Hydrostatic Drive Pump (See Seperate Breakdown in this Section)	
8	4740532	4	Washer, M12	

Go to Discount-Equipment.com to order your parts

# SECTION 4 - ENGINE AND ATTACHING PARTS

FIGURE 4-14. HYDROSTATIC DRIVE PUMP ASSEMBLY



ART\_1001210771-C

## SECTION 4 - ENGINE AND ATTACHING PARTS

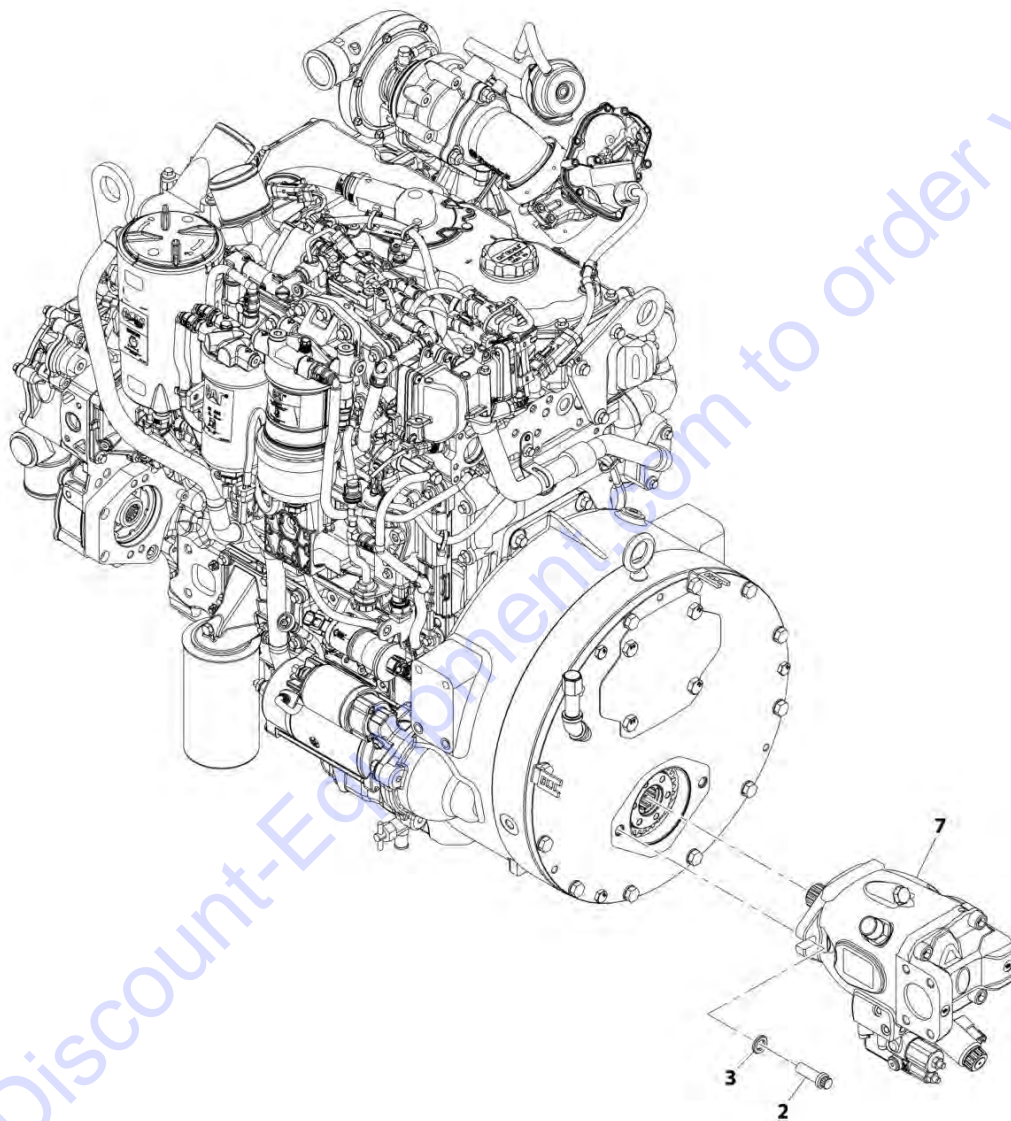
**FIGURE 4-14. HYDROSTATIC DRIVE PUMP ASSEMBLY**

ITEM	PART NUMBER	QTY	DESCRIPTION	REV
	1001210771	Ref	Hydrostatic Drive Pump Assembly	C
2	2111216	1	Fitting, Straight ORFS	
3	2130406	2	Fitting, 90 ORFS	
4	2131216	1	Fitting, 90 ORFS	
5	2150608	1	Fitting, 45 ORFS	
6	2170316	1	Fitting, TEE ORFS	
7	1001193307	1	Pump, Hydrostatic Drive (See Seperate Breakdown in Hydraulic Components Section)	
8	1001196664	1	Fitting, 45	
9	2110410	1	Fitting, Straight ORFS	
10	2170704	1	Fitting, Tee ORFS	

Go to Discount-Equipment.com to order your parts

# SECTION 4 - ENGINE AND ATTACHING PARTS

## FIGURE 4-15. IMPLEMENT PUMP INSTALLATION



ART\_1001193393-E

## SECTION 4 - ENGINE AND ATTACHING PARTS

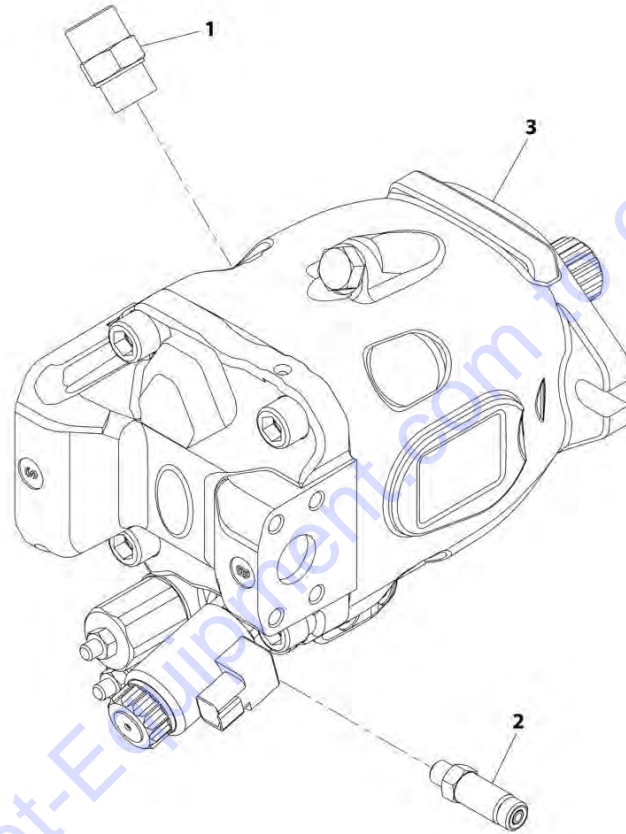
FIGURE 4-15. IMPLEMENT PUMP INSTALLATION

ITEM	PART NUMBER	QTY	DESCRIPTION	REV
	1001193393	Ref	Implement Pump Installation	E
2	1001238781	2	Screw Flange	
3	4740532	2	Washer	
7	1001212739	1	Assembly, Implement Pump (See Seperate Breakdown in this Section)	

Go to Discount-Equipment.com to order your parts

## SECTION 4 - ENGINE AND ATTACHING PARTS

FIGURE 4-16. IMPLEMENT PUMP ASSEMBLY



ART\_1001212739-A



## SECTION 4 - ENGINE AND ATTACHING PARTS

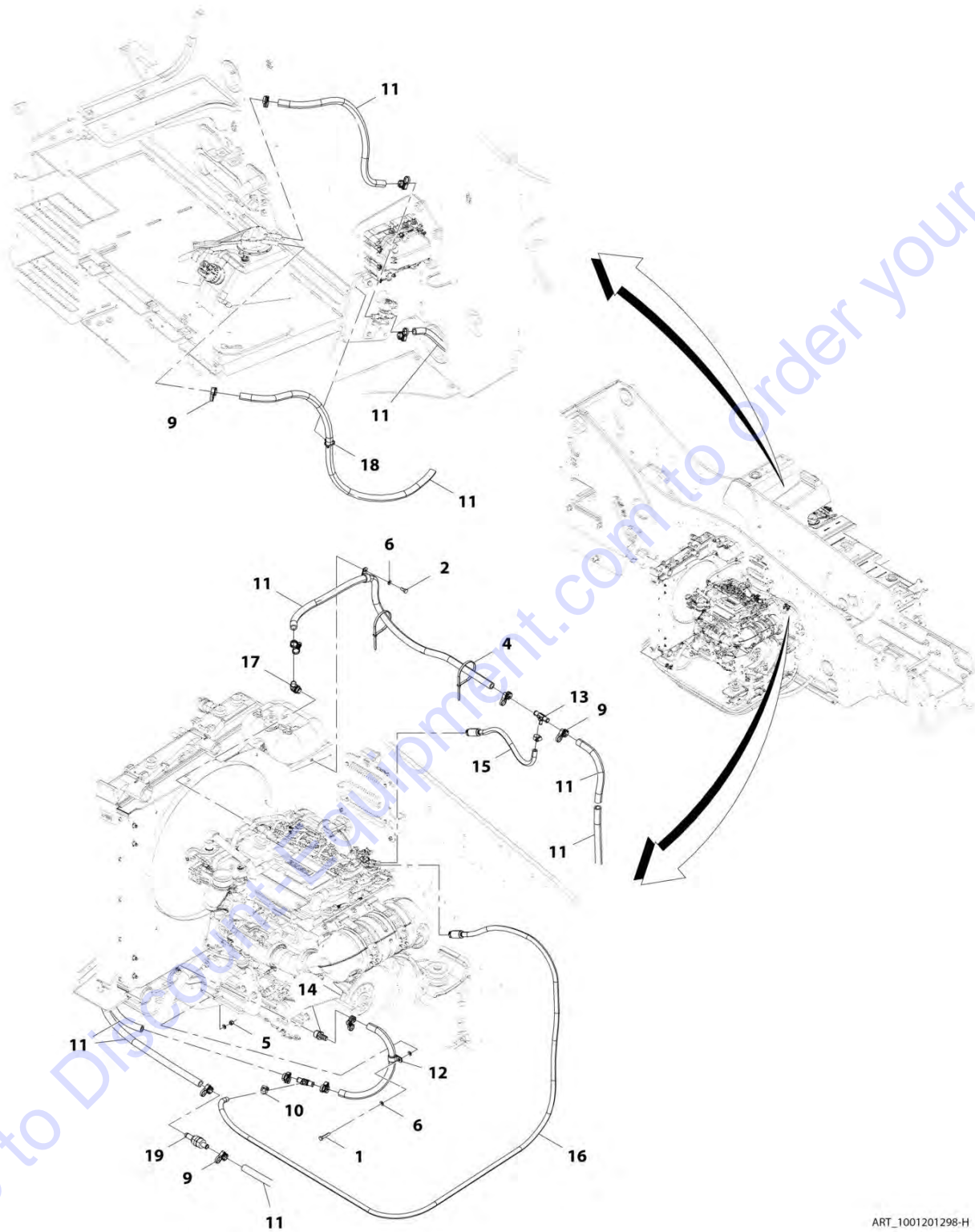
FIGURE 4-16. IMPLEMENT PUMP ASSEMBLY

ITEM	PART NUMBER	QTY	DESCRIPTION	REV
	1001212739	Ref	Implement Pump Assembly	A
1	2111010	1	Fitting, Straight ORFS	
2	2170104	1	Fitting, Straight ORFS	
3	1001180070	1	Pump, Implement (See Seperate Breakdown in Hydraulic Component Section)	

Go to Discount-Equipment.com to order your parts

# SECTION 4 - ENGINE AND ATTACHING PARTS

## FIGURE 4-17. DEF COOLANT LINES INSTALLATION (ULS)



ART\_1001201298-H

## SECTION 4 - ENGINE AND ATTACHING PARTS

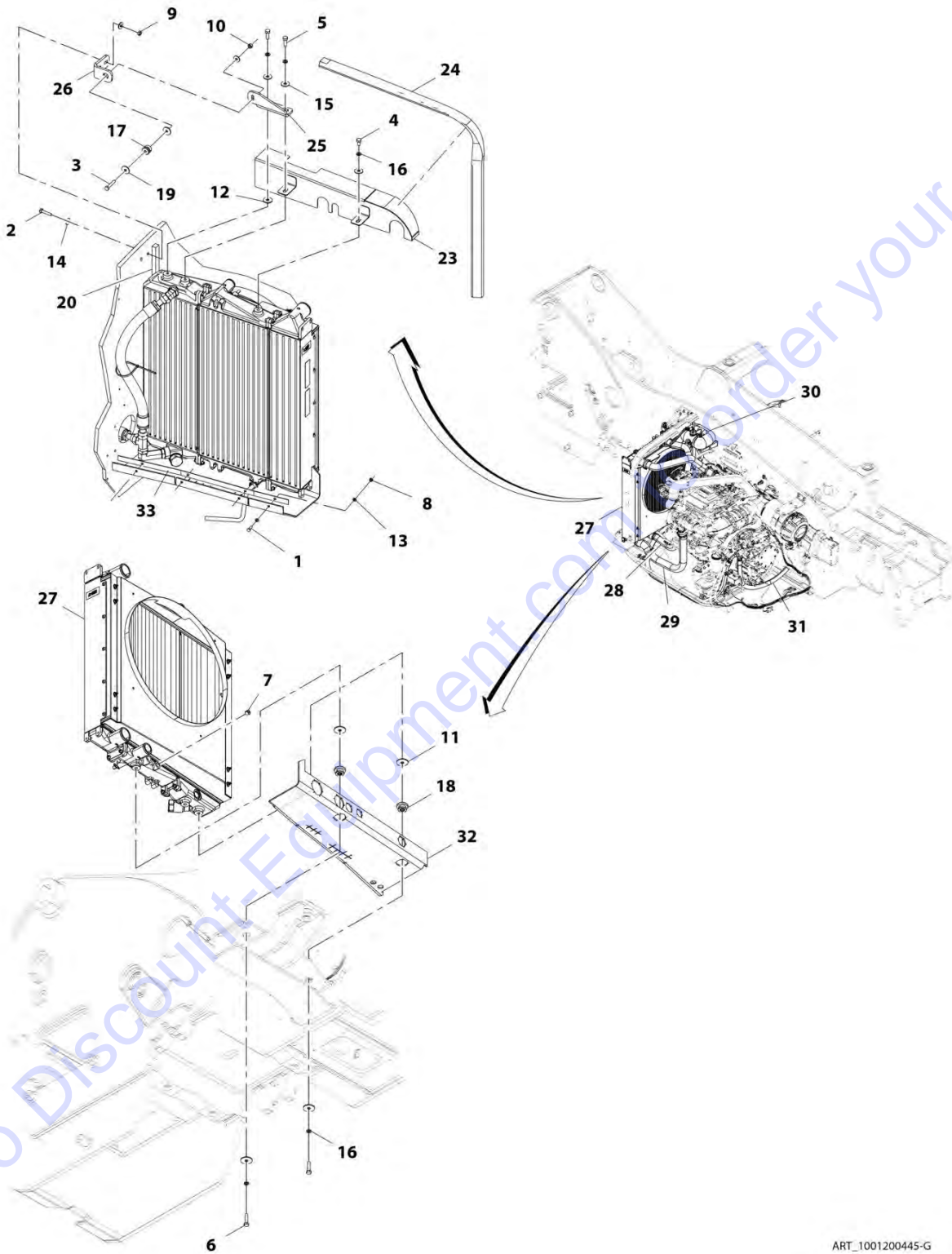
**FIGURE 4-17. DEF COOLANT LINES INSTALLATION (ULS)**

ITEM	PART NUMBER	QTY	DESCRIPTION	REV
	1001201298	Ref	DEF Coolant Lines Installation (ULS)	H
1	0700816	1	Bolt, M8X40	
2	0760810	1	Bolt, M8X20	
4	1062255	AR	Strap, Tie	
5	3290805	1	Nut, M8X1.25	
6	4811900	3	Washer, M8	
9	1001202526	12	Clamp	
10	8410013	2	Clamp	
11	82033995	9695 mm	Hose	
12	1001100319	2	Clip	
13	1001162212	2	Pipe	
14	1001167409	1	Pipe	
15	1001201299	1	Hose	
16	1001201300	1	Hose	
17	1001203005	1	Fitting, 45	
18	1001146588	1	Strap, Tie	
19	1001228872	1	Filter	

Go to Discount-Equipment.com to order your parts

# SECTION 4 - ENGINE AND ATTACHING PARTS

## FIGURE 4-18. COOLING PACKAGE INSTALLATION



ART\_1001200445-G

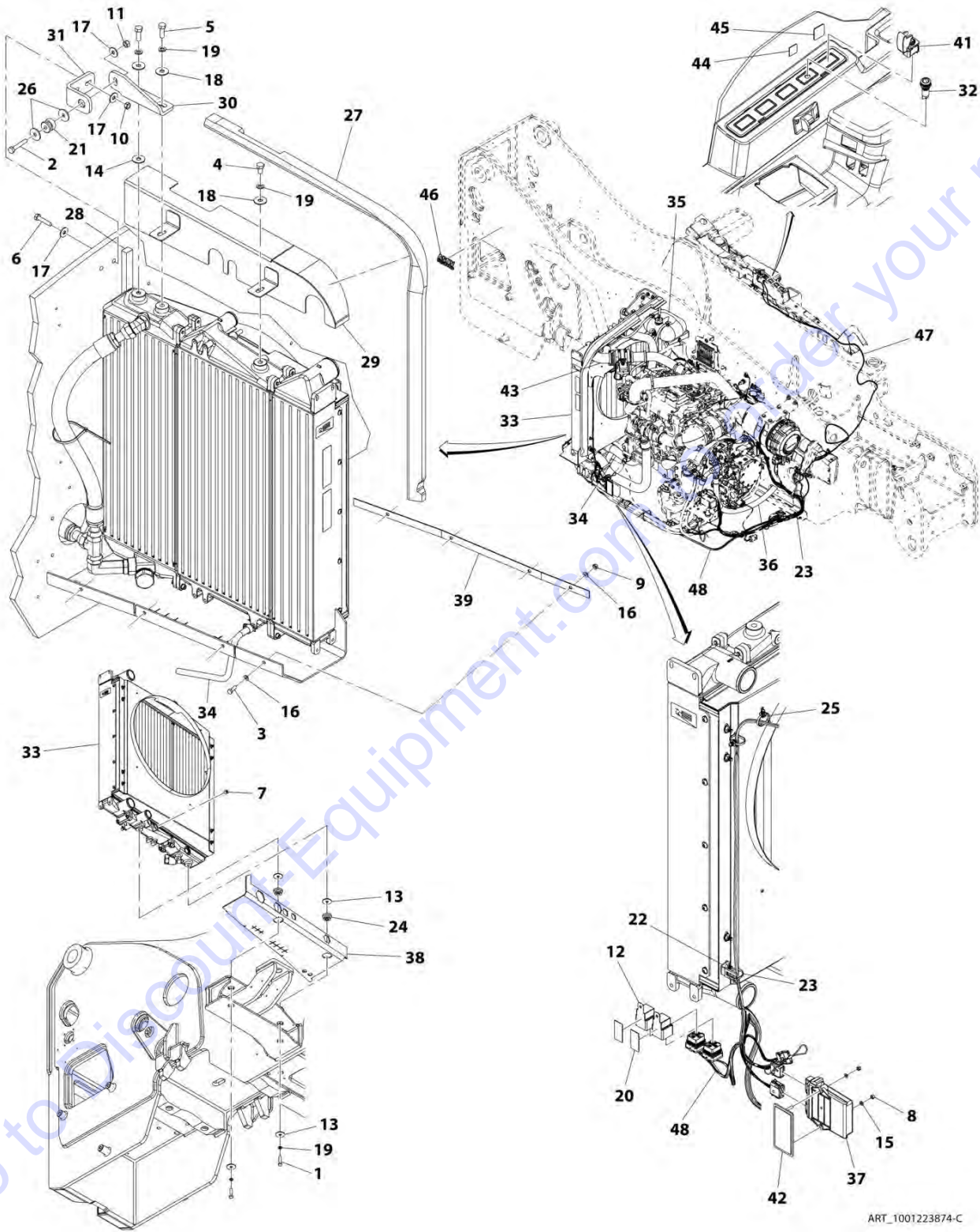
## SECTION 4 - ENGINE AND ATTACHING PARTS

**FIGURE 4-18. COOLING PACKAGE INSTALLATION**

ITEM	PART NUMBER	QTY	DESCRIPTION	REV
	1001200445	Ref	Cooling Package Installation	G
1	0760812	4	Bolt,M8X25	
2	0701018	2	Bolt, M10X50	
3	0701020	1	Bolt, M10X60	
4	0761210	1	Bolt, M12X20	
5	0761215	2	Bolt, M12X35	
6	0761218	2	Bolt, M12X50	
7	2200223	1	Plug	
8	3290801	4	Nut, M8X1.25	
9	3291001	2	Nut, M10X1.5	
10	3291005	1	Nut, Lock M10X1.5	
11	4740274	4	Washer	
12	4740550	1	Washer, M12	
13	4811900	8	Washer, M8	
14	4812002	5	Washer, M10	
15	4812102	3	Washer, M12	
16	4832100	5	Washer, Lock M12	
17	8278020	1	Mount	
18	1001114803	2	Mount	
19	1001155540	2	Washer	
20	1001173457	1	Seal	
23	1001196191	1	Bracket, Air Baffle	
24	1001173452	1	Seal	
25	1001200498	1	Bracket, Radiator	
26	1001200499	1	Bracket, Frame	
27	1001201301	1	Radiator, (See Seperate Breakdown in this Section)	
28	1001201302	Ref	Installation, Coolant Lines (See Seperate Breakdown in this Section)	
29	1001201303	Ref	Installation, Radiator Lines (See Seperate Breakdown in this Section)	
30	1001201304	Ref	Installation, Surge Tank (See Seperate Breakdown in this Section)	
31	1001201305	Ref	Installation, Transmission Oil Cooler Lines (See Seperate Breakdown in this Section)	
32	1001203947	1	Panel, Air Dam	
33	1001203948	1	Plate, Air Dam	

# SECTION 4 - ENGINE AND ATTACHING PARTS

## FIGURE 4-19. COOLING PACKAGE INSTALLATION



ART\_1001223874-C



## SECTION 4 - ENGINE AND ATTACHING PARTS

**FIGURE 4-19. COOLING PACKAGE INSTALLATION**

ITEM	PART NUMBER	QTY	DESCRIPTION	REV
	1001223874	Ref	Cooling Package Installation	C
1	0701018	2	Bolt, M10X50	
2	0701020	1	Bolt, M10X60	
3	0760812	4	Bolt, M8X25	
4	0761210	1	Bolt, M12X20	
5	0761215	2	Bolt, M12X35	
6	0761218	2	Bolt, M12X50	
7	2200223	1	Plug	
8	3290505	2	Nut, M5X0.8	
9	3290801	4	Nut, M8X1.25	
10	3291001	2	Nut, M10X1.5	
11	3291005	1	Nut, Lock M10X1.5	
12	3740080	2	Relay	
13	4740274	4	Washer	
14	4740550	1	Washer, M12	
15	4811600	2	Washer, M5	
16	4811900	8	Washer, M8	
17	4812002	5	Washer, M10	
18	4812102	3	Washer, M12	
19	4832100	5	Washer, Lock M12	
20	7169541	AR	Tape	
21	8278020	1	Mount	
22	1001003305	1	Clip	
23	1001008559	4	Strap, Cable	
24	1001114803	2	Mount	
25	1001146588	2	Strap, Cable	
26	1001155540	2	Washer	
27	1001173452	1	Seal, Foam Gasket	
28	1001173457	1	Seal	
29	1001196191	1	Bracket, Air Baffle	
30	1001200498	1	Bracket, Radiator	
31	1001200499	1	Bracket, Frame	
32	1001200631	1	Lamp, LED Indicator	
33	1001201301	1	Radiator, (See Seperate Breakdown in this Section)	
34	1001201302	Ref	Installation, Coolant Lines (See Seperate Breakdown in this Section)	
35	1001201304	Ref	Installation, Surge Tank (See Seperate Breakdown in this Section)	
36	1001201305	Ref	Installation, Transmission Oil Cooler Lines (See Seperate Breakdown in this Section)	
37	1001203181	1	Accessory, Control	
38	1001203947	1	Panel, Air Dam	
39	1001203948	1	Plate, Air Dam	
41	1001215941	1	Switch	
42	1001219082	1	Bracket	
43	1001223869	1	Installation, Radiator Lines (See Seperate Breakdown in this Section)	
44	1001227077	1	Decal, Air Shut Off	
45	1001227964	1	Decal, ASOV Test	
46	1001228643	1	Decal, ASOV Equipped	
47	1001231407	1	Harness, POSI Air Shutoff (See Separate Breakdown in Electrical	

## SECTION 4 - ENGINE AND ATTACHING PARTS

ITEM	PART NUMBER	QTY	DESCRIPTION	REV
48	1001231483	1	Section) Harness, POSI Air Shutoff (See Separate Breakdown in Electrical Section)	

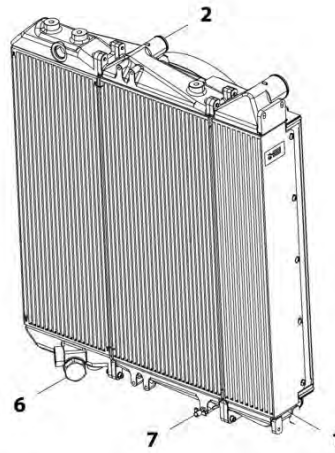
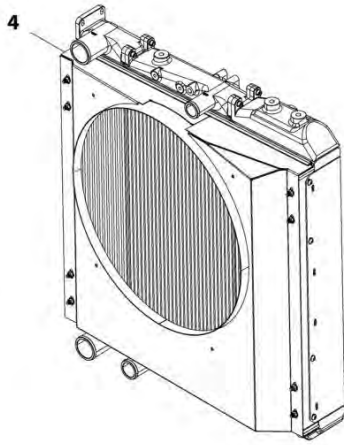
Go to Discount-Equipment.com to order your parts





# SECTION 4 - ENGINE AND ATTACHING PARTS

## FIGURE 4-20. RADIATOR



ART\_1001201301-D

## SECTION 4 - ENGINE AND ATTACHING PARTS

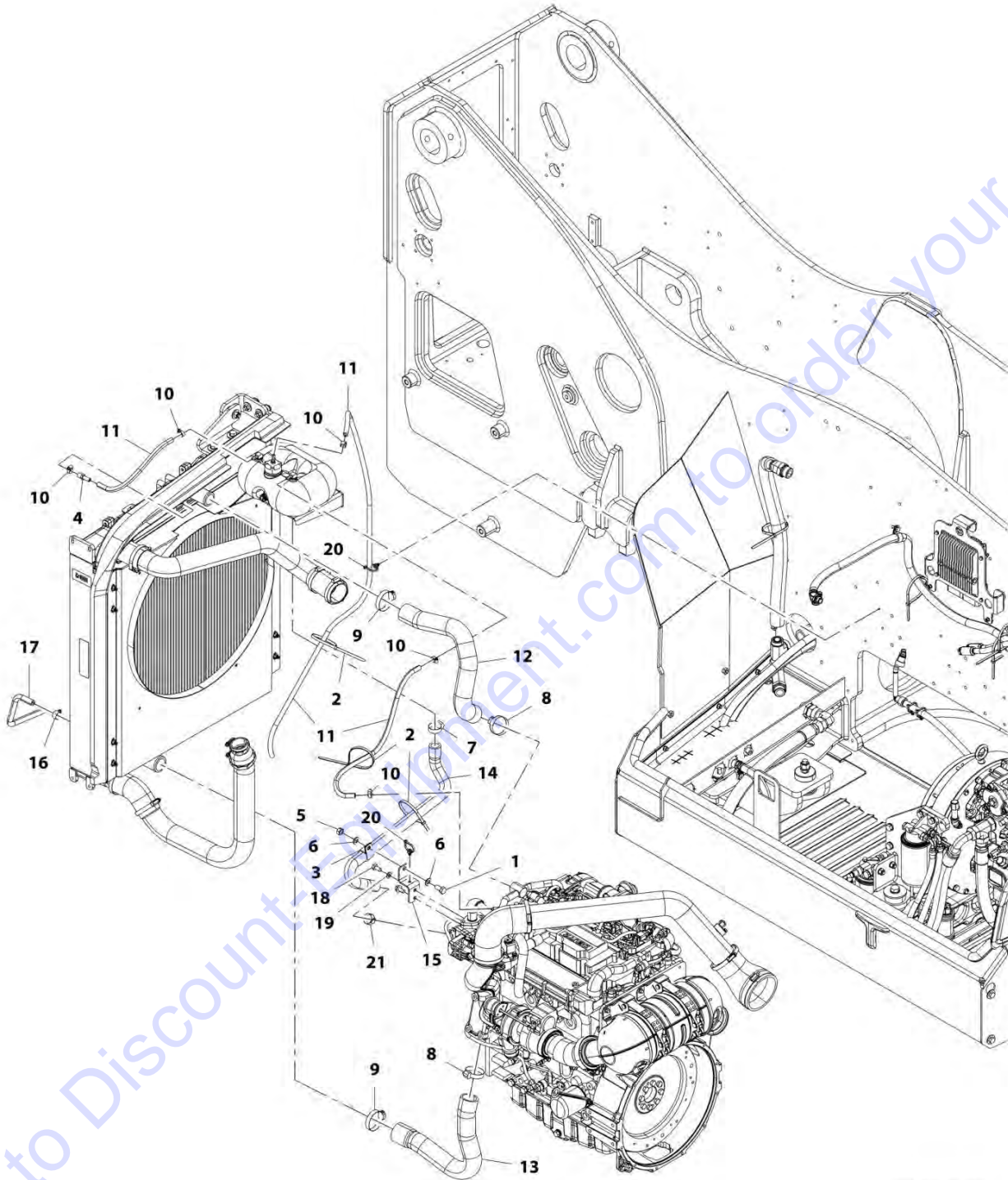
FIGURE 4-20. RADIATOR

ITEM	PART NUMBER	QTY	DESCRIPTION	REV
	1001201301	Ref	Radiator, Cooling Package	D
1	70026353	1	Cooler, Air Charge	
2	70026354	1	Radiator	
4	70026359	2	Bracket, Shroud Mounting	
6	70026082	1	Valve, Bypass	
7	70026081	1	Petcock	

Go to Discount-Equipment.com to order your parts

# SECTION 4 - ENGINE AND ATTACHING PARTS

## FIGURE 4-21. COOLANT LINES INSTALLATION



ART\_1001201302-E

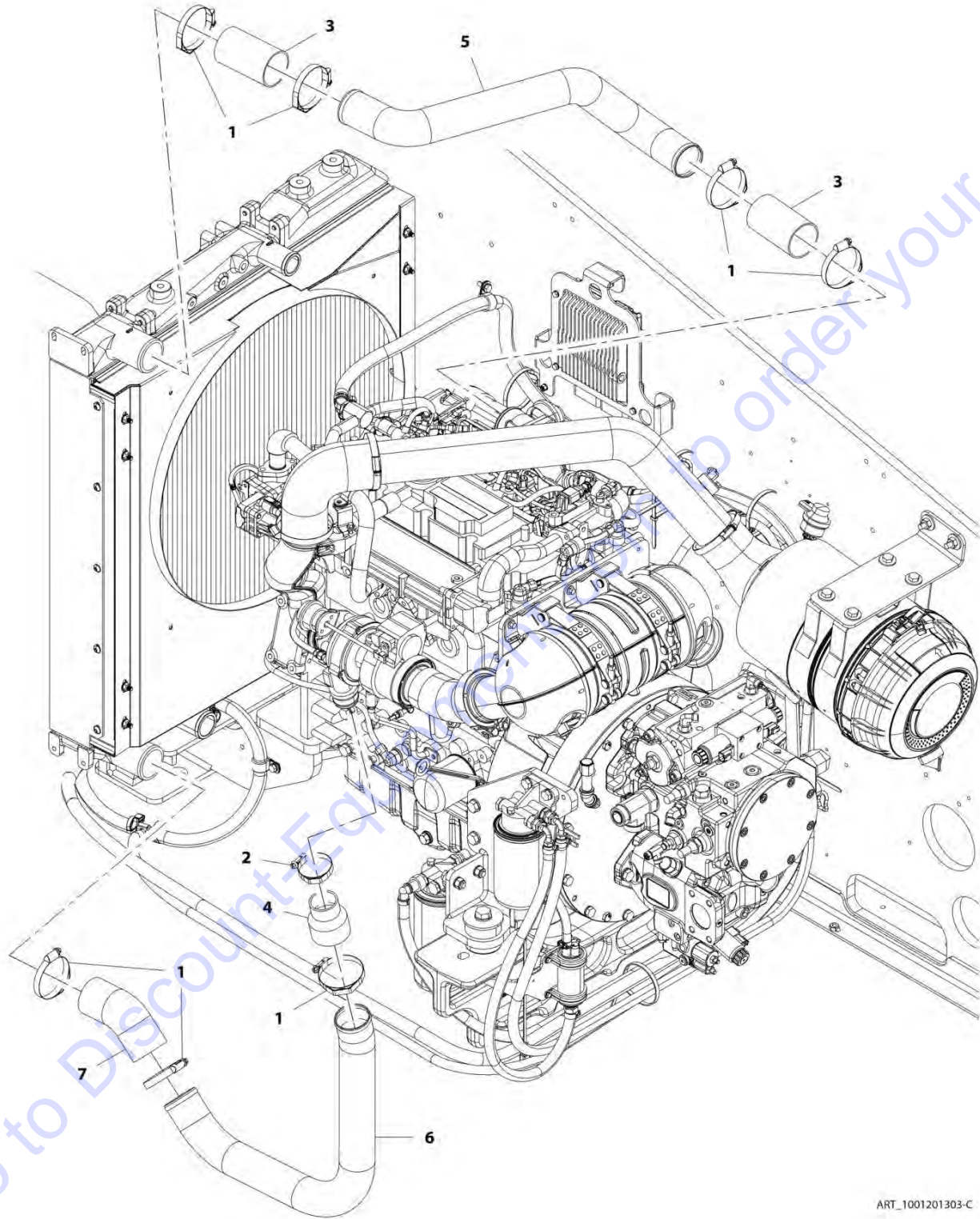
## SECTION 4 - ENGINE AND ATTACHING PARTS

**FIGURE 4-21. COOLANT LINES INSTALLATION**

ITEM	PART NUMBER	QTY	DESCRIPTION	REV
	1001201302	Ref	Coolant Lines Installation	E
1	0761212	1	Bolt, M12X25	
2	1062255	3	Strap, Tie	
3	1320060	1	Clamp, Hose	
4	2220767	1	Fitting	
5	3291201	1	Nut, M12	
6	4812100	2	Washer, M12	
7	8405101	1	Clamp, Gear	
8	8405104	2	Clamp, Gear	
9	8405201	2	Clamp, Gear	
10	8405009	5	Clamp, Gear	
11	1001180542	2465 mm	Hose	
12	1001217762	1	Hose	
13	1001201309	1	Hose	
14	1001217763	1	Hose	
15	1001217761	1	Bracket	
16	8405006	1	Clamp, Gear	
17	1001180553	370 mm	Hose	
18	0761010	1	Bolt, M12X20	
19	4812000	1	Washer, M10	
20	1001146588	2	Strap, Tie	
21	8405007	1	Clamp, Gear	

# SECTION 4 - ENGINE AND ATTACHING PARTS

## FIGURE 4-22. RADIATOR LINES INSTALLATION



ART\_1001201303-C

## SECTION 4 - ENGINE AND ATTACHING PARTS

FIGURE 4-22. RADIATOR LINES INSTALLATION

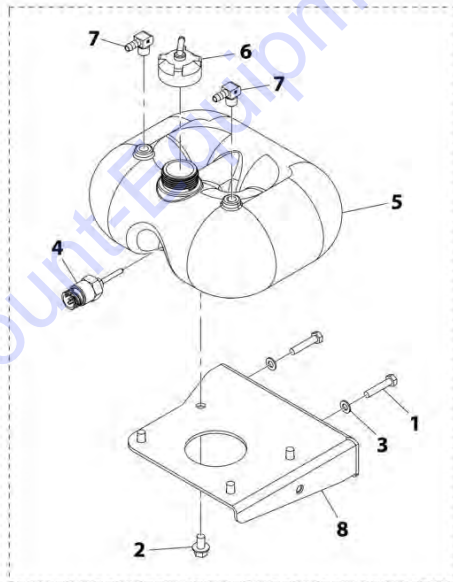
ITEM	PART NUMBER	QTY	DESCRIPTION	REV
	1001201303	Ref	Radiator Lines Installation	C
1	1001215022	7	Clamp	
2	1001215024	1	Clamp	
3	1001114495	2	Hose	
4	1001173528	1	Coupling, Reducer	
5	1001201314	1	Pipe	
6	1001201315	1	Pipe	
7	1001201316	1	Elbow, 45	

Go to Discount-Equipment.com to order your parts



# SECTION 4 - ENGINE AND ATTACHING PARTS

## FIGURE 4-23. SURGE TANK INSTALLATION



DETAIL A

ART\_1001201304-B



## SECTION 4 - ENGINE AND ATTACHING PARTS

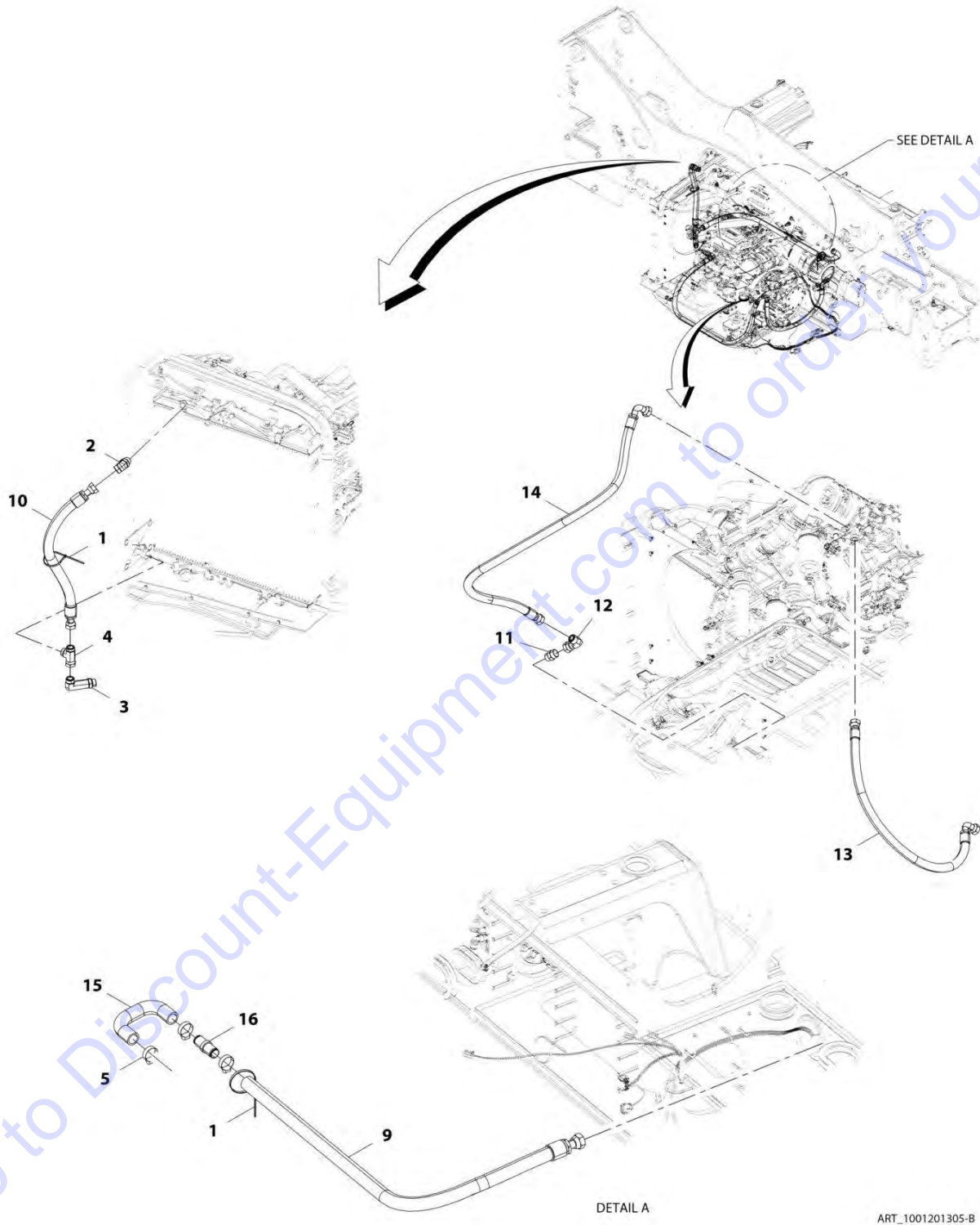
FIGURE 4-23. SURGE TANK INSTALLATION

ITEM	PART NUMBER	QTY	DESCRIPTION	REV
	1001201304	Ref	Surge Tank Installation	B
1	0700816	2	Bolt, M8X40	
2	0791605	4	Screw	
3	4811900	2	Washer, M8	
4	1001138827	1	Sensor, Coolant Level	
5	1001128144	1	Tank, Coolant	
6	1001128341	1	Cap	
7	1001169368	2	Fitting, Hose Barb	
8	1001201317	1	Bracket, Coolant Tank	

Go to Discount-Equipment.com to order your parts

# SECTION 4 - ENGINE AND ATTACHING PARTS

## FIGURE 4-24. TRANSMISION OIL COOLER LINES INSTALLATION



ART\_1001201305-B

## SECTION 4 - ENGINE AND ATTACHING PARTS

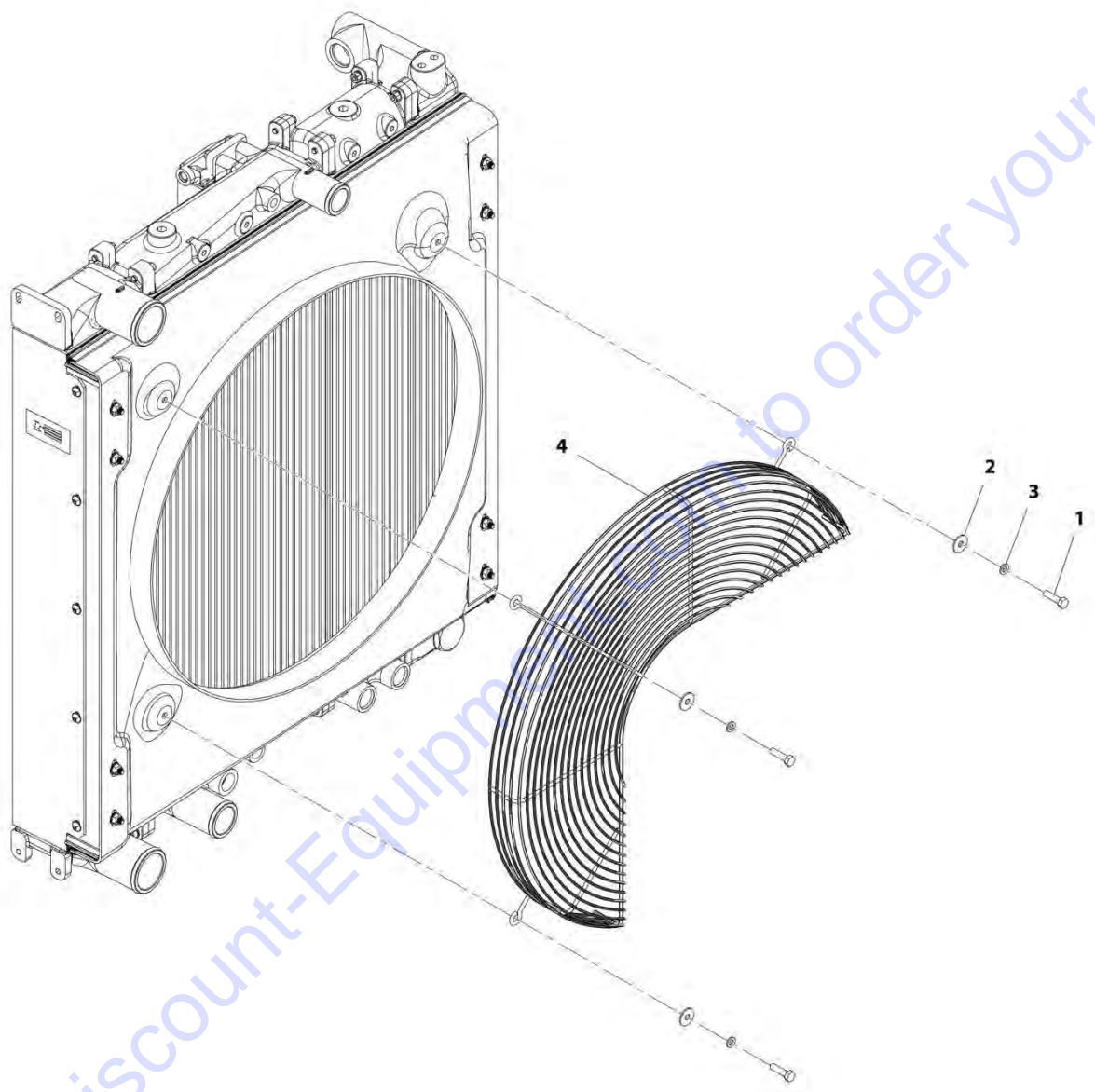
**FIGURE 4-24. TRANSMISION OIL COOLER LINES INSTALLATION**

ITEM	PART NUMBER	QTY	DESCRIPTION	REV
	1001201305	Ref	Transmission Oil Cooler Lines Installation	B
1	1062255	AR	Strap, Tie	
2	2151616	1	Fitting, 45 ORFS	
3	2170216	1	Fitting, 90 ORFS	
4	2170716	1	Fitting, Tee ORFS	
5	8405102	3	Clamp, Gear	
9	1001205564	1	Hose	
10	1001205565	1	Hose	
11	2111616	1	Fitting, Straight ORFS	
12	2172116	1	Fitting, 90 ORFS	
13	1001211616	1	Hose	
14	1001211617	1	Hose	
15	1001212920	1	Hose	
16	1001212921	1	Fitting, Straight	

Go to Discount-Equipment.com to order your parts

# SECTION 4 - ENGINE AND ATTACHING PARTS

## FIGURE 4-25. FAN GUARD INSTALLATION



ART\_1001160420-D

## SECTION 4 - ENGINE AND ATTACHING PARTS

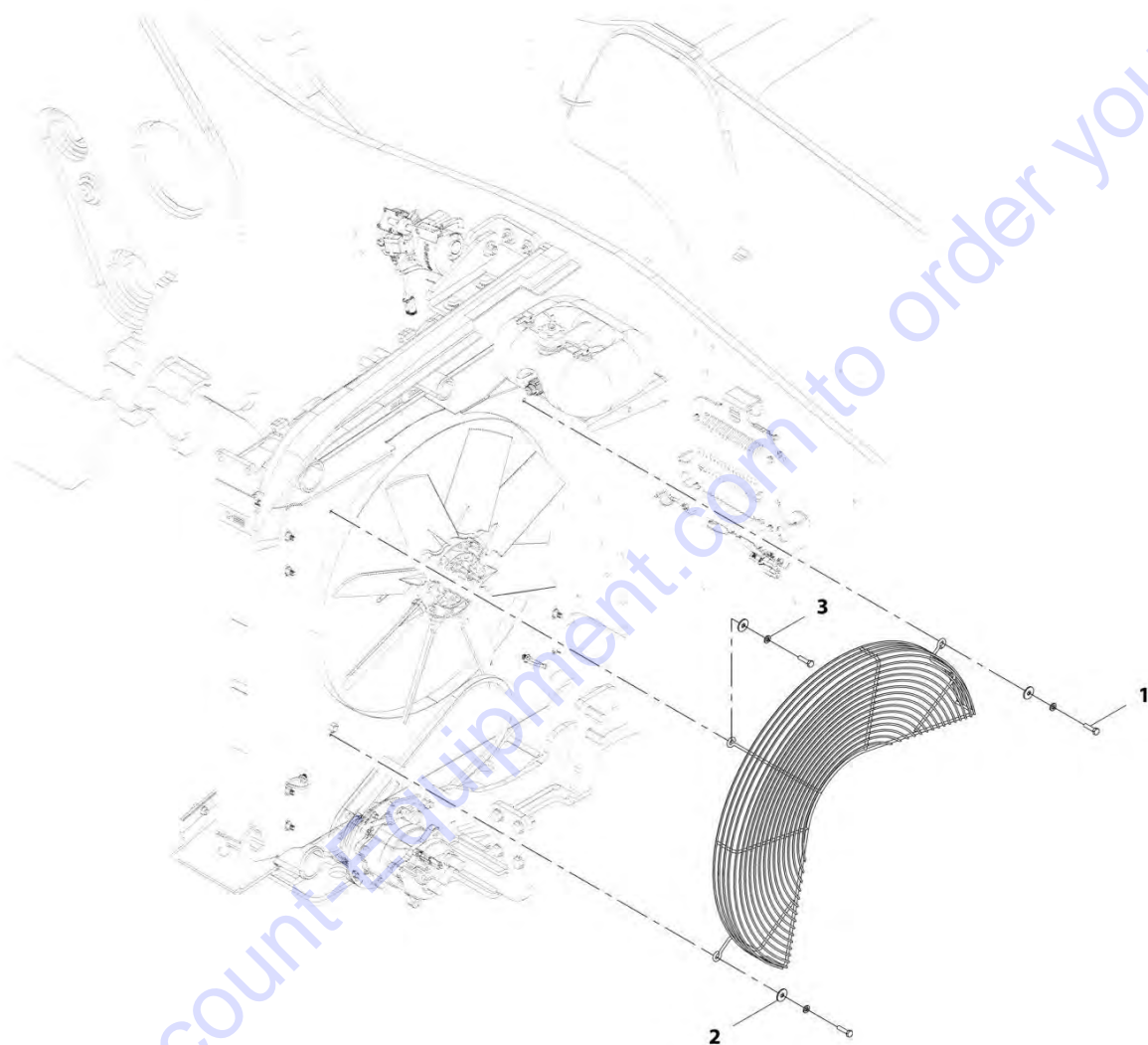
FIGURE 4-25. FAN GUARD INSTALLATION

ITEM	PART NUMBER	QTY	DESCRIPTION	REV
	1001160420	Ref	Fan Guard Installation	D
1	0700814	3	Bolt, M8X30	
2	4811902	3	Washer, M8	
3	4831900	3	Washer, Lock M8	
4	1001167186	1	Grill	

Go to Discount-Equipment.com to order your parts

## SECTION 4 - ENGINE AND ATTACHING PARTS

FIGURE 4-26. FAN GUARD (REVERSING) INSTALLATION



ART\_1001217754-B

## SECTION 4 - ENGINE AND ATTACHING PARTS

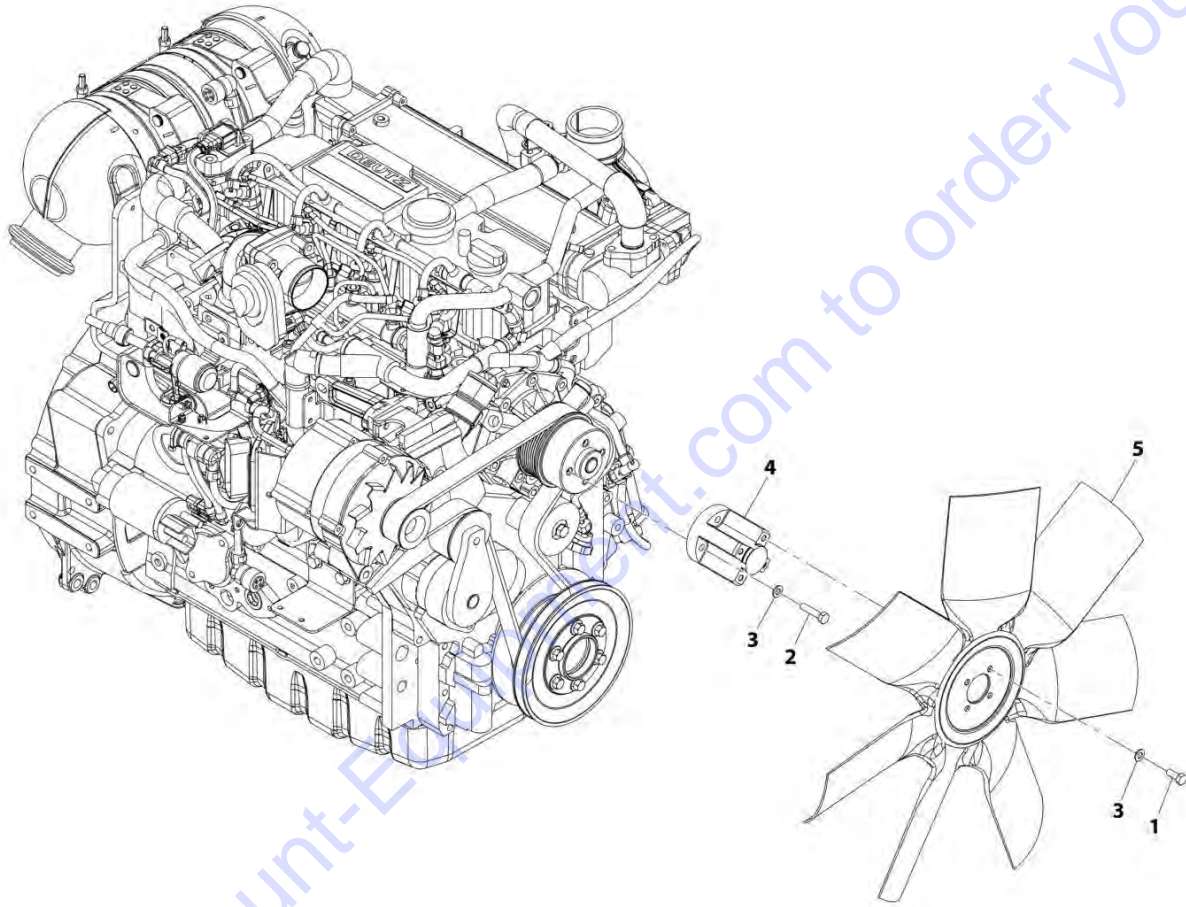
FIGURE 4-26. FAN GUARD (REVERSING) INSTALLATION

ITEM	PART NUMBER	QTY	DESCRIPTION	REV
	1001217754	1	Fan Guard (Reversing) Installation	B
1	0700814	3	Bolt, M8X30	
2	4811902	3	Washer, M8	
3	4831900	3	Washer, Lock M8	
4	1001217755	1	Grill	

Go to Discount-Equipment.com to order your parts

# SECTION 4 - ENGINE AND ATTACHING PARTS

## FIGURE 4-27. COOLING FAN INSTALLATION



ART\_1001214123-A



## SECTION 4 - ENGINE AND ATTACHING PARTS

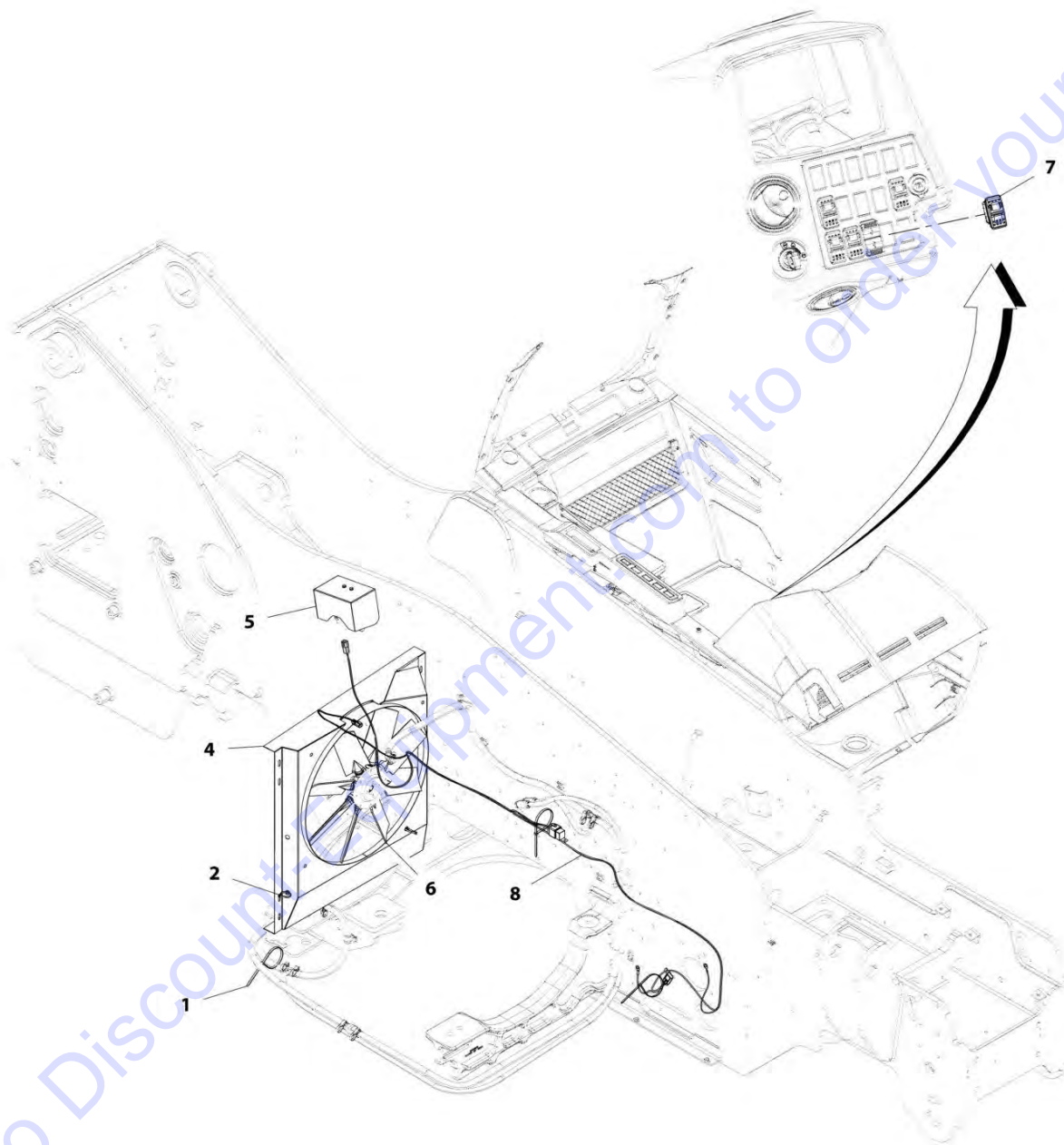
FIGURE 4-27. COOLING FAN INSTALLATION

ITEM	PART NUMBER	QTY	DESCRIPTION	REV
	1001214123	Ref	Cooling Fan Installation	A
1	0760810	4	Bolt, M8X20	
2	0770815	4	Bolt, M8X35 Grade 10.9	
3	4811900	8	Washer, M8	
4	1001170311	1	Adapter, Fan	
5	1001185026	1	Fan	

Go to Discount-Equipment.com to order your parts

# SECTION 4 - ENGINE AND ATTACHING PARTS

## FIGURE 4-28. REVERSE COOLING FAN INSTALLATION



ART\_1001217753-C

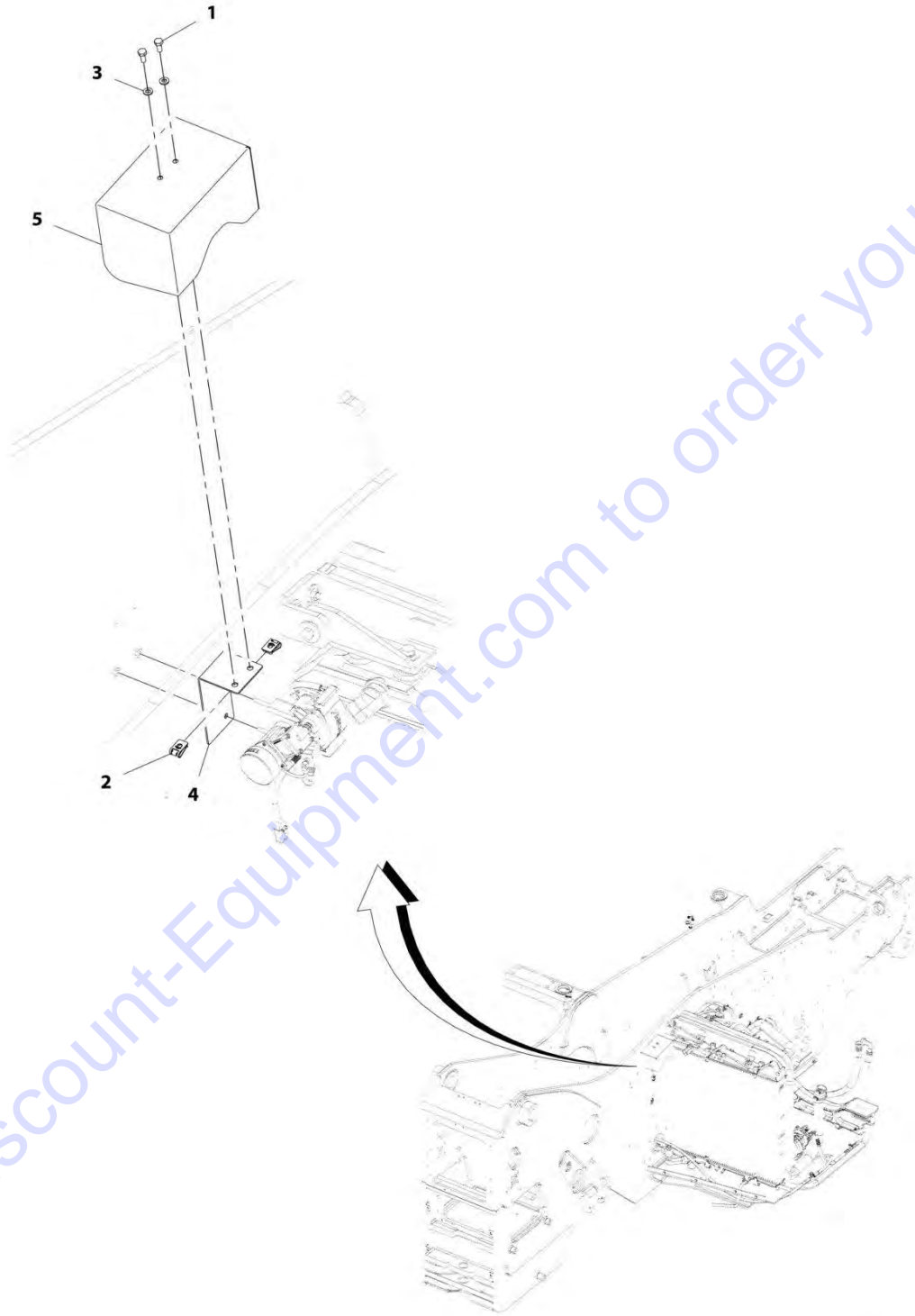
## SECTION 4 - ENGINE AND ATTACHING PARTS

FIGURE 4-28. REVERSE COOLING FAN INSTALLATION

ITEM	PART NUMBER	QTY	DESCRIPTION	REV
	1001217753	Ref	Reverse Cooling Fan Installation	C
1	1062255	3	Strap, Tie	
2	1001146588	2	Strap, Fir Tree Cable Tie	
4	1001217756	1	Shroud	
5	1001217757	1	Installation, Cover (See Separate Breakdown in this Section)	
6	1001217760	1	Kit, Reversing Fan	
7	1001145204	1	Switch	
8	1001221493	1	Harness, Reversing Fan (See Separate Breakdown in Electrical Section)	

# SECTION 4 - ENGINE AND ATTACHING PARTS

FIGURE 4-29. COMPRESSOR COVER INSTALLATION



ART\_1001217757-A

## SECTION 4 - ENGINE AND ATTACHING PARTS

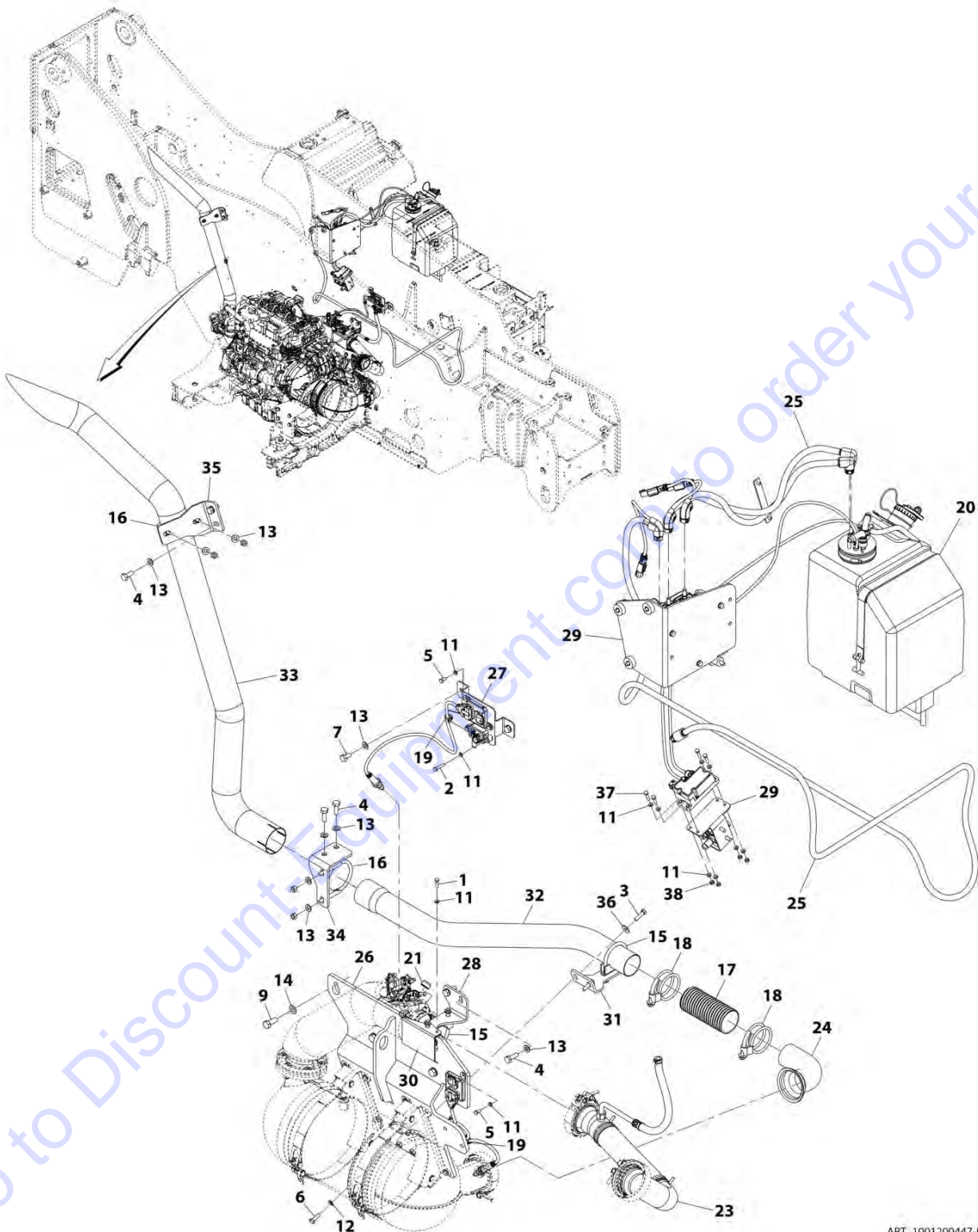
FIGURE 4-29. COMPRESSOR COVER INSTALLATION

ITEM	PART NUMBER	QTY	DESCRIPTION	REV
	1001217757	Ref	Compressor Cover Installation	A
1	0760607	2	Bolt, M6X14	
2	8305919	2	Nut, M6	
3	8307219	2	Washer, M6	
4	1001217758	1	Bracket	
5	1001217759	1	Cover	

Go to Discount-Equipment.com to order your parts

# SECTION 4 - ENGINE AND ATTACHING PARTS

## FIGURE 4-30. EXHAUST INSTALLATION (ULS)



ART\_1001200447-I

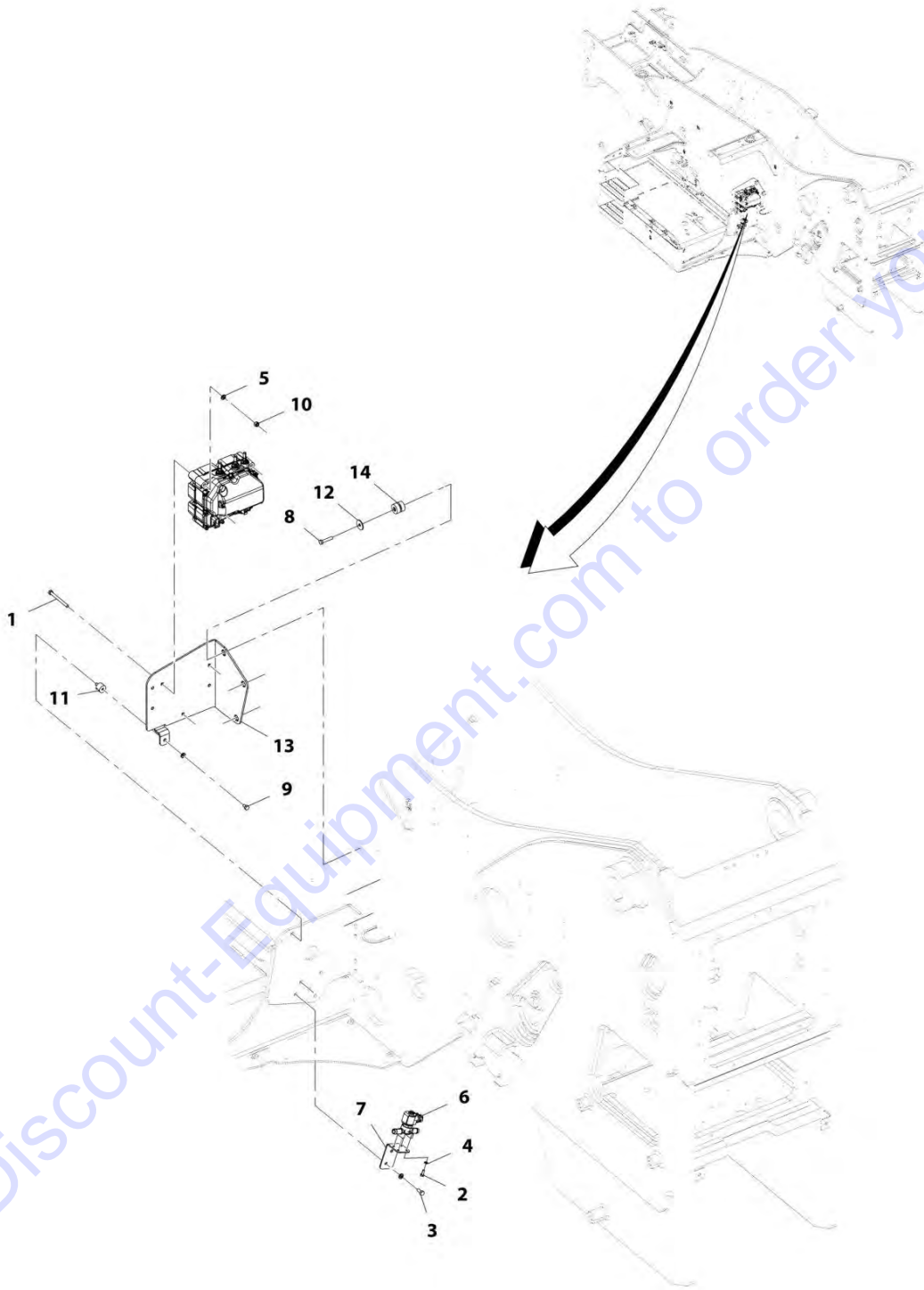
## SECTION 4 - ENGINE AND ATTACHING PARTS

**FIGURE 4-30. EXHAUST INSTALLATION (ULS)**

ITEM	PART NUMBER	QTY	DESCRIPTION	REV
	1001200447	Ref	Exhaust Installation (ULS)	1
1	0700610	1	Bolt, M6X20	
2	0700614	2	Bolt, M6X30	
3	0700814	2	Bolt, M8X30	
4	0701014	6	Bolt, M10X30	
5	0760607	4	Bolt, M6X14	
6	0760812	8	Bolt, M8X25	
7	0761010	2	Bolt, M10X20	
9	0761214	4	Bolt, M12X30	
11	4811700	1	Washer, M6	
12	4811900	8	Washer, M8	
13	4812000	12	Washer, M10	
14	4812100	4	Washer, M12	
15	8275212	2	Clamp	
16	24921332	2	Clamp	
17	77213042	1	Tube, Flexible	
18	91163268	2	Clamp	
19	1001146588	3	Strap, Tie	
20	1001212923	Ref	Installation, DEF Tank, (See Seperate Breakdown in this Section)	
21	1001171913	1	Cap	
23	1001199902	1	Pipe	
24	1001200249	1	Pipe	
25	1001200867	Ref	Installation, DEF Lines (See Seperate Breakdown in this Section)	
26	1001201856	1	Bracket	
27	1001201857	1	Bracket	
28	1001201858	1	Support	
29	1001202018	Ref	Installation, DEF Control Module (See Seperate Breakdown in this Section)	
30	1001202021	1	Plate	
31	1001202899	1	Bracket	
32	1001204411	1	Pipe	
33	1001226797	1	Pipe, Tail	
34	1001204413	1	Bracket	
35	1001204414	1	Bracket	
36	4811902	2	Washer, M8	
37	0760612	4	Bolt, M6X25	
38	3290605	4	Nut, M6X1	

# SECTION 4 - ENGINE AND ATTACHING PARTS

## FIGURE 4-31. DEF CONTROL MODULE INSTALLATION



ART\_1001202018-E



## SECTION 4 - ENGINE AND ATTACHING PARTS

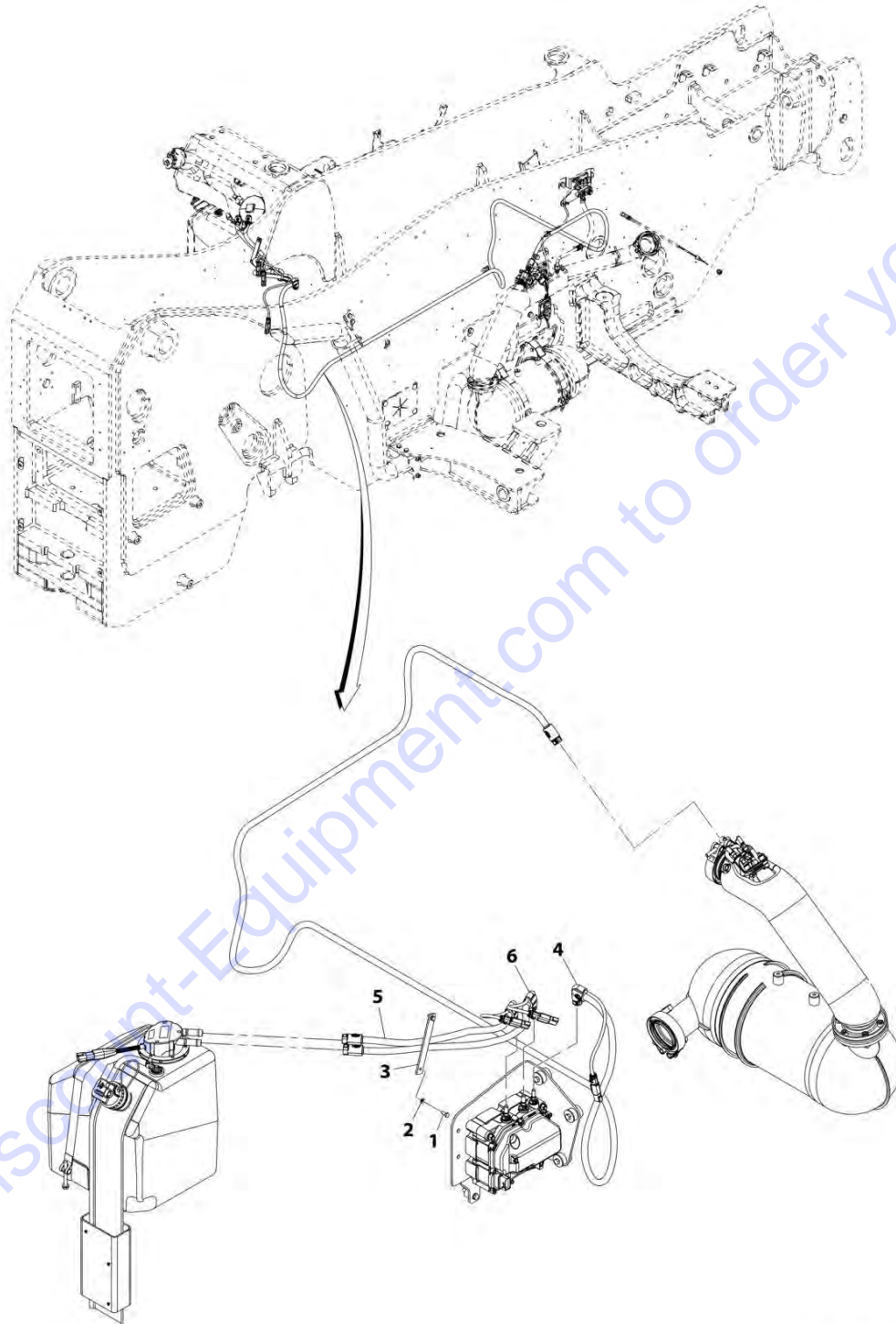
**FIGURE 4-31. DEF CONTROL MODULE INSTALLATION**

ITEM	PART NUMBER	QTY	DESCRIPTION	REV
	1001202018	Ref	DEF Control Module Installation	E
1	0700826	3	Bolt, M8X90	
2	0760608	4	Bolt, M6X16	
3	0760810	2	Bolt, M8X20	
4	4811700	4	Washer, M6	
5	4811900	9	Washer, M8	
6	1001199670	1	Valve, DEF Tank Coolant Flow	
7	1001223509	1	Bracket	
8	0700816	3	Bolt, M8X40	
9	0760806	1	Bolt, M8X12	
10	3290805	3	Nut, Lock M8X1.25 Grade 8	
11	1001179907	1	Mount, Isolator	
12	1001195089	3	Washer	
13	1001221349	1	Bracket	
14	1001221383	3	Mount, Isolator	

Go to Discount-Equipment.com to order your parts

# SECTION 4 - ENGINE AND ATTACHING PARTS

## FIGURE 4-32. DEF LINES INSTALLATION



ART\_1001200867-D

## SECTION 4 - ENGINE AND ATTACHING PARTS

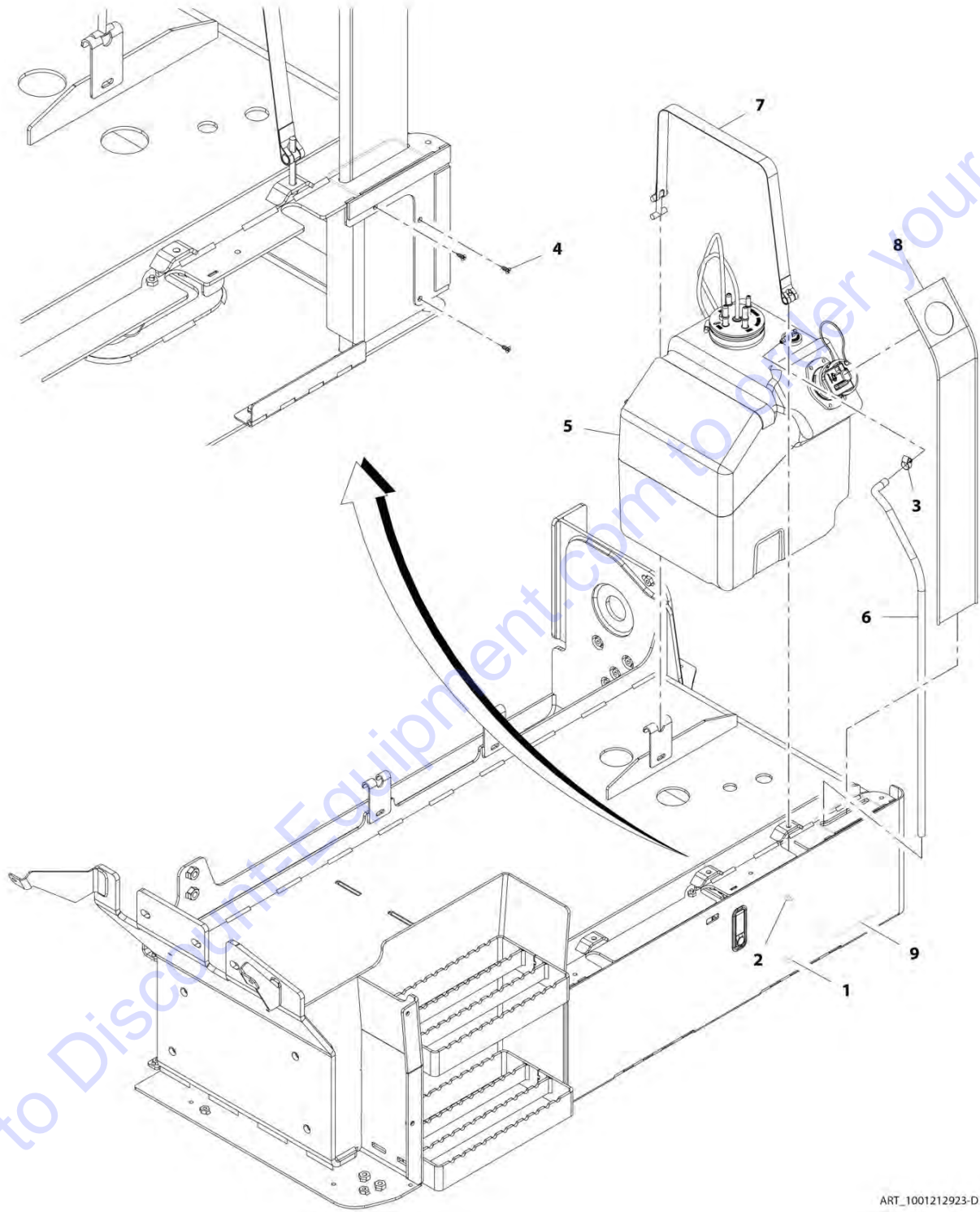
FIGURE 4-32. DEF LINES INSTALLATION

ITEM	PART NUMBER	QTY	DESCRIPTION	REV
	1001200867	Ref	DEF Lines Installation	D
1	0760607	2	Bolt, M6X14	
2	4831700	2	Washer, Lock M6	
3	1001173873	1	Plate	
4	1001180437	1	Hose	
5	1001199822	1	Hose	
6	1001199823	1	Hose	

Go to Discount-Equipment.com to order your parts

# SECTION 4 - ENGINE AND ATTACHING PARTS

## FIGURE 4-33. DEF TANK INSTALLATION



ART\_1001212923-D

# PARTS FINDER

**Search Website  
by Part Number**



**Search Manual  
Library For Parts  
Manual & Lookup Part  
Numbers – Purchase  
or Request Quote**

**Can't Find Part or  
Manual? Request Help  
by Manufacturer,  
Model & Description**

Discount-Equipment.com is your online resource for quality parts & equipment.

Florida: **561-964-4949** Outside Florida TOLL FREE: **877-690-3101**

## Need parts?

Click on this link: <http://www.discount-equipment.com/category/5443-parts/> and choose one of the options to help get the right parts and equipment you are looking for. Please have the machine model and serial number available in order to help us get you the correct parts. If you don't find the part on the website or on one of the online manuals, please fill out the request form and one of our experienced staff members will get back to you with a quote for the right part that your machine needs.

We sell worldwide for the brands: Genie, Terex, JLG, MultiQuip, Mikasa, Essick, Whiteman, Mayco, Toro Stone, Diamond Products, Generac Magnum, Airman, Haulotte, Barreto, Power Blanket, Nifty Lift, Atlas Copco, Chicago Pneumatic, Allmand, Miller Curber, Skyjack, Lull, Skytrak, Tsurumi, Husquvarna Target, Stow, Wacker, Sakai, Mi-T-M, Sullair, Basic, Dynapac, MBW, Weber, Bartell, Bennar Newman, Haulotte, Ditch Runner, Menegotti, Morrison, Contec, Buddy, Crown, Edco, Wyco, Bomag, Laymor, EZ Trench, Bil-Jax, F.S. Curtis, Gehl Pavers, Heli, Honda, ICS/PowerGrit, IHI, Partner, Imer, Clipper, MMD, Koshin, Rice, CH&E, General Equipment, Amida, Coleman, NAC, Gradall, Square Shooter, Kent, Stanley, Tamco, Toku, Hatz, Kohler, Robin, Wisconsin, Northrock, Oztec, Toker TK, Rol-Air, APT, Wylie, Ingersoll Rand / Doosan, Innovatech, Con X, Ammann, Mecalac, Makinex, Smith Surface Prep, Small Line, Wanco, Yanmar

## SECTION 4 - ENGINE AND ATTACHING PARTS

FIGURE 4-33. DEF TANK INSTALLATION

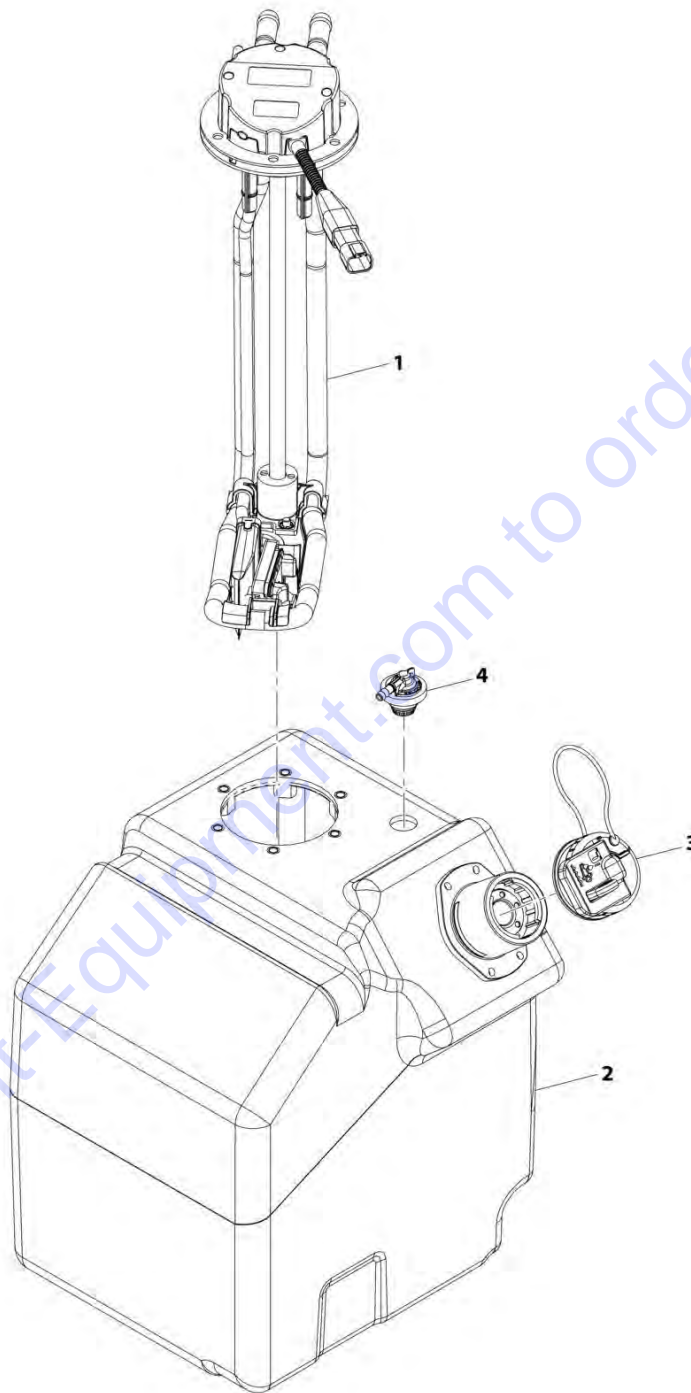
ITEM	PART NUMBER	QTY	DESCRIPTION	REV
	1001212923	Ref	DEF Tank Installation	D
1	0760823	1	Bolt, M8X75	
2	4811900	1	Washer, M8	
3	8405009	1	Clamp	
4	1001226681	3	Screw	
5	1001230423	1	Assembly, DEF Tank (See Seperate Breakdown in this Section)	
6	1001175201	813 mm	Hose	
7	1001178791	1	Strap, Tank	
8	1001212924	1	Guard, Spill	
9	1001212925	1	Tube, Drain	

Go to Discount-Equipment.com to order your parts



# SECTION 4 - ENGINE AND ATTACHING PARTS

## FIGURE 4-34. DEF TANK ASSEMBLY



ART\_1001225676-B

## SECTION 4 - ENGINE AND ATTACHING PARTS

FIGURE 4-34. DEF TANK ASSEMBLY

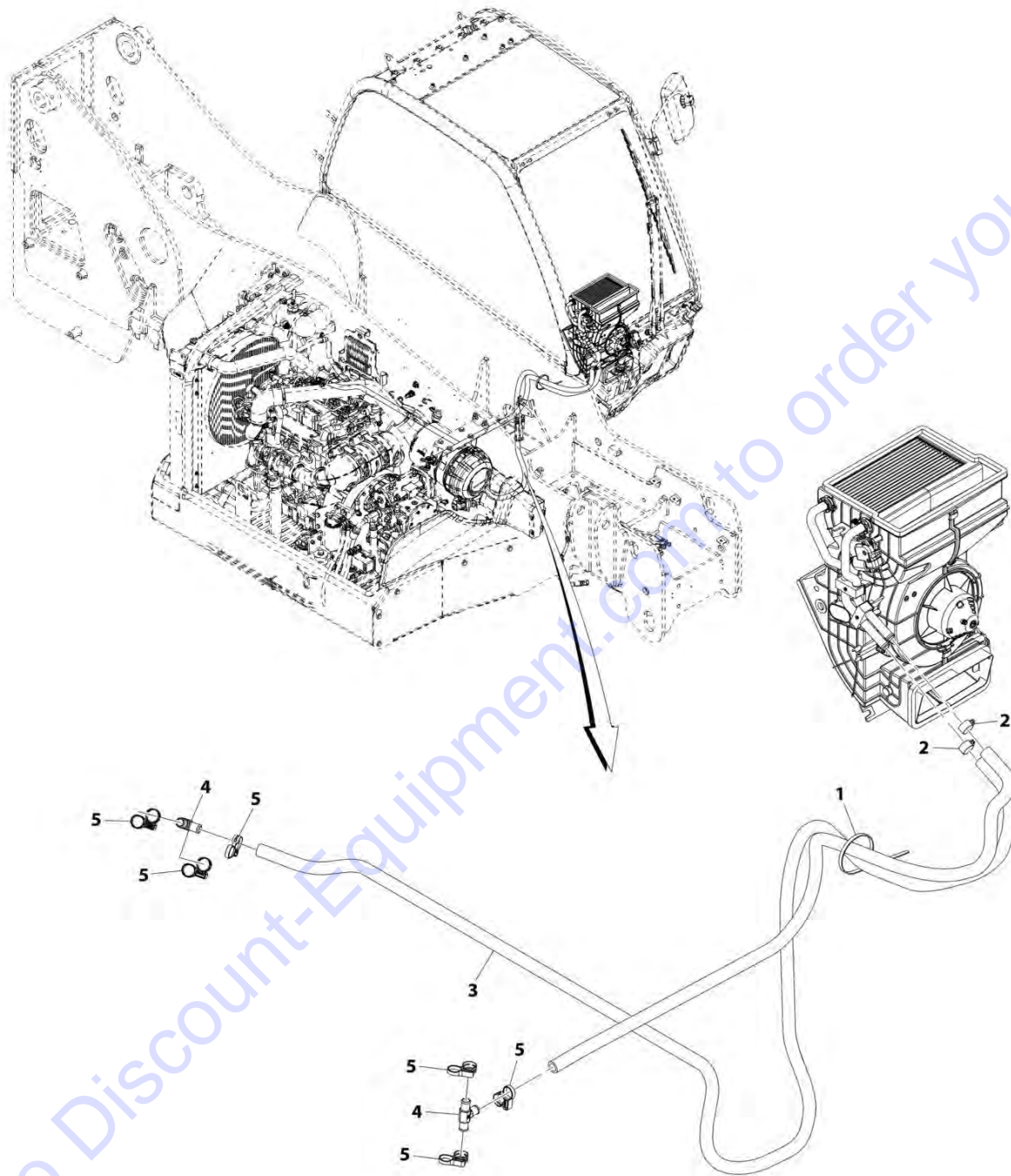
ITEM	PART NUMBER	QTY	DESCRIPTION	REV
	1001225676	Ref	Def Tank Assembly	B
1	1001225677	1	DEF, Header	
2	1001164967	1	Tank, DEF	
3	1001174795	1	Cap	
4	1001215319	1	Valve, DEF Breather	

Go to Discount-Equipment.com to order your parts



# SECTION 4 - ENGINE AND ATTACHING PARTS

## FIGURE 4-35. HEATER LINES INSTALLATION (ULS)



ART\_1001200451-D

## SECTION 4 - ENGINE AND ATTACHING PARTS

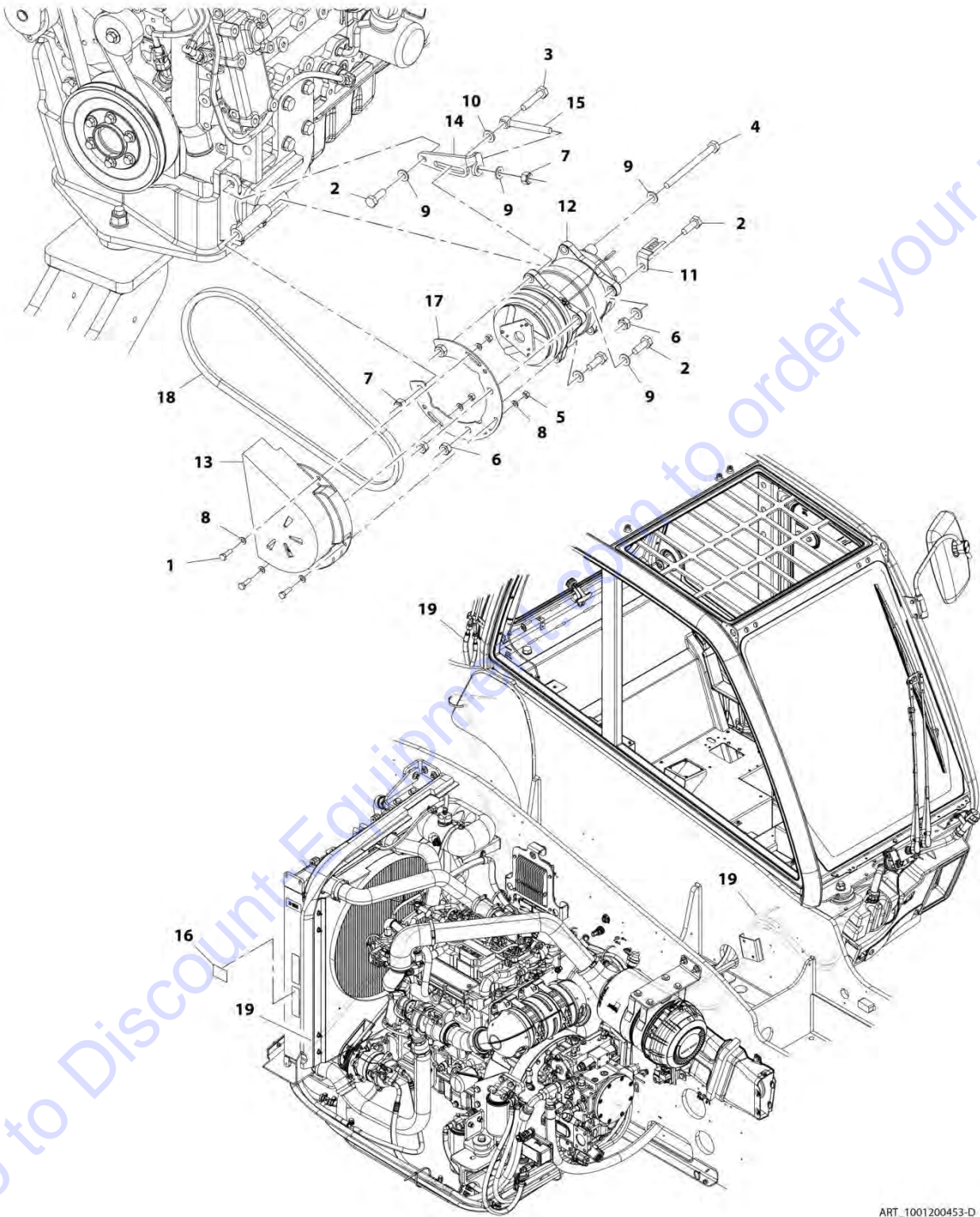
FIGURE 4-35. HEATER LINES INSTALLATION (ULS)

ITEM	PART NUMBER	QTY	DESCRIPTION	REV
	1001200451	Ref	Heater Lines Installation (ULS)	D
1	1062255	AR	Strap, Tie	
2	8410009	2	Clamp	
3	82033995	4620 mm	Hose	
4	1001170432	2	Fitting, Tee	
5	1001202526	6	Clamp	

Go to Discount-Equipment.com to order your parts

# SECTION 4 - ENGINE AND ATTACHING PARTS

## FIGURE 4-36. A/C PUMP INSTALLATION



ART\_1001200453-D

## SECTION 4 - ENGINE AND ATTACHING PARTS

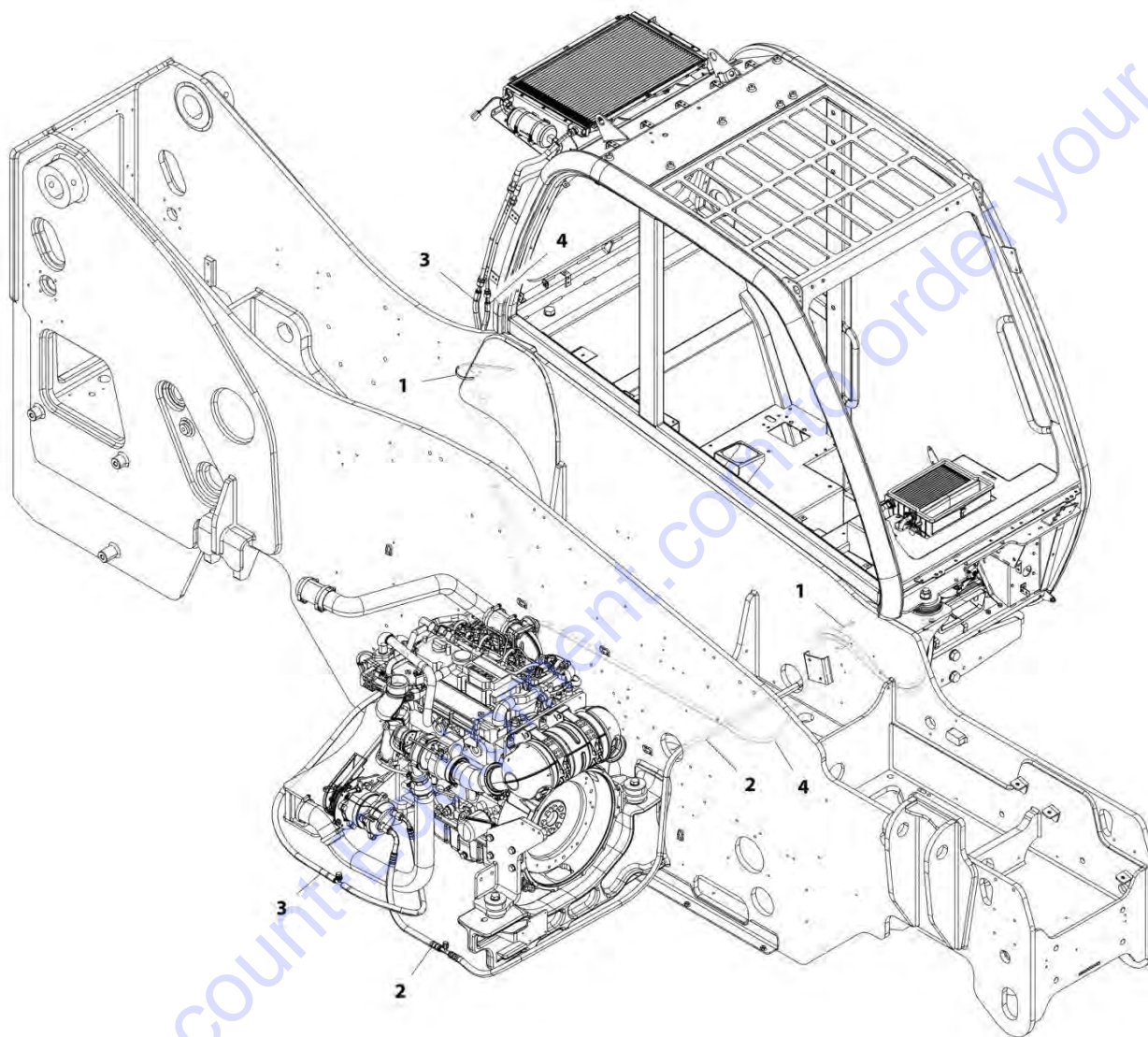
**FIGURE 4-36. A/C PUMP INSTALLATION**

ITEM	PART NUMBER	QTY	DESCRIPTION	REV
	1001200453	Ref	A/C Pump Installation	D
1	0700610	3	Bolt, M6X20	
2	0701014	4	Bolt, M10X30	
3	0701018	1	Bolt, M10X50	
4	0711030	1	Bolt, M10X130 Grade 10.9	
5	3290605	3	Nut, Lock M6X1	
6	3291001	3	Nut, M10X1.5	
7	3291005	2	Nut, lock M10X1.5	
8	4811700	6	Washer, M6	
9	4812000	6	Washer, M10	
10	5241000	1	Washer, M10	
11	1001003305	1	Clip	
12	1001107339	1	Compressor, A/C Clutch	
13	1001138945	1	Cover, Compressor	
14	1001188855	1	Plate, A/C Belt Tensioner	
15	1001188856	1	Rod, Tensioner	
16	1001227090	1	Decal, A/C Installation	
17	1001193797	1	Support, Cover	
18	1001200701	1	Belt, Drive	
19	1001202321	Ref	A/C Lines Installation (See Seperate Breakdown in this Section)	



# SECTION 4 - ENGINE AND ATTACHING PARTS

## FIGURE 4-37. A/C LINES INSTALLATION



ART\_1001202321-D

## SECTION 4 - ENGINE AND ATTACHING PARTS

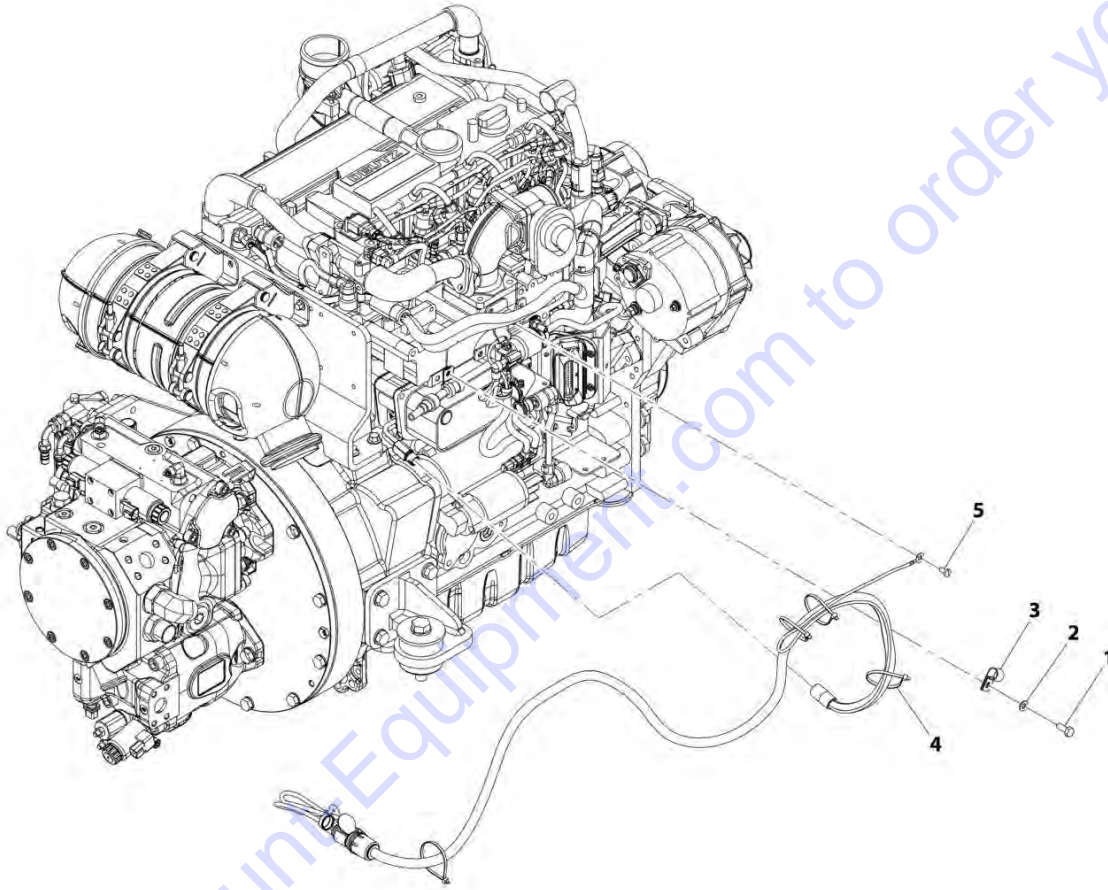
FIGURE 4-37. A/C LINES INSTALLATION

ITEM	PART NUMBER	QTY	DESCRIPTION	REV
	1001202321	Ref	A/C Lines Installation	D
1	1062255	2	Strap, Tie	
2	1001216798	1	Hose	
3	1001216799	1	Hose	
4	1001202325	1	Hose	

Go to Discount-Equipment.com to order your parts

# SECTION 4 - ENGINE AND ATTACHING PARTS

FIGURE 4-38. BLOCK HEATER INSTALLATION (115V) (ULS)



ART\_1001214349-C

## SECTION 4 - ENGINE AND ATTACHING PARTS

FIGURE 4-38. BLOCK HEATER INSTALLATION (115V) (ULS)

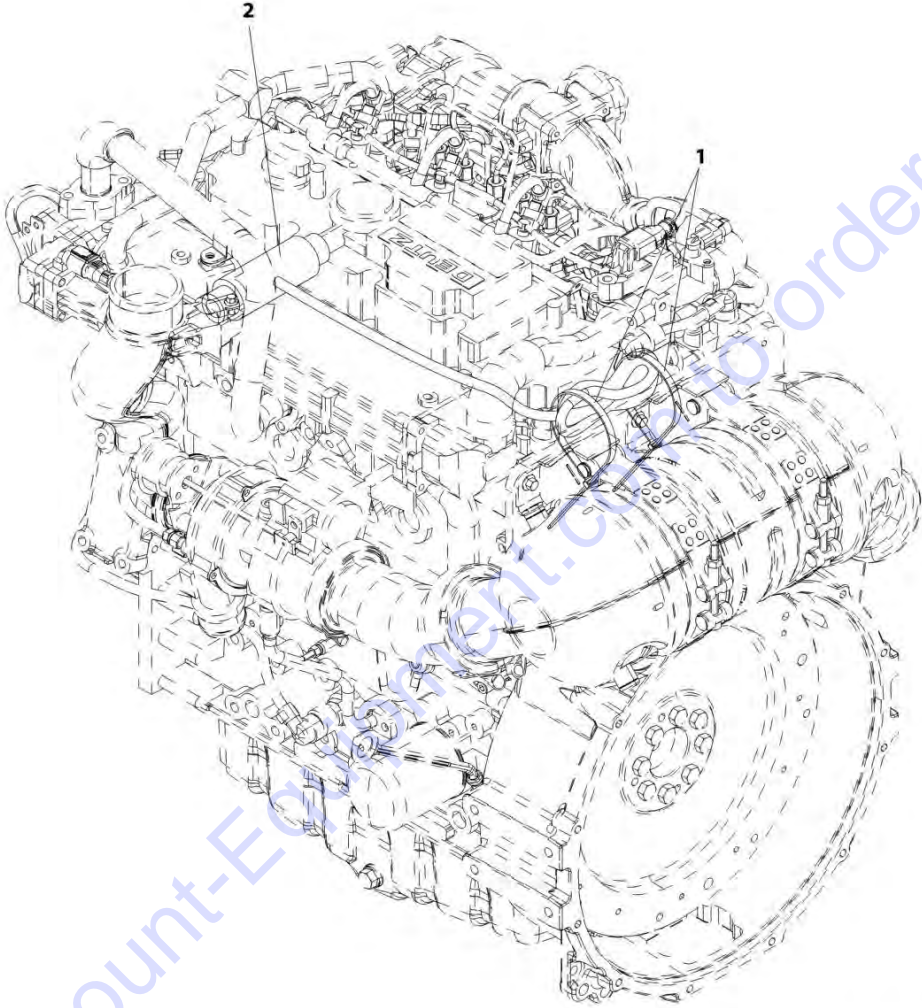
ITEM	PART NUMBER	QTY	DESCRIPTION	REV
	1001214349	1	Block Heater Installation (115V) (ULS)	C
1	0760810	1	Bolt, M8X20	
2	4811900	1	Washer, M8	
3	8406112	1	Clip	
4	1001008559	4	Strap, Cable	
5	1001099566	1	Screw, M6-1X12	

Go to Discount-Equipment.com to order your parts



**SECTION 4 - ENGINE AND ATTACHING PARTS**

**FIGURE 4-39. HEATED BREATHER TUBE INSTALLATION**



ART\_1001233024-A

## SECTION 4 - ENGINE AND ATTACHING PARTS

FIGURE 4-39. HEATED BREATHER TUBE INSTALLATION

ITEM	PART NUMBER	QTY	DESCRIPTION	REV
	1001233024	Ref	Heated Breather Tube Installation	A
1	1062255	2	Strap, Tie	
2	1001232509	1	Hose	

Go to Discount-Equipment.com to order your parts

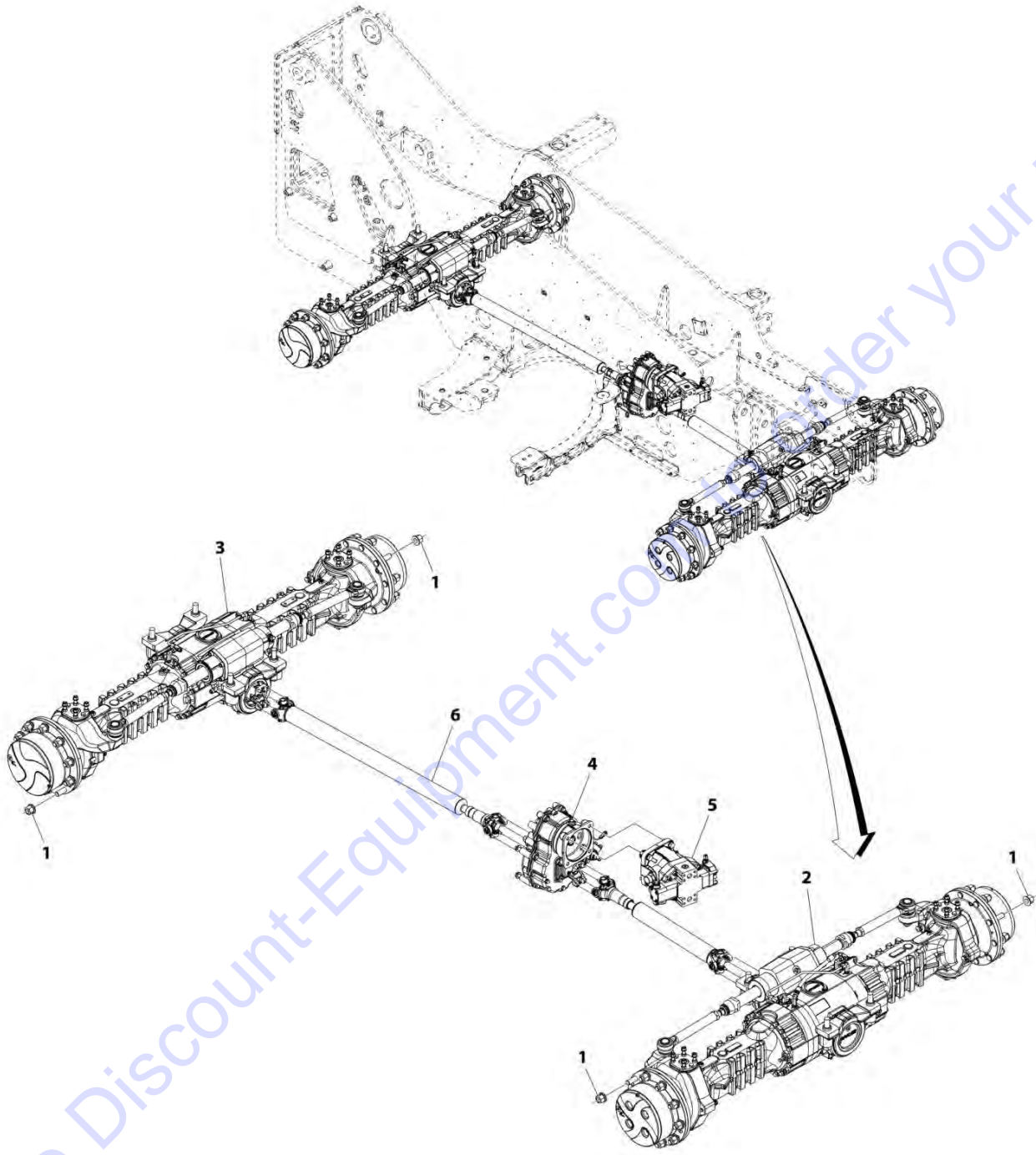


**SECTION 5 - DRIVETRAIN**

Go to Discount-Equipment.com to order your parts

# SECTION 5 - DRIVETRAIN

## FIGURE 5-1. DRIVETRAIN INSTALLATION



ART\_1001184976-B

**SECTION 5 - DRIVETRAIN**

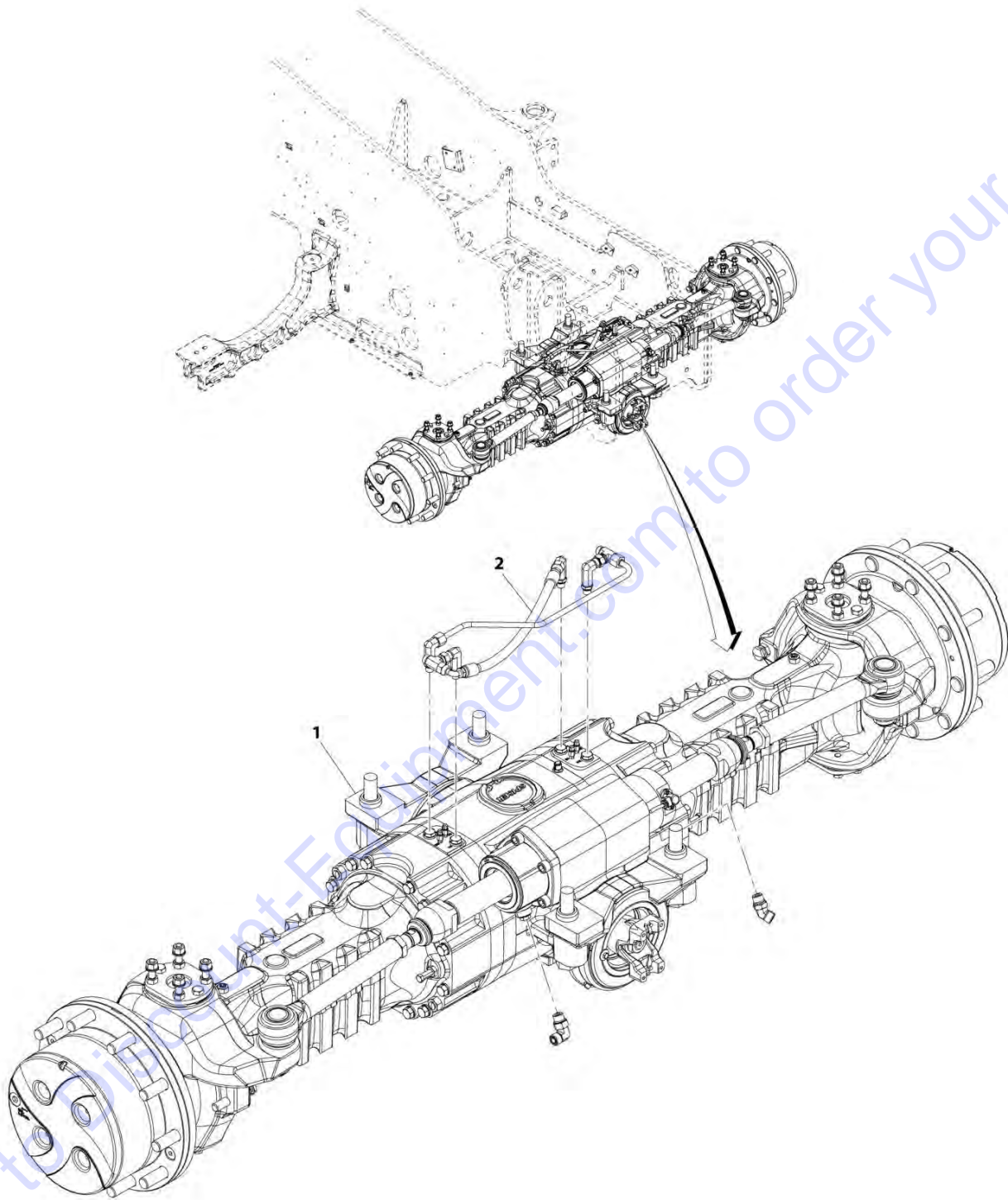
**FIGURE 5-1. DRIVETRAIN INSTALLATION**

ITEM	PART NUMBER	QTY	DESCRIPTION	REV
	1001184976	Ref	Drivetrain Installation	B
1	91403193	40	Nut, Lug M22X1.5	
2	1001184977	Ref	Installation, Front Axle (See Seperate Breakdown in this Section)	
3	1001184978	Ref	Installation, Rear Axle (See Seperate Breakdown in this Section)	
4	1001184979	Ref	Installation, Gearbox (See Seperate Breakdown in this Section)	
5	1001184980	Ref	Installation, Hydrostatic Motor (See Seperate Breakdown in this Section)	
6	1001184981	Ref	Installation, Drive Shaft (See Seperate Breakdown in this Section)	

Go to Discount-Equipment.com to order your parts

# SECTION 5 - DRIVETRAIN

## FIGURE 5-2. FRONT AXLE INSTALLATION



ART\_1001184977-B

**SECTION 5 - DRIVETRAIN**

**FIGURE 5-2. FRONT AXLE INSTALLATION**

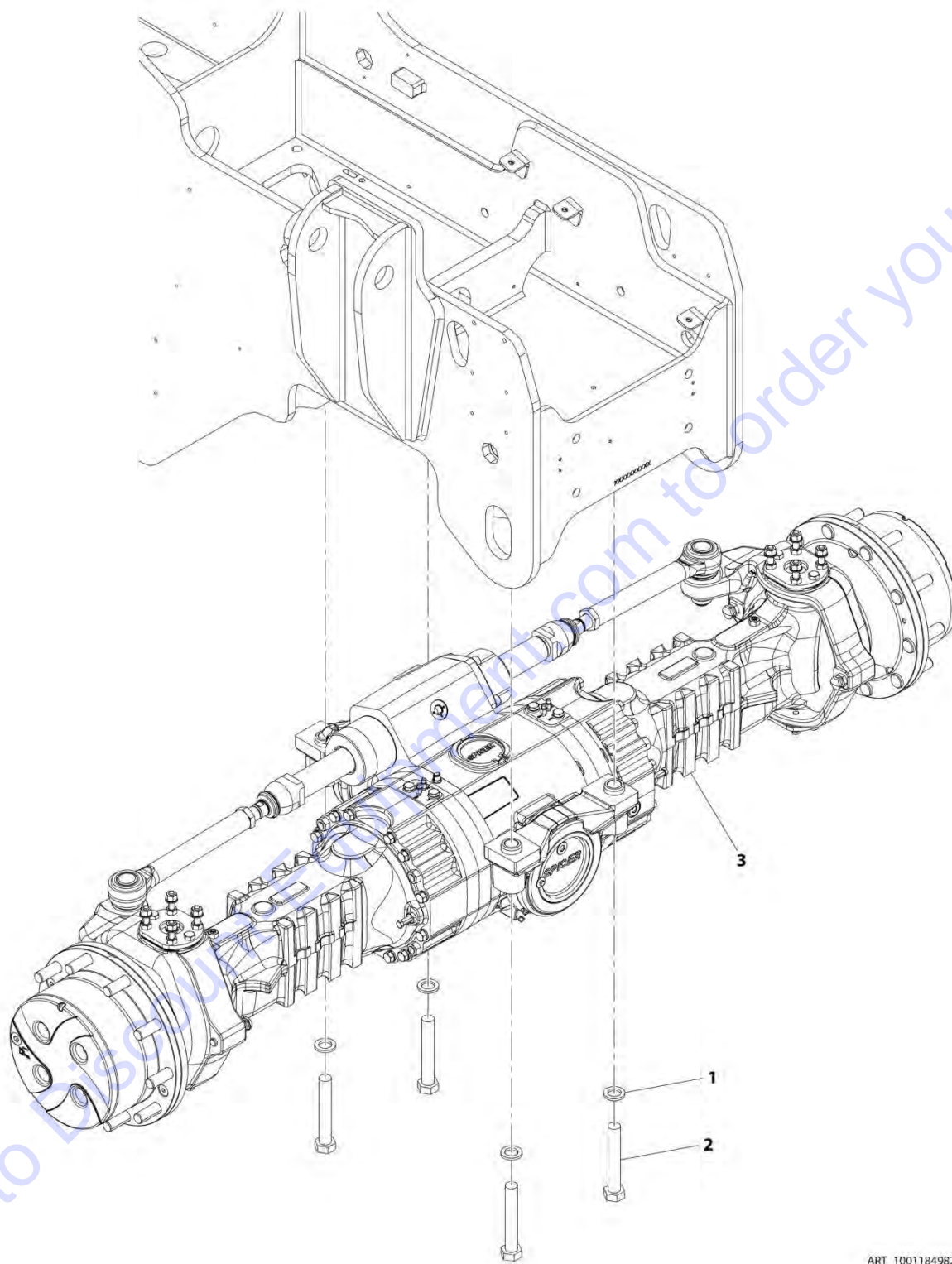
ITEM	PART NUMBER	QTY	DESCRIPTION	REV
1	1001184977	Ref	Front Axle Installation	B
	1001184982	Ref	Installation, Front Axle Mounting (See Seperate Breakdown in this Section)	
2	1001207898	Ref	Installation, Front Axle Lines (See Seperate Breakdown in this Section)	

Go to Discount-Equipment.com to order your parts



# SECTION 5 - DRIVETRAIN

## FIGURE 5-3. FRONT AXLE MOUNTING INSTALLATION



ART\_1001184982-B

**SECTION 5 - DRIVETRAIN**

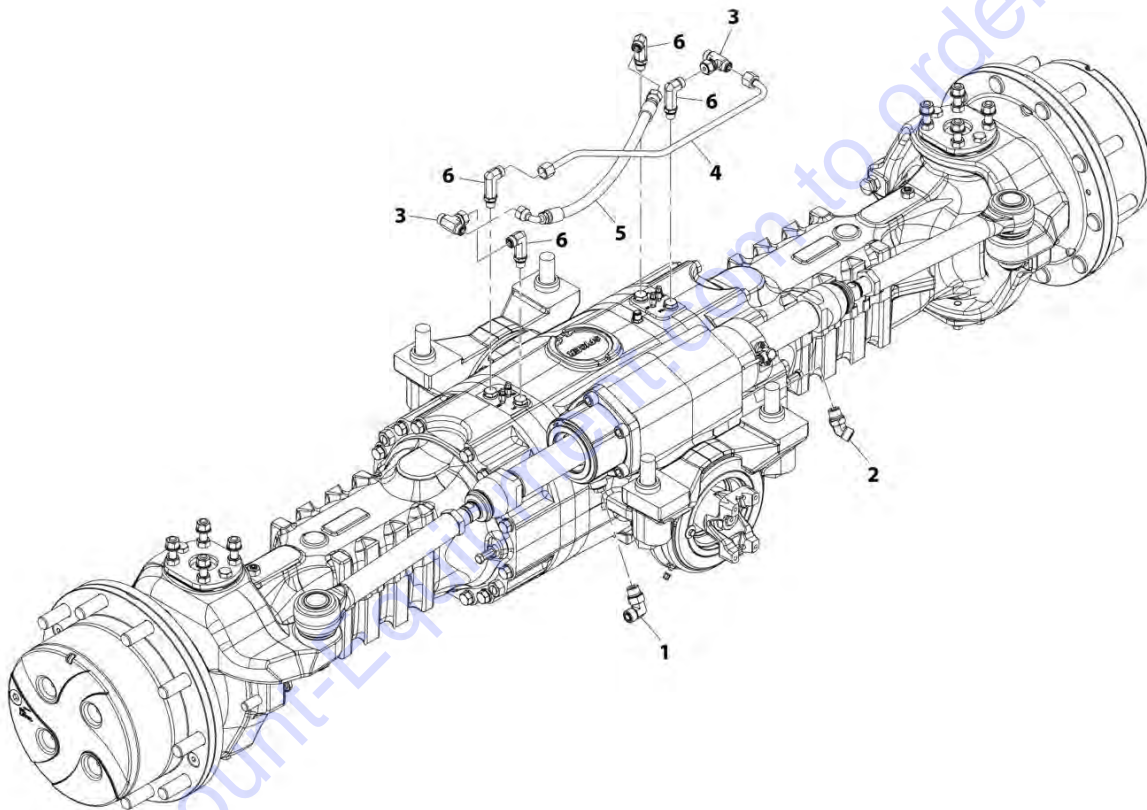
**FIGURE 5-3. FRONT AXLE MOUNTING INSTALLATION**

ITEM	PART NUMBER	QTY	DESCRIPTION	REV
	1001184982	Ref	Front Axle Mounting Installation	B
1	4892600	4	Washer	
2	1001097587	4	Bolt, M24-3X150 Grade 10.9	
3	1001184984	1	Axle, Front (See Seperate Breakdown in this Section)	

Go to Discount-Equipment.com to order your parts

## SECTION 5 - DRIVETRAIN

FIGURE 5-4. FRONT AXLE LINES INSTALLATION



ART\_1001207898-C

**SECTION 5 - DRIVETRAIN**

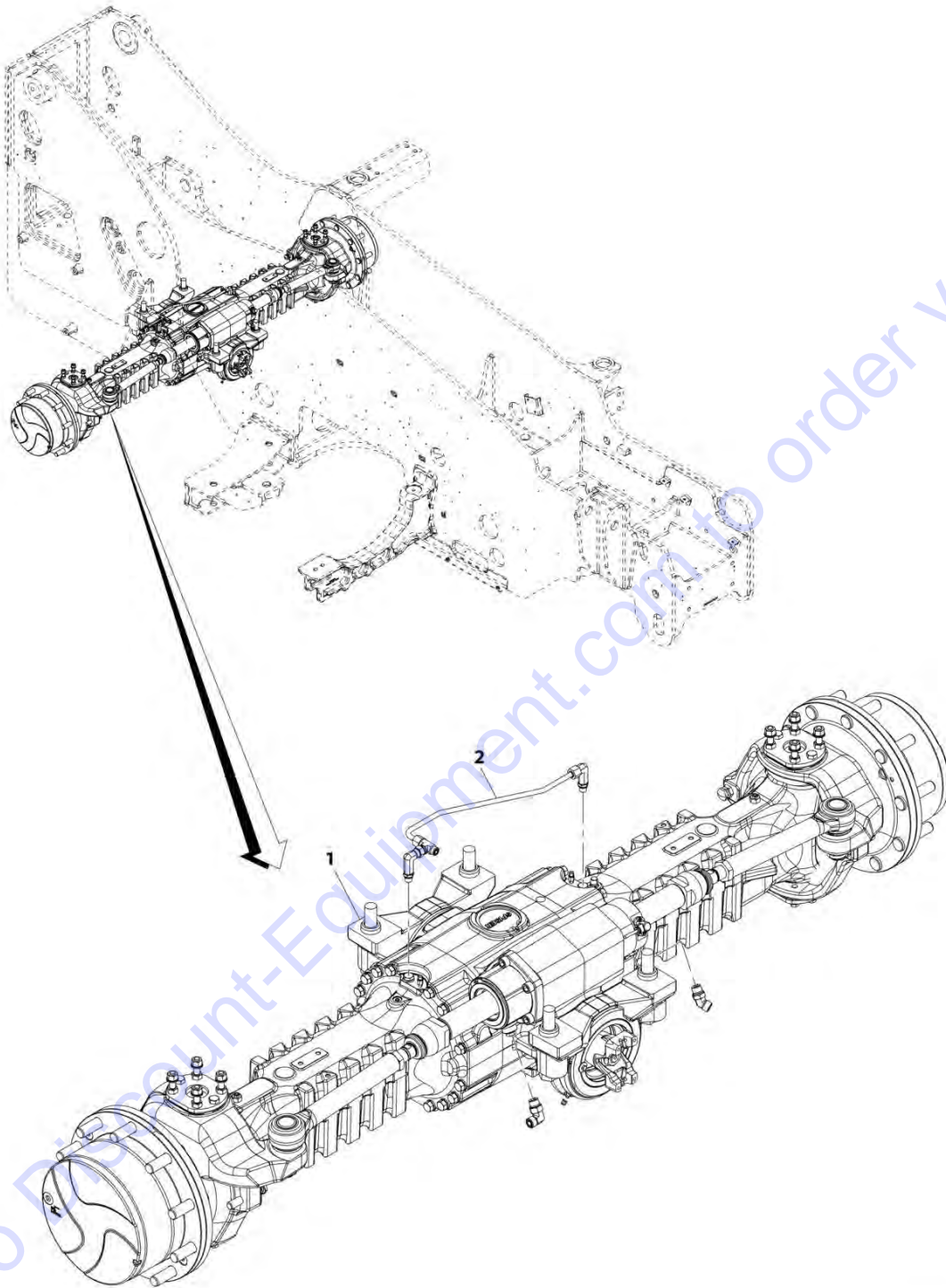
**FIGURE 5-4. FRONT AXLE LINES INSTALLATION**

ITEM	PART NUMBER	QTY	DESCRIPTION	REV
	1001207898	Ref	Front Axle Lines Installation	C
1	2130808	1	Fitting, 90 ORFS	
2	2150808	1	Fitting, 45 ORFS	
3	2170806	2	Fitting, Tee ORFS	
4	1001224598	1	Tube	
5	1001210281	1	Hose	
6	1001210769	4	Fitting, 90 ORFS	

Go to Discount-Equipment.com to order your parts

## SECTION 5 - DRIVETRAIN

FIGURE 5-5. REAR AXLE INSTALLATION



ART\_1001184978-B

**SECTION 5 - DRIVETRAIN**

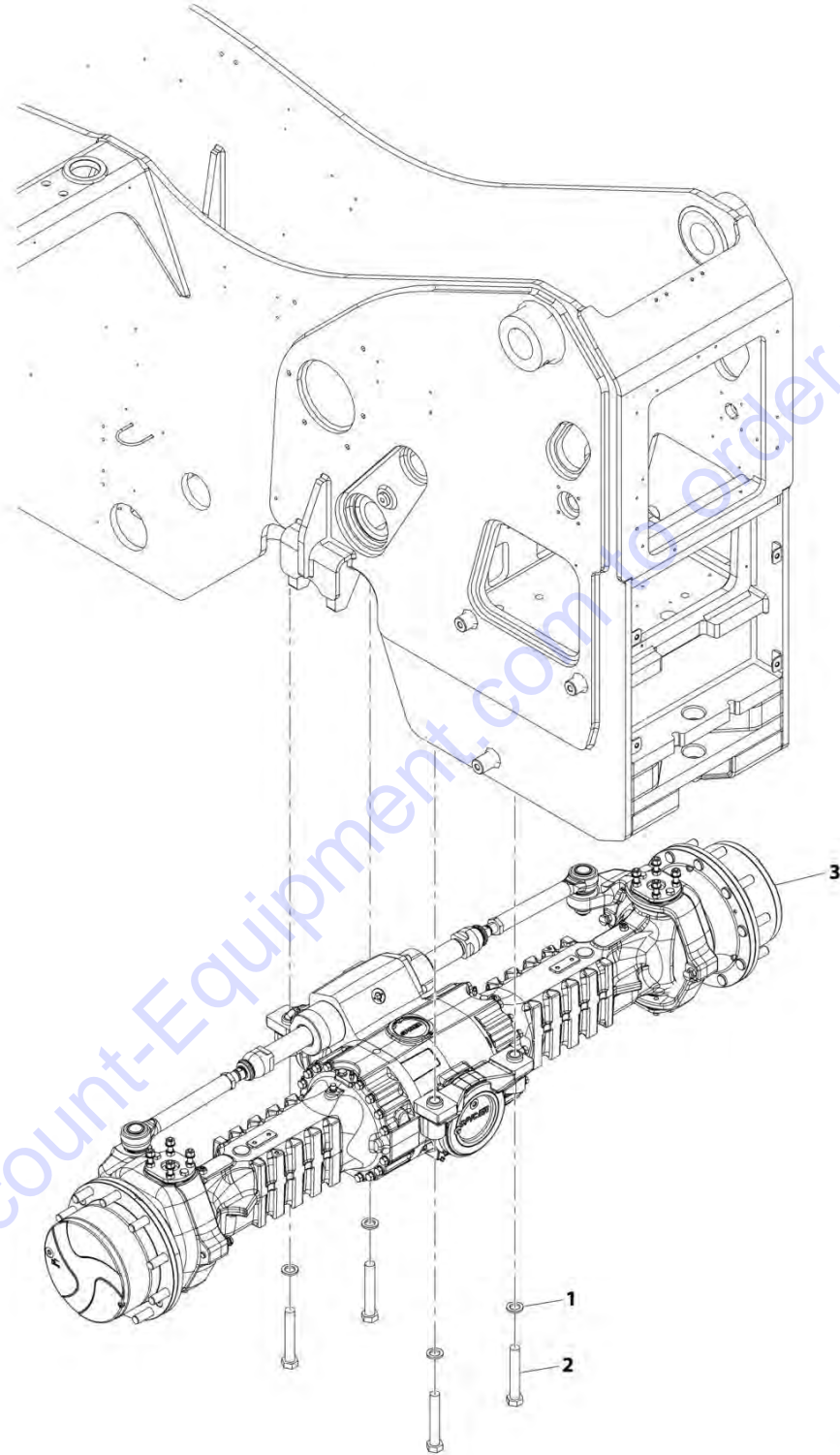
**FIGURE 5-5. REAR AXLE INSTALLATION**

ITEM	PART NUMBER	QTY	DESCRIPTION	REV
1	1001184978	Ref	Rear Axle Installation	B
	1001184983	Ref	Installation, Rear Axle Mounting (See Seperate Breakdown in this Section)	
2	1001207899	Ref	Installation, Rear Axle Lines (See Seperate Breakdown in this Section)	

Go to Discount-Equipment.com to order your parts

# SECTION 5 - DRIVETRAIN

## FIGURE 5-6. REAR AXLE MOUNTING INSTALLATION



ART\_1001184983-B



**SECTION 5 - DRIVETRAIN**

**FIGURE 5-6. REAR AXLE MOUNTING INSTALLATION**

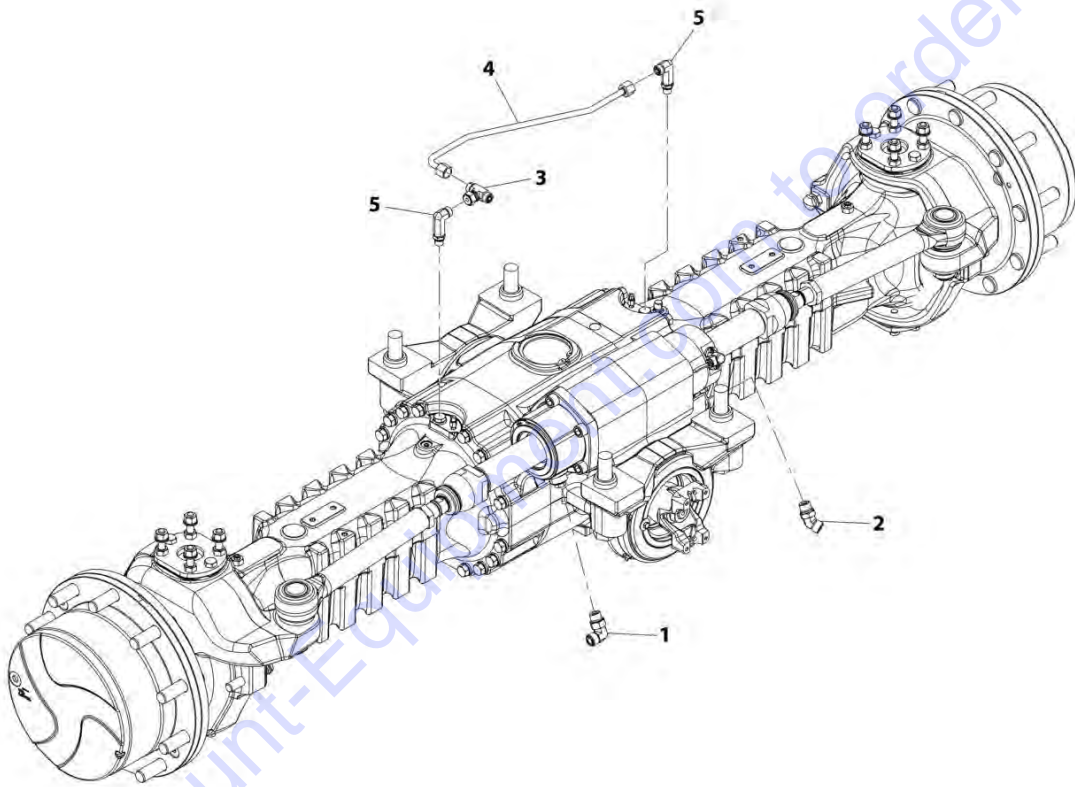
ITEM	PART NUMBER	QTY	DESCRIPTION	REV
	1001184983	Ref	Rear Axle Mounting Installation	B
1	4892600	4	Washer	
2	1001097587	4	Bolt, M24-3X150 Grade 10.9	
3	1001184985	Ref	Axle, Rear (See Seperate Breakdown in this Section)	

Go to Discount-Equipment.com to order your parts



## SECTION 5 - DRIVETRAIN

FIGURE 5-7. REAR AXLE LINES INSTALLATION



ART\_1001207899-C

**SECTION 5 - DRIVETRAIN**

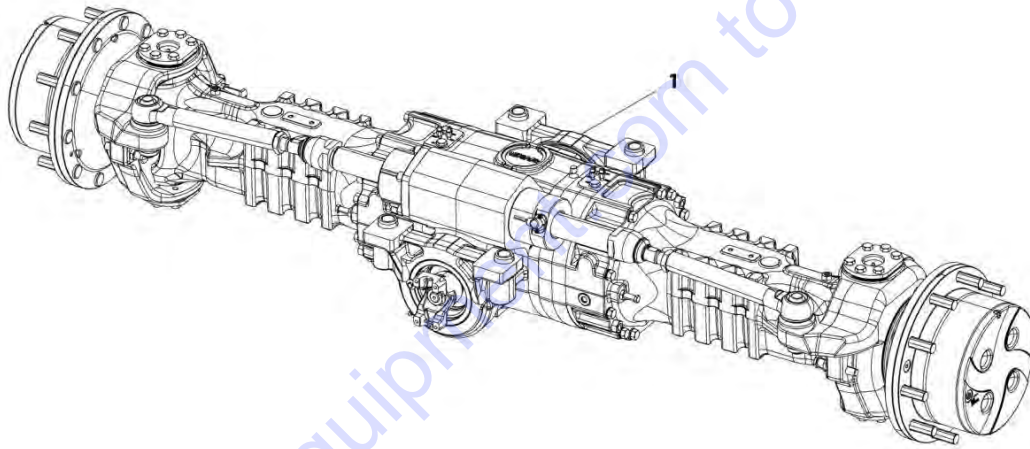
**FIGURE 5-7. REAR AXLE LINES INSTALLATION**

ITEM	PART NUMBER	QTY	DESCRIPTION	REV
	1001207899	Ref	Rear Axle Lines Installation	C
1	2130808	1	Fitting, 90 ORFS	
2	2150808	1	Fitting, 45 ORFS	
3	2170806	1	Fitting, Tee ORFS	
4	1001224938	1	Tube	
5	1001210769	2	Fitting, 90 ORFS	

Go to Discount-Equipment.com to order your parts

## SECTION 5 - DRIVETRAIN

FIGURE 5-8. FRONT AXLE



ART\_1001184984-E

**SECTION 5 - DRIVETRAIN**

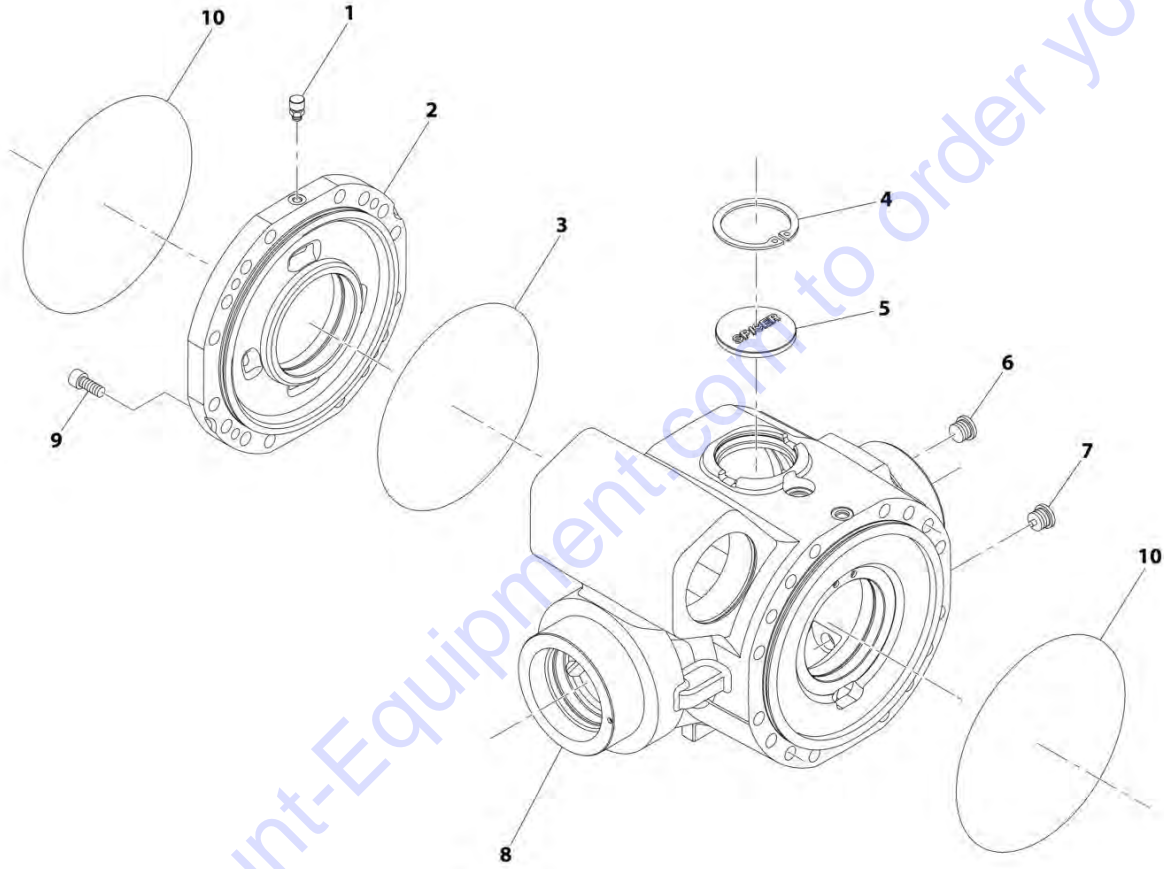
**FIGURE 5-8. FRONT AXLE**

ITEM	PART NUMBER	QTY	DESCRIPTION	REV
	1001184984	Ref	Front Axle	E
		Ref	Front Axle, Central Housing (See Separate Breakdown in this Section)	
		Ref	Front Axle, Differential (See Separate Breakdown in this Section)	
		Ref	Front Axle, Hub Reduction (See Separate Breakdown in this Section)	
		Ref	Front Axle, Brakes (See Separate Breakdown in this Section)	
		Ref	Front Axle, Steering (See Separate Breakdown in this Section)	
		Ref	Front Axle, Trunnion (See Separate Breakdown in this Section)	

Go to Discount-Equipment.com to order your parts

# SECTION 5 - DRIVETRAIN

## FIGURE 5-9. FRONT AXLE, CENTRAL HOUSING



ART\_1001184984\_1-E

**SECTION 5 - DRIVETRAIN**

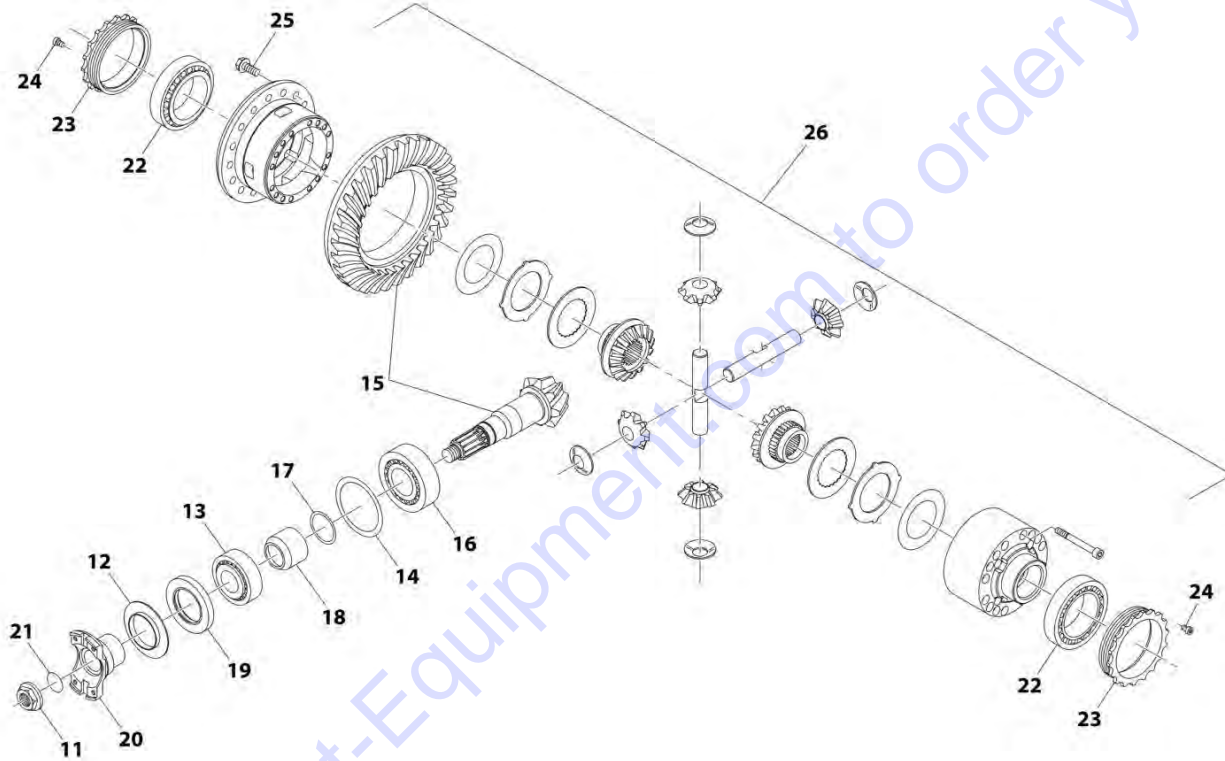
**FIGURE 5-9. FRONT AXLE, CENTRAL HOUSING**

ITEM	PART NUMBER	QTY	DESCRIPTION	REV
1	91474512	1	Vent	
2	7029288	1	Cover, Intermediate	
3	80204002	1	O-Ring	
4	80204005	1	Circlip	
5	91514098	1	Plug	
6	70028389	1	Plug	
7	70028388	1	Plug	
8	70025335	1	Housing	
9	91514101	4	Bolt	
10	91514089	2	O-Ring	

Go to Discount-Equipment.com to order your parts

# SECTION 5 - DRIVETRAIN

## FIGURE 5-10. FRONT AXLE, DIFFERENTIAL



ART\_1001184984\_2-E

## SECTION 5 - DRIVETRAIN

**FIGURE 5-10. FRONT AXLE, DIFFERENTIAL**

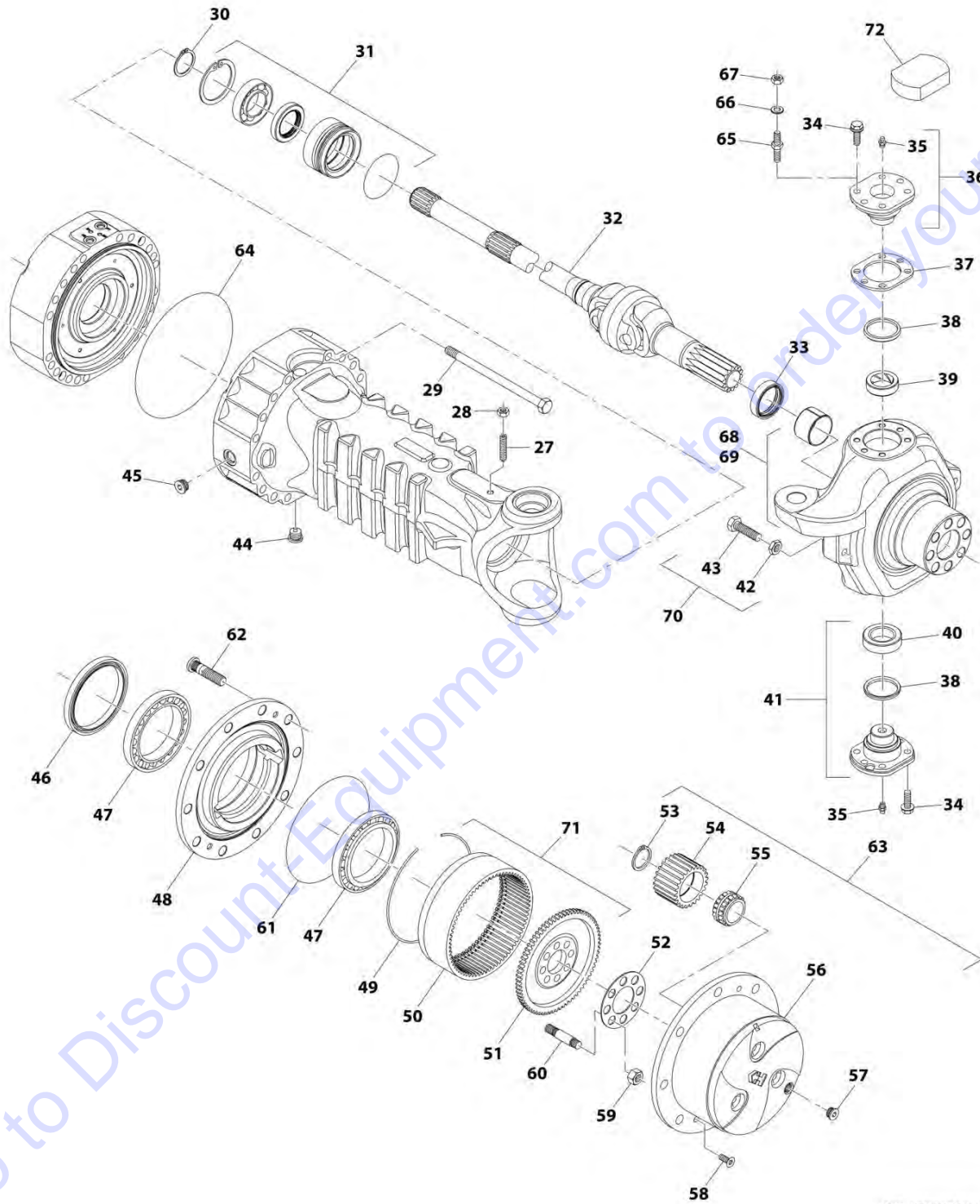
ITEM	PART NUMBER	QTY	DESCRIPTION	REV
11	80204043	1	Nut	
12	91514130	1	Plate, Cover	
13	80204048	1	Bearing, Tape Roller	
14	70023469	1	Shim	
15	70028391	1	Gear, Bevel Set	
16	80204035	1	Bearing, Tape Roller	
17	70023494	1	Ring	
18	70022140	1	Spacer	
19	70025887	1	Seal	
20	70028401	1	Flange	
21	10725554	1	O-Ring	
22	80204033	2	Bearing, Tape Roller	
23	91514133	2	Nut, Ring	
24	91514134	2	Bolt	
25	91514123	16	Bolt	
26	70028390	1	Kit, Differential (See Separate Breakdown in this Section)	

Go to Discount-Equipment.com to order your parts



# SECTION 5 - DRIVETRAIN

## FIGURE 5-11. FRONT AXLE, HUB REDUCTION



ART\_1001184984\_3-E

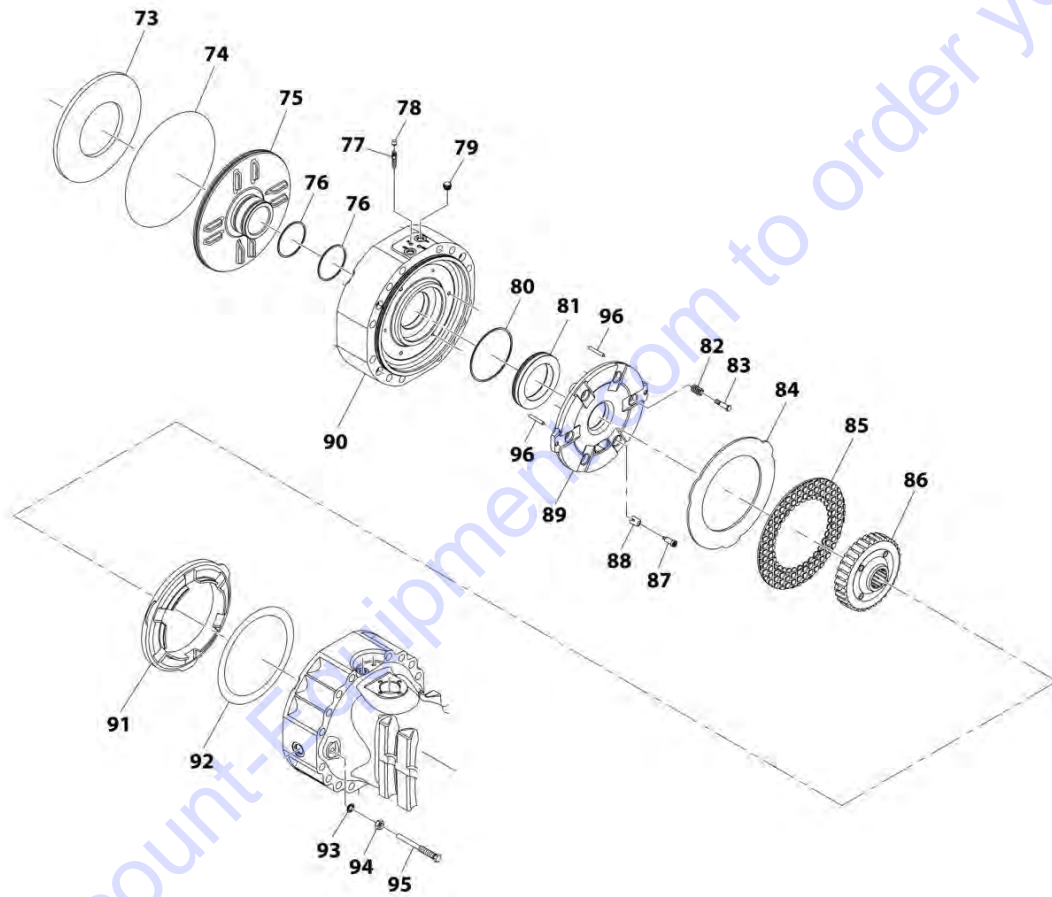
## SECTION 5 - DRIVETRAIN

**FIGURE 5-11. FRONT AXLE, HUB REDUCTION**

ITEM	PART NUMBER	QTY	DESCRIPTION	REV
27	91514081	2	Bolt	
28	91514082	2	Nut	
29	70025012	24	Bolt	
30	80204071	2	Circlip	
31	91514149	2	Kit, Reduction Bushing (See Separate Breakdown in this Section)	
32	70028396	2	Joint, Double Universal	
33	70026238	2	Seal	
34	70025562	20	Bolt	
35	70024881	2	Fitting, Grease	
36	91514112	2	Pin	
37	70025561	1	Shim	
38	7028716	2	Seal, Dust	
39	7028714	2	Bushing	
40	91514095	2	Bearing	
41	7028715	2	Pin	
42	80204065	4	Nut	
43	91514117	4	Bolt	
44	70028388	2	Plug	
45	70028389	2	Plug	
46	70026002	2	Seal	
47	80204076	4	Bearing, Taper Roller	
48	91514174	2	Hub, Wheel	
49	91514175	2	Circlip	
50	70024147	2	Gear, Ring	
51	91514177	2	Support, Ring Gear	
52	91514178	2	Plate	
53	91514184	8	Circlip	
54	91514185	8	Gear, Planet	
55	91514186	8	Bearing	
56	7029317	2	Carrier, Planet Gear	
57	70028387	2	Plug	
58	91514189	4	Bolt, Countersunk	
59	91514179	16	Nut	
60	91514180	16	Stud	
61	91514181	2	O-Ring	
62	80214120	20	Stud	
63	7029743	2	Kit, Planet Gear Carrier	
64	91514089	2	O-Ring	
65	70025014	8	Stud	
66	91514084	8	Washer	
67	91514083	8	Nut	
68	70026260	1	Kit, Steering Case (left) (See Separate Breakdown in this Section)	
69	70026261	1	Kit, Steering Case (right) (See Separate Breakdown in this Section)	
70	7028733	4	Bolt, Steering Adjust	
71	70024146	2	Kit, Ring Gear Support (See Separate Breakdown in this Section)	
72	70028392	2	Cover	

# SECTION 5 - DRIVETRAIN

## FIGURE 5-12. FRONT AXLE, BRAKES



ART\_1001184984\_4-E

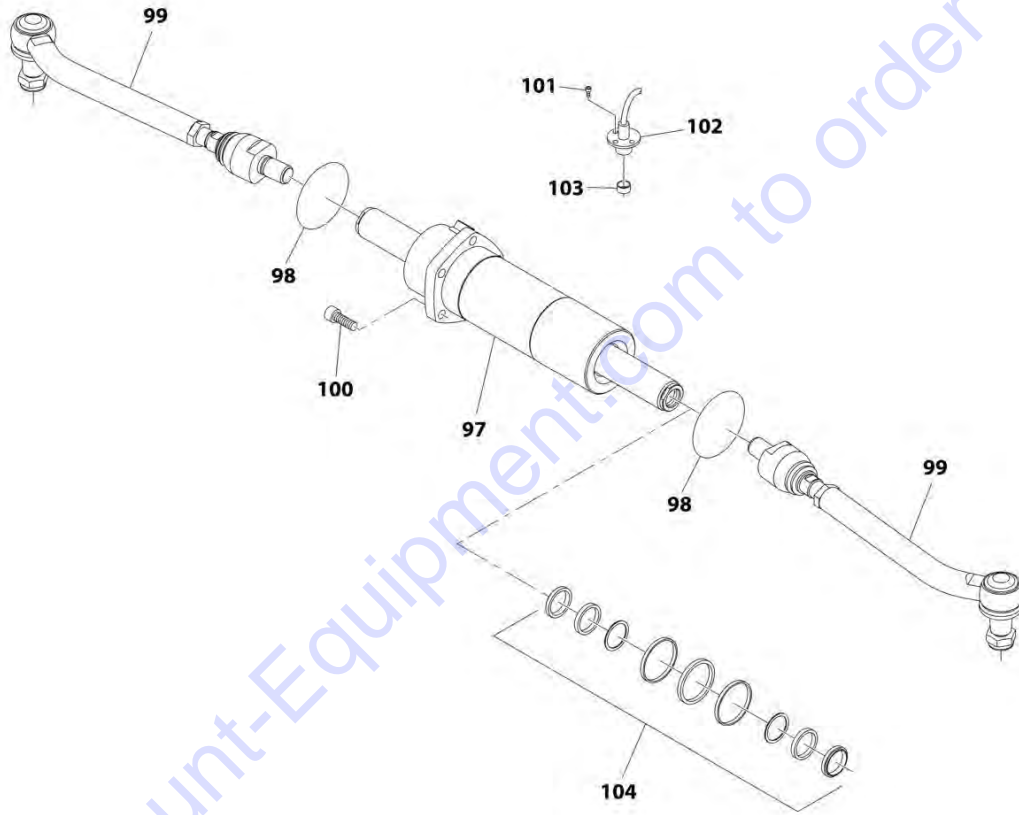
## SECTION 5 - DRIVETRAIN

### FIGURE 5-12. FRONT AXLE, BRAKES

ITEM	PART NUMBER	QTY	DESCRIPTION	REV
73	91514151	2	Washer	
74	91514089	2	O-Ring	
75	70027092	2	Piston	
76	70026262	4	Seal	
77	80204281	4	Bolt, Bleeding	
78	80204117	4	Plug	
79	91514154	4	Plug	
80	70026263	2	Seal	
81	70027796	2	Piston	
82	91514159	6	Spring	
83	70024210	6	Bolt, Adjusting	
84	70027022	6	Disc, Intermediate Brake	
85	7029735	6	Disc, Brake	
86	7029734	2	Bushing, Reduction	
87	7029787	6	Bolt, Adjusting	
88	70027317	6	Spring	
89	70024849	2	Disc, Intermediate Brake	
90	70024848	2	Cover	
91	70026264	2	Spacer	
92	70025970	1	Shim	
93	80204108	4	Washer, Lock	
94	80204060	4	Nut	
95	70024213	4	Bolt	
96	70024215	4	Dowel	

# SECTION 5 - DRIVETRAIN

## FIGURE 5-13. FRONT AXLE, STEERING



ART\_1001184984\_5-E

**SECTION 5 - DRIVETRAIN**

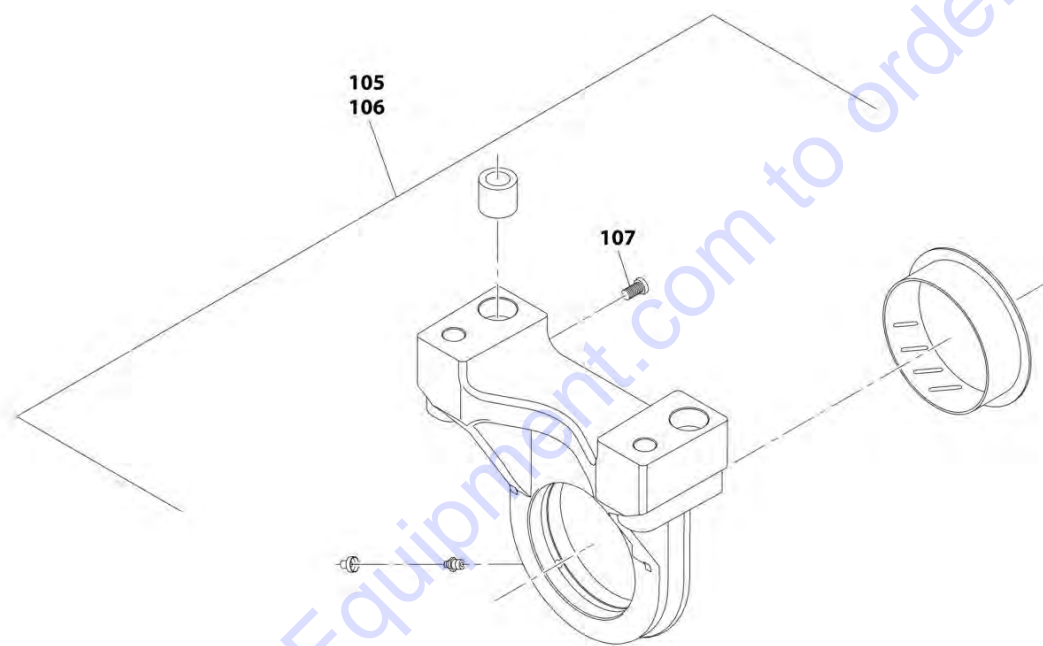
**FIGURE 5-13. FRONT AXLE, STEERING**

ITEM	PART NUMBER	QTY	DESCRIPTION	REV
97	70028393	1	Cylinder	
98	80204143	2	O-Ring	
99	70028394	2	Rod, Articulated Tie	
99	70022773	2	Nut	
100	80204144	5	Bolt	
101	8008175	2	Bolt	
102	70027986	1	Optical Sensor	
103	7029307	1	Plug	
104	7029127	1	Kit, Seal	

Go to Discount-Equipment.com to order your parts

# SECTION 5 - DRIVETRAIN

## FIGURE 5-14. FRONT AXLE, TRUNION



Go to Discount-Equipment.com to order your parts

ART\_1001184984\_6-E

**SECTION 5 - DRIVETRAIN**

**FIGURE 5-14. FRONT AXLE, TRUNION**

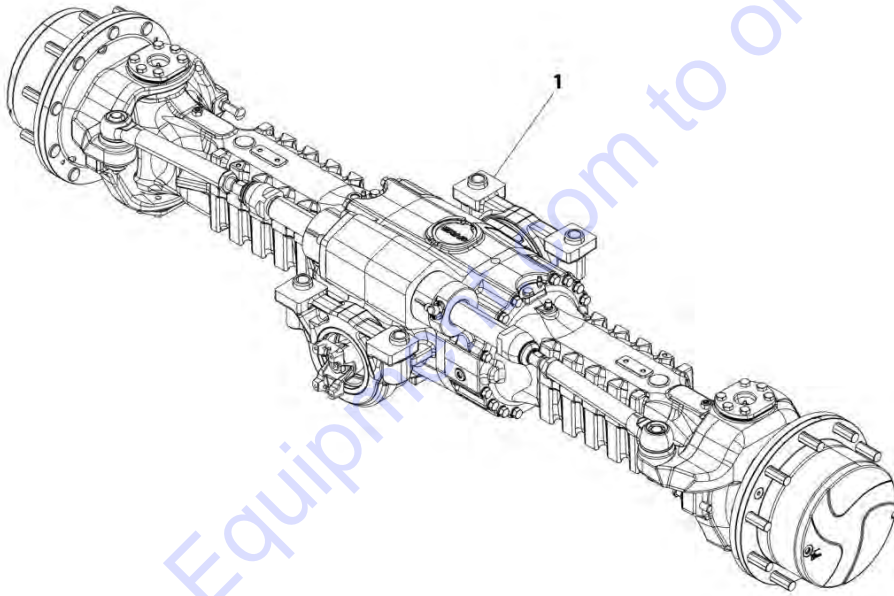
<b>ITEM</b>	<b>PART NUMBER</b>	<b>QTY</b>	<b>DESCRIPTION</b>	<b>REV</b>
105	70026266	1	Kit, Trunnion (See Separate Breakdown in this Section)	
106	70026265	1	Support	
107	70025884	1	Bolt	

Go to Discount-Equipment.com to order your parts



## SECTION 5 - DRIVETRAIN

FIGURE 5-15. REAR AXLE



ART\_1001184985-E

**SECTION 5 - DRIVETRAIN**

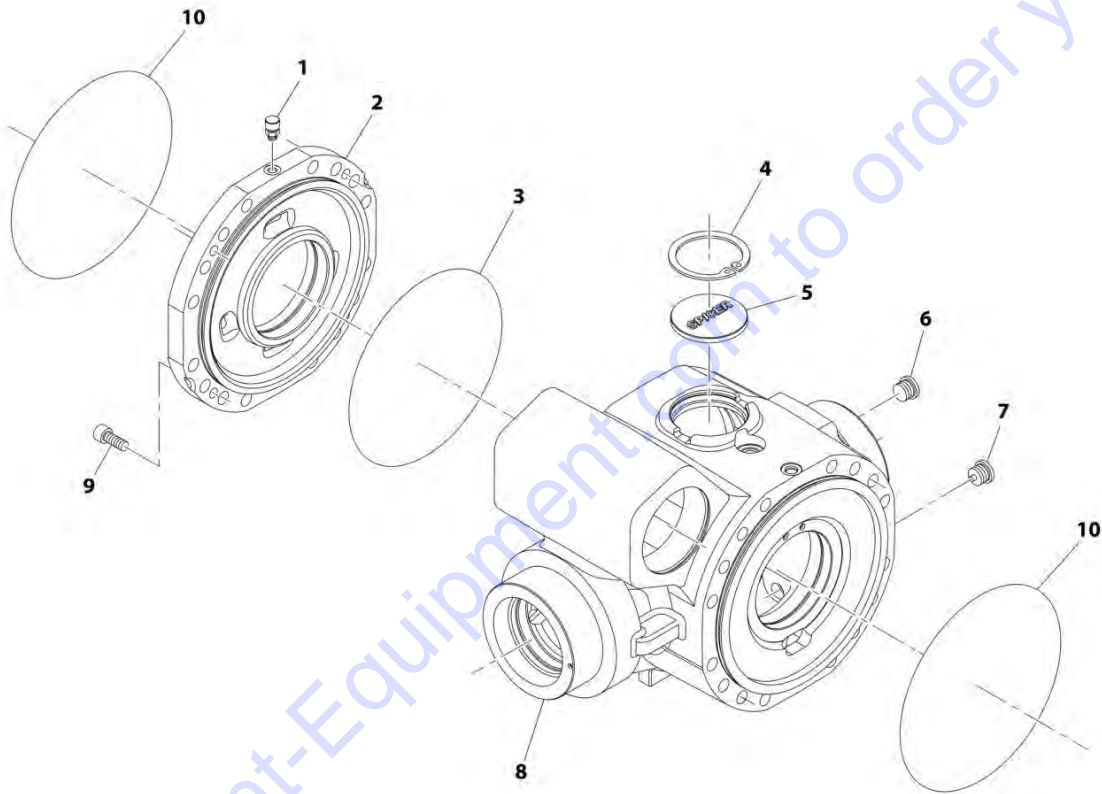
**FIGURE 5-15. REAR AXLE**

ITEM	PART NUMBER	QTY	DESCRIPTION	REV
1	1001184985	Ref	Rear Axle	E
		Ref	Rear Axle, Central Housing (See Separate Breakdown in this Section)	
		Ref	Rear Axle, Differential (See Separate Breakdown in this Section)	
		Ref	Rear Axle, Hub Reduction (See Separate Breakdown in this Section)	
		Ref	Rear Axle, Brakes (See Separate Breakdown in this Section)	
		Ref	Rear Axle, Steering (See Separate Breakdown in this Section)	
		Ref	Rear Axle, Trunnion (See Separate Breakdown in this Section)	

Go to Discount-Equipment.com to order your parts

# SECTION 5 - DRIVETRAIN

## FIGURE 5-16. REAR AXLE, CENTRAL HOUSING



ART\_1001184985\_1-E

**SECTION 5 - DRIVETRAIN**

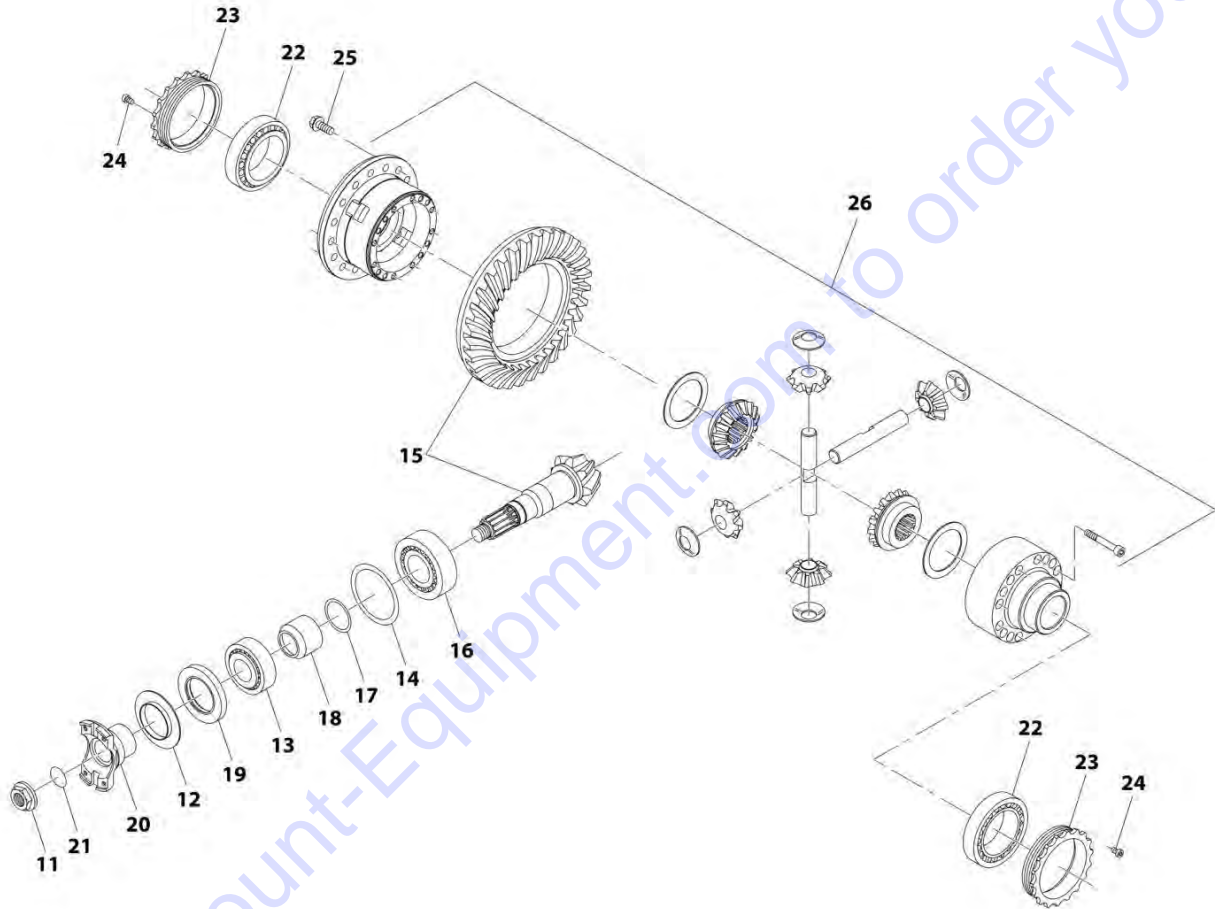
**FIGURE 5-16. REAR AXLE, CENTRAL HOUSING**

ITEM	PART NUMBER	QTY	DESCRIPTION	REV
1	91474512	1	Vent	
2	7029288	1	Cover, Intermediate	
3	80204002	1	O-Ring	
4	80204005	1	Circlip	
5	91514098	1	Plug	
6	70028389	1	Plug	
7	70028388	1	Plug	
8	70025335	1	Housing	
9	91514101	4	Bolt	
10	91514089	2	O-Ring	

Go to Discount-Equipment.com to order your parts

# SECTION 5 - DRIVETRAIN

## FIGURE 5-17. REAR AXLE, DIFFERENTIAL



ART\_1001184985\_2-E

**SECTION 5 - DRIVETRAIN**

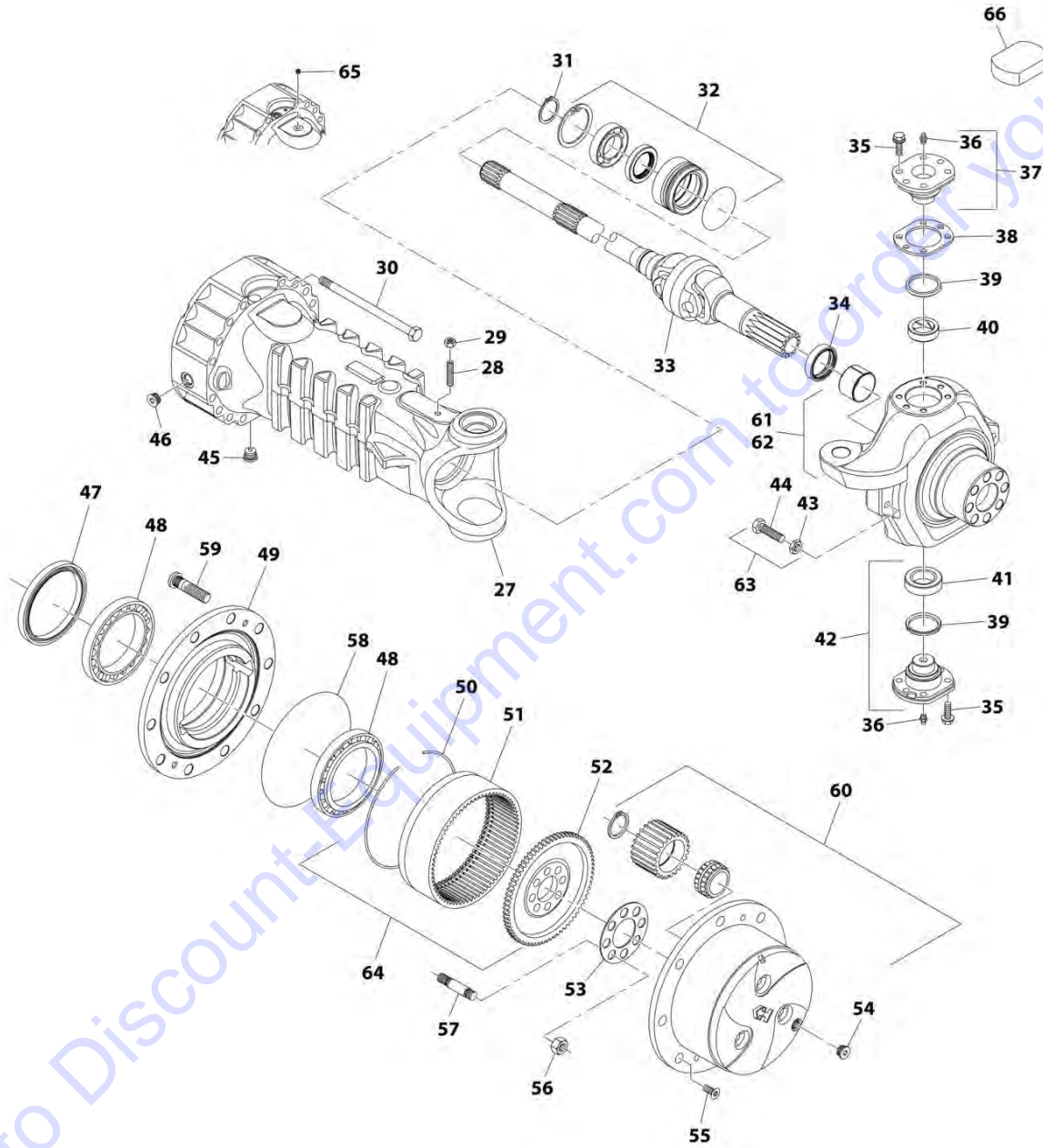
**FIGURE 5-17. REAR AXLE, DIFFERENTIAL**

ITEM	PART NUMBER	QTY	DESCRIPTION	REV
11	80204043	1	Nut	
12	91514130	1	Plate, Cover	
13	80204048	1	Bearing, Taper Roller	
14	70023469	1	Shim	
15	70028399	1	Gear, Bevel Set	
16	80204035	1	Bearing, Taper Roller	
17	70023494	1	Ring	
18	70022140	1	Spacer	
19	70025887	1	Seal	
20	70028401	1	Flange	
21	10725554	1	O-Ring	
22	80204033	2	Bearing, Taper Roller	
23	91514133	2	Nut, Ring	
24	91514134	2	Bolt	
25	39844923	16	Bolt	
26	70028398	1	Kit, Differential (See Separate Breakdown in this Section)	

Go to Discount-Equipment.com to order your parts

# SECTION 5 - DRIVETRAIN

## FIGURE 5-18. REAR AXLE, HUB REDUCTION



ART\_1001184985\_3-E

## SECTION 5 - DRIVETRAIN

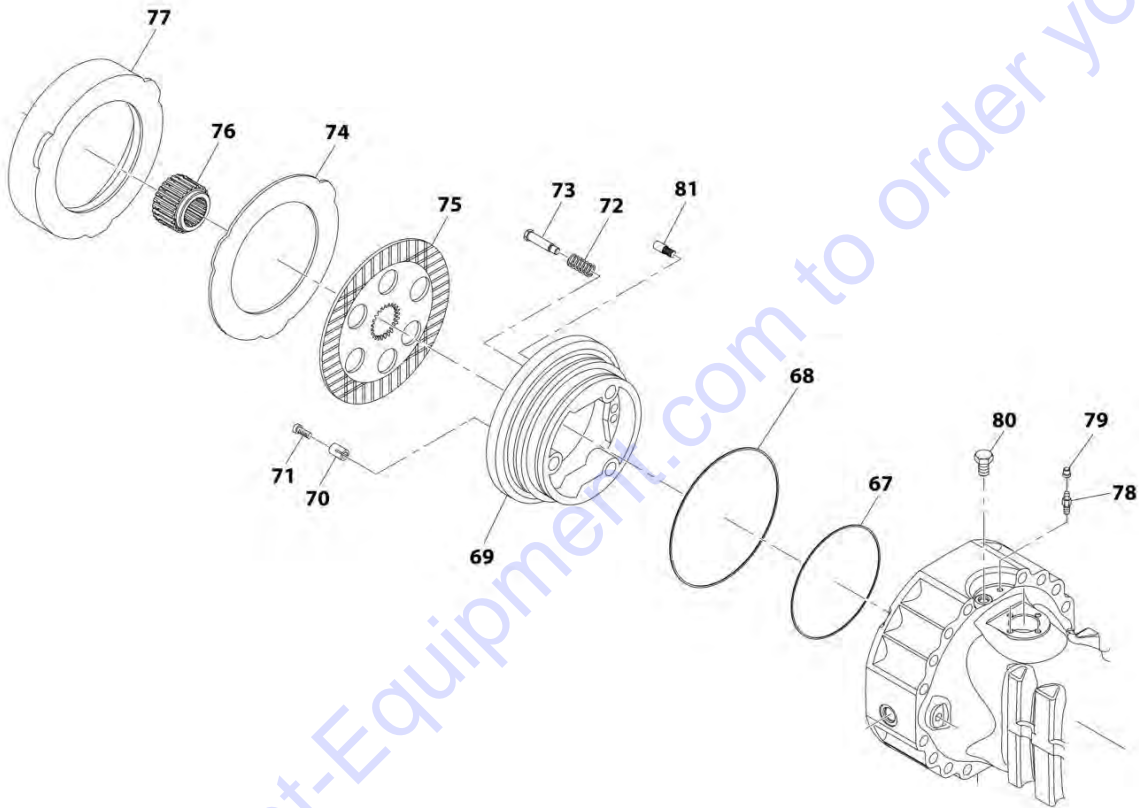
**FIGURE 5-18. REAR AXLE, HUB REDUCTION**

ITEM	PART NUMBER	QTY	DESCRIPTION	REV
27	70028400	2	Case, Axle	
28	91514081	2	Bolt	
29	91514082	2	Nut	
30	70028397	32	Bolt	
31	80204071	2	Circlip	
32	91514149	2	Kit, Reduction Bushing (See Separate Breakdown in this Section)	
33	70028396	2	Joint, Double Universal	
34	70026238	2	Seal	
35	70025562	20	Bolt	
36	70024881	2	Fitting, Grease	
37	91514112	2	Pin	
38	70025561	1	Shim	
39	7028716	2	Seal, Dust	
40	7028714	2	Bushing	
41	91514095	2	Bearing	
42	7028715	2	Pin	
43	80204065	4	Nut	
44	91514117	4	Bolt	
45	70028388	2	Plug	
46	70028387	2	Plug	
47	70026002	2	Seal	
48	80204076	4	Bearing, Taper Roller	
49	91514174	2	Hub, Wheel	
50	91514175	2	Circlip	
51	70024147	2	Gear, Ring	
52	91514177	2	Gear, Ring Support	
53	91514178	2	Plate, Locking	
54	70028389	2	Plug	
55	91514189	4	Bolt, Countersunk	
56	91514179	16	Nut	
57	91514180	16	Stud	
58	91514181	2	O-Ring	
59	80214120	20	Stud	
60	7029733	2	Kit, Planet Gear Carrier (See Separate Breakdown in this Section)	
61	70026260	1	Kit, Steering Case (Right) (See Separate Breakdown in this Section)	
62	70026261	1	Kit, Steering Case (left) (See Separate Breakdown in this Section)	
63	7028733	4	Bolt, Steering Adjust	
64	70024146	2	Kit, Ring Gear Support (See Separate Breakdown in this Section)	
65	80204012	2	Plug	
66	70028392	2	Cover	



# SECTION 5 - DRIVETRAIN

## FIGURE 5-19. REAR AXLE, BRAKES



ART\_1001184985\_4-E

**SECTION 5 - DRIVETRAIN**

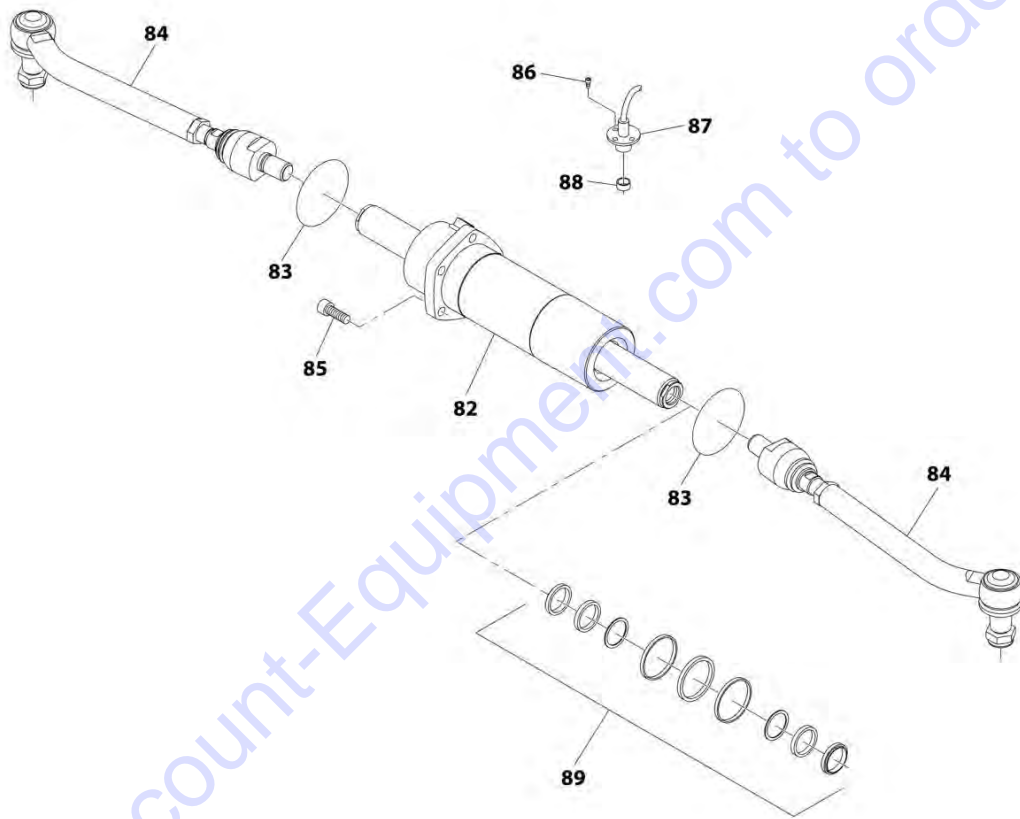
**FIGURE 5-19. REAR AXLE, BRAKES**

ITEM	PART NUMBER	QTY	DESCRIPTION	REV
67	70026747	2	Seal	
68	70026748	2	Seal	
69	70024216	2	Piston	
70	70027317	6	Spring	
71	7029785	6	Bolt, Adjusting	
72	91514159	6	Spring	
73	70024210	6	Bolt, Adjusting	
74	70027022	6	Disc, Intermediate Brake	
75	7029735	6	Disc, Brake	
76	7029734	2	Bushing, Reduction	
77	70021606	2	Spacer	
78	80204281	2	Bolt, Bleeding	
79	80204117	2	Plug	
80	91514154	2	Bolt	
81	70021613	2	Bolt, Pilot	

Go to Discount-Equipment.com to order your parts

# SECTION 5 - DRIVETRAIN

## FIGURE 5-20. REAR AXLE, STEERING



ART\_1001184985\_5-E

**SECTION 5 - DRIVETRAIN**

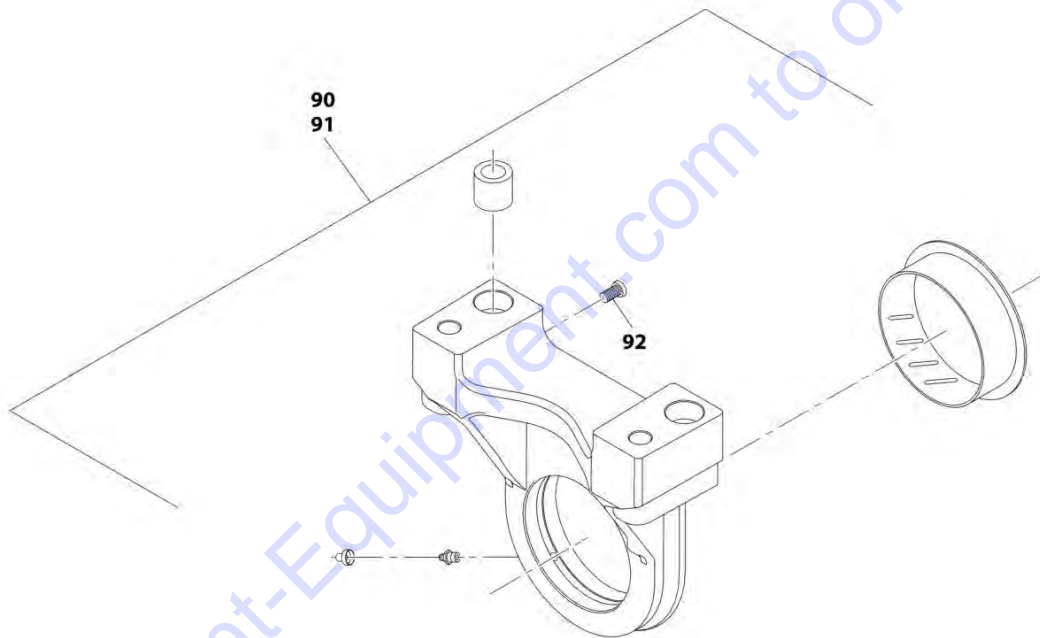
**FIGURE 5-20. REAR AXLE, STEERING**

ITEM	PART NUMBER	QTY	DESCRIPTION	REV
82	70028393	1	Cylinder	
83	80204143	2	O-Ring	
84	70028394	2	Rod, Articulated Tie	
84	70022773	2	Nut	
85	80204144	5	Bolt	
86	8008175	2	Bolt	
87	70027986	1	Sensor, Optical	
88	7029307	1	Plug	
89	7029127	1	Kit, Seal	

Go to Discount-Equipment.com to order your parts

# SECTION 5 - DRIVETRAIN

## FIGURE 5-21. REAR AXLE, TRUNION



ART\_1001184985\_6-E

**SECTION 5 - DRIVETRAIN**

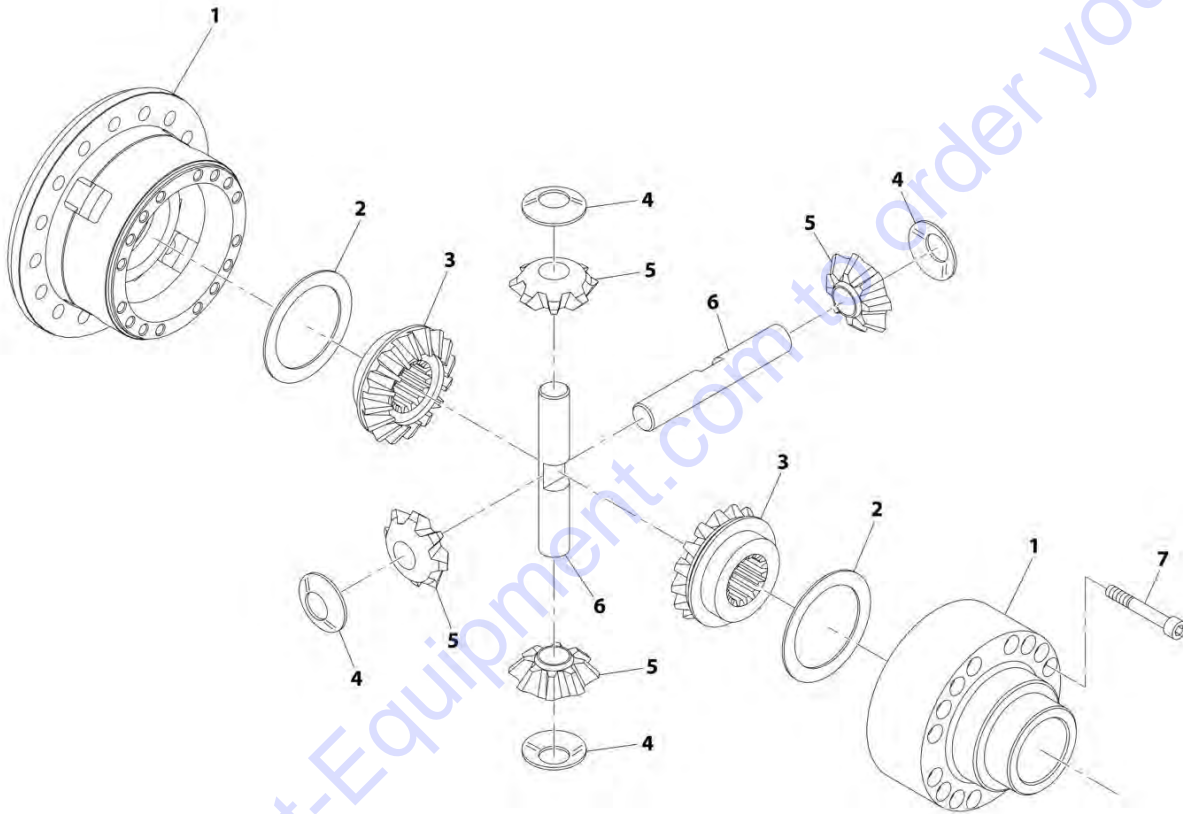
**FIGURE 5-21. REAR AXLE, TRUNION**

ITEM	PART NUMBER	QTY	DESCRIPTION	REV
90	70026266	1	Kit, Trunnion (See Separate Breakdown in this Section)	
91	70026265	1	Support	
92	70025884	1	Bolt	

Go to Discount-Equipment.com to order your parts

# SECTION 5 - DRIVETRAIN

## FIGURE 5-22. DIFFERENTIAL KIT



ART\_70028398

FIGURE 5-22. DIFFERENTIAL KIT

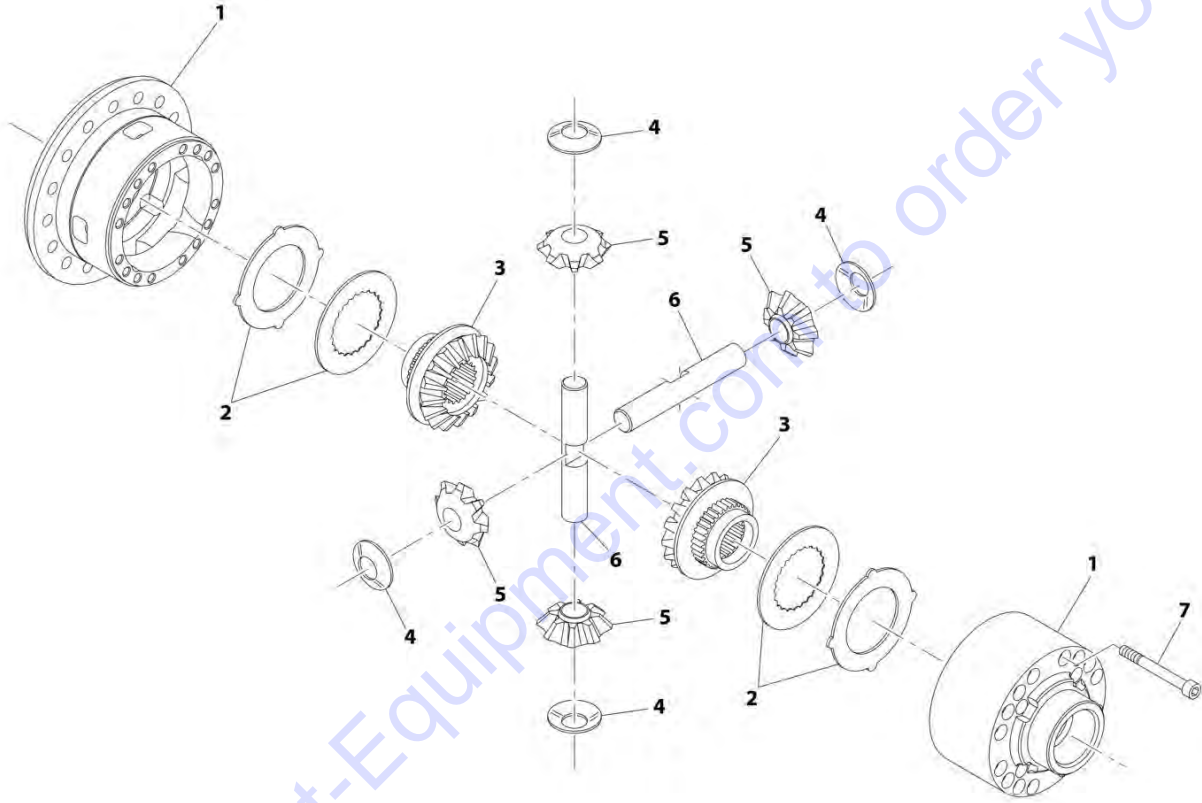
ITEM	PART NUMBER	QTY	DESCRIPTION	REV
	70028398	Ref	Differential Kit	
1	70025337	1	Carrier, Differential	
2	70023493	2	Washer, Friction	
3	70025338	2	Gear, Differential Side	
4	70027105	4	Washer, Friction	
5	70025339	4	Pinion, Differential	
6	70023490	2	Shaft, Differential	
7	70023489	15	Bolt	

Go to Discount-Equipment.com to order your parts



# SECTION 5 - DRIVETRAIN

## FIGURE 5-23. DIFFERENTIAL KIT



ART\_70028390

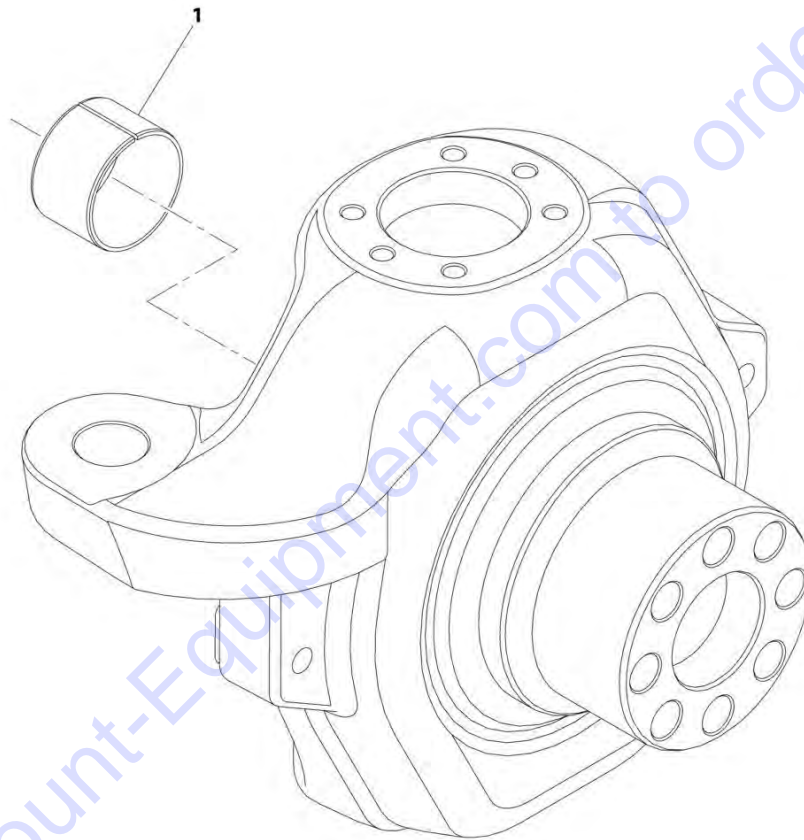
FIGURE 5-23. DIFFERENTIAL KIT

ITEM	PART NUMBER	QTY	DESCRIPTION	REV
	70028390	Ref	Differential Kit	
1	70024004	2	Carrier, Differential	
2	70026750	2	Disc, Clutch	
3	70025856	2	Gear, Differential Side	
4	70027105	4	Washer, Friction	
5	70025339	4	Pinion, Differential	
6	70023490	2	Shaft, Differential	
7	91514143	15	Bolt	

Go to Discount-Equipment.com to order your parts

## SECTION 5 - DRIVETRAIN

FIGURE 5-24. STEERING CASE KIT (RF, LR)



ART\_70026260

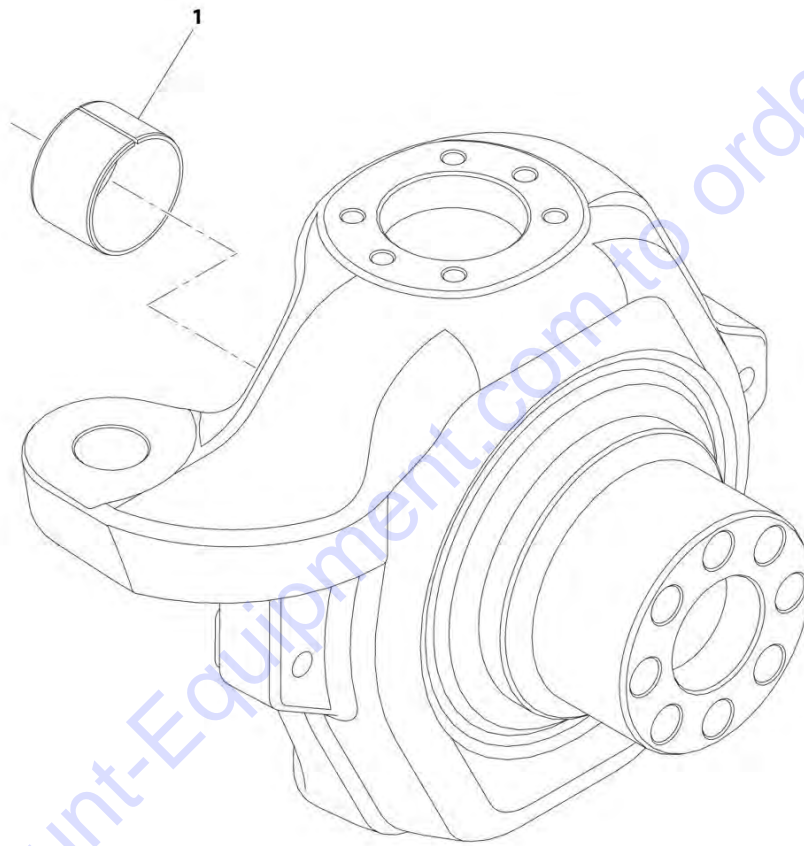
**FIGURE 5-24. STEERING CASE KIT (RF, LR)**

ITEM	PART NUMBER	QTY	DESCRIPTION	REV
1	70026260 91514111	Ref 1	Steering Case Kit (RF, LR) Bushing, Thrust	

Go to Discount-Equipment.com to order your parts

## SECTION 5 - DRIVETRAIN

FIGURE 5-25. STEERING CASE KIT (LF, RR)



ART\_70026261

**SECTION 5 - DRIVETRAIN**

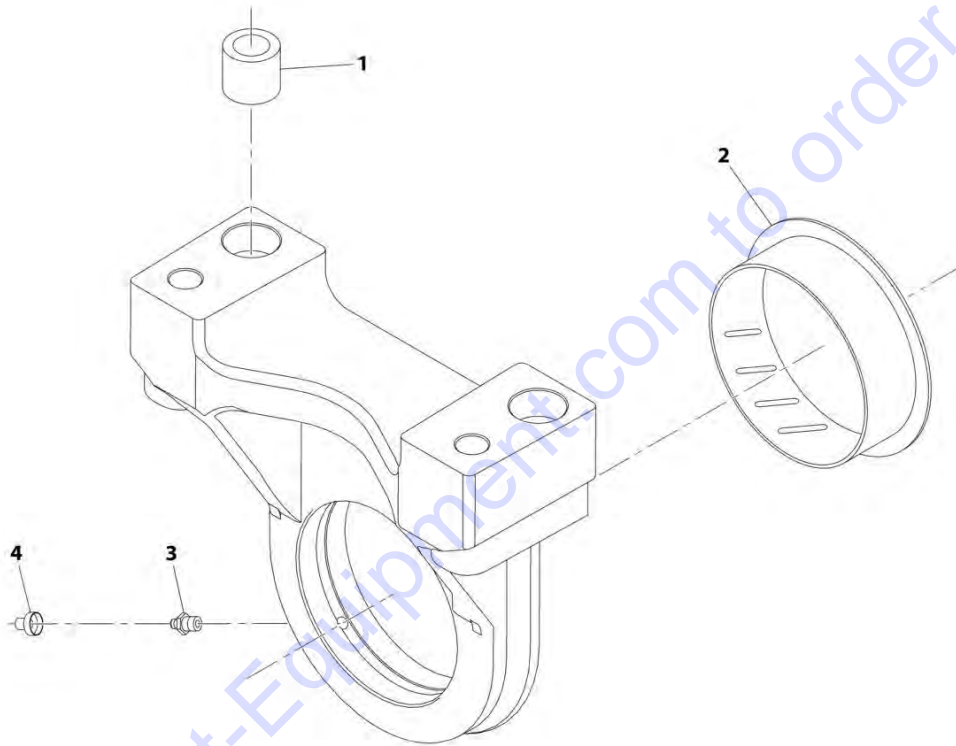
**FIGURE 5-25. STEERING CASE KIT (LF, RR)**

ITEM	PART NUMBER	QTY	DESCRIPTION	REV
1	70026261	Ref	Steering Case Kit (RR)	
	91514111	1	Bushing, Thrust	

Go to Discount-Equipment.com to order your parts

# SECTION 5 - DRIVETRAIN

## FIGURE 5-26. TRUNION KIT



ART\_70026266

FIGURE 5-26. TRUNION KIT

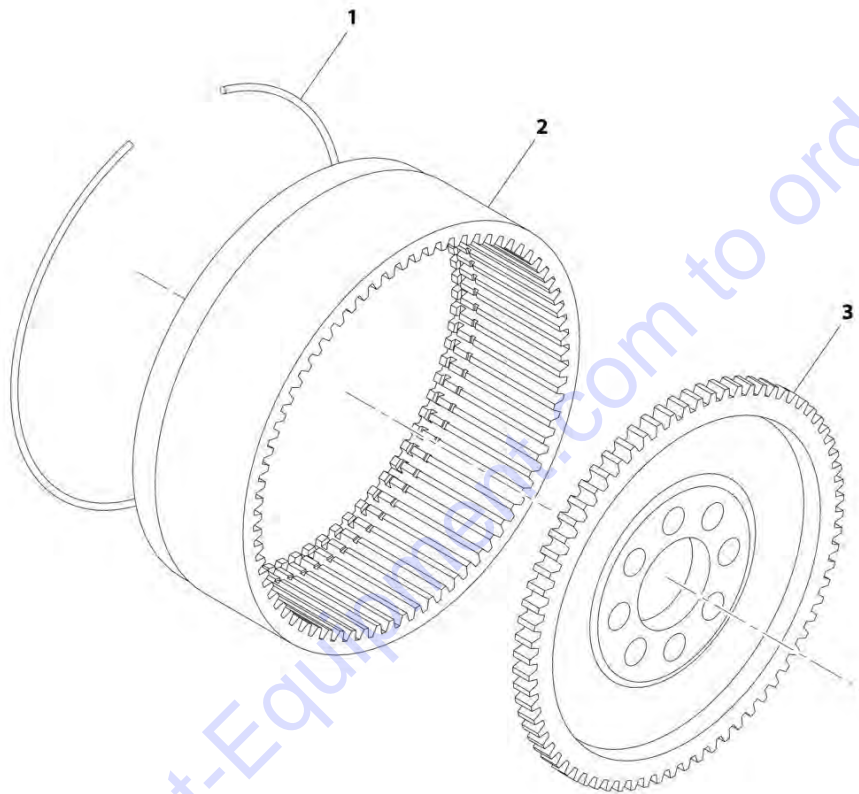
ITEM	PART NUMBER	QTY	DESCRIPTION	REV
	70026266	Ref	Trunion Kit	
1	7029290	2	Bushing, Reduction	
2	91514090	1	Bushing, Thrust	
3	70024881	1	Fitting, Grease	
4	80204117	1	Plug	

Go to Discount-Equipment.com to order your parts



## SECTION 5 - DRIVETRAIN

FIGURE 5-27. RING GEAR SUPPORT KIT



ART\_70024146

**SECTION 5 - DRIVETRAIN**

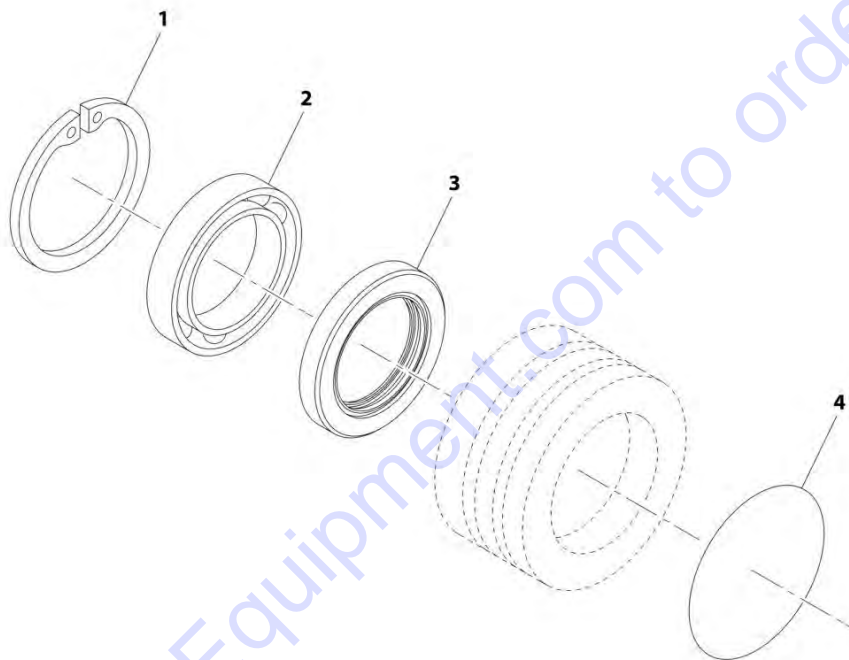
**FIGURE 5-27. RING GEAR SUPPORT KIT**

ITEM	PART NUMBER	QTY	DESCRIPTION	REV
	70024146	Ref	Ring Gear Support Kit	
1	91514175	1	Circlip	
2	70024147	1	Gear, Ring	
3	91514177	1	Gear, Ring Support	

Go to Discount-Equipment.com to order your parts

## SECTION 5 - DRIVETRAIN

FIGURE 5-28. REDUCTION BUSHING KIT



ART\_91514149

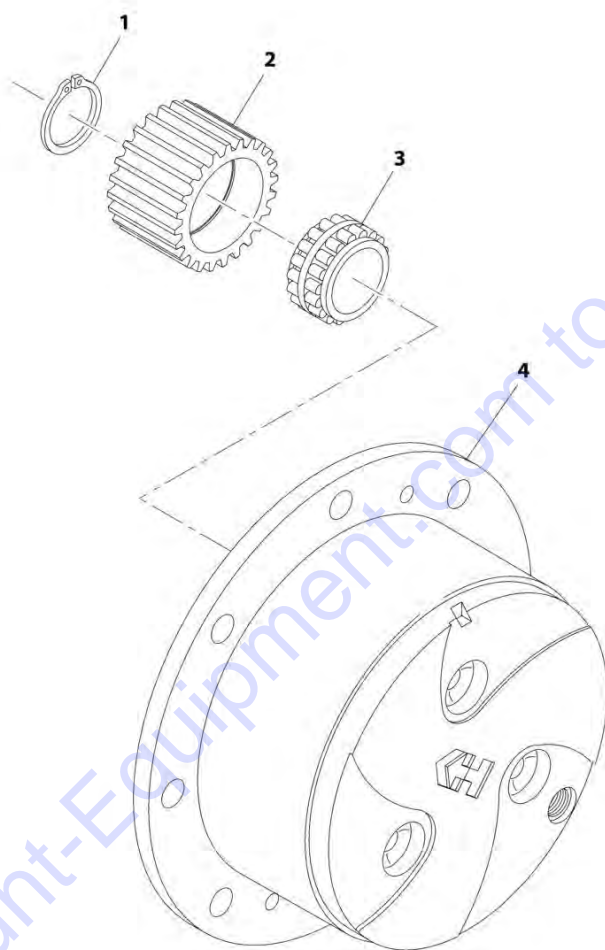
FIGURE 5-28. REDUCTION BUSHING KIT

ITEM	PART NUMBER	QTY	DESCRIPTION	REV
	91514149	Ref	Reduction Bushing Kit	
1	80204005	2	Circlip	
2	91514146	2	Bearing, Ball	
3	91514147	2	Seal	
4	91514148	2	O-Ring	

Go to Discount-Equipment.com to order your parts

## SECTION 5 - DRIVETRAIN

FIGURE 5-29. PLANET GEAR CARRIER KIT



ART\_7029733

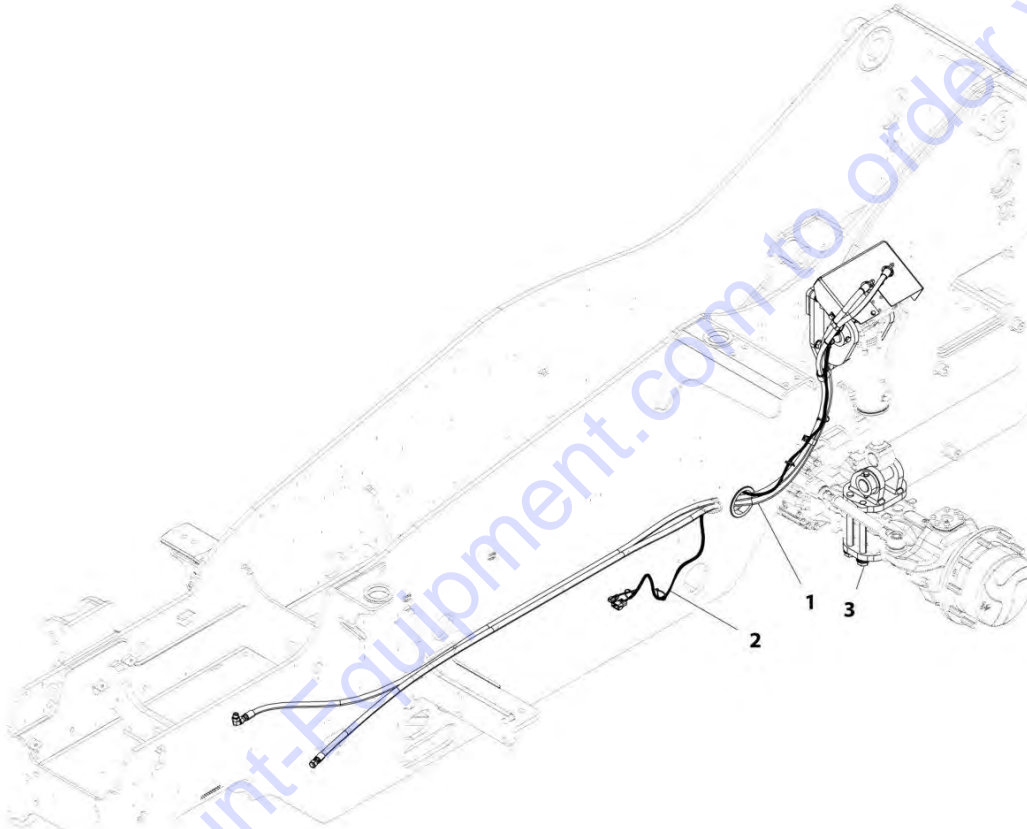
FIGURE 5-29. PLANET GEAR CARRIER KIT

ITEM	PART NUMBER	QTY	DESCRIPTION	REV
	7029733	Ref	Planet Gear Carrier Kit	
1	91514184	3	Circlip	
2	91514185	6	Gear, Planet	
3	91514186	6	Bearing	
4	7026731	1	Carrier, Planet Gear	

Go to Discount-Equipment.com to order your parts

## SECTION 5 - DRIVETRAIN

FIGURE 5-30. RALP INSTALLATION



ART\_1001192713-B

**SECTION 5 - DRIVETRAIN**

**FIGURE 5-30. RALP INSTALLATION**

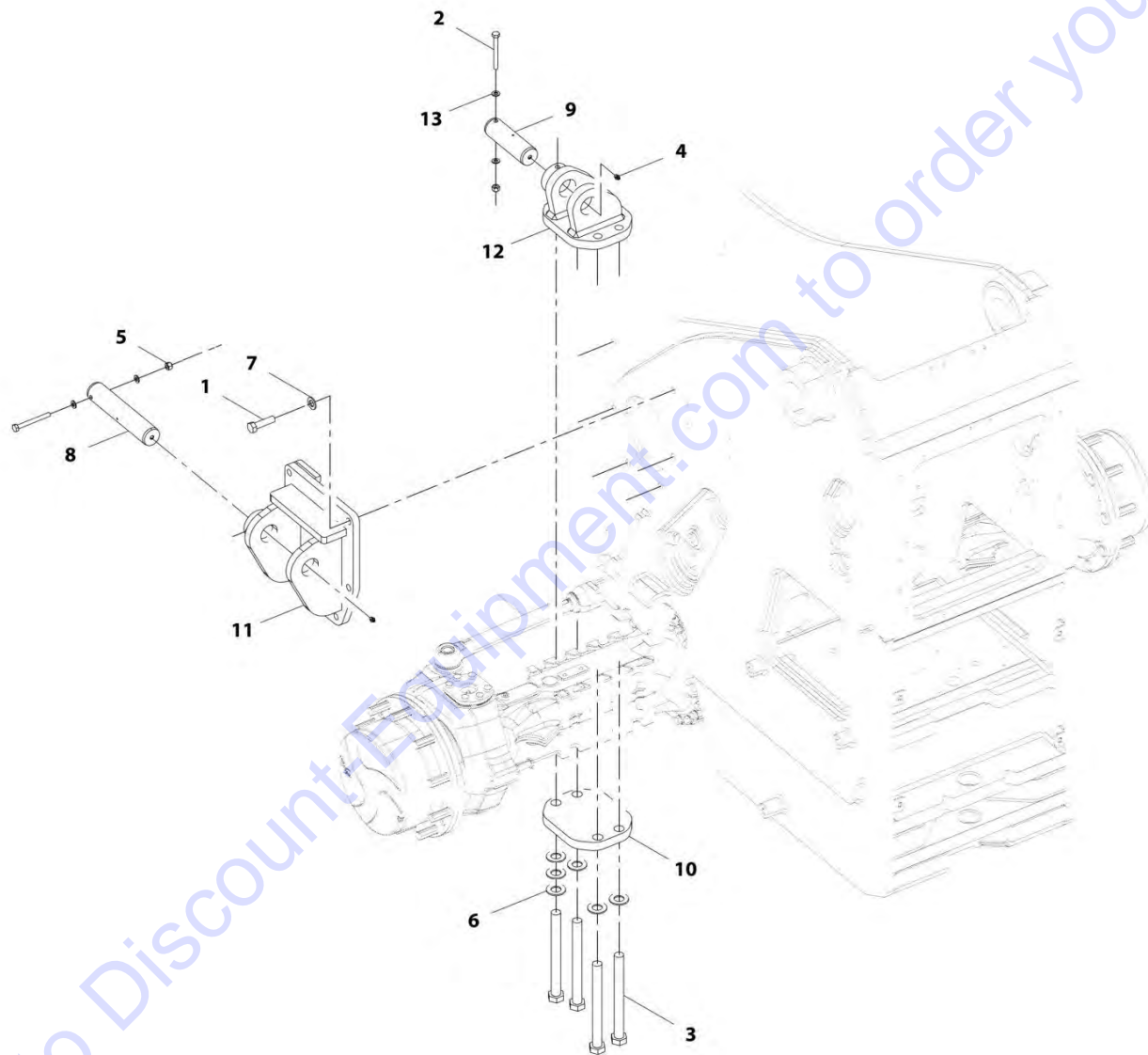
<b>ITEM</b>	<b>PART NUMBER</b>	<b>QTY</b>	<b>DESCRIPTION</b>	<b>REV</b>
	1001192713	Ref	RALP Installation	B
1	1001192555	1	Installation, RALP Hydraulic Lines (See Separate Breakdown in Hydraulic Circuits Section)	
2	1001193576	1	Installation, RALP Option Harness	
3	1001200177	1	Installation, RALP Mechanical (See Separate Breakdown in this Section)	

Go to Discount-Equipment.com to order your parts



# SECTION 5 - DRIVETRAIN

## FIGURE 5-31. RALP MECHANICAL INSTALLATION



ART\_1001200177-D

**SECTION 5 - DRIVETRAIN**

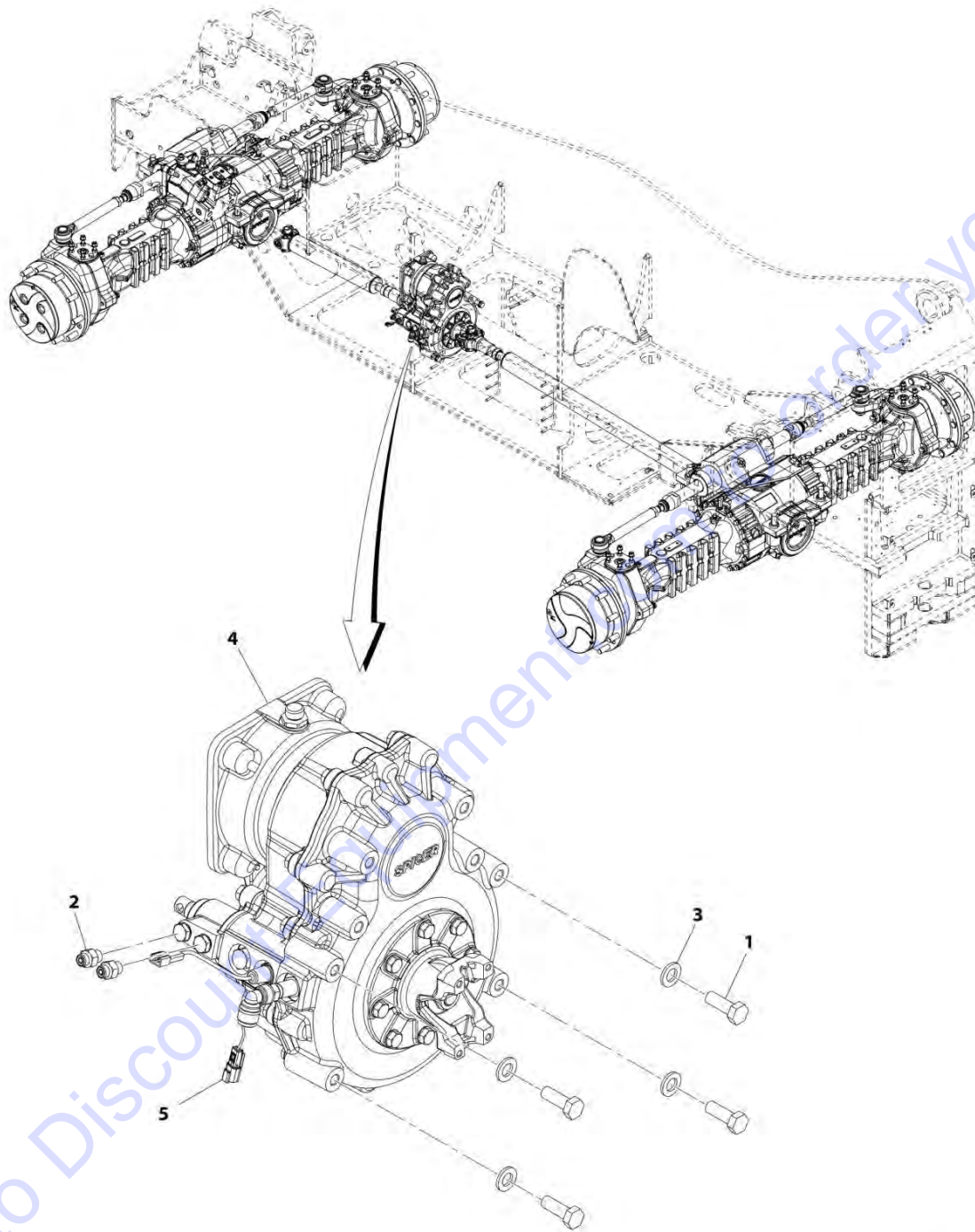
**FIGURE 5-31. RALP MECHANICAL INSTALLATION**

ITEM	PART NUMBER	QTY	DESCRIPTION	REV
	1001200177	Ref	RALP Mechanical Installation	D
1	0771620	6	Bolt, M16X60 Grade 10.9	
2	0711027	2	Bolt, M10X100	
3	0712442	4	Bolt, M24X250	
4	2160016	2	Fitting, Grease	
5	3291005	2	Nut, Lock M10X1.5	
6	5242400	6	Washer, M24	
7	5241600	6	Washer, M16	
8	1001164971	1	Pin	
9	1001164972	1	Pin	
10	1001168629	1	Plate	
11	1001193918J	1	Bracket	
12	1001193919	1	Bracket	
13	4812000	4	Washer, M10	

Go to Discount-Equipment.com to order your parts

# SECTION 5 - DRIVETRAIN

## FIGURE 5-32. GEARBOX INSTALLATION



ART\_1001184979-E

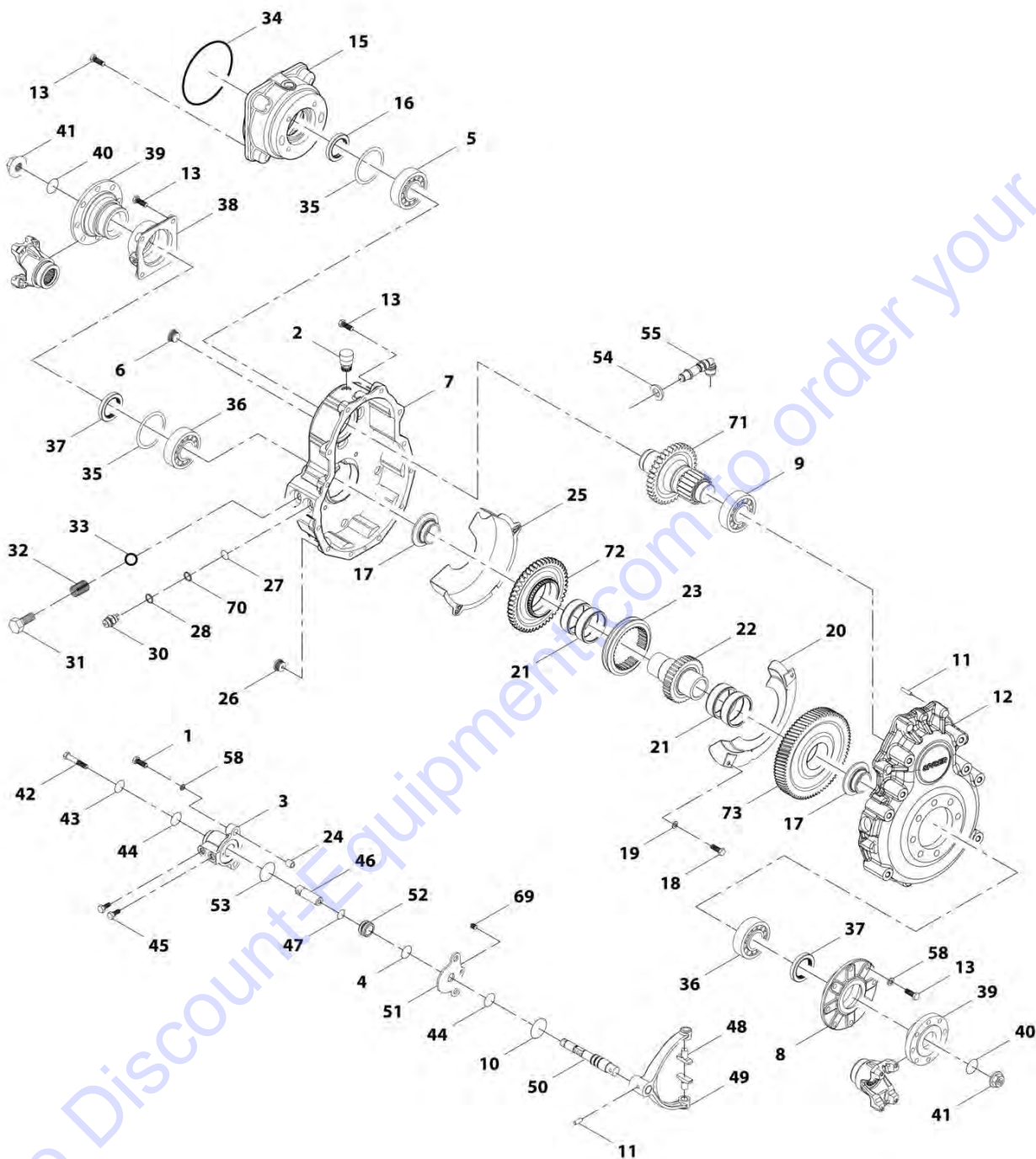
**FIGURE 5-32. GEARBOX INSTALLATION**

<b>ITEM</b>	<b>PART NUMBER</b>	<b>QTY</b>	<b>DESCRIPTION</b>	<b>REV</b>
	1001184979	Ref	Gearbox Installation	E
1	0771416	4	Bolt, M14-2X40 Grade 10.9	
2	2144603	1	Fitting, Straight ORFS	
3	5241400	4	Washer, M14	
4	1001184986	1	Gearbox (See Seperate Breakdown in this Section)	
5	1001229981	1	Harness, Vehicle Speed Pigtail	

Go to Discount-Equipment.com to order your parts

# SECTION 5 - DRIVETRAIN

## FIGURE 5-33. GEAR BOX



ART\_1001184986-D

## SECTION 5 - DRIVETRAIN

### FIGURE 5-33. GEAR BOX

ITEM	PART NUMBER	QTY	DESCRIPTION	REV
	1001184986	Ref	Gear box	D
1	70028817	2	Bolt	
2	70028818	1	Plug	
3	70028819	1	Cylinder	
4	70028820	1	O-Ring	
5	91514146	1	Bearing, Ball	
6	80204016	1	Plug	
7	70028821	1	Housing	
8	70028822	1	Cover	
9	70026904	1	Bearing, Ball	
10	3986405	1	O-Ring	
11	70026892	3	Dowel	
12	70028823	1	Housing	
13	70026911	28	Bolt	
15	70026897	1	Cover	
16	70026896	1	Seal	
17	70028824	2	Spacer	
18	70026909	2	Bolt	
19	70027110	2	Washer, Lock	
20	70028825	1	Plate, Cover	
21	70028826	4	Bearing	
22	70028827	1	Shaft	
23	70028828	1	Sleeve	
24	70028829	2	Pin	
25	70026908	1	Sheet	
26	80204007	1	Plug	
27	1001081085	1	O-Ring	
28	80203020	1	Washer	
30	70028830	1	Switch	
31	70028831	1	Bolt	
32	80203021	1	Spring	
33	70020276	1	Ball, Detend	
34	80204176	1	O-Ring	
35	70027862	2	Kit, Shim	
36	91474364	2	Bearing, Ball	
37	70026901	2	Seal	
38	70028832	1	Cover	
39	70026898	2	Flange	
40	80204215	2	O-Ring	
41	70026631	2	Nut	
42	70028833	1	Bolt	
43	70028834	1	O-Ring	
44	70028835	2	Sleeve	
45	91514154	2	Bolt	
46	70028836	1	Bar	
47	70027109	1	O-Ring	
48	70028837	2	Pin	
49	70028838	1	Fork, Selector	
50	70028839	1	Shaft	
51	70028840	1	Plate, Cover	

## SECTION 5 - DRIVETRAIN

ITEM	PART NUMBER	QTY	DESCRIPTION	REV
52	70028841	1	Piston	
53	70028842	1	O-Ring	
54	70028844	1	Washer	
55	70028801	1	Sensor, Speed	
58	70028843	10	Washer	
69	70028845	1	Bolt	
70	70026927	1	Washer, Seal	
71	70028846	1	Shaft, Input	
72	70028847	1	Gear	
73	70028848	1	Gear	

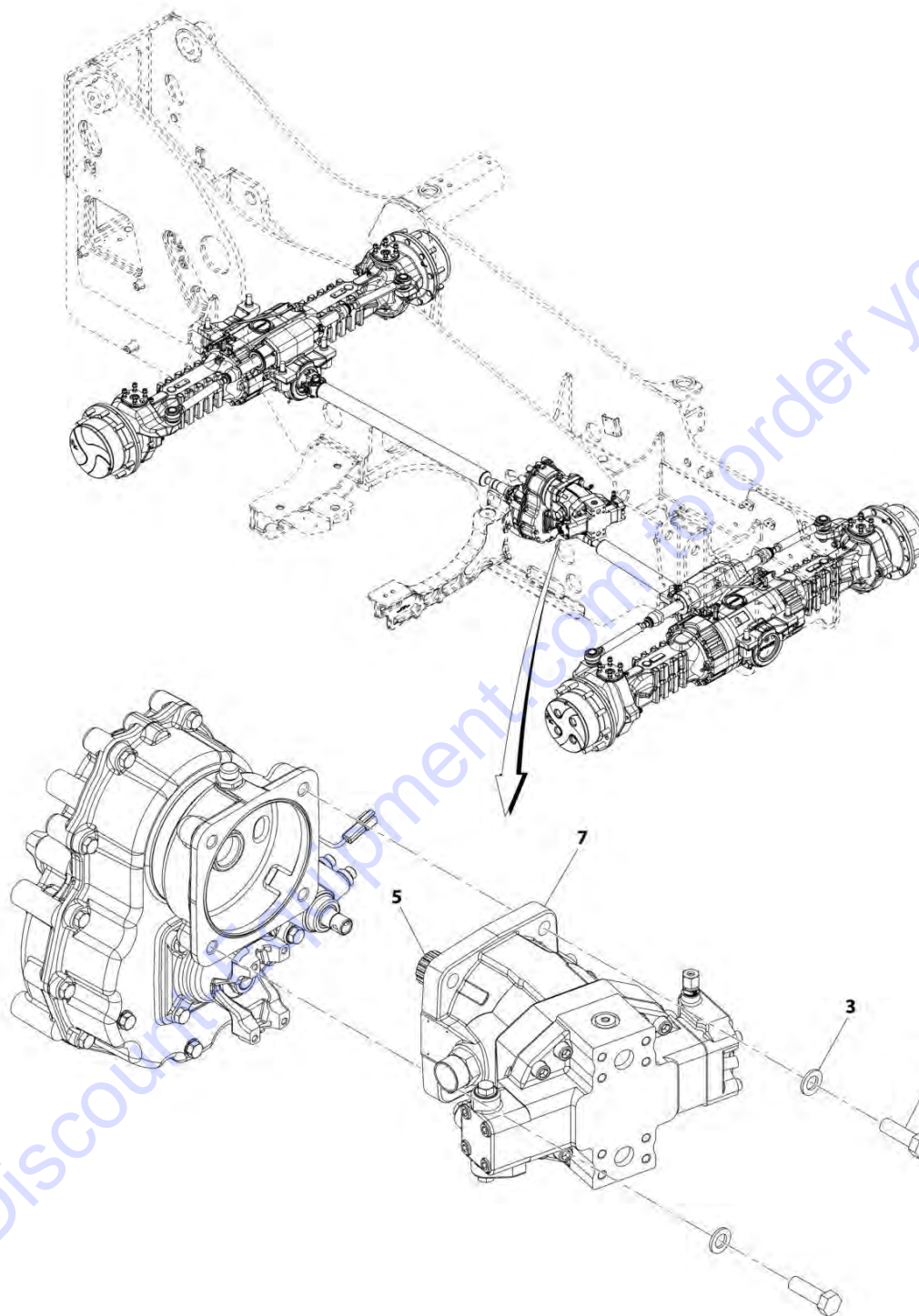
Go to Discount-Equipment.com to order your parts





# SECTION 5 - DRIVETRAIN

## FIGURE 5-34. HYDROSTATIC MOTOR INSTALLATION



ART\_1001184980-D

**SECTION 5 - DRIVETRAIN**

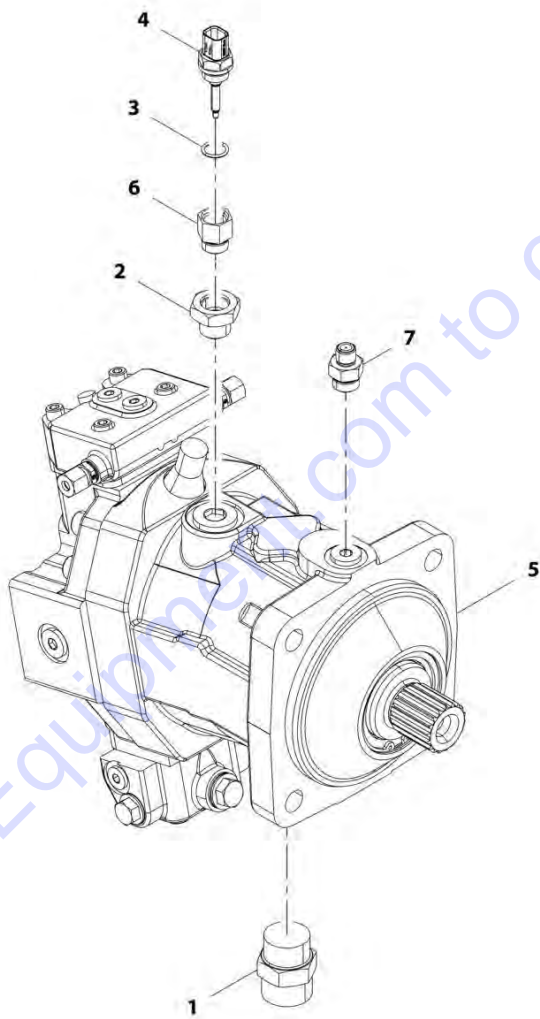
**FIGURE 5-34. HYDROSTATIC MOTOR INSTALLATION**

ITEM	PART NUMBER	QTY	DESCRIPTION	REV
	1001184980	Ref	Hydrostatic Motor Installation	D
1	0771618	4	Bolt, M16X50	
3	4812300	4	Washer, M16	
5	3020037	AR	Lube, Grease	
7	1001217620	1	Assembly, Hydrostatic Drive Motor (See Seperate Breakdown in this Section)	

Go to Discount-Equipment.com to order your parts

## SECTION 5 - DRIVETRAIN

FIGURE 5-35. HYDROSTATIC MOTOR ASSEMBLY



ART\_1001217620-B

**SECTION 5 - DRIVETRAIN**

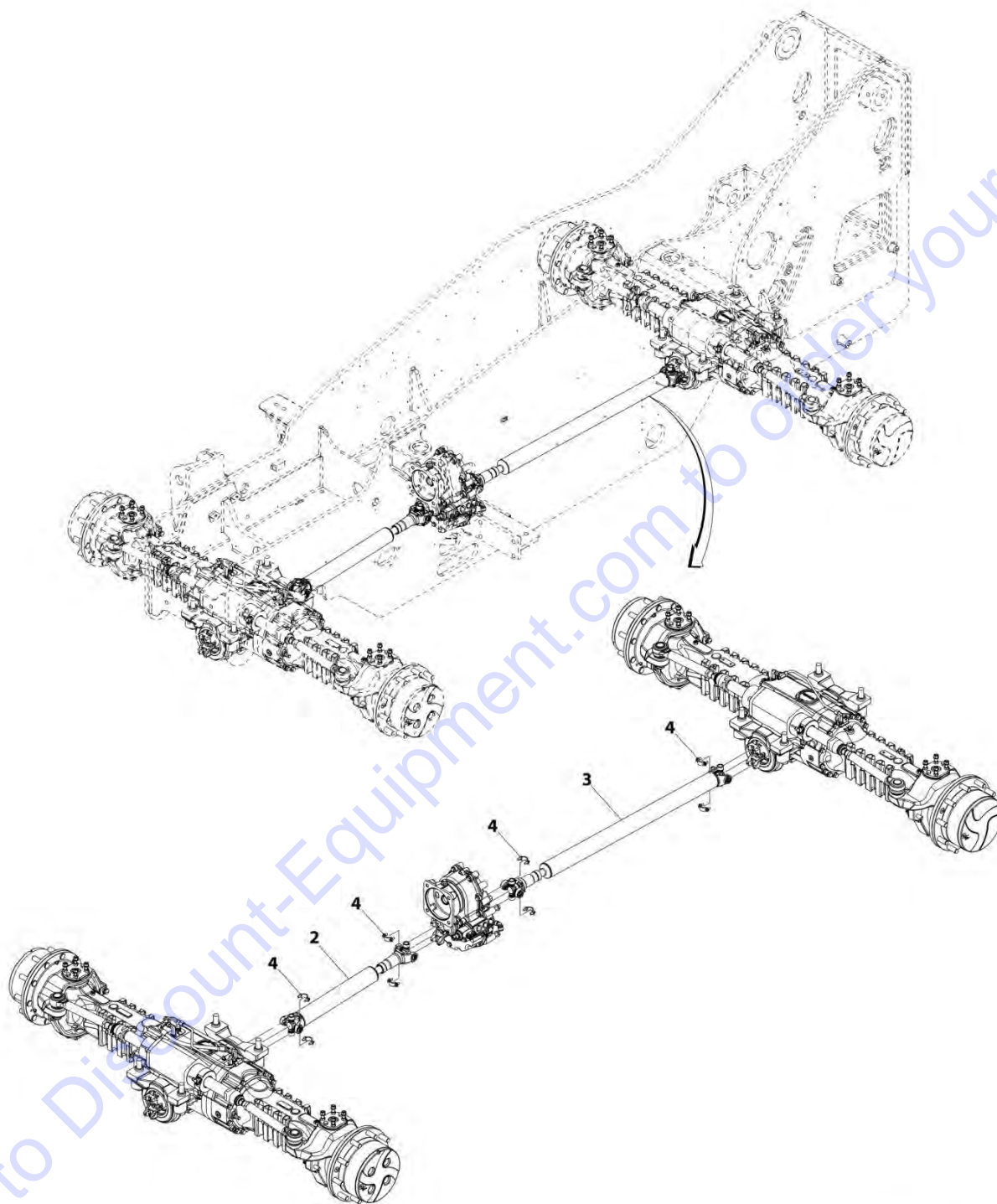
**FIGURE 5-35. HYDROSTATIC MOTOR ASSEMBLY**

ITEM	PART NUMBER	QTY	DESCRIPTION	REV
	1001217620	Ref	Hydrostatic Motor Assembly	B
1	2111616	1	Fitting, Straight ORFS	
2	2220811	1	Fitting, Straight	
3	1001009163	1	O-Ring	
4	1001128478	1	Sensor	
5	1001193308	1	Motor, Hydrostatic (See Separate Breakdown in Hydraulic Components Section)	
6	1001220760	1	Fitting, Straight	
7	1001217669	1	Fitting, Straight	

Go to Discount-Equipment.com to order your parts

# SECTION 5 - DRIVETRAIN

## FIGURE 5-36. DRIVE SHAFT INSTALLATION



ART\_1001184981-B

**SECTION 5 - DRIVETRAIN**

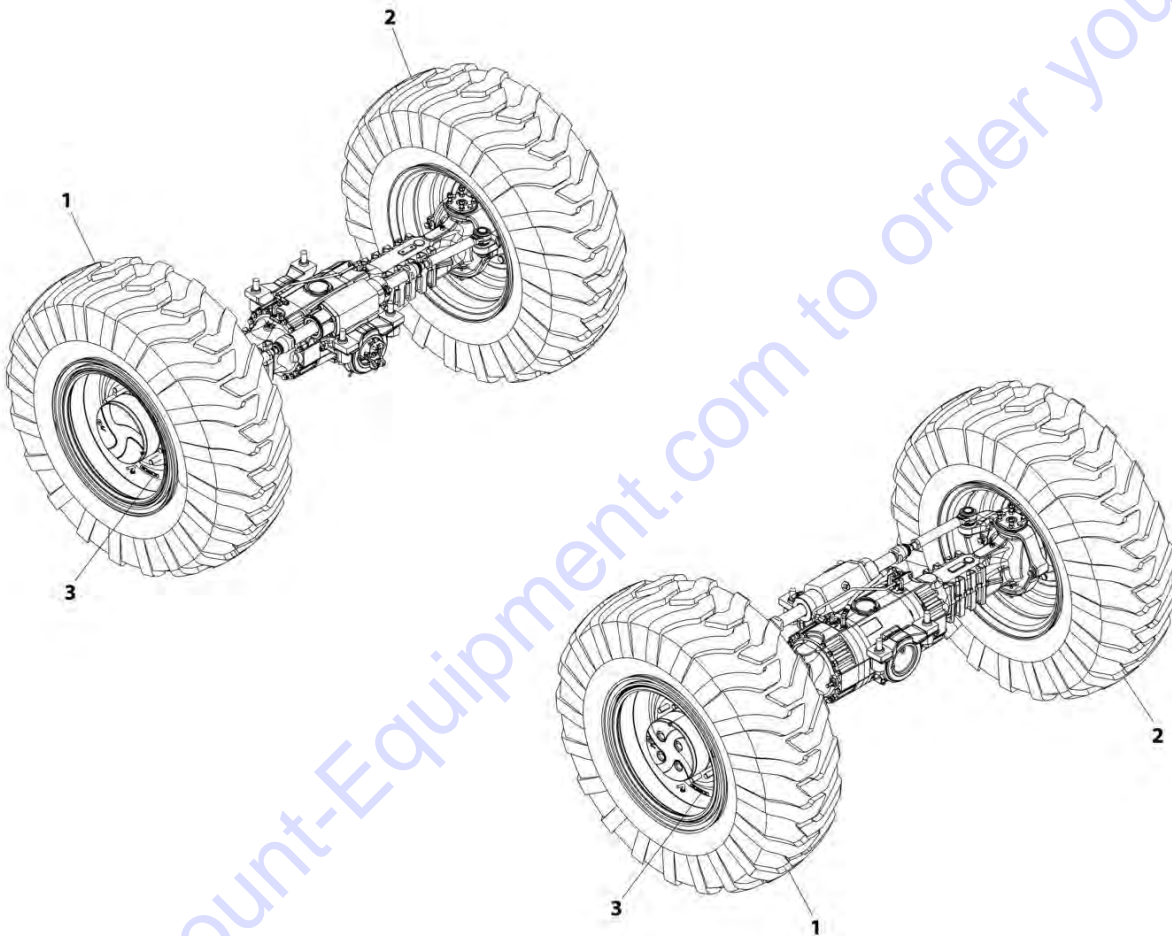
**FIGURE 5-36. DRIVE SHAFT INSTALLATION**

ITEM	PART NUMBER	QTY	DESCRIPTION	REV
	1001184981	Ref	Drive Shaft Installation	B
2	1001184987	1	Assembly, Drive Shaft	
3	1001184988	1	Assembly, Drive Shaft	
4	8880219-OM	4	Kit, Strap	

Go to Discount-Equipment.com to order your parts

## SECTION 5 - DRIVETRAIN

FIGURE 5-37. TIRE/WHEEL SET (AIR 17.5-25 - 20 PLY)



ART\_1001192168-C

**SECTION 5 - DRIVETRAIN**

**FIGURE 5-37. TIRE/WHEEL SET (AIR 17.5-25 - 20 PLY)**

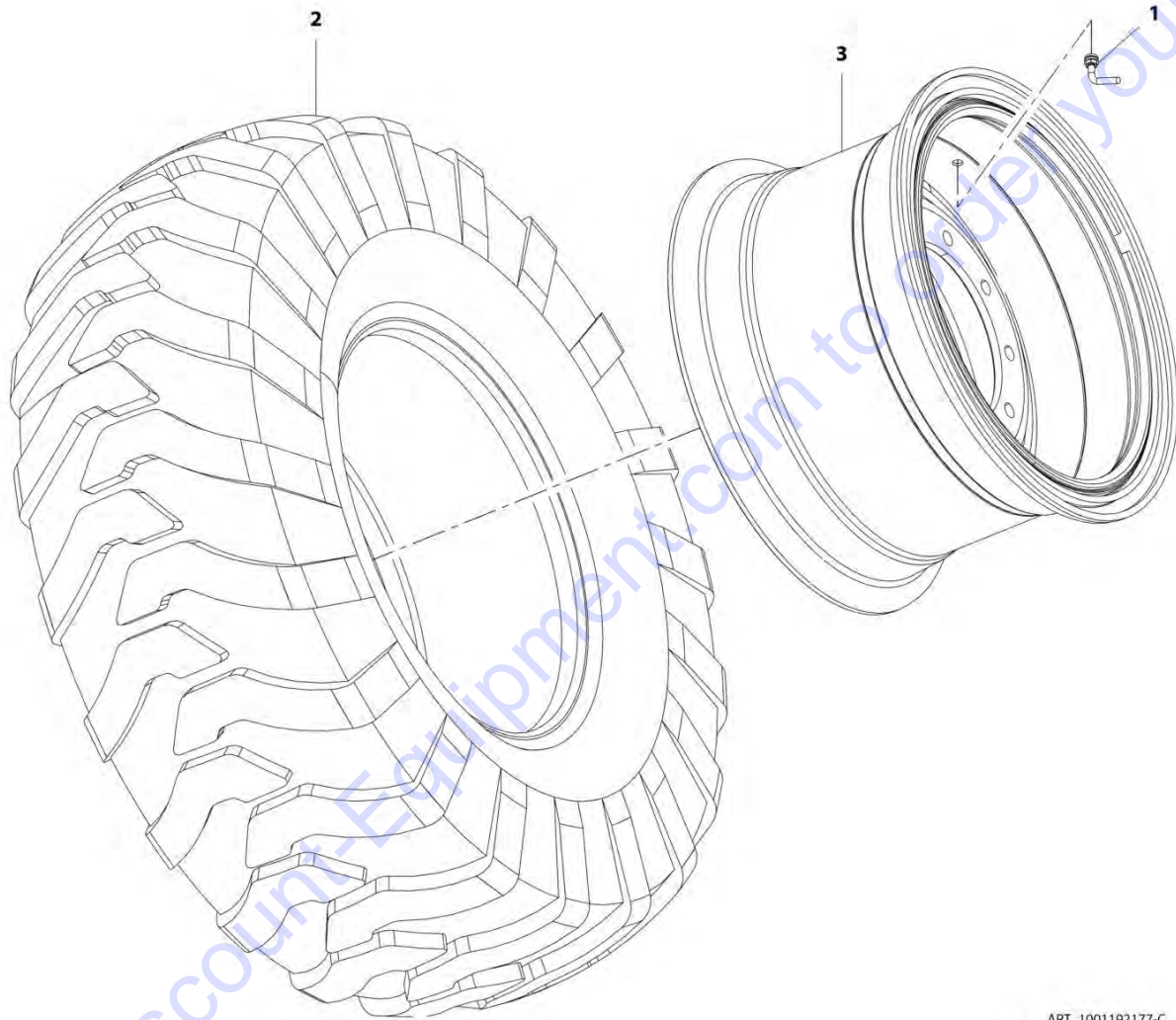
ITEM	PART NUMBER	QTY	DESCRIPTION	REV
1	1001192168	1	Tire/Wheel Set (Air 17.5-25 - 20 PLY)	C
	1001192177	2	Assembly, Right Tire/Wheel (Air 17.5-25 - 20 PLY) (See Seperate Breakdown in this Section)	
2	1001192178	2	Assembly, Left Tire/Wheel (Air 17.5-25 - 20 PLY) (See Seperate Breakdown in this Section)	
3	1001229201	4	Decal	

Go to Discount-Equipment.com to order your parts



## SECTION 5 - DRIVETRAIN

FIGURE 5-38. RIGHT TIRE/WHEEL ASSEMBLY (AIR 17.5-25 - 20 PLY)



ART\_1001192177-C

**SECTION 5 - DRIVETRAIN**

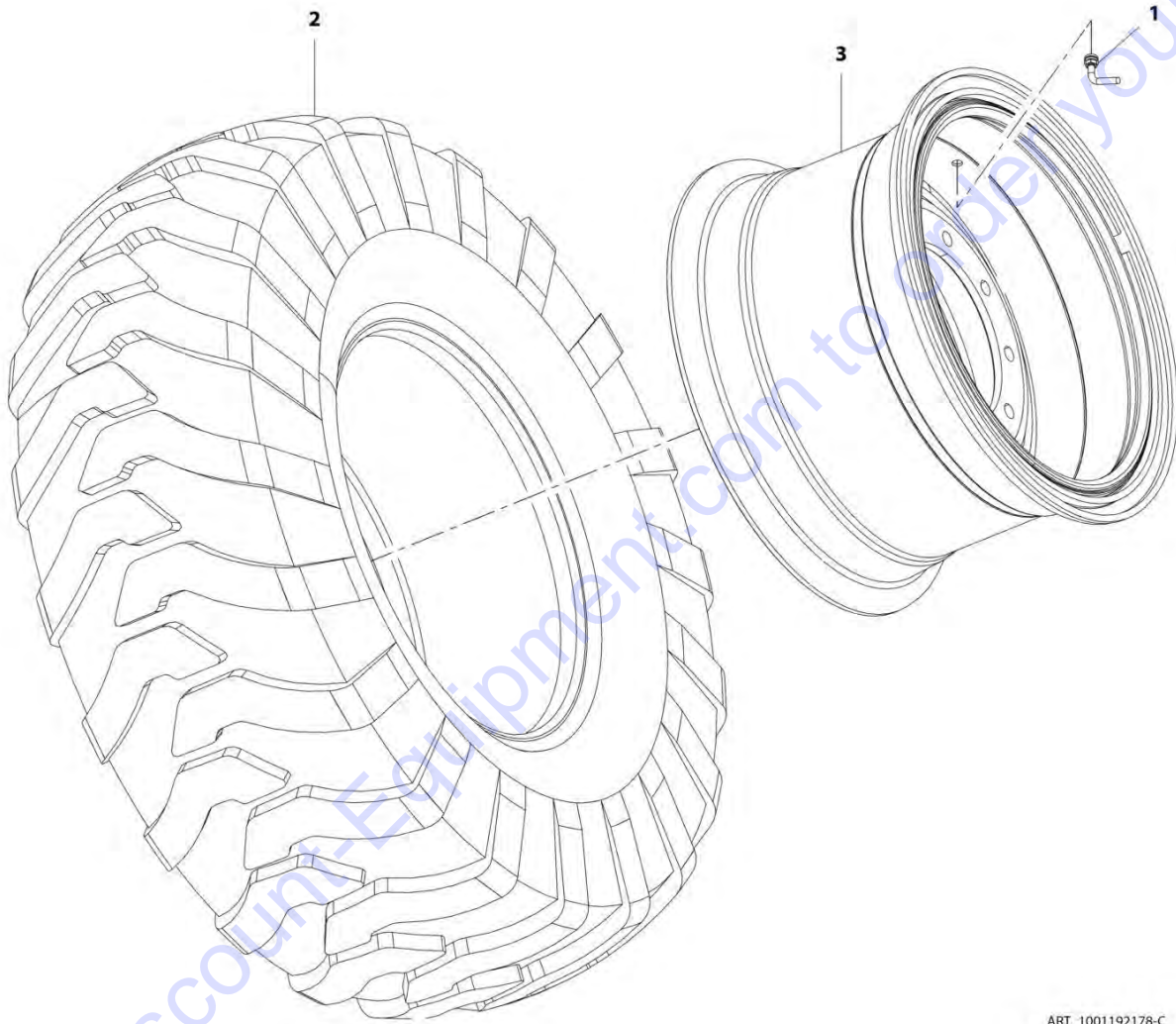
**FIGURE 5-38. RIGHT TIRE/WHEEL ASSEMBLY (AIR 17.5-25 - 20 PLY)**

ITEM	PART NUMBER	QTY	DESCRIPTION	REV
	1001192177	Ref	Right Tire/Wheel Assembly (Air 17.5-25 - 20 PLY)	C
1	8786549	1	Valve, Stem	
2	1001187423	1	Tire, 17.5-25 20 PLY	
3	1001189288J	1	Wheel, 25X14.0 DTU 10 Hole	

Go to Discount-Equipment.com to order your parts

## SECTION 5 - DRIVETRAIN

FIGURE 5-39. LEFT TIRE/WHEEL ASSEMBLY (AIR 17.5-25 - 20 PLY)



ART\_1001192178-C

**SECTION 5 - DRIVETRAIN**

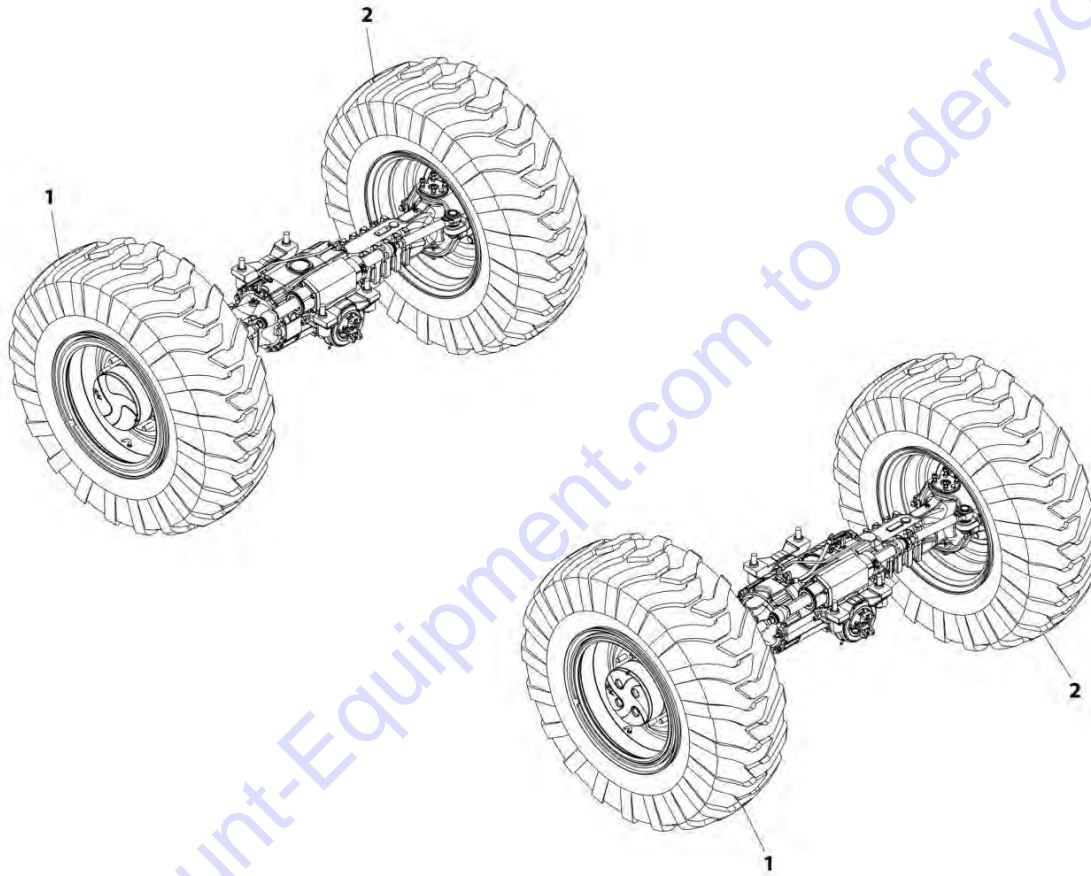
**FIGURE 5-39. LEFT TIRE/WHEEL ASSEMBLY (AIR 17.5-25 - 20 PLY)**

ITEM	PART NUMBER	QTY	DESCRIPTION	REV
	1001192178	Ref	Left Tire/Wheel Assembly (Air 17.5-25 - 20 PLY)	C
1	8786549	1	Valve, Stem	
2	1001187423	1	Tire, 17.5-25 20 PLY	
3	1001189288J	1	Wheel, 25X14.0 DTU 10 Hole	

Go to Discount-Equipment.com to order your parts

## SECTION 5 - DRIVETRAIN

FIGURE 5-40. TIRE/WHEEL SET (FOAM 17.5-25 - 20 PLY)



ART\_1001192170-A

**SECTION 5 - DRIVETRAIN**

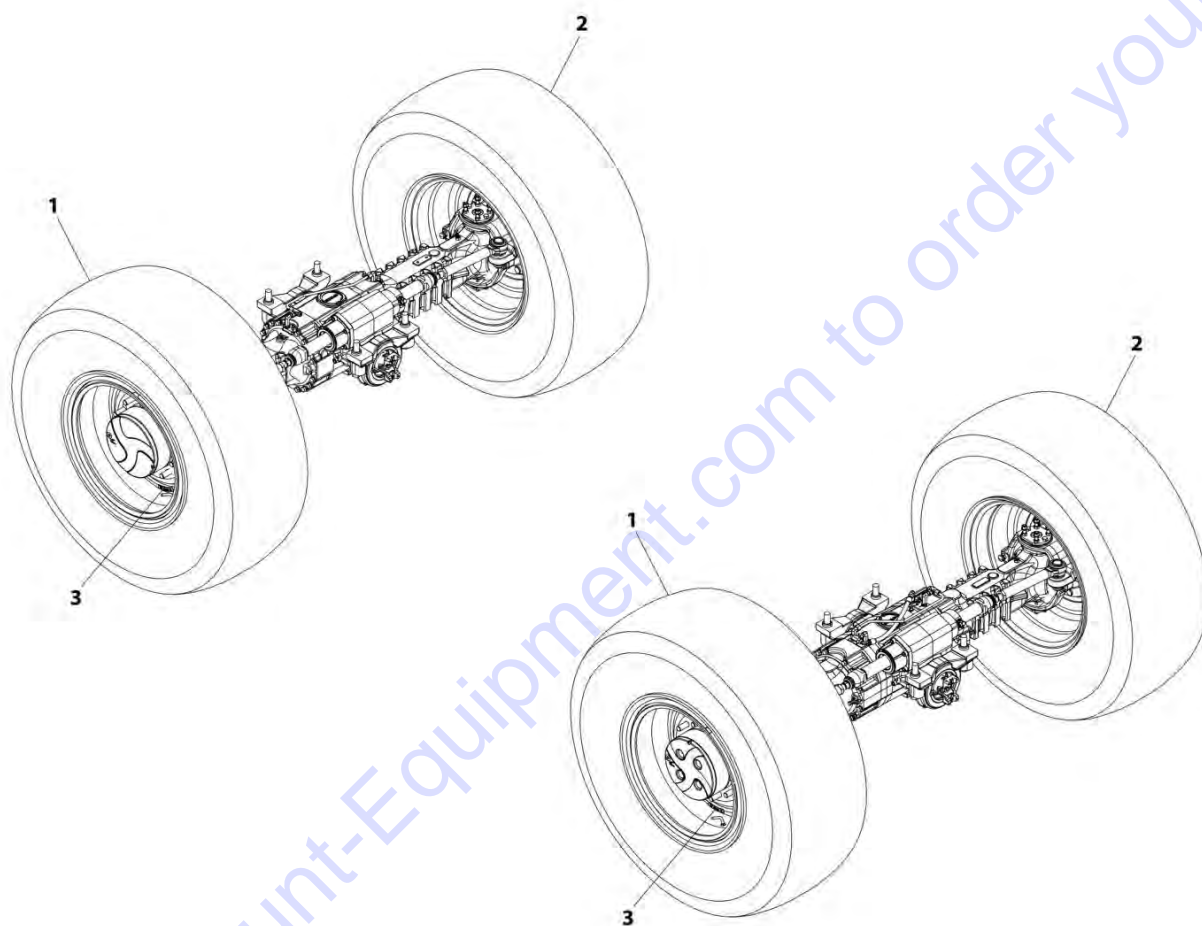
**FIGURE 5-40. TIRE/WHEEL SET (FOAM 17.5-25 - 20 PLY)**

ITEM	PART NUMBER	QTY	DESCRIPTION	REV
	1001192170	1	Tire/Wheel Set (Foam 17.5-25 - 20 PLY)	A
1	1001192180	2	Assembly, Right Tire/Wheel (Foam 17.5-25 - 20 PLY)	
2	1001192181	2	Assembly, Left Tire/Wheel (Foam 17.5-25 - 20 PLY)	

Go to Discount-Equipment.com to order your parts

## SECTION 5 - DRIVETRAIN

FIGURE 5-41. TIRE/WHEEL SET (AIR 17.5 R25 - RADIAL)



ART\_1001221270-A

**SECTION 5 - DRIVETRAIN**

**FIGURE 5-41. TIRE/WHEEL SET (AIR 17.5 R25 - RADIAL)**

ITEM	PART NUMBER	QTY	DESCRIPTION	REV
1	1001221270	1	Tire/Wheel Set (Air 17.5 R25 - Radial)	A
	1001221157	2	Assembly, Right Tire/Wheel (Air 17.5 R25 - Radial) (See Sperate Breakdown in this Section)	
2	1001221321	2	Assembly, Left Tire/Wheel (Air 17.5 R25 - Radial) (See Seperate Breakdown in this Section)	
3	1001221734	4	Decal	

Go to Discount-Equipment.com to order your parts



# PARTS FINDER

**Search Website  
by Part Number**



**Search Manual  
Library For Parts  
Manual & Lookup Part  
Numbers – Purchase  
or Request Quote**

**Can't Find Part or  
Manual? Request Help  
by Manufacturer,  
Model & Description**

Discount-Equipment.com is your online resource for quality parts & equipment.

Florida: **561-964-4949** Outside Florida TOLL FREE: **877-690-3101**

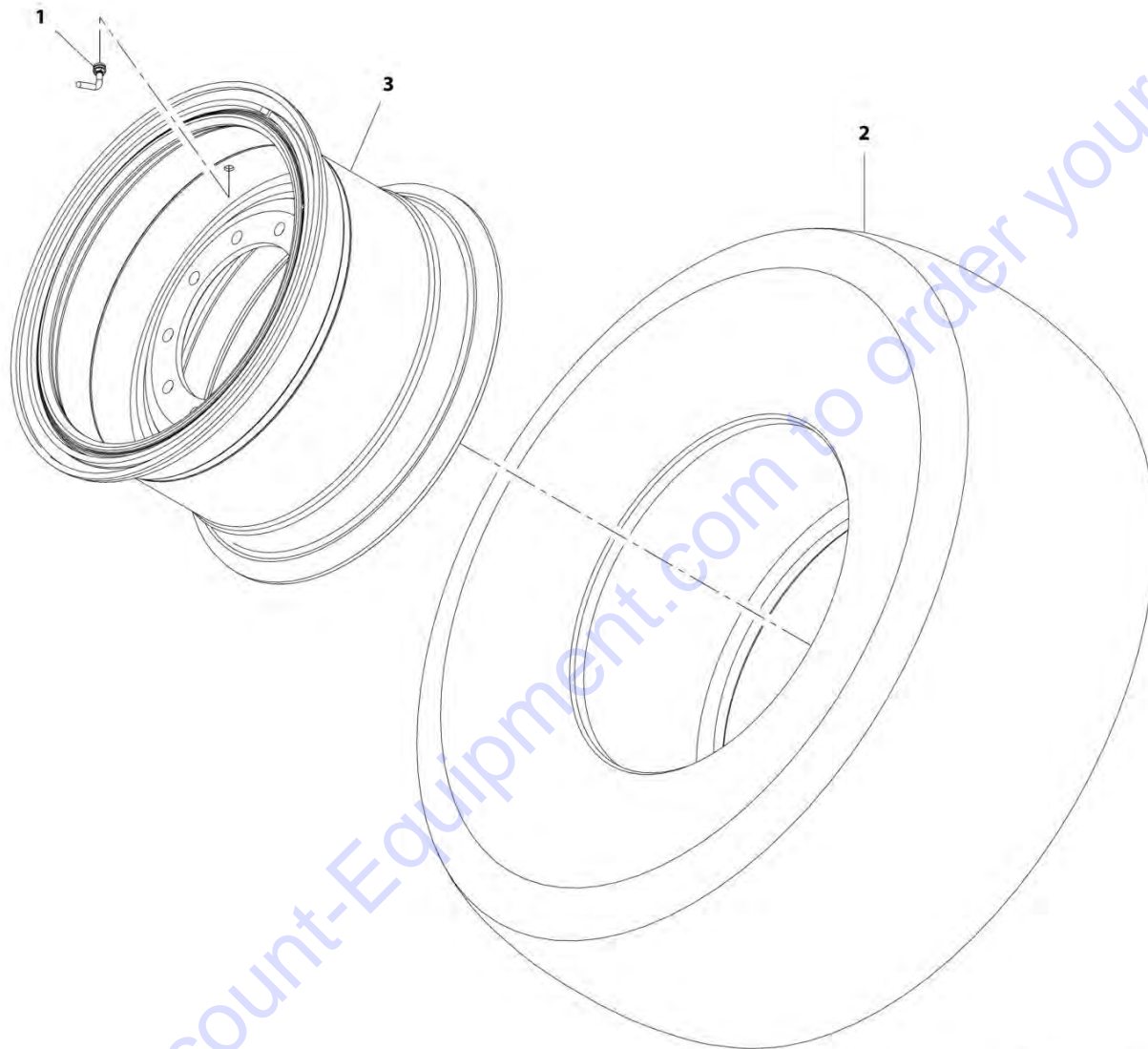
## Need parts?

Click on this link: <http://www.discount-equipment.com/category/5443-parts/> and choose one of the options to help get the right parts and equipment you are looking for. Please have the machine model and serial number available in order to help us get you the correct parts. If you don't find the part on the website or on one of the online manuals, please fill out the request form and one of our experienced staff members will get back to you with a quote for the right part that your machine needs.

We sell worldwide for the brands: Genie, Terex, JLG, MultiQuip, Mikasa, Essick, Whiteman, Mayco, Toro Stone, Diamond Products, Generac Magnum, Airman, Haulotte, Barreto, Power Blanket, Nifty Lift, Atlas Copco, Chicago Pneumatic, Allmand, Miller Curber, Skyjack, Lull, Skytrak, Tsurumi, Husquvarna Target, Stow, Wacker, Sakai, Mi-T-M, Sullair, Basic, Dynapac, MBW, Weber, Bartell, Bennar Newman, Haulotte, Ditch Runner, Menegotti, Morrison, Contec, Buddy, Crown, Edco, Wyco, Bomag, Laymor, EZ Trench, Bil-Jax, F.S. Curtis, Gehl Pavers, Heli, Honda, ICS/PowerGrit, IHI, Partner, Imer, Clipper, MMD, Koshin, Rice, CH&E, General Equipment, Amida, Coleman, NAC, Gradall, Square Shooter, Kent, Stanley, Tamco, Toku, Hatz, Kohler, Robin, Wisconsin, Northrock, Oztec, Toker TK, Rol-Air, APT, Wylie, Ingersoll Rand / Doosan, Innovatech, Con X, Ammann, Mecalac, Makinex, Smith Surface Prep, Small Line, Wanco, Yanmar

## SECTION 5 - DRIVETRAIN

FIGURE 5-42. RIGHT TIRE/WHEEL ASSEMBLY (AIR 17.5 R25 - RADIAL)



ART\_1001221157-C

**SECTION 5 - DRIVETRAIN**

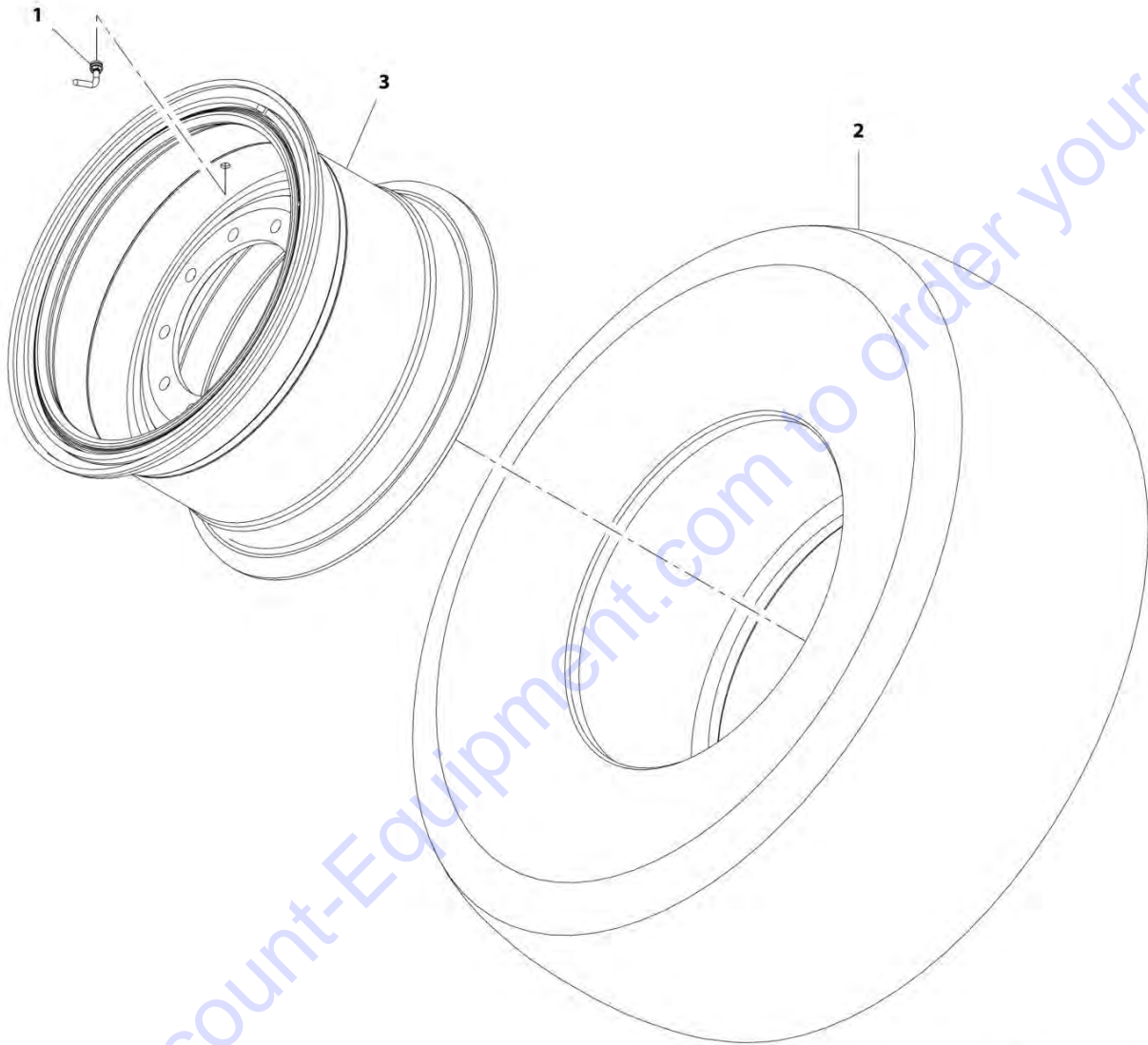
**FIGURE 5-42. RIGHT TIRE/WHEEL ASSEMBLY (AIR 17.5 R25 - RADIAL)**

ITEM	PART NUMBER	QTY	DESCRIPTION	REV
	1001221157	Ref	Right Tire/Wheel Assembly (Air 17.5 R25 - Radial)	C
1	8786549	1	Valve, Stem	
2	1001221087	1	Tire, 17.5 R25 Radial	
3	1001189288J	1	Wheel, 25X14.0 DTU 10 Hole	

Go to Discount-Equipment.com to order your parts

## SECTION 5 - DRIVETRAIN

FIGURE 5-43. LEFT TIRE/WHEEL ASSEMBLY (AIR 17.5 R25 - RADIAL)



ART\_1001221321-C

**SECTION 5 - DRIVETRAIN**

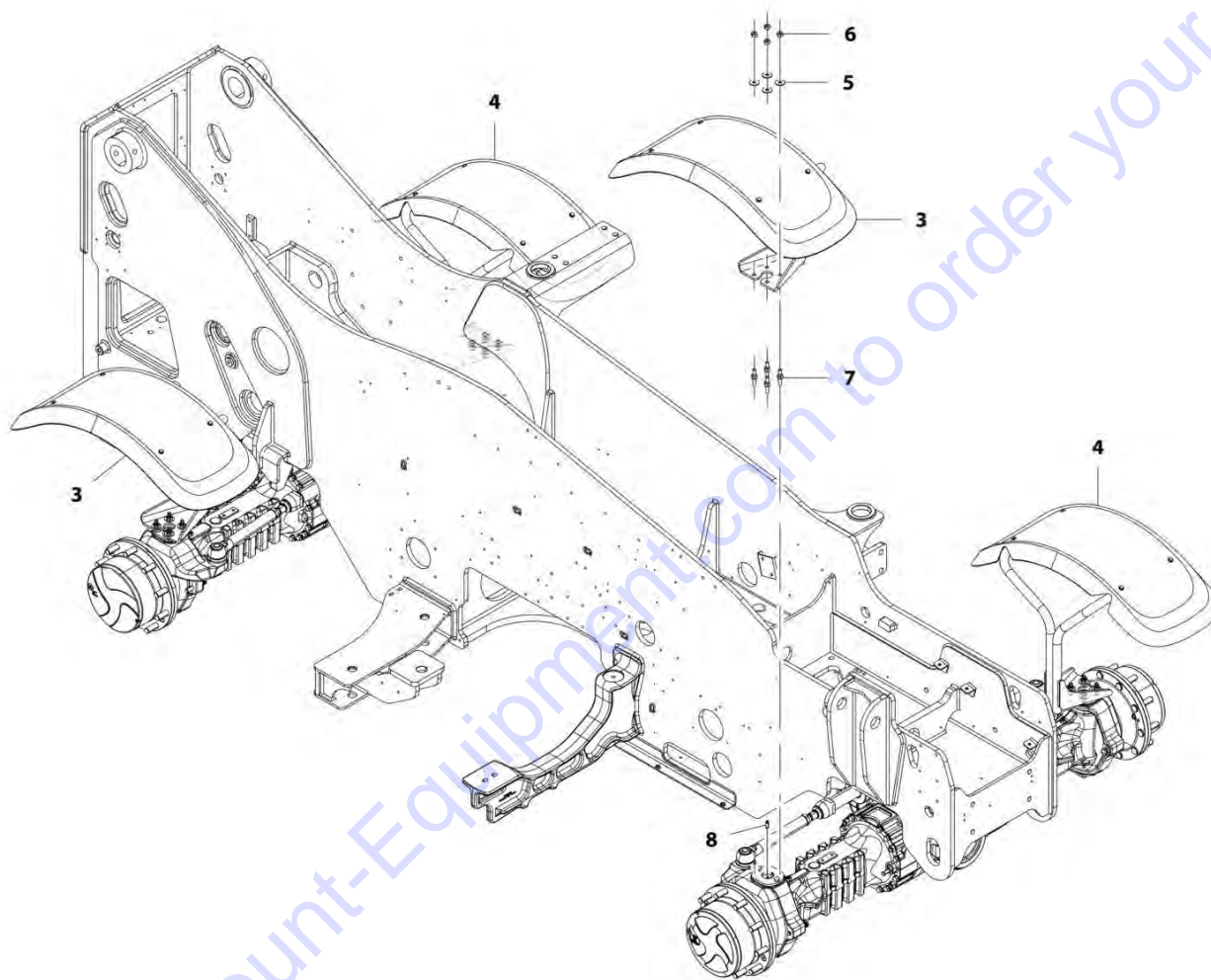
**FIGURE 5-43. LEFT TIRE/WHEEL ASSEMBLY (AIR 17.5 R25 - RADIAL)**

ITEM	PART NUMBER	QTY	DESCRIPTION	REV
	1001221321	Ref	Left Tire/Wheel Assembly (Air 17.5 R25 - Radial)	C
1	8786549	1	Valve, Stem	
2	1001221087	1	Tire, 17.5 R25 Radial	
3	1001189288J	1	Wheel, 25X14.0 DTU 10 Hole	

Go to Discount-Equipment.com to order your parts

# SECTION 5 - DRIVETRAIN

## FIGURE 5-44. FENDER INSTALLATION



ART\_1001174129-E

**SECTION 5 - DRIVETRAIN**

**FIGURE 5-44. FENDER INSTALLATION**

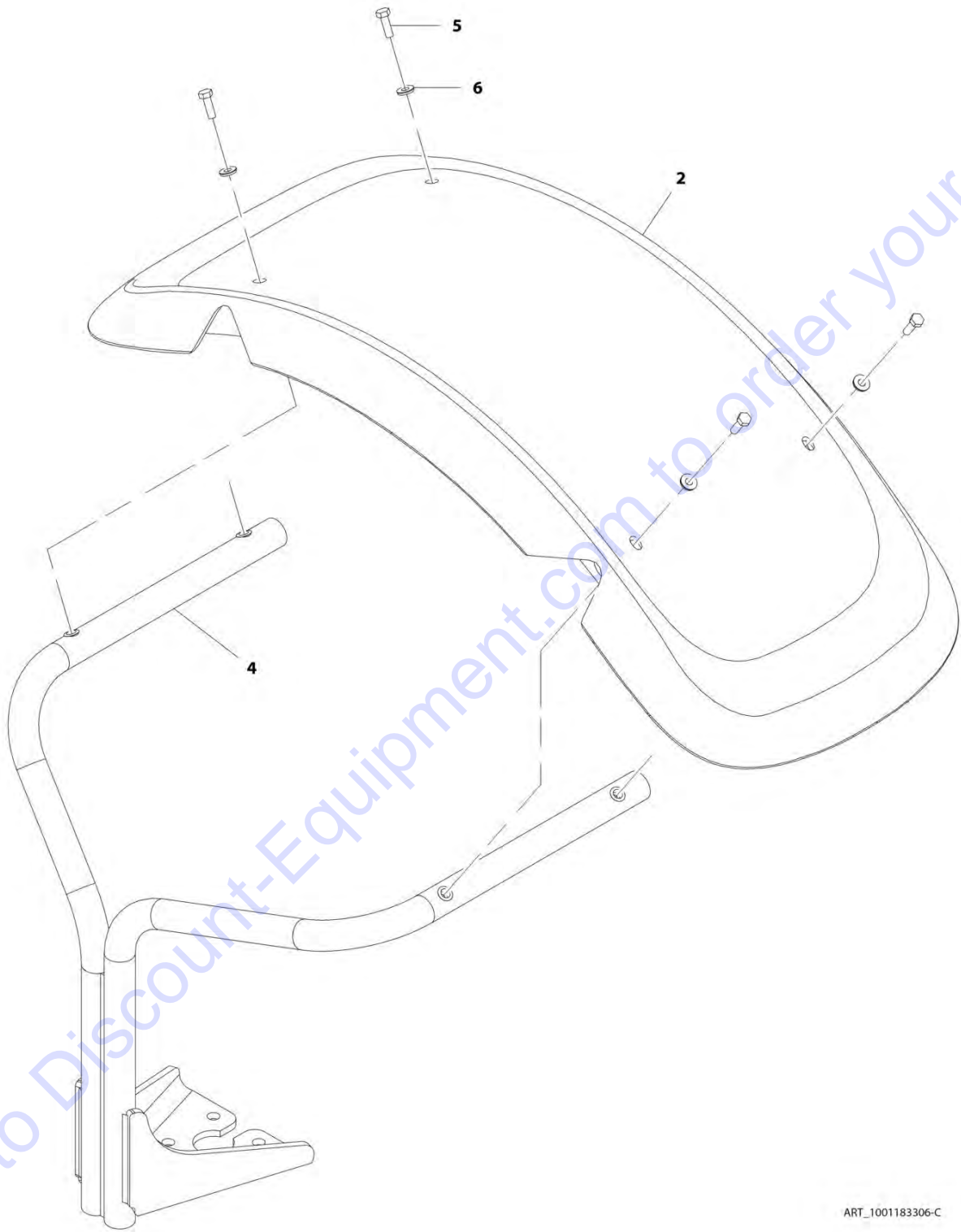
ITEM	PART NUMBER	QTY	DESCRIPTION	REV
	1001174129	Ref	Fender Installation	E
3	1001183306	2	Assembly, RH Fender (See Separate Breakdown in this Section)	
4	1001183307	2	Assembly, LH Fender (See Separate Breakdown in this Section)	
5	4812102	16	Washer, M12	
6	91513266	16	Nut, M12X1.25	
7	91514118	16	Stud, Fender	
8	1001225317	4	Fitting, Grease	

Go to Discount-Equipment.com to order your parts



# SECTION 5 - DRIVETRAIN

## FIGURE 5-45. RH FENDER ASSEMBLY



ART\_1001183306-C



**SECTION 5 - DRIVETRAIN**

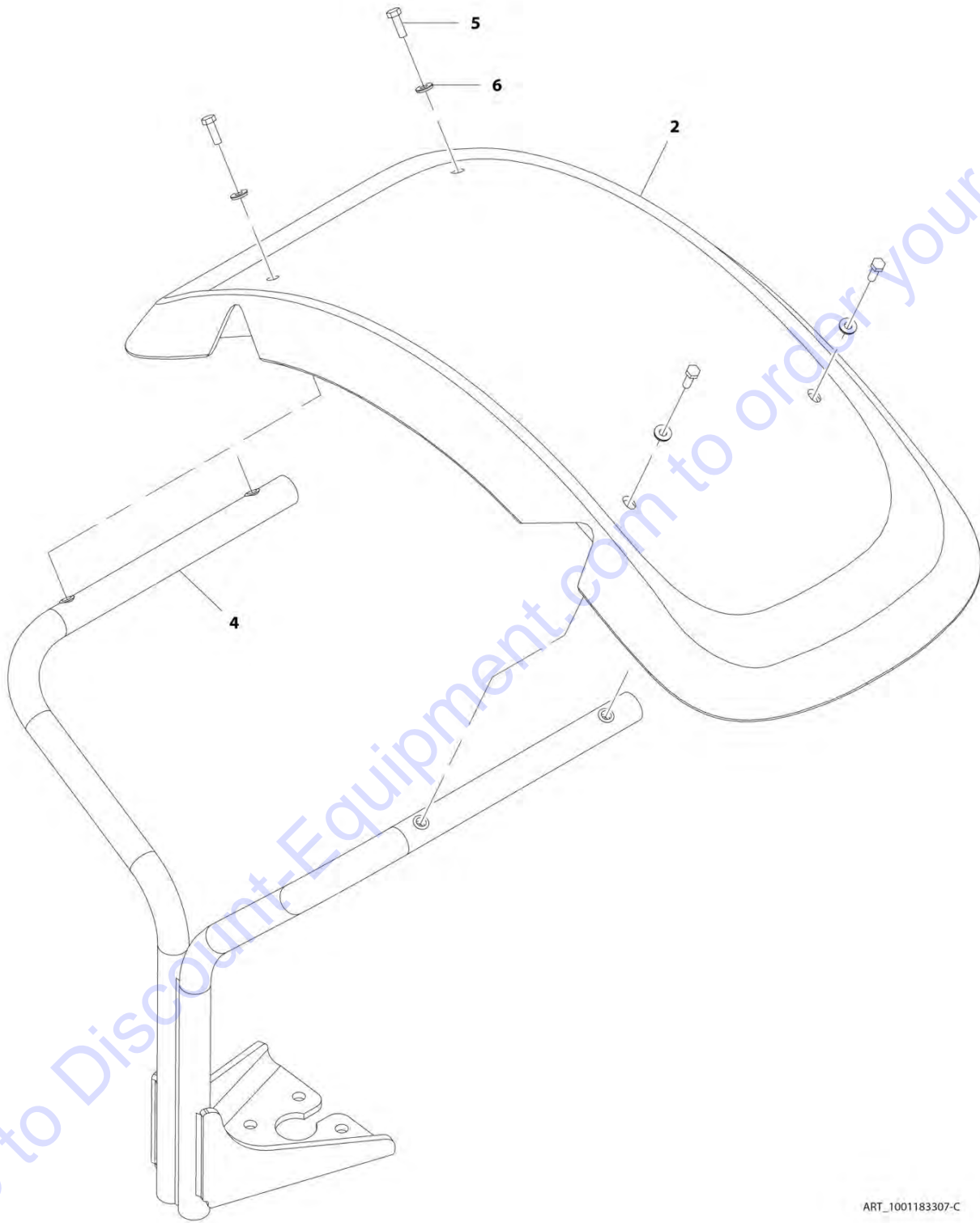
**FIGURE 5-45. RH FENDER ASSEMBLY**

ITEM	PART NUMBER	QTY	DESCRIPTION	REV
	1001183306	Ref	RH Fender Assembly	C
2	1001168264	1	Fender	
4	1001183308	1	Bracket	
5	0760812	4	Bolt, M8X25	
6	1001202786	4	Washer	

Go to Discount-Equipment.com to order your parts

# SECTION 5 - DRIVETRAIN

## FIGURE 5-46. LH FENDER ASSEMBLY



ART\_1001183307-C

**SECTION 5 - DRIVETRAIN**

**FIGURE 5-46. LH FENDER ASSEMBLY**

ITEM	PART NUMBER	QTY	DESCRIPTION	REV
	1001183307	Ref	LH Fender Assembly	C
2	1001168264	1	Fender	
4	1001183309	1	Bracket	
5	0760812	4	Bolt, M8X25	
6	1001202786	4	Washer	

Go to Discount-Equipment.com to order your parts

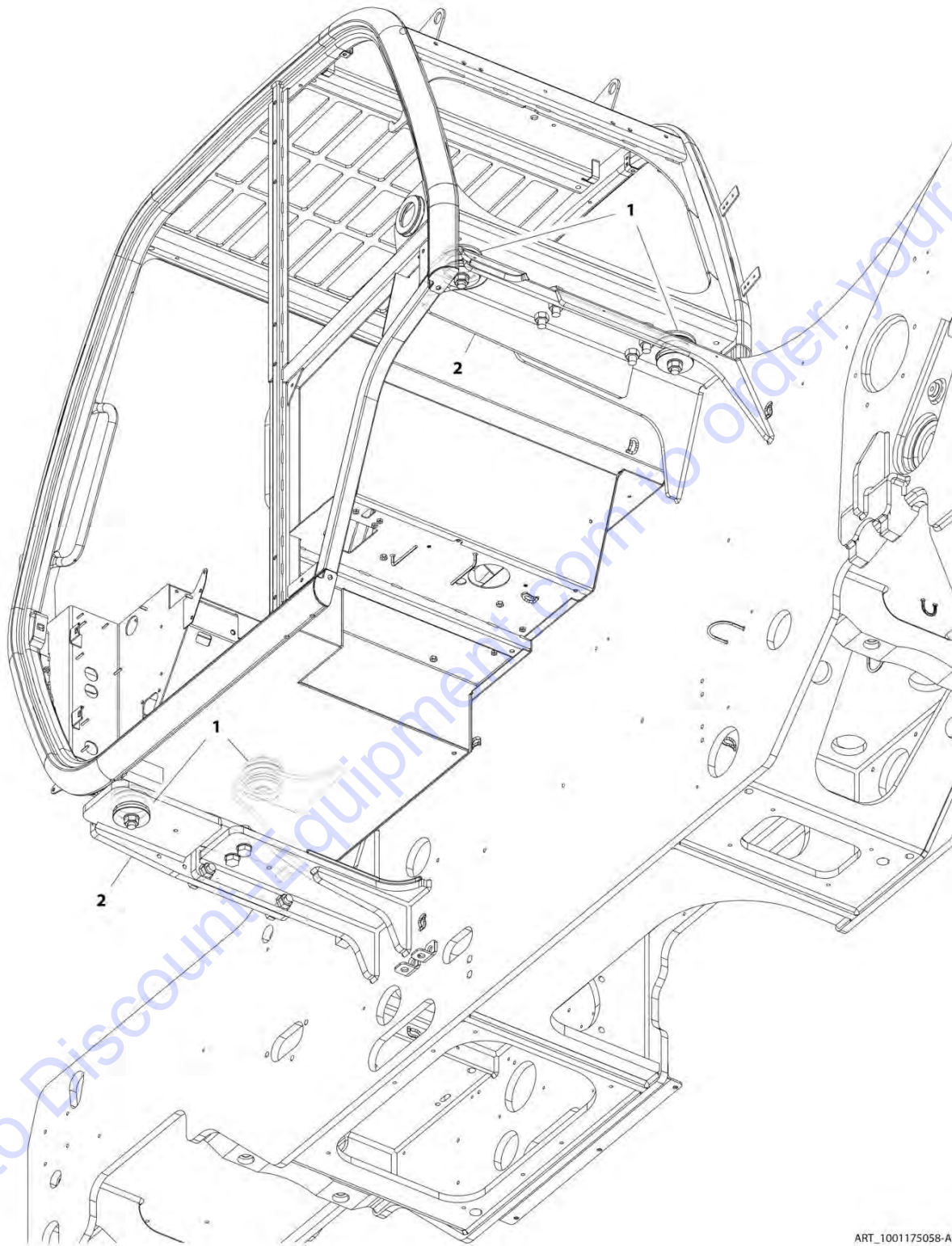


**SECTION 6 - CAB**

Go to [Discount-Equipment.com](http://Discount-Equipment.com) to order your parts

# SECTION 6 - CAB

## FIGURE 6-1. CAB MOUNTING INSTALLATION



ART\_1001175058-A

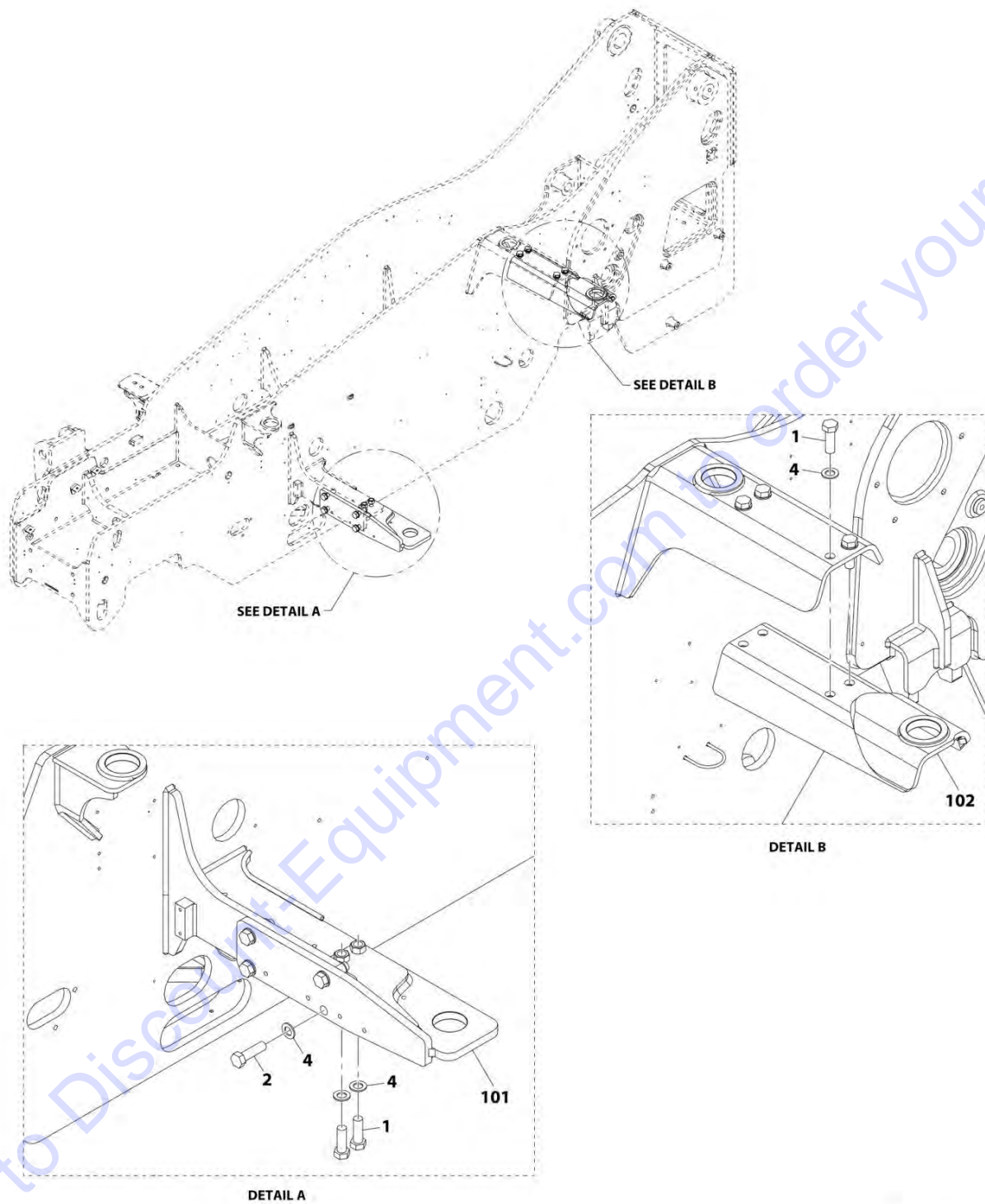
FIGURE 6-1. CAB MOUNTING INSTALLATION

ITEM	PART NUMBER	QTY	DESCRIPTION	REV
1	1001175058	Ref	Cab Mounting Installation	A
	1001155446	Ref	Installation, Cab Mount (See Separate Breakdown in this Section)	
2	1001191255	Ref	Installation, Front Cab Mount Bracket (See Separate Breakdown in this Section)	

Go to Discount-Equipment.com to order your parts

# SECTION 6 - CAB

## FIGURE 6-2. FRONT CAB MOUNT BRACKET INSTALLATION



ART\_1001191255-E



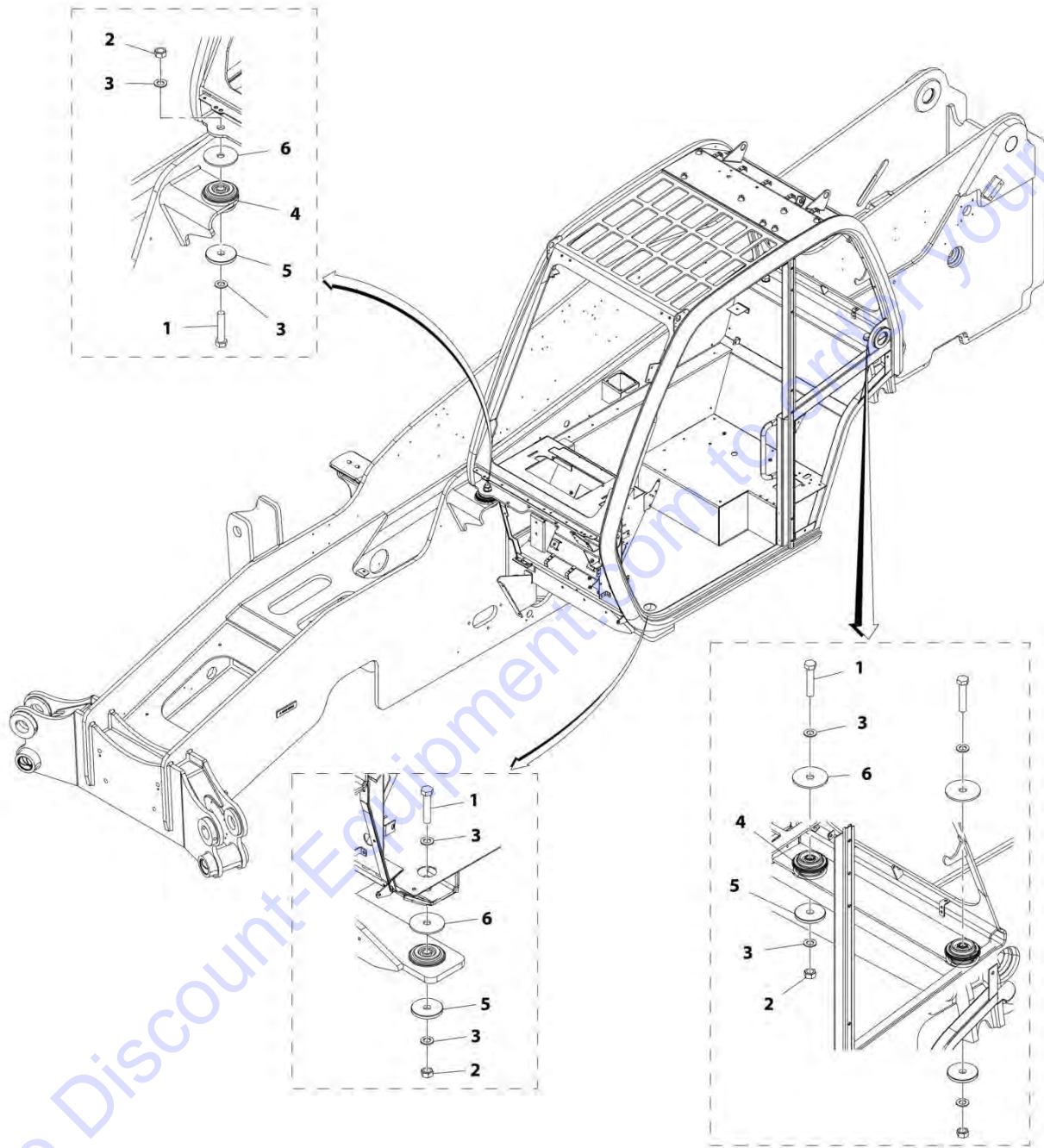
FIGURE 6-2. FRONT CAB MOUNT BRACKET INSTALLATION

ITEM	PART NUMBER	QTY	DESCRIPTION	REV
	1001191255	Ref	Front Cab Mount Bracket Installation	E
1	0712020	6	Bolt, M20X60	
2	0712022	4	Bolt, M20X70	
4	4812500	10	Washer, M20	
101	1001191256	1	Bracket	
102	1001191257	1	Bracket	

Go to Discount-Equipment.com to order your parts

# SECTION 6 - CAB

## FIGURE 6-3. CAB MOUNTS INSTALLATION



ART\_1001155446-E

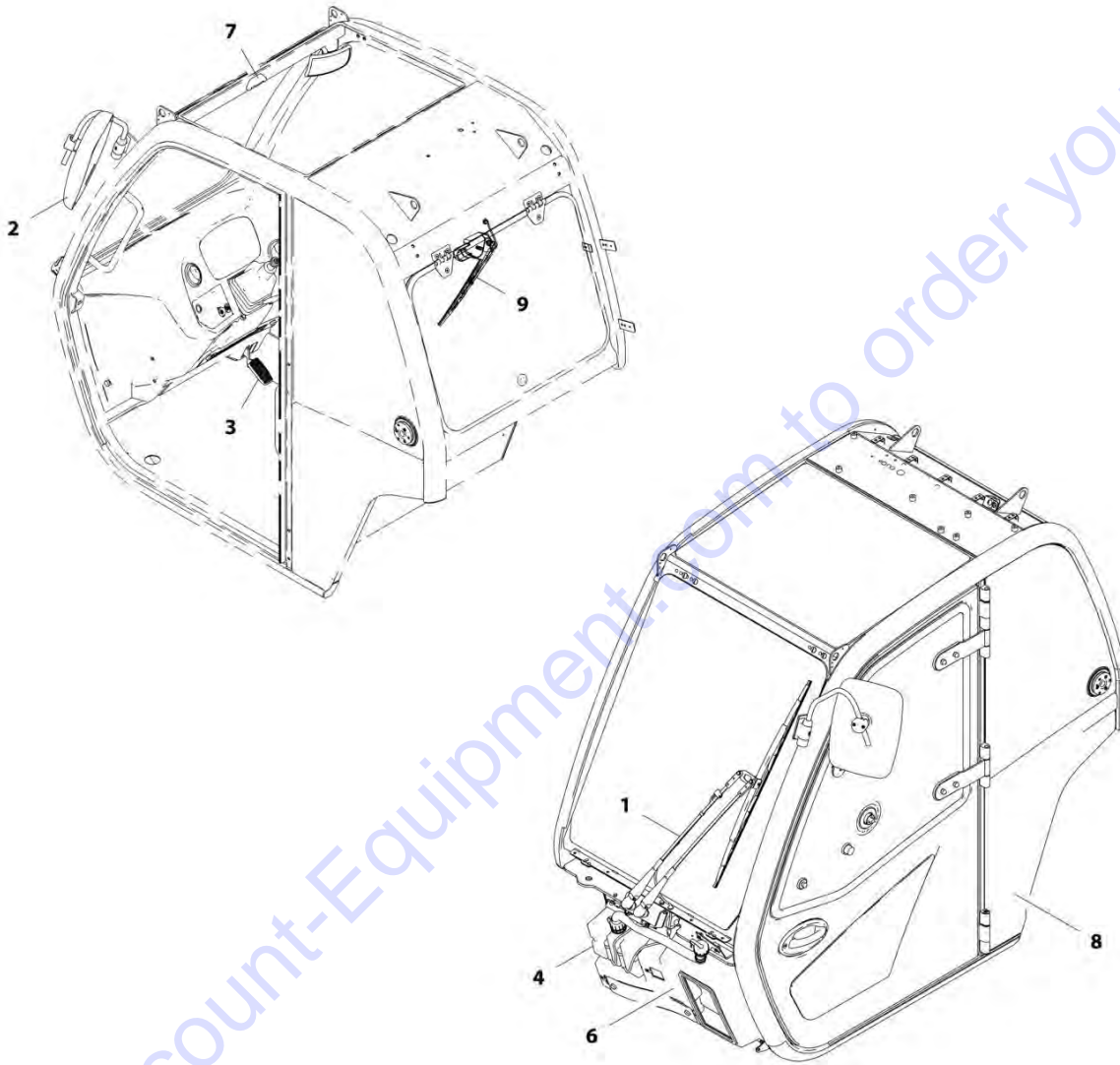
FIGURE 6-3. CAB MOUNTS INSTALLATION

ITEM	PART NUMBER	QTY	DESCRIPTION	REV
	1001155446	Ref	Cab Mounts Installation	E
1	0712027	4	Bolt, M20X100	
2	3332011	4	Nut, M20X2.5	
3	4812500	8	Washer, M20	
4	1001166754	4	Mount, Cab Isolation	
5	1001166755	4	Washer, Cab Rebound	
6	1001220540	4	Washer, Cab Mount	

Go to Discount-Equipment.com to order your parts

# SECTION 6 - CAB

## FIGURE 6-4. CAB COMPONENTS INSTALLATION



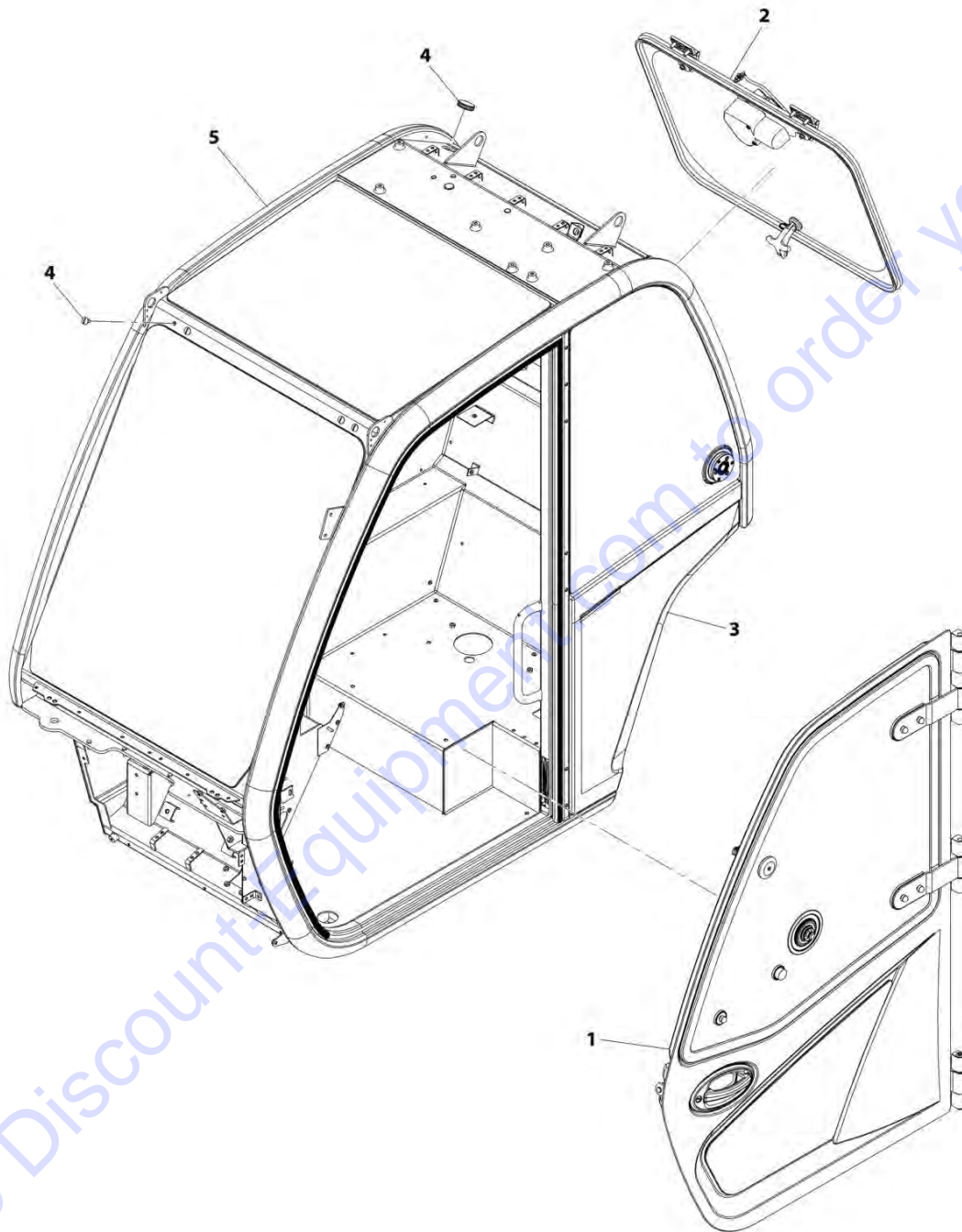
ART\_1001194698-E

FIGURE 6-4. CAB COMPONENTS INSTALLATION

ITEM	PART NUMBER	QTY	DESCRIPTION	REV
	1001194698	Ref	Cab Components Installation	E
1	1001155447	Ref	Installation, Front Wiper (See Seperate Breakdown in this Section)	
2	1001160508	Ref	Installation, Basic Mirror (See Seperate Breakdown in this Section)	
3	1001161499	Ref	Installation, Accelerator Pedal (See Seperate Breakdown in Controls Section)	
4	1001162789	Ref	Installation, Washer, Tank (See Seperate Breakdown in this Section)	
6	1001170366	Ref	Installation, Front Cover (See Seperate Breakdown in this Section)	
7	1001172401	Ref	Installation, Level Indicator (See Seperate Breakdown in this Section)	
8	1001194699	Ref	Installation, Cab (See Seperate Breakdown in this Section)	
9	1001220329	Ref	Installation, Rear Wiper (See Seperate Breakdown in this Section)	

# SECTION 6 - CAB

## FIGURE 6-5. CAB INSTALLATION



ART\_1001194699-H

FIGURE 6-5. CAB INSTALLATION

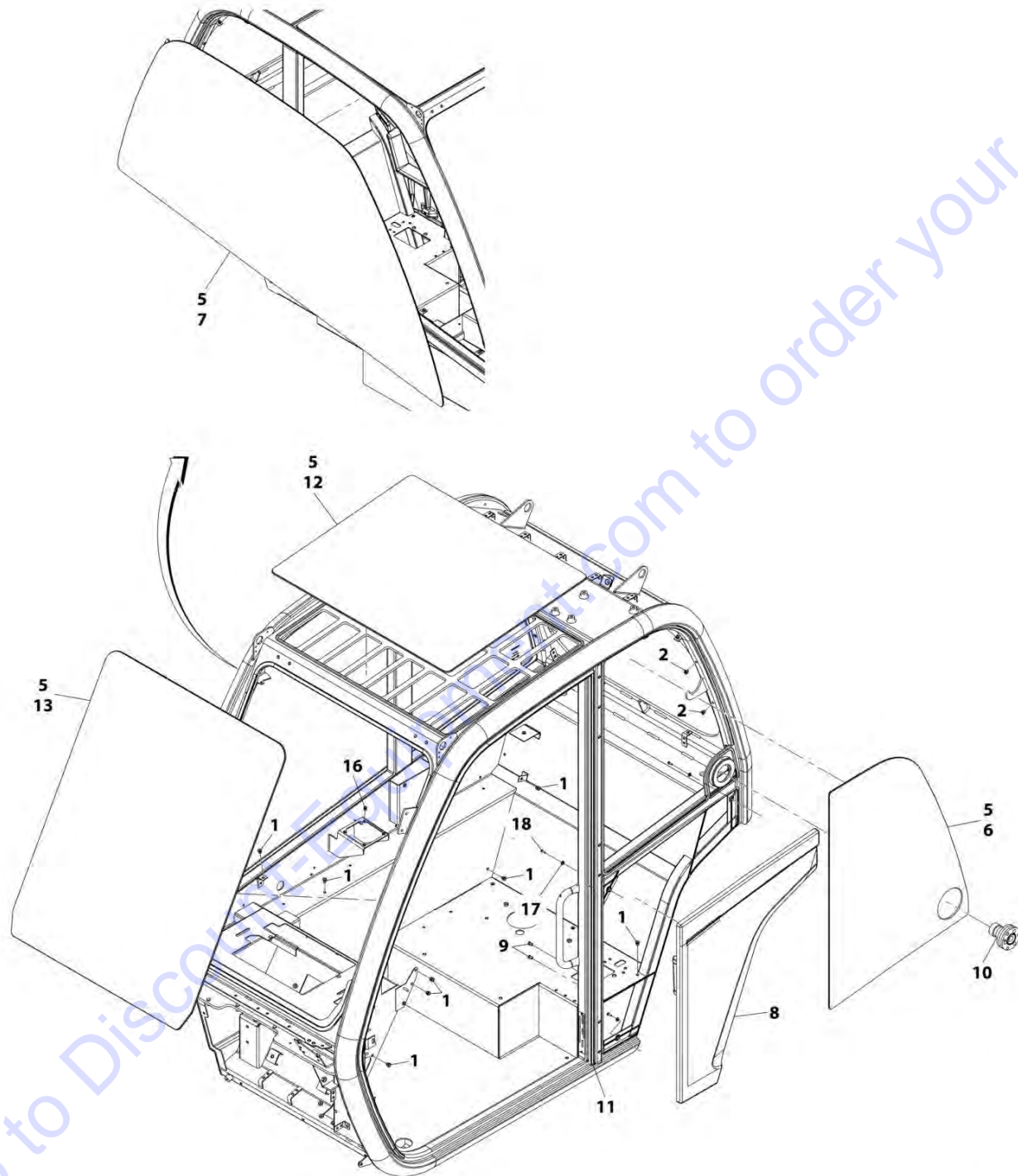
ITEM	PART NUMBER	QTY	DESCRIPTION	REV
	1001194699	Ref	Cab Installation	H
1	1001155228	Ref	Installation, Cab Door (See Seperate Breakdown in this Section)	
2	1001220339	Ref	Installation, Rear Window (See Seperate Breakdown in this Section)	
3	1001194700	1	Assembly, Cab Group (See Seperate Breakdown in this Section)	
4	1001195814	1	Group, Cab Plug (See Seperate Breakdown in this Section)	
5	N.S.S.	1	Weldment, Cab	

Go to Discount-Equipment.com to order your parts



# SECTION 6 - CAB

## FIGURE 6-6. CAB ASSEMBLY



ART\_1001194700-F

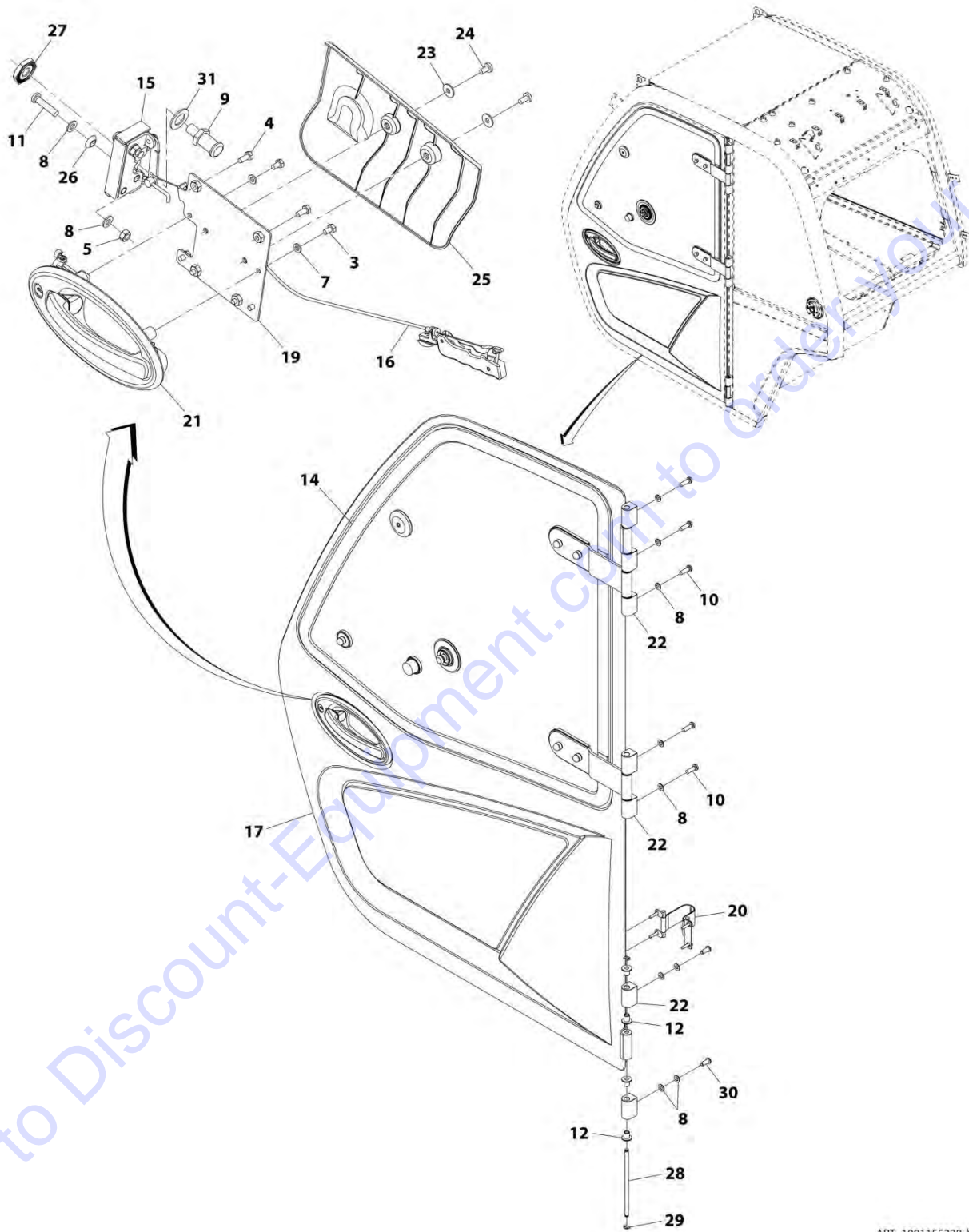


FIGURE 6-6. CAB ASSEMBLY

ITEM	PART NUMBER	QTY	DESCRIPTION	REV
	1001194700	Ref	Cab Assembly	F
1	2080086	25	Rivnut, M6X1	
2	2080087	16	Rivnut, M8X1.25	
5	1001111317	AR	Compound, Locking	
6	1001152915	1	Glass, LH Screen	
7	1001152947	1	Glass, RH Screen	
8	1001160345	1	Panel, Cab Quarter	
9	1001172193	2	Rivnut, M5X0.8	
10	1001174320	1	Latch, Top Window	
11	1001227186	1	Seal, Cab Door	
12	1001178159	1	Glass, Roof Laminated	
13	1001178160	1	Glass, Front Laminated	
16	1001195878	4	Rivnut, M5X0.8	
17	4811700	3	Washer, M6	
18	0750804	3	Screw	

# SECTION 6 - CAB

## FIGURE 6-7. CAB DOOR INSTALLATION



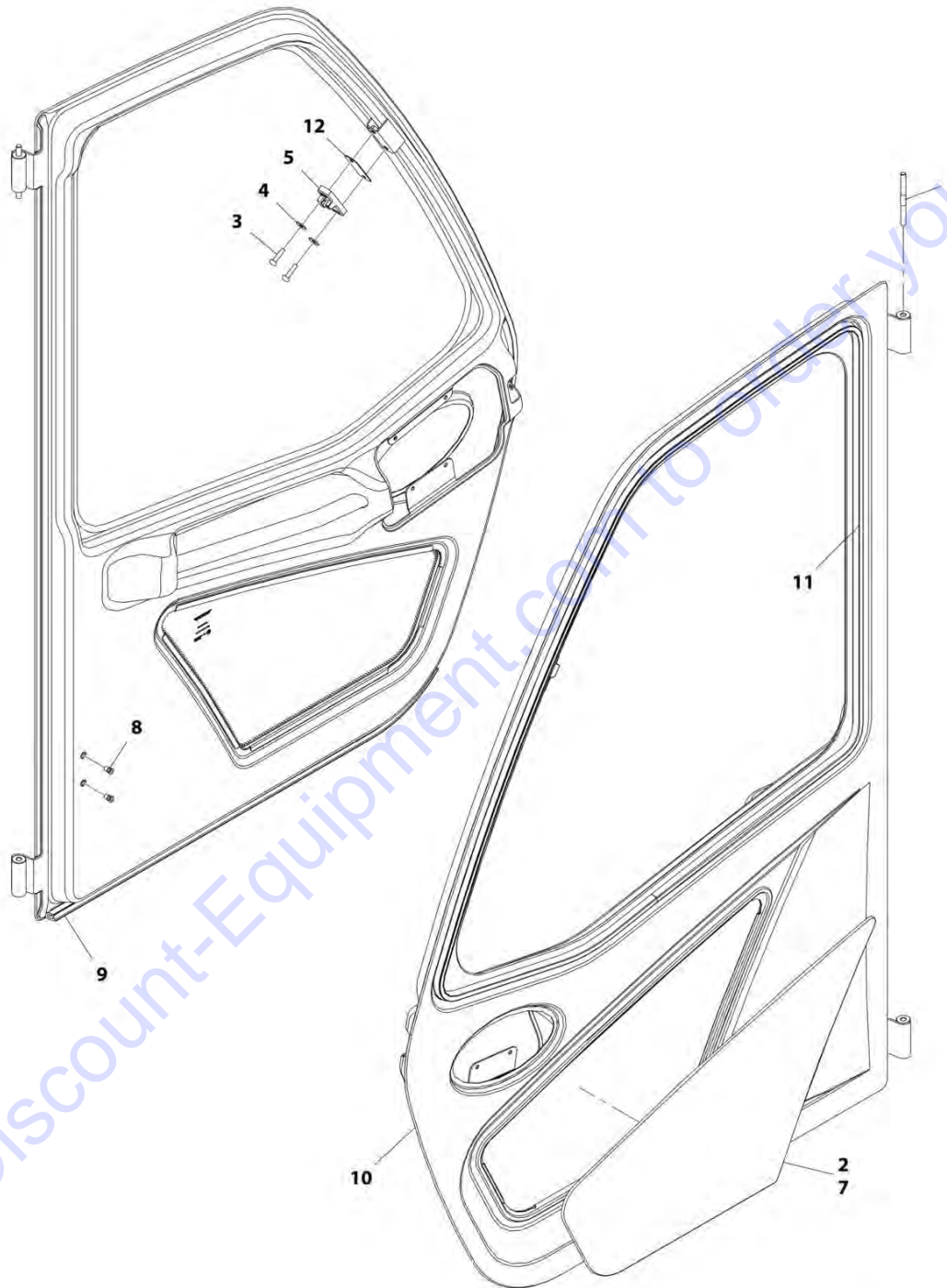
ART\_1001155228-M

FIGURE 6-7. CAB DOOR INSTALLATION

ITEM	PART NUMBER	QTY	DESCRIPTION	REV
	1001155228	Ref	Door Installation	M
3	0760605	4	Bolt, M6X10	
4	0760607	4	Bolt, M6X14	
5	3290801	2	Nut, M8X1.25 Grade 8	
7	4811700	4	Washer, M6	
8	4811900	13	Washer, M8	
9	8000803	1	Pin, Door Striker	
10	1001008988	5	Screw M8X25	
11	1001047062	2	Screw, M8X35	
12	1001107192	10	Sleeve, Hinge	
14	1001205532	1	Assembly, Door Upper Glass (See Separate Breakdown in this Section)	
15	1001192766	1	Assembly, Cab Latch (See Separate Breakdown in this Section)	
16	1001167958	1	Assembly, Cab Door Trigger (See Separate Breakdown in this Section)	
17	1001170114	1	Assembly, Door (See Separate Breakdown in this Section)	
19	1001173298	1	Bracket	
20	1001174295	1	Installation, Door Strap (See Separate Breakdown in this Section)	
21	1001192646	1	Handle, Exterior Door	
22	1001170601J	7	Lug, Hinge	
23	4811702001	2	Washer, M6	
24	4010608002	2	Screw, Posi-Drive, M6X16	
25	1001175477	1	Cover, Cab Door Interior	
26	1001184439	2	Bushing	
27	1001192309	1	Nut, M12X1	
28	1001213791	1	Pin	
29	0498748	2	Washer, Lock M7	
30	1001164726	2	Bolt, M8X20	
31	1001227802	1	Washer	

SECTION 6 - CAB

FIGURE 6-8. CAB DOOR ASSEMBLY



ART\_1001170114-J

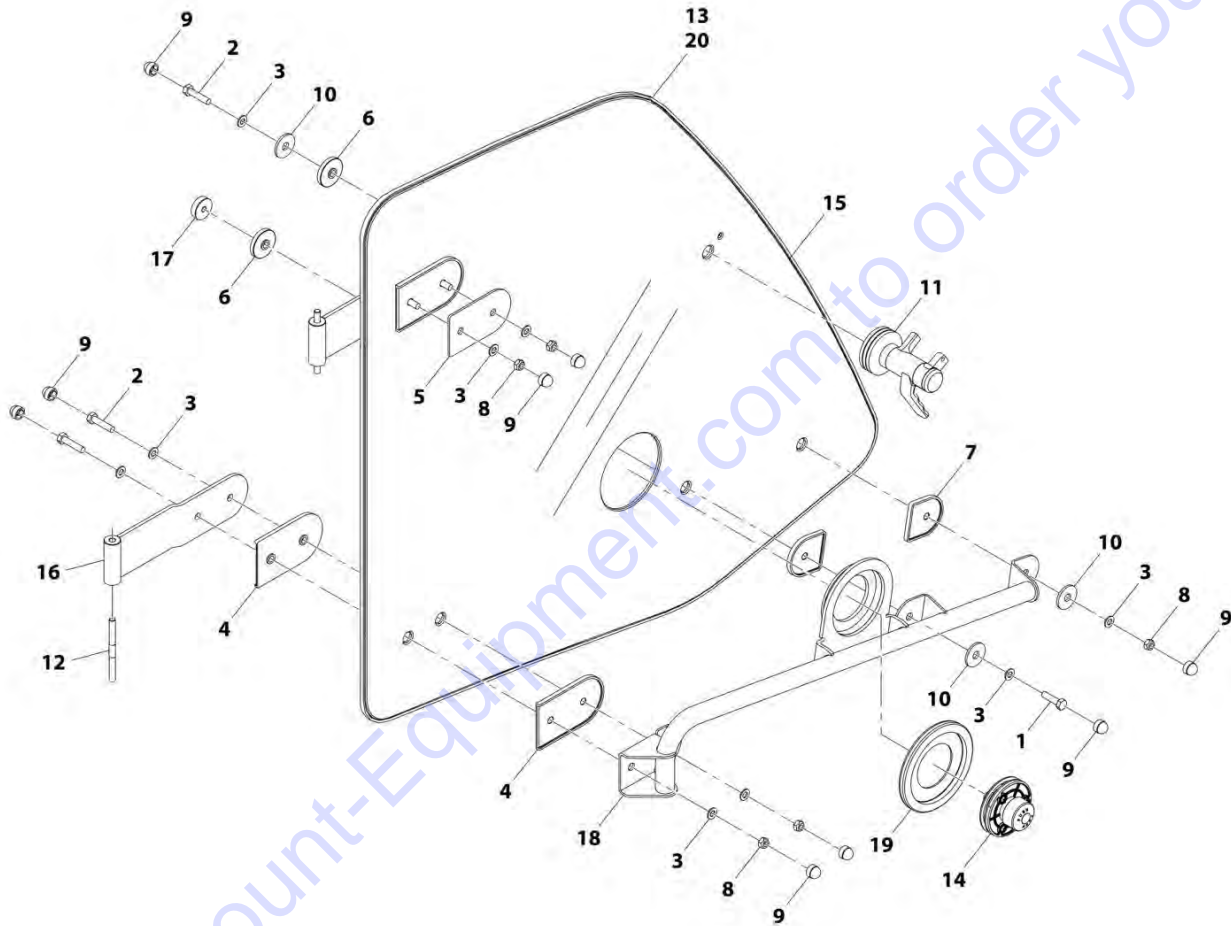
FIGURE 6-8. CAB DOOR ASSEMBLY

ITEM	PART NUMBER	QTY	DESCRIPTION	REV
	1001170114	Ref	Door Assembly	J
2	1001111317	AR	Compound, Locking	
3	4010612002	2	Screw, M6X25	
4	4811702001	2	Washer, 6MM	
5	1001165276	1	Plate, Window Latch Striker	
6	1001166634	1	Pin, Hinge	
7	1001169880	1	Window, Lower Glass	
8	1001172193	2	Rivnut, M5X0.8	
9	1001227188	1	Seal, Cab Door	
10	1001170113J	1	Door, Cab (See Separate Breakdown in this Section)	
11	1001227187	1	Seal, Cab Door Window	
12	1001193210	AR	Shim, Window Latch	

Go to Discount-Equipment.com to order your parts

# SECTION 6 - CAB

## FIGURE 6-9. CAB DOOR WINDOW INSTALLATION



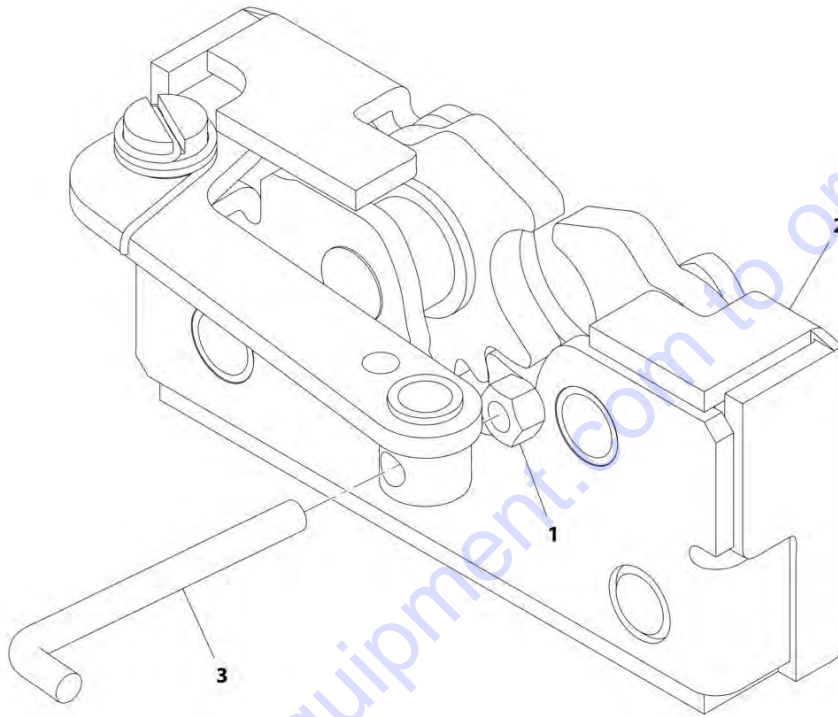
ART\_1001205532-E

FIGURE 6-9. CAB DOOR WINDOW INSTALLATION

ITEM	PART NUMBER	QTY	DESCRIPTION	REV
	1001205532	Ref	Door Upper Glass Assembly	E
1	0760812	1	Bolt, M8X25	
2	0760815	5	Bolt, M8X35	
3	4811900	11	Washer, 8MM	
4	1001002946	4	Mount, Hinge	
5	1001002947	1	Mount, Hinge	
6	1001002953	2	Mount, Rubber	
7	1001002957	2	Mount, Latch	
8	1001008857	5	Nut, Lock	
9	1001096365	11	Cap, M8	
10	1001141246	3	Mount, Rubber	
11	1001165275	1	Latch, Window	
12	1001166634	2	Pin, Hinge	
13	1001170944	1	Panel, Window Surround	
14	1001174321	1	Striker, Top Window	
15	1001204066	1	Glass, Window	
16	1001204115	2	Hinge	
17	1001222741	1	Buffer, Cab	
18	1001204120	1	Handle	
19	1001213331	1	Gasket	
20	1001215531	AR	Adhesive	

# SECTION 6 - CAB

## FIGURE 6-10. CAB LATCH ASSEMBLY



ART\_1001192766-A



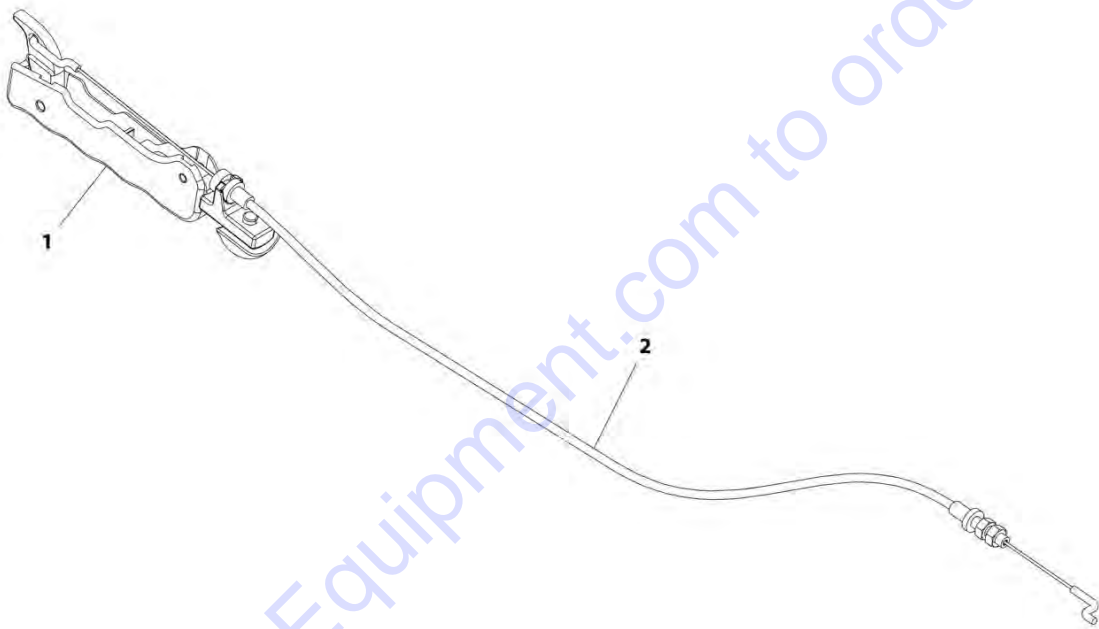
FIGURE 6-10. CAB LATCH ASSEMBLY

ITEM	PART NUMBER	QTY	DESCRIPTION	REV
	1001192766	Ref	Cab Latch Assembly	A
1	3290405	1	Nut, M4X0.7 Grade 8	
2	1001192643	1	Latch	
3	1001192755	1	Link, Door Handle	

Go to Discount-Equipment.com to order your parts

# SECTION 6 - CAB

## FIGURE 6-11. CAB DOOR TRIGGER ASSEMBLY



ART\_1001167958-E

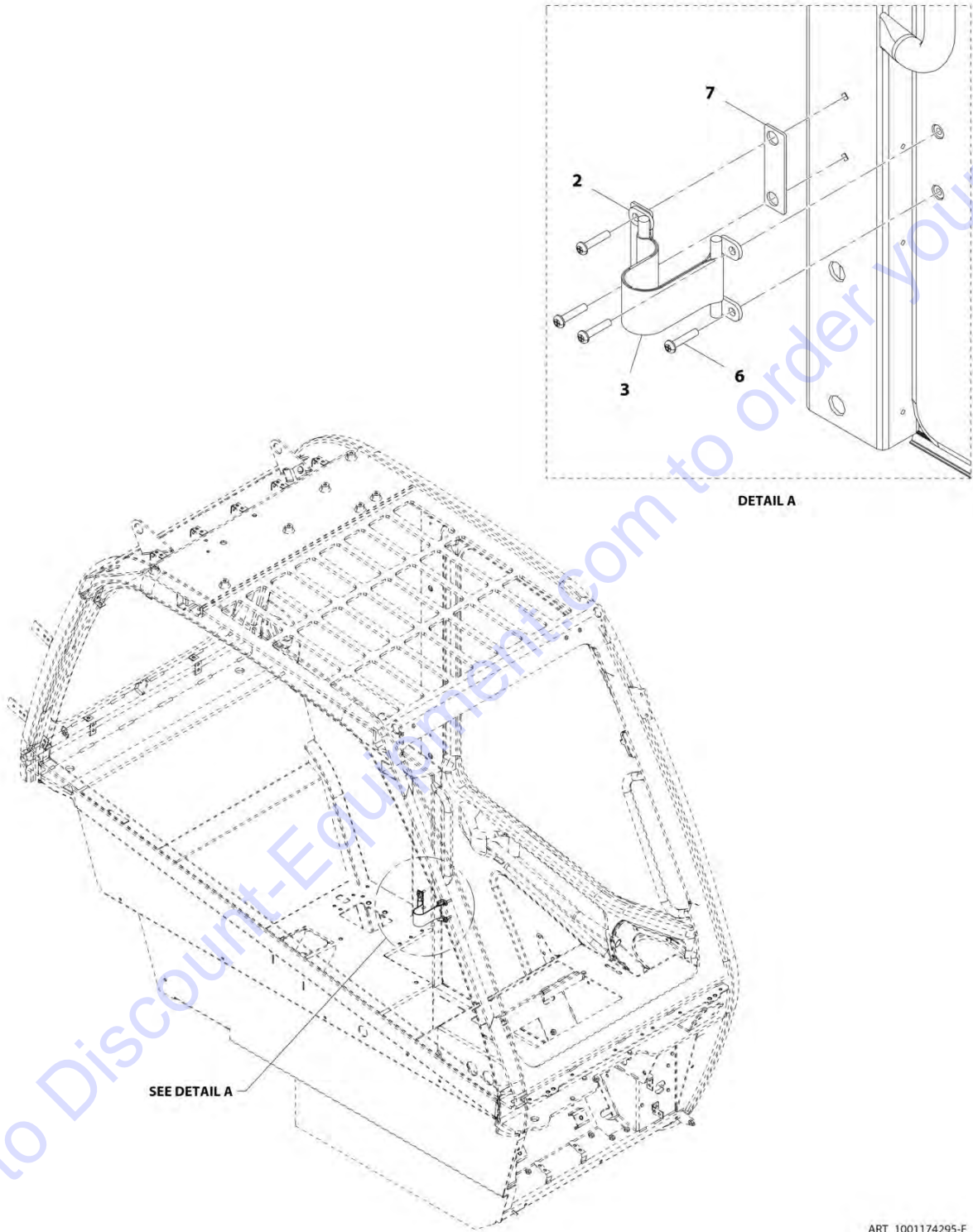
FIGURE 6-11. CAB DOOR TRIGGER ASSEMBLY

ITEM	PART NUMBER	QTY	DESCRIPTION	REV
	1001167958	Ref	Cab Door Trigger Assembly	E
1	1001167937	1	Trigger, Cab Interior Release	
2	1001192644	1	Cable, Cab Latch Release	

Go to Discount-Equipment.com to order your parts

# SECTION 6 - CAB

## FIGURE 6-12. DOOR STRAP INSTALLATION



ART\_1001174295-F

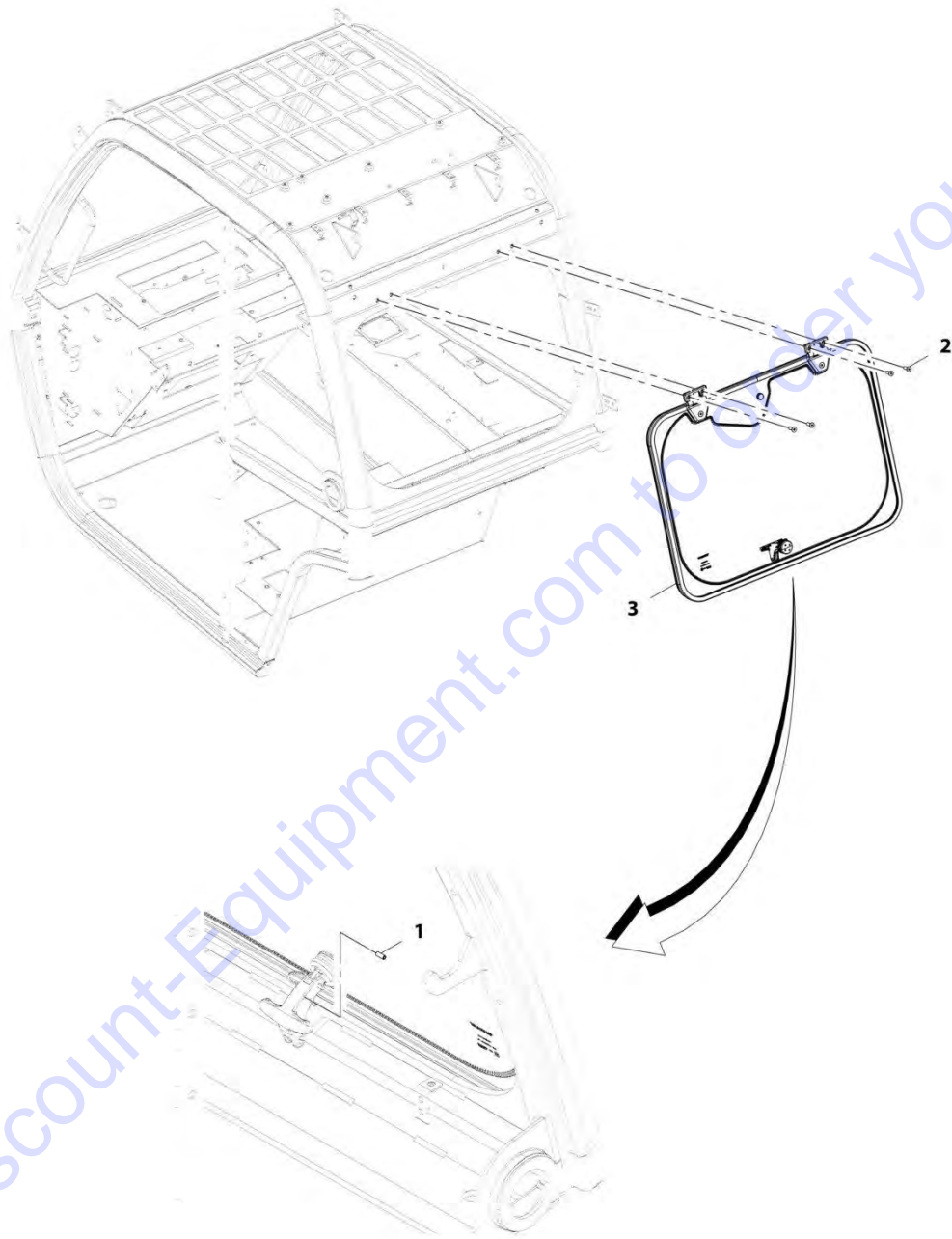
FIGURE 6-12. DOOR STRAP INSTALLATION

ITEM	PART NUMBER	QTY	DESCRIPTION	REV
	1001174295	Ref	Door Strap Installation	F
2	1001230163	2	Bracket, Strap Holder	
3	1001212011	1	Strap, Door Hold Open	
6	8310559	4	Screw	
7	1001191091	1	Plate, Cab Door Strap	

Go to Discount-Equipment.com to order your parts

# SECTION 6 - CAB

## FIGURE 6-13. REAR WINDOW INSTALLATION



Go to Discount-Equipment.com to order your parts

ART\_1001220339-A

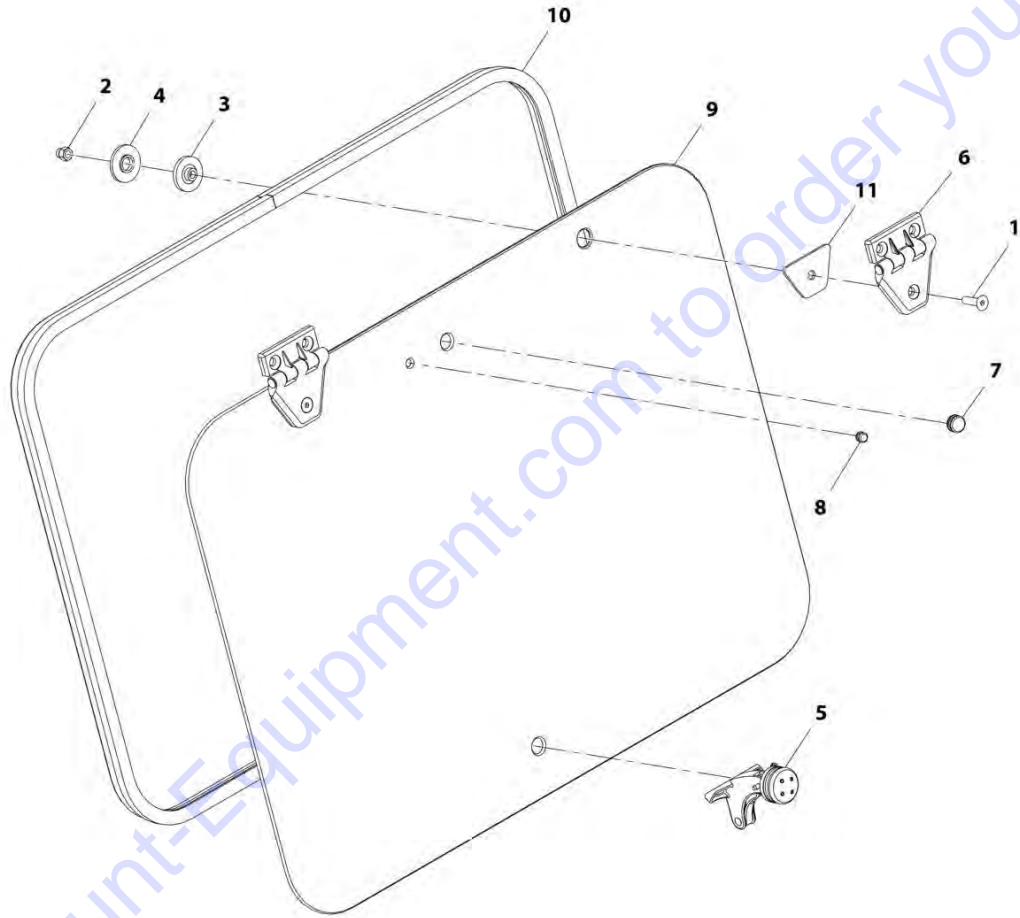
FIGURE 6-13. REAR WINDOW INSTALLATION

ITEM	PART NUMBER	QTY	DESCRIPTION	REV
	1001220339	Ref	Rear Window Installation	A
1	1001003043	1	Pin, Spring	
2	1001097586	4	Screw, M8X1.25	
3	1001220338	1	Assembly, Rear Window (See Separate Breakdown in this Section)	

Go to Discount-Equipment.com to order your parts

SECTION 6 - CAB

FIGURE 6-14. REAR WINDOW GROUP



ART\_1001220338-A



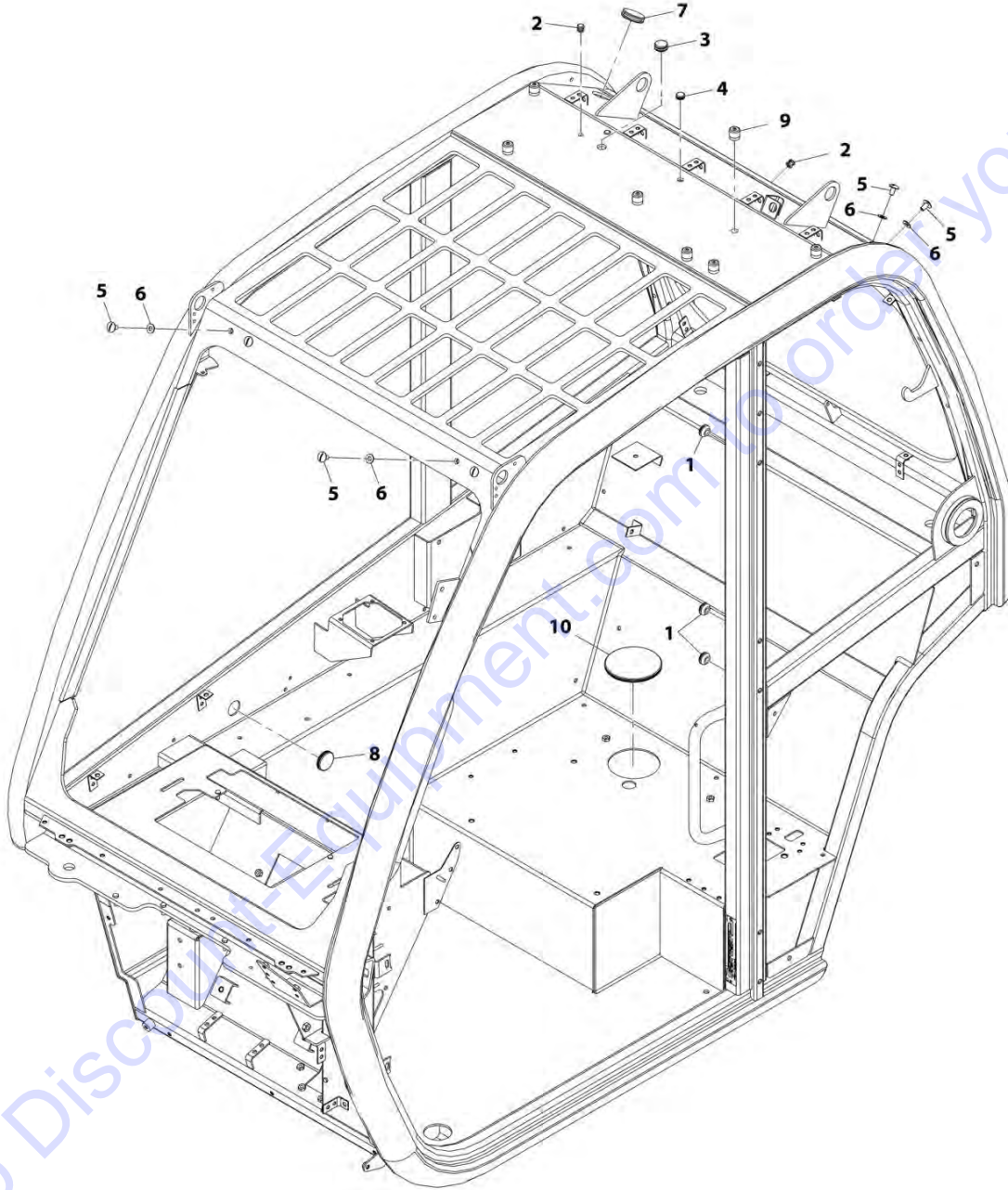
FIGURE 6-14. REAR WINDOW GROUP

ITEM	PART NUMBER	QTY	DESCRIPTION	REV
	1001220338	Ref	Rear Window Group	A
1	2080078	2	Fastener, M8X30	
2	3290806	2	Nut, M8X1.25 Grade 8	
3	8000759	2	Spacer	
4	8004398	2	Spacer	
5	1001005368	1	Latch, Window	
6	1001139568	2	Hinge	
7	1001171182	1	Grommet	
8	1001171183	1	Grommet	
9	1001178680	1	Glass, Rear Window	
10	1001178681	1	Seal	
11	1001181411	2	Gasket, Rear Window Hinge	

Go to Discount-Equipment.com to order your parts

SECTION 6 - CAB

FIGURE 6-15. CAB PLUG GROUP



ART\_1001195814-C

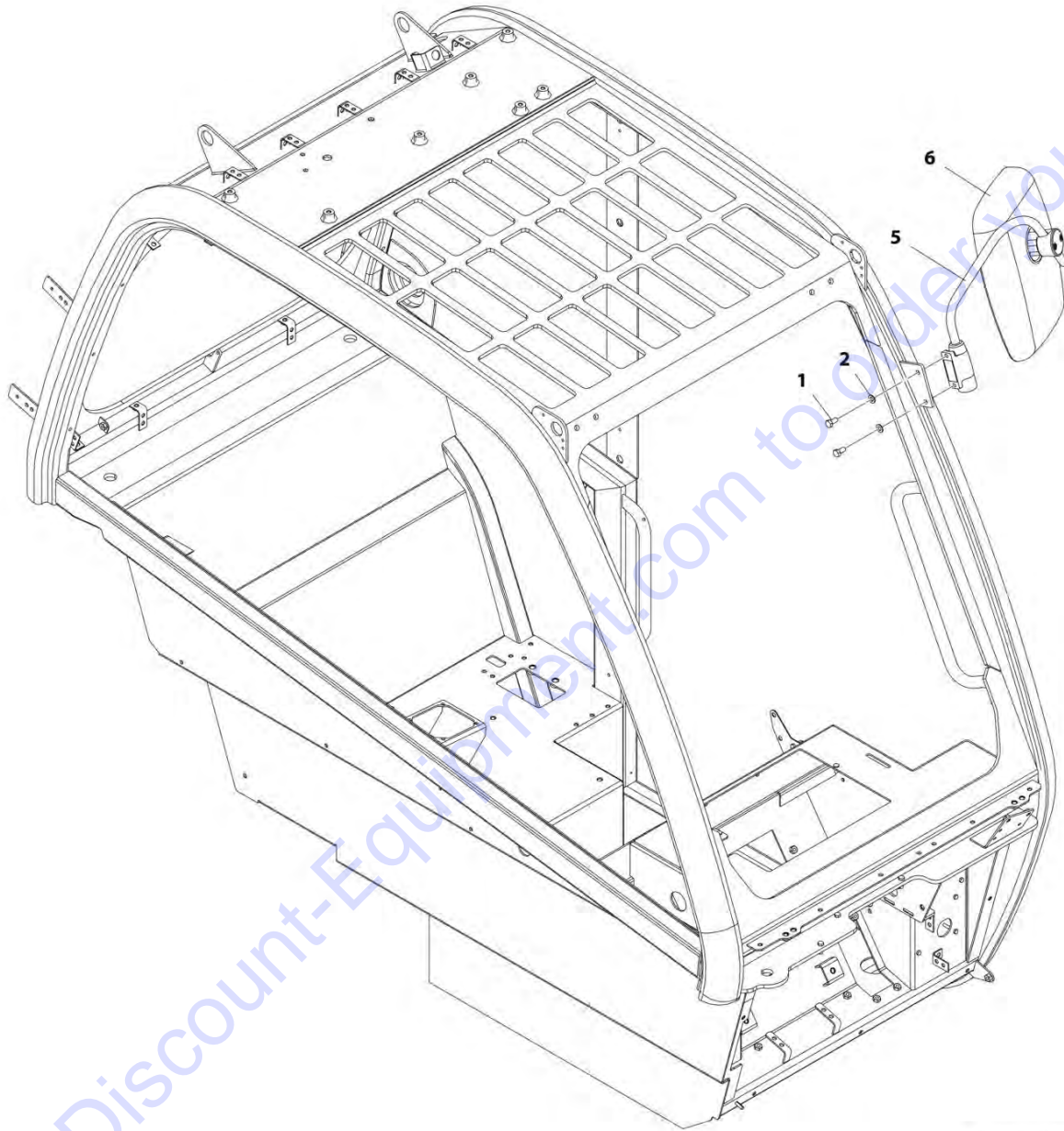
FIGURE 6-15. CAB PLUG GROUP

ITEM	PART NUMBER	QTY	DESCRIPTION	REV
	1001195814	Ref	Cab Plug Group	C
1	1001143200	7	Plug	
2	1001176272	3	Plug	
3	1001176273	1	Plug	
4	1001176626	1	Plug	
5	1001181920	8	Screw, Nylon M8X16	
6	1001181921	8	Washer, Rubber M8	
7	1001182123	2	Plug	
8	1001182139	1	Plug	
9	1001219220	7	Plug	
10	1001209899	1	Plug	

Go to Discount-Equipment.com to order your parts

# SECTION 6 - CAB

## FIGURE 6-16. BASIC MIRROR INSTALLATION



ART\_1001160508-E

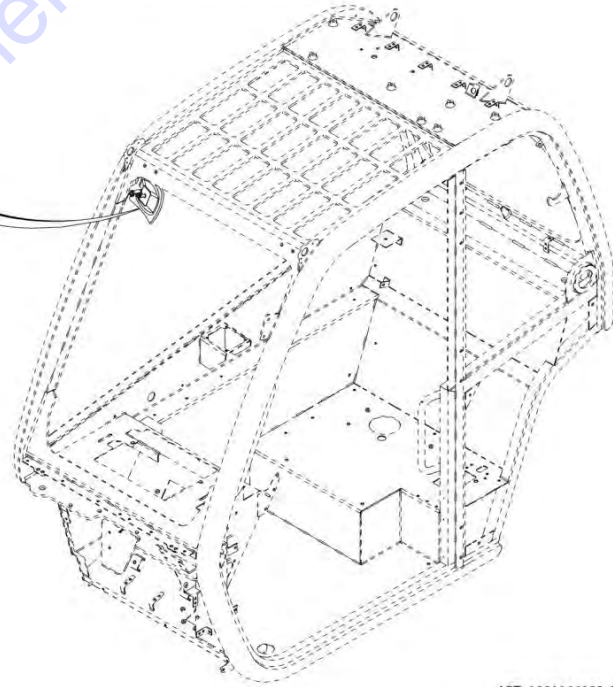
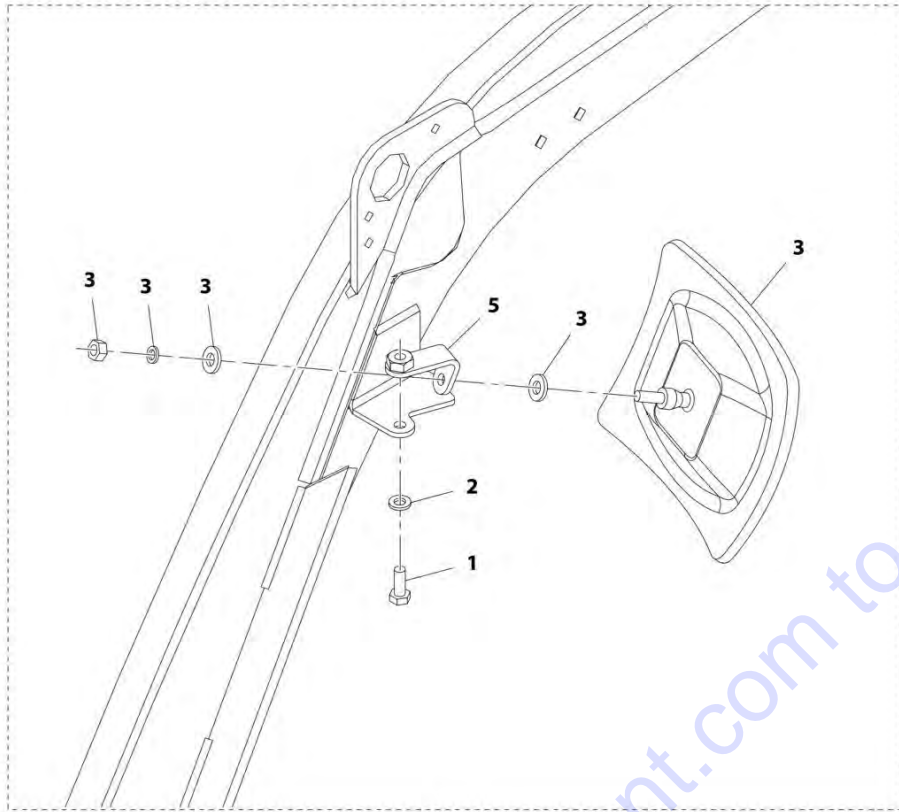
FIGURE 6-16. BASIC MIRROR INSTALLATION

ITEM	PART NUMBER	QTY	DESCRIPTION	REV
	1001160508	Ref	Basic Mirror Installation	E
1	0760808	2	Bolt, M8X16	
2	4811900	2	Washer, M8	
5	1001164655	1	Bracket	
6	80363195	1	Mirror	

Go to Discount-Equipment.com to order your parts

**SECTION 6 - CAB**

**FIGURE 6-17. INTERIOR MIRROR INSTALLATION**



ART\_1001166192-C

FIGURE 6-17. INTERIOR MIRROR INSTALLATION

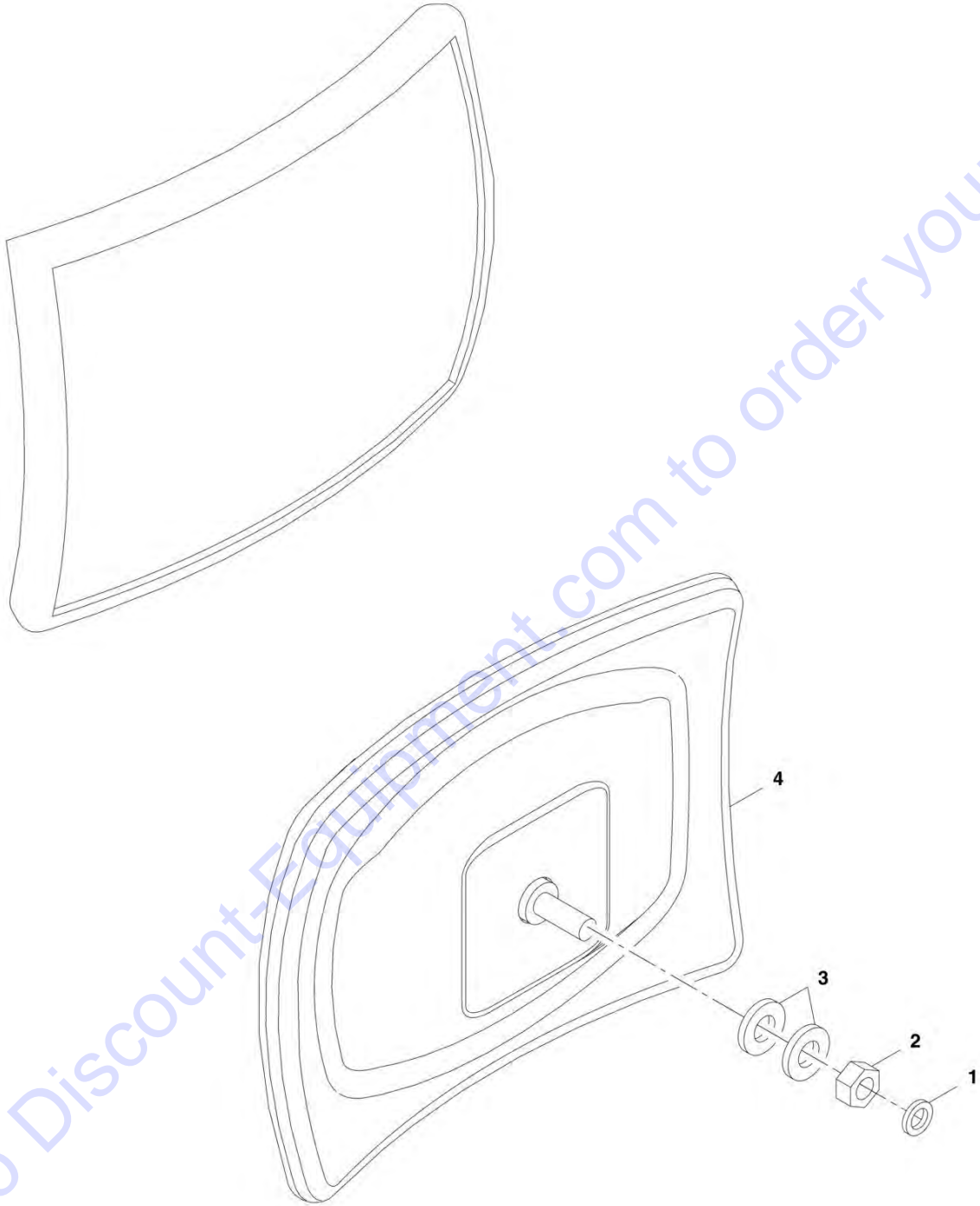
ITEM	PART NUMBER	QTY	DESCRIPTION	REV
	1001166192	Ref	Interior Mirror Installation	C
1	0760608	1	Bolt, M6X16	
2	4811700	1	Washer, M6	
3	1001007641	1	Mirror, Interior (See Separate Breakdown in this Section)	
5	1001166191	1	Bracket	

Go to Discount-Equipment.com to order your parts



**SECTION 6 - CAB**

**FIGURE 6-18. INTERIOR MIRROR**



Go to Discount-Equipment.com to order your parts

ART\_1001007641-B



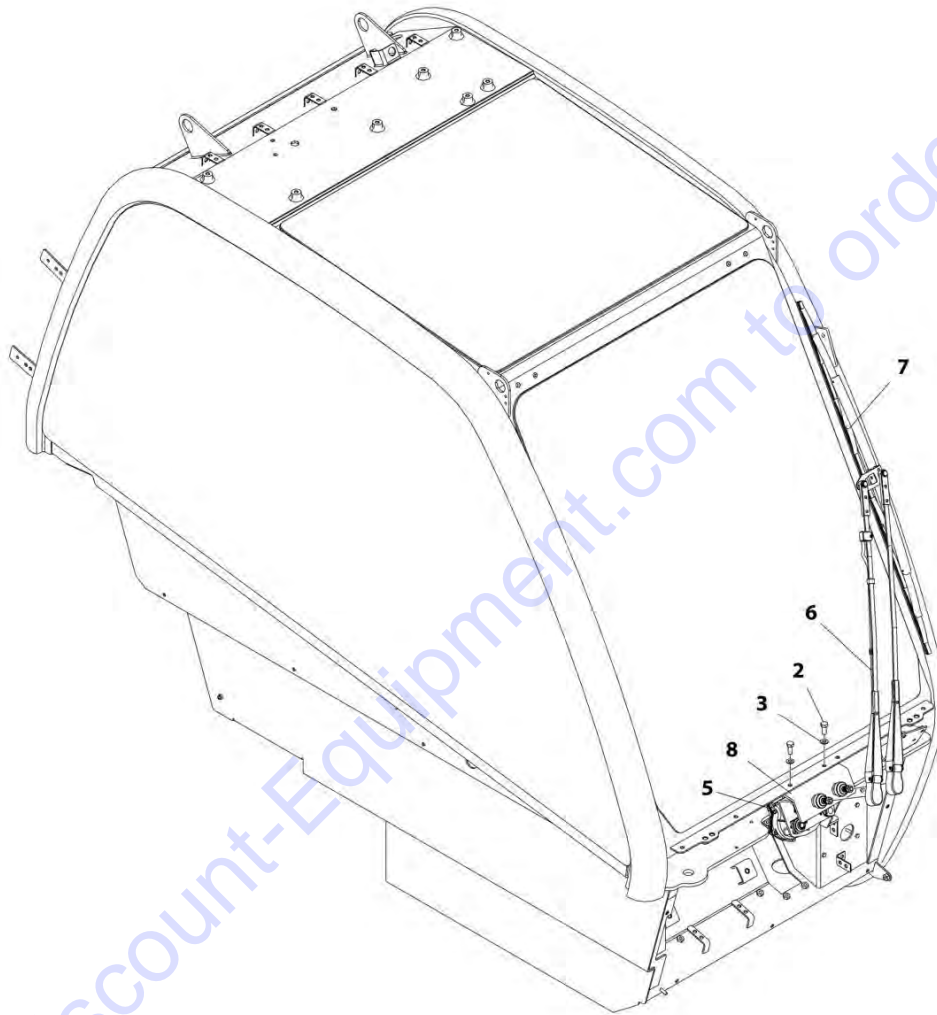
FIGURE 6-18. INTERIOR MIRROR

ITEM	PART NUMBER	QTY	DESCRIPTION	REV
	1001007641	Ref	Mirror, Interior	B
1	1001008475	1	Washer, Lock 12	
2	1001008604	1	Nut	
3	1001009124	2	Washer	
4	1001010839	1	Mirror	

Go to Discount-Equipment.com to order your parts

# SECTION 6 - CAB

## FIGURE 6-19. FRONT WIPER INSTALLATION



ART\_1001155447-G

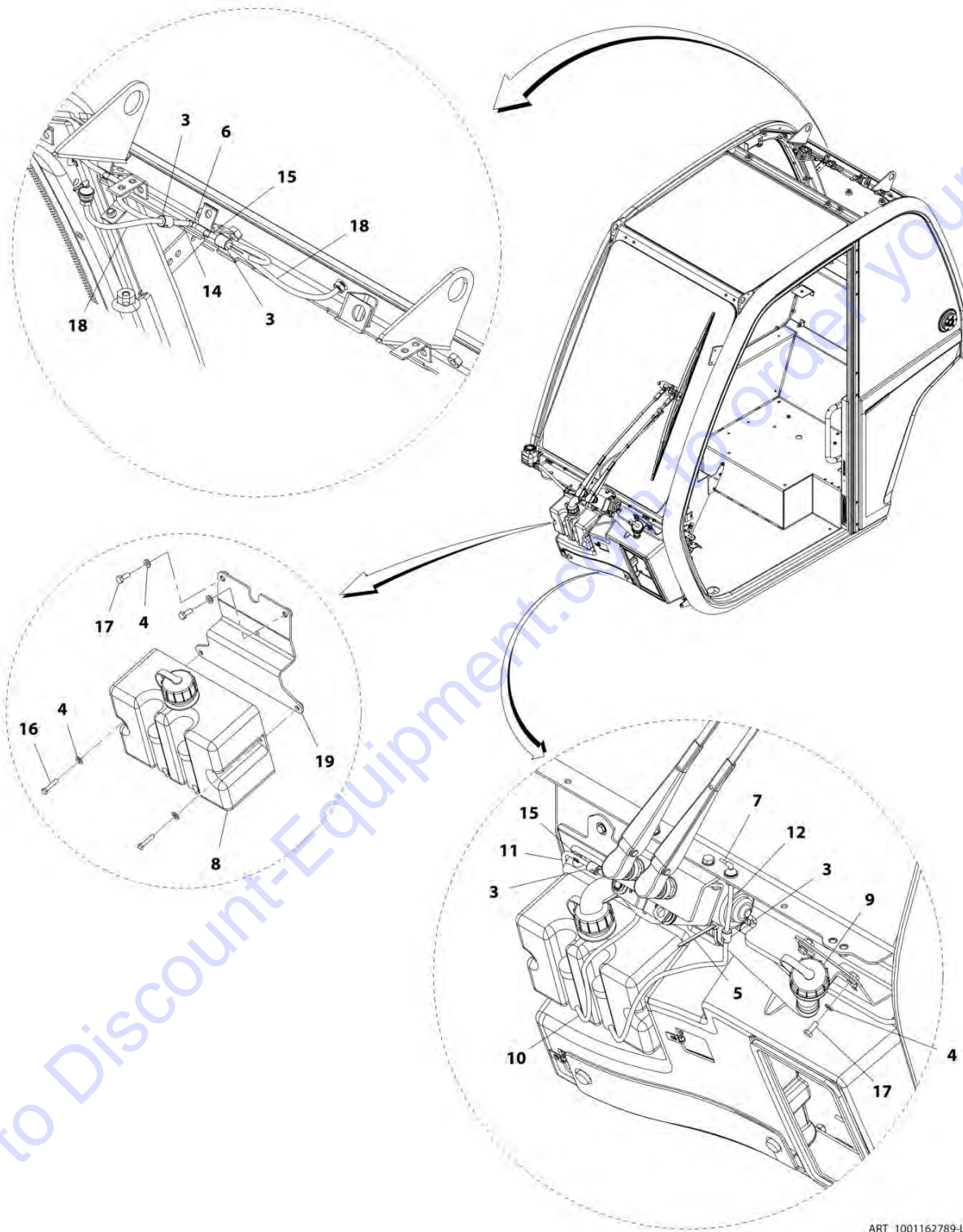
FIGURE 6-19. FRONT WIPER INSTALLATION

ITEM	PART NUMBER	QTY	DESCRIPTION	REV
	1001155447	Ref	Front Wiper Installation	G
2	0760810	2	Bolt, M8X20	
3	4811900	2	Washer, M8	
5	1001214092	1	Motor, Front Wiper	
6	1001212369	1	Arm, Front Wiper	
7	1001141281	1	Blade, Wiper	
8	1001165637	1	Bracket	

Go to Discount-Equipment.com to order your parts

# SECTION 6 - CAB

## FIGURE 6-20. WASHER TANK INSTALLATION



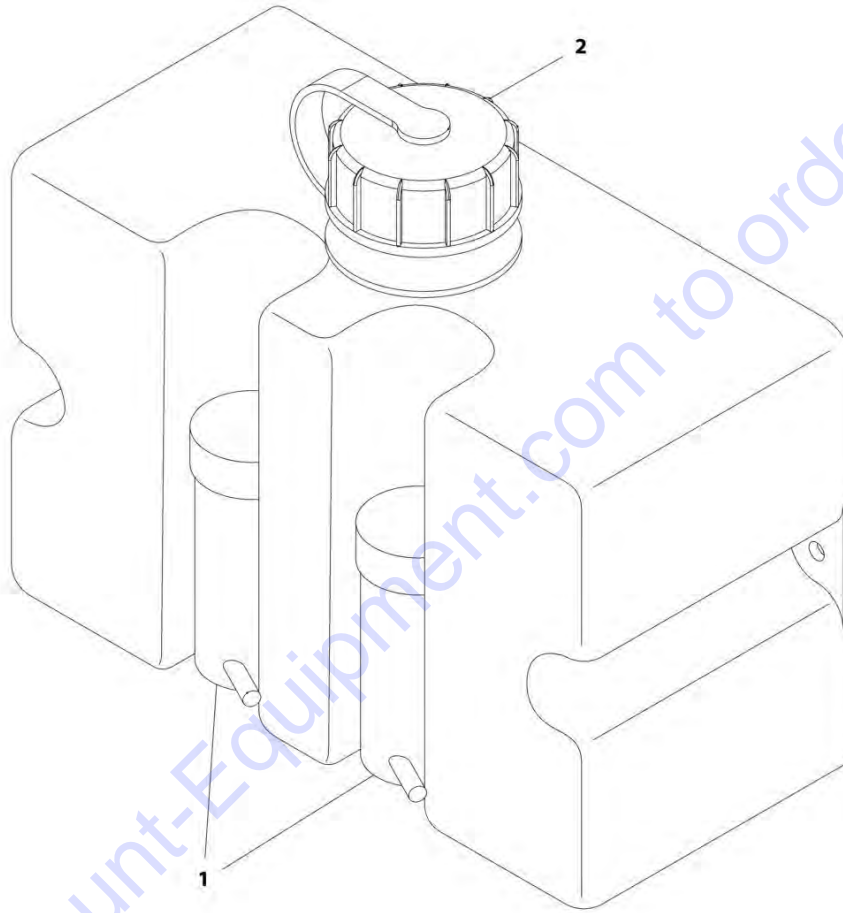
ART\_1001162789-L

FIGURE 6-20. WASHER TANK INSTALLATION

ITEM	PART NUMBER	QTY	DESCRIPTION	REV
	1001162789	Ref	Washer Tank Installation	L
3	1001201331	4	Valve, Check	
4	4811700	6	Washer, M6	
5	471678	2	Strap, Tie	
6	1001008742	1	Coupling, Tee	
7	1001090343	1	Connector	
8	1001165269	1	Bottle, Washer (See Separate Breakdown in this Section)	
9	1001165270	1	Hose, Washer Filler	
10	1001165351	2	Hose	
11	1001165407	1	Hose	
12	1001165416	1	Hose	
14	1001165455	2	Hose	
15	1001165458	16	Hose	
16	0760512	2	Bolt M5X25	
17	0760608	4	Bolt, M6X16	
18	1001178123	2	Hose	
19	1001171756	1	Bracket	

**SECTION 6 - CAB**

**FIGURE 6-21. WASHER BOTTLE**



ART\_1001165269-B

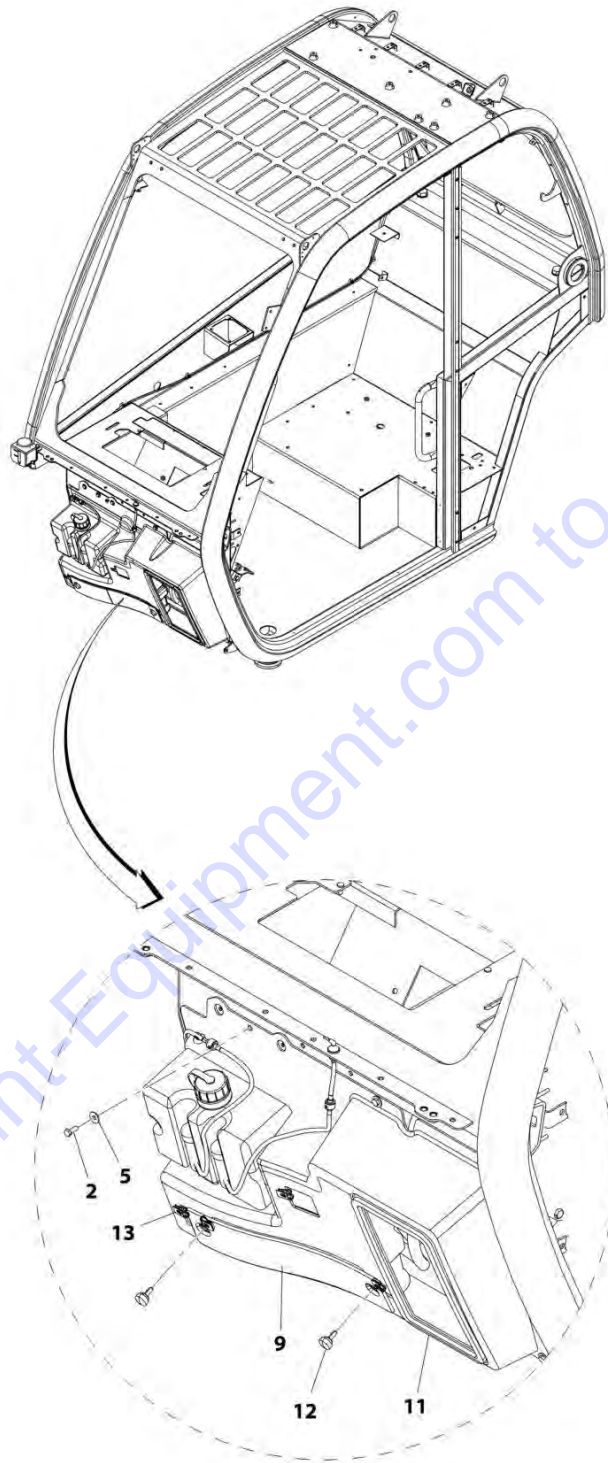
FIGURE 6-21. WASHER BOTTLE

ITEM	PART NUMBER	QTY	DESCRIPTION	REV
	1001165269	Ref	Washer Bottle	B
1	1001165327	2	Motor, Washer	
2	1001165273	1	Cap, Washer	

Go to Discount-Equipment.com to order your parts

# SECTION 6 - CAB

## FIGURE 6-22. FRONT COVER INSTALLATION



ART\_1001170366-G



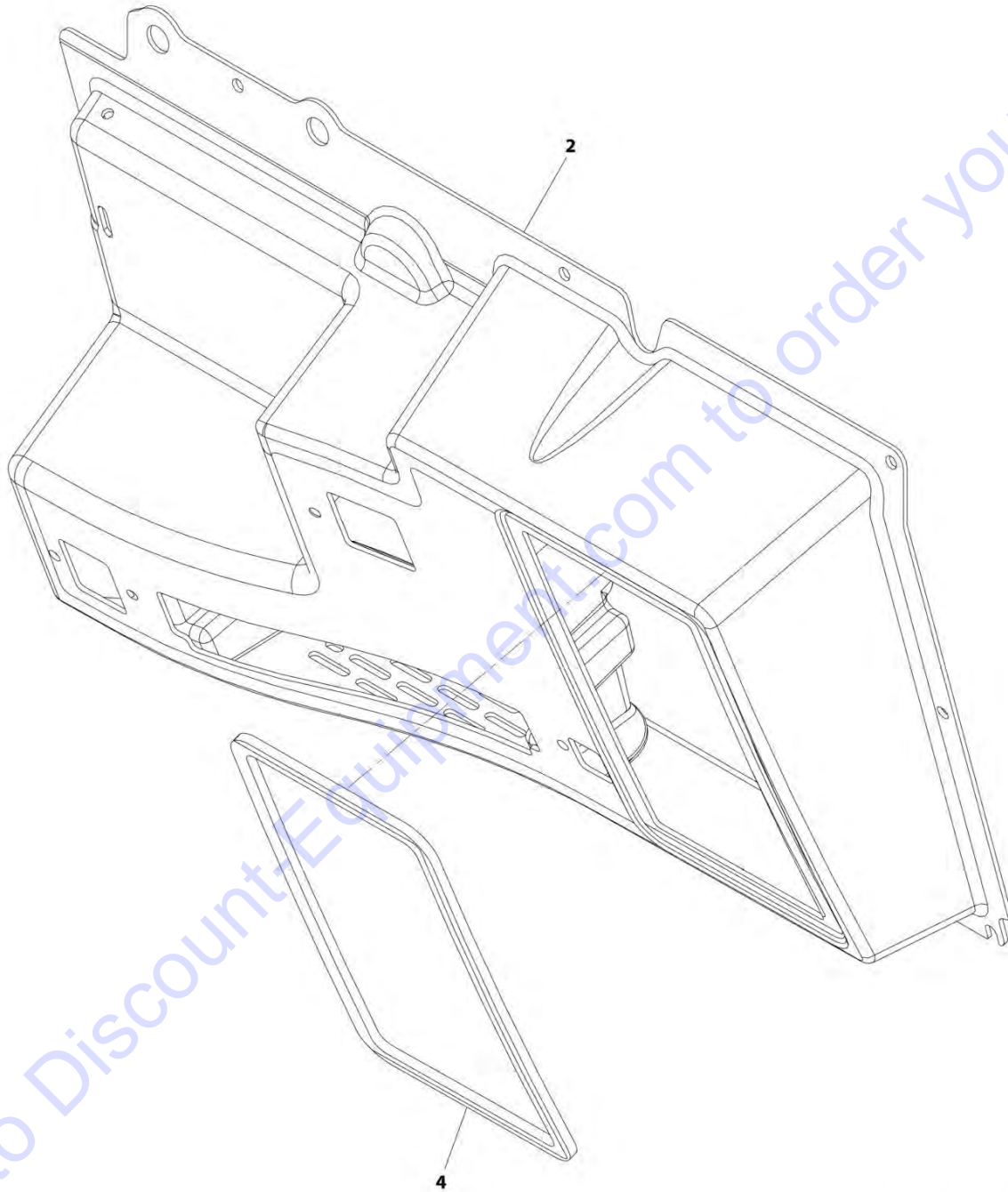
FIGURE 6-22. FRONT COVER INSTALLATION

ITEM	PART NUMBER	QTY	DESCRIPTION	REV
	1001170366	Ref	Front Cover Installation	G
2	0760608	7	Bolt, M6X16	
5	4811702	7	Washer, M6	
9	1001175471	1	Panel, Filter Tray (See Separate Breakdown in this Section)	
11	1001176121	1	Cover, Front Duct (See Separate Breakdown in this Section)	
12	2080092	2	Thumb Screw, M6X16	
13	8305919	4	Nut, M6	

Go to Discount-Equipment.com to order your parts

**SECTION 6 - CAB**

**FIGURE 6-23. FRONT DUCT COVER**



Go to Discount-Equipment.com to order your parts

ART\_1001176121-G

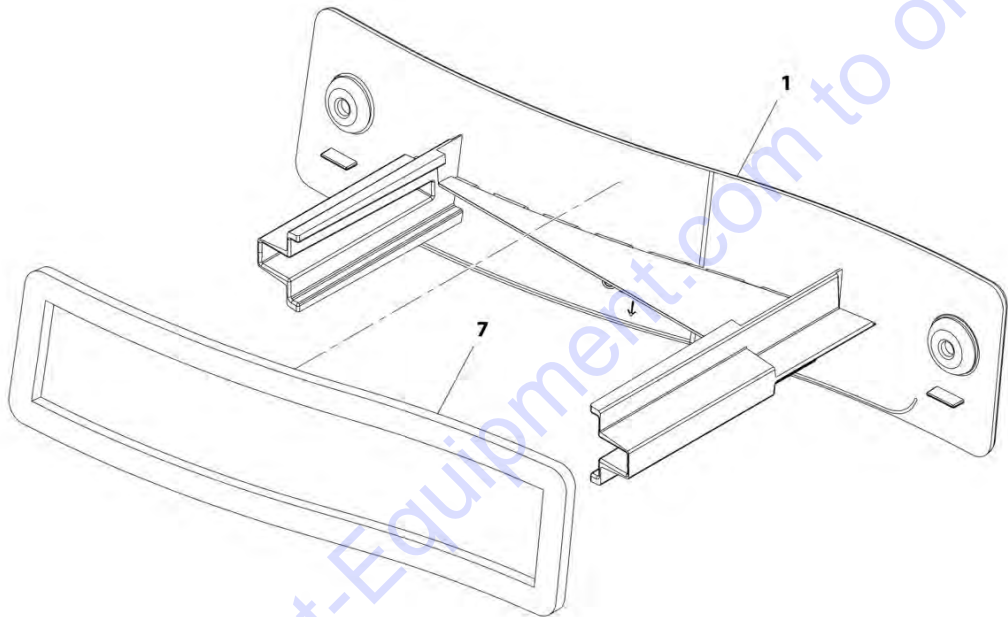
FIGURE 6-23. FRONT DUCT COVER

ITEM	PART NUMBER	QTY	DESCRIPTION	REV
	1001176121	Ref	Font Duct Cover	G
2	1001170326	1	Cover, Front	
4	1001175470	1	Seal, Front Cab Panel	

Go to Discount-Equipment.com to order your parts

SECTION 6 - CAB

FIGURE 6-24. FILTER TRAY PANEL



ART\_1001175471-D

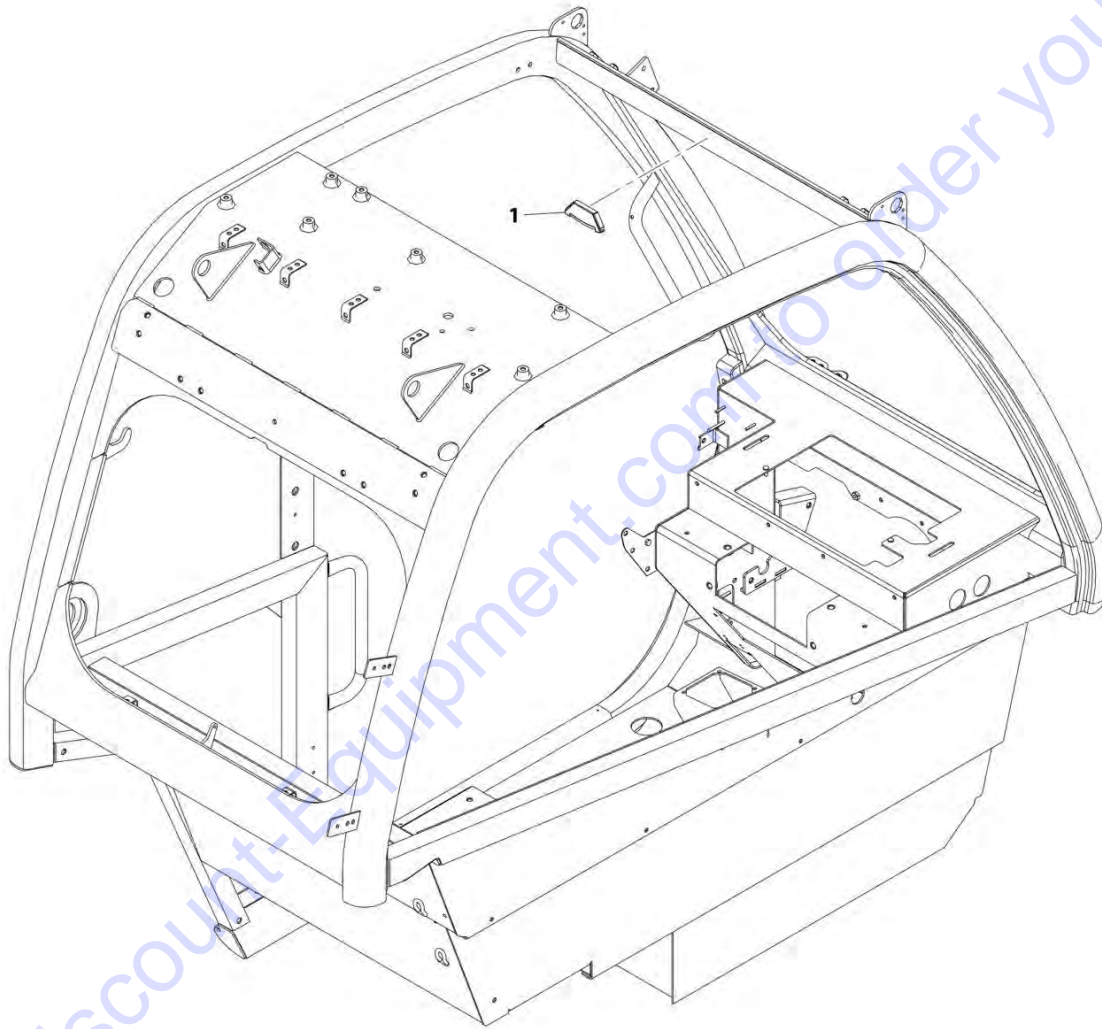
FIGURE 6-24. FILTER TRAY PANEL

ITEM	PART NUMBER	QTY	DESCRIPTION	REV
	1001175471	Ref	Filter Tray Panel	D
1	1001170993	1	Panel, Front Inlet	
7	1001171767	1	Cab, Front Panel Seal	

Go to Discount-Equipment.com to order your parts

## SECTION 6 - CAB

FIGURE 6-25. LEVEL INDICATOR INSTALLATION



ART\_1001172401-C

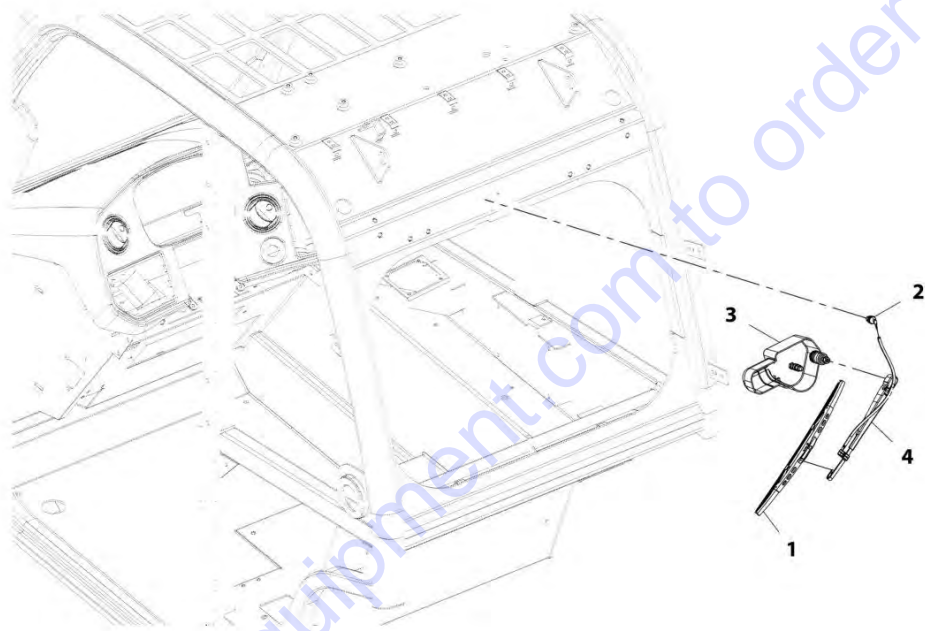
FIGURE 6-25. LEVEL INDICATOR INSTALLATION

ITEM	PART NUMBER	QTY	DESCRIPTION	REV
1	1001172401 8466306	Ref 1	Level Indicator Installation Gauge, Tilt Angle	C

Go to Discount-Equipment.com to order your parts

**SECTION 6 - CAB**

**FIGURE 6-26. REAR WIPER INSTALLATION**



Go to Discount-Equipment.com to order your parts

ART\_100120329-A



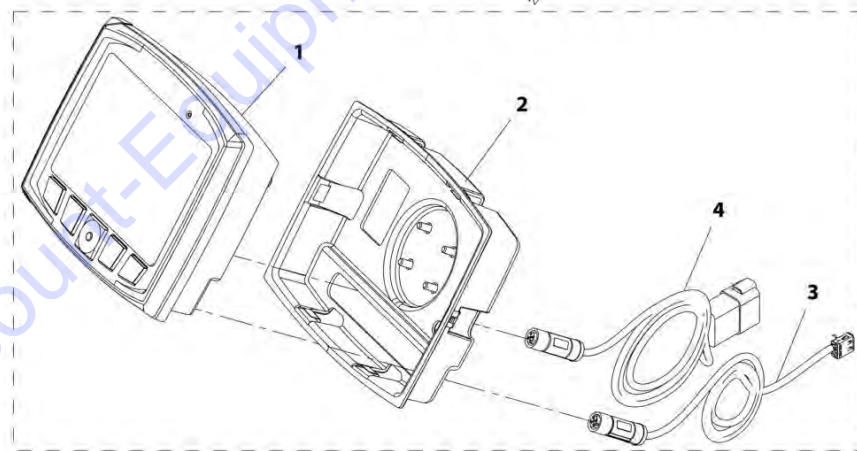
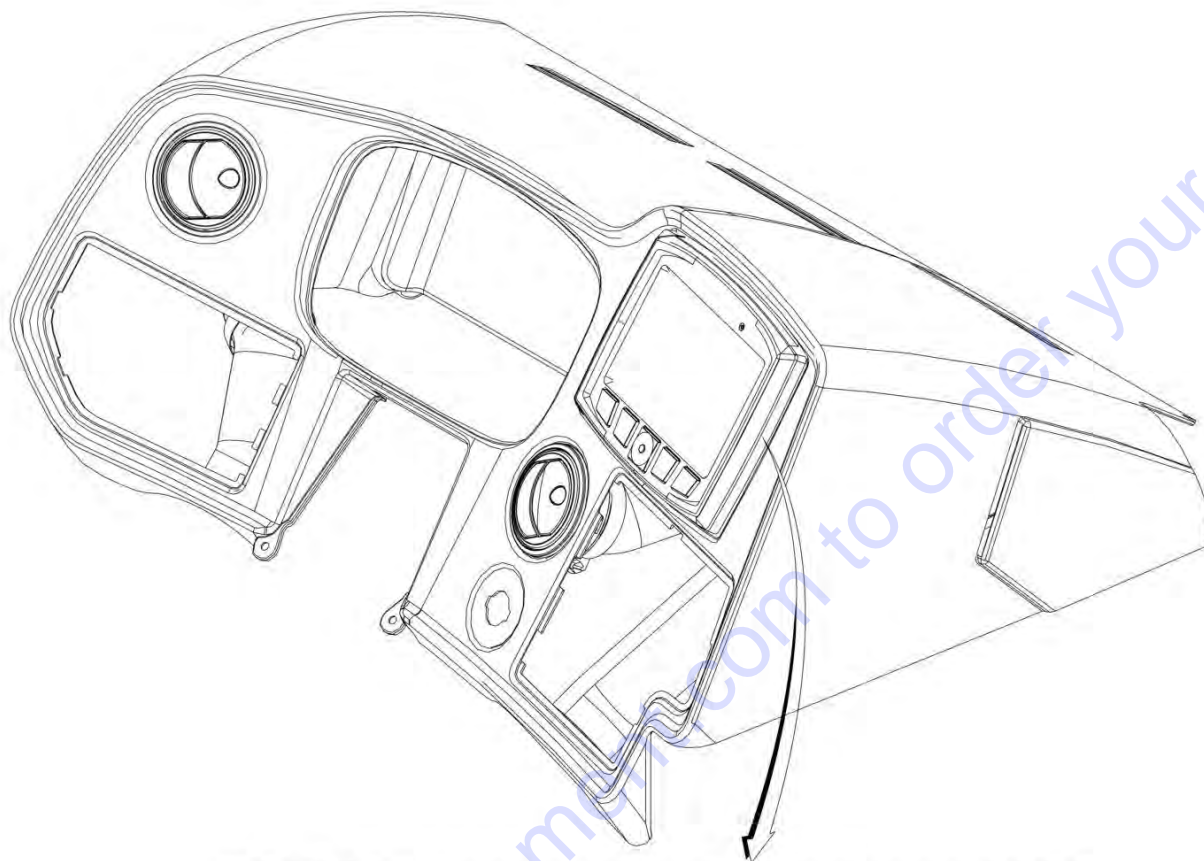
FIGURE 6-26. REAR WIPER INSTALLATION

ITEM	PART NUMBER	QTY	DESCRIPTION	REV
	1001220329	Ref	Rear Wiper Installation	A
1	4807718	1	Wiper Blade, Oslv Italia	
2	1001090343	1	Connector	
3	1001139552	1	Motor, Wiper, Rear Window	
4	1001141312	1	Blade, Arm, Rear Window	

Go to Discount-Equipment.com to order your parts

# SECTION 6 - CAB

## FIGURE 6-27. MULTIFUNCTION DISPLAY INSTALLATION



ART\_1001176338-B

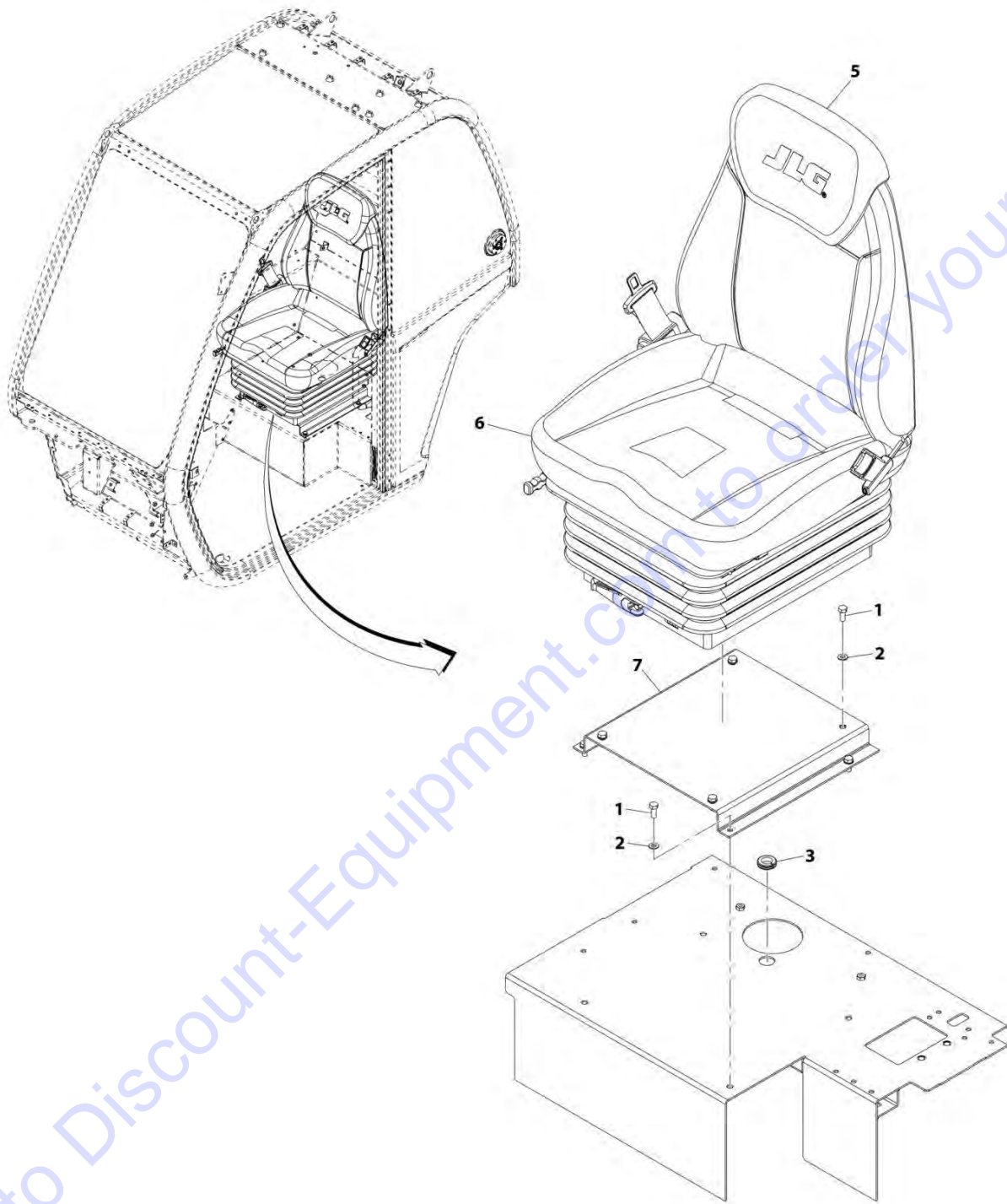
FIGURE 6-27. MULTIFUNCTION DISPLAY INSTALLATION

ITEM	PART NUMBER	QTY	DESCRIPTION	REV
	1001176338	Ref	Multifunction Display Installation	B
1	1001211357	1	Display	
2	1001178783	1	Bezel	
3	1001180682	1	Cable	
4	1001180683	1	Cable, Video	

Go to Discount-Equipment.com to order your parts

# SECTION 6 - CAB

## FIGURE 6-28. SEAT INSTALLATION (MECHANICAL)



ART\_1001158601-D

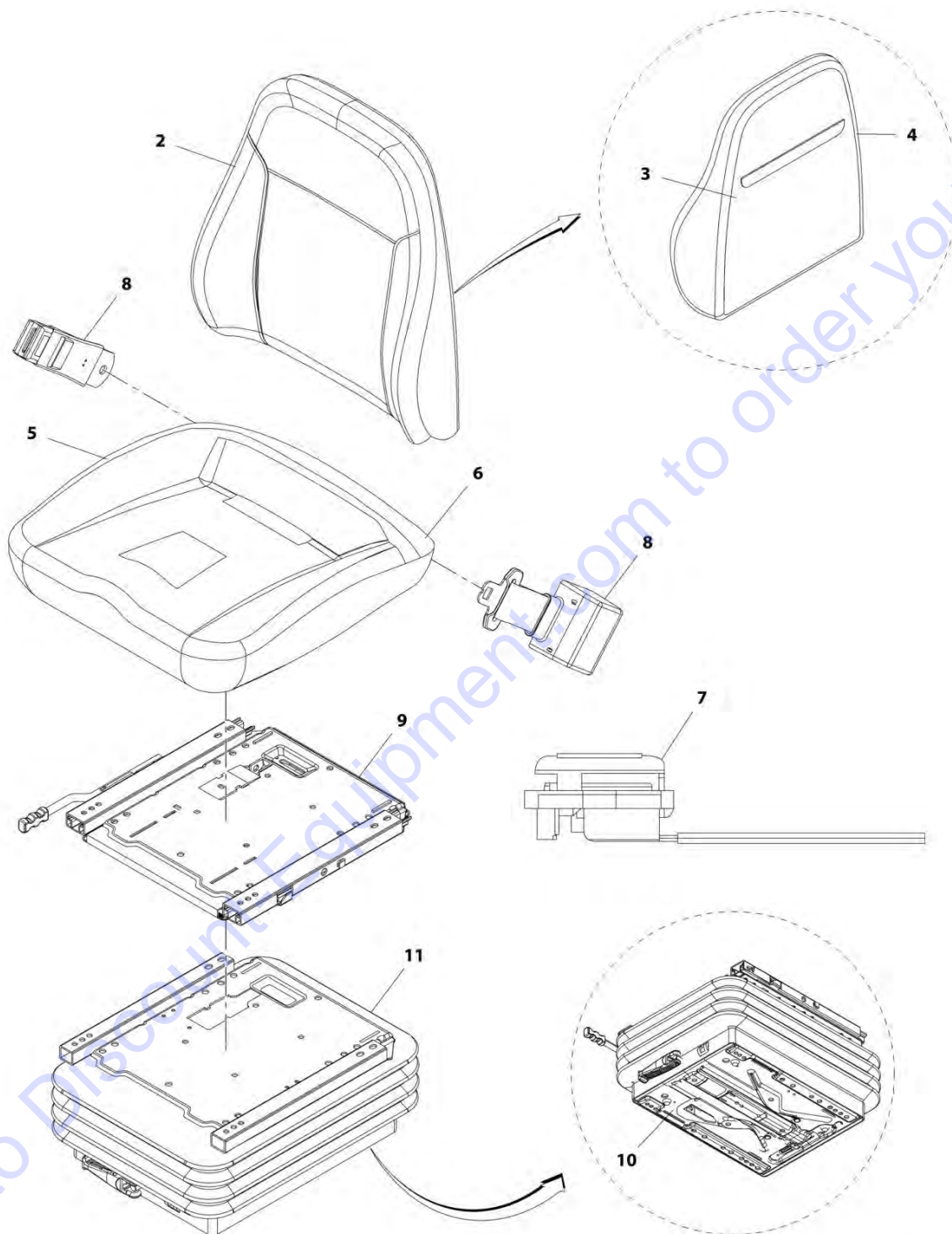
FIGURE 6-28. SEAT INSTALLATION (MECHANICAL)

ITEM	PART NUMBER	QTY	DESCRIPTION	REV
	1001158601	Ref	Seat Installation (Cloth)	D
1	0760810	8	Bolt, M8X20	
2	4811900	8	Washer, M8	
3	1001216974	1	Grommet	
5	1001119467	1	Headrest, Cloth	
6	1001150294	1	Assembly, Seat (See Separate Breakdown in this Section)	
7	1001158738C	1	Plinth, Seat	

Go to Discount-Equipment.com to order your parts

# SECTION 6 - CAB

## FIGURE 6-29. SEAT ASSEMBLY (MECHANICAL)



ART\_1001150294-E

FIGURE 6-29. SEAT ASSEMBLY (MECHANICAL)

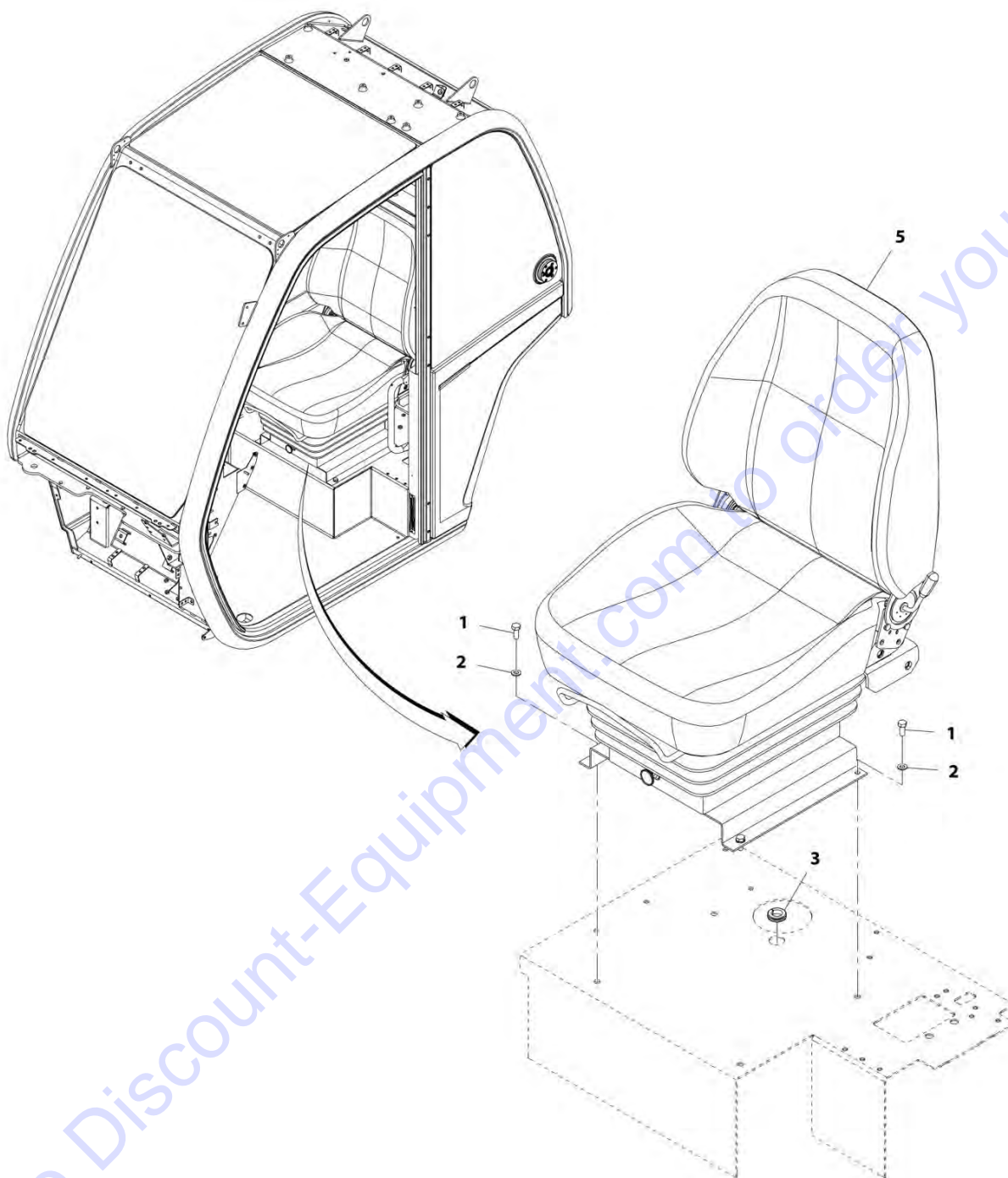
ITEM	PART NUMBER	QTY	DESCRIPTION	REV
	1001150294	1	Seat Assembly	E
2	70025489	1	Fabric, Upper Seat	
3	70025490	1	Cover, Back	
4	70025483	1	Foam, Back	
5	70025491	1	Cover, Seat	
6	70025485	1	Foam, Seat	
7	70025486	1	Switch, Contact	
8	7029767	1	Belt, Seat	
9	70021252	1	Rail, Slide	
10	70021251	1	Unit, Suspension	
11	70022034	1	Cover, Rubber	

Go to Discount-Equipment.com to order your parts



## SECTION 6 - CAB

FIGURE 6-30. SEAT INSTALLATION (AIR SUSPENSION - STANDARD)



ART\_1001158596-D



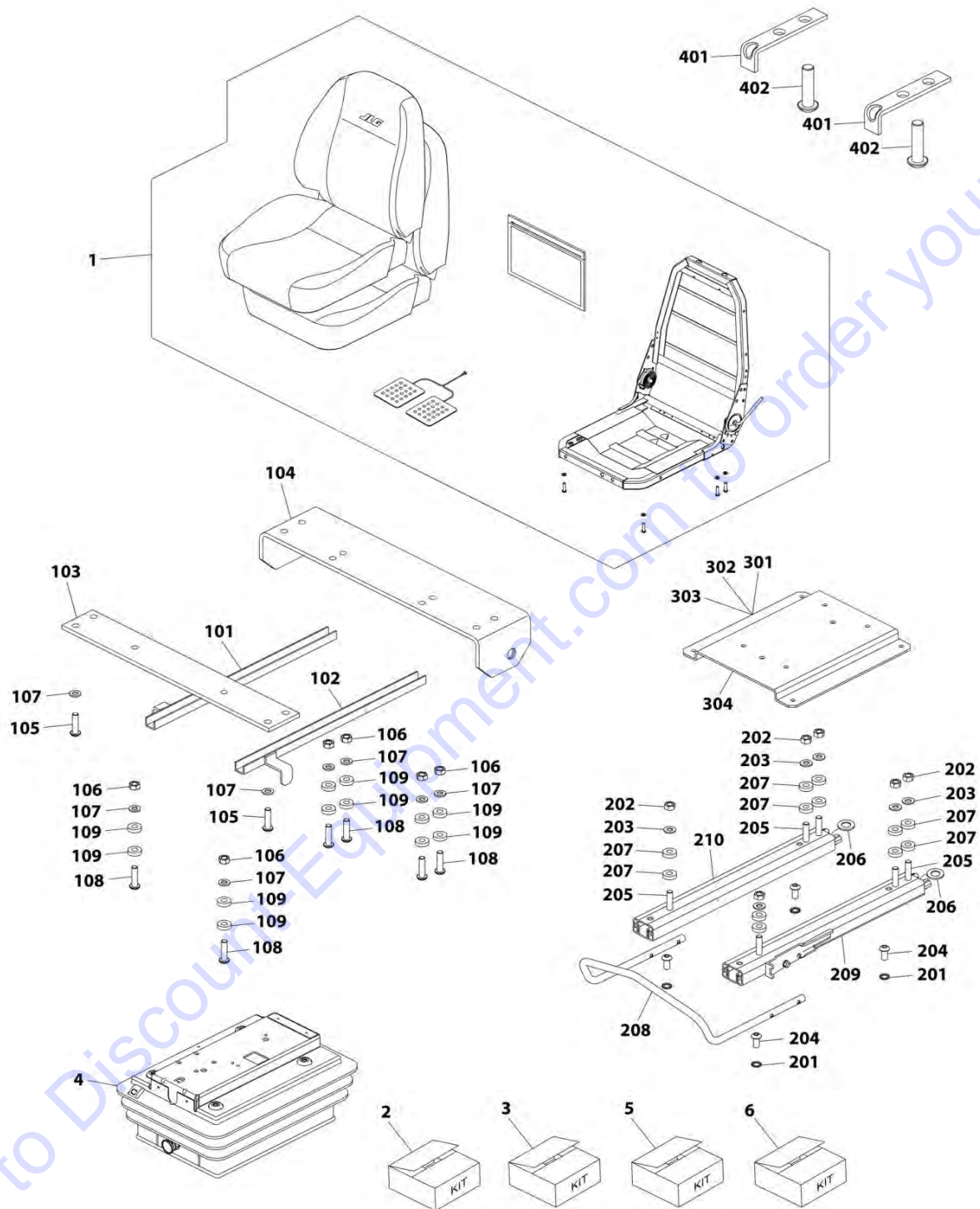
FIGURE 6-30. SEAT INSTALLATION (AIR SUSPENSION - STANDARD)

ITEM	PART NUMBER	QTY	DESCRIPTION	REV
	1001158596	Ref	Seat Installation (Standard)	D
1	0760810	4	Bolt, M8X20	
2	4811900	4	Washer, M8	
3	1001216974	1	Grommet	
5	1001165573	1	Assembly, Seat (See Separate Breakdown in this Section)	

Go to Discount-Equipment.com to order your parts

# SECTION 6 - CAB

## FIGURE 6-31. SEAT ASSEMBLY (AIR SUSPENSION - STANDARD)



ART\_1001165573-C

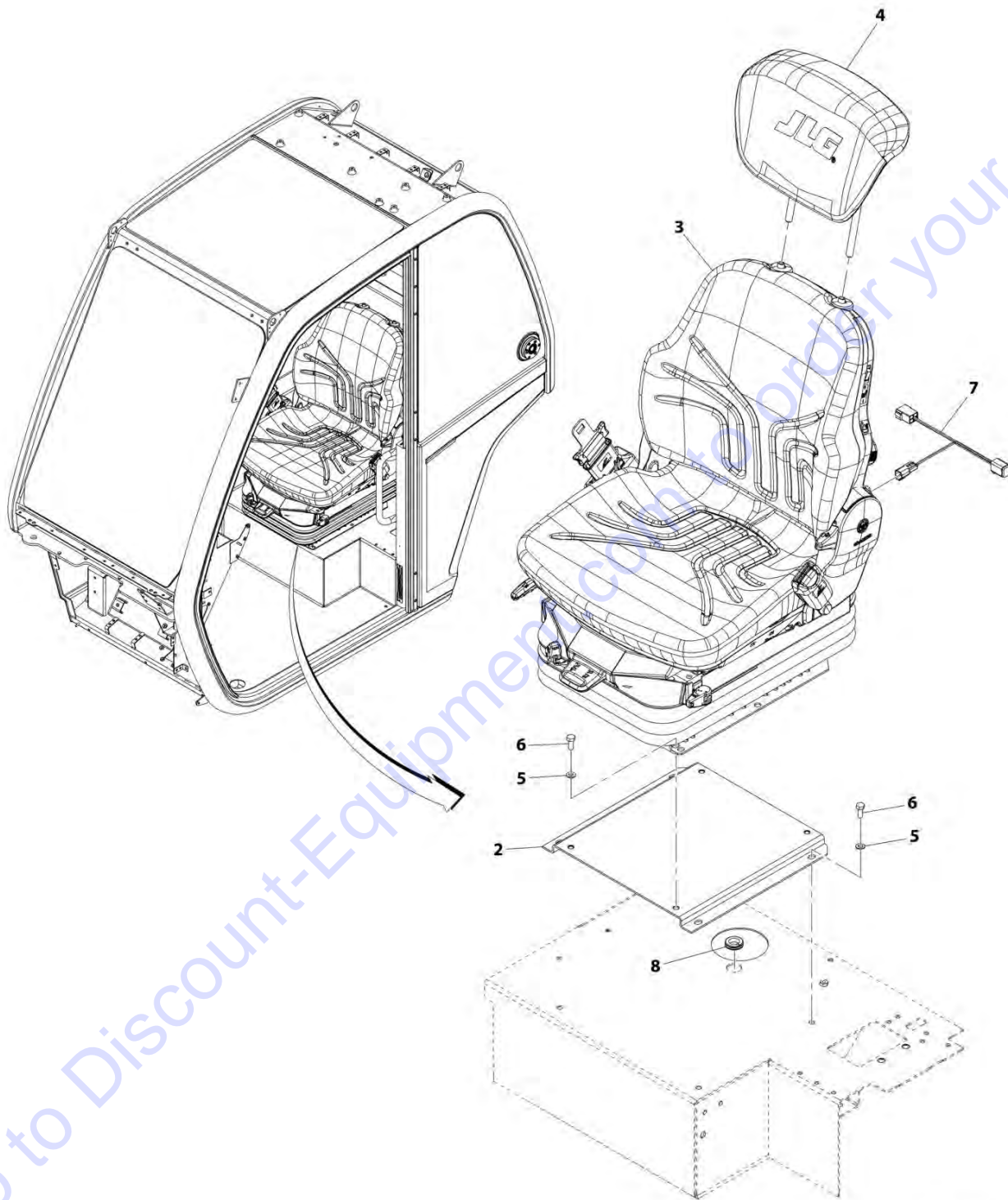
**SECTION 6 - CAB**

**FIGURE 6-31. SEAT ASSEMBLY (AIR SUSPENSION - STANDARD)**

ITEM	PART NUMBER	QTY	DESCRIPTION	REV
	1001165573	1	Seat Assembly	C
1	70027392	1	Assembly, Upper Seat (See Separate Breakdown in this Section)	
2	70021317	1	Kit, Cross Strap (includes items 101 thru 109)	
3	70021318	1	Kit, Fore and Aft Adjustment (includes items 201 thru 210)	
4	70021319	1	Kit, Suspension (See Separate Breakdown in this Section)	
5	70027395	1	Kit, Adapter Plate (includes items 301 thru 304)	
6	70021322	1	Kit, Slide Rail Stop (includes items 401 & 402)	
101	N.S.S.	1	Channel	
102	N.S.S.	1	Channel	
103	N.S.S.	1	Plate, Strap	
104	N.S.S.	1	Plate, Strap	
105	N.S.S.	4	Bolt, M8X25	
106	N.S.S.	6	Nut, M8	
107	N.S.S.	10	Washer	
108	N.S.S.	6	Bolt, M8X30	
109	N.S.S.	12	Spacer	
201	N.S.S.	4	Washer, Spring M8	
202	N.S.S.	1	Nut, M8	
203	N.S.S.	1	Washer	
204	N.S.S.	1	Bolt, M8X16	
205	N.S.S.	1	Bolt, M8X30	
206	N.S.S.	1	Washer	
207	N.S.S.	1	Spacer	
208	N.S.S.	1	Handle	
209	N.S.S.	1	Rail, Slide	
210	N.S.S.	1	Rail, Slide	
301	N.S.S.	1	Bolt, M8X25	
302	N.S.S.	1	Bolt, M8X16	
303	N.S.S.	1	Washer	
304	N.S.S.	1	Plate, Adapter	
401	N.S.S.	1	Stop, Sliderrail	
402	N.S.S.	1	Bolt, M8X16	

# SECTION 6 - CAB

## FIGURE 6-32. SEAT INSTALLATION (AIR SUSPENSION - PREMIUM)



ART\_1001182530-F

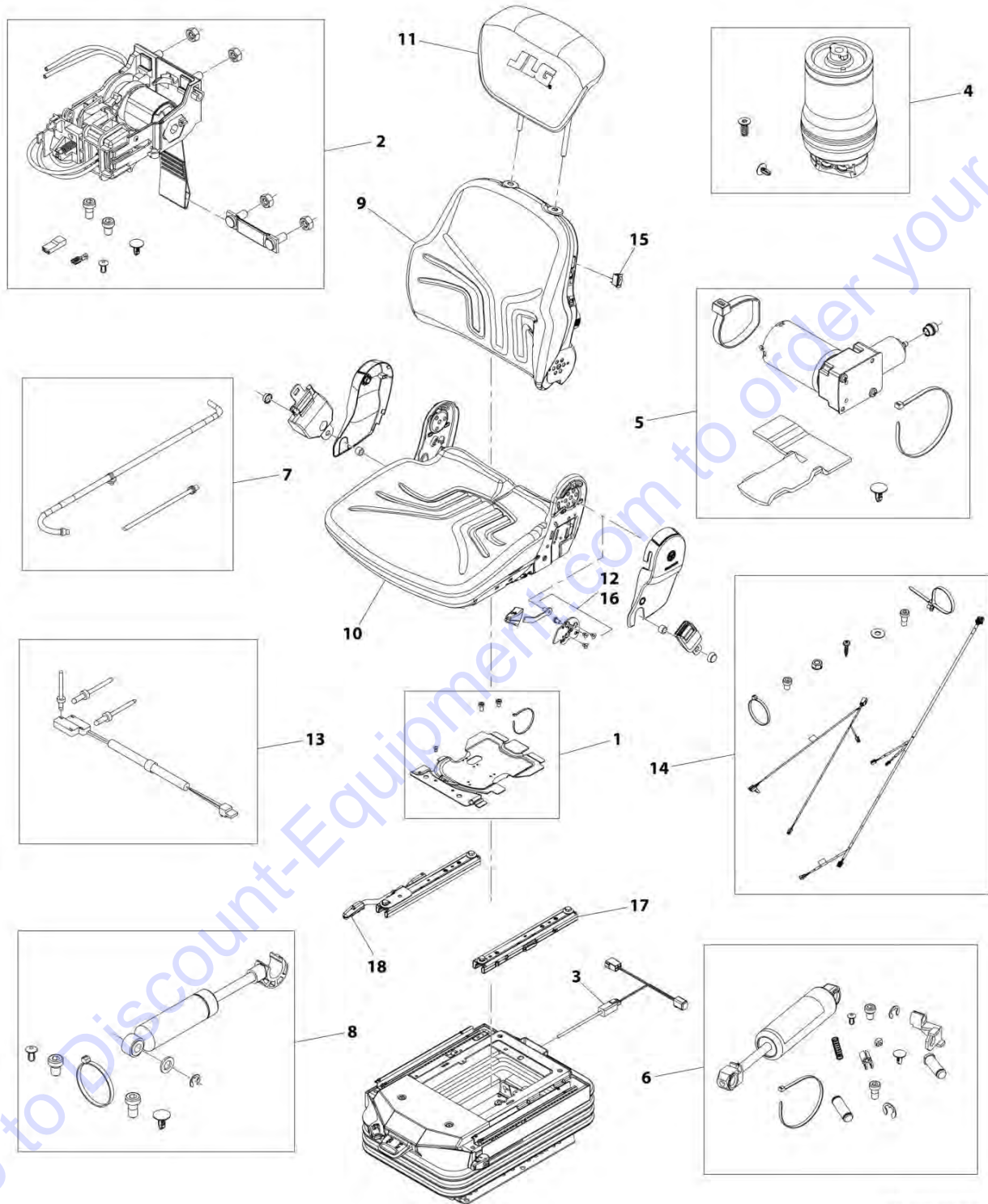
FIGURE 6-32. SEAT INSTALLATION (AIR SUSPENSION - PREMIUM)

ITEM	PART NUMBER	QTY	DESCRIPTION	REV
	1001182530	Ref	Seat Installation (Air Suspension - Premium)	F
2	1001158736C	1	Plinth, Seat	
3	1001169135	1	Assembly, Seat (See Separate Breakdown in this Section)	
4	1001182529	1	Headrest	
5	4811900	8	Washer, M8	
6	0760810	8	Bolt, M8X20	
7	1001168531	1	Harness, Seat Adaptor (See Separate Breakdown in Electrical Section)	
8	1001216974	1	Grommet	

Go to Discount-Equipment.com to order your parts

# SECTION 6 - CAB

## FIGURE 6-33. SEAT ASSEMBLY (AIR SUSPENSION - PREMIUM)



ART\_1001169135-B

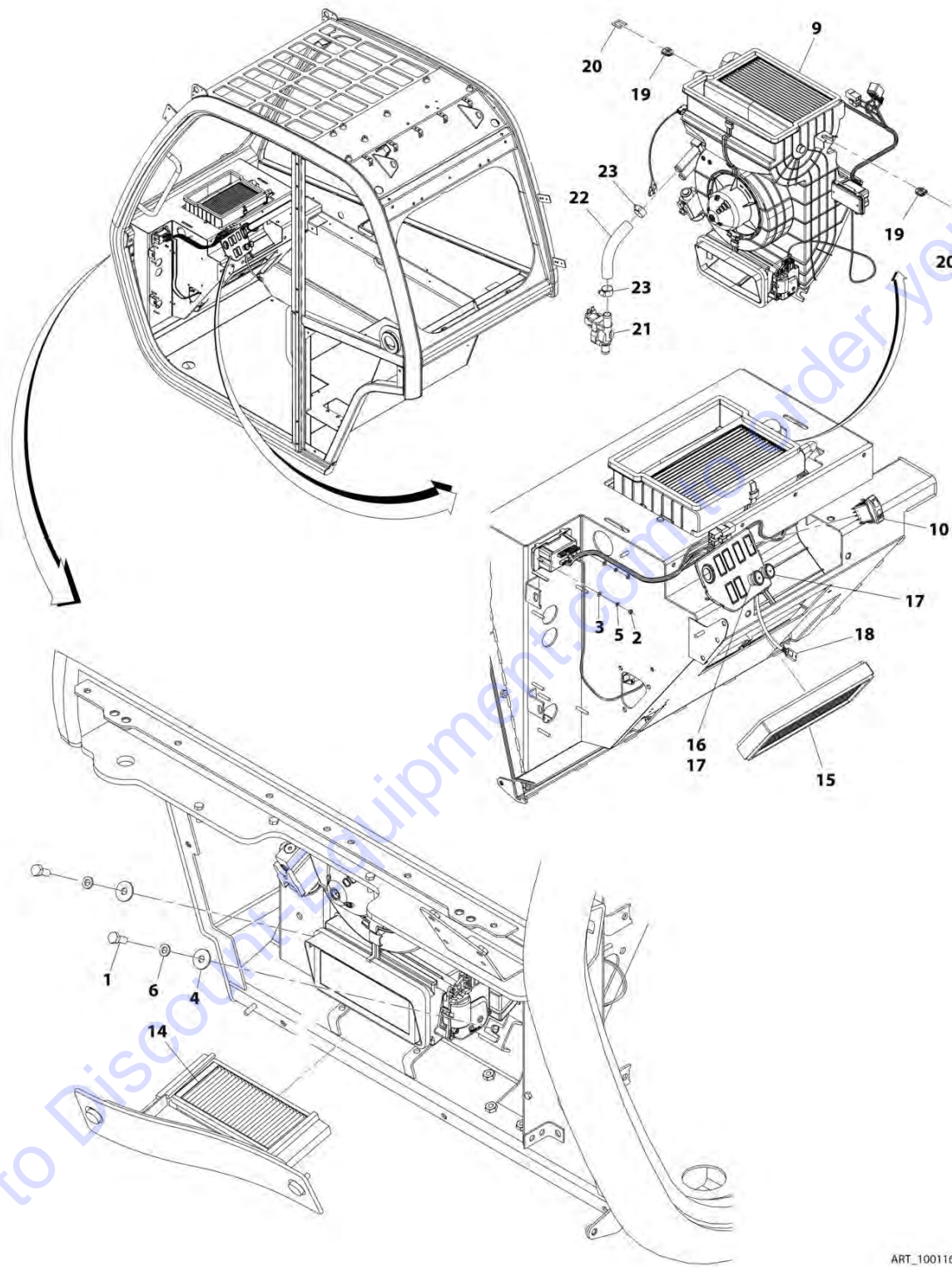
FIGURE 6-33. SEAT ASSEMBLY (AIR SUSPENSION - PREMIUM)

ITEM	PART NUMBER	QTY	DESCRIPTION	REV
	1001169135	Ref	Seat Assembly	B
1	70024856	1	Cover	
2	70023182	1	Control Level Kit	
3	70023186	1	Wiring Harness, Air/Safeswitch	
4	70023184	1	Air Spring Kit	
5	70024857	1	Compressor, 12V	
6	70023181	1	Shock Absorber Kit	
7	70024459	1	Air Tubes Kit	
8	70023189	2	Shock Absorber Kit	
9	70023179	1	Back Cushion Kit	
10	70024858	1	Seat Cushion Kit	
11	1001182529	1	Headrest, Cloth	
12	70024859	1	Backrest Actuator	
13	70028326	1	Switch	
14	70024861	1	Wiring Harness	
15	70024107	1	Switch, Heater	
16	7028621	1	Handle, Backrest Angle Adjust	
17	3986643	1	Adjust Slide Kit	
18	3986610	1	Handle	



# SECTION 6 - CAB

## FIGURE 6-34. HEATER INSTALLATION (CAB PARTS)



ART\_1001160043-K

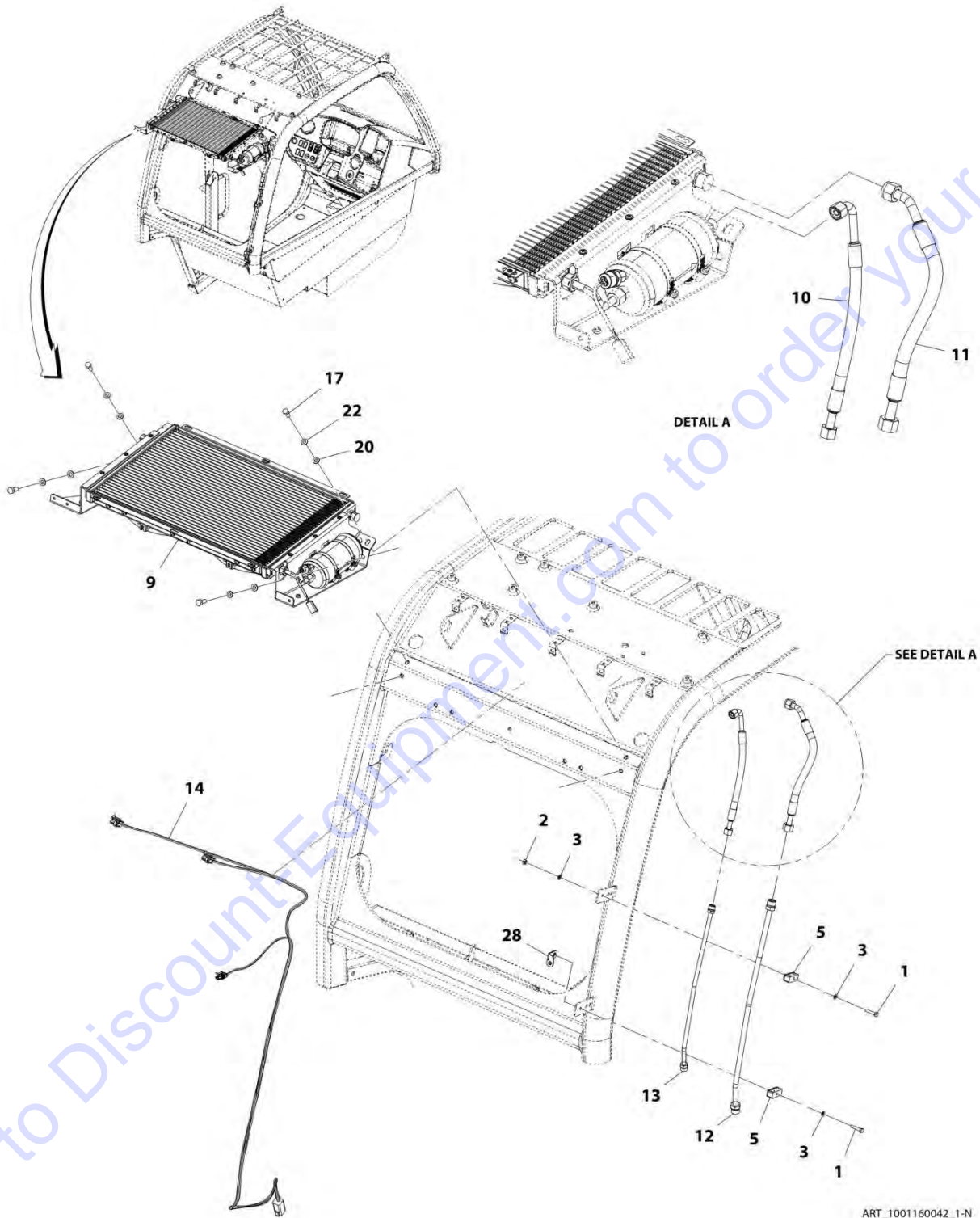


FIGURE 6-34. HEATER INSTALLATION (CAB PARTS)

ITEM	PART NUMBER	QTY	DESCRIPTION	REV
	1001160043	Ref	Heater Installation	K
1	0760810	2	Bolt, M8X20	
2	3290401	2	Nut, M4X0.7	
3	4811400	2	Washer, M4	
4	4811902	2	Washer, M8	
5	4831400	2	Washer, Lock M4	
6	4831900	2	Washer, M8	
9	1001161858	1	Assembly, Heater (See Separate Breakdown in this Section)	
10	1001159925	1	Switch, HVAC Recycle	
14	1001218996	1	Filter, HVAC Air	
15	1001172553	1	Filter, HVAC Recirculation Air	
16	1001172547	1	Switch, HVAC Rotary 3 Speed	
17	1001172550	2	Knob, HVAC Control	
18	1001218529	1	Cable, HVAC	
19	1001188590	2	Grommet	
20	1001218542	2	Shim	
21	1001221059	1	Valve, Water	
22	1001221295	1	House	
23	8410009	2	Clamp	

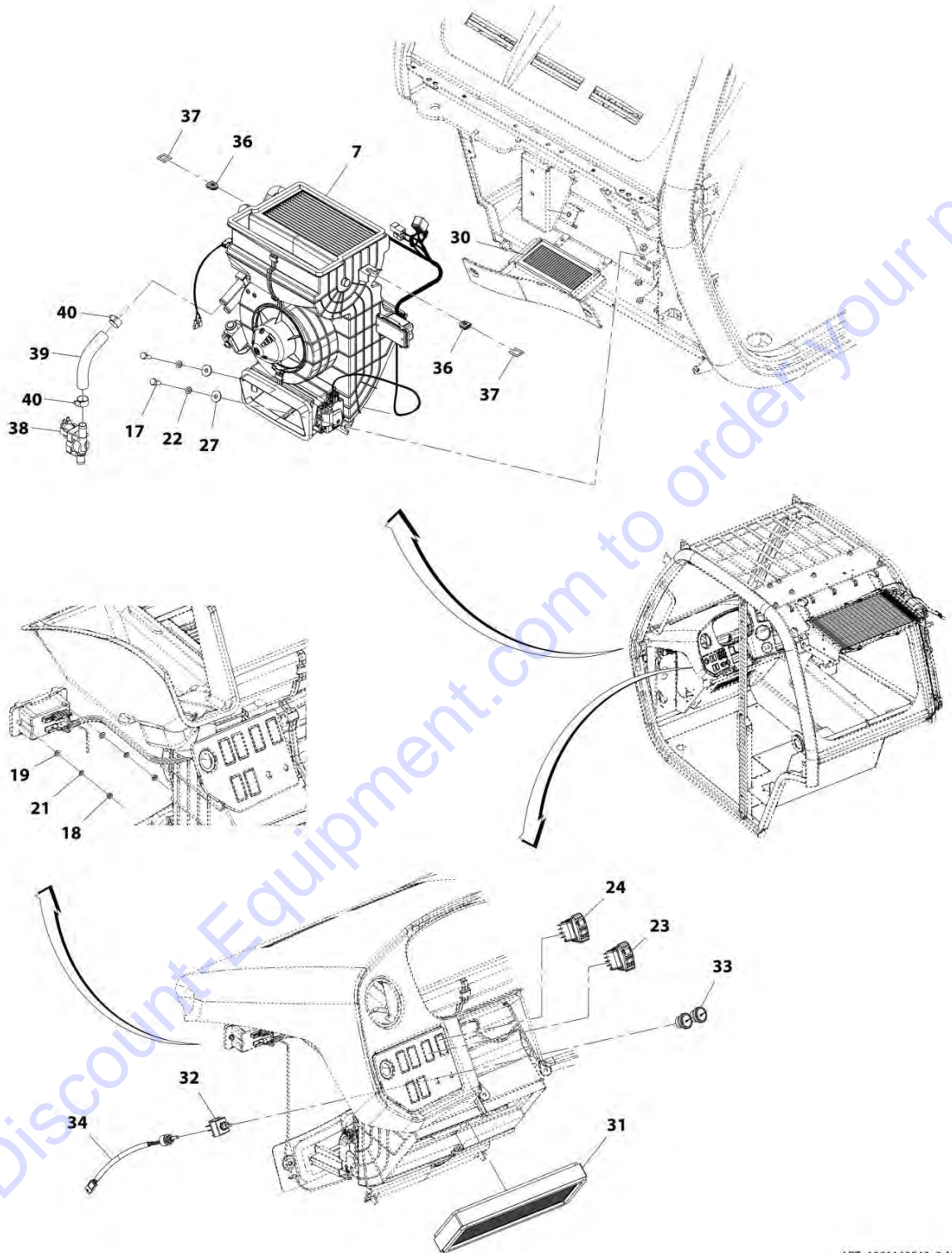
# SECTION 6 - CAB

## FIGURE 6-35. HEATER AND A/C INSTALLATION (CAB PARTS)



ART\_1001160042\_1-N

SECTION 6 - CAB



ART\_1001160042\_2-N

## SECTION 6 - CAB

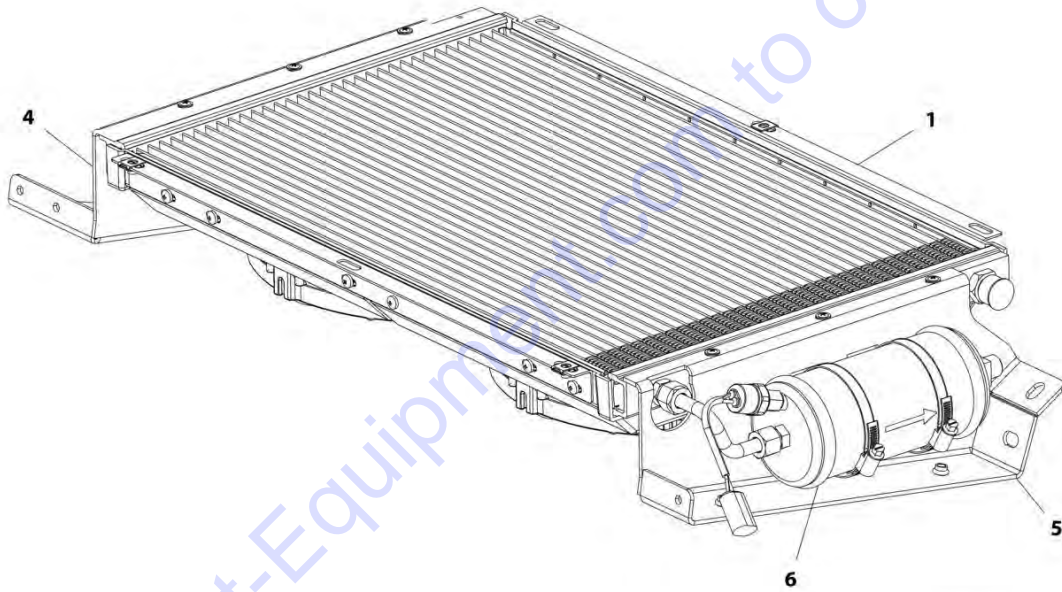
**FIGURE 6-35. HEATER AND A/C INSTALLATION (CAB PARTS)**

ITEM	PART NUMBER	QTY	DESCRIPTION	REV
	1001160042	Ref	Heater and A/C Installation (cab parts)	N
1	0700614	2	Bolt, M6X30	
2	3290601	1	Nut, M6X1	
3	4811700	3	Washer, M6	
5	1001145539	2	Support, Pipe	
7	1001188303	1	Assembly, Heater and A/C (See Separate Breakdown in this Section)	
9	1001162953	1	Assembly, Cab Condenser (See Separate Breakdown in this Section)	
10	1001168327	1	Hose	
11	1001168330	1	Hose	
12	1001168331	1	Tube	
13	1001168456	1	Tube	
14	1001169151	1	Harness, A/C Option (See Separate Breakdown in Electrical Section)	
17	0760810	6	Bolt, M8X20 GR8.8	
18	3290401	2	Nut, M4X0.7	
19	4811400	2	Washer, M4	
20	4811900	4	Washer, M8	
21	4831400	2	Washer, Lock M4	
22	4831900	6	Washer, Lock M8	
23	1001159925	1	Switch, HVAC Recycle	
24	1001160326	1	Switch, HVAC On/Off	
27	4811902	2	Washer, M8	
28	1001178170	1	Bracket	
30	1001218996	1	Filter, HVAC Fresh Air	
31	1001172553	1	Filter, HVAC Air Recirculation	
32	1001172547	1	Switch, HVAC Rotary 3 Speed	
33	1001172550	2	Knob, HVAC Control	
34	1001218529	1	Cable, HVAC	
35	1320022	1	Clamp	
36	1001188590	2	Grommet	
37	1001218542	2	Shim	
38	1001221059	1	Valve, Water	
39	1001221295	1	Hose	
40	8410009	2	Clamp	



**SECTION 6 - CAB**

**FIGURE 6-36. CAB CONDENSER ASSEMBLY**



ART\_1001162953-F

FIGURE 6-36. CAB CONDENSER ASSEMBLY

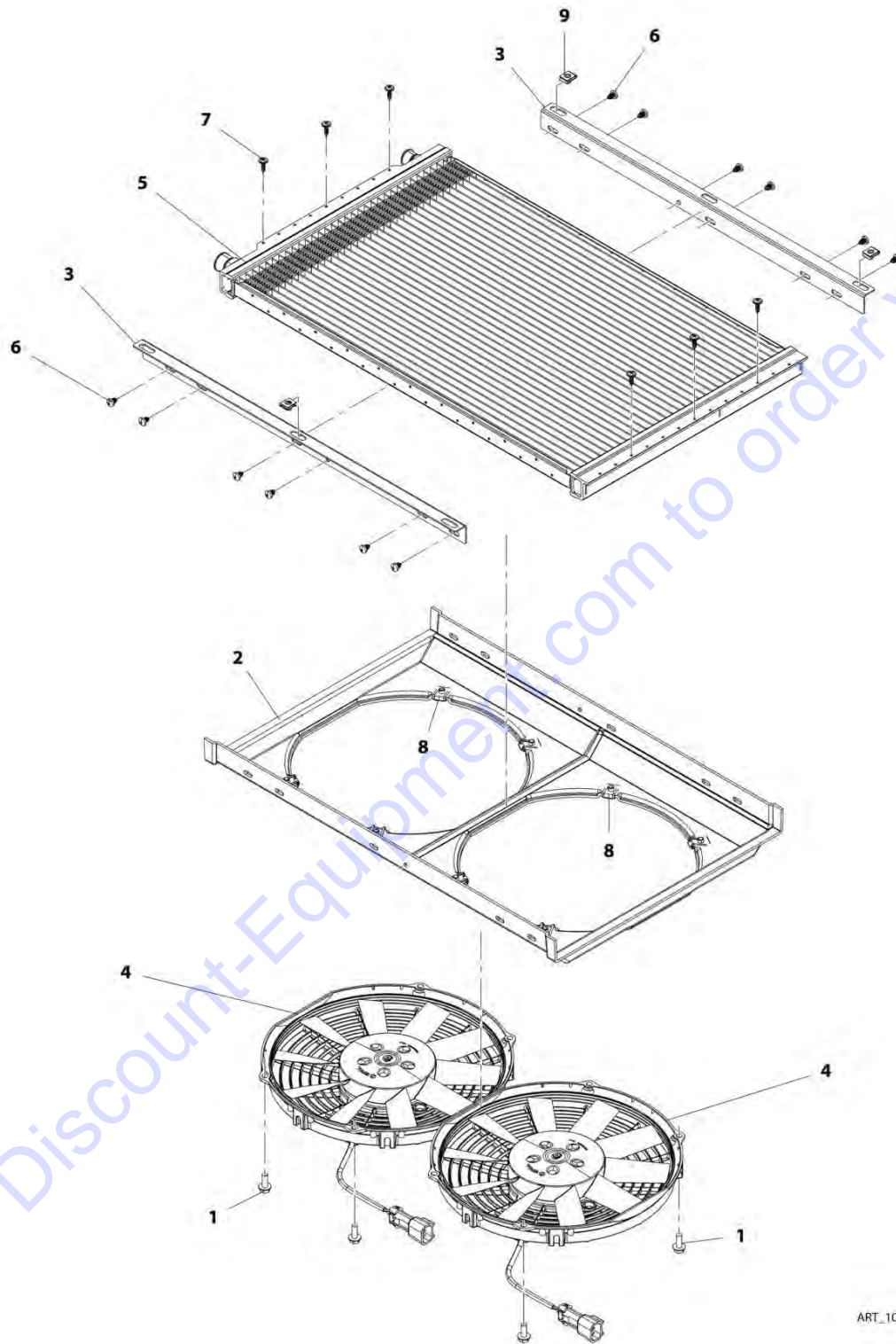
ITEM	PART NUMBER	QTY	DESCRIPTION	REV
	1001162953	Ref	Cab Condenser Assembly	F
1	1001167266	1	Condenser (See Separate Breakdown in this Section)	
4	1001179080	1	Bracket	
5	1001179081	1	Bracket	
6	1001179130	1	Drier, A/C Receiver (See Separate Breakdown in this Section)	

Go to Discount-Equipment.com to order your parts



SECTION 6 - CAB

FIGURE 6-37. CONDENSER



ART\_1001167266-C



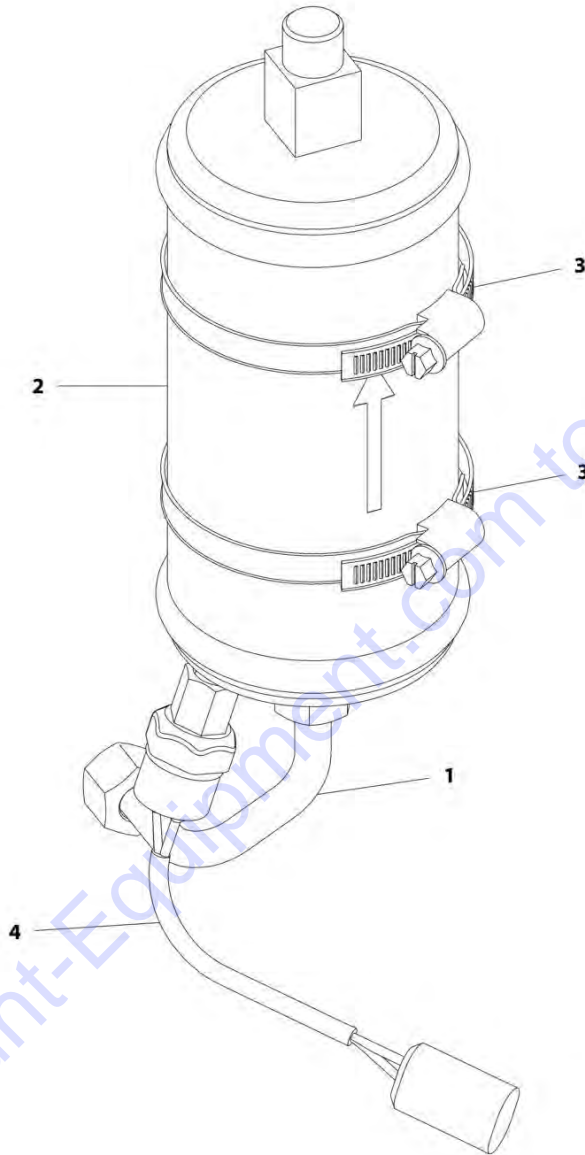
FIGURE 6-37. CONDENSER

ITEM	PART NUMBER	QTY	DESCRIPTION	REV
	1001167266	Ref	Condenser	C
1	5250608	8	Bolt, M6X16	
2	1001195342	1	Bracket, Condenser Fan Mount	
3	1001195343	2	Support, Condenser	
4	1001195345	2	Fan, Condenser	
5	1001195346	1	Condenser	
6	1001195385	12	Screw, M3.9X9.5	
7	1001195386	6	Screw, M4.2X16	
8	1001195437	8	Clip, M6X1	
9	1001195438	3	Clip, M6X1	

Go to Discount-Equipment.com to order your parts

SECTION 6 - CAB

FIGURE 6-38. A/C RECEIVER DRIER



ART\_1001179130-B

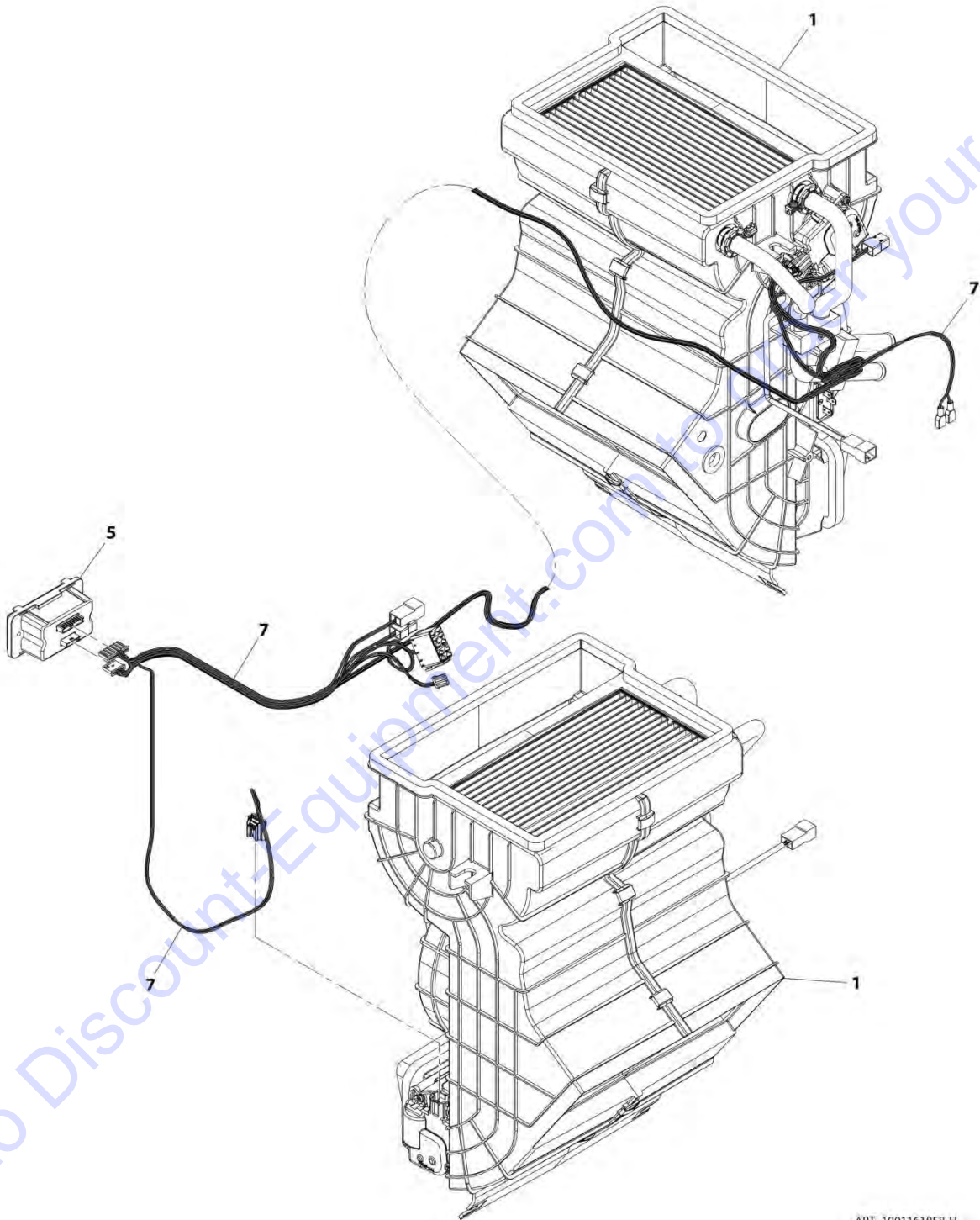
FIGURE 6-38. A/C RECEIVER DRIER

ITEM	PART NUMBER	QTY	DESCRIPTION	REV
	1001179130	Ref	A/C Receiver Drier	B
1	1001184403	1	Tube, Heater	
2	1001184404	1	Receiver, Heater Drier	
3	1001184405	2	Clamp	
4	1001184406	1	Connector, Heater	

Go to Discount-Equipment.com to order your parts

SECTION 6 - CAB

FIGURE 6-39. HEATER ASSEMBLY



ART\_1001161858-H

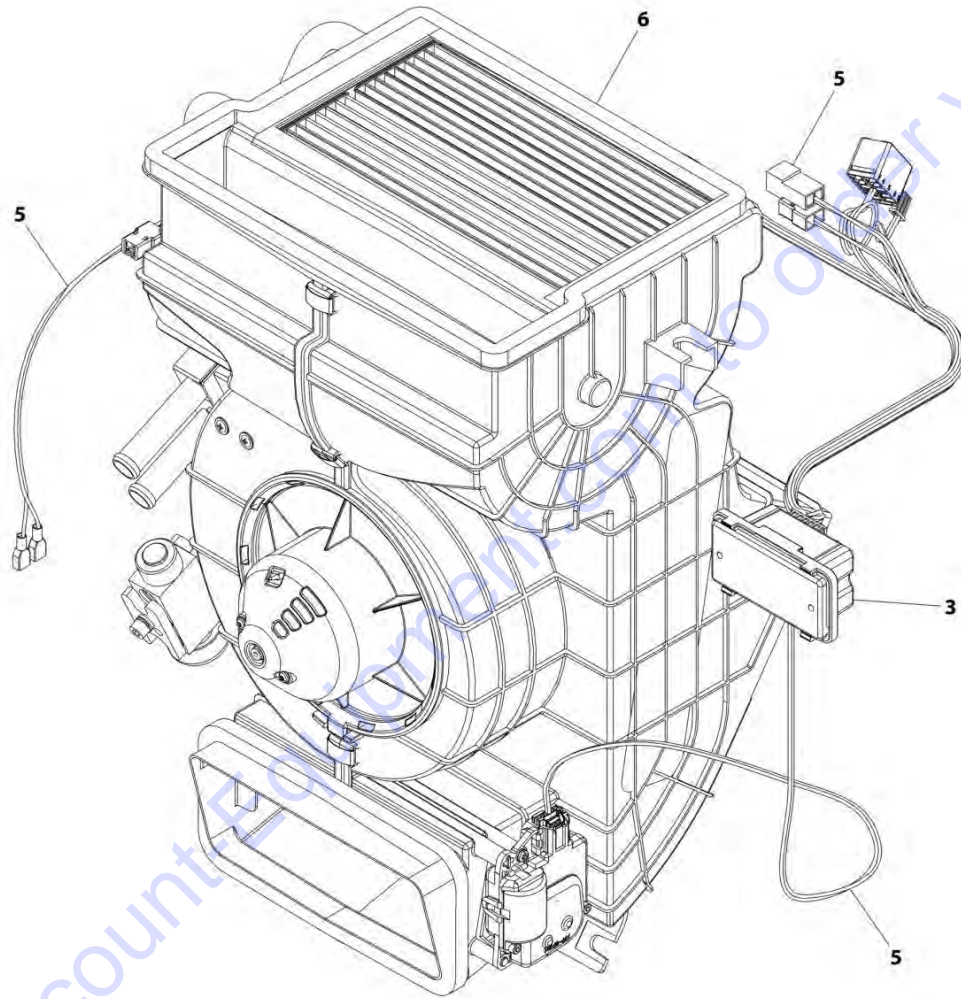
FIGURE 6-39. HEATER ASSEMBLY

ITEM	PART NUMBER	QTY	DESCRIPTION	REV
1	1001161858	Ref	Heater Assembly	H
	1001152908	NLA	Heater, Cab (no longer available, use 1001221052), (For Service, See Separate Breakdown in this Section) <b>(Prior to SN 0160083831)</b>	
5	1001221052	1	Heater, Cab (See Separate Breakdown in this Section) <b>(SN 0160083831 to Present)</b>	
5	1001172551	1	Actuator, HVAC Cab (See Separate Breakdown in this Section)	
7	1001173571	1	Harness, HVAC Actuator <b>(Prior to SN 0160083831)</b>	
7	1001221056	1	Harness, HVAC Actuator <b>(SN 0160083831 to Present)</b>	

Go to Discount-Equipment.com to order your parts

# SECTION 6 - CAB

## FIGURE 6-40. HEATER AND A/C ASSEMBLY



ART\_1001188303-G

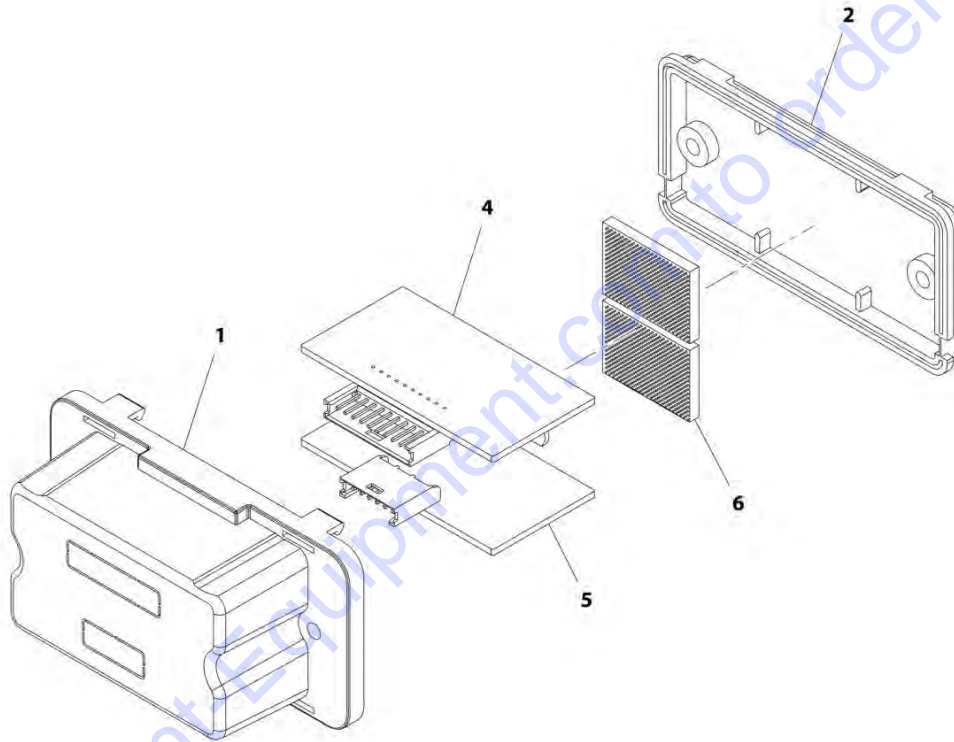
FIGURE 6-40. HEATER AND A/C ASSEMBLY

ITEM	PART NUMBER	QTY	DESCRIPTION	REV
	1001188303	Ref	Heater and A/C Assembly	G
3	1001172551	1	Actuator, HVAC Cab (See Separate Breakdown in this Section)	
5	1001221056	1	Harness, HVAC Actuator	
6	1001221054	1	Heater and A/C (See Separate Breakdown in this Section)	

Go to Discount-Equipment.com to order your parts

**SECTION 6 - CAB**

**FIGURE 6-41. HVAC CAB ACTUATOR**



ART\_1001172551-C



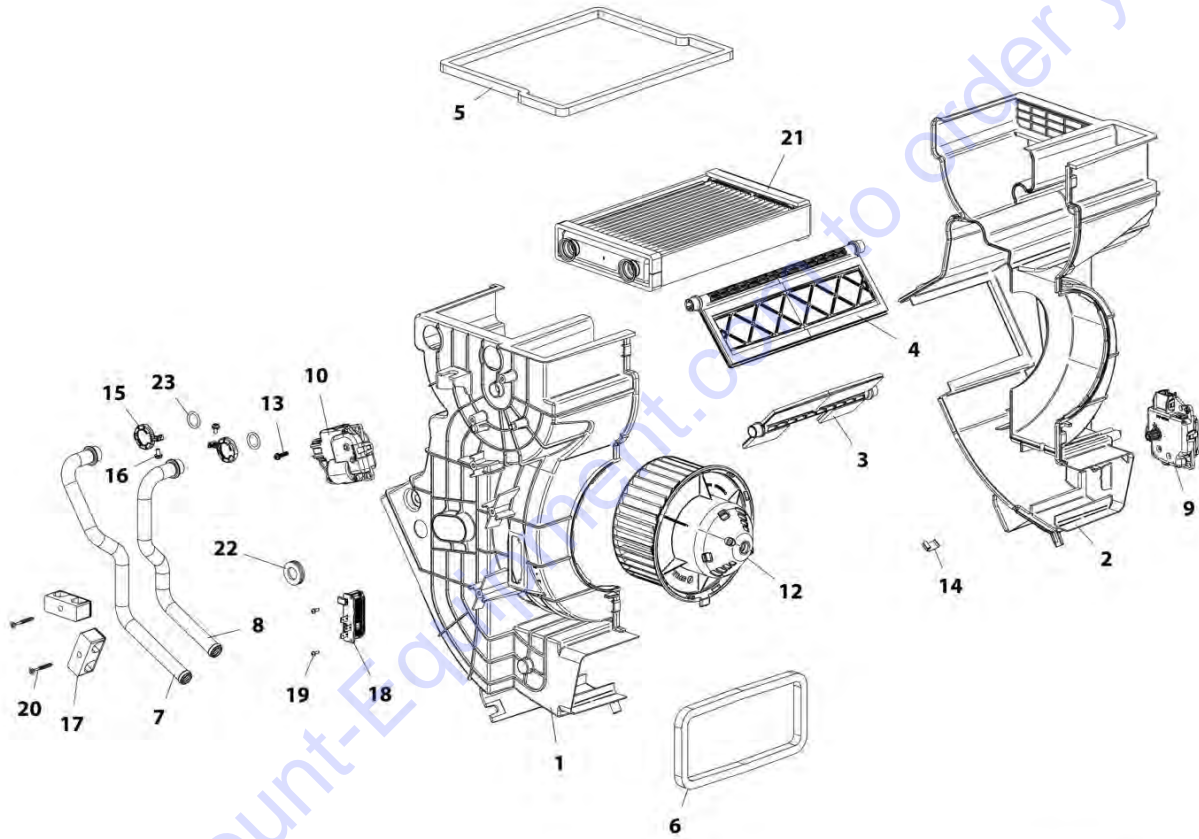
FIGURE 6-41. HVAC CAB ACTUATOR

ITEM	PART NUMBER	QTY	DESCRIPTION	REV
	1001172551	Ref	HVAC Cab Actuator	C
1	1001184306	1	Box, Heater Controller	
2	1001184307	1	Base, Heater Controller Box	
4	1001184309	1	Board, Heater Control	
5	1001184310	1	Board, Heater Control	
6	1001189980	2	Insulator, Heater Controller Box	

Go to Discount-Equipment.com to order your parts

SECTION 6 - CAB

FIGURE 6-42. HEATER



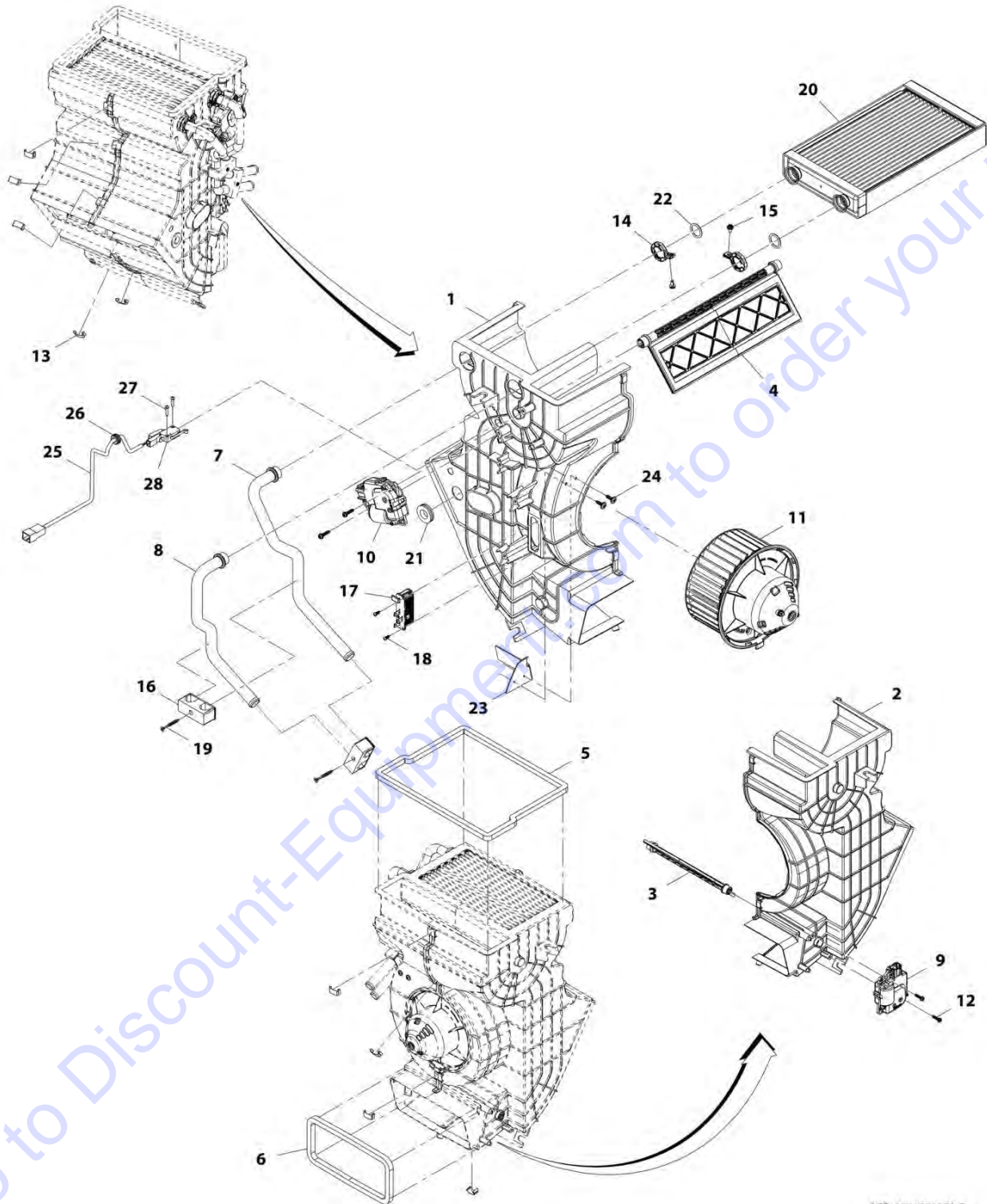
ART\_1001152908-E

FIGURE 6-42. HEATER

ITEM	PART NUMBER	QTY	DESCRIPTION	REV
	1001152908	NLA	Heater (no longer available, see items 1 through 23 for service or use 1001221052 for replacement)	E
1	1001166091	1	Housing, RH	
2	1001166092	1	Housing, LH	
3	1001184275	1	Flap, Recirculation with Foam	
4	1001184278	1	Flap, Mixing with Foam	
5	1001184294	1	Foam, Air Outlet	
6	1001184295	1	Foam, Air Inlet	
7	1001184296	1	Pipe, Water	
8	1001184297	1	Pipe, Water	
9	1001188577	1	Actuator, Fresh/Recirculation Air	
10	1001188578	1	Actuator, Hot/Cold	
12	1001188594	1	Fan, 12V	
13	1001188602	4	Screw	
14	1001188603	9	Clamp	
15	1001188604	2	Clamp	
16	1001188610	2	Screw	
17	1001188612	2	Clamp	
18	1001188614	1	Resistor	
19	1001188720	2	Screw	
20	1001188725	2	Screw	
21	1001188729	1	Radiator, Heater Core	
22	1001188733	1	Grommet	
23	1001189025	2	O-Ring	

SECTION 6 - CAB

FIGURE 6-43. HEATER



ART\_1001221052-B

# PARTS FINDER

**Search Website  
by Part Number**



**Search Manual  
Library For Parts  
Manual & Lookup Part  
Numbers – Purchase  
or Request Quote**

**Can't Find Part or  
Manual? Request Help  
by Manufacturer,  
Model & Description**

Discount-Equipment.com is your online resource for quality parts & equipment.

Florida: **561-964-4949** Outside Florida TOLL FREE: **877-690-3101**

## Need parts?

Click on this link: <http://www.discount-equipment.com/category/5443-parts/> and choose one of the options to help get the right parts and equipment you are looking for. Please have the machine model and serial number available in order to help us get you the correct parts. If you don't find the part on the website or on one of the online manuals, please fill out the request form and one of our experienced staff members will get back to you with a quote for the right part that your machine needs.

We sell worldwide for the brands: Genie, Terex, JLG, MultiQuip, Mikasa, Essick, Whiteman, Mayco, Toro Stone, Diamond Products, Generac Magnum, Airman, Haulotte, Barreto, Power Blanket, Nifty Lift, Atlas Copco, Chicago Pneumatic, Allmand, Miller Curber, Skyjack, Lull, Skytrak, Tsurumi, Husquvarna Target, Stow, Wacker, Sakai, Mi-T-M, Sullair, Basic, Dynapac, MBW, Weber, Bartell, Bennar Newman, Haulotte, Ditch Runner, Menegotti, Morrison, Contec, Buddy, Crown, Edco, Wyco, Bomag, Laymor, EZ Trench, Bil-Jax, F.S. Curtis, Gehl Pavers, Heli, Honda, ICS/PowerGrit, IHI, Partner, Imer, Clipper, MMD, Koshin, Rice, CH&E, General Equipment, Amida, Coleman, NAC, Gradall, Square Shooter, Kent, Stanley, Tamco, Toku, Hatz, Kohler, Robin, Wisconsin, Northrock, Oztec, Toker TK, Rol-Air, APT, Wylie, Ingersoll Rand / Doosan, Innovatech, Con X, Ammann, Mecalac, Makinex, Smith Surface Prep, Small Line, Wanco, Yanmar

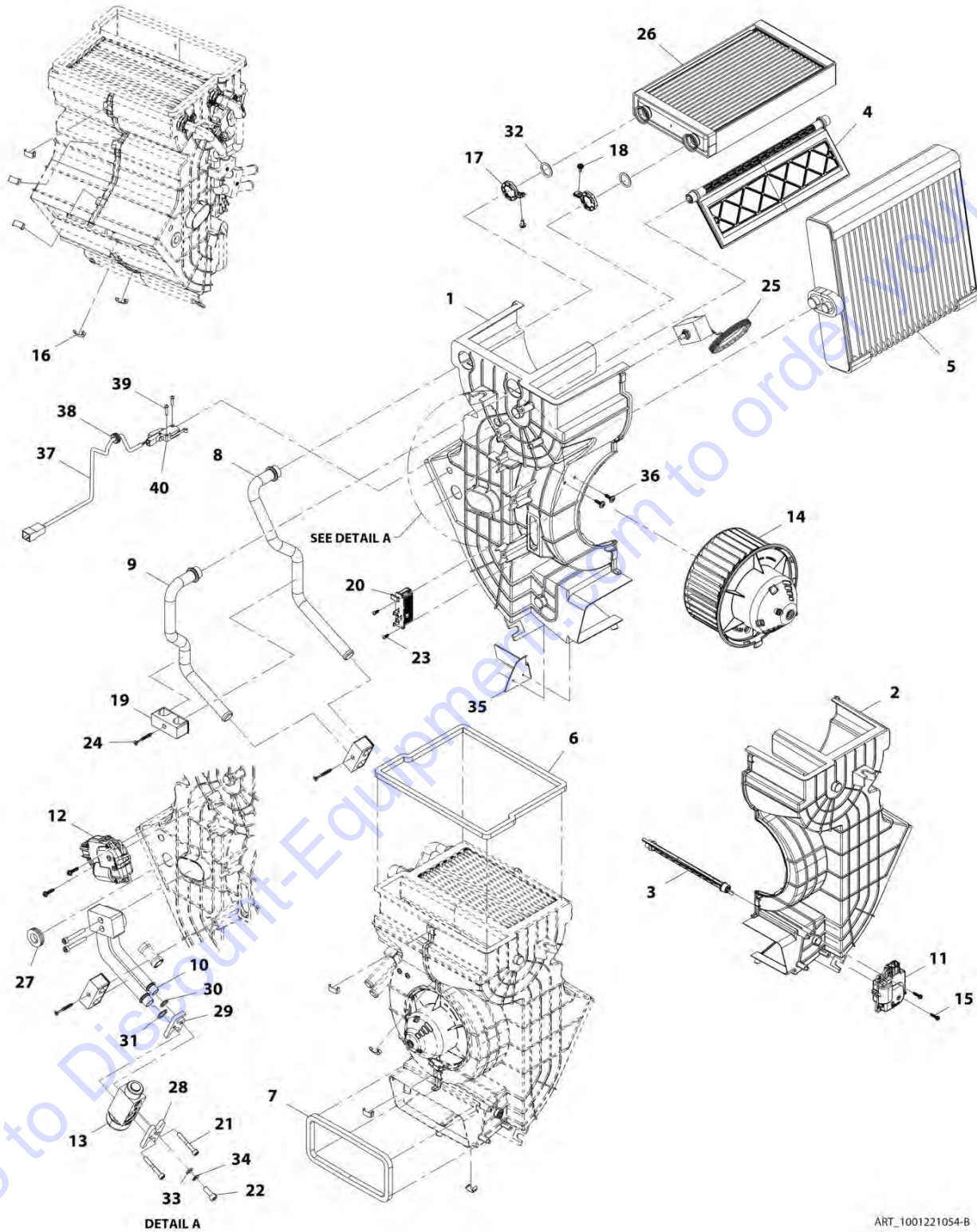
FIGURE 6-43. HEATER

ITEM	PART NUMBER	QTY	DESCRIPTION	REV
	1001221052	Ref	Heater	B
1	1001166091	1	Housing, RH	
2	1001166092	1	Housing, LH	
3	1001184275	1	Flap, Recirculation with Foam	
4	1001184278	1	Flap, Mixing with Foam	
5	1001184294	1	Foam, Air Outlet	
6	1001184295	1	Foam, Air Inlet	
7	1001184296	1	Pipe, Water	
8	1001184297	1	Pipe, Water	
9	1001188577	1	Actuator, Fresh/Recirculation Air	
10	1001188578	1	Actuator, Hot/Cold	
11	1001188594	1	Fan, 12V	
12	1001188602	4	Screw	
13	1001188603	9	Clamp	
14	1001188604	2	Clamp	
15	1001188610	2	Screw	
16	1001188612	2	Clamp	
17	1001188614	1	Resistor	
18	1001188720	2	Screw	
19	1001188725	2	Screw	
20	1001188729	1	Radiator, Heater Core	
21	1001188733	1	Grommet	
22	1001189025	2	O-Ring	
23	1001221057	1	Plate	
24	1001221058	2	Screw	
25	1001228132	1	Harness, HVAC Sensor	
26	1001228140	1	Grommet	
27	1001228141	2	Screw	
28	1001228147	1	Valve, Water	



# SECTION 6 - CAB

## FIGURE 6-44. HEATER AND A/C



ART\_1001221054-B

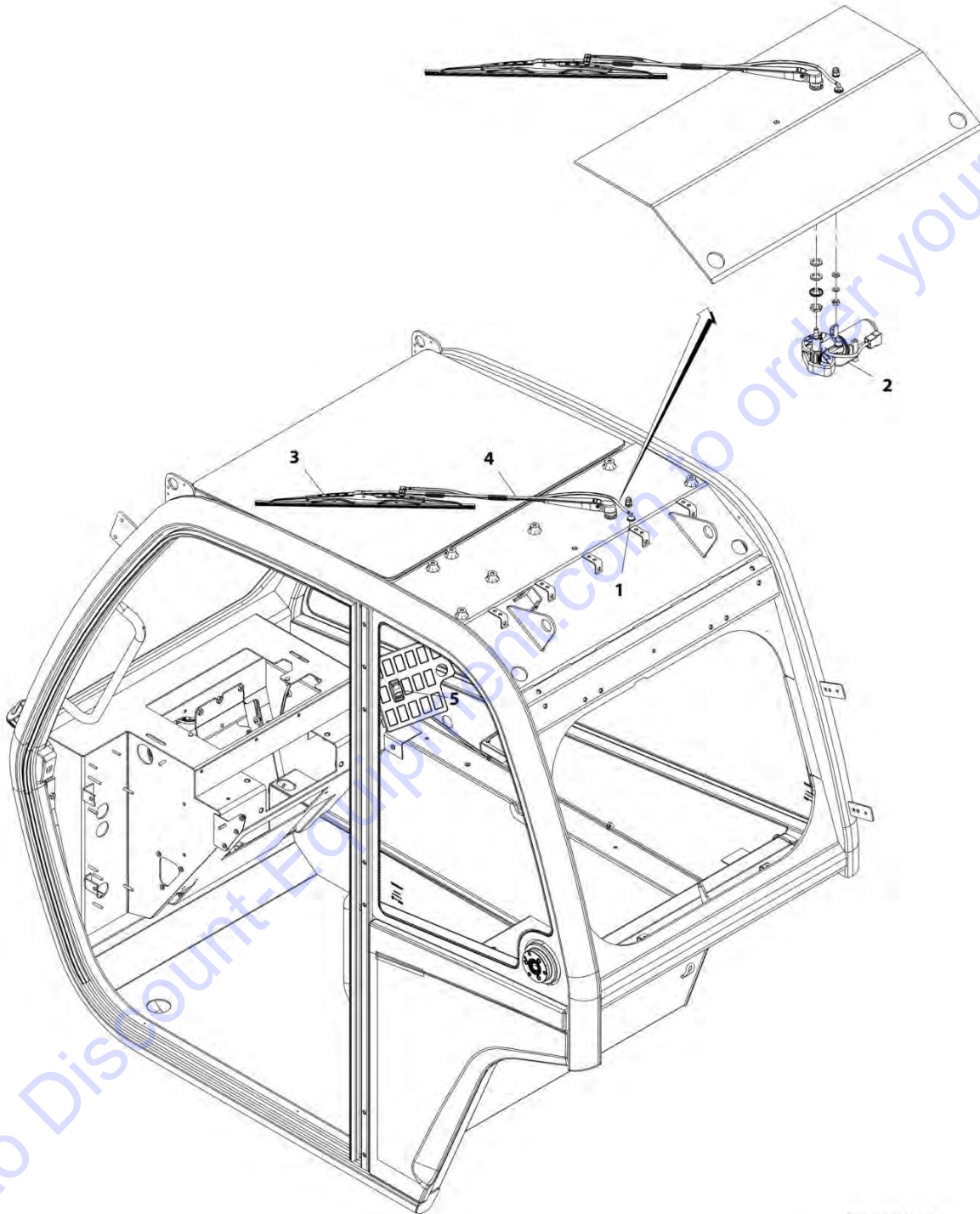
FIGURE 6-44. HEATER AND A/C

ITEM	PART NUMBER	QTY	DESCRIPTION	REV
	1001221054	Ref	Heater and A/C	B
1	1001166091	1	Housing, HVAC RH	
2	1001166092	1	Housing, HVAC LH	
3	1001184275	1	Foam, Heater Flap	
4	1001184278	1	Foam, Heater Mixing Flap	
5	1001184280	1	Evaporator, Heater	
6	1001184294	1	Seal, Heater Foam	
7	1001184295	1	Seal, Air Inlet Foam	
8	1001184296	1	Pipe, Heater Water	
9	1001184297	1	Pipe, Heater Water	
10	1001184427	1	Pipe, Heater	
11	1001188577	1	Actuator, Fresh/Recirculation Air	
12	1001188578	1	Actuator, Hot/Cold Mixing	
13	1001188592	1	Valve, HVAC Expansion	
14	1001188594	1	Fan, HVAC Centrifugal 12V	
15	1001188602	4	Screw, M4	
16	1001188603	9	Clamp, HVAC Case	
17	1001188604	2	Clamp, HVAC Pipe	
18	1001188610	2	Screw, M4X0.7	
19	1001188612	3	Clamp, Pipe	
20	1001188614	1	Resistor	
21	1001188618	4	Screw, M5	
22	1001188619	1	Screw, M6	
23	1001188720	2	Screw, M2.9X9.5	
24	1001188725	3	Screw, M4X35	
25	1001188728	1	Sensor, HVAC Thermostat	
26	1001188729	1	Radiator, Heater Core	
27	1001188733	1	Grommet	
28	1001188817	1	Clamp, Hose	
29	1001188818	1	Clamp, HVAC EVAP/Valve	
30	1001189023	1	O-Ring	
31	1001189024	1	O-Ring	
32	1001189025	2	O-Ring	
33	1001189048	1	Washer	
34	1001189054	1	Washer, Spring	
35	1001221057	1	Plate	
36	1001221058	2	Screw	
37	1001228132	1	Harness, HVAC Sensor	
38	1001228140	1	Grommet	
39	1001228141	2	Screw	
40	1001228147	1	Valve, Water Sensor	



# SECTION 6 - CAB

## FIGURE 6-45. ROOF WIPER INSTALLATION



ART\_1001155486-B

FIGURE 6-45. ROOF WIPER INSTALLATION

ITEM	PART NUMBER	QTY	DESCRIPTION	REV
	1001155486	Ref	Roof Wiper Installation	B
1	1001090343	1	Connector	
2	1001139551	1	Motor, Roof Wiper	
3	1001141313	1	Blade, Roof Wiper	
4	1001141311	1	Arm, Roof Wiper Blade	
5	1001159736	1	Switch, Roof Wiper	

Go to Discount-Equipment.com to order your parts

# SECTION 6 - CAB

## FIGURE 6-46. HEADLINER INSTALLATION

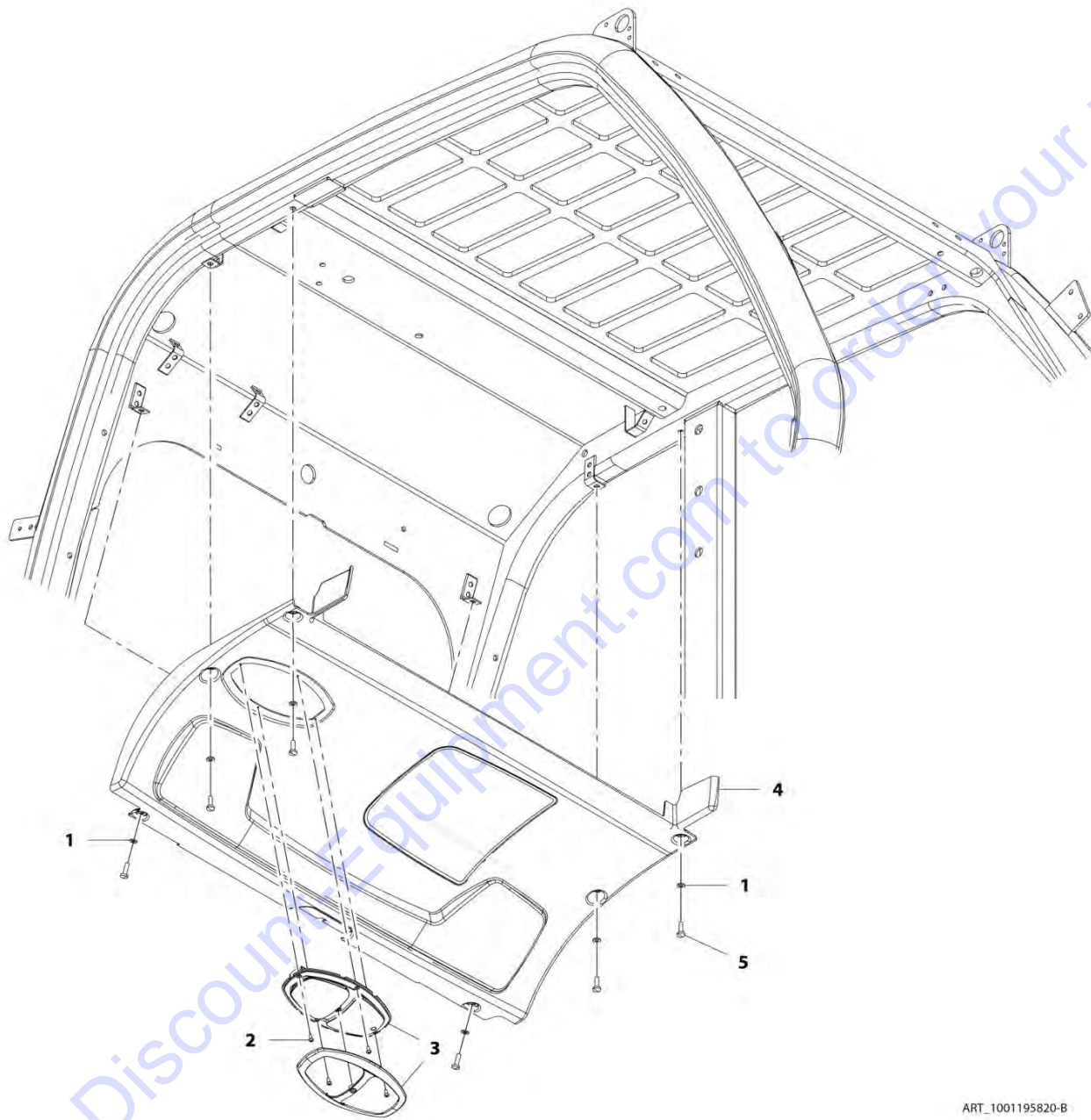


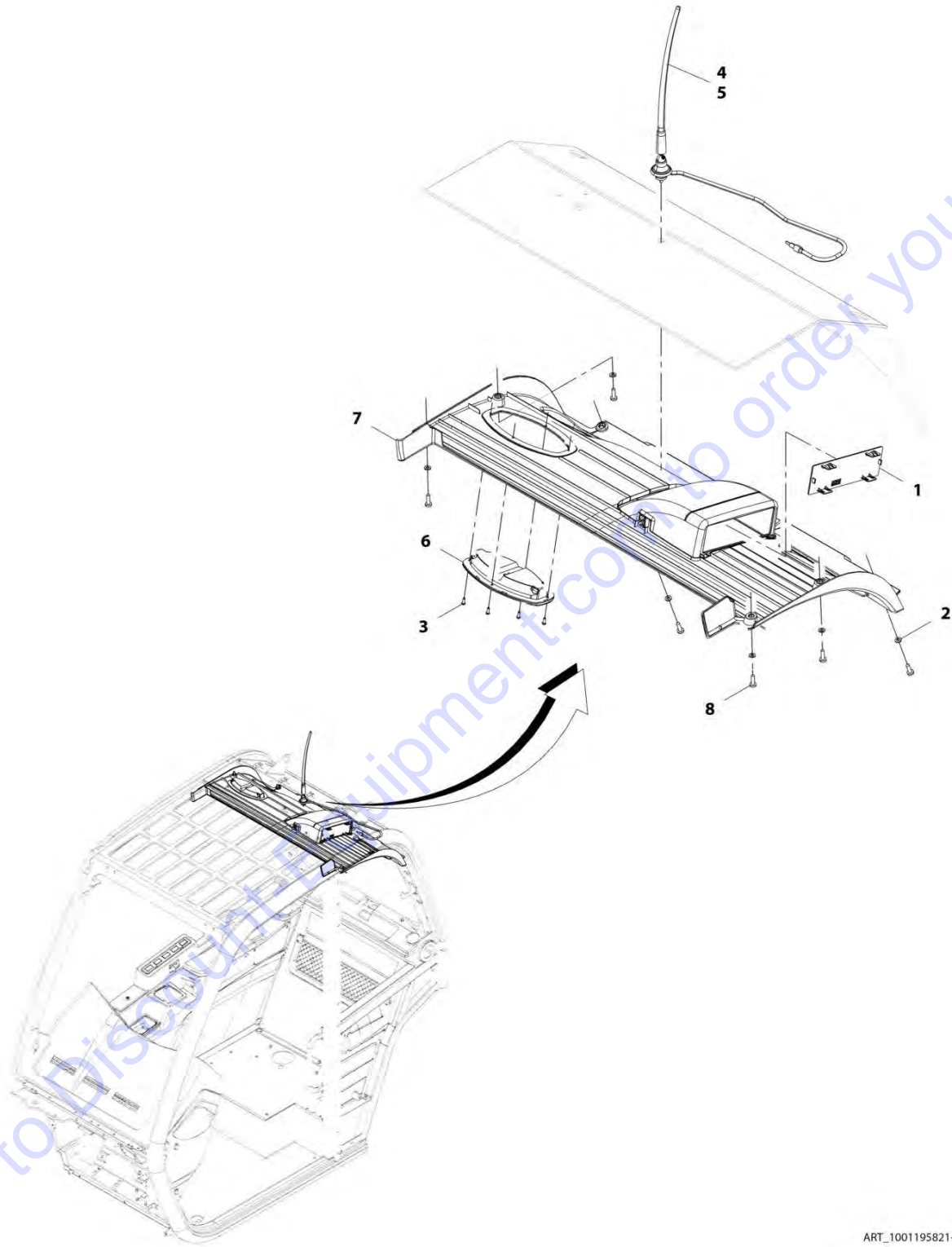
FIGURE 6-46. HEADLINER INSTALLATION

ITEM	PART NUMBER	QTY	DESCRIPTION	REV
	1001195820	Ref	Headliner Installation	B
1	4811700	6	Washer, M6	
2	7029486	4	Screw	
3	1001167015	1	Lamp, Dome	
4	1001195822	1	Panel, Headliner	
5	4010610002	6	Screw, M6X20	

Go to Discount-Equipment.com to order your parts

# SECTION 6 - CAB

## FIGURE 6-47. HEADLINER/RADIO READY PACKAGE INSTALLATION



ART\_1001195821-B

FIGURE 6-47. HEADLINER/RADIO READY PACKAGE INSTALLATION

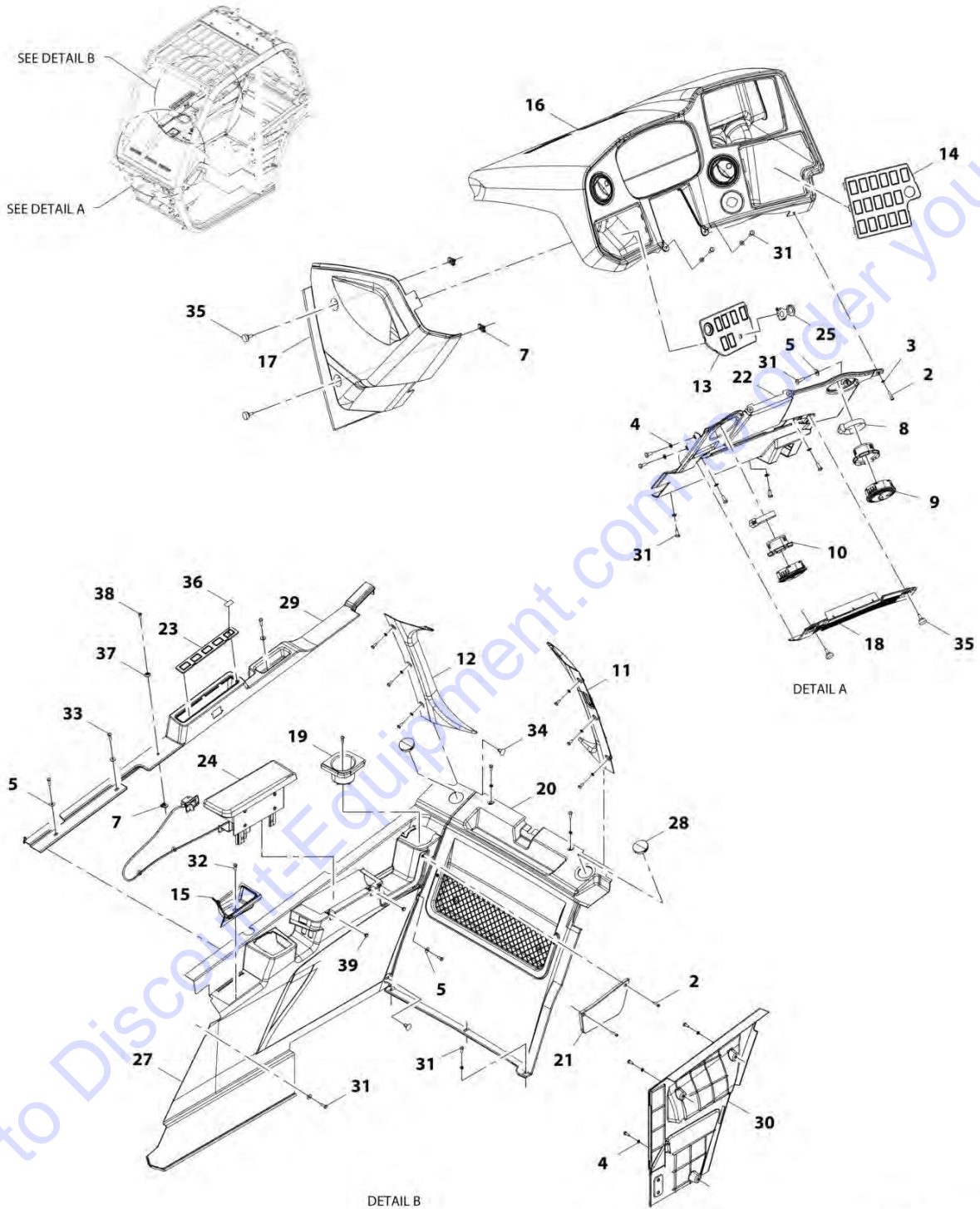
ITEM	PART NUMBER	QTY	DESCRIPTION	REV
	1001195821	Ref	Headliner/Radio Ready Package Installation	B
1	1001200968	1	Plate	
2	4811700	6	Washer, 6M	
3	7029486	4	Screw	
4	8005901	1	Antenna	
5	1001116128	AR	Sealant, Polysiloxane	
6	1001167015	1	Lamp	
7	1001195823	1	Cover, Headliner	
8	4010610002	6	Screw, M6X20	

Go to Discount-Equipment.com to order your parts



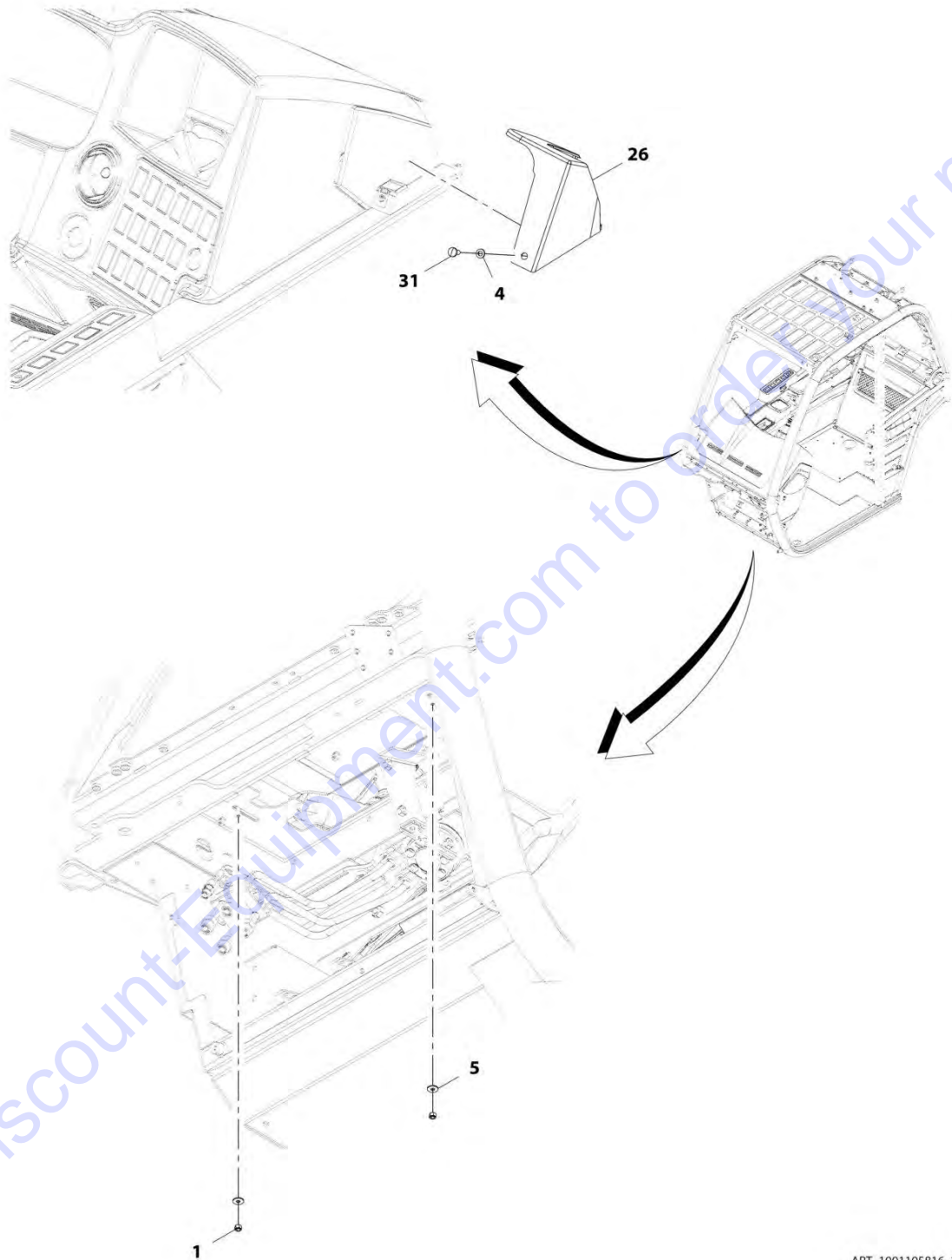
# SECTION 6 - CAB

## FIGURE 6-48. CAB TRIM INSTALLATION



ART\_1001195816\_1-I

SECTION 6 - CAB



Go to Discount-Equipment.com to order your parts

ART\_1001195816\_2-I



## SECTION 6 - CAB

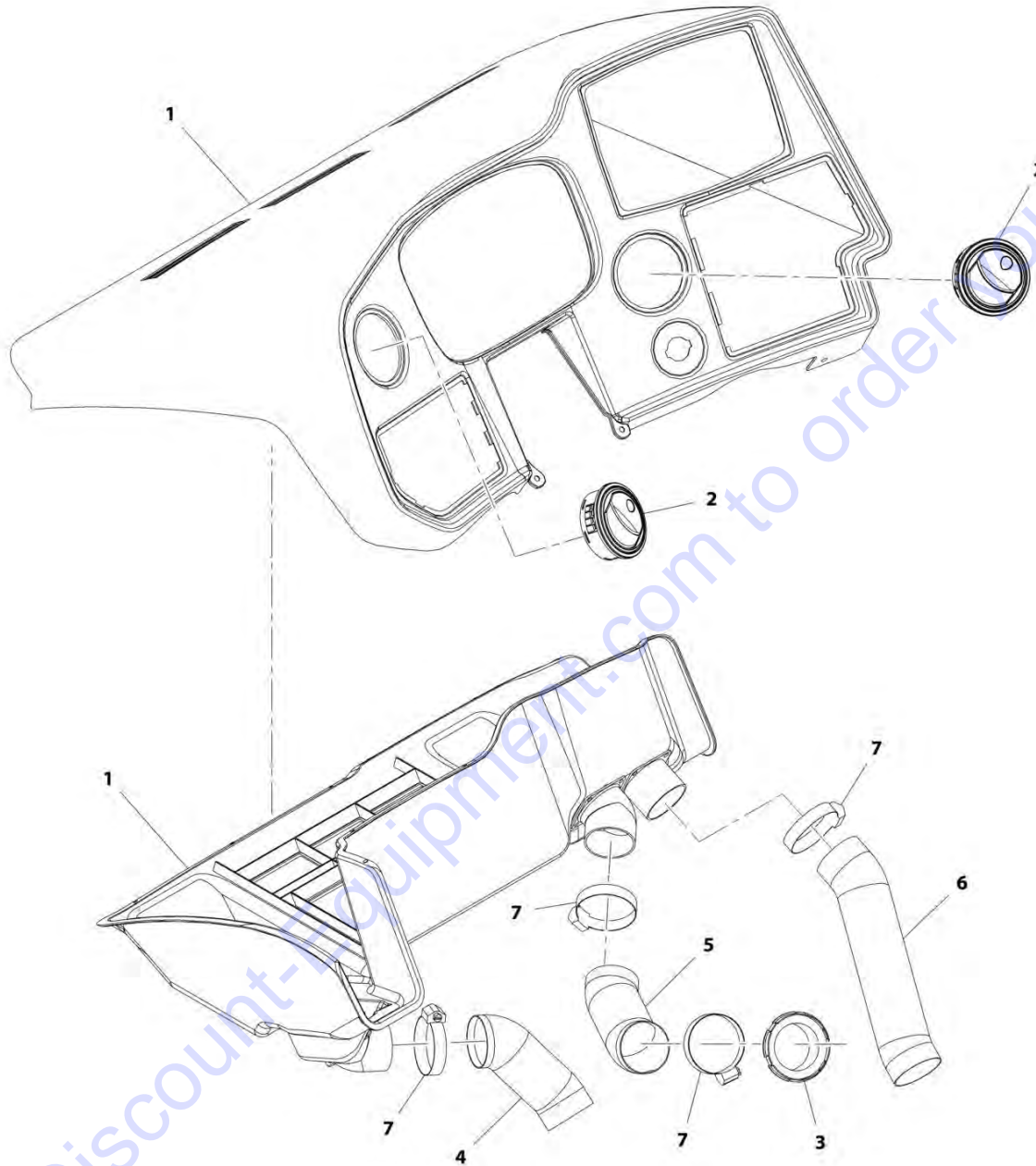
**FIGURE 6-48. CAB TRIM INSTALLATION**

ITEM	PART NUMBER	QTY	DESCRIPTION	REV
	1001195816	Ref	Cab Trim Installation	I
1	3290605	2	Nut, Lock M6X1	
2	4031608001	3	Screw, M5X20	
3	4811600	1	Washer, M5	
4	4811700001	23	Washer, M6	
5	4811702001	7	Washer, M6	
7	8305919	2	Nut, M6	
8	8405201	2	Clamp	
9	1001147449	2	Vent	
10	1001149278	2	Connector, Vent	
11	1001161252	1	Cover, LH C-Post	
12	1001161253	1	Cover, RH C-Post	
13	1001219864	1	Plate, Switch	
14	1001219865	1	Plate, Switch	
15	1001169603	1	Tray	
16	1001169604	1	Assembly, Dash Cover (See Seperate Breakdown in this Section)	
17	1001161855	1	Cover, Side Dash	
18	1001170504	1	Cover, Recirculation Grille	
19	1001170518	1	Holder, Cup	
20	1001170519	1	Assembly, Rear Panel Cover (See Seperate Breakdown in this Section)	
21	1001173965	1	Bezel, Net	
22	1001175903	1	Cover, Lower Dash	
23	1001219863	1	Plate, Switch	
24	1001181726	1	Installation, Armrest (See Seperate Breakdown in this Section)	
25	1001184975	1	Decal, HVAC	
26	1001185870	1	Cover, Lower A-Post	
27	1001189182	1	Cover, RH Side	
28	1001223265	2	Grommet	
29	1001195817	1	Cover, RH Extension	
30	1001195818	1	Panel, LH Side	
31	4010608002	26	Screw, M6X16	
32	4010610002	1	Screw, M6X20	
33	4010612002	3	Screw, M6X25	
34	1001211907	2	Screw	
35	1001208308	4	Thumb Screw, M6X15	
36	1001226481	1	Decal, Blank	
37	1001098150	1	Washer, M6	
38	1001132564	1	Screw, M6X20	
39	1001227133	2	Grommet	



# SECTION 6 - CAB

## FIGURE 6-49. DASH COVER ASSEMBLY



ART\_1001169604-C

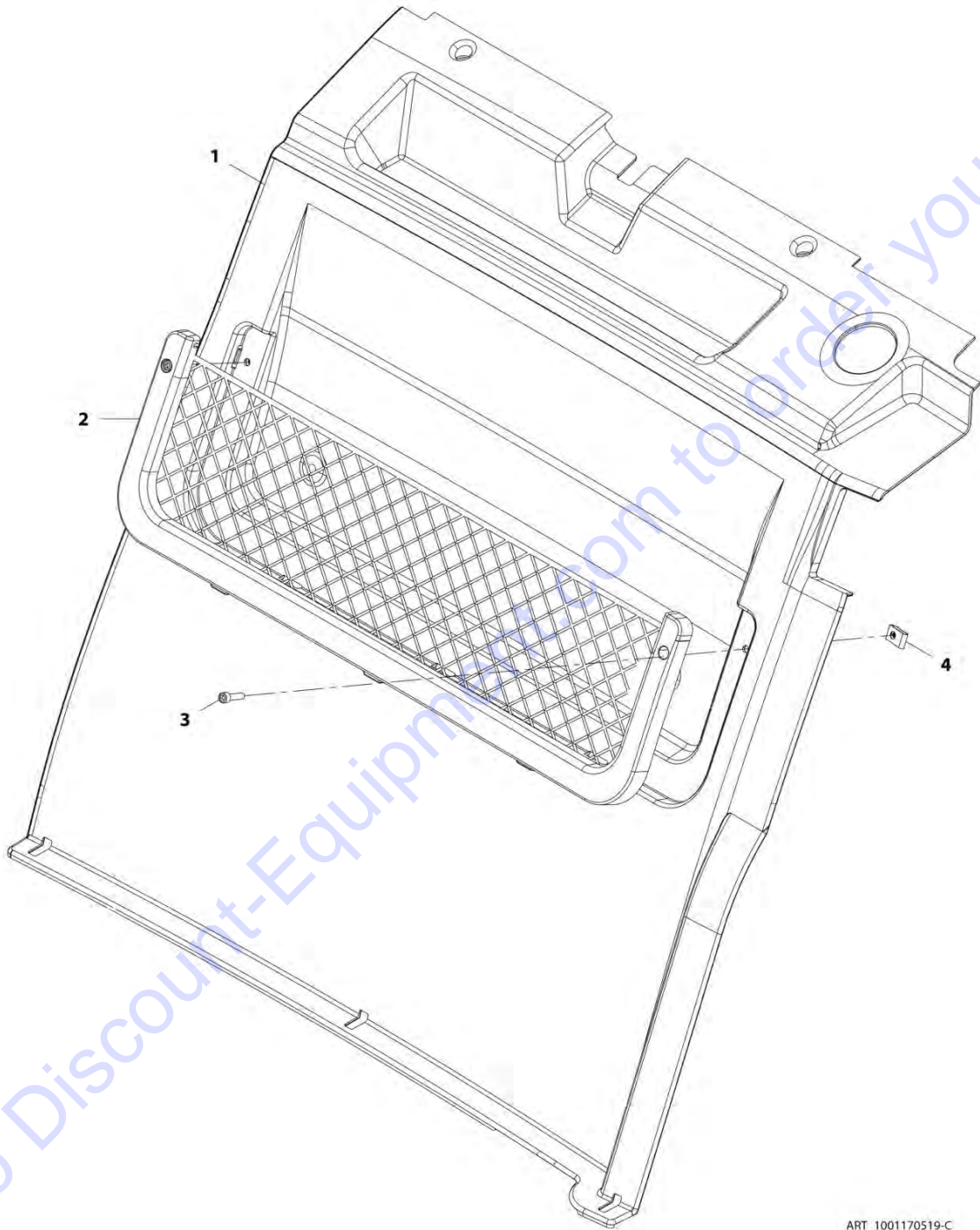
FIGURE 6-49. DASH COVER ASSEMBLY

ITEM	PART NUMBER	QTY	DESCRIPTION	REV
	1001169604	Ref	Dash Cover Assembly (Construction)	C
1	1001161851	1	Panel, Top Dash	
2	1001147449	2	Vent, Air	
3	1001149278	1	Vent, Connector	
4	1001174652	1	Hose	
5	1001174653	1	Hose	
6	1001174655	1	Hose	
7	8405201	4	Clamp, Gear	

Go to Discount-Equipment.com to order your parts

SECTION 6 - CAB

FIGURE 6-50. REAR PANEL COVER ASSEMBLY



ART\_1001170519-C

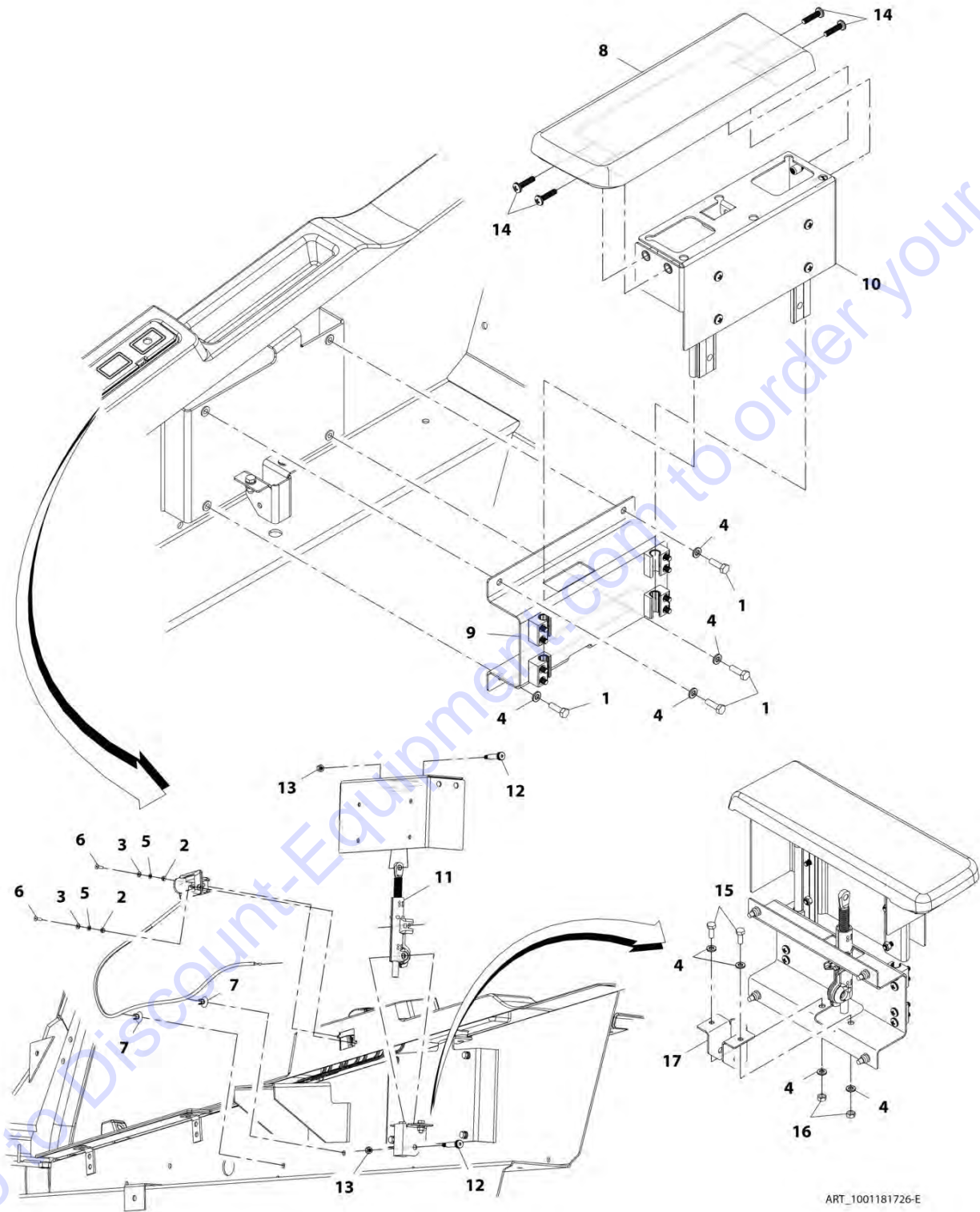
FIGURE 6-50. REAR PANEL COVER ASSEMBLY

ITEM	PART NUMBER	QTY	DESCRIPTION	REV
	1001170519	Ref	Rear Panel Cover Assembly	C
1	1001161067	1	Panel, Rear	
2	1001170514	1	Storage Net, Rear Panel	
3	4031608	2	Bolt, M5X20	
4	1001183550	2	Nut, Cage M5	

Go to Discount-Equipment.com to order your parts

# SECTION 6 - CAB

## FIGURE 6-51. ADJUSTABLE ARMREST INSTALLATION



ART\_1001181726-E

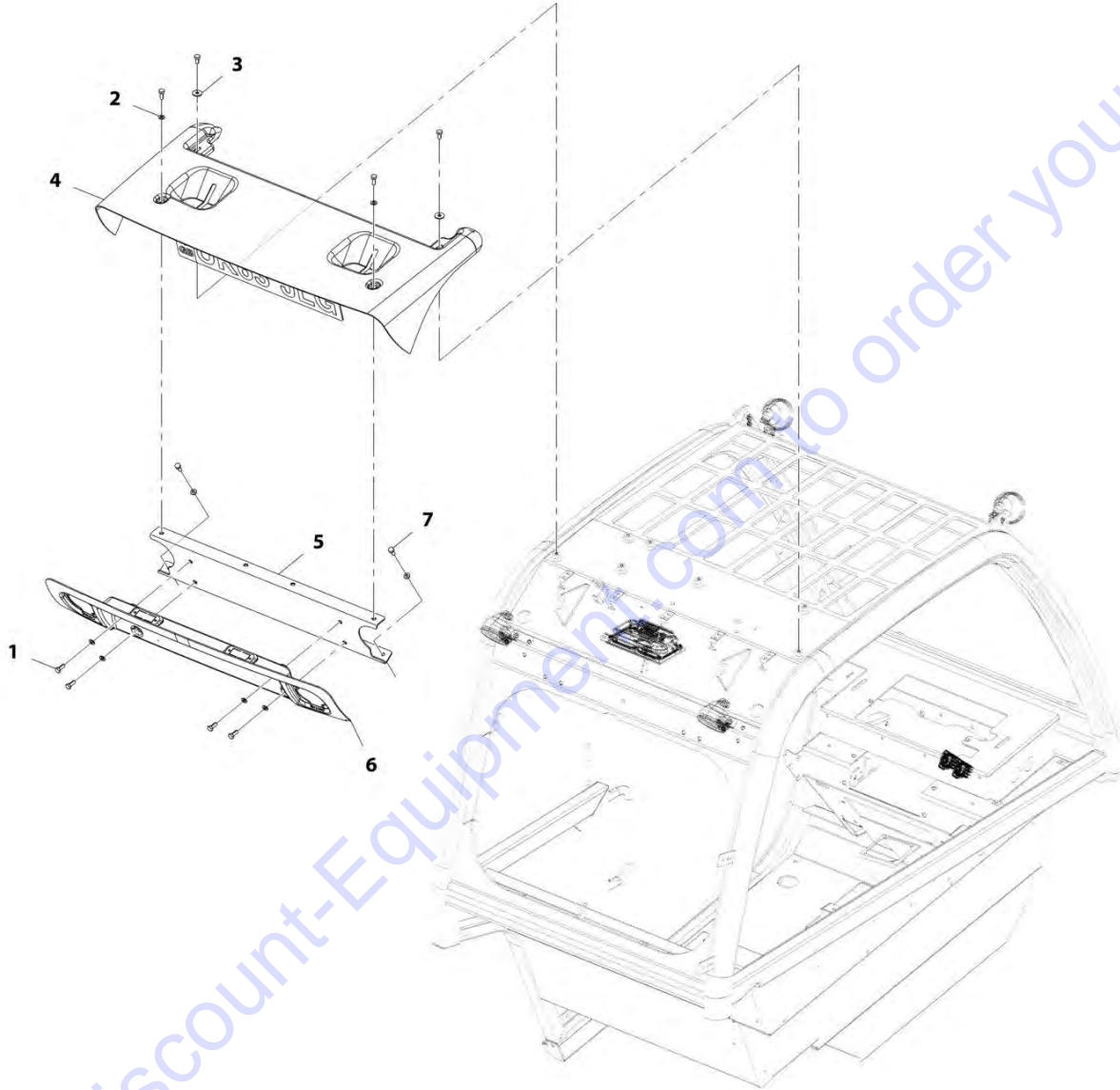
FIGURE 6-51. ADJUSTABLE ARMREST INSTALLATION

ITEM	PART NUMBER	QTY	DESCRIPTION	REV
	1001181726	Ref	Adjustable Armrest Installation	E
1	0700610	4	Bolt, M6X20	
2	3290401	2	Nut, M4X0.7	
3	4811400	2	Washer, M4	
4	4811700	8	Washer, M6	
5	4831400	2	Washer, Lock M4	
6	1001097244	2	Screw, M4X12	
7	1001165458	4	Hose	
8	1001191281	1	Armrest	
9	1001191283	1	Bracket, Fixed Armrest	
10	1001191284	1	Bracket, Moving Armrest	
11	1001191285	1	Spring	
12	1001191370	2	Screw, M6	
13	3290605	2	Nut, M6X1 Grade 8	
14	4010612002	4	Screw, M6X25	
15	0760608	2	Bolt, M6X16	
16	3290601	2	Nut, M6X1	
17	1001212468	1	Bracket, Locking Spring Mount	



# SECTION 6 - CAB

## FIGURE 6-52. ROOF CAP INSTALLATION (NO A/C)



ART\_1001216265-B

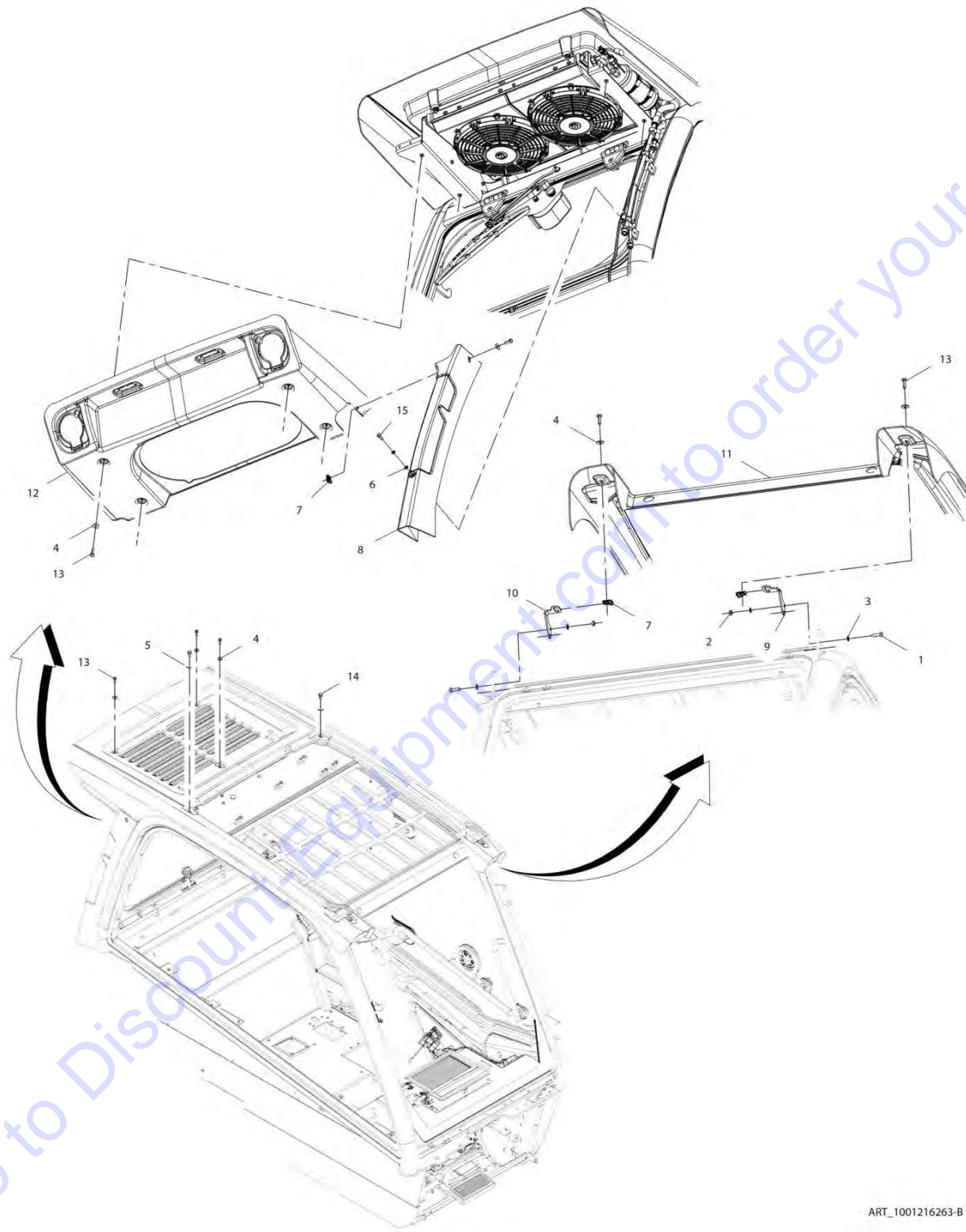
FIGURE 6-52. ROOF CAP INSTALLATION (NO A/C)

ITEM	PART NUMBER	QTY	DESCRIPTION	REV
	1001216265	Ref	Roof Cap Installation (no A/C)	B
1	0760810	8	Bolt, M8X20	
2	4811900	8	Washer, M8	
3	4811902	2	Washer, M8	
4	1001182330	1	Cover, Short Upper Roof Cap	
5	1001185633	1	Bracket, Roof Cap Mount	
6	1001216270	1	Cover, Short Lower Roof Cap	
7	0760808	2	Bolt, M8X16	

Go to Discount-Equipment.com to order your parts

# SECTION 6 - CAB

## FIGURE 6-53. ROOF CAP INSTALLATION (A/C)



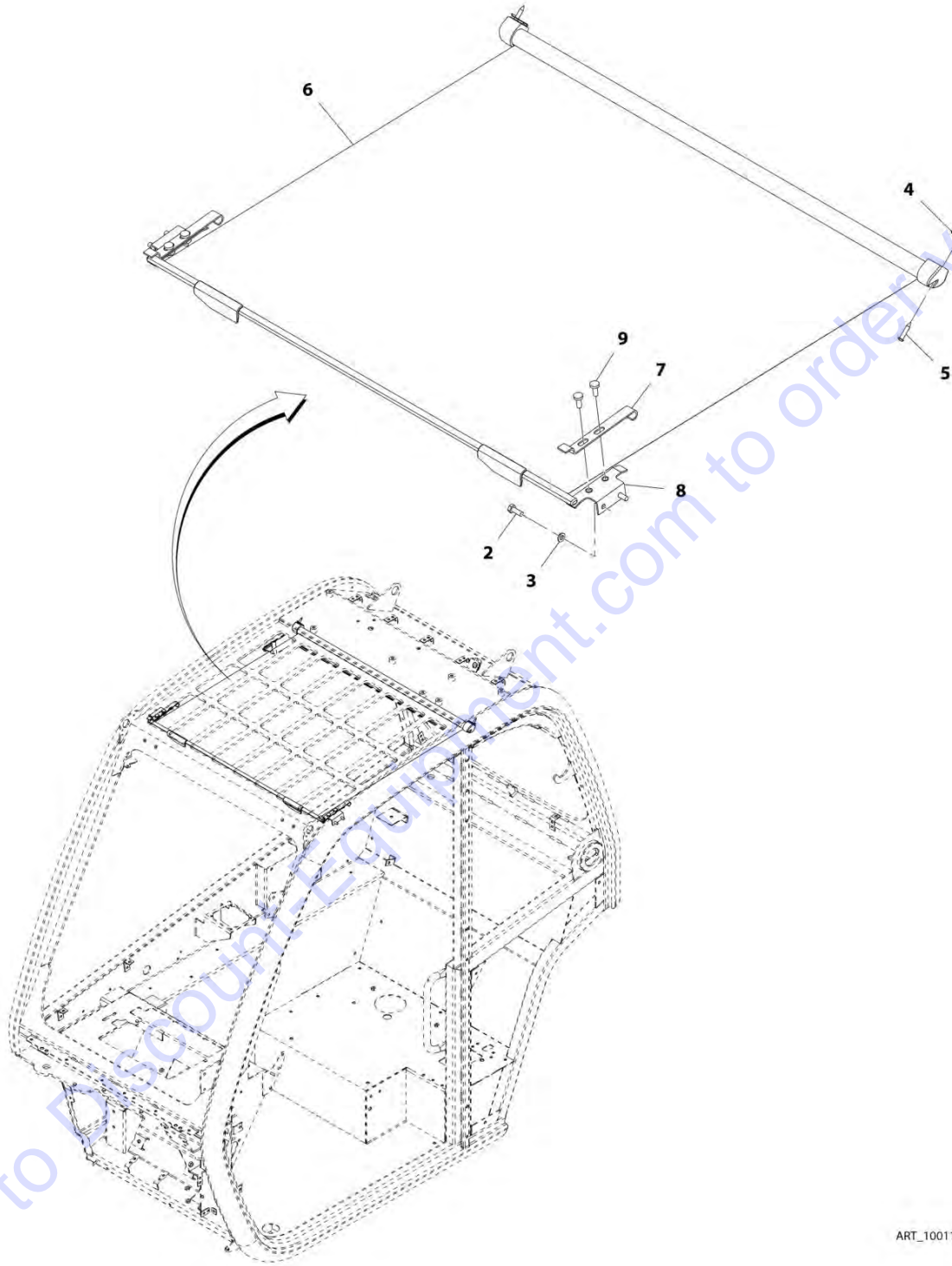
ART\_1001216263-B

FIGURE 6-53. ROOF CAP INSTALLATION (A/C)

ITEM	PART NUMBER	QTY	DESCRIPTION	REV
	1001216263	Ref	Roof Cap (A/C) Installation	B
1	0700610	4	Bolt, M6X20	
2	3290601	4	Nut, M6X1	
3	4811700	9	Washer, M6	
4	4811702	10	Washer, M6	
5	4811902	2	Washer, M8	
6	4831700	1	Washer, Lock M6	
7	8305919	3	Nut, M6	
8	1001174741	1	Cover	
9	1001174800	1	Bracket	
10	1001174801	1	Bracket	
11	1001216267	1	Cover, Upper Roof Cap	
12	1001216269	1	Cover, Lower Roof Cap	
13	4010610002	10	Screw, Posi-Drive M6X20	
14	0760808	2	Bolt, M8X16	
15	4010608002	1	Screw, M6X16	

# SECTION 6 - CAB

## FIGURE 6-54. RETRACTABLE SUNSCREEN INSTALLATION



ART\_1001179482-D

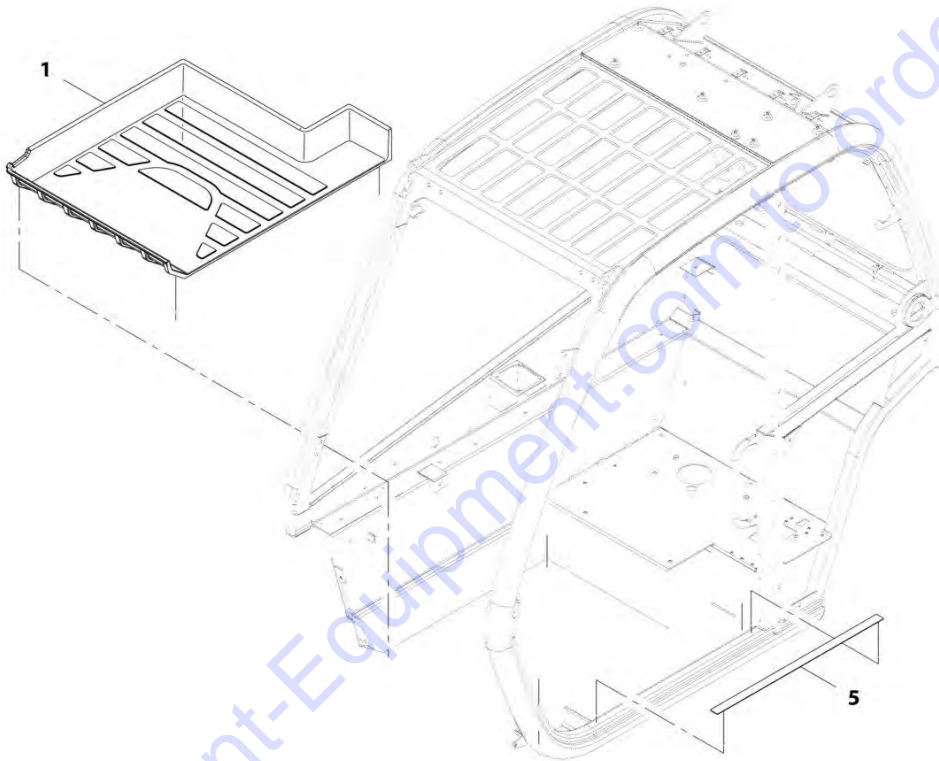
FIGURE 6-54. RETRACTABLE SUNSCREEN INSTALLATION

ITEM	PART NUMBER	QTY	DESCRIPTION	REV
	1001179482	Ref	Retractable Sunscreen Installation	D
2	0760608	4	Bolt, M6X16	
3	4811700	4	Washer, M6	
4	1001111076	2	Nut, Spire	
5	1001111147	2	Screw, Self Tapping	
6	1001179483	1	Cab, Sun Blind	
7	1001209463	2	Bracket	
8	1001166385	2	Bracket	
9	4010608002	4	Screw, Posi-Drive M6X16	

Go to Discount-Equipment.com to order your parts

**SECTION 6 - CAB**

**FIGURE 6-55. FLOOR MAT INSTALLATION**



ART\_1001161080-E

FIGURE 6-55. FLOOR MAT INSTALLATION

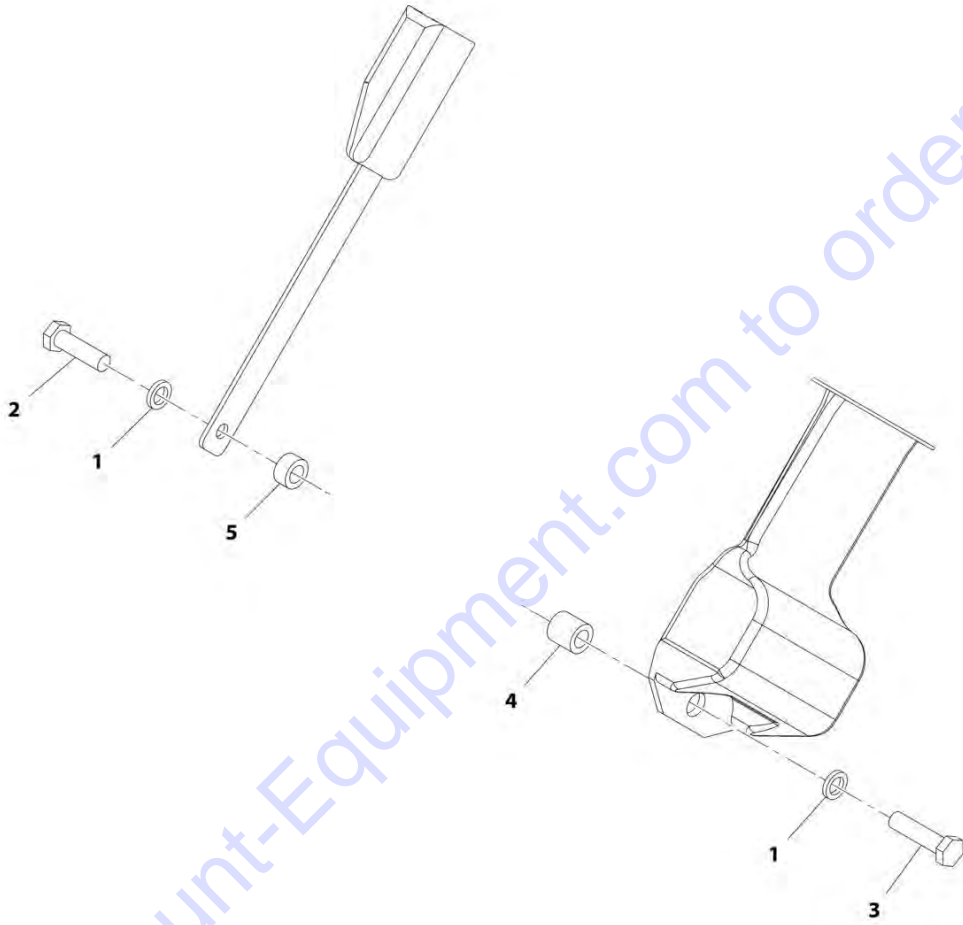
ITEM	PART NUMBER	QTY	DESCRIPTION	REV
	1001161080	Ref	Floor Mat Installation	E
1	1001161078	1	Cab, Floor Mat	
5	1001197259	1	Tape, Frame Non Skid	

Go to Discount-Equipment.com to order your parts



# SECTION 6 - CAB

## FIGURE 6-56. SEAT BELT INSTALLATION (3IN)



ART\_1001006731-B

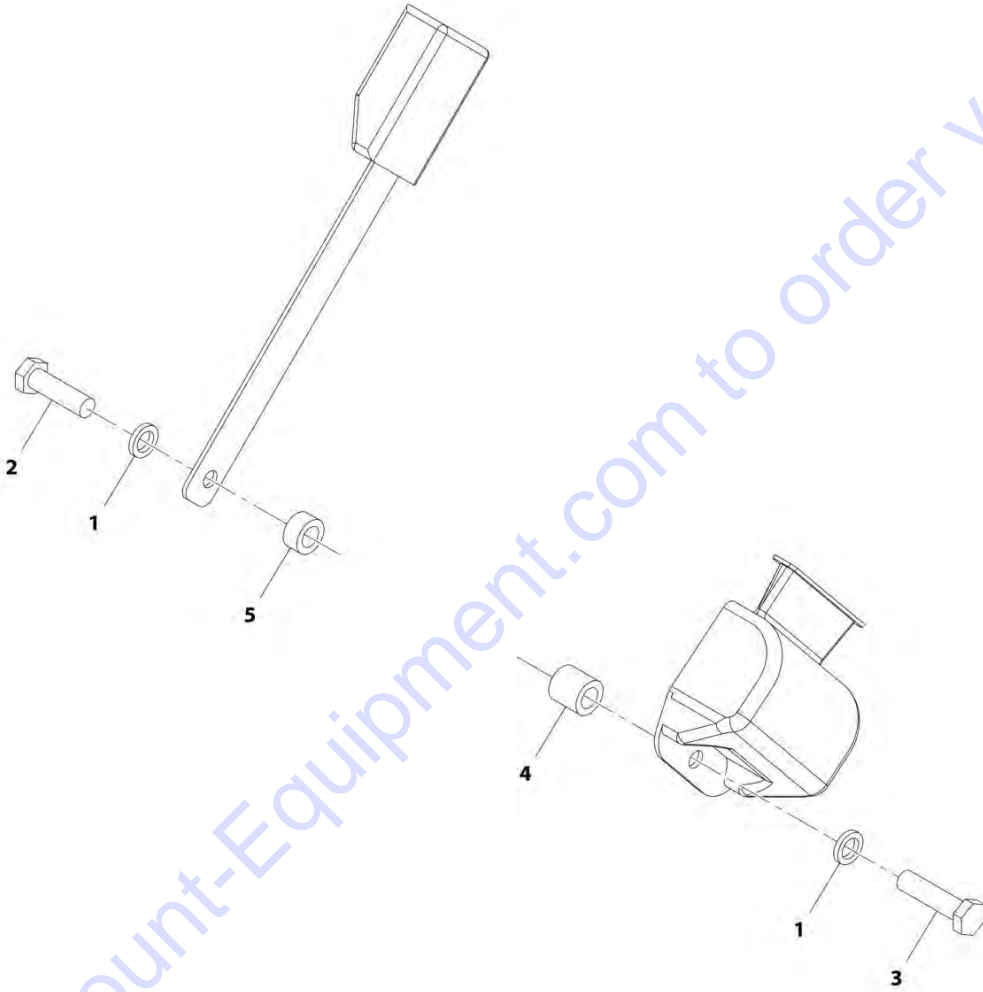
FIGURE 6-56. SEAT BELT INSTALLATION (3IN)

ITEM	PART NUMBER	QTY	DESCRIPTION	REV
	1001006731	Ref	Seat Belt Installation (3IN)	B
1	1001010646	2	Washer	
2	1001010647	1	Bolt	
3	1001010648	1	Bolt	
4	1001010649	1	Spacer	
5	1001010650	1	Spacer	

Go to Discount-Equipment.com to order your parts

**SECTION 6 - CAB**

**FIGURE 6-57. SEAT BELT INSTALLATION (2IN)**



ART\_1001006730-E

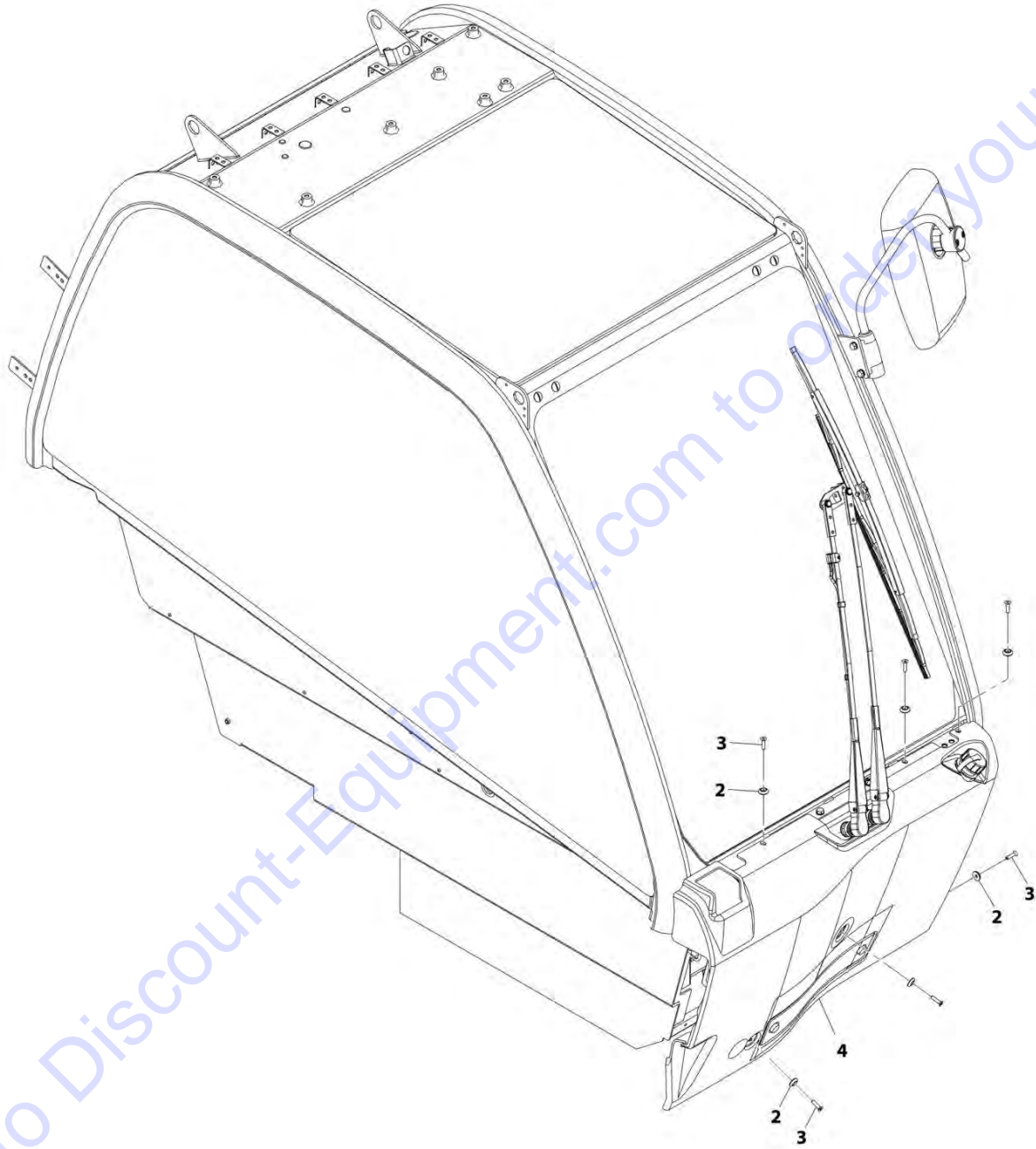
FIGURE 6-57. SEAT BELT INSTALLATION (2IN)

ITEM	PART NUMBER	QTY	DESCRIPTION	REV
	1001006730	Ref	Seat Belt Installation (2IN)	E
1	1001010646	2	Washer	
2	1001010647	1	Bolt	
3	1001010648	1	Bolt	
4	1001010649	1	Spacer, Shim	
5	1001010650	1	Spacer, Shim	

Go to Discount-Equipment.com to order your parts

# SECTION 6 - CAB

## FIGURE 6-58. ENCLOSED CAB FRONT COVER INSTALLATION



ART\_1001179592-G

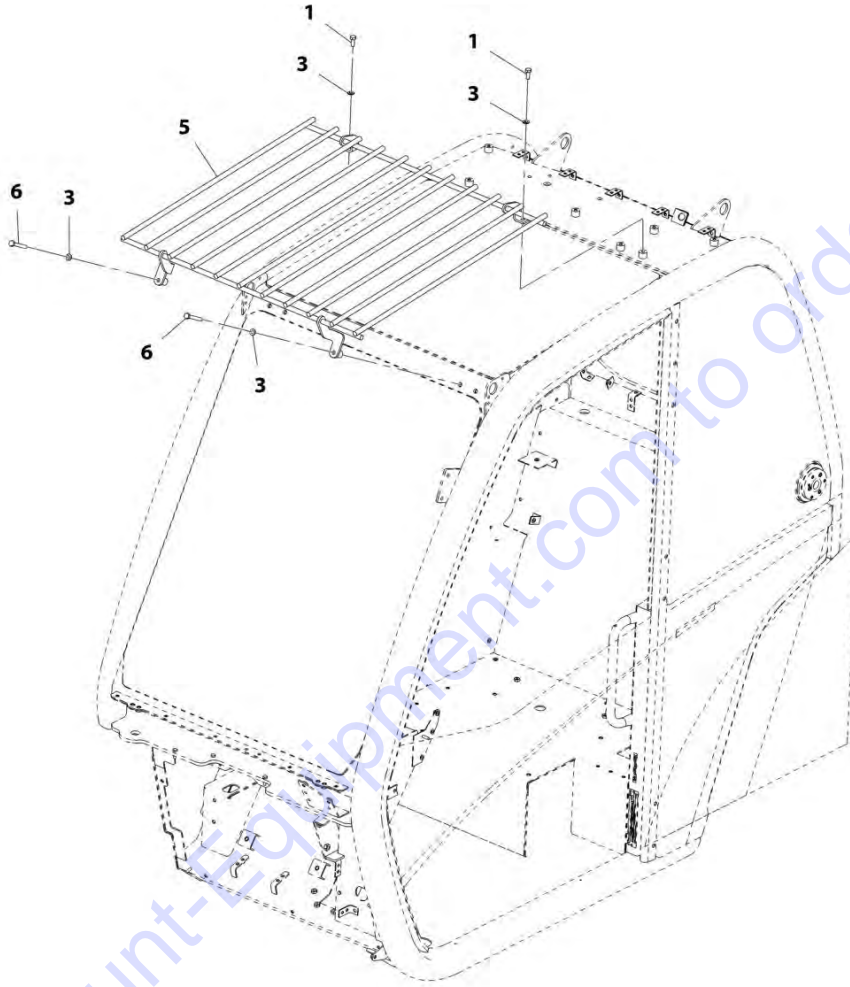
FIGURE 6-58. ENCLOSED CAB FRONT COVER INSTALLATION

ITEM	PART NUMBER	QTY	DESCRIPTION	REV
	1001179592	Ref	Front Nose Cone Installation (No Sidelight)	G
2	1001097540	6	Washer, M6	
3	3900379	6	Screw, M6-1X25 Grade 10.9	
4	1001170325	1	Cover, Front	

Go to Discount-Equipment.com to order your parts

# SECTION 6 - CAB

## FIGURE 6-59. CAB GUARD INSTALLATION (TOP)



ART\_1001160496-F

FIGURE 6-59. CAB GUARD INSTALLATION (TOP)

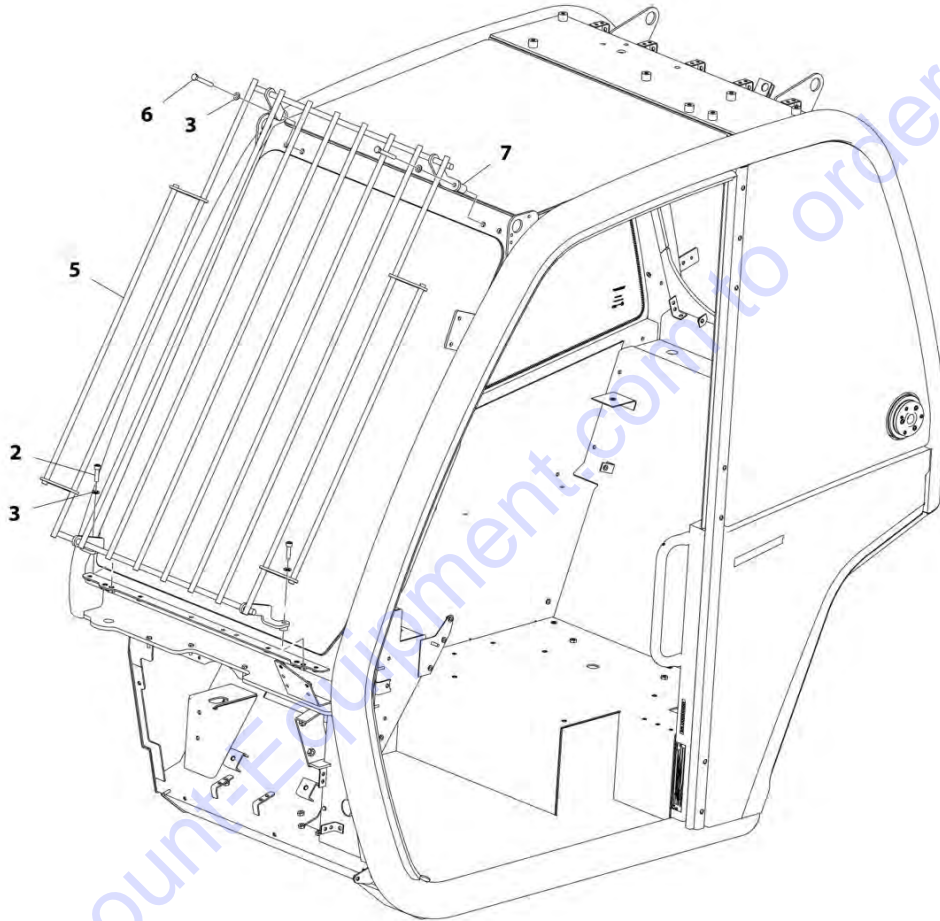
ITEM	PART NUMBER	QTY	DESCRIPTION	REV
	1001160496	Ref	Cab Guard Installation (Top)	F
1	0760810	2	Bolt, M8X20	
3	4811900	4	Washer, M8	
5	1001160503	1	Guard, Top Screen	
6	0700820	2	Bolt, M8X60	

Go to Discount-Equipment.com to order your parts



## SECTION 6 - CAB

FIGURE 6-60. CAB GUARD INSTALLATION (FRONT)



ART\_1001160506-G

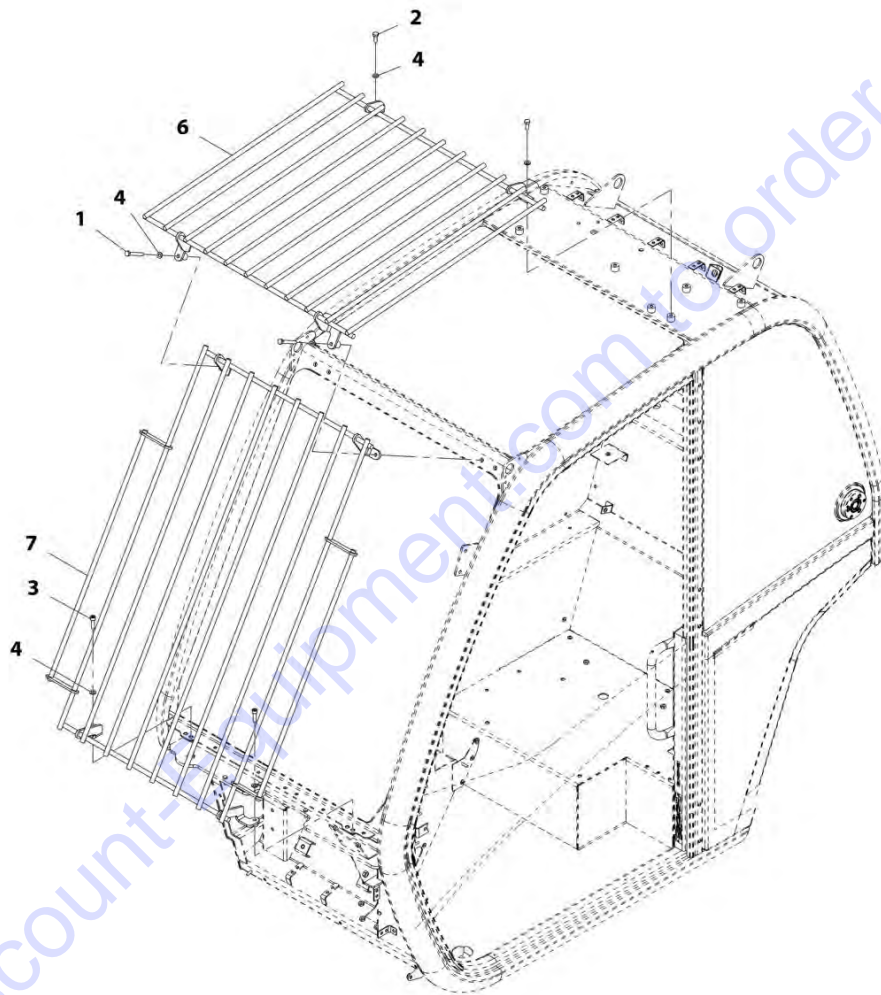
FIGURE 6-60. CAB GUARD INSTALLATION (FRONT)

ITEM	PART NUMBER	QTY	DESCRIPTION	REV
	1001160506	Ref	Cab Guard Installation (Front)	G
2	4031910	2	Bolt, M8X30	
3	4811900	4	Washer, M8	
5	1001180263	1	Guard, Front Screen	
6	0700820	2	Bolt, M8X60	
7	1001173257	2	Spacer	

Go to Discount-Equipment.com to order your parts

# SECTION 6 - CAB

FIGURE 6-61. CAB GUARD INSTALLATION (TOP AND FRONT)



ART\_1001172774-F

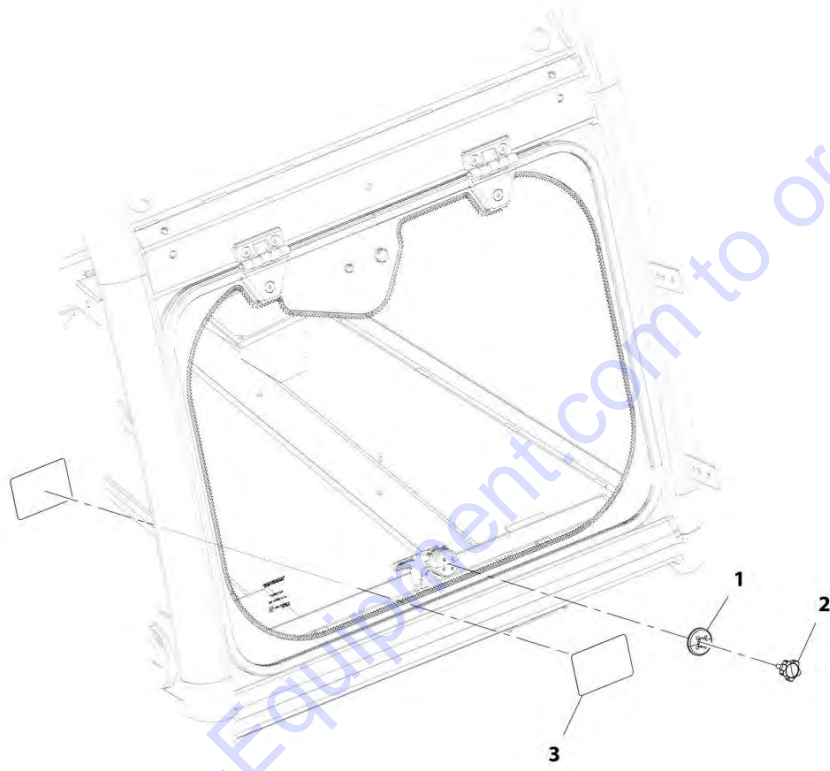
FIGURE 6-61. CAB GUARD INSTALLATION (TOP AND FRONT)

ITEM	PART NUMBER	QTY	DESCRIPTION	REV
	1001172774	Ref	Cab Guard Installation (Top and Front)	F
1	0700820	2	Bolt, M8X60	
2	0760810	2	Bolt, M8X20	
3	4031910	2	Bolt, M8X30	
4	4811900	6	Washer, M8	
6	1001160503	1	Guard, Top Screen	
7	1001180263	1	Guard, Front Screen	

Go to Discount-Equipment.com to order your parts

# SECTION 6 - CAB

FIGURE 6-62. EXTERNAL WINDOW RELEASE INSTALLATION (ANSI - ENGLISH)



ART\_1001212047-A

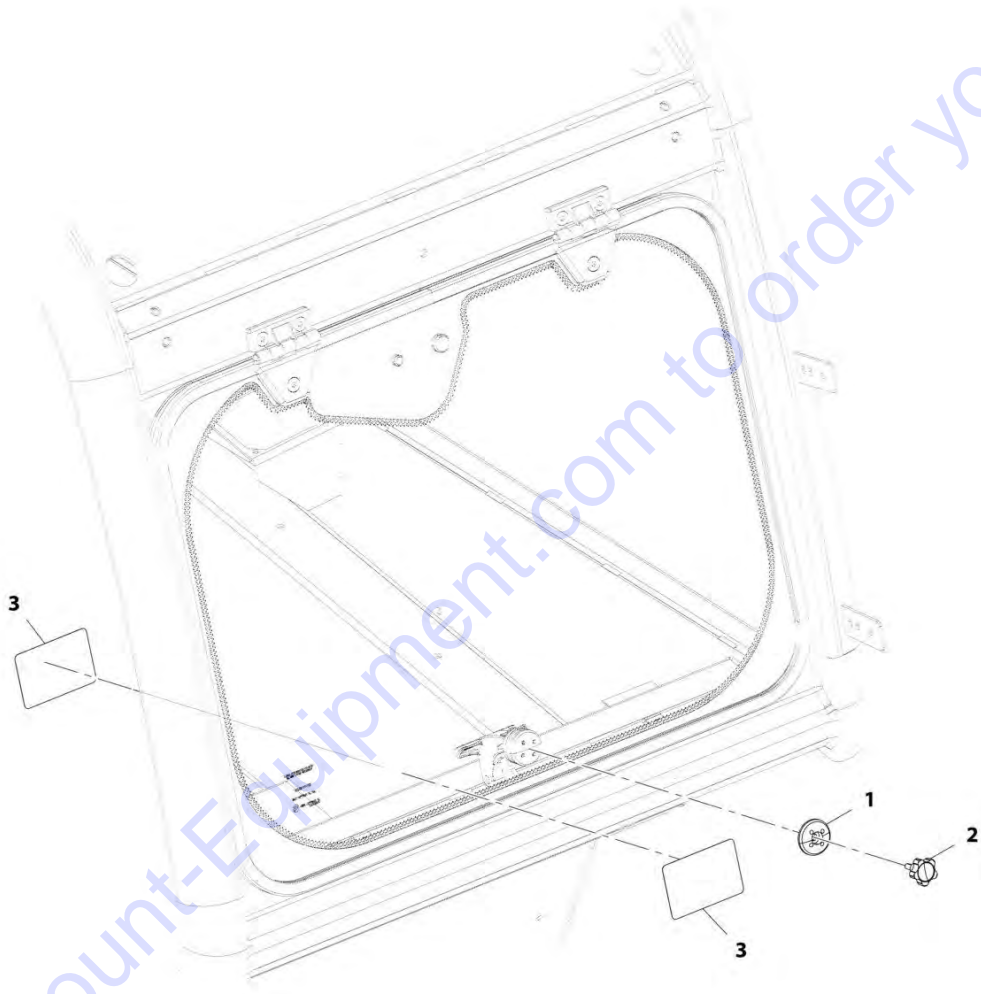
FIGURE 6-62. EXTERNAL WINDOW RELEASE INSTALLATION (ANSI - ENGLISH)

ITEM	PART NUMBER	QTY	DESCRIPTION	REV
	1001212047	Ref	Rear Window Installation (WO/Wiper) (ANSI)	A
1	1001179008	1	Cap, Latch Window	
2	1001179009	1	Cap, Knob M6	
3	1001212049	2	Decal, Emergency Exit	

Go to Discount-Equipment.com to order your parts

# SECTION 6 - CAB

FIGURE 6-63. EXTERNAL WINDOW RELEASE INSTALLATION (ANSI - ENGLISH/FRENCH)



ART\_1001178826-C

**FIGURE 6-63. EXTERNAL WINDOW RELEASE INSTALLATION (ANSI - ENGLISH/FRENCH)**

ITEM	PART NUMBER	QTY	DESCRIPTION	REV
	1001178826	Ref	External Window Release Installation (ANSI - English/French)	C
1	1001179008	1	Cap, Latch Window	
2	1001179009	1	Knob	
3	1001204709	2	Decal, Emergency Exit (English/French)	

Go to Discount-Equipment.com to order your parts



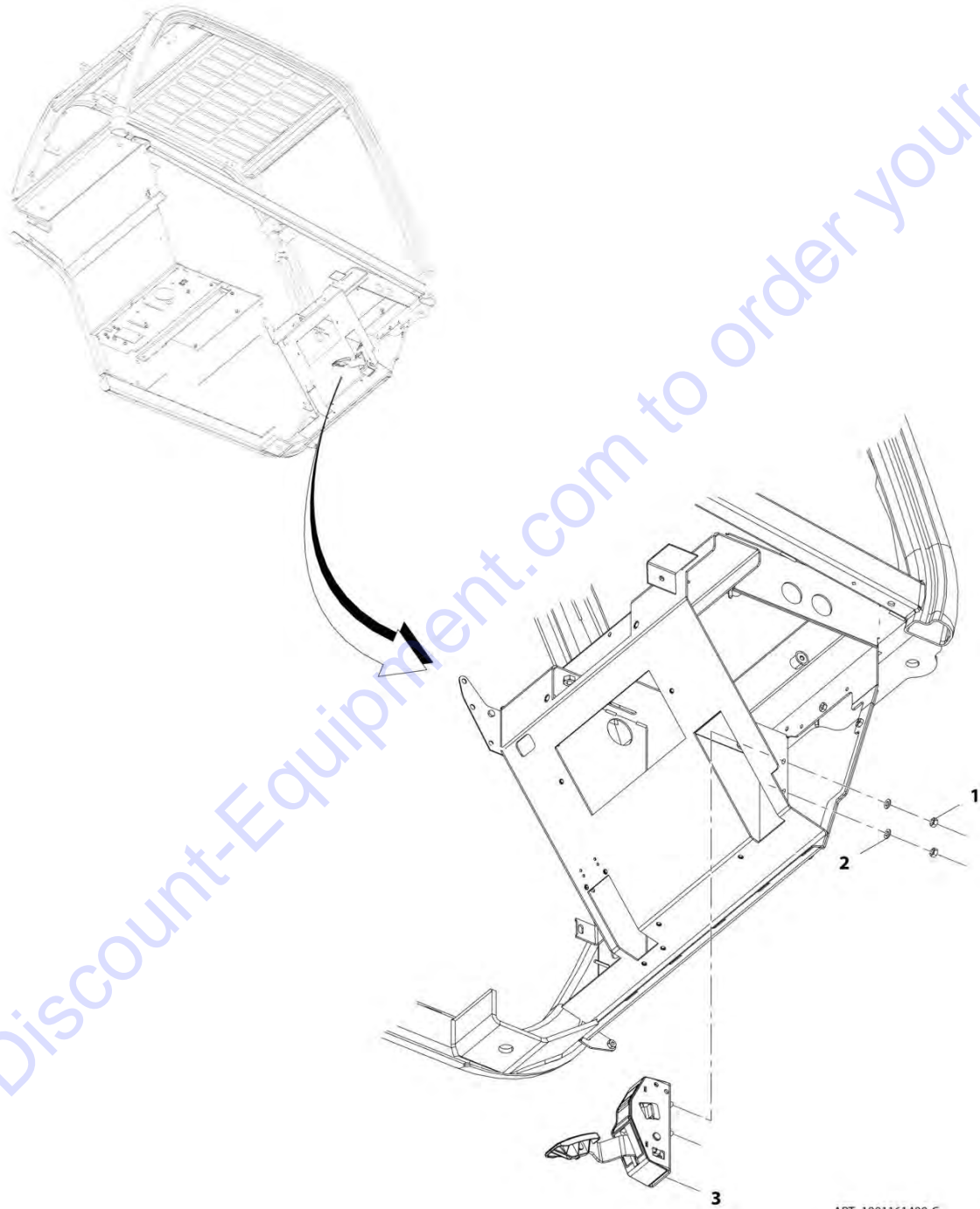


**SECTION 7 - CONTROLS**

Go to [Discount-Equipment.com](http://Discount-Equipment.com) to order your parts

# SECTION 7 - CONTROLS

## FIGURE 7-1. ACCELERATOR PEDAL INSTALLATION



ART\_1001161499-C

## SECTION 7 - CONTROLS

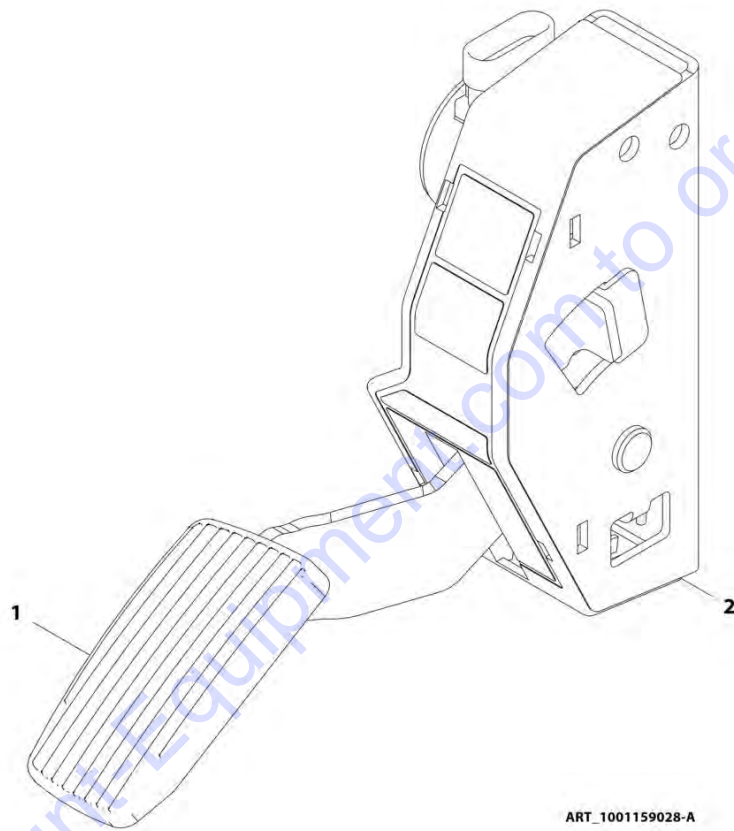
FIGURE 7-1. ACCELERATOR PEDAL INSTALLATION

ITEM	PART NUMBER	QTY	DESCRIPTION	REV
	1001161499	Ref	Accelerator Pedal Installation	C
1	3290801	2	Nut, M8X1.25	
2	4811900	2	Washer, M8	
3	1001159028	1	Pedal, Accelerator (See Separate Breakdown in this Section)	

Go to Discount-Equipment.com to order your parts

## SECTION 7 - CONTROLS

FIGURE 7-2. ACCELERATOR PEDAL



ART\_1001159028-A

## SECTION 7 - CONTROLS

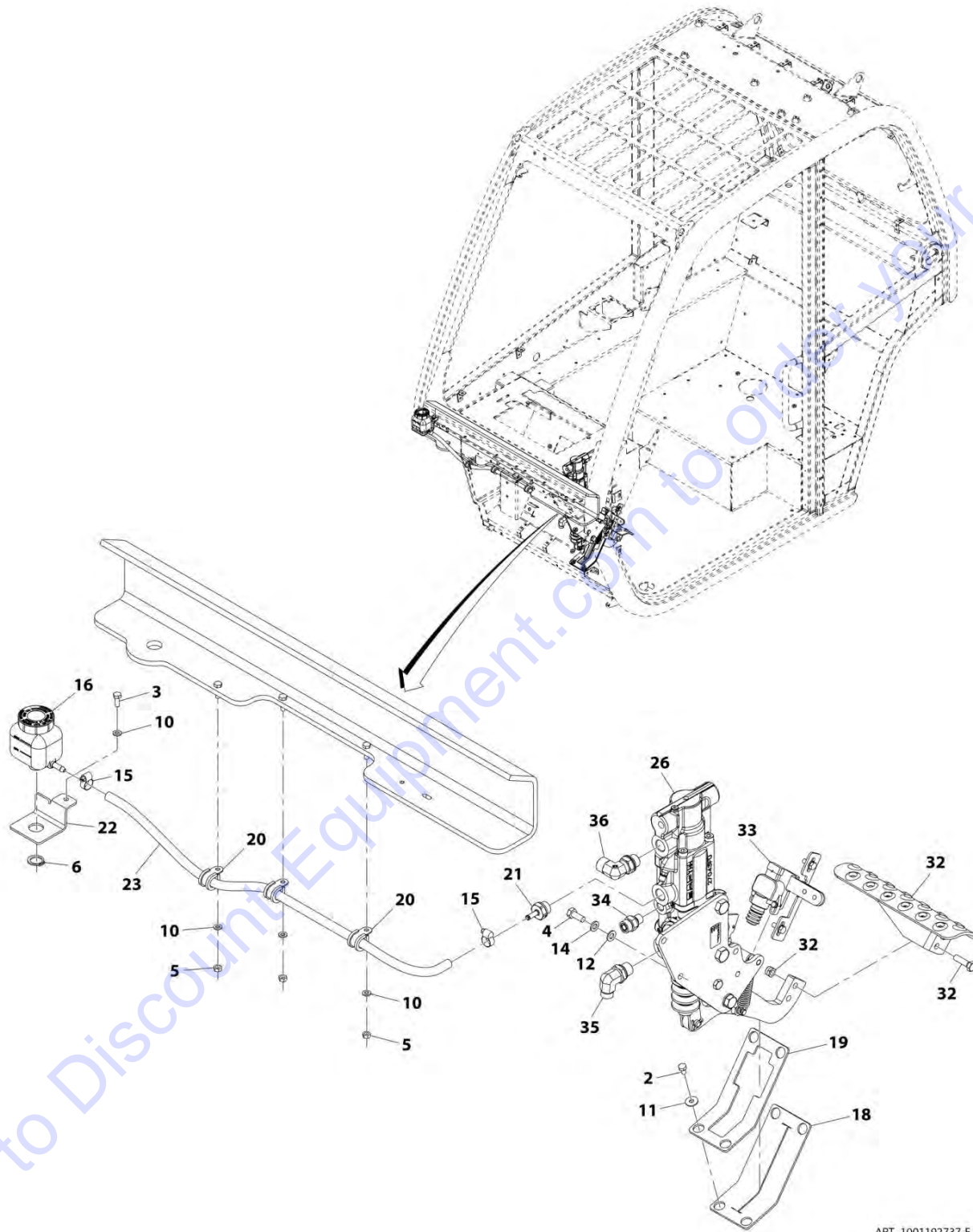
### FIGURE 7-2. ACCELERATOR PEDAL

ITEM	PART NUMBER	QTY	DESCRIPTION	REV
	1001159028	Ref	Accelerator Pedal	A
1	70025816	1	Pad, Rubber	
2	70025817	1	Cover, Rubber	

Go to Discount-Equipment.com to order your parts

# SECTION 7 - CONTROLS

## FIGURE 7-3. BRAKE PEDAL INSTALLATION



ART\_1001192737-E

## SECTION 7 - CONTROLS

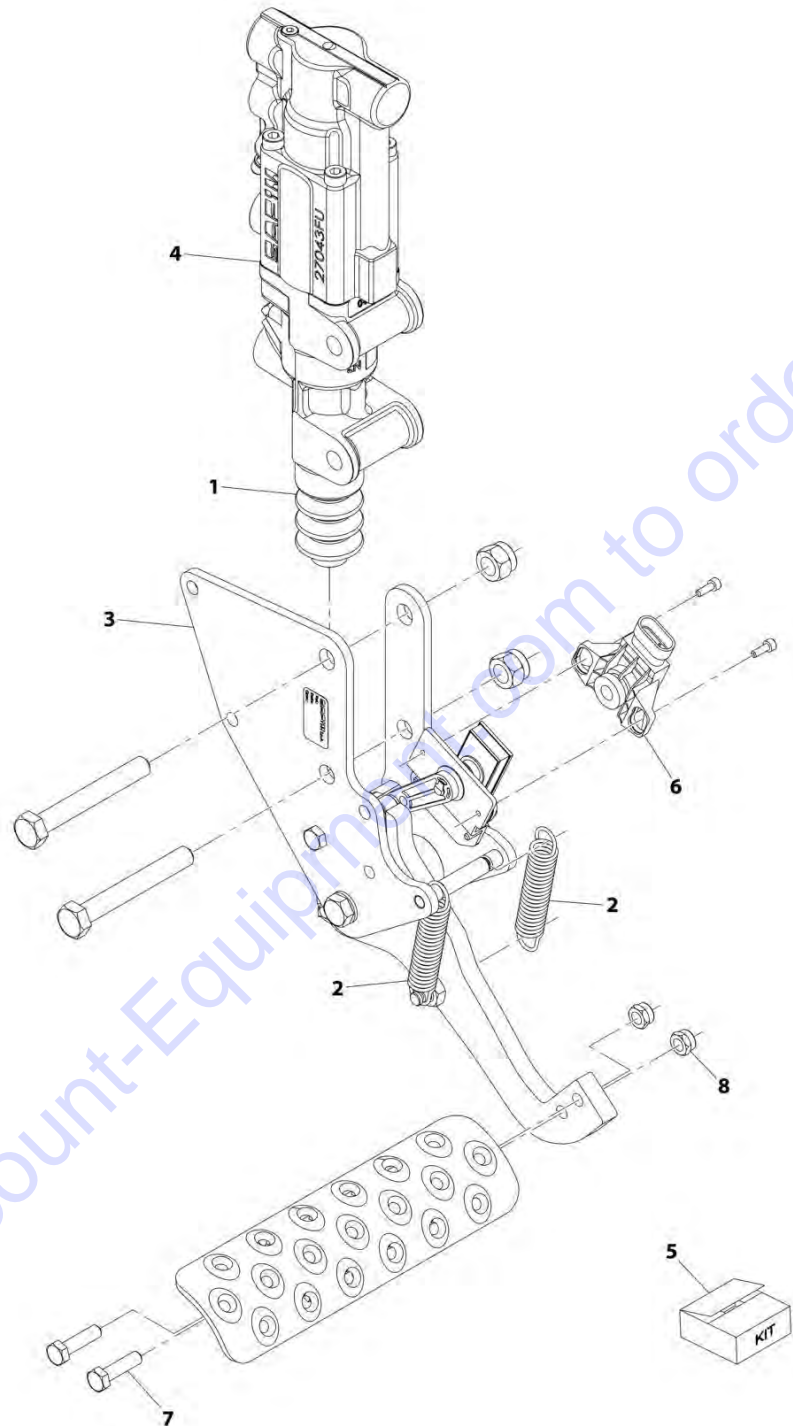
### FIGURE 7-3. BRAKE PEDAL INSTALLATION

ITEM	PART NUMBER	QTY	DESCRIPTION	REV
	1001192737	Ref	Brake Pedal Installation	E
2	0760605	4	Bolt, M6X10	
3	0760608	1	Bolt, M6X16	
4	0760810	3	Bolt, M8X20	
5	3290601	3	Nut, M6X1	
6	3760348	1	Ring, Retaining	
10	4811700	4	Washer, M6	
11	4811702	4	Washer, M6	
12	4811900	3	Washer, M8	
14	4831900	3	Washer, Lock M8	
15	8405009	2	Clamp	
16	1001214220	1	Reservoir, Brake	
18	1001162920	1	Seal	
19	1001162922	1	Plate	
20	1001170231	3	Clip	
21	1001171874	1	Fitting, Straight	
22	1001172088	1	Bracket	
23	1001172094	1	Hose	
26	1001213265	1	Assembly, Brake Pedal (See Seperate Breakdown in this Section)	
32	1001197139	1	Plate, Brake Pedal	
33	1001205061	Ref	Installation, Brake Sensor (See Seperate Breakdown in this Section)	
34	80233218	1	Fitting, Straight ORFS	
35	80333151	1	Fitting, 90 ORFS	
36	1001168054	1	Fitting, 90 ORFS	



# SECTION 7 - CONTROLS

## FIGURE 7-4. BRAKE PEDAL ASSEMBLY



ART\_1001213265-A

## SECTION 7 - CONTROLS

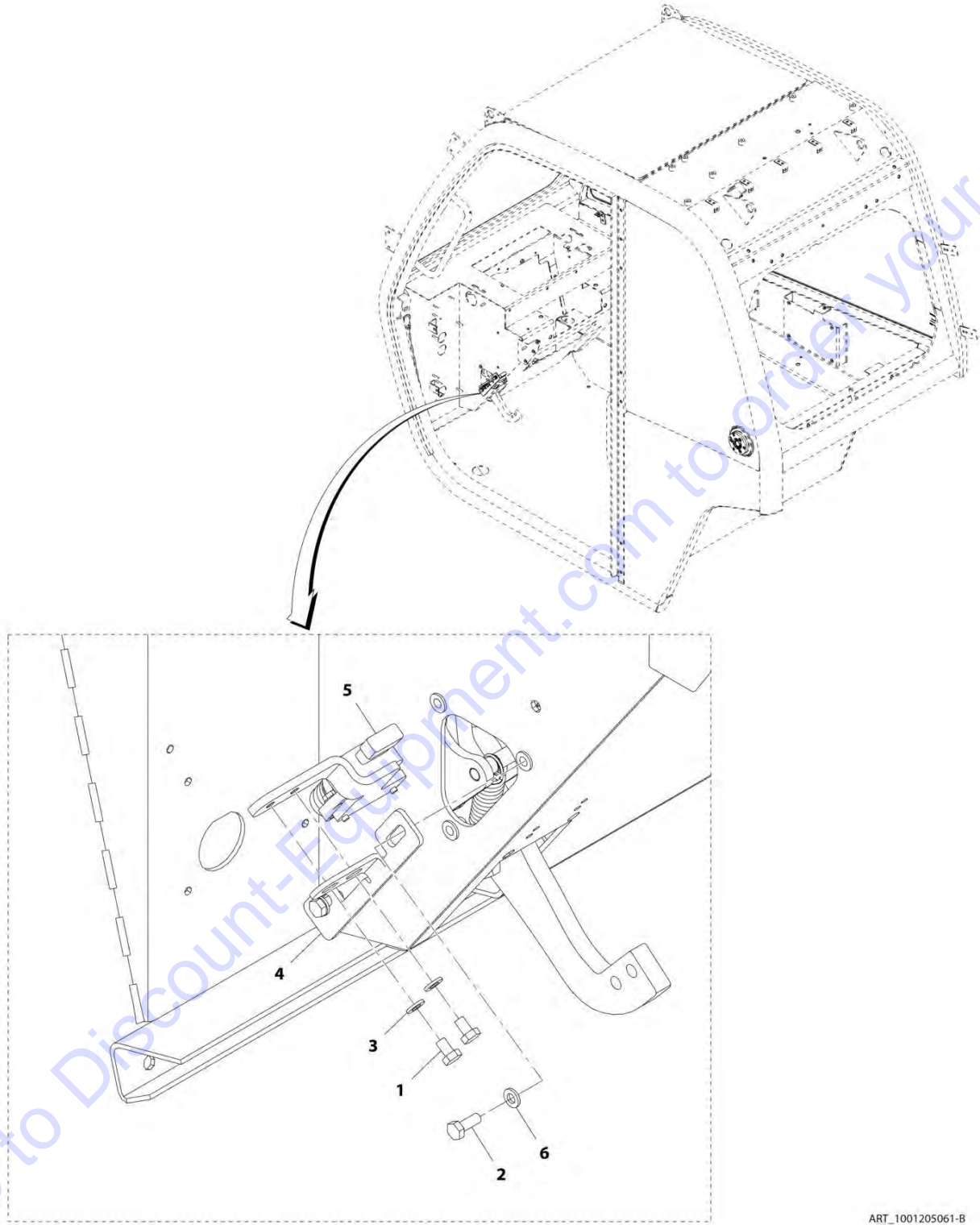
### FIGURE 7-4. BRAKE PEDAL ASSEMBLY

ITEM	PART NUMBER	QTY	DESCRIPTION	REV
	1001213265	Ref	Brake Pedal Assembly	A
1	70025859	1	Cover, Dust	
2	70025860	2	Spring, Return	
3	70028381	1	Support, Pedal	
4	70028382	1	Cylinder, Master	
5	70026434	1	Kit, Seal	
6	70028383	1	Sensor, Angle	
7	0770814	2	Bolt, M8X30 Grade 10.9	
8	3290805	2	Nut, Lock M8X1.25 Grade 8	

Go to Discount-Equipment.com to order your parts

# SECTION 7 - CONTROLS

## FIGURE 7-5. BRAKE SENSOR INSTALLATION



ART\_1001205061-B

## SECTION 7 - CONTROLS

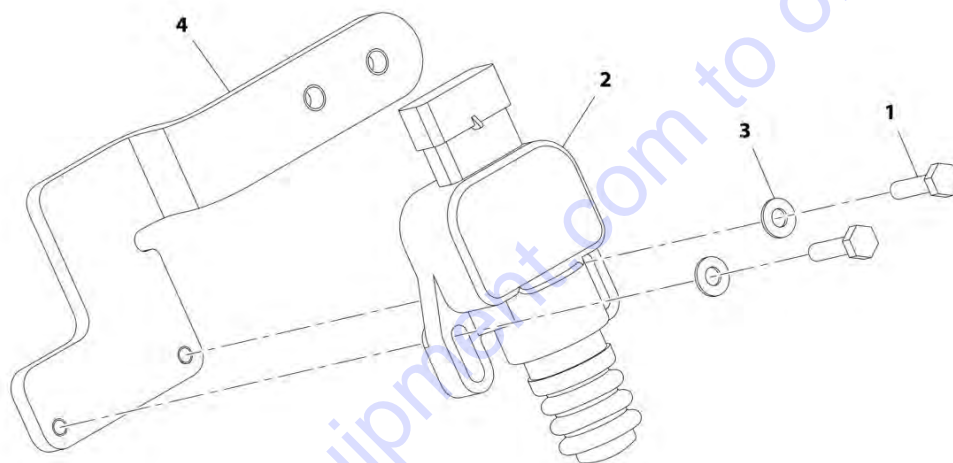
### FIGURE 7-5. BRAKE SENSOR INSTALLATION

ITEM	PART NUMBER	QTY	DESCRIPTION	REV
	1001205061	Ref	Brake Sensor Installation	B
1	0760605	2	Bolt, M6X10	
2	0760608	2	Bolt, M6X16	
3	4811700	2	Washer, M6	
4	1001201499	1	Plate, Switch Adjustment	
5	1001201501	1	Assembly, Switch Plate (See Separate Breakdown in this Section)	
6	4811702	2	Washer, M6	

Go to Discount-Equipment.com to order your parts

## SECTION 7 - CONTROLS

FIGURE 7-6. SWITCH PLATE ASSEMBLY



ART\_1001201501-A

## SECTION 7 - CONTROLS

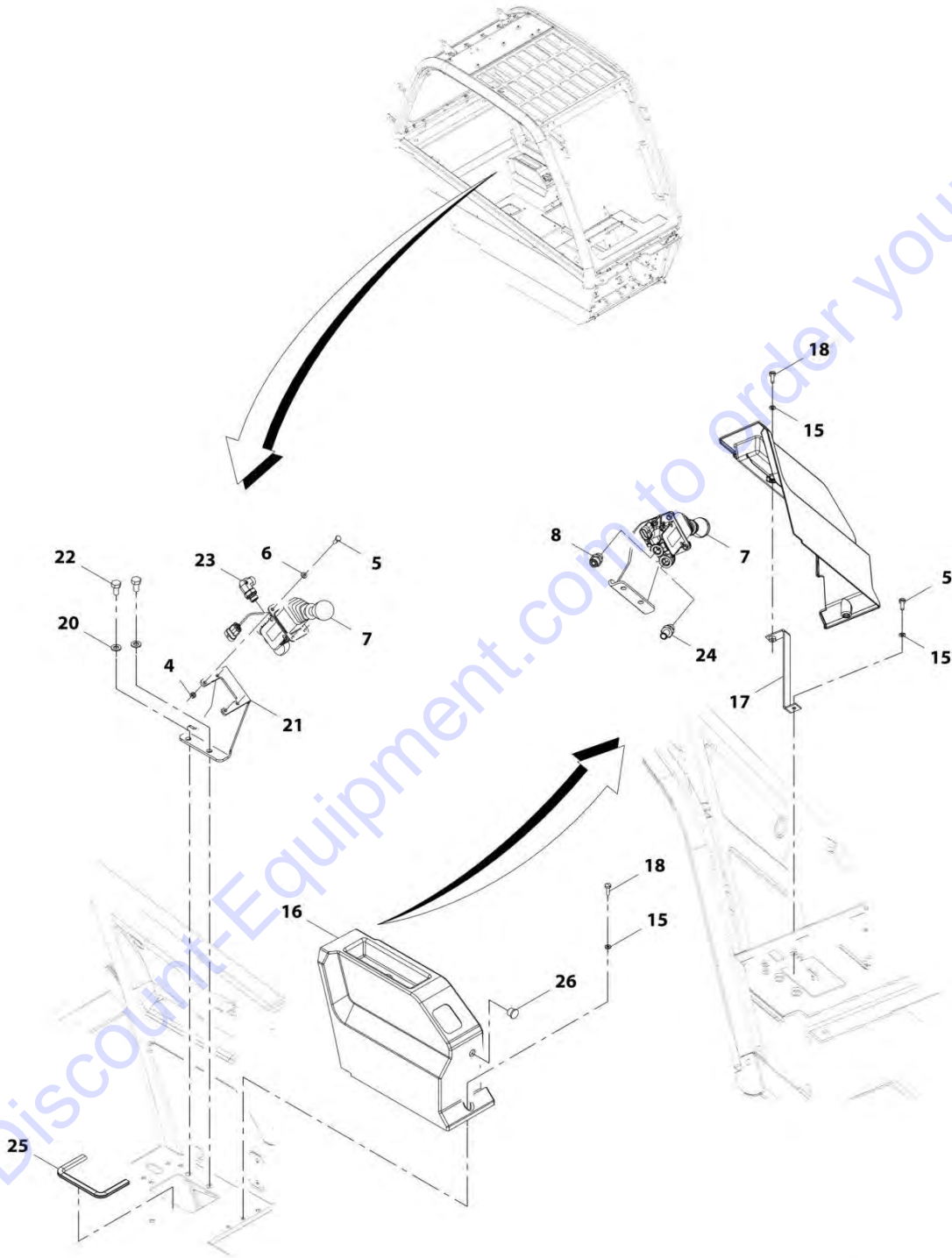
### FIGURE 7-6. SWITCH PLATE ASSEMBLY

ITEM	PART NUMBER	QTY	DESCRIPTION	REV
	1001201501	Ref	Switch Plate Assembly	A
1	0700408	2	Bolt, M4X16	
2	4360658	1	Switch, Brake Light	
3	4811400	2	Washer, M4	
4	1001201500	1	Plate	

Go to Discount-Equipment.com to order your parts

# SECTION 7 - CONTROLS

## FIGURE 7-7. PARK BRAKE INSTALLATION



ART\_1001162062-M

## SECTION 7 - CONTROLS

**FIGURE 7-7. PARK BRAKE INSTALLATION**

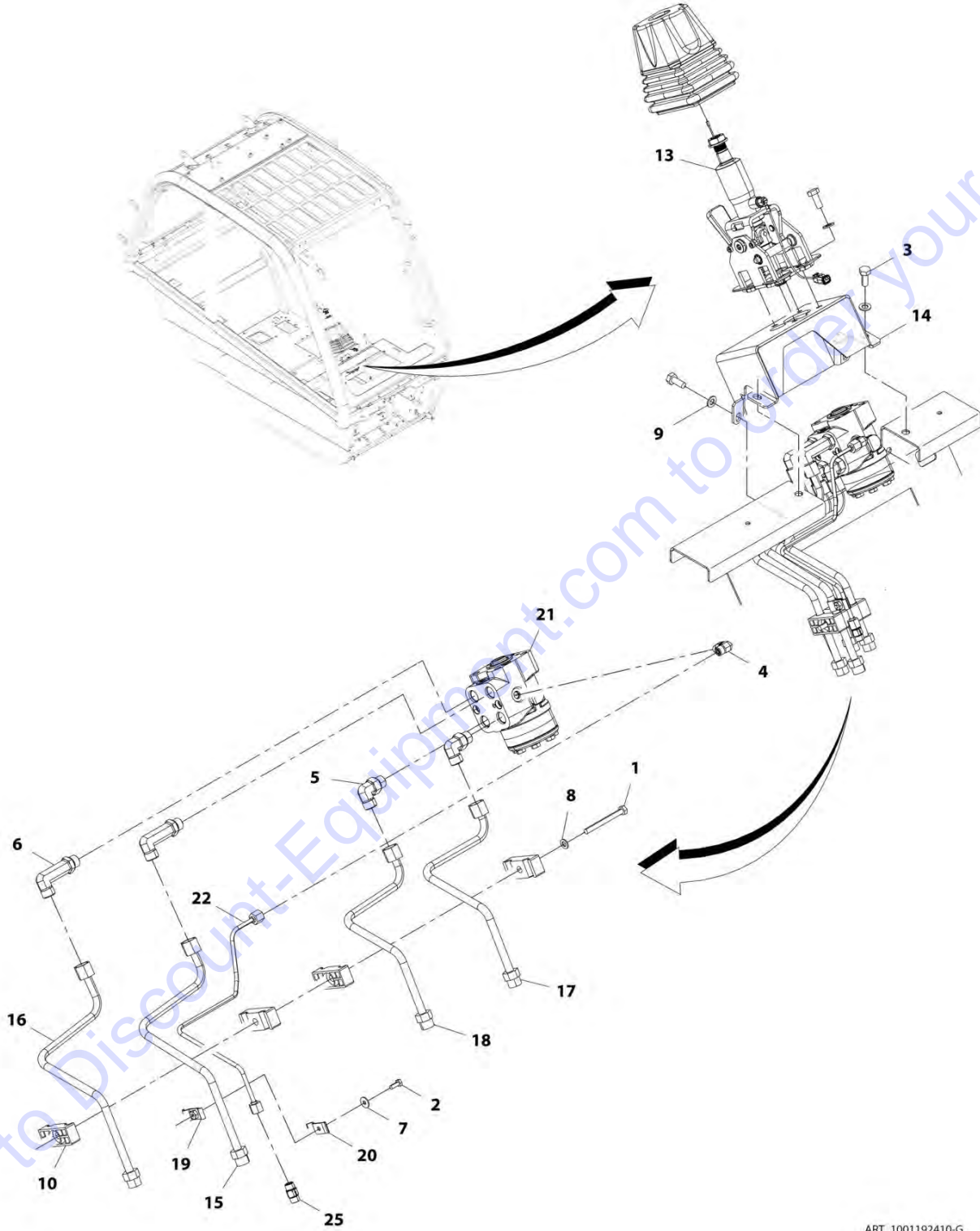
ITEM	PART NUMBER	QTY	DESCRIPTION	REV
	1001162062	Ref	Park Brake Installation	M
4	3290601	4	Nut, M6X1	
5	0760608	5	Bolt, M6X16	
6	4831700	4	Washer, Lock M6	
7	1001207956	1	Hydraulic Hand Brake	
7	70020922	1	Kit, Seal	
8	1001101702	1	Fitting, Straight ORFS	
15	4811700	3	Washer, M6	
16	1001193474	1	Panel	
17	1001195254	1	Bracket	
18	4010610002	2	Screw, M6X20	
20	4812000	2	Washer, M10	
21	1001191915	1	Bracket	
22	0761010	2	Bolt, M10X20	
23	1001125222	1	Fitting, 90 ORFS	
24	1001206744	1	Fitting, Grease	
25	1001208037	1	Seal	
26	3520028	1	Plug	

Go to Discount-Equipment.com to order your parts



# SECTION 7 - CONTROLS

## FIGURE 7-8. TILT STEERING COLUMN INSTALLATION



ART\_1001192410-G

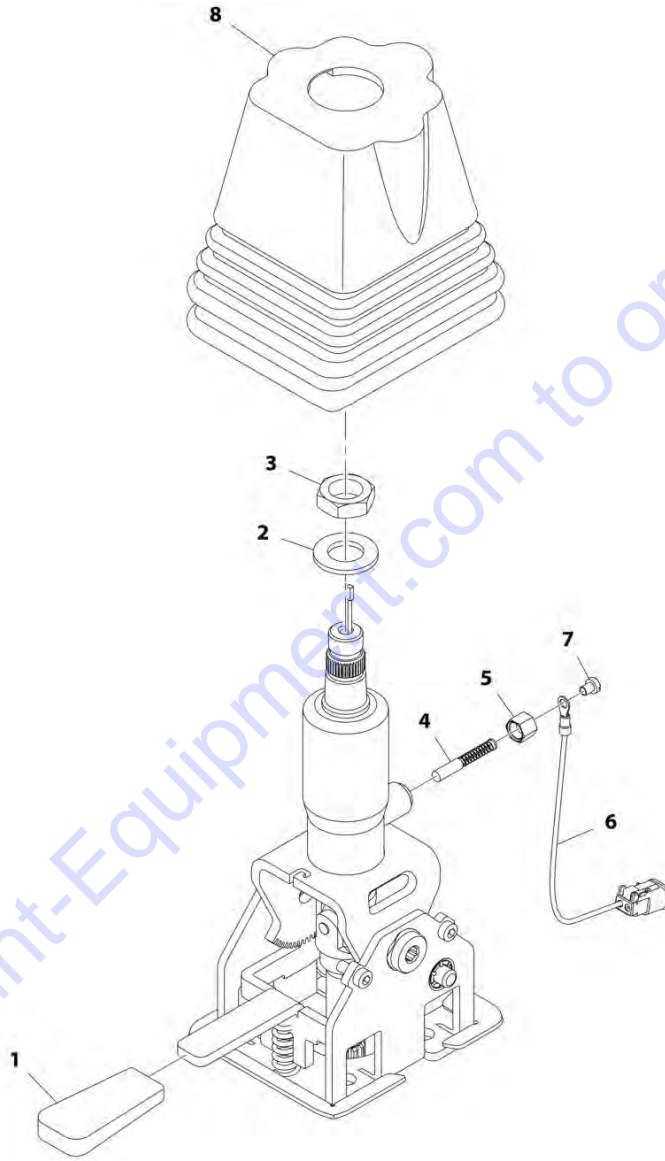
## SECTION 7 - CONTROLS

**FIGURE 7-8. TILT STEERING COLUMN INSTALLATION**

ITEM	PART NUMBER	QTY	DESCRIPTION	REV
	1001192410	Ref	Tilt Steering Column Installation	G
1	0700824	1	Bolt, M8X80	
2	0760608	1	Bolt, M6X16	
3	0761012	8	Bolt, M10X25	
4	2130404	1	Fitting, 90 ORFS	
5	2130808	2	Fitting, 90 ORFS	
6	2170208	2	Fitting, 90 ORFS	
7	4811702	1	Washer, M6	
8	4811900	1	Washer, M8	
9	4812000	8	Washer, M10	
10	1001004640	4	Clamp	
13	1001155276	1	Column, Tilt Steering (See Separate Breakdown in this Section)	
14	1001156265	1	Bracket, Support	
15	1001161672	1	Pipe	
16	1001161896	1	Pipe	
17	1001161897	1	Pipe	
18	1001161898	1	Pipe	
19	1001168142	1	Bracket	
20	1001168151	1	Bracket	
21	1001178670	1	Valve, Steering Unit	
22	1001194282	1	Pipe	
25	1001227945	1	Valve, Check	

# SECTION 7 - CONTROLS

## FIGURE 7-9. TILT STEERING COLUMN



ART\_1001155276-F

## SECTION 7 - CONTROLS

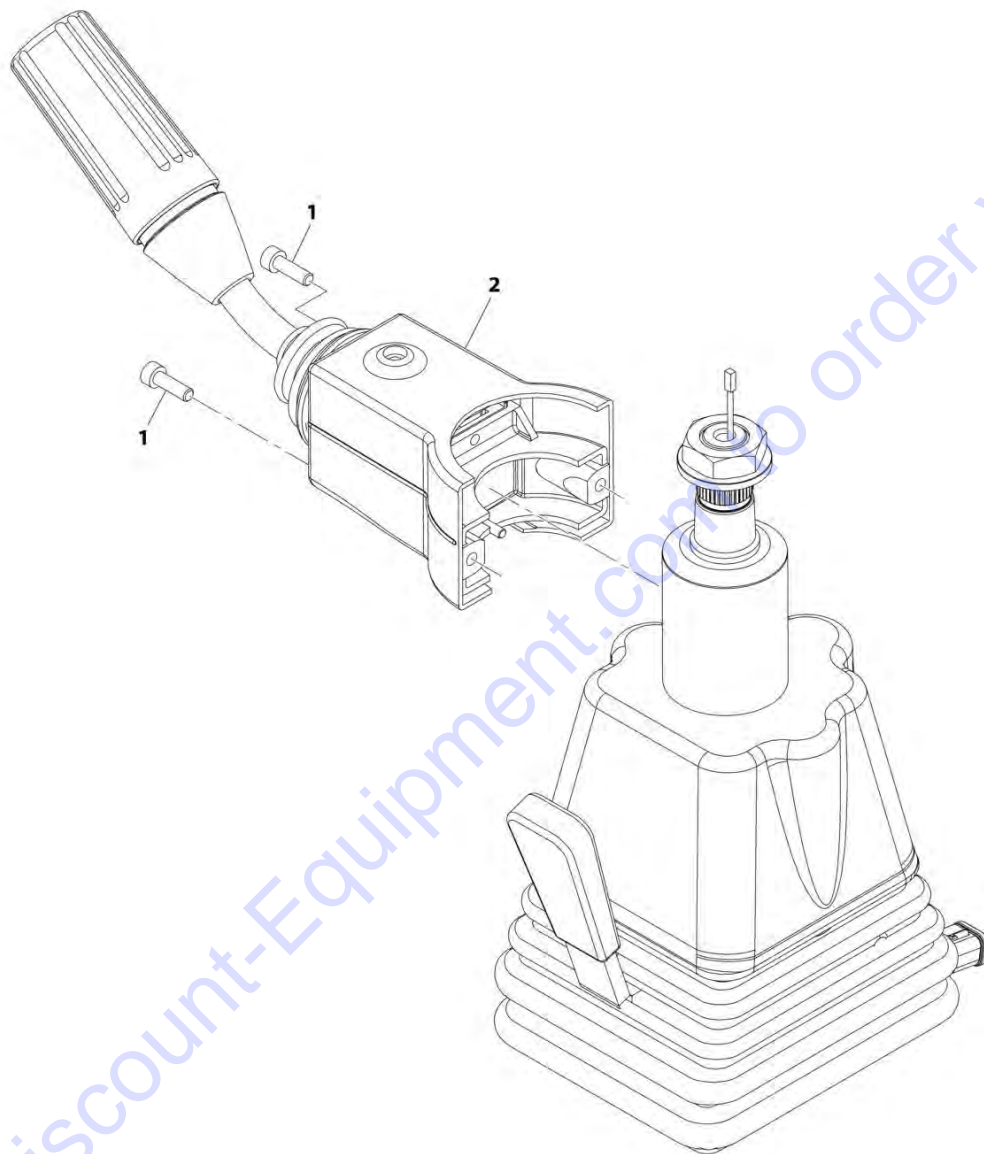
### FIGURE 7-9. TILT STEERING COLUMN

ITEM	PART NUMBER	QTY	DESCRIPTION	REV
	1001155276	Ref	Tilt Steering Column	F
1	70026366	1	Knob	
2	70026364	1	Washer	
3	70026363	1	Nut	
4	70026362	1	Contact, Sliding	
5	70026361	1	Cap, Brass	
6	70026367	1	Cable	
7	70026365	1	Screw, Cap	
8	1001184504	1	Gaiter	

Go to Discount-Equipment.com to order your parts

## SECTION 7 - CONTROLS

FIGURE 7-10. COLUMN SHIFT INSTALLATION (2 SPEED)



ART\_1001220507-A

## SECTION 7 - CONTROLS

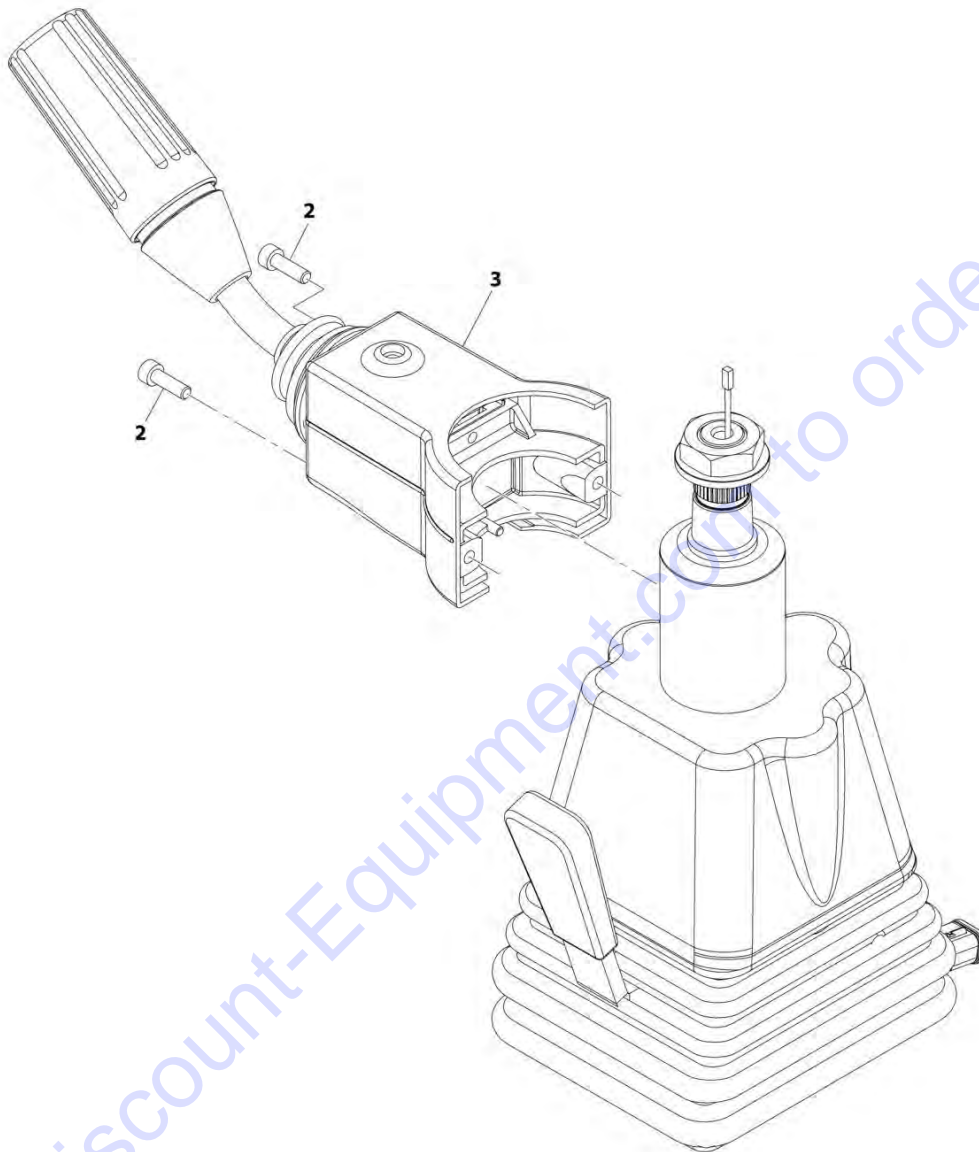
**FIGURE 7-10. COLUMN SHIFT INSTALLATION (2 SPEED)**

ITEM	PART NUMBER	QTY	DESCRIPTION	REV
	1001220507	Ref	Column Shift Installation (2 Speed)	A
1	4031607	2	Bolt, M5-0.8X16	
2	1001197667	1	Lever, FNR (2 Speed)	

Go to Discount-Equipment.com to order your parts

## SECTION 7 - CONTROLS

FIGURE 7-11. COLUMN SHIFT INSTALLATION (0 SPEED)



ART\_1001179931-C

## SECTION 7 - CONTROLS

FIGURE 7-11. COLUMN SHIFT INSTALLATION (0 SPEED)

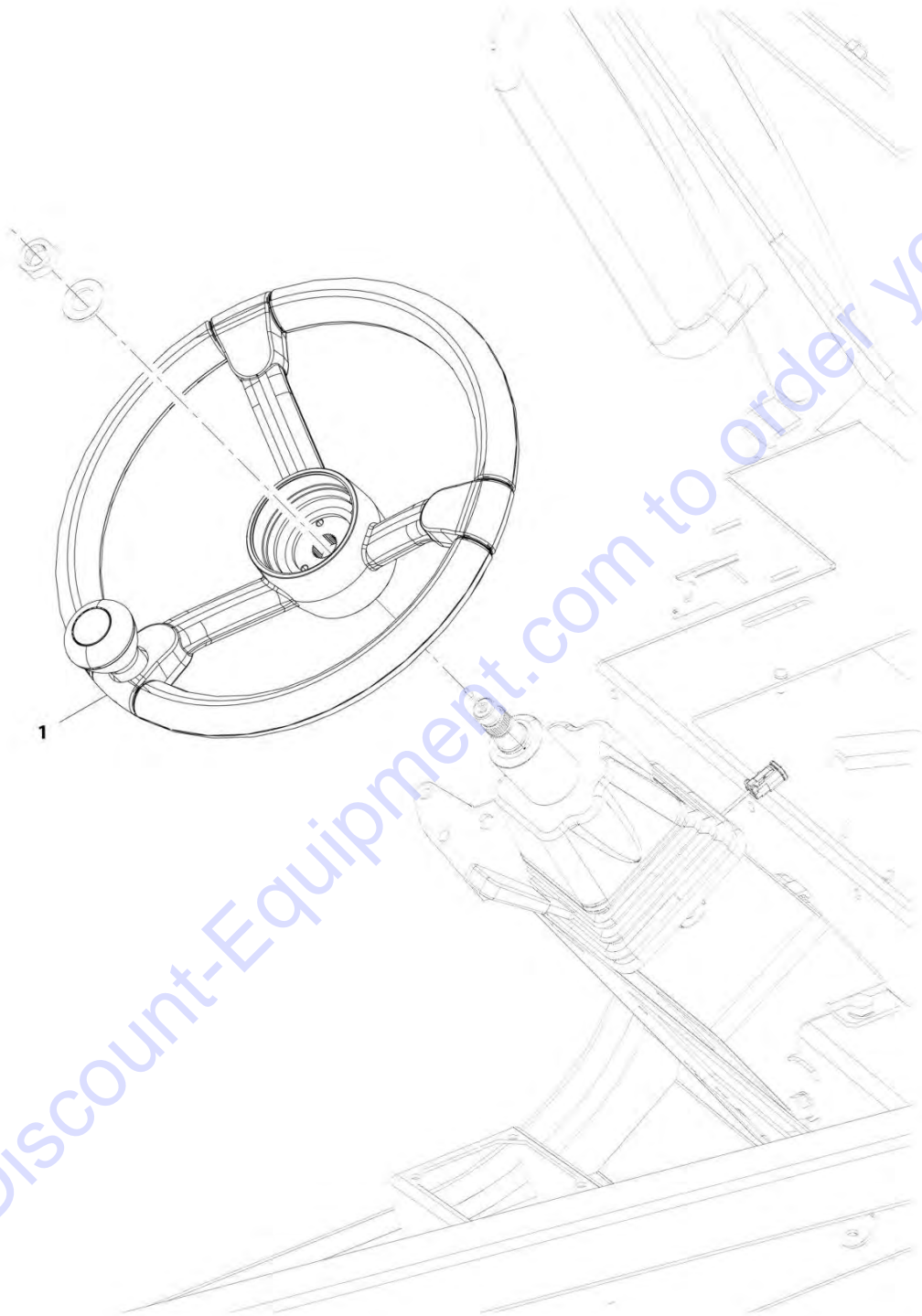
ITEM	PART NUMBER	QTY	DESCRIPTION	REV
	1001179931	Ref	Column Shift Installation (0 Speed)	C
2	4031607	2	Bolt, M5-0.8X16	
3	1001163697	1	Lever, FNR (0 Speed)	

Go to Discount-Equipment.com to order your parts



# SECTION 7 - CONTROLS

## FIGURE 7-12. STEERING WHEEL INSTALLATION



ART\_1001169751-C

## SECTION 7 - CONTROLS

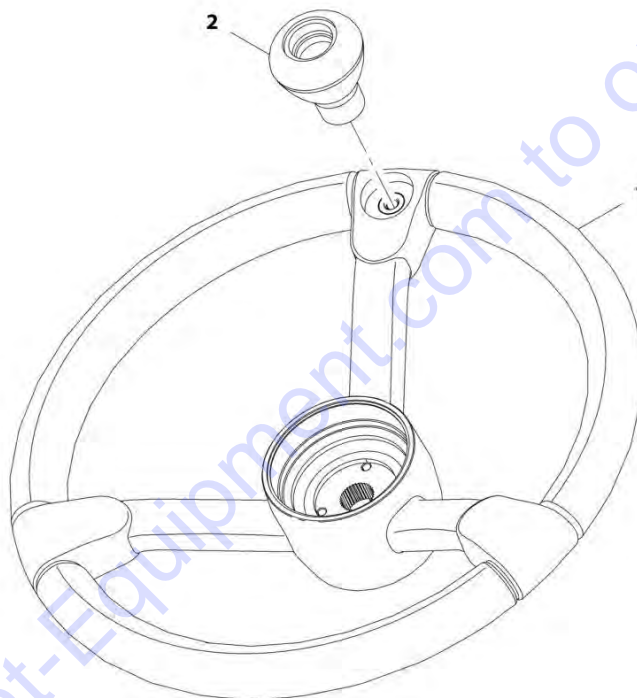
**FIGURE 7-12. STEERING WHEEL INSTALLATION**

ITEM	PART NUMBER	QTY	DESCRIPTION	REV
1	1001169751 1001169354	Ref 1	Steering Wheel Installation Wheel, Steering (See Separate Breakdown in this Section)	C

Go to Discount-Equipment.com to order your parts

# SECTION 7 - CONTROLS

## FIGURE 7-13. STEERING WHEEL



ART\_1001169354-D

## SECTION 7 - CONTROLS

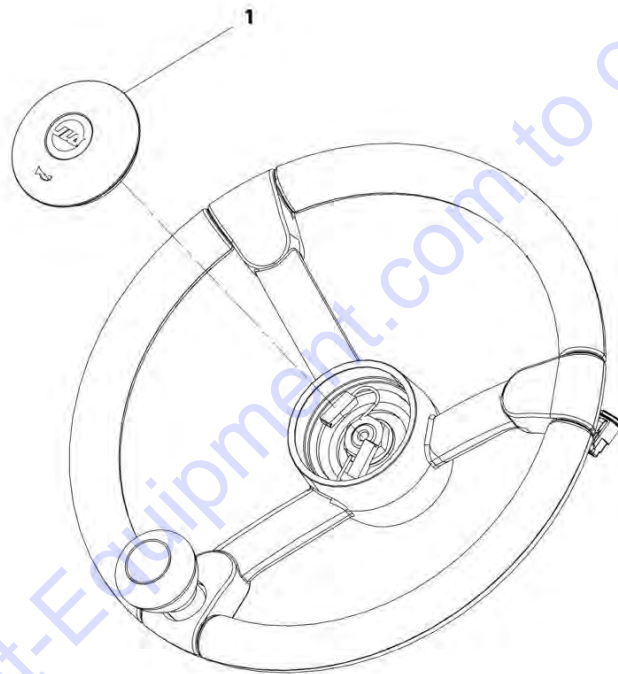
### FIGURE 7-13. STEERING WHEEL

ITEM	PART NUMBER	QTY	DESCRIPTION	REV
	1001169354	Ref	Steering Wheel	D
1	1001169367	1	Wheel, Steering	
2	1001169355	1	Handle, Steer Spinner	

Go to Discount-Equipment.com to order your parts

## SECTION 7 - CONTROLS

FIGURE 7-14. HORN BUTTON INSTALLATION



ART\_1001169763-A

## SECTION 7 - CONTROLS

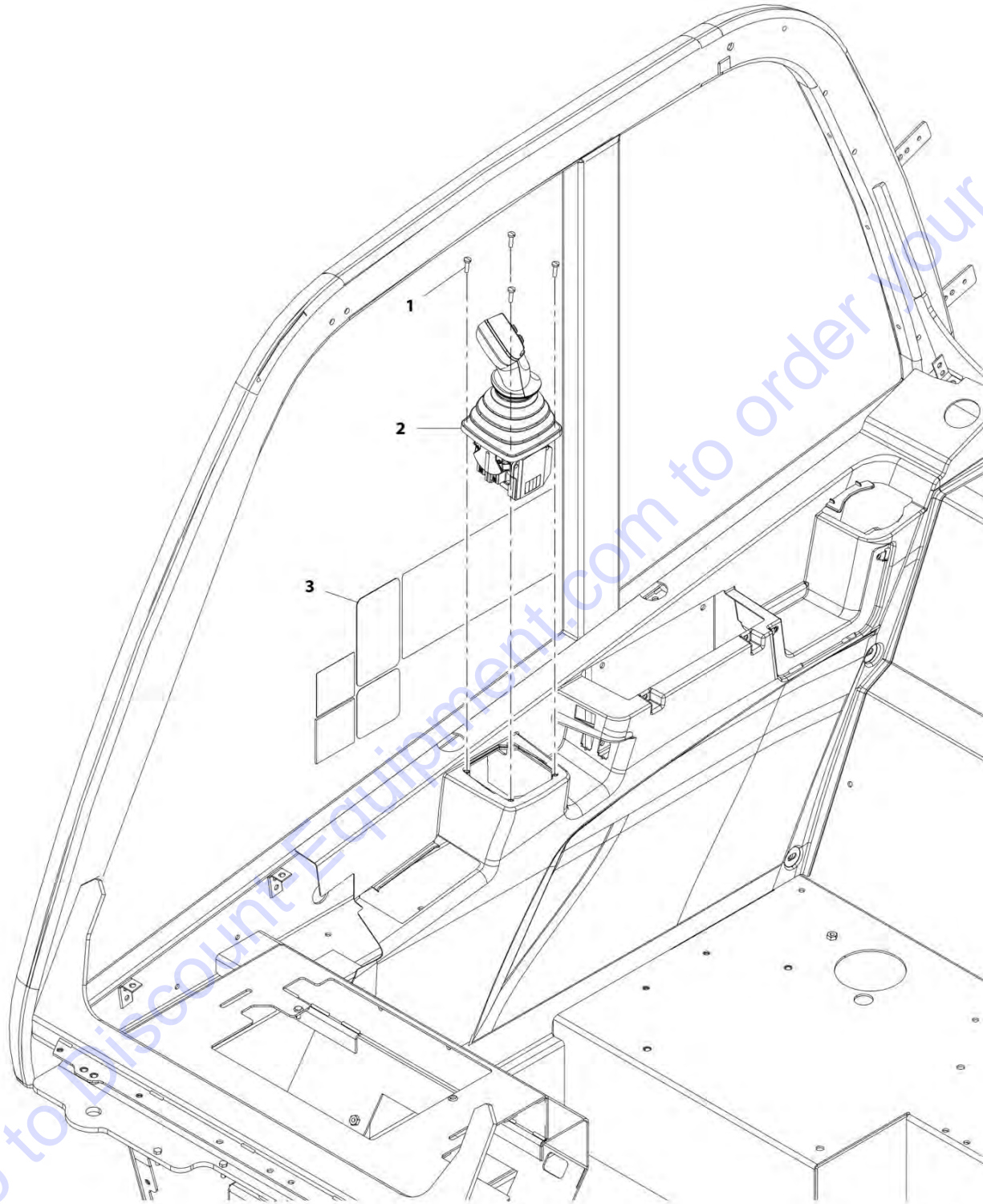
FIGURE 7-14. HORN BUTTON INSTALLATION

ITEM	PART NUMBER	QTY	DESCRIPTION	REV
1	1001169763 1001169268	Ref 1	Horn Button Installation Button, Horn	A

Go to Discount-Equipment.com to order your parts

# SECTION 7 - CONTROLS

## FIGURE 7-15. JOYSTICK INSTALLATION (2 SPEED)



ART\_1001216757-B

## SECTION 7 - CONTROLS

FIGURE 7-15. JOYSTICK INSTALLATION (2 SPEED)

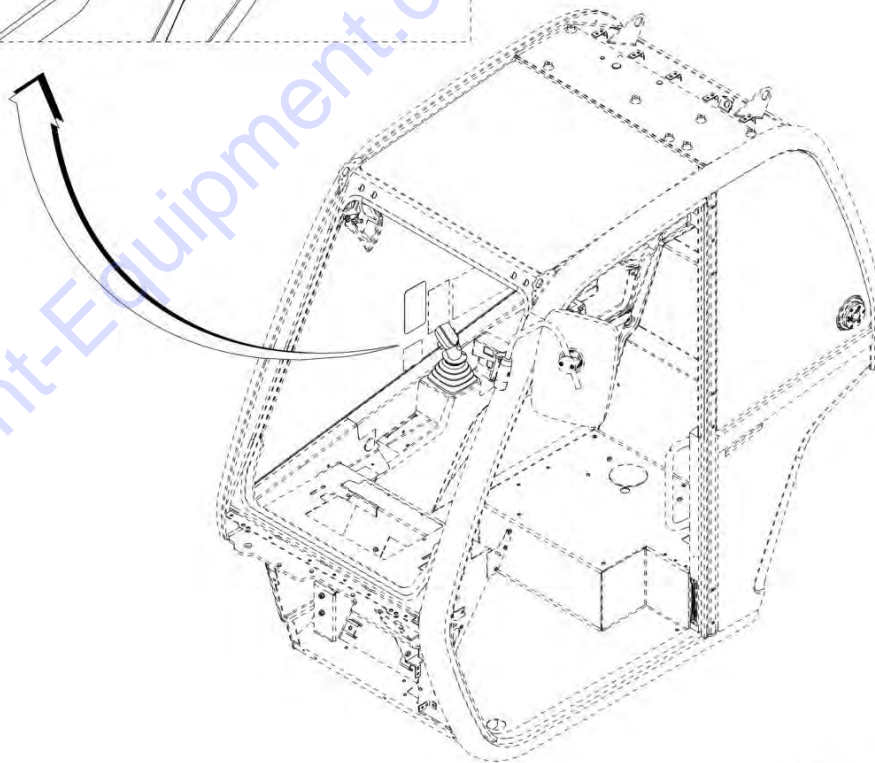
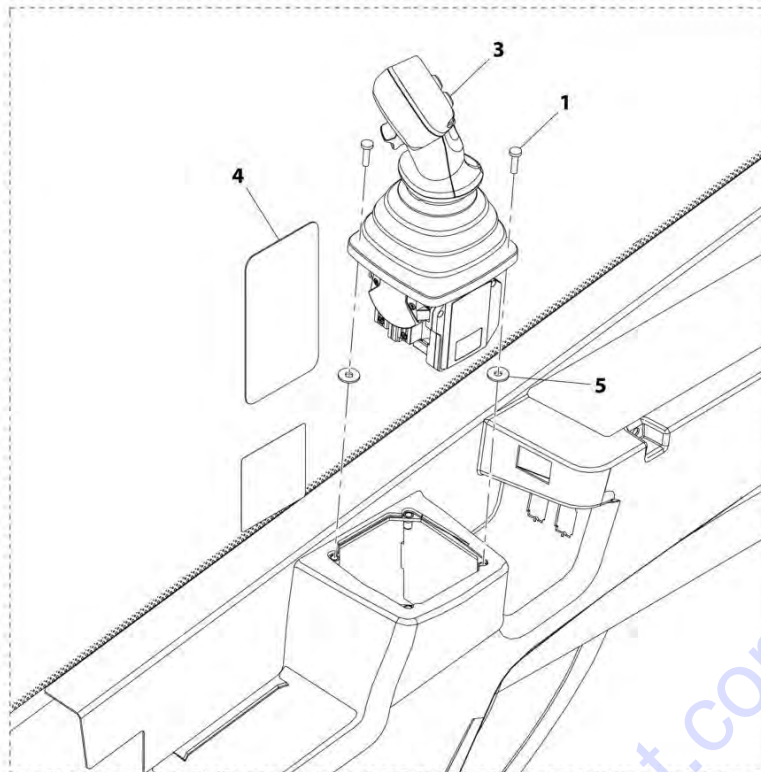
ITEM	PART NUMBER	QTY	DESCRIPTION	REV
	1001216757	Ref	Joystick Installation (2 Speed)	B
1	4010510	4	Screw, M5X20	
2	1001222606	1	Joystick, 2R2B	
3	1001216803	1	Decal	

Go to Discount-Equipment.com to order your parts



# SECTION 7 - CONTROLS

## FIGURE 7-16. JOYSTICK INSTALLATION (0 SPEED)



ART\_1001167004-F

## SECTION 7 - CONTROLS

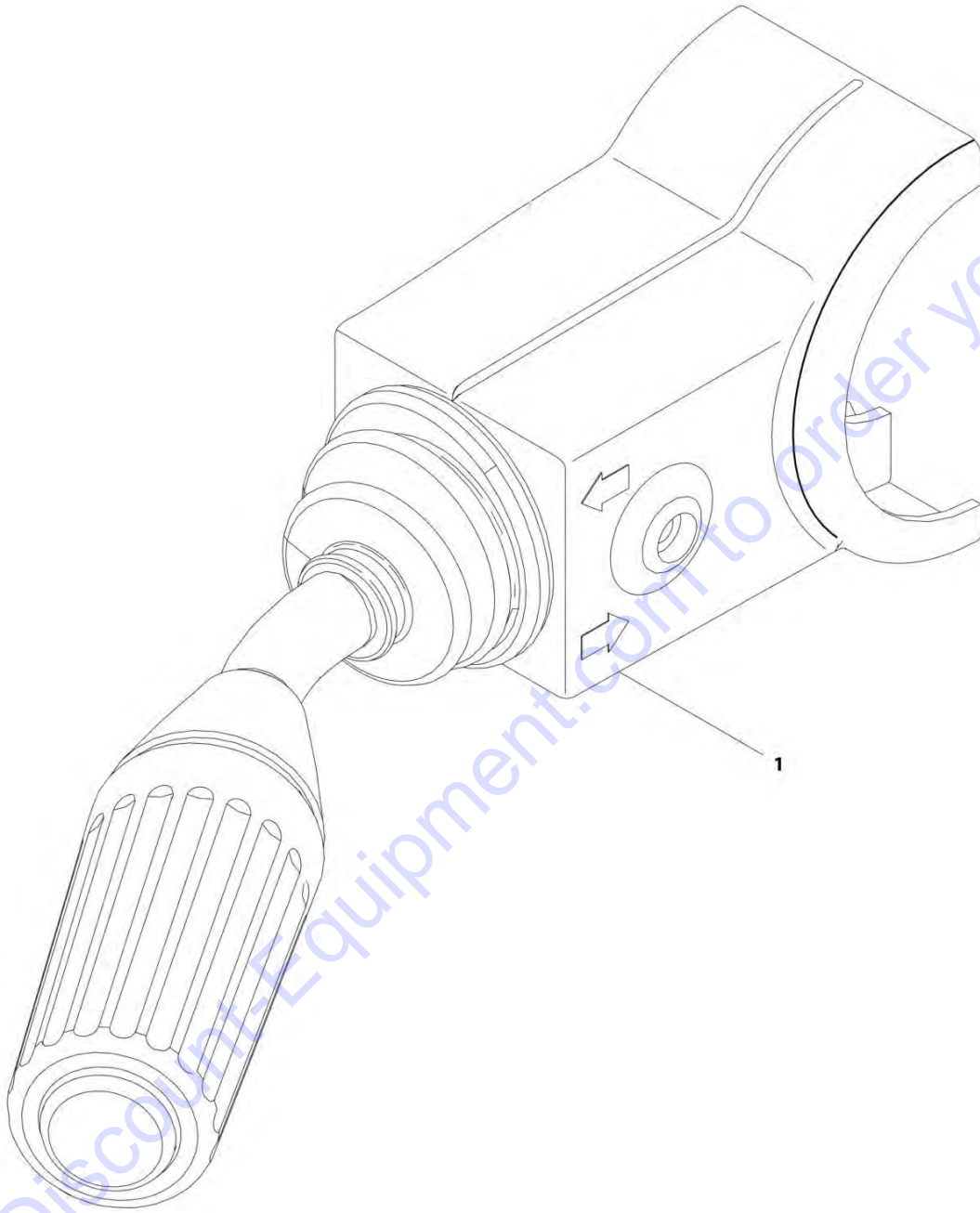
FIGURE 7-16. JOYSTICK INSTALLATION (0 SPEED)

ITEM	PART NUMBER	QTY	DESCRIPTION	REV
	1001167004	Ref	Joystick Installation	F
1	4010510	4	Screw, M5X20	
3	1001222603	1	Joystick	
4	1001236404	1	Decal, Joystick	
5	4811702001	AR	Washer, M6	

Go to Discount-Equipment.com to order your parts

## SECTION 7 - CONTROLS

FIGURE 7-17. WIPER-TURN SWITCH



ART\_1001163695-A

## SECTION 7 - CONTROLS

FIGURE 7-17. WIPER-TURN SWITCH

ITEM	PART NUMBER	QTY	DESCRIPTION	REV
1	1001163695	1	Wiper-Turn Switch	A

Go to Discount-Equipment.com to order your parts

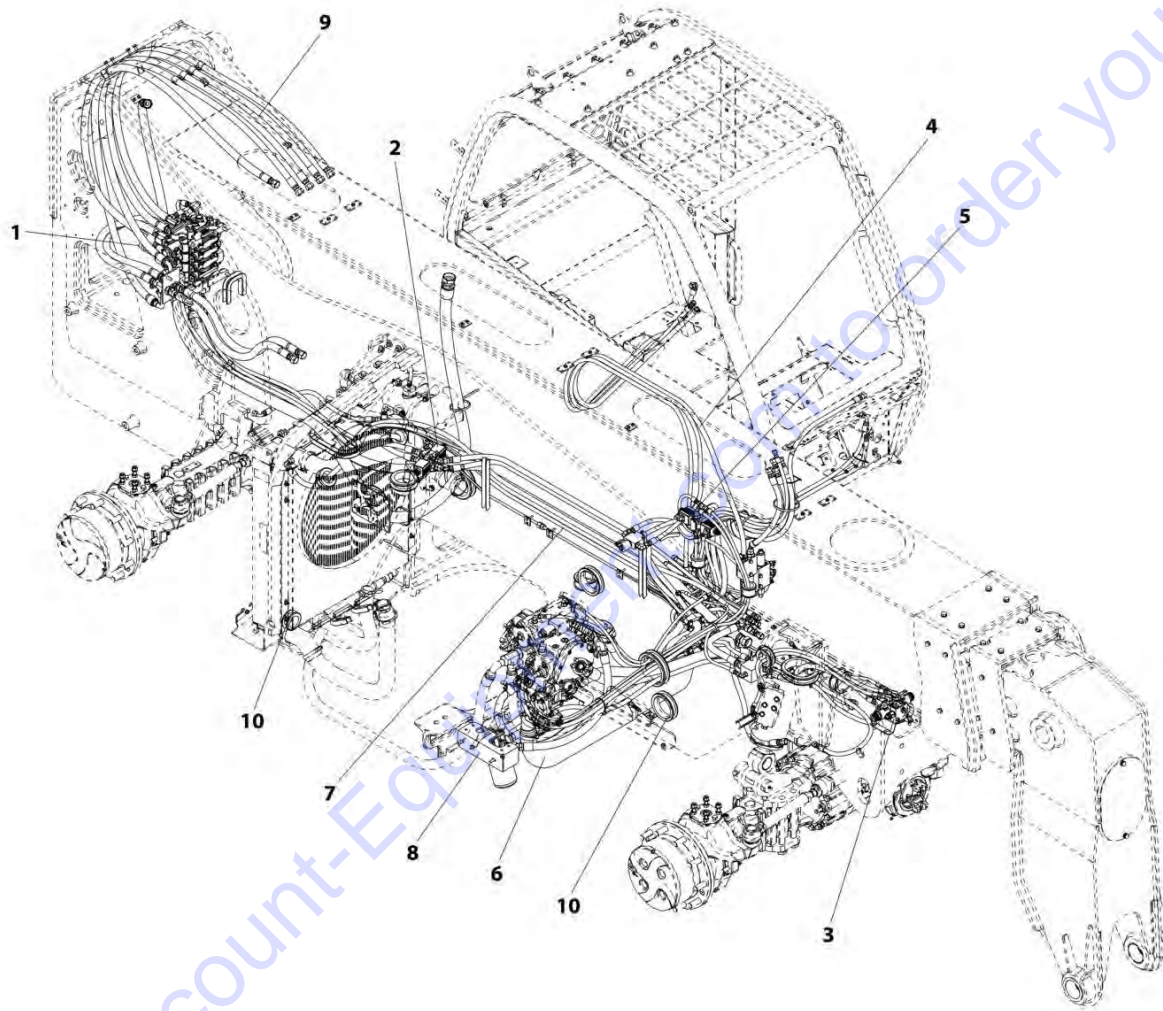


**SECTION 8 - HYDRAULIC CIRCUITS**

*Go to Discount-Equipment.com to order your parts*

# SECTION 8 - HYDRAULIC CIRCUITS

## FIGURE 8-1. MAIN HYDRAULIC INSTALLATION



ART\_1001202645-D

## SECTION 8 - HYDRAULIC CIRCUITS

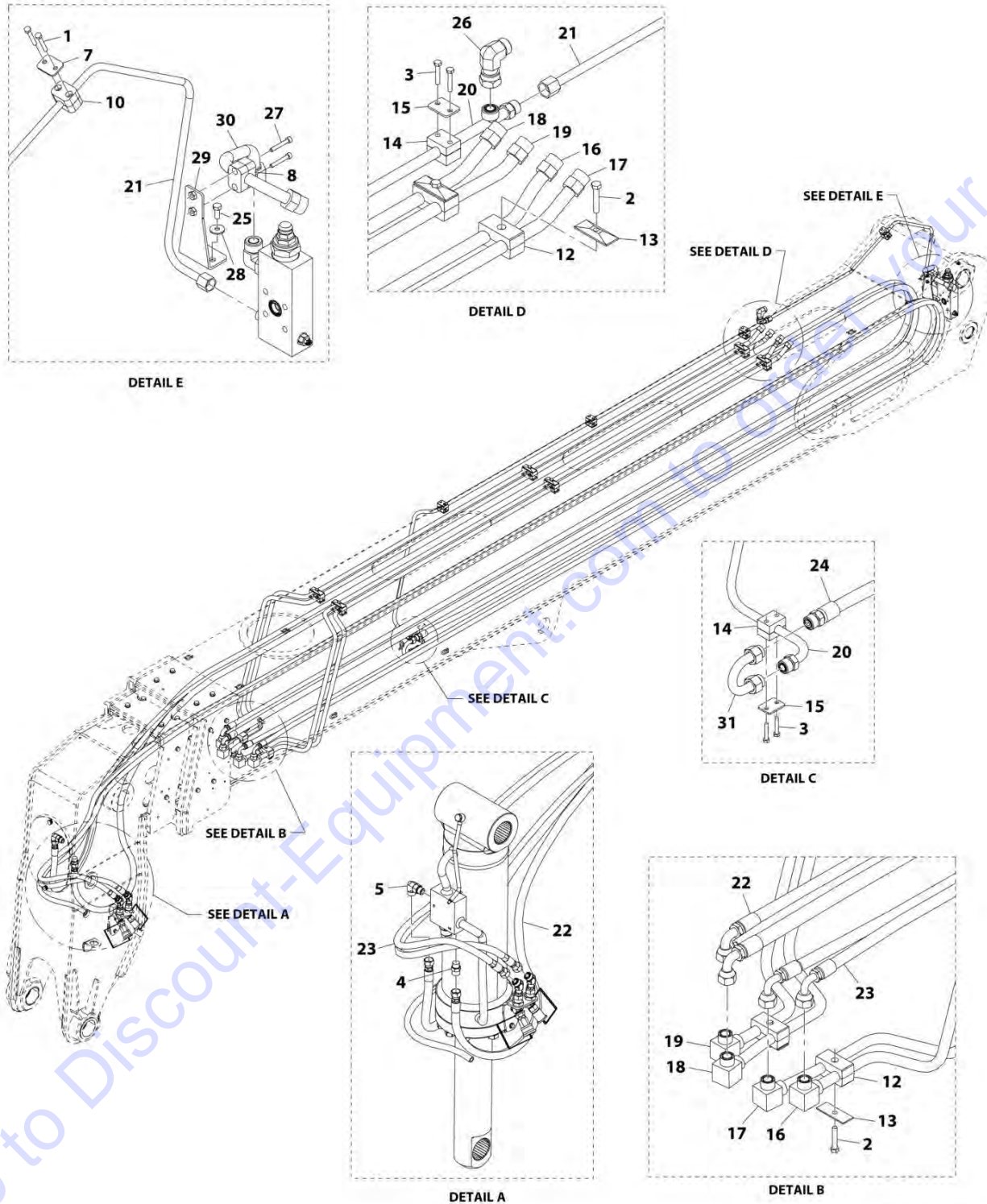
**FIGURE 8-1. MAIN HYDRAULIC INSTALLATION**

ITEM	PART NUMBER	QTY	DESCRIPTION	REV
1	1001202645	Ref	Main Hydraulic Installation	D
	1001220457	Ref	Installation, Main Control Valve (See Seperate Breakdown in this Section)	
2	1001193516	Ref	Installation, Steering Select Valve (See Seperate Breakdown in this Section)	
3	1001193517	Ref	Installation, Frame Level Valve (See Seperate Breakdown in this Section)	
4	1001193709	Ref	Installation, Cab Hydraulics (See Seperate Breakdown in this Section)	
5	1001197196	Ref	Installation, Speed Control Valve (See Seperate Breakdown in this Section)	
6	1001202024	Ref	Installation, Engine Bay Hydraulic (See Seperate Breakdown in this Section)	
7	1001202025	Ref	Installation, Frame Hydraulics (See Seperate Breakdown in this Section)	
8	1001202026	Ref	Installation, Charge Filter Lines	
9	1001210522	Ref	Installation, Boom Lines (See Seperate Breakdown in this Section)	
10	1001213026	Ref	Installation, Grommets (See Seperate Breakdown in Frame and Attaching Parts Section)	



# SECTION 8 - HYDRAULIC CIRCUITS

## FIGURE 8-2. BOOM HYDRAULIC INSTALLATION



ART\_1001205375-F

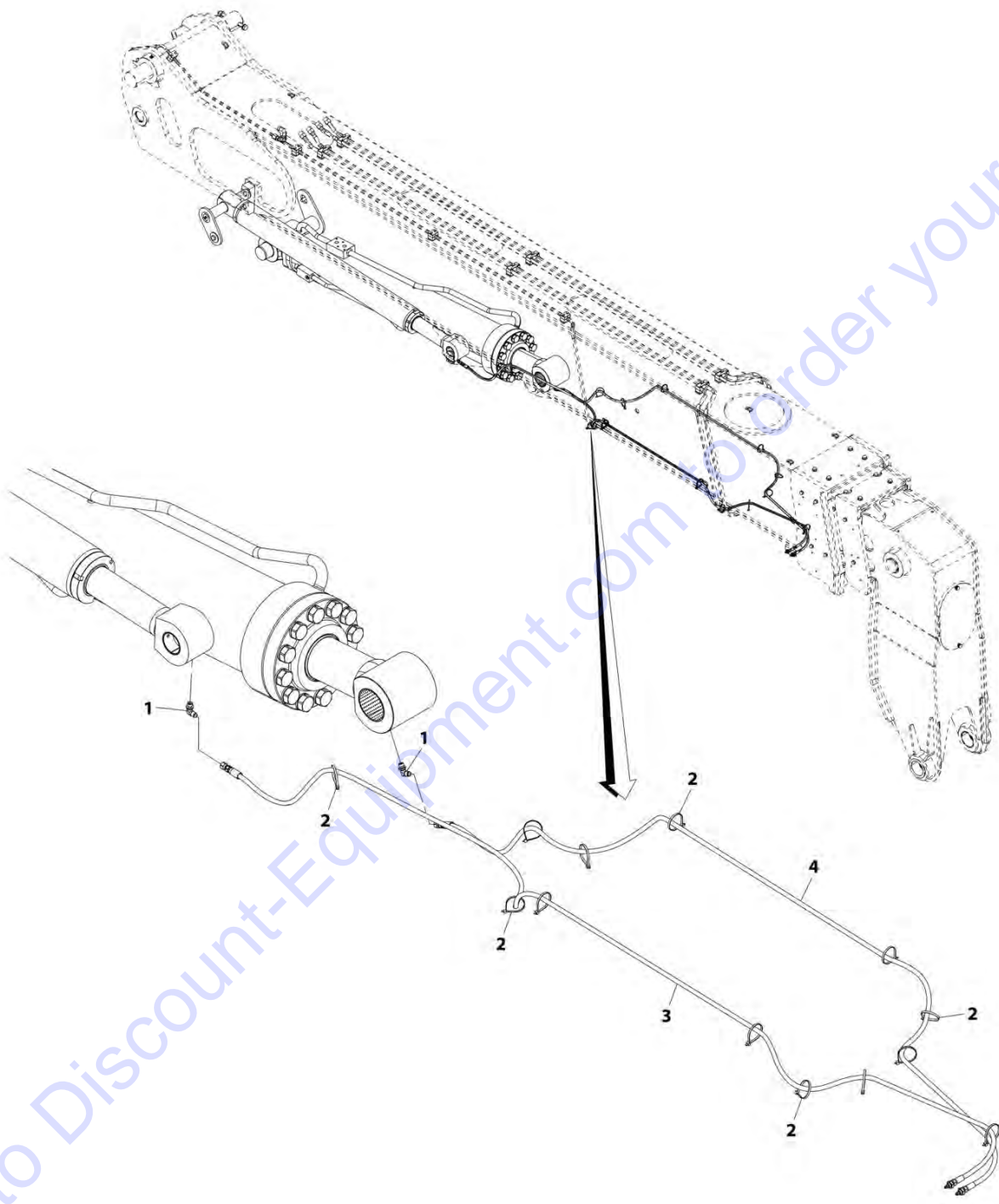
## SECTION 8 - HYDRAULIC CIRCUITS

**FIGURE 8-2. BOOM HYDRAULIC INSTALLATION**

ITEM	PART NUMBER	QTY	DESCRIPTION	REV
	1001205375	Ref	Boom Hydraulic Installation	F
1	0700616	2	Bolt, M6X40	
2	0700817	8	Bolt, M8X45	
3	0760615	8	Bolt, M6X35	
4	2111010	1	Fitting, Straight ORFS	
5	2131010	1	Fitting, 90 ORFS	
7	8769146	1	Plate, Cover	
8	8769152	1	Clamp	
10	8769199	1	Clamp	
12	77133136	8	Clamp	
13	77133137	8	Plate, Cover	
14	77133497	4	Clamp	
15	1001105093	4	Plate, Cover	
16	1001209201	1	Pipe	
17	1001209200	1	Pipe	
18	1001209202	1	Pipe	
19	1001209203	1	Pipe	
20	1001205380	1	Pipe	
21	1001205381	1	Tube	
22	1001210568	1	Hose	
23	1001210569	1	Hose	
24	1001229422	1	Hose	
25	0760810	2	Bolt, M8X20	
26	2172110	1	Fitting, 90 ORFS	
27	4031712	2	Bolt, M6X40	
28	4811902	2	Washer, M8	
29	1001209972	1	Bracket	
30	1001210270	1	Tube	
31	1001220942	1	Pipe	

# SECTION 8 - HYDRAULIC CIRCUITS

## FIGURE 8-3. REMOTE GREASE INSTALLATION



ART\_1001217353-B

## SECTION 8 - HYDRAULIC CIRCUITS

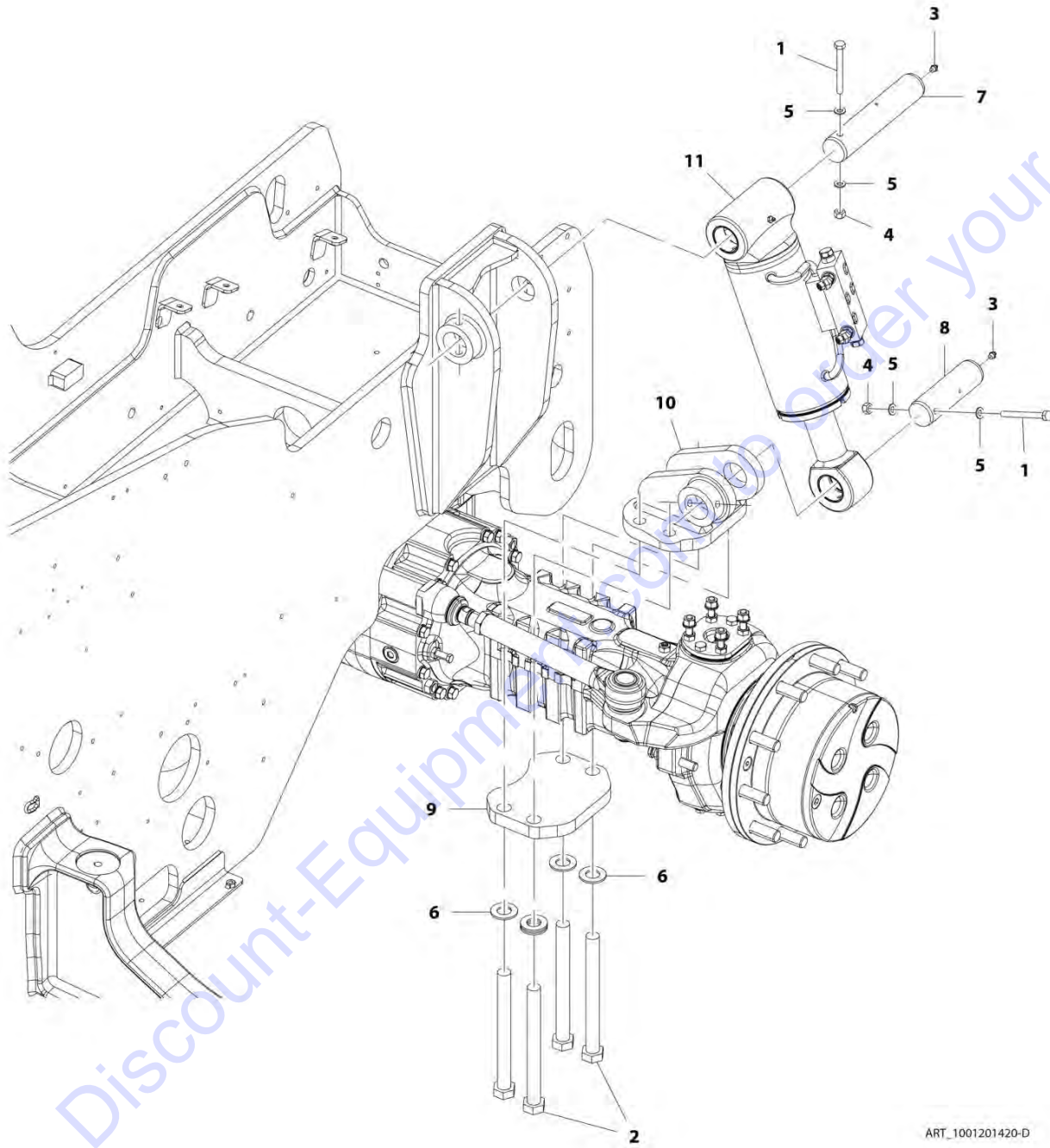
### FIGURE 8-3. REMOTE GREASE INSTALLATION

ITEM	PART NUMBER	QTY	DESCRIPTION	REV
	1001217353	Ref	Remote Grease Installation	B
1	8770215	2	Fitting, 90 ORFS	
2	1001008559	13	Strap, Cable	
3	1001217355	1	Hose	
4	1001217354	1	Hose	

Go to Discount-Equipment.com to order your parts

# SECTION 8 - HYDRAULIC CIRCUITS

## FIGURE 8-4. FRAME LEVEL INSTALLATION



ART\_1001201420-D

## SECTION 8 - HYDRAULIC CIRCUITS

**FIGURE 8-4. FRAME LEVEL INSTALLATION**

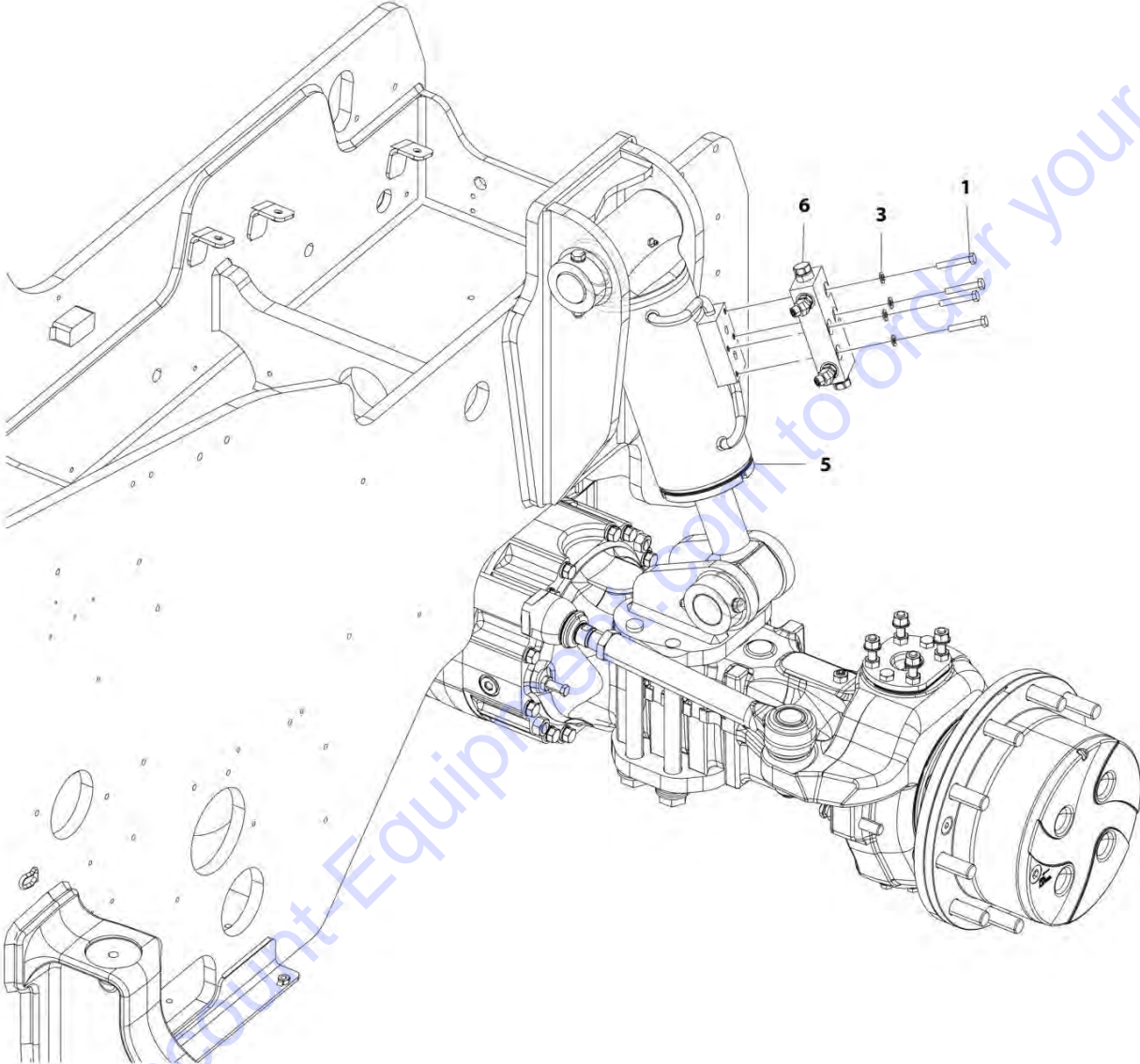
ITEM	PART NUMBER	QTY	DESCRIPTION	REV
	1001201420	Ref	Frame Level Installation	D
1	0701027	2	Bolt, M10X100	
2	0712442	4	Bolt, M24X250 Grade 10.9	
3	2160016	2	Fitting, Grease	
4	3291005	2	Nut, Lock M0X1.5 Grade 8	
5	4812000	4	Washer, M10	
6	5242400	6	Washer, M24	
7	1001164971	1	Pin	
8	1001164972	1	Pin	
9	1001207325	1	Plate, Sway Bottom	
10	1001200226	1	Bracket, Axle Sway	
11	1001201074	Ref	Installation, Frame Level Cylinder (See Separate Breakdown in this Section)	

Go to Discount-Equipment.com to order your parts



**SECTION 8 - HYDRAULIC CIRCUITS**

**FIGURE 8-5. FRAME LEVEL CYLINDER INSTALLATION**



ART\_T001201074-B

## SECTION 8 - HYDRAULIC CIRCUITS

FIGURE 8-5. FRAME LEVEL CYLINDER INSTALLATION

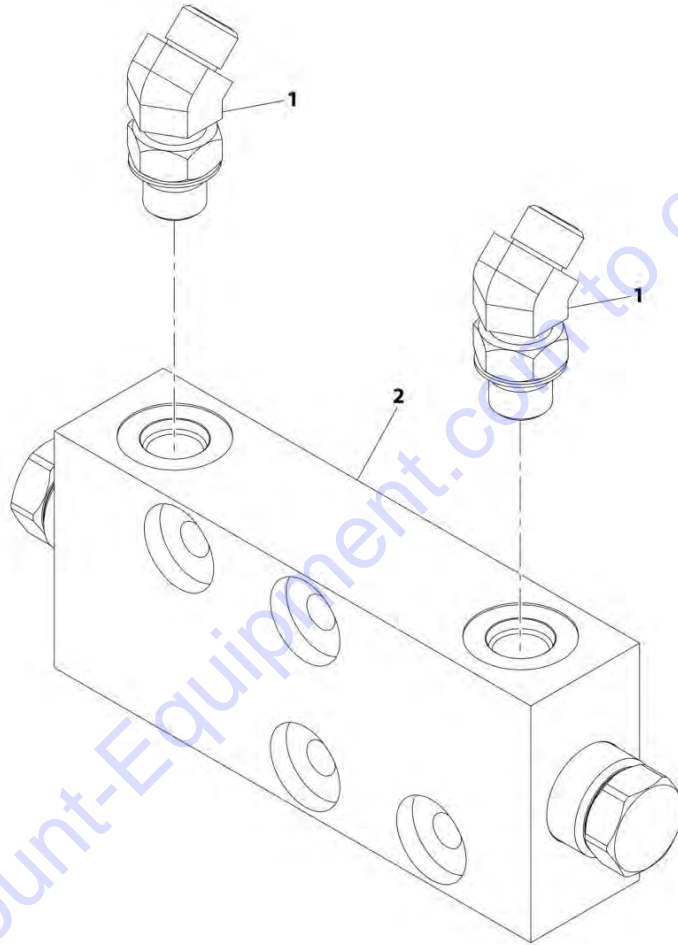
ITEM	PART NUMBER	QTY	DESCRIPTION	REV
	1001201074	Ref	Frame Level Cylinder Installation	B
1	0700818	4	Bolt, M8X50	
3	4811900	4	Washer, M8	
5	1001201073	1	Cylinder, Frame Level (See Separate Breakdown in Hydraulic Components Section)	
6	1001217482	1	Assembly, Frame Level Valve (See Separate Breakdown in this Section)	

Go to Discount-Equipment.com to order your parts



## SECTION 8 - HYDRAULIC CIRCUITS

FIGURE 8-6. FRAME LEVEL VALVE ASSEMBLY



ART\_1001217482-A

## SECTION 8 - HYDRAULIC CIRCUITS

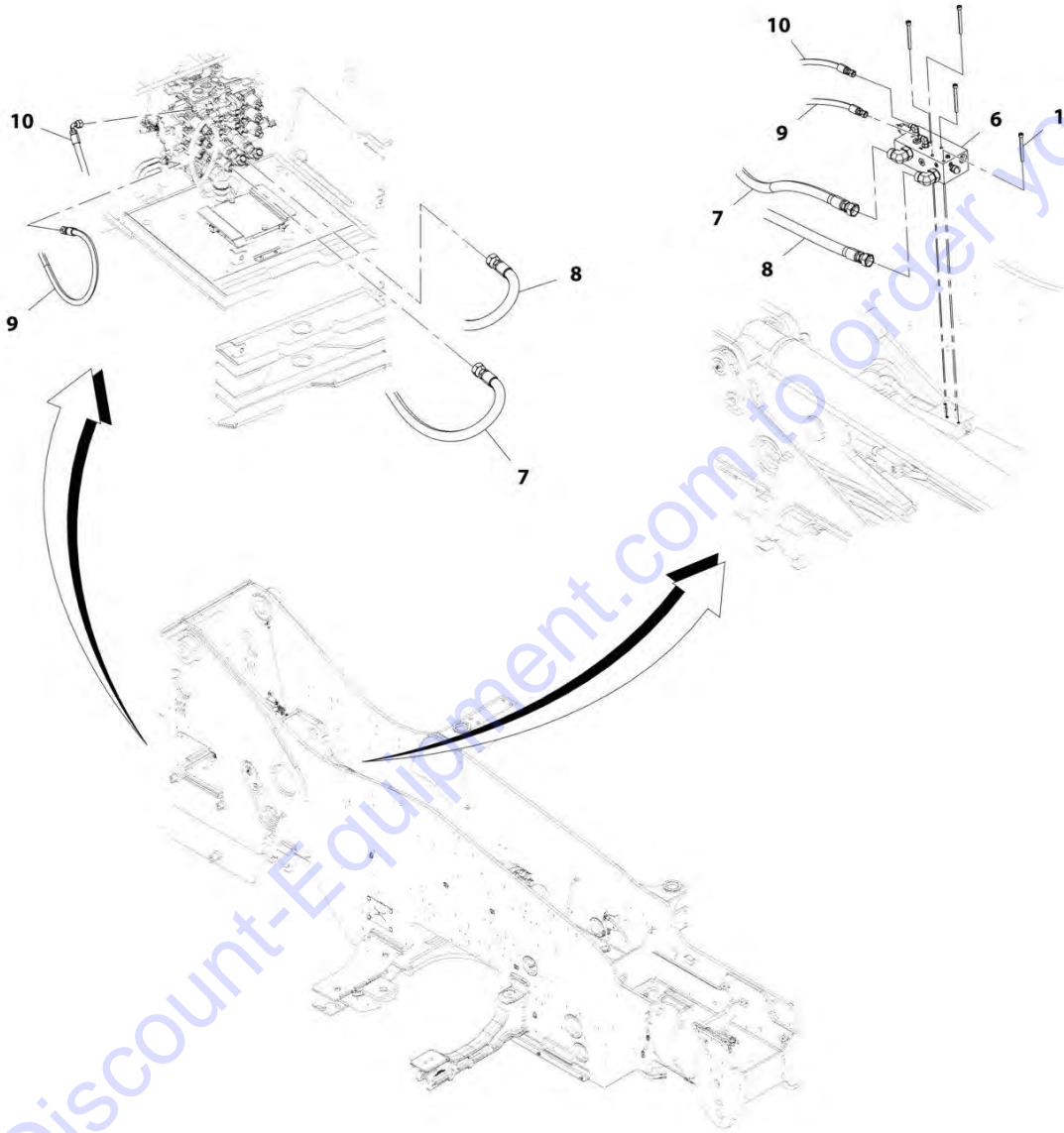
FIGURE 8-6. FRAME LEVEL VALVE ASSEMBLY

ITEM	PART NUMBER	QTY	DESCRIPTION	REV
	1001217482	Ref	Frame Level Valve Assembly	A
1	2150406	2	Fitting, 45 ORFS	
2	1001168599	1	Valve, Counterbalance (See Seperate Breakdown in the Hydraulic Component Section)	

Go to Discount-Equipment.com to order your parts

# SECTION 8 - HYDRAULIC CIRCUITS

FIGURE 8-7. BOOM RAISE HOSE INSTALLATION (NO RIDE CONTROL)



Go to Discount-Equipment.com to order your parts

ART\_1001194702-F

## SECTION 8 - HYDRAULIC CIRCUITS

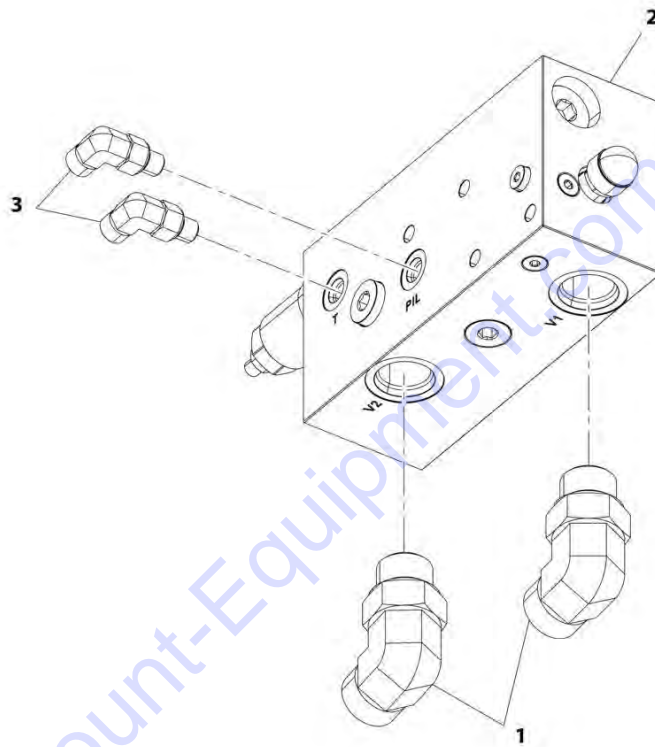
**FIGURE 8-7. BOOM RAISE HOSE INSTALLATION (NO RIDE CONTROL)**

ITEM	PART NUMBER	QTY	DESCRIPTION	REV
	1001194702	Ref	Boom Raise Hose Installation (no Ride Control)	F
1	4031921	4	Bolt, M8X85	
6	1001219764	1	Valve, Boom Raise Counterbalance (no Ride Control) (See Separate Breakdown in this Section)	
7	1001225392	1	Hose, ORFS	
8	1001225393	1	Hose, ORFS	
9	1001226828	1	Hose, ORFS	
10	1001226829	1	Hose, ORFS	

Go to Discount-Equipment.com to order your parts

## SECTION 8 - HYDRAULIC CIRCUITS

FIGURE 8-8. BOOM RAISE COUNTERBALANCE VALVE (NO RIDE CONTROL)



ART\_1001219764-C

## SECTION 8 - HYDRAULIC CIRCUITS

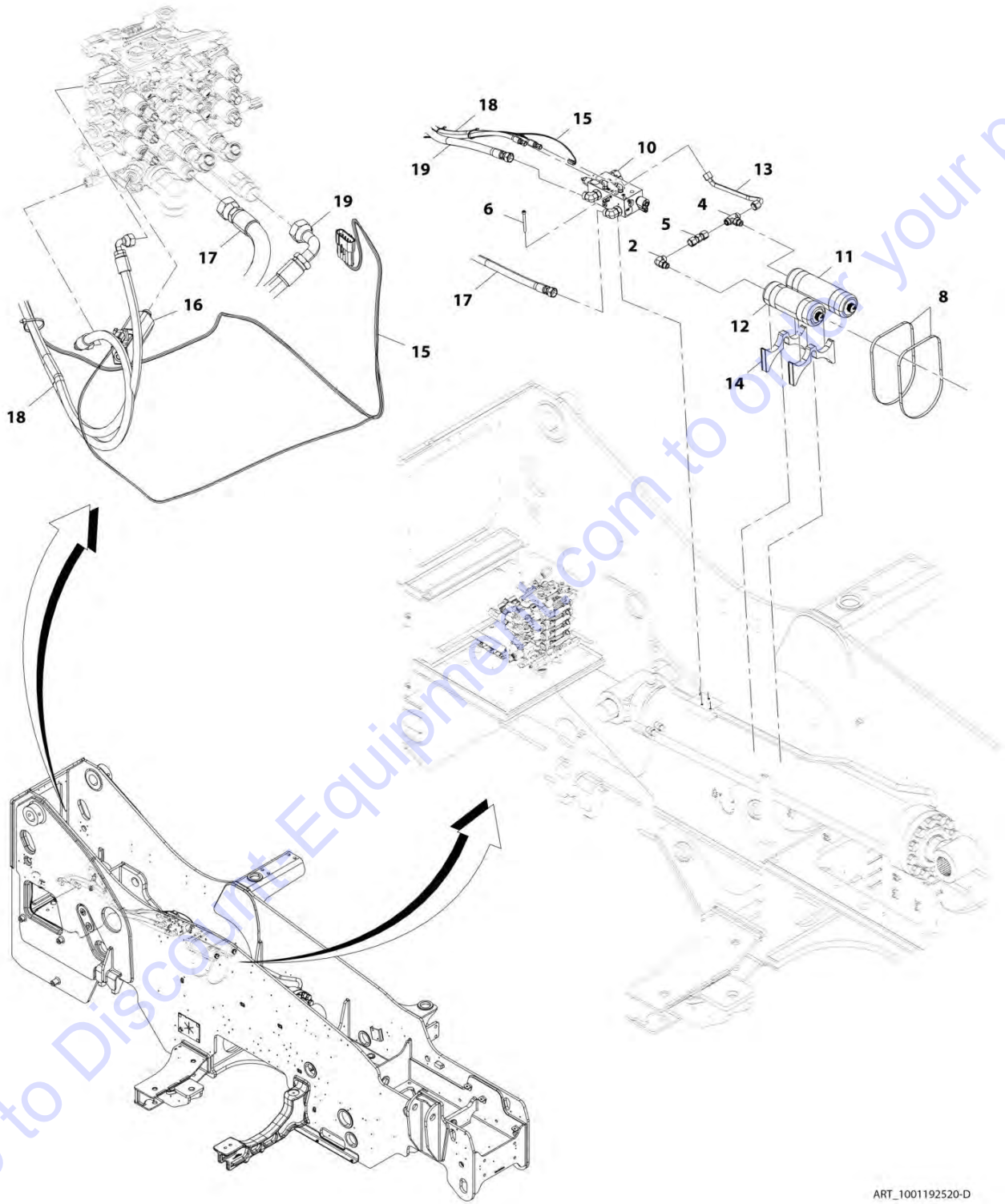
**FIGURE 8-8. BOOM RAISE COUNTERBALANCE VALVE (NO RIDE CONTROL)**

ITEM	PART NUMBER	QTY	DESCRIPTION	REV
	1001219764	Ref	Boom Raise Counterbalance Valve (no Ride Control)	C
1	2131212	2	Fitting, 90 ORFS	
2	1001224944	1	Valve, GLS (See Seperate Breakdown in Hydraulic Components Section)	
3	2130404	2	Fitting, 90 ORFS	

Go to Discount-Equipment.com to order your parts

# SECTION 8 - HYDRAULIC CIRCUITS

## FIGURE 8-9. BOOM RAISE HOSE INSTALLATION (RIDE CONTROL)



ART\_1001192520-D

## SECTION 8 - HYDRAULIC CIRCUITS

**FIGURE 8-9. BOOM RAISE HOSE INSTALLATION (RIDE CONTROL)**

ITEM	PART NUMBER	QTY	DESCRIPTION	REV
	1001192520	Ref	Boom Raise Hose Installation (Ride Control)	D
2	2131010	1	Fitting, 90 ORFS	
4	2170410	1	Fitting, Tee ORFS	
5	2172410	1	Fitting, Straight ORFS	
6	4031921	4	Bolt, M8X85	
8	1001214829	2	Clamp	
10	1001219765	1	Assembly, Ride and Float Valve (See Separate Breakdown in this Section)	
11	1001192771	1	Cylinder, Piston	
12	1001192772	1	Cylinder, Piston	
13	1001225390	1	Pipe	
14	1001196402	2	Bumper	
15	1001200105	1	Installation, Ride Control Wiring (See Separate Breakdown in Electrical Section)	
16	1001202020	1	Valve, MCV Tank Cartridge	
17	1001225393	1	Hose	
18	1001226829	2	Hose	
19	1001227440	1	Hose	

Go to Discount-Equipment.com to order your parts



# PARTS FINDER

**Search Website  
by Part Number**



**Search Manual  
Library For Parts  
Manual & Lookup Part  
Numbers – Purchase  
or Request Quote**

**Can't Find Part or  
Manual? Request Help  
by Manufacturer,  
Model & Description**

Discount-Equipment.com is your online resource for quality parts & equipment.

Florida: **561-964-4949** Outside Florida TOLL FREE: **877-690-3101**

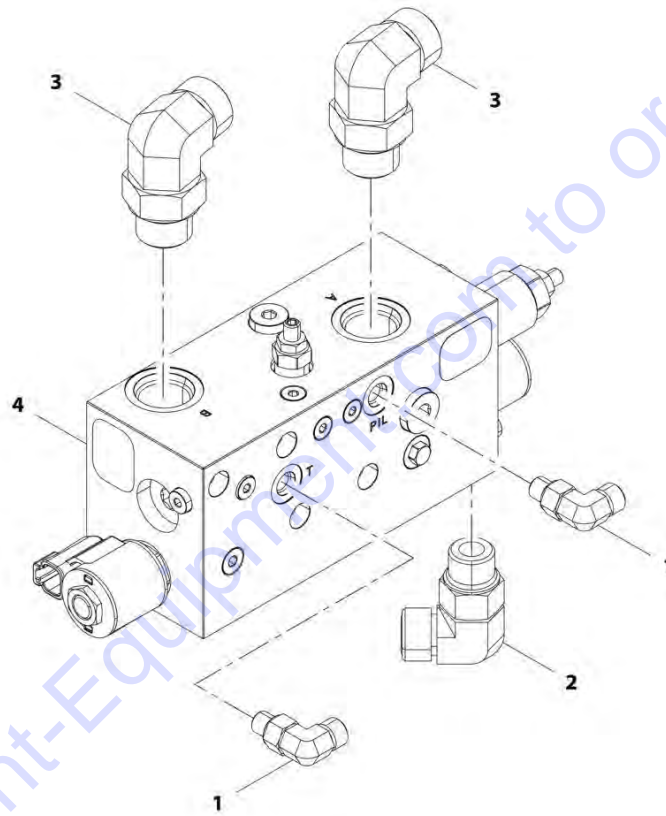
## Need parts?

Click on this link: <http://www.discount-equipment.com/category/5443-parts/> and choose one of the options to help get the right parts and equipment you are looking for. Please have the machine model and serial number available in order to help us get you the correct parts. If you don't find the part on the website or on one of the online manuals, please fill out the request form and one of our experienced staff members will get back to you with a quote for the right part that your machine needs.

We sell worldwide for the brands: Genie, Terex, JLG, MultiQuip, Mikasa, Essick, Whiteman, Mayco, Toro Stone, Diamond Products, Generac Magnum, Airman, Haulotte, Barreto, Power Blanket, Nifty Lift, Atlas Copco, Chicago Pneumatic, Allmand, Miller Curber, Skyjack, Lull, Skytrak, Tsurumi, Husquvarna Target, Stow, Wacker, Sakai, Mi-T-M, Sullair, Basic, Dynapac, MBW, Weber, Bartell, Bennar Newman, Haulotte, Ditch Runner, Menegotti, Morrison, Contec, Buddy, Crown, Edco, Wyco, Bomag, Laymor, EZ Trench, Bil-Jax, F.S. Curtis, Gehl Pavers, Heli, Honda, ICS/PowerGrit, IHI, Partner, Imer, Clipper, MMD, Koshin, Rice, CH&E, General Equipment, Amida, Coleman, NAC, Gradall, Square Shooter, Kent, Stanley, Tamco, Toku, Hatz, Kohler, Robin, Wisconsin, Northrock, Oztec, Toker TK, Rol-Air, APT, Wylie, Ingersoll Rand / Doosan, Innovatech, Con X, Ammann, Mecalac, Makinex, Smith Surface Prep, Small Line, Wanco, Yanmar

# SECTION 8 - HYDRAULIC CIRCUITS

## FIGURE 8-10. RIDE AND FLOAT VALVE ASSEMBLY



ART\_1001219765-B

## SECTION 8 - HYDRAULIC CIRCUITS

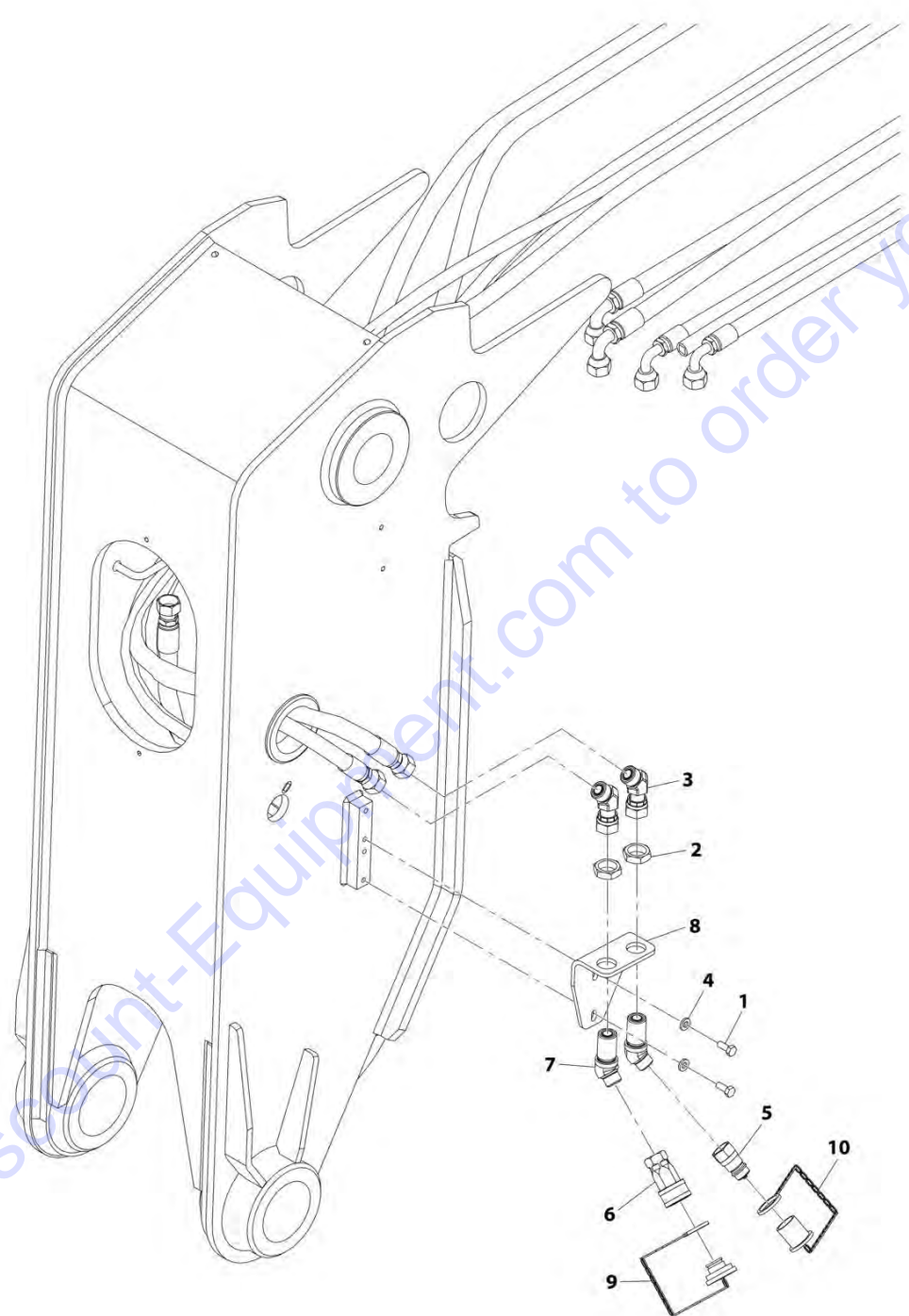
FIGURE 8-10. RIDE AND FLOAT VALVE ASSEMBLY

ITEM	PART NUMBER	QTY	DESCRIPTION	REV
	1001219765	1	Ride and Float Valve Assembly	B
1	2130404	2	Fitting, 90 ORFS	
2	2131010	1	Fitting, 90 ORFS	
3	2131212	2	Fitting, 90 ORFS	
4	1001224945	1	Valve, GLS (See Separate Breakdown in Hydraulic Components Section)	

Go to Discount-Equipment.com to order your parts

# SECTION 8 - HYDRAULIC CIRCUITS

## FIGURE 8-11. BOOM AUX HYDRAULIC INSTALLATION (MANUAL - SINGLE)



ART\_1001192363-D

## SECTION 8 - HYDRAULIC CIRCUITS

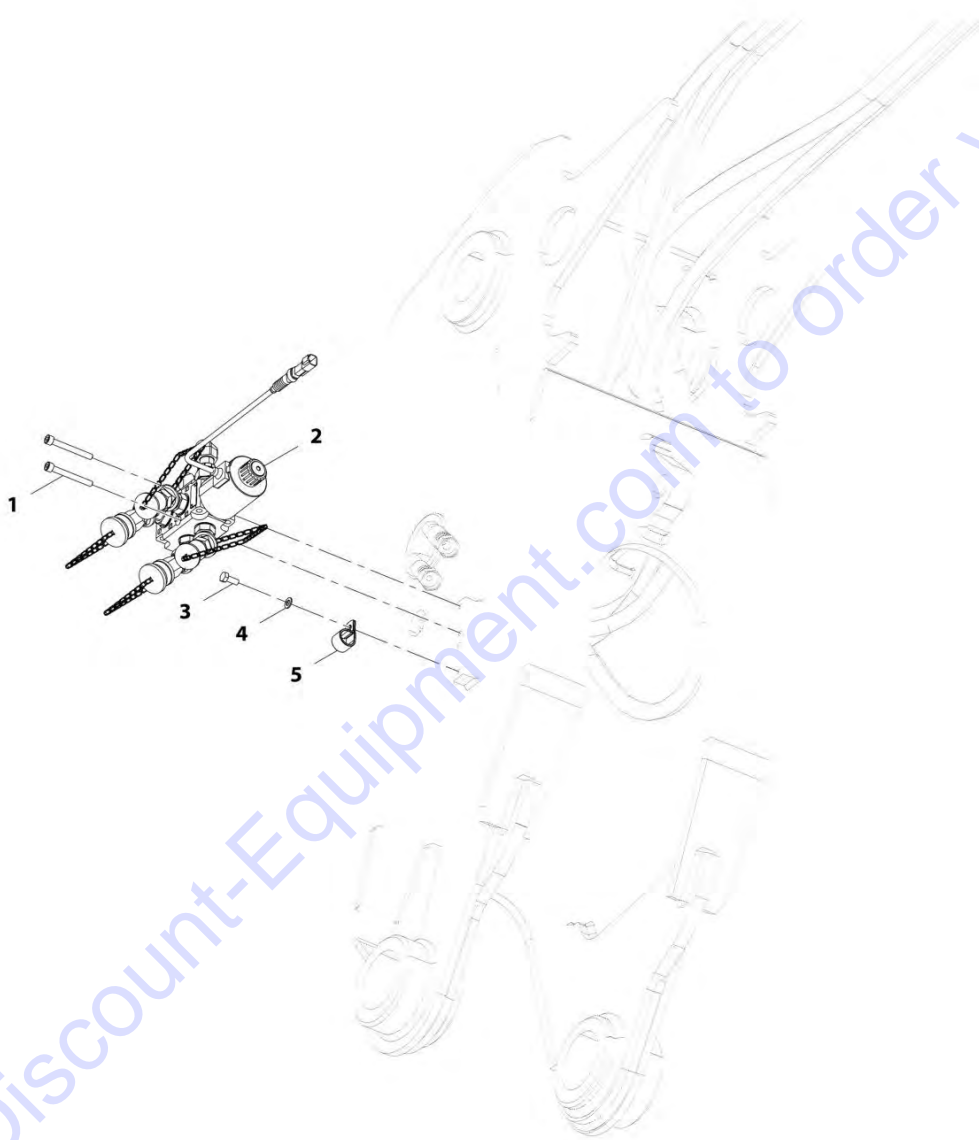
**FIGURE 8-11. BOOM AUX HYDRAULIC INSTALLATION (MANUAL - SINGLE)**

ITEM	PART NUMBER	QTY	DESCRIPTION	REV
	1001192363	Ref	Boom Aux Hydraulic Installation (manual - single)	D
1	0760810	2	Bolt, M8X20	
2	8770075	2	Fitting, ORFS	
3	1001147416	2	Fitting, 45 ORFS	
4	5240800	2	Washer, M8	
5	1001101041	1	Coupling, Male Quick Disconnect	
6	1001101042	1	Coupling, Female Quick Disconnect	
7	1001217553	2	Fitting, 45 ORFS	
8	1001217552	1	Bracket	
9	91043125	1	Plug	
10	91043126	1	Cap, Dust	

Go to Discount-Equipment.com to order your parts

## SECTION 8 - HYDRAULIC CIRCUITS

FIGURE 8-12. BOOM AUX HYDRAULIC INSTALLATION (MANUAL - TWIN)



ART\_1001192366-C

## SECTION 8 - HYDRAULIC CIRCUITS

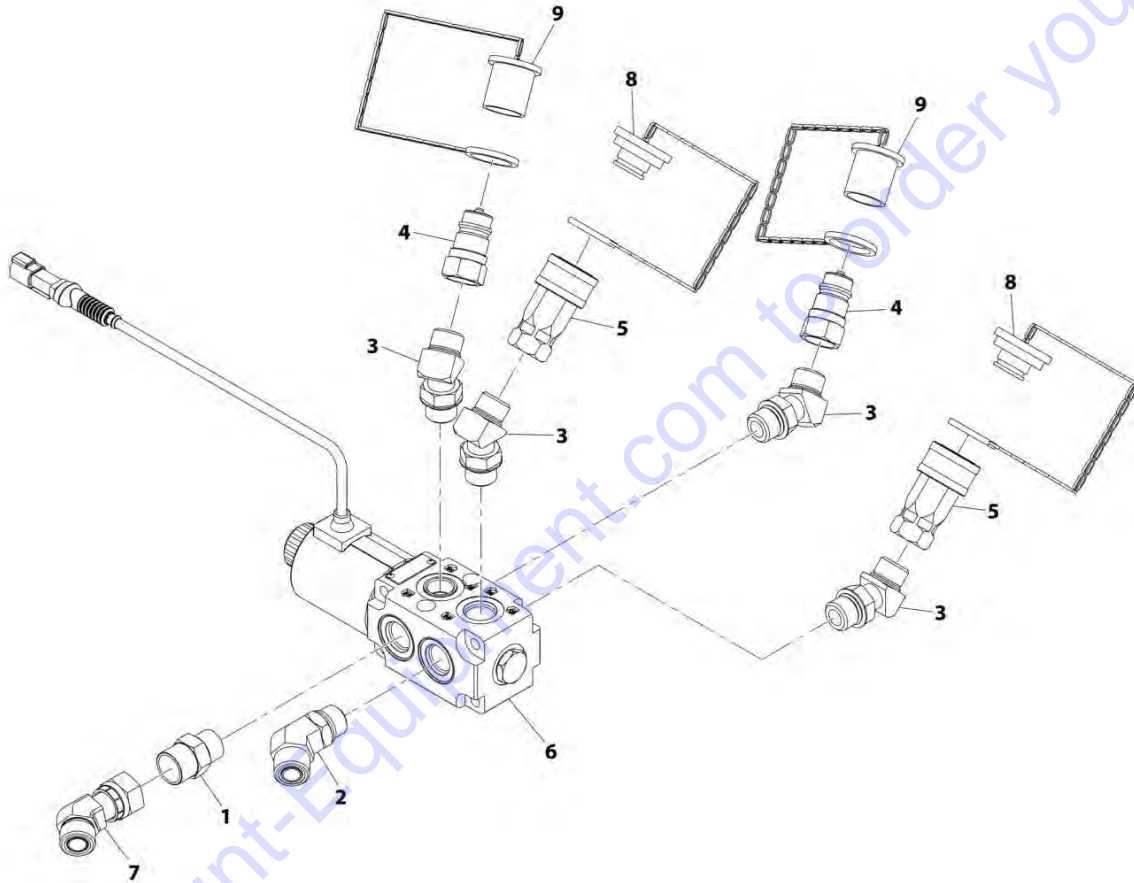
**FIGURE 8-12. BOOM AUX HYDRAULIC INSTALLATION (MANUAL - TWIN)**

ITEM	PART NUMBER	QTY	DESCRIPTION	REV
	1001192366	Ref	Boom Aux Hydraulic Installation (manual - twin)	C
1	4031918	2	Bolt, M8X70	
2	1001213318	1	Assembly, Diverter Valve (manual - twin) (See Seperate Breakdown in this Section)	
3	0760810	1	Bolt, M8X20	
4	4811900	1	Washer, M8	
5	8406202	1	Clip	

Go to Discount-Equipment.com to order your parts

# SECTION 8 - HYDRAULIC CIRCUITS

## FIGURE 8-13. DIVERTER VALVE ASSEMBLY



ART\_1001213318-B



## SECTION 8 - HYDRAULIC CIRCUITS

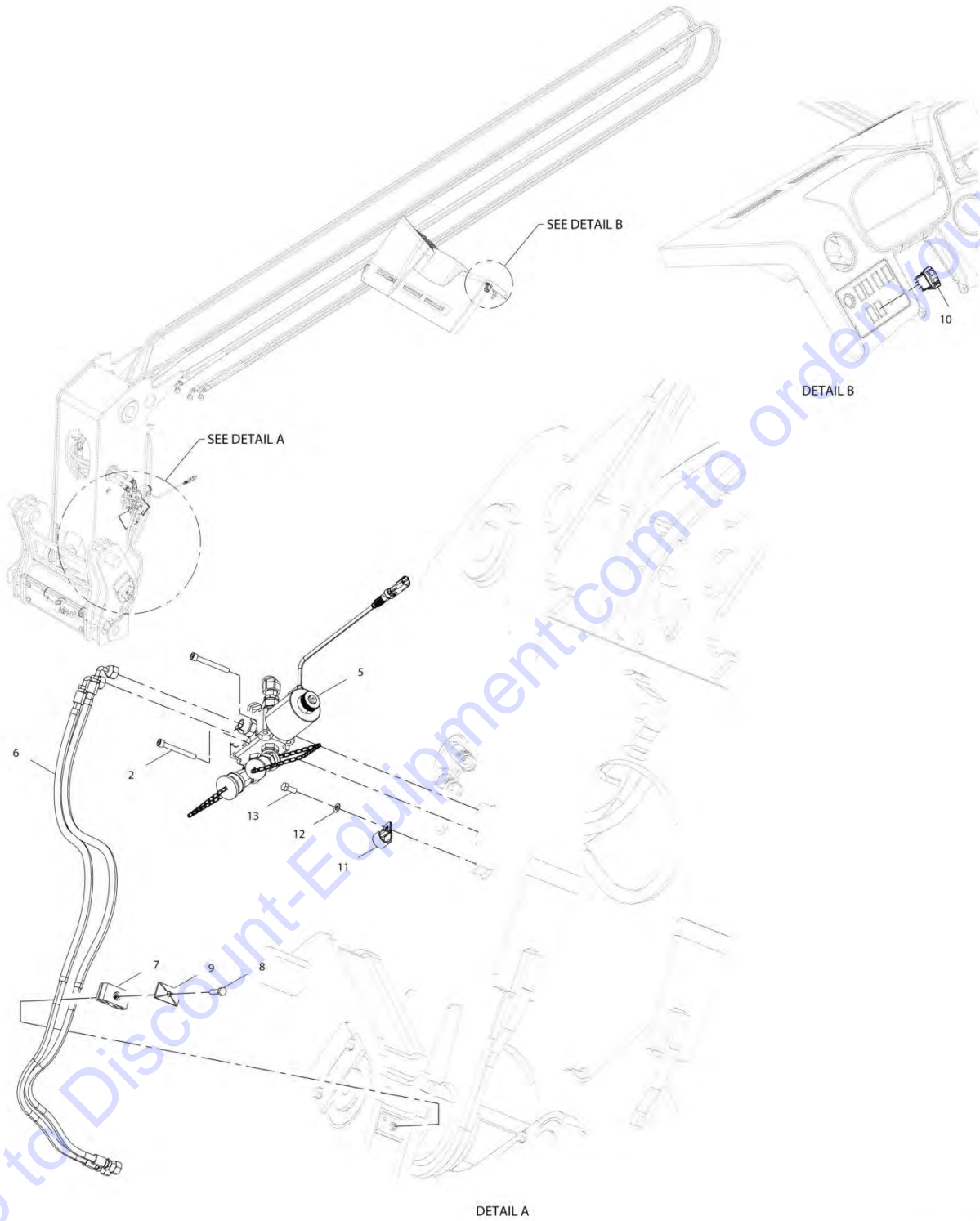
**FIGURE 8-13. DIVERTER VALVE ASSEMBLY**

ITEM	PART NUMBER	QTY	DESCRIPTION	REV
	1001213318	Ref	Diverter Valve Assembly	B
1	2111010	1	Fitting, Straight ORFS	
2	2151010	1	Fitting, 45 ORFS	
3	1001005904	4	Fitting, 45	
4	1001101041	2	Adapter, Male Quick Disconnect	
5	1001101042	2	Adapter, Female Quick Disconnect	
6	1001110023	1	Valve, Diverter (See Seperate Breakdown in Hydraulic Components Section)	
7	1001147416	1	Fitting, 45 ORFS	
8	91043125	2	Plug	
9	91043126	2	Cap	

Go to Discount-Equipment.com to order your parts

# SECTION 8 - HYDRAULIC CIRCUITS

## FIGURE 8-14. BOOM AUX HYDRAULIC INSTALLATION (HYDRAULIC - SINGLE)



ART\_1001192365-E

## SECTION 8 - HYDRAULIC CIRCUITS

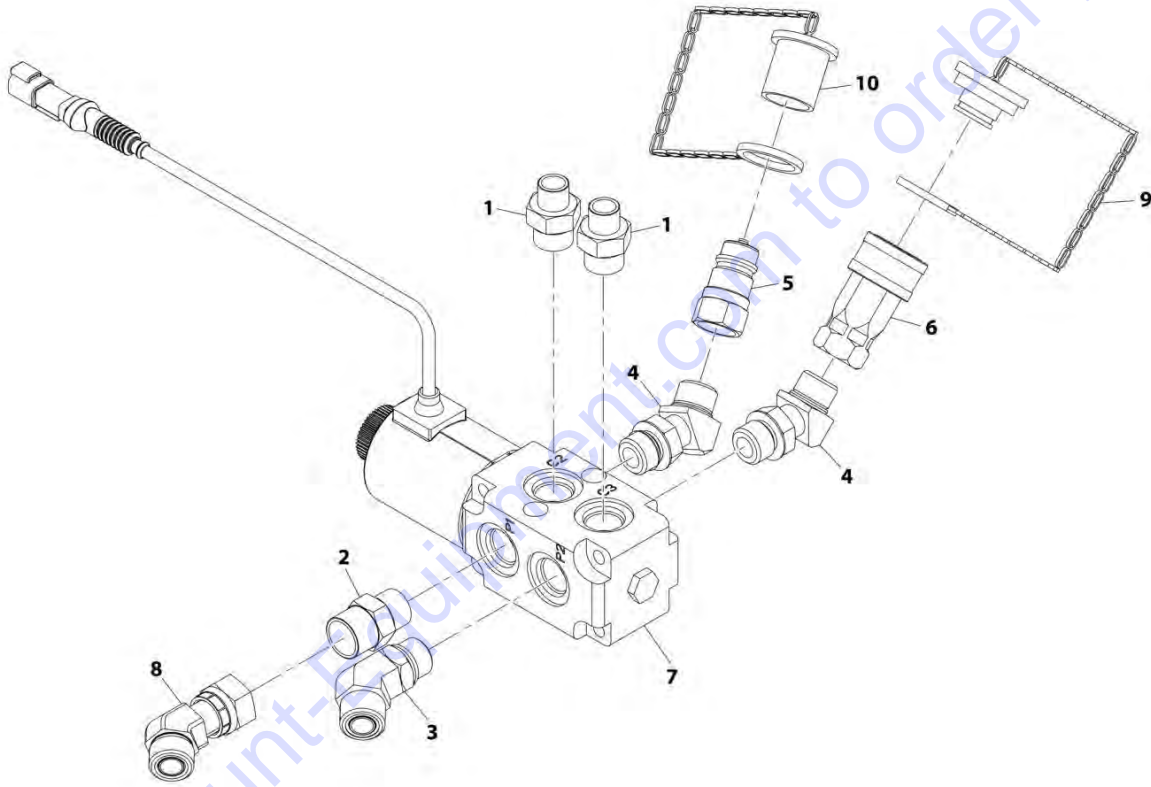
**FIGURE 8-14. BOOM AUX HYDRAULIC INSTALLATION (HYDRAULIC - SINGLE)**

ITEM	PART NUMBER	QTY	DESCRIPTION	REV
	1001192365	Ref	Boom Aux Hydraulic Installation (hydraulic - single)	E
2	4031918	2	Bolt, M8X70	
5	1001213317	1	Assembly, Diverter Valve (hydraulic - single) (See Seperate Breakdown in this Section)	
6	1001193111	2	Hose	
7	8769126	1	Clamp	
8	0760815	1	Bolt, M8X35	
9	8769123	1	Plate, Cover	
10	1001080375	1	Switch	
11	8406202	1	Clip	
12	4811900	1	Washer, M8	
13	0760810	1	Bolt, M8X20	

Go to Discount-Equipment.com to order your parts

# SECTION 8 - HYDRAULIC CIRCUITS

## FIGURE 8-15. DIVERTER VALVE ASSEMBLY



ART\_1001213317-B

## SECTION 8 - HYDRAULIC CIRCUITS

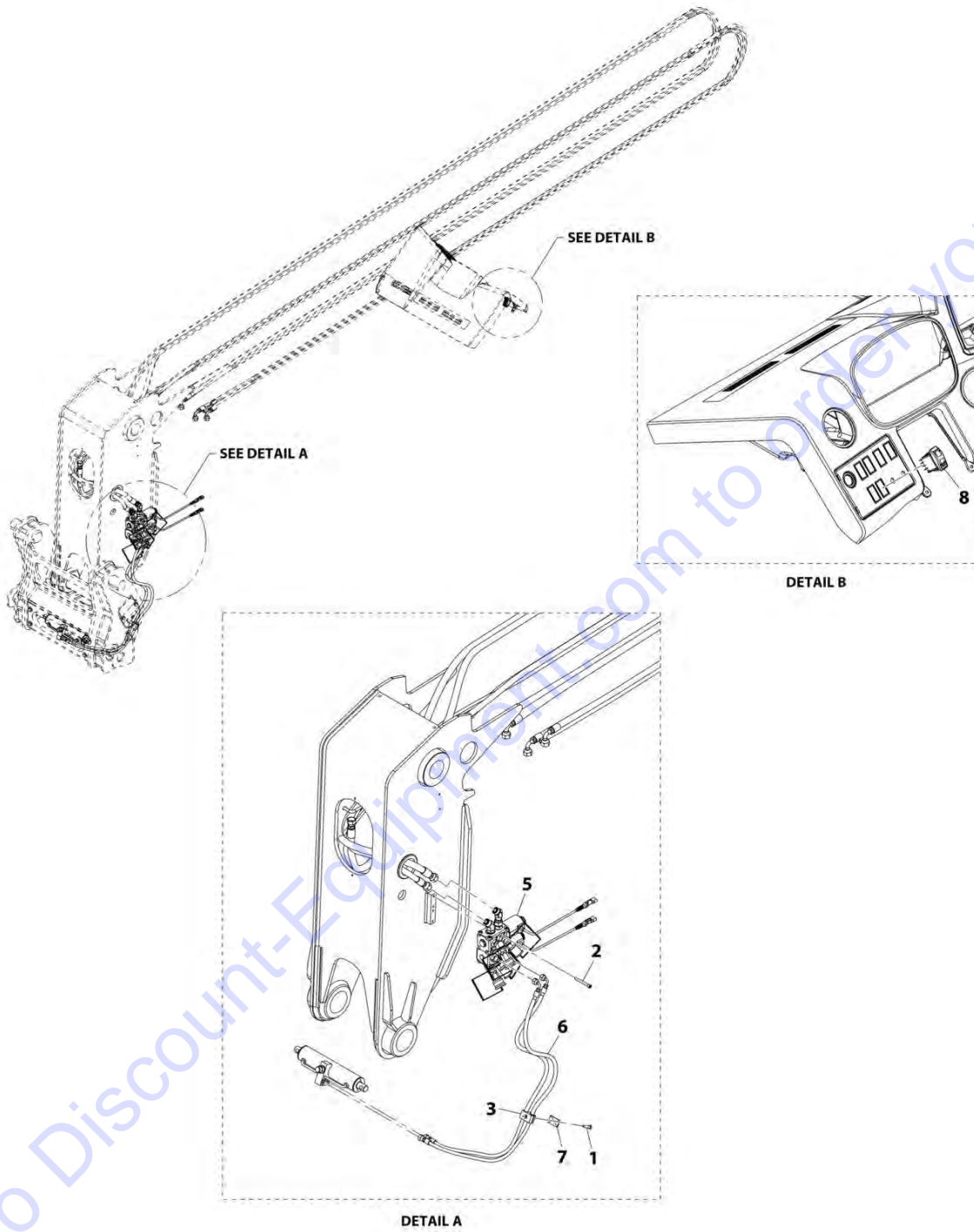
**FIGURE 8-15. DIVERTER VALVE ASSEMBLY**

ITEM	PART NUMBER	QTY	DESCRIPTION	REV
	1001213317	Ref	Diverter Valve Assembly	B
1	2110610	2	Fitting, Straight ORFS	
2	2111010	1	Fitting, Straight ORFS	
3	2151010	1	Fitting, 45 ORFS	
4	1001005904	2	Fitting, 45	
5	1001101041	1	Fitting, Male Quick Disconnect	
6	1001101042	1	Fitting, Female Quick Disconnect	
7	1001104477	1	Valve, Divertor (See Seperate Breakdown in Hydraulic Components Section)	
8	1001147416	1	Fitting, 45 ORFS	
9	91043125	1	Plug	
10	91043126	1	Cap, Dust	

Go to Discount-Equipment.com to order your parts

# SECTION 8 - HYDRAULIC CIRCUITS

## FIGURE 8-16. BOOM AUX HYDRAULIC INSTALLATION (HYDRAULIC - TWIN)



ART\_1001192367-C

## SECTION 8 - HYDRAULIC CIRCUITS

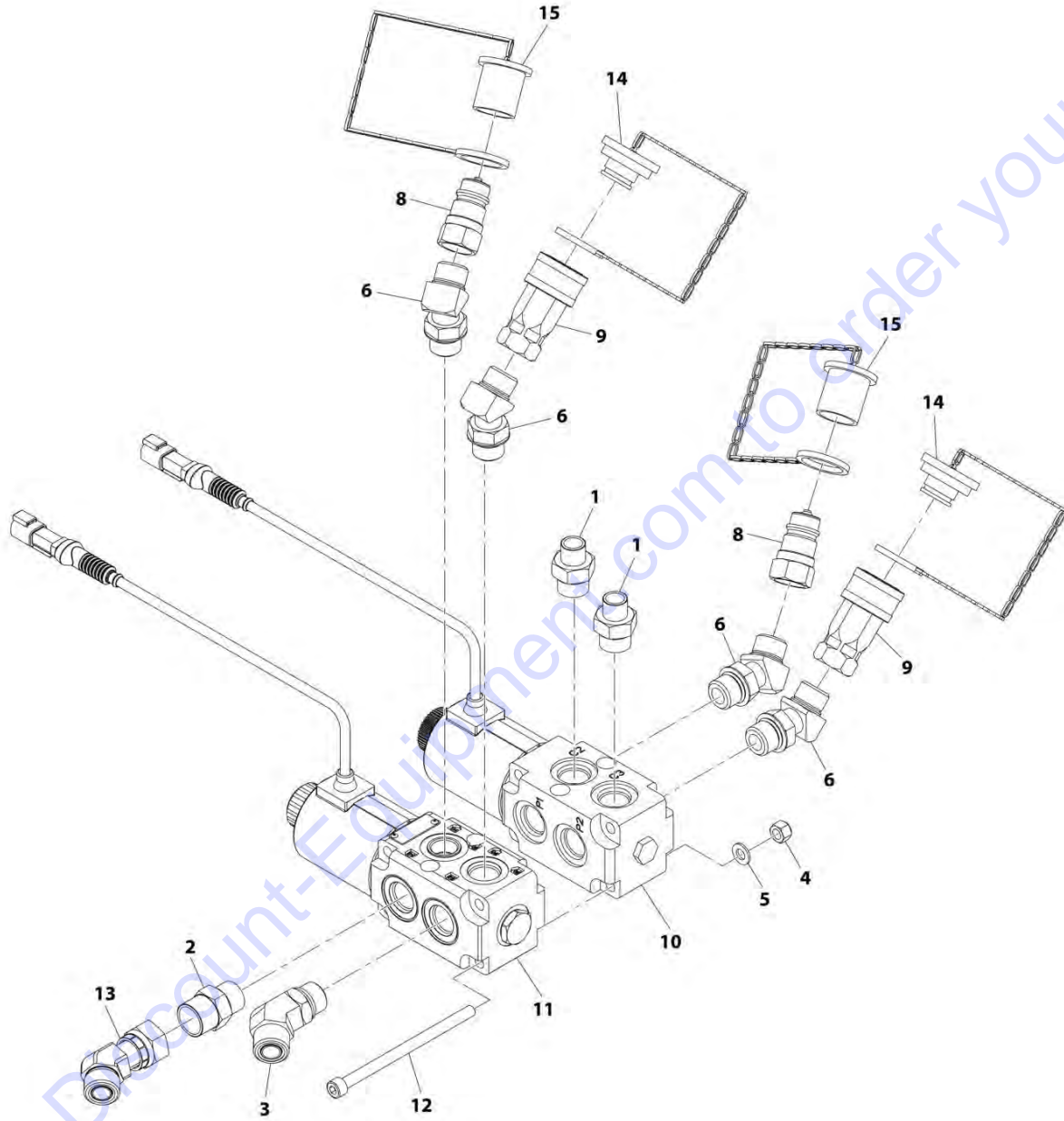
**FIGURE 8-16. BOOM AUX HYDRAULIC INSTALLATION (HYDRAULIC - TWIN)**

ITEM	PART NUMBER	QTY	DESCRIPTION	REV
	1001192367	Ref	Boom Aux Hydraulic Installation (hydraulic - twin)	C
1	0760815	1	Bolt, M8X35	
2	4031918	3	Bolt, M8X70	
3	8769126	1	Clamp	
5	1001213319	1	Assembly, Diverter Valve (hydraulic - twin) (See Seperate Breakdown in this Section)	
6	1001193111	2	Hose	
7	8769123	1	Plate, Cover	
8	1001080375	1	Switch	

Go to Discount-Equipment.com to order your parts

# SECTION 8 - HYDRAULIC CIRCUITS

## FIGURE 8-17. DIVERTER VALVE ASSEMBLY



ART\_1001213319-C



## SECTION 8 - HYDRAULIC CIRCUITS

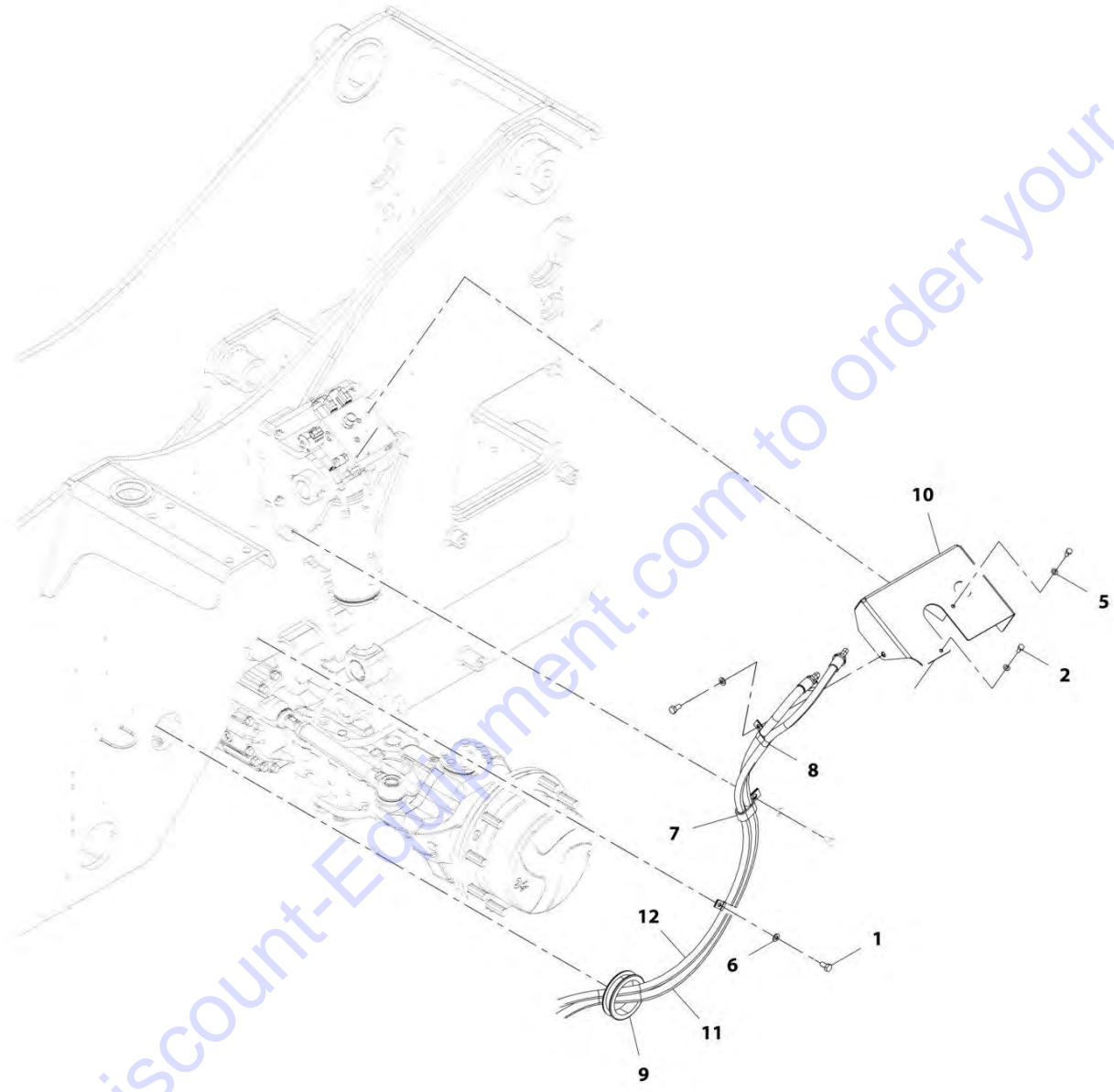
**FIGURE 8-17. DIVERTER VALVE ASSEMBLY**

ITEM	PART NUMBER	QTY	DESCRIPTION	REV
	1001213319	Ref	Diverter Valve Assembly	C
1	2110610	2	Fitting, Straight ORFS	
2	2111010	1	Fitting, Straight ORFS	
3	2151010	1	Fitting, 45 ORFS	
4	3290805	4	Nut, Lock M8X1.25	
5	4811900	4	Washer, M8	
6	1001005904	4	Fitting, 45	
8	1001101041	2	Fitting, Male Quick Disconnect	
9	1001101042	2	Fitting, Female Quick Disconnect	
10	1001104477	1	Valve, Divertor (See Seperate Breakdown in Hydraulic Component Section)	
11	1001110023	1	Valve, Divertor (See Seperate Breakdown in Hydraulic Components Section)	
12	1001110115	4	Bolt, M8X100	
13	1001147416	1	Fitting, 45 ORFS	
14	91043125	2	Plug	
15	91043126	2	Cap	

Go to Discount-Equipment.com to order your parts

# SECTION 8 - HYDRAULIC CIRCUITS

FIGURE 8-18. RALP HYDRAULIC LINES INSTALLATION



Go to Discount-Equipment.com to order your parts

ART\_1001192555-B

## SECTION 8 - HYDRAULIC CIRCUITS

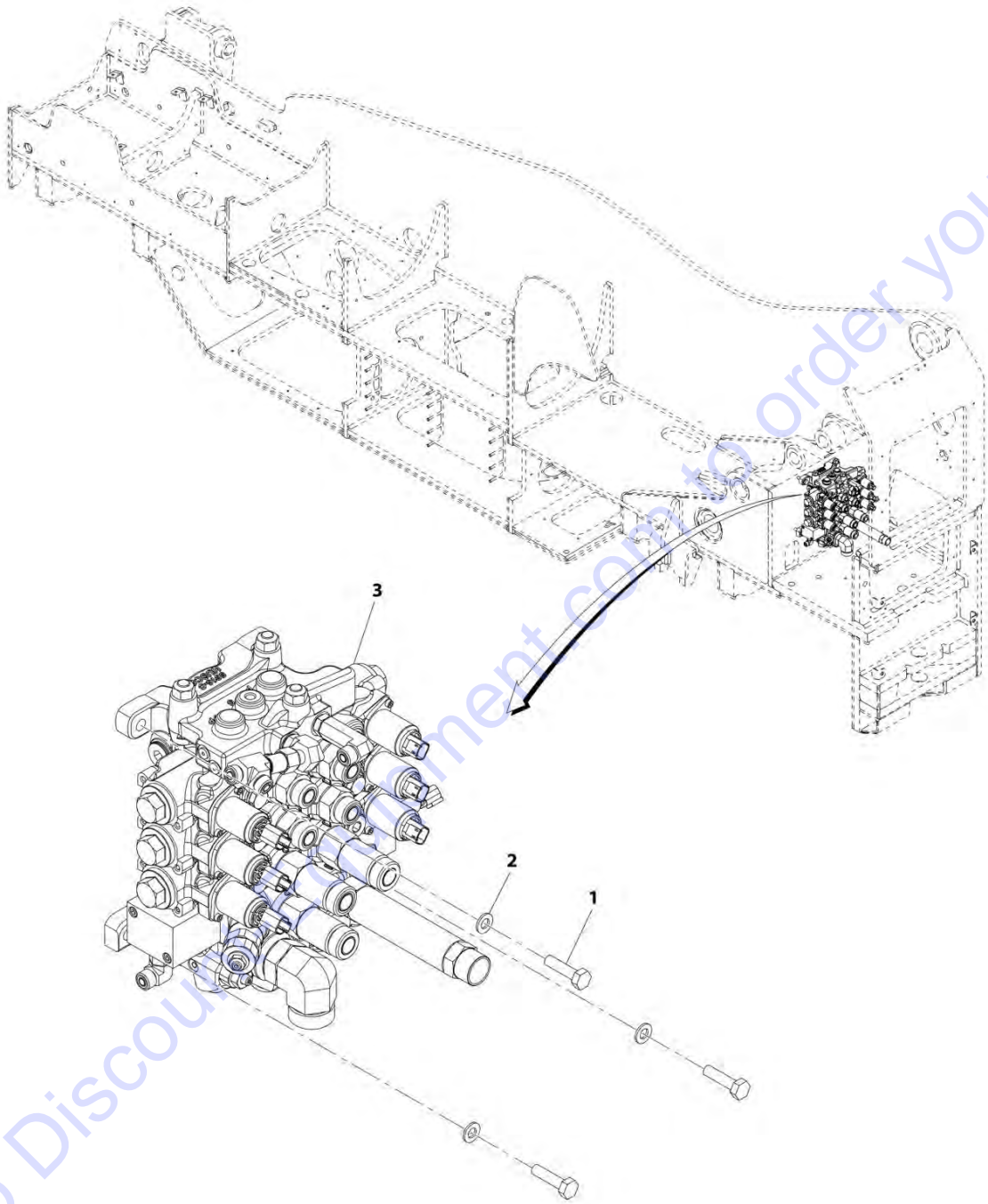
FIGURE 8-18. RALP HYDRAULIC LINES INSTALLATION

ITEM	PART NUMBER	QTY	DESCRIPTION	REV
	1001192555	1	RALP Hydraulic Lines Installation	B
1	0761010	2	Bolt, M10X20	
2	0760808	2	Bolt, M8X16	
5	4811900	2	Washer, M8	
6	4812000	2	Washer, M10	
7	1001026125	1	Clip	
8	1001026121	2	Clip	
9	1001028264	1	Grommet	
10	1001206608	1	Shield	
11	1001206607	1	Hose	
12	1001197489	1	Hose	

Go to Discount-Equipment.com to order your parts

# SECTION 8 - HYDRAULIC CIRCUITS

## FIGURE 8-19. MAIN CONTROL VALVE INSTALLATION



ART\_1001220457-A

## SECTION 8 - HYDRAULIC CIRCUITS

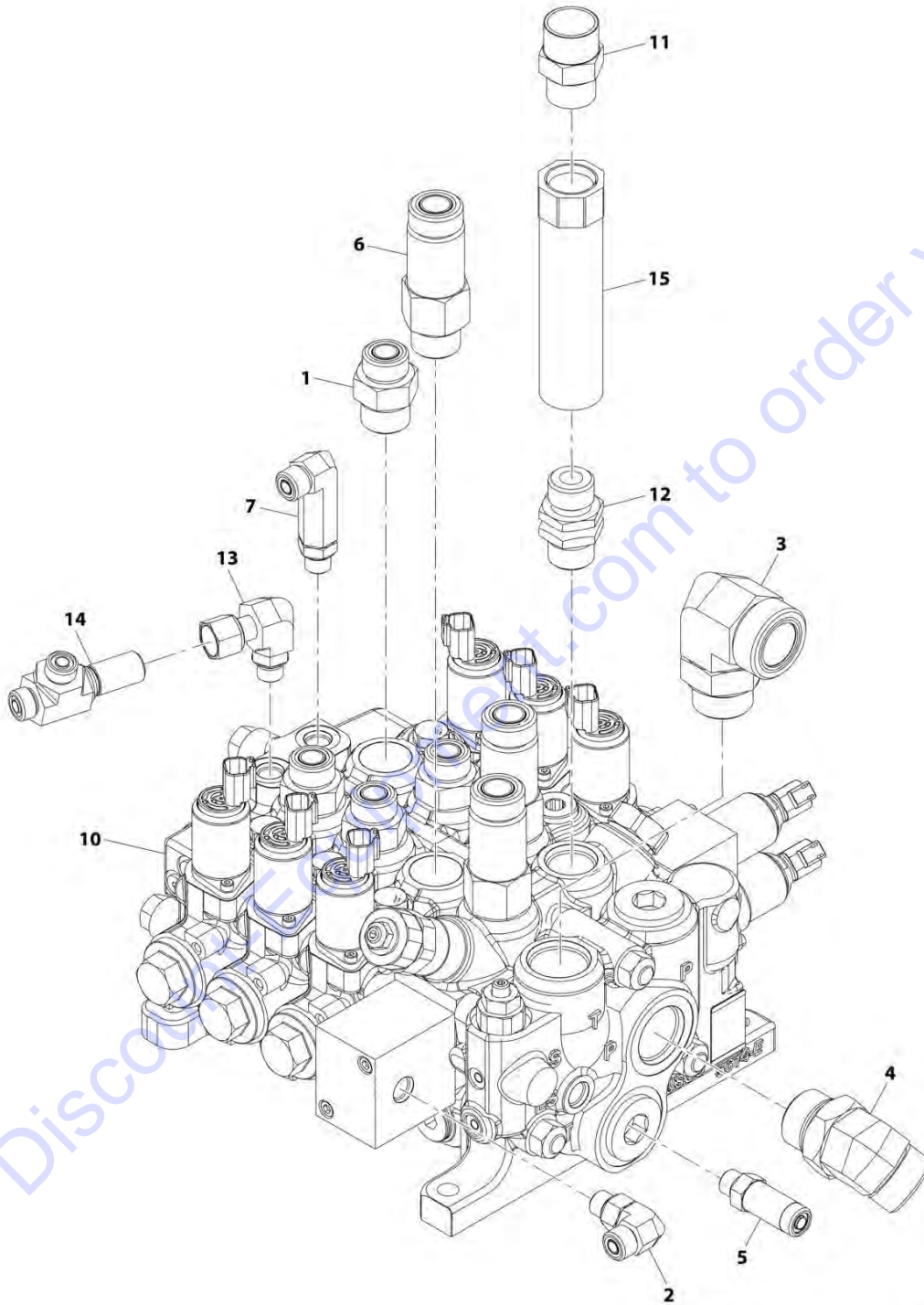
**FIGURE 8-19. MAIN CONTROL VALVE INSTALLATION**

ITEM	PART NUMBER	QTY	DESCRIPTION	REV
	1001220457	Ref	Main Control Valve Installation	A
1	0701016	3	Bolt, M10X40	
2	4812000	3	Washer, M10	
3	1001220456	1	Assembly, Main Control Valve (See Seperate Breakdown in this Section)	

Go to Discount-Equipment.com to order your parts

# SECTION 8 - HYDRAULIC CIRCUITS

## FIGURE 8-20. MAIN CONTROL VALVE ASSEMBLY



ART\_1001220456-B

## SECTION 8 - HYDRAULIC CIRCUITS

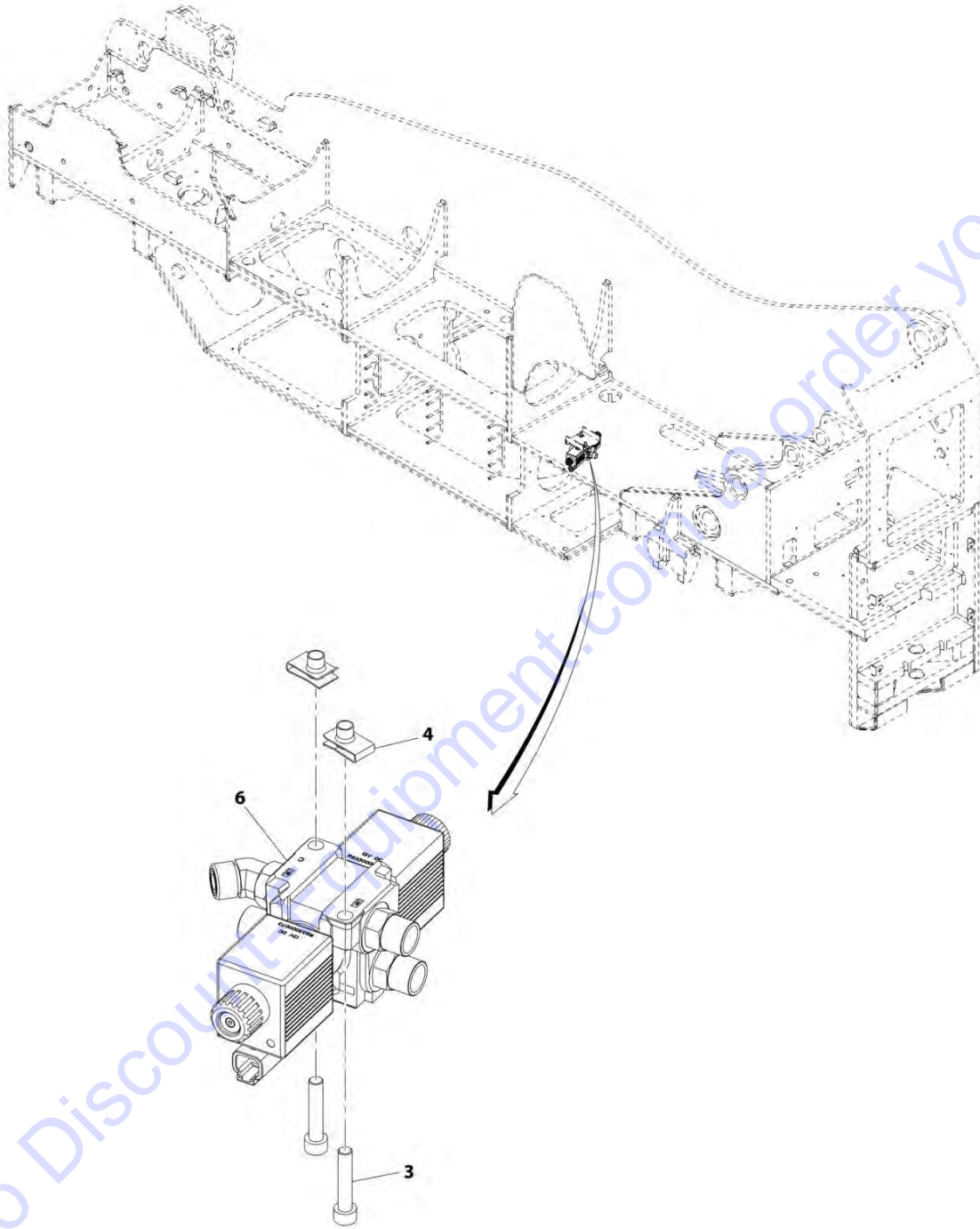
**FIGURE 8-20. MAIN CONTROL VALVE ASSEMBLY**

ITEM	PART NUMBER	QTY	DESCRIPTION	REV
	1001220456	Ref	Main Control Valve Assembly	B
1	2111012	4	Fitting, Straight ORFS	
2	2130606	1	Fitting, 90 ORFS	
3	2132016	1	Fitting, 90 ORFS	
4	2151616	1	Fitting, 45 ORFS	
5	2170106	1	Fitting, Straight ORFS	
6	2170112	3	Fitting, Straight ORFS	
7	2170206	1	Fitting, 90 ORFS	
10	1001220295	1	Valve, Main Control (See Separate Breakdown in Hydraulic Components Section)	
11	2111212	1	Fitting, Straight ORFS	
12	8770030	1	Fitting, Straight ORFS	
13	8770104	1	Fitting, 90 ORFS	
14	8770286	1	Fitting, 90 ORFS	
15	1001224946	1	Valve, Check	

Go to Discount-Equipment.com to order your parts

# SECTION 8 - HYDRAULIC CIRCUITS

## FIGURE 8-21. STEERING SELECT VALVE INSTALLATION



ART\_1001193516-B



## SECTION 8 - HYDRAULIC CIRCUITS

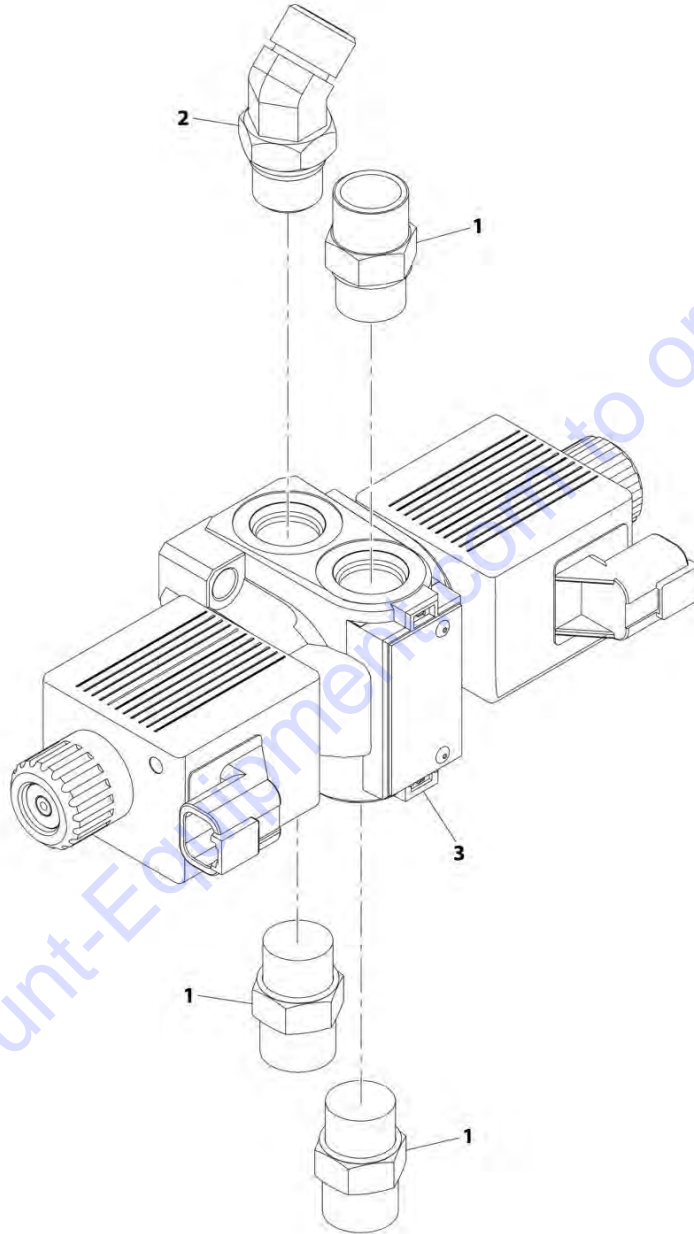
FIGURE 8-21. STEERING SELECT VALVE INSTALLATION

ITEM	PART NUMBER	QTY	DESCRIPTION	REV
	1001193516	Ref	Steering Select Valve Installation	B
3	4031912	2	Bolt, M8X40	
4	8310686	2	Nut, M8X12.5	
6	1001212418	1	Assembly, Steering Select Valve (See Seperate Breakdown in this Section)	

Go to Discount-Equipment.com to order your parts

# SECTION 8 - HYDRAULIC CIRCUITS

## FIGURE 8-22. STEERING SELECT VALVE ASSEMBLY



ART\_1001212418-A

## SECTION 8 - HYDRAULIC CIRCUITS

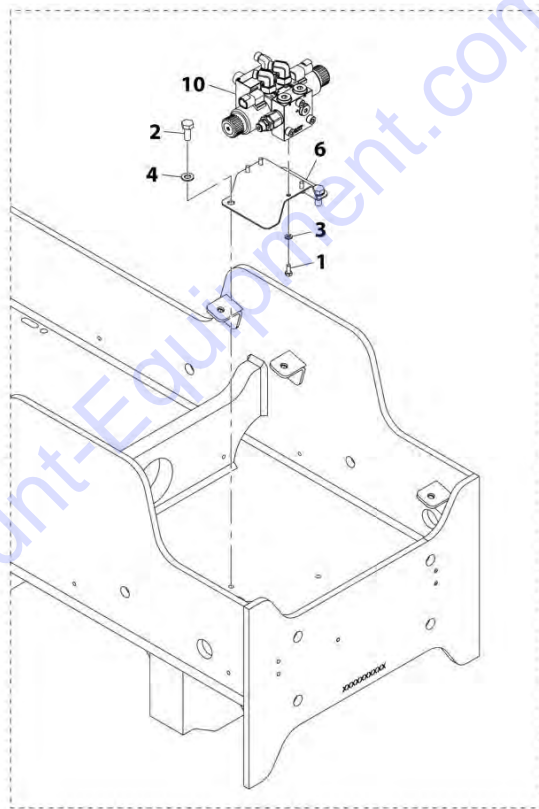
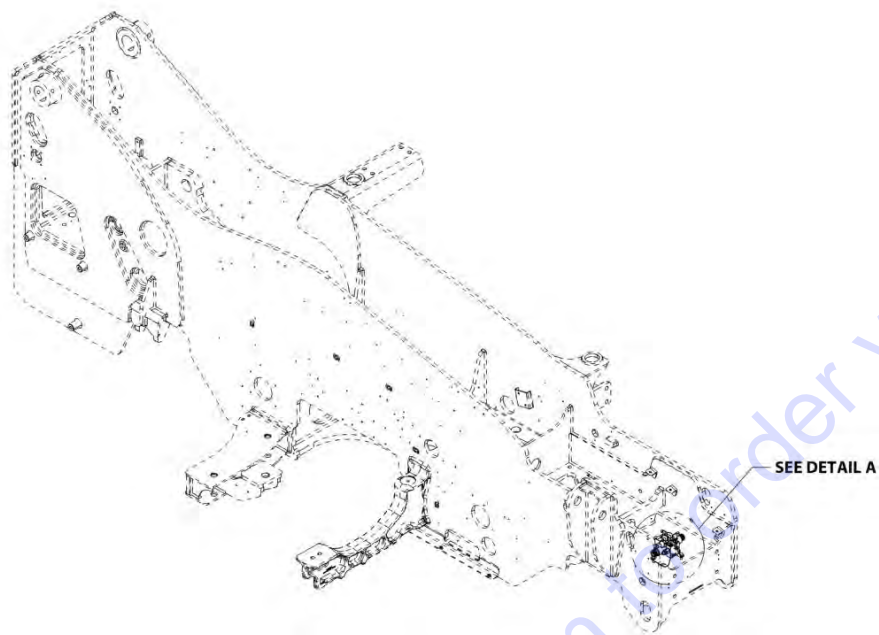
FIGURE 8-22. STEERING SELECT VALVE ASSEMBLY

ITEM	PART NUMBER	QTY	DESCRIPTION	REV
	1001212418	Ref	Steering Select Valve Assembly	A
1	2110808	3	Fitting, Straight ORFS	
2	2150808	1	Fitting, 45 ORFS	
3	1001153748	1	Valve, Steering Select (See Seperate Breakdown in Hydraulic Component Section)	

Go to Discount-Equipment.com to order your parts

# SECTION 8 - HYDRAULIC CIRCUITS

## FIGURE 8-23. FRAME LEVEL VALVE INSTALLATION



DETAIL A

ART\_1001193517-D

## SECTION 8 - HYDRAULIC CIRCUITS

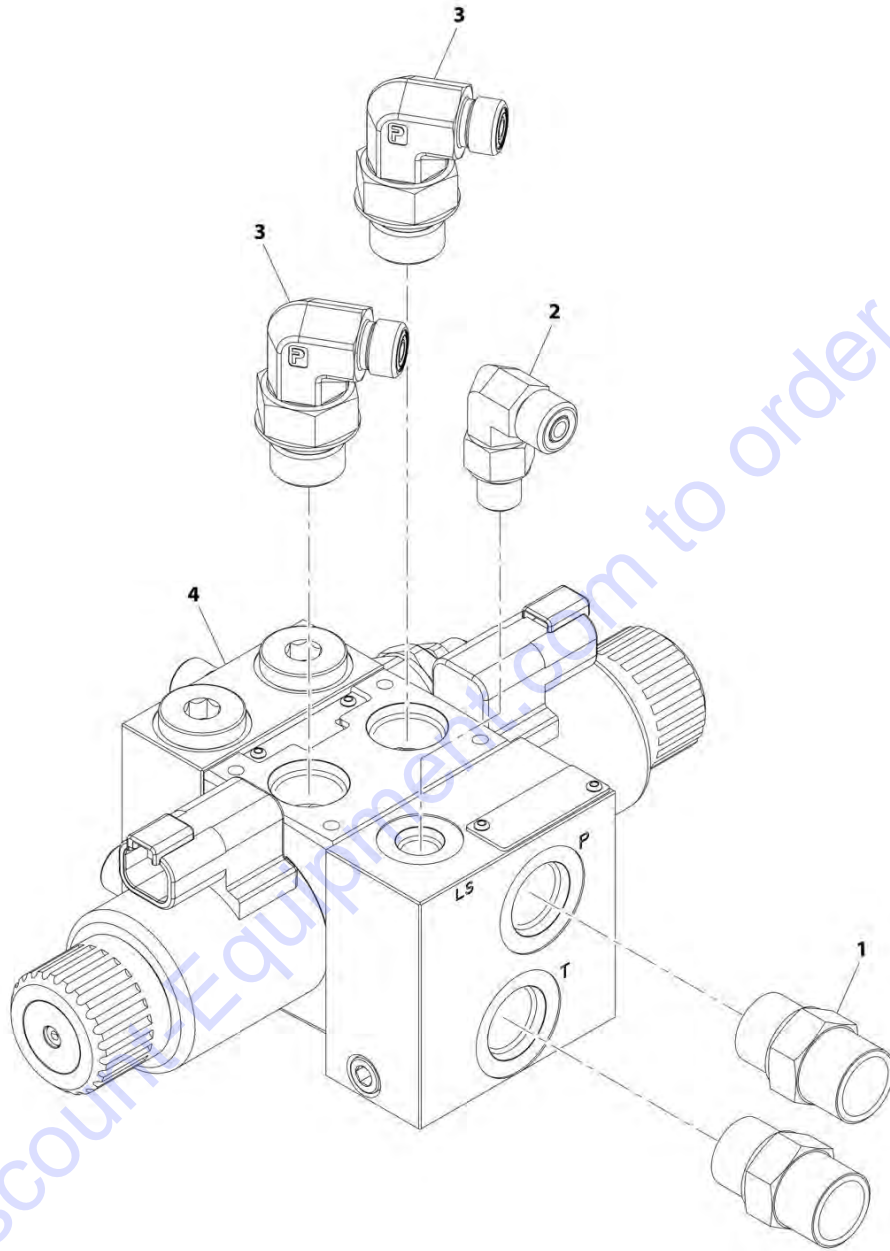
FIGURE 8-23. FRAME LEVEL VALVE INSTALLATION

ITEM	PART NUMBER	QTY	DESCRIPTION	REV
	1001193517	Ref	Frame Level Valve Installation	D
1	0760607	4	Bolt, M6X14	
2	0761012	2	Bolt, M10X25	
3	4811700	4	Washer, M6	
4	4812000	2	Washer, M10	
6	1001195733	1	Bracket	
10	1001215341	1	Assembly, Frame Level Valve (See Seperate Breakdown in this Section)	

Go to Discount-Equipment.com to order your parts

# SECTION 8 - HYDRAULIC CIRCUITS

## FIGURE 8-24. FRAME LEVEL VALVE ASSEMBLY



ART\_1001215341-B

## SECTION 8 - HYDRAULIC CIRCUITS

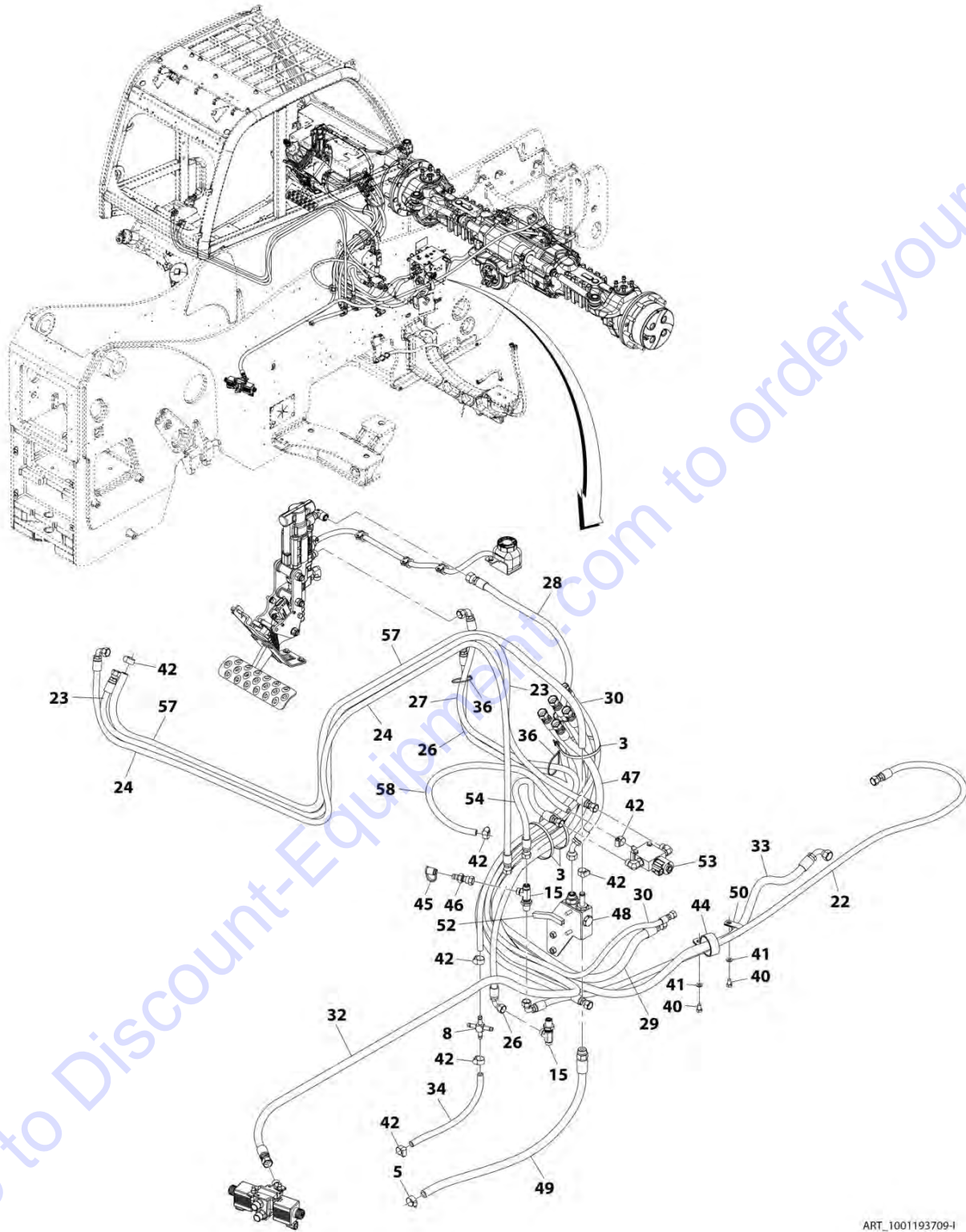
FIGURE 8-24. FRAME LEVEL VALVE ASSEMBLY

ITEM	PART NUMBER	QTY	DESCRIPTION	REV
	1001215341	Ref	Frame Level Valve Assembly	B
1	2110808	2	Fitting, Straight ORFS	
2	2130404	1	Fitting, 90 ORFS	
3	2130408	2	Fitting, 90 ORFS	
4	1001219615	1	Valve, Frame Level (See Seperate Breakdown in Hydraulic Components Section)	

Go to Discount-Equipment.com to order your parts

# SECTION 8 - HYDRAULIC CIRCUITS

## FIGURE 8-25. CAB HYDRAULICS INSTALLATION



ART\_1001193709-I



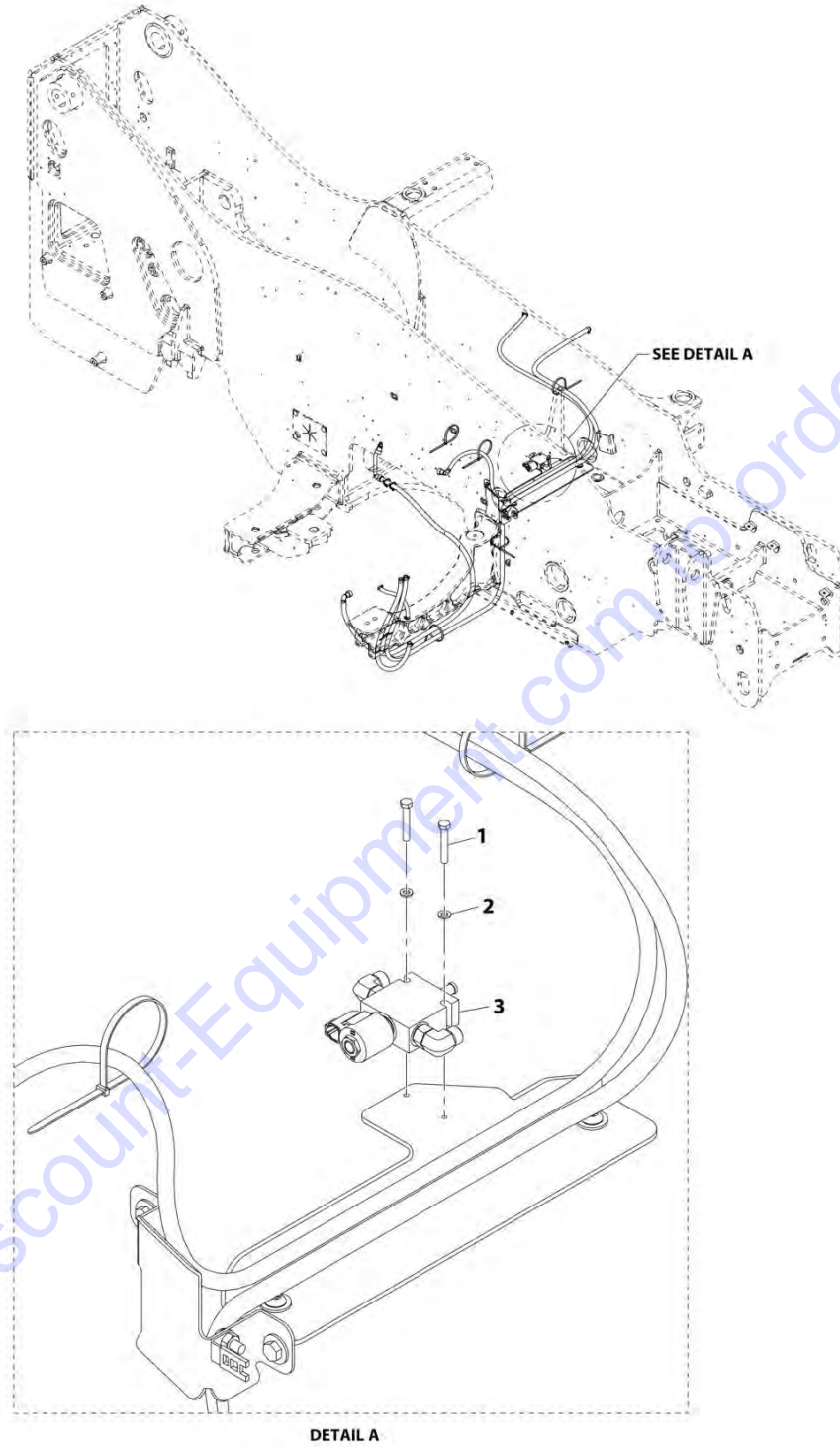
## SECTION 8 - HYDRAULIC CIRCUITS

**FIGURE 8-25. CAB HYDRAULICS INSTALLATION**

ITEM	PART NUMBER	QTY	DESCRIPTION	REV
	1001193709	Ref	Cab Hydraulics Installation	I
3	4240018	3	Strap, Cable	
5	8405006	1	Clamp	
8	1001215256	1	Fitting, Cross Barb	
15	88662434	2	Fitting, Tee ORFS	
22	1001210800	1	Hose	
23	1001221989	1	Hose	
24	1001210327	1	Hose	
26	1001196989	1	Hose	
27	1001206709	1	Hose	
28	1001210282	1	Hose	
29	1001196992	1	Hose	
30	1001196993	1	Hose	
32	1001196995	1	Hose	
33	1001196996	1	Hose	
34	1001196997	1	Hose	
36	4240099	3	Tie, Wire	
40	0760807	2	Bolt, M8X14	
41	4811900	2	Washer, M8	
42	8410013	7	Clamp	
44	85941018	1	Clamp	
45	8430032	1	Plug	
46	8430081	1	Fitting, Straight ORFS	
47	1001212787	1	Hose	
48	1001212788	Ref	Installation, Check Valve (See Separate Breakdown in this Section)	
49	1001212880	1	Hose	
50	8406201	1	Clip	
52	90206198	186 mm	Compound, Locking	
53	1001221987	Ref	Installation, Solenoid Valve (See Separate Breakdown in this Section)	
54	1001221988	1	Hose	
57	2720160	2290 mm	Hose	
58	1001008654	750 mm	Hose	

# SECTION 8 - HYDRAULIC CIRCUITS

## FIGURE 8-26. SOLENOID VALVE INSTALLATION



ART\_1001221987-A

## SECTION 8 - HYDRAULIC CIRCUITS

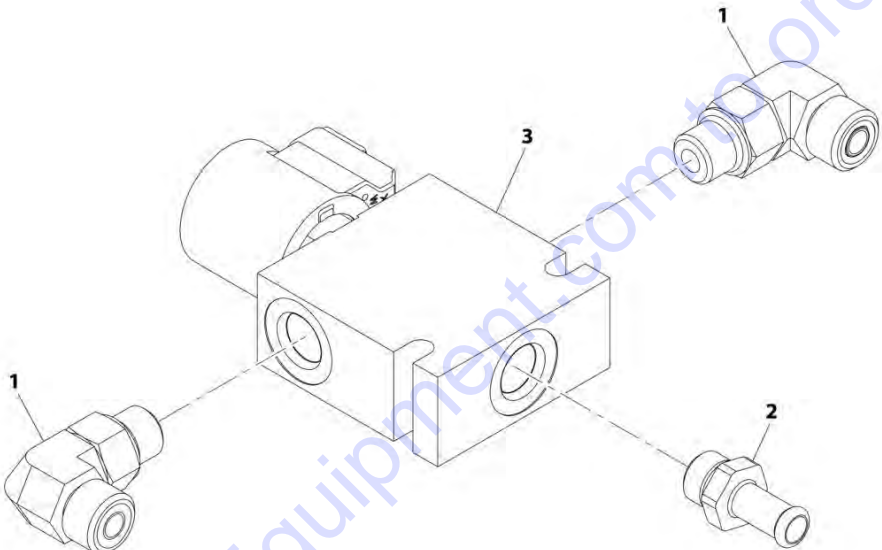
### FIGURE 8-26. SOLENOID VALVE INSTALLATION

ITEM	PART NUMBER	QTY	DESCRIPTION	REV
	1001221987	Ref	Solenoid Valve Installation	A
1	0700616	2	Bolt, M6X40	
2	4811700	2	Washer, M6	
3	1001221986	1	Assembly, Solenoid Valve (See Seperate Breakdown in this Section)	

Go to Discount-Equipment.com to order your parts

**SECTION 8 - HYDRAULIC CIRCUITS**

**FIGURE 8-27. SOLENOID VALVE ASSEMBLY**



ART\_1001221986-A

## SECTION 8 - HYDRAULIC CIRCUITS

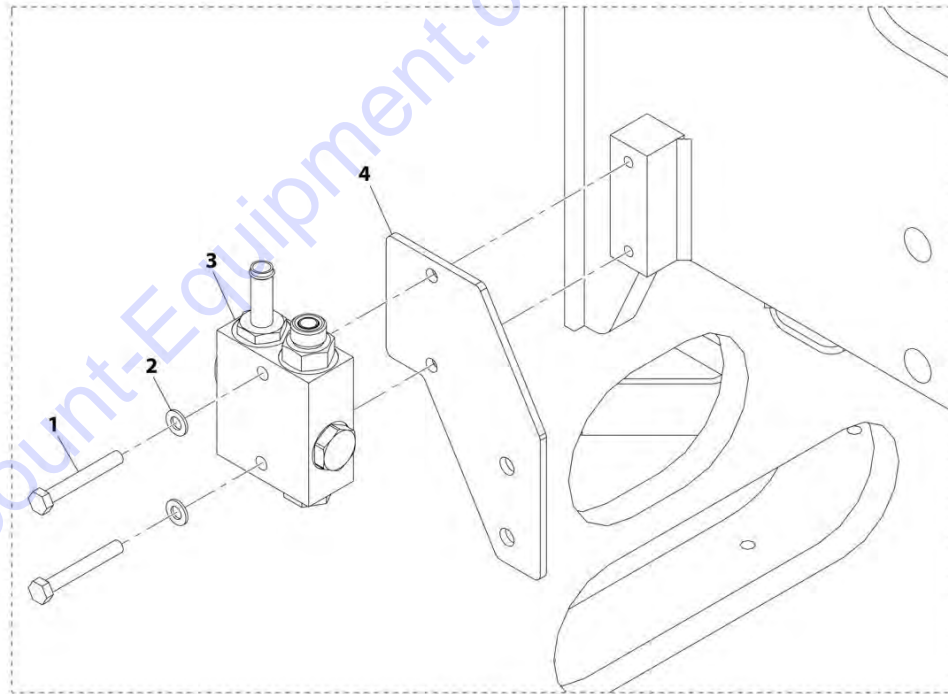
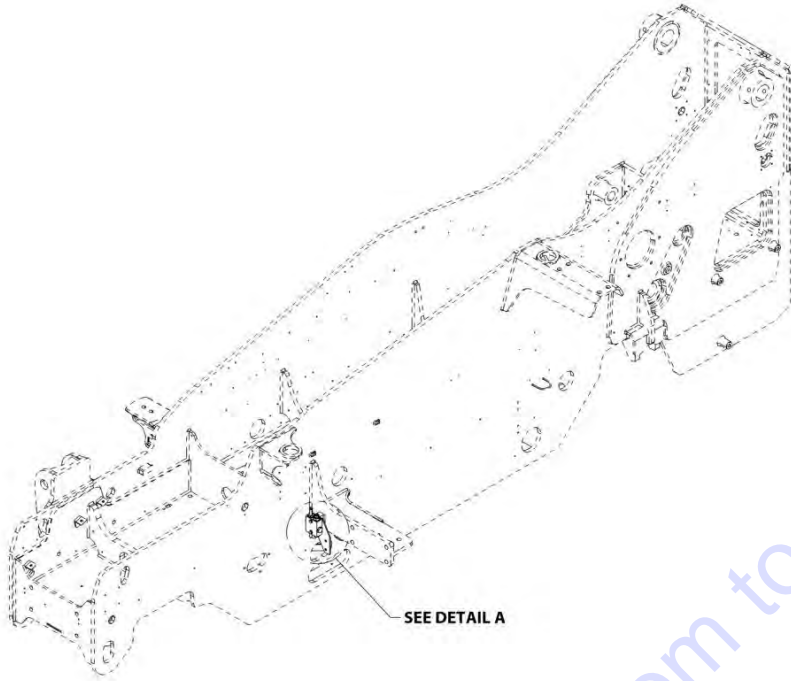
### FIGURE 8-27. SOLENOID VALVE ASSEMBLY

ITEM	PART NUMBER	QTY	DESCRIPTION	REV
	1001221986	Ref	Solenoid Valve Assembly	A
1	2130606	2	Fitting, 90 ORFS	
2	1001168030	1	Fitting, Hose Barb	
3	1001221928	1	Valve, Solenoid (See Seperate Breakdown in Hydraulic Components Section)	

Go to Discount-Equipment.com to order your parts

# SECTION 8 - HYDRAULIC CIRCUITS

## FIGURE 8-28. CHECK VALVE INSTALLATION



DETAIL A

ART\_1001212788-A

## SECTION 8 - HYDRAULIC CIRCUITS

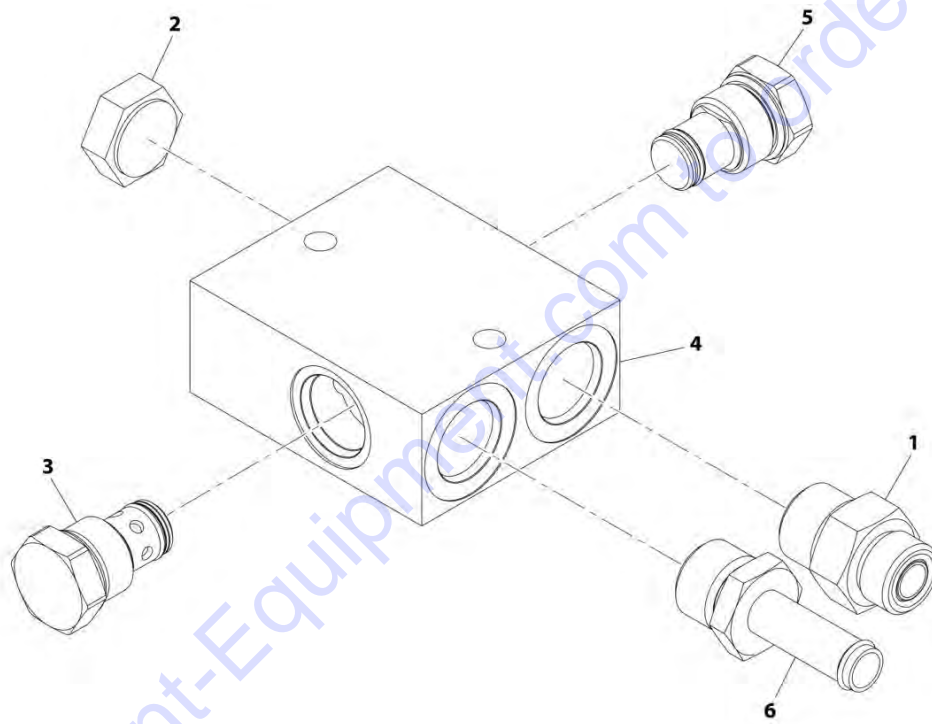
FIGURE 8-28. CHECK VALVE INSTALLATION

ITEM	PART NUMBER	QTY	DESCRIPTION	REV
	1001212788	Ref	Check Valve Installation	A
1	0700820	2	Bolt, M8X60	
2	4811900	2	Washer, M8	
3	1001212789	1	Assembly, Check Valve (See Seperate Breakdown in this Section)	
4	1001219659	1	Plate	

Go to Discount-Equipment.com to order your parts

# SECTION 8 - HYDRAULIC CIRCUITS

## FIGURE 8-29. CHECK VALVE ASSEMBLY



ART\_1001212789-C



## SECTION 8 - HYDRAULIC CIRCUITS

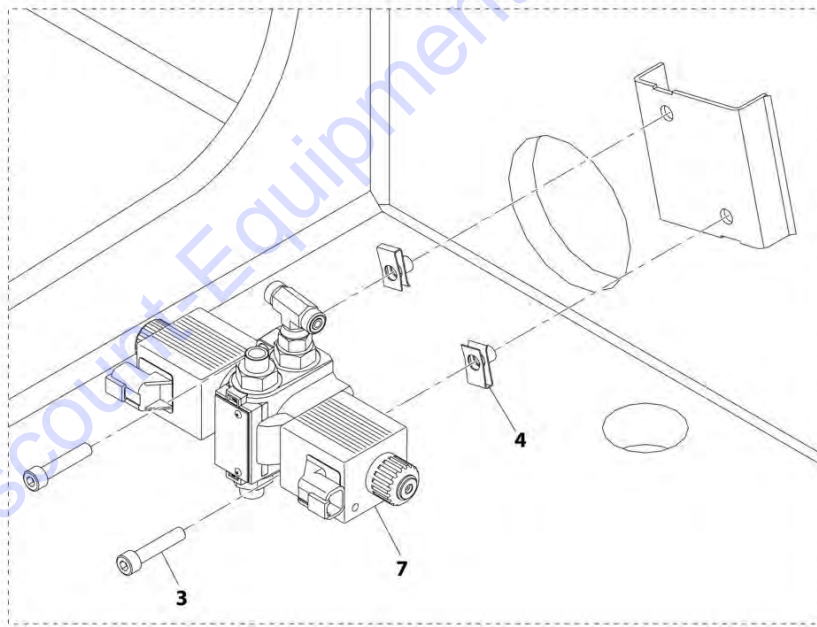
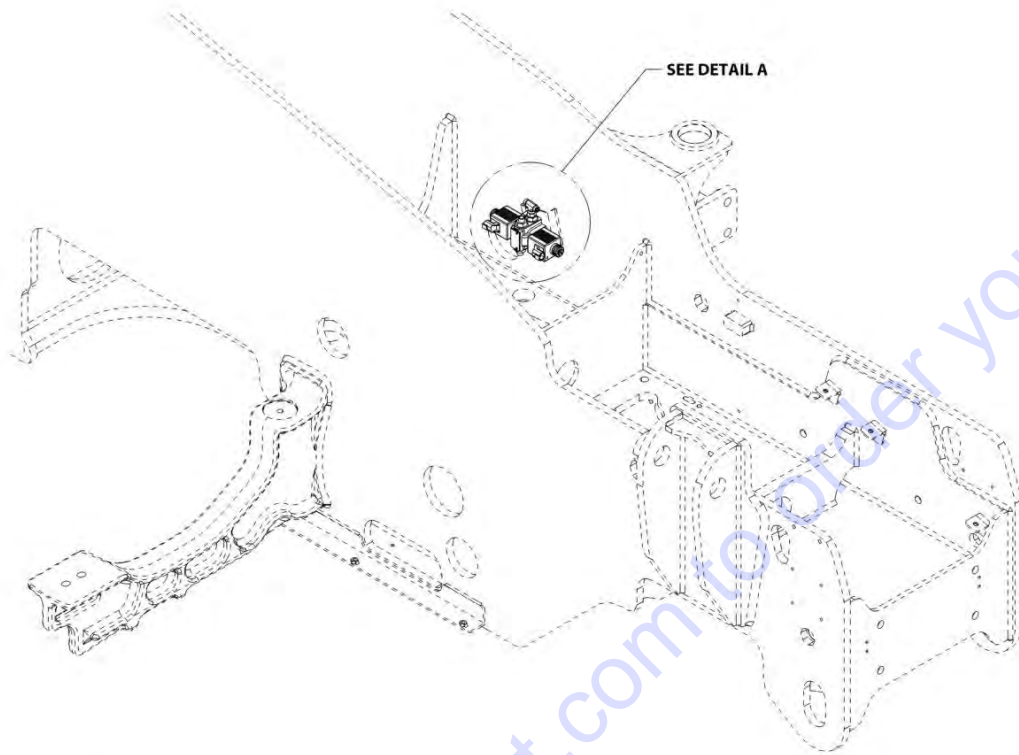
### FIGURE 8-29. CHECK VALVE ASSEMBLY

ITEM	PART NUMBER	QTY	DESCRIPTION	REV
	1001212789	Ref	Check Valve Assembly	C
1	2110810	1	Fitting, Straight ORFS	
2	2220239	1	Plug	
3	1001231393	1	1001212789	
4	1001210780	1	Manifold, Dual Check Valve (See Seperate Breakdown in Hydraulic Components Section)	
5	1001210801	1	Valve, Check	
6	1001225656	1	Fitting, Barb	

Go to Discount-Equipment.com to order your parts

# SECTION 8 - HYDRAULIC CIRCUITS

## FIGURE 8-30. SPEED CONTROL VALVE INSTALLATION



DETAIL A

ART\_1001197196-B

## SECTION 8 - HYDRAULIC CIRCUITS

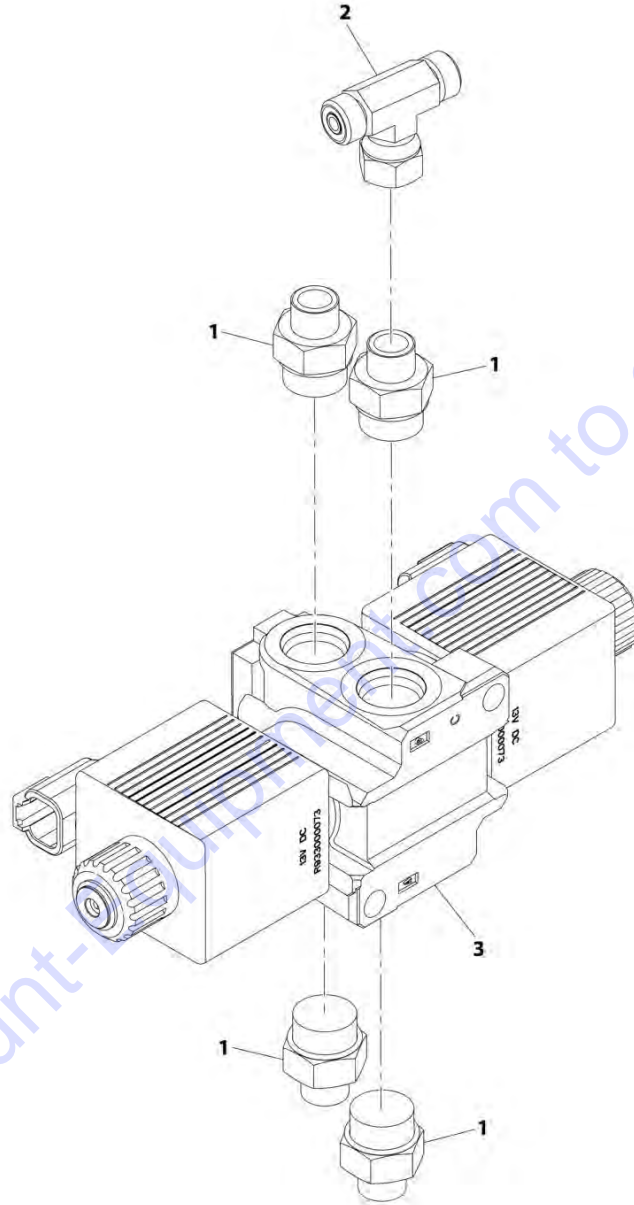
FIGURE 8-30. SPEED CONTROL VALVE INSTALLATION

ITEM	PART NUMBER	QTY	DESCRIPTION	REV
	1001197196	Ref	Speed Control Valve Installation	B
3	4031912	2	Bolt, M8X40	
4	8310686	2	Nut, M8X12.5	
7	1001220643	1	Assembly, Speed Control Valve (See Seperate Breakdown in this Section)	

Go to Discount-Equipment.com to order your parts

# SECTION 8 - HYDRAULIC CIRCUITS

## FIGURE 8-31. SPEED CONTROL VALVE ASSEMBLY



ART\_1001220643-A

## SECTION 8 - HYDRAULIC CIRCUITS

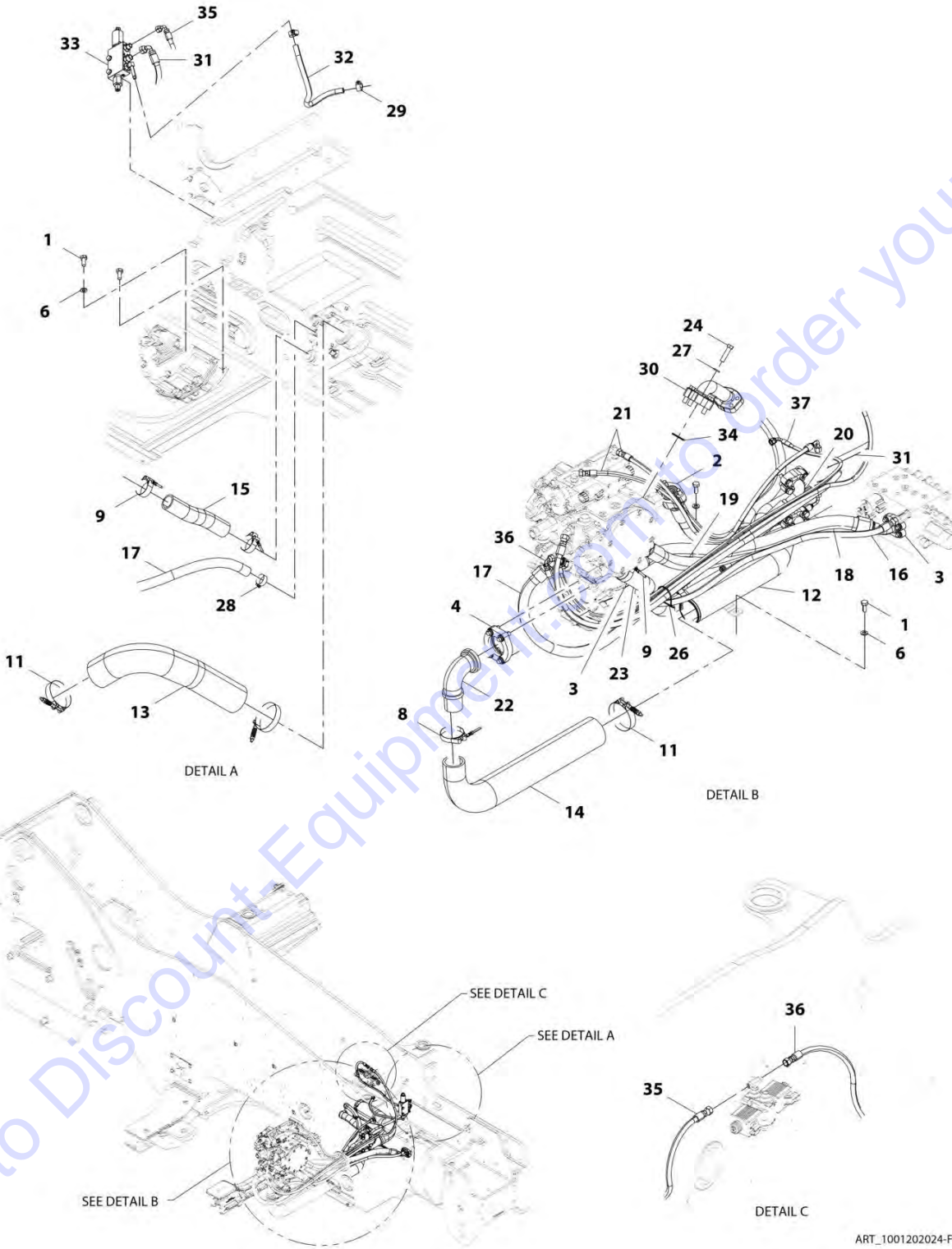
FIGURE 8-31. SPEED CONTROL VALVE ASSEMBLY

ITEM	PART NUMBER	QTY	DESCRIPTION	REV
	1001220643	Ref	Speed Control Valve Assembly	A
1	2110408	4	Fitting, Straight ORFS	
2	2170804	1	Fitting, Tee	
3	4641520	1	Valve, Speed Control (See Seperate Breakdown in Hydraulic Components Section)	

Go to Discount-Equipment.com to order your parts

# SECTION 8 - HYDRAULIC CIRCUITS

## FIGURE 8-32. ENGINE BAY HYDRAULIC INSTALLATION



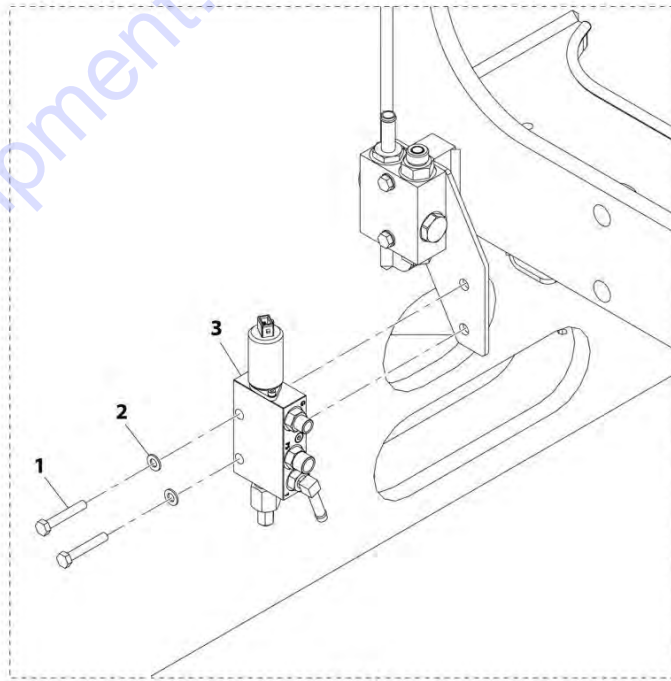
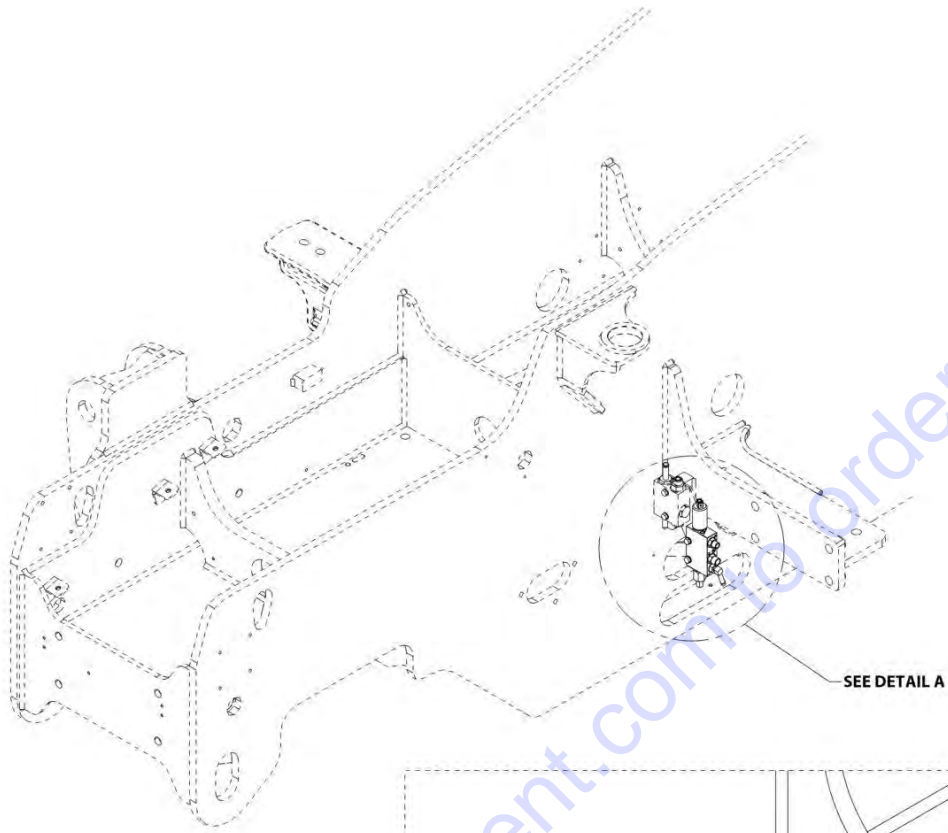
## SECTION 8 - HYDRAULIC CIRCUITS

**FIGURE 8-32. ENGINE BAY HYDRAULIC INSTALLATION**

ITEM	PART NUMBER	QTY	DESCRIPTION	REV
	1001202024	Ref	Engine Bay Installation	F
1	0761012	4	Bolt, M10X25	
2	1001217948	4	Kit, Flange (includes mounting hardware and o-ring)	
3	2171816	2	Kit, Flange (includes mounting hardware and o-ring)	
4	2171832	1	Kit, Flange (includes mounting hardware and o-ring)	
6	4812000	4	Washer, M10	
8	1001005438	1	Clamp	
9	1001014231	4	Clamp	
11	1001186843	3	Clamp	
12	1001187272	1	Pipe	
13	1001187273	1	Hose	
14	1001187275	1	Hose	
15	1001193461	1	Hose	
16	1001196959	1	Hose	
17	1001215802	1	Hose	
18	1001214431	1	Hose	
19	1001214430	1	Hose	
20	1001214429	1	Hose	
21	1001215539	2	Hose	
22	8424233	1	Fitting, 90	
23	1001202027	1	Hose	
24	0681714	4	Bolt, 7/16-14X1 3/4 Grade 8	
26	4240099	AR	Tie, Wire	
27	4761700	4	Washer, Lock 7/16	
28	8405007	1	Clamp	
29	8410013	2	Clamp	
30	1001200870	1	Fitting, 90	
31	1001213306	1	Hose	
32	1001213307	1	Hose	
33	1001213308	1	Installation, Inching Valve (See Seperate Breakdown in this Section)	
34	91083106	1	O-Ring	
35	1001215093	1	Hose	
36	1001215212	1	Hose	
37	1001223109	1	Hose	

# SECTION 8 - HYDRAULIC CIRCUITS

## FIGURE 8-33. INCHING VALVE INSTALLATION



DETAIL A

ART\_1001213308-A



## SECTION 8 - HYDRAULIC CIRCUITS

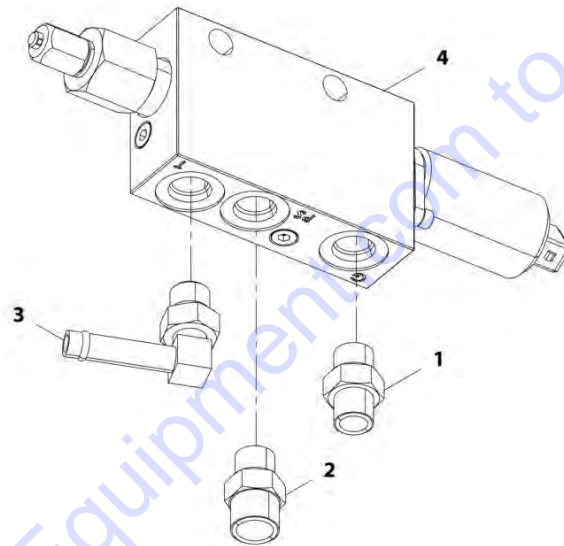
### FIGURE 8-33. INCHING VALVE INSTALLATION

ITEM	PART NUMBER	QTY	DESCRIPTION	REV
	1001213308	Ref	Inching Valve Installation	A
1	0700818	2	Bolt, M8X50	
2	4811900	2	Washer, M8	
3	1001213309	1	Assembly, Inching Valve (See Seperate Breakdown in this Section)	

Go to Discount-Equipment.com to order your parts

# SECTION 8 - HYDRAULIC CIRCUITS

## FIGURE 8-34. INCHING VALVE ASSEMBLY



ART\_1001213309-B

## SECTION 8 - HYDRAULIC CIRCUITS

### FIGURE 8-34. INCHING VALVE ASSEMBLY

ITEM	PART NUMBER	QTY	DESCRIPTION	REV
	1001213309	Ref	Inching Valve Assembly	B
1	2110406	1	Fitting, Straight ORFS	
2	2110606	1	Fitting, Straight ORFS	
3	8430034	1	Elbow, 90	
4	1001213311	1	Valve, Inching (See Seperate Breakdown in Hydraulic Component Section)	

Go to Discount-Equipment.com to order your parts



## SECTION 8 - HYDRAULIC CIRCUITS

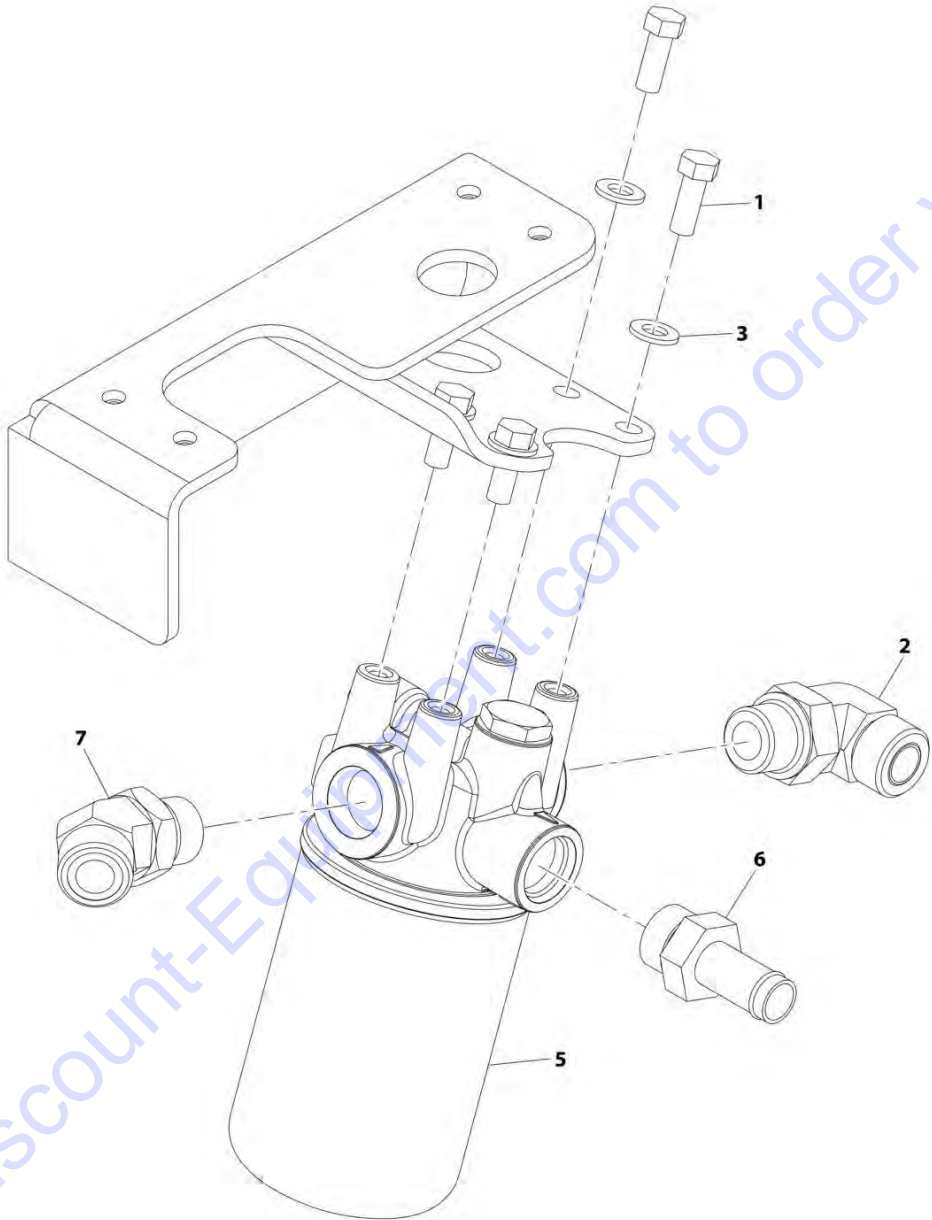
### FIGURE 8-35. CHARGE FILTER LINES INSTALLATION

ITEM	PART NUMBER	QTY	DESCRIPTION	REV
	1001202026	Ref	Charge Filter Lines Installation	B
1	0700814	2	Bolt, M8X30	
2	4811900	2	Washer, M8	
3	8405007	2	Clamp	
4	1001195431	1	Bracket	
5	1001195433	1	Hose	
6	1001195434	1	Hose	
7	1001195435	1	Hose	
8	1001202038	Ref	Installation, Charge Filter (See Seperate Breakdown in this Section)	

Go to Discount-Equipment.com to order your parts

**SECTION 8 - HYDRAULIC CIRCUITS**

**FIGURE 8-36. CHARGE FILTER INSTALLATION**



ART\_1001195430-C

## SECTION 8 - HYDRAULIC CIRCUITS

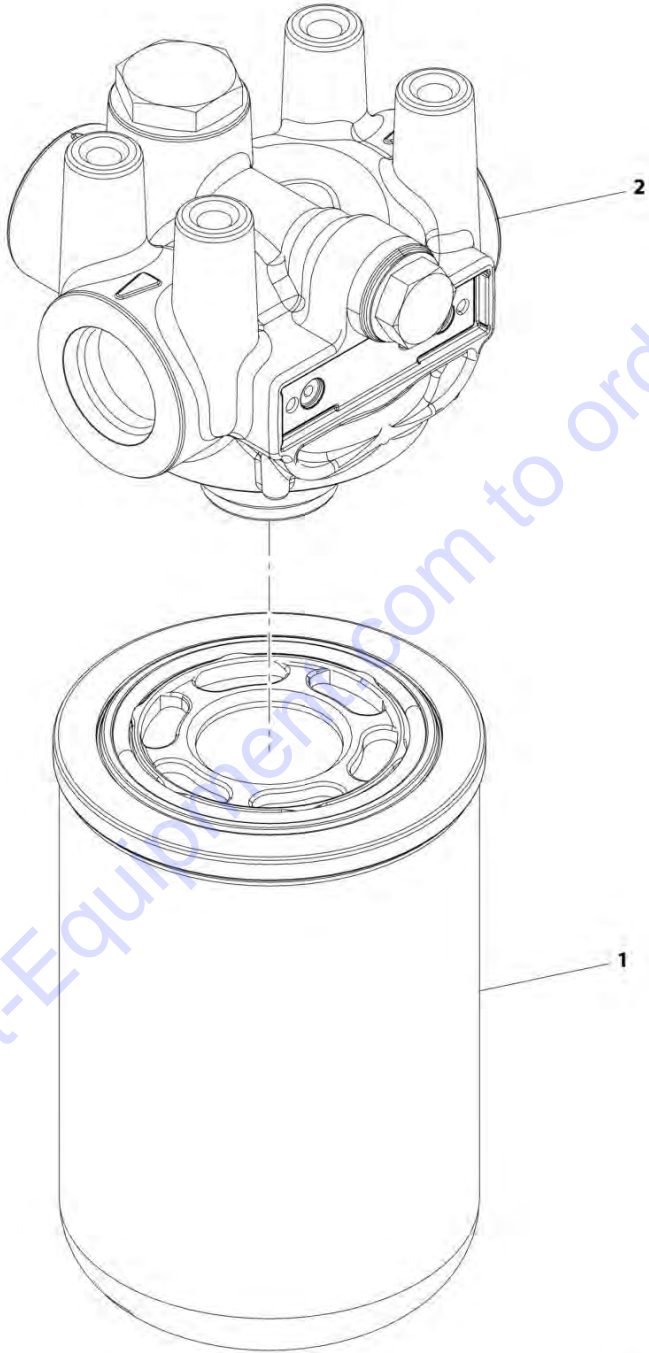
FIGURE 8-36. CHARGE FILTER INSTALLATION

ITEM	PART NUMBER	QTY	DESCRIPTION	REV
	1001195430	Ref	Charge Filter Installation	C
1	0641608	4	Bolt, 3/8-16X1	
2	2131212	1	Fitting, 90 ORFS	
3	4812000	4	Washer, M10	
5	1001141976	1	Assembly, Charge Filter (See Seperate Breakdown in this Section)	
6	1001183700	1	Fitting, Barb	
7	2151212	1	Fitting, 45 ORFS	

Go to Discount-Equipment.com to order your parts

**SECTION 8 - HYDRAULIC CIRCUITS**

**FIGURE 8-37. IMPLEMENT PUMP FILTER ASSEMBLY**



Go to Discount-Equipment.com to order your parts

ART\_1001141976-A



## SECTION 8 - HYDRAULIC CIRCUITS

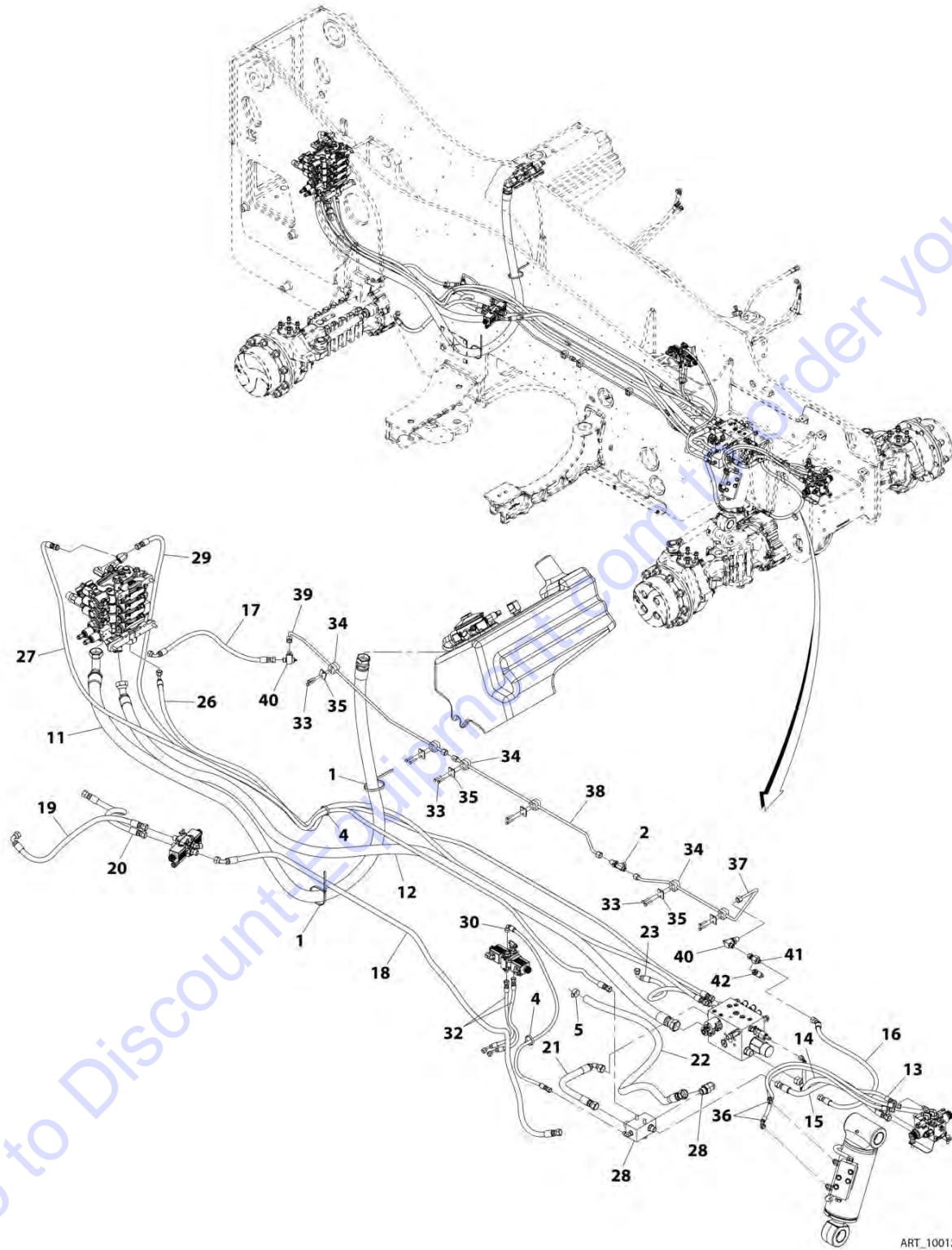
FIGURE 8-37. IMPLEMENT PUMP FILTER ASSEMBLY

ITEM	PART NUMBER	QTY	DESCRIPTION	REV
	1001141976	Ref	Implement Pump Filter Assembly	A
1	1001141461	1	Filter	
2	1001141462	1	Pump, Filter	

Go to Discount-Equipment.com to order your parts

# SECTION 8 - HYDRAULIC CIRCUITS

## FIGURE 8-38. FRAME HYDRAULIC INSTALLATION



ART\_1001202025-F

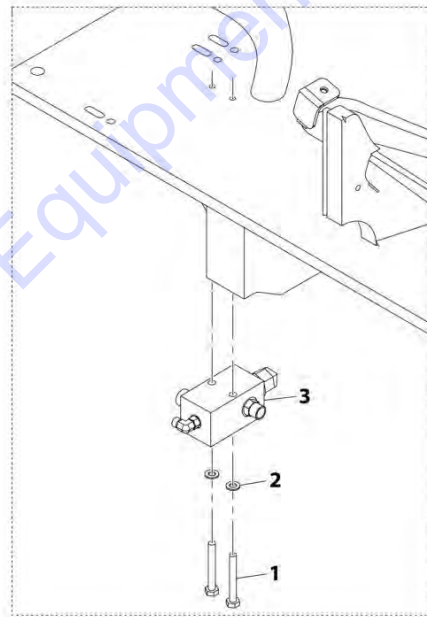
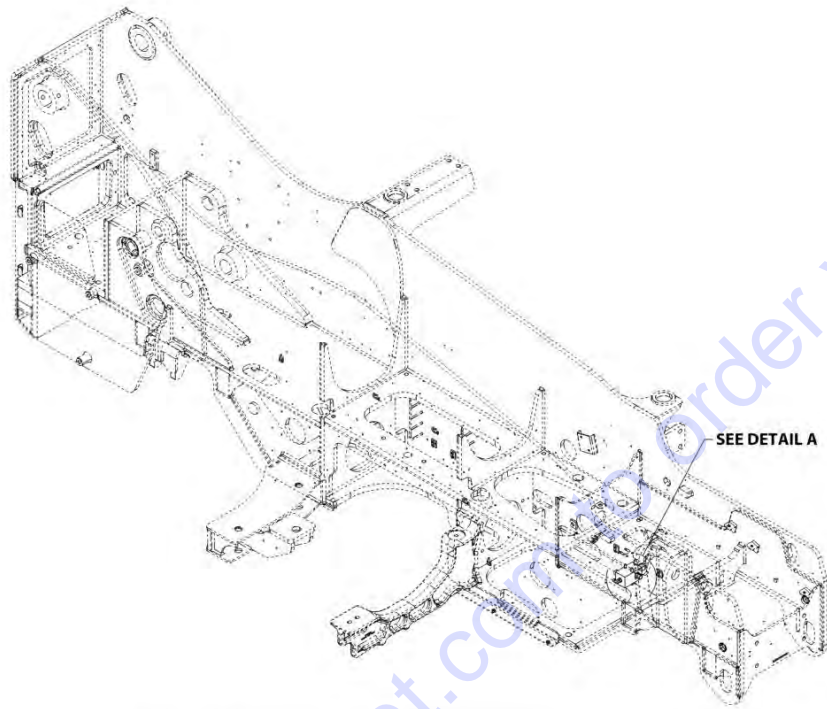
## SECTION 8 - HYDRAULIC CIRCUITS

**FIGURE 8-38. FRAME HYDRAULIC INSTALLATION**

ITEM	PART NUMBER	QTY	DESCRIPTION	REV
	1001202025	Ref	Frame Hydraulic Installation	F
1	1062255	2	Strap, Tie	
2	88662434	1	Fitting, Tee ORFS	
4	4240018	2	Strap, Tie	
5	8405007	1	Clamp	
11	1001196964	1	Hose	
12	1001196967	1	Hose	
13	1001210635	1	Hose	
14	1001196969	1	Hose	
15	1001196970	1	Hose	
16	1001208532	1	Hose	
17	1001208534	1	Hose	
18	1001196973	1	Hose	
19	1001196974	1	Hose	
20	1001196975	1	Hose	
21	1001196976	1	Hose	
22	1001196977	1	Hose	
23	1001196978	1	Hose	
26	1001196981	1	Hose	
27	1001196982	1	Hose	
28	1001197197	Ref	Installation, Manifold (See Seperate Breakdown in this Section)	
29	1001197199	1	Hose	
30	1001197200	1	Hose	
32	1001211020	2	Hose	
33	0700614	12	Bolt, M6X30	
34	9106-3040	6	Clamp	
35	9106-3039	6	Plate, Cover	
36	1001205573	2	Hose	
37	1001207788	1	Pipe	
38	1001207789	1	Pipe	
39	1001207790	1	Pipe	
40	1001210797	2	Bleeder, Brake	
41	1001111140	1	Fitting, ORFS	
42	1001147340	1	Sensor, Pressure	

# SECTION 8 - HYDRAULIC CIRCUITS

FIGURE 8-39. MANIFOLD INSTALLATION



DETAIL A

ART\_1001197197-B

## SECTION 8 - HYDRAULIC CIRCUITS

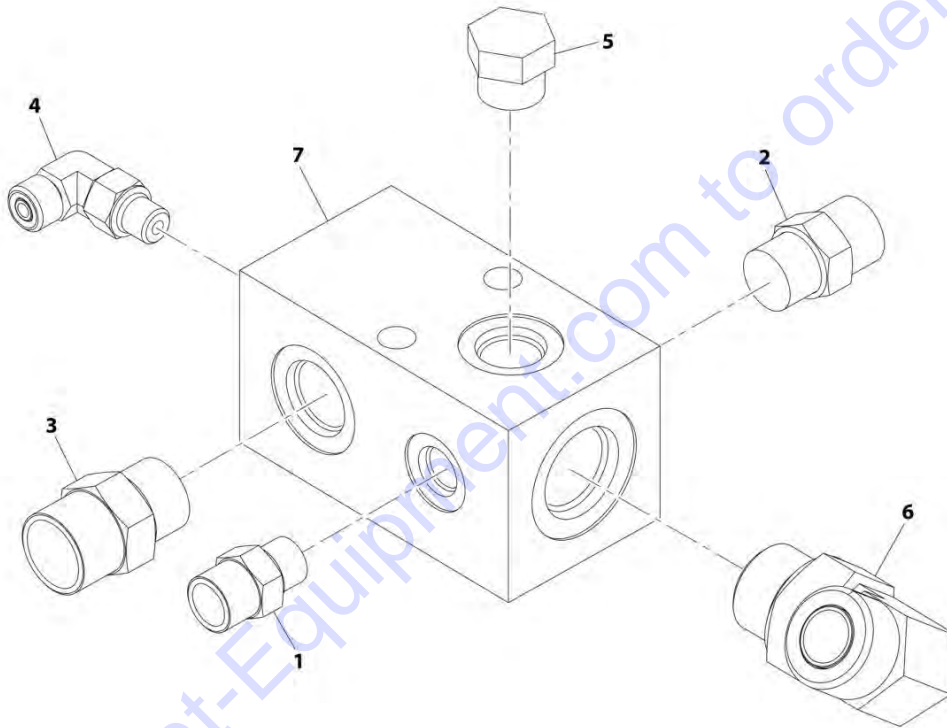
FIGURE 8-39. MANIFOLD INSTALLATION

ITEM	PART NUMBER	QTY	DESCRIPTION	REV
	1001197197	Ref	Manifold Installation	B
1	0701024	2	Bolt, M10X80	
2	4812000	2	Washer, M10	
3	1001197198	1	Assembly, Manifold (See Seperate Breakdown in this Section)	

Go to Discount-Equipment.com to order your parts

# SECTION 8 - HYDRAULIC CIRCUITS

## FIGURE 8-40. MANIFOLD ASSEMBLY



ART\_1001197198-D

## SECTION 8 - HYDRAULIC CIRCUITS

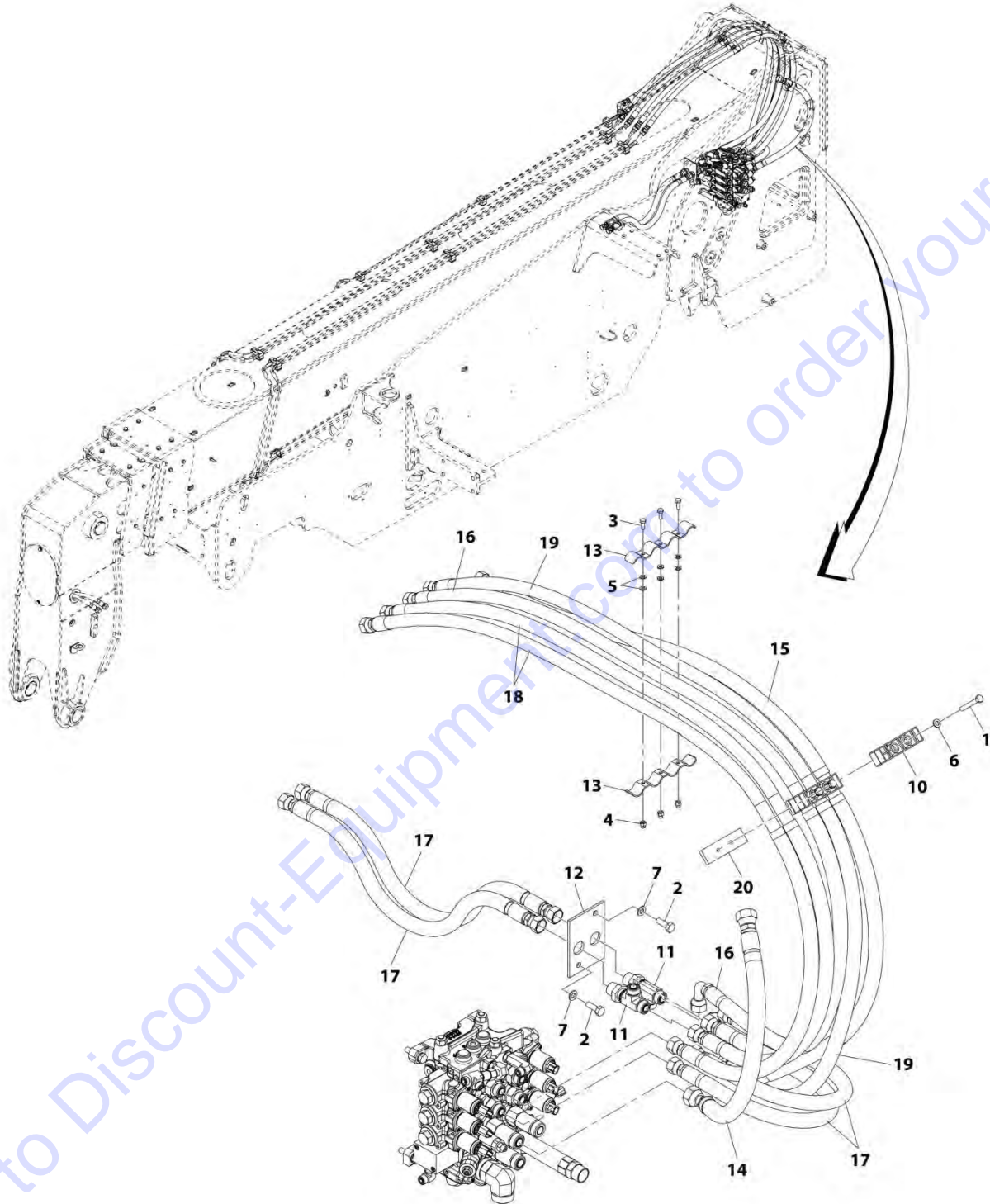
### FIGURE 8-40. MANIFOLD ASSEMBLY

ITEM	PART NUMBER	QTY	DESCRIPTION	REV
	1001197198	Ref	Manifold Assembly	D
1	2110606	1	Fitting, Straight ORFS	
2	2110808	1	Fitting, Straight ORFS	
3	2111010	1	Fitting, Straight ORFS	
4	2130404	1	Fitting, 90 ORFS	
5	2220238	1	Plug	
6	2131212	1	Fitting, 90 ORFS	
7	1001228504	1	Manifold	

Go to Discount-Equipment.com to order your parts

# SECTION 8 - HYDRAULIC CIRCUITS

## FIGURE 8-41. BOOM HYDRAULIC LINES INSTALLATION



ART\_1001210522-F



## SECTION 8 - HYDRAULIC CIRCUITS

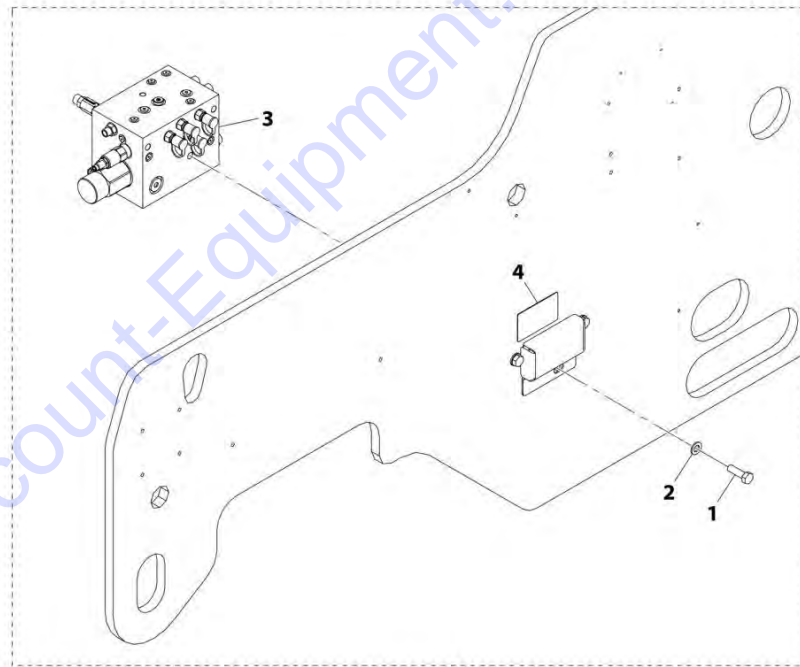
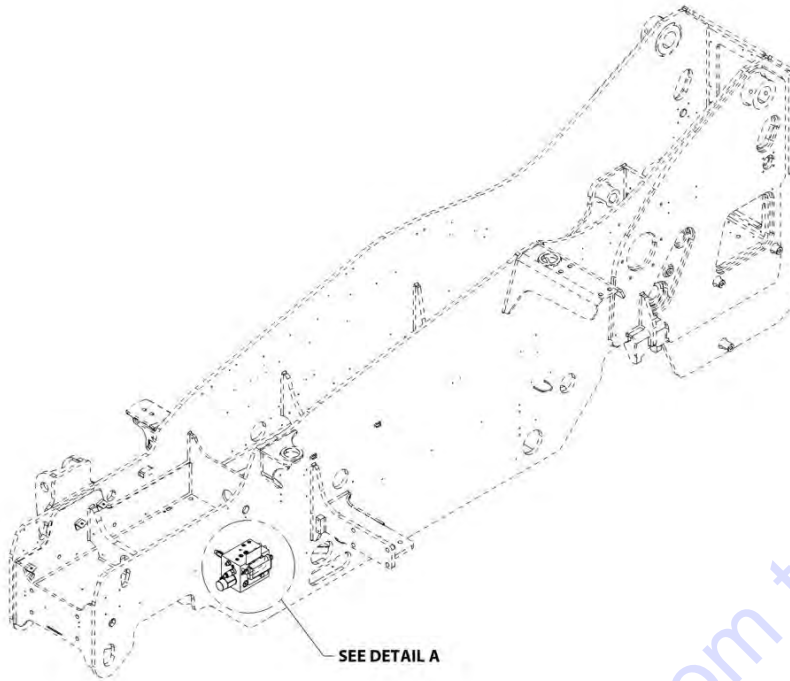
**FIGURE 8-41. BOOM HYDRAULIC LINES INSTALLATION**

ITEM	PART NUMBER	QTY	DESCRIPTION	REV
	1001210522	Ref	Boom Hydraulic Lines Installation	F
1	0700821	4	Bolt, M8X65	
2	0701014	2	Bolt, M10X30	
3	0760608	3	Bolt, M6X16	
4	3290606	3	Nut, M6X1	
5	4811700	6	Washer, M6	
6	4811900	4	Washer, M8	
7	4812000	2	Washer, M10	
10	1001098128	2	Clamp	
11	1001192096	2	Fitting, Tee ORFS	
12	1001197011	1	Plate	
13	1001205618	2	Clamp	
14	1001210271	1	Hose	
15	1001210523	1	Hose	
16	1001210524	1	Hose	
17	1001210525	4	Hose	
18	1001210526	2	Hose	
19	1001218997	1	Hose	
20	1001226557	2	Plate	

Go to Discount-Equipment.com to order your parts

# SECTION 8 - HYDRAULIC CIRCUITS

## FIGURE 8-42. PRIORITY MANIFOLD INSTALLATION



DETAIL A

ART\_1001192885-B

## SECTION 8 - HYDRAULIC CIRCUITS

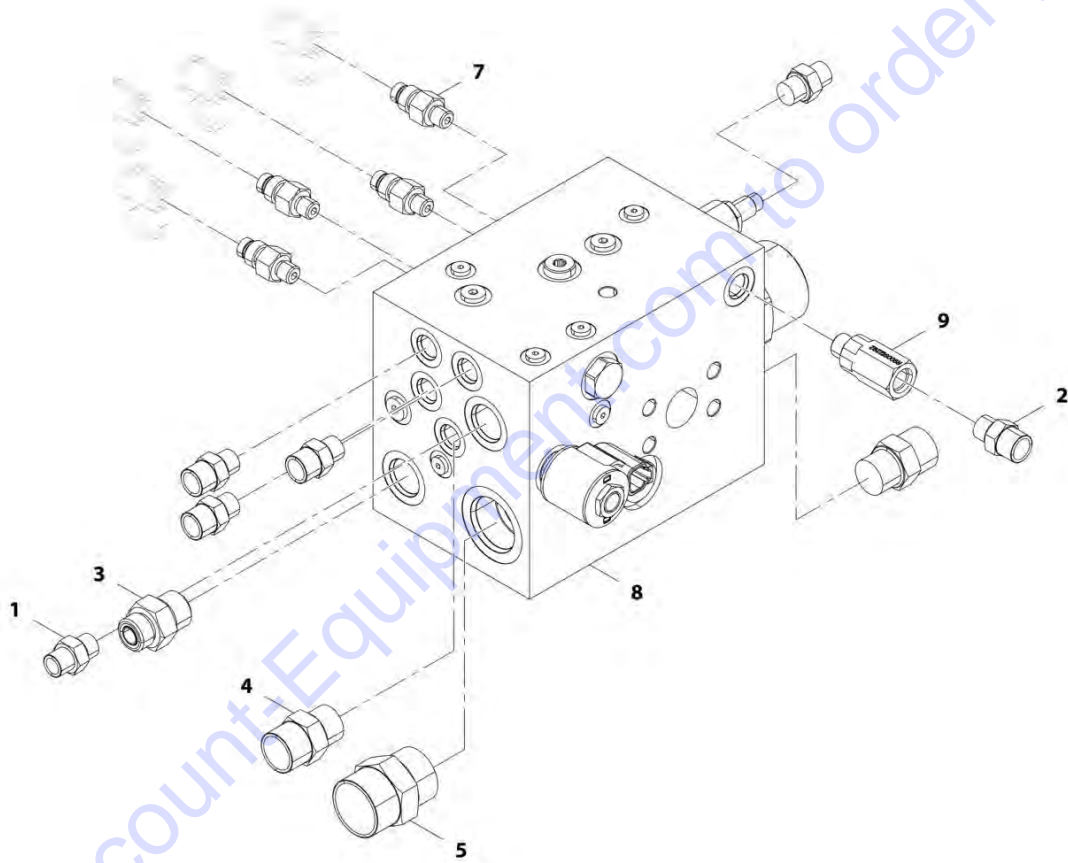
FIGURE 8-42. PRIORITY MANIFOLD INSTALLATION

ITEM	PART NUMBER	QTY	DESCRIPTION	REV
	1001192885	Ref	Priority Manifold Installation	B
1	0701216	3	Bolt, M12X40	
2	4812100	3	Washer, M12	
3	1001192886	1	Assembly, Priority Valve (See Seperate Breakdown in this Section)	
4	1001192887	1	Decal	

Go to Discount-Equipment.com to order your parts

# SECTION 8 - HYDRAULIC CIRCUITS

## FIGURE 8-43. PRIORITY VALVE ASSEMBLY



ART\_1001192886-D

## SECTION 8 - HYDRAULIC CIRCUITS

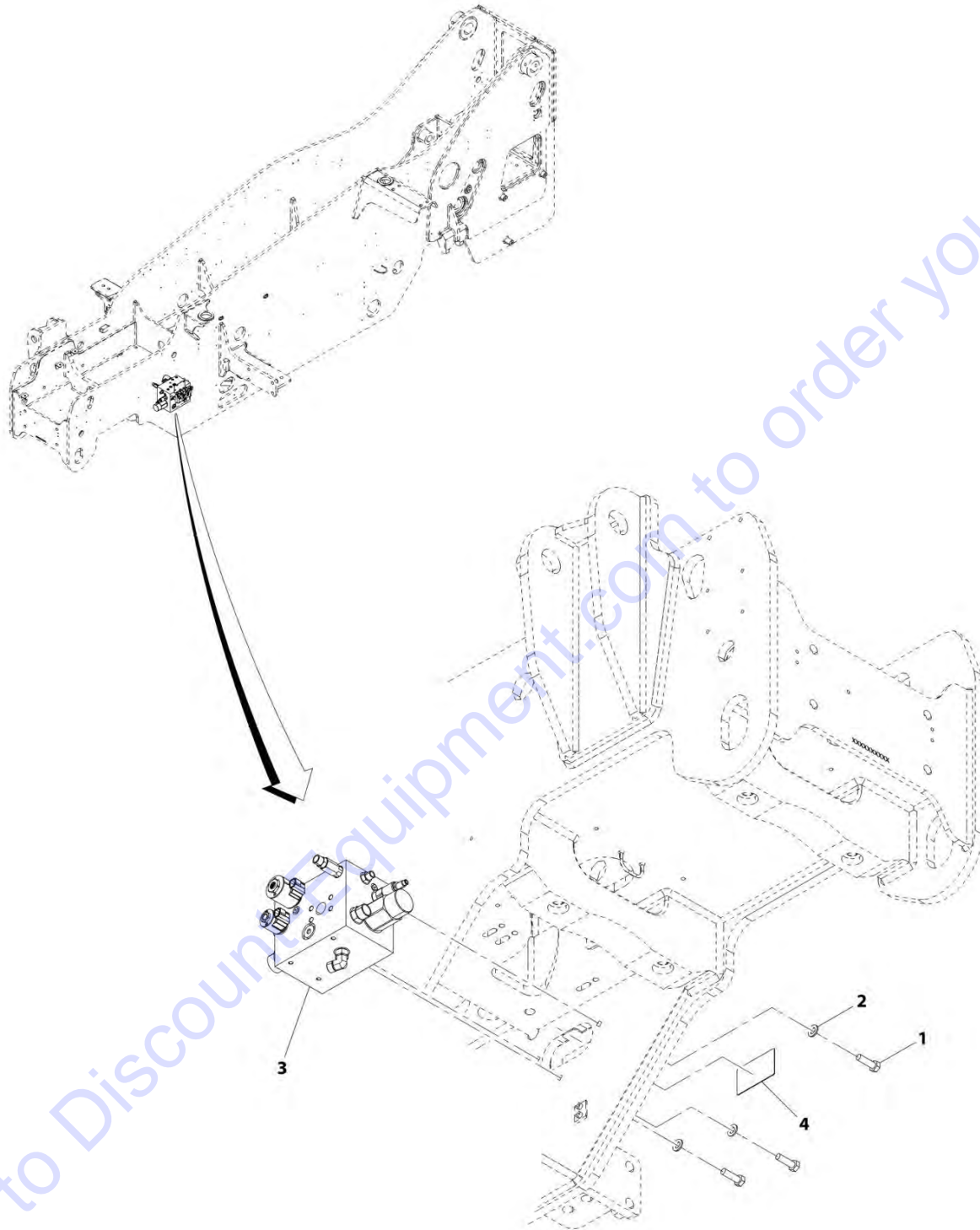
FIGURE 8-43. PRIORITY VALVE ASSEMBLY

ITEM	PART NUMBER	QTY	DESCRIPTION	REV
	1001192886	1	Priority Valve Assembly	D
1	2110406	2	Fitting, Straight ORFS	
2	2110606	4	Fitting, Straight ORFS	
3	2110810	1	Fitting, Straight ORFS	
4	2111010	2	Fitting, Straight ORFS	
5	2111616	1	Fitting, Straight ORFS	
7	8430033	4	Fitting, Straight	
8	1001192888	1	Assembly, Priority Valve(See Separate Breakdown in Hydraulic Components Section)	
9	1001187355	1	Valve, Check	

Go to Discount-Equipment.com to order your parts

# SECTION 8 - HYDRAULIC CIRCUITS

## FIGURE 8-44. PRIORITY MANIFOLD INSTALLATION (PLATFORM READY)



ART\_1001193836-B

## SECTION 8 - HYDRAULIC CIRCUITS

**FIGURE 8-44. PRIORITY MANIFOLD INSTALLATION (PLATFORM READY)**

ITEM	PART NUMBER	QTY	DESCRIPTION	REV
	1001193836	Ref	Priority Manifold Installation (Platform Ready)	B
1	0701216	3	Bolt, M12X40, Grade 10.9	
2	4812100	3	Washer, M12	
3	1001193838	1	Assembly, Priority Valve (Platform Ready) (See Seperate Breakdown in this Section)	
4	1001192887	1	Decal, Port ID	

Go to Discount-Equipment.com to order your parts



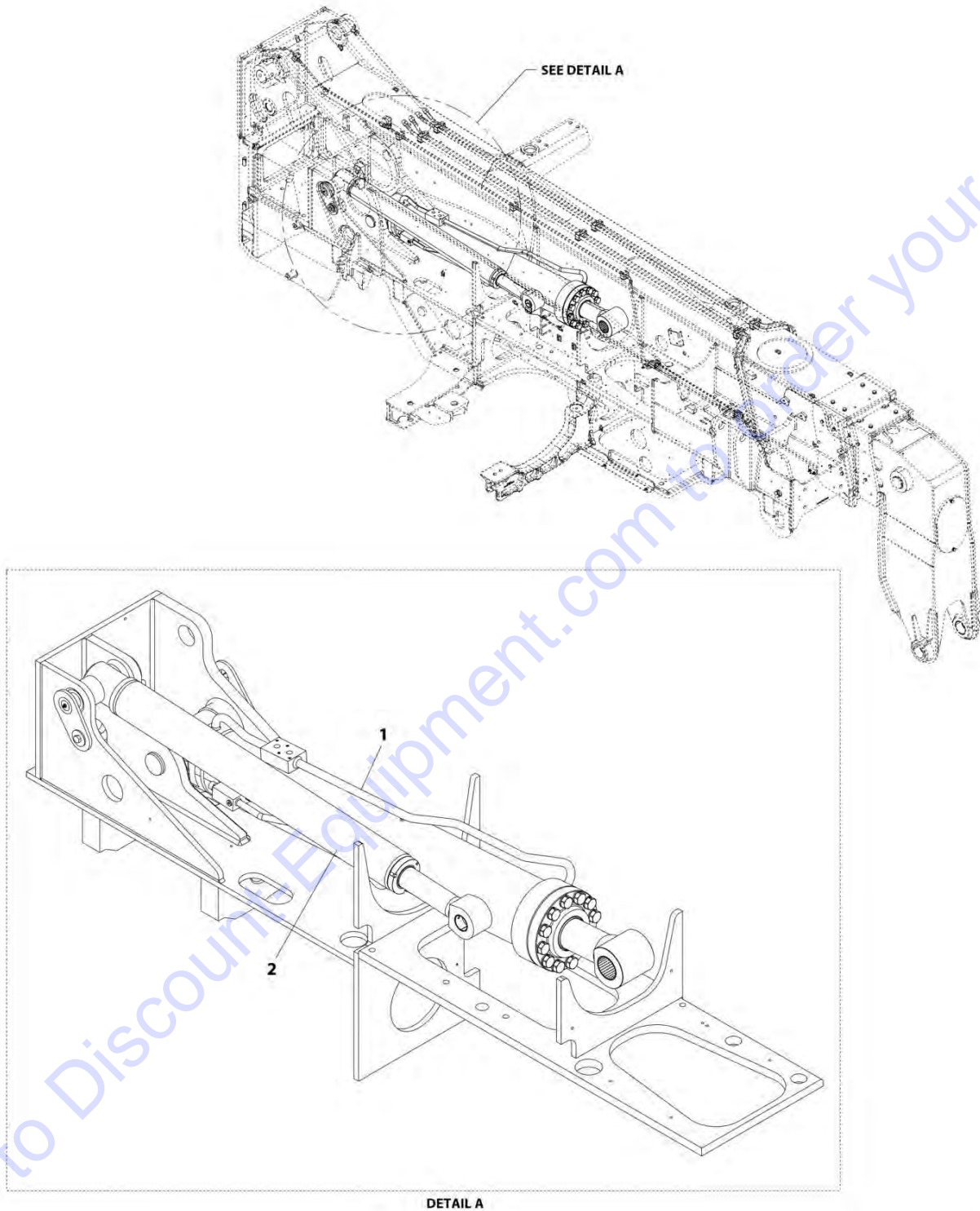


**SECTION 9 - HYDRAULIC COMPONENTS**

Go to [Discount-Equipment.com](http://Discount-Equipment.com) to order your parts

# SECTION 9 - HYDRAULIC COMPONENTS

## FIGURE 9-1. CYLINDER GROUP INSTALLATION



ART\_1001192427-B

## SECTION 9 - HYDRAULIC COMPONENTS

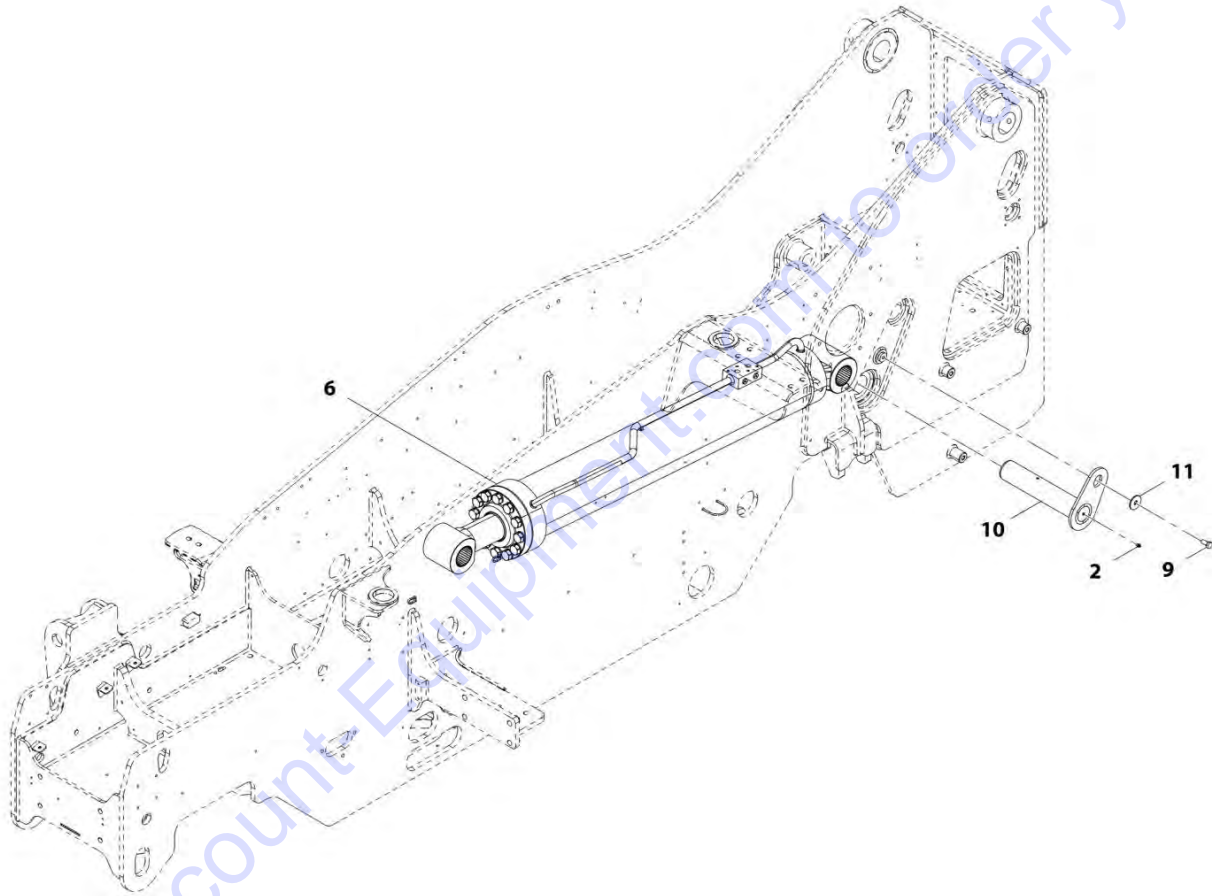
FIGURE 9-1. CYLINDER GROUP INSTALLATION

ITEM	PART NUMBER	QTY	DESCRIPTION	REV
1	1001192427	Ref	Cylinder Group Installation	B
	1001198577	Ref	Installation, Lift Cylinder (See Seperate Breakdown in this Section)	
2	1001198578	ref	Installation, Compensation Cylinder (See Seperate Breakdown in this Section)	

Go to Discount-Equipment.com to order your parts

# SECTION 9 - HYDRAULIC COMPONENTS

## FIGURE 9-2. LIFT CYLINDER INSTALLATION



ART\_1001198577-C

## SECTION 9 - HYDRAULIC COMPONENTS

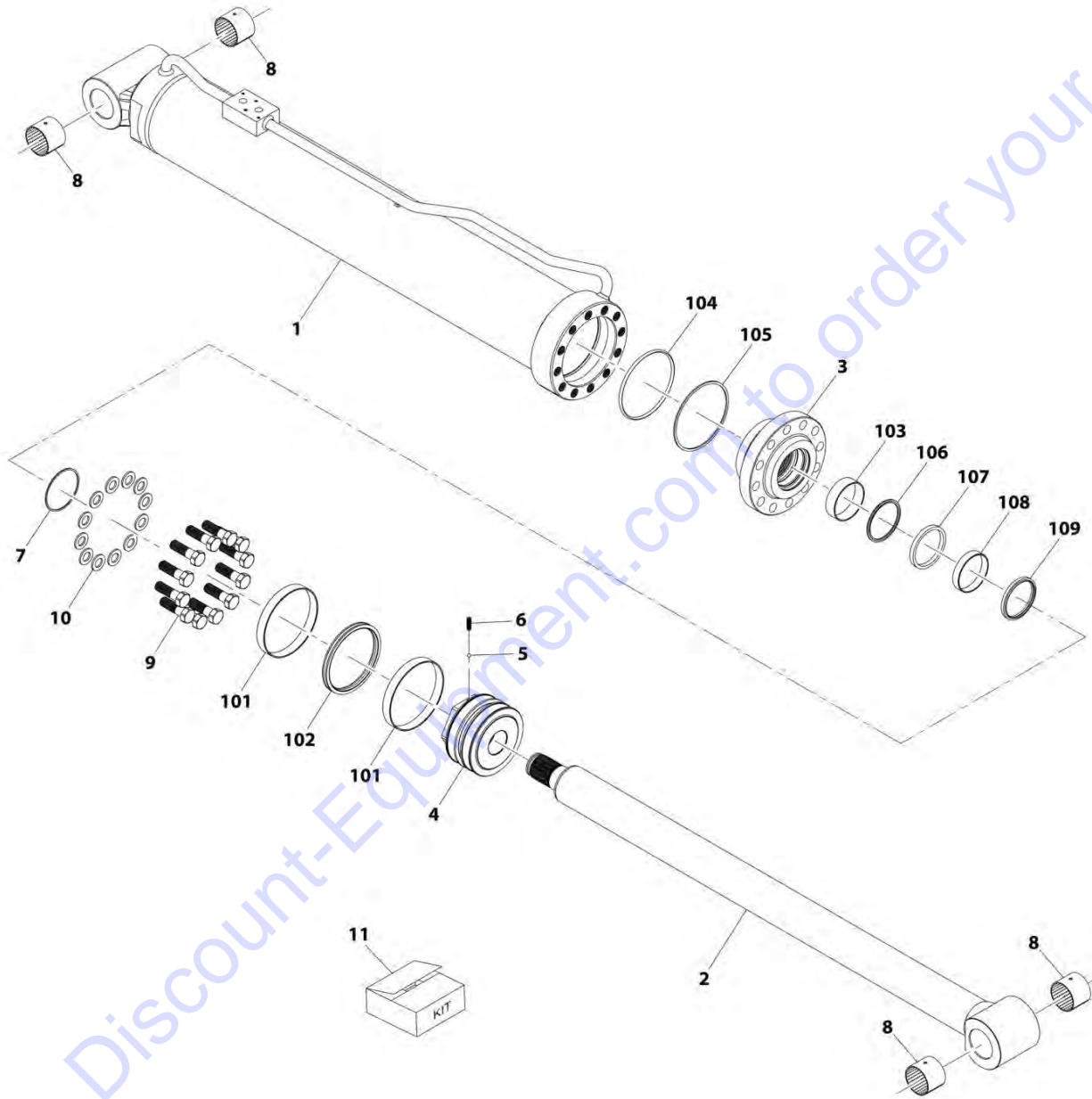
FIGURE 9-2. LIFT CYLINDER INSTALLATION

ITEM	PART NUMBER	QTY	DESCRIPTION	REV
	1001198577	Ref	Lift Cylinder Installation	C
2	2160016	1	Fitting, Grease	
6	1001198715	1	Cylinder, Lift (See Seperate Breakdown in this Section)	
9	0771414	1	Bolt, M14X30	
10	1001216331	1	Pin	
11	1001217226	1	Washer	

Go to Discount-Equipment.com to order your parts

# SECTION 9 - HYDRAULIC COMPONENTS

## FIGURE 9-3. LIFT CYLINDER



ART\_1001198715-G

## SECTION 9 - HYDRAULIC COMPONENTS

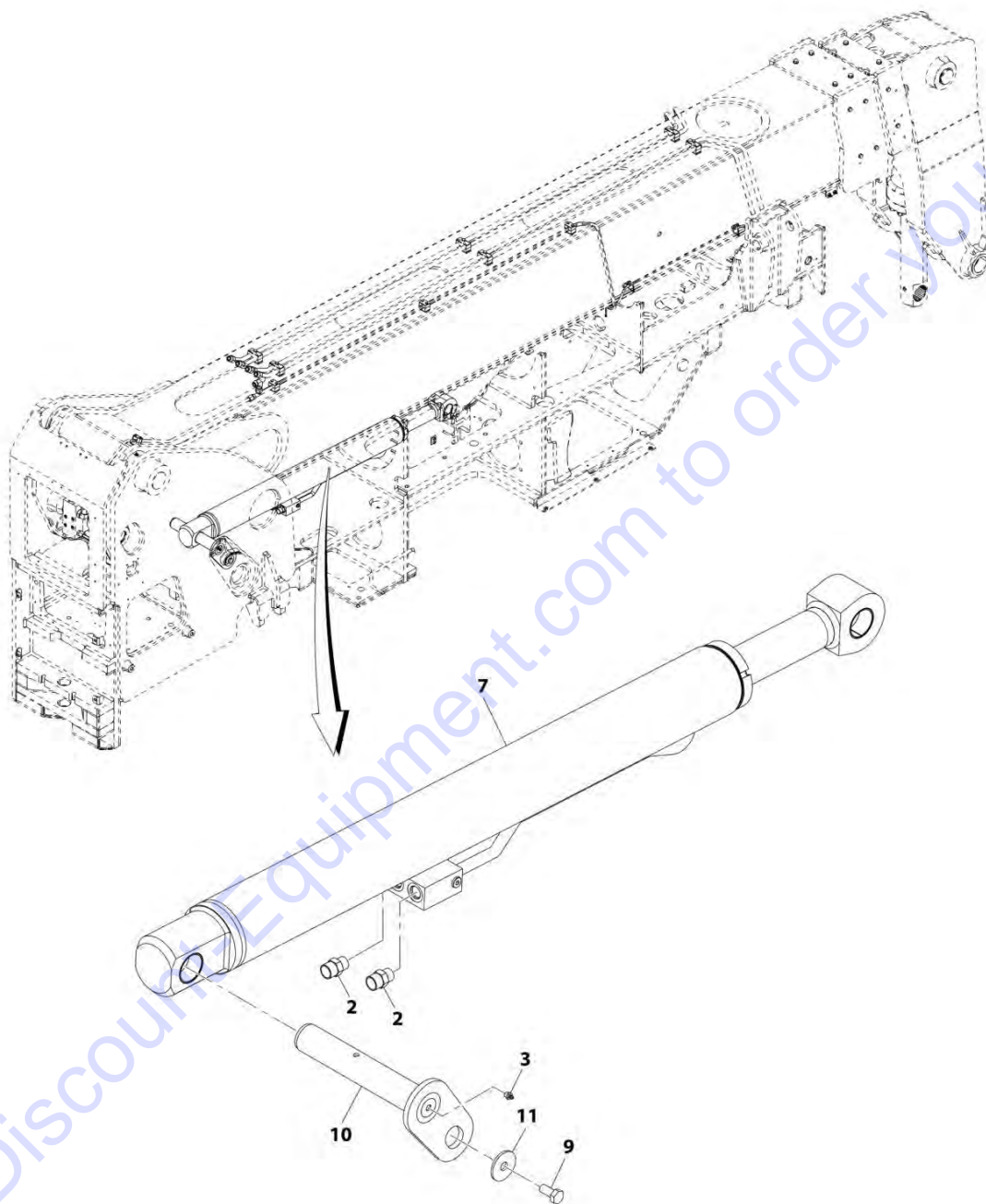
**FIGURE 9-3. LIFT CYLINDER**

ITEM	PART NUMBER	QTY	DESCRIPTION	REV
	1001198715	Ref	Lift Cylinder	G
1	N.S.S.	1	Barrel	
2	70028325	1	Rod	
3	70028307	1	Guide, Rod	
4	70028308	1	Piston	
5	70025614	1	Bearing	
6	70028309	1	Screw, Locking	
7	70025590	1	Ring, Snap	
8	70028310	4	Bushing	
9	70028311	12	Bolt	
10	70028312	12	Washer	
11	70028324	1	Kit, Seal (includes items 101 thru 109)	
101	Kit	2	Ring, Piston	
102	Kit	1	Seal	
103	Kit	1	Wiper, Rod	
104	Kit	1	O-Ring	
105	Kit	1	Ring, Backup	
106	Kit	1	Seal	
107	Kit	1	Seal	
108	Kit	1	Wiper, Rod	
109	Kit	1	Seal	

Go to Discount-Equipment.com to order your parts

# SECTION 9 - HYDRAULIC COMPONENTS

## FIGURE 9-4. COMPENSATION CYLINDER INSTALLATION



ART\_1001198578-C



## SECTION 9 - HYDRAULIC COMPONENTS

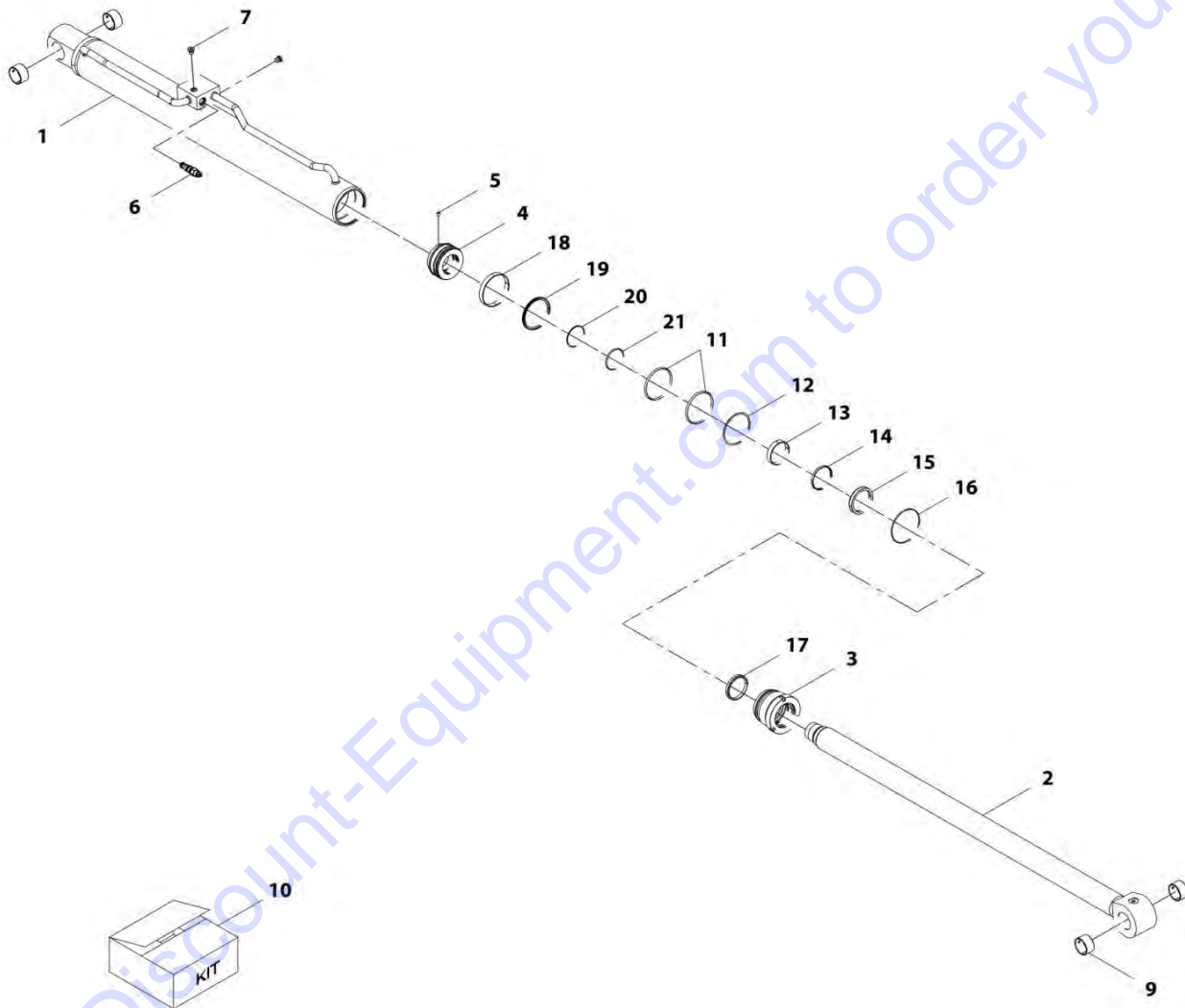
FIGURE 9-4. COMPENSATION CYLINDER INSTALLATION

ITEM	PART NUMBER	QTY	DESCRIPTION	REV
	1001198578	Ref	Compensation Cylinder Installation	C
2	2111010	2	Fitting, Straight ORFS	
3	2160016	1	Fitting, Grease	
7	1001198717	1	Cylinder, Compensation (See Separate Breakdown in this Section)	
9	0771414	1	Bolt, M14X30	
10	1001216333	1	Pin	
11	1001217226	1	Washer	

Go to Discount-Equipment.com to order your parts

# SECTION 9 - HYDRAULIC COMPONENTS

## FIGURE 9-5. COMPENSATION CYLINDER



ART\_1001198717-E

## SECTION 9 - HYDRAULIC COMPONENTS

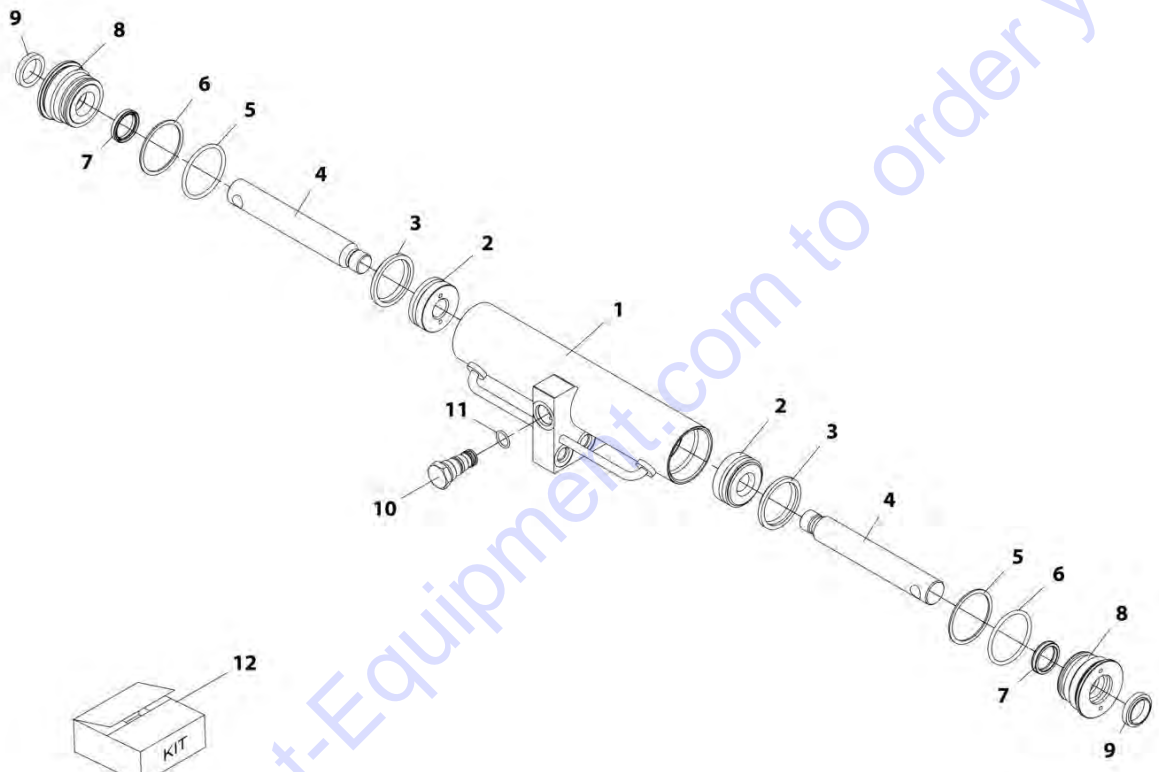
**FIGURE 9-5. COMPENSATION CYLINDER**

ITEM	PART NUMBER	QTY	DESCRIPTION	REV
	1001198717	Ref	Cylinder, Compensation	E
1	N.S.S.	1	Barrel	
2	70028376	1	Rod	
3	70028377	1	Guide, Rod	
4	70028378	1	Piston	
5	70026838	1	Screw	
6	70028384	1	Valve	
7	70028379	2	Plug	
9	70020476	4	Bushing	
10	70028380	1	Kit, Seal (includes items 11 thru 21)	
11	Kit	2	O-Ring	
12	Kit	1	Ring, Backup	
13	Kit	1	Bearing	
14	Kit	1	Buffer	
15	Kit	1	O-Ring	
16	Kit	1	Seal, Rod	
17	Kit	1	Wiper	
18	Kit	1	Bearing	
19	Kit	1	Seal, Piston	
20	Kit	1	Ring, Backup	
21	Kit	1	O-Ring	

Go to Discount-Equipment.com to order your parts

# SECTION 9 - HYDRAULIC COMPONENTS

## FIGURE 9-6. COUPLER LOCKING CYLINDER



ART\_1001145390-A

Go to Discount-Equipment.com to order your parts

## SECTION 9 - HYDRAULIC COMPONENTS

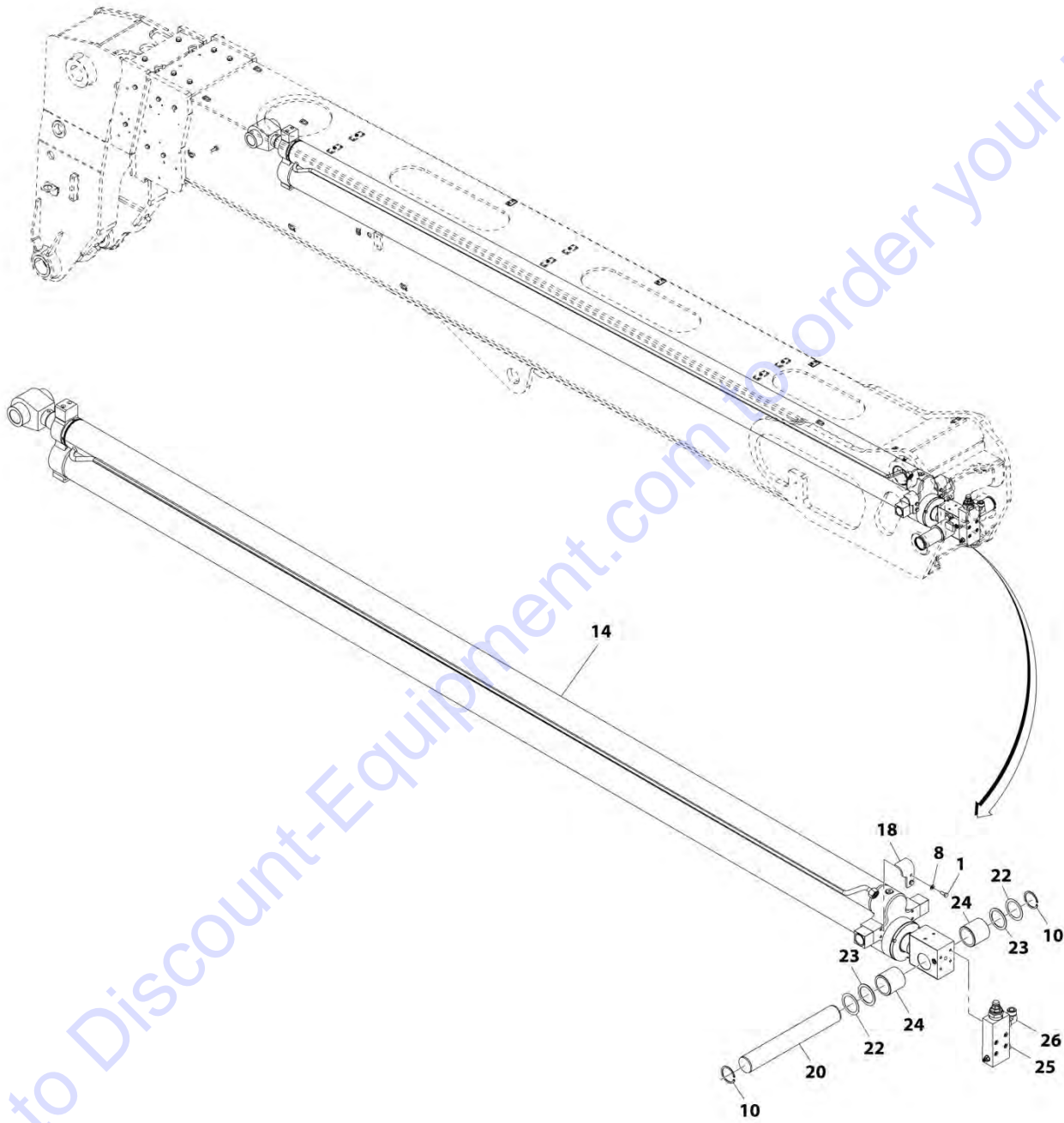
**FIGURE 9-6. COUPLER LOCKING CYLINDER**

ITEM	PART NUMBER	QTY	DESCRIPTION	REV
	1001145390	Ref	Coupler Locking Cylinder	A
1	70024164	2	Body	
2	70024165	2	Piston	
3	Kit	2	Seal, Piston	
4	70024166	2	Rod	
5	Kit	2	O-Ring	
6	Kit	2	Ring, Backup	
7	Kit	2	Seal, Rod	
8	70024167	2	Gland	
9	Kit	2	Seal, Wiper	
10	1001007056	1	Valve, Check	
11	91574001	1	Seal, Check Valve	
12	70024168	1	Kit, Seal (includes items 3, 5, 6, 7 & 9)	

Go to Discount-Equipment.com to order your parts

# SECTION 9 - HYDRAULIC COMPONENTS

## FIGURE 9-7. EXTEND/RETRACT CYLINDER INSTALLATION



ART\_1001199325-H

## SECTION 9 - HYDRAULIC COMPONENTS

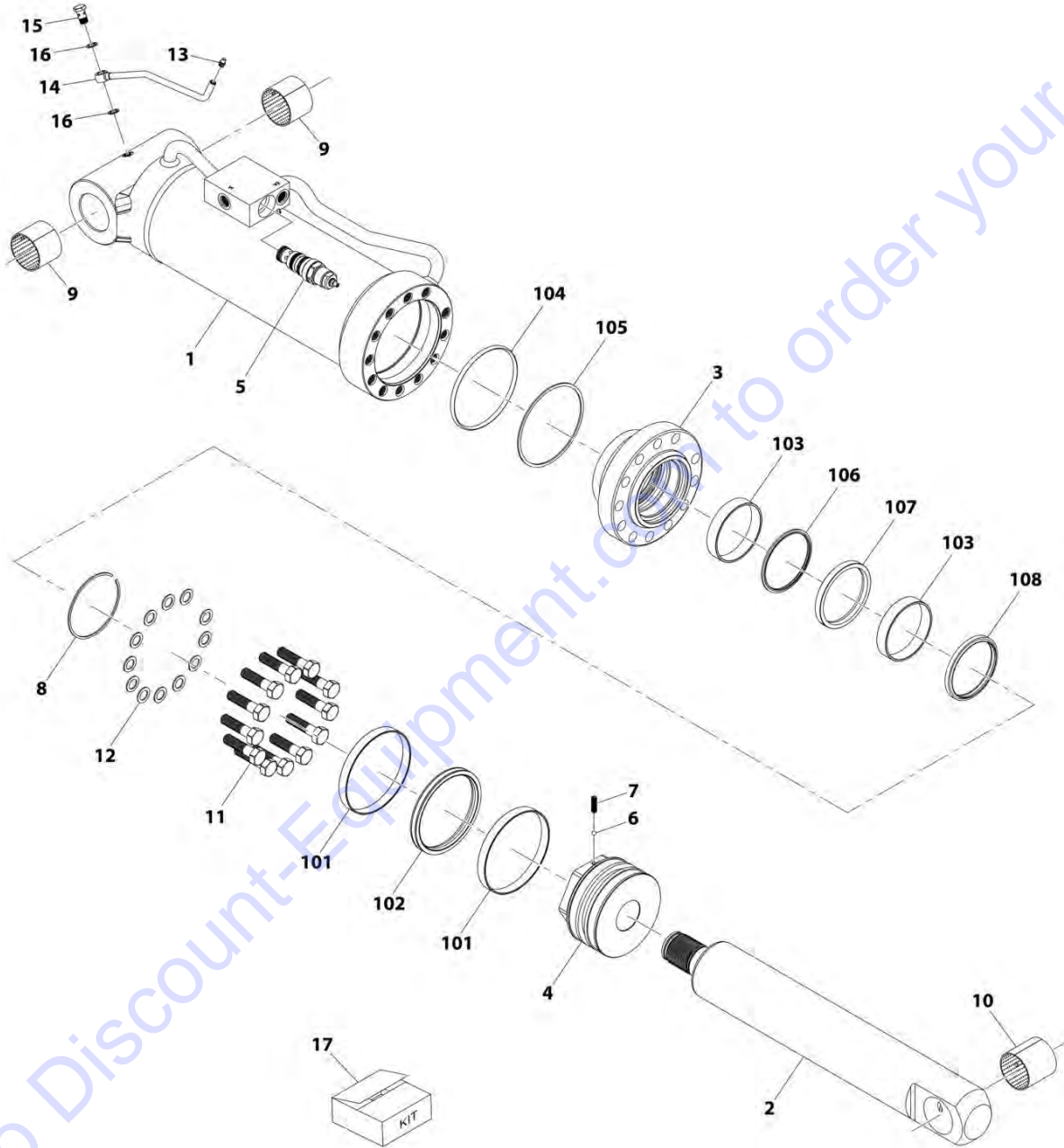
FIGURE 9-7. EXTEND/RETRACT CYLINDER INSTALLATION

ITEM	PART NUMBER	QTY	DESCRIPTION	REV
	1001199325	Ref	Extend/Retract Cylinder Installation	H
1	0760810	2	Bolt, M8X20	
8	4811900	2	Washer, M8	
10	8006258	2	Ring, Retaining	
14	1001226947	1	Cylinder, Extend/Retract	
18	1001213562	1	Plate	
20	1001205528	1	Pin	
22	1001100166	2	Shim	
23	1001100169	2	Shim	
24	1001208451	2	Spacer, M70X5X72	
25	2110806	1	Fitting, Straight ORFS	
26	2131212	1	Fitting, 90 ORFS	

Go to Discount-Equipment.com to order your parts

# SECTION 9 - HYDRAULIC COMPONENTS

## FIGURE 9-8. TILT CYLINDER



ART\_1001174812-D



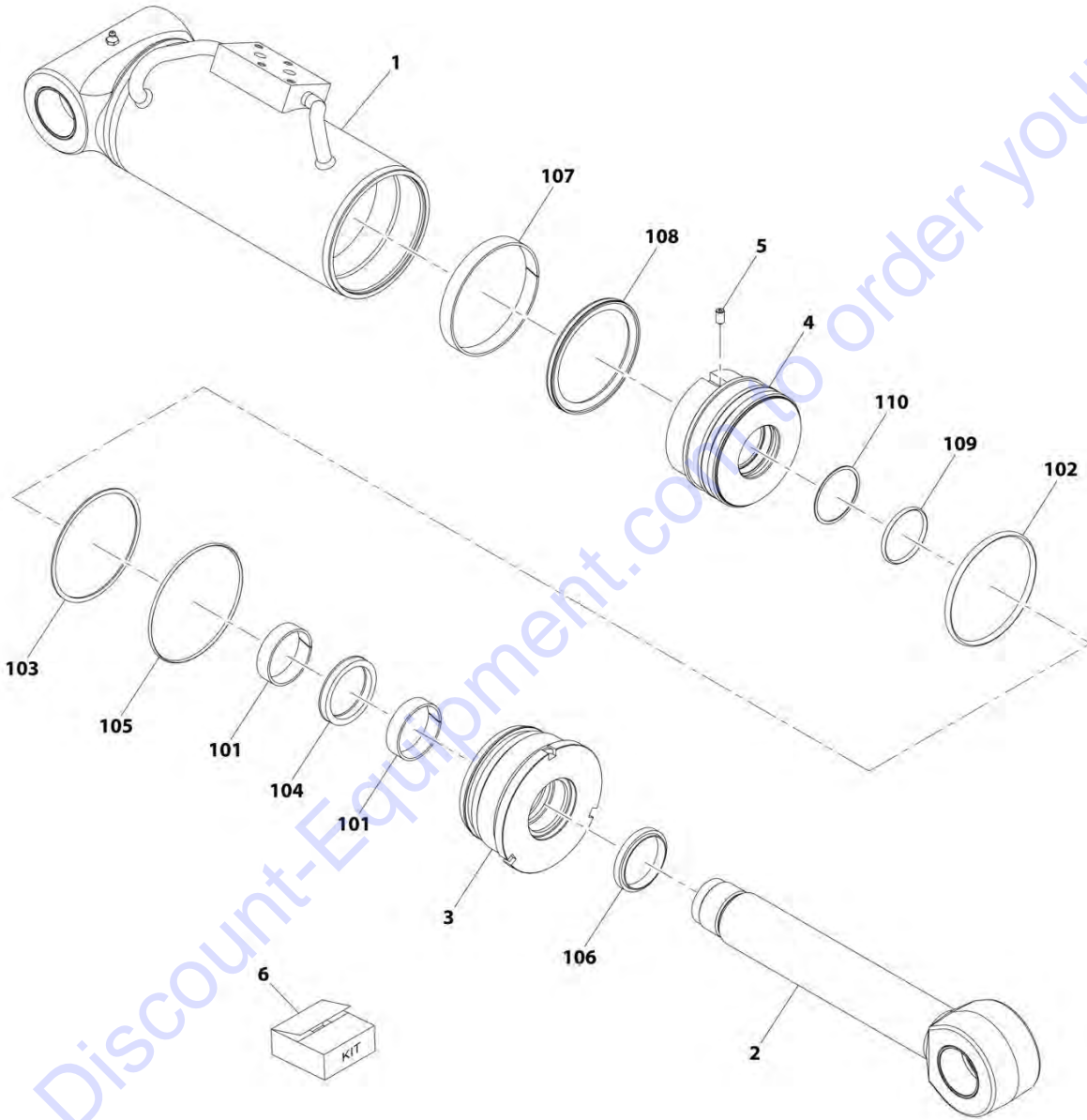
## SECTION 9 - HYDRAULIC COMPONENTS

### FIGURE 9-8. TILT CYLINDER

ITEM	PART NUMBER	QTY	DESCRIPTION	REV
	1001174812	Ref	Tilt Cylinder	D
1	N.S.S.	1	Barrel	
2	70028314	1	Rod	
3	70028315	1	Piston	
4	70028316	1	Head	
5	70028317	1	Valve, Counterbalance	
6	70025614	1	Bearing	
7	70028309	1	Screw, Locking	
8	70028318	1	Ring, Snap	
9	70028310	2	Bushing	
10	70028319	1	Bushing	
11	70028320	12	Bolt	
12	70028321	12	Washer	
13	70029941	2	Fitting, Grease	
14	70028322	1	Pipe	
15	70024035	1	Screw	
16	70028323	2	Washer	
17	70028324	1	Kit, Seal (includes items 101 thru 108)	
101	Kit	2	Ring, Piston	
102	Kit	1	Seal, Piston	
103	Kit	2	Ring, Rod	
104	Kit	1	"O" Ring	
105	Kit	1	Ring, Back-Up	
106	Kit	1	Seal, Rod	
107	Kit	1	Seal, Rod	
108	Kit	1	Wiper	

# SECTION 9 - HYDRAULIC COMPONENTS

## FIGURE 9-9. FRAME LEVEL CYLINDER



ART\_1001201073-E

## SECTION 9 - HYDRAULIC COMPONENTS

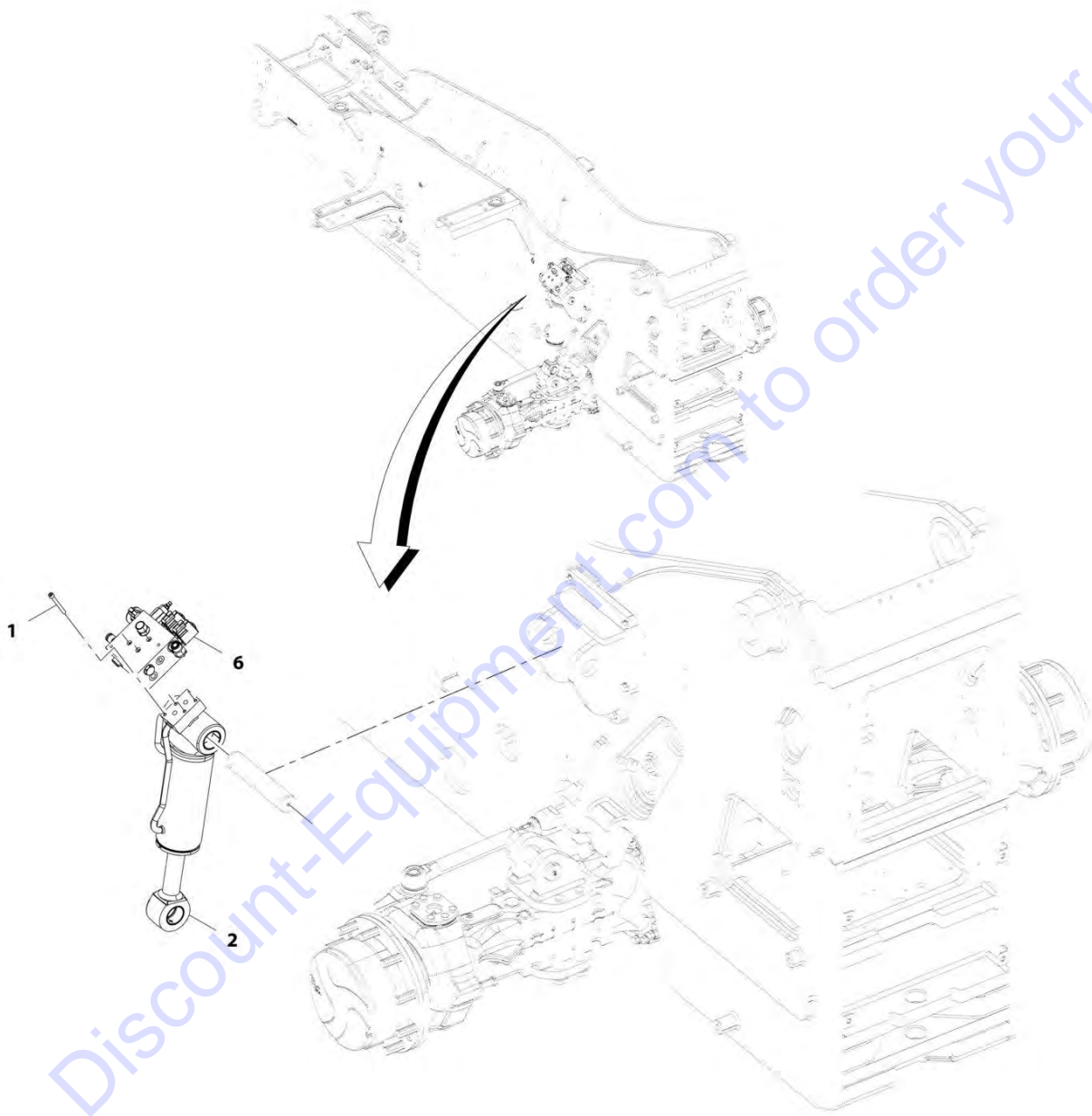
**FIGURE 9-9. FRAME LEVEL CYLINDER**

ITEM	PART NUMBER	QTY	DESCRIPTION	REV
	1001201073	Ref	Frame Level Cylinder	E
1	N.S.S.	1	Barrel	
2	70028362	1	Rod	
3	70026249	1	Head	
4	70026251	1	Piston	
5	70020438	1	Screw, Locking	
6	70026253	1	Seal kit (includes items 101 thru 110)	
101	Kit	2	Bearing	
102	Kit	1	O-Ring	
103	Kit	1	Backup Ring	
104	Kit	1	Rod Seal	
105	Kit	1	O-Ring	
106	Kit	1	Wiper	
107	Kit	1	Bearing	
108	Kit	1	Piston Seal	
109	Kit	1	O-Ring	
110	Kit	1	Backup Ring	

Go to Discount-Equipment.com to order your parts

# SECTION 9 - HYDRAULIC COMPONENTS

FIGURE 9-10. RALP CYLINDER INSTALLATION



Go to Discount-Equipment.com to order your parts

ART\_1001193917-D

## SECTION 9 - HYDRAULIC COMPONENTS

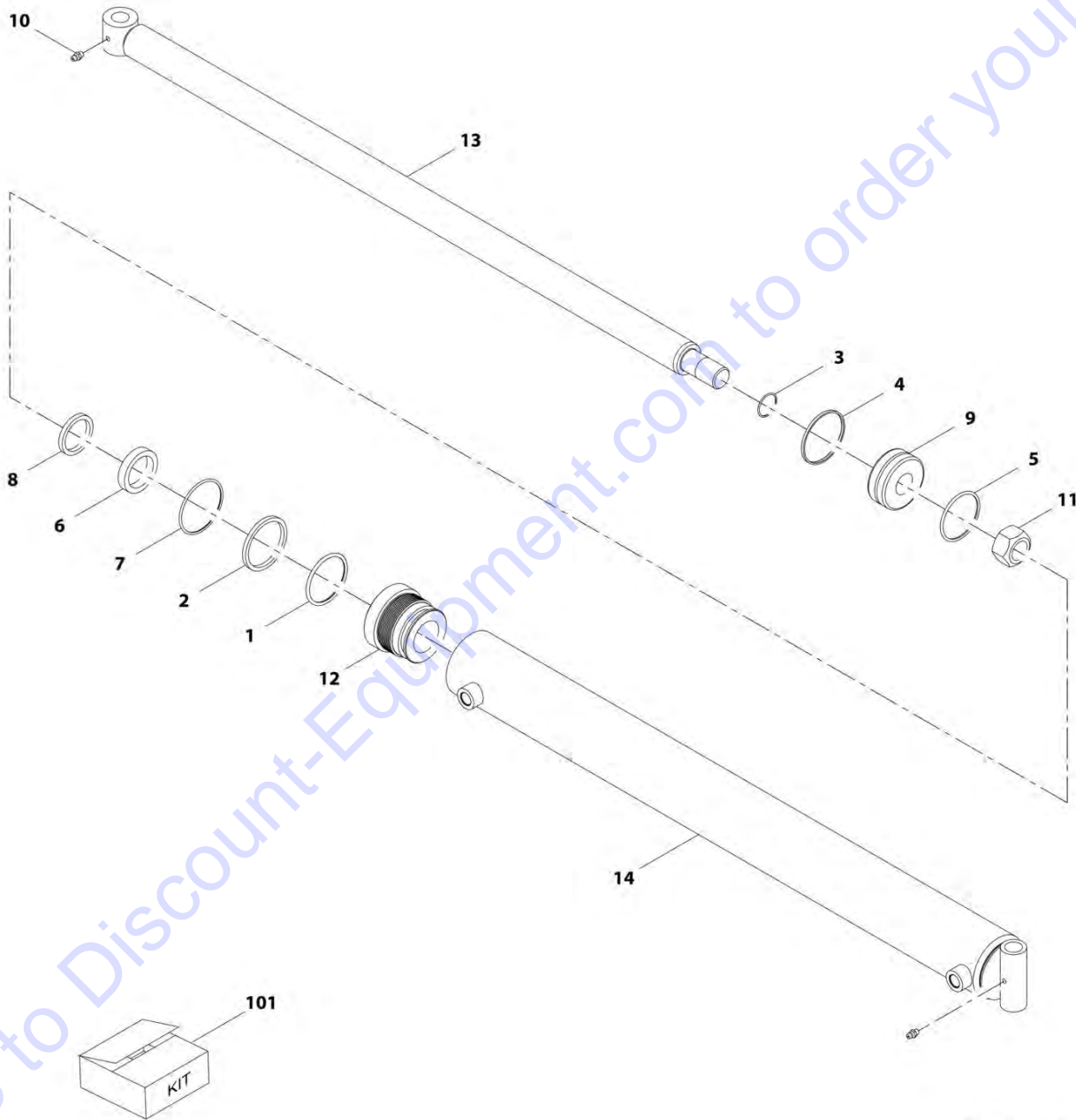
FIGURE 9-10. RALP CYLINDER INSTALLATION

ITEM	PART NUMBER	QTY	DESCRIPTION	REV
	1001193917	Ref	RALP Cylinder Installation	D
1	4031920	4	Screw, M8X1.25	
2	1001204576	1	Cylinder, RALP	
6	1001212511	1	Installation, Rear Axle Lock Valve (See Separate Breakdown in this Section)	

Go to Discount-Equipment.com to order your parts

# SECTION 9 - HYDRAULIC COMPONENTS

## FIGURE 9-11. FORK POSITIONING CYLINDER ASSEMBLY



ART\_70028599-C

## SECTION 9 - HYDRAULIC COMPONENTS

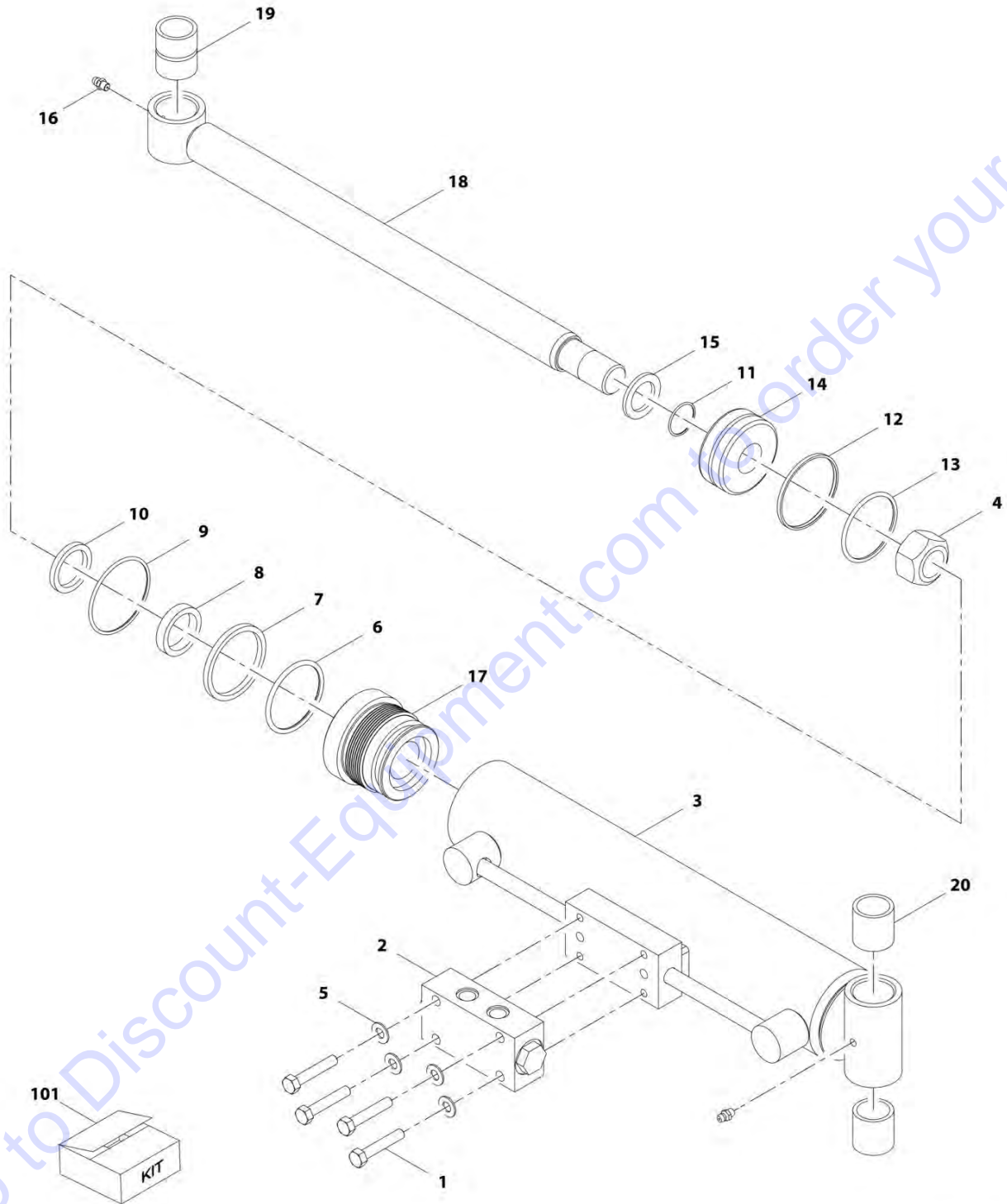
**FIGURE 9-11. FORK POSITIONING CYLINDER ASSEMBLY**

ITEM	PART NUMBER	QTY	DESCRIPTION	REV
	70028599	Ref	Fork Positioning Cylinder Assembly	C
1	Kit	1	O-Ring	
2	Kit	1	O-Ring	
3	Kit	1	O-Ring	
4	Kit	1	Seal	
5	Kit	1	O-Ring	
6	Kit	1	Seal	
7	Kit	1	O-Ring	
8	Kit	1	Seal	
9	70028609	1	Piston, Cylinder	
10	90554045	2	Fitting, Grease	
11	70021440	1	Nut	
12	70028610	1	Gland, Cylinder	
13	70028611	1	Rod	
14	N.S.S.	1	Tube	
101	Kit	1	Kit, Seal	

Go to Discount-Equipment.com to order your parts

# SECTION 9 - HYDRAULIC COMPONENTS

## FIGURE 9-12. SIDE SHIFT CYLINDER ASSEMBLY



ART\_70028603-C



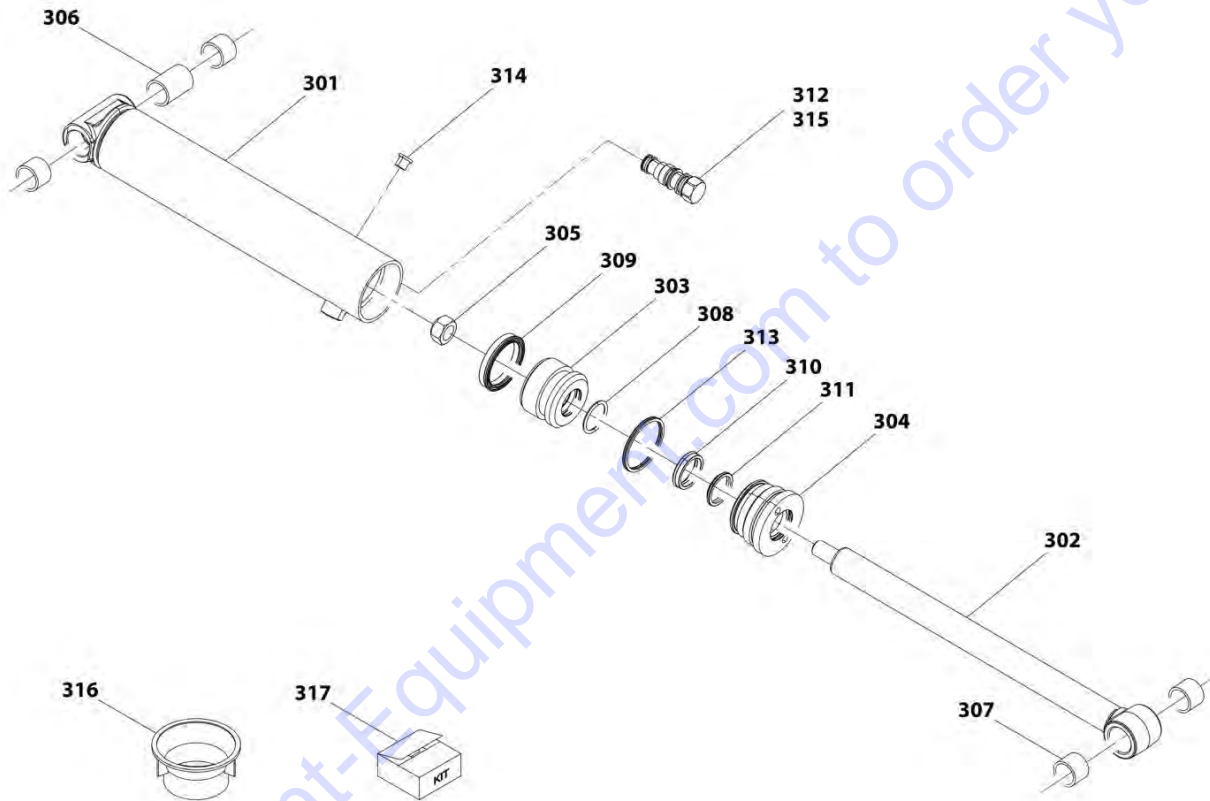
## SECTION 9 - HYDRAULIC COMPONENTS

**FIGURE 9-12. SIDE SHIFT CYLINDER ASSEMBLY**

ITEM	PART NUMBER	QTY	DESCRIPTION	REV
	70028603	Ref	Side Shift Cylinder Assembly	C
1	70028612	4	Bolt	
2	70028613	1	Valve	
3	N.S.S.	1	Tube	
4	70021440	1	Nut	
5	70028614	4	Washer, Flat	
6	Kit	1	O-Ring	
7	Kit	1	O-Ring	
8	Kit	1	Seal	
9	Kit	1	O-Ring	
10	Kit	1	Seal	
11	Kit	1	O-Ring	
12	Kit	1	Seal	
13	Kit	1	O-Ring	
14	70021451	1	Piston	
15	70021444	1	Spacer	
16	90554045	2	Fitting, Grease	
17	70021446	1	Gland, Cylinder	
18	70021445	1	Rod	
19	70021447	1	Bushing	
20	70021448	2	Bushing	
101	70021452	1	Kit, Seal (includes items 6 thru 13)	

# SECTION 9 - HYDRAULIC COMPONENTS

## FIGURE 9-13. UPPER CYLINDER ASSEMBLY



ART\_70028652-D

## SECTION 9 - HYDRAULIC COMPONENTS

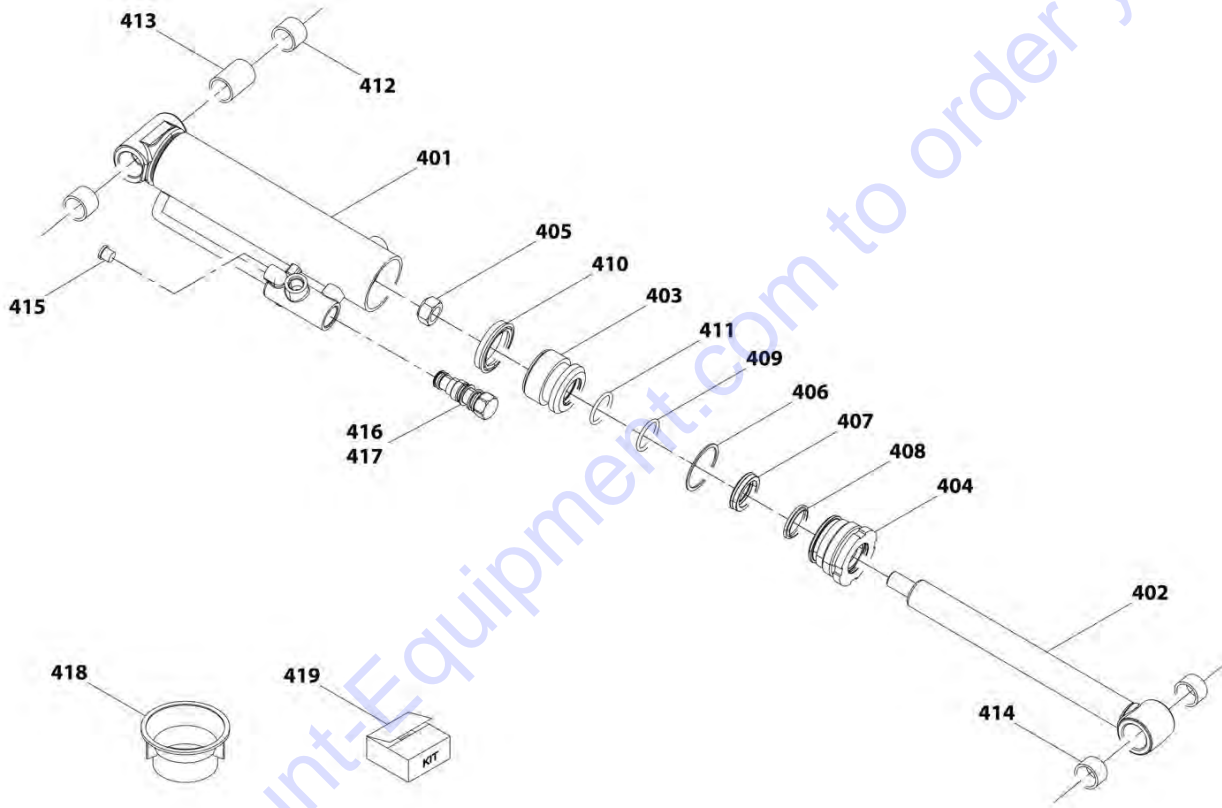
**FIGURE 9-13. UPPER CYLINDER ASSEMBLY**

ITEM	PART NUMBER	QTY	DESCRIPTION	REV
	70028652	Ref	Upper Cylinder Assembly	D
301	N.S.S.	1	Barrel	
302	70028270	1	Rod	
303	70028254	1	Piston	
304	70028255	1	Retainer	
305	70028258	1	Nut	
306	70028257	1	Spacer	
307	70028256	4	Bushing	
308	N.S.S.	1	O-Ring	
309	N.S.S.	1	Seal	
310	N.S.S.	1	Seal	
311	N.S.S.	1	Wiper	
312	70026502	1	Valve, Check	
313	N.S.S.	1	Seal	
314	70024129	2	Plug	
315	70024734	1	Kit, Check Valve	
316	70028691	1	Tool, Seal Loader	
317	70028770	1	Kit, Seal	

Go to Discount-Equipment.com to order your parts

# SECTION 9 - HYDRAULIC COMPONENTS

## FIGURE 9-14. LOWER CYLINDER ASSEMBLY



ART\_70028653-D

# PARTS FINDER

**Search Website  
by Part Number**



**Search Manual  
Library For Parts  
Manual & Lookup Part  
Numbers – Purchase  
or Request Quote**

**Can't Find Part or  
Manual? Request Help  
by Manufacturer,  
Model & Description**

Discount-Equipment.com is your online resource for quality parts & equipment.

Florida: **561-964-4949** Outside Florida TOLL FREE: **877-690-3101**

## Need parts?

Click on this link: <http://www.discount-equipment.com/category/5443-parts/> and choose one of the options to help get the right parts and equipment you are looking for. Please have the machine model and serial number available in order to help us get you the correct parts. If you don't find the part on the website or on one of the online manuals, please fill out the request form and one of our experienced staff members will get back to you with a quote for the right part that your machine needs.

We sell worldwide for the brands: Genie, Terex, JLG, MultiQuip, Mikasa, Essick, Whiteman, Mayco, Toro Stone, Diamond Products, Generac Magnum, Airman, Haulotte, Barreto, Power Blanket, Nifty Lift, Atlas Copco, Chicago Pneumatic, Allmand, Miller Curber, Skyjack, Lull, Skytrak, Tsurumi, Husquvarna Target, Stow, Wacker, Sakai, Mi-T-M, Sullair, Basic, Dynapac, MBW, Weber, Bartell, Bennar Newman, Haulotte, Ditch Runner, Menegotti, Morrison, Contec, Buddy, Crown, Edco, Wyco, Bomag, Laymor, EZ Trench, Bil-Jax, F.S. Curtis, Gehl Pavers, Heli, Honda, ICS/PowerGrit, IHI, Partner, Imer, Clipper, MMD, Koshin, Rice, CH&E, General Equipment, Amida, Coleman, NAC, Gradall, Square Shooter, Kent, Stanley, Tamco, Toku, Hatz, Kohler, Robin, Wisconsin, Northrock, Oztec, Toker TK, Rol-Air, APT, Wylie, Ingersoll Rand / Doosan, Innovatech, Con X, Ammann, Mecalac, Makinex, Smith Surface Prep, Small Line, Wanco, Yanmar

## SECTION 9 - HYDRAULIC COMPONENTS

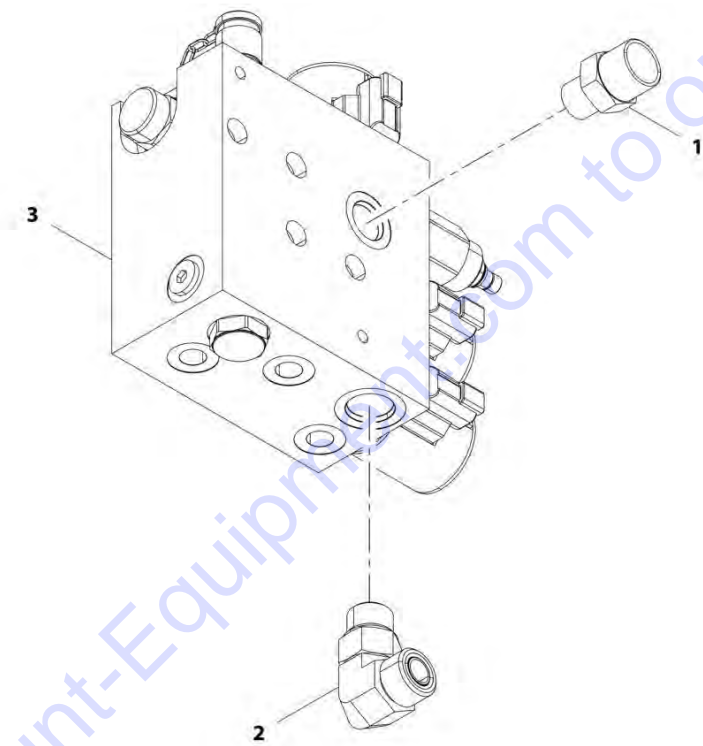
**FIGURE 9-14. LOWER CYLINDER ASSEMBLY**

ITEM	PART NUMBER	QTY	DESCRIPTION	REV
	70028653	Ref	Lower Cylinder Assembly	D
401	N.S.S.	1	Barrel	
402	70028692	1	Rod	
403	70024142	1	Piston	
404	70028693	1	Retainer	
405	70028258	1	Nut	
406	N.S.S.	1	Ring, Backup	
407	N.S.S.	1	Seal	
408	N.S.S.	1	Wiper	
409	N.S.S.	1	O-Ring	
410	N.S.S.	1	Seal	
411	N.S.S.	1	O-Ring	
412	70028256	2	Bushing	
413	70028257	1	Spacer	
414	70028694	2	Bushing	
415	70024129	2	Plug	
416	70026502	1	Valve, Check	
417	70024734	1	Kit, Check Valve	
418	70028691	1	Tool, Seal Loader	
419	70028771	1	Kit, Seal	

Go to Discount-Equipment.com to order your parts

**SECTION 9 - HYDRAULIC COMPONENTS**

**FIGURE 9-15. REAR AXLE LOCK VALVE INSTALLATION**



Go to Discount-Equipment.com to order your parts

ART\_1001212511-A

## SECTION 9 - HYDRAULIC COMPONENTS

FIGURE 9-15. REAR AXLE LOCK VALVE INSTALLATION

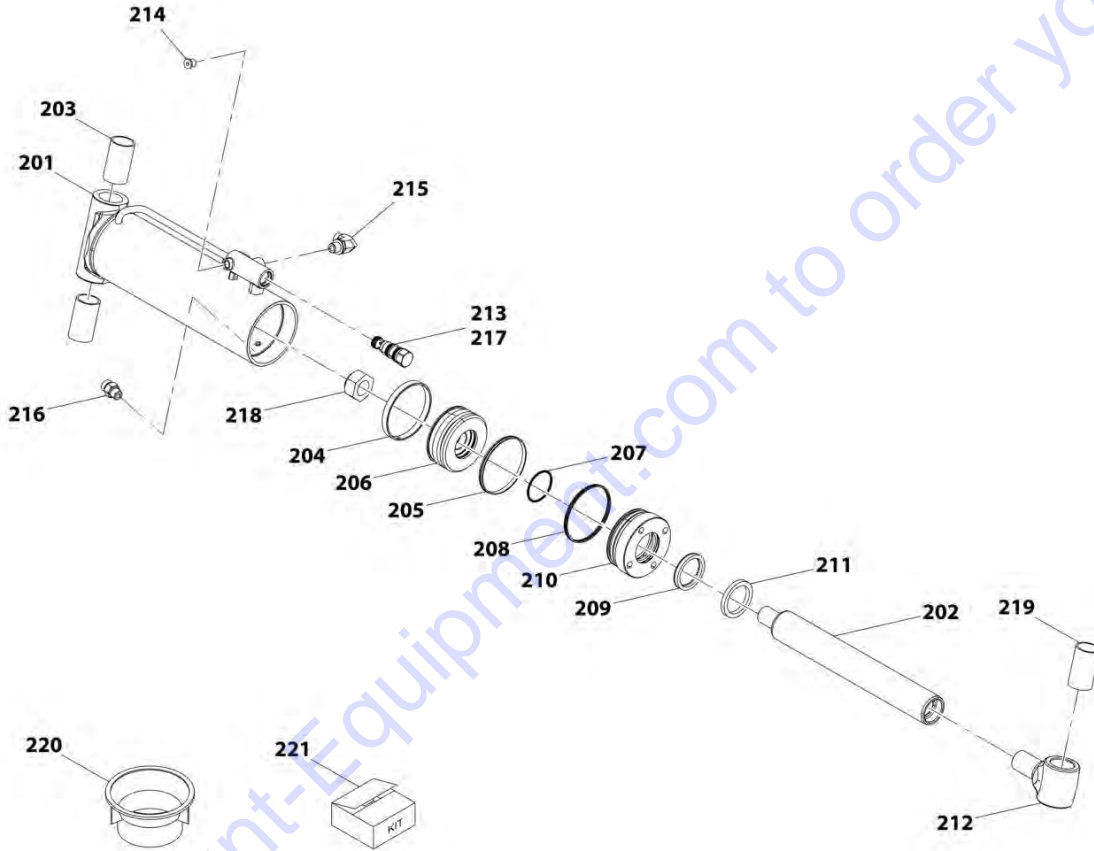
ITEM	PART NUMBER	QTY	DESCRIPTION	REV
	1001212511	Ref	Rear Axle Lock Valve Installation	A
1	2111008	1	Fitting, Straight ORFS	
2	2131010	1	Fitting, ORFS	
3	1001188203	1	Valve, Rear Axle Lock	

Go to Discount-Equipment.com to order your parts



# SECTION 9 - HYDRAULIC COMPONENTS

## FIGURE 9-16. LOG HANDLER CARRIAGE CYLINDER ASSEMBLY



ART\_70028704-C

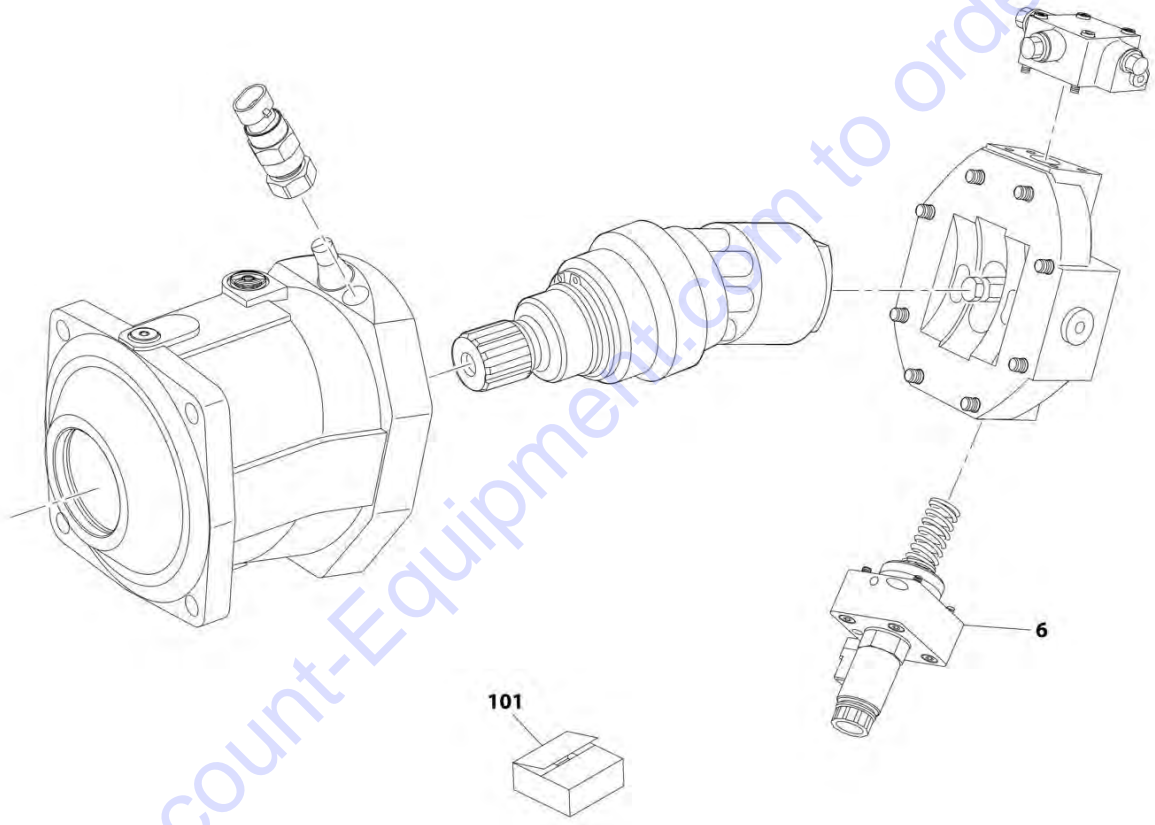
## SECTION 9 - HYDRAULIC COMPONENTS

**FIGURE 9-16. LOG HANDLER CARRIAGE CYLINDER ASSEMBLY**

ITEM	PART NUMBER	QTY	DESCRIPTION	REV
	70028704	Ref	Log Handler Carriage Cylinder Assembly	C
201	N.S.S.	1	Barrel	
202	70028728	1	Rod	
203	70028729	2	Bushing	
204	N.S.S.	1	Ring, Wear	
205	N.S.S.	1	Seal	
206	70028730	1	Piston	
207	N.S.S.	1	O-Ring	
208	N.S.S.	1	Seal	
209	N.S.S.	1	Seal	
210	70028731	1	Retainer	
211	N.S.S.	1	Wiper	
212	N.S.S.	1	End, Rod (included with item 202)	
213	70024733	1	Valve, Check	
214	70024129	2	Plug	
215	70024123	1	Fitting, 90	
216	70024130	1	Fitting, Straight	
217	70024734	1	Kit, Check Valve	
218	70028732	1	Nut	
219	70028729	1	Bushing (included with item 202)	
220	70028588	1	Tool, Seal Loader	
221	70028733	1	Kit, Seal (includes items 204, 205, 207, 208, 208, 211, 220)	

**SECTION 9 - HYDRAULIC COMPONENTS**

**FIGURE 9-17. HYDROSTATIC MOTOR**

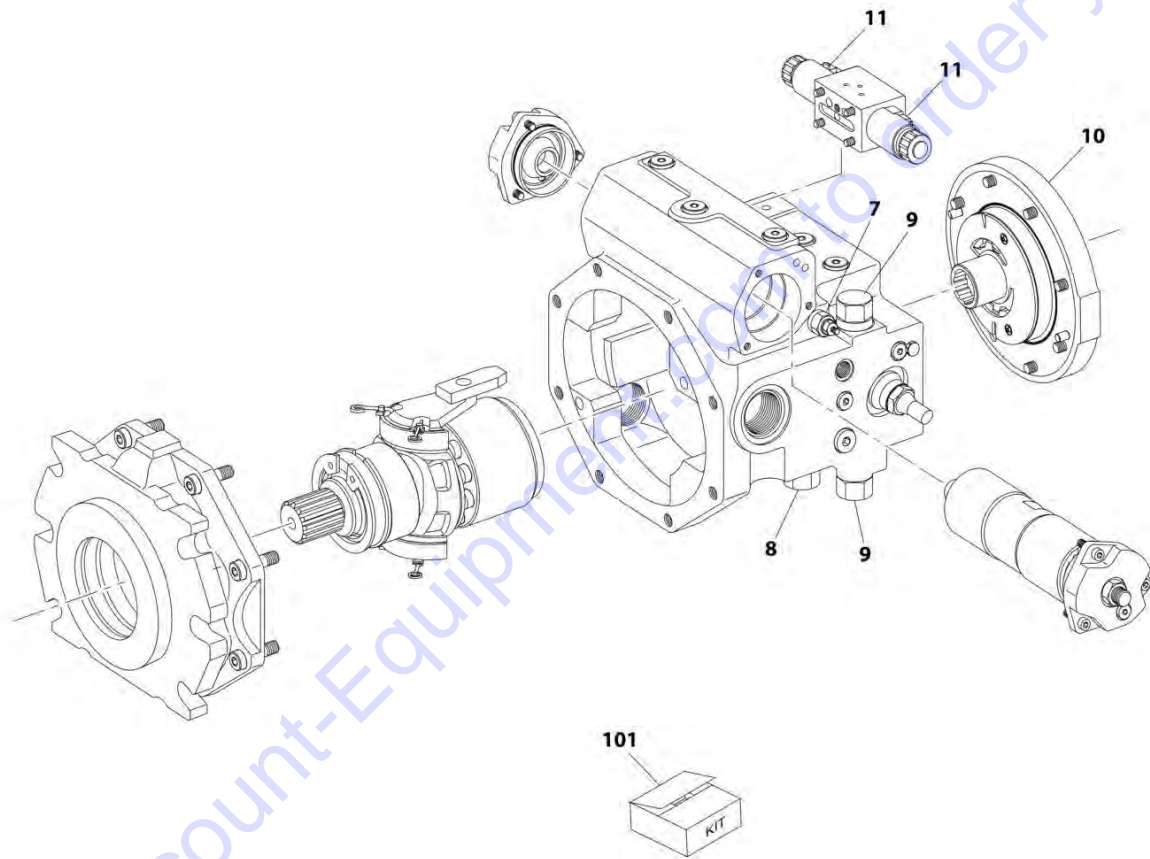


ART\_1001193308-C



# SECTION 9 - HYDRAULIC COMPONENTS

## FIGURE 9-18. HYDROSTATIC PUMP

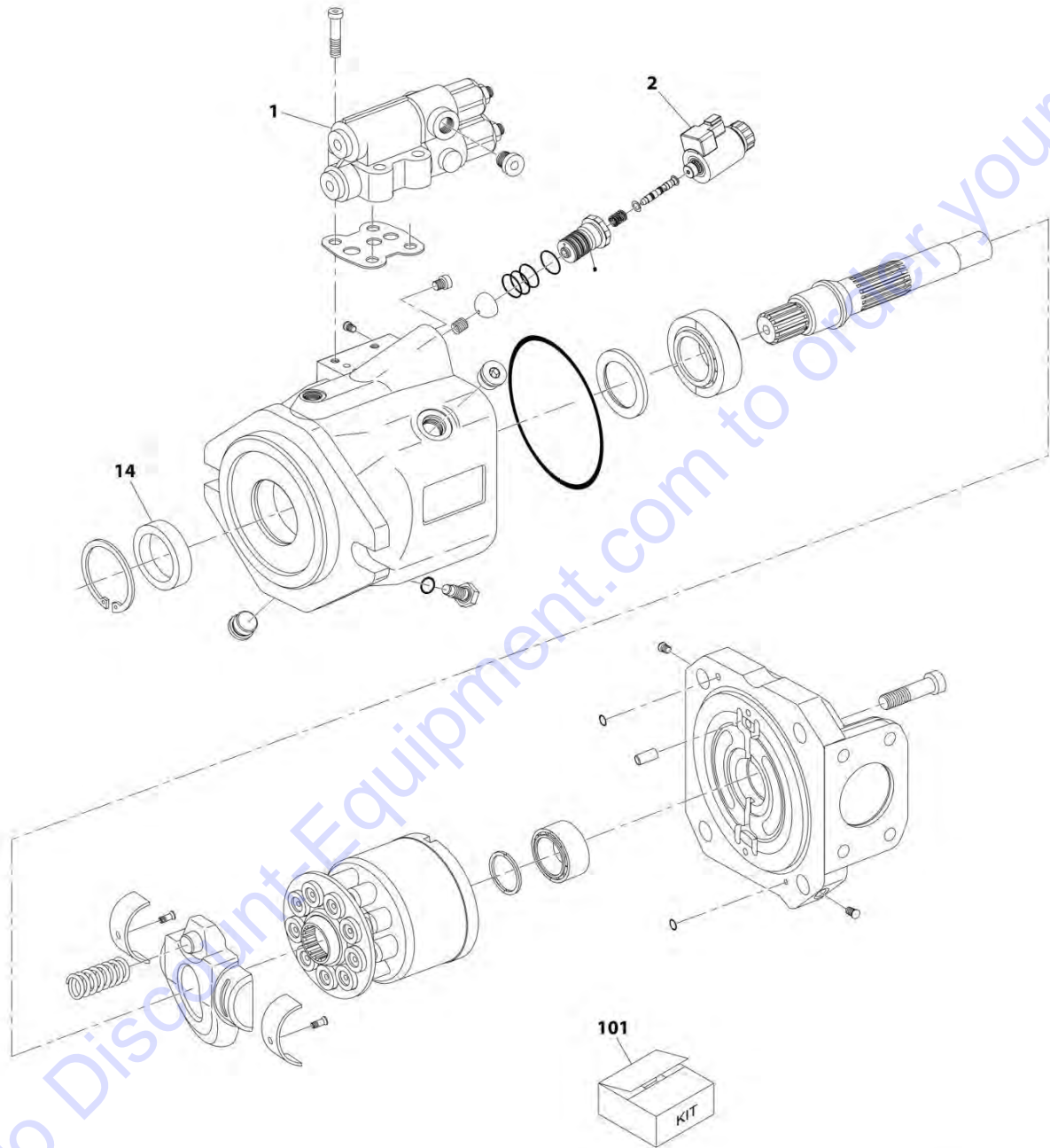


ART\_1001193307-D



# SECTION 9 - HYDRAULIC COMPONENTS

## FIGURE 9-19. IMPLEMENT PUMP



ART\_1001180070-F

## SECTION 9 - HYDRAULIC COMPONENTS

**FIGURE 9-19. IMPLEMENT PUMP**

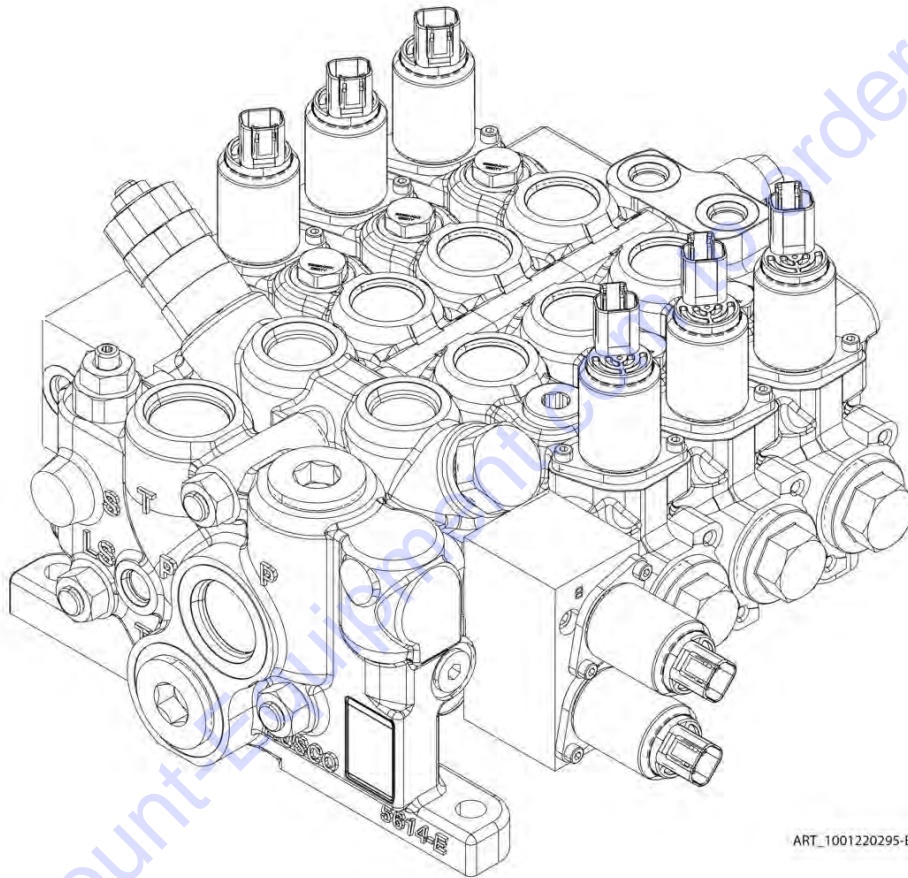
ITEM	PART NUMBER	QTY	DESCRIPTION	REV
	1001180070	1	Implement Pump	F
1	70027595	1	Controller, DSR	
2	70028412	1	Controller, EK	
14	7024947	1	Seal, Shaft	
101	70028413	1	Kit, Seal	
	Kit	1	Seal	
	Kit	1	Plug	
	Kit	2	Plug	
	Kit	2	O-Ring	
	Kit	1	O-Ring	

Go to Discount-Equipment.com to order your parts



## SECTION 9 - HYDRAULIC COMPONENTS

FIGURE 9-20. MAIN CONTROL VALVE



ART\_1001220295-B

## SECTION 9 - HYDRAULIC COMPONENTS

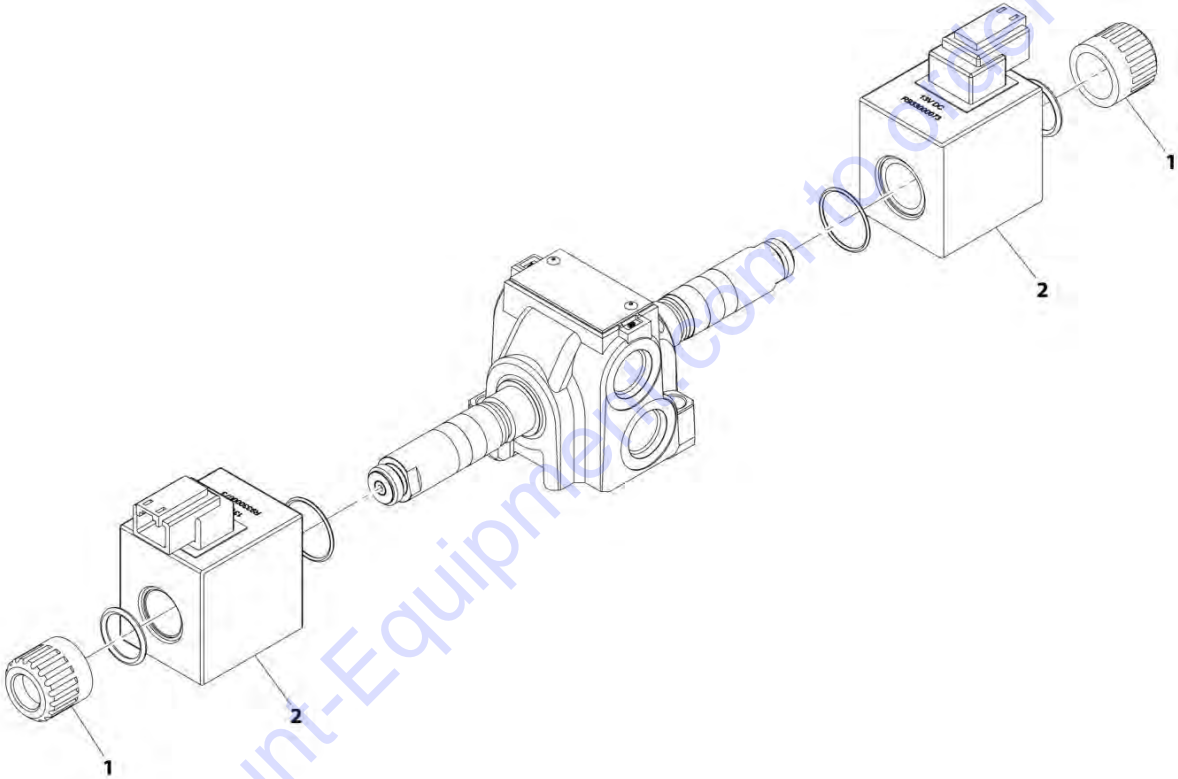
FIGURE 9-20. MAIN CONTROL VALVE

ITEM	PART NUMBER	QTY	DESCRIPTION	REV
	1001220295	Ref	Main Control Valve	B

Go to Discount-Equipment.com to order your parts

**SECTION 9 - HYDRAULIC COMPONENTS**

**FIGURE 9-21. STEERING SELECT VALVE**



ART\_1001153748-C

## SECTION 9 - HYDRAULIC COMPONENTS

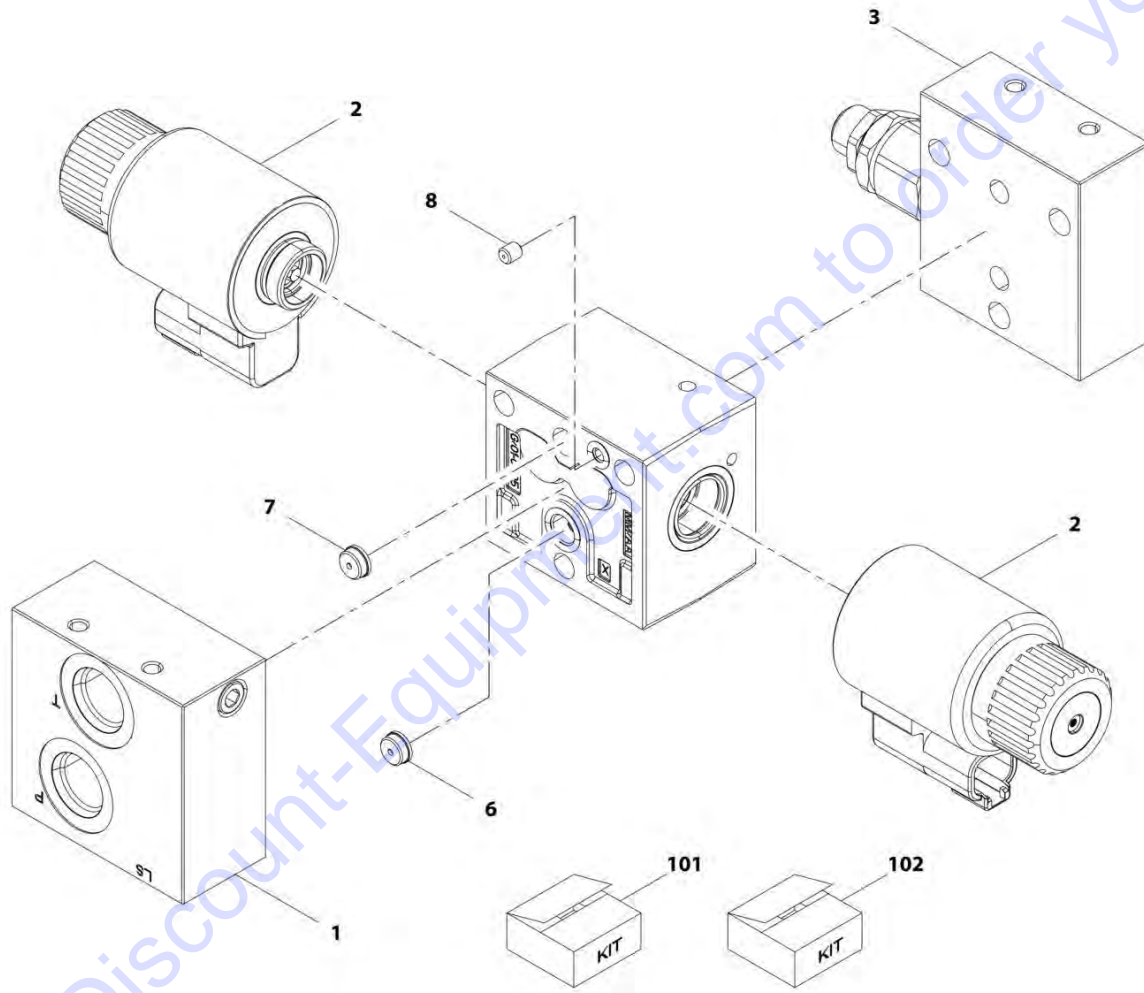
FIGURE 9-21. STEERING SELECT VALVE

ITEM	PART NUMBER	QTY	DESCRIPTION	REV
	1001153748	Ref	Steering Select Valve	C
1	70020867	2	Nut, Coil	
2	70026582	2	Coil	

Go to Discount-Equipment.com to order your parts

# SECTION 9 - HYDRAULIC COMPONENTS

## FIGURE 9-22. FRAME LEVEL VALVE



ART\_1001219615-D

## SECTION 9 - HYDRAULIC COMPONENTS

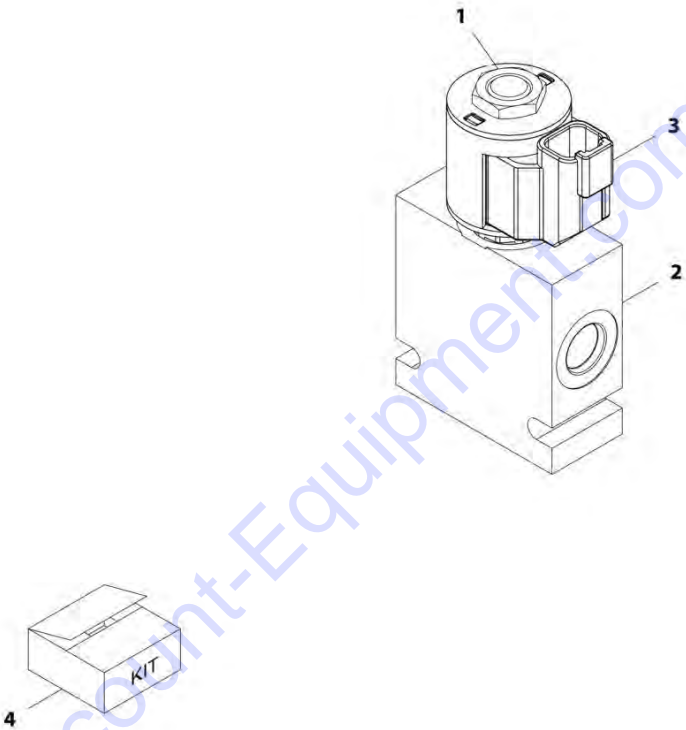
**FIGURE 9-22. FRAME LEVEL VALVE**

ITEM	PART NUMBER	QTY	DESCRIPTION	REV
	1001219615	Ref	Frame Level Valve	D
1	70028414	1	Valve, Section	
2	70004595	2	Coil	
3	70028504	1	Plate	
6	70028415	1	Screw	
7	70028243	1	Screw	
8	70028416	1	Screw	
101	70028502	2	Kit, Coil Nut	
	Kit	1	Nut	
	Kit	1	O-Ring	
102	70028503	1	Kit, Bolt and Seal	
	Kit	3	Bolt	
	Kit	3	Washer	
	Kit	2	O-Ring	
	Kit	4	O-Ring	
	Kit	2	O-Ring	

Go to Discount-Equipment.com to order your parts

**SECTION 9 - HYDRAULIC COMPONENTS**

**FIGURE 9-23. SOLENOID VALVE**



ART\_1001221928-A

## SECTION 9 - HYDRAULIC COMPONENTS

FIGURE 9-23. SOLENOID VALVE

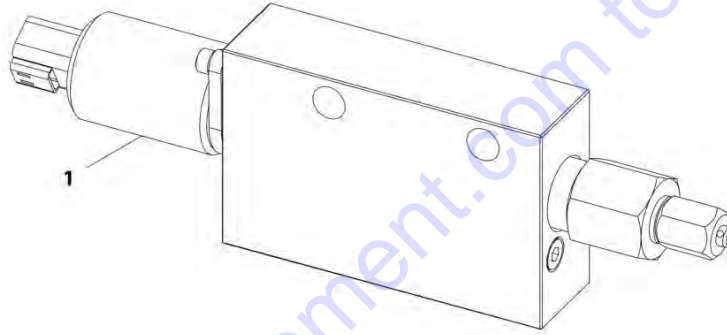
ITEM	PART NUMBER	QTY	DESCRIPTION	REV
	1001221928	Ref	Solenoid Valve	A
1	70004387	1	Cartridge	
2	N.S.S.	Ref	Body	
3	70002963	1	Coil	
4	7010543	1	Kit, Seal	

Go to Discount-Equipment.com to order your parts



## SECTION 9 - HYDRAULIC COMPONENTS

FIGURE 9-24. INCHING VALVE



ART\_1001213311-B

## SECTION 9 - HYDRAULIC COMPONENTS

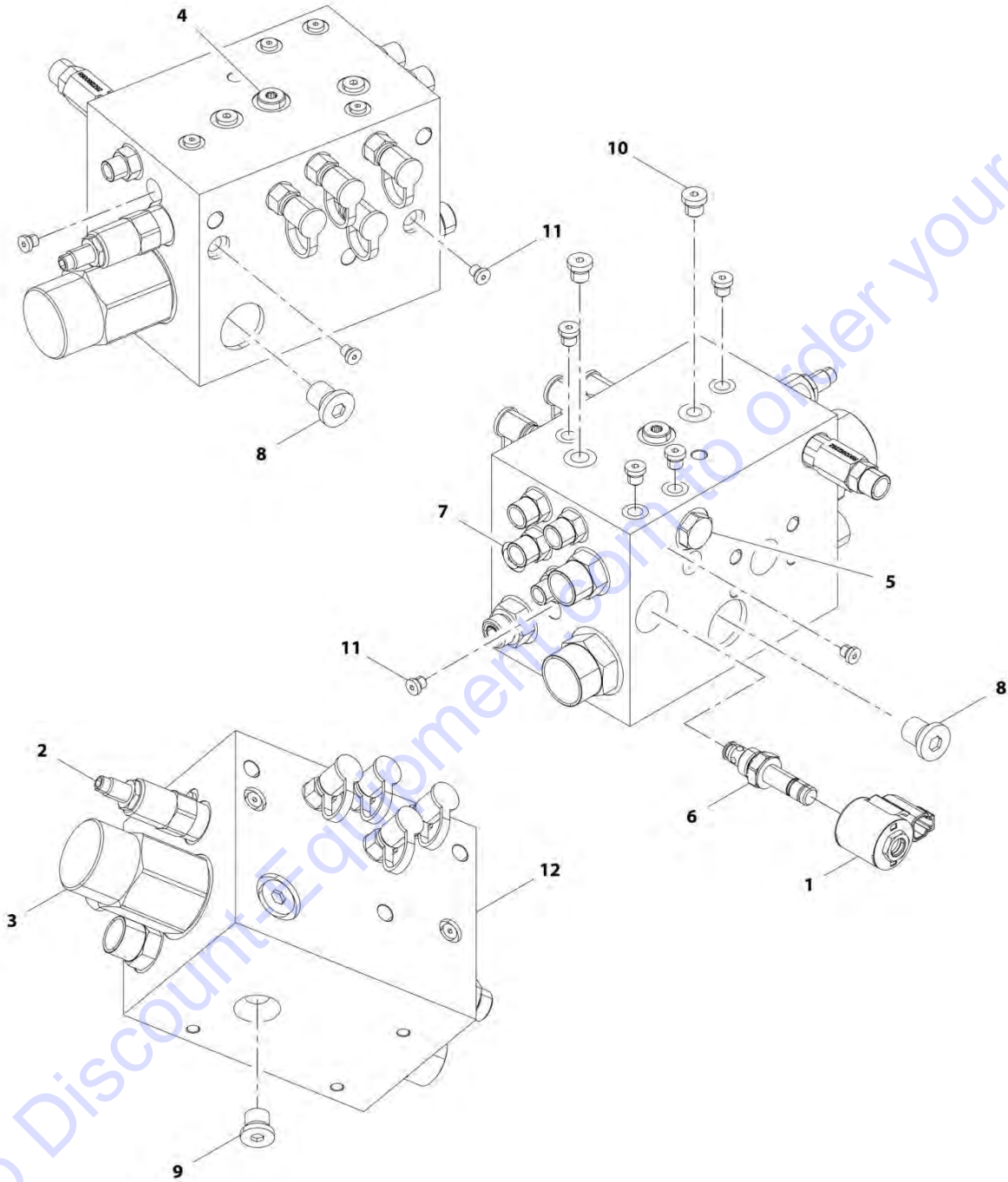
FIGURE 9-24. INCHING VALVE

ITEM	PART NUMBER	QTY	DESCRIPTION	REV
1	1001213311 70028361	Ref 1	Inching Valve Valve, Proportional	B

Go to Discount-Equipment.com to order your parts

# SECTION 9 - HYDRAULIC COMPONENTS

## FIGURE 9-25. PRIORITY VALVE ASSEMBLY



ART\_1001192888-E

## SECTION 9 - HYDRAULIC COMPONENTS

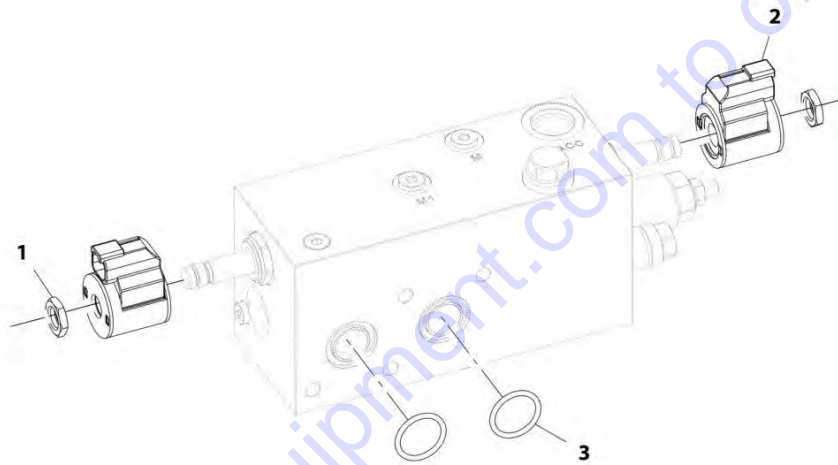
**FIGURE 9-25. PRIORITY VALVE ASSEMBLY**

ITEM	PART NUMBER	QTY	DESCRIPTION	REV
	1001192888	Ref	Priority Valve Assembly	E
1	70028905	1	Cartridge	
2	70028904	1	Cartridge	
3	70028903	1	Cartridge	
4	70026312	1	Cartridge	
5	70028902	1	Cartridge	
6	70002963	1	Coil	
7	70006427	1	Orifice	
8	70026314	2	Plug	
9	2220886	1	Plug	
10	2220883	3	Plug	
11	70026315	9	Plug	
12	N.S.S.	1	Block	

Go to Discount-Equipment.com to order your parts

## SECTION 9 - HYDRAULIC COMPONENTS

FIGURE 9-26. BOOM RAISE VALVE (RIDE CONTROL)



ART\_1001224945-C

## SECTION 9 - HYDRAULIC COMPONENTS

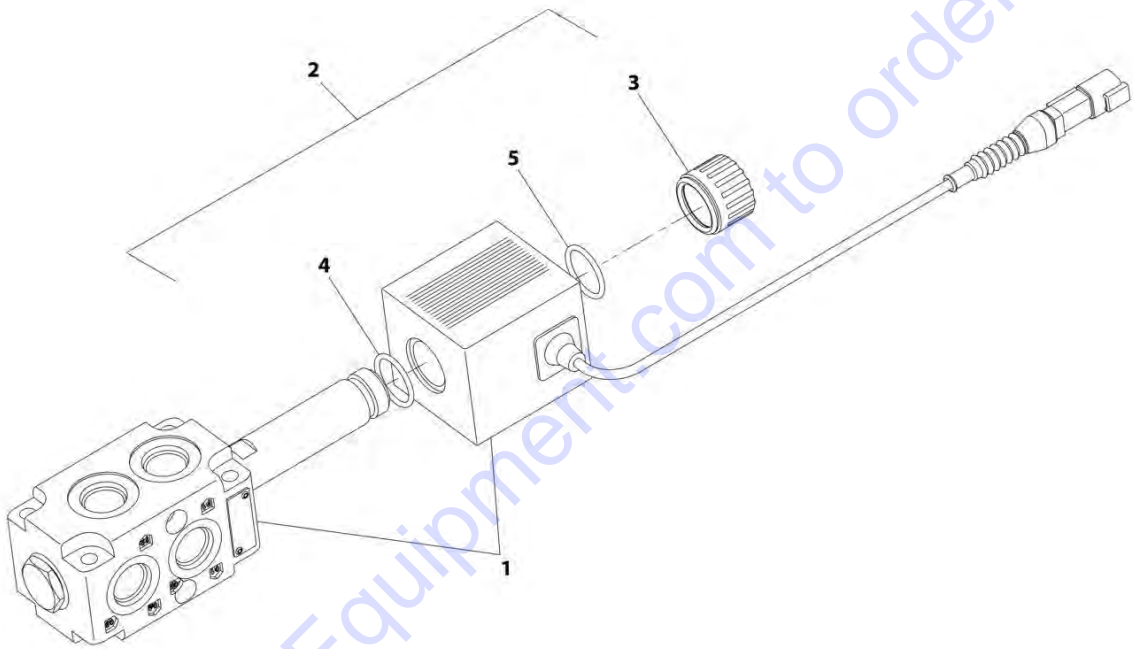
FIGURE 9-26. BOOM RAISE VALVE (RIDE CONTROL)

ITEM	PART NUMBER	QTY	DESCRIPTION	REV
	1001224945	Ref	Boom Raise Valve (Ride Control)	C
1	7022390	2	Nut	
2	70028281	2	Coil	
3	70028282	2	O-Ring	

Go to Discount-Equipment.com to order your parts

# SECTION 9 - HYDRAULIC COMPONENTS

FIGURE 9-27. DIVERTOR VALVE



ART\_1001104477-D

## SECTION 9 - HYDRAULIC COMPONENTS

FIGURE 9-27. DIVERTOR VALVE

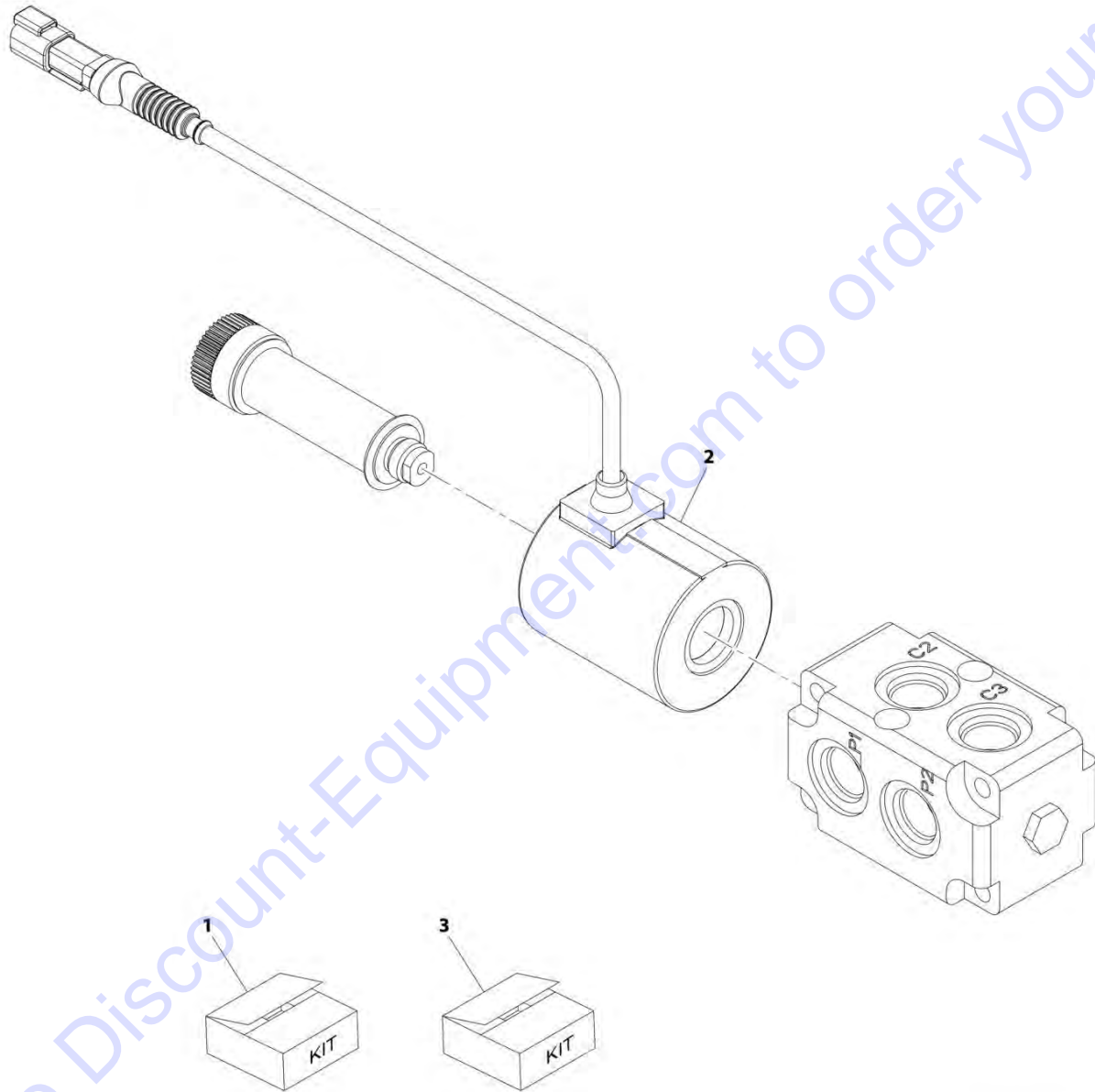
ITEM	PART NUMBER	QTY	DESCRIPTION	REV
	1001104477	Ref	Divertor Valve	D
1	70020764	1	Coil	
2	70021531	1	Kit, Retainer	
3	Kit	1	Nut	
4	Kit	1	O-Ring	
5	Kit	1	O-Ring	

Go to Discount-Equipment.com to order your parts



# SECTION 9 - HYDRAULIC COMPONENTS

## FIGURE 9-28. DIVERTOR VALVE



ART\_100110023-B

## SECTION 9 - HYDRAULIC COMPONENTS

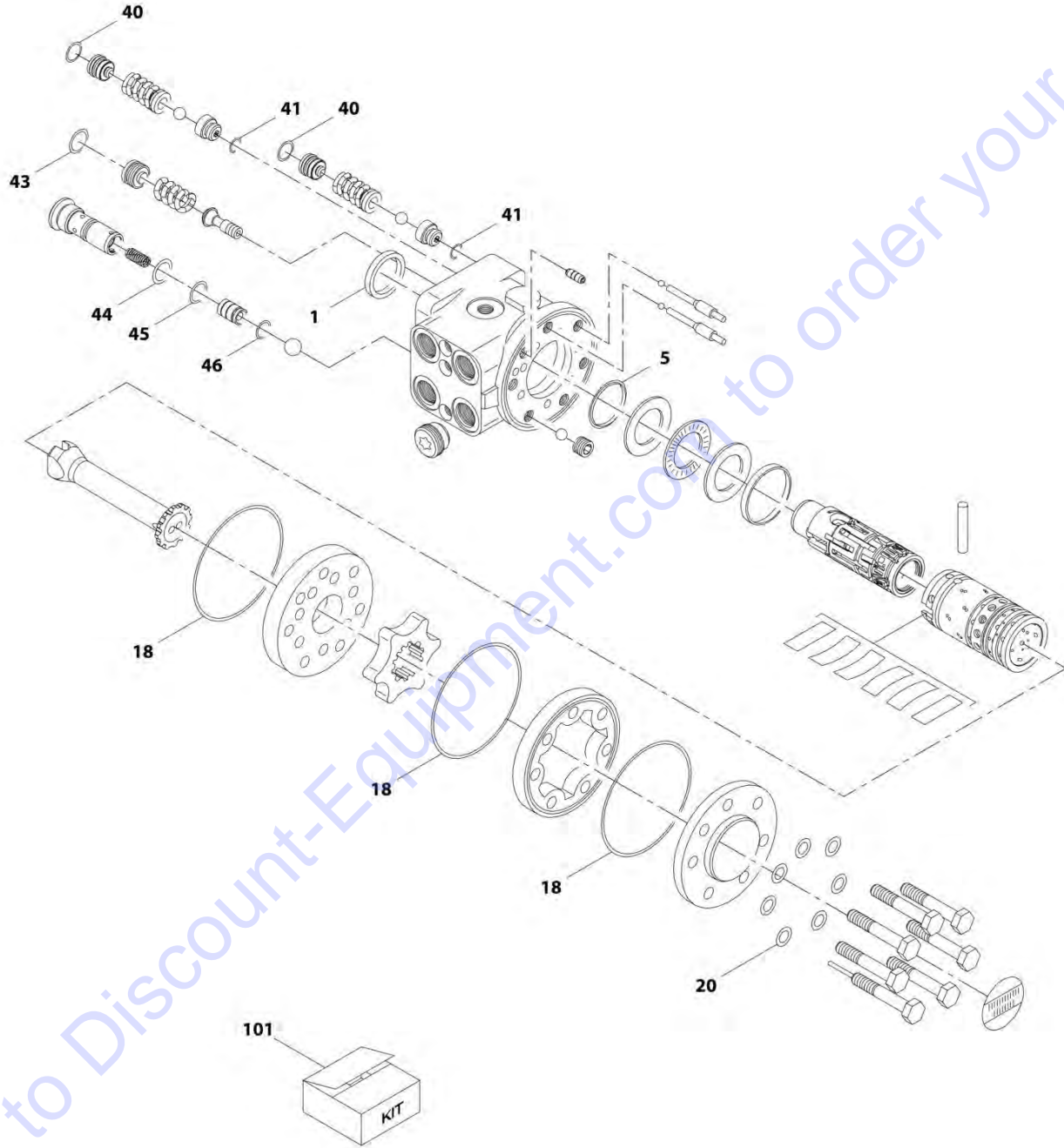
### FIGURE 9-28. DIVERTOR VALVE

ITEM	PART NUMBER	QTY	DESCRIPTION	REV
	1001110023	Ref	Divertor Valve	B
1	70027596	1	Kit, Seal	
	Kit	2	O-Ring	
2	70020764	1	Coil	
3	70021531	1	Kit, Coil Nut	
	N.S.S.	1	O-Ring	
	N.S.S.	1	O-Ring	
	N.S.S.	1	Nut	

Go to Discount-Equipment.com to order your parts

# SECTION 9 - HYDRAULIC COMPONENTS

## FIGURE 9-29. STEER UNIT VALVE



ART\_1001178670-B

## SECTION 9 - HYDRAULIC COMPONENTS

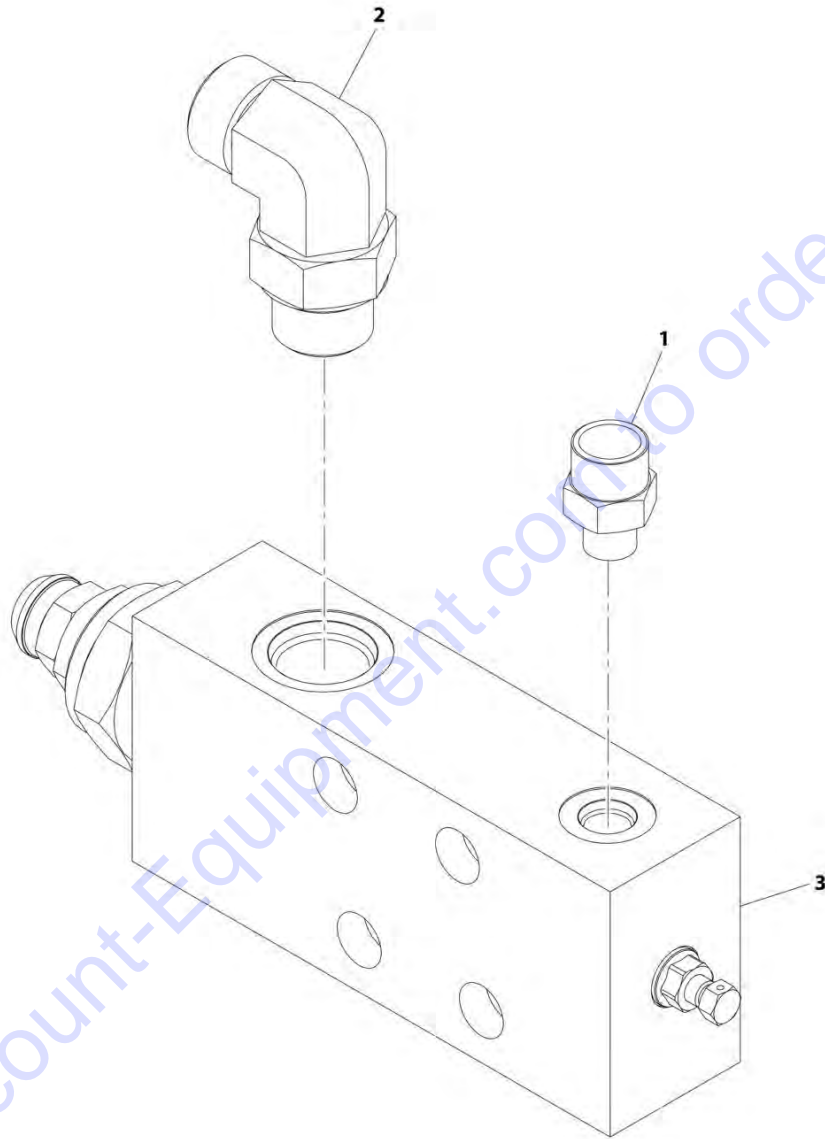
**FIGURE 9-29. STEER UNIT VALVE**

ITEM	PART NUMBER	QTY	DESCRIPTION	REV
	1001178670	Ref	Steer Unit Valve	B
1	Kit	2	Ring, Dust Seal	
5	Kit	2	Seal, Shaft	
18	Kit	2	O-Ring	
20	Kit	2	Washer	
40	Kit	2	O-Ring	
41	Kit	2	O-Ring	
43	Kit	2	O-Ring	
44	Kit	2	O-Ring	
45	Kit	2	O-Ring	
46	Kit	2	O-Ring	
101	70028285	1	Kit, Seal (includes items 1, 5, 18, 20, 40, 41 and 43 thru 46)	

Go to Discount-Equipment.com to order your parts

## SECTION 9 - HYDRAULIC COMPONENTS

FIGURE 9-30. COUNTERBALANCE VALVE INSTALLATION



ART\_1001212349-A

## SECTION 9 - HYDRAULIC COMPONENTS

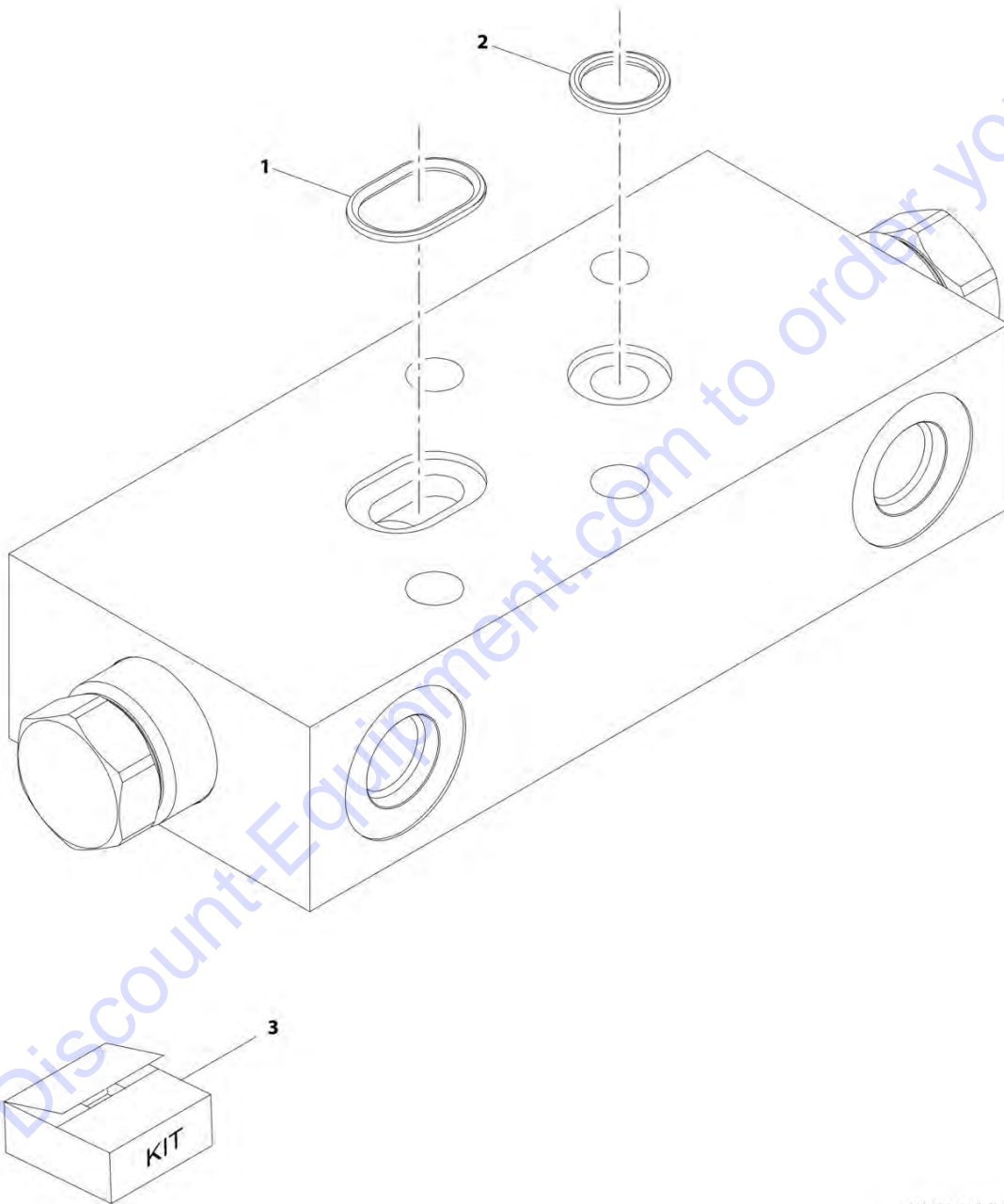
FIGURE 9-30. COUNTERBALANCE VALVE INSTALLATION

ITEM	PART NUMBER	QTY	DESCRIPTION	REV
	1001212349	Ref	Counterbalance Valve Installation	A
1	2110806	1	Fitting, Straight ORFS	
2	2131212	1	Fitting, 90 ORFS	
3	1001200111	1	Valve, Counterbalance (See Seperate Breakdown in this Section)	

Go to Discount-Equipment.com to order your parts

# SECTION 9 - HYDRAULIC COMPONENTS

FIGURE 9-31. COUNTERBALANCE VALVE



ART\_1001168599-C

## SECTION 9 - HYDRAULIC COMPONENTS

FIGURE 9-31. COUNTERBALANCE VALVE

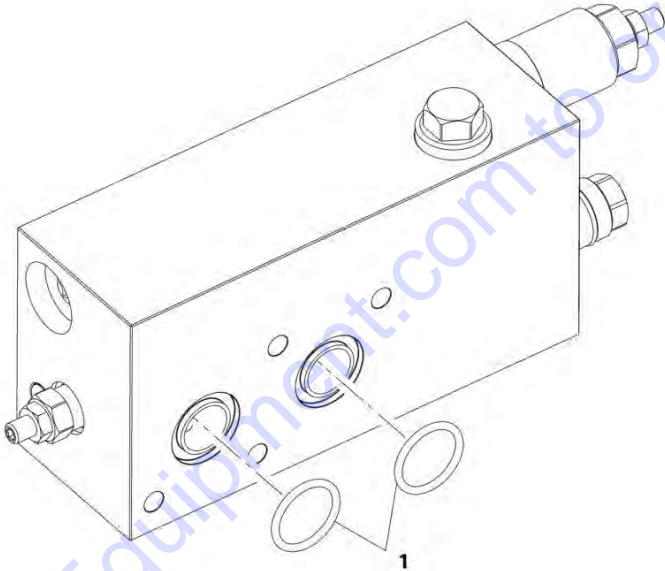
ITEM	PART NUMBER	QTY	DESCRIPTION	REV
	1001168599	Ref	Counterbalance Valve	C
1	Kit	1	O-Ring	
2	Kit	1	O-Ring	
3	70028421	1	Kit, Seal (includes items 1 thru 2)	

Go to Discount-Equipment.com to order your parts



**SECTION 9 - HYDRAULIC COMPONENTS**

**FIGURE 9-32. COUNTERBALANCE VALVE**



ART\_1001224944-C

## SECTION 9 - HYDRAULIC COMPONENTS

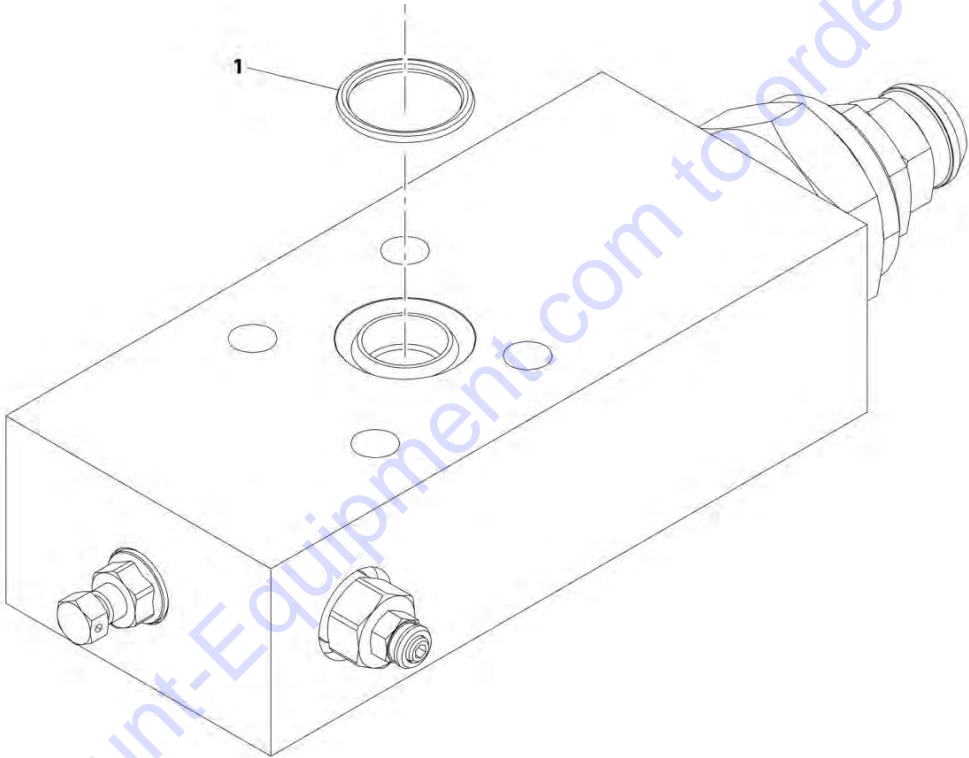
FIGURE 9-32. COUNTERBALANCE VALVE

ITEM	PART NUMBER	QTY	DESCRIPTION	REV
1	1001224944 70028282	Ref 1	Counterbalance Valve O-Ring	C

Go to Discount-Equipment.com to order your parts

**SECTION 9 - HYDRAULIC COMPONENTS**

**FIGURE 9-33. COUNTERBALANCE VALVE**



Go to Discount-Equipment.com to order your parts

ART\_1001200111-D

## SECTION 9 - HYDRAULIC COMPONENTS

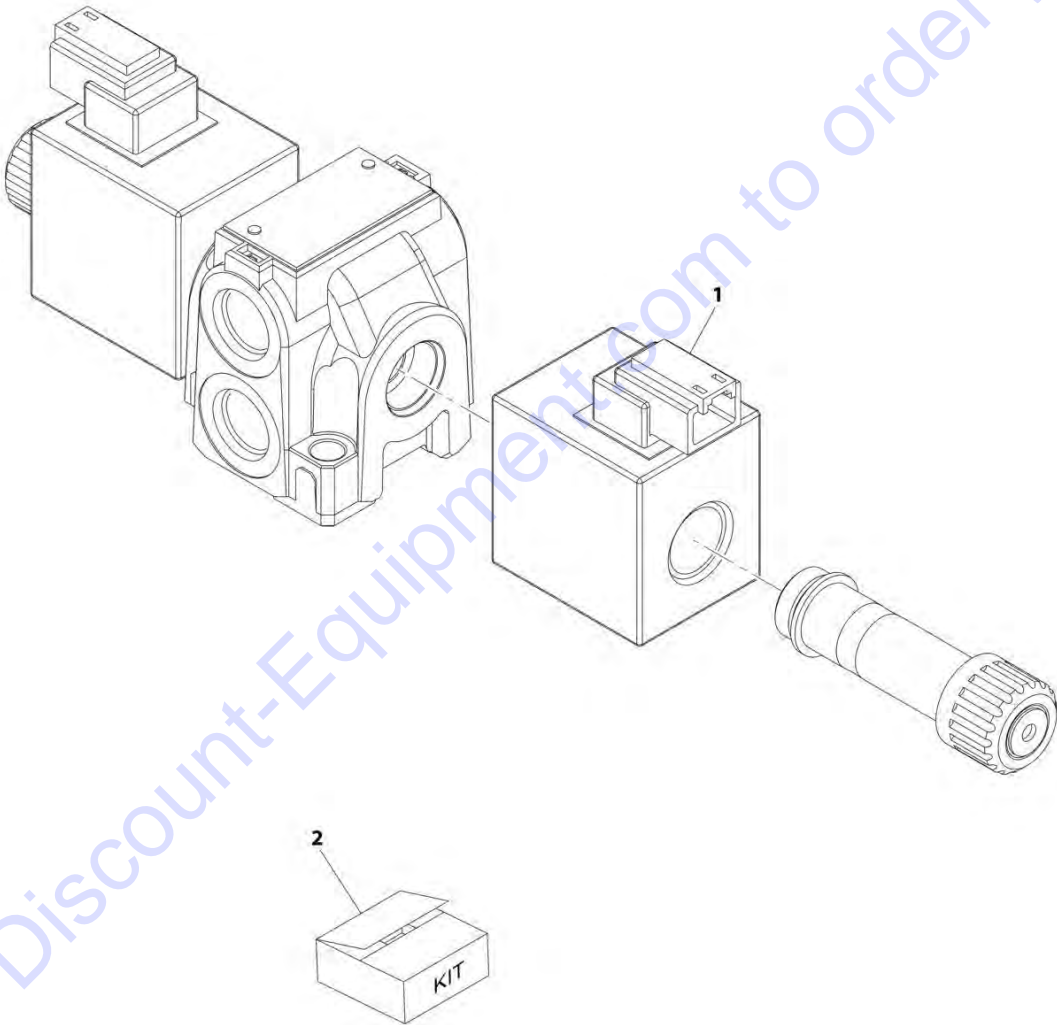
FIGURE 9-33. COUNTERBALANCE VALVE

ITEM	PART NUMBER	QTY	DESCRIPTION	REV
1	1001200111 70028422	Ref 1	Counterbalance Valve O-Ring	D

Go to Discount-Equipment.com to order your parts

**SECTION 9 - HYDRAULIC COMPONENTS**

**FIGURE 9-34. SPEED CONTROL VALVE**



Go to Discount-Equipment.com to order your parts

ART\_4641520-B

## SECTION 9 - HYDRAULIC COMPONENTS

### FIGURE 9-34. SPEED CONTROL VALVE

ITEM	PART NUMBER	QTY	DESCRIPTION	REV
	4641520	Ref	Speed Control Valve	B
1	70026582	1	Coil	
2	70020867	1	Kit, Coil Nut	
	N.S.S.	1	Seal	
	N.S.S.	1	Seal	
	N.S.S.	1	Nut, Coil	

Go to Discount-Equipment.com to order your parts



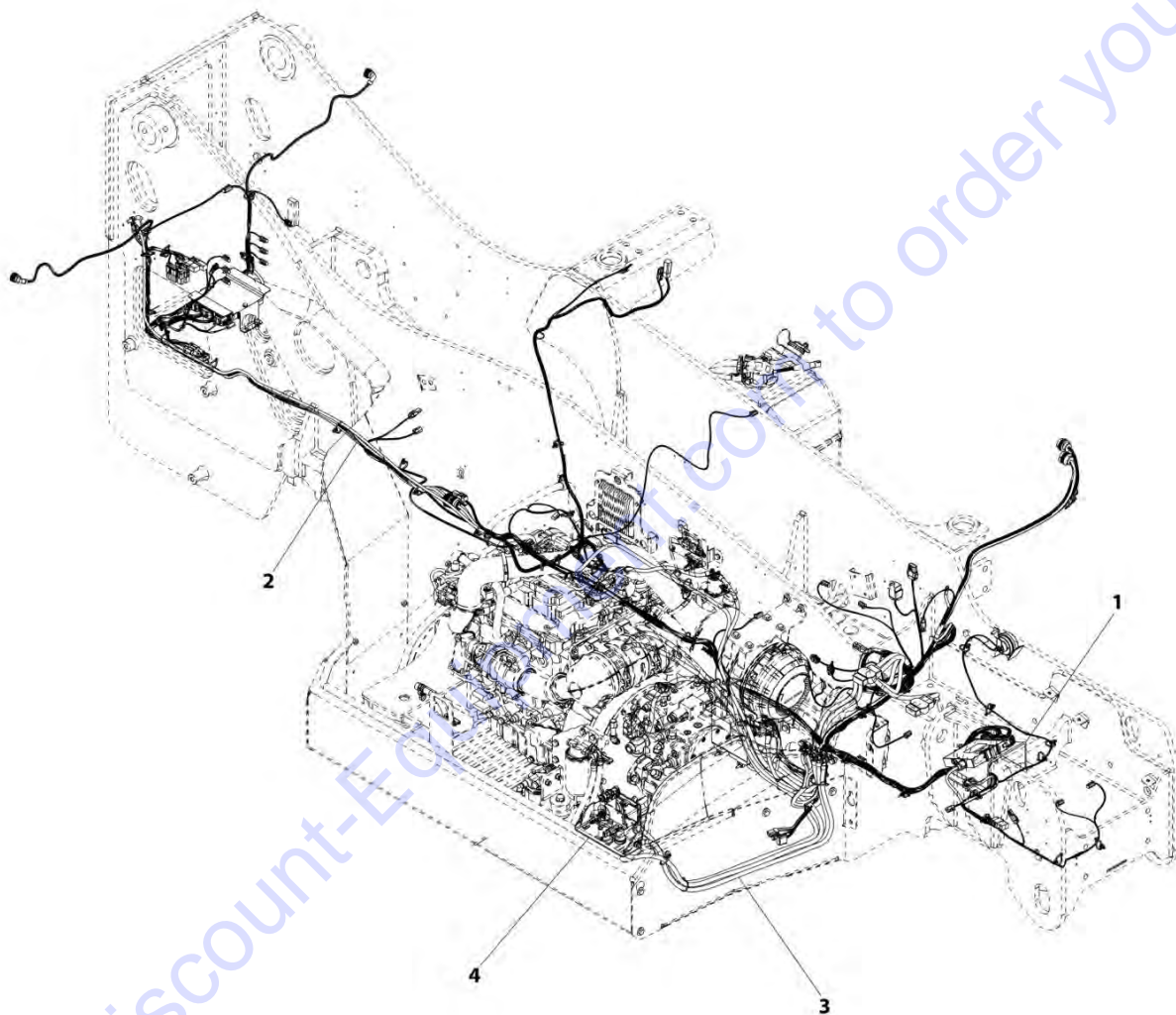
**SECTION 10 - ELECTRICAL**

Go to Discount-Equipment.com to order your parts



# SECTION 10 - ELECTRICAL

## FIGURE 10-1. MAIN ELECTRICAL INSTALLATION (ULS)



ART\_1001192537-B

## SECTION 10 - ELECTRICAL

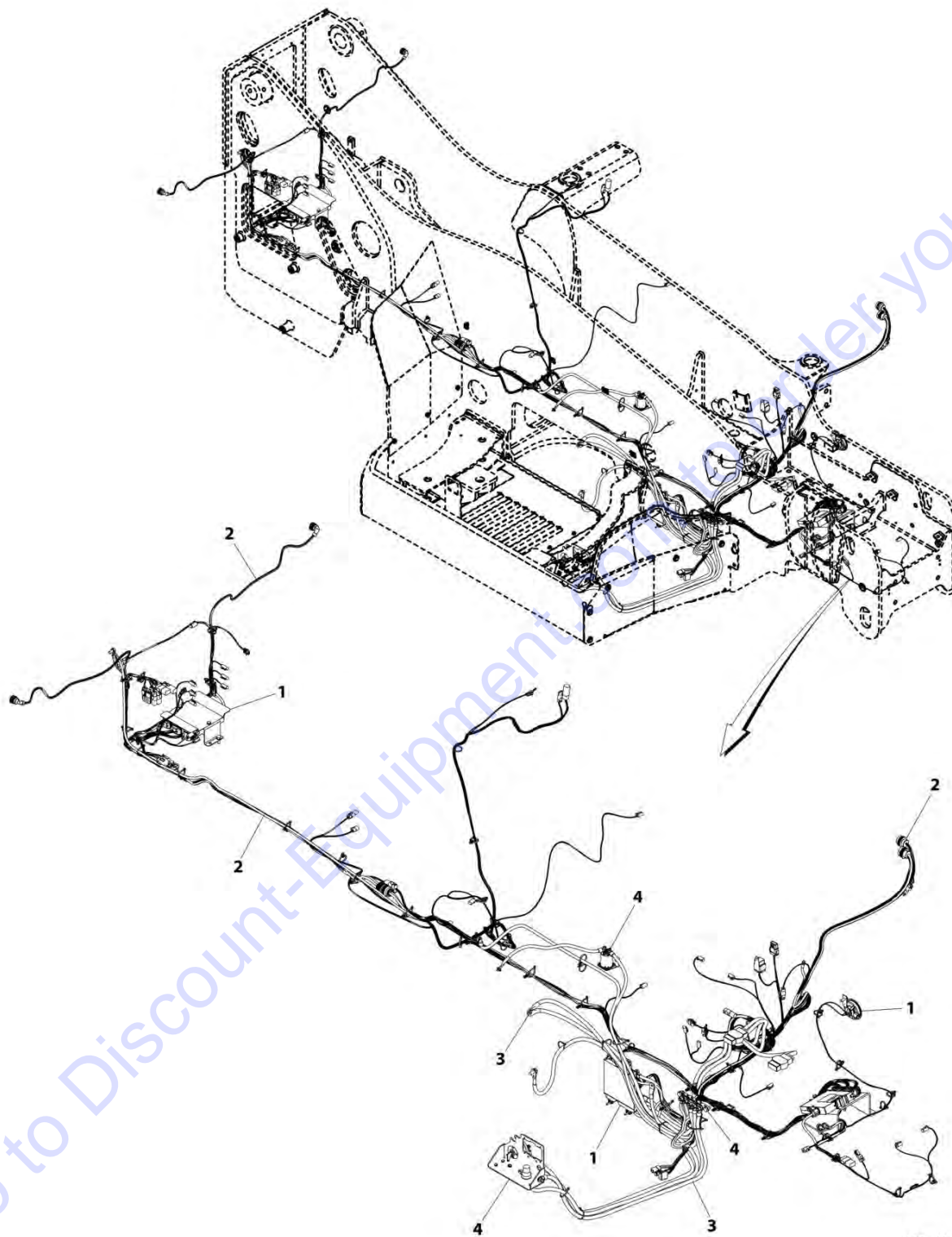
**FIGURE 10-1. MAIN ELECTRICAL INSTALLATION (ULS)**

ITEM	PART NUMBER	QTY	DESCRIPTION	REV
1	1001192537	Ref	Main Electrical Installation (ULS)	B
	1001183272	Ref	Installation, Frame Electrical (See Seperate Breakdown in this Section)	
2	1001200159	Ref	Installation, Frame Wiring (See Seperate Breakdown in this Section)	
3	1001200160	Ref	Installation, Engine Bay Electrical	
4	1001202172	Ref	Installation, Engine Pod Electrical (ULS) (See Seperate Breakdown in this Section)	

Go to Discount-Equipment.com to order your parts

# SECTION 10 - ELECTRICAL

## FIGURE 10-2. MAIN ELECTRICAL INSTALLATION, MINING (ULS)



ART\_1001228738-A

## SECTION 10 - ELECTRICAL

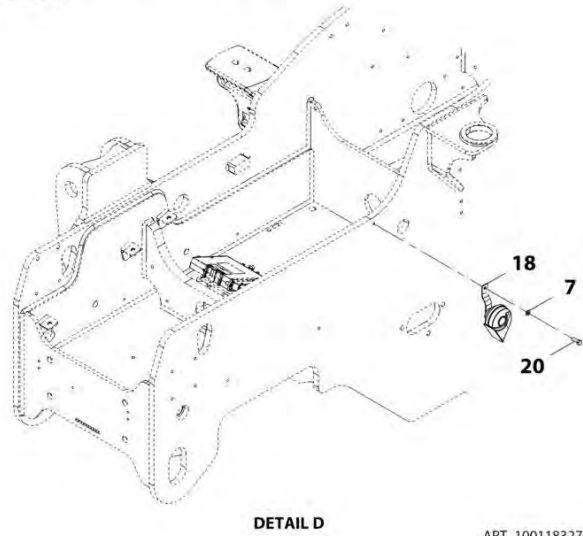
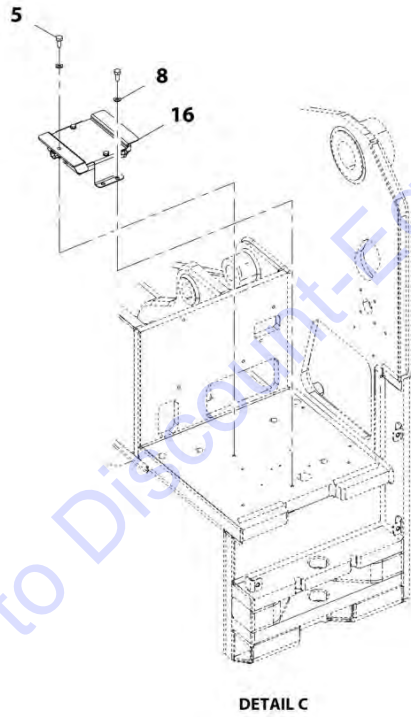
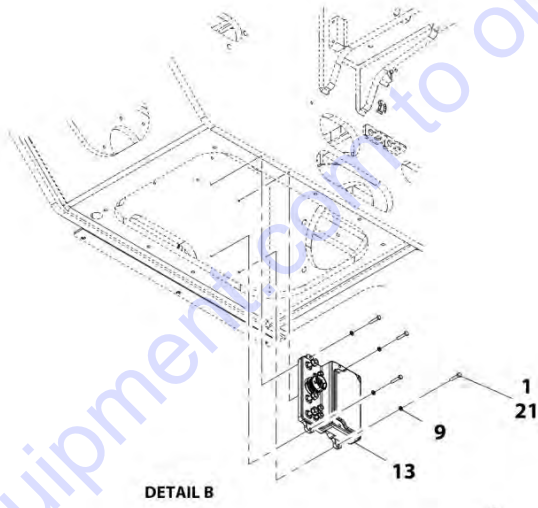
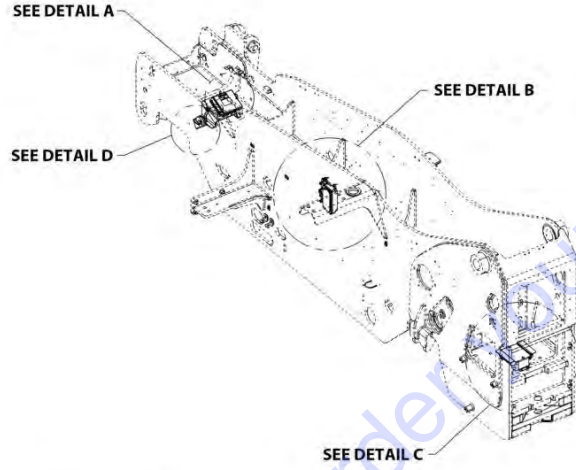
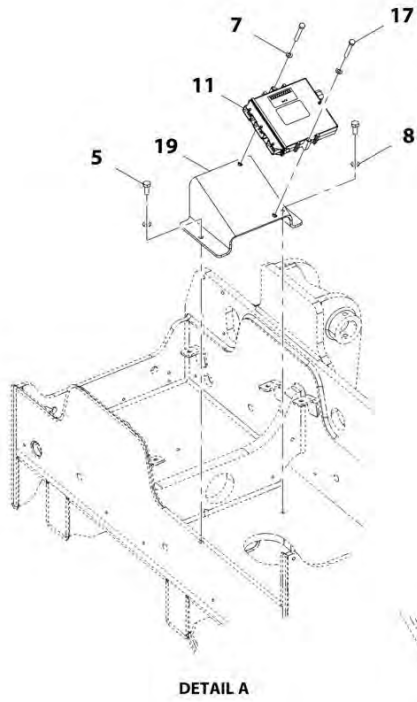
**FIGURE 10-2. MAIN ELECTRICAL INSTALLATION, MINING (ULS)**

ITEM	PART NUMBER	QTY	DESCRIPTION	REV
1	1001228738	Ref	Main Electrical Installation, Mining (ULS)	A
	1001183272	Ref	Installation, Frame Electrical (See Seperate Breakdown in this Section)	
2	1001228739	Ref	Installation, Frame Wiring (See Seperate Breakdown in this Section)	
3	1001200160	Ref	Installation, Engine Bay Electrical	
4	1001202172	Ref	Installation, Engine Pod Electrical (ULS) (See Seperate Breakdown in this Section)	

Go to Discount-Equipment.com to order your parts

# SECTION 10 - ELECTRICAL

## FIGURE 10-3. FRAME ELECTRICAL INSTALLATION



ART\_1001183272-G

## SECTION 10 - ELECTRICAL

**FIGURE 10-3. FRAME ELECTRICAL INSTALLATION**

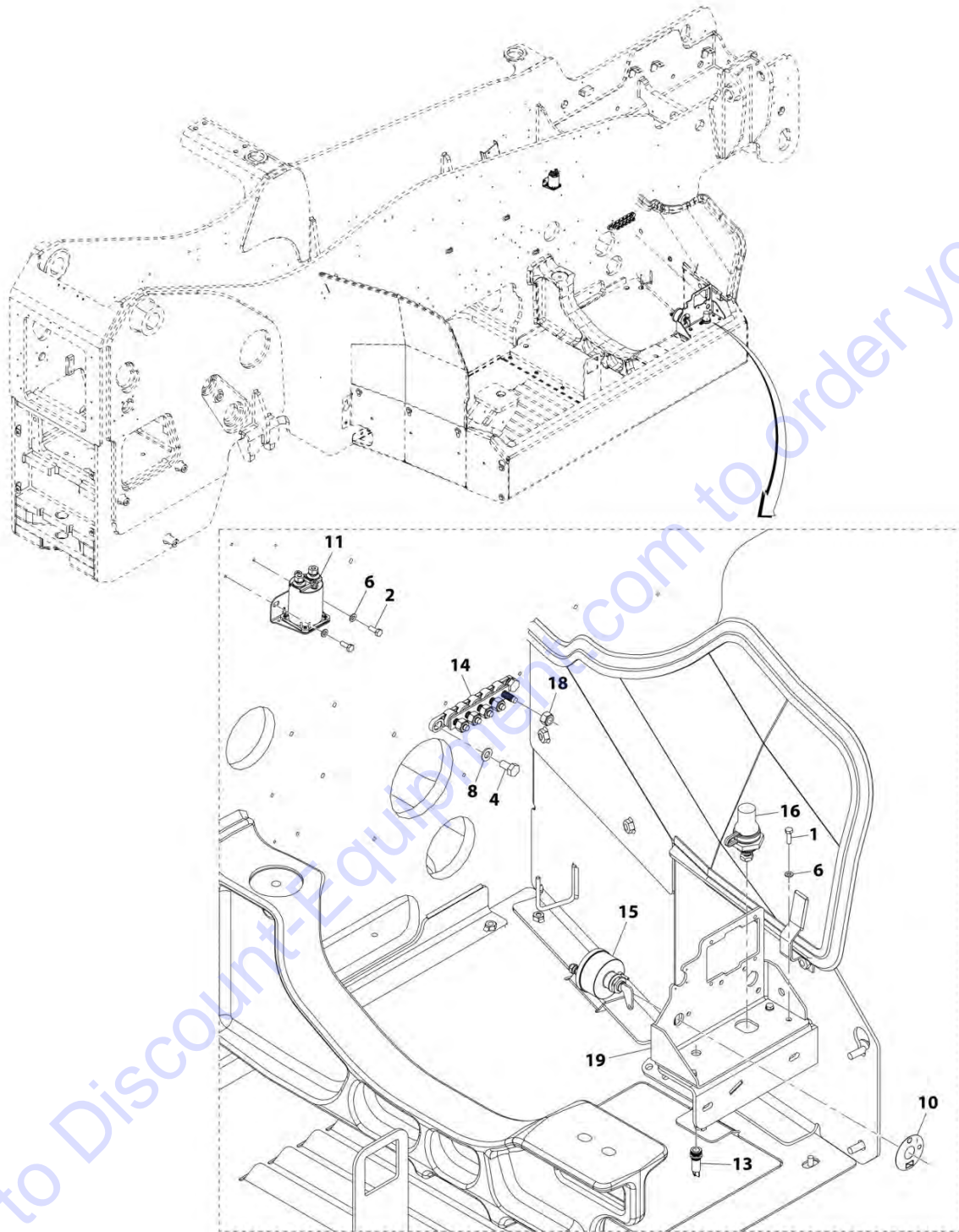
ITEM	PART NUMBER	QTY	DESCRIPTION	REV
	1001183272	Ref	Frame Electrical Installation	G
1	0700614	4	Bolt, M6X30	
5	0761012	4	Bolt, M10X25	
7	4811900	3	Washer, M8	
8	4812000	4	Washer, M10	
9	4831700	4	Washer, Lock M6	
11	1001162253	1	Control, Front Frame Module	
13	1001164402	1	Box, Power Distribution Electrical (See Seperate Breakdown in this Section)	
16	1001210770	1	Installation, Rear Frame Module (See Seperate Breakdown in this Section)	
17	0700820	2	Bolt, M8X60	
18	10713707	1	Horn	
19	1001215208	1	Bracket	
20	0760812	1	Bolt, M8X25	
21	1001180620	AR	Adhesive, Loctite	

Go to Discount-Equipment.com to order your parts



# SECTION 10 - ELECTRICAL

## FIGURE 10-4. ENGINE POD ELECTRICAL INSTALLATION (ULS)



ART\_1001202172-B

## SECTION 10 - ELECTRICAL

**FIGURE 10-4. ENGINE POD ELECTRICAL INSTALLATION (ULS)**

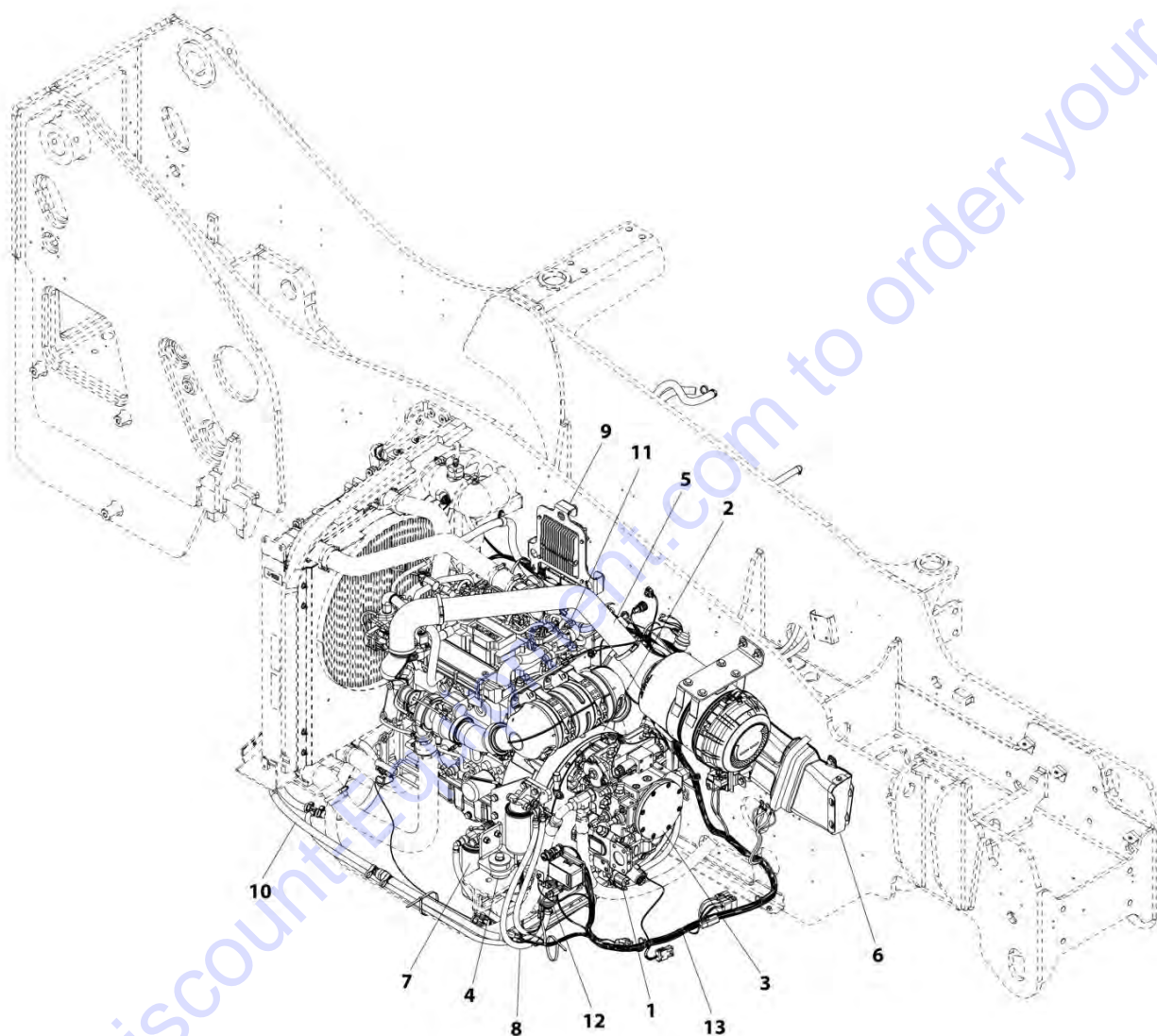
ITEM	PART NUMBER	QTY	DESCRIPTION	REV
	1001202172	Ref	Engine Pod Electrical Installation (ULS)	B
1	0700610	4	Bolt, M6X20	
2	0760608	2	Bolt, M6X16	
4	0761010	2	Bolt, M10X20	
6	4811700	6	Washer, M6	
8	4812000	2	Washer, M10	
10	1001008540	1	Plate	
11	1001117308	1	Relay	
13	1001169825	1	Lamp, 12V Yellow	
14	1001181128	1	Bussbar	
15	1001192142	1	Switch, Disconnect	
16	1001193993	1	Terminal, Battery	
18	3291005	5	Nut, Lock M10X1.5	
19	1001212886	1	Bracket	

Go to Discount-Equipment.com to order your parts



# SECTION 10 - ELECTRICAL

## FIGURE 10-5. ENGINE POD COMPONENT INSTALLATION (MINING) (ULS)



ART\_1001228727-A

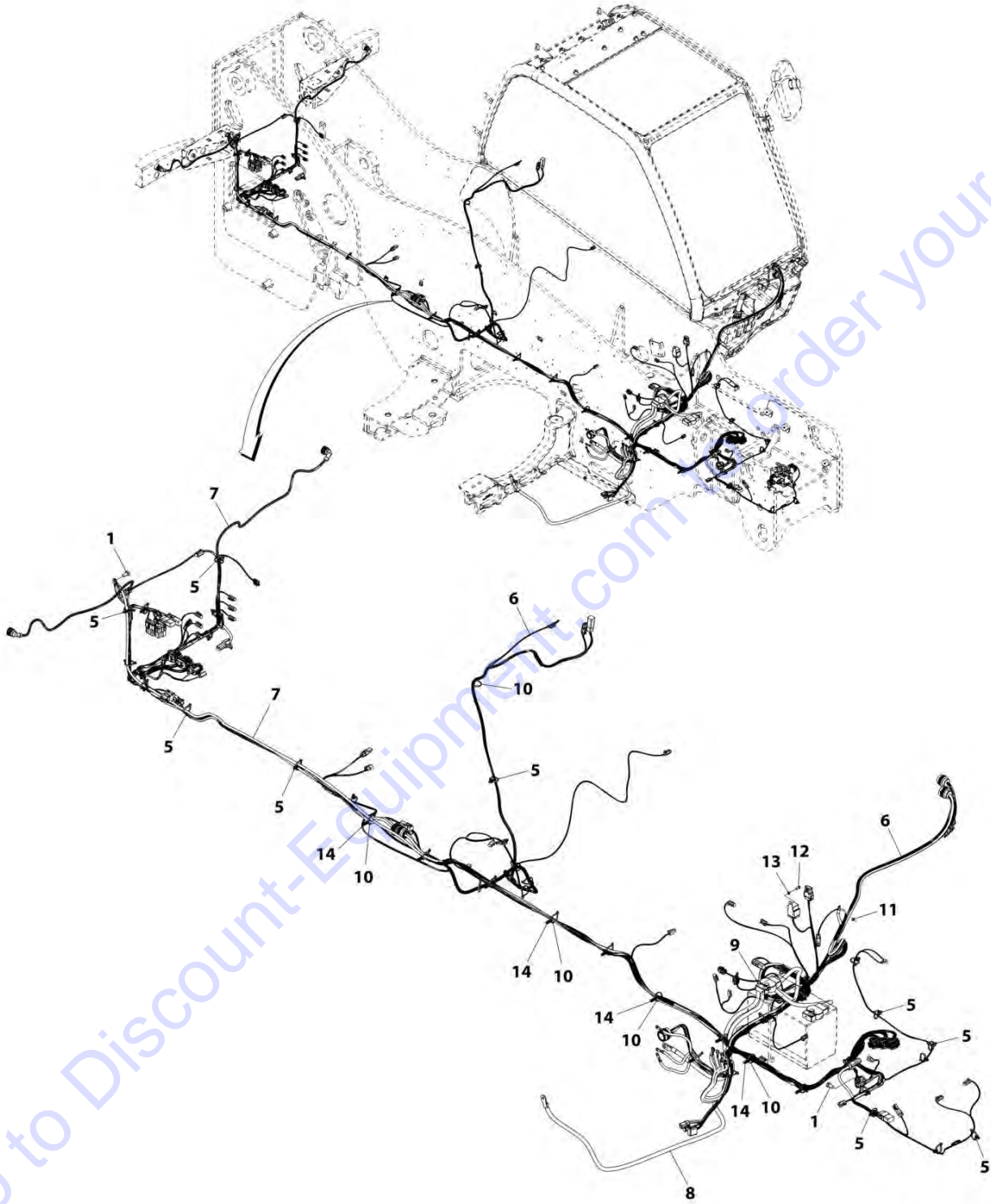
## SECTION 10 - ELECTRICAL

**FIGURE 10-5. ENGINE POD COMPONENT INSTALLATION (MINING) (ULS)**

ITEM	PART NUMBER	QTY	DESCRIPTION	REV
	1001228727	Ref	Engine Pod Component Installation (Mining) (ULS)	A
1	1001193393	1	Installation, Implement Pump (See Seperate Breakdown in this Section)	
2	1001193703	1	Installation, Hydrostatic Adaptor (See Seperate Breakdown in this Section)	
3	1001193704	1	Installation, Hydrostatic Drive Pump (See Seperate Breakdown in this Section)	
4	1001200862	1	Installation, Engine Mount (See Seperate Breakdown in this Section)	
5	1001200863	1	Installation, Air Intake (See Seperate Breakdown in this Section)	
6	1001200864	1	Installation, Air Cleaner (See Seperate Breakdown in this Section)	
7	1001200865	1	Installation, Primary Fuel Filter (See Seperate Breakdown in this Section)	
8	1001200866	1	Installation, Fuel Lines (See Seperate Breakdown in this Section)	
9	1001200869	1	Installation, Engine ECU (See Seperate Breakdown in Electrical Section)	
10	1001201298	1	Installation, DEF Coolant Lines (See Seperate Breakdown in this Section)	
11	1001201425	1	Installation, Engine (See Seperate Breakdown in this Section)	
12	1001221041	1	Installation, Remote Fuel Pump (See Seperate Breakdown in this Section)	
13	1001228728	1	Installation, Engine Wiring (See Seperate Breakdown in Electrical Section)	

# SECTION 10 - ELECTRICAL

## FIGURE 10-6. FRAME WIRING INSTALLATION



ART\_1001200159-G

## SECTION 10 - ELECTRICAL

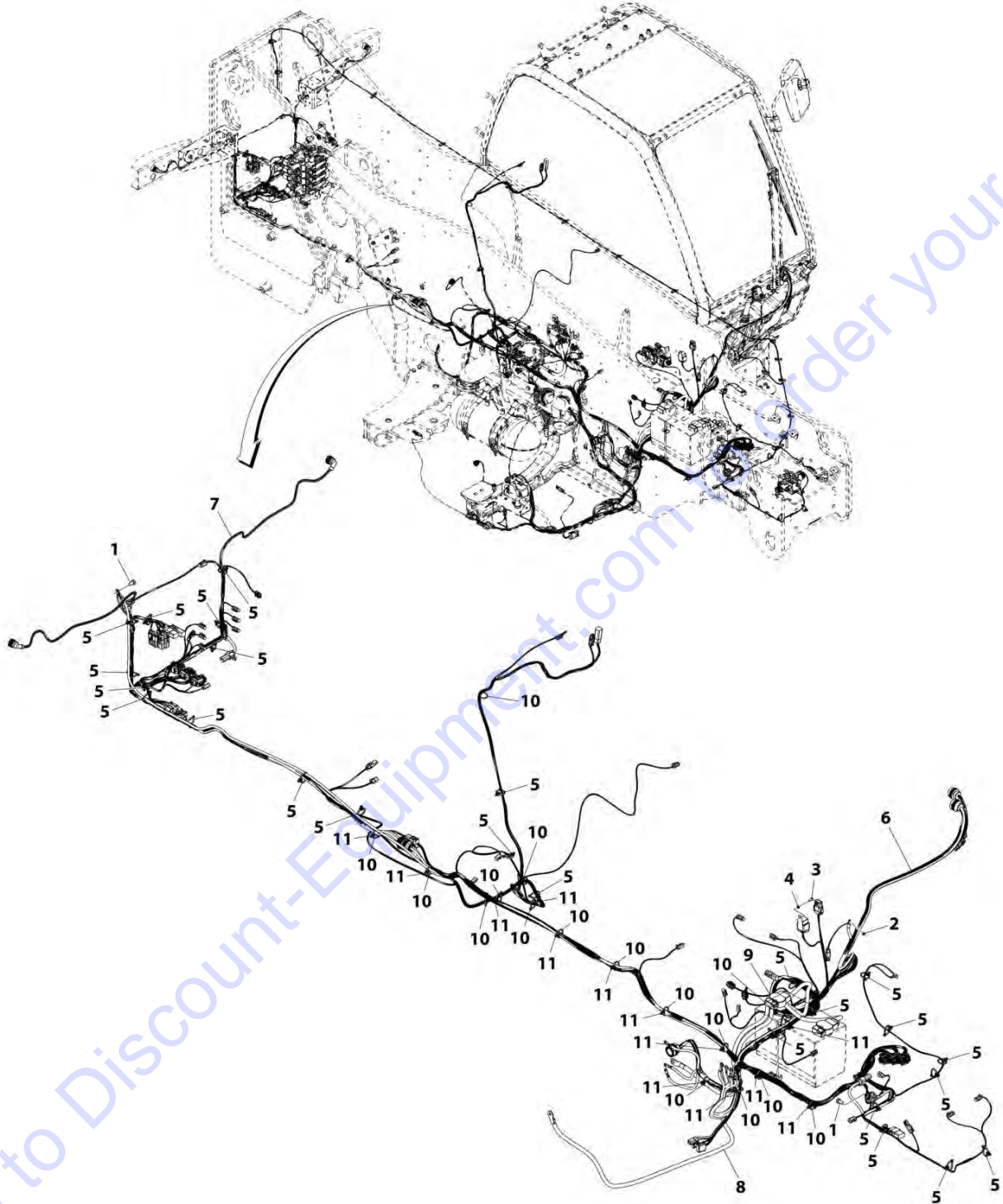
**FIGURE 10-6. FRAME WIRING INSTALLATION**

ITEM	PART NUMBER	QTY	DESCRIPTION	REV
	1001200159	Ref	Frame Wiring Installation	G
1	0761010	2	Bolt, M10X20	
5	1001146588	25	Tie, Cable	
6	1001184396	1	Harness, Front Frame (See Seperate Breakdown in this Section)	
7	1001184397	1	Harness, Rear Frame (See Seperate Breakdown in this Section)	
8	1001200168	1	Cable, Negative Battery	
9	1001200169	1	Cable, Positive Battery	
10	1001008559	16	Strap, Cable	
11	3290601	1	Nut, M6X1	
12	0760607	1	Bolt, M6X14	
13	4811700	1	Washer, M6	
14	1001202986	13	Strap Push Mount	

Go to Discount-Equipment.com to order your parts

# SECTION 10 - ELECTRICAL

## FIGURE 10-7. FRAME WIRING INSTALLATION, MINING



ART\_1001228739-8

## SECTION 10 - ELECTRICAL

**FIGURE 10-7. FRAME WIRING INSTALLATION, MINING**

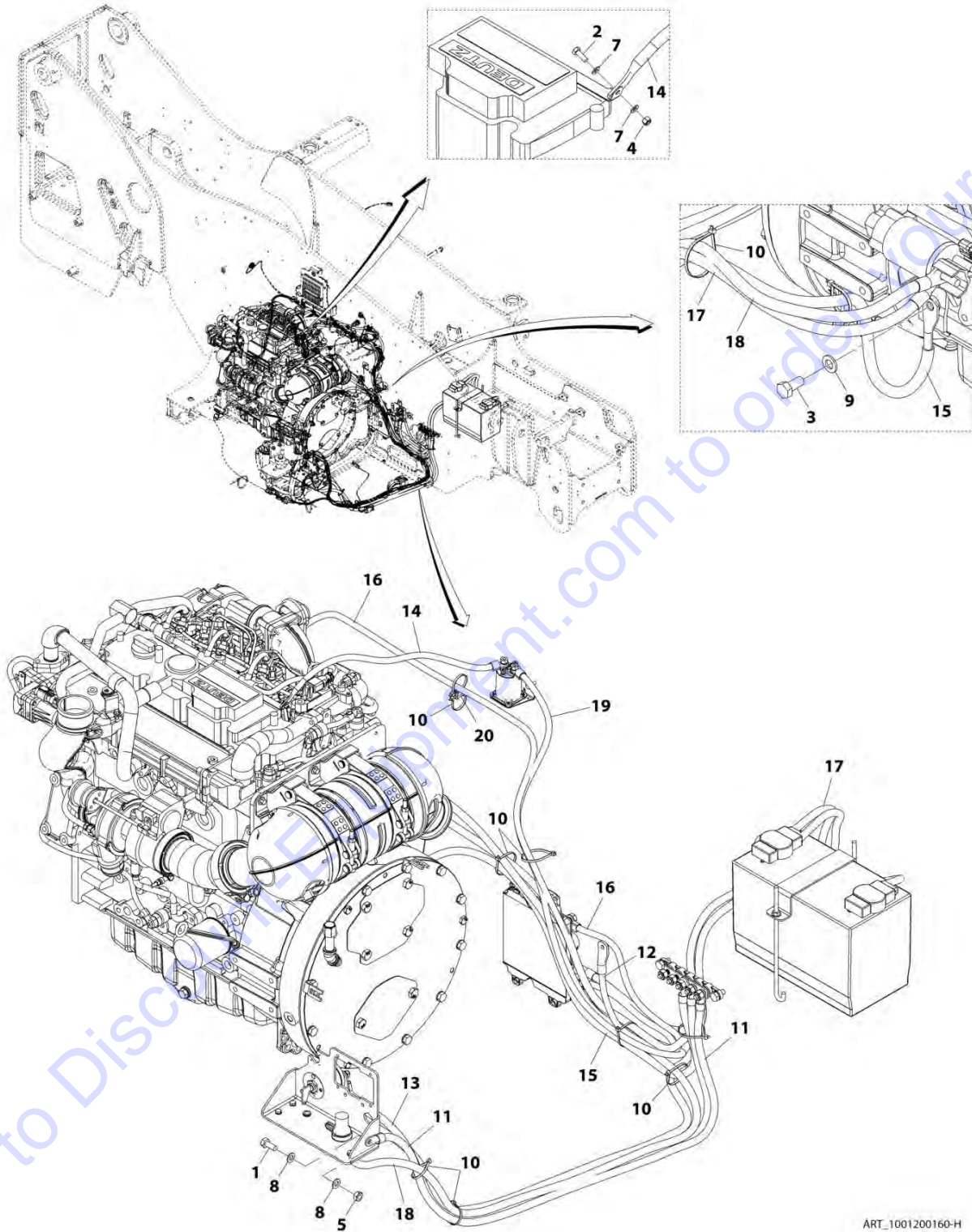
ITEM	PART NUMBER	QTY	DESCRIPTION	REV
	1001228739	Ref	Frame Wiring Installation, Mining (ULS)	B
1	0761010	2	Bolt, M10X20	
2	3290601	1	Nut, M6X1	
3	0760607	1	Bolt, M6X14	
4	4811700	1	Washer, M6	
5	1001146588	25	Tie, Cable	
6	1001228740	1	Harness, Front Frame (See Seperate Breakdown in this Section)	
7	1001228741	1	Harness, Rear Frame (See Seperate Breakdown in this Section)	
8	1001200168	1	Cable, Negative Battery	
9	1001200169	1	Cable, Positive Battery	
10	1001008559	16	Strap, Cable	
11	1001202986	13	Push Mount, Strap	

Go to Discount-Equipment.com to order your parts



# SECTION 10 - ELECTRICAL

## FIGURE 10-8. ENGINE BAY ELECTRICAL INSTALLATION (ULS)



ART\_1001200160-H

## SECTION 10 - ELECTRICAL

**FIGURE 10-8. ENGINE BAY ELECTRICAL INSTALLATION (ULS)**

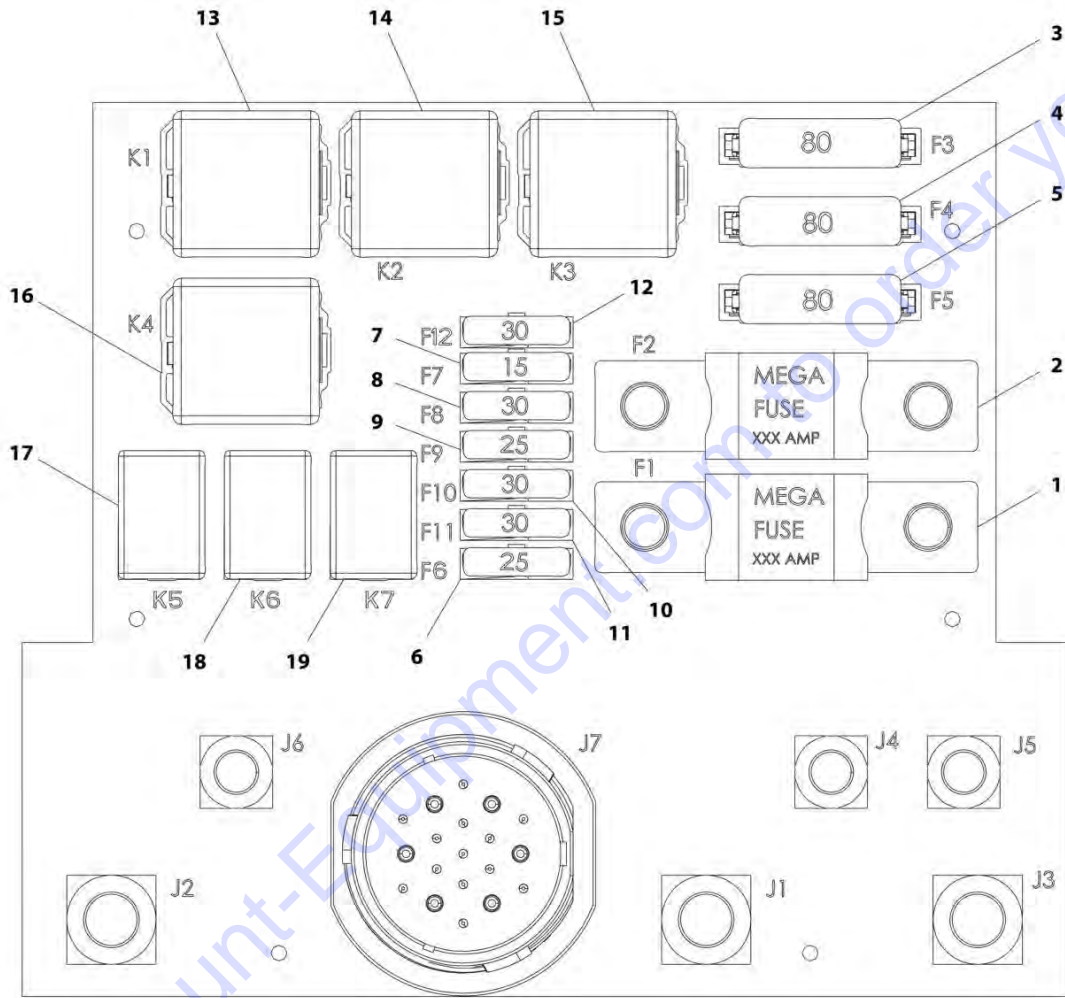
ITEM	PART NUMBER	QTY	DESCRIPTION	REV
	1001200160	Ref	Engine Bay Electrical Installation	H
1	0761012	1	Bolt, M10X25	
2	0760507	1	Bolt, M5X14	
3	0761212	1	Bolt, M12X25	
4	3290505	1	Nut, Lock M5X0.8	
5	3291001	1	Nut, M10X1.5	
7	4811600	2	Washer, M5	
8	4812000	2	Washer, M10	
9	4812100	1	Washer, M12	
10	1001008559	10	Tie, Strap	
11	1001194103	1	Cable	
12	1001194244	1	Cable	
13	1001196502	1	Cable	
14	1001200161	1	Cable	
15	1001200162	1	Cable	
16	1001200164	1	Cable	
17	1001200165	1	Cable	
18	1001200166	1	Cable	
19	1001200167	1	Cable	
20	1001004723	1	Saddle	

Go to Discount-Equipment.com to order your parts



# SECTION 10 - ELECTRICAL

## FIGURE 10-9. POWER DISTRIBUTION ELECTRICAL BOX



ART\_1001164402-F

## SECTION 10 - ELECTRICAL

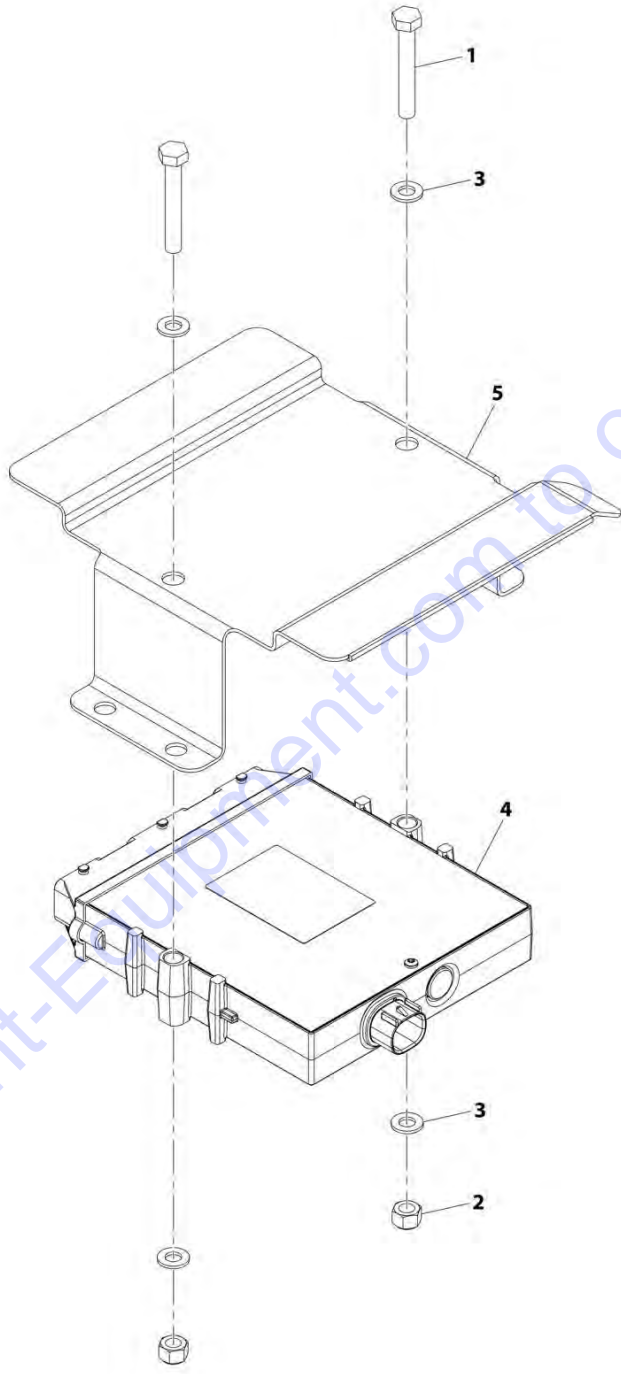
**FIGURE 10-9. POWER DISTRIBUTION ELECTRICAL BOX**

ITEM	PART NUMBER	QTY	DESCRIPTION	REV
	1001164402	Ref	Power Distribution Electrical Box	F
1	1001095336	1	Fuse, 150AMP	
2	70026296	1	Fuse, 200AMP	
3	70026297	1	Fuse, 80AMP	
4	70026297	1	Fuse, 80AMP	
5	70026297	1	Fuse, 80AMP	
6	8229247	1	Fuse, 25AMP	
7	8229244	1	Fuse, 15AMP	
8	8229245	1	Fuse, 30AMP	
9	8229247	1	Fuse, 25AMP	
10	8229245	1	Fuse, 30AMP	
11	8229245	1	Fuse, 30AMP	
12	8229245	1	Fuse, 30AMP	
13	70026294	1	Fuse, 70AMP	
14	70026294	1	Fuse, 70AMP	
15	70026294	1	Fuse, 70AMP	
16	70026294	1	Fuse, 70AMP	
17	70026295	1	Fuse, 35AMP	
18	70026295	1	Fuse, 35AMP	
19	70026295	1	Fuse, 35AMP	

Go to Discount-Equipment.com to order your parts

# SECTION 10 - ELECTRICAL

## FIGURE 10-10. REAR FRAME MODULE INSTALLATION



Go to Discount-Equipment.com to order your parts

ART\_1001210770-C

## SECTION 10 - ELECTRICAL

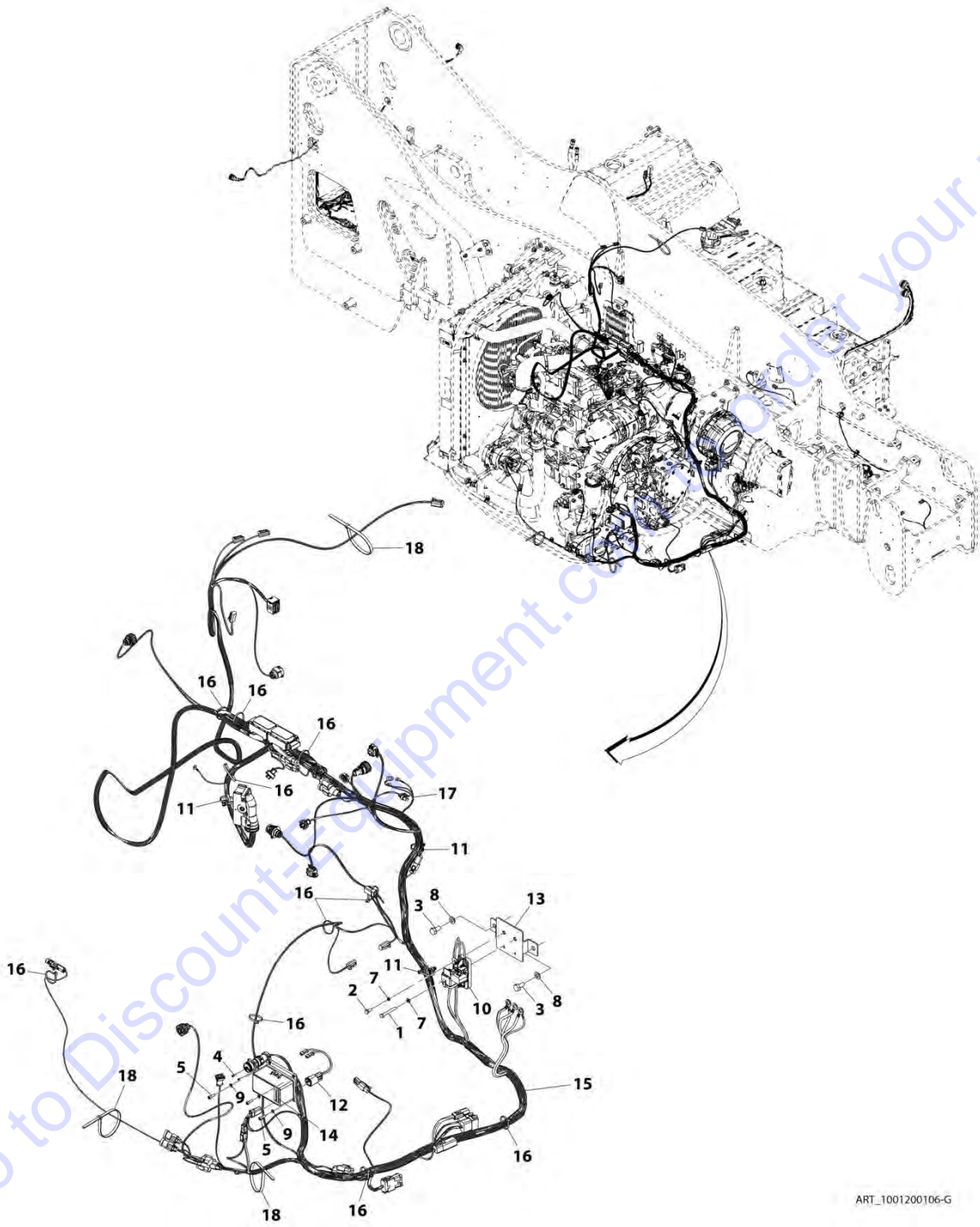
### FIGURE 10-10. REAR FRAME MODULE INSTALLATION

ITEM	PART NUMBER	QTY	DESCRIPTION	REV
	1001210770	Ref	Rear Frame Module Installation	C
1	0700819	2	Bolt, M8X55	
2	3290805	2	Nut, Lock M8X1.25	
3	4811900	4	Washer, M8	
4	1001162256	1	Control, Rear Frame Module	
5	1001225980	1	Bracket	

Go to Discount-Equipment.com to order your parts

# SECTION 10 - ELECTRICAL

## FIGURE 10-11. ENGINE WIRING INSTALLATION (ULS)



ART\_1001200106-G

## SECTION 10 - ELECTRICAL

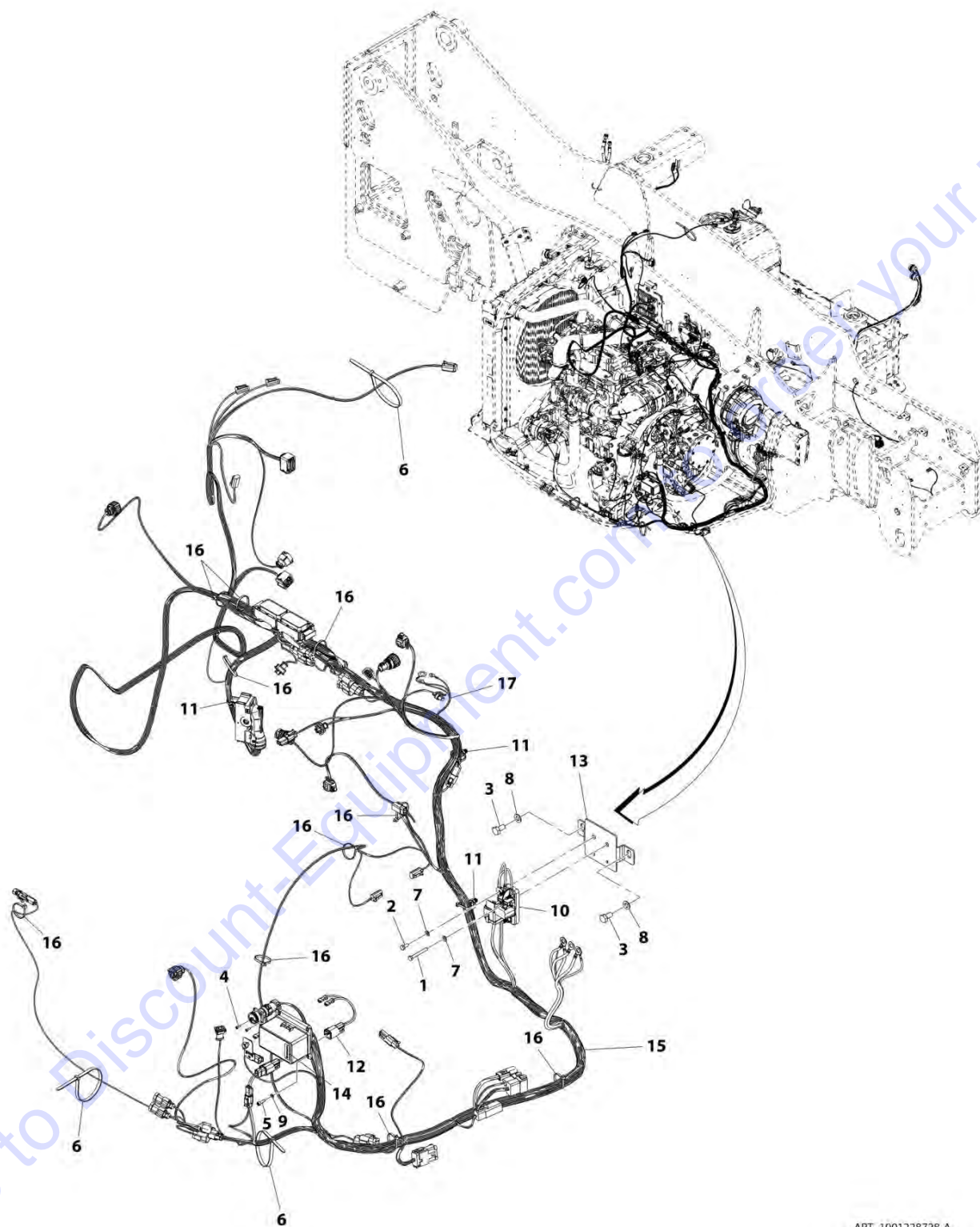
**FIGURE 10-11. ENGINE WIRING INSTALLATION (ULS)**

ITEM	PART NUMBER	QTY	DESCRIPTION	REV
	1001200106	Ref	Engine Wiring Installation (ULS)	G
1	0700618	1	Bolt, M6X50	
2	0760607	1	Bolt, M6X14	
3	0761010	2	Bolt M10X20	
4	4031205	3	Bolt, M3X10	
5	4031607	4	Bolt, M5-0.8X16	
7	4811700	2	Washer, M6	
8	4812000	2	Washer, M10	
9	4831600	4	Washer, Lock M5	
10	1001131177	1	Fuse	
11	1001146588	3	Strap, Cable Tie	
12	1001182929	1	Harness, Fuel Pump (See Seperate Breakdown in this Section)	
13	1001189046	1	Bracket	
14	1001191546	1	Decal, Fuse	
15	1001200108	1	Harness, Engine (ULS) (See Seperate Breakdown in this Section)	
16	1001008559	11	Strap, Cable	
17	1001182930	1	Harness, Glow Plug Relay (See Seperate Breakdown in this Section)	
18	1062255	4	Strap, Tie	

Go to Discount-Equipment.com to order your parts

# SECTION 10 - ELECTRICAL

## FIGURE 10-12. ENGINE WIRING INSTALLATION (MINING) (ULS)



ART\_1001228728-A



## SECTION 10 - ELECTRICAL

**FIGURE 10-12. ENGINE WIRING INSTALLATION (MINING) (ULS)**

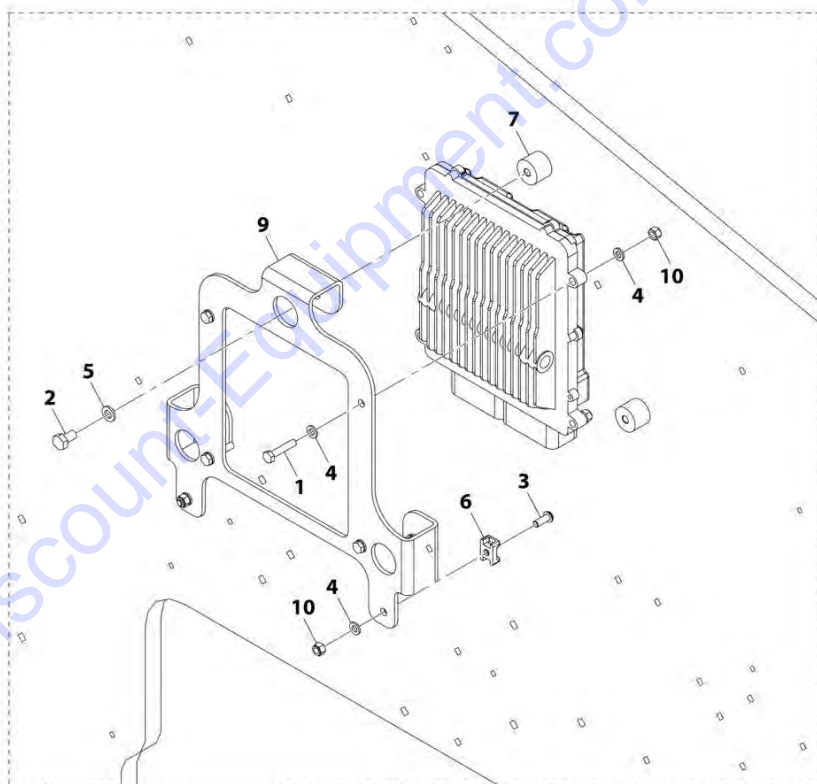
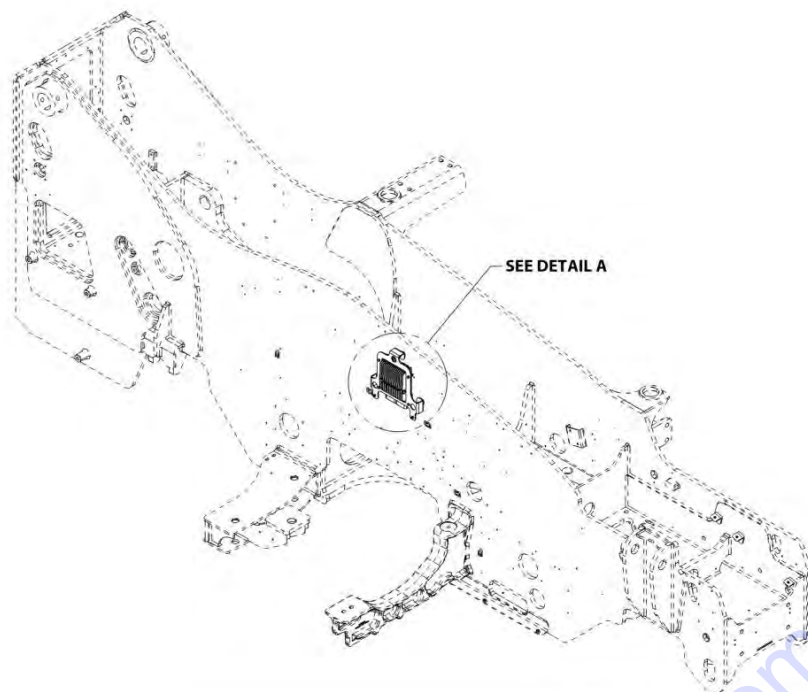
ITEM	PART NUMBER	QTY	DESCRIPTION	REV
	1001228728	Ref	Engine Wiring Installation (Mining) (ULS)	A
1	0700618	1	Bolt, M6X50	
2	0760607	1	Bolt, M6X14	
3	0761010	2	Bolt, M10X20	
4	4031205	3	Bolt, M3X10	
5	4031607	4	Bolt, M5X16	
6	1062255	4	Strap, Tie	
7	4811700	2	Washer, M6	
8	4812000	2	Washer, M10	
9	4831600	4	Washer, Lock M5	
10	1001131177	1	Fuse	
11	1001146588	3	Strap, Cable Tie	
12	1001228733	1	Harness, Fuel Pump (See Seperate Breakdown in this Section)	
13	1001189046	1	Bracket	
14	1001191546	1	Decal, Fuse	
15	1001228731	1	Harness, Engine (Mining) (ULS) (See Seperate Breakdown in this Section)	
16	1001008559	11	Strap, Cable	
17	1001228732	1	Harness, Glow Plug Relay (See Seperate Breakdown in this Section)	

Go to Discount-Equipment.com to order your parts



# SECTION 10 - ELECTRICAL

## FIGURE 10-13. ENGINE ECU INSTALLATION



ART\_1001200869-B

## SECTION 10 - ELECTRICAL

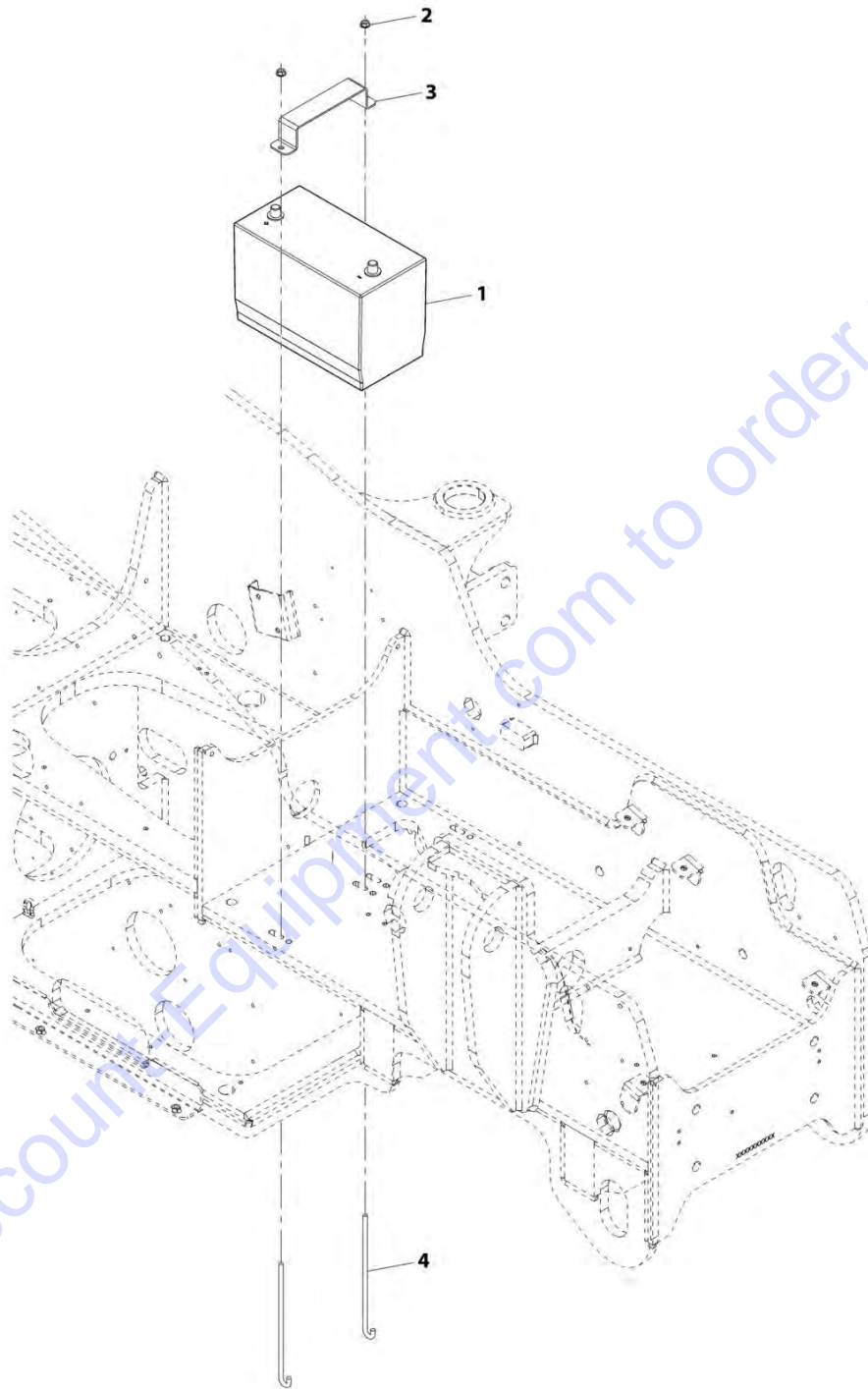
**FIGURE 10-13. ENGINE ECU INSTALLATION**

ITEM	PART NUMBER	QTY	DESCRIPTION	REV
	1001200869	Ref	Engine ECU Installation	B
1	0700614	4	Bolt, M6X30	
2	0760807	3	Bolt, M8X14	
3	3900357	2	Capscrew, M6X16	
4	4811700	10	Washer, M6	
5	4831900	3	Washer, Lock M8	
6	1001138645	2	Mount, Cable Tie	
7	1001179907	3	Mount, Isolator	
9	1001210397	1	Plate	
10	3290605	6	Nut, Lock M6X1	

Go to Discount-Equipment.com to order your parts

# SECTION 10 - ELECTRICAL

## FIGURE 10-14. BATTERY INSTALLATION



ART\_1001186855-A

## SECTION 10 - ELECTRICAL

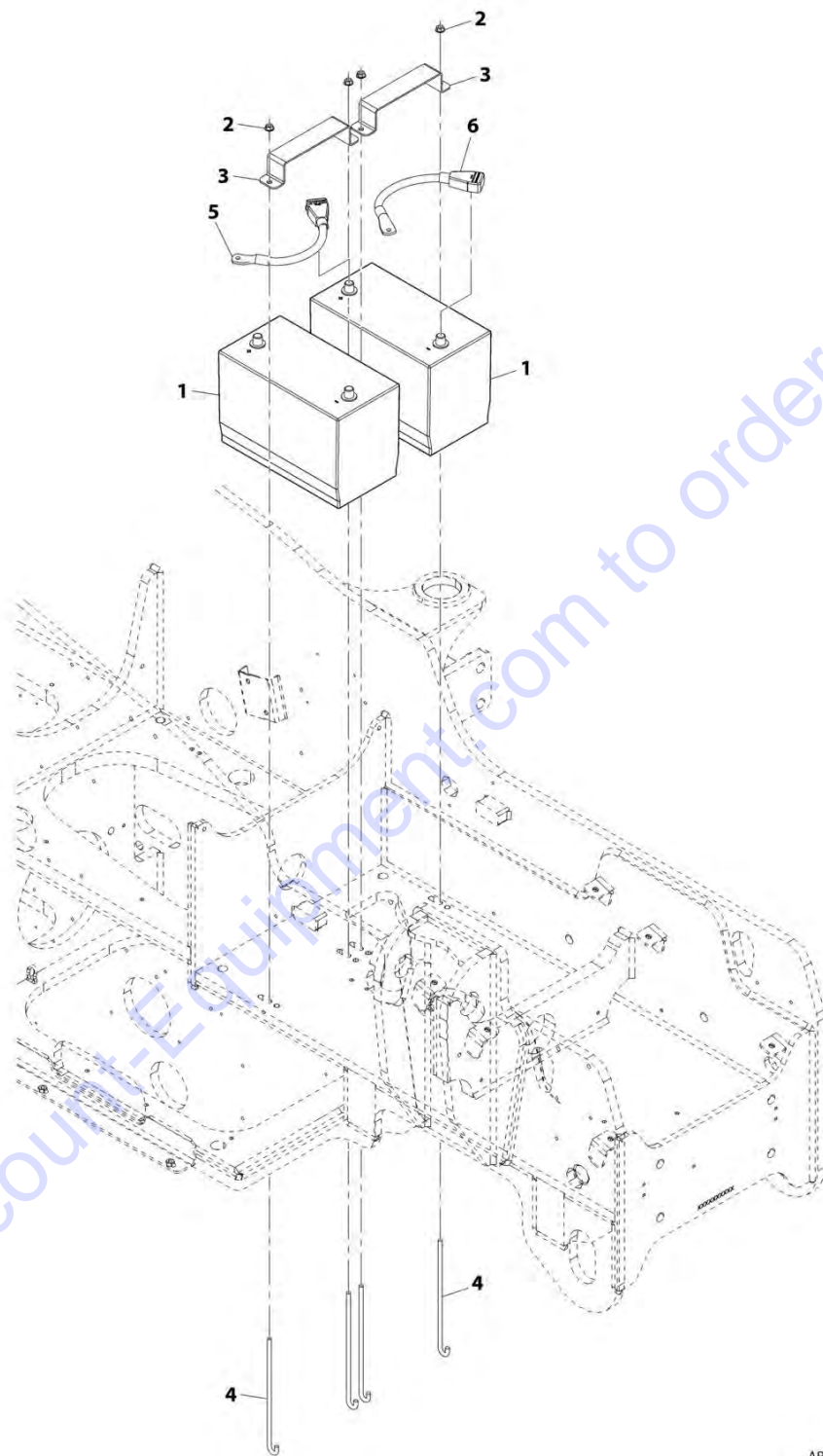
### FIGURE 10-14. BATTERY INSTALLATION

ITEM	PART NUMBER	QTY	DESCRIPTION	REV
	1001186855	Ref	Battery Installation	A
1	0400075	1	Battery, 12V	
2	5220800	2	Nut, Ripp M8	
3	1001160927	1	Plate	
4	1001160928	2	J-Bolt	

Go to Discount-Equipment.com to order your parts

# SECTION 10 - ELECTRICAL

## FIGURE 10-15. DUAL BATTERY INSTALLATION



ART\_1001211445-B

## SECTION 10 - ELECTRICAL

### FIGURE 10-15. DUAL BATTERY INSTALLATION

ITEM	PART NUMBER	QTY	DESCRIPTION	REV
	1001211445	Ref	Dual Battery Installation	B
1	0400075	2	Battery, 12V	
2	5220800	4	Nut, Ripp M8	
3	1001160927	2	Plate	
4	1001160928	4	J-Bolt	
5	1001172495	1	Cable, Positive Battery	
6	1001172496	1	Cable, Negative Battery	

Go to Discount-Equipment.com to order your parts

# SECTION 10 - ELECTRICAL

## FIGURE 10-16. ARTIC BATTERY PACKAGE INSTALLATION (115V)



ART\_1001186856-D

## SECTION 10 - ELECTRICAL

**FIGURE 10-16. ARTIC BATTERY PACKAGE INSTALLATION (115V)**

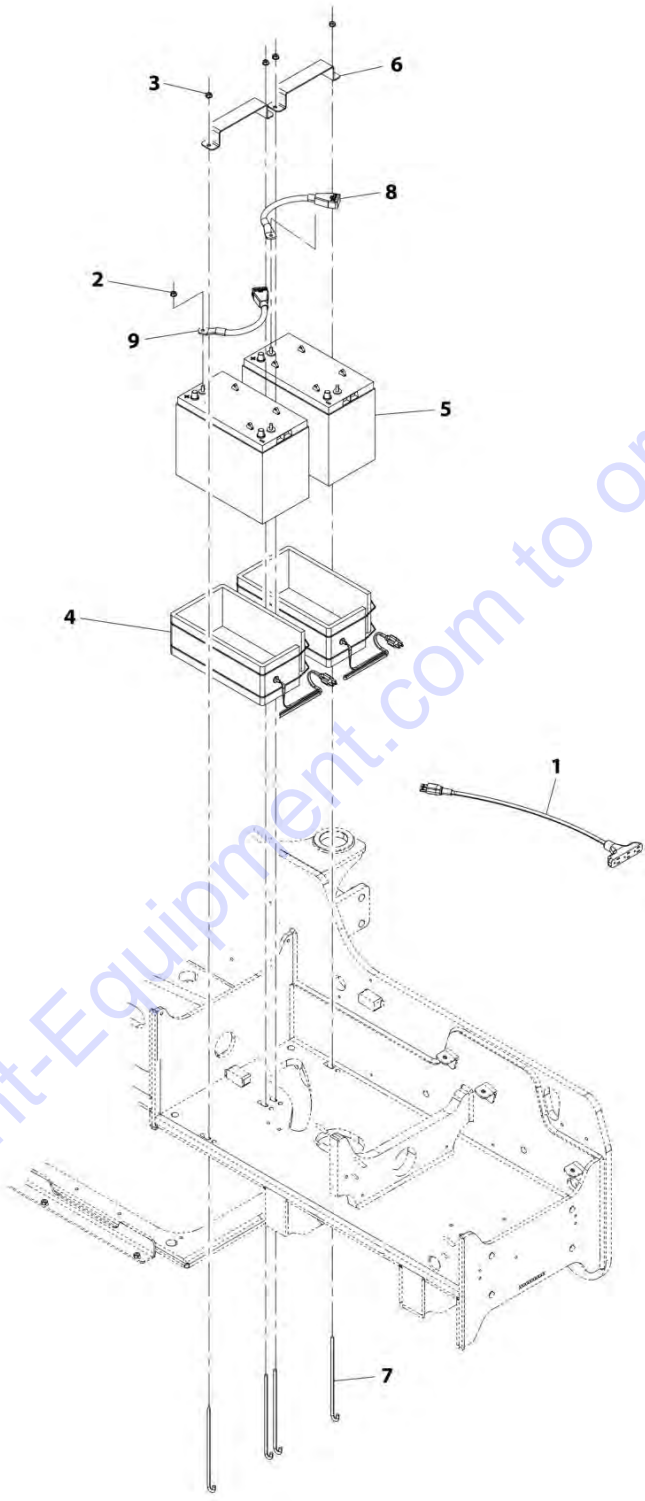
ITEM	PART NUMBER	QTY	DESCRIPTION	REV
	1001186856	Ref	Artic Battery Package Installation (115V)	D
1	1001195582	1	Installation, Arctic Battery Package (115V) (See Seperate Breakdown in this Section)	
2	1001195593	1	Installation, Hydraulic Tank Heater (115V) (See Seperate Breakdown in this Section)	
3	2580040	1	Heater, Engine Oil Pan	
4	1062255	2	Tie, Strap	
5	1001232509	1	Tube, Heated Breather	

Go to Discount-Equipment.com to order your parts



# SECTION 10 - ELECTRICAL

## FIGURE 10-17. ARCTIC BATTERIES INSTALLATION (115V)



Go to Discount-Equipment.com to order your parts

ART\_1001195582-B

## SECTION 10 - ELECTRICAL

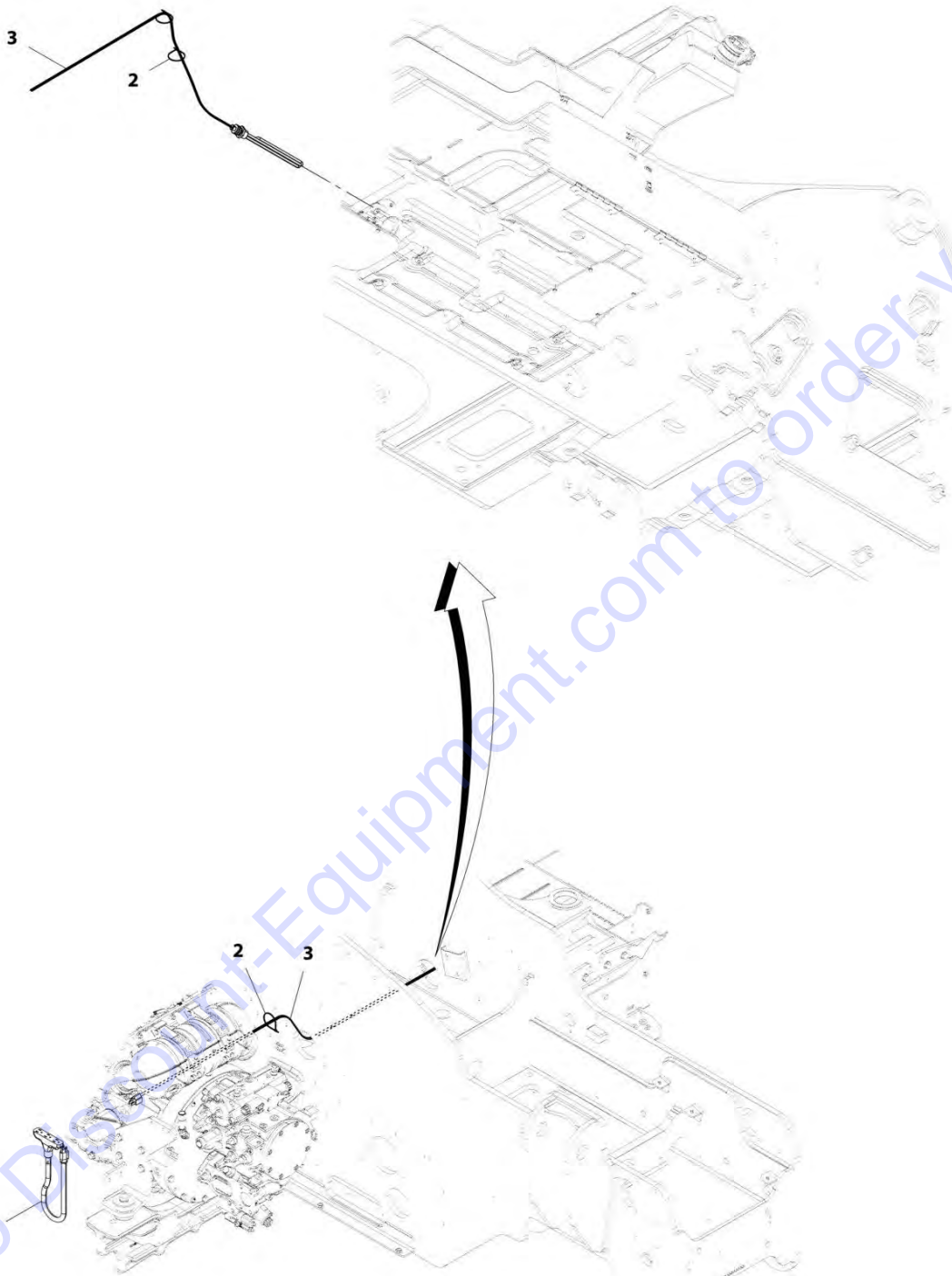
### FIGURE 10-17. ARCTIC BATTERIES INSTALLATION (115V)

ITEM	PART NUMBER	QTY	DESCRIPTION	REV
	1001195582	Ref	Arctic Batteries Installation (115V)	B
1	1060626	1	Cord, 3-Way Extension	
2	3311508	2	Nut, 5/16-18	
3	5220800	4	Nut, M8	
4	1001093564	2	Heater, Battery	
5	1001098762	2	Battery, 12V	
6	1001160927	2	Plate, Battery Hold Down	
7	1001160928	4	J-Bolt	
8	1001172495	1	Cable, Positive Battery	
9	1001172496	1	Cable, Negative Battery	

Go to Discount-Equipment.com to order your parts

# SECTION 10 - ELECTRICAL

## FIGURE 10-18. HYDRAULIC TANK HEATER INSTALLATION (115V)



ART\_1001195593-B

## SECTION 10 - ELECTRICAL

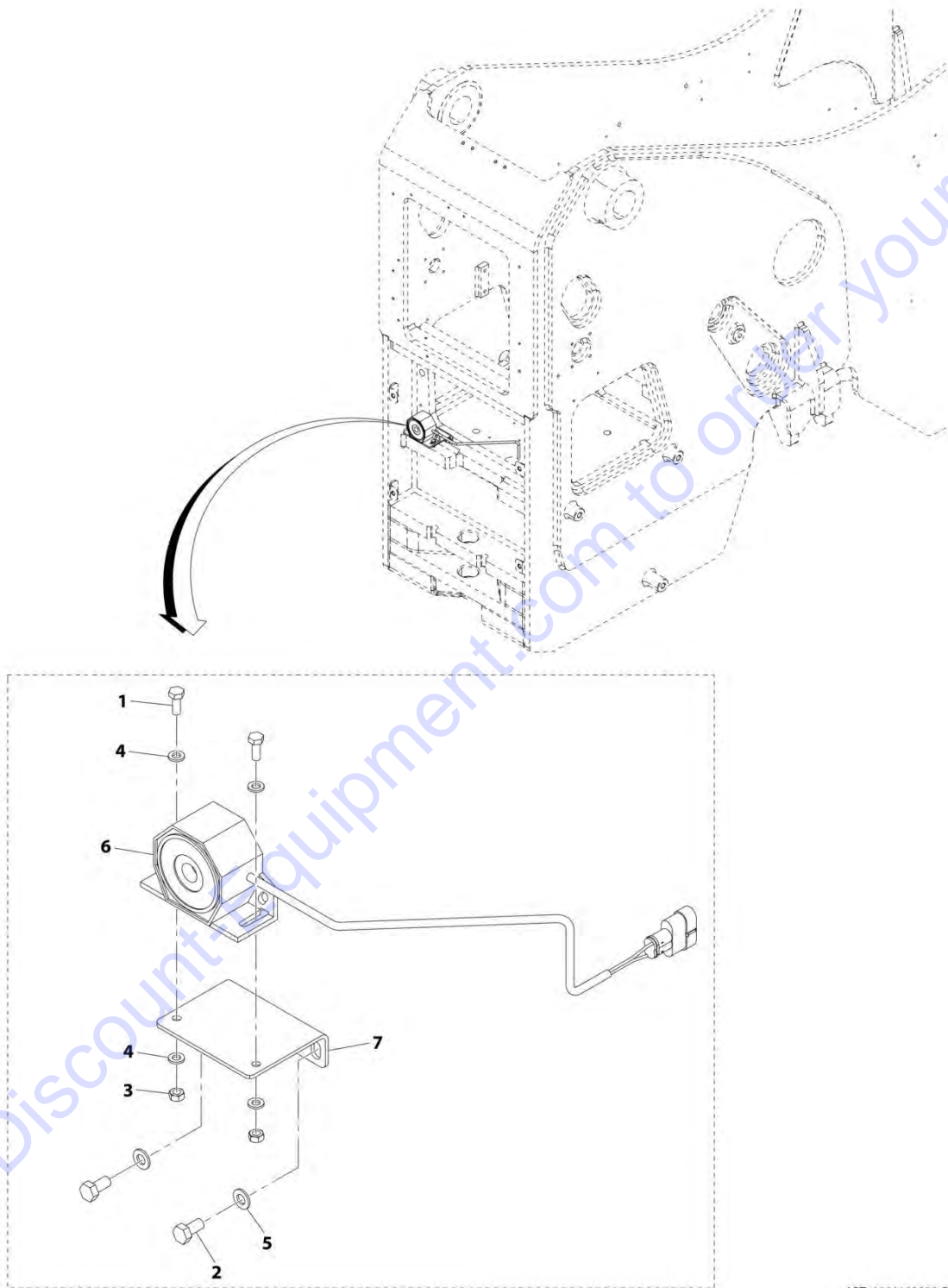
**FIGURE 10-18. HYDRAULIC TANK HEATER INSTALLATION (115V)**

ITEM	PART NUMBER	QTY	DESCRIPTION	REV
	1001195593	Ref	Hydraulic Tank Heater Installation (115V)	B
1	1060626	1	Cord, 3-Way Extension	
2	4240099	AR	Tie, Wire	
3	1001105886	1	Heater, Immersion	

Go to Discount-Equipment.com to order your parts

# SECTION 10 - ELECTRICAL

## FIGURE 10-19. BACKUP ALARM INSTALLATION



ART\_1001192323-D

## SECTION 10 - ELECTRICAL

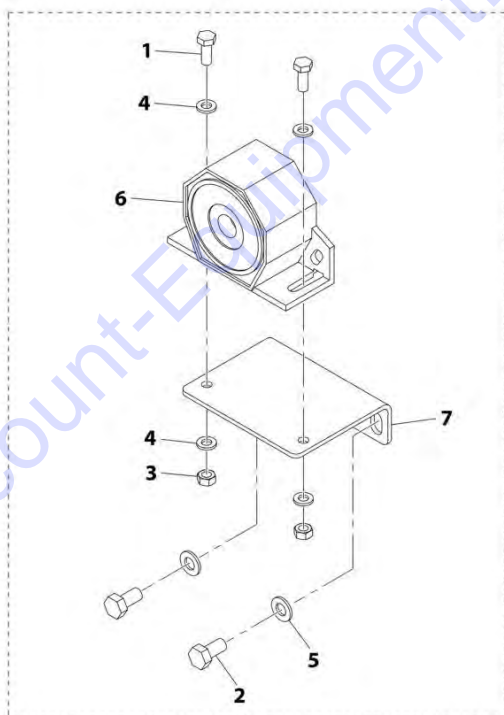
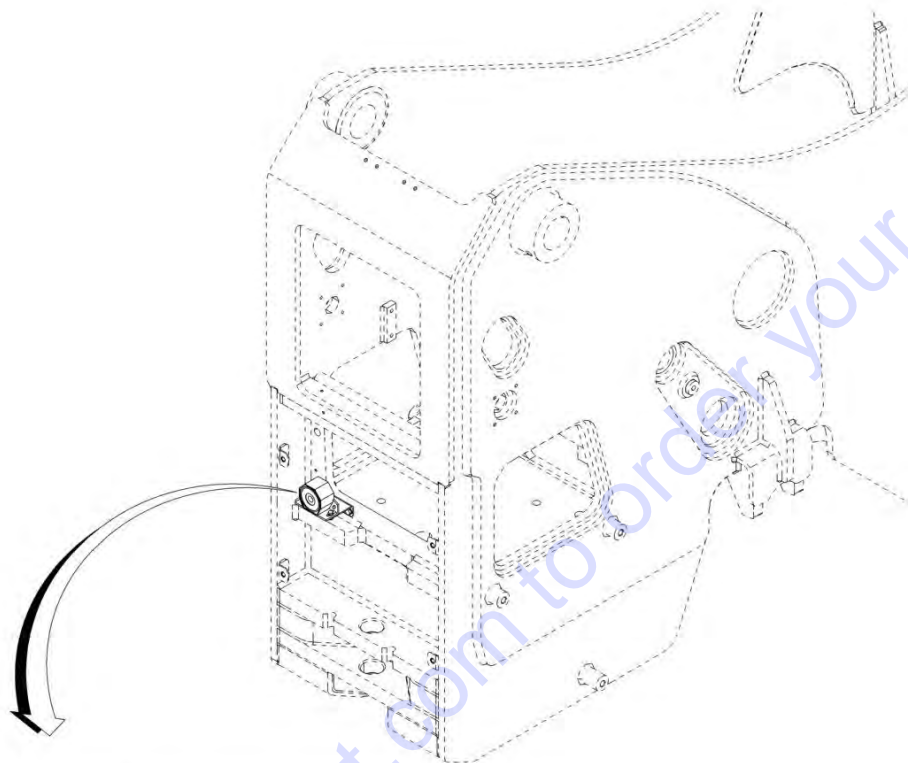
### FIGURE 10-19. BACKUP ALARM INSTALLATION

ITEM	PART NUMBER	QTY	DESCRIPTION	REV
	1001192323	Ref	Backup Alarm Installation	D
1	0760608	2	Bolt, M6X16	
2	0760808	2	Bolt, M8X16	
3	3290601	2	Nut, M6X1	
4	4811700	4	Washer, M6	
5	4811900	2	Washer, M8	
6	1001101808	1	Alarm, Backup	
7	1001193698	1	Bracket	

Go to Discount-Equipment.com to order your parts

# SECTION 10 - ELECTRICAL

## FIGURE 10-20. BACKUP ALARM INSTALLATION (WHITE NOISE)



ART\_1001195263-B

## SECTION 10 - ELECTRICAL

**FIGURE 10-20. BACKUP ALARM INSTALLATION (WHITE NOISE)**

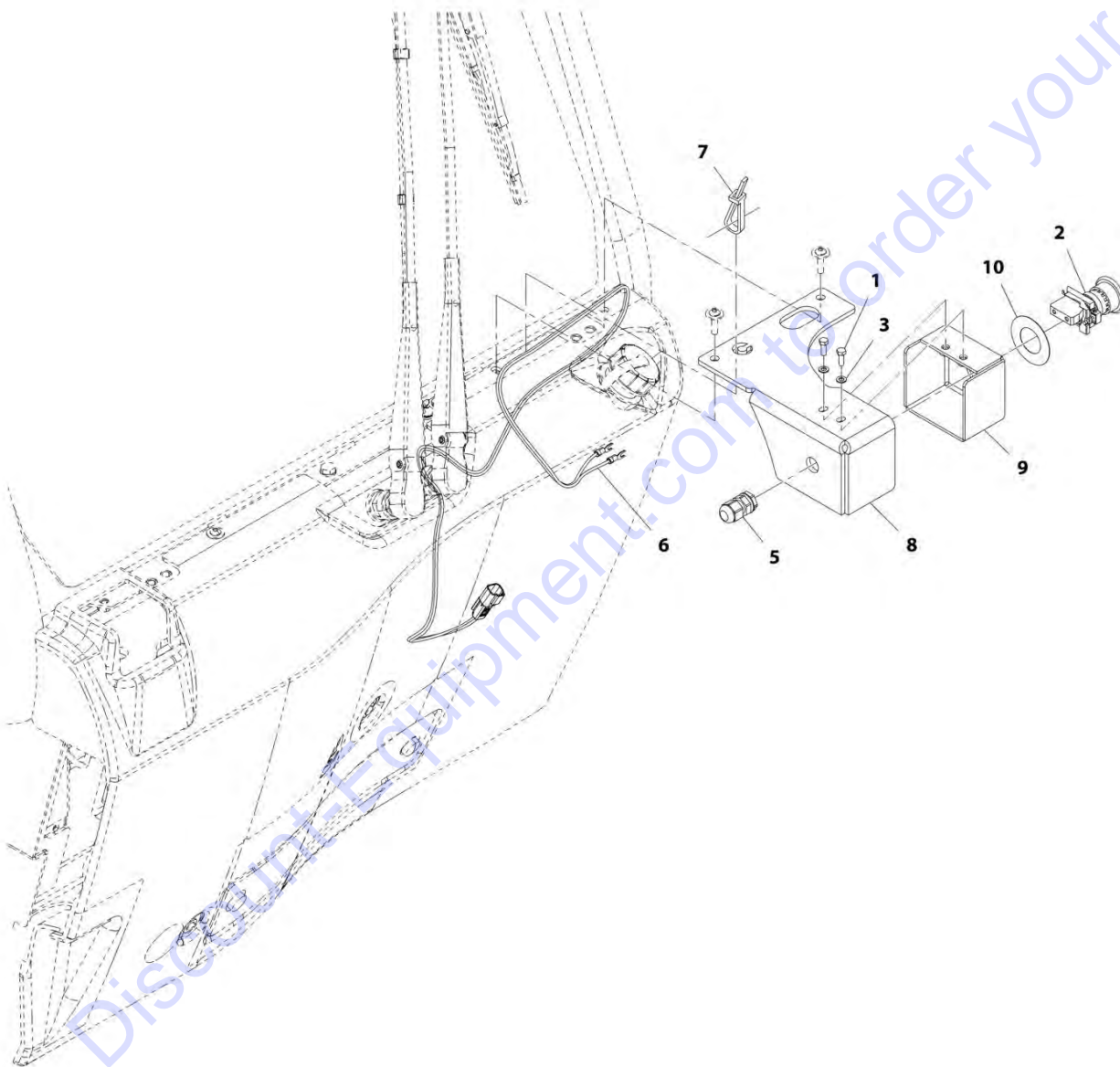
ITEM	PART NUMBER	QTY	DESCRIPTION	REV
	1001195263	Ref	Backup Alarm Installation (White Noise)	B
1	0760608	2	Bolt, M6X16	
2	0760808	2	Bolt, M8X16	
3	3290601	2	Nut, M6X1	
4	4811700	4	Washer, M6	
5	4811900	2	Washer, M8	
6	1001165827	1	Alarm, Backup (White Noise)	
7	1001193698	1	Bracket	

Go to Discount-Equipment.com to order your parts



# SECTION 10 - ELECTRICAL

## FIGURE 10-21. EMERGENCY STOP EXTERNAL INSTALLATION



ART\_1001195721-C

## SECTION 10 - ELECTRICAL

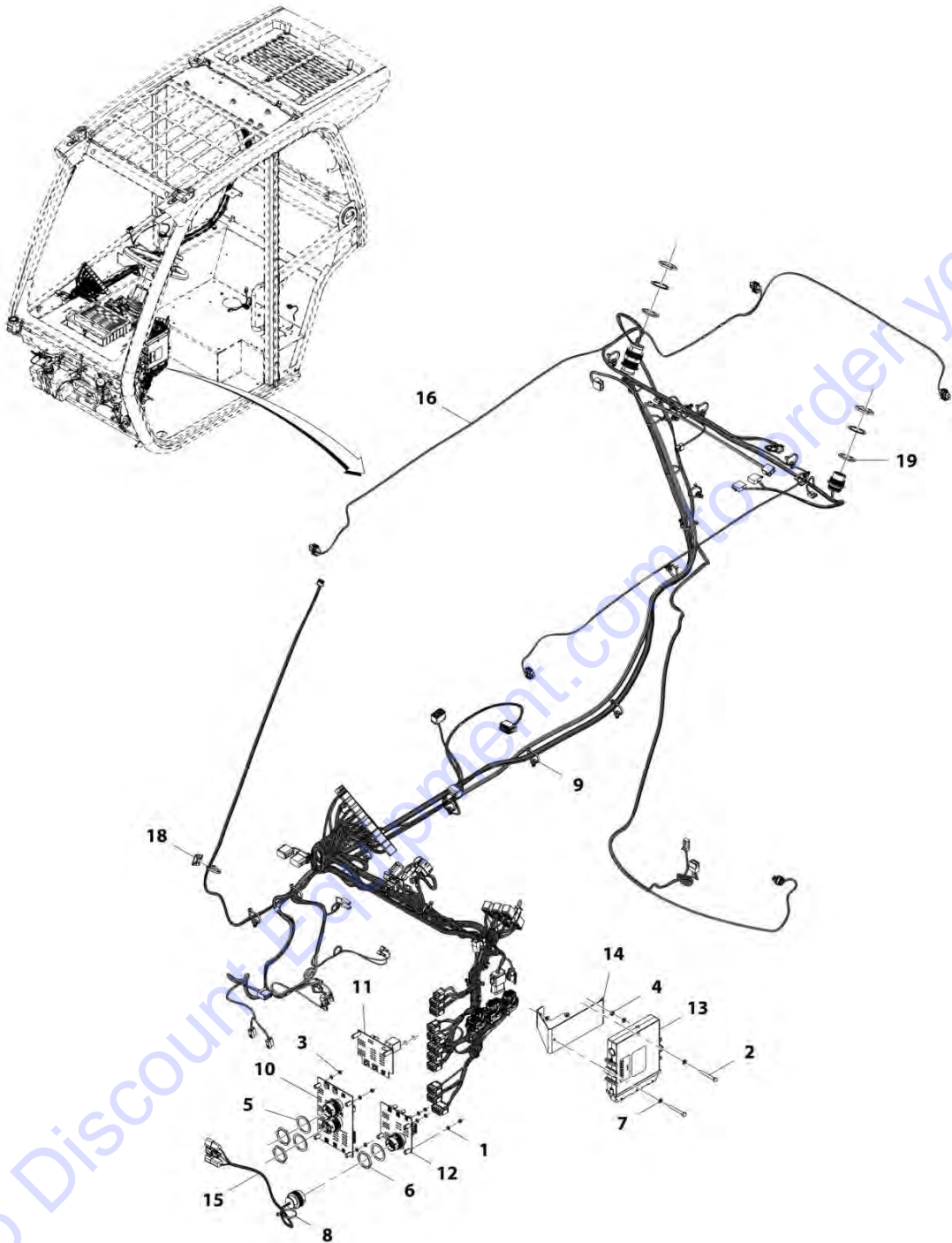
**FIGURE 10-21. EMERGENCY STOP EXTERNAL INSTALLATION**

ITEM	PART NUMBER	QTY	DESCRIPTION	REV
	1001195721	Ref	Emergency Stop External Installation	C
1	0760507	2	Bolt, M5X14	
2	4360475	1	Switch, E-Stop	
3	4811600	2	Washer, M5	
5	4461000	1	Connector	
6	1001217320	1	Harness, External EMS	
7	1001008559	1	Strap, Tie	
8	1001220859	1	Bracket	
9	1001220861	1	Shield	
10	1704260	1	Decal, EMS	

Go to Discount-Equipment.com to order your parts

# SECTION 10 - ELECTRICAL

## FIGURE 10-22. CAB ELECTRICAL INSTALLATION



ART\_1001192558-H

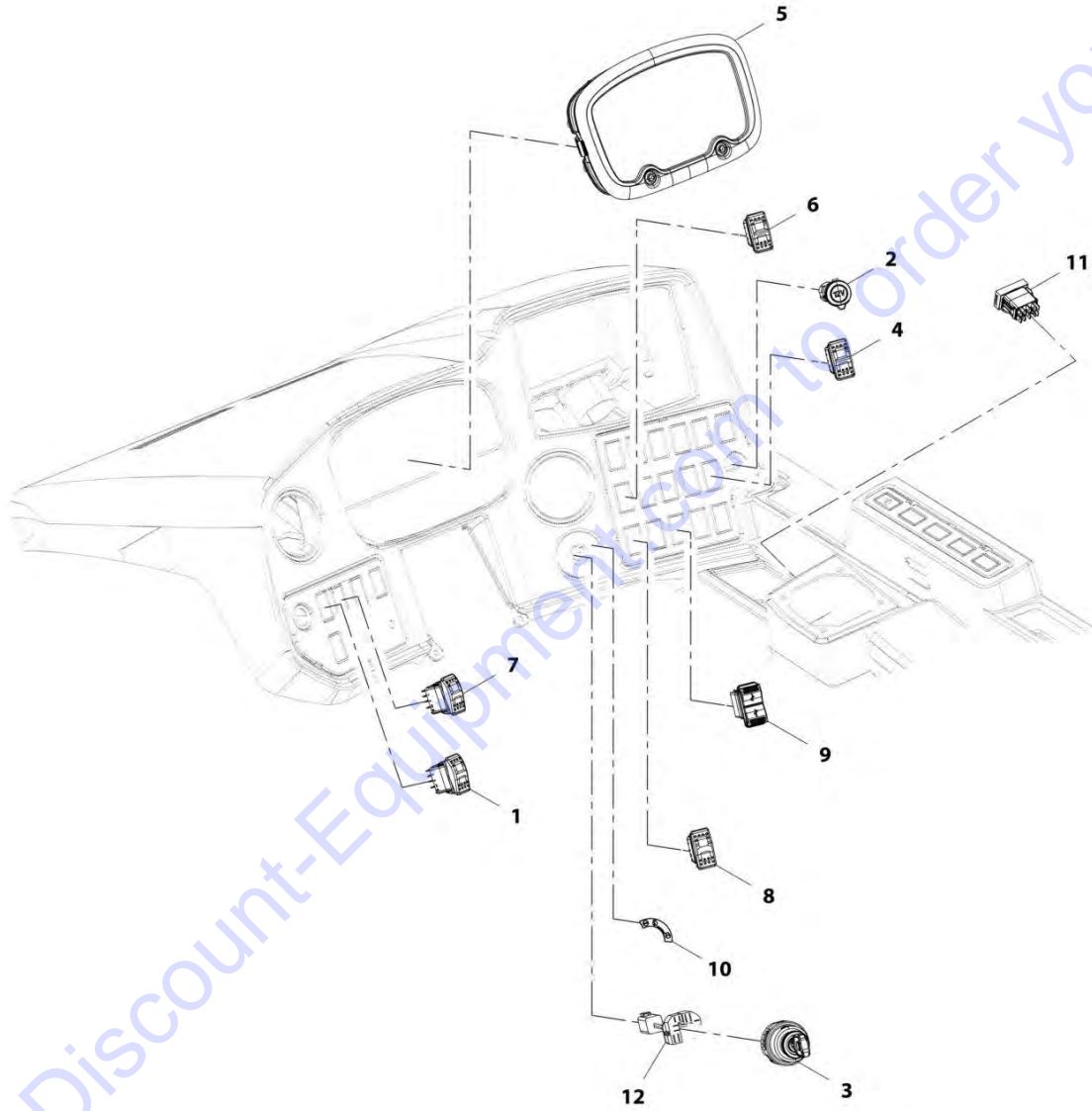
## SECTION 10 - ELECTRICAL

**FIGURE 10-22. CAB ELECTRICAL INSTALLATION**

ITEM	PART NUMBER	QTY	DESCRIPTION	REV
	1001192558	Ref	Cab Electrical Installation	H
1	120034	7	Washer, Plastic	
2	0700618	2	Bolt, M6X50	
3	3290501	7	Nut, M5X0.8	
4	3290601	2	Nut, M6X1	
5	4460496	5	Washer, Terminal Lock	
6	4460497	5	Nut, Terminal	
7	4811700	4	Washer, M6	
8	1001008559	2	Strap, Cable Tie	
9	1001146588	24	Strap, Cable Tie	
10	1001161769	1	Assembly, Standard Electrical Board (See Separate Breakdown in Electrical Section)	
11	1001161770	1	Assembly, Option 1 Electrical Board (See Separate Breakdown in Electrical Section)	
12	1001161771	1	Assembly, Option 2 Electrical Board (See Separate Breakdown in Electrical Section)	
13	1001162249	1	Module, Cab Control	
14	1001178933	1	Bracket	
15	1001181681	1	Harness, Cab Option LBP (See Separate Breakdown in Electrical Section)	
16	1001193940	1	Harness, Cab (See Separate Breakdown in Electrical Section)	
18	4460234	1	Terminal, Mount Cable Tie	
19	1001211693	2	Seal	

# SECTION 10 - ELECTRICAL

## FIGURE 10-23. DASH ELECTRICAL INSTALLATION



ART\_1001220717-C

## SECTION 10 - ELECTRICAL

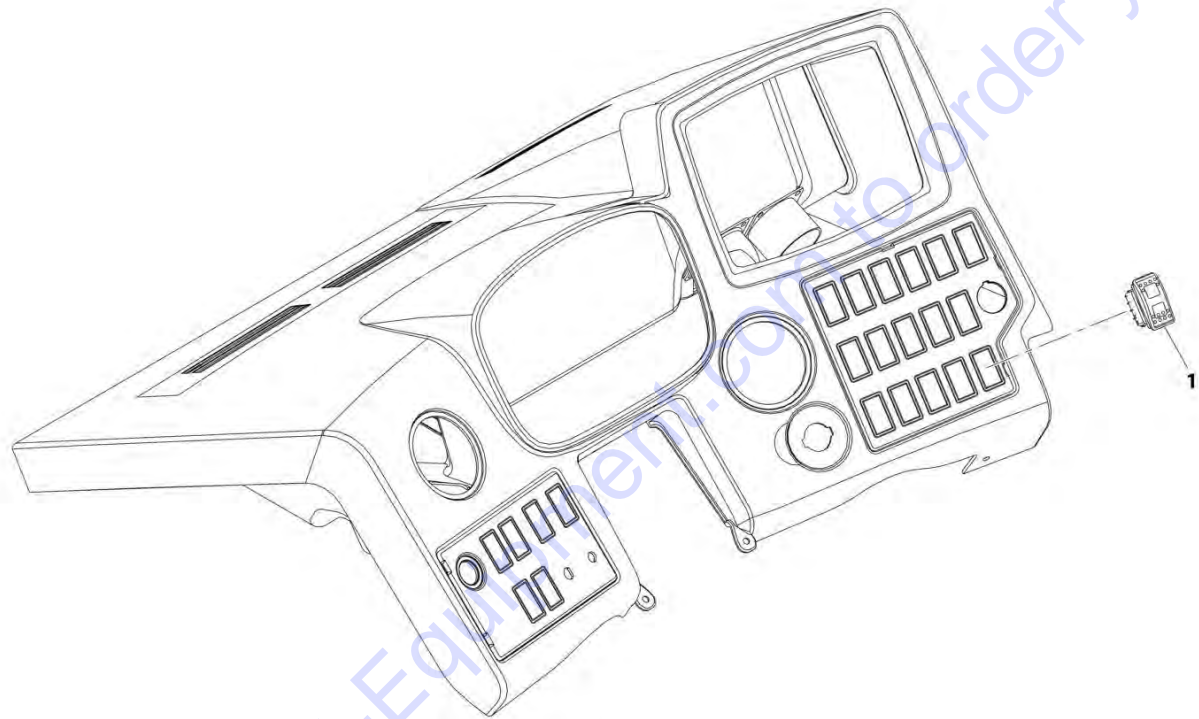
**FIGURE 10-23. DASH ELECTRICAL INSTALLATION**

ITEM	PART NUMBER	QTY	DESCRIPTION	REV
	1001220717	Ref	Dash Electrical Installation	C
1	1001080978	1	Switch, Lift/Loader	
2	1001095804	1	Connector, 12V Power Socket	
3	1001102502	1	Switch, 4 Position Key	
3	70022765	1	Key, Ignition (set of 2)	
4	1001104654	1	Switch, AUX Decomp	
5	1001158146	1	Cluster, Electrical Gauge	
6	1001159735	1	Switch, Rear Wiper	
7	1001159741	1	Switch, Constant AUX	
8	1001159849	1	Switch, Steer Mode	
9	1001174712	1	Charger, USB	
10	1001181531	1	Decal, Ignition Switch	
11	1001212470	1	Switch, Frame Level	
12	1001223968	1	Harness, Ignition Switch (See Separate Breakdown in this Section)	

Go to Discount-Equipment.com to order your parts

# SECTION 10 - ELECTRICAL

## FIGURE 10-24. LIGHT SWITCH INSTALLATION



ART\_1001215121-A

## SECTION 10 - ELECTRICAL

FIGURE 10-24. LIGHT SWITCH INSTALLATION

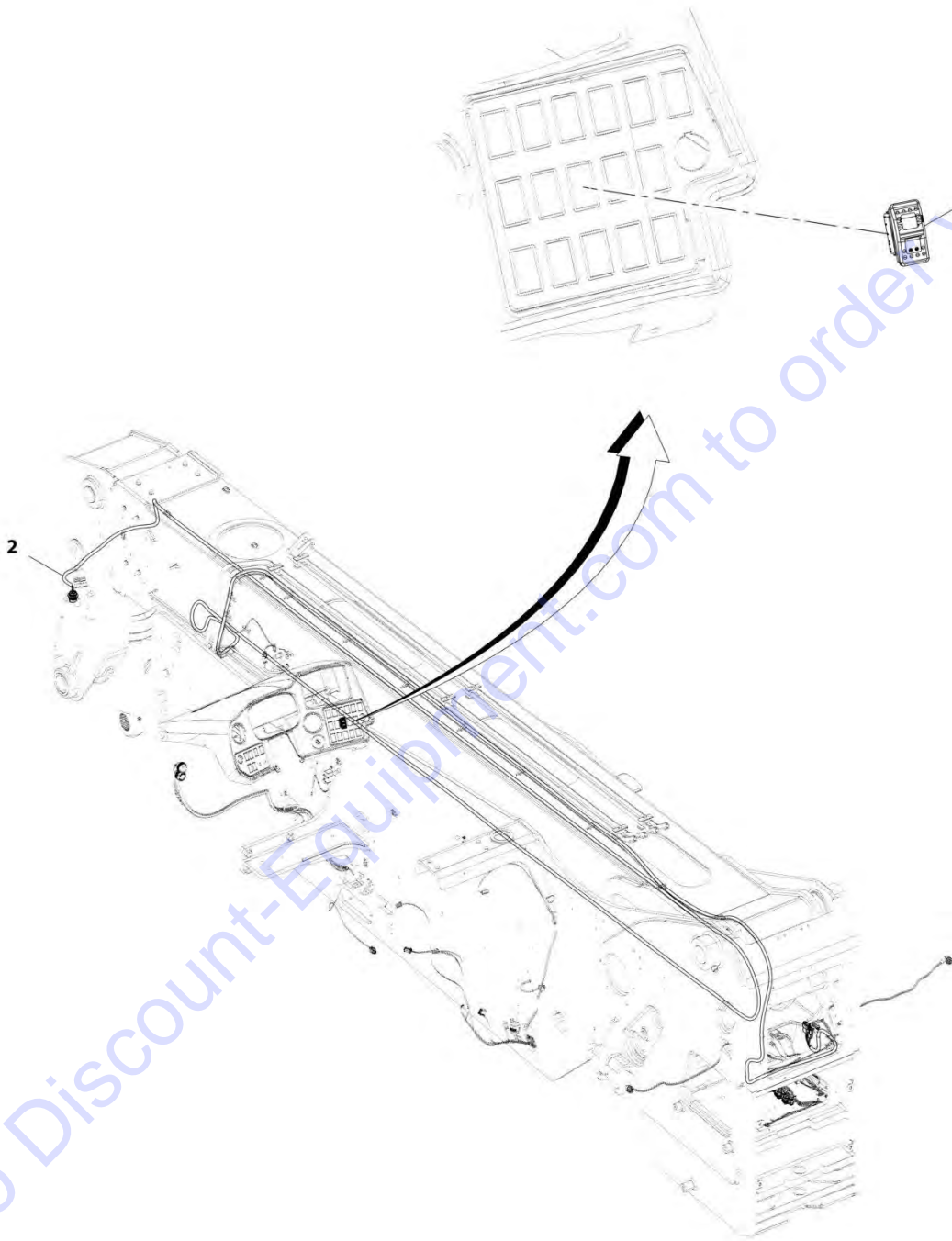
ITEM	PART NUMBER	QTY	DESCRIPTION	REV
1	1001215121 1001163639	Ref 1	Light Switch Installation Switch, Light	A

Go to Discount-Equipment.com to order your parts



# SECTION 10 - ELECTRICAL

## FIGURE 10-25. BOOM HARNESS INSTALLATION



ART\_1001192575-B

## SECTION 10 - ELECTRICAL

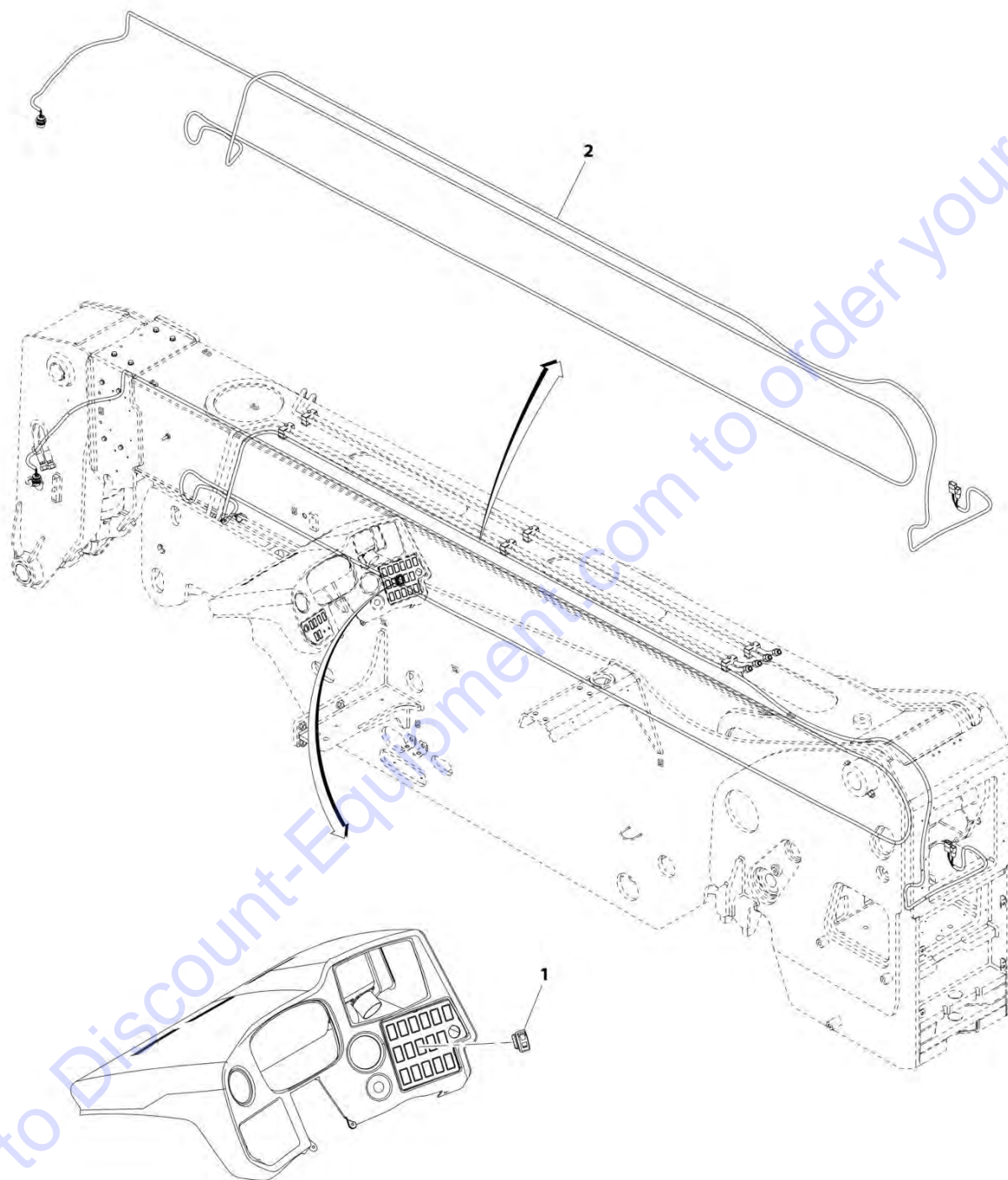
### FIGURE 10-25. BOOM HARNESS INSTALLATION

ITEM	PART NUMBER	QTY	DESCRIPTION	REV
	1001192575	Ref	Boom Harness Installation	B
1	1001159746	1	Switch, Aux Electric	
2	1001201124	1	Harness, Boom (See Seperate Breakdown in this Section)	

Go to Discount-Equipment.com to order your parts

# SECTION 10 - ELECTRICAL

## FIGURE 10-26. BOOM HARNESS INSTALLATION



ART\_1001228743-A

## SECTION 10 - ELECTRICAL

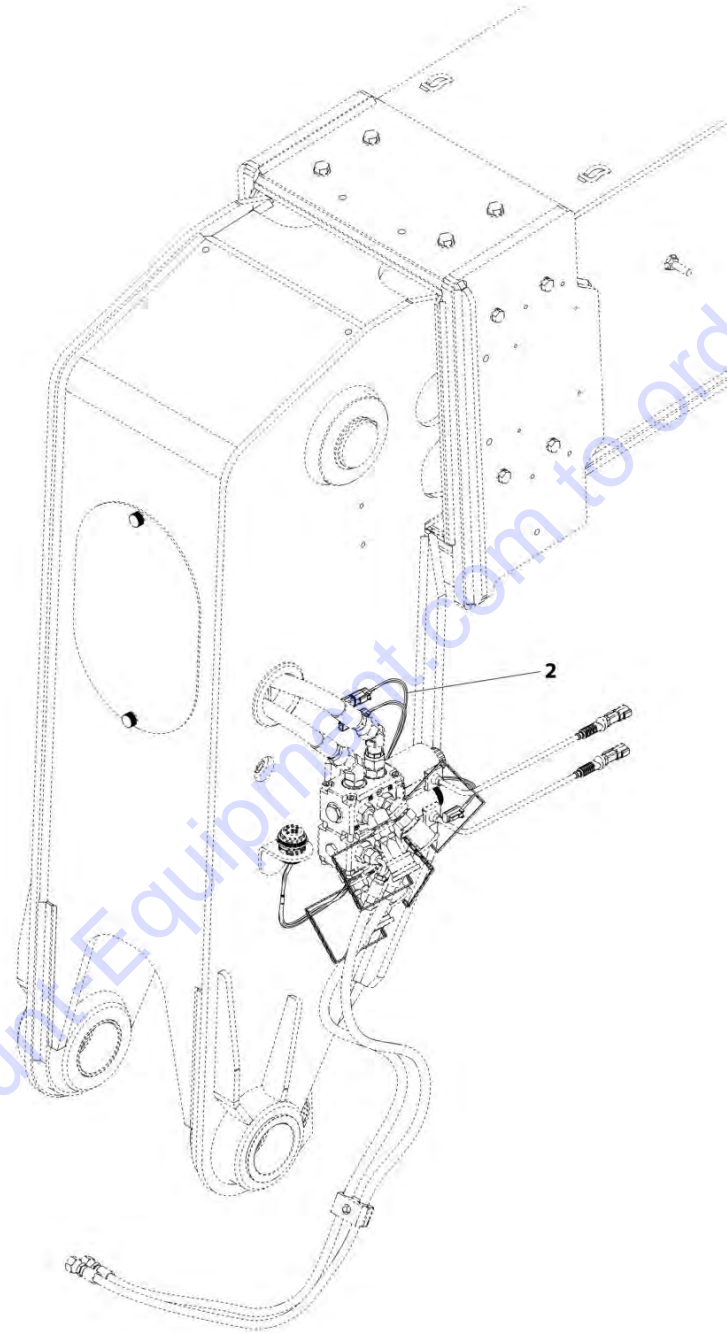
### FIGURE 10-26. BOOM HARNESS INSTALLATION

ITEM	PART NUMBER	QTY	DESCRIPTION	REV
	1001228743	Ref	Boom Harness Installation	A
1	1001159746	1	Switch, Aux Electric	
2	1001228744	1	Harness, Boom (See Seperate Breakdown in this Section)	

Go to Discount-Equipment.com to order your parts

# SECTION 10 - ELECTRICAL

## FIGURE 10-27. BOOM AUX HARNESS INSTALLATION



ART\_1001192370-C

## SECTION 10 - ELECTRICAL

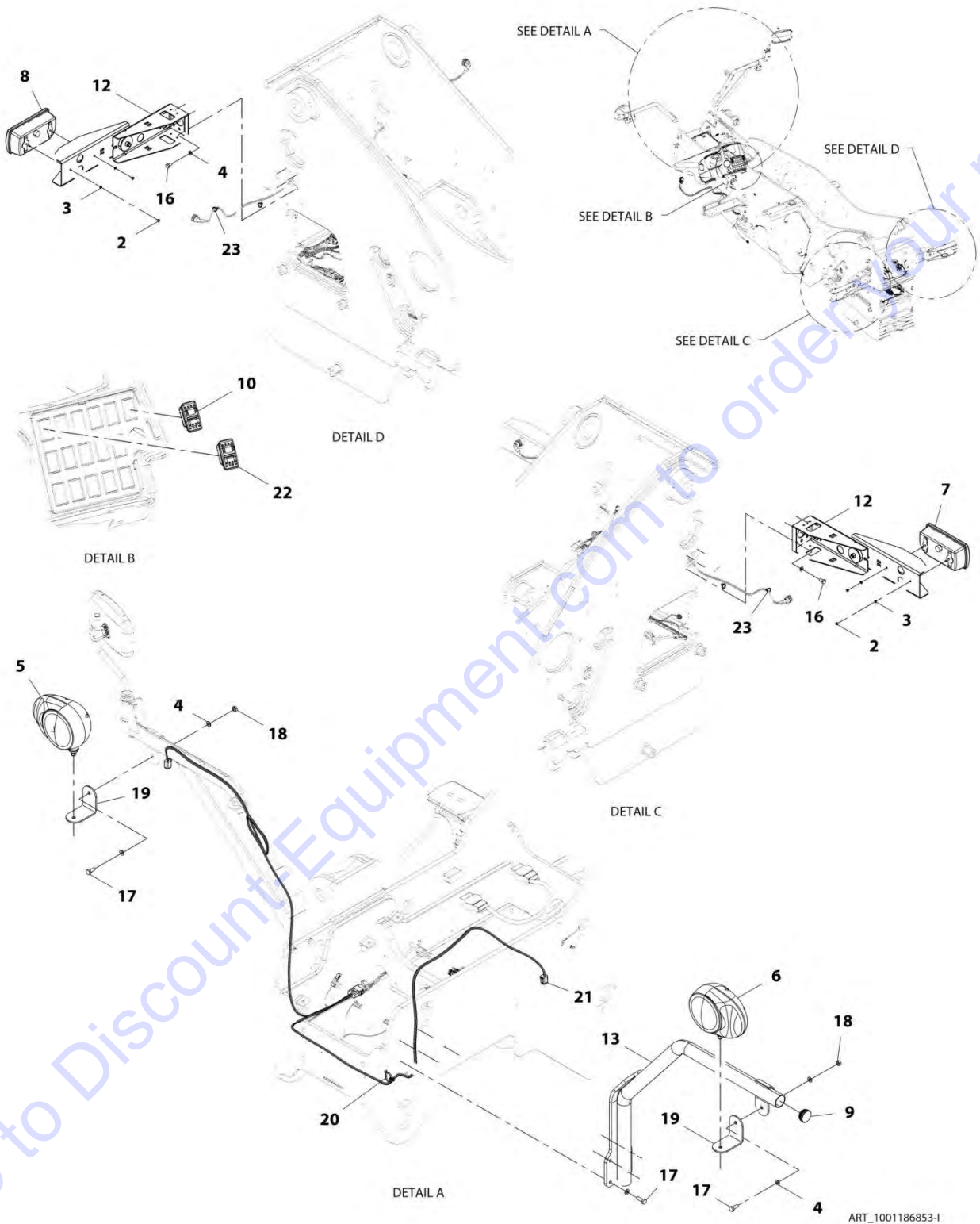
**FIGURE 10-27. BOOM AUX HARNESS INSTALLATION**

ITEM	PART NUMBER	QTY	DESCRIPTION	REV
2	1001192370	Ref	Boom Aux Harness Installation	C
	1001206633	1	Harness, Boom AUX (See Seperate Breakdown in this Section)	

Go to Discount-Equipment.com to order your parts

# SECTION 10 - ELECTRICAL

## FIGURE 10-28. DRIVING LIGHT INSTALLATION (RH DIP)



## SECTION 10 - ELECTRICAL

**FIGURE 10-28. DRIVING LIGHT INSTALLATION (RH DIP)**

ITEM	PART NUMBER	QTY	DESCRIPTION	REV
	1001186853	Ref	Driving Light Installation (RH Dip)	I
2	3290607	4	Nut, Lock M6X1	
3	4811700	4	Washer, M6	
4	4812000	16	Washer, M10	
5	2920208	1	Light, Driving (RH) (RH Dip)	
	7029969	1	Bulb, 4W	
	7029970	1	Bulb, 55W	
	7029971	1	Bulb, 21W	
6	2920207	1	Light, Driving (LH) (RH Dip)	
	7029969	1	Bulb, 4W	
	7029970	1	Bulb, 55W	
	7029971	1	Bulb, 21W	
7	1001091715	1	Light, Rear (LH)	
	70021341	1	Bulb, 5W	
	70021340	1	Bulb, 21W	
	7029971	1	Bulb, 21W	
8	1001091716	1	Light, Rear (RH)	
	70021341	1	Bulb, 5W	
	70021340	1	Bulb, 21W	
	7029971	1	Bulb, 21W	
9	1001209697	1	Cap	
10	1001159734	1	Switch, Hazard	
12	1001183112	2	Assembly, Rear Light Bracket (See Seperate Breakdown in this Section)	
13	1001206100	1	Bracket	
16	0761010	8	Bolt, M10X20	
17	0701014	6	Bolt, M10X30	
18	3291001	2	Nut, M10X1.5	
19	1001203368	2	Bracket	
20	1001146588	1	Strap, Tie	
21	1001215693	1	Harness, Headlight (See Seperate Breakdown in this Section)	
22	1001159737	1	Switch, Fog Lights	
23	1001008559	4	Strap, Cable	



# PARTS FINDER

**Search Website  
by Part Number**



**Search Manual  
Library For Parts  
Manual & Lookup Part  
Numbers – Purchase  
or Request Quote**

**Can't Find Part or  
Manual? Request Help  
by Manufacturer,  
Model & Description**

Discount-Equipment.com is your online resource for quality parts & equipment.

Florida: **561-964-4949** Outside Florida TOLL FREE: **877-690-3101**

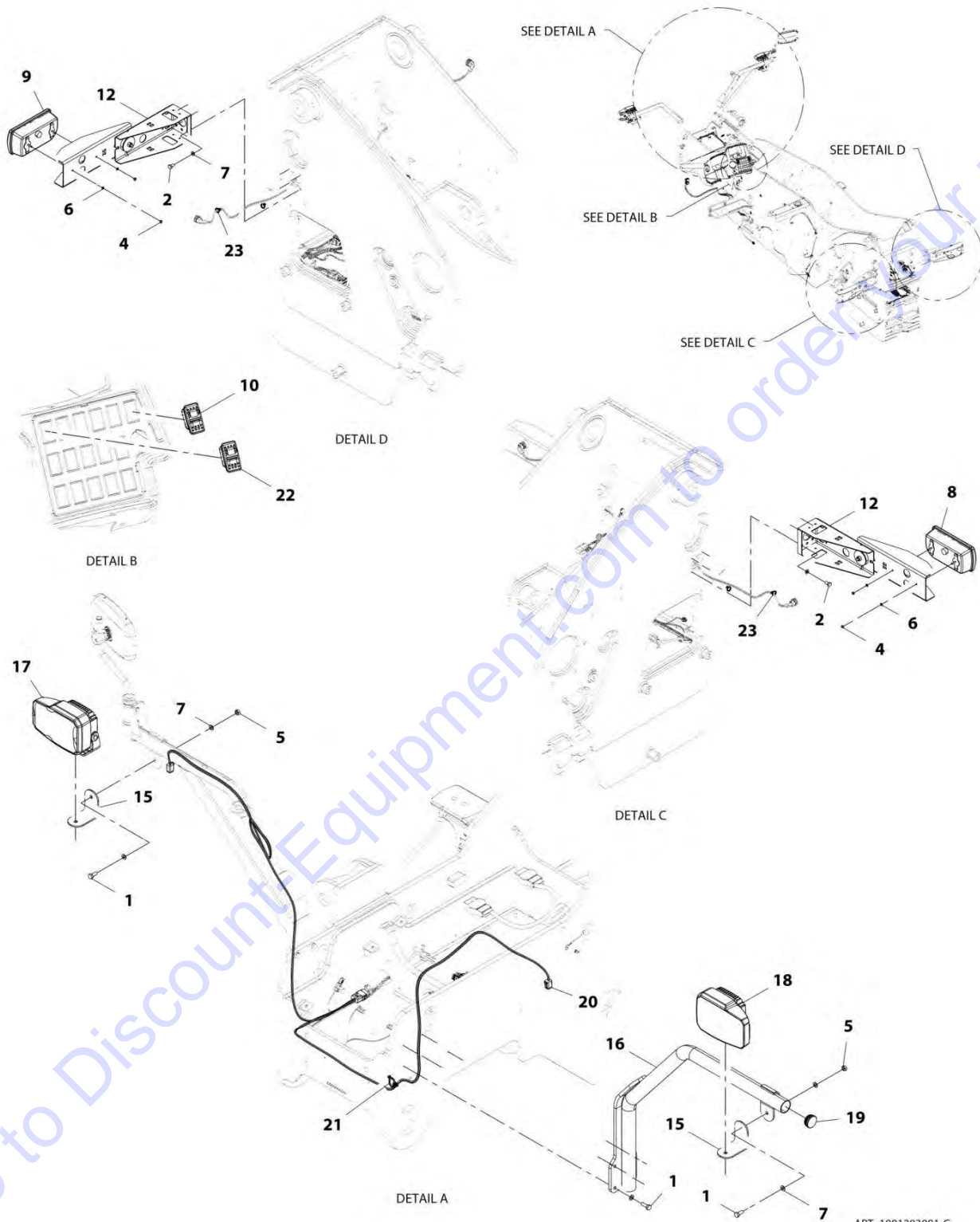
## Need parts?

Click on this link: <http://www.discount-equipment.com/category/5443-parts/> and choose one of the options to help get the right parts and equipment you are looking for. Please have the machine model and serial number available in order to help us get you the correct parts. If you don't find the part on the website or on one of the online manuals, please fill out the request form and one of our experienced staff members will get back to you with a quote for the right part that your machine needs.

We sell worldwide for the brands: Genie, Terex, JLG, MultiQuip, Mikasa, Essick, Whiteman, Mayco, Toro Stone, Diamond Products, Generac Magnum, Airman, Haulotte, Barreto, Power Blanket, Nifty Lift, Atlas Copco, Chicago Pneumatic, Allmand, Miller Curber, Skyjack, Lull, Skytrak, Tsurumi, Husquvarna Target, Stow, Wacker, Sakai, Mi-T-M, Sullair, Basic, Dynapac, MBW, Weber, Bartell, Bennar Newman, Haulotte, Ditch Runner, Menegotti, Morrison, Contec, Buddy, Crown, Edco, Wyco, Bomag, Laymor, EZ Trench, Bil-Jax, F.S. Curtis, Gehl Pavers, Heli, Honda, ICS/PowerGrit, IHI, Partner, Imer, Clipper, MMD, Koshin, Rice, CH&E, General Equipment, Amida, Coleman, NAC, Gradall, Square Shooter, Kent, Stanley, Tamco, Toku, Hatz, Kohler, Robin, Wisconsin, Northrock, Oztec, Toker TK, Rol-Air, APT, Wylie, Ingersoll Rand / Doosan, Innovatech, Con X, Ammann, Mecalac, Makinex, Smith Surface Prep, Small Line, Wanco, Yanmar

# SECTION 10 - ELECTRICAL

## FIGURE 10-29. DRIVING LIGHT INSTALLATION (LED) (RH DIP)



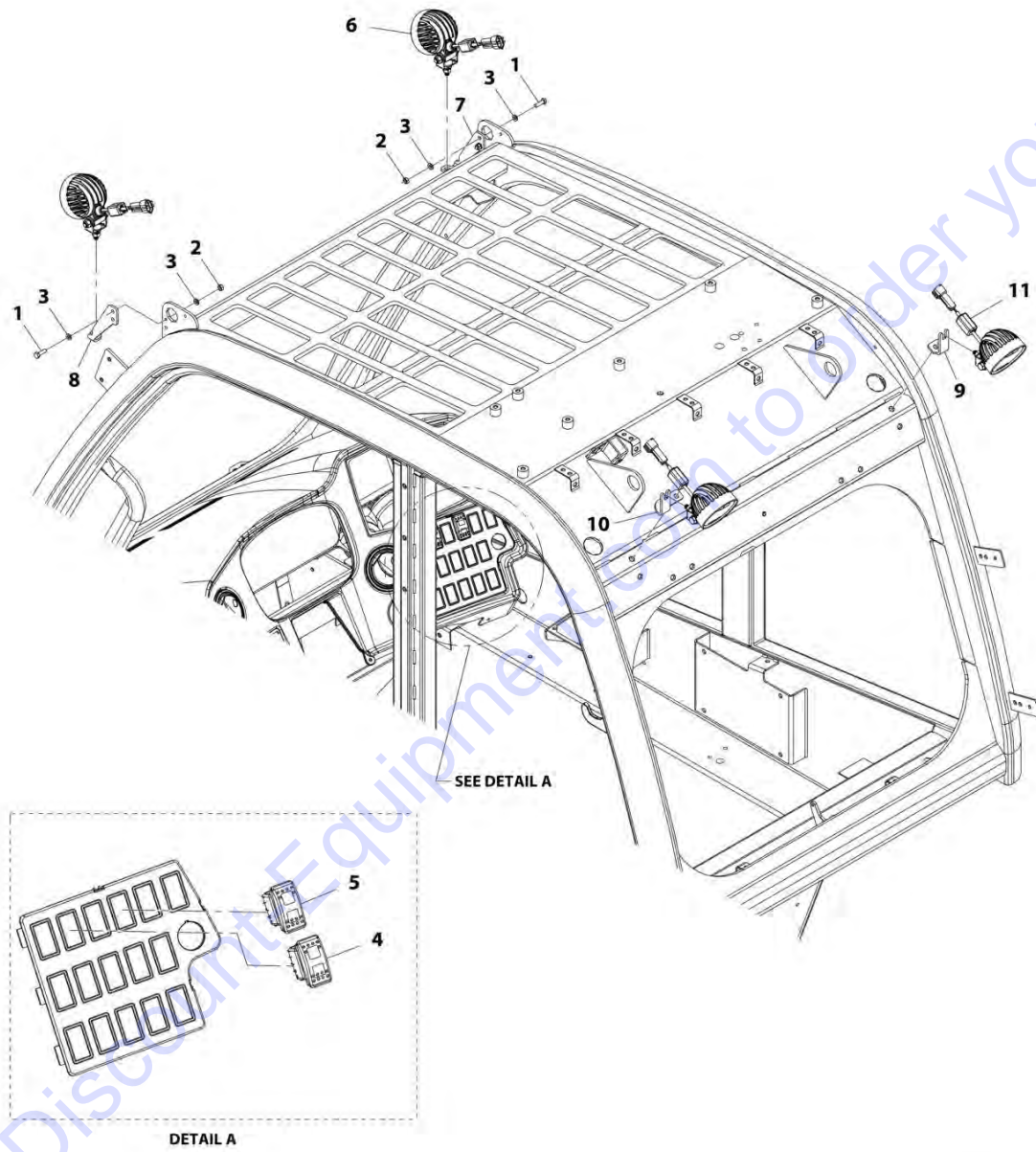
## SECTION 10 - ELECTRICAL

**FIGURE 10-29. DRIVING LIGHT INSTALLATION (LED) (RH DIP)**

ITEM	PART NUMBER	QTY	DESCRIPTION	REV
	1001203081	Ref	Driving Light Installation (LED) (RH Dip)	G
1	0701014	6	Bolt, M10X30	
2	0761010	8	Bolt, M10X20	
4	3290607	4	Bolt, M6X1	
5	3291001	2	Nut, M10X1.5	
6	4811700	4	Washer, M6	
7	4812000	16	Washer, M10	
8	1001091715	1	Light, Rear (LH)	
	70021341	1	Bulb, 5W	
	70021340	1	Bulb, 21W	
	7029971	1	Bulb, 21W	
9	1001091716	1	Light, Rear (RH)	
	70021341	1	REPLACEMENT BULB, 12V-5W	
	70021340	1	Bulb, 21W	
	7029971	1	Bulb, 21W	
10	1001159734	1	Switch, Hazard	
12	1001183112	2	Assembly, Rear Light Bracket (See Seperate Breakdown in this Section)	
15	1001203368	2	Bracket	
16	1001206100	1	Bracket	
17	1001209690	1	Light, Driving (RH - LED) (RH Dip)	
18	1001209691	1	Light, Driving (LH - LED) (LH Dip)	
19	1001209697	1	Cap	
20	1001215693	1	Harness, Headlights (See Seperate Breakdown in this Section)	
21	1001146588	1	Strap, Cable Tie	
22	1001159737	1	Switch, Fog Lights	
23	1001008559	4	Strap, Cable Tie	

# SECTION 10 - ELECTRICAL

## FIGURE 10-30. CAB WORKLIGHTS INSTALLATION (NO A/C - LED)



ART\_1001200538-C

## SECTION 10 - ELECTRICAL

**FIGURE 10-30. CAB WORKLIGHTS INSTALLATION (NO A/C - LED)**

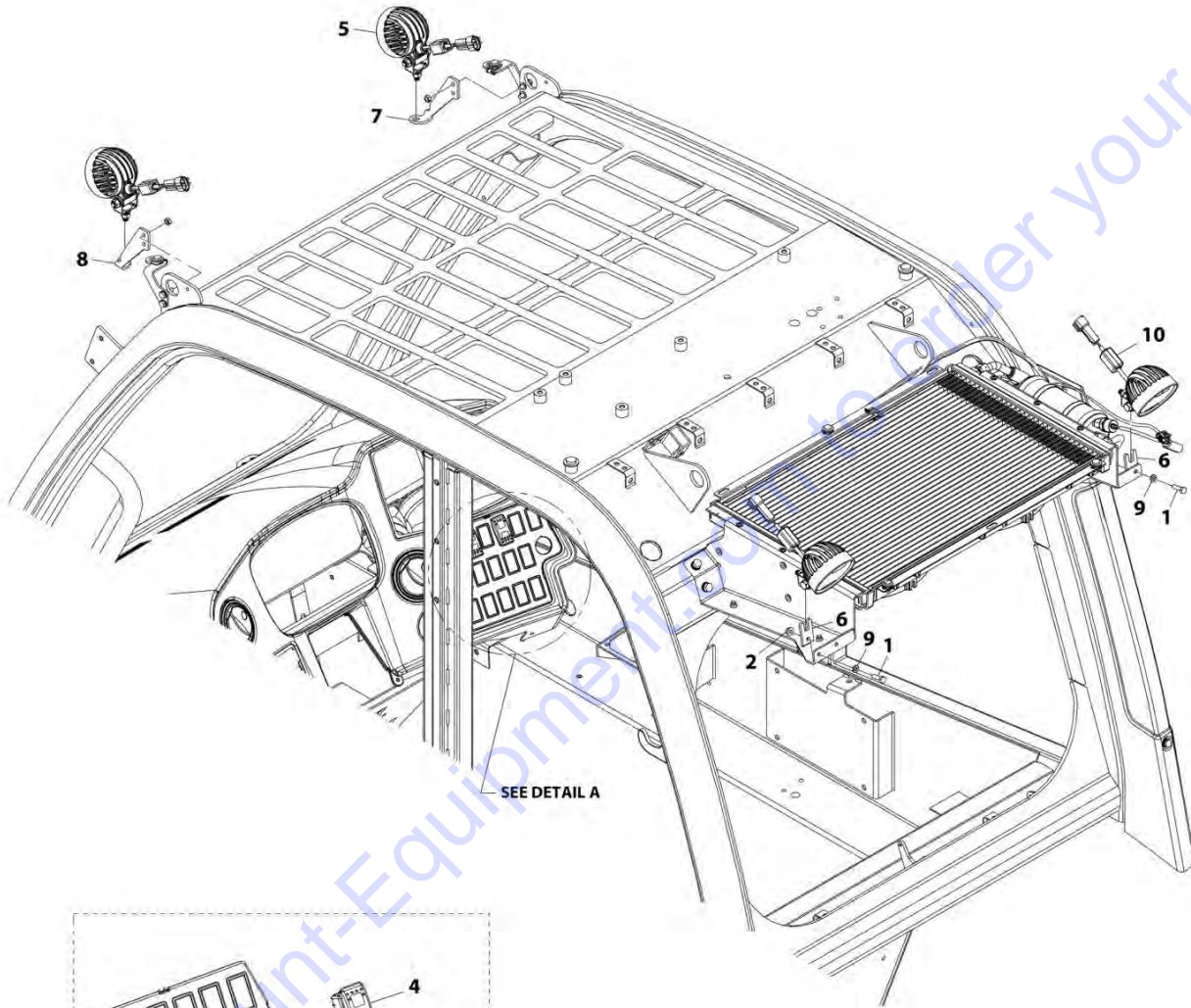
ITEM	PART NUMBER	QTY	DESCRIPTION	REV
	1001200538	Ref	Cab Worklights Installation (No A/C - LED)	C
1	0700610	4	Bolt, M6X20	
2	3290601	4	Nut, M6X1	
3	4811700	8	Washer, M6	
4	1001159845	1	Switch, Front Worklights	
5	1001159846	1	Switch, Rear Worklights	
6	1001203640	4	Lamp, LED Work Light	
7	1001204444	1	Support, LED Work Light RH	
8	1001204445	1	Support, LED Work Light LH	
9	1001204528	1	Support, LED Work Light RH	
10	1001204530	1	Support, LED Work Light LH	
11	1001228989	4	Harness, Ferrite	

Go to Discount-Equipment.com to order your parts

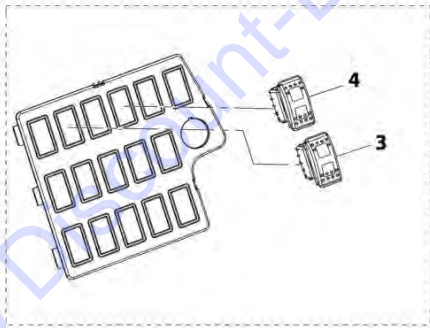


# SECTION 10 - ELECTRICAL

## FIGURE 10-31. CAB WORKLIGHTS INSTALLATION (A/C - LED)



SEE DETAIL A



DETAIL A

ART\_1001200539-C

## SECTION 10 - ELECTRICAL

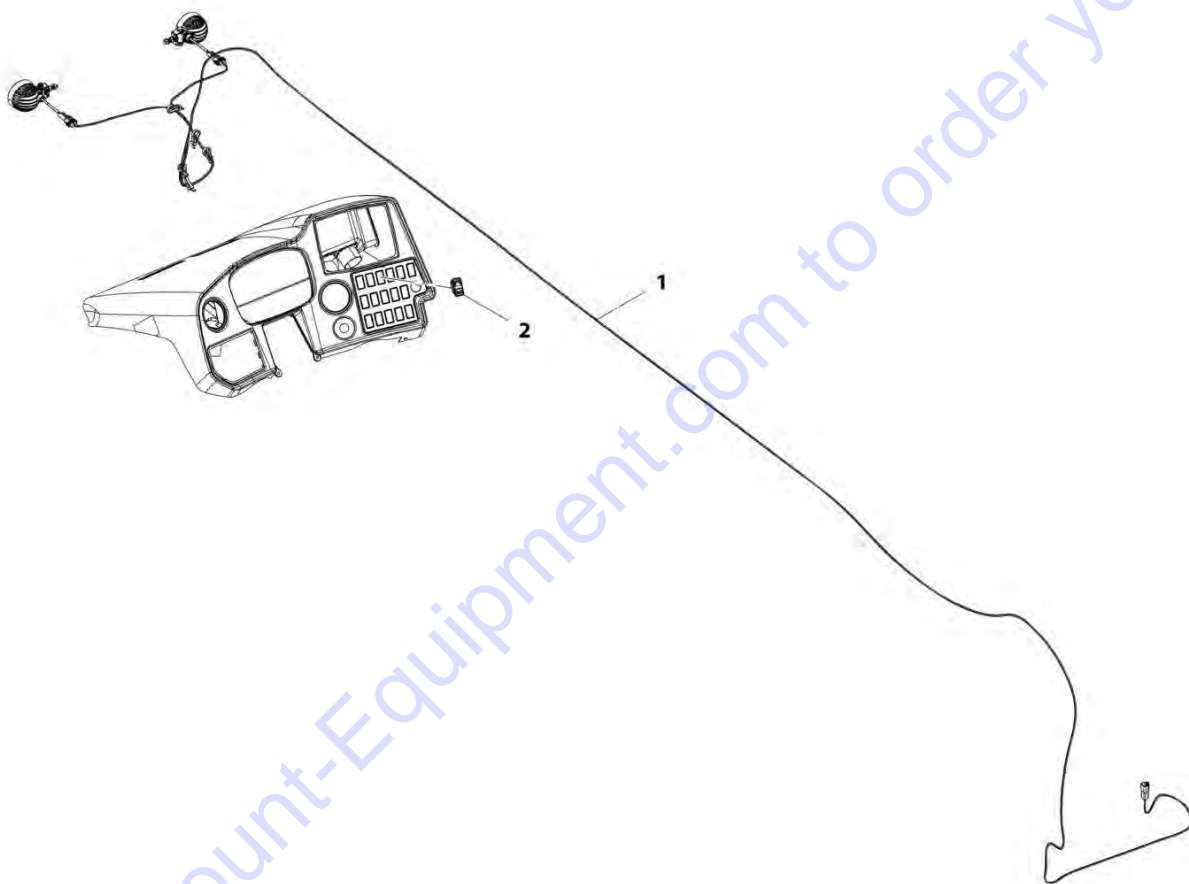
**FIGURE 10-31. CAB WORKLIGHTS INSTALLATION (A/C - LED)**

ITEM	PART NUMBER	QTY	DESCRIPTION	REV
	1001200539	Ref	Cab Worklights Installation (A/C - LED)	C
1	0700610	2	Bolt, M6X20	
2	5220600	2	Nut, M6	
3	1001159845	1	Switch, Front Worklights	
4	1001159846	1	Switch, Rear Worklights	
5	1001203640	4	Lamp, LED Work Light	
6	1001204060	2	Bracket	
7	1001204444	1	Support, LED Work Light RH	
8	1001204445	1	Support, LED Work Light LH	
9	4811700	2	Washer, M6	
10	1001228989	4	Harness, Ferrite	

Go to Discount-Equipment.com to order your parts

# SECTION 10 - ELECTRICAL

## FIGURE 10-32. BOOM WORK LIGHTS (LED)



ART\_1001209427-B



## SECTION 10 - ELECTRICAL

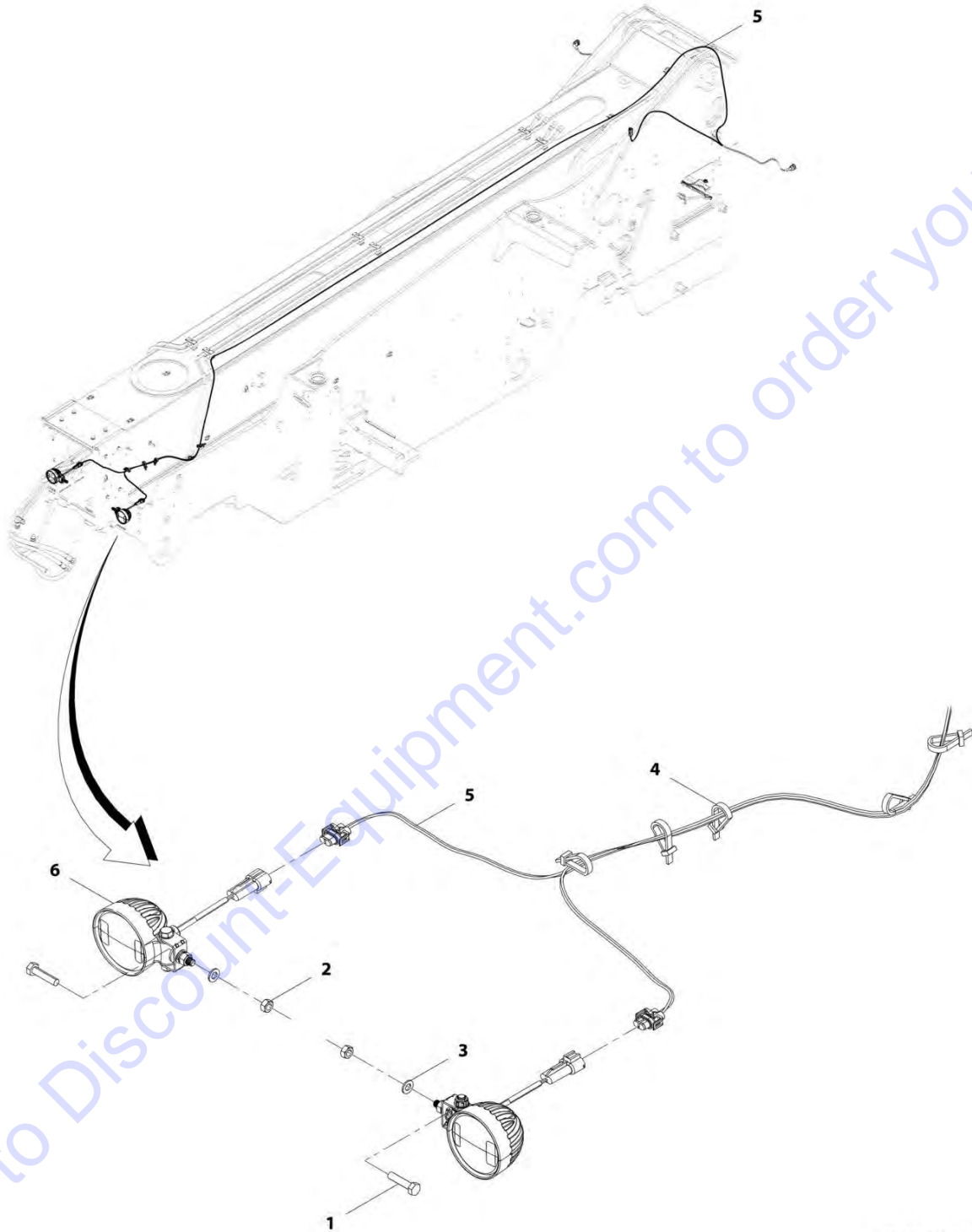
### FIGURE 10-32. BOOM WORK LIGHTS (LED)

ITEM	PART NUMBER	QTY	DESCRIPTION	REV
	1001209427	Ref	Boom Work Lights (LED)	B
1	1001159739	1	Switch, Boom Worklights	
2	1001209456	1	Installation, LED Boom Work lights (See Seperate Breakdown in this Section)	

Go to Discount-Equipment.com to order your parts

# SECTION 10 - ELECTRICAL

## FIGURE 10-33. BOOM WORK LIGHT INSTALLATION (LED)



ART\_1001209456-C

## SECTION 10 - ELECTRICAL

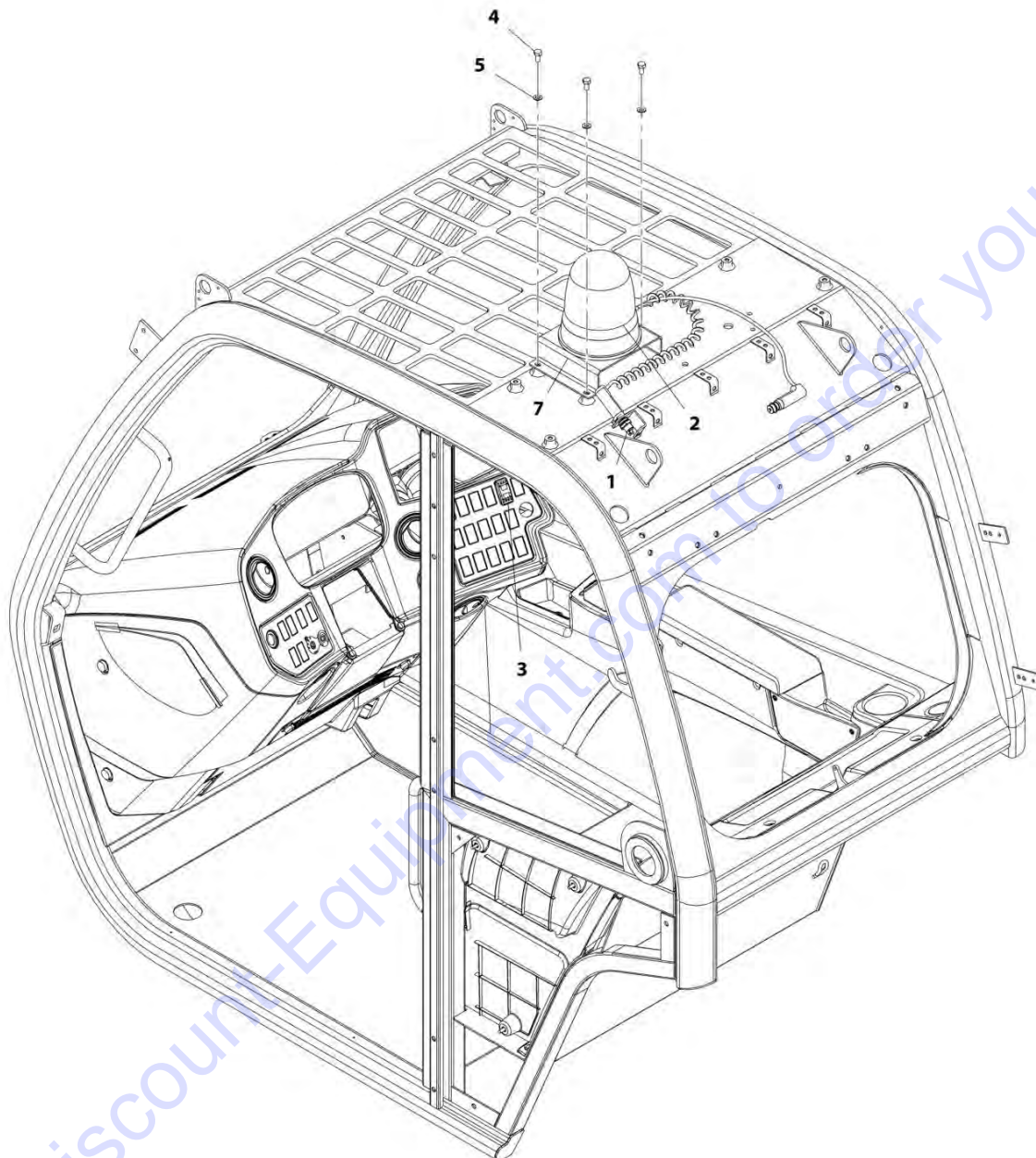
### FIGURE 10-33. BOOM WORK LIGHT INSTALLATION (LED)

ITEM	PART NUMBER	QTY	DESCRIPTION	REV
	1001209456	Ref	Boom Work Light Installation (LED)	C
1	0700815	2	Bolt, M8X35	
2	3290801	2	Nut, M8X1.25	
3	4811900	2	Washer, M8	
4	1001008923	5	Strap, Cable	
5	1001184796	1	Harness, Boom Work Lights (See Seperate Breakdown in this Section)	
6	1001203640	2	Lamp, LED Worklight (See Seperate Breakdown in this Section)	

Go to Discount-Equipment.com to order your parts

# SECTION 10 - ELECTRICAL

## FIGURE 10-34. BEACON INSTALLATION



ART\_1001171162-E

## SECTION 10 - ELECTRICAL

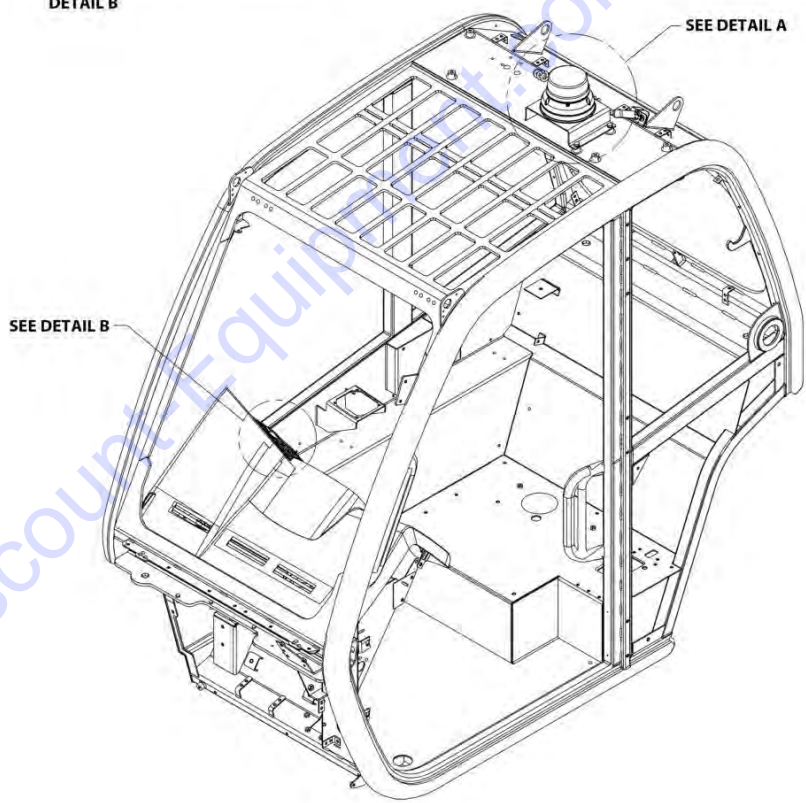
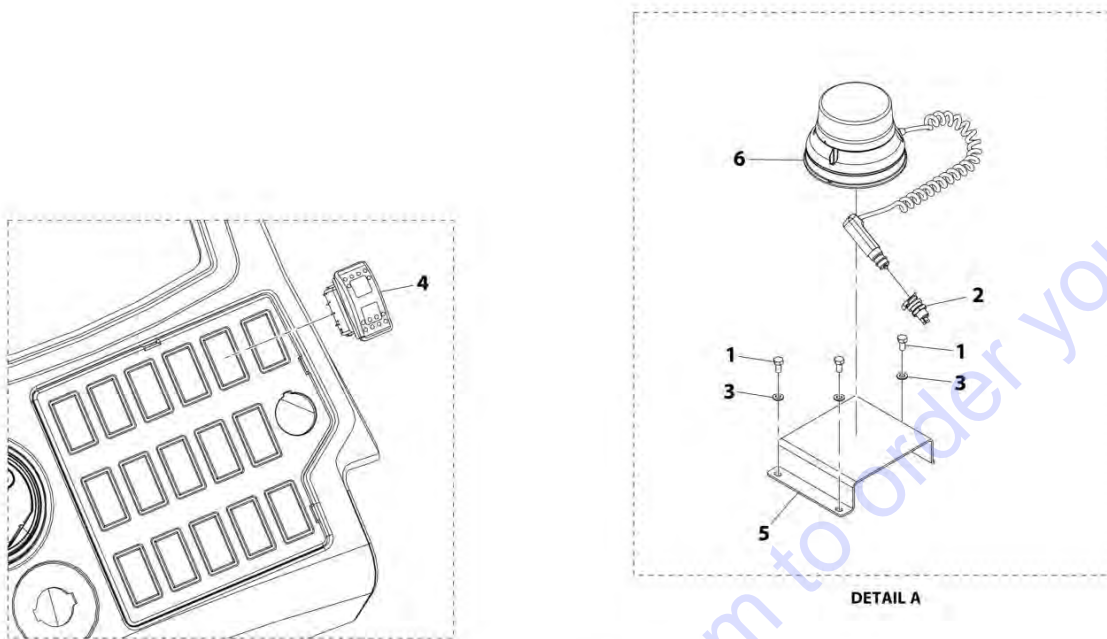
### FIGURE 10-34. BEACON INSTALLATION

ITEM	PART NUMBER	QTY	DESCRIPTION	REV
	1001171162	Ref	Beacon Installation	E
1	4461174	1	Terminal	
2	1001091573	NLA	Light, Warning, (no longer available, use 1001217623 for replacement)	
2	1001217623	1	Light, Warning	
3	1001159738	1	Switch	
4	0760808	3	Bolt, M8X16	
5	4811900	3	Washer, M8	
7	1001174796	1	Bracket	

Go to Discount-Equipment.com to order your parts

# SECTION 10 - ELECTRICAL

## FIGURE 10-35. BEACON INSTALLATION (LED)



ART\_1001195883-A

## SECTION 10 - ELECTRICAL

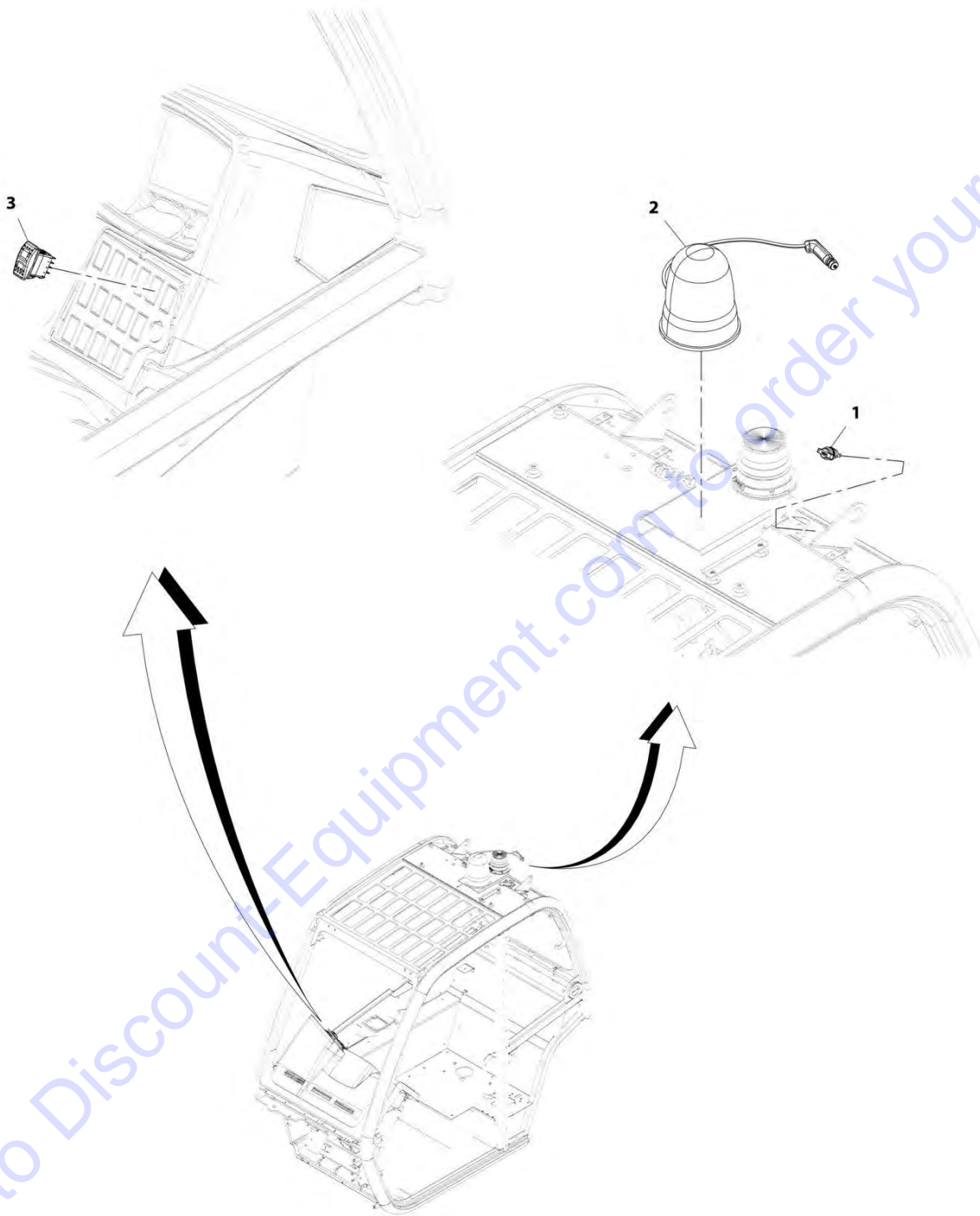
**FIGURE 10-35. BEACON INSTALLATION (LED)**

ITEM	PART NUMBER	QTY	DESCRIPTION	REV
	1001195883	Ref	Beacon Installation (LED)	A
1	0760808	3	Bolt, M8X16	
2	4461174	1	Terminal	
3	4811900	3	Washer, M8	
4	1001159738	1	Switch	
5	1001174796	1	Bracket	
6	1001198893	1	Light, Beacon (LED)	

Go to Discount-Equipment.com to order your parts

# SECTION 10 - ELECTRICAL

## FIGURE 10-36. BEACON (REMOTE BOOM CONTROL) INSTALLATION



Go to DiscountEquipment.com to order your parts

ART\_1001209357-B



## SECTION 10 - ELECTRICAL

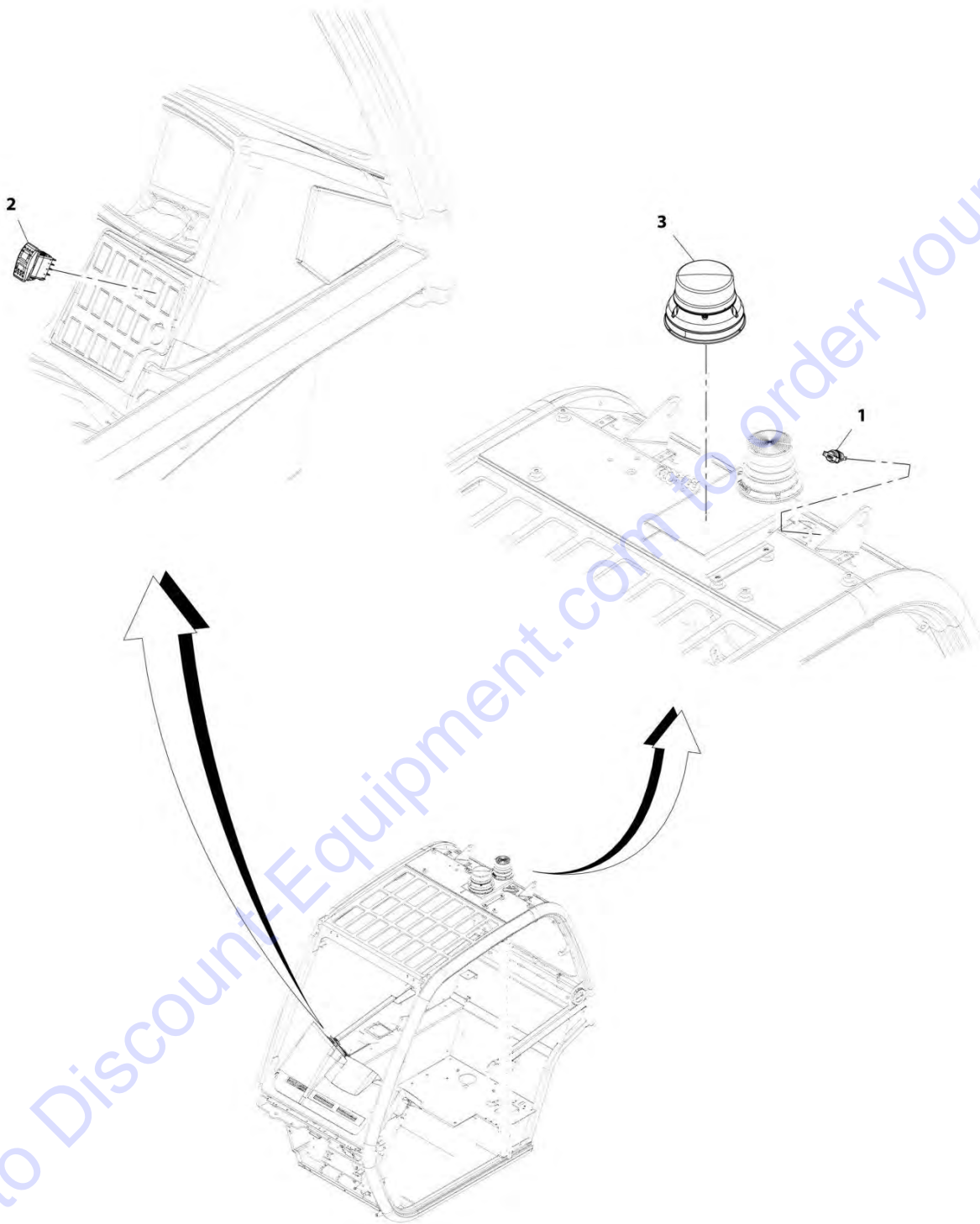
**FIGURE 10-36. BEACON (REMOTE BOOM CONTROL) INSTALLATION**

ITEM	PART NUMBER	QTY	DESCRIPTION	REV
	1001209357	Ref	Beacon (Remote Boom Control) Installation	B
1	4461174	1	Terminal, 12 Volt	
2	1001217623	1	Light, Warning	
3	1001159738	1	Switch, Beacon	

Go to Discount-Equipment.com to order your parts

# SECTION 10 - ELECTRICAL

## FIGURE 10-37. BEACON (LED) (REMOTE BOOM CONTROL) INSTALLATION



Go to DiscountEquipment.com to order your parts

ART\_1001209358-A

## SECTION 10 - ELECTRICAL

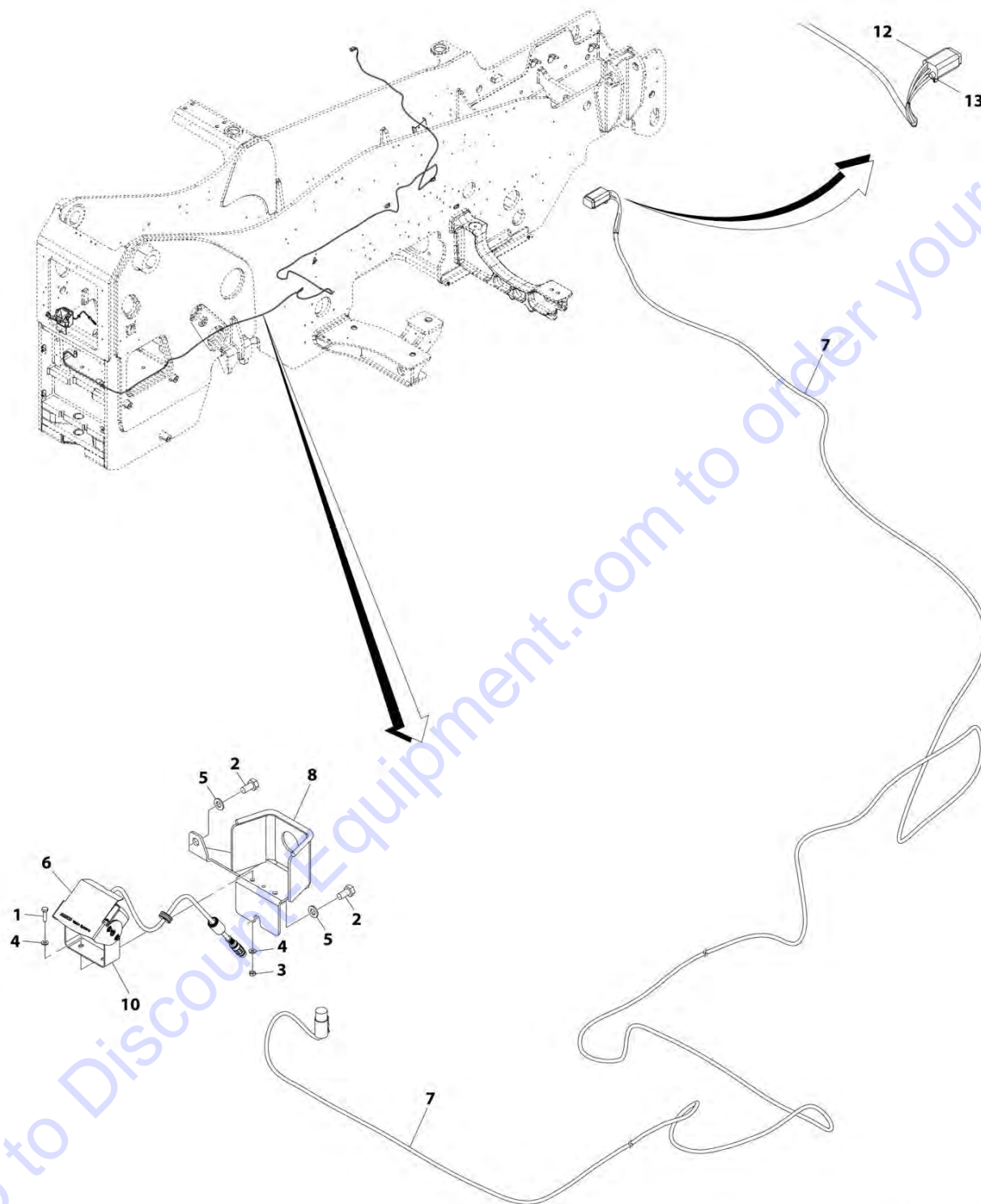
**FIGURE 10-37. BEACON (LED) (REMOTE BOOM CONTROL) INSTALLATION**

ITEM	PART NUMBER	QTY	DESCRIPTION	REV
	1001209358	Ref	Beacon (LED) (Remote Boom Control) Installation	A
1	4461174	1	Terminal, 12 Volt	
2	1001159738	1	Switch, Beacon	
3	1001198893	1	Light, Warning	

Go to Discount-Equipment.com to order your parts

# SECTION 10 - ELECTRICAL

## FIGURE 10-38. REVERSE CAMERA INSTALLATION



ART\_1001192321-G

## SECTION 10 - ELECTRICAL

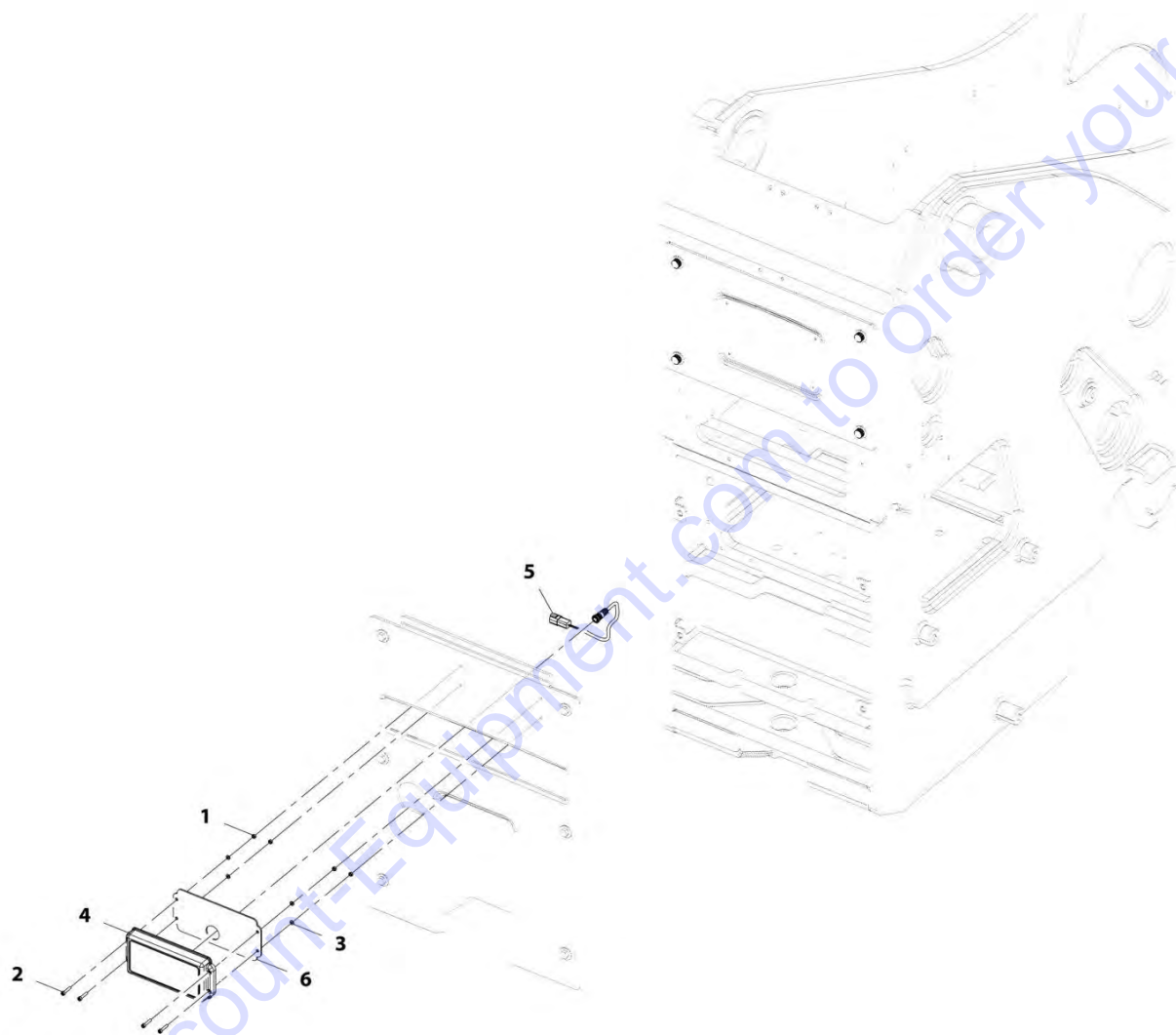
**FIGURE 10-38. REVERSE CAMERA INSTALLATION**

ITEM	PART NUMBER	QTY	DESCRIPTION	REV
	1001192321	Ref	Reverse Camera Installation	G
1	0700408	2	Bolt, M4X16	
2	0760808	2	Bolt, M8X16	
3	3290401	2	Nut, M4X0.7	
4	4811400	4	Washer, M4	
5	4811900	2	Washer, M8	
6	1001167017	1	Camera, Reverse	
7	1001171962	1	Cable, Camera	
8	1001205307	1	Bracket	
10	1001202621	1	Bracket	
12	4460884	1	Connector	
13	4460466	1	Terminal	

Go to Discount-Equipment.com to order your parts

# SECTION 10 - ELECTRICAL

## FIGURE 10-39. REVERSE SENSOR INSTALLATION



ART\_1001192322-E

## SECTION 10 - ELECTRICAL

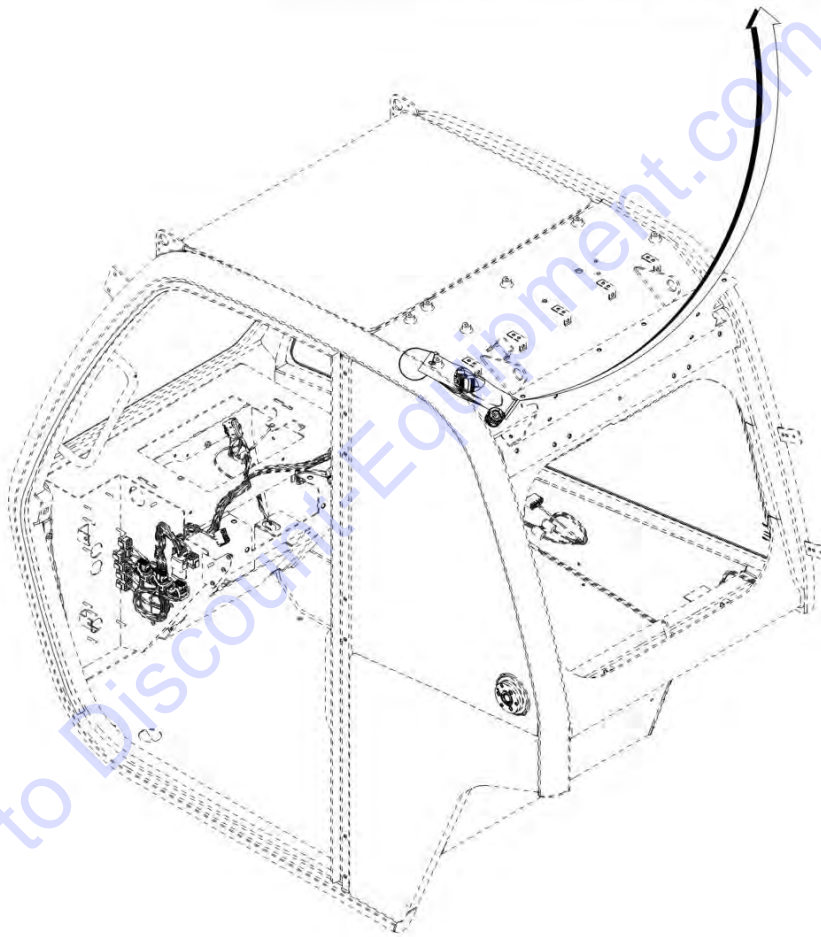
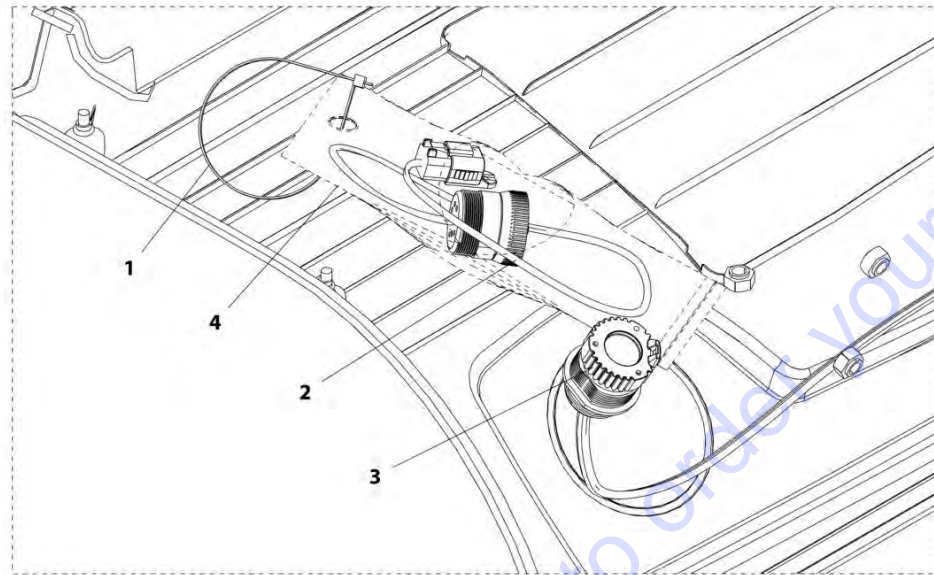
### FIGURE 10-39. REVERSE SENSOR INSTALLATION

ITEM	PART NUMBER	QTY	DESCRIPTION	REV
	1001192322	Ref	Reverse Sensor Installation	E
1	3290501	4	Nut, M5X0.8	
2	5271609	4	Screw, M5X25	
3	4811600	4	Washer, M5	
4	1001189997	1	Sensor, Reverse	
5	1001175776	1	Harness, Reverse Sensor (See Seperate Breakdown in this Section)	
6	1001231217	1	Plate	

Go to Discount-Equipment.com to order your parts

# SECTION 10 - ELECTRICAL

## FIGURE 10-40. TELEMATICS READY INSTALLATION



ART\_1001202519-A



## SECTION 10 - ELECTRICAL

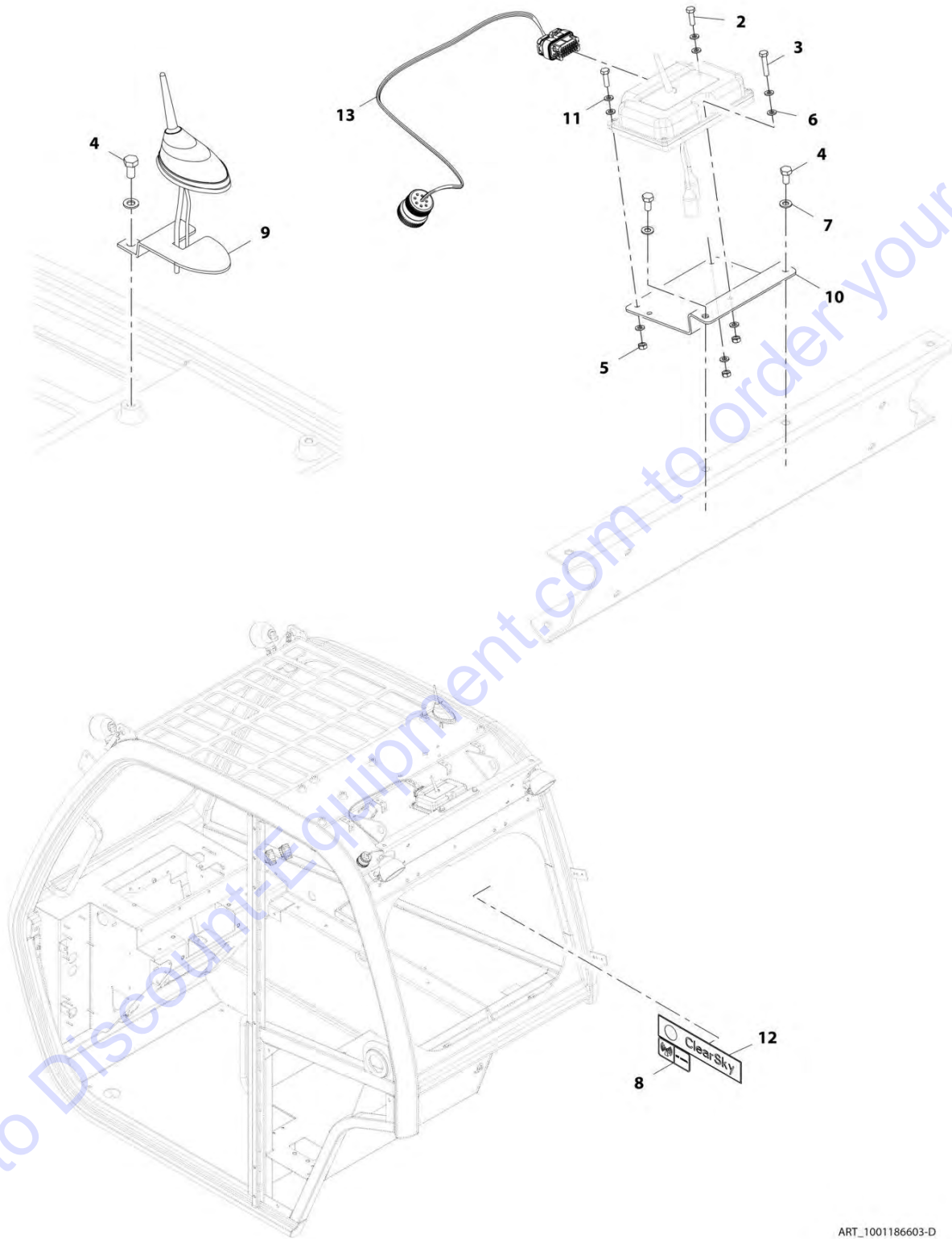
**FIGURE 10-40. TELEMATICS READY INSTALLATION**

ITEM	PART NUMBER	QTY	DESCRIPTION	REV
	1001202519	Ref	Telematics Ready Installation	A
1	8584003	1	Strap, Tie	
2	1001196289	1	Harness, Telematics Ready (See Separate Breakdown in this Section)	
3	1001201162	1	Cap	
4	1001202617	1	Bag	

Go to Discount-Equipment.com to order your parts

# SECTION 10 - ELECTRICAL

FIGURE 10-41. CLEARSKY INSTALLATION (NO A/C - SHORT ROOF CAP) (Prior to SN 0160087899)



ART\_1001186603-D

## SECTION 10 - ELECTRICAL

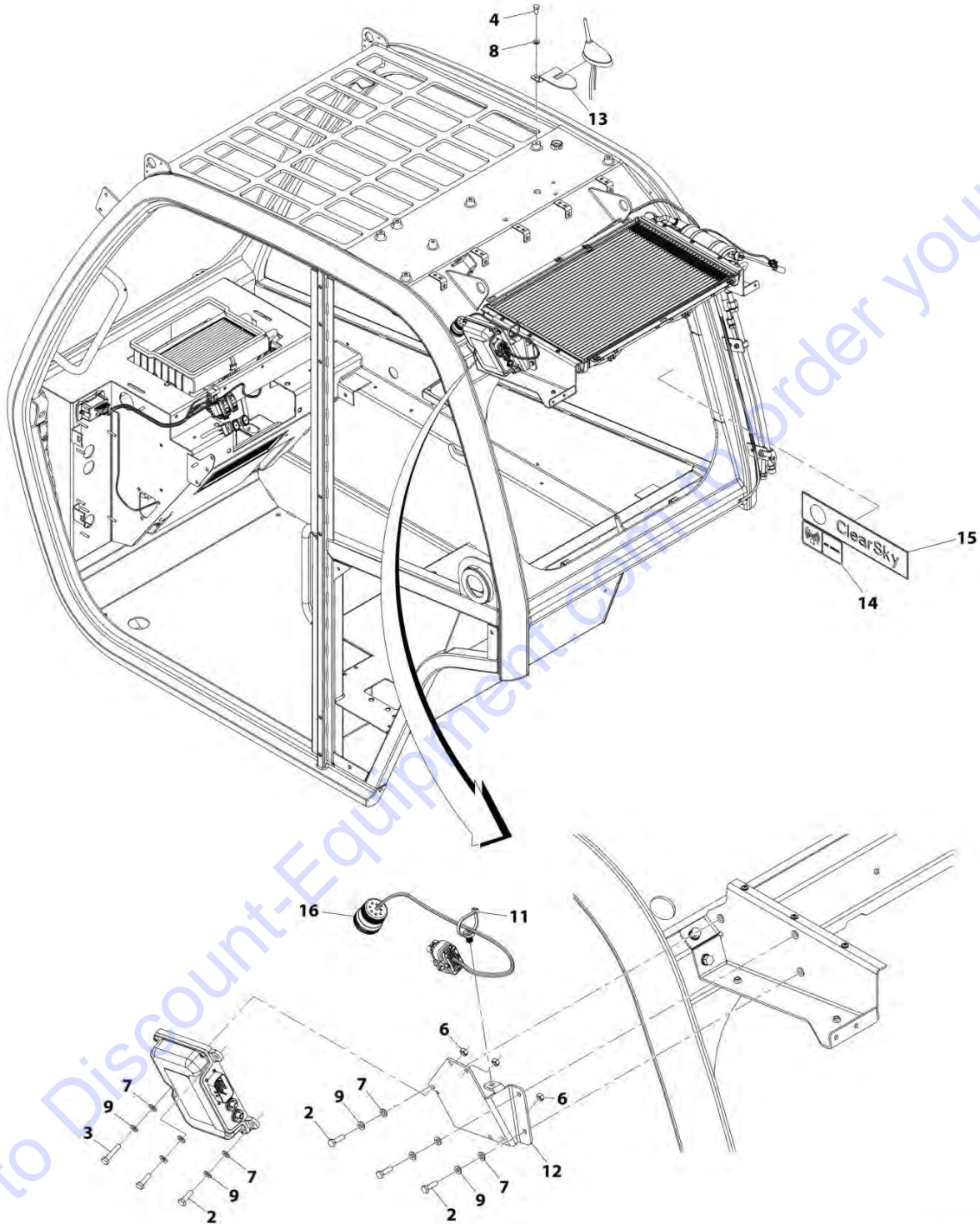
**FIGURE 10-41. CLEARSKY INSTALLATION (NO A/C - SHORT ROOF CAP) (Prior to SN 0160087899)**

ITEM	PART NUMBER	QTY	DESCRIPTION	REV
	1001186603	Ref	Clearsky Installation (No A/C - Short Roof Cap)	D
2	0700610	2	Bolt, M6X20	
3	0700614	1	Bolt, M6X30	
4	0760808	3	Bolt, M8X16	
5	3290601	3	Nut, M6X1 Grade 8	
6	4811700	6	Washer, M6	
7	4811900	3	Washer, M8	
8	1001120989	1	Decal, Radio Frequency	
9	1001174372	1	Bracket, Antenna	
10	1001185722	1	Bracket	
11	4831700	3	Washer, Lock M6	
12	1001116208	1	Decal, Clearsky	
13	1001196452	1	Harness, Clearsky (See Separate Breakdown in this Section)	

Go to Discount-Equipment.com to order your parts

# SECTION 10 - ELECTRICAL

FIGURE 10-42. CLEARSKY INSTALLATION (A/C - LONG ROOF CAP) (Prior to SN 0160087899)



ART\_1001174368-G

## SECTION 10 - ELECTRICAL

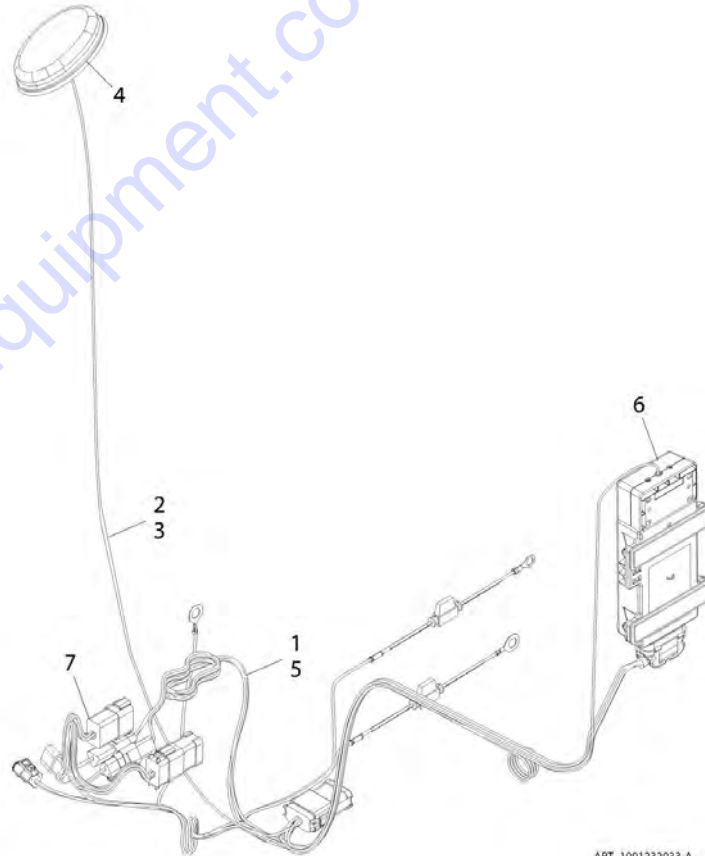
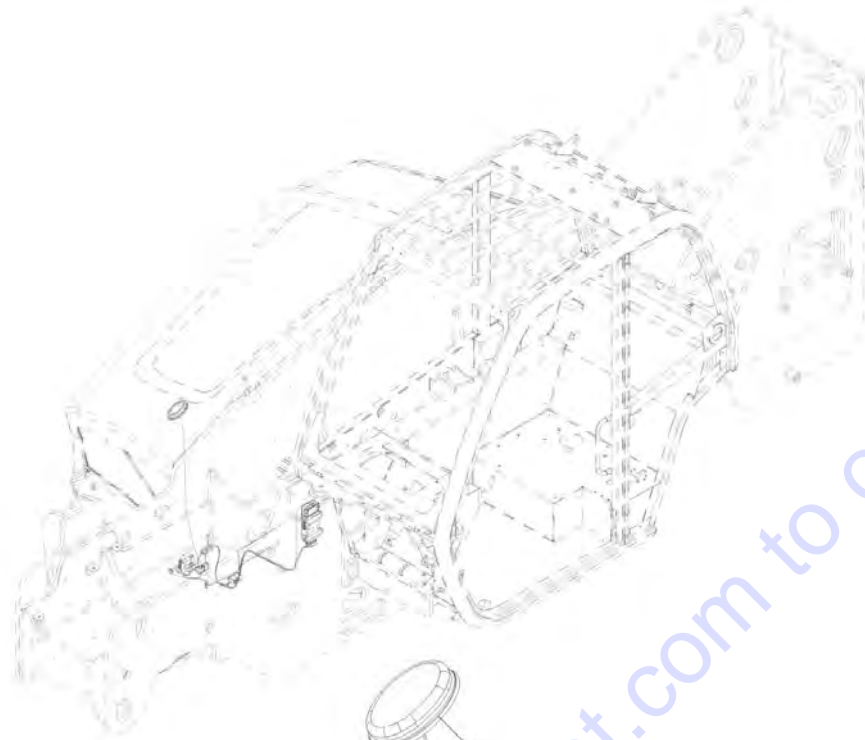
**FIGURE 10-42. CLEARSKY INSTALLATION (A/C - LONG ROOF CAP) (Prior to SN 0160087899)**

ITEM	PART NUMBER	QTY	DESCRIPTION	REV
	1001174368	Ref	Clearsky Installation (A/C - Long Roof Cap)	G
2	0700610	5	Bolt, M6X20	
3	0700614	1	Bolt, M6X30	
4	0760808	1	Bolt, M8X16	
6	3290601	3	Nut, M6X1 Grade 8	
7	4811700	6	Washer, M6	
8	4811900	1	Washer, M8	
9	4831700	6	Washer, Lock M6	
11	1001146588	1	Strap, Cable	
12	1001220947	1	Bracket	
13	1001174372	1	Bracket, Antenna	
14	1001120989	1	Decal, Radio Frequency	
15	1001116208	1	Decal, Clearsky	
16	1001196452	1	Harness, Clearsky (See Separate Breakdown in this Section)	

Go to Discount-Equipment.com to order your parts

## SECTION 10 - ELECTRICAL

FIGURE 10-43. INSTALLATION, TELEMATICS CANBUS ASSEMBLY (CLEARSKY 2) (SN 0160087899 to Present)



ART\_1001232033-A

## SECTION 10 - ELECTRICAL

**FIGURE 10-43. INSTALLATION, TELEMATICS CANBUS ASSEMBLY (CLEARSKY 2) (SN 0160087899 to Present)**

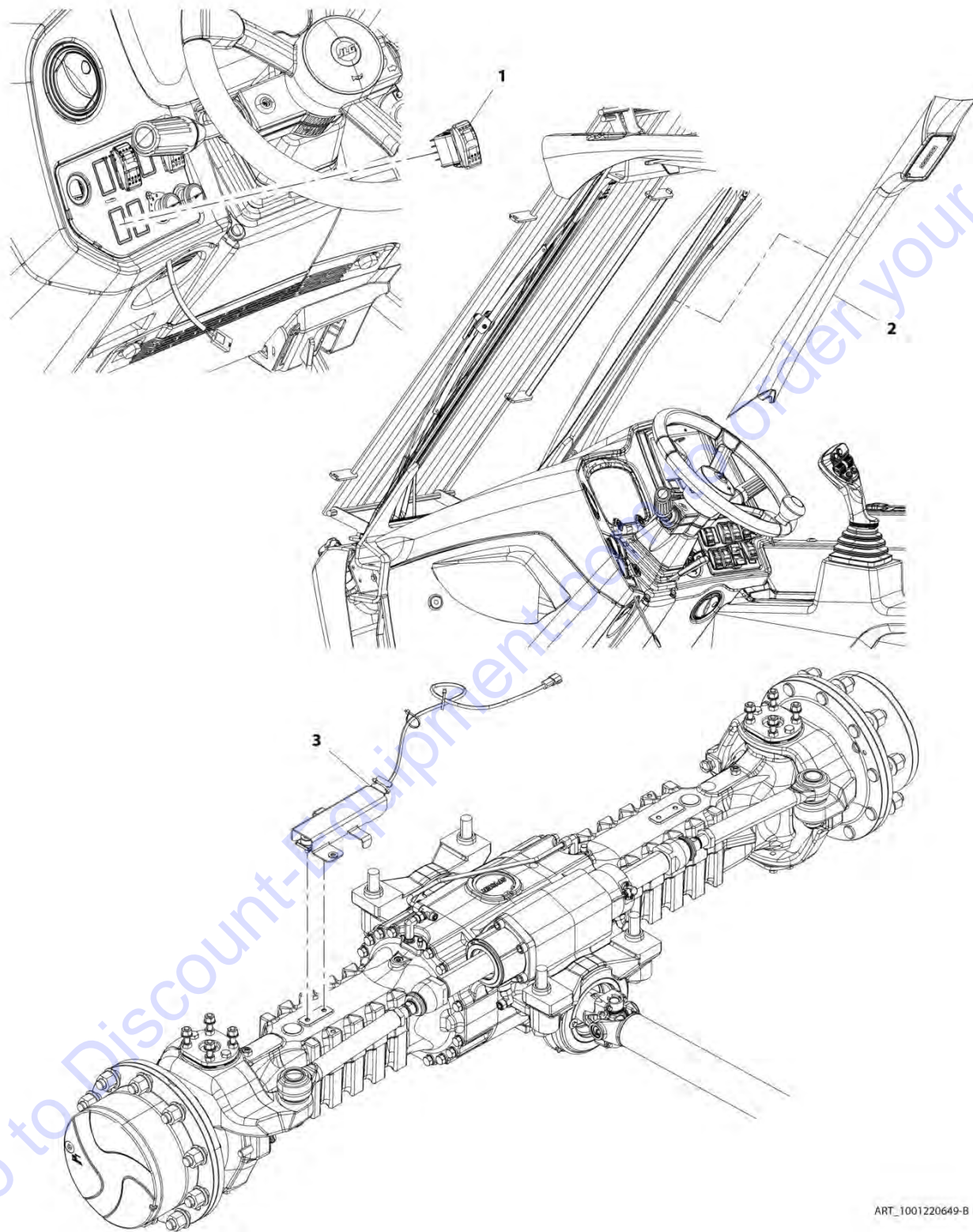
ITEM	PART NUMBER	QTY	DESCRIPTION	REV
	1001232033	Ref	Clearsky Installation	A
1	1062255	1	Strap, Tie	
2	4240032	1	Strap, Tie	
3	4460234	1	Mount, Cable Tie	
4	1001226799	1	Antenna	
5	1001227297	1	Harness, Clearsky (See Separate Breakdown in Electrical Section)	
6	1001229955	1	Module	
7	1001232298	1	Harness, Telematics Option (See Separate Breakdown in Electrical Section)	

Go to Discount-Equipment.com to order your parts



# SECTION 10 - ELECTRICAL

## FIGURE 10-44. LSI INSTALLATION



ART\_1001220649-B



## SECTION 10 - ELECTRICAL

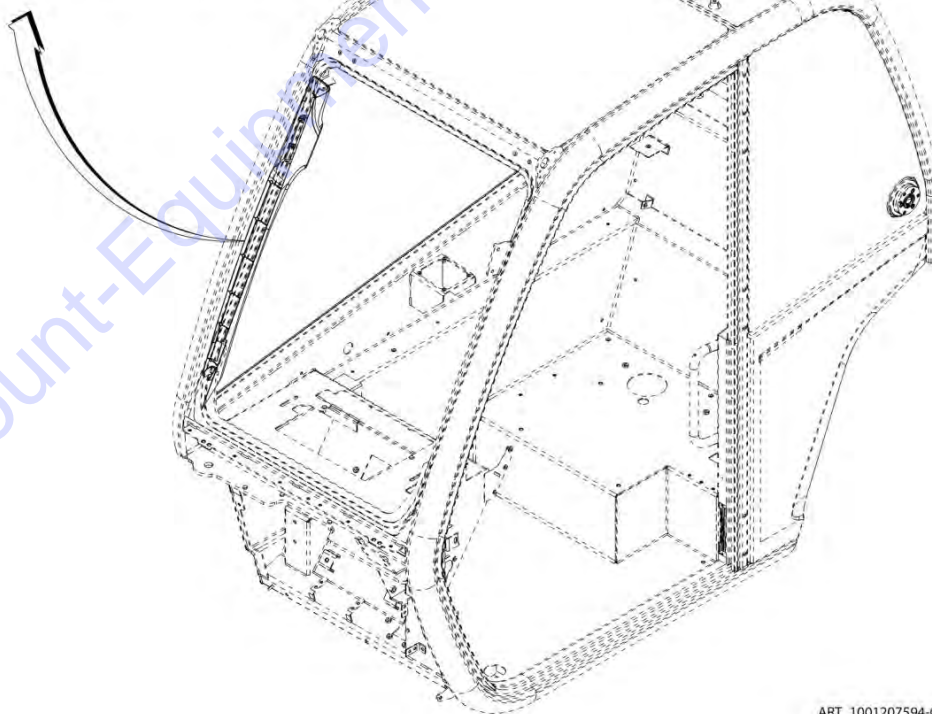
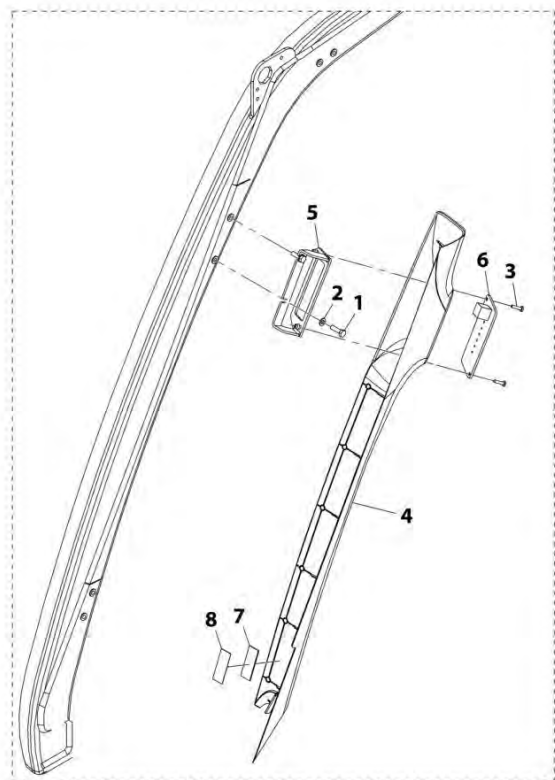
### FIGURE 10-44. LSI INSTALLATION

ITEM	PART NUMBER	QTY	DESCRIPTION	REV
	1001220649	Ref	LSI Installation	B
1	1001159742	1	Switch, LSI Override	
2	1001207594	Ref	Installation, LSI Display (See Seperate Breakdown in this Section)	
3	1001220650	Ref	Installation, LSI Sensor (See Seperate breakdown in this Section)	

Go to Discount-Equipment.com to order your parts

# SECTION 10 - ELECTRICAL

## FIGURE 10-45. LSI DISPLAY INSTALLATION



ART\_1001207594-C

## SECTION 10 - ELECTRICAL

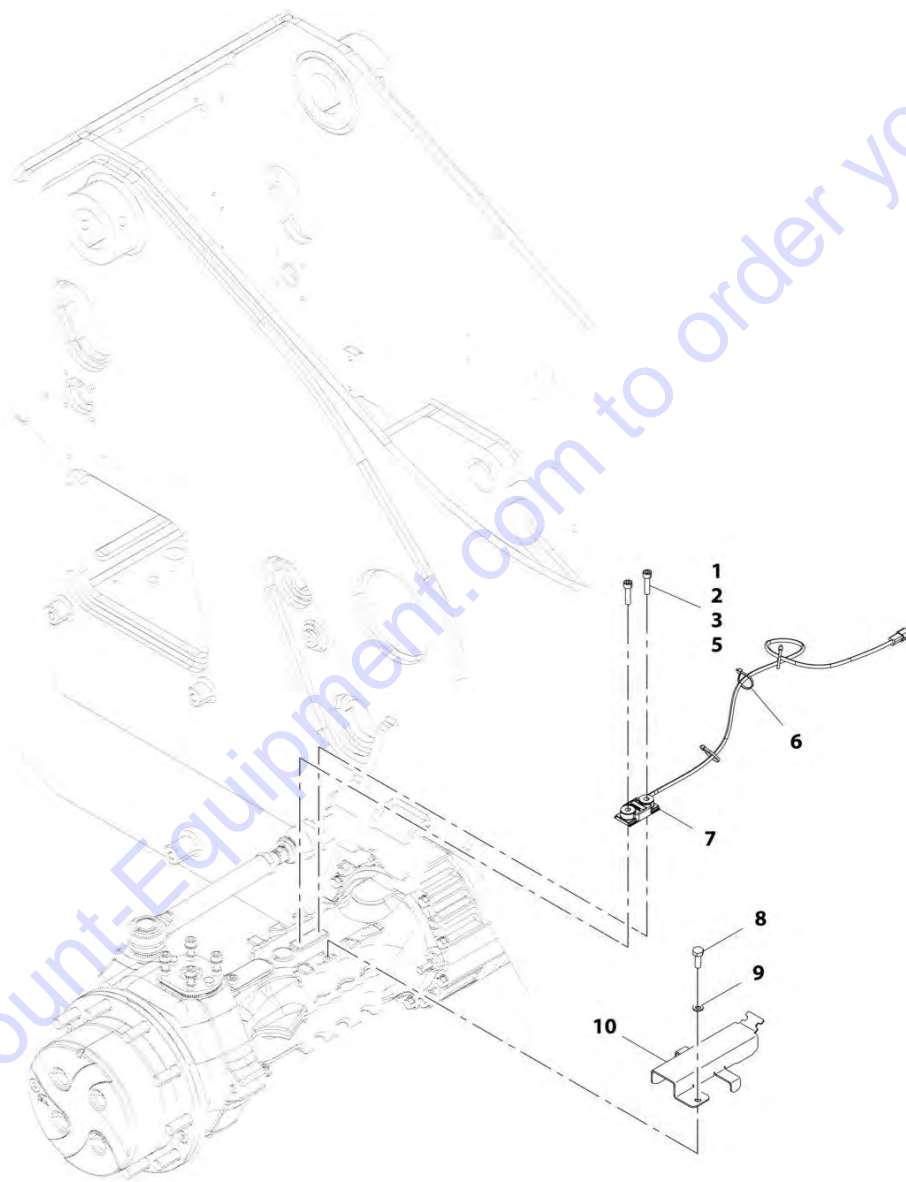
### FIGURE 10-45. LSI DISPLAY INSTALLATION

ITEM	PART NUMBER	QTY	DESCRIPTION	REV
	1001207594	Ref	LSI Display Installation	C
1	0760610	2	Bolt, M6X20	
2	4811700	2	Washer, M6	
3	1001126837	2	Screw, M4X16	
4	1001182839	1	Cover	
5	1001214401	1	Bracket	
6	1001213752	1	Display, LSI	
7	1001221318	1	Tape, Hook Fastener	
8	1001221319	1	Tape, Hook Fastener	

Go to Discount-Equipment.com to order your parts

# SECTION 10 - ELECTRICAL

## FIGURE 10-46. LSI SENSOR INSTALLATION



ART\_1001220650-B

## SECTION 10 - ELECTRICAL

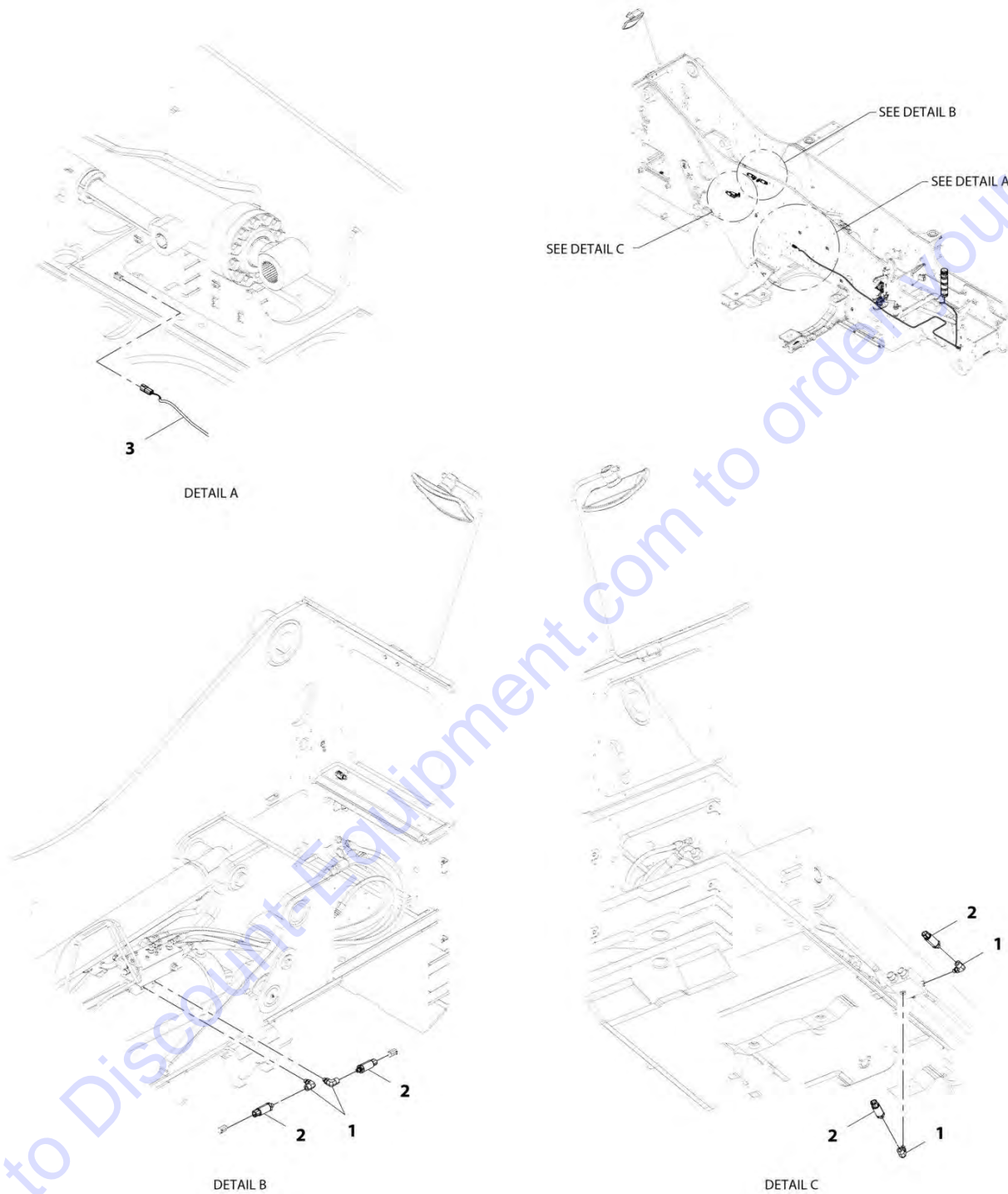
**FIGURE 10-46. LSI SENSOR INSTALLATION**

ITEM	PART NUMBER	QTY	DESCRIPTION	REV
	1001220650	Ref	LSI Sensor Installation	B
1	5272012	2	Bolt, M10X40	
2	1001116128	AR	Sealant	
3	1001125465	AR	Compound, Locking	
5	1001129425	AR	Compound, Locking	
6	1001008559	3	Strap, Cable	
7	1001160730	1	Sensor, LSI	
8	0761010	1	Bolt, M10X20	
9	4812000	1	Washer, M10	
10	1001230850	1	Bracket, LSI Cover	

Go to Discount-Equipment.com to order your parts

# SECTION 10 - ELECTRICAL

## FIGURE 10-47. LMIS INSTALLATION (HIGH END DISPLAY)



ART\_1001183549-B

## SECTION 10 - ELECTRICAL

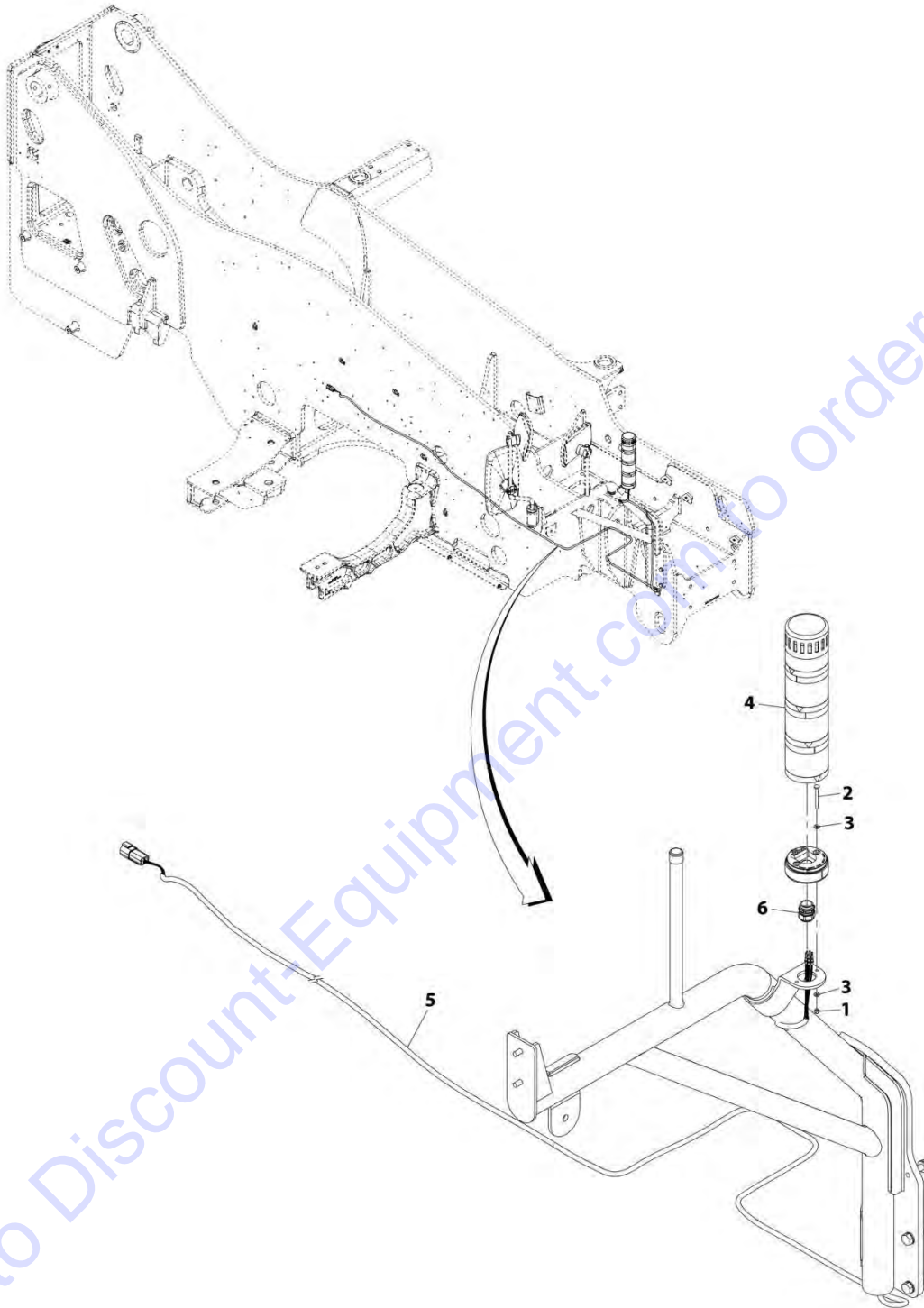
**FIGURE 10-47. LMIS INSTALLATION (HIGH END DISPLAY)**

ITEM	PART NUMBER	QTY	DESCRIPTION	REV
	1001183549	Ref	LMIS Installation (High End Display)	B
1	1001101855	4	Fitting, 90	
2	1001162885	4	Sensor, LMIS	
3	1001195591	1	Installation, LMIS Beacon Light (See Seperate Breakdown in this Section)	

Go to Discount-Equipment.com to order your parts

# SECTION 10 - ELECTRICAL

## FIGURE 10-48. LMIS BEACON LIGHT INSTALLATION



ART\_1001195591-D



## SECTION 10 - ELECTRICAL

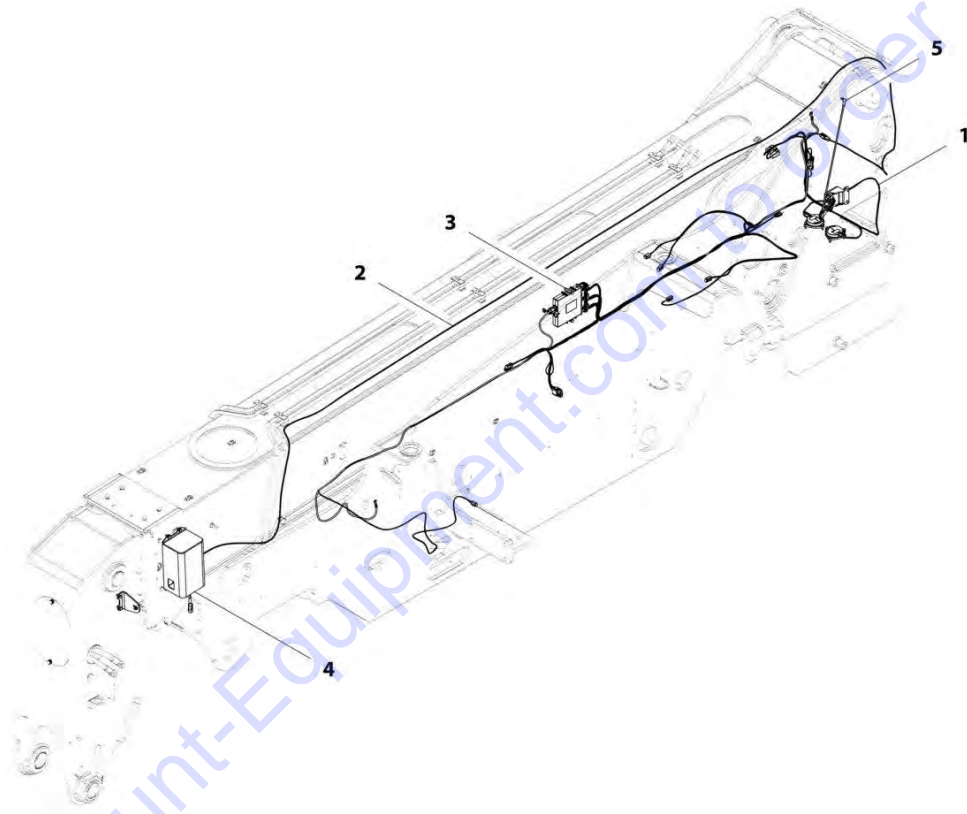
### FIGURE 10-48. LMIS BEACON LIGHT INSTALLATION

ITEM	PART NUMBER	QTY	DESCRIPTION	REV
	1001195591	Ref	LMIS Beacon Light Installation	D
1	3290405	2	Nut, Lock M4X0.7	
2	4010416	2	Screw, M4X40	
3	4811400	4	Washer, M4	
4	1001108661	1	Light, LMIS Beacon	
5	1001117247	1	Harness, LMIS Beacon Option (See Seperate Breakdown in this Section)	
6	E000269	1	Relief, Strain	

Go to Discount-Equipment.com to order your parts

# SECTION 10 - ELECTRICAL

## FIGURE 10-49. LMIS CONTROL PACKAGE INSTALLATION



ART\_1001192431-F

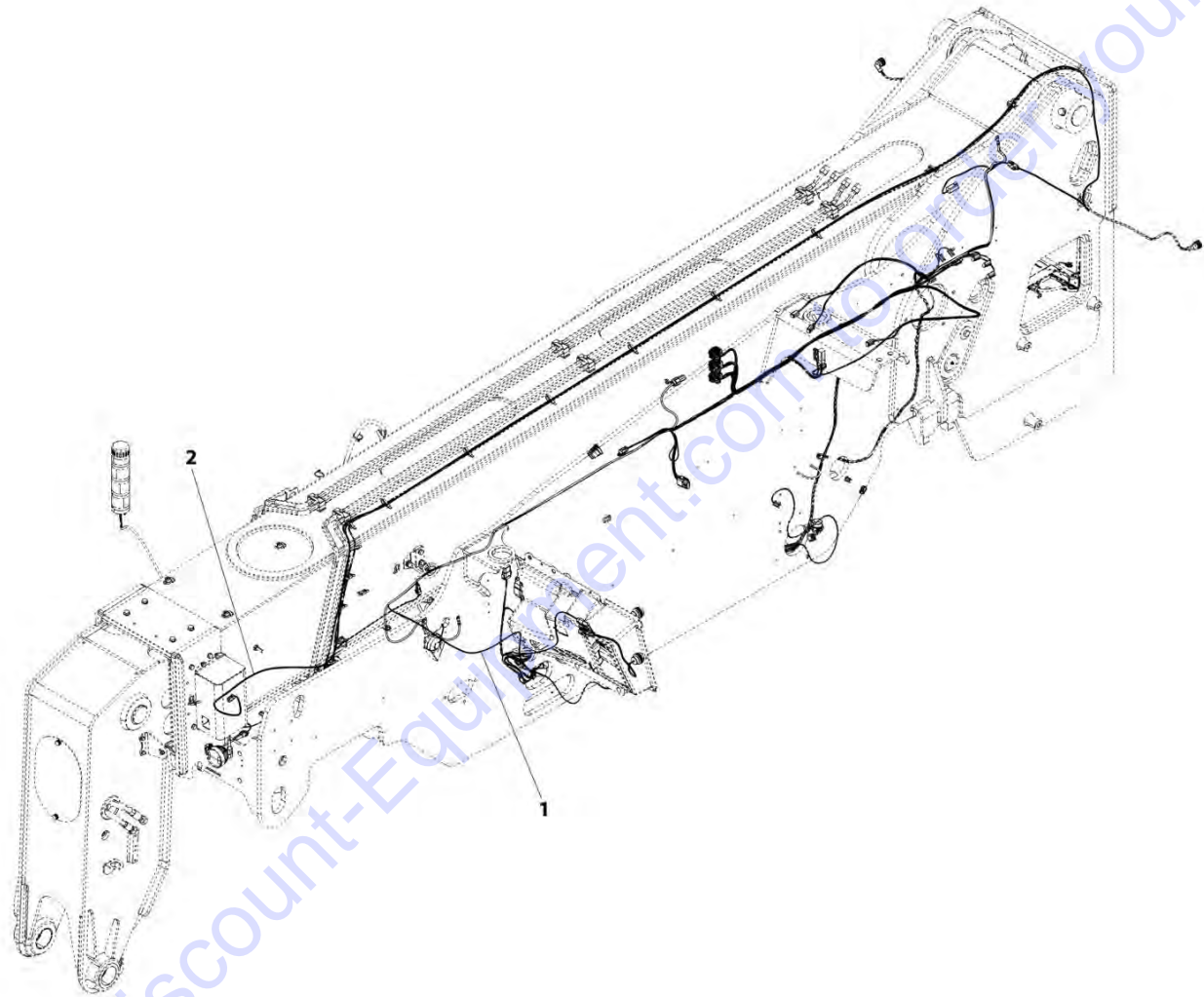
## SECTION 10 - ELECTRICAL

**FIGURE 10-49. LMIS CONTROL PACKAGE INSTALLATION**

ITEM	PART NUMBER	QTY	DESCRIPTION	REV
	1001192431	Ref	LMIS Control Package Installation	F
1	1001195200	1	Installation, Tilt Sensor (See Seperate Breakdown in this Section)	
2	1001195201	1	Installation, LMIS Wiring (See Seperate Breakdown in this Section)	
3	1001195471	1	Installation, LMIS Controller (See Seperate Breakdown in this Section)	
4	1001195473	1	Installation, LMIS Cable Reel (See Seperate Breakdown in this Section)	
5	1001195590	1	Installation, Boom Angle Sensor (LMIS) (See Seperate Breakdown in this Section)	

# SECTION 10 - ELECTRICAL

## FIGURE 10-50. LMIS WIRING INSTALLATION



ART\_1001195201-D

## SECTION 10 - ELECTRICAL

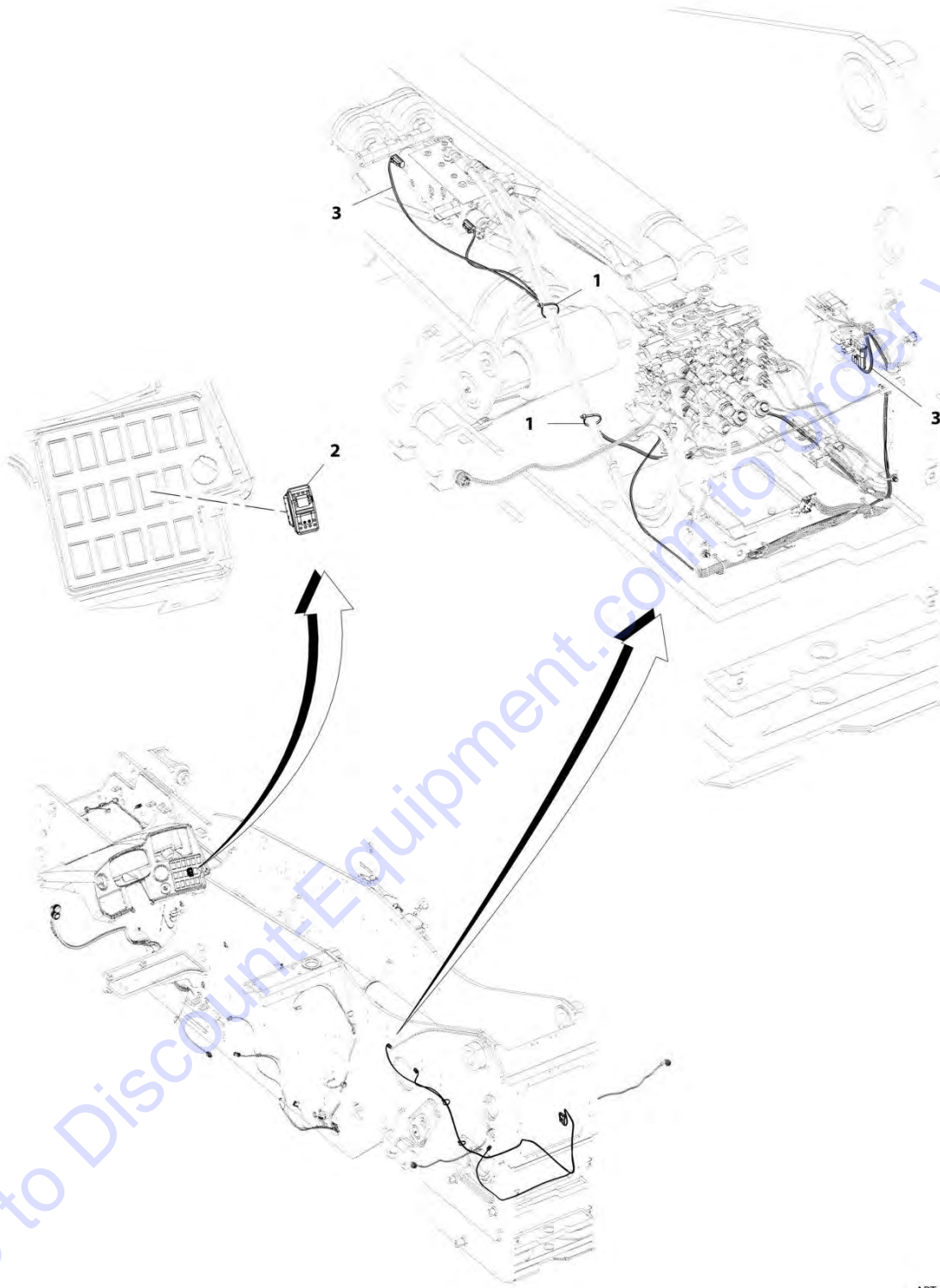
### FIGURE 10-50. LMIS WIRING INSTALLATION

ITEM	PART NUMBER	QTY	DESCRIPTION	REV
1	1001195201	Ref	LMIS Wiring Installation	D
	1001184795	1	Harness, Chassis Option (See Seperate Breakdown in this Section)	
2	1001192619	1	Harness, LMIS Boom (See Seperate Breakdown in this Section)	

Go to Discount-Equipment.com to order your parts

# SECTION 10 - ELECTRICAL

## FIGURE 10-51. RIDE CONTROL WIRING INSTALLATION



ART\_1001200105-B

## SECTION 10 - ELECTRICAL

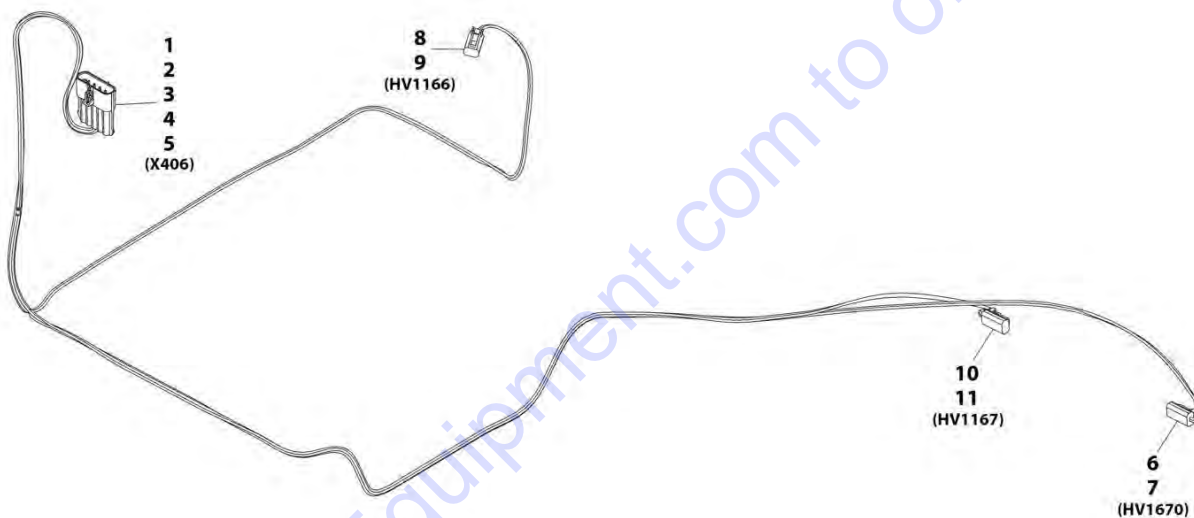
### FIGURE 10-51. RIDE CONTROL WIRING INSTALLATION

ITEM	PART NUMBER	QTY	DESCRIPTION	REV
	1001200105	Ref	Ride Control Wiring Installation	B
1	1001008559	2	Strap, Cable Tie	
2	1001159745	1	Switch, Boom Ride	
3	1001197668	1	Harness, Boom Ride Float (See Separate Breakdown in this Section)	

Go to Discount-Equipment.com to order your parts

# SECTION 10 - ELECTRICAL

## FIGURE 10-52. BOOM RIDE CONTROL HARNESS



ART\_1001197668-C



## SECTION 10 - ELECTRICAL

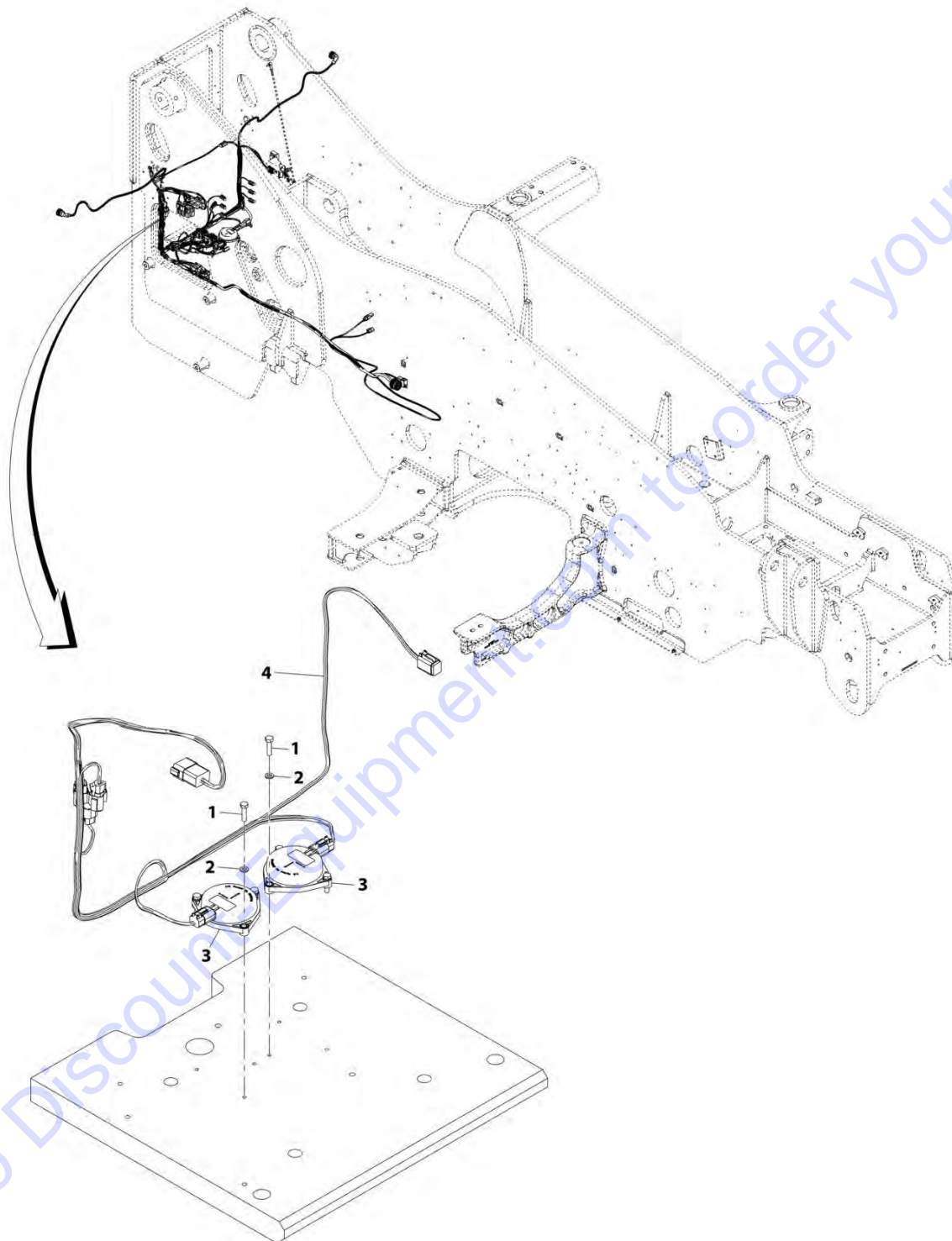
### FIGURE 10-52. BOOM RIDE CONTROL HARNESS

ITEM	PART NUMBER	QTY	DESCRIPTION	REV
	1001197668	Ref	Boom Ride Control Harness	C
1	1001121727	1	Connector	
2	1001116745	3	Terminal	
3	1001116729	1	Terminal	
4	4460458	4	Terminal Seal	
5	1001116727	1	Plug	
6	4460891	1	Connector	
7	4460465	2	Terminal	
8	4460891	1	Connector	
9	4460465	2	Terminal	
10	4460891	1	Connector	
11	4460465	2	Terminal	

Go to Discount-Equipment.com to order your parts

# SECTION 10 - ELECTRICAL

## FIGURE 10-53. TILT SENSOR INSTALLATION



ART\_1001195200-B

## SECTION 10 - ELECTRICAL

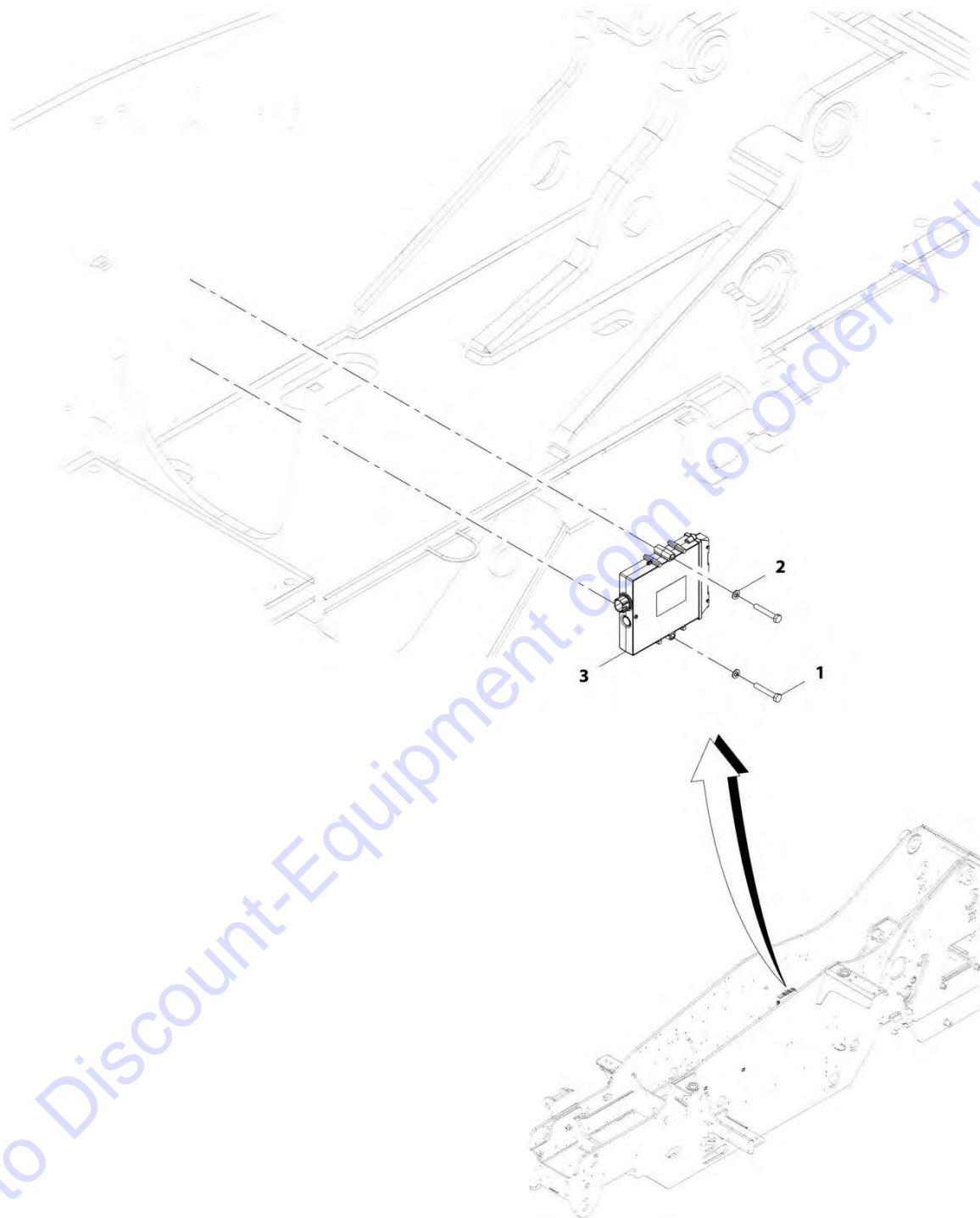
### FIGURE 10-53. TILT SENSOR INSTALLATION

ITEM	PART NUMBER	QTY	DESCRIPTION	REV
	1001195200	Ref	Tilt Sensor Installation	B
1	0700612	6	Bolt, M6X25	
2	4811700	6	Washer, M6	
3	1001163095	2	Sensor, Tilt	
4	1001195202	1	Harness, Platform Ready (See Seperate Breakdown in this Section)	

Go to Discount-Equipment.com to order your parts

# SECTION 10 - ELECTRICAL

## FIGURE 10-54. LMIS CONTROLLER INSTALLATION



Go to Discount-Equipment.com to order your parts

ART\_1001195471-B

## SECTION 10 - ELECTRICAL

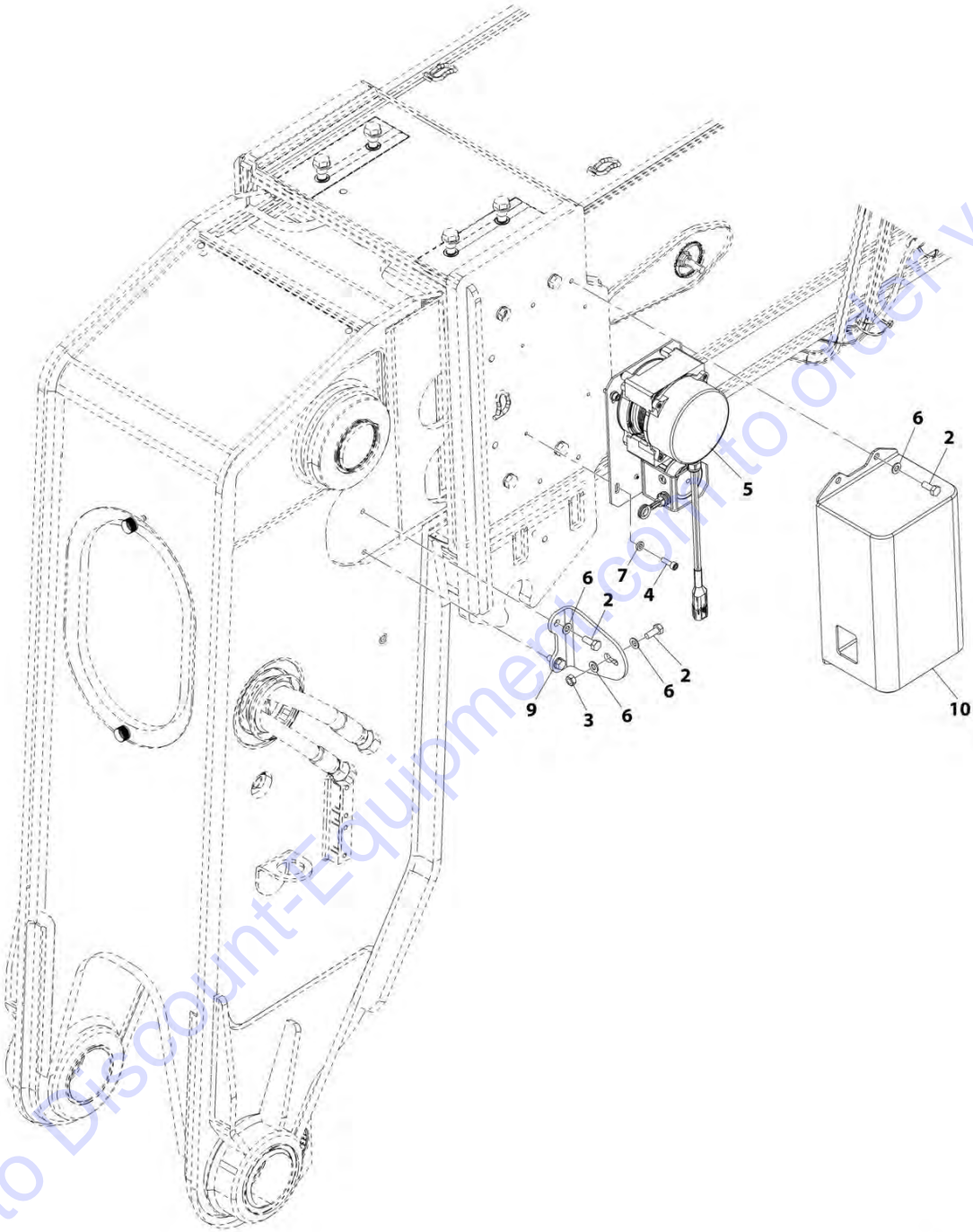
**FIGURE 10-54. LMIS CONTROLLER INSTALLATION**

ITEM	PART NUMBER	QTY	DESCRIPTION	REV
	1001195471	Ref	LMIS Controller Installation	B
1	0700818	2	Bolt, M8X50	
2	4811900	2	Washer, M8	
3	1001179901	1	Module, LMIS Control	

Go to Discount-Equipment.com to order your parts

# SECTION 10 - ELECTRICAL

## FIGURE 10-55. LMIS CABLE REEL INSTALLATION



ART\_1001195473-D

## SECTION 10 - ELECTRICAL

### FIGURE 10-55. LMIS CABLE REEL INSTALLATION

ITEM	PART NUMBER	QTY	DESCRIPTION	REV
	1001195473	Ref	LMIS Cable Reel Installation	D
2	0760810	7	Bolt, M8X20	
3	3290801	1	Nut, M8X1.25	
4	4031708	4	Screw, M6X20	
5	1001223903	1	Sensor, Boom Length	
6	4811900	8	Washer, M8	
7	5240600	4	Washer, M6	
9	1001224127	1	Bracket	
10	1001224128	1	Panel	

Go to Discount-Equipment.com to order your parts





## SECTION 10 - ELECTRICAL

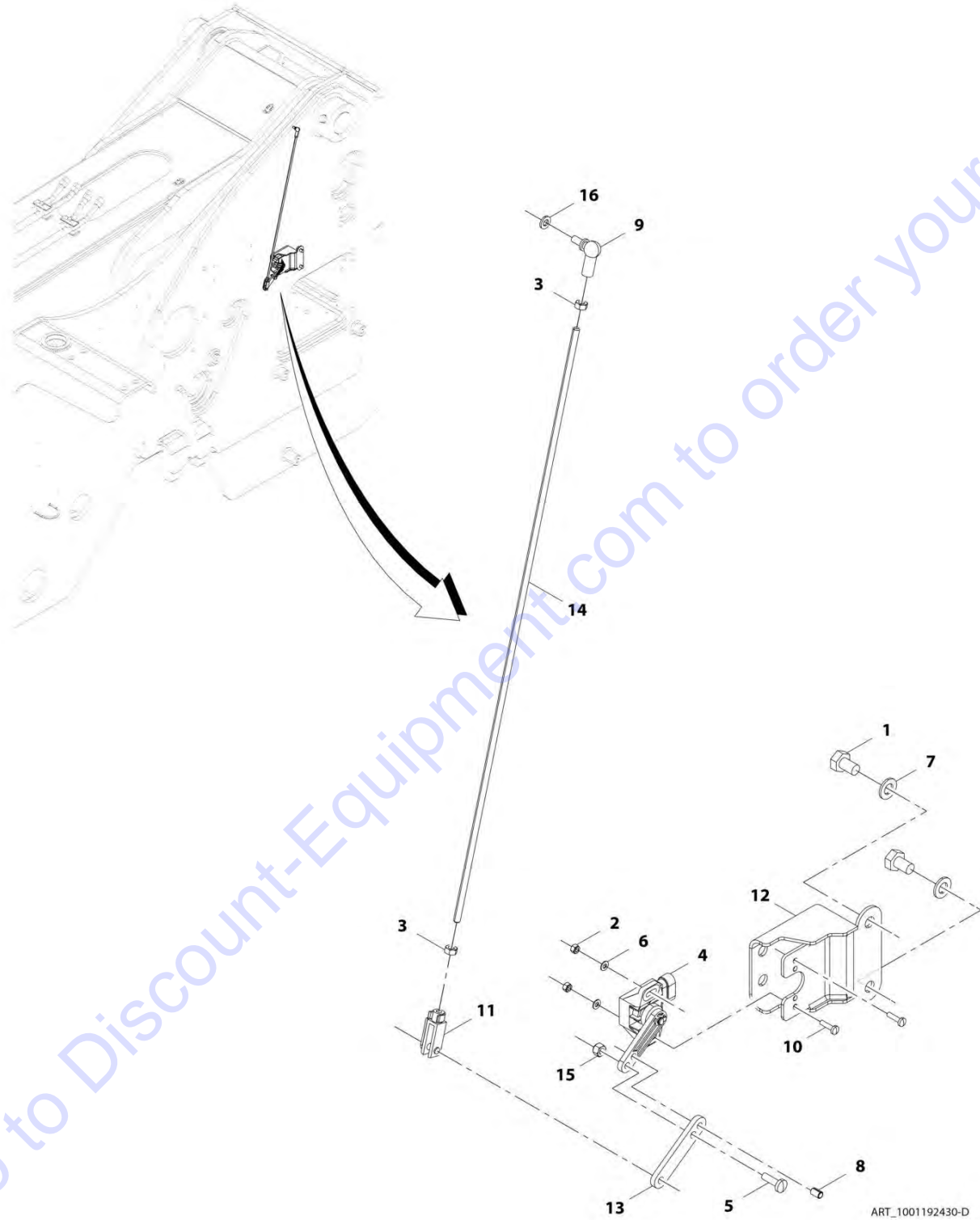
**FIGURE 10-56. BOOM ANGLE SENSOR INSTALLATION (LMIS)**

ITEM	PART NUMBER	QTY	DESCRIPTION	REV
	1001195590	Ref	Boom Angle Sensor Installation (LMIS)	D
1	0761008	2	Bolt, M10X16	
2	3290405	2	Nut, Lock M4X0.7	
3	3290601	2	Nut, M6X1	
4	4010416	2	Screw, M4X40	
5	4010610	1	Screw, M6X20	
6	4811400	2	Washer, M4	
7	4812000	2	Washer, M10	
8	1001099717	1	Sensor, Boom Angle	
9	1001103156	1	Pin	
10	1001103300	1	Fitting, Ball Joint	
11	1001134274	1	Clevis	
12	1001213775	1	Bracket	
13	1001195731	1	Link, Boom Angle Sensor	
14	1001195732	1	Rod	
15	3290605	1	Nut, Lock M6X1	
16	4811700	1	Washer, M6	

Go to Discount-Equipment.com to order your parts

# SECTION 10 - ELECTRICAL

## FIGURE 10-57. BOOM ANGLE SENSOR INSTALLATION (NO LMIS)



## SECTION 10 - ELECTRICAL

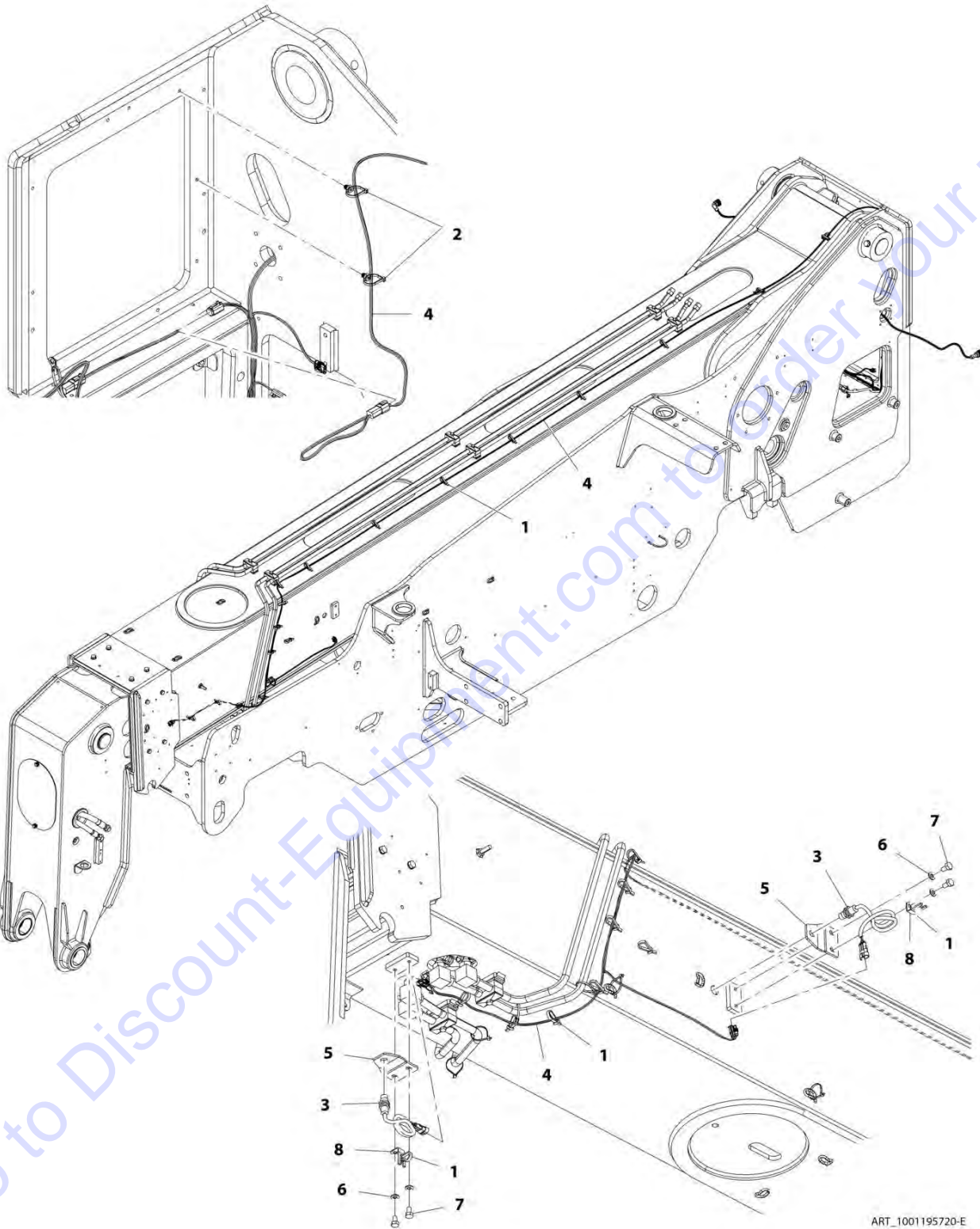
**FIGURE 10-57. BOOM ANGLE SENSOR INSTALLATION (NO LMIS)**

ITEM	PART NUMBER	QTY	DESCRIPTION	REV
	1001192430	Ref	Boom Angle Sensor Installation (no LMIS)	D
1	0761008	2	Bolt, M10X16	
2	3290405	2	Nut, Lock M4X0.7	
3	3290601	2	Nut, M6X1	
4	4000015	1	Sensor, Boom Angle	
5	4010610	1	Screw, M6X20	
6	4811400	2	Washer, M4	
7	4812000	2	Washer, M10	
8	1001103156	1	Pin	
9	1001103300	1	Fitting, Ball Joint	
10	1001126837	2	Screw, M4X16	
11	1001134274	1	Clevis	
12	1001213775	1	Bracket	
13	1001195731	1	Link	
14	1001195732	1	Rod	
15	3290605	1	Nut, Lock M6X1	
16	4811700	1	Washer, M6	

Go to Discount-Equipment.com to order your parts

# SECTION 10 - ELECTRICAL

## FIGURE 10-58. BOOM RETRACT SENSOR INSTALLATION



ART\_1001195720-E

## SECTION 10 - ELECTRICAL

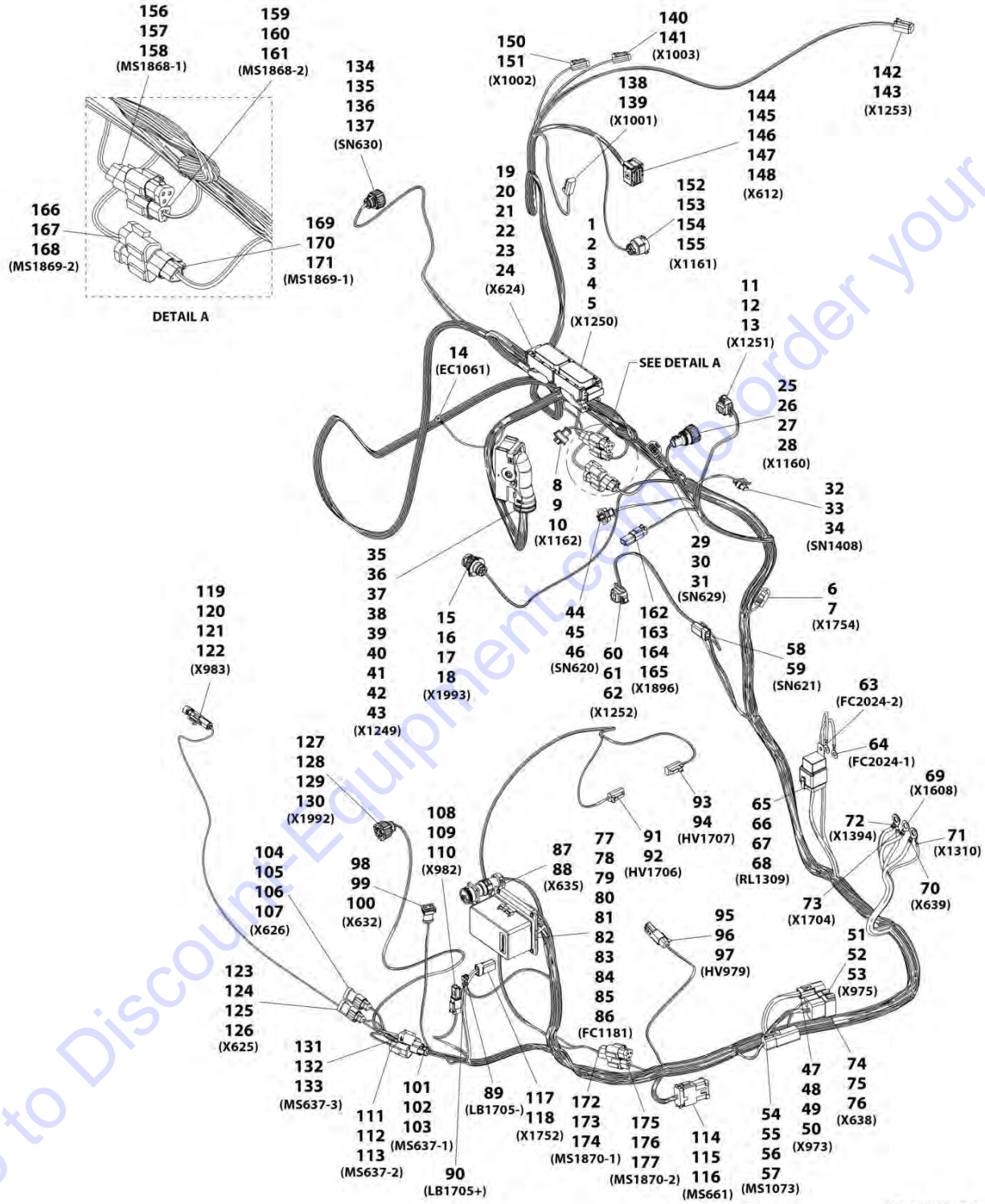
**FIGURE 10-58. BOOM RETRACT SENSOR INSTALLATION**

ITEM	PART NUMBER	QTY	DESCRIPTION	REV
	1001195720	Ref	Boom Retract Sensor Installation	E
1	1001008923	19	Strap, Cable	
2	1001146588	2	Strap, Fir Tree Cable Tie	
3	1001183024	2	Sensor	
4	1001195953	1	Harness, Proximity Sensor	
5	1001210567	2	Bracket	
6	4812000	4	Washer, M10	
7	0761009	4	Bolt	
8	1001003305	2	Clip	

Go to Discount-Equipment.com to order your parts

# SECTION 10 - ELECTRICAL

## FIGURE 10-59. ENGINE HARNESS (ULS)



ART\_1001200108-L

## SECTION 10 - ELECTRICAL

### FIGURE 10-59. ENGINE HARNESS (ULS)

ITEM	PART NUMBER	QTY	DESCRIPTION	REV
	1001200108	Ref	Engine Harness (ULS)	L
1	1001202723	1	Connector	
2	1001167623	5	Plug	
3	1001166555	13	Terminal	
4	1001167621	50	Terminal	
5	1001167622	37	Plug	
6	4460539	1	Connector	
7	4460465	3	Terminal	
8	1001126487	1	Connector	
9	1001167635	2	Terminal	
10	1001126485	2	Terminal Seal	
11	1001167631	1	Connector	
12	1001167630	4	Terminal	
13	1001126485	4	Terminal Seal	
14	1001187070	1	Ring Terminal	
15	1001148842	1	Connector	
16	1001148841	3	Terminal	
17	1001135651	1	Plug	
18	1001135650	3	Terminal Seal	
19	1001202722	1	Connector	
20	1001166551	6	Terminal	
21	1001126353	6	Terminal Seal	
22	1001167622	58	Plug	
23	1001167621	21	Terminal	
24	1001167623	6	Plug	
25	1001138116	1	Connector	
26	1001187882	1	Cover	
27	1001133715	3	Terminal	
28	1001135650	4	Terminal Seal	
29	1001126487	1	Connector	
30	1001167634	2	Terminal	
31	1001126485	2	Terminal Seal	
32	1001209097	1	Connector	
33	8220124	2	Terminal	
34	4460608	2	Terminal Seal	
35	1001126362	1	Connector	
36	1001166556	26	Terminal	
37	1001126393	36	Terminal Seal	
38	1001126391	19	Plug	
39	4461008	2	Plug	
40	4461006	2	Terminal Seal	
41	4461054	2	Terminal Wire Seal	
42	1001166543	4	Terminal	
43	1001166774	10	Terminal	
44	1001126487	1	Connector	
45	1001167634	2	Terminal	
46	1001126485	2	Terminal Seal	
47	1001116811	1	Connector	
48	1001150610	2	Terminal	
49	4460508	1	Terminal	



## SECTION 10 - ELECTRICAL

ITEM	PART NUMBER	QTY	DESCRIPTION	REV
50	4460466	1	Plug	
51	1001144147	1	Connector	
52	4460464	2	Terminal	
53	4460466	1	Plug	
54	4460894	1	Connector	
55	4460892	1	Mating Connector	
56	4460466	1	Plug	
57	4460465	5	Terminal	
58	1001126245	1	Connector	
59	1001126008	2	Terminal	
60	1001167629	1	Connector	
61	1001167630	4	Terminal	
62	1001126485	4	Terminal Seal	
63	1001207171	1	Ring Terminal, (with boot)	
64	1001207171	1	Ring Terminal, (with boot)	
65	1001118282	1	Connector	
66	1001116734	2	Terminal	
67	1001116732	2	Terminal	
68	1001128128	1	Plug	
69	1001187080	1	Ring Terminal	
70	1001187080	1	Ring Terminal	
71	1001187078	1	Ring Terminal	
72	1001187080	1	Ring Terminal	
73	1001187080	1	Ring Terminal	
74	4460970	1	Connector	
75	4460464	9	Terminal	
76	4460466	2	Plug	
77	1001167616	1	Connector	
78	1001190921	1	Fuse Box Foam Seal	
79	4460748	7	Plug	
80	8220097	23	Terminal	
81	1001175265	19	Terminal Seal	
82	8220098	9	Terminal	
83	4460458	11	Terminal Seal	
84	1001116725	6	Terminal	
85	80963067	1	Terminal Seal	
86	1001190037	5	Terminal Seal	
87	2902443	1	Connector	
88	4461071	6	Terminal	
89	1001201885	1	Faston Terminal	
90	1001201885	1	Faston Terminal	
91	4460891	1	Connector	
92	4460465	2	Terminal	
93	4460891	1	Connector	
94	4460465	2	Terminal	
95	4460891	1	Connector	
96	4460465	2	Terminal	
97	4460897	1	Mating Connector	
98	1001167636	1	Connector	
99	1001166707	2	Terminal	
100	4461006	2	Terminal Seal	



## SECTION 10 - ELECTRICAL

ITEM	PART NUMBER	QTY	DESCRIPTION	REV
101	1001116812	1	Connector	
102	4460944	2	Terminal	
103	4460466	1	Plug	
104	4461095	1	Connector	
105	4461070	1	Terminator Resistor	
106	4460944	2	Terminal	
107	4460466	1	Plug	
108	4460891	1	Connector	
109	4460897	1	Mating Connector	
110	4460465	2	Terminal	
111	4460539	1	Connector	
112	4460944	2	Terminal	
113	4460466	1	Plug	
114	4460933	1	Connector	
115	1001125677	1	Mating Connector	
116	4460465	12	Terminal	
117	4461018	1	Connector	
118	4460509	2	Terminal	
119	80963056	1	Connector	
120	80963055	1	Mating Connector	
121	4460979	1	Terminal	
122	1001175265	1	Terminal Seal	
123	4461095	1	Connector	
124	4461070	1	Terminator Resistor	
125	4460944	2	Terminal	
126	4460466	1	Plug	
127	1001133714	1	Connector	
128	1001133715	3	Terminal	
129	1001135650	3	Terminal Seal	
130	1001135651	1	Plug	
131	1001116812	1	Connector	
132	4460944	2	Terminal	
133	4460466	1	Plug	
134	1001133714	1	Connector	
135	1001133715	3	Terminal	
136	1001135650	3	Terminal Seal	
137	1001135651	1	Plug	
138	4460891	1	Connector	
139	4460942	2	Terminal	
140	4460891	1	Connector	
141	4460942	2	Terminal	
142	4460884	1	Connector	
143	4460465	4	Terminal	
144	1001165194	1	Connector	
145	1001126391	2	Plug	
146	1001166556	8	Terminal	
147	1001166774	2	Terminal	
148	1001126393	10	Terminal Seal	
150	4460891	1	Connector	
151	4460942	2	Terminal	
152	1001167620	1	Connector	

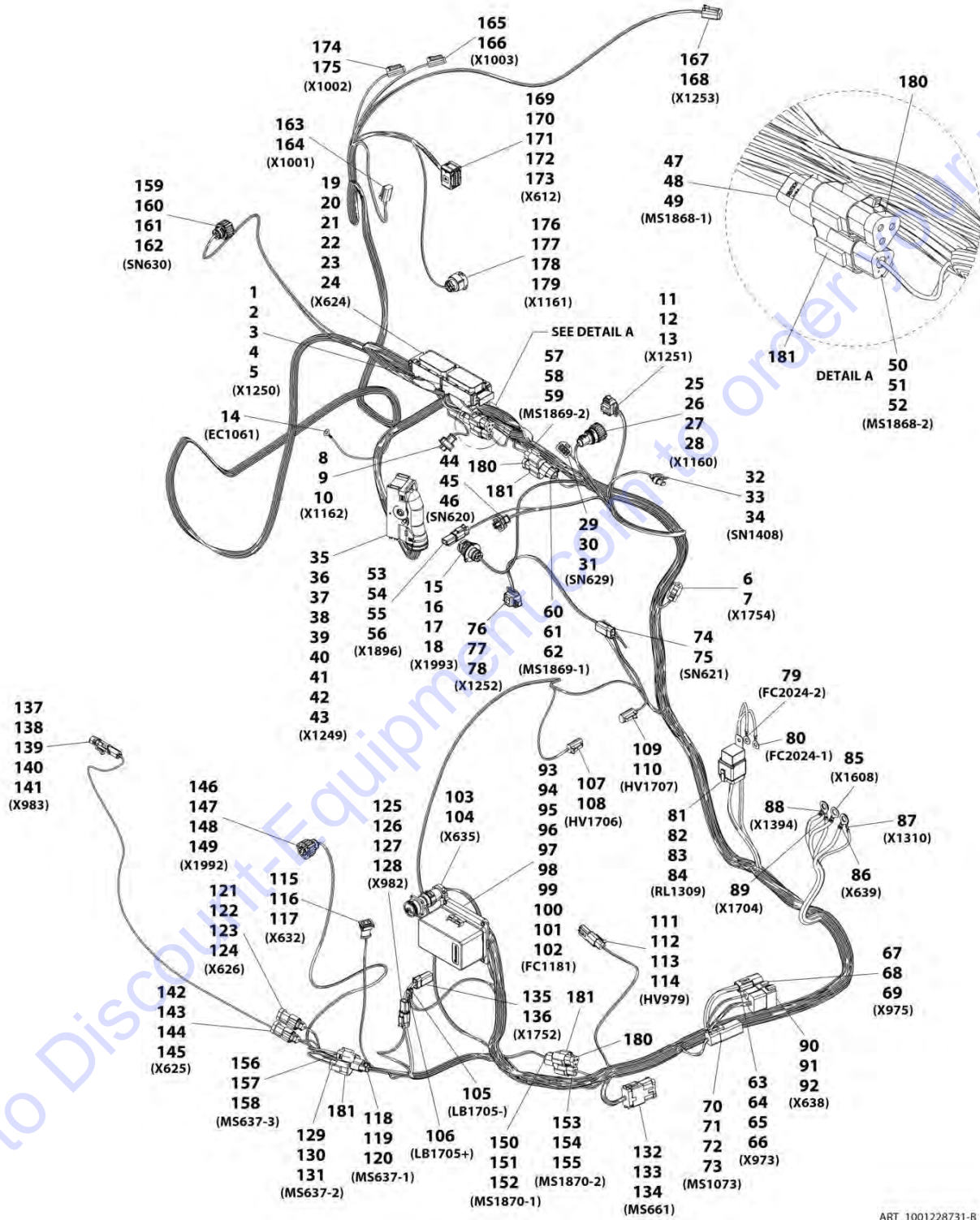
## SECTION 10 - ELECTRICAL

ITEM	PART NUMBER	QTY	DESCRIPTION	REV
153	1001176004	2	Terminal	
154	1001176002	2	Terminal Seal	
155	1001167624	2	Plug	
156	1001116812	1	Connector	
157	4460944	2	Terminal	
158	4460466	1	Plug	
159	4460539	1	Connector	
160	4460944	2	Terminal	
161	4460466	1	Plug	
162	4460891	1	Connector	
163	4460897	1	Mating Connector	
164	4460466	1	Plug	
165	4460465	2	Terminal	
166	4460539	1	Connector	
167	4460944	2	Terminal	
168	4460466	1	Plug	
169	1001116812	1	Connector	
170	4460944	2	Terminal	
171	4460466	1	Plug	
172	1001116812	1	Connector	
173	4460944	2	Terminal	
174	4460466	1	Plug	
175	4460539	1	Connector	
176	4460944	2	Terminal	
177	4460466	1	Plug	



# SECTION 10 - ELECTRICAL

## FIGURE 10-60. ENGINE HARNESS (MINING) (ULS)



ART\_1001228731-8

## SECTION 10 - ELECTRICAL

### FIGURE 10-60. ENGINE HARNESS (MINING) (ULS)

ITEM	PART NUMBER	QTY	DESCRIPTION	REV
	1001228731	Ref	Engine Harness (Mining) (ULS)	B
1	1001202723	1	Connector	
2	1001167623	5	Plug	
3	1001166555	13	Terminal	
4	1001167621	50	Terminal	
5	1001167622	37	Plug	
6	4460539	1	Connector	
7	4460465	3	Terminal	
8	1001126487	1	Connector	
9	1001167635	2	Terminal	
10	1001126485	2	Terminal Seal	
11	1001167631	1	Connector	
12	1001167630	4	Terminal	
13	1001126485	4	Terminal Seal	
14	1001187070	1	Ring Terminal	
15	1001148842	1	Connector	
16	1001148841	3	Terminal	
17	1001135651	1	Plug	
18	1001135650	3	Terminal Seal	
19	1001202722	1	Connector	
20	1001166551	6	Terminal	
21	1001126353	6	Terminal Seal	
22	1001167622	58	Plug	
23	1001167621	21	Terminal	
24	1001167623	6	Plug	
25	1001138116	1	Connector	
26	1001187882	1	Cover	
27	1001133715	3	Terminal	
28	1001135650	4	Terminal Seal	
29	1001126487	1	Connector	
30	1001167634	2	Terminal	
31	1001126485	2	Terminal Seal	
32	1001209097	1	Connector	
33	8220124	2	Terminal	
34	4460608	2	Terminal Seal	
35	1001126362	1	Connector	
36	1001166556	26	Terminal	
37	1001126393	36	Terminal Seal	
38	1001126391	20	Plug	
39	4461008	2	Plug	
40	4461006	2	Seal	
41	4461054	2	Terminal Wire Seal	
42	1001166543	4	Terminal	
43	1001166774	10	Terminal	
44	1001126487	1	Connector	
45	1001167634	2	Terminal	
46	1001126485	2	Terminal Seal	
47	1001116812	1	Connector	
48	4460944	2	Terminal	
49	4460466	1	Plug	

## SECTION 10 - ELECTRICAL

ITEM	PART NUMBER	QTY	DESCRIPTION	REV
50	4460539	1	Connector	
51	4460944	2	Terminal	
52	4460466	1	Plug	
53	4460891	1	Connector	
54	4460897	1	Mating Connector	
55	4460465	2	Terminal	
56	4460466	1	Plug	
57	4460539	1	Connector	
58	4460944	2	Terminal	
59	4460466	1	Plug	
60	1001116812	1	Connector	
61	4460944	2	Terminal	
62	4460466	1	Plug	
63	1001116811	1	Connector	
64	1001150610	2	Terminal	
65	4460508	1	Terminal	
66	4460466	1	Plug	
67	1001144147	1	Connector	
68	4460464	2	Terminal	
69	4460466	1	Plug	
70	4460894	1	Connector	
71	4460892	1	Mating Connector	
72	4460466	1	Plug	
73	4460465	5	Terminal	
74	1001126245	1	Connector	
75	1001126008	2	Terminal	
76	1001167629	1	Connector	
77	1001167630	4	Terminal	
78	1001126485	4	Terminal Seal	
79	1001207171	1	Ring Terminal, (with boot)	
80	1001207171	1	Ring Terminal, (with boot)	
81	1001118282	1	Connector	
82	1001116734	2	Terminal	
83	1001116732	2	Terminal	
84	1001128128	1	Plug	
85	1001187080	1	Ring Terminal	
86	1001187080	1	Ring Terminal	
87	1001187078	1	Ring Terminal	
88	1001187080	1	Ring Terminal	
89	1001187080	1	Ring Terminal	
90	4460970	1	Connector	
91	4460464	9	Terminal	
92	4460466	2	Plug	
93	1001167616	1	Connector	
94	1001190921	1	Fuse Box Foam Seal	
95	4460748	9	Plug	
96	8220097	21	Terminal	
97	1001175265	19	Terminal Seal	
98	8220098	9	Terminal	
99	4460458	11	Terminal Seal	
100	1001116725	6	Terminal	

## SECTION 10 - ELECTRICAL

ITEM	PART NUMBER	QTY	DESCRIPTION	REV
101	80963067	1	Terminal Seal	
102	1001190037	5	Terminal Seal	
103	2902443	1	Connector	
104	4461071	6	Terminal	
105	1001201885	1	Faston Terminal	
106	1001201885	1	Faston Terminal	
107	4460891	1	Connector	
108	4460465	2	Terminal	
109	4460891	1	Connector	
110	4460465	2	Terminal	
111	4460891	1	Connector	
112	4460465	2	Terminal	
113	4460897	1	Mating Connector	
114	4460466	1	Plug	
115	1001167636	1	Connector	
116	1001166707	2	Terminal	
117	4461006	2	Terminal Seal	
118	1001116812	1	Connector	
119	4460944	2	Terminal	
120	4460466	1	Plug	
121	4461095	1	Connector	
122	4461070	1	Terminator Resistor	
123	4460944	2	Terminal	
124	4460466	1	Plug	
125	4460891	1	Connector	
126	4460897	1	Mating Connector	
127	4460465	2	Terminal	
128	4460466	1	Plug	
129	4460539	1	Connector	
130	4460944	2	Terminal	
131	4460466	1	Plug	
132	4460933	1	Connector	
133	1001125677	1	Mating Connector	
134	4460465	12	Terminal	
135	4461018	1	Connector	
136	4460509	2	Terminal	
137	80963056	1	Connector	
138	80963055	1	Mating Connector	
139	4460979	1	Terminal	
140	1001175265	1	Terminal Seal	
141	1001116727	1	Plug	
142	4461095	1	Connector	
143	4461070	1	Terminator Resistor	
144	4460944	2	Terminal	
145	4460466	1	Plug	
146	1001133714	1	Connector	
147	1001133715	3	Terminal	
148	1001135650	3	Terminal Seal	
149	1001135651	1	Plug	
150	1001116812	1	Connector	
151	4460944	2	Terminal	

## SECTION 10 - ELECTRICAL

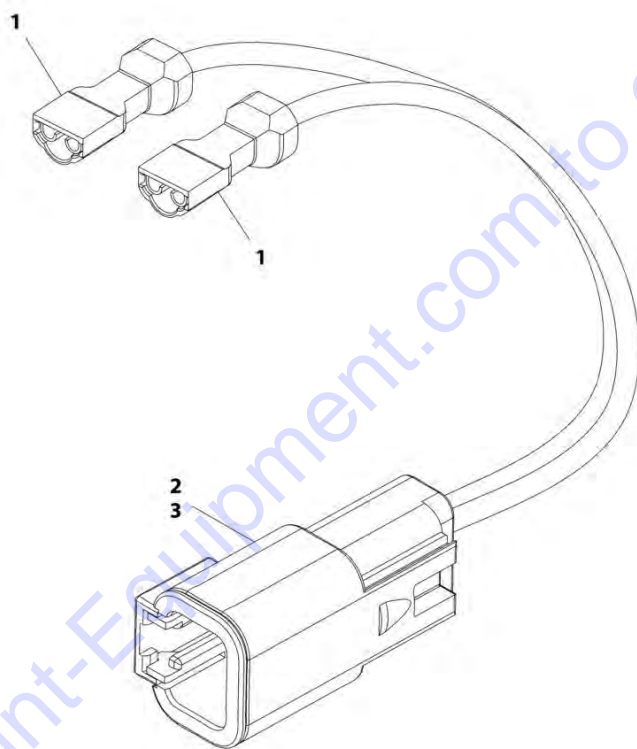
ITEM	PART NUMBER	QTY	DESCRIPTION	REV
152	4460466	1	Plug	
153	4460539	1	Connector	
154	4460944	2	Terminal	
155	4460466	1	Plug	
156	1001116812	1	Connector	
157	4460944	2	Terminal	
158	4460466	1	Plug	
159	1001133714	1	Connector	
160	1001133715	3	Terminal	
161	1001135650	3	Terminal Seal	
162	1001135651	1	Plug	
163	4460891	1	Connector	
164	4460942	2	Terminal	
165	4460891	1	Connector	
166	4460942	2	Terminal	
167	4460884	1	Connector	
168	4460465	4	Terminal	
169	1001165194	1	Connector	
170	1001126391	2	Plug	
171	1001166556	8	Terminal	
172	1001166774	2	Terminal	
173	1001126393	10	Terminal Seal	
174	4460891	1	Connector	
175	4460942	2	Terminal	
176	1001167620	1	Connector	
177	1001176004	2	Terminal	
178	1001176002	2	Terminal Seal	
179	1001167624	2	Plug	
180	1001116815	3	Connector	
181	4460945	4	Connector, 3 Way	





# SECTION 10 - ELECTRICAL

## FIGURE 10-61. FUEL PUMP HARNESS



ART\_1001182929-E

## SECTION 10 - ELECTRICAL

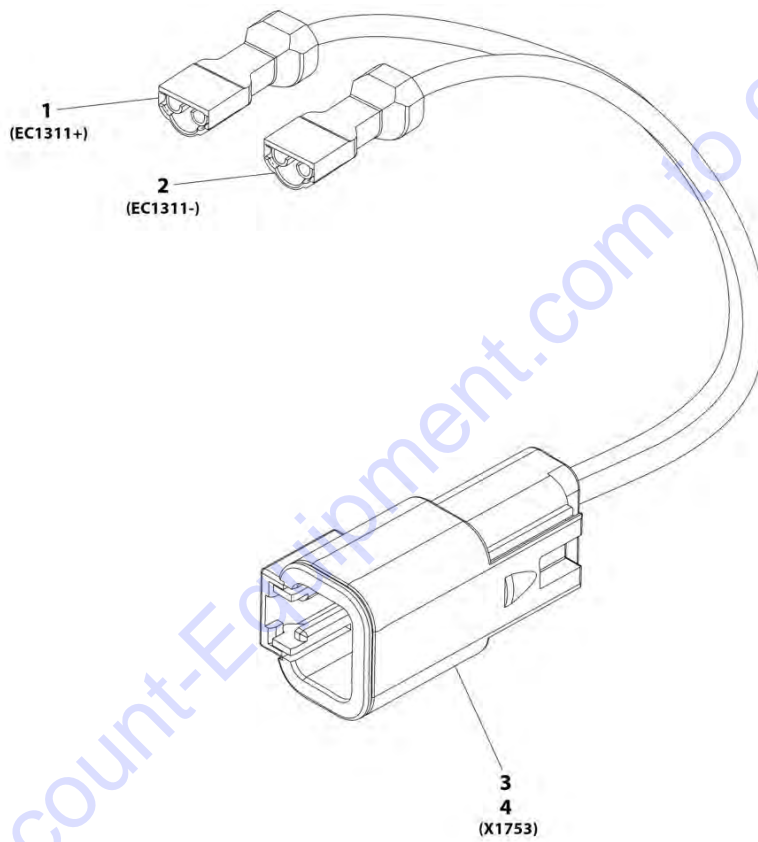
### FIGURE 10-61. FUEL PUMP HARNESS

ITEM	PART NUMBER	QTY	DESCRIPTION	REV
	1001182929	Ref	Fuel Pump Harness	E
1	8220043	2	Connector	
2	4461017	1	Connector	
3	4460508	2	Terminal	

Go to Discount-Equipment.com to order your parts

# SECTION 10 - ELECTRICAL

## FIGURE 10-62. FUEL PUMP HARNESS (MINING) (ULS)



ART\_1001228733-A

## SECTION 10 - ELECTRICAL

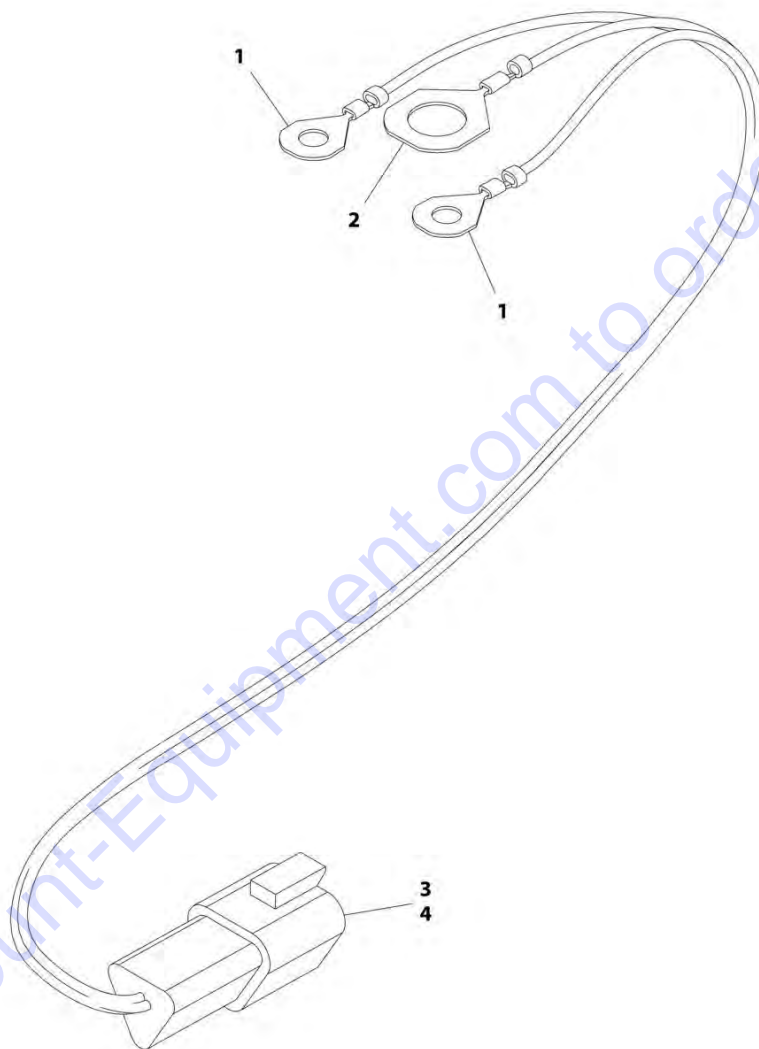
### FIGURE 10-62. FUEL PUMP HARNESS (MINING) (ULS)

ITEM	PART NUMBER	QTY	DESCRIPTION	REV
	1001228733	Ref	Fuel Pump Harness (Mining) (ULS)	A
1	8220043	1	Connector	
2	8220043	1	Connector	
3	4461017	1	Connector	
4	4460508	2	Terminal	

Go to Discount-Equipment.com to order your parts

# SECTION 10 - ELECTRICAL

## FIGURE 10-63. GLOW PLUG RELAY HARNESS



ART\_1001182930-C

## SECTION 10 - ELECTRICAL

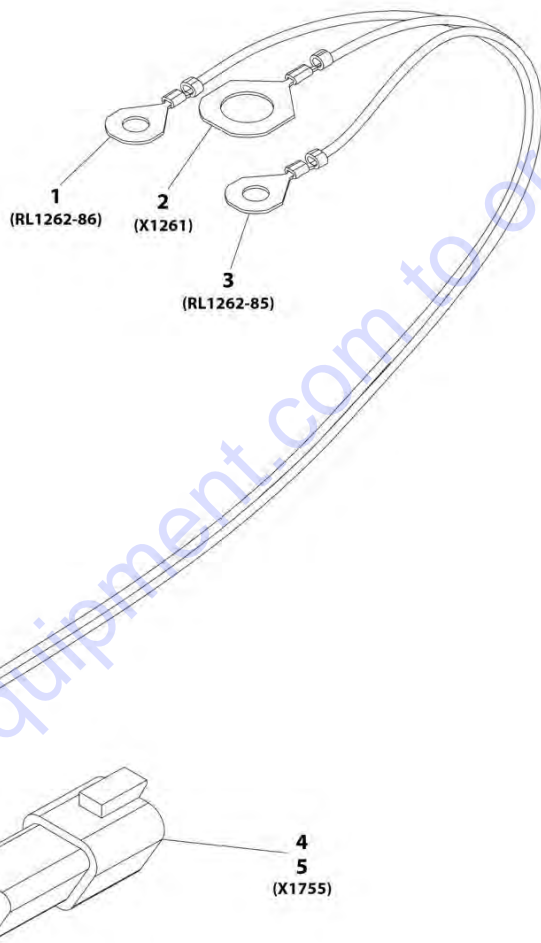
### FIGURE 10-63. GLOW PLUG RELAY HARNESS

ITEM	PART NUMBER	QTY	DESCRIPTION	REV
	1001182930	Ref	Glow Plug Relay Harness	C
1	1001187070	2	Ring, Terminal	
2	1001187077	1	Ring, Terminal	
3	4460536	1	Connector	
4	4460464	3	Terminal	

Go to Discount-Equipment.com to order your parts

# SECTION 10 - ELECTRICAL

## FIGURE 10-64. GLOW PLUG RELAY HARNESS (MINING) (ULS)



ART\_1001228732-A



## SECTION 10 - ELECTRICAL

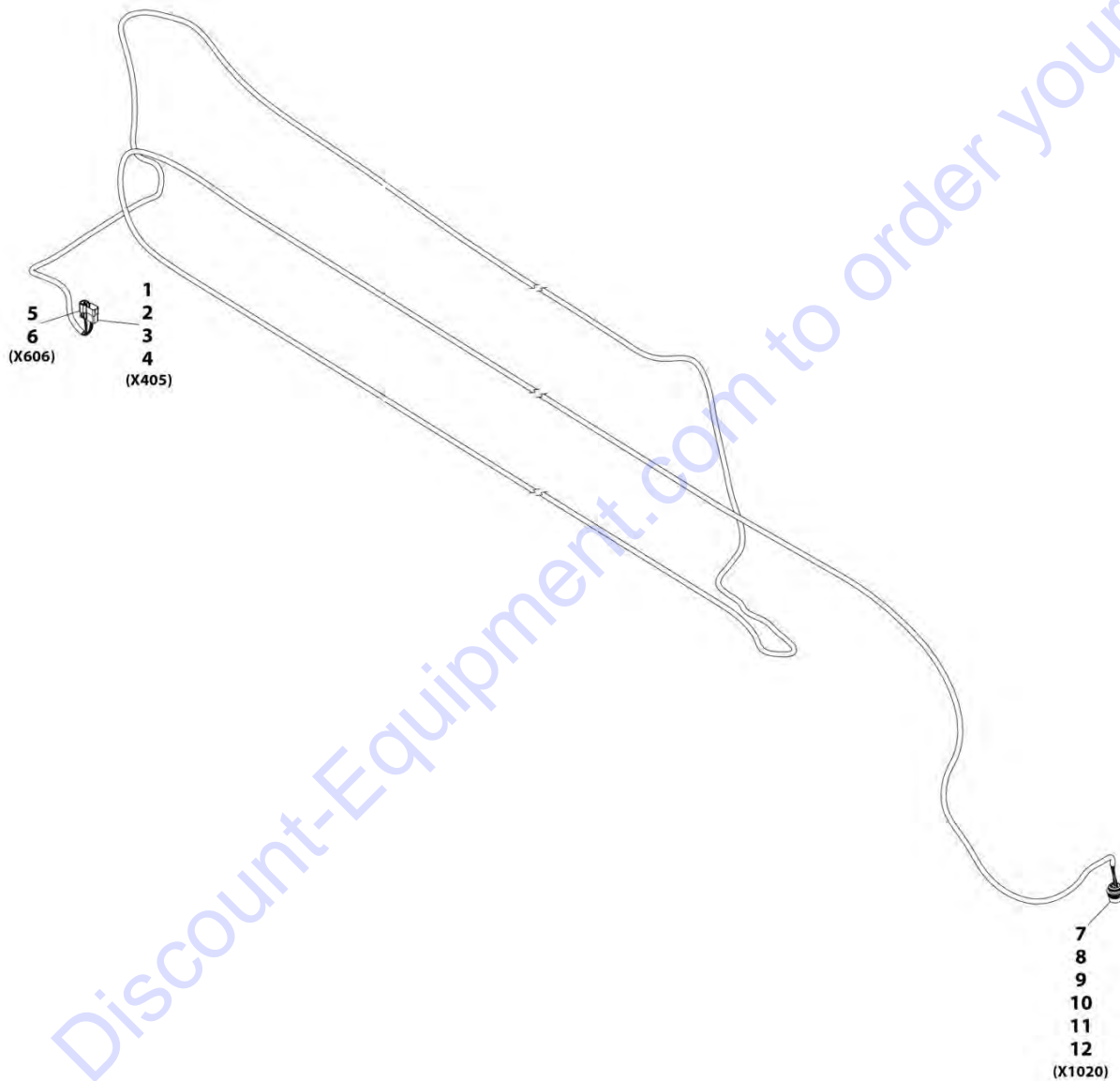
**FIGURE 10-64. GLOW PLUG RELAY HARNESS (MINING) (ULS)**

ITEM	PART NUMBER	QTY	DESCRIPTION	REV
	1001228732	Ref	Glow Plug Relay Harness (Mining) (ULS)	A
1	1001187070	1	Ring, Terminal	
2	1001187077	1	Ring, Terminal	
3	1001187070	1	Ring, Terminal	
4	4460536	1	Connector	
5	4460464	3	Terminal	

Go to Discount-Equipment.com to order your parts

# SECTION 10 - ELECTRICAL

## FIGURE 10-65. BOOM HARNESS



ART\_1001201124-B

## SECTION 10 - ELECTRICAL

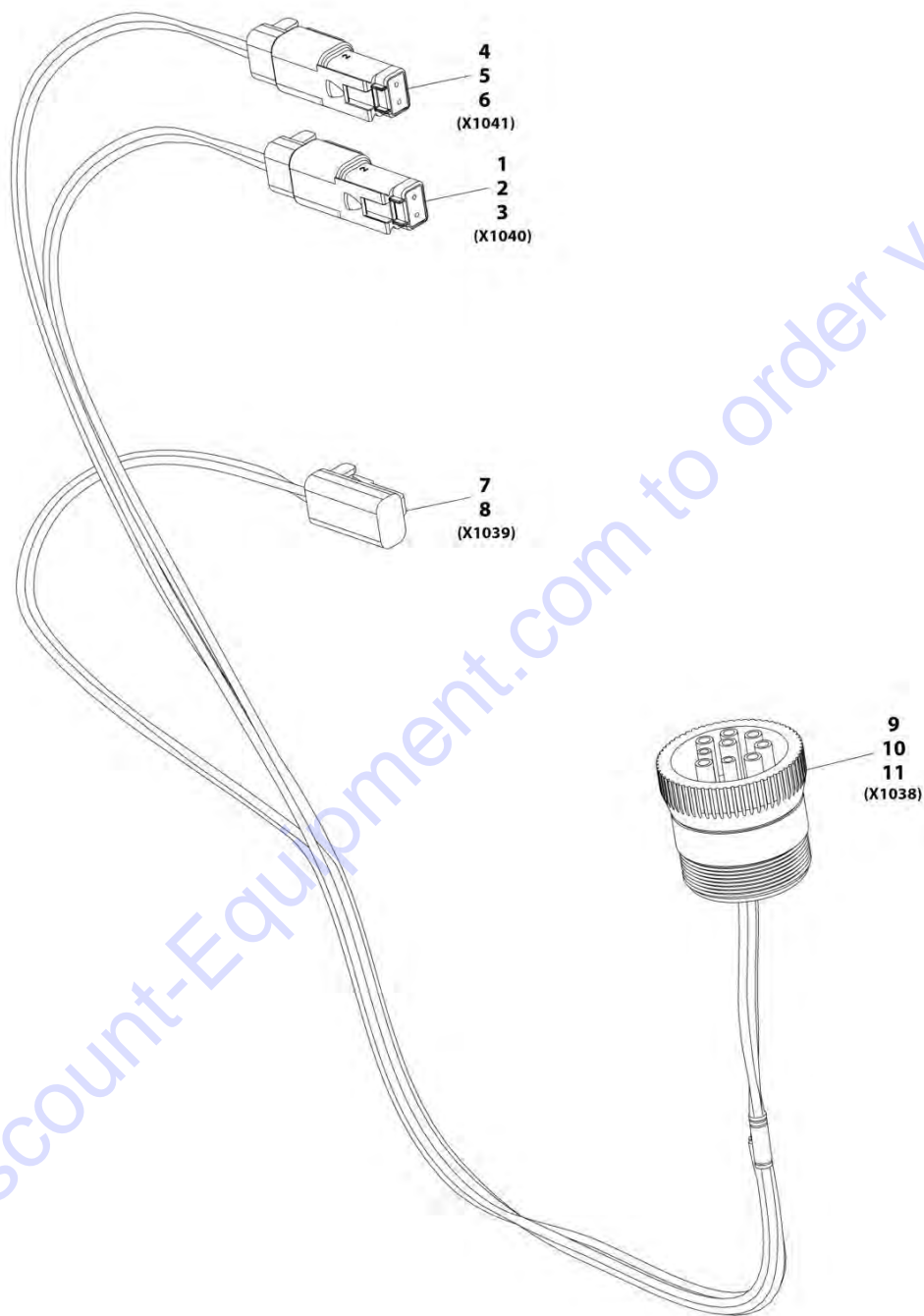
### FIGURE 10-65. BOOM HARNESS

ITEM	PART NUMBER	QTY	DESCRIPTION	REV
	1001201124	Ref	Boom Harness	B
1	4460931	1	Connector	
2	4460943	2	Terminal	
3	4460464	4	Terminal	
4	4460466	2	Plug	
5	4461017	1	Connector	
6	4460508	2	Terminal	
7	1001112612	1	Connector	
8	1001183221	1	Boot	
9	1001157891	2	Terminal	
10	4460464	4	Terminal	
11	4460943	2	Terminal	
12	4460466	1	Plug	

Go to Discount-Equipment.com to order your parts

# SECTION 10 - ELECTRICAL

## FIGURE 10-66. BOOM AUX HARNESS



ART\_1001206633-A

## SECTION 10 - ELECTRICAL

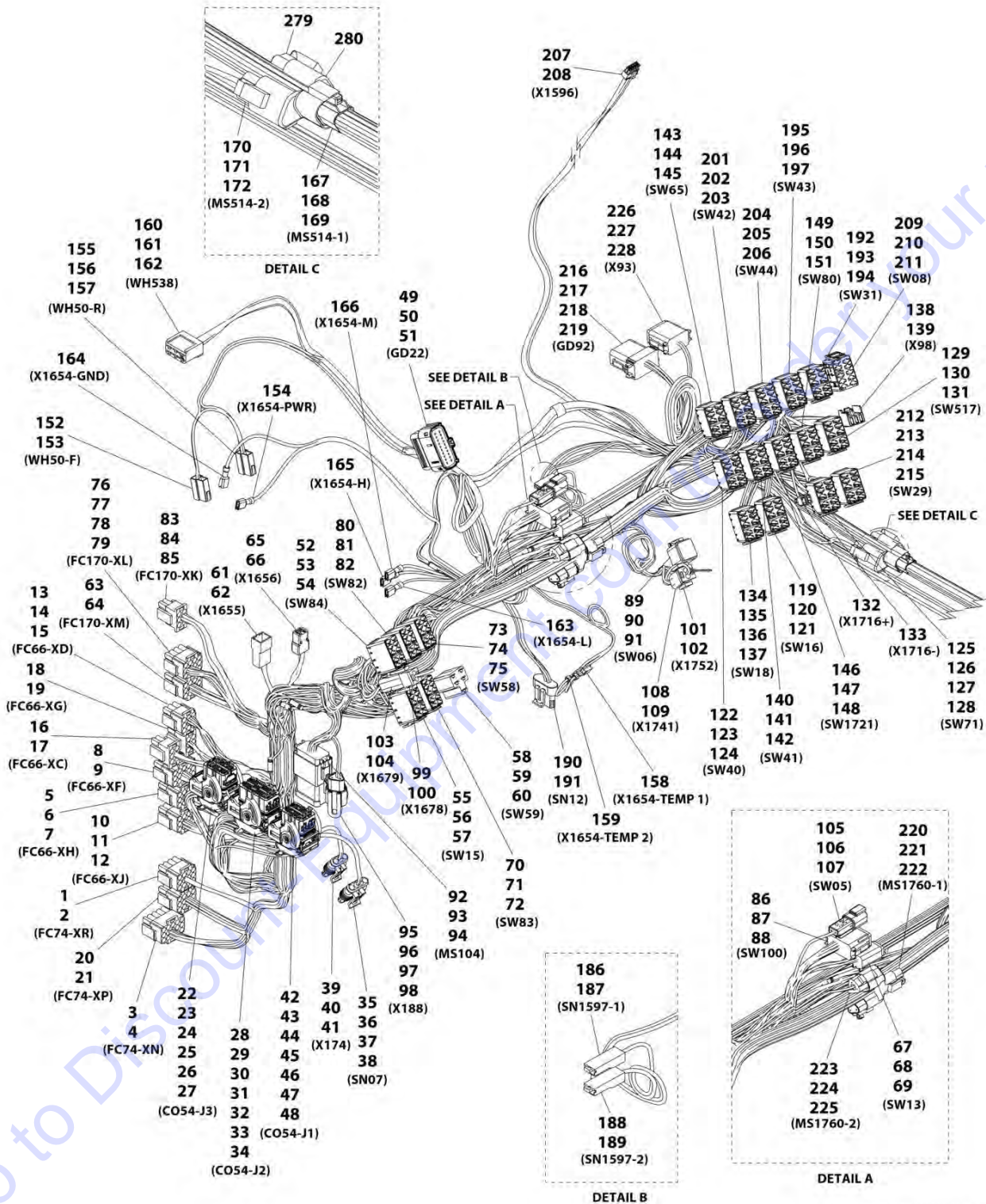
### FIGURE 10-66. BOOM AUX HARNESS

ITEM	PART NUMBER	QTY	DESCRIPTION	REV
	1001206633	Ref	Boom Aux Harness	A
1	4460891	1	Connector	
2	7760897	1	Mating Connector	
3	4460465	2	Terminal	
4	4460891	1	Connector	
5	7760897	1	Mating Connector	
6	4460465	2	Terminal	
7	4460891	1	Connector	
8	4460465	2	Terminal	
9	1001112796	1	Connector	
10	4460465	4	Terminal	
11	4460466	5	Plug	

Go to Discount-Equipment.com to order your parts

# SECTION 10 - ELECTRICAL

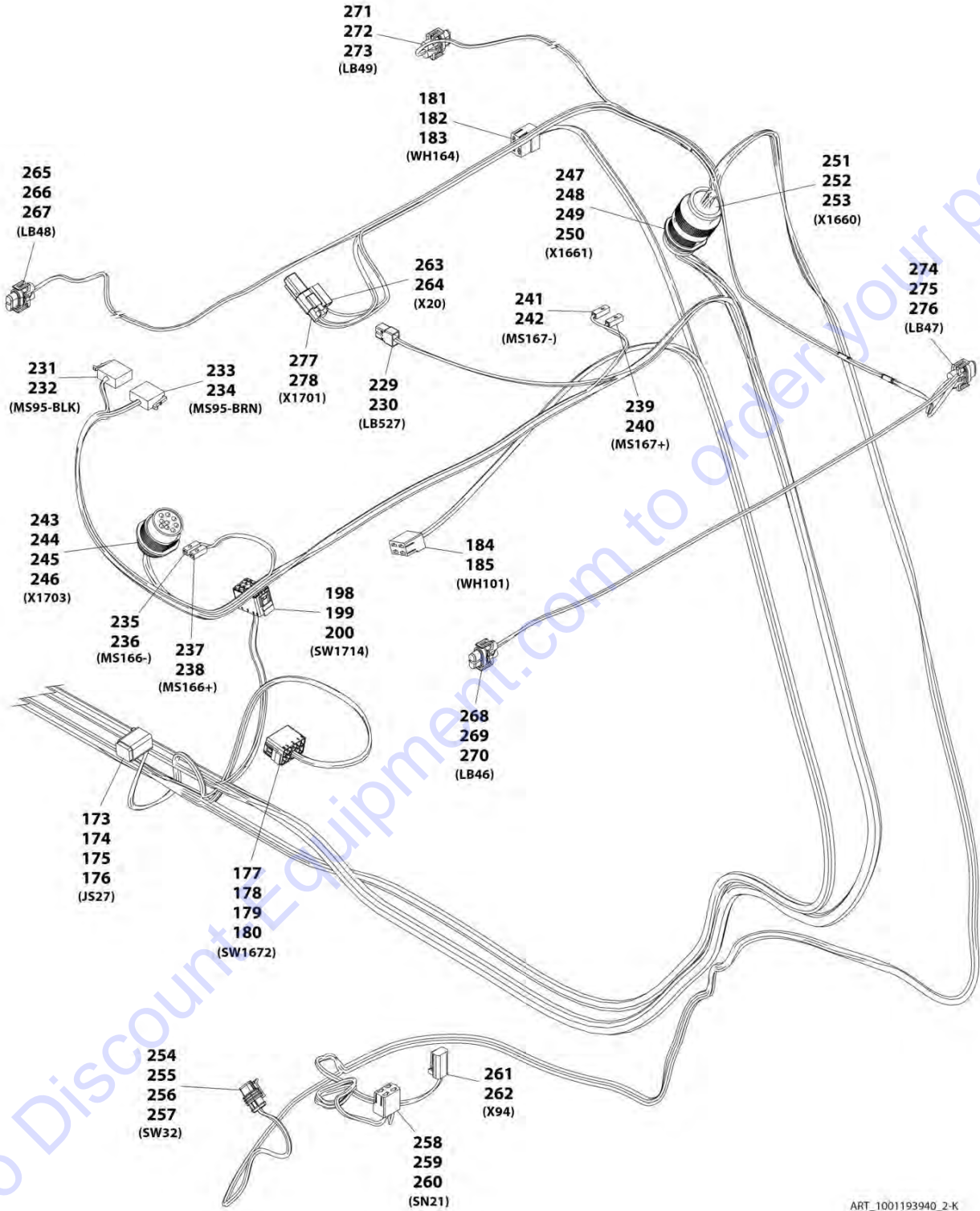
## FIGURE 10-67. CAB HARNESS



ART\_1001193940\_1-K



# SECTION 10 - ELECTRICAL



ART\_1001193940\_2-K

# SECTION 10 - ELECTRICAL

## FIGURE 10-67. CAB HARNESS

ITEM	PART NUMBER	QTY	DESCRIPTION	REV
	1001193940	Ref	Cab Harness	K
1	4460343	1	Connector	
2	4460267	3	Terminal	
3	4460434	1	Connector	
4	4460268	9	Terminal	
5	4460343	1	Connector	
6	4460268	8	Terminal	
7	10011223457	1	Terminal	
8	4460434	1	Connector	
9	4460268	15	Terminal	
10	4460343	1	Connector	
11	4460267	8	Terminal	
12	1001223456	1	Terminal	
13	4460265	1	Connector	
14	1001223457	3	Terminal	
15	4460268	6	Terminal	
16	4460225	1	Connector	
17	4460267	4	Terminal	
18	4460225	1	Connector	
19	4460268	5	Terminal	
20	4460343	1	Connector	
21	4460268	8	Terminal	
22	1001161959	1	Connector	
23	943191201	1	Cover	
24	1001161100	10	Plug	
25	1001161097	14	Terminal	
26	1001161098	1	Terminal	
27	1001161101	7	Plug	
28	1001160502	1	Connector	
29	643201301	1	Cover	
30	1001161097	20	Terminal	
31	1001161100	20	Plug	
32	1001161098	5	Terminal	
33	1001161099	1	Terminal	
34	1001161101	2	Plug	
35	1001103012	1	Connector	
36	1001116698	2	Plug	
37	1001116697	2	Terminal	
38	1001104498	2	Terminal Seal	
39	4461262	1	Connector	
40	1001107854	3	Terminal	
41	1001104498	3	Terminal Seal	
42	1001160498	1	Connector	
43	643191201	1	Cover	
44	1001161097	19	Terminal	
45	1001161100	5	Plug	
46	1001161098	5	Terminal	
47	1001161101	2	Plug	
48	1001161099	1	Terminal	
49	1001162886	1	Connector	



## SECTION 10 - ELECTRICAL

ITEM	PART NUMBER	QTY	DESCRIPTION	REV
50	1001163340	13	Plug	
51	1001162887	7	Terminal	
52	1001117081	1	Connector	
53	1001116723	6	Terminal	
54	1001222455	1	Terminal	
55	1001117081	1	Connector	
56	1001116723	6	Terminal	
57	1001223455	1	Terminal	
58	1001173411	1	Connector	
59	1001116716	3	Terminal	
60	1001104519	3	Terminal	
61	1001116999	1	Connector	
62	1001116700	4	Terminal	
63	4460343	1	Connector	
64	4460267	7	Terminal	
65	1001116991	1	Connector	
66	1001116723	2	Terminal	
67	4460933	1	Connector	
68	4460466	6	Plug	
69	4460465	6	Terminal	
70	1001117081	1	Connector	
71	1001116723	6	Terminal	
72	1001223455	1	Terminal	
73	1001117081	1	Connector	
74	1001116723	4	Terminal	
75	1001118384	2	Terminal	
76	4460343	1	Connector	
77	4460268	8	Terminal	
78	4460906	1	Terminal	
79	1001223457	1	Terminal	
80	1001117081	1	Connector	
81	1001116723	6	Terminal	
82	1001223455	1	Terminal	
83	4460225	1	Connector	
84	4460267	5	Terminal	
85	4460705	1	Terminal	
86	4460836	1	Connector	
87	4460942	4	Terminal	
88	4460465	8	Terminal	
89	4460894	1	Connector	
90	4460465	4	Terminal	
91	4460466	2	Plug	
92	4460933	1	Connector	
93	1001125677	1	Mating Connector	
94	4460465	12	Terminal	
95	1001116812	1	Connector	
96	1001144296	1	Cap	
97	4460944	2	Terminal	
98	4460466	1	Plug	
99	4460320	1	Connector	
100	4460267	2	Terminal	

## SECTION 10 - ELECTRICAL

ITEM	PART NUMBER	QTY	DESCRIPTION	REV
101	4460320	1	Connector	
102	4460267	2	Terminal	
103	4460424	1	Connector	
104	4460268	2	Terminal	
105	4460897	1	Connector	
106	4460464	1	Terminal	
107	4460466	1	Plug	
108	4460424	1	Connector	
109	4460268	2	Terminal	
119	1001117081	1	Connector	
120	1001116723	6	Terminal	
121	1001223455	1	Terminal	
122	1001117081	1	Connector	
123	1001116723	6	Terminal	
124	1001118384	4	Terminal	
125	1001117081	1	Connector	
126	1001116723	6	Terminal	
127	1001223455	2	Terminal	
128	1001118384	2	Terminal	
129	1001117081	1	Connector	
130	1001116723	6	Terminal	
131	1001223455	1	Terminal	
132	1001194421	1	Terminal	
133	1001194421	1	Terminal	
134	1001117081	1	Connector	
135	1001116723	6	Terminal	
136	1001223455	3	Terminal	
137	1001118384	2	Terminal	
138	1001118684	1	Connector	
139	1001116754	2	Terminal	
140	1001117081	1	Connector	
141	1001116723	4	Terminal	
142	1001118384	3	Terminal	
143	1001117081	1	Connector	
144	1001116723	6	Terminal	
145	1001118384	1	Terminal	
146	1001117081	1	Connector	
147	1001116723	6	Terminal	
148	1001118384	1	Terminal	
149	1001117081	1	Connector	
150	1001116723	6	Terminal	
151	1001223455	1	Terminal	
152	4460994	1	Connector	
153	1001118384	2	Terminal	
154	8220051	1	Terminal	
155	4460994	1	Connector	
156	1001118384	1	<b>Terminal</b>	
157	1001116723	2	Terminal	
158	1001194421	1	Terminal	
159	1001194421	1	Terminal	
160	1001116997	1	Connector	

## SECTION 10 - ELECTRICAL

ITEM	PART NUMBER	QTY	DESCRIPTION	REV
161	1001118384	4	Terminal	
162	1001116723	1	Terminal	
163	8220051	1	Terminal	
164	8220051	1	Terminal	
165	8220051	1	Terminal	
166	8220051	1	Terminal	
167	1001116812	1	Connector	
168	4460944	2	Terminal	
169	4460466	1	Plug	
170	4460539	1	Connector	
171	4460944	2	Terminal	
172	4460466	1	Plug	
173	4460894	1	Connector	
174	4460465	3	Terminal	
175	4460466	1	Plug	
176	4460944	2	Terminal	
177	1001117081	1	Connector	
178	1001116723	2	Terminal	
179	1001223455	2	Terminal	
180	1001118384	2	Terminal	
181	1001116986	1	Connector	
182	1001117011	1	Mating Connector	
183	1001118384	4	Terminal	
184	1001116986	1	Connector	
185	1001118384	4	Terminal	
186	1001116995	1	Connector	
187	1001118379	1	Terminal	
188	1001116995	1	Connector	
189	1001118379	1	Terminal	
190	1001117064	1	Connector	
191	91554014	6	Terminal	
192	1001117081	1	Connector	
193	1001116723	4	Terminal	
194	1001118384	2	Terminal	
195	1001117081	1	Connector	
196	1001116723	4	Terminal	
197	1001118384	2	Terminal	
198	1001117081	1	Connector	
199	1001223455	2	Terminal	
200	1001118384	4	Terminal	
201	1001117081	1	Connector	
202	1001116723	4	Terminal	
203	1001118384	2	Terminal	
204	1001117081	1	Connector	
205	1001116723	4	Terminal	
206	1001118384	2	Terminal	
207	1001150735	1	Connector	
208	1001150737	7	Terminal	
209	1001117079	1	Connector	
210	1001223455	2	Terminal	
211	1001116723	6	Terminal	

## SECTION 10 - ELECTRICAL

ITEM	PART NUMBER	QTY	DESCRIPTION	REV
212	1001117081	1	Connector	
213	1001116723	8	Terminal	
214	1001118384	1	Terminal	
215	1001223455	1	Terminal	
216	1001176333	1	Connector	
217	4460466	11	Plug	
218	4460465	3	Terminal	
219	4460944	4	Terminal	
220	1001116812	1	Connector	
221	4460944	2	Terminal	
222	4460466	1	Plug	
223	4460539	1	Connector	
224	4460944	2	Terminal	
225	4460466	1	Plug	
226	4460930	1	Connector	
227	4460931	1	Mating Connector	
228	4460466	6	Plug	
229	1001116991	1	Connector	
230	1001118384	2	Terminal	
231	1001116985	1	Connector	
232	1001118386	3	Terminal	
233	1001116984	1	Connector	
234	1001118386	4	Terminal	
235	1001116998	1	Connector	
236	1001118387	1	Terminal	
237	1001116998	1	Connector	
238	1001118387	1	Terminal	
239	1001116998	1	Connector	
240	1001118387	1	Terminal	
241	1001116998	1	Connector	
242	1001118387	1	Terminal	
243	1001112612	1	Connector	
244	4460464	3	Terminal	
245	4460943	2	Terminal	
246	4460466	4	Plug	
247	1001137000	1	Connector	
248	4460928	3	Terminal	
249	1001126008	13	Terminal	
250	4460518	5	Plug	
251	1001136999	1	Connector	
252	1001126011	16	Terminal	
253	4460518	5	Plug	
254	4461262	1	Connector	
255	1001107854	2	Terminal	
256	1001116698	1	Terminal	
257	1001104498	3	Terminal Seal	
258	1001116986	1	Connector	
259	1001118384	3	Terminal	
260	1001116723	2	Terminal	
261	4460891	1	Connector	
262	4460465	2	Terminal	

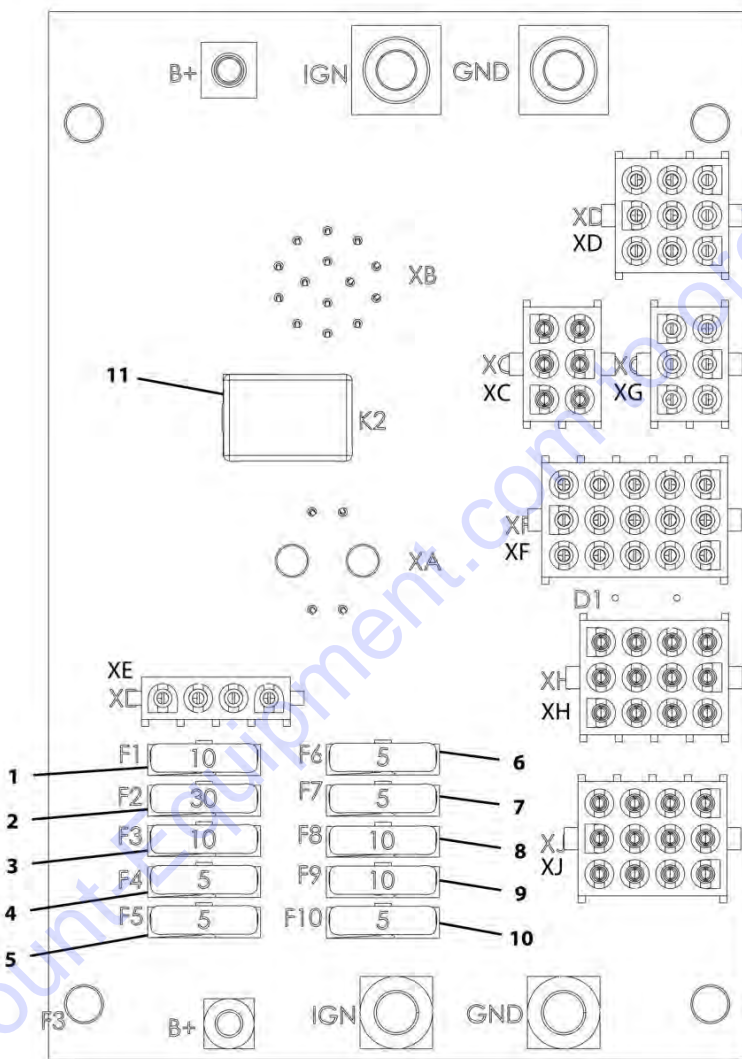
## SECTION 10 - ELECTRICAL

ITEM	PART NUMBER	QTY	DESCRIPTION	REV
263	4460944	1	Connector	
264	1001118384	2	Terminal	
265	4461115	1	Connector	
266	4460746	2	Terminal	
267	4460458	2	Terminal Seal	
268	4461115	1	Connector	
269	4460746	2	Terminal	
270	4460458	2	Terminal Seal	
271	4461115	1	Connector	
272	4460746	2	Terminal	
273	4460458	2	Terminal Seal	
274	4461115	1	Connector	
275	4460746	2	Terminal	
276	4460458	2	Terminal Seal	
277	4460891	1	Connector	
278	4460465	2	Terminal	
279	1001116815	1	Connector	
280	4460945	1	Connector, 3 Way	

Go to Discount-Equipment.com to order your parts

# SECTION 10 - ELECTRICAL

FIGURE 10-68. STANDARD ELECTRICAL BOARD ASSEMBLY



ART\_1001161769-C

## SECTION 10 - ELECTRICAL

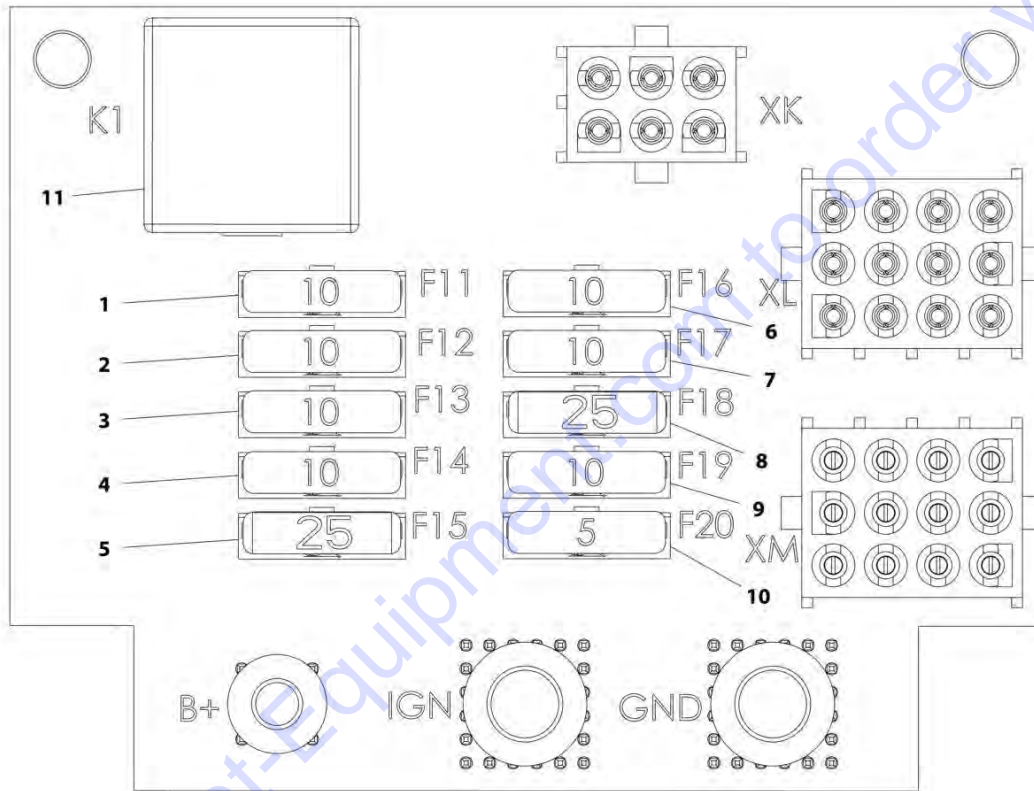
FIGURE 10-68. STANDARD ELECTRICAL BOARD ASSEMBLY

ITEM	PART NUMBER	QTY	DESCRIPTION	REV
	1001161769	Ref	Standard Electrical Board Assembly	C
1	80983191	1	Fuse, 10AMP	
2	8229245	1	Fuse, 30AMP	
3	80983191	1	Fuse, 10AMP	
4	8229242	1	Fuse, 5AMP	
5	8229242	1	Fuse, 5AMP	
6	8229242	1	Fuse, 5AMP	
7	8229242	1	Fuse, 5AMP	
8	80983191	1	Fuse, 10AMP	
9	80983191	1	Fuse, 10AMP	
10	8229242	1	Fuse, 5AMP	
11	70026292	1	Fuse, 35AMP	

Go to Discount-Equipment.com to order your parts

# SECTION 10 - ELECTRICAL

## FIGURE 10-69. OPTION 1 ELECTRICAL BOARD ASSEMBLY



ART\_1001161770-C



## SECTION 10 - ELECTRICAL

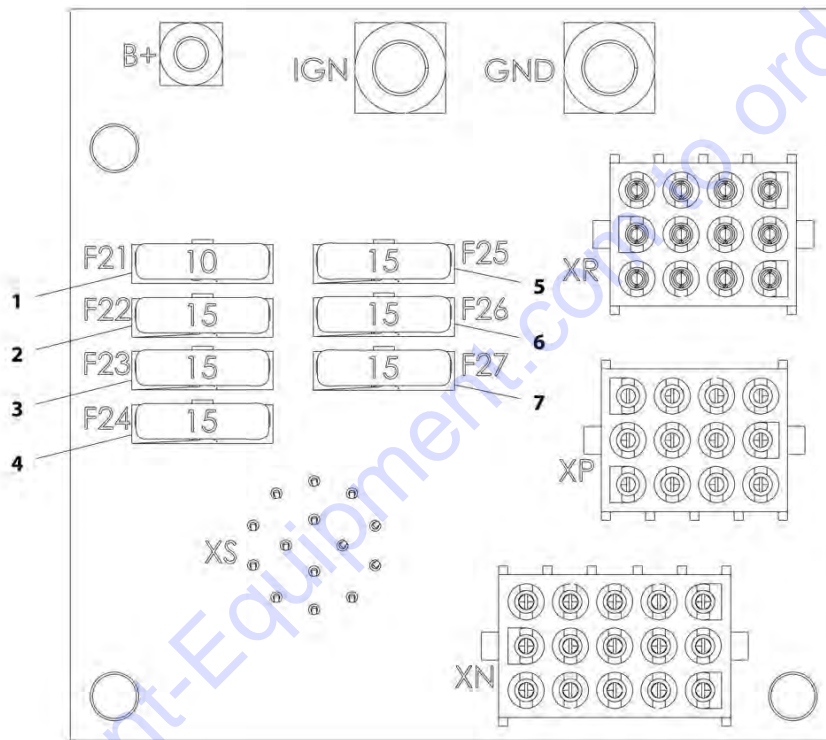
### FIGURE 10-69. OPTION 1 ELECTRICAL BOARD ASSEMBLY

ITEM	PART NUMBER	QTY	DESCRIPTION	REV
	1001161770	Ref	Option 1 Electrical Board Assembly	C
1	80983191	1	Fuse, 10AMP	
2	80983191	1	Fuse, 10AMP	
3	80983191	1	Fuse, 10AMP	
4	80983191	1	Fuse, 10AMP	
5	8229247	1	Fuse, 25AMP	
6	80983191	1	Fuse, 10AMP	
7	80983191	1	Fuse, 10AMP	
8	8229247	1	Fuse, 25AMP	
9	80983191	1	Fuse, 10AMP	
10	8229242	1	Fuse, 5AMP	
11	70026293	1	Fuse, 50AMP	

Go to Discount-Equipment.com to order your parts

# SECTION 10 - ELECTRICAL

## FIGURE 10-70. OPTION 2 ELECTRICAL BOARD ASSEMBLY



ART\_1001161771-B

## SECTION 10 - ELECTRICAL

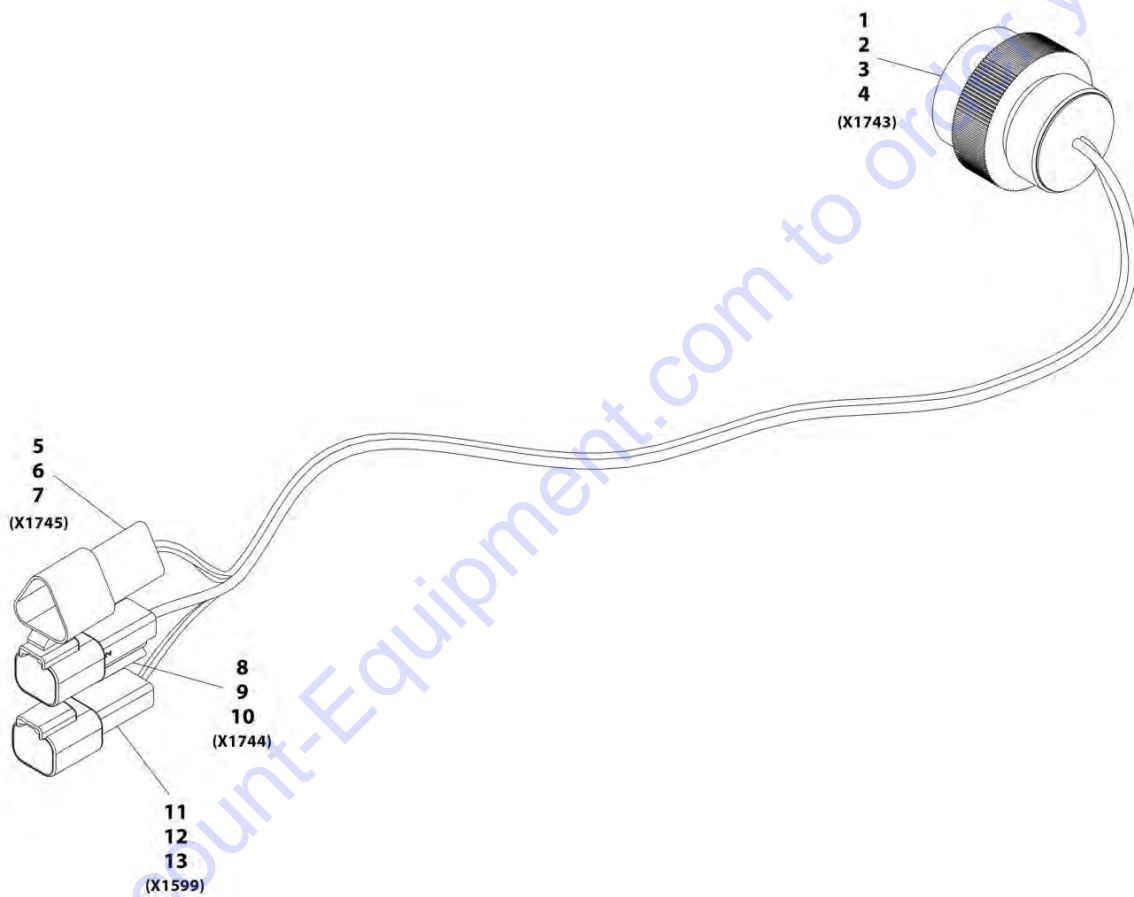
### FIGURE 10-70. OPTION 2 ELECTRICAL BOARD ASSEMBLY

ITEM	PART NUMBER	QTY	DESCRIPTION	REV
	1001161771	Ref	Option 2 Electrical Board Assembly	B
1	80983191	1	Fuse, 10AMP	
2	8229244	1	Fuse, 15AMP	
3	8229244	1	Fuse, 15AMP	
4	8229244	1	Fuse, 15AMP	
5	8229244	1	Fuse, 15AMP	
6	8229244	1	Fuse, 15AMP	
7	8229244	1	Fuse, 15AMP	

Go to Discount-Equipment.com to order your parts

# SECTION 10 - ELECTRICAL

## FIGURE 10-71. CAB OPTION HARNESS



ART\_1001181681-C

# PARTS FINDER

**Search Website  
by Part Number**



**Search Manual  
Library For Parts  
Manual & Lookup Part  
Numbers – Purchase  
or Request Quote**

A screenshot of the "Search Manuals" form. It includes a search bar, a "Search" button, and several dropdown menus for selecting filters like "Brand" and "Model". The form is designed to help users find specific manuals for their equipment.

**Can't Find Part or  
Manual? Request Help  
by Manufacturer,  
Model & Description**

A screenshot of the "Parts Order Form". It is a structured form with multiple rows and columns for entering details such as manufacturer, model, and part description. The form is designed to facilitate the process of requesting help or a quote for a specific part.

Discount-Equipment.com is your online resource for quality parts & equipment.

Florida: **561-964-4949** Outside Florida TOLL FREE: **877-690-3101**

**Need parts?**

Click on this link: <http://www.discount-equipment.com/category/5443-parts/> and choose one of the options to help get the right parts and equipment you are looking for. Please have the machine model and serial number available in order to help us get you the correct parts. If you don't find the part on the website or on one of the online manuals, please fill out the request form and one of our experienced staff members will get back to you with a quote for the right part that your machine needs.

We sell worldwide for the brands: Genie, Terex, JLG, MultiQuip, Mikasa, Essick, Whiteman, Mayco, Toro Stone, Diamond Products, Generac Magnum, Airman, Haulotte, Barreto, Power Blanket, Nifty Lift, Atlas Copco, Chicago Pneumatic, Allmand, Miller Curber, Skyjack, Lull, Skytrak, Tsurumi, Husquvarna Target, Stow, Wacker, Sakai, Mi-T-M, Sullair, Basic, Dynapac, MBW, Weber, Bartell, Bennar Newman, Haulotte, Ditch Runner, Menegotti, Morrison, Contec, Buddy, Crown, Edco, Wyco, Bomag, Laymor, EZ Trench, Bil-Jax, F.S. Curtis, Gehl Pavers, Heli, Honda, ICS/PowerGrit, IHI, Partner, Imer, Clipper, MMD, Koshin, Rice, CH&E, General Equipment, Amida, Coleman, NAC, Gradall, Square Shooter, Kent, Stanley, Tamco, Toku, Hatz, Kohler, Robin, Wisconsin, Northrock, Oztec, Toker TK, Rol-Air, APT, Wylie, Ingersoll Rand / Doosan, Innovatech, Con X, Ammann, Mecalac, Makinex, Smith Surface Prep, Small Line, Wanco, Yanmar

## SECTION 10 - ELECTRICAL

### FIGURE 10-71. CAB OPTION HARNESS

ITEM	PART NUMBER	QTY	DESCRIPTION	REV
	1001181681	Ref	Cab Option Harness	C
1	4461015	1	Connector	
2	4460465	5	Terminal	
3	4460466	8	Plug	
4	4460942	1	Terminal	
5	1001144147	1	Connector	
6	4460943	2	Terminal	
7	4460466	1	Plug	
8	4460897	1	Connector	
9	4460941	1	Terminal	
10	4460466	1	Plug	
11	4460932	1	Connector	
12	4460464	3	Terminal	
13	4460466	1	Plug	

Go to Discount-Equipment.com to order your parts



## SECTION 10 - ELECTRICAL

### FIGURE 10-72. FRONT FRAME HARNESS

ITEM	PART NUMBER	QTY	DESCRIPTION	REV
	1001184396	Ref	Front Frame Harness	J
1	4460891	1	Connector	
2	4460897	1	Mating Connector	
3	4460466	2	Plug	
4	4460465	2	Terminal	
5	1001161957	1	Connector	
6	643191201	1	Cover	
7	1001161100	12	Plug	
8	1001161097	12	Terminal	
9	1001161101	5	Plug	
10	1001161098	3	Terminal	
11	1001161963	1	Connector	
12	643201301	1	Cover	
13	1001161097	21	Terminal	
14	1001161100	19	Plug	
15	1001161099	6	Terminal	
16	1001161098	1	Terminal	
17	1001161101	1	Plug	
18	1001160500	1	Connector	
19	643191201	1	Cover	
20	1001161097	10	Terminal	
21	1001161100	15	Plug	
22	1001161099	7	Terminal	
23	4460933	1	Connector	
24	4460970	1	Mating Connector	
25	4460466	2	Plug	
26	4460942	10	Terminal	
27	4460466	2	Plug	
28	1001160509	1	Connector	
29	1001160510	1	Terminal	
30	1001175267	1	Seal	
31	1001187080	1	Ring Terminal	
32	4460891	1	Connector	
33	4460465	2	Terminal	
34	4460891	1	Connector	
35	4460465	2	Terminal	
36	1001187080	1	Ring Terminal	
37	1001187079	1	Ring Terminal	
38	1001187079	1	Ring Terminal	
39	4460539	1	Connector	
40	4460465	3	Terminal	
41	8220051	1	Ring Terminal	
42	1001187073	1	Ring Terminal	
43	4460539	1	Connector	
44	4460465	3	Terminal	
45	4460933	1	Connector	
46	4460465	11	Terminal	
47	4460466	1	Plug	
48	1001116812	1	Connector	
49	4460465	2	Terminal	



## SECTION 10 - ELECTRICAL

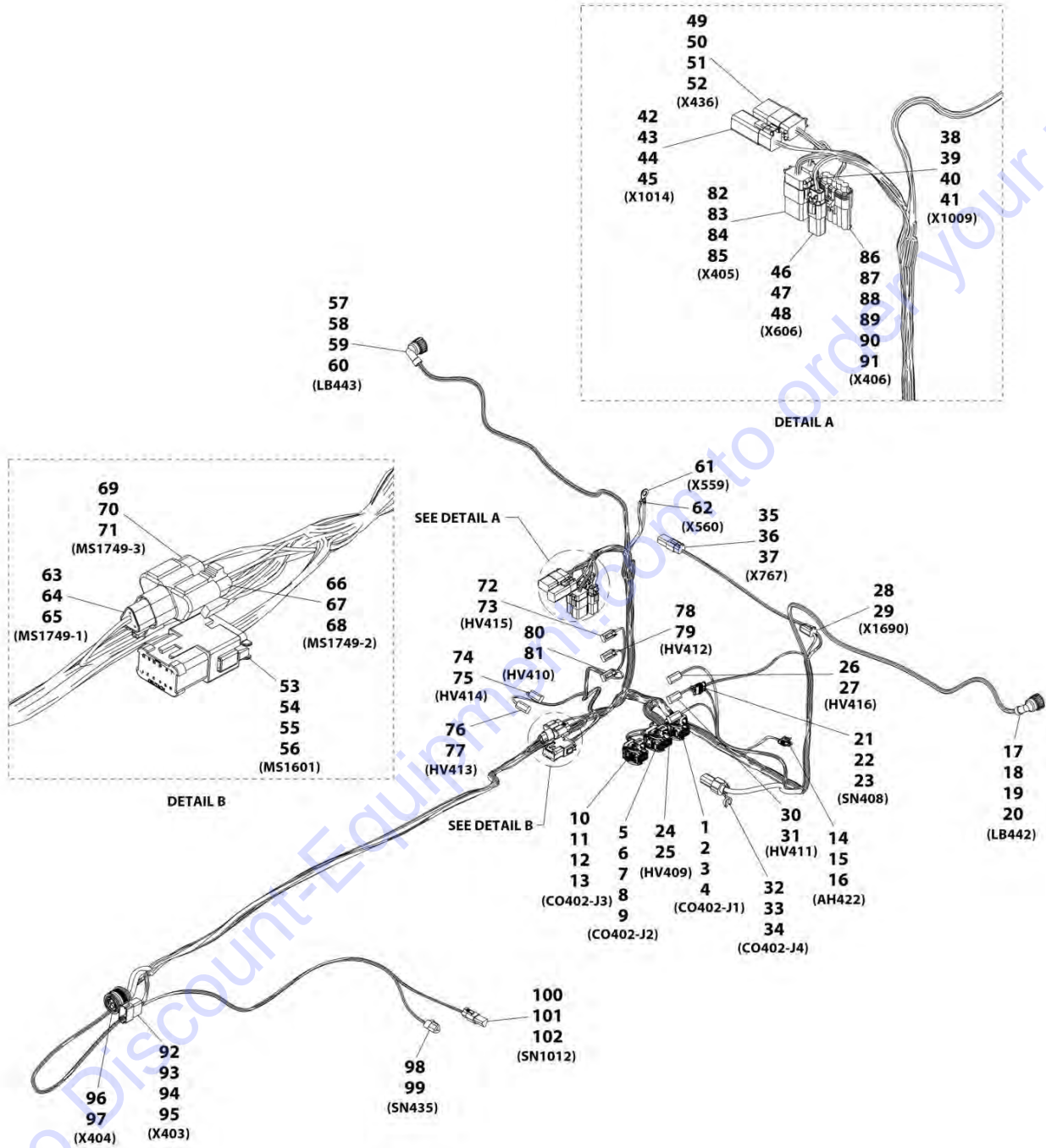
ITEM	PART NUMBER	QTY	DESCRIPTION	REV
50	4460466	1	Plug	
51	1001116810	1	Connector	
52	1001150611	4	Terminal	
53	1001165309	1	Connector	
54	4460466	2	Plug	
55	4460465	9	Terminal	
56	4460942	2	Terminal	
57	4460509	3	Terminal	
58	1001150611	3	Terminal	
59	1001187079	1	Ring Terminal	
60	1001187076	1	Ring Terminal	
61	1001187079	1	Ring Terminal	
62	1001187076	1	Ring Terminal	
63	1001187075	1	Ring Terminal	
64	4460891	1	Connector	
65	4460465	2	Terminal	
66	1001117109	1	Ring Terminal	
67	1001187075	1	Ring Terminal	
68	1001187075	1	Ring Terminal	
69	4461015	1	Connector	
70	4460465	12	Terminal	
71	4460466	2	Plug	
72	4460891	1	Connector	
73	4460465	2	Terminal	
74	4460891	1	Connector	
75	4460465	2	Terminal	
76	4461290	1	Connector	
77	4460928	2	Terminal	
78	1001118323	1	Connector	
79	4460942	4	Terminal	
80	91013192	2	Terminal	
81	4460891	1	Connector	
82	4460465	2	Terminal	
83	4460891	1	Connector	
84	4460897	1	Mating Connector	
85	4460942	1	Terminal	
86	4460466	1	Plug	
87	1001116950	1	Connector	
88	4460465	2	Terminal	
89	4460891	1	Connector	
90	4460465	2	Terminal	
91	4460884	1	Connector	
92	4460932	1	Mating Connector	
93	4460466	1	Sealing Plug	
94	4460465	3	Terminal	
95	4460942	1	Terminal	
96	1001118202	1	Connector	
97	1001116732	4	Terminal	
98	1001128128	1	Plug	
99	4460891	1	Connector	
100	4460897	1	Mating Connector	

## SECTION 10 - ELECTRICAL

ITEM	PART NUMBER	QTY	DESCRIPTION	REV
101	4460465	2	Terminal	
102	4460891	1	Connector	
103	4460465	2	Terminal	
104	4460897	1	Connector	
105	4460464	2	Terminal	
106	8220116	1	Ring Terminal	
107	1001116950	1	Connector	
108	4460465	2	Terminal	
109	4460930	1	Connector	
110	4460984	1	Mating Connector	
111	4460465	8	Terminal	
112	1001116774	1	Connector	
113	1001132169	1	Mating Connector	
114	4460518	7	Plug	
115	1001126008	5	Terminal	
116	4460891	1	Connector	
117	4460897	1	Mating Connector	
118	4460465	2	Terminal	
119	1001165310	1	Connector	
120	91013192	2	Terminal	
121	1001187076	1	Ring Terminal	
122	4460891	1	Connector	
123	4460897	1	Mating Connector	
124	4460942	2	Terminal	
125	4460894	1	Connector	
126	4460899	1	Mating Connector	
127	4460465	2	Terminal	
128	4460942	4	Terminal	
129	4460891	1	Connector	
130	4460465	2	Terminal	
131	4460891	1	Connector	
132	4460465	2	Terminal	
133	4460891	1	Connector	
134	4460465	2	Terminal	
135	4460891	1	Connector	
136	4460465	2	Terminal	
137	4460933	1	Connector	
138	4460465	6	Terminal	
139	4460942	1	Terminal	
140	4460466	5	Plug	

# SECTION 10 - ELECTRICAL

## FIGURE 10-73. REAR FRAME HARNESS



ART\_1001184397-H

## SECTION 10 - ELECTRICAL

### FIGURE 10-73. REAR FRAME HARNESS

ITEM	PART NUMBER	QTY	DESCRIPTION	REV
	1001184397	Ref	Rear Frame Harness	H
1	1001161957	1	Connector	
2	1001161097	6	Terminal	
3	1001161100	18	Plug	
4	1001161101	8	Plug	
5	1001161963	1	Connector	
6	1001161097	26	Terminal	
7	1001161100	14	Plug	
8	1001161099	6	Terminal	
9	1001161101	2	Plug	
10	1001160500	1	Connector	
11	1001161100	18	Plug	
12	1001161097	6	Terminal	
13	1001161099	8	Terminal	
14	4461118	1	Connector	
15	1001107854	2	Terminal	
16	1001116763	2	Terminal Seal	
17	1001116996	1	Connector	
18	1001118392	6	Terminal	
19	1001116696	1	Plug	
20	4461054	6	Terminal Seal	
21	4461262	1	Connector	
22	1001107854	3	Terminal	
23	1001104498	3	Terminal Seal	
24	4460891	1	Connector	
25	4460465	2	Terminal	
26	4460891	1	Connector	
27	4460465	2	Terminal	
28	4460884	1	Connector	
29	4460465	4	Terminal	
30	4460891	1	Connector	
31	4460465	2	Terminal	
32	1001160509	1	Connector	
33	1001160510	1	Terminal	
34	1001175267	1	Terminal Seal	
35	4460884	1	Connector	
36	4460932	1	Mating Connector	
37	4460465	4	Terminal	
38	4460884	1	Connector	
39	4460932	1	Mating Connector	
40	4460466	2	Plug	
41	4460465	2	Terminal	
42	4460894	1	Connector	
43	4460899	1	Mating Connector	
44	4460466	3	Plug	
45	4460465	3	Terminal	
46	4461018	1	Connector	
47	4461017	1	Mating Connector	
48	4460509	2	Terminal	
49	4460930	1	Connector	

## SECTION 10 - ELECTRICAL

ITEM	PART NUMBER	QTY	DESCRIPTION	REV
50	4460931	1	Mating Connector	
51	4460466	2	Plug	
52	4460465	6	Terminal	
53	4460933	1	Connector	
54	1001125677	1	Bussbar Connector	
55	4460465	10	Terminal	
56	4460466	2	Plug	
57	1001116996	1	Connector	
58	1001118392	6	Terminal	
59	1001116696	1	Plug	
60	4461054	6	Terminal Seal	
61	1001187080	1	Ring Terminal	
62	1001187079	1	Ring Terminal	
63	1001116812	1	Connector	
64	4460944	2	Terminal	
65	4460466	1	Plug	
66	4460539	1	Connector	
67	4460944	2	Terminal	
68	4460466	1	Plug	
69	1001116812	1	Connector	
70	4460944	2	Terminal	
71	4460466	1	Plug	
72	4460891	1	Connector	
73	4460465	2	Terminal	
74	4460891	1	Connector	
75	4460465	2	Terminal	
76	4460891	1	Connector	
77	4460465	2	Terminal	
78	4460891	1	Connector	
79	4460465	2	Terminal	
80	4460891	1	Connector	
81	4460465	2	Terminal	
82	4460930	1	Connector	
83	4460931	1	Mating Connector	
84	4460466	2	Plug	
85	4460465	6	Terminal	
86	1001121726	1	Connector	
87	1001121727	1	Mating Connector	
88	1001116728	4	Terminal	
89	4460748	1	Plug	
90	1001175265	3	Terminal Seal	
91	4460458	1	Terminal Seal	
92	4460970	1	Connector	
93	4460464	6	Terminal	
94	4460941	1	Terminal	
95	4460466	5	Plug	
96	1001165311	1	Connector	
97	91013191	2	Terminal	
98	4460539	1	Connector	
99	4460944	3	Terminal	
100	4460539	1	Connector	

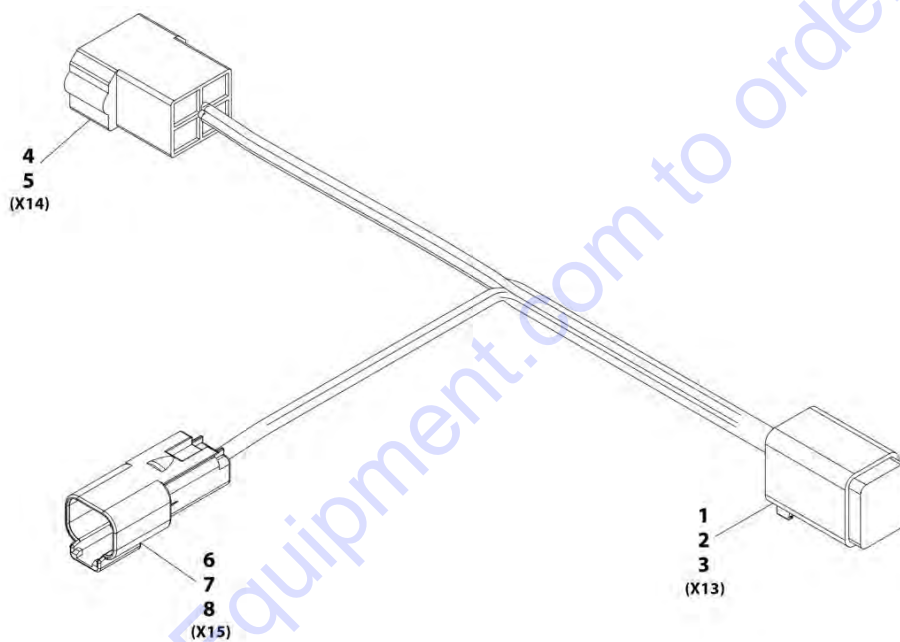
## SECTION 10 - ELECTRICAL

ITEM	PART NUMBER	QTY	DESCRIPTION	REV
101	4460536	1	Mating Connector	
102	4460465	3	Terminal	

Go to [Discount-Equipment.com](http://Discount-Equipment.com) to order your parts

# SECTION 10 - ELECTRICAL

## FIGURE 10-74. SEAT ADAPTOR HARNESS



ART\_1001168531-A

## SECTION 10 - ELECTRICAL

### FIGURE 10-74. SEAT ADAPTOR HARNESS

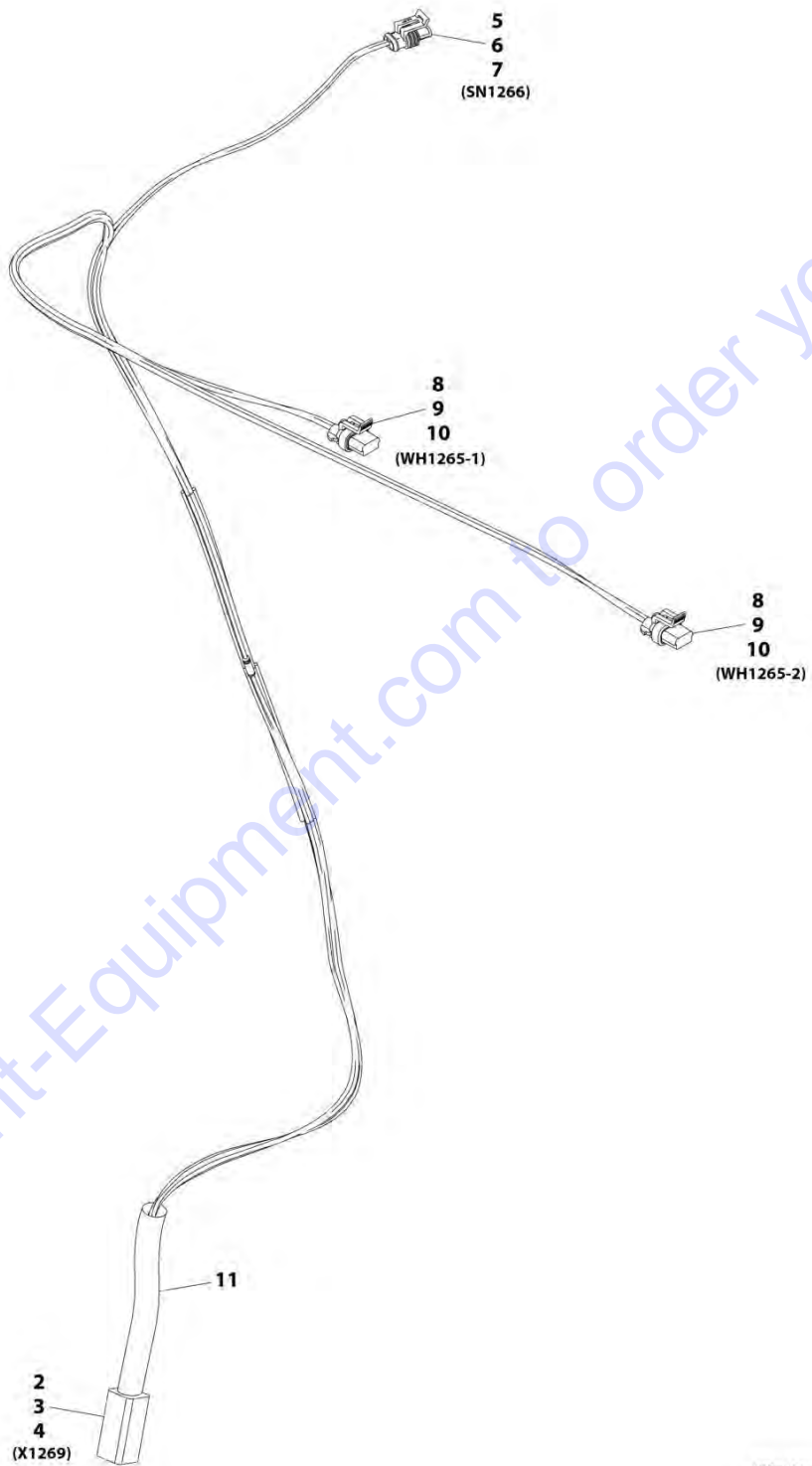
ITEM	PART NUMBER	QTY	DESCRIPTION	REV
	1001168531	Ref	Seat Adaptor Harness	A
1	4460894	1	Connector	
2	91504107	1	Lock, Connector	
3	4460465	6	Terminal	
4	1001117011	1	Connector	
5	1001116700	3	Terminal	
6	4460897	1	Connector	
7	80604017	1	Lock, Connector	
8	4460943	2	Terminal	

Go to Discount-Equipment.com to order your parts



# SECTION 10 - ELECTRICAL

## FIGURE 10-75. A/C OPTION HARNESS



ART\_1001169151-E

**SECTION 10 - ELECTRICAL**

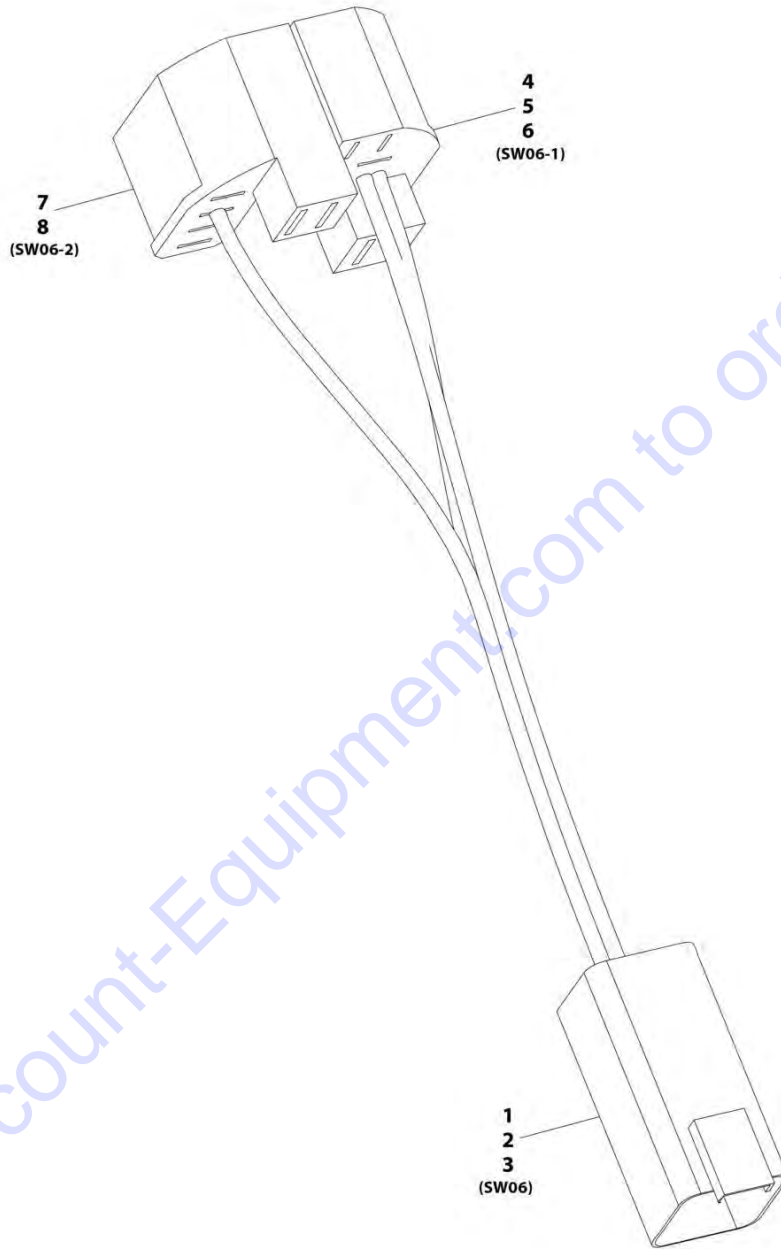
**FIGURE 10-75. A/C OPTION HARNESS**

ITEM	PART NUMBER	QTY	DESCRIPTION	REV
	1001169151	Ref	A/C Option Harness	E
2	4460899	1	Connector	
3	4460941	4	Terminal	
4	4460464	2	Terminal	
5	4461118	1	Connector	
6	1001107854	2	Terminal	
7	1001116763	2	Seal	
8	1001117021	2	Connector	
9	1001116747	4	Terminal	
10	4460789	4	Seal	
11	70028546	1	Backshell	

Go to Discount-Equipment.com to order your parts

**SECTION 10 - ELECTRICAL**

**FIGURE 10-76. IGNITION SWITCH HARNESS**



ART\_1001223968-A

## SECTION 10 - ELECTRICAL

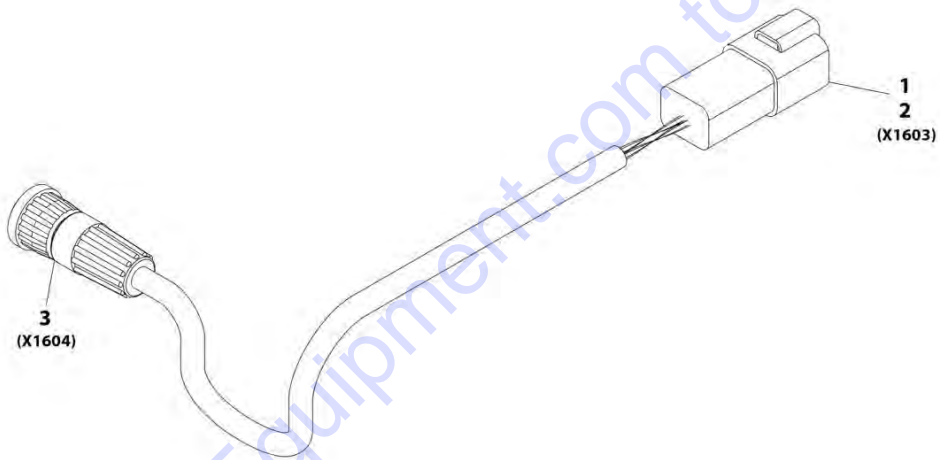
### FIGURE 10-76. IGNITION SWITCH HARNESS

ITEM	PART NUMBER	QTY	DESCRIPTION	REV
	1001223968	Ref	Ignition Switch Harness	A
1	4460899	1	Connector	
2	4460464	3	Terminal	
3	4460466	3	Plug	
4	1001118685	1	Connector	
5	1001104519	1	Terminal	
6	1001118383	1	Terminal	
7	1001117121	1	Connector	
8	1001104519	1	Terminal	

Go to Discount-Equipment.com to order your parts

# SECTION 10 - ELECTRICAL

## FIGURE 10-77. REVERSE SENSOR HARNESS



ART\_1001175776-C

## SECTION 10 - ELECTRICAL

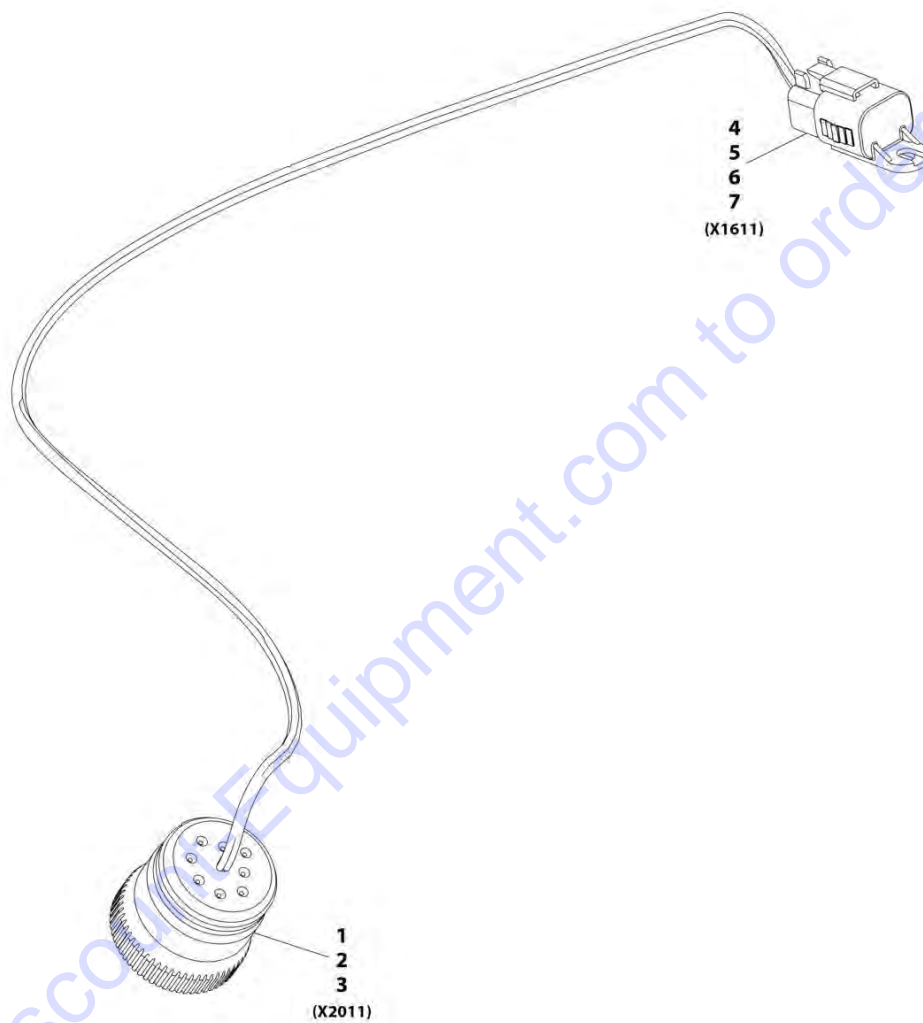
### FIGURE 10-77. REVERSE SENSOR HARNESS

ITEM	PART NUMBER	QTY	DESCRIPTION	REV
	1001175776	Ref	Reverse Sensor Harness	C
1	4460932	1	Connector	
2	4460464	4	Terminal	
3	1001175733	1	Connector	

Go to Discount-Equipment.com to order your parts

# SECTION 10 - ELECTRICAL

## FIGURE 10-78. TELEMATICS READY HARNESS



ART\_1001196289-A

## SECTION 10 - ELECTRICAL

### FIGURE 10-78. TELEMATICS READY HARNESS

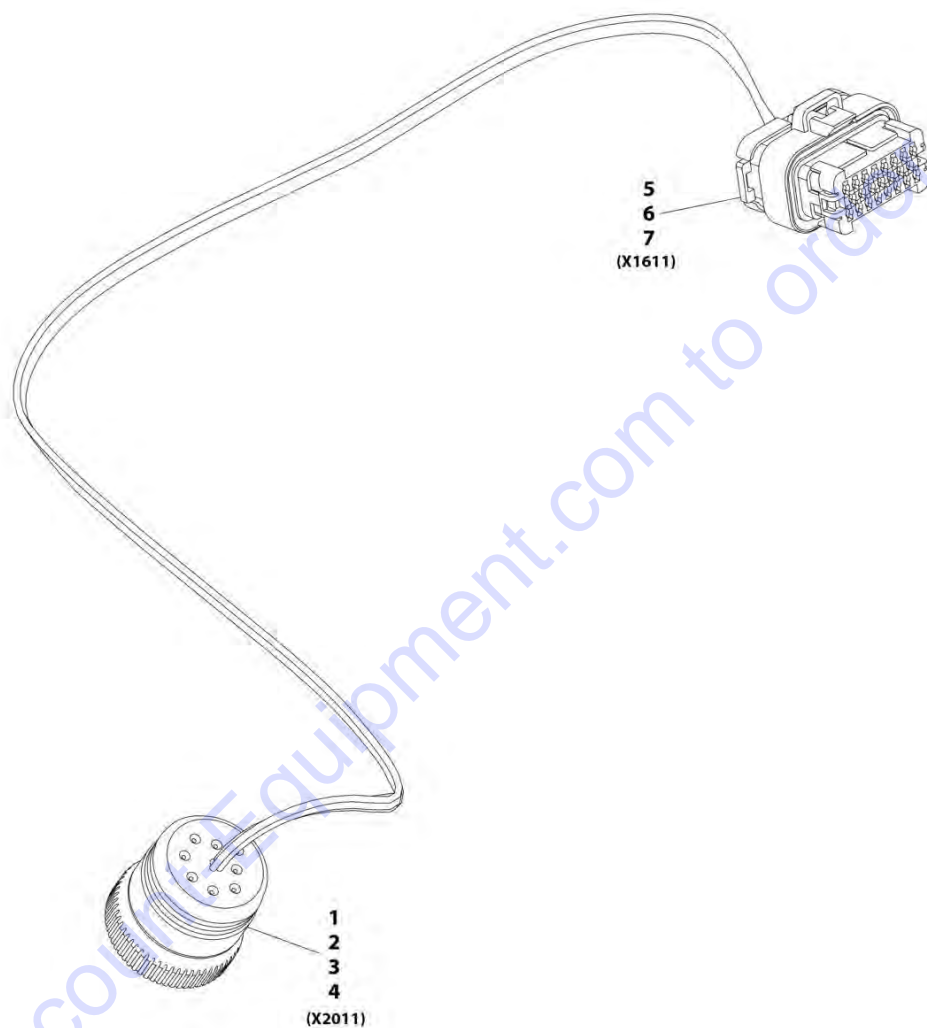
ITEM	PART NUMBER	QTY	DESCRIPTION	REV
	1001196289	Ref	Telematics Ready Harness	A
1	1001112796	1	Connector	
2	4460465	3	Terminal	
3	4460466	6	Plug	
4	4460884	1	Connector	
5	4460465	3	Terminal	
6	4460466	1	Plug	
7	80604021	1	Lock, Connector	

Go to Discount-Equipment.com to order your parts



# SECTION 10 - ELECTRICAL

FIGURE 10-79. CLEARSKY HARNESS (A/C) (Prior to SN 0160087899)



ART\_1001196452-A

## SECTION 10 - ELECTRICAL

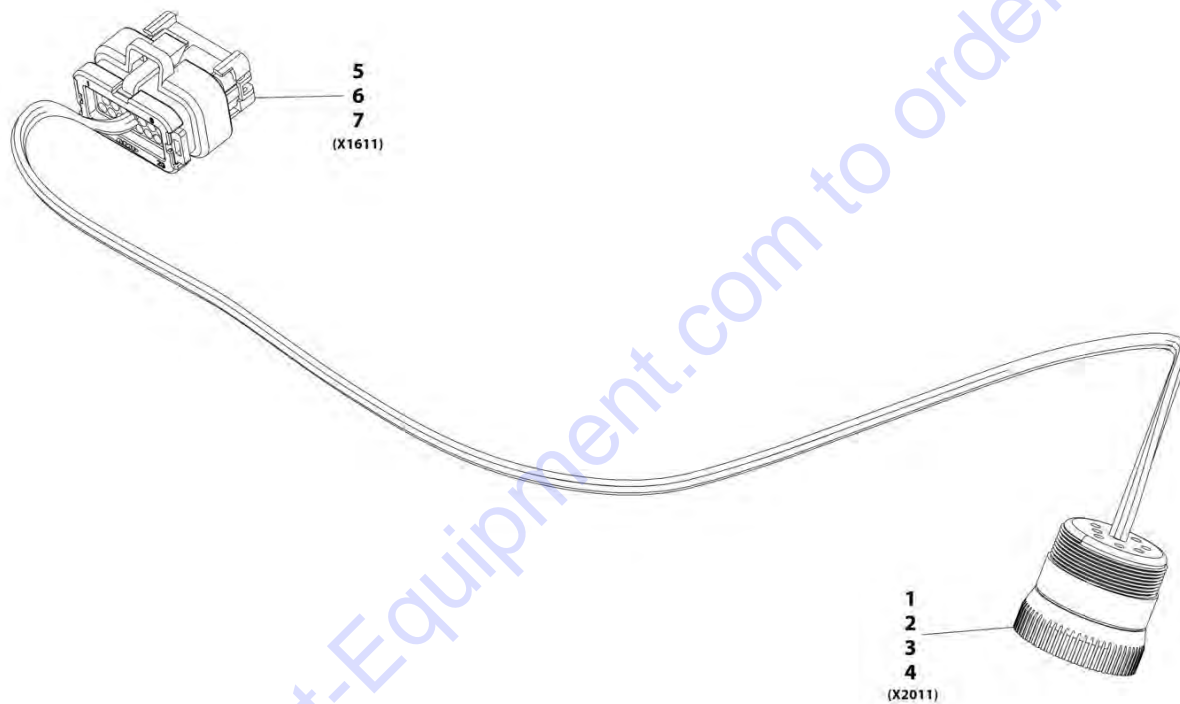
**FIGURE 10-79. CLEARSKY HARNESS (A/C) (Prior to SN 0160087899)**

ITEM	PART NUMBER	QTY	DESCRIPTION	REV
	1001196452	Ref	Clearsky Harness (A/C)	A
1	1001112796	1	Connector	
2	4460465	3	Terminal	
3	4460944	2	Terminal	
4	4460466	4	Plug	
5	1001116994	1	Connector	
6	4460871	5	Terminal	
7	4460905	18	Plug	

Go to Discount-Equipment.com to order your parts

# SECTION 10 - ELECTRICAL

FIGURE 10-80. CLEARSKY HARNESS (NO A/C) (Prior to SN 0160087899)



ART\_1001176587-C

## SECTION 10 - ELECTRICAL

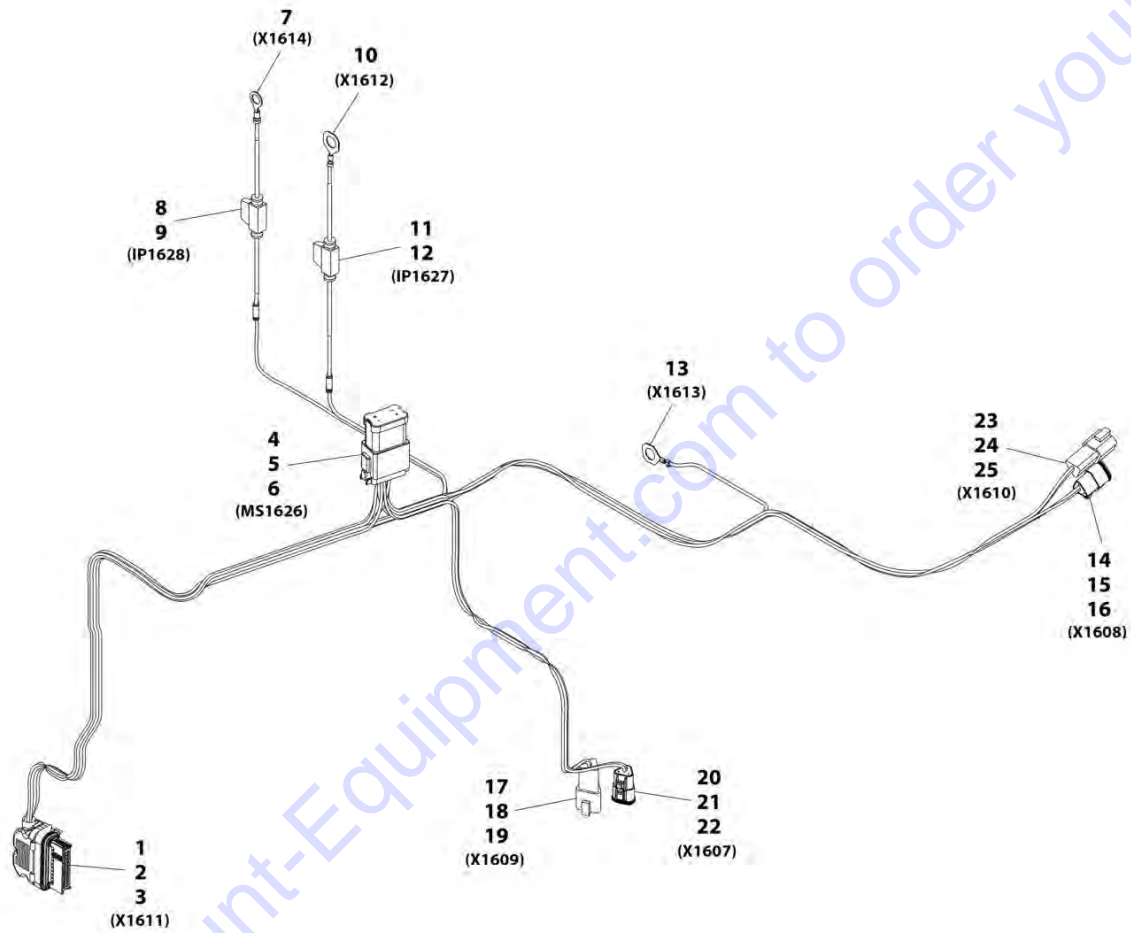
**FIGURE 10-80. CLEARSKY HARNESS (NO A/C) (Prior to SN 0160087899)**

ITEM	PART NUMBER	QTY	DESCRIPTION	REV
	1001176587	Ref	Clearsky Harness (no A/C)	C
1	1001112796	1	Connector	
2	4460465	3	Terminal	
3	4460944	2	Terminal	
4	4460466	4	Plug	
5	1001116994	1	Connector	
6	4460871	5	Terminal	
7	4460905	18	Plug	

Go to Discount-Equipment.com to order your parts

# SECTION 10 - ELECTRICAL

FIGURE 10-81. 4WARD TELEMATIC, HARNESS (CLEARSKY 2) (SN 0160087899 to Present)



ART\_1001227297-B

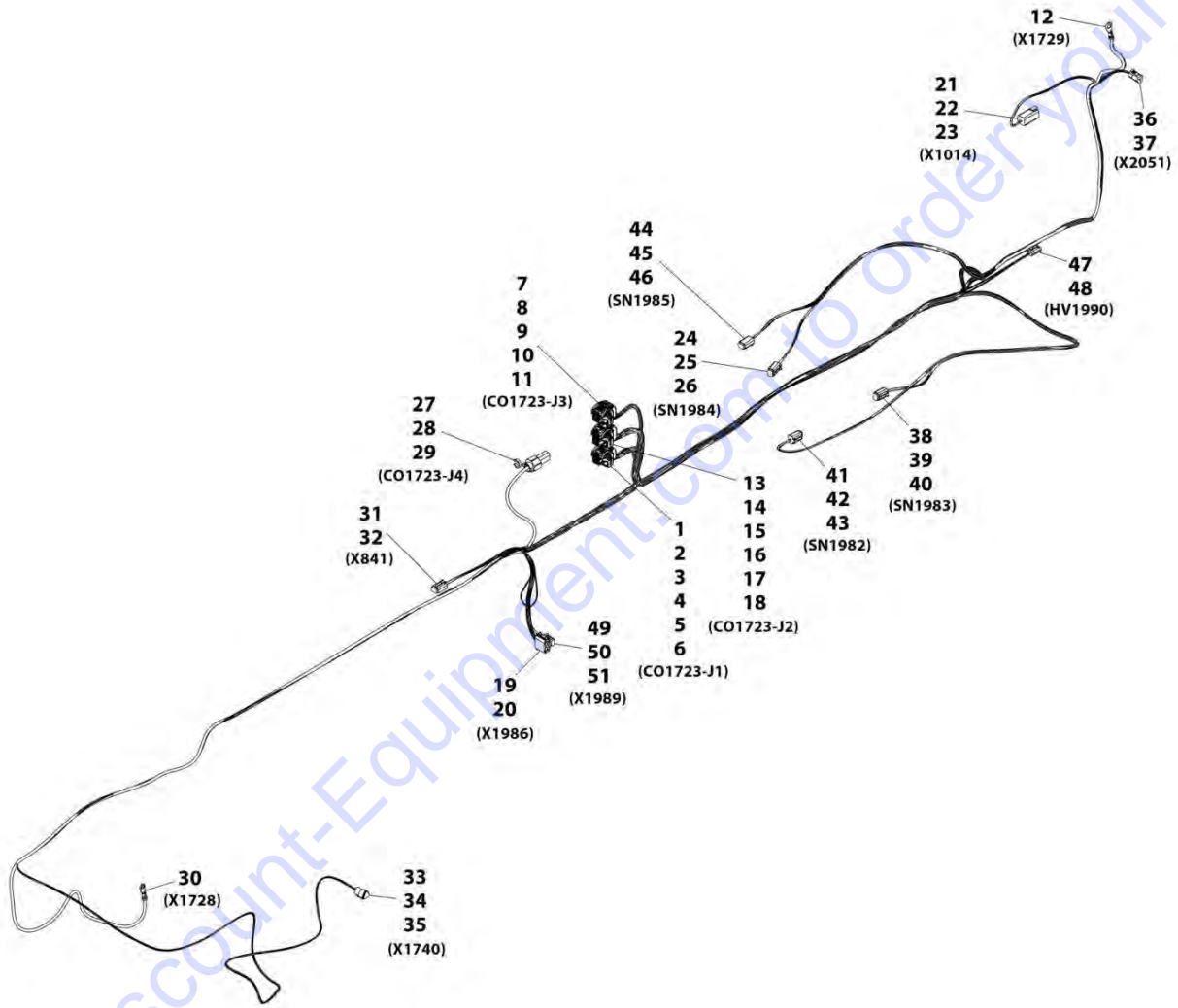
## SECTION 10 - ELECTRICAL

**FIGURE 10-81. 4WARD TELEMATIC, HARNESS (CLEARSKY 2) (SN 0160087899 to Present)**

ITEM	PART NUMBER	QTY	DESCRIPTION	REV
	1001227297	Ref	4ward Telematic, Harness (Clearsky 2)	B
1	1001226636	1	Connector	
2	1001226637	7	Terminal	
3	1001116731	17	Plug	
4	4460933	1	Connector	
5	4460465	12	Terminal	
6	1001200206	1	Connector, DT 12 Pin 4X3 Buss	
7	4460670	1	Connector	
8	2400060	1	Connector	
9	8229242	1	Fuse, 5amp	
10	1001187078	1	Connector	
11	2400060	1	Connector	
12	8229242	1	Fuse, 5amp	
13	1001187081	1	Connector	
14	1001116812	1	Connector	
15	4460465	2	Terminal	
16	4460466	1	Plug	
17	1001144147	1	Connector	
18	4460464	2	Terminal	
19	4460466	1	Plug	
20	1001116812	1	Connector	
21	4460465	2	Terminal	
22	4460466	1	Plug	
23	1001144147	1	Connector	
24	4460464	2	Terminal	
25	4460466	1	Plug	

# SECTION 10 - ELECTRICAL

## FIGURE 10-82. LMIS CHASSIS OPTION HARNESS



ART\_1001184795-E

## SECTION 10 - ELECTRICAL

### FIGURE 10-82. LMIS CHASSIS OPTION HARNESS

ITEM	PART NUMBER	QTY	DESCRIPTION	REV
	1001184795	Ref	LMIS Chassis Option Harness	E
1	1001161957	1	Connector	
2	1001161097	17	Terminal	
3	1001161100	7	Plug	
4	1001161101	2	Plug	
5	1001161098	2	Terminal	
6	1001161099	4	Terminal	
7	1001160500	1	Connector	
8	1001161100	16	Plug	
9	1001161097	8	Terminal	
10	1001161101	7	Plug	
11	1001161098	1	Terminal	
12	1001187076	1	Ring Terminal	
13	1001161963	1	Connector	
14	1001161097	24	Terminal	
15	1001161100	16	Plug	
16	1001161095	1	Terminal	
17	1001161099	3	Terminal	
18	1001161101	4	Plug	
19	1001116774	1	Connector	
20	4460928	12	Terminal	
21	4460899	1	Connector	
22	4460464	3	Terminal	
23	4460466	3	Plug	
24	4460884	1	Connector	
25	4460942	1	Terminal	
26	4460465	3	Terminal	
27	1001160509	1	Connector	
28	1001160510	1	Terminal	
29	1001175266	1	Terminal Seal	
30	1001187075	1	Ring Terminal	
31	4460884	1	Connector	
32	4460465	4	Terminal	
33	1001116812	1	Connector	
34	4460944	2	Terminal	
35	4460466	1	Plug	
36	4460539	1	Connector	
37	4460465	3	Terminal	
38	4460884	1	Connector	
39	4460942	1	Terminal	
40	4460465	3	Terminal	
41	4460884	1	Connector	
42	4460942	1	Terminal	
43	4460465	3	Terminal	
44	4460884	1	Connector	
45	4460942	1	Terminal	
46	4460465	3	Terminal	
47	4460891	1	Connector	
48	4460465	2	Terminal	
49	4460891	1	Connector	



## SECTION 10 - ELECTRICAL

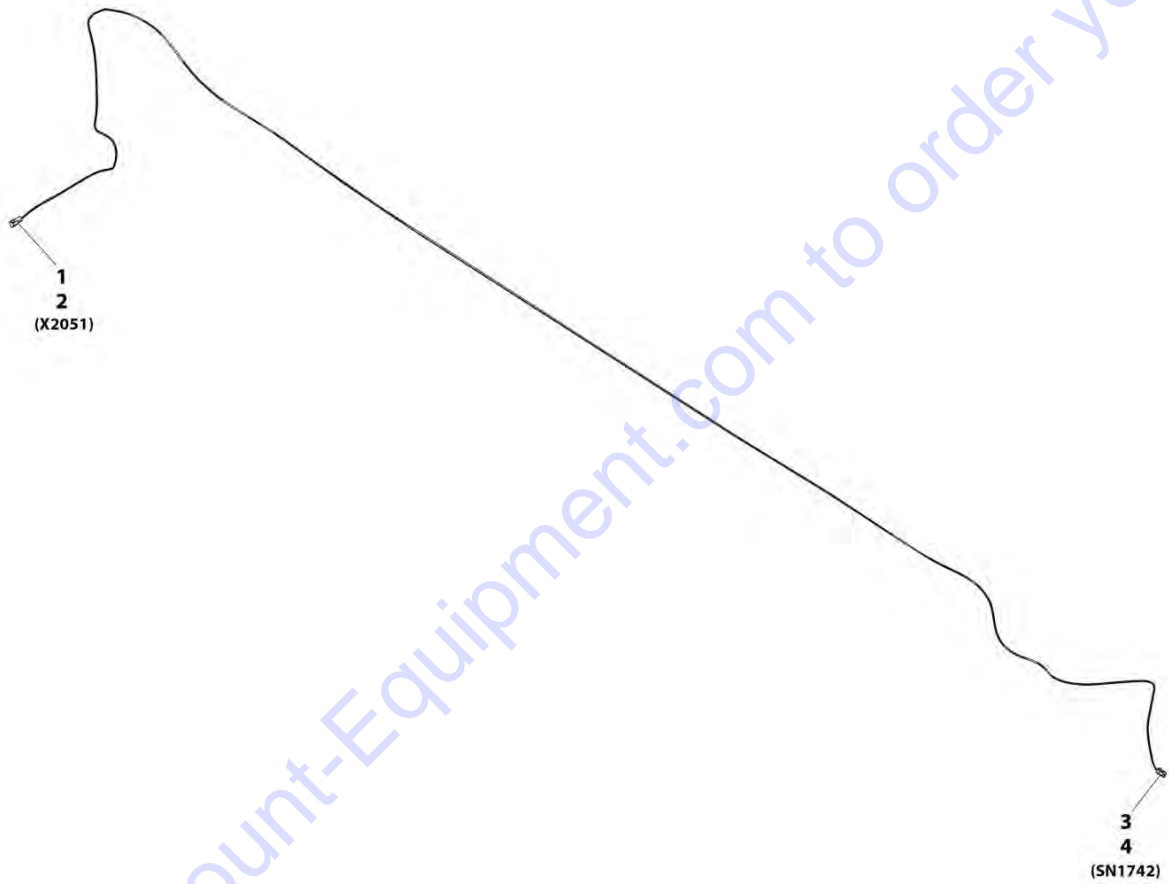
ITEM	PART NUMBER	QTY	DESCRIPTION	REV
50	4460465	1	Terminal	
51	4460942	1	Terminal	

Go to [Discount-Equipment.com](http://Discount-Equipment.com) to order your parts



# SECTION 10 - ELECTRICAL

## FIGURE 10-83. LMIS BOOM HARNESS



ART\_1001192619-C

## SECTION 10 - ELECTRICAL

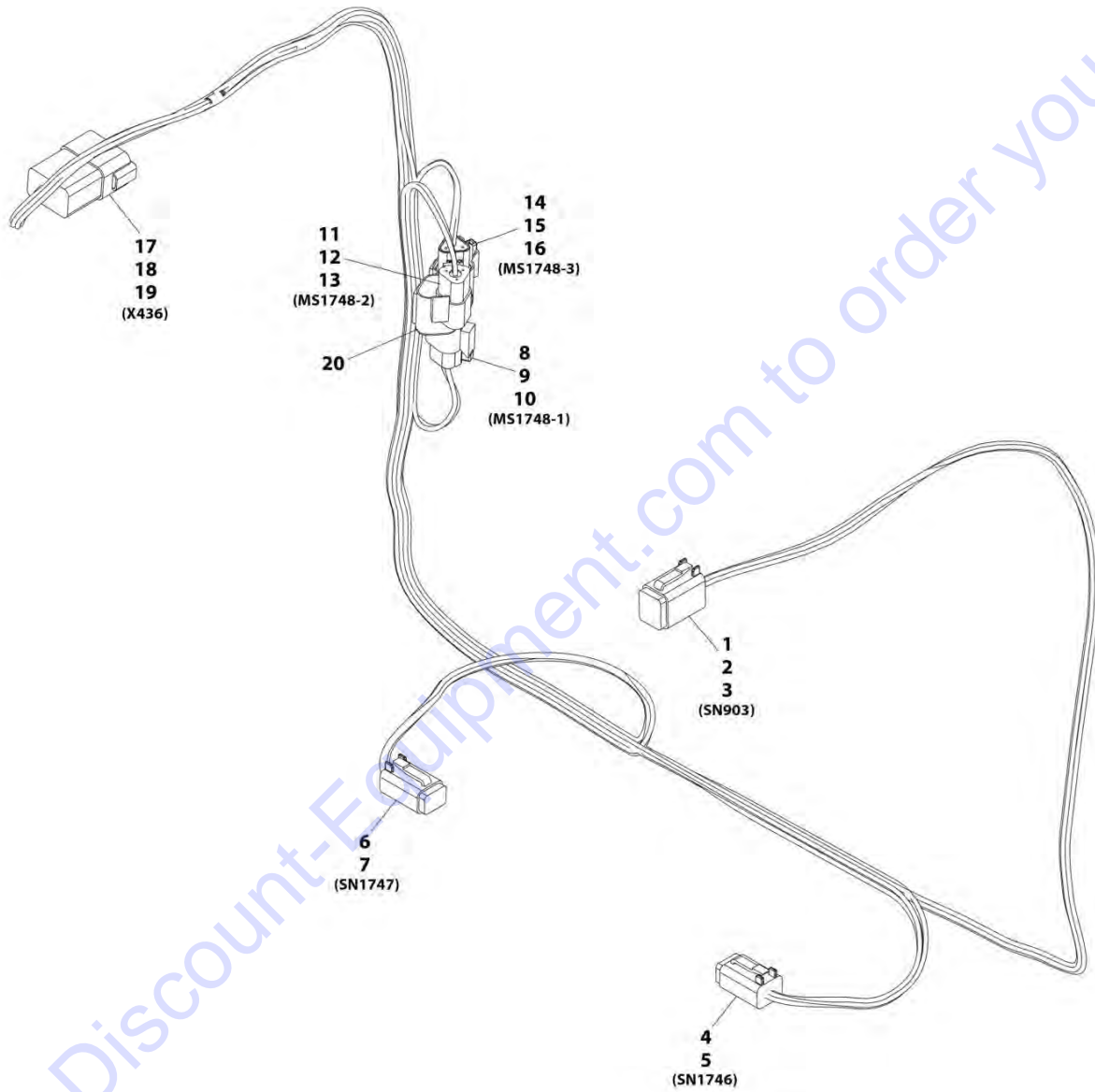
### FIGURE 10-83. LMIS BOOM HARNESS

ITEM	PART NUMBER	QTY	DESCRIPTION	REV
	1001192619	Ref	LMIS Boom Harness	C
1	4460536	1	Connector	
2	4460464	3	Terminal	
3	4460539	1	Connector	
4	4460465	3	Terminal	

Go to Discount-Equipment.com to order your parts

# SECTION 10 - ELECTRICAL

## FIGURE 10-84. PLATFORM READY HARNESS



ART\_1001195202-A

## SECTION 10 - ELECTRICAL

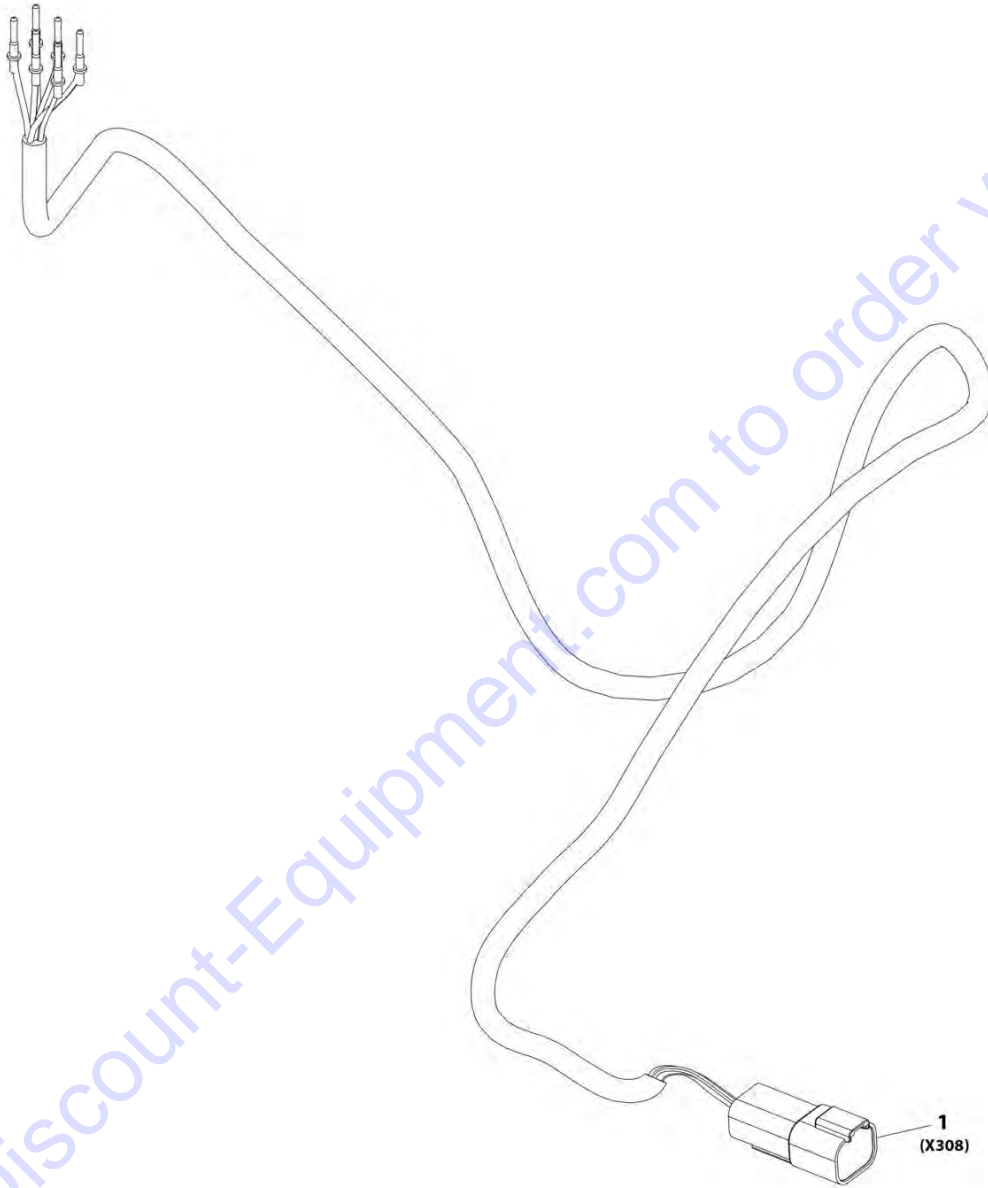
**FIGURE 10-84. PLATFORM READY HARNESS**

ITEM	PART NUMBER	QTY	DESCRIPTION	REV
	1001195202	Ref	Platform Ready Harness	A
1	4460894	1	Connector	
2	4460465	4	Terminal	
3	4460466	2	Plug	
4	4460884	1	Connector	
5	4460944	4	Terminal	
6	4460884	1	Connector	
7	4460944	4	Terminal	
8	1001116812	1	Connector	
9	4460944	2	Terminal	
10	4460466	1	Plug	
11	4460539	1	Connector	
12	4460944	2	Terminal	
13	4460466	1	Plug	
14	1001116812	1	Connector	
15	4460944	2	Terminal	
16	4460466	1	Plug	
17	4460931	1	Connector	
18	4460464	6	Terminal	
19	4460466	2	Plug	
20	4460945	1	Connector, 3 Way	

Go to Discount-Equipment.com to order your parts

**SECTION 10 - ELECTRICAL**

**FIGURE 10-85. LMIS BEACON OPTION HARNESS**



ART\_100117247-B

Go to Discount-Equipment.com to order your parts

## SECTION 10 - ELECTRICAL

### FIGURE 10-85. LMIS BEACON OPTION HARNESS

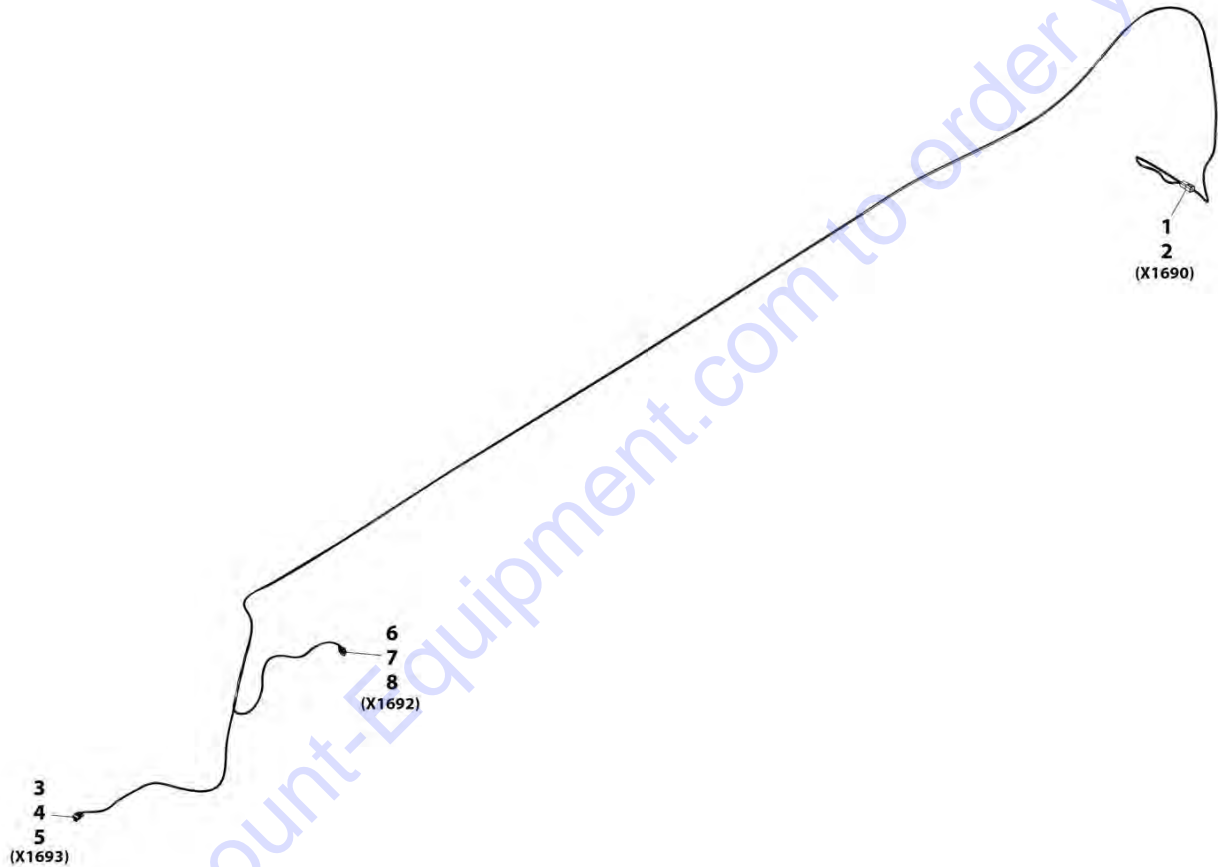
ITEM	PART NUMBER	QTY	DESCRIPTION	REV
1	1001117247 4460932	Ref 1	LMIS Beacon Option Harness Connector	B

Go to Discount-Equipment.com to order your parts



**SECTION 10 - ELECTRICAL**

**FIGURE 10-86. PROXIMITY SENSOR HARNESS**



Go to Discount-Equipment.com to order your parts

ART\_1001195953-F

## SECTION 10 - ELECTRICAL

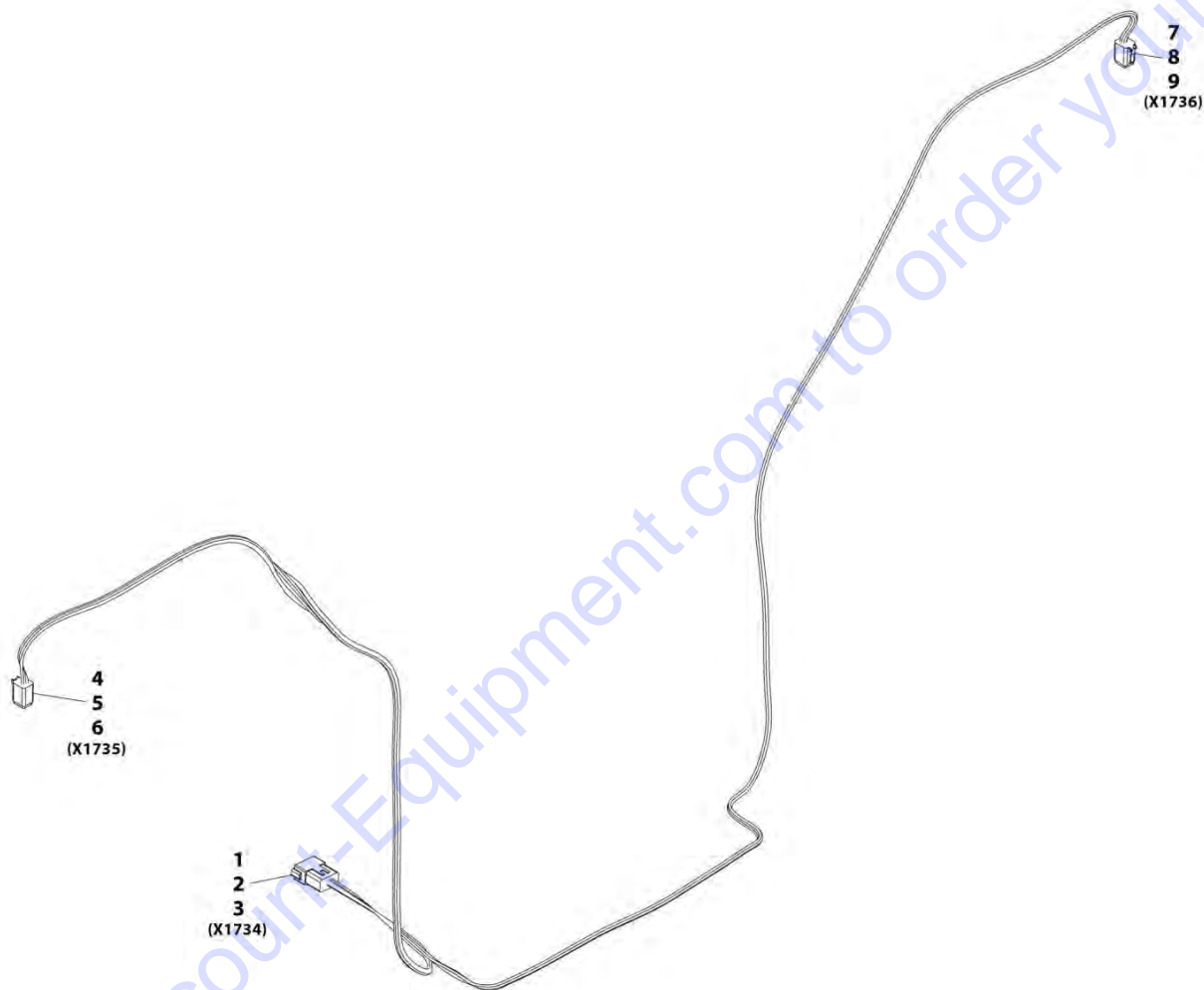
### FIGURE 10-86. PROXIMITY SENSOR HARNESS

ITEM	PART NUMBER	QTY	DESCRIPTION	REV
	1001195953	Ref	Proximity Sensor Harness	F
1	4460932	1	Connector	
2	4460464	4	Terminal	
3	4461262	1	Connector	
4	1001107854	3	Terminal	
5	1001104498	3	Terminal Seal	
6	4461262	1	Connector	
7	1001107854	3	Terminal	
8	1001104498	3	Terminal Seal	

Go to Discount-Equipment.com to order your parts

# SECTION 10 - ELECTRICAL

## FIGURE 10-87. HEADLIGHT HARNESS



ART\_1001215693-B

## SECTION 10 - ELECTRICAL

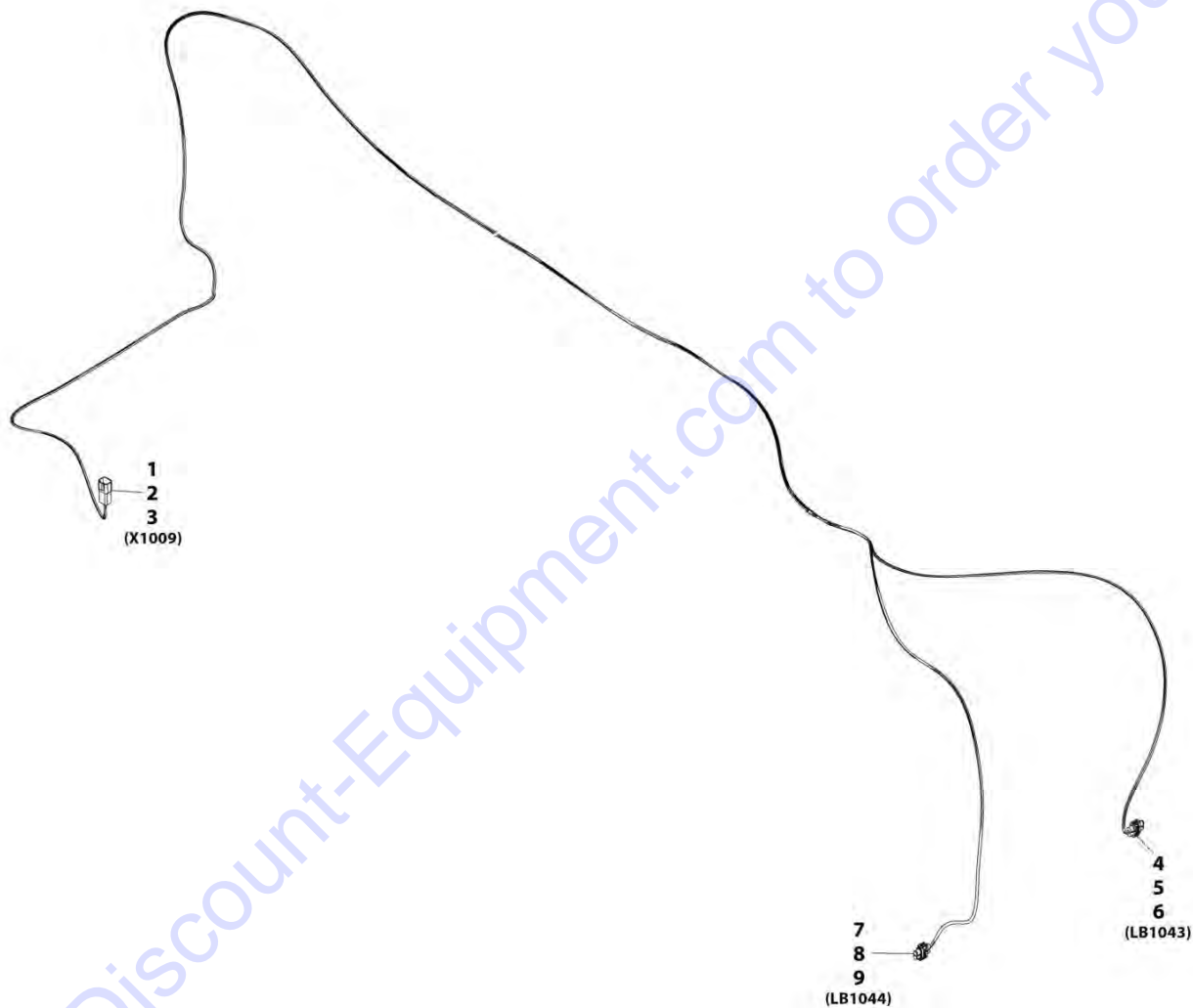
### FIGURE 10-87. HEADLIGHT HARNESS

ITEM	PART NUMBER	QTY	DESCRIPTION	REV
	1001215693	Ref	Headlight Harness	B
1	4460970	1	Connector	
2	4460941	10	Terminal	
3	4460466	2	Plug	
4	4460894	1	Connector	
5	4460942	5	Terminal	
6	4460466	1	Plug	
7	4460894	1	Connector	
8	4460942	5	Terminal	
9	4460466	1	Plug	

Go to Discount-Equipment.com to order your parts

# SECTION 10 - ELECTRICAL

## FIGURE 10-88. BOOM WORKLIGHTS HARNESS



ART\_1001184796-D

## SECTION 10 - ELECTRICAL

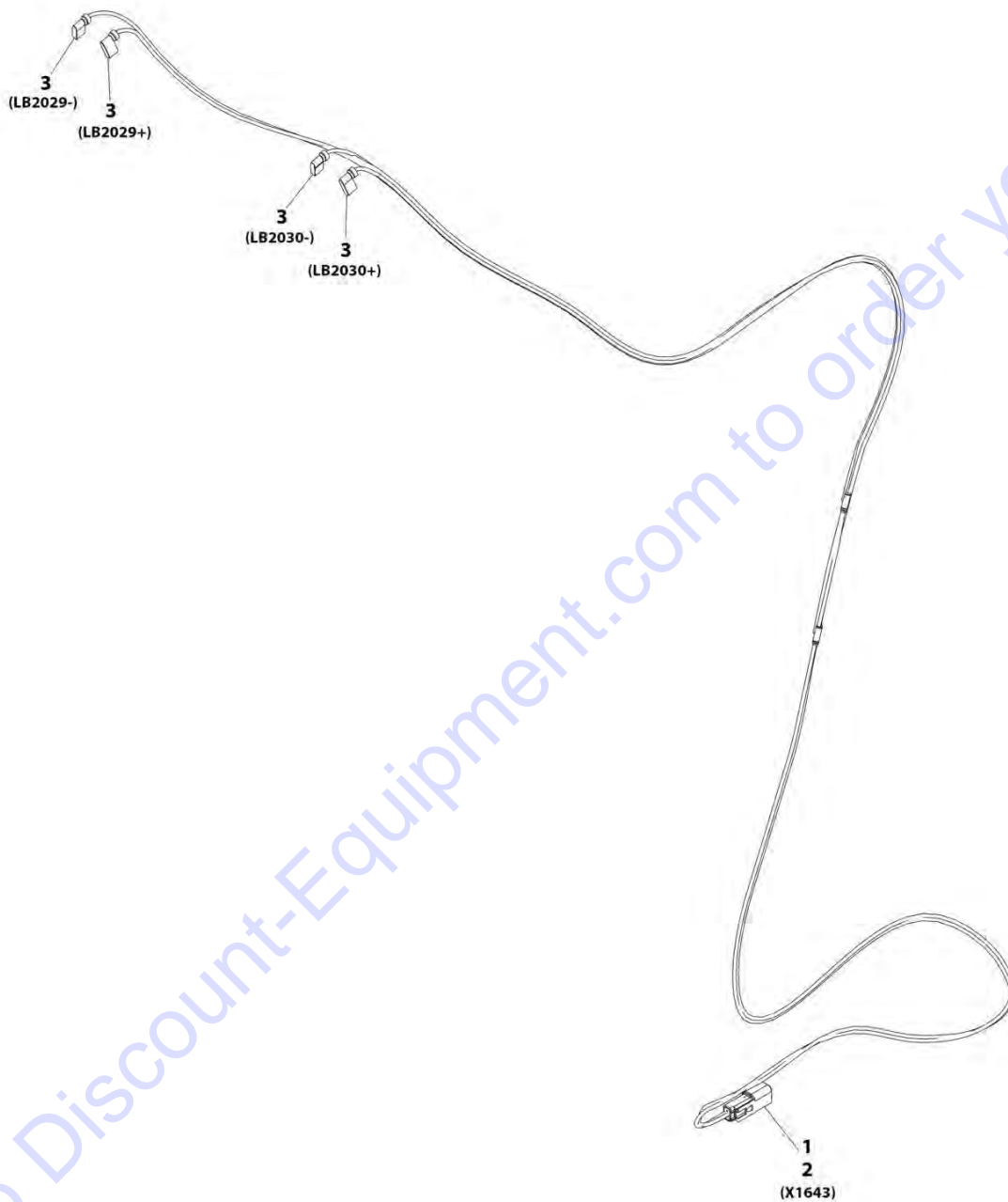
### FIGURE 10-88. BOOM WORKLIGHTS HARNESS

ITEM	PART NUMBER	QTY	DESCRIPTION	REV
	1001184796	Ref	Boom Worklights Harness	D
1	4460932	1	Connector	
2	4460464	2	Terminal	
3	4460466	2	Plug	
4	4461115	1	Connector	
5	1001116728	2	Terminal	
6	4460458	2	Terminal Seal	
7	4461115	1	Connector	
8	1001116728	2	Terminal	
9	4460458	2	Terminal Seal	

Go to Discount-Equipment.com to order your parts

# SECTION 10 - ELECTRICAL

## FIGURE 10-89. LICENSE LIGHT HARNESS



ART\_1001178053-C

## SECTION 10 - ELECTRICAL

### FIGURE 10-89. LICENSE LIGHT HARNESS

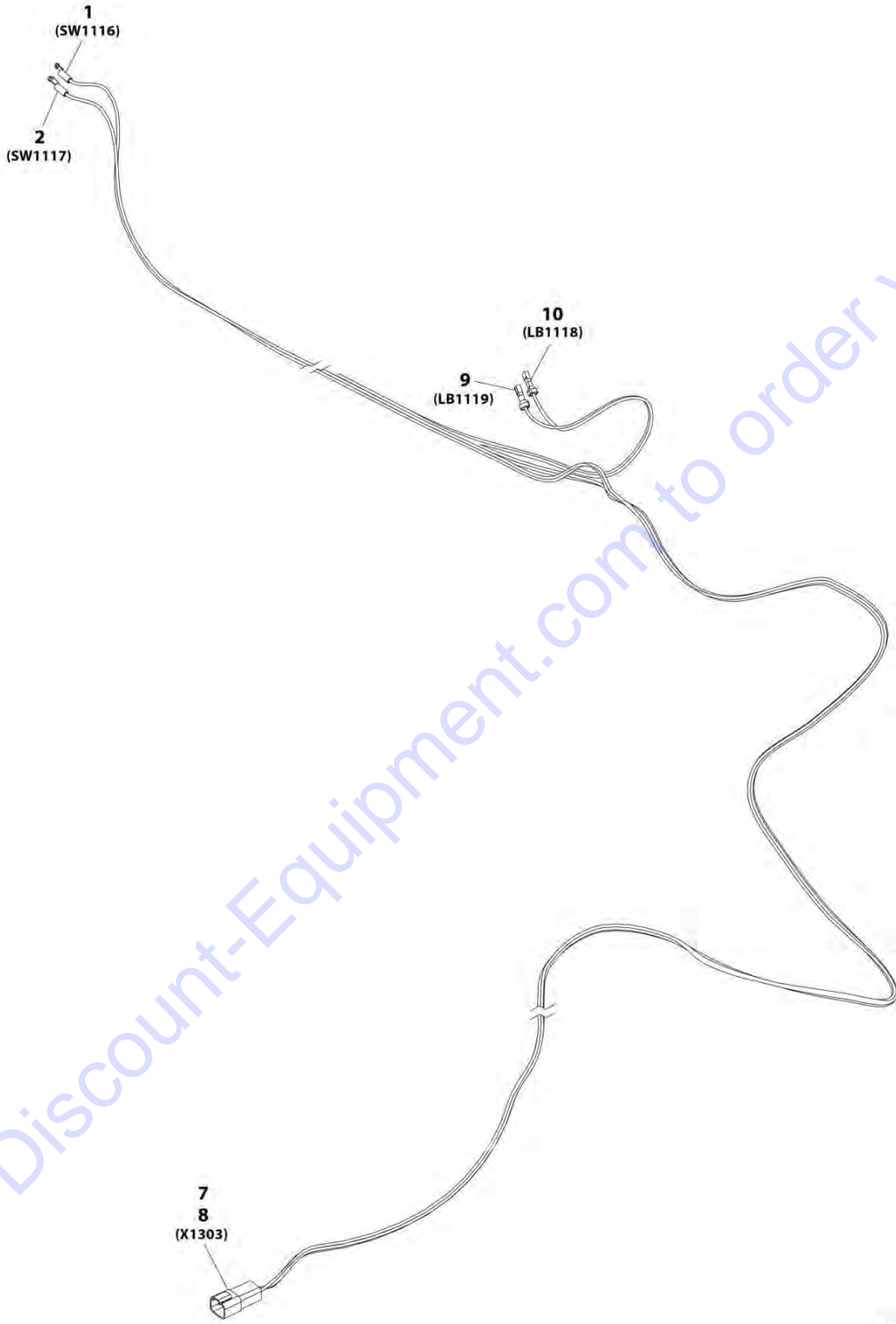
ITEM	PART NUMBER	QTY	DESCRIPTION	REV
	1001178053	Ref	License Light Harness	C
1	4460897	1	Connector	
2	4460941	2	Terminal	
3	1001190396	4	Connector	

Go to Discount-Equipment.com to order your parts



# SECTION 10 - ELECTRICAL

## FIGURE 10-90. AIR SHUTOFF VALVE HARNESS



ART\_1001231407-C

## SECTION 10 - ELECTRICAL

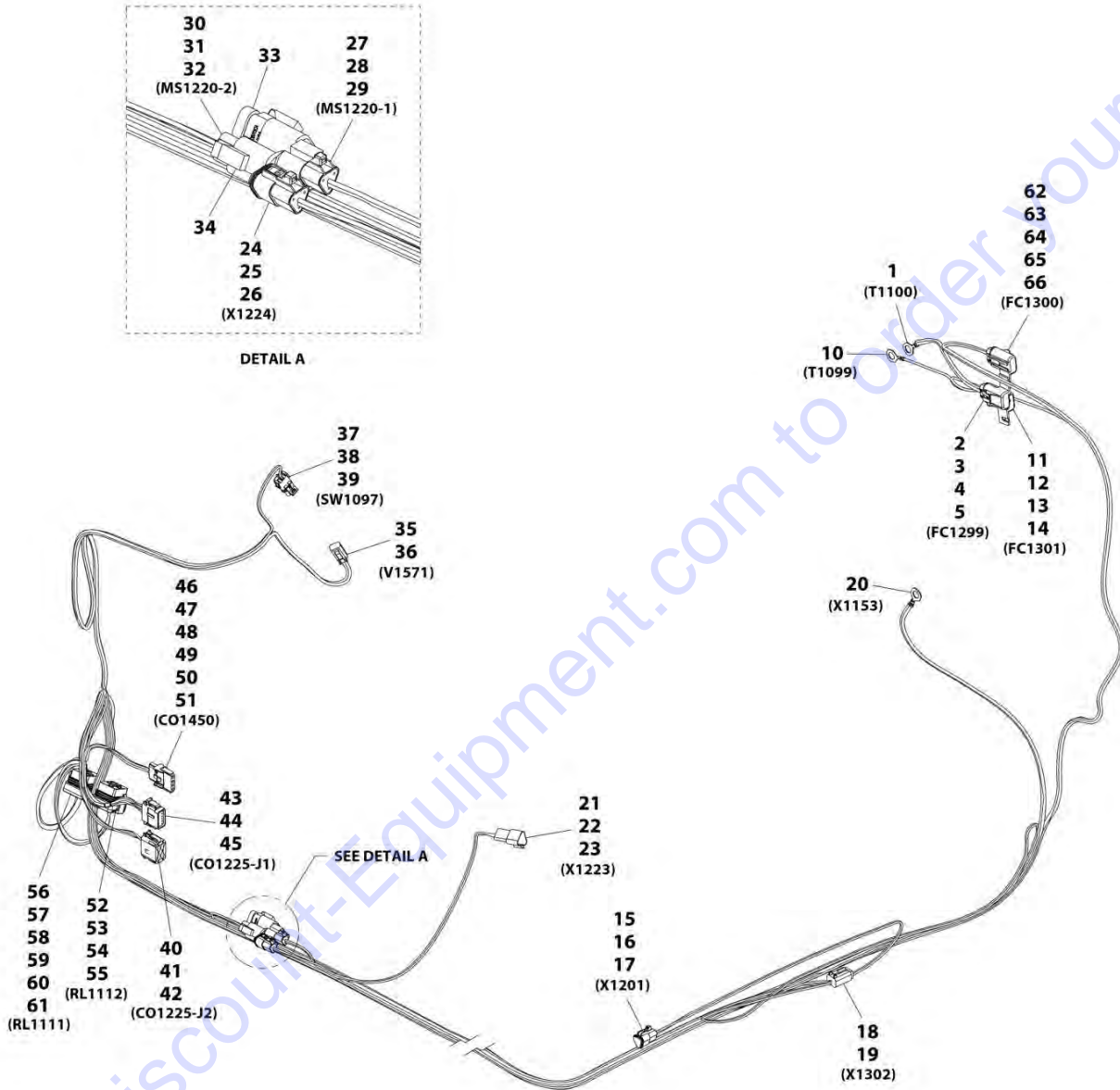
### FIGURE 10-90. AIR SHUTOFF VALVE HARNESS

ITEM	PART NUMBER	QTY	DESCRIPTION	REV
	1001231407	1	Cab Air Shutoff Valve Harness	C
1	8220035	1	Terminal, Ring	
2	8220035	1	Terminal, Ring	
7	4460932	1	Connector	
8	4460464	4	Pin	
9	8220108	1	Connector, Female	
10	8220108	1	Connector, Female	

Go to Discount-Equipment.com to order your parts

# SECTION 10 - ELECTRICAL

## FIGURE 10-91. AIR SHUT OFF VALVE HARNESS (ENGINE)



ART\_1001231483-C

## SECTION 10 - ELECTRICAL

### FIGURE 10-91. AIR SHUT OFF VALVE HARNESS (ENGINE)

ITEM	PART NUMBER	QTY	DESCRIPTION	REV
	1001231483	Ref	Engine Air Shut Off Valve Harness	C
1	1001187079	1	Terminal, Ring	
2	1001231397	1	Connector	
3	8229235	1	Fuse, 20amp	
4	1001231401	2	Terminal	
5	1001230402	2	Seal	
10	1001187078	1	Terminal, Ring	
11	1001231397	1	Connector	
12	8229261	1	Fuse, 20amp	
13	1001231400	2	Terminal	
14	1001230403	2	Seal	
15	1001116812	1	Connector	
16	4460465	2	Terminal	
17	4460466	1	Plug	
18	4460884	1	Connector	
19	4460465	4	Terminal	
20	1001187079	1	Terminal, Ring	
21	1001144147	1	Connector	
22	4460464	2	Terminal	
23	4460466	1	Plug	
24	1001116812	1	Connector	
25	4460465	2	Terminal	
26	4460466	1	Plug	
27	1001116812	1	Connector	
28	4460465	2	Terminal	
29	4460466	1	Plug	
30	4460539	1	Connector	
31	4460465	2	Terminal	
32	4460466	1	Plug	
33	1001116815	1	Connector, 3 Pin	
34	4460945	1	Terminal, 3 Way "T" Receptacle	
35	4460891	1	Connector	
36	1001157890	2	Terminal	
37	4460742	1	Connector	
38	4460475	2	Terminal	
39	4460458	2	Plug	
40	1001116774	1	Connector	
41	4460518	8	Plug	
42	1001126008	4	Terminal	
43	1001116808	1	Connector	
44	1001126008	9	Terminal	
45	4460518	3	Plug	
46	4460761	1	Connector	
47	4460321	1	Terminal	
48	1001118378	4	Terminal	
49	4460809	4	Plug	
50	1001143551	1	Seal	
51	1001218358	1	Lanyard Rope	
52	1001231398	1	Connector	
53	1001231400	4	Terminal	

## SECTION 10 - ELECTRICAL

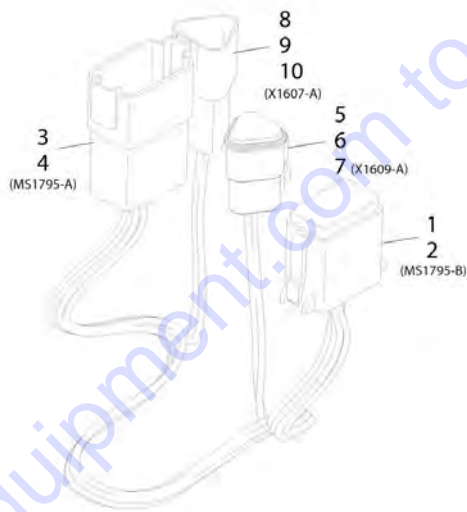
ITEM	PART NUMBER	QTY	DESCRIPTION	REV
54	1001231404	4	Seal	
55	1001231406	1	Plug	
56	1001231398	1	Connector	
57	1001231401	2	Terminal	
58	1001231402	2	Seal	
59	1001231400	2	Terminal	
60	1001231404	2	Seal	
61	1001231406	1	Plug	
62	1001231397	1	Connector	
63	8229234	1	Fuse, 20amp	
64	1001231400	2	Terminal	
65	1001230403	1	Seal	
66	1001230404	1	Seal	

Go to Discount-Equipment.com to order your parts



# SECTION 10 - ELECTRICAL

FIGURE 10-92. TELEMATICS OPTION HARNESS (SN 0160087899 to Present)



ART\_1001232298-A

Go to Discount-Equipment.com to order your parts

## SECTION 10 - ELECTRICAL

**FIGURE 10-92. TELEMATICS OPTION HARNESS (SN 0160087899 to Present)**

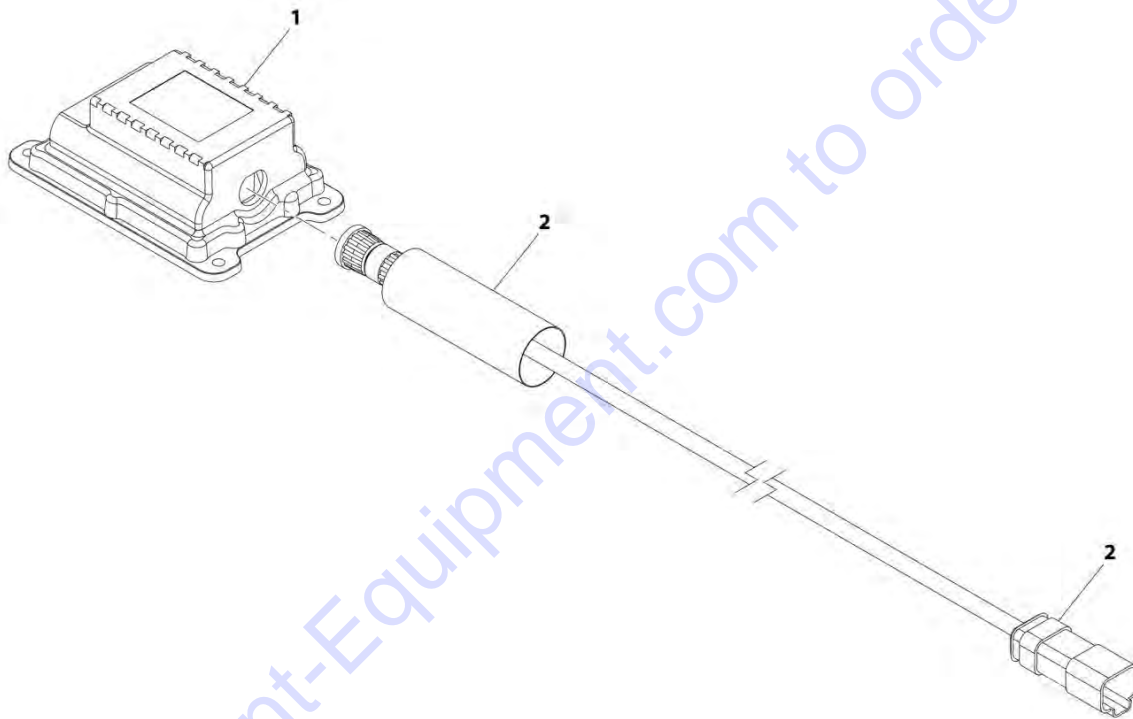
ITEM	PART NUMBER	QTY	DESCRIPTION	REV
	1001232298	Ref	Telematics Option Harness	A
1	4460930	1	Connector	
2	4460465	8	Terminal	
3	4460931	1	Mating Connector	
4	4460464	8	Terminal	
5	1001116812	1	Connector	
6	4460465	2	Terminal	
7	4460466	1	Plug	
8	1001144147	1	Connector	
9	4460464	2	Terminal	
10	4460466	1	Plug	

Go to Discount-Equipment.com to order your parts



# SECTION 10 - ELECTRICAL

FIGURE 10-93. CLEARSKY INSTALLATION 3-WIRE (ANSI)



Go to Discount-Equipment.com to order your parts

ART\_1001229107-C

## SECTION 10 - ELECTRICAL

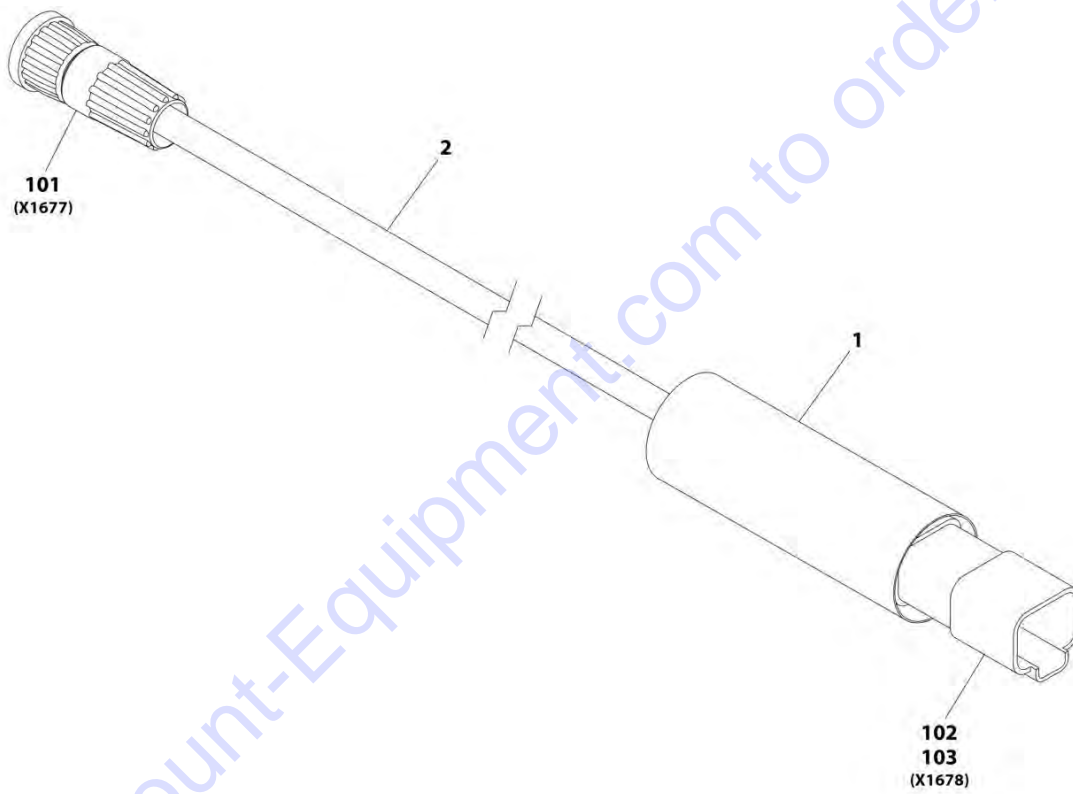
**FIGURE 10-93. CLEARSKY INSTALLATION 3-WIRE (ANSI)**

ITEM	PART NUMBER	QTY	DESCRIPTION	REV
	1001229107	Ref	Clearsky Installation 3-Wire	C
1	1001226328	1	Module, 3W TCU	
2	1001227066	Ref	Telematics Harness (See Separate Breakdown in this Section)	

Go to Discount-Equipment.com to order your parts

# SECTION 10 - ELECTRICAL

## FIGURE 10-94. TELEMATICS HARNESS



ART\_1001227066-A

## SECTION 10 - ELECTRICAL

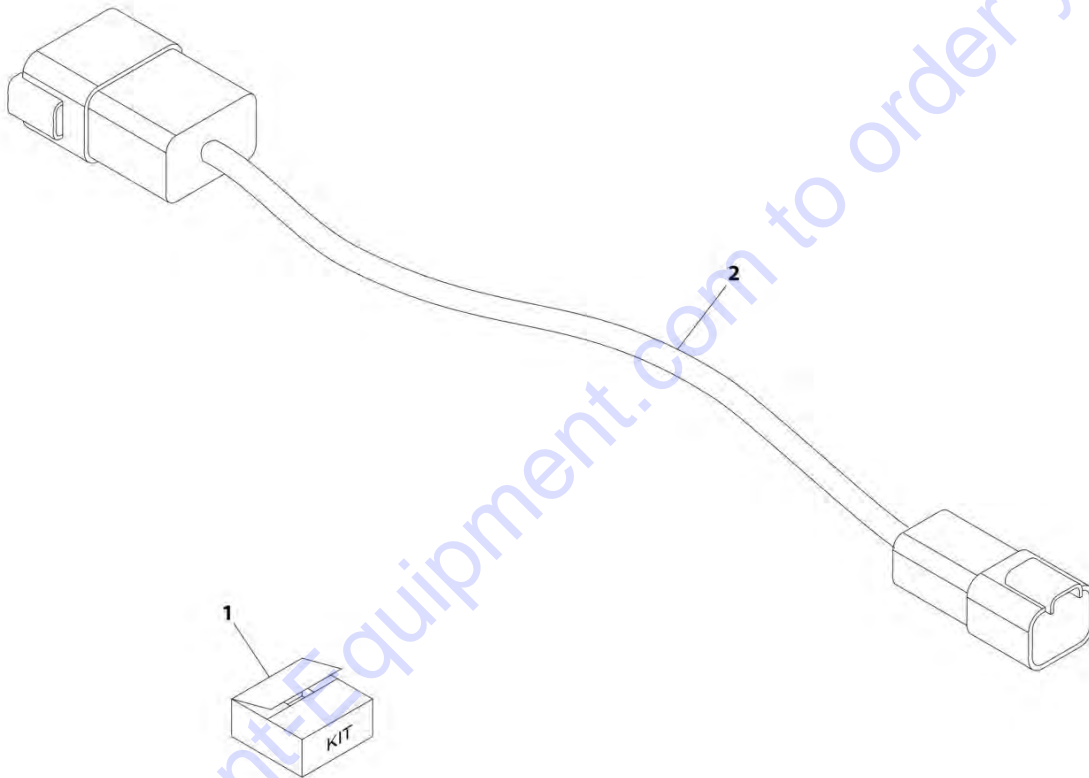
### FIGURE 10-94. TELEMATICS HARNESS

ITEM	PART NUMBER	QTY	DESCRIPTION	REV
	1001227066	Ref	Telematics Harness	A
1	1001226400	0.33 ft	Insulate, Heat Shrink	
2	1001227068	3.3 ft	Cable	
101	1001227266	1	Connector	
102	1001129407	1	Connector	
103	4460464	4	Terminal	

Go to Discount-Equipment.com to order your parts

## SECTION 10 - ELECTRICAL

FIGURE 10-95. TELEMATICS INSTALLATION, UNITED RENTALS



ART\_1001195610-A

## SECTION 10 - ELECTRICAL

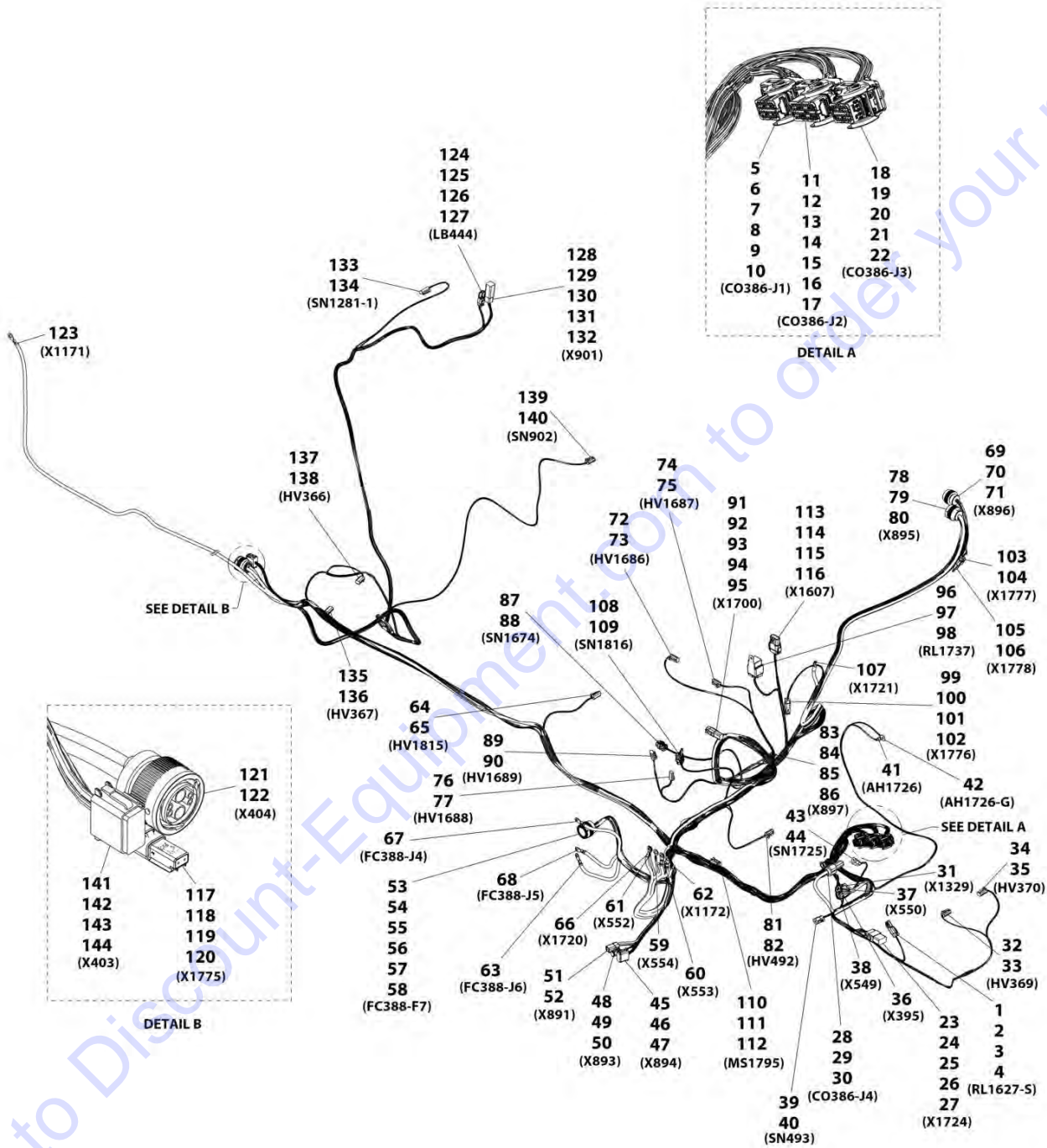
**FIGURE 10-95. TELEMATICS INSTALLATION, UNITED RENTALS**

ITEM	PART NUMBER	QTY	DESCRIPTION	REV
	1001195610	Ref	Telematics Installation, United Rentals	A
1	N.S.S.	1	Telematics Kit	
2	1001195423	1	Harness, Jumper	

Go to Discount-Equipment.com to order your parts

# SECTION 10 - ELECTRICAL

## FIGURE 10-96. FRONT FRAME HARNESS



ART\_1001228740-B

## SECTION 10 - ELECTRICAL

### FIGURE 10-96. FRONT FRAME HARNESS

ITEM	PART NUMBER	QTY	DESCRIPTION	REV
	1001228740	Ref	Front Frame Harness, Mining	B
1	4460891	1	Connector	
2	4460897	1	Mating Connector	
3	4460466	2	Plug	
4	4460465	2	Terminal	
5	1001161957	1	Connector	
6	643191201	1	Cover	
7	1001161100	12	Plug	
8	1001161097	12	Terminal	
9	1001161101	5	Plug	
10	1001161098	3	Terminal	
11	1001161963	1	Connector	
12	643201301	1	Cover	
13	1001161097	22	Terminal	
14	1001161100	19	Plug	
15	1001161099	6	Terminal	
16	1001161098	1	Terminal	
17	1001161101	1	Plug	
18	1001160500	1	Connector	
19	643191201	1	Cover	
20	1001161097	10	Terminal	
21	1001161100	15	Plug	
22	1001161099	7	Terminal	
23	4460933	1	Connector	
24	4460970	1	Mating Connector	
25	4460466	2	Plug	
26	4460942	10	Terminal	
27	4460466	2	Plug	
28	1001160509	1	Connector	
29	1001160510	1	Terminal	
30	1001175267	1	Seal	
31	1001187080	1	Ring Terminal	
32	4460891	1	Connector	
33	4460465	2	Terminal	
34	4460891	1	Connector	
35	4460465	2	Terminal	
36	1001187080	1	Ring Terminal	
37	1001187079	1	Ring Terminal	
38	1001187079	1	Ring Terminal	
39	4460539	1	Connector	
40	4460465	3	Terminal	
41	8220051	1	Ring Terminal	
42	1001187073	1	Ring Terminal	
43	4460539	1	Connector	
44	4460465	3	Terminal	
45	4460933	1	Connector	
46	4460465	11	Terminal	
47	4460466	1	Plug	
48	1001116812	1	Connector	
49	4460465	2	Terminal	



## SECTION 10 - ELECTRICAL

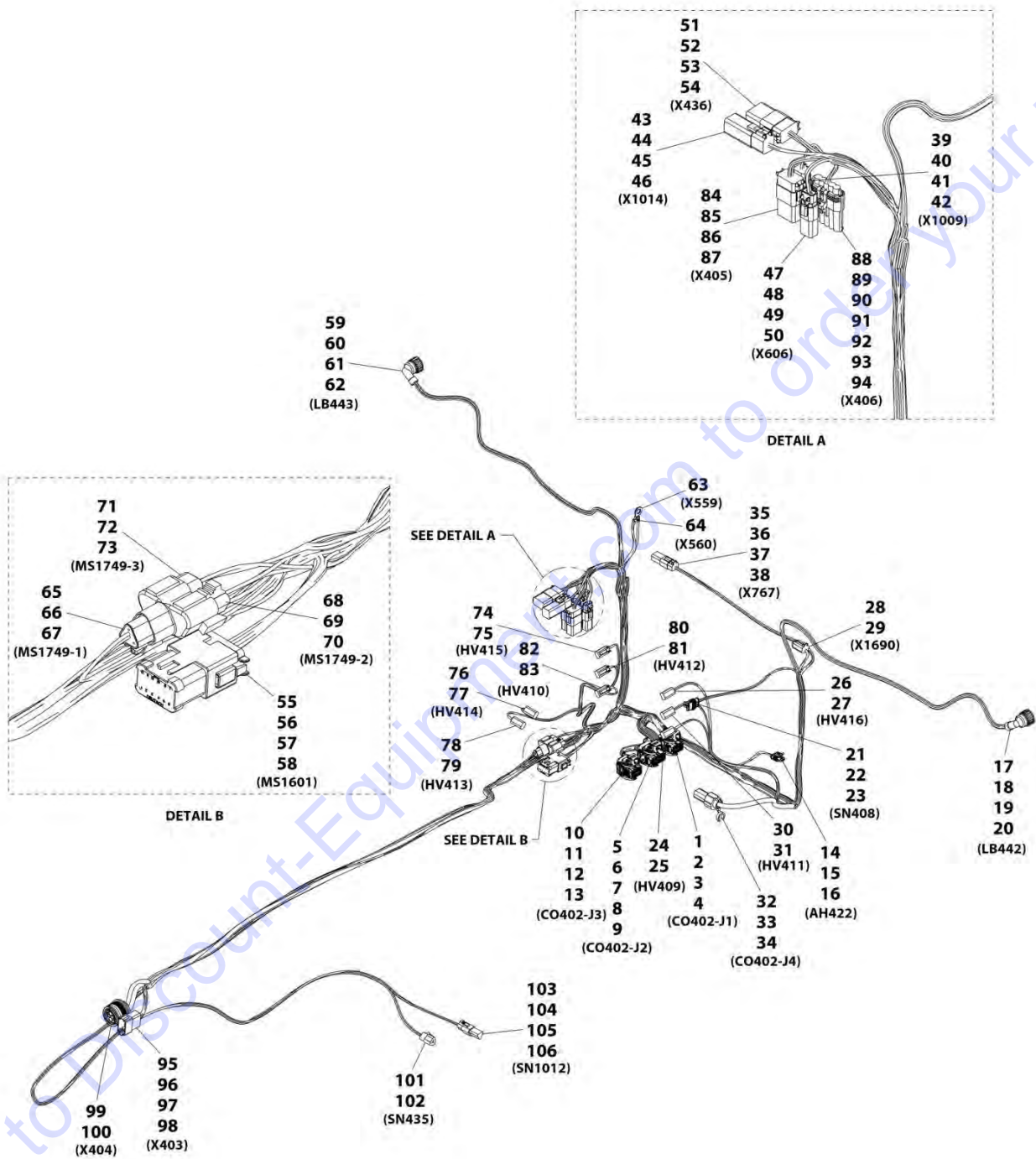
ITEM	PART NUMBER	QTY	DESCRIPTION	REV
50	4460466	1	Plug	
51	1001116810	1	Connector	
52	1001150611	4	Terminal	
53	1001165309	1	Connector	
54	4460466	2	Plug	
55	4460465	9	Terminal	
56	4460942	2	Terminal	
57	4460509	3	Terminal	
58	1001150611	3	Terminal	
59	1001187079	1	Ring Terminal	
60	1001187076	1	Ring Terminal	
61	1001187079	1	Ring Terminal	
62	1001187076	1	Ring Terminal	
63	1001187075	1	Ring Terminal	
64	4460891	1	Connector	
65	4460465	2	Terminal	
66	1001117109	1	Ring Terminal	
67	1001187075	1	Ring Terminal	
68	1001187075	1	Ring Terminal	
69	4461015	1	Connector	
70	4460465	12	Terminal	
71	4460466	2	Plug	
72	4460891	1	Connector	
73	4460465	2	Terminal	
74	4460891	1	Connector	
75	4460465	2	Terminal	
76	4461290	1	Connector	
77	4460928	2	Terminal	
78	1001118323	1	Connector	
79	4460942	4	Terminal	
80	91013192	2	Terminal	
81	4460891	1	Connector	
82	4460465	2	Terminal	
83	4460891	1	Connector	
84	4460897	1	Mating Connector	
85	4460942	1	Terminal	
86	4460466	1	Plug	
87	1001116950	1	Connector	
88	4460465	2	Terminal	
89	4460891	1	Connector	
90	4460465	2	Terminal	
91	4460884	1	Connector	
92	4460932	1	Mating Connector	
93	4460466	1	Sealing Plug	
94	4460465	3	Terminal	
95	4460942	1	Terminal	
96	1001118282	1	Connector	
97	1001116732	4	Terminal	
98	1001128128	1	Plug	
99	4460891	1	Connector	
100	4460897	1	Mating Connector	

## SECTION 10 - ELECTRICAL

ITEM	PART NUMBER	QTY	DESCRIPTION	REV
101	4460465	2	Terminal	
102	4460466	1	Plug	
103	4460891	1	Connector	
104	4460465	2	Terminal	
105	4460897	1	Connector	
106	4460464	2	Terminal	
107	8220116	1	Ring Terminal	
108	1001116950	1	Connector	
109	4460465	2	Terminal	
110	4460930	1	Connector	
111	4460984	1	Mating Connector	
112	4460465	8	Terminal	
113	1001116774	1	Connector	
114	1001132169	1	Mating Connector	
115	4460518	7	Plug	
116	1001126008	5	Terminal	
117	4460891	1	Connector	
118	4460897	1	Mating Connector	
119	4460465	2	Terminal	
120	4460466	1	Plug	
121	1001165310	1	Connector	
122	91013192	2	Terminal	
123	1001187076	1	Ring Terminal	
124	4460891	1	Connector	
125	4460897	1	Mating Connector	
126	4460942	2	Terminal	
127	4460466	1	Plug	
128	4460894	1	Connector	
129	4460899	1	Mating Connector	
130	4460466	1	Plug	
131	4460465	2	Terminal	
132	4460942	4	Terminal	
133	4460891	1	Connector	
134	4460465	2	Terminal	
135	4460891	1	Connector	
136	4460465	2	Terminal	
137	4460891	1	Connector	
138	4460465	2	Terminal	
139	4460891	1	Connector	
140	4460465	2	Terminal	
141	4460933	1	Connector	
142	4460465	6	Terminal	
143	4460942	1	Terminal	
144	4460466	5	Plug	

# SECTION 10 - ELECTRICAL

## FIGURE 10-97. REAR FRAME HARNESS



ART\_1001228741-A

## SECTION 10 - ELECTRICAL

### FIGURE 10-97. REAR FRAME HARNESS

ITEM	PART NUMBER	QTY	DESCRIPTION	REV
	1001228741	Ref	Front Frame Harness, Mining	A
1	1001161957	1	Connector	
2	1001161097	6	Terminal	
3	1001161100	18	Plug	
4	1001161101	8	Plug	
5	1001161963	1	Connector	
6	1001161097	26	Terminal	
7	1001161100	14	Plug	
8	1001161099	6	Terminal	
9	1001161101	2	Plug	
10	1001160500	1	Connector	
11	1001161100	18	Plug	
12	1001161097	6	Terminal	
13	1001161099	8	Terminal	
14	4461118	1	Connector	
15	1001107854	2	Terminal	
16	1001116763	2	Terminal Seal	
17	1001116996	1	Connector	
18	1001118392	6	Terminal	
19	1001116696	1	Plug	
20	4461054	6	Terminal Seal	
21	4461262	1	Connector	
22	1001107854	3	Terminal	
23	1001104498	3	Terminal Seal	
24	4460891	1	Connector	
25	4460465	2	Terminal	
26	4460891	1	Connector	
27	4460465	2	Terminal	
28	4460884	1	Connector	
29	4460465	4	Terminal	
30	4460891	1	Connector	
31	4460465	2	Terminal	
32	1001160509	1	Connector	
33	1001160510	1	Terminal	
34	1001175267	1	Terminal Seal	
35	4460884	1	Connector	
36	4460932	1	Mating Connector	
37	4460465	4	Terminal	
38	4460466	1	Plug	
39	4460884	1	Connector	
40	4460932	1	Mating Connector	
41	4460466	2	Plug	
42	4460465	2	Terminal	
43	4460894	1	Connector	
44	4460899	1	Mating Connector	
45	4460466	3	Plug	
46	4460465	3	Terminal	
47	4461018	1	Connector	
48	4461017	1	Mating Connector	
49	4460509	2	Terminal	

## SECTION 10 - ELECTRICAL

ITEM	PART NUMBER	QTY	DESCRIPTION	REV
51	4460930	1	Connector	
52	4460931	1	Mating Connector	
53	4460466	2	Plug	
54	4460465	6	Terminal	
55	4460933	1	Connector	
56	1001125677	1	Bussbar Connector	
57	4460465	10	Terminal	
58	4460466	2	Plug	
59	1001116996	1	Connector	
60	1001118392	6	Terminal	
61	1001116696	1	Plug	
62	4461054	6	Terminal Seal	
63	1001187080	1	Ring Terminal	
64	1001187079	1	Ring Terminal	
65	1001116812	1	Connector	
66	4460944	2	Terminal	
67	4460466	1	Plug	
68	4460539	1	Connector	
69	4460944	2	Terminal	
70	4460466	1	Plug	
71	1001116812	1	Connector	
72	4460944	2	Terminal	
73	4460466	1	Plug	
74	4460891	1	Connector	
75	4460465	2	Terminal	
76	4460891	1	Connector	
77	4460465	2	Terminal	
78	4460891	1	Connector	
79	4460465	2	Terminal	
80	4460891	1	Connector	
81	4460465	2	Terminal	
82	4460891	1	Connector	
83	4460465	2	Terminal	
84	4460930	1	Connector	
85	4460931	1	Mating Connector	
86	4460466	2	Plug	
87	4460465	6	Terminal	
88	1001121726	1	Connector	
89	1001121727	1	Mating Connector	
90	1001116728	4	Terminal	
91	1001116727	1	Plug	
92	4460748	1	Plug	
93	1001175265	3	Terminal Seal	
94	4460458	1	Terminal Seal	
95	4460970	1	Connector	
96	4460464	6	Terminal	
97	4460941	1	Terminal	
98	4460466	5	Plug	
99	1001165311	1	Connector	
100	91013191	2	Terminal	
101	4460539	1	Connector	

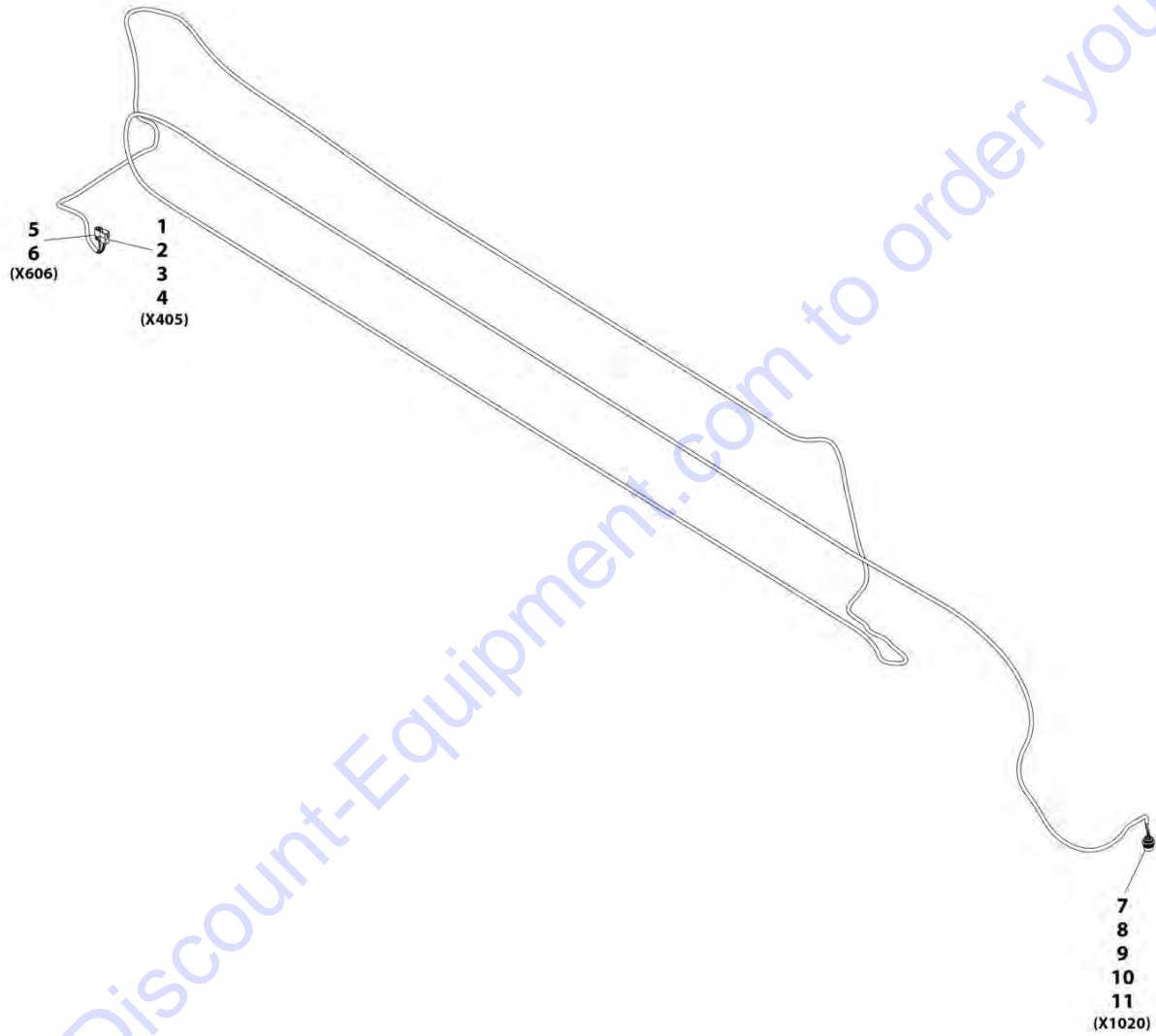
## SECTION 10 - ELECTRICAL

ITEM	PART NUMBER	QTY	DESCRIPTION	REV
102	4460944	3	Terminal	
103	4460539	1	Connector	
104	4460536	1	Mating Connector	
105	4460466	1	Plug	
106	4460465	3	Terminal	

Go to Discount-Equipment.com to order your parts

# SECTION 10 - ELECTRICAL

## FIGURE 10-98. BOOM HARNESS



ART\_1001228744-A

## SECTION 10 - ELECTRICAL

### FIGURE 10-98. BOOM HARNESS

ITEM	PART NUMBER	QTY	DESCRIPTION	REV
	1001228744	Ref	Boom Harness	A
1	4460931	1	Connector	
2	4460943	2	Terminal	
3	4460464	4	Terminal	
4	4460466	2	Plug	
5	4461017	1	Connector	
6	4460508	2	Terminal	
7	1001112612	1	Connector	
8	1001157891	2	Terminal	
9	4460464	4	Terminal	
10	4460943	2	Terminal	
11	4460466	1	Plug	

Go to Discount-Equipment.com to order your parts



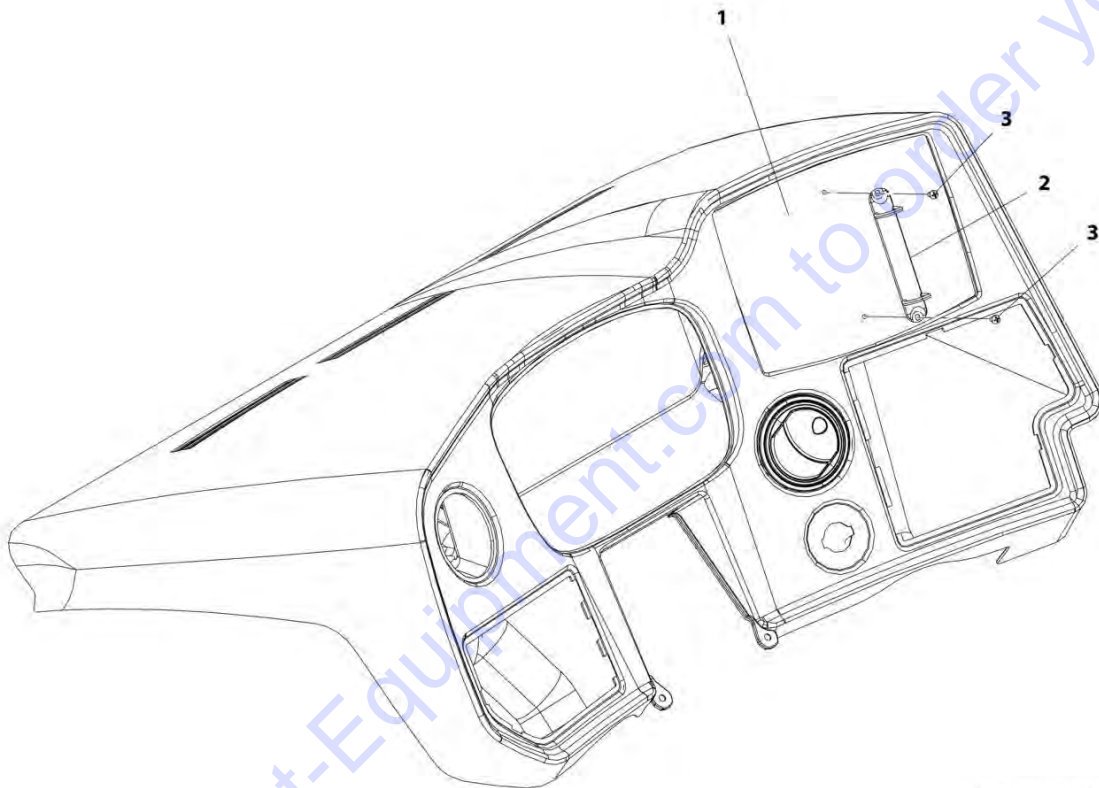


**SECTION 11 - DECALS**

Go to Discount-Equipment.com to order your parts

# SECTION 11 - DECALS

## FIGURE 11-1. CAPACITY CHART HOLDER INSTALLATION



ART\_1001178706-A

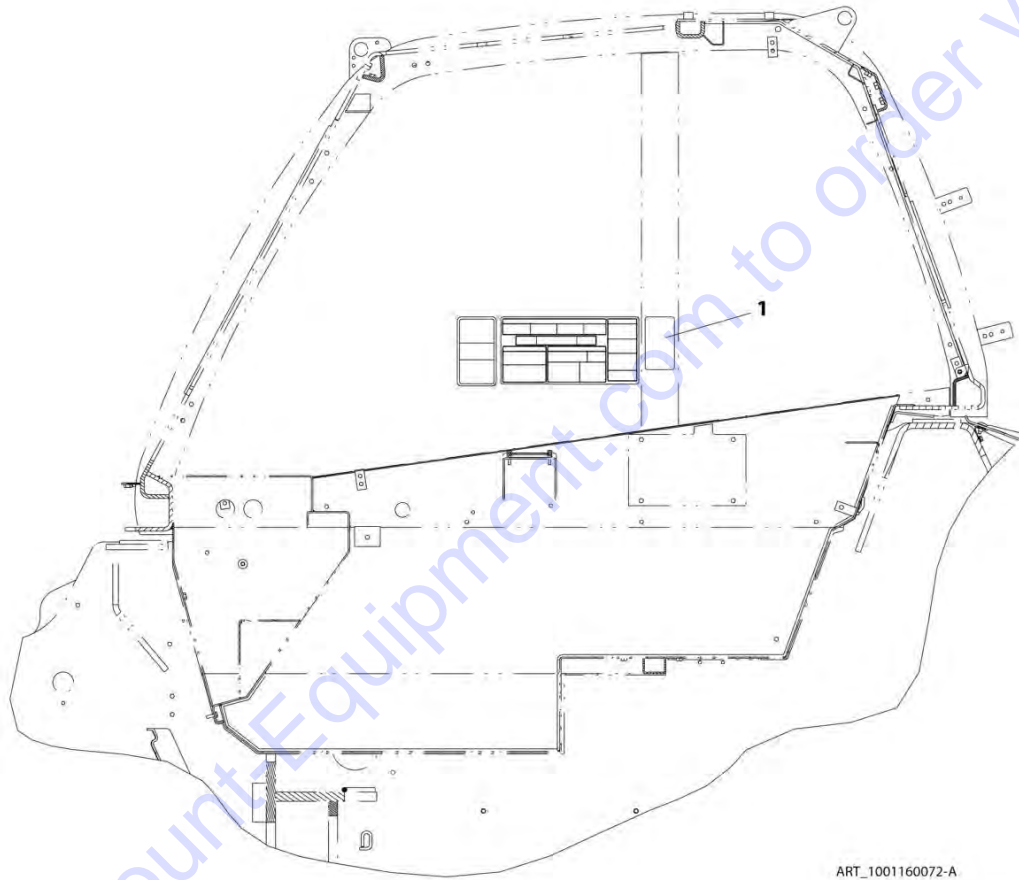
**FIGURE 11-1. CAPACITY CHART HOLDER INSTALLATION**

ITEM	PART NUMBER	QTY	DESCRIPTION	REV
	1001178706	Ref	Capacity Chart Holder Installation	A
1	1001179297	1	Load Chart, Bezel	
2	1001005960	1	Holder	
3	7029486	2	Screw	

Go to Discount-Equipment.com to order your parts

# SECTION 11 - DECALS

## FIGURE 11-2. REVERSE SENSOR SYSTEM DECAL (ENGLISH)



ART\_1001160072-A

## SECTION 11 - DECALS

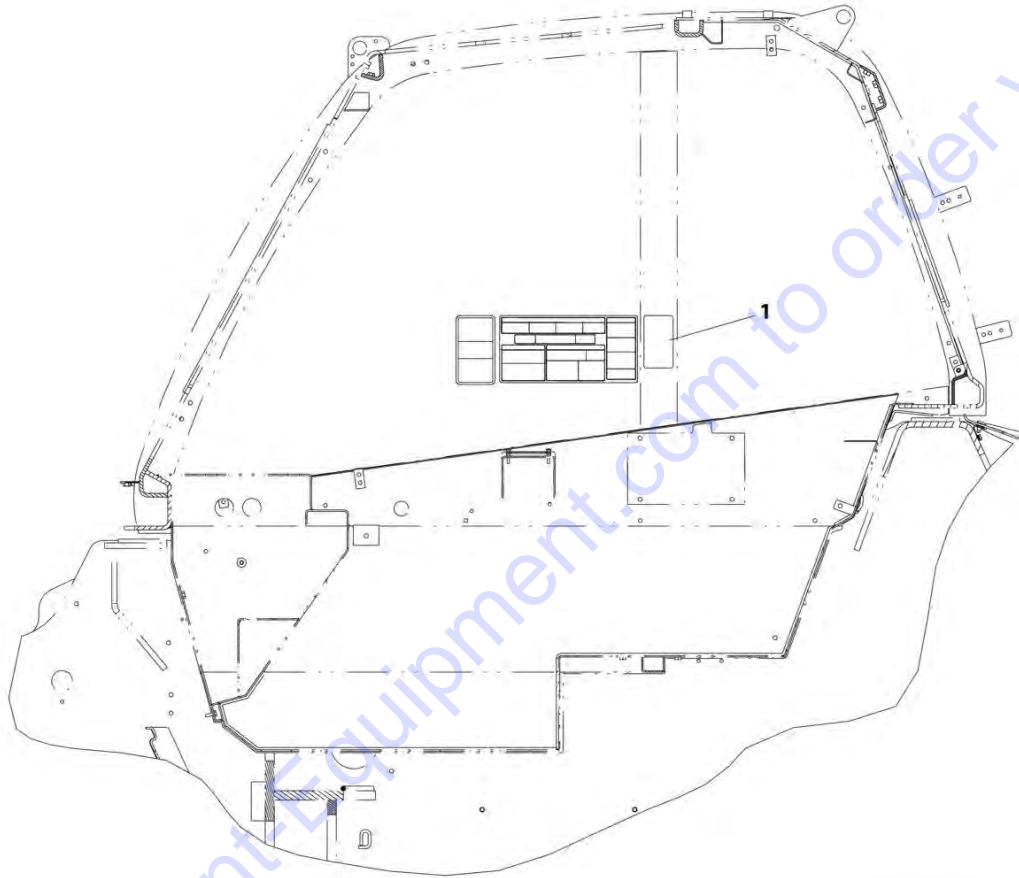
FIGURE 11-2. REVERSE SENSOR SYSTEM DECAL (ENGLISH)

ITEM	PART NUMBER	QTY	DESCRIPTION	REV
1	1001160072	1	Reverse Sensor System Decal (English)	A

Go to Discount-Equipment.com to order your parts

## SECTION 11 - DECALS

FIGURE 11-3. REVERSE SENSING SYSTEM DECAL, (ENGLISH/FRENCH)



ART\_1001160945-A

## SECTION 11 - DECALS

**FIGURE 11-3. REVERSE SENSING SYSTEM DECAL, (ENGLISH/FRENCH)**

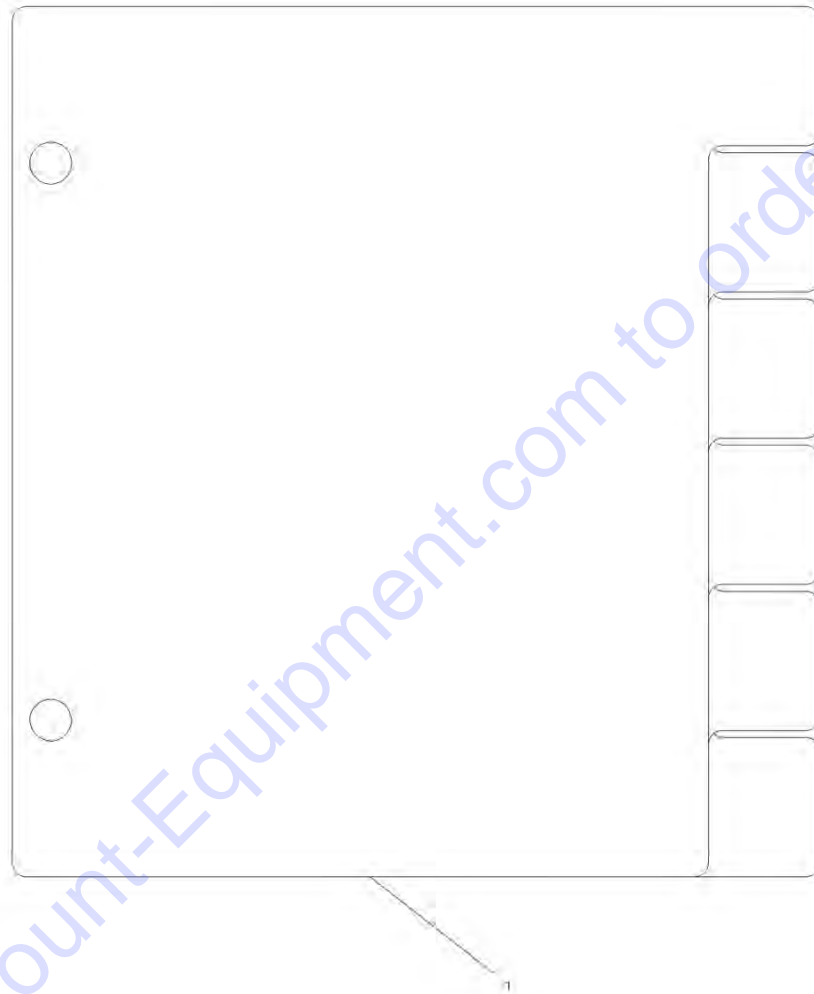
ITEM	PART NUMBER	QTY	DESCRIPTION	REV
1	1001160945	1	Reverse Sensing System Decal (ENGLISH/FRENCH)	A

Go to Discount-Equipment.com to order your parts



# SECTION 11 - DECALS

## FIGURE 11-4. CAPACITY CHART



ART\_1001233430-B

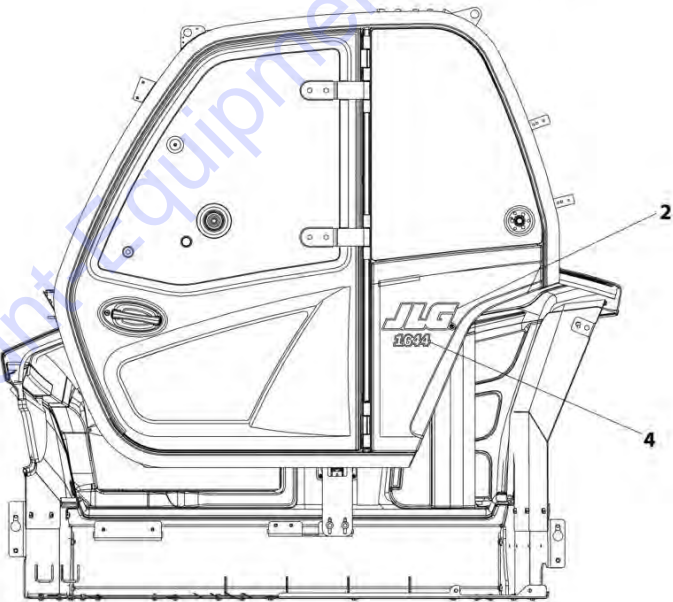
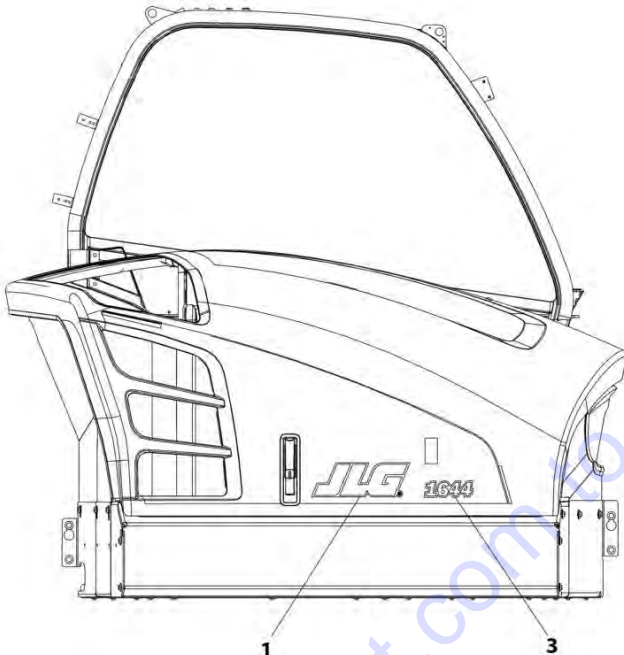
FIGURE 11-4. CAPACITY CHART

ITEM	PART NUMBER	QTY	DESCRIPTION	REV
1	1001233430	1	Capacity Chart	B

Go to Discount-Equipment.com to order your parts

SECTION 11 - DECALS

FIGURE 11-5. 1644 DECAL INSTALLATION



ART\_1001226533-A

## SECTION 11 - DECALS

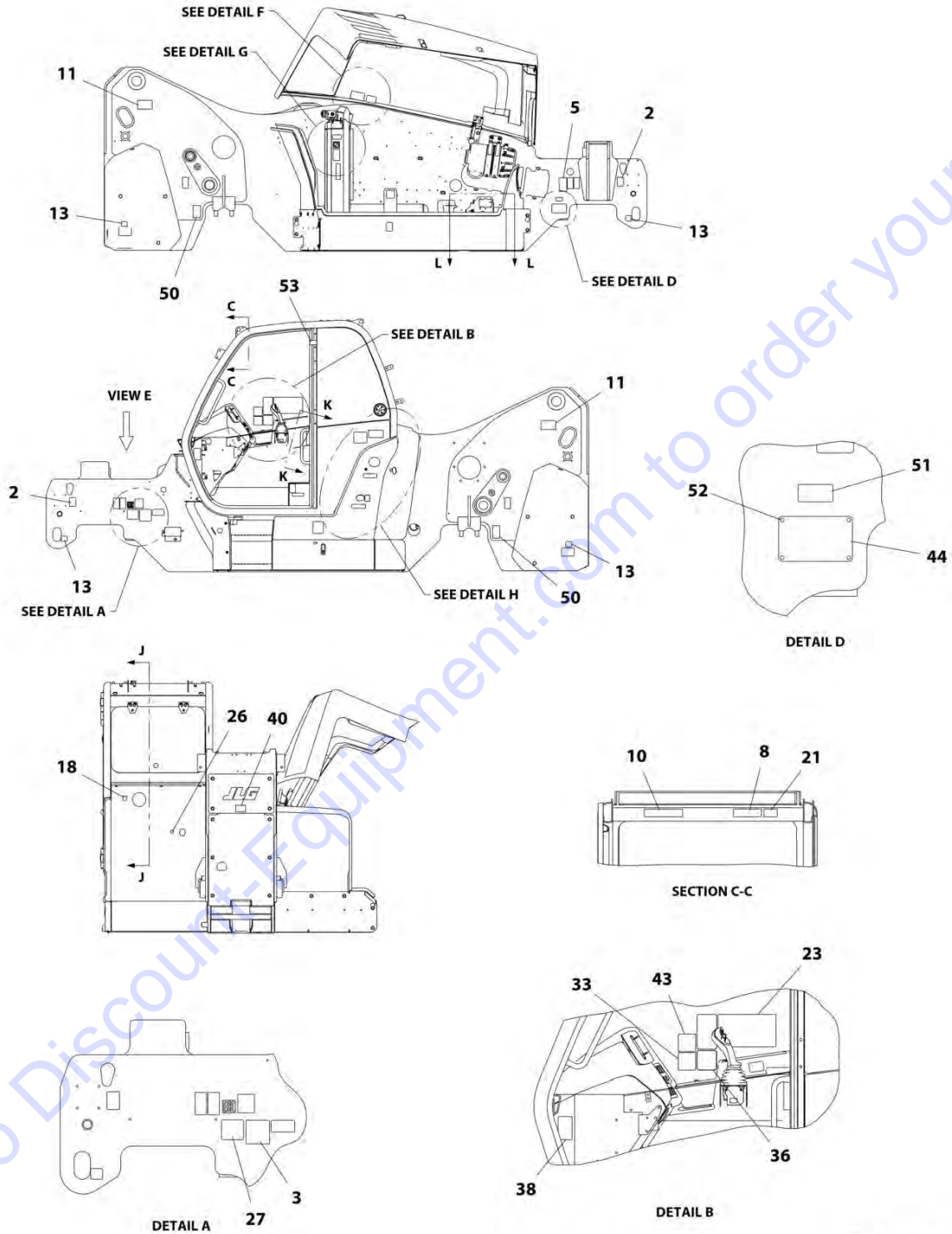
### FIGURE 11-5. 1644 DECAL INSTALLATION

ITEM	PART NUMBER	QTY	DESCRIPTION	REV
	1001226533	Ref	1644 Decal Installation	A
1	1001160775	1	Decal, JLG 5 Black	
2	1001169674	1	Decal, JLG M100X285	
3	1001226536	1	Decal, JLG 1644 Hood	
4	1001226537	1	Decal, JLG 1644 Cab	

Go to Discount-Equipment.com to order your parts

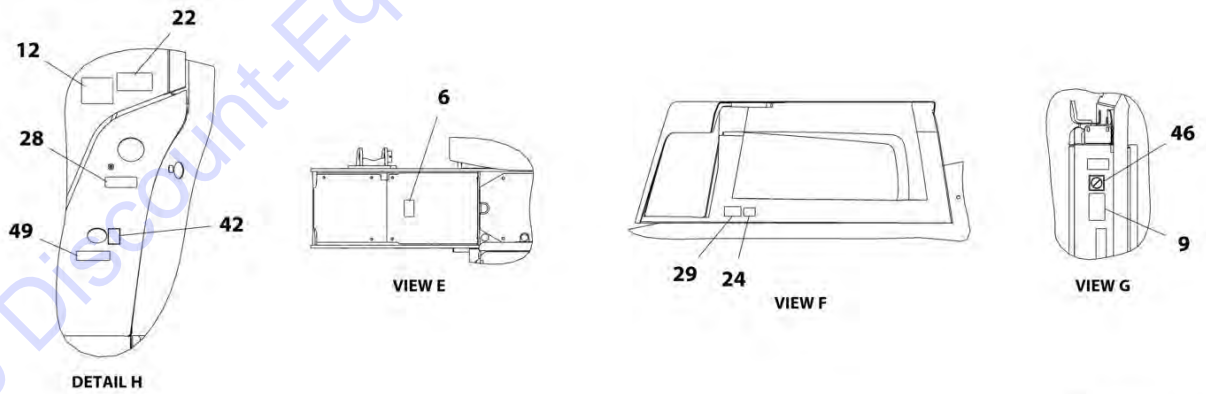
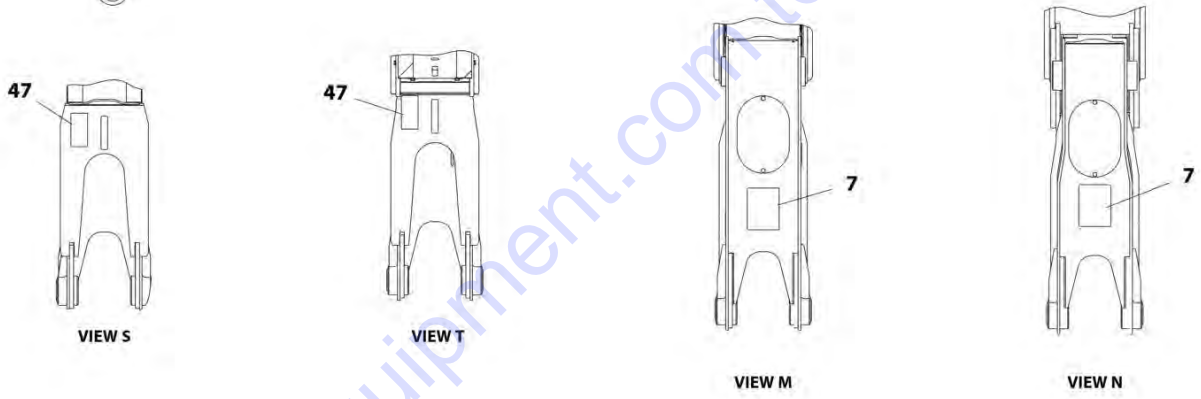
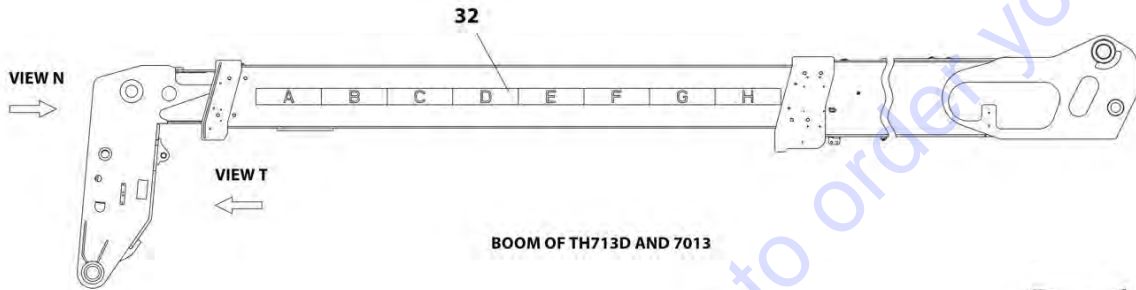
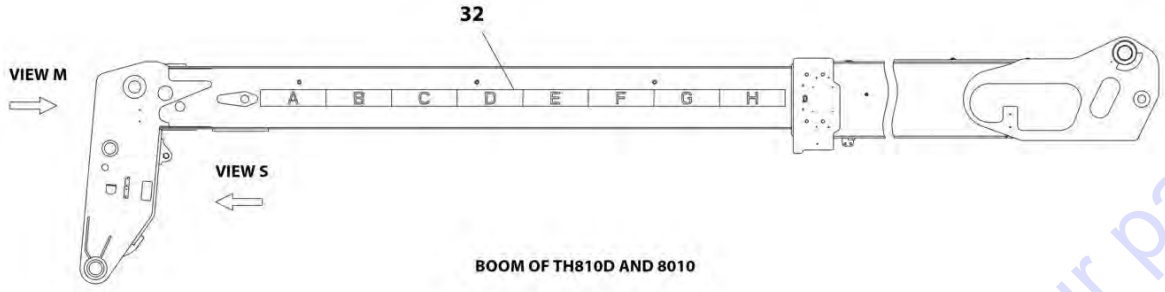
# SECTION 11 - DECALS

## FIGURE 11-6. DECAL INSTALLATION (ENGLISH)



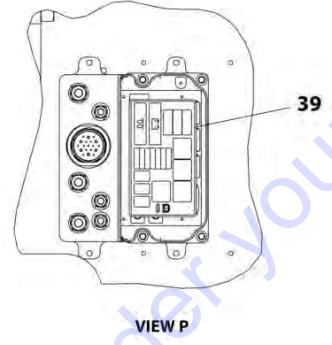
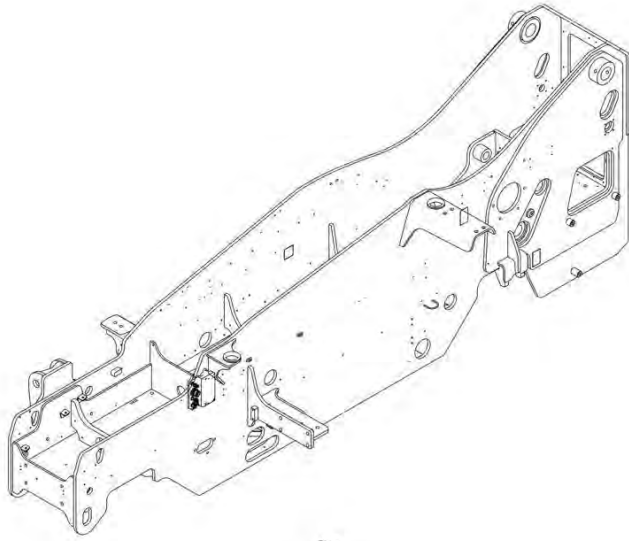
ART\_1001192745\_1-H

# SECTION 11 - DECALS

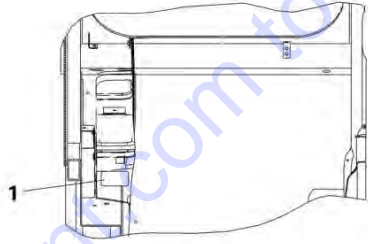


ART\_1001192745\_2-H

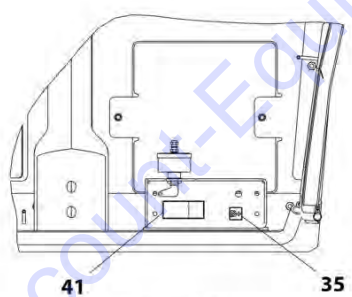
# SECTION 11 - DECALS



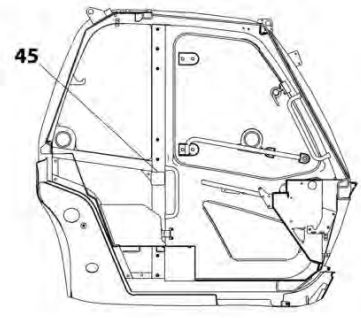
VIEW P



SECTION K-K



SECTION L-L



SECTION J-J

ART\_1001192745\_3-H

## SECTION 11 - DECALS

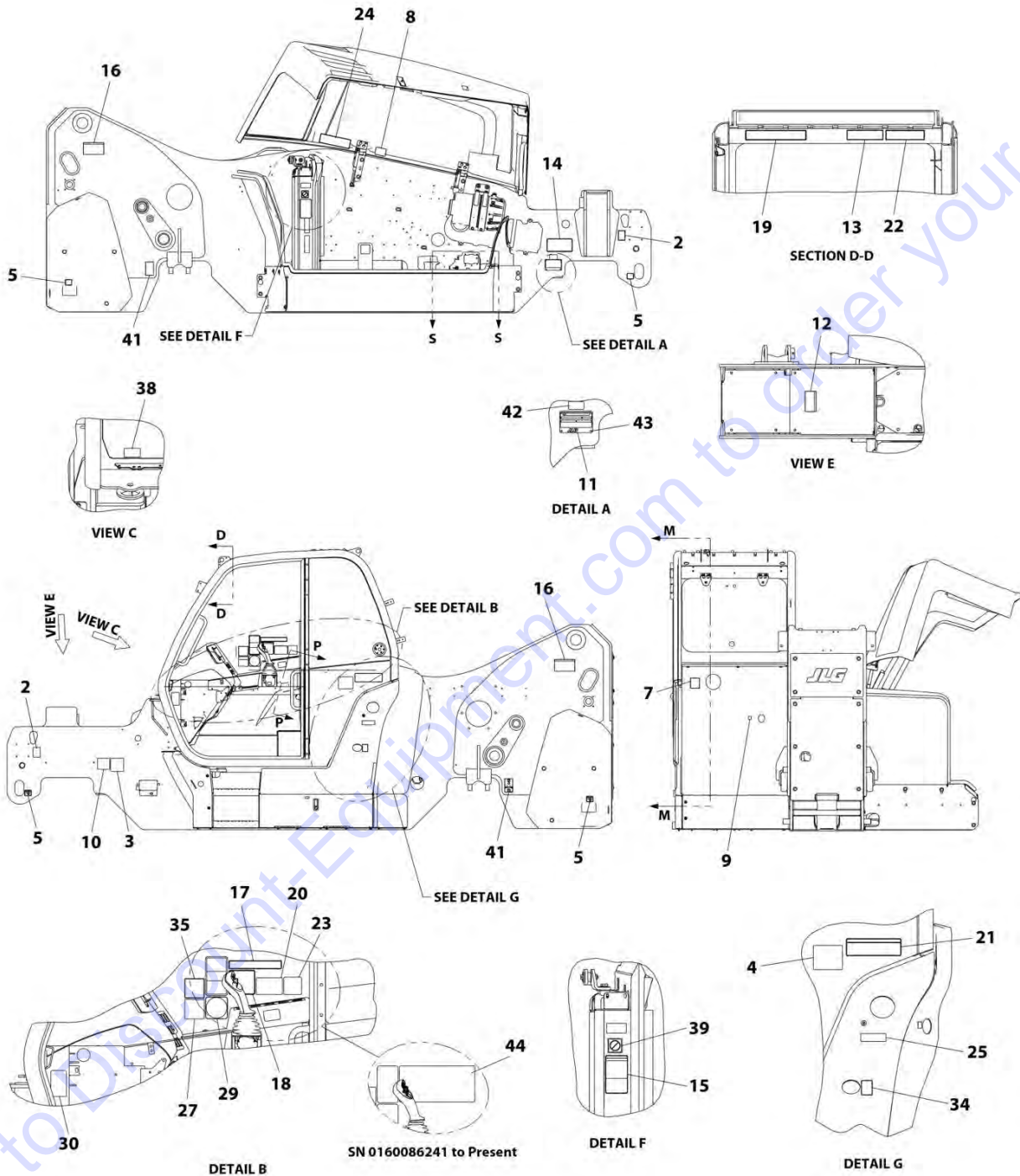
**FIGURE 11-6. DECAL INSTALLATION (ENGLISH)**

ITEM	PART NUMBER	QTY	DESCRIPTION	REV
	1001192745	Ref	Decal Installation (English)	H
1	1670836	1	Cover, Boom	
2	1701500	2	Decal, Lift	
3	1702631	1	Decal, Bar Code	
5	1706300	1	Decal, Ether Warning	
6	1706296	1	Decal, Battery Warning	
7	1001195849	1	Decal, Carry Personnel	
8	1706299	1	Decal, Contacting Power Lines Warning	
9	1706301	1	Decal, Keep Clear Of Rotating Parts Warning	
10	1706306	1	Decal, Tip Over Warning	
11	1706302	2	Decal, Pinch Point Boom Holes	
12	3251813	1	Decal, USA	
13	4109801	4	Decal, Tie Down Point	
18	1001094708	1	Decal, Hydraulic Oil	
21	1706850	1	Decal, Crush Hazard Warning	
22	1706768	1	Decal, Vehicle Roll Away	
23	1707078	1	Decal, Warning/Danger	
24	1001109053	1	Decal, Coolant Fill	
26	1001130323	1	Decal, Oil Level	
27	1001131271	1	Decal, Patent	
28	1001218704	1	Decal, Ultra Low Sulfur Diesel	
29	1001139578	1	Decal, Hot Fluid Warning	
32	1001171277	1	Decal, Boom Extend	
33	1001172035	1	Decal, No Weld or Drill	
35	1001184632	1	Decal, Battery Positive	
36	1001188372	1	Decal, Sway	
38	1001191229	1	Decal, Fuse Panel	
39	1001191487	1	Decal, Fuse Panel	
41	1001195855	1	Decal, Battery Disconnect	
42	1001196806	1	Decal, Diesel Exhaust Fluid	
43	1001227287	1	Decal, Manual	
44	1001229575	1	Decal, SN Plate JLG	
44	1001154580	1	Decal, SN Plate JLG	
45	1001214206	1	Decal, Park Brake	
46	AU2105	1	Decal, No Karcher	
47	1001207217	1	Decal, Danger Swinging Loads	
48	1001218659	1	Decal, Brake Fluid	
49	1001219212	1	Decal, DEF Fluid	
50	1001222650	2	Decal, Axle Lift	
51	1001223453	1	DECAL,ICES (CAN)	
52	1001009178	4	Tack-Metal	
53	1001231801	1	Decal, Warning Prop 65	



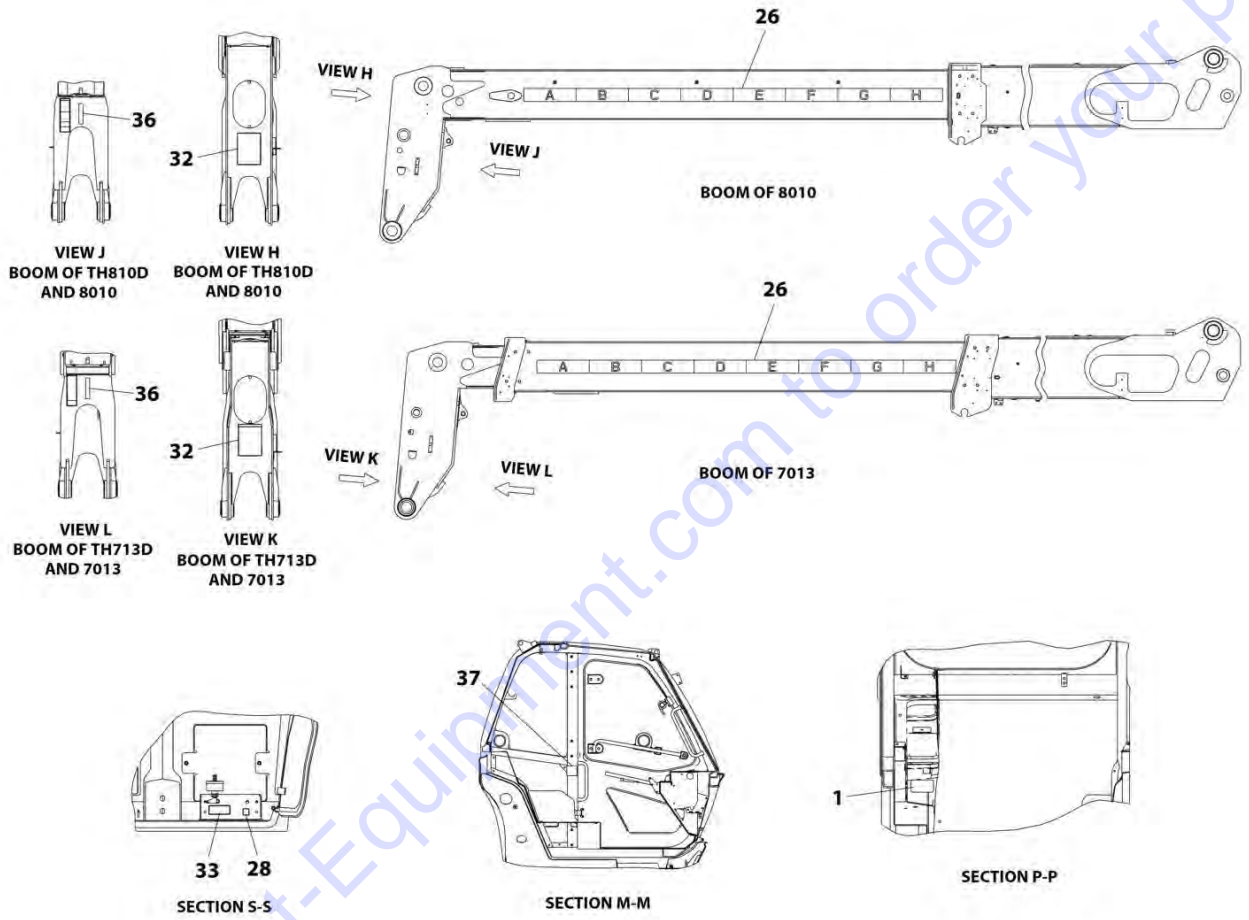
# SECTION 11 - DECALS

## FIGURE 11-7. DECAL INSTALLATION (ENGLISH/FRENCH)



ART\_1001220230\_1-H

# SECTION 11 - DECALS



ART\_1001220230\_2-H

## SECTION 11 - DECALS

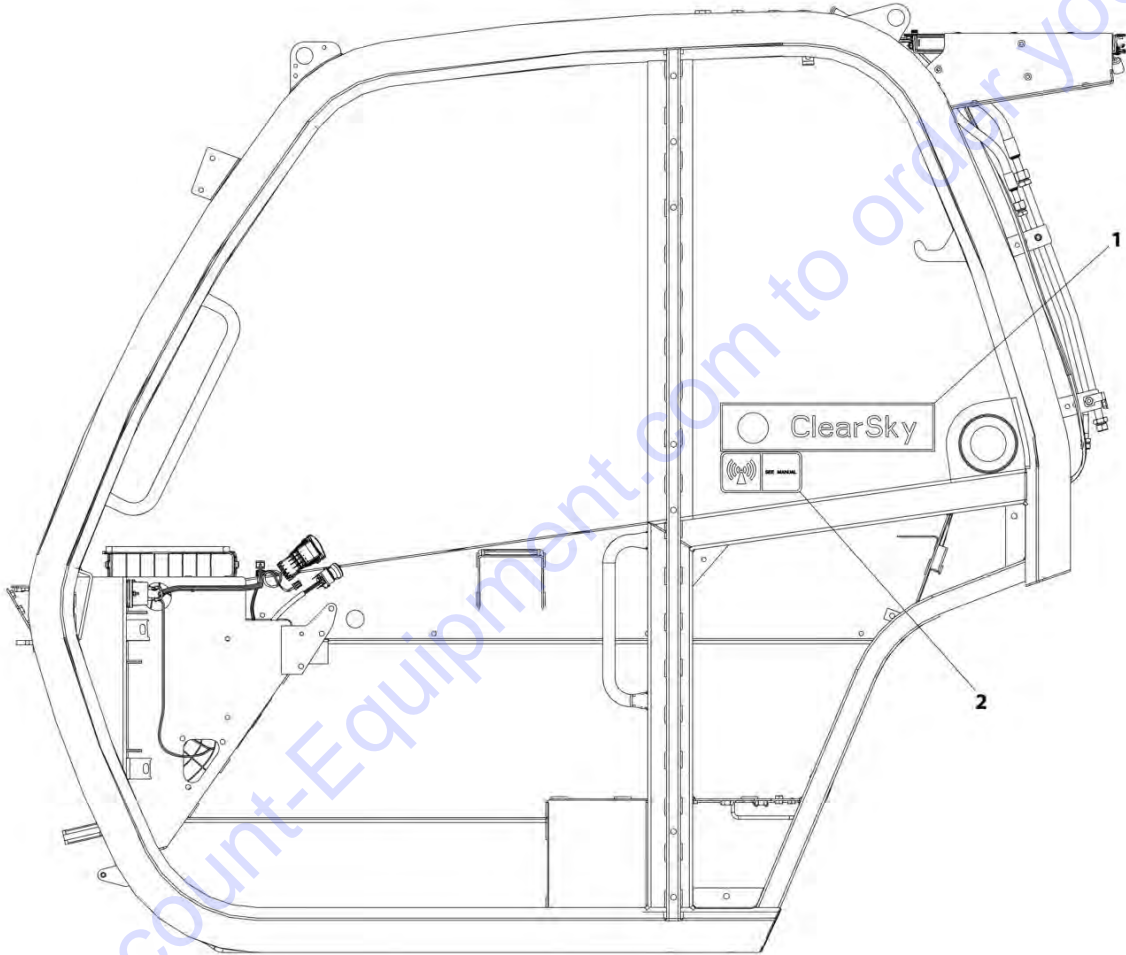
FIGURE 11-7. DECAL INSTALLATION (ENGLISH/FRENCH)

ITEM	PART NUMBER	QTY	DESCRIPTION	REV
	1001220230	Ref	Decal Installation (English/French)	H
1	1670836	1	Cover, Boom	
2	1701500	2	Decal, Lift	
3	1702631	1	Decal, Bar Code	
4	3251813	1	Decal, USA	
5	4109801	4	Decal, Tie Down Point	
7	1001094708	1	Decal, Hydraulic Oil	
8	1001109053	1	Decal, Coolant Fill	
9	1001130323	1	Decal, Oil Level	
10	1001131271	1	Decal, Patent Telehandlers USA/Canada	
11	1001229575	1	Decal, SN Plate JLG	
12	1001163174	1	Decal, Battery Warning	
13	1001163210	1	Decal, Electrocutation Hazard	
14	1001163212	1	Decal, Warning No Either	
15	1001163222	1	Decal, Moving Parts	
16	1001163223	2	Decal, Pinch Point	
17	1001163273	1	Decal, Read Manual <b>(Prior to SN 0160086241)</b>	
18	1001163276	1	Decal, Warning Run Over Hazard <b>(Prior to SN 0160086241)</b>	
19	1001163285	1	Decal, Warning Tip Over	
20	1001163291	1	Decal, Warning Machine Roll Away <b>(Prior to SN 0160086241)</b>	
21	1001163300	1	Decal, No Riders	
22	1001163304	1	Decal, Warning Crushing Hazard	
23	1001163321	1	Decal, Warning Do Not Jump <b>(Prior to SN 0160086241)</b>	
24	1001163323	1	Decal, Warning Hot Fluid	
25	1001163355	1	Decal, Ultra Low Sulfur Diesel	
26	1001171277	1	Decal, Boom Extend	
27	1001172035	1	Decal, No Weld or Drill	
28	1001184632	1	Decal, Battery Positive	
29	1001188372	1	Decal, Sway	
30	1001191229	1	Decal, Fuse Panel	
32	1001195851	1	Decal, Carry Personnel	
33	1001195855	1	Decal, Battery Disconnect	
34	1001196806	1	Decal, Diesel Exhaust Fluid	
35	1001227287	1	Decal, Manual	
36	1001209625	1	Decal, Danger Swinging Loads	
37	1001214206	1	Decal, Park Brake	
38	1001219211	1	Decal, Brake Fluid	
39	AU2105	1	Decal, No Karcher	
41	1001222650	2	Decal, Axle Lift	
42	1001223453	1	Decal, ICES	
43	1001009178	4	Tack, Metal	
44	1001233558	1	Decal, Warning/Danger - Cab <b>(SN 0160086241 to Present)</b>	



# SECTION 11 - DECALS

## FIGURE 11-8. CLEARSKY DECAL INSTALLATION



ART\_1001229707-A

FIGURE 11-8. CLEARSKY DECAL INSTALLATION

ITEM	PART NUMBER	QTY	DESCRIPTION	REV
	1001229707	Ref	Clearsky Decal Installation	A
1	1001116208	1	Clearsky Decal	
2	1001120989	1	Radio Frequency Decal	

Go to Discount-Equipment.com to order your parts



**SECTION 12 - RECOMMENDED SPARE PARTS**

**SECTION 12 - RECOMMENDED SPARE PARTS**

Go to Discount-Equipment.com to order your parts



## SECTION 12 - RECOMMENDED SPARE PARTS

FIGURE 12-1. RECOMMENDED SPARE PARTS

ITEM	PART NUMBER	QTY	DESCRIPTION	REV
		Ref	<b>Frame and Attaching Parts</b>	
	1001194980	1	Cap, Locking Fuel	
	1001142659	1	Cap, Hydraulic	
	1001191163	1	Filter	
		Ref	<b>Boom</b>	
	1001219905	AR	Shim, M50X169X1	
	1001219953	AR	Shim, Boom Pivot	
	8008640	AR	Shim, M50X200X0.5	
	1001003031	AR	Shim, M50X198X1.5	
	1001195194	AR	Shim, M0.5X67X204	
	1001201268	AR	Shim, M67X198X0.5	
	1001204198	AR	Shim, M49X181X1	
	1001204199	AR	Shim, M49X181X5	
	1001195655	AR	Pad, M44X50X160	
	8002200	AR	Pad, M15X50X200	
	1001227337	AR	Pad, M70X200X39	
	1001227334	AR	Pad, M34X54X165	
	1001163140	AR	Pad, M17X198X67	
	1001204200	AR	Pad, M35X181X49	
		Ref	<b>Engine and Attaching Parts</b>	
	7016331	1	Filter, Oil	
	70024961	1	Filter, Fuel (Primary)	
	70027417	1	Filter, Fuel (Secondary)	
	70005549	1	Filter, DEF	
	70027657	1	Dipstick	
	70028419	1	Belt, V-Ribbed	
	1001166565	1	Filter, Air Cleaner	
		Ref	<b>Cab</b>	
	1001218996	1	Filter, HVAC Air	
	1001172553	1	Filter, HVAC Recirculation Air	
	4807718	1	Blade, Rear Wiper	
	1001141281	1	Blade, Front Wiper	
	1001141313	1	Blade, Roof Wiper	
		Ref	<b>Hydraulic Components</b>	
	70028324	1	Kit, Lift Cylinder Seal	
	70027806	1	Kit, Extend/Retract Cylinder Seal	
	70028324	1	Kit, Tilt Cylinder Seal	
	70026253	1	Kit, Frame Level Cylinder Seal	
	70027601	1	Kit, Hydrostatic Motor Seal	
	70028410	1	Kit, Hydrostatic Pump Seal	
	70028413	1	Kit, Implement Pump Seal	
		Ref	<b>Electrical</b>	
	0400075	1	Battery, 12V	
	70022765	1	Key, Ignition (Set of 2)	

PART NUMBER INDEX

Go to [Discount-Equipment.com](http://Discount-Equipment.com) to order your parts

# PART NUMBER INDEX

0100081.....27	0760607..... 45, 191, 193, 197, 323, 523, 649, 651, 659, 661	1001004723 ..... 653	1001097587.....219, 225
0400075.....665, 667, 884	0760608... 195, 343, 349, 353, 415, 421, 447, 451, 455, 457, 559, 645, 675, 677	1001005368 ..... 337	1001098128.....559
0498748.....323	0760610..... 727	1001005438 ..... 541	1001098150.....408
0630576.....45	0760612 ..... 193	1001005904 ..... 503, 507, 511	1001098762.....671
0641510.....153	0760615 ..... 481	1001005960 ..... 863	1001099566.....209
0641608.....549	0760806 ..... 195	1001006730 ..... 427	1001099717.....749
0681714.....541	0760807 ..... 39, 527, 663	1001006731 ..... 425	1001100166.....581
0700408.....453, 713	0760808 ..... 39, 341, 417, 419, 513, 675, 677, 705, 707, 713, 719, 721	1001007056 ..... 67, 579	1001100169.....581
0700610...23, 27, 45, 193, 205, 415, 419, 645, 697, 699, 719, 721	0760810... 37, 47, 49, 53, 55, 61, 165, 187, 195, 209, 347, 365, 369, 373, 377, 380, 417, 431, 435, 447, 481, 499, 501, 505, 581, 747	1001007641 ..... 343, 345	1001100319.....165
0700612.....45, 743	0760815 ..... 327, 505, 509	1001008475 ..... 345	1001101041...85, 87, 93, 95, 101, 105, 108, 112, 499, 503, 507, 511
0700614...193, 380, 553, 643, 663, 719, 721	0760823 ..... 23, 199	1001008540 ..... 645	1001101042...85, 87, 93, 95, 101, 105, 108, 112, 499, 503, 507, 511
0700616.....481, 529	0761008 ..... 749, 751	1001008559 ..... 135, 169, 209, 483, 649, 651, 653, 659, 661, 679, 681, 693, 695, 729, 739	1001101042...85, 87, 93, 95, 101, 105, 108, 112, 499, 503, 507, 511
0700618.....659, 661, 681	0761009 ..... 753	1001008575 ..... 25	1001101166.....581
0700814.....39, 183, 185, 193, 547	0761010... 37, 39, 41, 43, 47, 77, 151, 175, 193, 455, 513, 645, 649, 651, 659, 661, 693, 695, 729	1001008604 ..... 345	1001101169.....581
0700815.....703	0761012... 33, 37, 45, 63, 65, 145, 457, 523, 541, 643, 653	1001008654 ..... 527	1001101170.....455
0700816...165, 179, 195	0761210 ..... 71, 167, 169	1001008742 ..... 349	1001101808.....675
0700817.....481	0761212 ..... 175, 653	1001008742 ..... 349	1001101855.....731
0700818...487, 543, 745	0761214 ..... 23, 141, 193	1001008834 ..... 87	1001102502.....683
0700819.....657	0761215... 141, 167, 169	1001008857 ..... 327	1001103012.....780
0700820...431, 433, 435, 533, 643	0761217 ..... 125	1001008923 ..... 703, 753	1001103156.....749, 751
0700821.....559	0761218 ..... 167, 169	1001008988 ..... 323	1001103300.....749, 751
0700824.....457	0770814 ..... 449	1001008999 ..... 39	1001104477.....507, 511, 621
0700826.....195	0770815 ..... 187	1001009018 ..... 19	1001104498.....780, 784, 799, 829, 855
0701014...39, 47, 49, 69, 147, 193, 205, 559, 693, 695	0771010 ..... 59, 61	1001009124 ..... 345	1001104519.....781, 807
0701016.....147, 515	0771012 ..... 59	1001009163 ..... 285	1001104654.....683
0701018...145, 167, 169, 205	0771212 ..... 59, 61	1001009178 ..... 875, 878	1001105093.....481
0701020...25, 167, 169	0771414 ..... 571, 575	1001009325 ..... 151	1001105886.....673
0701024.....555	0771416 ..... 277	1001010646 ..... 425, 427	1001107192.....323
0701026.....153	0771618 ..... 283	1001010647 ..... 425, 427	1001107339.....205
0701027.....485	0771620 ..... 275	1001010648 ..... 425, 427	1001107854.....780, 784, 799, 805, 829, 855
0701216.23, 71, 561, 565	0791605 ..... 179	1001010649 ..... 425, 427	1001108661.....733
0701222.....27	1001002946 ..... 327	1001010650 ..... 425, 427	1001109053.....875, 878
0701618.....141	1001002947 ..... 327	1001010839 ..... 345	1001109387.....125
0701626.....141	1001002953 ..... 327	1001014231 ..... 541	1001110023.....503, 511, 623
0701628...79, 81, 83, 141	1001002957 ..... 327	1001026121 ..... 513	1001110115.....511
0701630.....141	1001003031... 57, 59, 61, 884	1001026125 ..... 513	1001111076.....421
0711015.....55	1001003043 ..... 335	1001028264 ..... 19, 513	1001111140.....553
0711016.....59	1001003227 ..... 39	1001028291 ..... 19	1001111147.....421
0711017.....57	1001003301 ..... 33	1001028306 ..... 19	1001111317.....321, 325
0711027.....275	1001003305... 151, 153, 169, 205, 753	1001028308 ..... 19	1001112612.....775, 784, 859
0711030.....205	1001003427 ..... 29	1001028377 ..... 19	1001112796.....777, 811, 813, 815
0711215.....59	1001003803 ..... 63	1001028400 ..... 19	1001114495.....177
0711216...57, 59, 157	1001004640 ..... 457	1001047062 ..... 323	1001114803.....167, 169
0711217.....57	1001004720 ..... 135	1001080375 ..... 505, 509	1001116128.....405, 729
0711230.....53		1001080978 ..... 683	1001116208.....719, 721, 881
0711630.....35		1001081085 ..... 279	1001116696.....799, 800, 855, 856
0711635.....53		1001090343... 349, 361, 401	1001116697.....780
0712020.....313		1001091573 ..... 705	1001116698.....780, 784
0712022.....313		1001091715 ..... 693, 695	1001116700.....781, 803
0712027.....315		1001091716 ..... 693, 695	1001116716.....781
0712442.....275, 485		1001091951 ..... 35	1001116723.....781, 782, 783, 784
0750804.....321		1001093171 ..... 127	1001116725.....756, 762
0760405.....79, 81, 83		1001093564 ..... 671	1001116727.....741, 763, 856
0760407.....77		1001094516 ..... 35	1001116728.....800, 833, 856
0760507...149, 653, 679		1001094708 ..... 875, 878	
0760512.....349		1001095301 ..... 147	
0760605...143, 323, 447, 451		1001095336 ..... 655	
		1001095804 ..... 683	
		1001096365 ..... 327	
		1001097244 ..... 415	
		1001097540 ..... 45, 429	
		1001097586 ..... 335	

## PART NUMBER INDEX

1001116729..... 741	1001125117.... 57, 59, 61, 71	1001144147..... 756, 762, 793, 817, 839, 843	1001160500..... 795, 799, 819, 851, 855
1001116731..... 817	1001125222..... 455	1001144296..... 781	1001160502..... 780
1001116732..... 756, 762, 796, 852	1001125465..... 729	1001145204..... 189	1001160503..... 431, 435
1001116734..... 756, 762	1001125677..... 757, 763, 781, 800, 856	1001145390..... 67, 579	1001160506..... 433
1001116745..... 741	1001126008..... 756, 762, 784, 797, 839, 853	1001145391..... 65, 67	1001160508..... 317, 341
1001116747..... 805	1001126011..... 784	1001145539..... 380	1001160509..... 795, 799, 819, 851, 855
1001116754..... 782	1001126245..... 756, 762	1001146588..... 151, 165, 169, 175, 189, 193, 649, 651, 659, 661, 681, 693, 695, 721, 753	1001160510..... 795, 799, 819, 851, 855
1001116763..... 799, 805, 855	1001126353..... 755, 761	1001147340..... 553	1001160730..... 729
1001116774..... 797, 819, 839, 853	1001126362..... 755, 761	1001147416..... 499, 503, 507, 511	1001160775..... 871
1001116808..... 839	1001126391..... 755, 757, 761, 764	1001147449..... 408, 411	1001160927..... 665, 667, 671
1001116810..... 796, 852	1001126393..... 755, 757, 761, 764	1001148841..... 755, 761	1001160928..... 665, 667, 671
1001116811..... 755, 762	1001126485..... 755, 756, 761, 762	1001148842..... 755, 761	1001160945..... 867
1001116812..... 757, 758, 761, 762, 763, 764, 781, 783, 784, 795, 800, 817, 819, 825, 839, 843, 851, 856	1001126487..... 755, 761	1001149278..... 408, 411	1001161067..... 413
1001116815..... 764, 785, 839	1001126837..... 727, 751	1001150294..... 365, 367	1001161078..... 423
1001116950..... 796, 797, 852, 853	1001128128..... 756, 762, 796, 852	1001150610..... 755, 762	1001161080..... 423
1001116984..... 784	1001128144..... 179	1001150611..... 796, 852	1001161095..... 819
1001116985..... 784	1001128341..... 179	1001150735..... 783	1001161097..... 780, 795, 799, 819, 851, 855
1001116986..... 783, 784	1001128478..... 33, 285	1001152908..... 389, 395	1001161098..... 780, 795, 819, 851
1001116991..... 781, 784	1001129407..... 847	1001152915..... 321	1001161099..... 780, 795, 799, 819, 851, 855
1001116994..... 813, 815	1001129425..... 729	1001152947..... 321	1001161100..... 780, 795, 799, 819, 851, 855
1001116995..... 783	1001130220..... 45	1001153748..... 521, 609	1001161101..... 780, 795, 799, 819, 851, 855
1001116996..... 799, 800, 855, 856	1001130323..... 875, 878	1001154580..... 875	1001161109..... 780, 795, 799, 819, 851, 855
1001116997..... 782	1001131177..... 659, 661	1001155228..... 319, 323	1001161252..... 408
1001116998..... 784	1001131271..... 875, 878	1001155276..... 457, 459	1001161253..... 408
1001116999..... 781	1001132168..... 41, 43	1001155446..... 311, 315	1001161439..... 45, 61
1001117011..... 783, 803	1001132169..... 797, 853	1001155447..... 317, 347	1001161499..... 317, 443
1001117021..... 805	1001132564..... 408	1001155486..... 401	1001161672..... 457
1001117064..... 783	1001133714..... 757, 763, 764	1001155540..... 167, 169	1001161679..... 681, 787
1001117079..... 783	1001133715..... 755, 757, 761, 763, 764	1001156265..... 457	1001161770..... 681, 789
1001117081..... 781, 782, 783, 784	1001133793..... 147	1001157890..... 839	1001161771..... 681, 791
1001117109..... 796, 852	1001134274..... 749, 751	1001157891..... 775, 859	1001161851..... 411
1001117121..... 807	1001135650..... 755, 757, 761, 763, 764	1001158146..... 683	1001161855..... 408
1001117247..... 733, 827	1001135651..... 755, 757, 761, 763, 764	1001158596..... 369	1001161858..... 377, 389
1001117308..... 645	1001136975..... 151	1001158601..... 365	1001161896..... 457
1001118202..... 796	1001136999..... 784	1001158736C..... 373	1001161897..... 457
1001118282..... 756, 762, 852	1001137000..... 784	1001158738C..... 365	1001161898..... 457
1001118323..... 796, 852	1001138116..... 755, 761	1001159028..... 443, 445	1001161957..... 795, 799, 819, 851, 855
1001118378..... 839	1001138645..... 663	1001159734..... 693, 695	1001161959..... 780
1001118379..... 783	1001138827..... 179	1001159735..... 683	1001161963..... 795, 799, 819, 851, 855
1001118383..... 807	1001138945..... 205	1001159741..... 683	1001162062..... 455
1001118384..... 781, 782, 783, 784, 785	1001139551..... 401	1001159742..... 725	1001162212..... 165
1001118386..... 784	1001139552..... 361	1001159745..... 739	1001162249..... 681
1001118387..... 784	1001139568..... 337	1001159746..... 687, 689	1001162253..... 643
1001118392..... 799, 800, 855, 856	1001139578..... 875	1001159845..... 697, 699	1001162256..... 657
1001118684..... 782	1001141246..... 327	1001159846..... 697, 699	1001162662..... 33
1001118685..... 807	1001141281..... 347, 884	1001159849..... 683	1001162789..... 317, 349
1001119467..... 365	1001141311..... 401	1001159925..... 377, 380	1001162885..... 731
1001120989..... 719, 721, 881	1001141312..... 361	1001160042..... 380	1001162886..... 780
1001121726..... 800, 856	1001141313..... 401, 884	1001160043..... 377	1001162887..... 781
1001121727..... 741, 800, 856	1001141461..... 551	1001160072..... 865	1001162920..... 447
10011223457..... 780	1001141462..... 551	1001160326..... 380	1001162922..... 447
	1001141976..... 549, 551	1001160345..... 321	1001162953..... 380, 383
	1001142659..... 884	1001160420..... 183	1001163095..... 743
	1001143200..... 339	1001160496..... 431	1001163140..... 884
	1001143551..... 839	1001160498..... 780	1001163174..... 878
			1001163210..... 878

# PART NUMBER INDEX

1001163212.....878	1001167409.....165	1001171756.....349	1001175776.....715, 809
1001163222.....878	1001167616.....756, 762	1001171767.....357	1001175903.....408
1001163223.....878	1001167620.....757, 764	1001171874.....447	1001176002.....758, 764
1001163273.....878	1001167621.....755, 761	1001171885.....37	1001176004.....758, 764
1001163276.....878	1001167622.....755, 761	1001171913.....193	1001176121.....353, 355
1001163285.....878	1001167623.....755, 761	1001171962.....713	1001176272.....339
1001163291.....878	1001167624.....758, 764	1001172035.....875, 878	1001176273.....339
1001163300.....878	1001167629.....756, 762	1001172088.....447	1001176333.....784
1001163304.....878	1001167630.....755, 756, 761, 762	1001172094.....447	1001176338.....363
1001163321.....878	1001167631.....755, 761	1001172146.....25	1001176587.....815
1001163323.....878	1001167634.....755, 761	1001172147.....25	1001176626.....339
1001163340.....781	1001167635.....755, 761	1001172193.....321, 325	1001177082.....25
1001163355.....878	1001167636.....756, 763	1001172401.....317, 359	1001178053.....835
1001163639.....685	1001167937.....331	1001172495.....667, 671	1001178123.....349
1001163695.....475	1001167958.....323, 331	1001172496.....667, 671	1001178159.....321
1001163697.....463	1001168030.....531	1001172547.....377, 380	1001178160.....321
1001164402.....643, 655	1001168054.....447	1001172550.....377, 380	1001178170.....380
1001164655.....341	1001168142.....457	1001172551.....389, 391, 393	1001178474.....23
1001164726.....323	1001168151.....457	1001172553.....377, 380, 884	1001178670.....457, 625
1001164967.....201	1001168264.....305, 307	1001172693.....29	1001178680.....337
1001164971.....275, 485	1001168327.....380	1001172755.....151	1001178681.....337
1001164972.....275, 485	1001168330.....380	1001172774.....435	1001178693.....23
1001165035.....151	1001168331.....380	1001172995.....71	1001178706.....863
1001165194.....757, 764	1001168456.....380	1001172999.....71	1001178783.....363
1001165269.....349, 351	1001168531.....373, 803	1001173257.....433	1001178791.....199
1001165270.....349	1001168599.....489, 629	1001173298.....323	1001178826.....439
1001165273.....351	1001168629.....275	1001173411.....781	1001178933.....681
1001165275.....327	1001168758.....45	1001173452.....167, 169	1001179008.....437, 439
1001165276.....325	1001168834.....37, 41	1001173457.....167, 169	1001179009.....437, 439
1001165309.....796, 852	1001169135.....373, 375	1001173528.....177	1001179080.....383
1001165310.....797, 853	1001169151.....380, 805	1001173571.....389	1001179081.....383
1001165311.....800, 856	1001169265.....39	1001173679.....71	1001179130.....383, 387
1001165327.....351	1001169268.....469	1001173739.....71	1001179297.....863
1001165351.....349	1001169354.....465, 467	1001173873.....197	1001179482.....421
1001165407.....349	1001169355.....467	1001173965.....408	1001179483.....421
1001165416.....349	1001169367.....467	1001174104.....63	1001179592.....429
1001165455.....349	1001169368.....179	1001174129.....303	1001179850.....21, 25
1001165458.....349, 415	1001169454.....23	1001174295.....323, 333	1001179851.....25, 33
1001165573.....369, 371	1001169603.....408	1001174320.....321	1001179852.....33
1001165637.....347	1001169604.....408, 411	1001174321.....327	1001179901.....745
1001165827.....677	1001169674.....871	1001174368.....721	1001179907.....195, 663
1001166091.....395, 397, 399	1001169751.....465	1001174372.....719, 721	1001179931.....463
1001166092.....395, 397, 399	1001169763.....469	1001174652.....411	1001180070.....163, 605
1001166191.....343	1001169825.....645	1001174653.....411	1001180263.....433, 435
1001166192.....343	1001169880.....325	1001174655.....411	1001180306.....19
1001166385.....421	1001170106.....29	1001174712.....683	1001180437.....197
1001166543.....755, 761	1001170113J.....325	1001174741.....419	1001180542.....175
1001166551.....755, 761	1001170114.....323, 325	1001174795.....201	1001180553.....175
1001166555.....755, 761	1001170231.....447	1001174796.....705, 707	1001180620.....643
1001166556.....755, 757, 761, 764	1001170311.....187	1001174800.....419	1001180682.....363
1001166565.....145, 884	1001170325.....429	1001174801.....419	1001180683.....363
1001166634.....325, 327	1001170326.....355	1001174812.....55, 583	1001181128.....645
1001166698.....41	1001170366.....317, 353	1001175058.....311	1001181411.....337
1001166707.....756, 763	1001170432.....203	1001175201.....199	1001181531.....683
1001166715.....145	1001170504.....408	1001175265.....756, 757, 762, 763, 800, 856	1001181681.....681, 793
1001166754.....315	1001170514.....413	1001175266.....819	1001181726.....408, 415
1001166755.....315	1001170518.....408	1001175267.....795, 799, 851, 855	1001181920.....339
1001166774.....755, 757, 761, 764	1001170519.....408, 413	1001175347.....19	1001181921.....339
1001167004.....473	1001170601J.....323	1001175470.....355	1001182123.....339
1001167015.....403, 405	1001170944.....327	1001175471.....353, 357	1001182139.....339
1001167017.....713	1001170993.....357	1001175477.....323	1001182330.....417
1001167186.....183	1001171162.....705	1001175568.....151	1001182529.....373, 375
1001167266.....383, 385	1001171179.....25	1001175733.....809	1001182530.....373
	1001171182.....337		1001182839.....727
	1001171183.....337		1001182881.....143
	1001171277.....875, 878		1001182929.....659, 767
			1001182930.....659, 771

## PART NUMBER INDEX

1001183024..... 753	1001185933..... 27	1001188757..... 141	1001192344..... 85
1001183112..... 693, 695	1001185935..... 27	1001188817..... 399	1001192354..... 53
1001183221..... 775	1001186603..... 719	1001188818..... 399	1001192358..... 65
1001183272..... 639, 641, 643	1001186843..... 541	1001188855..... 205	1001192363..... 499
1001183306..... 303, 305	1001186853..... 693	1001188856..... 205	1001192365..... 505
1001183307..... 303, 307	1001186855..... 665	1001188971..... 61	1001192366..... 501
1001183308..... 305	1001186856..... 669	1001189023..... 399	1001192367..... 509
1001183309..... 307	1001186898..... 145	1001189024..... 399	1001192370..... 691
1001183447..... 79	1001187070..... 755, 761, 771, 773	1001189025..... 395, 397, 399	1001192392..... 29
1001183549..... 731	1001187073..... 795, 851	1001189046..... 659, 661	1001192410..... 457
1001183550..... 413	1001187075..... 796, 819, 852	1001189048..... 399	1001192427..... 569
1001183700..... 549	1001187076..... 796, 797, 819, 852, 853	1001189054..... 399	1001192430..... 751
1001183831..... 145	1001187077..... 771, 773	1001189182..... 408	1001192431..... 735
1001183835..... 145	1001187078..... 756, 762, 817, 839	1001189246..... 27	1001192520..... 495
1001184275..... 395, 397, 399	1001187079..... 795, 796, 800, 839, 851, 852, 856	1001189288J..... 291, 293, 299, 301	1001192537..... 639
1001184278..... 395, 397, 399	1001187080..... 756, 762, 795, 800, 851, 856	1001189980..... 393	1001192555..... 273, 513
1001184280..... 399	1001187081..... 817	1001189997..... 715	1001192558..... 681
1001184294..... 395, 397, 399	1001187272..... 541	1001190037..... 756, 763	1001192575..... 687
1001184295..... 395, 397, 399	1001187273..... 541	1001190250..... 63, 65	1001192615..... 89
1001184296..... 395, 397, 399	1001187275..... 541	1001190254..... 53	1001192616..... 91
1001184297..... 395, 397, 399	1001187275..... 541	1001190256..... 53	1001192619..... 737, 823
1001184306..... 393	1001187355..... 563	1001190257..... 53	1001192622..... 37, 39
1001184307..... 393	1001187423..... 291, 293	1001190260..... 53	1001192623J..... 39
1001184309..... 393	1001187820..... 63, 65	1001190264..... 63, 65	1001192627..... 39
1001184310..... 393	1001187821..... 63	1001190396..... 835	1001192631..... 39
1001184396..... 649, 795	1001187847..... 63, 65	1001190921..... 756, 762	1001192643..... 329
1001184397..... 649, 799	1001187848..... 63, 65	1001191091..... 333	1001192644..... 331
1001184403..... 387	1001187882..... 755, 761	1001191108..... 79	1001192646..... 323
1001184404..... 387	1001188203..... 597	1001191157..... 33	1001192649..... 101
1001184405..... 387	1001188303..... 380, 391	1001191163..... 33, 884	1001192650..... 105
1001184406..... 387	1001188372..... 875, 878	1001191229..... 875, 878	1001192700..... 99
1001184427..... 399	1001188577..... 395, 397, 399	1001191255..... 311, 313	1001192713..... 273
1001184439..... 323	1001188578..... 395, 397, 399	1001191256..... 313	1001192722..... 107
1001184504..... 459	1001188590..... 377, 380	1001191257..... 313	1001192723..... 97
1001184610..... 65	1001188592..... 399	1001191281..... 415	1001192734..... 111
1001184632..... 875, 878	1001188594..... 395, 397, 399	1001191283..... 415	1001192735..... 115
1001184795..... 737, 819	1001188602..... 395, 397, 399	1001191284..... 415	1001192737..... 447
1001184796..... 703, 833	1001188603..... 395, 397, 399	1001191285..... 415	1001192745..... 875
1001184869..... 45	1001188604..... 395, 397, 399	1001191370..... 415	1001192755..... 329
1001184872..... 45	1001188610..... 395, 397, 399	1001191487..... 875	1001192766..... 323, 329
1001184874..... 45	1001188612..... 395, 397, 399	1001191546..... 659, 661	1001192771..... 495
1001184875..... 408	1001188614..... 395, 397, 399	1001191635..... 49	1001192772..... 495
1001184876..... 215	1001188618..... 399	1001191685..... 33	1001192885..... 561
1001184877..... 215, 217	1001188619..... 399	1001191789..... 61	1001192886..... 561, 563
1001184878..... 215, 223	1001188720..... 395, 397, 399	1001191915..... 455	1001192887..... 561, 565
1001184879..... 215, 277	1001188725..... 395, 397, 399	1001191915..... 455	1001192888..... 563, 617
1001184980..... 215, 283	1001188728..... 399	1001192096..... 559	1001193111..... 505, 509
1001184981..... 215, 287	1001188729..... 395, 397, 399	1001192124..... 29	1001193210..... 325
1001184982..... 217, 219	1001188733..... 395, 397, 399	1001192125..... 23, 29	1001193307..... 159, 603
1001184983..... 223, 225		1001192142..... 645	1001193308..... 285, 601
1001184984..... 219, 229		1001192168..... 289	1001193393..... 131, 133, 161, 647
1001184985..... 225, 243		1001192170..... 295	1001193461..... 541
1001184986..... 277, 279		1001192177..... 289, 291	1001193474..... 455
1001184987..... 287		1001192178..... 289, 293	1001193516..... 479, 519
1001184988..... 287		1001192180..... 295	1001193517..... 479, 523
1001185026..... 187		1001192181..... 295	1001193576..... 273
1001185633..... 417		1001192309..... 323	1001193698..... 675, 677
1001185722..... 719		1001192320..... 37	1001193703..... 131, 133, 153, 647
1001185870..... 408		1001192321..... 713	1001193704..... 131, 133, 157, 647
1001185931..... 27		1001192322..... 715	1001193705..... 153, 155
		1001192323..... 675	1001193709..... 479, 527
		1001192324..... 49	1001193797..... 205
		1001192326..... 35	1001193803..... 127
		1001192339..... 83	1001193836..... 565
		1001192342..... 87	



## PART NUMBER INDEX

1001193838.....565	1001195883.....707	1001199822.....197	1001201300.....165
1001193917.....587	1001195953.....753, 829	1001199823.....197	1001201301.....167, 169, 173
1001193918J.....275	1001196191.....167, 169	1001199902.....193	1001201302.....167, 169, 175
1001193919.....275	1001196289.....717, 811	1001200105.....495, 739	1001201303.....167, 177
1001193940.....681, 780	1001196402.....495	1001200106.....131, 659	1001201304.....167, 169, 179
1001193993.....645	1001196452.....719, 721, 813	1001200108.....659, 755	1001201305.....167, 169, 181
1001194103.....653	1001196502.....653	1001200111.....627, 633	1001201309.....175
1001194244.....653	1001196664.....159	1001200159.....639, 649	1001201314.....177
1001194282.....457	1001196778.....125	1001200160.....639, 641, 653	1001201315.....177
1001194421.....782	1001196779.....125	1001200161.....653	1001201316.....177
1001194534.....145	1001196782.....125	1001200162.....653	1001201317.....179
1001194698.....317	1001196806.....875, 878	1001200164.....653	1001201331.....349
1001194699.....317, 319	1001196879.....71	1001200165.....653	1001201418J.....17
1001194700.....319, 321	1001196949.....123	1001200166.....653	1001201420.....485
1001194702.....491	1001196950.....121	1001200167.....653	1001201425.....131, 133, 135, 647
1001194969.....39	1001196951.....119	1001200168.....649, 651	1001201432.....71
1001194980.....31, 884	1001196952.....117	1001200169.....649, 651	1001201499.....451
1001194981.....33	1001196959.....541	1001200177.....273, 275	1001201500.....453
1001195089.....195	1001196964.....553	1001200206.....817	1001201501.....451, 453
1001195194.....57, 59, 61, 884	1001196967.....553	1001200226.....485	1001201588.....27
1001195200.....735, 743	1001196969.....553	1001200249.....193	1001201589.....27
1001195201.....735, 737	1001196970.....553	1001200393.....63, 65	1001201848.....45
1001195202.....743, 825	1001196973.....553	1001200395.....65	1001201856.....193
1001195254.....455	1001196974.....553	1001200443.....131	1001201857.....193
1001195263.....677	1001196975.....553	1001200445.....167	1001201858.....193
1001195342.....385	1001196976.....553	1001200447.....193	1001201885.....756, 763
1001195343.....385	1001196977.....553	1001200451.....203	1001202018.....193, 195
1001195345.....385	1001196978.....553	1001200453.....205	1001202020.....495
1001195346.....385	1001196981.....553	1001200498.....167, 169	1001202021.....193
1001195385.....385	1001196982.....553	1001200499.....167, 169	1001202024.....479, 541
1001195386.....385	1001196989.....527	1001200538.....697	1001202025.....479, 553
1001195423.....849	1001196992.....527	1001200539.....699	1001202026.....479, 547
1001195430.....549	1001196993.....527	1001200631.....169	1001202027.....541
1001195431.....547	1001196995.....527	1001200701.....205	1001202038.....547
1001195433.....547	1001196996.....527	1001200862.....131, 133, 141, 647	1001202172.....639, 641, 645
1001195434.....547	1001196997.....527	1001200863.....131, 133, 143, 647	1001202321.....205, 207
1001195435.....547	1001197011.....559	1001200864.....131, 133, 145, 647	1001202325.....207
1001195437.....385	1001197056.....47	1001200865.....131, 133, 147, 647	1001202519.....717
1001195438.....385	1001197057.....47	1001200866.....131, 133, 151, 647	1001202526.....165, 203
1001195471.....735, 745	1001197072.....141	1001200867.....193, 197	1001202617.....717
1001195473.....735, 747	1001197139.....447	1001200869.....131, 133, 647, 663	1001202621.....713
1001195582.....669, 671	1001197196.....479, 537	1001200870.....541	1001202645.....479
1001195590.....735, 749	1001197197.....553, 555	1001200871.....141	1001202722.....755, 761
1001195591.....731, 733	1001197198.....555, 557	1001200872.....141	1001202723.....755, 761
1001195593.....669, 673	1001197199.....553	1001200873.....141	1001202786.....305, 307
1001195610.....849	1001197200.....553	1001200874.....141	1001202899.....193
1001195655.....53, 884	1001197259.....423	1001200885.....143	1001202901.....135
1001195720.....753	1001197262.....55	1001200886.....143	1001202986.....649, 651
1001195721.....679	1001197339.....37	1001200968.....405	1001203005.....165
1001195731.....749, 751	1001197414.....135, 137	1001201073.....487, 585	1001203081.....695
1001195732.....749, 751	1001197480.....23	1001201074.....485, 487	1001203181.....169
1001195733.....523	1001197481.....27	1001201124.....687, 775	1001203368.....693, 695
1001195737.....57, 59, 61	1001197489.....513	1001201162.....717	1001203640.....697, 699, 703
1001195814.....319, 339	1001197667.....461	1001201266.....55, 57	1001203932.....37
1001195816.....408	1001197668.....739, 741	1001201267J.....57	1001203933.....37
1001195817.....408	1001197733.....47	1001201268.....884	1001203934.....37
1001195818.....408	1001197734.....47	1001201269.....57	1001203947.....167, 169
1001195820.....403	1001197955.....35	1001201298.....131, 133, 165, 647	1001203948.....167, 169
1001195821.....405	1001198307.....45, 47	1001201299.....165	1001203985.....55, 61
1001195822.....403	1001198577.....569, 571		1001203986.....61
1001195823.....405	1001198578.....569, 575		
1001195849.....875	1001198715.....571, 573		
1001195851.....878	1001198717.....575, 577		
1001195855.....875, 878	1001198893.....707, 711		
1001195878.....321	1001199325.....55, 581		
1001195881.....75	1001199670.....195		

## PART NUMBER INDEX

1001203987 ..... 61	1001209346..... 49	1001212925..... 199	1001217354 ..... 483
1001203989 ..... 55	1001209357..... 709	1001213026..... 19, 479	1001217355 ..... 483
1001203990 ..... 55	1001209358..... 711	1001213265..... 447, 449	1001217482 ..... 487, 489
1001204060 ..... 699	1001209387..... 41, 43	1001213306..... 541	1001217552 ..... 499
1001204066 ..... 327	1001209388..... 39	1001213307..... 541	1001217553 ..... 499
1001204115 ..... 327	1001209427..... 701	1001213308..... 541, 543	1001217620 ..... 283, 285
1001204120 ..... 327	1001209456..... 701, 703	1001213309..... 543, 545	1001217623 ..... 705, 709
1001204177 ..... 55, 59	1001209463..... 421	1001213311..... 545, 615	1001217669 ..... 285
1001204178 ..... 59	1001209625..... 878	1001213317..... 505, 507	1001217753 ..... 189
1001204198 ..... 59, 884	1001209690..... 695	1001213318..... 501, 503	1001217754 ..... 185
1001204199 ..... 59, 884	1001209691..... 695	1001213319..... 509, 511	1001217755 ..... 185
1001204200 ..... 59, 884	1001209697..... 693, 695	1001213322..... 35	1001217756 ..... 189
1001204411 ..... 193	1001209899..... 339	1001213323J..... 35	1001217757 ..... 189, 191
1001204413 ..... 193	1001209972..... 481	1001213324J..... 35	1001217758 ..... 191
1001204414 ..... 193	1001210270..... 481	1001213331..... 327	1001217759 ..... 191
1001204444 ..... 697, 699	1001210271..... 559	1001213462..... 55	1001217760 ..... 189
1001204445 ..... 697, 699	1001210281..... 221	1001213562..... 581	1001217761 ..... 175
1001204486 ..... 39	1001210282..... 527	1001213752..... 727	1001217762 ..... 175
1001204528 ..... 697	1001210326..... 63, 65	1001213775..... 749, 751	1001217763 ..... 175
1001204530 ..... 697	1001210327..... 527	1001213791..... 323	1001217931 ..... 21
1001204576 ..... 587	1001210397..... 663	1001213833..... 45	1001217932 ..... 21, 23
1001204709 ..... 439	1001210522..... 479, 559	1001213834..... 45	1001217933 ..... 23, 27
1001205061 ..... 447, 451	1001210523..... 559	1001213959..... 55	1001217948 ..... 541
1001205307 ..... 713	1001210524..... 559	1001213961..... 55	1001218358 ..... 839
1001205375 ..... 55, 481	1001210525..... 559	1001214092..... 347	1001218529 ..... 377, 380
1001205380 ..... 481	1001210526..... 559	1001214123..... 187	1001218542 ..... 377, 380
1001205381 ..... 481	1001210567..... 753	1001214206..... 875, 878	1001218659 ..... 875
1001205528 ..... 581	1001210568..... 481	1001214220..... 447	1001218694 ..... 47
1001205532 ..... 323, 327	1001210569..... 481	1001214254..... 81	1001218704 ..... 875
1001205564 ..... 181	1001210635..... 553	1001214349..... 209	1001218754 ..... 83
1001205565 ..... 181	1001210769..... 221, 227	1001214401..... 727	1001218755 ..... 79, 81, 83
1001205573 ..... 553	1001210770..... 643, 657	1001214415..... 81	1001218996 ..... 377, 380, 884
1001205618 ..... 559	1001210771..... 157, 159	1001214429..... 541	1001218997 ..... 559
1001205619 ..... 71	1001210780..... 535	1001214430..... 541	1001219082 ..... 169
1001205621 ..... 71	1001210797..... 553	1001214431..... 541	1001219113J ..... 39
1001205622 ..... 71	1001210800..... 527	1001214829..... 495	1001219115 ..... 39
1001205627 ..... 71	1001210801..... 535	1001215022..... 177	1001219121 ..... 878
1001206099 ..... 49	1001210870..... 151	1001215024..... 177	1001219212 ..... 875
1001206100 ..... 693, 695	1001211020..... 553	1001215093..... 541	1001219220 ..... 339
1001206607 ..... 513	1001211357..... 363	1001215121..... 685	1001219250 ..... 39
1001206608 ..... 513	1001211427..... 53, 55	1001215208..... 643	1001219615 ..... 525, 611
1001206633 ..... 691, 777	1001211445..... 667	1001215212..... 541	1001219659 ..... 533
1001206709 ..... 527	1001211616..... 181	1001215256..... 527	1001219764 ..... 491, 493
1001206725 ..... 77	1001211617..... 181	1001215319..... 201	1001219765 ..... 495, 497
1001206744 ..... 455	1001211693..... 681	1001215341..... 523, 525	1001219863 ..... 408
1001206843 ..... 75	1001211899..... 47	1001215531..... 327	1001219864 ..... 408
1001207171 ..... 756, 762	1001211900..... 47	1001215539..... 541	1001219865 ..... 408
1001207217 ..... 875	1001211907..... 408	1001215693..... 693, 695, 831	1001219905 ..... 53, 884
1001207325 ..... 485	1001212011..... 333	1001215802..... 541	1001219953 ..... 53, 884
1001207594 ..... 725, 727	1001212047..... 437	1001215941..... 169	1001220230 ..... 878
1001207788 ..... 553	1001212049..... 437	1001216263..... 419	1001220248 ..... 69
1001207789 ..... 553	1001212349..... 627	1001216265..... 417	1001220286 ..... 71
1001207790 ..... 553	1001212369..... 347	1001216267..... 419	1001220295 ..... 517, 607
1001207866 ..... 75, 77	1001212418..... 519, 521	1001216269..... 419	1001220329 ..... 317, 361
1001207898 ..... 217, 221	1001212468..... 415	1001216270..... 417	1001220338 ..... 335, 337
1001207899 ..... 223, 227	1001212470..... 683	1001216331..... 571	1001220339 ..... 319, 335
1001207956 ..... 455	1001212511..... 587, 597	1001216333..... 575	1001220456 ..... 515, 517
1001208037 ..... 455	1001212739..... 161, 163	1001216757..... 471	1001220457 ..... 479, 515
1001208308 ..... 408	1001212787..... 527	1001216798..... 207	1001220507 ..... 461
1001208451 ..... 581	1001212788..... 527, 533	1001216799..... 207	1001220540 ..... 315
1001208532 ..... 553	1001212789..... 533, 535	1001216803..... 471	1001220641 ..... 69
1001208534 ..... 553	1001212880..... 527	1001216974..... 365, 369, 373	1001220643 ..... 537, 539
1001209097 ..... 755, 761	1001212886..... 645	1001217226..... 571, 575	1001220649 ..... 725
1001209200 ..... 481	1001212920..... 181	1001217320..... 679	1001220650 ..... 725, 729
1001209201 ..... 481	1001212921..... 181	1001217353..... 55, 483	1001220717 ..... 683
1001209202 ..... 481	1001212923..... 193, 199		1001220760 ..... 285
1001209203 ..... 481	1001212924..... 199		



# PART NUMBER INDEX

1001220859.....679	1001225676.....201	1001229575.....875, 878	2080087.....321
1001220861.....679	1001225677.....201	1001229609.....37	2080092.....353
1001220942.....481	1001225980.....657	1001229686.....35	2110406.....545, 563
1001220947.....721	1001226328.....845	1001229707.....881	2110408.....539
1001221041.....131, 133, 149, 647	1001226400.....847	1001229955.....723	2110410.....159
1001221052.....389, 397	1001226481.....408	1001229981.....277	2110606 65, 87, 545, 557, 563
1001221054.....391, 399	1001226523.....143	1001230163.....333	2110610.....507, 511
1001221056.....389, 391	1001226533.....871	1001230402.....839	2110806.....581, 627
1001221057.....397, 399	1001226536.....871	1001230403.....839, 840	2110808.....521, 525, 557
1001221058.....397, 399	1001226537.....871	1001230404.....840	2110810.....535, 563
1001221059.....377, 380	1001226557.....559	1001230423.....199	2111008.....597
1001221087.....299, 301	1001226636.....817	1001230850.....729	2111010....163, 481, 503, 507, 511, 557, 563, 575
1001221157.....297, 299	1001226637.....817	1001230967.....55	2111012.....517
1001221270.....297	1001226681.....199	1001230986.....55	2111212.....517
1001221295.....377, 380	1001226797.....193	1001231217.....715	2111216.....159
1001221318.....727	1001226799.....723	1001231385.....45	2111616....181, 285, 563
1001221319.....727	1001226828.....491	1001231393.....535	2130404....457, 493, 497, 525, 557
1001221321.....297, 301	1001226829.....491, 495	1001231397.....839, 840	2130406.....159
1001221349.....195	1001226947.....581	1001231398.....839, 840	2130408.....525
1001221383.....195	1001227066.....845, 847	1001231400.....839, 840	2130606.....517, 531
1001221493.....189	1001227068.....847	1001231401.....839, 840	2130808....221, 227, 457
1001221734.....297	1001227077.....169	1001231402.....840	2131010....481, 495, 497, 597
1001221868.....151	1001227090.....205	1001231404.....840	2131212....493, 497, 549, 557, 581, 627
1001221928.....531, 613	1001227133.....408	1001231406.....840	2131216.....159
1001221986.....529, 531	1001227186.....321	1001231407.....169, 837	2132016.....517
1001221987.....527, 529	1001227187.....325	1001231483.....170, 839	2144603.....277
1001221988.....527	1001227188.....325	1001231801.....875	2144606.....147
1001221989.....527	1001227266.....847	1001232033.....723	2150406.....489
1001222188.....29	1001227287.....875, 878	1001232298.....723, 843	2150606.....87
1001222190.....29	1001227297.....723, 817	1001232509.....211, 669	2150608.....159
1001222455.....781	1001227334....57, 59, 61, 884	1001232850.....151	2150808....221, 227, 521
1001222460.....135	1001227337.....57, 884	1001232988.....77	2151010....503, 507, 511
1001222603.....473	1001227440.....495	1001233024.....211	2151212.....549
1001222606.....471	1001227670...79, 81, 83, 85, 87, 89, 91, 97, 101, 108, 115	1001233430.....869	2151616.....181, 517
1001222650.....875, 878	1001227802.....323	1001233558.....878	2152020.....33
1001222741.....327	1001227945.....457	1001234395.....77	2160016..57, 63, 65, 275, 485, 571, 575
1001223109.....541	1001227964.....169	1001234455.....43	2170104.....163
1001223265.....408	1001228132.....397, 399	1001234596.....77	2170106.....517
1001223435.....95	1001228140.....397, 399	1001234802.....77	2170112.....517
1001223453.....875, 878	1001228141.....397, 399	1001235963.....37, 43	2170206.....87, 517
1001223455.....781, 782, 783, 784	1001228147.....397, 399	1001236404.....473	2170208.....457
1001223456.....780	1001228248.....151	1001238781.....161	2170216.....181
1001223457.....780, 781	1001228427.....93	1060626.....671, 673	2170316.....159
1001223509.....195	1001228504.....557	1062255...151, 165, 175, 181, 189, 203, 207, 211, 553, 659, 661, 669, 723	2170410.....495
1001223869.....169	1001228643.....169	10713707.....643	2170704.....159
1001223874.....169	1001228727.....133, 647	10725554.....233, 247	2170716.....181
1001223902.....59	1001228728.....133, 647, 661	120034.....681	2170804.....539
1001223903.....747	1001228731.....661, 761	1320022.....380	2170806.....221, 227
1001223920.....59	1001228732.....661, 773	1320060.....175	2171816.....541
1001223968.....683, 807	1001228733.....661, 769	1670836.....875, 878	2171832.....541
1001223983.....59	1001228738.....641	1701500.....875, 878	2172110.....481
1001224127.....747	1001228739.....641, 651	1702631.....875, 878	2172116.....181
1001224128.....747	1001228740.....651, 851	1704260.....679	2172410.....495
1001224450J.....39	1001228741.....651, 855	1706296.....875	2200223.....167, 169
1001224598.....221	1001228743.....689	1706299.....875	2220238.....557
1001224938.....227	1001228744.....689, 859	1706300.....875	2220239.....33, 535
1001224944.....493, 631	1001228872.....165	1706301.....875	2220240.....33
1001224945.....497, 619	1001228989.....697, 699	1706302.....875	2220767.....175
1001224946.....517	1001229057.....61	1706306.....875	2220811.....285
1001225317.....303	1001229107.....845	1706768.....875	2220883.....617
1001225390.....495	1001229201.....289	1706850.....875	2220886.....617
1001225392.....491	1001229407.....35	1707078.....875	
1001225393.....491, 495	1001229422.....481	2080078.....337	
1001225656.....535		2080086.....321	

## PART NUMBER INDEX

2400060 ..... 817	4031712 ..... 481	4460539.....755, 757, 758, 761, 762, 763, 764, 783, 784, 795, 800, 819, 823, 825, 839, 851, 856, 857	4460979 ..... 757, 763
24921332 ..... 193	4031910 ..... 433, 435		4460984 ..... 797, 853
2580040 ..... 669	4031912 ..... 519, 537		4460994 ..... 782
2720160 ..... 527	4031918 ... 501, 505, 509		4461000 ..... 679
2902443 ..... 756, 763	4031920 ..... 587		4461006 ... 755, 756, 761, 763
2920207 ..... 693	4031921 ..... 491, 495	4460608.....755, 761	4461008 ..... 755, 761
2920208 ..... 693	4032010 ..... 53	4460670.....817	4461015 .... 793, 796, 852
3020037 ..... 283	4032314 ..... 55	4460705.....781	4461017 ... 767, 769, 775, 799, 855, 859
314689 ..... 55	4060919 ..... 19	4460742.....839	4461018 ... 757, 763, 799, 855
3251813 ..... 875, 878	4109801 ..... 875, 878	4460746.....785	4461054 ... 755, 761, 799, 800, 855, 856
3290401 ... 377, 380, 415, 713	4240018 ..... 527, 553	4460748....756, 762, 800, 856	4461070 ..... 757, 763
3290405 ..... 77, 329, 733, 749, 751	4240032 ..... 723	4460761.....839	4461071 ..... 756, 763
3290501 ..... 681, 715	4240099 ... 527, 541, 673	4460789.....805	4461095 ..... 757, 763
3290505 71, 77, 169, 653	4280307 ..... 27	4460809.....839	4461115 ..... 785, 833
3290507 ..... 77	4360475 ..... 679	4460836.....781	4461118 .... 799, 805, 855
3290601 ... 380, 415, 419, 447, 455, 649, 651, 675, 677, 681, 697, 719, 721, 749, 751	4460225 ..... 780, 781	4460871.....813, 815	4461174 ... 705, 707, 709, 711
3290605 41, 43, 193, 205, 408, 415, 663, 749, 751	4460234 ..... 681, 723	4460884....713, 757, 764, 796, 799, 811, 819, 825, 839, 852, 855	4461262 ... 780, 784, 799, 829, 855
3290606 ..... 559	4460265 ..... 780	4460891....741, 756, 757, 758, 762, 763, 764, 777, 784, 785, 795, 796, 797, 799, 800, 819, 839, 851, 852, 853, 855, 856	4461290 ..... 796, 852
3290607 ..... 693, 695	4460267 ... 780, 781, 782	4460892.....756, 762	4641520 ..... 539, 635
3290801 ... 167, 169, 323, 443, 703, 747	4460268 ... 780, 781, 782	4460894....756, 762, 781, 783, 797, 799, 803, 825, 831, 853, 855	471678 ..... 349
3290805 ... 165, 195, 449, 511, 657	4460320 ..... 781, 782	4460897....756, 757, 758, 762, 763, 782, 793, 795, 796, 797, 803, 835, 851, 852, 853	4740274 ..... 167, 169
3290806 ..... 337	4460321 ..... 839	4460899....797, 799, 805, 807, 819, 853, 855	4740532 ..... 157, 161
3291001 ... 145, 151, 167, 169, 205, 653, 693, 695	4460343 ..... 780, 781	4460905.....813, 815	4740550 ..... 167, 169
3291005 ... 147, 167, 169, 205, 275, 485, 645	4460424 ..... 782	4460906.....781	4761700 ..... 541
3291201 ..... 125, 175	4460434 ..... 780	4460928....784, 796, 819, 852	4807718 ..... 361, 884
3291205 ..... 53	4460458 ... 741, 756, 762, 785, 800, 833, 839, 856	4460930....784, 797, 799, 800, 843, 853, 856	4811400 ... 77, 79, 81, 83, 377, 380, 415, 453, 713, 733, 749, 751
3291601 ..... 35	4460464 ... 756, 762, 771, 773, 775, 782, 784, 793, 797, 800, 805, 807, 809, 817, 819, 823, 825, 829, 833, 837, 839, 843, 847, 853, 856, 859	4460931....775, 784, 800, 825, 843, 856, 859	4811600 71, 77, 149, 169, 408, 653, 679, 715
3291605 ... 53, 79, 81, 83, 141	4460465 ... 741, 755, 756, 757, 758, 761, 762, 763, 764, 777, 781, 783, 784, 785, 793, 795, 796, 797, 799, 800, 801, 803, 811, 813, 815, 817, 819, 820, 823, 825, 839, 843, 851, 852, 853, 855, 856, 857	4460932....793, 796, 799, 809, 827, 829, 833, 837, 852, 855	4811700 ... 23, 27, 41, 43, 45, 143, 193, 195, 205, 321, 323, 343, 349, 380, 403, 405, 415, 419, 421, 447, 451, 455, 523, 529, 559, 645, 649, 651, 659, 661, 663, 675, 677, 681, 693, 695, 697, 699, 719, 721, 727, 743, 749, 751
3311508 ..... 671	4460475 ..... 839	4460933....757, 763, 781, 795, 797, 800, 817, 851, 853, 856	4811700001 ..... 408
3332011 ..... 315	4460496 ..... 681	4460941....793, 800, 805, 831, 835, 856	4811702 ... 353, 419, 447, 451, 457
3520028 ..... 455	4460497 ..... 681	4460942....757, 764, 781, 793, 795, 796, 797, 819, 820, 831, 851, 852, 853	4811702001 ..... 323, 325, 408, 473
3520193 ..... 35, 57	4460508 ... 755, 762, 767, 769, 775, 859	4460944....757, 758, 761, 762, 763, 764, 781, 783, 784, 785, 800, 813, 815, 819, 825, 856, 857	4811900 ... 23, 25, 27, 47, 49, 53, 55, 153, 165, 167, 169, 179, 187, 193, 195, 199, 209, 323, 327, 341, 347, 365, 369, 373, 380, 417, 431, 433, 435, 443, 447, 457, 487, 501, 505, 511, 513, 527, 533, 543, 547, 559, 581, 643, 657, 675, 677, 703, 705, 707, 713, 719, 721, 745, 747
3740080 ..... 169	4460509 ... 757, 763, 796, 799, 852, 855	4460945....764, 785, 825, 839	
3760348 ..... 447	4460518 ... 784, 797, 839, 853	4460970....756, 762, 795, 800, 831, 851, 856	
3900357 ..... 663	4460536 ... 771, 773, 801, 823, 857		
3900379 ..... 429			
39844923 ..... 247			
3986405 ..... 279			
3986610 ..... 375			
3986643 ..... 375			
4000015 ..... 751			
4010416 ..... 733, 749			
4010510 ..... 471, 473			
4010608002 .... 323, 408, 419, 421			
4010610 ..... 749, 751			
4010610002 .... 403, 405, 408, 419, 455			
4010612002 .... 325, 408, 415			
4031205 ..... 659, 661			
4031607 29, 33, 461, 463, 659, 661			
4031608 ..... 413			
4031608001 ..... 408			
4031708 ..... 747			

# PART NUMBER INDEX

4811902..37, 39, 61, 183, 185, 193, 377, 380, 417, 419, 481	70005557 ..... 138	70024166 ..... 579	70025780.....138
4812000....33, 41, 43, 47, 49, 53, 55, 57, 59, 61, 63, 65, 69, 77, 145, 147, 153, 175, 193, 205, 275, 455, 457, 485, 513, 515, 523, 541, 549, 555, 559, 643, 645, 653, 659, 661, 693, 695, 729, 749, 751, 753	70005558 ..... 138	70024167 ..... 579	70025786.....137
4812002....25, 37, 39, 45, 47, 63, 65, 145, 151, 167, 169	70005559 ..... 138	70024168 ..... 579	70025816.....445
4812100..23, 27, 53, 141, 175, 193, 561, 565, 653	70005730 ..... 137	70024210 ..... 237, 251	70025817.....445
4812102.....23, 167, 169, 303	70006144 ..... 137	70024213 ..... 237	70025856.....259
4812300..35, 53, 55, 141, 283	70006427 ..... 617	70024215 ..... 237	70025859.....449
4812500.....313, 315	70020276 ..... 279	70024216 ..... 251	70025860.....449
4831400.....377, 380, 415	70020438 ..... 585	70024459 ..... 375	70025877.....138
4831600.....33, 659, 661	70020476 ..... 577	70024474 ..... 138	70025884.....241, 255
4831700.....45, 197, 419, 455, 643, 719, 721	70020555 ..... 97, 99, 127	70024484 ..... 137	70025887.....233, 247
4831900....183, 185, 377, 380, 447, 663	70020764 ..... 621, 623	70024487 ..... 137	70025970.....237
4832100.....167, 169	70020867 ..... 609, 635	70024489 ..... 137	70026002.....235, 249
4892600.....219, 225	70020922 ..... 455	70024493 ..... 137	70026011.....137
5220600.....699	70021251 ..... 367	70024494 ..... 137	70026081.....173
5220800.....665, 667, 671	70021252 ..... 367	70024495 ..... 137	70026082.....173
5240600.....747	70021317 ..... 371	70024504 ..... 137	70026210.....138
5240800.....499	70021318 ..... 371	70024505 ..... 138	70026238.....235, 249
5241000.....205	70021319 ..... 371	70024507 ..... 137	70026249.....585
5241200.....125	70021322 ..... 371	70024538 ..... 107	70026251.....585
5241400.....277	70021340 ..... 693, 695	70024721 ..... 108, 111	70026253.....585, 884
5241600.....275	70021341 ..... 693, 695	70024733 ..... 599	70026260...235, 249, 261
5242400.....275, 485	70021349 ... 85, 101, 105	70024734 .. 593, 595, 599	70026261...235, 249, 263
5250608.....385	70021350 ..... 101, 105	70024772 ..... 108, 111	70026262.....237
5251012.....135	70021367 ..... 105	70024848 ..... 237	70026263.....237
5271609.....715	70021422 ..... 105	70024849 ..... 237	70026264.....237
5272012.....729	70021440 ..... 589, 591	70024856 ..... 375	70026265.....241, 255
643191201.780, 795, 851	70021444 ..... 591	70024857 ..... 375	70026266..241, 255, 265
643201301.780, 795, 851	70021445 ..... 591	70024858 ..... 375	70026292.....787
70002963.....613, 617	70021446 ..... 591	70024859 ..... 375	70026293.....789
70004387.....613	70021447 ..... 591	70024861 ..... 375	70026294.....655
70004512.....137	70021448 ..... 591	70024881 .. 235, 249, 265	70026295.....655
70004595.....611	70021451 ..... 591	70024918 ..... 137	70026296.....655
70005191.....138	70021452 ..... 591	70024945 ..... 603	70026297.....655
70005490.....137	70021531 ..... 621, 623	70024946 ..... 603	70026312.....617
70005492.....137	70021606 ..... 251	70024961 ..... 137, 884	70026314.....617
70005495.....137	70021613 ..... 251	70025012 ..... 235	70026315.....617
70005504.....137	70022034 ..... 367	70025014 ..... 235	70026353.....173
70005505.....137	70022140 ..... 233, 247	70025153 ..... 137	70026354.....173
70005507.....137, 138	70022726 ..... 603	70025242 ..... 138	70026359.....173
70005510.....137	70022765 ..... 683, 884	70025335 ..... 231, 245	70026361.....459
70005511.....137	70022773 ..... 239, 253	70025337 ..... 257	70026362.....459
70005513.....137	70022938 ..... 93, 95, 108, 111	70025338 ..... 257	70026363.....459
70005522.....138	70023179 ..... 375	70025339 ..... 257, 259	70026364.....459
70005523.....138	70023181 ..... 375	70025483 ..... 367	70026365.....459
70005524.....138	70023182 ..... 375	70025485 ..... 367	70026366.....459
70005544.....138	70023184 ..... 375	70025486 ..... 367	70026367.....459
70005548.....138	70023186 ..... 375	70025489 ..... 367	70026434.....449
70005549.....138, 884	70023189 ..... 375	70025490 ..... 367	70026469.....95
70005556.....138	70023189 ..... 375	70025491 ..... 367	70026470.....95
	70023469 ..... 233, 247	70025535 ..... 138	70026471.....95, 107
	70023489 ..... 257	70025561 ..... 235, 249	70026472.....95, 107
	70023490 ..... 257, 259	70025562 ..... 235, 249	70026473.....95, 107
	70023493 ..... 257	70025590 ..... 573	70026474.....95
	70023494 ..... 233, 247	70025614 ..... 573, 583	70026475.....95
	70024004 ..... 259	70025707 ..... 138	70026476.....95, 107
	70024035 ..... 583	70025722 ..... 137	70026477.....93, 95
	70024107 ..... 375	70025737 ..... 137	70026478.....95
	70024123 ... 95, 107, 111, 599	70025743 ..... 137	70026479.....93, 95
	70024129 .. 593, 595, 599	70025755 ..... 137	70026480.....93, 95
	70024130 ..... 93, 95, 108, 111, 599	70025757 ..... 137	70026481.....93, 95, 107, 111
	70024142 ..... 595	70025760 ..... 138	70026482.....93, 95, 107, 111
	70024146 .. 235, 249, 267	70025761 ..... 138	70026483.....93
	70024147 .. 235, 249, 267	70025763 ..... 137	70026501.....107
	70024164 ..... 579	70025765 ..... 137	70026502.....593, 595
	70024165 ..... 579	70025768 ..... 137	70026504.....111
		70025772 ..... 137	
		70025775 ..... 137	

## PART NUMBER INDEX

70026582 ..... 609, 635	70028281 ..... 619	70028388..231, 235, 245, 249	70028567 ..... 93
70026614 ..... 93, 95	70028282 ..... 619, 631	70028389..231, 235, 245, 249	70028568 ..... 93
70026616 ..... 95	70028285 ..... 625	70028390.....233, 259	70028569 ..... 93
70026631 ..... 279	70028307 ..... 573	70028391.....233	70028570 ..... 93
70026745 ..... 97, 99, 127	70028308 ..... 573	70028392.....235, 249	70028571 ..... 93
70026746 ..... 97, 99, 127	70028309 ..... 573, 583	70028393.....239, 253	70028572 ..... 93
70026747 ..... 251	70028310 ..... 573, 583	70028394.....239, 253	70028573 ..... 93
70026748 ..... 251	70028311 ..... 573	70028396.....235, 249	70028574 ..... 93
70026750 ..... 259	70028312 ..... 573	70028397.....249	70028575 ..... 93
70026838 ..... 577	70028314 ..... 583	70028398.....247, 257	70028576 ..... 93
70026892 ..... 279	70028315 ..... 583	70028399.....247	70028577 ..... 93
70026896 ..... 279	70028316 ..... 583	70028400.....249	70028578 ..... 93
70026897 ..... 279	70028317 ..... 583	70028401.....233, 247	70028579 ..... 93
70026898 ..... 279	70028318 ..... 583	70028405.....107	70028580 ..... 93
70026901 ..... 279	70028319 ..... 583	70028406.....107	70028588 ..... 599
70026904 ..... 279	70028320 ..... 583	70028410.....603, 884	70028589 ..... 93
70026908 ..... 279	70028321 ..... 583	70028411.....603	70028591 ..... 85
70026909 ..... 279	70028322 ..... 583	70028412.....605	70028592 ..... 85
70026911 ..... 279	70028323 ..... 583	70028413.....605, 884	70028593 ..... 85
70026927 ..... 280	70028324 .. 573, 583, 884	70028414.....611	70028594 ..... 85
70027022 ..... 237, 251	70028325 ..... 573	70028415.....611	70028595 ..... 85
70027092 ..... 237	70028326 ..... 375	70028416.....611	70028596 ..... 85
70027105 ..... 257, 259	70028327 ..... 155	70028417.....137	70028597 ..... 85
70027109 ..... 279	70028328 ..... 155	70028418.....137	70028598 ..... 85
70027110 ..... 279	70028329 ..... 155	70028419.....137, 884	70028599 ..... 85, 589
70027180 . 117, 119, 121, 123	70028330 ..... 155	70028420.....601	70028600 ..... 85
70027317 ..... 237, 251	70028331 ..... 155	70028421.....629	70028601 ..... 85
70027392 ..... 371	70028332 ..... 155	70028422.....633	70028602 ..... 85
70027395 ..... 371	70028333 ..... 155	70028485.....85, 101, 105	70028603 ..... 85, 591
70027404 ..... 137	70028334 ..... 155	70028486.....85, 105	70028604 ..... 85
70027405 ..... 137	70028335 ..... 155	70028487.....105	70028605 ..... 85
70027417 ..... 137, 884	70028336 ..... 155	70028488.....85, 105	70028606 ..... 85
70027426 ..... 137	70028337 ..... 155	70028489.....101, 105	70028607 ..... 85
70027567 ..... 137	70028338 ..... 155	70028490.....101, 105	70028609 ..... 589
70027595 ..... 605	70028339 ..... 155	70028491.....105	70028610 ..... 589
70027596 ..... 623	70028340 ..... 155	70028492.....105	70028611 ..... 589
70027598 ..... 603	70028341 ..... 155	70028493.....105	70028612 ..... 591
70027601 ..... 601, 884	70028342 ..... 155	70028494.....105	70028613 ..... 591
70027657 ..... 137, 884	70028343 ..... 155	70028495.....85, 101, 105	70028614 ..... 591
70027773 ..... 101	70028344 ..... 155	70028496.....85, 101, 105	70028615 ..... 101
70027796 ..... 237	70028345 ..... 155	70028497.....105	70028616 ..... 101
70027806 ..... 884	70028346 ..... 155	70028498.....105	70028617 ..... 101
70027862 ..... 279	70028347 ..... 155	70028499.....105	70028618 ..... 101
70027879 ..... 87	70028348 ..... 155	70028500.....105	70028619 ..... 101
70027880 ..... 87	70028349 ..... 155	70028501.....105	70028620 ..... 101
70027881 ..... 87	70028350 ..... 155	70028502.....611	70028621 ..... 101
70027882 ..... 87	70028351 ..... 155	70028503.....611	70028622 ..... 101
70027887 ..... 87	70028352 ..... 155	70028504.....611	70028623 ..... 101
70027888 ..... 87	70028353 ..... 155	70028505.....87	70028624 ..... 101
70027889 ..... 87	70028354 ..... 155	70028506.....87	70028625 ..... 101
70027890 ..... 87	70028355 ..... 155	70028507.....87	70028626 ..... 101
70027896 ..... 87	70028357 ..... 155	70028508.....87	70028627 ..... 101
70027899 ..... 87	70028358 ..... 155	70028509.....87	70028628 ..... 101
70027986 ..... 239, 253	70028359 ..... 155	70028510.....87	70028629 ..... 101
70027989 ..... 85	70028360 ..... 155	70028511.....87	70028630 ..... 101
70028243 ..... 611	70028361 ..... 615	70028512.....87	70028631 ..... 101
70028253 ..... 107	70028362 ..... 585	70028513.....87	70028632 ..... 101
70028254 ..... 593	70028376 ..... 577	70028525.....85	70028633 ..... 101
70028255 ..... 593	70028377 ..... 577	70028526.....85	70028634 ..... 102
70028256 ..... 593, 595	70028378 ..... 577	70028546.....805	70028635 ..... 101
70028257 ..... 593, 595	70028379 ..... 577	70028554.....85, 97, 101	70028636 ..... 101
70028258 ..... 593, 595	70028380 ..... 577	70028563.....93	70028637 ..... 101
70028262 ..... 107	70028381 ..... 449	70028564.....93	70028638 ..... 101
70028263 ..... 93	70028382 ..... 449	70028565.....93	70028648 ..... 107
70028267 ..... 108, 111	70028383 ..... 449	70028566.....93	70028649 ..... 107
70028270 ..... 593	70028384 ..... 577		70028650 ..... 107
	70028387 ..... 235, 249		70028651 ..... 107

## PART NUMBER INDEX

70028652.....	107, 593	70028722.....	111	7024947.....	605	80214120.....	235, 249
70028653.....	107, 595	70028723.....	111	7026731.....	271	80233218.....	447
70028654.....	107	70028724.....	111	7028621.....	375	80333151.....	447
70028655.....	107	70028725.....	111	7028714.....	235, 249	80363195.....	341
70028656.....	107	70028726.....	111	7028715.....	235, 249	80604017.....	803
70028657.....	107	70028727.....	111	7028716.....	235, 249	80604021.....	811
70028658.....	107	70028728.....	599	7028733.....	235, 249	80963055.....	757, 763
70028659.....	107	70028729.....	599	7029127.....	239, 253	80963056.....	757, 763
70028660.....	107	70028730.....	599	7029288.....	231, 245	80963067.....	756, 763
70028661.....	107	70028731.....	599	7029290.....	265	80983191... 787, 789, 791	
70028662.....	107	70028732.....	599	7029307.....	239, 253	82033995.....	165, 203
70028663.....	107	70028733.....	599	7029317.....	235	8220035.....	837
70028664.....	107	70028734.....	112	7029486... 403, 405, 863		8220043.....	767, 769
70028665.....	107	70028749.....	95	7029520.....	127	8220051... 782, 783, 795,	
70028666.....	107	70028750.....	95	7029702.....	85	851	
70028667.....	107	70028751.....	95	7029703.....	85	8220097.....	756, 762
70028668.....	107	70028752.....	95	7029704.....	85	8220098.....	756, 762
70028669.....	107	70028753.....	95	7029709.....	101	8220108.....	837
70028670.....	107	70028767.....	107	7029711... 85, 101, 105		8220116.....	797, 853
70028671.....	107	70028768.....	107	7029712.....	101	8220124.....	755, 761
70028672... 95, 107, 111		70028770.....	593	7029733.....	249, 271	8229234.....	840
70028673.....	107	70028771.....	595	7029734.....	237, 251	8229235.....	839
70028674.....	107	70028801.....	280	7029735.....	237, 251	8229242... 787, 789, 817	
70028675.....	107	70028817.....	279	7029743.....	235	8229244.....	655, 791
70028676.....	107	70028818.....	279	7029767.....	367	8229245.....	655, 787
70028677.....	107	70028819.....	279	7029785.....	251	8229247.....	655, 789
70028678.....	108	70028820.....	279	7029787.....	237	8229261.....	839
70028679.....	108	70028821.....	279	7029969.....	693	8275212.....	193
70028680.....	108	70028822.....	279	7029970.....	693	8278020.....	167, 169
70028681.....	108	70028823.....	279	7029971... 693, 695		8305919... 191, 353, 408,	
70028682.....	108	70028824.....	279	7169541.....	169	419	
70028683.....	108	70028825.....	279	7300435.....	141	8307219.....	191
70028684.....	108	70028826.....	279	77133136.....	481	8310559.....	333
70028685.....	108	70028827.....	279	77133137.....	481	8310686.....	519, 537
70028686.....	108	70028828.....	279	77133497.....	481	8405006.....	175, 527
70028687... 108, 111		70028829.....	279	77213042.....	193	8405007... 175, 541, 547,	
70028688... 108, 111		70028830.....	279	7760897.....	777	553	
70028689... 108, 111		70028831.....	279	8000759.....	337	8405009... 175, 199, 447	
70028690.....	108	70028832.....	279	8000803.....	323	8405101.....	175
70028691.....	593, 595	70028833.....	279	8002200.. 57, 59, 61, 884		8405102.....	181
70028692.....	595	70028834.....	279	8004398.....	337	8405104.....	175
70028693.....	595	70028835.....	279	8005901.....	405	8405201... 175, 408, 411	
70028694.....	595	70028836.....	279	8006258.....	581	8405402.....	143
70028695.....	108	70028837.....	279	8008175.....	239, 253	8406105.....	141
70028696.....	108	70028838.....	279	8008640.. 57, 59, 61, 884		8406112.....	209
70028697... 95, 108, 112		70028839.....	279	80203020.....	279	8406201.....	527
70028701.....	111	70028840.....	279	80203021.....	279	8406202.....	501, 505
70028702.....	111	70028841.....	280	80204002.....	231, 245	8410009... 203, 377, 380	
70028703.....	111	70028842.....	280	80204005.. 231, 245, 269		8410013... 165, 527, 541	
70028704... 111, 599		70028843.....	280	80204007.....	279	8420053... 85, 87, 93, 95,	
70028705.....	111	70028844.....	280	80204012.....	249	101, 105, 108, 111	
70028706.....	111	70028845.....	280	80204016.....	279	8420055... 85, 87, 93, 95,	
70028707.....	111	70028846.....	280	80204033.....	233, 247	101, 105, 108, 111	
70028708.....	111	70028847.....	280	80204035.....	233, 247	8424233.....	541
70028709.....	111	70028848.....	280	80204043.....	233, 247	8430032.....	527
70028710.....	111	70028902.....	617	80204048.....	233, 247	8430033.....	563
70028711.....	111	70028903.....	617	80204060.....	237	8430034.....	545
70028712.....	111	70028904.....	617	80204065.....	235, 249	8430081.....	527
70028713.....	111	70028905.....	617	80204071.....	235, 249	8466306.....	359
70028714.....	111	70029941.....	583	80204076.....	235, 249	8584003.....	717
70028715.....	111	7010543.....	613	80204108.....	237	85941018.....	527
70028716.....	111	70124445.....	137	80204117.. 237, 251, 265		8769123.....	505, 509
70028717.....	111	70126616.....	137	80204143.....	239, 253	8769126.....	505, 509
70028718.....	111	7016331..... 137, 884		80204144.....	239, 253	8769146.....	481
70028719.....	111	7020208.....	137	80204176.....	279	8769152.....	481
70028720.....	111	7020442.....	137	80204215.....	279	8769199.....	481
70028721.....	111	7022390.....	619	80204281.....	237, 251	8770030.....	517



## PART NUMBER INDEX

8770075 .....	499	91013191 .....	800, 856	91514089..	231, 235, 237, 245	91514154..	237, 251, 279
8770104 .....	517	91013192 .	796, 797, 852, 853	91514090.....	265	91514159.....	237, 251
8770215 .....	483	91043125 .	499, 503, 507, 511	91514095.....	235, 249	91514174.....	235, 249
8770286 .....	517	91043126 .	499, 503, 507, 511	91514098.....	231, 245	91514175..	235, 249, 267
8786549 ...	291, 293, 299, 301	9106-3039 .....	553	91514101.....	231, 245	91514177 ..	235, 249, 267
88662434 .....	527, 553	9106-3040 .....	553	91514111.....	261, 263	91514178 .....	235, 249
8880219-OM .....	287	91083106 .....	541	91514112.....	235, 249	91514179 .....	235, 249
90206196 .....	47	91163268 .....	193	91514117.....	235, 249	91514180 .....	235, 249
90206198 .....	527	91403193 .....	215	91514118.....	303	91514181 .....	235, 249
90206202 .....	19	91474364 .....	279	91514123.....	233	91514184 .....	235, 271
90554016 .....	99	91474512 .....	231, 245	91514130.....	233, 247	91514185 .....	235, 271
90554017 .....	85	91504107 .....	803	91514133.....	233, 247	91514186 .....	235, 271
90554020 .....	85	91513266 .....	303	91514134.....	233, 247	91514189.....	235, 249
90554042 ...	85, 101, 105	91514081 .....	235, 249	91514143.....	259	91554014 .....	783
90554045 ...	85, 101, 105, 589, 591	91514082 .....	235, 249	91514146.....	269, 279	91574001 .....	579
90554065 .....	101	91514083 .....	235	91514147.....	269	943191201 .....	780
90554066 .....	101	91514084 .....	235	91514148.....	269	AU2105.....	875, 878
90554067 .....	85, 101			91514149...235, 249, 269		E000269.....	733
				91514151.....	237	N.S.S.....	79, 81, 83, 613

# PARTS FINDER

**Search Website  
by Part Number**



**Search Manual  
Library For Parts  
Manual & Lookup Part  
Numbers – Purchase  
or Request Quote**

**Can't Find Part or  
Manual? Request Help  
by Manufacturer,  
Model & Description**

Discount-Equipment.com is your online resource for quality parts & equipment.

Florida: **561-964-4949** Outside Florida TOLL FREE: **877-690-3101**

## Need parts?

Click on this link: <http://www.discount-equipment.com/category/5443-parts/> and choose one of the options to help get the right parts and equipment you are looking for. Please have the machine model and serial number available in order to help us get you the correct parts. If you don't find the part on the website or on one of the online manuals, please fill out the request form and one of our experienced staff members will get back to you with a quote for the right part that your machine needs.

We sell worldwide for the brands: Genie, Terex, JLG, MultiQuip, Mikasa, Essick, Whiteman, Mayco, Toro Stone, Diamond Products, Generac Magnum, Airman, Haulotte, Barreto, Power Blanket, Nifty Lift, Atlas Copco, Chicago Pneumatic, Allmand, Miller Curber, Skyjack, Lull, Skytrak, Tsurumi, Husquvarna Target, Stow, Wacker, Sakai, Mi-T-M, Sullair, Basic, Dynapac, MBW, Weber, Bartell, Bennar Newman, Haulotte, Ditch Runner, Menegotti, Morrison, Contec, Buddy, Crown, Edco, Wyco, Bomag, Laymor, EZ Trench, Bil-Jax, F.S. Curtis, Gehl Pavers, Heli, Honda, ICS/PowerGrit, IHI, Partner, Imer, Clipper, MMD, Koshin, Rice, CH&E, General Equipment, Amida, Coleman, NAC, Gradall, Square Shooter, Kent, Stanley, Tamco, Toku, Hatz, Kohler, Robin, Wisconsin, Northrock, Oztec, Toker TK, Rol-Air, APT, Wylie, Ingersoll Rand / Doosan, Innovatech, Con X, Ammann, Mecalac, Makinex, Smith Surface Prep, Small Line, Wanco, Yanmar