



---

# **Illustrated Parts Manual**

## **Models**

**1055**

**1255**

**31211032**

January 18, 2019 - Rev O



Go to [Discount-Equipment.com](http://Discount-Equipment.com) to order your parts

# PARTS FINDER

**Search Website  
by Part Number**



**Search Manual  
Library For Parts  
Manual & Lookup Part  
Numbers – Purchase  
or Request Quote**

**Can't Find Part or  
Manual? Request Help  
by Manufacturer,  
Model & Description**

Discount-Equipment.com is your online resource for quality parts & equipment.

Florida: **561-964-4949** Outside Florida TOLL FREE: **877-690-3101**

**Need parts?**

Click on this link: <http://www.discount-equipment.com/category/5443-parts/> and choose one of the options to help get the right parts and equipment you are looking for. Please have the machine model and serial number available in order to help us get you the correct parts. If you don't find the part on the website or on one of the online manuals, please fill out the request form and one of our experienced staff members will get back to you with a quote for the right part that your machine needs.

We sell worldwide for the brands: Genie, Terex, JLG, MultiQuip, Mikasa, Essick, Whiteman, Mayco, Toro Stone, Diamond Products, Generac Magnum, Airman, Haulotte, Barreto, Power Blanket, Nifty Lift, Atlas Copco, Chicago Pneumatic, Allmand, Miller Curber, Skyjack, Lull, Skytrak, Tsurumi, Husquvarna Target, Stow, Wacker, Sakai, Mi-T-M, Sullair, Basic, Dynapac, MBW, Weber, Bartell, Bennar Newman, Haulotte, Ditch Runner, Menegotti, Morrison, Contec, Buddy, Crown, Edco, Wyco, Bomag, Laymor, EZ Trench, Bil-Jax, F.S. Curtis, Gehl Pavers, Heli, Honda, ICS/PowerGrit, IHI, Partner, Imer, Clipper, MMD, Koshin, Rice, CH&E, General Equipment, Amida, Coleman, NAC, Gradall, Square Shooter, Kent, Stanley, Tamco, Toku, Hatz, Kohler, Robin, Wisconsin, Northrock, Oztec, Toker TK, Rol-Air, APT, Wylie, Ingersoll Rand / Doosan, Innovatech, Con X, Ammann, Mecalac, Makinex, Smith Surface Prep, Small Line, Wanco, Yanmar



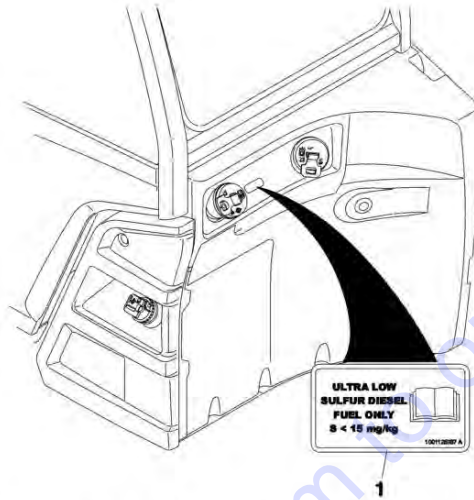
## EFFECTIVITY PAGE

April 9, 2015 - A - Original Issue of Manual  
August 10, 2015 - B - Revised Manual  
November 11, 2015 - C - Revised Manual  
February 23, 2016 - D - Revised Manual  
May 24, 2016 - E - Revised Manual  
August 19, 2016 - F - Revised Manual  
November 30, 2016 - G - Revised Manual  
March 1, 2017 - H - Revised Manual  
May 25, 2017 - I - Revised Manual  
August 18, 2017 - J - Revised Manual  
November 22, 2017 - K - Revised Manual  
January 19, 2018 - L - Revised Manual  
April 13, 2018 - M - Revised Manual  
August 20, 2018 - N - Revised Manual  
January 18, 2019 - O - Revised Manual

Go to [Discount-Equipment.com](http://Discount-Equipment.com) to order your parts

## Machine Configuration

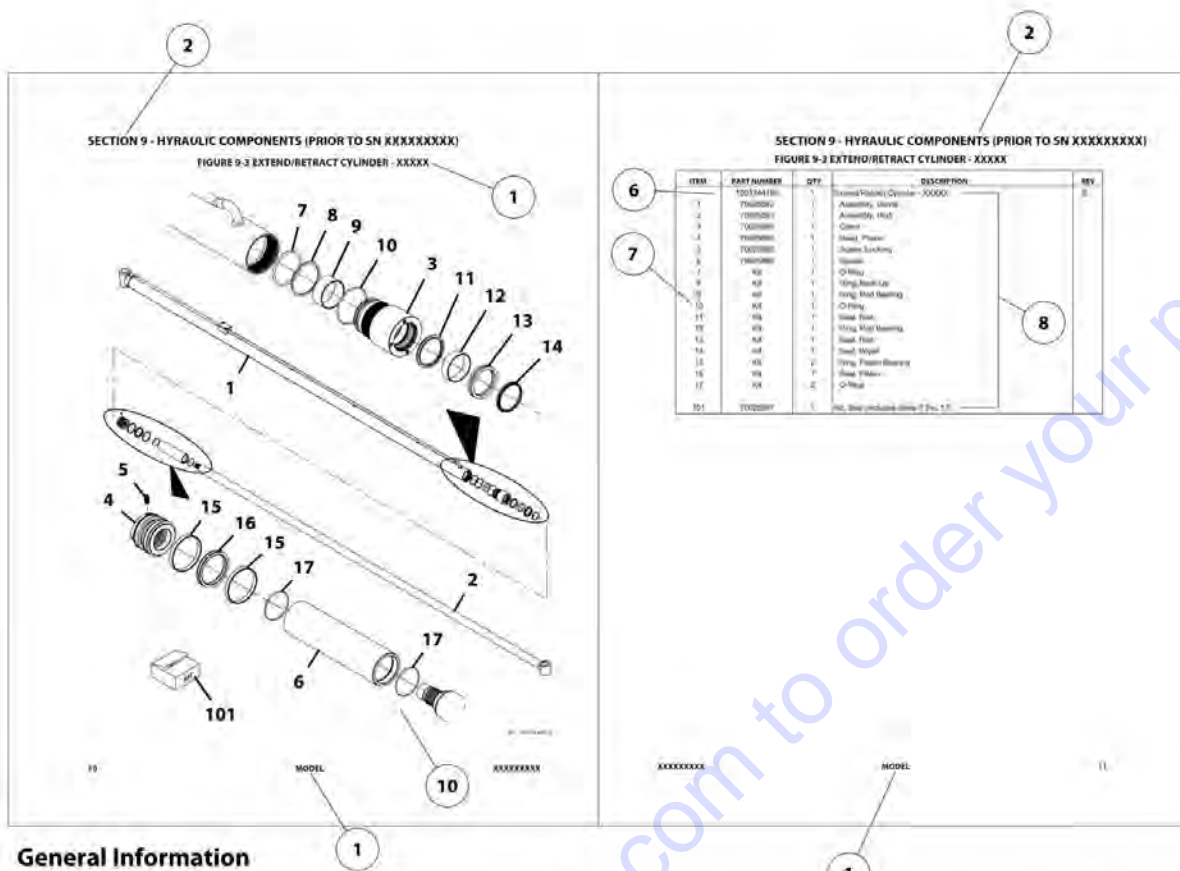
---



Two configurations of each machine are included in this manual. Determine if machine is equipped with Ultra Low Sulfur Fuel Decal (1).

If equipped with the Ultra Low Sulfur decal, all specific references to this machine configuration will be referred to as Ultra Low Sulfur (ULS) from this point forward.

If not equipped with the Ultra Low Sulfur decal, all specific references to this machine configuration will be referred to as Low Sulfur (LS) from this point forward.



## General Information

### 1. MACHINE IDENTIFICATION

Machines are identified by model and in some cases a combination of model, serial number (S/N) or regional standard (e.g. ANSI, CE, CSA, AUS). Components may also be identified by S/N or manufacturer. Common components that may be identified by these characteristics are attachments, engine, transmission and hydraulic components.

### 2. PARTS MANUAL ORGANIZATION

Product information in this manual is organized under section titles. Frame, Engine and Electrical are a few examples. Each section is organized by Figure and page number. The information within the Figure is then organized by item number, part number, description and corresponding illustration(s).

### 3. TABLE OF CONTENTS

A table of contents (TOC) is found toward the beginning of the manual. Figure number, description and page number are provided for quick reference to the page containing the related information.

### 4. RECOMMENDED SPARE PARTS

The Recommended Spare Parts, located near the end of the manual, references most frequently used maintenance parts.

### 5. PARTS NUMBER INDEX

A numerical index listing all part numbers and the corresponding page number(s) appears at the back of the manual.

### 6. NON-SERVICED PARTS

In some instances it is necessary to display non-serviced parts, assemblies or installations. In the case of assemblies and installations there will be a Ref in the QTY column and a note after the item description stating what is available for service within. In the case of parts that are not available for service within assemblies or components there will be a NSS (Not Sold Separately) listed in the part number column of the manual.

### 7. PARTS LIST ITEM NUMBERS

Numbers shown in the Item column correspond to numbers used in the associated illustration(s). Item numbers which are missing from sequence and are not shown in the illustration(s) are not used on that page.

### 8. INDENTED PART DESCRIPTION

An indented part description is included in the item under which it is indented.

## 9. ABBREVIATIONS AND SYMBOLS

AC.....	Alternating Current	LB.....	Pound
A/C.....	Air Conditioning	LBP.....	Low Boom Pivot
ADE.....	Advanced Design Electronics	LCD.....	Liquid Crystal Display
AG.....	Agriculture	LED.....	Light Emitting Diode
AMP.....	Amperage	LH.....	Left Hand
ANSI.....	American National Standards Institute	LHD.....	Left Hand Drive
AR.....	As Required	LHP.....	Low Horse Power
ASSY.....	Assembly	LMIS.....	Load Management Indicator System
AUS.....	Australia	LS.....	Low Sulfur
AUX.....	Auxiliary	LSI.....	Load Stability Indicator
AWG.....	American Wire Gauge	LSS.....	Load Sensing System
CAC.....	Charge Air Cooler	M <sup>3</sup> .....	Cubic Meter
CE.....	European Conformity	MA.....	Milliamp
CM.....	Centimeter	M(m).....	Metric/Meter
CONST.....	Construction	MM.....	Millimeter
CSA.....	Canadian Standards Association	N.....	Newton
DEF.....	Diesel Exhaust Fluid	NACD.....	North America Construction Division
DIA.....	Diameter	NLA.....	No Longer Available
DC.....	Direct Current	NSS.....	Not Sold Separately
DTZ.....	Decentralized Transmission Zeros	OD.....	Outside Diameter
ECU.....	Electronic Control Unit	ORB.....	O-Ring Boss
EMS.....	Emergency Stop	ORFS.....	O-Ring Face Seal
FNR.....	Forward Neutral Reverse	OZ.....	Ounce
FT.....	Foot	PR.....	Ply Rating
GA.....	Gauge	QT.....	Quart
GR.....	Grade	QTY.....	Quantity
HBP.....	High Boom Pivot	REF.....	Reference
HHP.....	High Horse Power	REV.....	Revision
HOC.....	Hydraulic Oil Cooler	RH.....	Right Hand
HVAC.....	Heating, Ventilating, and Air Conditioning	RHD.....	Right Hand Drive
ID.....	Inside Diameter	RHOC.....	Remote Hydraulic Oil Cooler
IN.....	Inch	RUS.....	Russia
ISO.....	International Organization for Standards	SAE.....	Society of Automotive Engineers
ITSDF.....	Industrial Truck Standards Development Foundation	SAHR.....	Spring Applied Hydraulically Released
JIC.....	Joint Industry Council	SN.....	Serial Number
KG.....	Kilogram	SPD.....	Speed
KW.....	Kilowatt	TLU.....	Torque Lock Up
L.....	Liter	UGM.....	Universal Ground Module

## 10. ILLUSTRATION REFERENCE LETTERS

When necessary, illustrations may contain reference letters that are intended to track information from one point to another in the illustration such as harnesses and hoses or any other information that has been separated in the illustration

**Note:** Due to continuous product improvements, JLG Industries, Inc. reserves the right to make specification changes without prior notification.

# TABLE OF CONTENTS

SECTION 1 - FRAME AND ATTACHING PARTS.....	17
FIGURE 1-1. FRAME WELDMENT (Prior to SN 0160079256) .....	18
FIGURE 1-2. FRAME WELDMENT (SN 0160079256 to Present).....	20
FIGURE 1-3. FRAME COVER INSTALLATION (ULS) .....	22
FIGURE 1-4. FRAME COVER INSTALLATION (LS).....	24
FIGURE 1-5. ENGINE INSTALLATION.....	26
FIGURE 1-6. ENGINE ENCLOSURE INSTALLATION.....	28
FIGURE 1-7. ENGINE ENCLOSURE COVER INSTALLATION.....	30
FIGURE 1-8. HOOD ASSEMBLY .....	32
FIGURE 1-9. HOOD ASSEMBLY .....	34
FIGURE 1-10. TANK INSTALLATION .....	36
FIGURE 1-11. FUEL TANK INSTALLATION .....	38
FIGURE 1-12. HYDRAULIC TANK INSTALLATION .....	40
FIGURE 1-13. OUTRIGGERS INSTALLATION .....	42
FIGURE 1-14. COUNTERWEIGHT INSTALLATION - 1055 .....	44
FIGURE 1-15. COUNTERWEIGHT INSTALLATION - 1255 .....	46
FIGURE 1-16. MIRROR INSTALLATION .....	48
FIGURE 1-17. CONVEX MIRROR ASSEMBLY .....	50
SECTION 2 - BOOM.....	53
FIGURE 2-1. BOOM ASSEMBLY - 1055.....	54
FIGURE 2-2. BOOM ASSEMBLY - 1255.....	58
FIGURE 2-3. FIRST BOOM ASSEMBLY - 1055 .....	62
FIGURE 2-4. FIRST BOOM ASSEMBLY - 1255 .....	64
FIGURE 2-5. SECOND BOOM ASSEMBLY - 1055 .....	66
FIGURE 2-6. SECOND BOOM ASSEMBLY - 1255 .....	68
FIGURE 2-7. THIRD BOOM ASSEMBLY - 1055.....	70
FIGURE 2-8. THIRD BOOM ASSEMBLY - 1255.....	72
FIGURE 2-9. FOURTH BOOM ASSEMBLY - 1055.....	74
FIGURE 2-10. FOURTH BOOM ASSEMBLY - 1255.....	76
FIGURE 2-11. EXTEND CYLINDER PINS INSTALLATION.....	78
FIGURE 2-12. SECOND BOOM SECTION EXTEND CHAIN INSTALLATION - 1055.....	80
FIGURE 2-13. SECOND BOOM SECTION EXTEND CHAIN INSTALLATION - 1255.....	82
FIGURE 2-14. THIRD BOOM SECTION EXTEND CHAIN INSTALLATION .....	84
FIGURE 2-15. SECOND BOOM SECTION RETRACT CHAIN INSTALLATION - 1055 .....	86
FIGURE 2-16. SECOND BOOM SECTION RETRACT CHAIN INSTALLATION - 1255 .....	88
FIGURE 2-17. THIRD BOOM SECTION RETRACT CHAIN INSTALLATION - 1055.....	90
FIGURE 2-18. THIRD BOOM SECTION RETRACT CHAIN INSTALLATION - 1255.....	92
FIGURE 2-19. CHAIN SHEAVE ASSEMBLY .....	94
FIGURE 2-20. CHAIN SHEAVE ASSEMBLY .....	96
FIGURE 2-21. CHAIN SHEAVE ASSEMBLY .....	98
FIGURE 2-22. CHAIN SHEAVE ASSEMBLY .....	100
FIGURE 2-23. BOOM PINNING INSTALLATION.....	102
FIGURE 2-24. BOOM PIVOT INSTALLATION .....	104
FIGURE 2-25. LIFT CYLINDER INSTALLATION .....	106
FIGURE 2-26. COMPENSATION CYLINDER INSTALLATION .....	108
FIGURE 2-27. BOOM BRUSHES INSTALLATION .....	110
FIGURE 2-28. BOOM ANGLE INDICATOR INSTALLATION .....	112
FIGURE 2-29. MANUAL QUICK COUPLER INSTALLATION .....	114
FIGURE 2-30. HYDRAULIC QUICK COUPLER INSTALLATION .....	116
FIGURE 2-31. PIN INSTALLATION.....	118
FIGURE 2-32. PIN INSTALLATION.....	120
FIGURE 2-33. QUICK COUPLER ASSEMBLY .....	122
FIGURE 2-34. BOOM PROP INSTALLATION (ANSI).....	124
FIGURE 2-35. BOOM PROP INSTALLATION (CANADA) .....	126
FIGURE 2-36. BOOM PROP BRACKET .....	128
SECTION 3 - ATTACHMENTS .....	131
FIGURE 3-1. CARRIAGE ASSEMBLY (50 INCH) (Prior to SN 0160075710) .....	132
FIGURE 3-2. CARRIAGE ASSEMBLY (50 INCH) (SN 0160075710 to Present) .....	134
FIGURE 3-3. CARRIAGE ASSEMBLY (60 INCH) (Prior to SN 0160075710) .....	136
FIGURE 3-4. CARRIAGE ASSEMBLY (60 INCH) (SN 0160075710 to Present) .....	138
FIGURE 3-5. CARRIAGE ASSEMBLY (72 INCH) (Prior to SN 0160073773) .....	140



# TABLE OF CONTENTS

FIGURE 3-6. CARRIAGE ASSEMBLY (72 INCH) (SN 0160073773 through 0160075709)	142
FIGURE 3-7. CARRIAGE ASSEMBLY (72 INCH) (SN 0160075710 to Present)	144
FIGURE 3-8. SIDE TILT CARRIAGE ASSEMBLY (50 INCH) - 1055	146
FIGURE 3-9. SIDE TILT CARRIAGE ASSEMBLY (60 INCH) - 1055	148
FIGURE 3-10. SIDE TILT CARRIAGE ASSEMBLY (72 INCH) - 1055	150
FIGURE 3-11. SIDE TILT CARRIAGE ASSEMBLY (50 INCH) - 1255	152
FIGURE 3-12. SIDE TILT CARRIAGE ASSEMBLY (60 INCH) - 1255	154
FIGURE 3-13. SIDE TILT CARRIAGE ASSEMBLY (72 INCH) - 1255	156
FIGURE 3-14. SIDE TILT CARRIAGE ASSEMBLY (50 INCH)	158
FIGURE 3-15. SIDE TILT CARRIAGE ASSEMBLY (60 INCH)	160
FIGURE 3-16. SIDE TILT CARRIAGE ASSEMBLY (72 INCH)	162
FIGURE 3-17. SIDE SHIFT CARRIAGE ASSEMBLY (50 INCH)	164
FIGURE 3-18. 90 SWING CARRIAGE ASSEMBLY (72 INCH)	166
FIGURE 3-19. 180 SWING CARRIAGE (72 INCH)	168
FIGURE 3-20. DUAL FORK CARRIAGE (50 INCH) - 1055 (Prior to SN 0160082577)	170
FIGURE 3-21. DUAL FORK CARRIAGE (50 INCH) - 1055 (SN 0160082577 to Present)	172
FIGURE 3-22. DUAL FORK CARRIAGE ASSEMBLY (50 INCH)	174
FIGURE 3-23. DUAL FORK CARRIAGE VALVE ASSEMBLY	176
FIGURE 3-24. DUAL FORK POSITIONING CARRIAGE ASSEMBLY (50 INCH) - 1255 (Prior to SN 0160082577)	178
FIGURE 3-25. DUAL FORK POSITIONING CARRIAGE ASSEMBLY (50 INCH) - 1255 (SN 0160082577 to Present)	180
FIGURE 3-26. DUAL FORK POSITIONING CARRIAGE (50 INCH) - 1255	182
FIGURE 3-27. TRUSS BOOM ASSEMBLY (3 FOOT WITH WINCH)	184
FIGURE 3-28. TRUSS BOOM (12 FOOT WITH WINCH)	186
FIGURE 3-29. TRUSS BOOM (12 FOOT WITHOUT WINCH)	188
FIGURE 3-30. TRUSS BOOM (15 FOOT WITHOUT WINCH)	190
FIGURE 3-31. ADJUSTABLE TRUSS BOOM	192
FIGURE 3-32. MAST (8 FOOT)	194
FIGURE 3-33. SIDE TILT ELECTRIC MAST (8 FOOT)	198
FIGURE 3-34. BUCKET (60 INCH)	202
FIGURE 3-35. BUCKET (72 INCH)	204
FIGURE 3-36. BUCKET (96 INCH)	206
FIGURE 3-37. BUCKET (102 INCH)	208
FIGURE 3-38. FORK MOUNTED PLATFORM (ASME)	210
FIGURE 3-39. FORK MOUNTED PLATFORM (ISO)	212
FIGURE 3-40. FORK MOUNTED PLATFORM (FRENCH)	214
FIGURE 3-41. FORK MOUNTED PLATFORM ASSEMBLY	216
FIGURE 3-42. GRAPPLE BUCKET	218
FIGURE 3-43. PIPE HANDLER CARRIAGE	220
FIGURE 3-44. FORK MOUNTED HOOK	224
FIGURE 3-45. COUPLER MOUNTED HOOK	226
FIGURE 3-46. FORK CLAMPS INSTALLATION	228
FIGURE 3-47. CUBING FORK	230
FIGURE 3-48. FORK - PALLET 1.6X5.9X60	232
FIGURE 3-49. FORK - PALLET 2X7X60	234
FIGURE 3-50. PALLET FORK (48X4X2.36)	236
FIGURE 3-51. PALLET FORK (48X5X2.36)	238
FIGURE 3-52. PALLET FORK (2.4X4X60) - 1055	240
FIGURE 3-53. PALLET FORK (2.36X5.00X60) -1255	242
FIGURE 3-54. PALLET FORK (2.36X4X48)	244
FIGURE 3-55. PALLET FORK (2.4X5X72)	246
FIGURE 3-56. DUAL TAPER FORK (60X6X2.36)	248
FIGURE 3-57. DUAL TAPER FORK (72X6X2)	250
FIGURE 3-58. FORK EXTENSION (90 INCH)	252
FIGURE 3-59. TRASH HOPPER INSTALLATION	254
FIGURE 3-60. PO CHECK VALVE	256
FIGURE 3-61. MAIN LIFT CYLINDER	258
FIGURE 3-62. KIT DECAL	260
FIGURE 3-63. ADJUSTABLE TRUSS BOOM INSTALLATION (FORK MOUNTED)	262
<b>SECTION 4 - ENGINE AND ATTACHING PARTS</b>	<b>265</b>
FIGURE 4-1. ENGINE INSTALLATION (ULS)	266
FIGURE 4-2. ENGINE INSTALLATION (LS)	268
FIGURE 4-3. ENGINE, QSF 3.8L, (130HP) (ULS)	270
FIGURE 4-4. CUMMINS ENGINE, QSF 3.8L (LS)	272
FIGURE 4-5. FUEL LINES INSTALLATION (ULS)	274
FIGURE 4-6. FUEL LINES INSTALLATION (LS)	278

# TABLE OF CONTENTS

FIGURE 4-7. PRIMARY FUEL FILTER INSTALLATION (ULS) .....	282
FIGURE 4-8. PRIMARY FUEL FILTER INSTALLATION (LS) .....	284
FIGURE 4-9. FUEL TANK ASSEMBLY (Prior to SN 0160074740) .....	286
FIGURE 4-10. FUEL TANK ASSEMBLY (SN 0160074740 to Present).....	288
FIGURE 4-11. COOLING PACKAGE INSTALLATION (ULS) .....	290
FIGURE 4-12. COOLING PACKAGE INSTALLATION (LS) .....	292
FIGURE 4-13. RADIATOR .....	294
FIGURE 4-14. HOC LINES INSTALLATION .....	296
FIGURE 4-15. COOLANT LINES INSTALLATION (ULS).....	298
FIGURE 4-16. COOLANT LINES INSTALLATION (LS) .....	300
FIGURE 4-17. CAC LINES INSTALLATION (ULS) .....	302
FIGURE 4-18. CAC LINES INSTALLATION (LS).....	304
FIGURE 4-19. TOC LINES INSTALLATION.....	306
FIGURE 4-20. SURGE TANK INSTALLATION .....	308
FIGURE 4-21. FAN INSTALLATION .....	310
FIGURE 4-22. FAN GUARD INSTALLATION .....	312
FIGURE 4-23. AIR INTAKE LINES INSTALLATION (ULS) .....	314
FIGURE 4-24. AIR INTAKE LINES INSTALLATION (LS).....	316
FIGURE 4-25. AIR CLEANER INSTALLATION (ULS) .....	318
FIGURE 4-26. AIR CLEANER INSTALLATION (LS).....	320
FIGURE 4-27. AIR CLEANER ASSEMBLY .....	322
FIGURE 4-28. AIR INTAKE DUCT INSTALLATION.....	324
FIGURE 4-29. EXHAUST INSTALLATION (ULS) .....	326
FIGURE 4-30. EXHAUST INSTALLATION (LS).....	328
FIGURE 4-31. MUFFLER INSTALLATION (LS).....	330
FIGURE 4-32. DEF LINES INSTALLATION .....	332
FIGURE 4-33. DEF PUMP LINES INSTALLATION (Prior to SN 0160075366).....	334
FIGURE 4-34. DEF PUMP LINES INSTALLATION (SN 0160075366 to Present) .....	336
FIGURE 4-35. DEF TANK INSTALLATION.....	338
FIGURE 4-36. DEF TANK ASSEMBLY .....	340
FIGURE 4-37. DEF PUMP AND CONTROL INSTALLATION .....	342
FIGURE 4-38. DEF MODULE PUMP (Prior to SN 0160077096) .....	344
FIGURE 4-39. DEF MODULE PUMP (SN 0160077096 to Present).....	346
FIGURE 4-40. ENGINE PARTS INSTALLATION (NO HEATER).....	348
FIGURE 4-41. ENGINE PARTS INSTALLATION (HEATER).....	350
FIGURE 4-42. A/C PUMP INSTALLATION (ULS) .....	352
FIGURE 4-43. A/C LINES INSTALLATION .....	354
FIGURE 4-44. FUEL CAP ASSEMBLY .....	356
FIGURE 4-45. AC PUMP INSTALLATION (LS) .....	358
FIGURE 4-46. BREATHER HEATER .....	360
FIGURE 4-47. AIR INTAKE SHUT OFF VALVE INSTALLATION .....	362
SECTION 5 - DRIVE TRAIN .....	365
FIGURE 5-1. DRIVE TRAIN INSTALLATION .....	366
FIGURE 5-2. FRONT AXLE INSTALLATION .....	368
FIGURE 5-3. FRONT AXLE MOUNTING INSTALLATION.....	370
FIGURE 5-4. FRONT AXLE .....	372
FIGURE 5-5. FRONT AXLE, CENTRAL HOUSING .....	374
FIGURE 5-6. FRONT AXLE, DIFFERENTIAL .....	376
FIGURE 5-7. FRONT AXLE, HUB REDUCTION.....	378
FIGURE 5-8. FRONT AXLE, BRAKES .....	380
FIGURE 5-9. FRONT AXLE, STEERING .....	382
FIGURE 5-10. FRONT AXLE, TRUNION .....	384
FIGURE 5-11. FRONT AXLE, DIFFERENTIAL KIT.....	386
FIGURE 5-12. FRONT AXLE, STEERING ADJUSTING BOLT KIT .....	388
FIGURE 5-13. FRONT AXLE, RING GEAR SUPPORT KIT.....	390
FIGURE 5-14. FRONT AXLE, PLANET GEAR CARRIER KIT.....	392
FIGURE 5-15. FRONT AXLE, REDUCTION BUSHING .....	394
FIGURE 5-16. FRONT AXLE, SUPPORT ASSEMBLY (LF, RR) .....	396
FIGURE 5-17. FRONT AXLE, SUPPORT ASSEMBLY (RF, LR) .....	398
FIGURE 5-18. FRONT AXLE, STEERING CASE ASSEMBLY (LF, RR).....	400
FIGURE 5-19. FRONT AXLE, STEERING CASE ASSEMBLY (RF, LR).....	402
FIGURE 5-20. REAR AXLE INSTALLATION .....	404
FIGURE 5-21. REAR AXLE MOUNTING INSTALLATION .....	406
FIGURE 5-22. REAR AXLE .....	408
FIGURE 5-23. REAR AXLE, CENTRAL HOUSING.....	410

# TABLE OF CONTENTS

FIGURE 5-24. REAR AXLE, DIFFERENTIAL .....	412
FIGURE 5-25. REAR AXLE, HUB REDUCTION .....	414
FIGURE 5-26. REAR AXLE, BRAKES .....	416
FIGURE 5-27. REAR AXLE, STEERING .....	418
FIGURE 5-28. REAR AXLE, TRUNION .....	420
FIGURE 5-29. REAR AXLE, DIFFERENTIAL KIT .....	422
FIGURE 5-30. REAR AXLE, PLANET GEAR CARRIER KIT AND RING GEAR KIT .....	424
FIGURE 5-31. REAR AXLE, STEERING CASE ASSEMBLY (LF, RR) .....	426
FIGURE 5-32. REAR AXLE, STEERING CASE ASSEMBLY (RF, LR) .....	428
FIGURE 5-33. REAR AXLE, STEERING ADJUST BOLT KIT .....	430
FIGURE 5-34. REAR AXLE, RING GEAR SUPPORT KIT .....	432
FIGURE 5-35. REAR AXLE, PLANET GEAR CARRIER KIT .....	434
FIGURE 5-36. REAR AXLE, SUPPORT ASSEMBLY (LF, RR) .....	436
FIGURE 5-37. REAR AXLE, SUPPORT ASSEMBLY (RF, LR) .....	438
FIGURE 5-38. REAR AXLE, REDUCTION BUSHING ASSEMBLY .....	440
FIGURE 5-39. DRIVE SHAFTS INSTALLATION .....	442
FIGURE 5-40. REAR DRIVE SHAFT INSTALLATION .....	444
FIGURE 5-41. REAR DRIVE SHAFT .....	446
FIGURE 5-42. FRONT MID SHAFT INSTALLATION .....	448
FIGURE 5-43. FRONT MID DRIVE SHAFT .....	450
FIGURE 5-44. FRONT DRIVE SHAFT INSTALLATION .....	452
FIGURE 5-45. FRONT DRIVE SHAFT .....	454
FIGURE 5-46. TRANSMISSION INSTALLATION .....	456
FIGURE 5-47. POWERSHIFT TRANSMISSION .....	458
FIGURE 5-48. TRANSMISSION, ENGINE CONNECTION .....	462
FIGURE 5-49. TRANSMISSION, CONVERTER .....	464
FIGURE 5-50. TRANSMISSION, INPUT .....	466
FIGURE 5-51. TRANSMISSION, HOUSING GROUP 1 .....	468
FIGURE 5-52. TRANSMISSION, HOUSING GROUP 2 .....	470
FIGURE 5-53. TRANSMISSION, CLUTCH GROUP 1 .....	472
FIGURE 5-54. TRANSMISSION, CLUTCH GROUP 2 .....	474
FIGURE 5-55. TRANSMISSION, COUPLING GROUP 1 .....	476
FIGURE 5-56. TRANSMISSION, COUPLING GROUP 2 .....	478
FIGURE 5-57. TRANSMISSION, COUPLING GROUP 3 .....	480
FIGURE 5-58. TRANSMISSION, COUPLING GROUP 4 .....	482
FIGURE 5-59. TRANSMISSION, OUTPUT .....	484
FIGURE 5-60. TRANSMISSION, POWER TAKE-OFF .....	486
FIGURE 5-61. TRANSMISSION, CONTROL UNIT .....	488
FIGURE 5-62. TRANSMISSION, SHIFT SYSTEM .....	490
FIGURE 5-63. TRANSMISSION, PRESSURE REGULATOR .....	492
FIGURE 5-64. TRANSMISSION, PRESSURE OIL PUMP .....	494
FIGURE 5-65. TRANSMISSION, INDUCTIVE TRANSMITTER .....	496
FIGURE 5-66. TRANSMISSION, FILTER .....	498
FIGURE 5-67. TRANSMISSION, ACCESSORIES GROUP 1 .....	500
FIGURE 5-68. TRANSMISSION, PERIPHERALS GROUP 1 .....	502
FIGURE 5-69. TRANSMISSION, ACCESSORIES GROUP 2 .....	504
FIGURE 5-70. TRANSMISSION, TRANSFER BOX .....	506
FIGURE 5-71. TRANSMISSION, TRANSFER BOX HOUSING 1 .....	508
FIGURE 5-72. TRANSMISSION, TRANSFER BOX HOUSING 2 .....	510
FIGURE 5-73. TRANSMISSION, TRANSFER BOX HOUSING INPUT .....	512
FIGURE 5-74. TRANSMISSION, TRANSFER BOX HOUSING OUTPUT 1 .....	514
FIGURE 5-75. TRANSMISSION, TRANSFER BOX HOUSING OUTPUT 2 .....	516
FIGURE 5-76. TIRE WHEEL SET-400/75-28-PNEUMATIC .....	518
FIGURE 5-77. WHEEL ASSEMBLY - 400/75-28 - PNEUMATIC .....	520
FIGURE 5-78. TIRE WHEEL SET - 14.00-24 16PR - PNEUMATIC - 1055 .....	522
FIGURE 5-79. LEFT TIRE AND WHEEL ASSEMBLY - 14.00X24 PNEUMATIC - 1055 .....	524
FIGURE 5-80. RIGHT TIRE AND WHEEL ASSEMBLY - 14.00X24 PNEUMATIC - 1055 .....	526
FIGURE 5-81. TIRE WHEEL SET - 17.50-25 16 PLY - 1255 .....	528
FIGURE 5-82. RIGHT WHEEL ASSEMBLY - 17.50-25 16 PLY - 1255 .....	530
FIGURE 5-83. LEFT WHEEL ASSEMBLY - 17.50-25 16 PLY - 1255 .....	532
FIGURE 5-84. TIRE WHEEL SET - 400/75-28 - FOAM FILLED .....	534
FIGURE 5-85. TIRE AND WHEEL ASSEMBLY - 400/75-28 - FOAM FILLED .....	536
FIGURE 5-86. TIRE WHEEL SET - 17.50-25 G2 - FOAM FILLED - 1255 .....	538
FIGURE 5-87. RIGHT WHEEL ASSEMBLY - 17.50-25 G2 - FOAM FILLED - 1255 .....	540
FIGURE 5-88. LEFT WHEEL ASSEMBLY - 17.50-25 G2 - FOAM FILLED - 1255 .....	542
FIGURE 5-89. TIRE WHEEL SET - 14.00-24 G2 - FOAM FILLED - 1055 .....	544
FIGURE 5-90. RIGHT WHEEL ASSEMBLY - 14.00-24 G2 - FOAM FILLED - 1055 .....	546

# TABLE OF CONTENTS

FIGURE 5-91. LEFT WHEEL ASSEMBLY - 14.00-24 G2 - FOAM FILLED - 1055.....	548
FIGURE 5-92. TIRE WHEEL SET - 14.00X24 SOLID (1055 Prior to SN 0160083753; 1255 Prior to SN 0160083813).....	550
FIGURE 5-93. TIRE WHEEL SET - 360/85-28 - SOLID.....	552
FIGURE 5-94. FENDER INSTALLATION.....	554
FIGURE 5-95. RH FENDER ASSEMBLY (Prior to SN 0160073625).....	556
FIGURE 5-96. LH FENDER ASSEMBLY (Prior to SN 0160073625).....	558
FIGURE 5-97. WHEEL CHOCK INSTALLATION.....	560
FIGURE 5-98. TOOLBOX INSTALLATION.....	562
FIGURE 5-99. TIRE WHEEL SET, 400/75-28 - PNEUMATIC NON-MARKING.....	564
FIGURE 5-100. TIRE & WHEEL ASSEMBLY, 400/75-28 - PNEUMATIC NON-MARKING.....	566
FIGURE 5-101. TIRE WHEEL SET, TIRE WHEEL SET, 400/75-28 - FOAM NON-MARKING.....	568
SECTION 6 - CAB.....	571
FIGURE 6-1. CAB MOUNTING.....	572
FIGURE 6-2. CAB MOUNTS INSTALLATION.....	574
FIGURE 6-3. FRONT CAB OUTRIGGER INSTALLATION.....	576
FIGURE 6-4. CAB FENDER INSTALLATION.....	578
FIGURE 6-5. CAB FENDER INSTALLATION REAR (LH).....	580
FIGURE 6-6. TOP CAB GUARD.....	582
FIGURE 6-7. FRONT CAB GUARD INSTALLATION.....	584
FIGURE 6-8. TOP AND FRONT CAB GUARD INSTALLATION.....	586
FIGURE 6-9. OROPS CAB INSTALLATION.....	588
FIGURE 6-10. EROPS CAB INSTALLATION.....	590
FIGURE 6-11. OPEN CAB INSTALLATION (Prior to SN 0160079256).....	592
FIGURE 6-12. ENCLOSED CAB INSTALLATION (Prior to SN 0160079256).....	594
FIGURE 6-13. OPEN CAB ASSEMBLY.....	596
FIGURE 6-14. OPEN CAB PLUG GROUP.....	598
FIGURE 6-15. OPEN CAB INSTALLATION (SN 0160079256 to Present).....	600
FIGURE 6-16. ENCLOSED CAB INSTALLATION (SN 0160079256 to Present).....	602
FIGURE 6-17. CAB (SN 0160079256 to Present).....	604
FIGURE 6-18. MIRROR INSTALLATION.....	606
FIGURE 6-19. FRONT COVER INSTALLATION.....	608
FIGURE 6-20. FILTER TRAY ASSEMBLY.....	610
FIGURE 6-21. FRONT DUCT COVER.....	612
FIGURE 6-22. LEVEL INDICATOR INSTALLATION.....	614
FIGURE 6-23. FRONT WIPER INSTALLATION.....	616
FIGURE 6-24. WASHER TANK INSTALLATION.....	618
FIGURE 6-25. ENCLOSED CAB ASSEMBLY.....	620
FIGURE 6-26. REAR WINDOW INSTALLATION.....	622
FIGURE 6-27. REAR WINDOW INSTALLATION (WO/WIPER) (ANSI).....	624
FIGURE 6-28. REAR WINDOW INSTALLATION (WO/WIPER) (ISO).....	626
FIGURE 6-29. REAR WINDOW INSTALLATION (WO/WIPER) (ENG/SPAN).....	628
FIGURE 6-30. REAR WINDOW ASSEMBLY.....	630
FIGURE 6-31. DOOR INSTALLATION.....	632
FIGURE 6-32. CAB LATCH ASSEMBLY.....	634
FIGURE 6-33. CAB DOOR TRIGGER ASSEMBLY.....	636
FIGURE 6-34. DOOR ASSEMBLY.....	638
FIGURE 6-35. DOOR STRAP INSTALLATION.....	640
FIGURE 6-36. CAB DOOR.....	642
FIGURE 6-37. ENCLOSED CAB PLUG GROUP.....	644
FIGURE 6-38. HEADLINER INSTALLATION.....	646
FIGURE 6-39. OPEN CAB TRIM INSTALLATION (Prior to SN 0160081665).....	648
FIGURE 6-40. OPEN CAB TRIM INSTALLATION (SN 0160081665 to Present).....	652
FIGURE 6-41. ENCLOSED CAB TRIM INSTALLATION (Prior to SN 0160081665).....	656
FIGURE 6-42. ENCLOSED CAB TRIM INSTALLATION (SN 0160081665 to Present).....	660
FIGURE 6-43. CAB TRIM INSTALLATION (IF EQUIPPED WITH BEACON LIGHT).....	664
FIGURE 6-44. OPEN CAB FRONT COVER INSTALLATION.....	668
FIGURE 6-45. ENCLOSED CAB FRONT COVER INSTALLATION.....	670
FIGURE 6-46. OPEN CAB FRONT COVER WITH CAB FENDER INSTALLATION.....	672
FIGURE 6-47. ENCLOSED CAB FRONT COVER WITH CAB FENDER INSTALLATION.....	674
FIGURE 6-48. DOOR UPPER GLASS ASSEMBLY (1055 Prior to SN 0160076824; 1255 Prior to SN 0160076390).....	676
FIGURE 6-49. DOOR UPPER GLASS ASSEMBLY (1055 SN 0160076824 to Present; 1255 SN 0160076390 to Present).....	678
FIGURE 6-50. SEAT INSTALLATION.....	680
FIGURE 6-51. SEAT (Prior to SN 0160068604).....	682
FIGURE 6-52. SEAT (SN 0160068604 to Present).....	684

# TABLE OF CONTENTS

FIGURE 6-53. SEAT BELT INSTALLATION (Prior to SN 0160085636, Including 0160083994, 0160083995, 0160083996, 0160084653, 0160084654, 0160085042 and 0160085051).....	686
FIGURE 6-54. SEAT BELT INSTALLATION (3 INCH) (SN 0160085636 to Present, Excluding 0160083994, 0160083995, 0160083996, 0160084653, 0160084654, 0160085042 and 0160085051).....	688
FIGURE 6-55. HEATER INSTALLATION.....	690
FIGURE 6-56. HEATER AND A/C INSTALLATION.....	692
FIGURE 6-57. HEATER ASSEMBLY (Prior to SN 0160077683).....	696
FIGURE 6-58. HEATER ASSEMBLY (SN 0160077683 to Present).....	698
FIGURE 6-59. HEATER.....	700
FIGURE 6-60. HEATER.....	702
FIGURE 6-61. HEATER AND A/C GROUP (Prior to SN 0160077683).....	704
FIGURE 6-62. HEATER AND A/C GROUP (SN 0160077683 to Present).....	706
FIGURE 6-63. HEATER AND A/C.....	708
FIGURE 6-64. HEATER AND A/C.....	710
FIGURE 6-65. HVAC CAB ACTUATOR.....	712
FIGURE 6-66. CAB CONDENSER ASSEMBLY.....	714
FIGURE 6-67. A/C RECEIVER DRIER.....	716
FIGURE 6-68. CONDENSER.....	718
FIGURE 6-69. REAR WIPER INSTALLATION.....	720
FIGURE 6-70. ROOF WIPER INSTALLATION.....	722
FIGURE 6-71. LONG CAB ROOF CAPPING INSTALLATION.....	724
FIGURE 6-72. SHORT CAB ROOF CAPPING INSTALLATION.....	726
FIGURE 6-73. NON SKID TAPE INSTALLATION.....	728
FIGURE 6-74. EXTERNAL WINDOW RELEASE INSTALLATION.....	730
FIGURE 6-75. SWITCH LIGHT INSTALLATION.....	732
FIGURE 6-76. MANUAL HOLDER INSTALLATION.....	734
FIGURE 6-77. GRIP TAPE PLATE INSTALLATION.....	736
FIGURE 6-78. CLEARSKY INSTALLATION (LONG ROOF CAP) (Prior to SN 0160082543).....	738
FIGURE 6-79. CLEARSKY INSTALLATION (SHORT ROOF CAP) (Prior to SN 0160082543).....	740
FIGURE 6-80. TELEMATICS READY INSTALLATION.....	742
FIGURE 6-81. ROOF PIGTAIL CAP INSTALLATION.....	744
FIGURE 6-82. ROOF PIGTAIL INSTALLATION.....	746
FIGURE 6-83. NO SUNBLIND INSTALLATION.....	748
FIGURE 6-84. RETRACTABLE SUNSCREEN INSTALLATION.....	750
SECTION 7 - CONTROLS.....	753
FIGURE 7-1. ACCELERATOR PEDAL INSTALLATION.....	754
FIGURE 7-2. PEDAL ACCELERATOR DUAL ANALOG.....	756
FIGURE 7-3. BRAKE PEDAL INSTALLATION (Prior to SN 0160072874).....	758
FIGURE 7-4. BRAKE PEDAL INSTALLATION (SN 0160072874 to Present).....	760
FIGURE 7-5. BRAKE PEDAL.....	762
FIGURE 7-6. BRAKE PEDAL PLATE.....	764
FIGURE 7-7. STEERING COLUMN INSTALLATION NO FNR LEVER.....	766
FIGURE 7-8. STEERING COLUMN INSTALLATION WITH FNR LEVER.....	768
FIGURE 7-9. STEERING WHEEL INSTALLATION.....	770
FIGURE 7-10. STEERING WHEEL.....	772
FIGURE 7-11. HORN BUTTON INSTALLATION.....	774
FIGURE 7-12. JOYSTICK INSTALLATION (W/AUX, DECLUTCH).....	776
FIGURE 7-13. OUTRIGGER CONTROL INSTALLATION.....	778
FIGURE 7-14. COLUMN CLAMP INSTALLATION.....	780
FIGURE 7-15. WIPER-TURN SWITCH.....	782
SECTION 8 - HYDRAULIC CIRCUITS.....	785
FIGURE 8-1. MAIN HYDRAULICS INSTALLATION.....	786
FIGURE 8-2. STEER SELECT VALVE INSTALLATION.....	790
FIGURE 8-3. STEER SELECT VALVE ASSEMBLY.....	792
FIGURE 8-4. PRIORITY FUNCTION MANIFOLD INSTALLATION.....	794
FIGURE 8-5. PRIORITY MANIFOLD VALVE ASSEMBLY.....	796
FIGURE 8-6. MAIN CONTROL VALVE INSTALLATION (Prior to SN 0160082543).....	798
FIGURE 8-7. MAIN CONTROL VALVE INSTALLATION (SN 0160082543 to Present).....	800
FIGURE 8-8. MAIN CONTROL VALVE ASSEMBLY (Prior to SN 0160082543).....	802
FIGURE 8-9. MAIN CONTROL VALVE ASSEMBLY (SN 0160082543 to Present).....	804
FIGURE 8-10. FRAME LEVEL AND OUTRIGGER VALVE INSTALLATION (Prior to SN 0160069775).....	806
FIGURE 8-11. FRAME LEVEL AND OUTRIGGER VALVE INSTALLATION (SN 0160069775 to Present).....	808
FIGURE 8-12. FRAME LEVEL AND OUTRIGGER VALVE ASSEMBLY (Prior to SN 0160069775).....	810

# TABLE OF CONTENTS

FIGURE 8-13. FRAME LEVEL AND OUTRIGGER VALVE ASSEMBLY (SN 0160069775 to Present) .....	812
FIGURE 8-14. FRAME HYDRAULIC INSTALLATION .....	814
FIGURE 8-15. CAB HYDRAULIC INSTALLATION .....	818
FIGURE 8-16. BOOM HYDRAULIC INSTALLATION .....	820
FIGURE 8-17. ENGINE BAY HYDRAULIC INSTALLATION .....	822
FIGURE 8-18. PISTON PUMP INSTALLATION .....	826
FIGURE 8-19. PISTON PUMP ASSEMBLY .....	828
FIGURE 8-20. BOOM HYDRAULIC TUBES INSTALLATION .....	830
FIGURE 8-21. BOOM AUXILIARY HYDRAULIC INSTALLATION .....	834
FIGURE 8-22. HYDRAULIC AUXILIARY WITH COUPLER INSTALLATION .....	836
FIGURE 8-23. FRAME LEVEL INSTALLATION .....	838
FIGURE 8-24. REAR AXLE STABILIZER INSTALLATION .....	840
FIGURE 8-25. REAR AXLE STABILIZER CYLINDER INSTALLATION .....	842
FIGURE 8-26. LIFT CYLINDER VALVE INSTALLATION, NO RIDE CONTROL (Prior to SN 0160082543) .....	844
FIGURE 8-27. LIFT CYLINDER VALVE INSTALLATION, NO RIDE CONTROL (SN 0160082543 to Present) .....	846
FIGURE 8-28. RIDE CONTROL INSTALLATION - 1055 (Prior to SN 0160082543) .....	848
FIGURE 8-29. RIDE CONTROL INSTALLATION - 1055 (SN 0160082543 to Present) .....	850
FIGURE 8-30. RIDE CONTROL INSTALLATION - 1255 (Prior to SN 0160082543) .....	852
FIGURE 8-31. RIDE CONTROL INSTALLATION - 1255 (SN 0160082543 to Present) .....	854
FIGURE 8-32. RIDE CONTROL HYDRAULIC LINES (Prior to SN 0160082543) .....	856
FIGURE 8-33. RIDE CONTROL HYDRAULIC LINES (SN 0160082543 to Present) .....	858
FIGURE 8-34. COUNTERBALANCE VALVE HYDRAULIC LINES (LIFT - RIDE CONTROL) (SN 0160082543 to Present) .....	860
FIGURE 8-35. FRAME LEVEL CYLINDER INSTALLATION .....	862
FIGURE 8-36. OUTRIGGER CYLINDER INSTALLATION (Prior to SN 0160078794) .....	864
FIGURE 8-37. EXTEND/RETRACT CYLINDER INSTALLATION .....	866
FIGURE 8-38. LIFT CYLINDER INSTALLATION - 1055 .....	868
FIGURE 8-39. HYDRAULIC QUICK COUPLER INSTALLATION .....	870
FIGURE 8-40. LIFT CYLINDER INSTALLATION - 1255 .....	872
FIGURE 8-41. QUICK COUPLER VALVE ASSEMBLY .....	874
FIGURE 8-42. QUICK COUPLER CYLINDER ASSEMBLY .....	876
FIGURE 8-43. FRONT AXLE LINES INSTALLATION .....	878
FIGURE 8-44. REAR AXLE LINES INSTALLATION .....	880
FIGURE 8-45. VALVE ASSEMBLY .....	882
FIGURE 8-46. CHECK VALVE ASSEMBLY .....	884
FIGURE 8-47. TWIN/TRI LINE HOSES INSTALLATION .....	886
SECTION 9 - HYDRAULIC COMPONENTS .....	889
FIGURE 9-1. CYLINDER GROUP INSTALLATION - 1055 .....	890
FIGURE 9-2. CYLINDER GROUP INSTALLATION - 1255 .....	892
FIGURE 9-3. LIFT CYLINDER - 1055 (Prior to SN 0160078794) .....	894
FIGURE 9-4. LIFT CYLINDER - 1055 (SN 0160078794 to Present) .....	896
FIGURE 9-5. LIFT CYLINDER - 1255 (Prior to SN 0160078794) .....	898
FIGURE 9-6. LIFT CYLINDER INSTALLATION - 1255 (SN 0160078794 to Present) .....	900
FIGURE 9-7. LIFT CYLINDER - 1255 (SN 0160078794 to Present) .....	902
FIGURE 9-8. TILT CYLINDER INSTALLATION - 1055 .....	904
FIGURE 9-9. TILT CYLINDER - 1055 .....	906
FIGURE 9-10. TILT CYLINDER - 1055 .....	908
FIGURE 9-11. TILT CYLINDER INSTALLATION - 1255 .....	910
FIGURE 9-12. TILT CYLINDER - 1255 (Prior to SN 0160085831) .....	912
FIGURE 9-13. TILT CYLINDER - 1255 (SN 0160085831 to Present) .....	914
FIGURE 9-14. COMPENSATION CYLINDER - 1055 .....	916
FIGURE 9-15. COMPENSATION CYLINDER - 1255 .....	918
FIGURE 9-16. FRAME LEVEL CYLINDER .....	920
FIGURE 9-17. OUTRIGGER CYLINDER (Prior to SN 0160078794) .....	922
FIGURE 9-18. OUTRIGGER CYLINDER (SN 0160078794 to Present) .....	924
FIGURE 9-19. REAR AXLE STABILIZER CYLINDER .....	926
FIGURE 9-20. EXTEND/RETRACT CYLINDER (Prior to SN 0160086847, Excluding 0160086030) .....	928
FIGURE 9-21. EXTEND/RETRACT CYLINDER (SN 0160086847 to Present, Including 0160086030) .....	930
FIGURE 9-22. EXTEND/RETRACT CYLINDER .....	932
FIGURE 9-23. QUICK COUPLER CYLINDER .....	934
FIGURE 9-24. MAIN CONTROL VALVE (Prior to SN 0160082543) .....	936
FIGURE 9-25. MAIN CONTROL VALVE - INLET SECTION (Prior to SN 0160082543) .....	938
FIGURE 9-26. MAIN CONTROL VALVE - SPOOL SECTION (Prior to SN 0160082543) .....	940
FIGURE 9-27. MAIN CONTROL VALVE - SPOOL SECTION (Prior to SN 0160082543) .....	942
FIGURE 9-28. MAIN CONTROL VALVE - SPOOL SECTION (Prior to SN 0160082543) .....	944
FIGURE 9-29. MAIN CONTROL VALVE - SPOOL SECTION (Prior to SN 0160082543) .....	946

# TABLE OF CONTENTS

FIGURE 9-30. MAIN CONTROL VALVE (SN 0160082543 to Present) .....	948
FIGURE 9-31. HYDRAULIC TANK ASSEMBLY .....	950
FIGURE 9-32. HYDRAULIC FILTER .....	952
FIGURE 9-33. QUICK COUPLER VALVE .....	954
FIGURE 9-34. STEER SELECT VALVE .....	956
FIGURE 9-35. PRIORITY MANIFOLD VALVE .....	958
FIGURE 9-36. FRAME LEVEL AND OUTRIGGER VALVE .....	960
FIGURE 9-37. PISTON PUMP .....	962
FIGURE 9-38. REAR AXLE STABILIZER VALVE (Prior to SN 0160080905) .....	964
FIGURE 9-39. REAR AXLE STABILIZER VALVE (SN 0160080905 to Present) .....	966
FIGURE 9-40. VALVE STEERING ORBITAL .....	968
FIGURE 9-41. SIDE TILT CYLINDER .....	970
FIGURE 9-42. SIDE TILT CYLINDER ASSEMBLY .....	972
FIGURE 9-43. PIPE HANDLER CYLINDER .....	974
FIGURE 9-44. DUAL FORK CYLINDER ASSEMBLY .....	976
FIGURE 9-45. FLOW DIVIDER VALVE .....	978
FIGURE 9-46. GRAPPLE BUCKET CYLINDER .....	980
FIGURE 9-47. AIR SHUT OFF VALVE .....	982
SECTION 10 - ELECTRICAL .....	985
FIGURE 10-1. MAIN ELECTRICAL INSTALLATION (ULS) .....	986
FIGURE 10-2. MAIN ELECTRICAL INSTALLATION (LS) .....	988
FIGURE 10-3. ELECTRICAL FRAME INSTALLATION .....	990
FIGURE 10-4. ENGINE BAY WIRING INSTALLATION (ULS) .....	994
FIGURE 10-5. ENGINE BAY WIRING INSTALLATION (LS) .....	998
FIGURE 10-6. ENGINE BAY ELECTRICAL INSTALLATION (ULS) .....	1002
FIGURE 10-7. ENGINE BAY ELECTRICAL INSTALLATION (LS) .....	1004
FIGURE 10-8. FRAME WIRING INSTALLATION (ULS) .....	1006
FIGURE 10-9. FRAME WIRING INSTALLATION (LS) .....	1008
FIGURE 10-10. POWER DISTRIBUTION ELECTRICAL BOX .....	1010
FIGURE 10-11. BOOM ANGLE SENSOR INSTALLATION .....	1012
FIGURE 10-12. CAB ELECTRICAL INSTALLATION .....	1014
FIGURE 10-13. DASH ELECTRICAL INSTALLATION (ULS) .....	1016
FIGURE 10-14. DASH ELECTRICAL INSTALLATION (LS) .....	1018
FIGURE 10-15. OPEN CAB ELECTRICAL INSTALLATION WITH OPTIONS .....	1020
FIGURE 10-16. ENCLOSED CAB ELECTRICAL INSTALLATION WITH OPTIONS .....	1022
FIGURE 10-17. REVERSE CAMERA INSTALLATION .....	1024
FIGURE 10-18. REVERSE SENSOR INSTALLATION .....	1026
FIGURE 10-19. BOOM AUXILIARY ELECTRIC INSTALLATION .....	1028
FIGURE 10-20. BOOM AUXILIARY ELECTRIC HARNESS INSTALLATION .....	1030
FIGURE 10-21. ENGINE WIRING INSTALLATION (ULS) .....	1032
FIGURE 10-22. ENGINE WIRING INSTALLATION (LS) .....	1036
FIGURE 10-23. ENGINE ECU INSTALLATION (ULS) .....	1040
FIGURE 10-24. ENGINE ECM INSTALLATION (LS) .....	1042
FIGURE 10-25. BATTERY INSTALLATION .....	1044
FIGURE 10-26. ARCTIC COLD WEATHER PACKAGE INSTALLATION (ULS) .....	1046
FIGURE 10-27. ARCTIC COLD WEATHER PACKAGE INSTALLATION (LS) .....	1048
FIGURE 10-28. ARCTIC BATTERIES INSTALLATION .....	1050
FIGURE 10-29. HYDRAULIC TANK HEATER INSTALLATION .....	1052
FIGURE 10-30. HIGH END DISPLAY INSTALLATION .....	1054
FIGURE 10-31. BACKUP ALARM INSTALLATION .....	1056
FIGURE 10-32. WHITE ALARM BACKUP INSTALLATION .....	1058
FIGURE 10-33. ROAD LIGHT INSTALLATION (Prior to SN 0160079256) .....	1060
FIGURE 10-34. ROAD LIGHT INSTALLATION (SN 0160079256 to Present) .....	1062
FIGURE 10-35. CAB WORKLIGHTS INSTALLATION (WITHOUT A/C) .....	1064
FIGURE 10-36. CAB LED WORK LIGHTS INSTALLATION (WITHOUT A/C) .....	1066
FIGURE 10-37. CAB WORKLIGHTS INSTALLATION (WITH A/C) .....	1068
FIGURE 10-38. CAB LED WORK LIGHTS INSTALLATION (WITH A/C) .....	1070
FIGURE 10-39. BOOM WORKLIGHTS INSTALLATION .....	1072
FIGURE 10-40. BOOM WORK LIGHTS INSTALLATION .....	1074
FIGURE 10-41. BOOM LIGHTS INSTALLATION .....	1076
FIGURE 10-42. BOOM LED LIGHTS INSTALLATION .....	1078
FIGURE 10-43. BEACON INSTALLATION .....	1080
FIGURE 10-44. LED BEACON INSTALLATION .....	1082
FIGURE 10-45. BOOM AUXILIARY HARNESS .....	1084
FIGURE 10-46. BOOM WORKLIGHTS HARNESS .....	1086

# TABLE OF CONTENTS

FIGURE 10-47. A/C OPTION HARNESS .....	1088
FIGURE 10-48. REAR FRAME HARNESS (Prior to SN 0160073773).....	1090
FIGURE 10-49. REAR FRAME HARNESS (SN 0160073773 to Present).....	1094
FIGURE 10-50. FRONT FRAME HARNESS (Prior to SN 0160080792).....	1098
FIGURE 10-51. FRONT FRAME HARNESS (SN 0160080792 to Present).....	1102
FIGURE 10-52. ENGINE CHASSIS HARNESS .....	1106
FIGURE 10-53. ENGINE HARNESS (ULS) (Prior to SN 0160080792).....	1110
FIGURE 10-54. ENGINE HARNESS (ULS) (Prior to SN 0160093395).....	1116
FIGURE 10-55. ENGINE HARNESS (ULS) (SN 0160093395 to Present).....	1122
FIGURE 10-56. ENGINE HARNESS (LS) (Prior to SN 0160080792).....	1128
FIGURE 10-57. ENGINE HARNESS (LS) (SN 0160080792 to Present).....	1132
FIGURE 10-58. FRONT FRAME HEADLIGHT HARNESS .....	1136
FIGURE 10-59. TAIL LIGHTS HARNESS .....	1138
FIGURE 10-60. REVERSE SENSOR HARNESS.....	1140
FIGURE 10-61. CAB HARNESS .....	1142
FIGURE 10-62. OPTION 1 CAB HARNESS.....	1146
FIGURE 10-63. OPTION 2 CAB HARNESS.....	1150
FIGURE 10-64. CAB OPTION HARNESS.....	1152
FIGURE 10-65. STANDARD ELECTRICAL BOARD ASSEMBLY .....	1154
FIGURE 10-66. OPTION 1 ELECTRICAL BOARD ASSEMBLY .....	1156
FIGURE 10-67. OPTION 2 ELECTRICAL BOARD ASSEMBLY .....	1158
FIGURE 10-68. CLEARSKY HARNESS (Prior to SN 0160082543).....	1160
FIGURE 10-69. TELEMATICS READY HARNESS.....	1162
FIGURE 10-70. FUEL FILTER HEATER INSTALLATION.....	1164
FIGURE 10-71. CLEARSKY CONTROLLER (US) (Prior to SN 0160082543) .....	1166
FIGURE 10-72. ROOF PIGTAIL HARNESS.....	1168
FIGURE 10-73. BOOM AUXILIARY ELECTRIC HARNESS INSTALLATION.....	1170
FIGURE 10-74. PLATFORM HARNESS .....	1172
FIGURE 10-75. USB CHARGER INSTALLATION .....	1174
FIGURE 10-76. COMMUNICATION ANALYZER HARNESS.....	1176
FIGURE 10-77. TELEMATICS HARNESS .....	1178
FIGURE 10-78. CANBUS TELEMATICS INSTALLATION (SN 0160082543 to Present).....	1180
FIGURE 10-79. TELEMATICS HARNESS (SN 0160082543 to Present).....	1182
FIGURE 10-80. TELEMATICS INSTALLATION, UNITED RENTALS .....	1184
FIGURE 10-81. TELEMATICS INSTALLATION, UNITED RENTALS .....	1186
FIGURE 10-82. GATEWAY CONTROLLER.....	1188
FIGURE 10-83. TELEMATICS CANBUS INSTALLATION (CLEARSKY 2) (ANSI).....	1190
FIGURE 10-84. TELEMATICS CANBUS INSTALLATION (CLEARSKY 2) (CE).....	1192
FIGURE 10-85. TELEMATICS HARNESS (CLEARSKY 2).....	1194
FIGURE 10-86. CLEARSKY INSTALLATION 3-WIRE (ANSI).....	1196
FIGURE 10-87. CLEARSKY INSTALLATION 3-WIRE (CE).....	1198
FIGURE 10-88. CONTROL ACCESSORY.....	1200
FIGURE 10-89. CAB AIR SHUT OFF VALVE HARNESS.....	1202
FIGURE 10-90. ENGINE AIR SHUT OFF VALVE HARNESS.....	1204
FIGURE 10-91. RIDE CONTROL INSTALLATION.....	1208
FIGURE 10-92. BOOM RIDE FLOAT HARNESS.....	1210
FIGURE 10-93. DEF PURGE LIGHT HARNESS .....	1212
SECTION 11 - DECALS.....	1215
FIGURE 11-1. CAPACITY CHART HOLDER.....	1216
FIGURE 11-2. DECAL INSTALLATION - 1055 .....	1218
FIGURE 11-3. DECAL INSTALLATION - 1255 .....	1220
FIGURE 11-4. DECAL INSTALLATION (ENGLISH).....	1222
FIGURE 11-5. DECAL INSTALLATION (ISO).....	1224
FIGURE 11-6. DECAL INSTALLATION (ENGLISH/FRENCH).....	1226
FIGURE 11-7. DECAL INSTALLATION (ENGLISH/SPANISH).....	1228
FIGURE 11-8. CAPACITY CHART (ANSI) - 1055 (Prior to SN 0160075710).....	1232
FIGURE 11-9. CAPACITY CHART (ANSI) - 1055 (SN 0160075710 through 0160081279).....	1234
FIGURE 11-10. CAPACITY CHART (ANSI) - 1055 (SN 0160081279 to Present) .....	1236
FIGURE 11-11. CAPACITY CHART (ANSI) - 1255 (Prior to SN 0160075710).....	1238
FIGURE 11-12. CAPACITY CHART (ANSI) - 1255 (SN 0160075710 through 0160081279).....	1240
FIGURE 11-13. CAPACITY CHART (ANSI) - 1255 (SN 0160081279 to Present) .....	1242
FIGURE 11-14. CAPACITY CHART (METRIC) - 1055 (Prior to SN 0160075710).....	1244
FIGURE 11-15. CAPACITY CHART (METRIC) - 1055 (SN 0160075710 through 0160081279).....	1246
FIGURE 11-16. CAPACITY CHART (METRIC) - 1055 (SN 0160081279 to Present).....	1248
FIGURE 11-17. CAPACITY CHART (METRIC) - 1255 (Prior to SN 0160075710).....	1250



# TABLE OF CONTENTS

FIGURE 11-18. CAPACITY CHART (METRIC) - 1255 (SN 0160075710 through 0160081279) .....	1252
FIGURE 11-19. CAPACITY CHART (METRIC) - 1255 (SN 0160081279 to Present).....	1254
FIGURE 11-20. DECAL INSTALLATION .....	1256
FIGURE 11-21. REVERSE SENSOR SYSTEM DECAL (ENGLISH).....	1258
FIGURE 11-22. REVERSE SENSOR SYSTEM DECAL (ISO) .....	1260
FIGURE 11-23. REVERSE SENSOR SYSTEM DECAL (ENGLISH/FRENCH).....	1262
FIGURE 11-24. REVERSE SENSOR SYSTEM DECAL (ENGLISH/SPANISH) .....	1264
FIGURE 11-25. CLEARSKY DECAL INSTALLATION .....	1266
SECTION 12 - RECOMMENDED SPARE PARTS .....	1269
FIGURE 12-1. RECOMMENDED SPARE PARTS .....	1270
PART NUMBER INDEX.....	1273

Go to Discount-Equipment.com to order your parts

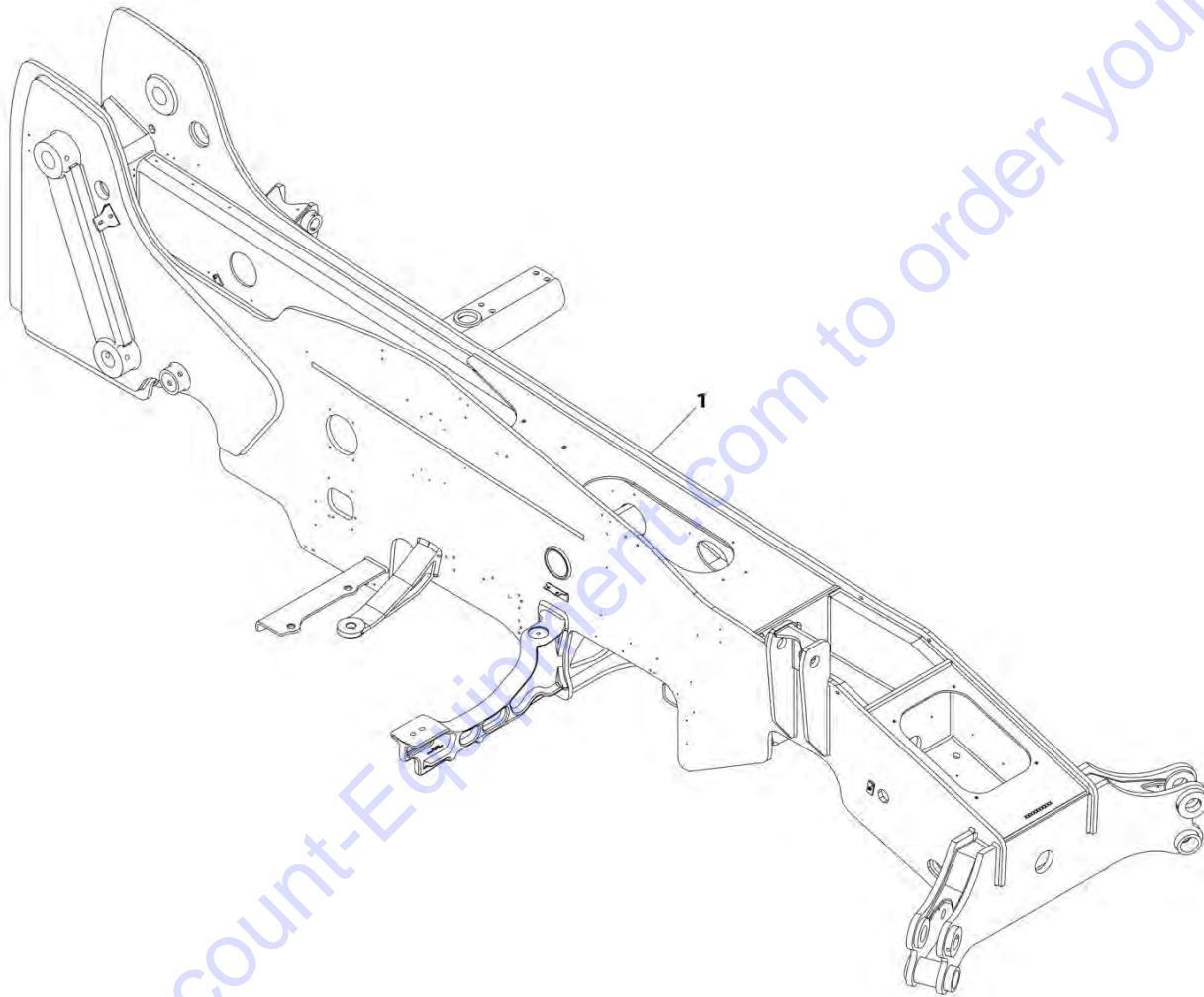
## SECTION 1 - FRAME AND ATTACHING PARTS

## SECTION 1 - FRAME AND ATTACHING PARTS

Go to [Discount-Equipment.com](http://Discount-Equipment.com) to order your parts

# SECTION 1 - FRAME AND ATTACHING PARTS

FIGURE 1-1. FRAME WELDMENT (Prior to SN 0160079256)



ART\_1001155439-P

## SECTION 1 - FRAME AND ATTACHING PARTS

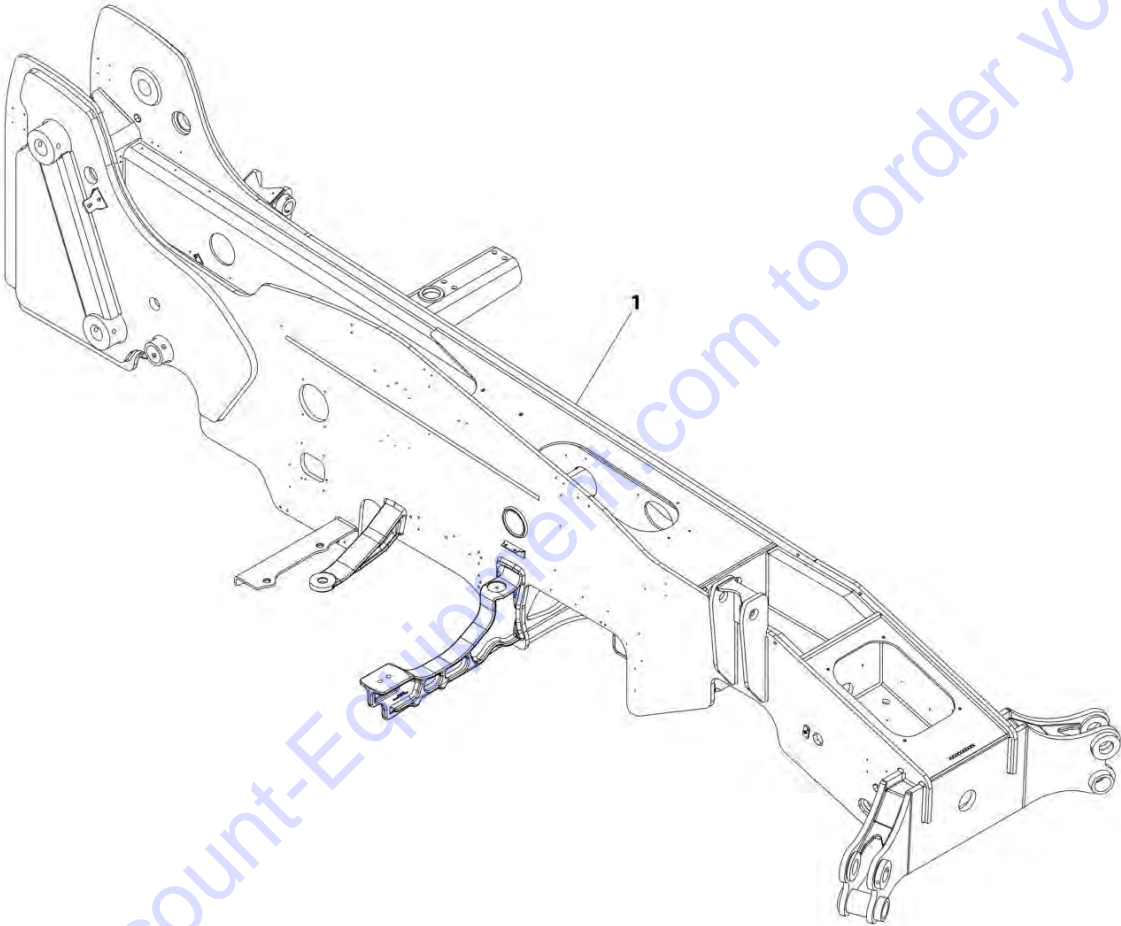
FIGURE 1-1. FRAME WELDMENT (Prior to SN 0160079256)

ITEM	PART NUMBER	QTY	DESCRIPTION	REV
1	1001155439J	1	Frame Weldment	P

Go to Discount-Equipment.com to order your parts

**SECTION 1 - FRAME AND ATTACHING PARTS**

**FIGURE 1-2. FRAME WELDMENT (SN 0160079256 to Present)**



Go to Discount-Equipment.com to order your parts

ART\_1001220552-B

## SECTION 1 - FRAME AND ATTACHING PARTS

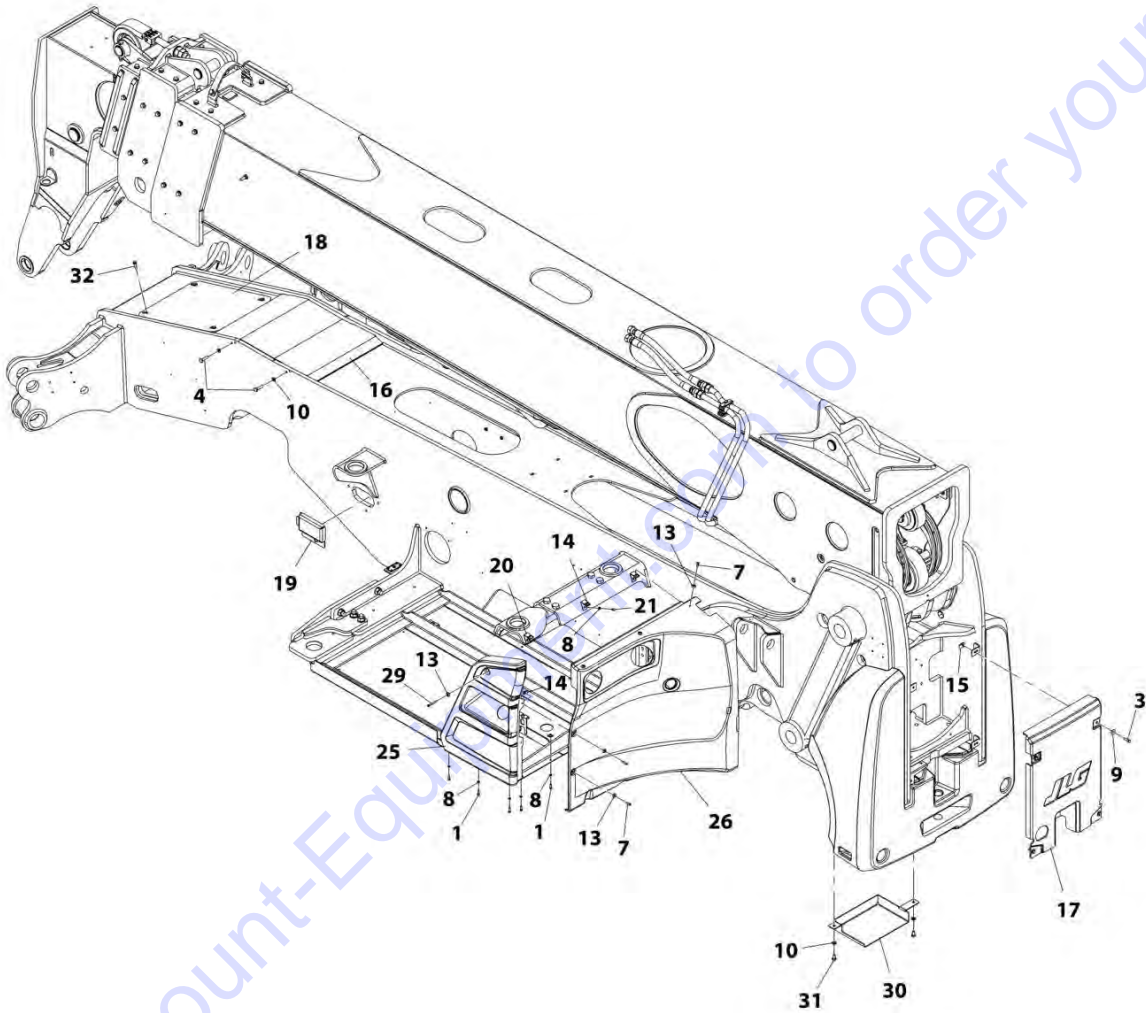
FIGURE 1-2. FRAME WELDMENT (SN 0160079256 to Present)

ITEM	PART NUMBER	QTY	DESCRIPTION	REV
1	1001220552J	1	Frame Weldment	B

Go to Discount-Equipment.com to order your parts

# SECTION 1 - FRAME AND ATTACHING PARTS

## FIGURE 1-3. FRAME COVER INSTALLATION (ULS)



ART\_1001160710-K

## SECTION 1 - FRAME AND ATTACHING PARTS

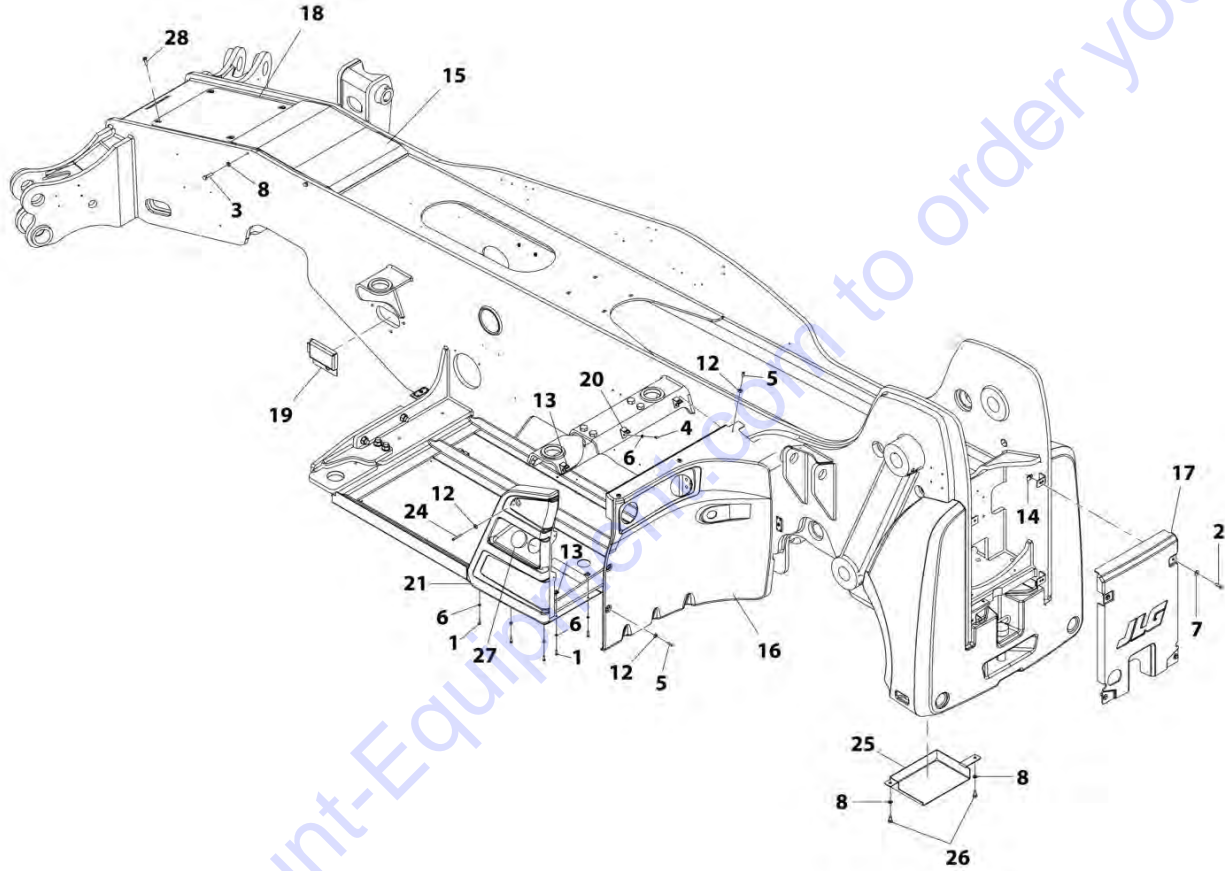
**FIGURE 1-3. FRAME COVER INSTALLATION (ULS)**

ITEM	PART NUMBER	QTY	DESCRIPTION	REV
	1001160710	Ref	Frame Cover Installation (if equipped for ULS)	K
1	0700610	7	Bolt, M6X20	
3	0700814	4	Bolt, M8X30	
4	0701016	4	Bolt, M10X40	
7	3900379	5	Capscrew, M6-1X25	
8	4811700	10	Washer, M6	
9	4811902	4	Washer, M8	
10	4812000	6	Washer, M10	
13	1001097540	6	Washer, Nylon M6	
14	1001130220	12	Nut, M6	
15	1001149160	4	Nut, M8	
16	1001207299	1	Bracket, Battery Shield	
17	1001170645	1	Cover, Counterweight	
18	1001170665	1	Plate, Valve Cover	
19	1001201646	1	Shield, Inspection Port	
20	1001171772	3	Plate, Angle Bracket	
21	0760606	3	Screw, M6X12	
25	1001168760	1	Cover, Side Tank	
26	1001179548	1	Cover, Rear Tank	
29	1001112902	1	Screw, M6	
30	1001173468	1	Cover, Rear Frame Module	
31	0761010	2	Bolt, M10X20	
32	5250814	4	Bolt, M8X30	



# SECTION 1 - FRAME AND ATTACHING PARTS

## FIGURE 1-4. FRAME COVER INSTALLATION (LS)



ART\_1001172638-K

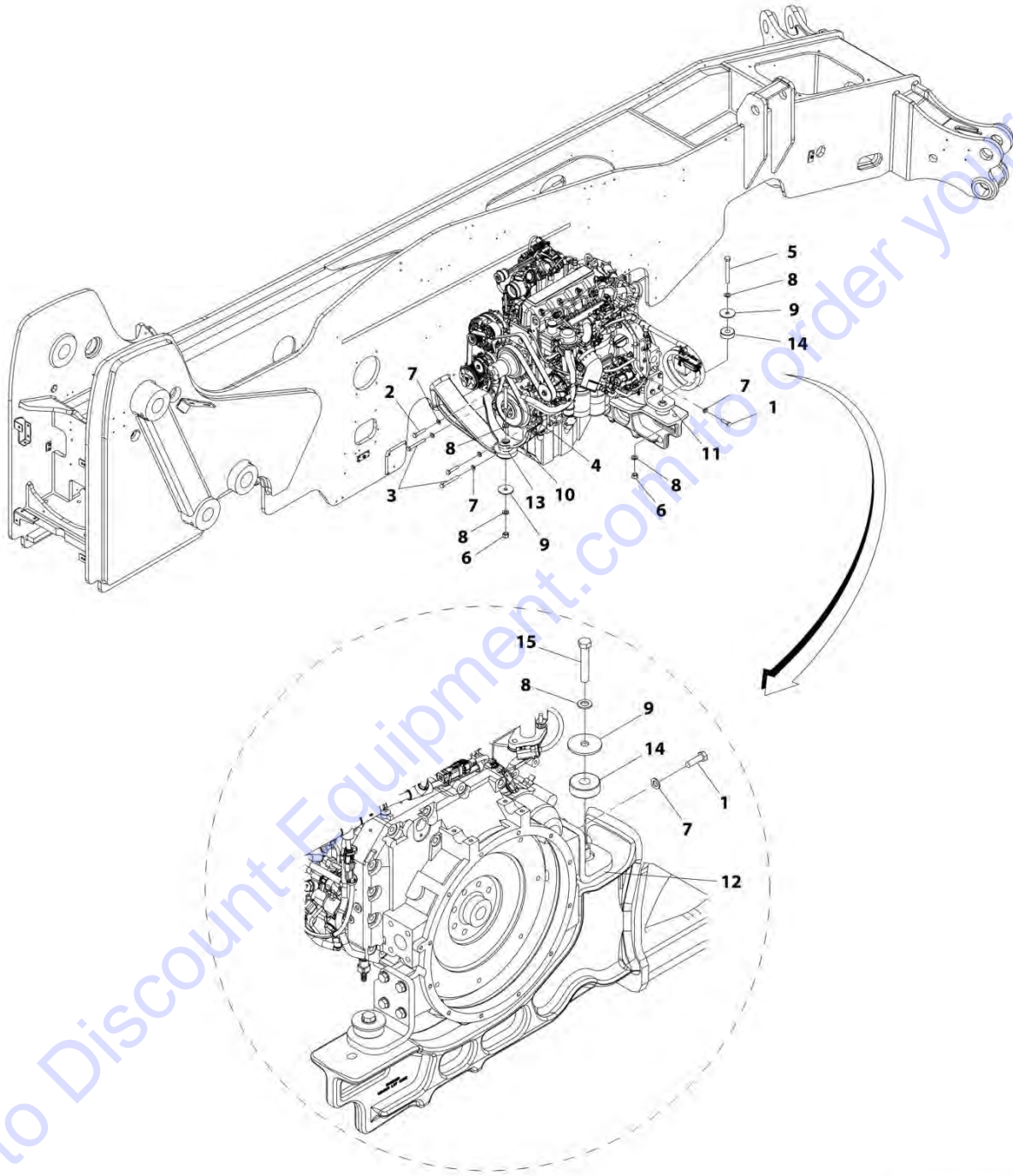
## SECTION 1 - FRAME AND ATTACHING PARTS

**FIGURE 1-4. FRAME COVER INSTALLATION (LS)**

ITEM	PART NUMBER	QTY	DESCRIPTION	REV
	1001172638	Ref	Frame Cover Installation (if equipped for LS)	K
1	0700610	7	Bolt, M6X20	
2	0700814	4	Bolt, M8X30	
3	0701016	4	Bolt, M10X40	
4	0760606	3	Screw, M6X12	
5	3900379	5	Capscrew, M6-1X25	
6	4811700	10	Washer, M6	
7	4811902	4	Washer, M8	
8	4812000	6	Washer, M10	
12	1001097540	6	Washer, Nylon M6	
13	1001130220	12	Nut, M6	
14	1001149160	4	Nut, M8	
15	1001207299	1	Bracket, Battery Shield	
16	1001168761	1	Cover, Rear Tank	
17	1001170645	1	Cover, Counterweight	
18	1001170665	1	Plate, Valve Cover	
19	1001201646	1	Shield, Inspection Port	
20	1001171772	3	Plate, Angle Bracket	
21	1001168760	1	Cover, Side Tank	
24	1001112902	1	Screw, M6	
25	1001173468	1	Cover, Rear Frame Module	
26	0761010	2	Bolt, M10X20	
27	1001206746	1	Cap, Side Tank Cover	
28	5250814	4	Bolt, M8X30	

# SECTION 1 - FRAME AND ATTACHING PARTS

## FIGURE 1-5. ENGINE INSTALLATION



ART\_1001163227-H

## SECTION 1 - FRAME AND ATTACHING PARTS

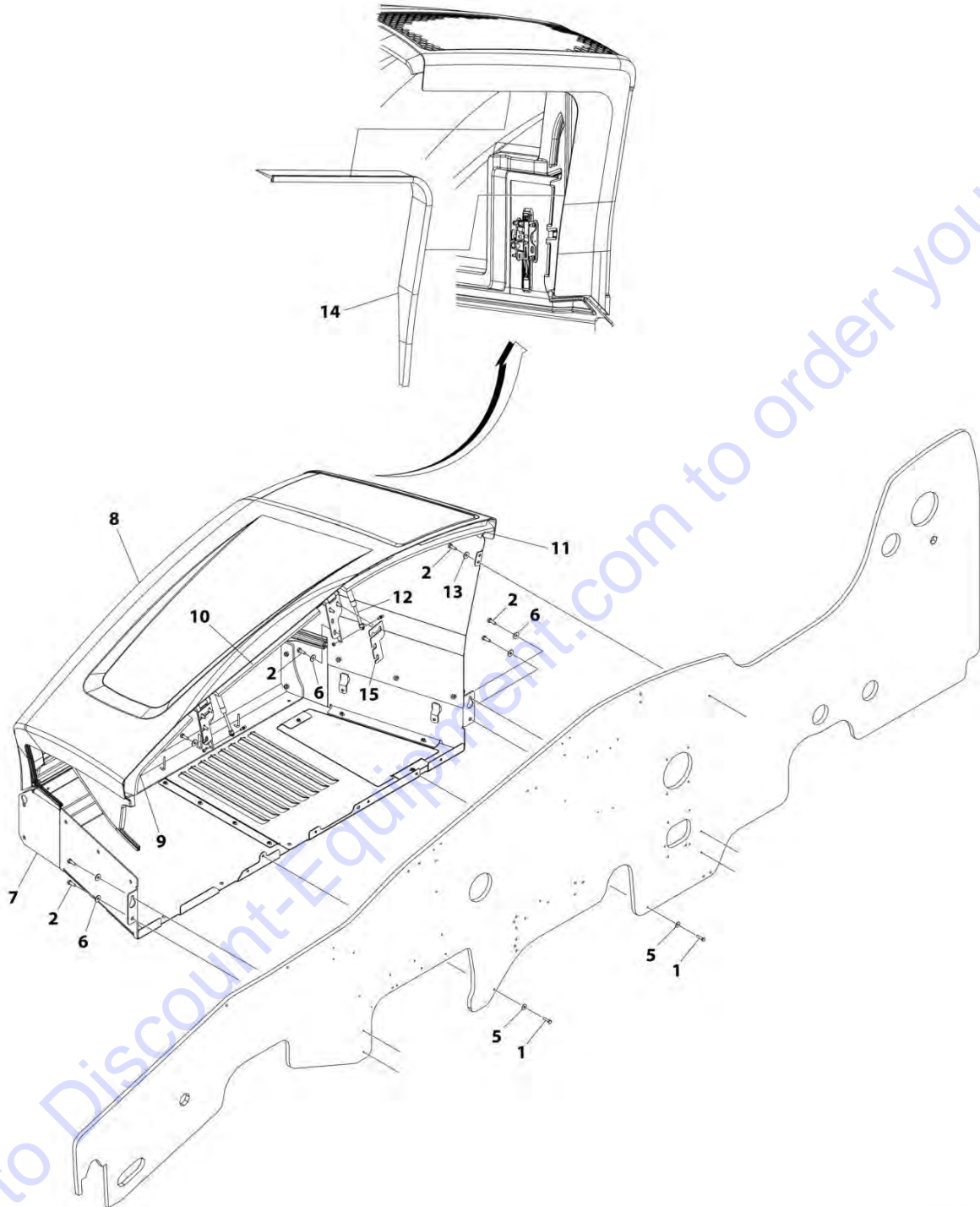
**FIGURE 1-5. ENGINE INSTALLATION**

ITEM	PART NUMBER	QTY	DESCRIPTION	REV
	1001163227	Ref	Engine Installation	H
1	0701216	8	Bolt, M12X40	
2	0701220	2	Bolt, M12X60	
3	0701227	2	Bolt, M12X100	
4	0711629	1	Bolt, M16X120	
5	0711630	1	Bolt, M16X130	
6	3331615	2	Nut, M16X2	
7	4812100	12	Washer, M12	
8	4812300	5	Washer, M16	
9	7300435	3	Washer	
10	1001160116	1	Bracket, Engine	
11	1001168795	1	Plate, Engine Mount	
12	1001168797	1	Plate, Engine Mount	
13	1001160888	1	Mount, Isolator Engine	
14	1001195518	2	Mount, Isolator Engine	
15	0711626	1	Bolt, M16X90	

Go to Discount-Equipment.com to order your parts

# SECTION 1 - FRAME AND ATTACHING PARTS

## FIGURE 1-6. ENGINE ENCLOSURE INSTALLATION



ART\_1001160253-J

## SECTION 1 - FRAME AND ATTACHING PARTS

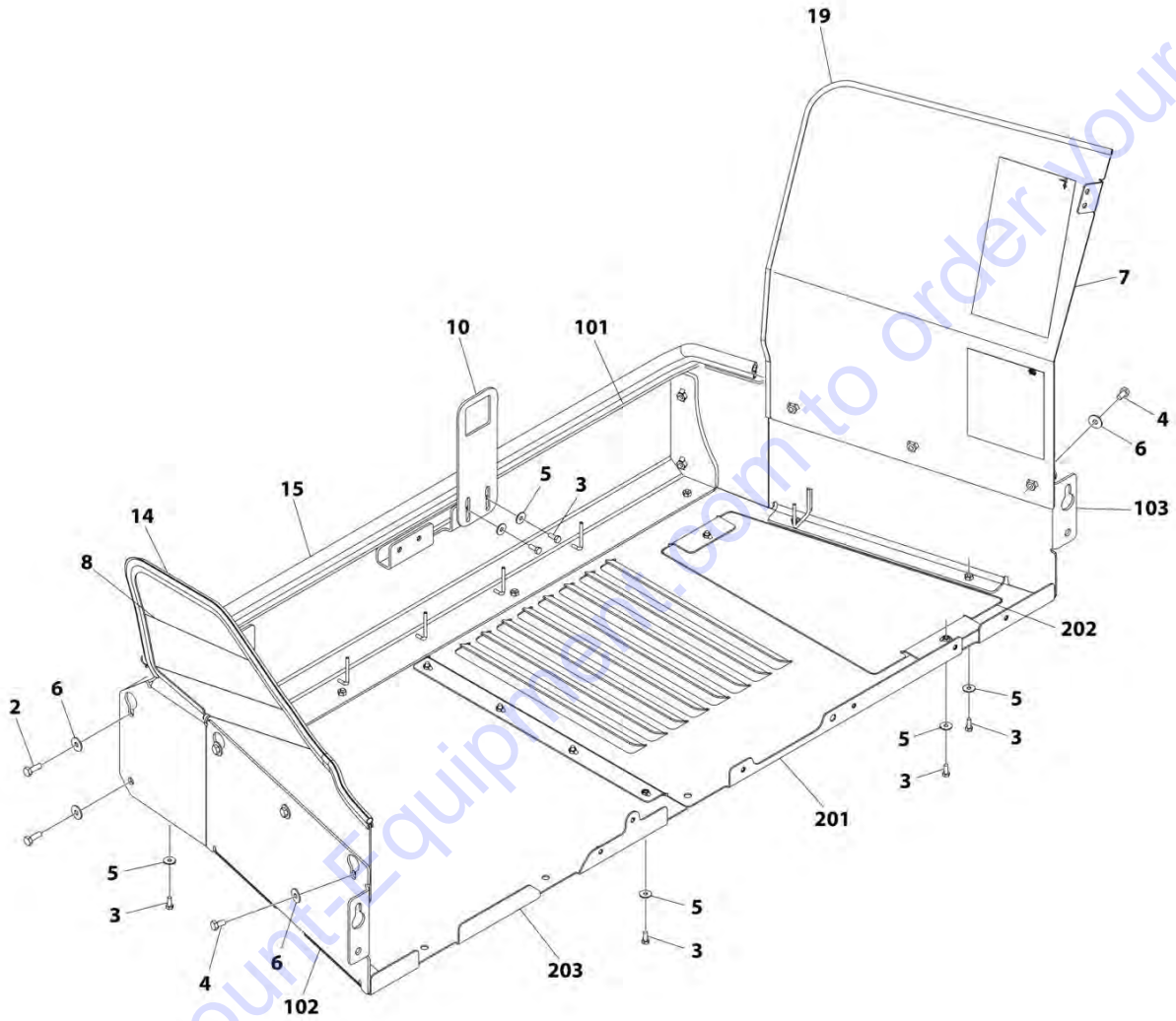
**FIGURE 1-6. ENGINE ENCLOSURE INSTALLATION**

ITEM	PART NUMBER	QTY	DESCRIPTION	REV
	1001160253	Ref	Engine Enclosure Installation	J
1	0760815	2	Bolt, M8X35	
2	0701014	11	Bolt, M10X30	
5	4811902	2	Washer, M8	
6	4812002	10	Washer, M10	
7	1001162239	Ref	Installation, Engine Enclosure Cover, (See ENGINE ENCLOSURE COVER INSTALLATION for Breakdown)	
8	1001168834	NLA	Assembly, Hood (no longer available, use 1001235963 for replacement)	
8	1001235963	Ref	Assembly, Hood (See HOOD ASSEMBLY for Breakdown)	
9	1001203932	1	Seal	
10	1001203933	1	Seal	
11	1001203934	1	Seal	
12	1001171885	2	Spring, Gas	
13	4812000	1	Washer, M10	
14	1001197339	1	Seal	
15	1001241836	AR	Shim	

Go to Discount-Equipment.com to order your parts

# SECTION 1 - FRAME AND ATTACHING PARTS

## FIGURE 1-7. ENGINE ENCLOSURE COVER INSTALLATION



ART\_1001162239-N

## SECTION 1 - FRAME AND ATTACHING PARTS

**FIGURE 1-7. ENGINE ENCLOSURE COVER INSTALLATION**

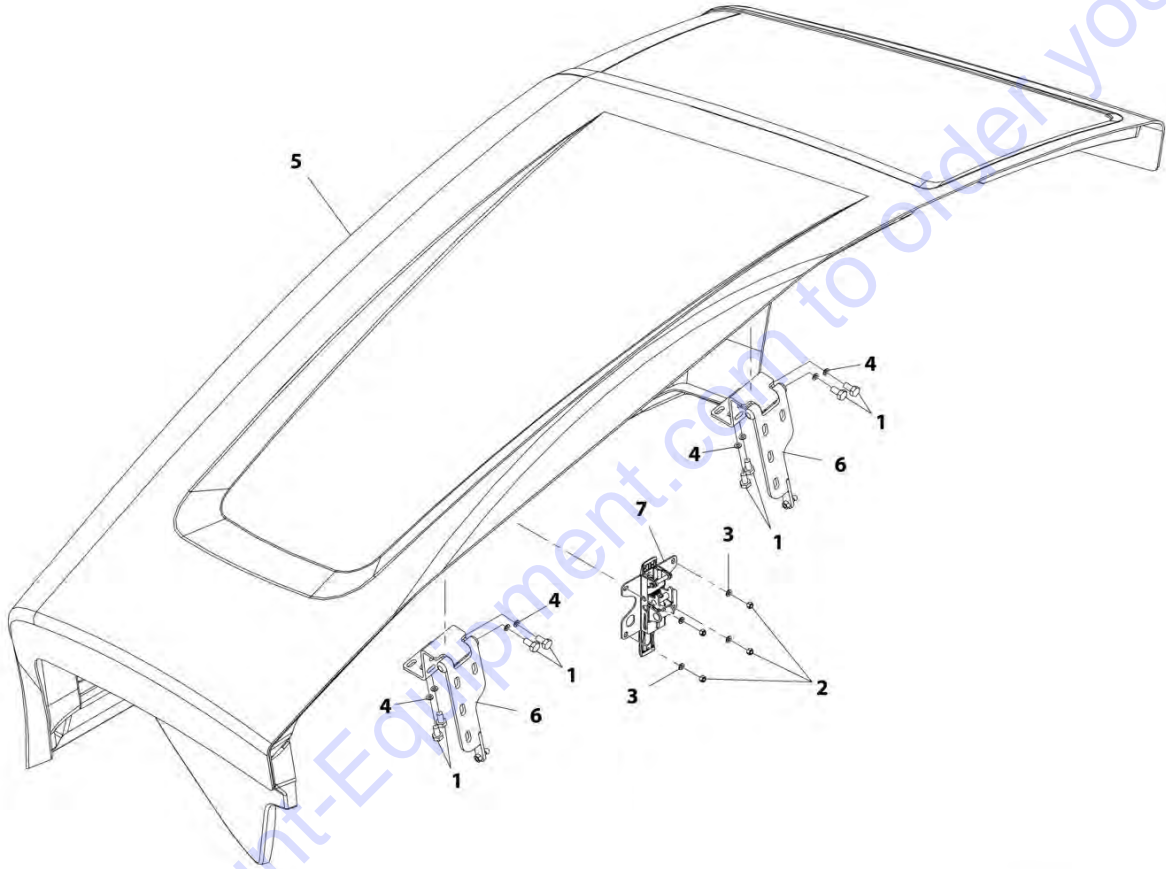
ITEM	PART NUMBER	QTY	DESCRIPTION	REV
	1001162239	Ref	Engine Enclosure Cover Installation	N
2	0701014	4	Bolt, M10X30	
3	0760810	16	Bolt, M8X20	
4	0761010	6	Bolt, M10X20	
5	4811902	16	Washer, M8	
6	4812002	10	Washer, M10	
7	1001204086	1	Plate, Rear Cover	
8	1001184076	1	Panel, Front Cover	
10	1001209388	1	Bracket, Hood Latch	
14	1001003227	1375 mm	Seal	
15	1001204486	1795 mm	Seal	
19	1001008999	1345 mm	Trim, Edge <b>(Prior to SN 0160091711)</b>	
19	90206198	1345 mm	Trim, Edge <b>(SN 0160091711 to Present)</b>	
101	1001162240J	1	Side Skirt	
102	1001213126J	1	Front Skirt	
103	1001196426J	1	Rear Skirt	
201	1001196422	1	Side Skirt	
202	1001169265	1	Front Skirt	
203	1001196404	1	Rear Skirt	

Go to Discount-Equipment.com to order your parts



# SECTION 1 - FRAME AND ATTACHING PARTS

## FIGURE 1-8. HOOD ASSEMBLY



ART\_1001168834-K

## SECTION 1 - FRAME AND ATTACHING PARTS

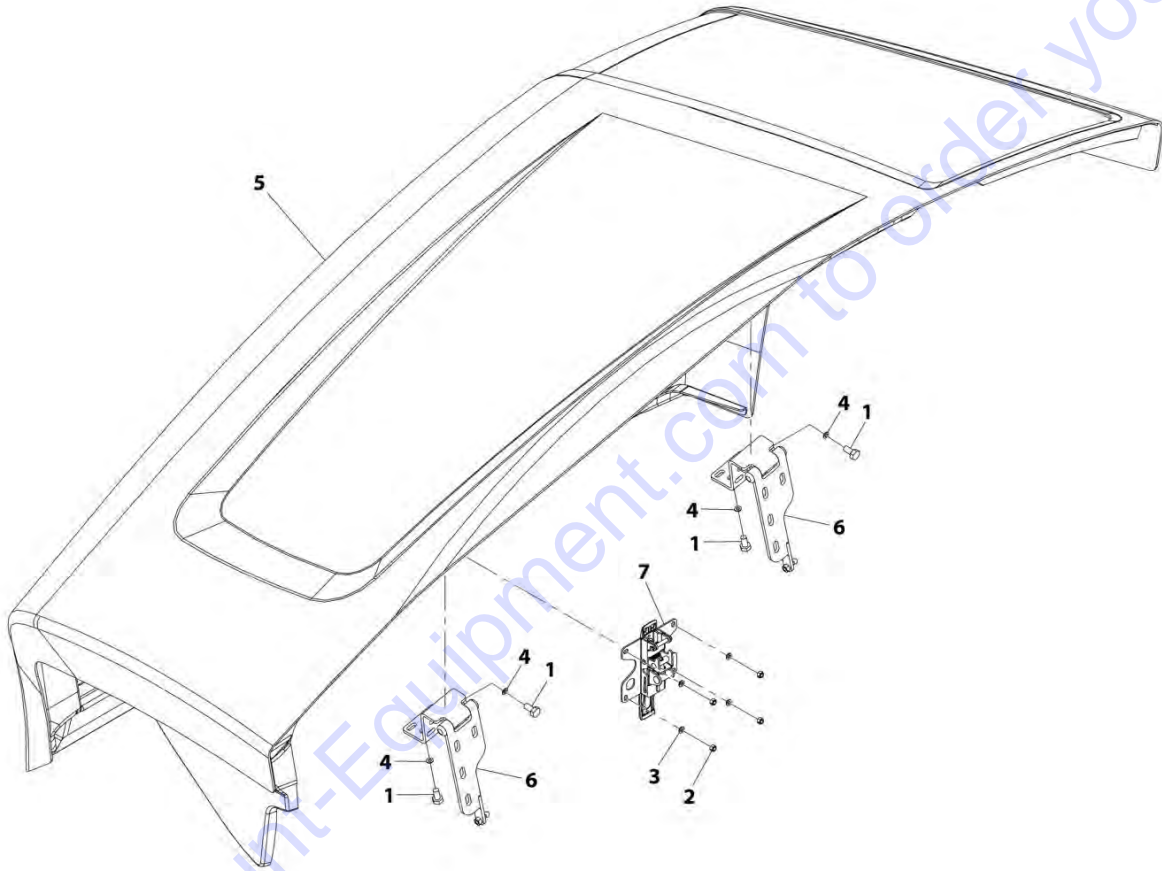
### FIGURE 1-8. HOOD ASSEMBLY

ITEM	PART NUMBER	QTY	DESCRIPTION	REV
	1001168834	NLA	Hood Assembly (no longer available, use items 1 thru 7 for service or 1001235963 for replacement)	K
1	0761010	8	Bolt, M10X20	
2	3290605	4	Nut, Lock M6X1	
3	4811700	4	Washer, M6	
4	4812000	8	Washer, M10	
5	1001166698	1	Hood	
6	1001209387	2	Hinge, Hood	
7	1001132168	1	Latch, Hood	

Go to Discount-Equipment.com to order your parts

# SECTION 1 - FRAME AND ATTACHING PARTS

## FIGURE 1-9. HOOD ASSEMBLY



ART\_1001235963-B

# SECTION 1 - FRAME AND ATTACHING PARTS

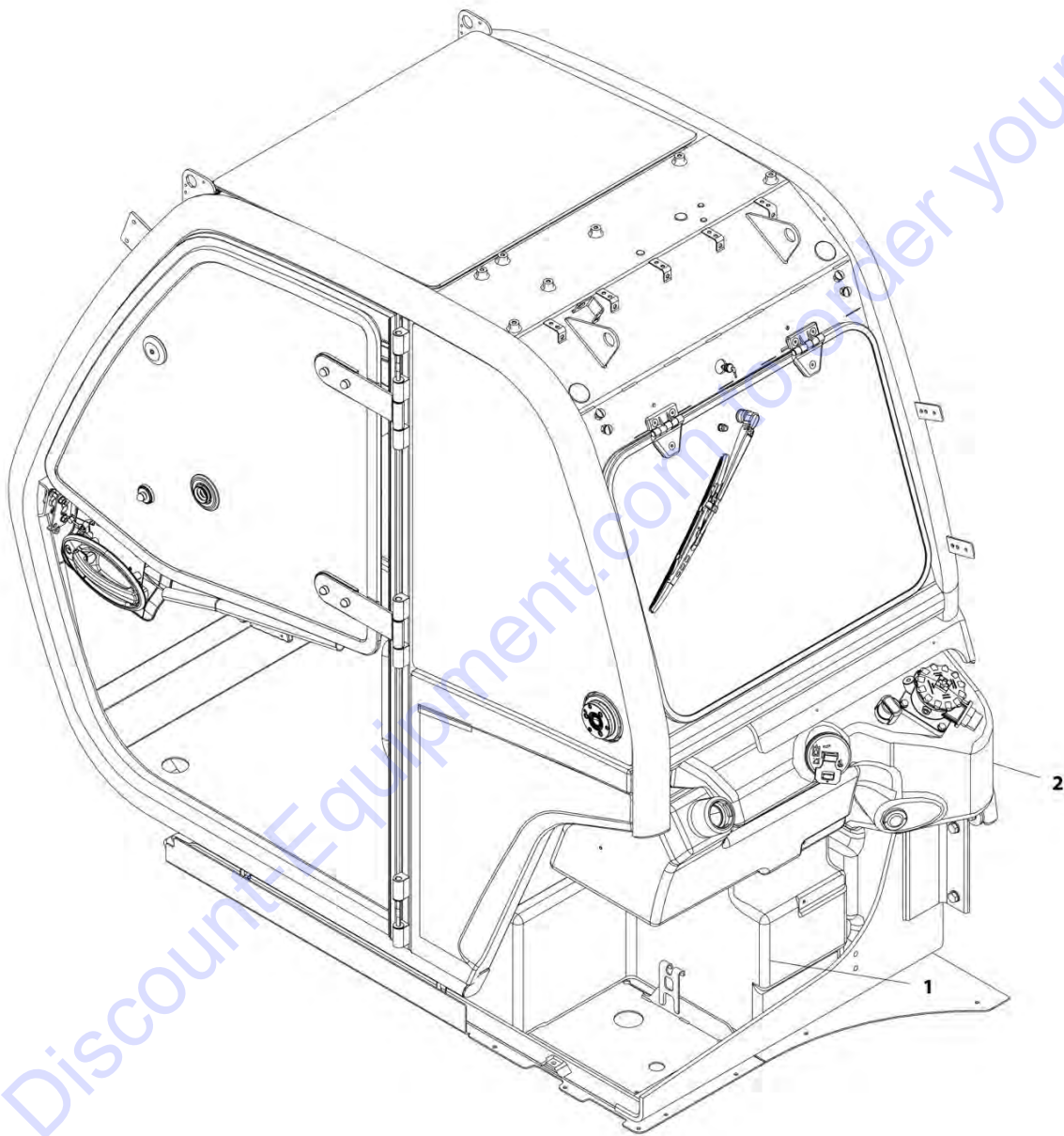
## FIGURE 1-9. HOOD ASSEMBLY

ITEM	PART NUMBER	QTY	DESCRIPTION	REV
	1001235963	Ref	Hood Assembly	B
1	0761010	8	Bolt, M10X20	
2	3290605	4	Nut, Lock M6X1	
3	4811700	4	Washer, M6	
4	4812000	8	Washer, M10	
5	1001234455	1	Hood	
6	1001209387	2	Hinge, Hood	
7	1001132168	1	Latch, Hood	

Go to Discount-Equipment.com to order your parts

# SECTION 1 - FRAME AND ATTACHING PARTS

## FIGURE 1-10. TANK INSTALLATION



ART\_1001160735-A

# SECTION 1 - FRAME AND ATTACHING PARTS

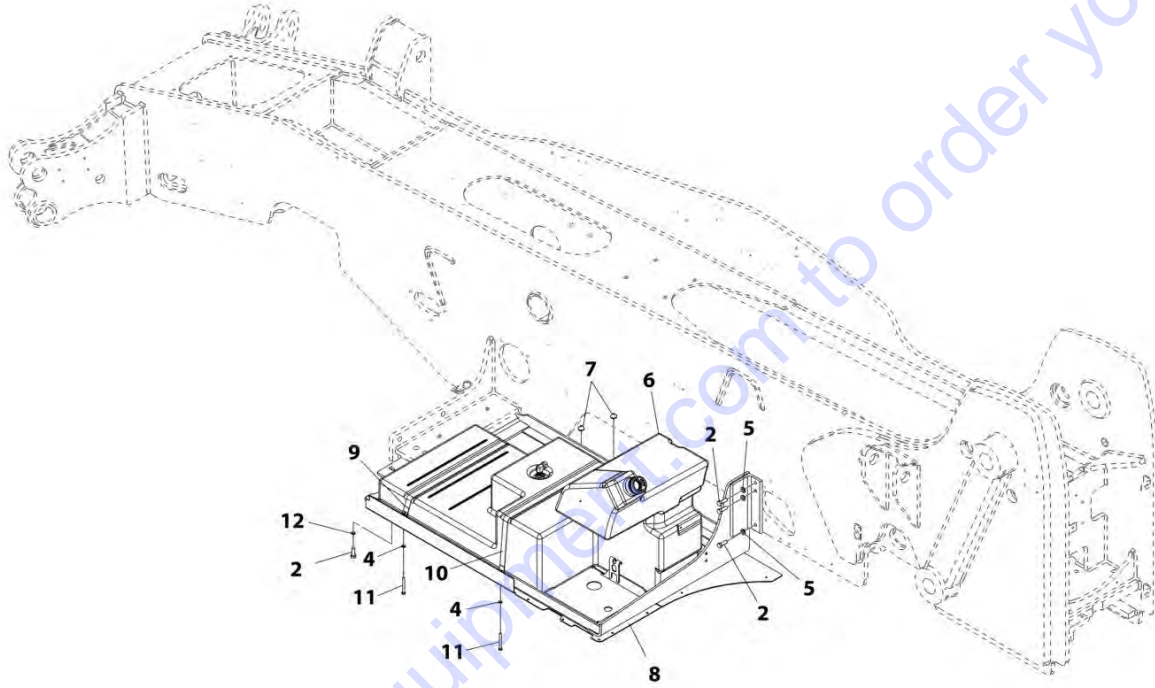
## FIGURE 1-10. TANK INSTALLATION

ITEM	PART NUMBER	QTY	DESCRIPTION	REV
1	1001160735	Ref	Tank Installation	A
	1001171153	Ref	Installation, Fuel Tank (See FUEL TANK INSTALLATION for Breakdown)	
2	1001171154	Ref	Installation, Hydraulic Tank (See HYDRAULIC TANK INSTALLATION for Breakdown)	

Go to Discount-Equipment.com to order your parts

# SECTION 1 - FRAME AND ATTACHING PARTS

FIGURE 1-11. FUEL TANK INSTALLATION



ART\_1001171153-H

## SECTION 1 - FRAME AND ATTACHING PARTS

**FIGURE 1-11. FUEL TANK INSTALLATION**

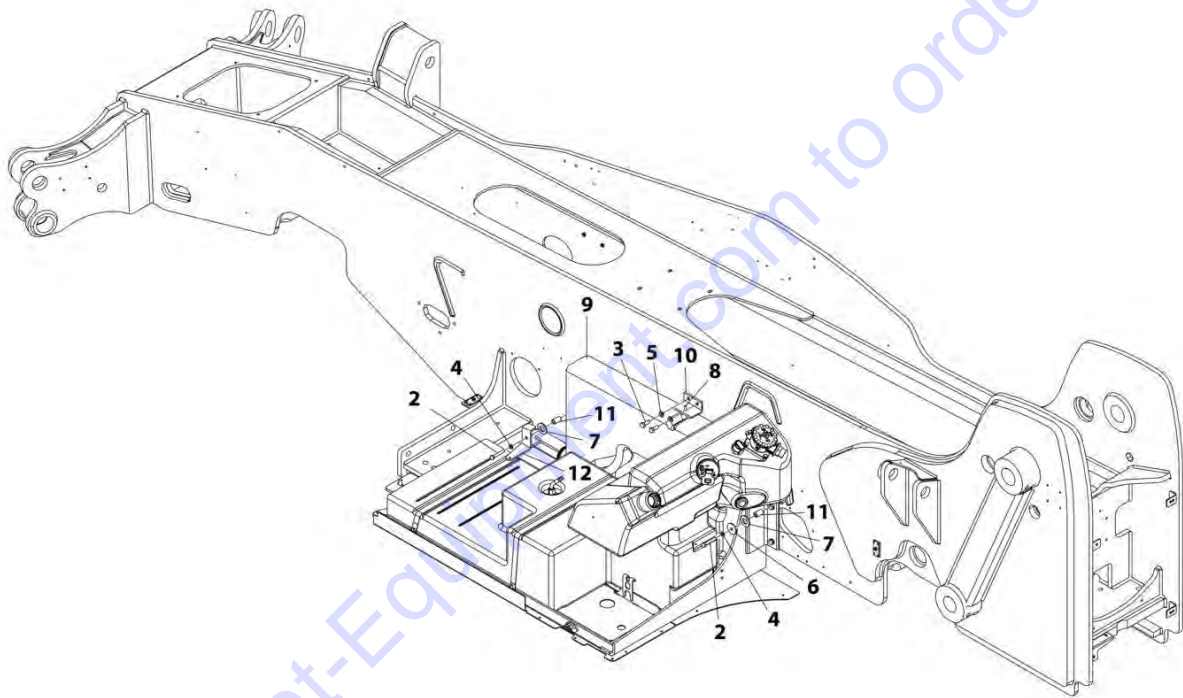
ITEM	PART NUMBER	QTY	DESCRIPTION	REV
	1001171153	Ref	Fuel Tank Installation	H
2	0761215	6	Bolt, M12X35	
4	4811900	2	Washer, M8	
5	4812100	3	Washer, M12	
6	1001163066	1	Tank, Fuel (See ENGINE AND ATTACHING PARTS SECTION for Breakdown) <b>(Prior to SN 0160074740)</b>	
6	1001211432	1	Tank, Fuel (See ENGINE AND ATTACHING PARTS SECTION for Breakdown) <b>(SN 0160074740 to Present)</b>	
7	1001169454	4	Mount, Buffer	
8	1001169602	1	Support, Tank Plate	
9	1001170071	1	Strap, Tank	
10	1001170072	1	Strap, Tank	
11	0760823	2	Bolt, M8X75	
12	4812102	3	Washer, M12	

Go to Discount-Equipment.com to order your parts



# SECTION 1 - FRAME AND ATTACHING PARTS

FIGURE 1-12. HYDRAULIC TANK INSTALLATION



ART\_1001171154-E

## SECTION 1 - FRAME AND ATTACHING PARTS

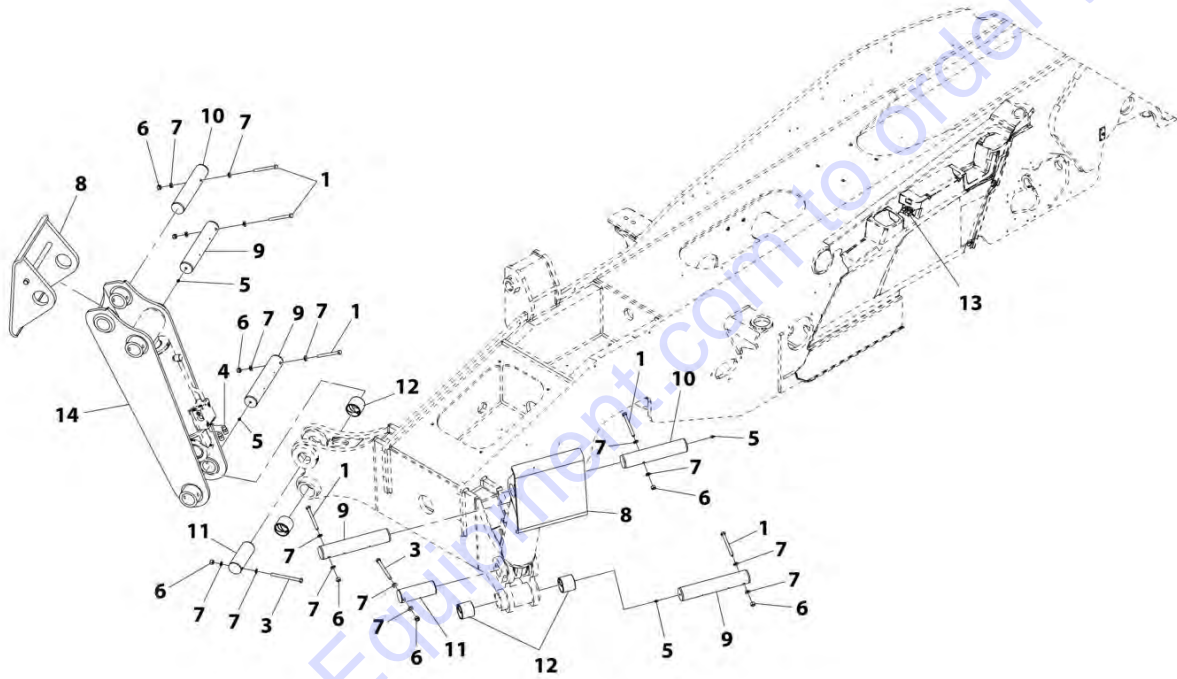
**FIGURE 1-12. HYDRAULIC TANK INSTALLATION**

ITEM	PART NUMBER	QTY	DESCRIPTION	REV
	1001171154	Ref	Hydraulic Tank Installation	E
2	0701020	2	Bolt, M10X60	
3	0761214	2	Bolt, M12X30	
4	4812000	2	Washer, M10	
5	4812100	2	Washer, M12	
6	1001172147	1	Washer, M10	
7	1001172146	2	Washer, Rubber	
8	1001008575	1	Bumper, Conical	
9	1001163067	Ref	Tank, Hydraulic (See HYDRAULIC COMPONENT SECTION for Breakdown)	
10	1001169461	1	Bracket	
11	1001171179	2	Spacer	
12	1001210707	1	Bracket	

Go to Discount-Equipment.com to order your parts

# SECTION 1 - FRAME AND ATTACHING PARTS

## FIGURE 1-13. OUTRIGGERS INSTALLATION



ART\_1001174788-H

## SECTION 1 - FRAME AND ATTACHING PARTS

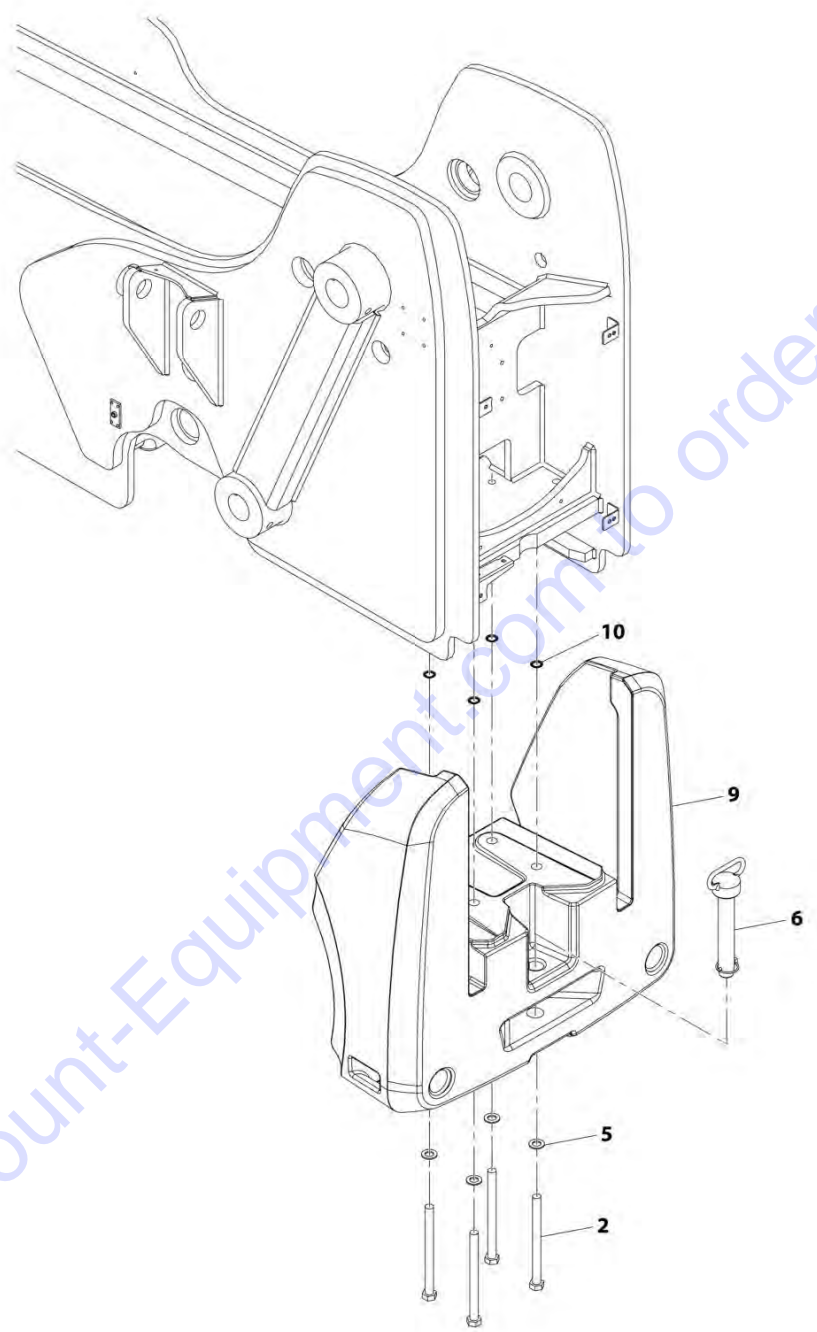
**FIGURE 1-13. OUTRIGGERS INSTALLATION**

ITEM	PART NUMBER	QTY	DESCRIPTION	REV
	1001174788	Ref	Outriggers Installation	H
1	0701229	6	Bolt, M12X120	
3	0701232	2	Bolt, M12X150	
4	2110808	4	Fitting, Straight ORFS	
5	2160016	4	Fitting, Grease Straight	
6	3291205	8	Nut, Lock M12X1.75	
7	4812100	16	Washer, M12	
8	1001161564	2	Plate, Outrigger Pad	
9	1001164436	4	Pin	
10	1001207292	2	Pin	
11	1001164454	2	Pin	
12	1001168281	4	Bearing	
13	1001174478	Ref	Installation, Outrigger Switches (See CONTROLS SECTION for Breakdown)	
14	1001207291J	2	Arm, Outrigger	

Go to Discount-Equipment.com to order your parts

# SECTION 1 - FRAME AND ATTACHING PARTS

FIGURE 1-14. COUNTERWEIGHT INSTALLATION - 1055



ART\_1001165421-G

## SECTION 1 - FRAME AND ATTACHING PARTS

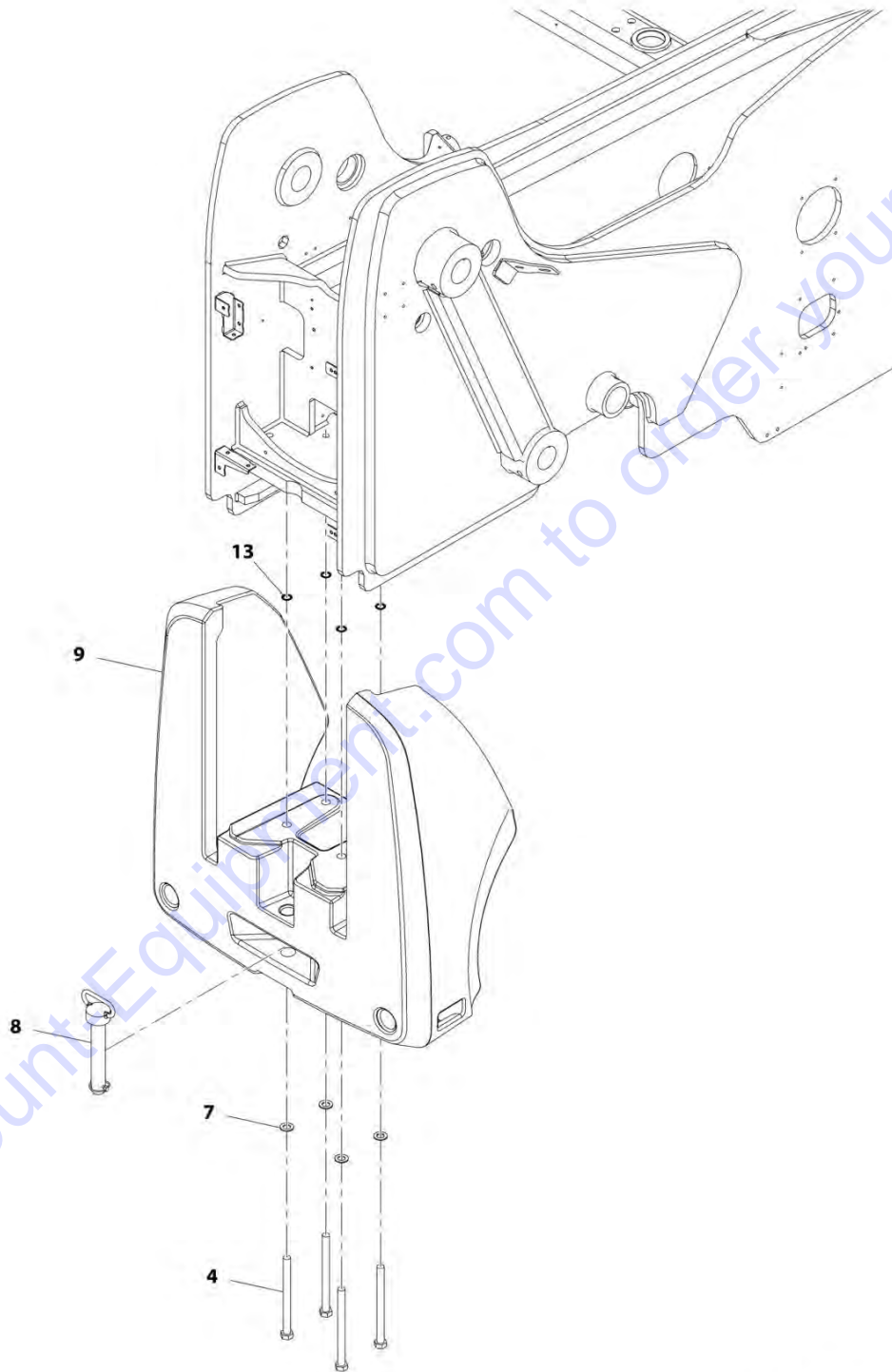
FIGURE 1-14. COUNTERWEIGHT INSTALLATION - 1055

ITEM	PART NUMBER	QTY	DESCRIPTION	REV
	1001165421	Ref	Counterweight Installation - 1055	G
2	0712042	4	Bolt, M20X250 GR10.9	
5	8310620	4	Washer, M20	
6	1001211913	1	Pin	
9	1001176492J	1	Counterweight, 1000KG	
10	1001218341	4	Washer	

Go to Discount-Equipment.com to order your parts

# SECTION 1 - FRAME AND ATTACHING PARTS

FIGURE 1-15. COUNTERWEIGHT INSTALLATION - 1255



ART\_1001165409-I

## SECTION 1 - FRAME AND ATTACHING PARTS

FIGURE 1-15. COUNTERWEIGHT INSTALLATION - 1255

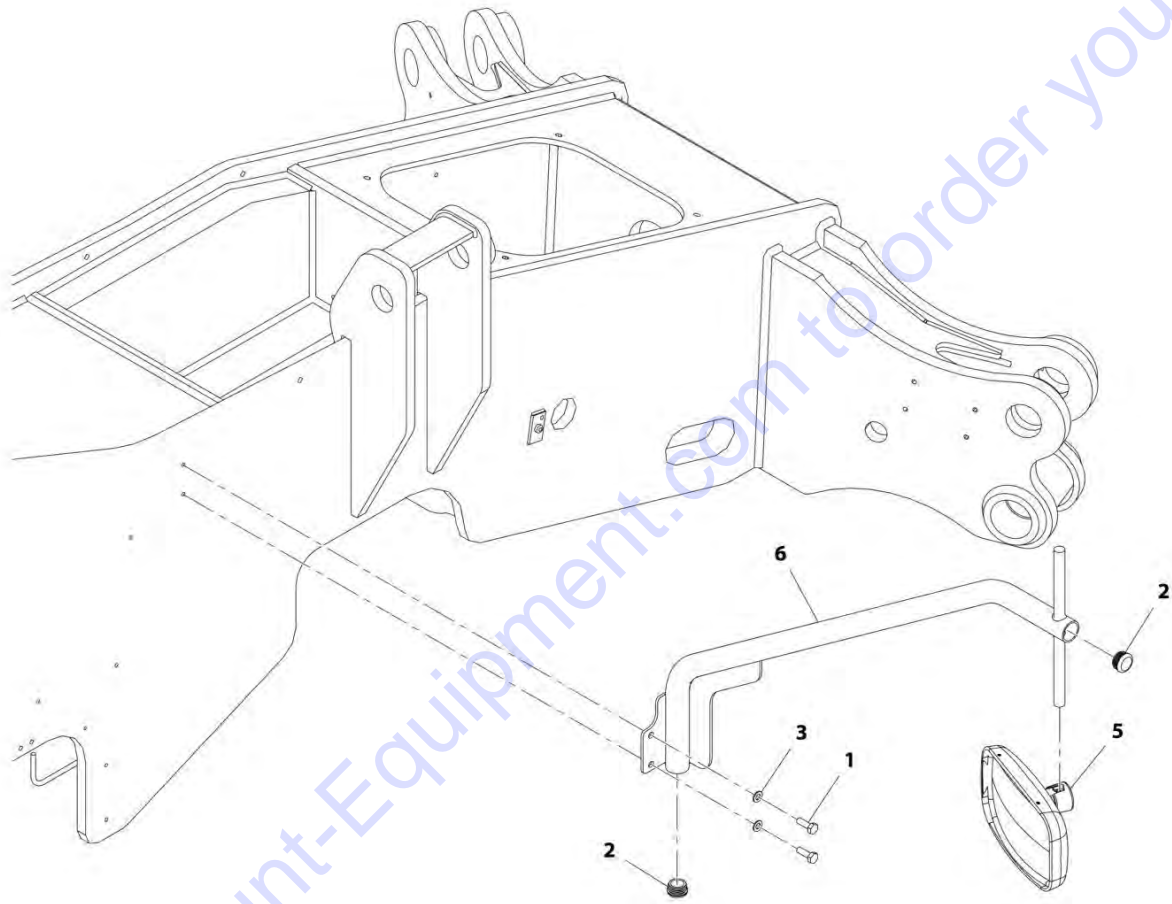
ITEM	PART NUMBER	QTY	DESCRIPTION	REV
	1001165409	Ref	Counterweight Installation - 1255	I
4	0712042	4	Bolt, M20X250 GR10.9	
7	8310620	4	Washer, M20	
8	1001211913	1	Pin	
9	1001176490J	1	Counterweight, 1500KG	
13	1001218341	4	Washer	

Go to Discount-Equipment.com to order your parts



# SECTION 1 - FRAME AND ATTACHING PARTS

## FIGURE 1-16. MIRROR INSTALLATION



ART\_1001160255-D

## SECTION 1 - FRAME AND ATTACHING PARTS

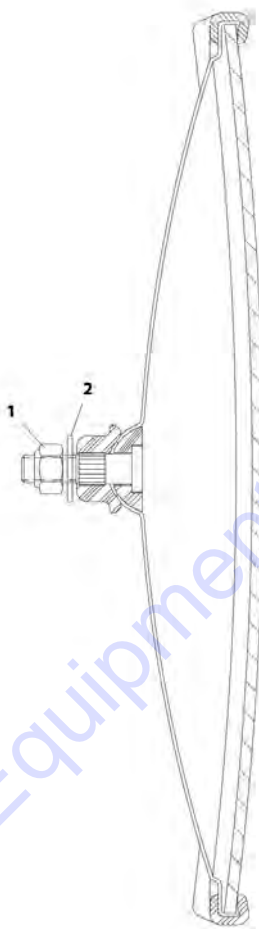
### FIGURE 1-16. MIRROR INSTALLATION

ITEM	PART NUMBER	QTY	DESCRIPTION	REV
	1001160255	Ref	Mirror Installation	D
1	0701014	2	Bolt, M10X30 GR8.8	
2	3520186	2	Plug	
3	4812000	2	Washer, M10	
5	1001191635	1	Assembly, Convex Mirror (See CONVEX MIRROR ASSEMBLY for Breakdown)	
6	1001191603	1	Bracket, Mirror	

Go to Discount-Equipment.com to order your parts

# SECTION 1 - FRAME AND ATTACHING PARTS

FIGURE 1-17. CONVEX MIRROR ASSEMBLY



ART 8866346-E

# SECTION 1 - FRAME AND ATTACHING PARTS

## FIGURE 1-17. CONVEX MIRROR ASSEMBLY

ITEM	PART NUMBER	QTY	DESCRIPTION	REV
	8866348	Ref	Convex Mirror Assembly	E
1	83683300	1	Nut, Lock	
2	83683298	1	Washer	

Go to Discount-Equipment.com to order your parts

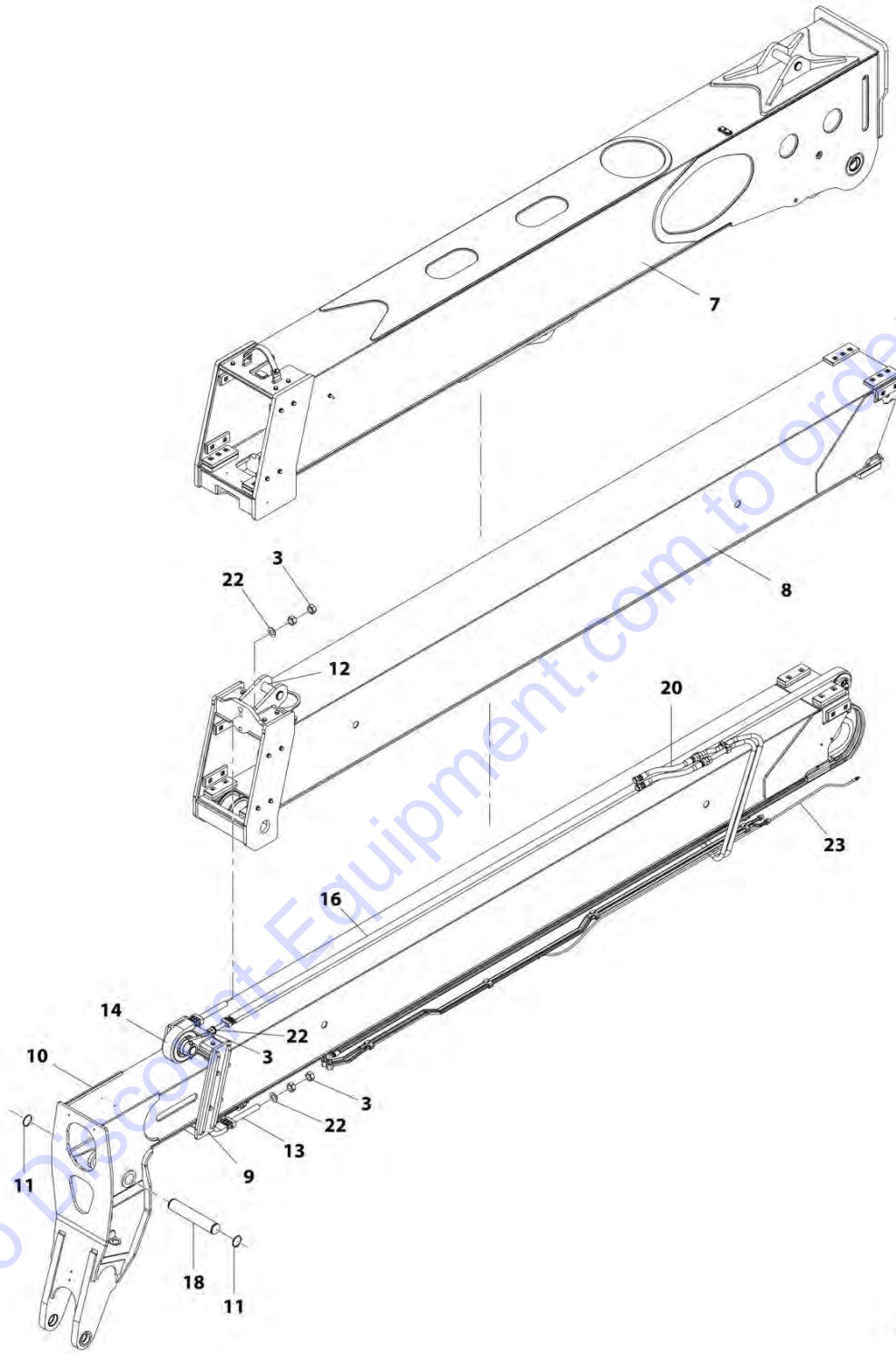


**SECTION 2 - BOOM**

Go to Discount-Equipment.com to order your parts

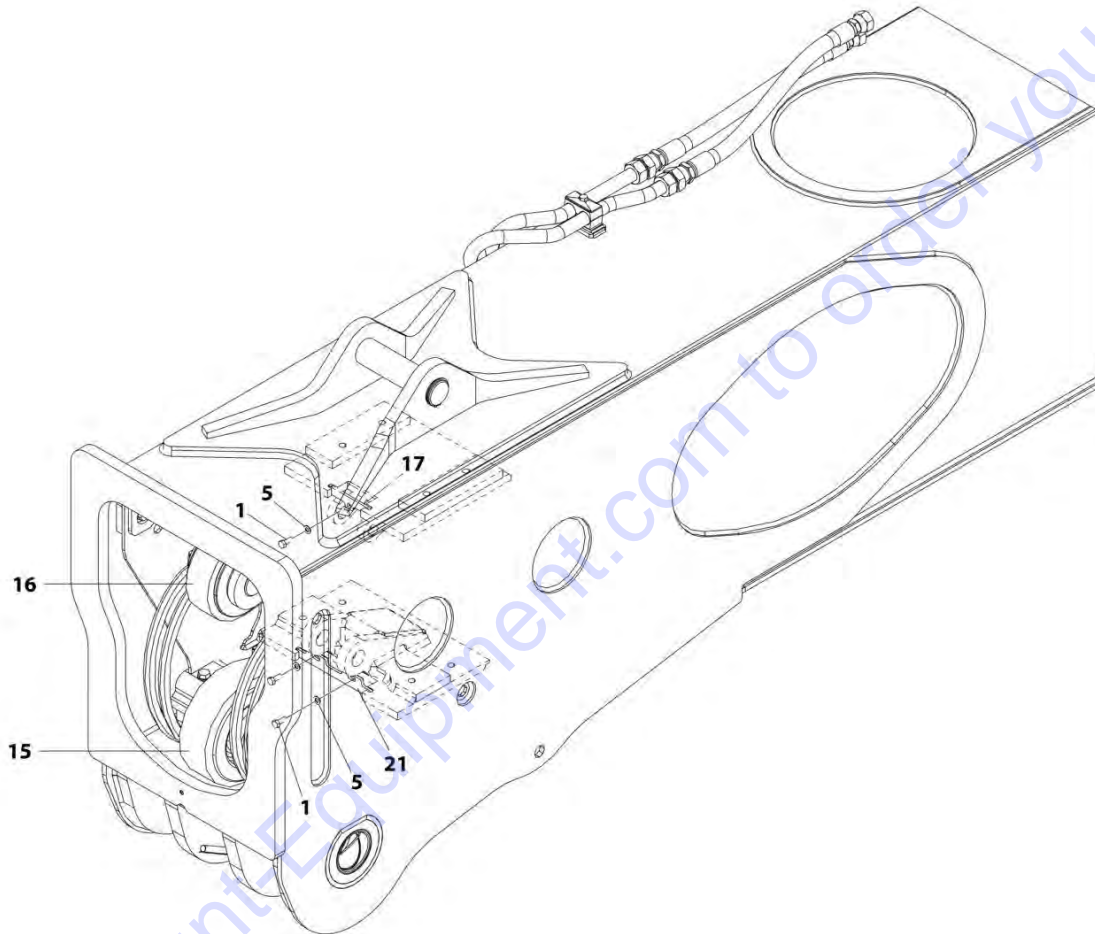
# SECTION 2 - BOOM

## FIGURE 2-1. BOOM ASSEMBLY - 1055



ART\_1001159958\_1-F

## SECTION 2 - BOOM



ART\_1001159958\_2-F



## SECTION 2 - BOOM

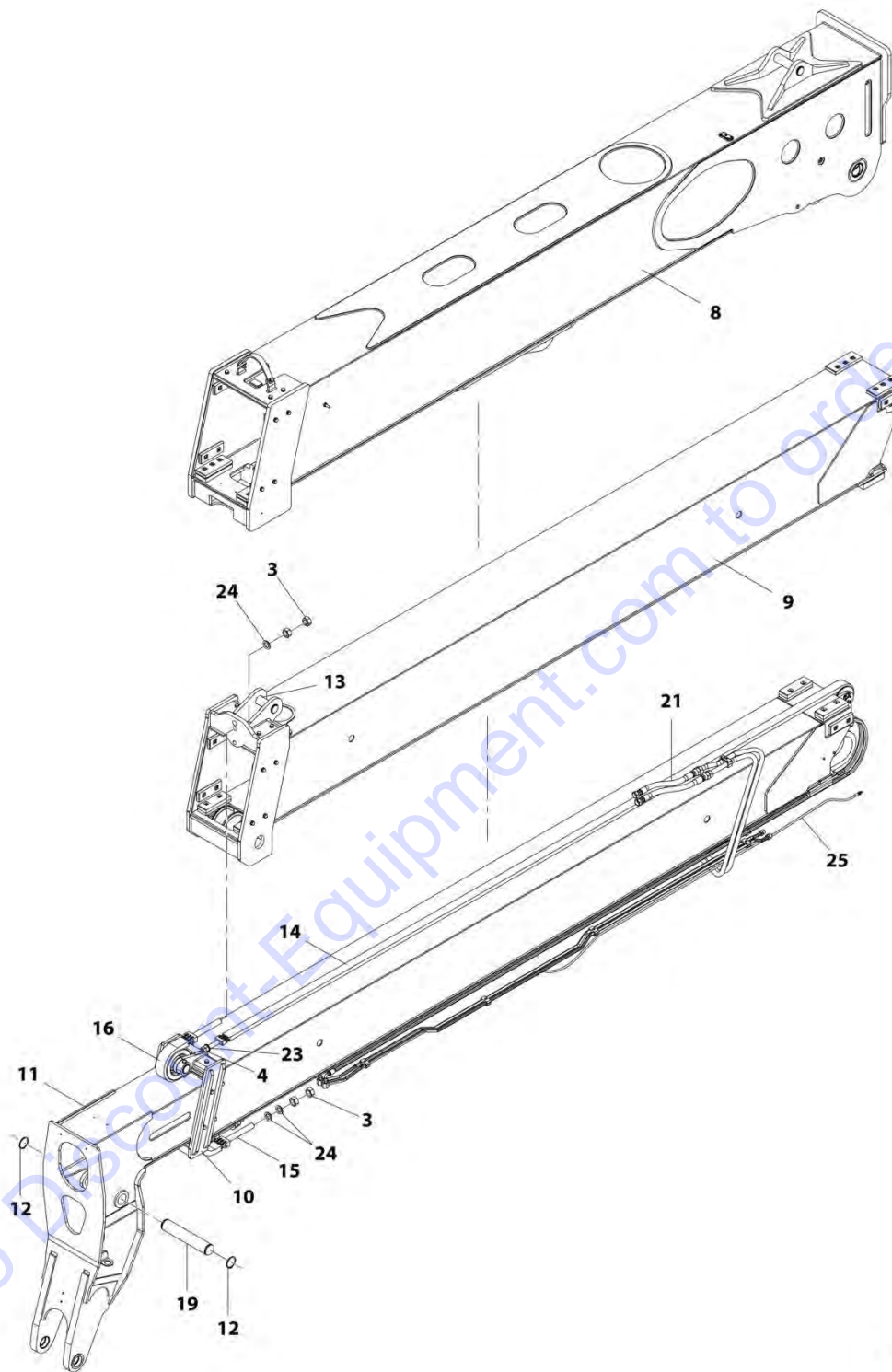
**FIGURE 2-1. BOOM ASSEMBLY - 1055**

ITEM	PART NUMBER	QTY	DESCRIPTION	REV
	1001159958	Ref	Boom Assembly - 1055	F
1	0760810	3	Bolt, M8X20	
3	3332411	10	Nut, M24X3	
5	4811900	3	Washer, M8	
7	1001159967	1	Assembly, First Boom (See FIRST BOOM ASSEMBLY - 1055 for Breakdown)	
8	1001160014	1	Assembly, Second Boom (See SECOND BOOM ASSEMBLY - 1055 for Breakdown)	
9	1001160024	1	Assembly, Third Boom (See THIRD BOOM ASSEMBLY - 1055 for Breakdown)	
10	1001160033	1	Assembly, Fourth Boom (See FOURTH BOOM ASSEMBLY - 1055 for Breakdown)	
11	88581157	2	Ring, Snap	
12	1001163881	Ref	Installation, Extend Cylinder Pins (See EXTEND CYLINDER PINS INSTALLATION for Breakdown)	
13	1001165045	Ref	Installation, Second Boom Section Retract Chain (See SECOND BOOM SECTION RETRACT CHAIN INSTALLATION - 1055 for Breakdown)	
14	1001165046	Ref	Installation, Second Boom Section Extend Chain (See SECOND BOOM SECTION EXTEND CHAIN INSTALLATION - 1055 for Breakdown)	
15	1001165047	Ref	Installation, Third Boom Section Retract Chain (See THIRD BOOM SECTION RETRACT CHAIN INSTALLATION - 1055 for Breakdown)	
16	1001165048	Ref	Installation, Third Boom Section Extend Chain (See THIRD BOOM SECTION EXTEND CHAIN INSTALLATION for Breakdown)	
17	1001165484	1	Plate	
18	1001167491	1	Pin	
20	1001174329	Ref	Installation, Boom Hydraulic Tubes (See HYDRAULIC CIRCUITS SECTION for Breakdown)	
21	1001171001	1	Plate	
22	4812700	5	Washer, M24	
23	1001178792	1	Hose <b>(Prior to SN 0160078794)</b>	
23	1001208050	1	Hose <b>(SN 0160078794 to Present)</b>	



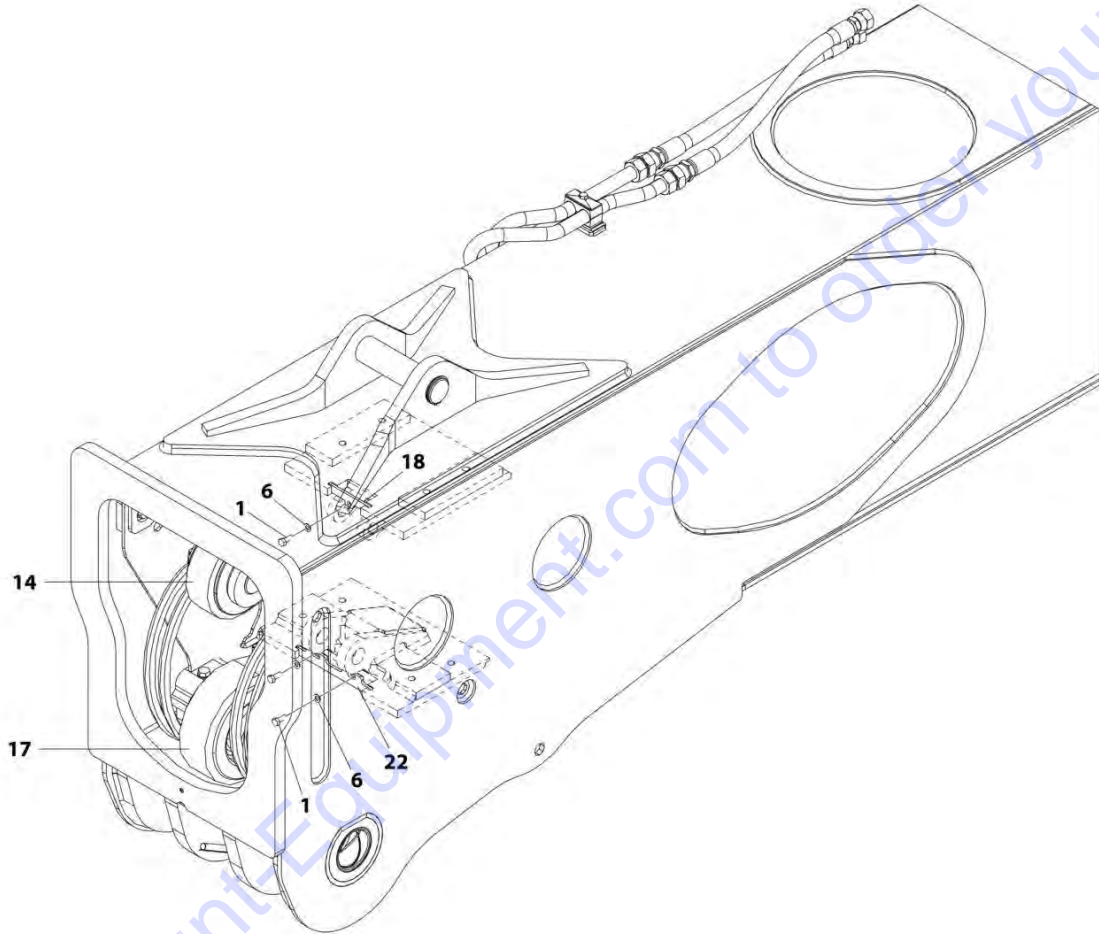
# SECTION 2 - BOOM

## FIGURE 2-2. BOOM ASSEMBLY - 1255



ART\_1001159957\_1-G

SECTION 2 - BOOM



ART\_1001159957\_2-G

## SECTION 2 - BOOM

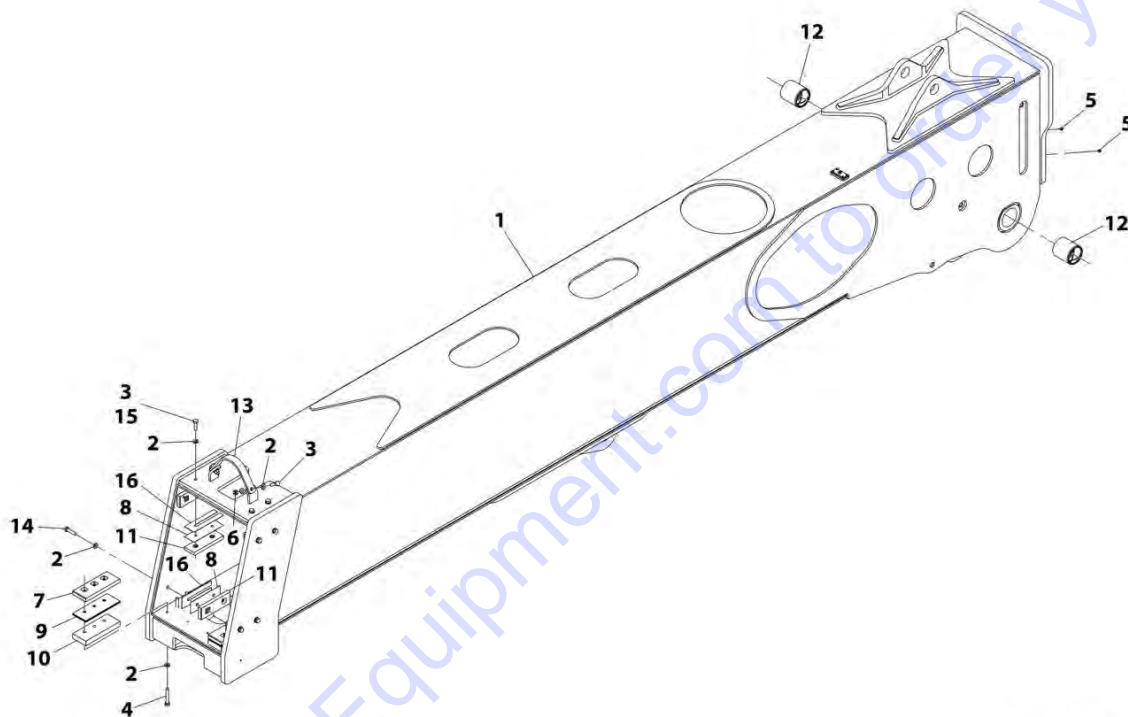
FIGURE 2-2. BOOM ASSEMBLY - 1255

ITEM	PART NUMBER	QTY	DESCRIPTION	REV
	1001159957	Ref	Boom Assembly - 1255	G
1	0760810	3	Bolt, M8X20	
3	3333011	8	Nut, M30	
4	3332411	2	Nut, M24X3	
6	4811900	3	Washer, M8	
8	1001159966	1	Assembly, First Boom (See FIRST BOOM ASSEMBLY - 1255 for Breakdown)	
9	1001160013	1	Assembly, Second Boom (See SECOND BOOM ASSEMBLY - 1255 for Breakdown)	
10	1001160023	1	Assembly, Third Boom (See THIRD BOOM ASSEMBLY for Breakdown)	
11	1001160032	1	Assembly, Fourth Boom (See FOURTH BOOM ASSEMBLY - 1255 for Breakdown)	
12	88581157	2	Ring, Snap	
13	1001163881	Ref	Installation, Extend Cylinder Pins (See EXTEND CYLINDER PINS INSTALLATION for Breakdown)	
14	1001165048	Ref	Installation, Third Boom Section Extend Chain (See THIRD BOOM SECTION EXTEND CHAIN INSTALLATION for Breakdown)	
15	1001165295	Ref	Installation, Second Boom Section Retract Chain - 1255 (See SECOND BOOM SECTION RETRACT CHAIN INSTALLATION - 1255 for Breakdown)	
16	1001165296	Ref	Installation, Second Boom Section Extend Chain - 1255 (See SECOND BOOM SECTION EXTEND CHAIN INSTALLATION - 1255 for Breakdown)	
17	1001165297	Ref	Installation, Third Boom Section Retract Chain - 1255 (See THIRD BOOM SECTION RETRACT CHAIN INSTALLATION - 1255 for Breakdown)	
18	1001165484	1	Plate	
19	1001167491	1	Pin	
21	1001174329	1	Installation, Boom Hydraulic Tubes (See HYDRAULIC CIRCUIT SECTION for Breakdown)	
22	1001171001	1	Plate	
23	4812700	1	Washer, M24	
24	1001097412	4	Washer	
25	1001178792	1	Hose ( <b>Prior to SN 0160078794</b> )	
25	1001208050	1	Hose ( <b>SN 0160078794 to Present</b> )	



# SECTION 2 - BOOM

## FIGURE 2-3. FIRST BOOM ASSEMBLY - 1055



ART\_1001159967-E

## SECTION 2 - BOOM

**FIGURE 2-3. FIRST BOOM ASSEMBLY - 1055**

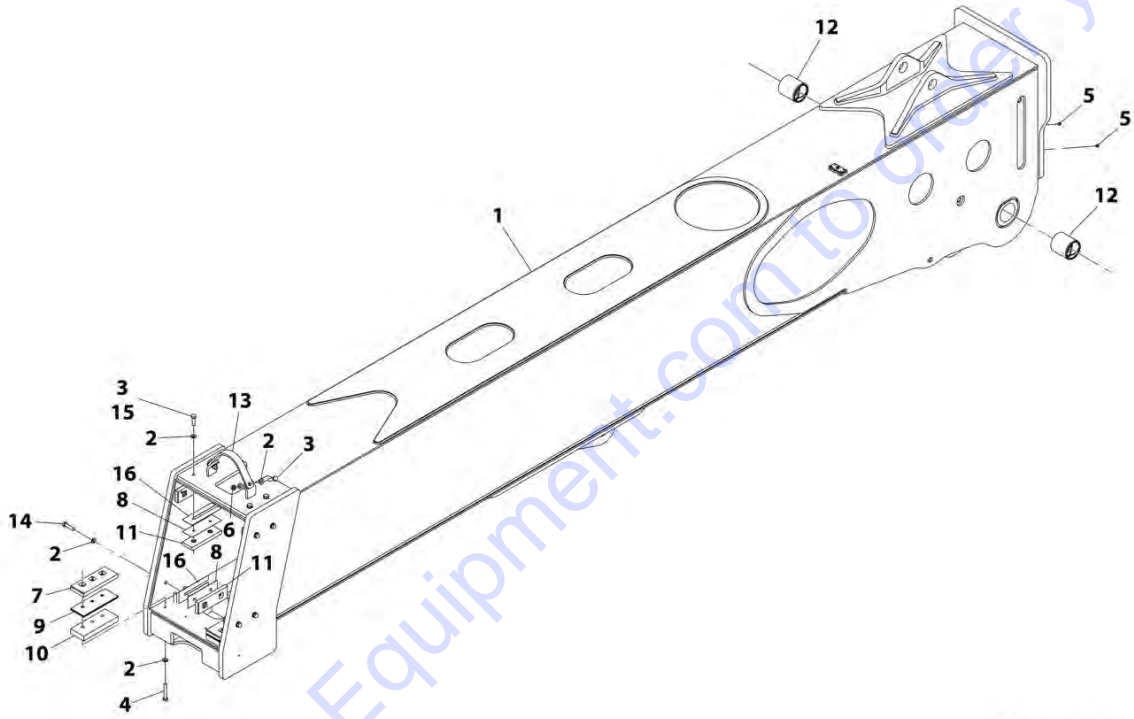
ITEM	PART NUMBER	QTY	DESCRIPTION	REV
	1001159967	Ref	First Boom Assembly - 1055	E
1	1001159971J	1	Weldment, First Boom	
2	1001125117	AR	Washer, M12	
3	0711216	6	Bolt, M12X40	
4	0711223	6	Bolt, M12X75 GR10.9	
5	2160016	2	Fitting, Grease	
6	3291201	2	Nut, M12X1.75	
7	1001162469	2	Pad, Wear	
8	1001163034	AR	Spacer	
9	1001163112	AR	Spacer	
10	1001163113	2	Spacer	
11	1001165171	6	Pad, Wear	
12	1001166455	2	Sleeve, Bronze	
13	1001171178	1	Strap, Cylinder	
14	0711218	8	Bolt, M12X50	
15	0711217	AR	Bolt, M12X45	
16	1001163103	AR	Shim	

Go to Discount-Equipment.com to order your parts



# SECTION 2 - BOOM

FIGURE 2-4. FIRST BOOM ASSEMBLY - 1255



ART\_1001159966-E

## SECTION 2 - BOOM

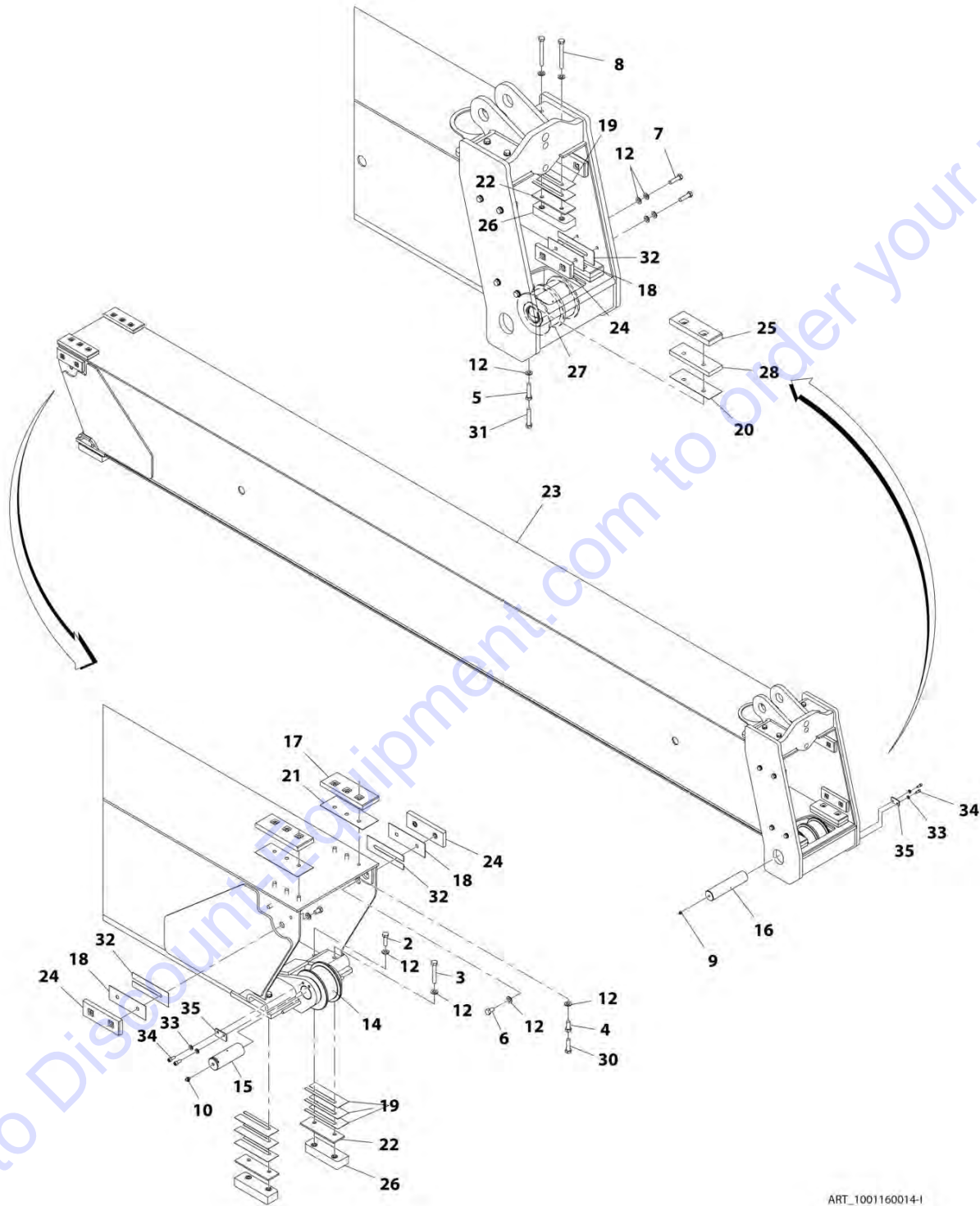
**FIGURE 2-4. FIRST BOOM ASSEMBLY - 1255**

ITEM	PART NUMBER	QTY	DESCRIPTION	REV
	1001159966	Ref	First Boom Assembly - 1255	E
1	1001159970J	1	Weldment, First Boom	
2	1001125117	AR	Washer, M12	
3	0711216	6	Bolt, M12X40	
4	0711223	6	Bolt, M12X75 GR10.9	
5	2160016	2	Fitting, Grease	
6	3291201	2	Nut, M12X1.75	
7	1001162469	2	Pad, Wear	
8	1001163034	AR	Spacer	
9	1001163112	AR	Spacer	
10	1001163113	2	Spacer	
11	1001165171	6	Pad, Wear	
12	1001166455	2	Sleeve, Bronze	
13	1001171178	1	Strap, Cylinder	
14	0711218	8	Bolt, M12X50	
15	0711217	AR	Bolt, M12X45	
16	1001163103	AR	Shim	

Go to Discount-Equipment.com to order your parts

# SECTION 2 - BOOM

## FIGURE 2-5. SECOND BOOM ASSEMBLY - 1055



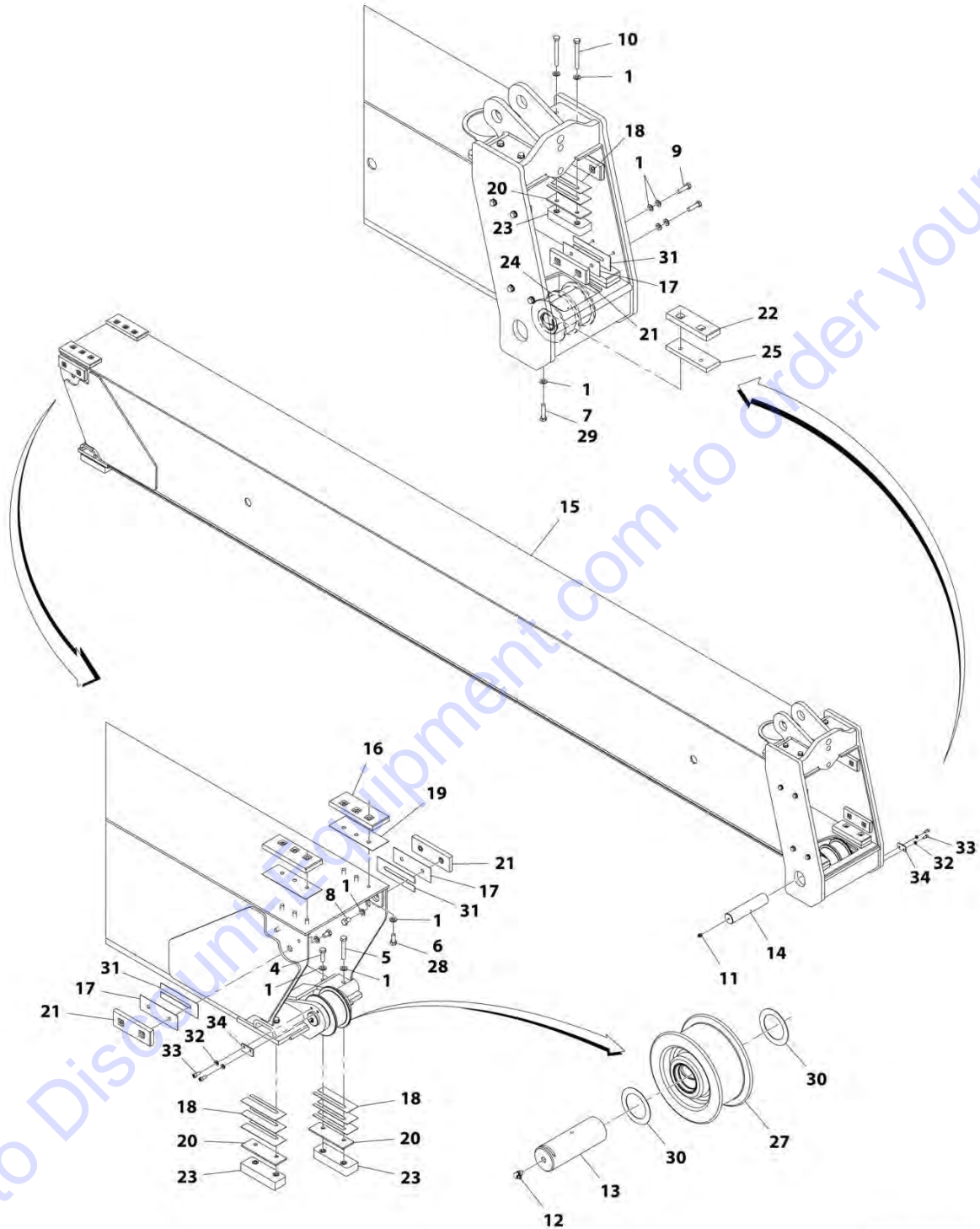
## SECTION 2 - BOOM

**FIGURE 2-5. SECOND BOOM ASSEMBLY - 1055**

ITEM	PART NUMBER	QTY	DESCRIPTION	REV
	1001160014	Ref	Second Boom Assembly - 1055	1
2	0711216	2	Bolt, M12X40	
3	0711224	2	Bolt, M12X80	
4	0711214	6	Bolt, M12X30	
5	0711219	4	Bolt, M12X55 GR10.9	
6	0771210	4	Bolt, M12X20	
7	0711217	8	Bolt, M12X45	
8	0711228	4	Bolt, M12X110	
9	2160016	1	Fitting, Grease	
10	2160018	1	Fitting, Grease	
12	1001125117	AR	Washer, M12	
14	1001101867	1	Assembly, Chain Sheave (See CHAIN SHEAVE ASSEMBLY for Breakdown)	
15	1001159611	1	Pin	
16	1001161054	1	Pin	
17	1001162469	2	Pad, Wear	
18	1001163034	AR	Spacer	
19	1001163104	AR	Shim	
20	1001163108	AR	Spacer	
21	1001163112	AR	Spacer	
22	1001163114	4	Spacer	
23	1001163900	1	Weldment, Second Boom	
24	1001165171	6	Pad, Wear	
25	1001165173	2	Pad, Wear	
26	1001165175	4	Pad, Wear	
27	1001168286	1	Assembly, Chain Sheave (See CHAIN SHEAVE ASSEMBLY for Breakdown)	
28	1001170627	2	Spacer	
30	0711215	AR	Bolt, M12X35	
31	0711220	AR	Bolt, M12X60	
32	1001163103	AR	Shim	
33	5240800	4	Washer, M8	
34	5271808	4	Bolt, M8X20	
35	1001206248	2	Bracket	

# SECTION 2 - BOOM

## FIGURE 2-6. SECOND BOOM ASSEMBLY - 1255



ART\_1001160013-H

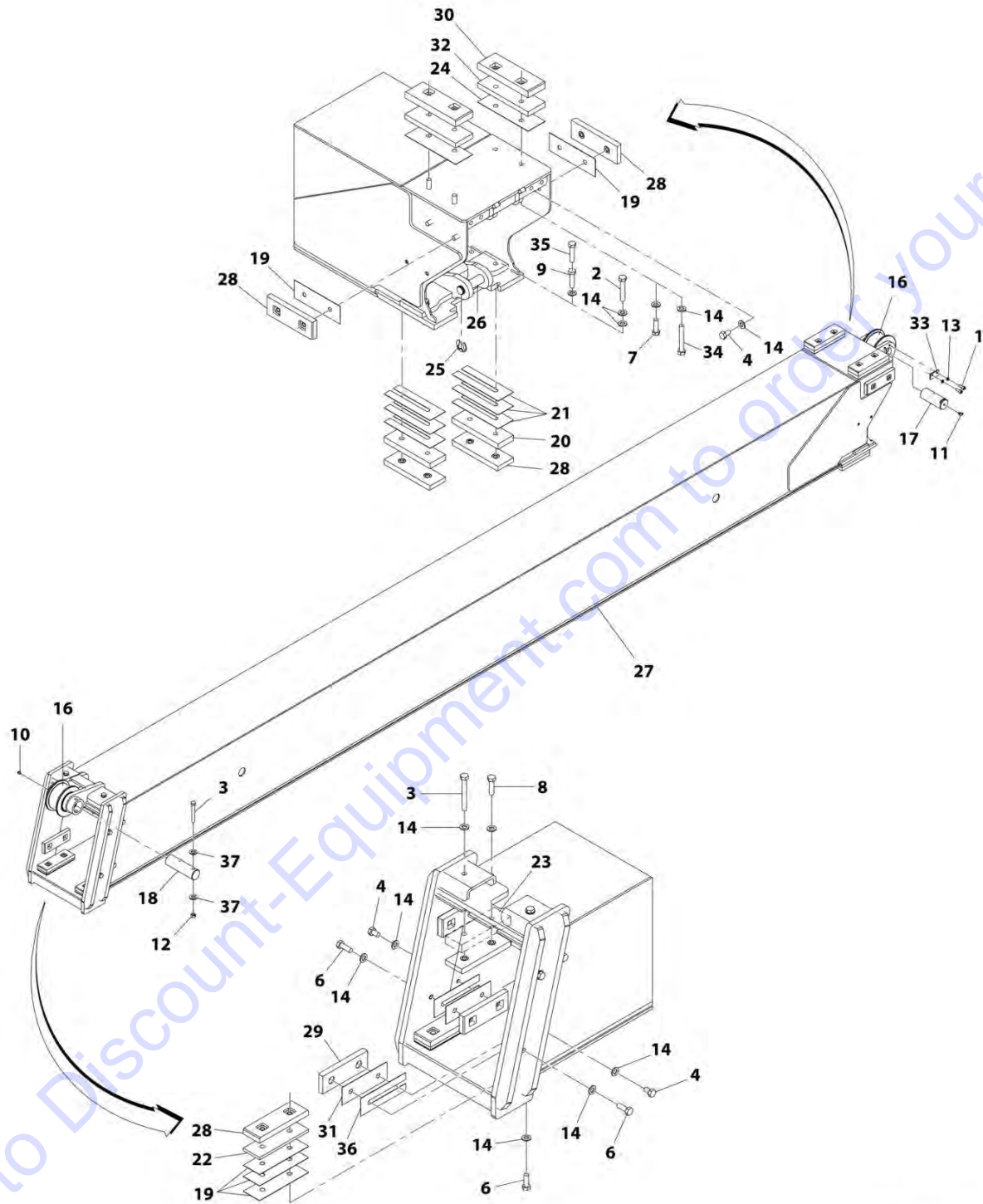
## SECTION 2 - BOOM

**FIGURE 2-6. SECOND BOOM ASSEMBLY - 1255**

ITEM	PART NUMBER	QTY	DESCRIPTION	REV
	1001160013	Ref	Second Boom Assembly - 1255	H
1	1001125117	AR	Washer, M12	
4	0711216	2	Bolt, M12X40	
5	0711224	2	Bolt, M12X80 GR10.9	
6	0711214	6	Bolt, M12X30	
7	0711219	4	Bolt, M12X55 GR10.9	
8	0771210	4	Bolt, M12X20 GR10.9	
9	0711217	8	Bolt, M12X45	
10	0711228	4	Bolt, M12X10	
11	2160016	1	Fitting, Grease	
12	2160018	1	Fitting, Grease	
13	1001159611	1	Pin	
14	1001161054	1	Pin	
15	1001162286	1	Weldment, Second Boom	
16	1001162469	2	Pad, Wear	
17	1001163034	AR	Spacer	
18	1001163104	AR	Shim	
19	1001163112	AR	Spacer	
20	1001163114	4	Plate, Spacer	
21	1001165171	6	Pad, Wear	
22	1001165173	2	Pad, Wear	
23	1001165175	4	Pad, Wear	
24	1001167027	1	Assembly, Chain Sheave (See CHAIN SHEAVE ASSEMBLY for Breakdown)	
25	1001170627	2	Spacer	
27	91565005	1	Assembly, Chain Sheave (See CHAIN SHEAVE ASSEMBLY for Breakdown)	
28	0711215	AR	Bolt, M12X35	
29	0711220	AR	Bolt, M12X60	
30	91041596	AR	Washer	
31	1001163103	AR	Shim	
32	5240800	4	Washer, M8	
33	5271808	4	Bolt, M8X20	
34	1001206248	2	Bracket	

# SECTION 2 - BOOM

## FIGURE 2-7. THIRD BOOM ASSEMBLY - 1055



ART\_1001160024-I

## SECTION 2 - BOOM

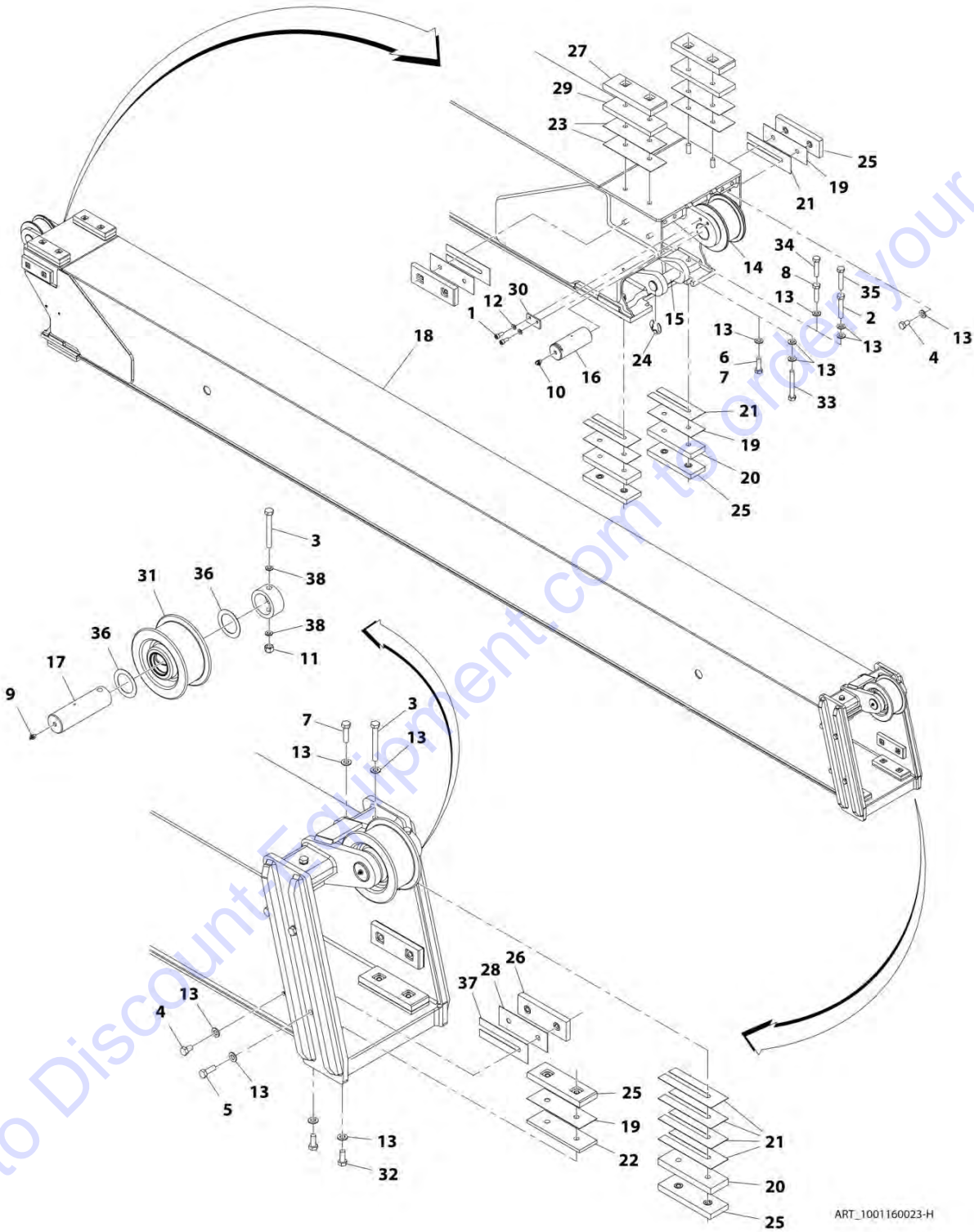
**FIGURE 2-7. THIRD BOOM ASSEMBLY - 1055**

ITEM	PART NUMBER	QTY	DESCRIPTION	REV
	1001160024	Ref	Third Boom Assembly - 1055	1
1	5271808	2	Bolt, M8X20	
2	1001098828	2	Bolt, M12X70	
3	0711227	3	Bolt, M12X100	
4	0771210	8	Bolt, M12X20	
6	0711215	8	Bolt, M12X35	
7	0711216	2	Bolt, M12X40	
8	0711217	2	Bolt, M12X45	
9	0711218	AR	Bolt, M12X50	
10	2160016	1	Fitting, Grease	
11	2160018	1	Fitting, Grease	
12	3291205	1	Nut, Lock M12X1.75	
13	5240800	2	Washer, M8	
14	1001125117	AR	Washer, M12	
16	1001101867	2	Assembly, Chain Sheave (See CHAIN SHEAVE ASSEMBLY for Breakdown)	
17	1001159613	1	Pin	
18	1001161055	1	Pin	
19	1001163034	AR	Spacer	
20	1001163038	2	Spacer	
21	1001163103	AR	Shim	
22	1001163105	2	Spacer	
23	1001163107	2	Spacer	
24	1001163108	AR	Spacer	
25	1001163638	2	Ring, Retaining	
26	1001163693	1	Pin	
27	1001163903	1	Weldment, Third Boom	
28	1001165171	8	Pad, Wear	
29	1001165172	4	Pad, Wear	
30	1001165173	2	Pad, Wear	
31	1001165367	AR	Spacer	
32	1001170627	2	Spacer	
33	1001206248	1	Bracket	
34	0711226	2	Bolt, M12X85	
35	0711219	2	Bolt, M12X55	
36	1001200989	AR	Shim	
37	4812100	2	Washer, M12	



# SECTION 2 - BOOM

## FIGURE 2-8. THIRD BOOM ASSEMBLY - 1255



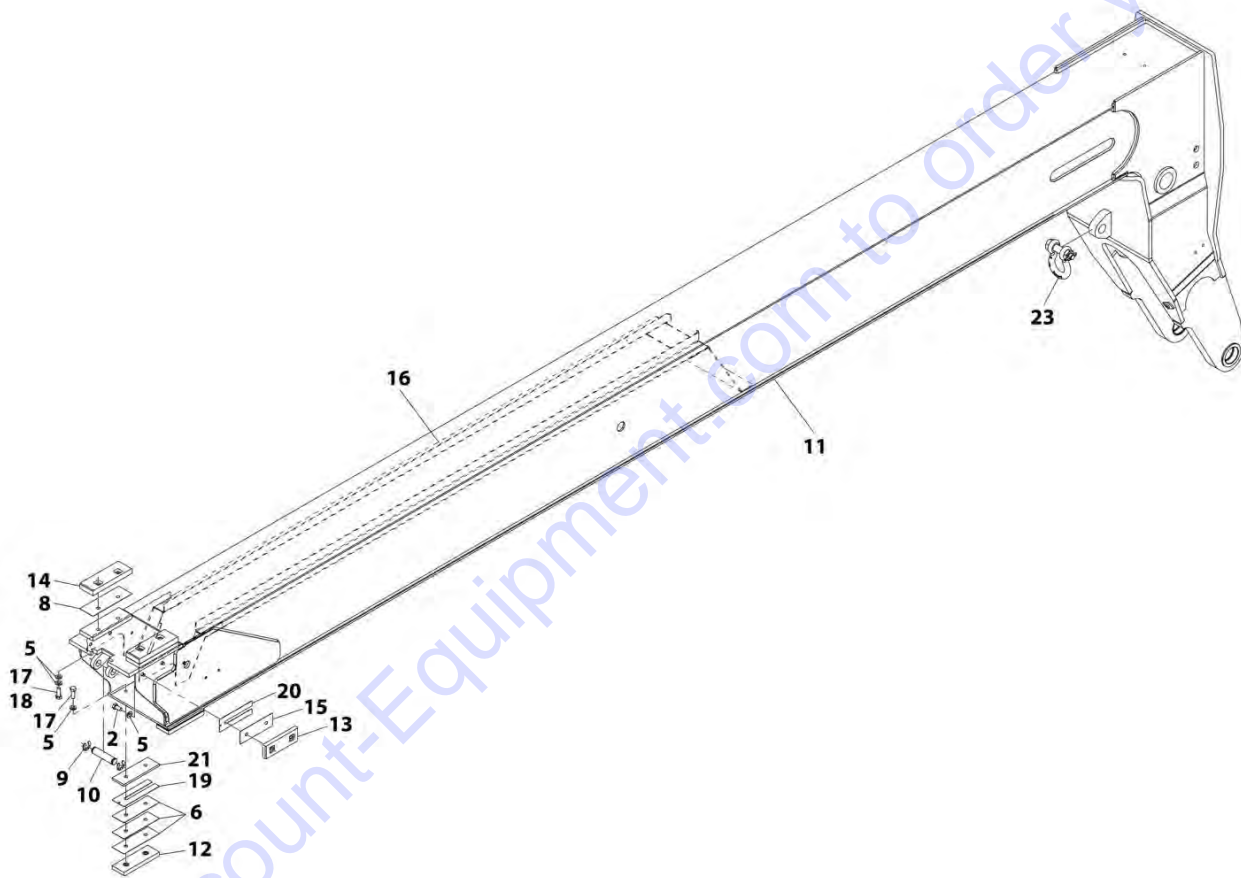
## SECTION 2 - BOOM

**FIGURE 2-8. THIRD BOOM ASSEMBLY - 1255**

ITEM	PART NUMBER	QTY	DESCRIPTION	REV
	1001160023	Ref	Third Boom Assembly - 1255	H
1	5271808	2	Bolt, M8X20	
2	1001098828	2	Bolt, M12-1.75X70 GR10.9	
3	0711227	3	Bolt, M12X100 GR10.9	
4	0771210	8	Bolt, M12X20 GR10.9	
5	0711215	4	Bolt, M12X35 GR10.9	
6	0711216	2	Bolt, M12X40 GR10.9	
7	0711217	2	Bolt, M12X45	
8	0711218	2	Bolt, M12X50 GR10.9	
9	2160016	1	Fitting, Grease	
10	2160018	1	Fitting, Grease	
11	3291205	1	Nut, Lock M12X1.75	
12	5240800	2	Washer, M8	
13	1001125117	AR	Washer, M12	
14	1001101867	1	Assembly, Chain Sheave (See CHAIN SHEAVE ASSEMBLY for Breakdown)	
15	1001159612	1	Pin	
16	1001159613	1	Pin	
17	1001161055	1	Pin	
18	1001162376	1	Weldment, Third Boom	
19	1001163034	AR	Spacer	
20	1001163038	4	Spacer	
21	1001163103	AR	Shim	
22	1001163105	2	Spacer	
23	1001163108	AR	Spacer	
24	1001163619	2	Ring, Retaining	
25	1001165171	8	Pad, Wear	
26	1001165172	4	Pad, Wear	
27	1001165173	2	Pad, Wear	
28	1001165367	AR	Spacer	
29	1001170627	2	Spacer	
30	1001206248	1	Bracket	
31	91565005	1	Assembly, Chain Sheave (See CHAIN SHEAVE ASSEMBLY for Breakdown)	
32	0711214	4	Bolt, M12X30	
33	0711226	2	Bolt, M12X90	
34	0711219	AR	Bolt, M12X55	
35	0711221	AR	Bolt, M12X65	
36	91041596	AR	Washer	
37	1001200989	AR	Shim	
38	4812100	2	Washer, M12	

# SECTION 2 - BOOM

## FIGURE 2-9. FOURTH BOOM ASSEMBLY - 1055



ART\_1001160033-K

**SECTION 2 - BOOM**

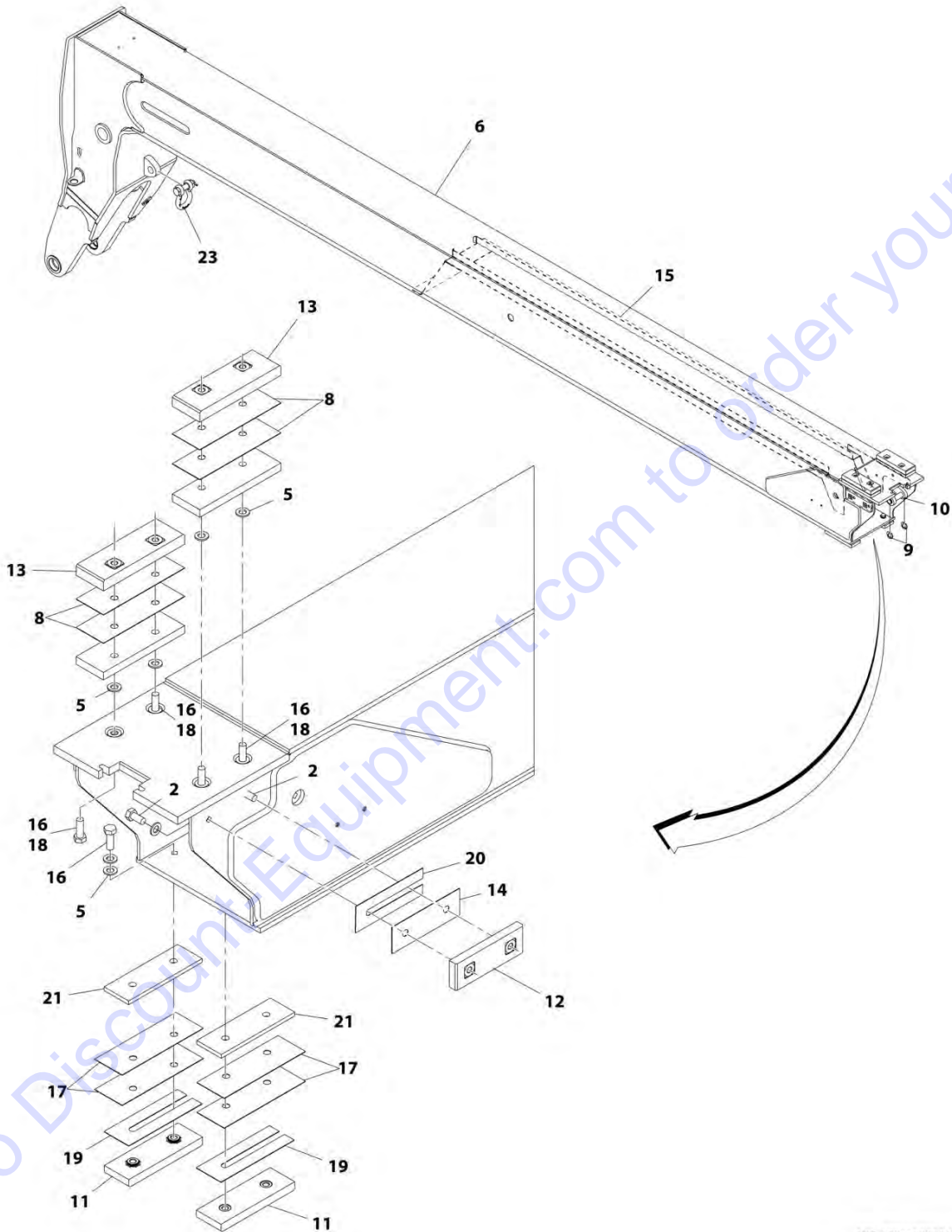
**FIGURE 2-9. FOURTH BOOM ASSEMBLY - 1055**

ITEM	PART NUMBER	QTY	DESCRIPTION	REV
	1001160033	Ref	Fourth Boom Assembly - 1055	K
2	0771212	4	Bolt, M12X35	
5	1001125117	AR	Washer, M12	
6	1001163034	AR	Spacer	
7	1001183046	1	Spacer, (not shown) <b>(Prior to SN 0160075710)</b>	
8	1001163108	AR	Spacer	
9	1001163638	2	Ring, Retainer	
10	1001163693	1	Pin	
11	1001163908	1	Weldment, Fourth Boom	
12	1001165171	2	Pad, Wear	
13	1001165172	2	Pad, Wear	
14	1001165173	2	Pad, Wear	
15	1001165367	AR	Spacer	
16	1001173926	1	Support, Hose	
17	0711215	8	Bolt, M12X35	
18	0711214	AR	Bolt, M12X30	
19	1001163103	AR	Shim	
20	1001200989	AR	Shim	
21	1001163105	2	Plate, Spacer <b>(SN 0160075710 to Present)</b>	
23	1001204045	1	Clevis <b>(SN 0160075710 to Present)</b>	

Go to Discount-Equipment.com to order your parts

# SECTION 2 - BOOM

## FIGURE 2-10. FOURTH BOOM ASSEMBLY - 1255



ART\_1001160032-K

**SECTION 2 - BOOM**

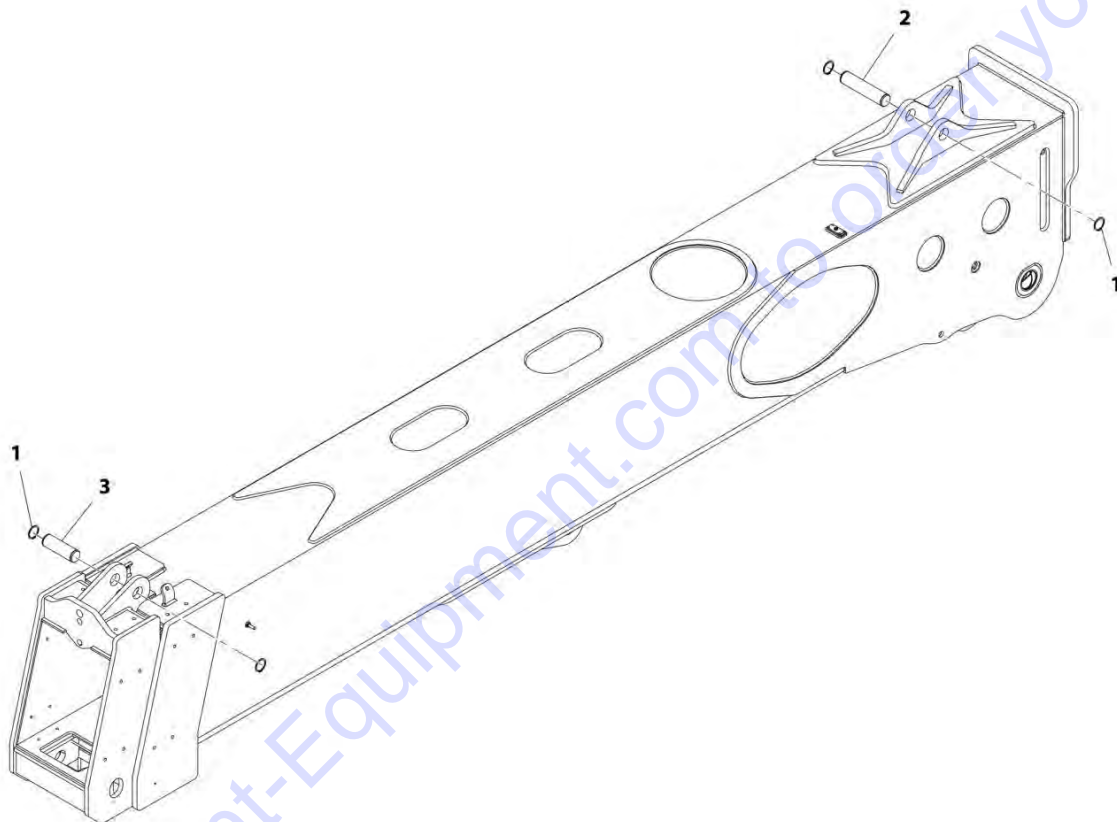
**FIGURE 2-10. FOURTH BOOM ASSEMBLY - 1255**

ITEM	PART NUMBER	QTY	DESCRIPTION	REV
	1001160032	Ref	Fourth Boom Assembly - 1255	K
2	0771212	4	Bolt, M12X25	
5	1001125117	AR	Washer, M12	
6	1001162262	1	Weldment, Fourth Boom	
7	1001183046	1	Spacer, (not shown) <b>(Prior to SN 0160075710)</b>	
8	1001163108	AR	Spacer	
9	1001163638	2	Ring, Retaining	
10	1001163693	1	Pin	
11	1001165171	2	Wear, Pad	
12	1001165172	2	Pad, Wear	
13	1001165173	2	Pad, Wear	
14	1001165367	AR	Spacer	
15	1001173926	1	Support, Hose	
16	0711215	8	Bolt, M12X35	
17	1001163034	AR	Spacer	
18	0711214	AR	Bolt, M12X30	
19	1001163103	AR	Shim	
20	1001200989	AR	Shim	
21	1001163105	2	Plate, Spacer <b>(SN 0160075710 to Present)</b>	
23	1001204045	1	Clevis <b>(SN 0160075710 to Present)</b>	

Go to Discount-Equipment.com to order your parts

## SECTION 2 - BOOM

FIGURE 2-11. EXTEND CYLINDER PINS INSTALLATION



ART\_1001163881-A

FIGURE 2-11. EXTEND CYLINDER PINS INSTALLATION

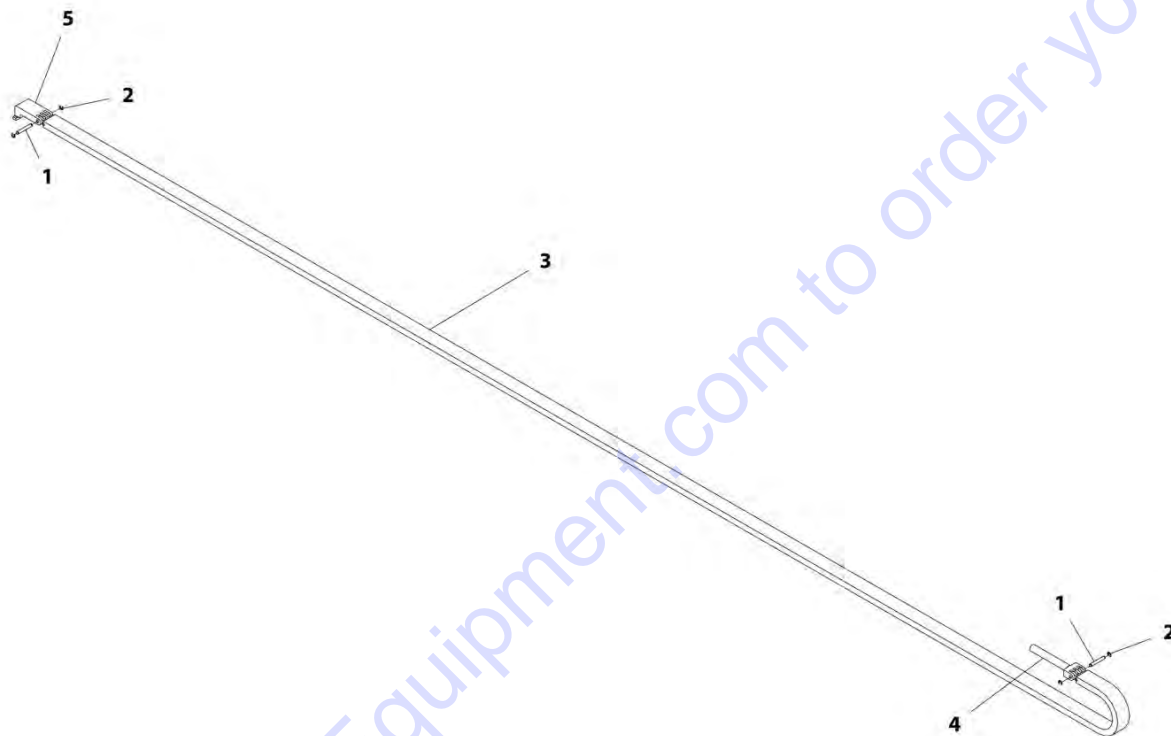
ITEM	PART NUMBER	QTY	DESCRIPTION	REV
	1001163881	Ref	Extend Cylinder Pins Installation	A
1	3760493	4	Ring, Retaining	
2	1001159609	1	Pin	
3	1001163880	1	Pin	

Go to Discount-Equipment.com to order your parts



## SECTION 2 - BOOM

FIGURE 2-12. SECOND BOOM SECTION EXTEND CHAIN INSTALLATION - 1055



ART\_1001165046-C

## SECTION 2 - BOOM

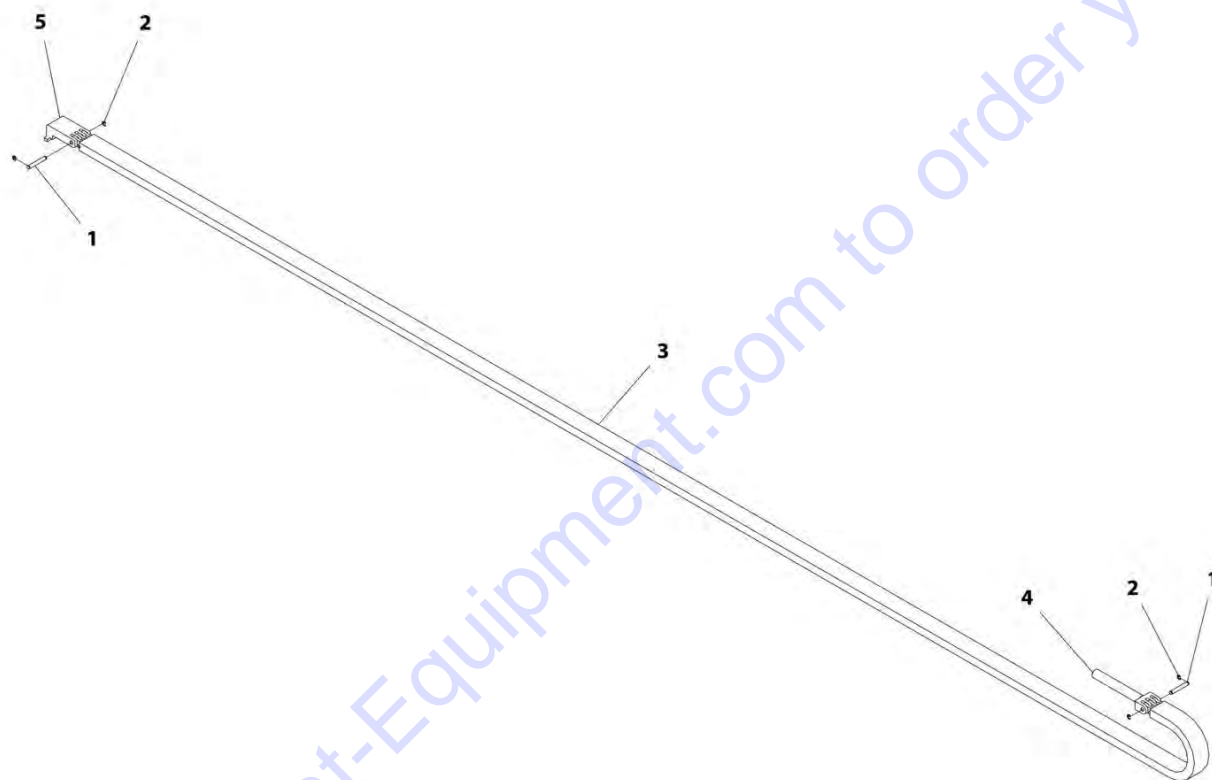
**FIGURE 2-12. SECOND BOOM SECTION EXTEND CHAIN INSTALLATION - 1055**

ITEM	PART NUMBER	QTY	DESCRIPTION	REV
	1001165046	Ref	Second Boom Section Extend Chain Installation - 1055	C
1	1001163841	2	Pin	
2	1001164039	4	Ring, Retaining	
3	1001165040	1	Chain	
4	1001165590	1	Clevis, Chain	
5	1001165739	1	Clevis, Chain	

Go to Discount-Equipment.com to order your parts

## SECTION 2 - BOOM

FIGURE 2-13. SECOND BOOM SECTION EXTEND CHAIN INSTALLATION - 1255



ART\_1001165296-C

## SECTION 2 - BOOM

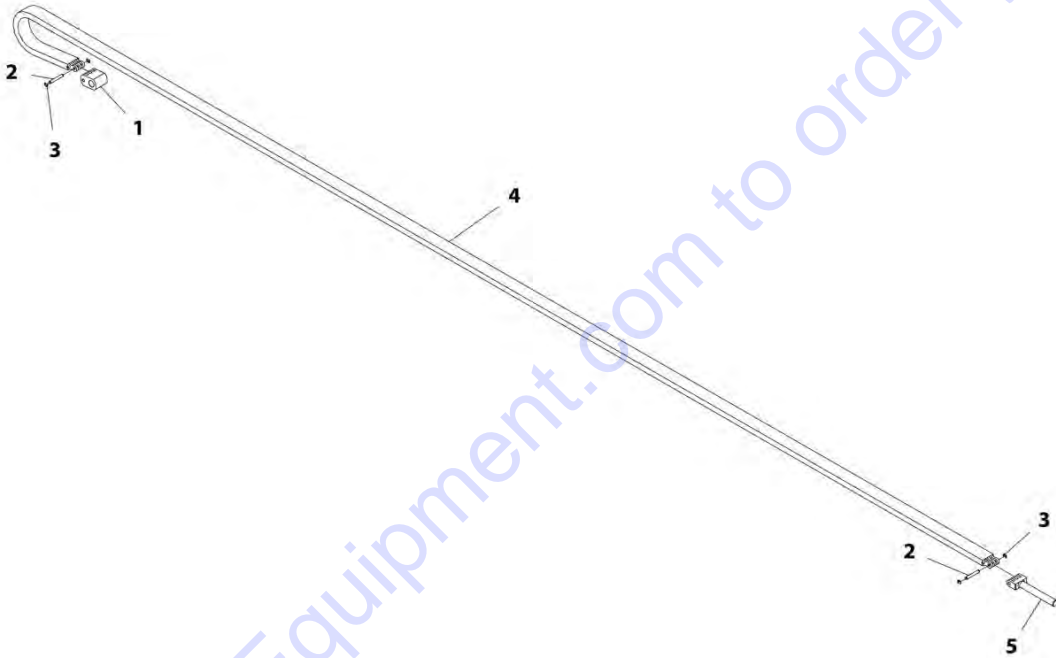
**FIGURE 2-13. SECOND BOOM SECTION EXTEND CHAIN INSTALLATION - 1255**

ITEM	PART NUMBER	QTY	DESCRIPTION	REV
	1001165296	Ref	Second Boom Section Extend Chain Installation - 1255	C
1	1001163842	2	Pin	
2	1001164039	4	Ring, Retainer	
3	1001165293	1	Chain, Extend	
4	1001165486	1	Chain	
5	1001165493	1	Clevis, Chain	

Go to Discount-Equipment.com to order your parts

## SECTION 2 - BOOM

FIGURE 2-14. THIRD BOOM SECTION EXTEND CHAIN INSTALLATION



ART\_1001165048-B

FIGURE 2-14. THIRD BOOM SECTION EXTEND CHAIN INSTALLATION

ITEM	PART NUMBER	QTY	DESCRIPTION	REV
	1001165048	Ref	Third Boom Section Extend Chain Installation	B
1	1001147623	1	Clevis, Chain	
2	1001163841	2	Pin, Chain Clevis	
3	1001164039	4	Ring, M8	
4	1001165043	1	Chain	
5	1001165590	1	Clevis, Chain	

Go to Discount-Equipment.com to order your parts

## SECTION 2 - BOOM

FIGURE 2-15. SECOND BOOM SECTION RETRACT CHAIN INSTALLATION - 1055



ART\_1001165045-A

## SECTION 2 - BOOM

**FIGURE 2-15. SECOND BOOM SECTION RETRACT CHAIN INSTALLATION - 1055**

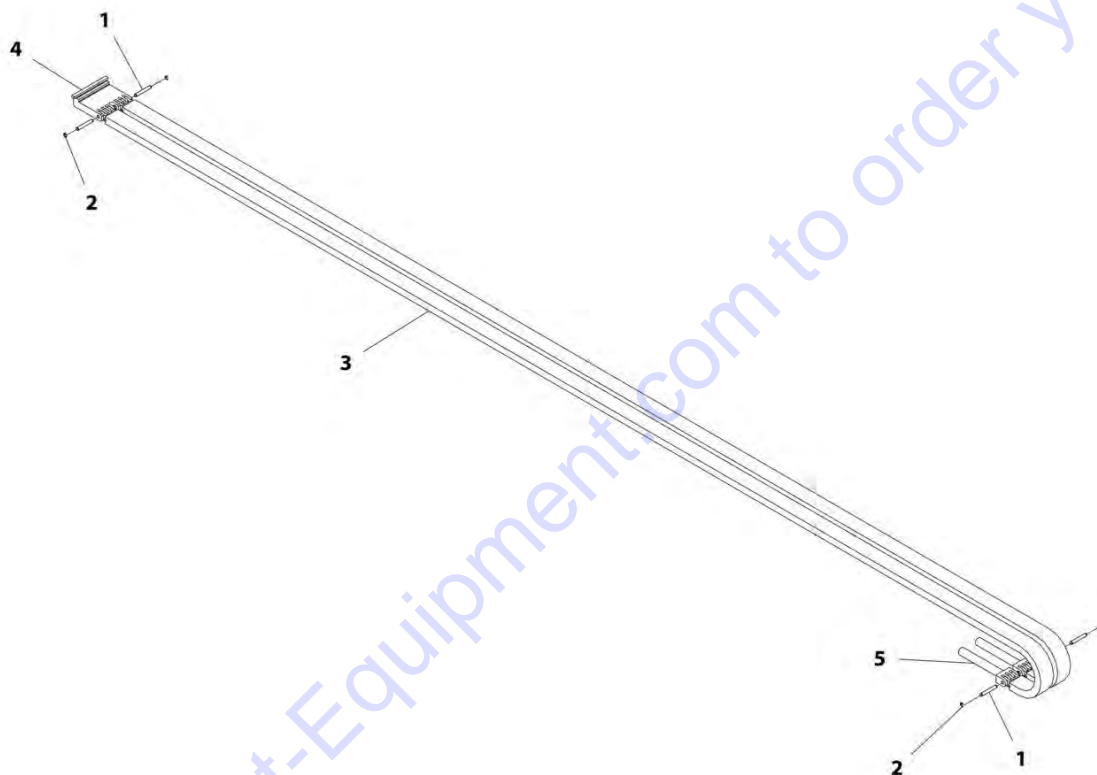
ITEM	PART NUMBER	QTY	DESCRIPTION	REV
	1001165045	Ref	Second Boom Section Retract Chain Installation - 1055	A
1	1001163841	4	Pin, Chain Clevis	
2	1001164039	8	Ring, M8	
3	1001165036	2	Chain	
4	1001165483	1	Clevis, Dual	
5	1001165590	2	Clevis, Dual	

Go to Discount-Equipment.com to order your parts



## SECTION 2 - BOOM

FIGURE 2-16. SECOND BOOM SECTION RETRACT CHAIN INSTALLATION - 1255



ART\_1001165295-A

## SECTION 2 - BOOM

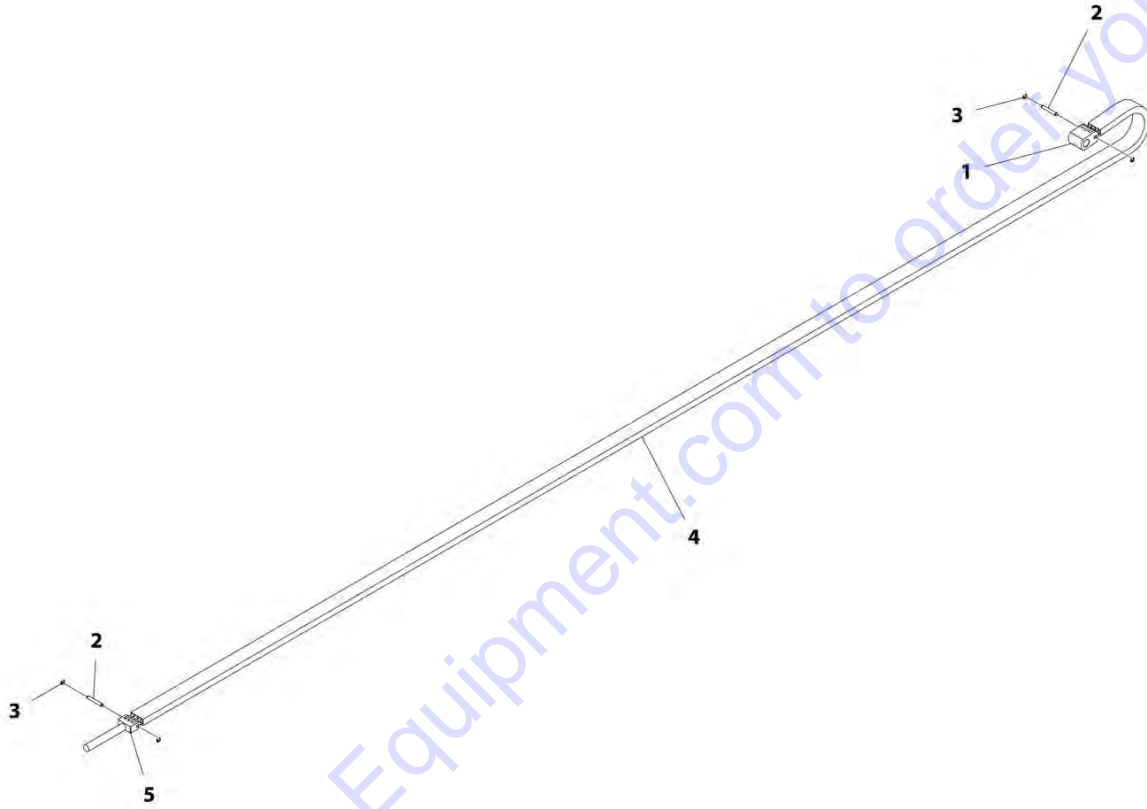
**FIGURE 2-16. SECOND BOOM SECTION RETRACT CHAIN INSTALLATION - 1255**

ITEM	PART NUMBER	QTY	DESCRIPTION	REV
	1001165295	Ref	Second Boom Section Retract Chain Installation - 1255	A
1	1001163842	4	Pin, Chain Clevis	
2	1001164039	8	Ring, M8	
3	1001165292	2	Chain, Extend	
4	1001165487	1	Clevis, Dual	
5	1001165486	2	Clevis, Chain	

Go to Discount-Equipment.com to order your parts

## SECTION 2 - BOOM

FIGURE 2-17. THIRD BOOM SECTION RETRACT CHAIN INSTALLATION - 1055



ART\_1001165047-B

## SECTION 2 - BOOM

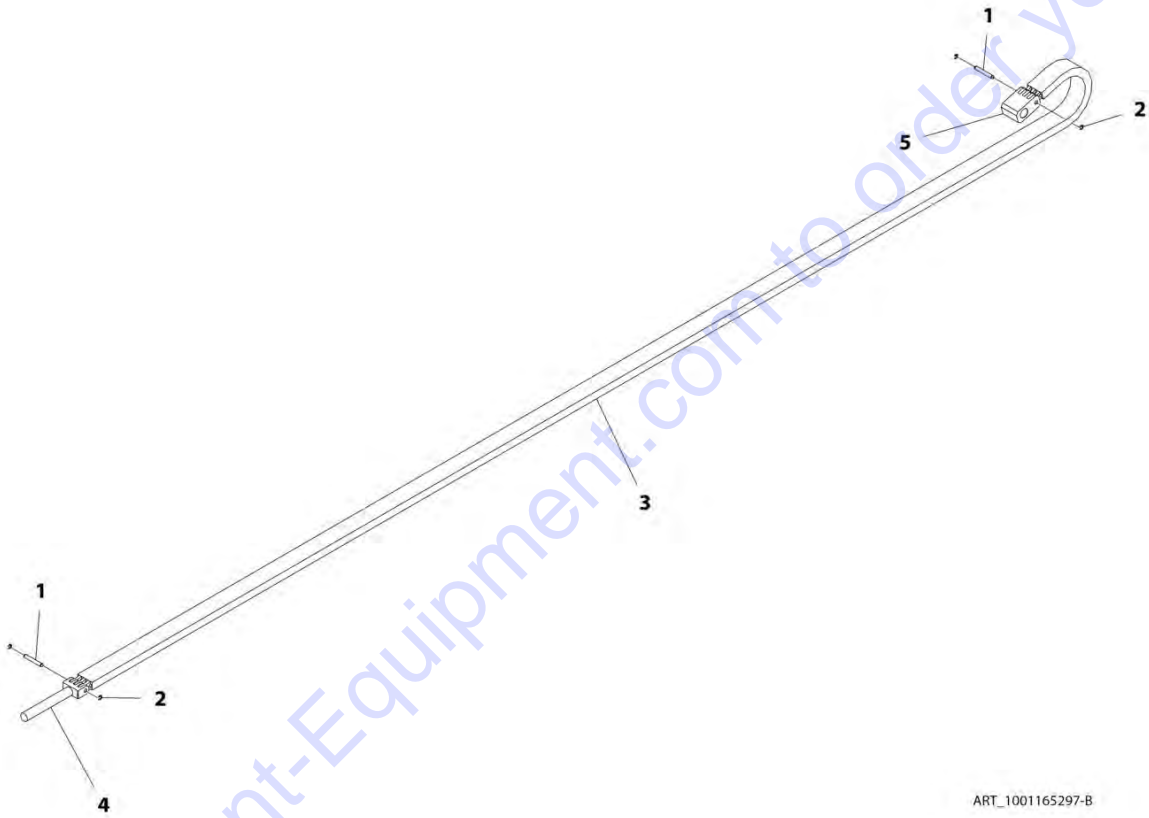
**FIGURE 2-17. THIRD BOOM SECTION RETRACT CHAIN INSTALLATION - 1055**

ITEM	PART NUMBER	QTY	DESCRIPTION	REV
	1001165047	Ref	Third Boom Section Retract Chain Installation - 1055	B
1	1001147623	1	Clevis, Chain	
2	1001163841	2	Pin, Chain clevis	
3	1001164039	4	Ring, M8	
4	1001165042	1	Chain	
5	1001165590	1	Clevis, Chain	

Go to Discount-Equipment.com to order your parts

## SECTION 2 - BOOM

FIGURE 2-18. THIRD BOOM SECTION RETRACT CHAIN INSTALLATION - 1255



ART\_1001165297-B

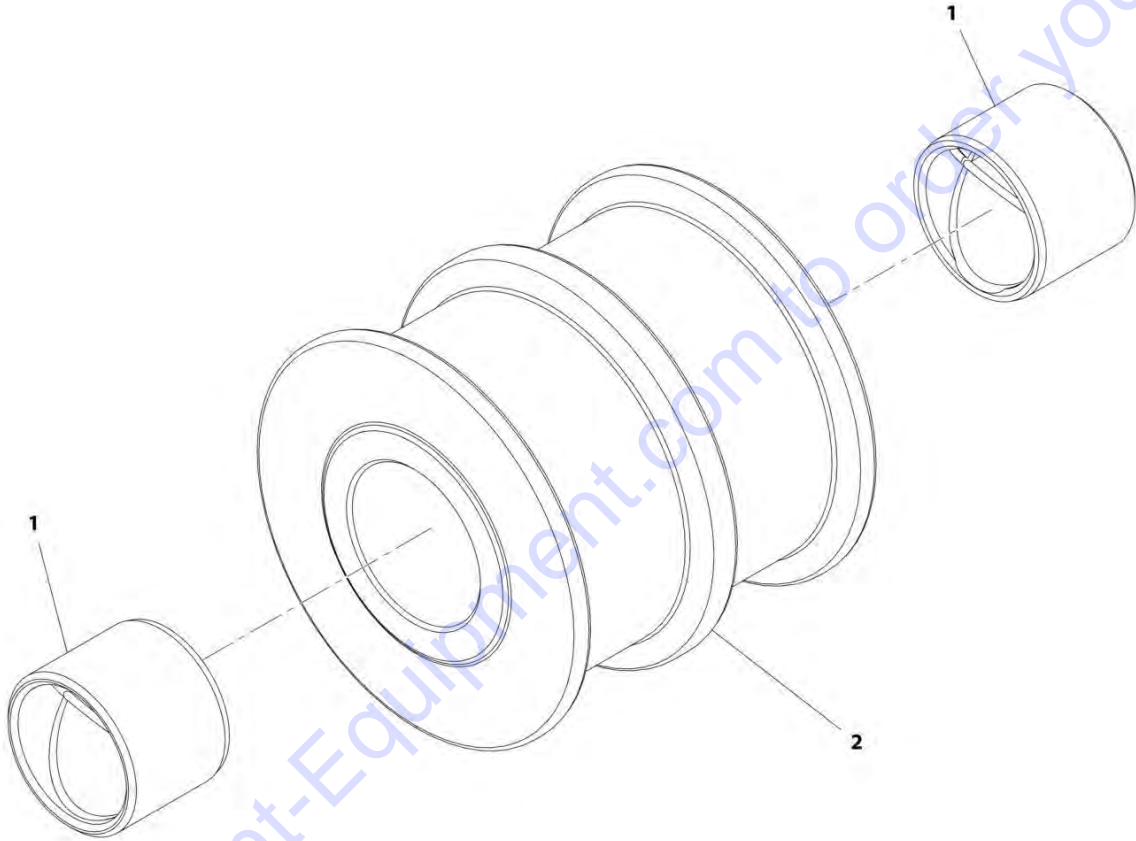
**FIGURE 2-18. THIRD BOOM SECTION RETRACT CHAIN INSTALLATION - 1255**

ITEM	PART NUMBER	QTY	DESCRIPTION	REV
	1001165297	Ref	Third Boom Section Retract Chain Installation - 1255	B
1	1001163842	2	Pin, Chain Clevis	
2	1001164039	4	Ring, M8	
3	1001165294	1	Chain, Retract	
4	1001165486	1	Clevis, Chain	
5	1001165496	1	Clevis, Chain	

Go to Discount-Equipment.com to order your parts

**SECTION 2 - BOOM**

**FIGURE 2-19. CHAIN SHEAVE ASSEMBLY**



ART\_1001168286-B

FIGURE 2-19. CHAIN SHEAVE ASSEMBLY

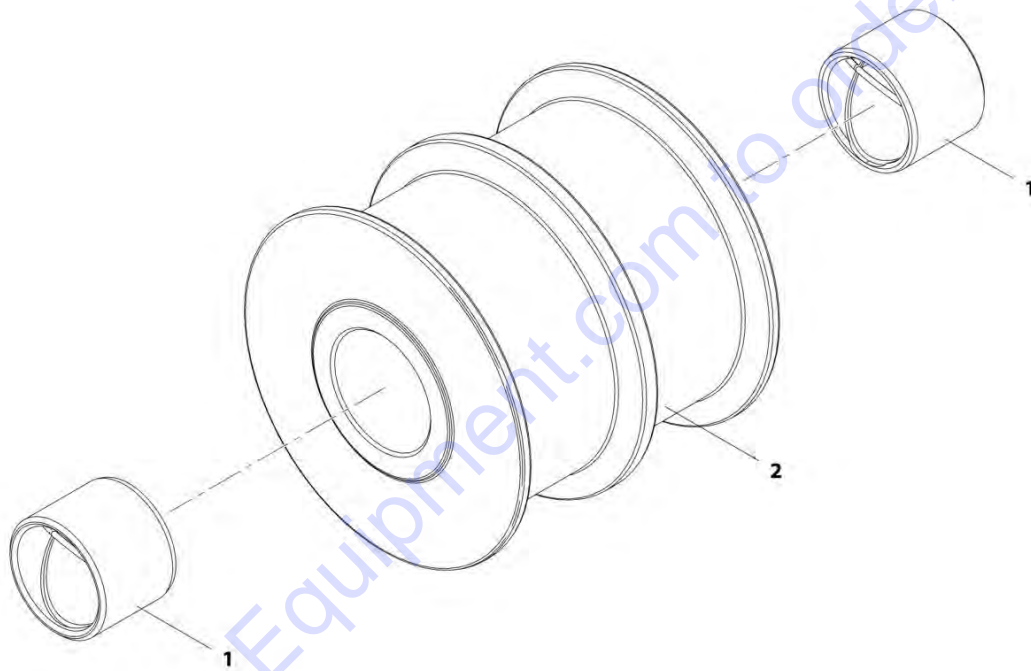
ITEM	PART NUMBER	QTY	DESCRIPTION	REV
	1001168286	Ref	Chain Sheave Assembly	B
1	1001167025	2	Bearing, Bushing Extend Chain	
2	1001168285	1	Roller, Chain	

Go to Discount-Equipment.com to order your parts



## SECTION 2 - BOOM

FIGURE 2-20. CHAIN SHEAVE ASSEMBLY



ART\_1001167027-B

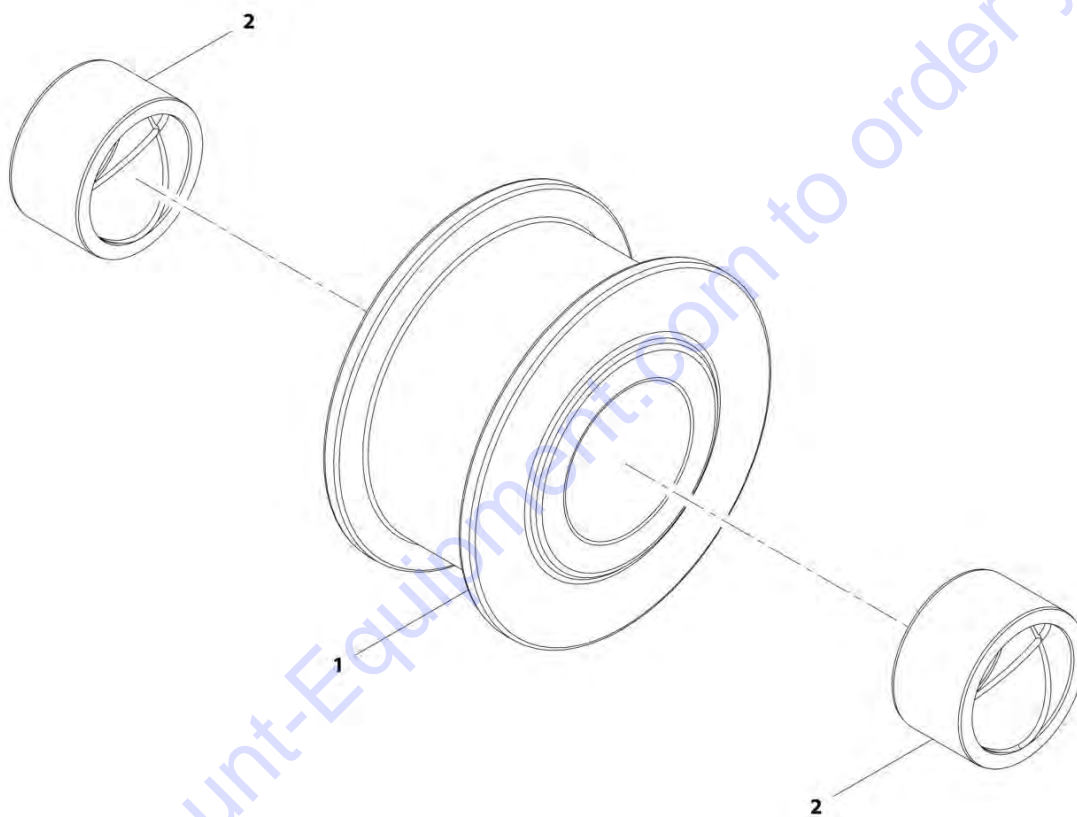
FIGURE 2-20. CHAIN SHEAVE ASSEMBLY

ITEM	PART NUMBER	QTY	DESCRIPTION	REV
	1001167027	Ref	Chain Sheave Assembly	B
1	1001167025	2	Bearing, Bushing Extend Chain	
2	1001167026	1	Roller, Chain	

Go to Discount-Equipment.com to order your parts

## SECTION 2 - BOOM

FIGURE 2-21. CHAIN SHEAVE ASSEMBLY



ART\_1001101867-A

FIGURE 2-21. CHAIN SHEAVE ASSEMBLY

ITEM	PART NUMBER	QTY	DESCRIPTION	REV
	1001101867	Ref	Chain Sheave Assembly	A
1	7114032	1	Sheave, Chain	
2	7117502	2	Bushing, Sheave Chain	

Go to Discount-Equipment.com to order your parts

# PARTS FINDER

**Search Website  
by Part Number**



**Search Manual  
Library For Parts  
Manual & Lookup Part  
Numbers – Purchase  
or Request Quote**

**Can't Find Part or  
Manual? Request Help  
by Manufacturer,  
Model & Description**

Discount-Equipment.com is your online resource for quality parts & equipment.

Florida: **561-964-4949** Outside Florida TOLL FREE: **877-690-3101**

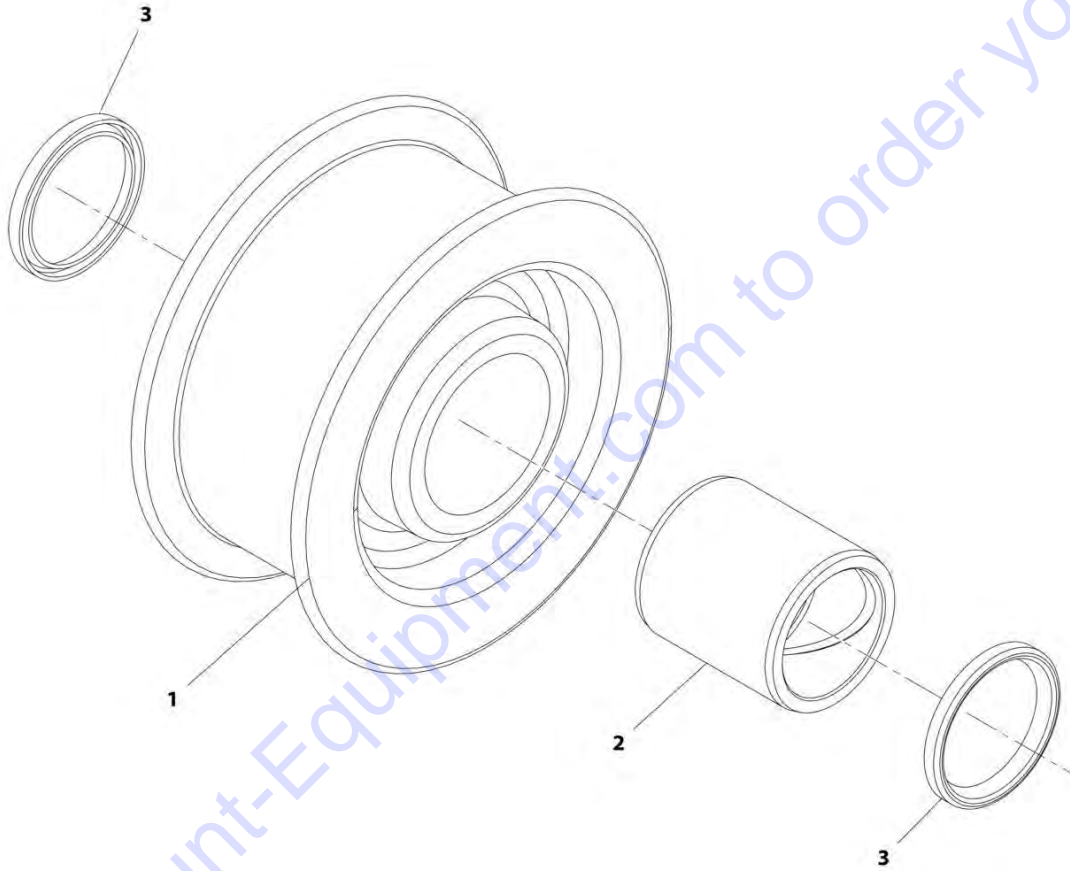
**Need parts?**

Click on this link: <http://www.discount-equipment.com/category/5443-parts/> and choose one of the options to help get the right parts and equipment you are looking for. Please have the machine model and serial number available in order to help us get you the correct parts. If you don't find the part on the website or on one of the online manuals, please fill out the request form and one of our experienced staff members will get back to you with a quote for the right part that your machine needs.

We sell worldwide for the brands: Genie, Terex, JLG, MultiQuip, Mikasa, Essick, Whiteman, Mayco, Toro Stone, Diamond Products, Generac Magnum, Airman, Haulotte, Barreto, Power Blanket, Nifty Lift, Atlas Copco, Chicago Pneumatic, Allmand, Miller Curber, Skyjack, Lull, Skytrak, Tsurumi, Husquvarna Target, Stow, Wacker, Sakai, Mi-T-M, Sullair, Basic, Dynapac, MBW, Weber, Bartell, Bennar Newman, Haulotte, Ditch Runner, Menegotti, Morrison, Contec, Buddy, Crown, Edco, Wyco, Bomag, Laymor, EZ Trench, Bil-Jax, F.S. Curtis, Gehl Pavers, Heli, Honda, ICS/PowerGrit, IHI, Partner, Imer, Clipper, MMD, Koshin, Rice, CH&E, General Equipment, Amida, Coleman, NAC, Gradall, Square Shooter, Kent, Stanley, Tamco, Toku, Hatz, Kohler, Robin, Wisconsin, Northrock, Oztec, Toker TK, Rol-Air, APT, Wylie, Ingersoll Rand / Doosan, Innovatech, Con X, Ammann, Mecalac, Makinex, Smith Surface Prep, Small Line, Wanco, Yanmar

# SECTION 2 - BOOM

## FIGURE 2-22. CHAIN SHEAVE ASSEMBLY



ART\_91565005-E

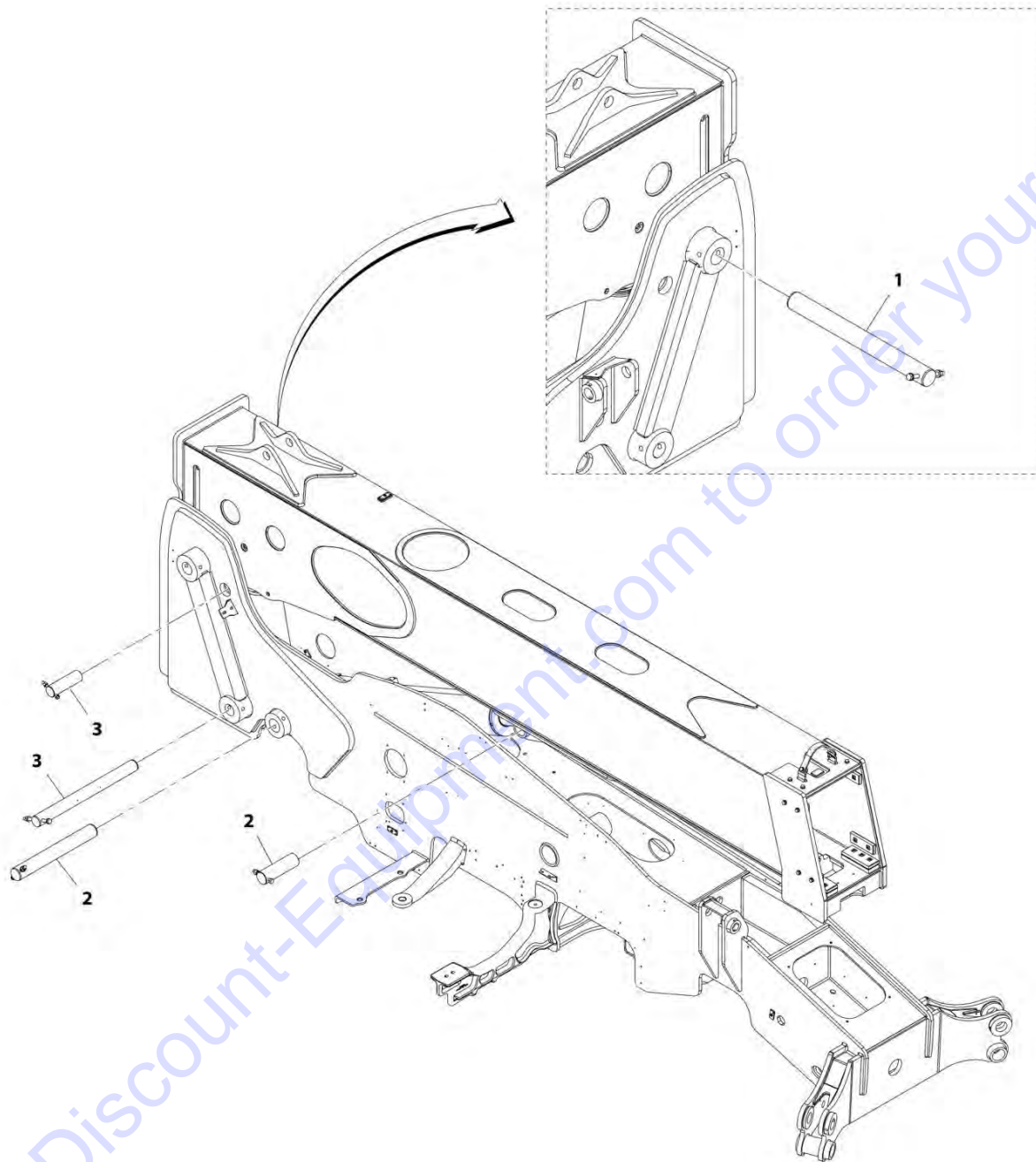
FIGURE 2-22. CHAIN SHEAVE ASSEMBLY

ITEM	PART NUMBER	QTY	DESCRIPTION	REV
	91565005	Ref	Chain Sheave Assembly	E
1	91563026	1	Roller, Chain	
2	91563025	1	Bushing	
3	91403119	2	Seal	

Go to Discount-Equipment.com to order your parts

## SECTION 2 - BOOM

FIGURE 2-23. BOOM PINNING INSTALLATION



ART\_1001159943-C



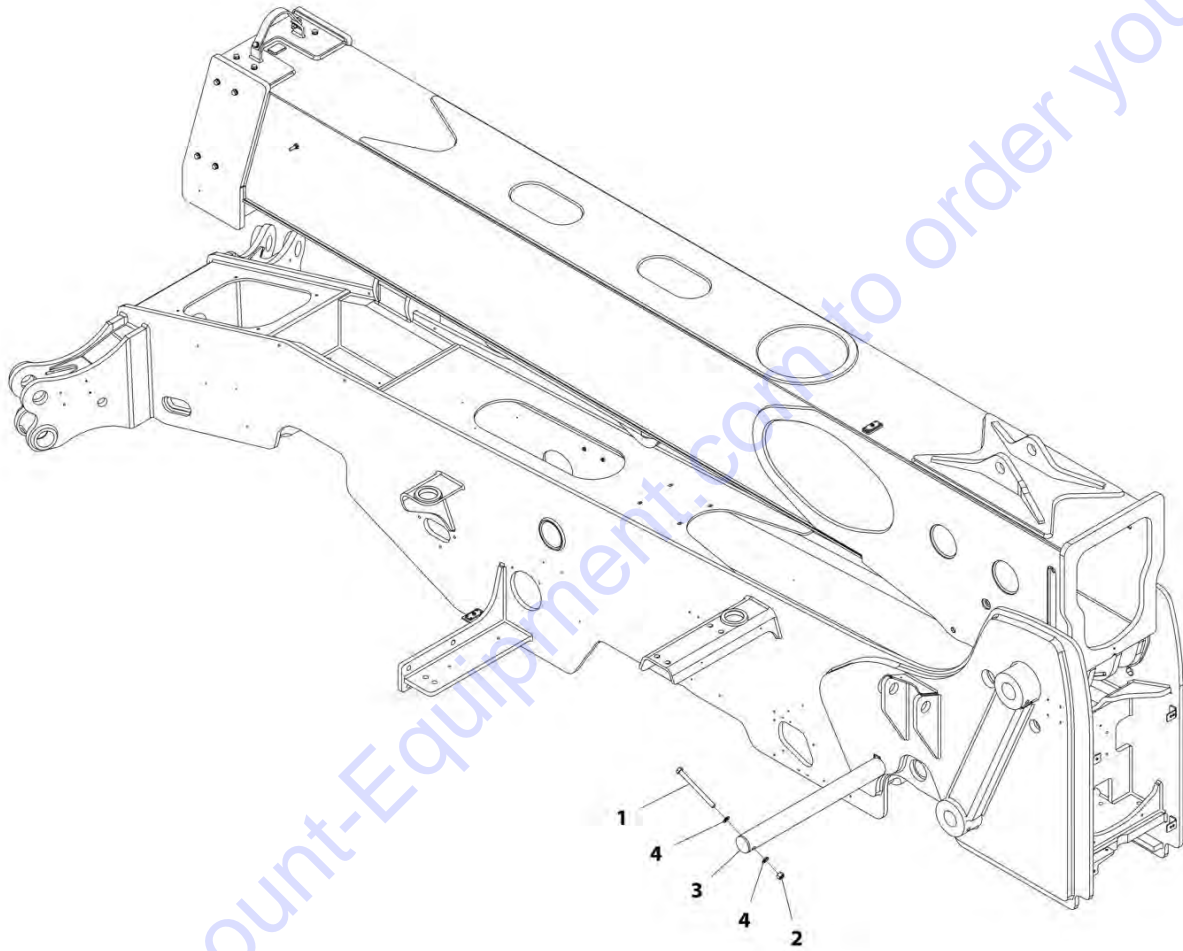
FIGURE 2-23. BOOM PINNING INSTALLATION

ITEM	PART NUMBER	QTY	DESCRIPTION	REV
1	1001159943	Ref	Boom Pinning Installation	C
	1001159947	Ref	Installation, Boom Pivot (See BOOM PIVOT INSTALLATION for Breakdown)	
2	1001167010	Ref	Installation, Lift Cylinder (See LIFT CYLINDER INSTALLATION for Breakdown)	
3	1001167011	Ref	Installation, Compensation Cylinder (See COMPENSATION CYLINDER INSTALLATION for Breakdown)	

Go to Discount-Equipment.com to order your parts

# SECTION 2 - BOOM

## FIGURE 2-24. BOOM PIVOT INSTALLATION



ART\_1001159947-C

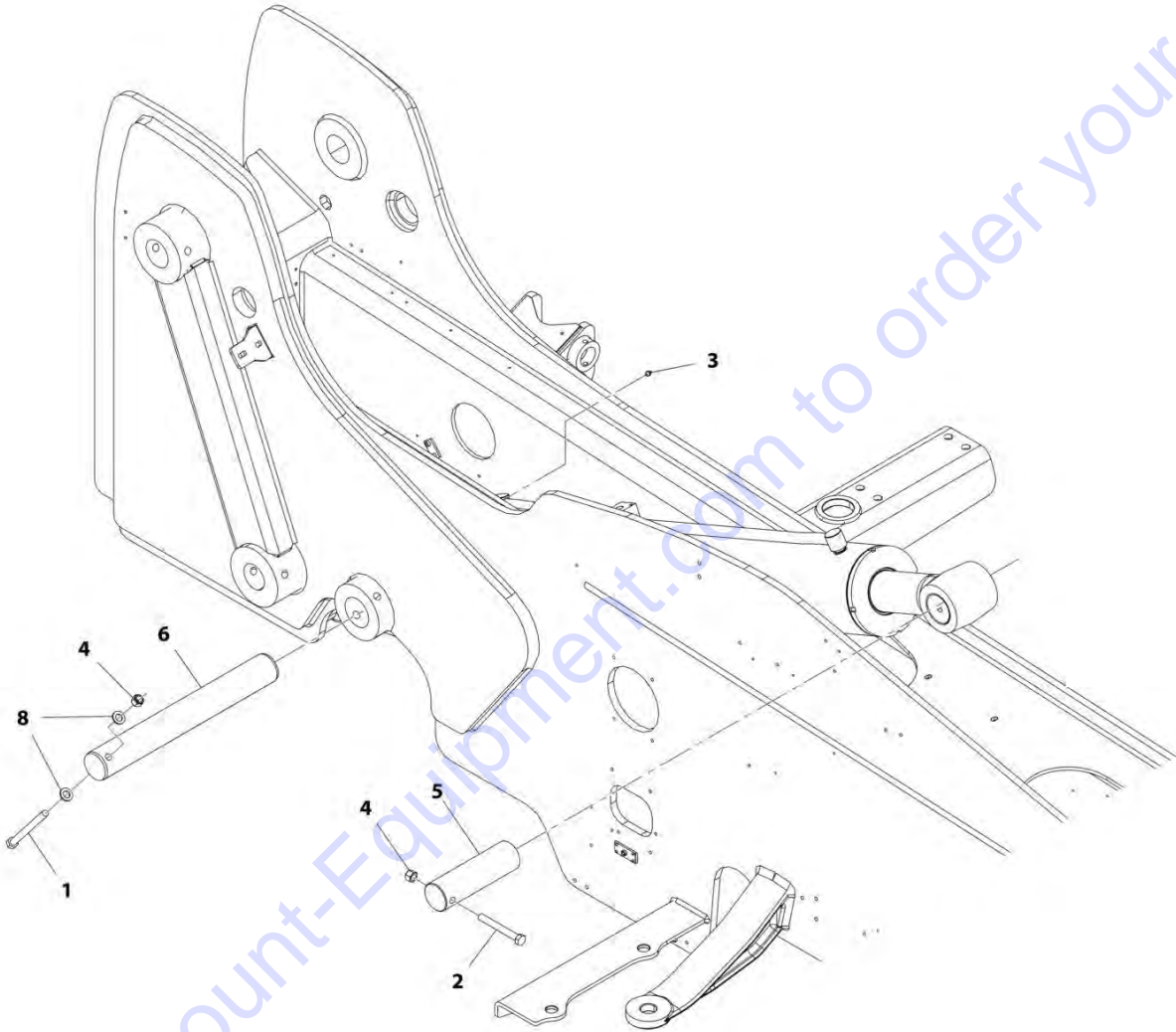
FIGURE 2-24. BOOM PIVOT INSTALLATION

ITEM	PART NUMBER	QTY	DESCRIPTION	REV
	1001159947	Ref	Boom Pivot Installation	C
1	1001091951	1	Bolt, M16X180 Grade 10.9	
2	3291605	1	Nut, Lock M16X2 Grade 8	
3	1001166975	1	Pin	
4	4812300	2	Washer, M16	

Go to Discount-Equipment.com to order your parts

## SECTION 2 - BOOM

FIGURE 2-25. LIFT CYLINDER INSTALLATION



ART\_1001167010-G

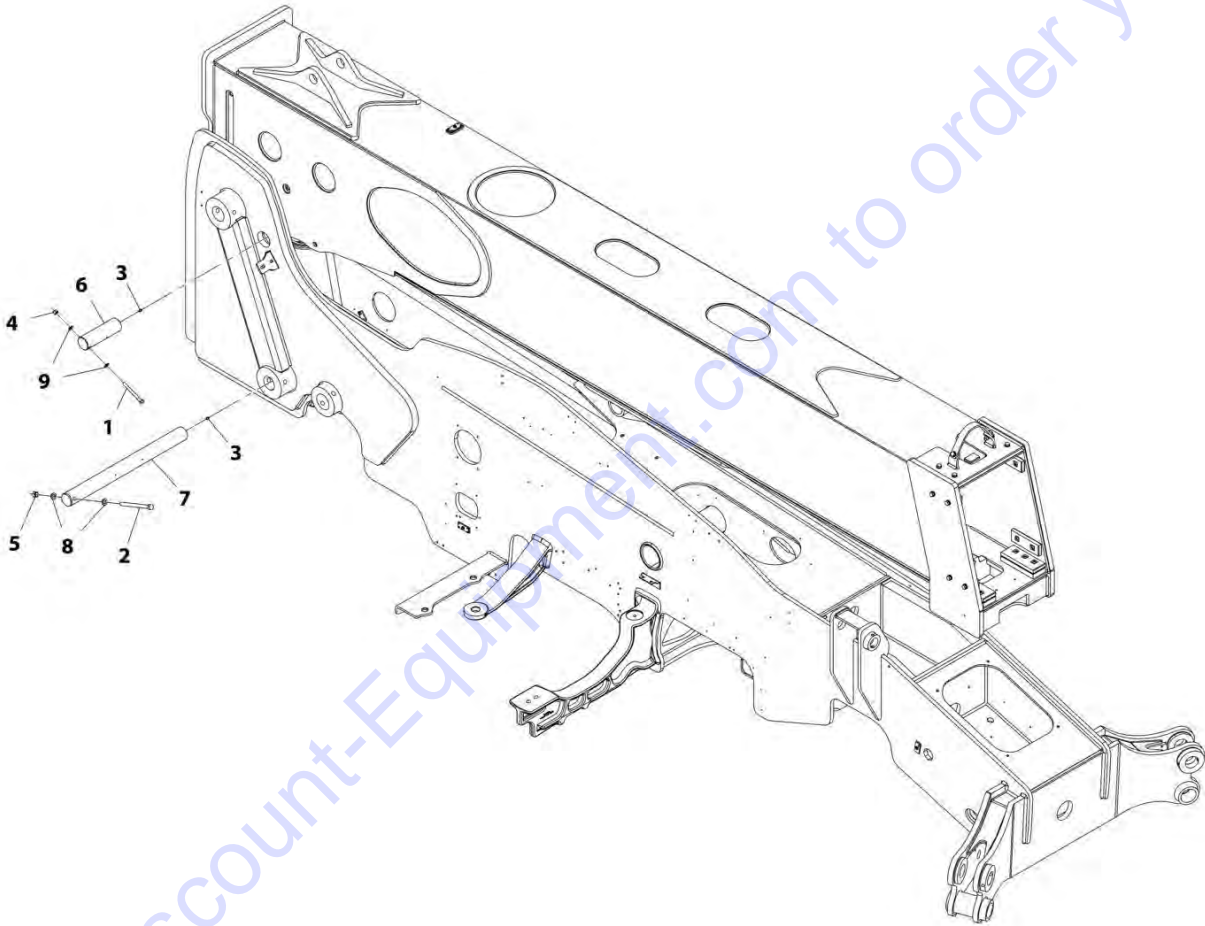
FIGURE 2-25. LIFT CYLINDER INSTALLATION

ITEM	PART NUMBER	QTY	DESCRIPTION	REV
	1001167010	Ref	Lift Cylinder Installation	G
1	0711631	1	Bolt, M16X140	
2	0711630	1	Bolt, M16X130 Grade 10.9	
3	2160016	1	Fitting, Grease	
4	3291605	2	Nut, Lock M16X2	
5	1001159604	1	Pin ( <b>Prior to SN 0160078794</b> )	
5	1001207939	1	Pin ( <b>SN 0160078794 to Present</b> )	
6	1001164888	1	Pin	
8	4812300	2	Washer, M16	

Go to Discount-Equipment.com to order your parts

**SECTION 2 - BOOM**

**FIGURE 2-26. COMPENSATION CYLINDER INSTALLATION**



ART\_1001167011-C

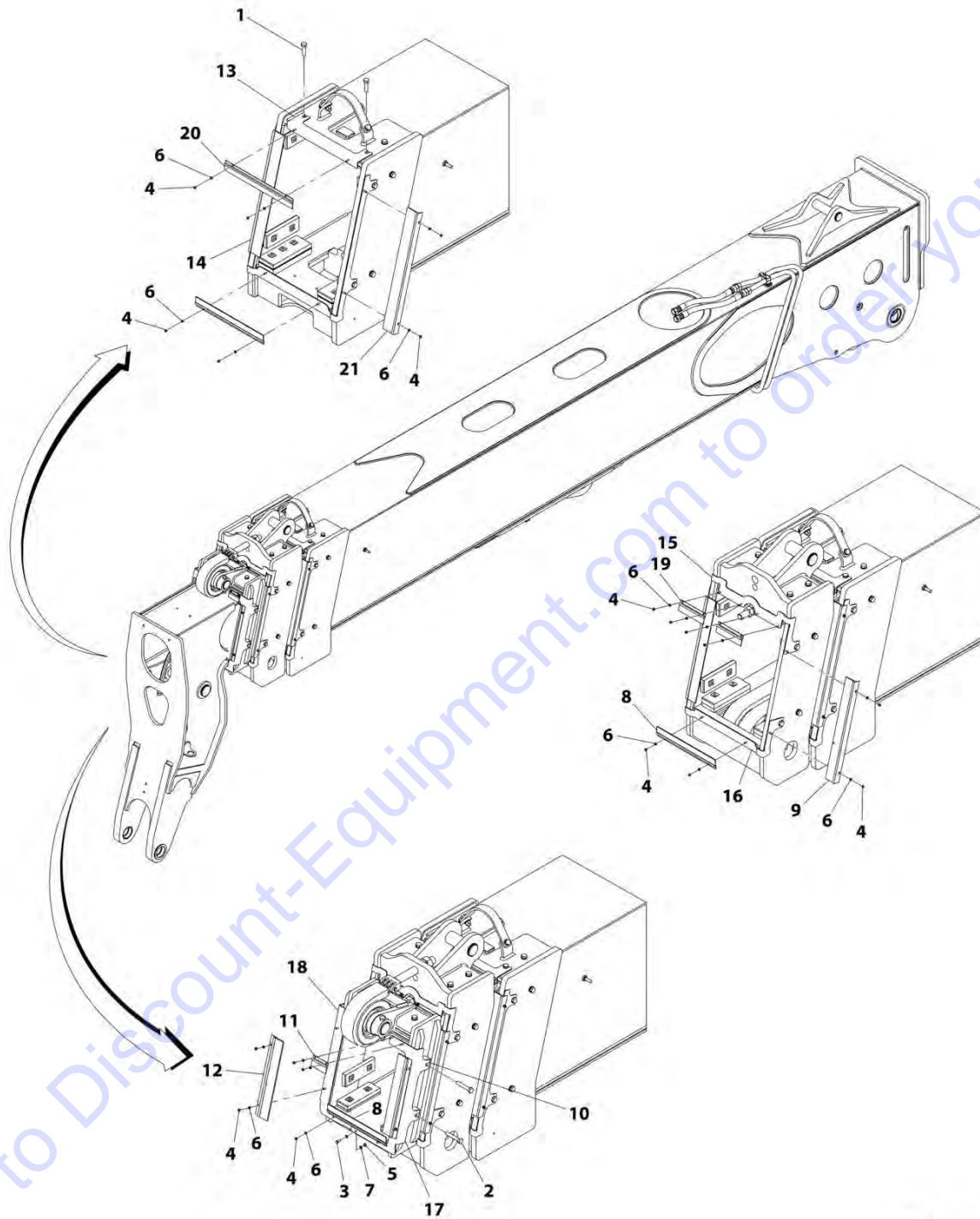
FIGURE 2-26. COMPENSATION CYLINDER INSTALLATION

ITEM	PART NUMBER	QTY	DESCRIPTION	REV
	1001167011	Ref	Compensation Cylinder Installation	C
1	0711229	1	Bolt, M12X120 Grade 10.9	
2	1001091951	1	Bolt, M16X180 Grade 10.9	
3	2160016	2	Fitting, Grease	
4	3291205	1	Nut, Lock M12X1.75	
5	3291605	1	Nut, Lock M16X2	
6	1001159605	1	Pin	
7	1001164889	1	Pin	
8	4812300	2	Washer, M16	
9	4812100	2	Washer, M12	

Go to Discount-Equipment.com to order your parts

# SECTION 2 - BOOM

## FIGURE 2-27. BOOM BRUSHES INSTALLATION



ART\_1001160914-C

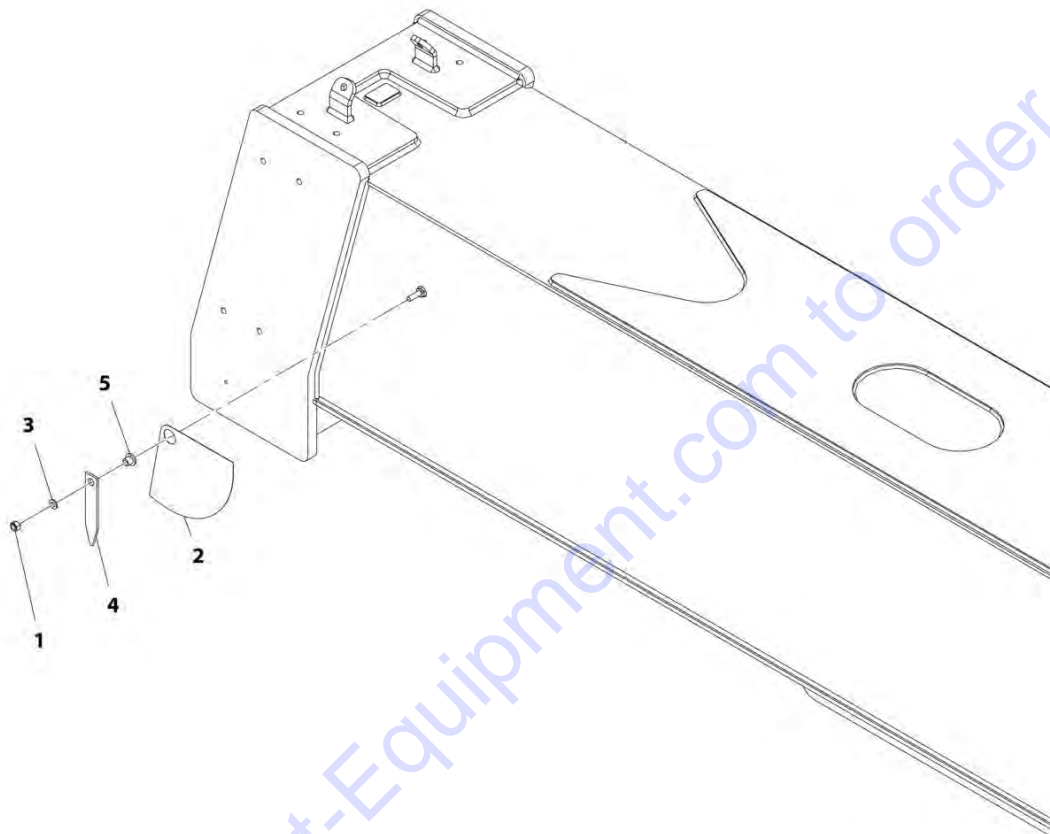


FIGURE 2-27. BOOM BRUSHES INSTALLATION

ITEM	PART NUMBER	QTY	DESCRIPTION	REV
	1001160914	Ref	Boom Brushes Installation	C
1	0711217	2	Bolt, M12X45	
2	1001098828	4	Bolt, M12X1.75X70 Grade 10.9	
3	0760608	1	Bolt, M6X16	
4	3290505	28	Nut, Lock M5X0.8 Grade 8	
5	3290601	1	Nut, M6X1 Grade 8	
6	4811600	28	Washer, M5	
7	4811700	2	Washer, M6	
8	1001172997	2	Brush, Boom	
9	1001173000	2	Brush, Boom	
10	1001173576	4	Plate, Spacer	
11	1001173678	2	Brush, Boom	
12	1001173679	2	Brush, Boom	
13	1001173688	1	Bracket, Boom Brush	
14	1001173689	1	Bracket, Boom Brush	
15	1001173690	1	Bracket, Boom Brush	
16	1001173691	1	Bracket, Boom Brush	
17	1001173692	1	Bracket, Boom Brush	
18	1001173693	1	Bracket, Boom Brush	
19	1001173728	2	Brush, Boom	
20	1001173739	2	Brush, Boom	
21	1001173740	2	Brush, Boom	

## SECTION 2 - BOOM

FIGURE 2-28. BOOM ANGLE INDICATOR INSTALLATION



ART\_1001167806-B

FIGURE 2-28. BOOM ANGLE INDICATOR INSTALLATION

ITEM	PART NUMBER	QTY	DESCRIPTION	REV
	1001167806	Ref	Boom Angle Indicator Installation	B
1	3291005	1	Nut, Lock M10X1.5 Grade 8	
2	4105262	1	Decal, Boom Angle Indicator	
3	4812000	1	Washer, M10	
4	1001098769	1	Plate	
5	1001171808	1	Spacer	

Go to Discount-Equipment.com to order your parts

## SECTION 2 - BOOM

FIGURE 2-29. MANUAL QUICK COUPLER INSTALLATION

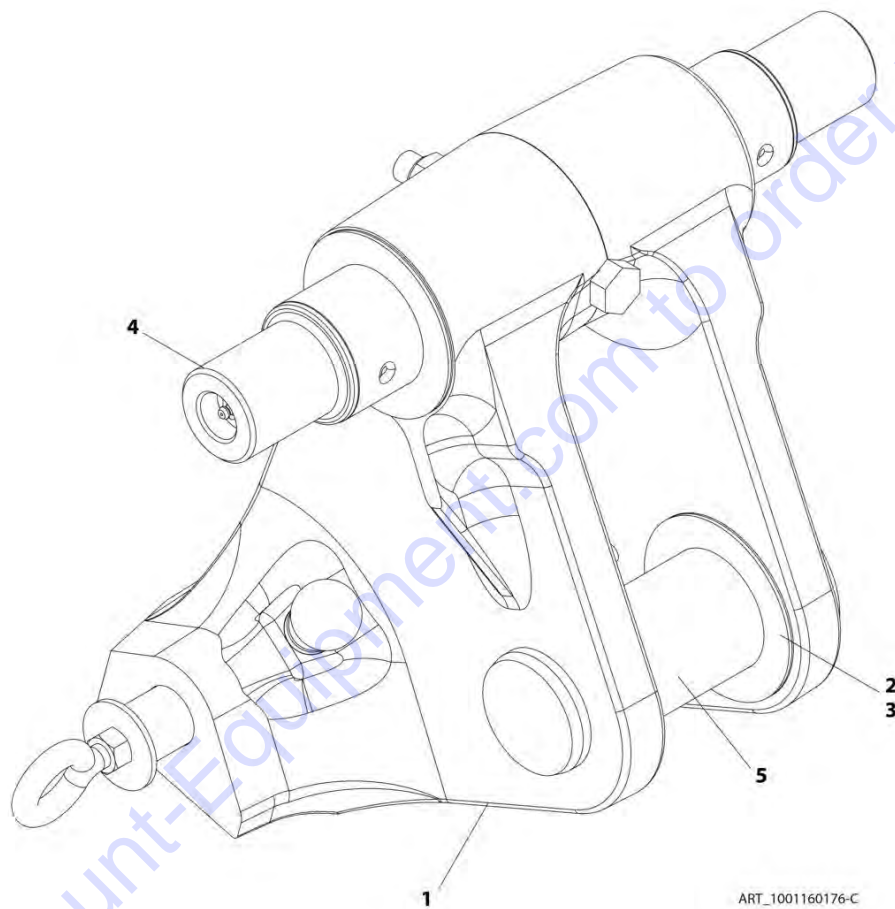


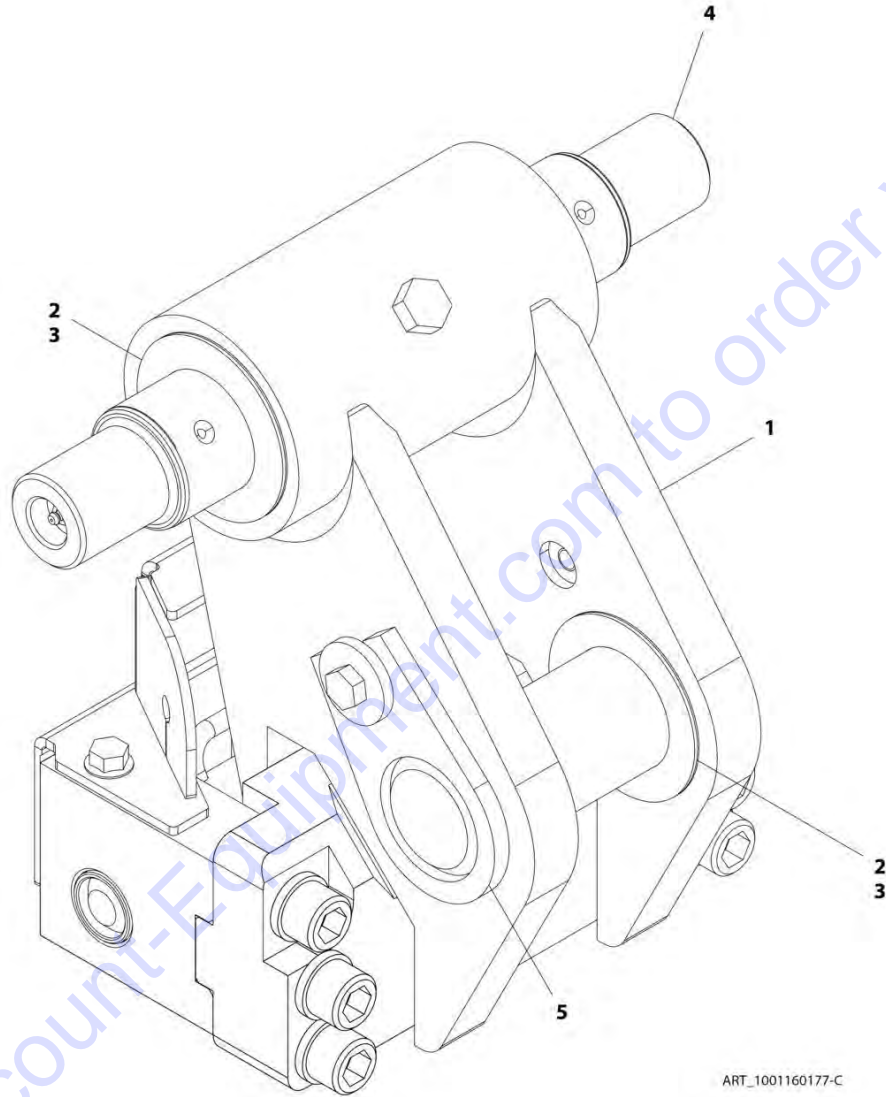
FIGURE 2-29. MANUAL QUICK COUPLER INSTALLATION

ITEM	PART NUMBER	QTY	DESCRIPTION	REV
	1001160176	Ref	Manual Quick Coupler Installation	C
1	1001164571	1	Coupling, Quick Connect, (See Separate Breakdown in this Section)	
2	1001164884	AR	Shim, 2mm	
3	1001164885	AR	Shim, 3.5mm	
4	1001167761	Ref	Installation, Pin (See PIN INSTALLATION for Breakdown)	
5	1001167762	Ref	Installation, Pin (See PIN INSTALLATION for Breakdown)	

Go to Discount-Equipment.com to order your parts

## SECTION 2 - BOOM

FIGURE 2-30. HYDRAULIC QUICK COUPLER INSTALLATION



ART\_1001160177-C

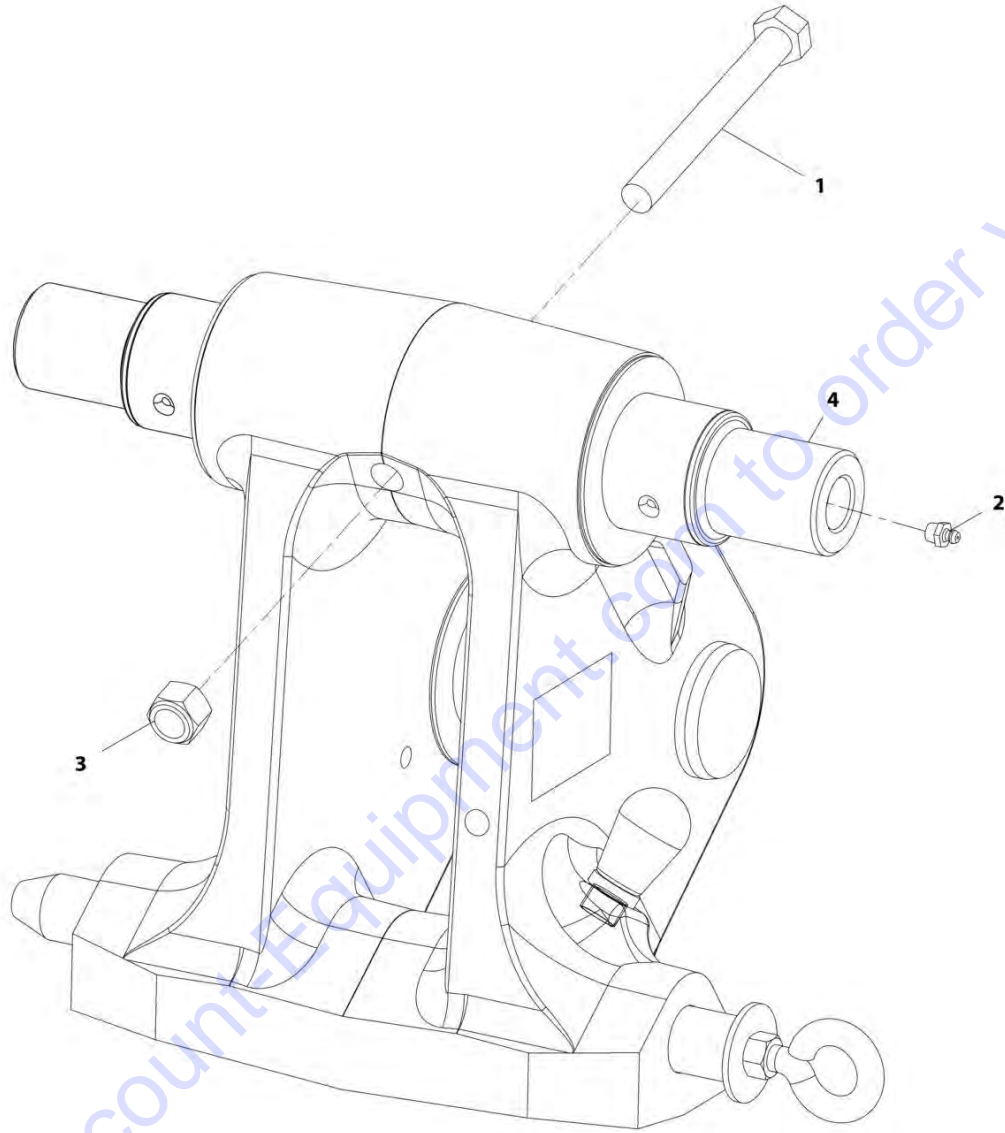
FIGURE 2-30. HYDRAULIC QUICK COUPLER INSTALLATION

ITEM	PART NUMBER	QTY	DESCRIPTION	REV
	1001160177	Ref	Hydraulic Quick Coupler Installation	C
1	1001164845	1	Installation, Hydraulic Quick Coupler (See HYDRAULIC CIRCUITS SECTION for Breakdown)	
2	1001164884	AR	Shim, 2mm	
3	1001164885	AR	Shim, 3.5mm	
4	1001167761	Ref	Installation, Pin (See PIN INSTALLATION for Breakdown)	
5	1001167762	Ref	Installation, Pin (See PIN INSTALLATION for Breakdown)	

Go to Discount-Equipment.com to order your parts

## SECTION 2 - BOOM

### FIGURE 2-31. PIN INSTALLATION



ART\_1001167761-B



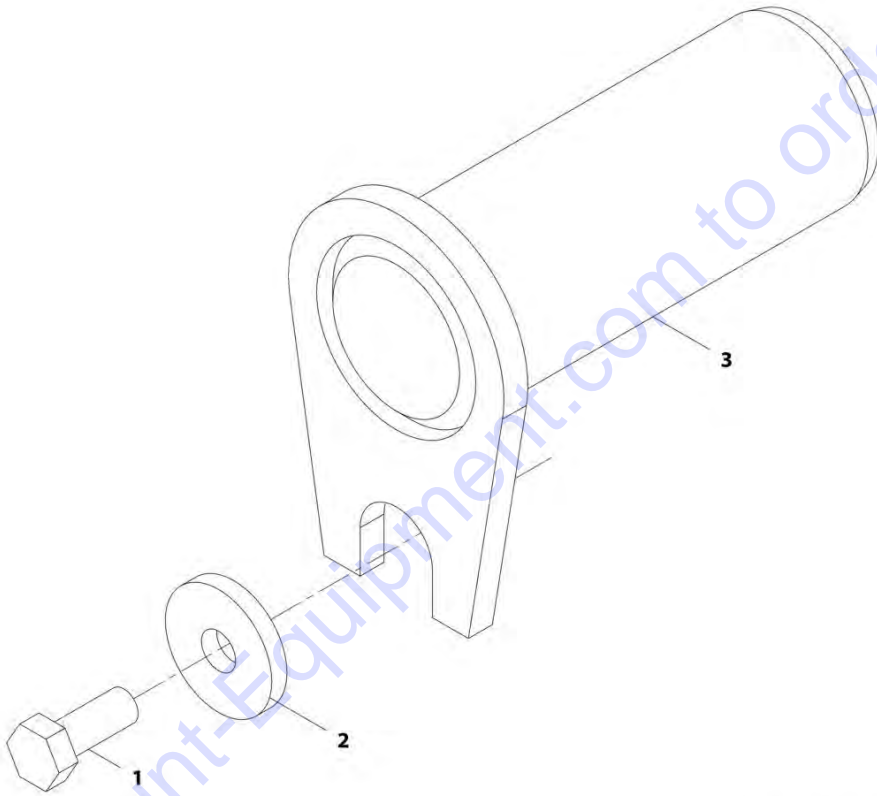
FIGURE 2-31. PIN INSTALLATION

ITEM	PART NUMBER	QTY	DESCRIPTION	REV
	1001167761	Ref	Pin Installation	B
1	0711631	1	Bolt, M16X140	
2	2160016	2	Fitting, Straight	
3	3291605	1	Nut, Lock M16X2	
4	1001164871	1	Pin	

Go to Discount-Equipment.com to order your parts

## SECTION 2 - BOOM

FIGURE 2-32. PIN INSTALLATION



ART\_1001167762-A

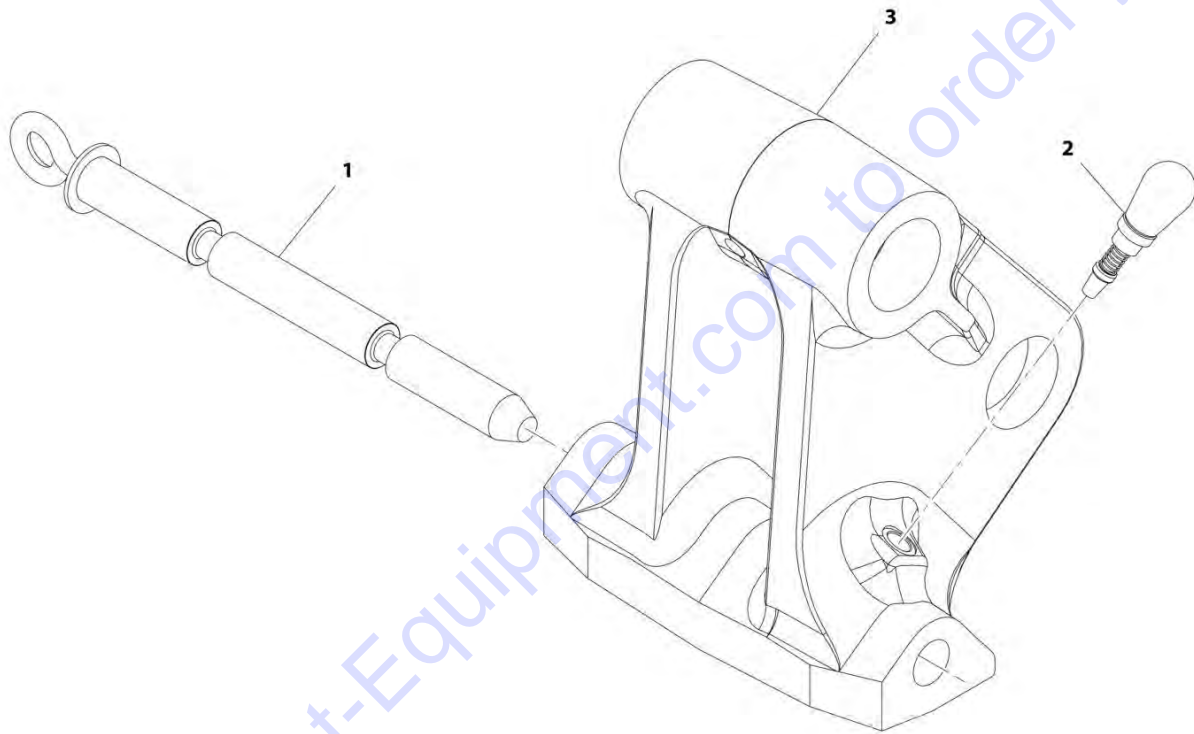
FIGURE 2-32. PIN INSTALLATION

ITEM	PART NUMBER	QTY	DESCRIPTION	REV
	1001167762	Ref	Pin Installation	A
1	0761214	1	Bolt, M12X30	
2	4740003	1	Washer	
3	1001164881	1	Pin	

Go to Discount-Equipment.com to order your parts

## SECTION 2 - BOOM

FIGURE 2-33. QUICK COUPLER ASSEMBLY



ART\_1001164571-A

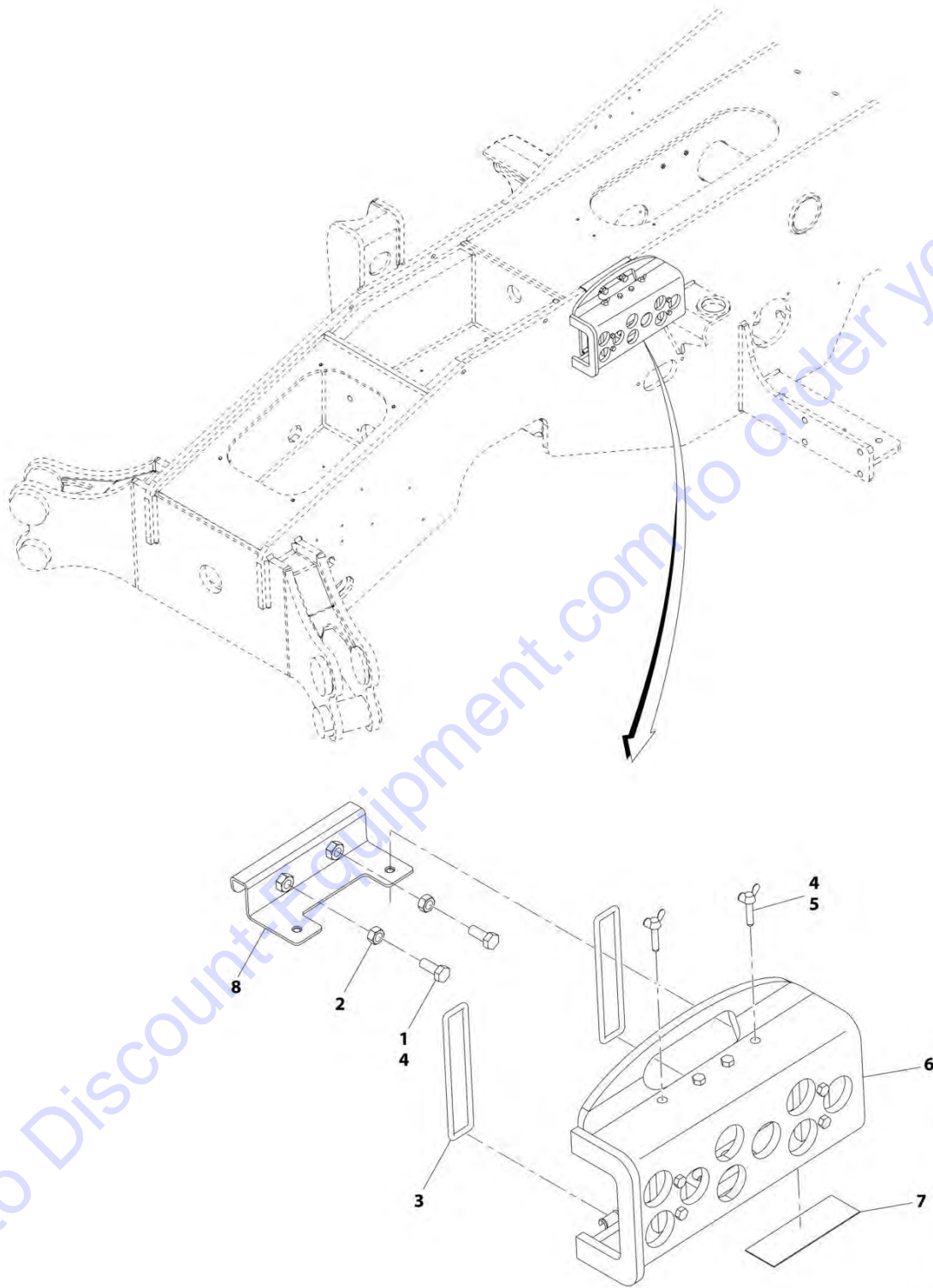
FIGURE 2-33. QUICK COUPLER ASSEMBLY

ITEM	PART NUMBER	QTY	DESCRIPTION	REV
	1001164571	1	Quick Coupler Assembly	A
1	1001105441	1	Pin	
2	1001143692	1	Pin, Poppin	
3	1001164567	1	Coupling, Quick Connect	

Go to Discount-Equipment.com to order your parts

# SECTION 2 - BOOM

## FIGURE 2-34. BOOM PROP INSTALLATION (ANSI)



ART\_1001232339-A

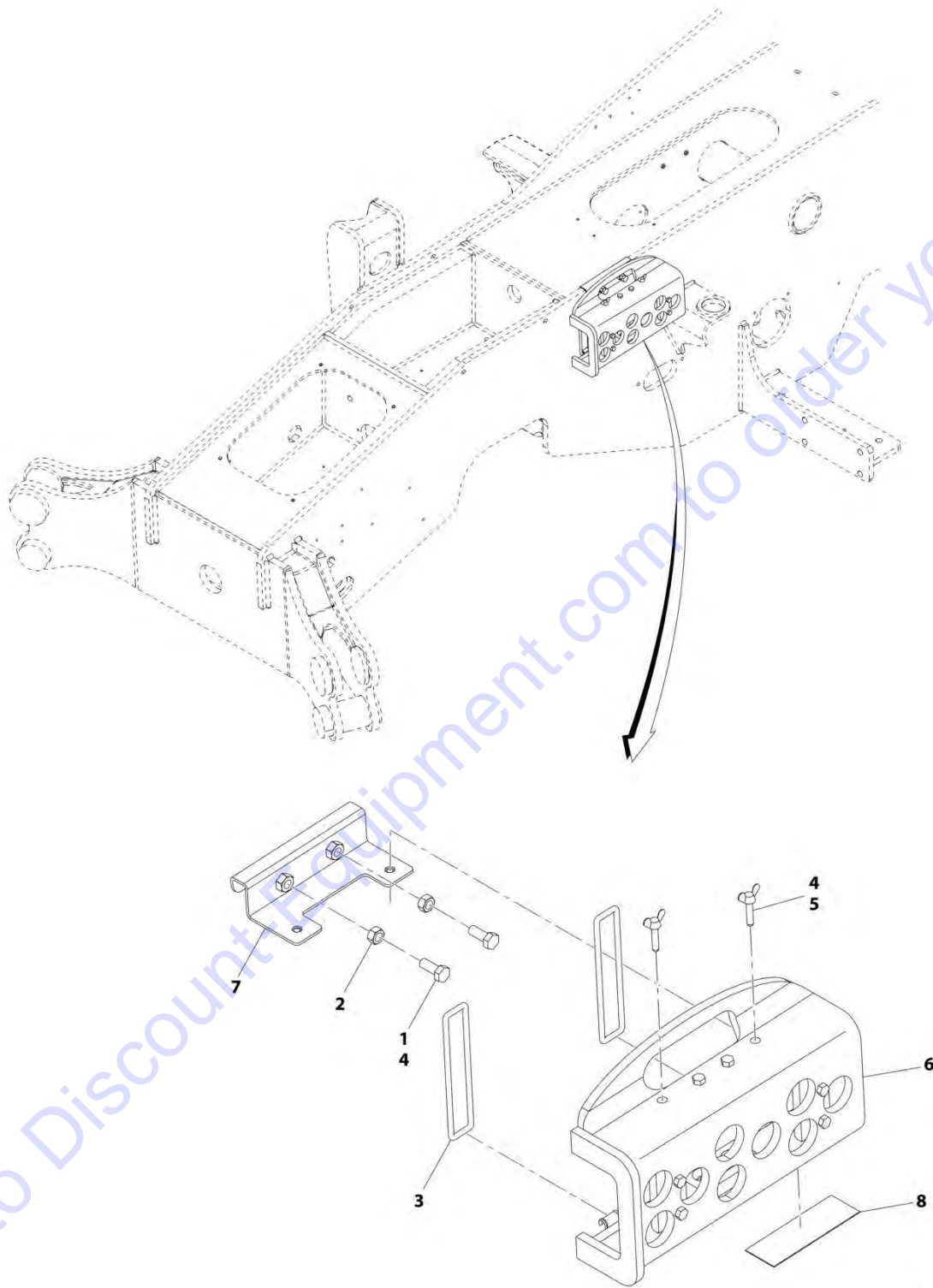
FIGURE 2-34. BOOM PROP INSTALLATION (ANSI)

ITEM	PART NUMBER	QTY	DESCRIPTION	REV
	1001232339	Ref	Boom Prop Installation (ANSI)	A
1	0761214	2	Bolt, 12 X 30, GR8.8	
2	3291201	2	Nut, M12X1.75	
3	1784861	2	O-Ring	
4	1001095650	AR	Compound, Locking	
5	1001101458	2	Bolt, M8X40	
6	1001231221	Ref	Bracket, Boom Prop Class D (See Separate Breakdown in this Section)	
7	1001232148	1	Decal, Warning	
8	1001232299	1	Bracket, Mount	

Go to Discount-Equipment.com to order your parts

# SECTION 2 - BOOM

## FIGURE 2-35. BOOM PROP INSTALLATION (CANADA)



ART\_1001234137-A



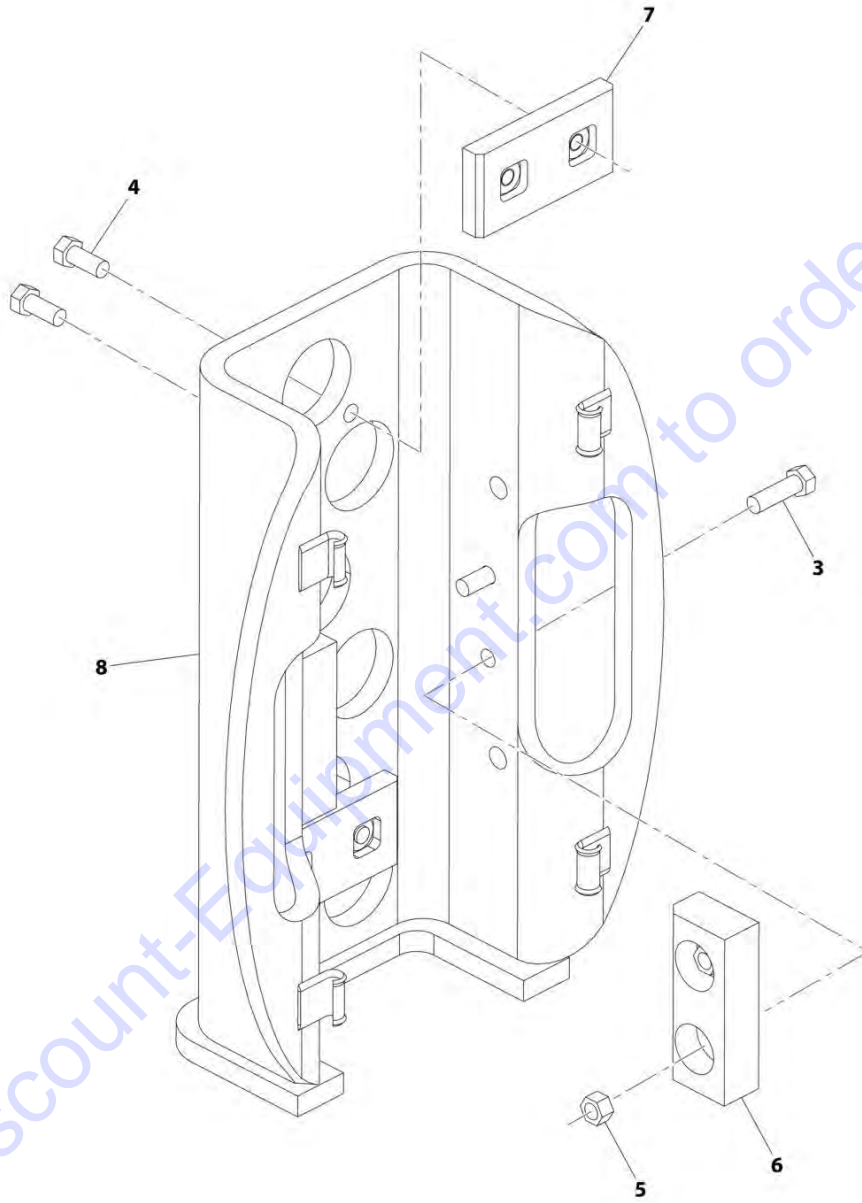
FIGURE 2-35. BOOM PROP INSTALLATION (CANADA)

ITEM	PART NUMBER	QTY	DESCRIPTION	REV
	1001234137	Ref	Boom Prop Installation (Canada)	A
1	0761214	2	Bolt, 12 X 30, GR8.8	
2	3291201	2	Nut, M12X1.75	
3	1784861	2	O-Ring	
4	1001095650	AR	Compound, Locking	
5	1001101458	2	Bolt, M8X40	
6	1001231221	Ref	Bracket, Boom Prop Class D (See Separate Breakdown in this Section)	
7	1001232299	1	Bracket, Mount	
8	1001234254	1	Decal, Warning	

Go to Discount-Equipment.com to order your parts

# SECTION 2 - BOOM

## FIGURE 2-36. BOOM PROP BRACKET



ART\_1001231221-A

FIGURE 2-36. BOOM PROP BRACKET

ITEM	PART NUMBER	QTY	DESCRIPTION	REV
	1001231221	Ref	Boom Prop Bracket	A
3	0641610	4	Bolt, 3/8-16X5/4	
4	0651607	4	Bolt, 3/8-24X7/8	
5	3311605	4	Nut, 3/8-16	
6	3340843	2	Pad, Wear	
7	91403530	2	Bearing, Pad	
8	1001232587	1	Bracket	

Go to Discount-Equipment.com to order your parts

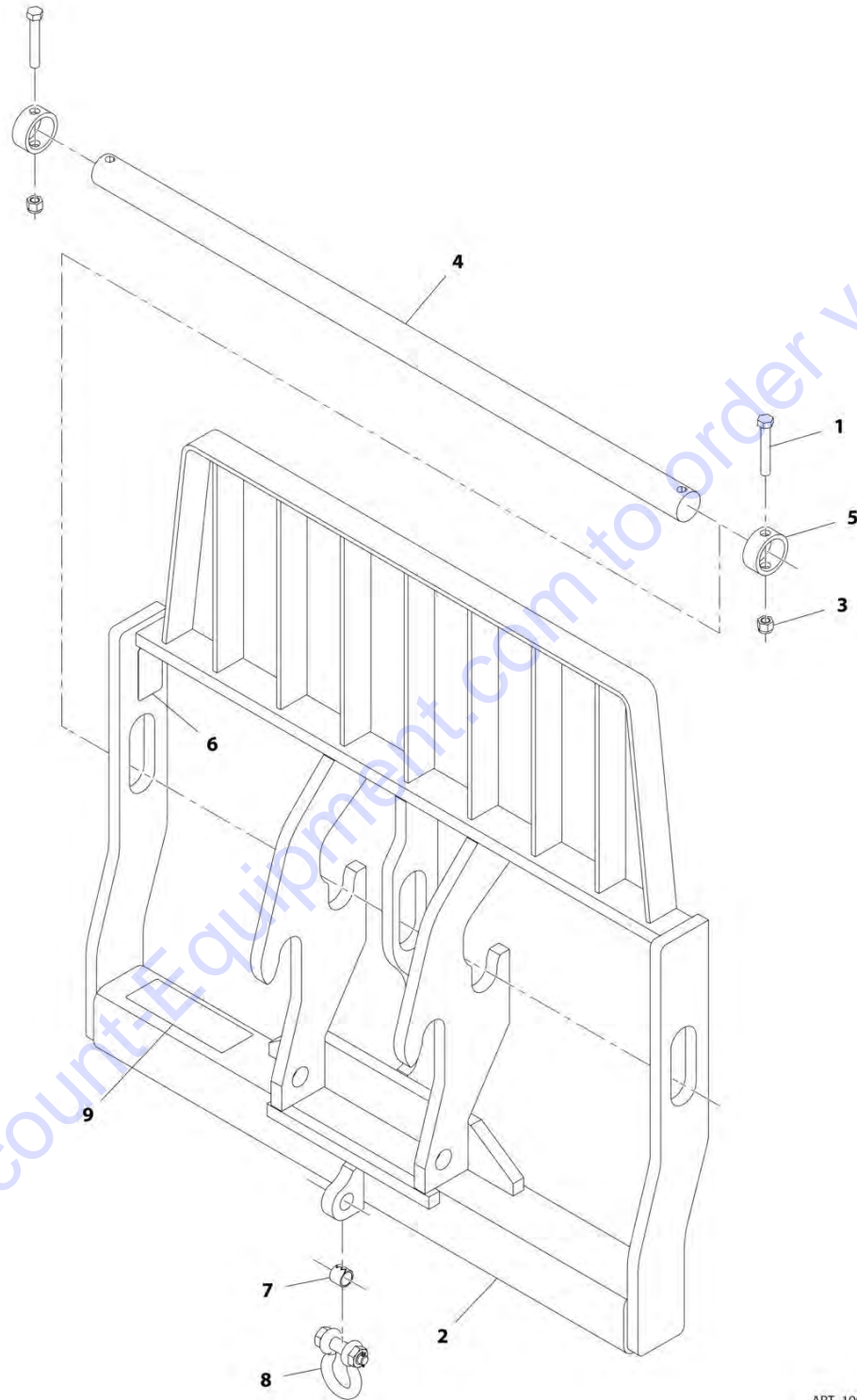


**SECTION 3 - ATTACHMENTS**

Go to Discount-Equipment.com to order your parts

# SECTION 3 - ATTACHMENTS

## FIGURE 3-1. CARRIAGE ASSEMBLY (50 INCH) (Prior to SN 0160075710)



ART\_1001146084-D

## SECTION 3 - ATTACHMENTS

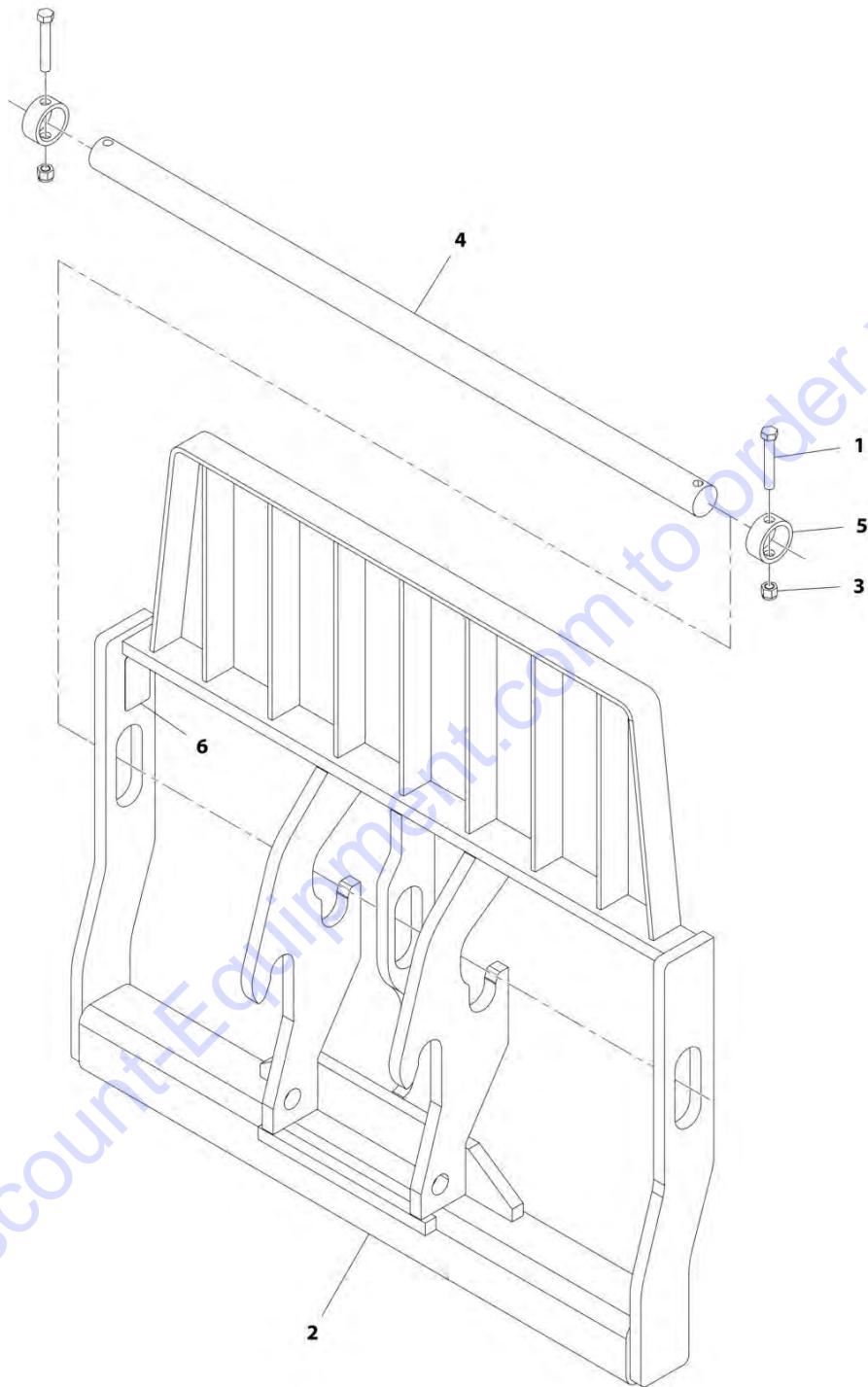
**FIGURE 3-1. CARRIAGE ASSEMBLY (50 INCH) (Prior to SN 0160075710)**

ITEM	PART NUMBER	QTY	DESCRIPTION	REV
	1001146084	Ref	Carriage Assembly (50 Inch)	D
1	0642032	2	Bolt, 5/8-11X4	
2	N.S.S.	1	Weldment, Carriage	
3	3300240	2	Nut, Lock 5/8-11	
4	3423275	1	Pin, Fork	
5	90200003	2	Collar, Fork Pin	
6	N.S.S.	1	S/N Plate	
7	1001146159	1	Sleeve, Insert	
8	1001146160	1	Shackle, Bolt 3/4	
9	1001151561	1	Decal, Danger Swinging Loads	

Go to Discount-Equipment.com to order your parts

# SECTION 3 - ATTACHMENTS

FIGURE 3-2. CARRIAGE ASSEMBLY (50 INCH) (SN 0160075710 to Present)



ART\_1170021-F



## SECTION 3 - ATTACHMENTS

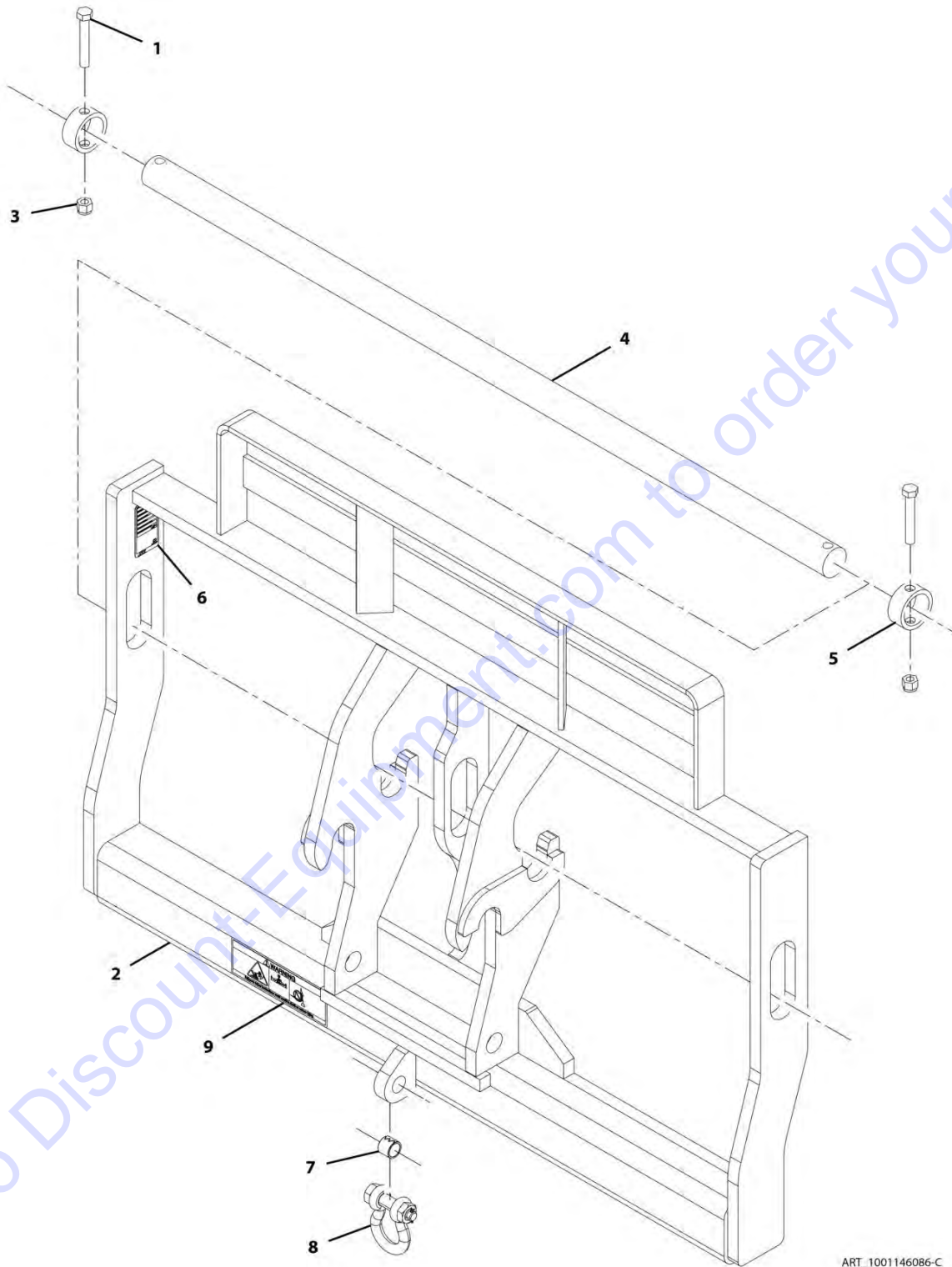
**FIGURE 3-2. CARRIAGE ASSEMBLY (50 INCH) (SN 0160075710 to Present)**

ITEM	PART NUMBER	QTY	DESCRIPTION	REV
	1170021	Ref	Carriage Assembly (50 Inch)	F
1	0642032	2	Bolt, 5/8-11X4	
2	N.S.S.	1	Weldment, Carriage	
3	3300240	2	Nut, Lock 5/8-11	
4	3423275	1	Pin, Fork	
5	90200003	2	Collar, Fork Pin	
6	N.S.S.	1	S/N Plate	

Go to Discount-Equipment.com to order your parts

# SECTION 3 - ATTACHMENTS

FIGURE 3-3. CARRIAGE ASSEMBLY (60 INCH) (Prior to SN 0160075710)



ART\_1001146086-C

## SECTION 3 - ATTACHMENTS

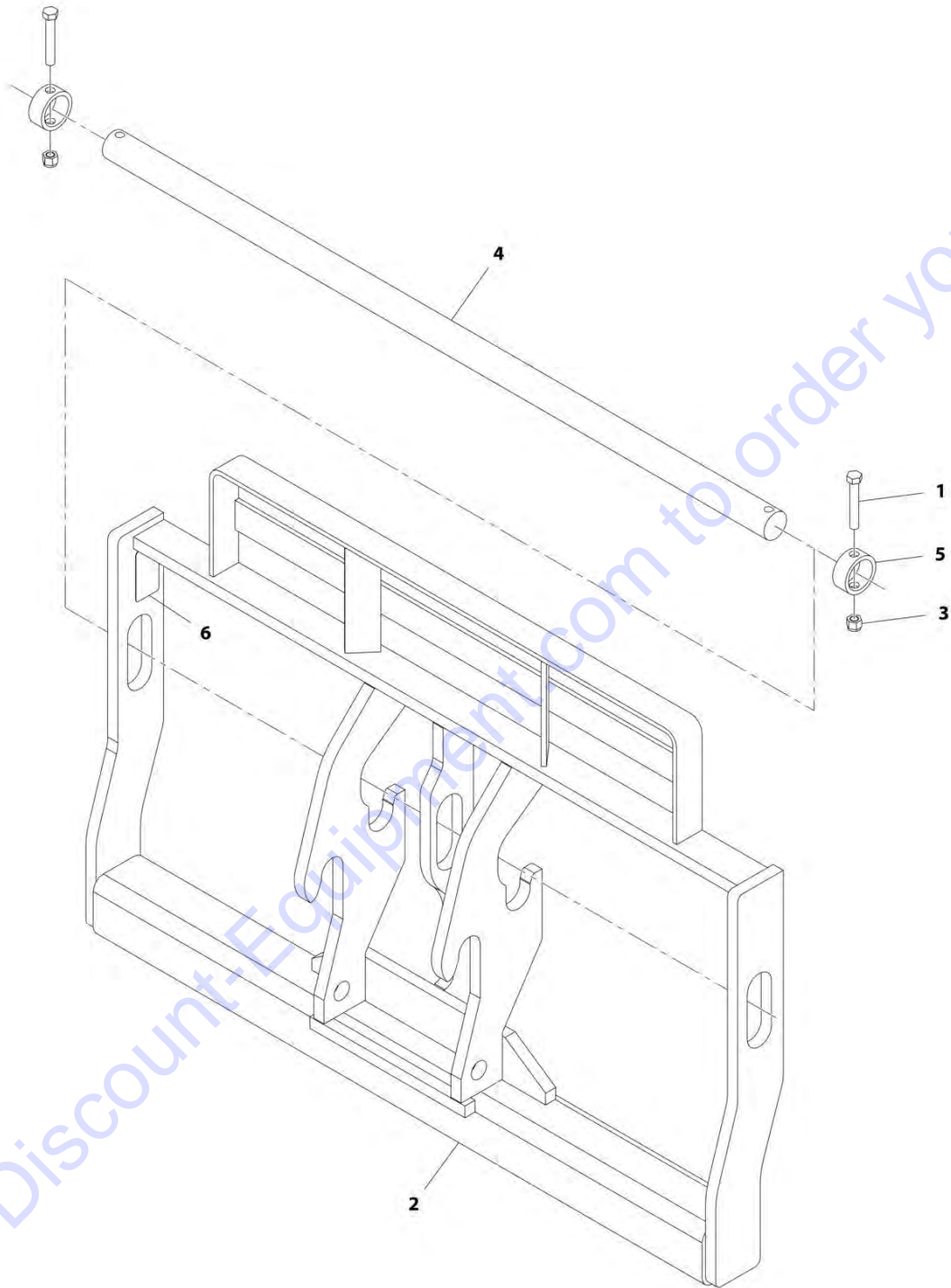
**FIGURE 3-3. CARRIAGE ASSEMBLY (60 INCH) (Prior to SN 0160075710)**

ITEM	PART NUMBER	QTY	DESCRIPTION	REV
	1001146086	Ref	Carriage Assembly (60 Inch)	C
1	0642032	2	Bolt, 5/8-11X4	
2	N.S.S.	1	Weldment, Carriage	
3	3300240	2	Nut, Lock 5/8-11	
4	3423242	1	Pin, Fork	
5	90200003	2	Collar, Fork Pin	
6	N.S.S.	1	S/N Plate	
7	1001146159	1	Sleeve, Insert	
8	1001146160	1	Shackle, Bolt 3/4	
9	1001151561	1	Decal, Danger Swinging Loads	

Go to Discount-Equipment.com to order your parts

# SECTION 3 - ATTACHMENTS

FIGURE 3-4. CARRIAGE ASSEMBLY (60 INCH) (SN 0160075710 to Present)



ART\_1170024-F

## SECTION 3 - ATTACHMENTS

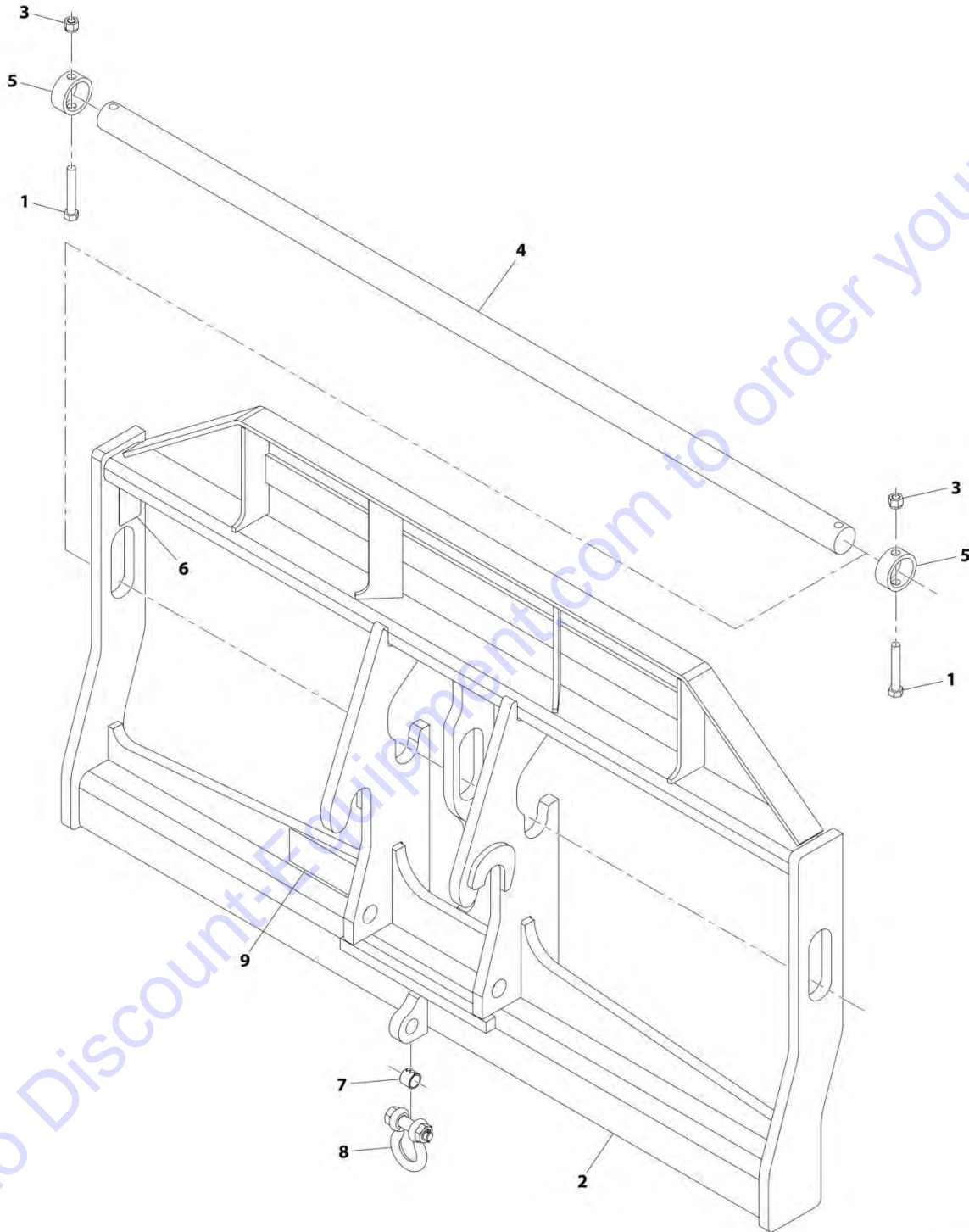
**FIGURE 3-4. CARRIAGE ASSEMBLY (60 INCH) (SN 0160075710 to Present)**

ITEM	PART NUMBER	QTY	DESCRIPTION	REV
	1170024	Ref	Carriage Assembly (60 Inch)	F
1	0642032	2	Bolt, 5/8-11X4	
2	N.S.S.	1	Weldment, Carriage	
3	3300240	2	Nut, Lock 5/8-11	
4	3423242	1	Pin, Fork	
5	90200003	2	Collar, Fork Pin	
6	N.S.S.	1	S/N Plate	

Go to Discount-Equipment.com to order your parts

# SECTION 3 - ATTACHMENTS

FIGURE 3-5. CARRIAGE ASSEMBLY (72 INCH) (Prior to SN 0160073773)



ART\_1001146088-F

## SECTION 3 - ATTACHMENTS

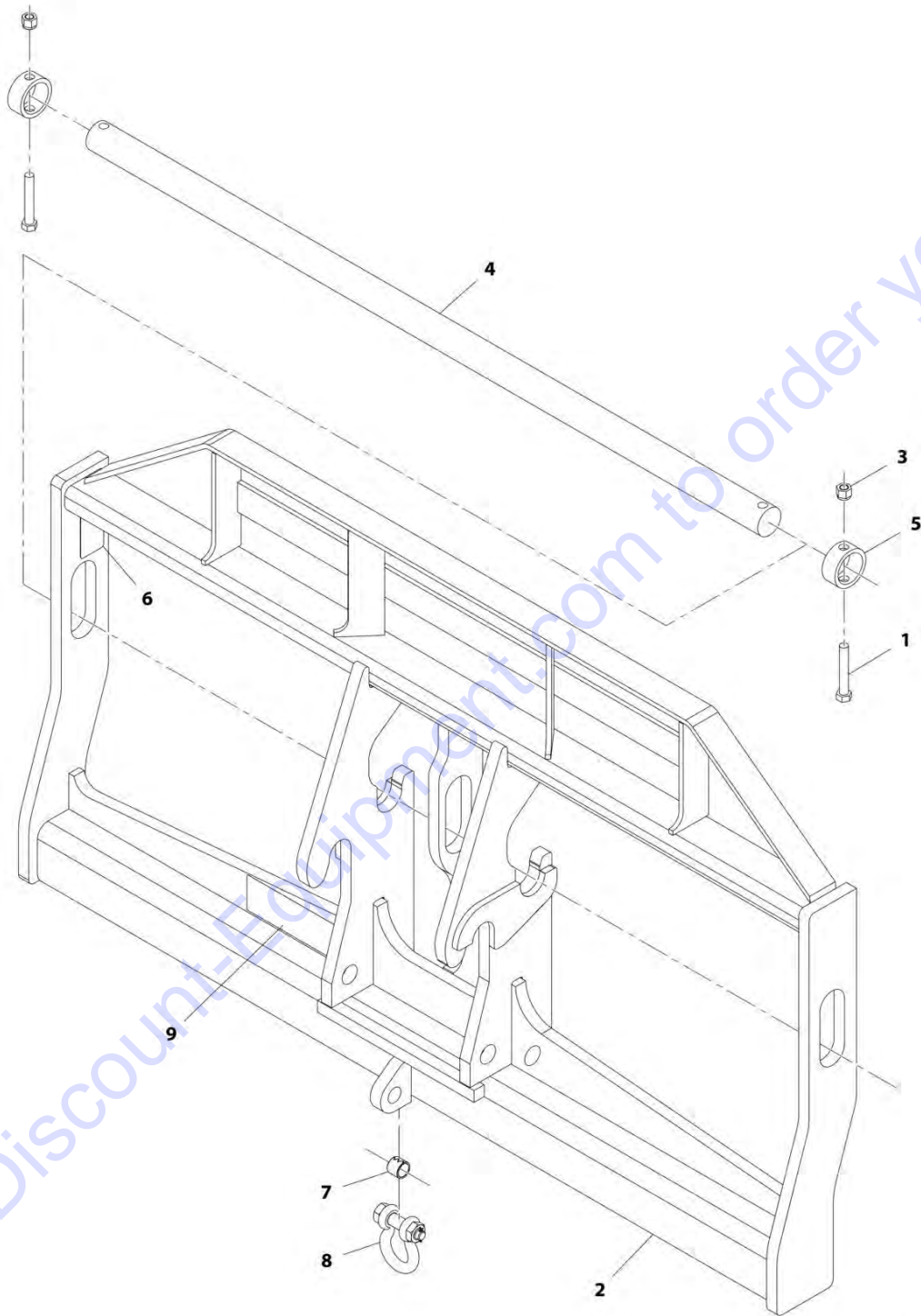
**FIGURE 3-5. CARRIAGE ASSEMBLY (72 INCH) (Prior to SN 0160073773)**

ITEM	PART NUMBER	QTY	DESCRIPTION	REV
	1001146088	NLA	Carriage Assembly (72 Inch), (no longer available, use 1001193794 for replacement)	F
1	0642032	2	Bolt, 5/8-11X4	
2	N.S.S.	1	Weldment, Carriage	
3	3300240	2	Nut, Lock 5/8-11	
4	3423276	1	Pin, Fork	
5	90200003	2	Collar, Fork Pin	
6	N.S.S.	1	S/N Plate	
7	1001146159	1	Sleeve, Insert	
8	1001146160	1	Shackle, Bolt 3/4	
9	1001151561	1	Decal, Danger Swinging Loads	

Go to Discount-Equipment.com to order your parts

# SECTION 3 - ATTACHMENTS

FIGURE 3-6. CARRIAGE ASSEMBLY (72 INCH) (SN 0160073773 through 0160075709)



ART\_1001193794-D



## SECTION 3 - ATTACHMENTS

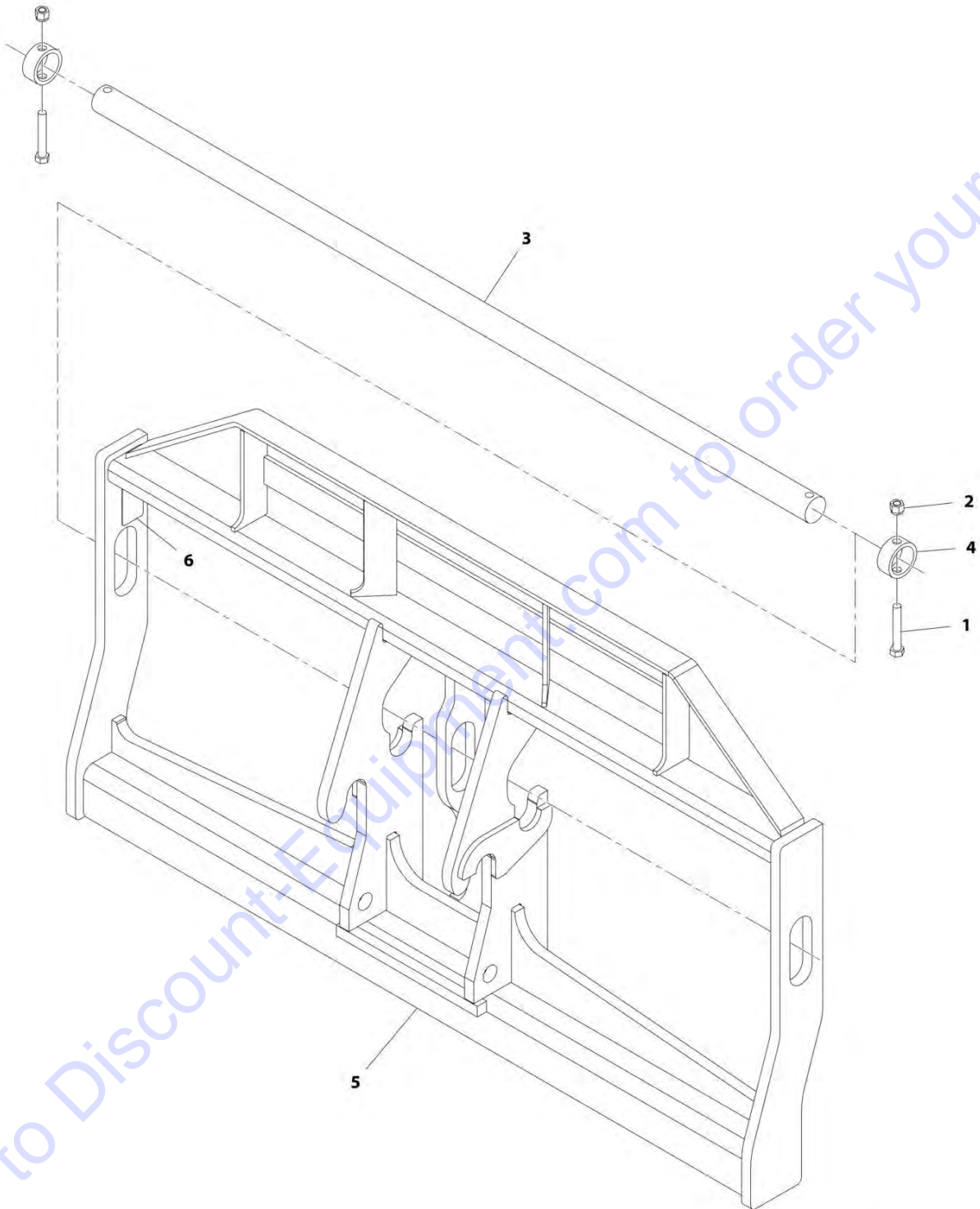
**FIGURE 3-6. CARRIAGE ASSEMBLY (72 INCH) (SN 0160073773 through 0160075709)**

ITEM	PART NUMBER	QTY	DESCRIPTION	REV
	1001193794	Ref	Carriage Assembly (72 Inch)	D
1	0642032	2	Bolt, 5/8-11X4	
2	N.S.S.	1	Weldment, Carriage	
3	3300240	2	Nut, Lock 5/8-11	
4	3423276	1	Pin, Fork	
5	90200003	2	Collar, Fork Pin	
6	N.S.S.	1	S/N Plate	
7	1001146159	1	Sleeve, Insert	
8	1001146160	1	Shackle, Bolt 3/4	
9	1001151561	1	Decal, Danger Swinging Loads	

Go to Discount-Equipment.com to order your parts

# SECTION 3 - ATTACHMENTS

FIGURE 3-7. CARRIAGE ASSEMBLY (72 INCH) (SN 0160075710 to Present)



ART\_1001211516-A

## SECTION 3 - ATTACHMENTS

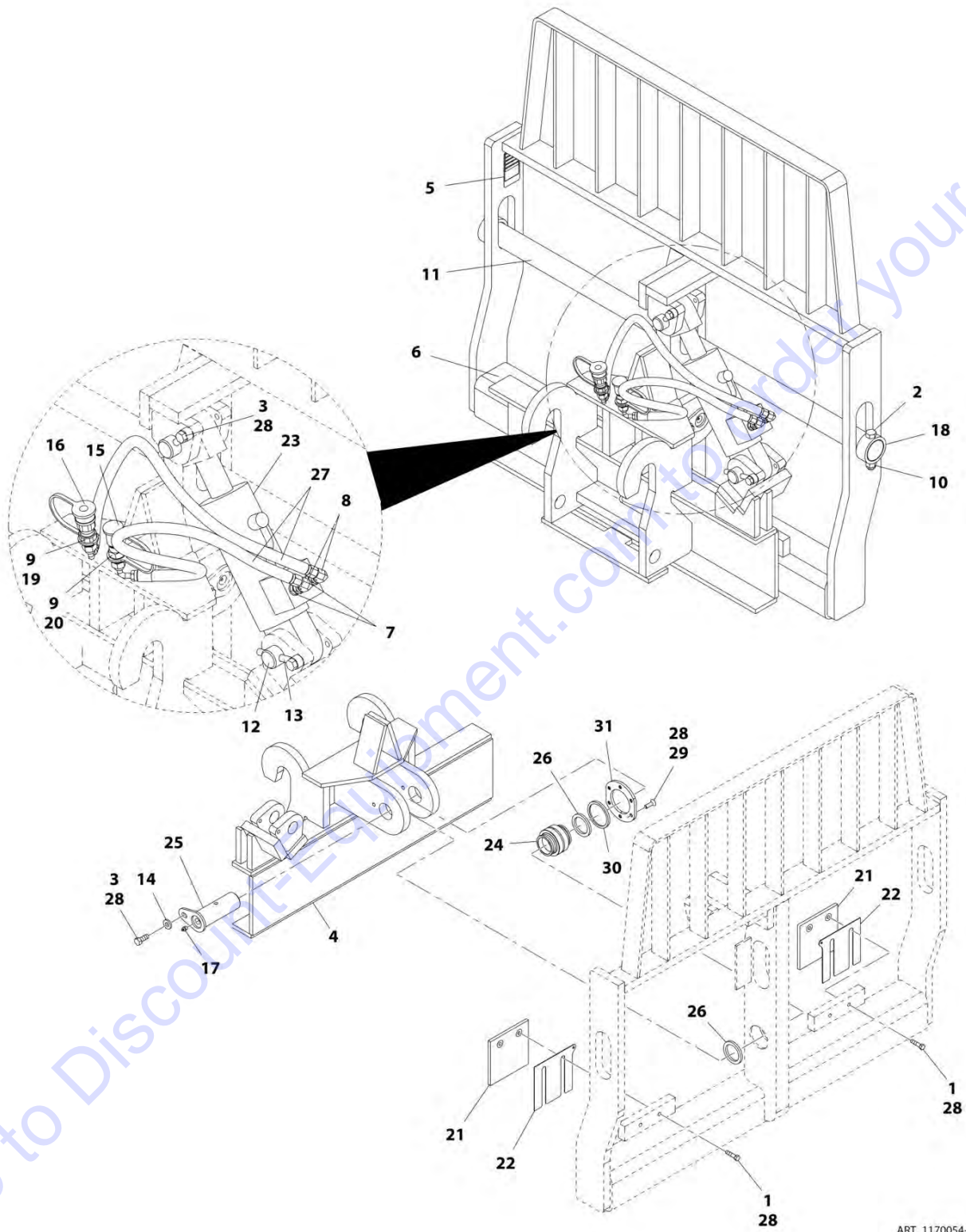
**FIGURE 3-7. CARRIAGE ASSEMBLY (72 INCH) (SN 0160075710 to Present)**

ITEM	PART NUMBER	QTY	DESCRIPTION	REV
	1001211516	Ref	Carriage Assembly (72 Inch)	A
1	0642032	2	Bolt, 5/8-11X4	
2	3300240	2	Nut, Lock 5/8-11	
3	3423276	1	Pin, Fork	
4	90200003	2	Collar, Fork Pin	
5	N.S.S.	1	Weldment, Carriage	
6	N.S.S.	1	S/N Plate	

Go to Discount-Equipment.com to order your parts

# SECTION 3 - ATTACHMENTS

## FIGURE 3-8. SIDE TILT CARRIAGE ASSEMBLY (50 INCH) - 1055



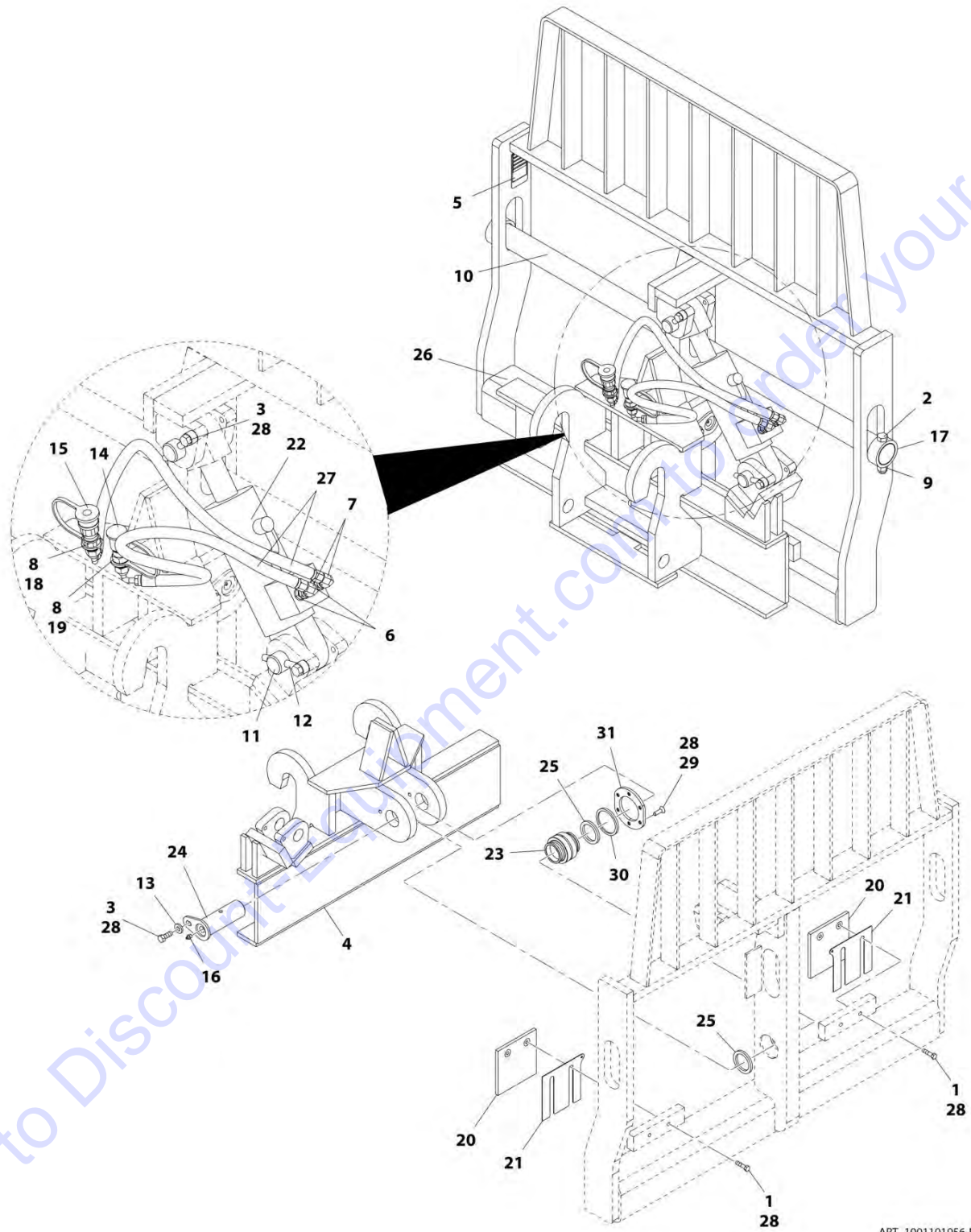
## SECTION 3 - ATTACHMENTS

**FIGURE 3-8. SIDE TILT CARRIAGE ASSEMBLY (50 INCH) - 1055**

ITEM	PART NUMBER	QTY	DESCRIPTION	REV
	1170054	NLA	Side Tilt Carriage Assembly (50 Inch) - 1055 (no longer available, see items 1 through 31 for service or 1001233383 for replacement)	M
1	0641612	4	Bolt, 3/8-16X1-1/2	
2	0642032	2	Bolt, 5/8-11X4	
3	0681810	3	Bolt, 1/2-13X1-1/4	
4	1001133072	1	Carriage, Base Pivot	
5	N.S.S.	1	S/N Plate	
6	N.S.S.	1	Carriage, Side Tilt	
7	2110606	2	Adapter, Straight	
8	2172106	2	Adapter, 90	
9	2110808	2	Adapter, Straight	
10	3300240	2	Nut, Lock 5/8-11	
11	3423275	1	Pin, Fork	
12	3423307	2	Pin, Side Tilt Cylinder	
13	3841203	2	Keeper, Rod	
14	4891800	1	Washer, 1/2	
15	8420053	1	Cap, Dust	
16	8420055	1	Plug, Dust	
17	88671001	1	Fitting, Grease	
18	90200003	2	Collar, Fork Pin	
19	91403413	1	Adapter	
20	91403414	1	Adapter	
21	1001090063	2	Pad, Wear	
22	1001090064	AR	Shim, Wear Pad	
23	1001163414	1	Cylinder, Side Tilt (See HYDRAULIC COMPONENTS SECTION for Breakdown)	
24	1001090140	1	Bearing, Side Tilt Spherical	
25	1001099113	1	Pin, Side Tilt Frame Pivot	
26	1001099115	2	Sleeve, Tilt Bearing Spacer	
27	1001102378	NLA	Hose, (no longer available, use 1001239734 for replacement)	
27	1001239734	2	Hose	
28	0100011	AR	Compound, Locking	
29	0741610	6	Screw, 3/8-16X1-1/4	
30	1001120914	1	Shim, Bearing Retainer	
31	1001120915	1	Plate, Bearing Retainer	

# SECTION 3 - ATTACHMENTS

## FIGURE 3-9. SIDE TILT CARRIAGE ASSEMBLY (60 INCH) - 1055



ART\_1001101956-N

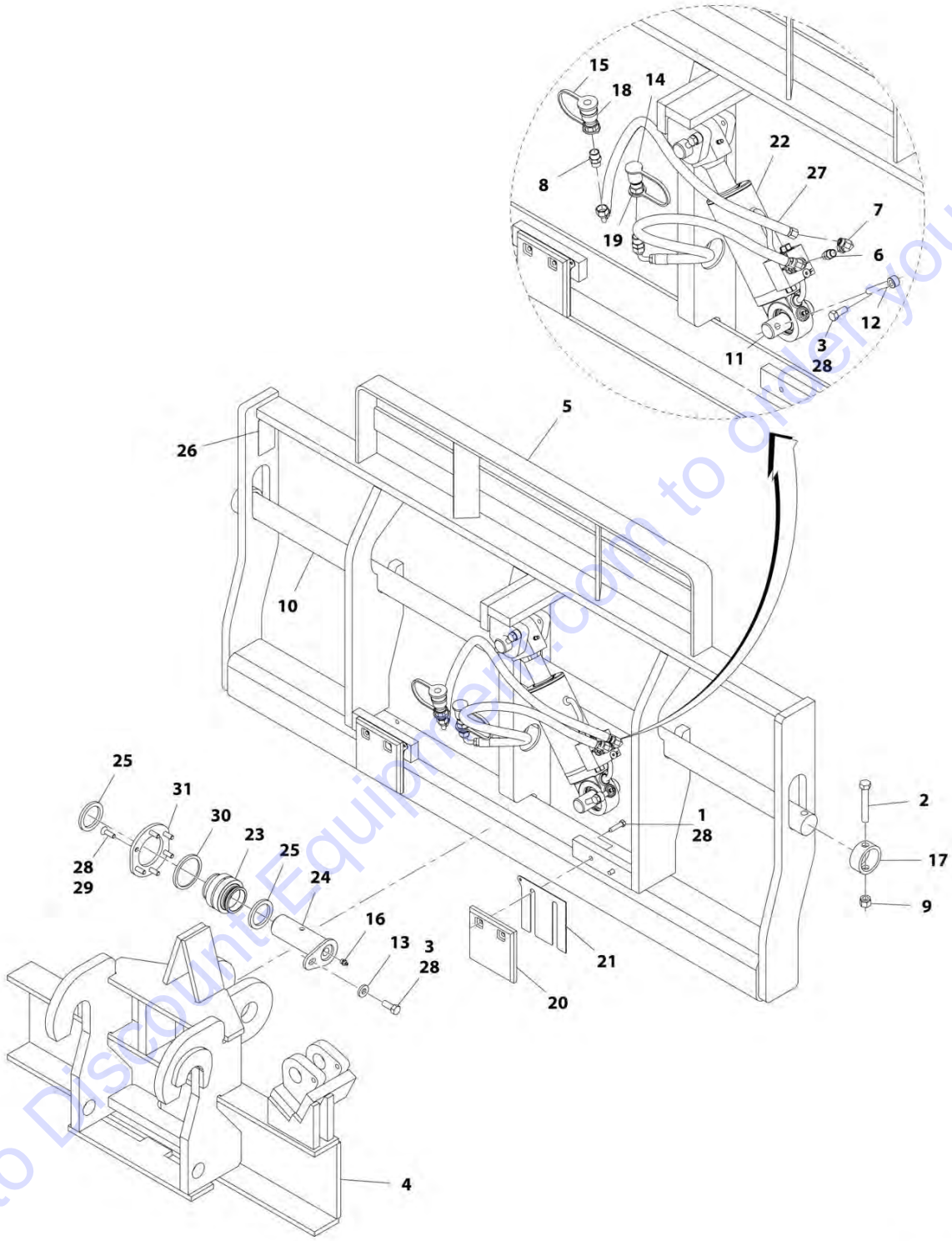
## SECTION 3 - ATTACHMENTS

**FIGURE 3-9. SIDE TILT CARRIAGE ASSEMBLY (60 INCH) - 1055**

ITEM	PART NUMBER	QTY	DESCRIPTION	REV
	1001101956	NLA	Side Tilt Carriage Assembly (60 Inch) - 1055 (no longer available, see items 1 through 31 for service or 1001233384 for replacement)	N
1	0641612	4	Bolt, 3/8-16X1-1/2	
2	0642032	2	Bolt, 5/8-11X4	
3	0681810	3	Bolt, 1/2-13X1-1/4	
4	1001133072	1	Carriage, Base Pivot	
5	N.S.S.	1	S/N Plate	
6	2110606	2	Adapter, Straight	
7	2172106	2	Adapter, 90	
8	2110808	2	Adapter, Straight	
9	3300240	2	Nut, Lock 5/8-11	
10	3423242	1	Pin, Fork	
11	3423307	2	Pin, Side Tilt Cylinder	
12	3841203	2	Keeper, Rod	
13	4891800	1	Washer, 1/2	
14	8420053	1	Cap, Dust	
15	8420055	1	Plug, Dust	
16	88671001	1	Fitting, Grease	
17	90200003	2	Collar, Fork Pin	
18	91403413	1	Adapter	
19	91403414	1	Adapter	
20	1001090063	2	Pad, Wear	
21	1001090064	AR	Shim, Wear Pad	
22	1001163414	1	Cylinder, Side Tilt (See HYDRAULIC COMPONENTS SECTION for Breakdown)	
23	1001090140	1	Bearing, Side Tilt Spherical	
24	1001099113	1	Pin, Side Tilt Frame Pivot	
25	1001099115	2	Sleeve, Tilt Bearing Spacer	
26	N.S.S.	1	Carriage, Side Tilt	
27	1001102378	NLA	Hose, (no longer available, use 1001239734 for replacement)	
27	1001239734	2	Hose	
28	0100011	AR	Compound, Locking	
29	0741610	6	Screw, 3/8-16X1-1/4	
30	1001120914	1	Shim, Bearing Retainer	
31	1001120915	1	Plate, Bearing Retainer	

# SECTION 3 - ATTACHMENTS

## FIGURE 3-10. SIDE TILT CARRIAGE ASSEMBLY (72 INCH) - 1055



ART\_1170057-M



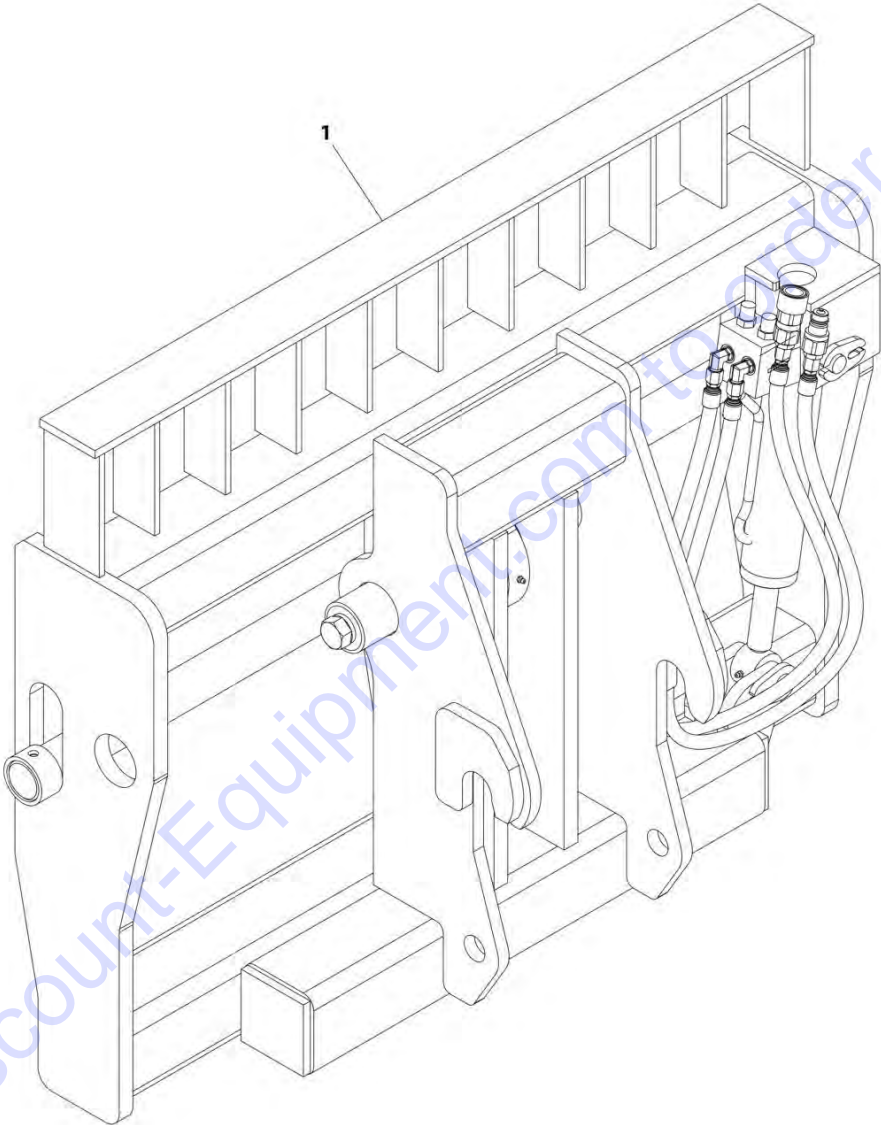
## SECTION 3 - ATTACHMENTS

**FIGURE 3-10. SIDE TILT CARRIAGE ASSEMBLY (72 INCH) - 1055**

ITEM	PART NUMBER	QTY	DESCRIPTION	REV
	1170057	NLA	Side Tilt Carriage Assembly (72 Inch) - 1055 (no longer available, see items 1 through 31 for service or 1001233385 for replacement)	M
1	0641612	4	Bolt, 3/8-16X1-1/2	
2	0642032	2	Bolt, 5/8-11X4	
3	0681810	3	Bolt, 1/2-13X1-1/4	
4	1001133072	1	Carriage, Base Pivot	
5	N.S.S.	1	Carriage, Side Tilt	
6	2110606	2	Adapter, Straight	
7	2172106	2	Adapter, 90	
8	2110808	2	Adapter, Straight	
9	3300240	2	Nut, Lock 5/8-11	
10	3423276	1	Pin, Fork	
11	3423307	2	Pin, Side Tilt Cylinder	
12	3841203	2	Keeper, Rod	
13	4891800	1	Washer, 1/2	
14	8420053	1	Cap, Dust	
15	8420055	1	Plug, Dust	
16	88671001	1	Fitting, Grease	
17	90200003	2	Collar, Fork Pin	
18	91403413	1	Adapter	
19	91403414	1	Adapter	
20	1001090063	2	Pad, Wear	
21	1001090064	AR	Shim, Wear Pad	
22	1001163414	1	Cylinder, Side Tilt (See HYDRAULIC COMPONENTS SECTION for Breakdown)	
23	1001090140	1	Bearing, Side Tilt Spherical	
24	1001099113	1	Pin, Side Tilt Frame Pivot	
25	1001099115	2	Sleeve, Tilt Bearing Spacer	
26	N.S.S.	1	S/N Plate	
27	1001102378	NLA	Hose (no longer available, use 1001239734 for replacement)	
27	1001239734	2	Hose	
28	0100011	AR	Compound, Locking	
29	0741610	6	Screw, 3/8-16X1-1/4	
30	1001120914	1	Shim, Bearing Retainer	
31	1001120915	1	Plate, Bearing Retainer	

**SECTION 3 - ATTACHMENTS**

**FIGURE 3-11. SIDE TILT CARRIAGE ASSEMBLY (50 INCH) - 1255**



ART\_1001182951-E

## SECTION 3 - ATTACHMENTS

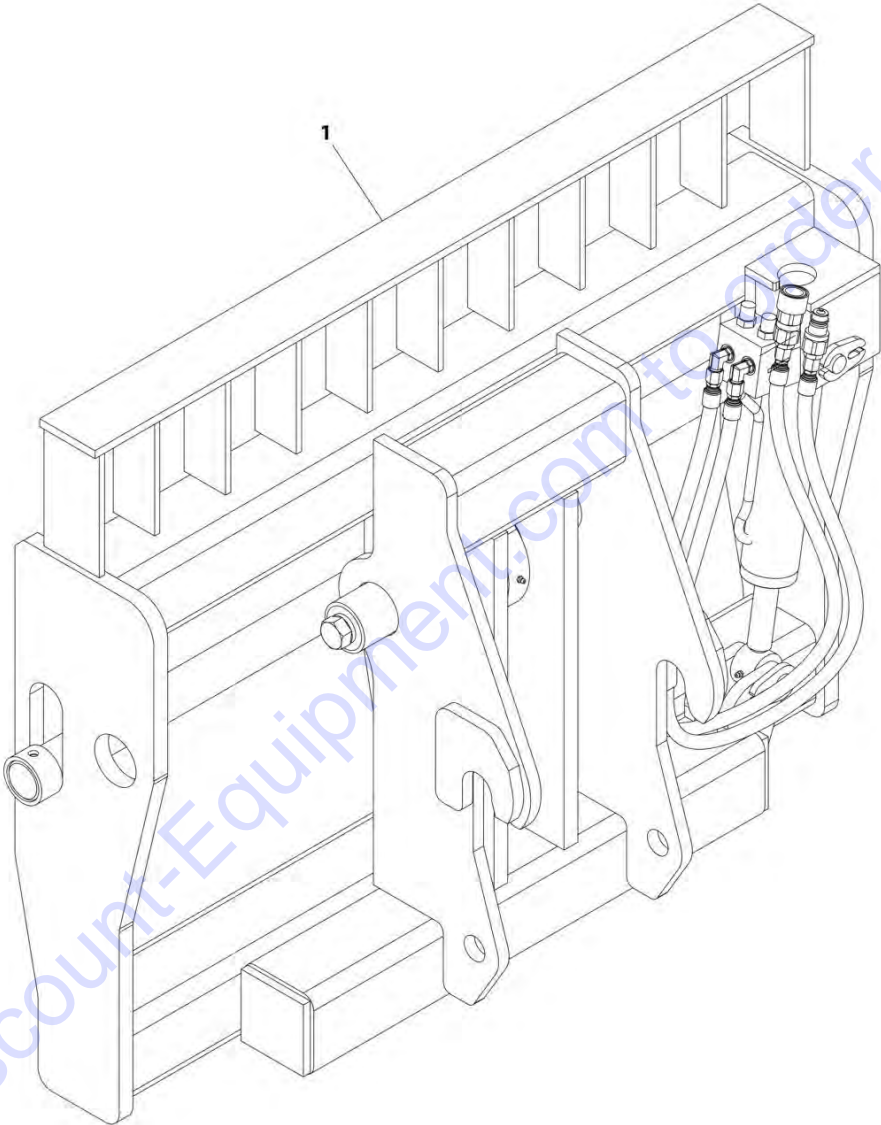
**FIGURE 3-11. SIDE TILT CARRIAGE ASSEMBLY (50 INCH) - 1255**

ITEM	PART NUMBER	QTY	DESCRIPTION	REV
1	1001182951	NLA	Side Tilt Carriage Assembly (50 Inch) - 1255 (no longer available, use 1001233383 for replacement)	E

Go to Discount-Equipment.com to order your parts

**SECTION 3 - ATTACHMENTS**

**FIGURE 3-12. SIDE TILT CARRIAGE ASSEMBLY (60 INCH) - 1255**



ART\_1001182952-E

## SECTION 3 - ATTACHMENTS

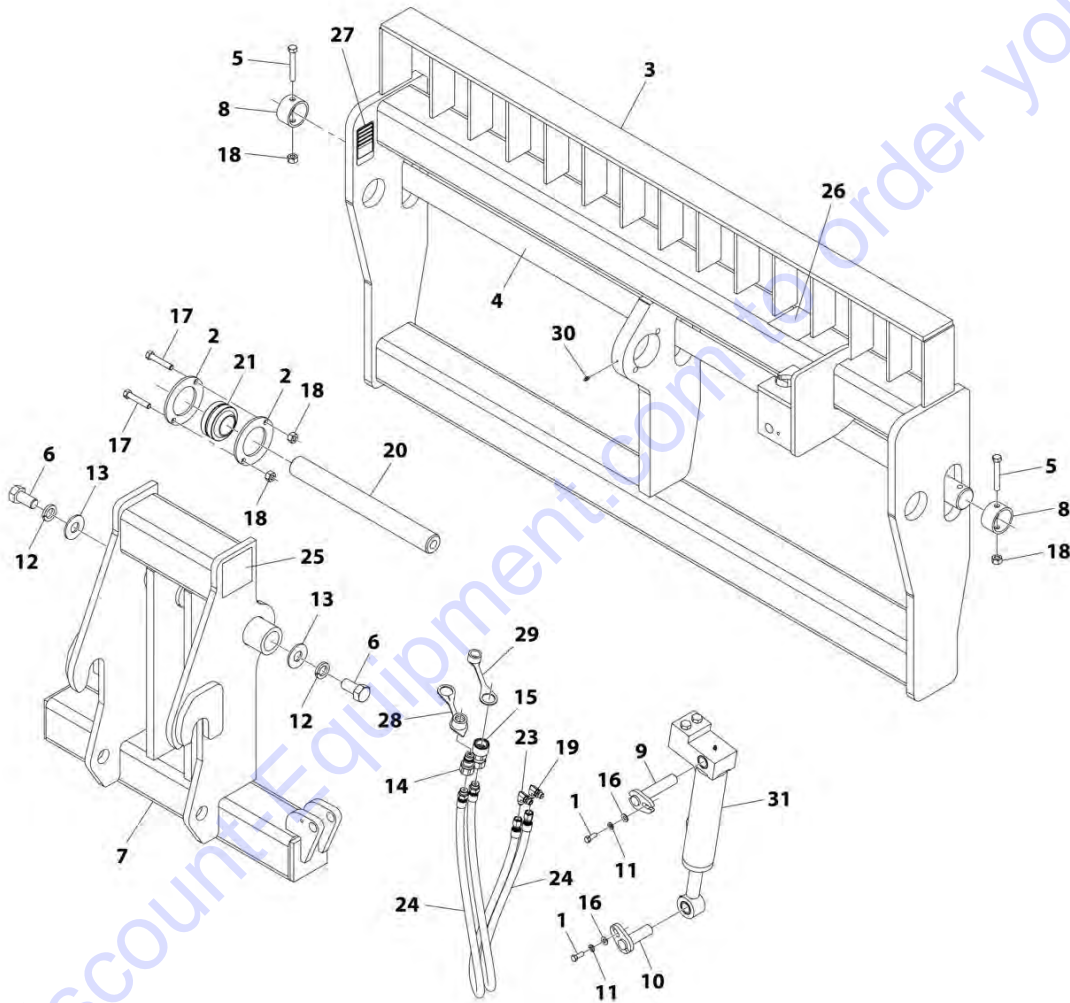
**FIGURE 3-12. SIDE TILT CARRIAGE ASSEMBLY (60 INCH) - 1255**

ITEM	PART NUMBER	QTY	DESCRIPTION	REV
1	1001182952	NLA	Side Tilt Carriage Assembly (60 Inch) - 1255 (no longer available, use 1001233384 for replacement)	E

Go to Discount-Equipment.com to order your parts

# SECTION 3 - ATTACHMENTS

## FIGURE 3-13. SIDE TILT CARRIAGE ASSEMBLY (72 INCH) - 1255



ART\_1001182953-E

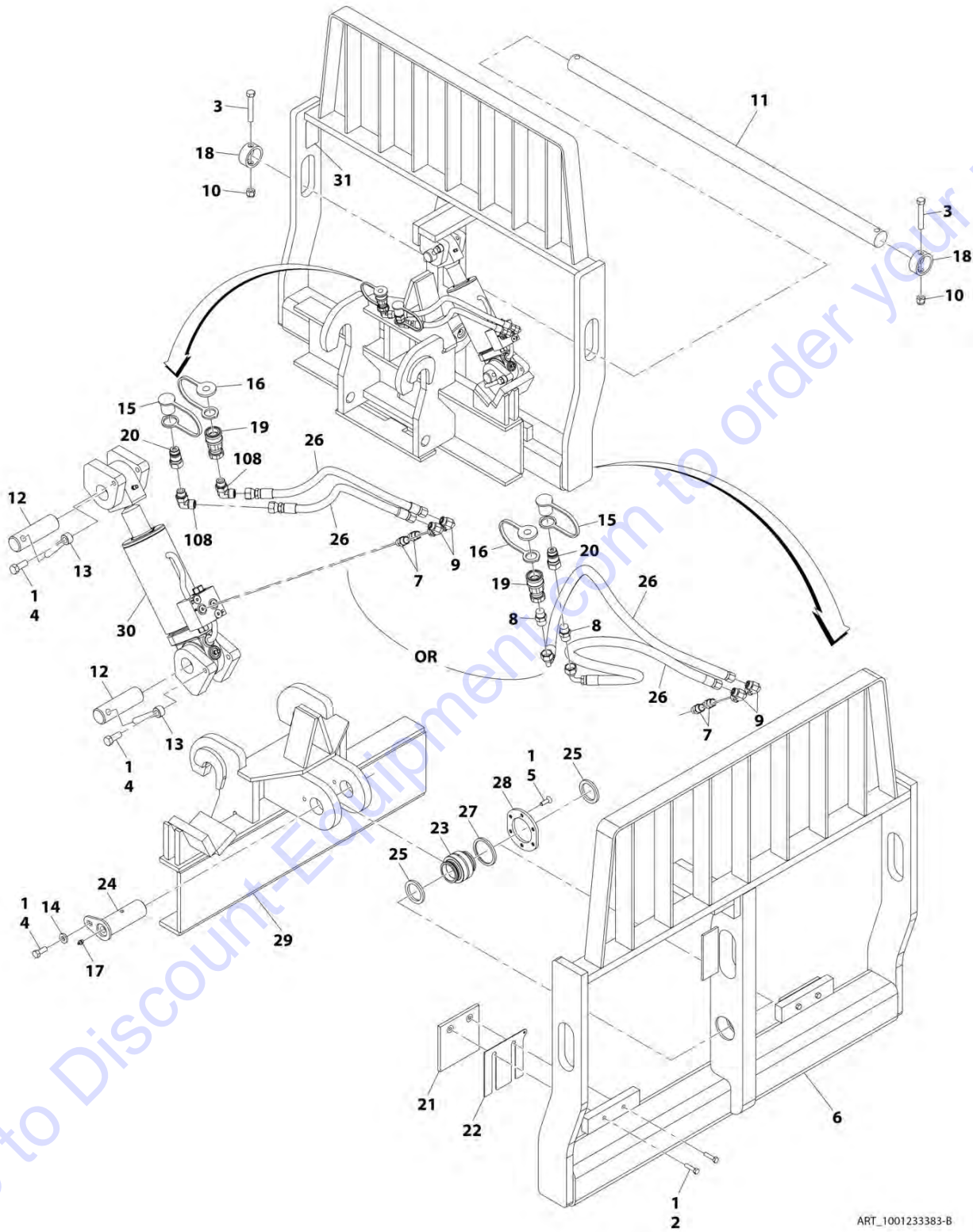
## SECTION 3 - ATTACHMENTS

**FIGURE 3-13. SIDE TILT CARRIAGE ASSEMBLY (72 INCH) - 1255**

ITEM	PART NUMBER	QTY	DESCRIPTION	REV
	1001182953	NLA	Side Tilt Carriage Assembly (72 Inch) - 1255 (no longer available, see items 1 through 31 for service or 1001233385 for replacement)	E
1	70021349	2	Bolt, 3/8X1	
2	70024091	2	Plate Bearing Retainer	
3	N.S.S.	1	Weldment, Main Frame	
4	70026704	1	Fork Pin	
5	70020002	2	Bolt	
6	70024095	2	Bolt	
7	N.S.S.	1	Weldment, Rear Frame	
8	70020028	2	Fork Pin Retainer	
9	70021348	1	Pin	
10	70021351	1	Pin	
11	90554042	2	Washer, Lock 3/8	
12	70024094	2	Washer	
13	70024093	2	Washer	
14	91403414	1	Adapter, Male Quick Disconnect	
15	91403413	1	Adapter, Female Quick Disconnect	
16	7029703	2	Washer	
17	70026703	2	Bolt	
18	90554038	4	Nut	
19	70026700	1	Fitting	
20	70028456	1	Pin	
21	70024089	1	Bearing	
23	90554065	1	Elbow, 90	
24	70026702	2	Hose	
25	90554017	2	Decal, Danger Pinch Point	
26	7029711	1	Decal	
27	N.S.S.	1	S/N Plate	
28	8420053	1	Cap, Dust	
29	8420055	1	Plug, Dust	
30	90554045	1	Fitting, Grease	
31	70021363	1	Cylinder, Side Tilt Cylinder (See Separate Breakdown in HYDRAULIC COMPONENTS Section)	

# SECTION 3 - ATTACHMENTS

## FIGURE 3-14. SIDE TILT CARRIAGE ASSEMBLY (50 INCH)



ART\_1001233383-B



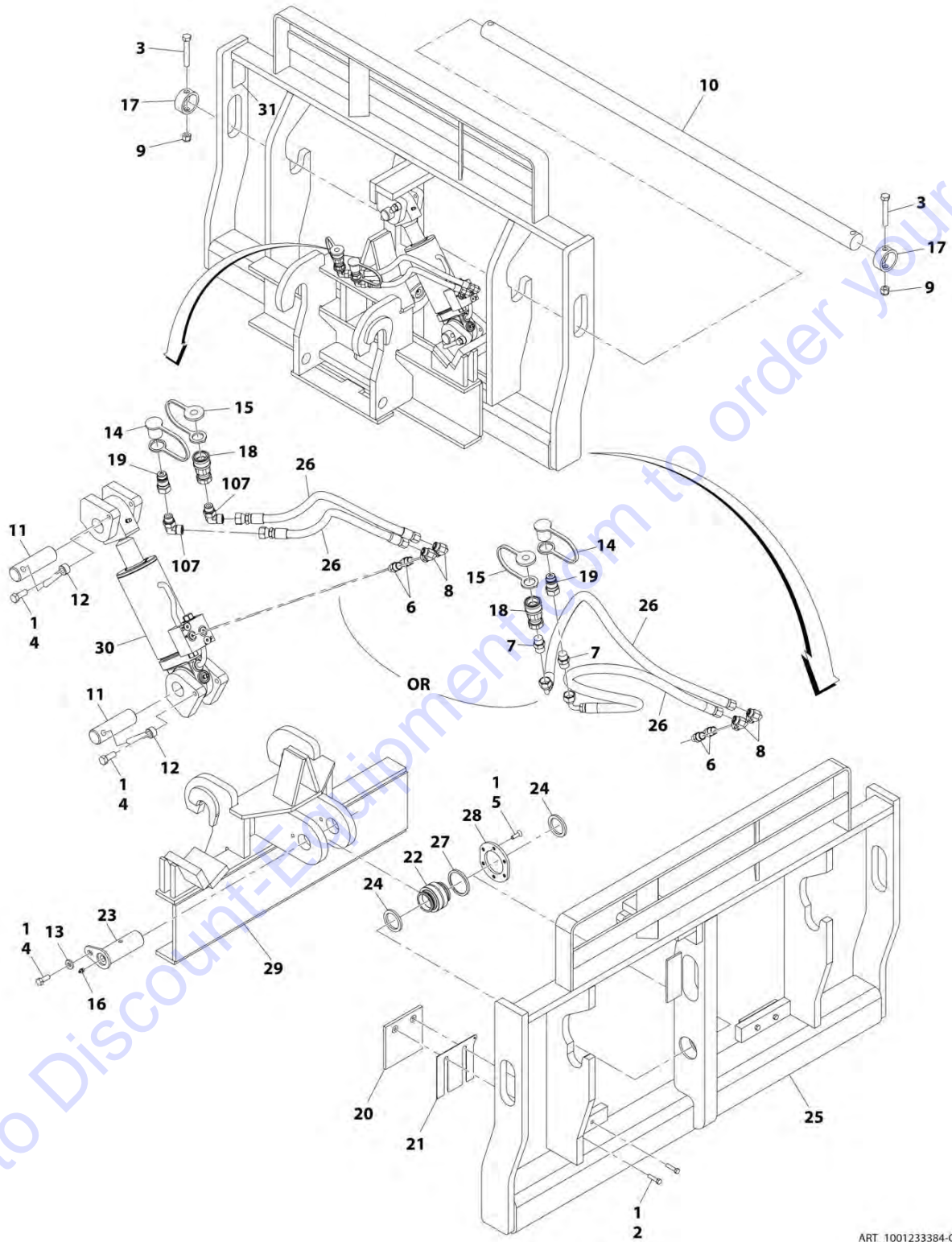
## SECTION 3 - ATTACHMENTS

**FIGURE 3-14. SIDE TILT CARRIAGE ASSEMBLY (50 INCH)**

ITEM	PART NUMBER	QTY	DESCRIPTION	REV
	1001233383	Ref	Side Tilt Carriage Assembly (50 Inch)	B
1	0100011	AR	Compound, Locking	
2	0641612	4	Bolt, 3/8-16X1-1/2	
3	0642032	2	Bolt, 5/8-11X4	
4	0681810	3	Bolt, 1/2-13X1-1/4	
5	0741610	6	Screw, 3/8-16X1-1/4	
6	N.S.S.	1	Carriage, Side Tilt	
7	2110606	2	Adapter, Straight	
8	2110808	2	Adapter, Straight	
9	2172106	2	Adapter, 90	
10	3300240	2	Nut, Lock 5/8-11	
11	3423275	1	Pin, Fork	
12	3423307	2	Pin, Side Tilt Cylinder	
13	3841203	2	Keeper, Rod	
14	4891800	1	Washer, 1/2	
15	8420053	1	Cap, Dust	
16	8420055	1	Plug, Dust	
17	88671001	1	Fitting, Grease	
18	90200003	2	Collar, Fork Pin	
19	91403413	1	Adapter	
20	91403414	1	Adapter	
21	1001090063	2	Pad, Wear	
22	1001090064	AR	Shim, Wear Pad	
23	1001090140	1	Bearing, Side Tilt Spherical	
24	1001099113	1	Pin, Side Tilt Frame Pivot	
25	1001099115	2	Sleeve, Tilt Bearing Spacer	
26	1001102378	NLA	Hose, (no longer available, use 1001239734 and item 108 for replacement)	
26	1001239734	2	Hose	
27	1001120914	1	Shim, Bearing Retainer	
28	1001120915	1	Plate, Bearing Retainer	
29	1001133072	1	Carriage, Base Pivot	
30	1001163414	1	Cylinder, Side Tilt (See HYDRAULIC COMPONENTS SECTION for Breakdown)	
31	N.S.S.	1	S/N Plate	
108	2130808	2	Adapter, 90	

# SECTION 3 - ATTACHMENTS

## FIGURE 3-15. SIDE TILT CARRIAGE ASSEMBLY (60 INCH)



ART\_1001233384-C

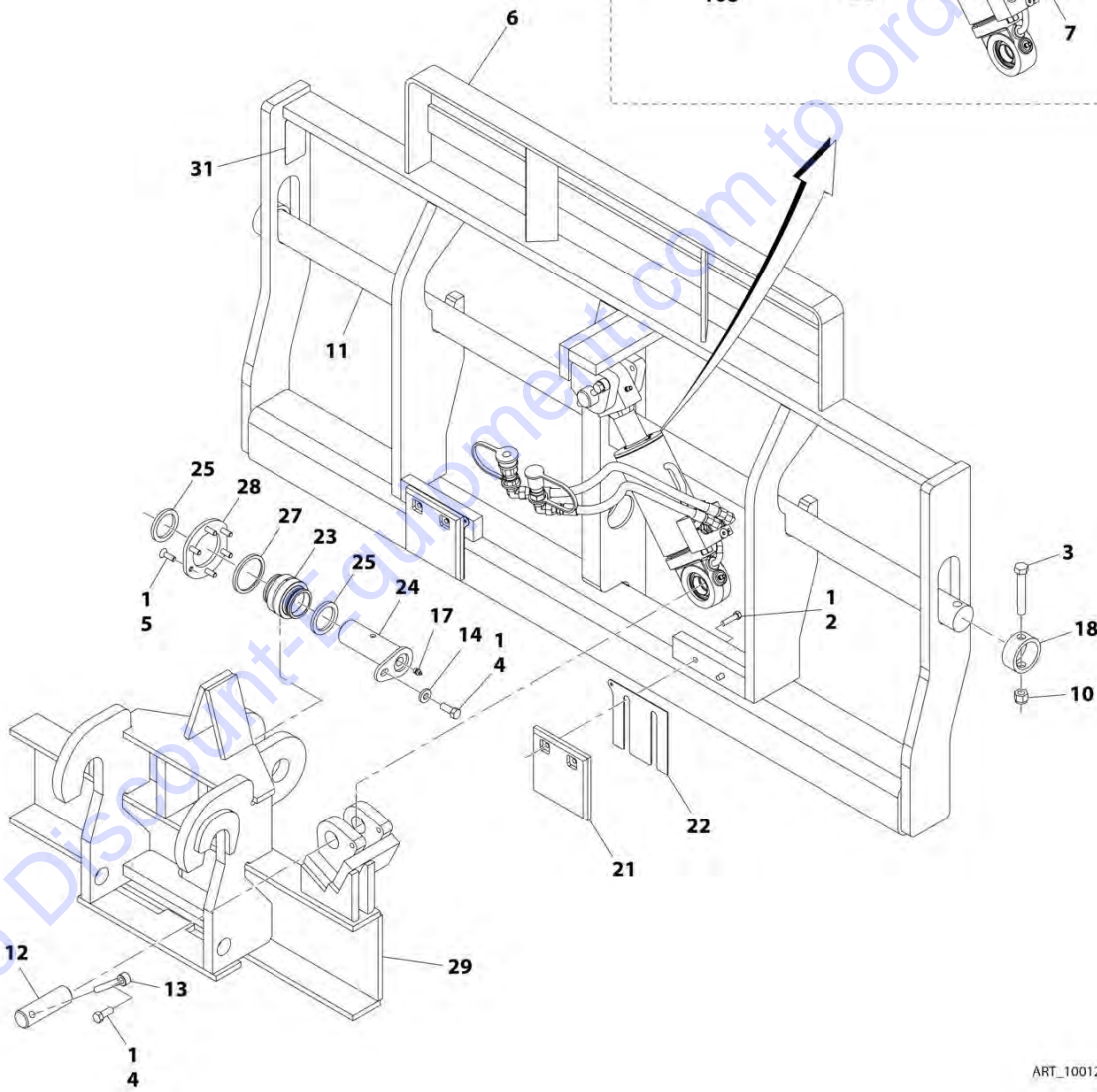
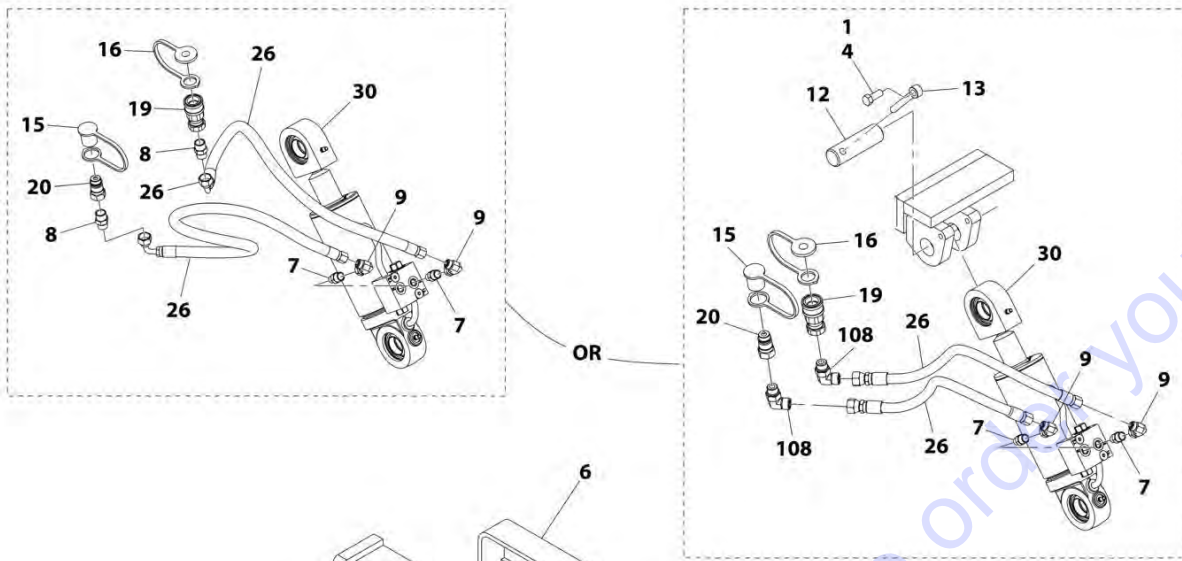
## SECTION 3 - ATTACHMENTS

**FIGURE 3-15. SIDE TILT CARRIAGE ASSEMBLY (60 INCH)**

ITEM	PART NUMBER	QTY	DESCRIPTION	REV
	1001233384	Ref	Side Tilt Carriage Assembly (60 Inch)	C
1	0100011	AR	Compound, Locking	
2	0641612	4	Bolt, 3/8-16X1-1/2	
3	0642032	2	Bolt, 5/8-11X4	
4	0681810	3	Bolt, 1/2-13X1-1/4	
5	0741610	6	Screw, 3/8-16X1-1/4	
6	2110606	2	Adapter, Straight	
7	2110808	2	Adapter, Straight	
8	2172106	2	Adapter, 90	
9	3300240	2	Nut, Lock 5/8-11	
10	3423242	1	Pin, Fork	
11	3423307	2	Pin, Side Tilt Cylinder	
12	3841203	2	Keeper, Rod	
13	4891800	1	Washer, 1/2	
14	8420053	1	Cap, Dust	
15	8420055	1	Plug, Dust	
16	88671001	1	Fitting, Grease	
17	90200003	2	Collar, Fork Pin	
18	91403413	1	Adapter	
19	91403414	1	Adapter	
20	1001090063	2	Pad, Wear	
21	1001090064	AR	Shim, Wear Pad	
22	1001090140	1	Bearing, Side Tilt Spherical	
23	1001099113	1	Pin, Side Tilt Frame Pivot	
24	1001099115	2	Sleeve, Tilt Bearing Spacer	
25	N.S.S.	1	Carriage, Side Tilt	
26	1001102378	NLA	Hose, (no longer available, use 1001239734 and item 107 for replacement)	
26	1001239734	2	Hose	
27	1001120914	1	Shim, Bearing Retainer	
28	1001120915	1	Plate, Bearing Retainer	
29	1001133072	1	Carriage, Base Pivot	
30	1001163414	1	Cylinder, Side Tilt (See HYDRAULIC COMPONENTS SECTION for Breakdown)	
31	N.S.S.	1	S/N Plate	
107	2130808	2	Adapter, 90	

# SECTION 3 - ATTACHMENTS

## FIGURE 3-16. SIDE TILT CARRIAGE ASSEMBLY (72 INCH)



ART\_1001233385-B

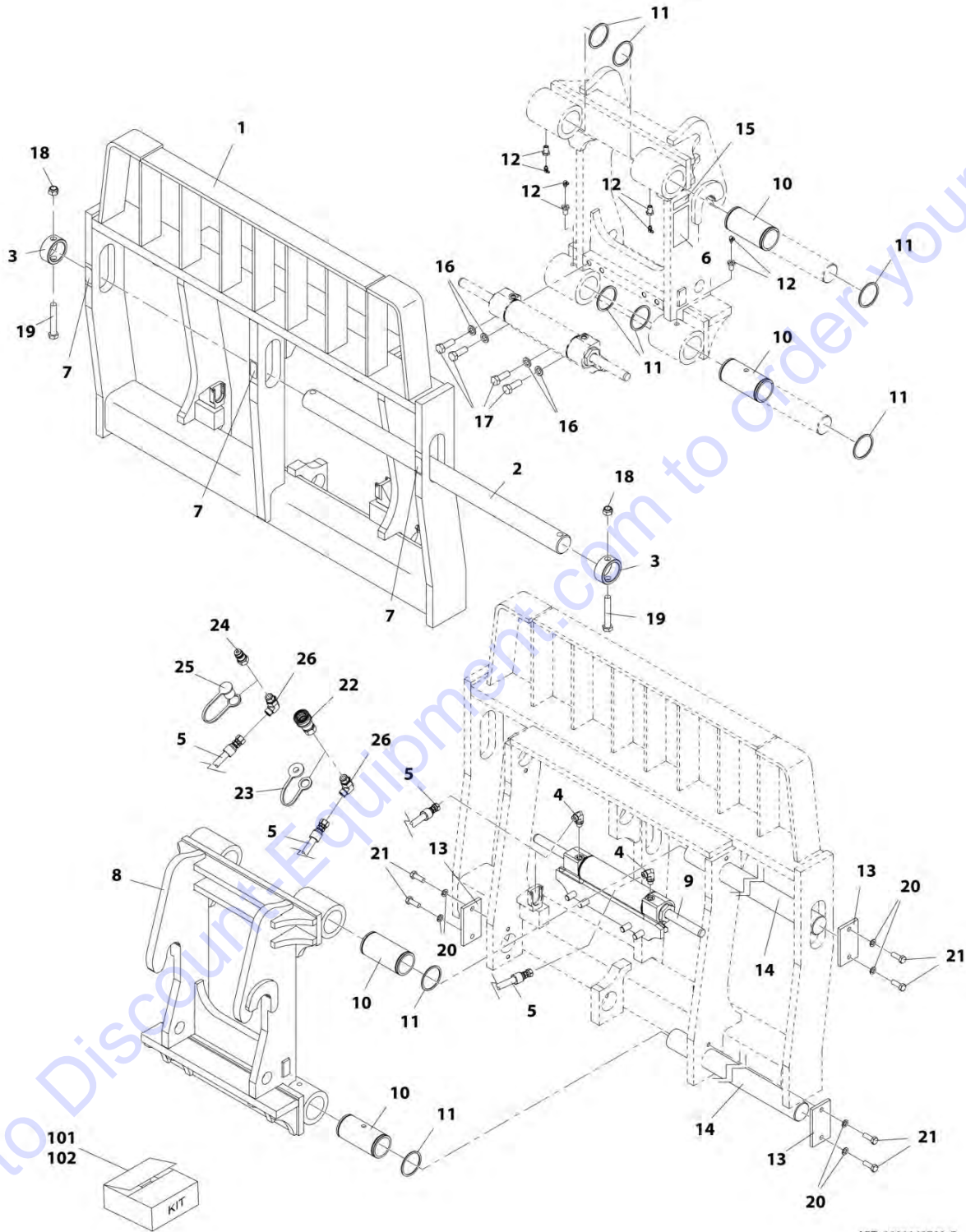
## SECTION 3 - ATTACHMENTS

**FIGURE 3-16. SIDE TILT CARRIAGE ASSEMBLY (72 INCH)**

ITEM	PART NUMBER	QTY	DESCRIPTION	REV
	1001233385	Ref	Side Tilt Carriage Assembly (72 Inch)	B
1	0100011	AR	Compound, Locking	
2	0641612	4	Bolt, 3/8-16X1-1/2	
3	0642032	2	Bolt, 5/8-11X4	
4	0681810	3	Bolt, 1/2-13X1-1/4	
5	0741610	6	Screw, 3/8-16X1-1/4	
6	N.S.S.	1	Carriage, Side Tilt	
7	2110606	2	Adapter, Straight	
8	2110808	2	Adapter, Straight	
9	2172106	2	Adapter, 90	
10	3300240	2	Nut, Lock 5/8-11	
11	3423276	1	Pin, Fork	
12	3423307	2	Pin, Side Tilt Cylinder	
13	3841203	2	Keeper, Rod	
14	4891800	1	Washer, 1/2	
15	8420053	1	Cap, Dust	
16	8420055	1	Plug, Dust	
17	88671001	1	Fitting, Grease	
18	90200003	2	Collar, Fork Pin	
19	91403413	1	Adapter	
20	91403414	1	Adapter	
21	1001090063	2	Pad, Wear	
22	1001090064	AR	Shim, Wear Pad	
23	1001090140	1	Bearing, Side Tilt Spherical	
24	1001099113	1	Pin, Side Tilt Frame Pivot	
25	1001099115	2	Sleeve, Tilt Bearing Spacer	
26	1001102378	NLA	Hose (no longer available, use 1001239734 and item 108 for replacement)	
26	1001239734	2	Hose	
27	1001120914	1	Shim, Bearing Retainer	
28	1001120915	1	Plate, Bearing Retainer	
29	1001133072	1	Carriage, Base Pivot	
30	1001163414	1	Cylinder, Side Tilt (See HYDRAULIC COMPONENTS SECTION for Breakdown)	
31	N.S.S.	1	S/N Plate	
108	2130808	2	Adapter, 90	

# SECTION 3 - ATTACHMENTS

## FIGURE 3-17. SIDE SHIFT CARRIAGE ASSEMBLY (50 INCH)



ART\_1001142790-C

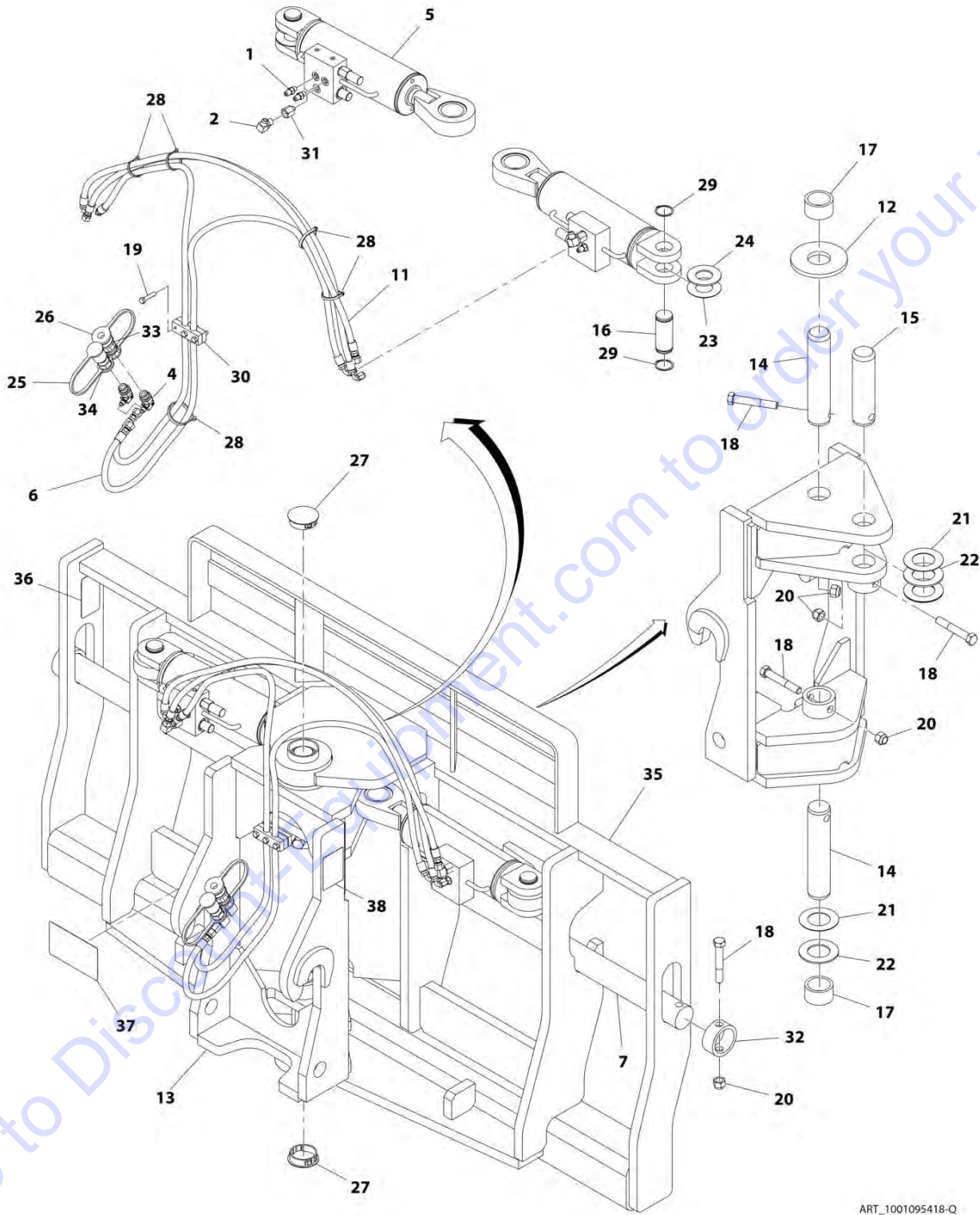
## SECTION 3 - ATTACHMENTS

**FIGURE 3-17. SIDE SHIFT CARRIAGE ASSEMBLY (50 INCH)**

ITEM	PART NUMBER	QTY	DESCRIPTION	REV
	1001142790	Ref	Side Shift Carriage Assembly (50 Inch)	C
1	N.S.S.	1	Weldment	
2	70024535	1	Shaft	
3	70024536	2	Collar	
4	70024123	2	Adapter, 90 (includes o-ring)	
5	70024537	2	Hose	
6	N.S.S.	1	S/N Plate	
7	70024538	3	Decal, Warning	
8	N.S.S.	1	Weldment	
9	70024539	1	Cylinder, Side Shift Carriage (50 Inch) (See HYDRAULIC COMPONENTS SECTION for Breakdown)	
10	70024540	4	Bushing	
11	70024541	8	Circlip	
12	70024542	4	Fitting, Grease	
13	70024543	4	Retainer	
14	70024544	2	Shaft	
15	N.S.S.	1	S/N Plate	
16	70024551	4	Washer, Lock 16	
17	70024552	4	Bolt, M16X45	
18	70024553	2	Nut, Hex M16	
19	70024554	2	Bolt, M16X100	
20	70022997	8	Washer, Lock 12	
21	70024555	8	Bolt, M12X35	
22	91403413	1	Adapter, Female Quick Disconnect	
23	8420055	1	Plug, Dust	
24	91403414	1	Adapter, Male Quick Disconnect	
25	8420053	1	Cap, Dust	
26	70024550	2	Adapter, 90 (includes o-ring)	
101	70024545	1	Kit, Hydraulic Repair (includes items 5 & 22 thru 26)	
102	70024546	1	Kit, Retainer (includes items 13, 20 & 21)	

# SECTION 3 - ATTACHMENTS

## FIGURE 3-18. 90 SWING CARRIAGE ASSEMBLY (72 INCH)



ART\_1001095418-Q



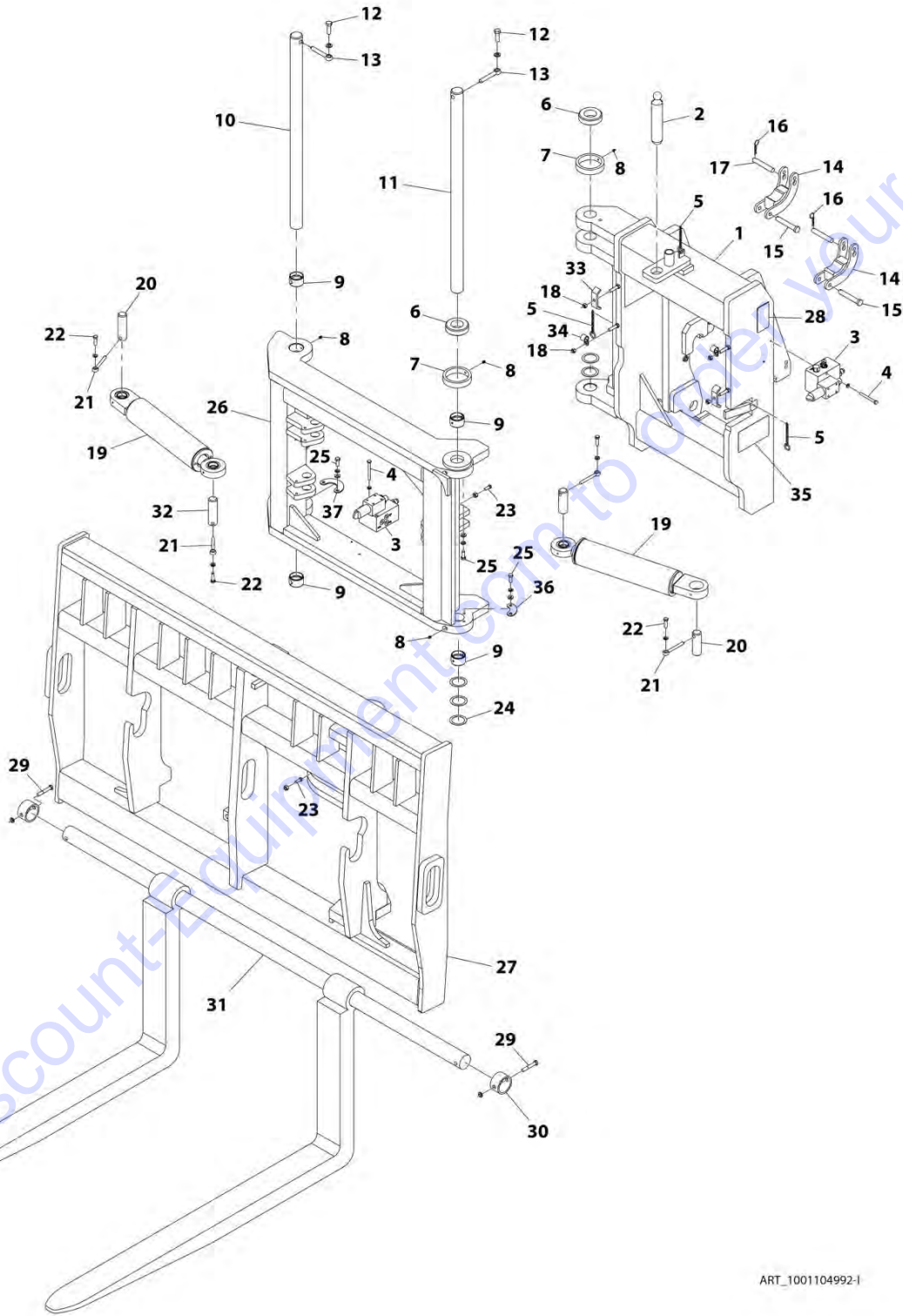
## SECTION 3 - ATTACHMENTS

**FIGURE 3-18. 90 SWING CARRIAGE ASSEMBLY (72 INCH)**

ITEM	PART NUMBER	QTY	DESCRIPTION	REV
	1001095418	1	90 Swing Carriage Assembly (72 Inch)	Q
1	2220415	4	Adapter, Straight	
2	2220473	2	Adapter, 90	
4	1001211139	2	Adapter, 90	
5	1001103182	2	Swing Carriage Cylinder (See HYDRAULIC COMPONENTS for Breakdown)	
6	2717287	2	Hose	
7	3423276	1	Pin, Fork	
11	6604662	2	Hose	
12	7062922	1	Washer, Thrust	
13	N.S.S.	1	Weldment, Pivot	
14	7110702	2	Pin, Pivot	
15	7110712	1	Pin, Cylinder	
16	7110722	1	Pin, Cylinder	
17	8065062	2	Bushing	
18	8303634	5	Bolt, 5/8-11X4	
19	8303715	3	Bolt, 5/16-18X1-1/2	
20	8305643	5	Nut, Lock 5/8-11	
21	8307904	AR	Washer, Shim	
22	8307918	AR	Washer, Shim	
23	8310160	AR	Washer, Shim	
24	8310161	AR	Washer, Shim	
25	8420053	1	Cap, Dust	
26	8420055	1	Plug, Dust	
27	8580315	2	Plug	
28	8584001	5	Wrap, Tie	
29	8642207	4	Ring, Retaining	
30	8769132	2	Clamp, Twin	
31	8770016	2	Adapter, Straight	
32	90200003	2	Collar, Fork Pin	
33	91403413	1	Adapter, Female Quick Disconnect	
34	91403414	1	Adapter, Male Quick Disconnect	
35	N.S.S.	1	Frame, Carriage	
36	N.S.S.	1	S/N Plate	
37	1001110704	1	Decal, Warning Crush Hazard	
38	1001111190	2	Decal, Warning	

# SECTION 3 - ATTACHMENTS

## FIGURE 3-19. 180 SWING CARRIAGE (72 INCH)



ART\_1001104992-I

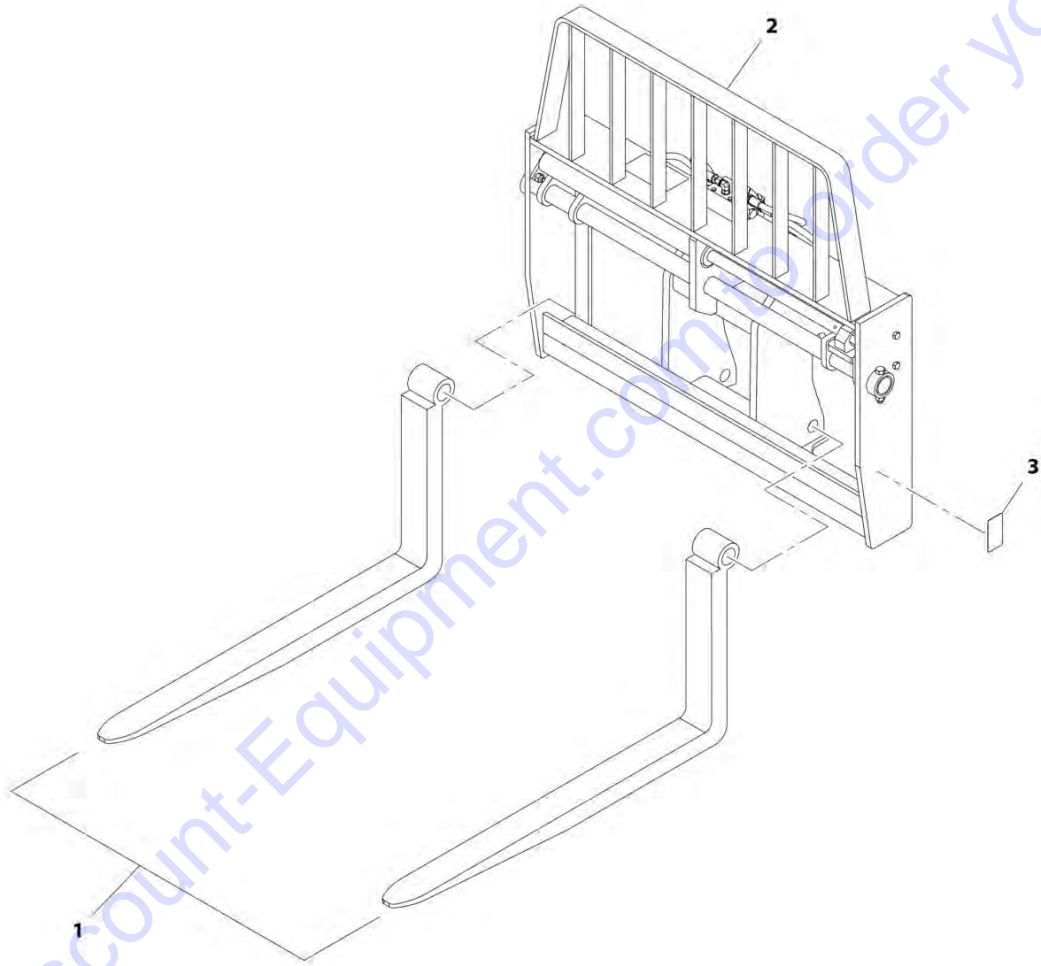
## SECTION 3 - ATTACHMENTS

**FIGURE 3-19. 180 SWING CARRIAGE (72 INCH)**

ITEM	PART NUMBER	QTY	DESCRIPTION	REV
	1001104992	1	180 Swing Carriage (72 Inch)	I
1	N.S.S.	1	Back Frame	
2	90554026	1	Pin	
3	91564003	2	Valve	
4	90554070	4	Bolt	
4	90554067	4	Washer, Lock	
5	90554025	3	Chain, #12 Jack	
6	90554024	2	Bearing	
7	70020017	2	Spacer	
8	90554045	10	Zerk, Grease	
9	70020015	4	Bearing	
10	70020026	1	Pin	
11	70020025	1	Pin	
12	70021382	2	Bolt	
12	90554020	2	Washer, Lock 1/2	
13	90554021	2	Pin, Rod End	
14	90554027	2	Pin Support Wmt	
15	90554035	2	Pin	
16	1316794	2	Pin Cotter	
17	70020029	2	Pin Clevis	
18	70021367	6	Nut, Lock 3/8	
19	70027641	2	Cylinder Assy	
20	90554044	3	Pin	
21	90554043	4	Pin, Rod End	
22	70021429	4	Bolt	
22	90554042	4	Washer, Lock 3/8	
23	70020004	2	Bolt	
23	90554056	2	Nut	
24	90554040	5	Washer, Thrust	
25	7029997	6	Bolt	
25	90554042	6	Washer, Lock 3/8	
25	7029703	6	Washer, Flat	
26	N.S.S.	1	Frame	
27	N.S.S.	1	Frame	
28	N.S.S.	1	Tag	
29	70020002	2	Bolt	
29	70027642	2	Washer, Lock	
30	70020028	2	Fork Pin Retainer	
31	70020027	1	Pin Fork	
32	70022530	1	Pin	
33	90554039	3	Hose Clamp	
34	7029996	3	Clamp, Hose	
35	70027643	1	Decal, Warning	
36	70027644	2	Retainer, Bearing	
37	70027645	1	Retainer, Bearing	

## SECTION 3 - ATTACHMENTS

FIGURE 3-20. DUAL FORK CARRIAGE (50 INCH) - 1055 (Prior to SN 0160082577)



ART\_7301295-G

## SECTION 3 - ATTACHMENTS

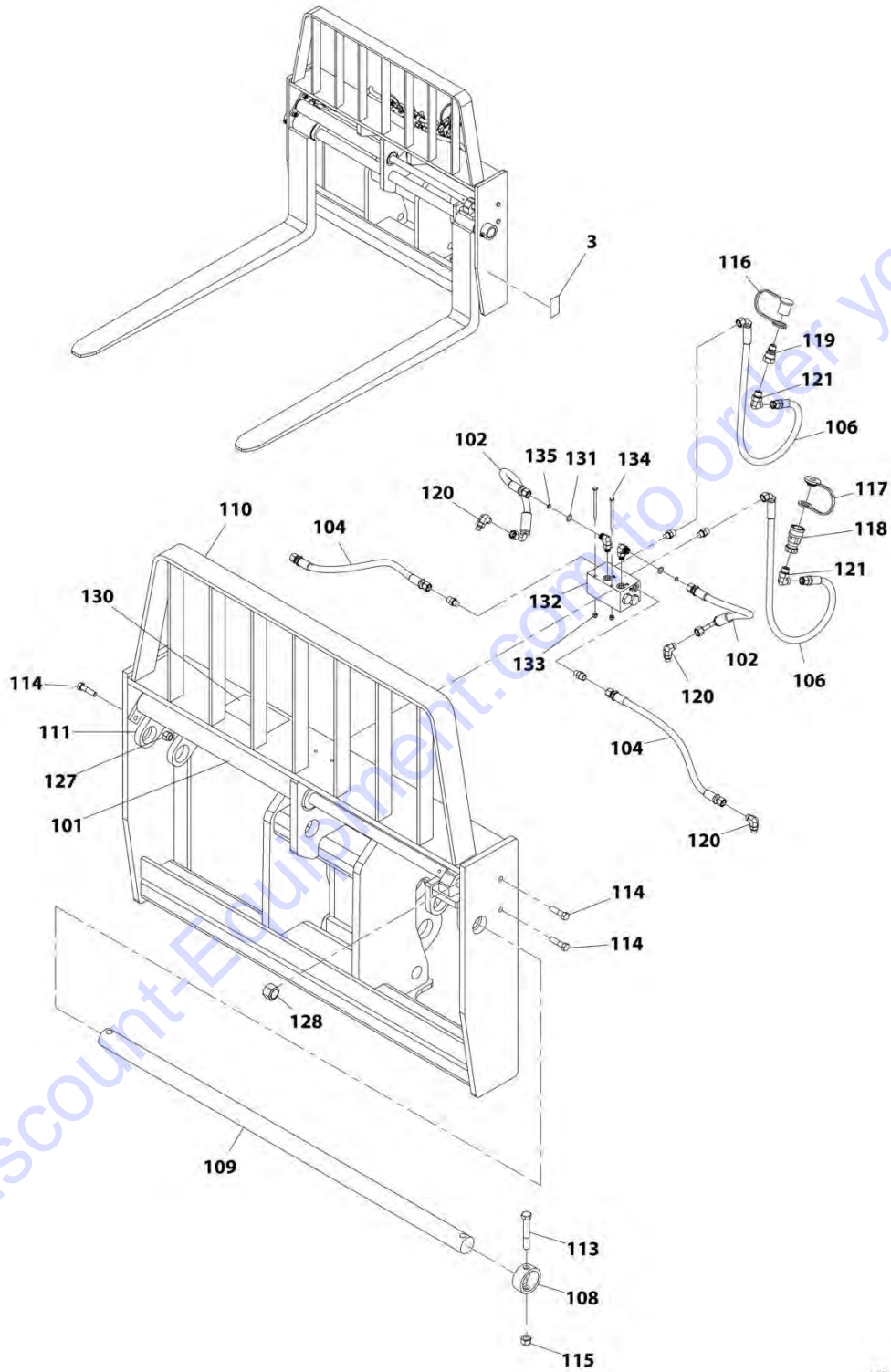
**FIGURE 3-20. DUAL FORK CARRIAGE (50 INCH) - 1055 (Prior to SN 0160082577)**

ITEM	PART NUMBER	QTY	DESCRIPTION	REV
	7301295	Ref	Dual Fork Carriage (50 Inch) - 1055	G
1	7301408	2	Fork, Pallet	
2	7301568	1	Assembly, Dual Fork Carriage (See Separate Breakdown in this Section)	
3	N.S.S.	1	S/N Plate	

Go to Discount-Equipment.com to order your parts

# SECTION 3 - ATTACHMENTS

FIGURE 3-21. DUAL FORK CARRIAGE (50 INCH) - 1055 (SN 0160082577 to Present)



ART\_7301295-H

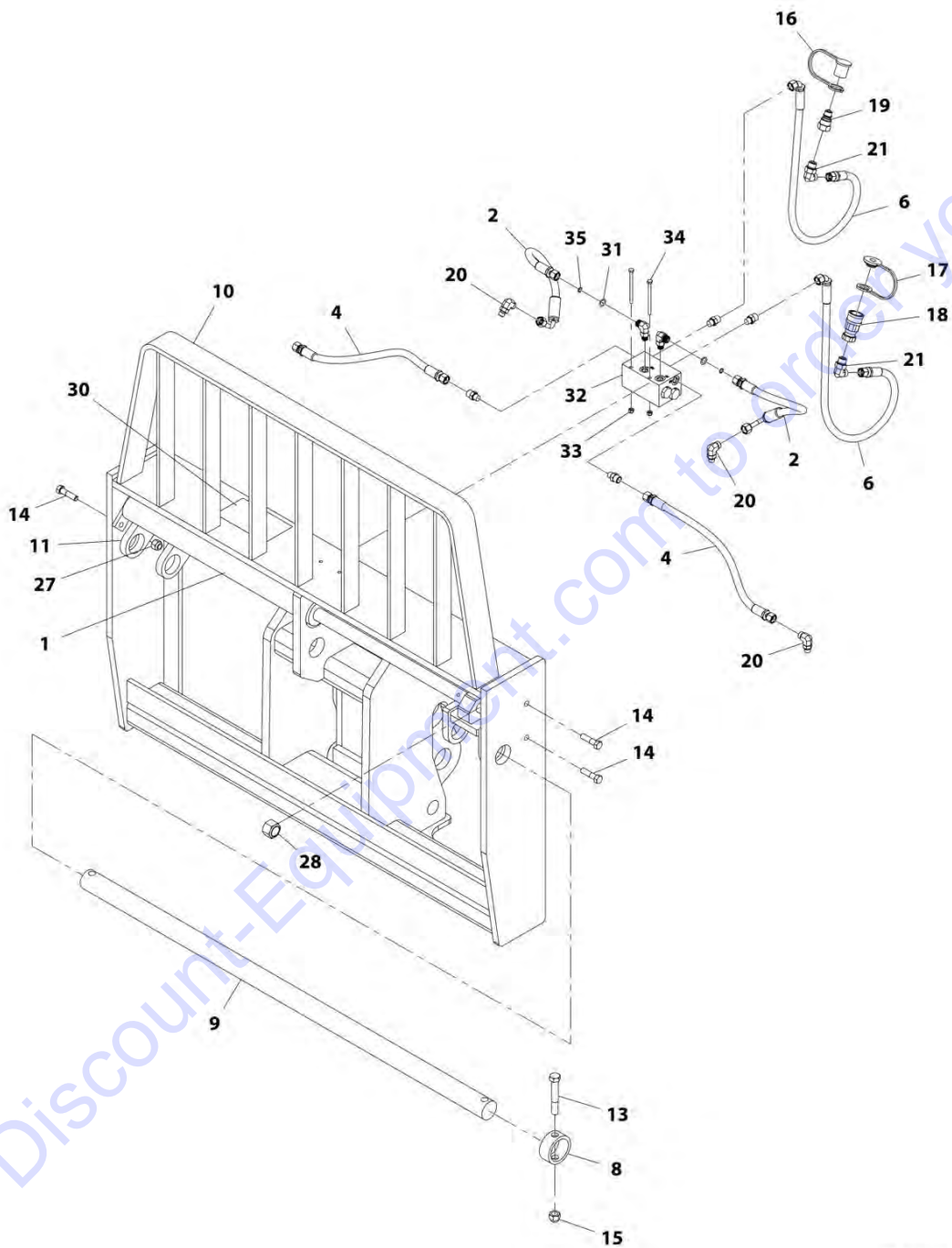
## SECTION 3 - ATTACHMENTS

**FIGURE 3-21. DUAL FORK CARRIAGE (50 INCH) - 1055 (SN 0160082577 to Present)**

ITEM	PART NUMBER	QTY	DESCRIPTION	REV
	7301295	Ref	Dual Fork Carriage (50 Inch) - 1055	H
3	N.S.S.	1	S/N Plate	
101	2717283	2	Cylinder, Fork Positioning	
102	2717160	2	Hose	
104	2717161	2	Hose	
106	2717162	2	Hose	
108	90200003	2	Collar, Fork Pin	
109	90451058	1	Shaft, Fork	
110	N.S.S.	1	Weldment, Carriage	
111	N.S.S.	1	Weldment, Fork Adapter	
113	8303634	2	Bolt, 5/8-11X4	
114	8303658	4	Bolt, 1/2-13X2	
115	8305643	2	Nut, Lock 5/8-11	
116	8420053	1	Cap, Dust	
117	8420055	1	Plug, Dust	
118	91403413	1	Adapter, Quick Disconnect	
119	91403414	1	Adapter, Quick Disconnect	
120	2130606	4	Adapter, 90 Straight	
121	2130608	2	Adapter, 90 Straight	
127	8310302	4	Nut, Lock 1/2-13	
128	10705034	2	Nut, Lock 1-14	
130	4110473	1	Decal, Warning Route Hoses	
131	7139918	2	Disk, Orifice	
132	4641502	1	Assembly, Dual Fork Carriage Valve (See Separate Breakdown in this Section)	
133	8305624	2	Nut, Lock 1/4-20	
134	8310435	2	Bolt, 1/4-20X3-3/4	
135	8630003	2	O-Ring	

# SECTION 3 - ATTACHMENTS

## FIGURE 3-22. DUAL FORK CARRIAGE ASSEMBLY (50 INCH)



ART\_7301568-J



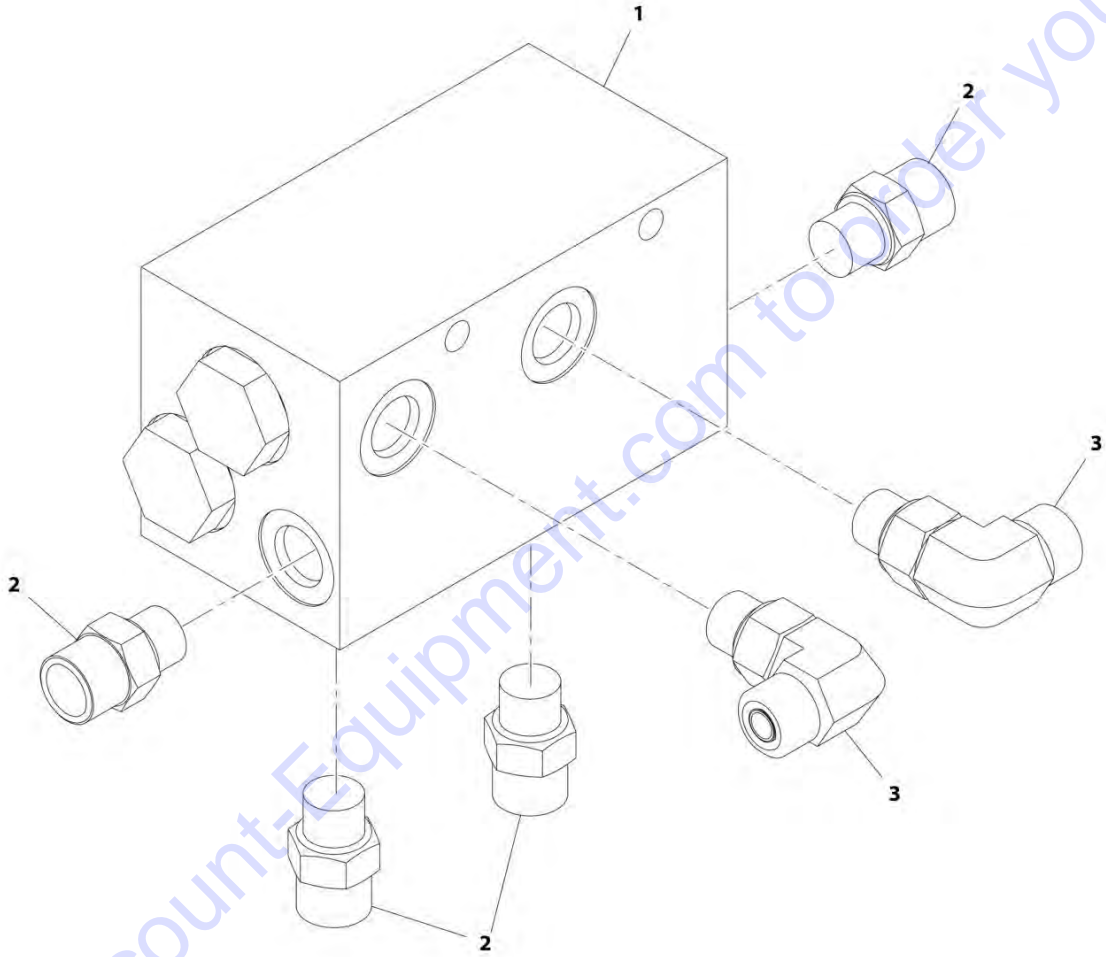
## SECTION 3 - ATTACHMENTS

**FIGURE 3-22. DUAL FORK CARRIAGE ASSEMBLY (50 INCH)**

ITEM	PART NUMBER	QTY	DESCRIPTION	REV
	7301568	NLA	Dual Fork Carriage Assembly (50 Inch) (no longer available, see items 1 through 35 for service or use 7301295 for replacement)	J
1	2717283	2	Cylinder, Fork Positioning	
2	2717160	2	Hose	
4	2717161	2	Hose	
6	2717162	2	Hose	
8	90200003	2	Collar, Fork Pin	
9	90451058	1	Shaft, Fork	
10	N.S.S.	1	Weldment, Carriage	
11	N.S.S.	2	Weldment, Fork Adapter	
13	8303634	2	Bolt, 5/8-11X4	
14	8303658	4	Bolt, 1/2-13X2	
15	8305643	2	Nut, Lock 5/8-11	
16	8420053	1	Cap, Dust	
17	8420055	1	Plug, Dust	
18	91403413	1	Adapter, Quick Disconnect	
19	91403414	1	Adapter, Quick Disconnect	
20	2130606	4	Adapter, 90 Straight	
21	2130608	2	Adapter, 90 Straight	
27	8310302	4	Nut, Lock 1/2-13	
28	10705034	2	Nut, Lock 1-14	
30	4110473	1	Decal, Warning Route Hoses	
31	7139918	2	Disk, Orifice	
32	4641502	1	Assembly, Dual Fork Carriage Valve (See Separate Breakdown in HYDRAULIC COMPONENTS Section)	
33	8305624	2	Nut, Lock 1/4-20	
34	8310435	2	Bolt, 1/4-20X3-3/4	
35	8630003	2	O-Ring	

# SECTION 3 - ATTACHMENTS

FIGURE 3-23. DUAL FORK CARRIAGE VALVE ASSEMBLY



ART\_4641502-B

## SECTION 3 - ATTACHMENTS

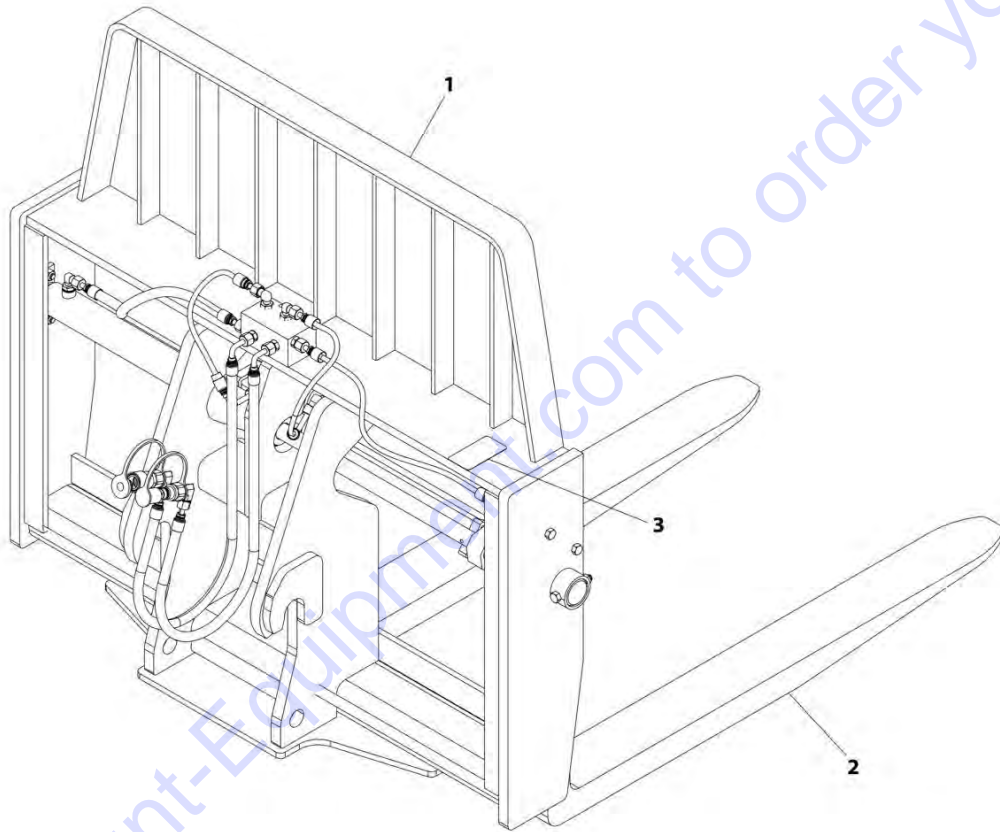
**FIGURE 3-23. DUAL FORK CARRIAGE VALVE ASSEMBLY**

ITEM	PART NUMBER	QTY	DESCRIPTION	REV
	4641502	Ref	Dual Fork Carriage Valve Assembly	B
1	4641501	1	Valve, Flow Divider (See Separate Breakdown in HYDRAULIC COMPONENTS Section)	
2	2110606	4	Adapter, Straight	
3	2130606	2	Adapter, 90	

Go to Discount-Equipment.com to order your parts

## SECTION 3 - ATTACHMENTS

FIGURE 3-24. DUAL FORK POSITIONING CARRIAGE ASSEMBLY (50 INCH) - 1255 (Prior to SN 0160082577)



ART\_1001189211-B

## SECTION 3 - ATTACHMENTS

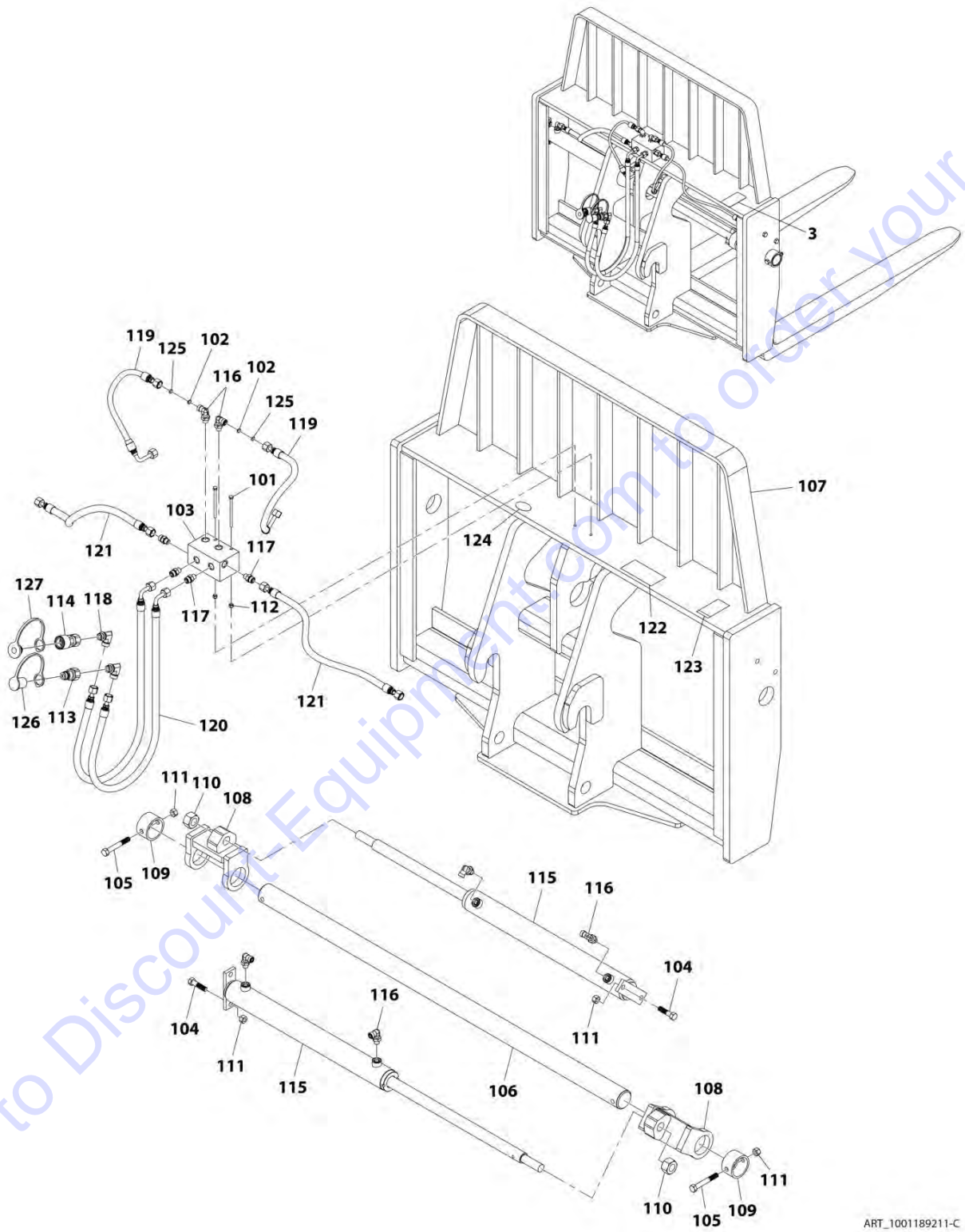
**FIGURE 3-24. DUAL FORK POSITIONING CARRIAGE ASSEMBLY (50 INCH) - 1255 (Prior to SN 0160082577)**

ITEM	PART NUMBER	QTY	DESCRIPTION	REV
	1001189211	Ref	Dual Fork Positioning Carriage Assembly (50 Inch) - 1255	B
1	1001188390	1	Carriage, Dual Fork Positioning (50 Inch) - 1255 (See DUAL FORK POSITIONING CARRIAGE (50 INCH) - 1255 for Breakdown)	
2	2340038	2	Fork, Pallet 2.36X5X48 (See FORK, PALLET 2.36X5X48 for Breakdown)	
3	N.S.S.	1	S/N Plate	

Go to Discount-Equipment.com to order your parts

# SECTION 3 - ATTACHMENTS

FIGURE 3-25. DUAL FORK POSITIONING CARRIAGE ASSEMBLY (50 INCH) - 1255 (SN 0160082577 to Present)



ART\_1001189211-C

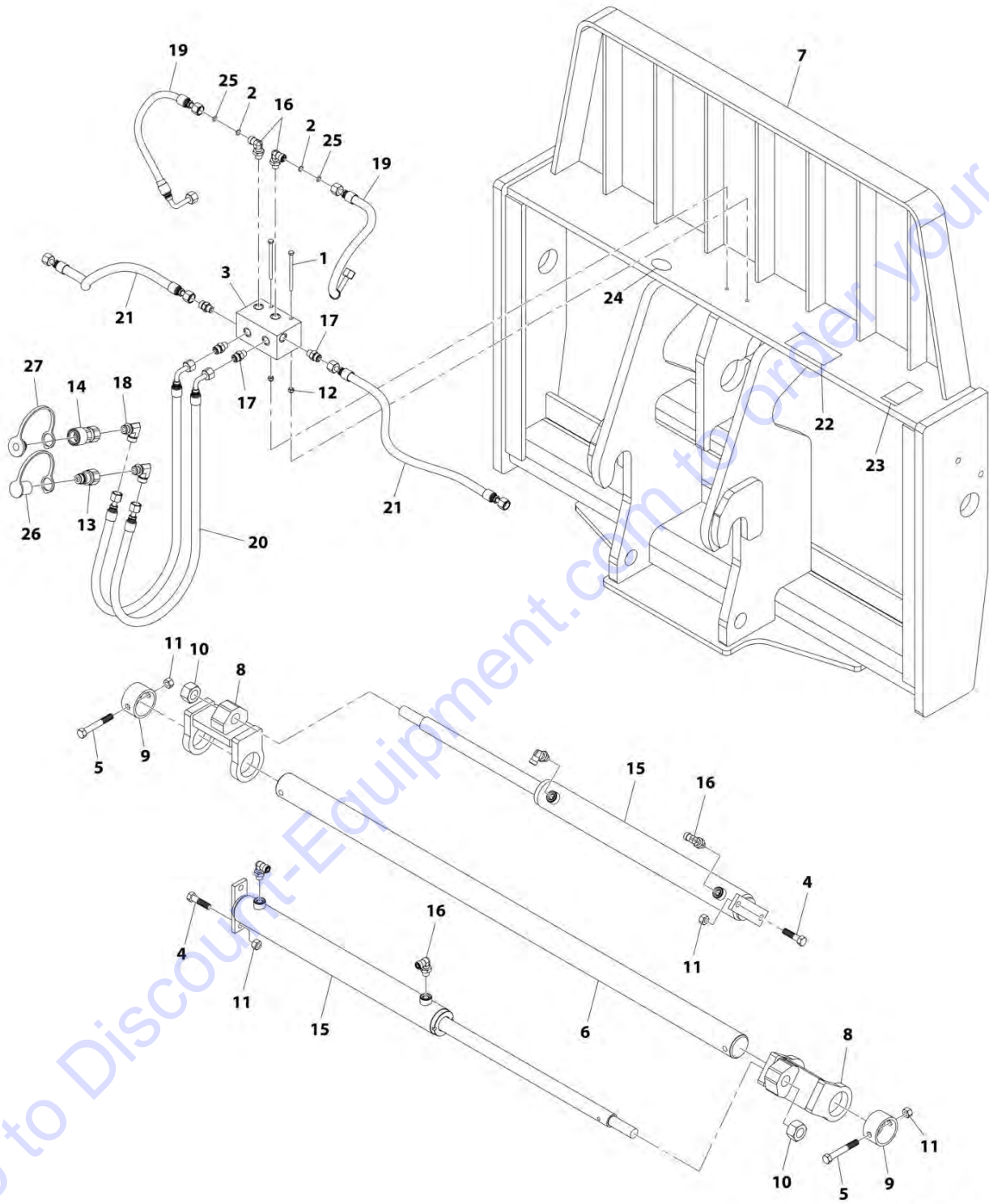
## SECTION 3 - ATTACHMENTS

**FIGURE 3-25. DUAL FORK POSITIONING CARRIAGE ASSEMBLY (50 INCH) - 1255 (SN 0160082577 to Present)**

ITEM	PART NUMBER	QTY	DESCRIPTION	REV
	1001189211	Ref	Dual Fork Positioning Carriage Assembly (50 Inch) - 1255	C
3	N.S.S.	1	SN Plate	
101	70028519	2	Bolt	
102	70028520	2	Orifice	
103	70028521	1	Valve	
104	90554019	4	Bolt	
105	70020002	2	Bolt	
106	70027283	1	Pin Fork	
107	N.S.S.	1	Weldment	
108	70028522	2	Weldment, Fork Adapter	
109	70020028	2	Bushing	
110	70021440	2	Nut	
111	70028523	6	Nut	
112	70028524	2	Nut	
113	91403414	1	Adapter, Male Quick Disconnect	
114	91403413	1	Adapter, Female Quick Disconnect	
115	70026772	2	Cylinder, Dual Fork (See Separate Breakdown in HYDRAULIC COMPONENTS Section)	
116	70028525	6	Elbow, 90	
117	70028486	4	Fitting	
118	70028526	2	Elbow, 90	
119	70028527	2	Hose	
120	70028528	2	Hose	
121	70028529	2	Hose	
122	70028530	1	Decal, Hose Routing	
123	N.S.S.	1	SN Plate	
124	90554016	1	Decal	
125	70028531	2	O-Ring	
126	8420055	1	Plug, Dust	
127	8420053	1	Cap, Dust	

# SECTION 3 - ATTACHMENTS

## FIGURE 3-26. DUAL FORK POSITIONING CARRIAGE (50 INCH) - 1255



ART\_1001188390-C



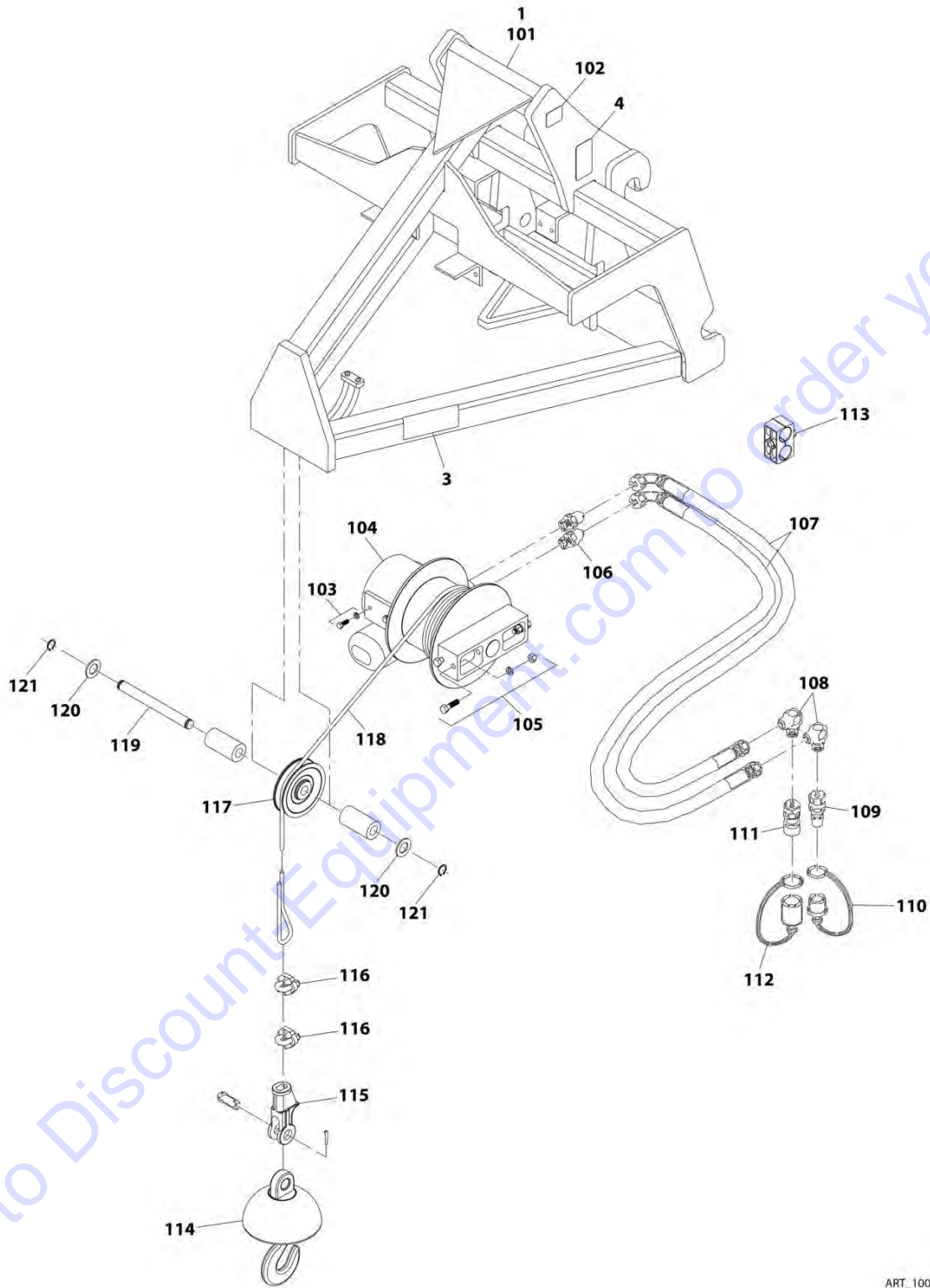
## SECTION 3 - ATTACHMENTS

**FIGURE 3-26. DUAL FORK POSITIONING CARRIAGE (50 INCH) - 1255**

ITEM	PART NUMBER	QTY	DESCRIPTION	REV
	1001188390	NLA	Dual Fork Positioning Carriage (50 Inch) - 1255 (no longer available, see items 1 thru 27 for service or use 1001189211 for replacement)	C
1	70028519	2	Bolt	
2	70028520	2	Orifice	
3	70028521	1	Valve	
4	90554019	4	Bolt	
5	70020002	2	Bolt	
6	70027283	1	Pin Fork	
7	N.S.S.	1	Weldment	
8	70028522	2	Weldment, Fork Adapter	
9	70020028	2	Bushing	
10	70021440	2	Nut	
11	70028523	6	Nut	
12	70028524	2	Nut	
13	91403414	1	Adapter, Male Quick Disconnect	
14	91403413	1	Adapter, Female Quick Disconnect	
15	70026772	2	Cylinder, Dual Fork (See Separate Breakdown in HYDRAUIC COMPONENTS Section)	
16	70028525	6	Elbow, 90	
17	70028486	4	Fitting	
18	70028526	2	Elbow, 90	
19	70028527	2	Hose	
20	70028528	2	Hose	
21	70028529	2	Hose	
22	70028530	1	Decal, Hose Routing	
23	N.S.S.	1	S/N Plate	
24	90554016	1	Decal	
25	70028531	2	O-Ring	
26	8420055	1	Plug, Dust	
27	8420053	1	Cap, Dust	

# SECTION 3 - ATTACHMENTS

## FIGURE 3-27. TRUSS BOOM ASSEMBLY (3 FOOT WITH WINCH)



ART\_1001100967-C

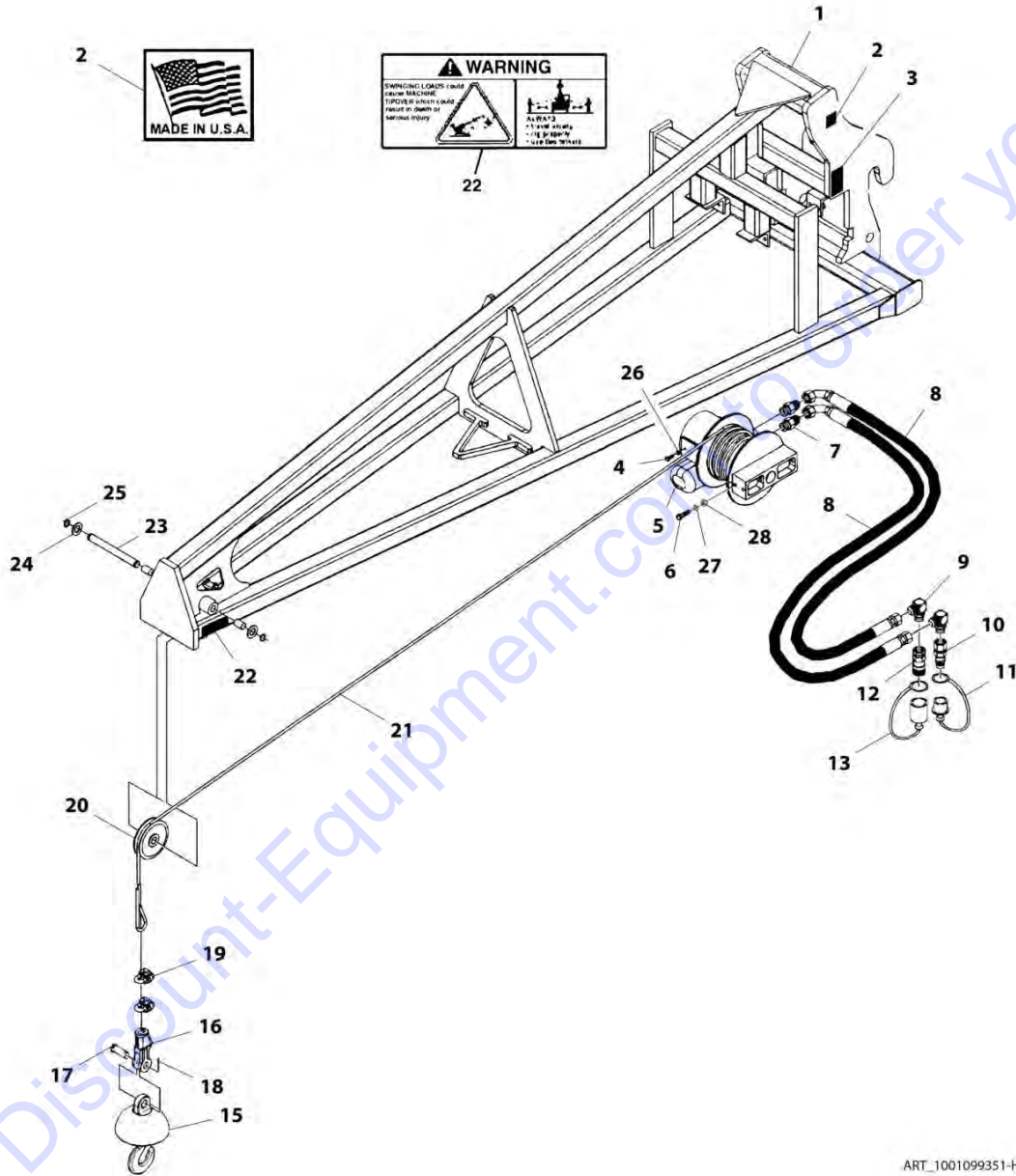
## SECTION 3 - ATTACHMENTS

**FIGURE 3-27. TRUSS BOOM ASSEMBLY (3 FOOT WITH WINCH)**

ITEM	PART NUMBER	QTY	DESCRIPTION	REV
	1001100967	Ref	Truss Boom Assembly (3 Foot with Winch) (includes items 1, 3, 4 & 101 thru 121)	C
1	8380008	NLA	Truss Boom (3 Foot with Winch) (no longer available, use 1001100967 for replacement)	
3	4110422	2	Decal, Danger Swinging Loads	
4	N.S.S.	1	S/N Plate	
101	N.S.S.	1	Truss Boom Frame	
102	90554016	1	Decal	
103	70021349	4	Bolt	
103	90554042	4	Washer	
104	70021921	1	Winch, Truss Boom	
105	70024059	4	Bolt	
105	90554054	4	Nut	
105	90554020	4	Washer	
106	70021415	2	Fitting	
107	70021977	2	Hose	
108	70022527	2	Fitting, 90	
109	91403414	1	Hydraulic Coupler, Male	
110	8420053	1	Cap Dust, Male	
111	91403413	1	Hydraulic Coupler, Female	
112	8420055	1	Plug Dust, Female	
113	70021387	1	Clamp	
114	70021978	1	Ball Swivel Safety Hook	
115	70021979	1	Assembly, Socket	
116	70022528	2	Clamp	
117	70021935	1	Pulley	
118	70022028	1	Cable	
119	70022529	1	Pin	
120	70027009	2	Washer	
121	70026698	2	Ring, Snap	

# SECTION 3 - ATTACHMENTS

## FIGURE 3-28. TRUSS BOOM (12 FOOT WITH WINCH)



ART\_1001099351-H

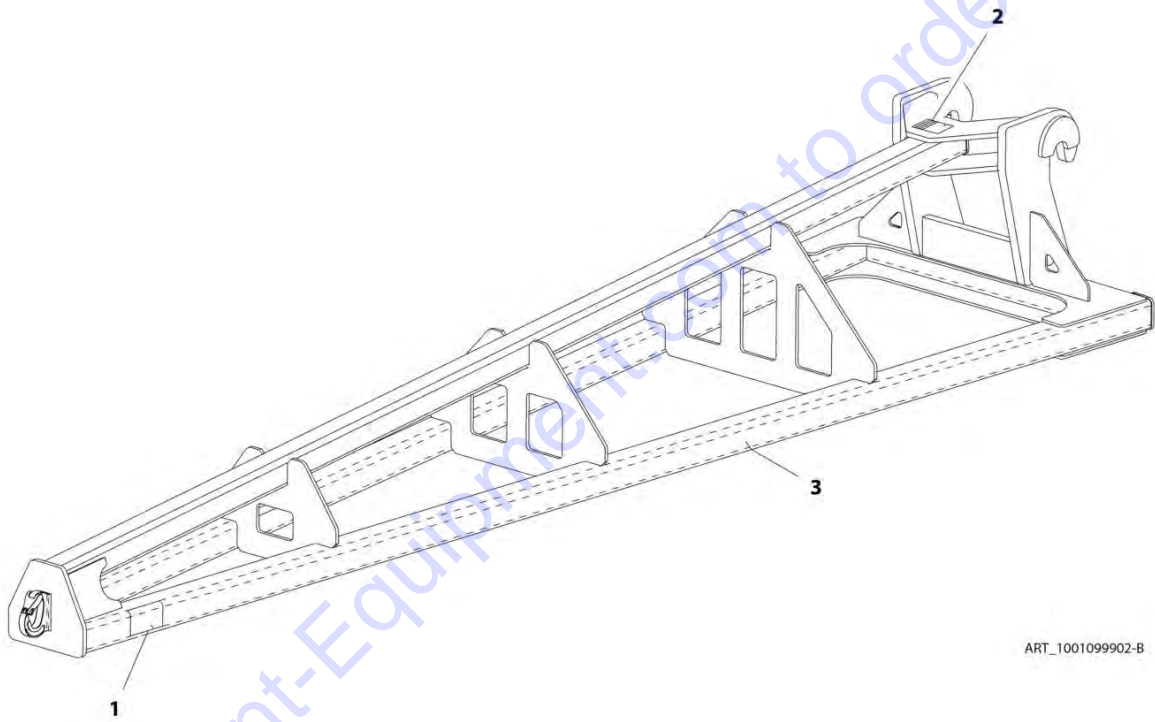
## SECTION 3 - ATTACHMENTS

**FIGURE 3-28. TRUSS BOOM (12 FOOT WITH WINCH)**

ITEM	PART NUMBER	QTY	DESCRIPTION	REV
	1001099351	Ref	Truss Boom (12 Foot with Winch)	H
1	N.S.S.	1	Frame, Truss Boom	
2	90554016	1	Decal, Made in USA	
3	N.S.S.	1	S/N Plate	
4	70021349	4	Bolt, 3/8X1	
5	70021921	1	Motor, Truss Boom Winch	
6	70024059	1	Bolt, 1/2X1-3/4	
7	70021415	2	Connector	
8	70021977	2	Hose	
9	70022527	2	Elbow, 90	
10	7029692	1	Quick Coupler, Male	
11	90554062	1	Cap, Dust	
12	70021342	1	Quick Coupler, Female	
13	90554076	1	Cover, Dust	
15	70021978	1	Ball Swivel with Safety Hook	
16	70021979	1	Assembly, Socket	
17	N.S.S.	1	Pin	
18	N.S.S.	1	Pin, Cotter	
19	70022528	2	Clamp	
20	70021935	1	Pulley	
21	70022028	1	Cable	
22	4110422	2	Decal, Warning Swinging Loads	
23	70022529	1	Pin	
24	70024060	2	Washer, Flat 1	
25	70024061	2	Ring, Snap	
26	90554042	4	Washer, Lock 3/8	
27	90554020	2	Washer, Lock 1/2	
28	90554054	2	Nut, 1/2	

## SECTION 3 - ATTACHMENTS

FIGURE 3-29. TRUSS BOOM (12 FOOT WITHOUT WINCH)



ART\_1001099902-B

## SECTION 3 - ATTACHMENTS

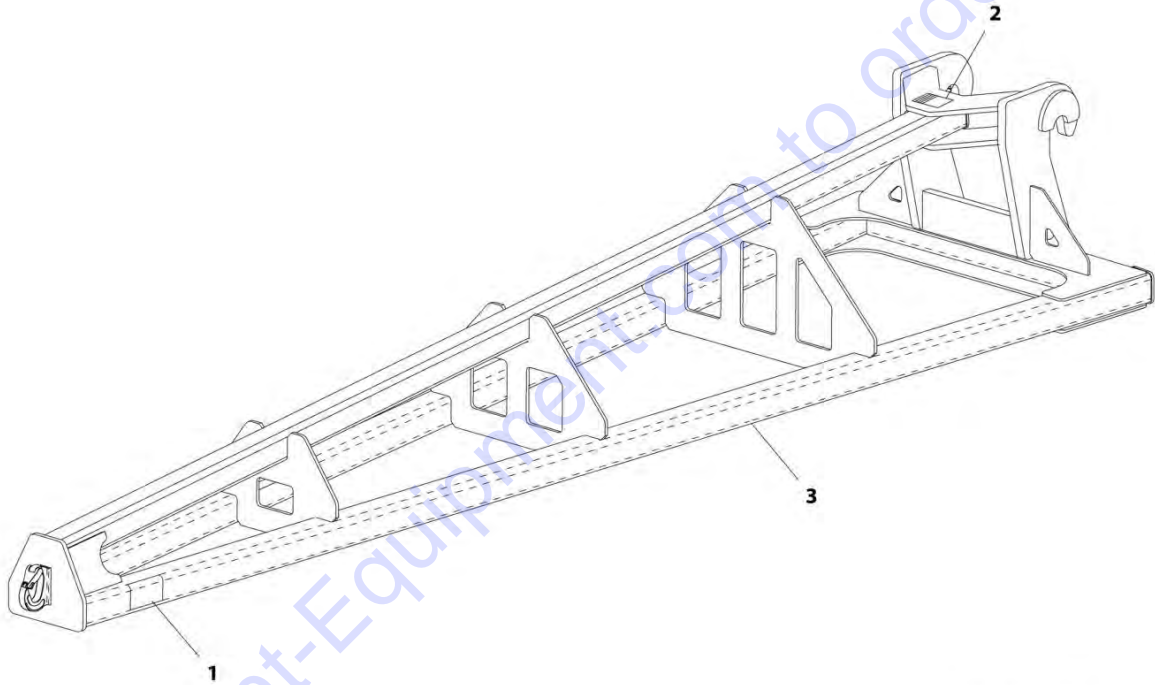
**FIGURE 3-29. TRUSS BOOM (12 FOOT WITHOUT WINCH)**

ITEM	PART NUMBER	QTY	DESCRIPTION	REV
	1001099902	Ref	Truss Boom (12 Foot without Winch)	B
1	4110422	2	Decal, Danger Swinging Loads	
2	N.S.S.	1	S/N Plate	
3	N.S.S.	1	Boom, Truss	

Go to Discount-Equipment.com to order your parts

## SECTION 3 - ATTACHMENTS

FIGURE 3-30. TRUSS BOOM (15 FOOT WITHOUT WINCH)



ART\_1001099901-C



## SECTION 3 - ATTACHMENTS

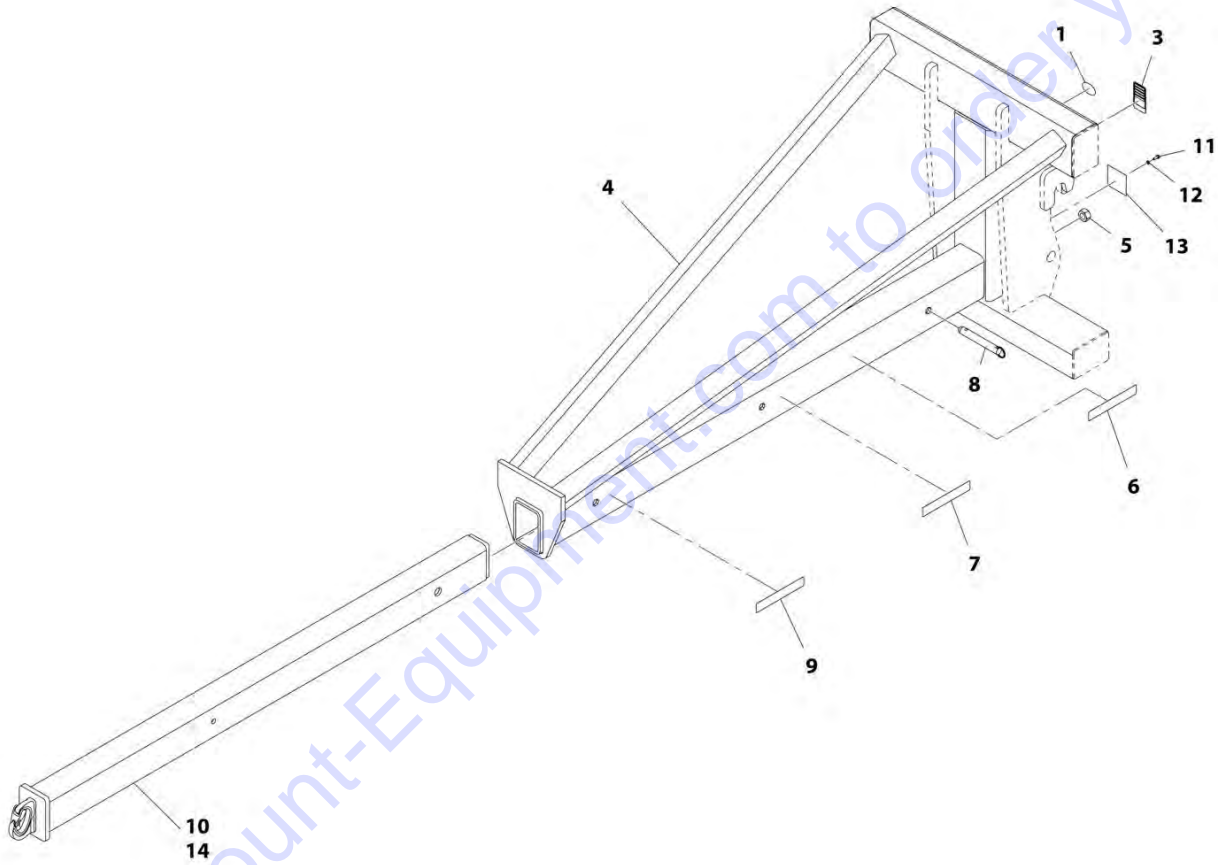
**FIGURE 3-30. TRUSS BOOM (15 FOOT WITHOUT WINCH)**

ITEM	PART NUMBER	QTY	DESCRIPTION	REV
	1001099901	Ref	Truss Boom (15 Foot without Winch)	C
1	4110422	1	Decal, Danger Swinging Loads	
2	N.S.S.	1	S/N Plate	
3	N.S.S.	1	Boom, Truss	

Go to Discount-Equipment.com to order your parts

# SECTION 3 - ATTACHMENTS

## FIGURE 3-31. ADJUSTABLE TRUSS BOOM



ART\_1001176515-B

**SECTION 3 - ATTACHMENTS**

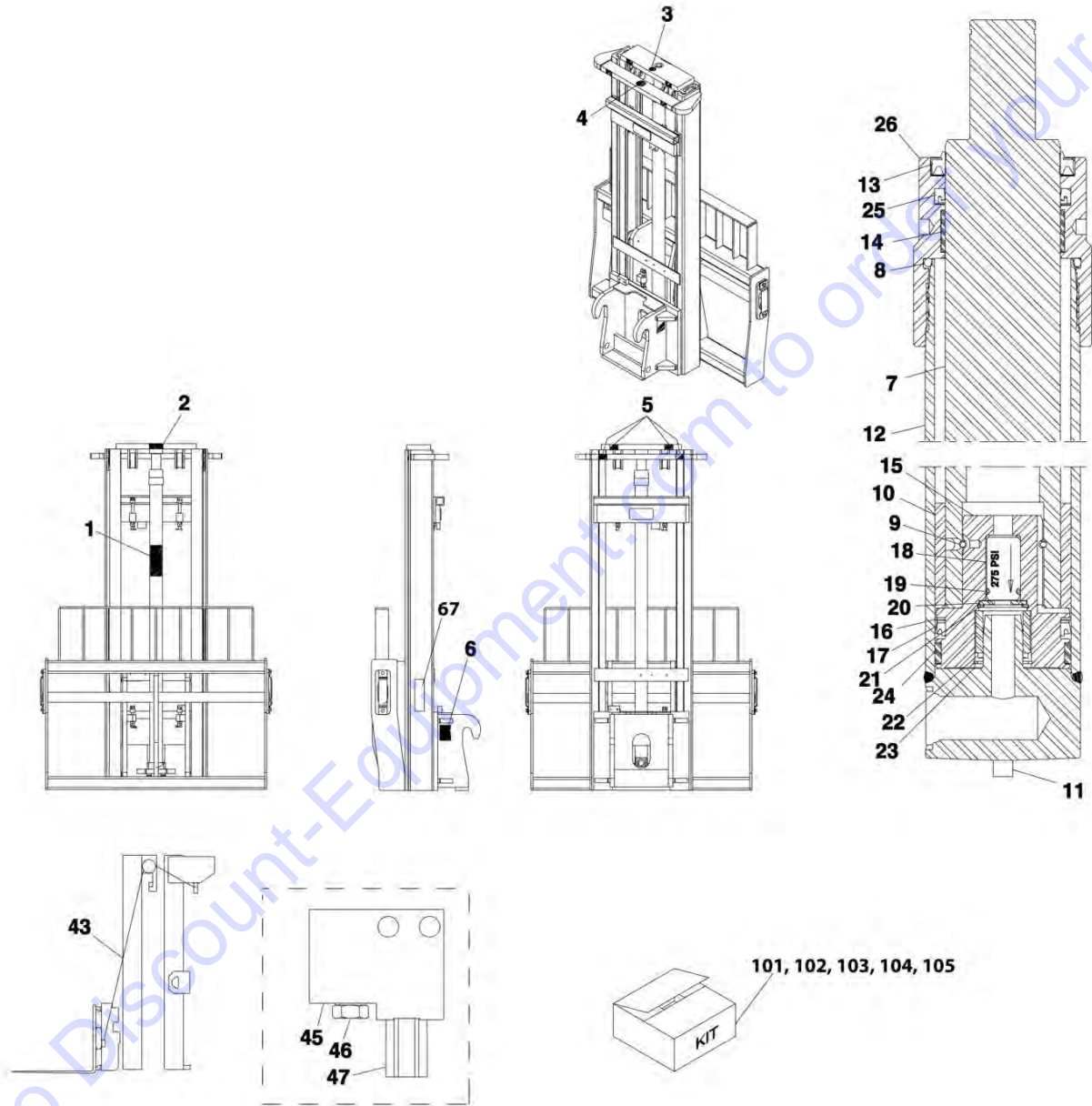
**FIGURE 3-31. ADJUSTABLE TRUSS BOOM**

ITEM	PART NUMBER	QTY	DESCRIPTION	REV
	1001176515	Ref	Adjustable Truss Boom	B
1	90554016	1	Decal, Made in USA	
3	N.S.S.	1	S/N Plate	
4	N.S.S.	1	Truss Boom, Adjustable	
5	70021440	1	Nut, Lock	
6	70024062	2	Decal, 4000 lbs cap	
7	70026944	2	Decal, 3000 lbs cap	
8	70026946	1	Pin	
9	70026699	2	Decal, 2000 lbs cap	
10	70026747	1	Stop Rod, Boom Extension	
11	90554033	1	Bolt, 3/4X1/4	
12	90554034	1	Washer, Lock 1/4	
13	70026948	1	Plate, Stop	
14	70026949	1	Boom, Telescopic	

Go to Discount-Equipment.com to order your parts

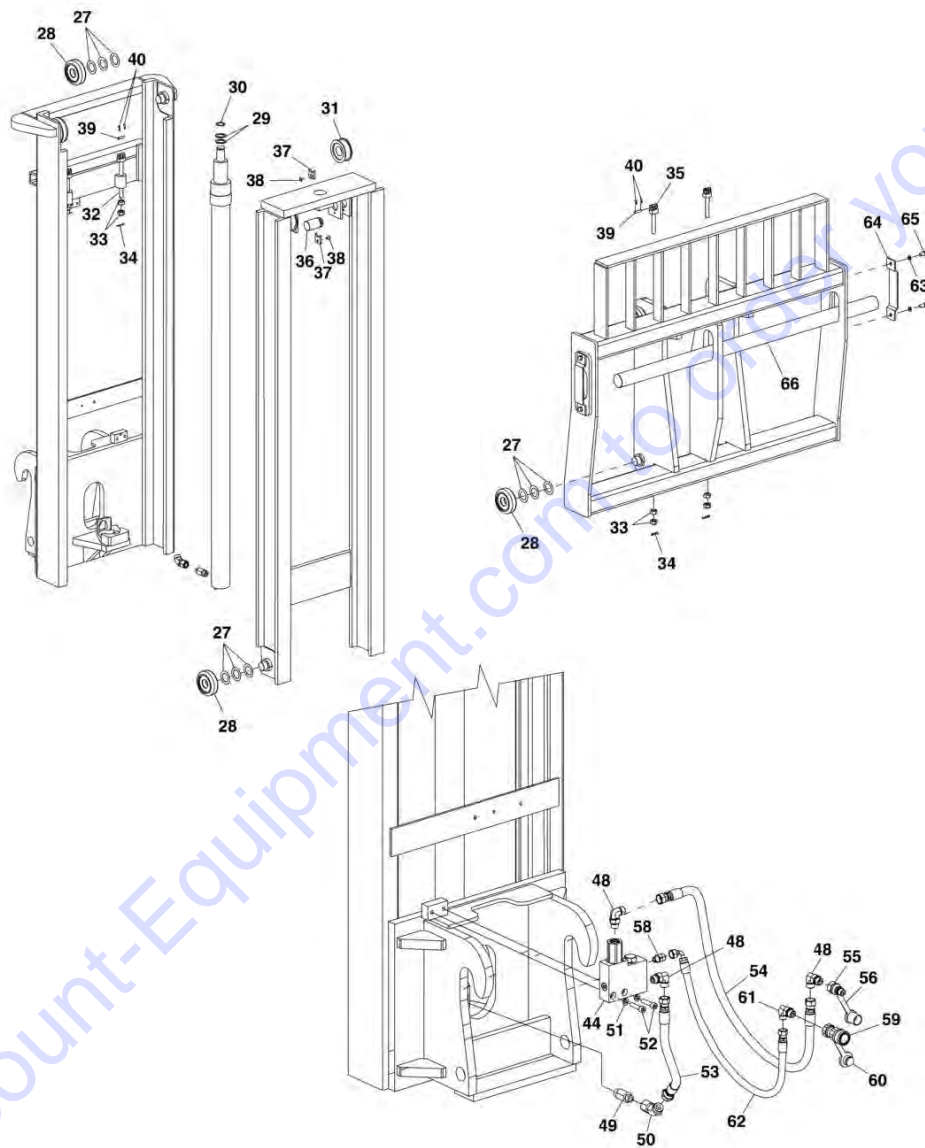
# SECTION 3 - ATTACHMENTS

## FIGURE 3-32. MAST (8 FOOT)



ART\_1001108668\_1-C

# SECTION 3 - ATTACHMENTS



ART\_1001108668\_2-C

## SECTION 3 - ATTACHMENTS

### FIGURE 3-32. MAST (8 FOOT)

ITEM	PART NUMBER	QTY	DESCRIPTION	REV
	1001108668	1	Mast (8 Foot)	C
1	Kit	1	Decal, Warning	
2	Kit	1	Decal, Warning	
3	Kit	1	Decal, No Step	
4	Kit	1	Decal, No Step	
5	Kit	4	Decal, Hands Off	
6	Kit	2	Decal, Hose Routing	
6	70023008	1	Cylinder, Main Lift (includes items 7 thru 26)	
7	N.S.S.	1	Rod/Plunger	
8	Kit	1	O-Ring	
9	Kit	1	Wire, Pull	
10	N.S.S.	1	Spacer	
11	N.S.S.	2	Pin, Roll	
12	N.S.S.	1	Barrel	
13	Kit	1	Wiper	
14	Kit	1	Bushing	
15	N.S.S.	1	Barrel	
16	Kit	1	Ring, Nylon	
17	Kit	1	Seal, Piston	
18	Kit	1	Valve, Check	
19	Kit	1	O-Ring	
20	Kit	1	Washer	
21	Kit	1	Circlip	
22	N.S.S.	1	Sleeve	
23	Kit	1	Ring, Retaining	
24	Kit	1	Ring, Wear	
25	Kit	1	Seal, Rod	
26	70023004	1	Retainer/Gland	
27	70023014	24	Shim	
28	70022987	8	Bearing, Ball	
29	Kit	2	Washer, Shim	
30	70023016	1	Ring, Snap	
31	70022969	2	Assembly, Sheave	
32	70022960	2	Anchor, Chain	
33	70022957	8	Nut, 5/8-18	
34	70022993	4	Pin, Cotter	
35	70022995	2	Anchor, Chain	
36	70022984	1	Shaft, Sheave	
37	70022970	2	Bar, Retainer	
38	70023003	2	Capscrew	
39	70022994	4	Pin, Chain Anchor	
40	70022992	8	Pin, Cotter	
41	70022985	1	Shaft, Sheave	
43	70023009	2	Chain, Lift	
44	70022932	1	Assembly, PO Check Valve (includes items 45, 46 & 47)	
45	N.S.S.	1	Manifold	
46	70022931	1	Cartridge, PO Check Valve	
47	70023010	1	Check, PO	
48	70022934	3	Fitting, 90	
49	70022936	1	Limitter, Flow	

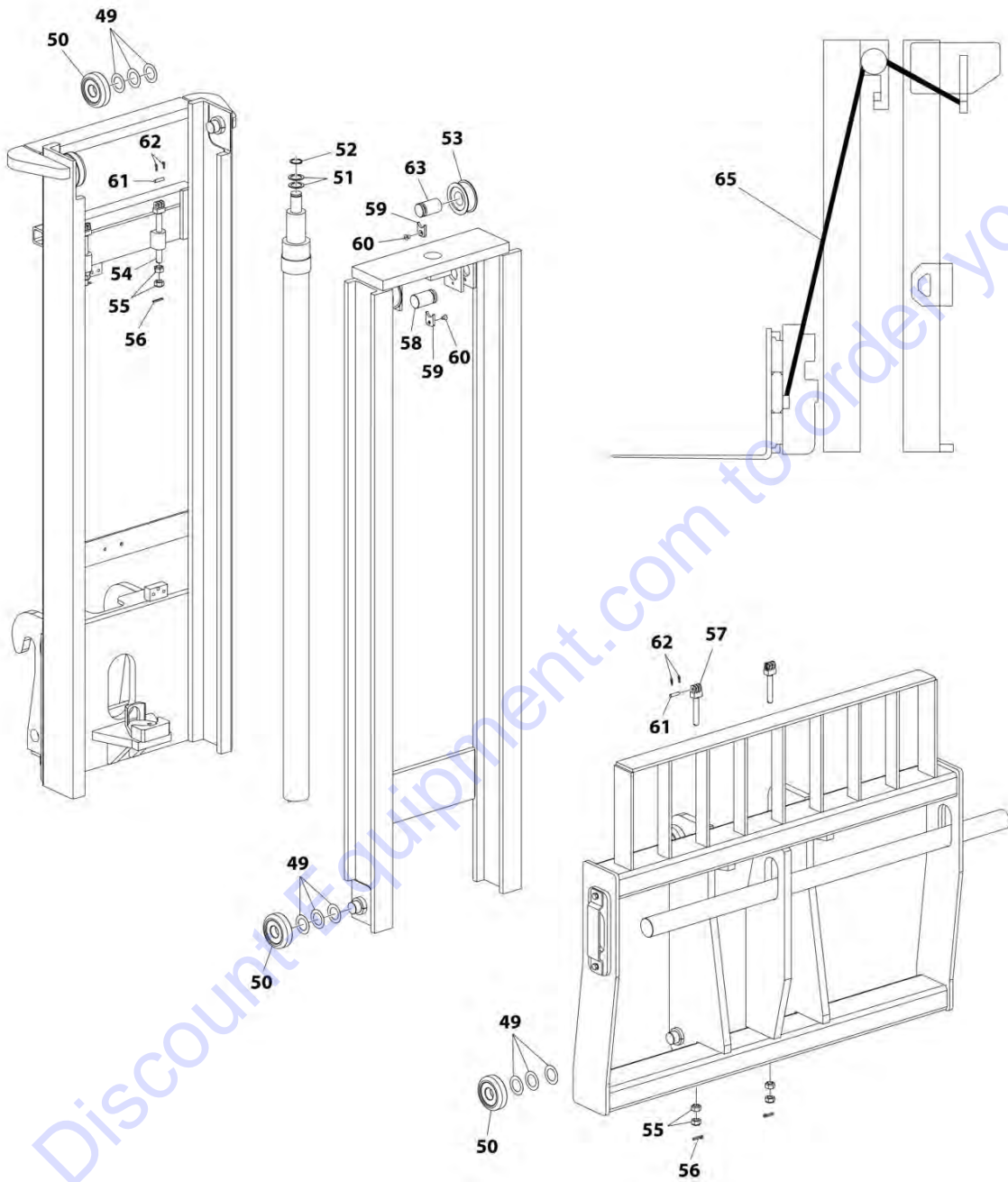
## SECTION 3 - ATTACHMENTS

ITEM	PART NUMBER	QTY	DESCRIPTION	REV
50	70022937	1	Fitting, 45	
51	70022949	2	Washer, Lock M10	
52	70022950	2	Bolt	
53	70022942	1	Hose	
54	70022952	1	Hose	
55	91403414	1	Adapter, Male Quick Disconnect	
56	91043126	1	Cap, Dust	
58	70022939	1	Fitting, Straight	
59	91403413	1	Adapter, Female Quick Disconnect	
60	91043125	1	Plug, Dust	
61	70022935	1	Elbow, Straight Thread	
62	70022946	1	Hose	
63	70022949	4	Washer, Lock M10	
64	70022980	2	Keeper, Fork Pin	
65	70022998	4	Screw, M10X20	
66	70022990	1	Pin, Fork	
67	N.S.S.	1	S/N Plate	
101	70023925	1	Kit, Decal (includes items 1 thru 6)	
102	70023005	1	Seal Kit, Main Lift Cylinder (includes items 8, 9, 13, 14, 16, 17, 19, 21 & 23 thru 25)	
103	70023006	1	Kit, Check Valve (includes items 18 thru 21 & 23)	
104	70023007	1	Kit, Shim	
105	70023015	1	Kit, Mast Common Parts (includes items 27 thru 41)	

Go to Discount-Equipment.com to order your parts

# SECTION 3 - ATTACHMENTS

## FIGURE 3-33. SIDE TILT ELECTRIC MAST (8 FOOT)



ART\_1001218255\_1-A



# PARTS FINDER

**Search Website  
by Part Number**



**Search Manual  
Library For Parts  
Manual & Lookup Part  
Numbers – Purchase  
or Request Quote**

**Can't Find Part or  
Manual? Request Help  
by Manufacturer,  
Model & Description**

Discount-Equipment.com is your online resource for quality parts & equipment.

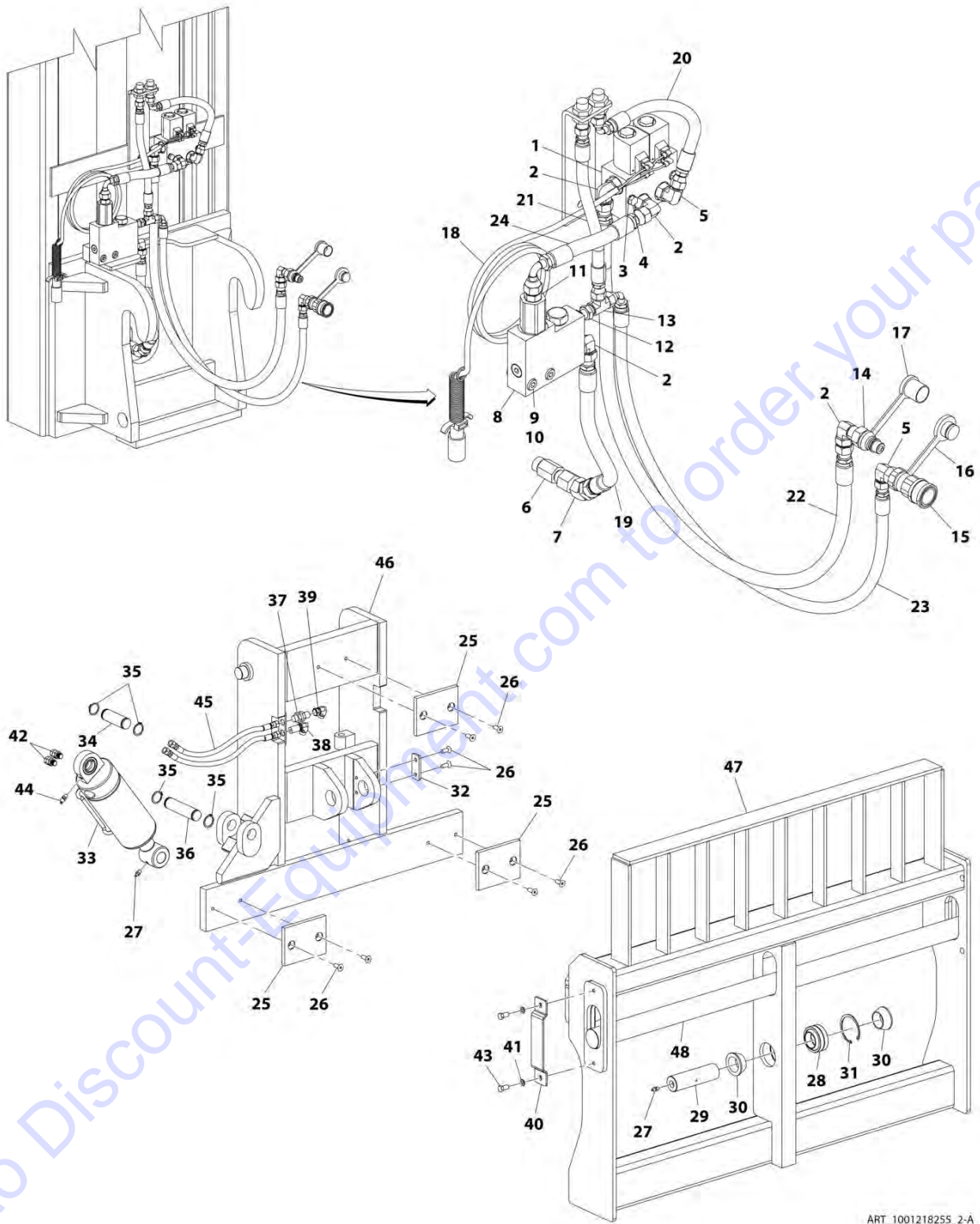
Florida: **561-964-4949** Outside Florida TOLL FREE: **877-690-3101**

## Need parts?

Click on this link: <http://www.discount-equipment.com/category/5443-parts/> and choose one of the options to help get the right parts and equipment you are looking for. Please have the machine model and serial number available in order to help us get you the correct parts. If you don't find the part on the website or on one of the online manuals, please fill out the request form and one of our experienced staff members will get back to you with a quote for the right part that your machine needs.

We sell worldwide for the brands: Genie, Terex, JLG, MultiQuip, Mikasa, Essick, Whiteman, Mayco, Toro Stone, Diamond Products, Generac Magnum, Airman, Haulotte, Barreto, Power Blanket, Nifty Lift, Atlas Copco, Chicago Pneumatic, Allmand, Miller Curber, Skyjack, Lull, Skytrak, Tsurumi, Husquvarna Target, Stow, Wacker, Sakai, Mi-T-M, Sullair, Basic, Dynapac, MBW, Weber, Bartell, Bennar Newman, Haulotte, Ditch Runner, Menegotti, Morrison, Contec, Buddy, Crown, Edco, Wyco, Bomag, Laymor, EZ Trench, Bil-Jax, F.S. Curtis, Gehl Pavers, Heli, Honda, ICS/PowerGrit, IHI, Partner, Imer, Clipper, MMD, Koshin, Rice, CH&E, General Equipment, Amida, Coleman, NAC, Gradall, Square Shooter, Kent, Stanley, Tamco, Toku, Hatz, Kohler, Robin, Wisconsin, Northrock, Oztec, Toker TK, Rol-Air, APT, Wylie, Ingersoll Rand / Doosan, Innovatech, Con X, Ammann, Mecalac, Makinex, Smith Surface Prep, Small Line, Wanco, Yanmar

# SECTION 3 - ATTACHMENTS



ART\_1001218255\_2-A

## SECTION 3 - ATTACHMENTS

FIGURE 3-33. SIDE TILT ELECTRIC MAST (8 FOOT)

ITEM	PART NUMBER	QTY	DESCRIPTION	REV
	1001218255	Ref	Side Tilt Electric Mast (8 Foot)	A
1	70022933	1	Solenoid Valve Bank	
2	70022934	4	Fitting, 90	
3	70022948	2	Washer, Lock M8	
4	70022951	2	Screw, M8X60	
5	70022935	2	Elbow, Straight Thread	
6	70022936	1	Limiter, Flow	
7	70022937	1	Fitting, 45	
8	70022932	1	Assembly, PO Check Valve	
9	70022949	2	Washer, Lock M10	
10	70022950	2	Bolt	
11	70022938	1	Fitting, Straight	
12	70022939	1	Fitting, Straight	
13	70022940	1	Tee Fitting	
14	91403414	1	Adapter, Male Quick Disconnect	
15	91403413	1	Adapter, Female Quick Disconnect	
16	8420055	1	Cover, Dust	
17	8420053	1	Cover, Dust	
18	70022941	1	Harness	
19	70022942	1	Hose	
20	70022943	1	Hose	
21	70022944	1	Hose	
22	70022945	1	Hose	
23	70022946	1	Hose	
24	70022947	1	Hose	
25	70022972	3	Wear Pad	
26	70022971	8	Capscrew, Flat Head	
27	70023001	2	Grease Fitting	
28	70022975	1	Spherical Bearing	
29	70022973	1	Pivot Shaft	
30	70022974	2	Beveled Spacer	
31	70022988	1	Ring, Retaining	
32	70022976	1	Retainer Plate	
33	2716143	1	Tilt Cylinder	
34	70022977	1	Pin	
35	70023016	4	Ring, Snap	
36	70022978	1	Pin	
37	70023000	1	Fitting	
38	70022999	1	Elbow	
39	70022982	1	Elbow, Straight Thread	
40	70022980	2	Keeper, Fork Pin	
41	70022949	4	Washer, Lock M10	
42	70022939	2	Fitting, Straight	
43	70022998	4	Screw, M10X20	
44	70022966	1	Grease Fitting 30	
45	70022979	2	Hose	
46	70025353	1	Spine Weldment	
47	N.S.S.	1	Front Frame Weldment	
48	70022990	1	Pin, Fork	
49	70023014	24	Shim	

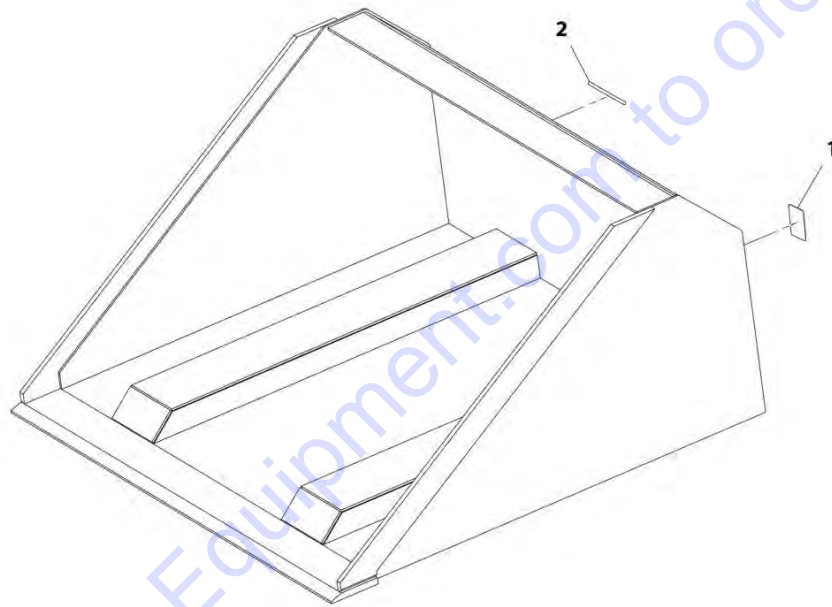
## SECTION 3 - ATTACHMENTS

ITEM	PART NUMBER	QTY	DESCRIPTION	REV
50	70022987	8	Bearing, Ball	
51	70027951	2	Washer, Shim	
52	70023016	1	Ring, Snap	
53	70022969	2	Assembly, Sheave	
54	70022960	2	Anchor, Chain	
55	70022957	8	Nut, 5/8-18	
56	70022993	4	Pin, Cotter	
57	70022995	2	Anchor, Chain	
58	70022984	1	Shaft, Sheave	
59	70022970	2	Bar, Retainer	
60	70023003	2	Capscrew	
61	70022994	4	Pin, Chain Anchor	
62	70022992	8	Pin, Cotter	
63	70022985	1	Shaft, Sheave	
64	70023925	1	Kit, Decal (not shown) (See Separate Breakdown in this Section)	
65	70023009	2	Chain, Lift	
66	70023008	1	Cylinder, Main Lift (not shown) (See Separate Breakdown in this Section)	

Go to Discount-Equipment.com to order your parts

## SECTION 3 - ATTACHMENTS

FIGURE 3-34. BUCKET (60 INCH)



ART\_1001195970-B

## SECTION 3 - ATTACHMENTS

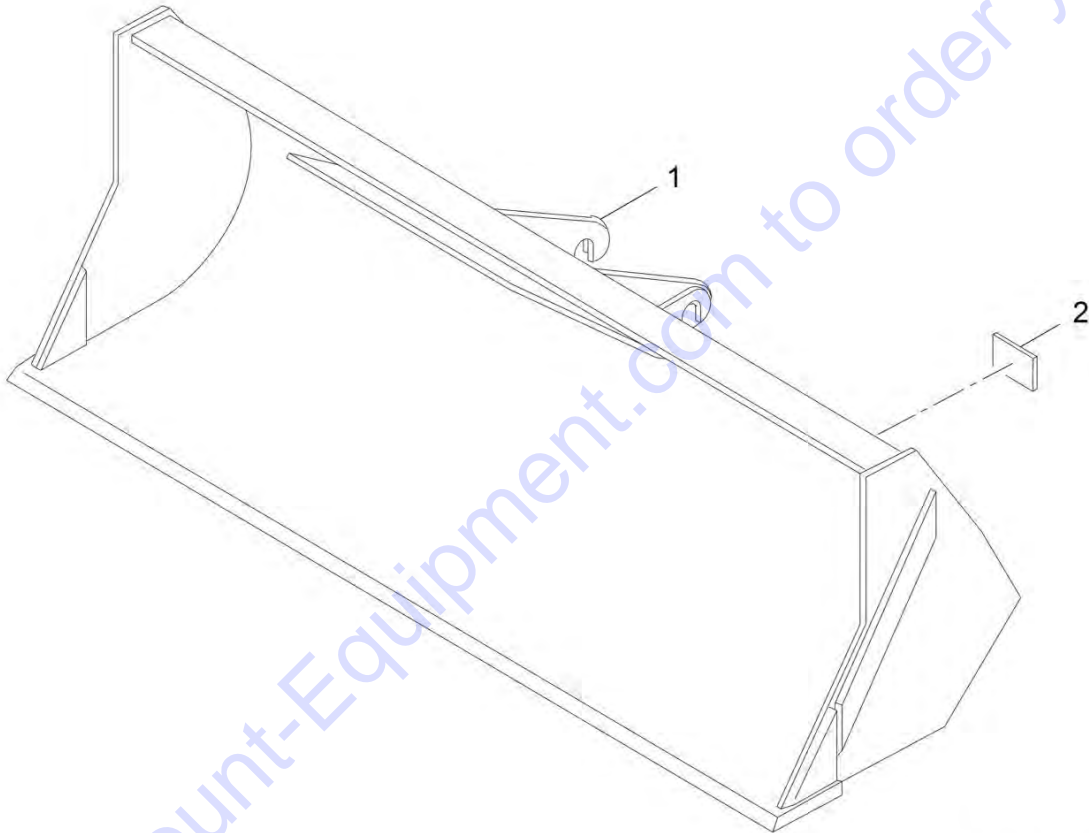
### FIGURE 3-34. BUCKET (60 INCH)

ITEM	PART NUMBER	QTY	DESCRIPTION	REV
	1001195970	Ref	Bucket (60 Inch)	B
1	N.S.S.	1	S/N Plate	
2	70029028	1	Retention Pin Kit, (includes Pin, Retention Cable and Cotter Pin)	

Go to Discount-Equipment.com to order your parts

**SECTION 3 - ATTACHMENTS**

**FIGURE 3-35. BUCKET (72 INCH)**



ART\_1001100822-C

Go to Discount-Equipment.com to order your parts

## SECTION 3 - ATTACHMENTS

### FIGURE 3-35. BUCKET (72 INCH)

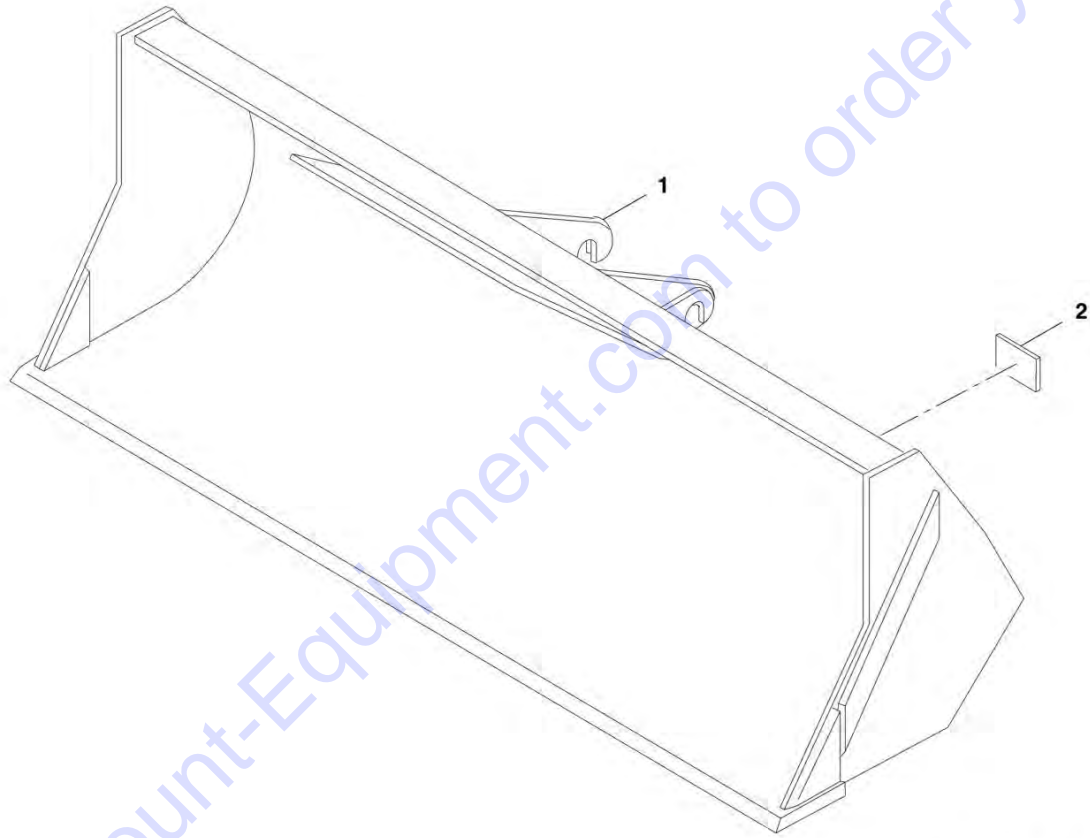
ITEM	PART NUMBER	QTY	DESCRIPTION	REV
1	1001100822	1	Bucket (72 Inch)	C
2	N.S.S.	1	S/N Plate	

Go to Discount-Equipment.com to order your parts



# SECTION 3 - ATTACHMENTS

FIGURE 3-36. BUCKET (96 INCH)



ART\_1001100823-C

## SECTION 3 - ATTACHMENTS

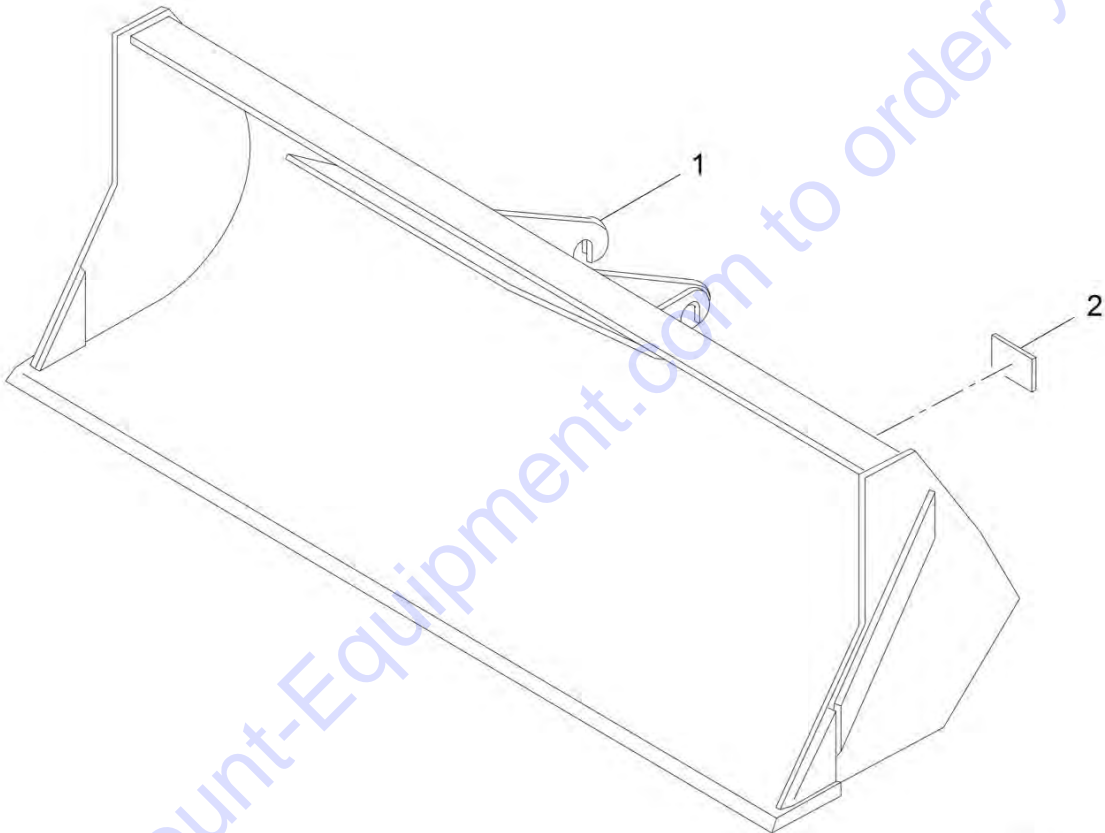
### FIGURE 3-36. BUCKET (96 INCH)

ITEM	PART NUMBER	QTY	DESCRIPTION	REV
1	1001100823	1	Bucket (96 Inch)	C
2	N.S.S.	1	S/N Plate	

Go to Discount-Equipment.com to order your parts

**SECTION 3 - ATTACHMENTS**

**FIGURE 3-37. BUCKET (102 INCH)**



ART\_1001100824-C

## SECTION 3 - ATTACHMENTS

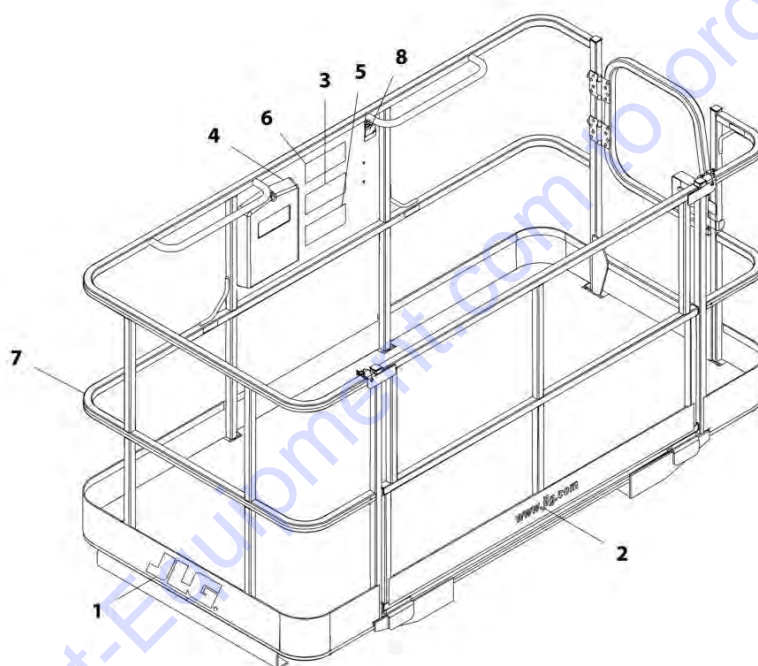
### FIGURE 3-37. BUCKET (102 INCH)

ITEM	PART NUMBER	QTY	DESCRIPTION	REV
1	1001100824	1	Bucket (102 Inch)	C
2	N.S.S.	1	S/N Plate	

Go to Discount-Equipment.com to order your parts

## SECTION 3 - ATTACHMENTS

FIGURE 3-38. FORK MOUNTED PLATFORM (ASME)



ART\_1001103637-F

**SECTION 3 - ATTACHMENTS**

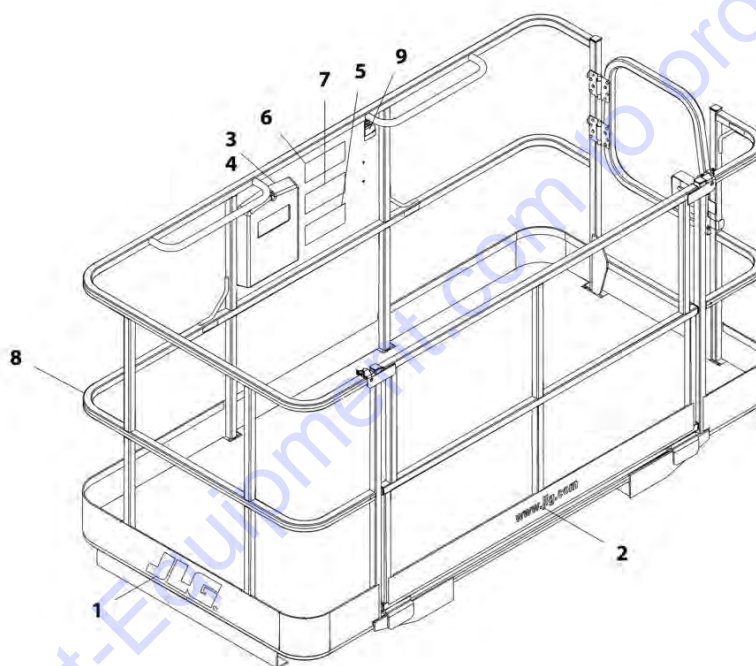
**FIGURE 3-38. FORK MOUNTED PLATFORM (ASME)**

ITEM	PART NUMBER	QTY	DESCRIPTION	REV
	1001103637	1	Fork Mounted Platform (ASME)	F
1	1702773	2	Decal, JLG	
2	1704885	1	Decal, Website	
3	1706892	1	Decal, Platform Warning	
4	31200160	1	Manual, Personnel Work Platform Operation and Safety	
5	1001092481	1	Decal, Warning Attachment	
6	1001092482	1	Decal, Platform Capacity	
7	1001096162	1	Platform, Fork Mounted (See FORK MOUNTED PLATFORM for Breakdown)	
8	N.S.S.	1	S/N Plate	

Go to Discount-Equipment.com to order your parts

## SECTION 3 - ATTACHMENTS

FIGURE 3-39. FORK MOUNTED PLATFORM (ISO)



ART\_1001103730-F

## SECTION 3 - ATTACHMENTS

**FIGURE 3-39. FORK MOUNTED PLATFORM (ISO)**

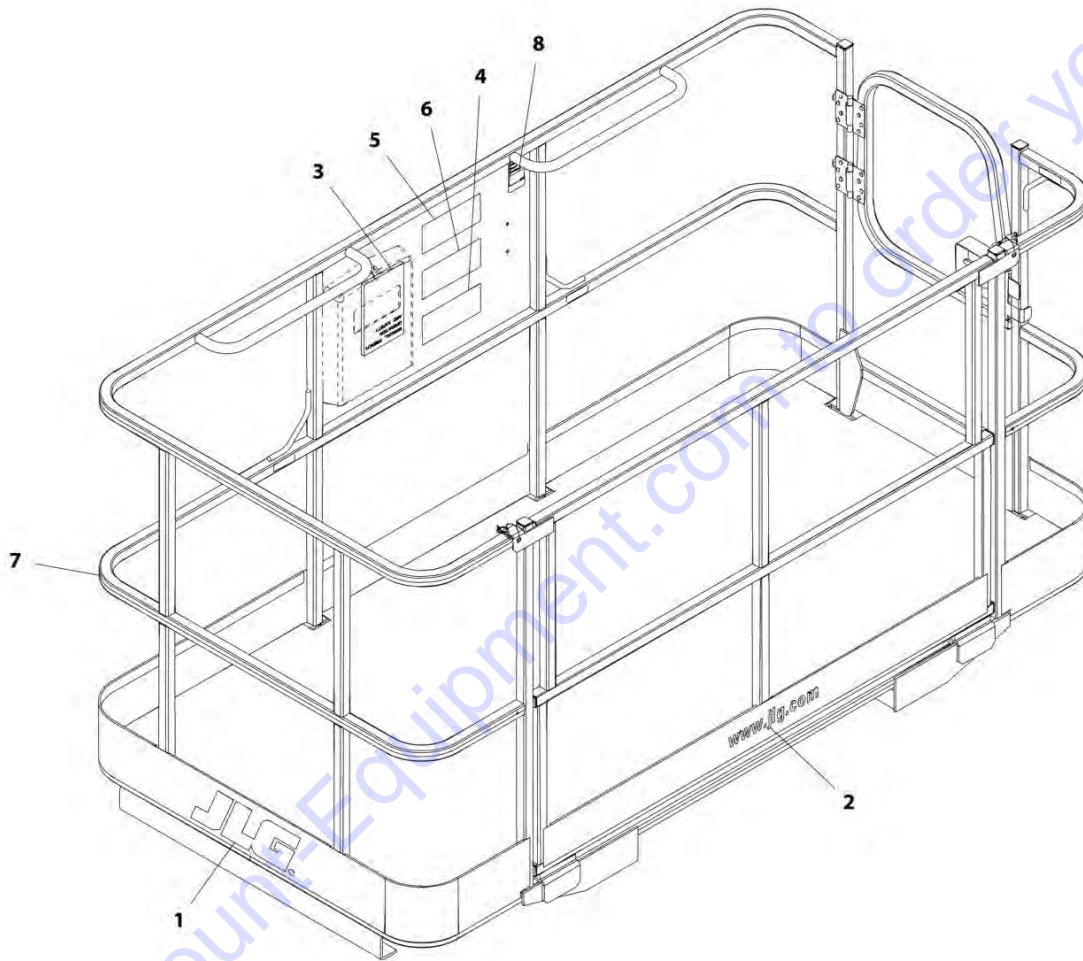
ITEM	PART NUMBER	QTY	DESCRIPTION	REV
	1001103730	1	Fork Mounted Platform (ISO)	F
1	1702773	2	Decal, JLG	
2	1704885	1	Decal, Website	
3	31200387	1	Manual, Personnel Work Platform Operation and Safety (Spanish)	
4	31200388	1	Manual, Personnel Work Platform Operation and Safety (Portuguese)	
5	1001096021	1	Decal, Warning Attachment (ISO)	
6	1001096023	1	Decal, Platform Capacity (ISO)	
7	1001096025	1	Decal, Platform Warning (ISO)	
8	1001096162	1	Platform, Fork Mounted (See FORK MOUNTED PLATFORM for Breakdown)	
9	N.S.S.	1	S/N Plate	

Go to Discount-Equipment.com to order your parts



# SECTION 3 - ATTACHMENTS

## FIGURE 3-40. FORK MOUNTED PLATFORM (FRENCH)



ART\_1001103736-F

## SECTION 3 - ATTACHMENTS

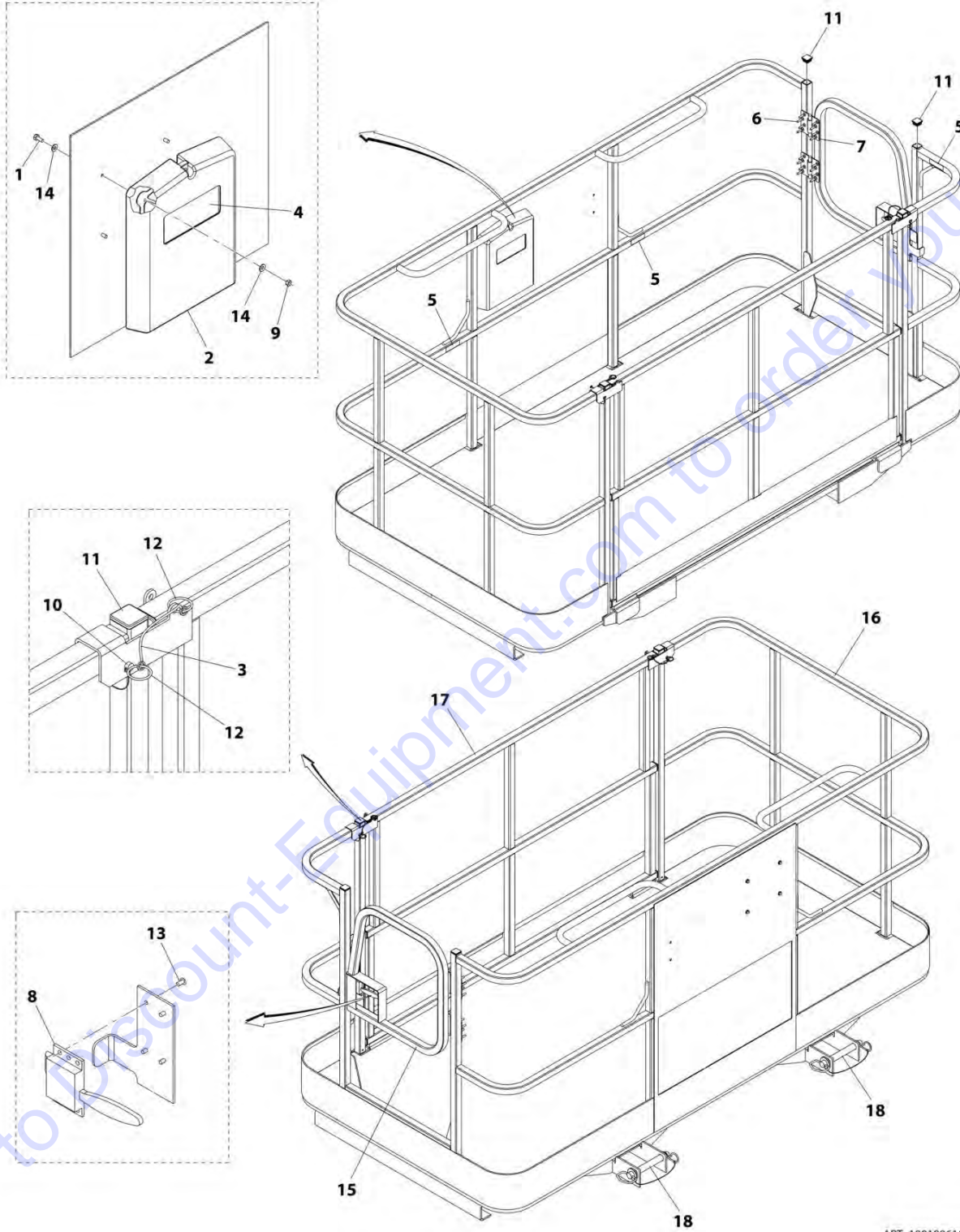
**FIGURE 3-40. FORK MOUNTED PLATFORM (FRENCH)**

ITEM	PART NUMBER	QTY	DESCRIPTION	REV
	1001103736	1	Fork Mounted Platform (French)	F
1	1702773	2	Decal, JLG	
2	1704885	1	Decal, Website	
3	31200386	1	Manual, Personnel Work Platform Operation and Safety (French)	
4	1001096019	1	Decal, Warning Attachment (French)	
5	1001096020	1	Decal, Platform Capacity (French)	
6	1001096024	1	Decal, Platform Warning (French)	
7	1001096162	1	Platform, Fork Mounted (See FORK MOUNTED PLATFORM for Breakdown)	
8	N.S.S.	1	S/N Plate	

Go to Discount-Equipment.com to order your parts

# SECTION 3 - ATTACHMENTS

## FIGURE 3-41. FORK MOUNTED PLATFORM ASSEMBLY



ART\_1001096162-M

## SECTION 3 - ATTACHMENTS

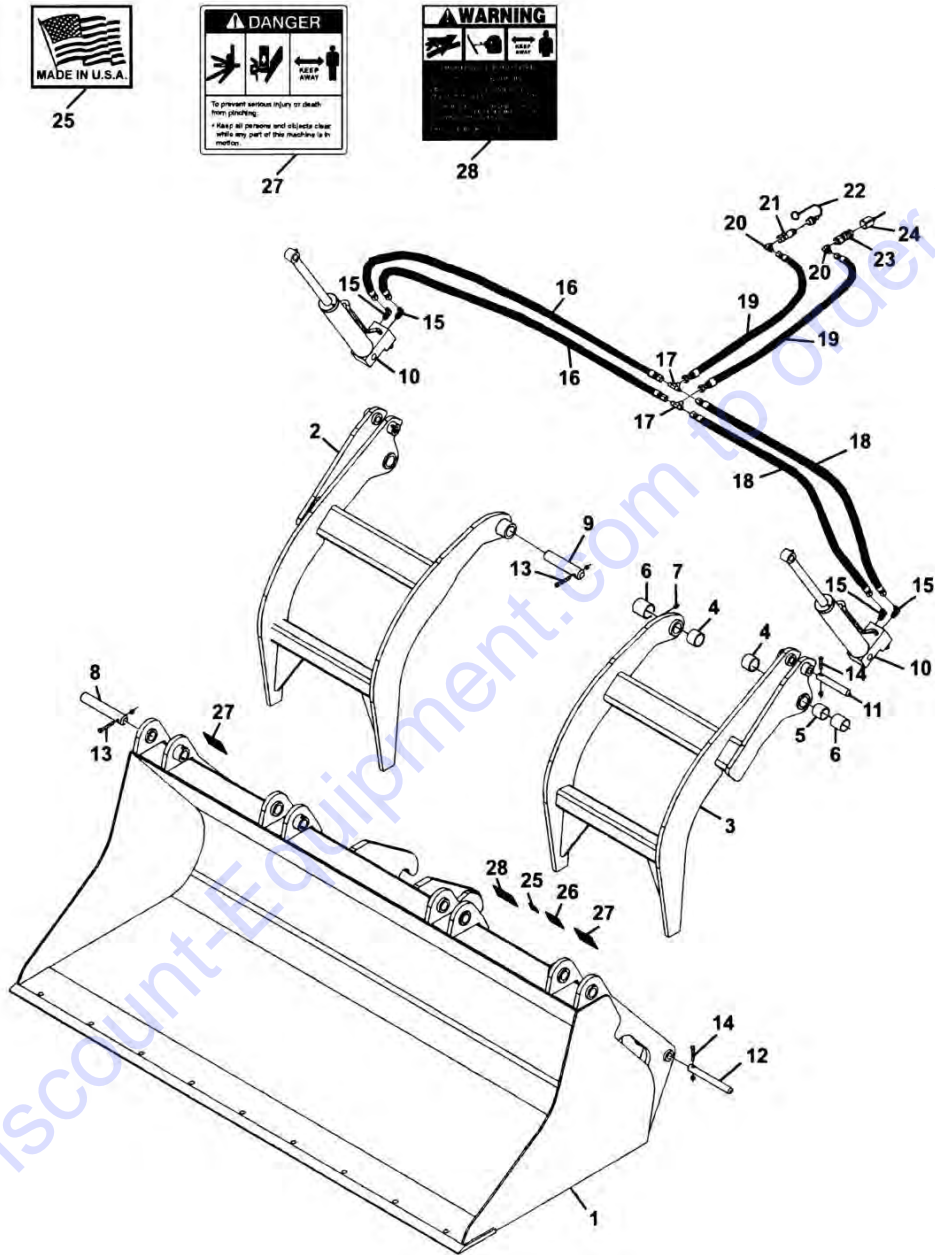
**FIGURE 3-41. FORK MOUNTED PLATFORM ASSEMBLY**

ITEM	PART NUMBER	QTY	DESCRIPTION	REV
	1001096162	Ref	Fork Mounted Platform	M
1	0641405	4	Bolt, 1/4-20X5/8	
2	0860520	1	Box, Manual Storage	
3	1060379	2	Cable, Lanyard	
4	1701509	1	Decal, Manual	
5	1704277	3	Decal, Lanyard Attach	
6	2080040	16	Fastener	
7	2600281	2	Hinge	
8	2940074	1	Latch	
9	3311405	4	Nut, Lock 1/4-20	
10	3421453	2	Pin	
11	3520072	10	Plug	
12	3760170	4	Ring	
13	3820020	4	Rivet	
14	4711400	8	Washer, 1/4	
15	1001144629J	1	Weldment, Gate	
16	N.S.S.	1	Platform, Fork Mounted	
17	1001095810	1	Weldment, Gate	
18	1001102813	2	Pin, Hitch	

Go to Discount-Equipment.com to order your parts

# SECTION 3 - ATTACHMENTS

## FIGURE 3-42. GRAPPLE BUCKET



ART\_0930020-H

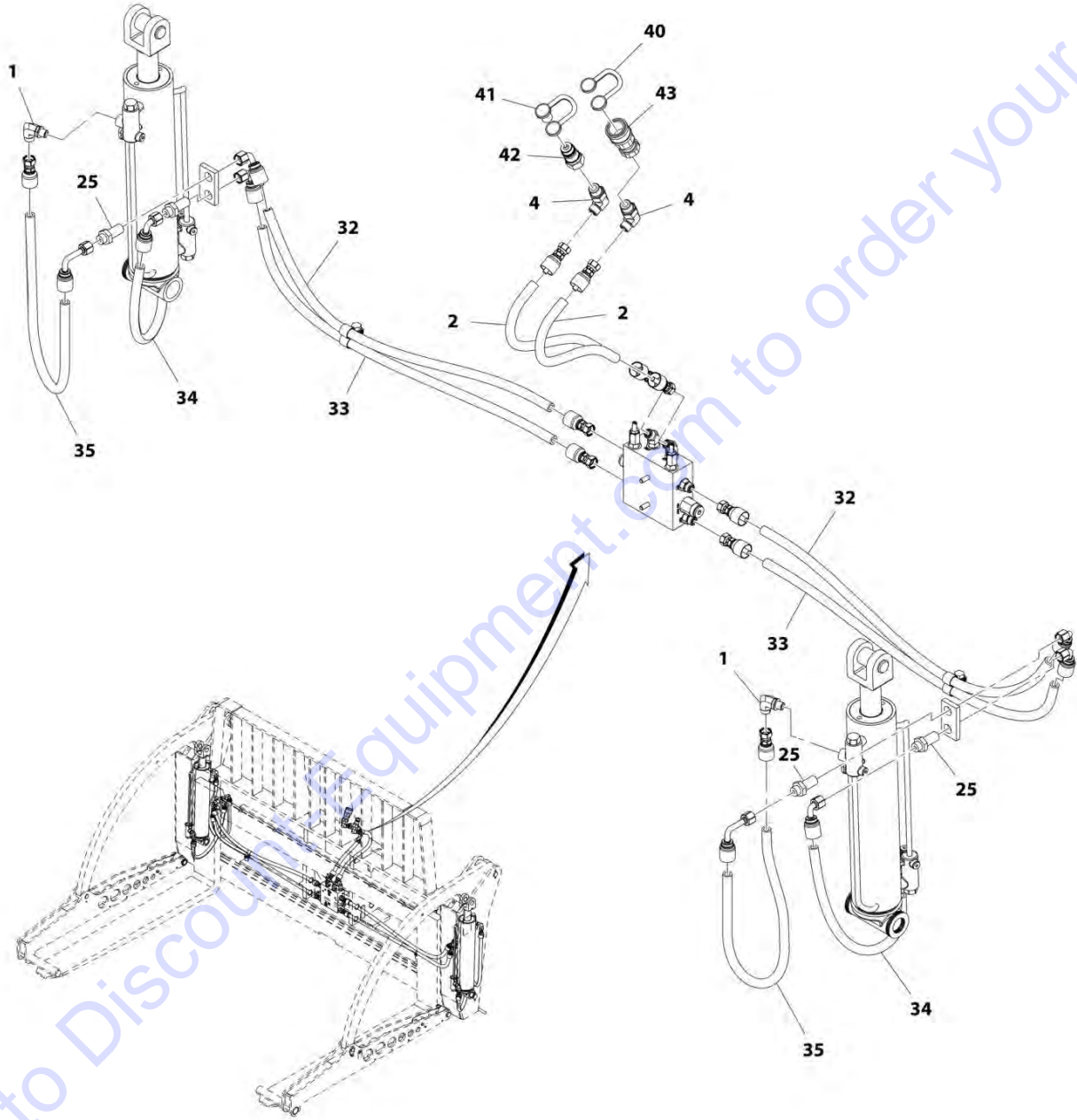
## SECTION 3 - ATTACHMENTS

### FIGURE 3-42. GRAPPLE BUCKET

ITEM	PART NUMBER	QTY	DESCRIPTION	REV
	0930020	1	Grapple Bucket	H
1	N.S.S.	1	Bucket	
1	70021387	4	Clamp, Hose	
2	70021391	1	Hook, RH Grapple	
3	70021392	1	Hook, LH Grapple	
4	70021358	4	Bushing	
5	70021359	2	Spacer	
6	70021360	4	Bushing	
7	7029714	4	Fitting, Grease	
8	70021361	2	Pin, Outer Pivot	
9	70021362	2	Pin, Inner Pivot	
10	70021393	2	Cylinder, Grapple Bucket (See HYDRAULIC COMPONENTS SECTION for Breakdown)	
11	70021364	2	Pin, Cylinder (base end)	
12	70021365	2	Pin, Cylinder (rod end)	
13	70021366	4	Bolt, 3/8X2-3/4	
13	70021367	4	Nut, Lock 3/8	
14	70021399	4	Bolt, 3/8X2-1/4	
14	70021367	4	Nut, Lock 3/8	
15	90554065	4	Elbow, 90	
16	70021980	2	Hose	
17	70020562	2	Fitting, Tee	
18	70021981	2	Hose	
19	70021982	2	Hose	
20	70022527	2	Elbow, 90	
21	7029692	1	Quick Coupler, Male	
22	90554062	1	Cover, Dust	
23	70021342	1	Quick Coupler, Female	
24	90554076	1	Cover, Dust	
25	90554016	1	Decal, Made in USA	
26	N.S.S.	1	S/N Plate	
27	90554017	2	Decal, Danger Pinch Point	
28	90554018	1	Decal, Warning High Pressure	

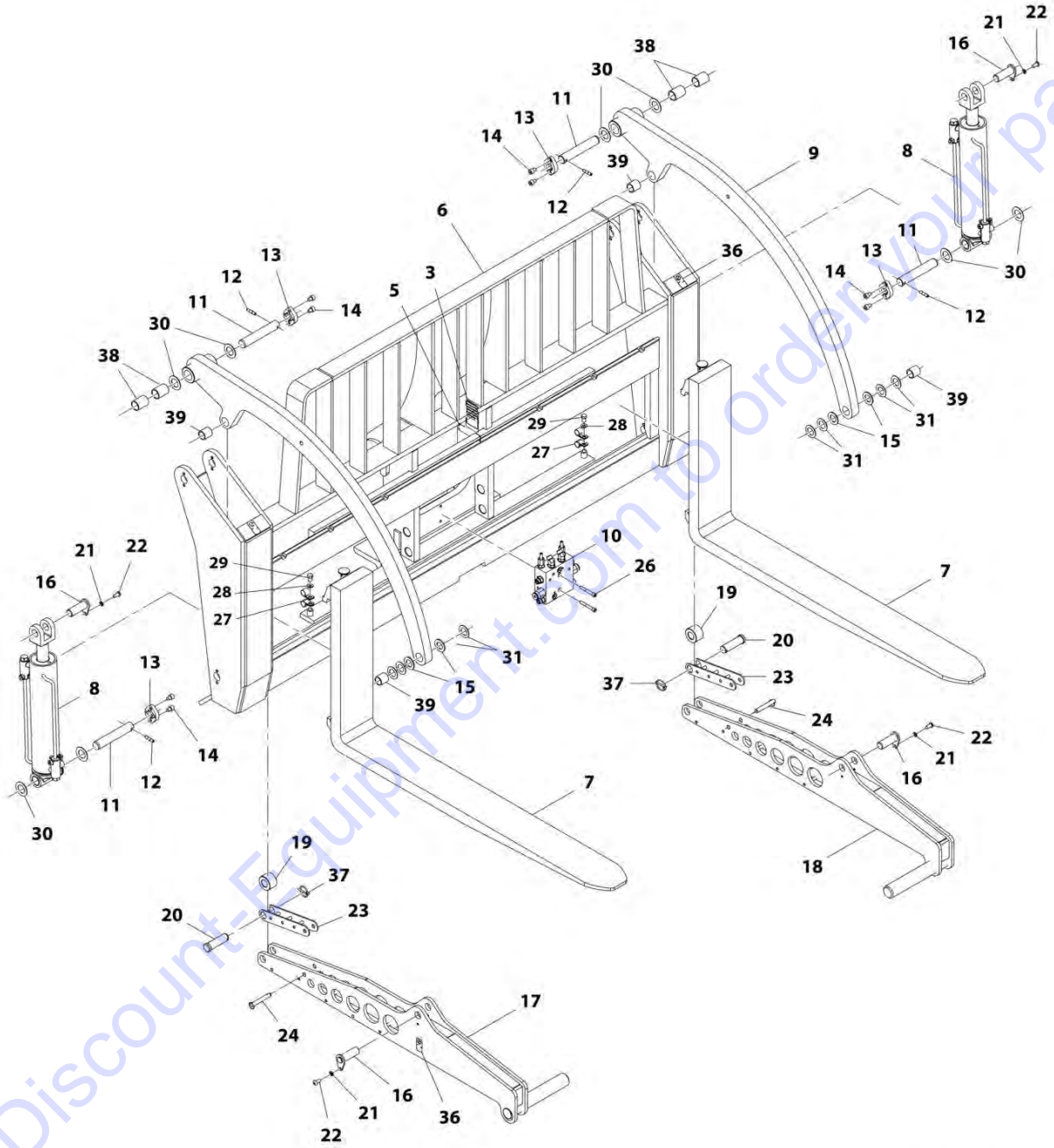
# SECTION 3 - ATTACHMENTS

## FIGURE 3-43. PIPE HANDLER CARRIAGE



ART\_1001142247\_1-C

# SECTION 3 - ATTACHMENTS



ART\_1001142247\_2-C



## SECTION 3 - ATTACHMENTS

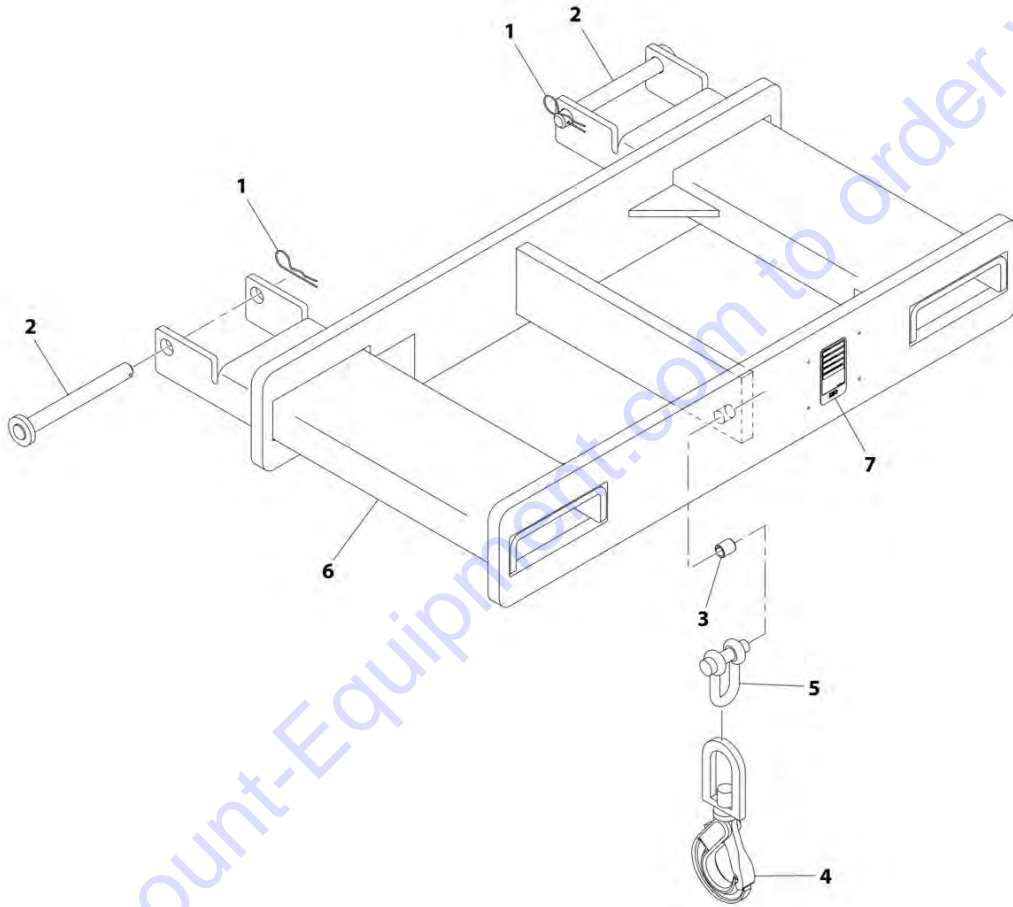
**FIGURE 3-43. PIPE HANDLER CARRIAGE**

ITEM	PART NUMBER	QTY	DESCRIPTION	REV
	1001142247	1	Pipe Handler Carriage	C
	70026585	1	Hydraulic Supply Group (includes items 1, 2, 4, 25 & 32 thru 35 & 40 thru 43)	
1	70024123	4	Fitting	
2	70026347	2	Hose, 485 mm	
3	N.S.S.	1	JLG Nameplate	
4	70024550	2	Fitting	
5	N.S.S.	1	S/N Plate	
6	N.S.S.	1	Carriage Weldment	
7	70026586	2	Fork	
8	70026587	2	Cylinder, Pipe Handler (See HYDRAULIC COMPONENTS SECTION for Breakdown)	
9	70026588	2	Arm	
10	70026589	1	Valve Assembly (See HYDRAULIC CIRCUITS SECTION for Breakdown)	
11	70026470	4	Pin	
12	70026471	4	Pin Drive - Lock	
13	70026472	4	Retainer	
14	70026473	8	Capscrew, M10X12	
15	70026590	4	Thrust Washer	
16	70026591	4	Pin Weldment	
17	70026592	1	Contact Pad - RH	
18	70026593	1	Contact Pad - LH	
19	70026594	2	Roller	
20	70026595	2	Clevis Pin	
21	70026596	4	Lockwasher, M8	
22	70026597	4	Capscrew, M8X16	
23	70026598	2	Retainer	
24	70026599	2	Ring Detent Pin	
25	70023000	4	Fitting	
26	70026600	2	Capscrew, M8X60	
27	70026481	4	Hose Clamp	
28	70026482	2	Washer	
29	70022996	2	Capscrew, M10X16	
30	70026476	24	Shim	
31	70026601	8	Shim	
32	70026602	2	Hose	
33	70026603	2	Hose	
34	70026604	2	Hose	
35	70026605	2	Hose	
36	70024538	4	Warning Decal	
37	70026606	2	Lynch Pin, 3/16	
38	70026501	4	Bushing	
39	70026607	4	Bushing	
40	70026608	1	Plug	
41	70026609	1	Cap	
42	91403414	1	Coupler - Male	
43	91403413	1	Coupler - Female	



# SECTION 3 - ATTACHMENTS

## FIGURE 3-44. FORK MOUNTED HOOK



ART\_1001097205-H

## SECTION 3 - ATTACHMENTS

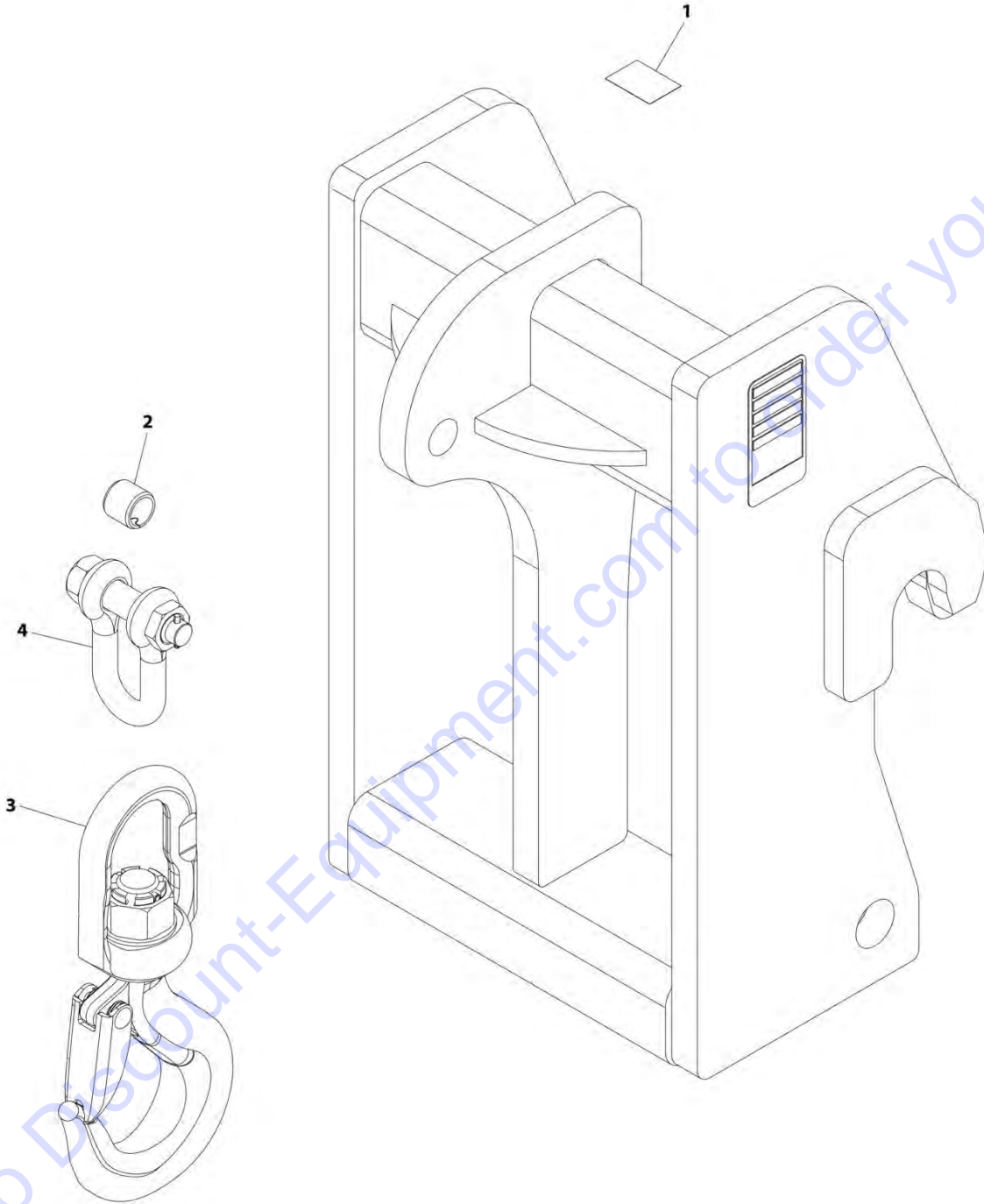
### FIGURE 3-44. FORK MOUNTED HOOK

ITEM	PART NUMBER	QTY	DESCRIPTION	REV
	1001097205	Ref	Fork Mounted Hook	H
1	7029520	2	Pin, Cotter	
2	1001093171	2	Pin	
3	70020555	1	Bushing	
4	90554080	1	Hook	
5	7029521	1	Shackle	
6	N.S.S.	1	Weldment, Hook	
7	N.S.S.	1	S/N Plate	

Go to Discount-Equipment.com to order your parts

# SECTION 3 - ATTACHMENTS

## FIGURE 3-45. COUPLER MOUNTED HOOK



ART\_1001207606-B

## SECTION 3 - ATTACHMENTS

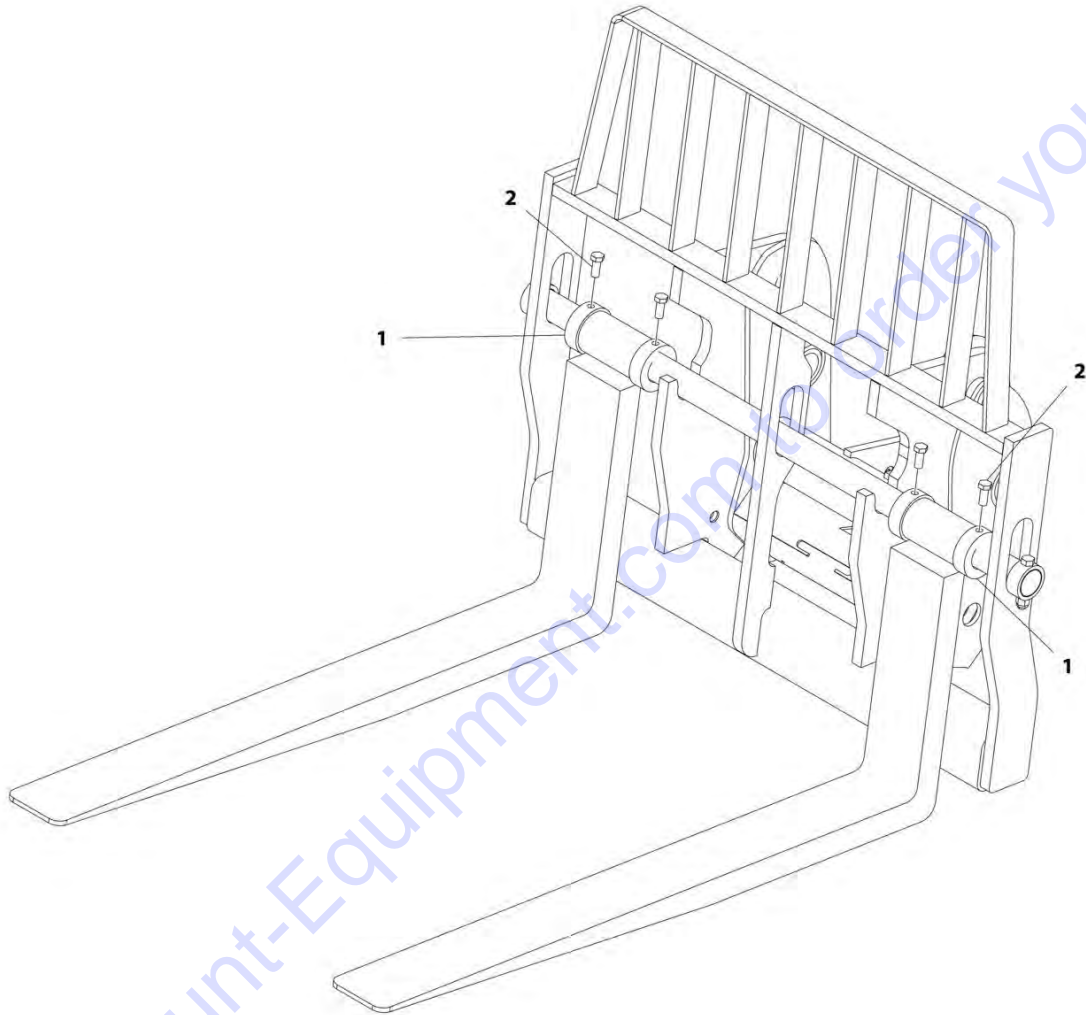
### FIGURE 3-45. COUPLER MOUNTED HOOK

ITEM	PART NUMBER	QTY	DESCRIPTION	REV
	1001207606	Ref	Coupler Mounted Hook	B
1	90554016	1	Decal	
2	70020555	1	Bushing	
3	70026745	1	Hook Swivel	
4	70026746	1	Shackle Chain	

Go to Discount-Equipment.com to order your parts

# SECTION 3 - ATTACHMENTS

## FIGURE 3-46. FORK CLAMPS INSTALLATION



ART\_1001094134-A

## SECTION 3 - ATTACHMENTS

### FIGURE 3-46. FORK CLAMPS INSTALLATION

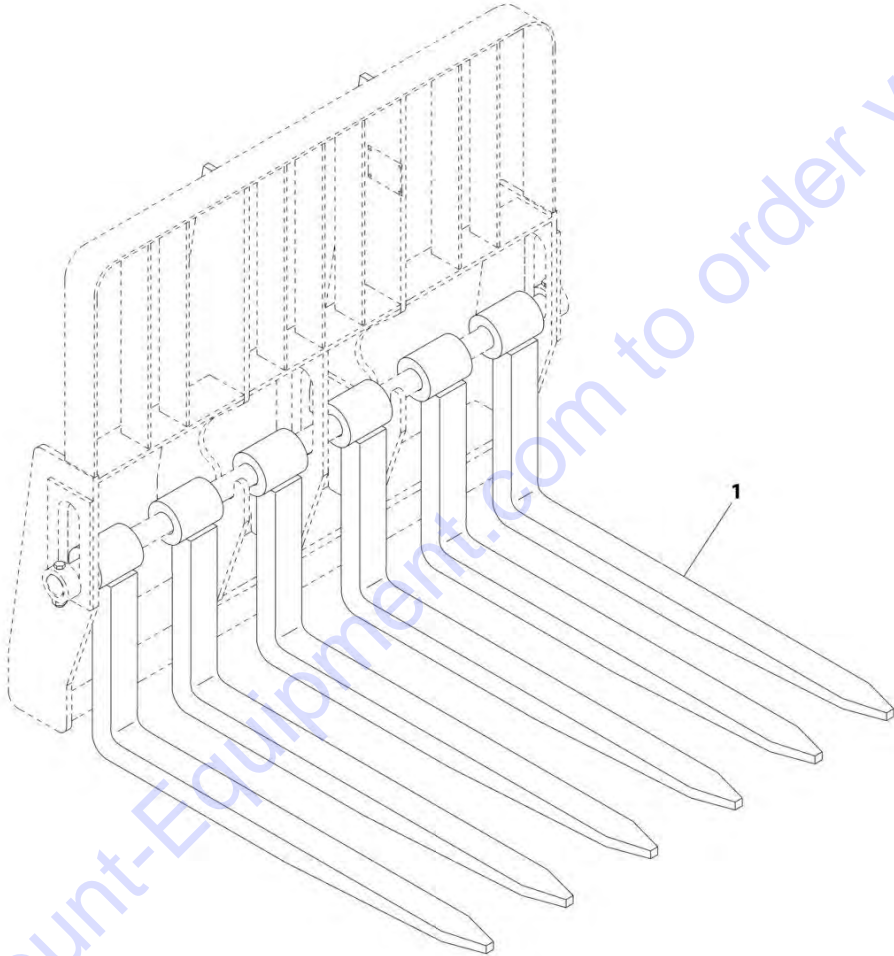
ITEM	PART NUMBER	QTY	DESCRIPTION	REV
	1001094134	Ref	Fork Clamps Installation	A
1	1001094136	4	Clamp, Fork	
2	10700681	4	Bolt, 0.625-18X1.5	

Go to Discount-Equipment.com to order your parts



**SECTION 3 - ATTACHMENTS**

**FIGURE 3-47. CUBING FORK**



ART\_2340037-A

## SECTION 3 - ATTACHMENTS

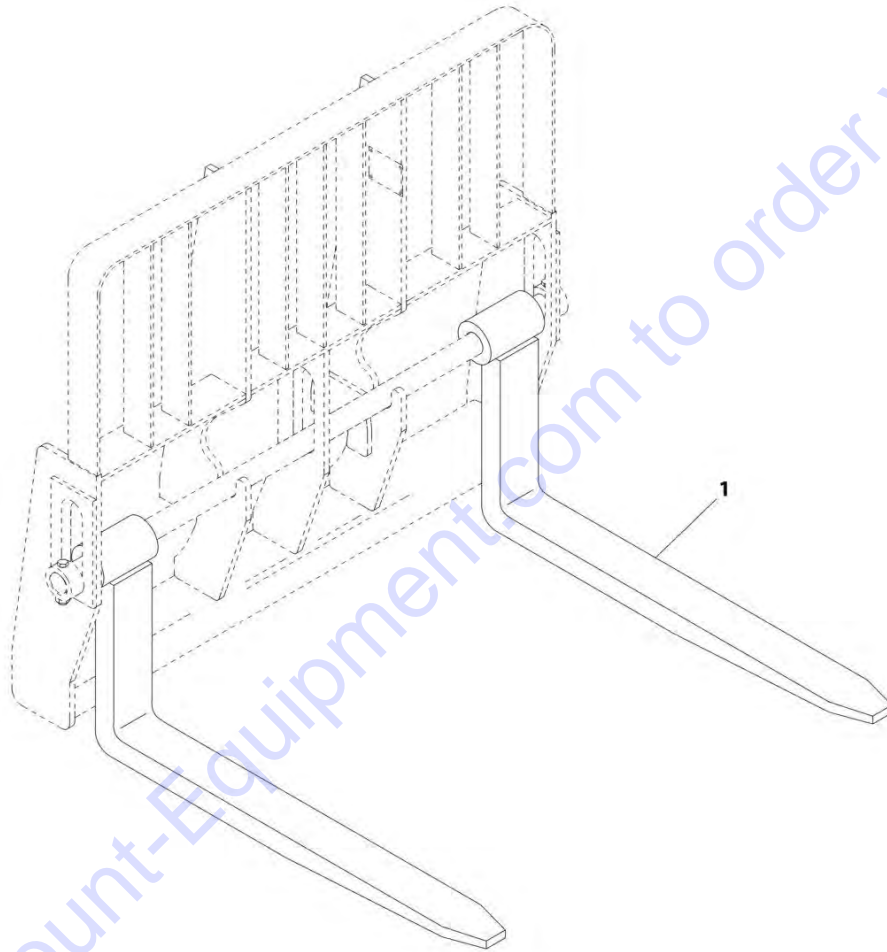
**FIGURE 3-47. CUBING FORK**

ITEM	PART NUMBER	QTY	DESCRIPTION	REV
1	2340037	6	Cubing Fork	A
N1	Note	Ref	<b>FORKS RATED LESS THAN THE ATTACHMENT OR MACHINE'S CAPACITY DECREASES CAPACITY OF THE ATTACHMENT OR MACHINE TO THAT OF THE FORKS. FORKS RATED MORE THAN THE ATTACHMENT OR MACHINE'S CAPACITY DO NOT INCREASE ATTACHMENT OR MACHINE'S CAPACITY.</b>	
N2	Note	Ref	<b>PLEASE CONSULT DISCOUNT-EQUIPMENT TO DETERMINE THE CORRECT FORKS APPLICABLE TO YOUR SPECIFIC CARRIASE ASSEMBLY AND APPLICATION.</b>	

Go to Discount-Equipment.com to order your parts

## SECTION 3 - ATTACHMENTS

FIGURE 3-48. FORK - PALLET 1.6X5.9X60



ART\_1001099457-C

## SECTION 3 - ATTACHMENTS

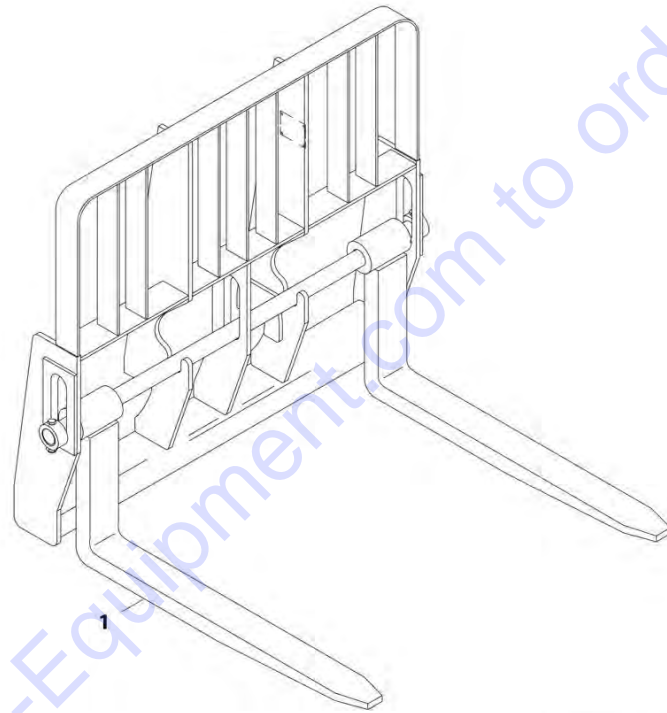
FIGURE 3-48. FORK - PALLET 1.6X5.9X60

ITEM	PART NUMBER	QTY	DESCRIPTION	REV
1	1001099457	2	Fork - Pallet 1.5X6X60	C

Go to Discount-Equipment.com to order your parts

## SECTION 3 - ATTACHMENTS

FIGURE 3-49. FORK - PALLET 2X7X60



ART\_1001097110-A

## SECTION 3 - ATTACHMENTS

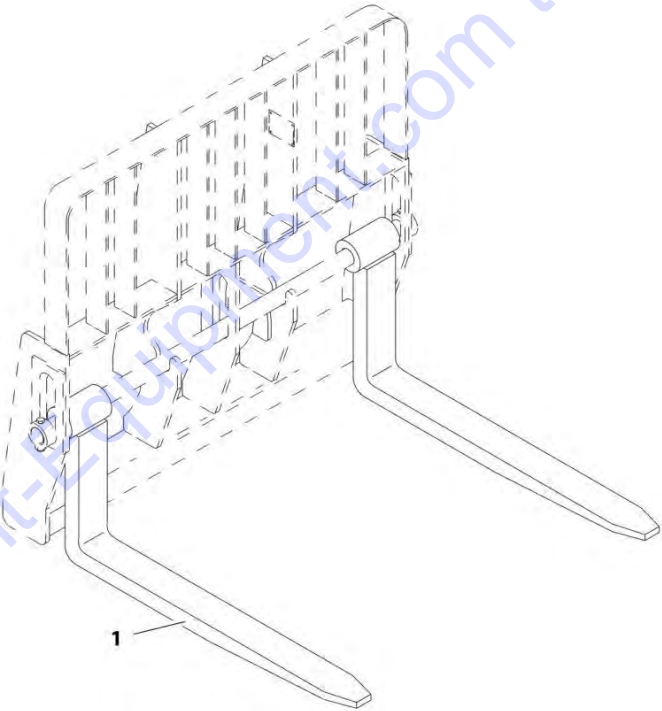
FIGURE 3-49. FORK - PALLET 2X7X60

ITEM	PART NUMBER	QTY	DESCRIPTION	REV
1	1001097110	2	Fork - Pallet 2X7X60	A

Go to Discount-Equipment.com to order your parts

**SECTION 3 - ATTACHMENTS**

**FIGURE 3-50. PALLET FORK (48X4X2.36)**



ART\_2340045\_B

## SECTION 3 - ATTACHMENTS

**FIGURE 3-50. PALLET FORK (48X4X2.36)**

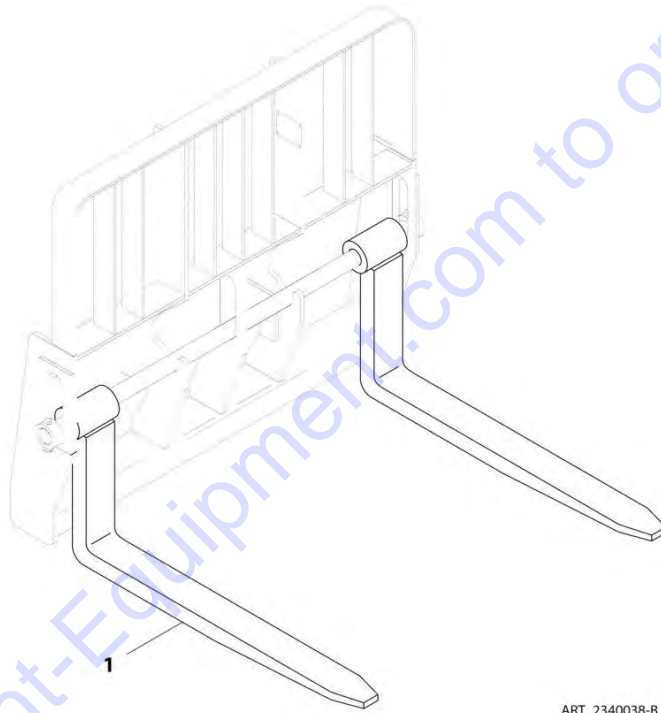
ITEM	PART NUMBER	QTY	DESCRIPTION	REV
1	2340045	2	Pallet Fork (48X4X2.36)	B
N1	Note	Ref	<b>FORKS RATED LESS THAN THE ATTACHMENT OR MACHINE'S CAPACITY DECREASES CAPACITY OF THE ATTACHMENT OR MACHINE TO THAT OF THE FORKS. FORKS RATED MORE THAN THE ATTACHMENT OR MACHINE'S CAPACITY DO NOT INCREASE ATTACHMENT OR MACHINE'S CAPACITY.</b>	
N2	Note	Ref	<b>PLEASE CONSULT DISCOUNT-EQUIPMENT TO DETERMINE THE CORRECT FORKS APPLICABLE TO YOUR SPECIFIC CARRIASE ASSEMBLY AND APPLICATION.</b>	

Go to Discount-Equipment.com to order your parts



## SECTION 3 - ATTACHMENTS

FIGURE 3-51. PALLET FORK (48X5X2.36)



ART\_2340038-B

## SECTION 3 - ATTACHMENTS

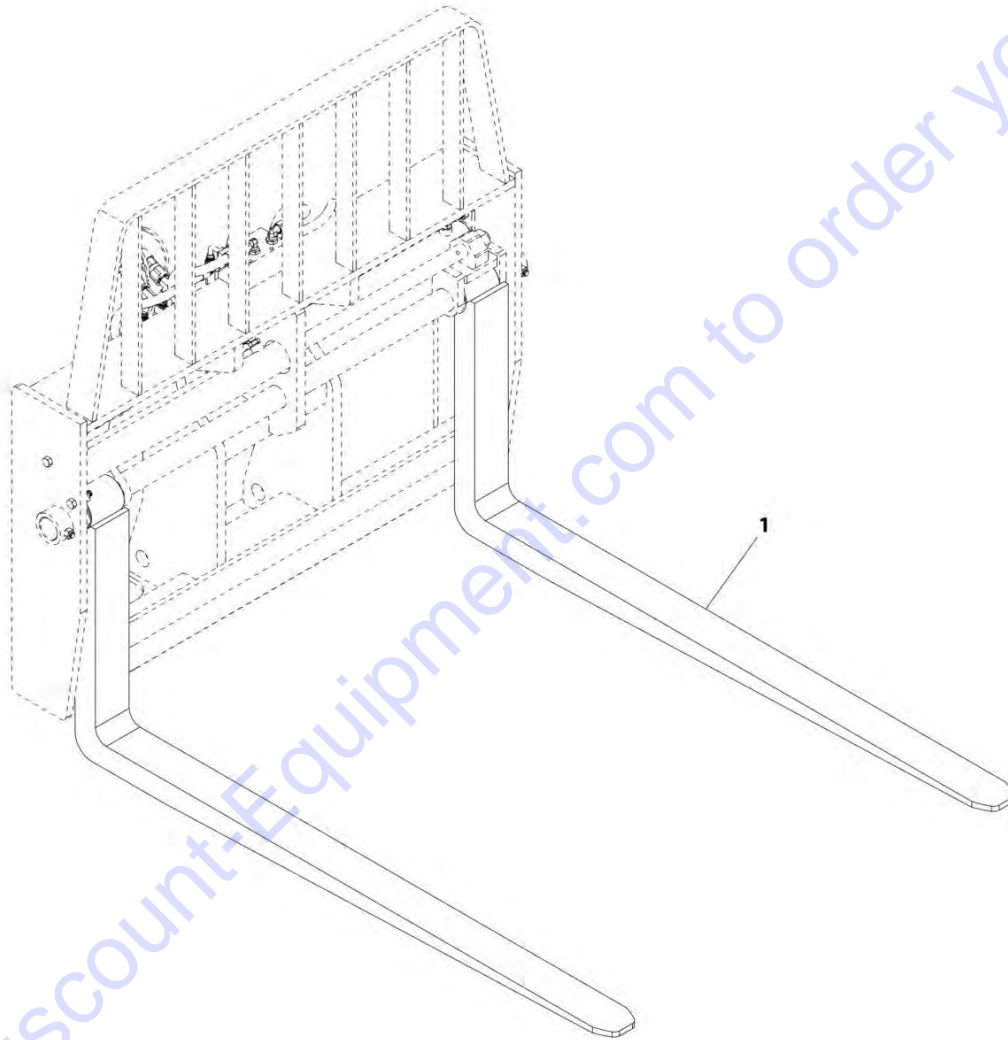
**FIGURE 3-51. PALLET FORK (48X5X2.36)**

ITEM	PART NUMBER	QTY	DESCRIPTION	REV
1	2340038	2	Pallet Fork (48X5X2.36)	B
N1	Note	Ref	<b>FORKS RATED LESS THAN THE ATTACHMENT OR MACHINE'S CAPACITY DECREASES CAPACITY OF THE ATTACHMENT OR MACHINE TO THAT OF THE FORKS. FORKS RATED MORE THAN THE ATTACHMENT OR MACHINE'S CAPACITY DO NOT INCREASE ATTACHMENT OR MACHINE'S CAPACITY.</b>	
N2	Note	Ref	<b>PLEASE CONSULT DISCOUNT-EQUIPMENT TO DETERMINE THE CORRECT FORKS APPLICABLE TO YOUR SPECIFIC CARRIASE ASSEMBLY AND APPLICATION.</b>	

Go to Discount-Equipment.com to order your parts

## SECTION 3 - ATTACHMENTS

FIGURE 3-52. PALLET FORK (2.4X4X60) - 1055



ART\_1001227379-A

## SECTION 3 - ATTACHMENTS

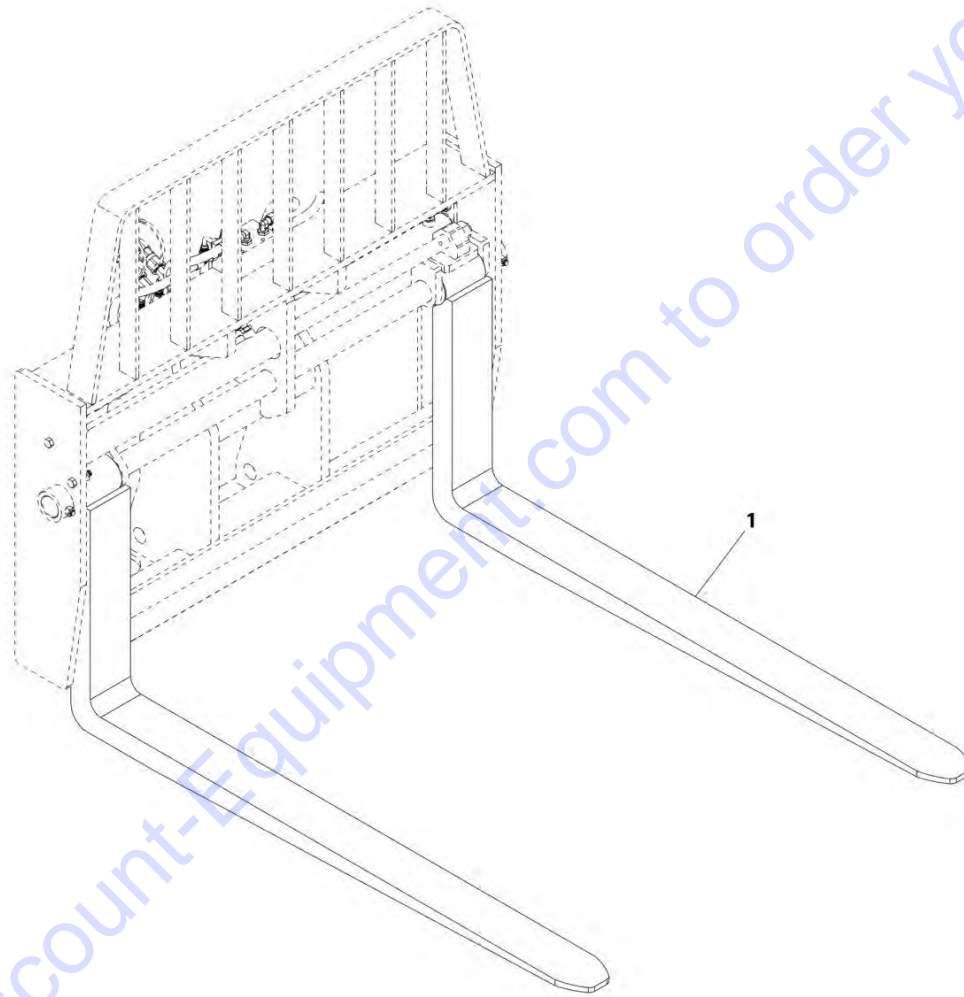
**FIGURE 3-52. PALLET FORK (2.4X4X60) - 1055**

ITEM	PART NUMBER	QTY	DESCRIPTION	REV
1	1001227379	2	Pallet Fork (2.4X4X60) - 1055	A
N1	Note	Ref	<b>FORKS RATED LESS THAN THE ATTACHMENT OR MACHINE'S CAPACITY DECREASES CAPACITY OF THE ATTACHMENT OR MACHINE TO THAT OF THE FORKS. FORKS RATED MORE THAN THE ATTACHMENT OR MACHINE'S CAPACITY DO NOT INCREASE ATTACHMENT OR MACHINE'S CAPACITY.</b>	
N2	Note	Ref	<b>PLEASE CONSULT DISCOUNT-EQUIPMENT TO DETERMINE THE CORRECT FORKS APPLICABLE TO YOUR SPECIFIC CARRIASE ASSEMBLY AND APPLICATION.</b>	

Go to Discount-Equipment.com to order your parts

## SECTION 3 - ATTACHMENTS

FIGURE 3-53. PALLET FORK (2.36X5.00X60) -1255



ART\_1001227382-A

## SECTION 3 - ATTACHMENTS

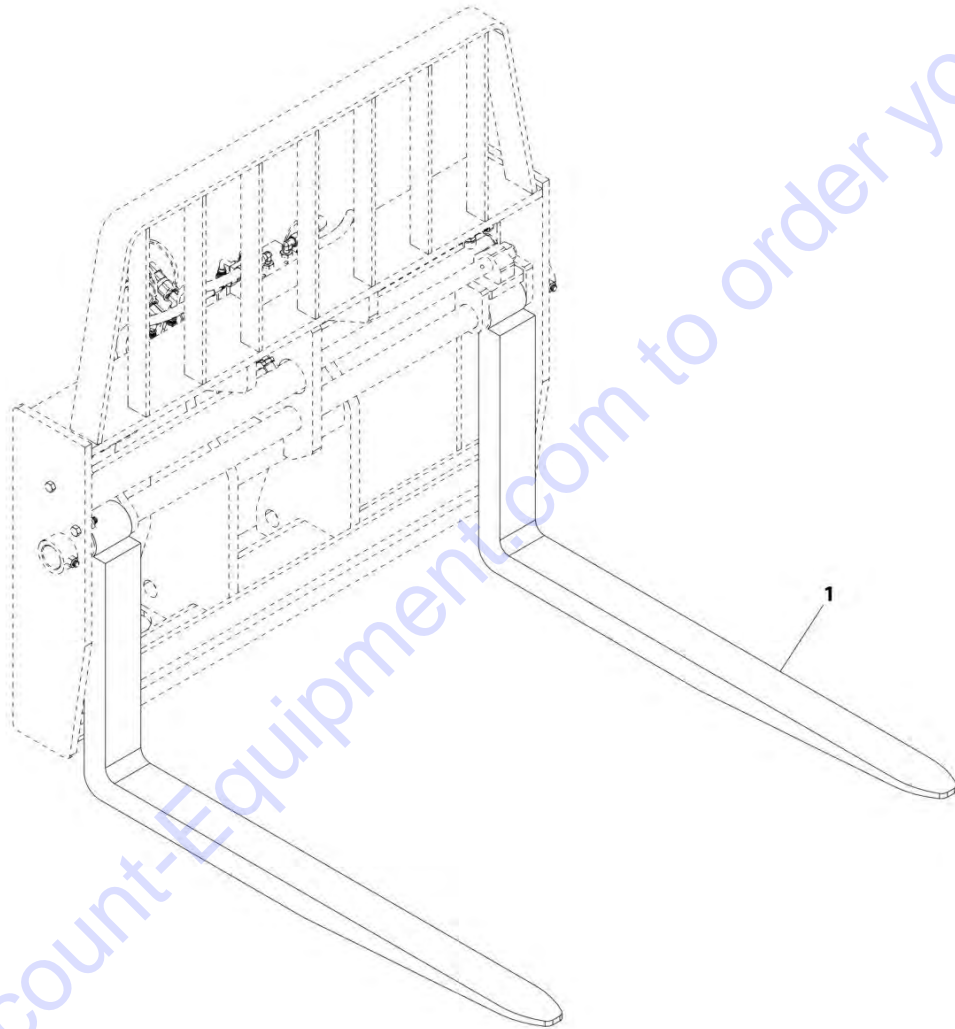
**FIGURE 3-53. PALLET FORK (2.36X5.00X60) -1255**

ITEM	PART NUMBER	QTY	DESCRIPTION	REV
1	1001227382	1	Pallet Fork (2.36X5.00X60) -1255	A
N1	Note	Ref	<b>FORKS RATED LESS THAN THE ATTACHMENT OR MACHINE'S CAPACITY DECREASES CAPACITY OF THE ATTACHMENT OR MACHINE TO THAT OF THE FORKS. FORKS RATED MORE THAN THE ATTACHMENT OR MACHINE'S CAPACITY DO NOT INCREASE ATTACHMENT OR MACHINE'S CAPACITY.</b>	
N2	Note	Ref	<b>PLEASE CONSULT DISCOUNT-EQUIPMENT TO DETERMINE THE CORRECT FORKS APPLICABLE TO YOUR SPECIFIC CARRIASE ASSEMBLY AND APPLICATION.</b>	

Go to Discount-Equipment.com to order your parts

## SECTION 3 - ATTACHMENTS

FIGURE 3-54. PALLET FORK (2.36X4X48)



ART\_7301408-D

## SECTION 3 - ATTACHMENTS

**FIGURE 3-54. PALLET FORK (2.36X4X48)**

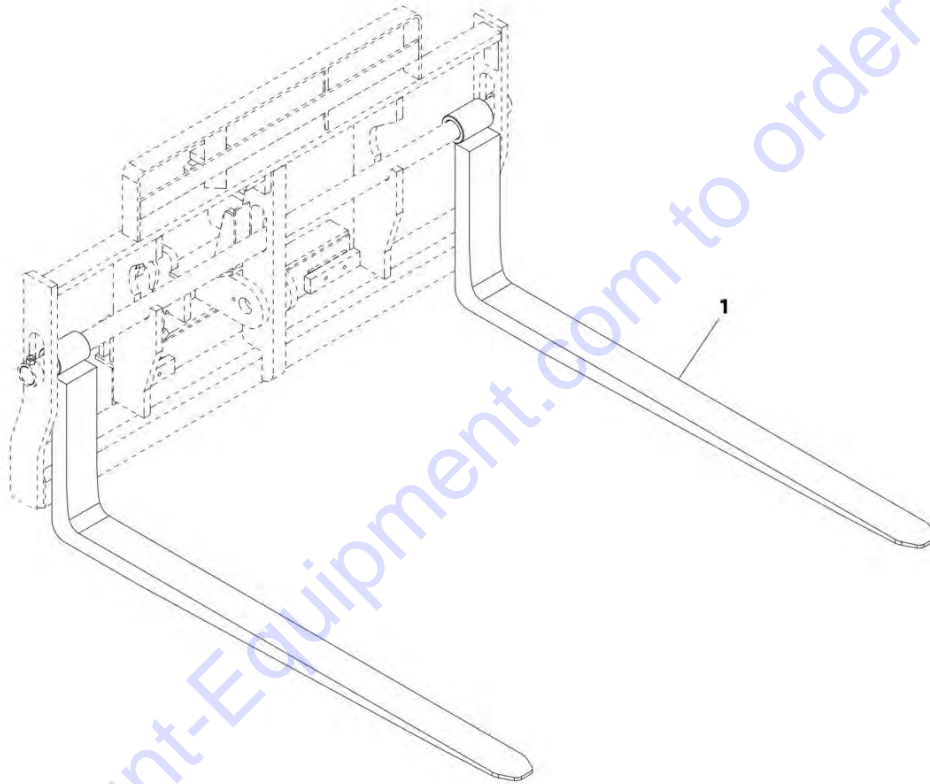
ITEM	PART NUMBER	QTY	DESCRIPTION	REV
1	7301408	2	Pallet Fork (2.36X4X48)	D
N1	Note	Ref	<b>FORKS RATED LESS THAN THE ATTACHMENT OR MACHINE'S CAPACITY DECREASES CAPACITY OF THE ATTACHMENT OR MACHINE TO THAT OF THE FORKS. FORKS RATED MORE THAN THE ATTACHMENT OR MACHINE'S CAPACITY DO NOT INCREASE ATTACHMENT OR MACHINE'S CAPACITY.</b>	
N2	Note	Ref	<b>PLEASE CONSULT DISCOUNT-EQUIPMENT TO DETERMINE THE CORRECT FORKS APPLICABLE TO YOUR SPECIFIC CARRIASE ASSEMBLY AND APPLICATION.</b>	

Go to Discount-Equipment.com to order your parts



## SECTION 3 - ATTACHMENTS

FIGURE 3-55. PALLET FORK (2.4X5X72)



ART\_1001232355-A

## SECTION 3 - ATTACHMENTS

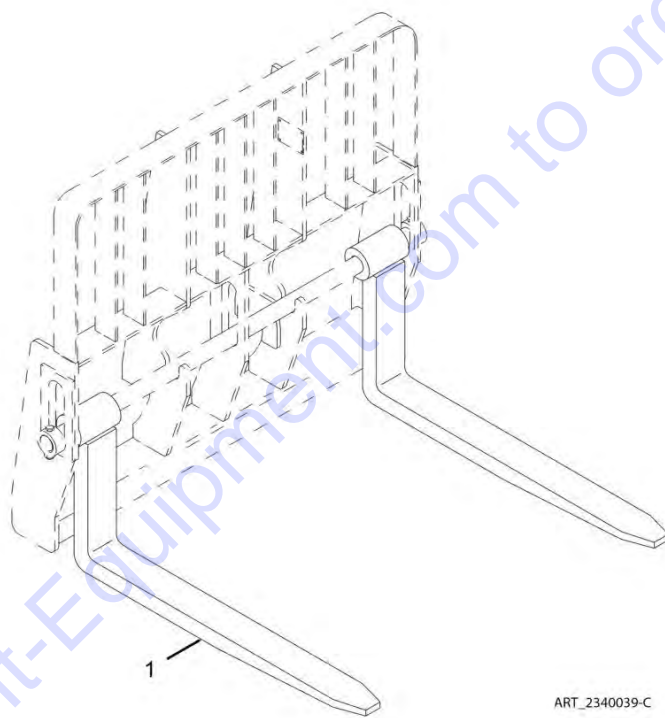
**FIGURE 3-55. PALLET FORK (2.4X5X72)**

ITEM	PART NUMBER	QTY	DESCRIPTION	REV
1	1001232355	2	Pallet Fork (2.4X5X72)	A
N1	Note	Ref	<b>FORKS RATED LESS THAN THE ATTACHMENT OR MACHINE'S CAPACITY DECREASES CAPACITY OF THE ATTACHMENT OR MACHINE TO THAT OF THE FORKS. FORKS RATED MORE THAN THE ATTACHMENT OR MACHINE'S CAPACITY DO NOT INCREASE ATTACHMENT OR MACHINE'S CAPACITY.</b>	
N2	Note	Ref	<b>PLEASE CONSULT DISCOUNT-EQUIPMENT TO DETERMINE THE CORRECT FORKS APPLICABLE TO YOUR SPECIFIC CARRIASE ASSEMBLY AND APPLICATION.</b>	

Go to Discount-Equipment.com to order your parts

## SECTION 3 - ATTACHMENTS

FIGURE 3-56. DUAL TAPER FORK (60X6X2.36)



## SECTION 3 - ATTACHMENTS

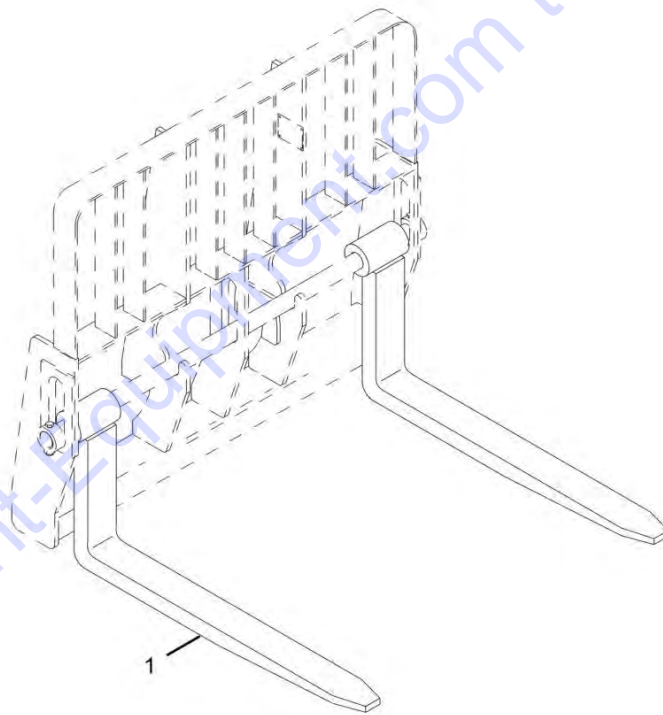
**FIGURE 3-56. DUAL TAPER FORK (60X6X2.36)**

ITEM	PART NUMBER	QTY	DESCRIPTION	REV
N1	2340039 Note	2 Ref	Dual Taper Fork (60X6X2.36) <b>FORKS RATED LESS THAN THE ATTACHMENT OR MACHINE'S CAPACITY DECREASES CAPACITY OF THE ATTACHMENT OR MACHINE TO THAT OF THE FORKS. FORKS RATED MORE THAN THE ATTACHMENT OR MACHINE'S CAPACITY DO NOT INCREASE ATTACHMENT OR MACHINE'S CAPACITY.</b>	C
N2	Note	Ref	<b>PLEASE CONSULT DISCOUNT-EQUIPMENT TO DETERMINE THE CORRECT FORKS APPLICABLE TO YOUR SPECIFIC CARRIASE ASSEMBLY AND APPLICATION.</b>	

Go to Discount-Equipment.com to order your parts

## SECTION 3 - ATTACHMENTS

FIGURE 3-57. DUAL TAPER FORK (72X6X2)



ART\_1001092391\_B

## SECTION 3 - ATTACHMENTS

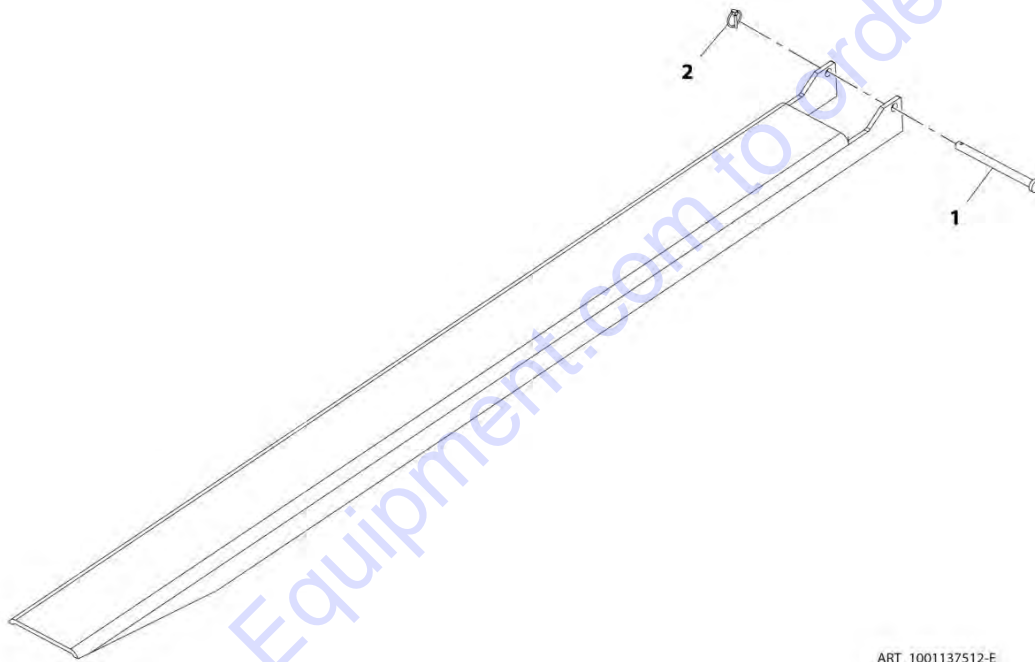
**FIGURE 3-57. DUAL TAPER FORK (72X6X2)**

ITEM	PART NUMBER	QTY	DESCRIPTION	REV
N1	1001092391 Note	2 Ref	Dual Taper Fork (72X6X2) <b>FORKS RATED LESS THAN THE ATTACHMENT OR MACHINE'S CAPACITY DECREASES CAPACITY OF THE ATTACHMENT OR MACHINE TO THAT OF THE FORKS. FORKS RATED MORE THAN THE ATTACHMENT OR MACHINE'S CAPACITY DO NOT INCREASE ATTACHMENT OR MACHINE'S CAPACITY.</b>	B
N2	Note	Ref	<b>PLEASE CONSULT DISCOUNT-EQUIPMENT TO DETERMINE THE CORRECT FORKS APPLICABLE TO YOUR SPECIFIC CARRIASE ASSEMBLY AND APPLICATION.</b>	

Go to Discount-Equipment.com to order your parts

## SECTION 3 - ATTACHMENTS

FIGURE 3-58. FORK EXTENSION (90 INCH)



ART\_1001137512-E

## SECTION 3 - ATTACHMENTS

**FIGURE 3-58. FORK EXTENSION (90 INCH)**

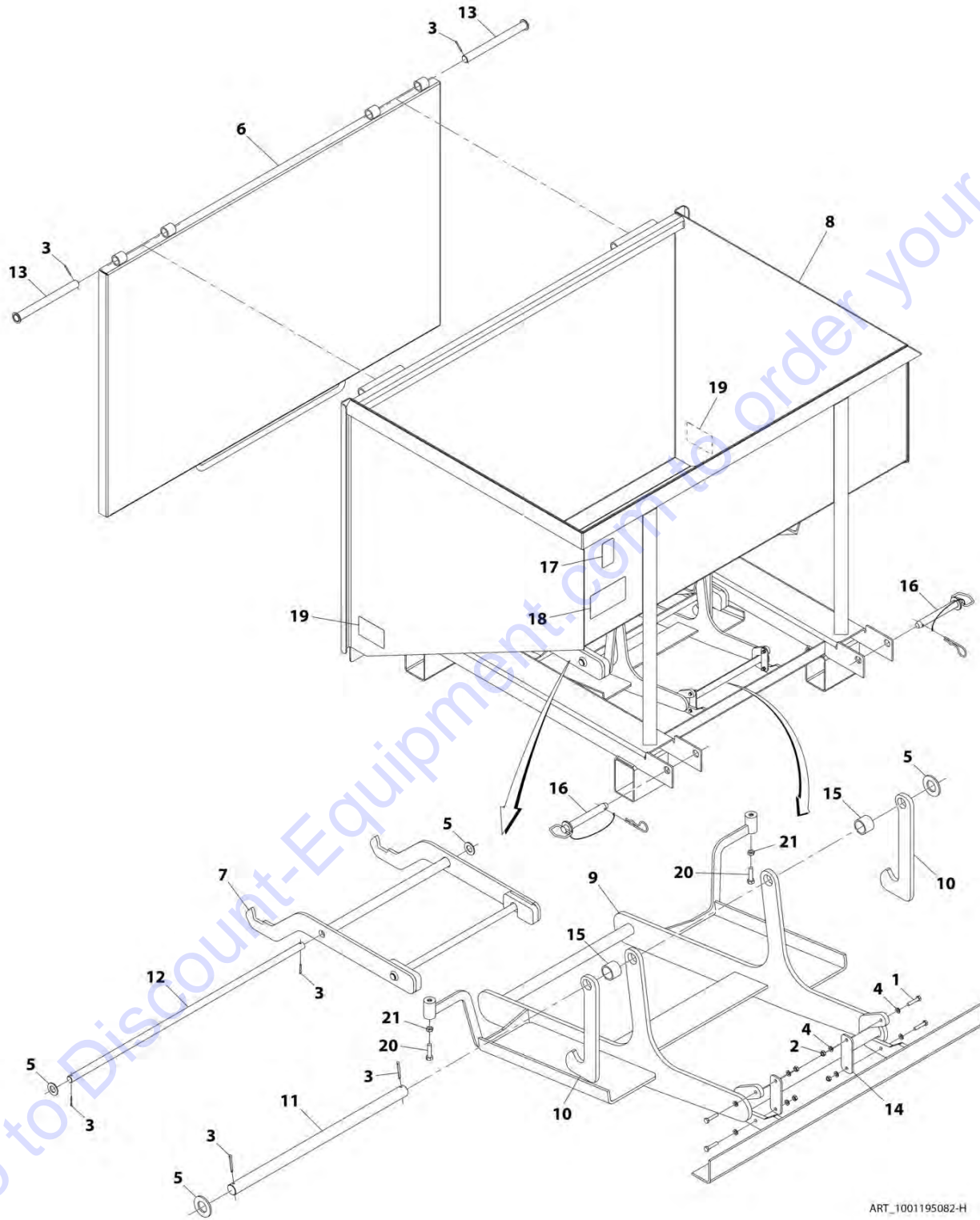
ITEM	PART NUMBER	QTY	DESCRIPTION	REV
	1001137512	2	Fork Extension (90 Inch)	E
1	70024306	1	Pin	
2	70024307	1	Clip	
N1	Note	Ref	<b>FORKS RATED LESS THAN THE ATTACHMENT OR MACHINE'S CAPACITY DECREASES CAPACITY OF THE ATTACHMENT OR MACHINE TO THAT OF THE FORKS. FORKS RATED MORE THAN THE ATTACHMENT OR MACHINE'S CAPACITY DO NOT INCREASE ATTACHMENT OR MACHINE'S CAPACITY.</b>	
N2	Note	Ref		<b>PLEASE CONSULT DISCOUNT-EQUIPMENT TO DETERMINE THE CORRECT FORKS APPLICABLE TO YOUR SPECIFIC CARRIAGE ASSEMBLY AND APPLICATION.</b>

Go to Discount-Equipment.com to order your parts



# SECTION 3 - ATTACHMENTS

## FIGURE 3-59. TRASH HOPPER INSTALLATION



ART\_1001195082-H

## SECTION 3 - ATTACHMENTS

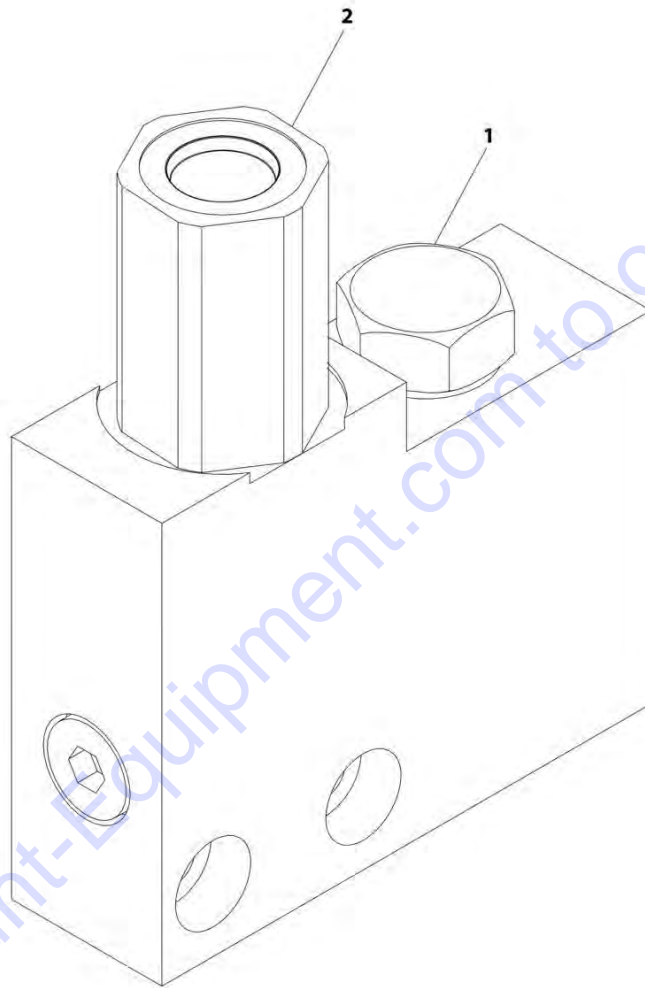
**FIGURE 3-59. TRASH HOPPER INSTALLATION**

ITEM	PART NUMBER	QTY	DESCRIPTION	REV
	1001195082	1	Trash Hopper Installation	H
1	0700614	4	Bolt M6X30	
2	3290601	4	Nut M6	
3	3391410	6	Pin	
4	4811700	8	Washer M6	
5	5242400	4	Washer M24	
6	1001192711	1	Door Assembly, Trash Hopper	
7	1001192720	1	Hook Assembly, Trash Hopper	
8	1001192736	1	Weldment, Trash Hopper	
9	1001192875	1	Tray Assembly, Trash Hopper	
10	1001192876	2	Arm, Swing	
11	1001192877	1	Rod, Swing	
12	1001193525	1	Bar, Hook Assembly	
13	1001193540	2	Pin, Door Assembly	
14	1001193729	2	Plate, Tray Locking	
15	1001198355	2	Accessory, Spacer	
16	1001102813	2	Pin, Hitch	
17	1001203232	1	Plate, Trash Hopper	
18	1001203503	1	Decal - Trash Hopper Operation	
19	1706302	2	Decal - Pinch Point	
20	0641510	2	Hex Screw, 5/16-18x1/4	
21	3311502	2	Nut, 5/16-18	

Go to Discount-Equipment.com to order your parts

## SECTION 3 - ATTACHMENTS

FIGURE 3-60. PO CHECK VALVE



ART\_70022932-A

## SECTION 3 - ATTACHMENTS

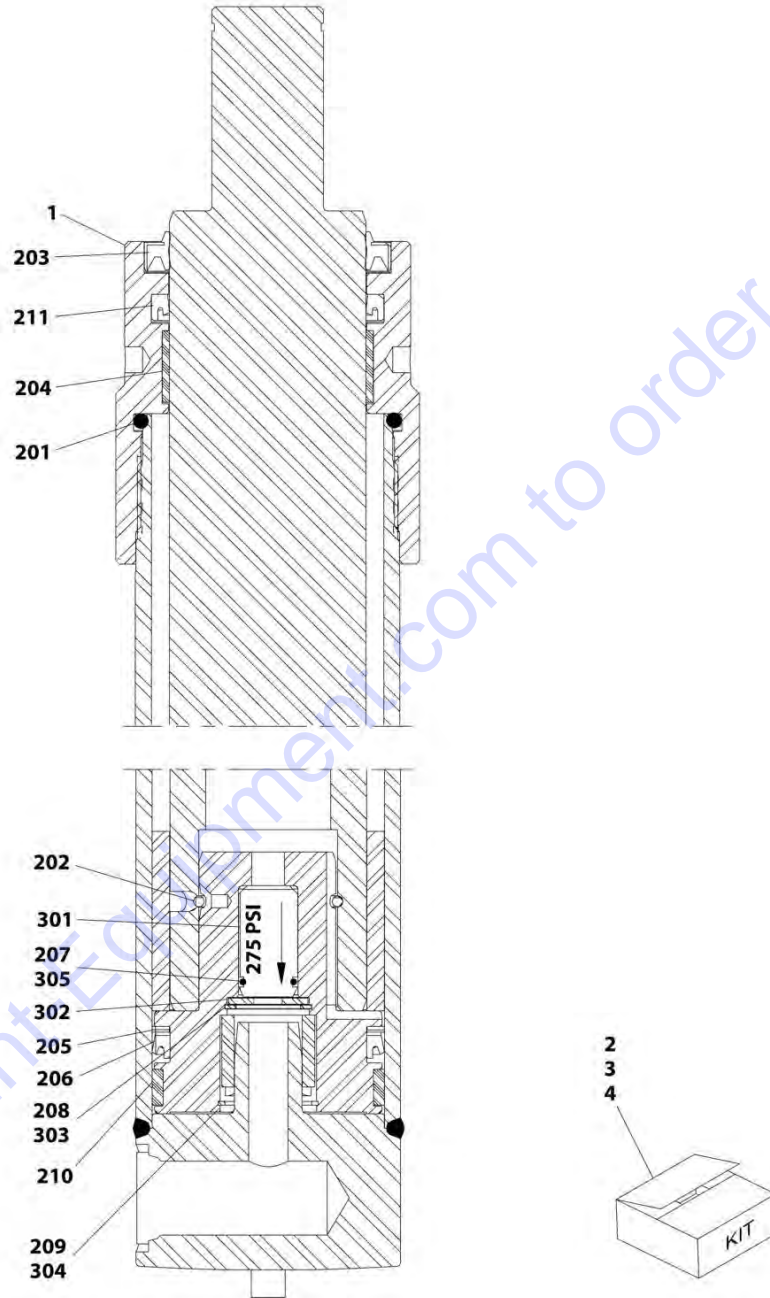
### FIGURE 3-60. PO CHECK VALVE

ITEM	PART NUMBER	QTY	DESCRIPTION	REV
	70022932	Ref	PO Check Valve	A
1	70022931	1	Cartridge, PO Check Valve	
2	70023010	1	Check, PO	

Go to Discount-Equipment.com to order your parts

# SECTION 3 - ATTACHMENTS

## FIGURE 3-61. MAIN LIFT CYLINDER



ART\_70023008-A

## SECTION 3 - ATTACHMENTS

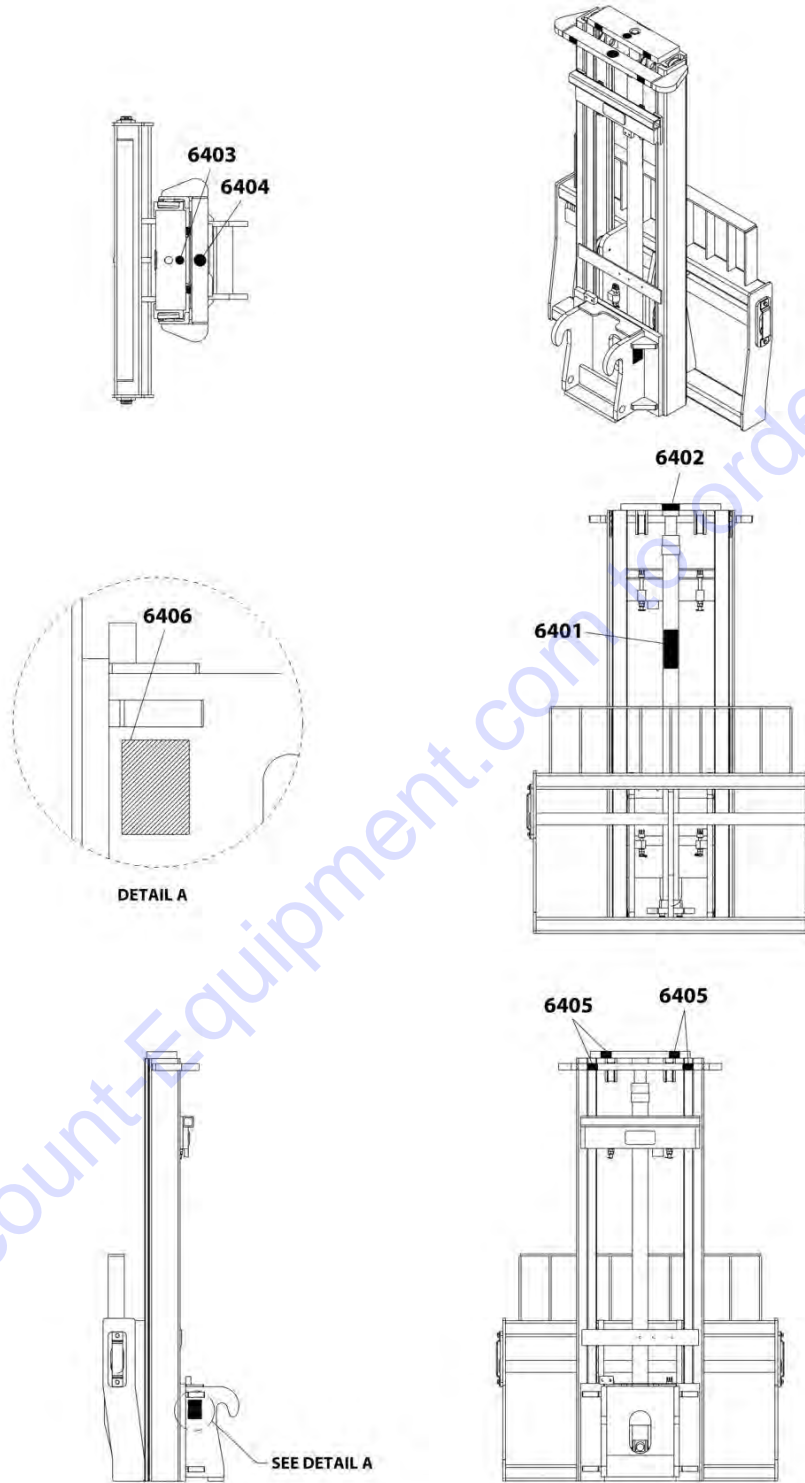
### FIGURE 3-61. MAIN LIFT CYLINDER

ITEM	PART NUMBER	QTY	DESCRIPTION	REV
	70023008	Ref	Main Lift Cylinder	A
1	70023004	1	Retainer/Gland	
2	70023005	1	Seal Kit, Main Lift Cylinder	
201	Kit	1	O-Ring	
202	Kit	1	Wire, Pull	
203	Kit	1	Wiper	
204	Kit	1	Bushing	
205	Kit	1	Ring, Nylon	
206	Kit	1	Seal, Piston	
207	Kit	1	O-Ring	
208	Kit	1	Circlip	
209	Kit	1	Ring, Retaining	
210	Kit	1	Ring, Wear	
211	Kit	1	Seal, Rod	
3	70023006	1	Kit, Check Valve	
301	Kit	1	Valve, Check	
302	Kit	1	Washer	
303	Kit	1	Circlip	
304	Kit	1	Ring, Retaining	
304	Kit	1	O-Ring	
4	70023007	1	Kit, Shim	

Go to Discount-Equipment.com to order your parts

# SECTION 3 - ATTACHMENTS

## FIGURE 3-62. KIT DECAL



ART\_70023925-A

**SECTION 3 - ATTACHMENTS**

**FIGURE 3-62. KIT DECAL**

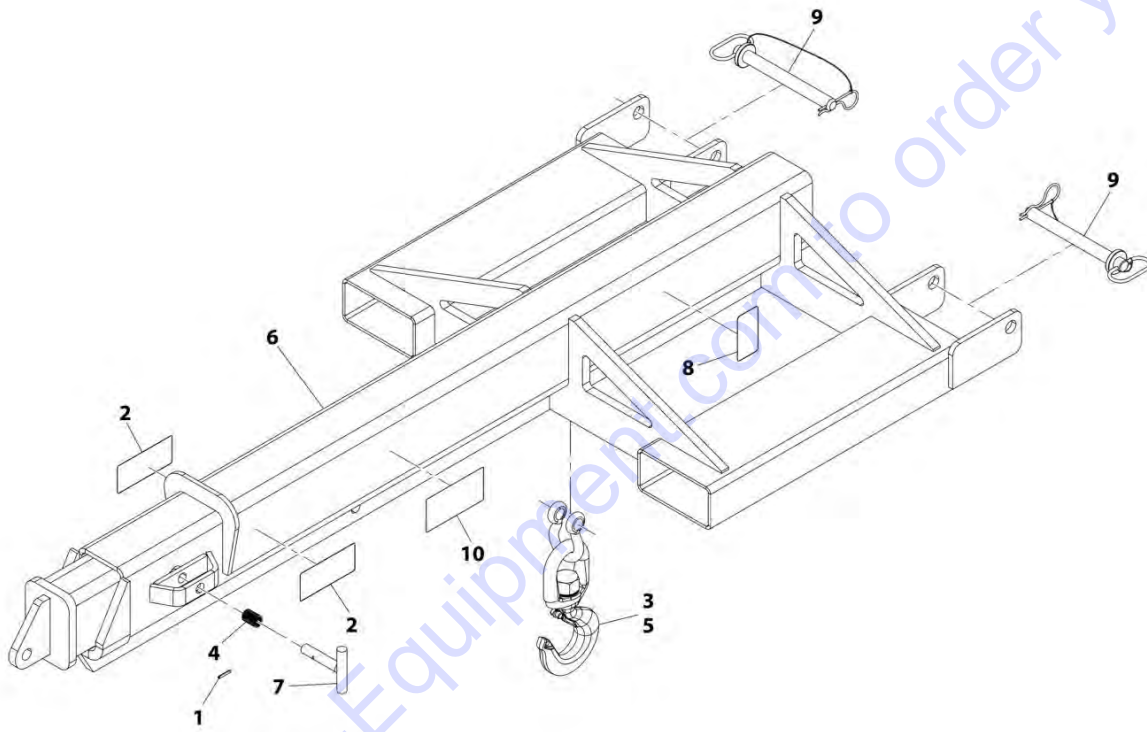
ITEM	PART NUMBER	QTY	DESCRIPTION	REV
	70023925	Ref	Kit, Decal	A
6401	Kit	1	Decal, Warning	
6402	Kit	1	Decal, Warning	
6403	Kit	1	Decal, No Step	
6404	Kit	1	Decal, No Step	
6405	Kit	4	Decal, Hands Off	
6406	Kit	2	Decal, Hose Routing	

Go to Discount-Equipment.com to order your parts



# SECTION 3 - ATTACHMENTS

FIGURE 3-63. ADJUSTABLE TRUSS BOOM INSTALLATION (FORK MOUNTED)



ART\_1001230241-F

## SECTION 3 - ATTACHMENTS

**FIGURE 3-63. ADJUSTABLE TRUSS BOOM INSTALLATION (FORK MOUNTED)**

ITEM	PART NUMBER	QTY	DESCRIPTION	REV
	1001230241	Ref	Adjustable Truss Boom Installation (Fork Mounted)	F
1	3440620	1	Pin	
2	4110422	2	Decal, Danger Swinging Loads	
3	91403448	1	Hook, Swivel	
4	1001128890	1	Spring	
5	1001146160	1	Shackle	
6	N.S.S.	1	Truss Boom, Adjustable	
7	1001230239	1	Pin	
8	N.S.S.	1	Plate, Serial Number	
9	1001231692	2	Pin	
10	1001232500	1	Decal, Load Capacities	

Go to Discount-Equipment.com to order your parts



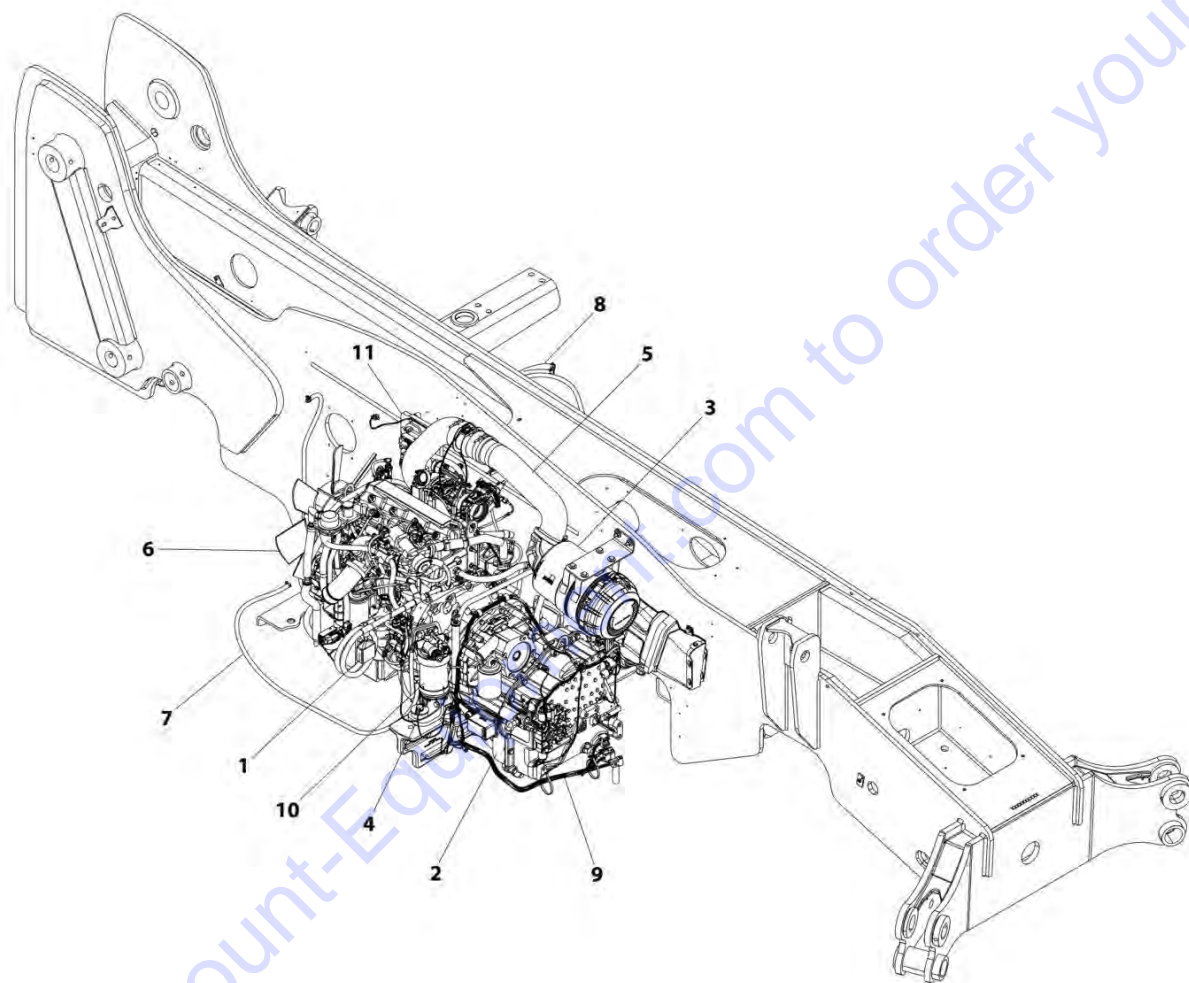
## SECTION 4 - ENGINE AND ATTACHING PARTS

## SECTION 4 - ENGINE AND ATTACHING PARTS

Go to Discount-Equipment.com to order your parts

## SECTION 4 - ENGINE AND ATTACHING PARTS

FIGURE 4-1. ENGINE INSTALLATION (ULS)



ART\_1001160387-D

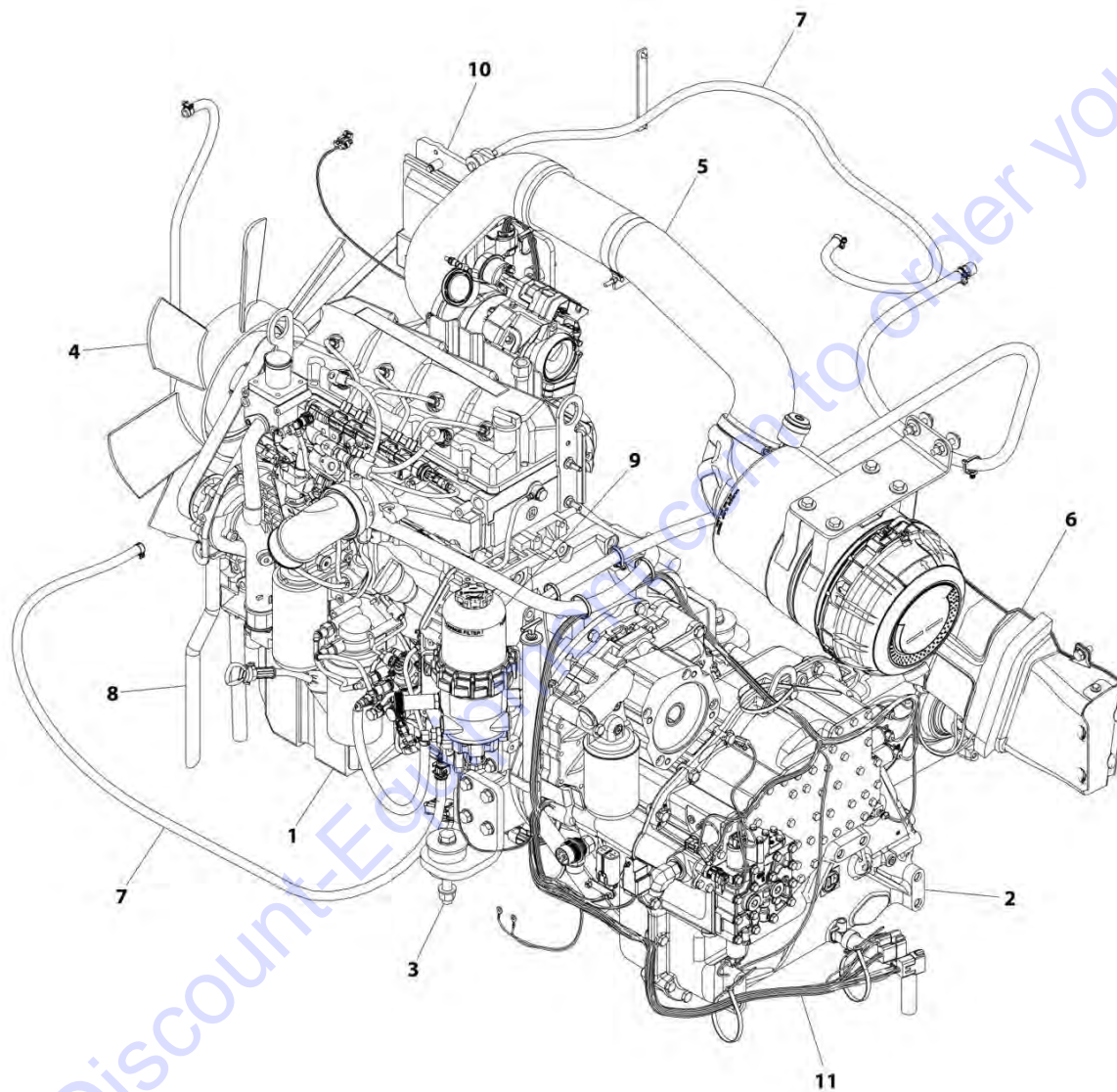
## SECTION 4 - ENGINE AND ATTACHING PARTS

**FIGURE 4-1. ENGINE INSTALLATION (ULS)**

ITEM	PART NUMBER	QTY	DESCRIPTION	REV
1	1001160387	Ref	Engine Installation (if equipped for ULS)	D
	1001154511	Ref	Engine, QSF 3.8L, (130HP) (See Engine, QSF 3.8L, (130HP) (ULS) for Breakdown)	
2	1001161664	Ref	Transmission Powershift Installation (See DRIVETRAIN SECTION for Breakdown)	
3	1001162988	Ref	Air Cleaner, 4.4L 106KW Installation (See AIR CLEANER INSTALLATION (ULS) for Breakdown)	
4	1001163227	Ref	Engine Mounting 3.8L Engine Installation (See FRAME AND ATTACHING PARTS SECTION for Breakdown)	
5	1001163228	Ref	Intake Air Lines 3.8L Engine Installation Assembly, Electrical PDB (See AIR INTAKE LINES INSTALLATION for Breakdown)	
6	1001163230	Ref	Fan, 3.8L Engine Installation Assembly, Electrical PDB (See FAN INSTALLATION for Breakdown)	
7	1001163231	Ref	Fuel Lines, 3.8L Engine Installation Assembly, Electrical PDB (See FUEL LINES INSTALLATION (ULS) for Breakdown)	
8	1001163232	Ref	Def Lines, 3.8L Engine Installation Assembly, Electrical PDB (See DEF LINES INSTALLATION for Breakdown)	
9	1001163233	Ref	Engine Wiring 3.8L Engine Installation Assembly, Electrical PDB (See ELECTRICAL SECTION for Breakdown)	
10	1001163235	Ref	Primary Fuel Filter, 3.8L Engine Installation Assembly, Electrical PDB (See PRIMARY FUEL FILTER INSTALLATION (ULS) for Breakdown)	
11	1001170722	Ref	ECU, 3.8L Engine Installation (See ELECTRICAL SECTION for Breakdown)	

# SECTION 4 - ENGINE AND ATTACHING PARTS

## FIGURE 4-2. ENGINE INSTALLATION (LS)



ART\_1001160396-D

## SECTION 4 - ENGINE AND ATTACHING PARTS

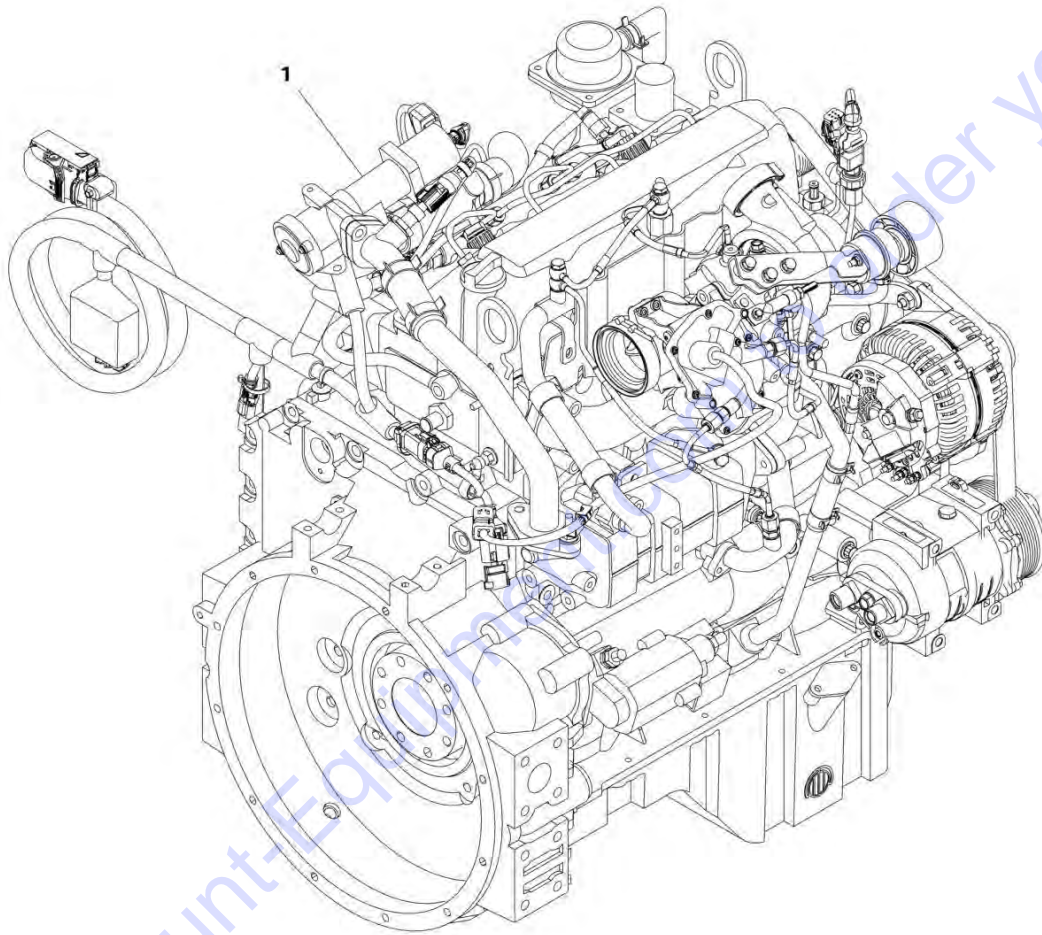
**FIGURE 4-2. ENGINE INSTALLATION (LS)**

ITEM	PART NUMBER	QTY	DESCRIPTION	REV
1	1001160396	Ref	Engine Installation (if equipped for LS)	D
	1001154790	Ref	Engine, Cummins QSF 3.8L T4F (See CUMMINS ENGINE, QSF 3.8L T4F (LS) for Breakdown)	
2	1001161664	Ref	Installation, Transmission Powershift (See DRIVETRAIN SECTION for Breakdown)	
3	1001163227	Ref	Engine Mounting 3.8L Engine Installation (See FRAME AND ATTACHING PARTS SECTION for Breakdown)	
4	1001163230	Ref	Fan, 3.8L Engine Installation Assembly, Electrical PDB (See FAN INSTALLATION for Breakdown)	
5	1001163238	Ref	Intake Air Lines 3.8L Engine Installation Assembly (See AIR INTAKE LINES INSTALLATION (LS) for Breakdown)	
6	1001163239	Ref	Air Cleaner 3.8L Installation (See AIR CLEANER INSTALLATION (LS) for Breakdown)	
7	1001163241	Ref	Fuel Lines 3.8L Engine Installation Assembly, Electrical PDB (See FUEL LINES INSTALLATION (LS) for Breakdown)	
8	1001176228	1	Hose, Cummins 3.8L SPL	
9	1001180076	Ref	Primary Fuel Filter 3.8L Engine Installation Assembly, Electrical PDB (See PRIMARY FUEL FILTER INSTALLATION (LS) for Breakdown)	
10	1001180242	Ref	ECM 3.8L Engine Installation (See ELECTRICAL SECTION for Breakdown)	
11	1001163242	Ref	Engine Wiring 3.8L Engine Installation Assembly, Electrical PDB (See ELECTRICAL SECTION for Breakdown)	



## SECTION 4 - ENGINE AND ATTACHING PARTS

FIGURE 4-3. ENGINE, QSF 3.8L, (130HP) (ULS)



ART\_1001154511-P

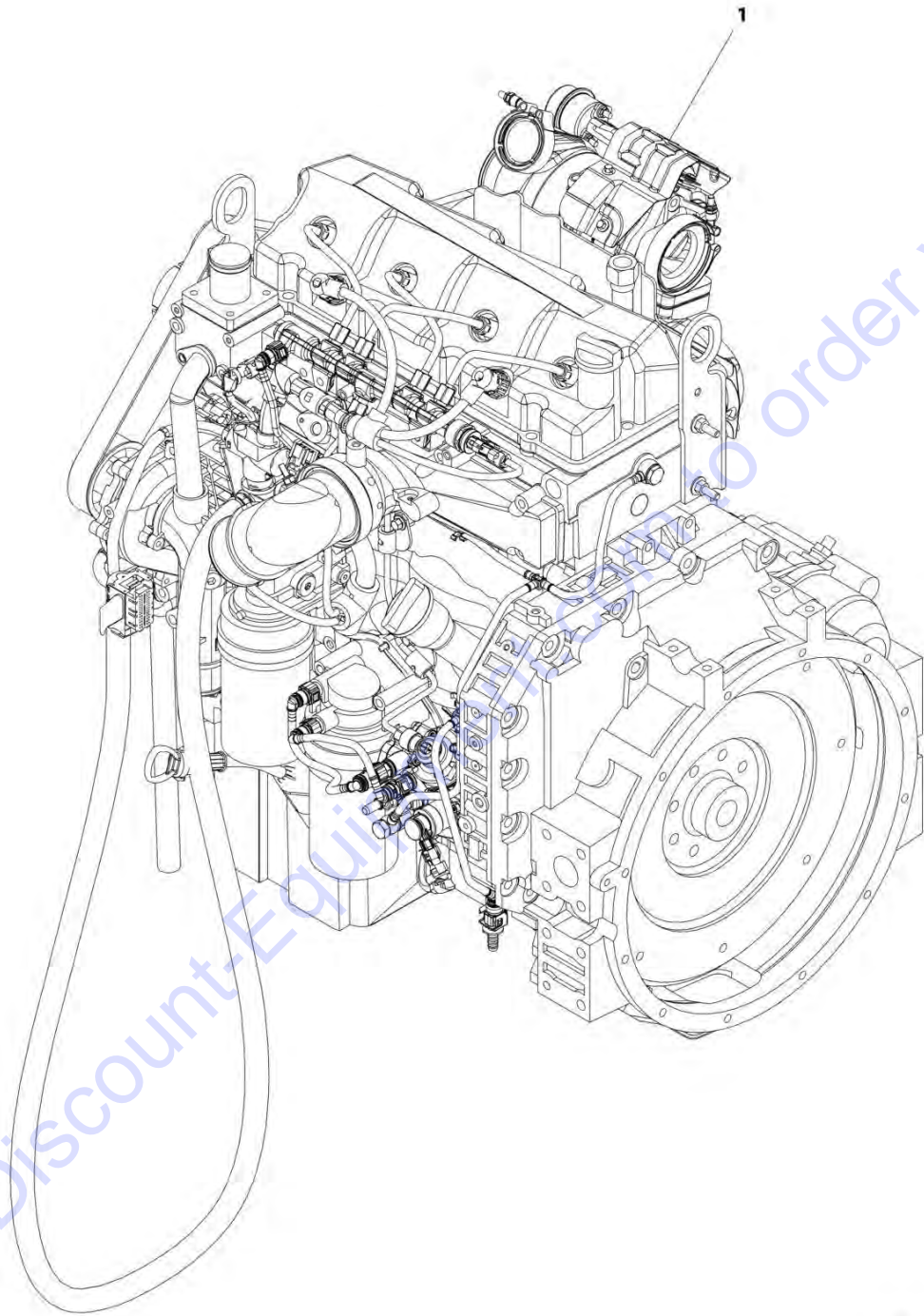
## SECTION 4 - ENGINE AND ATTACHING PARTS

**FIGURE 4-3. ENGINE, QSF 3.8L, (130HP) (ULS)**

ITEM	PART NUMBER	QTY	DESCRIPTION	REV
	1001154511	Ref	Engine, QSF 3.8L (if equipped for ULS)	P
	70026220	1	Assembly, Secondary Fuel Filter (includes filter head, seal and element)	
	70026453	1	Element, Fuel Filter	
	70026223	1	Pan, Oil	
	70026224	1	Seal, Oil Pan	
	70026225	1	Plug, Oil Pan	
	70026226	1	Seal, Oil Pan Plug	
	1001128594	1	Starter	
	70026228	1	Cap, Valve Cover Filler	
	70026229	1	Belt, V-Ribbed Fan	
	70026230	1	Support, Fan	
	70026231	1	Pulley, Fan	
	70026232	1	Alternator	
	70026233	NLA	Assembly, Primary Fuel Filter, (includes filter head, seal and element), (no longer available, use 70028450 for replacement)	
	70028450	1	Assembly, Primary Fuel Filter, (includes filter head, seal and element)	
	70026234	1	Element, Fuel Filter	
	70026235	1	Assembly, Dipstick Oil Level	
	70026236	1	Assembly, Block Heater	
	70026241	1	Assembly, Fuel Filter Plug	
	70026237	1	Filter, Oil	
	70023933	1	O-Ring, Fuel Filter Plug	
	70041620	2	Ring, Retaining	
	70041616	1	Screw, Hex	
	70041617	1	Bearing, Ball	
	70041619	1	Retainer, Fan Hub	
	1322039	1	Spacer, Fan Pilot	
	1321094	16	Bolt, Fan Drive	
	70024016	1	Cap, Side Oil Fill	
	70022634	1	Flywheel with Ring Gear	
	70023736	1	Gear, Flywheel Ring	
	1322040	1	Plug, Flywheel	
	1001195923	1	Block Heat Cordset	

## SECTION 4 - ENGINE AND ATTACHING PARTS

FIGURE 4-4. CUMMINS ENGINE, QSF 3.8L (LS)



ART\_1001154790-J

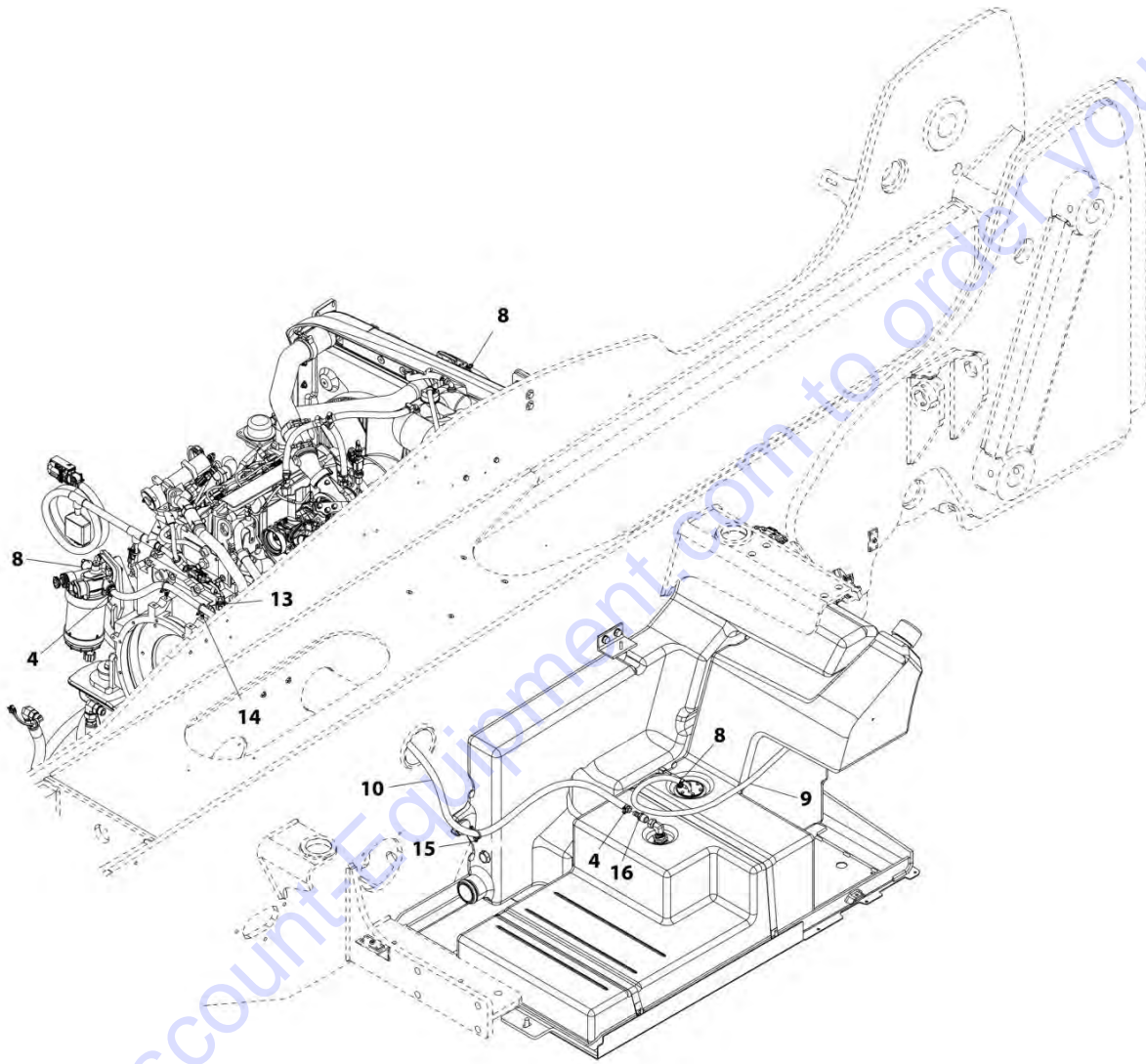
## SECTION 4 - ENGINE AND ATTACHING PARTS

**FIGURE 4-4. CUMMINS ENGINE, QSF 3.8L (LS)**

ITEM	PART NUMBER	QTY	DESCRIPTION	REV
	1001154790	Ref	Engine, Cummins QSF 3.8L T4F (if equipped for LS)	J
	70026800	1	Assembly, Secondary Fuel Filter, (includes filter head, seal and element)	
	70026801	1	Element, Secondary Fuel Filter	
	70026222	1	Assembly, Flywheel Housing	
	70027281	1	Pan, Oil	
	70026224	1	Seal, Oil Pan	
	70026225	1	Plug, Oil Pan	
	70026226	1	Seal, Oil Pan Plug	
	1001128594	1	Starter	
	70026228	1	Filler Cap, Valve Cover	
	70026229	1	Fan Belt, V-Ribbed	
	70026230	1	Support, Fan	
	70026231	1	Pulley, Fan	
	70026232	1	Alternator	
	70026233	1	Assembly, Primary Fuel Filter	
	70026234	1	Element, Fuel Filter	
	70026235	1	Assembly, Dipstick Oil Level	
	70026241	1	Assembly, Fuel Filter Plug	
	70026237	1	Filter, Oil	
	70041620	1	Ring, Retaining	
	70041616	1	Bolt	
	70041617	1	Bearing, Ball	
	70041619	1	Retainer, Fan Hub	
	1322039	1	Spacer, Fan Pilot	
	1321094	1	Screw	
	70024016	1	Cap, Side Oil Fill	
	70022634	1	Flywheel w/Ring Gear	
	70023736	1	Ring Gear, Flywheel	
	1322040	1	Plug, Flywheel	

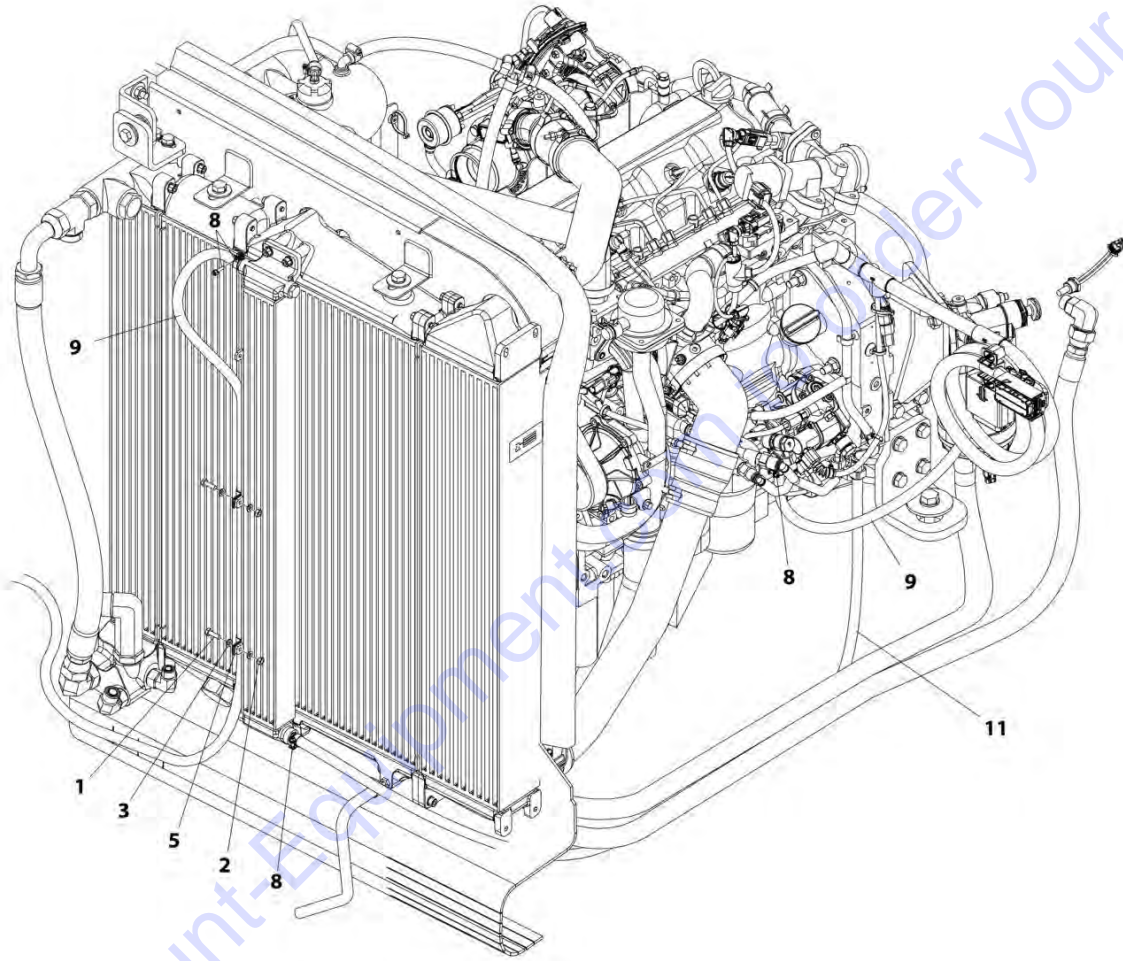
# SECTION 4 - ENGINE AND ATTACHING PARTS

## FIGURE 4-5. FUEL LINES INSTALLATION (ULS)



ART\_1001163231\_1-I

# SECTION 4 - ENGINE AND ATTACHING PARTS



ART\_1001163231\_2-I

## SECTION 4 - ENGINE AND ATTACHING PARTS

FIGURE 4-5. FUEL LINES INSTALLATION (ULS)

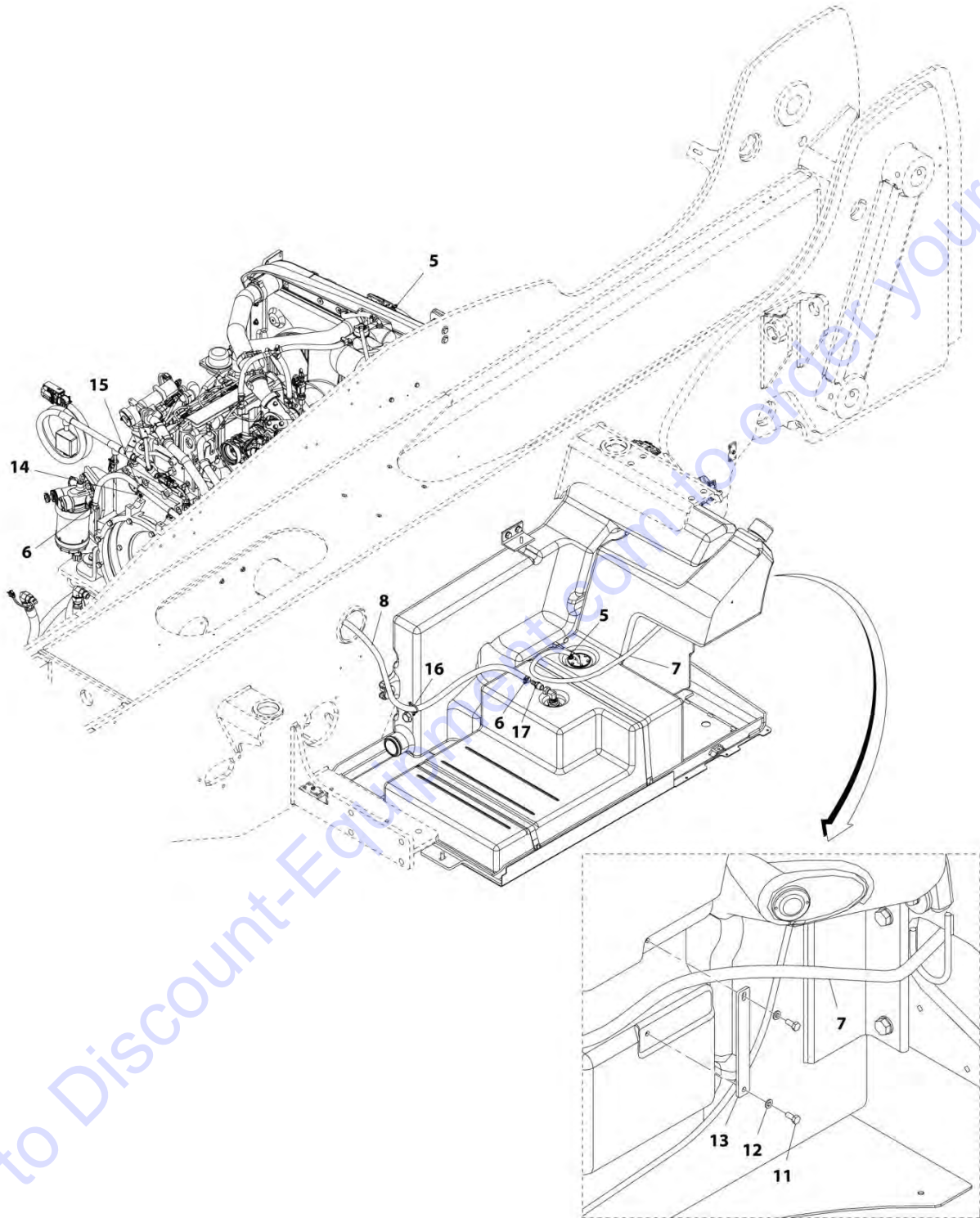
ITEM	PART NUMBER	QTY	DESCRIPTION	REV
	1001163231	Ref	Fuel Lines Installation (if equipped for ULS)	I
1	0700610	2	Bolt, M6X20	
2	3290601	2	Nut, M6X1 Grade 8	
3	4811700	4	Washer, M6	
4	1001186342	2	Clip, Hose	
5	8406112	2	Clip, Tube	
8	1001136975	5	Clamp	
9	1001141400	4.3 m	Hose	
10	1001172755	2.4 m	Hose	
11	1001197299	1	Hose	
13	1001008559	2	Strap	
14	1001202986	2	Strap, Push Mount	
15	1001146588	1	Strap	
16	1001206588	1	Fitting	





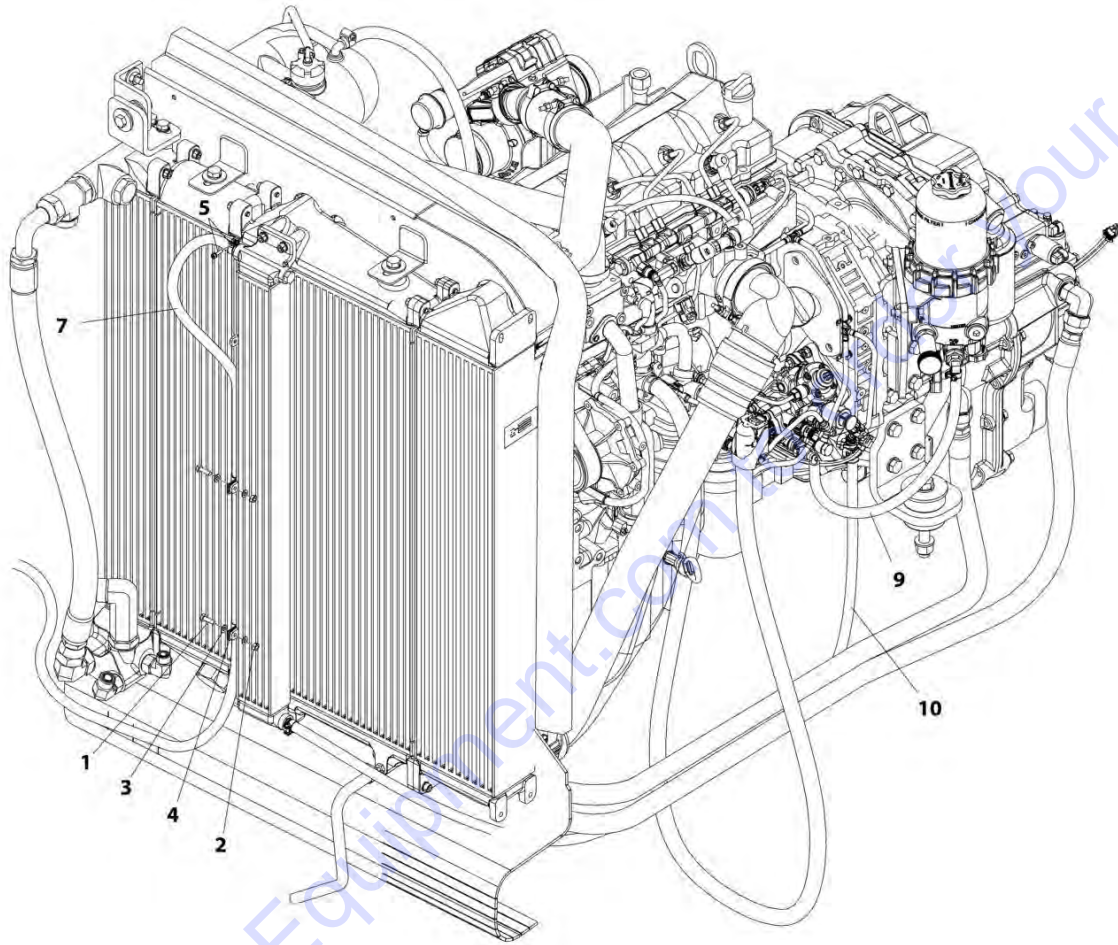
# SECTION 4 - ENGINE AND ATTACHING PARTS

## FIGURE 4-6. FUEL LINES INSTALLATION (LS)



ART\_1001163241\_1-G

## SECTION 4 - ENGINE AND ATTACHING PARTS



ART\_1001163241\_2-G

## SECTION 4 - ENGINE AND ATTACHING PARTS

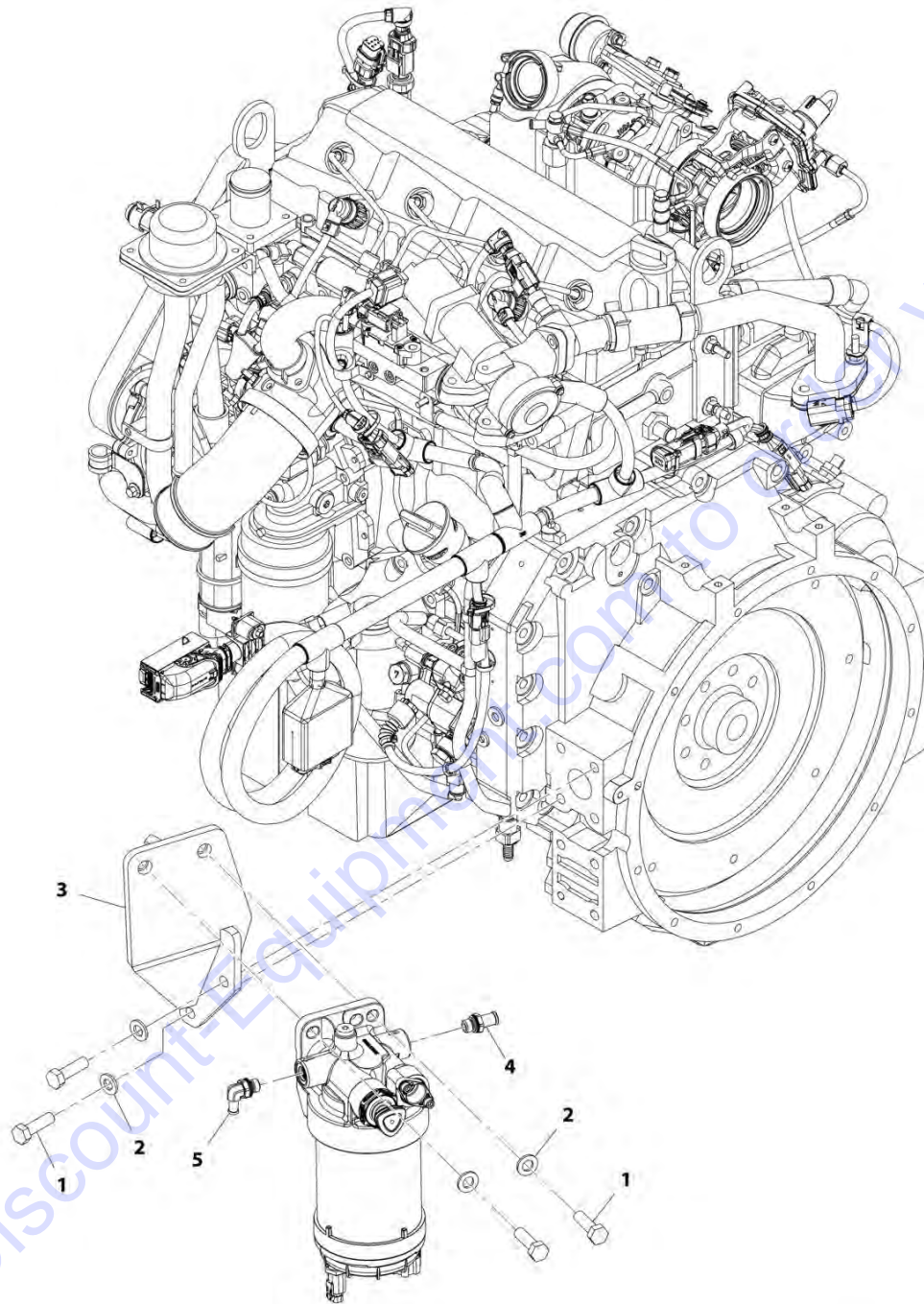
FIGURE 4-6. FUEL LINES INSTALLATION (LS)

ITEM	PART NUMBER	QTY	DESCRIPTION	REV
	1001163241	Ref	Fuel Lines Installation (if equipped for LS)	G
1	0700610	2	Bolt, M6X20	
2	3290601	2	Nut, M6X1 Grade 8	
3	4811700	4	Washer, M6	
4	8406112	2	Clip	
5	1001136975	4	Clamp	
6	1001186342	2	Clip	
7	1001141400	3.7 m	Hose	
8	1001172755	2.4 m	Hose	
9	1001190980	1	Hose	
10	1001197299	1	Hose	
11	0760607	2	Bolt, M6X14	
12	4831700	2	Washer, Lock M6	
13	1001196440	1	Plate, Retainer	
14	1001202986	2	Strap, Push Mount	
15	1001008559	2	Strap	
16	1001146588	1	Strap	
17	1001206588	1	Fitting	



## SECTION 4 - ENGINE AND ATTACHING PARTS

FIGURE 4-7. PRIMARY FUEL FILTER INSTALLATION (ULS)



ART\_1001163235-F

## SECTION 4 - ENGINE AND ATTACHING PARTS

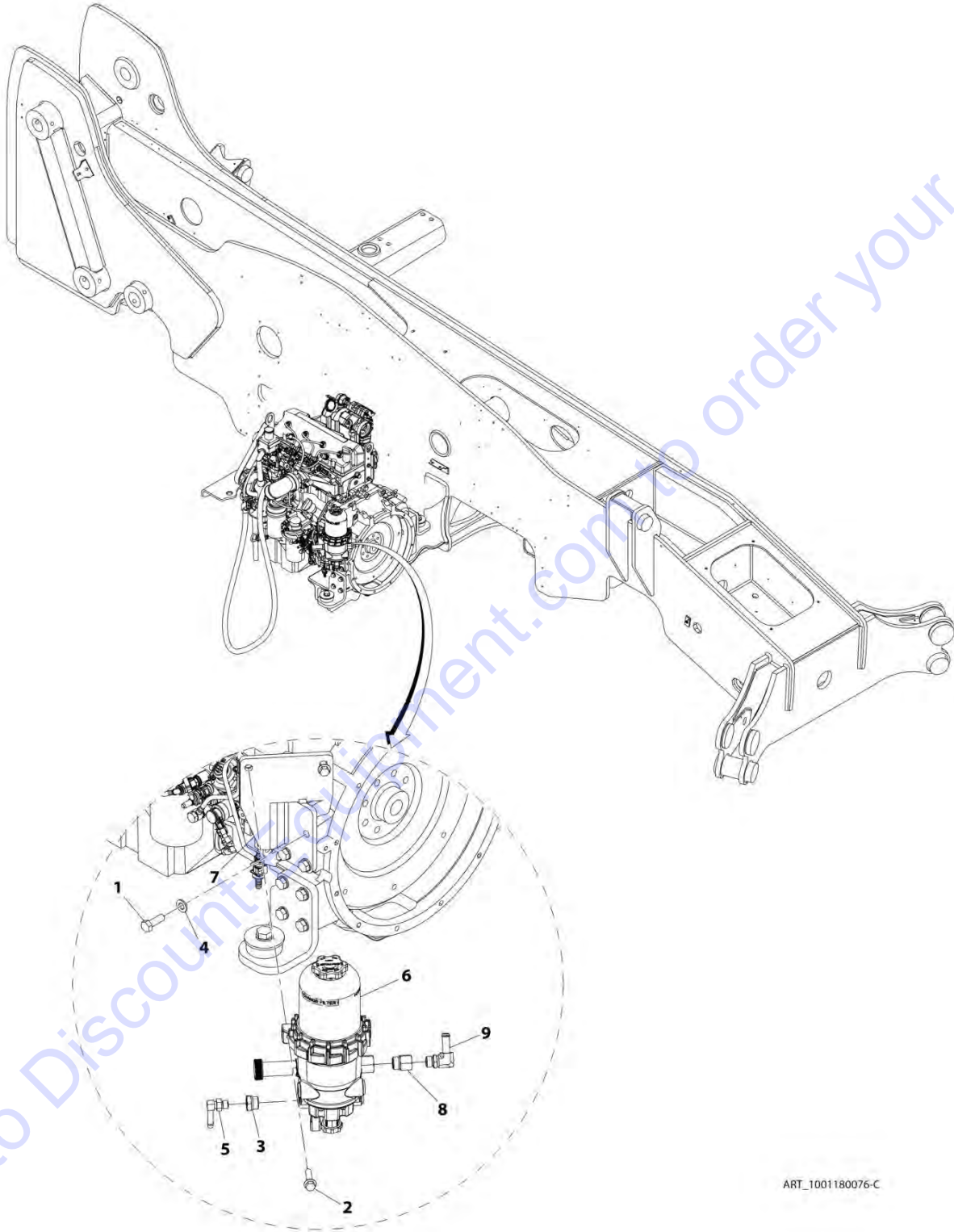
FIGURE 4-7. PRIMARY FUEL FILTER INSTALLATION (ULS)

ITEM	PART NUMBER	QTY	DESCRIPTION	REV
	1001163235	Ref	Primary Fuel Filter Installation (if equipped for ULS)	F
1	0701216	4	Bolt, M12X40	
2	4812100	4	Washer, M12	
3	1001206019	1	Bracket, Fuel Filter Mount	
4	1001217467	1	Barb, Hose	
5	1001182094	1	Hose	

Go to Discount-Equipment.com to order your parts

# SECTION 4 - ENGINE AND ATTACHING PARTS

FIGURE 4-8. PRIMARY FUEL FILTER INSTALLATION (LS)



ART\_1001180076-C

## SECTION 4 - ENGINE AND ATTACHING PARTS

FIGURE 4-8. PRIMARY FUEL FILTER INSTALLATION (LS)

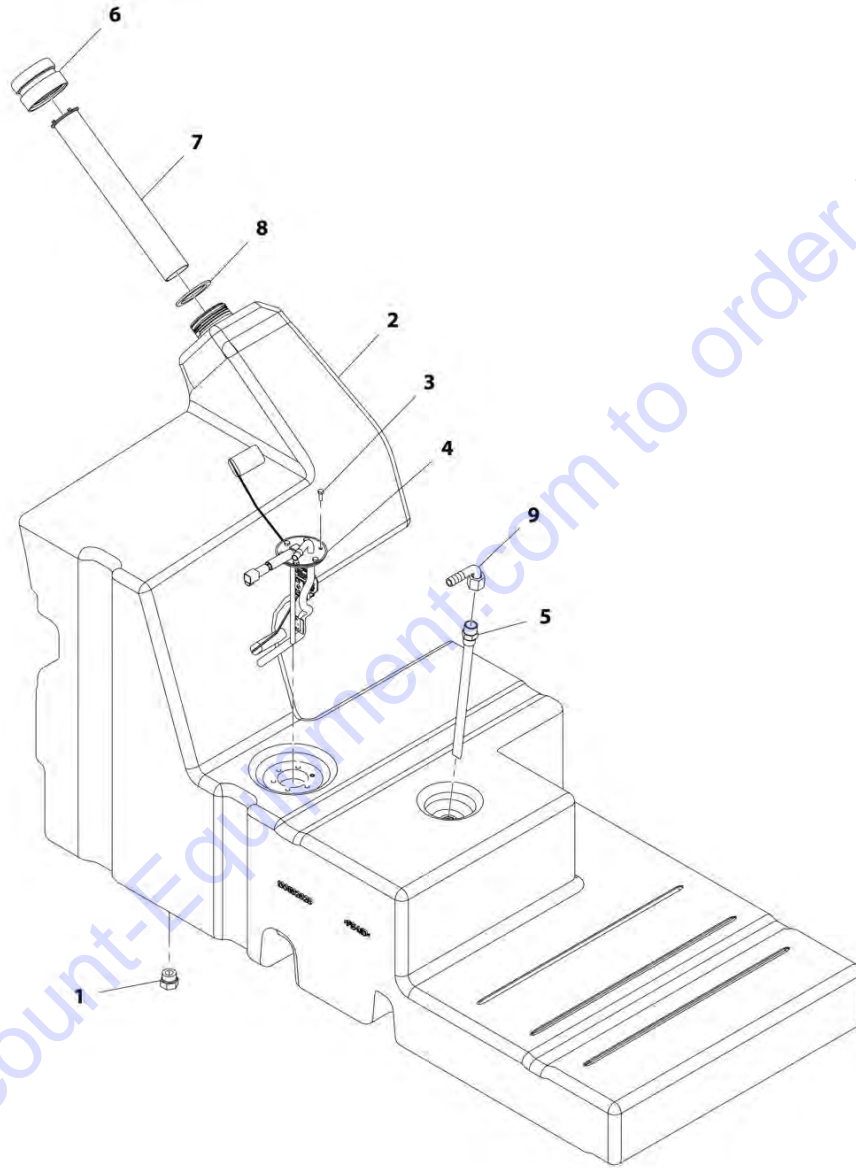
ITEM	PART NUMBER	QTY	DESCRIPTION	REV
	1001180076	Ref	Primary Fuel Filter Installation (if equipped for LS)	C
1	0701215	3	Bolt, M12X35	
2	0781016	2	Bolt, M10X40	
3	2220218	1	Fitting, Straight ORFS	
4	4812100	3	Washer, M12	
5	8430034	1	Elbow, 90	
6	1001133534	1	Filter, Fuel	
7	1001180078	1	Bracket, Fuel Filter Mount	
8	2220810	1	Adapter	
9	1001200239	1	Adapter	

Go to Discount-Equipment.com to order your parts



# SECTION 4 - ENGINE AND ATTACHING PARTS

FIGURE 4-9. FUEL TANK ASSEMBLY (Prior to SN 0160074740)



ART\_1001163066-K

## SECTION 4 - ENGINE AND ATTACHING PARTS

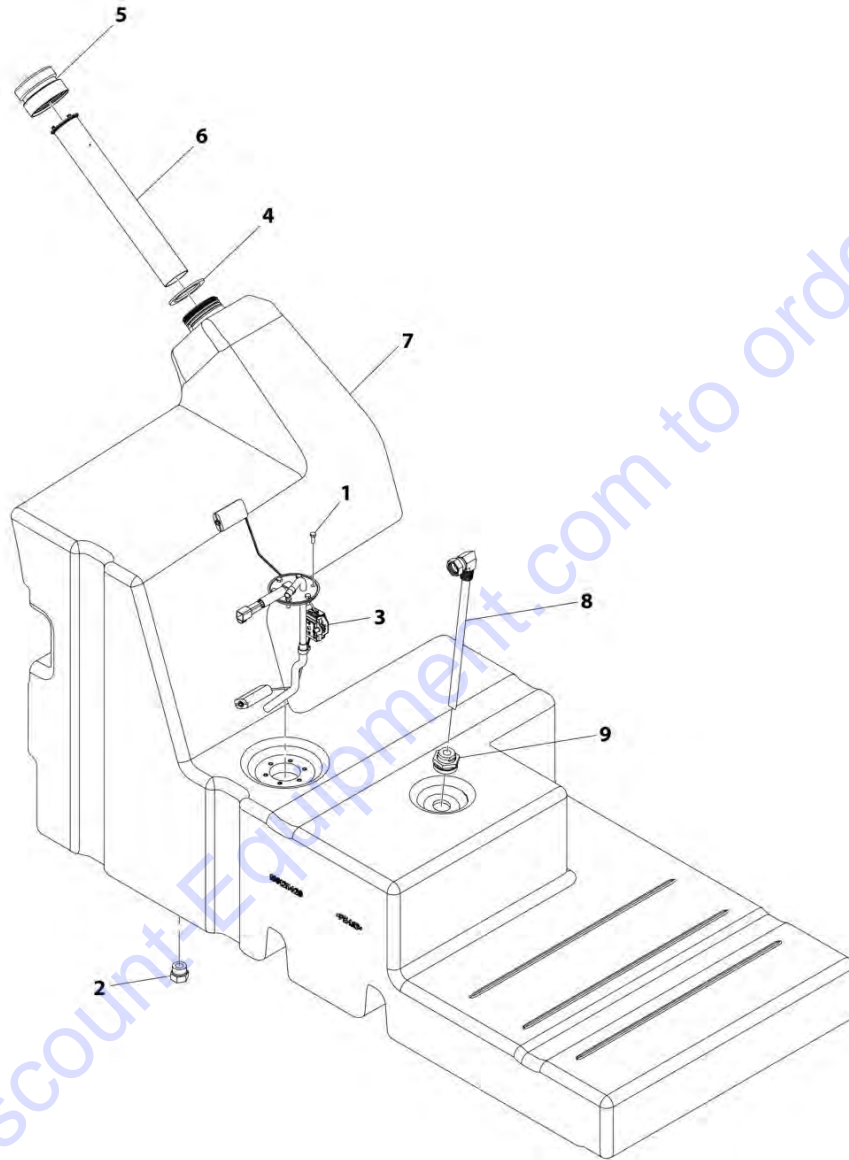
FIGURE 4-9. FUEL TANK ASSEMBLY (Prior to SN 0160074740)

ITEM	PART NUMBER	QTY	DESCRIPTION	REV
	1001163066	Ref	Fuel Tank Assembly	K
1	1001003427	1	Plug	
2	1001162628	1	Tank, Fuel	
3	0760507	6	Bolt, M5X14	
4	1001169867	1	Gauge, Fuel Level	
5	1001170105	1	Pipe, Fuel Supply	
6	1001207282	1	Adapter, Tank Cap	
7	1001207557	1	Pipe, Fuel Tank Drop	
8	1001172178	1	Gasket	
9	1001172587	1	Coupling, ORFS	

Go to Discount-Equipment.com to order your parts

# SECTION 4 - ENGINE AND ATTACHING PARTS

FIGURE 4-10. FUEL TANK ASSEMBLY (SN 0160074740 to Present)



ART\_1001211432-F

## SECTION 4 - ENGINE AND ATTACHING PARTS

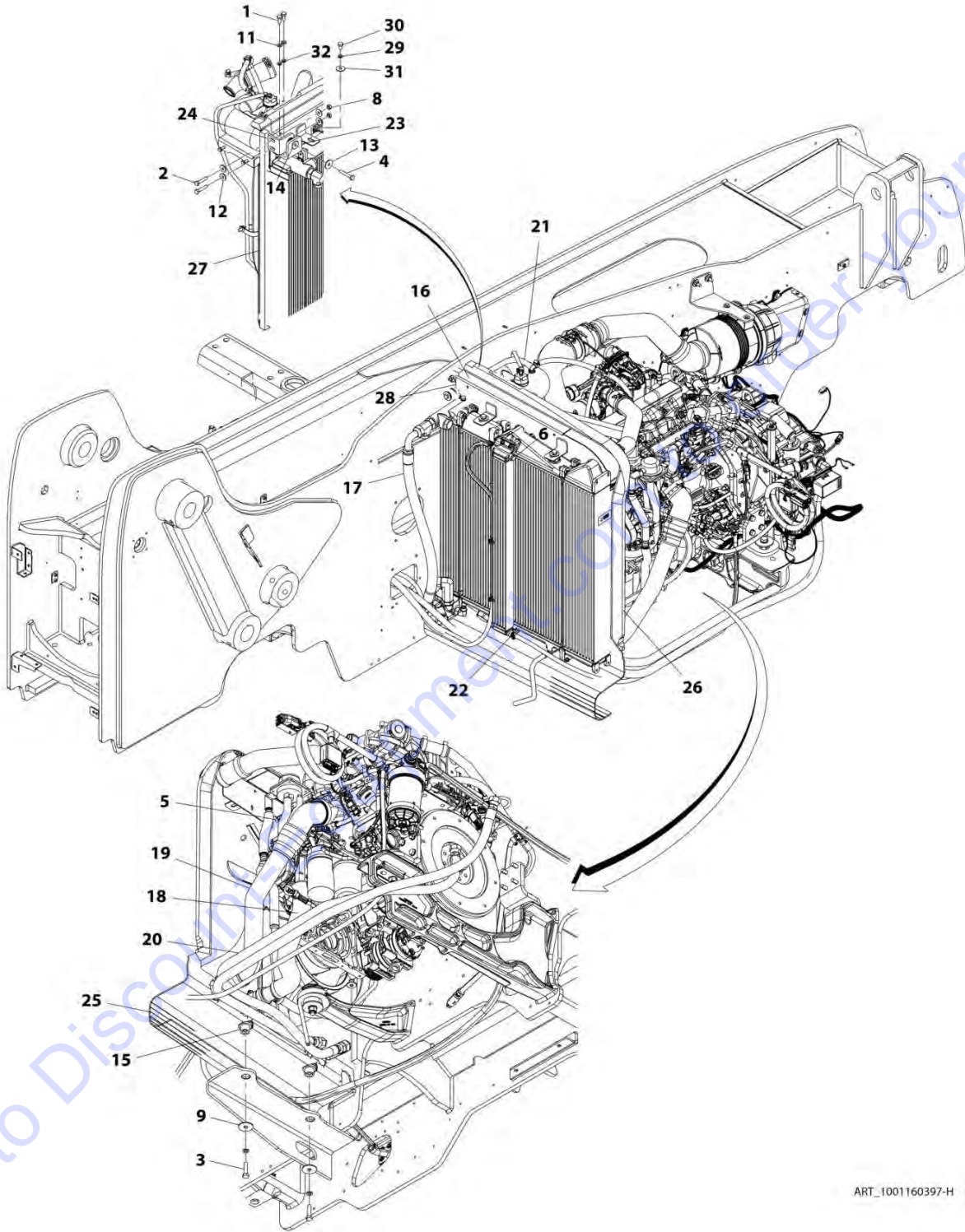
**FIGURE 4-10. FUEL TANK ASSEMBLY (SN 0160074740 to Present)**

ITEM	PART NUMBER	QTY	DESCRIPTION	REV
	1001211432	Ref	Fuel Tank Assembly	F
1	0760507	6	Bolt, M5X14	
2	1001003427	1	Plug	
3	1001169867	NLA	Gauge, Fuel Level (no longer available, use 1001235100 for replacement)	
3	1001235100	1	Gauge, Fuel Level	
4	1001172178	1	Gasket	
5	1001207282	1	Adapter, Tank Cap	
6	1001207557	1	Pipe, Fuel Tank Drop	
7	1001211428	1	Tank, Fuel	
8	1001211429	1	Coupling, ORFS	
9	1001211747	1	Pipe, Fuel Supply	

Go to Discount-Equipment.com to order your parts

# SECTION 4 - ENGINE AND ATTACHING PARTS

## FIGURE 4-11. COOLING PACKAGE INSTALLATION (ULS)



ART\_1001160397-H

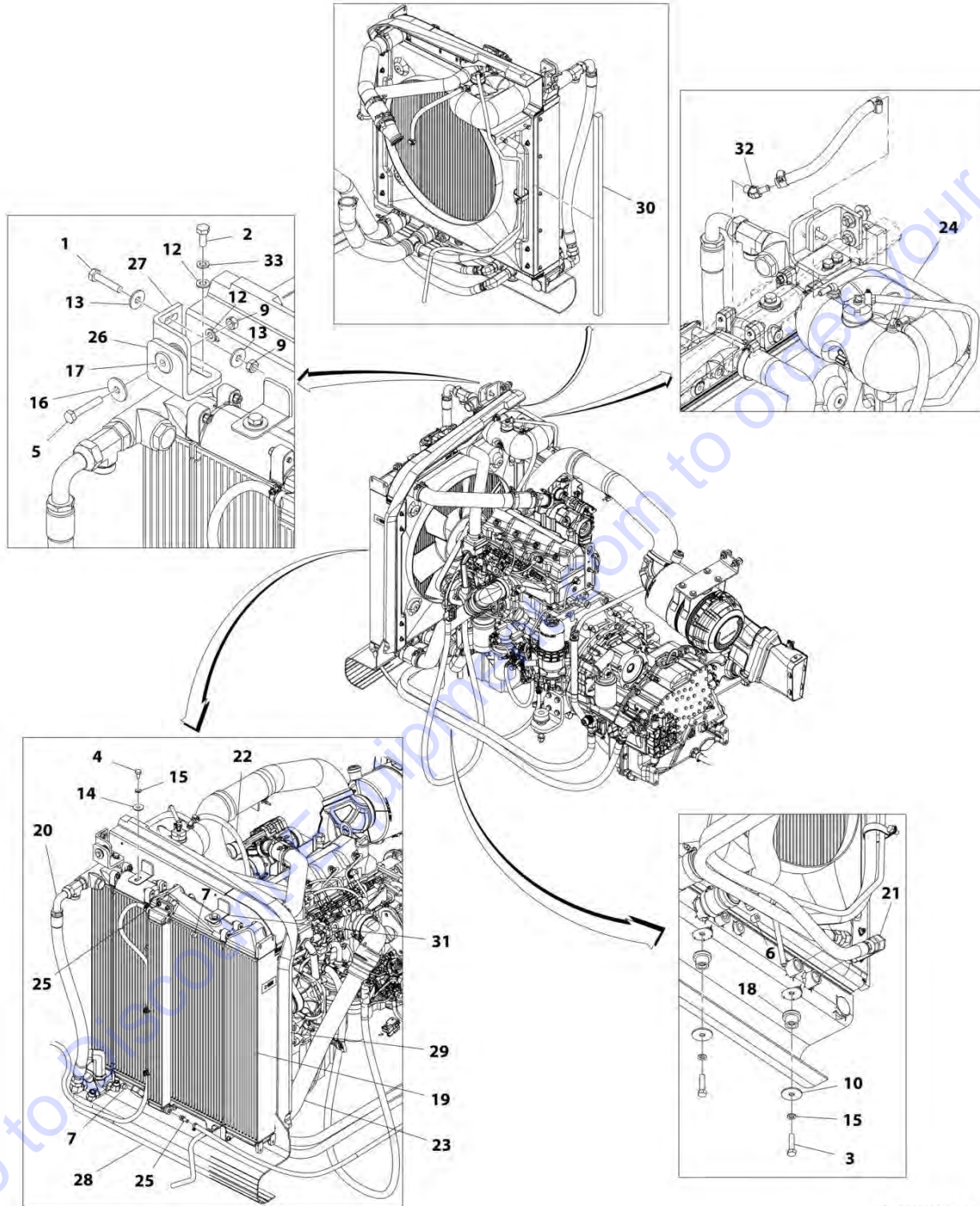
## SECTION 4 - ENGINE AND ATTACHING PARTS

**FIGURE 4-11. COOLING PACKAGE INSTALLATION (ULS)**

ITEM	PART NUMBER	QTY	DESCRIPTION	REV
	1001160397	Ref	Cooling Package Installation (if equipped for ULS)	H
1	0761012	2	Bolt, M10X25	
2	0701018	2	Bolt, M10X50	
3	0761218	2	Bolt, M12X50	
4	0701020	1	Bolt, M10X60	
5	1001174356	1	Barb, Hose	
6	2220237	2	Plug	
8	3291001	3	Nut, M10X1.5 Grade 8	
9	4740274	4	Washer	
11	4812000	3	Washer, M10	
12	4812002	4	Washer, M10	
13	1001155540	2	Washer	
14	8278020	1	Mount	
15	1001114803	2	Mount	
16	1001159347	1	Installation, Radiator (See RADIATOR for Breakdown)	
17	1001163082	1	Installation, HOC Lines (See HOC LINES INSTALLATION for Breakdown)	
18	1001163245	1	Installation, Coolant Lines 3.8L Engine (See COOLANT LINES INSTALLATION (ULS) for Breakdown)	
19	1001163246	1	Installation, CAC Lines 3.8L Engine (See CAC LINES INSTALLATION (ULS) for Breakdown)	
20	1001163247	1	Installation, TOC Lines 3.8L Engine (See TOC LINES INSTALLATION for Breakdown)	
21	1001167078	1	Installation, Surge Tank (See SURGE TANK INSTALLATION for Breakdown)	
22	1001168030	2	Barb, Hose	
23	1001169173	1	Bracket	
24	1001169174	1	Bracket	
25	1001169965	1	Panel	
26	1001173452	1	Seal, Foam Gasket	
27	1001173457	1	Seal, Foam Gasket	
28	1001173546	1	Bracket	
29	4832100	4	Washer, Lock M12	
30	0761210	2	Bolt, M12X20	
31	4812102	2	Washer, M12	
32	4832000	2	Washer, Lock M10	

# SECTION 4 - ENGINE AND ATTACHING PARTS

## FIGURE 4-12. COOLING PACKAGE INSTALLATION (LS)



ART\_1001160402-E

## SECTION 4 - ENGINE AND ATTACHING PARTS

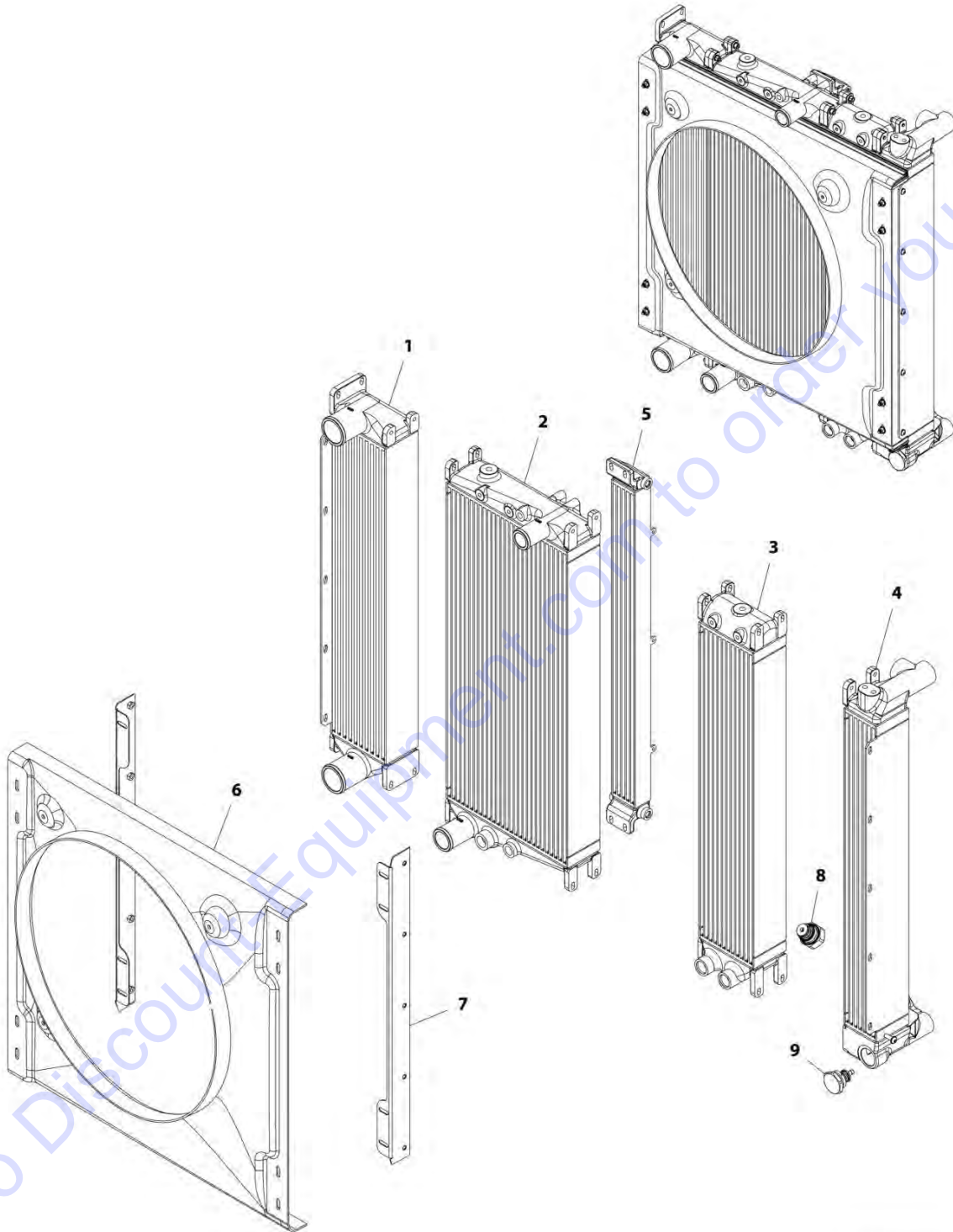
**FIGURE 4-12. COOLING PACKAGE INSTALLATION (LS)**

ITEM	PART NUMBER	QTY	DESCRIPTION	REV
	1001160402	Ref	Cooling Package Installation (if equipped for LS)	E
1	0701018	2	Bolt, M10X50	
2	0761012	2	Bolt, M10X25	
3	0761218	2	Bolt, M12X50	
4	0771210	2	Bolt, M12X20	
5	0701020	1	Bolt, M10X60	
6	2200223	1	Plug	
7	2220237	2	Plug	
9	3291001	3	Nut, M10X1.5 Grade 8	
10	4740274	4	Washer	
12	4812000	3	Washer, M10	
13	4812002	4	Washer, M10	
14	4812102	2	Washer, M12	
15	4832100	4	Lockwasher, M12	
16	1001155540	2	Washer	
17	8278020	1	Mount	
18	1001114803	2	Mount	
19	1001159347	1	Installation, Radiator (See RADIATOR for Breakdown)	
20	1001163082	1	Installation, HOC Lines (See HOC LINES INSTALLATION for Breakdown)	
21	1001163247	1	Installation, TOC Lines 3.8L Engine (See TOC LINES INSTALLATION for Breakdown)	
22	1001163248	1	Installation, Coolant Lines 3.8L Engine (See COOLANT LINES INSTALLATION (LS) for Breakdown)	
23	1001163249	1	Installation, CAC Lines 3.8L Engine (See CAC LINES INSTALLATION (LS) for Breakdown)	
24	1001167078	1	Installation, Surge Tank (See SURGE TANK INSTALLATION for Breakdown)	
25	1001168030	2	Barb, Hose	
26	1001169173	1	Bracket	
27	1001169174	1	Bracket	
28	1001169965	1	Panel	
29	1001173452	1	Seal, Foam Gasket	
30	1001173457	1	Seal, Foam Gasket	
31	1001173546	1	Bracket	
32	1001174356	1	Barb, Hose	
33	4832000	2	Lockwasher, M10	



# SECTION 4 - ENGINE AND ATTACHING PARTS

## FIGURE 4-13. RADIATOR



ART\_1001159347-G

## SECTION 4 - ENGINE AND ATTACHING PARTS

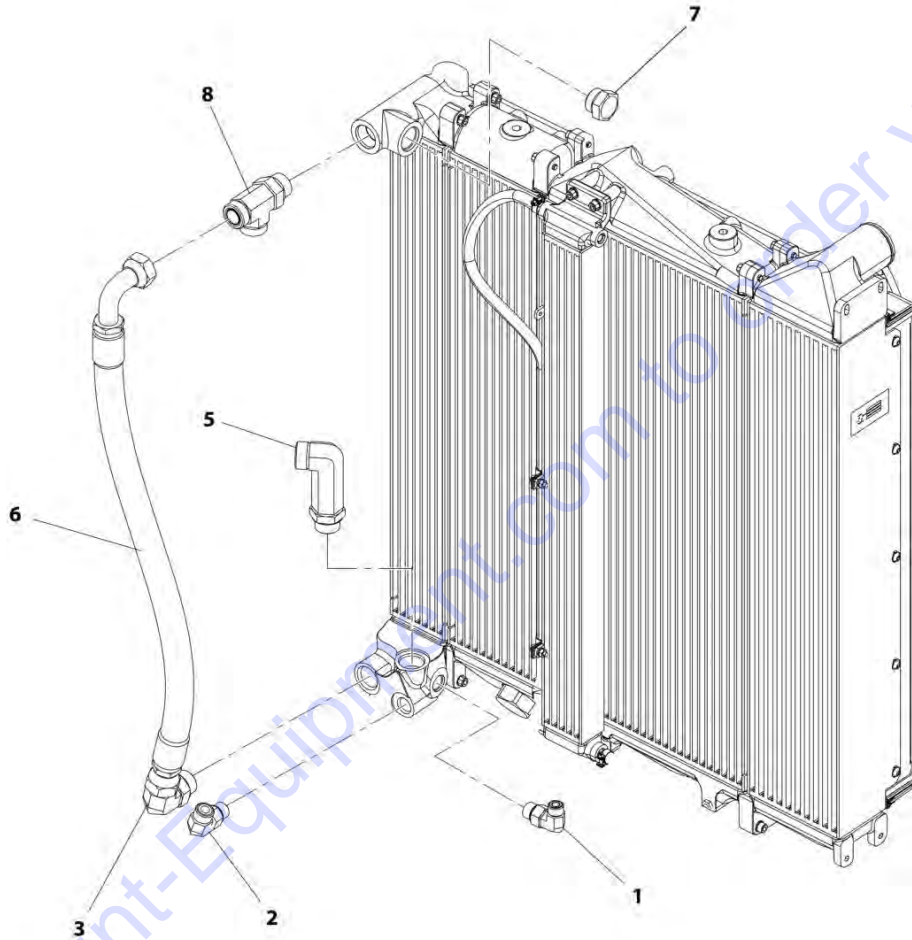
FIGURE 4-13. RADIATOR

ITEM	PART NUMBER	QTY	DESCRIPTION	REV
	1001159347	Ref	Radiator	G
1	70026353	1	Cooler, Air Charge	
2	70026354	1	Radiator	
3	70026355	1	Cooler, Transmission Oil	
4	70026356	1	Cooler, Hydraulic Oil	
5	70026357	1	Cooler, Fuel	
6	70026358	1	Shroud	
7	70026359	2	Bracket, Shroud Mounting	
8	70026082	1	Valve, Bypass	
9	70026360	1	Valve, Bypass	

Go to Discount-Equipment.com to order your parts

# SECTION 4 - ENGINE AND ATTACHING PARTS

## FIGURE 4-14. HOC LINES INSTALLATION



ART\_1001163082-C

## SECTION 4 - ENGINE AND ATTACHING PARTS

FIGURE 4-14. HOC LINES INSTALLATION

ITEM	PART NUMBER	QTY	DESCRIPTION	REV
	1001163082	Ref	HOC Lines Installation	C
1	2130810	1	Fitting, ORFS	
2	2131010	1	Fitting, ORFS	
3	2131616	1	Fitting, ORFS	
5	2170216	1	Fitting, ORFS	
6	1001163723	1	Hose	
7	2220242	1	Fitting	
8	2170316	1	Fitting, Tee ORFS	

Go to Discount-Equipment.com to order your parts

# PARTS FINDER

**Search Website  
by Part Number**



**Search Manual  
Library For Parts  
Manual & Lookup Part  
Numbers – Purchase  
or Request Quote**

A screenshot of the "Search Manuals" form. It includes a search bar, a "Search" button, and a "Print" button. The form also has a "Manuals" section with a list of manuals and a "Manuals" section with a list of manuals.

**Can't Find Part or  
Manual? Request Help  
by Manufacturer,  
Model & Description**

A screenshot of the "Parts Order Form". It includes a "Manufacturer" field, a "Model" field, a "Description" field, and a "Part Number" field. There are also checkboxes for "Print" and "Email".

Discount-Equipment.com is your online resource for quality parts & equipment.

Florida: **561-964-4949** Outside Florida TOLL FREE: **877-690-3101**

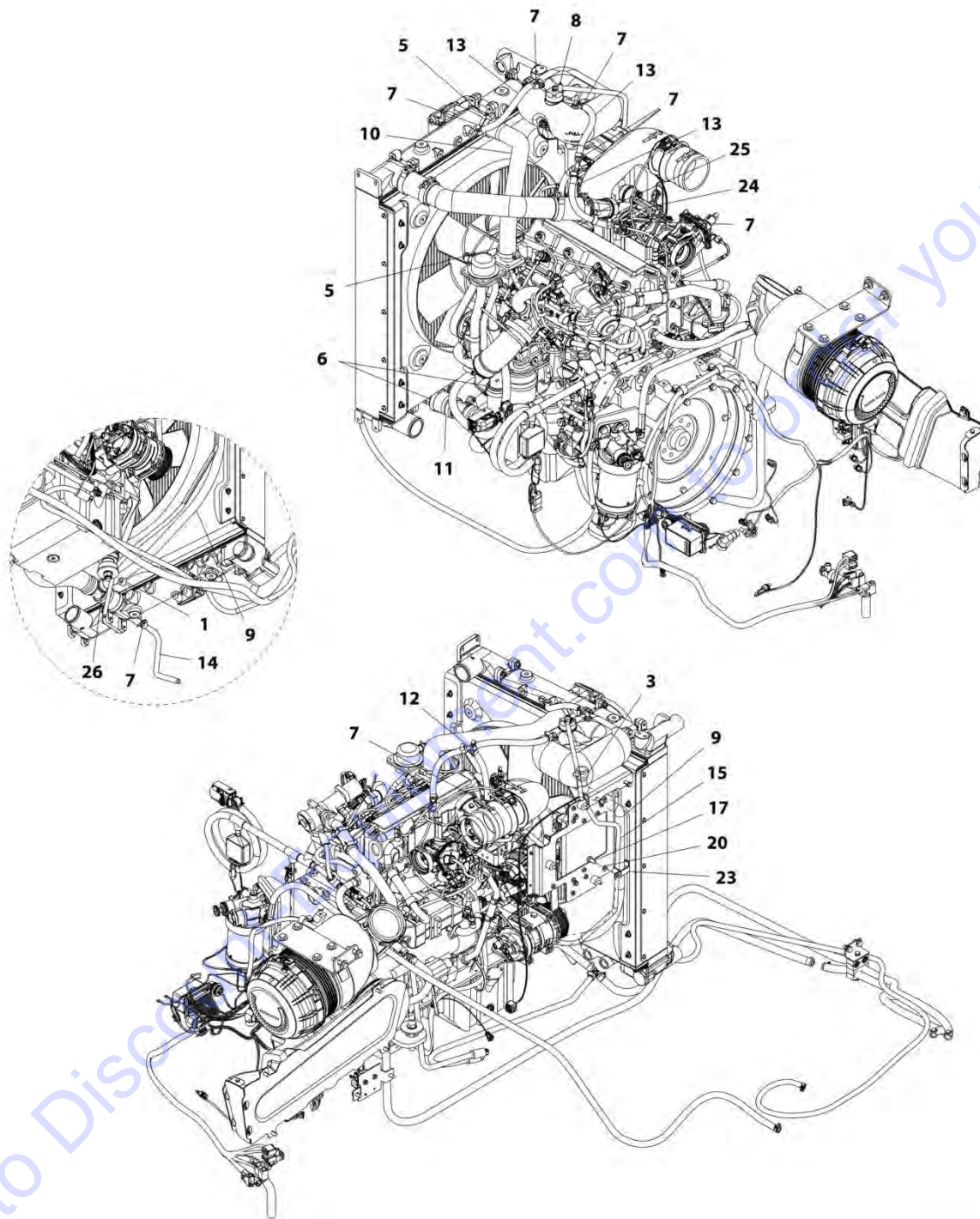
**Need parts?**

Click on this link: <http://www.discount-equipment.com/category/5443-parts/> and choose one of the options to help get the right parts and equipment you are looking for. Please have the machine model and serial number available in order to help us get you the correct parts. If you don't find the part on the website or on one of the online manuals, please fill out the request form and one of our experienced staff members will get back to you with a quote for the right part that your machine needs.

We sell worldwide for the brands: Genie, Terex, JLG, MultiQuip, Mikasa, Essick, Whiteman, Mayco, Toro Stone, Diamond Products, Generac Magnum, Airman, Haulotte, Barreto, Power Blanket, Nifty Lift, Atlas Copco, Chicago Pneumatic, Allmand, Miller Curber, Skyjack, Lull, Skytrak, Tsurumi, Husquvarna Target, Stow, Wacker, Sakai, Mi-T-M, Sullair, Basic, Dynapac, MBW, Weber, Bartell, Bennar Newman, Haulotte, Ditch Runner, Menegotti, Morrison, Contec, Buddy, Crown, Edco, Wyco, Bomag, Laymor, EZ Trench, Bil-Jax, F.S. Curtis, Gehl Pavers, Heli, Honda, ICS/PowerGrit, IHI, Partner, Imer, Clipper, MMD, Koshin, Rice, CH&E, General Equipment, Amida, Coleman, NAC, Gradall, Square Shooter, Kent, Stanley, Tamco, Toku, Hatz, Kohler, Robin, Wisconsin, Northrock, Oztec, Toker TK, Rol-Air, APT, Wylie, Ingersoll Rand / Doosan, Innovatech, Con X, Ammann, Mecalac, Makinex, Smith Surface Prep, Small Line, Wanco, Yanmar

# SECTION 4 - ENGINE AND ATTACHING PARTS

## FIGURE 4-15. COOLANT LINES INSTALLATION (ULS)



ART\_1001163245-I

## SECTION 4 - ENGINE AND ATTACHING PARTS

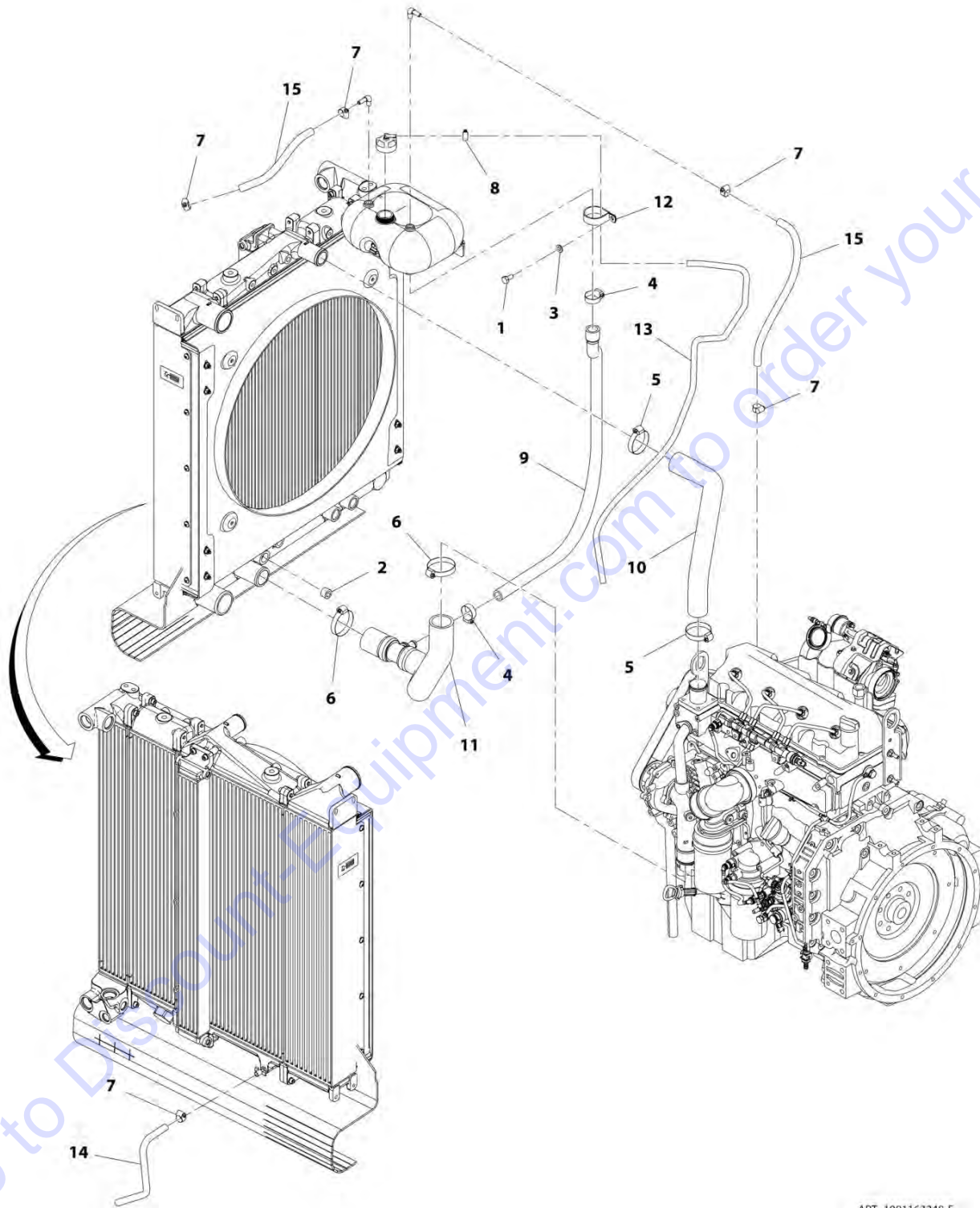
**FIGURE 4-15. COOLANT LINES INSTALLATION (ULS)**

ITEM	PART NUMBER	QTY	DESCRIPTION	REV
	1001163245	Ref	Coolant Lines Installation (if equipped for ULS)	I
1	2200224	1	Plug	
3	8405101	1	Clamp, Gear	
5	8405201	2	Clamp, Gear	
6	8405202	2	Clamp, Gear	
7	8410013	9	Clamp, Gear	
8	8405009	1	Clamp, Hose	
9	1001182011	1	Hose	
10	1001166430	1	Pipe	
11	1001182012	1	Hose	
12	1001172953	1	Pipe, Tee	
13	1001181625	1042 mm	Hose	
14	1001180553	370 mm	Hose	
15	1001180542	1680 mm	Hose	
17	0761010	1	Bolt, M10X20	
20	4812000	1	Washer, M10	
23	1001097588	1	Clamp	
24	8410019	1	Clip	
25	0760605	1	Bolt, M6X10	
26	8405007	1	Clamp, Gear	

Go to Discount-Equipment.com to order your parts

# SECTION 4 - ENGINE AND ATTACHING PARTS

## FIGURE 4-16. COOLANT LINES INSTALLATION (LS)



ART\_1001163248-E



## SECTION 4 - ENGINE AND ATTACHING PARTS

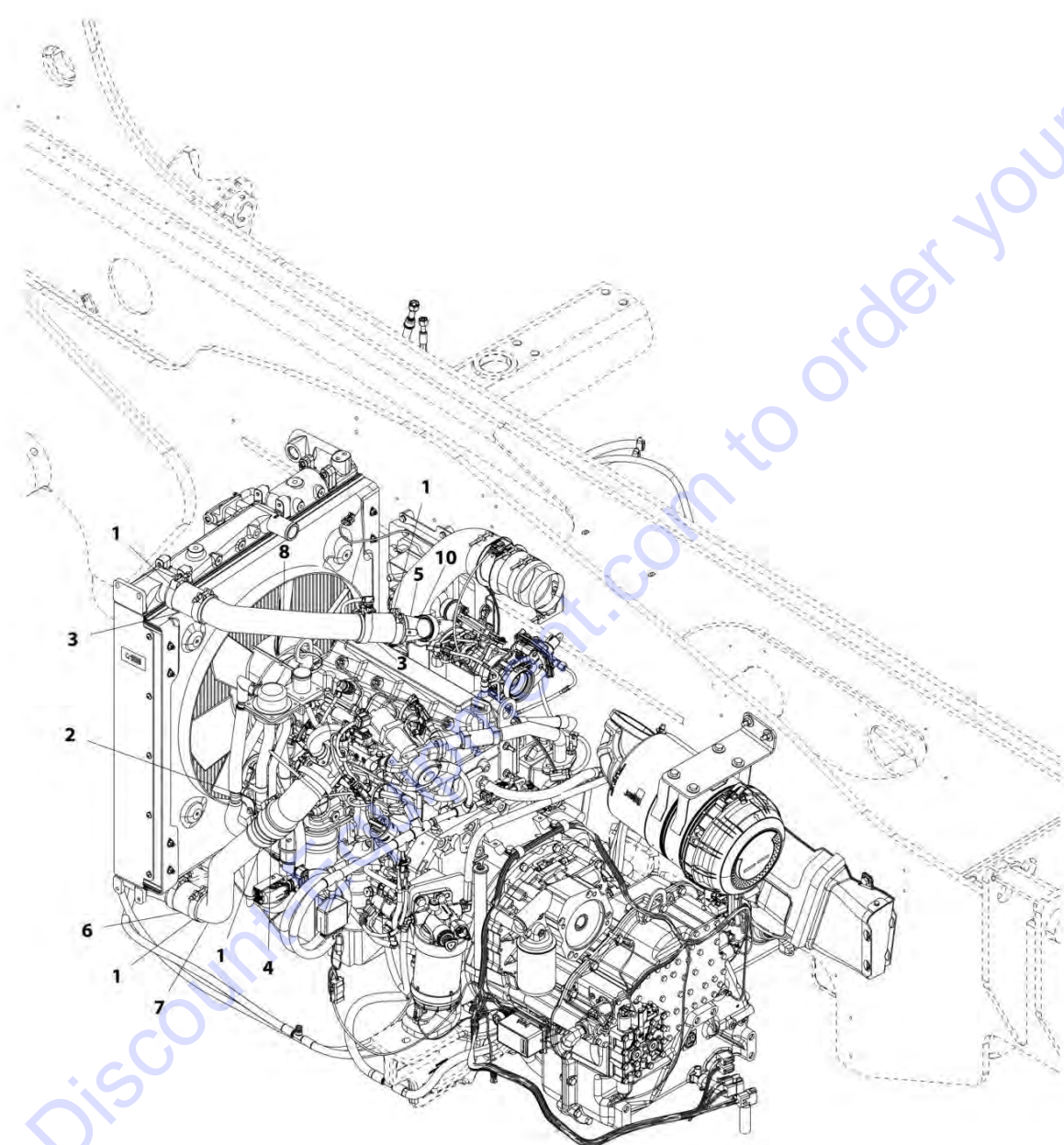
**FIGURE 4-16. COOLANT LINES INSTALLATION (LS)**

ITEM	PART NUMBER	QTY	DESCRIPTION	REV
	1001163248	Ref	Coolant Lines Installation (if equipped for LS)	E
1	0761010	1	Bolt, M10X20	
2	2200224	1	Plug	
3	4812000	1	Washer, M10	
4	8405101	2	Clamp, Gear	
5	8405201	2	Clamp, Gear	
6	8405202	2	Clamp, Gear	
7	8410013	5	Clamp, Gear	
8	8405009	1	Clamp, Hose	
9	1001182011	1	Hose	
10	1001166430	1	Pipe	
11	1001182012	1	Hose	
12	1001097588	1	Clamp	
13	1001180542	1680 mm	Hose	
14	1001180553	369 mm	Hose	
15	1001181625	711 mm	Hose	

Go to Discount-Equipment.com to order your parts

# SECTION 4 - ENGINE AND ATTACHING PARTS

FIGURE 4-17. CAC LINES INSTALLATION (ULS)



ART\_1001163246-F

## SECTION 4 - ENGINE AND ATTACHING PARTS

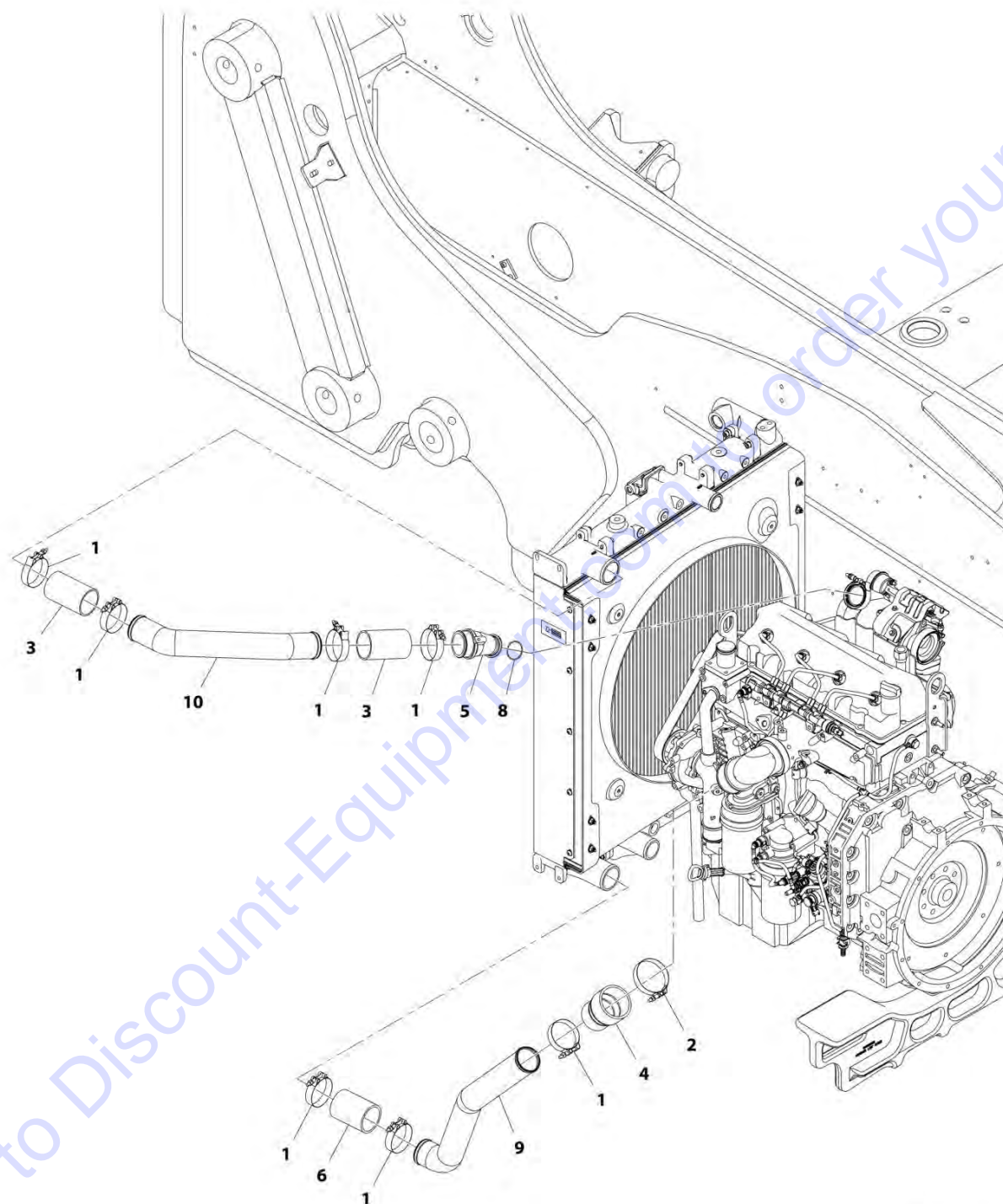
FIGURE 4-17. CAC LINES INSTALLATION (ULS)

ITEM	PART NUMBER	QTY	DESCRIPTION	REV
	1001163246	Ref	CAC Lines Installation (if equipped for ULS)	F
1	8405212	7	Clamp, T-Bolt	
2	8405305	1	Clamp, T-Bolt	
3	1001114495	2	Hose	
4	1001138348	1	Hose	
5	1001161920	1	Adapter Mech	
6	1001166416	1	Hose	
7	1001166925	1	Pipe	
8	1001166993	1	Pipe	
10	1001172591	1	O-Ring	

Go to Discount-Equipment.com to order your parts

# SECTION 4 - ENGINE AND ATTACHING PARTS

## FIGURE 4-18. CAC LINES INSTALLATION (LS)



ART\_1001163249-C

## SECTION 4 - ENGINE AND ATTACHING PARTS

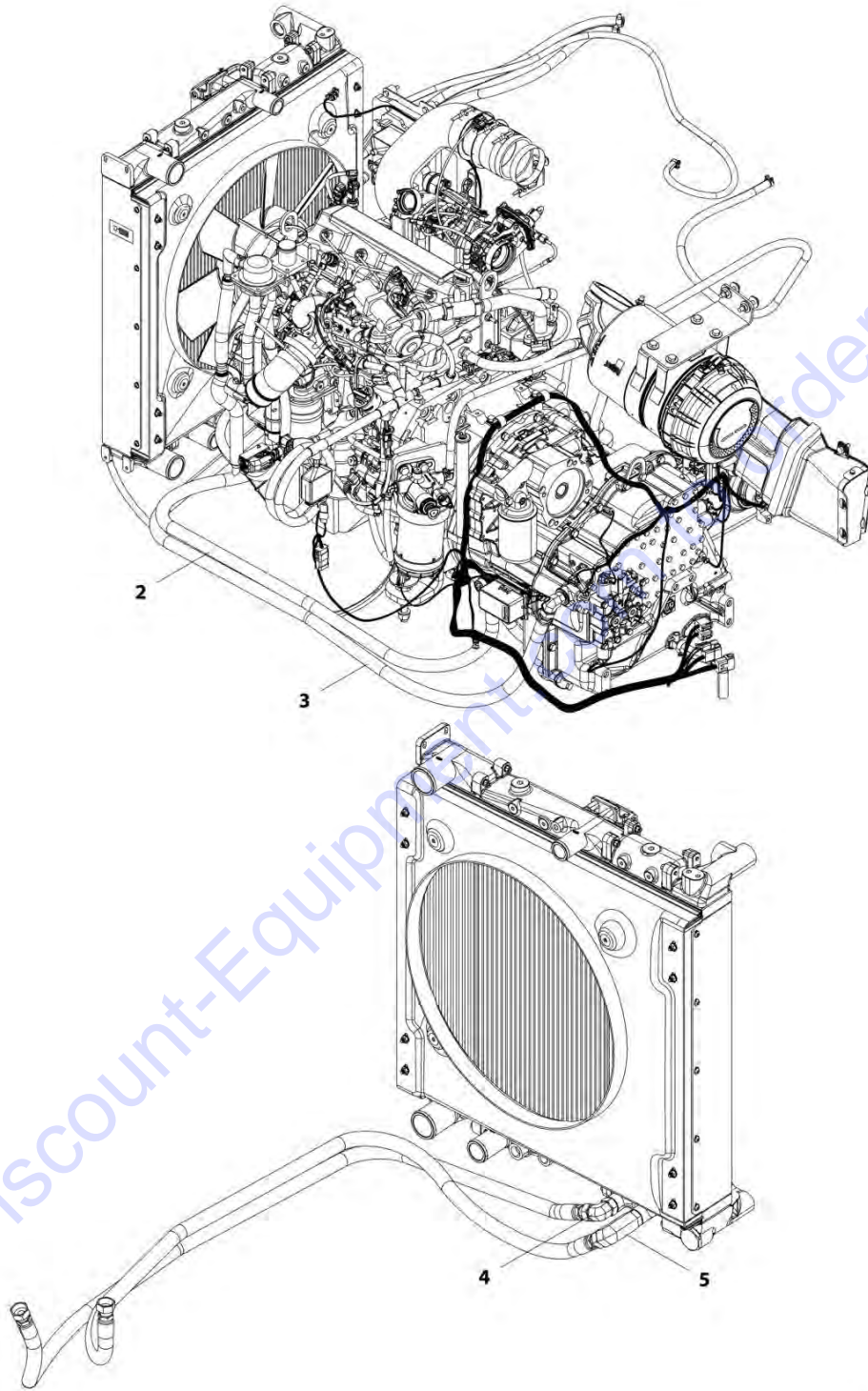
FIGURE 4-18. CAC LINES INSTALLATION (LS)

ITEM	PART NUMBER	QTY	DESCRIPTION	REV
	1001163249	Ref	CAC Lines Installation (if equipped for LS)	C
1	8405212	7	Clamp, T-Bolt	
2	8405305	1	Clamp, T-Bolt	
3	1001114495	2	Hose	
4	1001138348	1	Hose	
5	1001161920	1	Adapter Mech	
6	1001166416	1	Hose	
8	1001172591	1	O-Ring	
9	1001174832	1	Pipe	
10	1001179376	1	Pipe	

Go to Discount-Equipment.com to order your parts

# SECTION 4 - ENGINE AND ATTACHING PARTS

## FIGURE 4-19. TOC LINES INSTALLATION



ART\_1001163247-C

## SECTION 4 - ENGINE AND ATTACHING PARTS

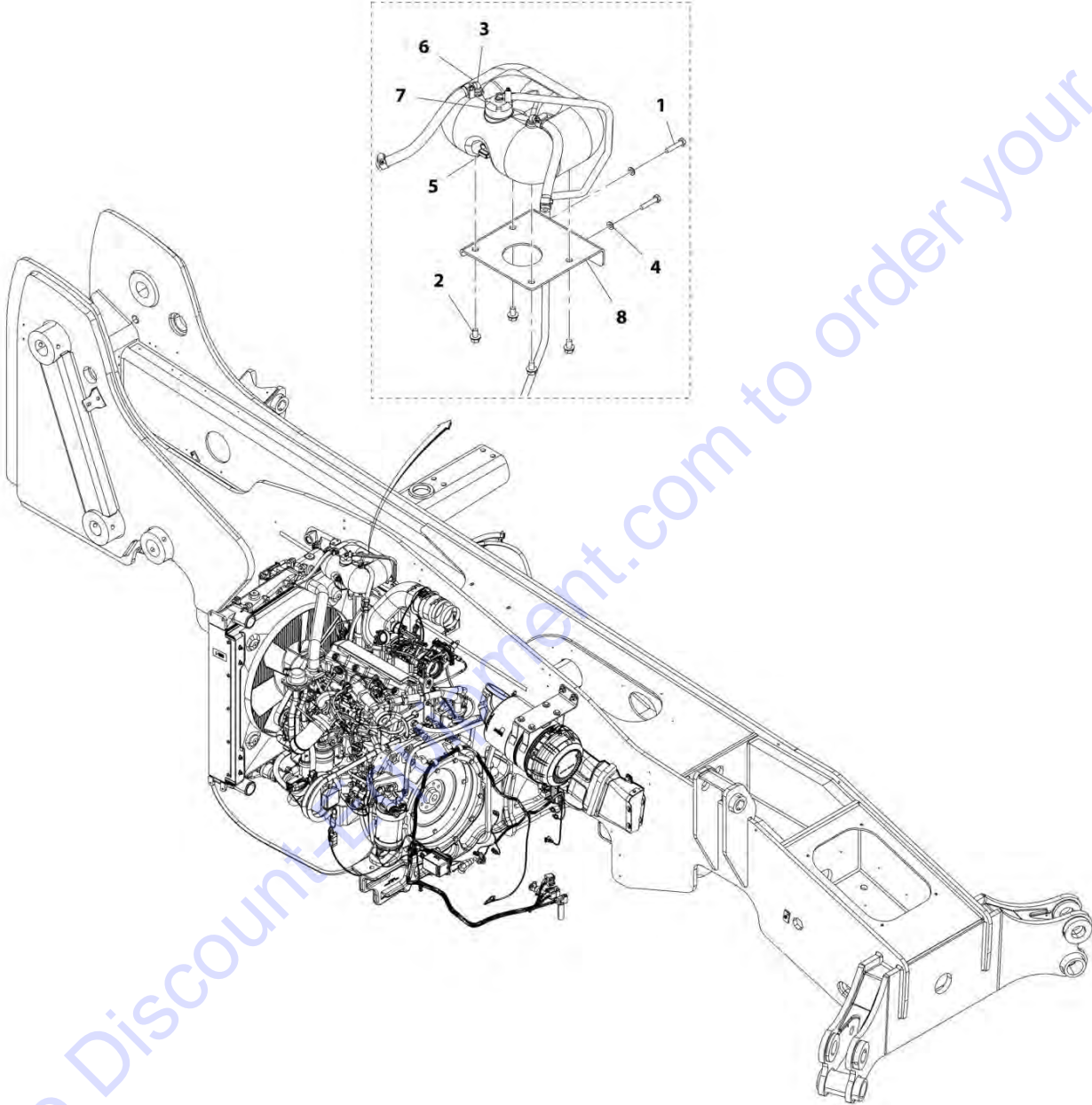
FIGURE 4-19. TOC LINES INSTALLATION

ITEM	PART NUMBER	QTY	DESCRIPTION	REV
	1001163247	Ref	TOC Lines Installation	C
2	1001169207	1	Hose	
3	1001169393	1	Hose	
4	2131212	1	Fitting, 90 ORFS	
5	2170212	1	Fitting, 90 ORFS	

Go to Discount-Equipment.com to order your parts

# SECTION 4 - ENGINE AND ATTACHING PARTS

## FIGURE 4-20. SURGE TANK INSTALLATION



ART\_1001167078-E



## SECTION 4 - ENGINE AND ATTACHING PARTS

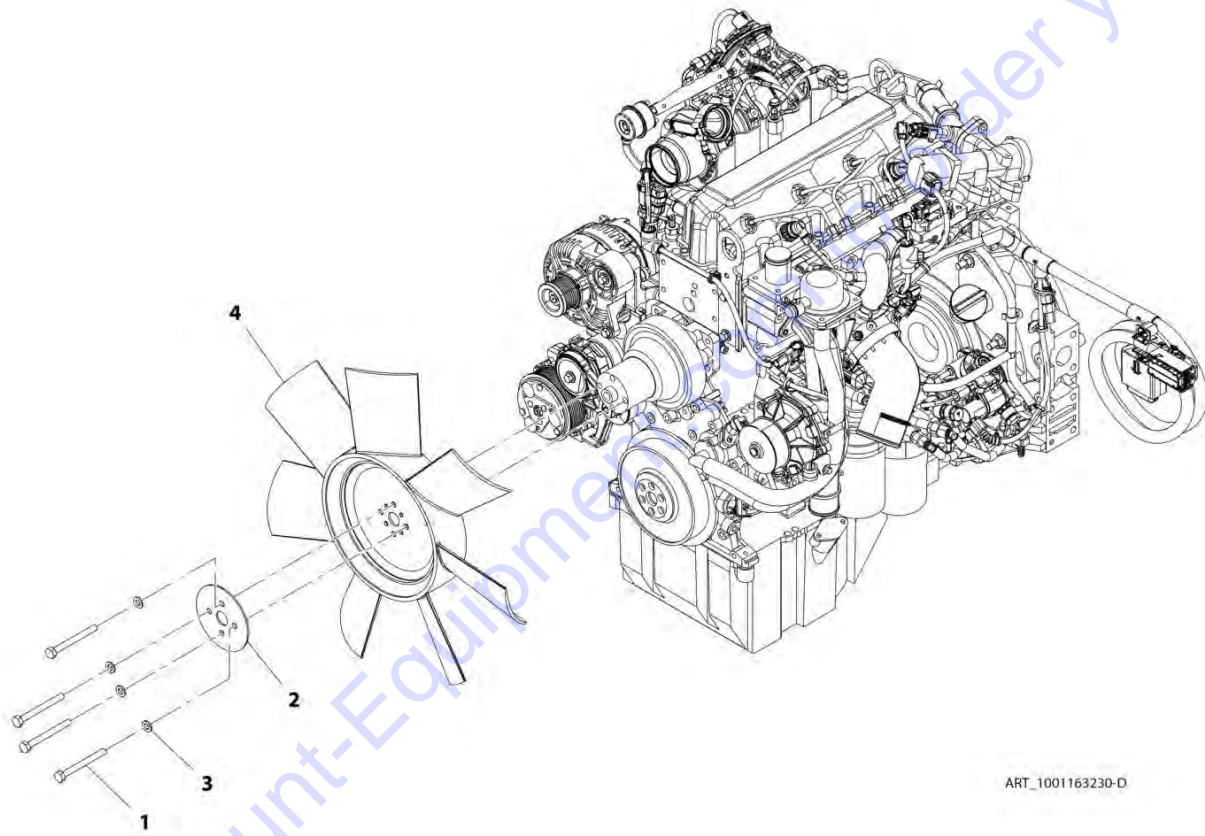
FIGURE 4-20. SURGE TANK INSTALLATION

ITEM	PART NUMBER	QTY	DESCRIPTION	REV
	1001167078	Ref	Surge Tank Installation	E
1	0700816	2	Bolt, M8X40	
2	0791605	4	Bolt, M3/8-16X5/8	
3	2180467	2	Fitting	
4	4811900	2	Washer, M8	
5	1001121955	1	Sensor, Coolant Level	
6	1001128144	1	Tank, Coolant	
7	1001128341	1	Cap	
8	1001163637	1	Bracket, Coolant Tank	

Go to Discount-Equipment.com to order your parts

## SECTION 4 - ENGINE AND ATTACHING PARTS

FIGURE 4-21. FAN INSTALLATION



ART\_1001163230-D

## SECTION 4 - ENGINE AND ATTACHING PARTS

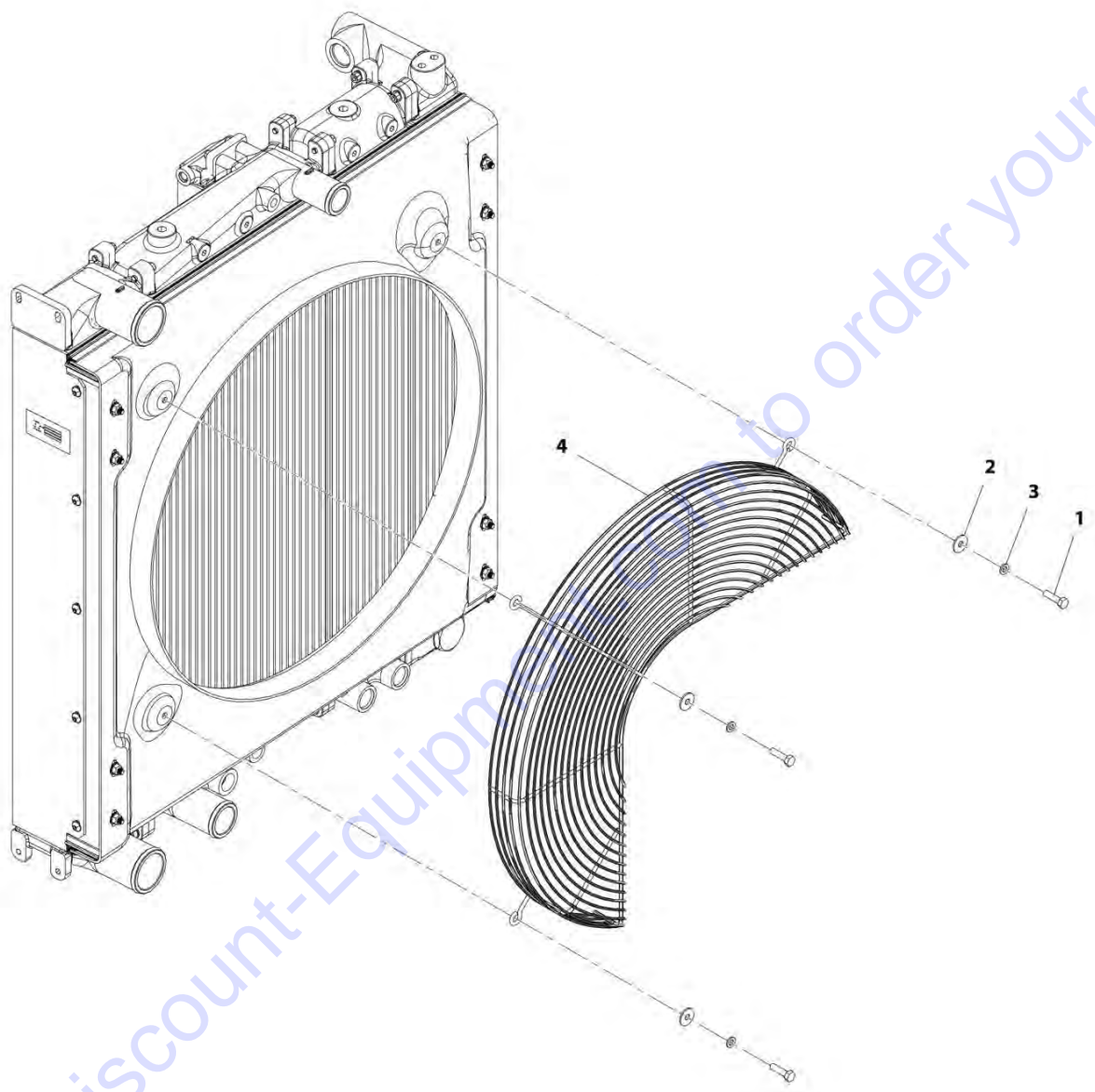
FIGURE 4-21. FAN INSTALLATION

ITEM	PART NUMBER	QTY	DESCRIPTION	REV
	1001163230	Ref	Fan Installation	D
1	0701027	4	Bolt, M10X100	
2	3575947	1	Plate	
3	4812000	4	Washer, M10	
4	1001175269	1	Fan, Cooling	

Go to Discount-Equipment.com to order your parts

# SECTION 4 - ENGINE AND ATTACHING PARTS

## FIGURE 4-22. FAN GUARD INSTALLATION



ART\_1001160420-D

## SECTION 4 - ENGINE AND ATTACHING PARTS

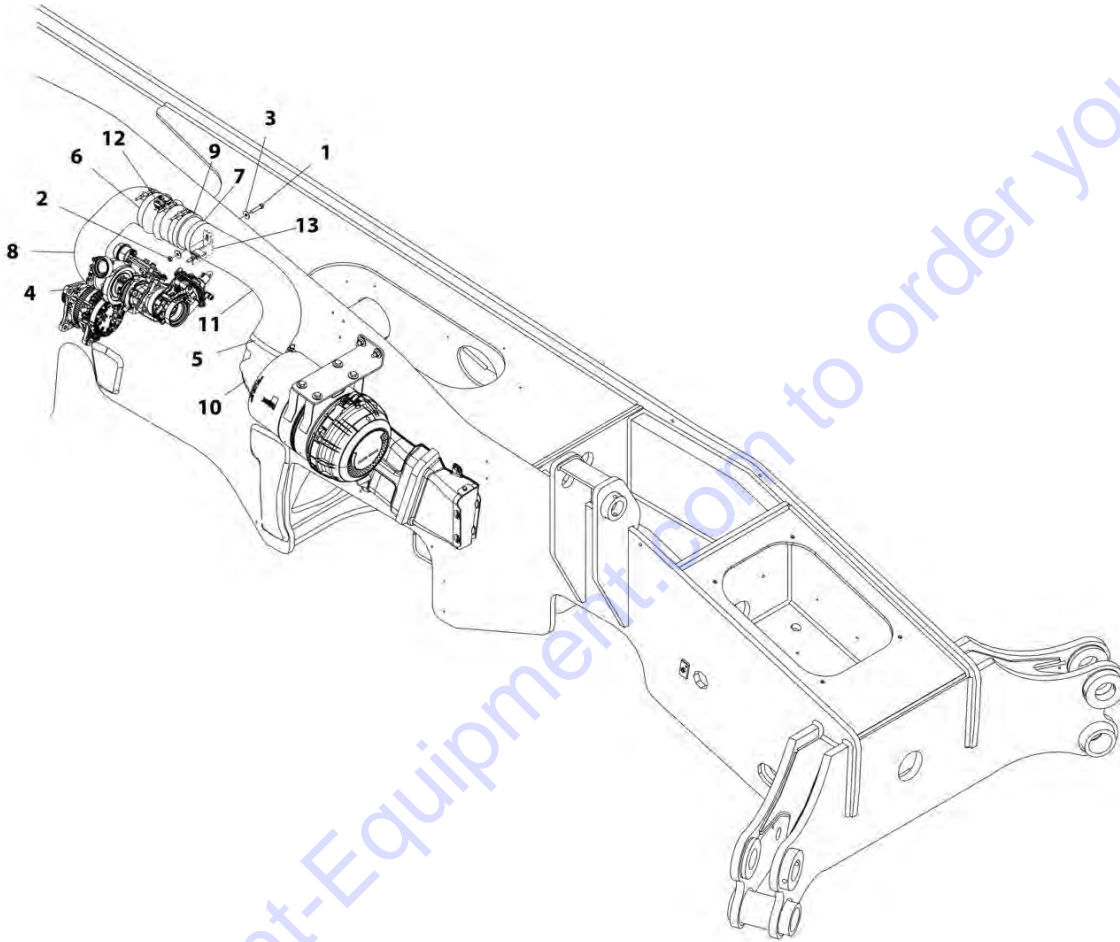
FIGURE 4-22. FAN GUARD INSTALLATION

ITEM	PART NUMBER	QTY	DESCRIPTION	REV
	1001160420	Ref	Fan Guard Installation	D
1	0700814	3	Bolt, M8X30	
2	4811902	3	Washer, M8	
3	4831900	3	Washer, Lock M8	
4	1001167186	1	Grill	

Go to Discount-Equipment.com to order your parts

## SECTION 4 - ENGINE AND ATTACHING PARTS

FIGURE 4-23. AIR INTAKE LINES INSTALLATION (ULS)



ART\_1001163228-E

## SECTION 4 - ENGINE AND ATTACHING PARTS

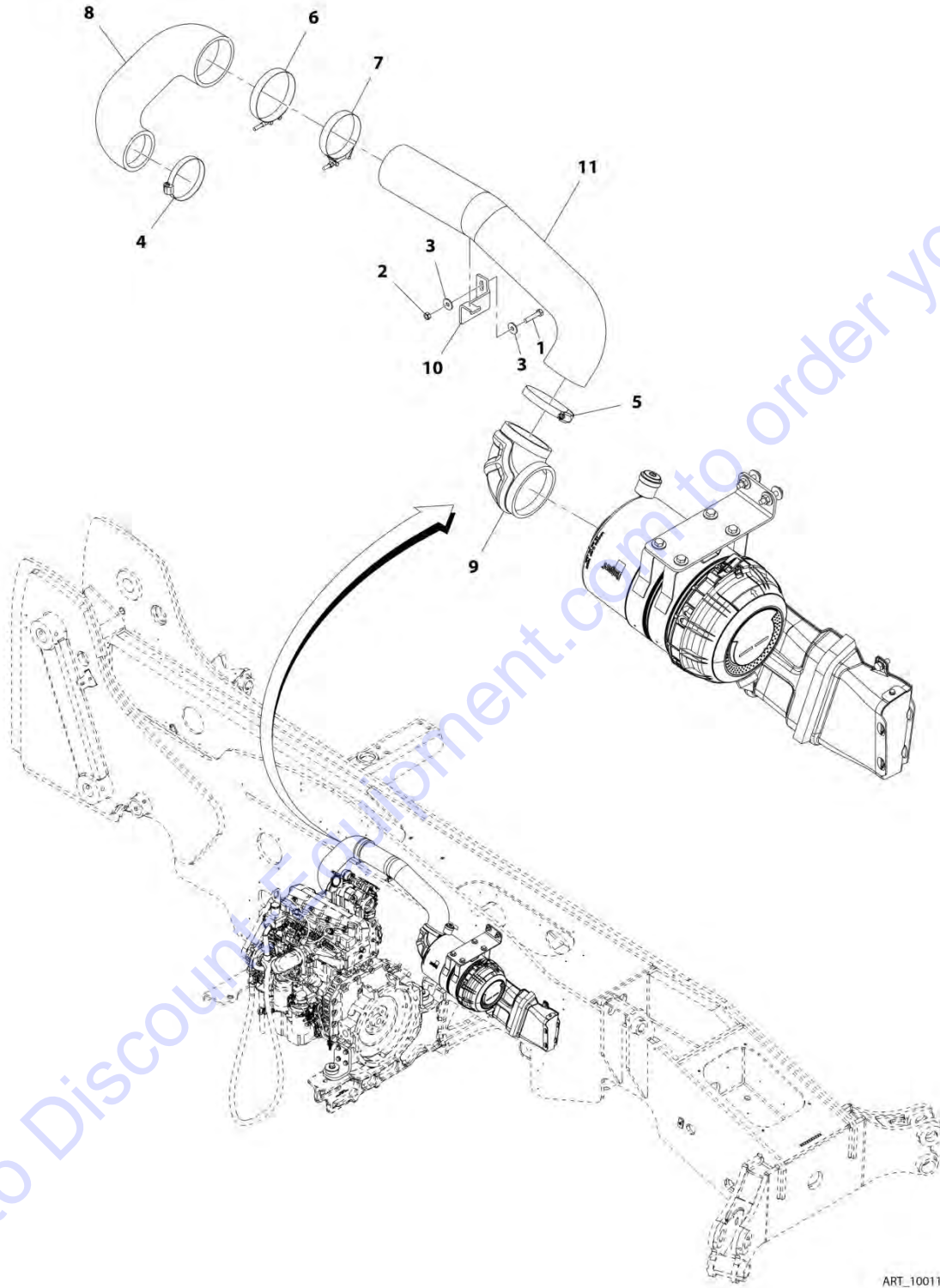
**FIGURE 4-23. AIR INTAKE LINES INSTALLATION (ULS)**

ITEM	PART NUMBER	QTY	DESCRIPTION	REV
	1001163228	Ref	Air Intake Lines Installation (if equipped for ULS)	E
1	0700816	1	Bolt, M8X40	
2	3290801	1	Nut, M8X1.25	
3	4811902	2	Washer, M8	
4	8410011	1	Clamp, Gear	
5	8405402	1	Clamp	
6	80933367	3	Clamp	
7	91413025	1	Clamp	
8	1001166449	1	Hose	
9	1001166450	1	Hose	
10	1001166451	1	Elbow, Air Intake	
11	1001184052	1	Tube	
12	1001168771	1	Tube	
13	1001169155	1	Bracket	

Go to Discount-Equipment.com to order your parts

# SECTION 4 - ENGINE AND ATTACHING PARTS

## FIGURE 4-24. AIR INTAKE LINES INSTALLATION (LS)



ART\_1001163238-C



## SECTION 4 - ENGINE AND ATTACHING PARTS

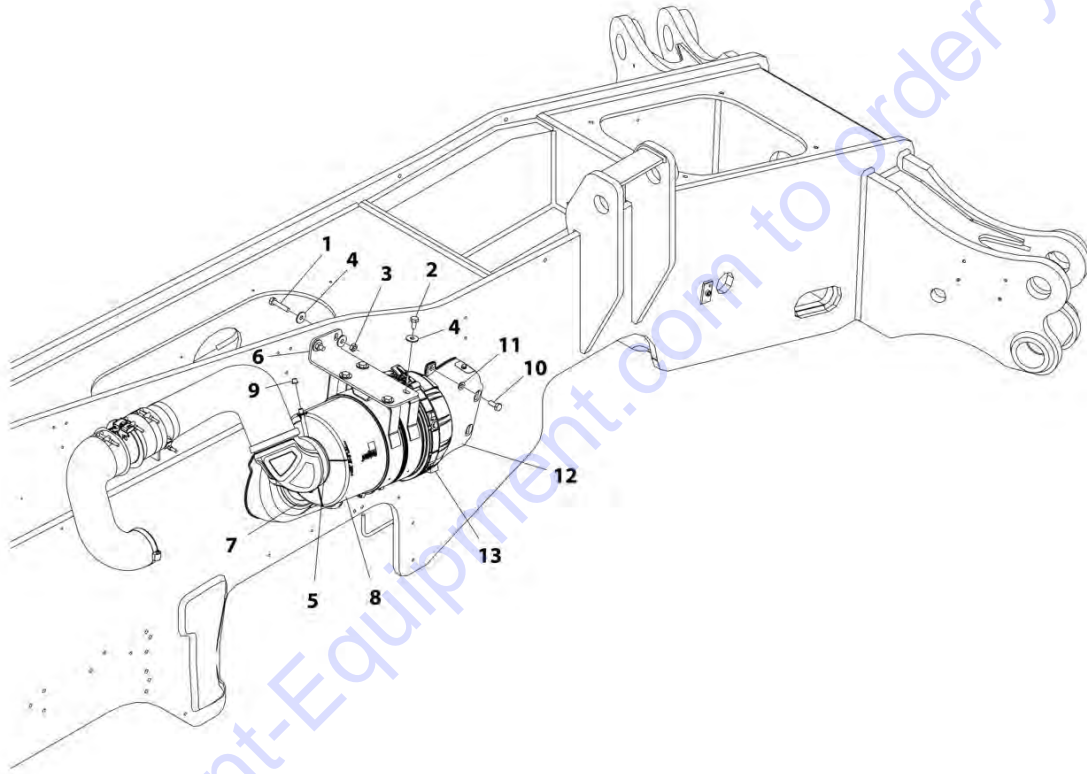
FIGURE 4-24. AIR INTAKE LINES INSTALLATION (LS)

ITEM	PART NUMBER	QTY	DESCRIPTION	REV
	1001163238	Ref	Air Intake Lines Installation (if equipped for LS)	C
1	0700816	1	Bolt, M8X40	
2	3290801	1	Nut, M8X1.25 Grade 8	
3	4811902	2	Washer, M8	
4	8410011	1	Clamp, Gear	
5	10719267	1	Clamp, Hose	
6	80933367	1	Clamp	
7	91413025	1	Clamp	
8	1001166449	1	Hose	
9	1001166451	1	Elbow	
10	1001169155	1	Bracket	
11	1001185498	1	Tube	

Go to Discount-Equipment.com to order your parts

# SECTION 4 - ENGINE AND ATTACHING PARTS

FIGURE 4-25. AIR CLEANER INSTALLATION (ULS)



ART\_1001162988-I

## SECTION 4 - ENGINE AND ATTACHING PARTS

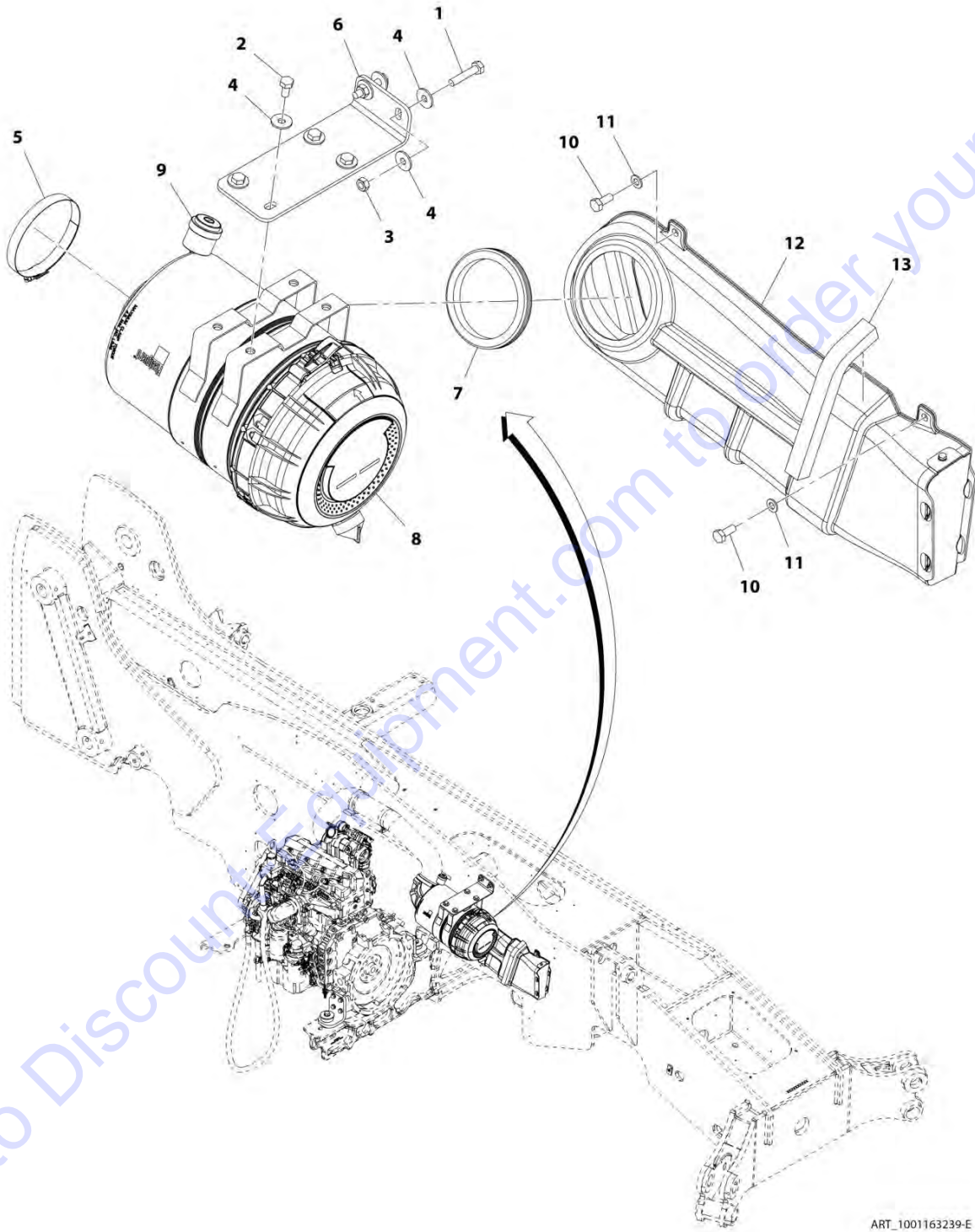
**FIGURE 4-25. AIR CLEANER INSTALLATION (ULS)**

ITEM	PART NUMBER	QTY	DESCRIPTION	REV
	1001162988	Ref	Air Cleaner Installation (if equipped for ULS)	1
1	0701018	2	Bolt, M10X50	
2	0761010	4	Bolt, M10X20	
3	3291001	2	Nut, M10X1.5 Grade 8	
4	4812002	8	Washer, M10	
5	8405402	1	Clamp	
6	1001194534	1	Bracket, Air Cleaner Mount	
7	1001183831	1	Grommet, Intake	
8	1001166565	1	Filter, Air Cleaner (See AIR CLEANER ASSEMBLY for Breakdown)	
9	1001183177	1	Cap, Air Cleaner	
10	0761012	4	Bolt, M10X25	
11	4812000	4	Washer, M10	
12	1001183835	Ref	Installation, Duct Air Intake (See AIR INTAKE DUCT INSTALLATION for Breakdown)	
13	1001186898	1	Gasket	

Go to Discount-Equipment.com to order your parts

# SECTION 4 - ENGINE AND ATTACHING PARTS

## FIGURE 4-26. AIR CLEANER INSTALLATION (LS)



ART\_1001163239-E

## SECTION 4 - ENGINE AND ATTACHING PARTS

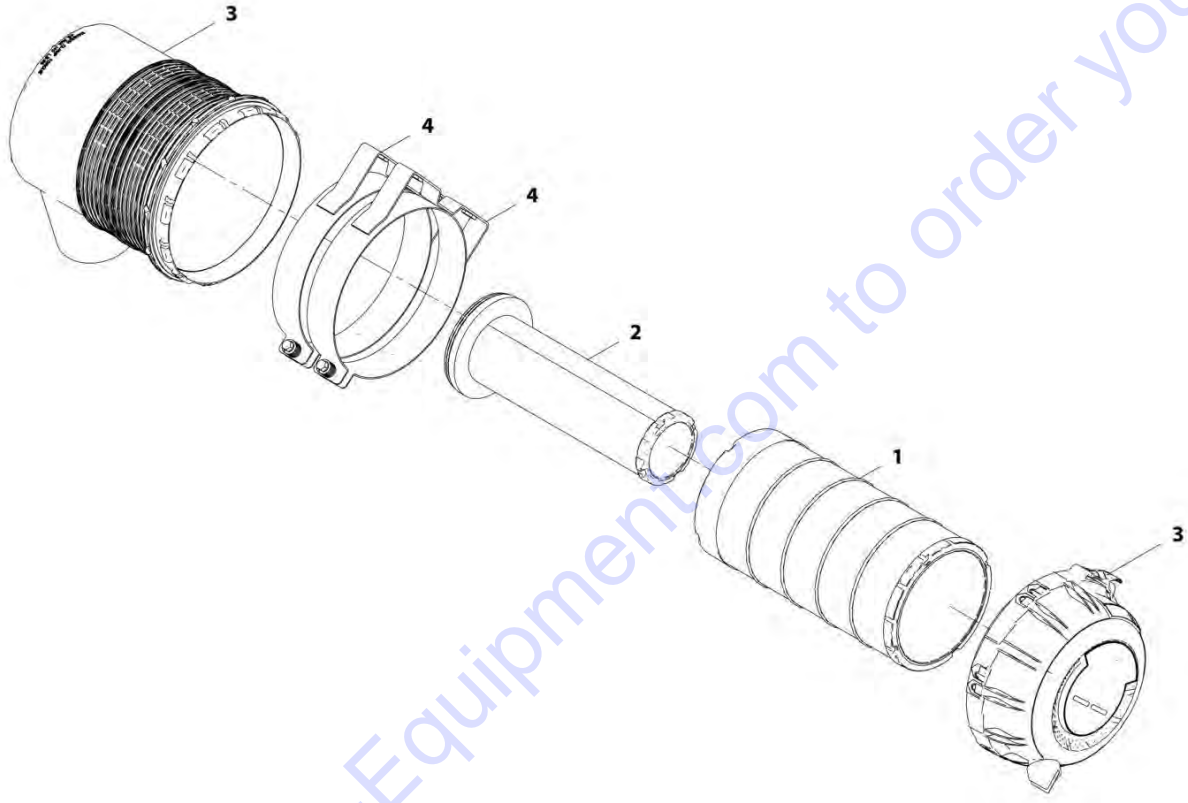
**FIGURE 4-26. AIR CLEANER INSTALLATION (LS)**

ITEM	PART NUMBER	QTY	DESCRIPTION	REV
	1001163239	Ref	Air Cleaner Installation (if equipped for LS)	E
1	0701018	2	Bolt, M10X50	
2	0761010	4	Bolt, M10X20	
3	3291001	2	Nut, M10X1.5 Grade 8	
4	4812002	8	Washer, M10	
5	8405402	1	Clamp	
6	1001194534	1	Bracket, Air Cleaner Mount	
7	1001183831	1	Grommet	
8	1001166565	1	Filter, Air Cleaner (See AIR CLEANER ASSEMBLY for Breakdown)	
9	1001166716	1	Indicator	
10	0761012	4	Bolt, M10X25	
11	4812000	4	Washer, M10	
12	1001183835	1	Installation, Duct Air Intake (See AIR INTAKE DUCT INSTALLATION for Breakdown)	
13	1001186898	1	Seal, Foam Gasket	

Go to Discount-Equipment.com to order your parts

# SECTION 4 - ENGINE AND ATTACHING PARTS

FIGURE 4-27. AIR CLEANER ASSEMBLY



ART\_1001166565-E

Go to Discount-Equipment.com to order your parts

## SECTION 4 - ENGINE AND ATTACHING PARTS

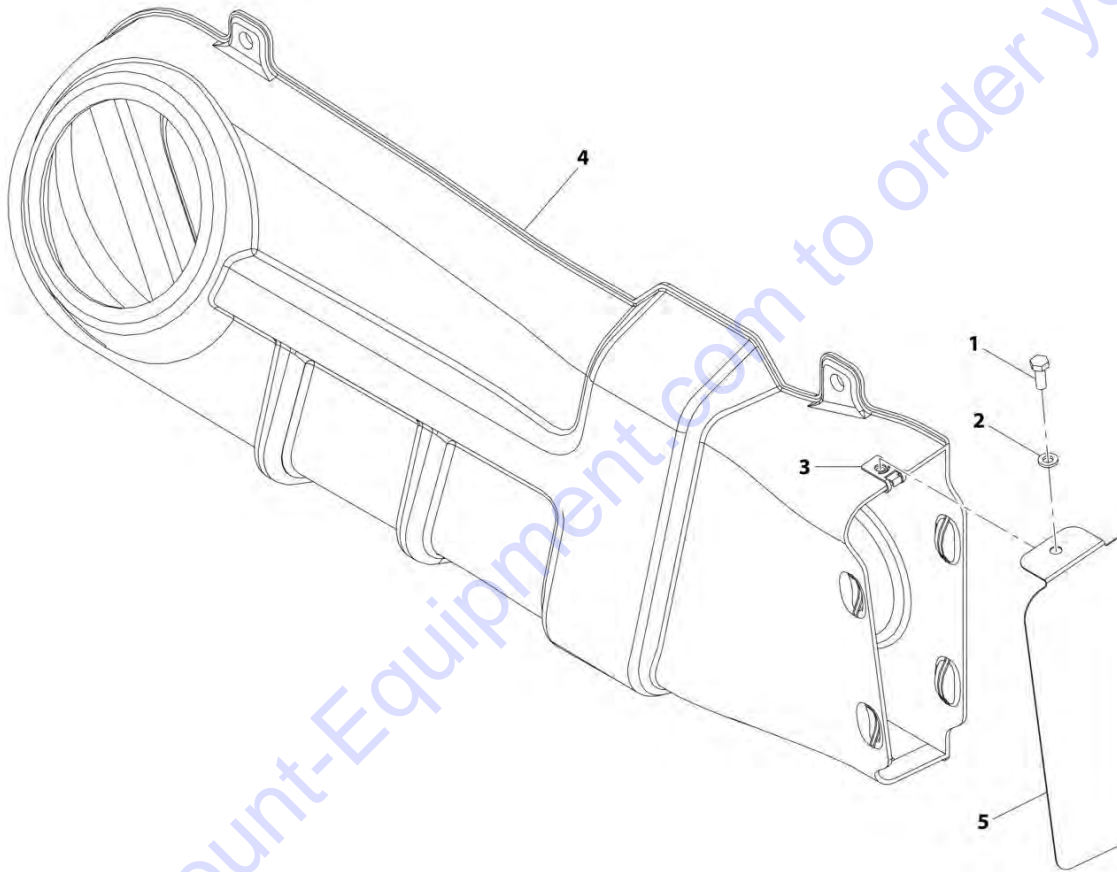
FIGURE 4-27. AIR CLEANER ASSEMBLY

ITEM	PART NUMBER	QTY	DESCRIPTION	REV
	1001166565	Ref	Air Cleaner Assembly	E
1	70025850	1	Filter, Cylindrical Air Primary	
2	70025851	1	Filter, Cylindrical Air Secondary	
3	70026395	1	Cover, Air Cleaner	
4	70026396	2	Bracket, Mounting Band	

Go to Discount-Equipment.com to order your parts

# SECTION 4 - ENGINE AND ATTACHING PARTS

FIGURE 4-28. AIR INTAKE DUCT INSTALLATION



ART\_1001183835-C



## SECTION 4 - ENGINE AND ATTACHING PARTS

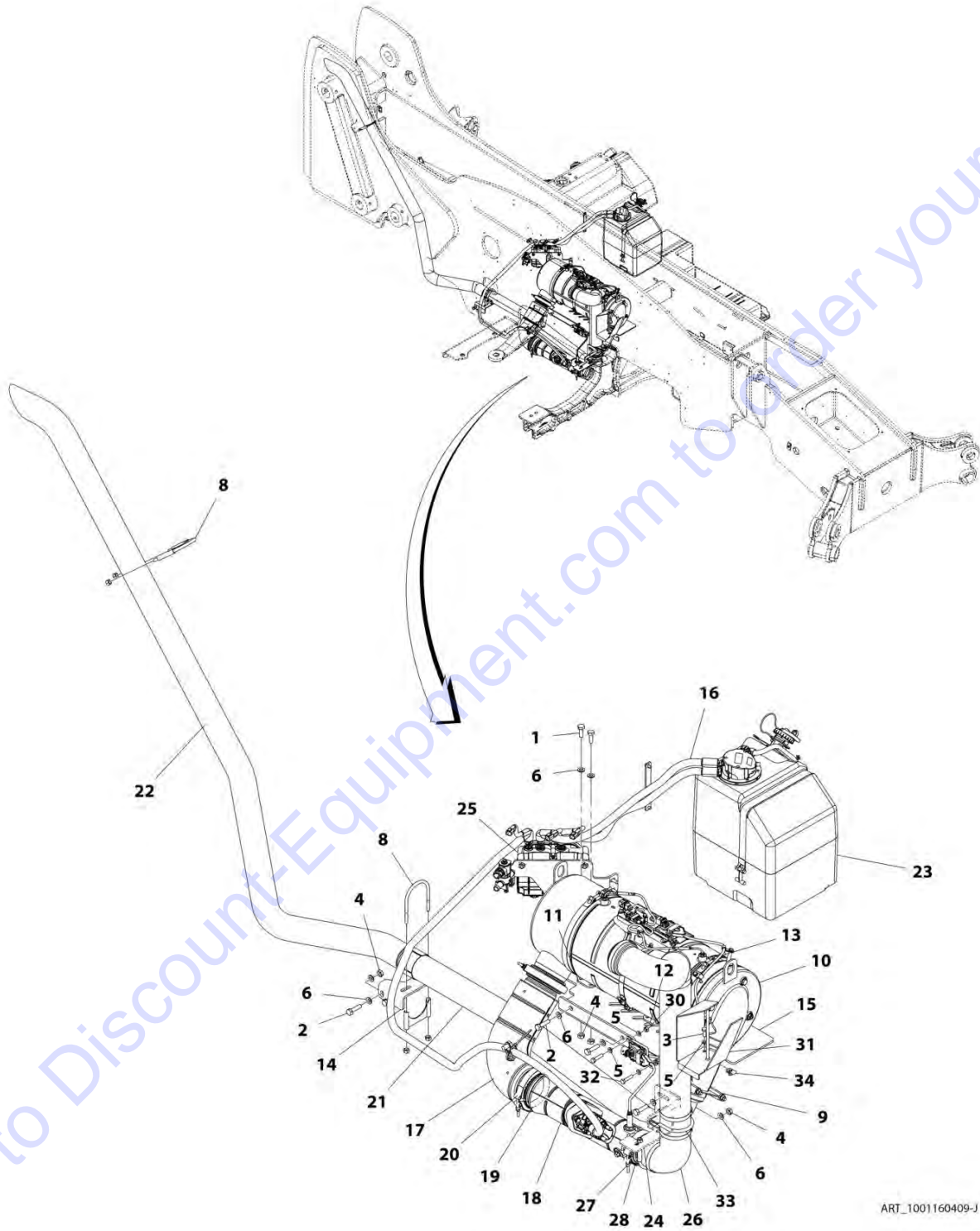
FIGURE 4-28. AIR INTAKE DUCT INSTALLATION

ITEM	PART NUMBER	QTY	DESCRIPTION	REV
	1001183835	Ref	Air Intake Duct Installation	C
1	0760608	1	Bolt, M6X16	
2	4811702	1	Washer, M6	
3	8305919	1	Nut	
4	1001183827	1	Duct	
5	1001183829	1	Plate	

Go to Discount-Equipment.com to order your parts

# SECTION 4 - ENGINE AND ATTACHING PARTS

## FIGURE 4-29. EXHAUST INSTALLATION (ULS)



ART\_1001160409-J

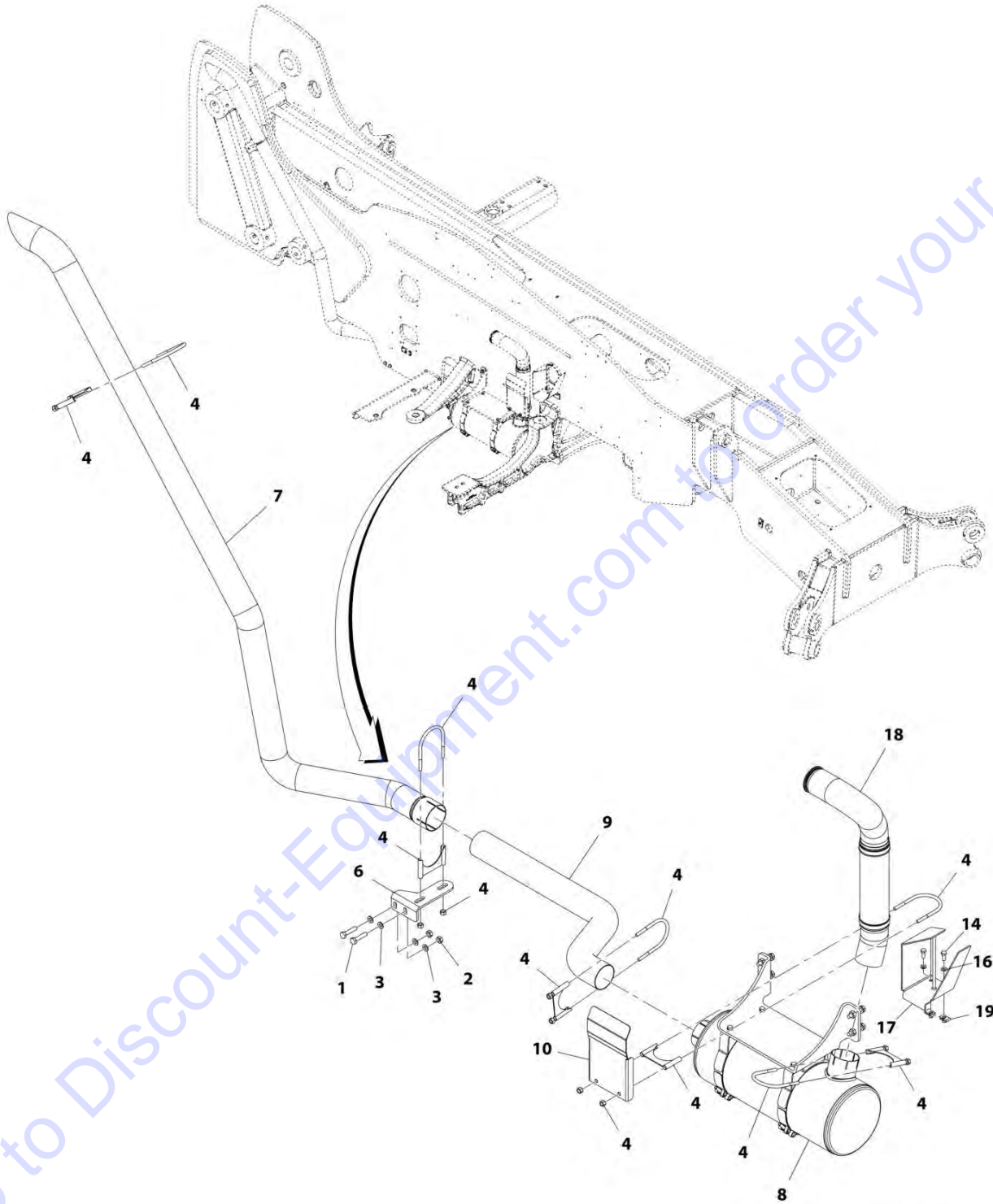
## SECTION 4 - ENGINE AND ATTACHING PARTS

**FIGURE 4-29. EXHAUST INSTALLATION (ULS)**

ITEM	PART NUMBER	QTY	DESCRIPTION	REV
	1001160409	Ref	Exhaust Installation (if equipped for ULS)	J
1	0701014	10	Bolt, M10X30	
2	0701016	6	Bolt, M10X40	
3	0760810	2	Bolt, M8X20	
4	3291001	12	Nut, M10X1.5 Grade 8	
5	4811900	6	Washer, M8	
6	4812000	28	Washer, M10	
8	24921332	3	Clamp	
9	86883127	1	Clamp	
10	1001155261	1	Muffler	
11	1001159881	1	Bracket	
12	1001159882	1	Bracket	
13	1001176945	2	Strap	
14	1001162281	1	Support, Exhaust Pipe	
15	1001162597	1	Bracket	
16	1001163253	Ref	Installation, Def Pump Lines (See DEF PUMP LINES INSTALLATION for Breakdown) <b>(Prior to SN 0160075366)</b>	
16	1001199825	Ref	Installation, Def Pump Lines (See DEF PUMP LINES INSTALLATION for Breakdown) <b>(SN 0160075366 to Present)</b>	
17	1001163546	1	Pipe	
18	1001164404	1	Muffler	
19	1001164837	2	Seal	
20	1001164838	2	Clamp	
21	1001168560	1	Pipe	
22	1001168635	1	Pipe	
23	1001168638	Ref	Installation, Def Tank (See DEF TANK INSTALLATION for Breakdown)	
24	1001183836	1	Bracket	
25	1001170308	Ref	Installation, Def Pump and Control (See DEF PUMP AND CONTROL INSTALLATION for Breakdown)	
26	1001183759	1	Pipe	
27	1001167167	1	Clamp	
28	1001167168	1	Seal	
30	3290801	2	Nut, M8X1.25 Grade 8	
31	1001176650	1	Shield	
32	0760815	2	Bolt, M8X35	
33	8275212	1	Clamp	
34	8310686	2	Nut, M8X12.5	

# SECTION 4 - ENGINE AND ATTACHING PARTS

FIGURE 4-30. EXHAUST INSTALLATION (LS)



ART\_1001160417-G

## SECTION 4 - ENGINE AND ATTACHING PARTS

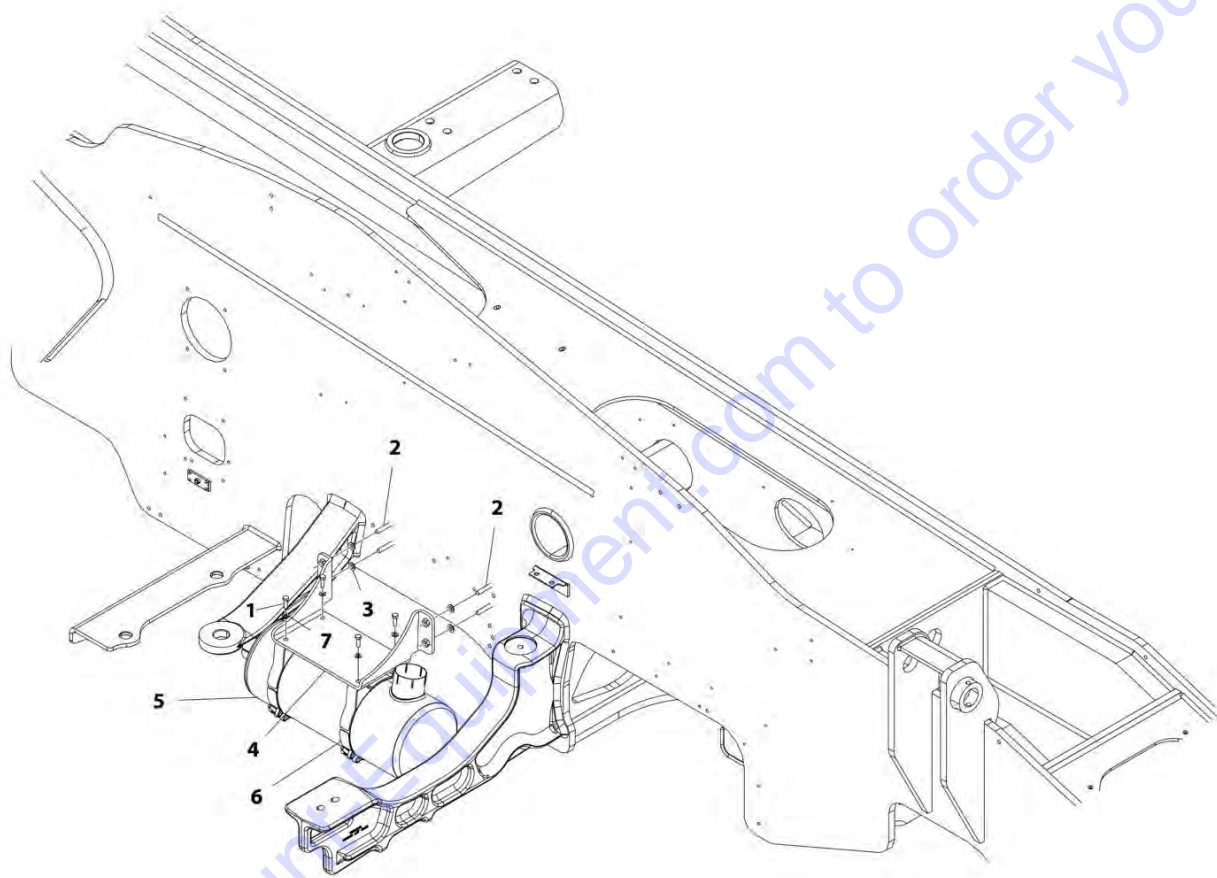
**FIGURE 4-30. EXHAUST INSTALLATION (LS)**

ITEM	PART NUMBER	QTY	DESCRIPTION	REV
	1001160417	Ref	Exhaust Installation (if equipped for LS)	G
1	0701017	2	Bolt, M10X45	
2	3291001	2	Nut, M10X1.5 Grade 8	
3	4812000	4	Washer, M10	
4	24921332	5	Clamp	
6	1001162281	1	Support, Exhaust Pipe	
7	1001168635	1	Pipe	
8	1001179968	Ref	Installation, Muffler (See MUFFLER INSTALLATION (LS) for Breakdown)	
9	1001179972	1	Pipe	
10	1001181815	1	Plate, Heat Shield	
14	0760810	2	Bolt, M8X20	
16	4811900	2	Washer, M8	
17	1001176650	1	Shield	
18	1001191348	1	Pipe	
19	8310686	2	Nut, M8X12.5	

Go to Discount-Equipment.com to order your parts

# SECTION 4 - ENGINE AND ATTACHING PARTS

## FIGURE 4-31. MUFFLER INSTALLATION (LS)



ART\_1001179968-D

## SECTION 4 - ENGINE AND ATTACHING PARTS

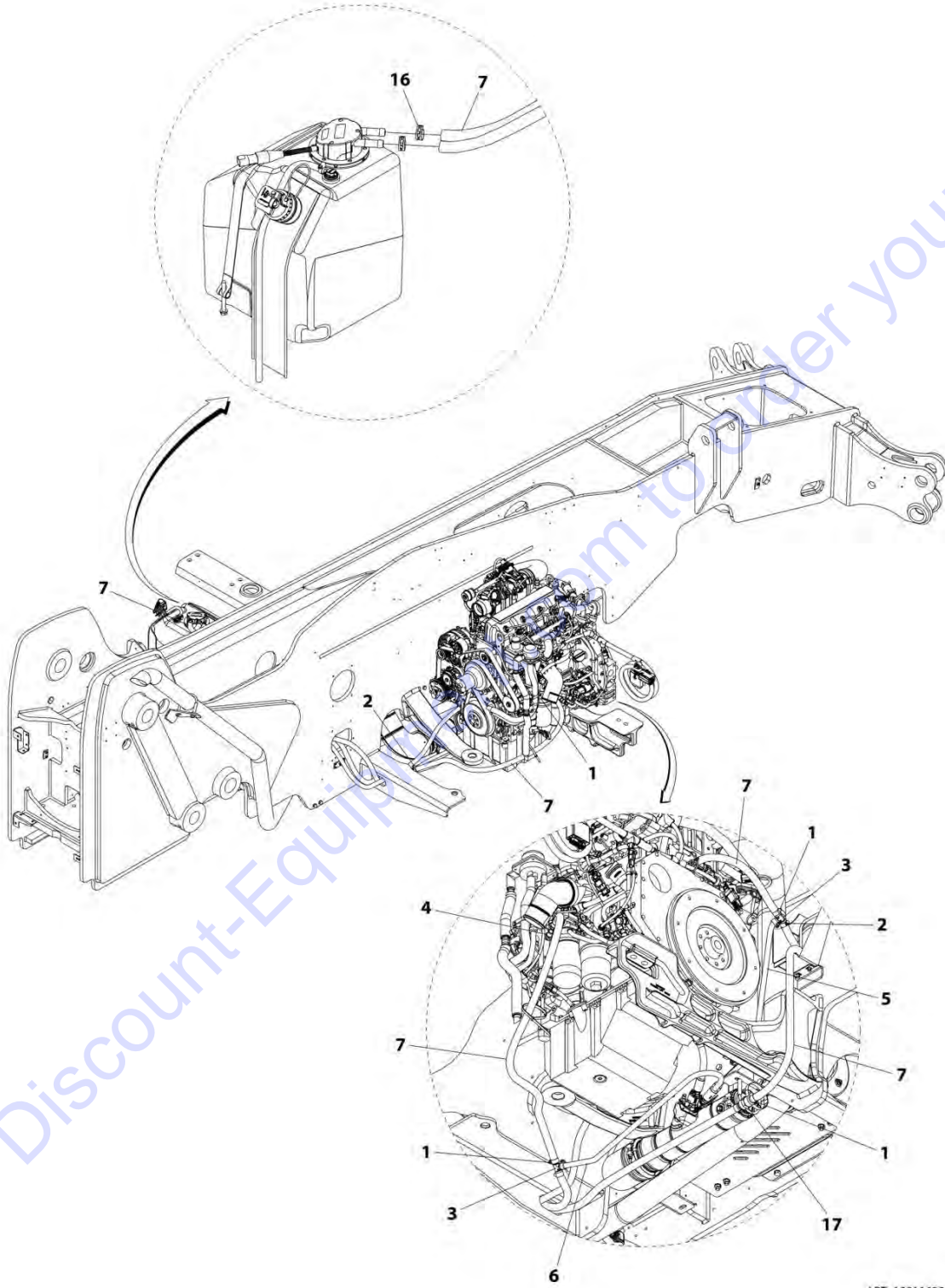
FIGURE 4-31. MUFFLER INSTALLATION (LS)

ITEM	PART NUMBER	QTY	DESCRIPTION	REV
	1001179968	Ref	Muffler Installation (if equipped for LS)	D
1	0760812	4	Bolt, M8X25	
2	0701017	4	Bolt, M10X45	
3	4812000	4	Washer, M10	
4	1001179973	1	Bracket	
5	1001180226	1	Muffler	
6	1001180227	2	Clamp, Muffler	
7	4811900	4	Washer, M8	

Go to Discount-Equipment.com to order your parts

# SECTION 4 - ENGINE AND ATTACHING PARTS

## FIGURE 4-32. DEF LINES INSTALLATION



ART\_1001163232-1



## SECTION 4 - ENGINE AND ATTACHING PARTS

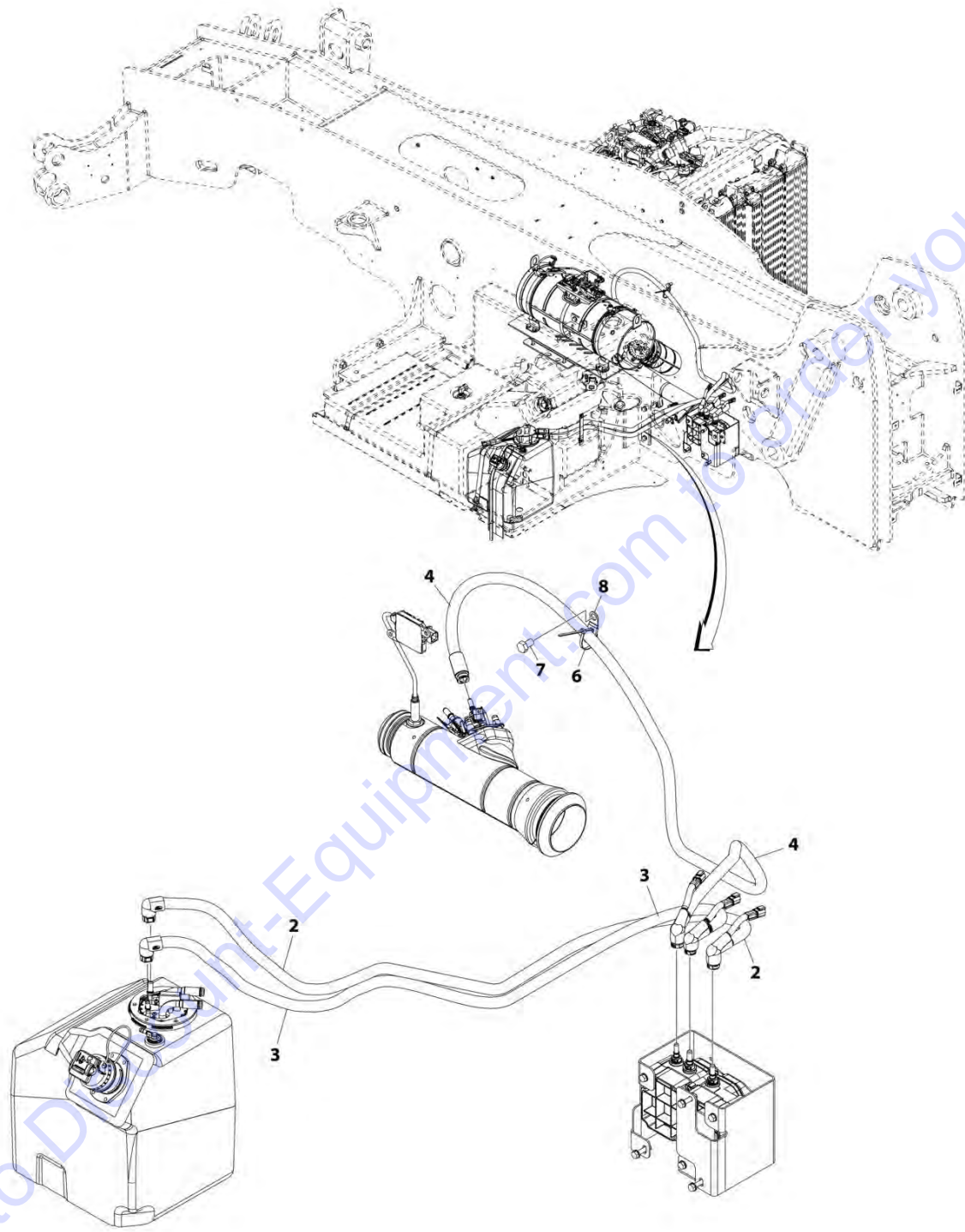
FIGURE 4-32. DEF LINES INSTALLATION

ITEM	PART NUMBER	QTY	DESCRIPTION	REV
	1001163232	Ref	DEF Lines Installation	I
1	8410009	10	Gear Clamp	
2	8410013	2	Gear Clamp	
3	1001162212	2	Pipe	
4	1001168822	1	Pipe	
5	1001169409	1	Hose	
6	1001169410	1	Hose	
7	82033995	6.9 m	Hose	
16	1001202526	2	Clamp	
17	1001228872	1	Filter	

Go to Discount-Equipment.com to order your parts

# SECTION 4 - ENGINE AND ATTACHING PARTS

FIGURE 4-33. DEF PUMP LINES INSTALLATION (Prior to SN 0160075366)



ART\_1001163253-I

## SECTION 4 - ENGINE AND ATTACHING PARTS

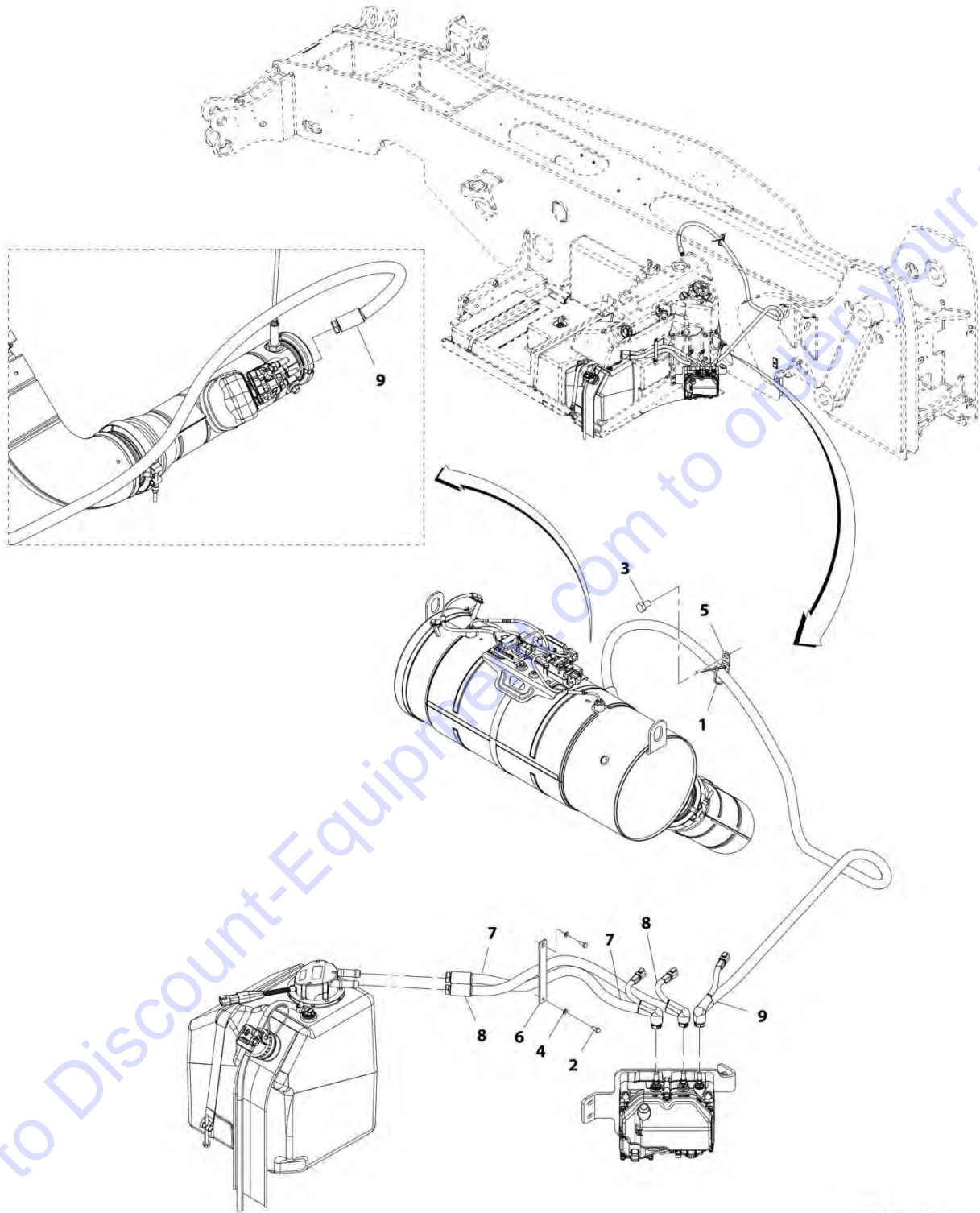
**FIGURE 4-33. DEF PUMP LINES INSTALLATION (Prior to SN 0160075366)**

ITEM	PART NUMBER	QTY	DESCRIPTION	REV
	1001163253	Ref	DEF Pump Lines Installation	I
2	1001167969	NLA	Hose, (no longer available, use 1001196354 for replacement)	
2	1001196354	1	Hose <b>(Prior to SN 0160091875, Excluding 0160091759)</b>	
2	1001231002	1	Hose <b>(SN 0160091875 to Present, Including 0160091759)</b>	
3	1001167970	NLA	Hose, (no longer available, use 1001196421 for replacement)	
3	1001196421	1	Hose <b>(Prior to SN 0160091875, Excluding 0160091759)</b>	
3	1001231003	1	Hose <b>(SN 0160091875 to Present, Including 0160091759)</b>	
4	1001167971	1	Hose	
6	8881802	1	Wire Tie	
7	0761210	1	Bolt, M12X20	
8	1001025750	1	Clip	

Go to Discount-Equipment.com to order your parts

# SECTION 4 - ENGINE AND ATTACHING PARTS

FIGURE 4-34. DEF PUMP LINES INSTALLATION (SN 0160075366 to Present)



ART\_1001199825-B

## SECTION 4 - ENGINE AND ATTACHING PARTS

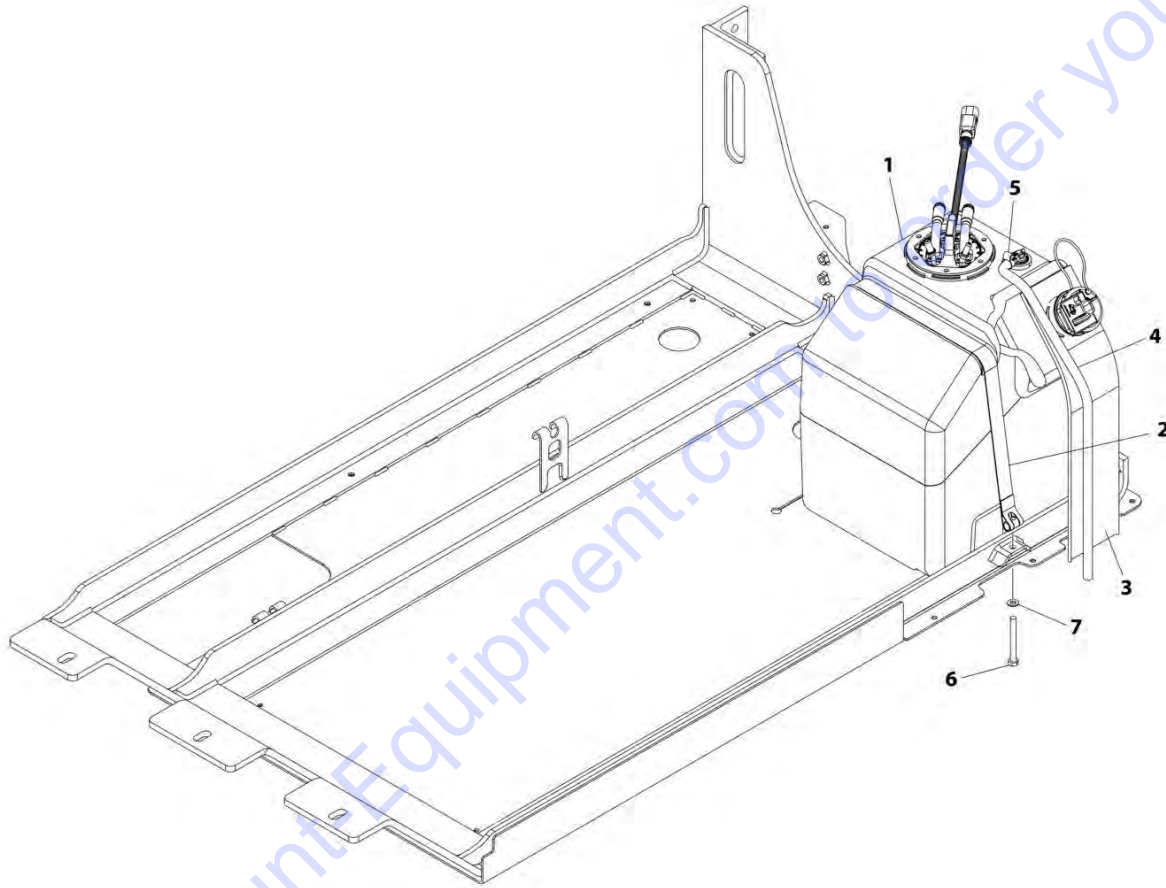
FIGURE 4-34. DEF PUMP LINES INSTALLATION (SN 0160075366 to Present)

ITEM	PART NUMBER	QTY	DESCRIPTION	REV
	1001199825	Ref	DEF Pump Lines Installation	B
1	8881802	1	Wire Tie	
2	0760607	2	Bolt, M6X14	
3	0761210	1	Bolt, M12X20	
4	4831700	2	Washer, Lock M6	
5	1001025750	1	Clip	
6	1001196440	1	Plate, Retainer	
7	1001199822	1	Hose	
8	1001199823	1	Hose	
9	1001199824	1	Hose	

Go to Discount-Equipment.com to order your parts

# SECTION 4 - ENGINE AND ATTACHING PARTS

## FIGURE 4-35. DEF TANK INSTALLATION



ART\_1001168638-J

## SECTION 4 - ENGINE AND ATTACHING PARTS

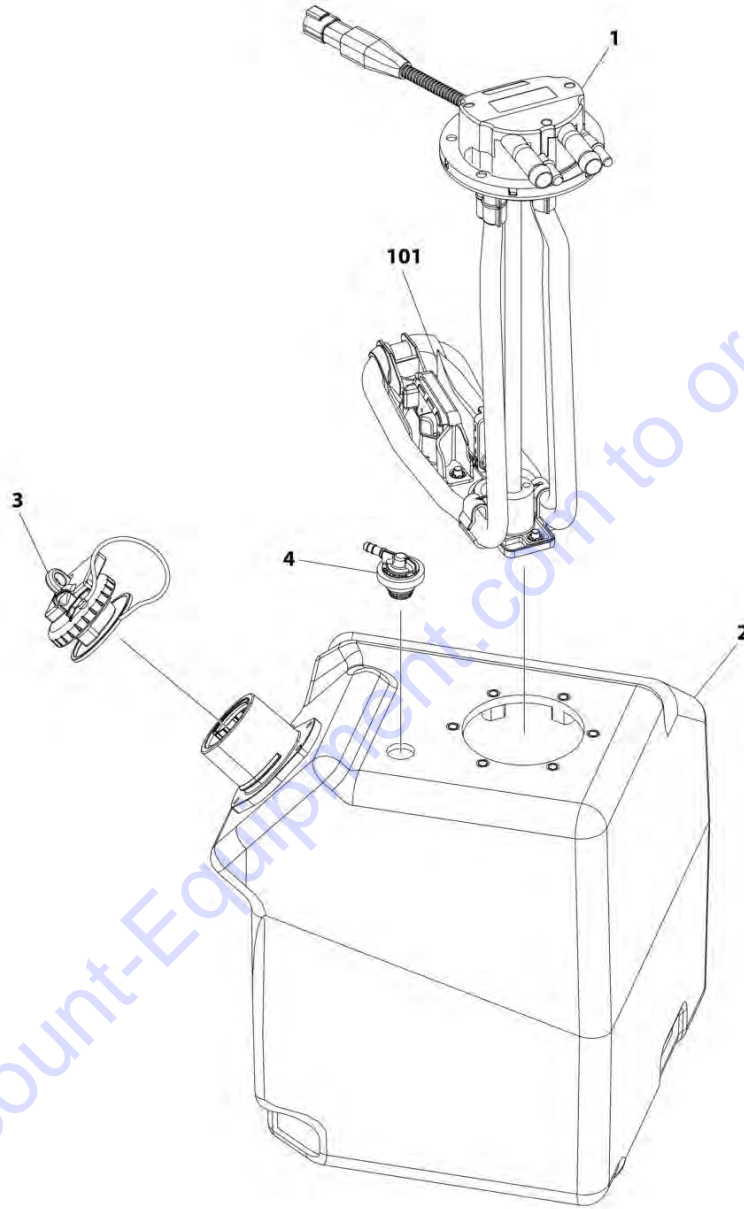
FIGURE 4-35. DEF TANK INSTALLATION

ITEM	PART NUMBER	QTY	DESCRIPTION	REV
	1001168638	Ref	DEF Tank Installation	I
1	1001164966	1	Tank, Def (See DEF TANK ASSEMBLY for Breakdown)	
2	1001178791	1	Strap, Tank	
3	1001168272	1	Sleeve	
4	1001175201	0.6 m	Hose	
5	8405009	1	Clamp, Gear	
6	0760823	1	Bolt, M8X75	
7	4811900	1	Washer, M8	

Go to Discount-Equipment.com to order your parts

# SECTION 4 - ENGINE AND ATTACHING PARTS

## FIGURE 4-36. DEF TANK ASSEMBLY



ART\_1001164966-G



## SECTION 4 - ENGINE AND ATTACHING PARTS

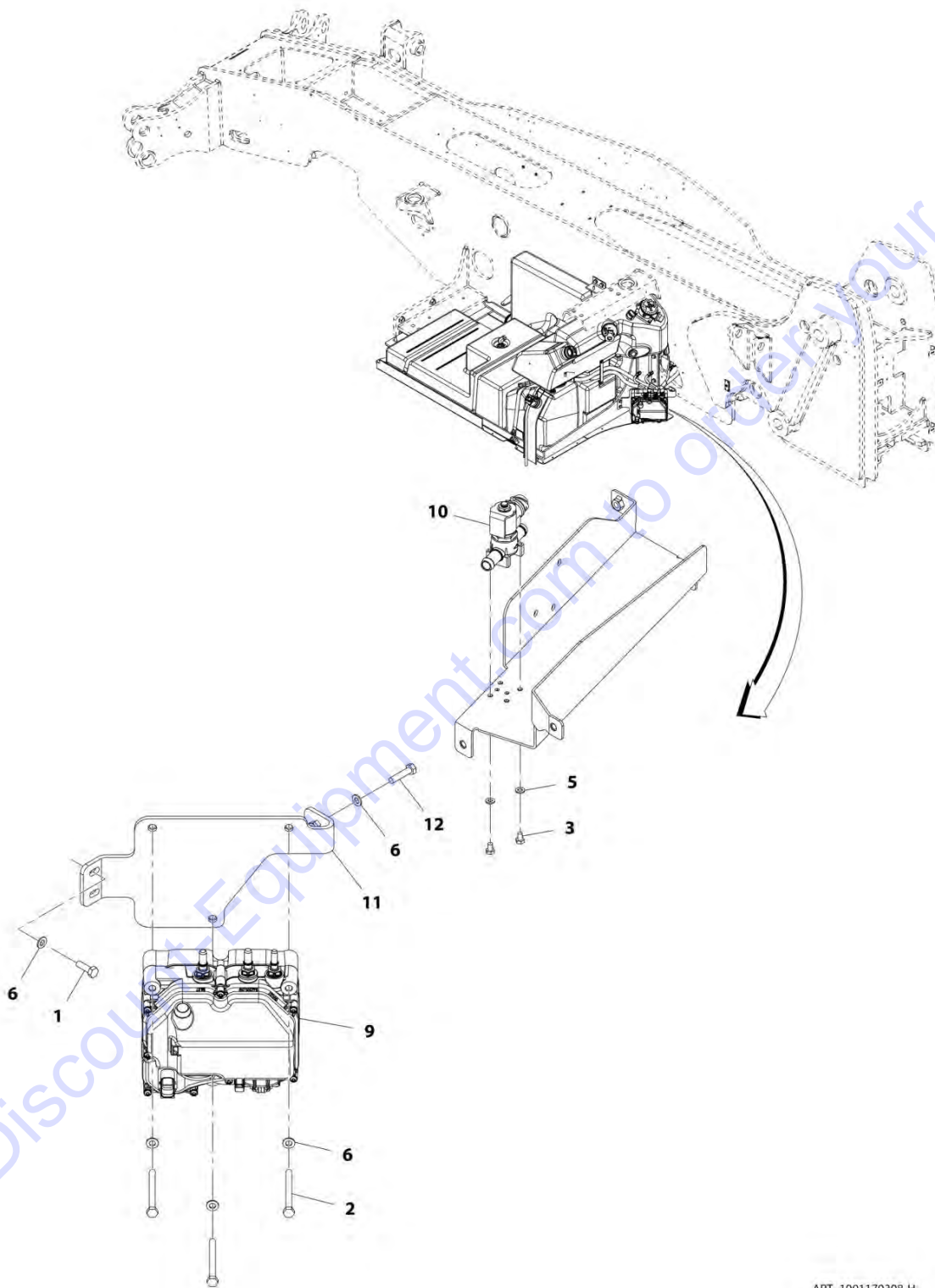
FIGURE 4-36. DEF TANK ASSEMBLY

ITEM	PART NUMBER	QTY	DESCRIPTION	REV
	1001164966	Ref	DEF Tank Assembly	G
1	1001164964	1	Assembly, DEF Electrical (includes item 101)	
2	1001164967	1	Tank	
3	1001174795	1	Cap	
4	1001215319	1	Valve, DEF Breather	
101	70026584	1	Filter, Def	

Go to Discount-Equipment.com to order your parts

# SECTION 4 - ENGINE AND ATTACHING PARTS

## FIGURE 4-37. DEF PUMP AND CONTROL INSTALLATION



ART\_1001170308-H

## SECTION 4 - ENGINE AND ATTACHING PARTS

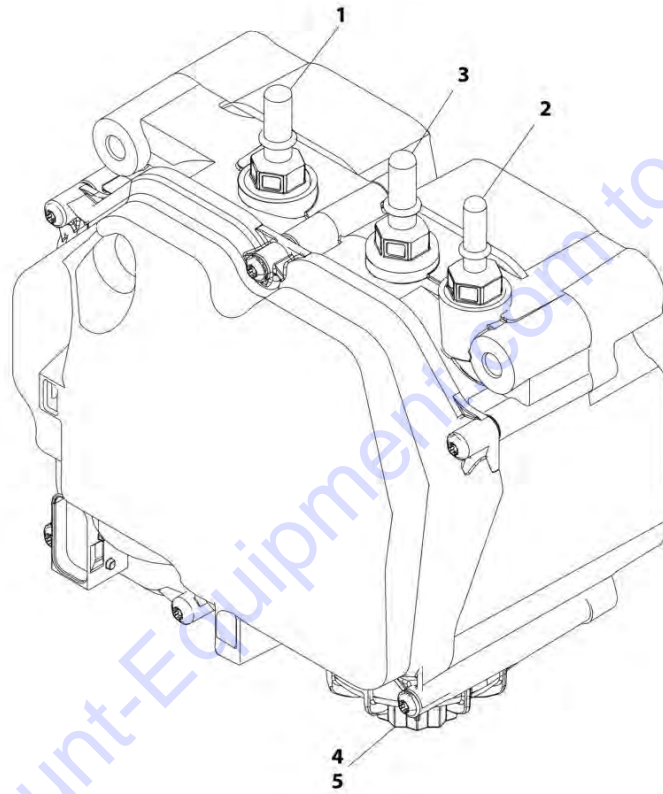
**FIGURE 4-37. DEF PUMP AND CONTROL INSTALLATION**

ITEM	PART NUMBER	QTY	DESCRIPTION	REV
	1001170308	Ref	DEF Pump and Control Installation	H
1	0760812	2	Bolt, M8X25	
2	0700826	3	Bolt, M8X90	
3	0760605	4	Bolt, M6X10	
5	4811700	4	Washer, M6	
6	4811900	6	Washer, M8	
9	1001154227	NLA	Pump, (no longer available, use 1001213210 for replacement)	
9	1001213210	1	Pump (See DEF MODULE PUMP for Breakdown)	
10	1001199670	1	Valve	
11	1001199645	1	Bracket	
12	0760815	1	Bolt, M8X35	

Go to Discount-Equipment.com to order your parts

## SECTION 4 - ENGINE AND ATTACHING PARTS

FIGURE 4-38. DEF MODULE PUMP (Prior to SN 0160077096)



ART\_1001154227-C

## SECTION 4 - ENGINE AND ATTACHING PARTS

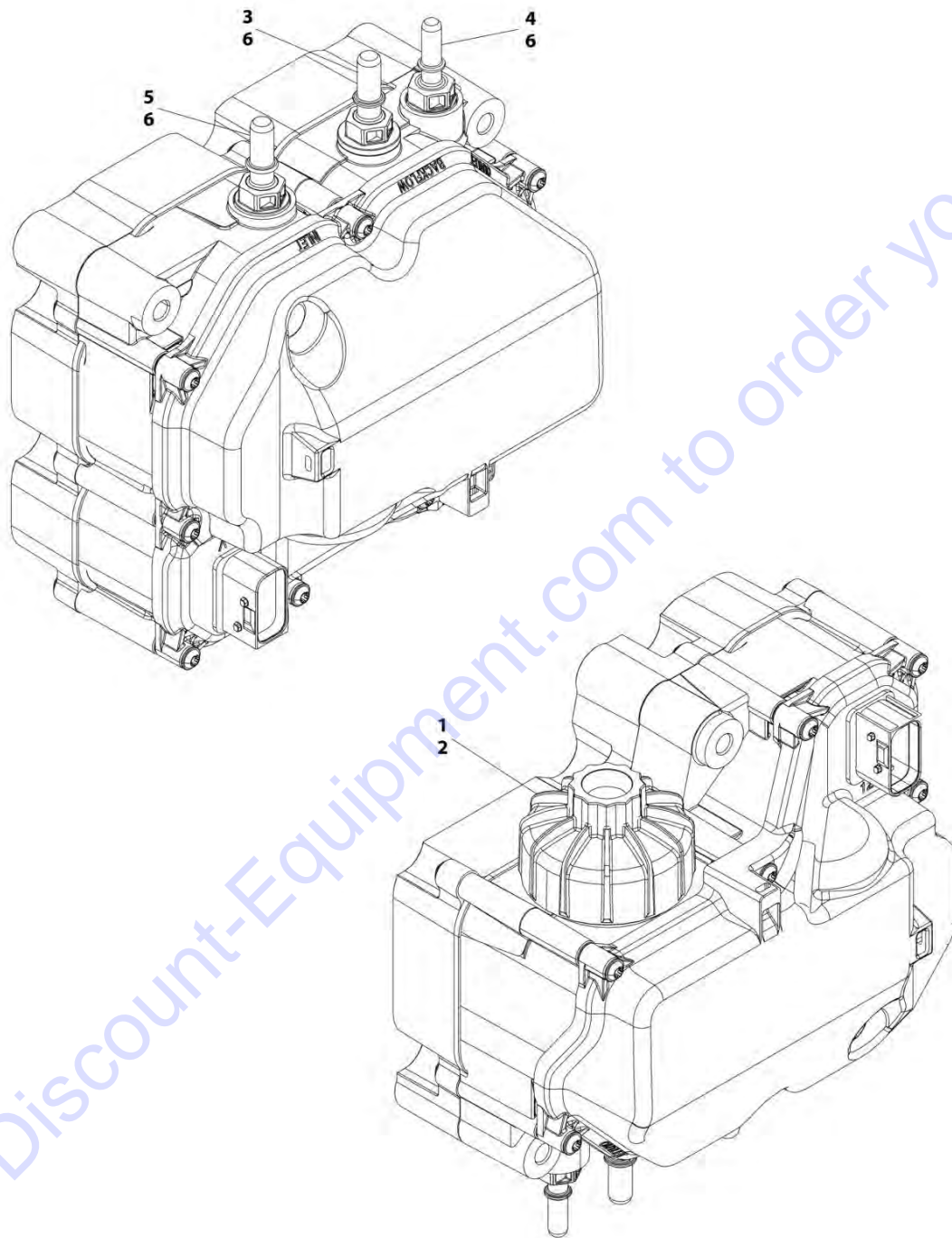
FIGURE 4-38. DEF MODULE PUMP (Prior to SN 0160077096)

ITEM	PART NUMBER	QTY	DESCRIPTION	REV
	1001154227	Ref	DEF Module Pump	C
1	70026244	1	Connector, Male (Inlet)	
2	70026245	1	Connector, Male (Outlet)	
3	70026246	1	Connector, Male (Backflow)	
4	70026247	1	Cap, Filter	
5	70026248	1	Kit, Filter	

Go to Discount-Equipment.com to order your parts

# SECTION 4 - ENGINE AND ATTACHING PARTS

FIGURE 4-39. DEF MODULE PUMP (SN 0160077096 to Present)



ART\_1001213210-A

## SECTION 4 - ENGINE AND ATTACHING PARTS

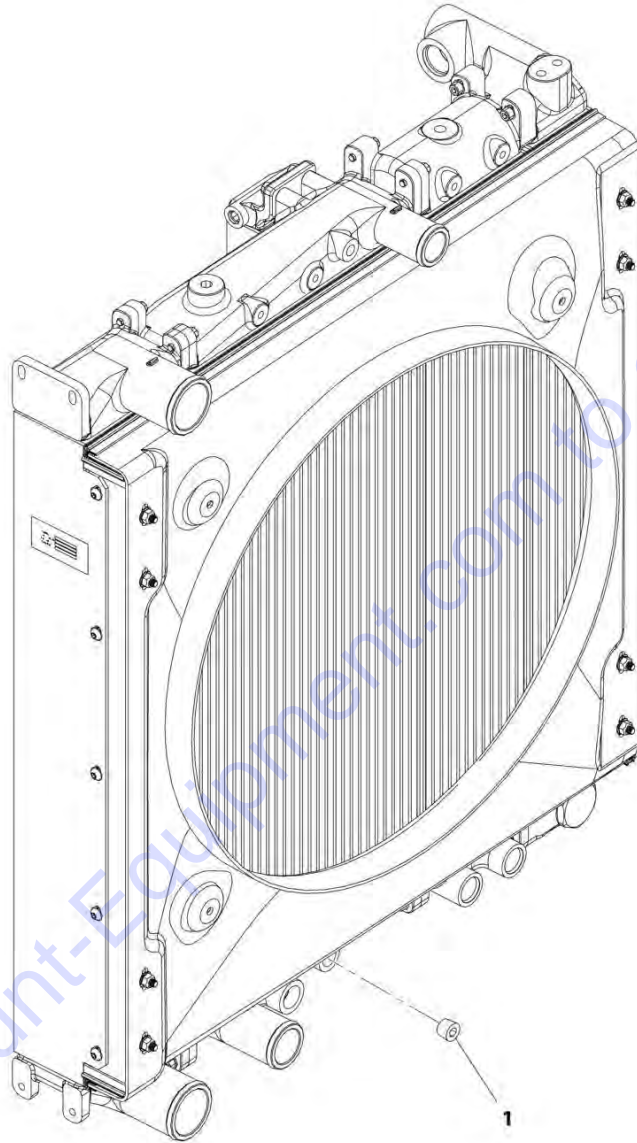
FIGURE 4-39. DEF MODULE PUMP (SN 0160077096 to Present)

ITEM	PART NUMBER	QTY	DESCRIPTION	REV
	1001213210	1	DEF Module Pump	A
1	70026248	1	Kit, Filter	
2	70026247	1	Cap, Filter	
3	70027705	1	Connector, Male (Backflow)	
4	70026245	1	Connector, Male (Outlet)	
5	70026244	1	Connector, Male (Inlet)	
6	70027706	3	Gasket, Circular (O-Ring)	

Go to Discount-Equipment.com to order your parts

## SECTION 4 - ENGINE AND ATTACHING PARTS

FIGURE 4-40. ENGINE PARTS INSTALLATION (NO HEATER)



ART\_1001163133-C



## SECTION 4 - ENGINE AND ATTACHING PARTS

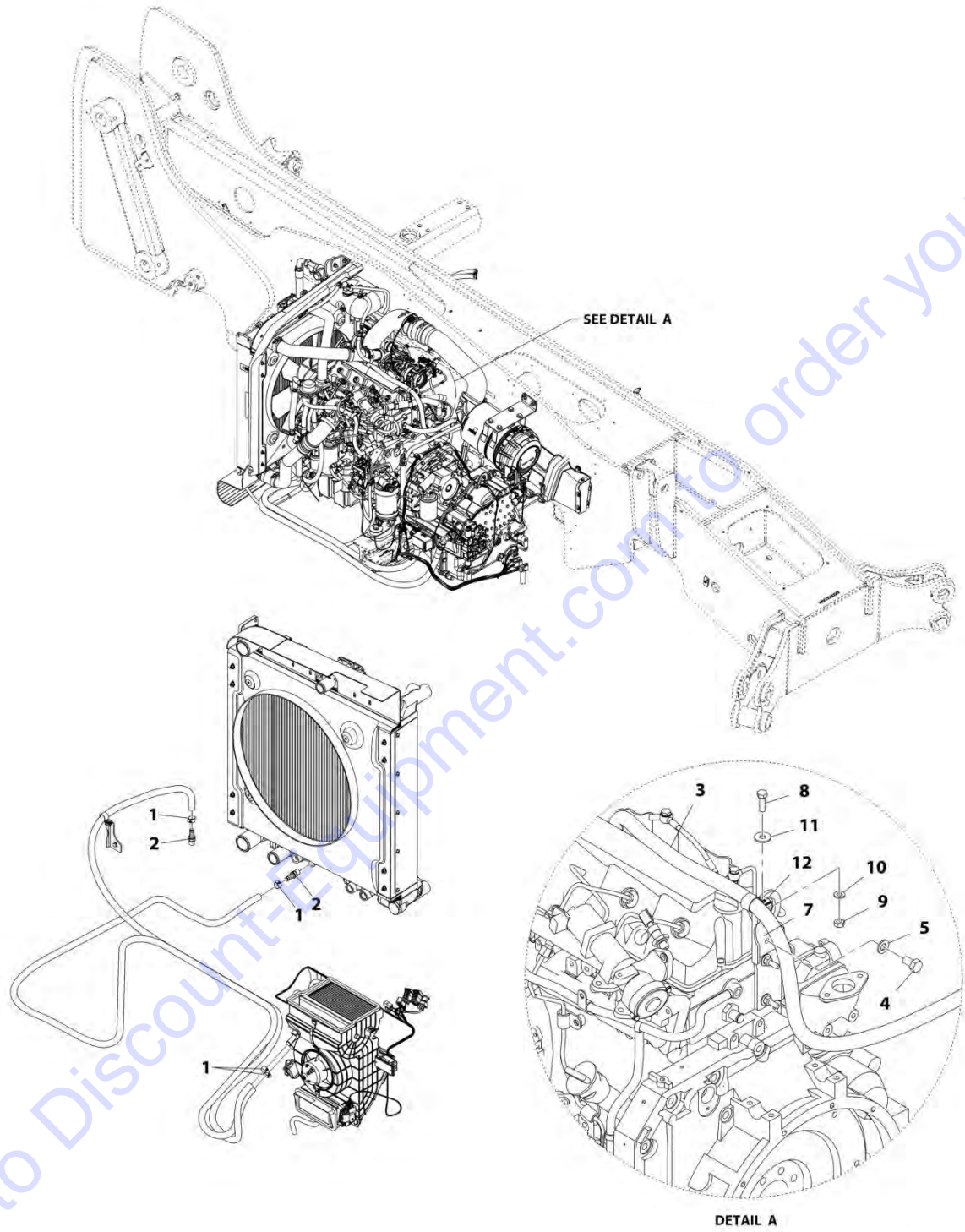
FIGURE 4-40. ENGINE PARTS INSTALLATION (NO HEATER)

ITEM	PART NUMBER	QTY	DESCRIPTION	REV
1	1001163133 2200223	Ref 1	Engine Parts Installation (No Heater) Plug	C

Go to Discount-Equipment.com to order your parts

# SECTION 4 - ENGINE AND ATTACHING PARTS

## FIGURE 4-41. ENGINE PARTS INSTALLATION (HEATER)



ART\_1001163134-J

## SECTION 4 - ENGINE AND ATTACHING PARTS

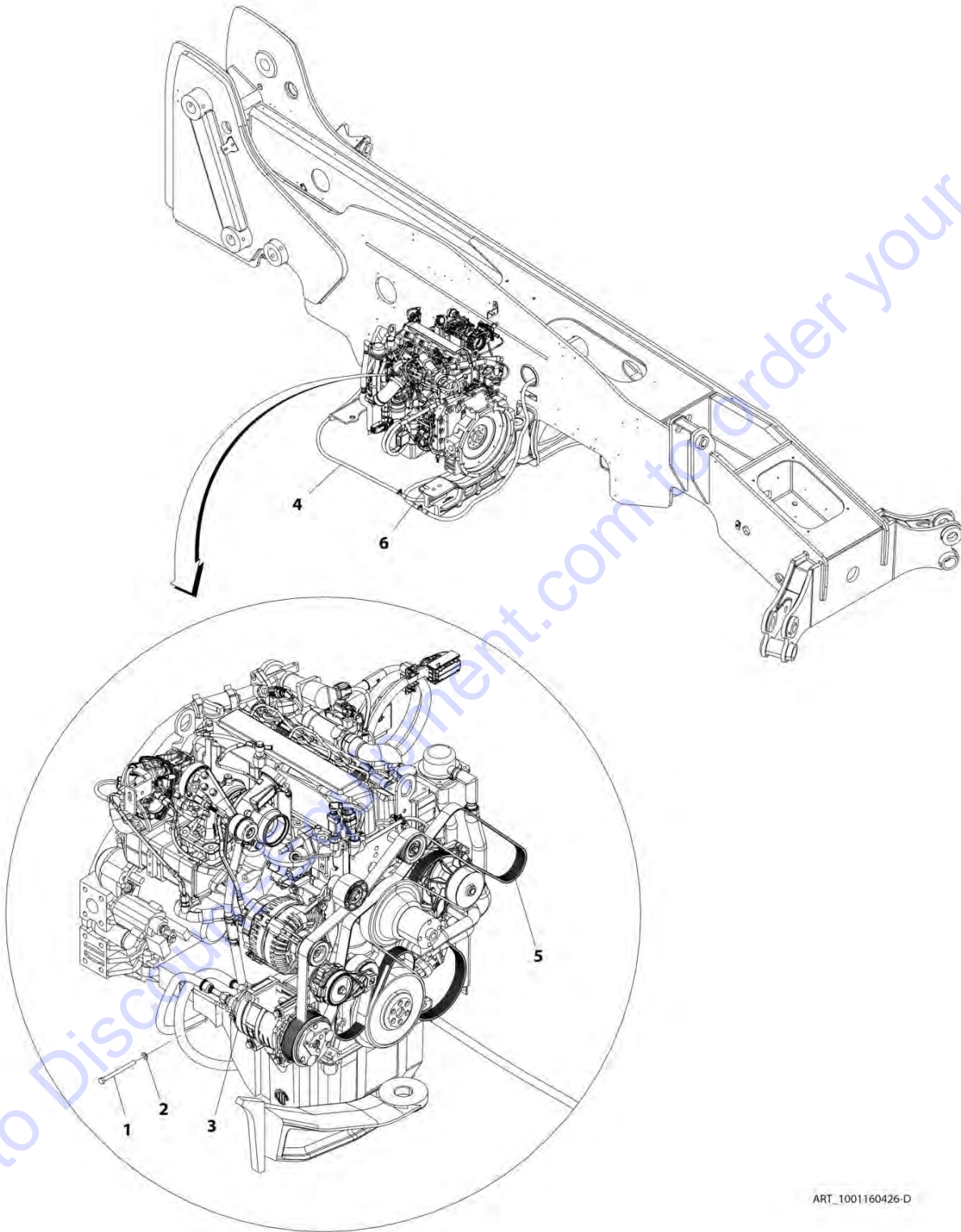
FIGURE 4-41. ENGINE PARTS INSTALLATION (HEATER)

ITEM	PART NUMBER	QTY	DESCRIPTION	REV
	1001163134	Ref	Engine Parts Installation (Heater)	J
1	8410009	4	Clamp, Gear	
2	1001104685	2	Pipe	
3	82033995	7 m	Hose	
4	0760807	1	Bolt, M8X14	
5	4811900	1	Washer, M8	
7	1001200555	1	Bracket	
8	0700610	1	Bolt, M6X20	
9	3290601	1	Nut, M6X1 Grade 8	
10	4811700	1	Washer, M6	
11	4811702	1	Washer, M6	
12	8406201	1	Clip	

Go to Discount-Equipment.com to order your parts

# SECTION 4 - ENGINE AND ATTACHING PARTS

FIGURE 4-42. A/C PUMP INSTALLATION (ULS)



ART\_1001160426-D

## SECTION 4 - ENGINE AND ATTACHING PARTS

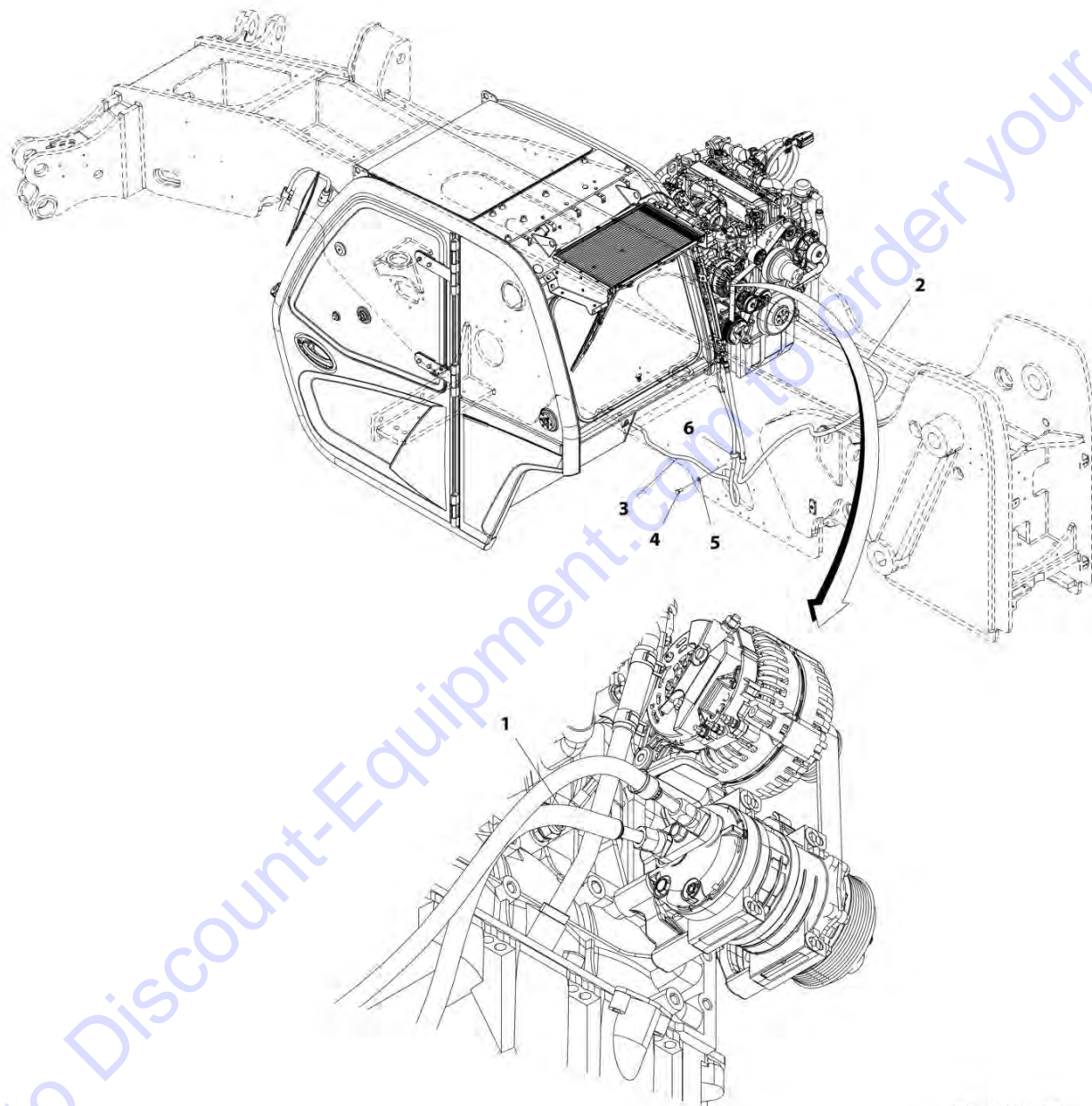
FIGURE 4-42. A/C PUMP INSTALLATION (ULS)

ITEM	PART NUMBER	QTY	DESCRIPTION	REV
	1001160426	Ref	A/C Pump Installation (if equipped for ULS)	D
1	0700827	4	Bolt, M8X100	
2	4811900	4	Washer, M8	
3	1001157663	1	Compressor, A/C	
4	1001163254	Ref	Installation, A/C Lines (See A/C LINES INSTALLATION for Breakdown)	
5	1001167357	1	Belt	
6	1001193026	1	Decal	

Go to Discount-Equipment.com to order your parts

# SECTION 4 - ENGINE AND ATTACHING PARTS

## FIGURE 4-43. A/C LINES INSTALLATION



ART\_1001163254-H

## SECTION 4 - ENGINE AND ATTACHING PARTS

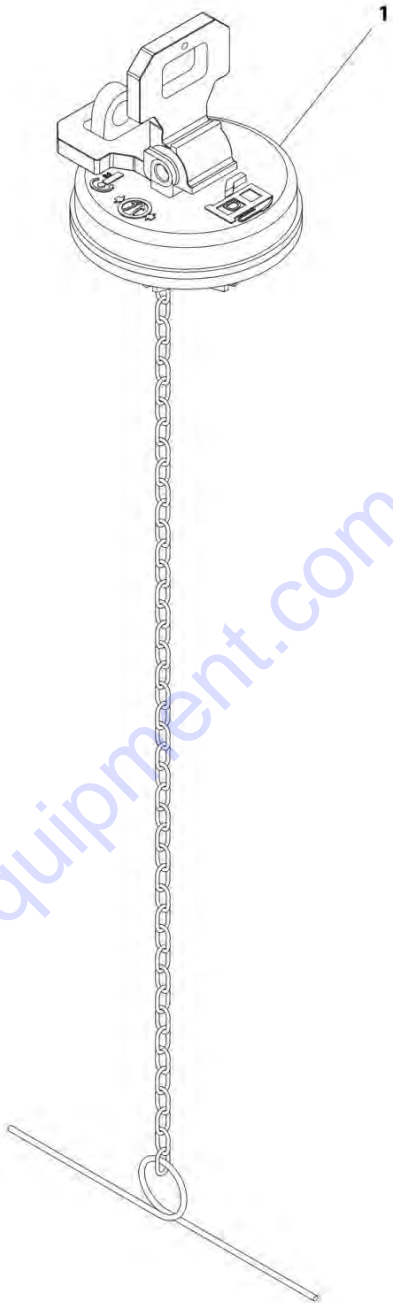
FIGURE 4-43. A/C LINES INSTALLATION

ITEM	PART NUMBER	QTY	DESCRIPTION	REV
	1001163254	Ref	A/C Lines Installation	H
1	1001196491	1	Hose	
2	1001184017	1	Hose	
3	1001186705	1	Hose	
4	0761012	1	Bolt, M10X25	
5	4812000	1	Washer, M10	
6	8406102	2	Clip	

Go to Discount-Equipment.com to order your parts

**SECTION 4 - ENGINE AND ATTACHING PARTS**

**FIGURE 4-44. FUEL CAP ASSEMBLY**



Go to Discount-Equipment.com to order your parts

ART\_1001194978-A



## SECTION 4 - ENGINE AND ATTACHING PARTS

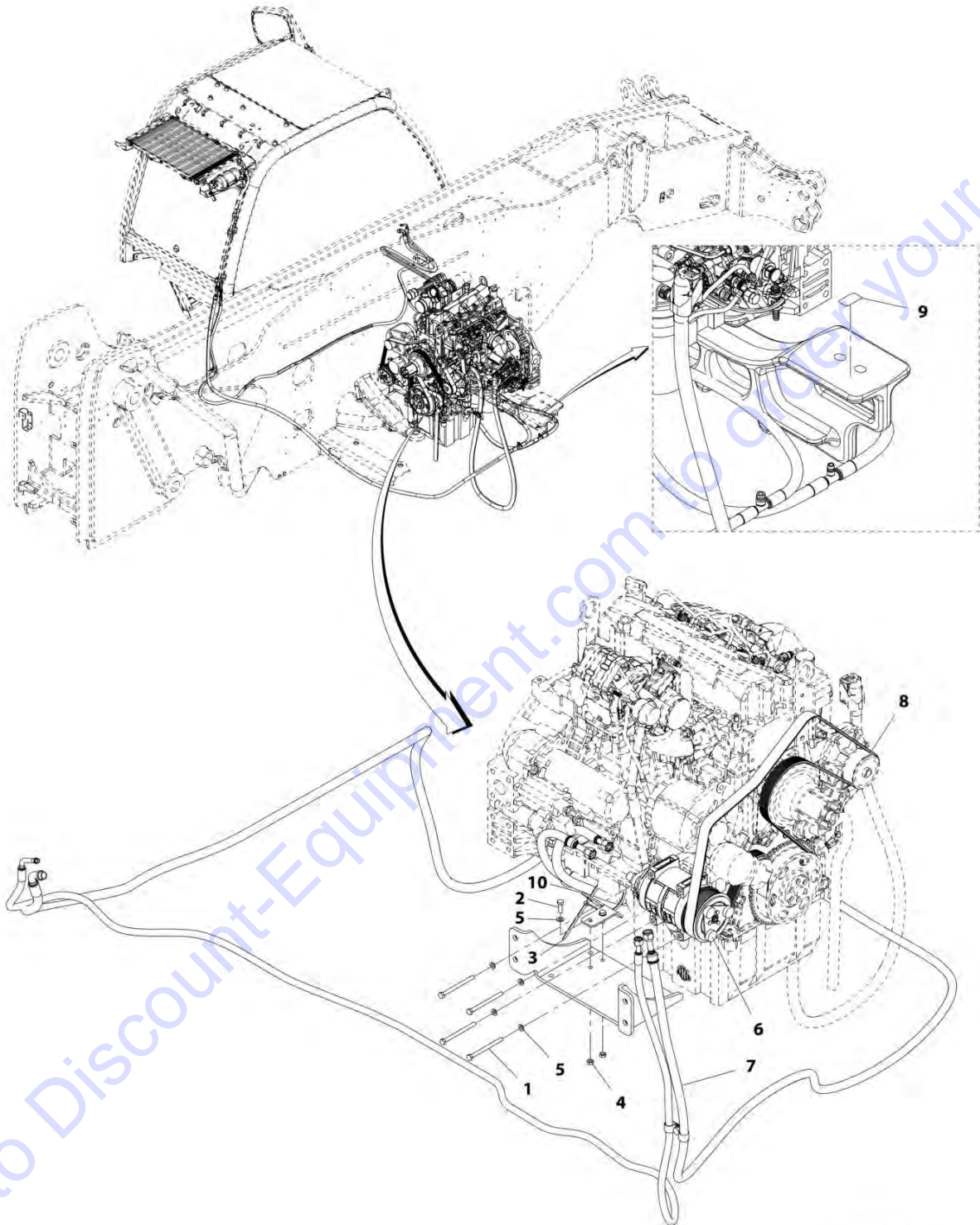
FIGURE 4-44. FUEL CAP ASSEMBLY

ITEM	PART NUMBER	QTY	DESCRIPTION	REV
1	1001194978	Ref	Fuel Cap Assembly	A

Go to Discount-Equipment.com to order your parts

# SECTION 4 - ENGINE AND ATTACHING PARTS

## FIGURE 4-45. AC PUMP INSTALLATION (LS)



ART\_1001205448-A

## SECTION 4 - ENGINE AND ATTACHING PARTS

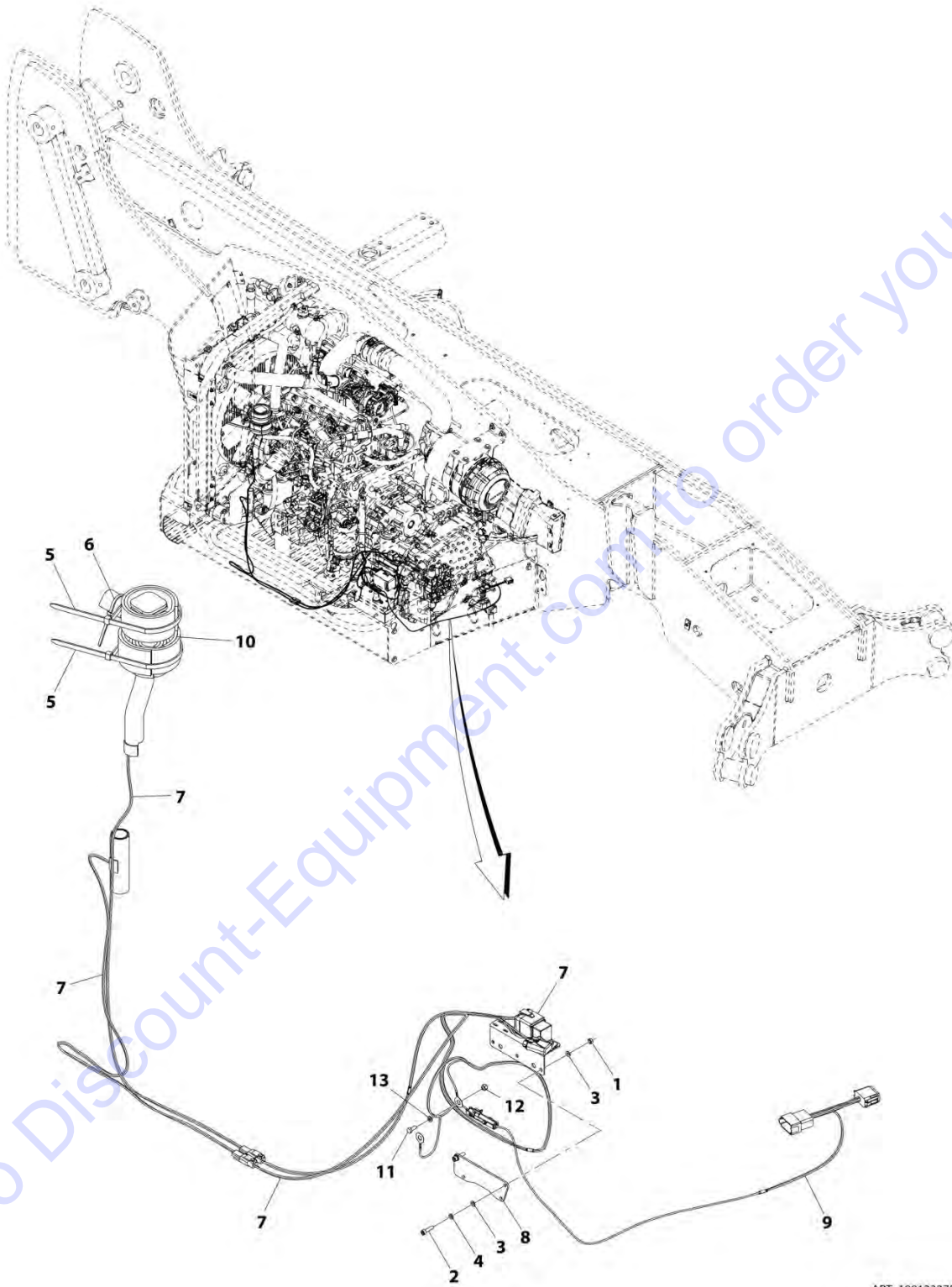
**FIGURE 4-45. AC PUMP INSTALLATION (LS)**

ITEM	PART NUMBER	QTY	DESCRIPTION	REV
	1001206448	Ref	AC Pump Installation (If equipped for LS)	A
1	0700827	4	Bolt, M8X100	
2	0760812	2	Screw, M8X25	
3	1062255	1	Tie, Strap	
4	3290801	2	Nut, M8X1.25	
5	4811900	6	Washer, M8	
6	1001157663	1	Compressor, A/C	
7	1001163254	1	Installation, A/C Lines (See A/C LINES INSTALLATION for Breakdown)	
8	1001167357	1	Belt	
9	1001193026	1	Decal	
10	1001206332	1	Bracket	

Go to Discount-Equipment.com to order your parts

# SECTION 4 - ENGINE AND ATTACHING PARTS

## FIGURE 4-46. BREATHER HEATER



ART\_1001232751-B

## SECTION 4 - ENGINE AND ATTACHING PARTS

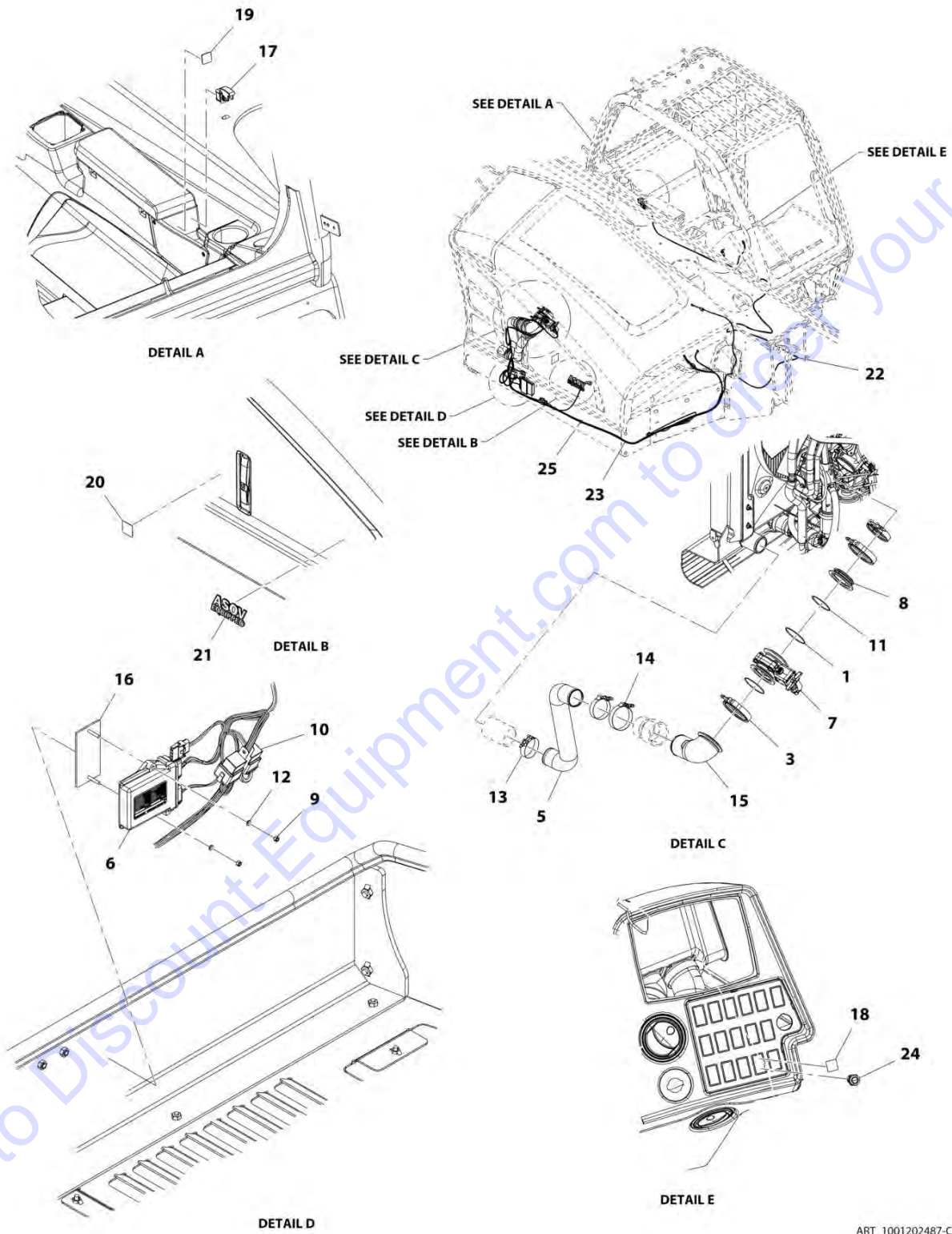
**FIGURE 4-46. BREATHER HEATER**

ITEM	PART NUMBER	QTY	DESCRIPTION	REV
	1001232751	Ref	Breather Heater	B
1	3290501	2	Nut, M5X0.8	
2	4031608	2	Screw, M5X20	
3	4811600	4	Washer, M5	
4	4831600	2	Washer, Lock M5	
5	01043892	2	Tie wrap, Long	
6	86683122	1	Tie wrap, Short	
7	1001232439	1	Engine, Cummins Breather Kit	
8	1001232440	1	Bracket, Cummins Kit Support	
9	1001232556	1	Harness, Cummins Heater Jump	
10	1001232624	1	Insulate, Cummins Insulation	
11	0760607	1	Bolt, M6X14	
12	3290601	1	Nut, M6X1	
13	4811700	2	Washer, M6	

Go to Discount-Equipment.com to order your parts

# SECTION 4 - ENGINE AND ATTACHING PARTS

## FIGURE 4-47. AIR INTAKE SHUT OFF VALVE INSTALLATION



ART\_1001202487-C

## SECTION 4 - ENGINE AND ATTACHING PARTS

**FIGURE 4-47. AIR INTAKE SHUT OFF VALVE INSTALLATION**

ITEM	PART NUMBER	QTY	DESCRIPTION	REV
	1001202487	Ref	Air Intake Shut Off Valve Installation	C
1	3790152	2	Ring	
3	1001202247	2	Clamp	
5	1001202491	1	Pipe	
6	1001203181	Ref	Accessory, Control (See Separate Breakdown in Electrical Section)	
7	1001204032	Ref	Valve, Air Shut Off (See Separate Breakdown in Hydraulic Section)	
8	1001206980	1	Plate	
9	3290505	2	Nut, Lock M5X0.8 Grade 8	
10	3740080	2	Relay	
11	3790151	1	O-Ring	
12	4811600	2	Washer, M5	
13	8405212	2	Clamp	
14	8405305	1	Clamp	
15	1001215476	1	Pipe	
16	1001219082	1	Bracket	
17	1001215941	1	Switch	
18	1001227077	1	Decal, Air Shut Off	
19	1001227964	1	Decal, ASOV Test	
20	1001228273	1	Decal, Air Shut Off	
21	1001228643	1	Decal, ASOV Equipped	
22	1001231407	Ref	Harness, Cab Air Shut Off Valve (See Separate Breakdown in Electrical Section)	
23	1001231483	Ref	Harness, Engine Air Shut Off Valve (See Separate Breakdown in Electrical Section)	
24	1001239539	1	Lamp	
25	91053419	AR	Strap, Cable	



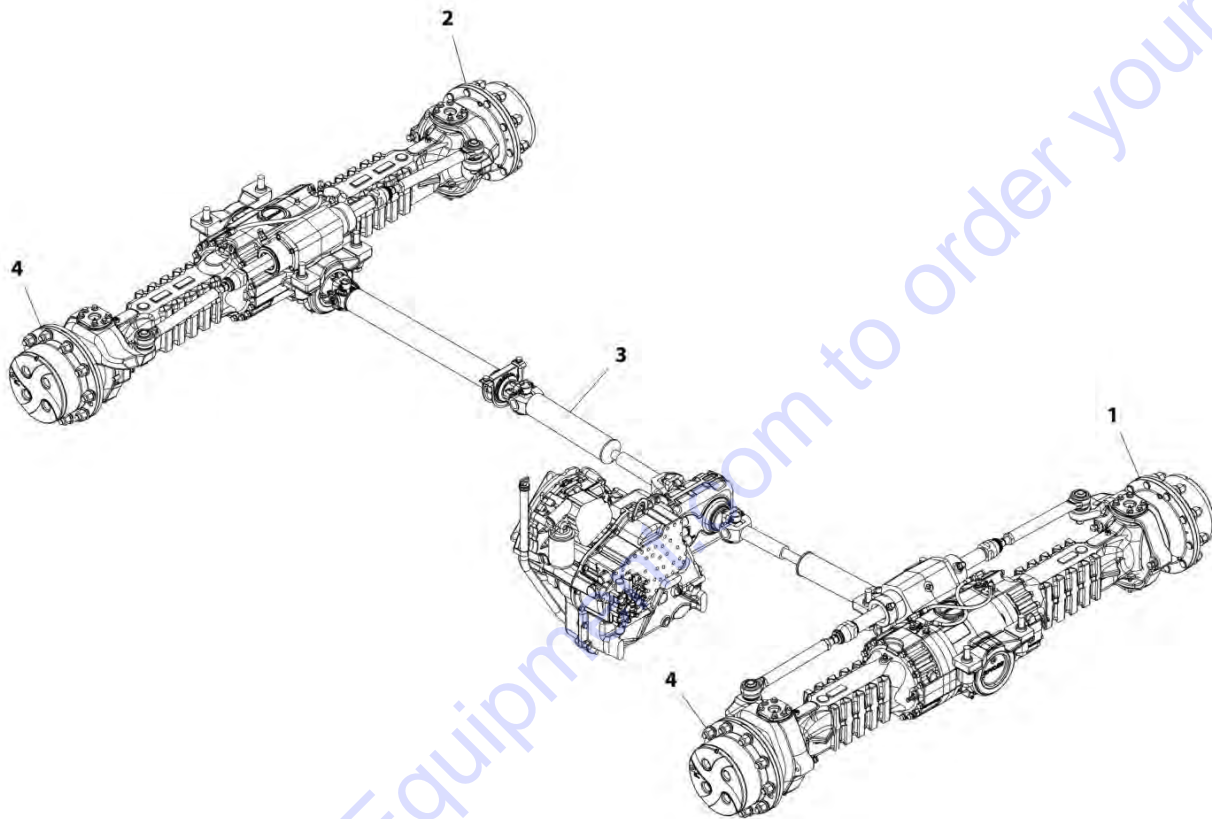


**SECTION 5 - DRIVE TRAIN**

Go to [Discount-Equipment.com](http://Discount-Equipment.com) to order your parts

## SECTION 5 - DRIVE TRAIN

FIGURE 5-1. DRIVE TRAIN INSTALLATION



ART\_1001170524-C

## SECTION 5 - DRIVE TRAIN

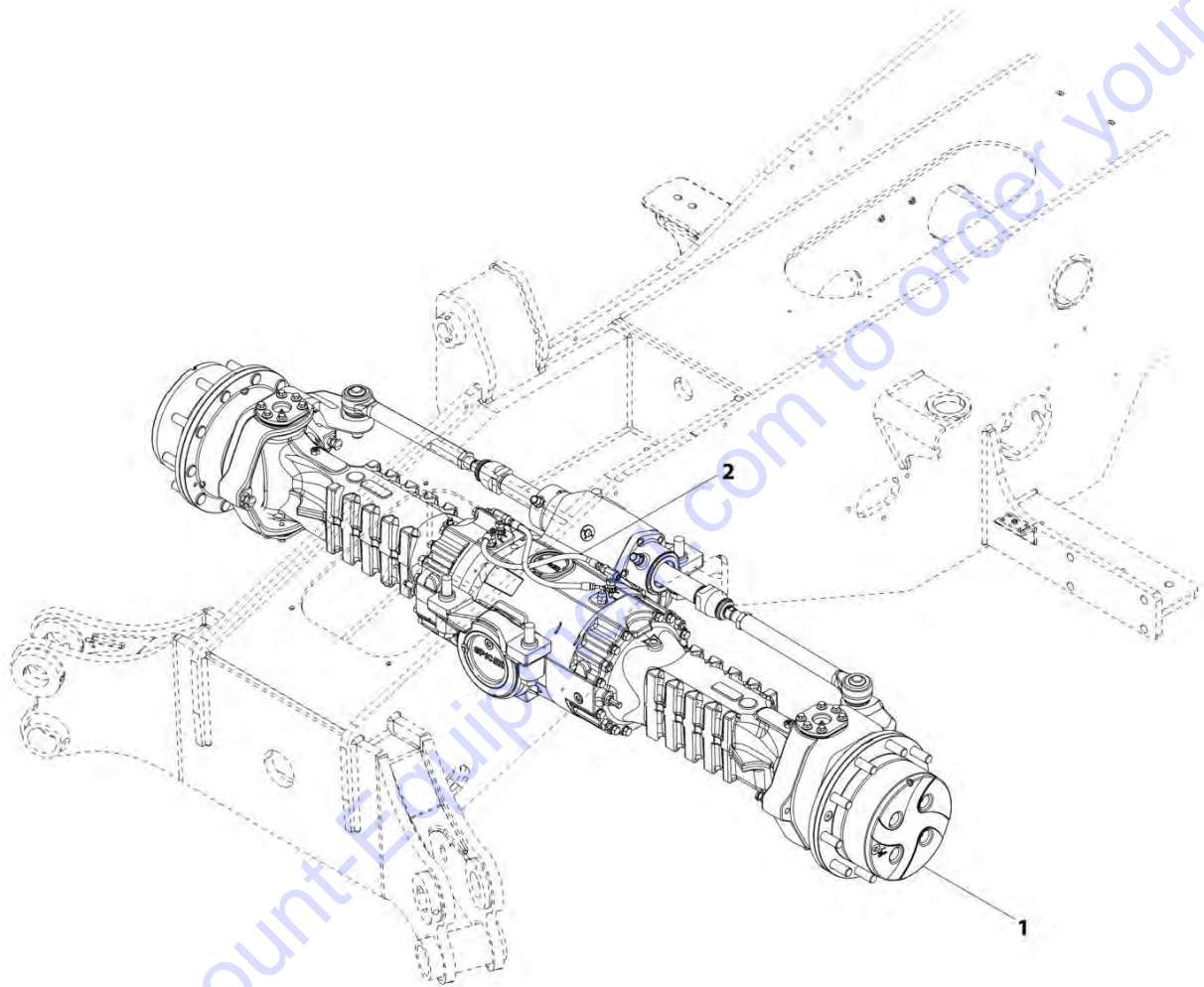
**FIGURE 5-1. DRIVE TRAIN INSTALLATION**

ITEM	PART NUMBER	QTY	DESCRIPTION	REV
1	1001170524	Ref	Drive Train Installation	C
	1001161418	Ref	Installation, Front Axle (See FRONT AXLE INSTALLATION for Breakdown)	
2	1001161419	Ref	Installation, Rear Axle (See REAR AXLE INSTALLATION for Breakdown)	
3	1001169682	Ref	Installation, Drive Shafts (See DRIVE SHAFTS INSTALLATION for Breakdown)	
4	91403193	40	Lug Nut, M22X1.5	

Go to Discount-Equipment.com to order your parts

# SECTION 5 - DRIVE TRAIN

## FIGURE 5-2. FRONT AXLE INSTALLATION



ART\_1001161418-B

## SECTION 5 - DRIVE TRAIN

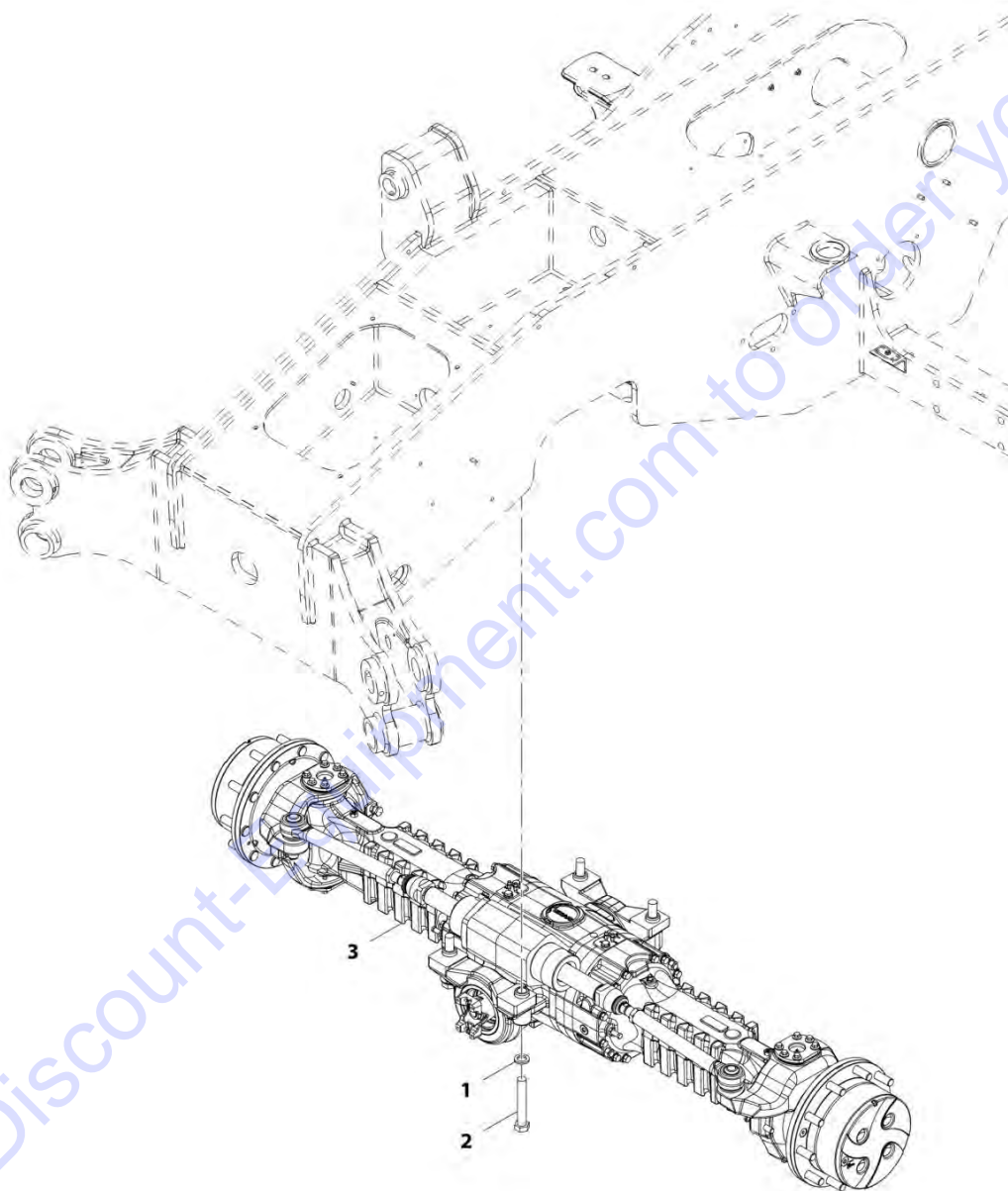
### FIGURE 5-2. FRONT AXLE INSTALLATION

ITEM	PART NUMBER	QTY	DESCRIPTION	REV
1	1001161418	Ref	Front Axle Installation	B
	1001161420	Ref	Installation, Front Axle Mounting (See FRONT AXLE MOUNTING INSTALLATION for Breakdown)	
2	1001161421	Ref	Installation, Front Axle Hydraulic Lines (See HYDRAULIC CIRCUITS SECTION for Breakdown)	

Go to Discount-Equipment.com to order your parts

# SECTION 5 - DRIVE TRAIN

## FIGURE 5-3. FRONT AXLE MOUNTING INSTALLATION



ART\_1001161420-B

## SECTION 5 - DRIVE TRAIN

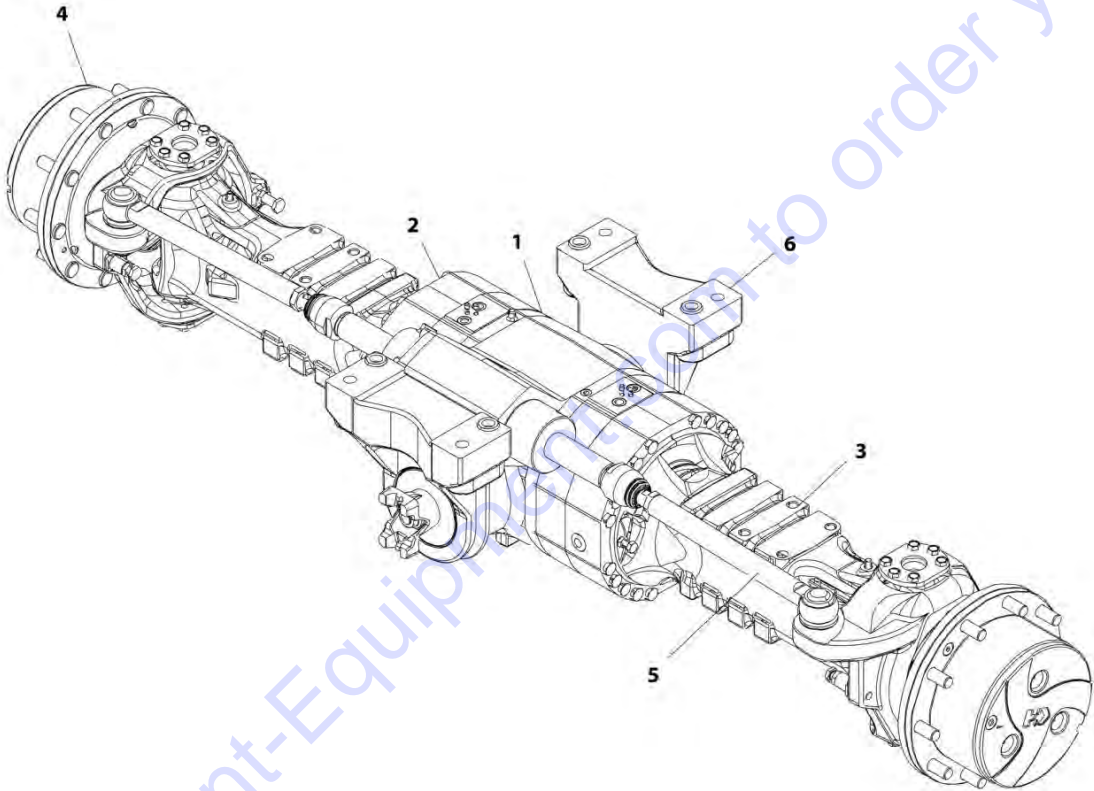
### FIGURE 5-3. FRONT AXLE MOUNTING INSTALLATION

ITEM	PART NUMBER	QTY	DESCRIPTION	REV
	1001161420	Ref	Front Axle Installation	B
1	4892600	4	Washer, 1	
2	1001097587	4	Bolt, M24-3X150 GR10.9	
3	1001160802	1	Axle, Front (See FRONT AXLE for Breakdown)	

Go to Discount-Equipment.com to order your parts

**SECTION 5 - DRIVE TRAIN**

**FIGURE 5-4. FRONT AXLE**



ART\_1001160802-F



## SECTION 5 - DRIVE TRAIN

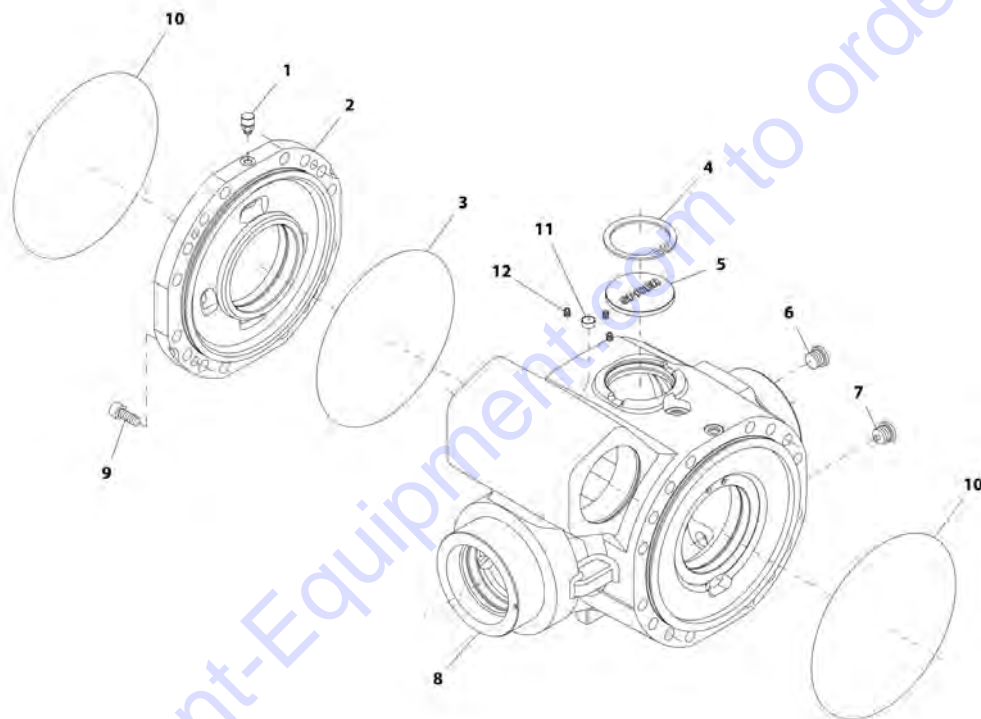
### FIGURE 5-4. FRONT AXLE

ITEM	PART NUMBER	QTY	DESCRIPTION	REV
	1001160802	Ref	Front Axle	F
1		Ref	Front Axle, Central Housing (See FRONT AXLE, CENTRAL HOUSING for breakdown)	
2		Ref	Front Axle, Differential (See FRONT AXLE, DIFFERENTIAL for Breakdown)	
3		Ref	Front Axle, Hub Reduction (See FRONT AXLE, HUB REDUCTION for Breakdown)	
4		Ref	Front Axle, Brakes (See FRONT AXLE, BRAKES for Breakdown)	
5		Ref	Front Axle, Steering (See FRONT AXLE, STEERING for Breakdown)	
6		Ref	Front Axle, Trunion (See FRONT AXLE, TRUNION for Details)	

Go to Discount-Equipment.com to order your parts

# SECTION 5 - DRIVE TRAIN

## FIGURE 5-5. FRONT AXLE, CENTRAL HOUSING



ART\_1001160802\_1-F

## SECTION 5 - DRIVE TRAIN

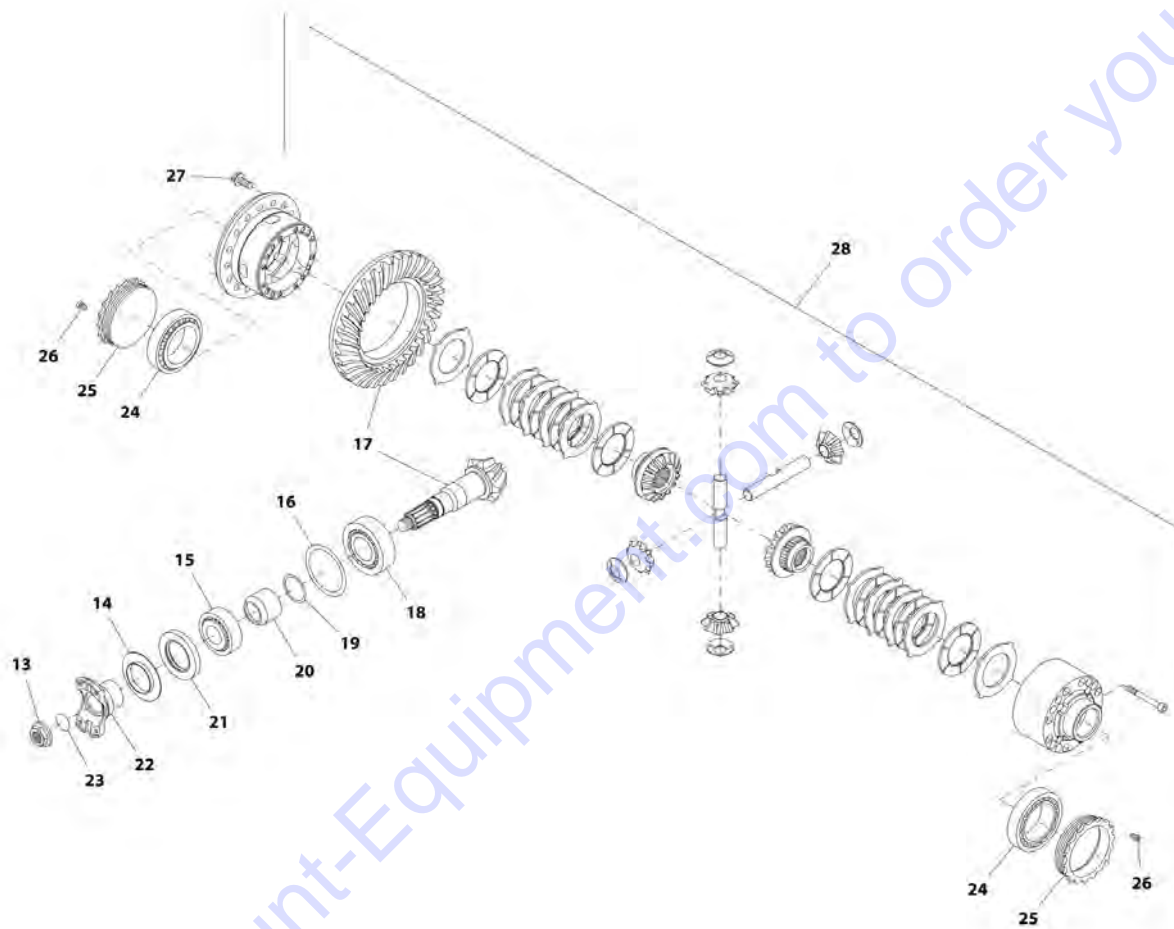
### FIGURE 5-5. FRONT AXLE, CENTRAL HOUSING

ITEM	PART NUMBER	QTY	DESCRIPTION	REV
1	91474512	1	Vent	
2	7029288	1	Cover, Intermediate	
3	80204002	1	O-Ring	
4	80204005	1	Circlip	
5	91514098	1	Plug	
6	91514087	1	Plug	
7	70021177	1	Plug	
8	70025335	1	Housing	
9	91514101	4	Bolt	
10	91514089	2	O-Ring	
11	7029307	1	Plug	
12	8008175	3	Bolt	

Go to Discount-Equipment.com to order your parts

# SECTION 5 - DRIVE TRAIN

## FIGURE 5-6. FRONT AXLE, DIFFERENTIAL



ART\_1001160802\_2 E

## SECTION 5 - DRIVE TRAIN

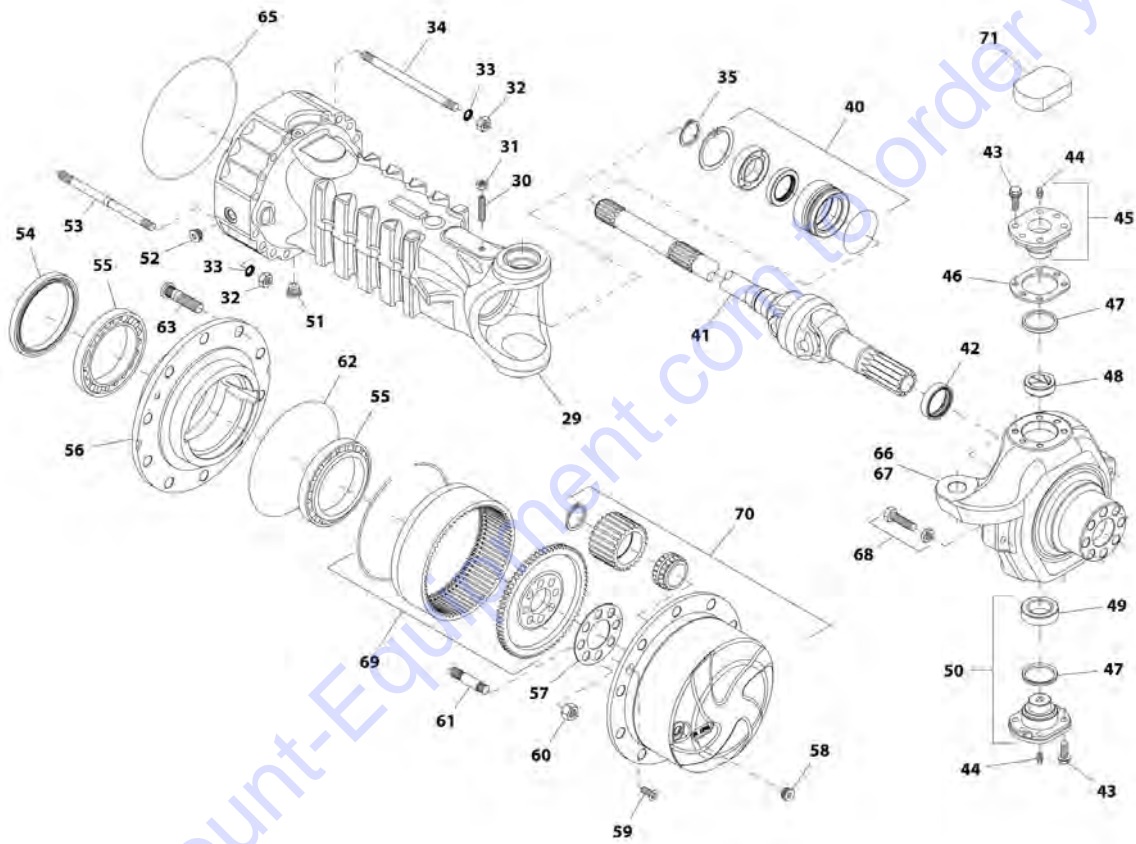
**FIGURE 5-6. FRONT AXLE, DIFFERENTIAL**

ITEM	PART NUMBER	QTY	DESCRIPTION	REV
13	80204043	1	Nut	
14	91514130	1	Cover Plate	
15	80204048	1	Taper Roller Bearing	
16	70023469	1	Shim	
17	70026255	1	Bevel Gear Set	
18	80204035	1	Taper Roller Bearing	
19	70023494	1	Ring	
20	70022140	1	Spacer	
21	70025887	1	Seal	
22	91514131	1	Flange	
23	10725554	1	O-Ring	
24	80204033	2	Bearing, Taper Roller	
25	91514133	2	Ring Nut	
26	91514134	2	Bolt	
27	91514123	16	Bolt	
28	70024005	1	Kit, Differential (See FRONT AXLE, DIFFERENTIAL KIT for Breakdown)	

Go to Discount-Equipment.com to order your parts

# SECTION 5 - DRIVE TRAIN

## FIGURE 5-7. FRONT AXLE, HUB REDUCTION



ART\_100110802\_3-F

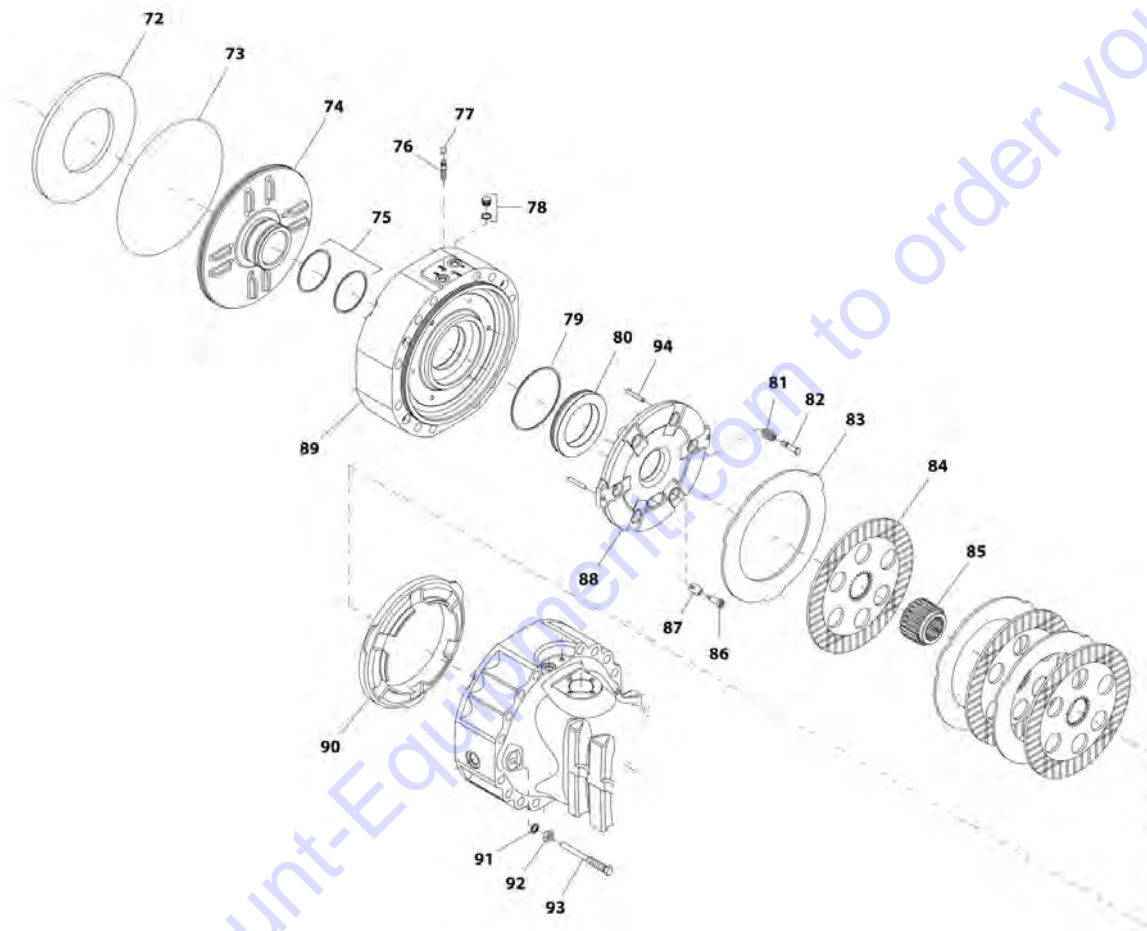
## SECTION 5 - DRIVE TRAIN

**FIGURE 5-7. FRONT AXLE, HUB REDUCTION**

ITEM	PART NUMBER	QTY	DESCRIPTION	REV
29	70026256	2	Case, Axle	
30	91514081	2	Bolt	
31	91514082	2	Nut	
32	91514083	8	Nut	
33	91514084	8	Washer	
34	7029309	24	Bolt	
35	80204071	2	Circlip	
40	91514149	2	Bushing, Reduction (See FRONT AXLE, REDUCTION BUSHING ASSEMBLY for Breakdown)	
41	70026066	2	Joint, Double Universal	
42	70026238	2	Seal	
43	91514123	24	Bolt	
44	91514099	4	Fitting, Grease	
45	91514112	2	Pin, Pivot	
46	70025561	1	Shim	
47	7028716	4	Seal, Dust	
48	7028714	2	Bushing	
49	91514095	2	Bearing	
50	7028715	2	Pivot Pin	
51	70021177	2	Plug	
52	91514087	2	Plug	
53	70024851	8	Stud	
54	70026002	2	Seal	
55	80204076	4	Bearing, Taper Roller	
56	91514174	2	Hub, Wheel	
57	91514178	2	Plate, Locking	
58	91514188	2	Plug	
59	91514189	4	Bolt	
60	91514179	16	Nut	
61	91514180	16	Stud	
62	91514181	2	O-Ring	
63	91514183	20	Stud, Wheel	
65	91514089	2	O-Ring	
66	70026260	1	Case, Steering (LF, RR) (See FRONT AXLE, STEERING CASE ASSEMBLY (LF, RR) for Breakdown)	
67	70026261	1	Case, Steering (RF, LR) (See FRONT AXLE, STEERING CASE ASSEMBLY (RF, LR) for Breakdown)	
68	7028733	4	Kit, Steering Adjust Bolt (See FRONT AXLE, STEERING ADJUST BOLT KIT for Breakdown)	
69	70024146	2	Kit, Ring Gear Support (See FRONT AXLE, RING GEAR SUPPORT KIT for Breakdown)	
70	7029743	2	Kit, Planet Carrier (See FRONT AXLE, PLANET CARRIER KIT for Breakdown)	
71	91474524	2	Cover	

# SECTION 5 - DRIVE TRAIN

## FIGURE 5-8. FRONT AXLE, BRAKES



ART 1001160802-4-F



## SECTION 5 - DRIVE TRAIN

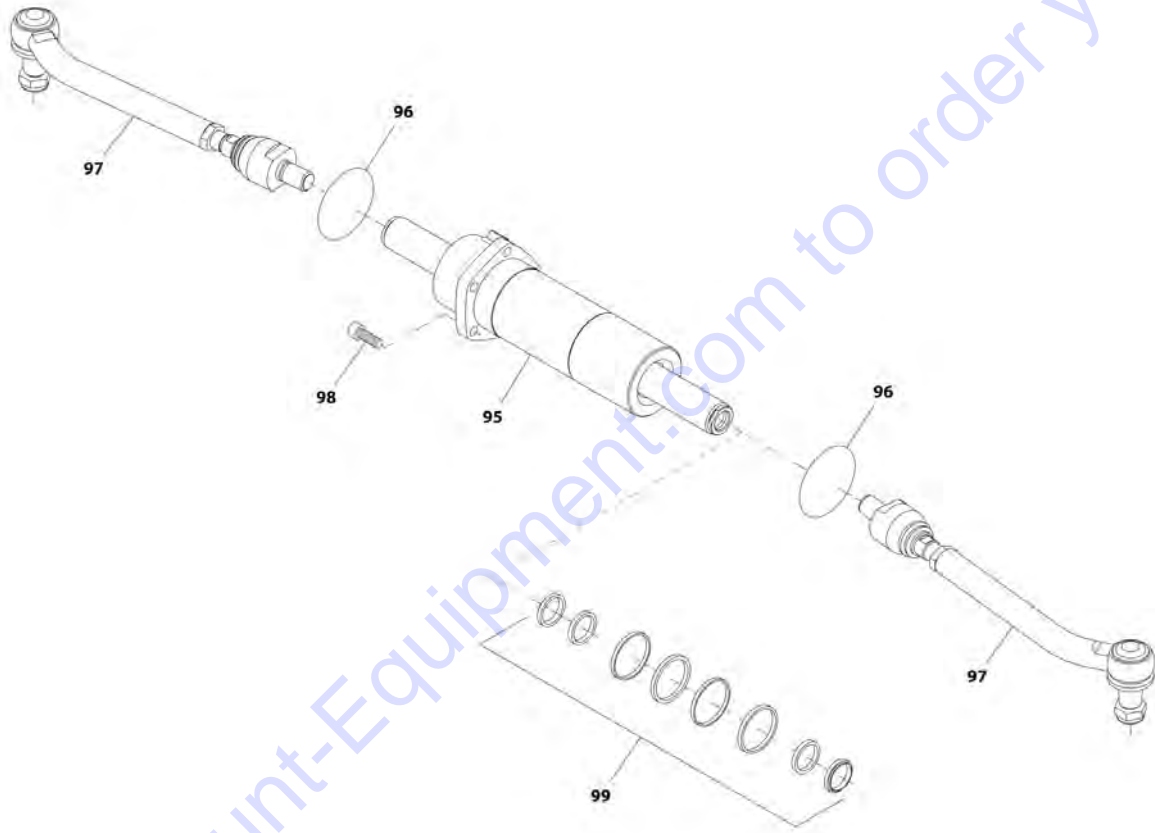
**FIGURE 5-8. FRONT AXLE, BRAKES**

ITEM	PART NUMBER	QTY	DESCRIPTION	REV
72	91514151	2	Washer	
73	91514089	2	O-Ring	
74	91514152	2	Piston	
75	70026262	4	Seal	
76	80204281	4	Bolt, Bleeding	
77	80204117	4	Plug	
78	91514154	2	Plug	
79	70026263	2	Seal	
80	91514158	2	Piston	
81	91514159	6	Spring	
82	70024210	6	Bolt, Adjusting	
83	91514161	6	Disc, Intermediate Brake	
84	7029735	6	Disc, Brake	
85	7029734	2	Bushing, Reduction	
86	7029789	6	Bolt	
87	91514165	6	Spring	
88	70024849	2	Disc, Intermediate Brake	
89	70024848	2	Cover	
90	70026264	2	Spacer	
91	80204108	4	Washer, Lock	
92	80204060	4	Nut	
93	70024213	4	Bolt, M12X122.5	
94	70024215	4	Dowel	

Go to Discount-Equipment.com to order your parts

# SECTION 5 - DRIVE TRAIN

## FIGURE 5-9. FRONT AXLE, STEERING



ART\_1001160802\_3-F

## SECTION 5 - DRIVE TRAIN

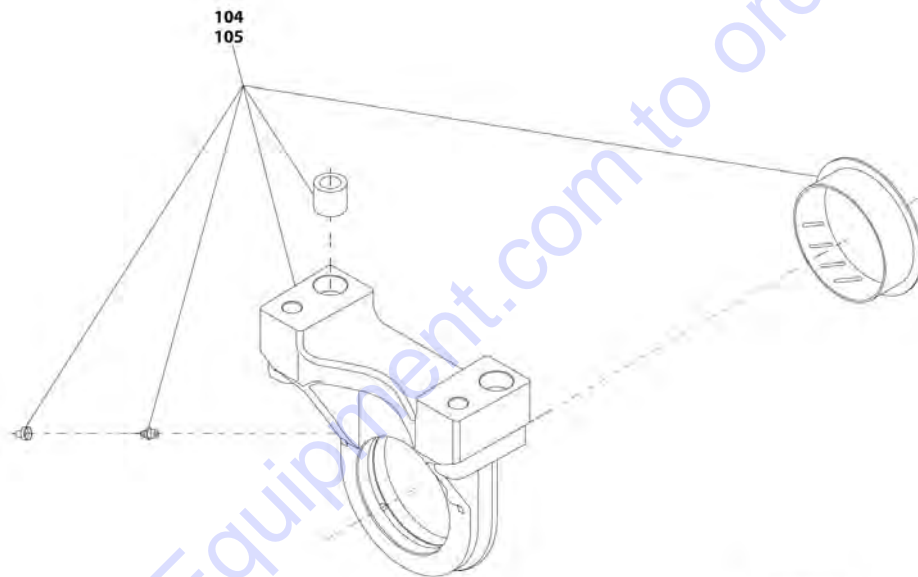
### FIGURE 5-9. FRONT AXLE, STEERING

ITEM	PART NUMBER	QTY	DESCRIPTION	REV
95	7026490	1	Cylinder	
96	80204143	2	O-Ring	
97	70021614	2	Rod, Articulated Tie	
98	80204144	5	Bolt	
99	7029127	1	Seal	

Go to Discount-Equipment.com to order your parts

# SECTION 5 - DRIVE TRAIN

FIGURE 5-10. FRONT AXLE, TRUNION



## SECTION 5 - DRIVE TRAIN

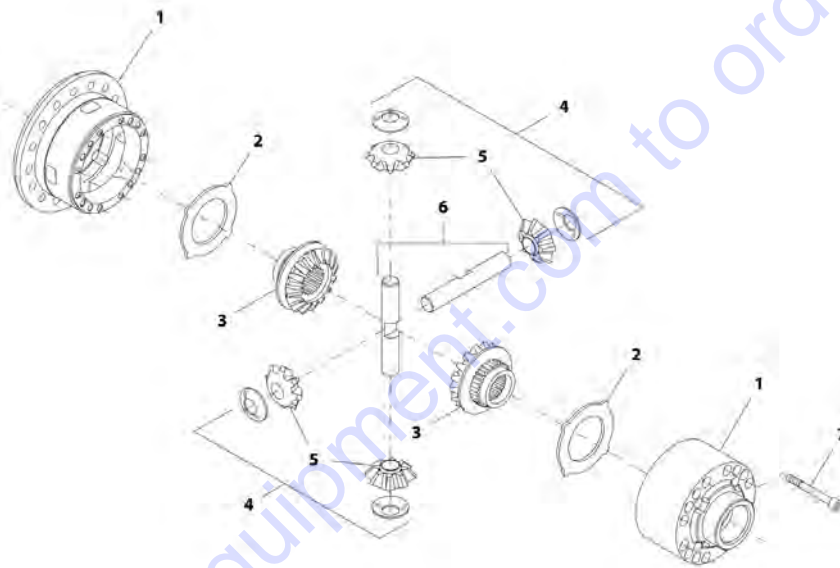
### FIGURE 5-10. FRONT AXLE, TRUNION

ITEM	PART NUMBER	QTY	DESCRIPTION	REV
104	70026265	1	Support (LF, RR) (See FRONT AXLE, SUPPORT ASSEMBLY (LF, RR) for Breakdown)	
105	70026266	1	Support, (RF, LR) (See FRONT AXLE, SUPPORT ASSEMBLY (RF, LR) for Breakdown)	

Go to Discount-Equipment.com to order your parts

# SECTION 5 - DRIVE TRAIN

## FIGURE 5-11. FRONT AXLE, DIFFERENTIAL KIT



ART. 1001160802.7-F

## SECTION 5 - DRIVE TRAIN

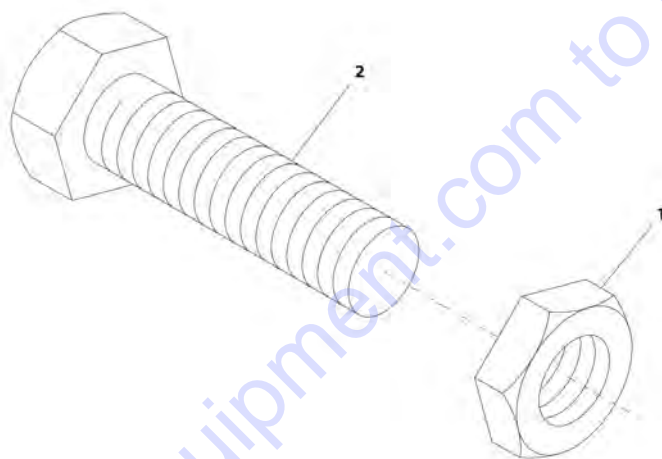
### FIGURE 5-11. FRONT AXLE, DIFFERENTIAL KIT

ITEM	PART NUMBER	QTY	DESCRIPTION	REV
	70024005	Ref	Front Axle, Differential Kit	
1	70024004	1	Carrier, Differential	
2	70023496	2	Disc, Clutch	
3	70025856	2	Gear, Differential Side	
4	70023491	4	Washer	
5	70025339	4	Pinion, Differential	
6	70023490	2	Shaft, Differential	
7	91514143	15	Bolt	

Go to Discount-Equipment.com to order your parts

## SECTION 5 - DRIVE TRAIN

FIGURE 5-12. FRONT AXLE, STEERING ADJUSTING BOLT KIT



ART\_100160802\_9F



## SECTION 5 - DRIVE TRAIN

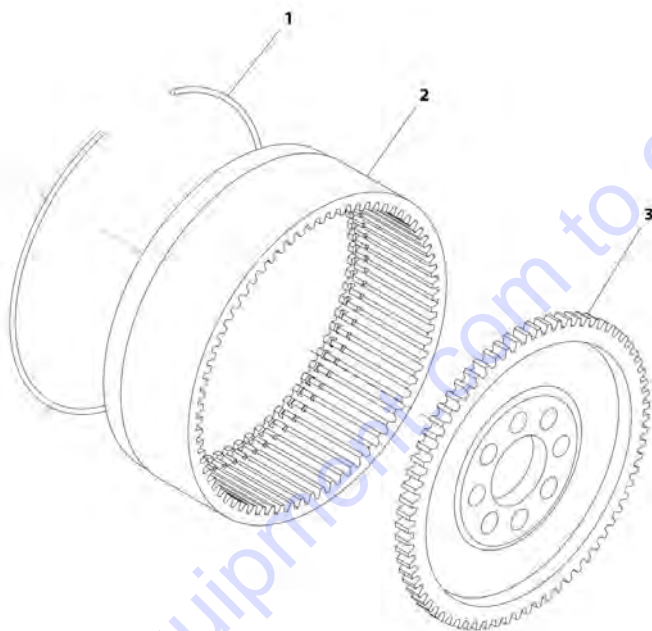
FIGURE 5-12. FRONT AXLE, STEERING ADJUSTING BOLT KIT

ITEM	PART NUMBER	QTY	DESCRIPTION	REV
	7028733	Ref	Front Axle, Steering Adjusting Bolt Kit	
1	80204065	1	Nut	
2	91514117	1	Bolt	

Go to Discount-Equipment.com to order your parts

## SECTION 5 - DRIVE TRAIN

FIGURE 5-13. FRONT AXLE, RING GEAR SUPPORT KIT



ART. 1001160802\_10-F

## SECTION 5 - DRIVE TRAIN

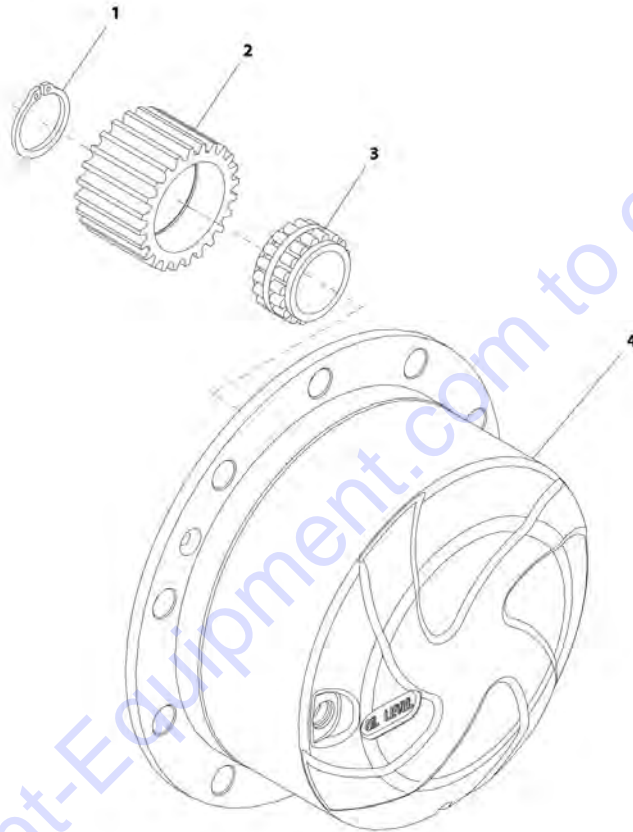
**FIGURE 5-13. FRONT AXLE, RING GEAR SUPPORT KIT**

ITEM	PART NUMBER	QTY	DESCRIPTION	REV
	70024146	1	Front Axle, Ring Gear Support Kit	
1	91514175	1	Circlip	
2	70024147	1	Gear, Ring	
3	91514177	1	Support, Ring Gear	

Go to Discount-Equipment.com to order your parts

## SECTION 5 - DRIVE TRAIN

FIGURE 5-14. FRONT AXLE, PLANET GEAR CARRIER KIT



ART\_1001160802\_11-F

## SECTION 5 - DRIVE TRAIN

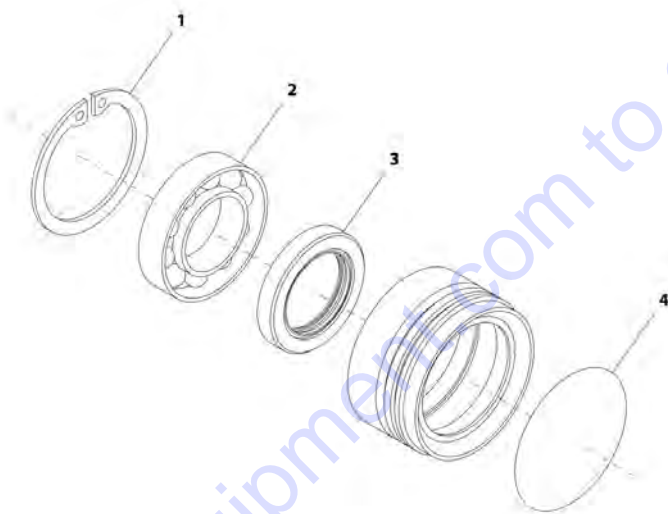
FIGURE 5-14. FRONT AXLE, PLANET GEAR CARRIER KIT

ITEM	PART NUMBER	QTY	DESCRIPTION	REV
	7029743	Ref	Front Axle, Planet Carrier Kit	
1	91514184	4	Circlip	
2	91514185	4	Gear, Planet	
3	91514186	4	Bearing	
4	7029317	1	Carrier, Planet Gear	

Go to Discount-Equipment.com to order your parts

## SECTION 5 - DRIVE TRAIN

FIGURE 5-15. FRONT AXLE, REDUCTION BUSHING



ART\_1001160802\_12-F

## SECTION 5 - DRIVE TRAIN

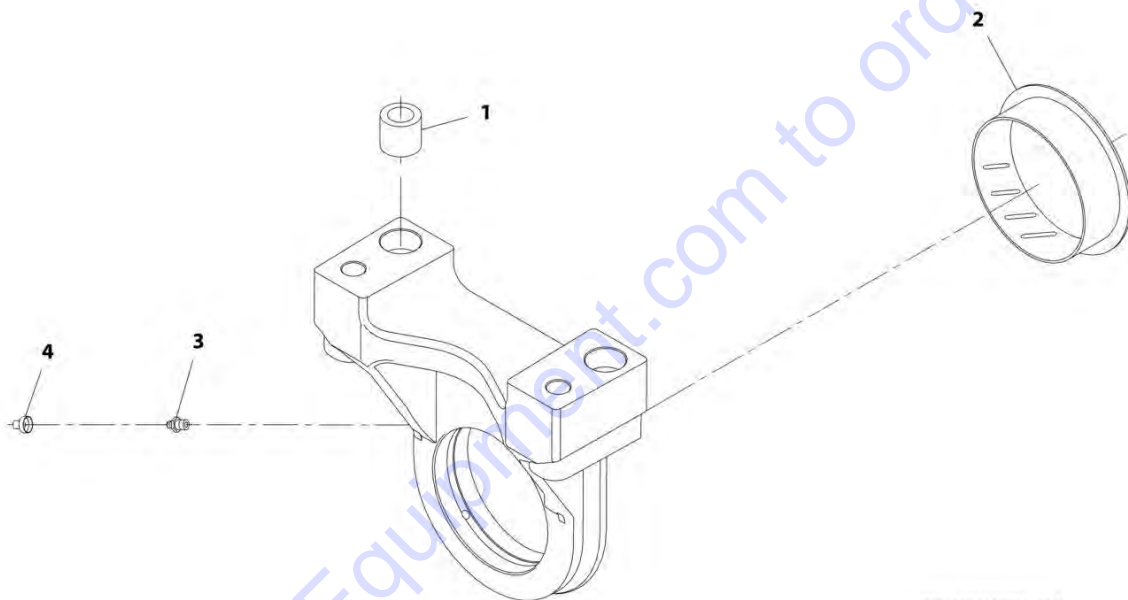
### FIGURE 5-15. FRONT AXLE, REDUCTION BUSHING

ITEM	PART NUMBER	QTY	DESCRIPTION	REV
	91514149	Ref	Front Axle, Reduction Bushing Assembly	
1	80204005	1	Circlip	
2	91514146	1	Bearing, Ball	
3	91514147	1	Seal	
4	91514148	1	O-Ring	

Go to Discount-Equipment.com to order your parts

## SECTION 5 - DRIVE TRAIN

FIGURE 5-16. FRONT AXLE, SUPPORT ASSEMBLY (LF, RR)



ART\_1001160802\_13-F



# PARTS FINDER

**Search Website  
by Part Number**



**Search Manual  
Library For Parts  
Manual & Lookup Part  
Numbers – Purchase  
or Request Quote**

A screenshot of the "Search Manuals" form. It includes a search bar, a "Search" button, and several dropdown menus for selecting filters like "Brand" and "Model". The form is designed to help users find specific manuals for their equipment.

**Can't Find Part or  
Manual? Request Help  
by Manufacturer,  
Model & Description**

A screenshot of the "Parts Order Form". It is a structured form with multiple rows and columns for entering details such as manufacturer, model, and part description. The form is titled "Parts Order Form" in red text at the top.

Discount-Equipment.com is your online resource for quality parts & equipment.

Florida: **561-964-4949** Outside Florida TOLL FREE: **877-690-3101**

**Need parts?**

Click on this link: <http://www.discount-equipment.com/category/5443-parts/> and choose one of the options to help get the right parts and equipment you are looking for. Please have the machine model and serial number available in order to help us get you the correct parts. If you don't find the part on the website or on one of the online manuals, please fill out the request form and one of our experienced staff members will get back to you with a quote for the right part that your machine needs.

We sell worldwide for the brands: Genie, Terex, JLG, MultiQuip, Mikasa, Essick, Whiteman, Mayco, Toro Stone, Diamond Products, Generac Magnum, Airman, Haulotte, Barreto, Power Blanket, Nifty Lift, Atlas Copco, Chicago Pneumatic, Allmand, Miller Curber, Skyjack, Lull, Skytrak, Tsurumi, Husquvarna Target, Stow, Wacker, Sakai, Mi-T-M, Sullair, Basic, Dynapac, MBW, Weber, Bartell, Bennar Newman, Haulotte, Ditch Runner, Menegotti, Morrison, Contec, Buddy, Crown, Edco, Wyco, Bomag, Laymor, EZ Trench, Bil-Jax, F.S. Curtis, Gehl Pavers, Heli, Honda, ICS/PowerGrit, IHI, Partner, Imer, Clipper, MMD, Koshin, Rice, CH&E, General Equipment, Amida, Coleman, NAC, Gradall, Square Shooter, Kent, Stanley, Tamco, Toku, Hatz, Kohler, Robin, Wisconsin, Northrock, Oztec, Toker TK, Rol-Air, APT, Wylie, Ingersoll Rand / Doosan, Innovatech, Con X, Ammann, Mecalac, Makinex, Smith Surface Prep, Small Line, Wanco, Yanmar

## SECTION 5 - DRIVE TRAIN

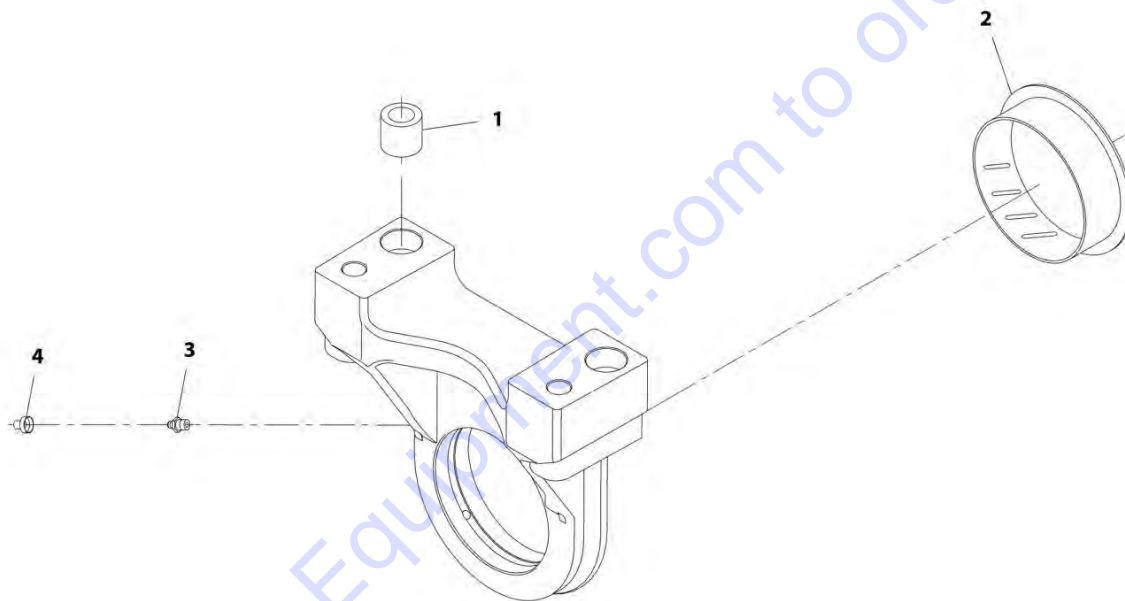
**FIGURE 5-16. FRONT AXLE, SUPPORT ASSEMBLY (LF, RR)**

ITEM	PART NUMBER	QTY	DESCRIPTION	REV
	70026265	Ref	Front Axle, Support Assembly (LF, RR)	
1	7029290	2	Bushing	
2	91514090	1	Bushing, Thrust	
3	91514099	1	Fitting, Grease	
4	80204117	1	Plug	

Go to Discount-Equipment.com to order your parts

## SECTION 5 - DRIVE TRAIN

FIGURE 5-17. FRONT AXLE, SUPPORT ASSEMBLY (RF, LR)



ART\_1001160802\_14-F

## SECTION 5 - DRIVE TRAIN

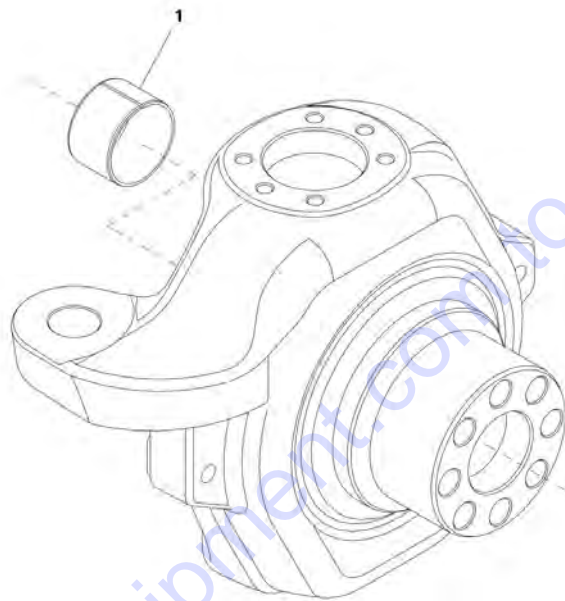
**FIGURE 5-17. FRONT AXLE, SUPPORT ASSEMBLY (RF, LR)**

ITEM	PART NUMBER	QTY	DESCRIPTION	REV
	70026266	Ref	Front Axle, Support Assembly (RF, LR)	
1	7029290	2	Bushing, Reduction	
2	91514090	1	Bushing, Thrust	
3	91514099	1	Grease Fitting	
4	80204117	1	Plug	

Go to Discount-Equipment.com to order your parts

## SECTION 5 - DRIVE TRAIN

FIGURE 5-18. FRONT AXLE, STEERING CASE ASSEMBLY (LF, RR)



ART\_1001160802\_15-F

## SECTION 5 - DRIVE TRAIN

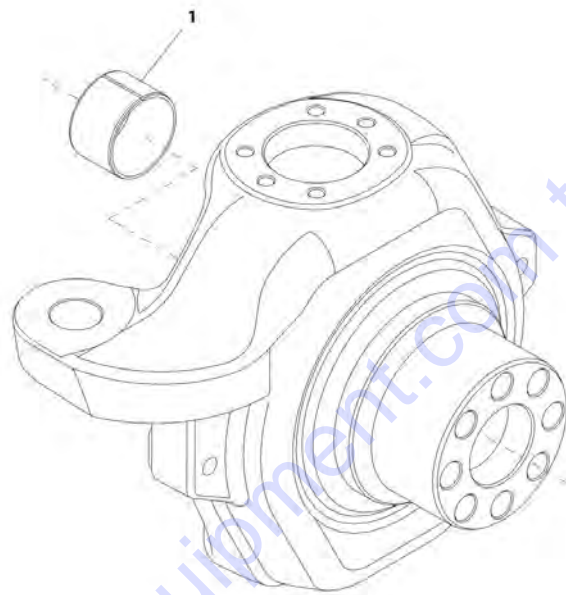
**FIGURE 5-18. FRONT AXLE, STEERING CASE ASSEMBLY (LF, RR)**

ITEM	PART NUMBER	QTY	DESCRIPTION	REV
1	70026260 91514111	Ref 1	Front Axle, Steering Case Assembly (LF, RR) Bushing	

Go to Discount-Equipment.com to order your parts

## SECTION 5 - DRIVE TRAIN

FIGURE 5-19. FRONT AXLE, STEERING CASE ASSEMBLY (RF, LR)



ART\_1001160802\_16-F

## SECTION 5 - DRIVE TRAIN

**FIGURE 5-19. FRONT AXLE, STEERING CASE ASSEMBLY (RF, LR)**

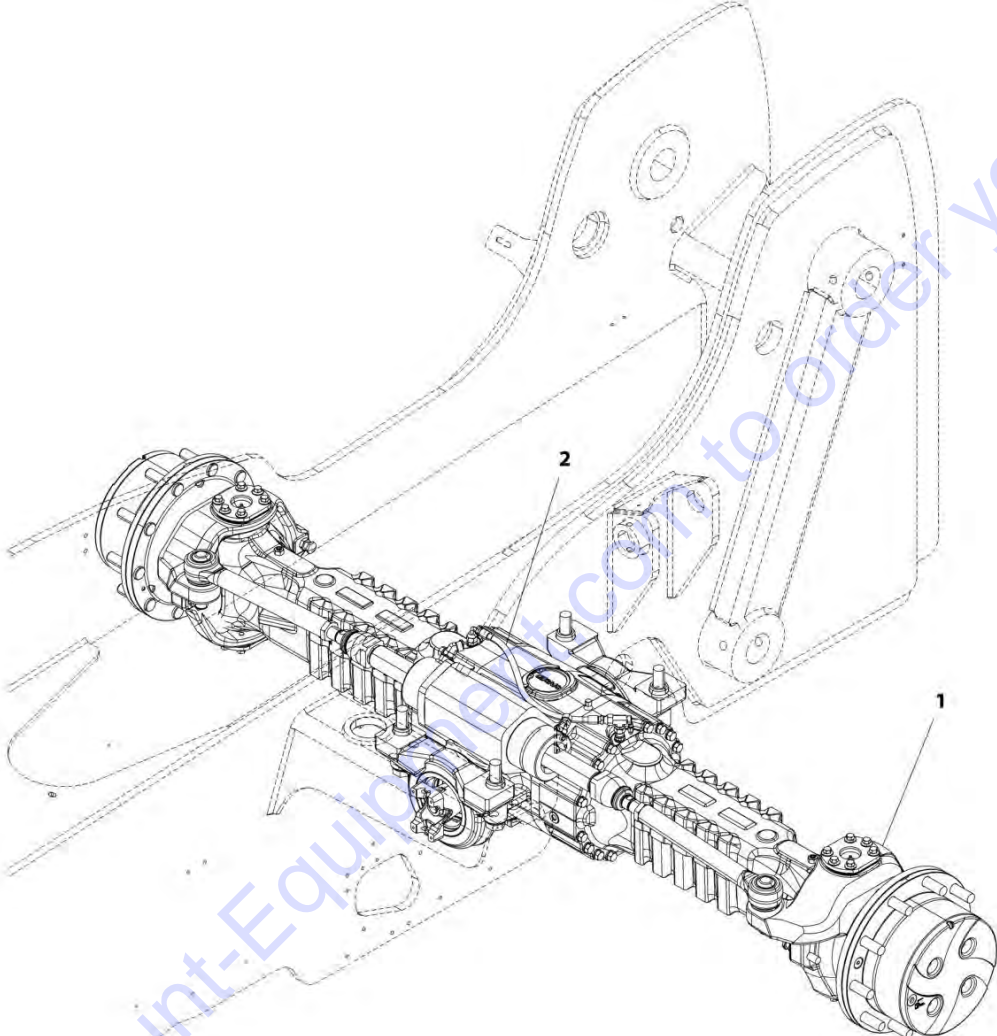
ITEM	PART NUMBER	QTY	DESCRIPTION	REV
1	70026261 91514111	Ref 1	Front Axle, Steering Case Assembly (RF, LR) Bushing	

Go to Discount-Equipment.com to order your parts



**SECTION 5 - DRIVE TRAIN**

**FIGURE 5-20. REAR AXLE INSTALLATION**



ART\_1001161419-B

## SECTION 5 - DRIVE TRAIN

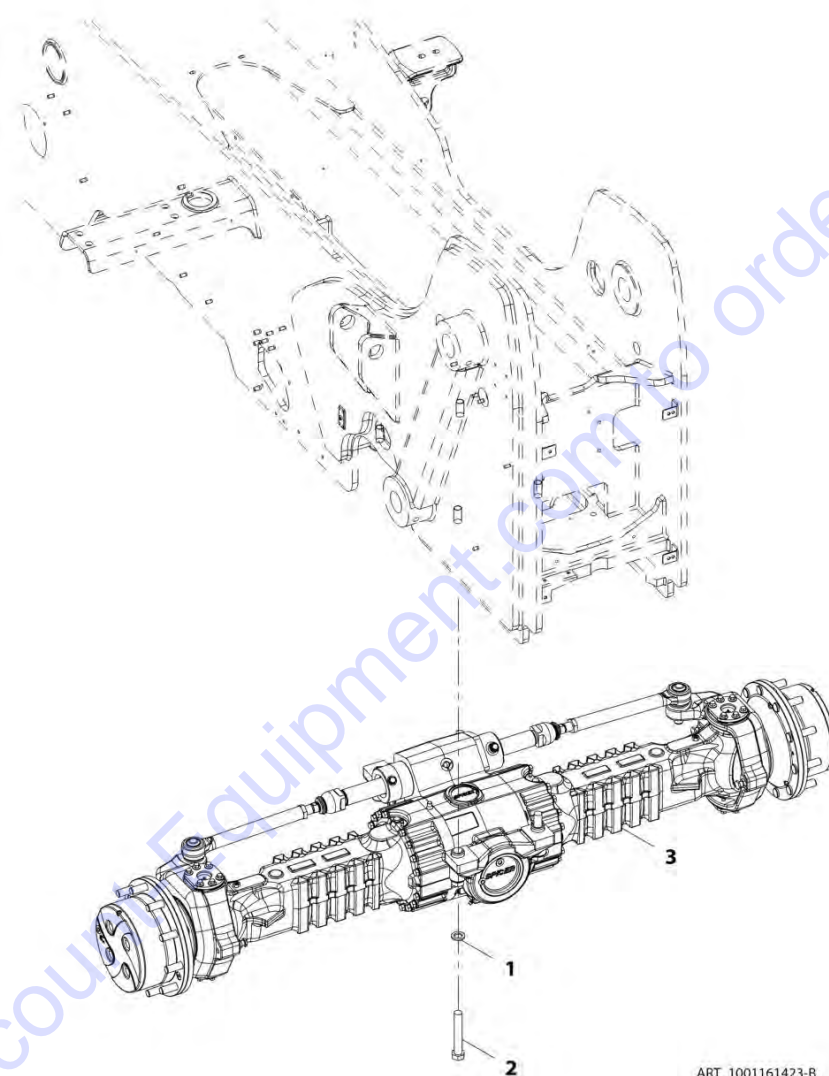
### FIGURE 5-20. REAR AXLE INSTALLATION

ITEM	PART NUMBER	QTY	DESCRIPTION	REV
1	1001161419	Ref	Rear Axle Installation	B
	1001161423	Ref	Installation, Rear Axle Mounting (See REAR AXLE MOUNTING INSTALLATION for Breakdown)	
2	1001161424	Ref	Installation, Rear Axle Lines (See HYDRAULIC CIRCUITS SECTION for Breakdown)	

Go to Discount-Equipment.com to order your parts

## SECTION 5 - DRIVE TRAIN

FIGURE 5-21. REAR AXLE MOUNTING INSTALLATION



## SECTION 5 - DRIVE TRAIN

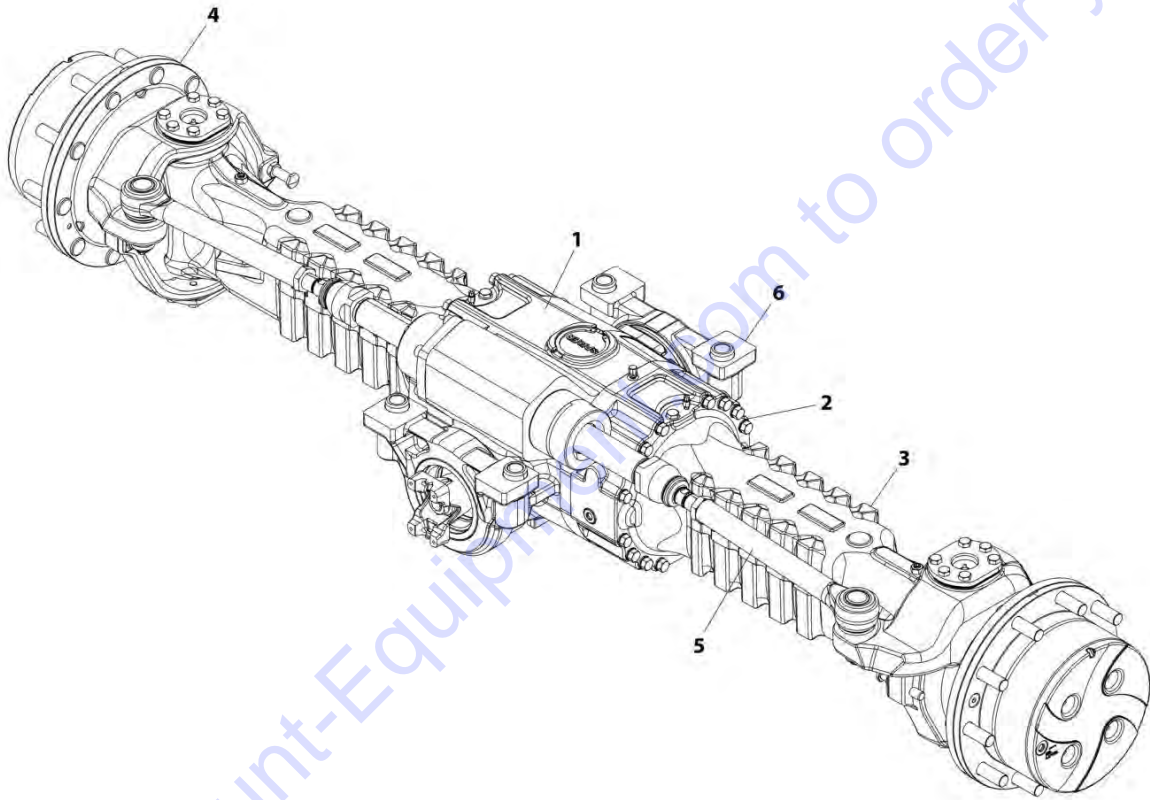
### FIGURE 5-21. REAR AXLE MOUNTING INSTALLATION

ITEM	PART NUMBER	QTY	DESCRIPTION	REV
	1001161423	Ref	Rear Axle Mounting Installation	B
1	4892600	4	Washer, 1	
2	1001097587	4	Bolt, M24-3X150, G10.9	
3	1001160803	1	Axle, Rear (See REAR AXLE for Breakdown)	

Go to Discount-Equipment.com to order your parts

# SECTION 5 - DRIVE TRAIN

## FIGURE 5-22. REAR AXLE



ART\_1001160803-H

## SECTION 5 - DRIVE TRAIN

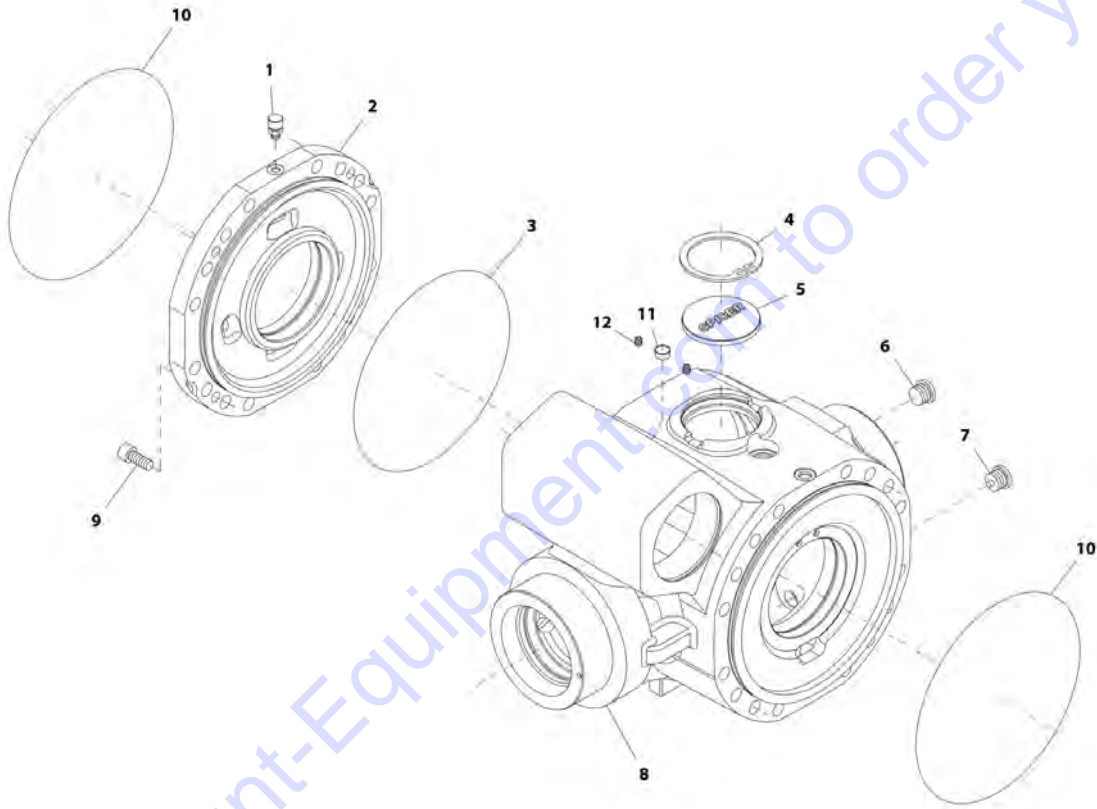
### FIGURE 5-22. REAR AXLE

ITEM	PART NUMBER	QTY	DESCRIPTION	REV
	1001160803	Ref	Axle, Rear	H
1		Ref	Rear Axle, Central Housing (See REAR AXLE, CENTRAL HOUSING for Breakdown)	
2		Ref	Rear Axle, Differential (See REAR AXLE, DIFFERENTIAL for Breakdown)	
3		Ref	Rear Axle, Hub Reduction (See REAR AXLE, HUB REDUCTION for Breakdown)	
4		Ref	Rear Axle, Brakes (See REAR AXLE, BRAKES for Breakdown)	
5		Ref	Rear Axle, Steering (See REAR AXLE, STEERING for Breakdown)	
6		Ref	Rear Axle, Trunion (See REAR AXLE, TRUNION for Breakdown)	

Go to Discount-Equipment.com to order your parts

# SECTION 5 - DRIVE TRAIN

## FIGURE 5-23. REAR AXLE, CENTRAL HOUSING



ART\_1001100803\_1-H

## SECTION 5 - DRIVE TRAIN

### FIGURE 5-23. REAR AXLE, CENTRAL HOUSING

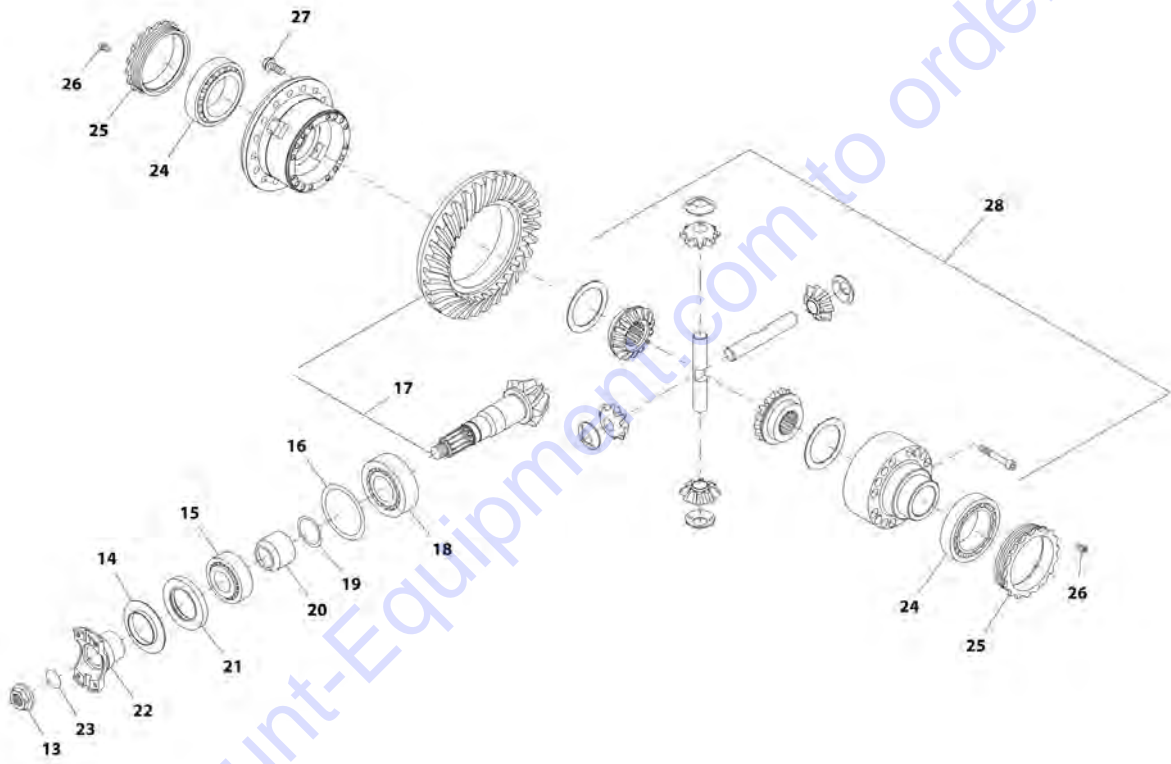
ITEM	PART NUMBER	QTY	DESCRIPTION	REV
1	91474512	1	Vent	
2	7029288	1	Cover, Intermediate	
3	80204002	1	O-Ring	
4	80204005	1	Circlip	
5	91514098	1	Plug	
6	91514087	1	Plug	
7	70021177	1	Plug	
8	70025335	1	Housing	
9	91514101	4	Bolt	
10	91514089	2	O-Ring	
11	7029307	1	Plug	
12	7029306	3	Bolt	

Go to Discount-Equipment.com to order your parts



# SECTION 5 - DRIVE TRAIN

## FIGURE 5-24. REAR AXLE, DIFFERENTIAL



AIT\_100160803\_2-H

## SECTION 5 - DRIVE TRAIN

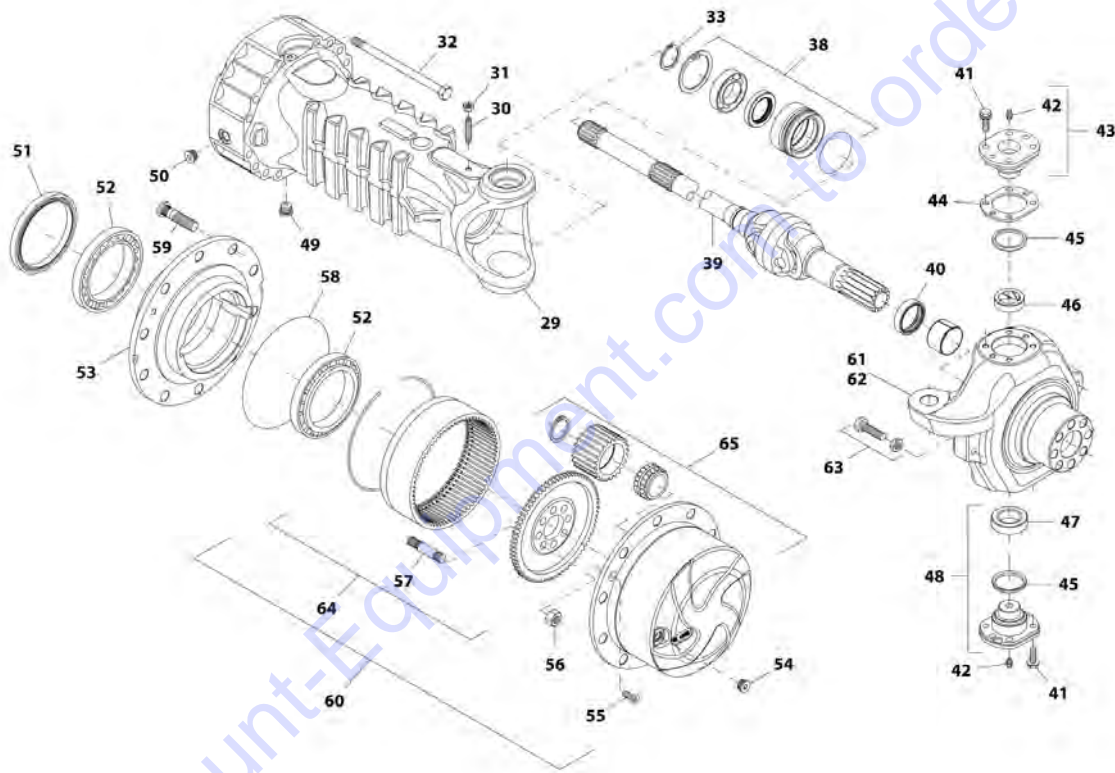
**FIGURE 5-24. REAR AXLE, DIFFERENTIAL**

ITEM	PART NUMBER	QTY	DESCRIPTION	REV
13	80204043	1	Nut	
14	91514130	1	Plate, Cover	
15	80204048	1	Bearing, Taper Roller	
16	70023469	1	Shim	
17	70025336	1	Set, Bevel Gear	
18	80204035	1	Bearing, Taper Roller	
19	70023494	1	Ring	
20	70022140	1	Spacer	
21	70025887	1	Seal	
22	91514131	1	Flange	
23	10725554	1	O-Ring	
24	80204033	2	Bearing, Taper Roller	
25	91514133	2	Nut, Ring	
26	91514134	2	Bolt	
27	91514123	16	Bolt	
28	70026030	1	Kit, Differential (See DIFFERENTIAL KIT for Breakdown)	

Go to Discount-Equipment.com to order your parts

# SECTION 5 - DRIVE TRAIN

## FIGURE 5-25. REAR AXLE, HUB REDUCTION



ART. 1001160803\_3-H

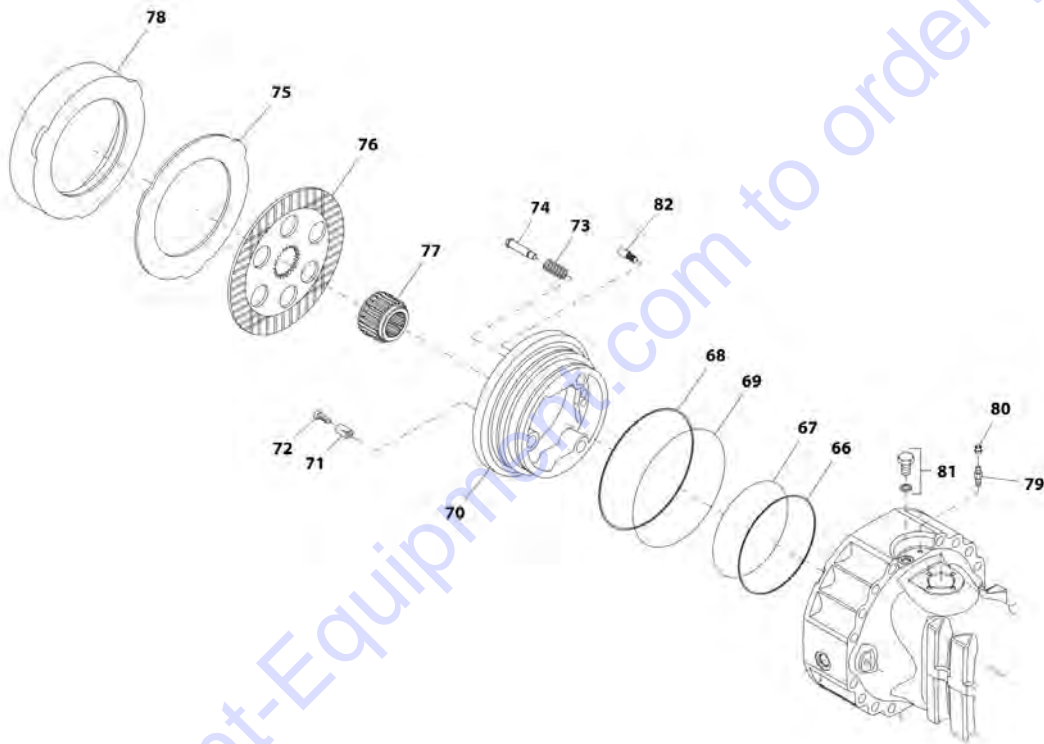
## SECTION 5 - DRIVE TRAIN

**FIGURE 5-25. REAR AXLE, HUB REDUCTION**

ITEM	PART NUMBER	QTY	DESCRIPTION	REV
29	70025341	2	Case, Axle	
30	91514081	2	Bolt	
31	91514082	2	Nut	
32	70022814	32	Bolt	
33	80204071	2	Circlip	
38	91514149	2	Bushing, Reduction (See REDUCTION BUSHING for Breakdown)	
39	70026066	2	Joint, Double Universal	
40	70026238	2	Seal	
41	91514123	24	Bolt	
42	91514099	2	Fitting, Grease	
43	91514112	2	Pin, Pivot	
44	70025561	1	Shim	
45	7028716	2	Seal, Dust	
46	7028714	2	Bushing	
47	91514095	2	Bearing	
48	7028715	2	Pin, Pivot	
49	70021177	2	Plug	
50	91514087	2	Plug	
51	7029300	2	Seal	
52	80204076	4	Bearing, Taper Roller	
53	91514174	2	Hub, Wheel	
54	91514188	2	Plug	
55	91514189	4	Bolt, Countersunk	
56	91514179	16	Nut	
57	91514180	16	Stud	
58	91514181	2	O-Ring	
59	91514183	20	Wheel Stud	
60	70026259	1	Kit, Planet Gear Carrier Kit and Ring Gear (See PLANET GEAR CARRIER KIT AND RING GEAR KIT for Breakdown)	
61	70026260	1	Assembly, Steering Case (LF, RR) (See STEERING CASE ASSEMBLY (LF, RR) for Breakdown)	
62	70026261	1	Assembly, Steering Case (RF, LR) (See STEERING CASE ASSEMBLY (RF, LR) for Breakdown)	
63	7028733	4	Kit, Steering Adjust Bolt (See STEERING ADJUST BOLT KIT for Breakdown)	
64	70024146	2	Kit, Ring Gear Support (See RING GEAR SUPPORT KIT for Breakdown)	
65	7029743	2	Kit, Planet Gear Carrier (See PLANET GEAR CARRIER KIT for Breakdown)	

# SECTION 5 - DRIVE TRAIN

## FIGURE 5-26. REAR AXLE, BRAKES



AIRT\_1001160803\_4-H

## SECTION 5 - DRIVE TRAIN

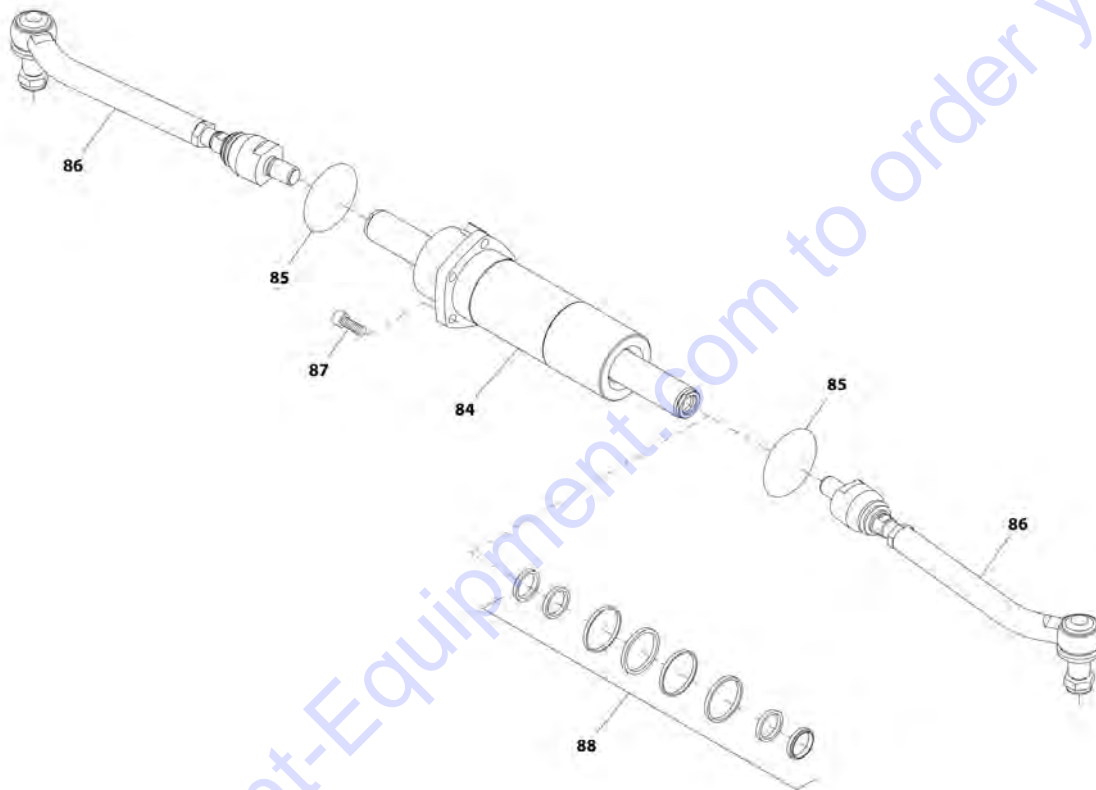
### FIGURE 5-26. REAR AXLE, BRAKES

ITEM	PART NUMBER	QTY	DESCRIPTION	REV
66	70021609	2	Ring, Back-up	
67	70021610	2	O-Ring	
68	70021612	2	Ring, Back-Up	
69	70021611	2	O-Ring	
70	70024216	2	Piston	
71	91514165	6	Spring	
72	70021607	6	Bolt, Adjusting	
73	91514159	6	Spring	
74	70024210	6	Bolt, Adjusting	
75	91514161	6	Disc, Intermediate Brake	
76	7029735	6	Disc, Brake	
77	7029734	2	Bushing, Reduction	
78	70021606	2	Spacer	
79	80204281	2	Bolt, Bleeding	
80	80204117	2	Plug	
81	91514154	2	Plug	
82	70021613	2	Bolt, Pilot	

Go to Discount-Equipment.com to order your parts

# SECTION 5 - DRIVE TRAIN

## FIGURE 5-27. REAR AXLE, STEERING



ART\_1001160803\_5-H

## SECTION 5 - DRIVE TRAIN

### FIGURE 5-27. REAR AXLE, STEERING

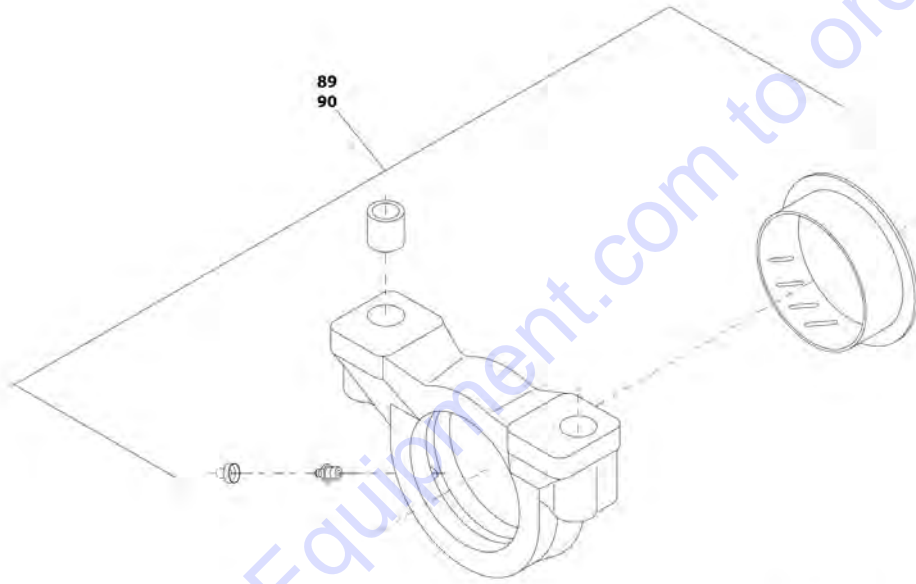
ITEM	PART NUMBER	QTY	DESCRIPTION	REV
84	7026490	1	Cylinder	
85	80204143	2	O-Ring	
86	70021614	2	Rod, Articulated Tie	
87	80204144	5	Bolt, Cylinder	
88	7029127	1	Seal	

Go to Discount-Equipment.com to order your parts



**SECTION 5 - DRIVE TRAIN**

**FIGURE 5-28. REAR AXLE, TRUNION**



ART\_1001160803\_6-H

## SECTION 5 - DRIVE TRAIN

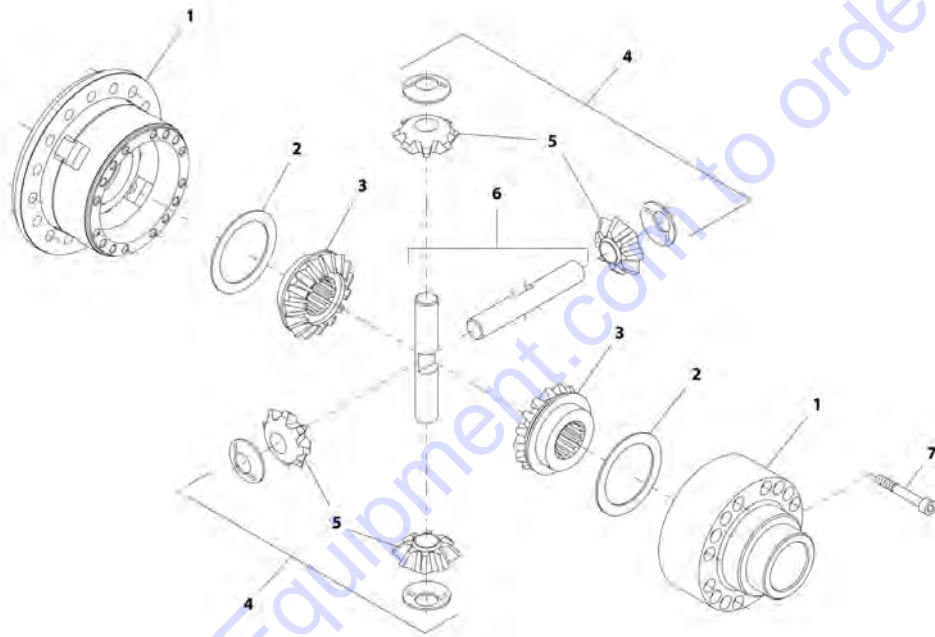
### FIGURE 5-28. REAR AXLE, TRUNION

ITEM	PART NUMBER	QTY	DESCRIPTION	REV
89	70026265	1	Support Assembly (LF, RR) (See REAR AXLE, SUPPORT ASSEMBLY (LF, RR) for Breakdown)	
90	70026266	1	Support Assembly (LF, RR) (See REAR AXLE, SUPPORT ASSEMBLY (LF, RR) for Breakdown)	

Go to Discount-Equipment.com to order your parts

# SECTION 5 - DRIVE TRAIN

## FIGURE 5-29. REAR AXLE, DIFFERENTIAL KIT



ART.1001160801\_7-H

## SECTION 5 - DRIVE TRAIN

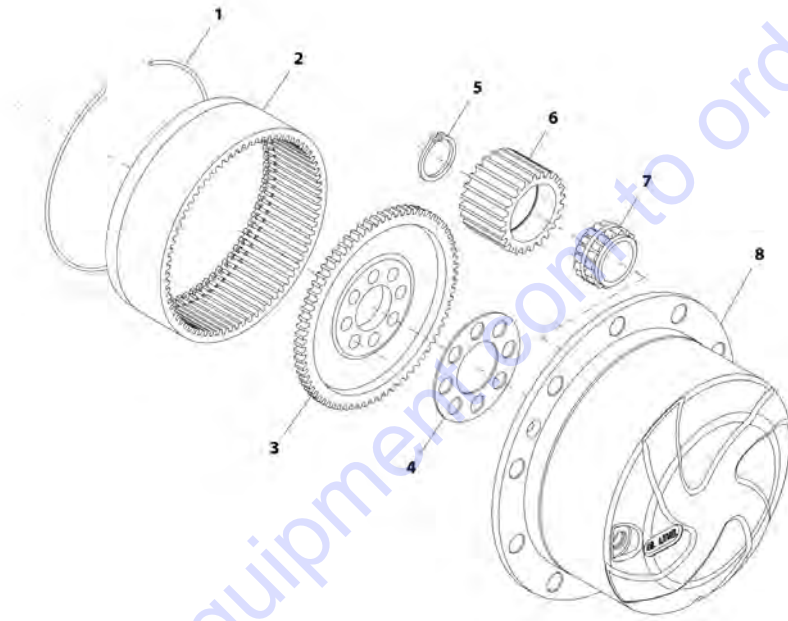
### FIGURE 5-29. REAR AXLE, DIFFERENTIAL KIT

ITEM	PART NUMBER	QTY	DESCRIPTION	REV
	70026030	Ref	Differential Kit	
1	70025337	2	Carrier, Differential	
2	70023493	1	Washer, Friction	
3	70025338	2	Gear, Differential Side	
4	70023491	4	Washer, Friction	
5	70025339	4	Pinion, Differential	
6	70023490	2	Shaft, Differential	
7	70023489	15	Bolt	

Go to Discount-Equipment.com to order your parts

## SECTION 5 - DRIVE TRAIN

FIGURE 5-30. REAR AXLE, PLANET GEAR CARRIER KIT AND RING GEAR KIT



ART 1001160803\_R-H

## SECTION 5 - DRIVE TRAIN

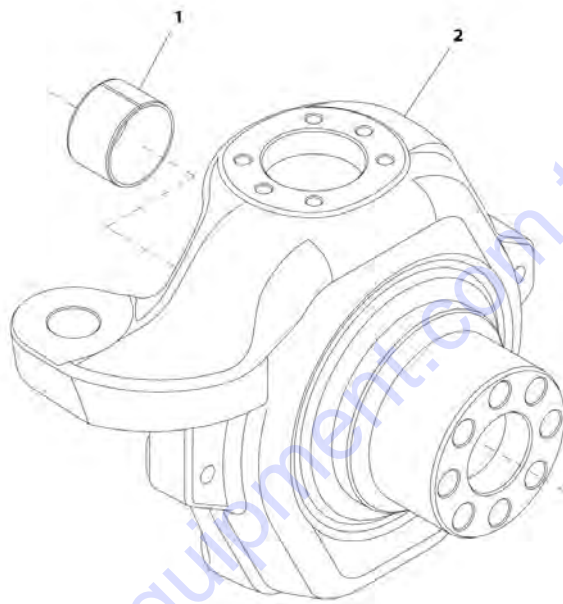
**FIGURE 5-30. REAR AXLE, PLANET GEAR CARRIER KIT AND RING GEAR KIT**

ITEM	PART NUMBER	QTY	DESCRIPTION	REV
	7029743	Ref	Planet Gear Carrier Kit	
1	91514175	1	Circlip	
2	70024147	1	Gear, Ring	
3	91514177	1	Support, Ring Gear	
4	91514178	1	Plate, Locking	
5	91514184	4	Circlip	
6	91514185	4	Gear, Planet	
7	91514186	4	Bearing	
8	7029317	1	Carrier, Planet Gear	

Go to Discount-Equipment.com to order your parts

## SECTION 5 - DRIVE TRAIN

FIGURE 5-31. REAR AXLE, STEERING CASE ASSEMBLY (LF, RR)



ART\_1001160603\_9-H

## SECTION 5 - DRIVE TRAIN

**FIGURE 5-31. REAR AXLE, STEERING CASE ASSEMBLY (LF, RR)**

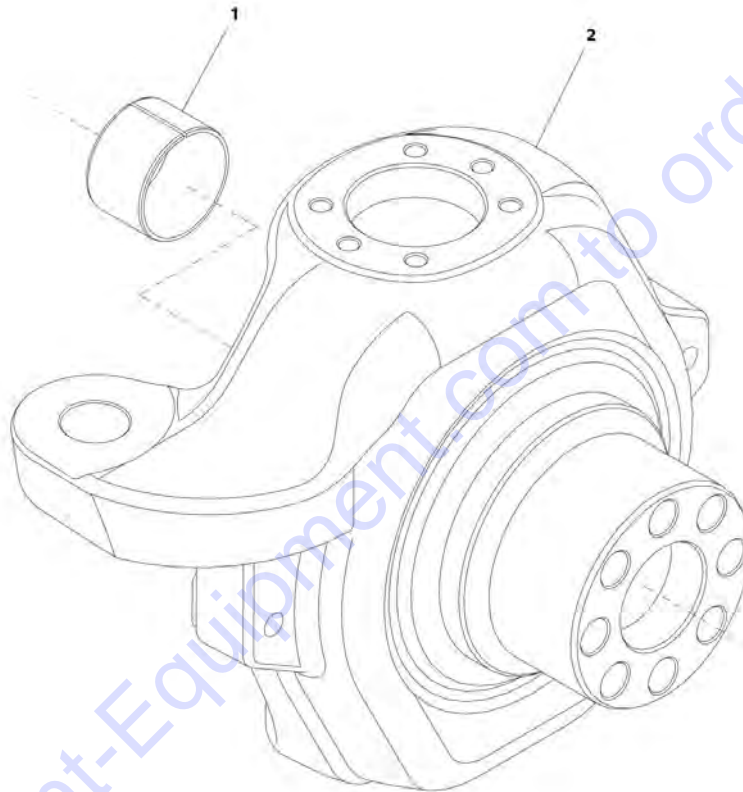
ITEM	PART NUMBER	QTY	DESCRIPTION	REV
	70026260	Ref	Steering Case Assembly (LF, RR)	
1	91514111	1	Bushing, Thrust	
2	70026267	1	Case, Steering (LF, RR)	

Go to Discount-Equipment.com to order your parts



## SECTION 5 - DRIVE TRAIN

FIGURE 5-32. REAR AXLE, STEERING CASE ASSEMBLY (RF, LR)



ART\_1001160803\_10-H

## SECTION 5 - DRIVE TRAIN

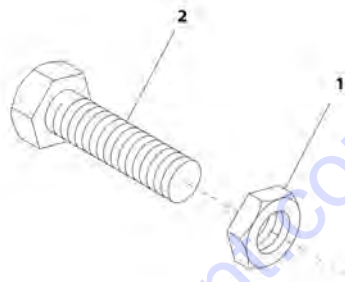
**FIGURE 5-32. REAR AXLE, STEERING CASE ASSEMBLY (RF, LR)**

ITEM	PART NUMBER	QTY	DESCRIPTION	REV
	70026261	Ref	Steering Case Assembly (RF, LR)	
1	91514111	1	Bushing, Thrust	
2	70026268	1	Case, Steering (RF, LR)	

Go to Discount-Equipment.com to order your parts

## SECTION 5 - DRIVE TRAIN

FIGURE 5-33. REAR AXLE, STEERING ADJUST BOLT KIT



ART\_100160803\_11-H

## SECTION 5 - DRIVE TRAIN

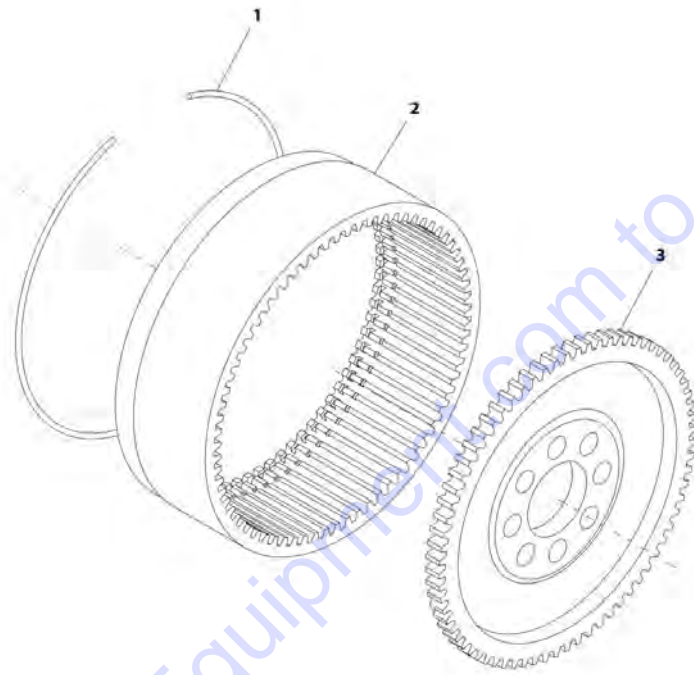
FIGURE 5-33. REAR AXLE, STEERING ADJUST BOLT KIT

ITEM	PART NUMBER	QTY	DESCRIPTION	REV
	7028733	Ref	Steering Adjust Bolt Kit	
1	80204065	1	Nut	
2	91514117	1	Bolt	

Go to Discount-Equipment.com to order your parts

## SECTION 5 - DRIVE TRAIN

FIGURE 5-34. REAR AXLE, RING GEAR SUPPORT KIT



ART 1001160803\_12-H

## SECTION 5 - DRIVE TRAIN

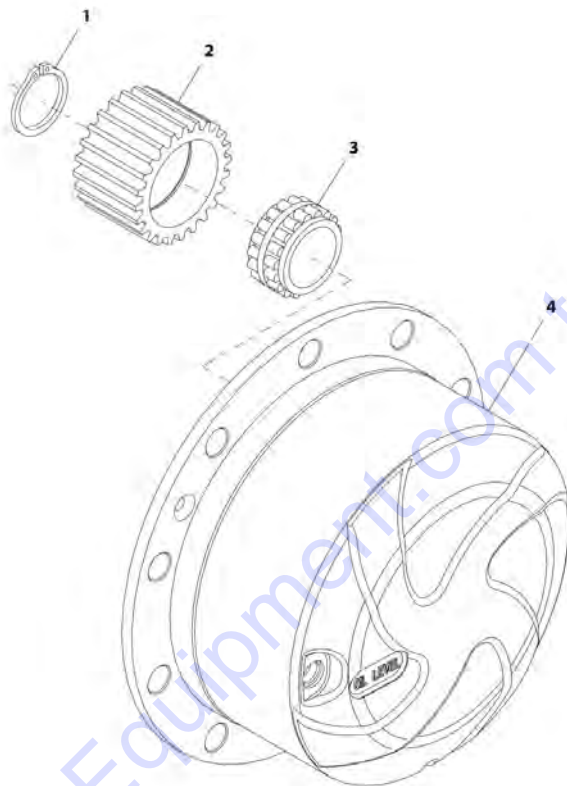
**FIGURE 5-34. REAR AXLE, RING GEAR SUPPORT KIT**

ITEM	PART NUMBER	QTY	DESCRIPTION	REV
	70024146	Ref	Ring Gear Support Kit	
1	91514175	1	Circlip	
2	70024147	1	Gear, Ring	
3	91514177	1	Support, Ring Gear	

Go to Discount-Equipment.com to order your parts

## SECTION 5 - DRIVE TRAIN

FIGURE 5-35. REAR AXLE, PLANET GEAR CARRIER KIT



ART\_1001160803\_13-H

## SECTION 5 - DRIVE TRAIN

FIGURE 5-35. REAR AXLE, PLANET GEAR CARRIER KIT

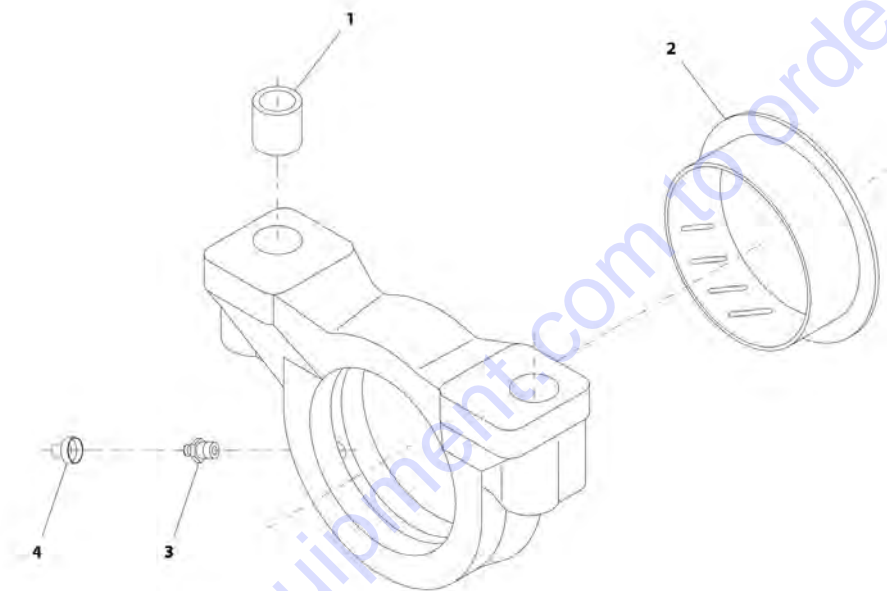
ITEM	PART NUMBER	QTY	DESCRIPTION	REV
	7029743	Ref	Planet Gear Carrier Kit	
1	91514184	4	Circlip	
2	91514185	4	Gear, Planet	
3	91514186	4	Bearing	
4	7029317	1	Carrier, Planet Gear	

Go to Discount-Equipment.com to order your parts



## SECTION 5 - DRIVE TRAIN

FIGURE 5-36. REAR AXLE, SUPPORT ASSEMBLY (LF, RR)



ART\_1001160803\_14-H

## SECTION 5 - DRIVE TRAIN

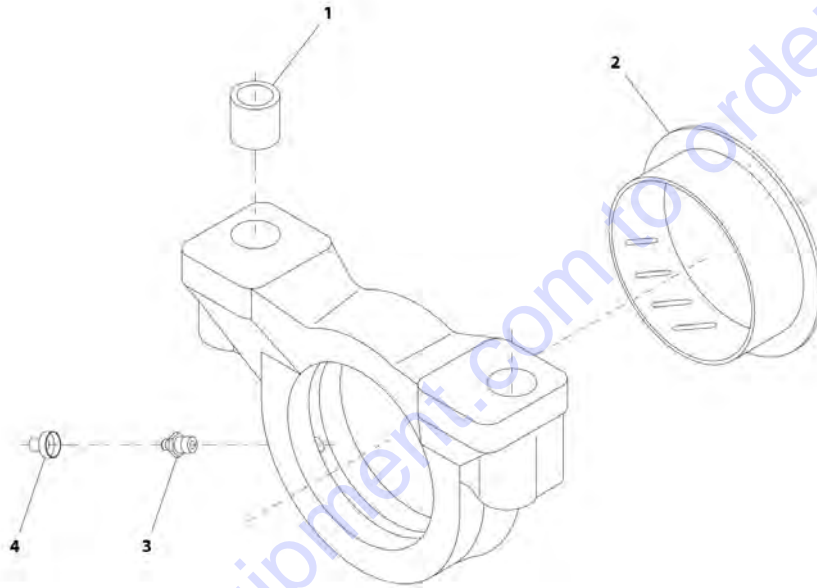
**FIGURE 5-36. REAR AXLE, SUPPORT ASSEMBLY (LF, RR)**

ITEM	PART NUMBER	QTY	DESCRIPTION	REV
	70026265	Ref	Support Assembly (LF, RR)	
1	7029290	2	Bushing	
2	91514090	1	Bushing, Thrust	
3	91514099	1	Fitting, Grease	
4	80204117	1	Plug	

Go to Discount-Equipment.com to order your parts

## SECTION 5 - DRIVE TRAIN

FIGURE 5-37. REAR AXLE, SUPPORT ASSEMBLY (RF, LR)



ART\_1001160803\_15-H

## SECTION 5 - DRIVE TRAIN

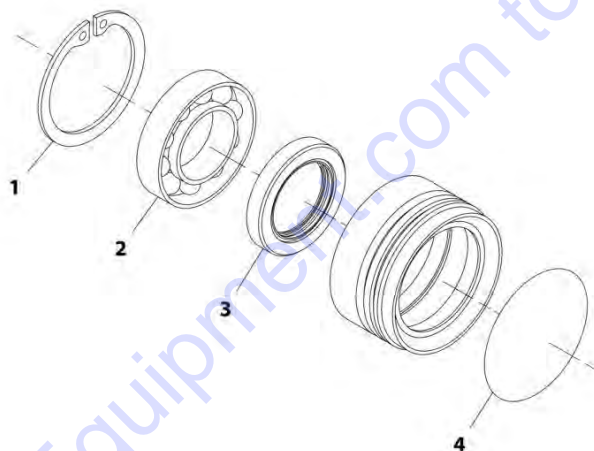
FIGURE 5-37. REAR AXLE, SUPPORT ASSEMBLY (RF, LR)

ITEM	PART NUMBER	QTY	DESCRIPTION	REV
	70026266	Ref	Support Assembly (RF, LR)	
1	7029290	2	Bushing, Reduction	
2	91514090	1	Bushing, Thrust	
3	91514099	1	Fitting, Grease	
4	80204117	1	Plug	

Go to Discount-Equipment.com to order your parts

## SECTION 5 - DRIVE TRAIN

FIGURE 5-38. REAR AXLE, REDUCTION BUSHING ASSEMBLY



ART\_1001160803\_16-H

## SECTION 5 - DRIVE TRAIN

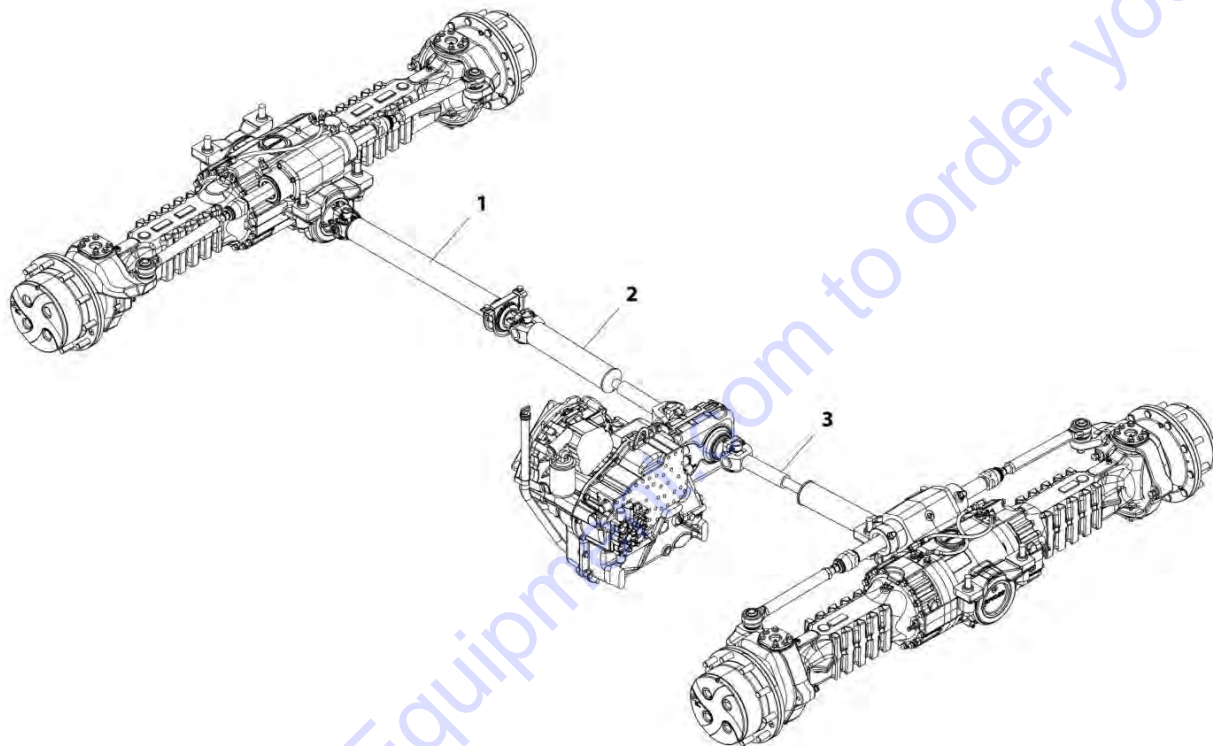
FIGURE 5-38. REAR AXLE, REDUCTION BUSHING ASSEMBLY

ITEM	PART NUMBER	QTY	DESCRIPTION	REV
	91514149	Ref	Reduction Bushing	
1	80204005	1	Circlip	
2	91514146	1	Bearing, Ball	
3	91514147	1	Seal	
4	91514148	1	O-Ring	

Go to Discount-Equipment.com to order your parts

## SECTION 5 - DRIVE TRAIN

FIGURE 5-39. DRIVE SHAFTS INSTALLATION



ART\_1001169682-A

## SECTION 5 - DRIVE TRAIN

### FIGURE 5-39. DRIVE SHAFTS INSTALLATION

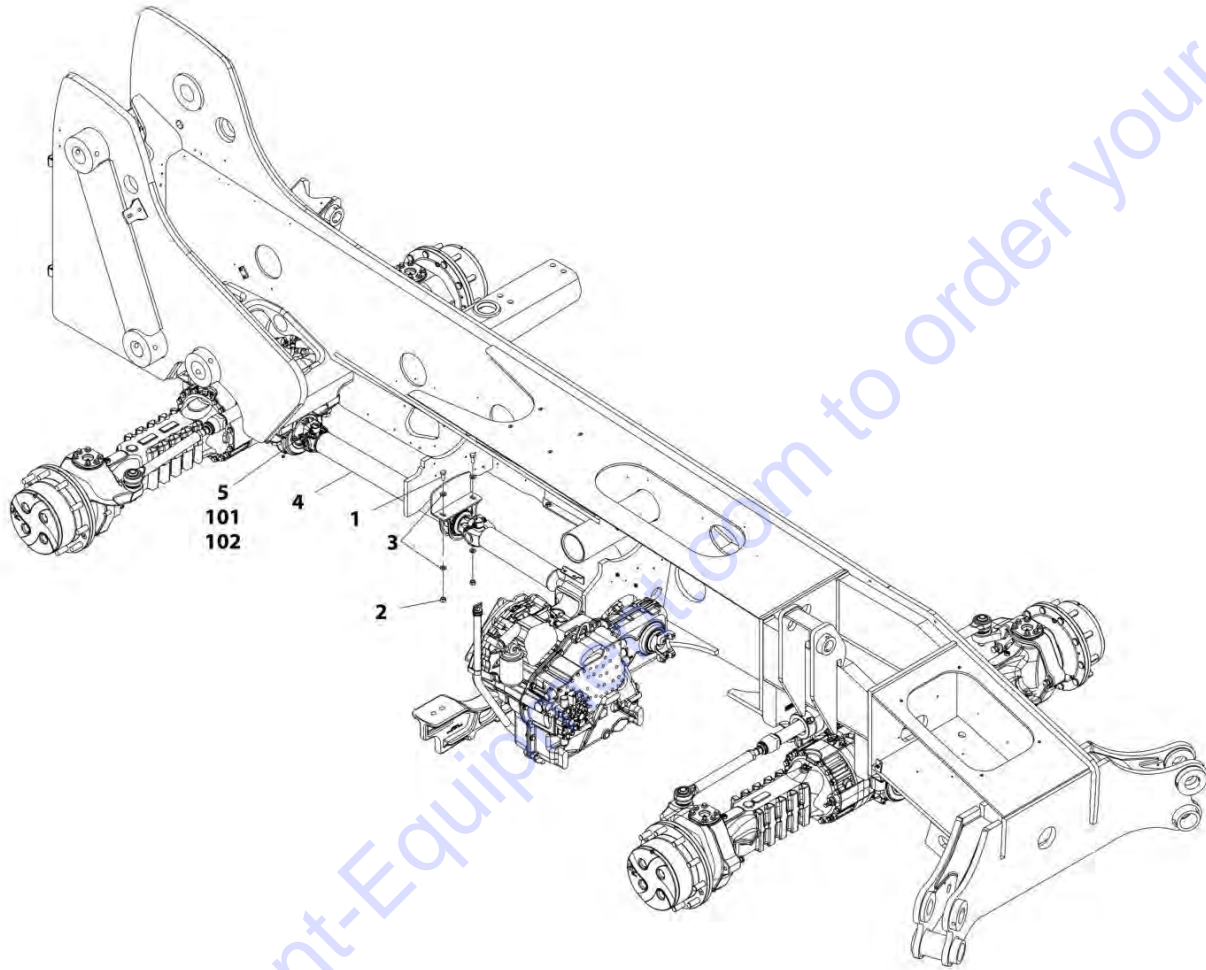
ITEM	PART NUMBER	QTY	DESCRIPTION	REV
1	1001169682	Ref	Drive Shafts Installation	A
	1001163987	Ref	Installation, Rear Drive Shaft (See REAR DRIVE SHAFT INSTALLATION for Breakdown)	
2	1001170509	Ref	Installation, Front Mid Shaft (See FRONT MID SHAFT INSTALLATION for Breakdown)	
3	1001170530	Ref	Installation, Front Drive Shaft (See FRONT DRIVE SHAFT INSTALLATION for Breakdown)	

Go to Discount-Equipment.com to order your parts



# SECTION 5 - DRIVE TRAIN

## FIGURE 5-40. REAR DRIVE SHAFT INSTALLATION



ART\_1001163987-B

## SECTION 5 - DRIVE TRAIN

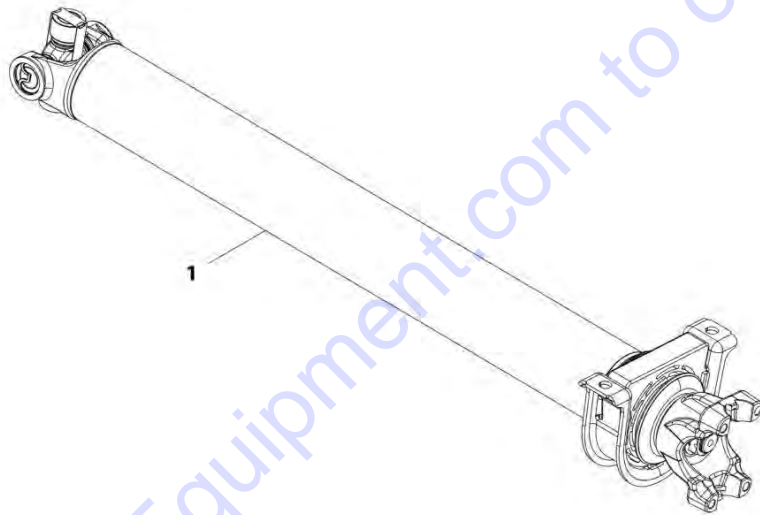
**FIGURE 5-40. REAR DRIVE SHAFT INSTALLATION**

ITEM	PART NUMBER	QTY	DESCRIPTION	REV
	1001163987	Ref	Rear Drive Shaft Installation	B
1	0761214	2	Bolt, 12 X 30, GR8.8	
2	3291205	2	Nut, Lock M12 X 1.75	
3	4812100	4	Washer, 12	
4	1001163765	1	Shaft, Rear Drive (See REAR DRIVE SHAFT for Breakdown)	
5	8880218-OM	1	Kit, Strap (includes items 101 & 102)	
101	N.S.S.	1	Strap	
102	N.S.S.	1	Bolt, Strap 0.375-24X0.75	

Go to Discount-Equipment.com to order your parts

## SECTION 5 - DRIVE TRAIN

FIGURE 5-41. REAR DRIVE SHAFT



ART\_1001163765-A

## SECTION 5 - DRIVE TRAIN

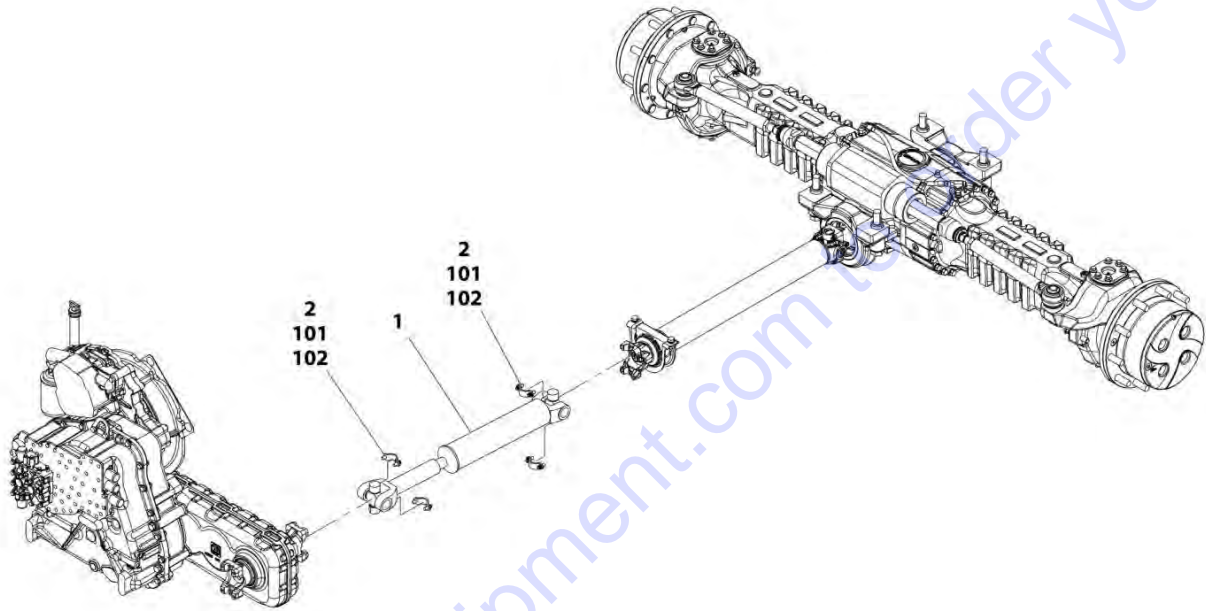
### FIGURE 5-41. REAR DRIVE SHAFT

ITEM	PART NUMBER	QTY	DESCRIPTION	REV
1	1001163765 91474035	Ref 1	Rear Drive Shaft Kit, Universal Joint	A

Go to Discount-Equipment.com to order your parts

# SECTION 5 - DRIVE TRAIN

## FIGURE 5-42. FRONT MID SHAFT INSTALLATION



ART\_1001170509-B

## SECTION 5 - DRIVE TRAIN

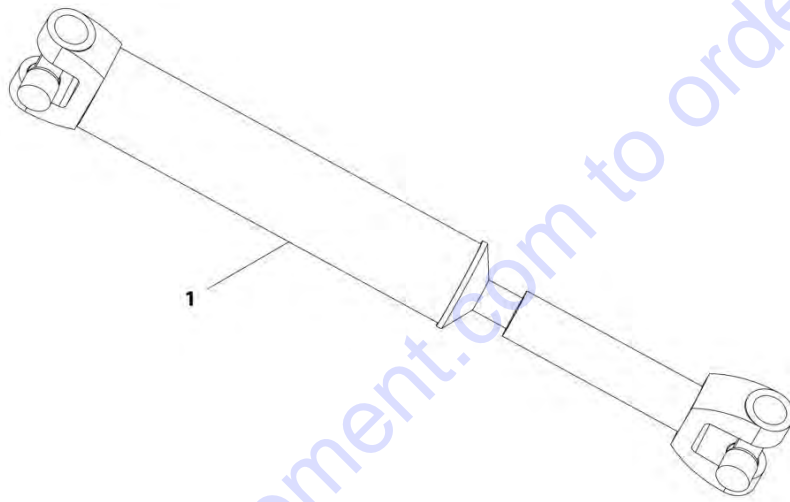
### FIGURE 5-42. FRONT MID SHAFT INSTALLATION

ITEM	PART NUMBER	QTY	DESCRIPTION	REV
1	1001170509	Ref	Front Mid Drive Shaft Installation	B
	1001170615	1	Shaft, Driveshaft Mid (See FRONT MID DRIVE SHAFT for Breakdown)	
2	8880218-OM	2	Kit, Strap (includes items 101 & 102)	
101	N.S.S.	1	Strap	
102	N.S.S.	1	Bolt, Strap 0.375-24X0.75	

Go to Discount-Equipment.com to order your parts

## SECTION 5 - DRIVE TRAIN

FIGURE 5-43. FRONT MID DRIVE SHAFT



ART\_1001170615-B

## SECTION 5 - DRIVE TRAIN

### FIGURE 5-43. FRONT MID DRIVE SHAFT

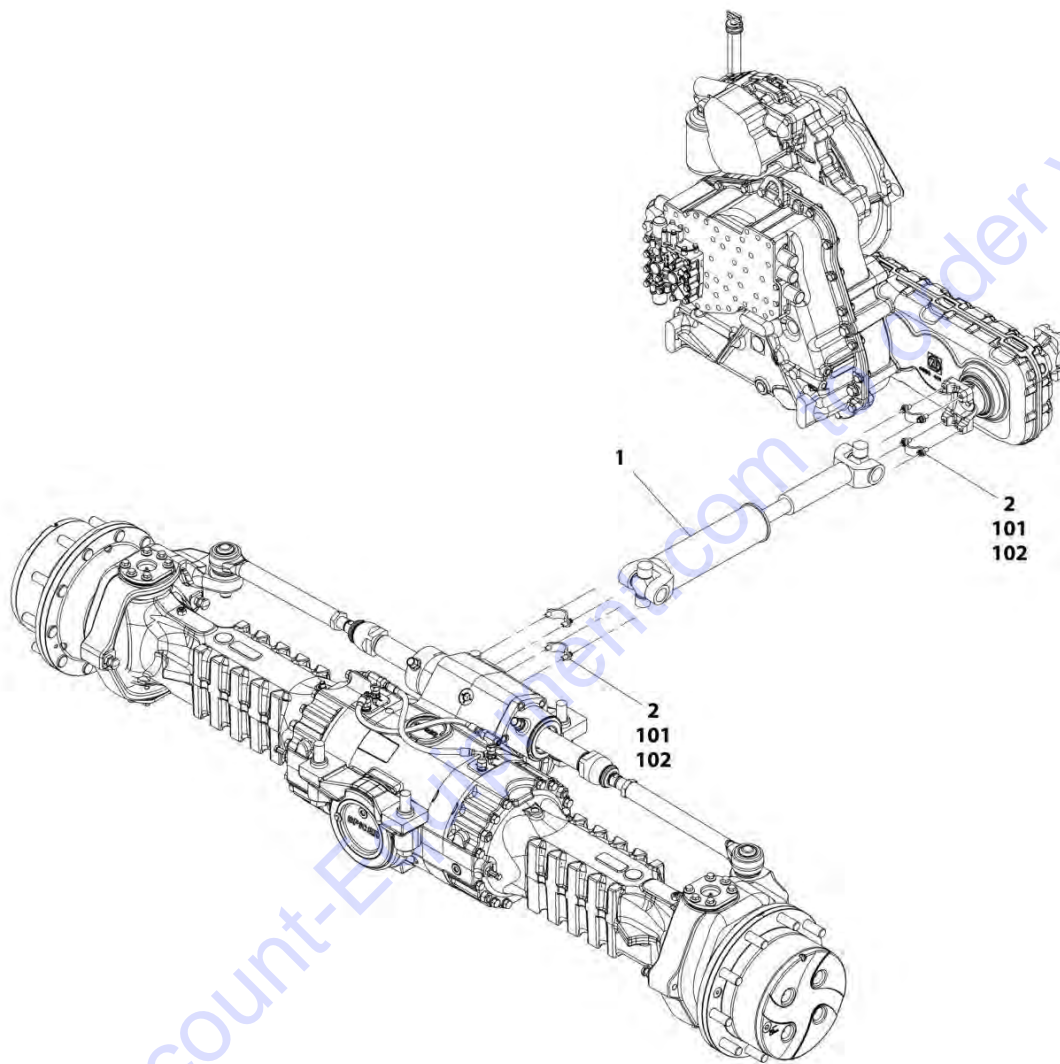
ITEM	PART NUMBER	QTY	DESCRIPTION	REV
1	1001170615	1	Front Mid Drive Shaft	B
	91474035	2	Kit, Universal Joint	

Go to Discount-Equipment.com to order your parts



# SECTION 5 - DRIVE TRAIN

## FIGURE 5-44. FRONT DRIVE SHAFT INSTALLATION



ART\_1001170530-B

## SECTION 5 - DRIVE TRAIN

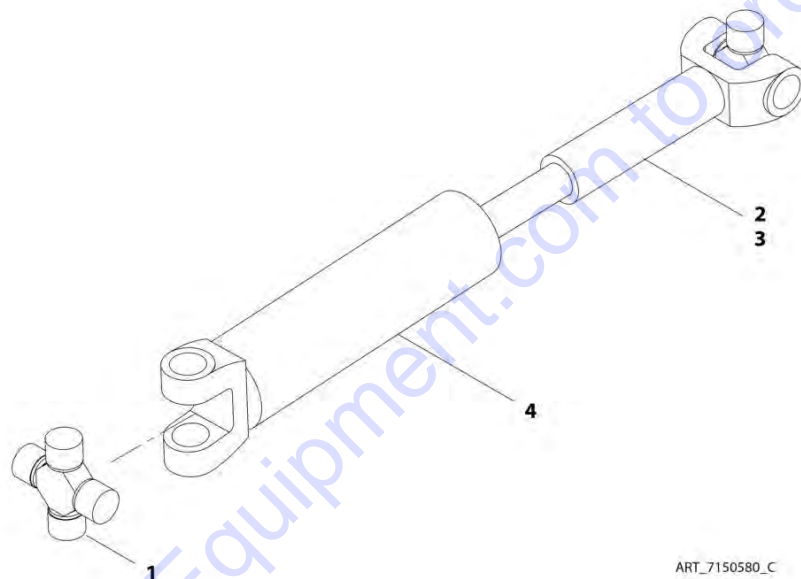
### FIGURE 5-44. FRONT DRIVE SHAFT INSTALLATION

ITEM	PART NUMBER	QTY	DESCRIPTION	REV
	1001170530	Ref	Front Drive Shaft Installation	B
1	7150580	1	Shaft, Rear Drive (See Rear Drive Shaft for Breakdown)	
2	8880218-OM	1	Kit, Strap (includes items 101 & 102)	
101	N.S.S.	1	Strap	
102	N.S.S.	1	Bolt, Strap 0.375-24X0.75	

Go to Discount-Equipment.com to order your parts

## SECTION 5 - DRIVE TRAIN

FIGURE 5-45. FRONT DRIVE SHAFT



ART\_7150580\_C

## SECTION 5 - DRIVE TRAIN

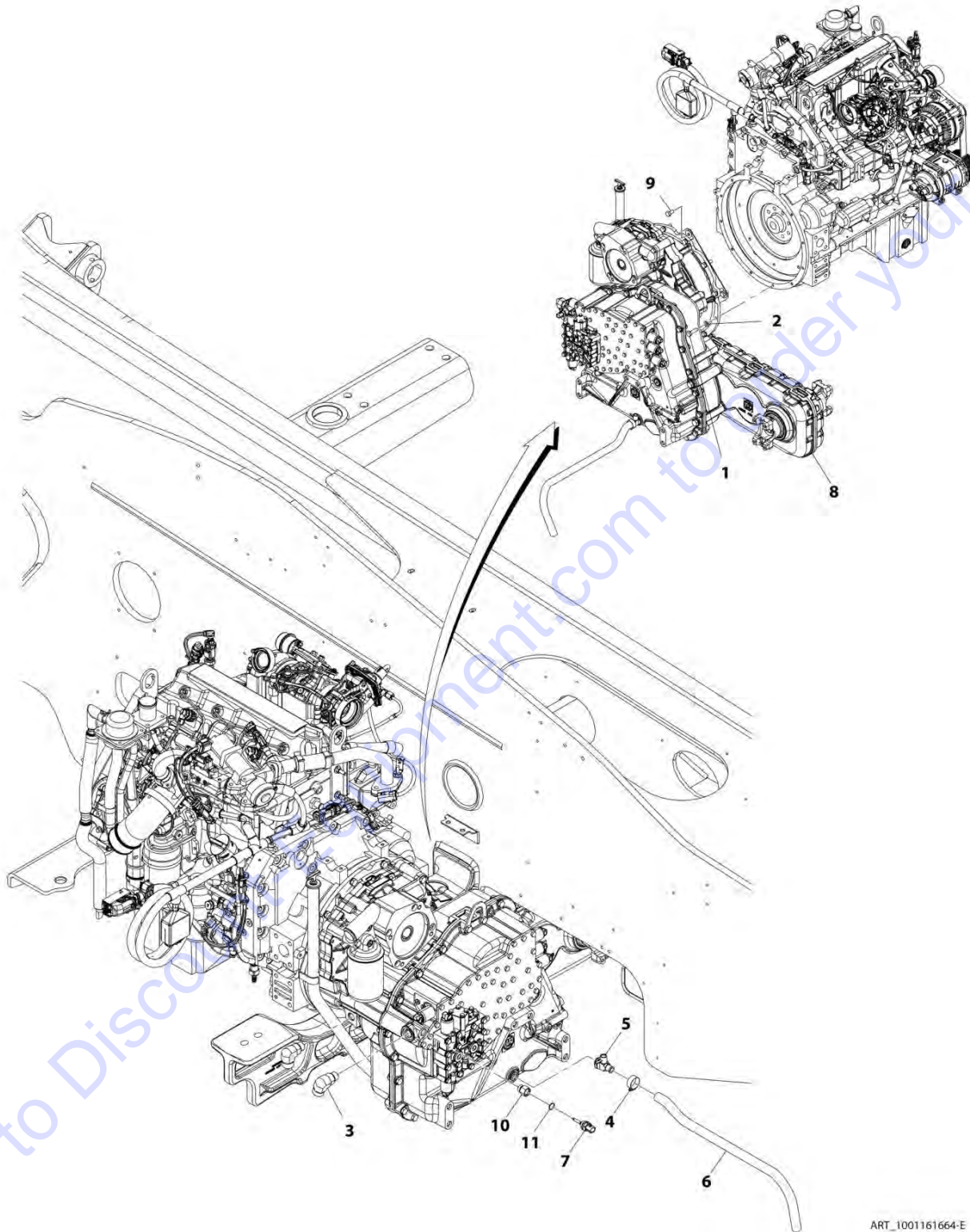
### FIGURE 5-45. FRONT DRIVE SHAFT

ITEM	PART NUMBER	QTY	DESCRIPTION	REV
	7150580	Ref	Front Drive Shaft	C
1	8036433	4	Cross and Bearing Kit	
2	8035779	2	Dust Cap Kit	
3	N.S.S.	1	Joint, Slip	
4	N.S.S.	1	Shaft, Yoke	

Go to Discount-Equipment.com to order your parts

# SECTION 5 - DRIVE TRAIN

## FIGURE 5-46. TRANSMISSION INSTALLATION



ART\_1001161664-E

## SECTION 5 - DRIVE TRAIN

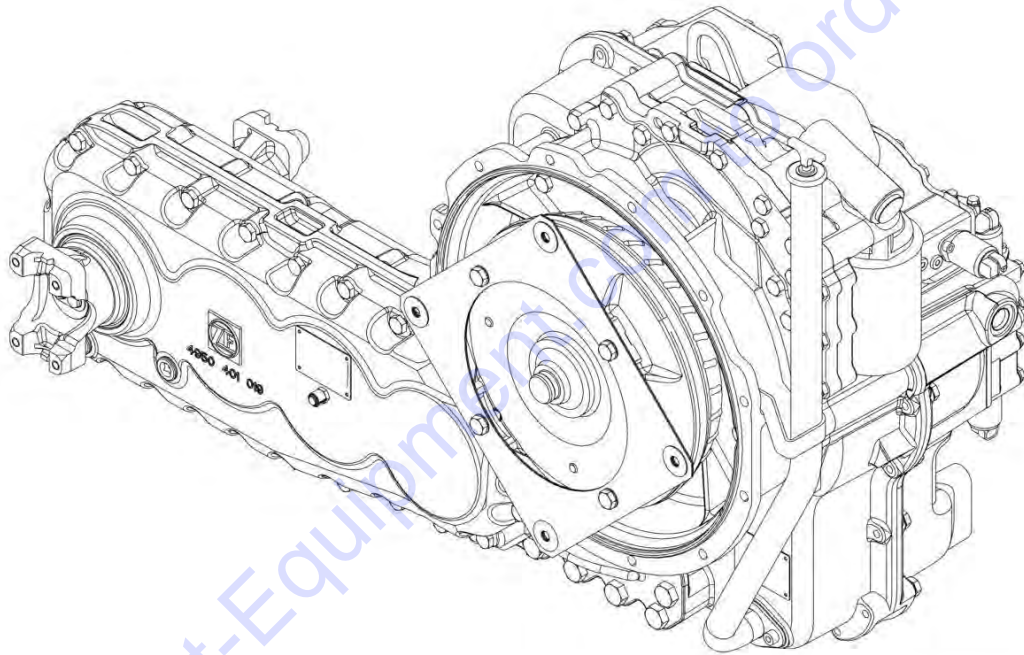
**FIGURE 5-46. TRANSMISSION INSTALLATION**

ITEM	PART NUMBER	QTY	DESCRIPTION	REV
	1001161664	Ref	Transmission Installation	E
1	0711015	12	Bolt, M10X35	
2	4812000	12	Washer, 10	
3	2131210	2	Fitting, 90 ORFS	
4	8405007	1	Clamp, Hose	
5	1001097053	1	Valve, Oil Drain	
6	1001186225	1	Hose, Drain	
7	1001147072	1	Switch, Oil Temperature <b>(Prior to SN 0160080792)</b>	
7	1001128478	1	Switch, Oil Temperature <b>(SN 0160080792 to Present)</b>	
8	1001170171	1	Transmission, Powershift (See POWERSHIFT TRANSMISSION for Breakdown)	
9	0761010	4	Bolt, M10X20	
10	1001220760	1	Adapter <b>(SN 0160080792 to Present)</b>	
11	1001009163	1	Seal <b>(SN 0160080792 to Present)</b>	

Go to Discount-Equipment.com to order your parts

## SECTION 5 - DRIVE TRAIN

FIGURE 5-47. POWERSHIFT TRANSMISSION



ART\_1001170171\_1-C

## SECTION 5 - DRIVE TRAIN

**FIGURE 5-47. POWERSHIFT TRANSMISSION**

ITEM	PART NUMBER	QTY	DESCRIPTION	REV
	1001170171	Ref	Powershift Transmission	C
		Ref	Transmission, Engine Connection (See TRANSMISSION, ENGINE CONNECTION for Breakdown)	
		Ref	Transmission, Converter (See TRANSMISSION, CONVERTER for Breakdown)	
		Ref	Transmission, Input (See TRANSMISSION, INPUT for Breakdown)	
		Ref	Transmission, Housing Group 1 (See TRANSMISSION, HOUSING GROUP 1 for Breakdown)	
		Ref	Transmission, Housing Group 2 (See TRANSMISSION, HOUSING GROUP 2 for Breakdown)	
		Ref	Transmission, Clutch Group 1 (See TRANSMISSION, CLUTCH GROUP 1 for Breakdown)	
		Ref	Transmission, Clutch Group 2 (See TRANSMISSION, CLUTCH GROUP 2 for Breakdown)	
		Ref	Transmission, Coupling Group 1 (See TRANSMISSION, COUPLING GROUP 1 for Breakdown)	
		Ref	Transmission, Coupling Group 2 (See TRANSMISSION, COUPLING GROUP 2 for Breakdown)	
		Ref	Transmission, Coupling Group 3 (See TRANSMISSION, COUPLING GROUP 3 for Breakdown)	
		Ref	Transmission, Coupling Group 4 (See TRANSMISSION, COUPLING GROUP 4 for Breakdown)	
		Ref	Transmission, Output (See TRANSMISSION, OUTPUT for Breakdown)	
		Ref	Transmission, Power Take-Off (See TRANSMISSION, POWER TAKE-OFF for Breakdown)	
		Ref	Transmission, Control Unit (See TRANSMISSION, CONTROL UNIT for Breakdown)	
		Ref	Transmission, Shift System (See TRANSMISSION, SHIFT SYSTEM for Breakdown)	
		Ref	Transmission, Pressure Regulator (See TRANSMISSION, PRESSURE REGULATOR for Breakdown)	
		Ref	Transmission, Pressure Oil Pump (See TRANSMISSION, PRESSURE OIL PUMP for Breakdown)	
		Ref	Transmission, Inductive Transmitter (See TRANSMISSION, INDUCTIVE TRANSMITTER for Breakdown)	
		Ref	Transmission, Filter (See TRANSMISSION, FILTER for Breakdown)	
		Ref	Transmission, Accessories Group 1 (See TRANSMISSION, ACCESSORIES GROUP 1 for Breakdown)	
		Ref	Transmission, Peripherals Group 1 (See TRANSMISSION, PERIPHERALS GROUP 1 for Breakdown)	
		Ref	Transmission, Peripherals Group 2 (See TRANSMISSION, PERIPHERALS GROUP 2 for Breakdown)	
		Ref	Transmission, Accessories Group 2 (See TRANSMISSION, ACCESSORIES GROUP 2 for Breakdown)	
		Ref	Transmission, Housing Group (See TRANSMISSION, HOUSING GROUP for Breakdown)	
		Ref	Transmission, Housing 1 (See TRANSMISSION, HOUSING 1 for Breakdown)	
		Ref	Transmission, Housing 2 (See TRANSMISSION, HOUSING 2 for Breakdown)	
		Ref	Transmission, Housing Input (See TRANSMISSION, HOUSING INPUT for Breakdown)	



## SECTION 5 - DRIVE TRAIN

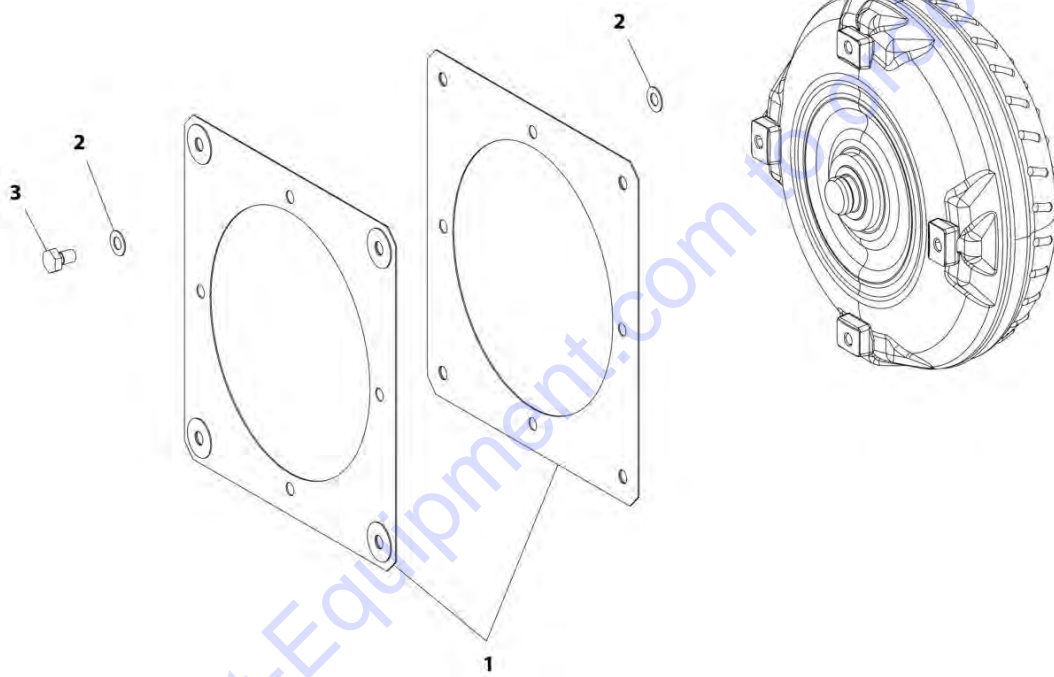
ITEM	PART NUMBER	QTY	DESCRIPTION	REV
		Ref	Transmission, Housing Output 1 (See TRANSMISSION, HOUSING OUTPUT 1 for Breakdown)	
		Ref	Transmission, Housing Output 2 (See TRANSMISSION, HOUSING OUTPUT 2 for Breakdown)	

Go to Discount-Equipment.com to order your parts



# SECTION 5 - DRIVE TRAIN

## FIGURE 5-48. TRANSMISION, ENGINE CONNECTION



ART\_1001170171\_2-C

## SECTION 5 - DRIVE TRAIN

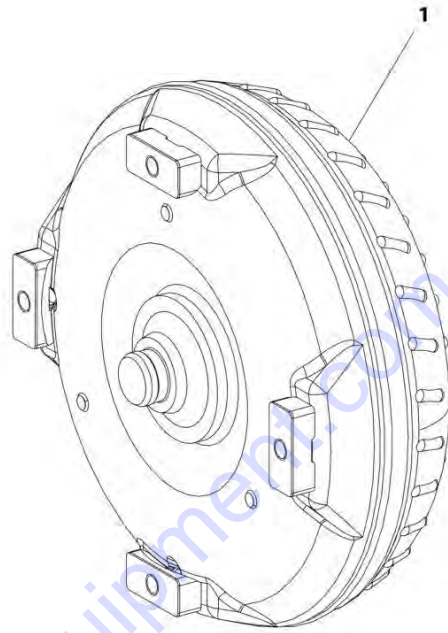
FIGURE 5-48. TRANSMISION, ENGINE CONNECTION

ITEM	PART NUMBER	QTY	DESCRIPTION	REV
1	1319229	2	Diaphragm	
2	7026745	8	Washer, Thrust M10	
3	7026744	4	Bolt, M10X16	

Go to Discount-Equipment.com to order your parts

## SECTION 5 - DRIVE TRAIN

FIGURE 5-49. TRANSMISSION, CONVERTER



ART\_1001170171\_3-C

## SECTION 5 - DRIVE TRAIN

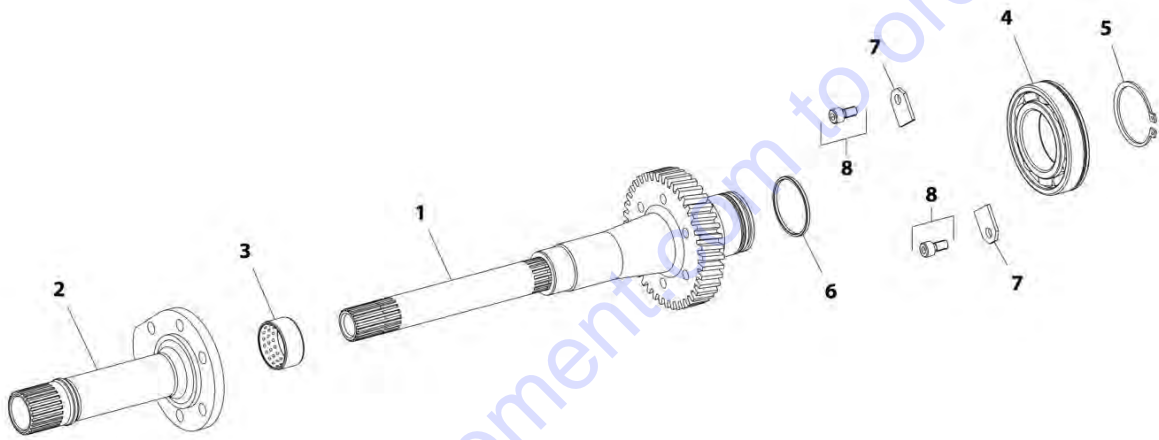
FIGURE 5-49. TRANSMISSION, CONVERTER

ITEM	PART NUMBER	QTY	DESCRIPTION	REV
1	7026746	1	Converter, Torque	

Go to Discount-Equipment.com to order your parts

# SECTION 5 - DRIVE TRAIN

## FIGURE 5-50. TRANSMISSION, INPUT



ART\_1001170171\_4-C

## SECTION 5 - DRIVE TRAIN

### FIGURE 5-50. TRANSMISSION, INPUT

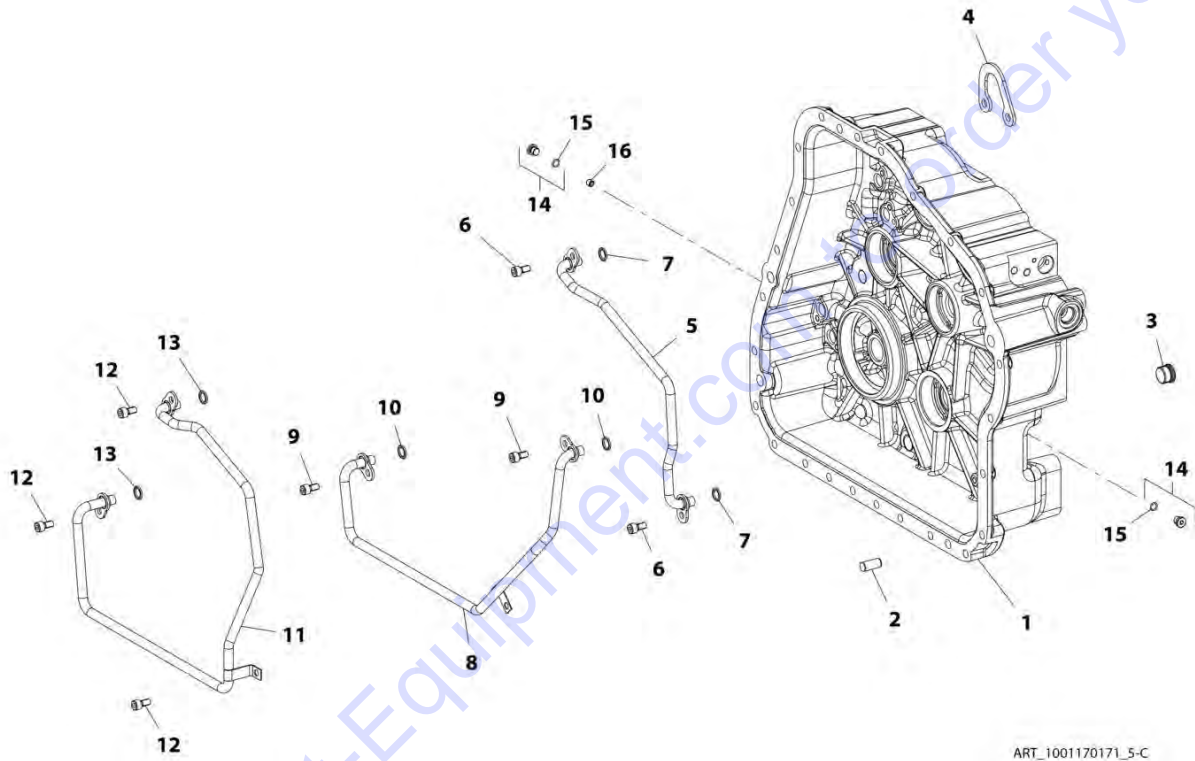
ITEM	PART NUMBER	QTY	DESCRIPTION	REV
1	7026747	1	Shaft, Turbine	
2	7026748	1	Shaft, Stator	
3	1319558	1	Bushing, Bearing	
4	1319563	1	Bearing, Ball	
5	80304405	1	Ring, Retaining	
6	7026749	1	Ring, Piston	
7	70026515	2	Strap	
8	70026516	2	Bolt, M8X16	

Go to Discount-Equipment.com to order your parts



# SECTION 5 - DRIVE TRAIN

## FIGURE 5-51. TRANSMISSION, HOUSING GROUP 1



ART\_100117017L\_5-C

## SECTION 5 - DRIVE TRAIN

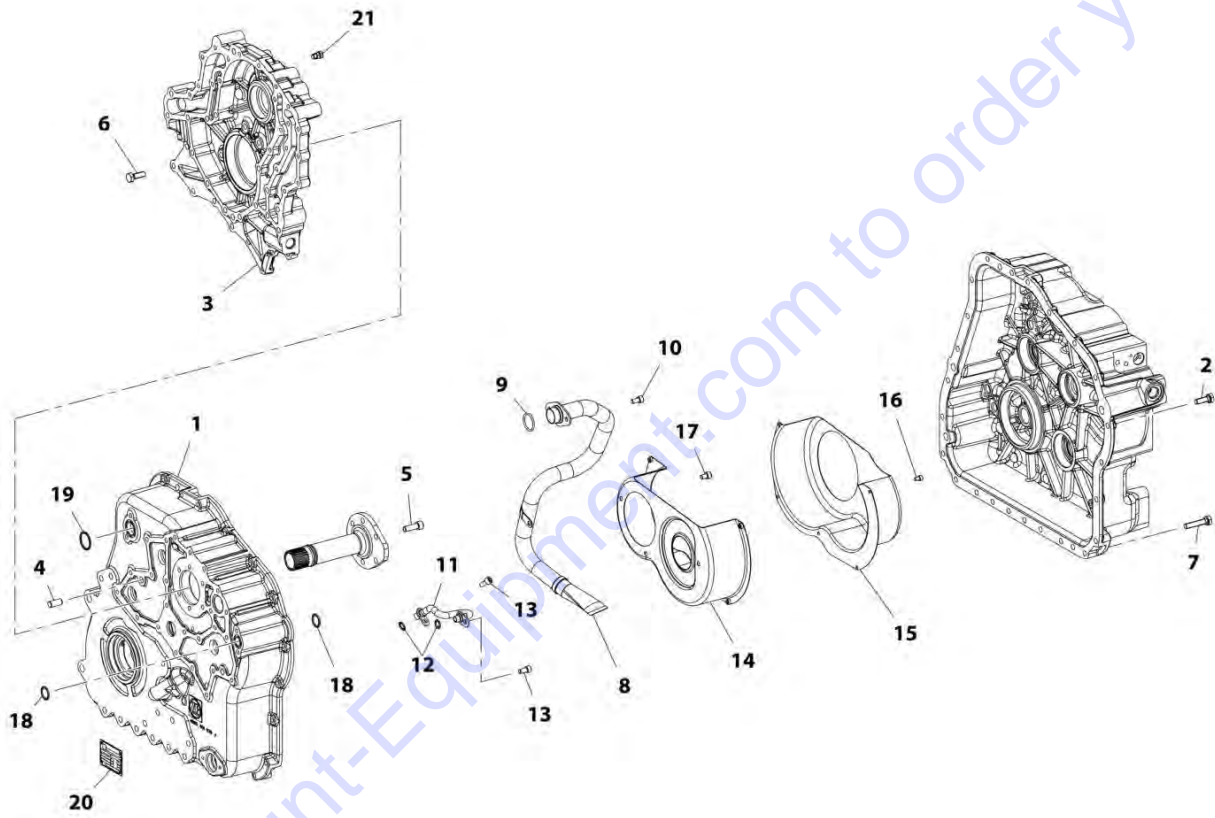
**FIGURE 5-51. TRANSMISSION, HOUSING GROUP 1**

ITEM	PART NUMBER	QTY	DESCRIPTION	REV
1	7029973	1	Housing	
2	1319571	2	Pin, Dowel	
3	70023404	1	Plug	
4	1319590	1	Bracket, Lift	
5	7026750	1	Pipe	
6	70026516	2	Bolt, M8X16	
7	8036847	2	O-Ring	
8	7026751	1	Pipe	
9	70026516	2	Bolt, M8X16	
10	8036847	2	O-Ring	
11	7026752	1	Pipe	
12	70026516	3	Bolt, M8X16	
13	8036847	2	O-Ring	
14	70026517	7	Plug, Screw	
15	10731709	7	O-Ring	
16	70026518	1	Nozzle	

Go to Discount-Equipment.com to order your parts

# SECTION 5 - DRIVE TRAIN

## FIGURE 5-52. TRANSMISSION, HOUSING GROUP 2



ART\_1001170171\_6-C

## SECTION 5 - DRIVE TRAIN

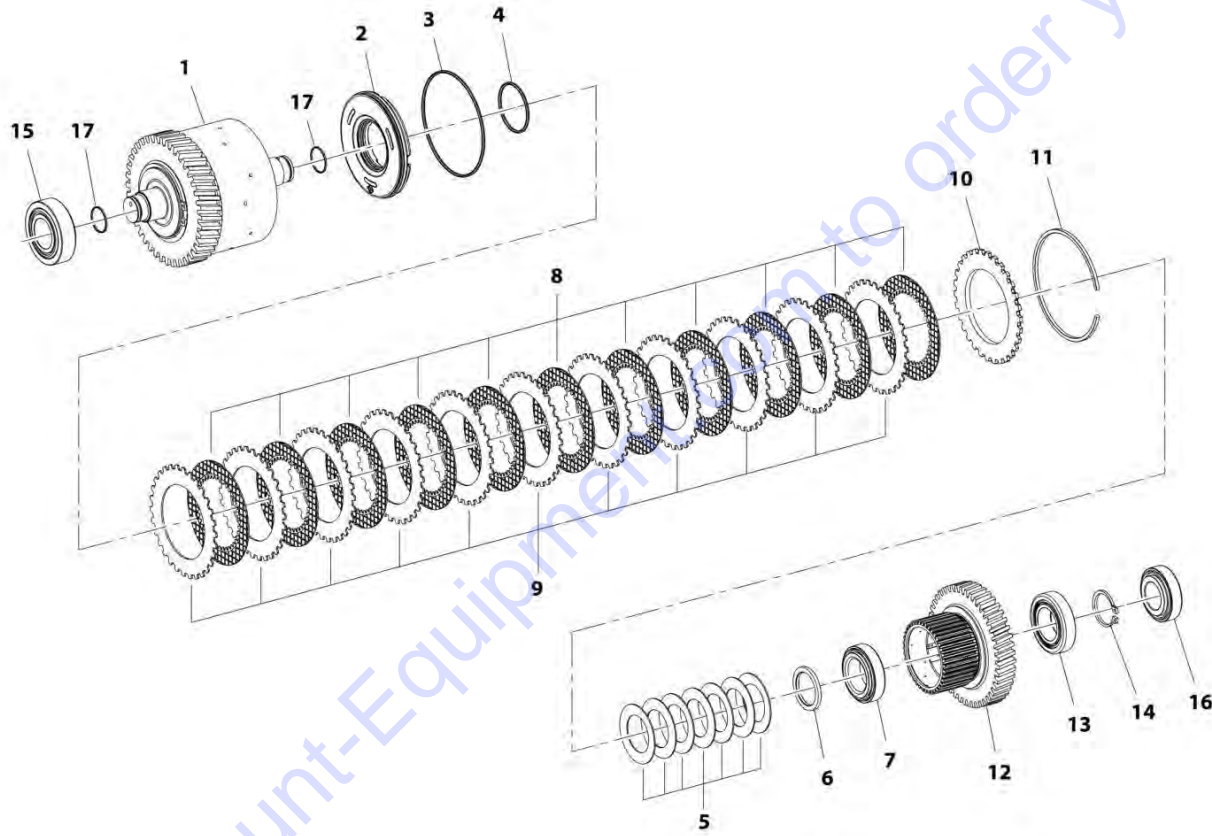
**FIGURE 5-52. TRANSMISSION, HOUSING GROUP 2**

ITEM	PART NUMBER	QTY	DESCRIPTION	REV
1	7029972	1	Housing	
2	80304394	18	Bolt, M10X30	
3	70021920	1	Housing, PTO	
4	1319571	2	Pin, Dowel	
5	70026519	6	Bolt, M10X30	
6	80304394	13	Bolt, M10X30	
7	7026794	6	Bolt, M10X50	
8	7026753	1	Tube, Suction	
9	70023885	1	O-Ring	
10	70026516	2	Bolt, M8X16	
11	7026754	1	Pipe	
12	8036847	2	O-Ring	
13	70026516	2	Bolt, M8X16	
14	7026755	1	Sheet, Screen	
15	7026756	1	Sheet, Screen	
16	70026520	5	Bolt, M6X10	
17	70026521	3	Bolt, M8X12	
18	7026792	2	O-Ring	
19	70023885	1	O-Ring	
20	N.S.S.	1	Plate, Serial Number	
21	10731744	1	Breather	

Go to Discount-Equipment.com to order your parts

# SECTION 5 - DRIVE TRAIN

## FIGURE 5-53. TRANSMISSION, CLUTCH GROUP 1



ART\_1001170171\_7-C

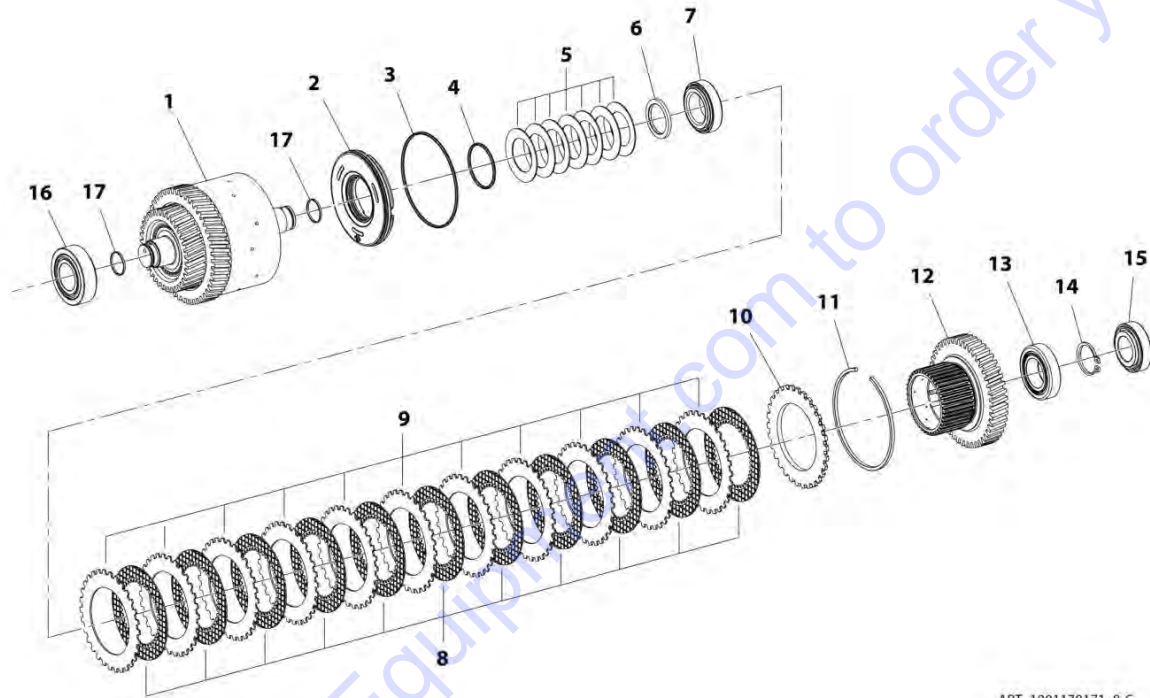
## SECTION 5 - DRIVE TRAIN

**FIGURE 5-53. TRANSMISSION, CLUTCH GROUP 1**

ITEM	PART NUMBER	QTY	DESCRIPTION	REV
1	7026757	1	Coupling	
2	70022075	1	Piston	
3	1319594	1	O-Ring	
4	1319593	1	O-Ring	
5	1319595	7	Spring, Cup	
6	1319617	1	Support, Shim	
7	1319618	AR	Bearing, Roller	
8	7026758	11	Disc, Friction	
9	7026759	11	Disc, Clutch	
10	7026760	1	Shim, End	
11	70026527	AR	Ring, Snap 2.00	
11	70026528	AR	Ring, Snap 2.25	
11	70026529	AR	Ring, Snap 2.50	
11	7029852	AR	Ring, Snap 2.75	
11	1319602	AR	Ring, Snap 3.00	
11	7029849	AR	Ring, Snap 3.25	
11	1319601	AR	Ring, Snap 3.50	
11	7029850	AR	Ring, Snap 3.75	
11	1319600	AR	Ring, Snap 4.00	
12	1319638	1	Carrier, Inner Disc	
13	1319620	AR	Bearing, Roller	
14	1319632	AR	Ring, Retaining 2.10	
14	1319631	AR	Ring, Retaining 2.20	
14	1319630	AR	Ring, Retaining 2.30	
14	1319629	AR	Ring, Retaining 2.40	
14	1319628	AR	Ring, Retaining 2.50	
14	1319627	AR	Ring, Retaining 2.60	
14	1319626	AR	Ring, Retaining 2.70	
14	1319625	AR	Ring, Retaining 2.80	
14	1319624	AR	Ring, Retaining 2.90	
14	1319623	AR	Ring, Retaining 3.00	
14	1319622	AR	Ring, Retaining 3.10	
14	1319621	AR	Ring, Retaining 3.20	
15	1319615	1	Bearing, Roller	
16	1319636	1	Bearing, Roller	
17	7026761	2	Ring, Piston	

# SECTION 5 - DRIVE TRAIN

## FIGURE 5-54. TRANSMISSION, CLUTCH GROUP 2



ART\_1001170171\_8-C

## SECTION 5 - DRIVE TRAIN

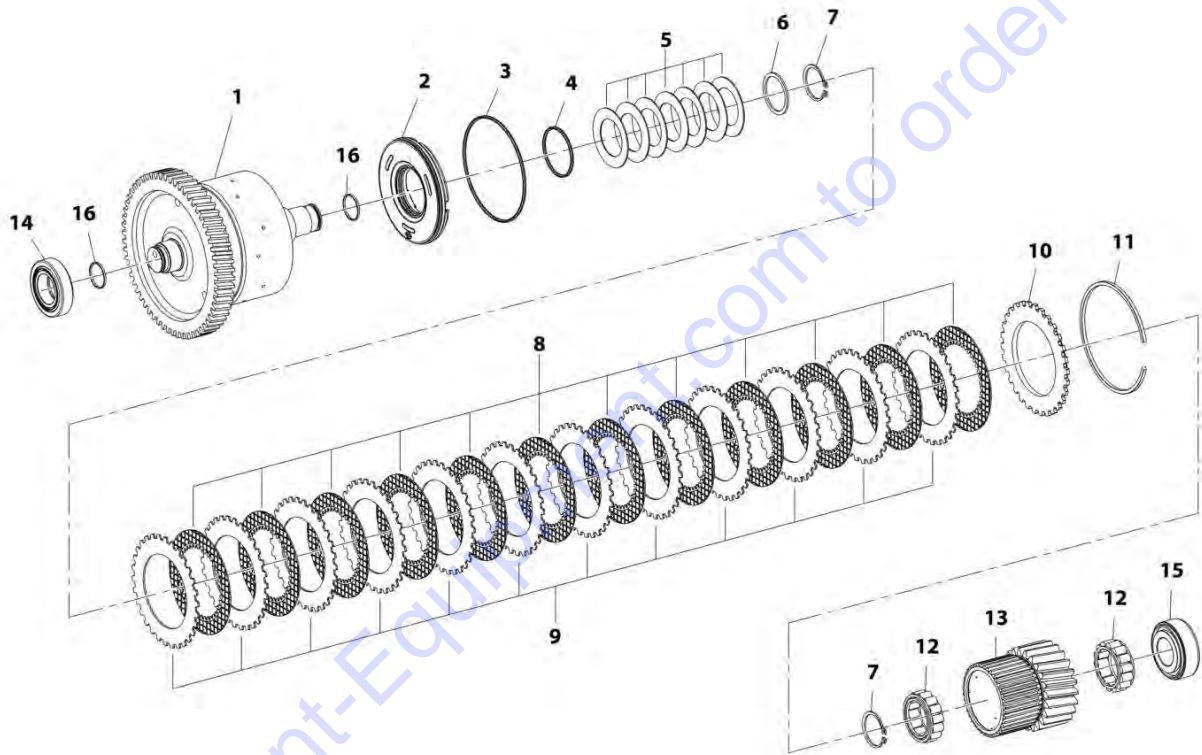
**FIGURE 5-54. TRANSMISSION, CLUTCH GROUP 2**

ITEM	PART NUMBER	QTY	DESCRIPTION	REV
1	7026762	1	Coupling	
2	70022075	1	Piston	
3	1319594	1	O-Ring	
4	1319593	1	O-Ring	
5	1319595	7	Spring, Cup	
6	1319617	1	Shim, Support	
7	1319618	AR	Bearing, Roller	
8	7026758	11	Disc, Friction	
9	7026759	11	Disc, Static	
10	7026760	1	Shim, End	
11	70026527	AR	Ring, Snap 2.00	
11	70026528	AR	Ring, Snap 2.25	
11	70026529	AR	Ring, Snap 2.50	
11	7029852	AR	Ring, Snap 2.75	
11	1319602	AR	Ring, Snap 3.00	
11	7029849	AR	Ring, Snap 3.25	
11	1319601	AR	Ring, Snap 3.50	
11	7029850	AR	Ring, Snap 3.75	
11	1319600	AR	Ring, Snap 4.00	
12	1319638	1	Carrier, Disc	
13	1319620	1	Bearing, Roller	
14	1319632	AR	Ring, Retaining 2.10	
14	1319631	AR	Ring, Retaining 2.20	
14	1319630	AR	Ring, Retaining 2.30	
14	1319629	AR	Ring, Retaining 2.40	
14	1319628	AR	Ring, Retaining 2.50	
14	1319627	AR	Ring, Retaining 2.60	
14	1319626	AR	Ring, Retaining 2.70	
14	1319625	AR	Ring, Retaining 2.80	
14	1319624	AR	Ring, Retaining 2.90	
14	1319623	AR	Ring, Retaining 3.00	
14	1319622	AR	Ring, Retaining 3.10	
14	1319621	AR	Ring, Retaining 3.20	
15	1319615	1	Bearing, Roller	
16	1319636	1	Bearing, Roller	
17	7026761	2	Ring, Piston	



# SECTION 5 - DRIVE TRAIN

## FIGURE 5-55. TRANSMISSION, COUPLING GROUP 1



ART\_1001170171\_9-C

## SECTION 5 - DRIVE TRAIN

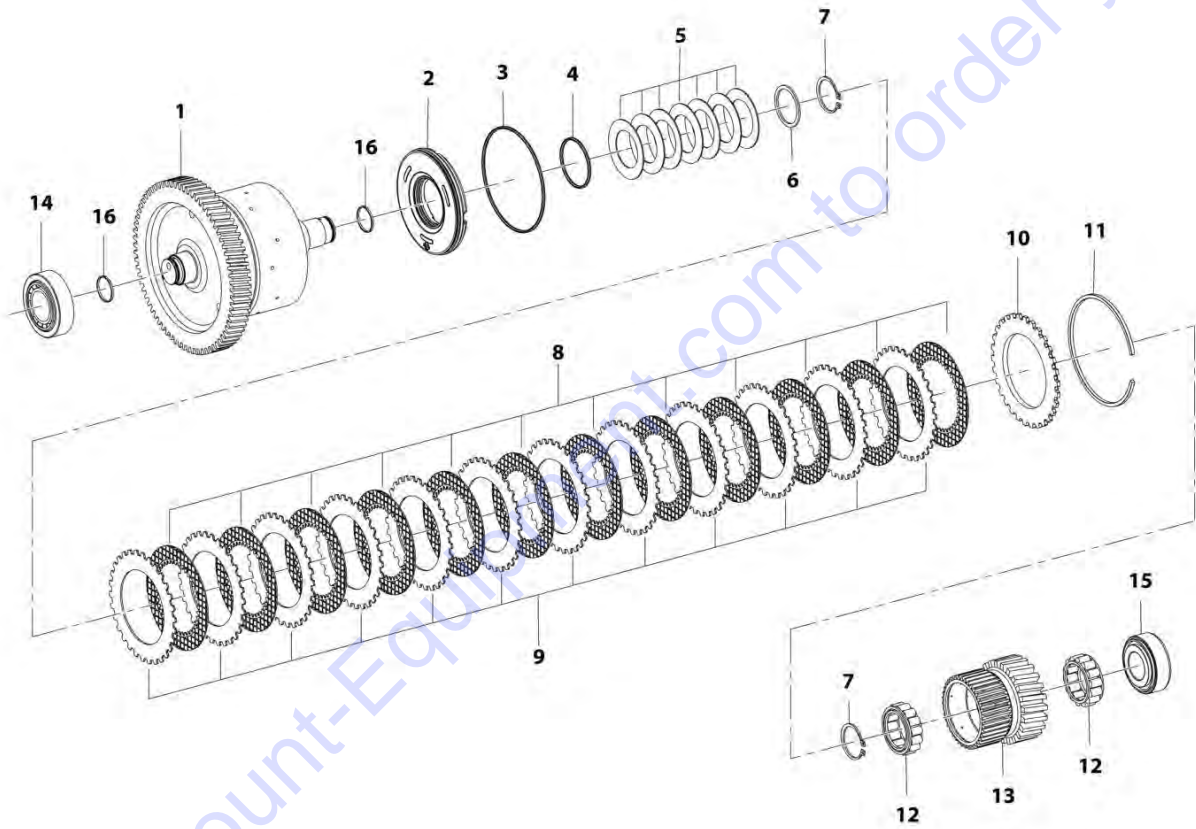
**FIGURE 5-55. TRANSMISSION, COUPLING GROUP 1**

ITEM	PART NUMBER	QTY	DESCRIPTION	REV
1	70026530	1	Coupling	
2	70022075	1	Piston	
3	1319594	1	O-Ring	
4	1319593	1	O-Ring	
5	1319595	7	Spring, Cup	
6	1319596	1	Shim 2.00	
7	10731845	2	Ring, Retaining	
8	7026758	12	Disc, Friction	
9	7026759	12	Disc, Clutch	
10	7026760	1	Shim, End	
11	70026527	AR	Ring, Snap 2.00	
11	70026528	AR	Ring, Snap 2.25	
11	70026529	AR	Ring, Snap 2.50	
11	7029852	AR	Ring, Snap 2.75	
11	1319602	AR	Ring, Snap 3.00	
11	7029849	AR	Ring, Snap 3.25	
11	1319601	AR	Ring, Snap 3.50	
11	7029850	AR	Ring, Snap 3.75	
11	1319600	AR	Ring, Snap 4.00	
12	1319605	AR	Cage, Roller	
13	1319607	1	Carrier, Disc	
14	1319608	1	Bearing, Roller	
15	8036190	1	Bearing, Roller	
16	7026761	2	Piston Ring	

Go to Discount-Equipment.com to order your parts

# SECTION 5 - DRIVE TRAIN

## FIGURE 5-56. TRANSMISSION, COUPLING GROUP 2



ART\_1001170171\_10-C

## SECTION 5 - DRIVE TRAIN

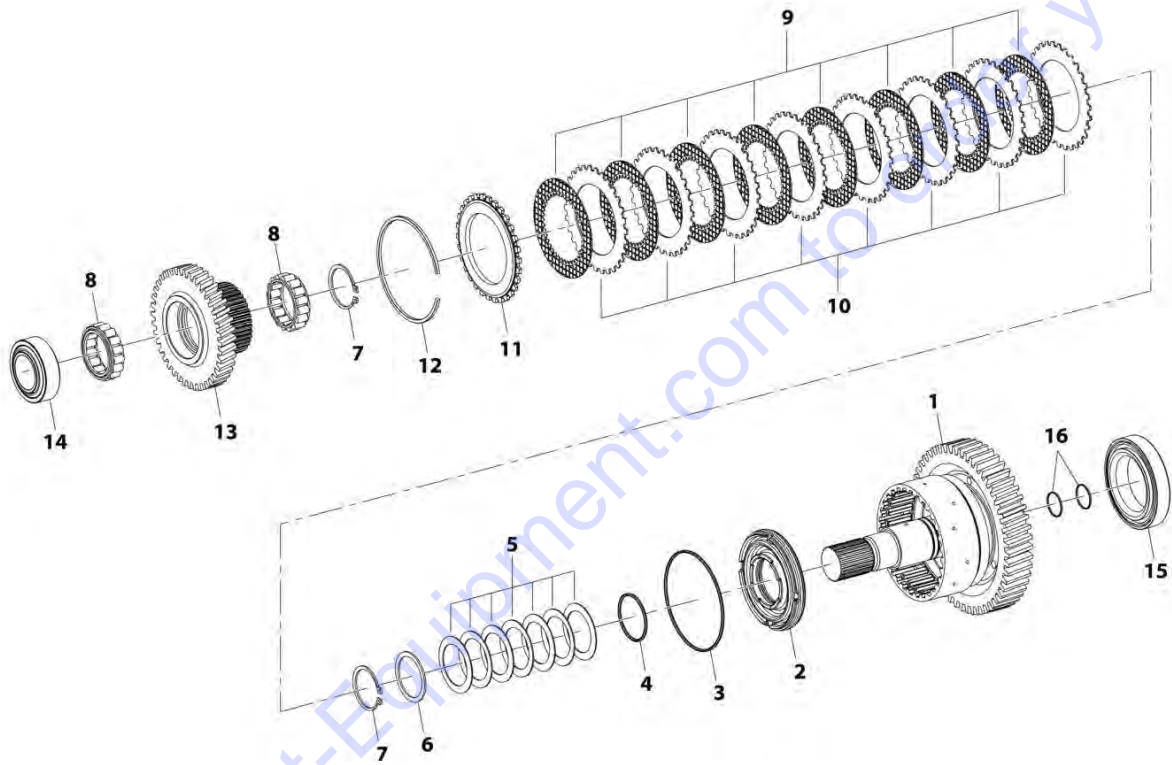
**FIGURE 5-56. TRANSMISSION, COUPLING GROUP 2**

ITEM	PART NUMBER	QTY	DESCRIPTION	REV
1	70026531	1	Coupling	
2	70022075	1	Piston	
3	1319594	1	O-Ring	
4	1319593	1	O-Ring	
5	1319595	7	Spring, Cup	
6	1319596	1	Shim	
7	10731845	2	Ring, Retaining	
8	7026758	12	Disc, Friction	
9	7026759	12	Disc, Clutch	
10	7026760	1	Shim, End	
11	70026527	AR	Ring, Snap 2.00	
11	70026528	AR	Ring, Snap 2.25	
11	70026529	AR	Ring, Snap 2.50	
11	7029852	AR	Ring, Snap 2.75	
11	1319602	AR	Ring, Snap 3.00	
11	7029849	AR	Ring, Snap 3.25	
11	1319601	AR	Ring, Snap 3.50	
11	7029850	AR	Ring, Snap 3.75	
11	1319600	AR	Ring, Snap 4.00	
12	1319605	AR	Bearing, Roller	
13	1319614	1	Carrier, Disc	
14	1319615	1	Bearing, Roller	
15	8036190	1	Bearing, Roller	
16	7026761	2	Ring, Piston	

Go to Discount-Equipment.com to order your parts

# SECTION 5 - DRIVE TRAIN

## FIGURE 5-57. TRANSMISSION, COUPLING GROUP 3



ART\_1001170171\_11-C

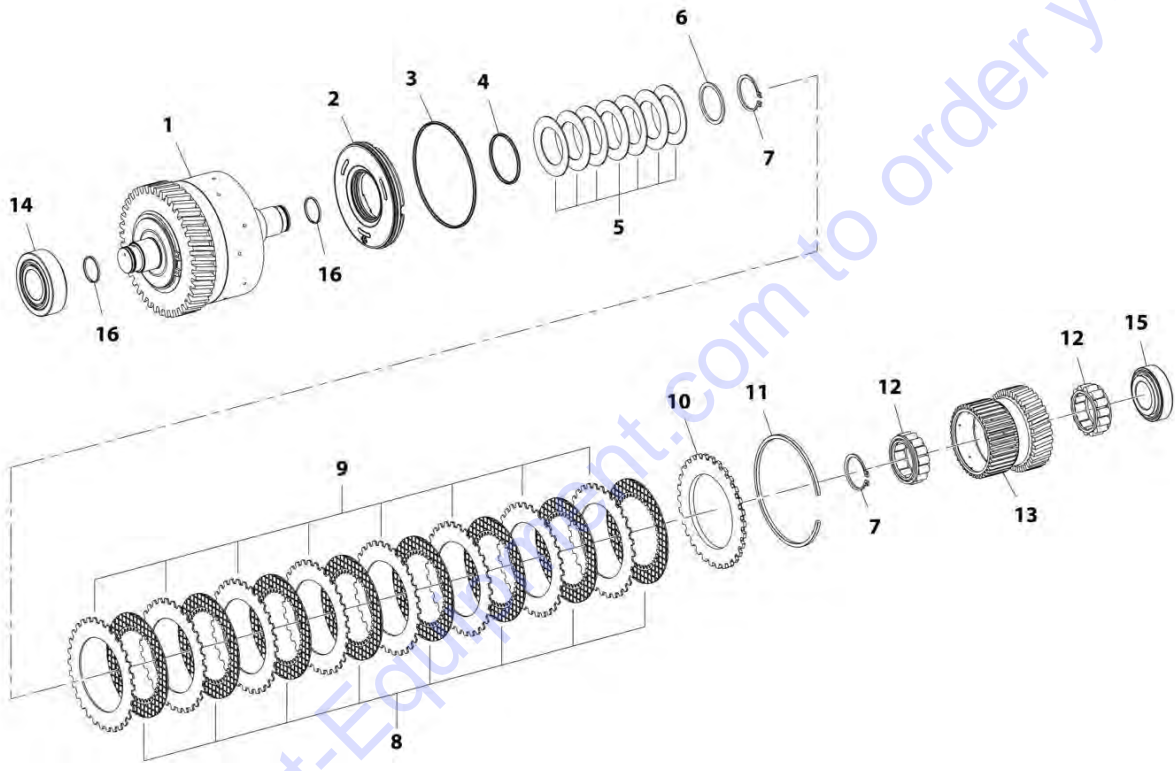
## SECTION 5 - DRIVE TRAIN

**FIGURE 5-57. TRANSMISSION, COUPLING GROUP 3**

ITEM	PART NUMBER	QTY	DESCRIPTION	REV
1	70026532	1	Coupling	
2	70022075	1	Piston	
3	1319594	1	O-Ring	
4	1319593	1	O-Ring	
5	7026765	7	Spring, Cup	
6	7026766	1	Washer	
7	80304227	AR	Ring, Retaining	
8	70021227	AR	Ring	
8	70021228	AR	Cage, Roller	
9	7026758	AR	Disc, Friction	
10	7026759	AR	Disc, Clutch	
11	7026760	AR	Shim, End	
12	70026527	AR	Ring, Snap 2.00	
12	70026528	AR	Ring, Snap 2.25	
12	70026529	AR	Ring, Snap 2.50	
12	7029852	AR	Ring, Snap 2.75	
12	1319602	AR	Ring, Snap 3.00	
12	7029849	AR	Ring, Snap 3.25	
12	1319601	AR	Ring, Snap 3.50	
12	7029850	AR	Ring, Snap 3.75	
12	1319600	AR	Ring, Snap 4.00	
13	7027267	1	Carrier, Disc	
14	70021268	1	Bearing, Outer Ring	
14	70021269	1	Bearing, Inner Ring	
15	7026769	AR	Bearing, Roller	
16	7026761	2	Ring, Piston	

# SECTION 5 - DRIVE TRAIN

## FIGURE 5-58. TRANSMISSION, COUPLING GROUP 4



ART\_1001170171\_12-C

## SECTION 5 - DRIVE TRAIN

**FIGURE 5-58. TRANSMISSION, COUPLING GROUP 4**

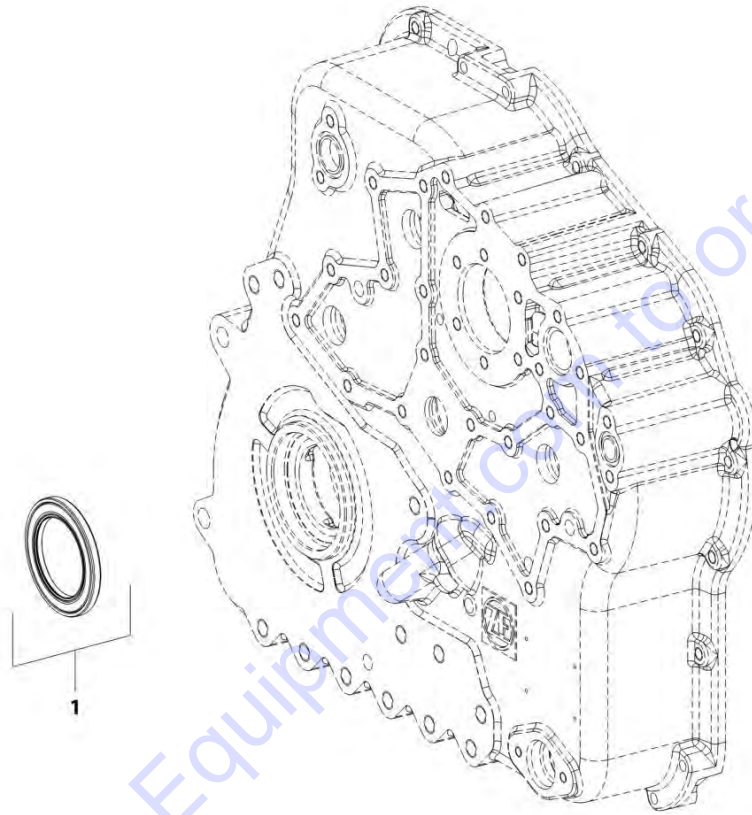
ITEM	PART NUMBER	QTY	DESCRIPTION	REV
1	70026535	1	Coupling	
2	70022075	1	Piston	
3	1319594	1	O-Ring	
4	1319593	1	O-Ring	
5	1319595	7	Spring, Cup	
6	1319596	1	Shim	
7	10731845	2	Ring, Retaining	
8	7026758	8	Disc, Friction	
9	7026759	8	Disc, Clutch	
10	7026760	1	Shim, End	
11	70026527	AR	Ring, Snap 2.00	
11	70026528	AR	Ring, Snap 2.25	
11	70026529	AR	Ring, Snap 2.50	
11	7029852	AR	Ring, Snap 2.75	
11	1319602	AR	Ring, Snap 3.00	
11	7029849	AR	Ring, Snap 3.25	
11	1319601	AR	Ring, Snap 3.5	
11	7029850	AR	Ring, Snap 3.75	
11	1319600	AR	Ring, Snap 4.00	
12	1319605	AR	Bearing, Roller	
13	1319635	1	Carrier, Disc	
14	1319615	1	Bearing, Roller	
15	1319636	1	Bearing, Roller	
16	7026761	2	Ring, Piston	

Go to Discount-Equipment.com to order your parts



## SECTION 5 - DRIVE TRAIN

FIGURE 5-59. TRANSMISSION, OUTPUT



ART\_1001170171\_13-C

## SECTION 5 - DRIVE TRAIN

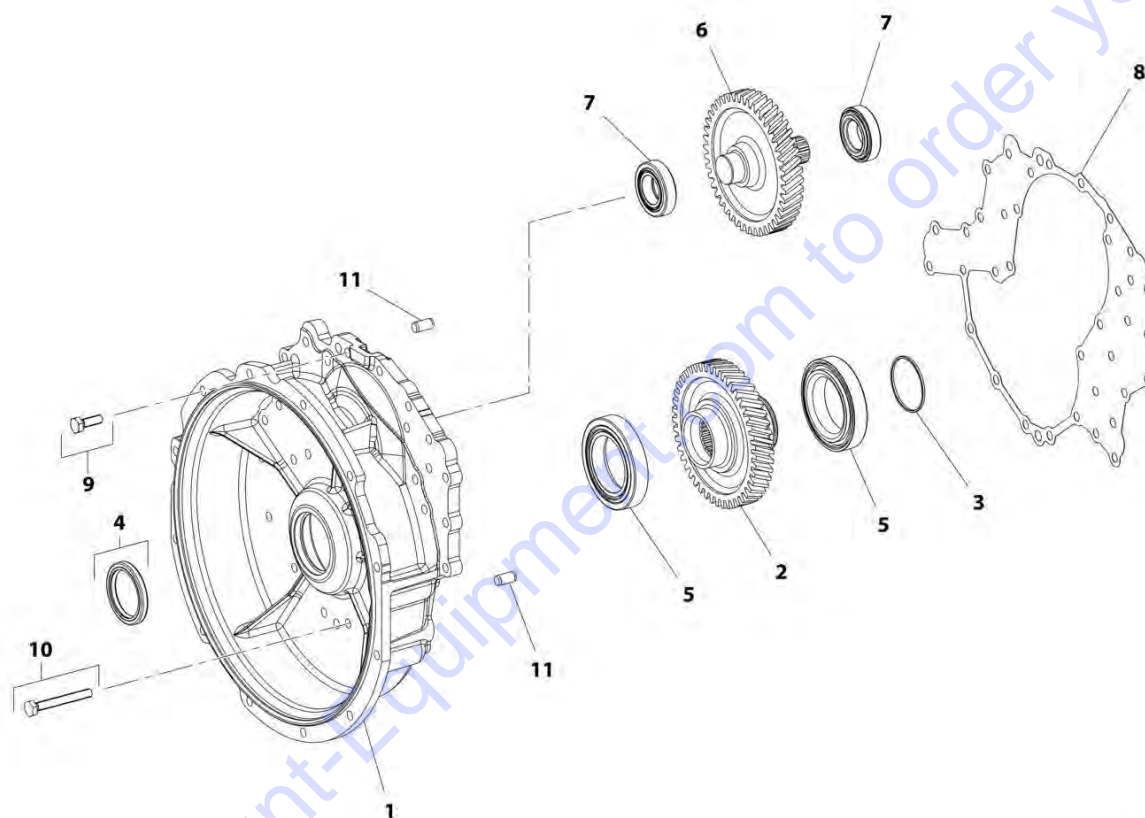
FIGURE 5-59. TRANSMISSION, OUTPUT

ITEM	PART NUMBER	QTY	DESCRIPTION	REV
1	70026536	1	Seal, Shaft	

Go to Discount-Equipment.com to order your parts

# SECTION 5 - DRIVE TRAIN

## FIGURE 5-60. TRANSMISSION, POWER TAKE-OFF



ART\_1001170171\_14-C

## SECTION 5 - DRIVE TRAIN

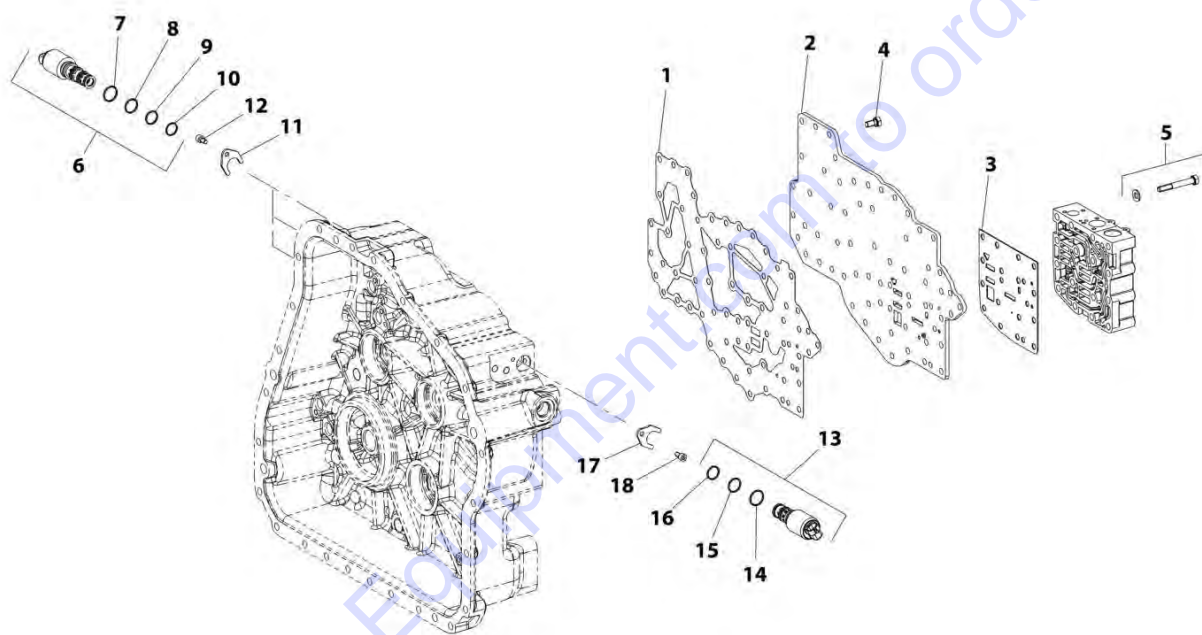
FIGURE 5-60. TRANSMISSION, POWER TAKE-OFF

ITEM	PART NUMBER	QTY	DESCRIPTION	REV
1	70021526	1	Housing	
2	7026771	1	Shaft	
3	7026772	1	Ring, Piston	
4	1319576	1	Seal, Shaft	
5	7026769	AR	Bearing, Roller	
6	7026773	1	Shaft	
7	1319608	AR	Bearing, Roller	
8	7026774	1	Gasket	
9	80304394	21	Bolt, M10X30	
10	7026775	15	Bolt, M10X80	
11	1319571	2	Pin	

Go to Discount-Equipment.com to order your parts

# SECTION 5 - DRIVE TRAIN

## FIGURE 5-61. TRANSMISSION, CONTROL UNIT



ART\_1001170171\_15-C

## SECTION 5 - DRIVE TRAIN

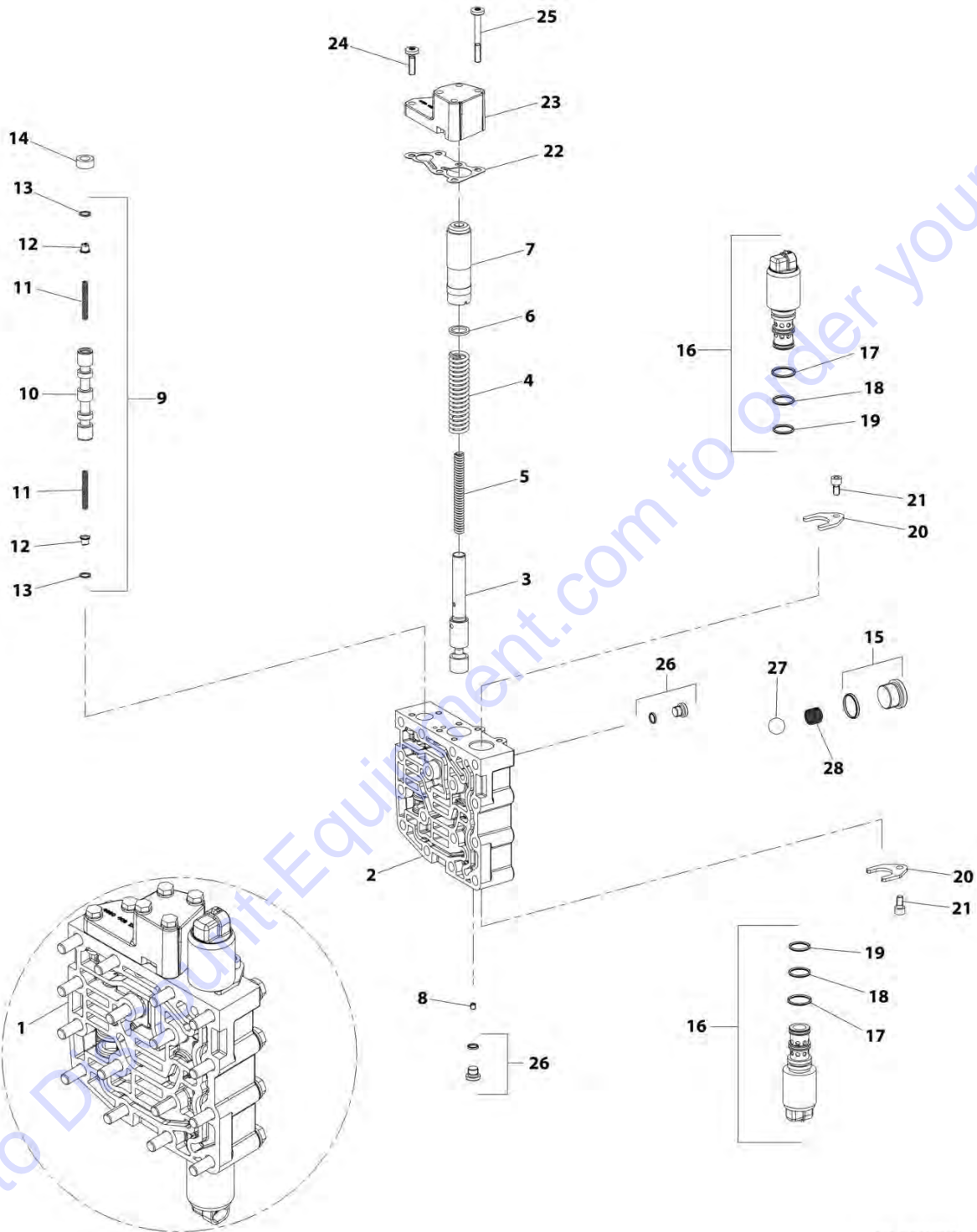
**FIGURE 5-61. TRANSMISSION, CONTROL UNIT**

ITEM	PART NUMBER	QTY	DESCRIPTION	REV
1	7026776	1	Gasket	
2	70026538	1	Plate	
3	70026539	1	Sheet, Intermediate	
4	7026780	46	Bolt, M8X16	
5	7026781	16	Bolt, M8X60 (includes washer)	
5	10732095	16	Washer	
6	8036529	3	Valve, Solenoid (includes items 7 thru 10)	
7	N.S.S.	3	O-Ring	
8	N.S.S.	3	O-Ring	
9	N.S.S.	3	O-Ring	
10	N.S.S.	3	O-Ring	
11	7029267	3	Bracket	
12	70026544	3	Bolt, M6X12	
13	8036528	1	Valve, Solenoid (includes items 14 thru 16)	
14	N.S.S.	1	O-Ring	
15	N.S.S.	1	O-Ring	
16	N.S.S.	1	O-Ring	
17	7029267	1	Bracket	
18	70026544	1	Bolt, M6X12	

Go to Discount-Equipment.com to order your parts

# SECTION 5 - DRIVE TRAIN

## FIGURE 5-62. TRANSMISSION, SHIFT SYSTEM



ART\_1001170171\_16-C

## SECTION 5 - DRIVE TRAIN

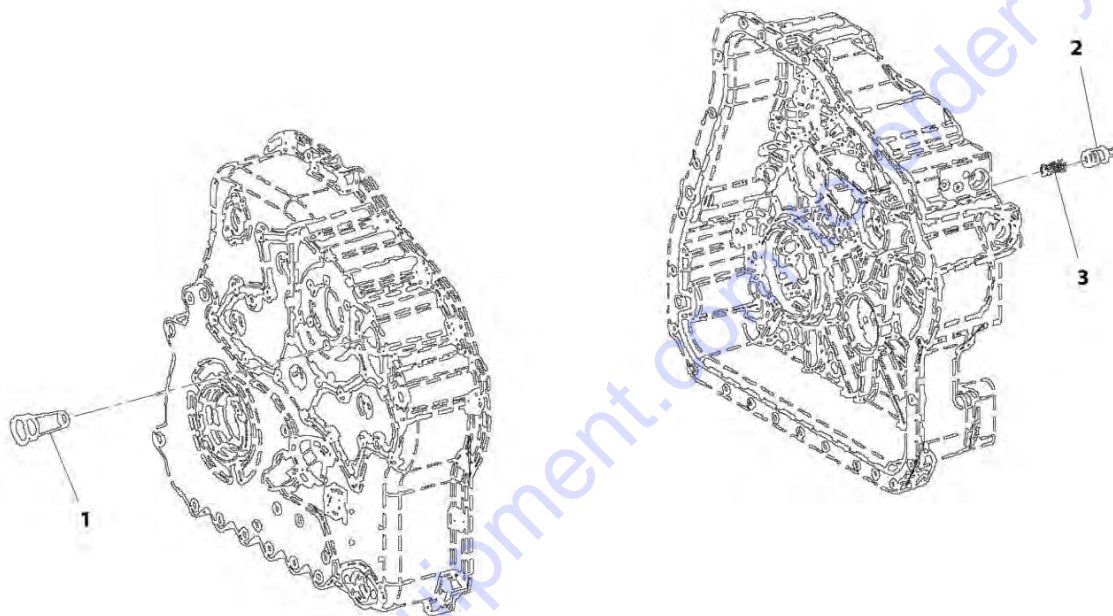
**FIGURE 5-62. TRANSMISSION, SHIFT SYSTEM**

ITEM	PART NUMBER	QTY	DESCRIPTION	REV
1	70026561	1	Assembly, Shift System (includes all items)	
2	70026546	1	Housing, Valve	
3	70026547	1	Piston, Control	
4	1319683	1	Spring	
5	1319684	1	Spring	
6	1319689	AR	Washer 0.20	
6	1319688	AR	Washer, 0.30	
6	1319687	AR	Washer, 0.50	
6	1319686	AR	Washer, 1.00	
6	1319685	AR	Washer, 2.00	
7	70026548	1	Piston	
8	70026549	1	Nozzle	
9	1319694	1	Assembly, Valve (includes items 10 thru 13)	
10	N.S.S.	1	Piston	
11	N.S.S.	2	Spring, Compression	
12	N.S.S.	2	Sleeve, Spring	
13	N.S.S.	2	Ring, Snap	
14	7026787	1	Spacer	
15	70026554	1	Plug, Screw (includes o-ring)	
15	70000656	1	O-Ring	
16	8036528	2	Valve, Solenoid (includes items 17 thru 19)	
17	N.S.S.	2	O-Ring	
18	N.S.S.	2	O-Ring	
19	N.S.S.	2	O-Ring	
20	7029267	2	Bracket	
21	70026544	2	Bolt, M6X12	
22	7026788	1	Gasket	
23	7026789	1	Cover	
24	70026555	2	Screw, Torx M6X23	
25	70026556	4	Screw, Torx M6X52	
26	70026517	2	Plug, Screw (includes o-ring)	
26	10731709	2	O-Ring	
27	10732071	1	Ball	
28	10732072	1	Spring	



## SECTION 5 - DRIVE TRAIN

FIGURE 5-63. TRANSMISSION, PRESSURE REGULATOR



ART\_1001170171\_17-C

## SECTION 5 - DRIVE TRAIN

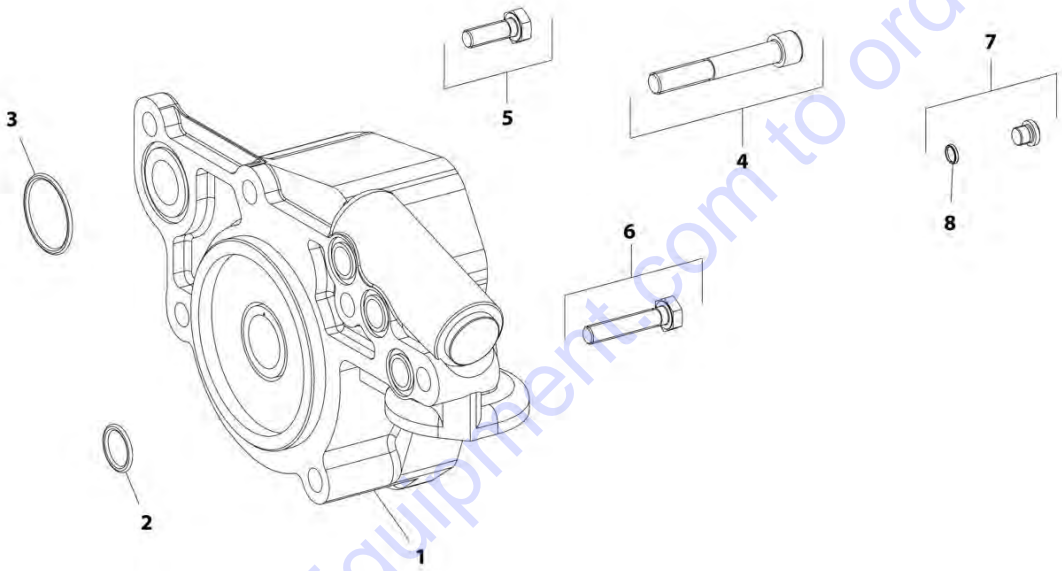
FIGURE 5-63. TRANSMISSION, PRESSURE REGULATOR

ITEM	PART NUMBER	QTY	DESCRIPTION	REV
1	7026782	1	Valve	
2	7026783	1	Piston	
3	7026784	1	Spring	

Go to Discount-Equipment.com to order your parts

# SECTION 5 - DRIVE TRAIN

## FIGURE 5-64. TRANSMISSION, PRESSURE OIL PUMP



ART\_1001170171\_18-C

## SECTION 5 - DRIVE TRAIN

**FIGURE 5-64. TRANSMISSION, PRESSURE OIL PUMP**

ITEM	PART NUMBER	QTY	DESCRIPTION	REV
1	7026791	1	Pump	
2	7026792	3	O-Ring	
3	1319719	1	O-Ring	
4	7026793	4	Bolt, M12X80	
5	80304394	1	Bolt, M10X30	
6	7026794	1	Bolt, M10X50	
7	70026517	2	Plug, Screw	
8	10731709	2	O-Ring	

Go to Discount-Equipment.com to order your parts

# PARTS FINDER

**Search Website  
by Part Number**



**Search Manual  
Library For Parts  
Manual & Lookup Part  
Numbers – Purchase  
or Request Quote**

A screenshot of the "Search Manuals" form. The form has a title "Search Manuals" and a subtitle "Please enter the model number or serial number of the machine you are looking for." Below the subtitle are several input fields: "Find" (with a dropdown menu), "Serial Number" (with a dropdown menu), "Year" (with a dropdown menu), "Make" (with a dropdown menu), "Part Number" (with a dropdown menu), "Part Name" (with a dropdown menu), and "Category" (with a dropdown menu). There is a "Search" button at the bottom of the form.

**Can't Find Part or  
Manual? Request Help  
by Manufacturer,  
Model & Description**

A screenshot of the "Parts Order Form". The form has a title "Parts Order Form" and a subtitle "Please fill out the form below." Below the subtitle are several input fields: "Manufacturer" (with a dropdown menu), "Model" (with a dropdown menu), "Description" (with a dropdown menu), "Part Number" (with a dropdown menu), "Part Name" (with a dropdown menu), "Quantity" (with a dropdown menu), "Price" (with a dropdown menu), "Date" (with a dropdown menu), and "Comments" (with a text area). There is a "Submit" button at the bottom of the form.

Discount-Equipment.com is your online resource for quality parts & equipment.

Florida: **561-964-4949** Outside Florida TOLL FREE: **877-690-3101**

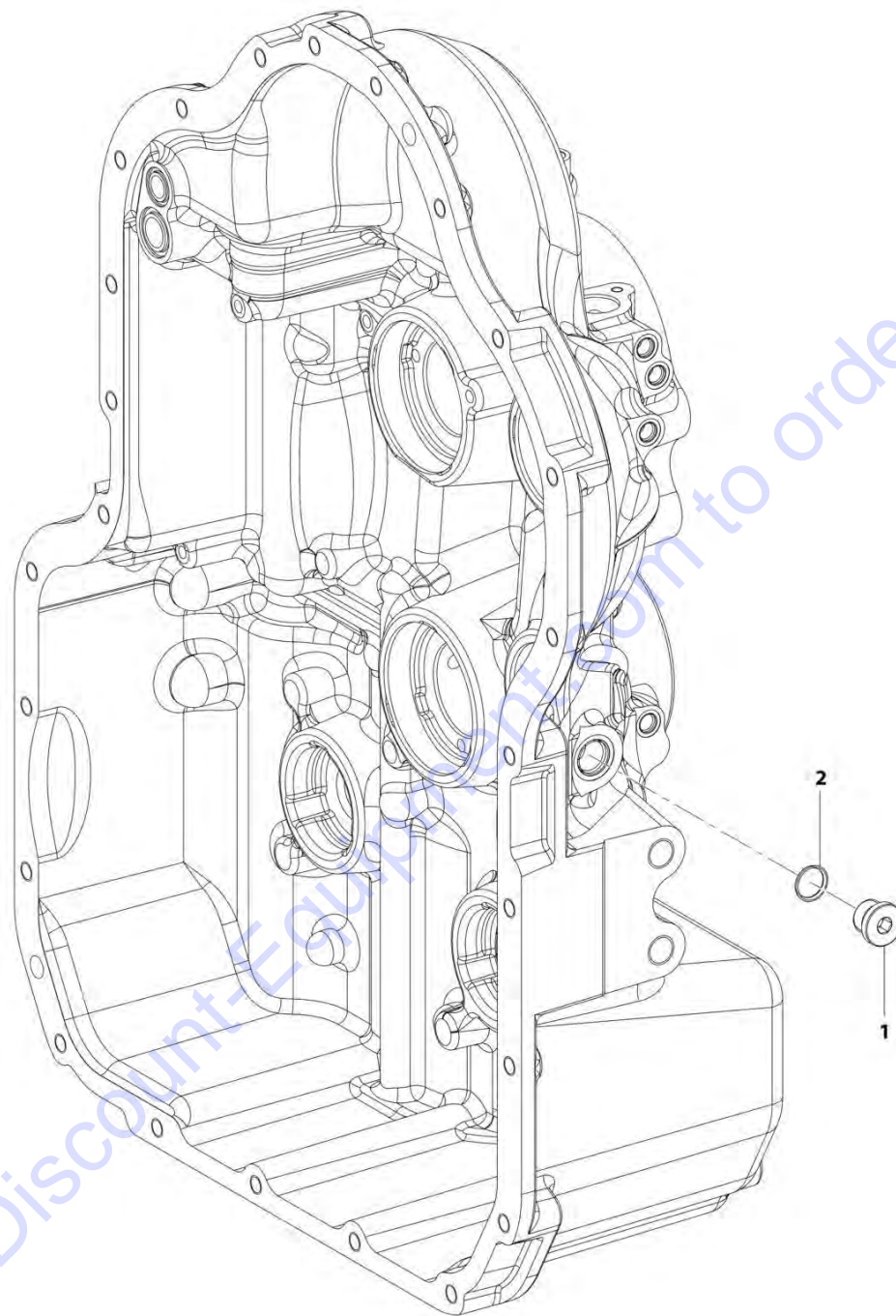
**Need parts?**

Click on this link: <http://www.discount-equipment.com/category/5443-parts/> and choose one of the options to help get the right parts and equipment you are looking for. Please have the machine model and serial number available in order to help us get you the correct parts. If you don't find the part on the website or on one of the online manuals, please fill out the request form and one of our experienced staff members will get back to you with a quote for the right part that your machine needs.

We sell worldwide for the brands: Genie, Terex, JLG, MultiQuip, Mikasa, Essick, Whiteman, Mayco, Toro Stone, Diamond Products, Generac Magnum, Airman, Haulotte, Barreto, Power Blanket, Nifty Lift, Atlas Copco, Chicago Pneumatic, Allmand, Miller Curber, Skyjack, Lull, Skytrak, Tsurumi, Husquvarna Target, Stow, Wacker, Sakai, Mi-T-M, Sullair, Basic, Dynapac, MBW, Weber, Bartell, Bennar Newman, Haulotte, Ditch Runner, Menegotti, Morrison, Contec, Buddy, Crown, Edco, Wyco, Bomag, Laymor, EZ Trench, Bil-Jax, F.S. Curtis, Gehl Pavers, Heli, Honda, ICS/PowerGrit, IHI, Partner, Imer, Clipper, MMD, Koshin, Rice, CH&E, General Equipment, Amida, Coleman, NAC, Gradall, Square Shooter, Kent, Stanley, Tamco, Toku, Hatz, Kohler, Robin, Wisconsin, Northrock, Oztec, Toker TK, Rol-Air, APT, Wylie, Ingersoll Rand / Doosan, Innovatech, Con X, Ammann, Mecalac, Makinex, Smith Surface Prep, Small Line, Wanco, Yanmar

# SECTION 5 - DRIVE TRAIN

## FIGURE 5-65. TRANSMISSION, INDUCTIVE TRANSMITTER



ART\_1001170171\_19-C

## SECTION 5 - DRIVE TRAIN

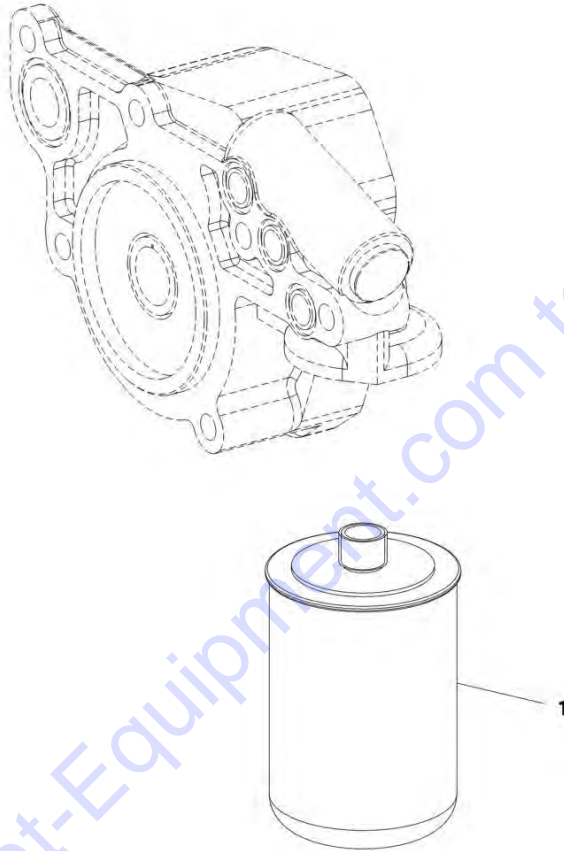
FIGURE 5-65. TRANSMISSION, INDUCTIVE TRANSMITTER

ITEM	PART NUMBER	QTY	DESCRIPTION	REV
1	70024895	1	Plug, Screw (includes o-ring)	
2	N.S.S.	1	O-Ring	

Go to Discount-Equipment.com to order your parts

## SECTION 5 - DRIVE TRAIN

FIGURE 5-66. TRANSMISSION, FILTER



ART\_1001170171\_20-C



## SECTION 5 - DRIVE TRAIN

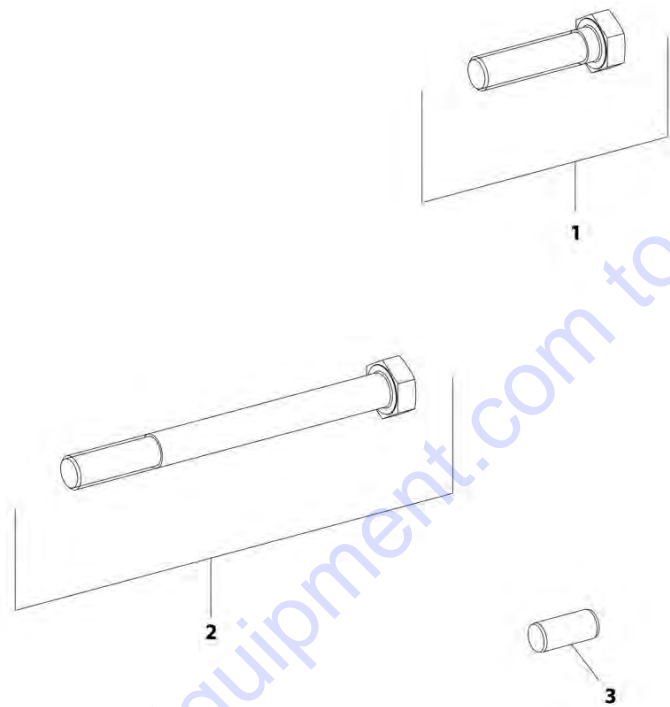
FIGURE 5-66. TRANSMISSION, FILTER

ITEM	PART NUMBER	QTY	DESCRIPTION	REV
1	1319726	1	Filter	

Go to Discount-Equipment.com to order your parts

# SECTION 5 - DRIVE TRAIN

FIGURE 5-67. TRANSMISSION, ACCESSORIES GROUP 1



ART\_1001170171\_21-C

## SECTION 5 - DRIVE TRAIN

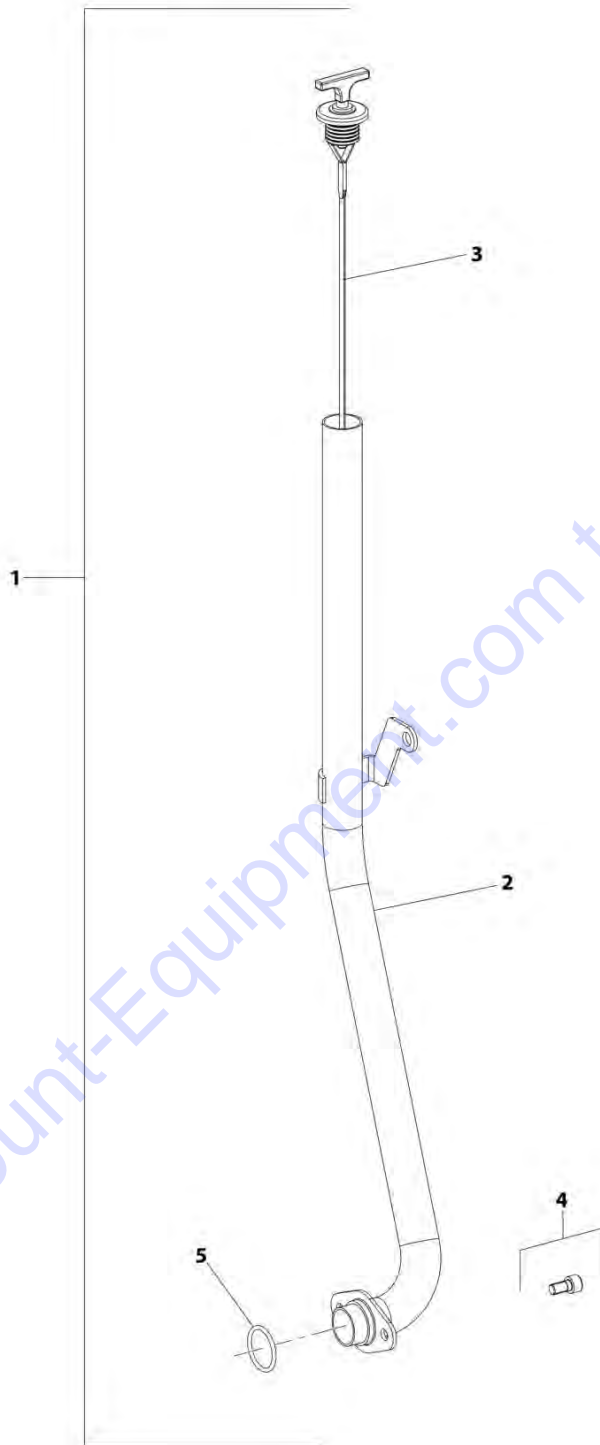
FIGURE 5-67. TRANSMISSION, ACCESSORIES GROUP 1

ITEM	PART NUMBER	QTY	DESCRIPTION	REV
1	7027254	12	Bolt, M14X55	
2	7027255	2	Bolt, M14X150	
3	1319571	1	Pin	

Go to Discount-Equipment.com to order your parts

# SECTION 5 - DRIVE TRAIN

FIGURE 5-68. TRANSMISSION, PERIPHERALS GROUP 1



ART\_1001170171\_22-C

## SECTION 5 - DRIVE TRAIN

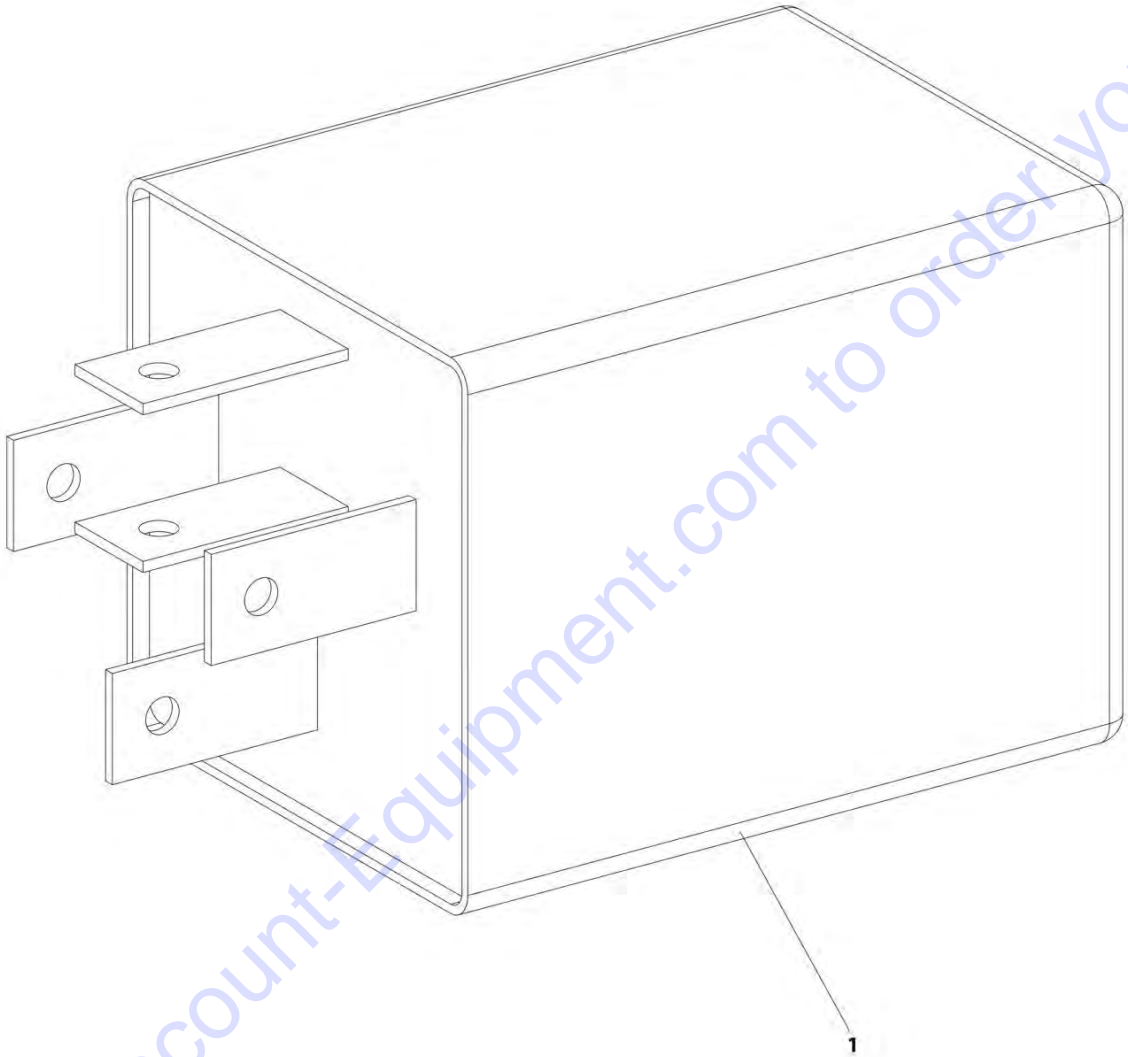
FIGURE 5-68. TRANSMISSION, PERIPHERALS GROUP 1

ITEM	PART NUMBER	QTY	DESCRIPTION	REV
1	1001095738	1	Kit, Oil Level Dipstick (includes items 2 & 3)	
2	1001095744	1	Tube, Oil Level	
3	8841322	1	Dipstick, Oil Level	
4	70026516	2	Bolt, M8X16	
5	70023885	1	O-Ring	

Go to Discount-Equipment.com to order your parts

**SECTION 5 - DRIVE TRAIN**

**FIGURE 5-69. TRANSMISSION, ACCESSORIES GROUP 2**



ART\_1001170171\_24-C

## SECTION 5 - DRIVE TRAIN

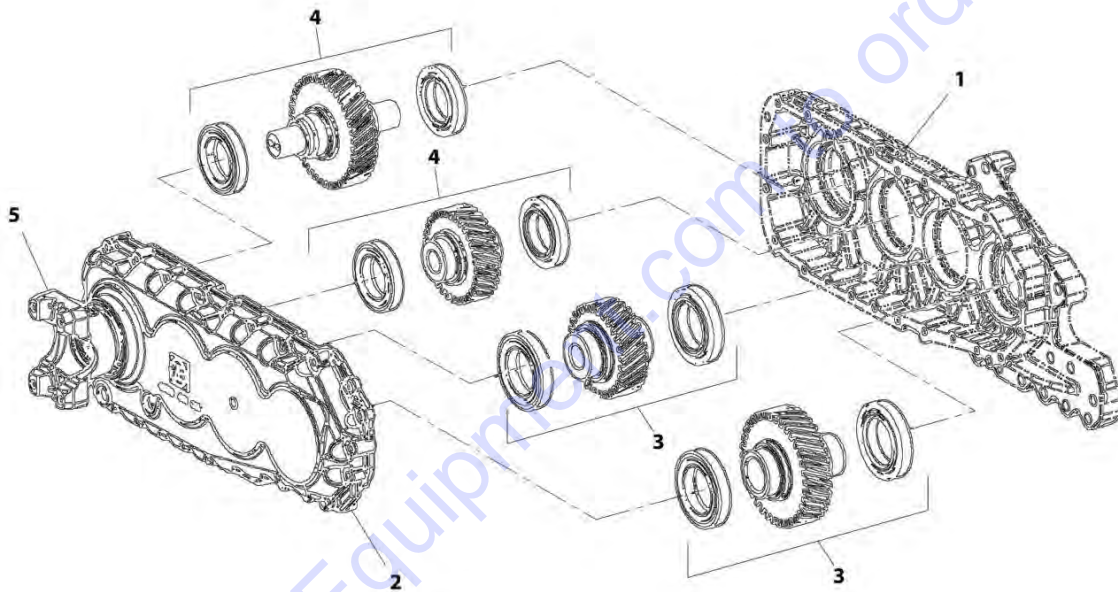
FIGURE 5-69. TRANSMISSION, ACCESSORIES GROUP 2

ITEM	PART NUMBER	QTY	DESCRIPTION	REV
1	70026559	1	Relay	

Go to Discount-Equipment.com to order your parts

# SECTION 5 - DRIVE TRAIN

## FIGURE 5-70. TRANSMISSION, TRANSFER BOX



ART\_1001170171\_25-C



## SECTION 5 - DRIVE TRAIN

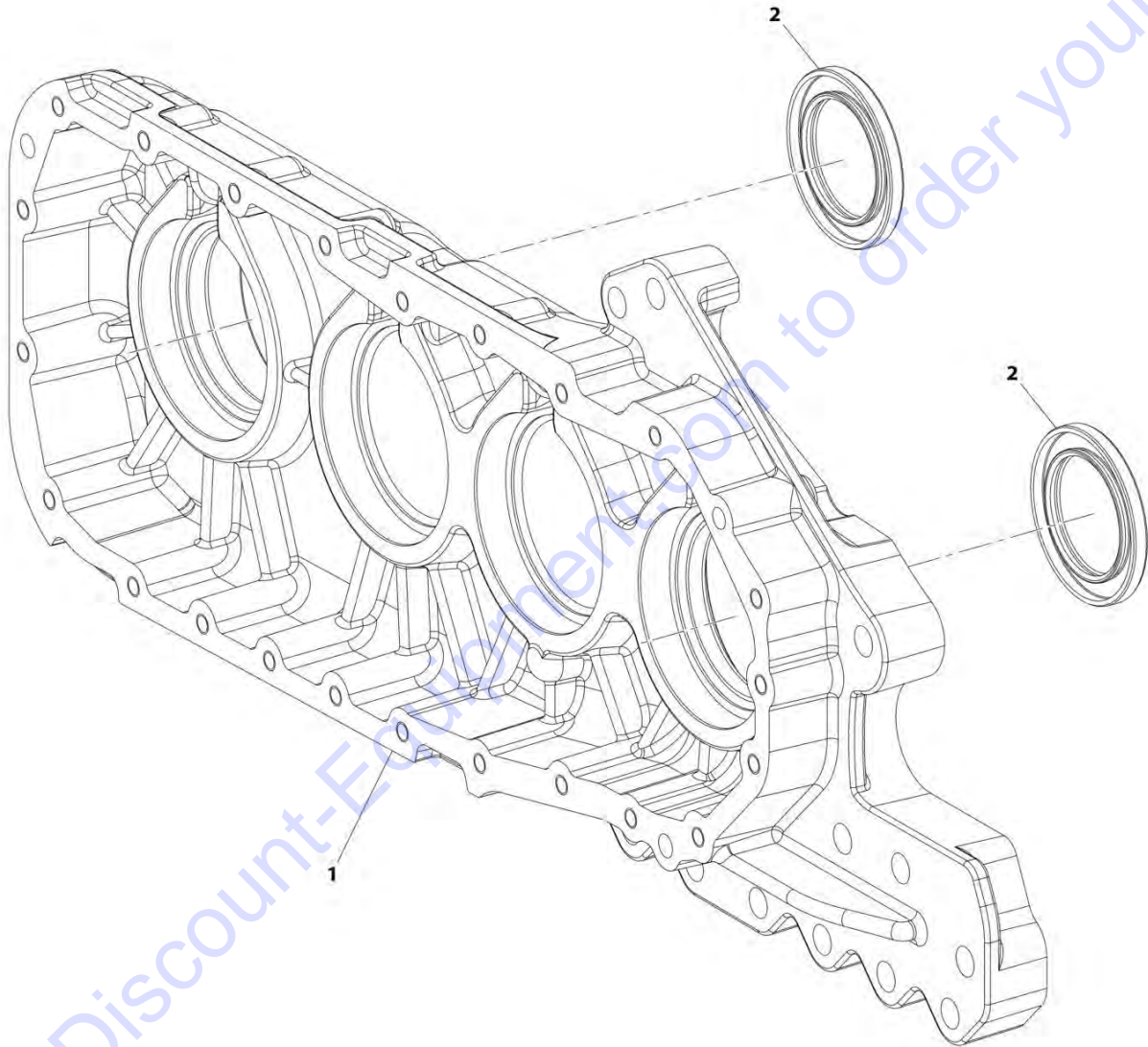
### FIGURE 5-70. TRANSMISSION, TRANSFER BOX

ITEM	PART NUMBER	QTY	DESCRIPTION	REV
	70023502	1	Box Transfer (includes all items)	
1	N.S.S.	Ref	Housing 1, Transfer Box (see TRANSFER BOX HOUSING 1 for Breakdown)	
2	N.S.S.	Ref	Housing 2, Transfer Box (See TRANSFER BOX HOUSING 2 for Breakdown)	
3	N.S.S.	Ref	Input, Transfer Box (See TRANSFER BOX INPUT for Breakdown)	
4	N.S.S.	Ref	Output 1, Transfer Box (See TRANSFER BOX OUTPUT 1 for Breakdown)	
5	N.S.S.	Ref	Output 2, Transfer Box (See TRANSFER BOX OUTPUT 2 for Breakdown)	

Go to Discount-Equipment.com to order your parts

## SECTION 5 - DRIVE TRAIN

FIGURE 5-71. TRANSMISSION, TRANSFER BOX HOUSING 1



ART\_1001170171\_26-C

## SECTION 5 - DRIVE TRAIN

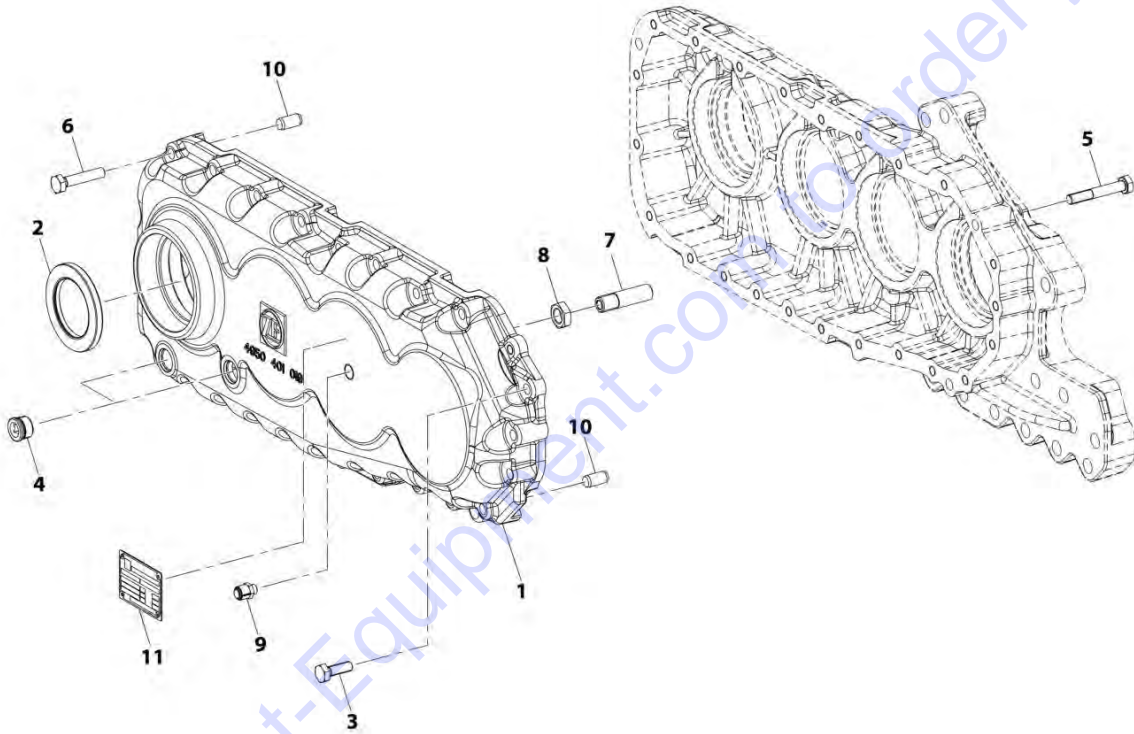
FIGURE 5-71. TRANSMISSION, TRANSFER BOX HOUSING 1

ITEM	PART NUMBER	QTY	DESCRIPTION	REV
1	70023474	1	Housing, Transfer Box	
2	70026536	2	Seal, Shaft	

Go to Discount-Equipment.com to order your parts

# SECTION 5 - DRIVE TRAIN

## FIGURE 5-72. TRANSMISSION, TRANSFER BOX HOUSING 2



ART\_1001170171\_27-C

## SECTION 5 - DRIVE TRAIN

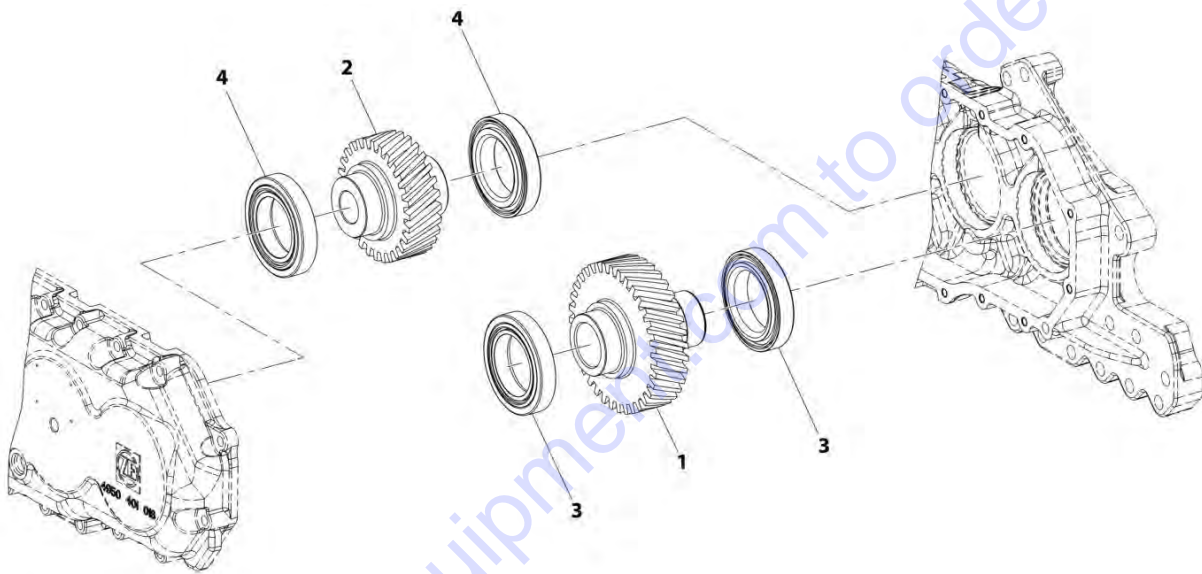
FIGURE 5-72. TRANSMISSION, TRANSFER BOX HOUSING 2

ITEM	PART NUMBER	QTY	DESCRIPTION	REV
1	70023475	1	Housing	
2	70026536	1	Seal, Shaft	
3	70023800	1	Bolt, M10X30	
4	70023404	2	Plug	
5	70023476	1	Bolt, M10X65	
6	70023801	22	Bolt, M10X50	
7	7026577	1	Sleeve	
8	7026578	1	Nut, M16	
9	1319436	1	Breather	
10	1319571	2	Pin	
11	N.S.S.	1	S/N Plate	

Go to Discount-Equipment.com to order your parts

## SECTION 5 - DRIVE TRAIN

FIGURE 5-73. TRANSMISSION, TRANSFER BOX HOUSING INPUT



ART\_1001170171\_28-C

## SECTION 5 - DRIVE TRAIN

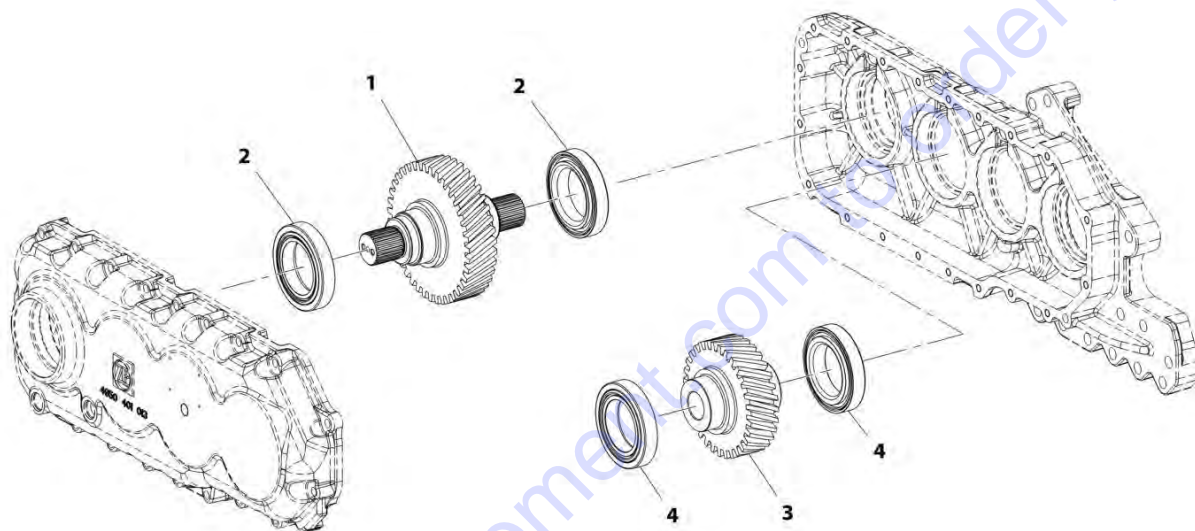
FIGURE 5-73. TRANSMISSION, TRANSFER BOX HOUSING INPUT

ITEM	PART NUMBER	QTY	DESCRIPTION	REV
1	7027269	1	Shaft	
2	7027270	1	Gear, Idler	
3	7026769	2	Bearing, Roller	
4	1320748	2	Cup, Tapered Roller	
4	1320754	2	Cone, Tapered Roller	

Go to Discount-Equipment.com to order your parts

## SECTION 5 - DRIVE TRAIN

FIGURE 5-74. TRANSMISSION, TRANSFER BOX HOUSING OUTPUT 1



ART\_1001170171\_29-C



## SECTION 5 - DRIVE TRAIN

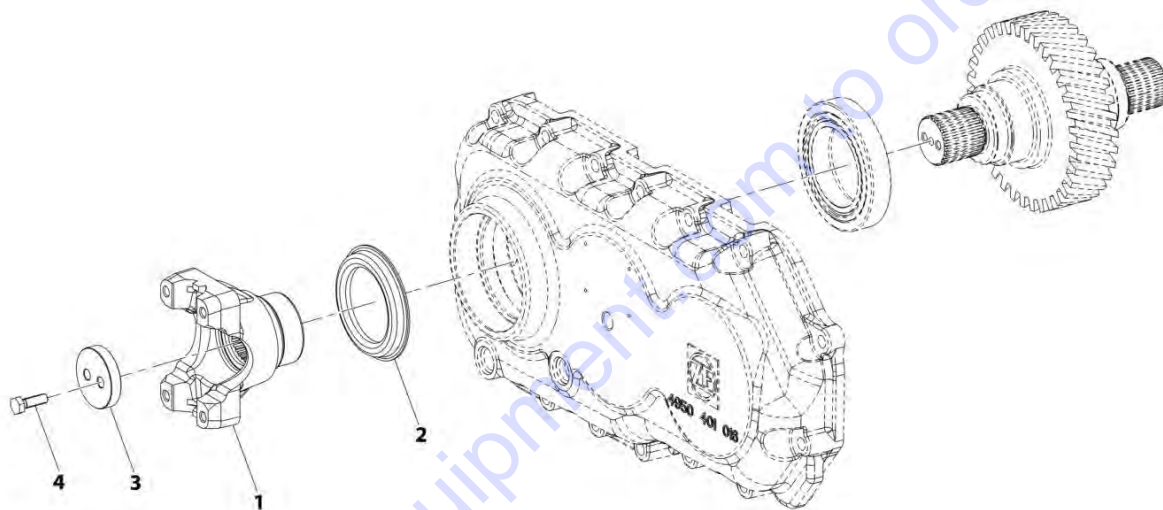
FIGURE 5-74. TRANSMISSION, TRANSFER BOX HOUSING OUTPUT 1

ITEM	PART NUMBER	QTY	DESCRIPTION	REV
1	7027271	1	Gear, Output	
2	7026769	2	Bearing, Roller	
3	7027272	1	Gear, Idler	
4	1320748	2	Cup, Tapered Roller	
4	1320754	2	Cone, Tapered Roller	

Go to Discount-Equipment.com to order your parts

## SECTION 5 - DRIVE TRAIN

FIGURE 5-75. TRANSMISSION, TRANSFER BOX HOUSING OUTPUT 2



ART\_1001170171\_30-C

## SECTION 5 - DRIVE TRAIN

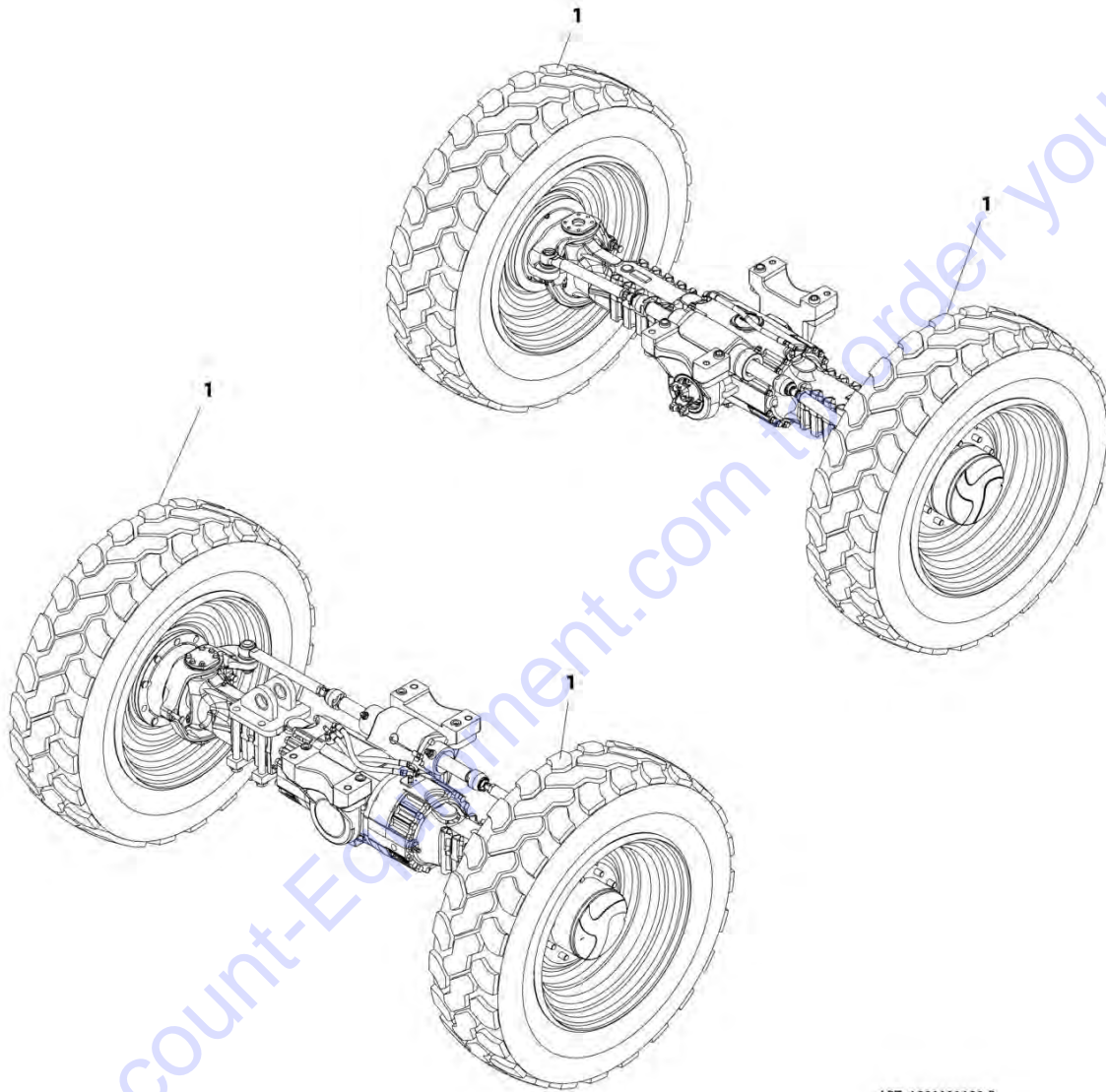
**FIGURE 5-75. TRANSMISSION, TRANSFER BOX HOUSING OUTPUT 2**

ITEM	PART NUMBER	QTY	DESCRIPTION	REV
1	7027273	2	Flange (one per side)	
2	1319647	2	Sheet, Screen (one per side)	
3	1319648	2	Washer, (one per side)	
4	10731959	4	Bolt, M8X25 (two per side)	

Go to Discount-Equipment.com to order your parts

## SECTION 5 - DRIVE TRAIN

FIGURE 5-76. TIRE WHEEL SET-400/75-28-PNEUMATIC



ART\_1001121109-B

## SECTION 5 - DRIVE TRAIN

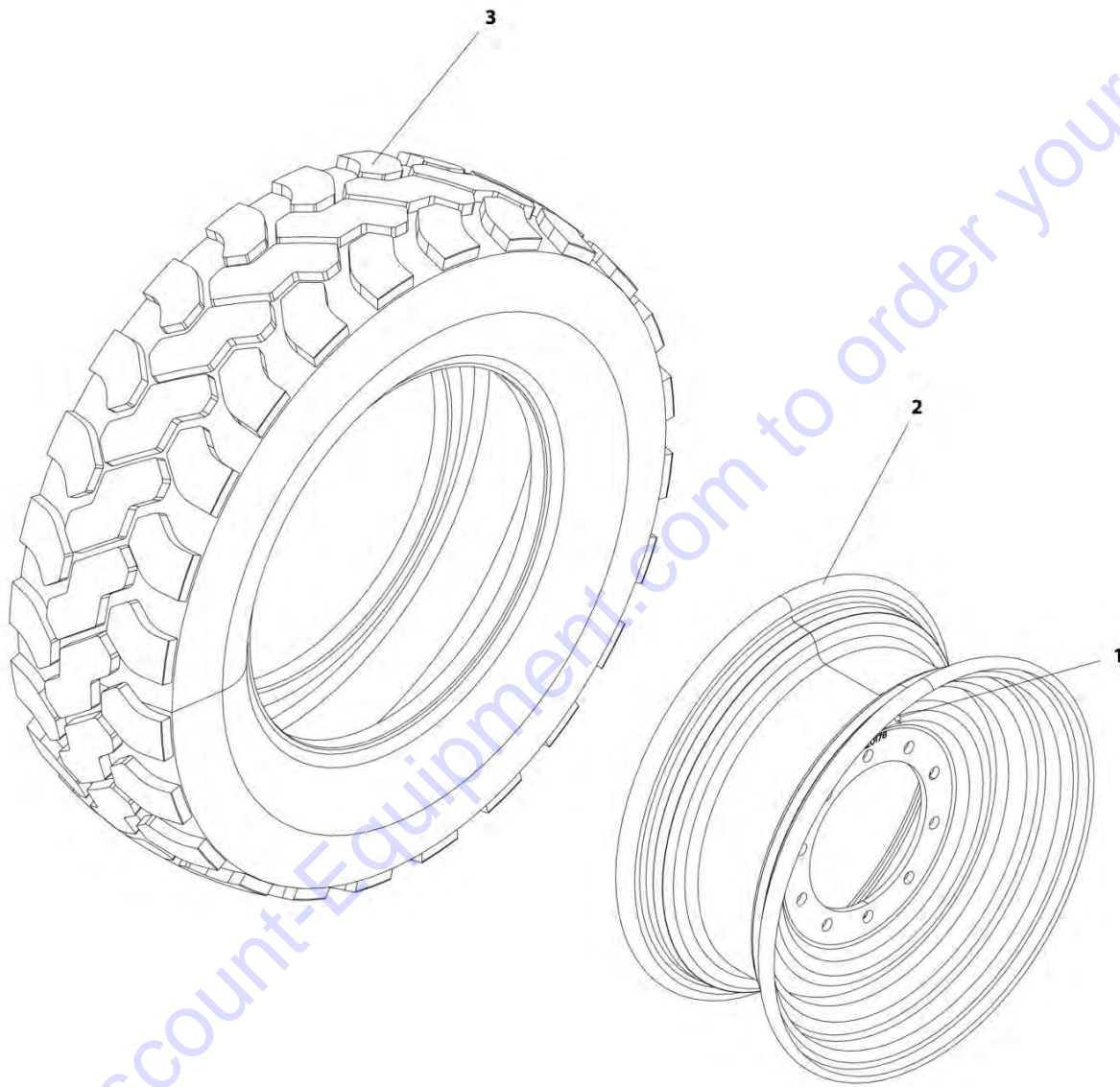
**FIGURE 5-76. TIRE WHEEL SET-400/75-28-PNEUMATIC**

ITEM	PART NUMBER	QTY	DESCRIPTION	REV
1	1001121109	1	Tire Wheel Set - 400/75-28 - PNEUMATIC	B
	1001121103	4	Assembly, Tire and Wheel - 400/75-28 - PNEUMATIC (See TIRE AND WHEEL ASSEMBLY - 400/75-28 - PNEUMATIC for Breakdown)	

Go to Discount-Equipment.com to order your parts

## SECTION 5 - DRIVE TRAIN

FIGURE 5-77. WHEEL ASSEMBLY - 400/75-28 - PNEUMATIC



ART\_1001121103-B

## SECTION 5 - DRIVE TRAIN

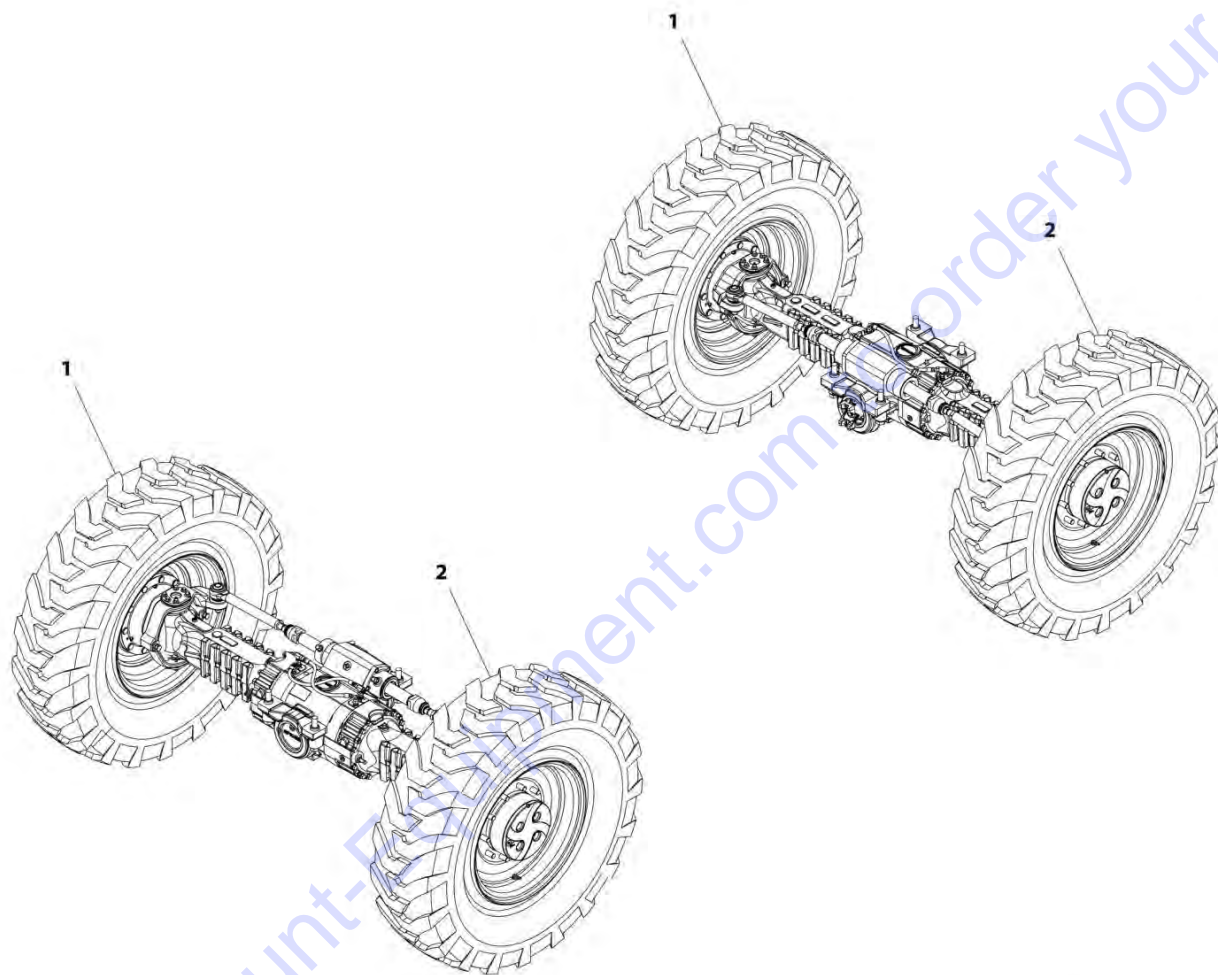
**FIGURE 5-77. WHEEL ASSEMBLY - 400/75-28 - PNEUMATIC**

ITEM	PART NUMBER	QTY	DESCRIPTION	REV
	1001121103	Ref	Tire and Wheel Assembly - 400/75-28 - PNEUMATIC	B
1	8786514	1	Valve, Stem	
2	1001120178	1	Wheel, 28.00x12w/.75 Offset	
3	1001120179	1	Tire, 400/7D-28	

Go to Discount-Equipment.com to order your parts

## SECTION 5 - DRIVE TRAIN

FIGURE 5-78. TIRE WHEEL SET - 14.00-24 16PR - PNEUMATIC - 1055



ART\_1001198291-A



## SECTION 5 - DRIVE TRAIN

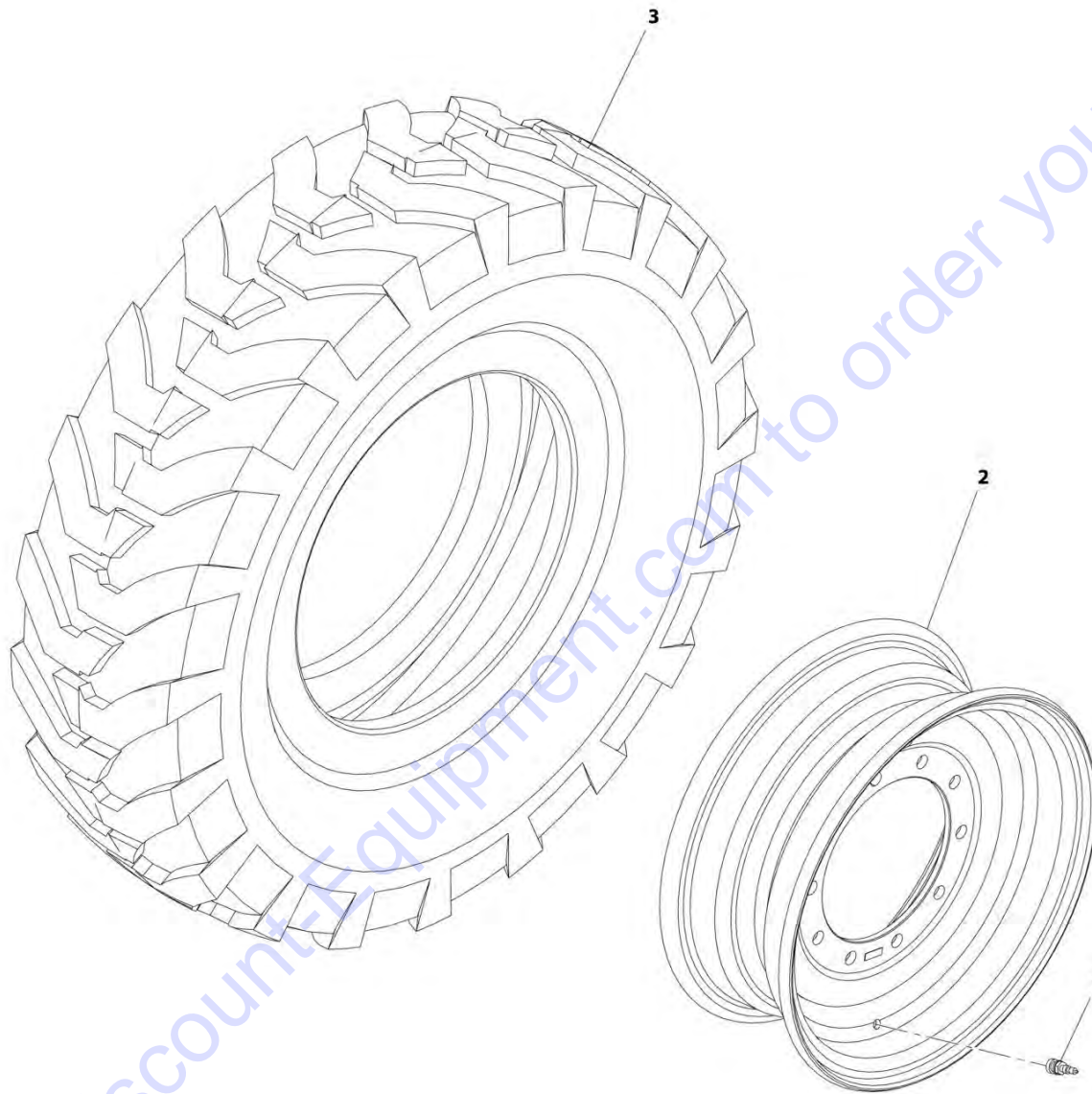
**FIGURE 5-78. TIRE WHEEL SET - 14.00-24 16PR - PNEUMATIC - 1055**

ITEM	PART NUMBER	QTY	DESCRIPTION	REV
1	1001198291	1	Tire Wheel Set - 14.00-24 16PR - PNEUMATIC - 1055	A
	1001197715	2	Assembly, Right Tire and Wheel - 14.00X24 PNEUMATIC (See RIGHT TIRE AND WHEEL ASSEMBLY - 14.00X24 PNEUMATIC - 1055 for Breakdown)	
2	1001197716	2	Assembly, Left Tire and Wheel - 14.00X24 PNEUMATIC (See LEFT TIRE AND WHEEL ASSEMBLY - 14.00X24 PNEUMATIC - 1055 for Breakdown)	

Go to Discount-Equipment.com to order your parts

## SECTION 5 - DRIVE TRAIN

FIGURE 5-79. LEFT TIRE AND WHEEL ASSEMBLY - 14.00X24 PNEUMATIC - 1055



ART\_1001197716-B

## SECTION 5 - DRIVE TRAIN

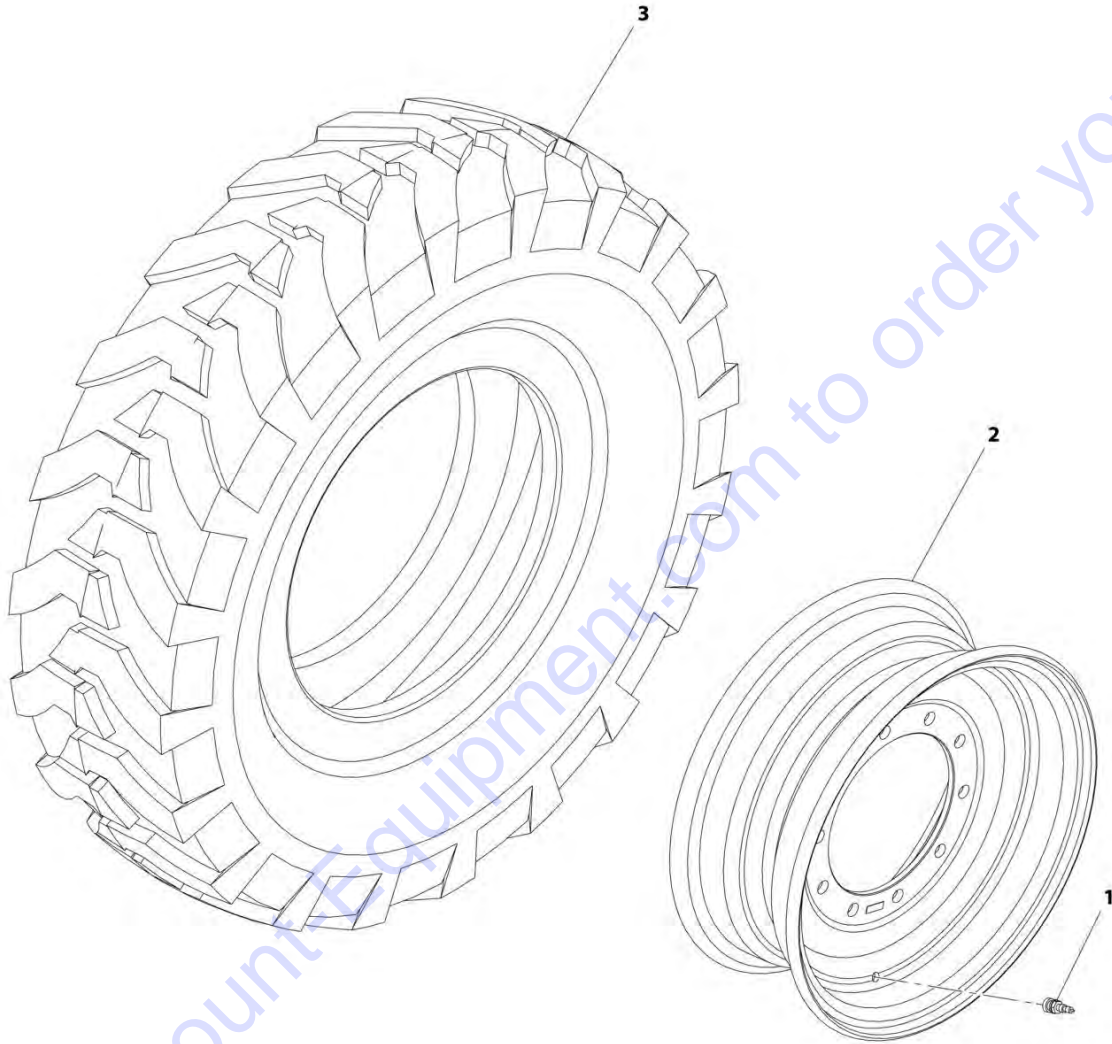
**FIGURE 5-79. LEFT TIRE AND WHEEL ASSEMBLY - 14.00X24 PNEUMATIC - 1055**

ITEM	PART NUMBER	QTY	DESCRIPTION	REV
	1001197716	Ref	Left Tire and Wheel Assembly - 14.00X24 PNEUMATIC - 1055	B
1	8786514	1	Valve, Stem	
2	91473206	1	Wheel, 24X9.00	
3	1001197709	1	Tire, 14.00X24TG 12 PLY	

Go to Discount-Equipment.com to order your parts

## SECTION 5 - DRIVE TRAIN

FIGURE 5-80. RIGHT TIRE AND WHEEL ASSEMBLY - 14.00X24 PNEUMATIC - 1055



ART\_1001197715-B

## SECTION 5 - DRIVE TRAIN

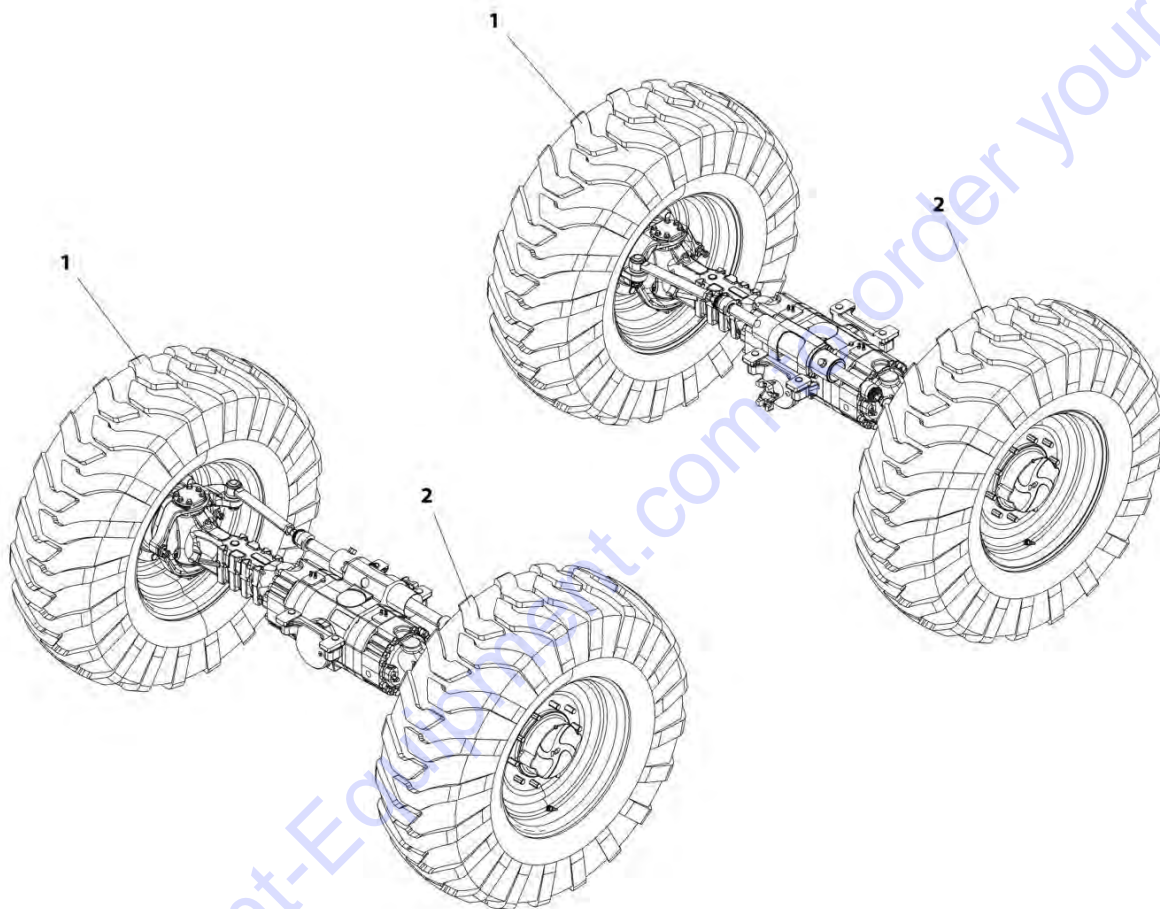
**FIGURE 5-80. RIGHT TIRE AND WHEEL ASSEMBLY - 14.00X24 PNEUMATIC - 1055**

ITEM	PART NUMBER	QTY	DESCRIPTION	REV
	1001197715	Ref	Right Tire and Wheel Assembly - 14.00X24 PNEUMATIC - 1055	B
1	8786514	1	Valve, Stem	
2	91473206	1	Wheel, 24X9.00	
3	1001197709	1	Tire, 14.00X24TG 12 PLY	

Go to Discount-Equipment.com to order your parts

## SECTION 5 - DRIVE TRAIN

FIGURE 5-81. TIRE WHEEL SET - 17.50-25 16 PLY - 1255



ART\_1001152430-A

## SECTION 5 - DRIVE TRAIN

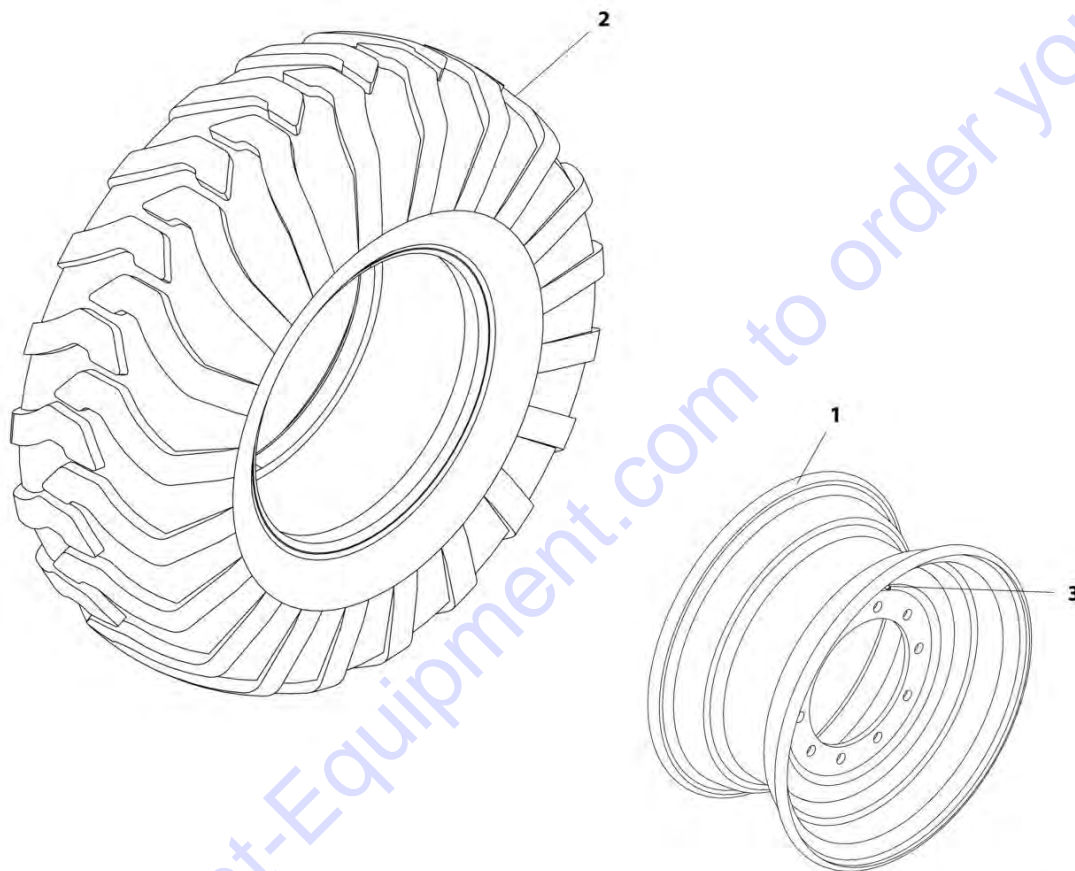
**FIGURE 5-81. TIRE WHEEL SET - 17.50-25 16 PLY - 1255**

ITEM	PART NUMBER	QTY	DESCRIPTION	REV
1	1001152430	Ref	Tire Wheel Set - 17.5-25 16 PLY -1255	A
	1001152415	2	Assembly, Right Tire and Wheel - 17.5-25 16 PLY (See RIGHT WHEEL ASSEMBLY - 17.50-25 16 PLY - 1255 for Breakdown)	
2	1001152416	2	Assembly, Left Tire and Wheel - 17.5-25 16 PLY (See LEFT WHEEL ASSEMBLY - 17.50-25 16 PLY - 1255 for Breakdown)	

Go to Discount-Equipment.com to order your parts

## SECTION 5 - DRIVE TRAIN

FIGURE 5-82. RIGHT WHEEL ASSEMBLY - 17.50-25 16 PLY - 1255



ART\_1001152415-A



## SECTION 5 - DRIVE TRAIN

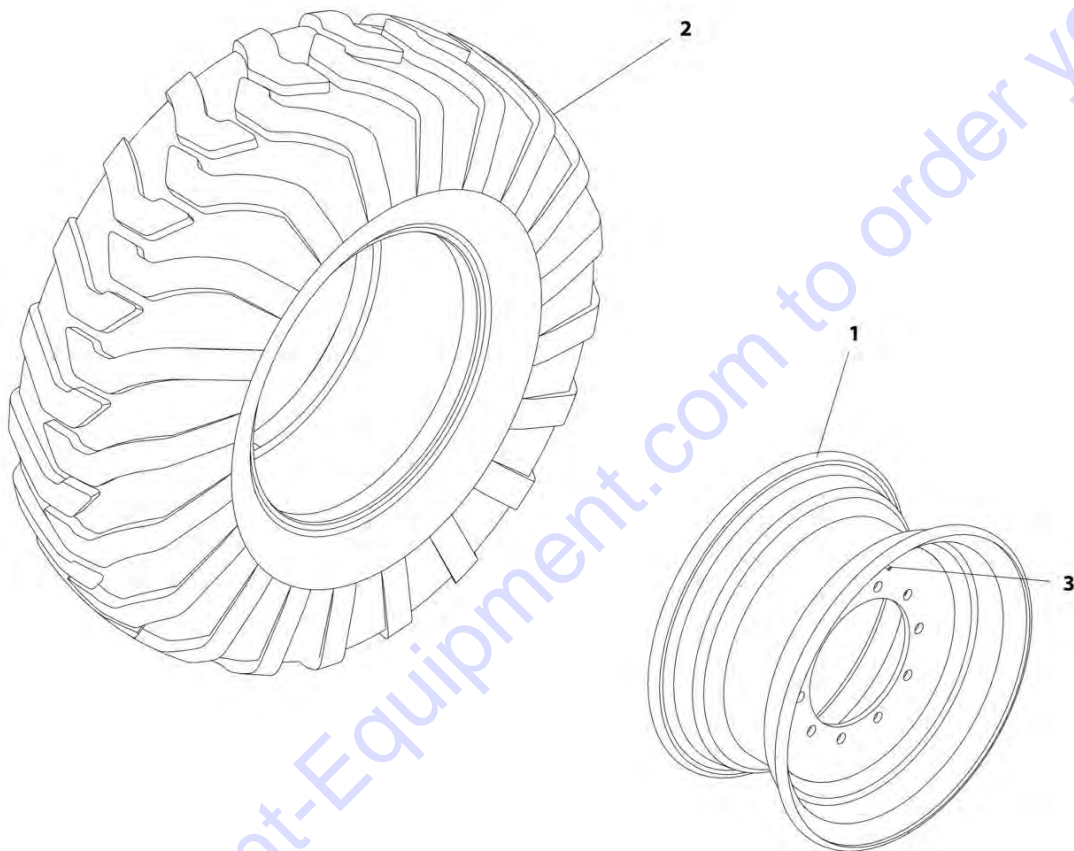
**FIGURE 5-82. RIGHT WHEEL ASSEMBLY - 17.50-25 16 PLY - 1255**

ITEM	PART NUMBER	QTY	DESCRIPTION	REV
	1001152415	Ref	Right Wheel Assembly - 17.5-25 16 PLY - 1255	A
1	91563250	1	Wheel, 25X13.00 LR 1.687 Offset	
2	8780039	1	Tire, 17.5-25 16 PLY	
3	91083385	1	Valve, Tire	

Go to Discount-Equipment.com to order your parts

## SECTION 5 - DRIVE TRAIN

FIGURE 5-83. LEFT WHEEL ASSEMBLY - 17.50-25 16 PLY - 1255



ART\_1001152416-A

## SECTION 5 - DRIVE TRAIN

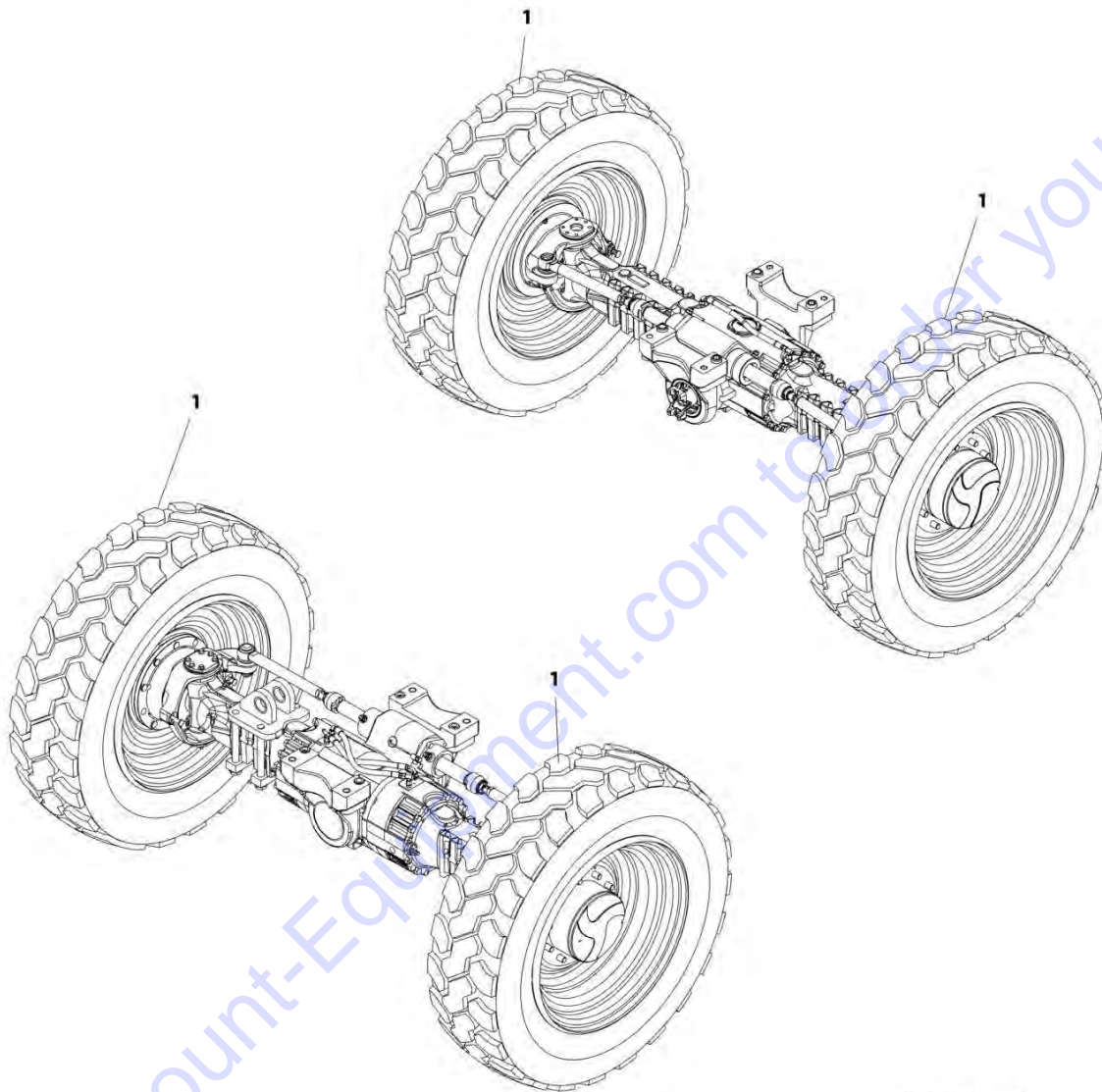
**FIGURE 5-83. LEFT WHEEL ASSEMBLY - 17.50-25 16 PLY - 1255**

ITEM	PART NUMBER	QTY	DESCRIPTION	REV
	1001152416	Ref	Tire, Wheel Assembly (LEFT)	A
1	91563250	1	Wheel, 25X13.00 LR 1.687 Offset	
2	8780039	1	Tire, 17.5-25 16 PLY	
3	91083385	1	Valve, Tire	

Go to Discount-Equipment.com to order your parts

## SECTION 5 - DRIVE TRAIN

FIGURE 5-84. TIRE WHEEL SET - 400/75-28 - FOAM FILLED



ART\_1001125410-B

## SECTION 5 - DRIVE TRAIN

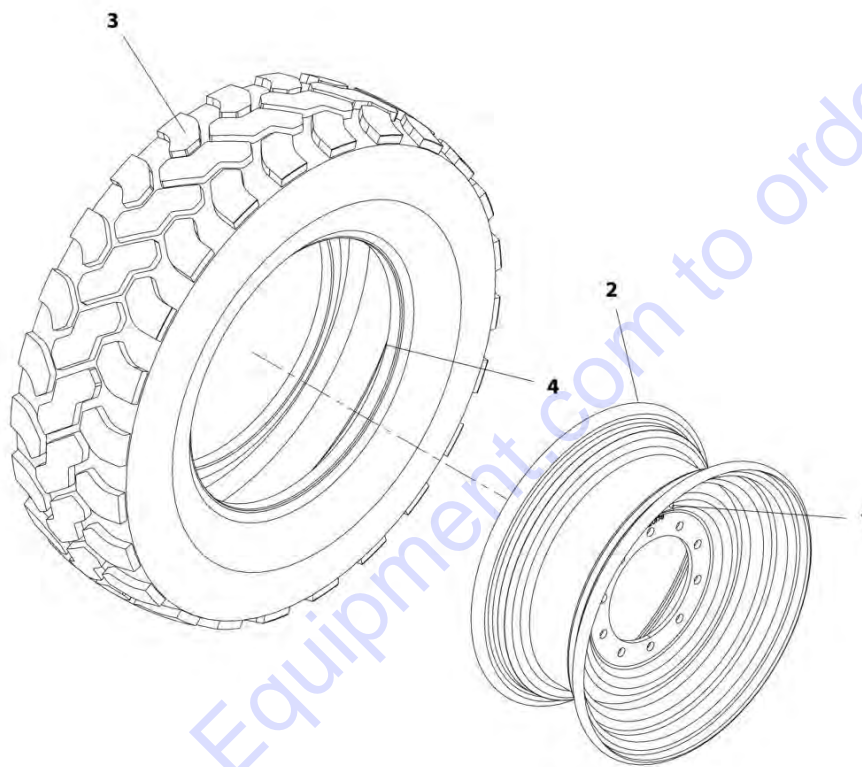
**FIGURE 5-84. TIRE WHEEL SET - 400/75-28 - FOAM FILLED**

ITEM	PART NUMBER	QTY	DESCRIPTION	REV
1	1001125410 1001121105	Ref 4	Tire Wheel Set - 400/75-28 - Foam Filled Assembly, Tire and Wheel - 400/75-28 - Foam Filled (See TIRE AND WHEEL ASSEMBLY - 400/75-28 - FOAM FILLED for Breakdown)	B

Go to Discount-Equipment.com to order your parts

## SECTION 5 - DRIVE TRAIN

FIGURE 5-85. TIRE AND WHEEL ASSEMBLY - 400/75-28 - FOAM FILLED



ART\_1001121105-C

## SECTION 5 - DRIVE TRAIN

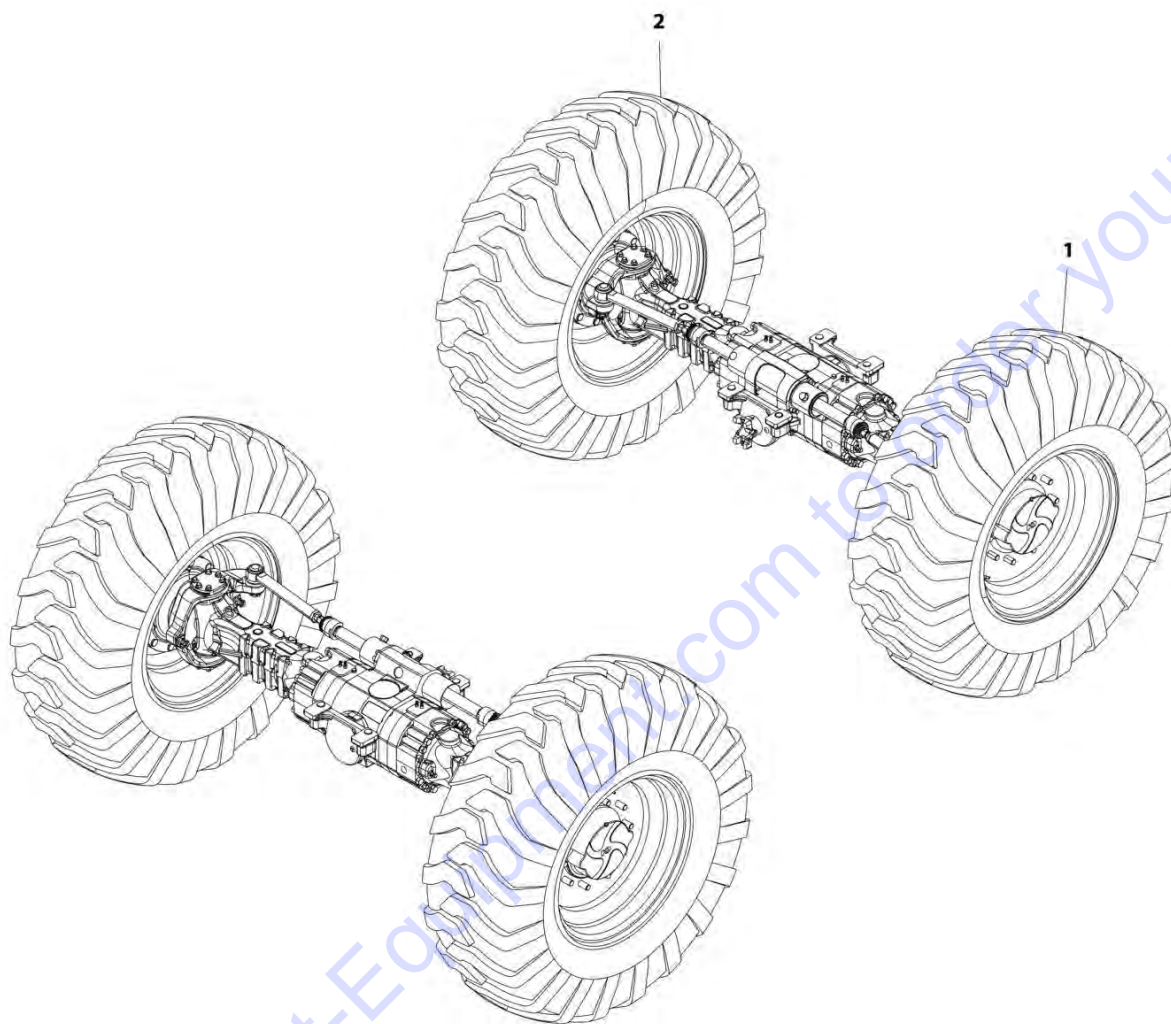
**FIGURE 5-85. TIRE AND WHEEL ASSEMBLY - 400/75-28 - FOAM FILLED**

ITEM	PART NUMBER	QTY	DESCRIPTION	REV
	1001121105	Ref	Tire and Wheel Assembly - 400/75-28 FOAM FILLED - 1255	C
1	8786514	1	Valve, Stem	
2	1001120178	1	Wheel, 28.00X12 W/0.75 Offset	
3	1001120179	1	Tire, 400/75D-28	
4	8526203	1	Foam Fill	

Go to Discount-Equipment.com to order your parts

## SECTION 5 - DRIVE TRAIN

FIGURE 5-86. TIRE WHEEL SET - 17.50-25 G2 - FOAM FILLED - 1255



ART\_4520519-B



## SECTION 5 - DRIVE TRAIN

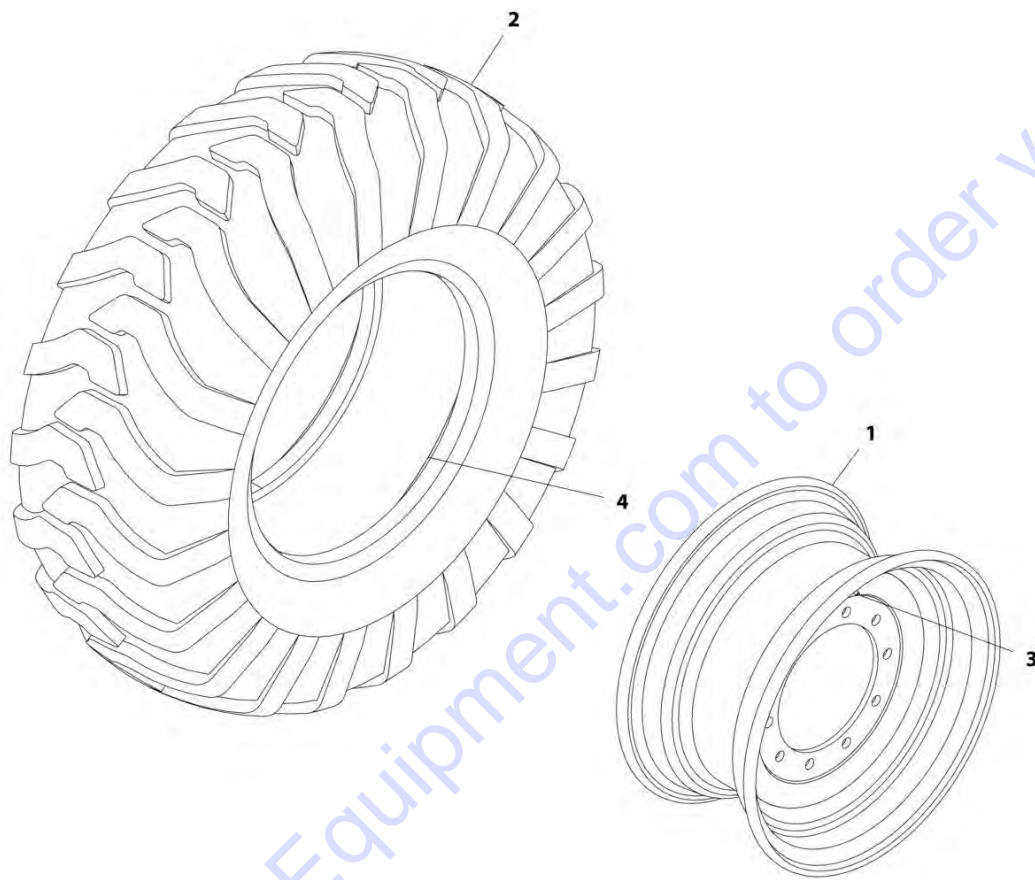
**FIGURE 5-86. TIRE WHEEL SET - 17.50-25 G2 - FOAM FILLED - 1255**

ITEM	PART NUMBER	QTY	DESCRIPTION	REV
1	4520519	1	Tire Wheel Set - 17.50-25 G2 - FOAM FILLED - 1255	B
	91565039	2	Assembly, Left Tire and Wheel - 17.50-25 G2 - FOAM FILLED - 1255 (See Left Tire and Wheel Assembly - 17.50-25 G2 - FOAM FILLED - 1255 for Breakdown)	
2	91565040	2	Assembly, Right Tire and Wheel - 17.50-25 G2 - FOAM FILLED - 1255 (See Right Tire and Wheel Assembly - 17.50-25 G2 - FOAM FILLED - 1255 for Breakdown)	

Go to Discount-Equipment.com to order your parts

## SECTION 5 - DRIVE TRAIN

FIGURE 5-87. RIGHT WHEEL ASSEMBLY - 17.50-25 G2 - FOAM FILLED - 1255



ART\_91565040-E

## SECTION 5 - DRIVE TRAIN

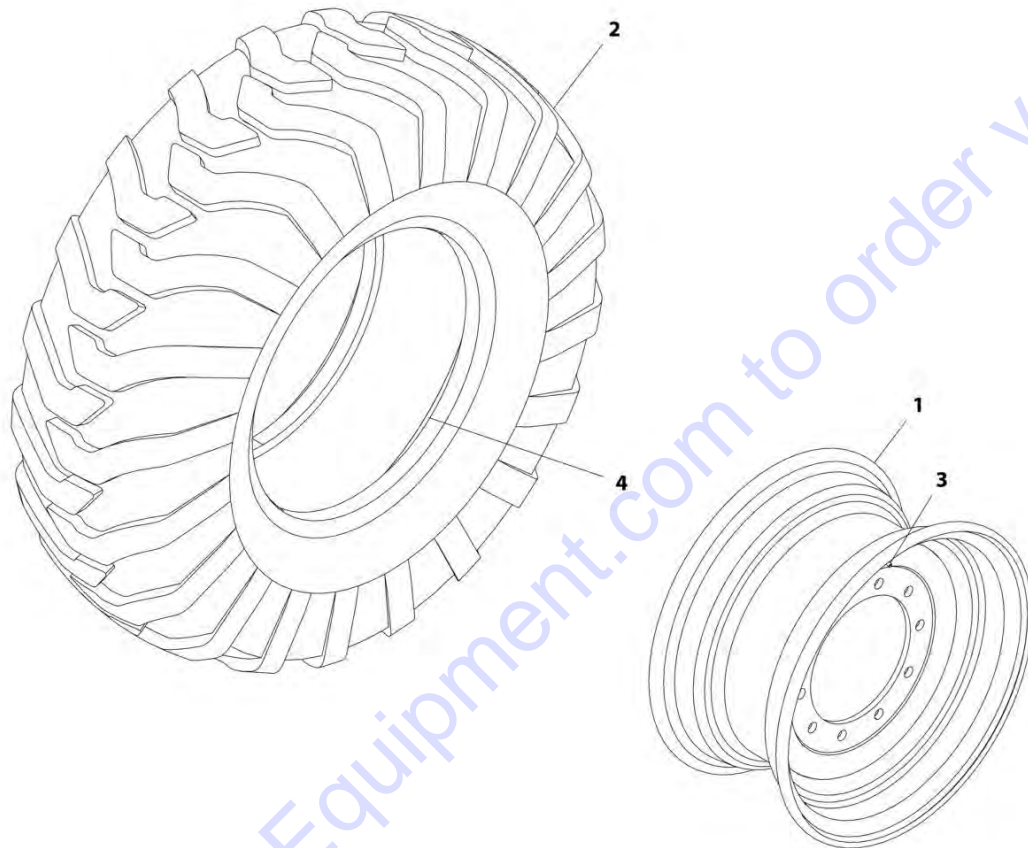
**FIGURE 5-87. RIGHT WHEEL ASSEMBLY - 17.50-25 G2 - FOAM FILLED - 1255**

ITEM	PART NUMBER	QTY	DESCRIPTION	REV
	91565040	1	Right Wheel Assembly - 17.50-25 G2 - FOAM FILLED - 1255	E
1	91563250	1	Wheel, 25X13.00 LR 1.687 Offset	
2	4520527	1	Tire, 17.5-25 12 PLY	
3	91083385	1	Valve, Tire	
4	8526203	785 lb	Foam Fill	

Go to Discount-Equipment.com to order your parts

## SECTION 5 - DRIVE TRAIN

FIGURE 5-88. LEFT WHEEL ASSEMBLY - 17.50-25 G2 - FOAM FILLED - 1255



ART\_91565039-E

## SECTION 5 - DRIVE TRAIN

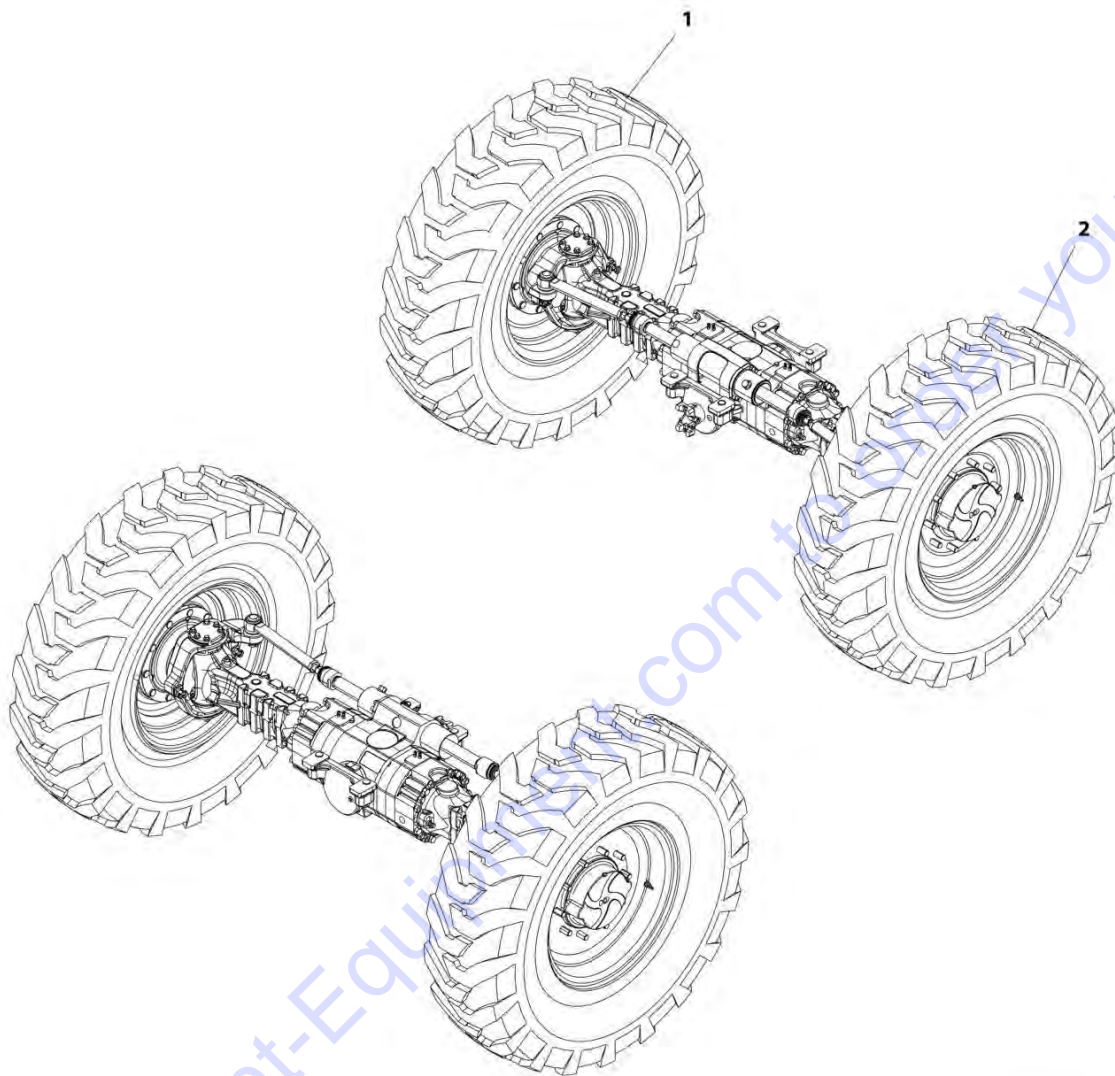
**FIGURE 5-88. LEFT WHEEL ASSEMBLY - 17.50-25 G2 - FOAM FILLED - 1255**

ITEM	PART NUMBER	QTY	DESCRIPTION	REV
	91565039	1	Left Wheel Assembly- 17.50-25 G2 - FOAM FILLED - 1255	E
1	91563250	1	Wheel, 25X13.00 LR 1.687 Offset	
2	4520527	1	Tire, 17.5-25 12 PLY	
3	91083385	1	Valve, Tire	
4	8526203	785 lb	Foam Fill	

Go to Discount-Equipment.com to order your parts

## SECTION 5 - DRIVE TRAIN

FIGURE 5-89. TIRE WHEEL SET - 14.00-24 G2 - FOAM FILLED - 1055



ART\_4520482-C

## SECTION 5 - DRIVE TRAIN

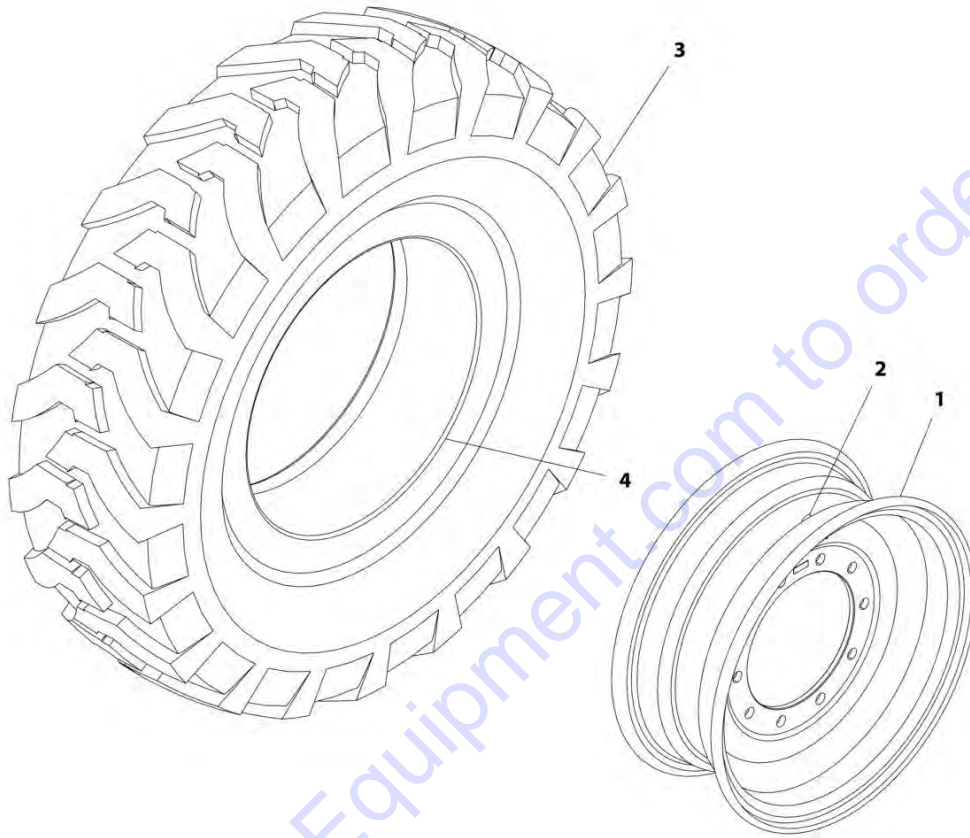
**FIGURE 5-89. TIRE WHEEL SET - 14.00-24 G2 - FOAM FILLED - 1055**

ITEM	PART NUMBER	QTY	DESCRIPTION	REV
	4520482	1	Tire Wheel Set - 14.00-24 G2 - Foam Filled - 1055	C
1	91355037	2	Assembly, Right Tire and Wheel - 14 - 24 G2 - Foam Filled - 1055(See RIGHT TIRE AND WHEEL ASSEMBLY - 14.00-24 G2 - FOAM FILLED - 1055 for Breakdown)	
2	91355038	2	Assembly, Left Tire and Wheel - 14 - 24 G2 - Foam Filled - 1055 (See LEFT TIRE AND WHEEL ASSEMBLY - 14.00-24 G2 - FOAM FILLED - 1055 for Breakdown)	

Go to Discount-Equipment.com to order your parts

## SECTION 5 - DRIVE TRAIN

FIGURE 5-90. RIGHT WHEEL ASSEMBLY - 14.00-24 G2 - FOAM FILLED - 1055



ART\_91355037-F



## SECTION 5 - DRIVE TRAIN

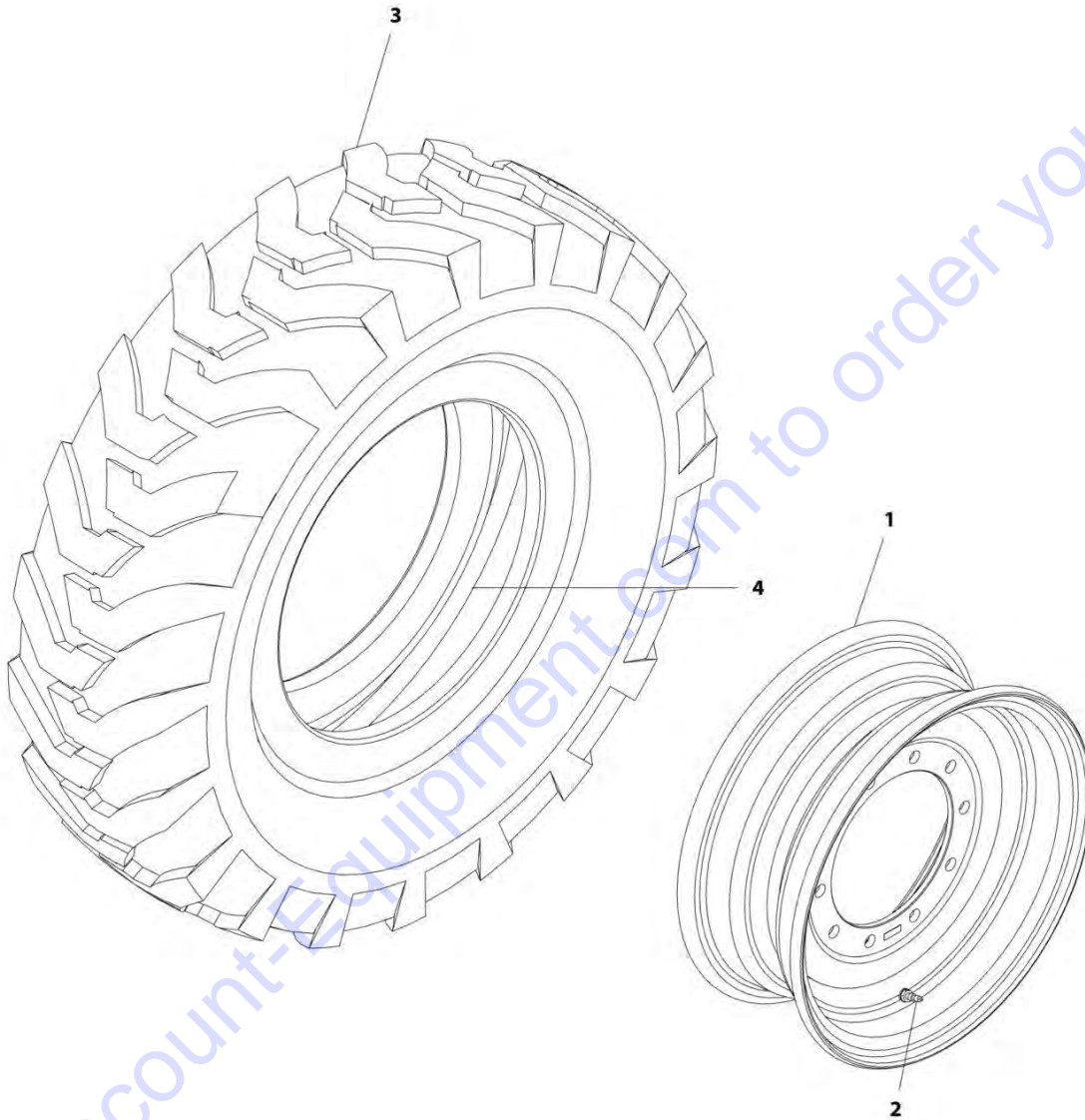
**FIGURE 5-90. RIGHT WHEEL ASSEMBLY - 14.00-24 G2 - FOAM FILLED - 1055**

ITEM	PART NUMBER	QTY	DESCRIPTION	REV
	91355037	Ref	Right Wheel Assembly - 14.00-24 G2 - FOAM FILLED - 1055	F
1	91473206	1	Wheel, 24X9.00	
2	8786514	1	Valve, Tire	
3	91043084	1	Tire, 14.00X24TG 12 PLY	
4	8526203	1	Foam Fill	

Go to Discount-Equipment.com to order your parts

## SECTION 5 - DRIVE TRAIN

FIGURE 5-91. LEFT WHEEL ASSEMBLY - 14.00-24 G2 - FOAM FILLED - 1055



ART\_91355038-F

## SECTION 5 - DRIVE TRAIN

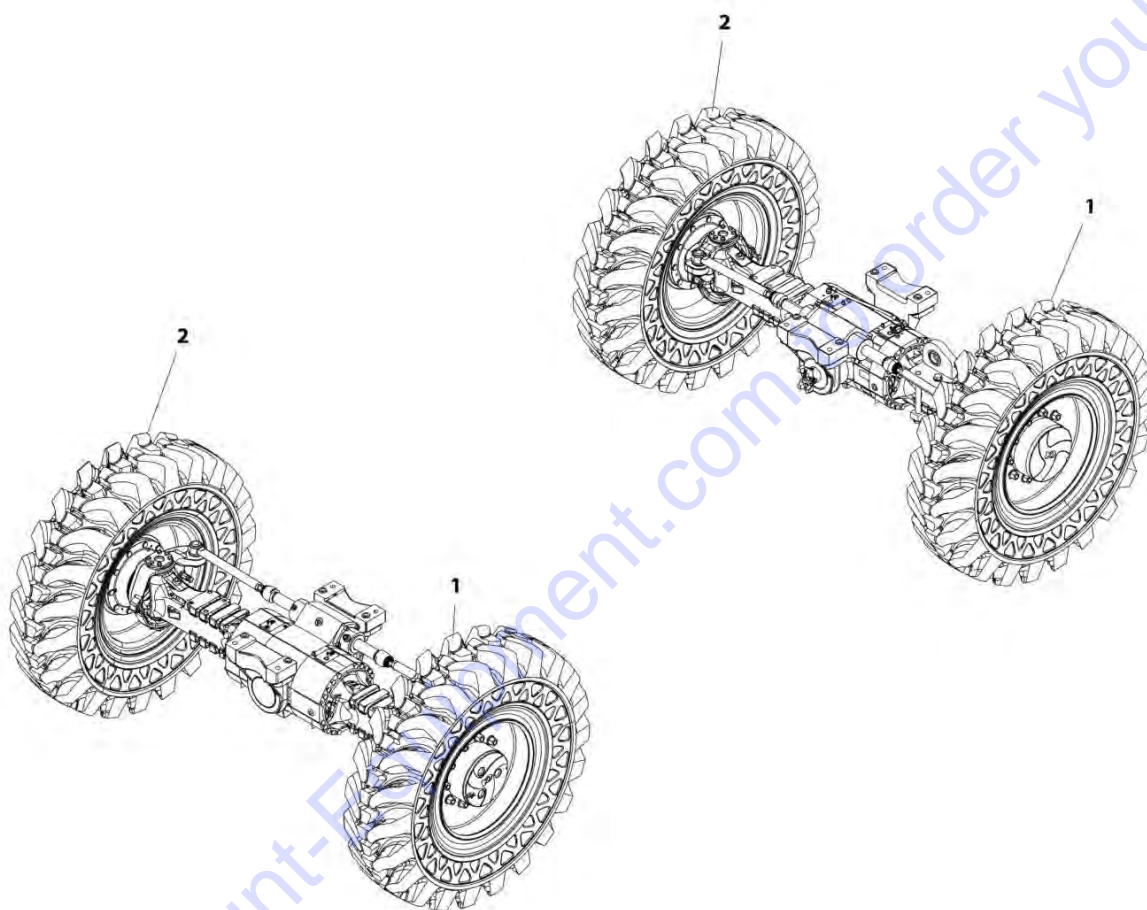
**FIGURE 5-91. LEFT WHEEL ASSEMBLY - 14.00-24 G2 - FOAM FILLED - 1055**

ITEM	PART NUMBER	QTY	DESCRIPTION	REV
	91355038	1	Left Wheel Assembly - 14.00-24 G2 - FOAM FILLED - 1055	F
1	91473206	1	Wheel, 24X9.00	
2	8786514	1	Valve, Tire	
3	91043084	1	Tire, 14.00X24TG 12PLY	
4	8526203	1	Foam Fill	

Go to Discount-Equipment.com to order your parts

## SECTION 5 - DRIVE TRAIN

FIGURE 5-92. TIRE WHEEL SET - 14.00X24 SOLID (1055 Prior to SN 0160083753; 1255 Prior to SN 0160083813)



ART\_1001151108-A

## SECTION 5 - DRIVE TRAIN

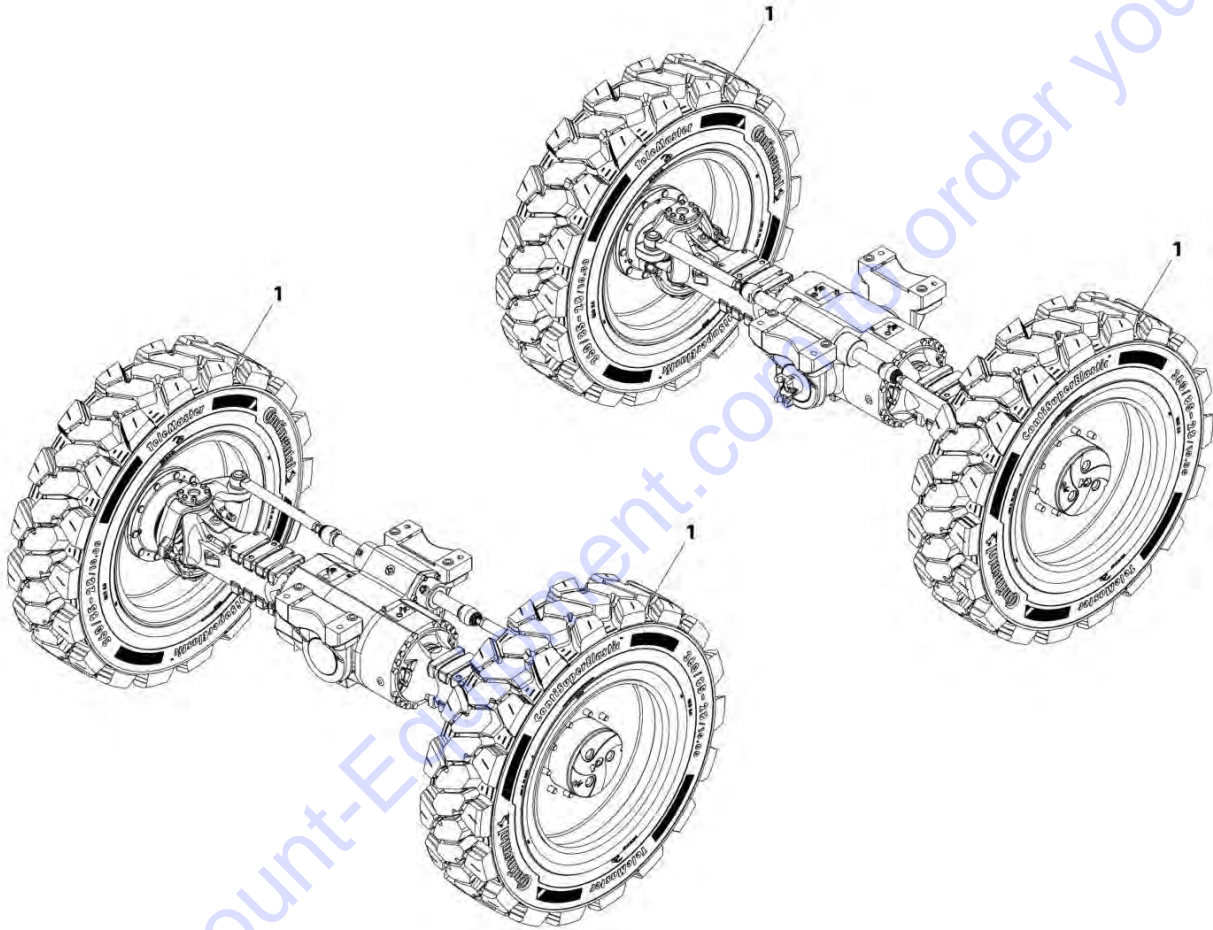
**FIGURE 5-92. TIRE WHEEL SET - 14.00X24 SOLID (1055 Prior to SN 0160083753; 1255 Prior to SN 0160083813)**

ITEM	PART NUMBER	QTY	DESCRIPTION	REV
	1001151108	Ref	Tire Wheel Set - 14.00x24, 14.00X24 Solid	A
1	1001151101	2	Tire, Left Solid, 14.00-24 0.219 Offset	
2	1001151102	2	Tire, Right Solid, 14.00-24 0.219 Offset	

Go to Discount-Equipment.com to order your parts

# SECTION 5 - DRIVE TRAIN

FIGURE 5-93. TIRE WHEEL SET - 360/85-28 - SOLID



ART\_1001221504-A

## SECTION 5 - DRIVE TRAIN

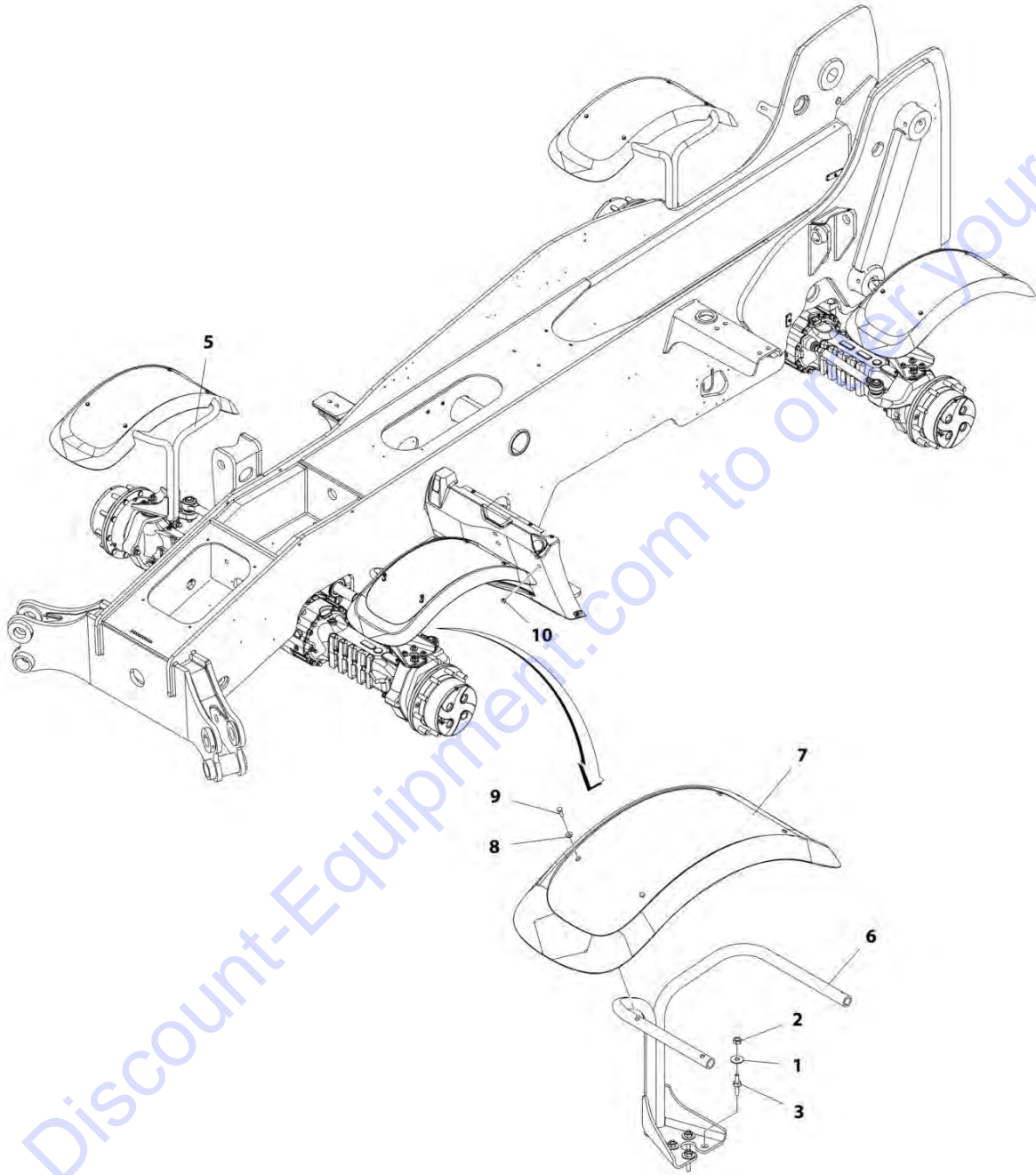
FIGURE 5-93. TIRE WHEEL SET - 360/85-28 - SOLID

ITEM	PART NUMBER	QTY	DESCRIPTION	REV
1	1001221504	Ref	Tire Wheel Set - 360/85-28 - Solid	A
	1001213200J	4	Tire Wheel Solid, 360/85-28/10 - 1M Offset	

Go to Discount-Equipment.com to order your parts

# SECTION 5 - DRIVE TRAIN

## FIGURE 5-94. FENDER INSTALLATION



ART\_1001171242-E



## SECTION 5 - DRIVE TRAIN

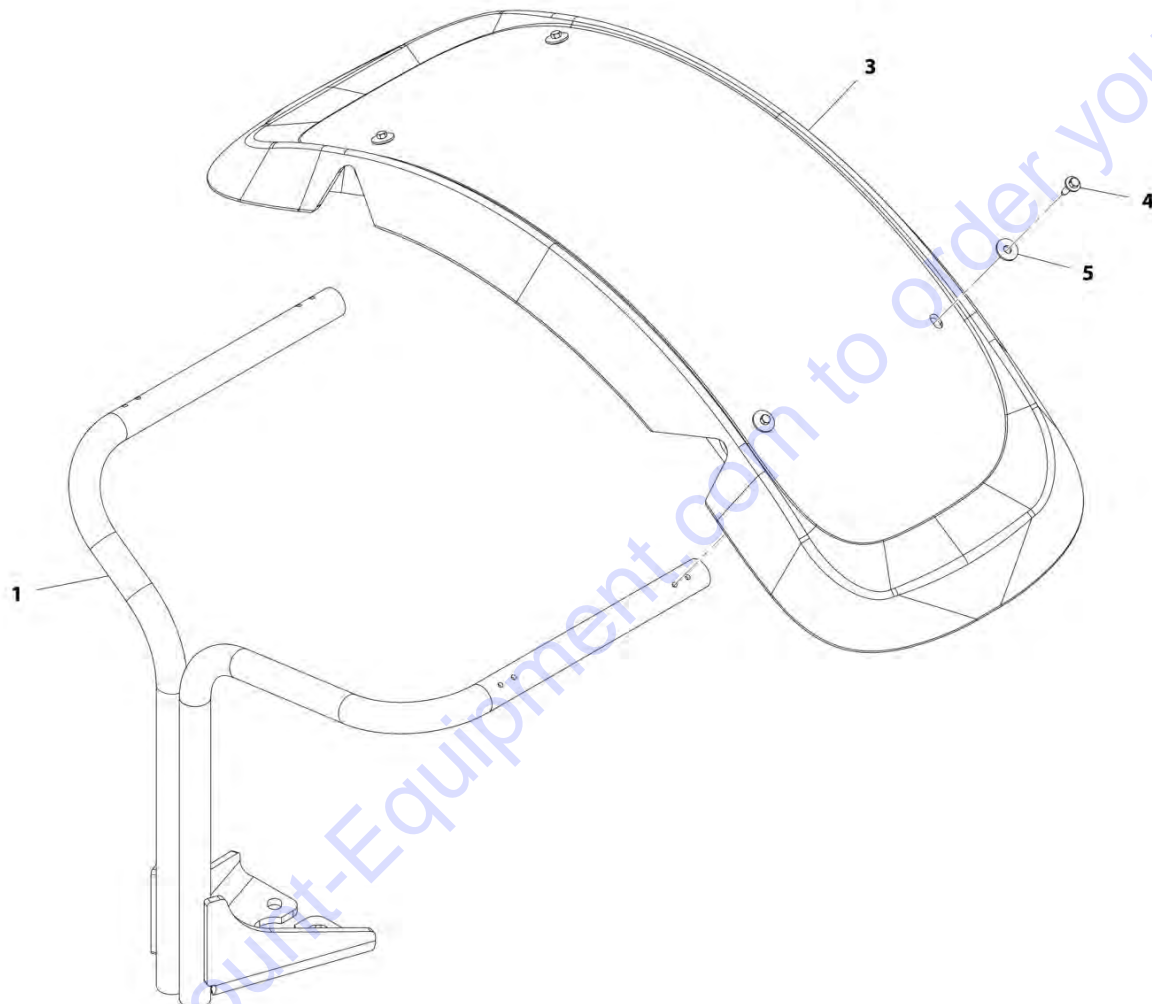
**FIGURE 5-94. FENDER INSTALLATION**

ITEM	PART NUMBER	QTY	DESCRIPTION	REV
	1001171242	Ref	Fender Installation	E
1	4812102	16	Washer, M12	
2	91513266	16	Nut, M12X1.25	
3	91514118	16	Stud, Fender	
5	1001168261	2	Assembly, RH Fender (See RH FENDER ASSEMBLY for Breakdown) <b>(Prior to SN 0160073625)</b>	
5	1001202513	2	RH Bracket <b>(SN 0160073625 to Present)</b>	
6	1001168262	2	Assembly, LH Fender (See LH FENDER ASSEMBLY for Breakdown) <b>(Prior to SN 0160073625)</b>	
6	1001202512	2	LH Bracket <b>(SN 0160073625 to Present)</b>	
7	1001168264	4	Fender <b>(SN 0160073625 to Present)</b>	
8	1001202786	16	Washer <b>(SN 0160073625 to Present)</b>	
9	0760812	16	Screw, M8X25 <b>(SN 0160073625 to Present)</b>	
10	1001208338	4	Plug <b>(SN 0160073625 to Present)</b>	

Go to Discount-Equipment.com to order your parts

## SECTION 5 - DRIVE TRAIN

FIGURE 5-95. RH FENDER ASSEMBLY (Prior to SN 0160073625)



ART\_1001168261-E

## SECTION 5 - DRIVE TRAIN

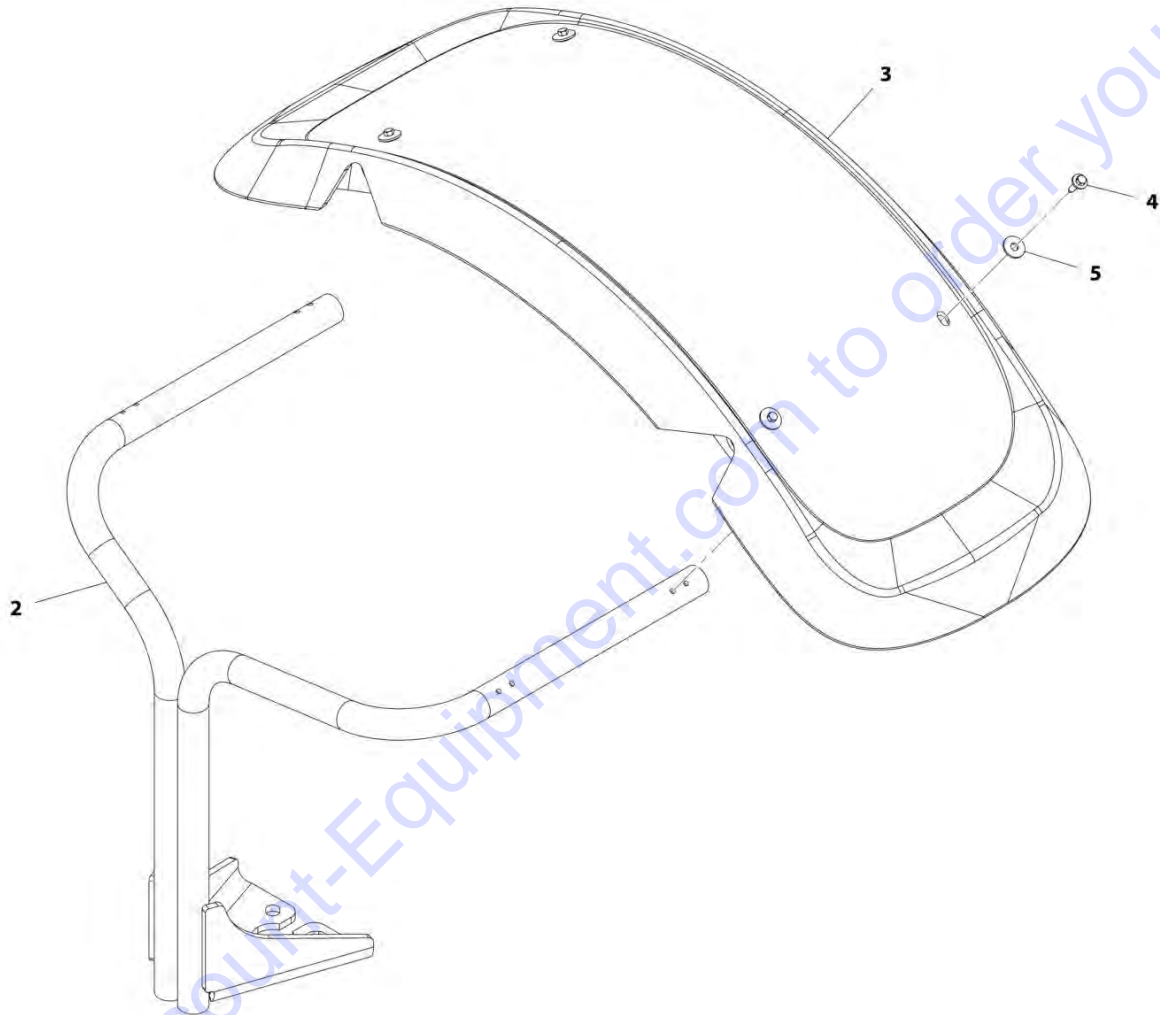
**FIGURE 5-95. RH FENDER ASSEMBLY (Prior to SN 0160073625)**

ITEM	PART NUMBER	QTY	DESCRIPTION	REV
	1001168261	1	RH Fender Assembly	E
1	1001168178	1	Bracket	
3	1001168264	1	Fender	
4	1001201904	4	Screw	
5	1001201905	4	Washer	

Go to Discount-Equipment.com to order your parts

# SECTION 5 - DRIVE TRAIN

FIGURE 5-96. LH FENDER ASSEMBLY (Prior to SN 0160073625)



ART\_1001168262-E

## SECTION 5 - DRIVE TRAIN

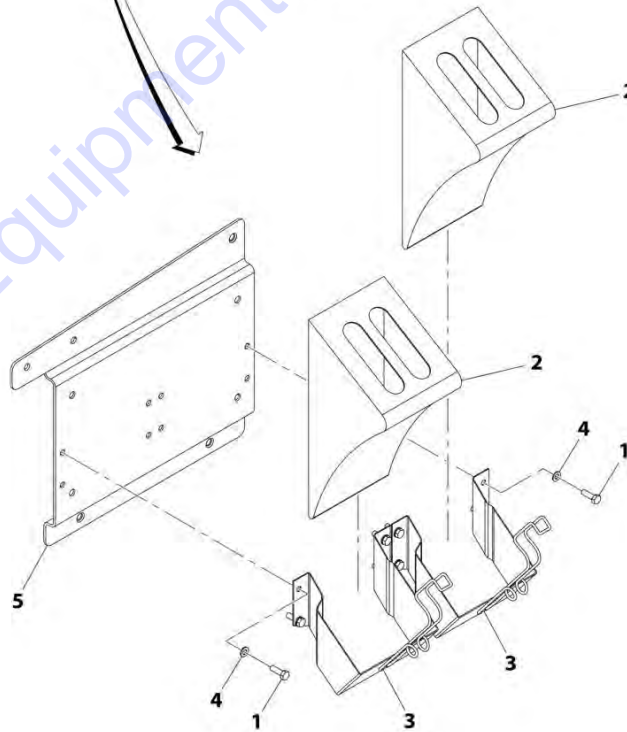
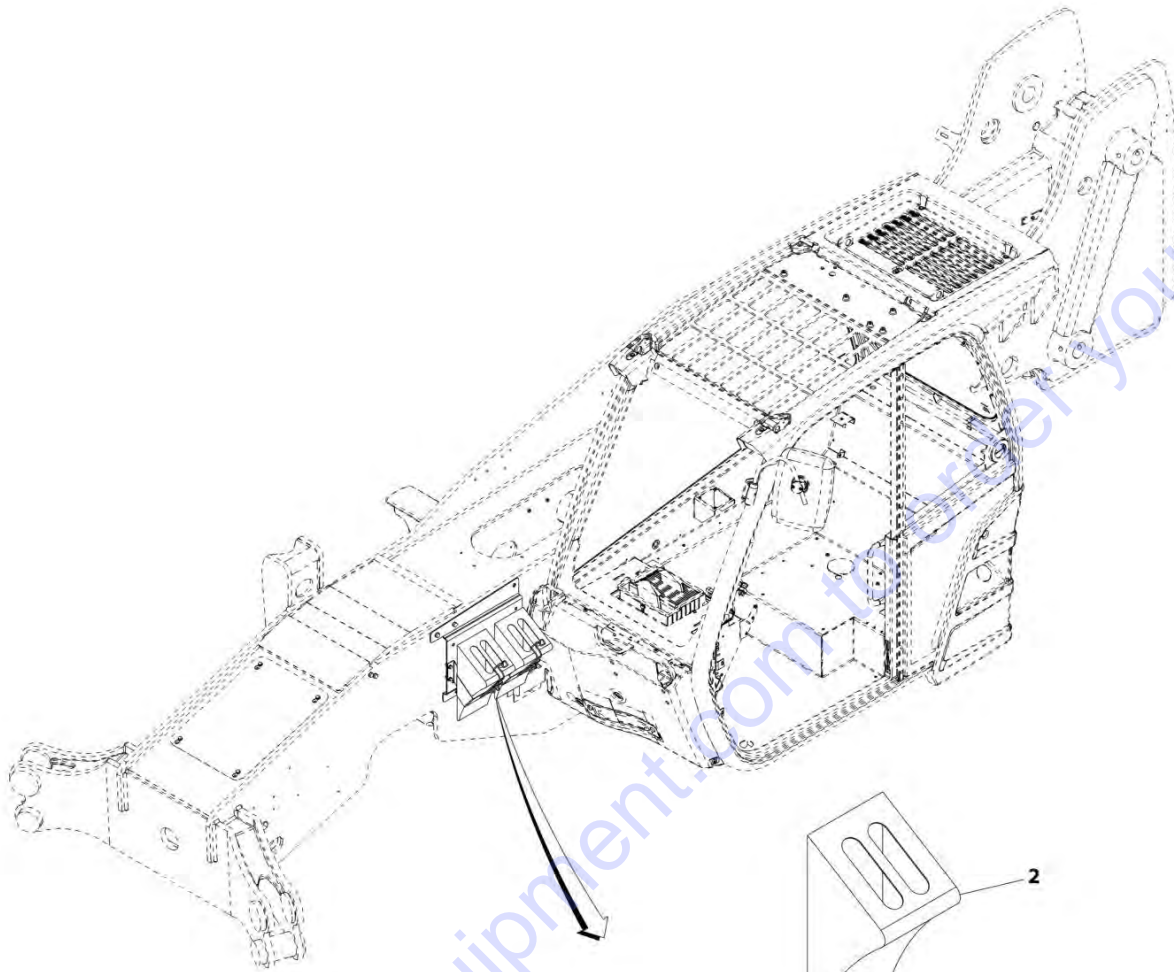
**FIGURE 5-96. LH FENDER ASSEMBLY (Prior to SN 0160073625)**

ITEM	PART NUMBER	QTY	DESCRIPTION	REV
	1001168262	1	LH Fender Assembly	E
2	1001168182	1	Bracket	
3	1001168264	1	Fender	
4	1001201904	4	Screw	
5	1001201905	4	Washer	

Go to Discount-Equipment.com to order your parts

# SECTION 5 - DRIVE TRAIN

## FIGURE 5-97. WHEEL CHOCK INSTALLATION



ART\_1001229235-A

## SECTION 5 - DRIVE TRAIN

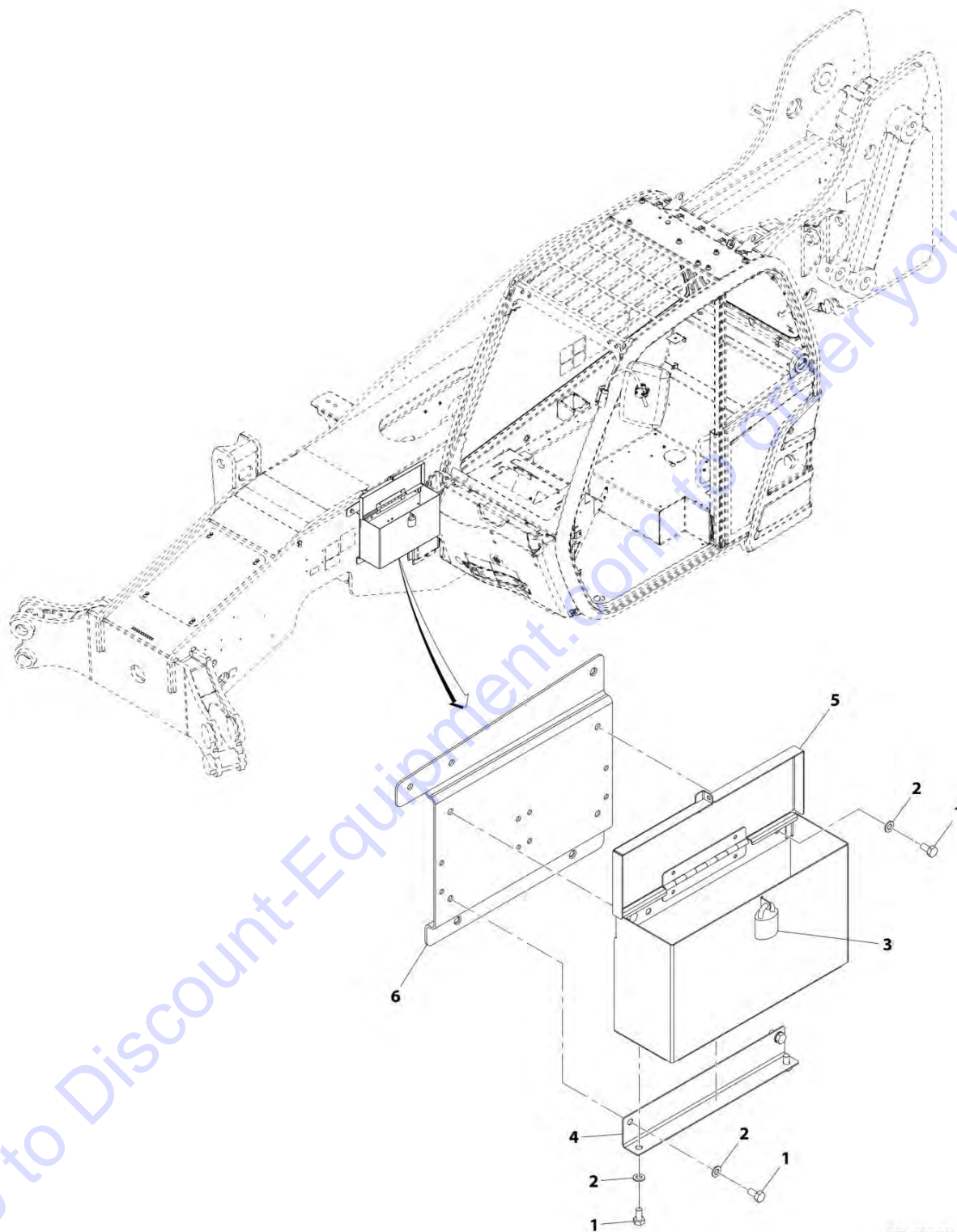
### FIGURE 5-97. WHEEL CHOCK INSTALLATION

ITEM	PART NUMBER	QTY	DESCRIPTION	REV
	1001229235	Ref	Wheel Chock Installation (If equipped)	A
1	0700812	8	Hex Screw, 8X25 LG	
2	806253	2	Wedge	
3	806264	2	Holder	
4	4811900	8	Washer, 8mm	
5	1001230713J	1	Bracket	

Go to Discount-Equipment.com to order your parts

# SECTION 5 - DRIVE TRAIN

## FIGURE 5-98. TOOLBOX INSTALLATION



ART\_1001231244-A



## SECTION 5 - DRIVE TRAIN

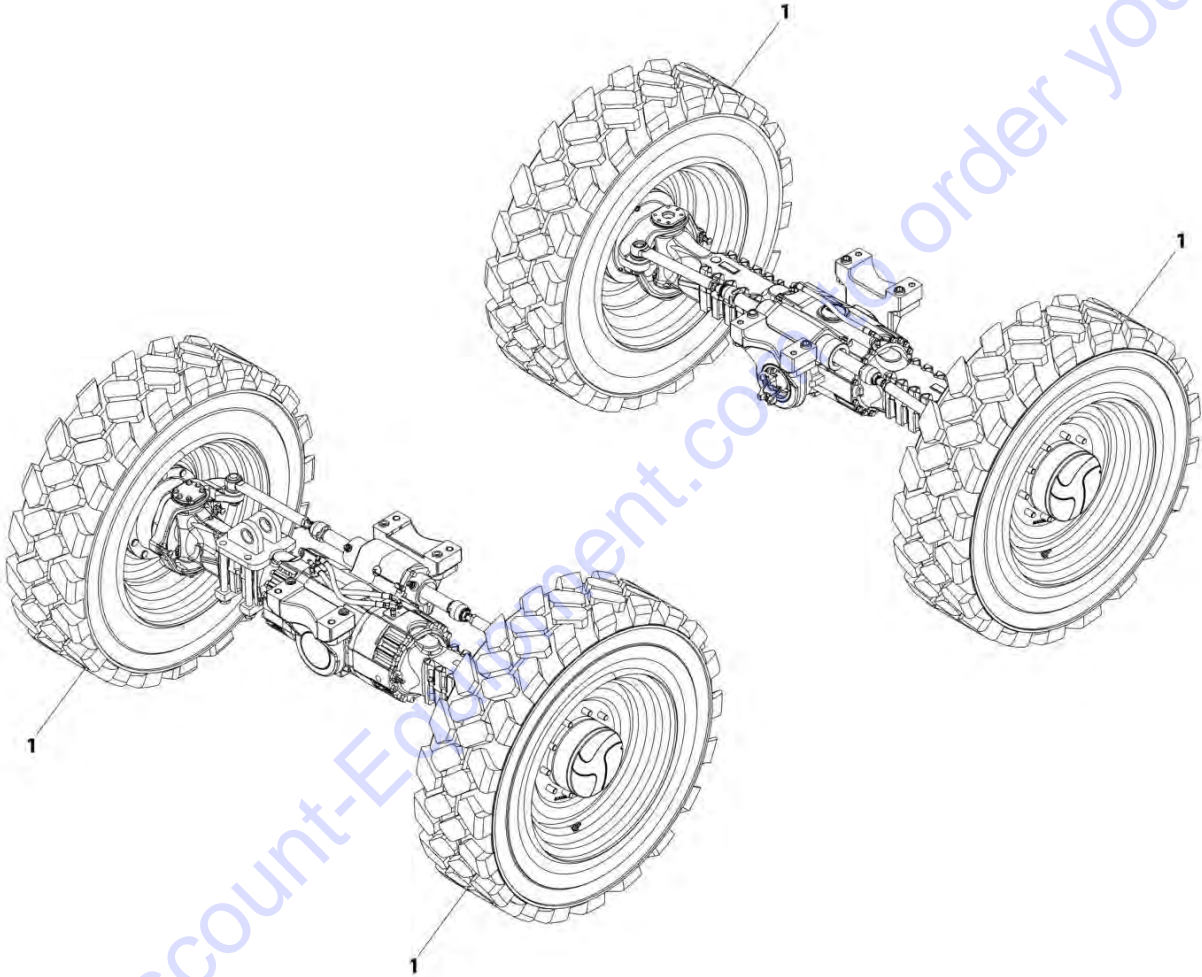
### FIGURE 5-98. TOOLBOX INSTALLATION

ITEM	PART NUMBER	QTY	DESCRIPTION	REV
	1001231244	Ref	ToolBox Installation (If equipped)	A
1	0761010	6	Bolt, M10X20	
2	4812000	6	Washer, M10	
3	1001008687	1	Padlock	
4	1001178729	1	Bracket	
5	1001192836	1	Box	
6	1001230713J	1	Bracket	

Go to Discount-Equipment.com to order your parts

**SECTION 5 - DRIVE TRAIN**

**FIGURE 5-99. TIRE WHEEL SET, 400/75-28 - PNEUMATIC NON-MARKING**



ART\_1001241848-A

## SECTION 5 - DRIVE TRAIN

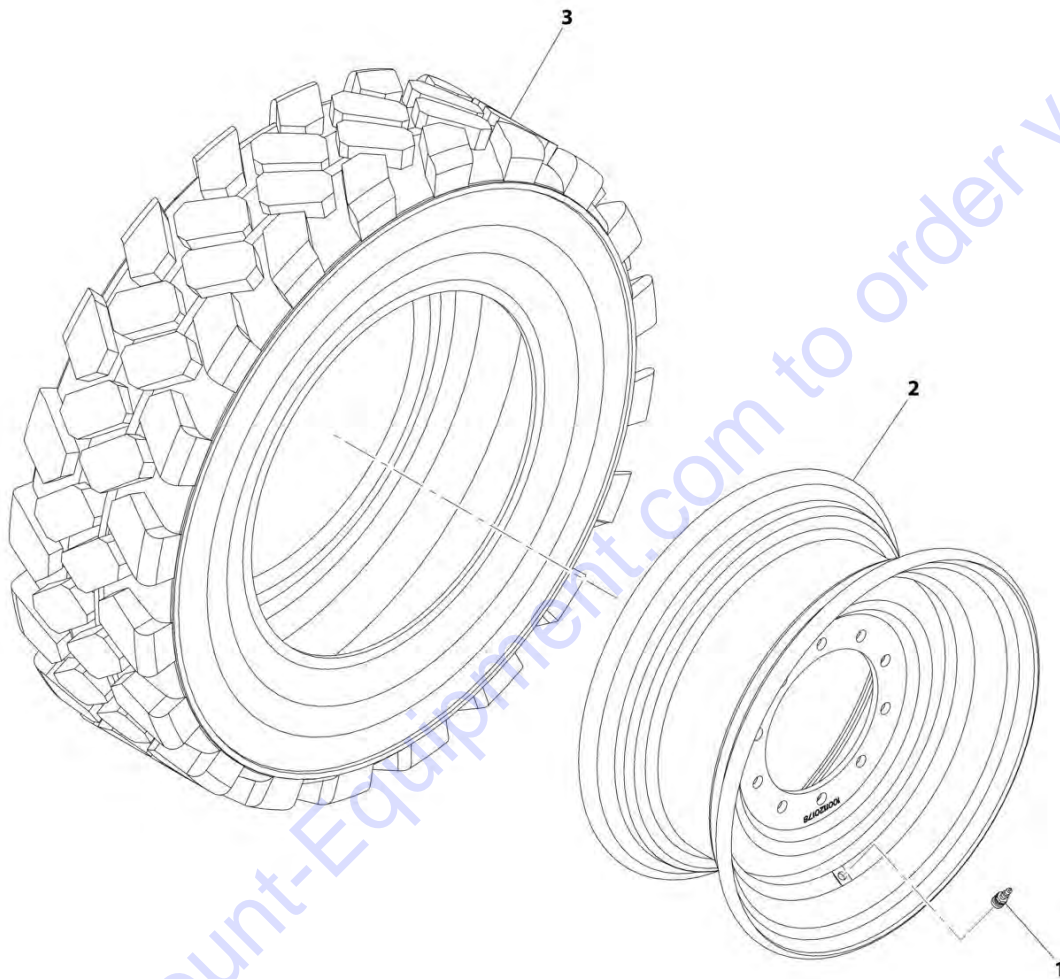
**FIGURE 5-99. TIRE WHEEL SET, 400/75-28 - PNEUMATIC NON-MARKING**

ITEM	PART NUMBER	QTY	DESCRIPTION	REV
1	1001241848 1001241841	Ref 4	Tire Wheel Set - 400/75-28 - Pneumatic Non Marking Assembly, Tire and Wheel - 400/75-28 - Pneumatic Non-Marking (See Separate Breakdown in this Section)	A

Go to Discount-Equipment.com to order your parts

## SECTION 5 - DRIVE TRAIN

FIGURE 5-100. TIRE & WHEEL ASSEMBLY, 400/75-28 - PNEUMATIC NON-MARKING



ART\_1001241841-A

## SECTION 5 - DRIVE TRAIN

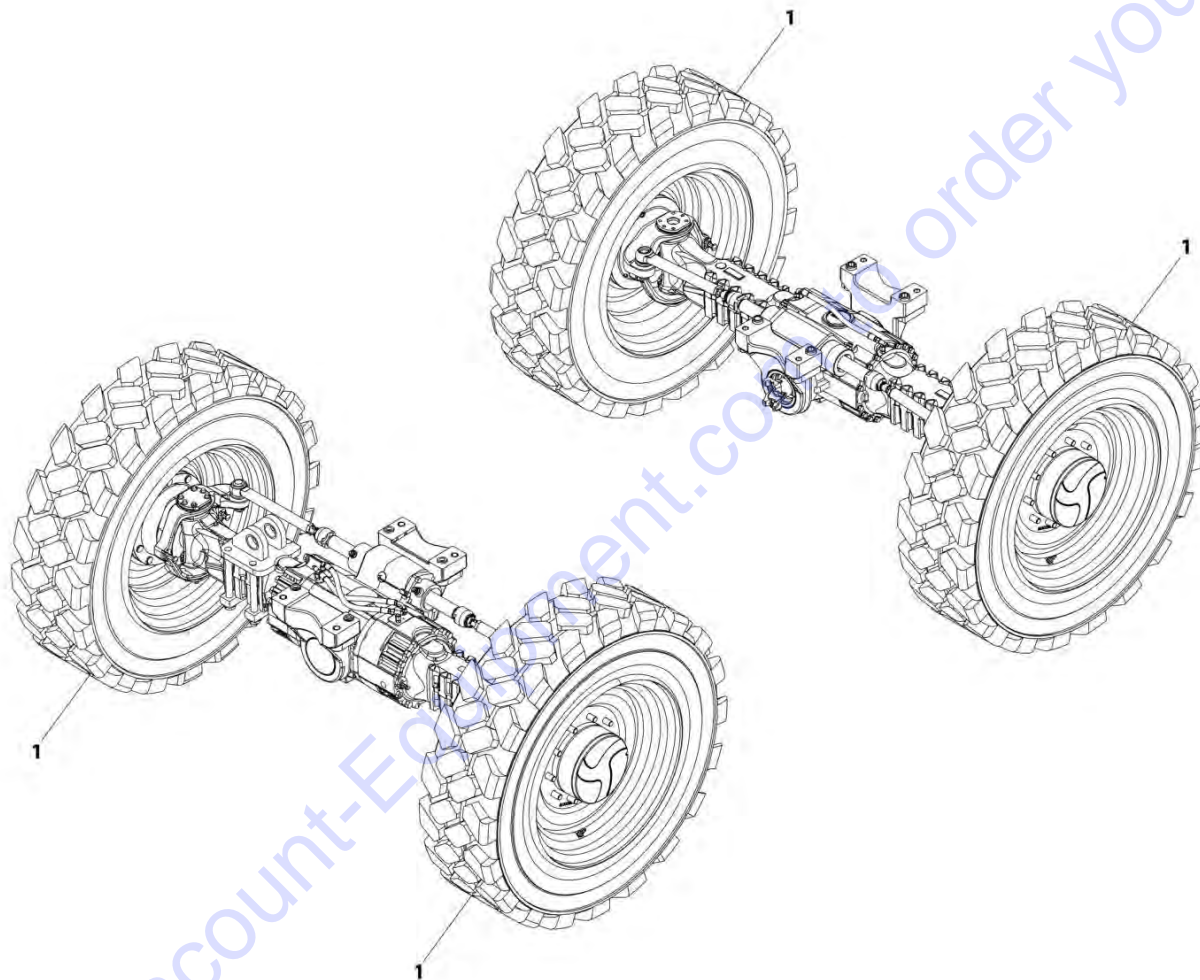
**FIGURE 5-100. TIRE & WHEEL ASSEMBLY, 400/75-28 - PNEUMATIC NON-MARKING**

ITEM	PART NUMBER	QTY	DESCRIPTION	REV
	1001241841	Ref	Tire and Wheel Assembly - 400/75-28 - Pneumatic Non Marking	A
1	8786514	1	Valve	
2	1001120178	1	Wheel, 28X12/W .75 Offset	
3	1001241837	1	Tire, 400/75-28, Non Marking	

Go to Discount-Equipment.com to order your parts

## SECTION 5 - DRIVE TRAIN

FIGURE 5-101. TIRE WHEEL SET, TIRE WHEEL SET, 400/75-28 - FOAM NON-MARKING



ART\_1001241849-A

## SECTION 5 - DRIVE TRAIN

**FIGURE 5-101. TIRE WHEEL SET, TIRE WHEEL SET, 400/75-28 - FOAM NON-MARKING**

ITEM	PART NUMBER	QTY	DESCRIPTION	REV
1	1001241849	Ref	Tire Wheel Set - 400/75-28 - Foam Non Marking	A
	1001241842	4	Assembly, Tire and Wheel - 400/75-28 - Foam Non Marking	

Go to Discount-Equipment.com to order your parts



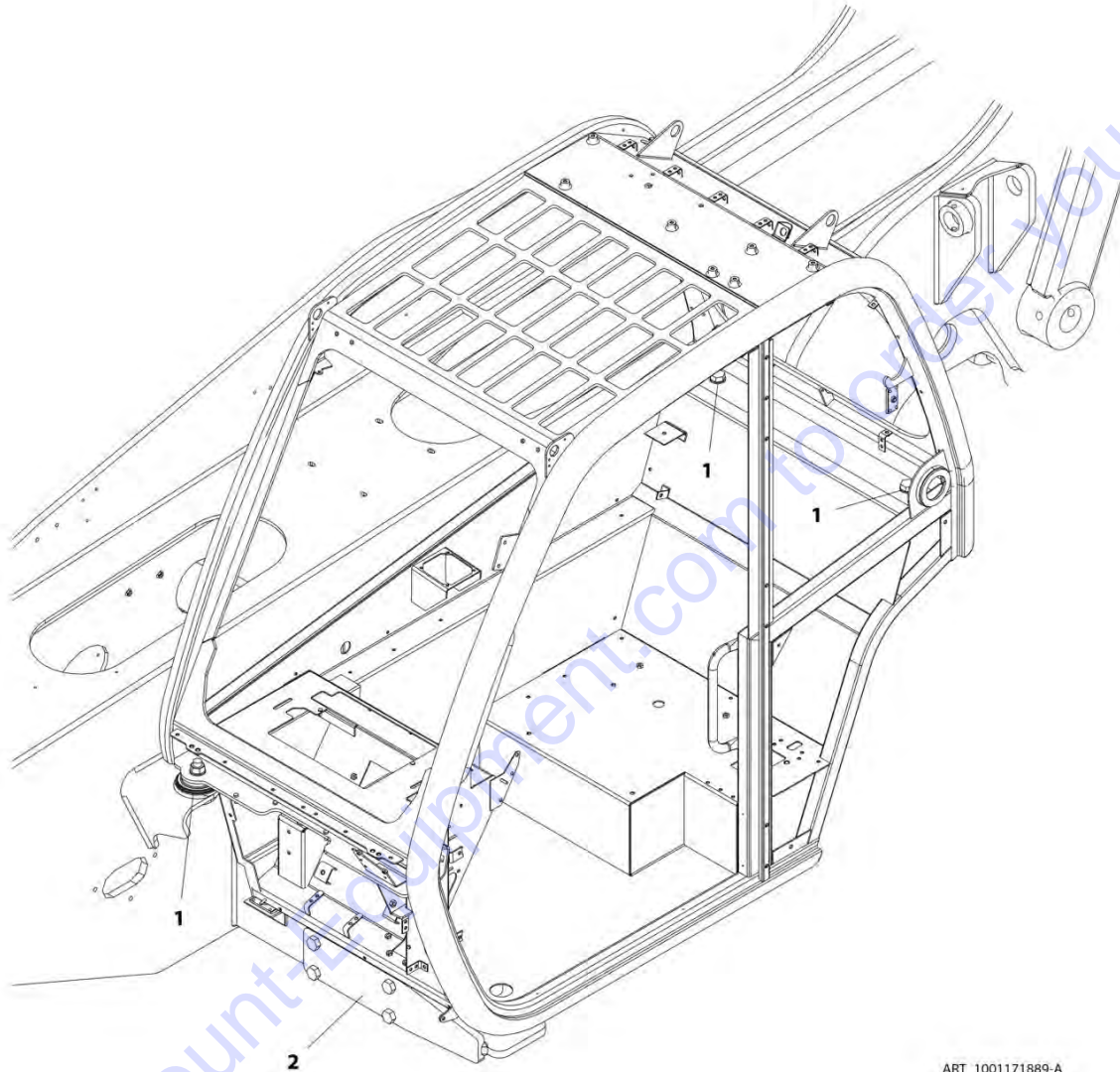


SECTION 6 - CAB

Go to Discount-Equipment.com to order your parts

# SECTION 6 - CAB

## FIGURE 6-1. CAB MOUNTING



ART\_1001171889-A

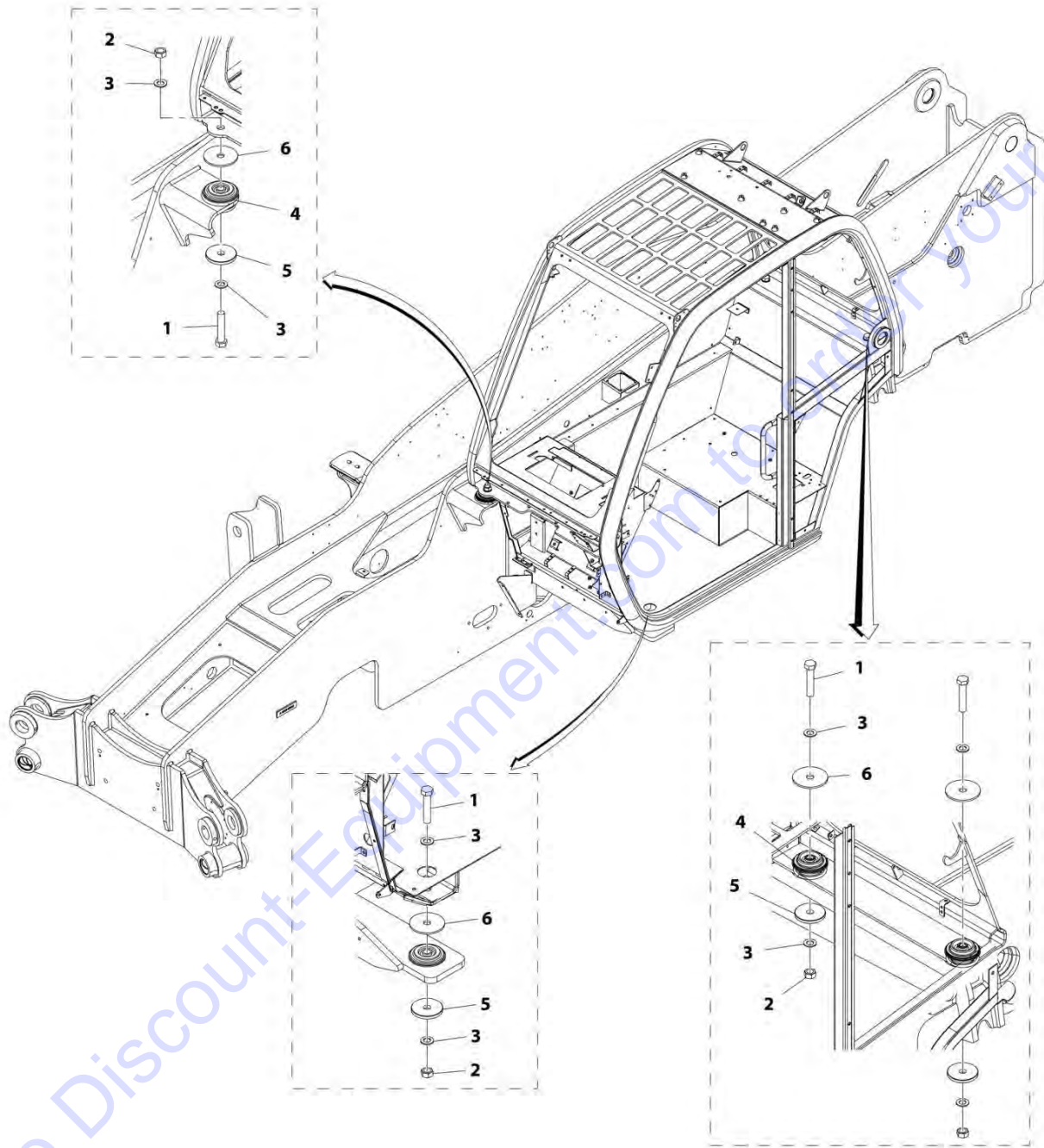
FIGURE 6-1. CAB MOUNTING

ITEM	PART NUMBER	QTY	DESCRIPTION	REV
1	1001171889	Ref	Cab Mounting Installation	A
	1001155446	Ref	Installation, Cab Mounts (See CAB MOUNT INSTALLATION for Breakdown)	
2	1001171890	Ref	Installation, Front Cab Outrigger (See FRONT CAB OUTRIGGER INSTALLATION for Breakdown)	

Go to Discount-Equipment.com to order your parts

# SECTION 6 - CAB

## FIGURE 6-2. CAB MOUNTS INSTALLATION



ART\_1001155446-E

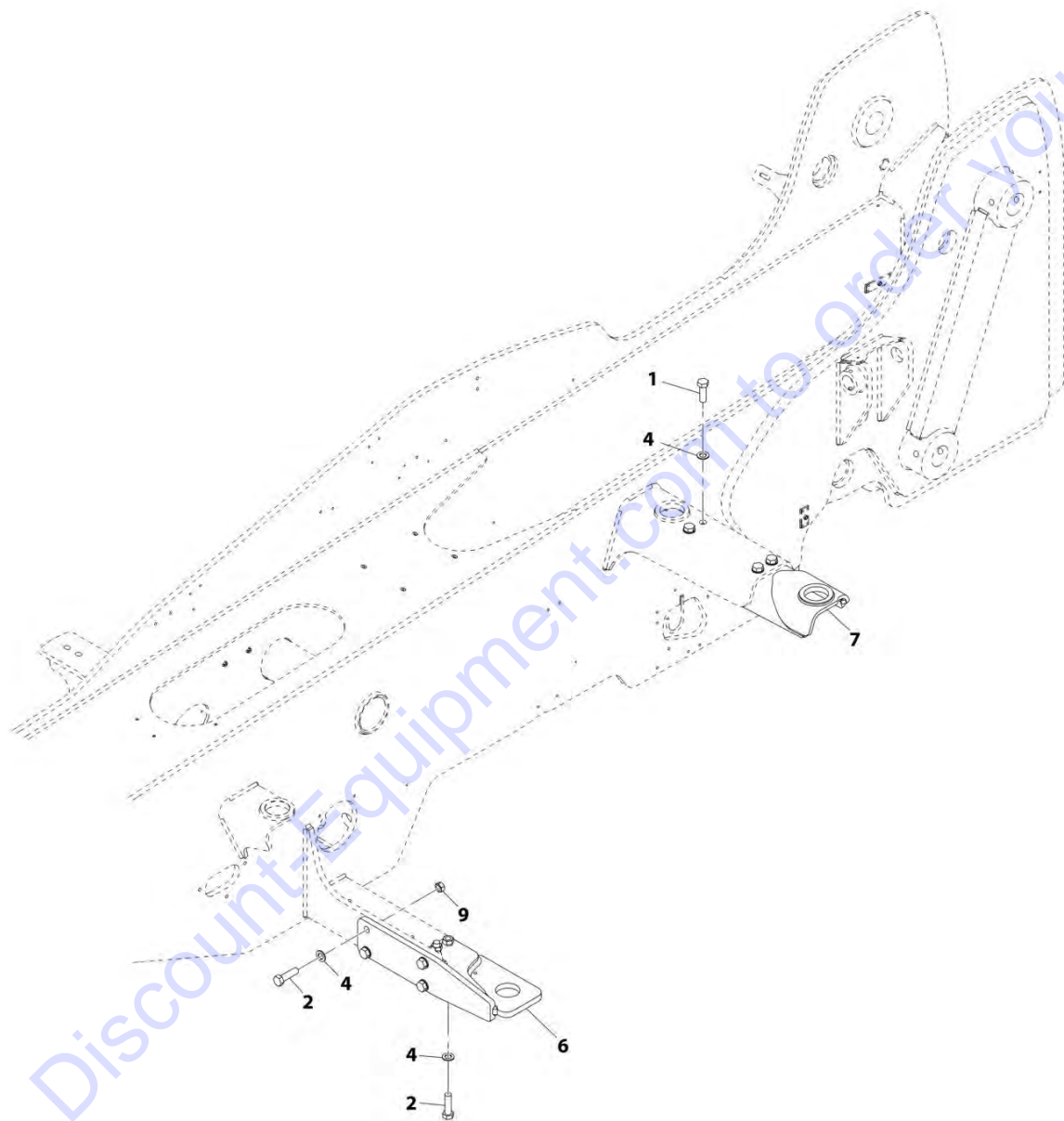
FIGURE 6-2. CAB MOUNTS INSTALLATION

ITEM	PART NUMBER	QTY	DESCRIPTION	REV
	1001155446	Ref	Cab Mounts Installation	E
1	0712027	4	Bolt, M20X100 GR10.9	
2	3332011	4	Nut, Lock M20X2.5	
3	4812500	8	Washer, M20	
4	1001166754	4	Mount, Cab Isolation	
5	1001166755	4	Washer, Cab Rebound	
6	1001220540	4	Washer, Cab Mount	

Go to Discount-Equipment.com to order your parts

# SECTION 6 - CAB

## FIGURE 6-3. FRONT CAB OUTRIGGER INSTALLATION



ART\_1001171890-E

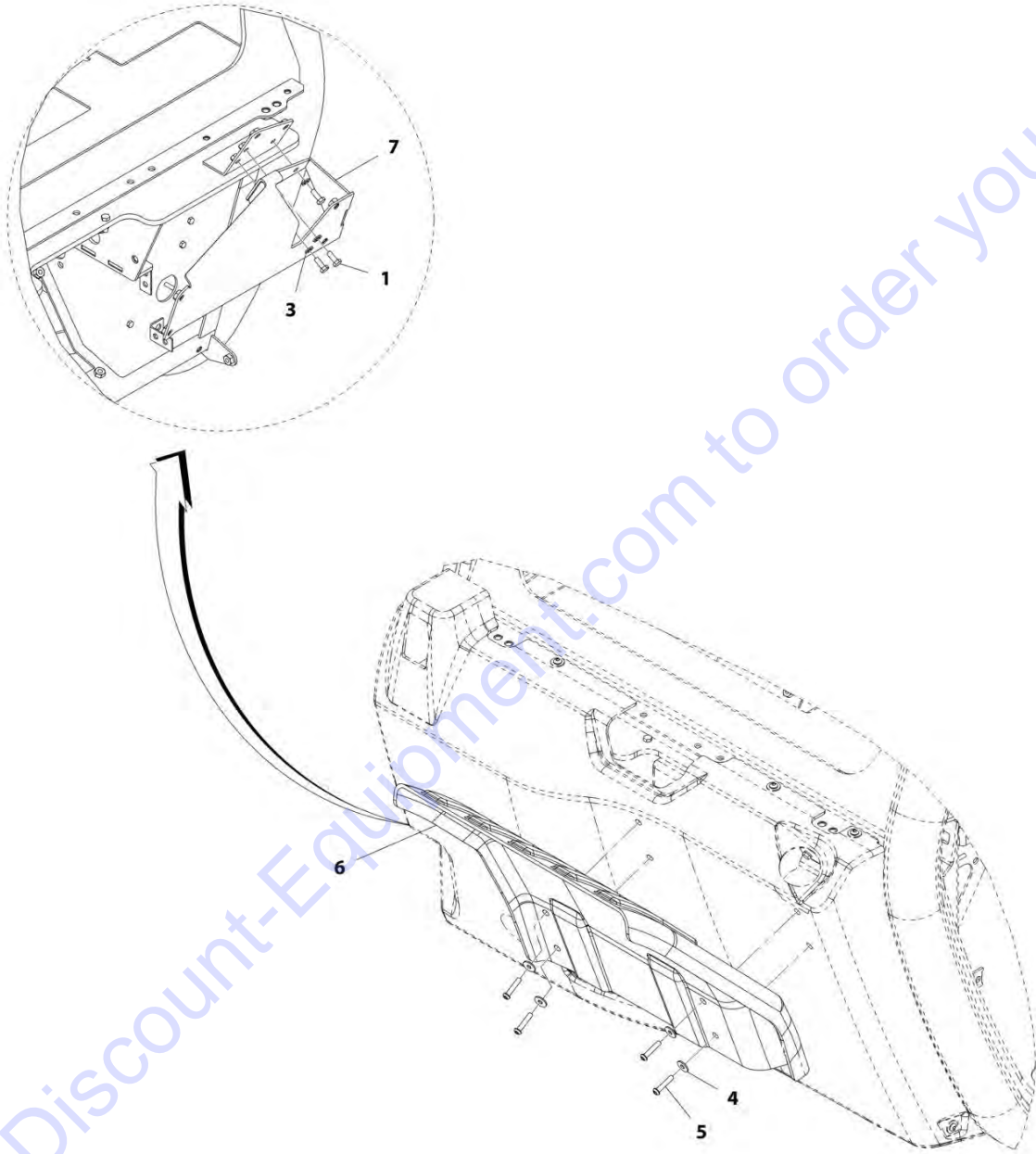
FIGURE 6-3. FRONT CAB OUTRIGGER INSTALLATION

ITEM	PART NUMBER	QTY	DESCRIPTION	REV
	1001171890	Ref	Front Cab Outrigger Installation	E
1	0712020	4	Bolt, M20X60	
2	0712022	6	Bolt, M20X70	
4	4812500	10	Washer, M20	
6	1001171898	NLA	Bracket, Front Lower Cab, (no longer available, use 1001208106 for replacement)	
6	1001208106	1	Bracket, Front Lower Cab	
7	1001171903	NLA	Bracket, Rear Cab Mount, (no longer available, use 1001210782 for replacement)	
7	1001210782	1	Bracket, Rear Cab Mount	
9	3292001	4	Hex Nut, M20X2.5	

Go to Discount-Equipment.com to order your parts

SECTION 6 - CAB

FIGURE 6-4. CAB FENDER INSTALLATION



ART\_1001195972-C



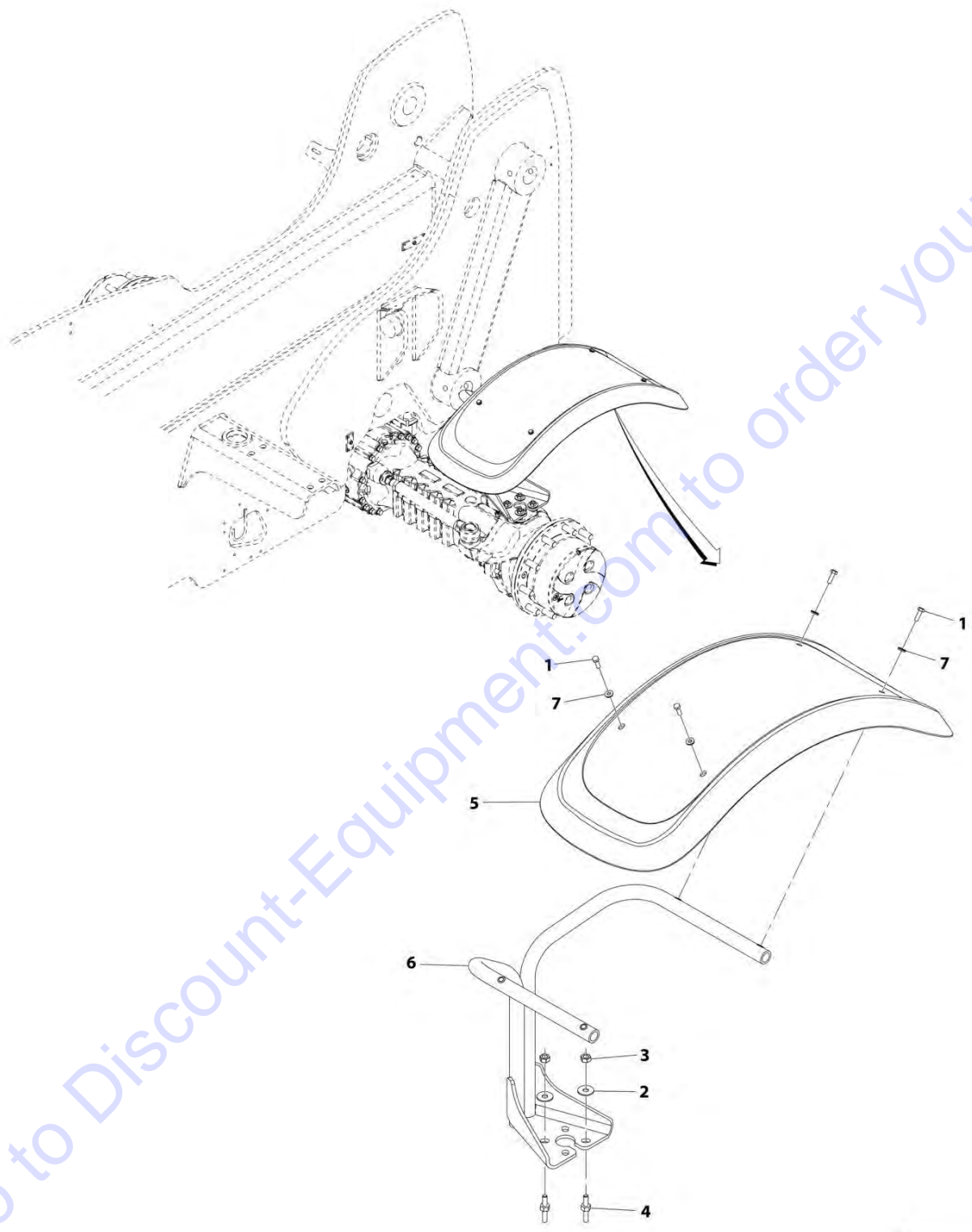
FIGURE 6-4. CAB FENDER INSTALLATION

ITEM	PART NUMBER	QTY	DESCRIPTION	REV
	1001195972	Ref	Cab Fender Installation	C
1	0760608	3	Bolt, M6X16	
3	4811700	3	Washer, M6	
4	4811702	4	Washer, M6	
5	1001097202	4	Bolt, M6X30	
6	1001187335	1	Fender, Front	
7	1001188048	1	Plate	

Go to Discount-Equipment.com to order your parts

# SECTION 6 - CAB

## FIGURE 6-5. CAB FENDER INSTALLATION REAR (LH)



ART\_1001236542-A

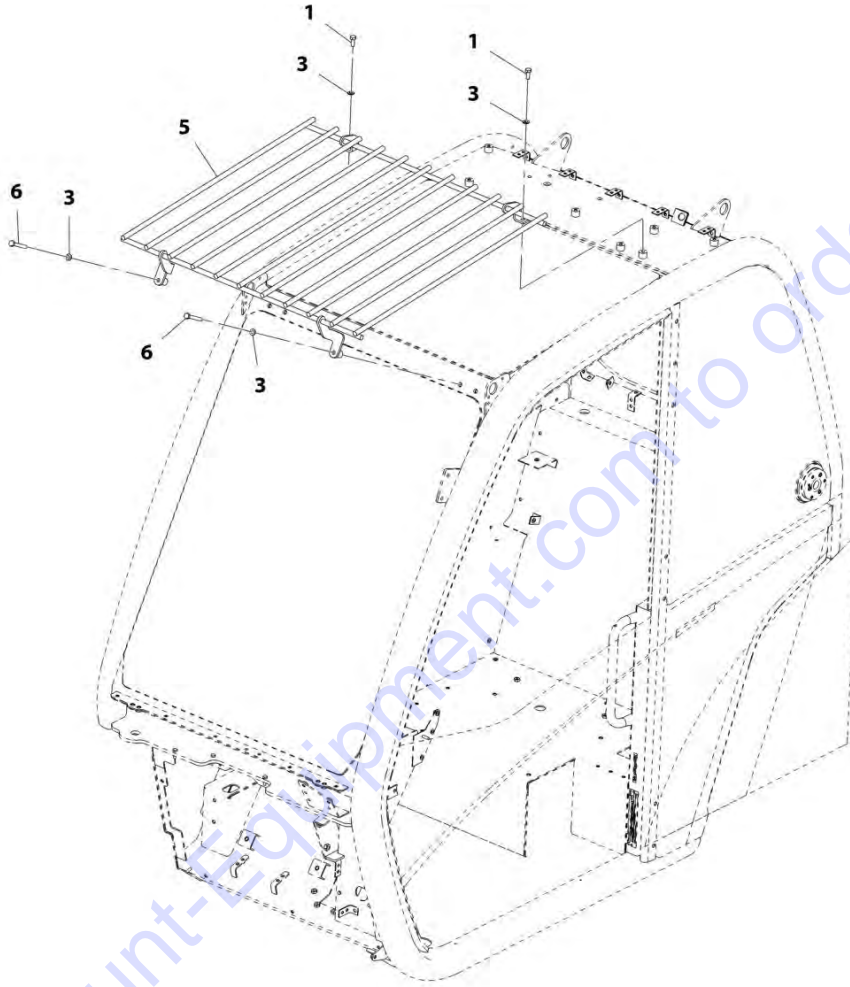
FIGURE 6-5. CAB FENDER INSTALLATION REAR (LH)

ITEM	PART NUMBER	QTY	DESCRIPTION	REV
	1001236542	Ref	Cab Fender Installation Rear (LH)	A
1	0760812	4	Bolt, M8X25	
2	4812102	4	Washer, M12	
3	91513266	4	Nut, M12X1.25	
4	91514118	4	Stud, Fender	
5	1001168264	1	Plastic, Fender	
6	1001202512	1	LH Bracket	
7	1001202786	4	Washer	

Go to Discount-Equipment.com to order your parts

SECTION 6 - CAB

FIGURE 6-6. TOP CAB GUARD



ART\_1001160496-F

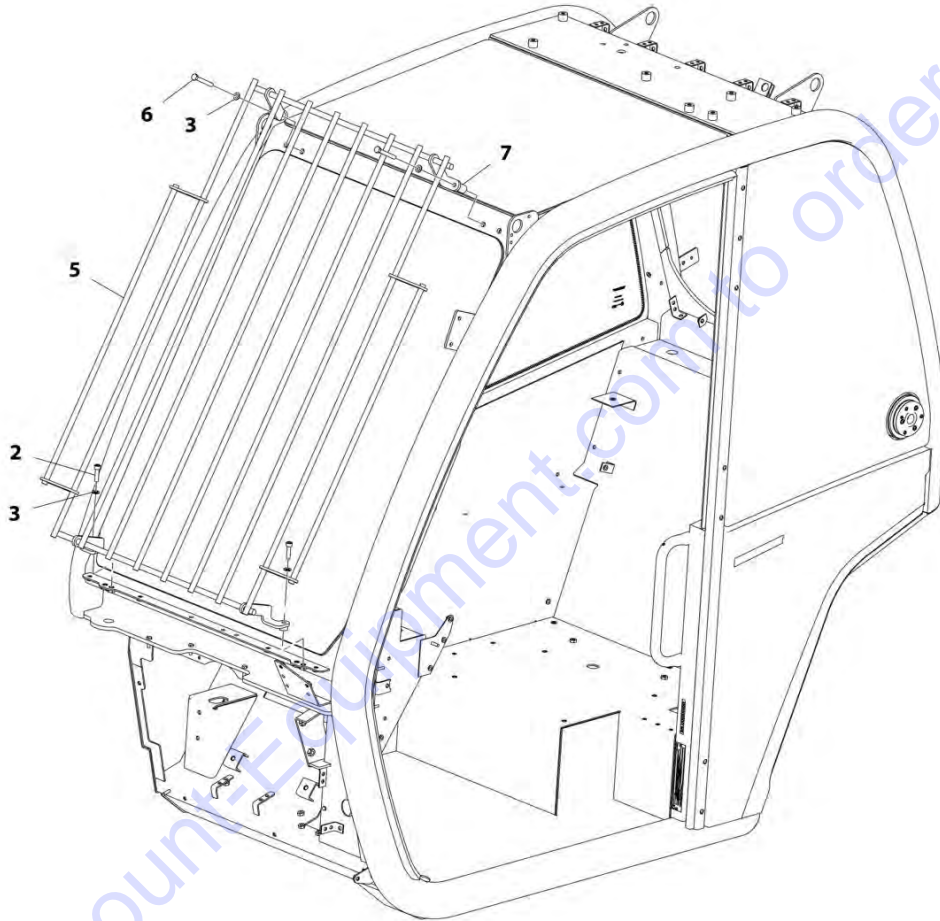
FIGURE 6-6. TOP CAB GUARD

ITEM	PART NUMBER	QTY	DESCRIPTION	REV
	1001160496	Ref	Top Cab Guard	F
1	0760810	2	Bolt, M8X20	
3	4811900	4	Washer, M8	
5	1001160503	1	Plate	
6	0700820	2	Bolt, M8X60	

Go to Discount-Equipment.com to order your parts

## SECTION 6 - CAB

FIGURE 6-7. FRONT CAB GUARD INSTALLATION



ART\_1001160506-G

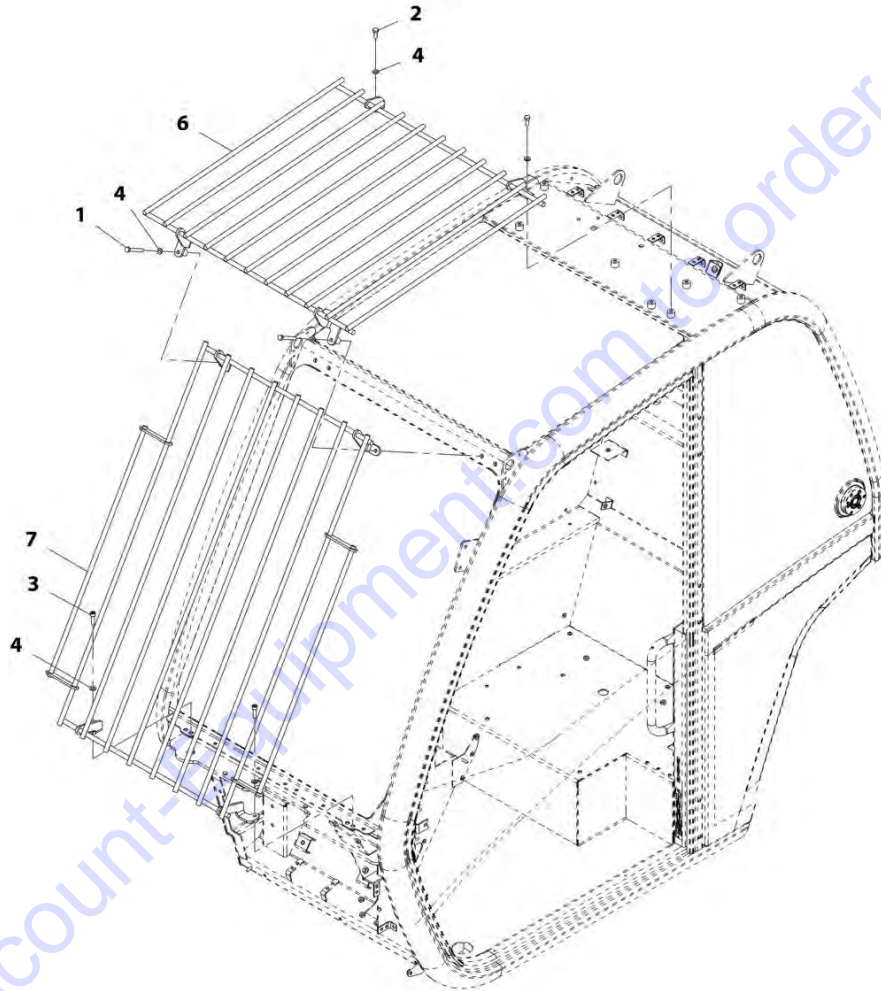
FIGURE 6-7. FRONT CAB GUARD INSTALLATION

ITEM	PART NUMBER	QTY	DESCRIPTION	REV
	1001160506	Ref	Front Cab Guard Installation	G
2	4031910	2	Bolt, M8X30	
3	4811900	4	Washer, M8	
5	1001180263	1	Cab	
6	0700820	2	Bolt, M8X60	
7	1001173257	2	Spacer	

Go to Discount-Equipment.com to order your parts

# SECTION 6 - CAB

## FIGURE 6-8. TOP AND FRONT CAB GUARD INSTALLATION



ART\_100117274-F



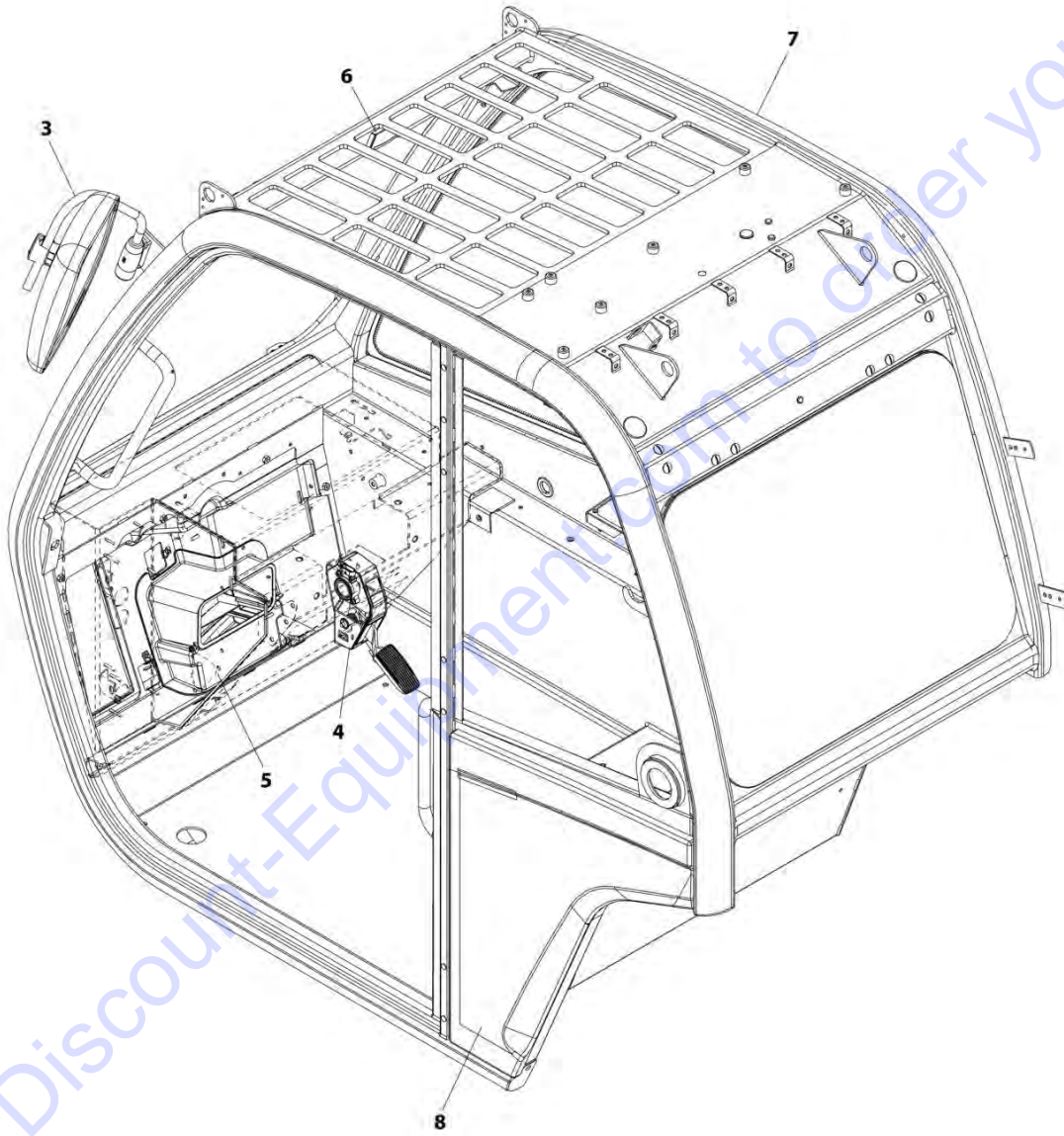
FIGURE 6-8. TOP AND FRONT CAB GUARD INSTALLATION

ITEM	PART NUMBER	QTY	DESCRIPTION	REV
	1001172774	Ref	Top and Front Cab Guard Installation	F
1	0700820	2	Bolt, M8X60	
2	0760810	2	Bolt, M8X20	
3	4031910	2	Bolt, M8X30	
4	4811900	6	Washer, M8	
6	1001160503	1	Plate	
7	1001180263	1	Cab	

Go to Discount-Equipment.com to order your parts

# SECTION 6 - CAB

## FIGURE 6-9. OROPS CAB INSTALLATION



ART\_1001154984-G

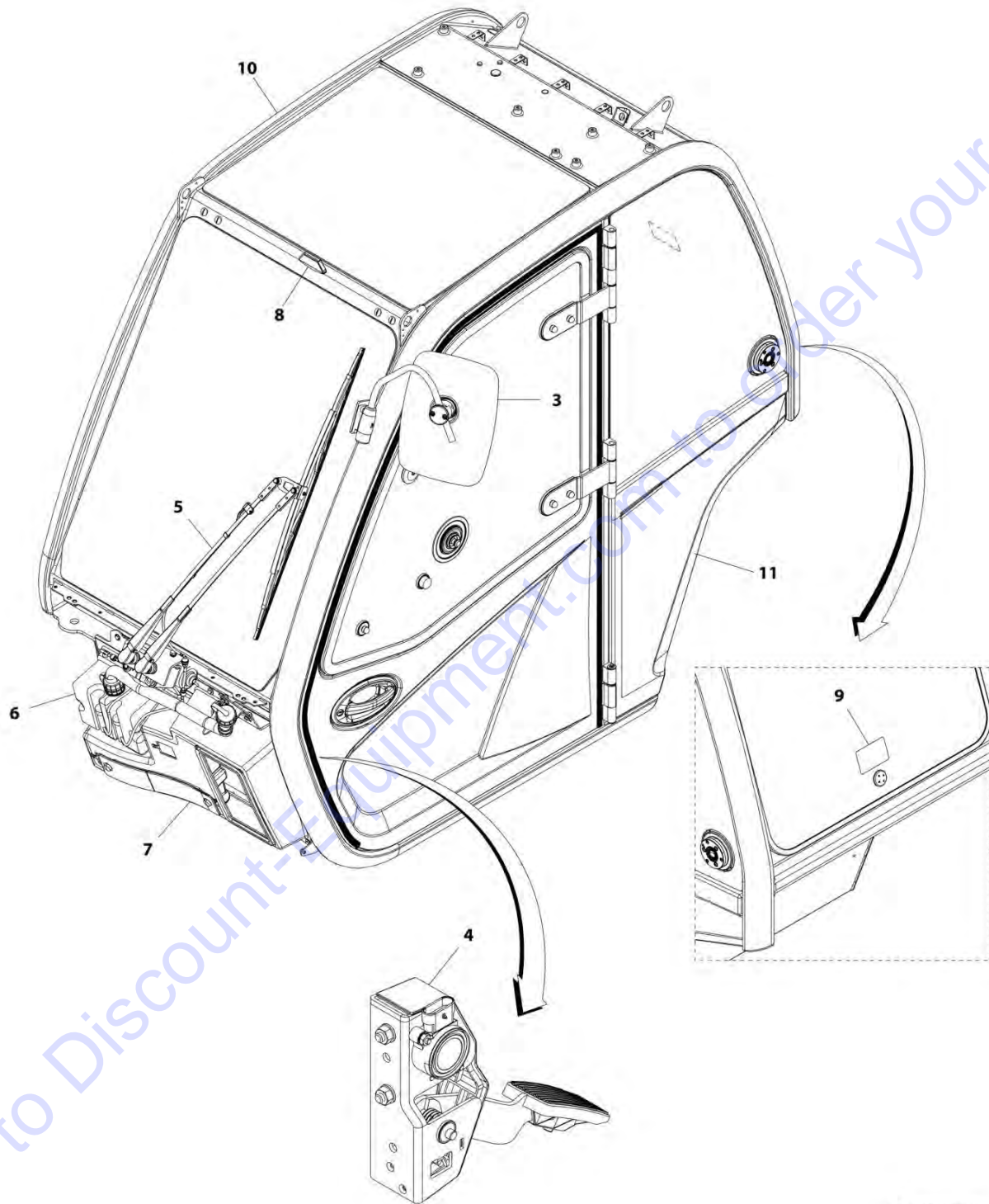
FIGURE 6-9. OROPS CAB INSTALLATION

ITEM	PART NUMBER	QTY	DESCRIPTION	REV
	1001154984	Ref	OROPS Cab Installation	G
1	1001154711	Ref	Installation, Open Cab (not shown) (See OPEN CAB INSTALLATION for Breakdown) <b>(Prior to SN 0160079256)</b>	
3	1001160508	Ref	Installation, Mirror (See MIRROR INSTALLATION for Breakdown)	
4	1001161499	Ref	Installation, Accelerator Pedal (See CONTROLS SECTION for Breakdown)	
5	1001170366	Ref	Installation, Front Cover (See FRONT COVER INSTALLATION for Breakdown)	
6	1001172401	Ref	Installation, Level Indicator (See LEVEL INDICATOR INSTALLATION for Breakdown)	
7	1001214326	Ref	Cab, (See Separate Breakdown in this Section) <b>(SN 0160079256 to Present)</b>	
8	1001214331	Ref	Installation, Open Cab, (See Separate Breakdown in this Section) <b>(SN 0160079256 to Present)</b>	

Go to Discount-Equipment.com to order your parts

# SECTION 6 - CAB

## FIGURE 6-10. EROPS CAB INSTALLATION



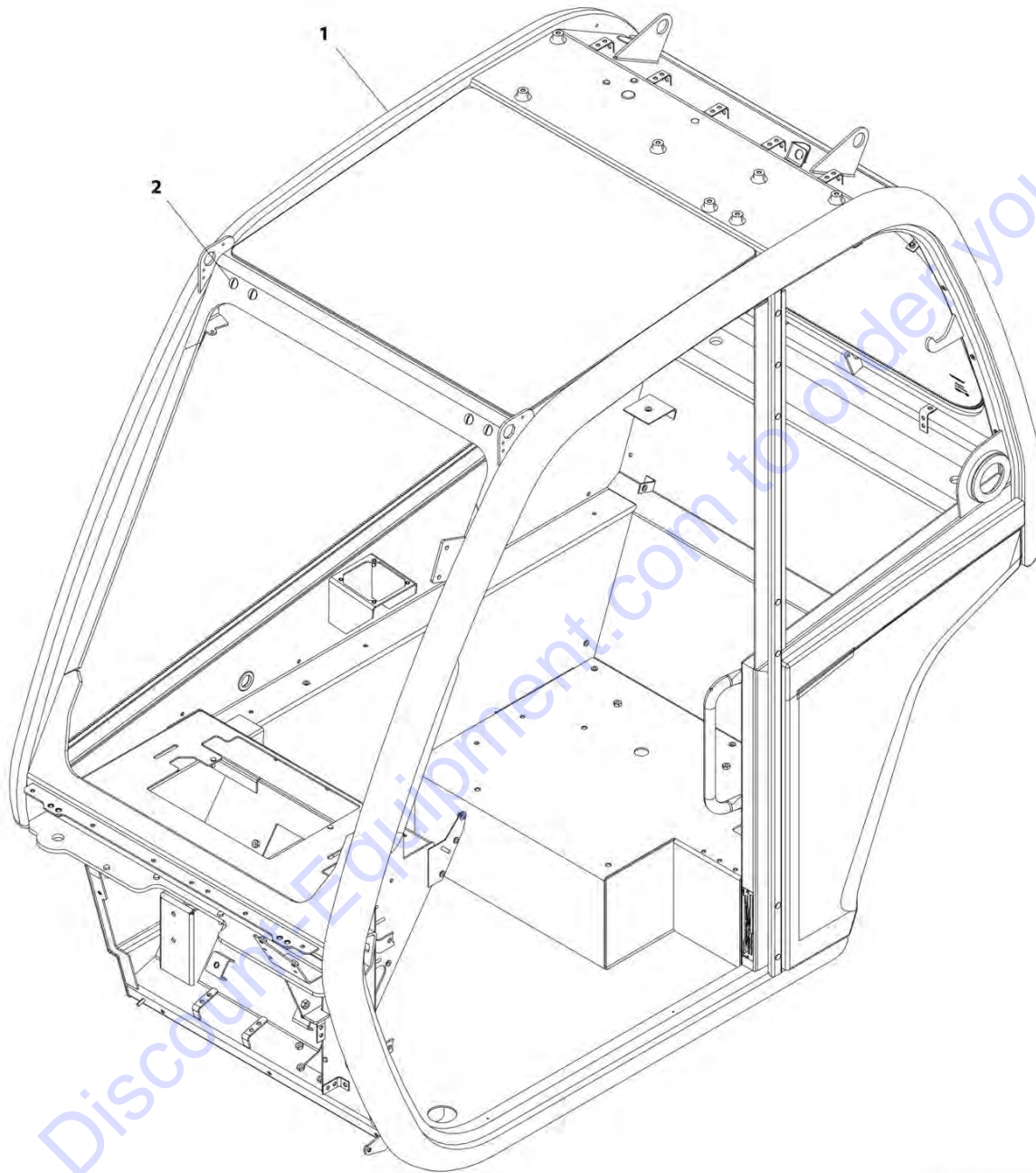
ART\_1001173419-I

FIGURE 6-10. EROPS CAB INSTALLATION

ITEM	PART NUMBER	QTY	DESCRIPTION	REV
	1001173419	Ref	EROPS Cab Installation	I
1	1001173414	Ref	Installation, Enclosed Cab (not shown) (See ENCLOSED CAB INSTALLATION for Breakdown) <b>(Prior to SN 0160079256)</b>	
3	1001160508	Ref	Installation, Mirror (See MIRROR INSTALLATION for Breakdown)	
4	1001161499	Ref	Installation, Accelerator Pedal (See CONTROLS SECTION for Breakdown)	
5	1001155447	Ref	Installation, Front Wiper (See FRONT WIPER INSTALLATION for Breakdown)	
6	1001162789	Ref	Installation, Washer Tank (See WASHER TANK INSTALLATION for Breakdown)	
7	1001170366	Ref	Installation, Front Cover (See FRONT COVER INSTALLATION for Breakdown)	
8	1001172401	Ref	Installation, Level Indicator (See LEVEL INDICATOR INSTALLATION for Breakdown)	
9	8005870	1	Decal, Emergency Exit	
10	1001214326	Ref	Cab, (See Separate Breakdown in this Section) <b>(SN 0160079256 to Present)</b>	
11	1001214332	Ref	Installation, Enclosed Cab (See Separate Breakdown in this Section) <b>(SN 0160079256 to Present)</b>	

## SECTION 6 - CAB

FIGURE 6-11. OPEN CAB INSTALLATION (Prior to SN 0160079256)



ART\_1001154711-C

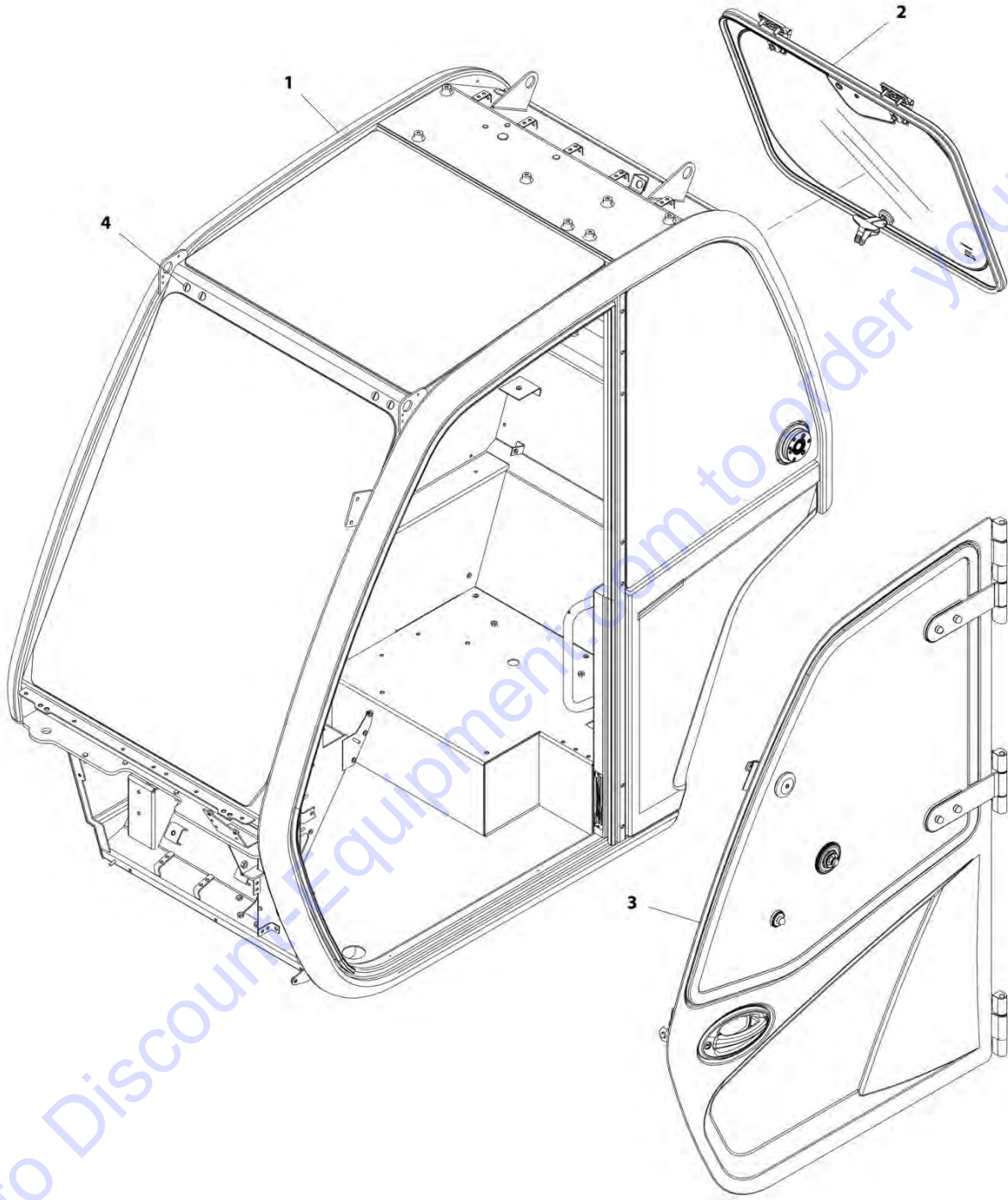
**FIGURE 6-11. OPEN CAB INSTALLATION (Prior to SN 0160079256)**

ITEM	PART NUMBER	QTY	DESCRIPTION	REV
1	1001154711	Ref	Open Cab Installation	C
	1001154721	1	Assembly, Open Cab (See OPEN CAB ASSEMBLY for Breakdown)	
2	1001170495	1	Group, Open Cab Plug (See OPEN CAB PLUG GROUP for Breakdown)	

Go to Discount-Equipment.com to order your parts

# SECTION 6 - CAB

FIGURE 6-12. ENCLOSED CAB INSTALLATION (Prior to SN 0160079256)



ART\_1001173414-C



# PARTS FINDER

**Search Website  
by Part Number**



**Search Manual  
Library For Parts  
Manual & Lookup Part  
Numbers – Purchase  
or Request Quote**

**Can't Find Part or  
Manual? Request Help  
by Manufacturer,  
Model & Description**

Discount-Equipment.com is your online resource for quality parts & equipment.

Florida: **561-964-4949** Outside Florida TOLL FREE: **877-690-3101**

## Need parts?

Click on this link: <http://www.discount-equipment.com/category/5443-parts/> and choose one of the options to help get the right parts and equipment you are looking for. Please have the machine model and serial number available in order to help us get you the correct parts. If you don't find the part on the website or on one of the online manuals, please fill out the request form and one of our experienced staff members will get back to you with a quote for the right part that your machine needs.

We sell worldwide for the brands: Genie, Terex, JLG, MultiQuip, Mikasa, Essick, Whiteman, Mayco, Toro Stone, Diamond Products, Generac Magnum, Airman, Haulotte, Barreto, Power Blanket, Nifty Lift, Atlas Copco, Chicago Pneumatic, Allmand, Miller Curber, Skyjack, Lull, Skytrak, Tsurumi, Husquvarna Target, Stow, Wacker, Sakai, Mi-T-M, Sullair, Basic, Dynapac, MBW, Weber, Bartell, Bennar Newman, Haulotte, Ditch Runner, Menegotti, Morrison, Contec, Buddy, Crown, Edco, Wyco, Bomag, Laymor, EZ Trench, Bil-Jax, F.S. Curtis, Gehl Pavers, Heli, Honda, ICS/PowerGrit, IHI, Partner, Imer, Clipper, MMD, Koshin, Rice, CH&E, General Equipment, Amida, Coleman, NAC, Gradall, Square Shooter, Kent, Stanley, Tamco, Toku, Hatz, Kohler, Robin, Wisconsin, Northrock, Oztec, Toker TK, Rol-Air, APT, Wylie, Ingersoll Rand / Doosan, Innovatech, Con X, Ammann, Mecalac, Makinex, Smith Surface Prep, Small Line, Wanco, Yanmar

## SECTION 6 - CAB

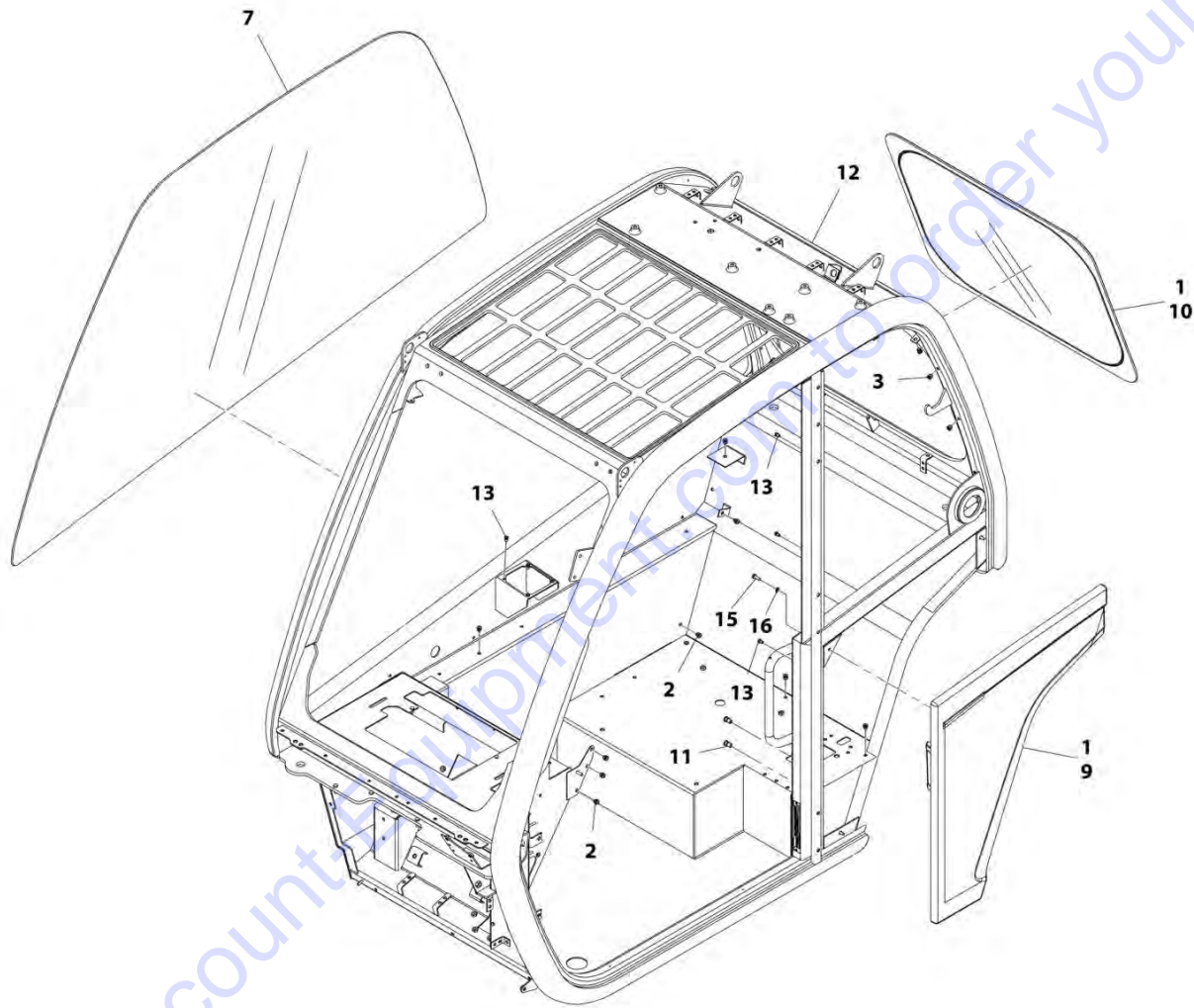
**FIGURE 6-12. ENCLOSED CAB INSTALLATION (Prior to SN 0160079256)**

ITEM	PART NUMBER	QTY	DESCRIPTION	REV
	1001173414	Ref	Enclosed Cab Installation	C
1	1001154365	Ref	Cab (See ENCLOSED CAB ASSEMBLY for Breakdown)	
2	1001170500	Ref	Installation, Rear Window (See REAR WINDOW INSTALLATION for Breakdown)	
3	1001165080	Ref	Group, Door Cab (See DOOR INSTALLATION for Breakdown)	
4	1001170603	Ref	Group, Cab Plug (See ENCLOSED CAB PLUG GROUP for Breakdown)	

Go to Discount-Equipment.com to order your parts

# SECTION 6 - CAB

## FIGURE 6-13. OPEN CAB ASSEMBLY



ART\_1001154721-I

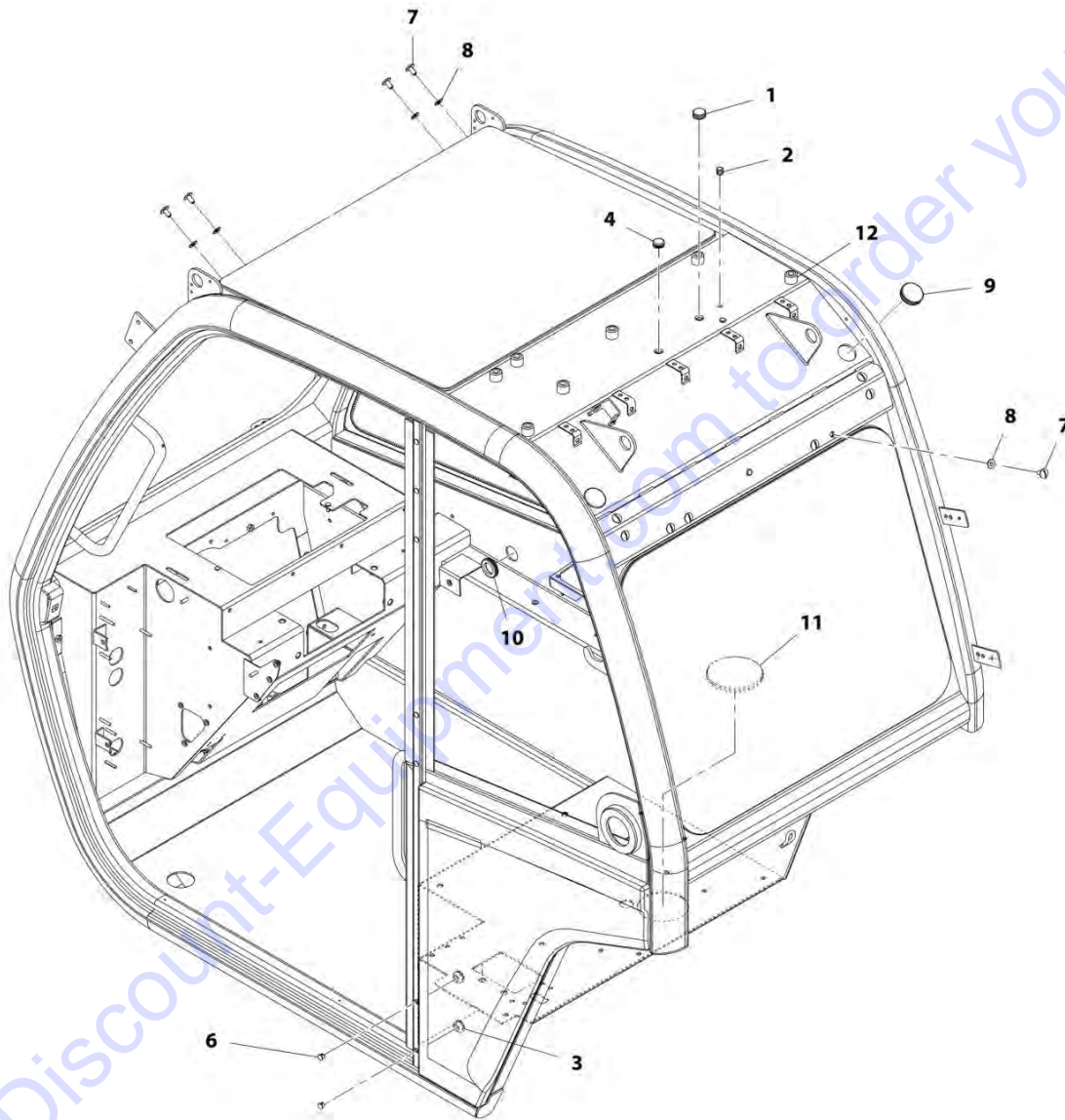
FIGURE 6-13. OPEN CAB ASSEMBLY

ITEM	PART NUMBER	QTY	DESCRIPTION	REV
	1001154721	Ref	Open Cab Assembly	I
1	1001111317	AR	Compound, Locking	
2	2080086	17	Rivnut, M6X1	
3	2080087	16	Rivnut, M8X1.25	
7	1001152947	1	Glass, RH Screen	
9	N.S.S.	1	Panel, Cab Quarter	
10	1001161538	1	Glass, Rear Window	
11	1001172193	2	Rivnut, M5X0.8	
12	N.S.S.	1	Weldment, Cab <b>(Prior to SN 0160079256)</b>	
13	1001195878	7	Rivnut, M5X0.8	
15	N.S.S.	3	Screw	
16	4811700	3	Washer, M6	

Go to Discount-Equipment.com to order your parts

# SECTION 6 - CAB

## FIGURE 6-14. OPEN CAB PLUG GROUP



ART\_1001170495-E

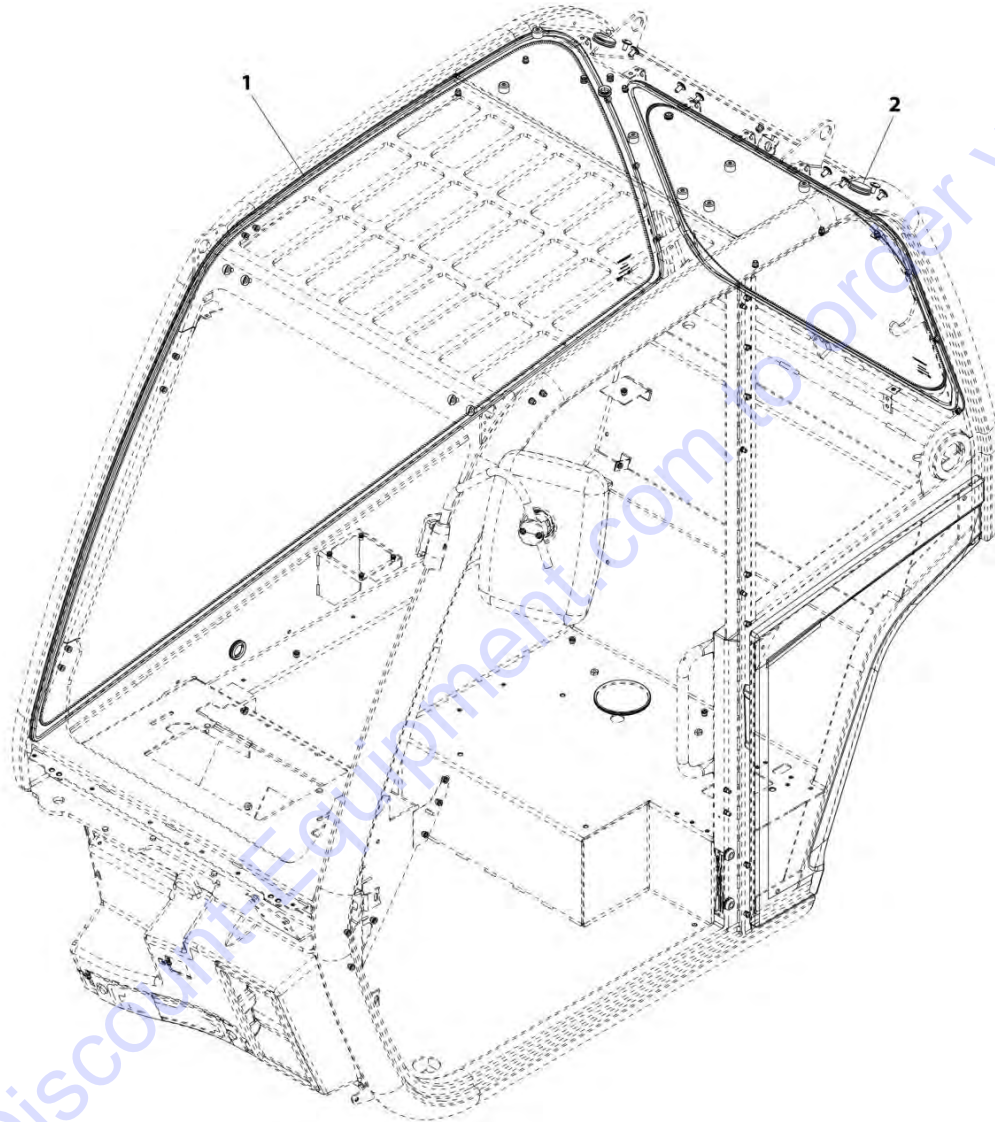
FIGURE 6-14. OPEN CAB PLUG GROUP

ITEM	PART NUMBER	QTY	DESCRIPTION	REV
	1001170495	Ref	Open Cab Plug Group	E
1	1001176273	1	Plug	
2	1001176272	3	Plug	
3	1001143200	2	Plug	
4	1001176626	1	Plug	
6	1001170374	7	Plug	
7	1001181920	12	Screw, M8X16	
8	1001181921	12	Washer, Rubber M8	
9	1001182123	2	Plug	
10	1001182139	1	Plug	
11	1001209899	1	Plug	
12	1001219220	7	Vinyl Round	

Go to Discount-Equipment.com to order your parts

## SECTION 6 - CAB

FIGURE 6-15. OPEN CAB INSTALLATION (SN 0160079256 to Present)



ART\_1001214331-D

## SECTION 6 - CAB

**FIGURE 6-15. OPEN CAB INSTALLATION (SN 0160079256 to Present)**

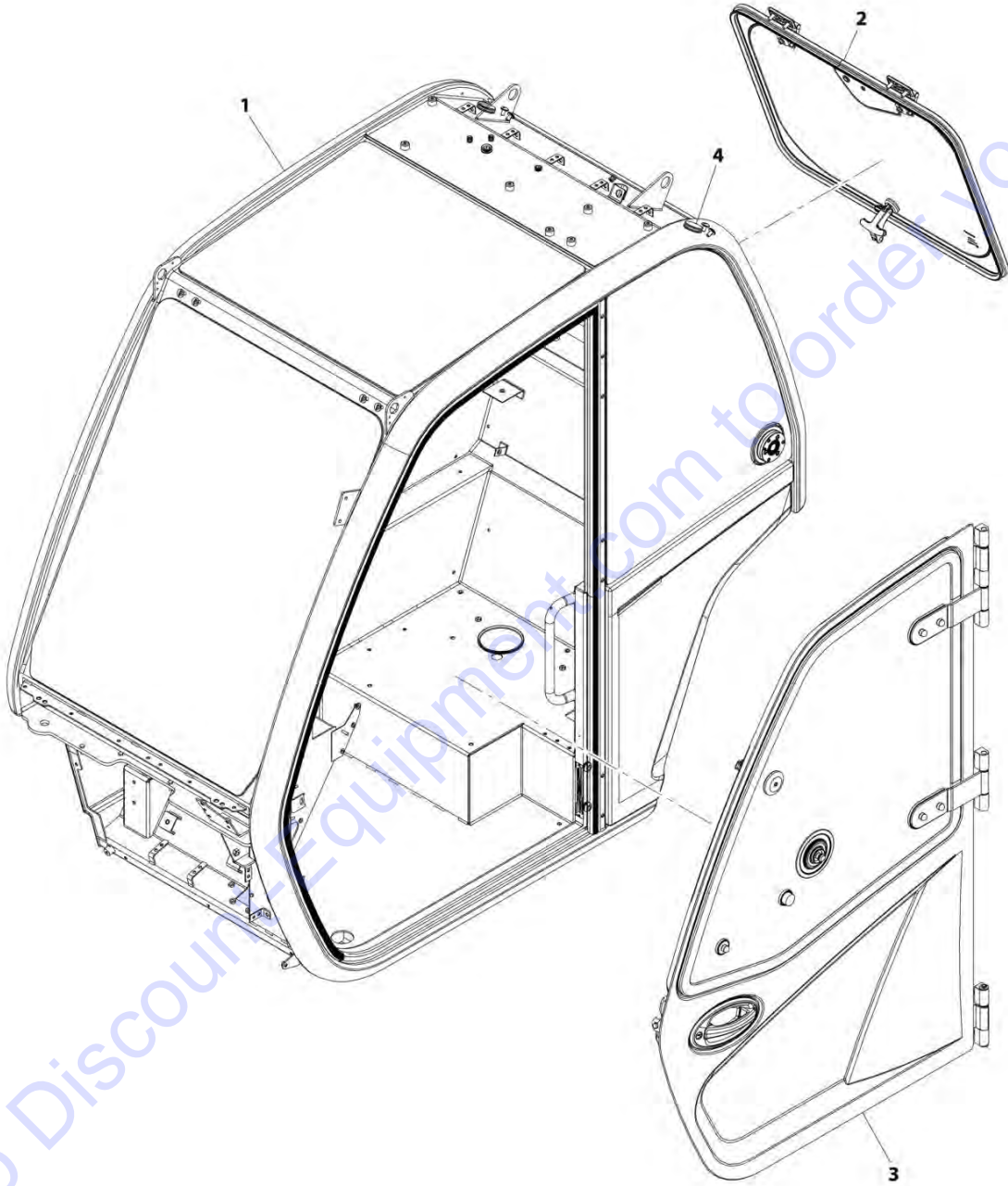
ITEM	PART NUMBER	QTY	DESCRIPTION	REV
	1001214331	Ref	Open Cab Installation	D
1	1001154721	1	Assembly, Open Cab (See Separate Breakdown in this Section)	
2	1001170495	1	Group, Open Cab Plug (See Separate Breakdown in this Section)	

Go to Discount-Equipment.com to order your parts



# SECTION 6 - CAB

FIGURE 6-16. ENCLOSED CAB INSTALLATION (SN 0160079256 to Present)



ART\_1001214332-F

## SECTION 6 - CAB

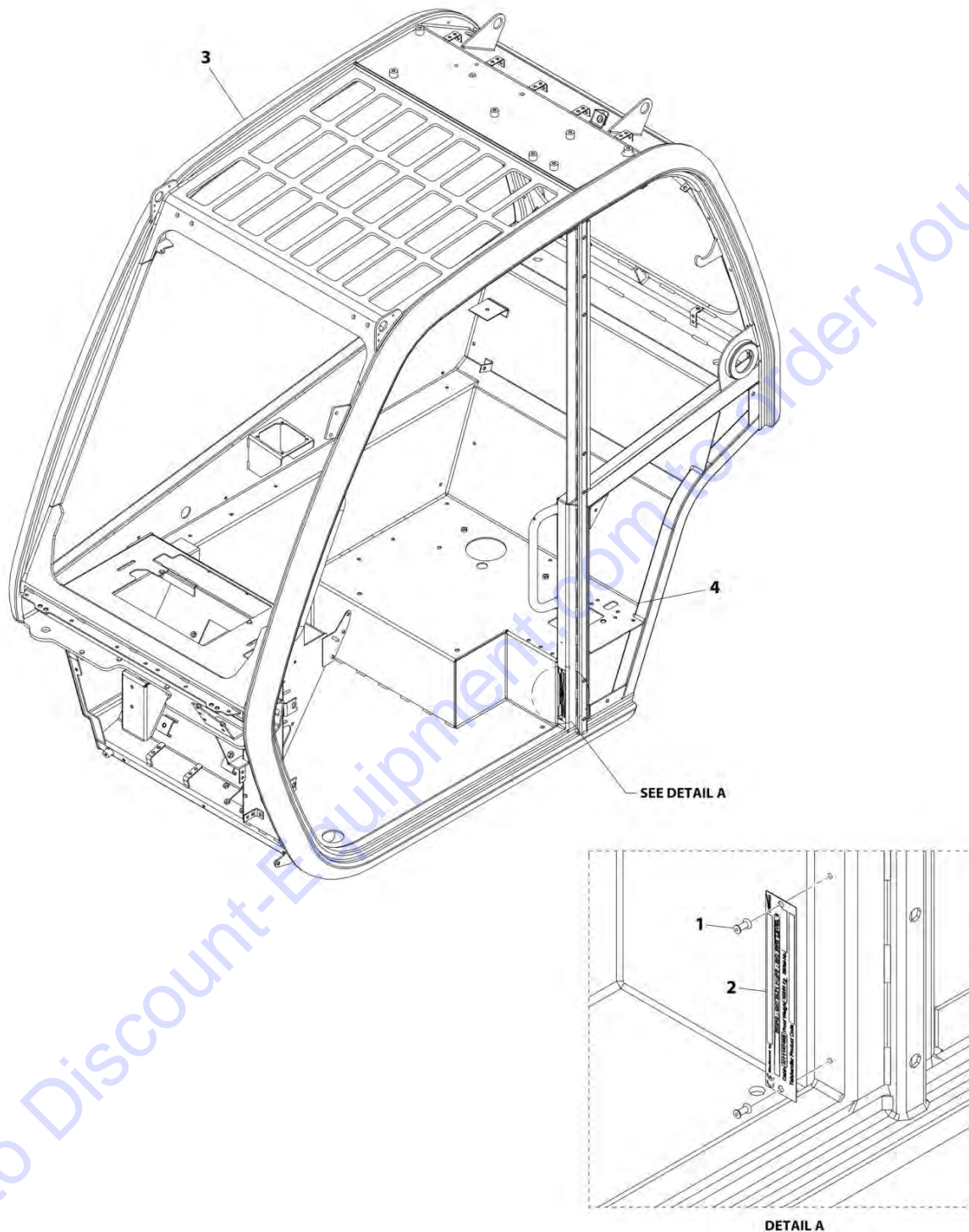
**FIGURE 6-16. ENCLOSED CAB INSTALLATION (SN 0160079256 to Present)**

ITEM	PART NUMBER	QTY	DESCRIPTION	REV
	1001214332	Ref	Enclosed Cab Installation	F
1	1001154365	1	Assembly, Enclosed Cab (See Separate Breakdown in this Section)	
2	1001170500	1	Installation, Rear Window (See Separate Breakdown in this Section)	
3	1001165080	1	Installation, Door Cab (See Separate Breakdown in this Section)	
4	1001170603	1	Group, Cab Plug (See Separate Breakdown in this Section)	

Go to Discount-Equipment.com to order your parts

# SECTION 6 - CAB

FIGURE 6-17. CAB (SN 0160079256 to Present)



ART\_1001214326-D

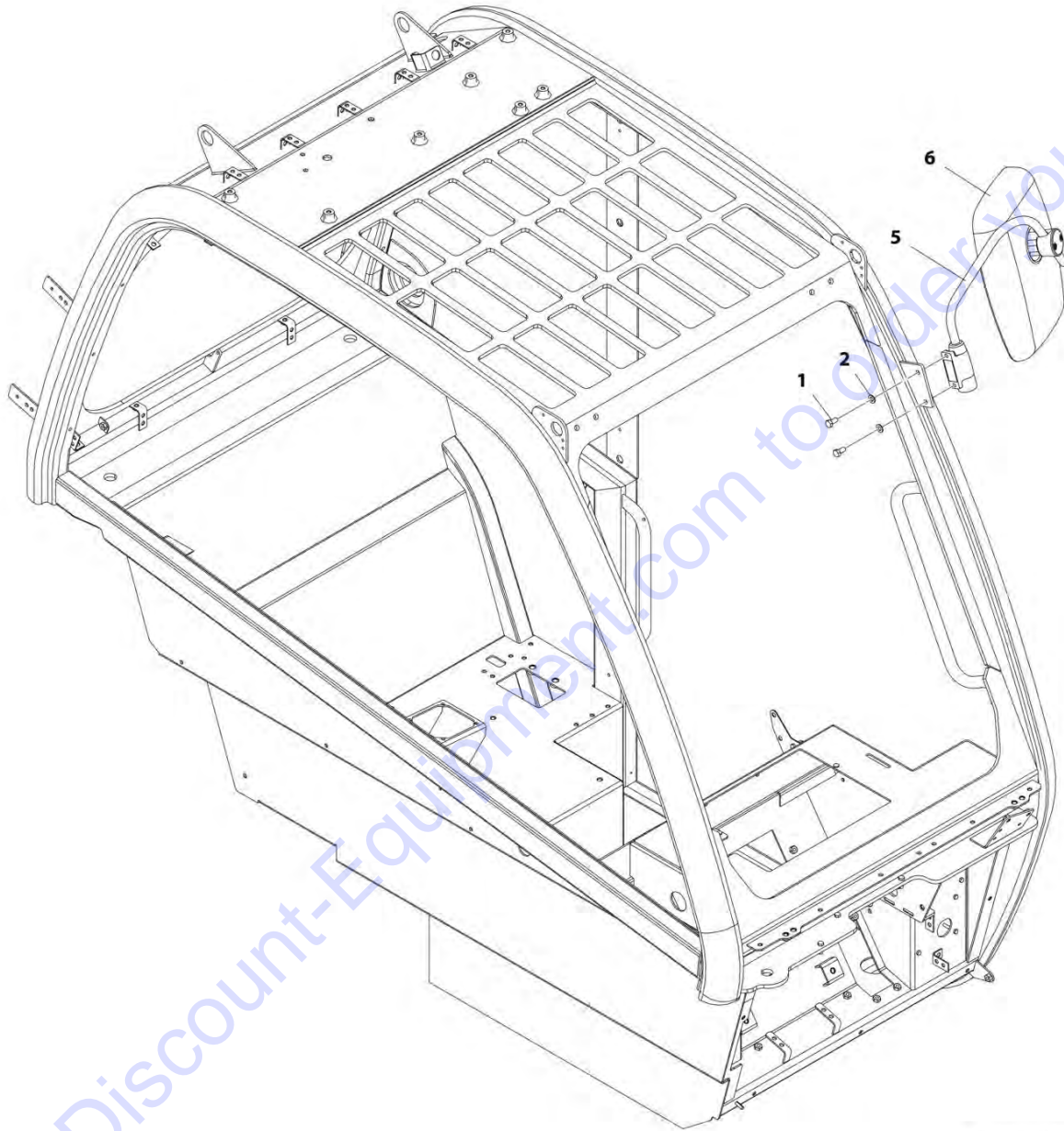
**SECTION 6 - CAB****FIGURE 6-17. CAB (SN 0160079256 to Present)**

ITEM	PART NUMBER	QTY	DESCRIPTION	REV
	1001214326	Ref	Cab	D
1	1001099170	2	Rivet, 4	
2	N.S.S.	1	S/N Plate, Cab	
3	N.S.S.	1	Weldment	
4	1001205402	AR	Sealant	

Go to Discount-Equipment.com to order your parts

# SECTION 6 - CAB

## FIGURE 6-18. MIRROR INSTALLATION



ART\_1001160508-E

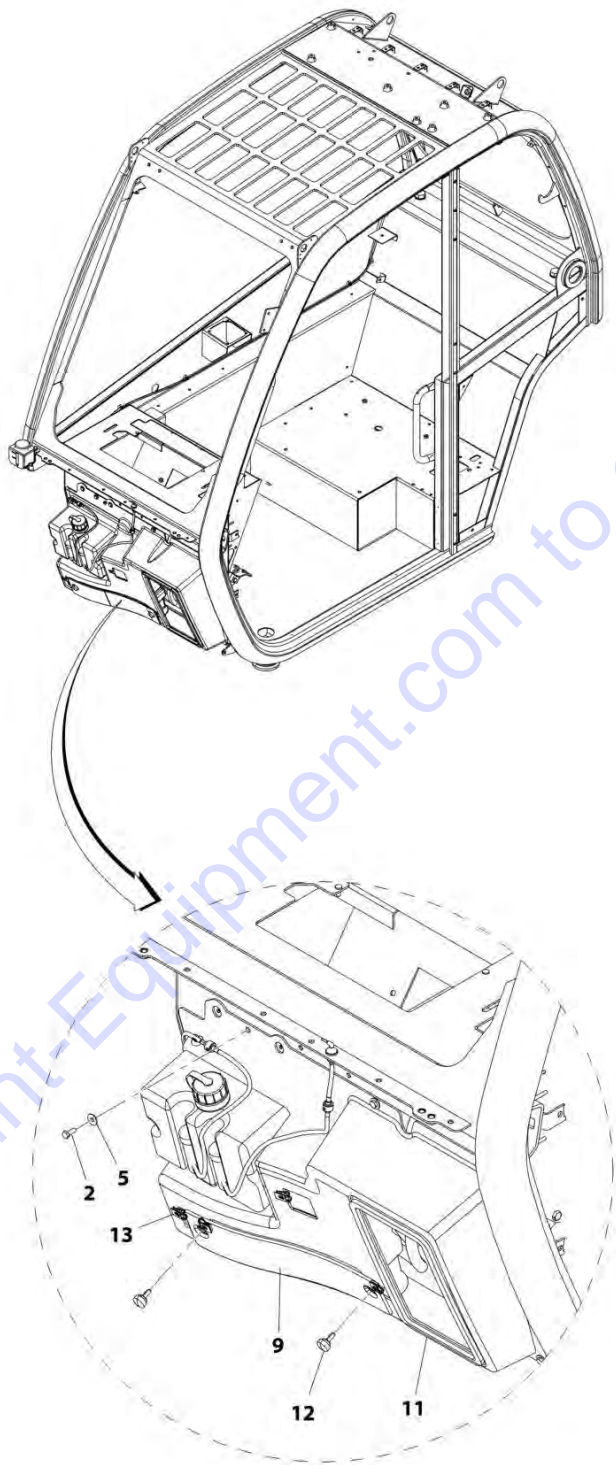
FIGURE 6-18. MIRROR INSTALLATION

ITEM	PART NUMBER	QTY	DESCRIPTION	REV
	1001160508	Ref	Mirror Installation	E
1	0760808	2	Bolt, M8X16	
2	4811900	2	Washer, M8	
5	1001164655	1	Bracket, Cab Mirror	
6	80363195	1	Mirror, Hood Mounted	

Go to Discount-Equipment.com to order your parts

# SECTION 6 - CAB

## FIGURE 6-19. FRONT COVER INSTALLATION



ART\_1001170366-G

FIGURE 6-19. FRONT COVER INSTALLATION

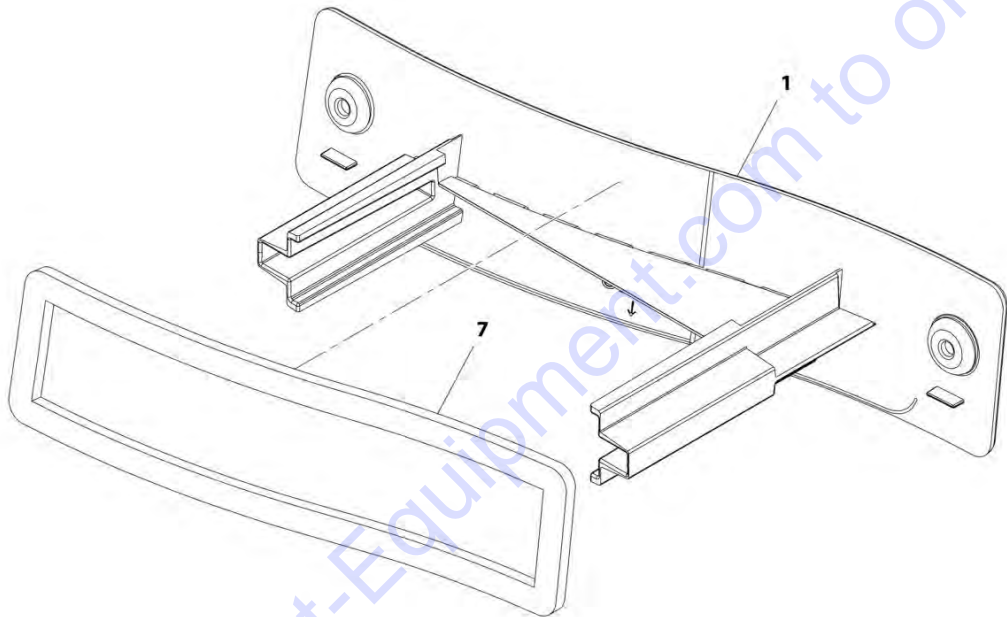
ITEM	PART NUMBER	QTY	DESCRIPTION	REV
	1001170366	Ref	Front Cover Installation	G
2	0760608	7	Bolt, M6X16	
5	4811702	7	Washer, M6	
9	1001175471	1	Assembly, Filter Tray (See FILTER TRAY ASSEMBLY for Breakdown)	
11	1001176121	1	Assembly, Front Duct Cover (See FRONT DUCT COVER ASSEMBLY for Breakdown)	
12	2080092	2	Screw, M6	
13	8305919	4	Nut, M6	

Go to Discount-Equipment.com to order your parts



SECTION 6 - CAB

FIGURE 6-20. FILTER TRAY ASSEMBLY



ART\_1001175471-D

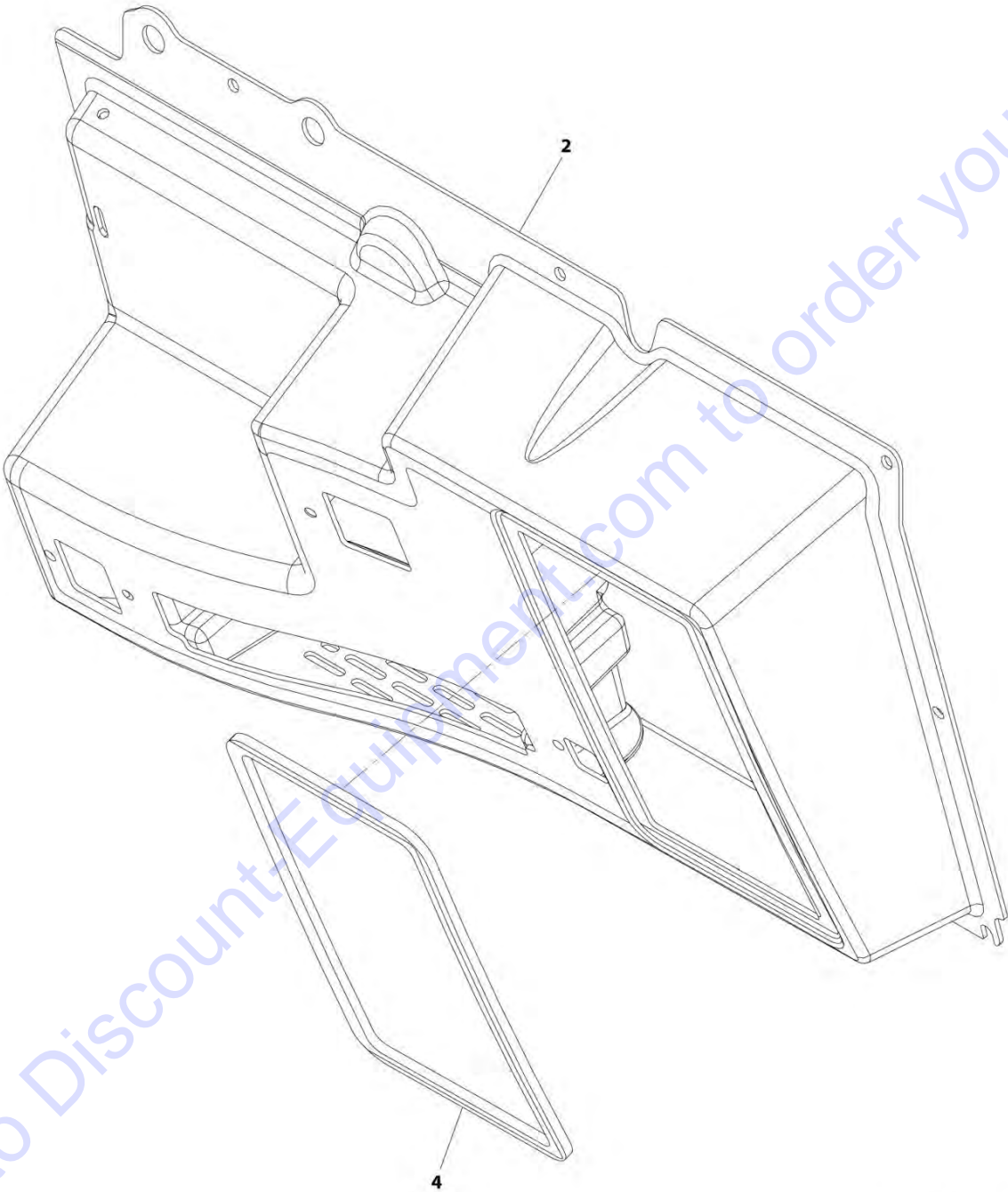
FIGURE 6-20. FILTER TRAY ASSEMBLY

ITEM	PART NUMBER	QTY	DESCRIPTION	REV
	1001175471	Ref	Filter Tray Assembly	D
1	1001170993	1	Panel, Front Inlet	
7	1001171767	1	Seal, Front Cab Panel	

Go to Discount-Equipment.com to order your parts

**SECTION 6 - CAB**

**FIGURE 6-21. FRONT DUCT COVER**



Go to Discount-Equipment.com to order your parts

ART\_1001176121-G

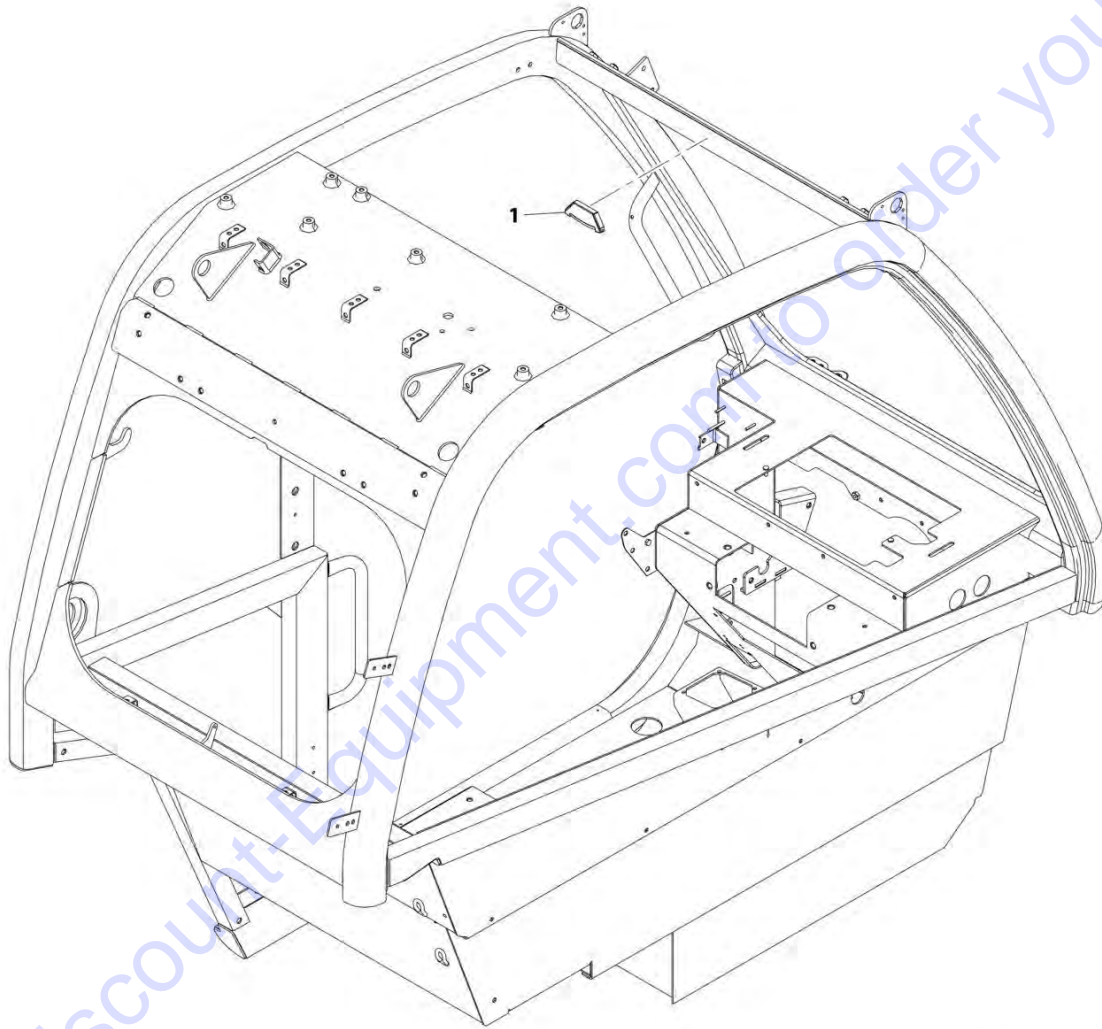
FIGURE 6-21. FRONT DUCT COVER

ITEM	PART NUMBER	QTY	DESCRIPTION	REV
	1001176121	Ref	Front Duct Cover Assembly	G
2	1001170326	1	Cover, Front	
4	1001175470	1	Seal, Front Cab Panel	

Go to Discount-Equipment.com to order your parts

## SECTION 6 - CAB

FIGURE 6-22. LEVEL INDICATOR INSTALLATION



ART\_1001172401-C

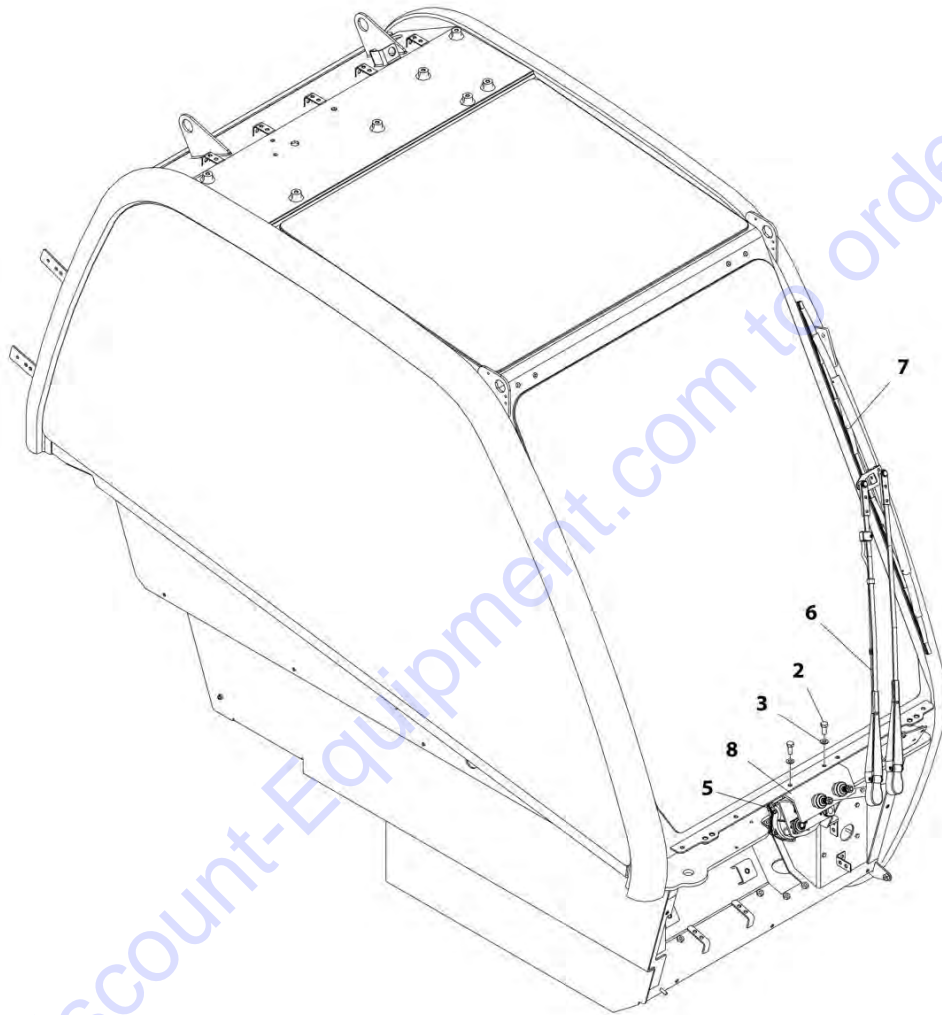
FIGURE 6-22. LEVEL INDICATOR INSTALLATION

ITEM	PART NUMBER	QTY	DESCRIPTION	REV
1	1001172401 8466306	Ref 1	Level Indicator Installation Gauge, Tilt Angle	C

Go to Discount-Equipment.com to order your parts

**SECTION 6 - CAB**

**FIGURE 6-23. FRONT WIPER INSTALLATION**



ART\_1001155447-G

FIGURE 6-23. FRONT WIPER INSTALLATION

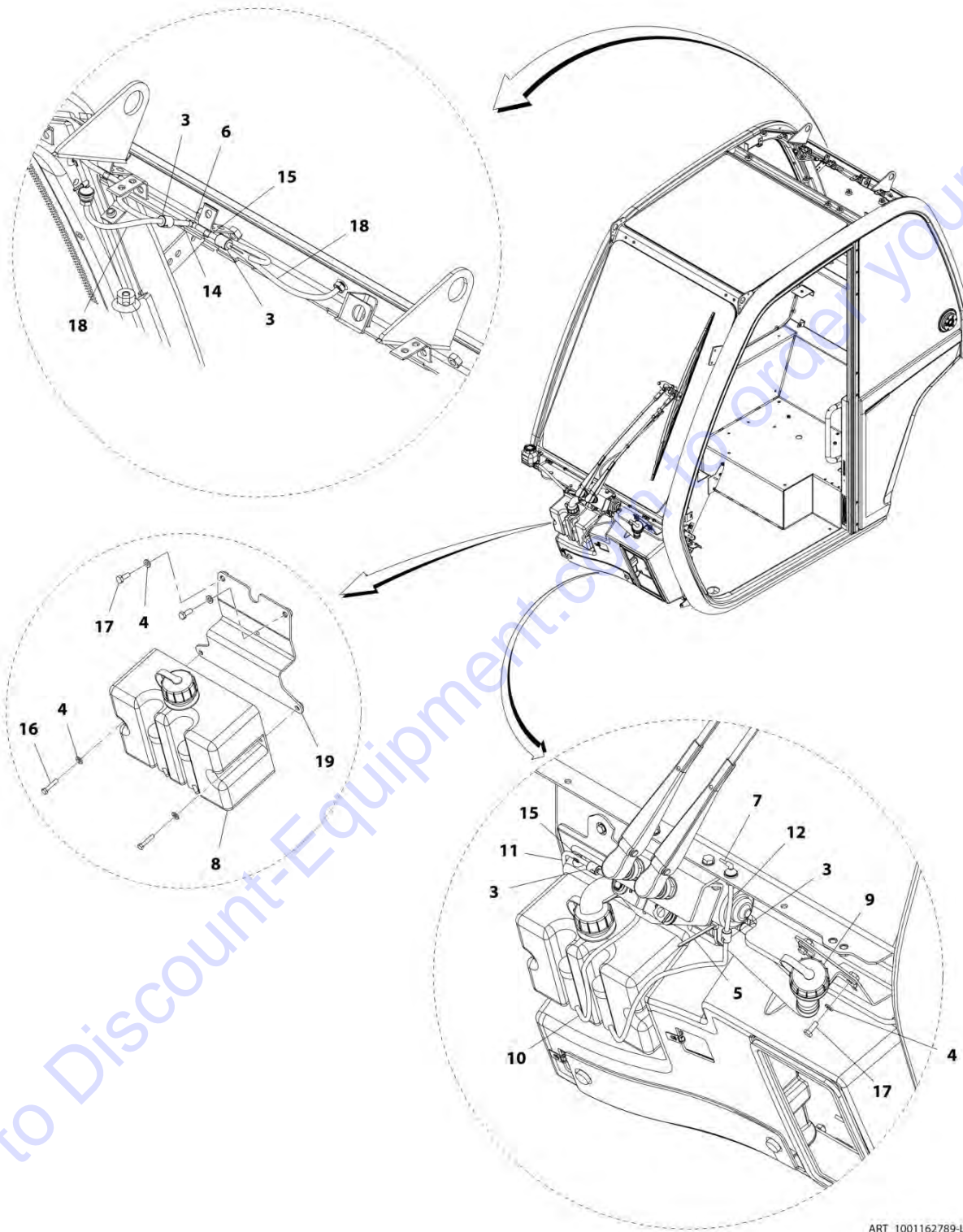
ITEM	PART NUMBER	QTY	DESCRIPTION	REV
	1001155447	Ref	Front Wiper Installation	G
2	0760810	2	Bolt, M8X20	
3	4811900	2	Washer, M8	
5	1001090336	1	Motor, Front Wiper <b>(Prior to SN 0160077012)</b>	
5	1001214092	1	Motor, Front Wiper <b>(SN 0160077012 to Present)</b>	
6	1001212369	1	Blade, Front Arm Wiper	
7	1001141281	1	Blade, Wiper	
8	1001165637	1	Bracket	

Go to Discount-Equipment.com to order your parts



# SECTION 6 - CAB

## FIGURE 6-24. WASHER TANK INSTALLATION



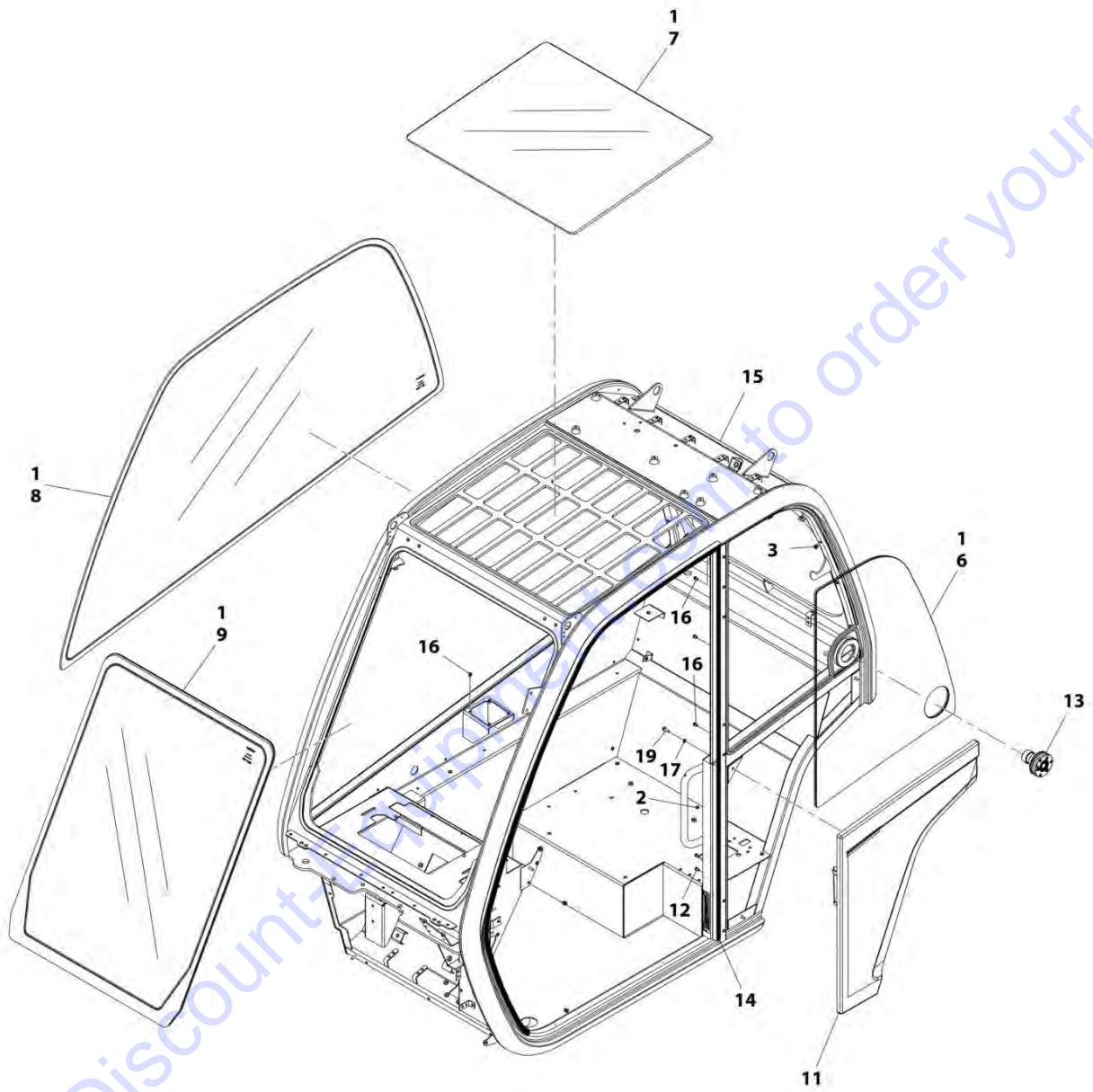
ART\_1001162789-L

FIGURE 6-24. WASHER TANK INSTALLATION

ITEM	PART NUMBER	QTY	DESCRIPTION	REV
	1001162789	Ref	Washer Tank Installation	L
3	1001201331	4	Valve, Check	
4	4811700	6	Washer, M6	
5	471678	2	Strap, Cable	
6	1001008742	1	Coupling, Tee	
7	1001090343	1	Connector	
8	1001165269	1	Bottle, Washer	
9	1001165270	1	Cab Washer, Filler Hose	
10	1001165351	2	Hose	
11	1001165407	1	Hose	
12	1001165416	1	Hose	
14	1001165455	2	Hose	
15	1001165458	16	Mount, Hose	
16	0760512	2	Bolt M5X25 GR8.8	
17	0760608	4	Bolt, M6X16 GR8.8	
18	1001178123	2	Hose	
19	1001171756	1	Bracket	

SECTION 6 - CAB

FIGURE 6-25. ENCLOSED CAB ASSEMBLY



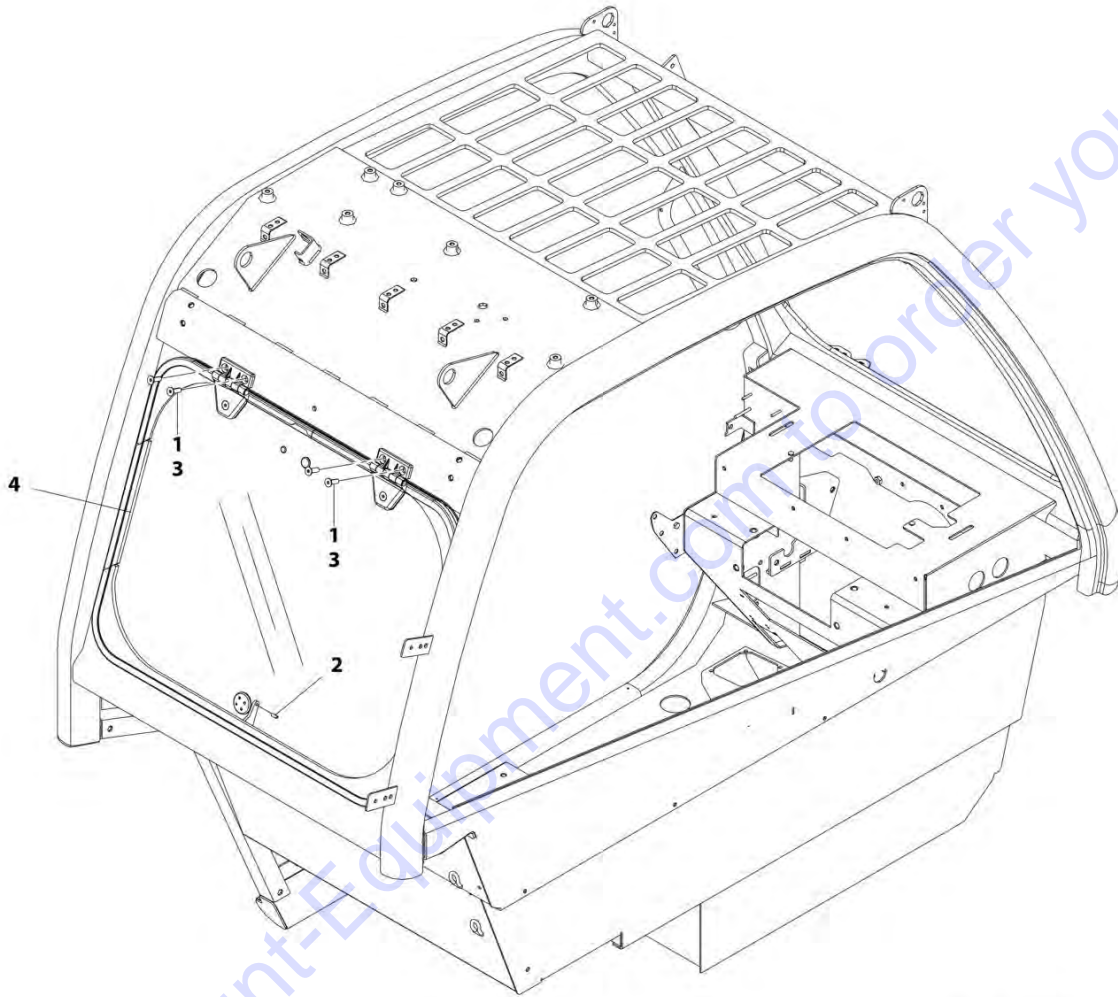
ART\_1001154365-J

FIGURE 6-25. ENCLOSED CAB ASSEMBLY

ITEM	PART NUMBER	QTY	DESCRIPTION	REV
	1001154365	Ref	Enclosed Cab Assembly	J
1	1001111317	AR	Compound, Locking	
2	2080086	17	Rivnut, M6X1	
3	2080087	16	Rivnut, M8X1.25	
6	1001152915	1	Glass, LH Screen	
7	1001152934	1	Glass, Roof	
8	1001152947	1	Glass, RH Screen	
9	1001154419	1	Glass, Front	
11	N.S.S.	1	Panel, Cab Quarter	
12	1001172193	2	Rivnut, M5X0.8	
13	1001174320	1	Latch, Top Window	
14	1001175226	NLA	Seal, Cab Door, (no longer available, use 1001227186 for replacement)	
14	1001227186	1	Seal, Cab Door	
15	N.S.S.	1	Weldment, Cab <b>(Prior to SN 0160079256)</b>	
16	1001195878	7	Rivnut, M5X0.8	
17	4811700	3	Washer, M6	
19	N.S.S.	3	Screw	

# SECTION 6 - CAB

## FIGURE 6-26. REAR WINDOW INSTALLATION



ART\_1001170500-C

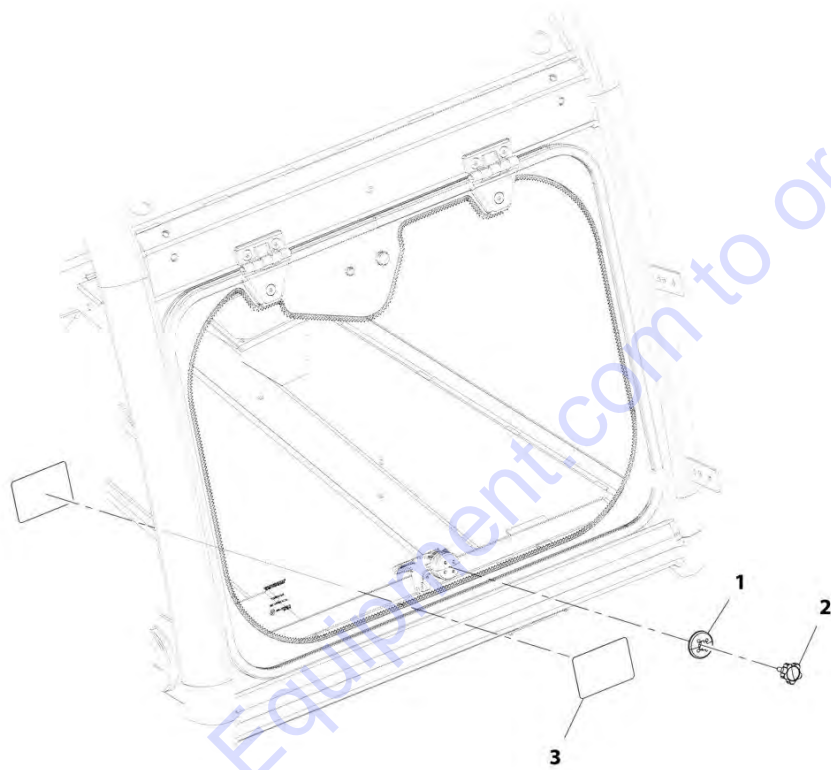
FIGURE 6-26. REAR WINDOW INSTALLATION

ITEM	PART NUMBER	QTY	DESCRIPTION	REV
	1001170500	Ref	Rear Window Installation	C
1	1001095650	AR	Compound, Locking	
2	1001003043	1	Pin, Spring	
3	1001097586	4	Bolt, M8-1.25X25	
4	1001170502	1	Window, Rear (See REAR WINDOW ASSEMBLY for Breakdown)	

Go to Discount-Equipment.com to order your parts

# SECTION 6 - CAB

## FIGURE 6-27. REAR WINDOW INSTALLATION (WOWIPER) (ANSI)



ART\_1001212047-A

FIGURE 6-27. REAR WINDOW INSTALLATION (WO/WIPER) (ANSI)

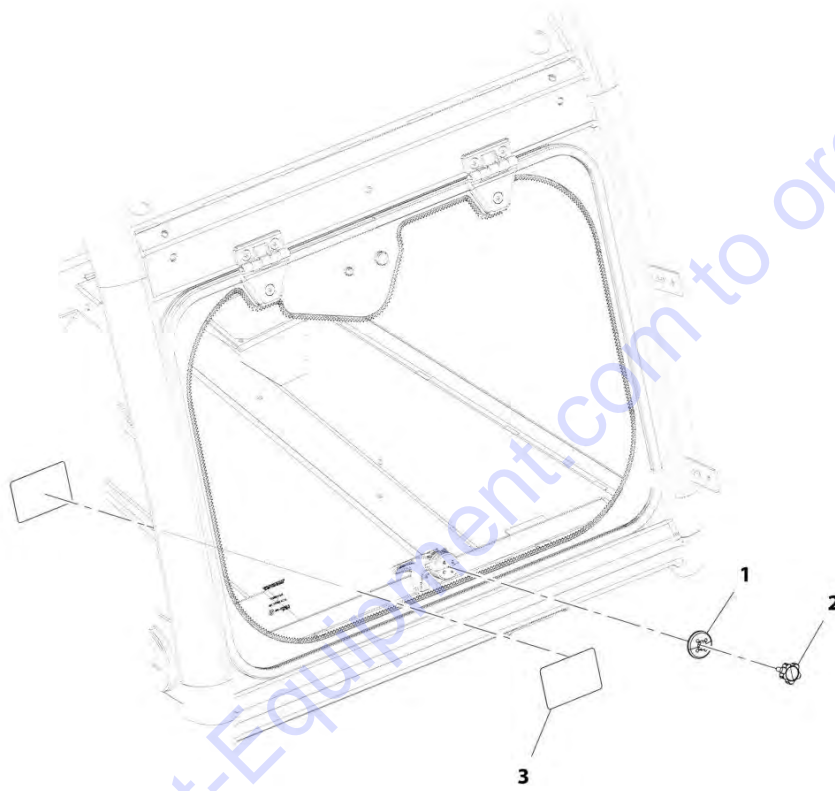
ITEM	PART NUMBER	QTY	DESCRIPTION	REV
	1001212047	Ref	Rear Window Installation (WO/Wiper) (ANSI)	A
1	1001179008	1	Cap, Latch Window	
2	1001179009	1	Cap, Knob M6	
3	1001212049	2	Decal, Emergency Exit	

Go to Discount-Equipment.com to order your parts



**SECTION 6 - CAB**

**FIGURE 6-28. REAR WINDOW INSTALLATION (WO/WIPER) (ISO)**



ART\_1001212048-A

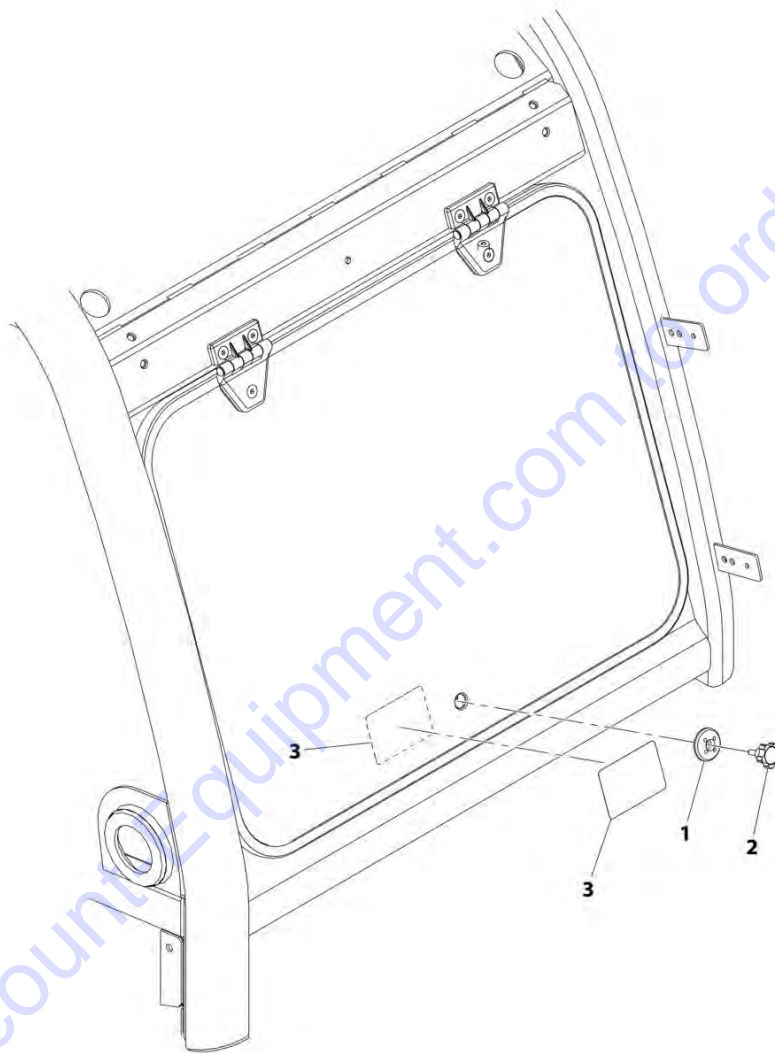
FIGURE 6-28. REAR WINDOW INSTALLATION (WO/WIPER) (ISO)

ITEM	PART NUMBER	QTY	DESCRIPTION	REV
	1001212048	Ref	Rear Window Installation (WO/Wiper) (ISO)	A
1	1001179008	1	Cap, Latch Window	
2	1001179009	1	Cap, Knob M6	
3	1001212050	2	Decal, Emergency Exit	

Go to Discount-Equipment.com to order your parts

## SECTION 6 - CAB

FIGURE 6-29. REAR WINDOW INSTALLATION (WO/WIPER) (ENG/SPAN)



ART\_1001237852-A

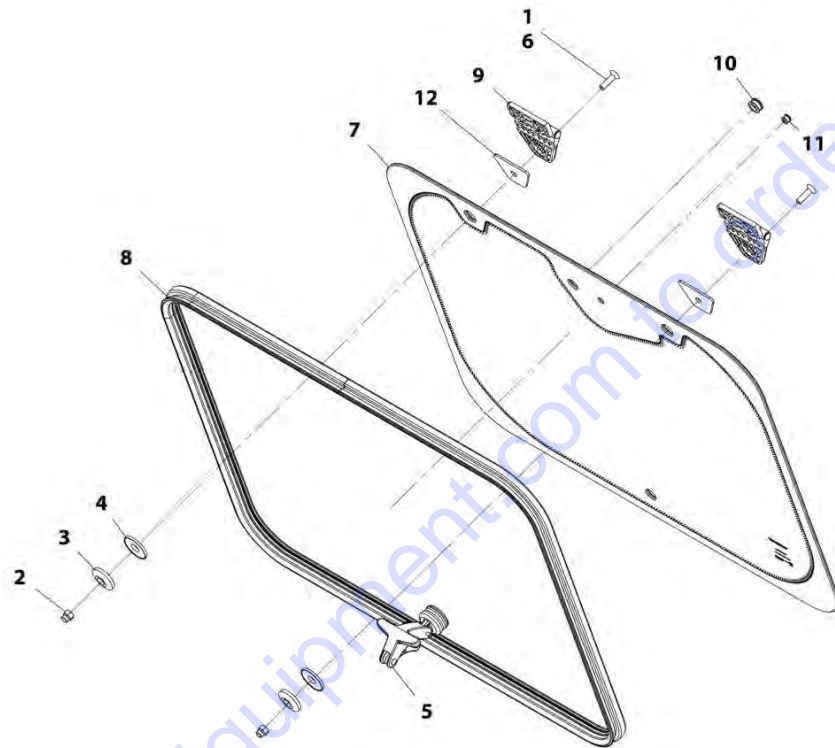
FIGURE 6-29. REAR WINDOW INSTALLATION (WO/WIPER) (ENG/SPAN)

ITEM	PART NUMBER	QTY	DESCRIPTION	REV
	1001237852	Ref	Rear Window Installation (WO/Wiper) (ENG/SPAN)	A
1	1001179008	1	Cap, Latch Window	
2	1001179009	1	Cap, Knob M6	
3	1001237845	2	Decal, Emergency Exit	

Go to Discount-Equipment.com to order your parts

# SECTION 6 - CAB

## FIGURE 6-30. REAR WINDOW ASSEMBLY



ART\_1001170502-C

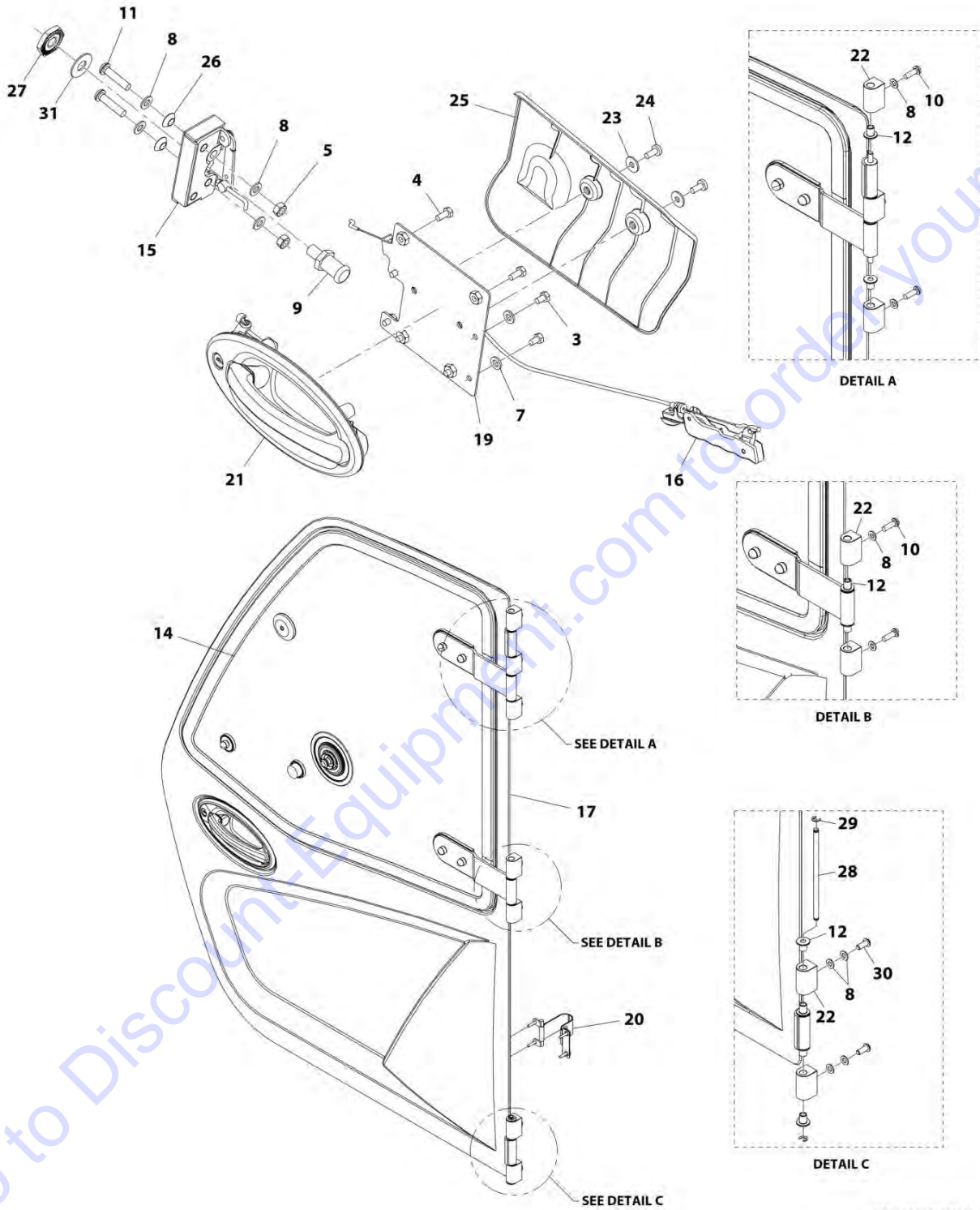
FIGURE 6-30. REAR WINDOW ASSEMBLY

ITEM	PART NUMBER	QTY	DESCRIPTION	REV
	1001170502	1	Rear Window Assembly	C
1	1001095650	AR	Compound, Locking	
2	3290806	2	Nut, M8X1.25	
3	8000759	2	Spacer	
4	8004398	2	Washer	
5	1001005368	1	Latch, Window	
6	2080078	2	Fastener, M8X30	
7	1001157481	1	Glass, Rear Window	
8	1001157487	1	Seal	
9	1001139568	2	Hinge	
10	1001171182	1	Grommet	
11	1001171183	1	Grommet	
12	1001181411	2	Gasket, Rear Window Hinge	

Go to Discount-Equipment.com to order your parts

# SECTION 6 - CAB

## FIGURE 6-31. DOOR INSTALLATION



ART\_1001165080-M

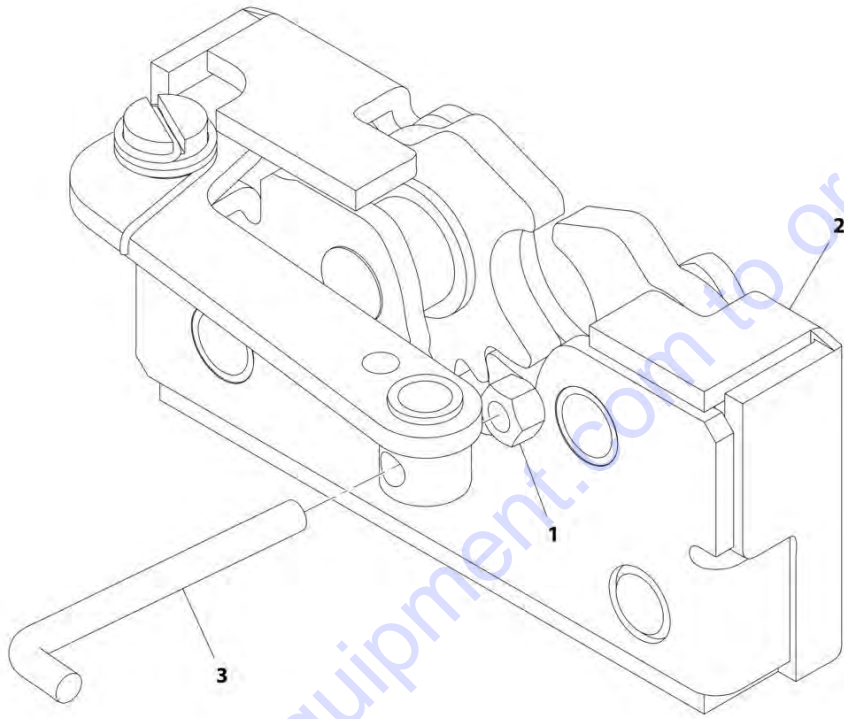
FIGURE 6-31. DOOR INSTALLATION

ITEM	PART NUMBER	QTY	DESCRIPTION	REV
	1001165080	Ref	Door Installation	M
3	0760605	4	Bolt, M6X10	
4	0760607	4	Bolt, M6X14	
5	3290801	2	Nut, M8X1.25	
7	4811700	4	Washer, M6	
8	4811900	13	Washer, M8	
9	8000803	1	Pin, Door Striker	
10	1001008988	5	Screw, M8X25	
11	1001047062	2	Screw, M8X35	
12	1001107192	10	Sleeve, Hinge	
14		Ref	Assembly, Door Upper Glass (See Separate Breakdown in this Section)	
15	1001192766	1	Assembly, Cab Latch (See Separate Breakdown in this Section)	
16	1001167958	1	Assembly, Cab Door Trigger (See Separate Breakdown in this Section)	
17	1001169881	1	Assembly, Door (See Separate Breakdown in this Section)	
19	1001173298	1	Bracket	
20	1001174295	1	Installation, Door Strap (See Separate Breakdown in this Section)	
21	1001192646	1	Handle, Exterior Door	
22	1001170601J	7	Lug, Hinge	
23	4811702001	2	Washer, M6	
24	4010608002	2	Screw, M6X16	
25	1001175477	1	Cover, Cab Door Interior	
26	1001184439	2	Bushing	
27	1001192309	1	Nut, M12X1	
28	1001213791	1	Pin, Hinge	
29	0498748	2	Clip	
30	1001164726	2	Bolt, BTNHD Socket M8X20	
31	1001227802	1	Washer, Striker	



# SECTION 6 - CAB

## FIGURE 6-32. CAB LATCH ASSEMBLY



ART\_1001192766-A

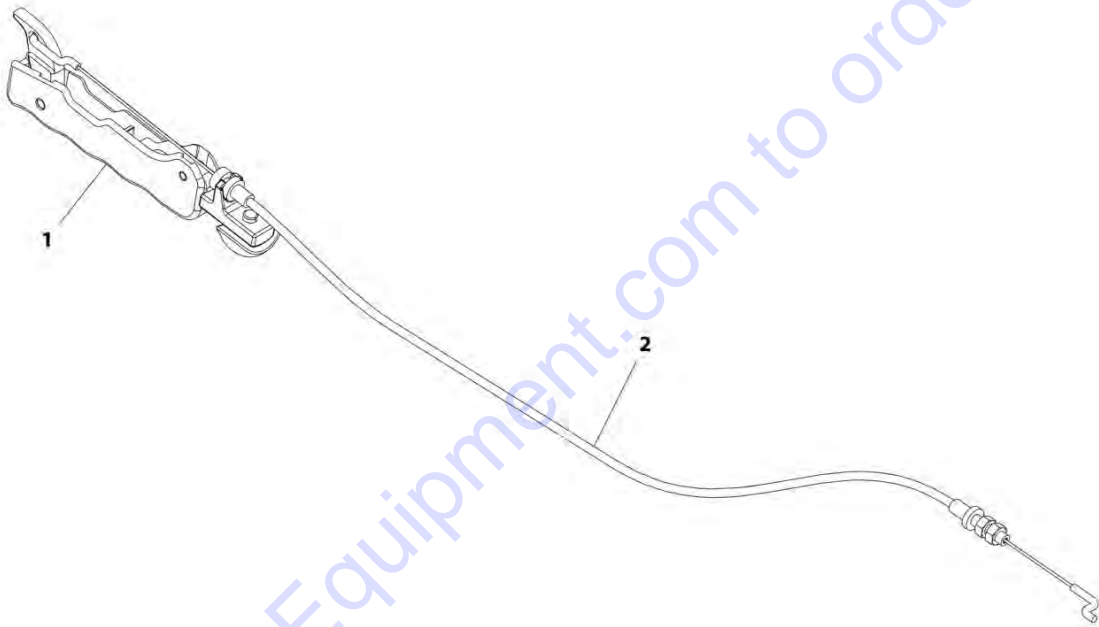
FIGURE 6-32. CAB LATCH ASSEMBLY

ITEM	PART NUMBER	QTY	DESCRIPTION	REV
	1001192766	1	Cab Latch Assembly	A
1	3290405	1	Nut, Lock M4X0.7	
2	1001192643	1	Latch	
3	1001192755	1	Link, Door Handle	

Go to Discount-Equipment.com to order your parts

# SECTION 6 - CAB

## FIGURE 6-33. CAB DOOR TRIGGER ASSEMBLY



ART\_1001167958-E

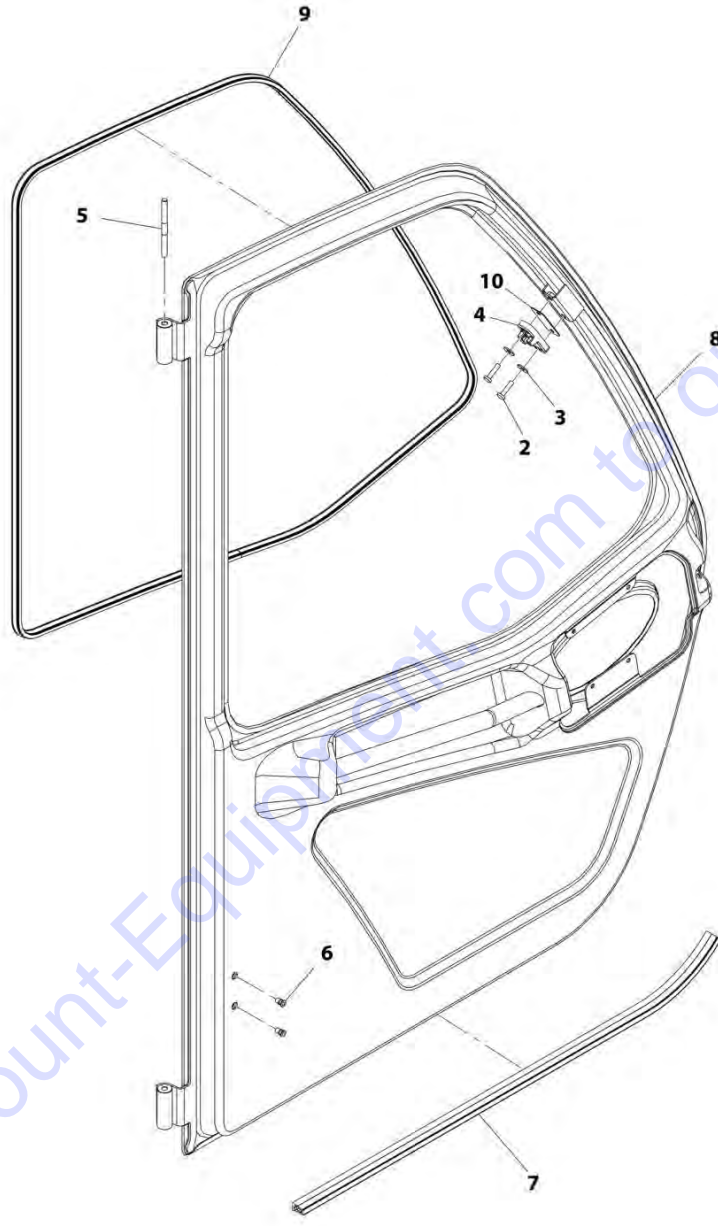
FIGURE 6-33. CAB DOOR TRIGGER ASSEMBLY

ITEM	PART NUMBER	QTY	DESCRIPTION	REV
	1001167958	1	Cab Door Trigger Assembly	E
1	1001167937	1	Trigger, Cab Interior Release	
2	1001192644	1	Cable, Cab Latch Release	

Go to Discount-Equipment.com to order your parts

SECTION 6 - CAB

FIGURE 6-34. DOOR ASSEMBLY



ART\_1001169881-J

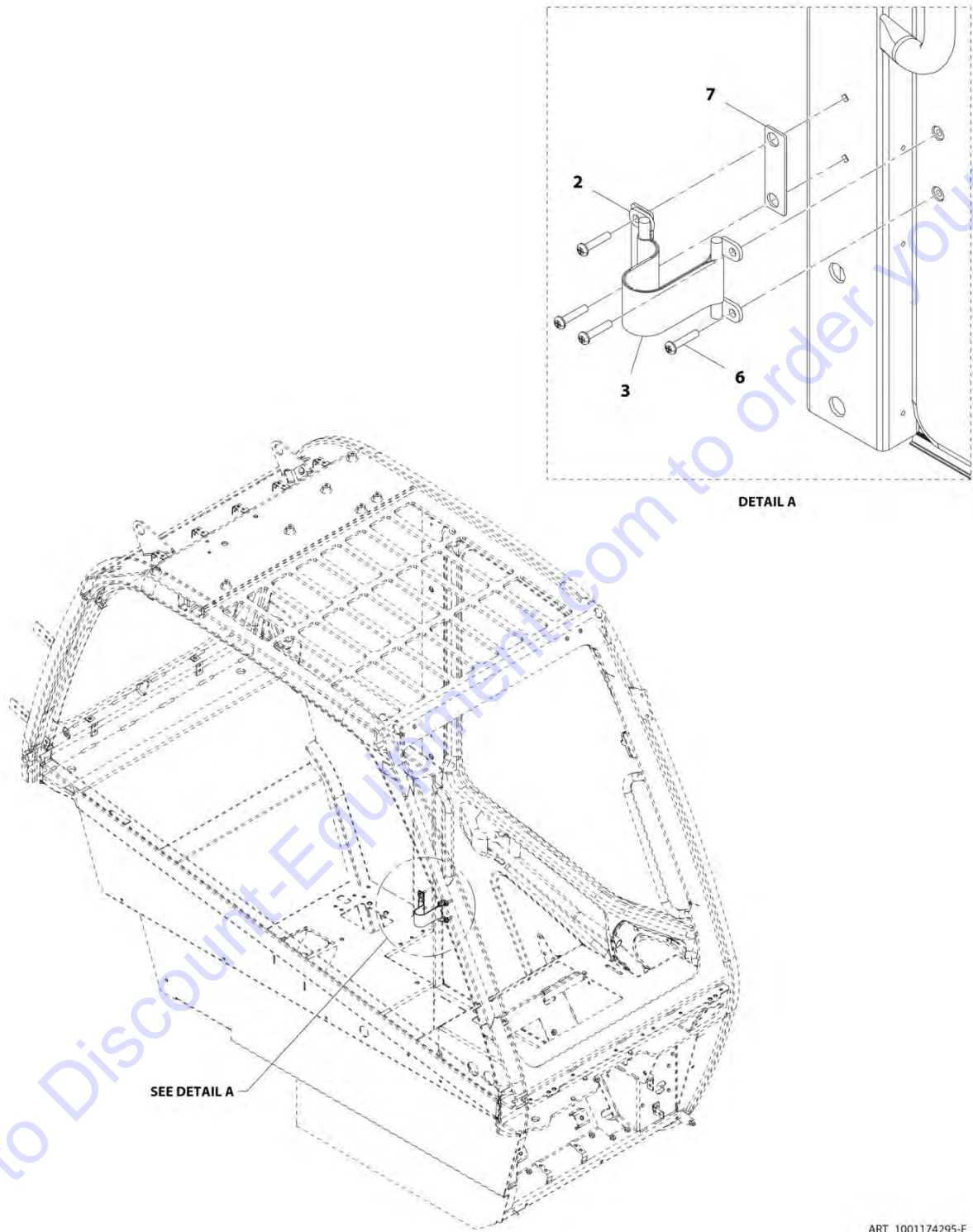
FIGURE 6-34. DOOR ASSEMBLY

ITEM	PART NUMBER	QTY	DESCRIPTION	REV
	1001169881	Ref	Door Assembly	J
2	4010612002	2	Screw, Posi-Drive, M6X25	
3	4811702001	2	Washer, 6mm	
4	1001165276	1	Plate, Window Latch Striker	
5	1001166634	1	Pin, Hinge	
6	1001172193	2	Rivnut, M5X0.8	
7	1001175227	NLA	Seal, Cab Door, (no longer available, use 1001227188 for replacement)	
7	1001227188	1	Seal, Cab Door	
8	1001165022J	1	Door, Cab (See Separate Breakdown in this Section)	
9	1001178213	NLA	Seal, Cab Door Window, (no longer available, use 1001227187 for replacement)	
9	1001227187	1	Seal, Cab Door Window	
10	1001193210	AR	Shim, Window Latch	

Go to Discount-Equipment.com to order your parts

# SECTION 6 - CAB

## FIGURE 6-35. DOOR STRAP INSTALLATION



ART\_1001174295-F

FIGURE 6-35. DOOR STRAP INSTALLATION

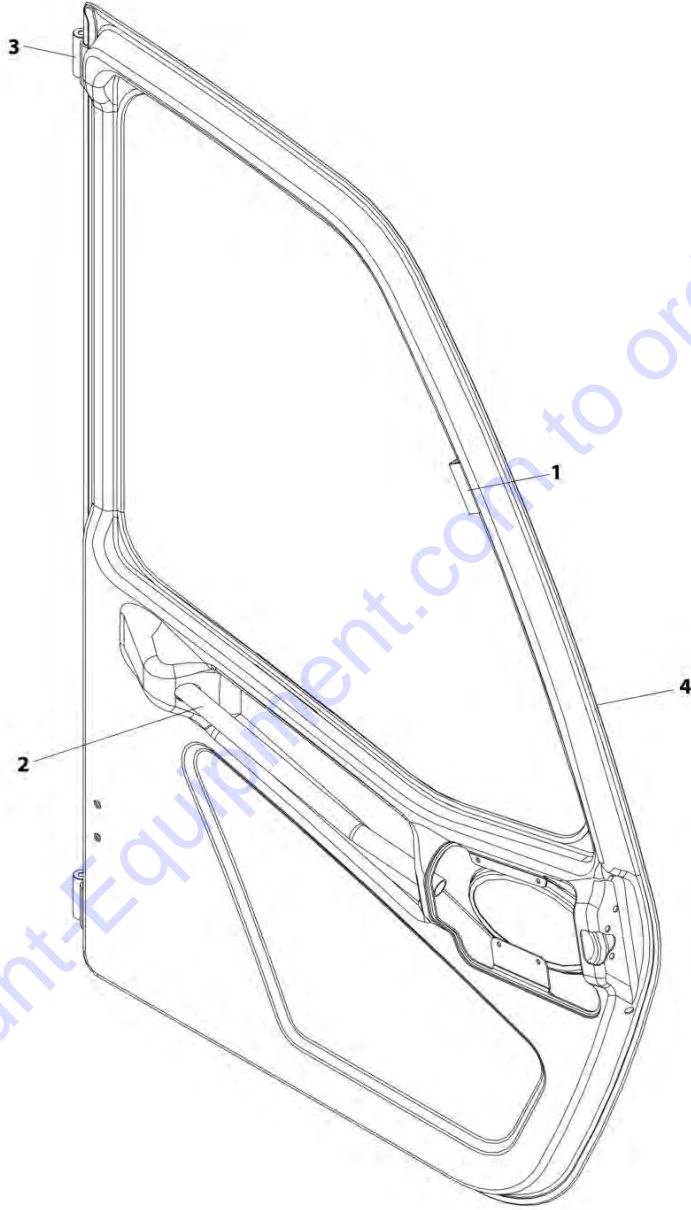
ITEM	PART NUMBER	QTY	DESCRIPTION	REV
	1001174295	Ref	Door Strap Installation	F
2	1001230163	2	Bracket, Door Strap Holder	
3	1001184801	NLA	Strap, Door Hold Open, (no longer available, use 1001212011 for replacement)	
3	1001212011	1	Strap, Door Hold Open	
6	8310559	4	Screw	
7	1001191091	1	Plate, Cab Door Strap	

Go to Discount-Equipment.com to order your parts



SECTION 6 - CAB

FIGURE 6-36. CAB DOOR



Go to Discount-Equipment.com to order your parts

ART\_1001165022-E

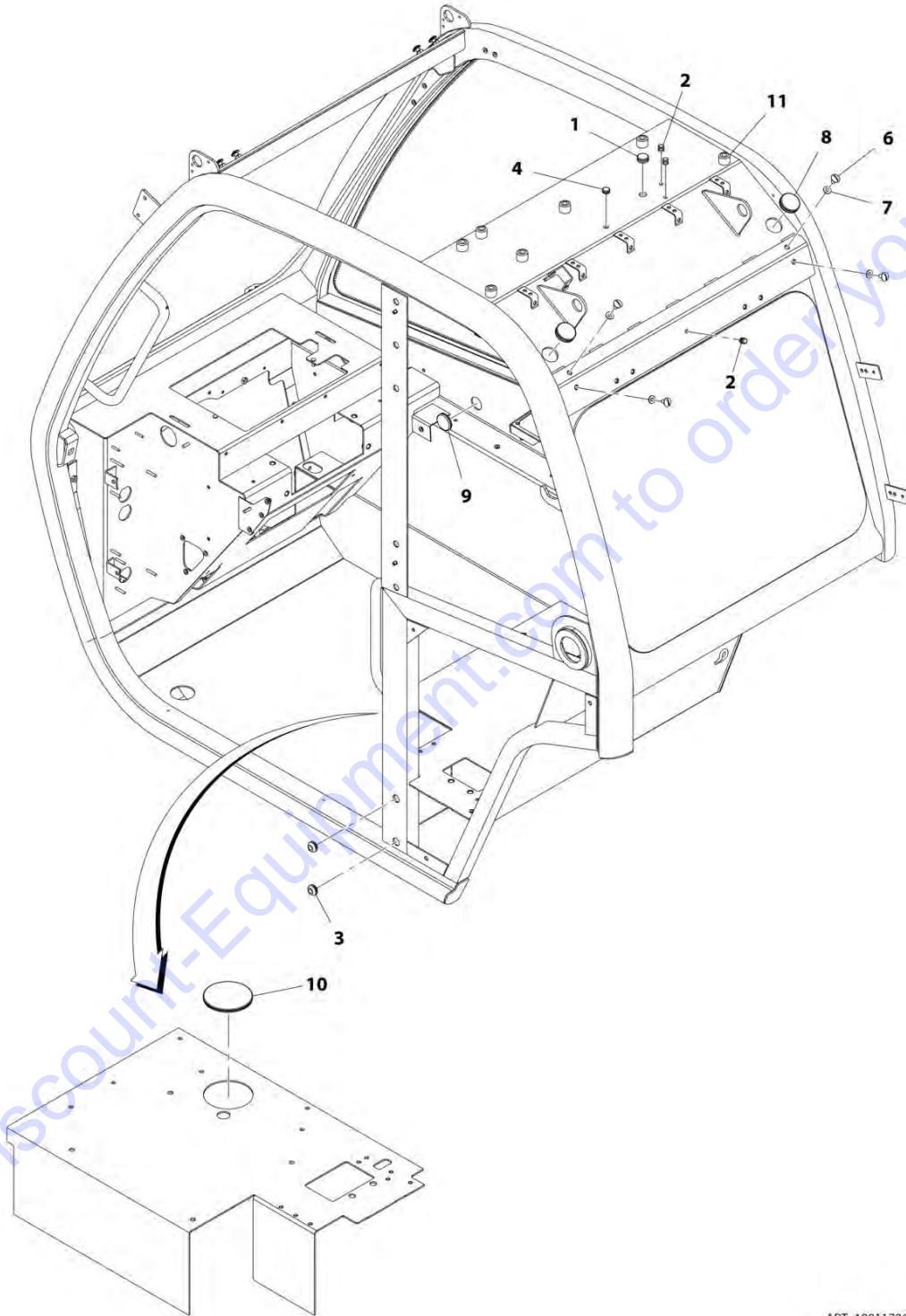
FIGURE 6-36. CAB DOOR

ITEM	PART NUMBER	QTY	DESCRIPTION	REV
	1001165022	Ref	Cab Door	E
1	1001169883	1	Bracket, Window Latch	
2	1001169885	1	Handle, Interior Door	
3	1001171037	1	Plate, Hinge	
4	1001171634	1	Frame, Door	

Go to Discount-Equipment.com to order your parts

**SECTION 6 - CAB**

**FIGURE 6-37. ENCLOSED CAB PLUG GROUP**



ART\_1001170603-E

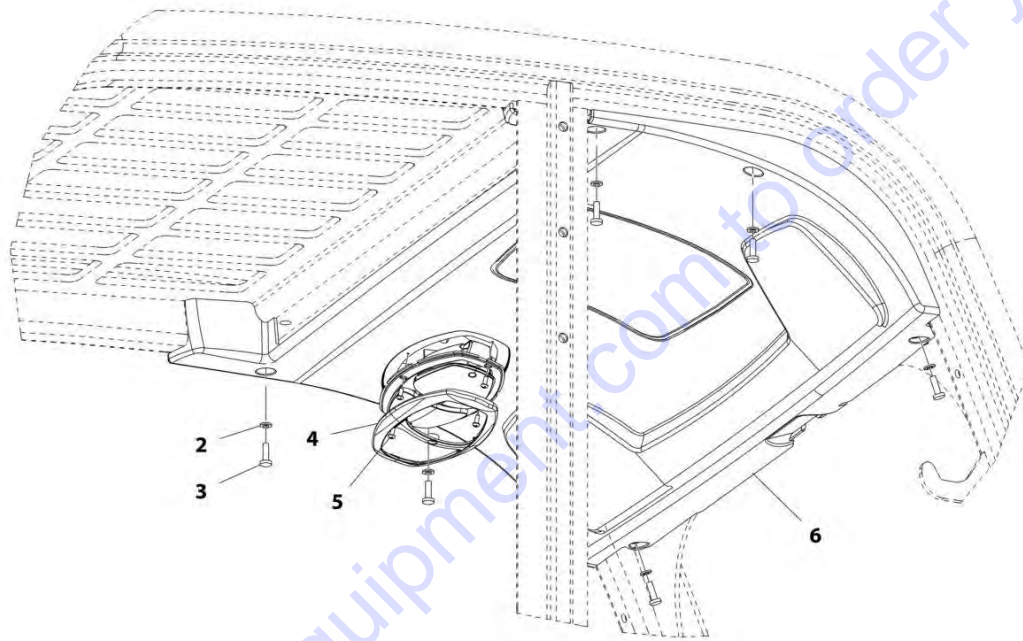
FIGURE 6-37. ENCLOSED CAB PLUG GROUP

ITEM	PART NUMBER	QTY	DESCRIPTION	REV
	1001170603	Ref	Enclosed Cab Plug Group	E
1	1001176273	1	Plug	
2	1001176272	3	Plug	
3	1001143200	2	Plug	
4	1001176626	1	Plug	
6	1001181920	8	Screw, M8X16	
7	1001181921	8	Washer, Rubber M8	
8	1001182123	2	Plug	
9	1001182139	1	Plug	
10	1001209899	1	Plug	
11	1001219220	7	Plug	

Go to Discount-Equipment.com to order your parts

# SECTION 6 - CAB

## FIGURE 6-38. HEADLINER INSTALLATION



ART\_1001170717-D

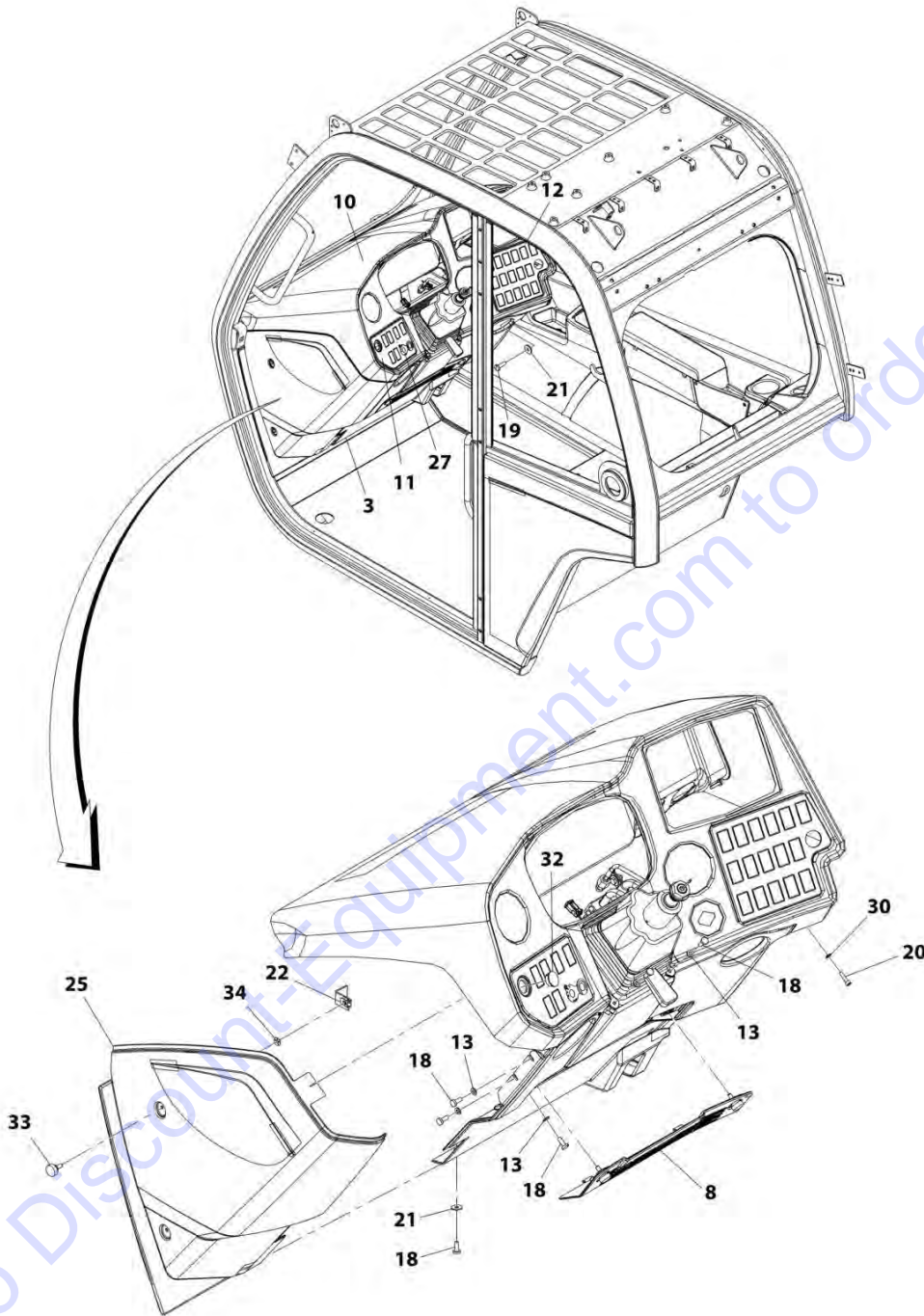
FIGURE 6-38. HEADLINER INSTALLATION

ITEM	PART NUMBER	QTY	DESCRIPTION	REV
	1001170717	Ref	Headliner Installation	D
2	4811700	6	Washer, M6	
3	4010610002	6	Screw, M6X20	
4	1001167015	1	Lamp	
5	7029486	4	Screw	
6	1001161069	1	Panel, Headliner	

Go to Discount-Equipment.com to order your parts

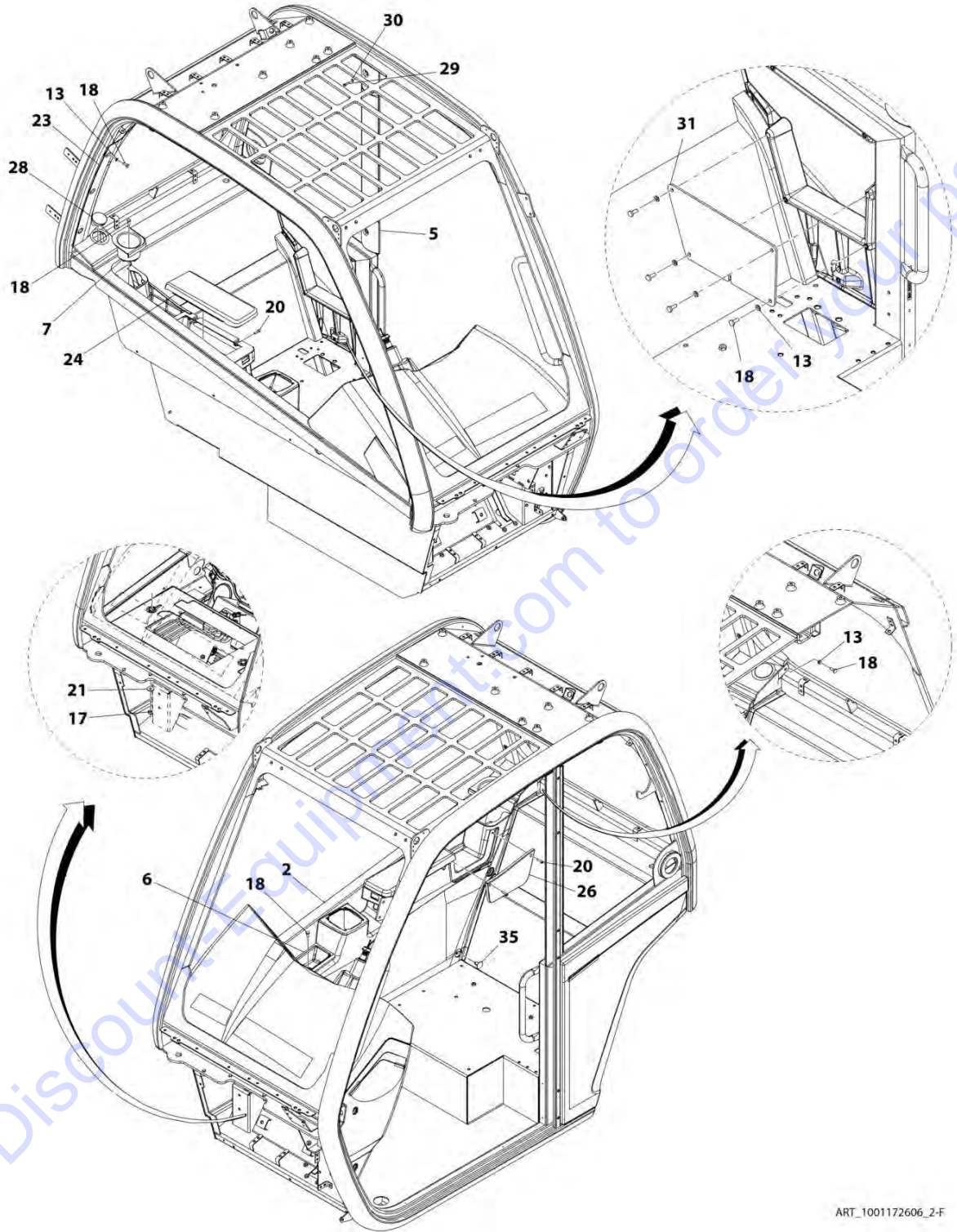
# SECTION 6 - CAB

FIGURE 6-39. OPEN CAB TRIM INSTALLATION (Prior to SN 0160081665)



ART\_1001172606\_1-F

# SECTION 6 - CAB



ART\_1001172606\_2-F



## SECTION 6 - CAB

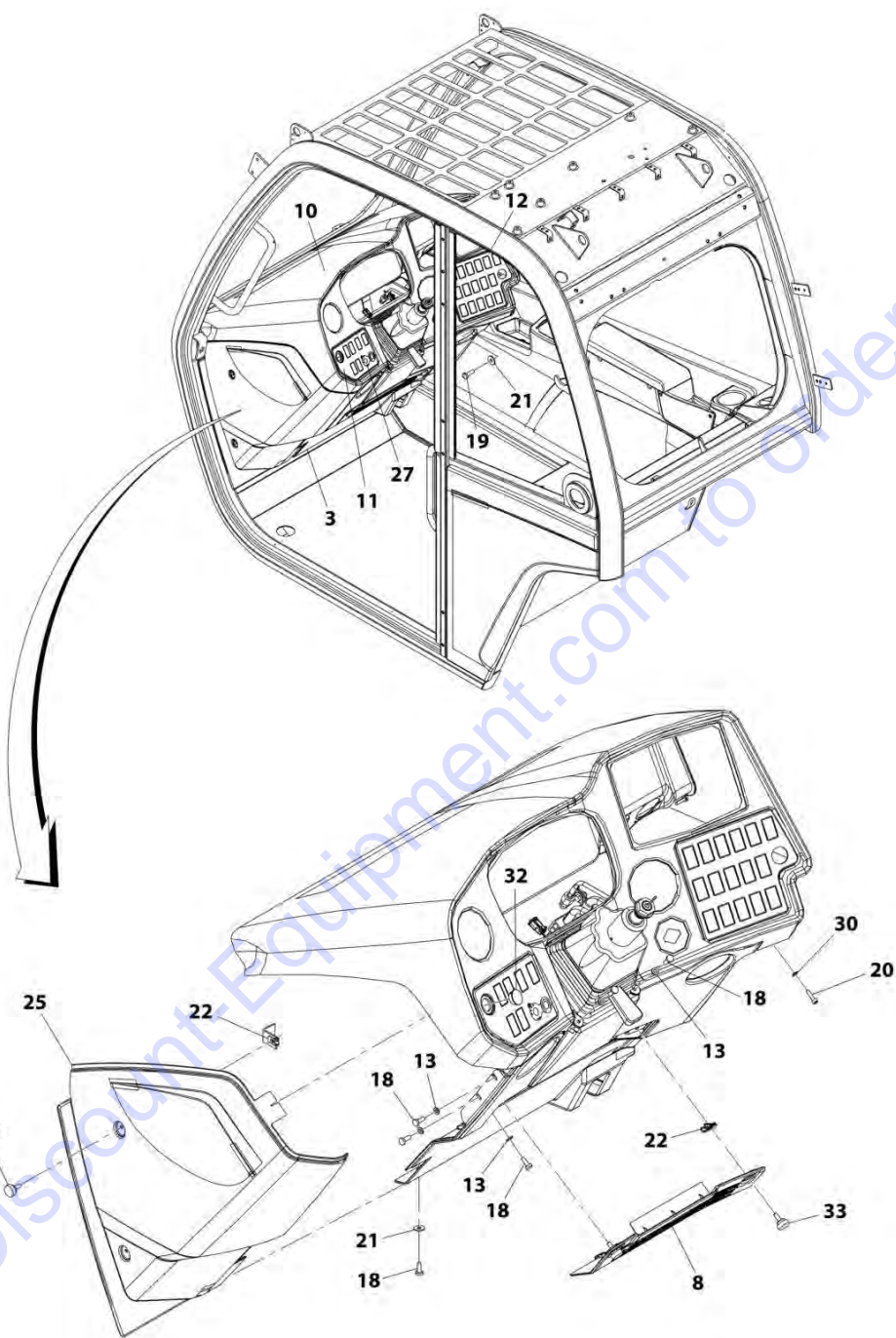
**FIGURE 6-39. OPEN CAB TRIM INSTALLATION (Prior to SN 0160081665)**

ITEM	PART NUMBER	QTY	DESCRIPTION	REV
	1001172606	Ref	Open Cab Trim Installation	F
2	1001169605	1	Cover, Side	
3	1001175904	1	Panel, Lower Dash	
5	1001161251	1	Panel, Cover	
6	1001169603	1	Panel, Trinket Tray	
7	1001170518	1	Holder, Cup	
8	1001170506	1	Panel, Recirculation Grille Cover	
10	1001172608	1	Panel, Dash	
11	1001165066	1	Plate, LH Switch	
12	1001165067	1	Plate, RH Switch	
13	4811700	14	Washer, M6	
17	3290605	2	Nut, Lock M6X1 Grade 8	
18	4010608002	19	Screw, Posi-Drive M6X16 GR4.8	
19	4010610002	1	Screw, Posi-Drive M6X20 GR4.8	
20	4031608	5	Screw, M5X20	
21	4811702	6	Washer, M6	
22	8305919	2	Nut, M6	
23	1001191617	1	Panel, Cover	
24	1001161854	1	Armrest	
25	1001161855	1	Panel, LH Dash	
26	1001173965	1	Bezel, RH	
27	1001190347	1	Decal, No HVAC	
28	1001190413	1	Plug	
29	4010510002	2	Screw, Posi-Drive M5X20	
30	4811600	3	Washer, M5	
31	1001185179	1	Cover, LH Rear Panel	
32	1001190589	1	Blanking Plug	
33	1001208308	2	Screw, M6X15	
34	1001148557	2	Washer	
35	1001211907	1	Screw	



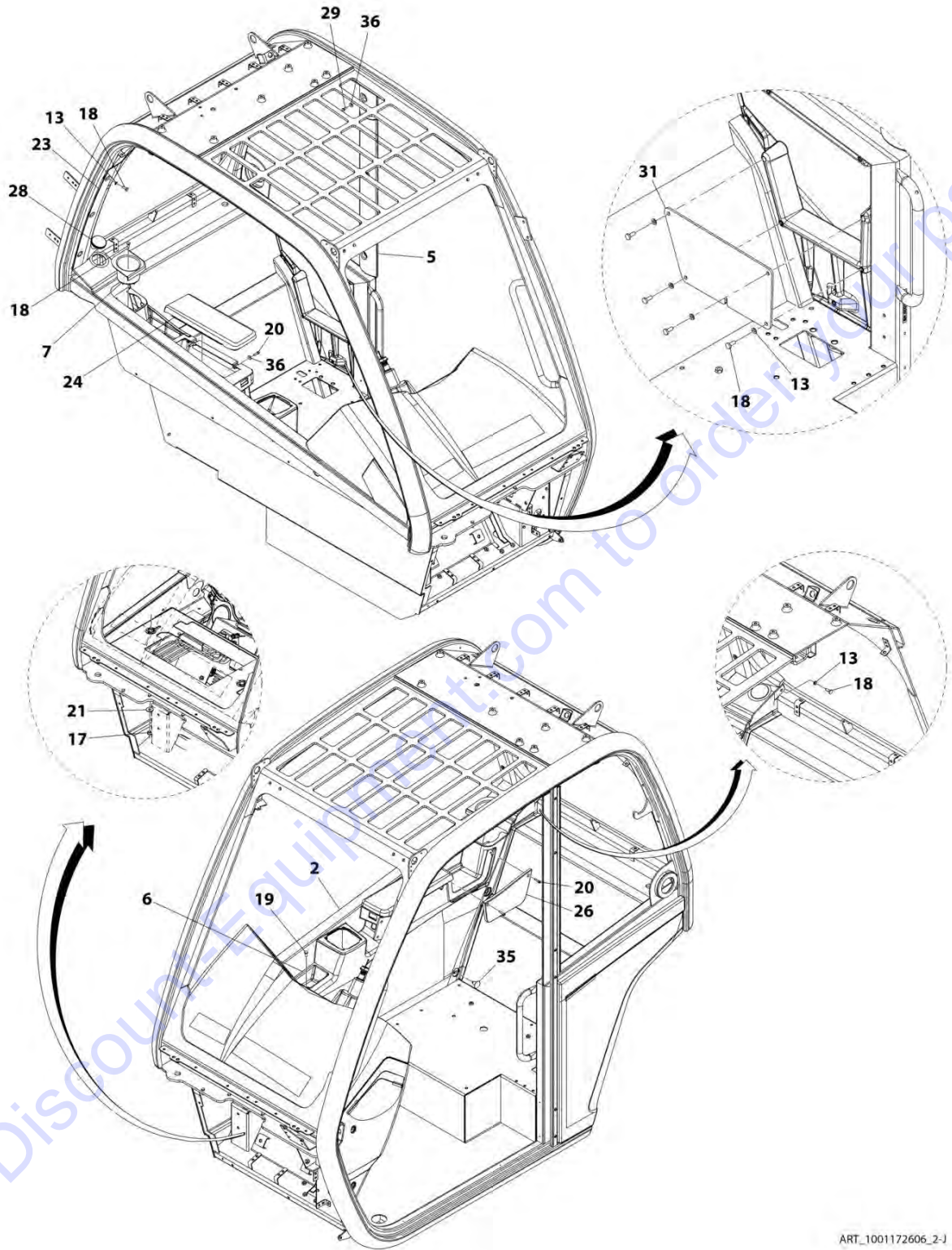
# SECTION 6 - CAB

FIGURE 6-40. OPEN CAB TRIM INSTALLATION (SN 0160081665 to Present)



ART\_1001172606\_1-J

# SECTION 6 - CAB



ART\_1001172606\_2-J

## SECTION 6 - CAB

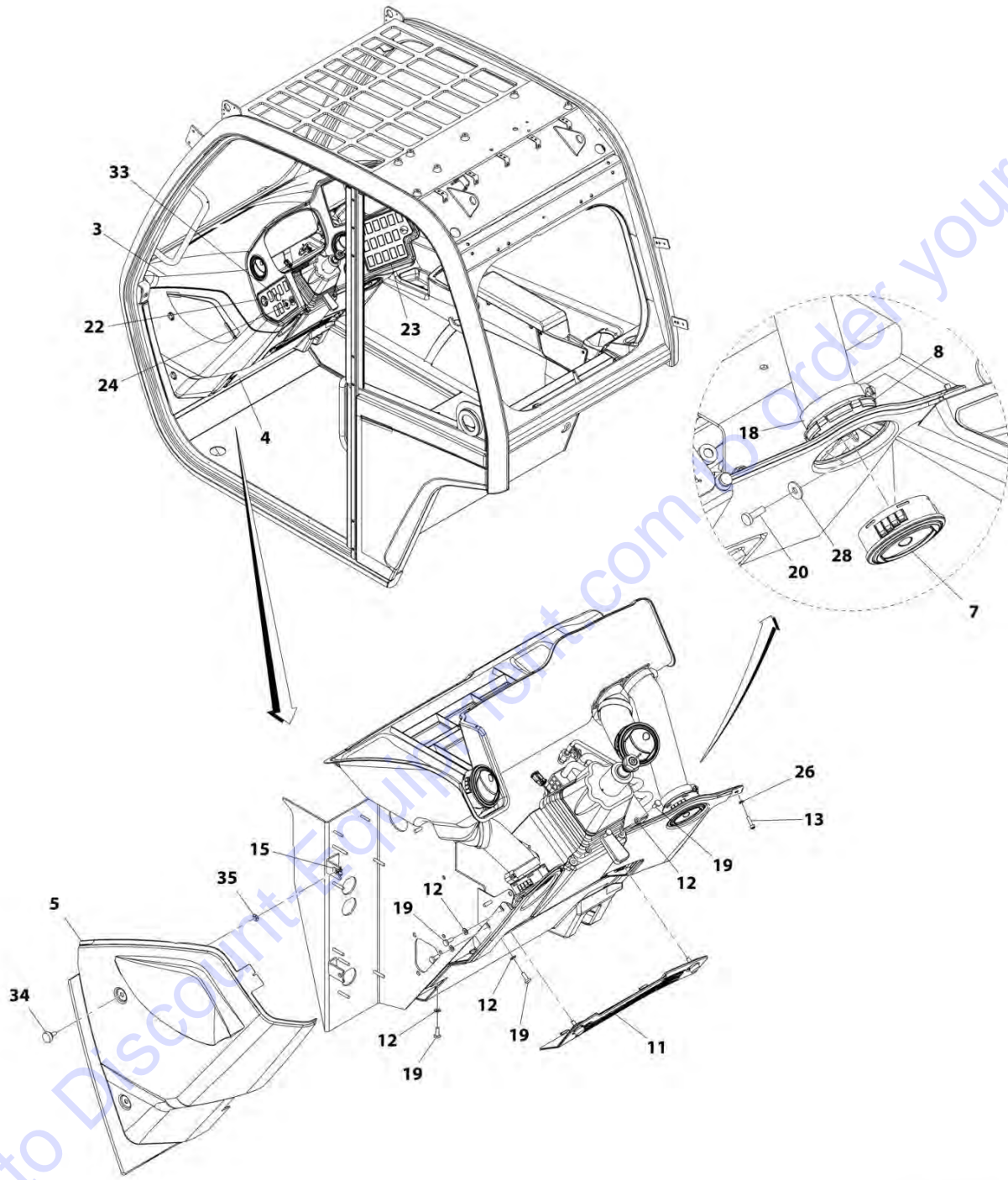
**FIGURE 6-40. OPEN CAB TRIM INSTALLATION (SN 0160081665 to Present)**

ITEM	PART NUMBER	QTY	DESCRIPTION	REV
	1001172606	Ref	Open Cab Trim Installation	J
2	1001169605	1	Cover, Side	
3	1001175904	1	Panel, Lower Dash	
5	1001161251	NLA	Panel, Cover (no longer available, use 1001219076 for replacement)	
5	1001219076	1	Panel, Cover	
6	1001169603	1	Panel, Trinket Tray	
7	1001170518	1	Holder, Cup	
8	1001170506	NLA	Panel, Recirculation Grille Cover (no longer available, use 1001170504 for replacement)	
8	1001170504	1	Panel, Recirculation Grille Cover	
10	1001172608	1	Panel, Dash	
11	1001219864	1	Plate, LH Switch	
12	1001219865	1	Plate, RH Switch	
13	4811700001	14	Washer, M6	
17	3290605	2	Nut, Lock M6X1 Grade 8	
18	4010608002	18	Screw, Posi-Drive M6X16 GR4.8	
19	4010610002	2	Screw, Posi-Drive M6X20 GR4.8	
20	4031608001	5	Screw, M5X20	
21	4811702001	6	Washer, M6	
22	8305919	4	Nut, M6	
23	1001191617	1	Panel, Cover	
24	1001161854	1	Armrest	
25	1001161855	1	Panel, LH Dash	
26	1001173965	1	Bezel, RH	
27	1001190347	1	Decal, No HVAC	
28	1001223265	1	Plug	
29	4010508002	3	Screw, Posi-Drive M5X16	
30	4811600	1	Washer, M5	
31	1001185179	1	Cover, LH Rear Panel	
32	1001190589	1	Blanking Plug	
33	1001208308	4	Screw, M6X15	
35	1001211907	1	Screw	
36	4811602001	5	Washer, M5	



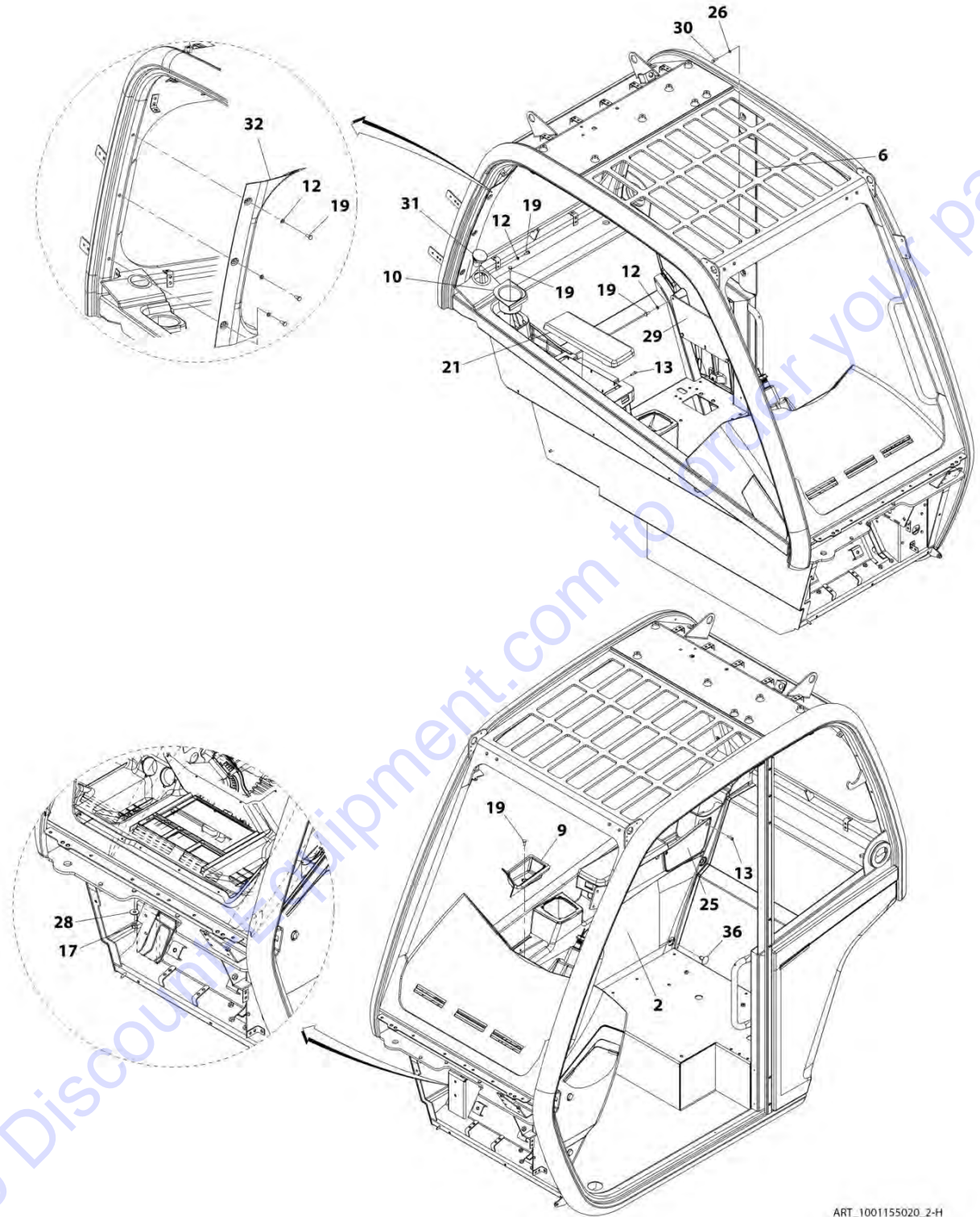
# SECTION 6 - CAB

## FIGURE 6-41. ENCLOSED CAB TRIM INSTALLATION (Prior to SN 0160081665)



ART\_1001155020\_1-H

SECTION 6 - CAB



ART\_1001155020\_2-H



## SECTION 6 - CAB

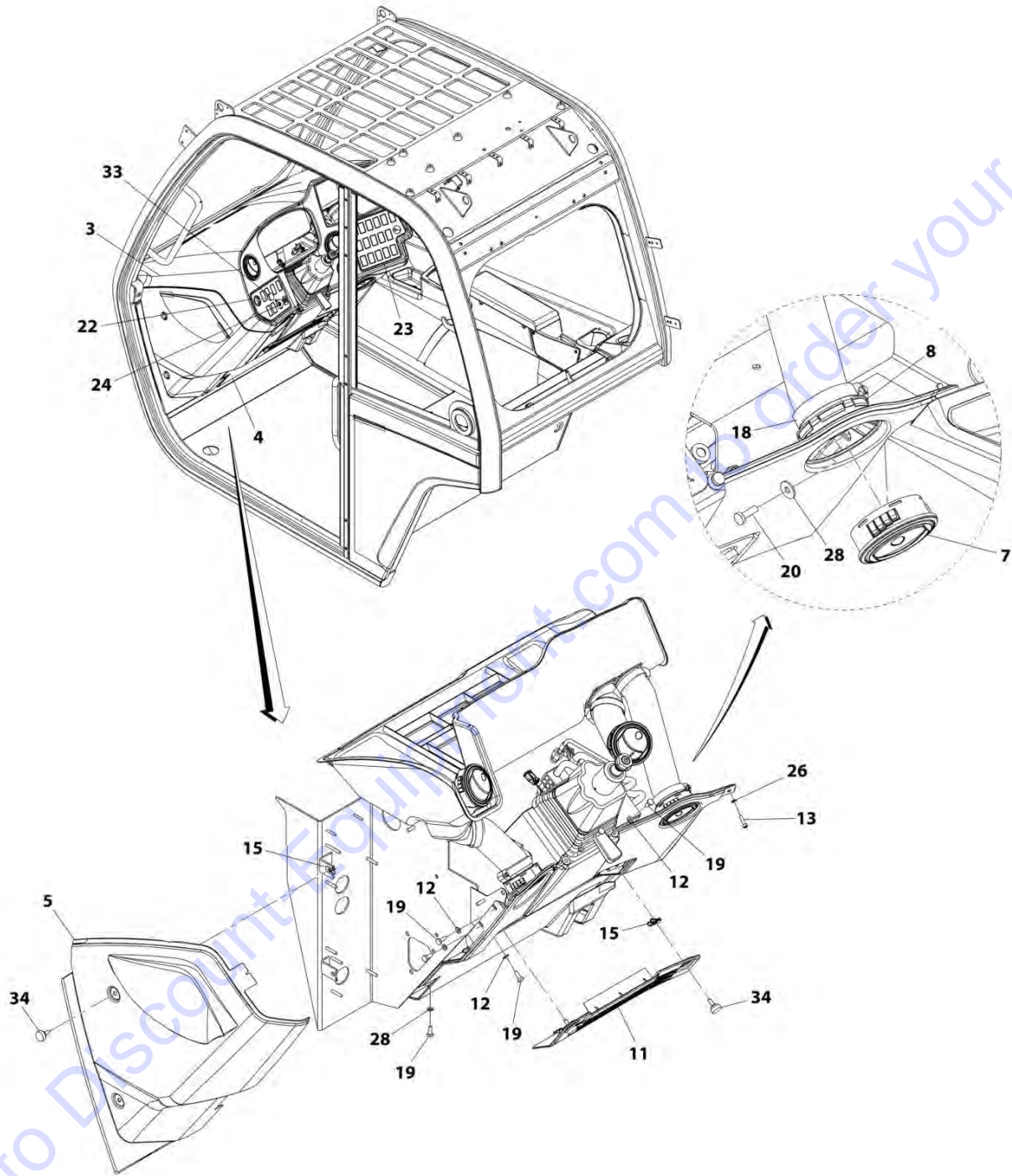
FIGURE 6-41. ENCLOSED CAB TRIM INSTALLATION (Prior to SN 0160081665)

ITEM	PART NUMBER	QTY	DESCRIPTION	REV
	1001155020	Ref	Enclosed Cab Trim Installation	H
2	1001169605	1	Cover, Side	
3	1001169604	1	Cover, Dash	
4	1001175903	1	Panel, Lower Dash	
5	1001161855	1	Panel, Dash LH	
6	1001161251	1	Panel, Cover	
7	1001147449	2	Vent, Air	
8	1001149278	2	Vent, Connector	
9	1001169603	1	Panel, Trinket Tray	
10	1001170518	1	Holder, Cup	
11	1001170506	1	Panel, Recirculation Grille Cover	
12	4811700	16	Washer, M6	
13	4031608	5	Bolt, M5X20	
15	8305919	2	Nut, M6	
17	3290605	2	Nut, Lock M6X1	
18	8405201	2	Clamp, Gear	
19	4010608002	19	Screw, Posi-Drive M6X16 GR4.8	
20	4010610002	1	Screw, Posi-Drive M6X20 GR4.8	
21	1001161854	1	Armrest	
22	1001165066	1	Plate, LH Switch	
23	1001165067	1	Plate, RH Switch	
24	1001184975	1	Decal, HVAC	
25	1001173965	1	Bezel, RH	
26	4811600	3	Washer, M5	
28	4811702	4	Washer, M6	
29	1001185179	1	Panel, LH Rear Cover	
30	4010510002	2	Screw, Posi-Drive M5X20 GR4.8	
31	1001190413	1	Plug	
32	1001191617	1	Panel, Cover	
33	1001190589	1	Blanking Plug	
34	1001208308	2	Screw, M6X15	
35	1001148557	2	Washer	
36	1001211907	1	Screw	



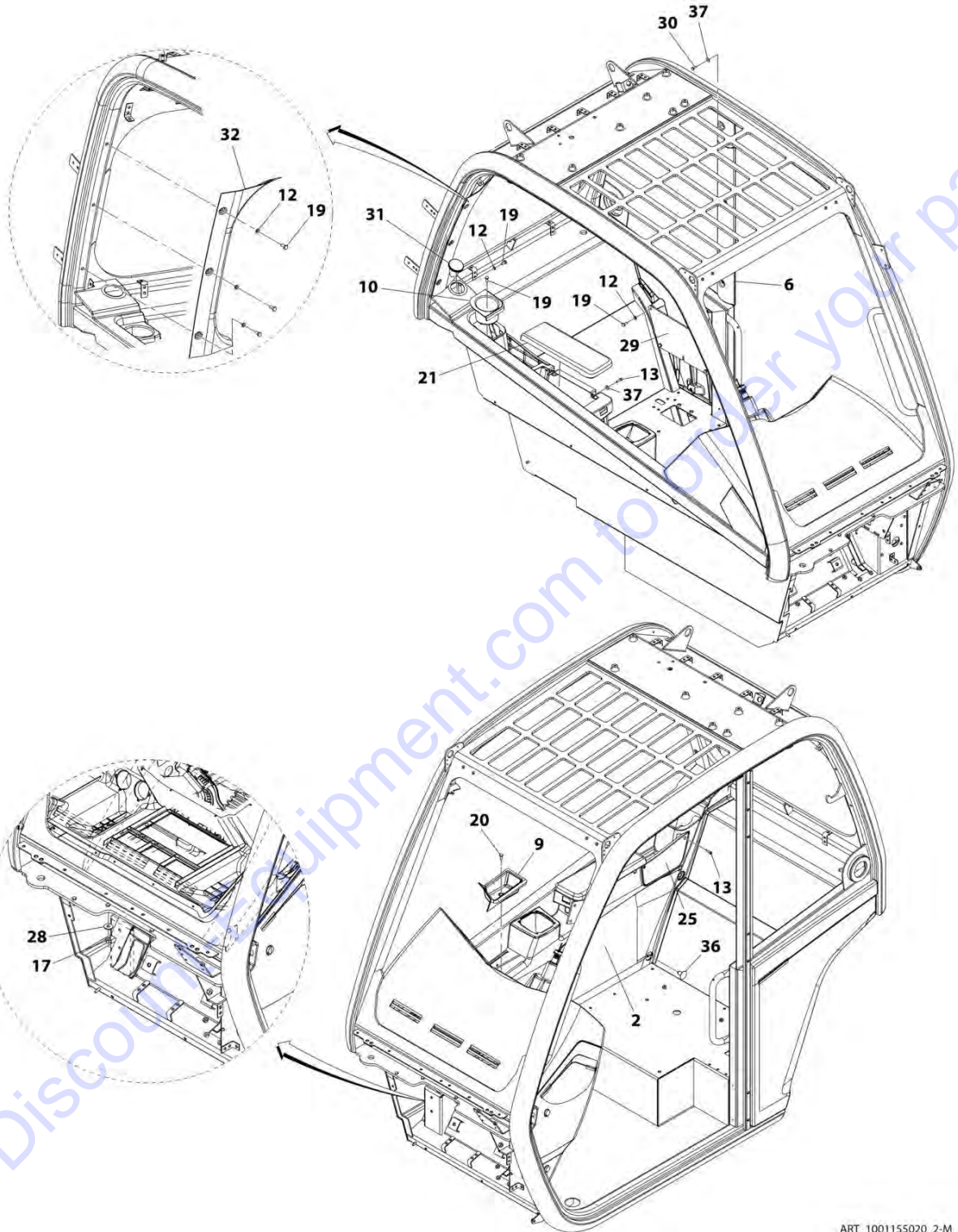
# SECTION 6 - CAB

## FIGURE 6-42. ENCLOSED CAB TRIM INSTALLATION (SN 0160081665 to Present)



ART\_1001155020\_1-M

SECTION 6 - CAB



ART\_1001155020\_2-M

## SECTION 6 - CAB

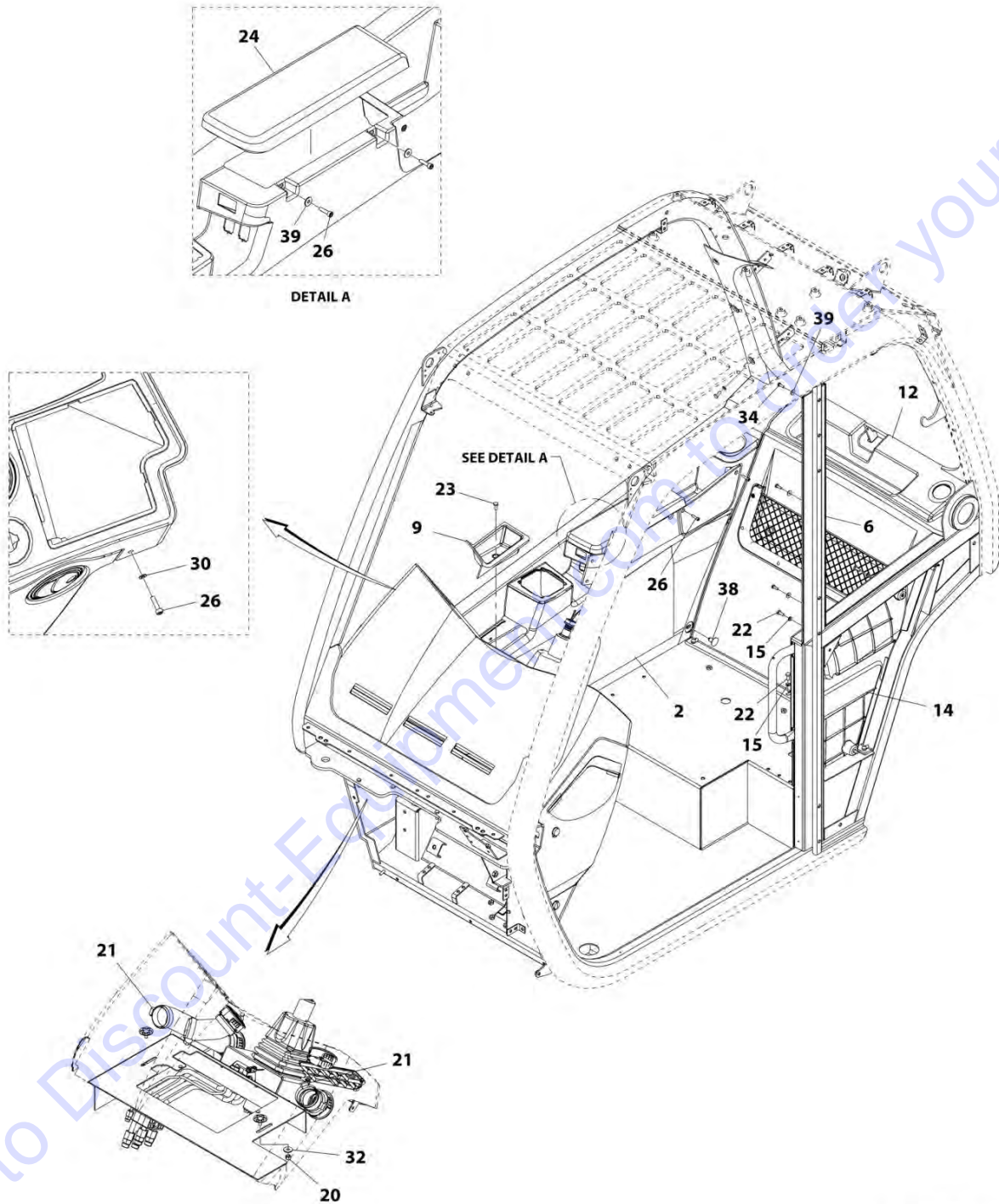
FIGURE 6-42. ENCLOSED CAB TRIM INSTALLATION (SN 0160081665 to Present)

ITEM	PART NUMBER	QTY	DESCRIPTION	REV
	1001155020	Ref	Enclosed Cab Trim Installation	M
2	1001169605	1	Cover, Side	
3	1001169604	1	Cover, Dash	
4	1001175903	1	Panel, Lower Dash	
5	1001161855	1	Panel, Dash LH	
6	1001161251	NLA	Panel, Cover (no longer available, use 1001219076 for replacement)	
6	1001219076	1	Panel, Cover	
7	1001147449	2	Vent, Air	
8	1001149278	2	Vent, Connector	
9	1001169603	1	Panel, Trinket Tray	
10	1001170518	1	Holder, Cup	
11	1001170506	NLA	Panel, Recirculation Grille Cover (no longer available, use 1001170504 for replacement)	
11	1001170504	1	Panel, Recirculation Grille Cover	
12	4811700001	14	Washer, M6	
13	4031608001	5	Bolt, M5X20	
15	8305919	4	Nut, M6	
17	3290605	2	Nut, Lock M6X1	
18	8405201	2	Clamp, Gear	
19	4010608002	18	Screw, Posi-Drive M6X16 GR4.8	
20	4010610002	2	Screw, Posi-Drive M6X20 GR4.8	
21	1001161854	1	Armrest	
22	1001219864	1	Plate, LH Switch	
23	1001219865	1	Plate, RH Switch	
24	1001184975	1	Decal, HVAC	
25	1001173965	1	Bezel, RH	
26	4811600	1	Washer, M5	
28	4811702001	6	Washer, M6	
29	1001185179	1	Panel, LH Rear Cover	
30	4010508002	3	Screw, Posi-Drive M5X16	
31	1001223265	1	Plug	
32	1001191617	1	Panel, Cover	
33	1001190589	1	Blanking Plug	
34	1001208308	4	Screw, M6X15	
36	1001211907	1	Screw	
37	4811602001	5	Washer, M5	



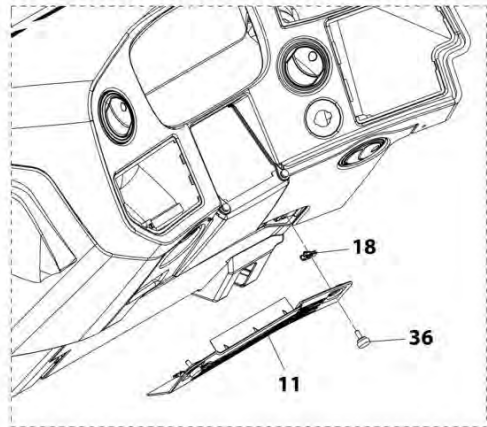
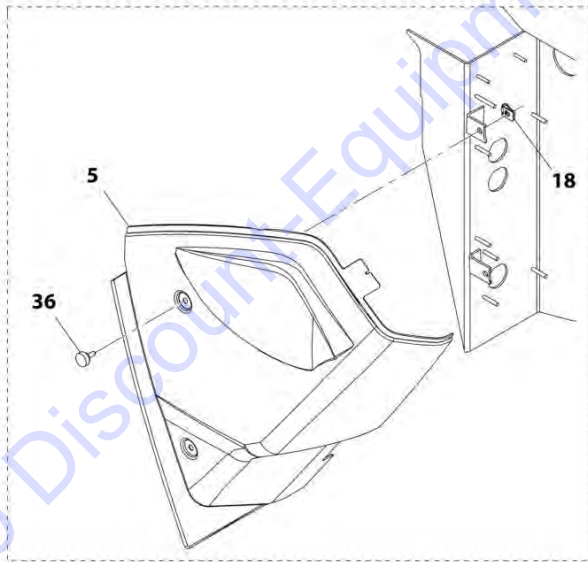
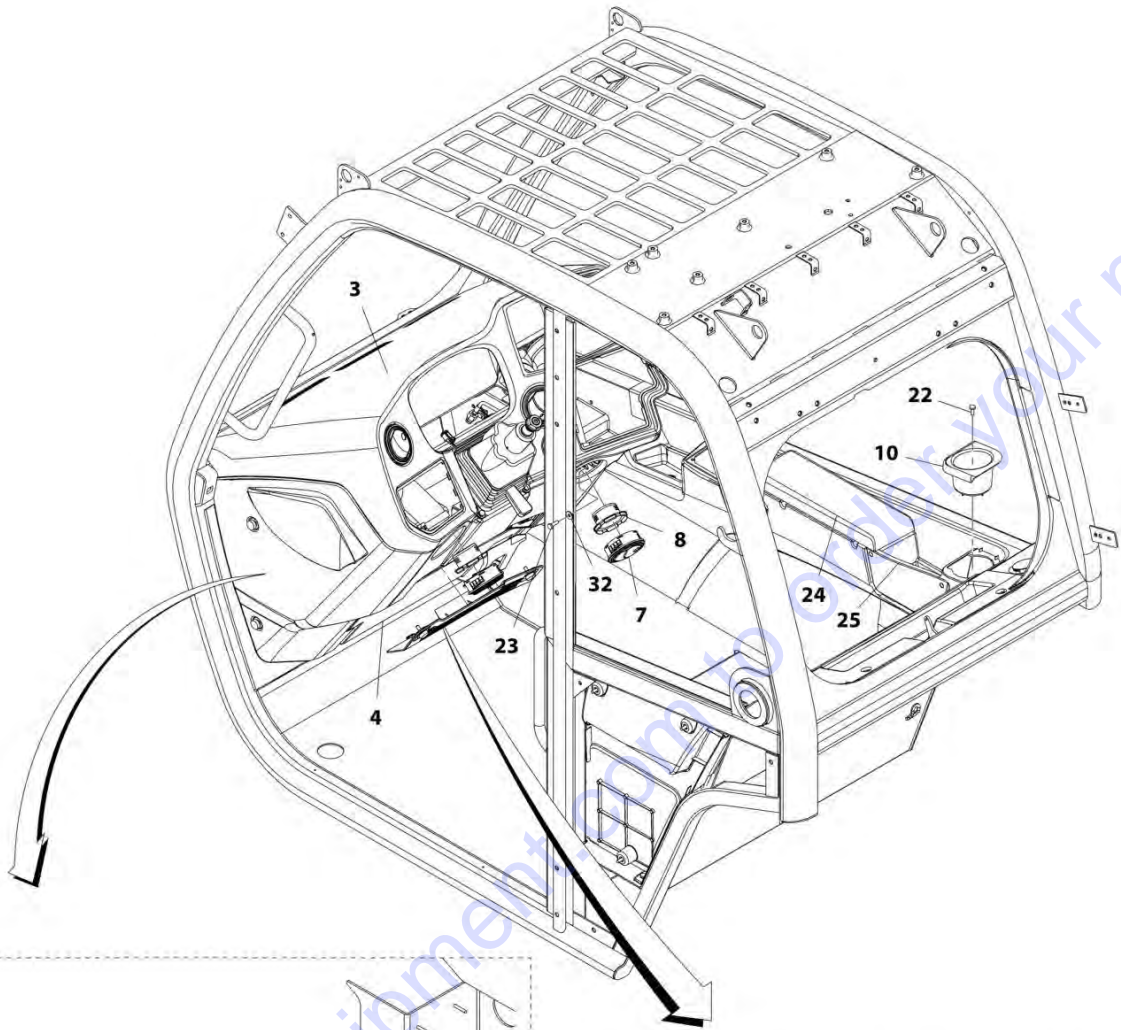
# SECTION 6 - CAB

## FIGURE 6-43. CAB TRIM INSTALLATION (IF EQUIPPED WITH BEACON LIGHT)



ART\_1001167979\_1-J

SECTION 6 - CAB



ART\_1001167979\_2-J



## SECTION 6 - CAB

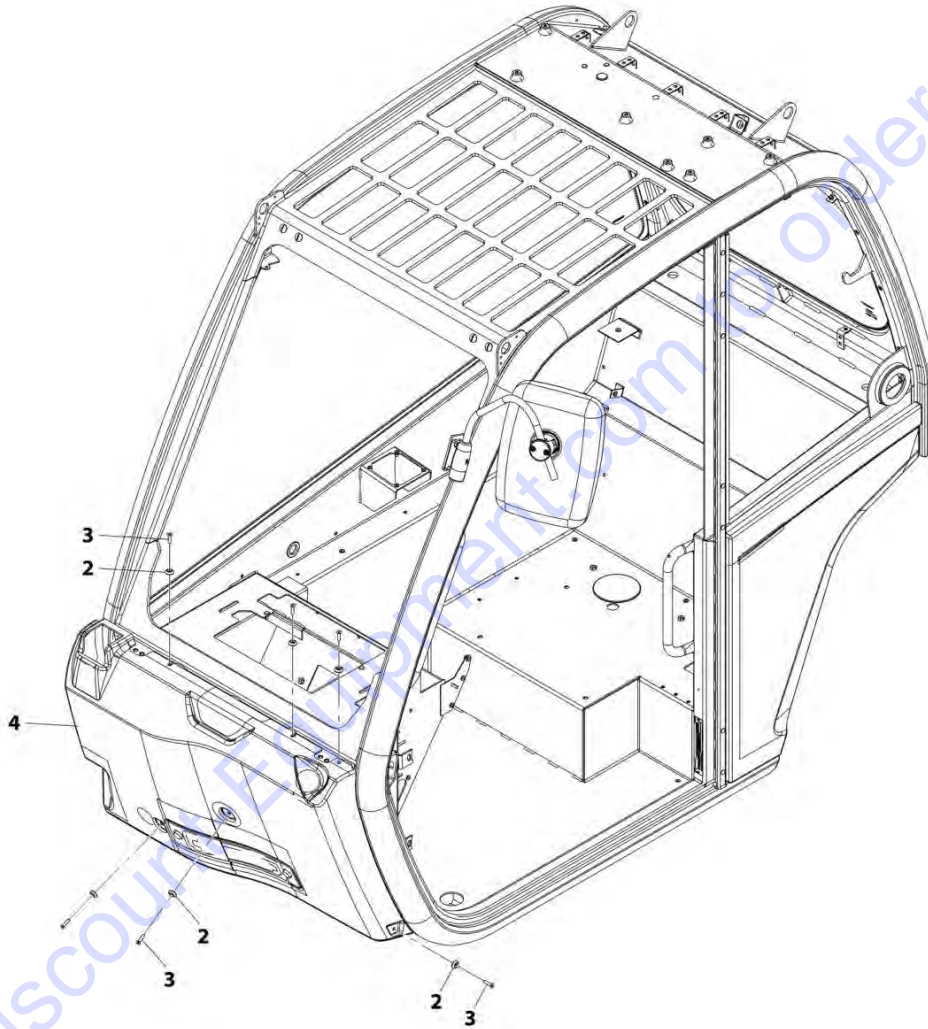
**FIGURE 6-43. CAB TRIM INSTALLATION (IF EQUIPPED WITH BEACON LIGHT)**

ITEM	PART NUMBER	QTY	DESCRIPTION	REV
	1001167979	Ref	Cab Trim Installation (if equipped with Beacon Light)	J
2	1001169605	1	Cover, Side	
3	1001169604	1	Cover, Dash	
4	1001175903	1	Panel, Lower Dash	
5	1001161855	1	Panel, LH Dash Cover	
6	1001161251	NLA	Panel, Cover (no longer available, use 1001219076 for replacement)	
6	1001219076	1	Panel, Cover	
7	1001147449	2	Vent, Air	
8	1001149278	2	Vent, Connector	
9	1001169603	1	Panel, Trinket Tray	
10	1001170518	1	Holder, Cup	
11	1001170506	NLA	Panel, Recirculation Grille Cover (no longer available, use 1001170504 for replacement)	
11	1001170504	1	Panel, Recirculation Grille Cover	
12	1001170519	1	Panel, Rear Cover	
14	1001161068	1	Panel, Left Side	
15	4811700	NLA	Washer, M6 (no longer available, use 4811700001 for replacement)	
15	4811700001	12	Washer, M6	
18	8305919	4	Nut, M6	
20	3290605	2	Nut, Lock M6X1 Grade 8	
21	8405201	2	Clamp, Gear	
22	4010608002	19	Screw, Posi-Drive M6X16	
23	4010610002	2	Screw, Posi-Drive M6X20	
24	1001161854	1	Armrest	
25	1001173965	1	Bezel, RH	
26	4031608	NLA	Bolt, M5X20 (no longer available, use 4031608001 for replacement)	
26	4031608001	5	Bolt, M5X20	
30	4811600	1	Washer, M5	
32	4811702001	9	Washer, M6	
34	4031607	NLA	Screw, M5-0.8X16 (no longer available, use 4010508002 for replacement)	
34	4010508002	3	Screw, M5X16	
36	1001208308	4	Screw, M6X15	
38	1001211907	1	Screw	
39	4811602	NLA	Washer, M5 (no longer available, use 4811602001 for replacement)	
39	4811602001	5	Washer, M5	



# SECTION 6 - CAB

## FIGURE 6-44. OPEN CAB FRONT COVER INSTALLATION



ART\_1001173441-G

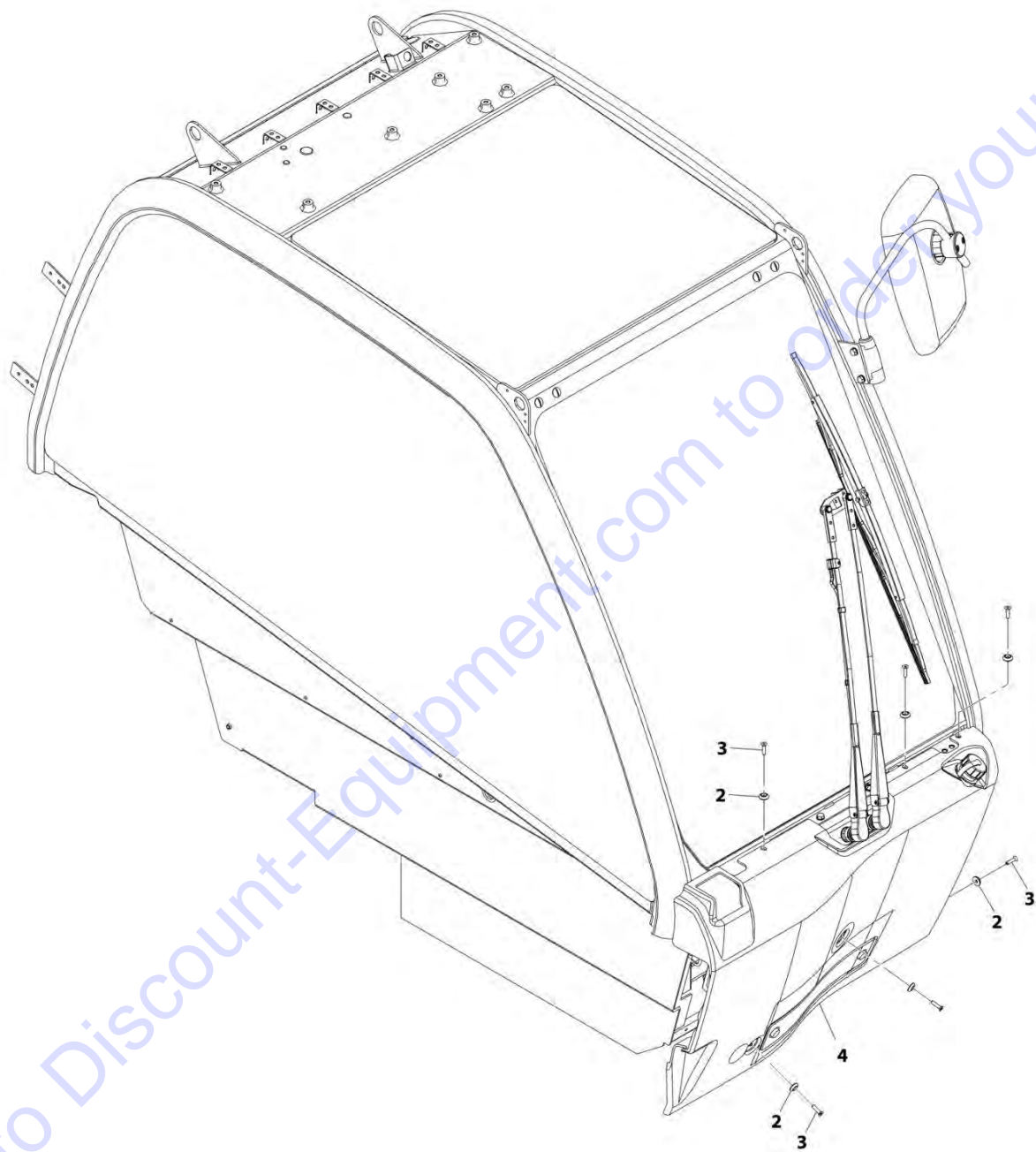
FIGURE 6-44. OPEN CAB FRONT COVER INSTALLATION

ITEM	PART NUMBER	QTY	DESCRIPTION	REV
	1001173441	Ref	Open Cab Front Cover Installation	G
2	1001097540	6	Washer, M6	
3	3900379	6	Screw, M6X25	
4	1001173469	1	Cover, Front	

Go to Discount-Equipment.com to order your parts

# SECTION 6 - CAB

## FIGURE 6-45. ENCLOSED CAB FRONT COVER INSTALLATION



ART\_1001179592-G

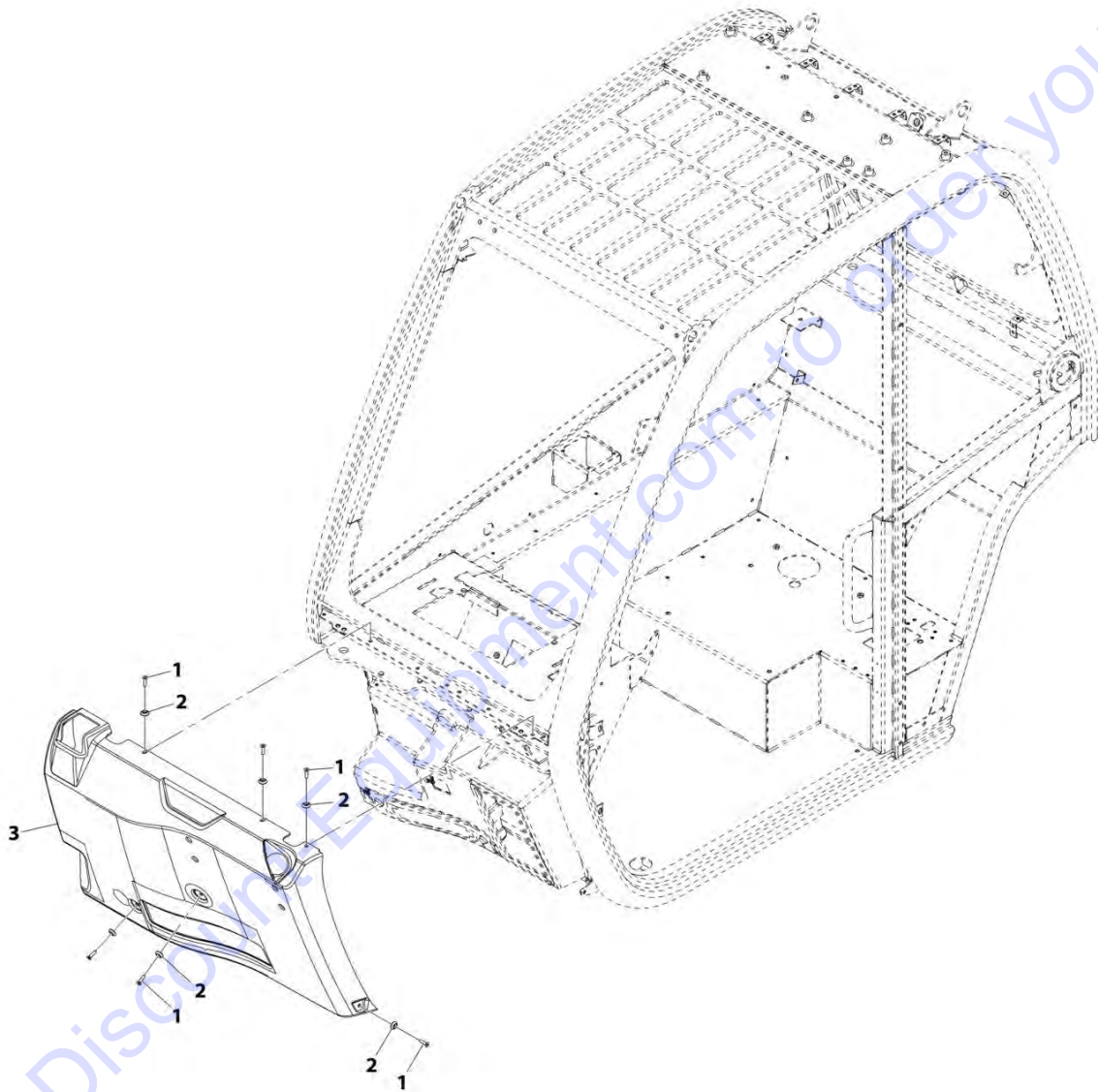
FIGURE 6-45. ENCLOSED CAB FRONT COVER INSTALLATION

ITEM	PART NUMBER	QTY	DESCRIPTION	REV
	1001179592	Ref	Enclosed Cab Front Cover Installation	G
2	1001097540	6	Washer, M6	
3	3900379	6	Screw, M6X25	
4	1001170325	1	Cover, Front	

Go to Discount-Equipment.com to order your parts

# SECTION 6 - CAB

FIGURE 6-46. OPEN CAB FRONT COVER WITH CAB FENDER INSTALLATION



ART\_1001229550-A

FIGURE 6-46. OPEN CAB FRONT COVER WITH CAB FENDER INSTALLATION

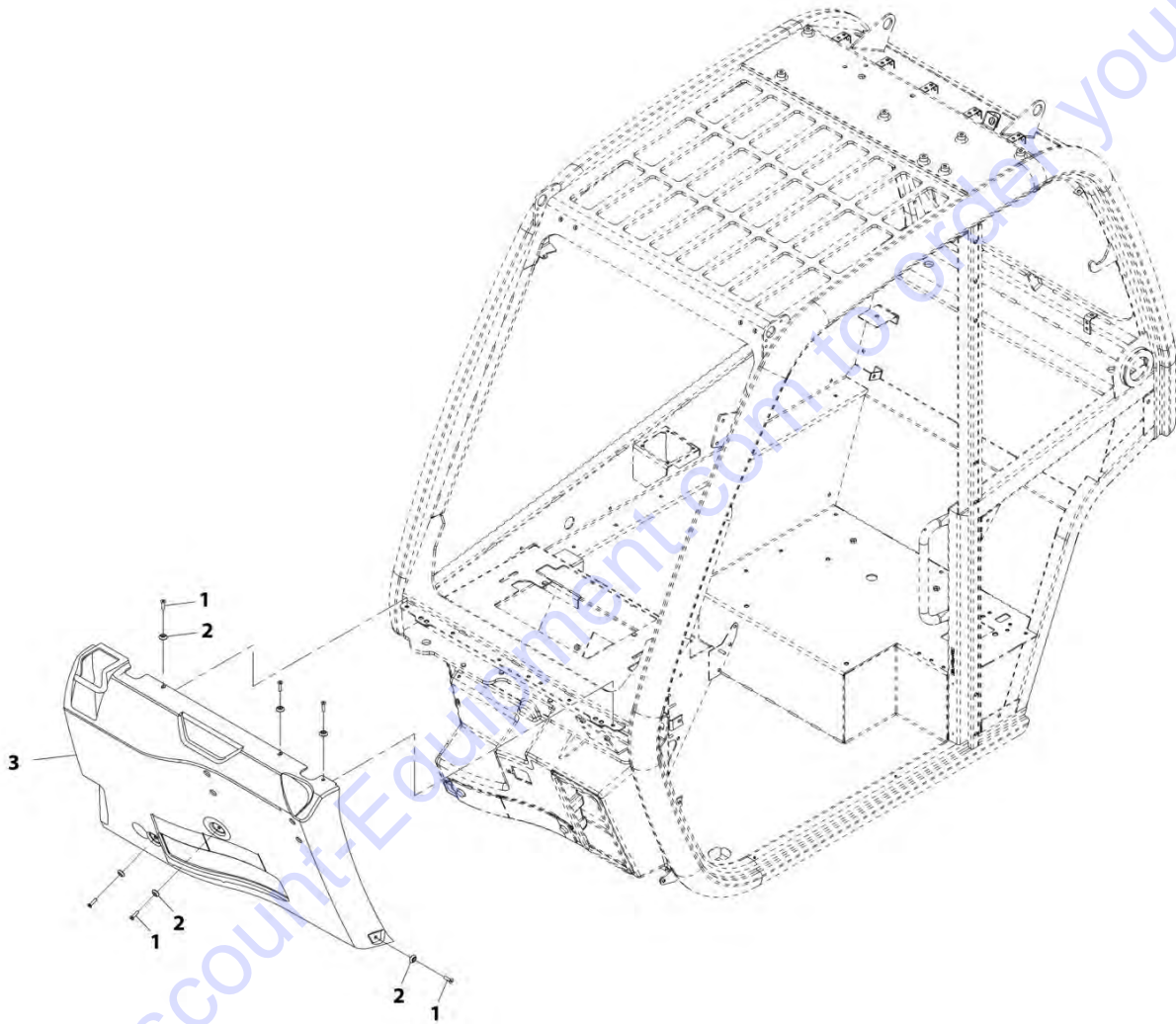
ITEM	PART NUMBER	QTY	DESCRIPTION	REV
	1001179853	NLA	Open Cab Front Cover with Cab Fender Installation, (no longer available, use 1001229550 for replacement)	G
	1001229550	Ref	Open Cab Front Cover with Cab Fender Installation	A
1	3900379	6	Screw, M6X25	
2	1001097540	6	Washer, M6	
3	1001189658	NLA	Cover, (no longer available, use 1001229540 for replacement)	
3	1001229540	1	Cover	

Go to Discount-Equipment.com to order your parts



# SECTION 6 - CAB

FIGURE 6-47. ENCLOSED CAB FRONT COVER WITH CAB FENDER INSTALLATION



ART\_1001229551-A

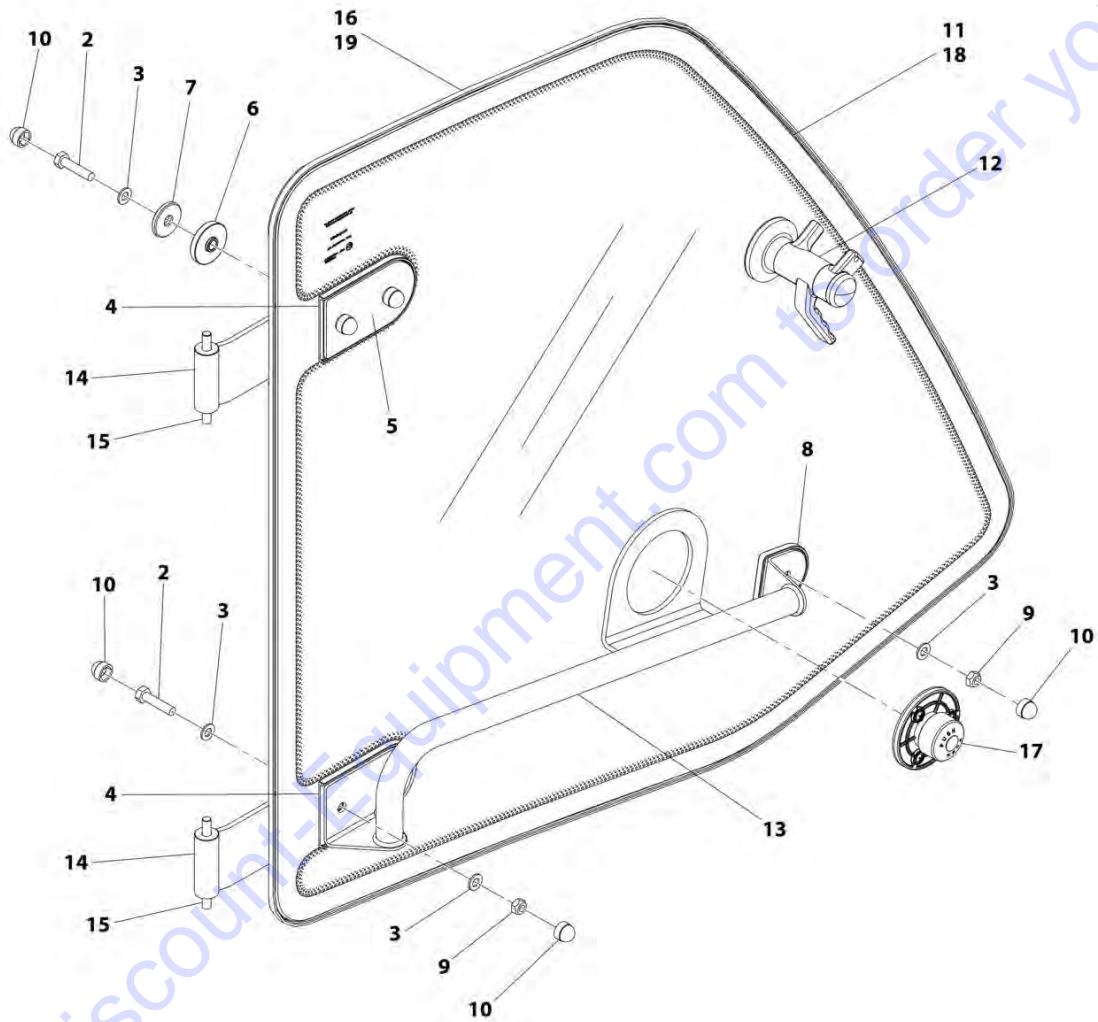
FIGURE 6-47. ENCLOSED CAB FRONT COVER WITH CAB FENDER INSTALLATION

ITEM	PART NUMBER	QTY	DESCRIPTION	REV
	1001192463	NLA	Enclosed Cab Front Cover with Cab Fender Installation (no longer available, use 1001229551 for replacement)	E
	1001229551	Ref	Enclosed Cab Front Cover with Cab Fender Installation	A
1	3900379	6	Screw, M6X25	
2	1001097540	6	Washer, M6	
3	1001192464	NLA	Cover (no longer available, use 1001229541 for replacement)	
3	1001229541	1	Cover	

Go to Discount-Equipment.com to order your parts

# SECTION 6 - CAB

FIGURE 6-48. DOOR UPPER GLASS ASSEMBLY (1055 Prior to SN 0160076824; 1255 Prior to SN 0160076390)



ART\_1001165186-F

**SECTION 6 - CAB**

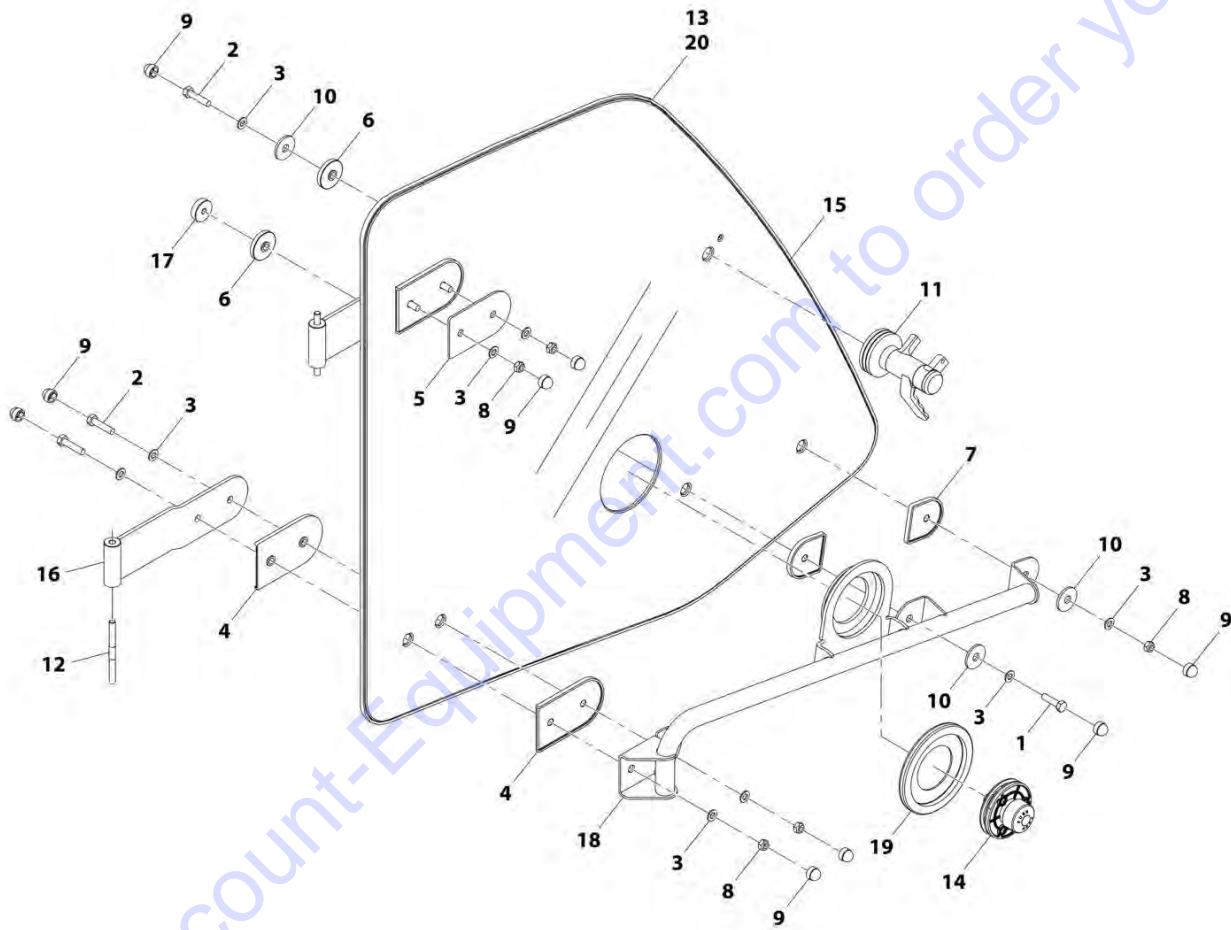
**FIGURE 6-48. DOOR UPPER GLASS ASSEMBLY (1055 Prior to SN 0160076824; 1255 Prior to SN 0160076390)**

ITEM	PART NUMBER	QTY	DESCRIPTION	REV
	1001165186	Ref	Door Upper Glass Assembly	F
2	0760815	5	Bolt, M8X35	
3	4811900	10	Washer, 8mm	
4	1001002946	4	Mount, Hinge	
5	1001002947	1	Mount, Hinge	
6	1001002953	1	Mount, Rubber	
7	1001141246	1	Mount, Rubber	
8	1001002957	1	Mount, Latch	
9	1001008857	5	Nut, Lock	
10	1001096365	10	Cap, M8	
11	1001165187	1	Glass, Window	
12	1001165275	1	Latch, Window	
13	1001199915	1	Handle	
14	1001165459	2	Hinge	
15	1001166634	2	Pin, Hinge	
16	1001170944	1	Panel, Window Surround	
17	1001174321	1	Striker, Top Window	
18	1001111317	AR	Adhesive, Window Sealant	
19	1001200713	AR	Adhesive, Window Surround	

Go to Discount-Equipment.com to order your parts

# SECTION 6 - CAB

FIGURE 6-49. DOOR UPPER GLASS ASSEMBLY (1055 SN 0160076824 to Present; 1255 SN 0160076390 to Present)



ART\_1001205532-E

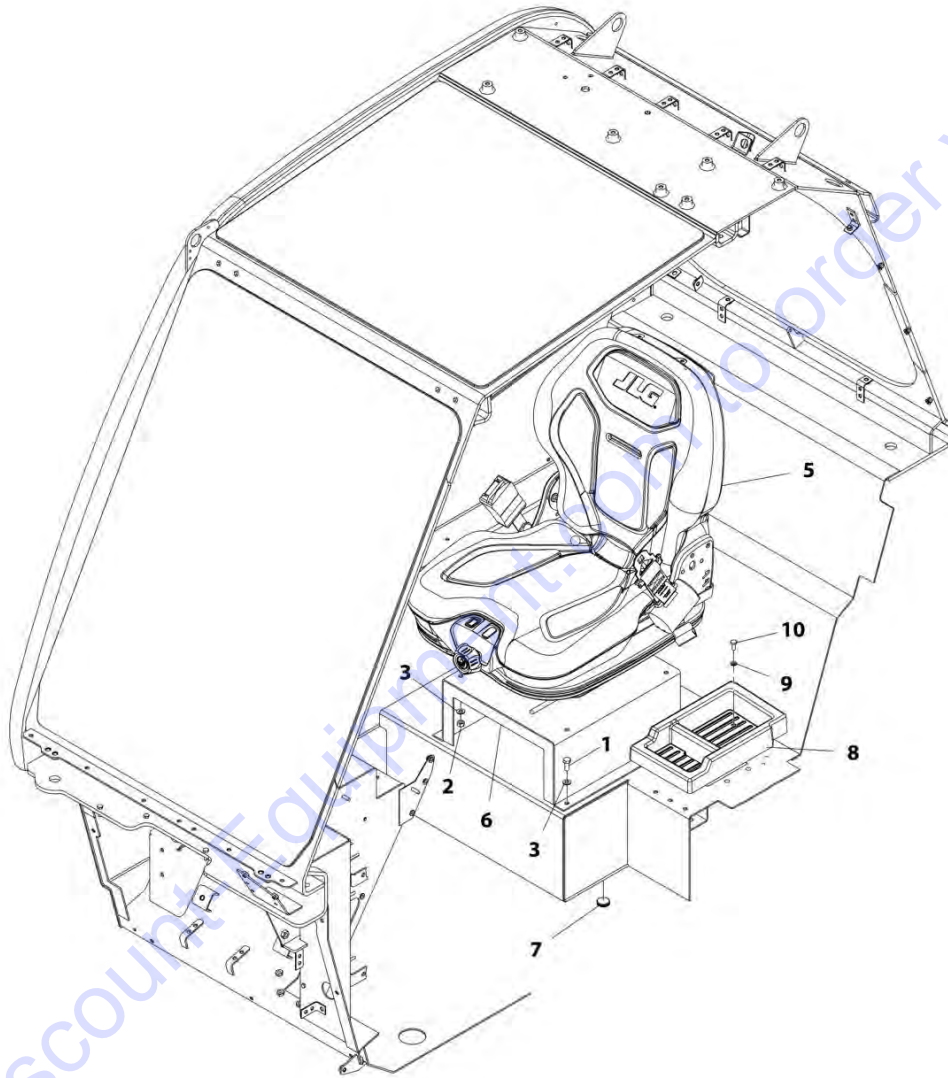
**SECTION 6 - CAB**

**FIGURE 6-49. DOOR UPPER GLASS ASSEMBLY (1055 SN 0160076824 to Present; 1255 SN 0160076390 to Present)**

ITEM	PART NUMBER	QTY	DESCRIPTION	REV
	1001205532	Ref	Door Upper Glass Assembly	E
1	0760812	1	Bolt, M8X25	
2	0760815	5	Bolt, M8X35	
3	4811900	11	Washer, M8	
4	1001002946	4	Mount, Hinge	
5	1001002947	1	Mount, Hinge	
6	1001002953	2	Mount, Rubber	
7	1001002957	2	Mount, Latch	
8	1001008857	5	Nut, Lock	
9	1001096365	11	Cap, M8	
10	1001141246	3	Mount, Handle	
11	1001165275	1	Latch, Window	
12	1001166634	2	Pin, Hinge	
13	1001170944	1	Panel, Window Surround	
14	1001174321	1	Striker, Top Window	
15	1001204066	1	Glass, Window	
16	1001204115	2	Hinge, Assembly	
17	1001222741	1	Buffer, Cab	
18	1001204120	1	Handle	
19	1001213331	1	Gasket, Back Window	
20	1001215531	AR	Adhesive	

**SECTION 6 - CAB**

**FIGURE 6-50. SEAT INSTALLATION**



ART\_1001164615-G

FIGURE 6-50. SEAT INSTALLATION

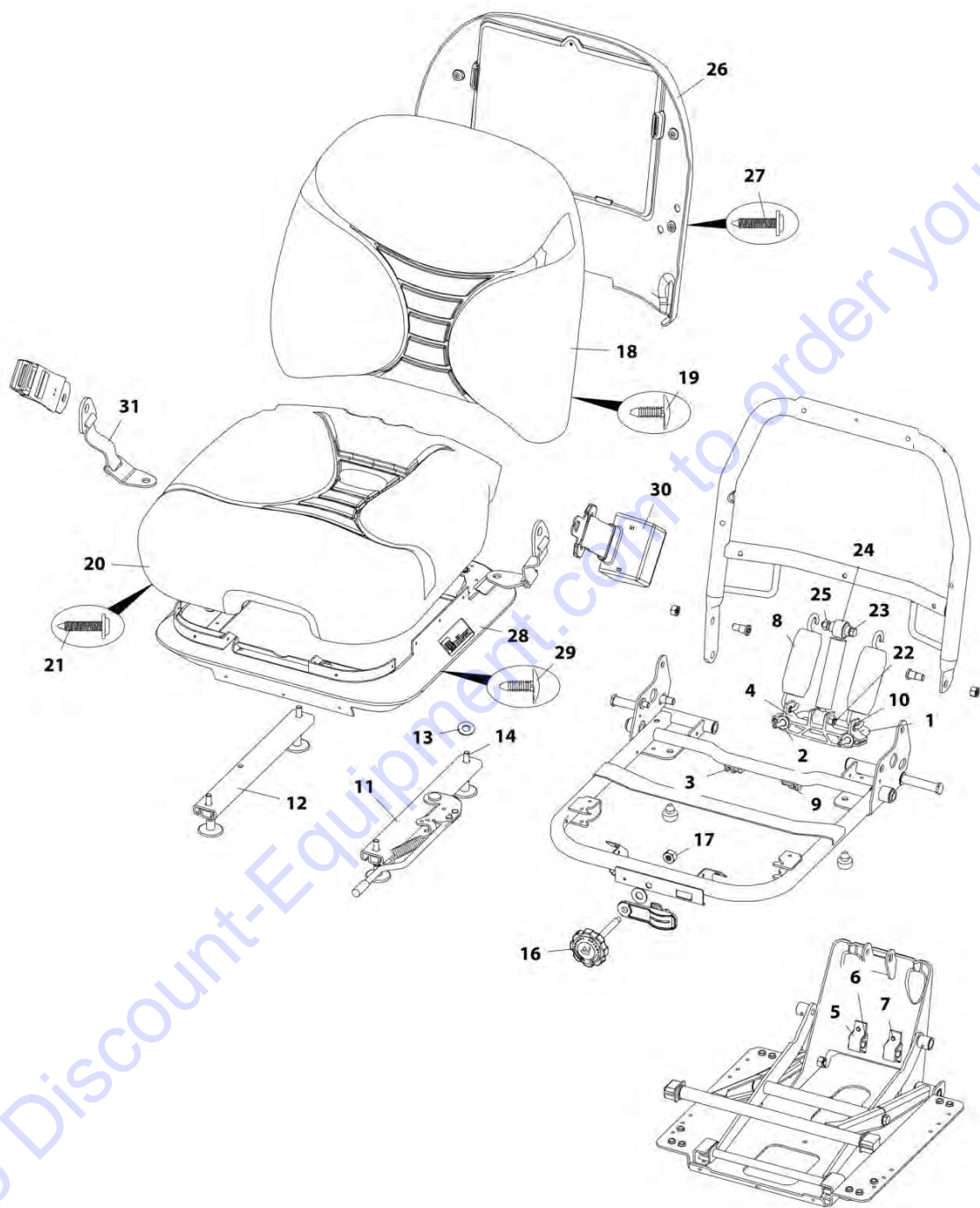
ITEM	PART NUMBER	QTY	DESCRIPTION	REV
	1001164615	Ref	Seat Installation	G
1	0760810	4	Bolt, M8X20	
2	3311505	4	Nut, Lock 5/16-18	
3	4811900	8	Washer, M8	
5	1001101085	1	Seat, (See SEAT for Breakdown) <b>(Prior to SN 0160068604)</b>	
5	1001197027	1	Seat, (See SEAT for Breakdown) <b>(SN 0160068604 to Present)</b>	
6	1001164498	1	Plinth, Seat	
7	1001196076	1	Grommet	
8	1001170515	1	Insert, Storage Tray	
9	4811700	1	Washer, M6	
10	4010608002	1	Screw, Posi-Drive, M6X16	

Go to Discount-Equipment.com to order your parts



# SECTION 6 - CAB

## FIGURE 6-51. SEAT (Prior to SN 0160068604)



ART\_1001101085-D

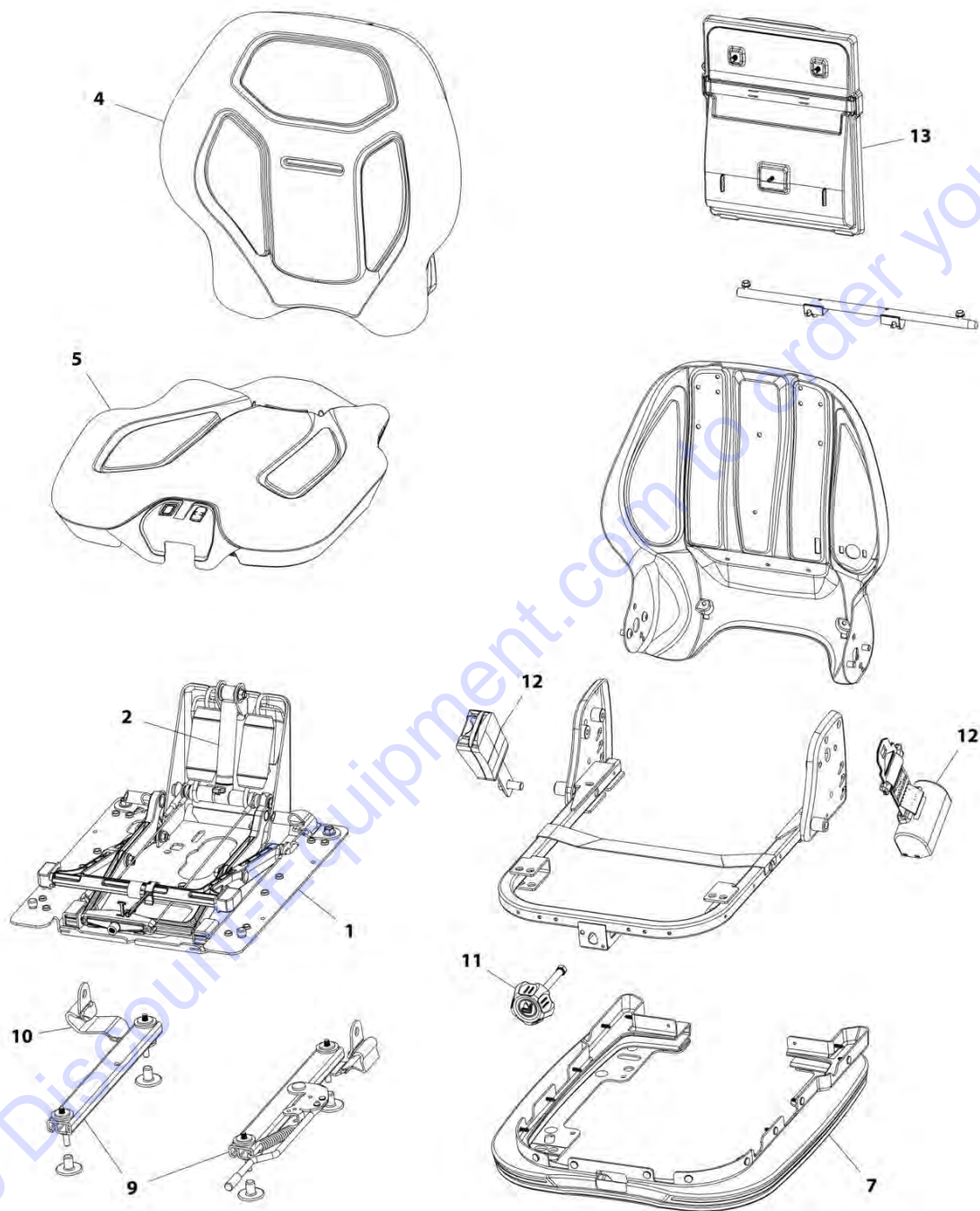
## SECTION 6 - CAB

FIGURE 6-51. SEAT (Prior to SN 0160068604)

ITEM	PART NUMBER	QTY	DESCRIPTION	REV
	1001101085	1	Seat	D
	70020928	1	Kit, Spring and Saddle	
1	N.S.S.	1	Arm, Spring	
2	N.S.S.	2	Bushing, Saddle	
3	N.S.S.	2	Bearing, Spring Arm	
4	N.S.S.	1	Saddle, Spring	
5	N.S.S.	2	Strap, Pivot Block	
6	N.S.S.	2	Block, Pivot	
7	N.S.S.	2	Screw, Taptite 1/4-20	
8	N.S.S.	2	Spring, Suspension	
9	N.S.S.	2	Screw, 8-18	
10	N.S.S.	2	Bushing, Spring	
	7026798	1	Kit, Slide	
11	N.S.S.	1	Assembly, Adjuster	
12	N.S.S.	1	Adjuster, Slave	
13	N.S.S.	4	Spacer, Nylon	
14	N.S.S.	4	Screw, Taptite, 5/16-18	
	7026799	1	Kit, Knob	
16	N.S.S.	1	Knob	
17	N.S.S.	1	Nut, 5/16-18	
	7026900	1	Back Cushion Kit	
18	N.S.S.	1	Cushion, Back	
19	N.S.S.	6	Clip	
	7026901	1	Kit, Seat Cushion	
20	N.S.S.	1	Cushion, Seat	
21	N.S.S.	2	Screw, Taptite 1/4-15	
	70023040	1	Kit, Shock Absorber	
22	N.S.S.	1	Pin, Shock	
23	N.S.S.	1	Pin, Shock	
24	N.S.S.	1	Absorber, Shock	
25	N.S.S.	2	Nut, 5/16-18	
	7026902	1	Kit, Back Panel	
26	N.S.S.	1	Panel, Back	
27	N.S.S.	1	Screw, 8-18	
	70023890	1	Kit, Boot	
28	N.S.S.	1	Boot	
29	N.S.S.	27	Clip	
30	7026905	1	Kit, Seat Belt (2IN)	
	7026906	1	Kit, Tether	
31	N.S.S.	2	Strap, Tether	

# SECTION 6 - CAB

## FIGURE 6-52. SEAT (SN 0160068604 to Present)



ART\_1001197027-D

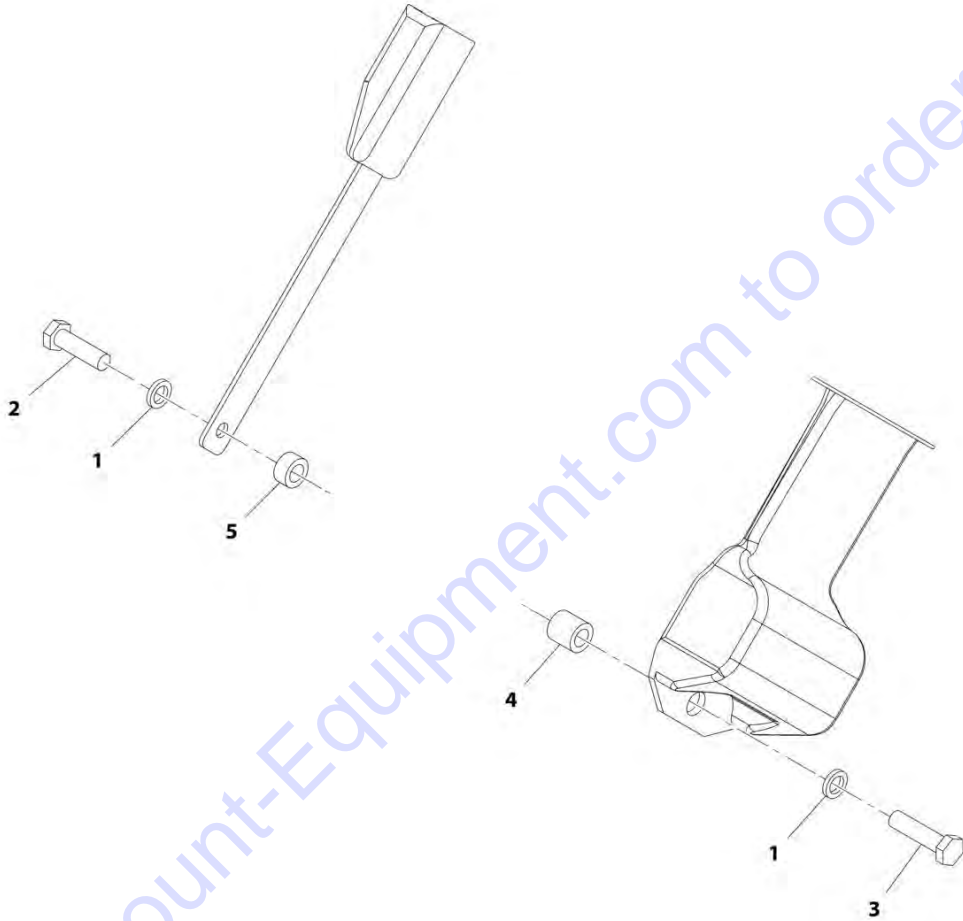
FIGURE 6-52. SEAT (SN 0160068604 to Present)

ITEM	PART NUMBER	QTY	DESCRIPTION	REV
	1001197027	1	Seat	D
1	70027024	1	Suspension Assembly Kit	
2	70027025	1	Spring Saddle Assembly Kit	
4	70027026	1	Back Cushion Kit	
5	70027028	1	Seat Cushion Assembly Kit	
7	70027030	1	Boot Kit	
9	7026798	1	Adjuster Kit	
10	70027032	1	Tether Strap	
11	70027033	1	Weight Adjust Knob Kit	
12	70027034	2	Seat Belt Kit	
13	70027035	1	Document Box Kit	

Go to Discount-Equipment.com to order your parts

## SECTION 6 - CAB

FIGURE 6-53. SEAT BELT INSTALLATION (Prior to SN 0160085636, Including 0160083994, 0160083995, 0160083996, 0160084653, 0160084654, 0160085042 and 0160085051)



ART\_1001006731-B

## SECTION 6 - CAB

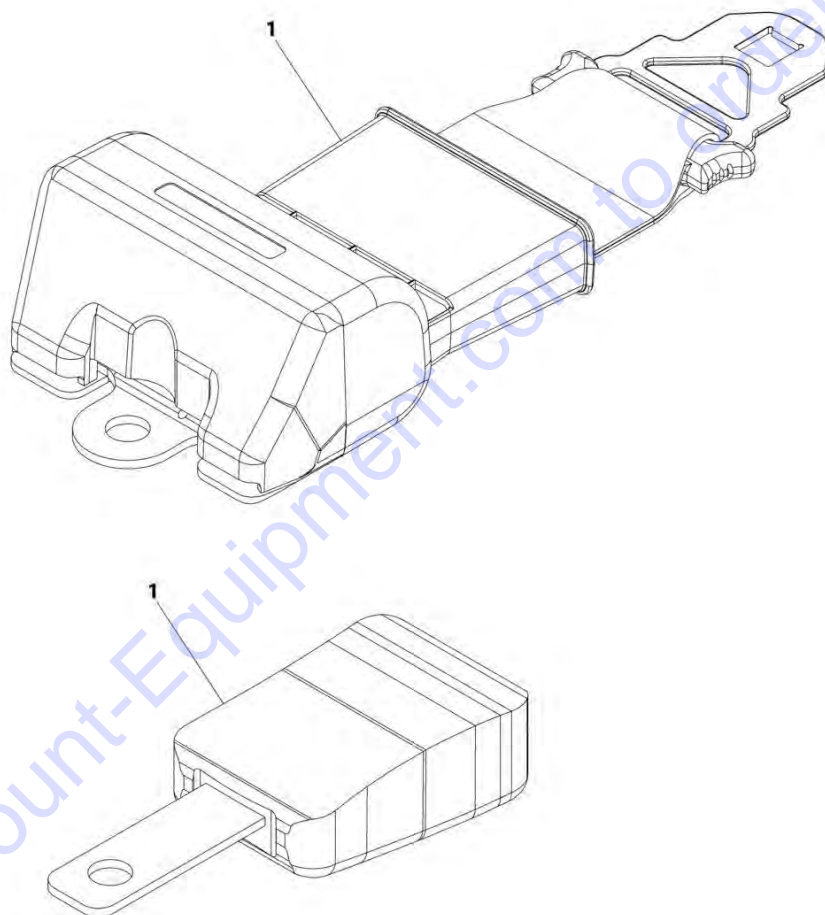
**FIGURE 6-53. SEAT BELT INSTALLATION (Prior to SN 0160085636, Including 0160083994, 0160083995, 0160083996, 0160084653, 0160084654, 0160085042 and 0160085051)**

ITEM	PART NUMBER	QTY	DESCRIPTION	REV
	1001006731	Ref	Belt, GP Seat	B
1	1001010646	2	Washer, Spring	
2	1001010647	1	Bolt	
3	1001010648	1	Bolt	
4	1001010649	1	Spacer	
5	1001010650	1	Spacer	

Go to Discount-Equipment.com to order your parts

## SECTION 6 - CAB

**FIGURE 6-54. SEAT BELT INSTALLATION (3 INCH) (SN 0160085636 to Present, Excluding 0160083994, 0160083995, 0160083996, 0160084653, 0160084654, 0160085042 and 0160085051)**



ART\_1001215778-B

## SECTION 6 - CAB

**FIGURE 6-54. SEAT BELT INSTALLATION (3 INCH) (SN 0160085636 to Present, Excluding 0160083994, 0160083995, 0160083996, 0160084653, 0160084654, 0160085042 and 0160085051)**

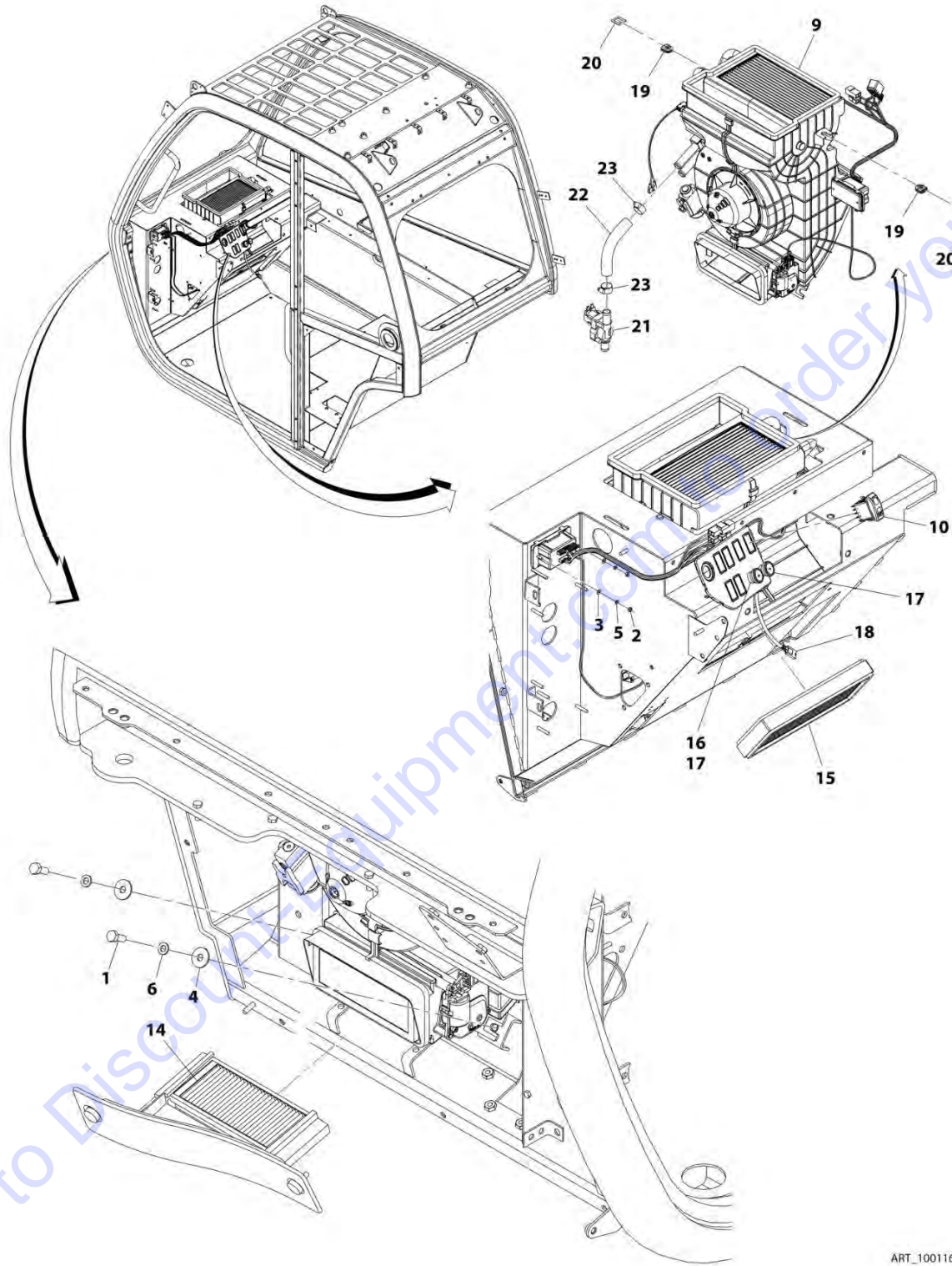
ITEM	PART NUMBER	QTY	DESCRIPTION	REV
1	1001215778	Ref	Seat Belt Installation (3 Inch)	B

Go to Discount-Equipment.com to order your parts



# SECTION 6 - CAB

## FIGURE 6-55. HEATER INSTALLATION



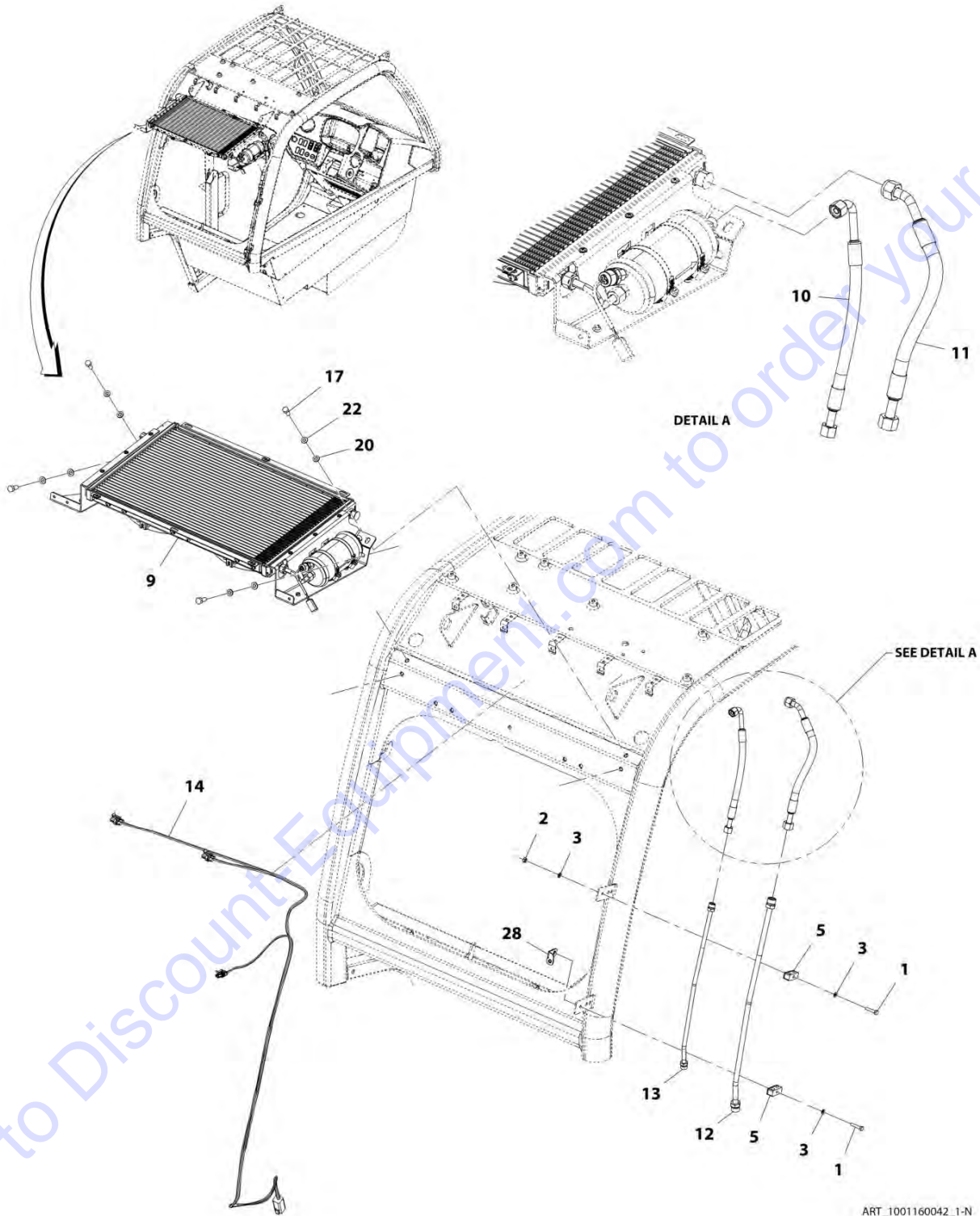
ART\_1001160043-K

FIGURE 6-55. HEATER INSTALLATION

ITEM	PART NUMBER	QTY	DESCRIPTION	REV
	1001160043	Ref	Heater Installation	K
1	0760810	2	Bolt, M8X20	
2	3290401	2	Nut, M4X0.7	
3	4811400	2	Washer, M4	
4	4811902	2	Washer, M8	
5	4831400	2	Washer, Lock M4	
6	4831900	2	Washer, M8	
9	1001161858	1	Assembly, Heater (See HEATER ASSEMBLY for Breakdown)	
10	1001159925	1	Switch, HVAC Recycle	
14	1001218996	1	Filter, HVAC Fresh Air	
15	1001172553	1	Filter, HVAC Recirculation Air	
16	1001172547	1	Switch, HVAC Rotary	
17	1001172550	2	HVAC, Control Knob	
18	1001218529	1	Cab, HVAC Cable	
19	1001188590	2	Grommet, Cable Passage	
20	1001218542	2	Shim, HVAC Damper	
21	1001221059	1	Valve, Cab Water	
22	1001221295	1	Hose	
23	8410009	2	Clamp, Gear	

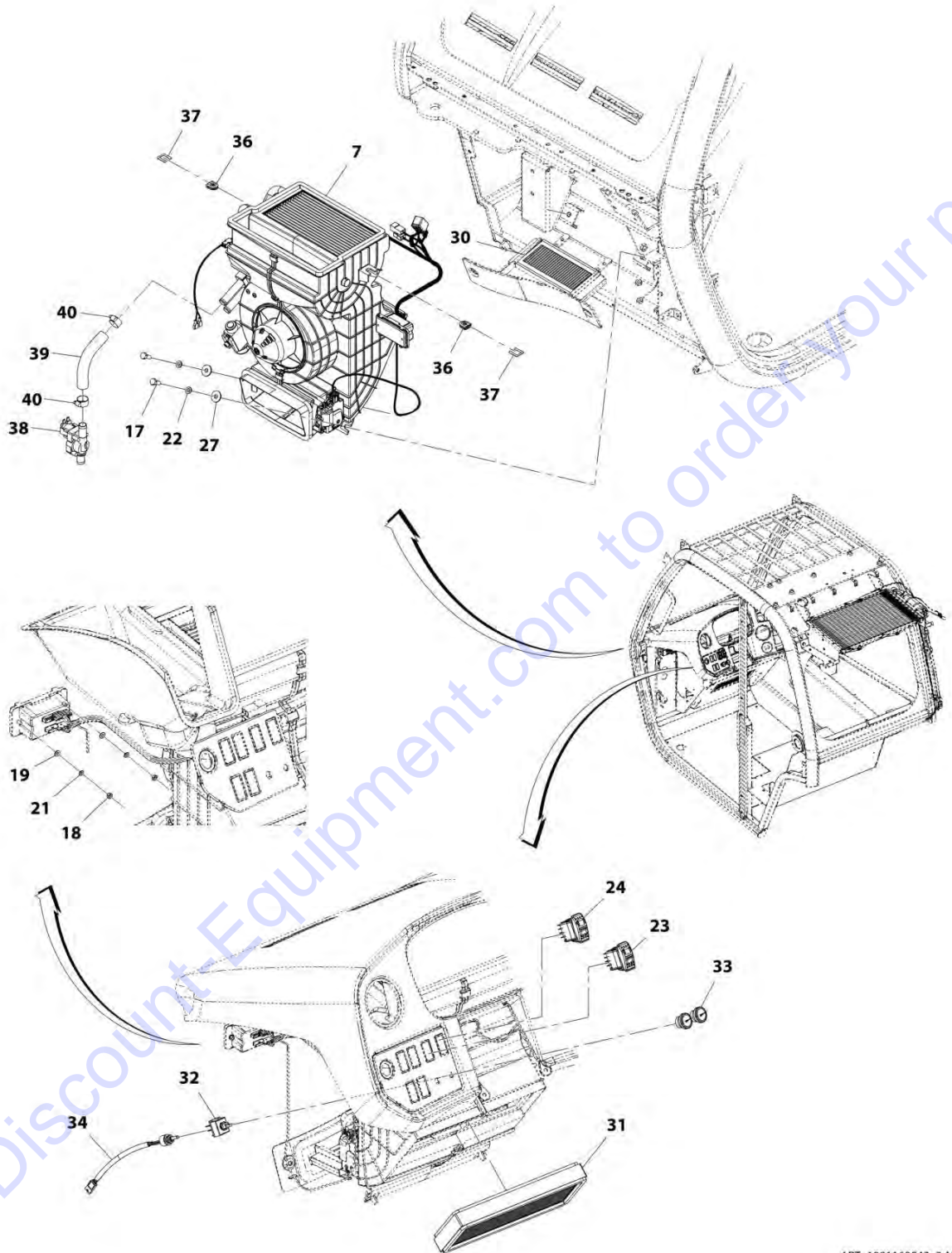
# SECTION 6 - CAB

## FIGURE 6-56. HEATER AND A/C INSTALLATION



ART\_1001160042\_1-N

SECTION 6 - CAB



ART\_1001160042\_2-N

# PARTS FINDER

**Search Website  
by Part Number**



**Search Manual  
Library For Parts  
Manual & Lookup Part  
Numbers – Purchase  
or Request Quote**

A screenshot of the "Search Manuals" form. The form has a title "Search Manuals" and a subtitle "Please enter the model number or serial number of the machine you are looking for." Below the subtitle are several input fields: "Find" (with a dropdown menu), "Serial Number" (with a dropdown menu), "Year" (with a dropdown menu), "Make" (with a dropdown menu), "Part Number" (with a dropdown menu), "Part Name" (with a dropdown menu), and "Category" (with a dropdown menu). There is a "Search" button at the bottom of the form.

**Can't Find Part or  
Manual? Request Help  
by Manufacturer,  
Model & Description**

A screenshot of the "Parts Order Form". The form has a title "Parts Order Form" and a subtitle "Please fill out the form below." Below the subtitle are several input fields: "Manufacturer" (with a dropdown menu), "Model" (with a dropdown menu), "Description" (with a dropdown menu), "Part Number" (with a dropdown menu), "Part Name" (with a dropdown menu), "Quantity" (with a dropdown menu), "Price" (with a dropdown menu), "Date" (with a dropdown menu), and "Comments" (with a text area). There is a "Submit" button at the bottom of the form.

Discount-Equipment.com is your online resource for quality parts & equipment.

Florida: **561-964-4949** Outside Florida TOLL FREE: **877-690-3101**

**Need parts?**

Click on this link: <http://www.discount-equipment.com/category/5443-parts/> and choose one of the options to help get the right parts and equipment you are looking for. Please have the machine model and serial number available in order to help us get you the correct parts. If you don't find the part on the website or on one of the online manuals, please fill out the request form and one of our experienced staff members will get back to you with a quote for the right part that your machine needs.

We sell worldwide for the brands: Genie, Terex, JLG, MultiQuip, Mikasa, Essick, Whiteman, Mayco, Toro Stone, Diamond Products, Generac Magnum, Airman, Haulotte, Barreto, Power Blanket, Nifty Lift, Atlas Copco, Chicago Pneumatic, Allmand, Miller Curber, Skyjack, Lull, Skytrak, Tsurumi, Husquvarna Target, Stow, Wacker, Sakai, Mi-T-M, Sullair, Basic, Dynapac, MBW, Weber, Bartell, Bennar Newman, Haulotte, Ditch Runner, Menegotti, Morrison, Contec, Buddy, Crown, Edco, Wyco, Bomag, Laymor, EZ Trench, Bil-Jax, F.S. Curtis, Gehl Pavers, Heli, Honda, ICS/PowerGrit, IHI, Partner, Imer, Clipper, MMD, Koshin, Rice, CH&E, General Equipment, Amida, Coleman, NAC, Gradall, Square Shooter, Kent, Stanley, Tamco, Toku, Hatz, Kohler, Robin, Wisconsin, Northrock, Oztec, Toker TK, Rol-Air, APT, Wylie, Ingersoll Rand / Doosan, Innovatech, Con X, Ammann, Mecalac, Makinex, Smith Surface Prep, Small Line, Wanco, Yanmar

## SECTION 6 - CAB

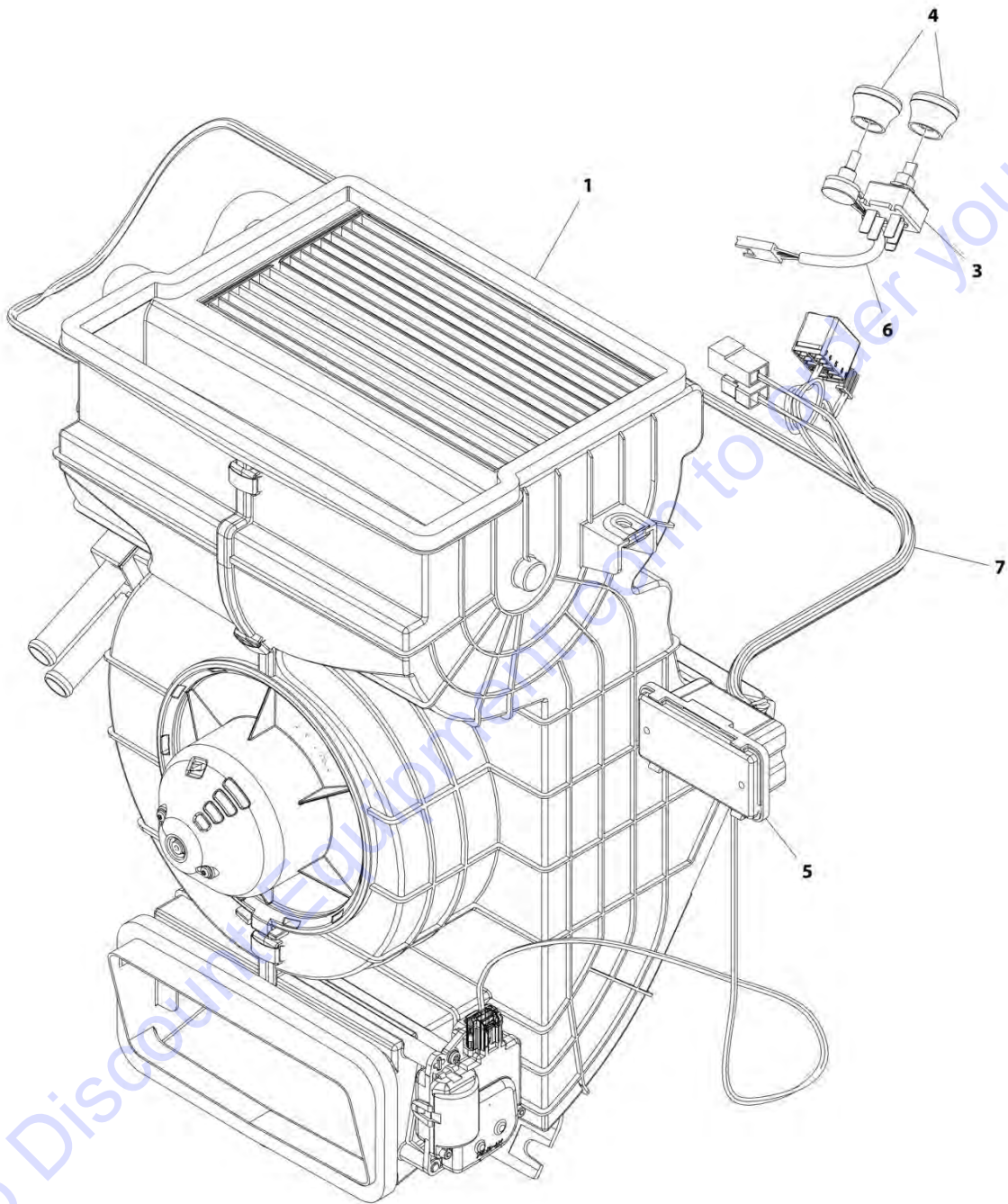
FIGURE 6-56. HEATER AND A/C INSTALLATION

ITEM	PART NUMBER	QTY	DESCRIPTION	REV
	1001160042	Ref	Heater and A/C Installation	N
1	0700614	2	Bolt, M6X30	
2	3290601	1	Nut, M6X1	
3	4811700	3	Washer, M6	
5	1001145539	2	Support, Pipe	
7	1001188303	1	Assembly, Heater and A/C (See HEATER AND A/C ASSEMBLY for Breakdown)	
9	1001162953	1	Assembly, Cab Condenser (See CAB CONDENSER ASSEMBLY for Breakdown)	
10	1001168327	1	Hose	
11	1001168330	1	Hose	
12	1001168331	1	Tube	
13	1001168456	1	Tube	
14	1001169151	1	Harness, A/C Option (See ELECTRICAL SECTION for Breakdown)	
17	0760810	6	Bolt, M8X20 GR8.8	
18	3290401	2	Nut, M4X0.7	
19	4811400	2	Washer, M4	
20	4811900	4	Washer, M8	
21	4831400	2	Washer, Lock M4	
22	4831900	6	Washer, Lock M8	
23	1001159925	1	Switch, HVAC Recycle	
24	1001160326	1	Switch, HVAC On/Off	
27	4811902	2	Washer, M8	
28	1001178170	1	Bracket	
30	1001218996	1	Filter, HVAC Fresh Air	
31	1001172553	1	Filter, HVAC Air Recirculation	
32	1001172547	1	Switch, HVAC Rotary	
33	1001172550	2	HVAC, Control Knob	
34	1001218529	1	Cab, HVAC Cable	
36	1001188590	2	Grommet, Cable Passage	
37	1001218542	2	Shim, HVAC Damper	
38	1001221059	1	Valve, Cab Water	
39	1001221295	1	Hose	
40	8410009	2	Clamp, Gear	



# SECTION 6 - CAB

## FIGURE 6-57. HEATER ASSEMBLY (Prior to SN 0160077683)



ART\_1001161858-E



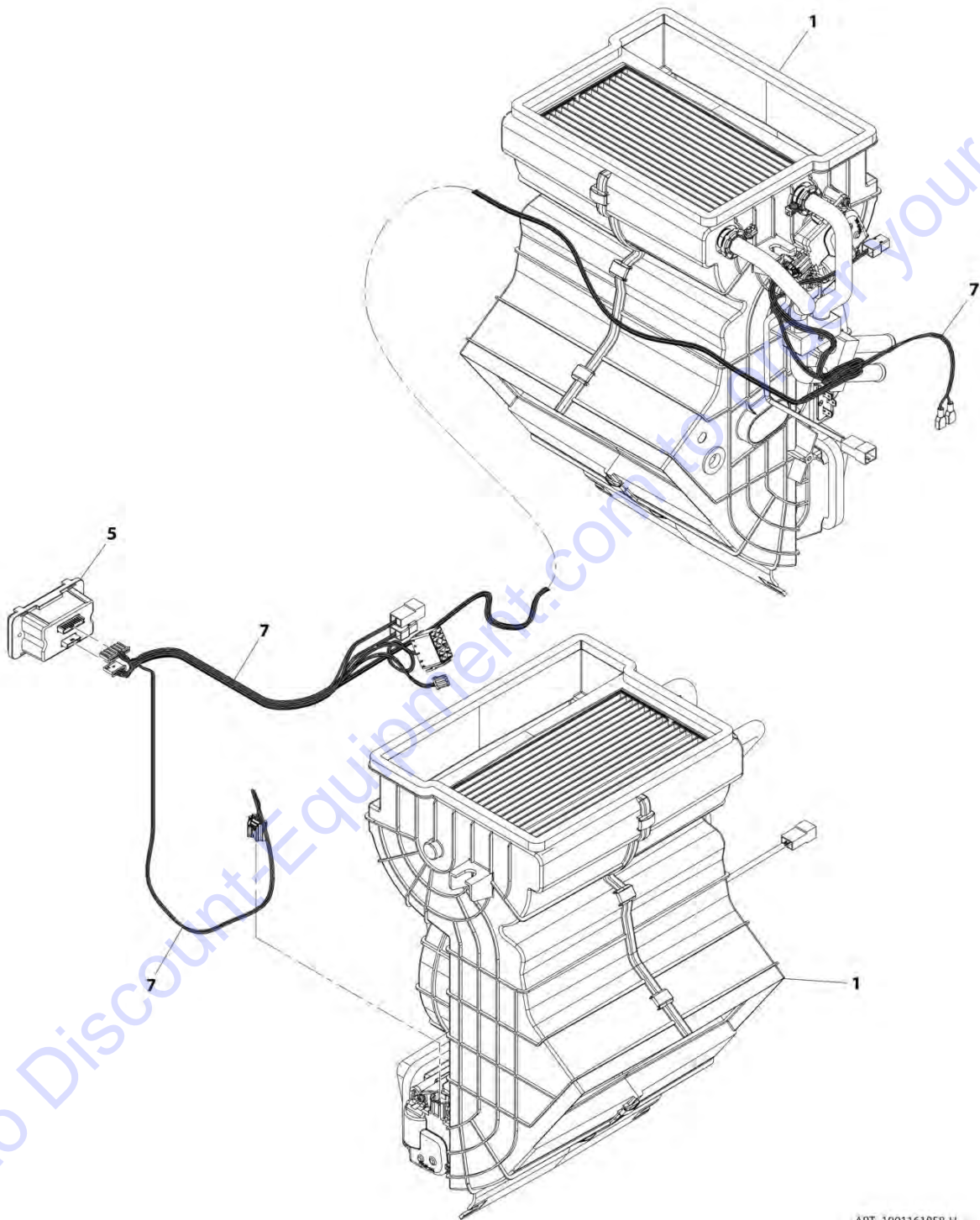
**SECTION 6 - CAB****FIGURE 6-57. HEATER ASSEMBLY (Prior to SN 0160077683)**

ITEM	PART NUMBER	QTY	DESCRIPTION	REV
	1001161858	Ref	Heater Assembly	E
1	1001152908	1	Heater, Cab (See HEATER for Breakdown)	
3	1001172547	1	Switch, HVAC Rotary 3 Speed	
4	1001172550	2	Knob, HVAC Control	
5	1001172551	1	Actuator, HVAC Cab (See HVAC CAB ACUATOR for Breakdown)	
6	1001172552	1	Cable, HVAC	
7	1001173571	1	Harness, HVAC Actuator	

Go to Discount-Equipment.com to order your parts

# SECTION 6 - CAB

FIGURE 6-58. HEATER ASSEMBLY (SN 0160077683 to Present)



ART\_1001161858-H

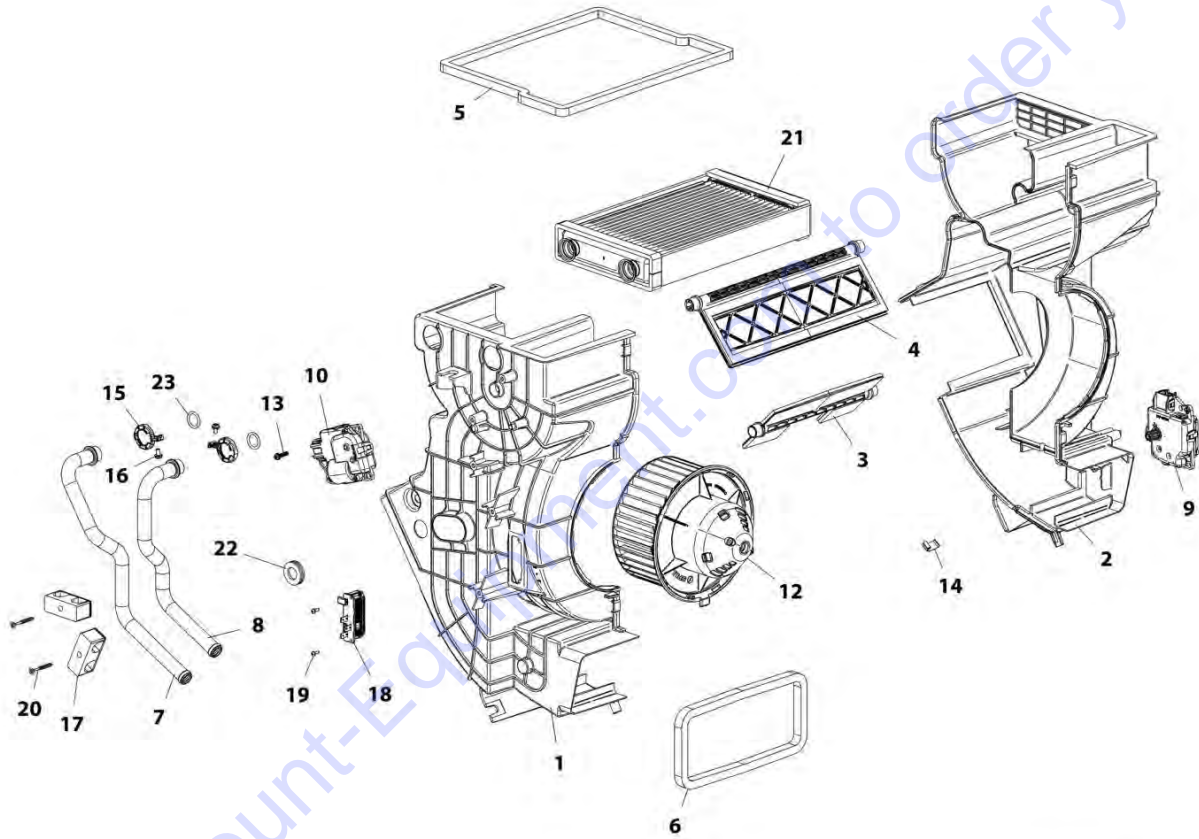
FIGURE 6-58. HEATER ASSEMBLY (SN 0160077683 to Present)

ITEM	PART NUMBER	QTY	DESCRIPTION	REV
	1001161858	Ref	Heater Assembly	H
1	1001152908	NLA	Heater, Cab (See Separate Breakdown in this Section), (no longer available, use 1001221052 for replacement)	
1	1001221052	1	Heater, Cab (See Separate Breakdown in this Section)	
5	1001172551	1	Actuator, HVAC Cab (See HVAC CAB ACUATOR for Breakdown)	
7	1001173571	NLA	Harness, HVAC Actuator, (no longer available, use 1001221056 for replacement)	
7	1001221056	1	Harness, HVAC Actuator	

Go to Discount-Equipment.com to order your parts

SECTION 6 - CAB

FIGURE 6-59. HEATER



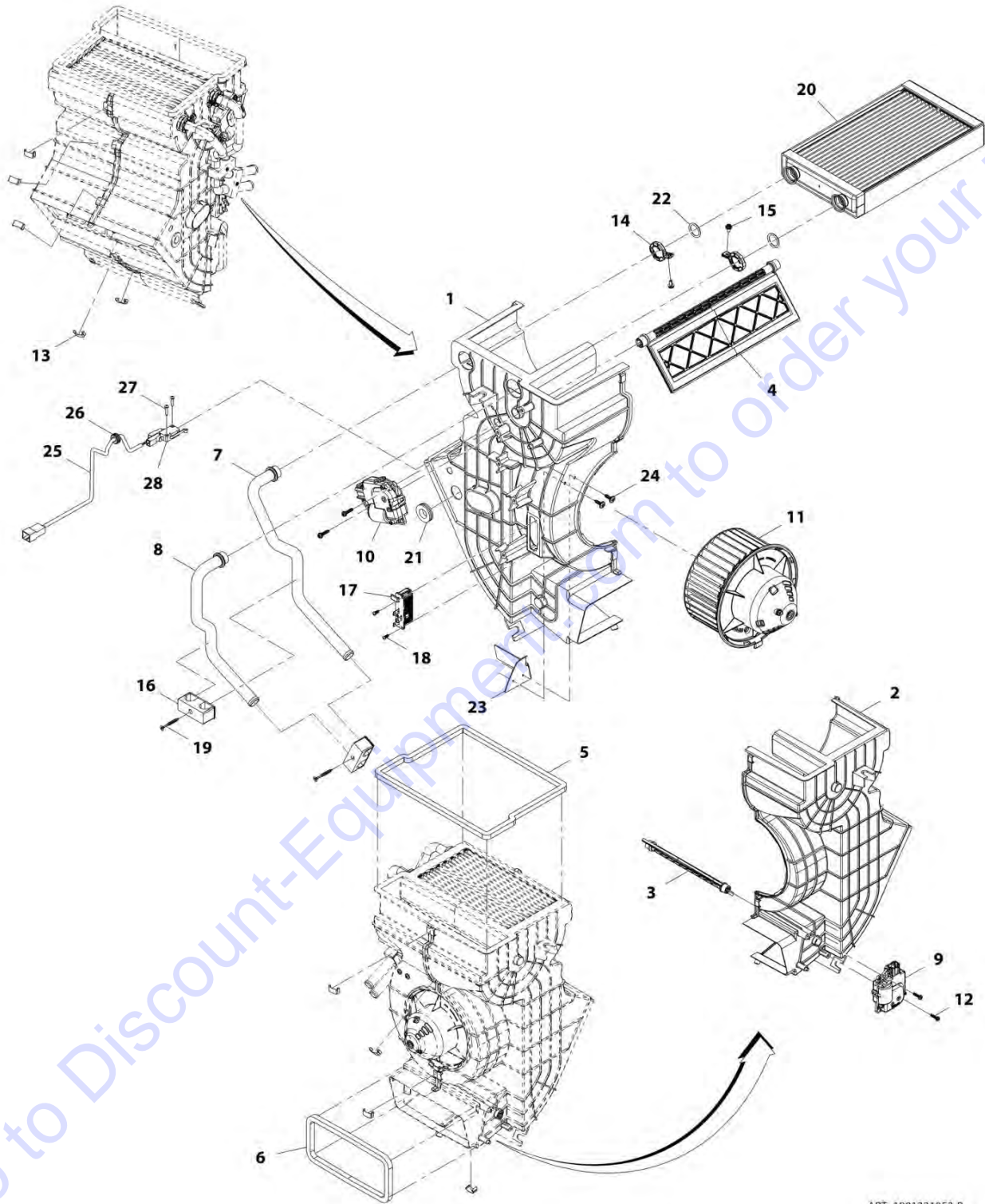
ART\_1001152908-E

FIGURE 6-59. HEATER

ITEM	PART NUMBER	QTY	DESCRIPTION	REV
	1001152908	Ref	Heater, (no longer available, see items 1 through 23 for service or use 1001221052 for replacement)	E
1	1001166091	1	Housing, RH	
2	1001166092	1	Housing, LH	
3	1001184275	1	Flap, Recirculation with Foam	
4	1001184278	1	Flap, Mixing with Foam	
5	1001184294	1	Foam, Air Outlet	
6	1001184295	1	Foam, Air Inlet	
7	1001184296	1	Pipe, Water	
8	1001184297	1	Pipe, Water	
9	1001188577	1	Actuator, Fresh/Recirculation Air	
10	1001188578	1	Actuator, Hot/Cold	
12	1001188594	1	Fan, 12V	
13	1001188602	4	Screw	
14	1001188603	9	Clamp	
15	1001188604	2	Clamp	
16	1001188610	2	Screw	
17	1001188612	2	Clamp	
18	1001188614	1	Resistor	
19	1001188720	2	Screw	
20	1001188725	2	Screw	
21	1001188729	1	Radiator, Heater Core	
22	1001188733	1	Grommet	
23	1001189025	2	O-Ring	

SECTION 6 - CAB

FIGURE 6-60. HEATER



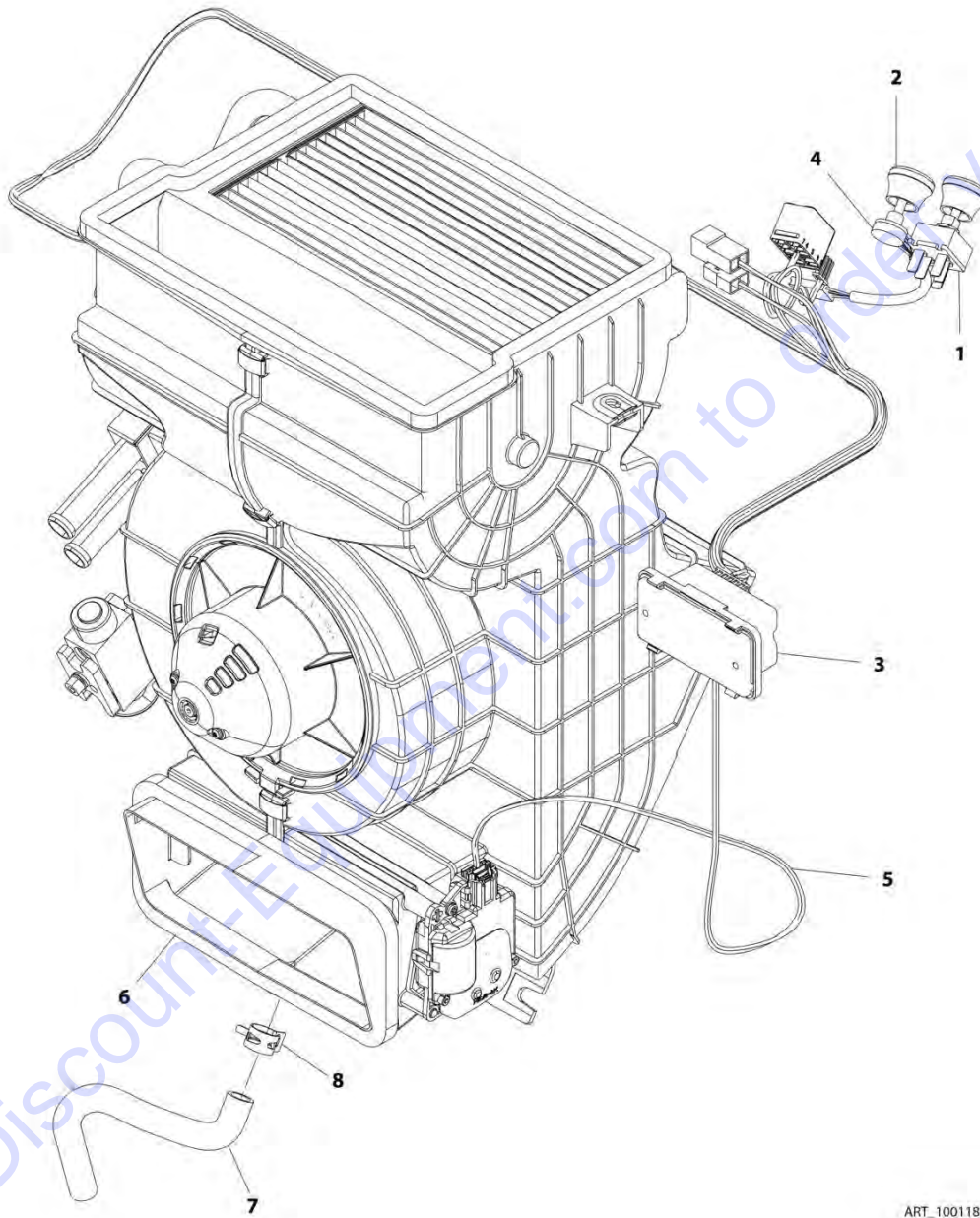
ART\_1001221052-B

FIGURE 6-60. HEATER

ITEM	PART NUMBER	QTY	DESCRIPTION	REV
	1001221052	Ref	Heater	B
1	1001166091	1	Housing, RH	
2	1001166092	1	Housing, LH	
3	1001184275	1	Flap, Recirculation with Foam	
4	1001184278	1	Flap, Mixing with Foam	
5	1001184294	1	Foam, Air Outlet	
6	1001184295	1	Foam, Air Inlet	
7	1001184296	1	Pipe, Water	
8	1001184297	1	Pipe, Water	
9	1001188577	1	Actuator, Fresh/Recirculation Air	
10	1001188578	1	Actuator, Hot/Cold	
11	1001188594	1	Fan, 12V	
12	1001188602	4	Screw	
13	1001188603	9	Clamp	
14	1001188604	2	Clamp	
15	1001188610	2	Screw	
16	1001188612	2	Clamp	
17	1001188614	1	Resistor	
18	1001188720	2	Screw	
19	1001188725	2	Screw	
20	1001188729	1	Radiator, Heater Core	
21	1001188733	1	Grommet	
22	1001189025	2	O-Ring	
23	1001221057	1	Baffle, Plate	
24	1001221058	2	Screw	
25	1001228132	1	Harness	
26	1001228140	1	Grommet	
27	1001228141	2	Screw	
28	1001228147	1	Sensor	

## SECTION 6 - CAB

FIGURE 6-61. HEATER AND A/C GROUP (Prior to SN 0160077683)



ART\_1001188303-B



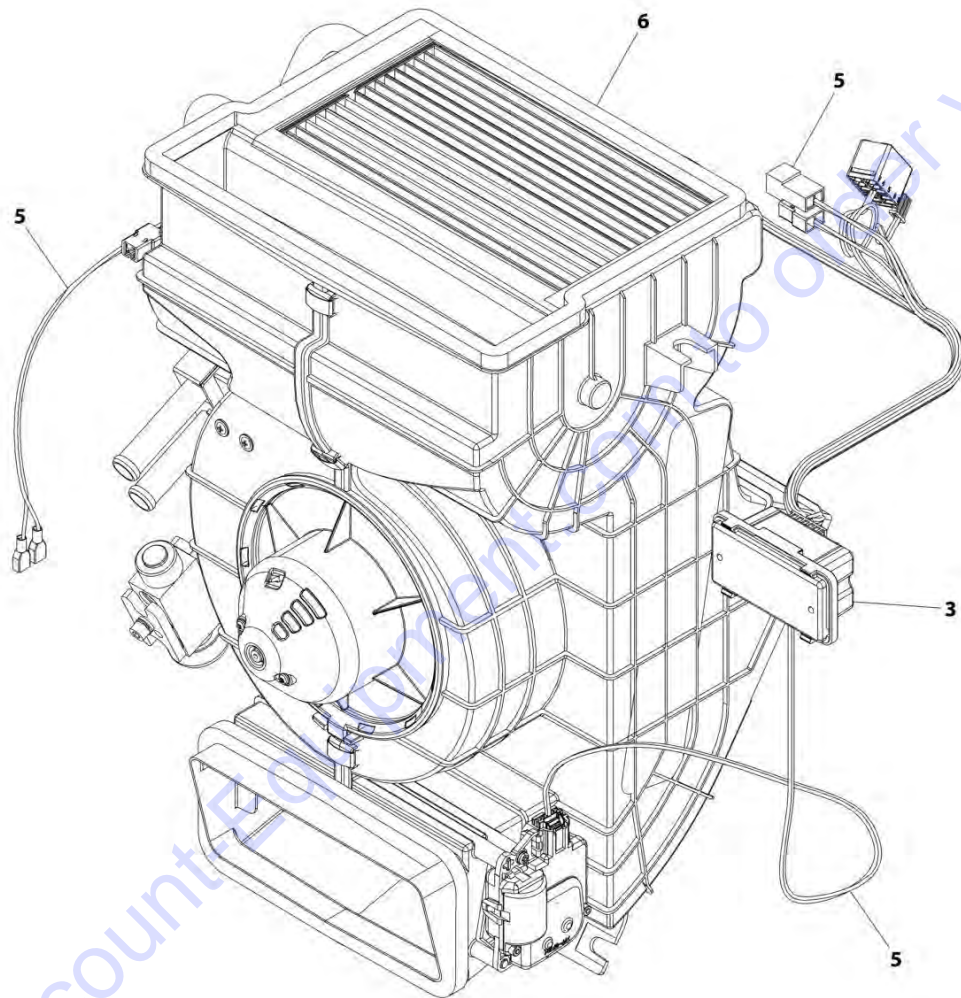
**SECTION 6 - CAB****FIGURE 6-61. HEATER AND A/C GROUP (Prior to SN 0160077683)**

ITEM	PART NUMBER	QTY	DESCRIPTION	REV
	1001188303	Ref	Heater and A/C Group	B
1	1001172547	1	Switch, HVAC Rotary 3 Speed	
2	1001172550	2	Knob, HVAC Control	
3	1001172551	1	Actuator, HVAC Cab (See HVAC Cab Actuator for Breakdown)	
4	1001172552	1	Cable, HVAC	
5	1001173571	1	Harness, HVAC Actuator	
6	1001188275	1	Heater and A/C (See HEATER AND A/C for Breakdown)	
7	1001161865	1	Hose	
8	1001152729	1	Clamp	

Go to Discount-Equipment.com to order your parts

## SECTION 6 - CAB

FIGURE 6-62. HEATER AND A/C GROUP (SN 0160077683 to Present)



ART\_1001188303-G

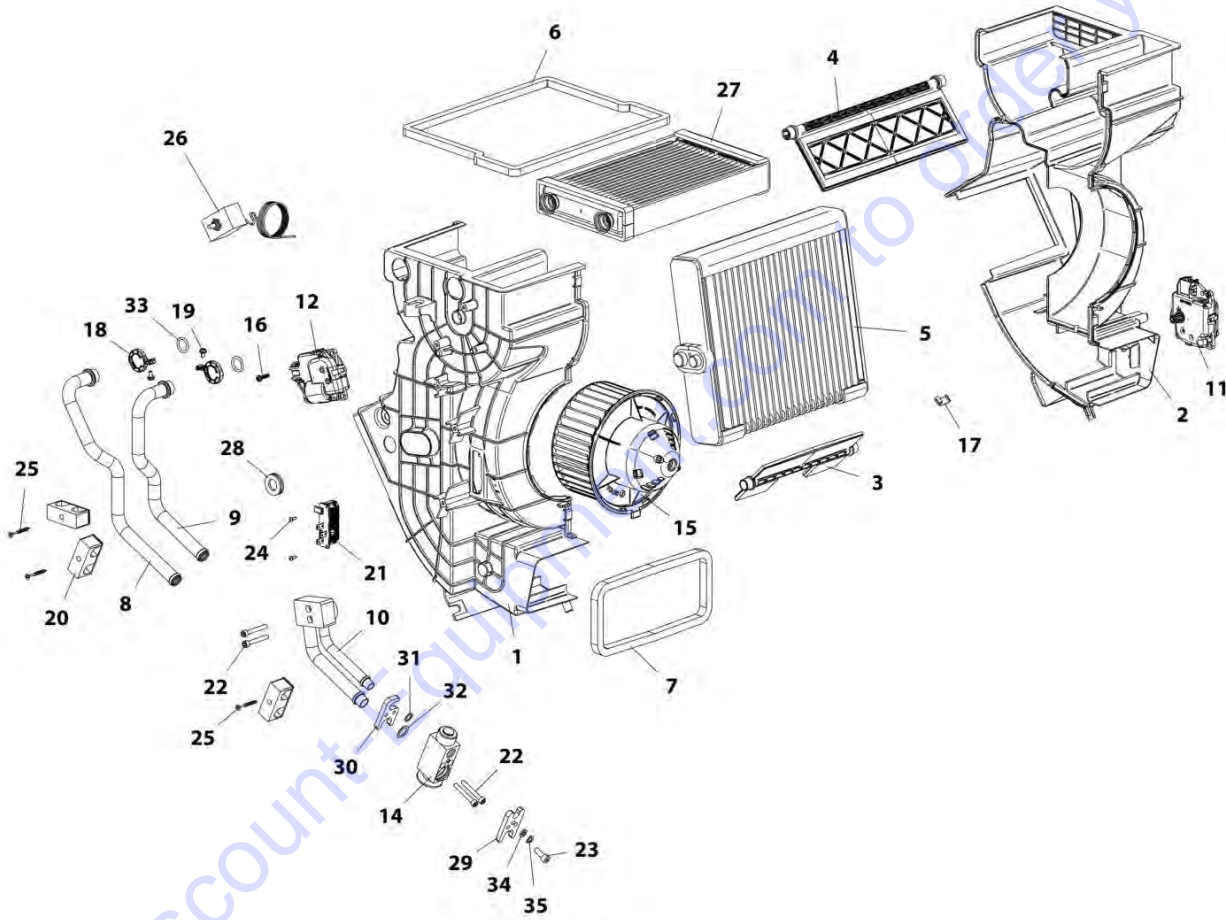
**SECTION 6 - CAB****FIGURE 6-62. HEATER AND A/C GROUP (SN 0160077683 to Present)**

ITEM	PART NUMBER	QTY	DESCRIPTION	REV
	1001188303	Ref	Heater and A/C Group	G
3	1001172551	1	Actuator, HVAC Cab (See HVAC Cab Actuator for Breakdown)	
5	1001173571	NLA	Harness, HVAC Actuator, (no longer available, use 1001221056 for replacement)	
5	1001221056	1	Harness, HVAC Actuator	
6	1001188275	NLA	Heater and A/C (See Separate Breakdown in this Section), (no longer available, use 1001221054 for replacement)	
6	1001221054	1	Heater and A/C (See Separate Breakdown in this Section)	

Go to Discount-Equipment.com to order your parts

# SECTION 6 - CAB

## FIGURE 6-63. HEATER AND A/C



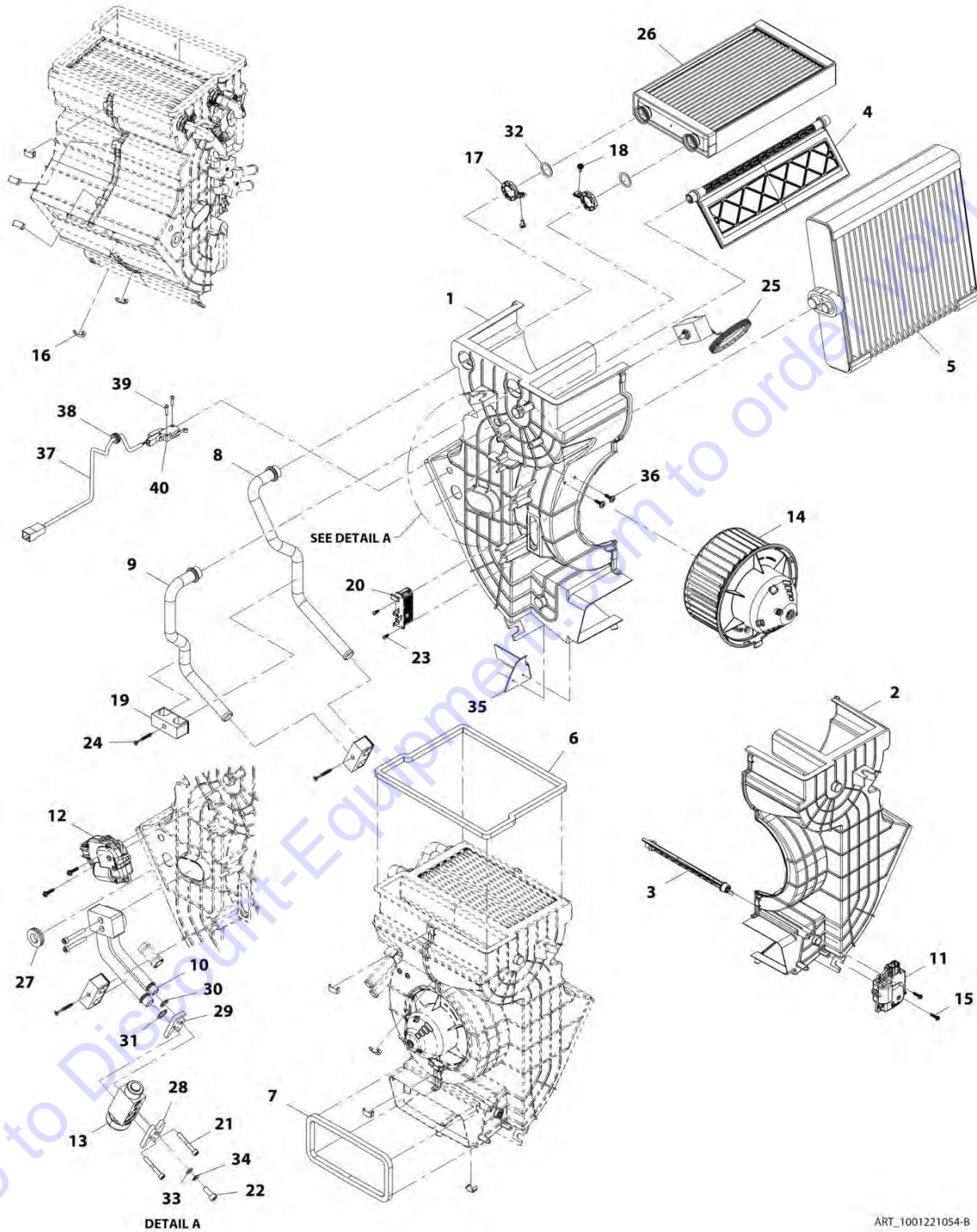
ART\_1001188275-D

FIGURE 6-63. HEATER AND A/C

ITEM	PART NUMBER	QTY	DESCRIPTION	REV
	1001188275	Ref	Heater and A/C, (no longer available, see items 1 through 35 for service or use 1001221054 for replacement)	D
1	1001166091	1	Housing, HVAC RH	
2	1001166092	1	Housing, HVAC LH	
3	1001184275	1	Foam, Heater Flap	
4	1001184278	1	Foam, Heater Mixing Flap	
5	1001184280	1	Evaporator, Heater	
6	1001184294	1	Seal, Heater Foam	
7	1001184295	1	Seal, Air Inlet Foam	
8	1001184296	1	Pipe, Heater Water	
9	1001184297	1	Pipe, Heater Water	
10	1001184427	1	Pipe, Heater	
11	1001188577	1	Actuator, Fresh/Recirculation Air	
12	1001188578	1	Actuator, Hot/Cold Mixing	
14	1001188592	1	Valve, HVAC Expansion	
15	1001188594	1	Fan, HVAC Centrifugal 12V	
16	1001188602	4	Screw, 4mm	
17	1001188603	9	Clamp, HVAC Case	
18	1001188604	2	Clamp, HVAC Pipe	
19	1001188610	2	Screw, M4X0.7	
20	1001188612	3	Clamp, Pipe	
21	1001188614	1	Resistor	
22	1001188618	4	Screw, M5	
23	1001188619	1	Screw, M6	
24	1001188720	2	Screw, M2.9X9.5	
25	1001188725	3	Screw, M4X35	
26	1001188728	1	Sensor, HVAC Thermostat	
27	1001188729	1	Radiator, Heater Core	
28	1001188733	1	Grommet	
29	1001188817	1	Clamp, Hose	
30	1001188818	1	Clamp, HVAC EVAP/Valve	
31	1001189023	1	O-Ring	
32	1001189024	1	O-Ring	
33	1001189025	2	O-Ring	
34	1001189048	1	Washer	
35	1001189054	1	Washer, Spring	

# SECTION 6 - CAB

## FIGURE 6-64. HEATER AND A/C



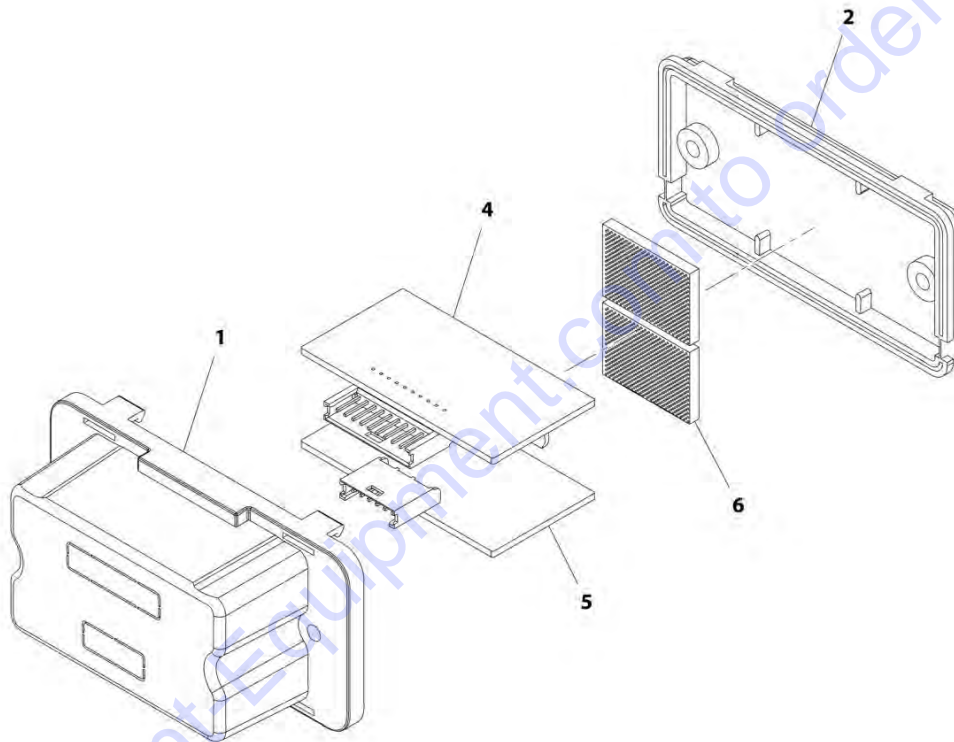
ART\_1001221054-B

FIGURE 6-64. HEATER AND A/C

ITEM	PART NUMBER	QTY	DESCRIPTION	REV
	1001221054	Ref	Heater and A/C	B
1	1001166091	1	Housing, HVAC RH	
2	1001166092	1	Housing, HVAC LH	
3	1001184275	1	Foam, Heater Flap	
4	1001184278	1	Foam, Heater Mixing Flap	
5	1001184280	1	Evaporator, Heater	
6	1001184294	1	Seal, Heater Foam	
7	1001184295	1	Seal, Air Inlet Foam	
8	1001184296	1	Pipe, Heater Water	
9	1001184297	1	Pipe, Heater Water	
10	1001184427	1	Pipe, Heater	
11	1001188577	1	Actuator, Fresh/Recirculation Air	
12	1001188578	1	Actuator, Hot/Cold Mixing	
13	1001188592	1	Valve, HVAC Expansion	
14	1001188594	1	Fan, HVAC Centrifugal 12V	
15	1001188602	4	Screw, 4mm	
16	1001188603	9	Clamp, HVAC Case	
17	1001188604	2	Clamp, HVAC Pipe	
18	1001188610	2	Screw, M4X0.7	
19	1001188612	3	Clamp, Pipe	
20	1001188614	1	Resistor	
21	1001188618	4	Screw, M5	
22	1001188619	1	Screw, M6	
23	1001188720	2	Screw, M2.9X9.5	
24	1001188725	3	Screw, M4X35	
25	1001188728	1	Sensor, HVAC Thermostat	
26	1001188729	1	Radiator, Heater Core	
27	1001188733	1	Grommet	
28	1001188817	1	Clamp, Hose	
29	1001188818	1	Clamp, HVAC EVAP/Valve	
30	1001189023	1	O-Ring	
31	1001189024	1	O-Ring	
32	1001189025	2	O-Ring	
33	1001189048	1	Washer	
34	1001189054	1	Washer, Spring	
35	1001221057	1	Baffle, Plate	
36	1001221058	2	Screw	
37	1001228132	1	Harness	
38	1001228140	1	Grommet	
39	1001228141	2	Screw	
40	1001228147	1	Sensor	

# SECTION 6 - CAB

## FIGURE 6-65. HVAC CAB ACTUATOR



ART\_1001172551-C



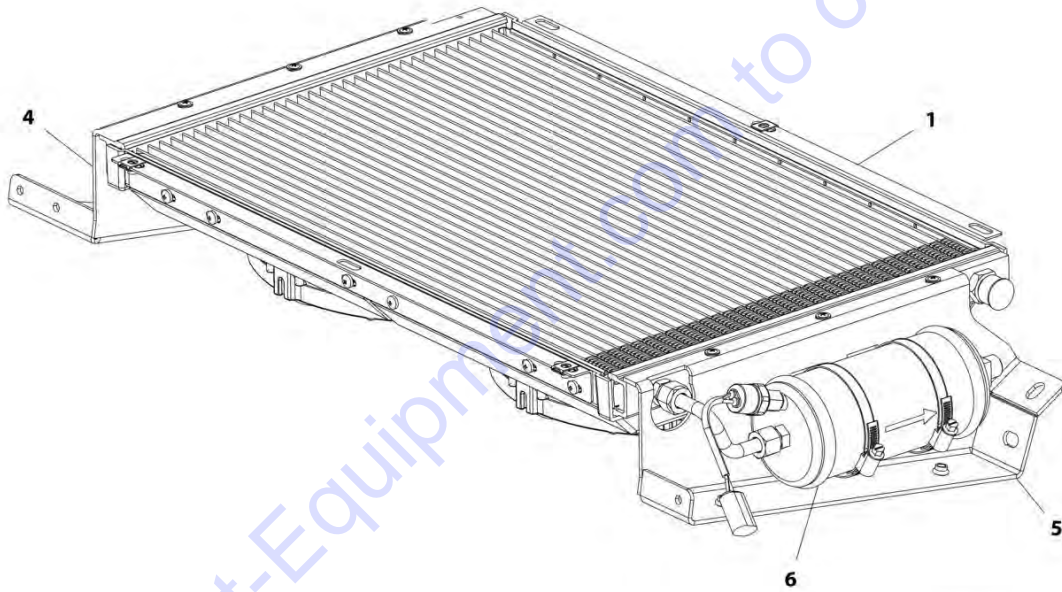
FIGURE 6-65. HVAC CAB ACTUATOR

ITEM	PART NUMBER	QTY	DESCRIPTION	REV
	1001172551	Ref	HVAC Cab Actuator	C
1	1001184306	1	Box, Heater Controller	
2	1001184307	1	Base, Heater Controller Box	
4	1001184309	1	Board, Heater Control	
5	1001184310	1	Board, Heater Control	
6	1001189980	2	Insulator, Heater Controller Box	

Go to Discount-Equipment.com to order your parts

**SECTION 6 - CAB**

**FIGURE 6-66. CAB CONDENSER ASSEMBLY**



ART\_1001162953-F

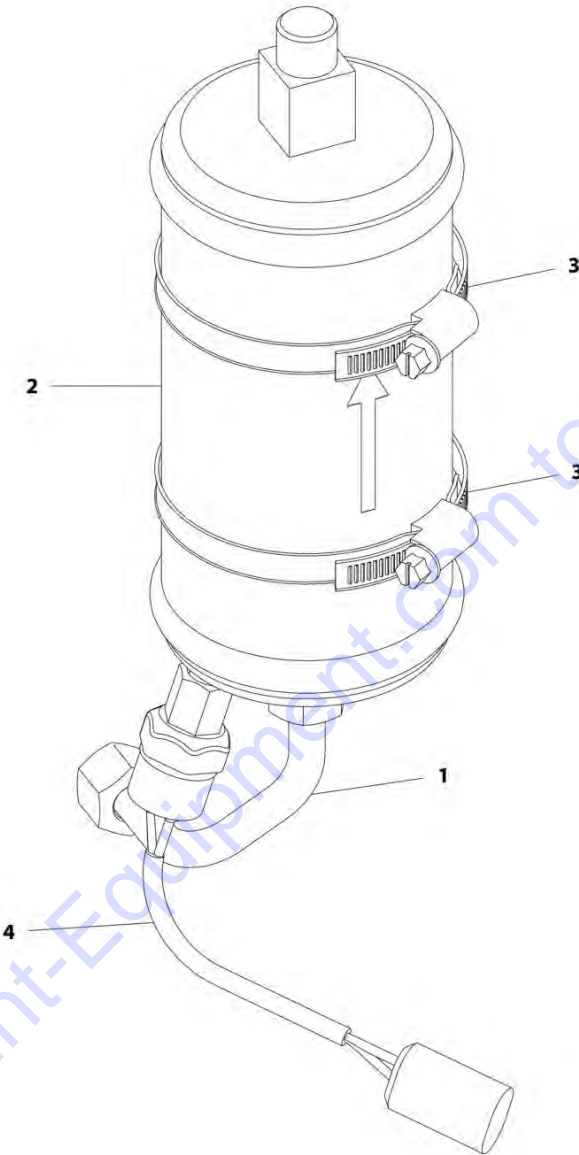
FIGURE 6-66. CAB CONDENSER ASSEMBLY

ITEM	PART NUMBER	QTY	DESCRIPTION	REV
	1001162953	Ref	Cab Condenser Assembly	F
1	1001167266	1	Condenser (See CONDENSER for Breakdown)	
4	1001179080	1	Bracket	
5	1001179081	1	Bracket	
6	1001179130	1	Drier, A/C Receiver (See A/C RECEIVER DRIER for Breakdown)	

Go to Discount-Equipment.com to order your parts

SECTION 6 - CAB

FIGURE 6-67. A/C RECEIVER DRIER



ART\_1001179130-B

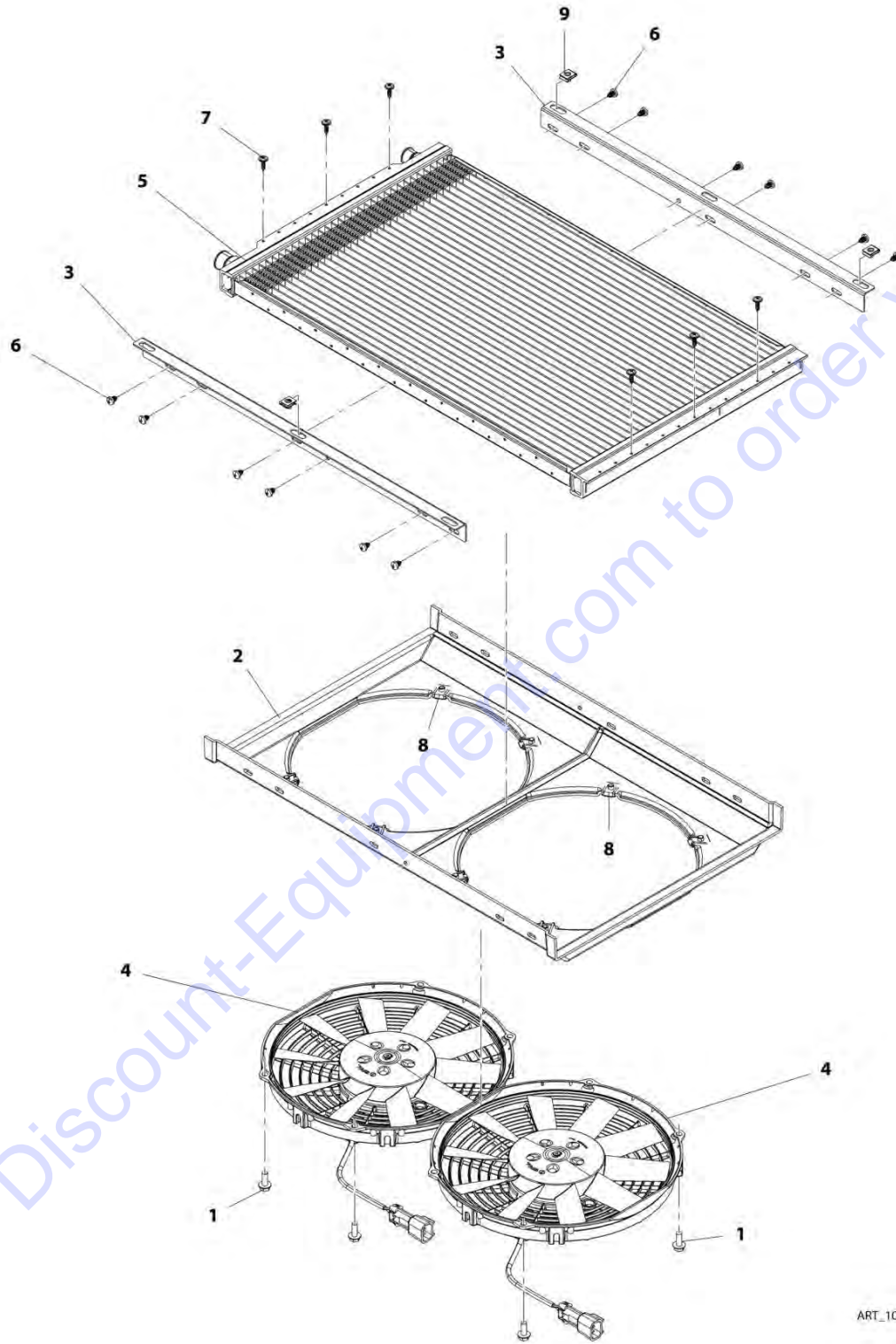
FIGURE 6-67. A/C RECEIVER DRIER

ITEM	PART NUMBER	QTY	DESCRIPTION	REV
	1001179130	Ref	A/C Receiver Drier	B
1	1001184403	1	Tube, Heater	
2	1001184404	1	Receiver, Heater Drier	
3	1001184405	2	Clamp	
4	1001184406	1	Connector, Heater	

Go to Discount-Equipment.com to order your parts

SECTION 6 - CAB

FIGURE 6-68. CONDENSER



ART\_1001167266-C

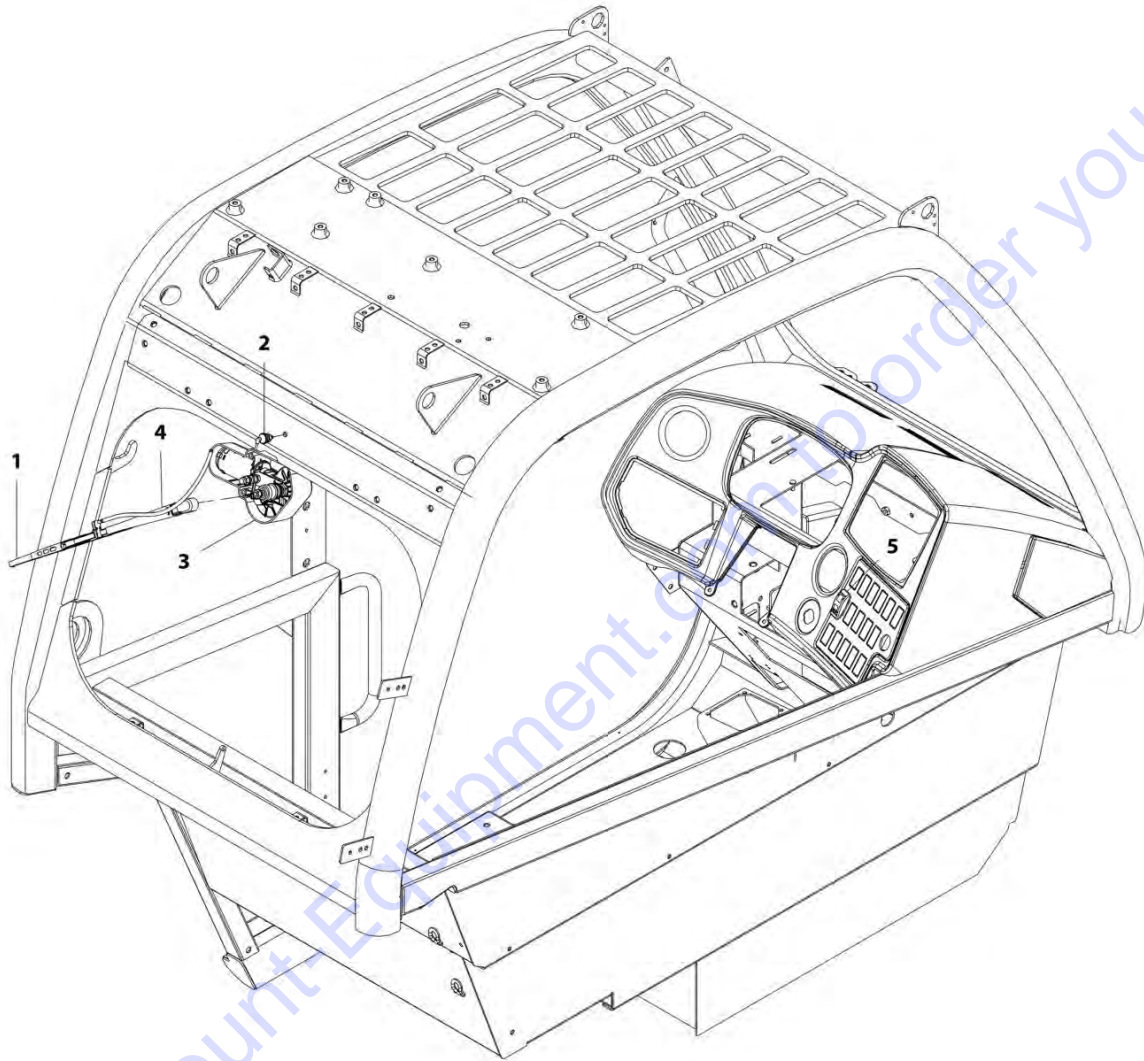
FIGURE 6-68. CONDENSER

ITEM	PART NUMBER	QTY	DESCRIPTION	REV
	1001167266	Ref	Condenser	C
1	5250608	8	Bolt, M6X16	
2	1001195342	1	Bracket, Condenser Fan Mount	
3	1001195343	2	Support, Condenser	
4	1001195345	2	Fan, Condenser	
5	1001195346	1	Condenser	
6	1001195385	12	Screw, M3.9X9.5	
7	1001195386	6	Screw, M4.2X16	
8	1001195437	8	Clip, M6X1	
9	1001195438	3	Clip, M6X1	

Go to Discount-Equipment.com to order your parts

# SECTION 6 - CAB

## FIGURE 6-69. REAR WIPER INSTALLATION



ART\_1001176164-B



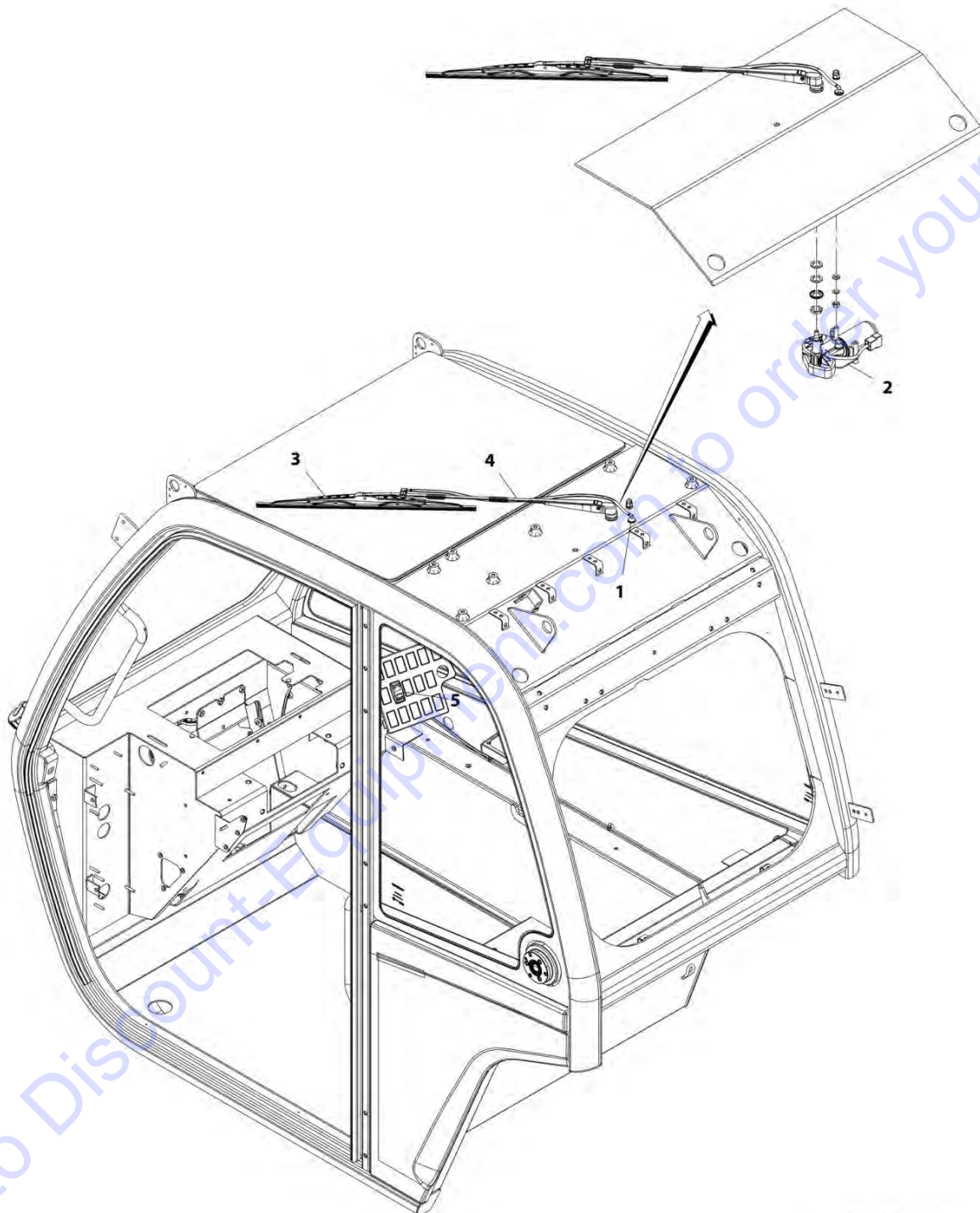
FIGURE 6-69. REAR WIPER INSTALLATION

ITEM	PART NUMBER	QTY	DESCRIPTION	REV
	1001176164	Ref	Rear Wiper Installation	B
1	4807718	1	Blade, Wiper	
2	1001090343	1	Connector	
3	1001139552	1	Motor, Rear Wiper Window	
4	1001141312	1	Arm, Rear Window Wiper Blade	
5	1001159735	1	Switch, Rear Wiper	

Go to Discount-Equipment.com to order your parts

# SECTION 6 - CAB

## FIGURE 6-70. ROOF WIPER INSTALLATION



ART\_1001155486-B

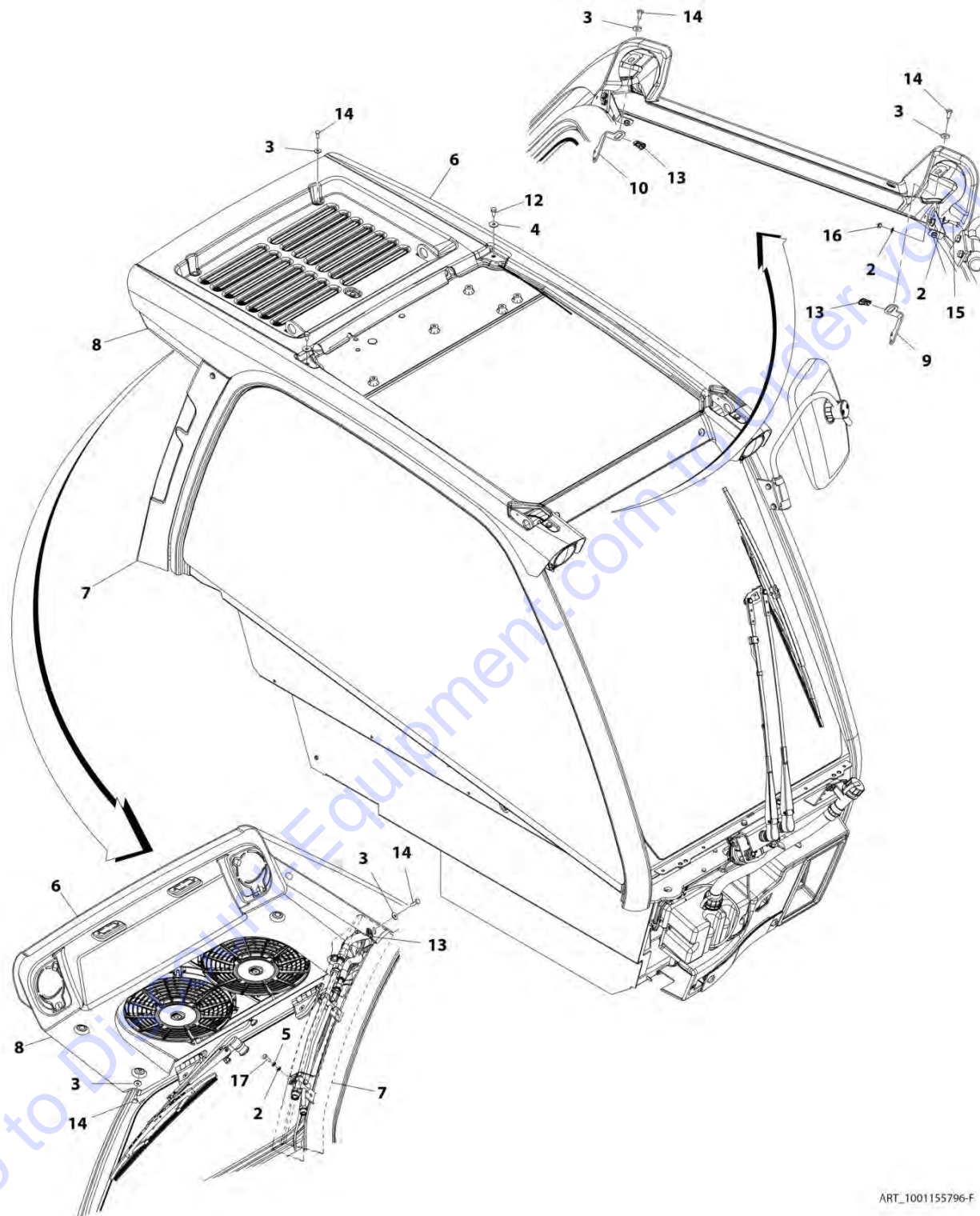
FIGURE 6-70. ROOF WIPER INSTALLATION

ITEM	PART NUMBER	QTY	DESCRIPTION	REV
	1001155486	Ref	Roof Wiper Installation	B
1	1001090343	1	Connector	
2	1001139551	1	Motor, Roof Wiper	
3	1001141313	1	Blade, Roof Wiper	
4	1001141311	1	Arm, Roof Wiper Blade	
5	1001159736	1	Switch, Roof Wiper	

Go to Discount-Equipment.com to order your parts

# SECTION 6 - CAB

## FIGURE 6-71. LONG CAB ROOF CAPPING INSTALLATION



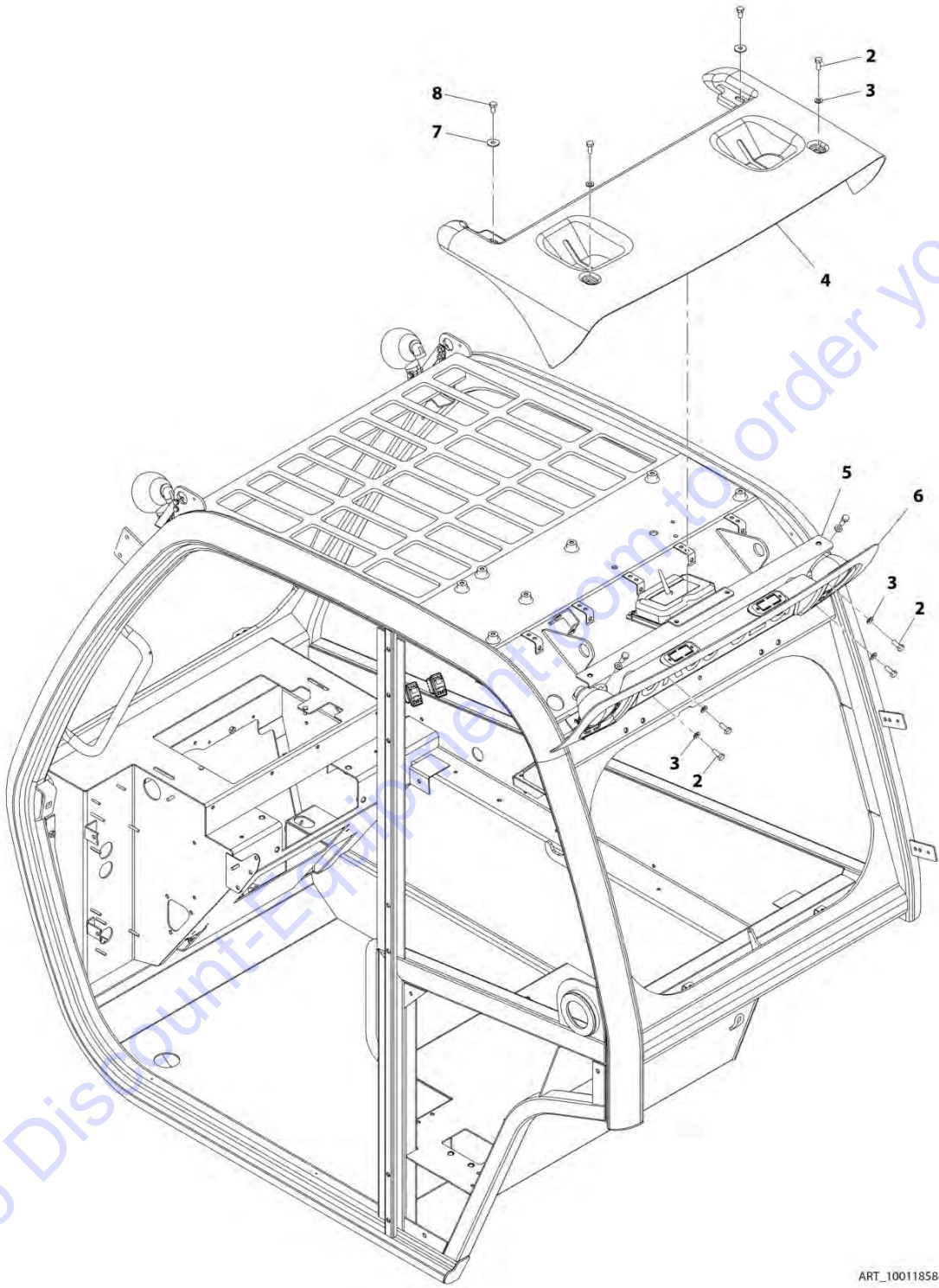
ART\_1001155796-F

FIGURE 6-71. LONG CAB ROOF CAPPING INSTALLATION

ITEM	PART NUMBER	QTY	DESCRIPTION	REV
	1001155796	Ref	Long Cab Roof Capping Installation	F
2	4811700	9	Washer, M6	
3	4811702	10	Washer, M6	
4	4811902	2	Washer, M8	
5	4831700	1	Washer, Lock M6	
6	1001155800	1	Cover, Upper Roof Cap	
7	1001174741	1	Cover	
8	1001176317	NLA	Cover, Lower Roof Cap, (no longer available, use 1001214156 for replacement)	
8	1001214156	1	Cover, Lower Roof Cap	
9	1001174800	1	Bracket, Roof Cap	
10	1001174801	1	Bracket, Roof Cap	
12	0760808	2	Bolt, M8X16	
13	8305919	3	Nut, M6	
14	4010610002	10	Screw, Posi-Drive M6X20	
15	0700610	4	Bolt, M6X20	
16	3290601	4	Nut, M6X1	
17	4010608002	1	Screw, M6X16	

# SECTION 6 - CAB

## FIGURE 6-72. SHORT CAB ROOF CAPPING INSTALLATION



ART\_1001185846-D

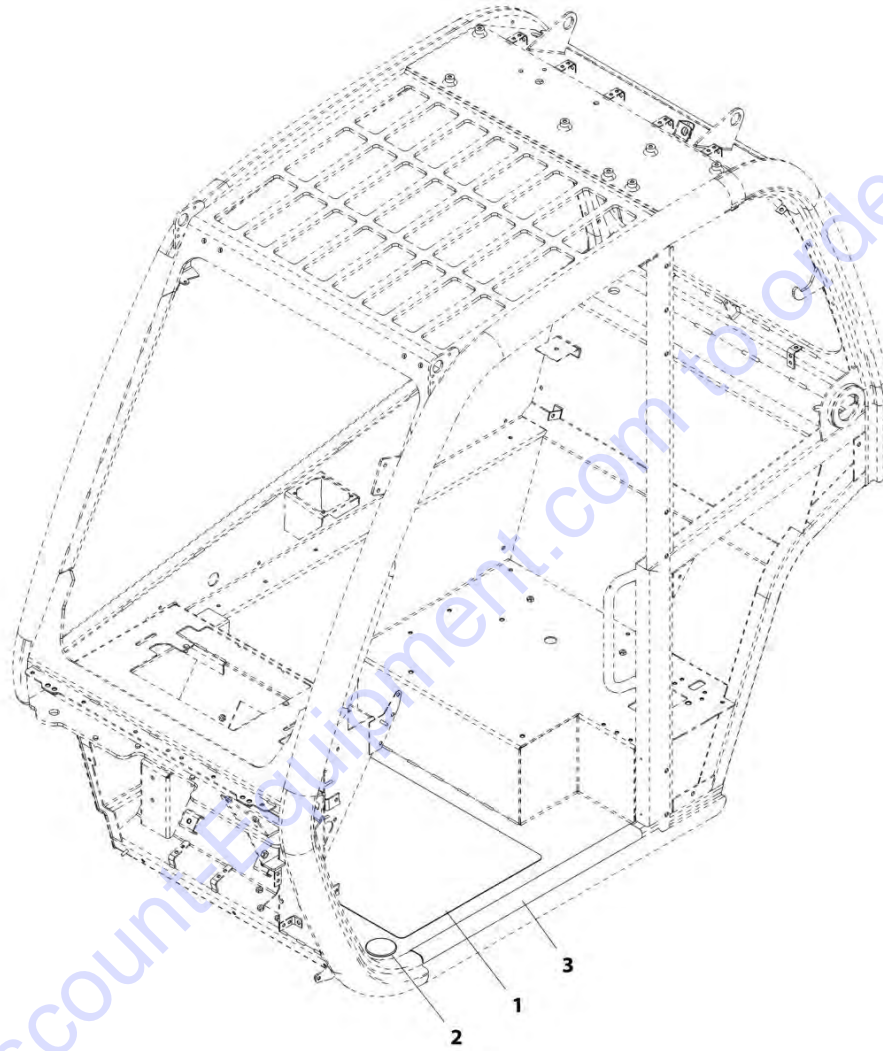
FIGURE 6-72. SHORT CAB ROOF CAPPING INSTALLATION

ITEM	PART NUMBER	QTY	DESCRIPTION	REV
	1001185846	Ref	Short Cab Roof Capping Installation	D
2	0760810	8	Bolt, M8X20	
3	4811900	8	Washer, M8	
4	1001182328	1	Cover, Short Upper Roof Cap	
5	1001185633	1	Bracket, Roof Cap Mount	
6	1001185844	NLA	Cover, Short Lower Roof Cap, (no longer available, use 1001214535 for replacement)	
6	1001214535	1	Cover, Short Lower Roof Cap	
7	4811902	2	Washer, M8	
8	0760808	2	Bolt, M8X16	

Go to Discount-Equipment.com to order your parts

# SECTION 6 - CAB

## FIGURE 6-73. NON SKID TAPE INSTALLATION



ART\_1001197219-B



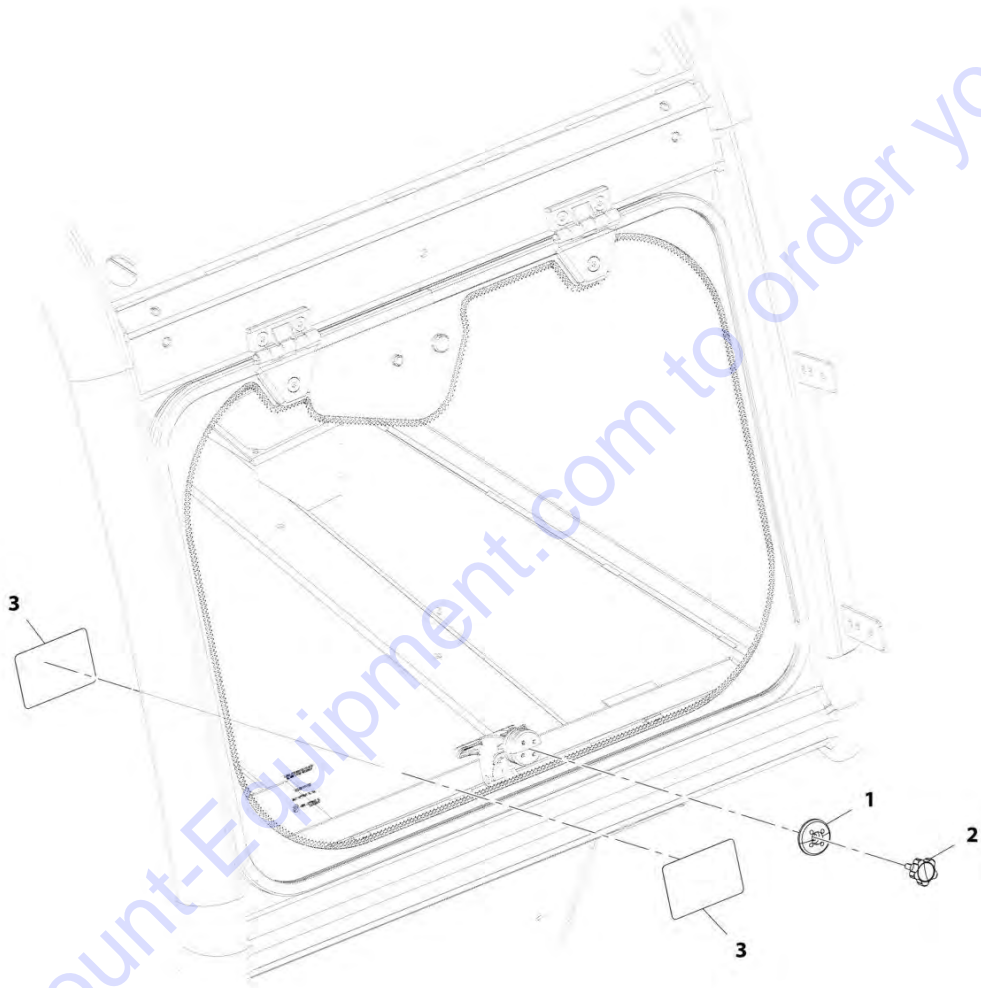
FIGURE 6-73. NON SKID TAPE INSTALLATION

ITEM	PART NUMBER	QTY	DESCRIPTION	REV
	1001197219	Ref	Non Skid Tape Installation	B
1	1001197217	1	Tape, Non Skid Floor	
2	1001197218	1	Grommet	
3	1001197259	1	Tape, Non Skid Frame	

Go to Discount-Equipment.com to order your parts

# SECTION 6 - CAB

## FIGURE 6-74. EXTERNAL WINDOW RELEASE INSTALLATION



ART\_1001178826-C

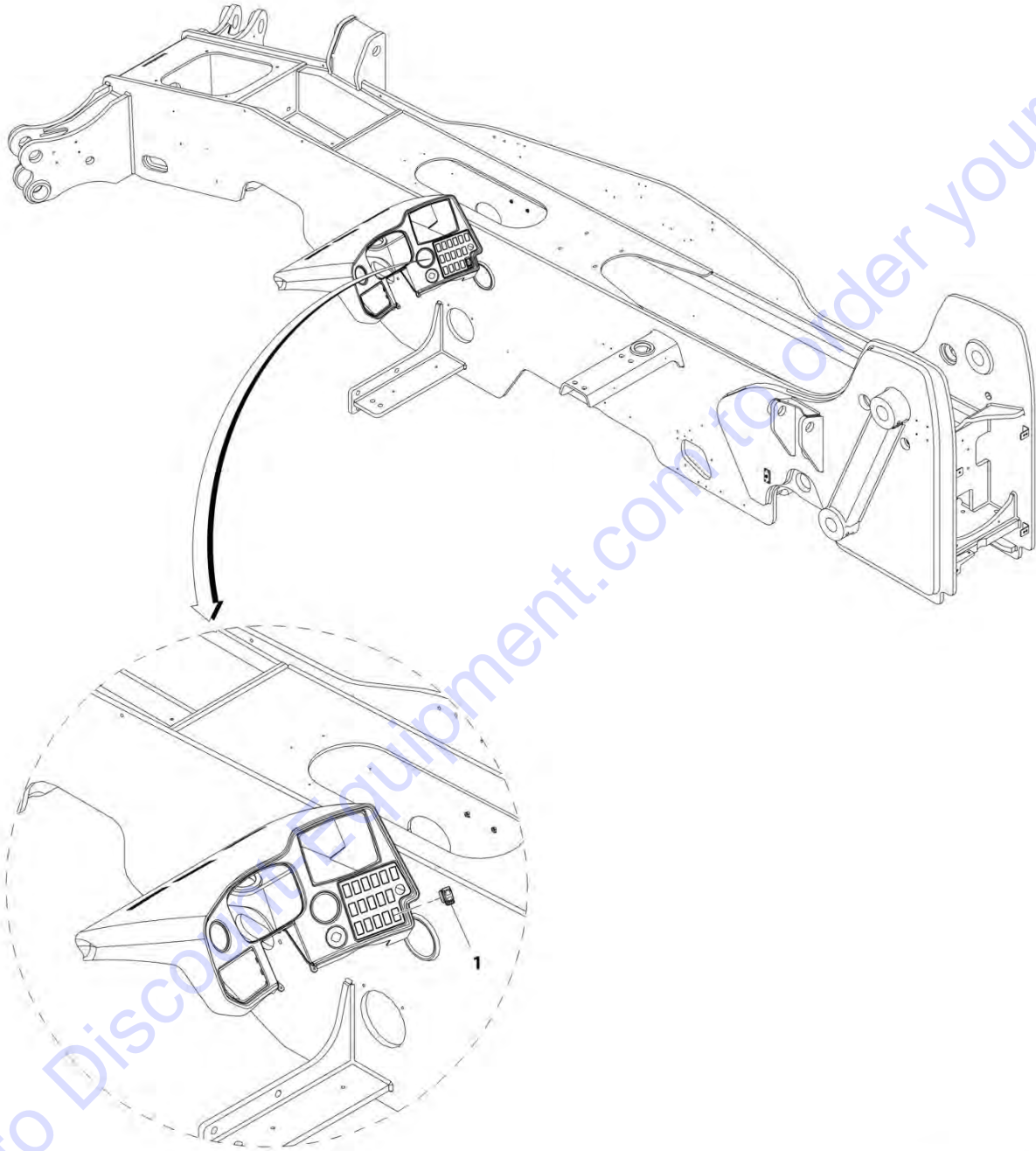
FIGURE 6-74. EXTERNAL WINDOW RELEASE INSTALLATION

ITEM	PART NUMBER	QTY	DESCRIPTION	REV
	1001178826	Ref	External Window Release Installation	C
1	1001179008	1	Cap, Latch Window	
2	1001179009	1	Knob	
3	1001204709	2	Decal - Emergency Exit	

Go to Discount-Equipment.com to order your parts

# SECTION 6 - CAB

## FIGURE 6-75. SWITCH LIGHT INSTALLATION



ART\_100197282-A

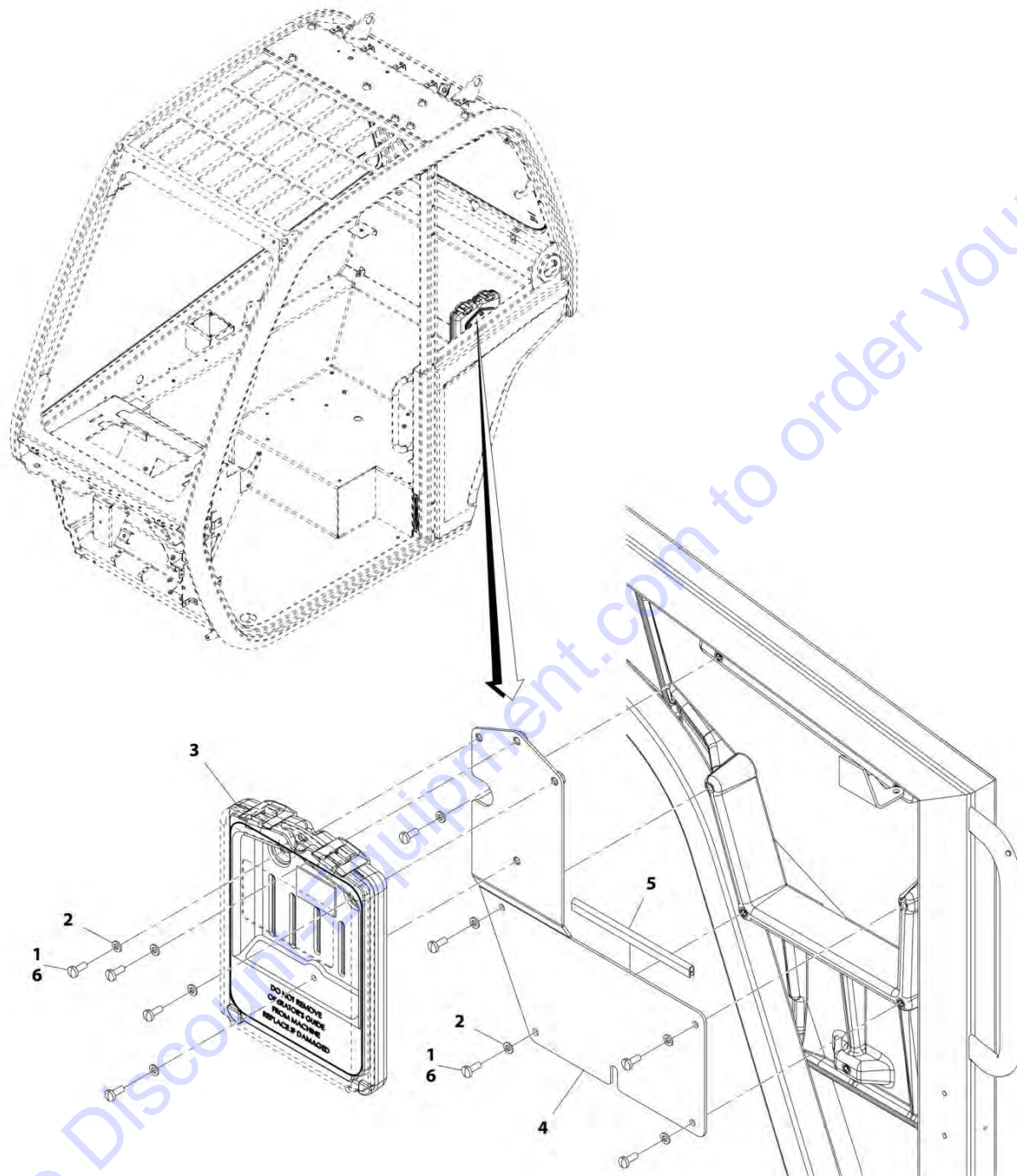
FIGURE 6-75. SWITCH LIGHT INSTALLATION

ITEM	PART NUMBER	QTY	DESCRIPTION	REV
1	1001197282	Ref	Switch Light Installation	A
	1001163639	1	Switch, Driving Lights	

Go to Discount-Equipment.com to order your parts

# SECTION 6 - CAB

## FIGURE 6-76. MANUAL HOLDER INSTALLATION



ART\_1001189498-A

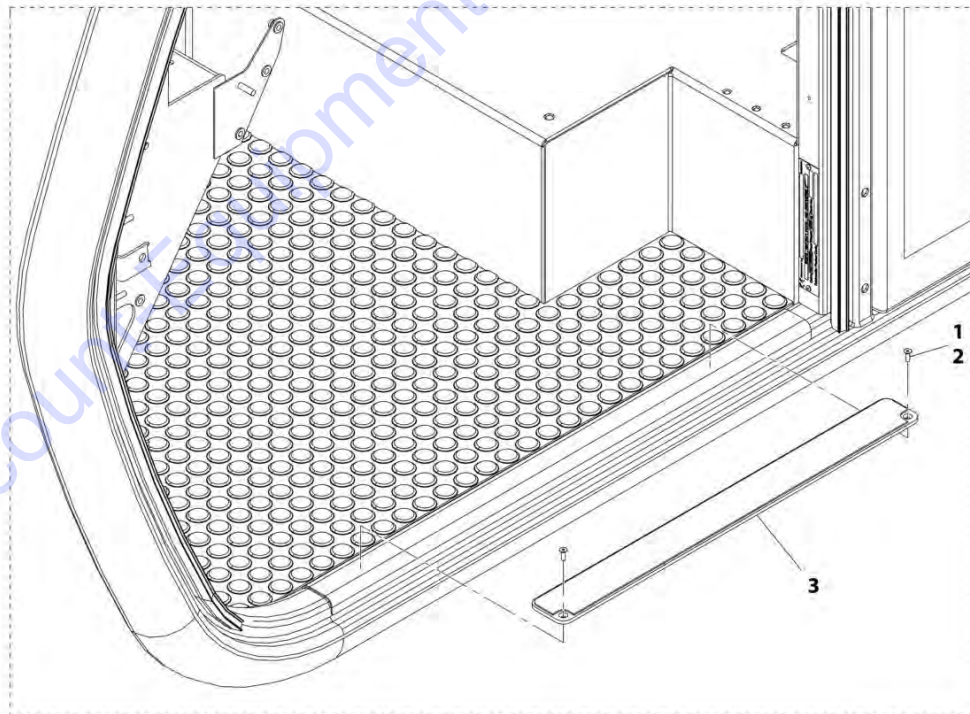
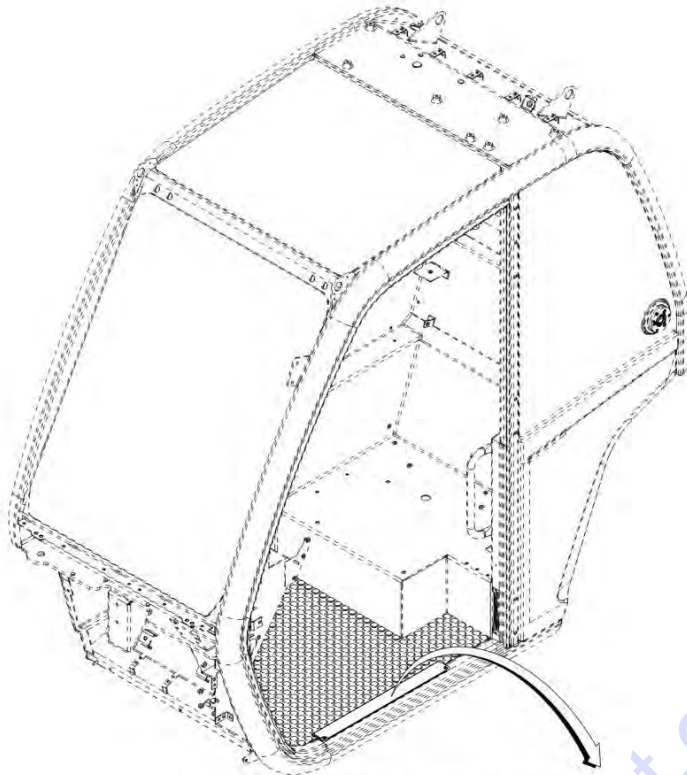
FIGURE 6-76. MANUAL HOLDER INSTALLATION

ITEM	PART NUMBER	QTY	DESCRIPTION	REV
	1001189498	Ref	Manual Holder Installation	A
1	1001095650	AR	Compound, Locking	
2	4811700	9	Washer, M6	
3	8990147	1	Manual Holder	
4	1001192006	1	Bracket	
5	1001192074	1	Trim Edge	
6	4010608002	9	Screw, Posi-Drive M6X16 GR4.8	

Go to Discount-Equipment.com to order your parts

# SECTION 6 - CAB

## FIGURE 6-77. GRIP TAPE PLATE INSTALLATION



ART\_1001193295-A



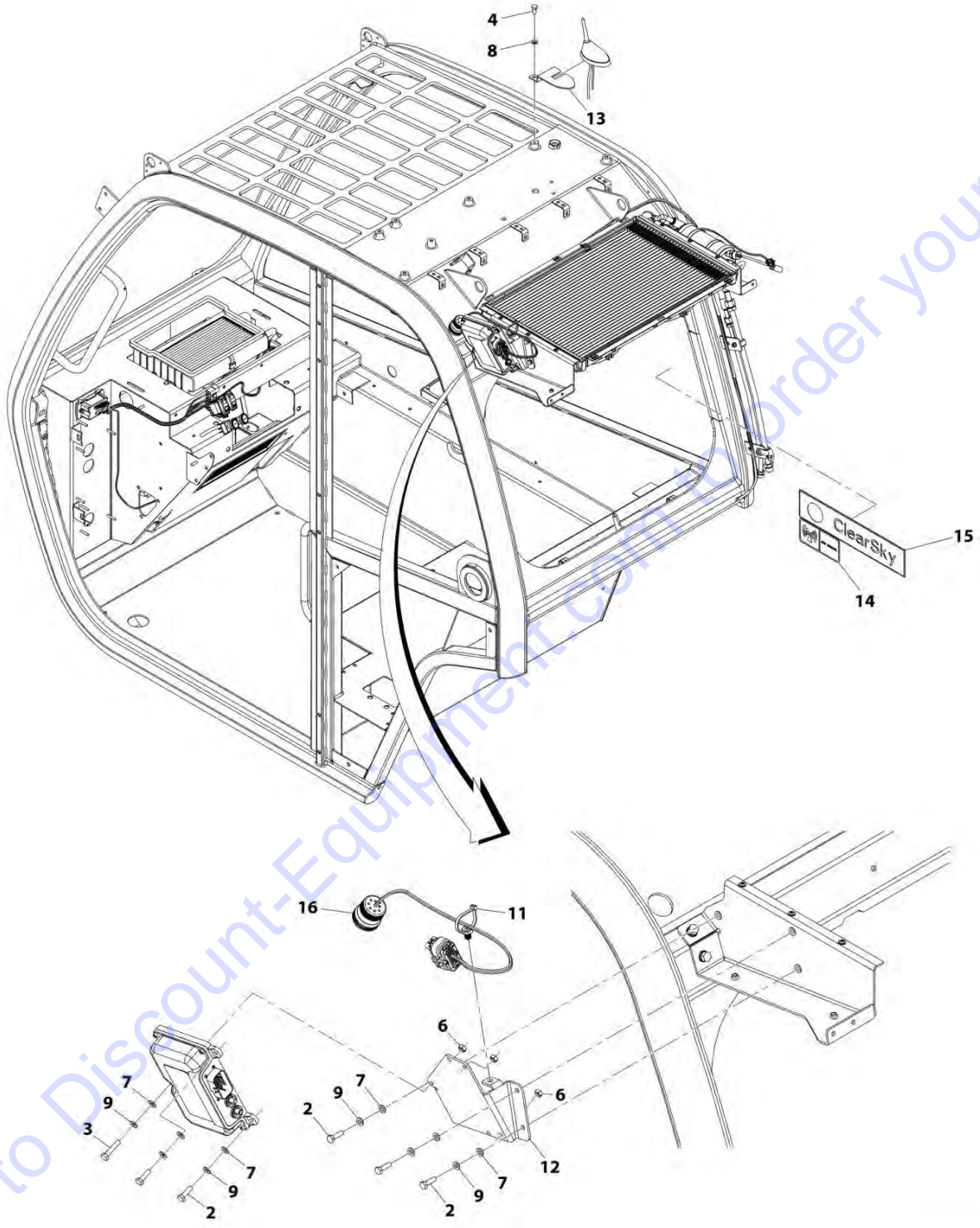
FIGURE 6-77. GRIP TAPE PLATE INSTALLATION

ITEM	PART NUMBER	QTY	DESCRIPTION	REV
	1001193295	Ref	Grip Tape Plate Installation	A
1	1001095650	AR	Compound, Locking	
2	1001097244	2	Screw, M4X12 GR8.8	
3	1001195369	1	Plate	

Go to Discount-Equipment.com to order your parts

# SECTION 6 - CAB

## FIGURE 6-78. CLEARSKY INSTALLATION (LONG ROOF CAP) (Prior to SN 0160082543)



ART\_1001174368-G

**SECTION 6 - CAB**

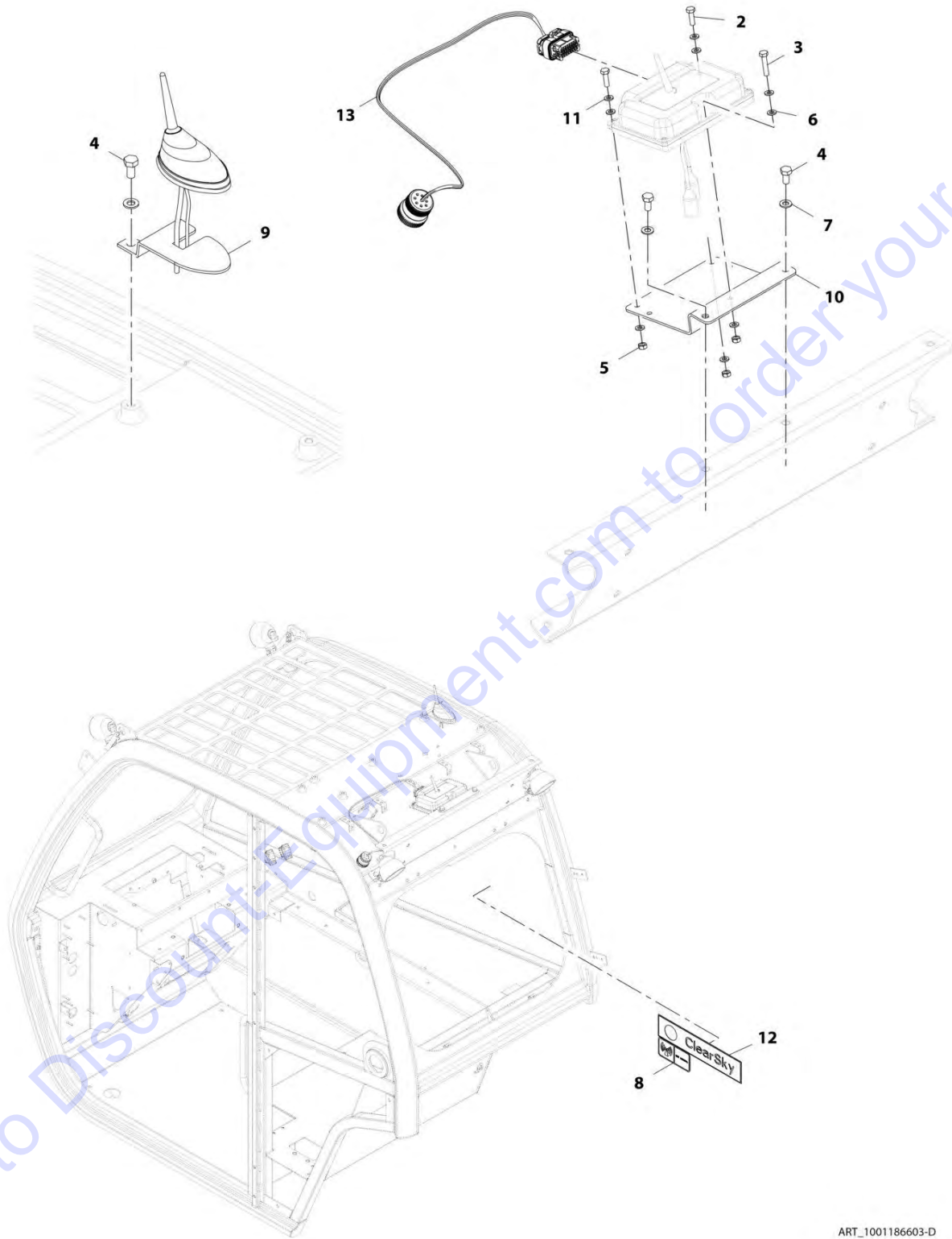
**FIGURE 6-78. CLEARSKY INSTALLATION (LONG ROOF CAP) (Prior to SN 0160082543)**

ITEM	PART NUMBER	QTY	DESCRIPTION	REV
	1001174368	Ref	Clearsky Installation (Long Roof Cap)	G
2	0700610	5	Bolt, M6X20	
3	0700614	1	Bolt, M6X30	
4	0760808	1	Bolt, M8X16	
6	3290601	3	Nut, M6X1	
7	4811700	6	Washer, M6	
8	4811900	1	Washer, M8	
9	4831700	6	Washer, Lock M6	
11	1001146588	1	Strap, Cable	
12	1001174359	NLA	Support Bracket, (no longer available, use 1001220947 for replacement)	
12	1001220947	1	Support Bracket	
13	1001174372	1	Clearsky Ant, Bracket	
14	1001120989	1	Decal, Radio Frequency	
15	1001116208	1	Decal, Clear Sky	
16	1001196452	1	Harness, Clearsky (See ELECTRICAL SECTION for Breakdown)	

Go to Discount-Equipment.com to order your parts

# SECTION 6 - CAB

## FIGURE 6-79. CLEARSKY INSTALLATION (SHORT ROOF CAP) (Prior to SN 0160082543)



ART\_1001186603-D

**SECTION 6 - CAB**

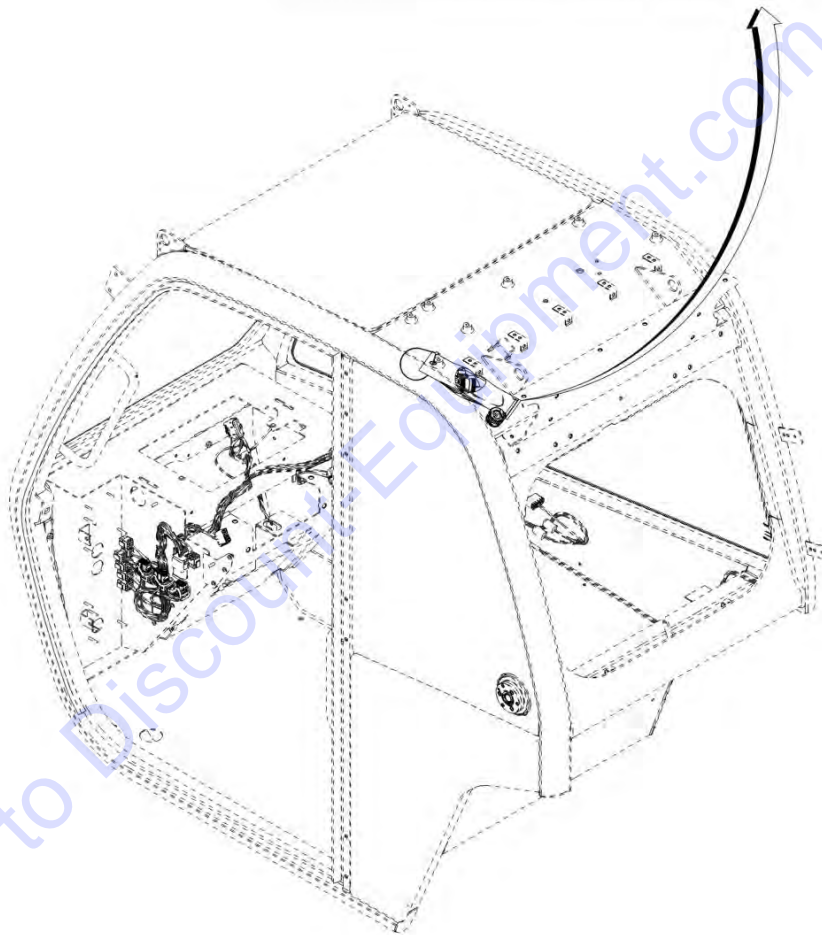
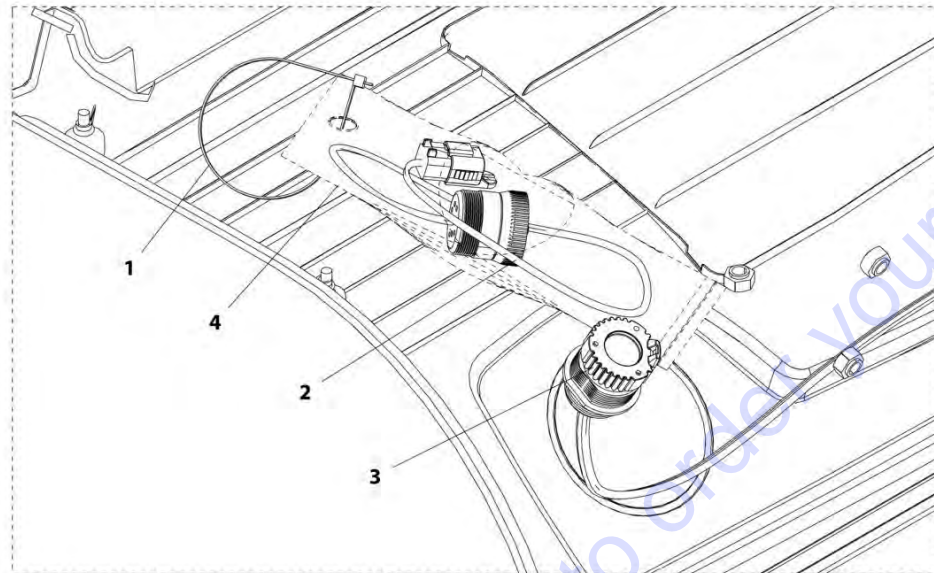
**FIGURE 6-79. CLEARSKY INSTALLATION (SHORT ROOF CAP) (Prior to SN 0160082543)**

ITEM	PART NUMBER	QTY	DESCRIPTION	REV
	1001186603	Ref	Clearsky Installation (Short Roof Cap)	D
2	0700610	2	Bolt, M6X20	
3	0700614	1	Bolt, M6X30	
4	0760808	3	Bolt, M8X16	
5	3290601	3	Nut, M6X1 Grade 8	
6	4811700	6	Washer, M6	
7	4811900	3	Washer, M8	
8	1001120989	1	Radio Frequency Decal	
9	1001174372	1	Bracket	
10	1001185722	1	Bracket, Support	
11	4831700	3	Washer, Lock M6	
12	1001116208	1	Clearsky Decal	
13	1001196452	1	Harness, Clearsky (See ELECTRICAL SECTION for Breakdown)	

Go to Discount-Equipment.com to order your parts

# SECTION 6 - CAB

## FIGURE 6-80. TELEMATICS READY INSTALLATION



ART\_1001202519-A

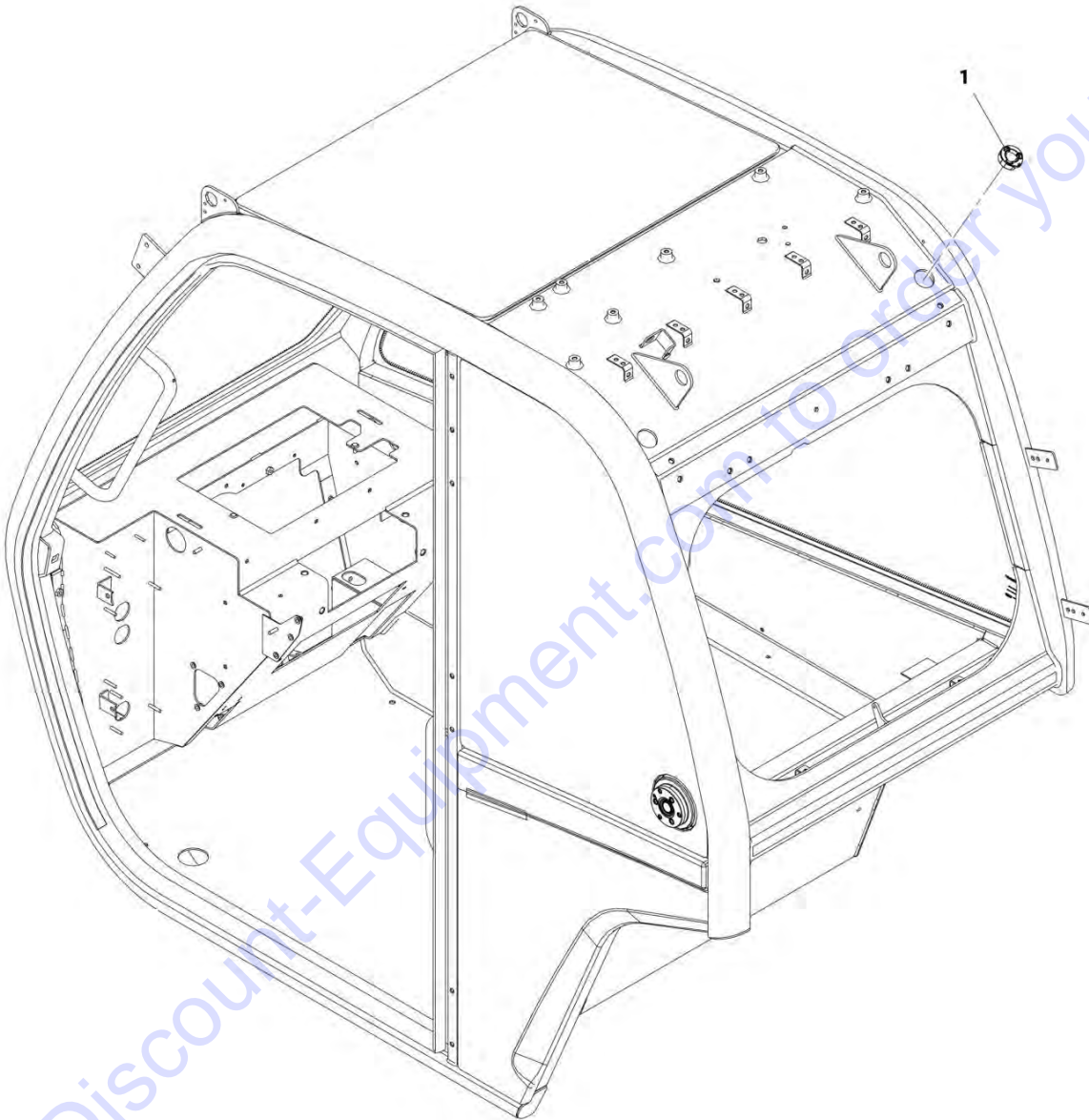
FIGURE 6-80. TELEMATICS READY INSTALLATION

ITEM	PART NUMBER	QTY	DESCRIPTION	REV
	1001202519	Ref	Telematics Ready Installation	A
1	8584003	1	Tie Strap	
2	1001196289	1	Harness, Telematics Ready (See ELECTRICAL SECTION for Breakdown)	
3	1001201162	1	Cap, Deutsch	
4	1001202617	1	Bag	

Go to Discount-Equipment.com to order your parts

# SECTION 6 - CAB

## FIGURE 6-81. ROOF PIGTAIL CAP INSTALLATION



ART\_1001202138-A



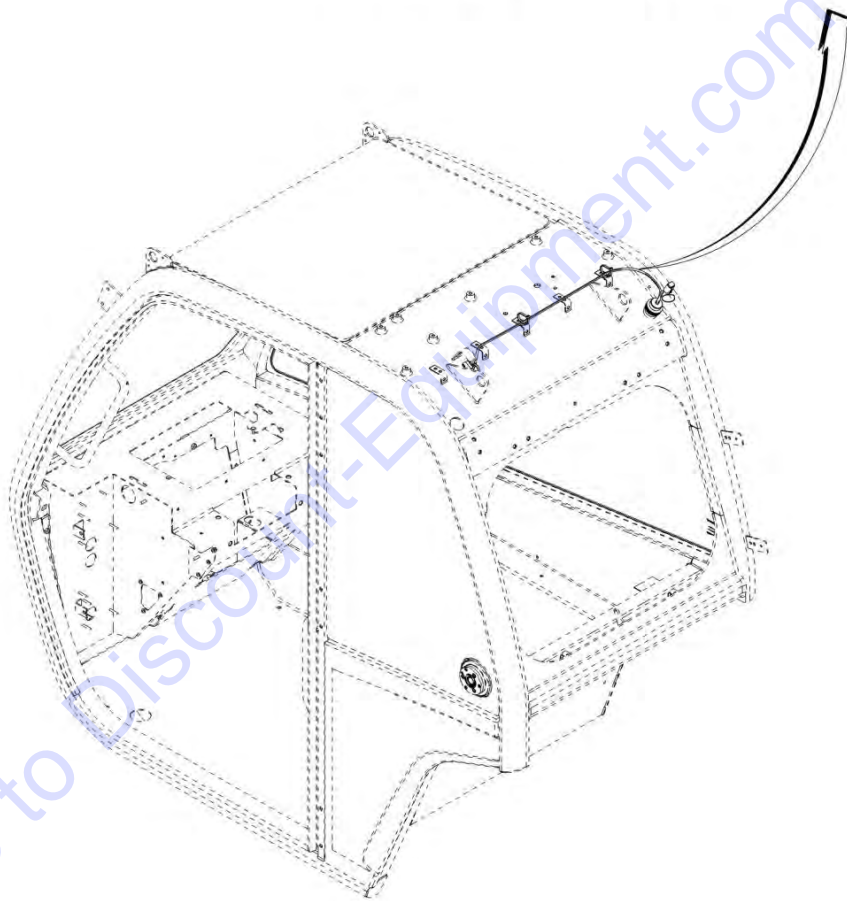
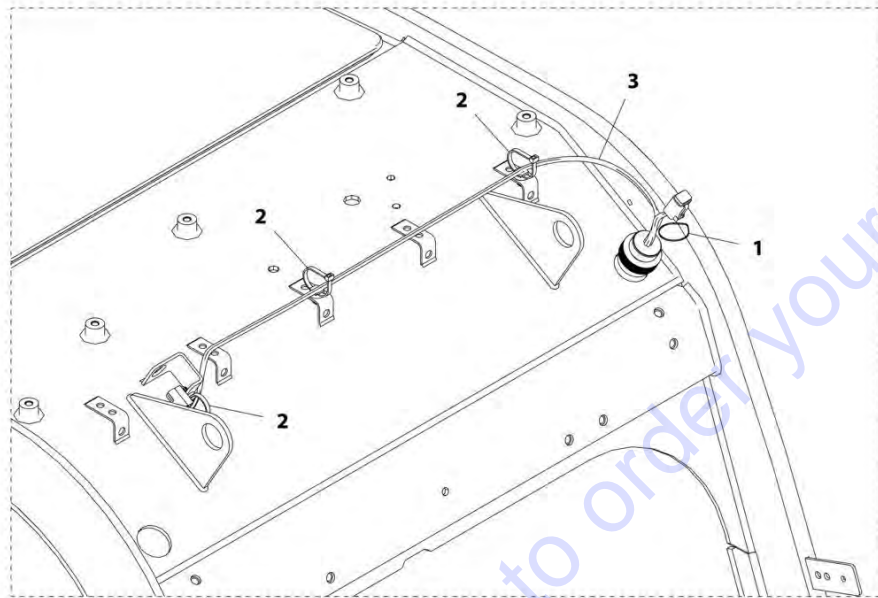
**FIGURE 6-81. ROOF PIGTAIL CAP INSTALLATION**

ITEM	PART NUMBER	QTY	DESCRIPTION	REV
1	1001202138 1001202134	Ref 1	Roof Pigtail Cap Installation Cap, Deutsch Dust	A

Go to Discount-Equipment.com to order your parts

# SECTION 6 - CAB

## FIGURE 6-82. ROOF PIGTAIL INSTALLATION



ART\_1001202133-A

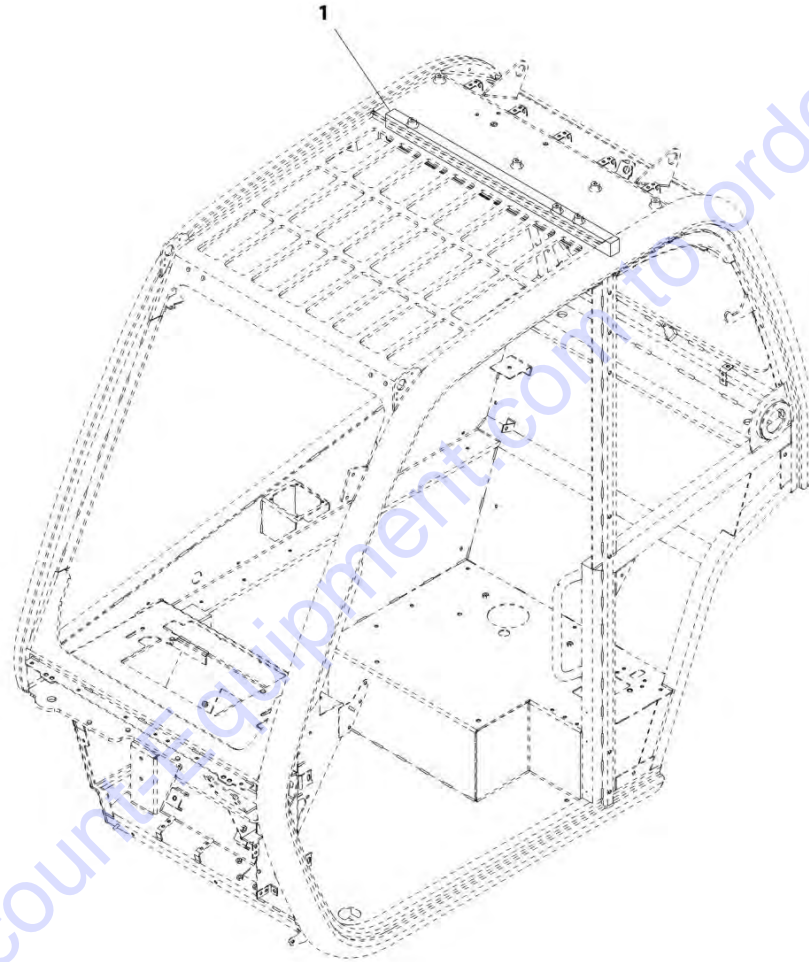
FIGURE 6-82. ROOF PIGTAIL INSTALLATION

ITEM	PART NUMBER	QTY	DESCRIPTION	REV
	1001202133	Ref	Roof Pigtail Installation	A
1	4240033	1	Cable Tie	
2	1001146588	3	Strap	
3	1001202132	1	Harness, Roof Pigtail (See ELECTRICAL SECTION for Breakdown)	

Go to Discount-Equipment.com to order your parts

**SECTION 6 - CAB**

**FIGURE 6-83. NO SUNBLIND INSTALLATION**



Go to DiscountedEquipment.com to order your parts

ART\_1001211041-A

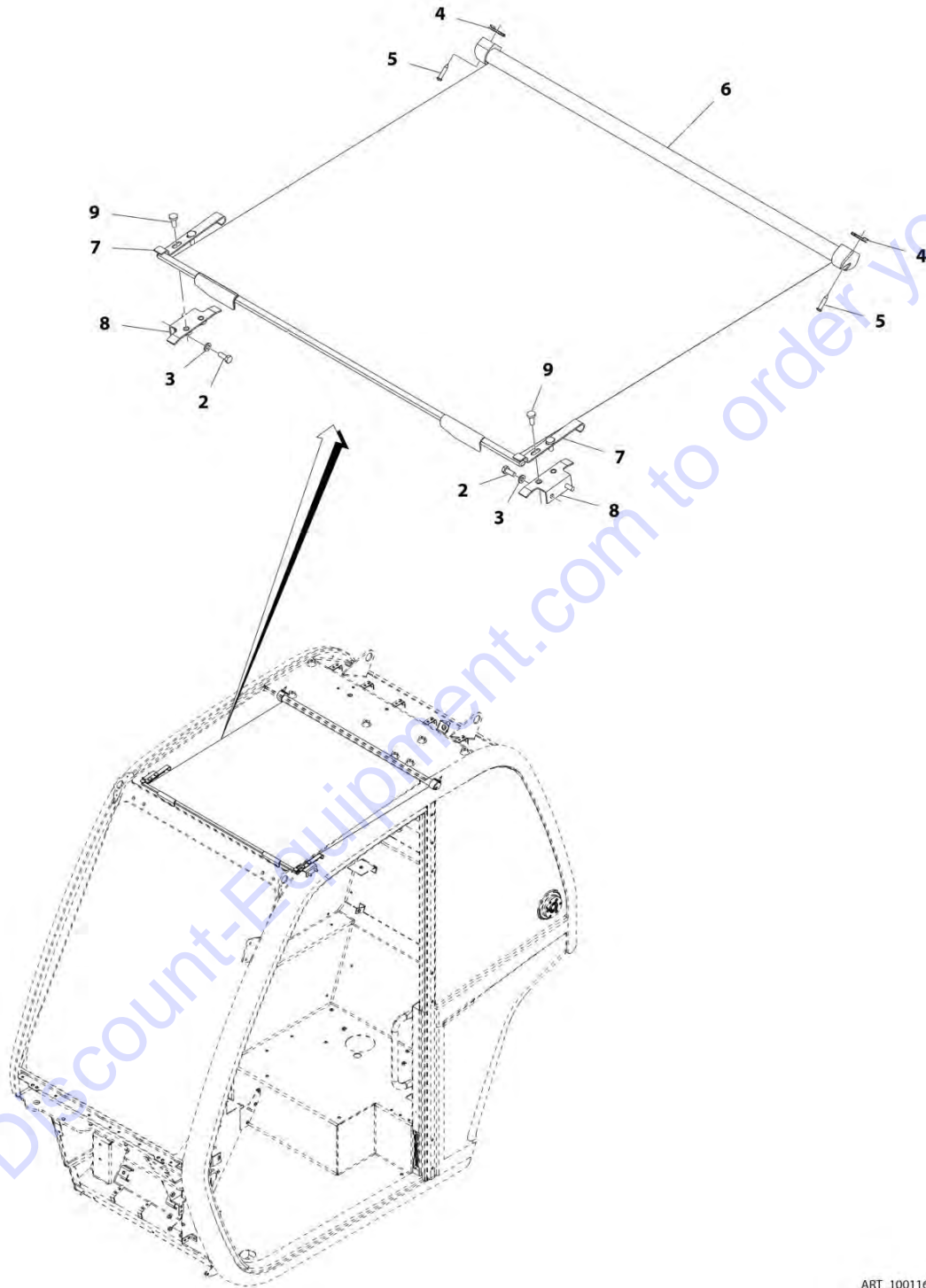
FIGURE 6-83. NO SUNBLIND INSTALLATION

ITEM	PART NUMBER	QTY	DESCRIPTION	REV
1	1001211041 1001208192	Ref 1	No Sunblind Installation Seal, Foam	A

Go to Discount-Equipment.com to order your parts

# SECTION 6 - CAB

## FIGURE 6-84. RETRACTABLE SUNSCREEN INSTALLATION



ART\_1001163151-G

FIGURE 6-84. RETRACTABLE SUNSCREEN INSTALLATION

ITEM	PART NUMBER	QTY	DESCRIPTION	REV
	1001163151	Ref	Retractable Sunscreen Installation	G
2	0760608	4	Bolt, M6X16	
3	4811700	4	Washer, M6	
4	1001111076	2	Nut	
5	1001111147	2	Screw	
6	1001163170	1	Cab, Screen Blind	
7	1001209463	2	Bracket, Sunscreen Mount	
8	1001166385	2	Bracket	
9	4010608002	4	Screw, M6X16	

Go to Discount-Equipment.com to order your parts



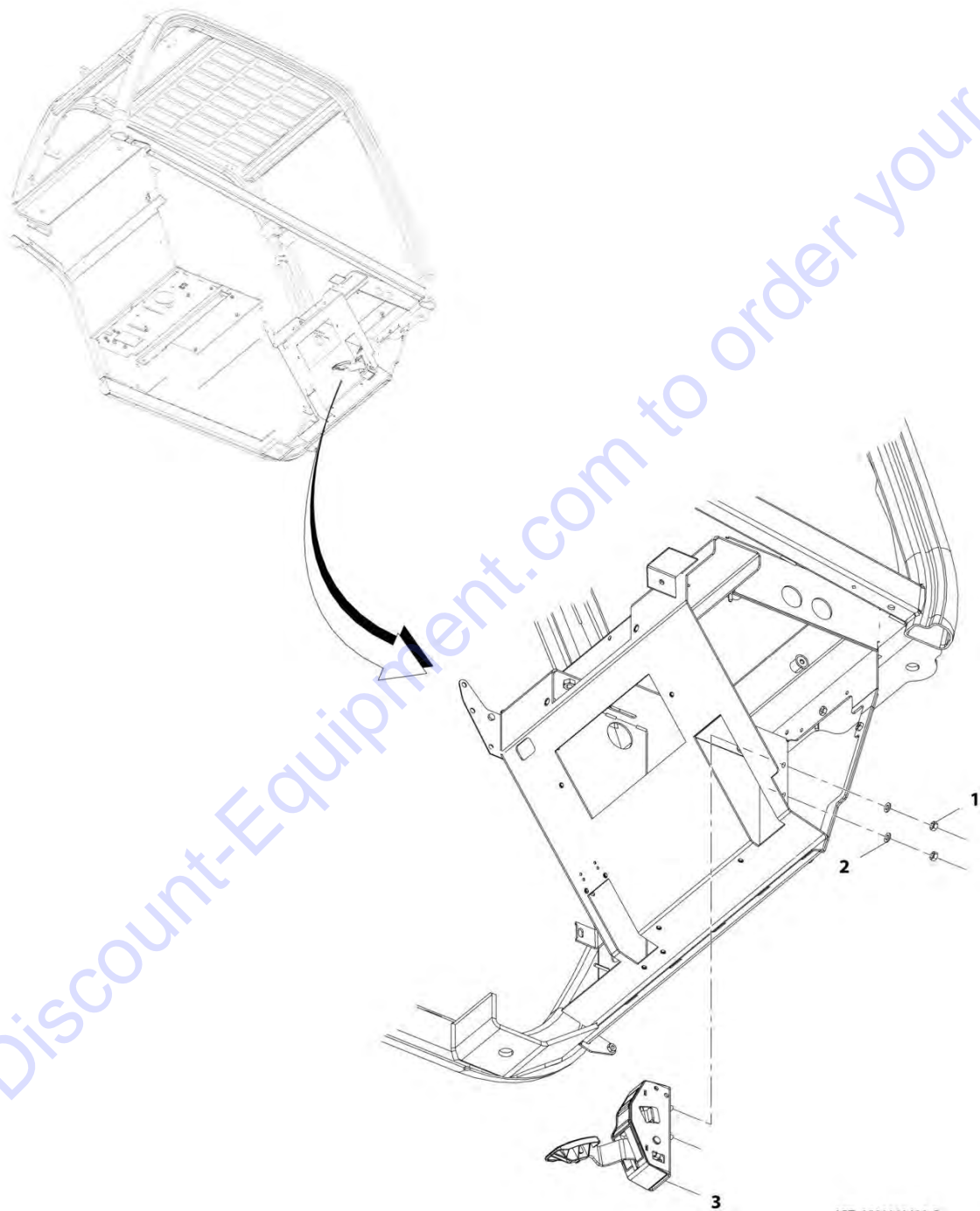


SECTION 7 - CONTROLS

Go to [Discount-Equipment.com](http://Discount-Equipment.com) to order your parts

# SECTION 7 - CONTROLS

## FIGURE 7-1. ACCELERATOR PEDAL INSTALLATION



ART\_1001161499-C

## SECTION 7 - CONTROLS

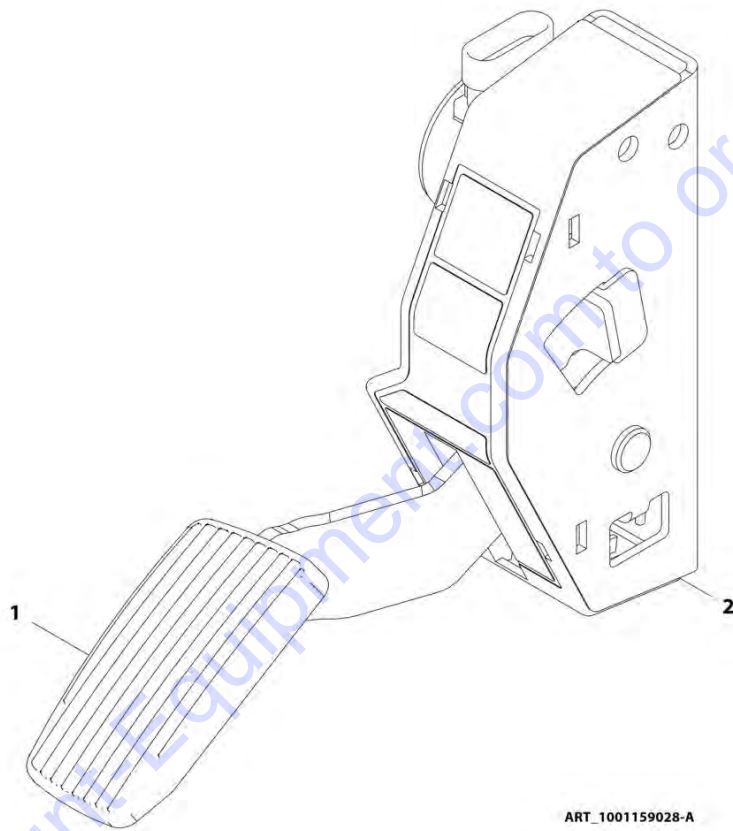
### FIGURE 7-1. ACCELERATOR PEDAL INSTALLATION

ITEM	PART NUMBER	QTY	DESCRIPTION	REV
	1001161499	Ref	Accelerator Pedal Installation	C
1	3290801	2	Nut, M8X1.25	
2	4811900	2	Washer, M8	
3	1001159028	1	Pedal, Accelerator (See PEDAL ACCELERATOR DUAL ANALOG for Breakdown)	

Go to Discount-Equipment.com to order your parts

## SECTION 7 - CONTROLS

FIGURE 7-2. PEDAL ACCELERATOR DUAL ANALOG



ART\_1001159028-A

## SECTION 7 - CONTROLS

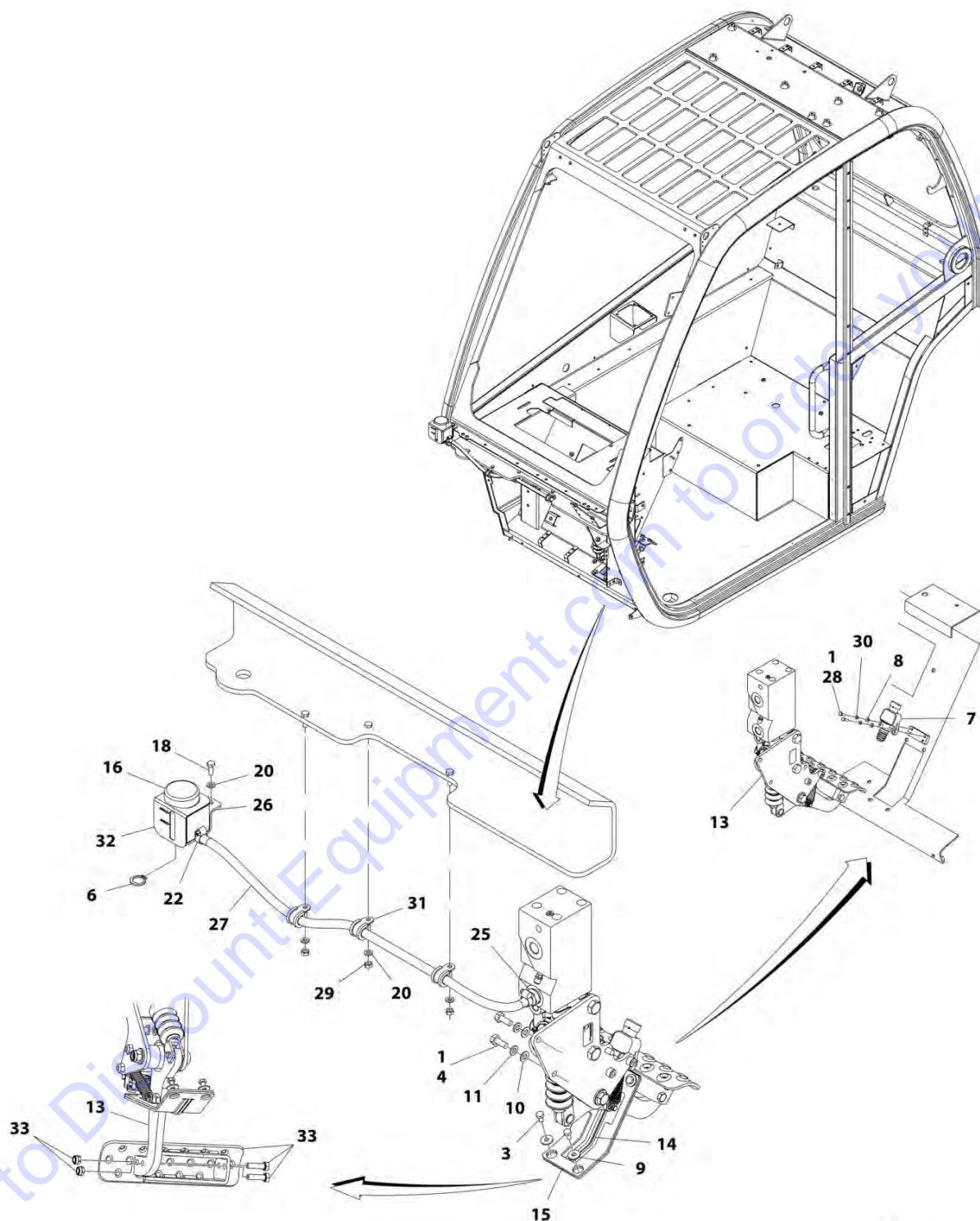
FIGURE 7-2. PEDAL ACCELERATOR DUAL ANALOG

ITEM	PART NUMBER	QTY	DESCRIPTION	REV
	1001159028	Ref	Pedal, Accelerator Dual Analog	A
1	70025816	1	Pad, Rubber	
2	70025817	1	Cover, Rubber	

Go to Discount-Equipment.com to order your parts

# SECTION 7 - CONTROLS

## FIGURE 7-3. BRAKE PEDAL INSTALLATION (Prior to SN 0160072874)



ART\_1001161934-J

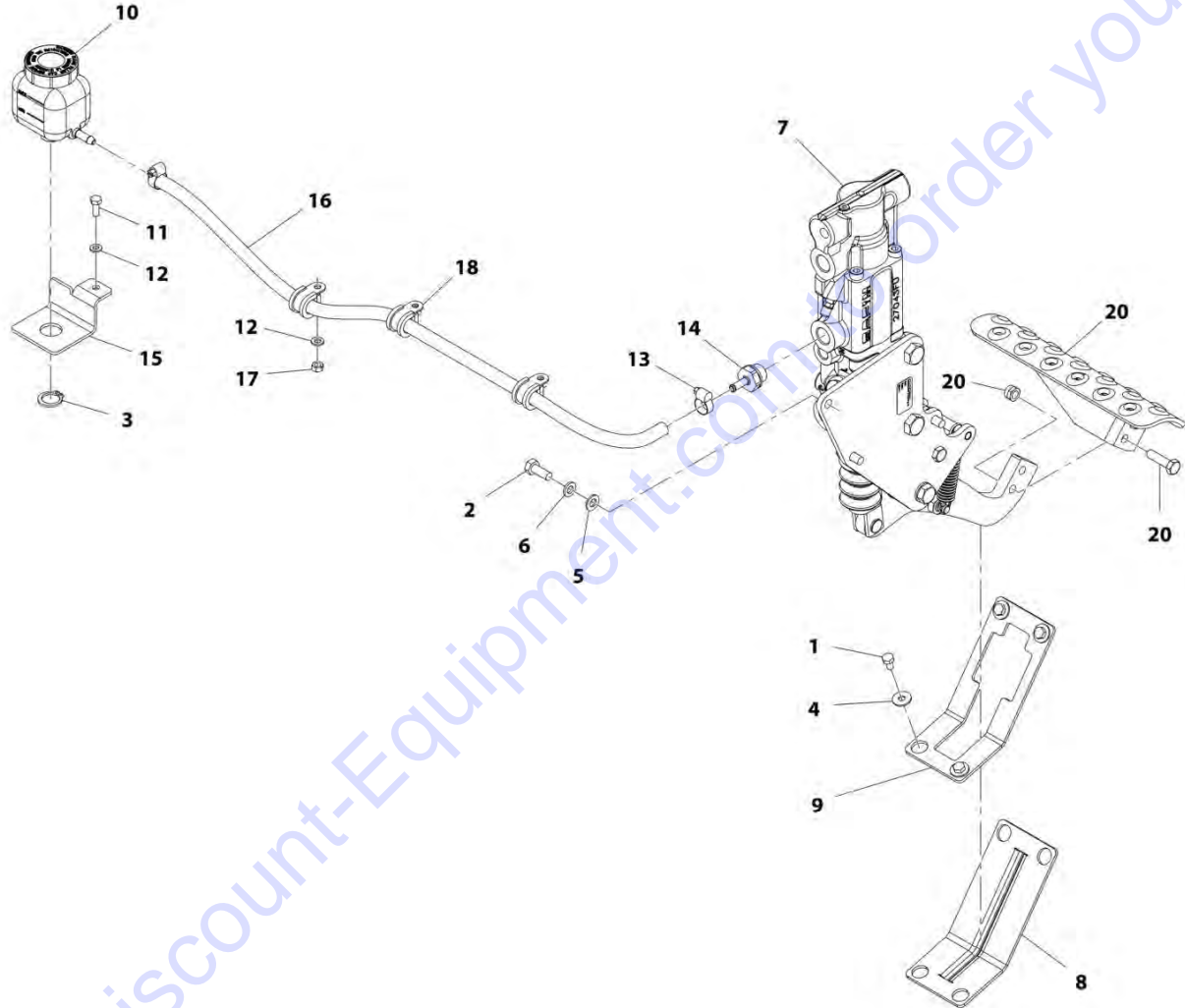
## SECTION 7 - CONTROLS

**FIGURE 7-3. BRAKE PEDAL INSTALLATION (Prior to SN 0160072874)**

ITEM	PART NUMBER	QTY	DESCRIPTION	REV
	1001161934	Ref	Brake Pedal Installation	J
1	1001095650	AR	Compound, Locking	
3	0760605	4	Bolt, M6X10	
4	0760810	3	Bolt, M8X20	
6	3760348	1	Ring, Retaining	
7	4360658	1	Switch, Brake Light	
8	4811400	2	Washer, M4	
9	4811702	4	Washer, M6	
10	4811900	3	Washer, M8	
11	4831900	3	Lockwasher, Spring M8	
13	1001162855	NLA	Pedal, Brake (no longer available, use 1001197138 for replacement)	
13	1001197138	1	Pedal, Brake (See BRAKE PEDAL for Breakdown)	
14	1001162920	1	Gasket, Brake Pedal	
15	1001162922	1	Plate	
16	1001081152	1	Reservoir, Brake	
18	0760608	1	Bolt, M6X16	
20	4811700	4	Washer, M6	
22	8405009	2	Clamp, Gear	
25	1001171874	1	Fitting, Hose Barb	
26	1001172088	1	Bracket, Brake Reservoir	
27	1001172094	1	Hose, Brake Reservoir	
28	0700408	2	Bolt, M4X16	
29	3290601	3	Nut, M6X1	
30	4831400	2	Lockwasher, Spring M4	
31	1001170231	3	Clip, M6X15	
32	1001184814	1	Gauge, Fluid Level	
33	1001197139	1	Plate, Brake Pedal, (See BRAKE PEDAL PLATE for Breakdown)	

# SECTION 7 - CONTROLS

FIGURE 7-4. BRAKE PEDAL INSTALLATION (SN 0160072874 to Present)



ART\_1001204225-C



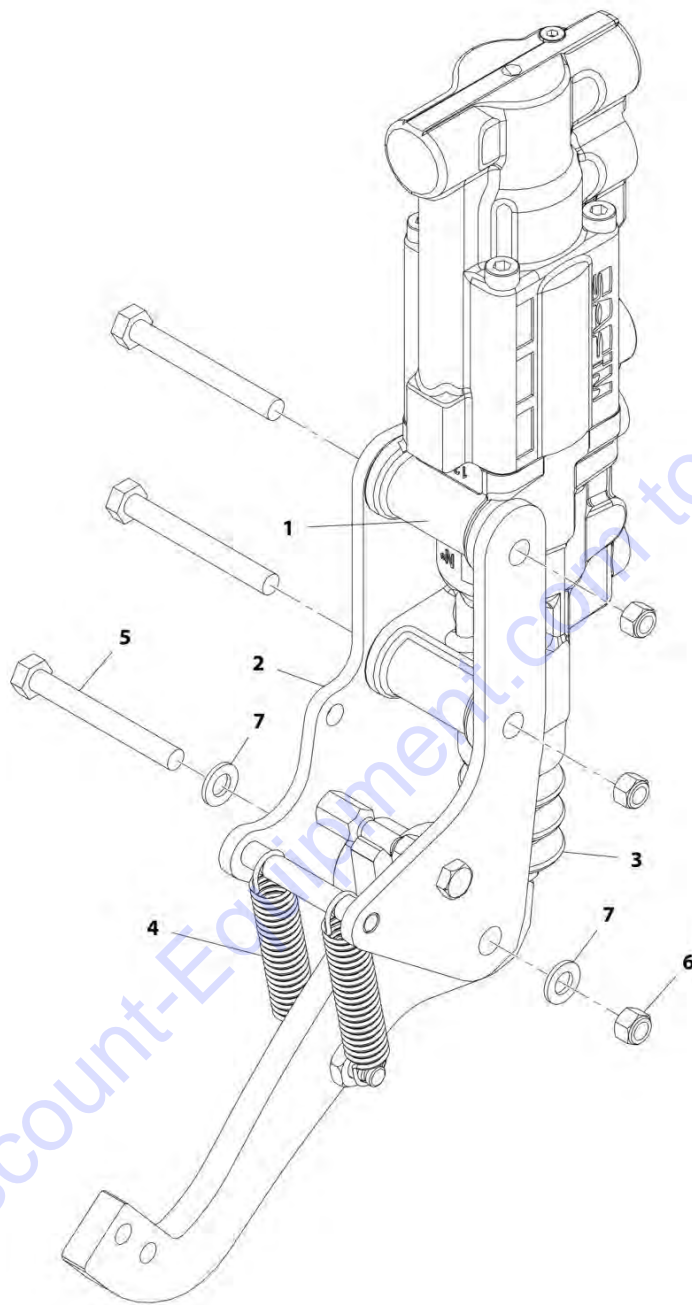
## SECTION 7 - CONTROLS

**FIGURE 7-4. BRAKE PEDAL INSTALLATION (SN 0160072874 to Present)**

ITEM	PART NUMBER	QTY	DESCRIPTION	REV
	1001204225	Ref	Brake Pedal Installation	C
1	0760605	4	Bolt, M6X10	
2	0760810	3	Bolt, M8X20	
3	3760348	1	Ring, Retaining	
4	4811702	4	Washer, M6	
5	4811900	3	Washer, M8	
6	4831900	3	Lockwasher, Spring M8	
7	1001197138	1	Pedal, Brake (See BRAKE PEDAL for Breakdown)	
8	1001162920	1	Gasket, Brake Pedal	
9	1001162922	1	Plate	
10	1001214220	1	Reservoir, Brake	
11	0760608	1	Bolt, M6X16	
12	4811700	4	Washer, M6	
13	8405009	2	Clamp, Gear	
14	1001171874	1	Fitting, Hose Barb	
15	1001172088	1	Bracket, Brake Reservoir	
16	1001172094	1	Hose, Brake Reservoir	
17	3290601	3	Nut, M6X1	
18	1001170231	3	Clip, M6X15	
20	1001197139	1	Plate, Brake Pedal (See BRAKE PEDAL PLATE for Breakdown)	

# SECTION 7 - CONTROLS

## FIGURE 7-5. BRAKE PEDAL



ART\_1001197138-D

## SECTION 7 - CONTROLS

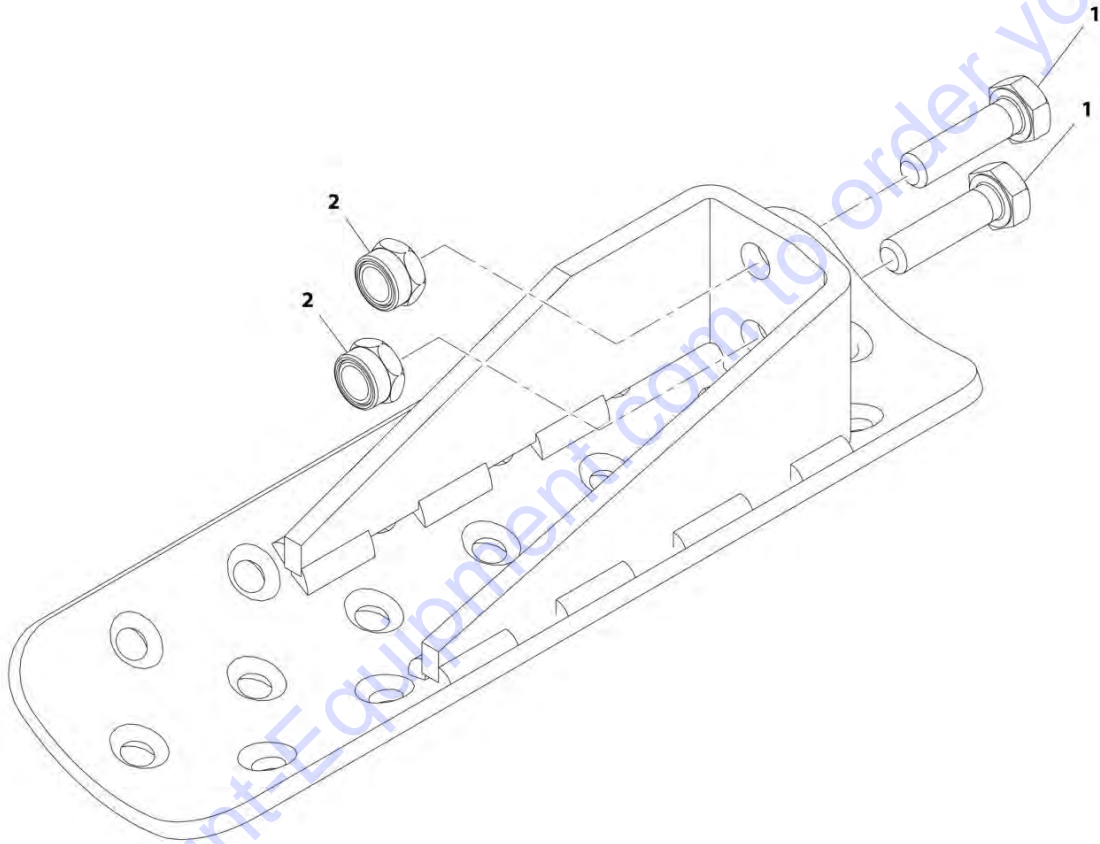
### FIGURE 7-5. BRAKE PEDAL

ITEM	PART NUMBER	QTY	DESCRIPTION	REV
	1001162855	NLA	Brake Pedal, (no longer available, use 1001197138 for replacement)	E
	1001197138	1	Brake Pedal	D
1	70026432	1	Cylinder, Master	
2	70026433	1	Support, Pedal, Complete	
3	70025859	1	Cover, Dust	
4	70025860	2	Spring, Return	
5	0701226	3	Bolt, M12X90	
6	3291205	3	Nut, Lock M12X1.75	
7	4812100	2	Washer, M12	

Go to Discount-Equipment.com to order your parts

# SECTION 7 - CONTROLS

## FIGURE 7-6. BRAKE PEDAL PLATE



ART\_1001197139-A

## SECTION 7 - CONTROLS

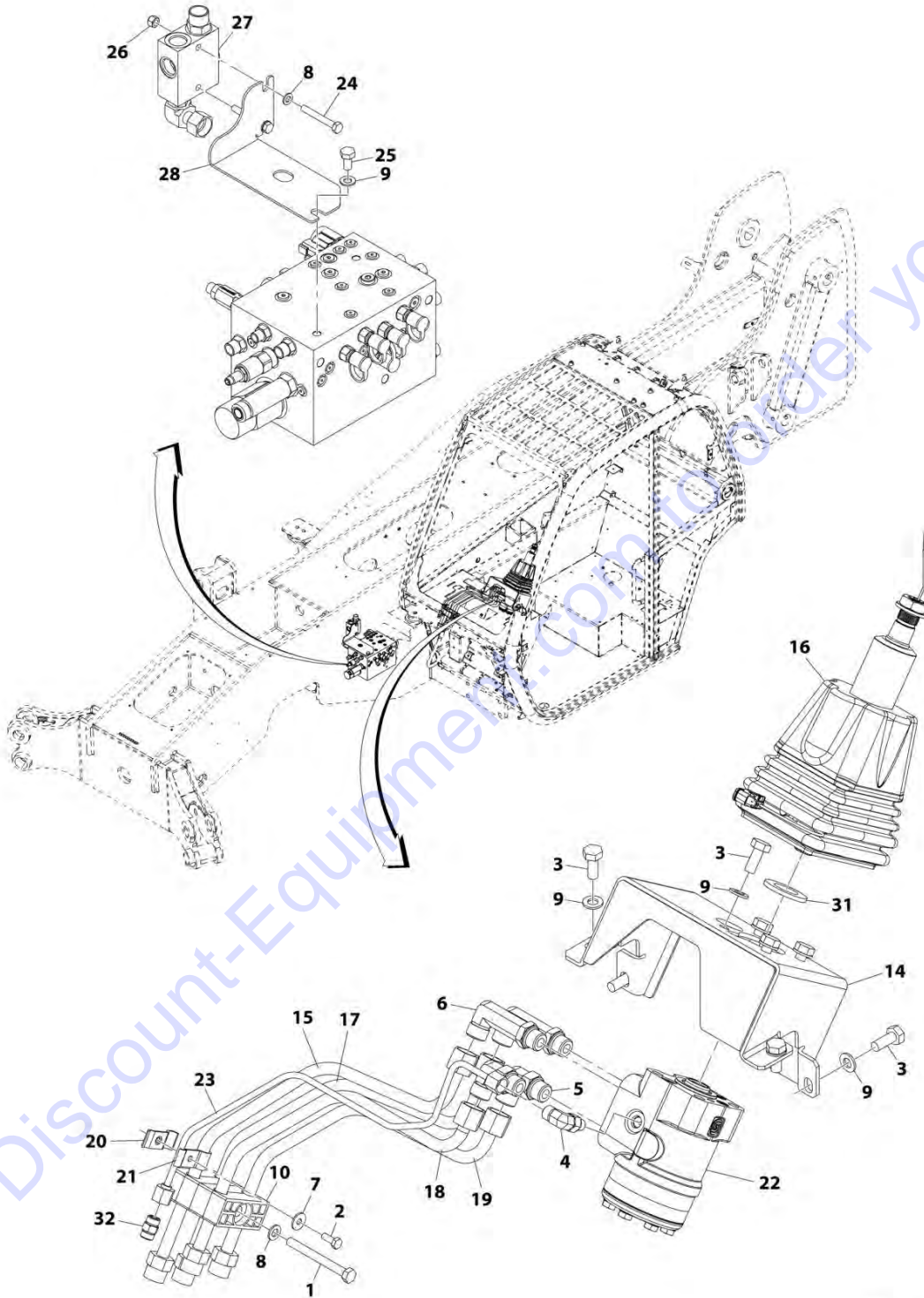
### FIGURE 7-6. BRAKE PEDAL PLATE

ITEM	PART NUMBER	QTY	DESCRIPTION	REV
	1001197139	Ref	Brake Pedal Plate	A
1	0770814	2	Screw, 8X30	
2	3290805	2	Nut, M8X1.25	

Go to Discount-Equipment.com to order your parts

# SECTION 7 - CONTROLS

## FIGURE 7-7. STEERING COLUMN INSTALLATION NO FNR LEVER



ART\_1001195634-E

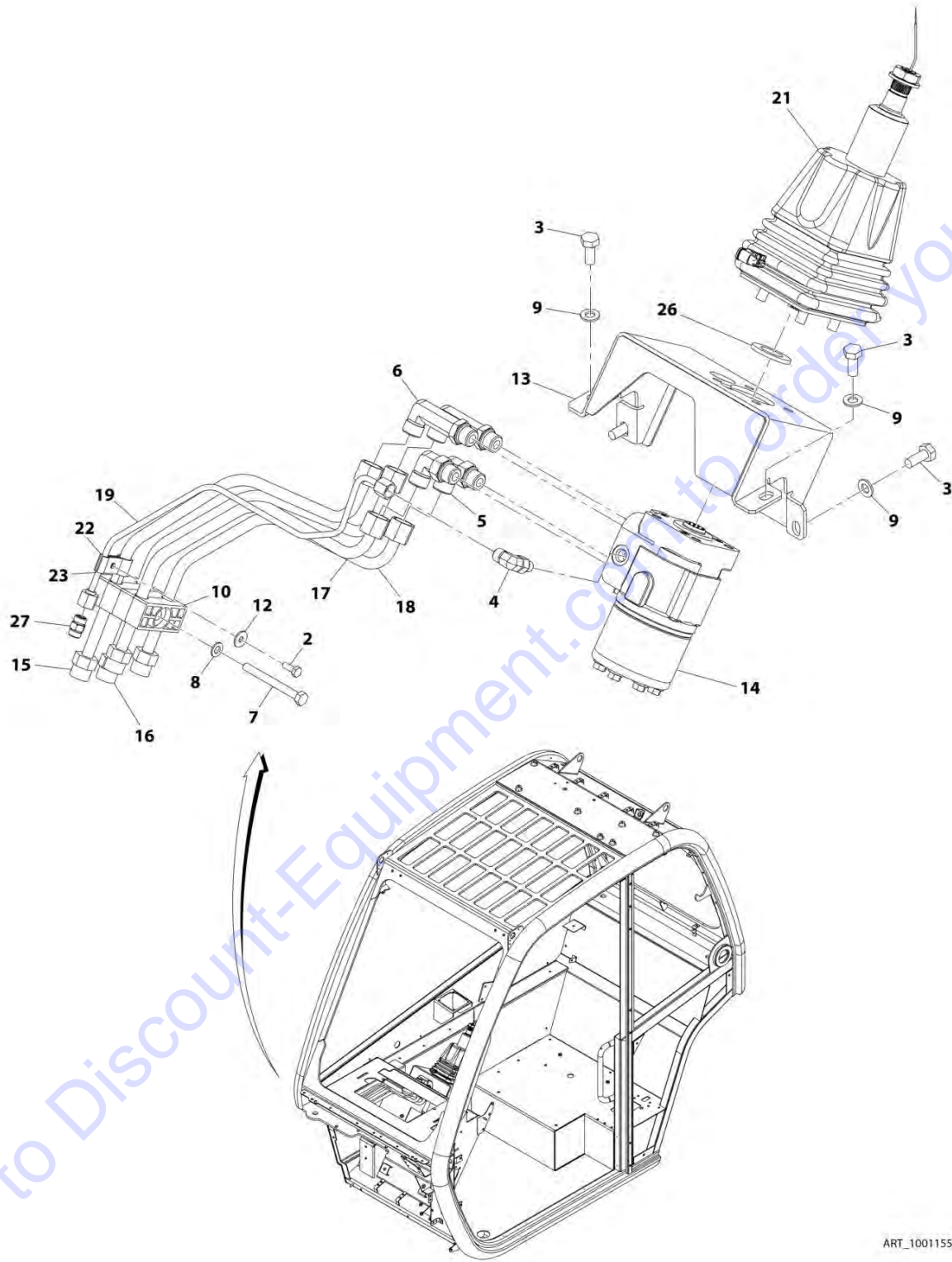
## SECTION 7 - CONTROLS

**FIGURE 7-7. STEERING COLUMN INSTALLATION NO FNR LEVER**

ITEM	PART NUMBER	QTY	DESCRIPTION	REV
	1001195634	Ref	Steering Column Installation no FNR Lever	E
1	0700824	1	Bolt, M8X80	
2	0760608	1	Bolt, M6X16	
3	0761012	8	Bolt, M10X25	
4	2130404	1	Fitting, 90 ORFS	
5	2130808	2	Fitting, 90 ORFS	
6	2170208	2	Fitting, 90 ORFS	
7	4811702	1	Washer, M6	
8	4811900	5	Washer, M8	
9	4812000	9	Washer, M10	
10	1001004640	4	Clamp	
14	1001156265	1	Plate	
15	1001161672	1	Pipe	
16	1001161733	NLA	Column, Steering (no longer available, see 1001214481 for replacement)	
16	1001214481	1	Column, Steering	
17	1001161896	1	Pipe	
18	1001161897	1	Pipe	
19	1001161898	1	Pipe	
20	1001168142	1	Bracket	
21	1001168151	1	Bracket	
22	1001178670	1	Valve, Steering Unit	
23	1001194282	1	Pipe	
24	0700820	2	Bolt M8X60	
25	0761010	1	Bolt M10X20	
26	3290805	2	Nut M8	
27	1001210803	1	Check Valve Assembly (See CHECK VALVE ASSEMBLY for Breakdown)	
28	1001210934	1	Support, Check Valve	
31	1001214480	1	Washer	
32	1001143857	1	Adaptor	

# SECTION 7 - CONTROLS

## FIGURE 7-8. STEERING COLUMN INSTALLATION WITH FNR LEVER



ART\_1001155307-F



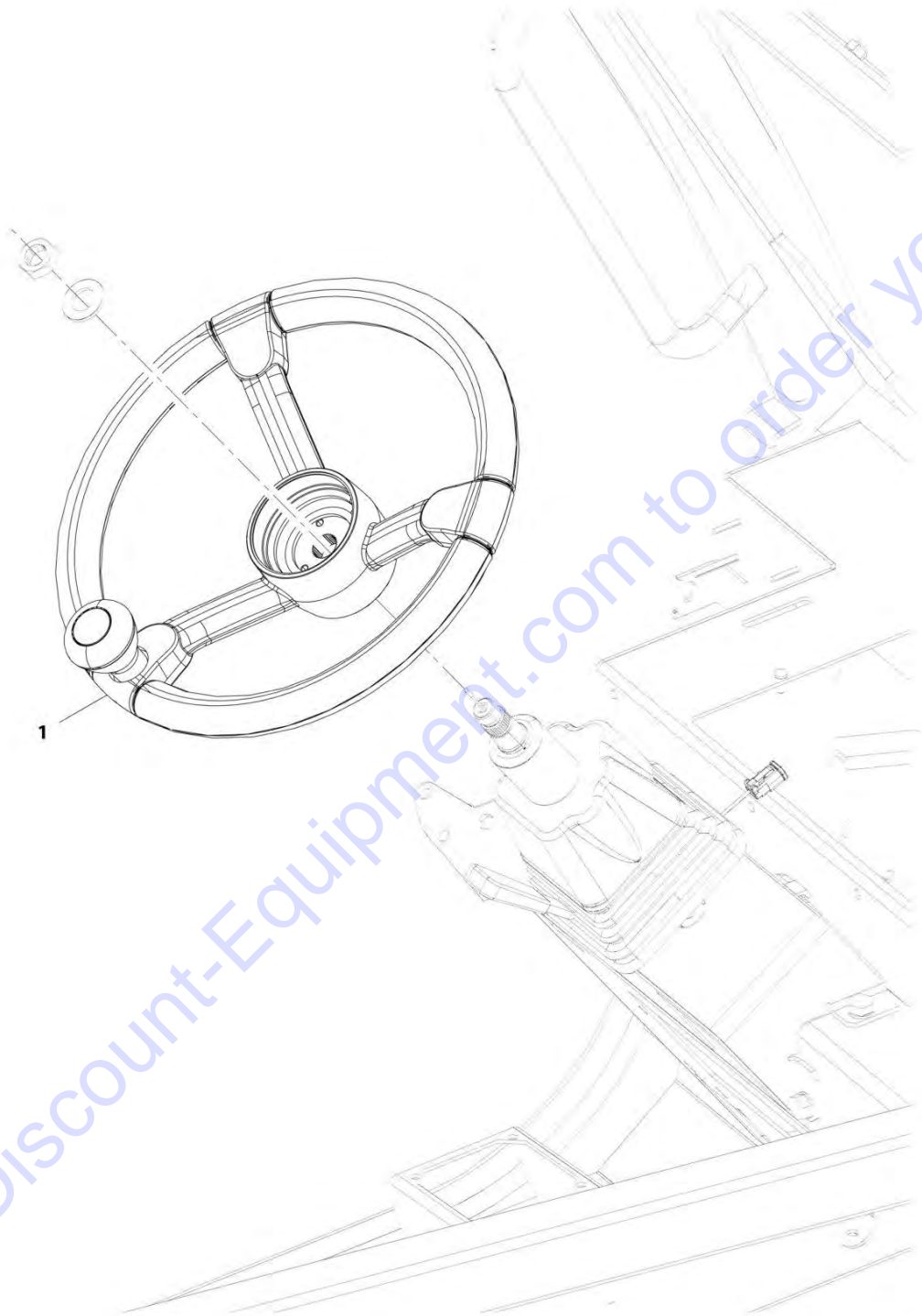
## SECTION 7 - CONTROLS

**FIGURE 7-8. STEERING COLUMN INSTALLATION WITH FNR LEVER**

ITEM	PART NUMBER	QTY	DESCRIPTION	REV
	1001155307	Ref	Steering Column Installation with FNR Lever	F
2	0760608	1	Bolt, M6X16	
3	0761012	8	Bolt, M10X25	
4	2130404	1	Fitting, 90 ORFS	
5	2130808	2	Fitting, 90 ORFS	
6	2170208	2	Fitting, 90 ORFS	
7	0700824	1	Bolt, M8X80	
8	4811900	1	Washer, M8	
9	4812000	8	Washer, M10	
10	1001004640	4	Clamp	
12	4811702	1	Washer, M6	
13	1001156265	1	Support, Steering Column	
14	1001158527	1	Valve, Steering (See HYDRAULIC COMPONENTS SECTION for Breakdown)	
15	1001161672	1	Pipe	
16	1001161896	1	Pipe	
17	1001161897	1	Pipe	
18	1001161898	1	Pipe	
19	1001162979	1	Pipe	
21	1001161733	NLA	Column, Steering (no longer available, see 1001214481 for replacement)	
21	1001214481	1	Column, Steering	
22	1001168142	1	Bracket	
23	1001168151	1	Bracket	
26	1001214480	1	Washer	
27	1001143857	1	Adaptor	

## SECTION 7 - CONTROLS

FIGURE 7-9. STEERING WHEEL INSTALLATION



ART\_1001169751-C

## SECTION 7 - CONTROLS

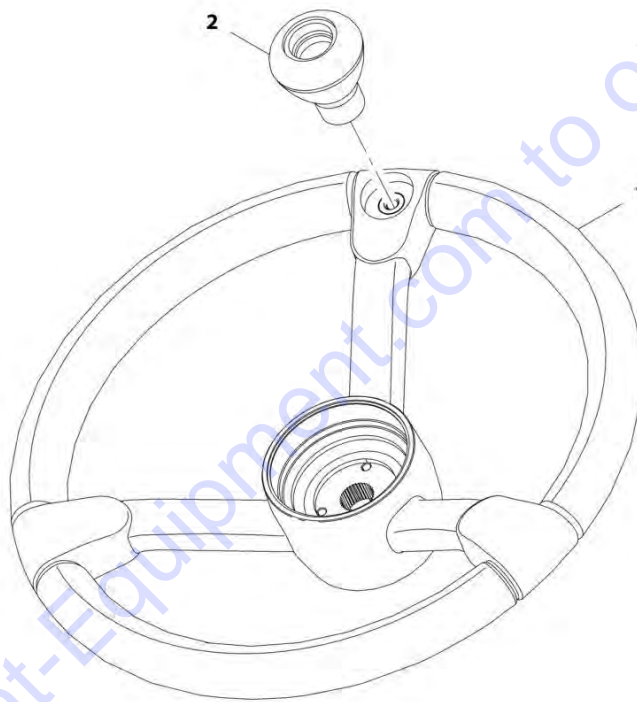
### FIGURE 7-9. STEERING WHEEL INSTALLATION

ITEM	PART NUMBER	QTY	DESCRIPTION	REV
1	1001169751 1001169354	Ref 1	Steering Wheel Installation Wheel, Steering (See STEERING WHEEL for Breakdown)	C

Go to Discount-Equipment.com to order your parts

# SECTION 7 - CONTROLS

## FIGURE 7-10. STEERING WHEEL



ART\_1001169354-D

## SECTION 7 - CONTROLS

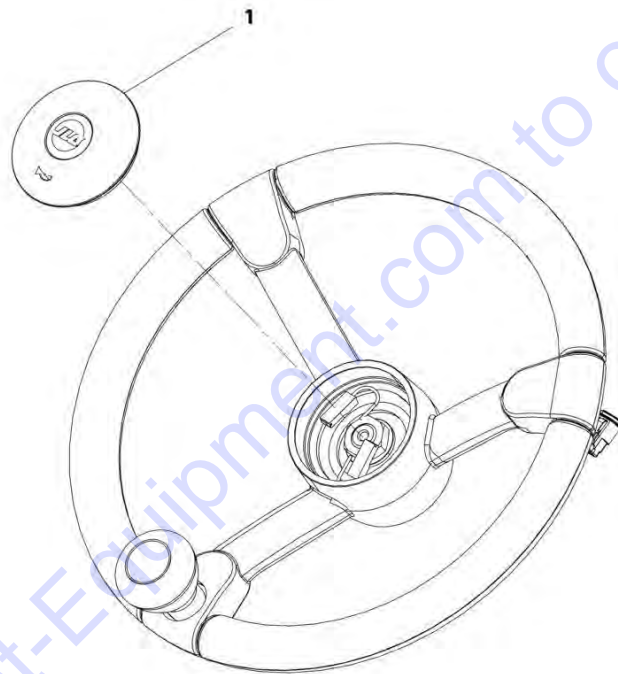
### FIGURE 7-10. STEERING WHEEL

ITEM	PART NUMBER	QTY	DESCRIPTION	REV
	1001169354	Ref	Steering Wheel	D
1	1001169367	1	Wheel, Steering	
2	1001169355	1	Handle, Steer Spinner	

Go to Discount-Equipment.com to order your parts

## SECTION 7 - CONTROLS

FIGURE 7-11. HORN BUTTON INSTALLATION



ART\_1001169763-A

## SECTION 7 - CONTROLS

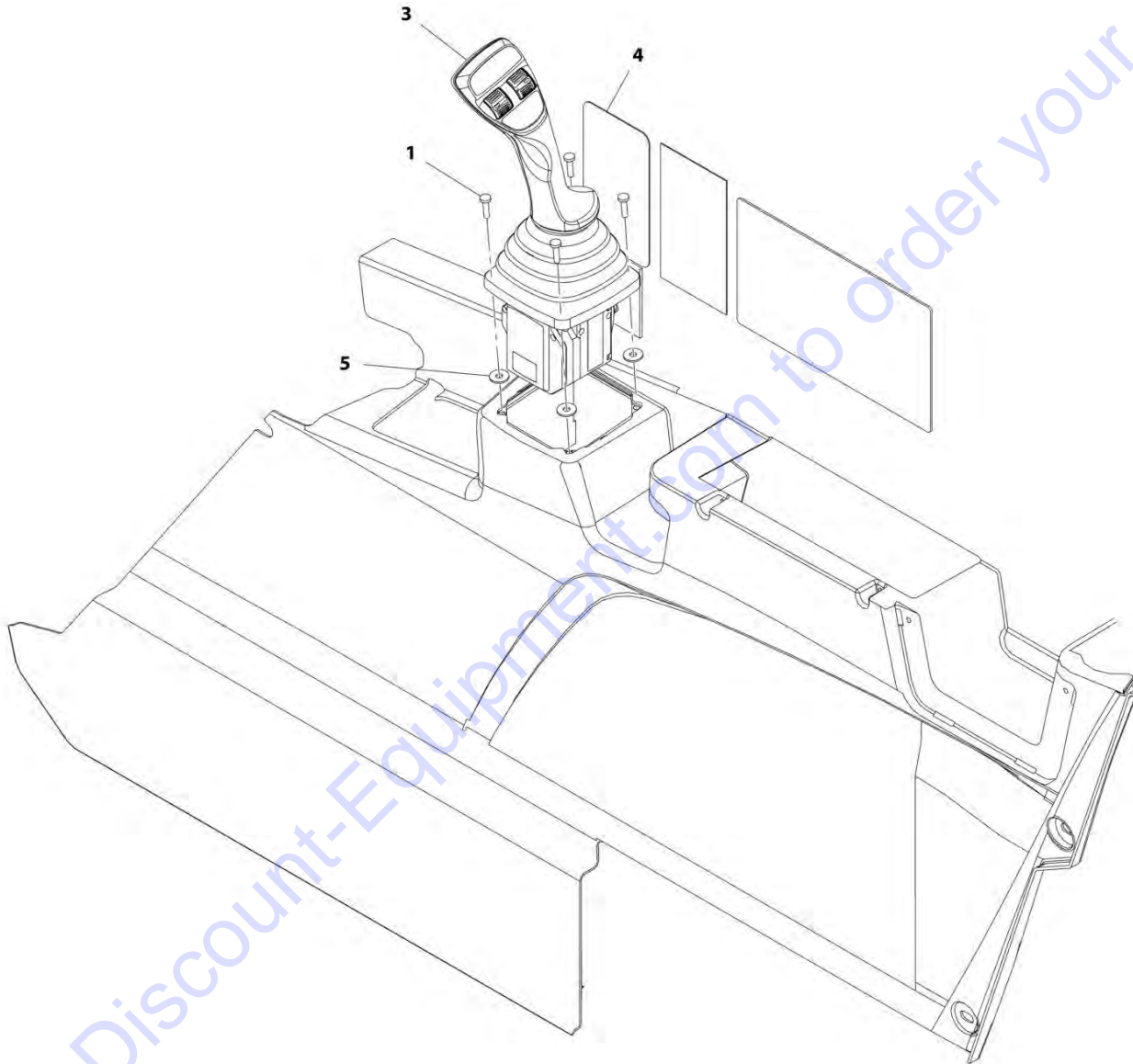
FIGURE 7-11. HORN BUTTON INSTALLATION

ITEM	PART NUMBER	QTY	DESCRIPTION	REV
1	1001169763 1001169268	Ref 1	Horn Button Installation Button, Horn	A

Go to Discount-Equipment.com to order your parts

# SECTION 7 - CONTROLS

## FIGURE 7-12. JOYSTICK INSTALLATION (W/AUX, DECLUTCH)



ART\_1001167001-E



## SECTION 7 - CONTROLS

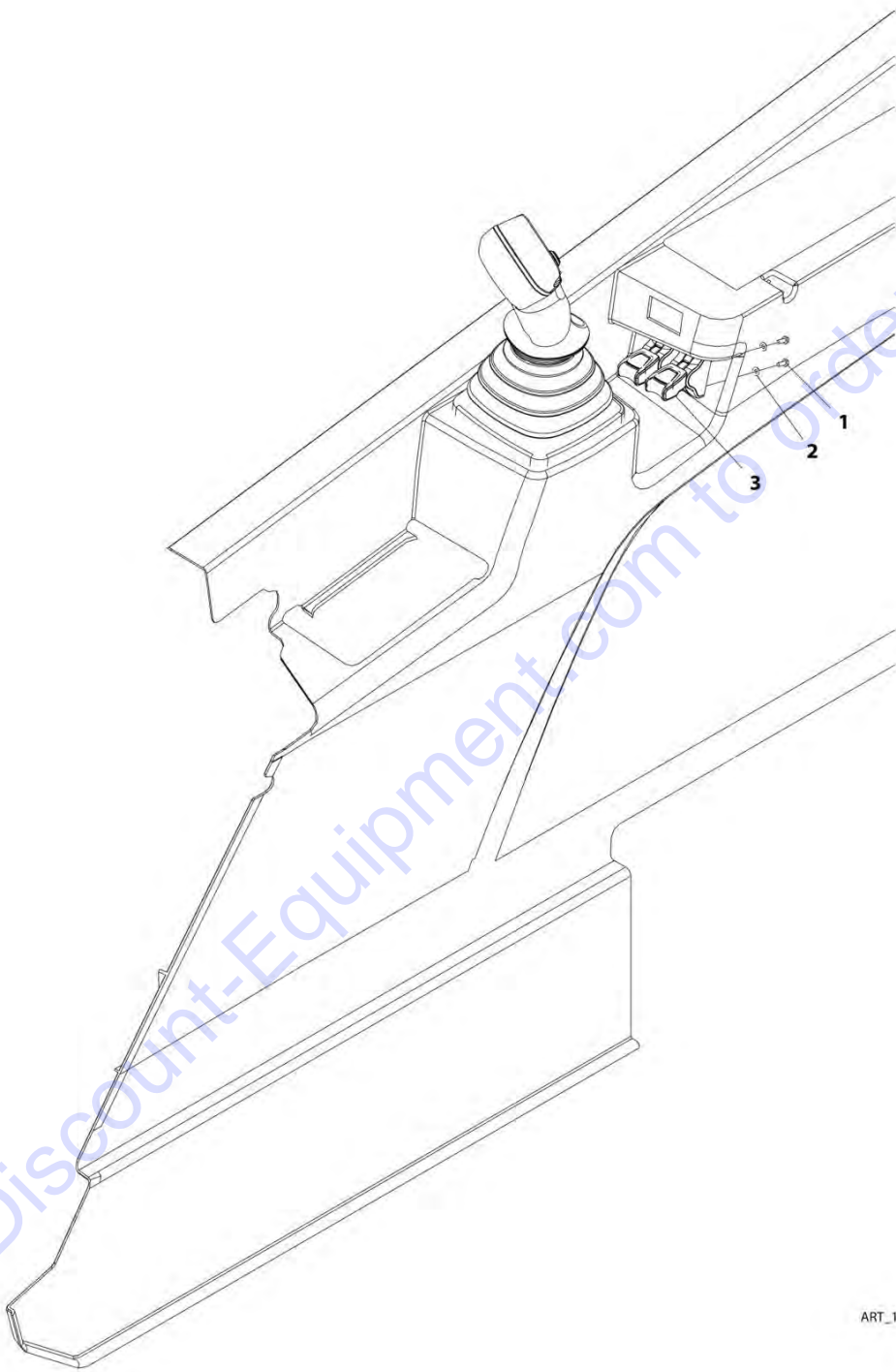
**FIGURE 7-12. JOYSTICK INSTALLATION (W/AUX, DECLUTCH)**

ITEM	PART NUMBER	QTY	DESCRIPTION	REV
	1001167001	Ref	Joystick Installation (W/Aux, Declutch)	E
1	4010510	4	Screw, Pan HD M5X20	
3	1001160122	NLA	Joystick, (no longer available, use 1001222609 for replacement)	
3	1001222609	1	Joystick	
4	1001181543	1	Decal Joystick	
5	4811702001	AR	Washer, M6	

Go to Discount-Equipment.com to order your parts

**SECTION 7 - CONTROLS**

**FIGURE 7-13. OUTRIGGER CONTROL INSTALLATION**



ART\_1001174478-C

## SECTION 7 - CONTROLS

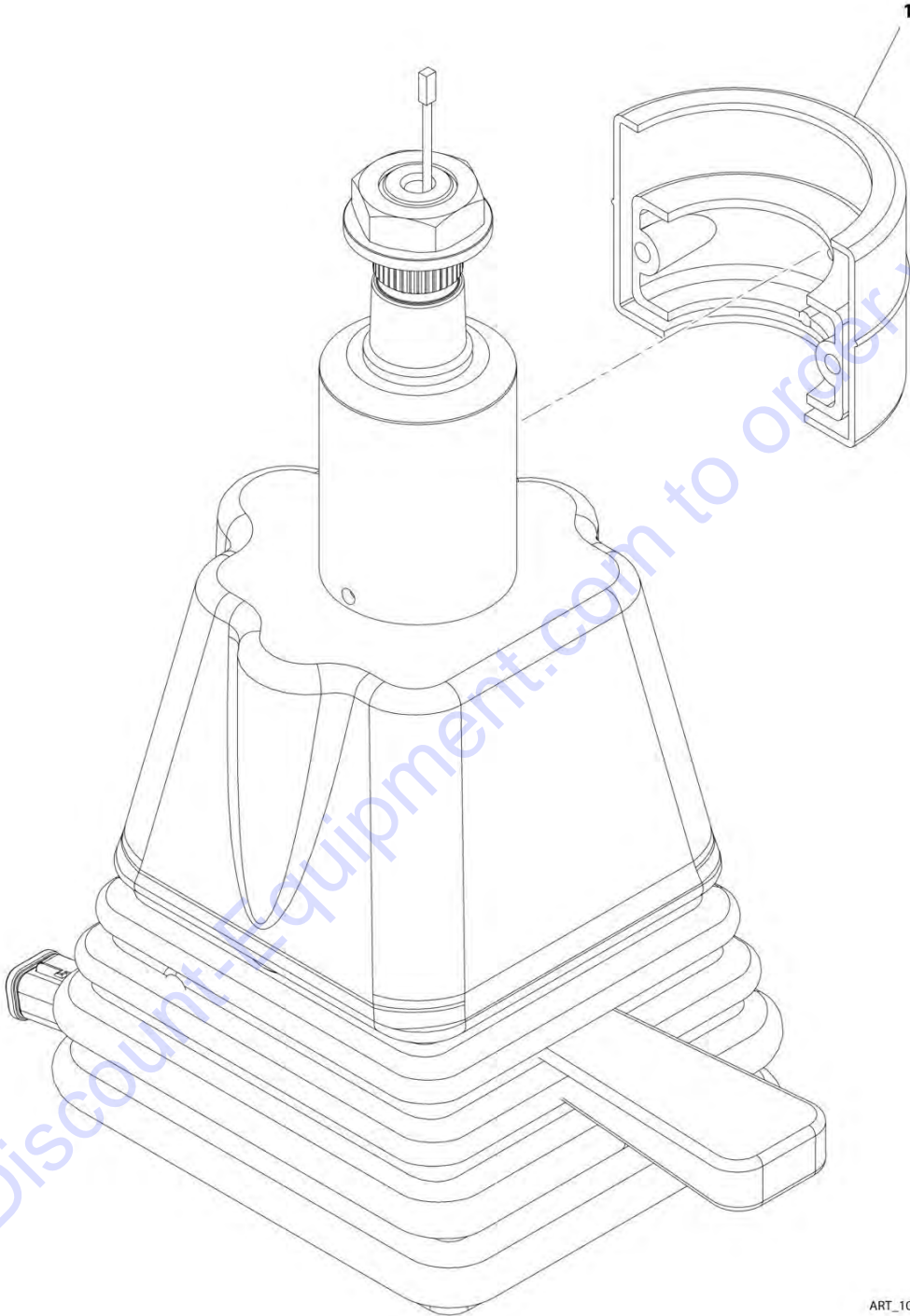
**FIGURE 7-13. OUTRIGGER CONTROL INSTALLATION**

ITEM	PART NUMBER	QTY	DESCRIPTION	REV
	1001174478	Ref	Outrigger Control Installation	C
1	0760304	4	Bolt, M3X8 GR8.8	
2	1001110544	4	Washer, M3	
3	1001157919	NLA	Joystick, Fingertip Control, (no longer available, use 1001242098 for replacement)	
3	1001242098	2	Joystick, Fingertip Control	

Go to Discount-Equipment.com to order your parts

**SECTION 7 - CONTROLS**

**FIGURE 7-14. COLUMN CLAMP INSTALLATION**



ART\_1001182671-C

## SECTION 7 - CONTROLS

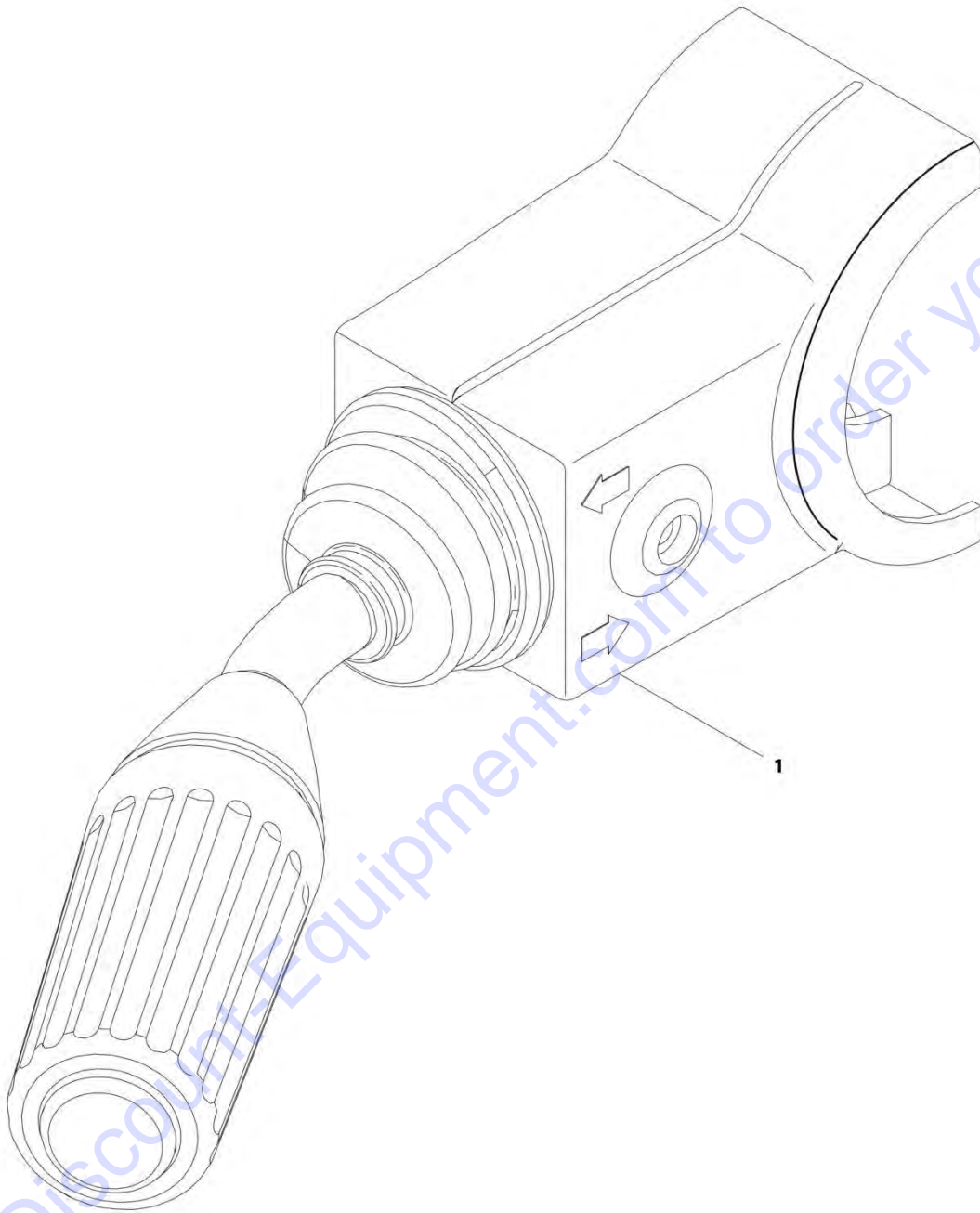
FIGURE 7-14. COLUMN CLAMP INSTALLATION

ITEM	PART NUMBER	QTY	DESCRIPTION	REV
1	1001182671 1001199640	Ref 1	Column Clamp Installation Clamp	C

Go to Discount-Equipment.com to order your parts

## SECTION 7 - CONTROLS

FIGURE 7-15. WIPER-TURN SWITCH



ART\_1001163695-A

## SECTION 7 - CONTROLS

FIGURE 7-15. WIPER-TURN SWITCH

ITEM	PART NUMBER	QTY	DESCRIPTION	REV
	1001163695	1	Wiper-Turn Switch	A

Go to Discount-Equipment.com to order your parts



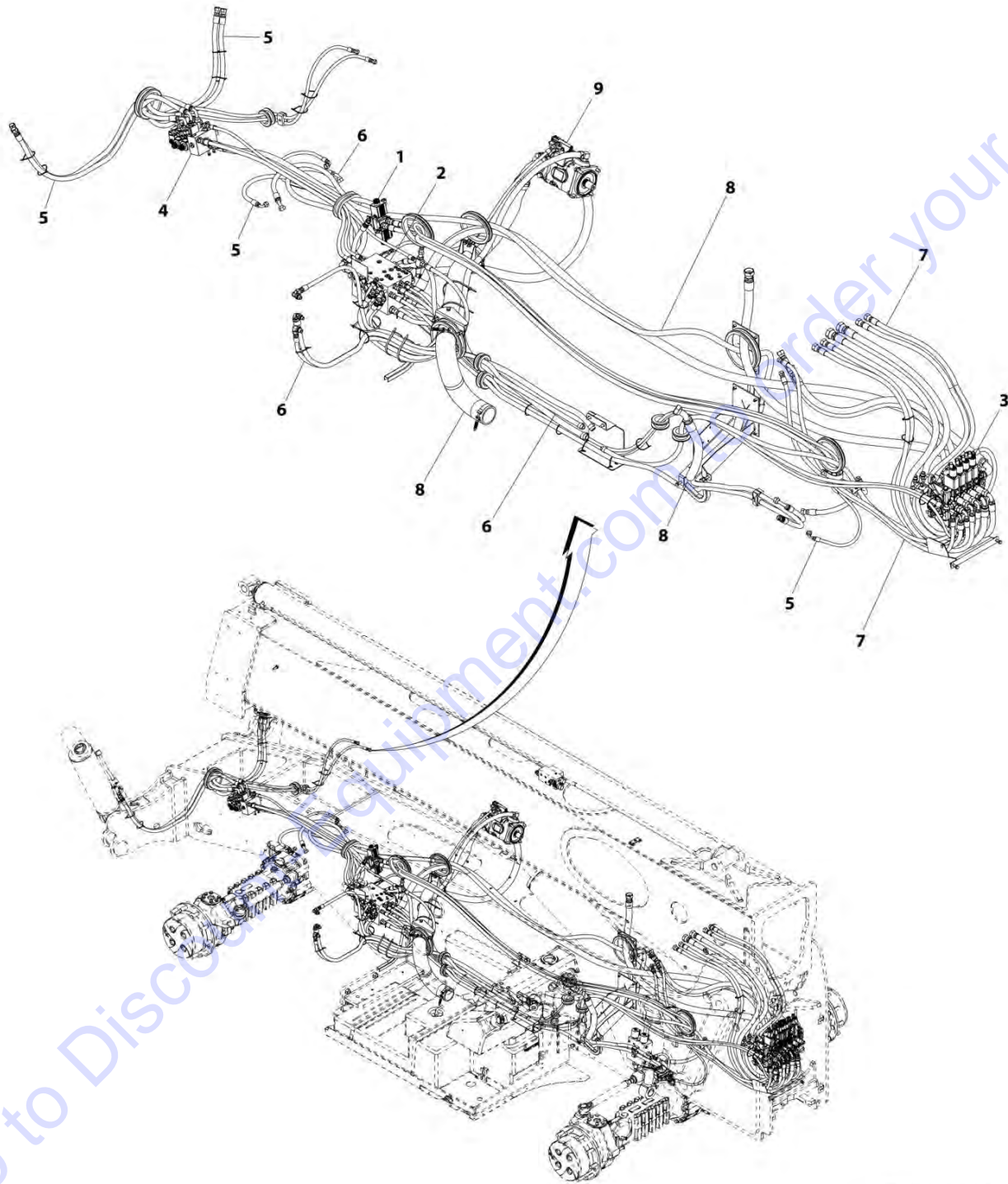


SECTION 8 - HYDRAULIC CIRCUITS

Go to [Discount-Equipment.com](http://Discount-Equipment.com) to order your parts

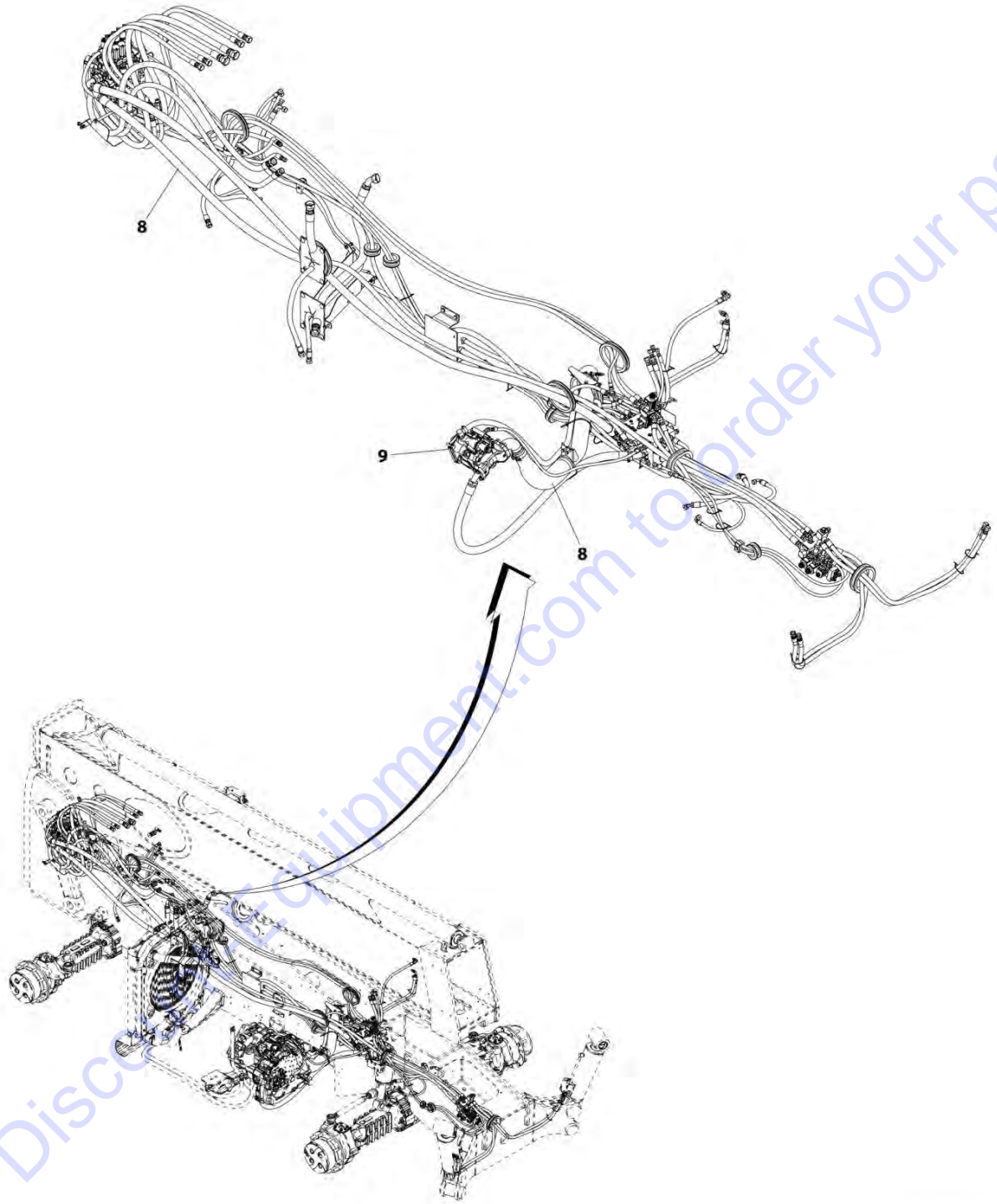
# SECTION 8 - HYDRAULIC CIRCUITS

## FIGURE 8-1. MAIN HYDRAULICS INSTALLATION



ART\_1001160705\_1-E

# SECTION 8 - HYDRAULIC CIRCUITS



ART\_1001160705\_2-E

## SECTION 8 - HYDRAULIC CIRCUITS

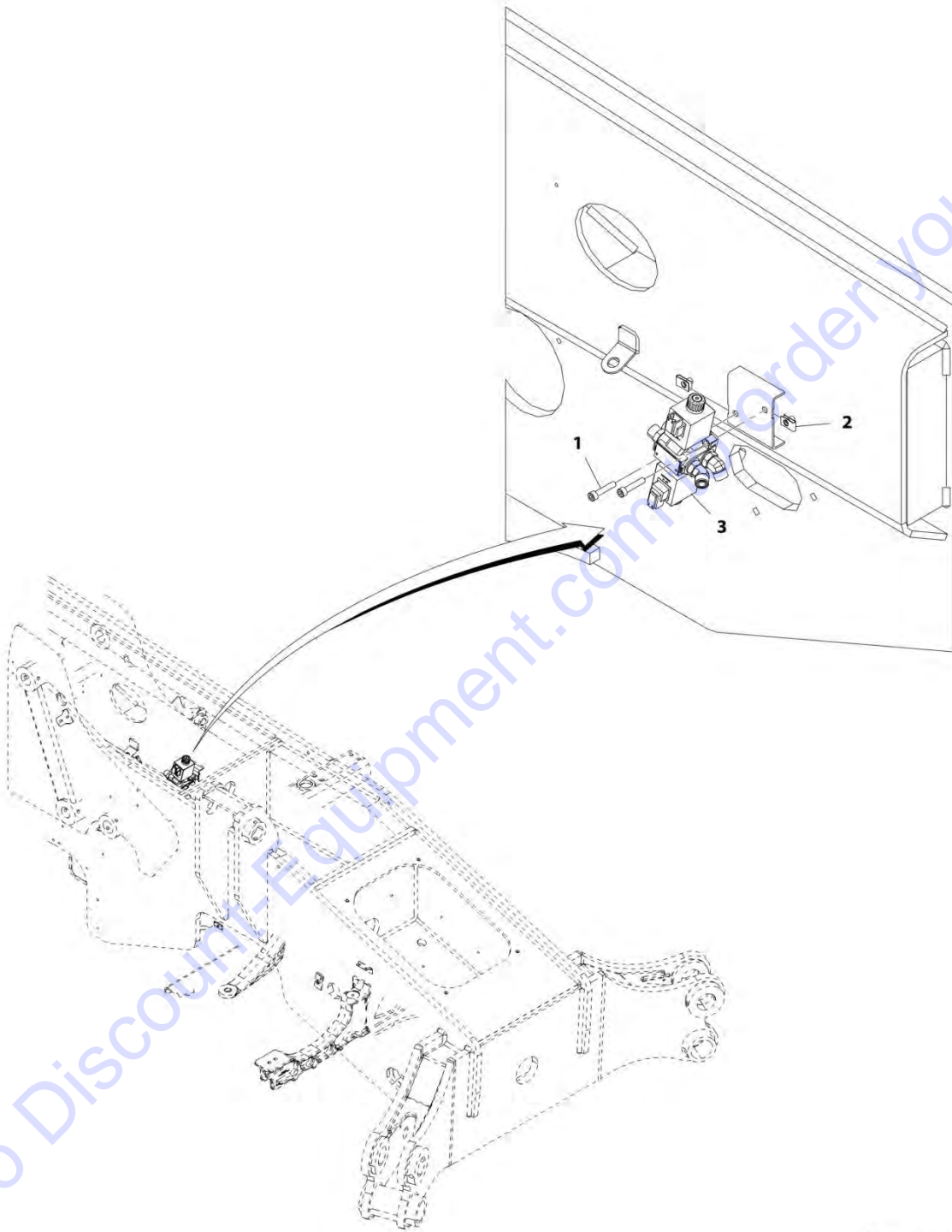
FIGURE 8-1. MAIN HYDRAULICS INSTALLATION

ITEM	PART NUMBER	QTY	DESCRIPTION	REV
	1001160705	Ref	Main Hydraulics Installation	E
1	1001161306	Ref	Installation, Steer Select Valve (See STEER SELECT VALVE INSTALLATION for Breakdown)	
2	1001161308	Ref	Installation, Priority Function Manifold (See PRIORITY FUNCTION MANIFOLD INSTALLATION for Breakdown)	
3	1001161310	Ref	Installation, Main Control Valve (See MAIN CONTROL VALVE INSTALLATION for Breakdown) <b>(Prior to SN 0160082543)</b>	
3	1001225751	Ref	Installation, Main Control Valve (See MAIN CONTROL VALVE INSTALLATION for Breakdown) <b>(SN 0160082543 to Present)</b>	
4	1001161316	Ref	Installation, Frame Level and Outrigger Valve (See FRAME LEVEL AND OUTRIGGER VALVE INSTALLATION for Breakdown) <b>(Prior to SN 0160069775)</b>	
4	1001159760	Ref	Installation, Frame Level and Outrigger Valve (See FRAME LEVEL AND OUTRIGGER VALVE INSTALLATION for Breakdown) <b>(SN 0160069775 to Present)</b>	
5	1001161351	Ref	Installation, Frame Hydraulic (See FRAME HYDRAULIC INSTALLATION for Breakdown)	
6	1001161352	Ref	Installation, Cab Hydraulic (See CAB HYDRAULIC INSTALLATION for Breakdown)	
7	1001194245	Ref	Installation, Boom Hydraulic (See BOOM HYDRAULIC INSTALLATION for Breakdown)	
8	1001161780	Ref	Installation, Engine Bay Hydraulic (See ENGINE BAY HYDRAULIC INSTALLATION for Breakdown)	
9	1001162670	Ref	Installation, Piston Pump (See PISTON PUMP INSTALLATION for Breakdown)	



# SECTION 8 - HYDRAULIC CIRCUITS

## FIGURE 8-2. STEER SELECT VALVE INSTALLATION



ART\_1001161306-C

## SECTION 8 - HYDRAULIC CIRCUITS

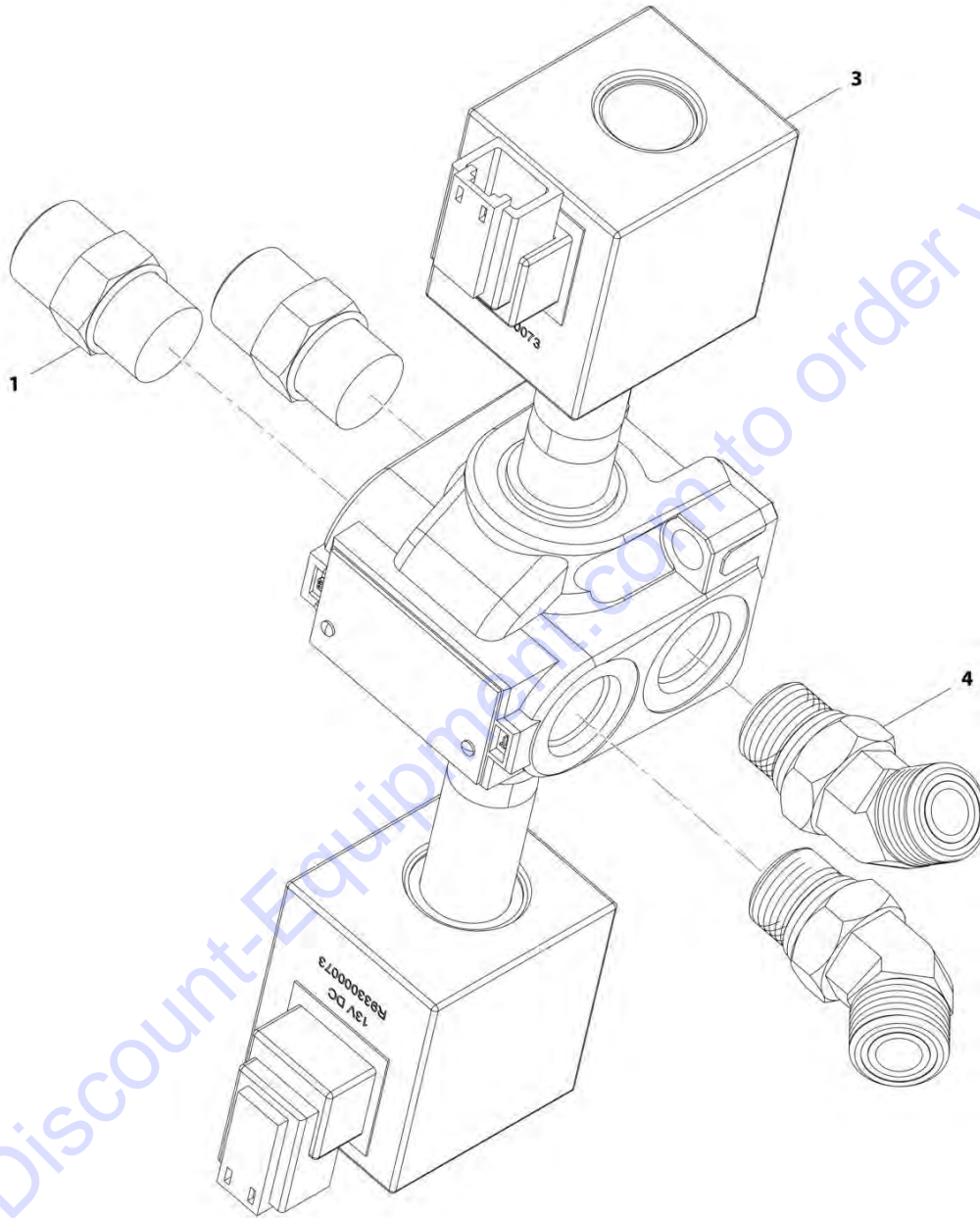
FIGURE 8-2. STEER SELECT VALVE INSTALLATION

ITEM	PART NUMBER	QTY	DESCRIPTION	REV
	1001161306	Ref	Steer Select Valve Installation	C
1	4031912	2	Bolt, M8X40	
2	8310686	2	Nut, M8X12.5	
3	1001161304	1	Assembly, Steer Select Valve (See STEER SELECT VALVE ASSEMBLY for Breakdown)	

Go to Discount-Equipment.com to order your parts

# SECTION 8 - HYDRAULIC CIRCUITS

## FIGURE 8-3. STEER SELECT VALVE ASSEMBLY



ART\_1001161304-B



# PARTS FINDER

**Search Website  
by Part Number**



**Search Manual  
Library For Parts  
Manual & Lookup Part  
Numbers – Purchase  
or Request Quote**

**Can't Find Part or  
Manual? Request Help  
by Manufacturer,  
Model & Description**

Discount-Equipment.com is your online resource for quality parts & equipment.

Florida: **561-964-4949** Outside Florida TOLL FREE: **877-690-3101**

**Need parts?**

Click on this link: <http://www.discount-equipment.com/category/5443-parts/> and choose one of the options to help get the right parts and equipment you are looking for. Please have the machine model and serial number available in order to help us get you the correct parts. If you don't find the part on the website or on one of the online manuals, please fill out the request form and one of our experienced staff members will get back to you with a quote for the right part that your machine needs.

We sell worldwide for the brands: Genie, Terex, JLG, MultiQuip, Mikasa, Essick, Whiteman, Mayco, Toro Stone, Diamond Products, Generac Magnum, Airman, Haulotte, Barreto, Power Blanket, Nifty Lift, Atlas Copco, Chicago Pneumatic, Allmand, Miller Curber, Skyjack, Lull, Skytrak, Tsurumi, Husquvarna Target, Stow, Wacker, Sakai, Mi-T-M, Sullair, Basic, Dynapac, MBW, Weber, Bartell, Bennar Newman, Haulotte, Ditch Runner, Menegotti, Morrison, Contec, Buddy, Crown, Edco, Wyco, Bomag, Laymor, EZ Trench, Bil-Jax, F.S. Curtis, Gehl Pavers, Heli, Honda, ICS/PowerGrit, IHI, Partner, Imer, Clipper, MMD, Koshin, Rice, CH&E, General Equipment, Amida, Coleman, NAC, Gradall, Square Shooter, Kent, Stanley, Tamco, Toku, Hatz, Kohler, Robin, Wisconsin, Northrock, Oztec, Toker TK, Rol-Air, APT, Wylie, Ingersoll Rand / Doosan, Innovatech, Con X, Ammann, Mecalac, Makinex, Smith Surface Prep, Small Line, Wanco, Yanmar

## SECTION 8 - HYDRAULIC CIRCUITS

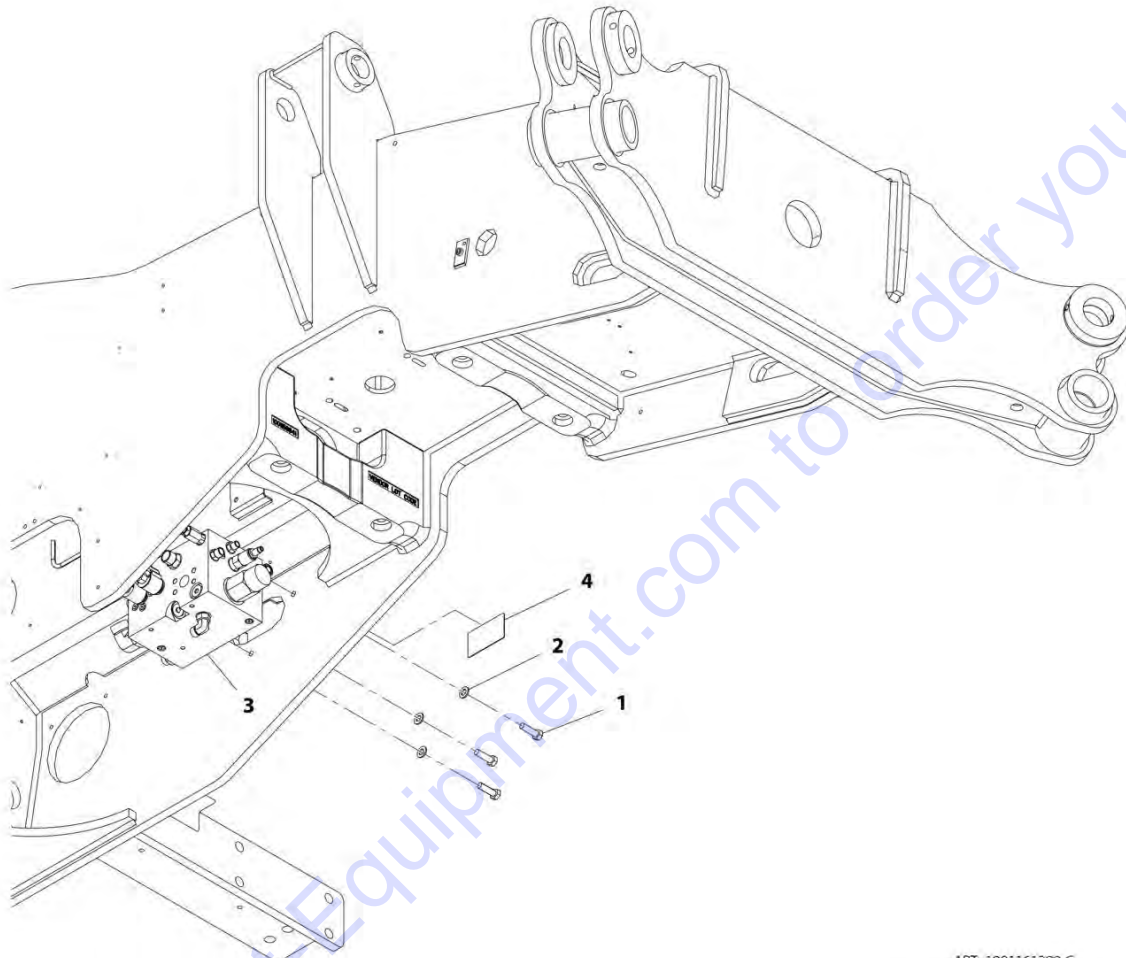
FIGURE 8-3. STEER SELECT VALVE ASSEMBLY

ITEM	PART NUMBER	QTY	DESCRIPTION	REV
	1001161304	Ref	Steer Select Valve Assembly	B
1	2110808	2	Fitting, Straight ORFS	
3	1001153748	1	Valve, Steering (See HYDRAULIC COMPONENTS SECTION for Breakdown)	
4	2150808	2	Fitting, 45	

Go to Discount-Equipment.com to order your parts

# SECTION 8 - HYDRAULIC CIRCUITS

FIGURE 8-4. PRIORITY FUNCTION MANIFOLD INSTALLATION



ART\_1001161308-C

## SECTION 8 - HYDRAULIC CIRCUITS

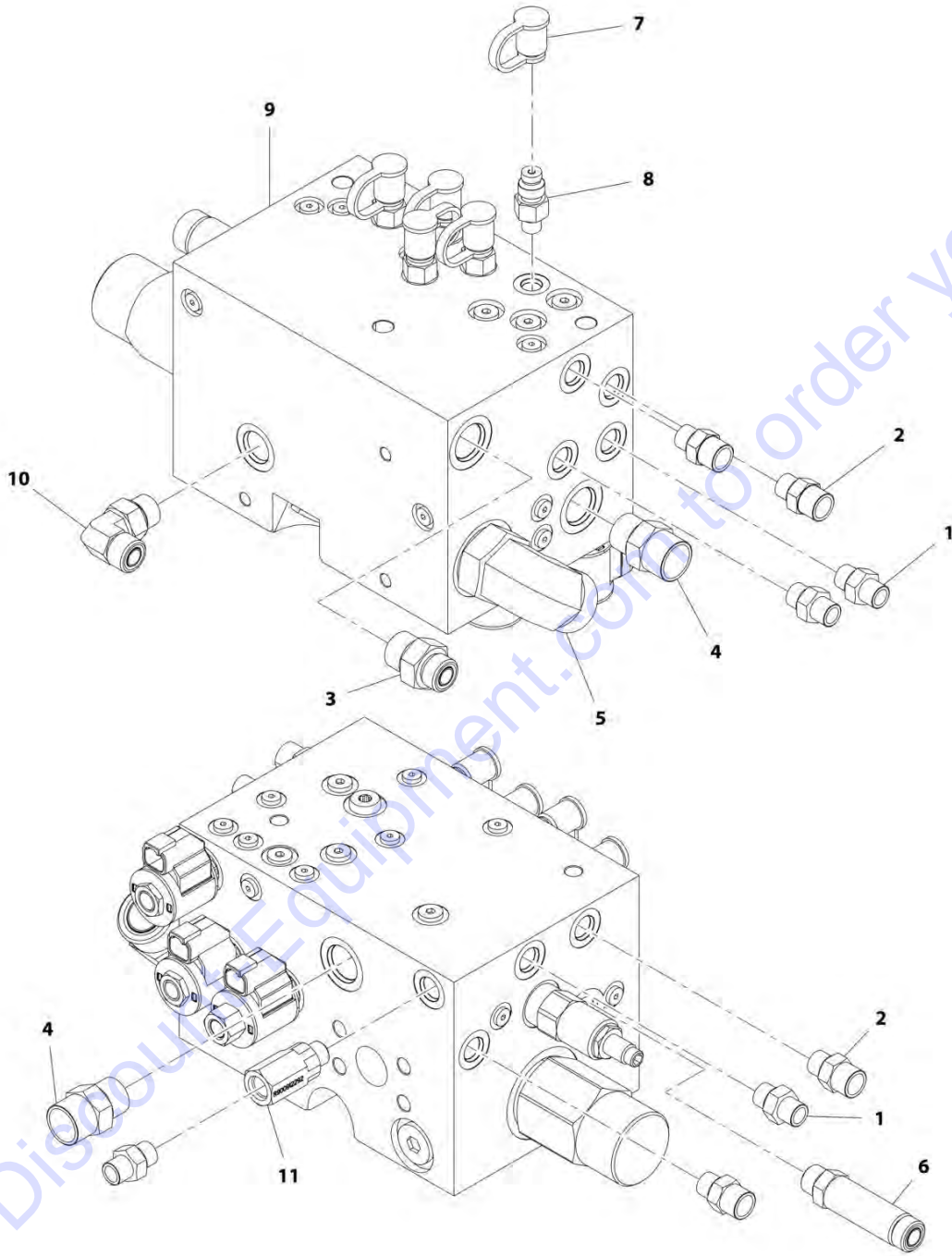
FIGURE 8-4. PRIORITY FUNCTION MANIFOLD INSTALLATION

ITEM	PART NUMBER	QTY	DESCRIPTION	REV
	1001161308	Ref	Priority Function Manifold Installation	C
1	0701216	3	Bolt, M12X40	
2	4812100	3	Washer, M12	
3	1001166223	1	Assembly, Priority Manifold Valve (See PRIORITY MANIFOLD VALVE ASSEMBLY for Breakdown)	
4	1001183243	1	Decal, Port ID	

Go to Discount-Equipment.com to order your parts

# SECTION 8 - HYDRAULIC CIRCUITS

## FIGURE 8-5. PRIORITY MANIFOLD VALVE ASSEMBLY



ART\_1001166223-F

## SECTION 8 - HYDRAULIC CIRCUITS

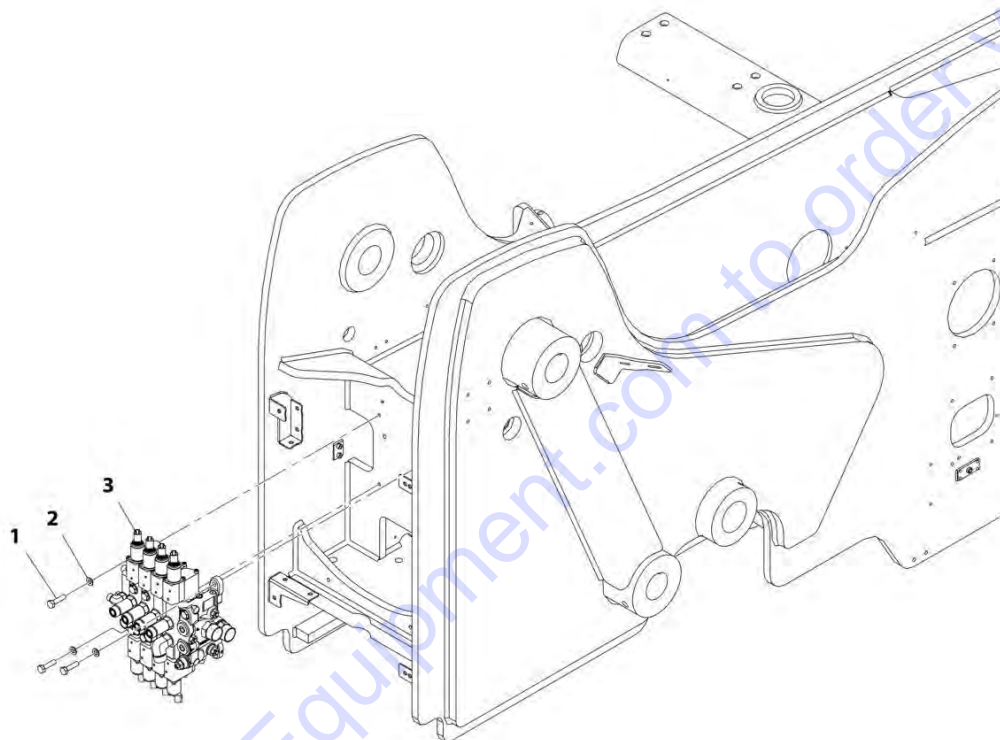
**FIGURE 8-5. PRIORITY MANIFOLD VALVE ASSEMBLY**

ITEM	PART NUMBER	QTY	DESCRIPTION	REV
	1001166223	Ref	Priority Manifold Valve Assembly	F
1	2110406	4	Fitting, Straight ORFS	
2	2110606	4	Fitting, Straight ORFS	
3	2110810	1	Fitting, Straight ORFS	
4	2111010	2	Fitting, Straight ORFS	
5	2131616	1	Fitting, 90 ORFS	
6	1001201755	1	Fitting, Straight ORFS	
7	8430032	5	Plug	
8	8430033	5	Fitting, Straight	
9	1001162548	1	Valve, Priority Manifold (See HYDRAULIC COMPONENTS SECTION for Breakdown)	
10	2130808	1	Fitting, 90 ORFS	
11	1001196608	1	Valve, Check	

Go to Discount-Equipment.com to order your parts

## SECTION 8 - HYDRAULIC CIRCUITS

FIGURE 8-6. MAIN CONTROL VALVE INSTALLATION (Prior to SN 0160082543)



ART\_1001161310-E

## SECTION 8 - HYDRAULIC CIRCUITS

**FIGURE 8-6. MAIN CONTROL VALVE INSTALLATION (Prior to SN 0160082543)**

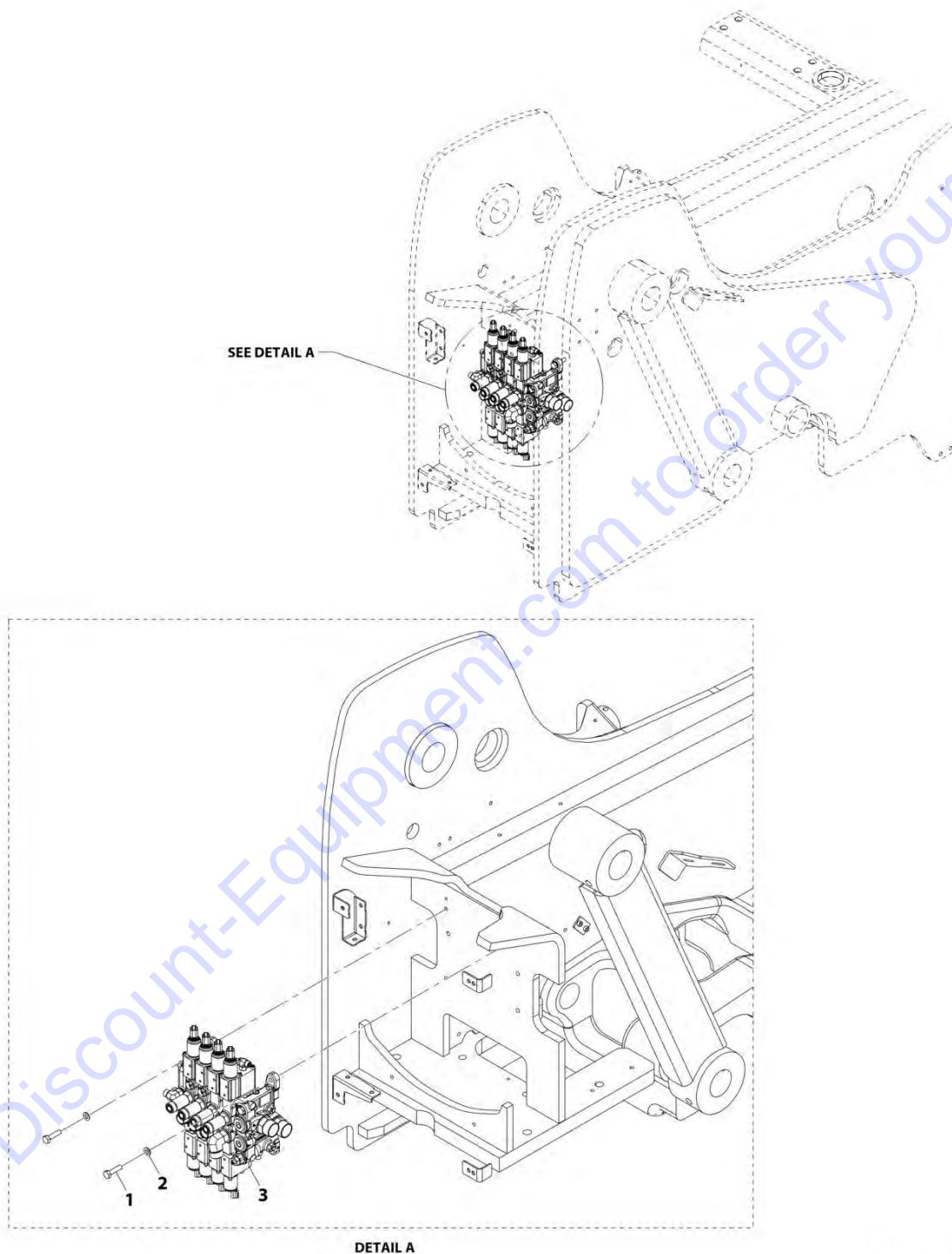
ITEM	PART NUMBER	QTY	DESCRIPTION	REV
	1001161310	Ref	Main Control Valve Installation	E
1	0701016	3	Bolt, M10X40	
2	4812000	3	Washer, M10	
3	1001161321	1	Assembly, Main Control Valve (See MAIN CONTROL VALVE ASSEMBLY for Breakdown)	

Go to Discount-Equipment.com to order your parts



# SECTION 8 - HYDRAULIC CIRCUITS

FIGURE 8-7. MAIN CONTROL VALVE INSTALLATION (SN 0160082543 to Present)



ART\_1001225751-A

## SECTION 8 - HYDRAULIC CIRCUITS

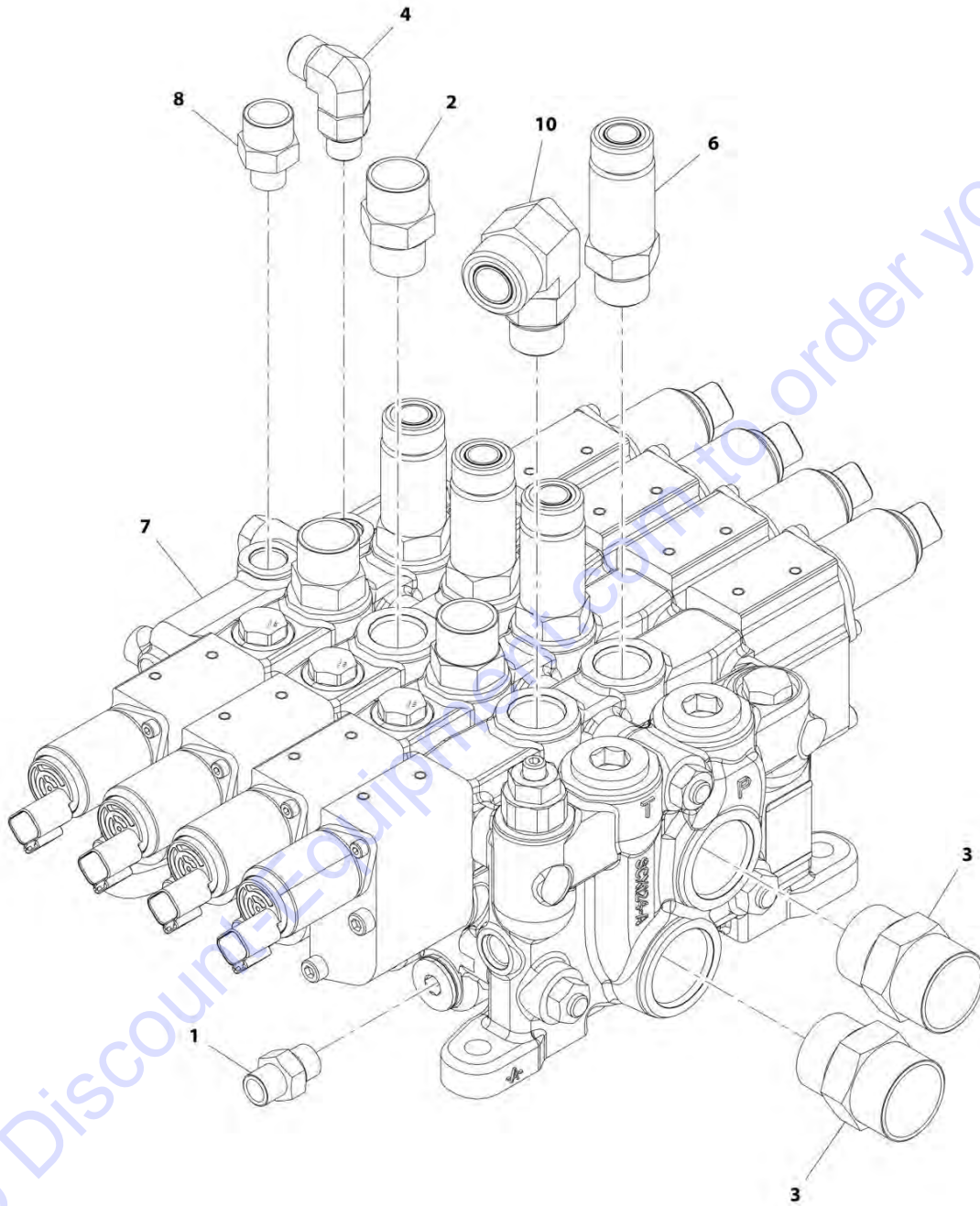
FIGURE 8-7. MAIN CONTROL VALVE INSTALLATION (SN 0160082543 to Present)

ITEM	PART NUMBER	QTY	DESCRIPTION	REV
	1001225751	Ref	Main Control Valve Installation	A
1	0701016	3	Bolt, M10X40	
2	4812000	3	Washer, M10	
3	1001225752	1	Assembly, Main Control Valve Assembly (See Separate Breakdown in this Section)	

Go to Discount-Equipment.com to order your parts

# SECTION 8 - HYDRAULIC CIRCUITS

FIGURE 8-8. MAIN CONTROL VALVE ASSEMBLY (Prior to SN 0160082543)



ART\_1001161321-H

## SECTION 8 - HYDRAULIC CIRCUITS

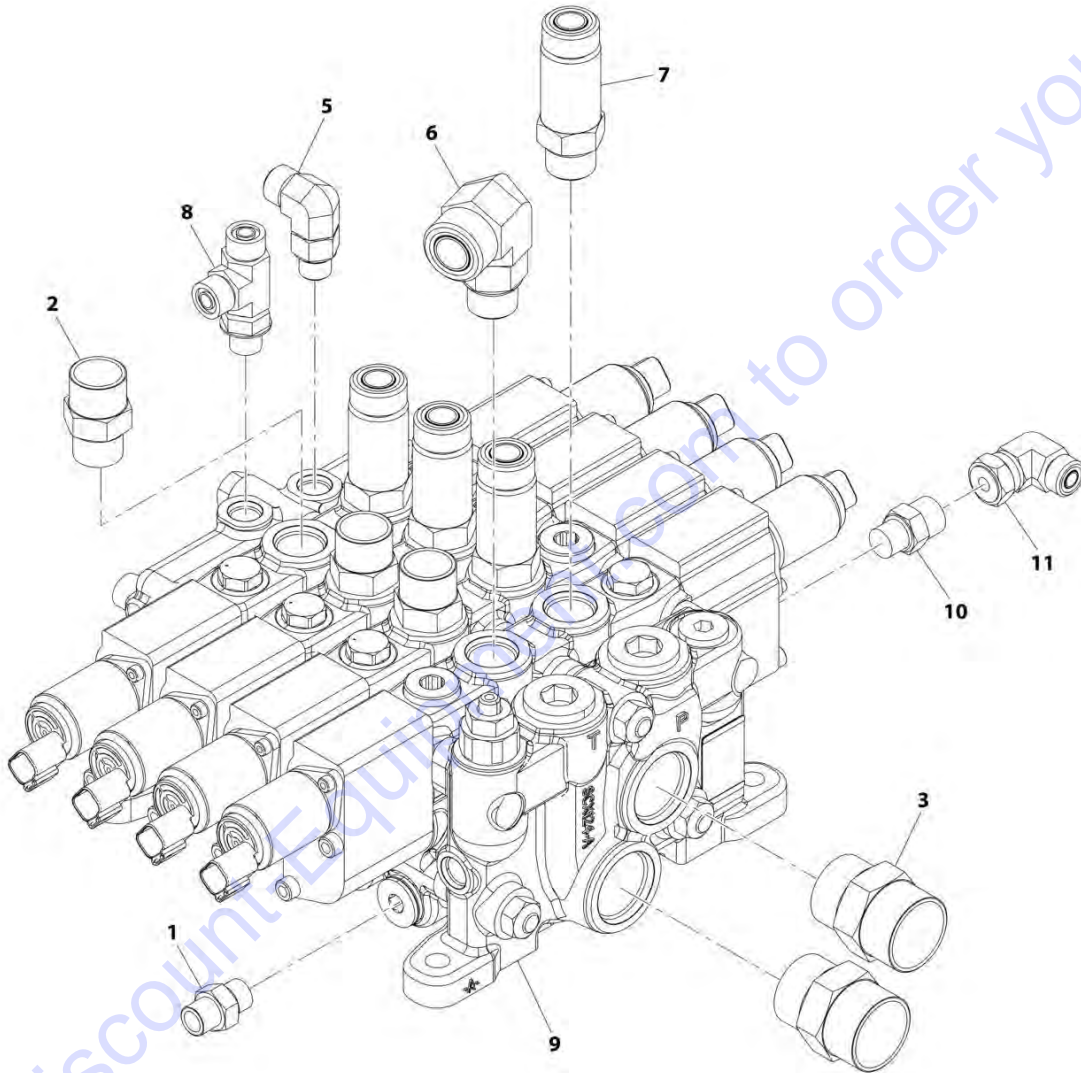
**FIGURE 8-8. MAIN CONTROL VALVE ASSEMBLY (Prior to SN 0160082543)**

ITEM	PART NUMBER	QTY	DESCRIPTION	REV
	1001161321	Ref	Main Control Valve Assembly	H
1	2110406	1	Fitting, Straight ORFS	
2	2111010	3	Fitting, Straight ORFS	
3	2111616	2	Fitting, Straight ORFS	
4	2130606	1	Fitting, 90 ORFS	
6	2170110	4	Fitting, Straight ORFS	
7		Ref	Valve, Main Control (See Separate Breakdown in HYDRAULIC COMPONENTS Section)	
8	2110806	1	Fitting, Straight ORFS	
10	2131210	1	Fitting, 90 ORFS	

Go to Discount-Equipment.com to order your parts

# SECTION 8 - HYDRAULIC CIRCUITS

FIGURE 8-9. MAIN CONTROL VALVE ASSEMBLY (SN 0160082543 to Present)



ART\_1001225752-C

## SECTION 8 - HYDRAULIC CIRCUITS

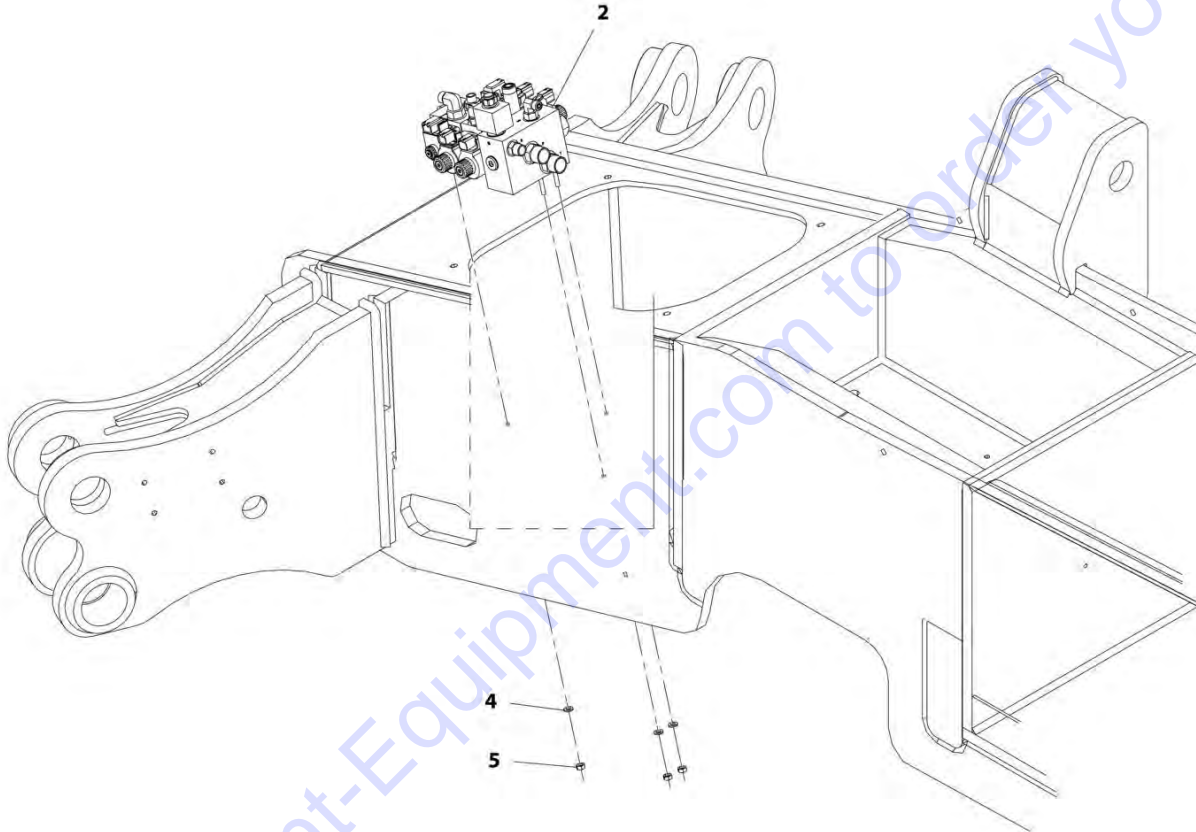
**FIGURE 8-9. MAIN CONTROL VALVE ASSEMBLY (SN 0160082543 to Present)**

ITEM	PART NUMBER	QTY	DESCRIPTION	REV
	1001225752	Ref	INSTALL, MCV FTG ASSY	C
1	2110406	1	ADPT,ST S ORFS/ORB 4-6 FG	
2	2111010	3	ADPT,ST S ORFS/ORB 10-10 FG	
3	2111616	2	ADPT,ST S ORFS/ORB 16-16 FG	
5	2130606	1	ADPT,90 S ORFS/ORB 6-6 FG	
6	2131210	1	ADPT,90 S ORFS/ORB 12-10 FG	
7	2170110	4	ADPT,ST L ORFS/ORB 10-10 FG	
8	2170306	1	ADPT,TR ORFS/ORB/ORFS 6-6-6 FG	
9		Ref	Valve, Main Control (See Separate Breakdown in HYDRAULIC COMPONENTS Section)	
10	2110606	1	Fitting, Straight ORFS	
11	2172106	1	Adapter, 90	

Go to Discount-Equipment.com to order your parts

## SECTION 8 - HYDRAULIC CIRCUITS

FIGURE 8-10. FRAME LEVEL AND OUTRIGGER VALVE INSTALLATION (Prior to SN 0160069775)



ART\_1001161316-D

## SECTION 8 - HYDRAULIC CIRCUITS

**FIGURE 8-10. FRAME LEVEL AND OUTRIGGER VALVE INSTALLATION (Prior to SN 0160069775)**

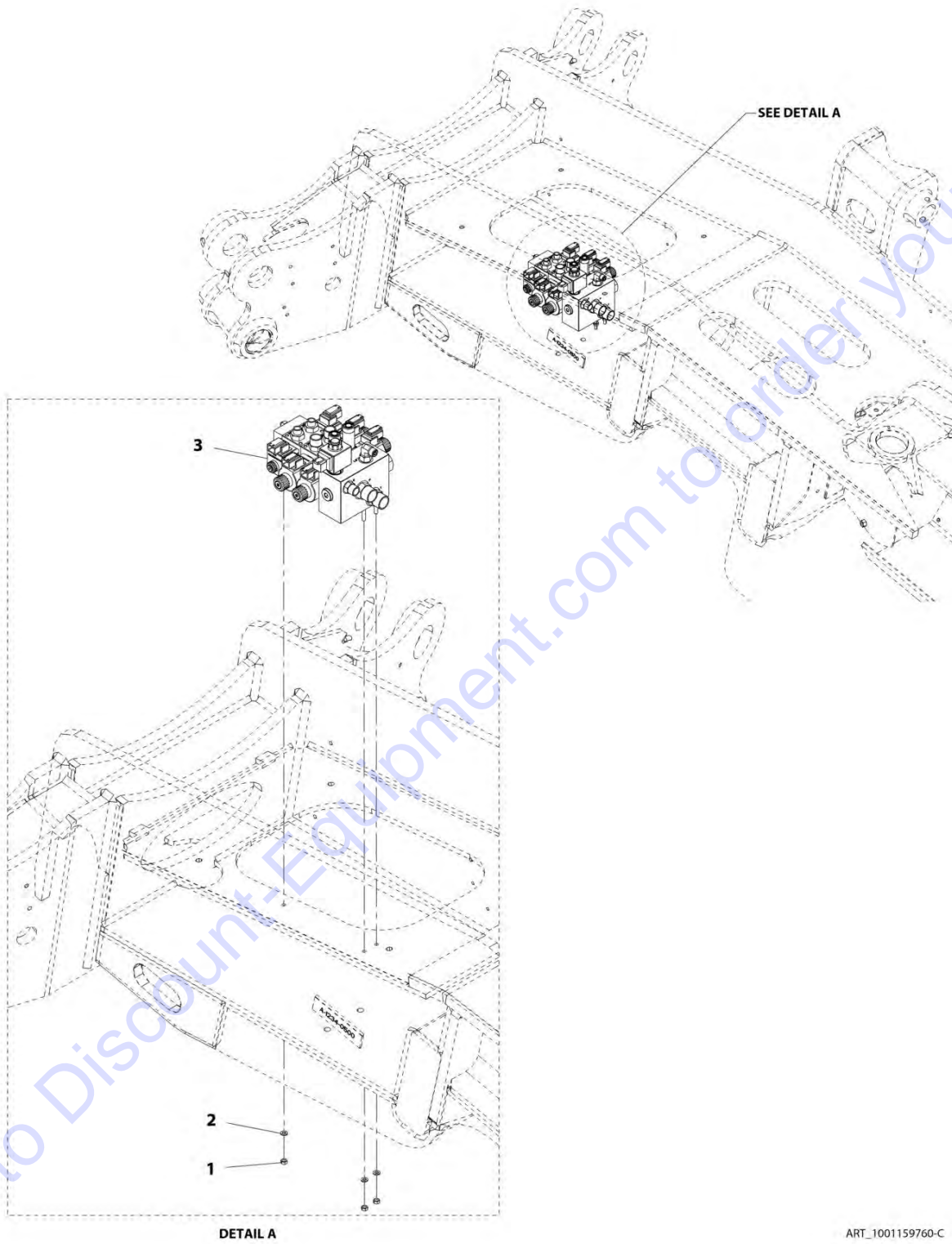
ITEM	PART NUMBER	QTY	DESCRIPTION	REV
	1001161316	Ref	Frame Level and Outrigger Valve Installation	D
2	1001161317	1	Assembly, Frame Level and Outrigger Valve (See FRAME LEVEL AND OUTRIGGER VALVE ASSEMBLY for Breakdown)	
4	4811700	3	Washer, M6	
5	3290601	3	Nut, M6X1	

Go to Discount-Equipment.com to order your parts



# SECTION 8 - HYDRAULIC CIRCUITS

FIGURE 8-11. FRAME LEVEL AND OUTRIGGER VALVE INSTALLATION (SN 0160069775 to Present)



ART\_1001159760-C

## SECTION 8 - HYDRAULIC CIRCUITS

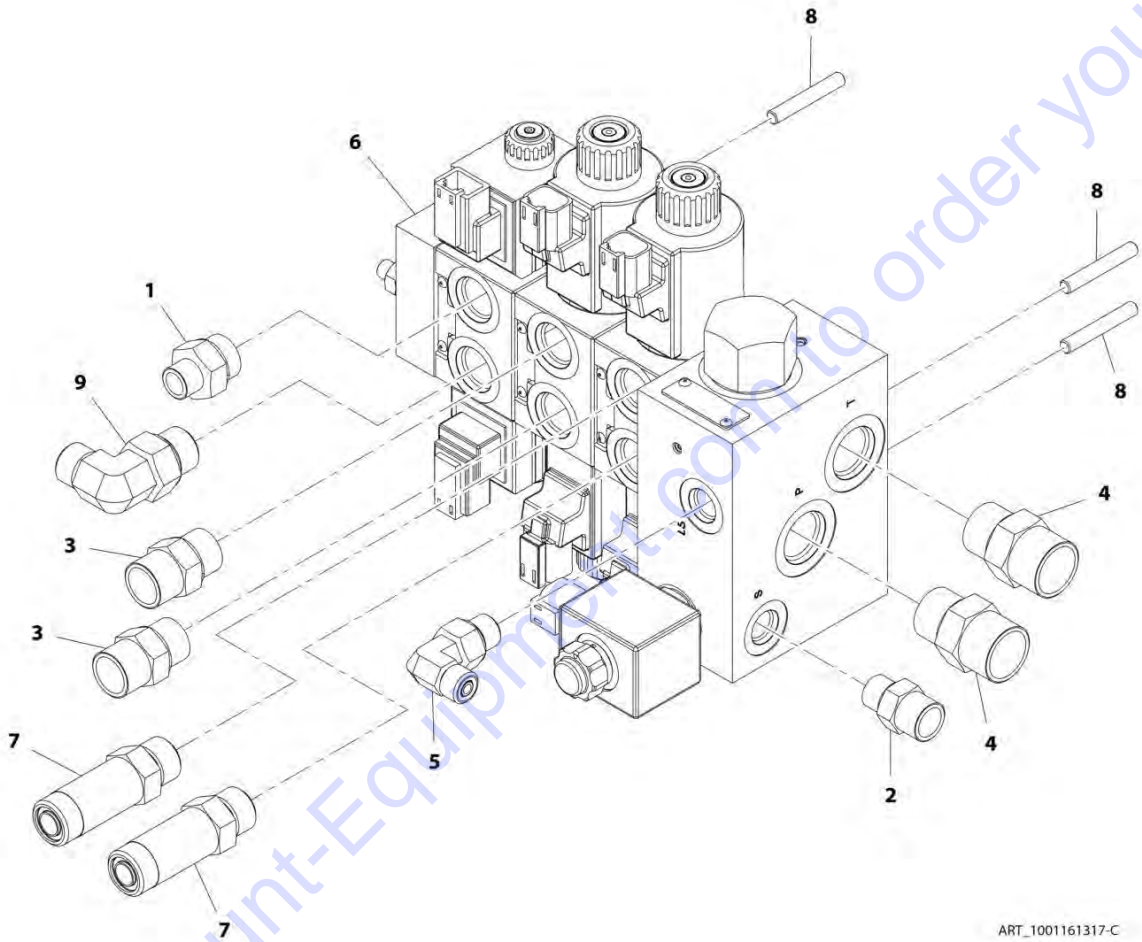
FIGURE 8-11. FRAME LEVEL AND OUTRIGGER VALVE INSTALLATION (SN 0160069775 to Present)

ITEM	PART NUMBER	QTY	DESCRIPTION	REV
	1001159760	Ref	Frame Level and Outrigger Valve Installation	C
1	3290601	3	Nut, M6X1 Grade 8	
2	4811700	3	Washer, M6	
3	1001159847	1	Assembly, Frame Level and Outrigger Valve (See FRAME LEVEL AND OUTRIGGER VALVE ASSEMBLY for Breakdown)	

Go to Discount-Equipment.com to order your parts

# SECTION 8 - HYDRAULIC CIRCUITS

FIGURE 8-12. FRAME LEVEL AND OUTRIGGER VALVE ASSEMBLY (Prior to SN 0160069775)



ART\_1001161317-C

## SECTION 8 - HYDRAULIC CIRCUITS

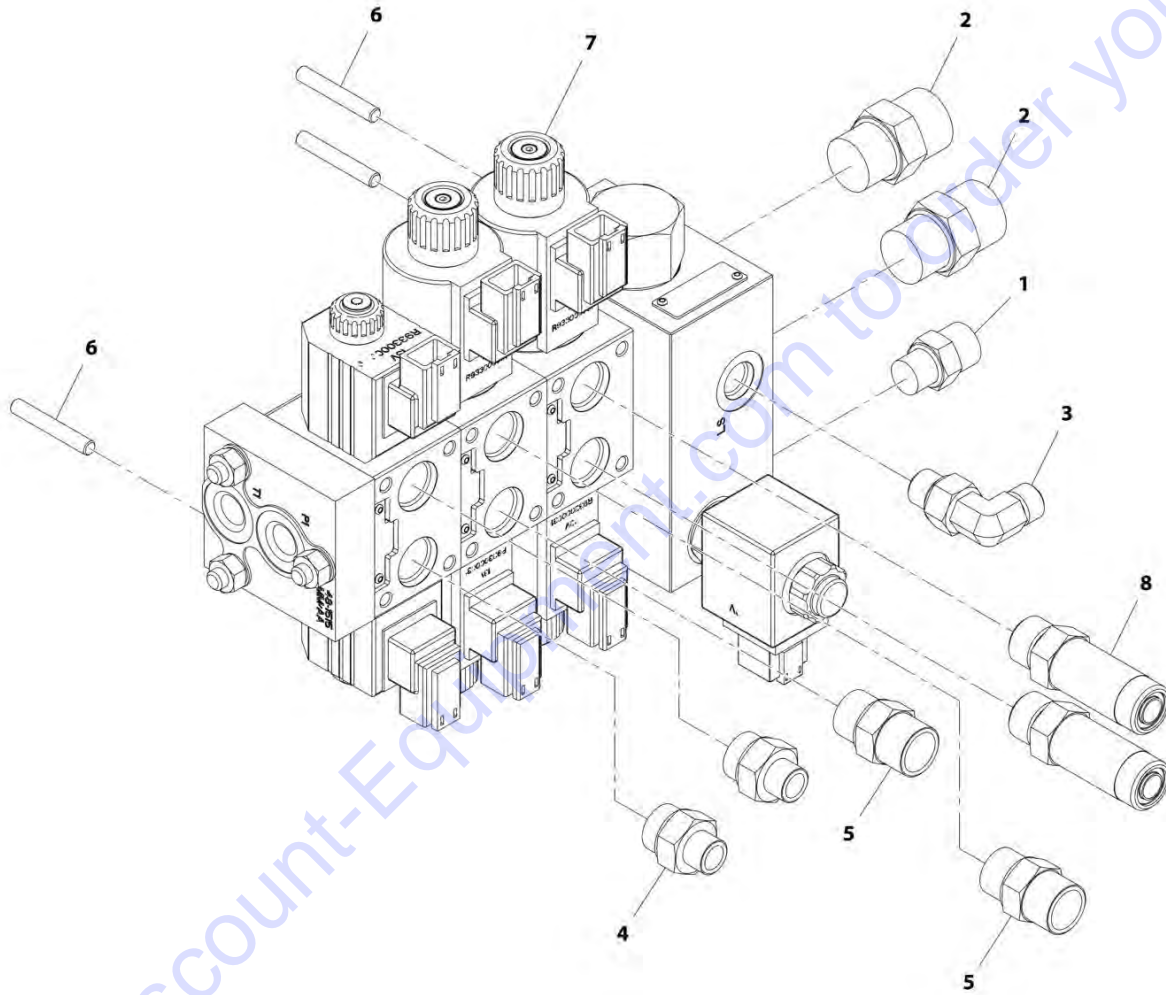
**FIGURE 8-12. FRAME LEVEL AND OUTRIGGER VALVE ASSEMBLY (Prior to SN 0160069775)**

ITEM	PART NUMBER	QTY	DESCRIPTION	REV
	1001161317	Ref	Frame Level and Outrigger Valve Assembly	C
1	2110408	1	Fitting, Straight ORFS	
2	2110606	1	Fitting, Straight ORFS	
3	2110808	2	Fitting, Straight ORFS	
4	2111010	2	Fitting, Straight ORFS	
5	2130406	1	Fitting, 90 ORFS	
6	1001157972	1	Valve, Frame Level and Outrigger (See HYDRAULIC COMPONENTS SECTION for Breakdown)	
7	2170108	2	Fitting, Straight ORFS	
8	1001177702	3	Stud, M6X40	
9	2130608	1	Fitting, 90 ORFS	

Go to Discount-Equipment.com to order your parts

# SECTION 8 - HYDRAULIC CIRCUITS

FIGURE 8-13. FRAME LEVEL AND OUTRIGGER VALVE ASSEMBLY (SN 0160069775 to Present)



ART\_1001159847-E

## SECTION 8 - HYDRAULIC CIRCUITS

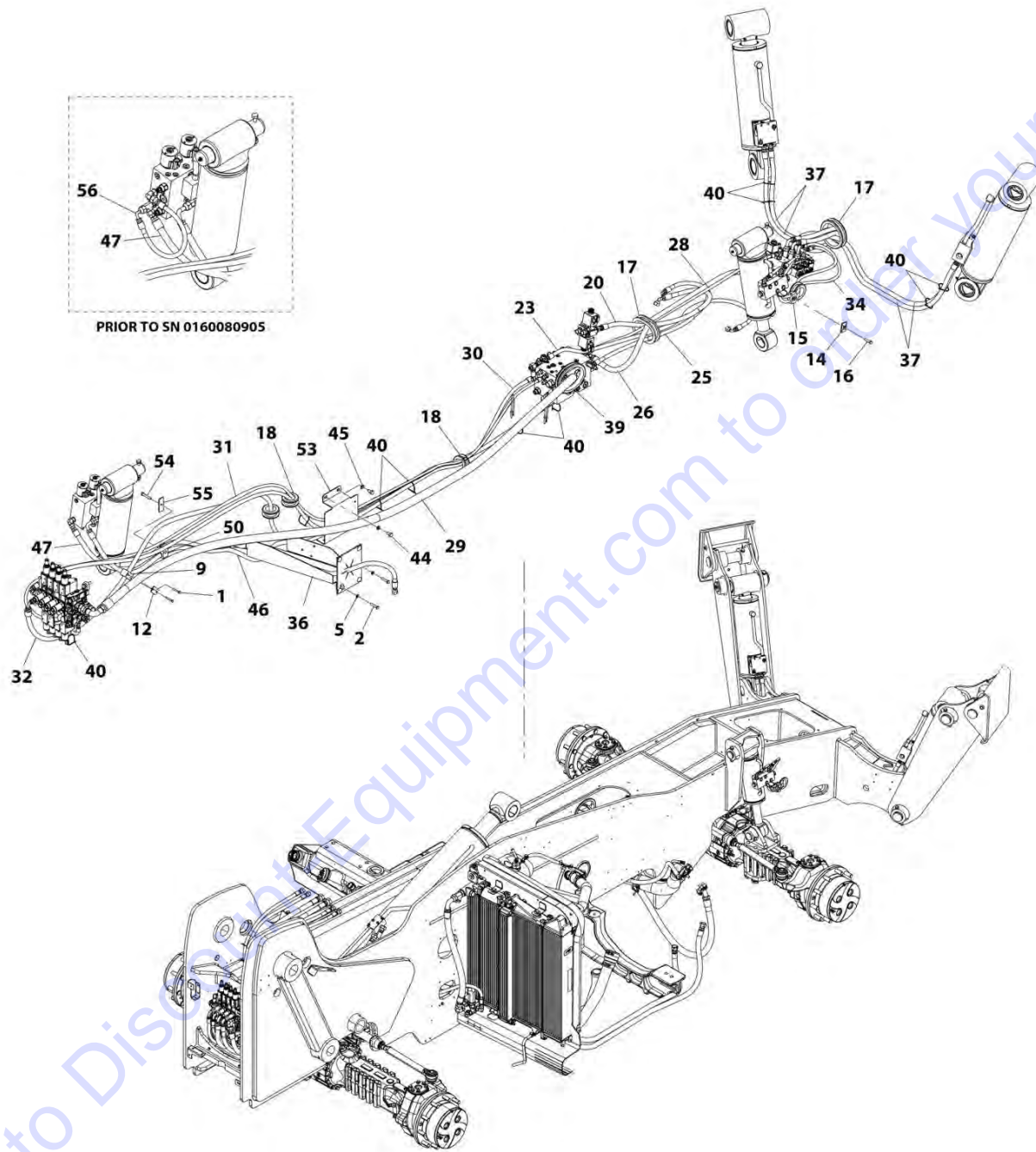
**FIGURE 8-13. FRAME LEVEL AND OUTRIGGER VALVE ASSEMBLY (SN 0160069775 to Present)**

ITEM	PART NUMBER	QTY	DESCRIPTION	REV
	1001159847	Ref	Frame Level and Outrigger Valve Assembly	E
1	2110606	1	Fitting, Straight ORFS	
2	2111010	2	Fitting, Straight ORFS	
3	2130406	1	Fitting, 90 ORFS	
4	2110408	2	Fitting, Straight ORFS	
5	2110808	2	Fitting, Straight ORFS	
6	1001177702	3	Stud, M6X40	
7	1001157972	1	Valve, Frame Level and Outrigger (See HYDRAULIC COMPONENTS SECTION for Breakdown)	
8	2170108	2	Fitting, Straight ORFS	

Go to Discount-Equipment.com to order your parts

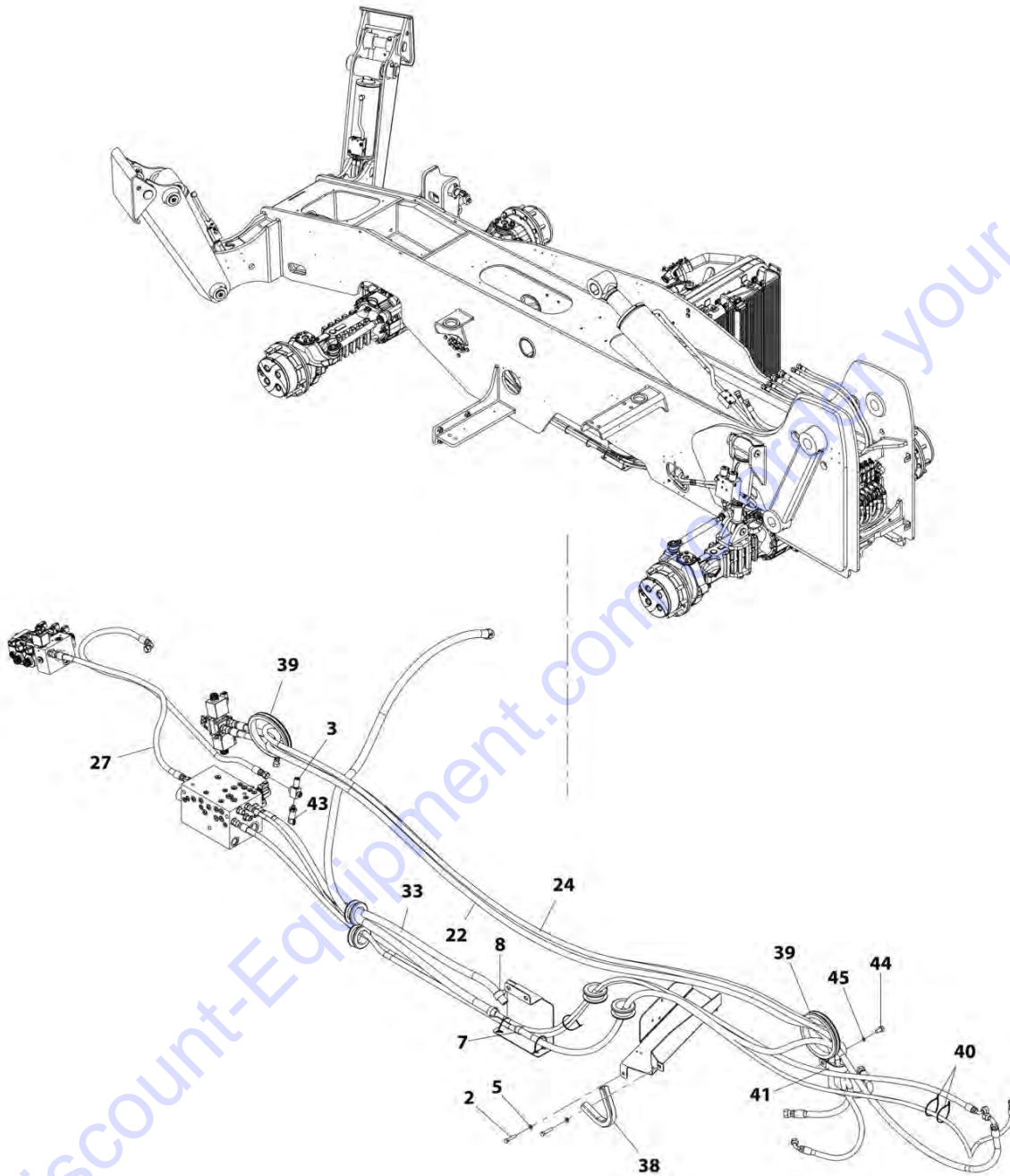
# SECTION 8 - HYDRAULIC CIRCUITS

## FIGURE 8-14. FRAME HYDRAULIC INSTALLATION



ART\_1001161351\_1-X

# SECTION 8 - HYDRAULIC CIRCUITS



ART\_1001161351\_2-X



## SECTION 8 - HYDRAULIC CIRCUITS

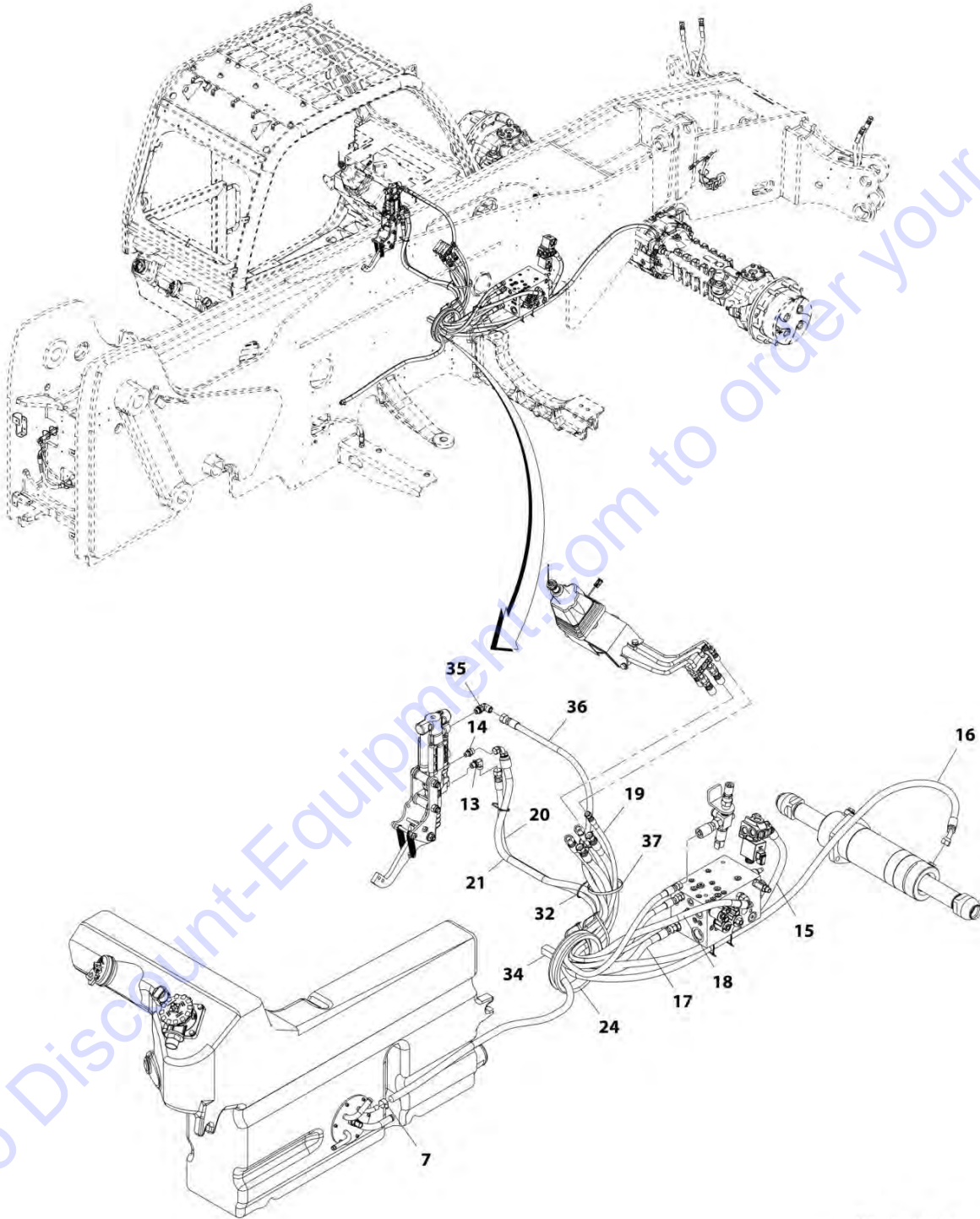
FIGURE 8-14. FRAME HYDRAULIC INSTALLATION

ITEM	PART NUMBER	QTY	DESCRIPTION	REV
	1001161351	Ref	Frame Hydraulic Installation	X
1	0700616	2	Bolt, M6X40	
2	0700815	4	Bolt, M8X40	
3	1001205756	1	Fitting, Tee	
5	4811900	4	Washer, M8	
7	8405006	1	Clamp, Gear	
8	8410009	1	Clamp, Gear	
9	8750029	1	Clamp, Hose	
12	8769153	1	Plate, Cover	
14	77133140	1	Plate, Cover	
15	77133168	1	Clamp, Twin Hose	
16	0760815	1	Bolt, M8X35	
17	1001166397	2	Grommet	
18	1001028308	5	Grommet	
20	1001161340	1	Hose	
22	1001161343	2	Hose	
23	1001202846	1	Hose	
24	1001202847	1	Hose	
25	1001161535	1	Hose	
26	1001161909	1	Hose	
27	1001161910	1	Hose	
28	1001161911	1	Hose	
29	1001161972	1	Hose	
30	1001161973	1	Hose	
31	1001161974	1	Hose	
32	1001161975	1	Hose (Prior to SN 0160083962)	
32	1001225467	1	Hose (SN 0160083962 to Present)	
33	1001161976	1	Hose	
34	1001162069	2	Hose	
36	1001199750	1	Channel, Hose	
37	1001200080	4	Hose (Prior to SN 0160078794)	
37	1001214468	4	Hose (SN 0160078794 to Present)	
38	4060919	225 mm	Trim, Hose Protection	
39	1001177704	3	Grommet	
40	4240099	16	Tie, Wire	
41	80673025	1	P-Clamp, 2.25	
43	1001147340	1	Sensor, Pressure	
44	0761010	3	Bolt, M10X20	
45	4812000	3	Washer, M10	
46	1001182506	1	Hose	
47	1001192042	1	Hose	
50	8750016	1	Clamp, Twin Hose	
53	1001208881	1	Bracket, Hose Guide	
54	0700817	1	Bolt, M8X45	
55	77133137	1	Plate, Twin Hose Cover	
56	1001097810	1	Hose (Prior to SN 0160080905)	



# SECTION 8 - HYDRAULIC CIRCUITS

## FIGURE 8-15. CAB HYDRAULIC INSTALLATION



ART\_1001161352-M

## SECTION 8 - HYDRAULIC CIRCUITS

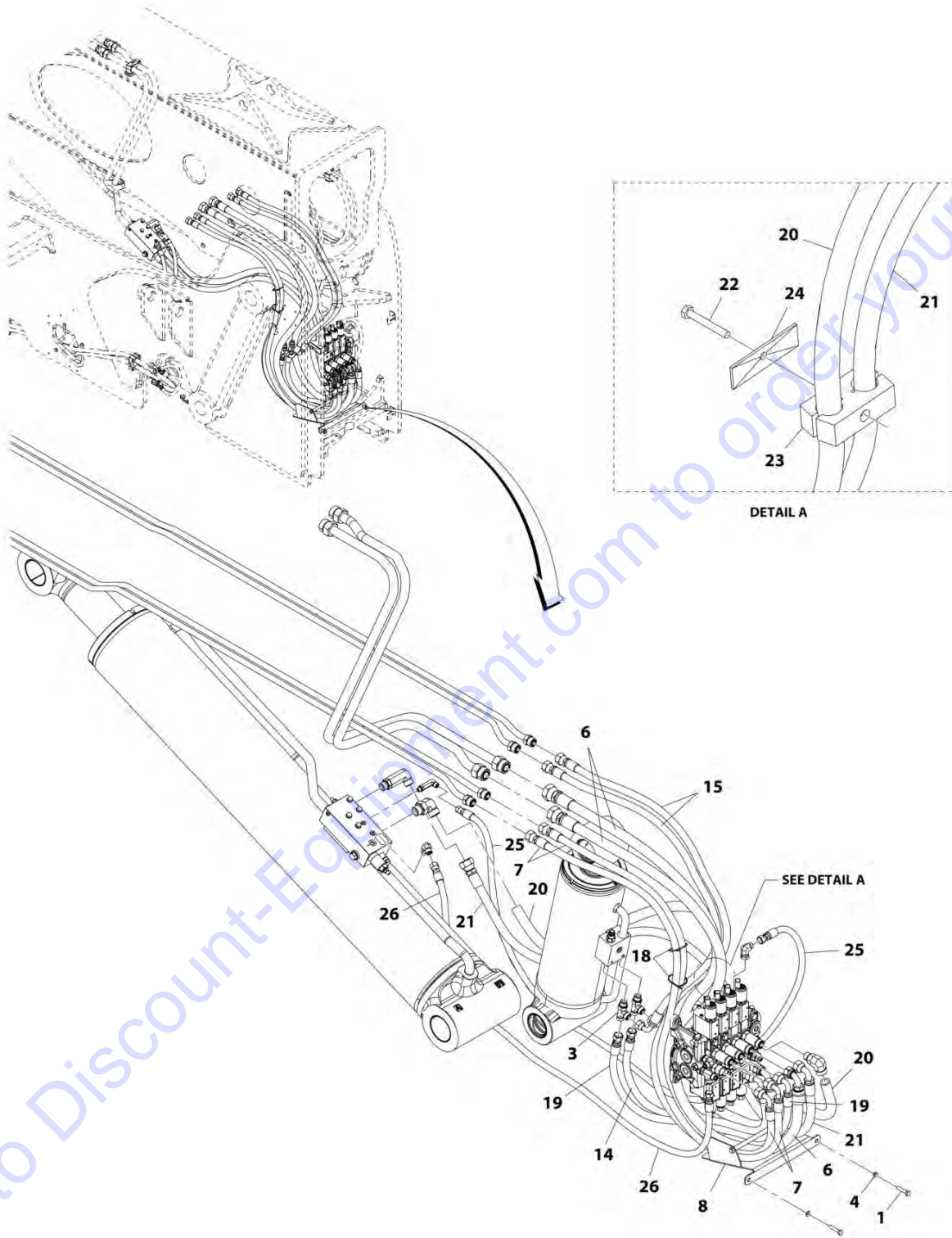
**FIGURE 8-15. CAB HYDRAULIC INSTALLATION**

ITEM	PART NUMBER	QTY	DESCRIPTION	REV
	1001161352	Ref	Cab Hydraulic Installation	M
7	8405006	1	Clamp, Gear	
13	8770120	1	Fitting, 90 ORFS	
14	80233218	1	Fitting, Straight ORFS	
15	1001204152	1	Hose	
16	1001204153	1	Hose	
17	1001161344	1	Hose	
18	1001204154	1	Hose	
19	1001161346	1	Hose	
20	1001161527	1	Hose	
21	1001161528	1	Hose	
24	1001169830	1	Grommet	
32	4240099	5	Tie, Wire	
34	4060919	230 mm	Shield	
35	1001168054	1	Adapter	
36	1001203067	1	Hose	
37	4240018	3	Strap	

Go to Discount-Equipment.com to order your parts

# SECTION 8 - HYDRAULIC CIRCUITS

## FIGURE 8-16. BOOM HYDRAULIC INSTALLATION



ART\_1001194245-F

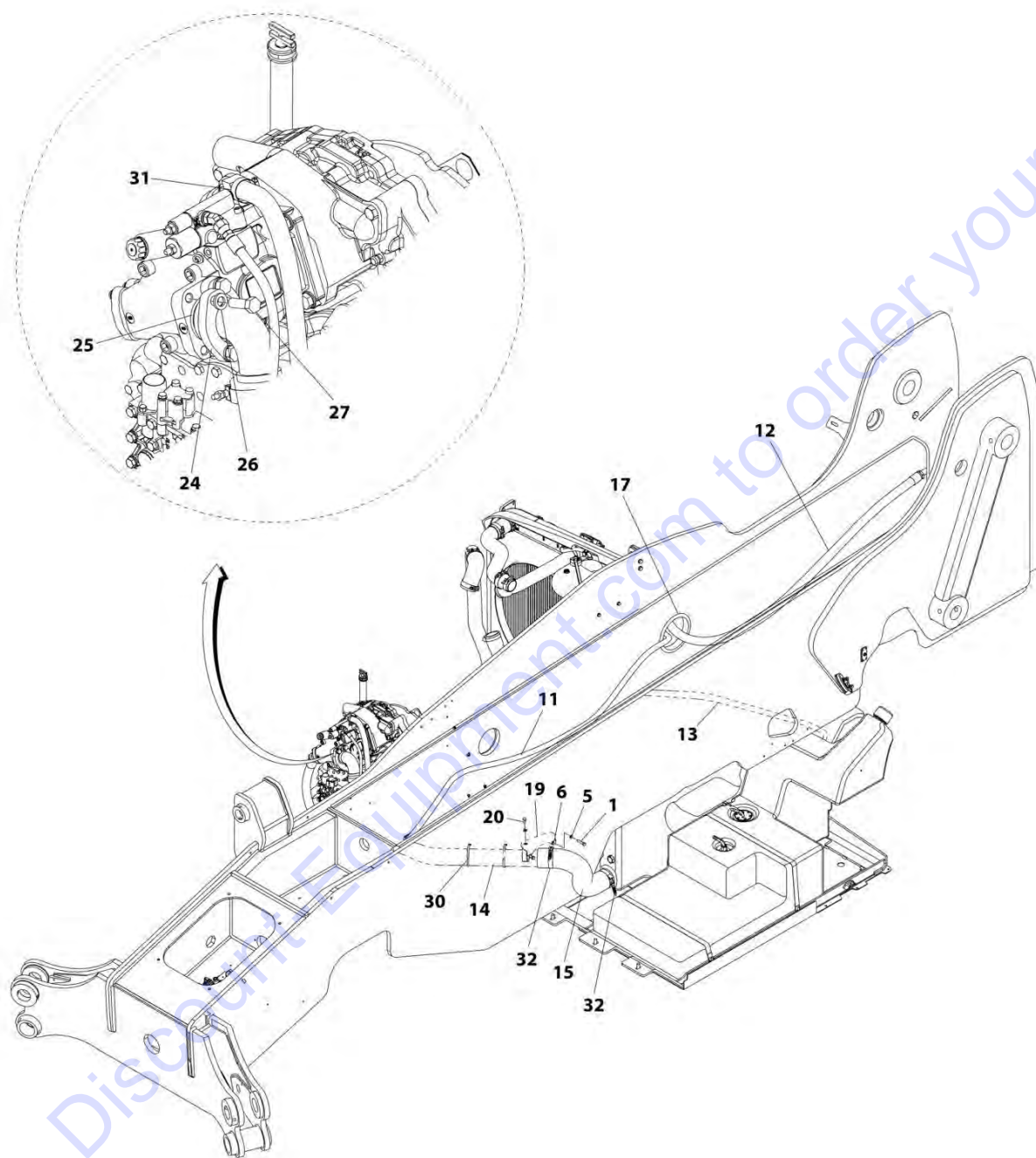
## SECTION 8 - HYDRAULIC CIRCUITS

**FIGURE 8-16. BOOM HYDRAULIC INSTALLATION**

ITEM	PART NUMBER	QTY	DESCRIPTION	REV
	1001194245	Ref	Boom Hydraulic Installation	F
1	0700816	2	Bolt, M8X40	
2	0761012	NLA	Bolt, M10X25, (no longer available) (not shown)	
3	2170308	2	Fitting, Tee ORFS	
4	4811900	2	Washer, M8	
5	4812000	NLA	Washer, M10, (no longer available) (not shown)	
6	1001169376	2	Hose	
7	1001169378	2	Hose	
8	1001193771	1	Channel, Boom Hose	
9	1001199179	NLA	Bracket, (no longer available) (not shown)	
10	1001193777	NLA	Hose, (no longer available) (not shown)	
11	1001193778	NLA	Hose (no longer available, order 1001201922 for service) (not shown)	
12	1001193779	NLA	Hose, (no longer available) (not shown)	
13	1001193780	NLA	Hose (no longer available, order 1001201922 for service) (not shown)	
14	1001193781	1	Hose	
15	1001193782	2	Hose	
16	2171112	NLA	Fitting, Bulkhead ORFS, (no longer available) (not shown)	
17	2171210	NLA	Fitting, 90 ORFS, (no longer available) (not shown)	
18	4240099	2	Tie, Wire	
19	1001188637	1	Hose	
20	1001201921	1	Hose	
21	1001201922	1	Hose <b>(Prior to SN 0160082543)</b>	
21	1001226397	1	Hose <b>(SN 0160082543 to Present)</b>	
22	0700820	1	Screw, M8X60	
23	8750024	1	Clamp	
24	8750025	1	Cover Plate	
25	1001226405	1	Hose	
26	1001226406	1	Hose	

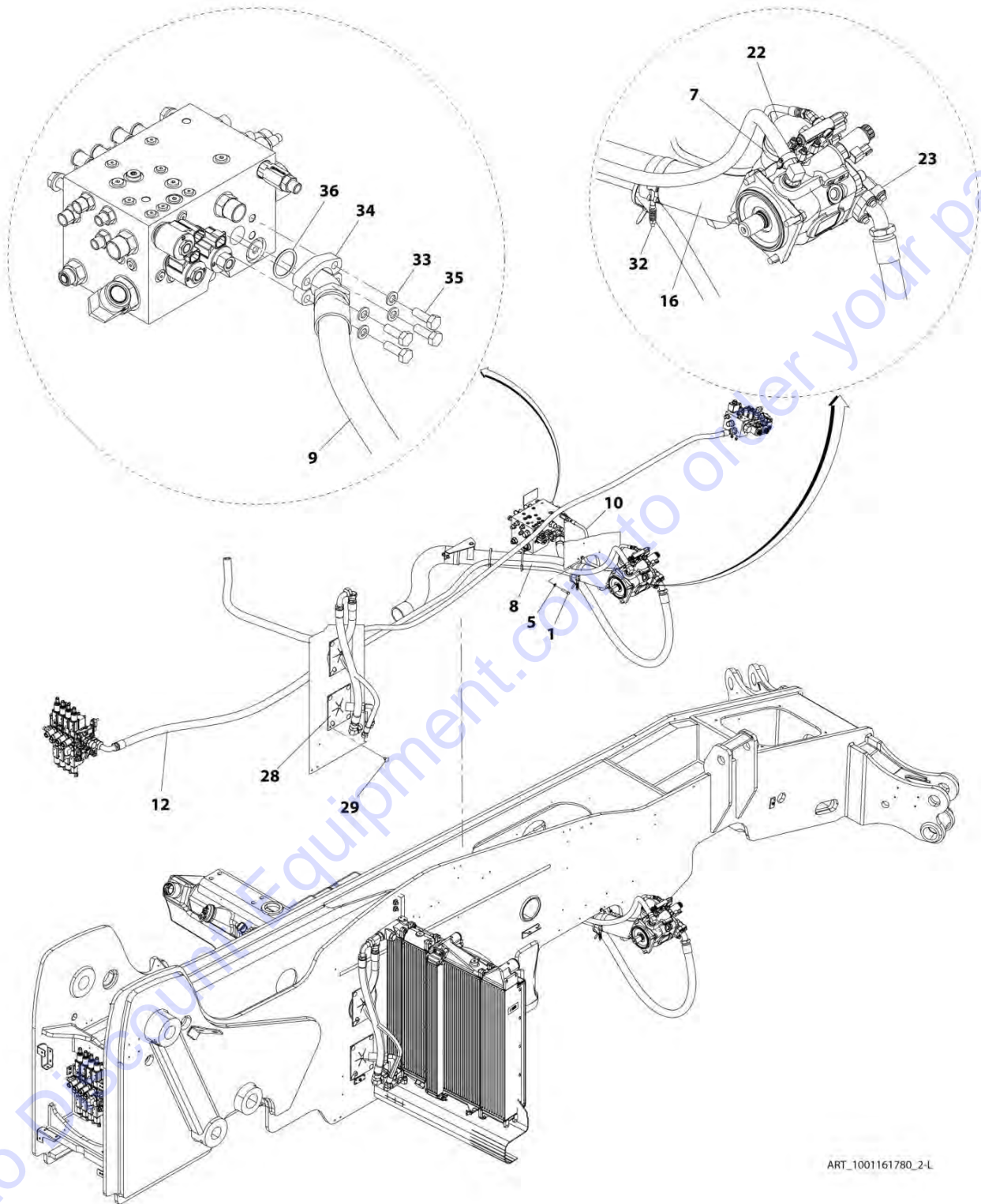
# SECTION 8 - HYDRAULIC CIRCUITS

## FIGURE 8-17. ENGINE BAY HYDRAULIC INSTALLATION



ART\_1001161780\_1-L

# SECTION 8 - HYDRAULIC CIRCUITS



ART\_1001161780\_2-L



## SECTION 8 - HYDRAULIC CIRCUITS

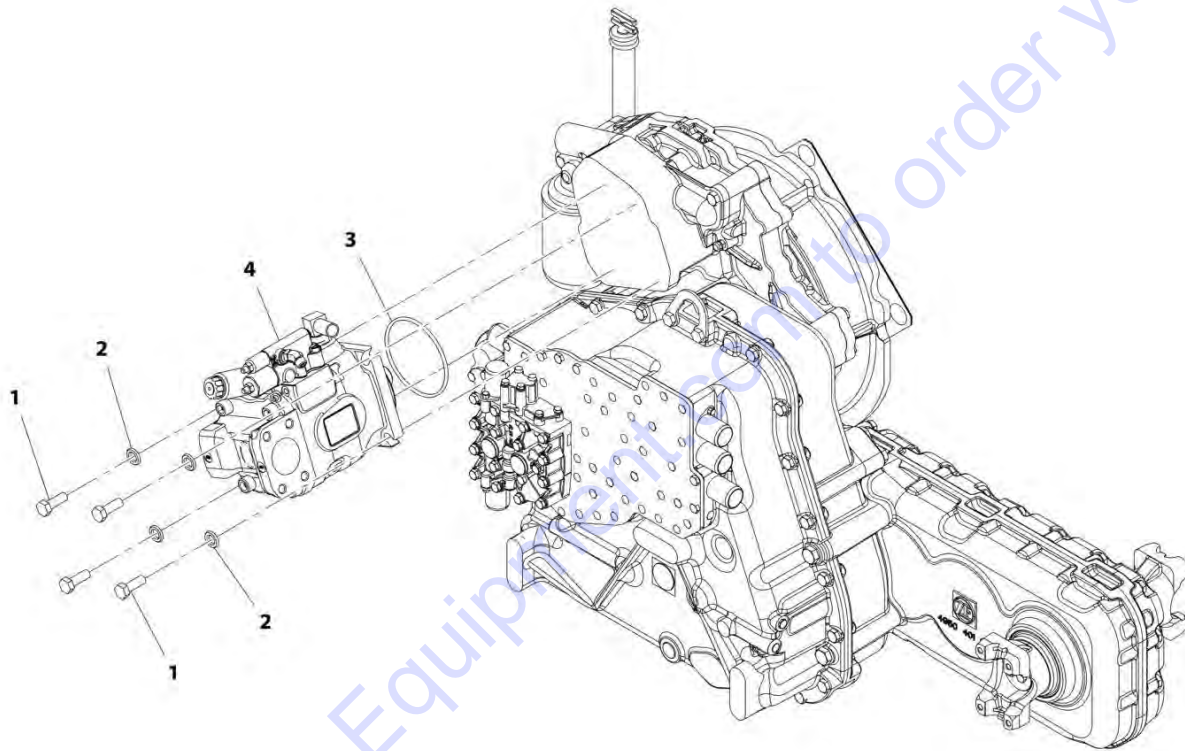
FIGURE 8-17. ENGINE BAY HYDRAULIC INSTALLATION

ITEM	PART NUMBER	QTY	DESCRIPTION	REV
	1001161780	Ref	Engine Bay Hydraulic Installation	L
1	0700816	4	Bolt, M8X40	
5	4811900	5	Washer, M8	
6	8310686	3	Nut, M8X12.5	
7	8405209	1	Clamp, T-Bolt	
8	1001186418	1	Hose	
9	1001192098	1	Hose	
10	1001161797	1	Hose	
11	1001161912	1	Hose	
12	1001161977	1	Hose	
13	1001161978	1	Hose	
14	1001173446	1	Pipe	
15	1001173451	1	Hose	
16	1001173450	1	Hose	
17	1001169830	1	Grommet	
19	1001174338	1	Bracket, Suction Tube	
20	0760810	1	Bolt, M8X20	
22	8424233	1	Elbow, 90	
23	2220478	1	Kit, Flange	
24	8546407	2	Flange, Half	
25	3790228	1	O-Ring	
26	4761800	4	Washer, Lock 1/2	
27	0641812	4	Bolt, 1/2-13	
28	1001175347	2	Grommet, Rubber	
29	1001180306	8	Screw	
30	1062255	3	Strap, Tie	
31	8405007	2	Clamp, Hose	
32	1001186843	3	Clamp, T-Bolt	
33	4832000	4	Washer, Lock M10	
34	8530030	2	Flange, Half	
35	0701014	4	Bolt, M10X30	
36	91083106	1	O-Ring	



## SECTION 8 - HYDRAULIC CIRCUITS

FIGURE 8-18. PISTON PUMP INSTALLATION



ART\_1001162670-C

## SECTION 8 - HYDRAULIC CIRCUITS

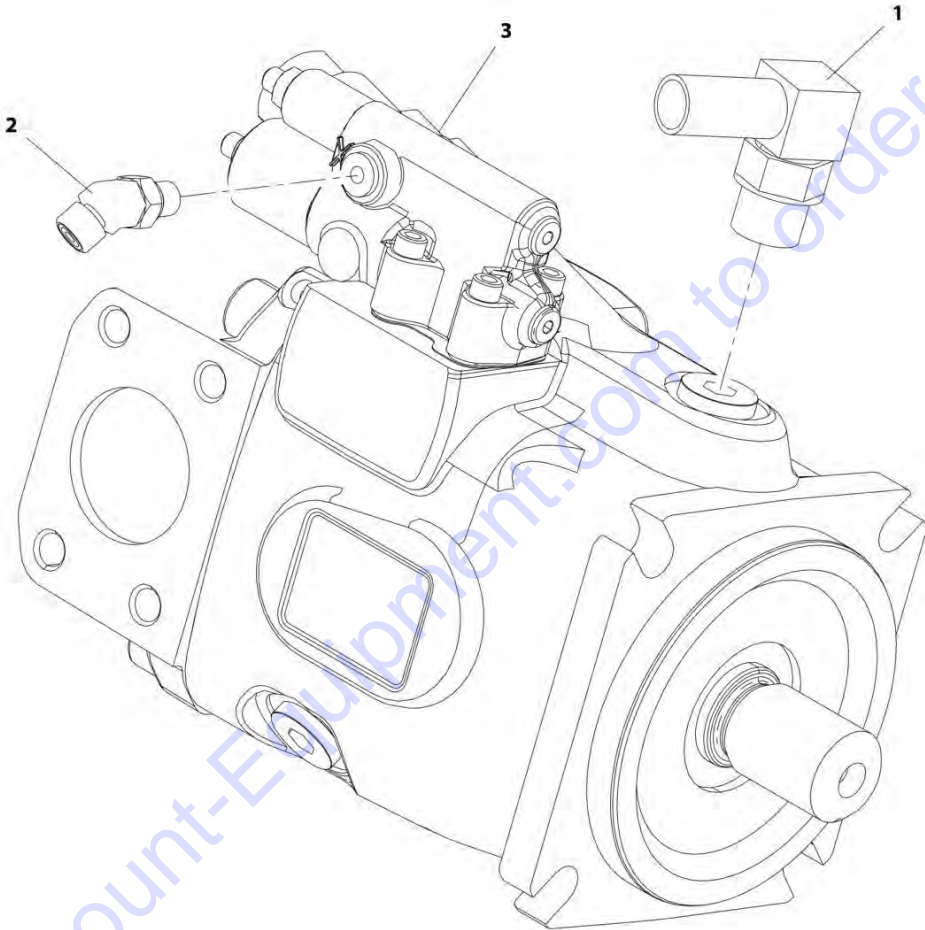
### FIGURE 8-18. PISTON PUMP INSTALLATION

ITEM	PART NUMBER	QTY	DESCRIPTION	REV
	1001162670	Ref	Piston Pump Installation	C
1	0761215	4	Bolt, M12X35	
2	4740532	4	Washer, M12	
3	80933113	1	O-Ring	
4	1001162674	1	Assembly, Piston Pump (See PISTON PUMP ASSEMBLY for Breakdown)	

Go to Discount-Equipment.com to order your parts

**SECTION 8 - HYDRAULIC CIRCUITS**

**FIGURE 8-19. PISTON PUMP ASSEMBLY**



ART\_1001162674-C

## SECTION 8 - HYDRAULIC CIRCUITS

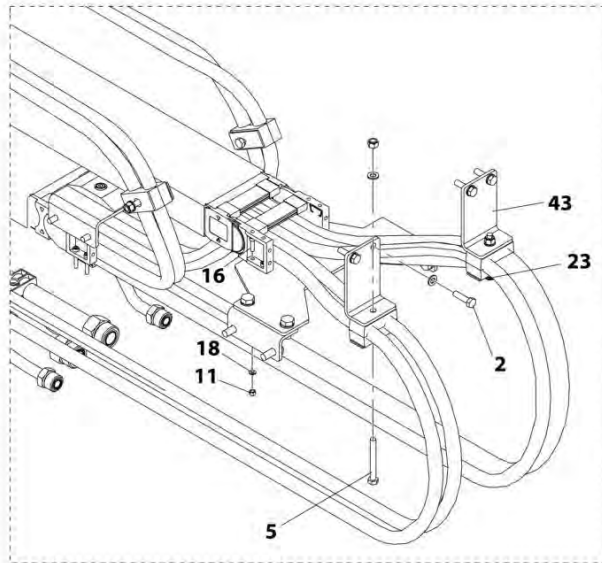
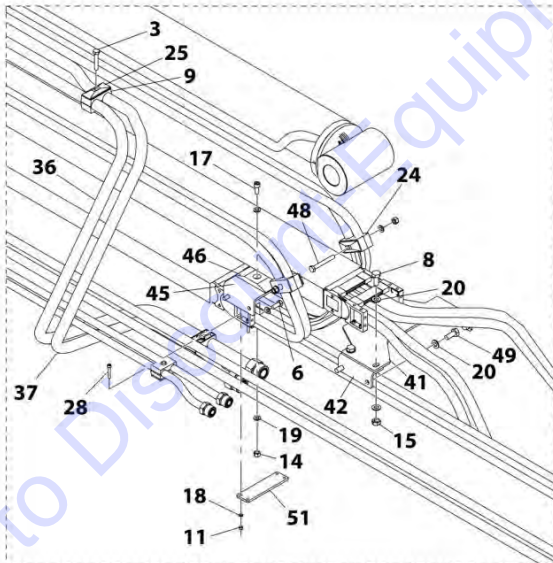
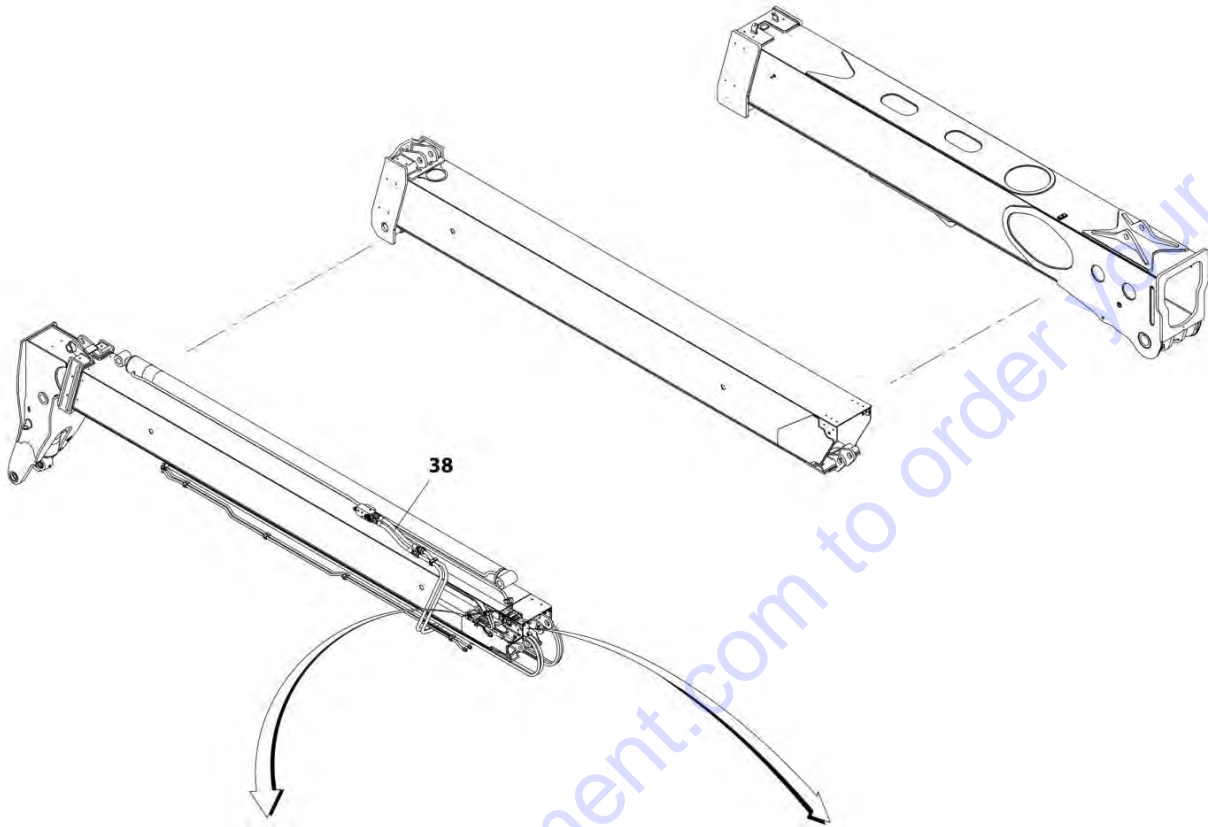
### FIGURE 8-19. PISTON PUMP ASSEMBLY

ITEM	PART NUMBER	QTY	DESCRIPTION	REV
	1001162674	Ref	Piston Pump Assembly	C
1	8424217	1	Fitting, 90	
2	2150404	1	Fitting, 45 ORFS	
3	1001182279	1	Piston Pump (See HYDRAULIC COMPONENTS SECTION for Breakdown)	

Go to Discount-Equipment.com to order your parts

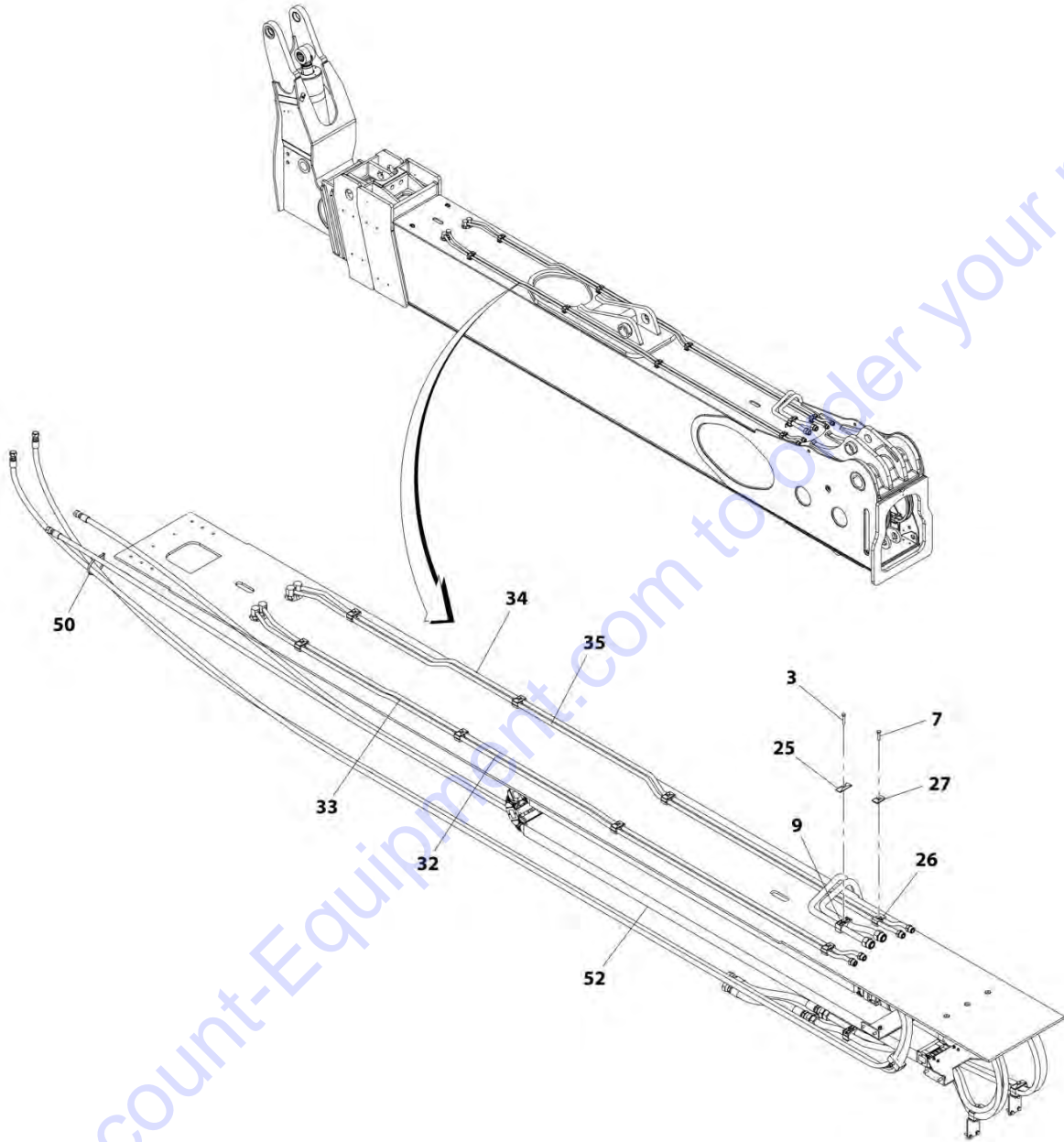
# SECTION 8 - HYDRAULIC CIRCUITS

## FIGURE 8-20. BOOM HYDRAULIC TUBES INSTALLATION



ART\_1001174329\_1-I

# SECTION 8 - HYDRAULIC CIRCUITS



ART\_1001174329\_2-1



## SECTION 8 - HYDRAULIC CIRCUITS

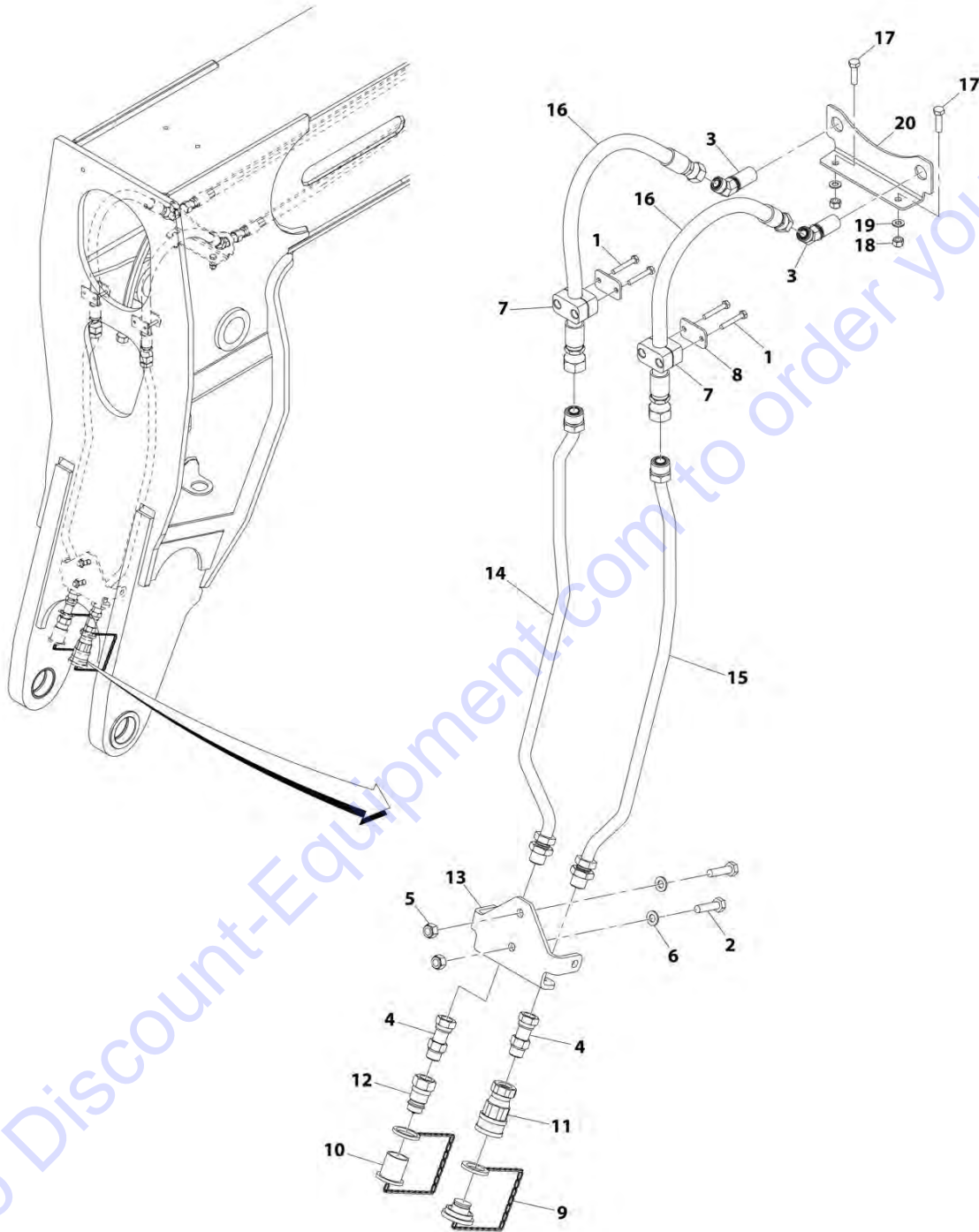
FIGURE 8-20. BOOM HYDRAULIC TUBES INSTALLATION

ITEM	PART NUMBER	QTY	DESCRIPTION	REV
	1001174329	Ref	Boom Hydraulic Tubes Installation	I
2	0700814	4	Bolt, M8X30	
3	0700817	2	Bolt, M8X45	
5	0700822	2	Bolt, M8X70	
6	0760810	4	Bolt, M8X20	
7	0760815	8	Bolt, M8X35	
8	0761012	2	Bolt, M10X25	
9	1321329	2	Clamp	
11	3290505	8	Nut, Lock M5X0.8	
14	3290805	6	Nut, Lock M8X1.25	
15	3291001	2	Nut, M10X1.5	
16	4031608	4	Bolt, M5X20	
17	4031908	2	Bolt, M8X20	
18	4811600	8	Washer, M5	
19	4811900	17	Washer, M8	
20	4812000	8	Washer, M10	
23	8406105	1	Clip	
24	77133136	4	Clamp	
25	77133137	6	Plate, Twin Hose Cover	
26	77133139	8	Clamp	
27	77133140	8	Plate, Cover	
28	1001104029	4	Bolt, M5X30	
32	1001170536	1	Tube	
33	1001170537	1	Tube	
34	1001170538	1	Tube	
35	1001170539	1	Tube	
36	1001170540	1	Tube	
37	1001170541	1	Tube	
38	1001170549	2	Hose	
41	1001173953	1	Bracket	
42	1001173954	1	Bracket	
43	1001173955	2	Bracket	
45	1001174100	1	Bracket	
46	1001174145	1	Pad	
48	0700821	2	Bolt, M8X65	
49	0761010	4	Bolt, M10X20	
50	8881800	1	Tie Strap	
51	1001202303	1	Plate	
52	1001233919	1	Installation, Twin/Tri Line Hoses (See Separate Breakdown in this Section)	



# SECTION 8 - HYDRAULIC CIRCUITS

## FIGURE 8-21. BOOM AUXILIARY HYDRAULIC INSTALLATION



ART\_1001167781-H

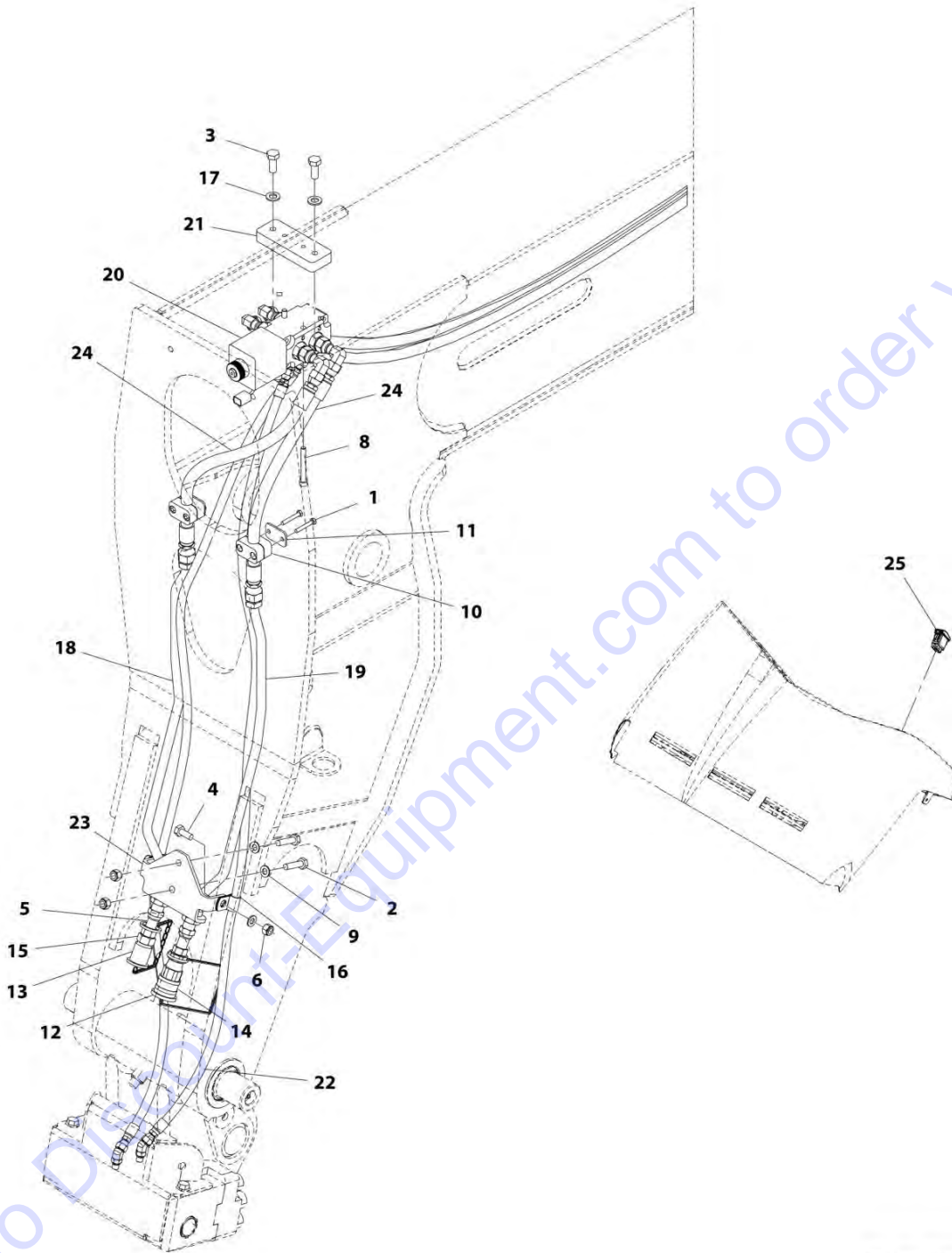
## SECTION 8 - HYDRAULIC CIRCUITS

**FIGURE 8-21. BOOM AUXILIARY HYDRAULIC INSTALLATION**

ITEM	PART NUMBER	QTY	DESCRIPTION	REV
	1001167781	Ref	Boom Auxiliary Hydraulic Installation	H
1	0700616	4	Bolt, M6X40	
2	0701016	2	Bolt, M10X40	
3	2171308	2	Fitting, 45 ORFS	
4	2180849	2	Fitting, Straight ORFS	
5	3291005	2	Nut, Lock M10X1.5	
6	4812000	2	Washer, M10	
7	1024044	2	Clamp	
8	8769153	2	Plate, Cover	
9	91043125	1	Plug, Dust	
10	91043126	1	Cap, Dust	
11	91403413	1	Coupler, Female	
12	91403414	1	Coupler, Male	
13	1001164948	1	Bracket	
14	1001164863	1	Hose (Prior to SN 0160076257)	
14	1001211627	1	Hose (SN 0160076257 to Present)	
15	1001164864	1	Hose (Prior to SN 0160076257)	
15	1001211628	1	Hose (SN 0160076257 to Present)	
16	1001178060	2	Hose	
17	0700814	2	Bolt, M8X30	
18	3290805	2	Nut, Lock M8X1.25	
19	4811900	2	Washer, M8	
20	1001169653	1	Support	

# SECTION 8 - HYDRAULIC CIRCUITS

FIGURE 8-22. HYDRAULIC AUXILIARY WITH COUPLER INSTALLATION



ART\_1001167787-I

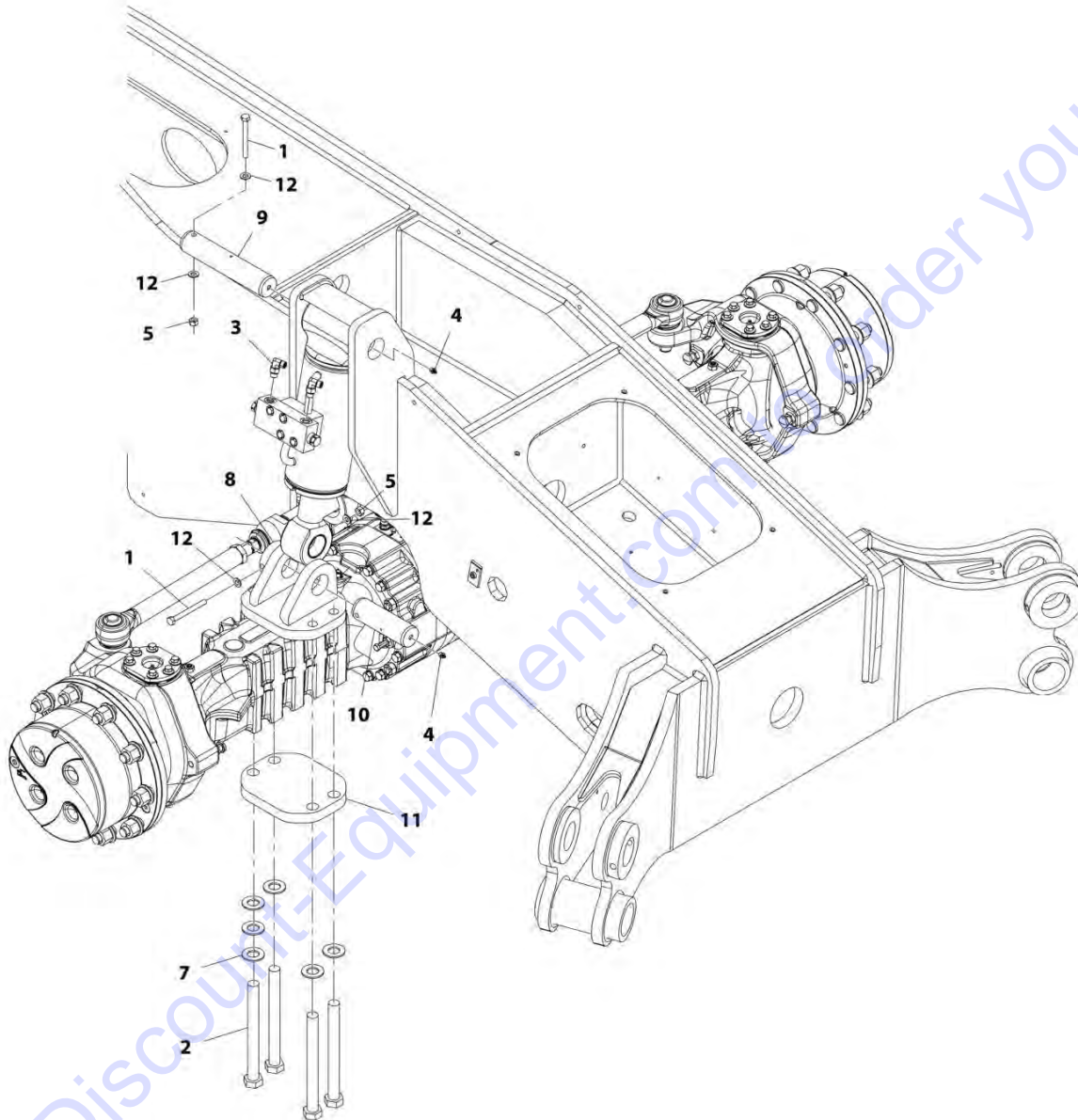
## SECTION 8 - HYDRAULIC CIRCUITS

**FIGURE 8-22. HYDRAULIC AUXILIARY WITH COUPLER INSTALLATION**

ITEM	PART NUMBER	QTY	DESCRIPTION	REV
	1001167787	Ref	Hydraulic Auxiliary with Coupler Installation	I
1	0700616	4	Bolt, M6X40	
2	0701016	2	Bolt, M10X40	
3	0761214	2	Bolt, M12X30	
4	0761012	2	Bolt, M10X25	
5	2180849	2	Fitting, Straight ORFS	
6	3291005	4	Nut, Lock M10X1.5	
8	4031918	2	Bolt, M8X70	
9	4812000	4	Washer, M10	
10	1024044	2	Clamp	
11	8769153	2	Plate, Cover	
12	91043125	1	Plug, Dust	
13	91043126	1	Cap, Dust	
14	91403413	1	Coupler, Female	
15	91403414	1	Coupler, Male	
16	1001080996	2	Clamp	
17	1001125117	2	Washer, M12	
18	1001164863	1	Hose <b>(Prior to SN 0160076257)</b>	
18	1001211627	1	Hose <b>(SN 0160076257 to Present)</b>	
19	1001164864	1	Hose <b>(Prior to SN 0160076257)</b>	
19	1001211628	1	Hose <b>(SN 0160076257 to Present)</b>	
20	1001164869	1	Assembly, Quick Attach Valve (See QUICK ATTACH VALVE ASSEMBLY for Breakdown)	
21	1001164870	1	Plate, Valve Attachment	
22	1001164873	2	Hose	
23	1001164948	1	Bracket, Aux Mount	
24	1001178060	2	Hose	
25	1001080375	1	Switch, Quick Switch	

# SECTION 8 - HYDRAULIC CIRCUITS

## FIGURE 8-23. FRAME LEVEL INSTALLATION



ART\_1001160669-F

## SECTION 8 - HYDRAULIC CIRCUITS

**FIGURE 8-23. FRAME LEVEL INSTALLATION**

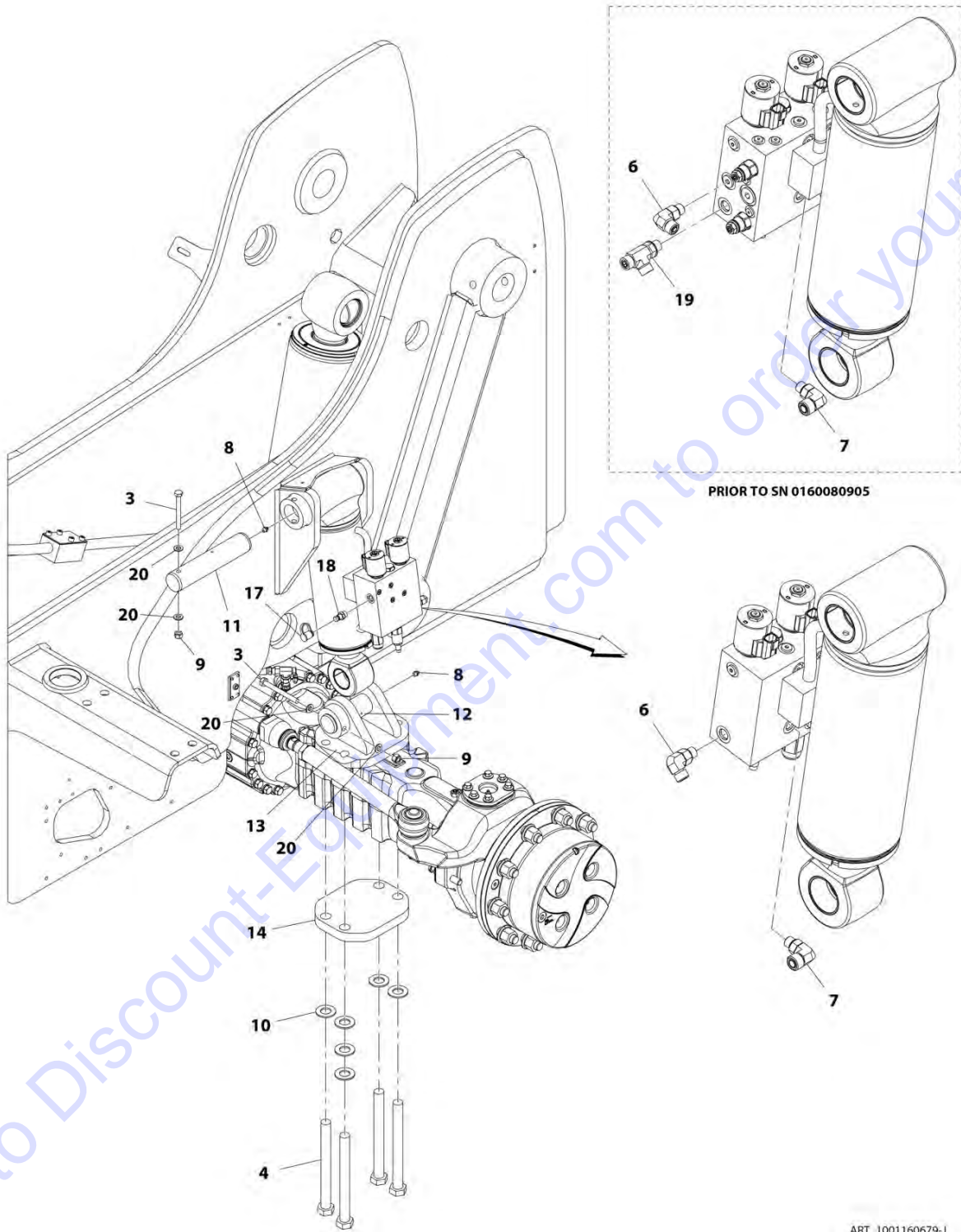
ITEM	PART NUMBER	QTY	DESCRIPTION	REV
	1001160669	Ref	Frame Level Installation	F
1	0711027	2	Bolt, M10X100 Grade 10.9	
2	0712442	4	Bolt, M24X250 Grade 10.9	
3	2130406	2	Fitting, 90 ORFS	
4	2160016	2	Fitting, Grease	
5	3291005	2	Nut, Lock M10X1.5	
7	5242400	6	Washer, M24	
8	1001167697	1	Bracket	
9	1001164971	1	Pin	
10	1001164972	1	Pin	
11	1001168629	1	Plate	
12	4812000	4	Washer, M10	

Go to Discount-Equipment.com to order your parts



# SECTION 8 - HYDRAULIC CIRCUITS

## FIGURE 8-24. REAR AXLE STABILIZER INSTALLATION



## SECTION 8 - HYDRAULIC CIRCUITS

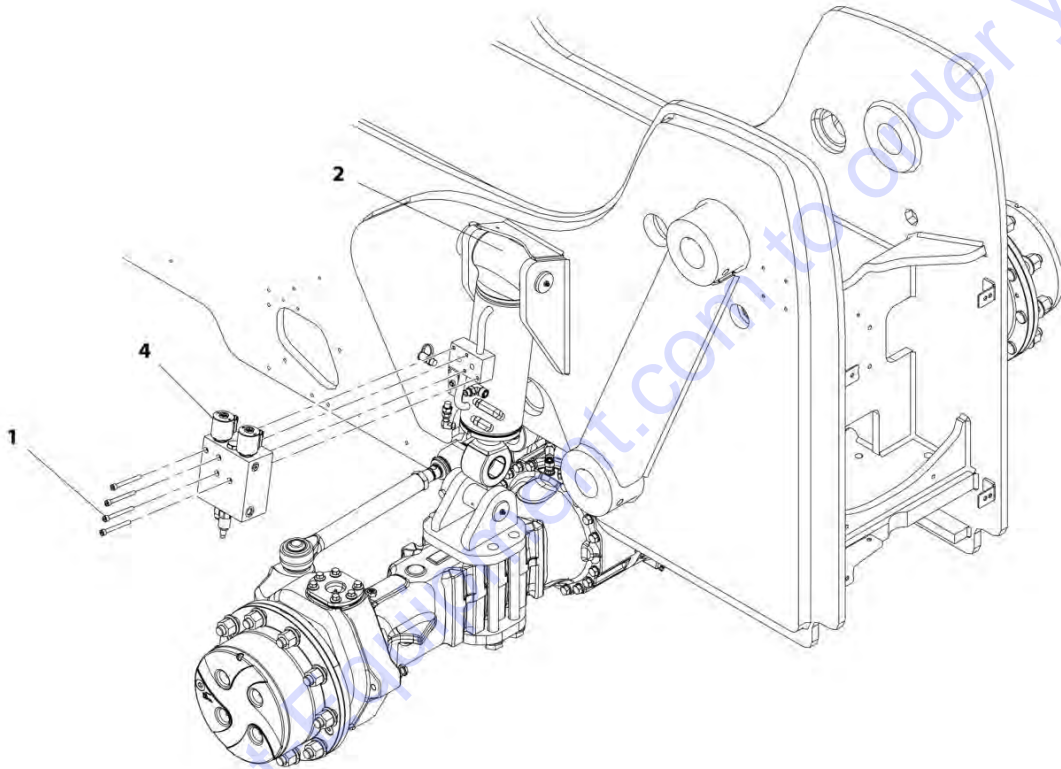
**FIGURE 8-24. REAR AXLE STABILIZER INSTALLATION**

ITEM	PART NUMBER	QTY	DESCRIPTION	REV
	1001160679	1	Rear Axle Stabilizer Installation	J
3	0711027	2	Bolt, M10X100 Grade 10.9	
4	0712442	4	Bolt, M24X250 Grade 10.9	
6	2130606	1	Fitting, 90 ORFS	
7	2130806	1	Fitting, 90 ORFS	
8	2160016	2	Fitting, Grease	
9	3291005	2	Nut, Lock M10X1.5	
10	5242400	6	Washer, M24	
11	1001164971	1	Pin	
12	1001164972	1	Pin	
13	1001167697	1	Bracket	
14	1001168629	1	Plate	
17	8430032	1	Plug	
18	1001003590	1	Adapter, Male	
19	2170306	1	Fitting <b>(Prior to SN 0160080905)</b>	
20	4812000	4	Washer, M10	

Go to Discount-Equipment.com to order your parts

## SECTION 8 - HYDRAULIC CIRCUITS

FIGURE 8-25. REAR AXLE STABILIZER CYLINDER INSTALLATION



ART\_1001164036-E

## SECTION 8 - HYDRAULIC CIRCUITS

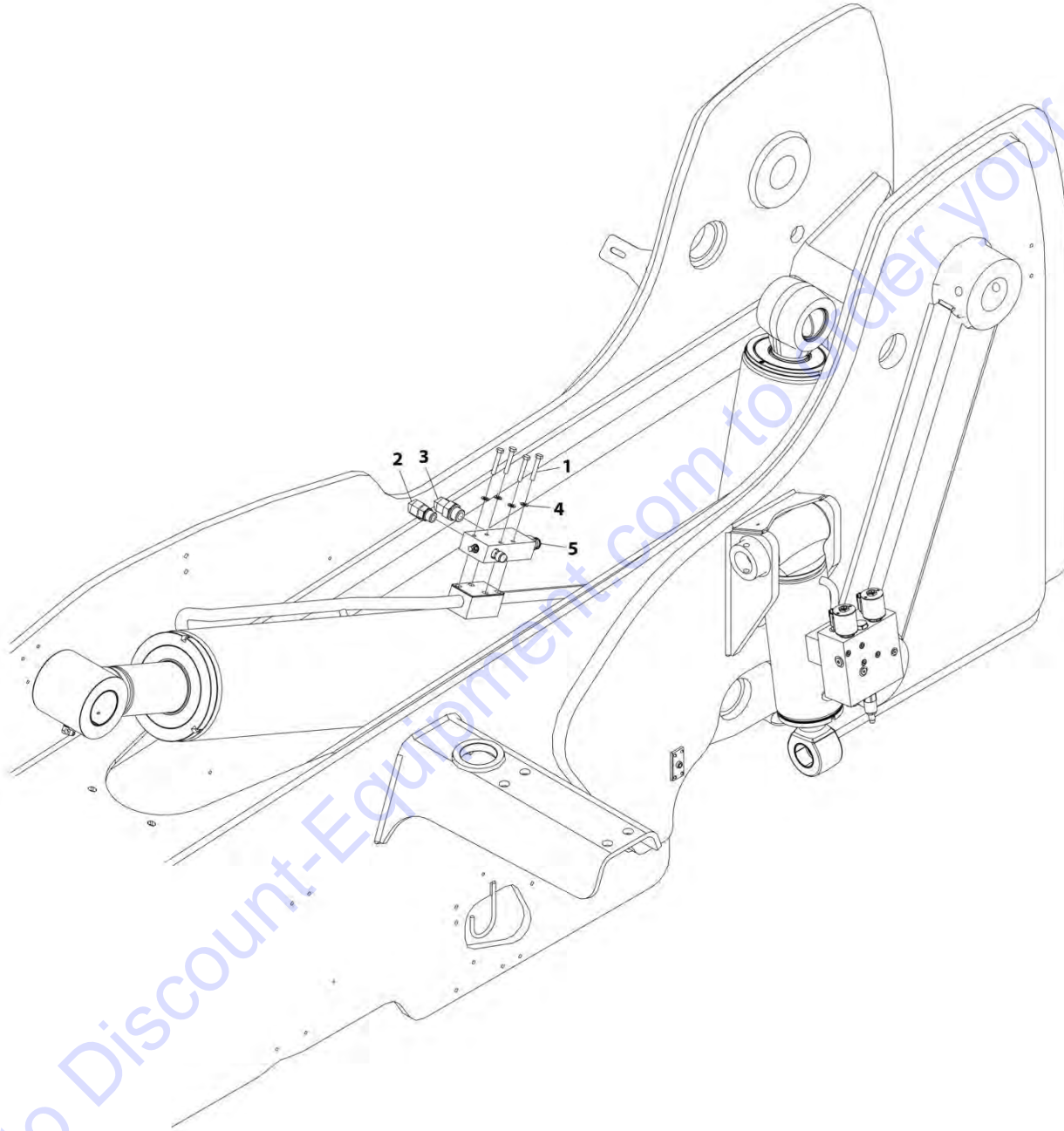
FIGURE 8-25. REAR AXLE STABILIZER CYLINDER INSTALLATION

ITEM	PART NUMBER	QTY	DESCRIPTION	REV
	1001164036	Ref	Rear Axle Stabilizer Cylinder Installation	E
1	4031920	4	Screwsocket	
2	1001158620	1	Cylinder, Frame Stability	
4		Ref	Valve (See HYDRAULIC COMPONENTS SECTION for Breakdown)	

Go to Discount-Equipment.com to order your parts

## SECTION 8 - HYDRAULIC CIRCUITS

FIGURE 8-26. LIFT CYLINDER VALVE INSTALLATION, NO RIDE CONTROL (Prior to SN 0160082543)



ART\_1001165847-B

## SECTION 8 - HYDRAULIC CIRCUITS

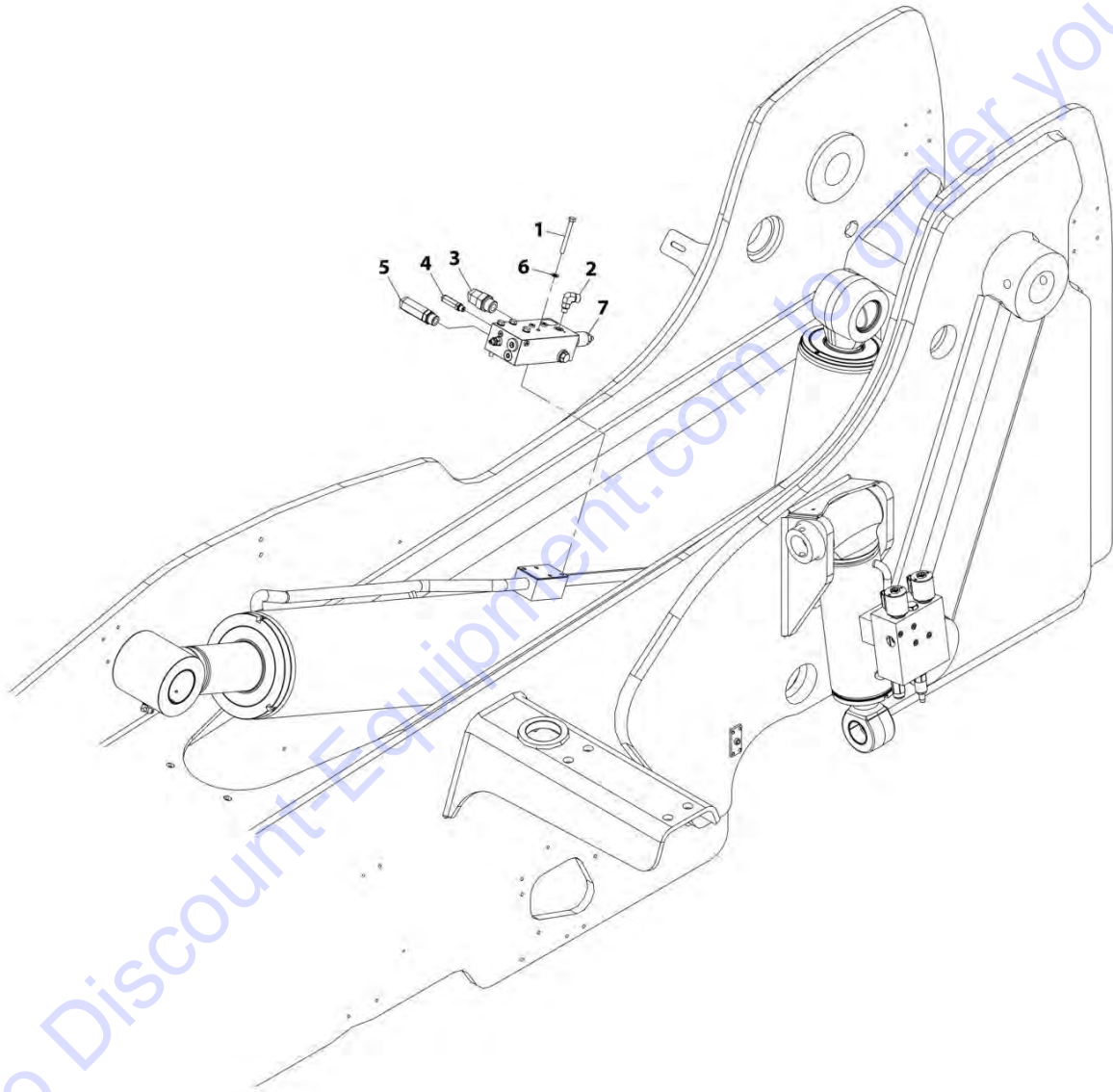
**FIGURE 8-26. LIFT CYLINDER VALVE INSTALLATION, NO RIDE CONTROL (Prior to SN 0160082543)**

ITEM	PART NUMBER	QTY	DESCRIPTION	REV
	1001165847	Ref	Lift Cylinder Valve Installation, No Ride Control	B
1	0700818	4	Bolt, M8X50	
2	2131210	1	Adapter	
3	2131212	1	Adapter	
4	4811900	4	Washer, M8	
5	1001168597	1	Valve	

Go to Discount-Equipment.com to order your parts

## SECTION 8 - HYDRAULIC CIRCUITS

FIGURE 8-27. LIFT CYLINDER VALVE INSTALLATION, NO RIDE CONTROL (SN 0160082543 to Present)



ART\_1001226362-A

## SECTION 8 - HYDRAULIC CIRCUITS

**FIGURE 8-27. LIFT CYLINDER VALVE INSTALLATION, NO RIDE CONTROL (SN 0160082543 to Present)**

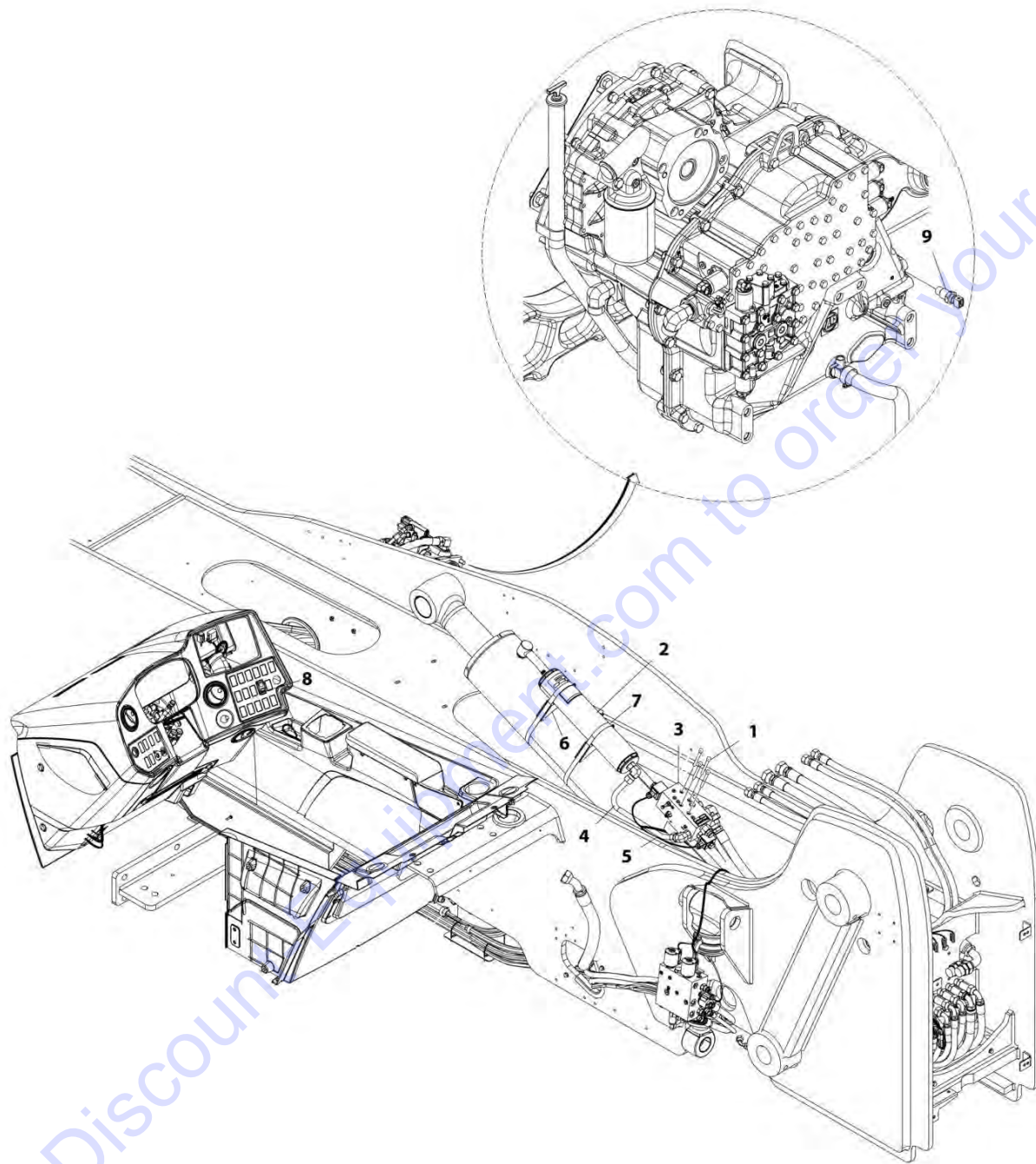
ITEM	PART NUMBER	QTY	DESCRIPTION	REV
	1001226362	Ref	Lift Cylinder Valve Installation, No Ride Control	A
1	0700823	4	Bolt, M8X75	
2	2130604	1	Adapter, 90	
3	2131212	1	Adapter, 90	
4	2170204	1	Fitting, 90	
5	2170210	1	Fitting, 90	
6	4811900	4	Washer, M8	
7	1001226035	1	Valve, Counterbalance	

Go to Discount-Equipment.com to order your parts



# SECTION 8 - HYDRAULIC CIRCUITS

FIGURE 8-28. RIDE CONTROL INSTALLATION - 1055 (Prior to SN 0160082543)



ART\_1001169676-C

## SECTION 8 - HYDRAULIC CIRCUITS

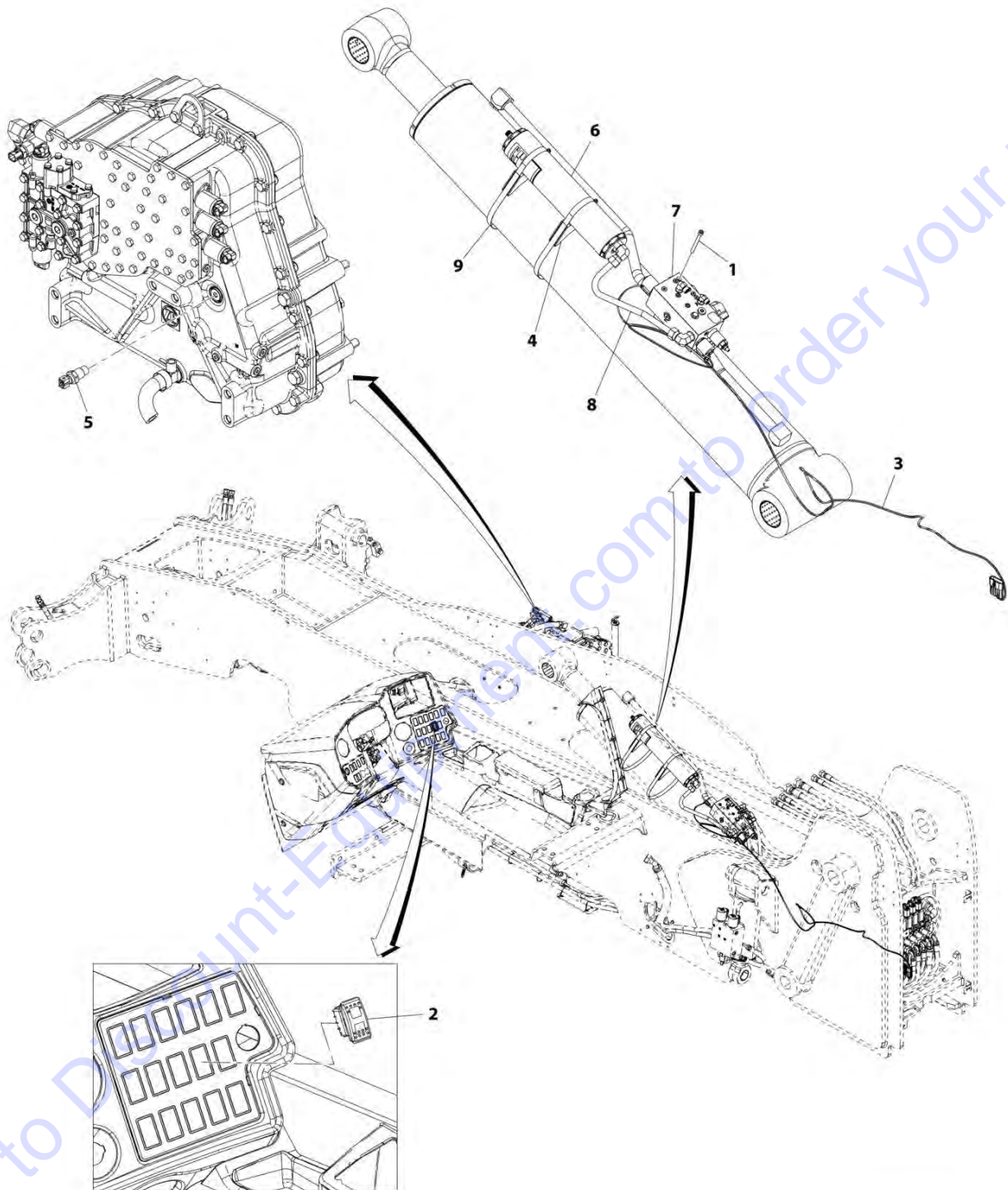
**FIGURE 8-28. RIDE CONTROL INSTALLATION - 1055 (Prior to SN 0160082543)**

ITEM	PART NUMBER	QTY	DESCRIPTION	REV
	1001169676	Ref	Ride Control Installation - 1055	C
1	4031920	4	Screwsocket	
2	1001192435	1	Cylinder	
3	1001162547	1	Valve, Ride Control	
4	1001169614	1	Installation, Lines, Ride Control (See RIDE CONTROL HYDRAULIC LINES for Breakdown)	
5	1001169613	1	Installation, Wiring Ride Control (See Separate Breakdown in Electrical Section)	
6	1001169680	2	Bumper, Cylinder Saddle	
7	1001170287	2	Clamp, Hose	
8	1001159745	1	Switch, Boom Ride	
9	1001190881	1	Sensor, Speed	

Go to Discount-Equipment.com to order your parts

# SECTION 8 - HYDRAULIC CIRCUITS

FIGURE 8-29. RIDE CONTROL INSTALLATION - 1055 (SN 0160082543 to Present)



ART\_1001226364-B

## SECTION 8 - HYDRAULIC CIRCUITS

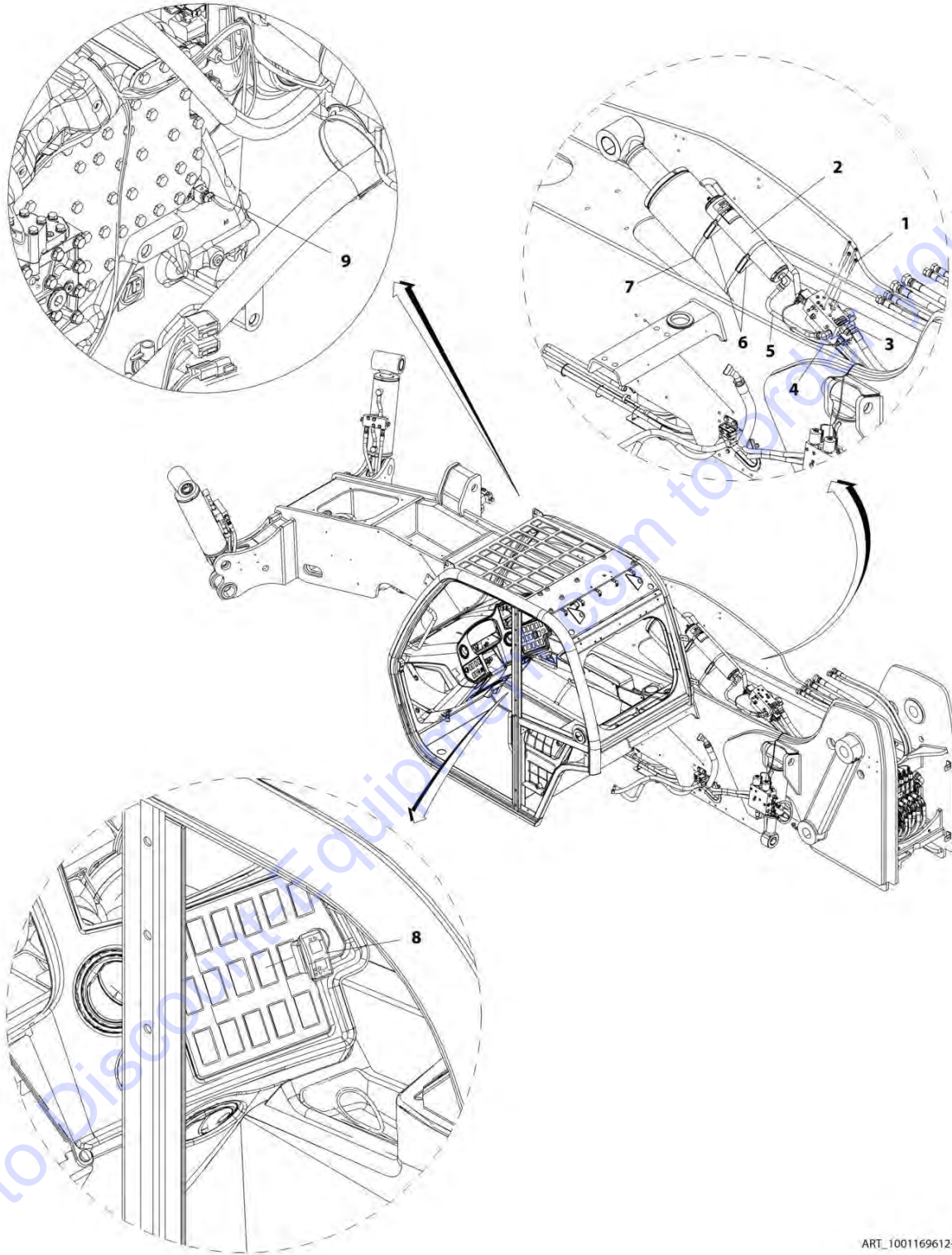
**FIGURE 8-29. RIDE CONTROL INSTALLATION - 1055 (SN 0160082543 to Present)**

ITEM	PART NUMBER	QTY	DESCRIPTION	REV
	1001226364	Ref	Ride Control Installation - 1055	B
1	4031921	4	Bolt, M8X85	
2	1001159745	1	Switch, Boom Ride	
3	1001169613	1	Installation, Wiring Ride Control (See Separate Breakdown in Electrical Section)	
4	1001169680	2	Bumper, Cylinder Saddle	
5	1001190881	1	Sensor, Speed	
6	1001192435	1	Cylinder	
7	1001227056	1	Line, Counterbalance Valve (Lift - Ride Control) (See Separate Breakdown in this Section)	
8	1001228861	1	Installation, Lines, Ride Control (See Separate Breakdown in this Section)	
9	1001170287	2	Clamp, Hose	

Go to Discount-Equipment.com to order your parts

# SECTION 8 - HYDRAULIC CIRCUITS

FIGURE 8-30. RIDE CONTROL INSTALLATION - 1255 (Prior to SN 0160082543)



ART\_1001169612-C

## SECTION 8 - HYDRAULIC CIRCUITS

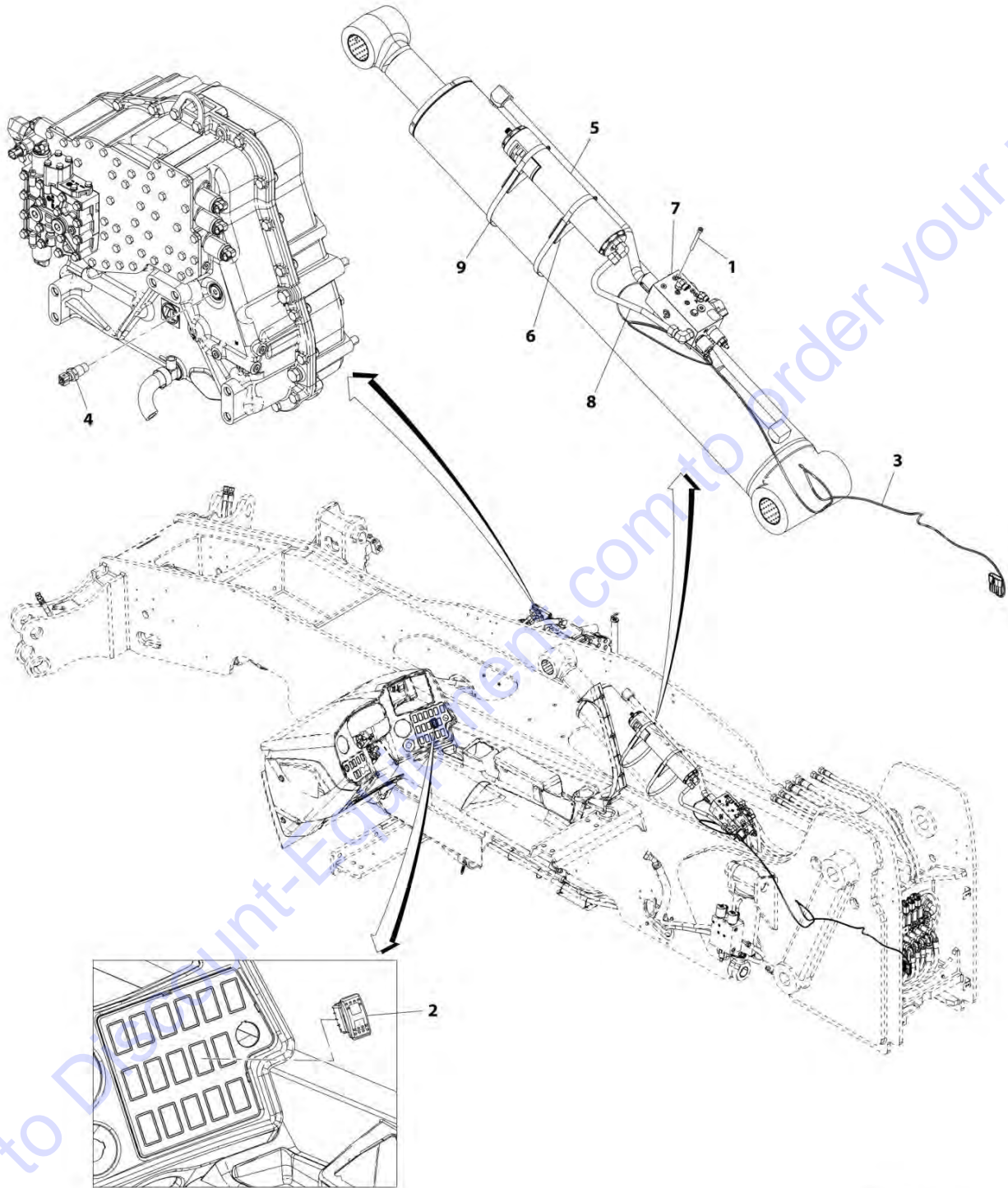
**FIGURE 8-30. RIDE CONTROL INSTALLATION - 1255 (Prior to SN 0160082543)**

ITEM	PART NUMBER	QTY	DESCRIPTION	REV
	1001169612	Ref	Ride Control Installation - 1255	C
1	4031920	4	Screwsocket, M8X1.25	
2	1001192435	1	Cylinder	
3	1001162547	1	Valve, Ride Control	
4	1001169613	1	Installation, Wiring Ride Control (See Separate Breakdown in Electrical Section)	
5	1001169614	1	Installation, Lines Ride Control (See RIDE CONTROL HYDRAULIC LINES for Breakdown)	
6	1001193775	2	Bumper	
7	1001170287	2	Clamp, Hose	
8	1001159745	1	Switch, Boom Ride	
9	1001190881	1	Sensor, Speed	

Go to Discount-Equipment.com to order your parts

# SECTION 8 - HYDRAULIC CIRCUITS

## FIGURE 8-31. RIDE CONTROL INSTALLATION - 1255 (SN 0160082543 to Present)



ART\_1001226363-B

## SECTION 8 - HYDRAULIC CIRCUITS

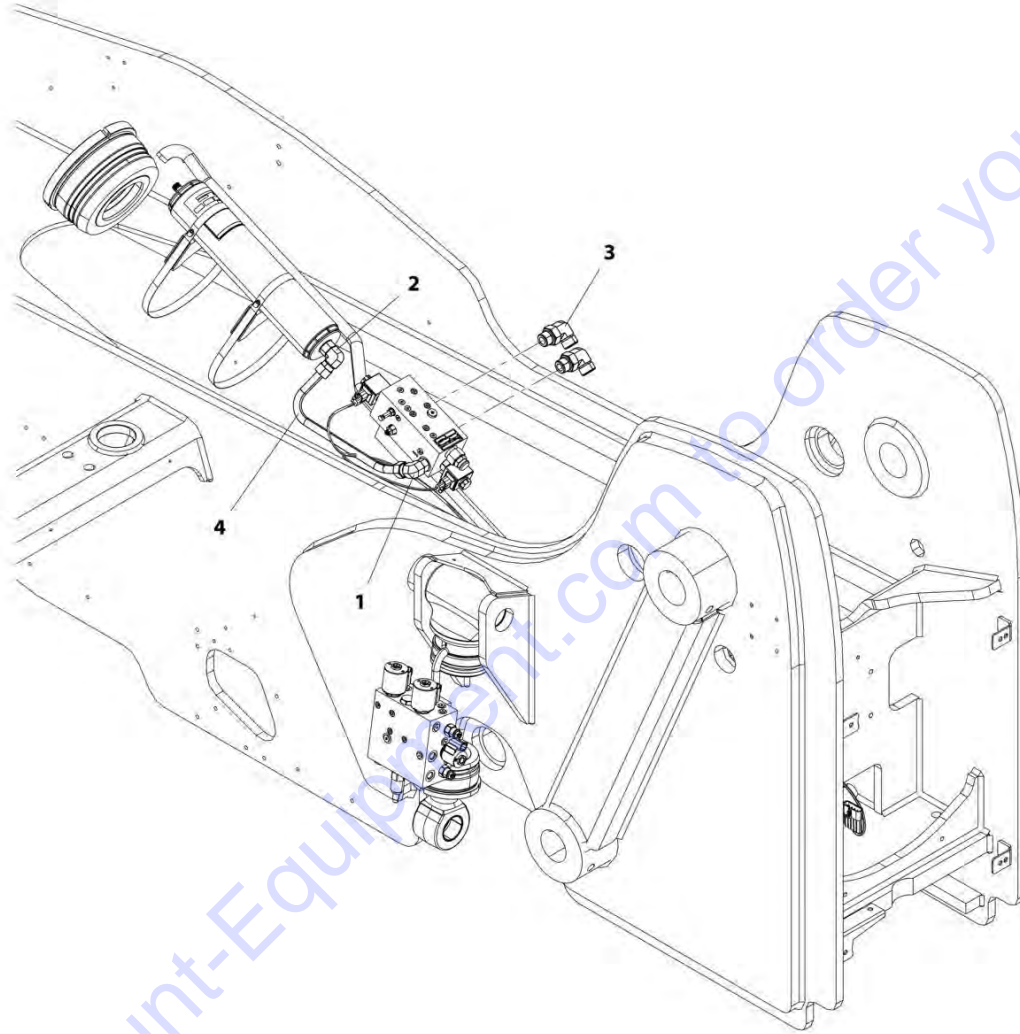
FIGURE 8-31. RIDE CONTROL INSTALLATION - 1255 (SN 0160082543 to Present)

ITEM	PART NUMBER	QTY	DESCRIPTION	REV
	1001226363	Ref	Ride Control Installation - 1255	B
1	4031921	4	Bolt, M8X85	
2	1001159745	1	Switch, Boom Ride	
3	1001169613	1	Installation, Wiring Ride Control (See Separate Breakdown in Electrical Section)	
4	1001190881	1	Sensor, Speed	
5	1001192435	1	Cylinder	
6	1001193775	2	Bumper	
7	1001227056	1	Line, Counterbalance Valve (Lift - Ride Control) (See Separate Breakdown in this Section)	
8	1001228861	1	Installation, Lines, Ride Control (See Separate Breakdown in this Section)	
9	1001170287	2	Clamp, Hose	



## SECTION 8 - HYDRAULIC CIRCUITS

FIGURE 8-32. RIDE CONTROL HYDRAULIC LINES (Prior to SN 0160082543)



ART\_1001169614-A

## SECTION 8 - HYDRAULIC CIRCUITS

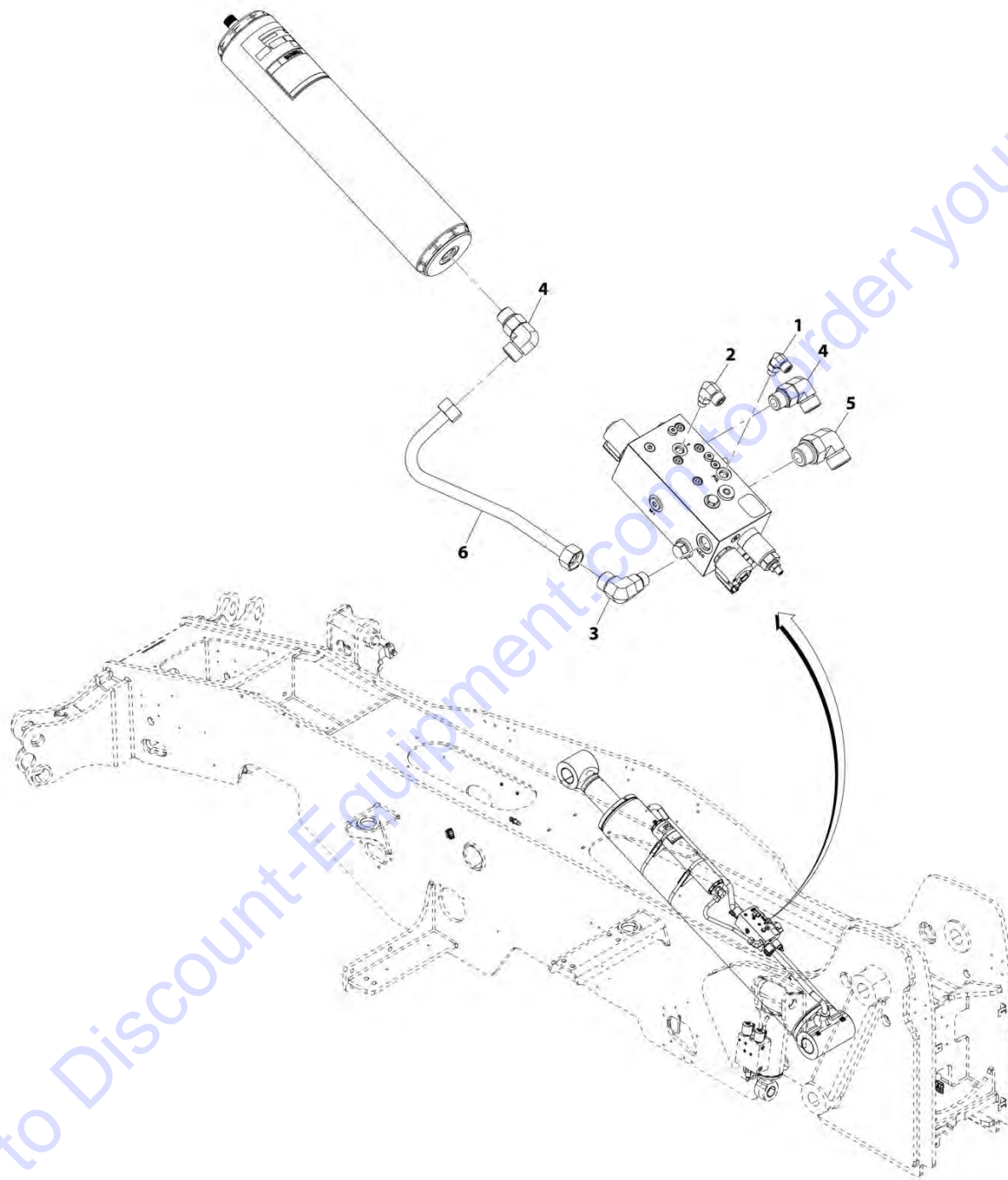
FIGURE 8-32. RIDE CONTROL HYDRAULIC LINES (Prior to SN 0160082543)

ITEM	PART NUMBER	QTY	DESCRIPTION	REV
	1001169614	Ref	Ride Control Hydraulic Lines	A
1	2131008	1	Adapter	
2	2131010	1	Adapter	
3	2131212	2	Adapter	
4	1001169772	1	Pipe	

Go to Discount-Equipment.com to order your parts

## SECTION 8 - HYDRAULIC CIRCUITS

FIGURE 8-33. RIDE CONTROL HYDRAULIC LINES (SN 0160082543 to Present)



ART\_1001228861-A

## SECTION 8 - HYDRAULIC CIRCUITS

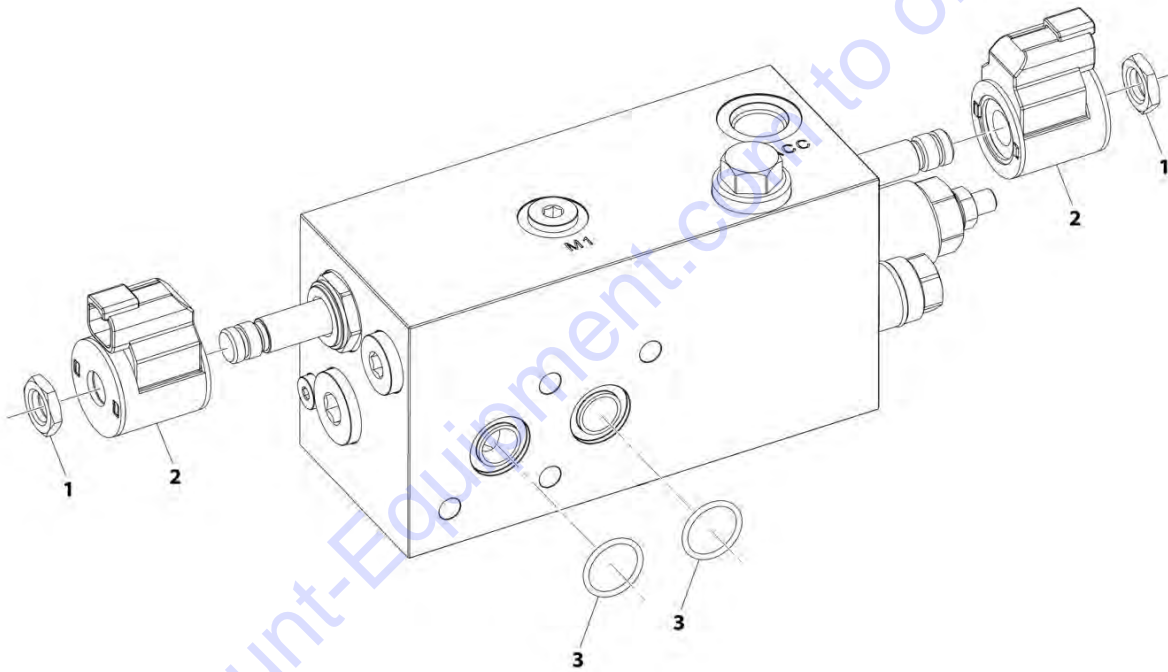
**FIGURE 8-33. RIDE CONTROL HYDRAULIC LINES (SN 0160082543 to Present)**

ITEM	PART NUMBER	QTY	DESCRIPTION	REV
	1001228861	Ref	Ride Control Hydraulic Lines	A
1	2130404	1	Fitting, 90 ORFS	
2	2130604	1	Fitting, 90 ORFS	
3	2131008	1	Adapter	
4	2131010	2	Adapter	
5	2131212	1	Adapter	
6	1001226398	1	Pipe	

Go to Discount-Equipment.com to order your parts

## SECTION 8 - HYDRAULIC CIRCUITS

FIGURE 8-34. COUNTERBALANCE VALVE HYDRAULIC LINES (LIFT - RIDE CONTROL) (SN 0160082543 to Present)



ART\_1001227056-A

## SECTION 8 - HYDRAULIC CIRCUITS

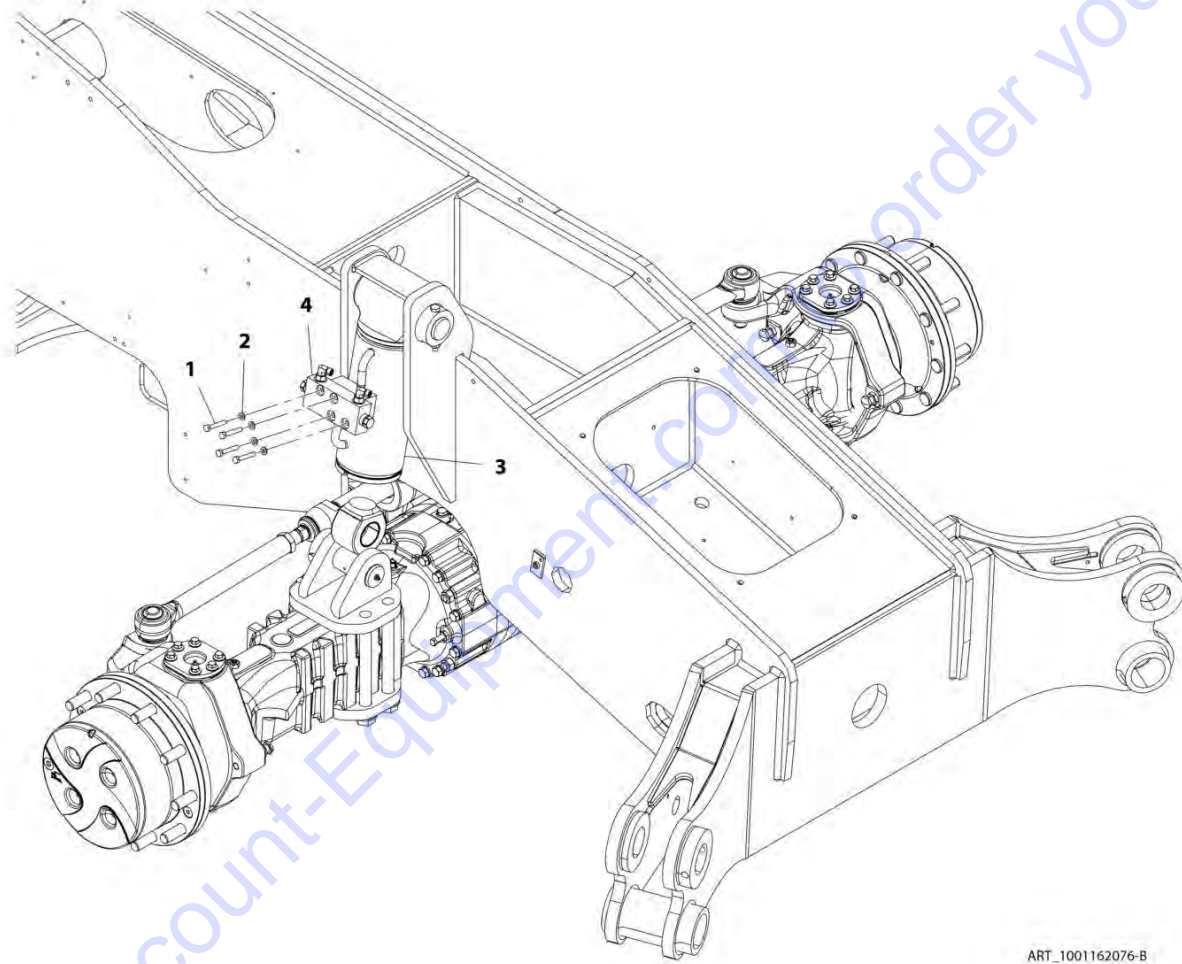
**FIGURE 8-34. COUNTERBALANCE VALVE HYDRAULIC LINES (LIFT - RIDE CONTROL) (SN 0160082543 to Present)**

ITEM	PART NUMBER	QTY	DESCRIPTION	REV
	1001227056	Ref	Counterbalance Valve Hydraulic Lines (Lift - Ride Control)	A
1	7022390	2	Nut	
2	70028281	2	Coil	
3	70028453	2	O-Ring	

Go to Discount-Equipment.com to order your parts

## SECTION 8 - HYDRAULIC CIRCUITS

FIGURE 8-35. FRAME LEVEL CYLINDER INSTALLATION



ART\_1001162076-B

## SECTION 8 - HYDRAULIC CIRCUITS

FIGURE 8-35. FRAME LEVEL CYLINDER INSTALLATION

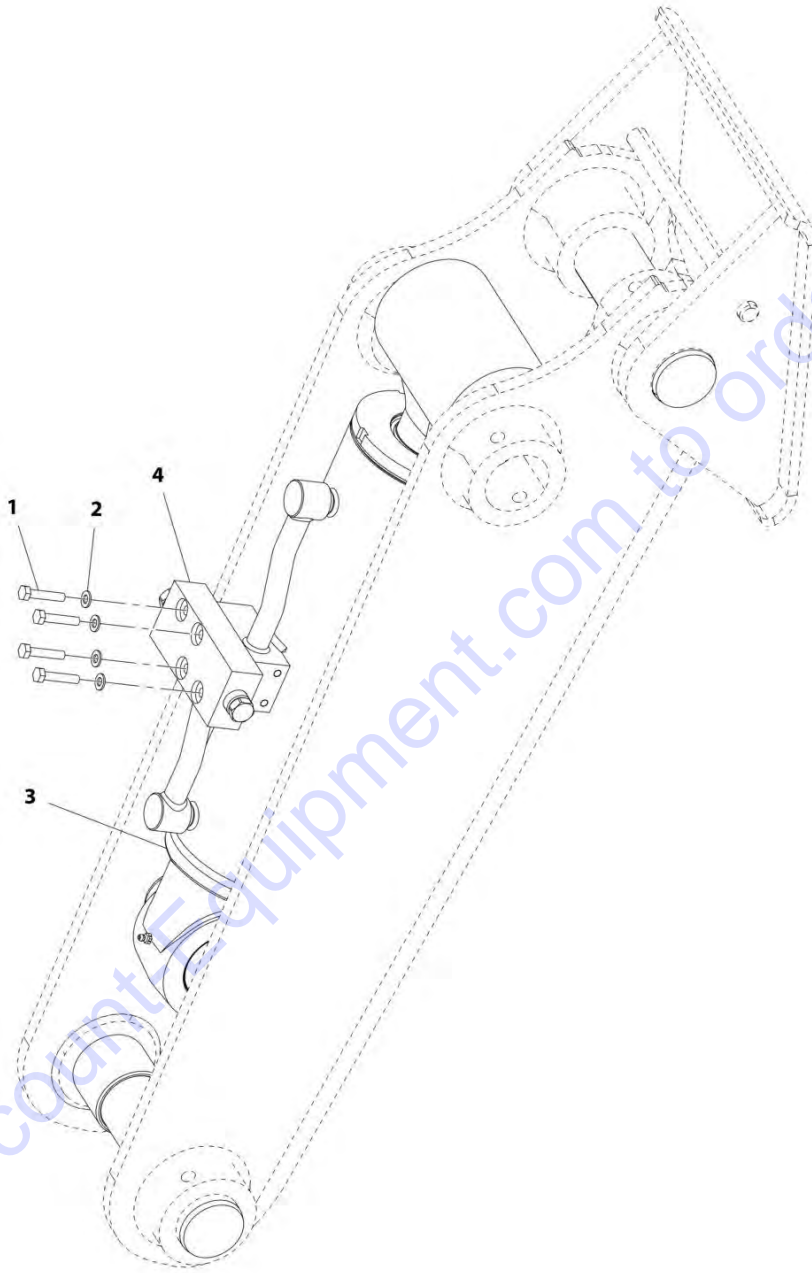
ITEM	PART NUMBER	QTY	DESCRIPTION	REV
	1001162076	Ref	Frame Level Cylinder Installation	B
1	0700818	4	Bolt, M8X50	
2	4811900	4	Washer, M8	
3	1001179369	1	Cylinder, Frame Stability (See HYDRAULIC COMPONENTS SECTION for Breakdown)	
4	1001168599	1	Valve, Counterbalance	

Go to Discount-Equipment.com to order your parts



# SECTION 8 - HYDRAULIC CIRCUITS

FIGURE 8-36. OUTRIGGER CYLINDER INSTALLATION (Prior to SN 0160078794)



ART\_1001163577-D

## SECTION 8 - HYDRAULIC CIRCUITS

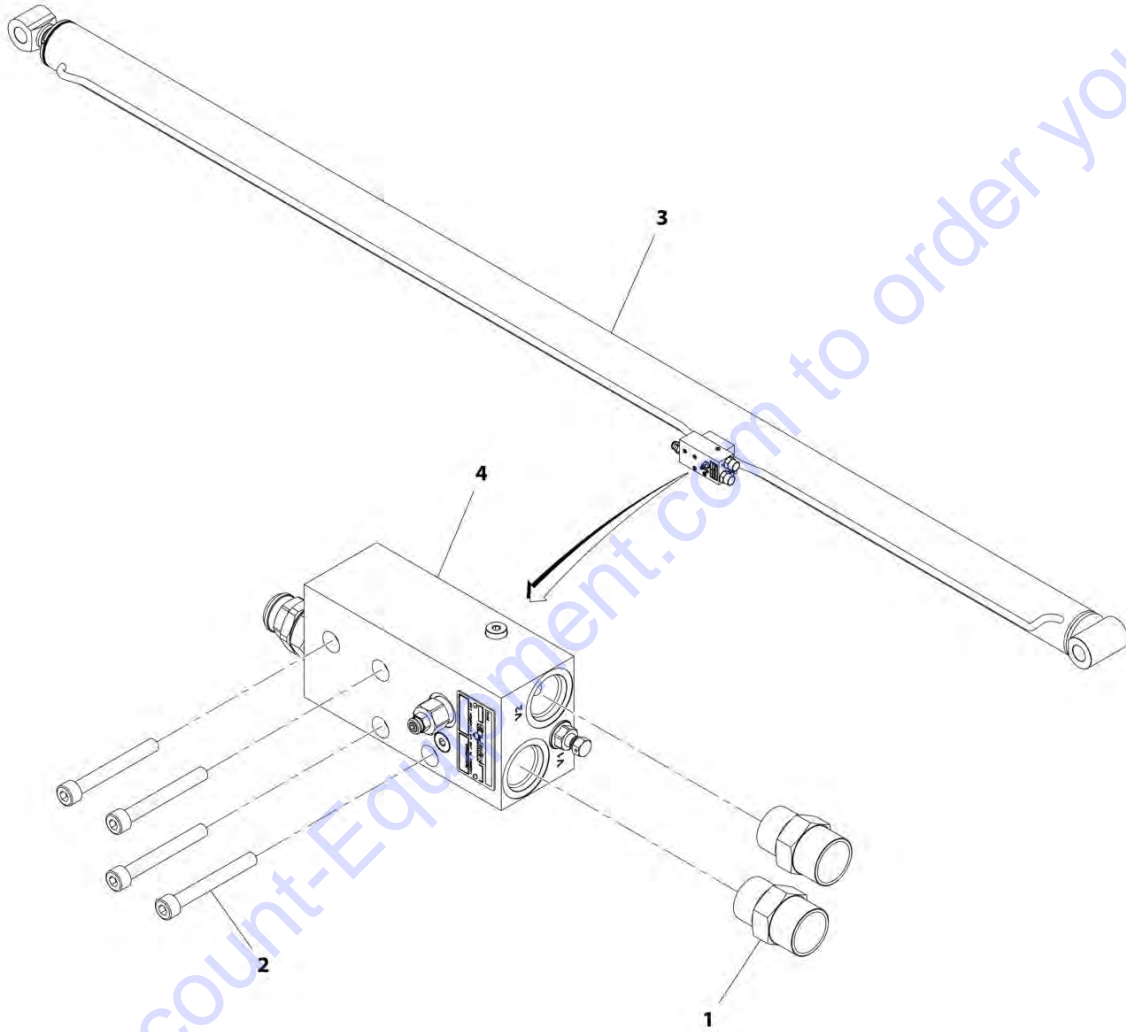
**FIGURE 8-36. OUTRIGGER CYLINDER INSTALLATION (Prior to SN 0160078794)**

ITEM	PART NUMBER	QTY	DESCRIPTION	REV
	1001163577	Ref	Outrigger Cylinder Installation	D
1	0700816	4	Bolt, M8X40	
2	4811900	4	Washer, M8	
3	1001163040	1	Cylinder, Outrigger (See HYDRAULIC COMPONENTS SECTION for Breakdown)	
4	1001184205	1	Valve	

Go to Discount-Equipment.com to order your parts

# SECTION 8 - HYDRAULIC CIRCUITS

## FIGURE 8-37. EXTEND/RETRACT CYLINDER INSTALLATION



ART\_1001171330-F

## SECTION 8 - HYDRAULIC CIRCUITS

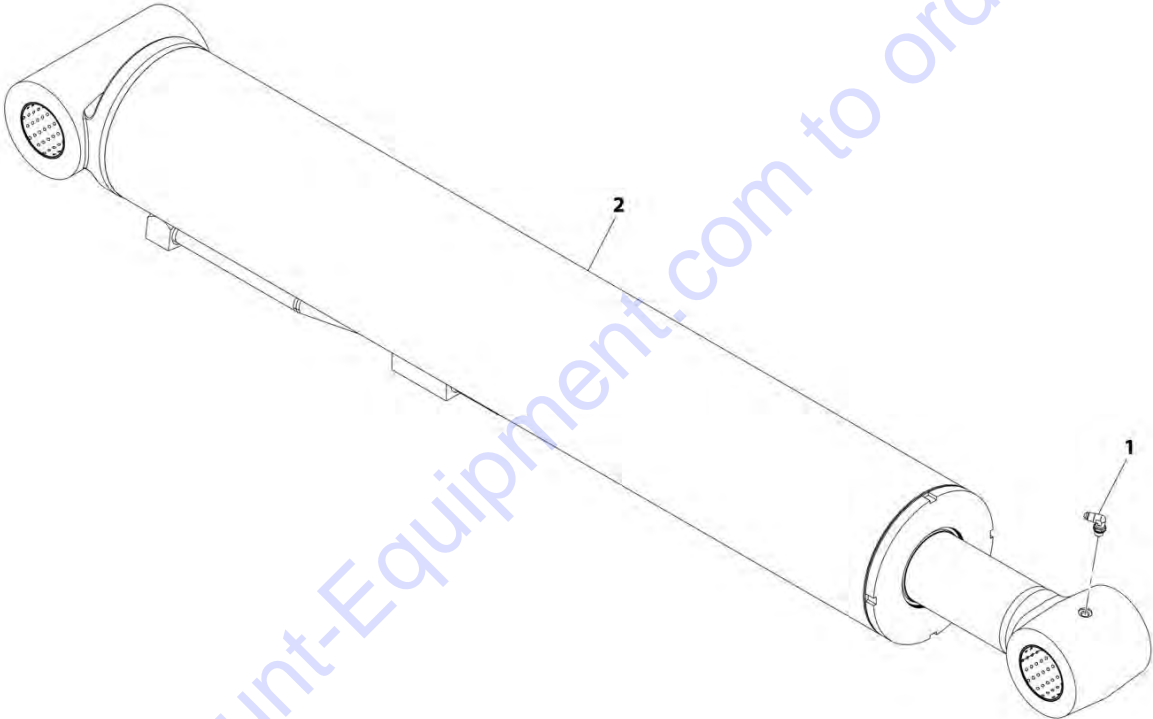
**FIGURE 8-37. EXTEND/RETRACT CYLINDER INSTALLATION**

ITEM	PART NUMBER	QTY	DESCRIPTION	REV
	1001171330	Ref	Extend/Retract Cylinder Installation	F
1	2111212	2	Adapter	
2	4031917	4	Bolt, M8X65	
3	1001157036	1	Cylinder, Extend/Retract (See Separate Breakdown in HYDRAULIC COMPONENTS Section) <b>(Prior to SN 0160086847, Excluding 0160086030)</b>	
3	1001228067	NLA	Cylinder, Extend/Retract (no longer available, use 1001251067 for replacement) (See Separate Breakdown in HYDRAULIC COMPONENTS Section) <b>(SN 0160086847 to Present, Including 0160086030)</b>	
3	1001251067	1	Cylinder, Extend/Retract (See Separate Breakdown in HYDRAULIC COMPONENTS Section)	
4	1001168598	1	Valve, Counterbalance	

Go to Discount-Equipment.com to order your parts

**SECTION 8 - HYDRAULIC CIRCUITS**

**FIGURE 8-38. LIFT CYLINDER INSTALLATION - 1055**



ART\_1001208766-B

## SECTION 8 - HYDRAULIC CIRCUITS

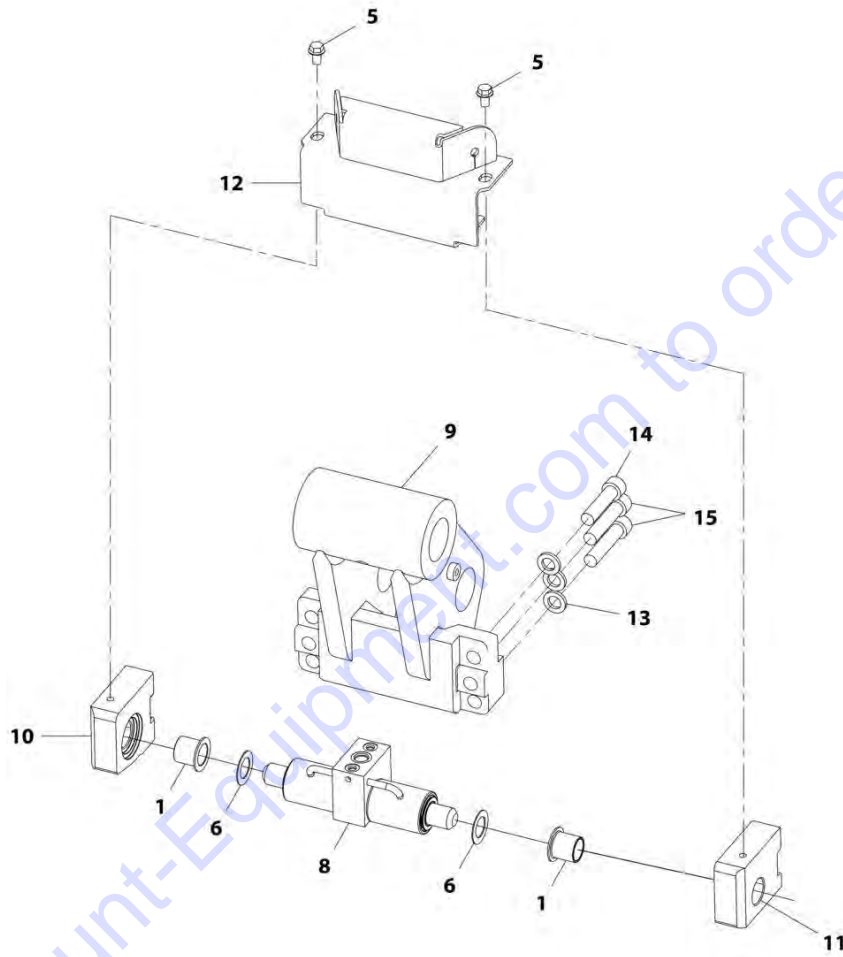
FIGURE 8-38. LIFT CYLINDER INSTALLATION - 1055

ITEM	PART NUMBER	QTY	DESCRIPTION	REV
	1001208766	Ref	Lift Cylinder Installation - 1055	B
1	8770215	1	Fitting, 90 ORFS	
2	1001211607	1	Cylinder, Lift - 1055 (See LIFT CYLINDER - 1055 for Breakdown)	

Go to Discount-Equipment.com to order your parts

# SECTION 8 - HYDRAULIC CIRCUITS

FIGURE 8-39. HYDRAULIC QUICK COUPLER INSTALLATION



ART\_1001164845-C

## SECTION 8 - HYDRAULIC CIRCUITS

**FIGURE 8-39. HYDRAULIC QUICK COUPLER INSTALLATION**

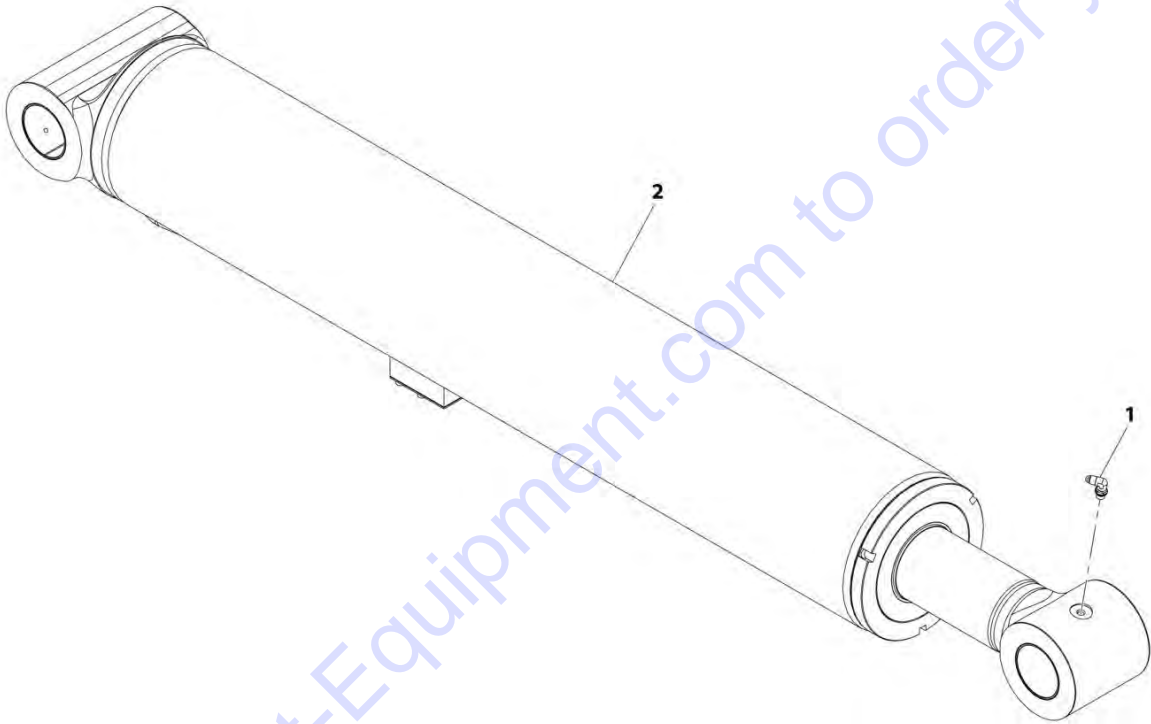
ITEM	PART NUMBER	QTY	DESCRIPTION	REV
	1001164845	Ref	Hydraulic Quick Coupler Installation	C
1	0440321	2	Bearing, Flange	
5	5201210	2	Bolt, Ripp M12X20	
6	91561240	AR	Shim	
8	1001197151	1	Assembly, Quick Coupler Cylinder (See QUICK COUPLER CYLINDER ASSEMBLY for Breakdown)	
9	1001164846	1	Adapter, Hydraulic Quick Coupler	
10	1001164858	1	Plate	
11	1001164859	1	Plate	
12	1001164860	1	Cover	
13	1001171991	6	Washer, M20	
14	1001172153	2	Screw, M20X1.5X80	
15	1001172154	4	Screw, M20X1.5X90	

Go to Discount-Equipment.com to order your parts



**SECTION 8 - HYDRAULIC CIRCUITS**

**FIGURE 8-40. LIFT CYLINDER INSTALLATION - 1255**



Go to Discount-Equipment.com to order your parts

ART\_1001208765-A

## SECTION 8 - HYDRAULIC CIRCUITS

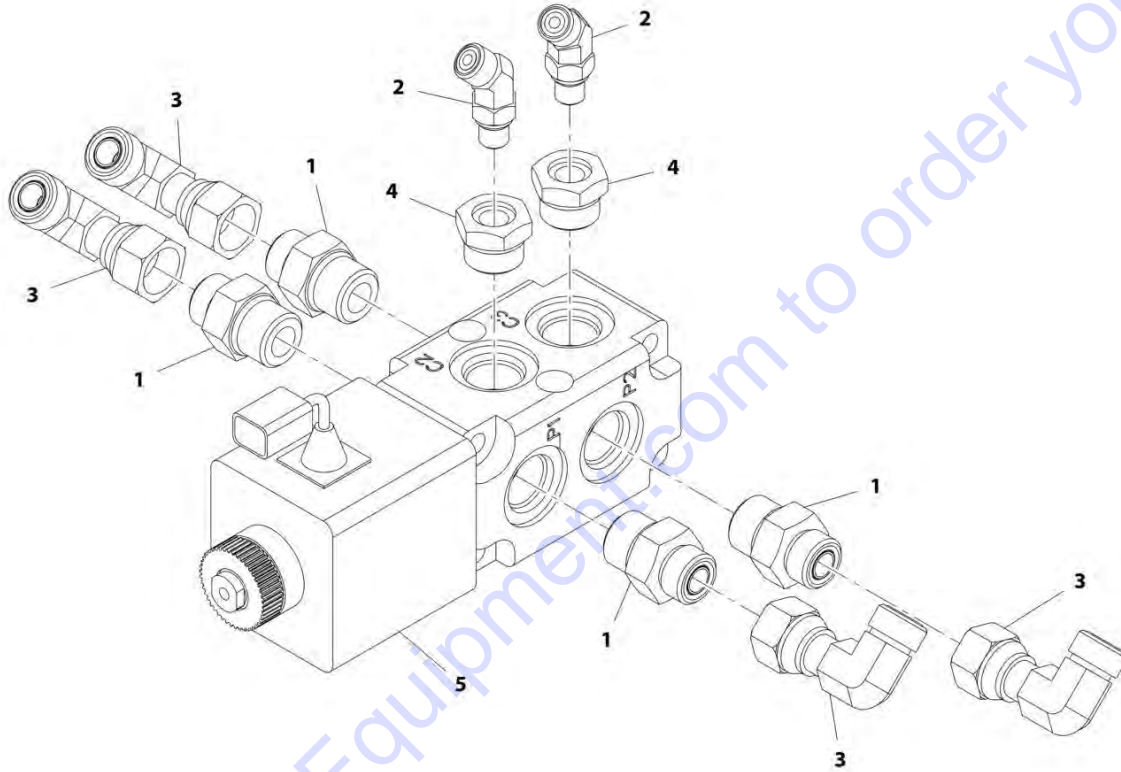
FIGURE 8-40. LIFT CYLINDER INSTALLATION - 1255

ITEM	PART NUMBER	QTY	DESCRIPTION	REV
	1001208765	Ref	Lift Cylinder Installation - 1255	A
1	8770215	1	Fitting, 90 ORFS	
2	1001211608	1	Cylinder, Lift - 1255 (See Separate Breakdown in HYDRAULIC COMPONENTS Section)	

Go to Discount-Equipment.com to order your parts

# SECTION 8 - HYDRAULIC CIRCUITS

## FIGURE 8-41. QUICK COUPLER VALVE ASSEMBLY



ART\_1001164869-B

## SECTION 8 - HYDRAULIC CIRCUITS

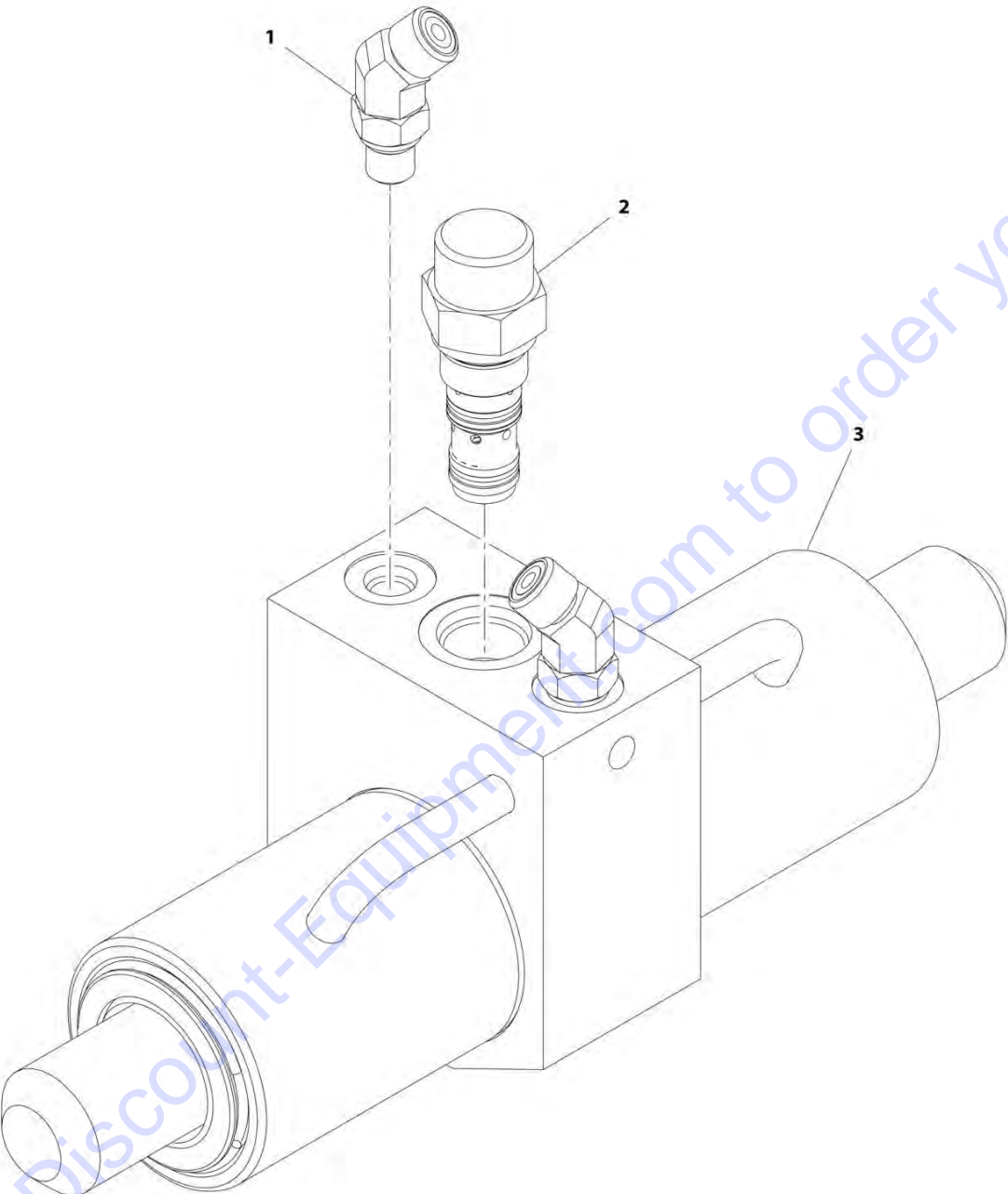
FIGURE 8-41. QUICK COUPLER VALVE ASSEMBLY

ITEM	PART NUMBER	QTY	DESCRIPTION	REV
	1001164869	Ref	Quick Coupler Valve Assembly	B
1	2110810	4	Adapter	
2	2150404	2	Adapter	
3	2172108	4	Adapter	
4	1001001568	2	Reducer	
5	1001104477	1	Valve, Quick Coupler (See HYDRAULIC COMPONENTS SECTION for Breakdown)	

Go to Discount-Equipment.com to order your parts

**SECTION 8 - HYDRAULIC CIRCUITS**

**FIGURE 8-42. QUICK COUPLER CYLINDER ASSEMBLY**



ART\_1001197151-B

## SECTION 8 - HYDRAULIC CIRCUITS

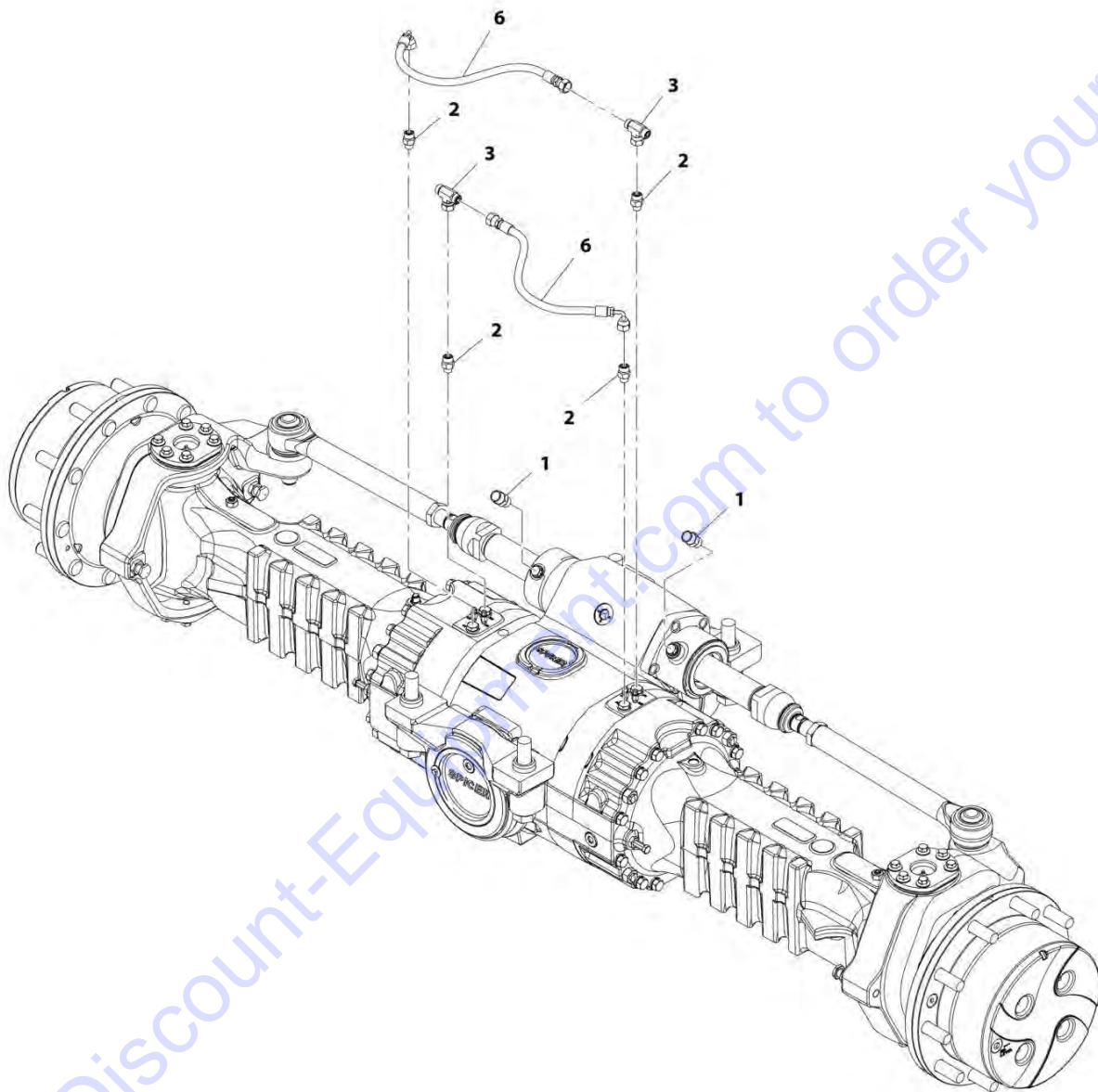
FIGURE 8-42. QUICK COUPLER CYLINDER ASSEMBLY

ITEM	PART NUMBER	QTY	DESCRIPTION	REV
	1001197151	1	Quick Coupler Cylinder Assembly	B
1	2150404	2	Fitting, 45 ORFS	
2	1001007056	1	Valve, Check	
3	1001120163	1	Cylinder, Quick Coupler (See HYDRAULIC COMPONENTS SECTION for Breakdown)	

Go to Discount-Equipment.com to order your parts

# SECTION 8 - HYDRAULIC CIRCUITS

## FIGURE 8-43. FRONT AXLE LINES INSTALLATION



ART\_1001161421-C

## SECTION 8 - HYDRAULIC CIRCUITS

FIGURE 8-43. FRONT AXLE LINES INSTALLATION

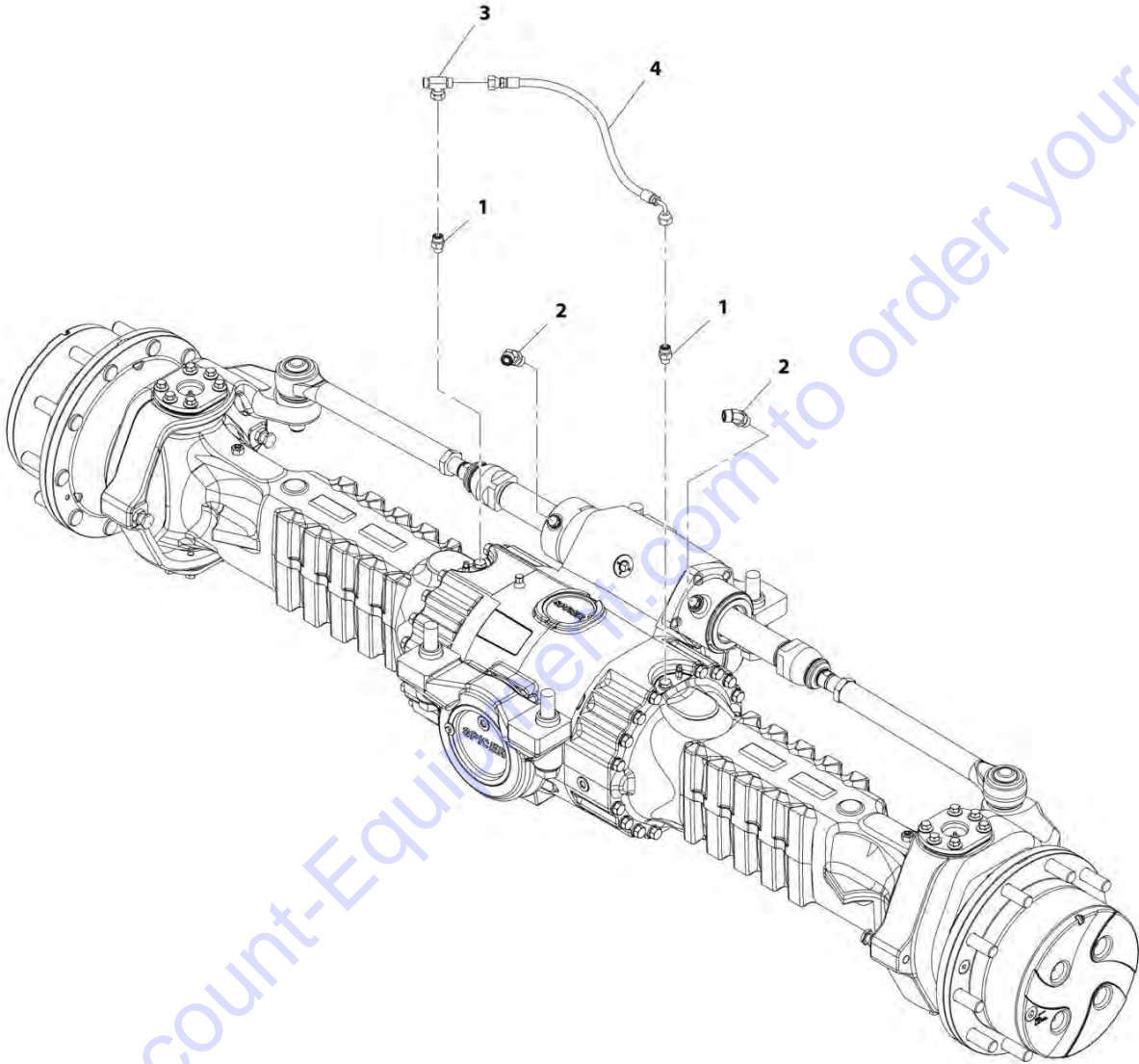
ITEM	PART NUMBER	QTY	DESCRIPTION	REV
	1001161421	Ref	Front Axle Lines Installation	C
1	2110808	2	Fitting, Straight ORFS	
2	2144605	4	Fitting, Straight ORFS	
3	2170806	2	Fitting	
6	1001097810	2	Hose	

Go to Discount-Equipment.com to order your parts



# SECTION 8 - HYDRAULIC CIRCUITS

## FIGURE 8-44. REAR AXLE LINES INSTALLATION



ART\_1001161424-C

## SECTION 8 - HYDRAULIC CIRCUITS

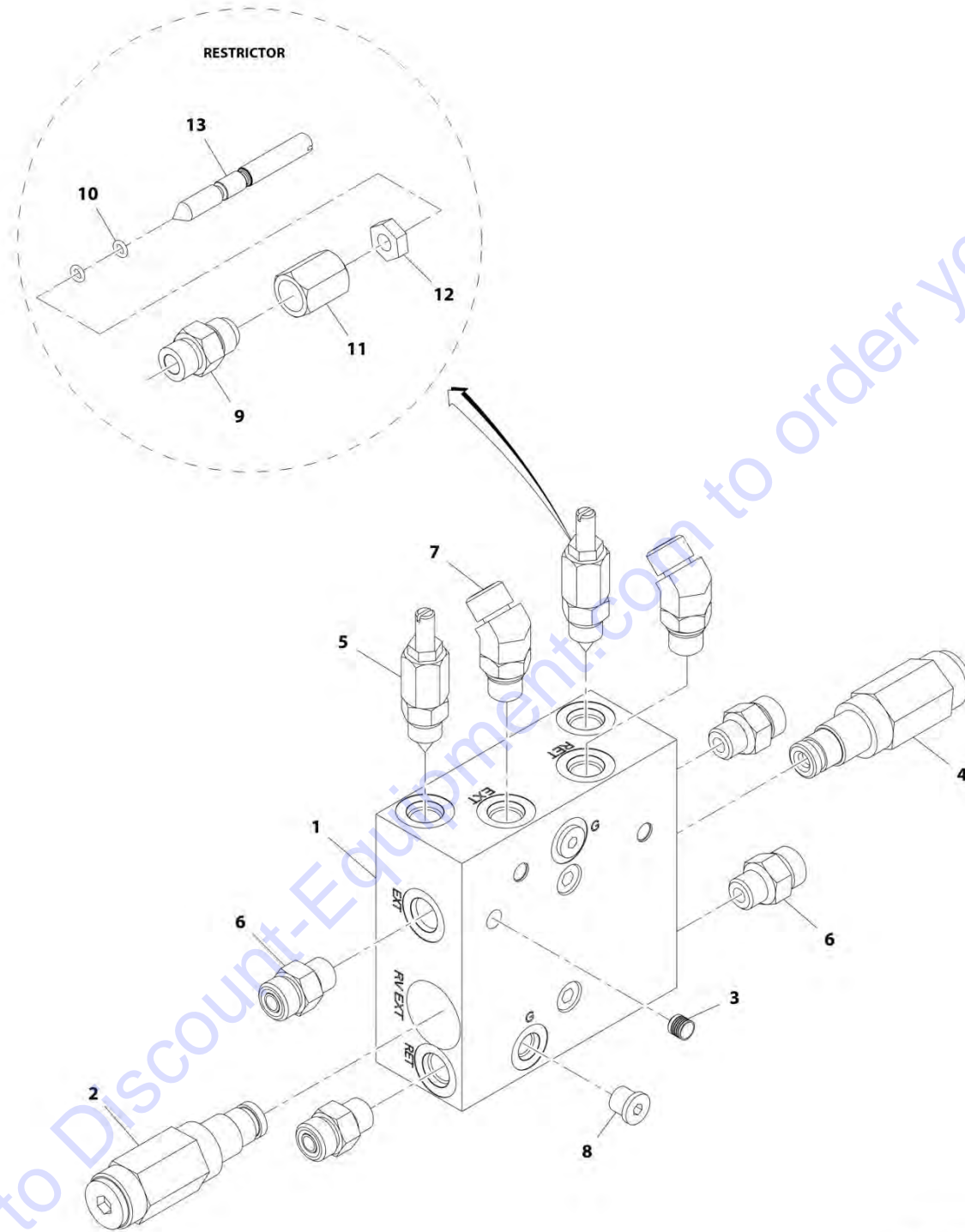
### FIGURE 8-44. REAR AXLE LINES INSTALLATION

ITEM	PART NUMBER	QTY	DESCRIPTION	REV
	1001161424	Ref	Rear Axle Lines Installation	C
1	2144605	2	Fitting, Straight ORFS	
2	2150808	2	Fitting, Straight ORFS	
3	2170806	1	Fitting	
4	1001102509	1	Hose	

Go to Discount-Equipment.com to order your parts

# SECTION 8 - HYDRAULIC CIRCUITS

## FIGURE 8-45. VALVE ASSEMBLY



ART\_70026589

## SECTION 8 - HYDRAULIC CIRCUITS

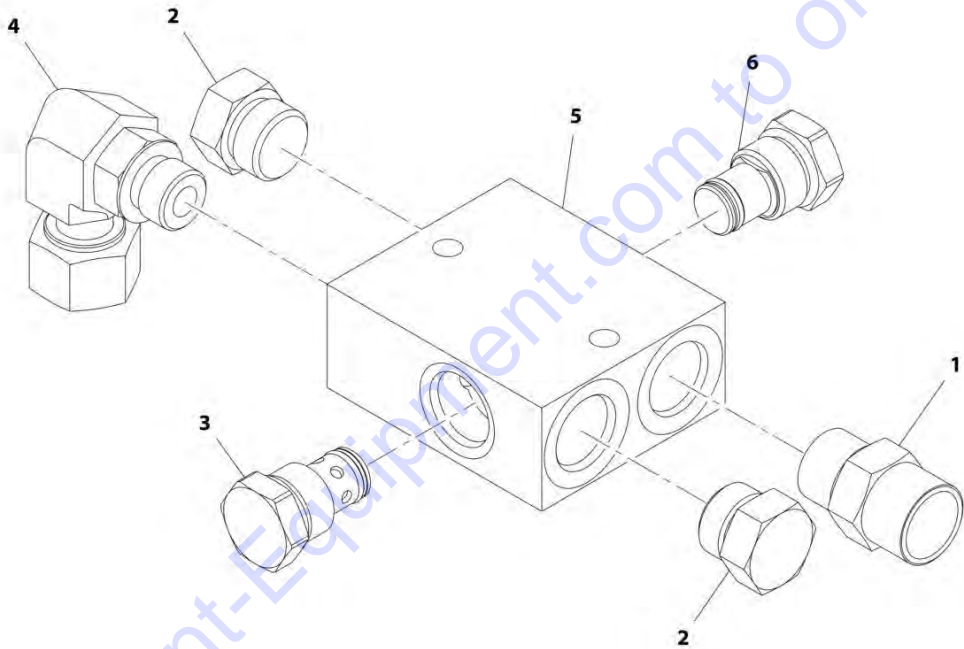
**FIGURE 8-45. VALVE ASSEMBLY**

ITEM	PART NUMBER	QTY	DESCRIPTION	REV
	70026589	1	Valve Assembly	
1	70026612	1	Manifold	
2	70026613	1	Cartridge	
3	70026614	4	Plug	
4	70026478	1	Relief Valve Cartridge	
5	70026615	2	Restrictor	
6	70024130	4	Fitting	
7	70026616	2	Fitting	
8	70024129	2	Plug	
9	70026617	1	Fitting	
10	70026618	2	O-Ring	
11	70026619	1	Cap	
12	70026620	1	Jam Nut	
13	70026621	1	Plunger	

Go to Discount-Equipment.com to order your parts

**SECTION 8 - HYDRAULIC CIRCUITS**

**FIGURE 8-46. CHECK VALVE ASSEMBLY**



ART\_1001210803-A

## SECTION 8 - HYDRAULIC CIRCUITS

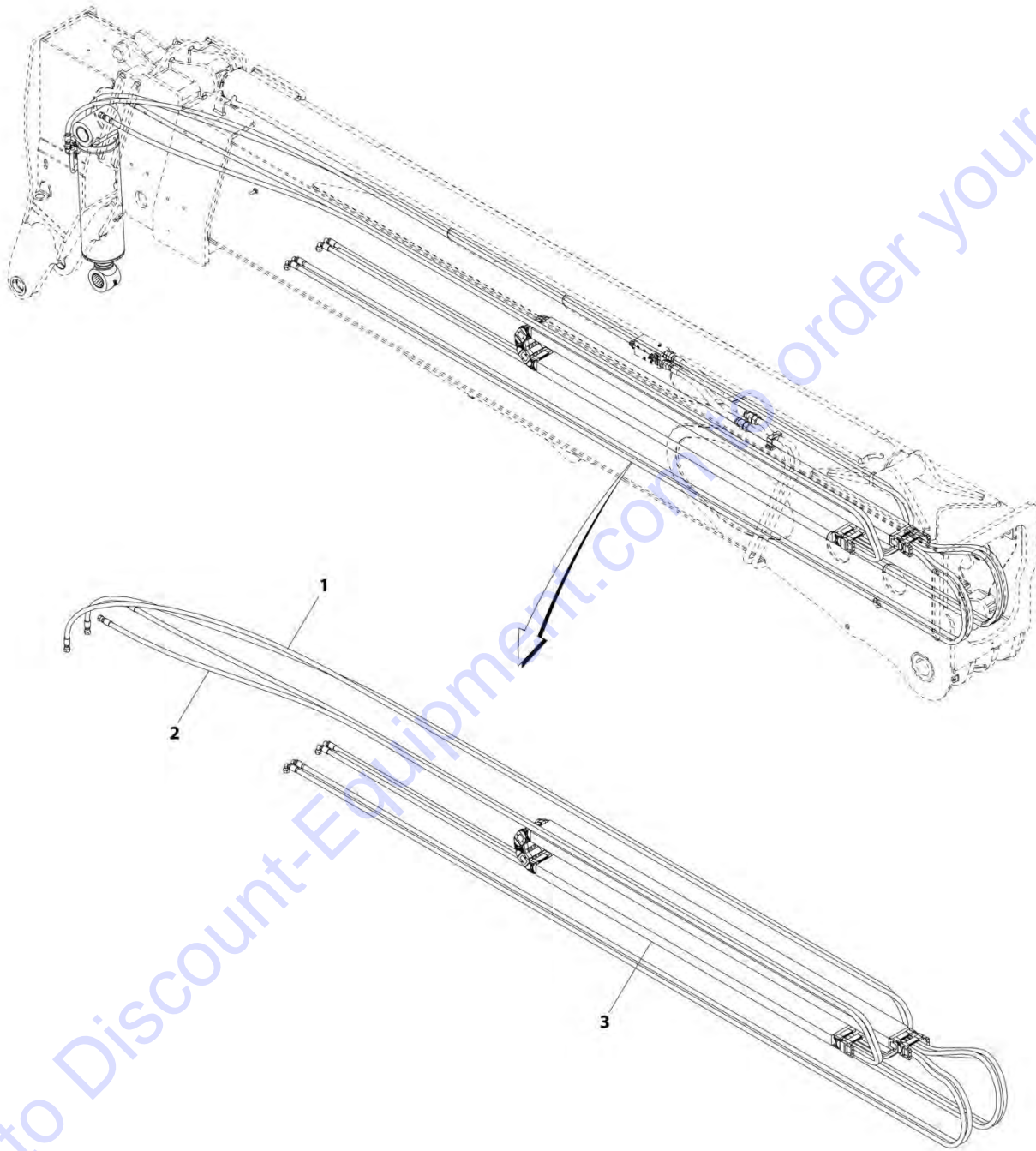
**FIGURE 8-46. CHECK VALVE ASSEMBLY**

ITEM	PART NUMBER	QTY	DESCRIPTION	REV
	1001210803	Ref	Check Valve Assembly	A
1	2111010	1	Fitting, Straight	
2	2220239	2	Plug	
3	4641192	1	Valve, Check	
4	1001096679	1	Fitting, 90	
5	1001210780	1	Manifold, Dual Check	
6	1001210801	1	Valve, Check	

Go to Discount-Equipment.com to order your parts

# SECTION 8 - HYDRAULIC CIRCUITS

## FIGURE 8-47. TWIN/TRI LINE HOSES INSTALLATION



ART\_1001233919-A

## SECTION 8 - HYDRAULIC CIRCUITS

FIGURE 8-47. TWIN/TRI LINE HOSES INSTALLATION

ITEM	PART NUMBER	QTY	DESCRIPTION	REV
	1001233919	1	Twin/Tri Line Hose Installation	A
1	1001173934	1	Hose	
2	1001173935	1	Hose	
3	1001175033	1	Carrier, Hose	

Go to Discount-Equipment.com to order your parts



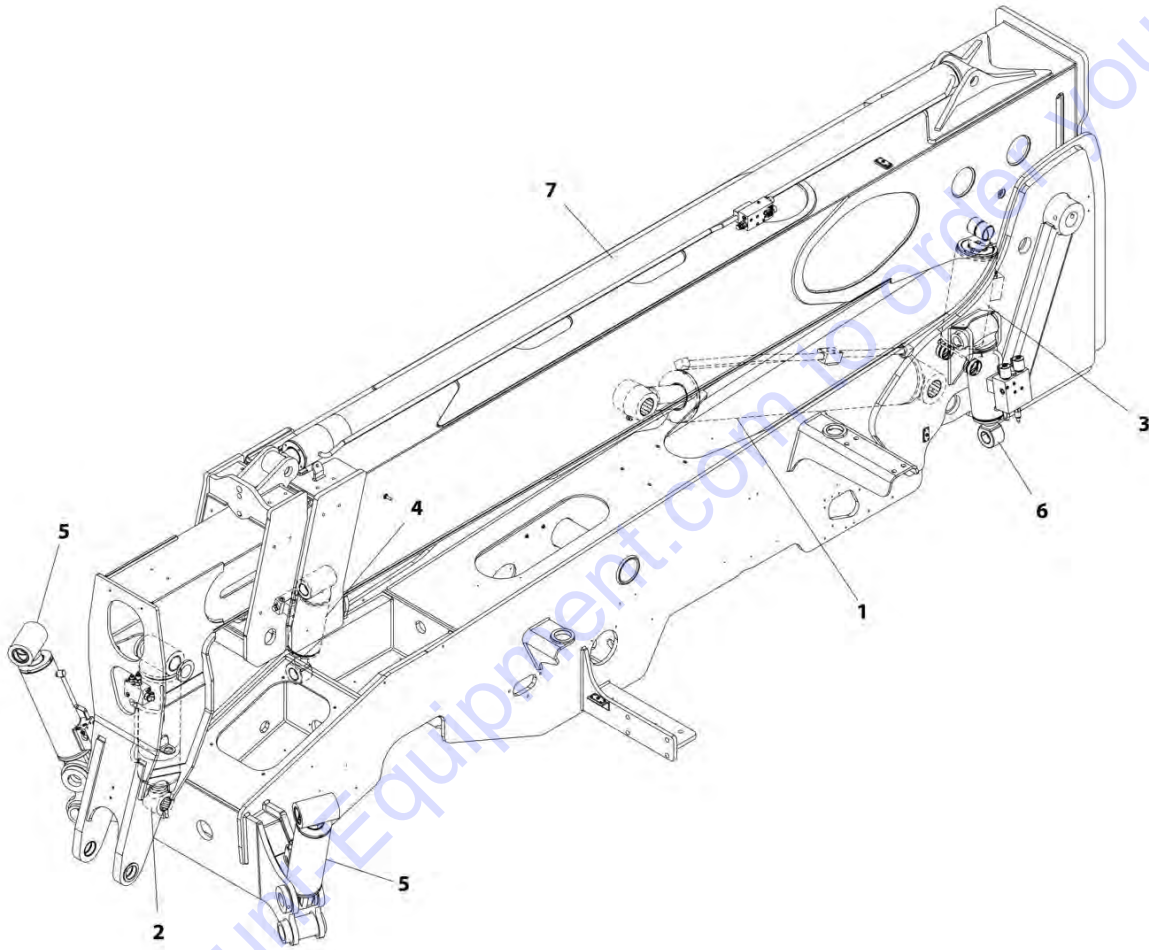


**SECTION 9 - HYDRAULIC COMPONENTS**

Go to [Discount-Equipment.com](http://Discount-Equipment.com) to order your parts

# SECTION 9 - HYDRAULIC COMPONENTS

## FIGURE 9-1. CYLINDER GROUP INSTALLATION - 1055



ART\_1001160721-G

## SECTION 9 - HYDRAULIC COMPONENTS

**FIGURE 9-1. CYLINDER GROUP INSTALLATION - 1055**

ITEM	PART NUMBER	QTY	DESCRIPTION	REV
	1001160721	Ref	Cylinder Group Installation - 1055	G
1	1001156227	Ref	Cylinder, Lift - 1055 (See LIFT CYLINDER - 1055 for Breakdown) <b>(Prior to SN 0160078794)</b>	
1	1001208766	Ref	Installation, Lift Cylinder (See HYDRAULIC CIRCUITS SECTION for Breakdown) <b>(SN 0160078794 to Present)</b>	
2	1001196455	Ref	Cylinder, Tilt - 1055 (See TILT CYLINDER - 1055 for Breakdown)	
3	1001184452	Ref	Cylinder, Compensation - 1055 (See COMPENSATION CYLINDER - 1055 for Breakdown)	
4	1001162076	Ref	Installation, Frame Level Cylinder (See HYDRAULIC CIRCUITS SECTION for Breakdown)	
5	1001163577	Ref	Installation, Outrigger Cylinder (See HYDRAULIC CIRCUITS SECTION for Breakdown) <b>(Prior to SN 0160078794)</b>	
5	1001213065	Ref	Cylinder, Outrigger (See OUTRIGGER CYLINDER for Breakdown) <b>(SN 0160078794 to Present)</b>	
6	1001164036	Ref	Installation, Rear Axle Stabilizer Cylinder (See HYDRAULIC CIRCUITS SECTION for Breakdown)	
7	1001171330	Ref	Installation, Extend/Retract Cylinder (See HYDRAULIC CIRCUITS SECTION for Breakdown)	

# PARTS FINDER

**Search Website  
by Part Number**



**Search Manual  
Library For Parts  
Manual & Lookup Part  
Numbers – Purchase  
or Request Quote**

**Can't Find Part or  
Manual? Request Help  
by Manufacturer,  
Model & Description**

Discount-Equipment.com is your online resource for quality parts & equipment.

Florida: **561-964-4949** Outside Florida TOLL FREE: **877-690-3101**

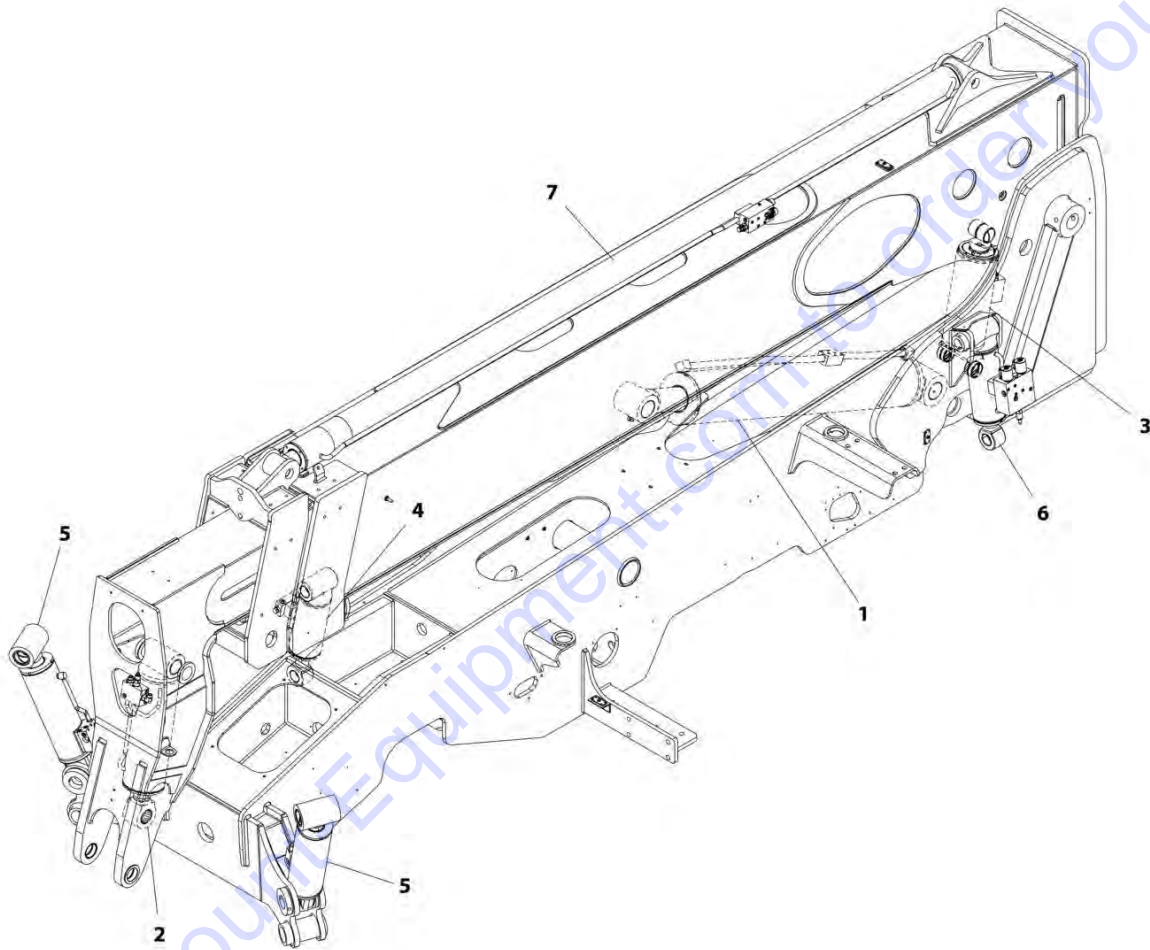
## Need parts?

Click on this link: <http://www.discount-equipment.com/category/5443-parts/> and choose one of the options to help get the right parts and equipment you are looking for. Please have the machine model and serial number available in order to help us get you the correct parts. If you don't find the part on the website or on one of the online manuals, please fill out the request form and one of our experienced staff members will get back to you with a quote for the right part that your machine needs.

We sell worldwide for the brands: Genie, Terex, JLG, MultiQuip, Mikasa, Essick, Whiteman, Mayco, Toro Stone, Diamond Products, Generac Magnum, Airman, Haulotte, Barreto, Power Blanket, Nifty Lift, Atlas Copco, Chicago Pneumatic, Allmand, Miller Curber, Skyjack, Lull, Skytrak, Tsurumi, Husquvarna Target, Stow, Wacker, Sakai, Mi-T-M, Sullair, Basic, Dynapac, MBW, Weber, Bartell, Bennar Newman, Haulotte, Ditch Runner, Menegotti, Morrison, Contec, Buddy, Crown, Edco, Wyco, Bomag, Laymor, EZ Trench, Bil-Jax, F.S. Curtis, Gehl Pavers, Heli, Honda, ICS/PowerGrit, IHI, Partner, Imer, Clipper, MMD, Koshin, Rice, CH&E, General Equipment, Amida, Coleman, NAC, Gradall, Square Shooter, Kent, Stanley, Tamco, Toku, Hatz, Kohler, Robin, Wisconsin, Northrock, Oztec, Toker TK, Rol-Air, APT, Wylie, Ingersoll Rand / Doosan, Innovatech, Con X, Ammann, Mecalac, Makinex, Smith Surface Prep, Small Line, Wanco, Yanmar

# SECTION 9 - HYDRAULIC COMPONENTS

## FIGURE 9-2. CYLINDER GROUP INSTALLATION - 1255



ART\_1001160720-H

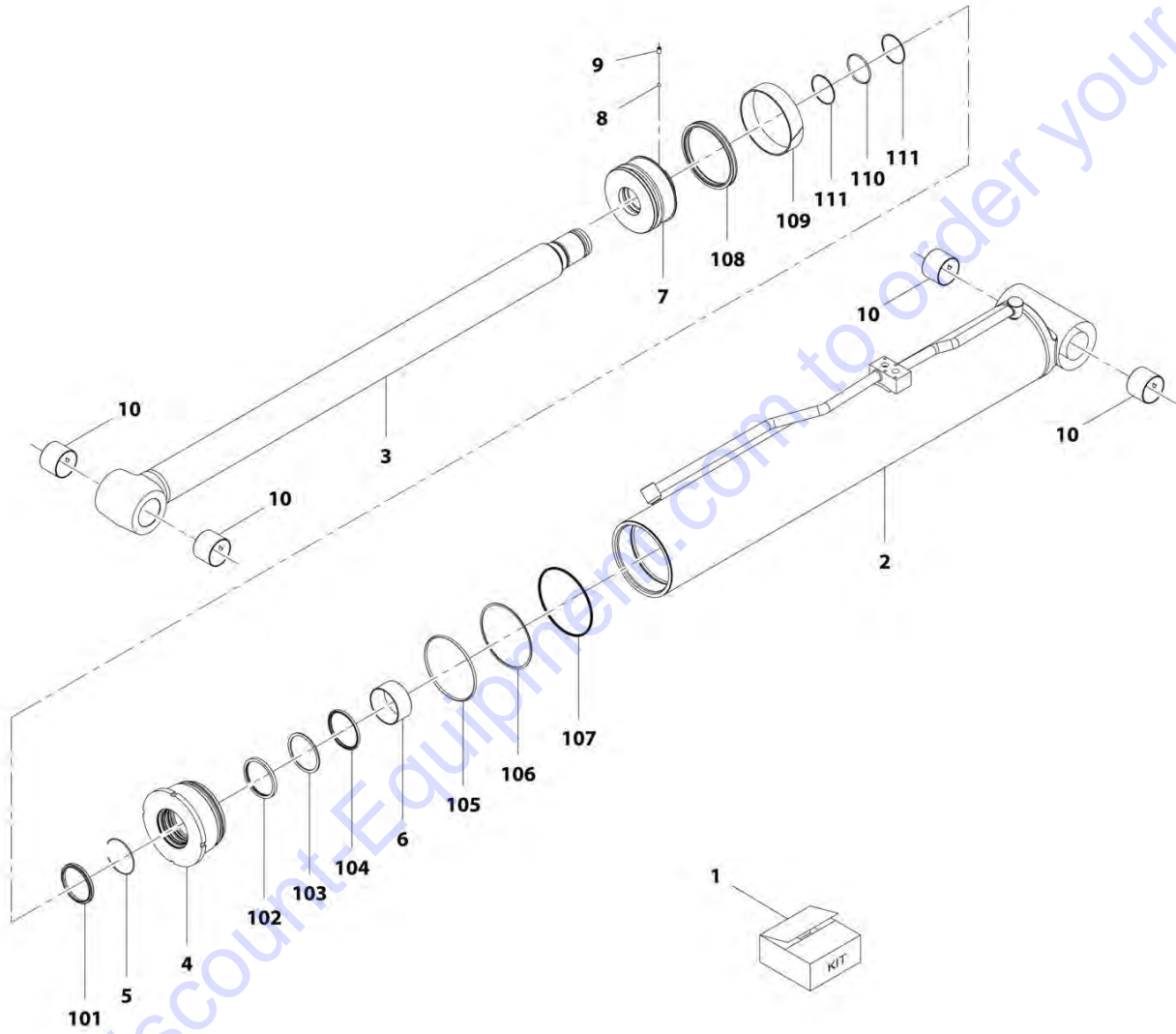
## SECTION 9 - HYDRAULIC COMPONENTS

**FIGURE 9-2. CYLINDER GROUP INSTALLATION - 1255**

ITEM	PART NUMBER	QTY	DESCRIPTION	REV
	1001160720	Ref	Cylinder Group Installation - 1255	H
1	1001192597	Ref	Cylinder, Lift - 1255 (See LIFT CYLINDER - 1255 for Breakdown) <b>(Prior to SN 0160078794)</b>	
1	1001208765	Ref	Installation, Lift Cylinder (See HYDRAULIC CIRCUITS SECTION for Breakdown) <b>(SN 0160078794 to Present)</b>	
2	1001196454	Ref	Cylinder, Tilt - 1255 (See TILT CYLINDER - 1255 for Breakdown)	
3	1001184453	Ref	Cylinder, Compensation - 1255 (See COMPENSATION CYLINDER - 1255 for Breakdown)	
4	1001162076	Ref	Installation, Frame Level Cylinder (See HYDRAULIC CIRCUITS SECTION for Breakdown)	
5	1001163577	Ref	Installation, Outrigger Cylinder (See HYDRAULIC CIRCUITS SECTION for Breakdown) <b>(Prior to SN 0160078794)</b>	
5	1001213065	Ref	Cylinder, Outrigger (See OUTRIGGER CYLINDER for Breakdown) <b>(SN 0160078794 to Present)</b>	
6	1001164036	Ref	Installation, Rear Axle Stabilizer Cylinder (See HYDRAULIC CIRCUITS SECTION for Breakdown)	
7	1001171330	Ref	Installation, Extend/Retract Cylinder (See HYDRAULIC CIRCUITS SECTION for Breakdown)	

# SECTION 9 - HYDRAULIC COMPONENTS

FIGURE 9-3. LIFT CYLINDER - 1055 (Prior to SN 0160078794)



ART\_1001156227-G



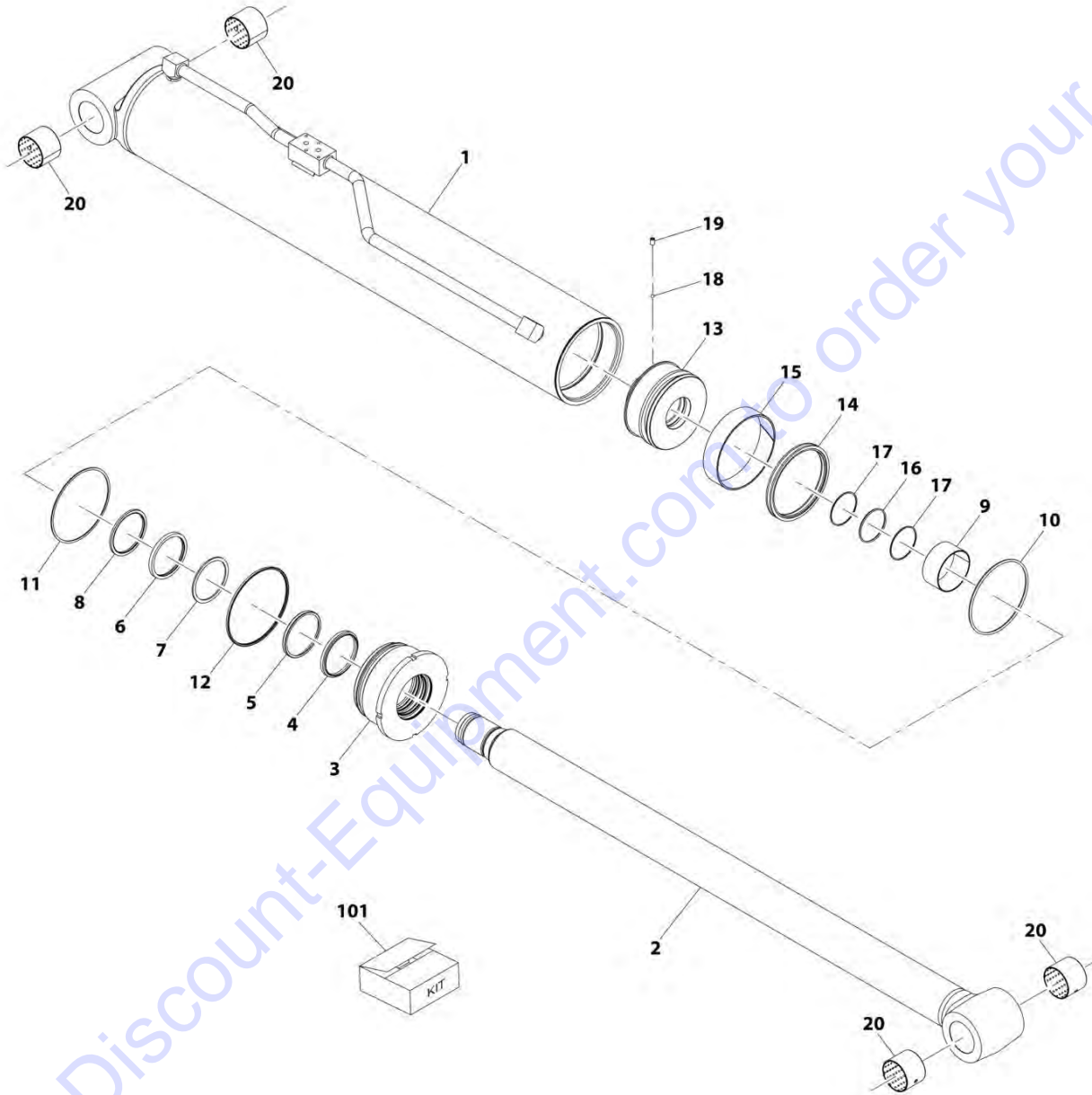
## SECTION 9 - HYDRAULIC COMPONENTS

**FIGURE 9-3. LIFT CYLINDER - 1055 (Prior to SN 0160078794)**

ITEM	PART NUMBER	QTY	DESCRIPTION	REV
	1001156227	Ref	Lift Cylinder - 1055	G
1	70026291	1	Kit, Seal (includes items 101 thru 111)	
2	70026491	1	Barrel	
3	70026281	1	Rod	
4	70026282	1	Gland	
5	70026283	1	Ring, Retain	
6	70026284	4	Bearing, Dry	
7	70026285	1	Piston	
8	70026286	1	Ball, Steel	
9	70026287	1	Screw, Set	
10	70026288	4	Bearing, Dry	
101	Kit	1	Wiper, Dust	
102	Kit	1	Seal, Rod	
103	Kit	1	Ring, Back up	
104	Kit	1	Ring, Buffer	
105	Kit	1	O-Ring	
106	Kit	1	Ring, Back Up	
107	Kit	1	O-Ring	
108	Kit	1	Seal, Piston	
109	Kit	1	Ring, Wear	
110	Kit	1	O-Ring	
111	Kit	2	Ring, Back Up	

# SECTION 9 - HYDRAULIC COMPONENTS

FIGURE 9-4. LIFT CYLINDER - 1055 (SN 0160078794 to Present)



ART\_1001211607-B

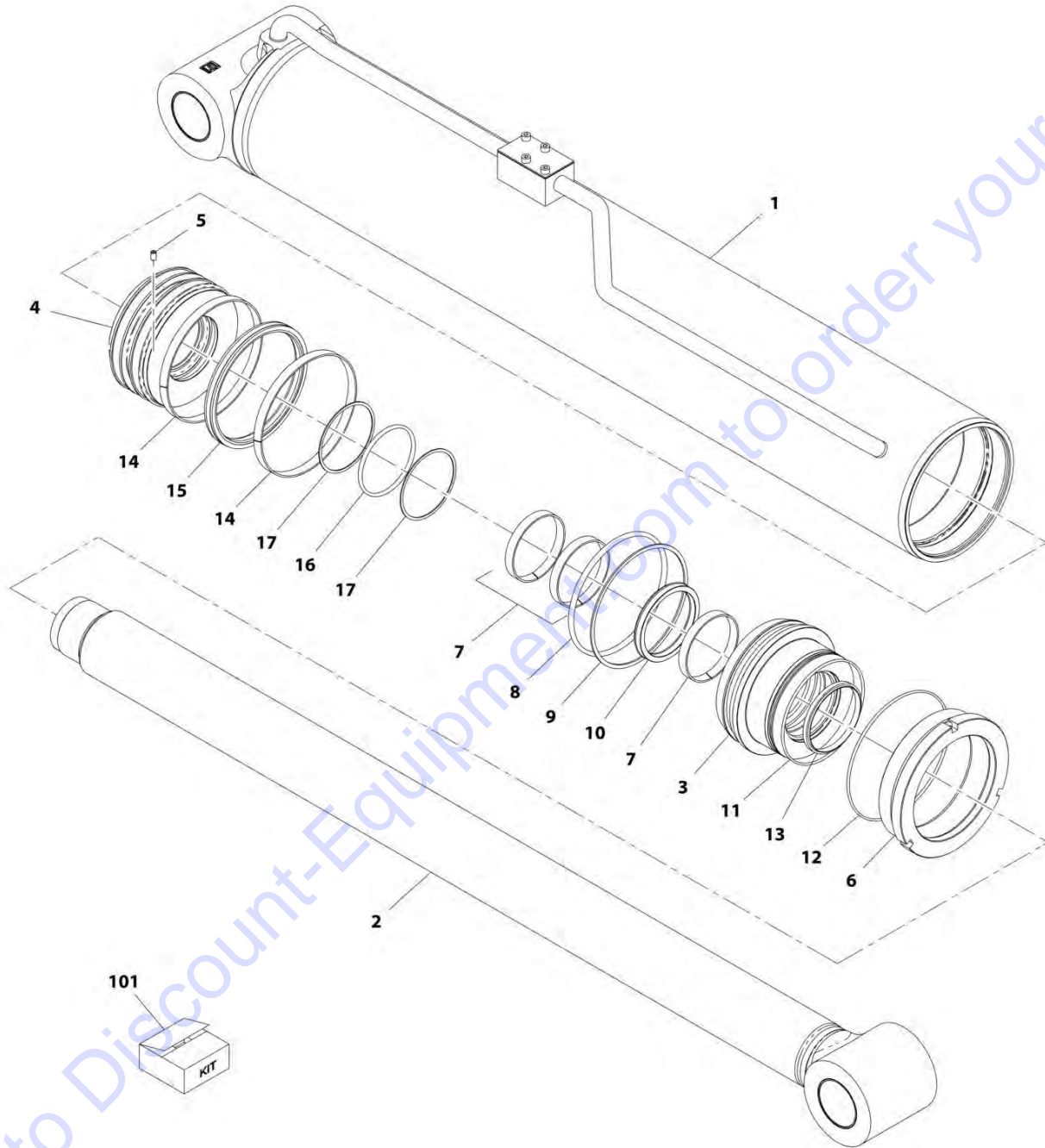
## SECTION 9 - HYDRAULIC COMPONENTS

**FIGURE 9-4. LIFT CYLINDER - 1055 (SN 0160078794 to Present)**

ITEM	PART NUMBER	QTY	DESCRIPTION	REV
	1001211607	Ref	Lift Cylinder - 1055	B
1	70026491	1	Barrel Assembly	
2	N.S.S.	1	Rod Assembly	
3	70026282	1	Gland	
4	N.S.S.	1	Dust Wiper	
5	70026283	1	Retain Ring	
6	Kit	1	Rod Seal	
7	Kit	1	Back-up Ring	
8	Kit	1	Buffer Ring	
9	70026284	1	Bearing	
10	Kit	1	O-Ring	
11	Kit	1	Back-up Ring	
12	Kit	1	O-Ring	
13	70026285	1	Piston	
14	Kit	1	Piston Seal	
15	Kit	1	Wear Ring	
16	Kit	1	O-Ring	
17	Kit	2	Back-up Ring	
18	N.S.S.	1	Steel Ball	
19	N.S.S.	1	Set Screw	
20	70026288	4	Bearing	
101	70026291	1	Kit, Seal (includes items 6 thru 8, 10 thru 12 & 14 thru 17)	

# SECTION 9 - HYDRAULIC COMPONENTS

FIGURE 9-5. LIFT CYLINDER - 1255 (Prior to SN 0160078794)



ART\_1001192597-B

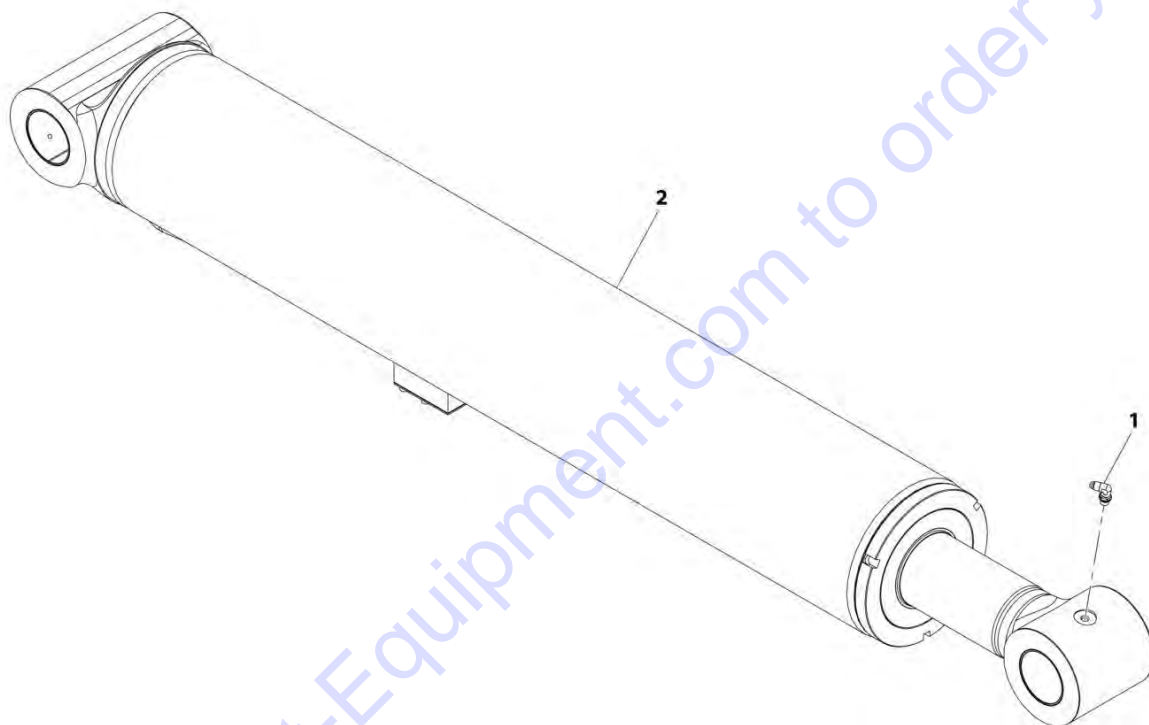
## SECTION 9 - HYDRAULIC COMPONENTS

**FIGURE 9-5. LIFT CYLINDER - 1255 (Prior to SN 0160078794)**

ITEM	PART NUMBER	QTY	DESCRIPTION	REV
	1001192597	Ref	Lift Cylinder - 1255	B
1	70026423	1	Barrel	
2	70026426	1	Rod	
3	70026421	1	Guide, Rod	
4	70026424	1	Piston	
5	70020438	1	Screw	
6	70026422	1	Screw	
7	Kit	3	Bearing	
8	Kit	1	O-Ring	
9	Kit	1	Ring, Backup	
10	Kit	1	Seal, Rod	
11	Kit	1	O-Ring	
12	Kit	1	O-Ring	
13	Kit	1	Wiper	
14	Kit	2	Bearing	
15	Kit	1	Seal, Piston	
16	Kit	1	O-Ring	
17	Kit	2	Ring, Backup	
101	70026425	1	Kit, Seal (Includes items 7 thru 17)	

## SECTION 9 - HYDRAULIC COMPONENTS

FIGURE 9-6. LIFT CYLINDER INSTALLATION - 1255 (SN 0160078794 to Present)



ART\_1001208765-A

## SECTION 9 - HYDRAULIC COMPONENTS

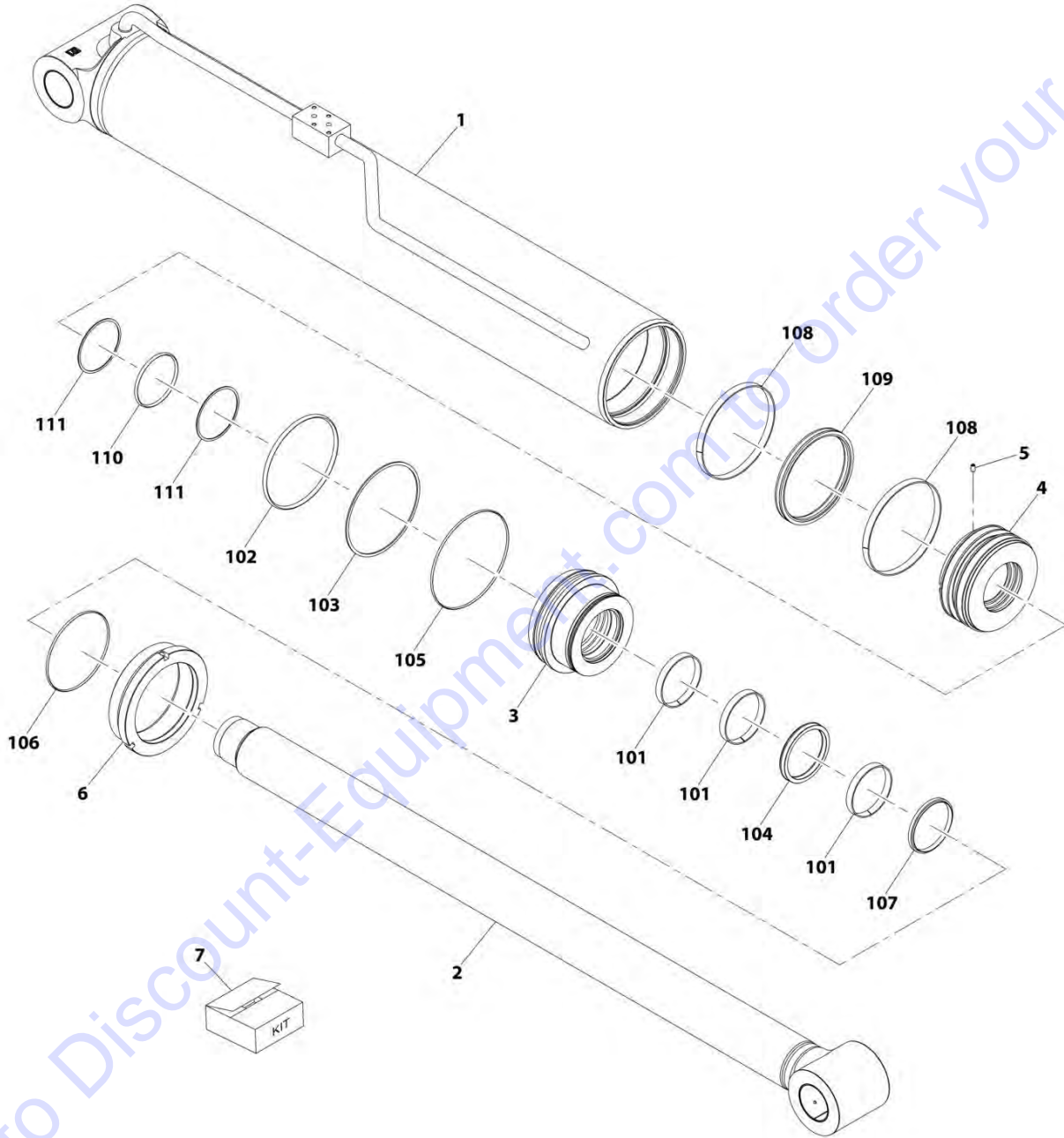
FIGURE 9-6. LIFT CYLINDER INSTALLATION - 1255 (SN 0160078794 to Present)

ITEM	PART NUMBER	QTY	DESCRIPTION	REV
	1001208765	Ref	Lift Cylinder Installation - 1255	A
1	8770215	1	Fitting, 90 ORFS	
2	1001211608	1	Cylinder, Lift - 1255 (See Separate Breakdown in HYDRAULIC COMPONENTS Section)	

Go to Discount-Equipment.com to order your parts

# SECTION 9 - HYDRAULIC COMPONENTS

FIGURE 9-7. LIFT CYLINDER - 1255 (SN 0160078794 to Present)



ART\_1001211608-A



## SECTION 9 - HYDRAULIC COMPONENTS

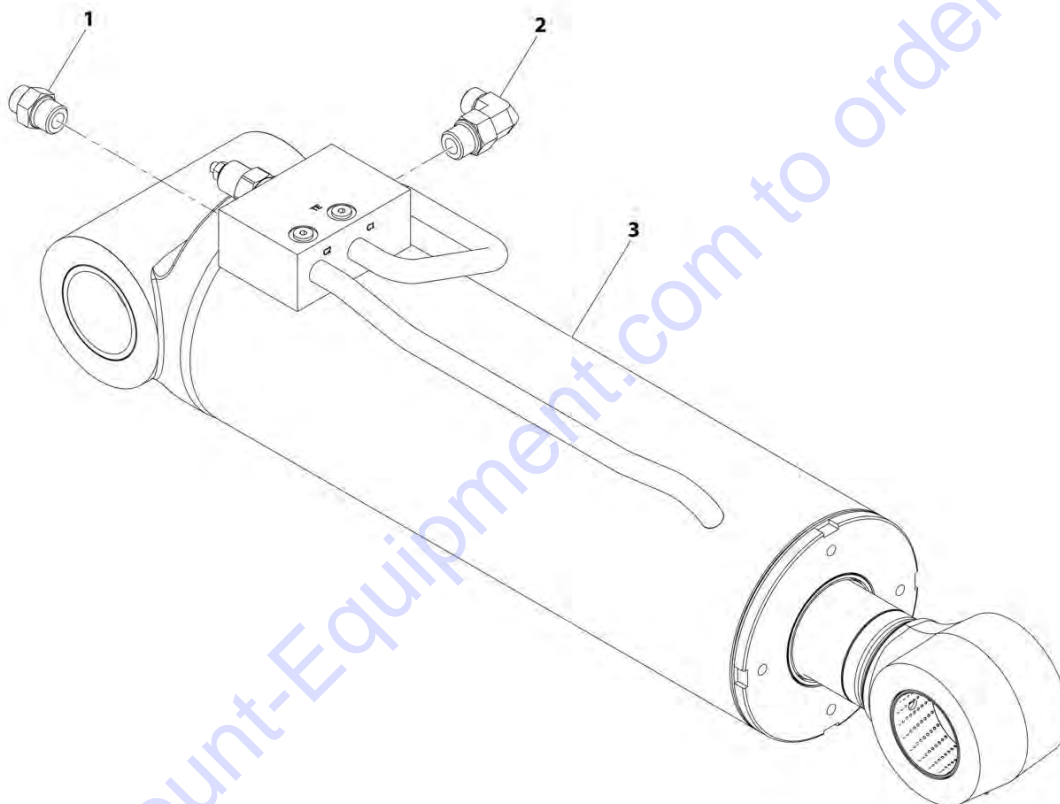
**FIGURE 9-7. LIFT CYLINDER - 1255 (SN 0160078794 to Present)**

ITEM	PART NUMBER	QTY	DESCRIPTION	REV
	1001211608	1	Lift Cylinder - 1255	A
1	70026423	1	Barrel	
2	70028279	1	Rod	
3	70026421	1	Head	
4	70026424	1	Piston	
5	70020438	1	Radial Screw	
6	70026422	1	Screw	
7	70026425	1	Kit, Seal (includes items 101 thru 111)	
101	Kit	3	Wear Ring	
102	Kit	1	O-Ring	
103	Kit	1	Back-up Ring	
104	Kit	1	Rod Seal	
105	Kit	1	O-Ring	
106	Kit	1	O-Ring	
107	Kit	1	Wiper	
108	Kit	2	Wear Ring	
109	Kit	1	Piston Seal	
110	Kit	1	O-Ring	
111	Kit	2	Back-up Ring	

Go to Discount-Equipment.com to order your parts

# SECTION 9 - HYDRAULIC COMPONENTS

FIGURE 9-8. TILT CYLINDER INSTALLATION - 1055



ART\_1001196455-C

## SECTION 9 - HYDRAULIC COMPONENTS

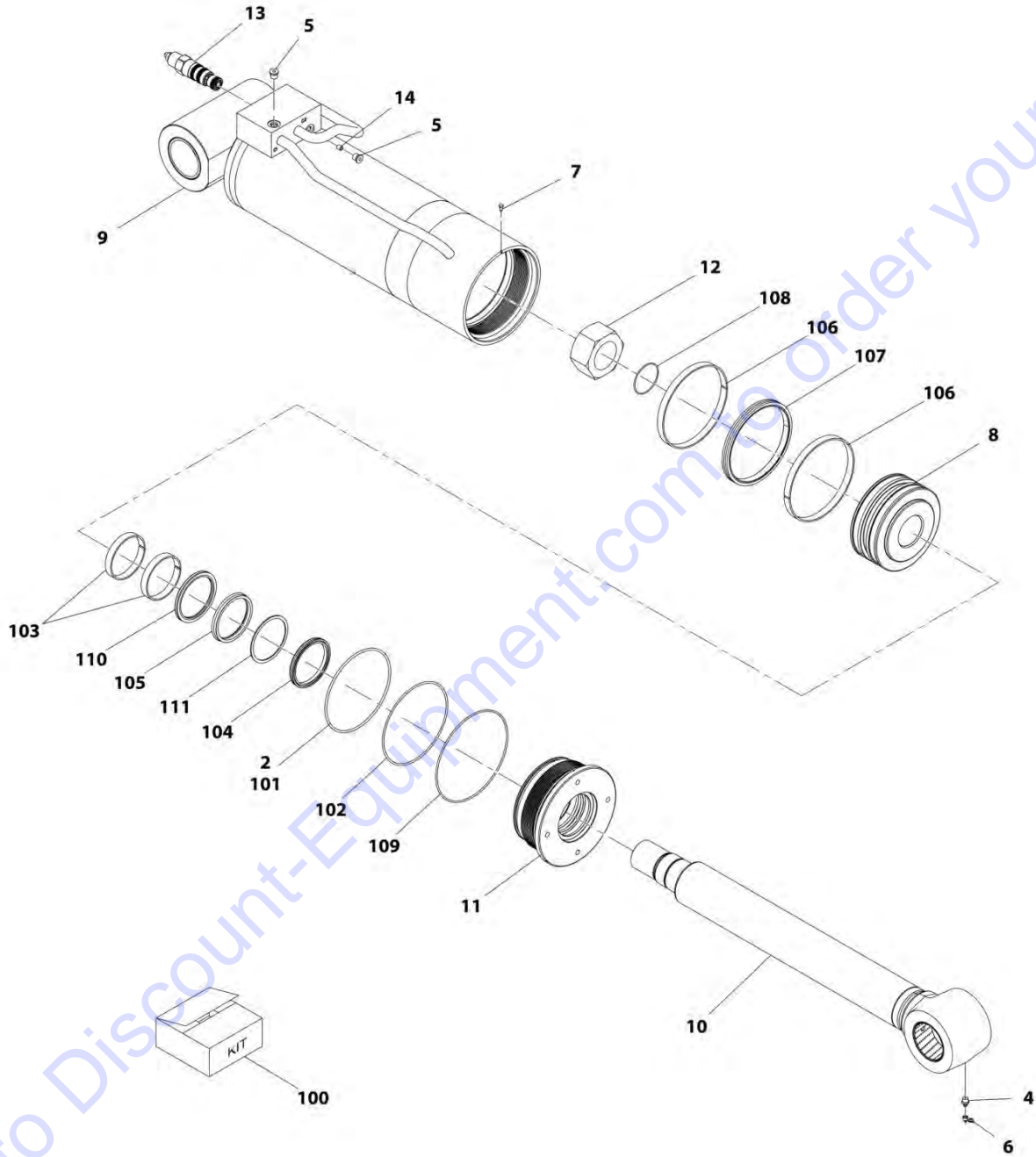
FIGURE 9-8. TILT CYLINDER INSTALLATION - 1055

ITEM	PART NUMBER	QTY	DESCRIPTION	REV
	1001196455	1	Tilt Cylinder Installation - 1055	C
1	2110810	1	Fitting, Straight ORFS	
2	2130810	1	Fitting, 90 ORFS	
3	1001157360	NLA	Tilt Cylinder (See Separate Breakdown in this Section) (no longer available, use 1001228069 for replacement)	
3	1001228069	1	Tilt Cylinder (See Separate Breakdown in this Section)	

Go to Discount-Equipment.com to order your parts

# SECTION 9 - HYDRAULIC COMPONENTS

## FIGURE 9-9. TILT CYLINDER - 1055



ART\_1001157360-K

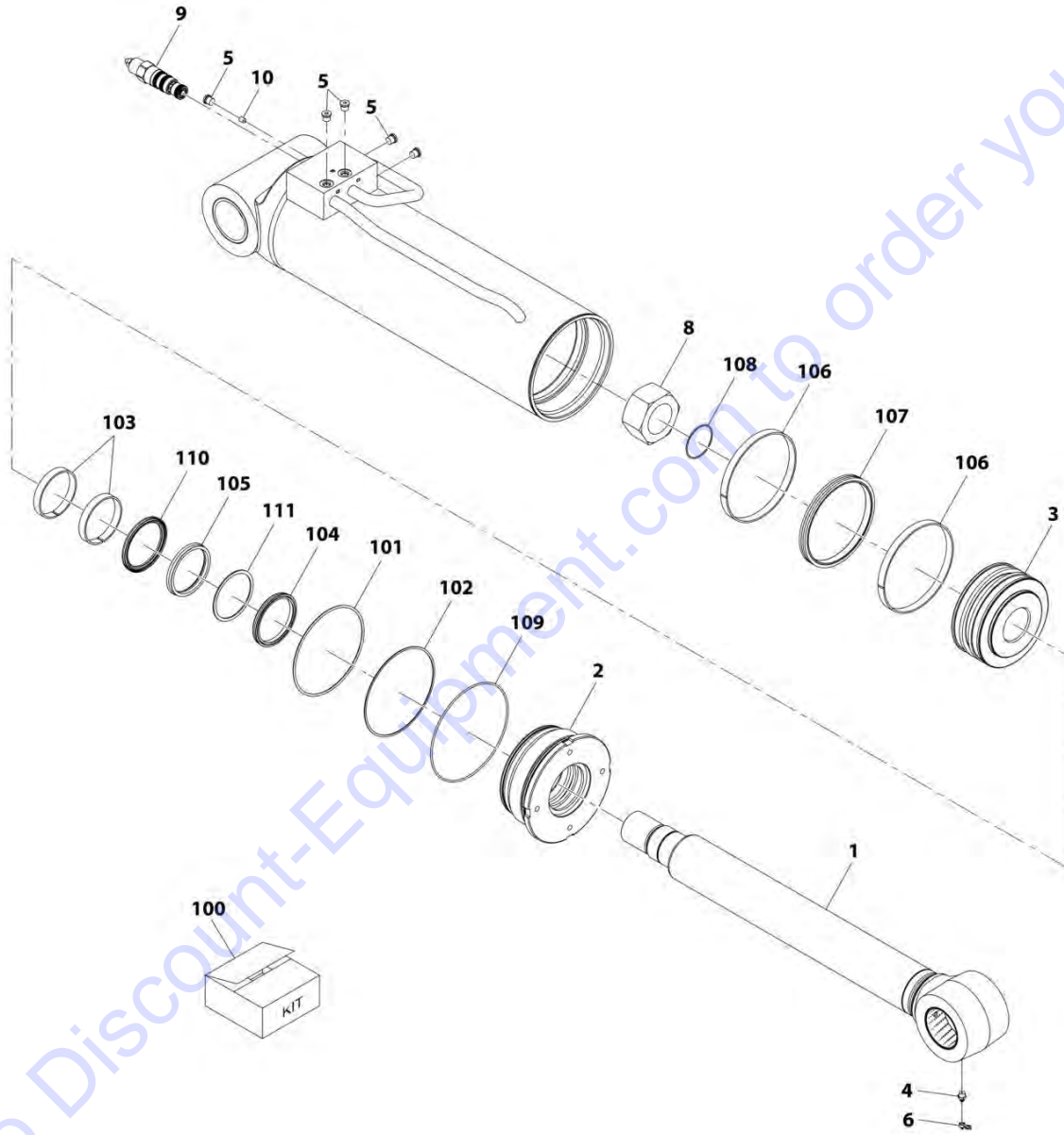
## SECTION 9 - HYDRAULIC COMPONENTS

**FIGURE 9-9. TILT CYLINDER - 1055**

ITEM	PART NUMBER	QTY	DESCRIPTION	REV
	1001157360	NLA	Tilt Cylinder, (no longer available, use 1001228069 for replacement)	K
2	3020043	AR	Lube, Anti-Seize	
4	2160016	1	Fitting, Grease	
5	2220883	4	Plug	
6	8887145	1	Cap, Grease Fitting	
7	1001125137	1	Screw, Self Tapping	
8	1001161813	1	Piston	
9	1001161816	1	Barrel	
10	1001161814	1	Rod	
11	1001162124	1	Head	
12	1001122453	1	Nut, Lock	
13	1001189888	1	Valve, Counterbalance	
14	1001163267	1	Plug	
100	1001162126	1	Kit, Seal	
101	1001162127	1	O-Ring	
102	1001162128	1	Ring, Back-Up	
103	1001162129	2	Ring, Wear	
104	1001162130	1	Wiper, Rod	
105	1001162131	1	Seal, Rod	
106	1001162132	2	Ring, Piston Wear	
107	1001162133	1	Seal	
108	1001162134	1	O-Ring	
109	1001162158	1	O-Ring	
110	1001162159	1	Seal, Rod Buffer	
111	1001163540	1	Ring, Back-Up	

# SECTION 9 - HYDRAULIC COMPONENTS

## FIGURE 9-10. TILT CYLINDER - 1055



ART\_1001228069-A

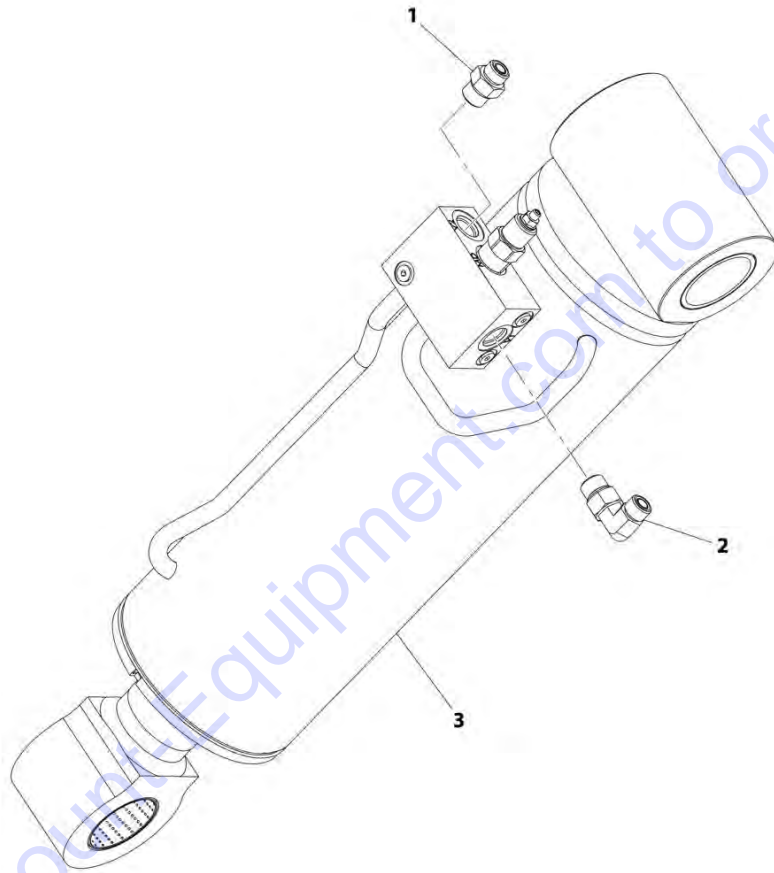
## SECTION 9 - HYDRAULIC COMPONENTS

**FIGURE 9-10. TILT CYLINDER - 1055**

ITEM	PART NUMBER	QTY	DESCRIPTION	REV
	1001228069	Ref	Tilt Cylinder	A
1	70029031	1	Rod	
2	70029032	1	Gland	
3	70029033	1	Piston	
4	2160016	1	Fitting, Grease	
5	2220883	5	Plug	
6	8887145	1	Cap, Grease Fitting	
7	1001125137	1	Screw, Self Tapping (not shown)	
8	1001122453	1	Nut, Lock	
9	1001189888	1	Valve, Counterbalance	
10	1001163267	1	Plug	
100	1001162126	1	Kit, Seal	
101	Kit	1	O-Ring	
102	Kit	1	Ring, Back-Up	
103	Kit	2	Ring, Wear	
104	Kit	1	Wiper, Rod	
105	Kit	1	Seal, Rod	
106	Kit	2	Ring, Piston Wear	
107	Kit	1	Seal	
108	Kit	1	O-Ring	
109	Kit	1	O-Ring	
110	Kit	1	Seal, Rod Buffer	
111	Kit	1	Ring, Back-Up	

# SECTION 9 - HYDRAULIC COMPONENTS

## FIGURE 9-11. TILT CYLINDER INSTALLATION - 1255



ART\_1001196454-C



## SECTION 9 - HYDRAULIC COMPONENTS

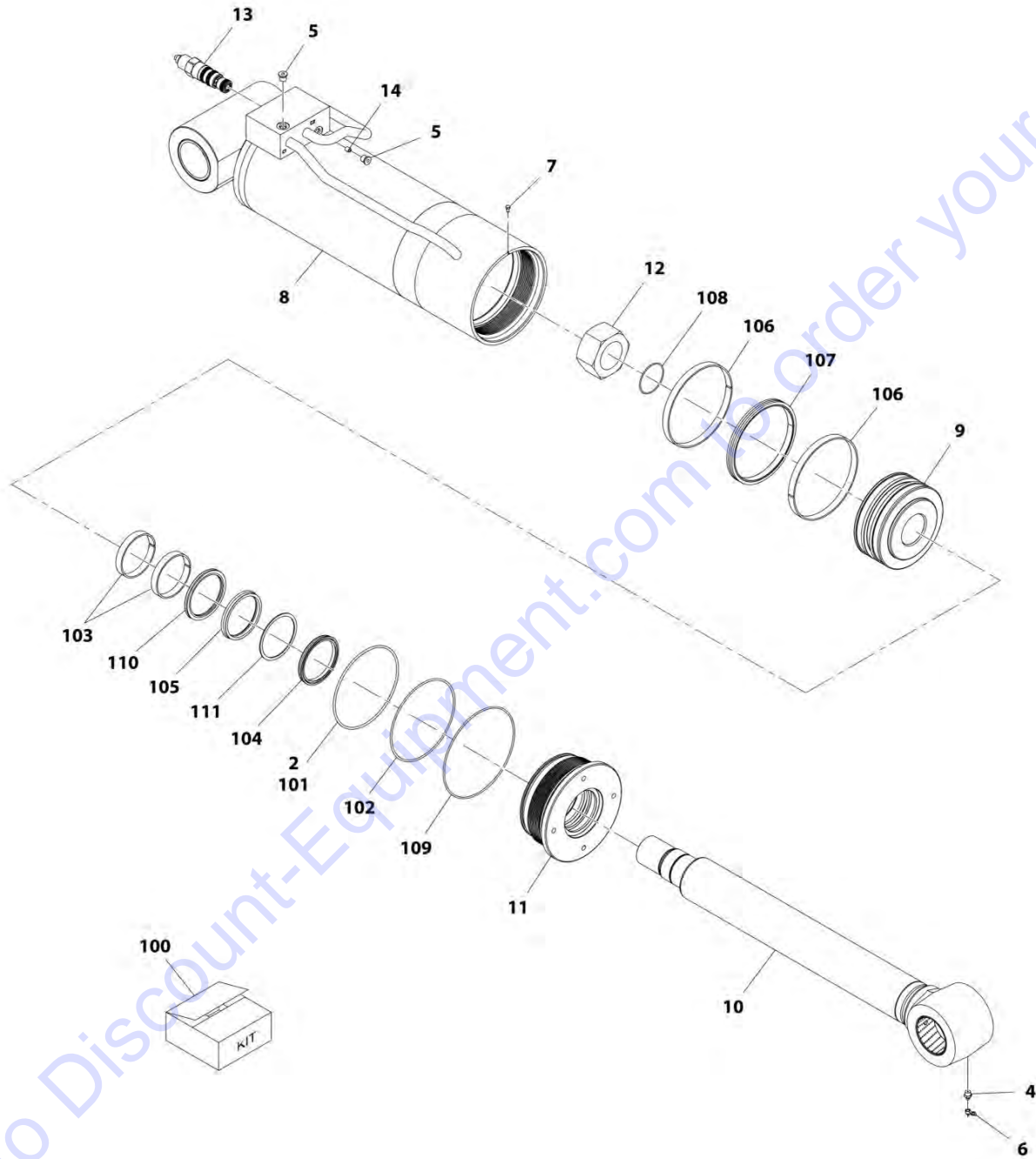
**FIGURE 9-11. TILT CYLINDER INSTALLATION - 1255**

ITEM	PART NUMBER	QTY	DESCRIPTION	REV
	1001196454	Ref	Tilt Cylinder Installation - 1255	C
1	2110810	1	Fitting, Straight ORFS	
2	2130810	1	Fitting, Straight ORFS	
3	1001157359	1	Tilt Cylinder, (See Separate Breakdown in this Section) <b>(Prior to SN 0160085831)</b>	
3	1001228068	1	Tilt Cylinder, (See Separate Breakdown in this Section) <b>(SN 0160085831 to Present)</b>	

Go to Discount-Equipment.com to order your parts

# SECTION 9 - HYDRAULIC COMPONENTS

FIGURE 9-12. TILT CYLINDER - 1255 (Prior to SN 0160085831)



ART\_1001157359-K

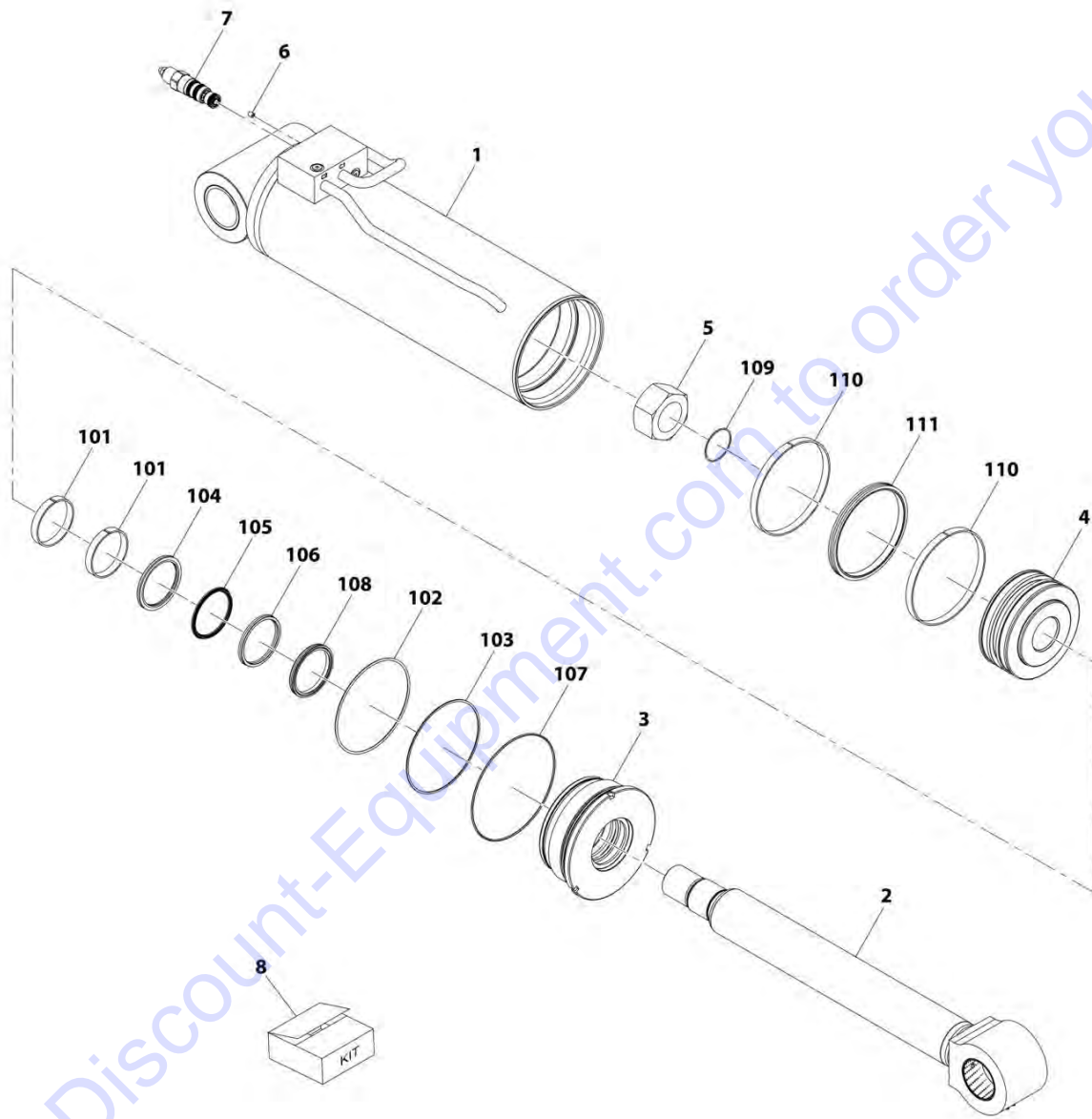
## SECTION 9 - HYDRAULIC COMPONENTS

**FIGURE 9-12. TILT CYLINDER - 1255 (Prior to SN 0160085831)**

ITEM	PART NUMBER	QTY	DESCRIPTION	REV
	1001157359	Ref	Tilt Cylinder	K
2	3020043	AR	Lube, Anti-Seize	
4	2160016	1	Fitting, Grease	
5	2220883	4	Plug	
6	8887145	1	Cap, Grease Fitting	
7	1001125137	1	Screw, Self Tapping	
8	1001161824	1	Barrel	
9	1001162142	1	Piston	
10	1001161814	1	Rod	
11	1001162141	1	Head	
12	1001122453	1	Nut, Lock	
13	1001189888	1	Valve, Counterbalance	
14	1001163267	1	Plug	
100	1001162144	1	Kit, Seal	
101	1001162145	1	O-Ring	
102	1001162146	1	Ring, Back-Up	
103	1001162129	2	Ring, Wear	
104	1001162130	1	Wiper, Rod	
105	1001162131	1	Seal, Rod	
106	1001162152	2	Ring, Piston Wear	
107	1001162153	1	Seal	
108	1001162134	1	O-Ring	
109	1001162148	1	O-Ring	
110	1001162159	1	Seal, Rod Buffer	
111	1001163540	1	Ring, Back-Up	

# SECTION 9 - HYDRAULIC COMPONENTS

FIGURE 9-13. TILT CYLINDER - 1255 (SN 0160085831 to Present)



ART\_1001228068-A

## SECTION 9 - HYDRAULIC COMPONENTS

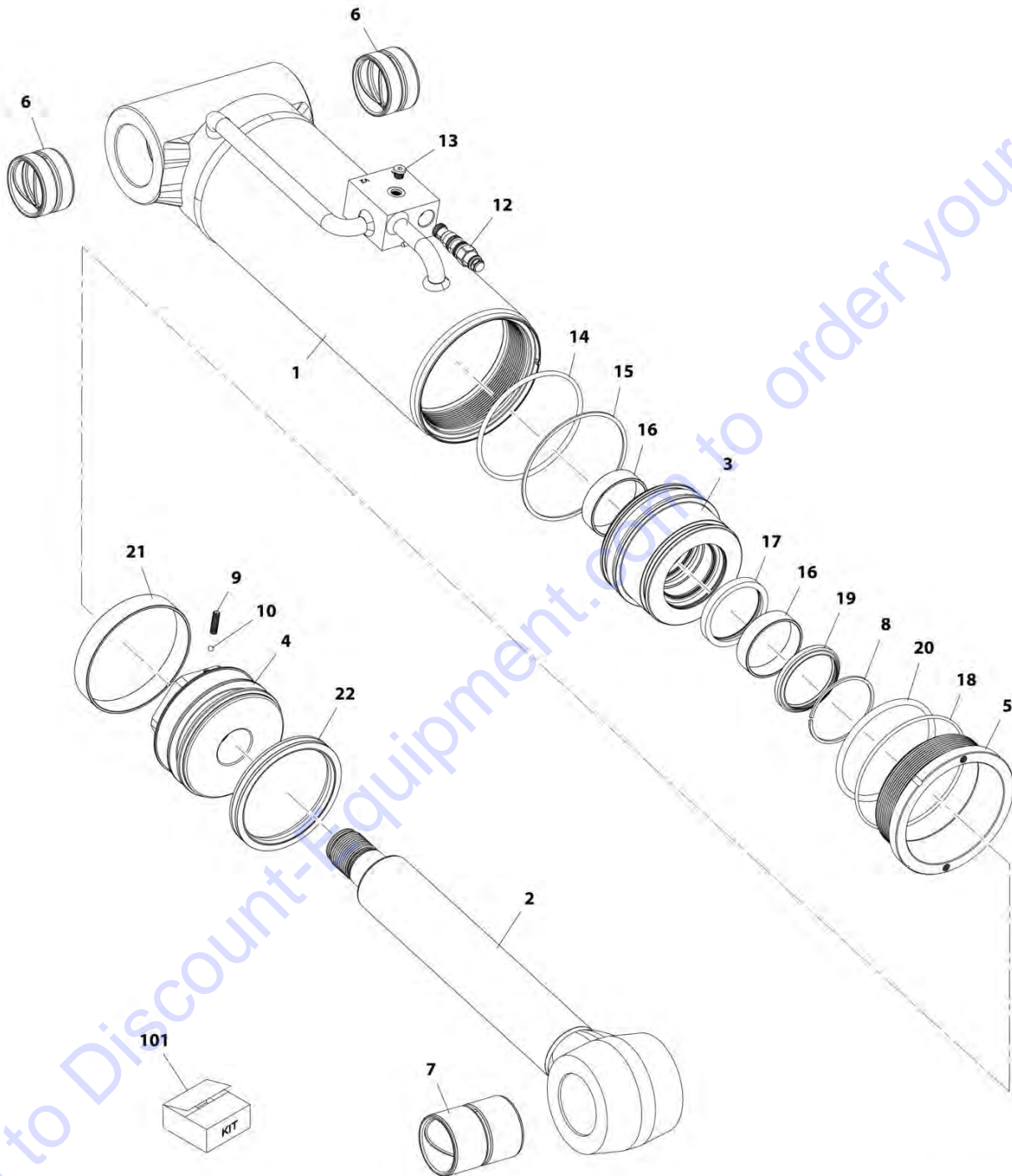
**FIGURE 9-13. TILT CYLINDER - 1255 (SN 0160085831 to Present)**

ITEM	PART NUMBER	QTY	DESCRIPTION	REV
	1001228068	Ref	Tilt Cylinder	A
1	N.S.S.	1	Body	
2	70028772	1	Rod	
3	70028773	1	Rod, Guide	
4	70028774	1	Piston	
5	70028775	1	Nut	
6	1001163267	1	Plug	
7	1001189888	1	Valve, Counterbalance	
8	1001162144	1	Kit, Seal	
101	Kit	2	Bearing	
102	Kit	1	O-Ring	
103	Kit	1	Ring, Back-Up	
104	Kit	1	Buffer	
105	Kit	1	Seal, Rod	
106	Kit	1	Ring, Back-Up	
107	Kit	1	O-Ring	
108	Kit	1	Wiper	
109	Kit	1	O-Ring	
110	Kit	2	Bearing	
111	Kit	1	Piston, Seal	

Go to Discount-Equipment.com to order your parts

# SECTION 9 - HYDRAULIC COMPONENTS

## FIGURE 9-14. COMPENSATION CYLINDER - 1055



ART\_1001184452-A

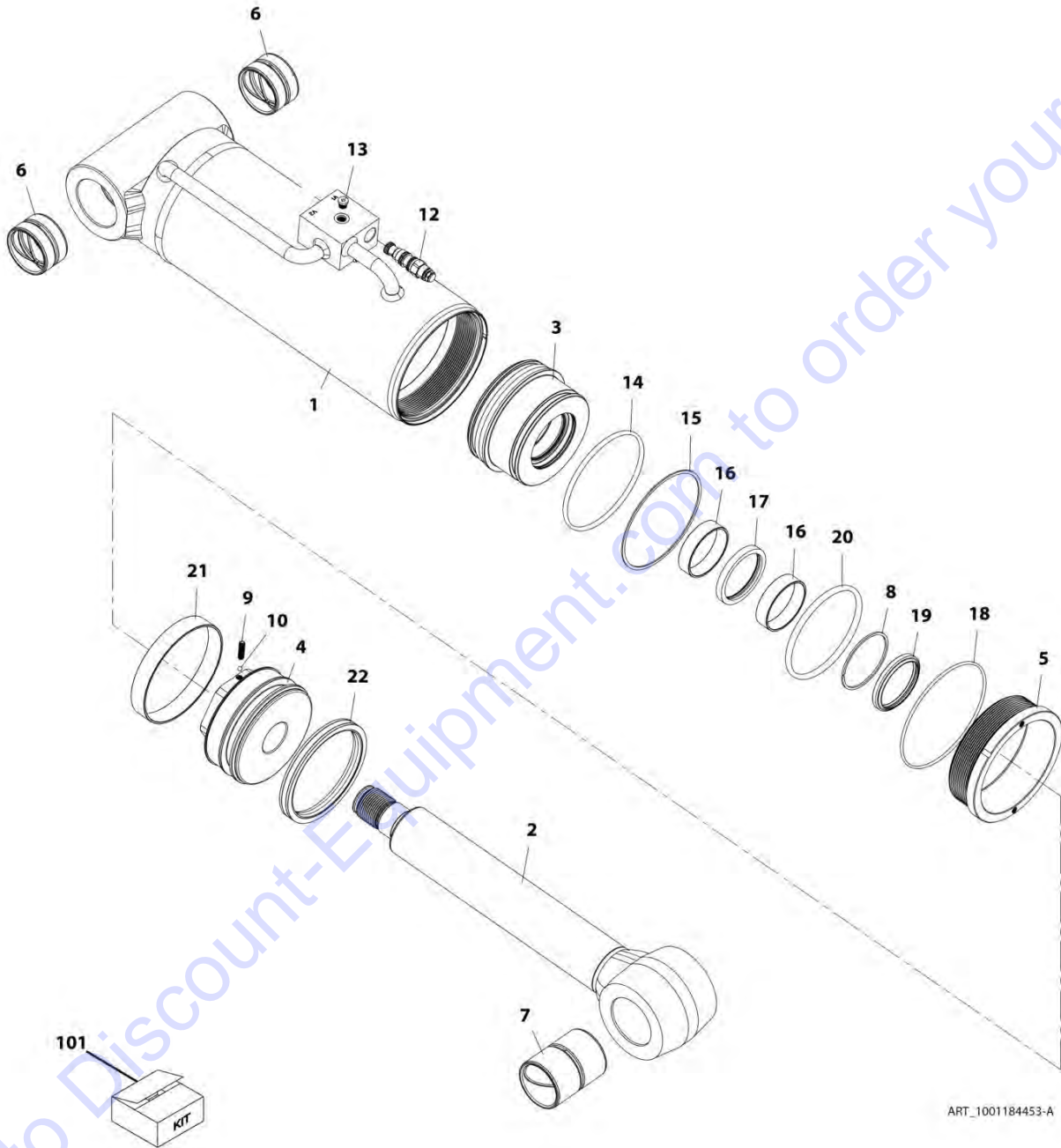
## SECTION 9 - HYDRAULIC COMPONENTS

**FIGURE 9-14. COMPENSATION CYLINDER - 1055**

ITEM	PART NUMBER	QTY	DESCRIPTION	REV
	1001184452	Ref	Compensation Cylinder - 1055	A
1	70026337	1	Barrel	
2	70026338	1	Rod	
3	70026339	1	Gland	
4	70026163	1	Head, Piston	
5	70026164	1	Collar, Gland Locking	
6	70026157	2	Bushing	
7	70026158	1	Bushing	
8	70023086	1	Ring, Snap	
9	70026159	1	Screw	
10	70005014	1	Ball, Steel	
12	70026336	1	Valve, Counterbalance	
13	70025619	1	Plug	
14	Kit	1	O-Ring	
15	Kit	1	Ring, Backup	
16	Kit	2	Ring, Bearing	
17	Kit	1	Seal, Rod	
18	Kit	1	O-Ring	
19	Kit	1	Seal, Wiper	
20	Kit	1	O-Ring	
21	Kit	1	Ring, Bearing	
22	Kit	1	Seal, Piston	
101	70026340	1	Kit, Seal (includes items 14 thru 22)	

# SECTION 9 - HYDRAULIC COMPONENTS

## FIGURE 9-15. COMPENSATION CYLINDER - 1255



ART\_1001184453-A



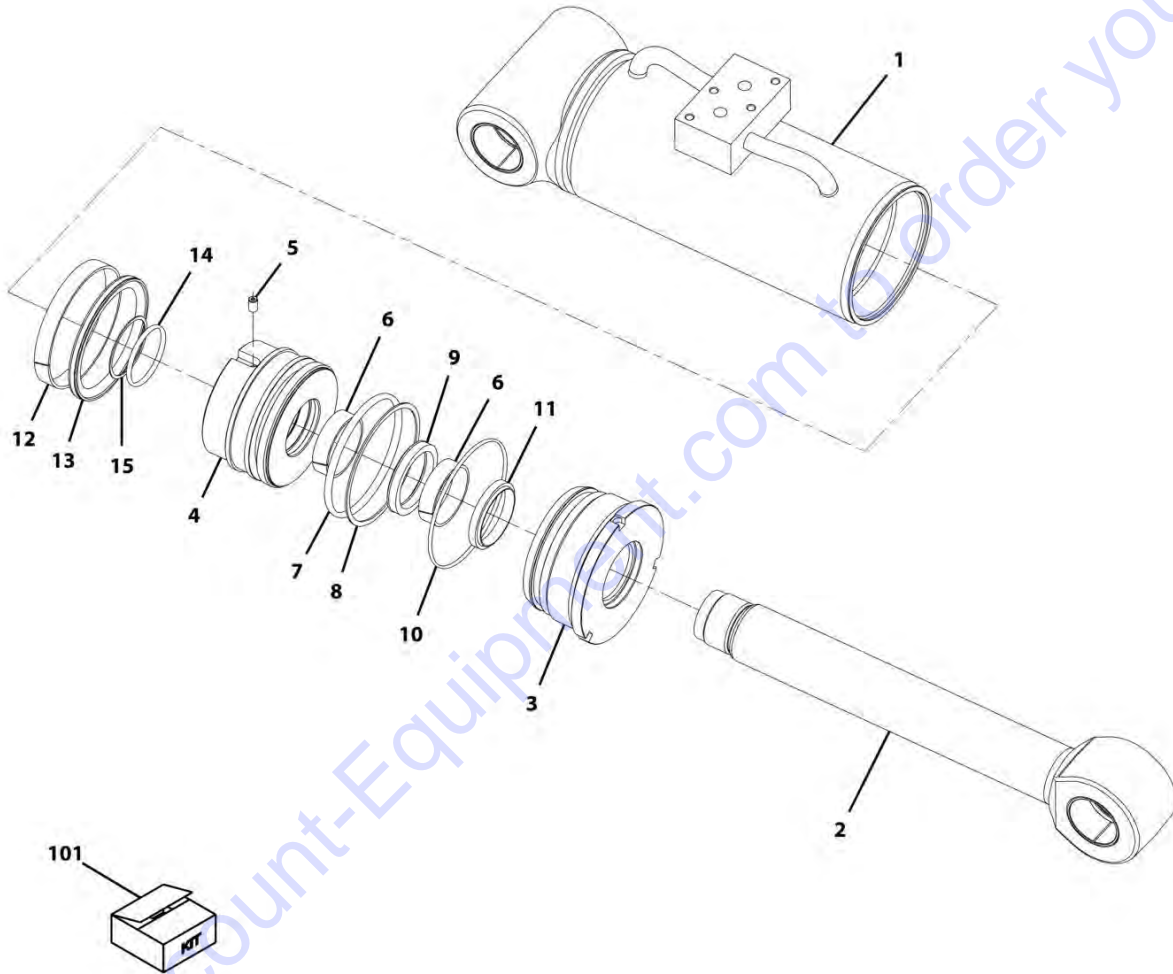
## SECTION 9 - HYDRAULIC COMPONENTS

**FIGURE 9-15. COMPENSATION CYLINDER - 1255**

ITEM	PART NUMBER	QTY	DESCRIPTION	REV
	1001184453	Ref	Compensation Cylinder - 1255	A
1	70026341	1	Barrel	
2	70026342	1	Rod	
3	70026154	1	Gland	
4	70026155	1	Head, Piston	
5	70026156	1	Collar, Gland Locking	
6	70026157	2	Bushing	
7	70026158	1	Bushing	
8	70023086	1	Ring, Snap	
9	70026159	1	Screw	
10	70005014	1	Ball, Steel	
12	70026336	1	Valve, Counterbalance	
13	70025619	1	Plug	
14	Kit	1	O-Ring	
15	Kit	1	Ring, Backup	
16	Kit	2	Ring, Bearing	
17	Kit	1	Seal, Rod	
18	Kit	1	O-Ring	
19	Kit	1	Seal, Wiper	
20	Kit	1	O-Ring	
21	Kit	1	Ring, Bearing	
22	Kit	1	Seal, Piston	
101	70026343	1	Kit, Seal (includes items 14 thru 22)	

# SECTION 9 - HYDRAULIC COMPONENTS

## FIGURE 9-16. FRAME LEVEL CYLINDER



ART\_1001179369-A

## SECTION 9 - HYDRAULIC COMPONENTS

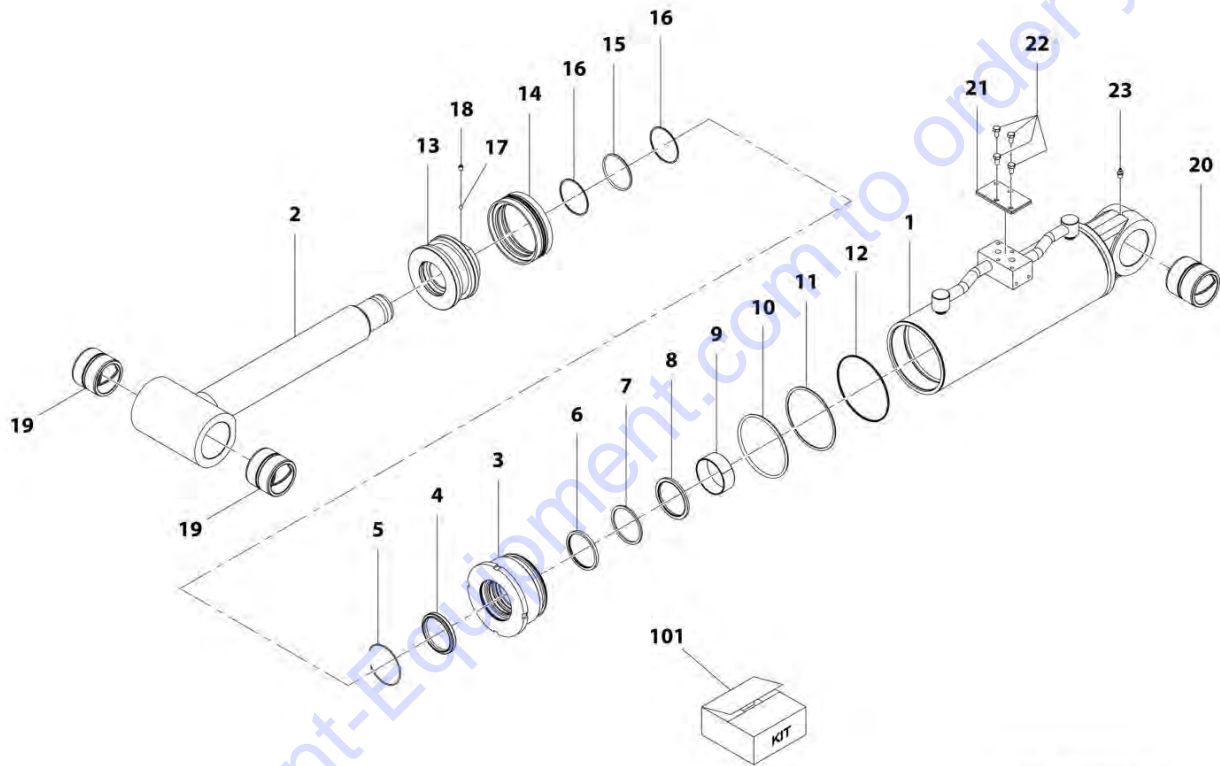
**FIGURE 9-16. FRAME LEVEL CYLINDER**

ITEM	PART NUMBER	QTY	DESCRIPTION	REV
	1001179369	Ref	Frame Level Cylinder	A
1	70026435	1	Barrel	
2	70026436	1	Rod	
3	70026249	1	Guide, Rod	
4	70026251	1	Piston	
5	70020438	1	Screw	
6	Kit	2	Bearing	
7	Kit	1	O-Ring	
8	Kit	1	Ring, Backup	
9	Kit	1	Seal, Rod	
10	Kit	1	O-Ring	
11	Kit	1	Wiper	
12	Kit	1	Bearing	
13	Kit	1	Seal, Piston	
14	Kit	1	O-Ring	
15	Kit	2	Ring, Backup	
101	70026253	1	Kit, Seal (includes items 6 thru 15)	

Go to Discount-Equipment.com to order your parts

# SECTION 9 - HYDRAULIC COMPONENTS

FIGURE 9-17. OUTRIGGER CYLINDER (Prior to SN 0160078794)



ART\_1001163040-D

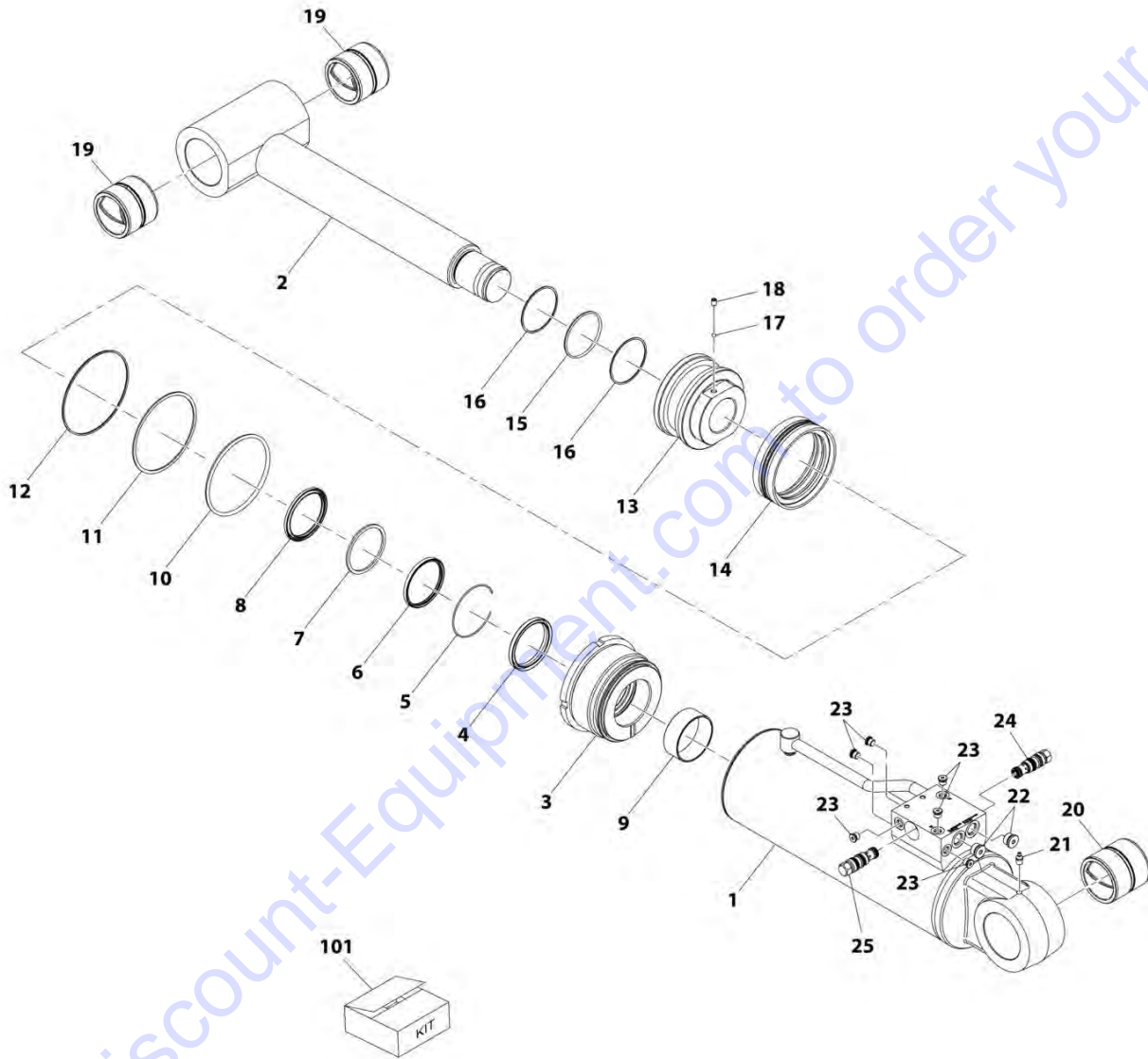
## SECTION 9 - HYDRAULIC COMPONENTS

**FIGURE 9-17. OUTRIGGER CYLINDER (Prior to SN 0160078794)**

ITEM	PART NUMBER	QTY	DESCRIPTION	REV
	1001163040	Ref	Outrigger Cylinder	D
1	70026299	1	Barrel	
2	70026300	1	Rod	
3	70026301	1	Gland	
4	Kit	1	Wiper, Dust	
5	70023379	1	Ring, Retain	
6	Kit	1	Seal, Rod	
7	Kit	1	Ring, Back-Up	
8	Kit	1	Ring, Buffer	
9	70026302	1	Bearing, Dry	
10	Kit	1	O-Ring	
11	Kit	1	Ring, Back-Up	
12	Kit	1	O-Ring	
13	70026303	1	Piston	
14	Kit	1	Seal, Piston	
15	Kit	1	O-Ring	
16	Kit	2	Ring, Back-Up	
17	70022564	1	Ball, Steel	
18	70023369	1	Screw, Set	
19	70026304	2	Pin	
20	70026305	1	Pin	
21	70026306	1	Cover, Dust	
22	70026307	4	Bolt	
23	70026308	1	Fitting	
101	70026309	1	Kit, Seal (includes items 4, 6 thru 8, 10 thru 12, 14 thru 16)	

# SECTION 9 - HYDRAULIC COMPONENTS

FIGURE 9-18. OUTRIGGER CYLINDER (SN 0160078794 to Present)



ART\_1001213065-C

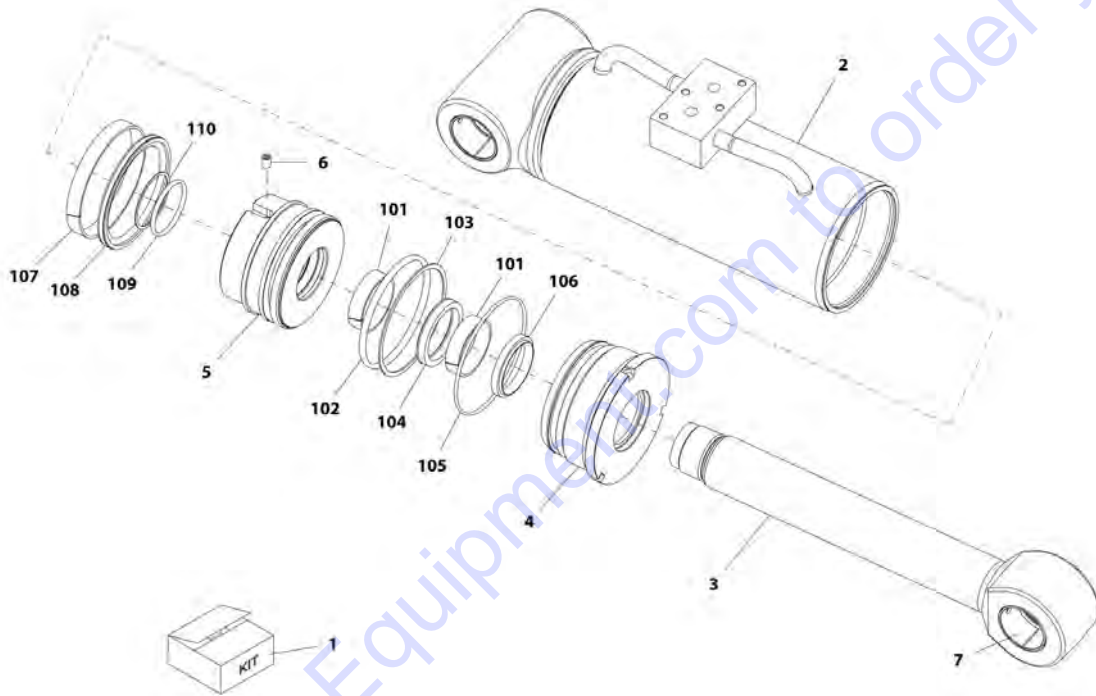
## SECTION 9 - HYDRAULIC COMPONENTS

**FIGURE 9-18. OUTRIGGER CYLINDER (SN 0160078794 to Present)**

ITEM	PART NUMBER	QTY	DESCRIPTION	REV
	1001213065	Ref	Outrigger Cylinder	C
1	70027758	1	Tube Assembly	
2	70026300	1	Rod Assembly	
3	70026301	1	Gland	
4	Kit	1	Dust Wiper	
5	70023379	1	Retain Ring	
6	Kit	1	Rod Seal	
7	Kit	1	Back-up Ring	
8	Kit	1	Buffer Ring	
9	70026302	1	Dry Bearing	
10	Kit	1	O-ring	
11	Kit	1	Back-up Ring	
12	Kit	1	O-ring	
13	70026303	1	Piston	
14	Kit	1	Piston Seal	
15	Kit	1	O-ring	
16	Kit	2	Back-up Ring	
17	70022564	1	Steel Ball	
18	70023369	1	Set Screw	
19	70026304	2	Pin Bush	
20	70026305	1	Pin Bush	
21	70026308	1	Grease Nipple	
22	2220886	2	Hex Soc. Plug	
23	2220883	6	Hex Soc. Plug	
24	1001214653	1	Counter Balance Valve	
25	1001214654	1	Counter Balance Valve	
101	70026309	1	Kit, Seal (includes items 4, 6, 7, 8, 10, 11, 12 & 14 thru 16)	

# SECTION 9 - HYDRAULIC COMPONENTS

## FIGURE 9-19. REAR AXLE STABILIZER CYLINDER



ART. 1001150620-E



## SECTION 9 - HYDRAULIC COMPONENTS

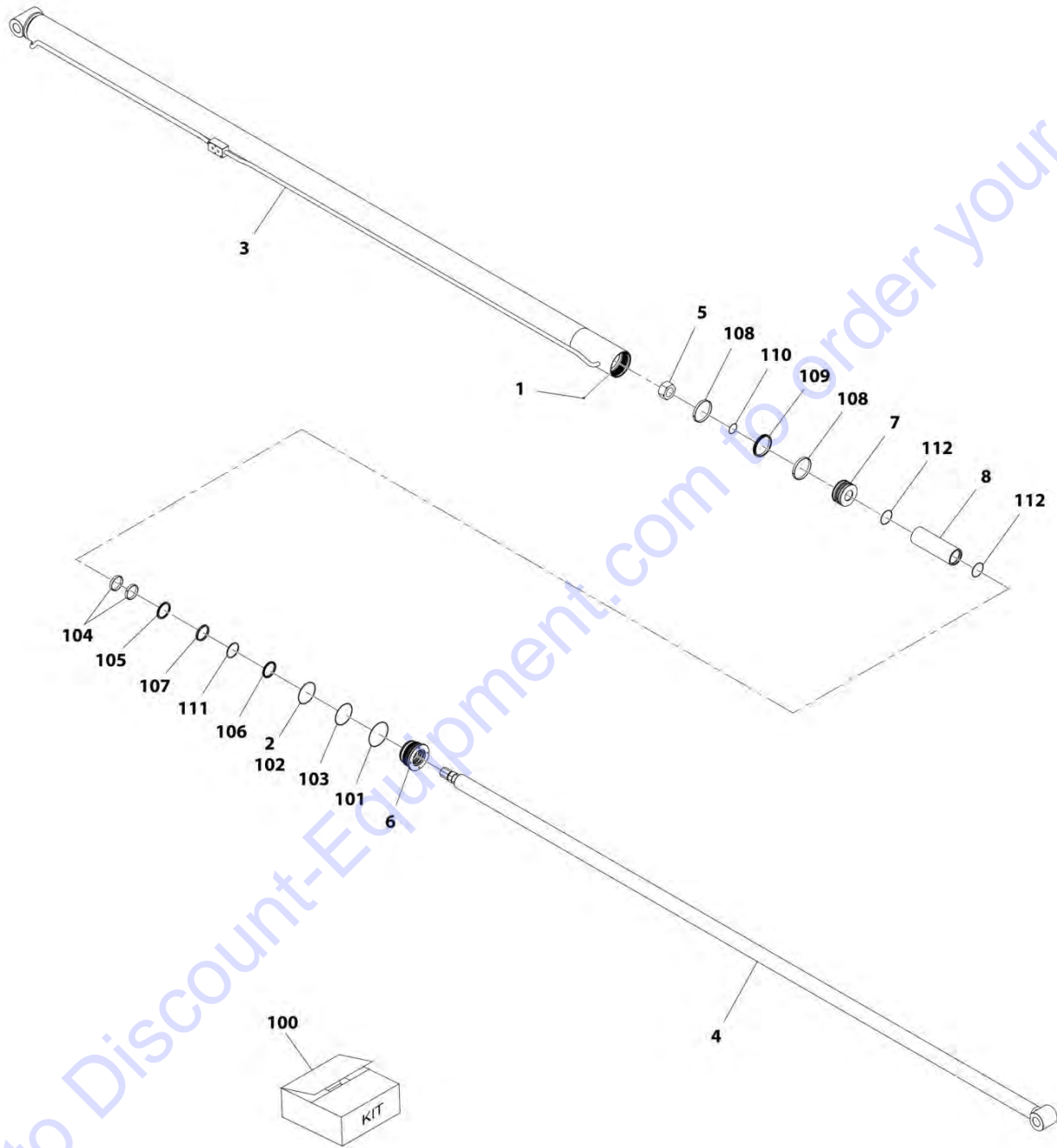
**FIGURE 9-19. REAR AXLE STABILIZER CYLINDER**

ITEM	PART NUMBER	QTY	DESCRIPTION	REV
	1001158620	Ref	Rear Axle Stabilizer Cylinder	E
1	70026253	1	Kit, Seal (includes items 101 thru 110)	
2	70026250	1	Barrel	
3	70026252	1	Rod	
4	70026249	1	Rod, Guide	
5	70026261	1	Piston	
6	70020438	1	Screw	
7	70020476	4	Bushing	
101	Kit	2	Bearing	
102	Kit	1	O-Ring	
103	Kit	1	Ring, Back-Up	
104	Kit	1	Seal, Rod	
105	Kit	1	O-Ring	
106	Kit	1	Wiper	
107	Kit	1	Bearing	
108	Kit	1	Seal, Piston	
109	Kit	1	O-Ring	
110	Kit	1	Back-Up	

Go to Discount-Equipment.com to order your parts

# SECTION 9 - HYDRAULIC COMPONENTS

FIGURE 9-20. EXTEND/RETRACT CYLINDER (Prior to SN 0160086847, Excluding 0160086030)



ART\_1001157036-J

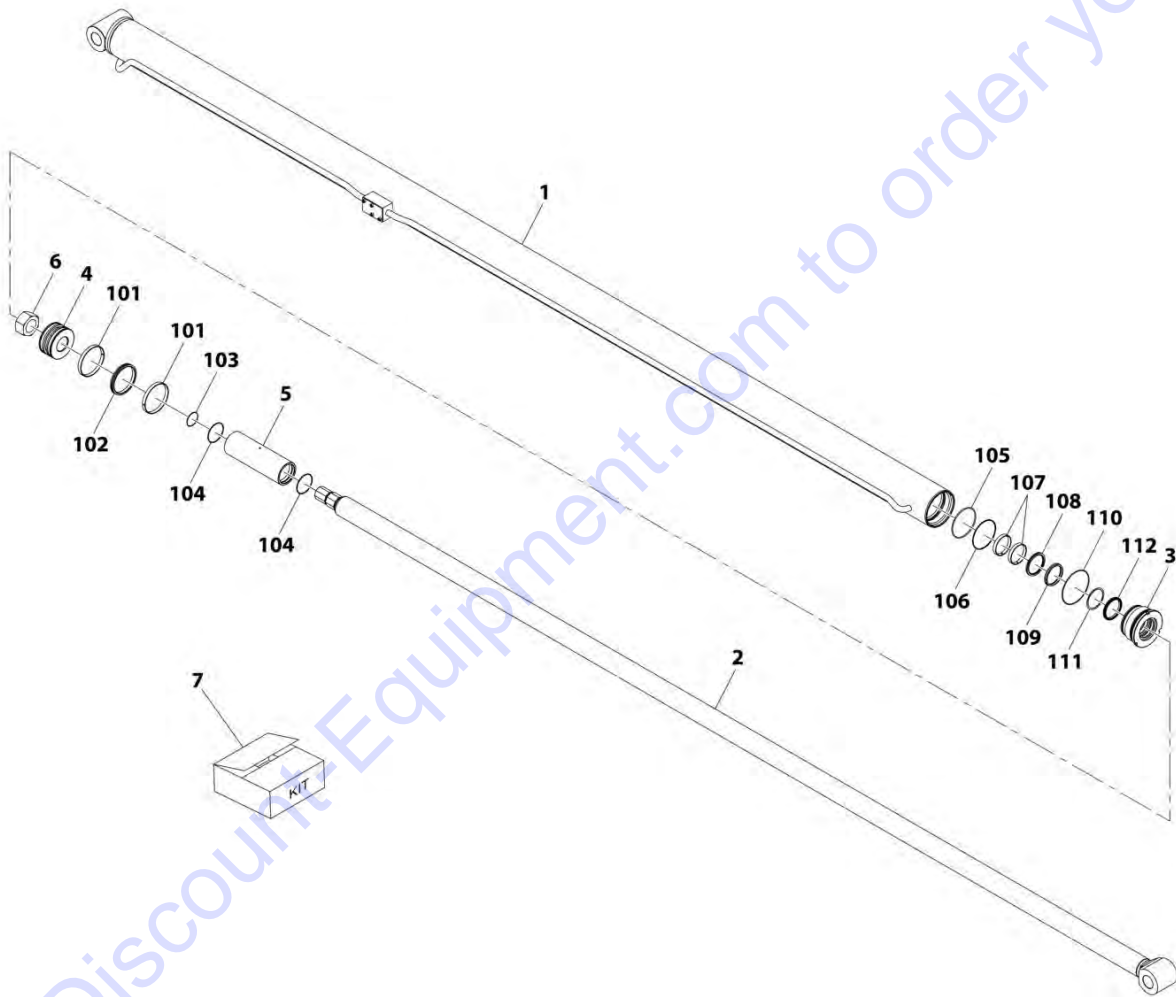
## SECTION 9 - HYDRAULIC COMPONENTS

**FIGURE 9-20. EXTEND/RETRACT CYLINDER (Prior to SN 0160086847, Excluding 0160086030)**

ITEM	PART NUMBER	QTY	DESCRIPTION	REV
	1001157036	Ref	Extend/Retract Cylinder	J
1	1001125137	1	Screw, Self Tapping	
2	3020043	AR	Lube, Anti-Seize	
3	1001161828	1	Barrel	
4	1001161830	1	Rod	
5	1001122453	1	Nut, Lock	
6	1001202623	1	Head, Cylinder	
7	1001162166	1	Piston, Cylinder	
8	1001163376	1	Spacer	
100	1001162168	1	Kit, Seal	
101	1001162169	1	O-Ring	
102	1001162170	1	O-Ring	
103	1001162171	1	Ring, Back-Up	
104	1001162129	2	Ring, Wear	
105	1001162159	1	Seal, Rod Buffer	
106	1001162130	1	Wiper, Rod	
107	1001162131	1	Seal, Rod	
108	1001162176	2	Ring, Piston Wear	
109	1001162177	1	Seal	
110	1001162134	1	O-Ring	
111	1001163540	1	Ring, Back-Up	
112	3790151	2	O-Ring	

# SECTION 9 - HYDRAULIC COMPONENTS

FIGURE 9-21. EXTEND/RETRACT CYLINDER (SN 0160086847 to Present, Including 0160086030)



ART\_1001228067-B

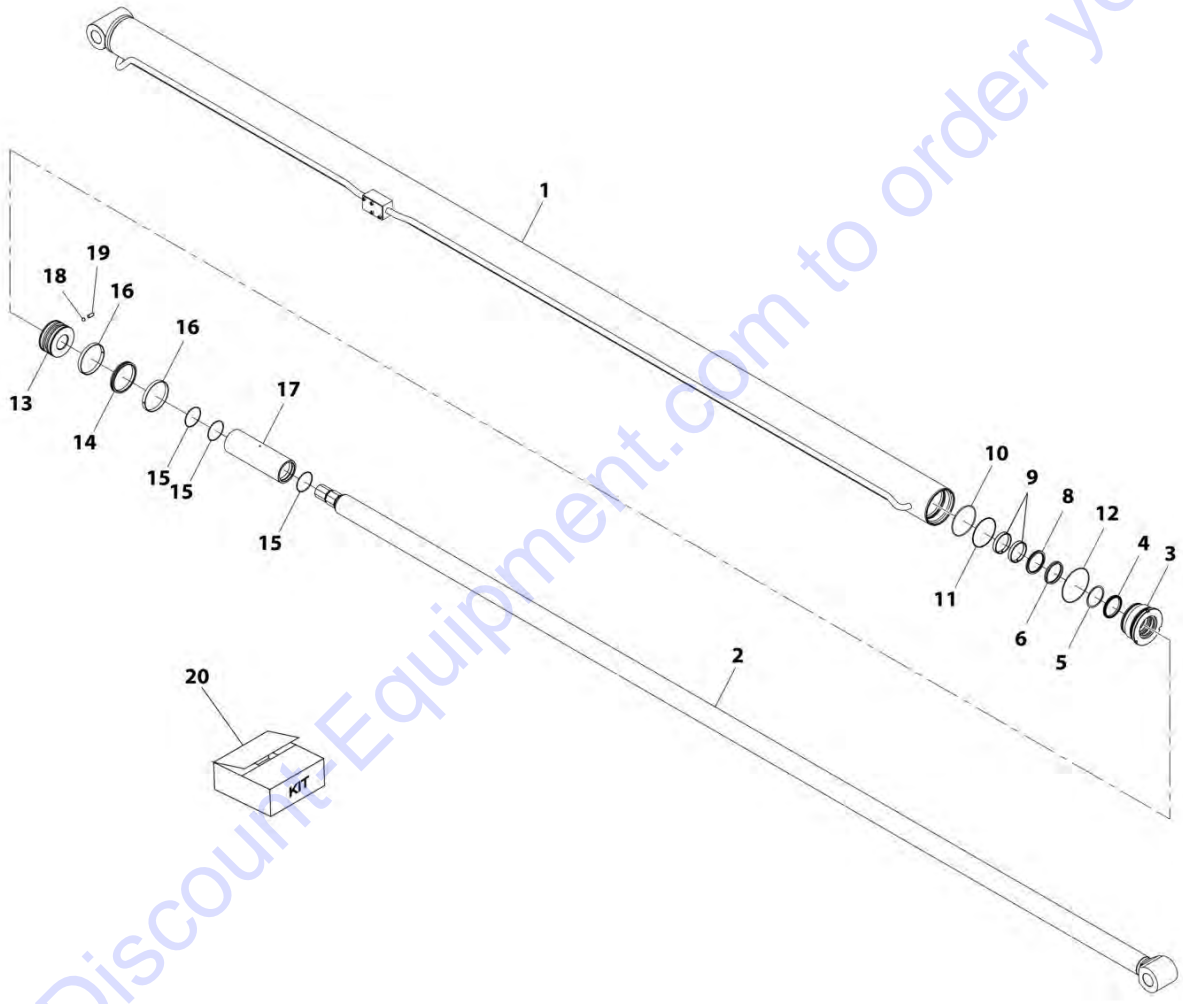
## SECTION 9 - HYDRAULIC COMPONENTS

**FIGURE 9-21. EXTEND/RETRACT CYLINDER (SN 0160086847 to Present, Including 0160086030)**

ITEM	PART NUMBER	QTY	DESCRIPTION	REV
	1001228067	NLA	Extend/Retract Cylinder (no longer available, use 1001251067 for replacement)	B
1	N.S.S.	1	Barrel	
2	70028759	1	Rod	
3	70028760	1	Head	
4	70028761	1	Piston	
5	1001122453	1	Spacer	
6	70028775	1	Nut, Lock	
7	1001162168	1	Kit, Seal	
101	Kit	2	Bearing	
102	Kit	1	Piston Seal	
103	Kit	1	O-Ring	
104	Kit	2	O-Ring	
105	Kit	1	O-Ring	
106	Kit	1	Ring, Back-Up	
107	Kit	2	Bearing	
108	Kit	1	Buffer	
109	Kit	1	Seal, Rod	
110	Kit	1	O-Ring	
111	Kit	1	Ring, Back-Up	
112	Kit	1	Wiper	

# SECTION 9 - HYDRAULIC COMPONENTS

FIGURE 9-22. EXTEND/RETRACT CYLINDER



ART\_1001251067-A

Go to DiscountEquipment.com to order your parts

## SECTION 9 - HYDRAULIC COMPONENTS

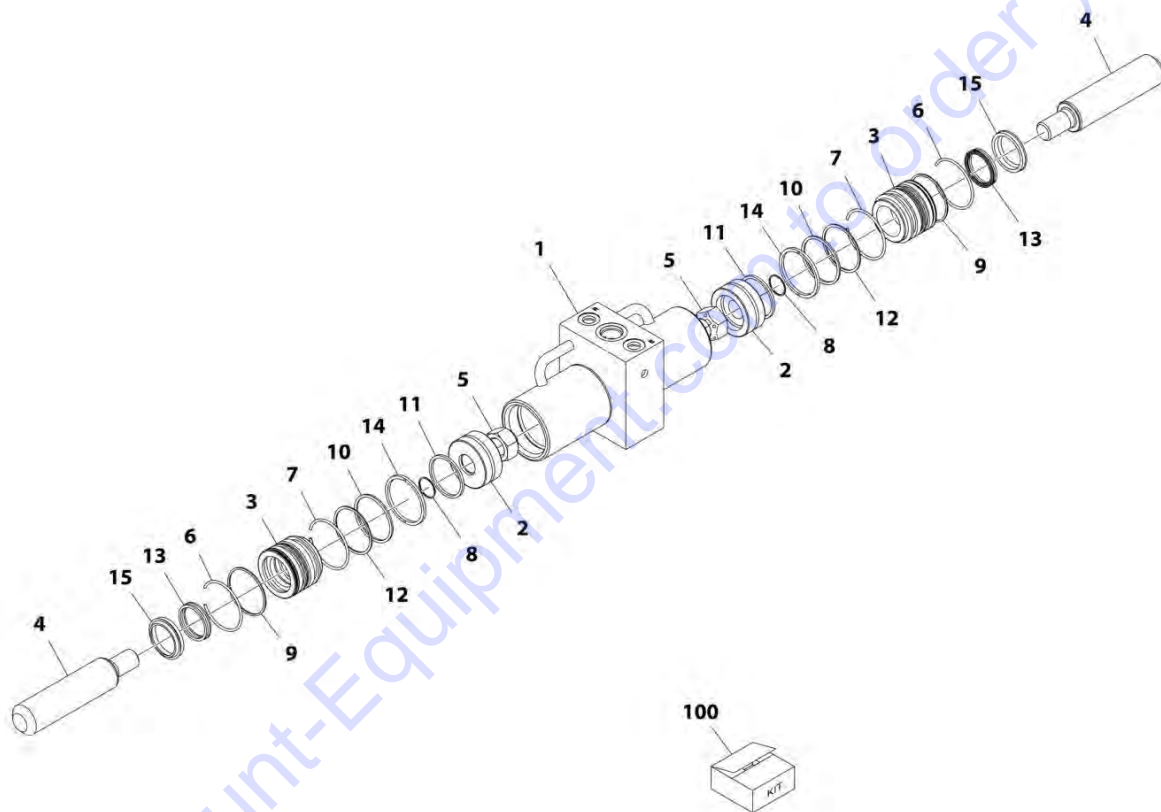
**FIGURE 9-22. EXTEND/RETRACT CYLINDER**

ITEM	PART NUMBER	QTY	DESCRIPTION	REV
	1001251067	Ref	Extend/Retract Cylinder	A
1	N.S.S.	1	Barrel	
2	70029460	1	Rod	
3	70029461	1	Gland	
4	Kit	1	Dust Wiper	
5	70023379	1	Retaining Ring	
6	Kit	1	Rod Seal	
7	Kit	1	Back-Up Ring	
8	Kit	1	Buffer Seal	
9	Kit	2	Wear Ring	
10	Kit	1	O-Ring	
11	Kit	1	Back-Up Ring	
12	Kit	1	O-Ring	
13	70029462	1	Piston	
14	Kit	1	Piston Seal	
15	Kit	3	O-Ring	
16	Kit	2	Wear Ring	
17	70029463	1	Spacer	
18	70022564	1	Steel Ball	
19	70006596	1	Set Screw	
20	70029464	1	Seal Kit (includes items 4, 6 through 12, 14, 15 & 16)	

Go to Discount-Equipment.com to order your parts

# SECTION 9 - HYDRAULIC COMPONENTS

FIGURE 9-23. QUICK COUPLER CYLINDER



ART\_1001120163-D



## SECTION 9 - HYDRAULIC COMPONENTS

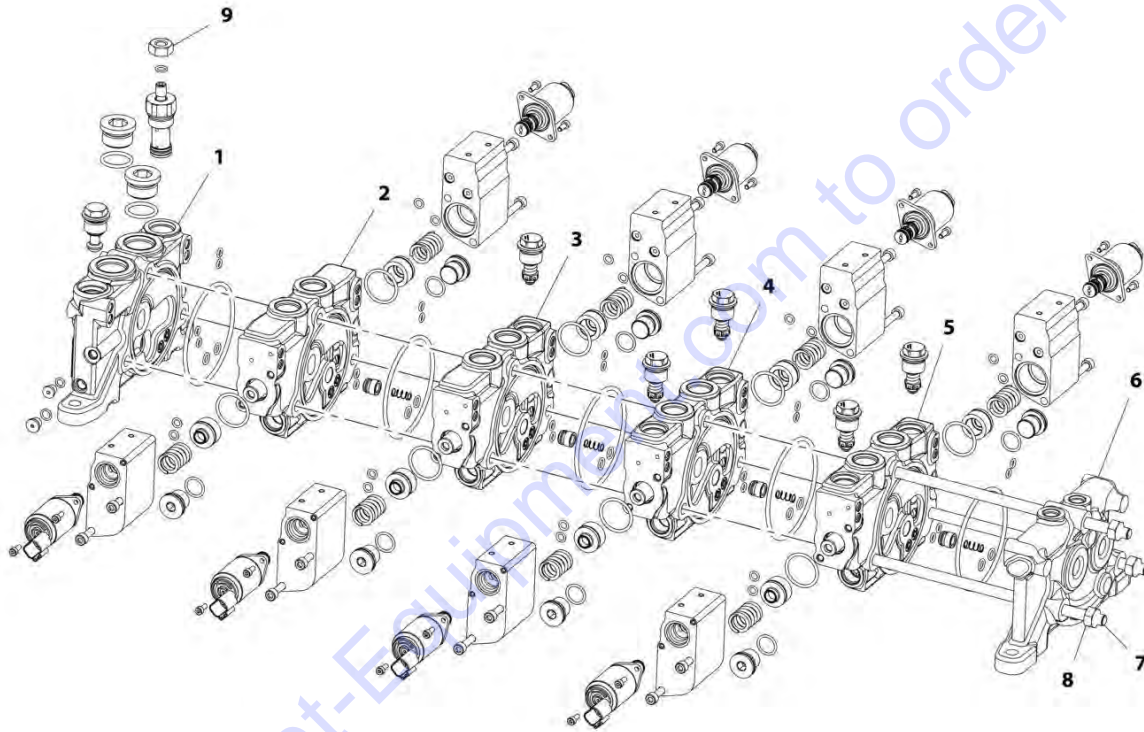
**FIGURE 9-23. QUICK COUPLER CYLINDER**

ITEM	PART NUMBER	QTY	DESCRIPTION	REV
	1001120163	Ref	Cylinder, Quick Coupler	D
1	70026211	1	Barrel	
2	70026212	2	Piston	
3	70026213	2	Head Gland	
4	70026214	2	Cylinder Rod	
5	8037140	2	Locknut	
6	Kit	2	Round Retaining Ring	
7	Kit	2	Round Retaining Ring	
8	Kit	2	O-Ring	
9	Kit	2	O-Ring	
10	Kit	2	O-Ring	
11	Kit	2	Square Ring	
12	Kit	2	Backup Ring	
13	Kit	2	Rod Seal	
14	Kit	2	Piston Seal	
15	Kit	2	Rod Wiper	
100	70026215	1	Kit, Seal (includes items 6 thru 15)	

Go to Discount-Equipment.com to order your parts

# SECTION 9 - HYDRAULIC COMPONENTS

FIGURE 9-24. MAIN CONTROL VALVE (Prior to SN 0160082543)



ART\_1001161773\_1-F

## SECTION 9 - HYDRAULIC COMPONENTS

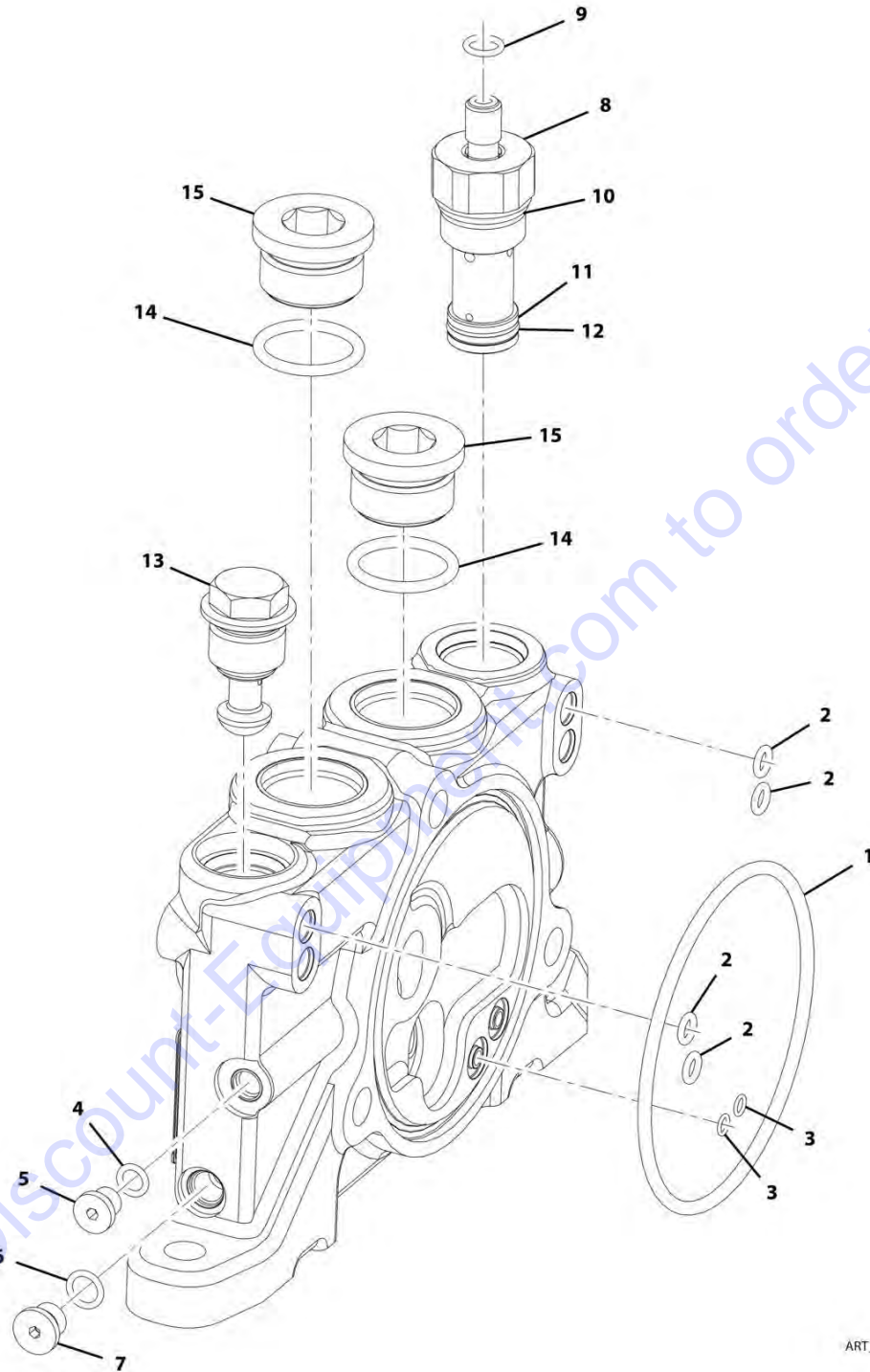
**FIGURE 9-24. MAIN CONTROL VALVE (Prior to SN 0160082543)**

ITEM	PART NUMBER	QTY	DESCRIPTION	REV
	1001161773	Ref	Main Control Valve	F
1	70026384	1	Section, Inlet (See INLET SECTION for Breakdown)	
2	70026385	1	Section, Spool (See SPOOL SECTION for Breakdown)	
3	70026386	1	Section, Spool (See SPOOL SECTION for Breakdown)	
4	70026387	1	Section, Spool (See SPOOL SECTION for Breakdown)	
5	70026388	1	Section, Spool (See SPOOL SECTION for Breakdown)	
6	70026389	1	Section, Outlet	
7	70026375	3	Rod, Tie	
8	70050481	6	Nut	
9	8037130	1	Nut	

Go to Discount-Equipment.com to order your parts

# SECTION 9 - HYDRAULIC COMPONENTS

FIGURE 9-25. MAIN CONTROL VALVE - INLET SECTION (Prior to SN 0160082543)



ART\_1001161773\_2

## SECTION 9 - HYDRAULIC COMPONENTS

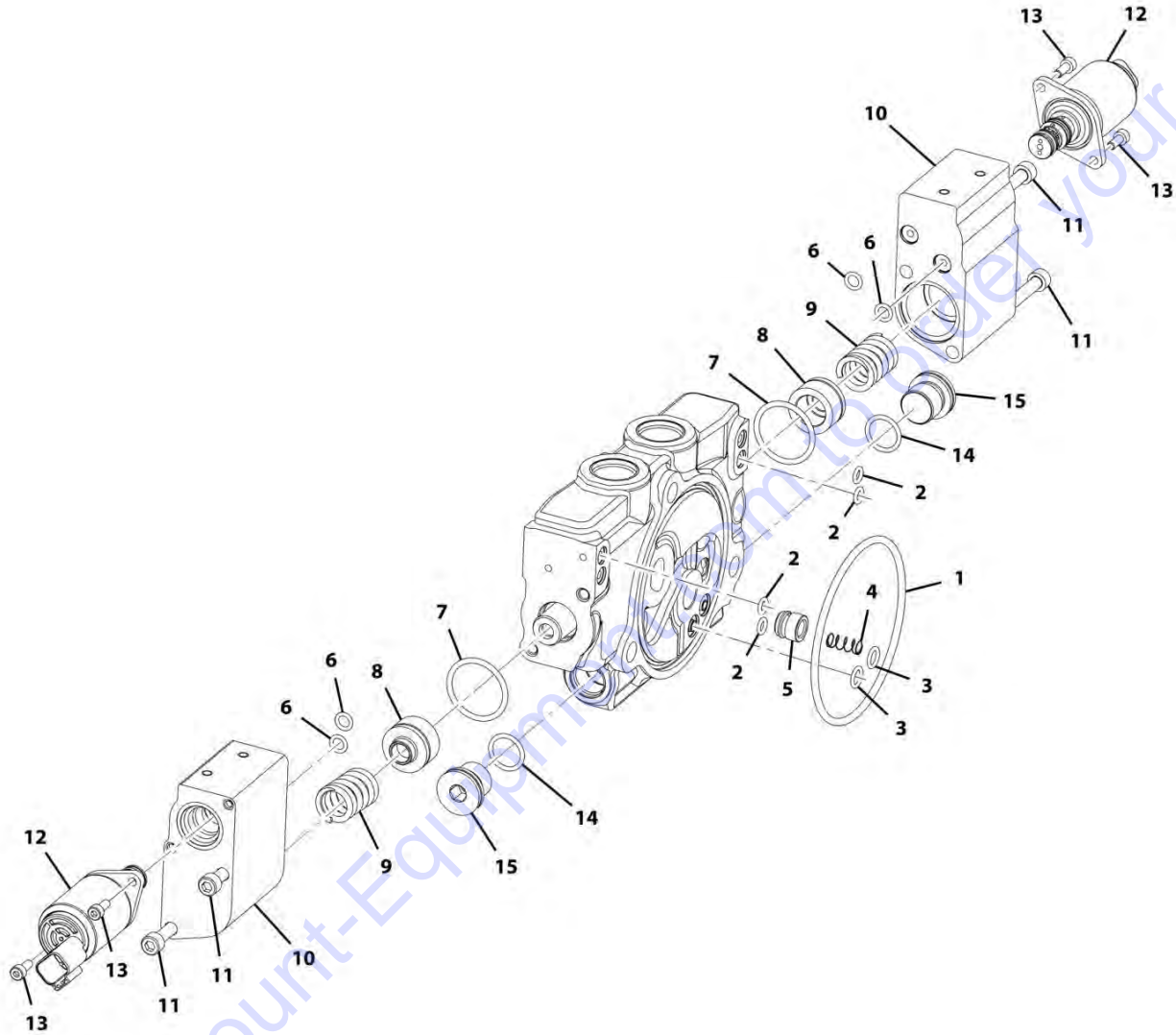
**FIGURE 9-25. MAIN CONTROL VALVE - INLET SECTION (Prior to SN 0160082543)**

ITEM	PART NUMBER	QTY	DESCRIPTION	REV
	70026384	Ref	Main Control Valve - Inlet Section	
1	8034697	1	O-Ring	
2	70050508	4	O-Ring	
3	70050507	2	O-Ring	
4	70026372	1	O-Ring	
5	70026379	1	Plug	
6	70026371	1	O-Ring	
7	70027096	1	Plug Assy	
8	70022012	1	Drain Regulator Assy	
9	70026373	1	O-Ring	
10	10837928	1	O-Ring	
11	70026376	1	Ring	
12	70026370	1	O-Ring	
13	70026382	1	Plug Assy, Shut Off	
14	70026374	2	O-Ring	
15	70050472	2	Plug Assy	

Go to Discount-Equipment.com to order your parts

# SECTION 9 - HYDRAULIC COMPONENTS

FIGURE 9-26. MAIN CONTROL VALVE - SPOOL SECTION (Prior to SN 0160082543)



ART\_1001161773\_3

## SECTION 9 - HYDRAULIC COMPONENTS

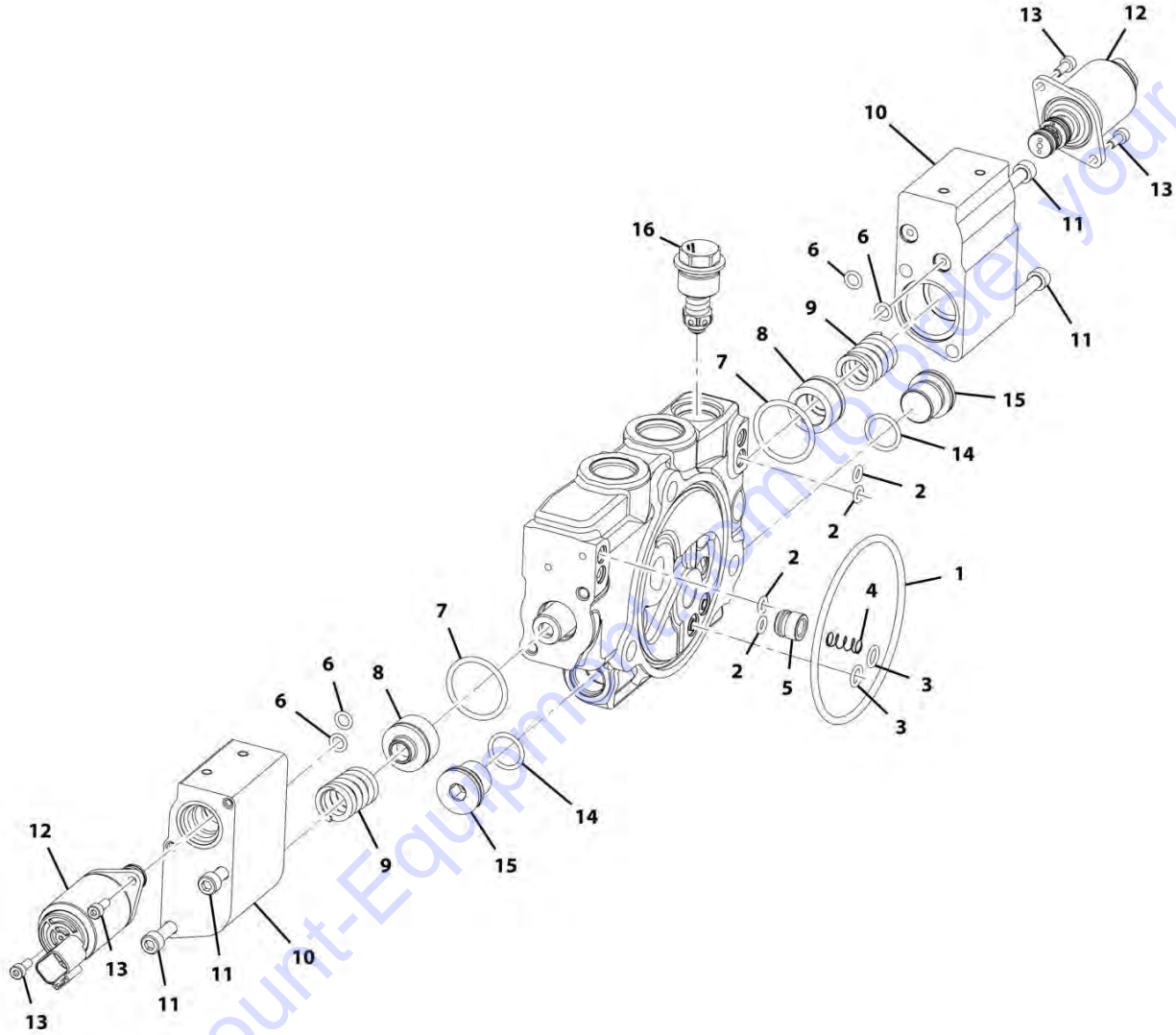
**FIGURE 9-26. MAIN CONTROL VALVE - SPOOL SECTION (Prior to SN 0160082543)**

ITEM	PART NUMBER	QTY	DESCRIPTION	REV
	70026385	Ref	Main Control Valve - Spool Section	
1	8034697	1	O-Ring	
2	70050508	4	O-Ring	
3	70050507	2	O-Ring	
4	10837937	1	Spring	
5	10837929	1	Poppet	
6	70026369	4	O-Ring	
7	70026380	2	O-Ring	
8	70026378	2	Spring Seat	
9	70026377	2	Spring	
10	70026381	2	End Cap Assy, Solenoid	
11	70026383	4	Capscrew	
12	70022013	2	Valve, Solenoid Cartridge	
13	70022014	4	Bolt	
14	70027097	2	O-Ring	
15	70050504	2	Plug Assy	

Go to Discount-Equipment.com to order your parts

# SECTION 9 - HYDRAULIC COMPONENTS

FIGURE 9-27. MAIN CONTROL VALVE - SPOOL SECTION (Prior to SN 0160082543)



ART\_1001161773\_4



## SECTION 9 - HYDRAULIC COMPONENTS

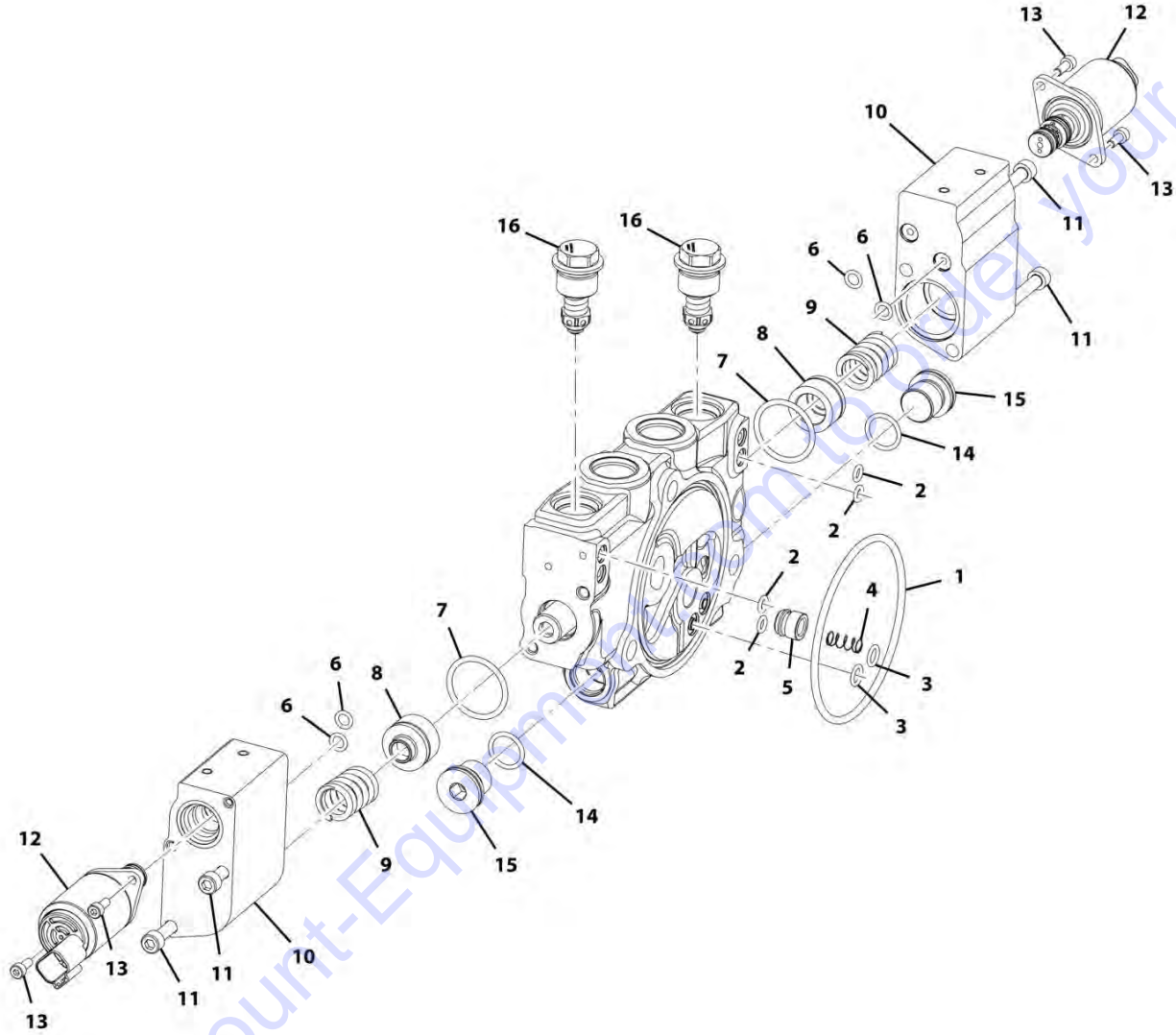
**FIGURE 9-27. MAIN CONTROL VALVE - SPOOL SECTION (Prior to SN 0160082543)**

ITEM	PART NUMBER	QTY	DESCRIPTION	REV
	70026386	Ref	Main Control Valve - Spool Section	
1	8034697	1	O-Ring	
2	70050508	4	O-Ring	
3	70050507	2	O-Ring	
4	10837937	1	Spring	
5	10837929	1	Poppet	
6	70026369	4	O-Ring	
7	70026380	2	O-Ring	
8	70026378	2	Spring Seat	
9	70026377	2	Spring	
10	70026381	2	End Cap Assy, Solenoid	
11	70026383	4	Capscrew	
12	70022013	2	Valve, Solenoid Cartridge	
13	70022014	4	Bolt	
14	70027097	2	O-Ring	
15	70050504	2	Plug Assy	
16	70022010	1	Relief Valve Assy	

Go to Discount-Equipment.com to order your parts

# SECTION 9 - HYDRAULIC COMPONENTS

FIGURE 9-28. MAIN CONTROL VALVE - SPOOL SECTION (Prior to SN 0160082543)



ART\_1001161773\_5

## SECTION 9 - HYDRAULIC COMPONENTS

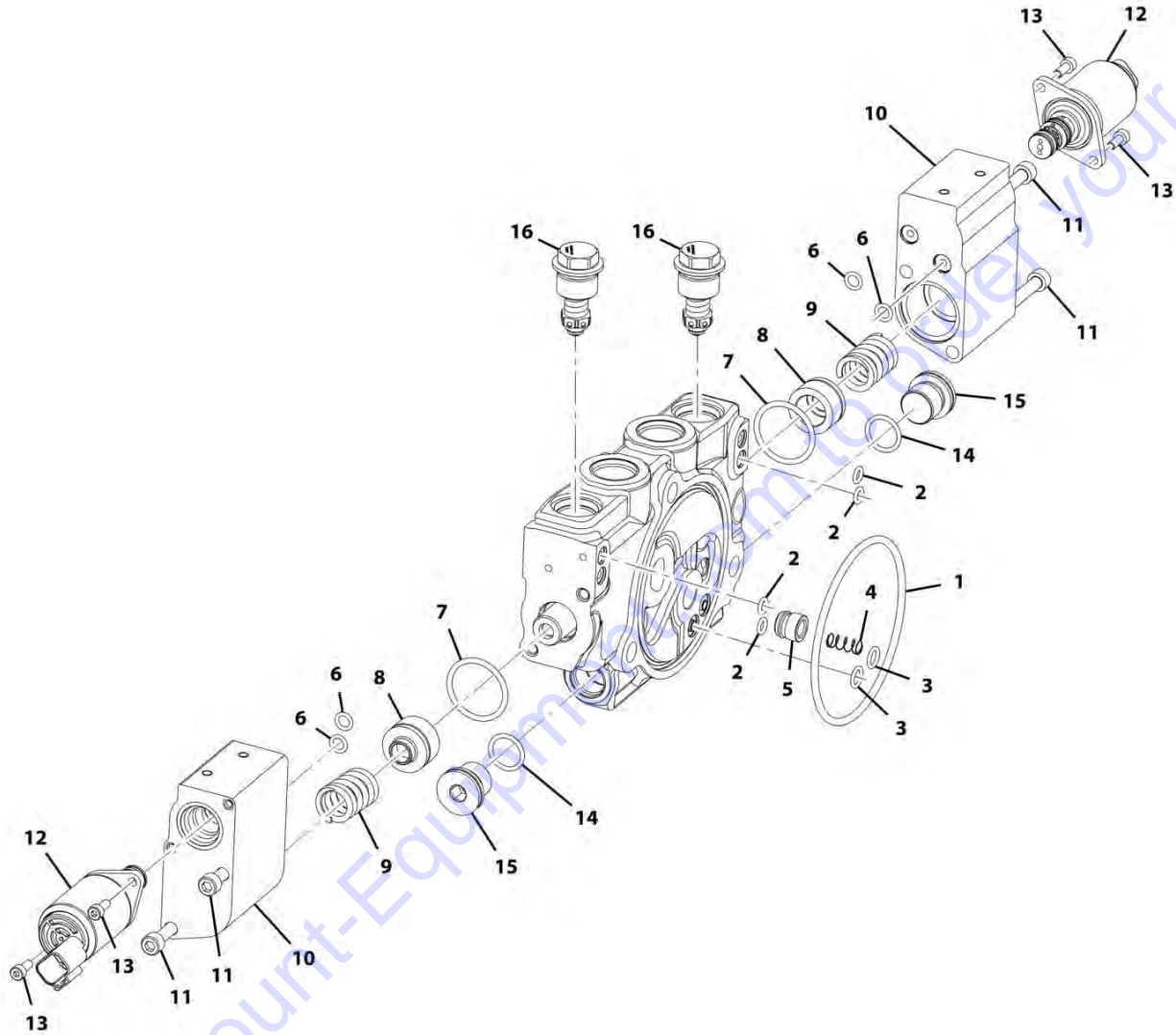
**FIGURE 9-28. MAIN CONTROL VALVE - SPOOL SECTION (Prior to SN 0160082543)**

ITEM	PART NUMBER	QTY	DESCRIPTION	REV
	70026387	Ref	Main Control Valve - Spool Section	
1	8034697	1	O-Ring	
2	70050508	4	O-Ring	
3	70050507	2	O-Ring	
4	10837937	1	Spring	
5	10837929	1	Poppet	
6	70026369	4	O-Ring	
7	70026380	2	O-Ring	
8	70026378	2	Spring Seat	
9	70026377	2	Spring	
10	70026381	2	End Cap Assy	
11	70026383	4	Capscrew	
12	70022013	2	Valve, Solenoid Cartridge	
13	70022014	4	Bolt	
14	70027097	2	O-Ring	
15	70050504	2	Plug Assy	
16	70022010	2	Relief Valve Assy	

Go to Discount-Equipment.com to order your parts

# SECTION 9 - HYDRAULIC COMPONENTS

FIGURE 9-29. MAIN CONTROL VALVE - SPOOL SECTION (Prior to SN 0160082543)



ART\_1001161773\_6

## SECTION 9 - HYDRAULIC COMPONENTS

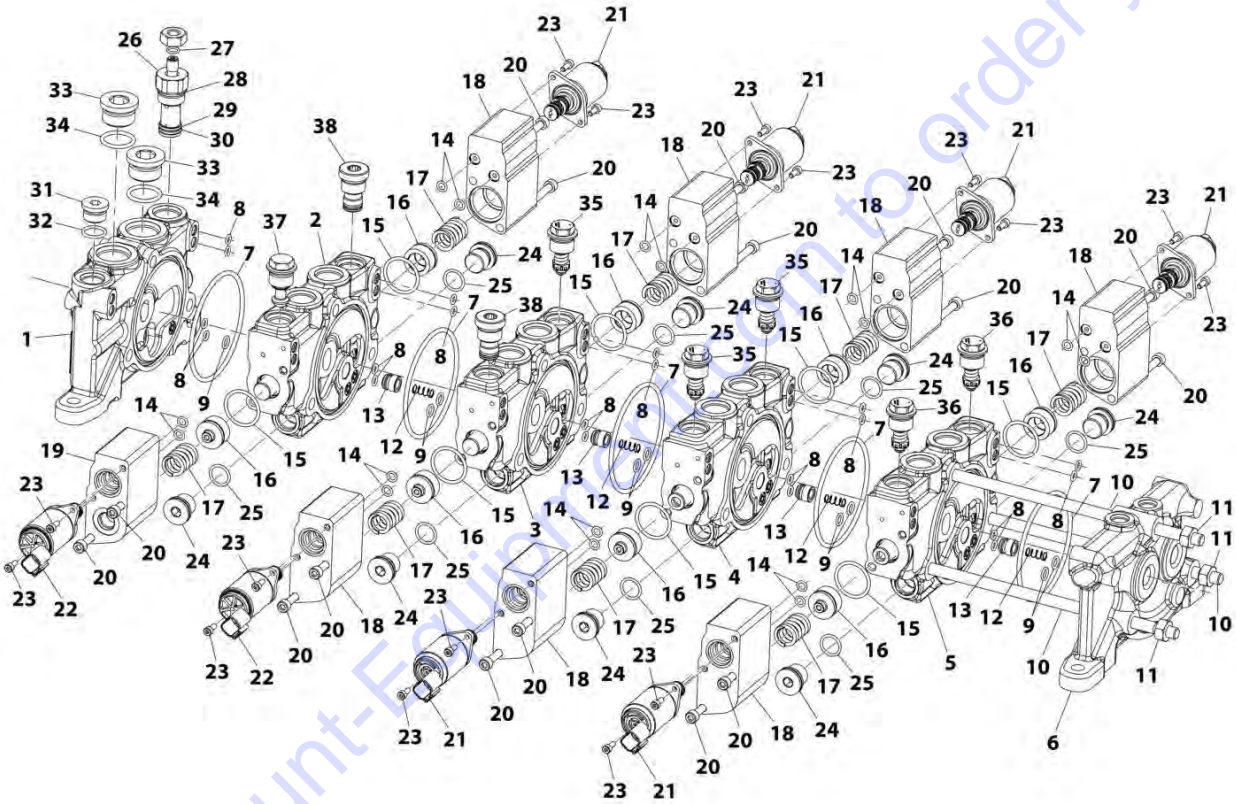
**FIGURE 9-29. MAIN CONTROL VALVE - SPOOL SECTION (Prior to SN 0160082543)**

ITEM	PART NUMBER	QTY	DESCRIPTION	REV
	70026388	Ref	Main Control Valve - Spool Section	
1	8034697	1	O-Ring	
2	70050508	4	O-Ring	
3	70050507	2	O-Ring	
4	10837937	1	Spring	
5	10837929	1	Poppet	
6	70026369	4	O-Ring	
7	70026380	2	O-Ring	
8	70026378	2	Spring Seat	
9	70026377	2	Spring	
10	70026381	2	End Cap Assembly	
11	70026383	4	Capscrew	
12	70022013	2	Valve, Solenoid Cartridge	
13	70022014	4	Bolt	
14	70027097	2	O-Ring	
15	70050504	2	Plug Assembly	
16	70027098	2	Relief Valve Assembly	

Go to Discount-Equipment.com to order your parts

# SECTION 9 - HYDRAULIC COMPONENTS

FIGURE 9-30. MAIN CONTROL VALVE (SN 0160082543 to Present)



ART\_1001226812-D

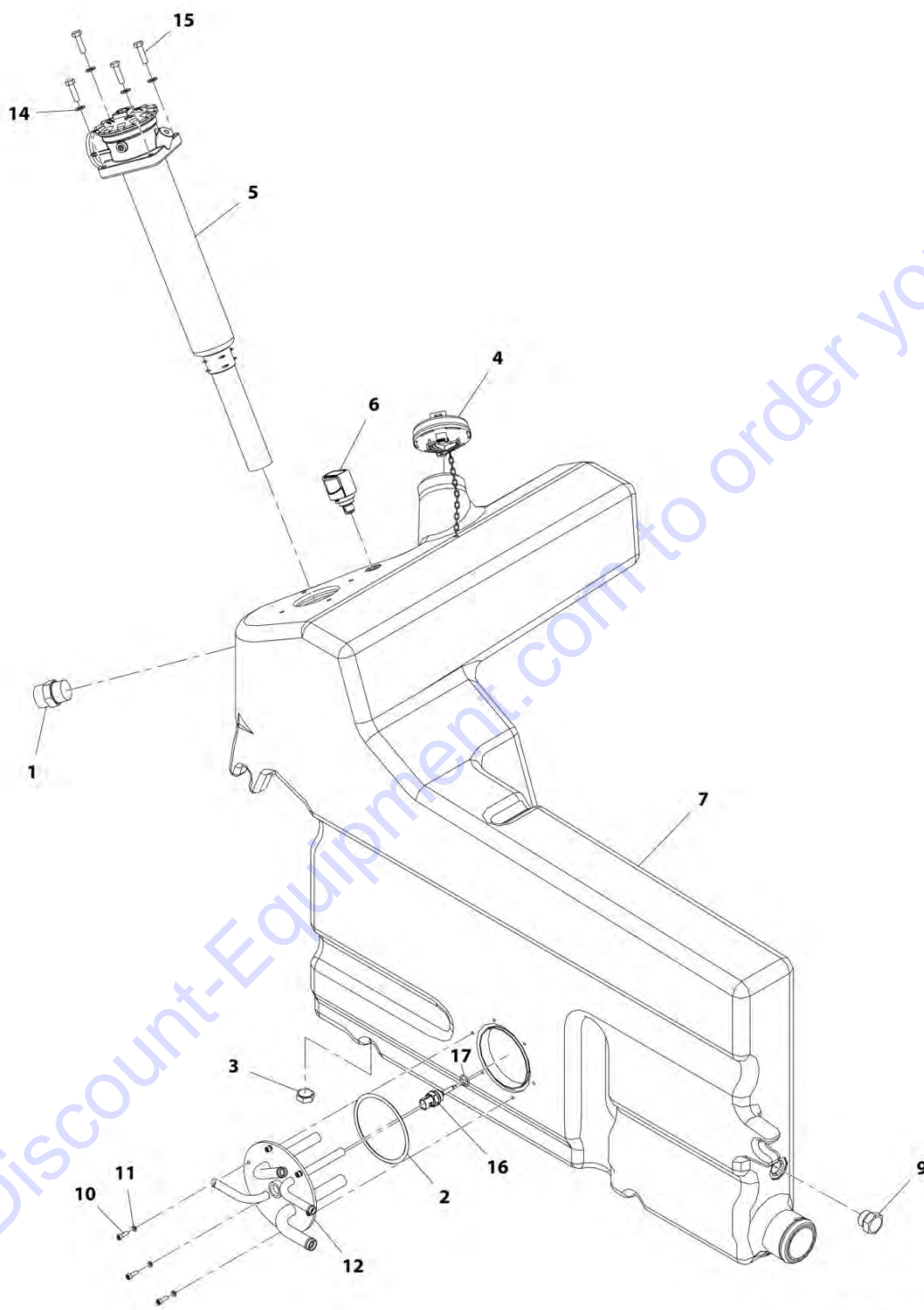
## SECTION 9 - HYDRAULIC COMPONENTS

**FIGURE 9-30. MAIN CONTROL VALVE (SN 0160082543 to Present)**

ITEM	PART NUMBER	QTY	DESCRIPTION	REV
	1001226812	Ref	Main Control Valve	D
1	70028478	1	Section, Inlet	
2	70028479	1	Section, Spool	
3	70028480	1	Section, Spool	
4	70026387	1	Section, Spool	
5	70028481	1	Section, Spool	
6	70026389	1	Section, Outlet	
7	8034697	5	O-Ring	
8	70050508	20	O-Ring	
9	70050507	9	O-Ring	
10	70026375	3	Rod, Tie	
11	70050481	6	Nut	
12	10837937	4	Spring	
13	10837929	4	Poppet	
14	70026369	16	O-Ring	
15	70026380	8	O-Ring	
16	70026378	8	Spring	
17	70026377	8	Spring	
18	70026381	7	Cap	
19	70028482	1	Cap	
20	70026383	16	Cap	
21	70022013	6	Valve	
22	70028483	2	Valve	
23	70022014	16	Bolt	
24	70050504	8	Plug	
25	70027130	8	O-Ring	
26	70022012	1	Regulator	
27	70026373	1	O-Ring	
28	10837928	1	O-Ring	
29	70026376	1	Ring	
30	70026370	1	O-Ring	
31	8035382	1	Plug	
32	70024202	1	O-Ring	
33	70050472	2	Plug	
34	70026374	2	O-Ring	
35	70022010	3	Valve	
36	70027098	2	Valve	
37	70028484	1	Valve	
38	70022008	2	Plug	

# SECTION 9 - HYDRAULIC COMPONENTS

## FIGURE 9-31. HYDRAULIC TANK ASSEMBLY



ART\_1001163067-N



## SECTION 9 - HYDRAULIC COMPONENTS

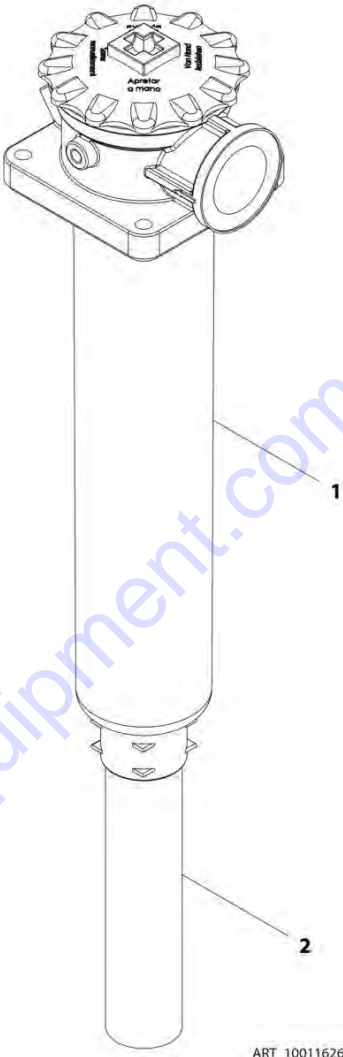
**FIGURE 9-31. HYDRAULIC TANK ASSEMBLY**

ITEM	PART NUMBER	QTY	DESCRIPTION	REV
	1001163067	1	Hydraulic Tank Assembly	N
1	2111616	1	Fitting, Straight ORFS	
2	1001003301	1	O-Ring	
3	2220239	1	Plug	
4	1001194981	1	Cap, Hydraulic	
5	1001162660	1	Filter, Hydraulic (See HYDRAULIC FILTER for Breakdown)	
6	1001162662	1	Filter, Breather	
7	1001162765	1	Tank, Hydraulic	
9	2220240	1	Plug	
10	4031607	6	Screw, M5-0.8X16	
11	4831600	6	Washer, Lock	
12	1001167281	1	Manifold, Hydraulic Return	
14	4811900	4	Washer, M8	
15	0700814	4	Bolt, M8X30	
16	1001128478	1	Sensor, Temperature	
17	1001009163	1	O-Ring	

Go to Discount-Equipment.com to order your parts

**SECTION 9 - HYDRAULIC COMPONENTS**

**FIGURE 9-32. HYDRAULIC FILTER**



Go to Discount-Equipment.com to order your parts

## SECTION 9 - HYDRAULIC COMPONENTS

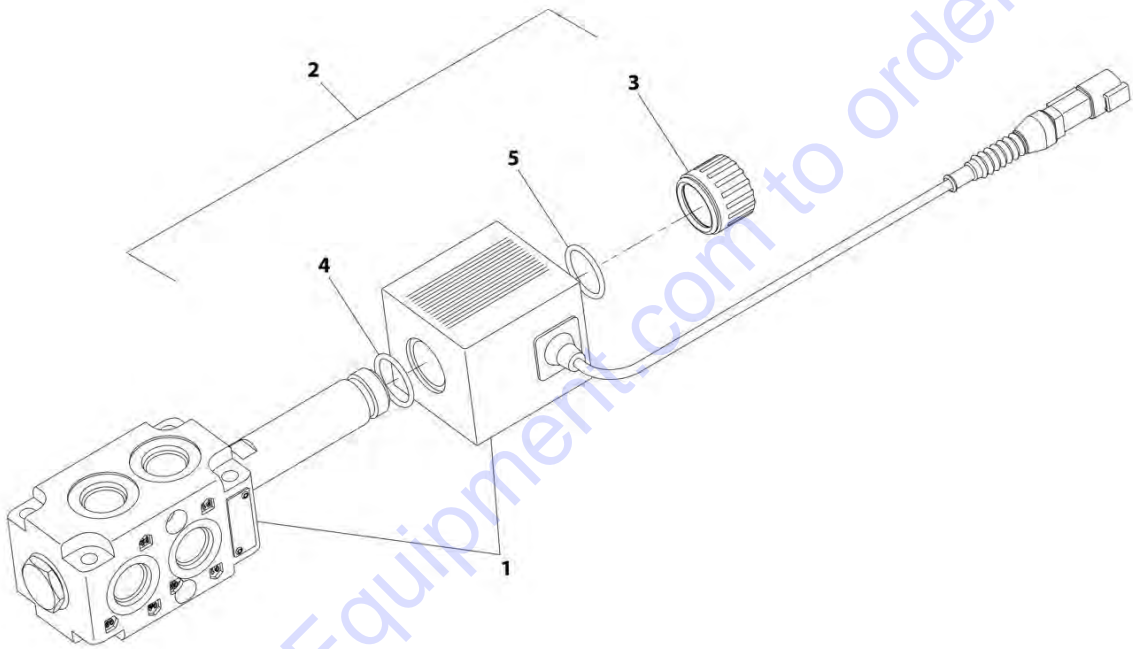
FIGURE 9-32. HYDRAULIC FILTER

ITEM	PART NUMBER	QTY	DESCRIPTION	REV
1	1001162660	Ref	Hydraulic Filter	C
	1001162661	1	Filter	
	1001162663	1	Element, Filter	
2	1001162667	1	Pipe, Filter Return	

Go to Discount-Equipment.com to order your parts

# SECTION 9 - HYDRAULIC COMPONENTS

FIGURE 9-33. QUICK COUPLER VALVE



ART\_1001104477-D

## SECTION 9 - HYDRAULIC COMPONENTS

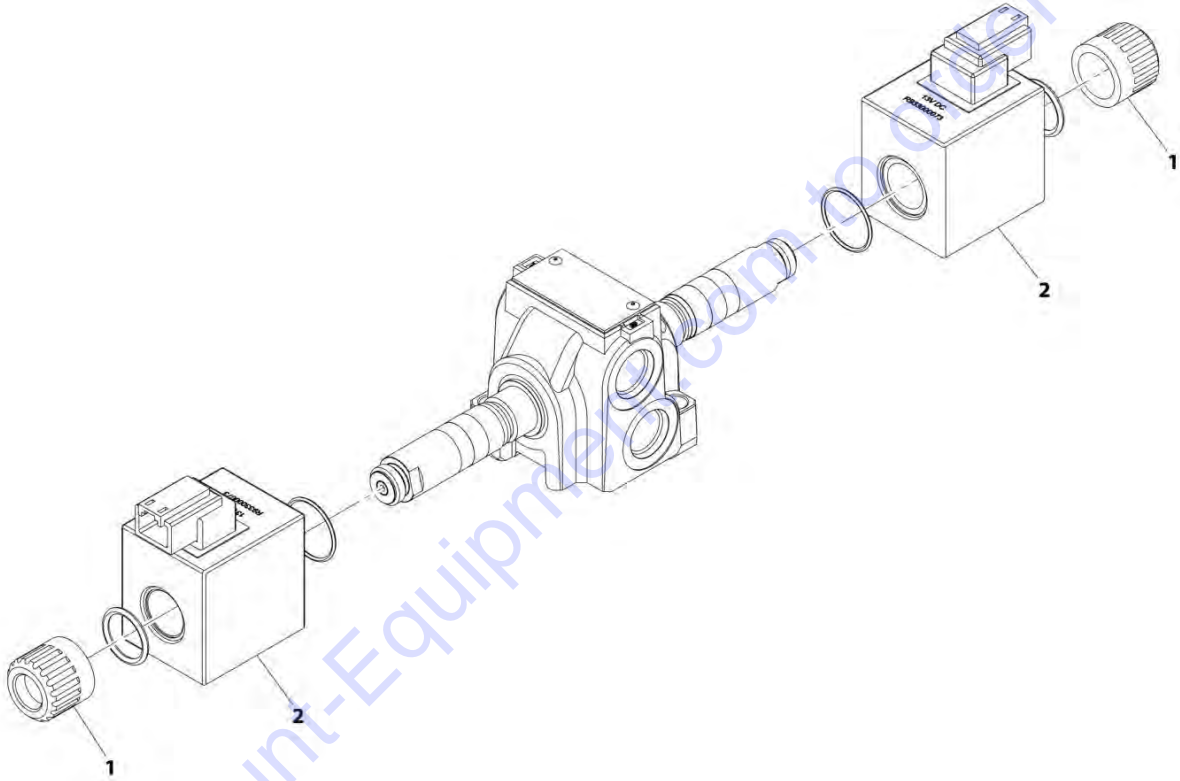
FIGURE 9-33. QUICK COUPLER VALVE

ITEM	PART NUMBER	QTY	DESCRIPTION	REV
	1001104477	Ref	Quick Coupler Valve	D
1	70020764	1	Coil	
2	70021531	1	Kit, Retainer	
3	N.S.S.	1	Nut	
4	N.S.S.	1	O-Ring	
5	N.S.S.	1	O-Ring	

Go to Discount-Equipment.com to order your parts

**SECTION 9 - HYDRAULIC COMPONENTS**

**FIGURE 9-34. STEER SELECT VALVE**



ART\_1001153748-C

## SECTION 9 - HYDRAULIC COMPONENTS

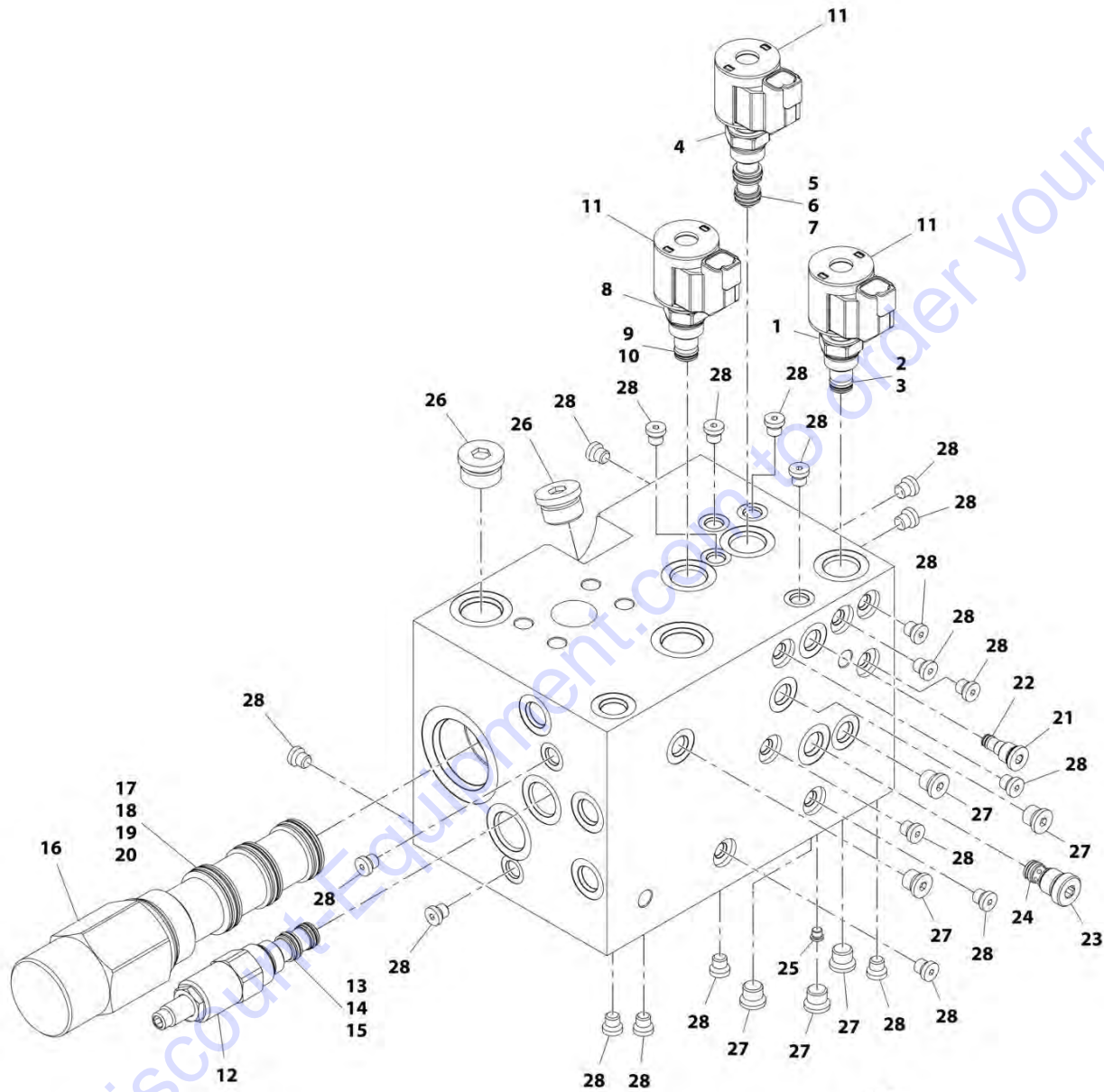
FIGURE 9-34. STEER SELECT VALVE

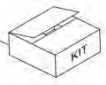
ITEM	PART NUMBER	QTY	DESCRIPTION	REV
	1001153748	Ref	Steer Select Valve	C
1	70020867	2	Kit, Retainer, W/Seals	
2	70026582	2	Coil	

Go to Discount-Equipment.com to order your parts

# SECTION 9 - HYDRAULIC COMPONENTS

## FIGURE 9-35. PRIORITY MANIFOLD VALVE



- 101
  - 102
  - 103
  - 104
  - 105
  - 106
  - 107
- 

ART\_1001162548-F



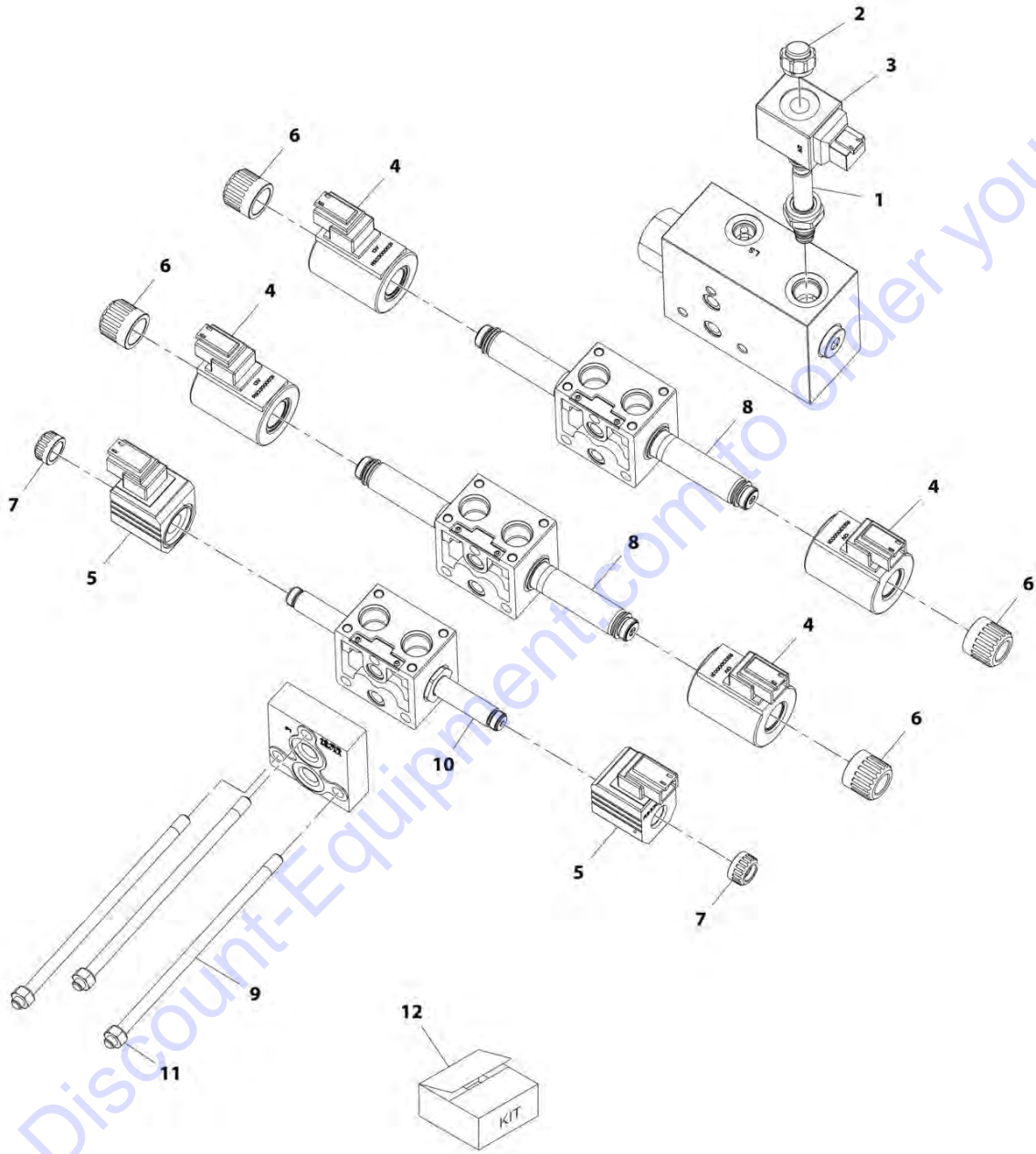
## SECTION 9 - HYDRAULIC COMPONENTS

**FIGURE 9-35. PRIORITY MANIFOLD VALVE**

ITEM	PART NUMBER	QTY	DESCRIPTION	REV
	1001162548	Ref	Priority Manifold Valve	F
1	H000071	1	Cartridge	
2	Kit	1	Seal	
3	Kit	1	Seal	
4	7012941	1	Cartridge	
5	Kit	1	Seal	
6	Kit	1	Seal	
7	Kit	1	Seal	
8	7017410	1	Cartridge	
9	Kit	1	Seal	
10	Kit	1	Seal	
11	70002963	3	Coil	
12	70026310	1	Cartridge	
13	Kit	1	Seal	
14	Kit	1	Seal	
15	Kit	1	Seal	
16	70026311	1	Cartridge	
17	Kit	1	Seal	
18	Kit	1	Seal	
19	Kit	1	Seal	
20	Kit	1	Seal	
21	70002975	1	Cartridge	
22	Kit	1	Seal	
23	70026312	1	Cartridge	
24	Kit	1	Seal	
25	70026313	1	Plug	
26	70026314	2	Plug	
27	7017406	6	Plug	
28	70026315	21	Plug	
101	7012953	1	Kit, Seal (includes items 2 thru 3)	
102	7010543	1	Kit, Seal (includes items 5 thru 7)	
103	7012953	1	Kit, Seal (includes items 9 thru 10)	
104	7021653	1	Kit, Seal (includes items 13 thru 15)	
105	70026333	1	Kit, Seal (includes items 17 thru 20)	
106	70002976	1	Kit, Seal (includes items 22)	
107	70026334	1	Kit, Seal (includes items 24)	

# SECTION 9 - HYDRAULIC COMPONENTS

## FIGURE 9-36. FRAME LEVEL AND OUTRIGGER VALVE



ART\_1001157972-E

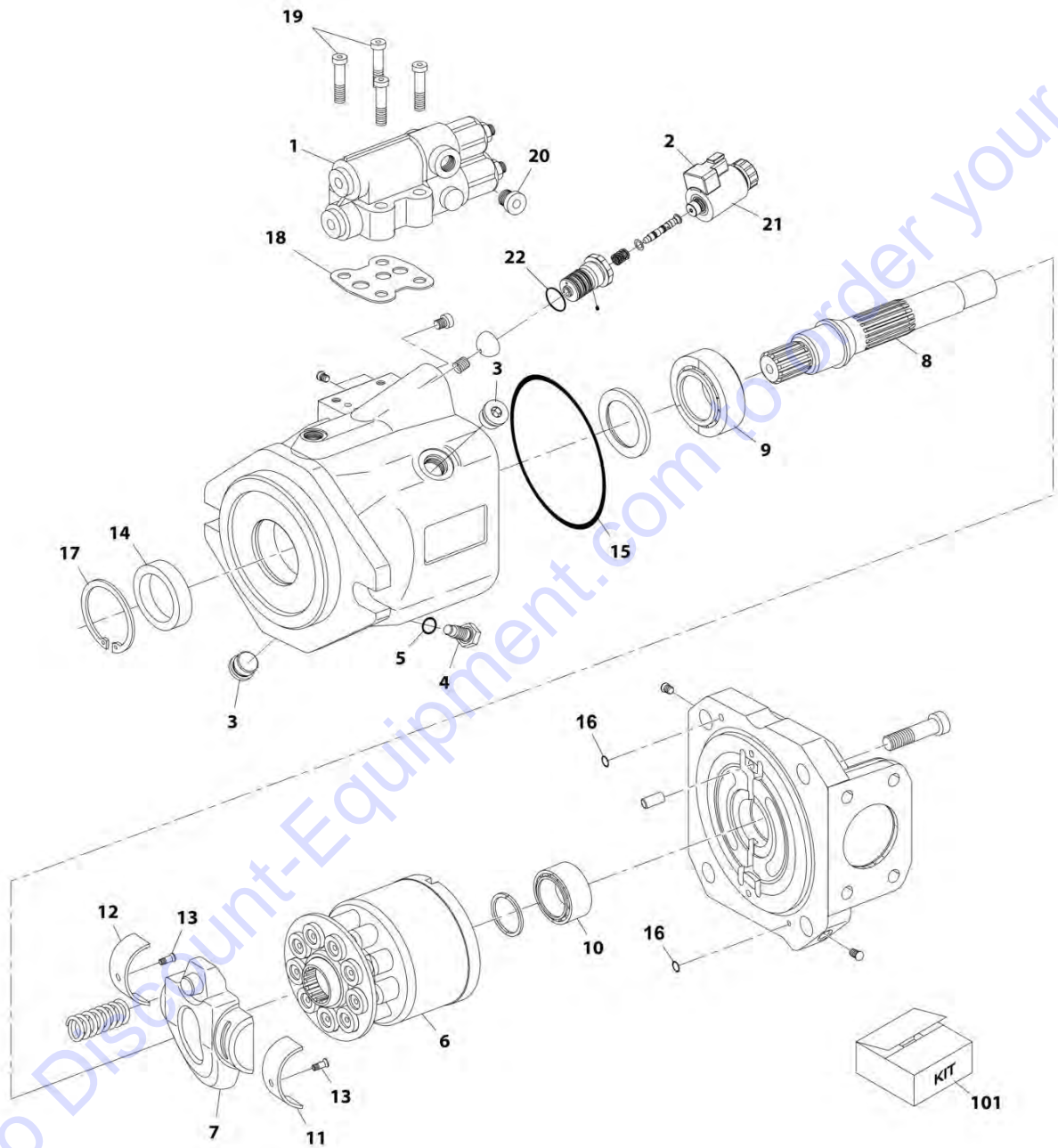
## SECTION 9 - HYDRAULIC COMPONENTS

**FIGURE 9-36. FRAME LEVEL AND OUTRIGGER VALVE**

ITEM	PART NUMBER	QTY	DESCRIPTION	REV
	1001157972	Ref	Valve, Frame Level and Outrigger	E
1	70023327	1	Solenoid	
2	70004654	1	Nut, Coil	
3	70022147	1	Coil	
4	70020868	4	Coil	
5	70021208	2	Coil	
6	70020867	4	Kit, Retainer, W/Seals	
7	70021209	2	Kit, Retainer, W/Seals	
8	70026568	2	Section, Outrigger Valve	
9	70026569	3	Rod, Tie	
10	70021213	1	Section, Frame Level	
11	70026570	3	Nut	
12	70026571	1	Kit, Seal	
	Kit	1	O-Ring	
	Kit	1	O-Ring	
	Kit	1	O-Ring	
	Kit	1	O-Ring	
	Kit	1	O-Ring	
	Kit	1	O-Ring	
	Kit	4	O-Ring	
	Kit	4	O-Ring	
	Kit	2	O-Ring	
	Kit	2	O-Ring	

# SECTION 9 - HYDRAULIC COMPONENTS

## FIGURE 9-37. PISTON PUMP



ART\_1001168376-B

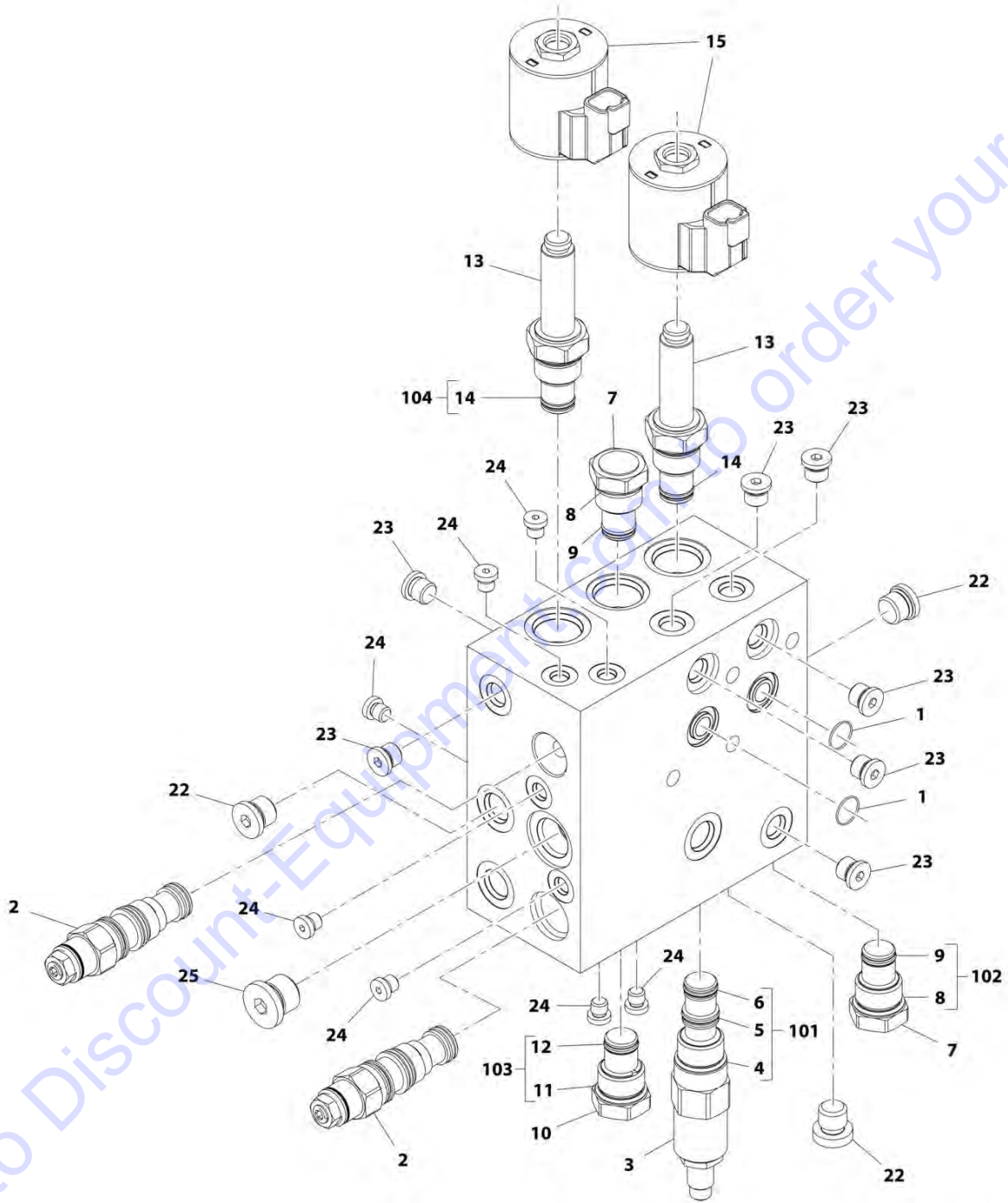
## SECTION 9 - HYDRAULIC COMPONENTS

### FIGURE 9-37. PISTON PUMP

ITEM	PART NUMBER	QTY	DESCRIPTION	REV
	1001182279	Ref	Piston Pump	B
1	70026572	1	Valve, Control	
2	70024186	1	Valve, Control	
3	70024407	2	Plug	
4	70024408	1	Screw, Stop	
5	Kit	1	O-Ring	
6	70024188	1	Group, Rotary	
7	70026583	1	Plate, Swash	
8	7024939	1	Shaft, Drive	
9	7024943	1	Bearing, Front	
10	7024944	1	Bearing, Rear	
11	70024414	1	Liner, Bearing	
12	70024415	1	Liner, Bearing	
13	7024953	2	Screw, M5X16	
14	80634004	1	Seal, Shaft	
15	Kit	1	O-Ring	
16	Kit	2	Sing, Seal	
17	80334277	1	Ring, Safety	
18	70021867	1	Gasket	
19	7024954	4	Screw, M6X30	
20	70024416	1	Plug	
21	70025897	1	Solenoid	
22	Kit	1	O-Ring	
101	70024189	1	Kit, Seal	

# SECTION 9 - HYDRAULIC COMPONENTS

FIGURE 9-38. REAR AXLE STABILIZER VALVE (Prior to SN 0160080905)



ART\_1001179601-D

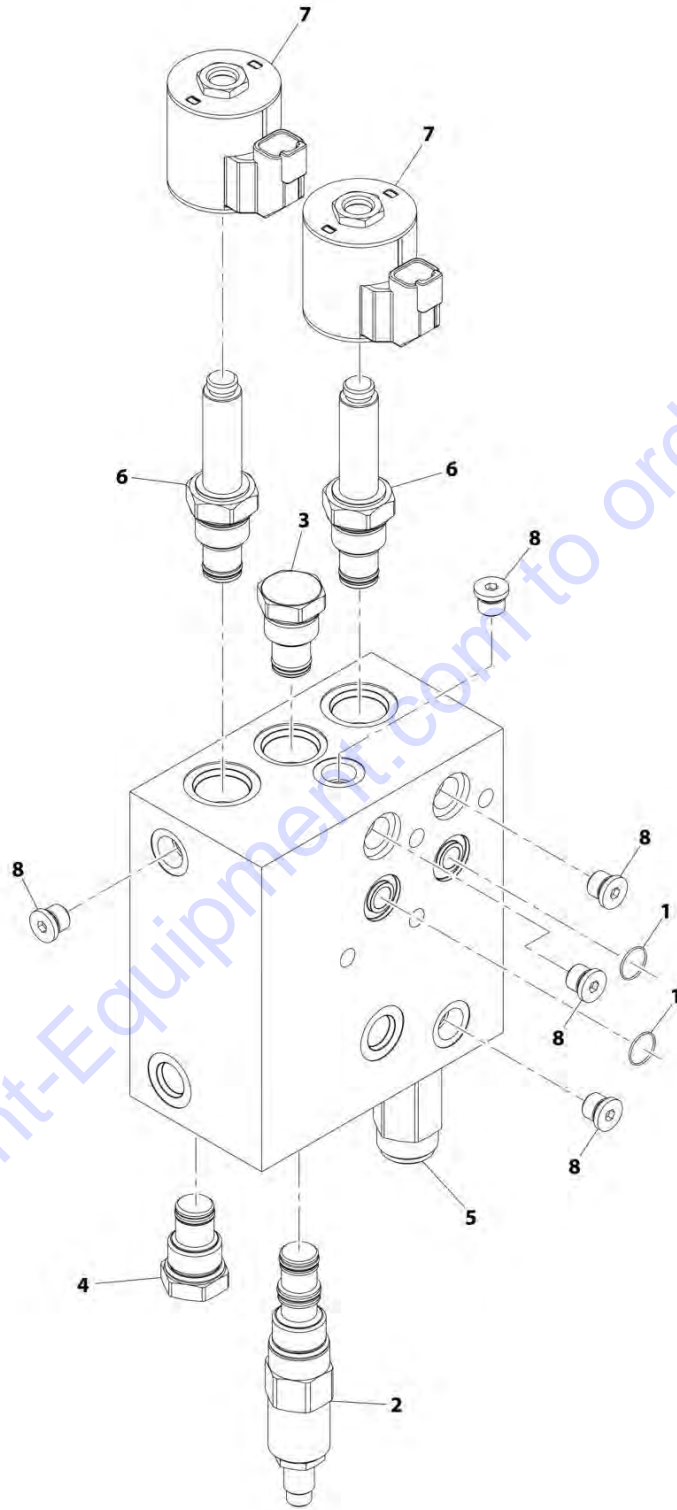
## SECTION 9 - HYDRAULIC COMPONENTS

**FIGURE 9-38. REAR AXLE STABILIZER VALVE (Prior to SN 0160080905)**

ITEM	PART NUMBER	QTY	DESCRIPTION	REV
	1001179601	Ref	Rear Axle Stabilizer Valve	D
1	70026440	2	O-Ring	
2	70026441	2	Valve	
3	70026442	1	Valve	
4	Kit	1	O-Ring	
5	Kit	1	O-Ring	
6	Kit	1	O-Ring	
7	70026443	2	Valve	
8	Kit	1	O-Ring	
9	Kit	1	O-Ring	
10	70026444	1	Valve	
11	Kit	1	O-Ring	
12	Kit	1	O-Ring	
13	70026445	2	Valve	
14	Kit	1	O-Ring	
15	70003788	2	Coil	
16	70026447	1	Valve (not shown)	
17	Kit	1	O-Ring (not shown)	
18	Kit	1	O-Ring (not shown)	
19	Kit	1	O-Ring (not shown)	
20	Kit	1	O-Ring (not shown)	
21	70002386	1	Coil (not shown)	
22	7024844	3	Plug	
23	7017406	7	Plug	
24	70026315	7	Plug	
25	2220886	1	Plug	
101	7012510	1	Kit, Seal (includes items 4 thru 6)	
102	7024808	1	Kit, Seal (includes items 8 thru 9)	
103	7022399	1	Kit, Seal (includes items 11 thru 12)	
104	70026446	1	Kit, Seal (includes item 14)	
105	70005075	1	Kit, Seal (includes items 17 thru 20) (not shown)	

# SECTION 9 - HYDRAULIC COMPONENTS

FIGURE 9-39. REAR AXLE STABILIZER VALVE (SN 0160080905 to Present)



ART\_1001197600-A



## SECTION 9 - HYDRAULIC COMPONENTS

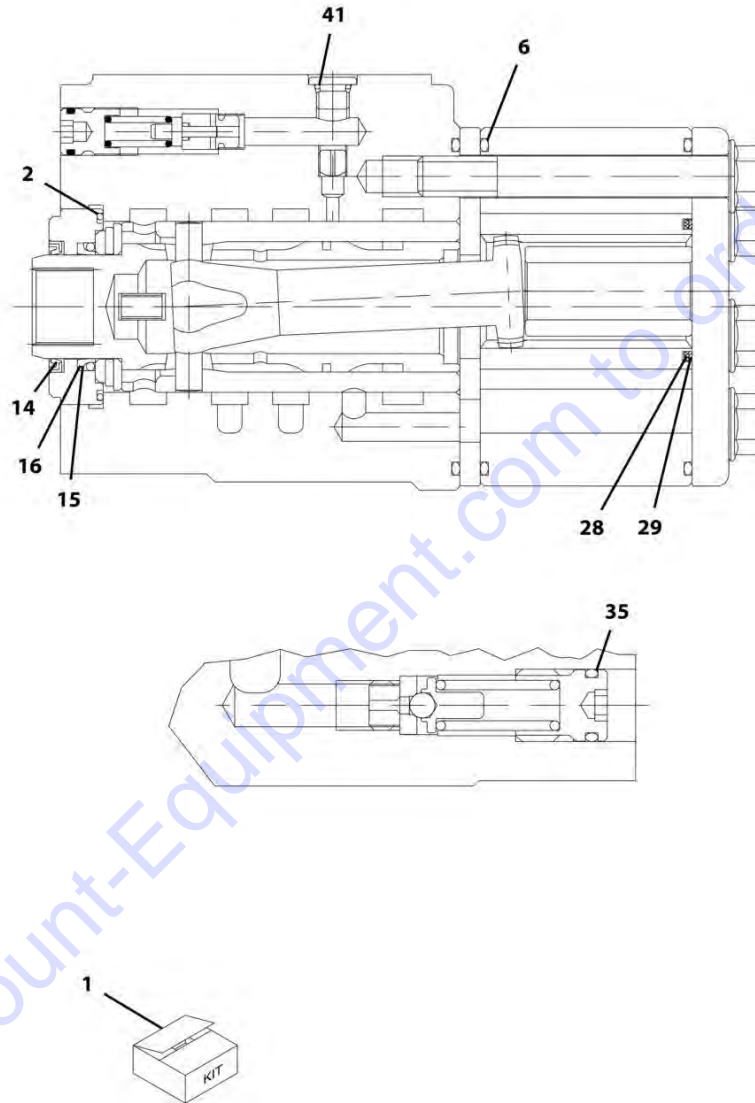
**FIGURE 9-39. REAR AXLE STABILIZER VALVE (SN 0160080905 to Present)**

ITEM	PART NUMBER	QTY	DESCRIPTION	REV
	1001197600	Ref	Rear Axle Stabilizer Valve	A
1	70026440	2	O-Ring	
2	70026442	1	Cartridge Valve	
2	7012510	1	Seal kit	
2	Kit	1	O-Ring	
2	Kit	1	O-Ring	
2	Kit	1	O-Ring	
3	70026443	1	Cartridge Valve	
3	7024808	1	Seal kit	
3	Kit	1	O-Ring	
3	Kit	1	O-Ring	
4	70026444	1	Cartridge Valve	
4	7022399	1	Seal kit	
4	Kit	1	O-Ring	
4	Kit	1	O-Ring	
5	70028451	1	Cartridge Valve	
5	7024808	1	Seal kit	
5	Kit	1	O-Ring	
5	Kit	1	O-Ring	
6	70026445	2	Cartridge Valve	
6	70026446	1	Seal kit	
6	Kit	1	O-Ring	
7	70003788	2	Coil	
8	2220883	5	Plug	

Go to Discount-Equipment.com to order your parts

# SECTION 9 - HYDRAULIC COMPONENTS

FIGURE 9-40. VALVE STEERING ORBITAL



ART\_1001158527-E

## SECTION 9 - HYDRAULIC COMPONENTS

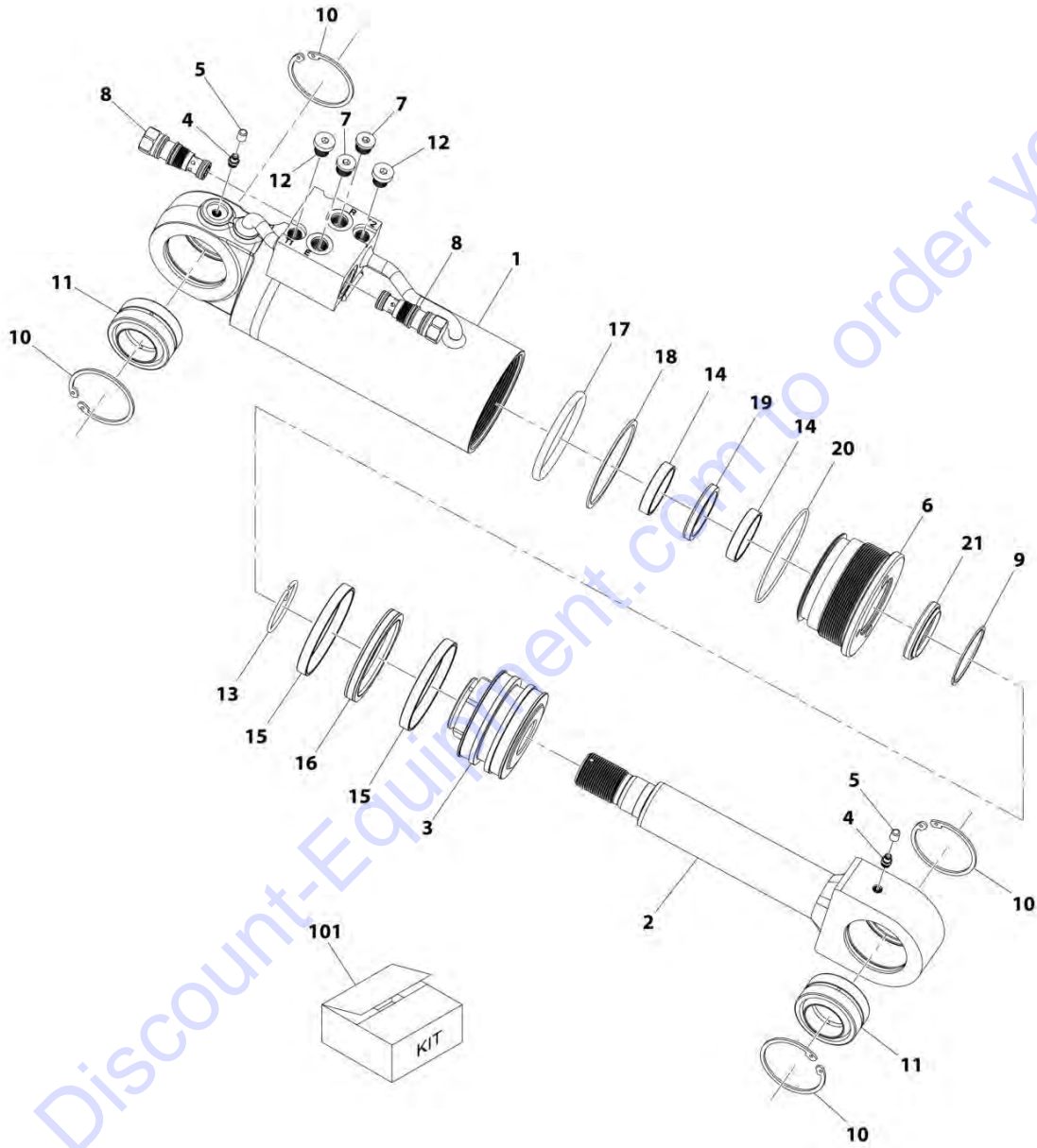
FIGURE 9-40. VALVE STEERING ORBITAL

ITEM	PART NUMBER	QTY	DESCRIPTION	REV
	1001158527	1	Valve, Steering Orbital	E
1	70026401	1	Kit, Seal	
2	Kit	1	O-Ring	
6	Kit	3	O-Ring	
14	Kit	1	Seal, Dust	
15	Kit	1	O-Ring	
16	Kit	1	Seal, Shaft	
28	Kit	1	Washer, Back-Up	
29	Kit	1	Ring, Seal	
35	Kit	3	O-Ring	
41	Kit	2	O-Ring	

Go to Discount-Equipment.com to order your parts

# SECTION 9 - HYDRAULIC COMPONENTS

## FIGURE 9-41. SIDE TILT CYLINDER



ART\_1001163414-A

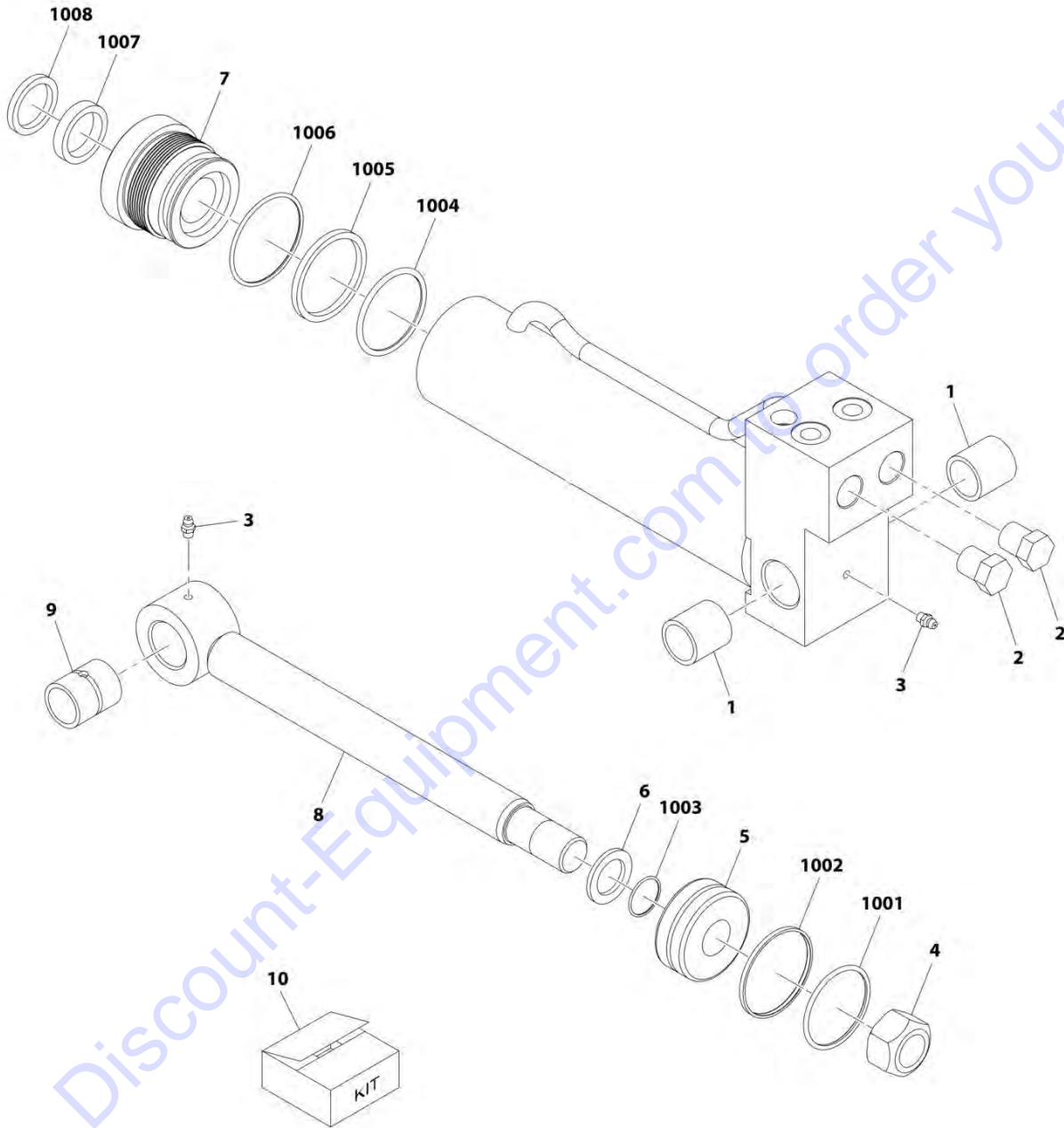
## SECTION 9 - HYDRAULIC COMPONENTS

### FIGURE 9-41. SIDE TILT CYLINDER

ITEM	PART NUMBER	QTY	DESCRIPTION	REV
	1001163414	Ref	Side Tilt Cylinder	A
1	70026056	1	Barrel	
2	70026057	1	Rod	
3	70026058	1	Head, Piston	
4	70025606	2	Nipple, Grease	
5	70024020	2	Fitting, Grease	
6	70003849	1	Gland	
7	70025959	2	Plug	
8	70026059	2	Valve, P.O. Check	
9	70002219	1	Ring, Internal Snap	
10	70026060	4	Ring, Internal Snap	
11	70026061	2	Bearing, Spherical	
12	70024262	2	Plug	
13	70002224	1	Ring, Locking	
14	Kit	2	Ring, Rod Bearing	
15	Kit	2	Ring, Piston Bearing	
16	Kit	1	Seal, Piston	
17	Kit	1	O-Ring	
18	Kit	1	Ring, Back-Up	
19	Kit	1	Seal, Rod	
20	Kit	1	O-Ring	
21	Kit	1	Seal, Wiper	
101	70026062	1	Kit, Seal (includes items 14 thru 21)	

# SECTION 9 - HYDRAULIC COMPONENTS

## FIGURE 9-42. SIDE TILT CYLINDER ASSEMBLY



ART\_70021363-A

## SECTION 9 - HYDRAULIC COMPONENTS

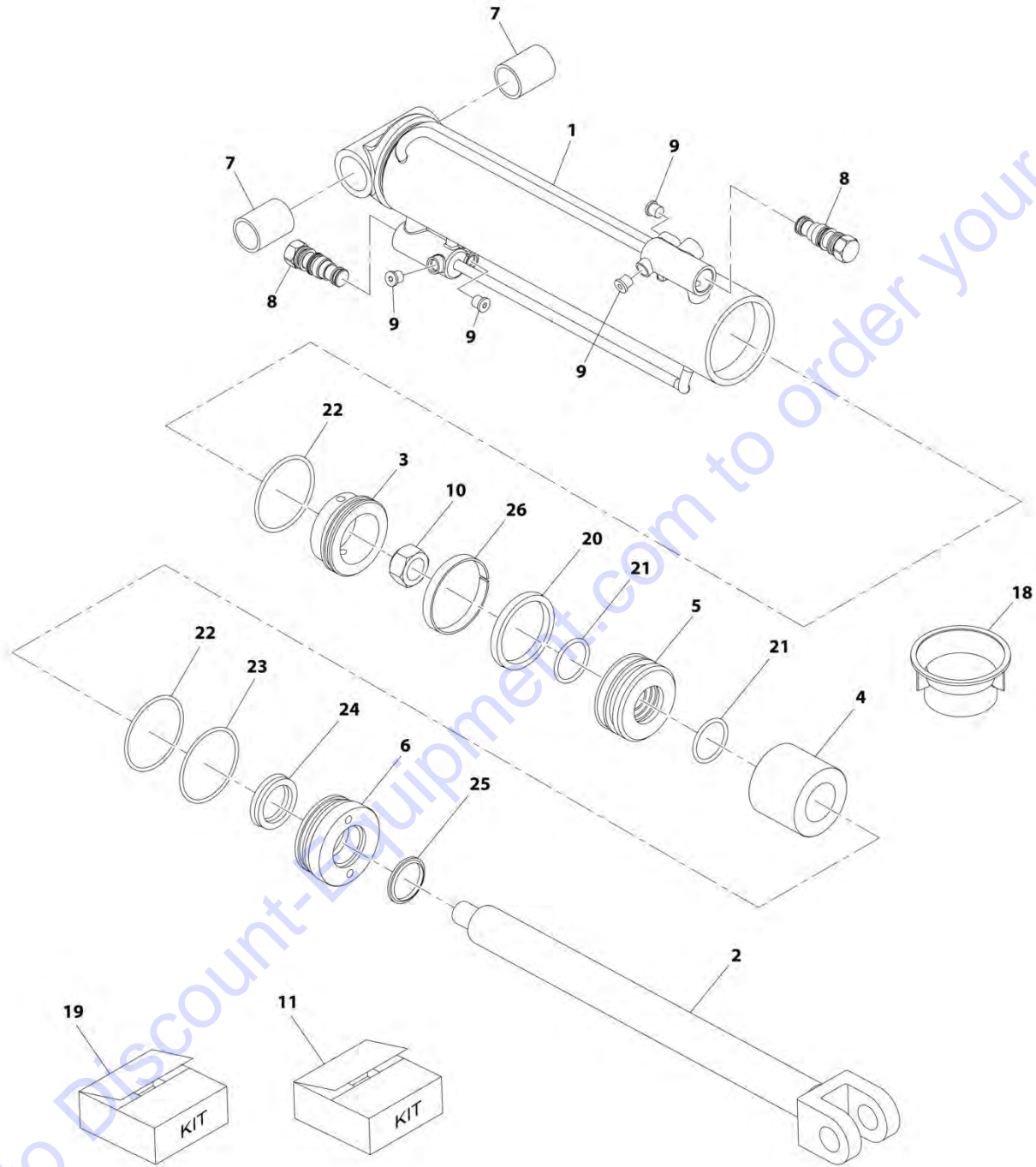
**FIGURE 9-42. SIDE TILT CYLINDER ASSEMBLY**

ITEM	PART NUMBER	QTY	DESCRIPTION	REV
	70021363	Ref	Side Tilt Cylinder Assembly	
1	N.S.S.	1	Cylinder Tube	
2	70021448	1	Bushing	
3	70021464	1	Valve Cartridge	
4	90554045	1	Grease	
5	70021440	1	Nut	
6	Kit	1	Piston Ring	
7	Kit	1	O-Ring	
8	70021451	1	Cylinder Piston	
9	Kit	1	O-Ring	
10	70021444	1	Washer	
11	Kit	1	O-Ring	
12	Kit	1	O-Ring, Back-Up	
13	Kit	1	O-Ring	
14	70021446	1	Cylinder Gland	
15	Kit	1	Seal	
16	Kit	1	Rod Wiper	
17	70021462	1	Cylinder Rod	
18	70021447	1	Bushing	
101	70021452	1	Kit, Seal (includes items 6, 7, 9, 11, 12, 13, 15 & 16)	

Go to Discount-Equipment.com to order your parts

# SECTION 9 - HYDRAULIC COMPONENTS

## FIGURE 9-43. PIPE HANDLER CYLINDER



ART\_70026587



## SECTION 9 - HYDRAULIC COMPONENTS

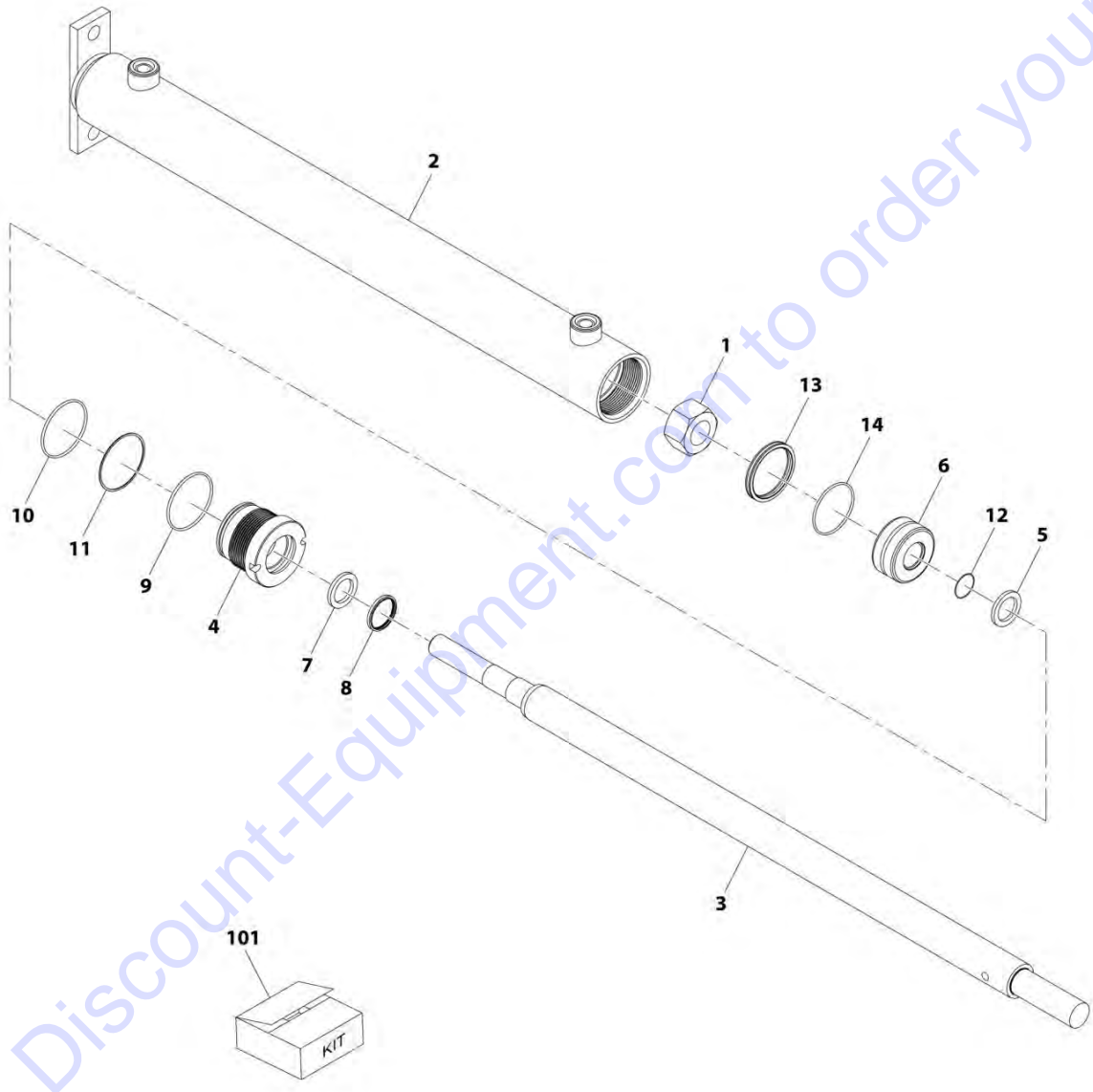
**FIGURE 9-43. PIPE HANDLER CYLINDER**

ITEM	PART NUMBER	QTY	DESCRIPTION	REV
	70026587	1	Pipe Handler Cylinder	
1	70026495	1	Barrel	
2	70026610	1	Rod	
3	70026497	1	Spacer	
4	70026611	1	Spacer	
5	Kit	1	Seal	
6	70026499	1	Piston	
7	Kit	2	O-Ring	
8	Kit	2	O-Ring	
9	Kit	1	Back-up Ring	
10	Kit	1	Seal	
11	70026500	1	Retainer	
12	Kit	1	Wiper	
13	70026501	2	Bushing	
14	70026502	2	Check Valve	
15	70024129	4	Fitting, 4	
16	Kit	1	Wear Ring	
17	70026503	1	Nut	
18	70024734	1	Check Valve Service Kit	
19	70026505	1	Seal Loader Kit	
20	70026506	1	Service Kit (includes items 5, 7 thru 10 and 12 & 16)	

Go to Discount-Equipment.com to order your parts

# SECTION 9 - HYDRAULIC COMPONENTS

## FIGURE 9-44. DUAL FORK CYLINDER ASSEMBLY



Go to Discount-Equipment.com to order your parts

ART\_70026772

## SECTION 9 - HYDRAULIC COMPONENTS

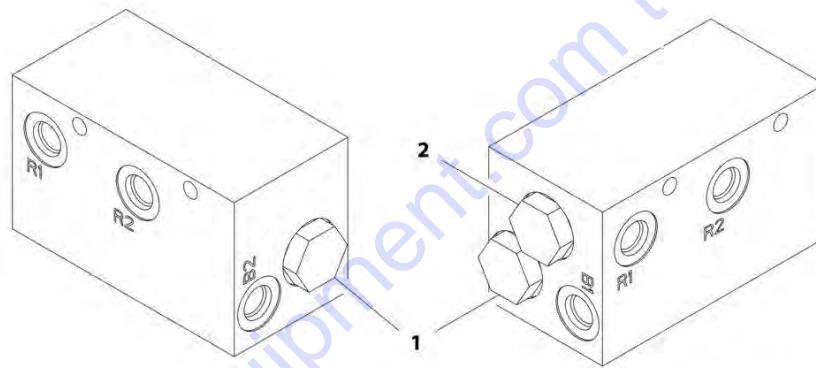
**FIGURE 9-44. DUAL FORK CYLINDER ASSEMBLY**

ITEM	PART NUMBER	QTY	DESCRIPTION	REV
	70026772	2	Dual Fork Cylinder Assembly	
1	70026770	1	Nut	
2	N.S.S.	1	Weldment, Cylinder Tube	
3	70026773	1	Cylinder Rod	
4	70026774	1	Gland	
5	70026775	1	Washer	
6	70026771	1	Cylinder Piston	
7	Kit	1	Seal	
8	Kit	1	Rod Wiper	
9	Kit	1	O-Ring	
10	Kit	1	O-Ring	
11	Kit	1	O-Ring, Back-Up	
12	Kit	1	O-Ring	
13	Kit	1	Piston Ring	
14	Kit	1	O-Ring	
101	8036733	1	Kit, Seal (includes items 7 thru 14)	

Go to Discount-Equipment.com to order your parts

# SECTION 9 - HYDRAULIC COMPONENTS

FIGURE 9-45. FLOW DIVIDER VALVE



ART\_4641501-A

## SECTION 9 - HYDRAULIC COMPONENTS

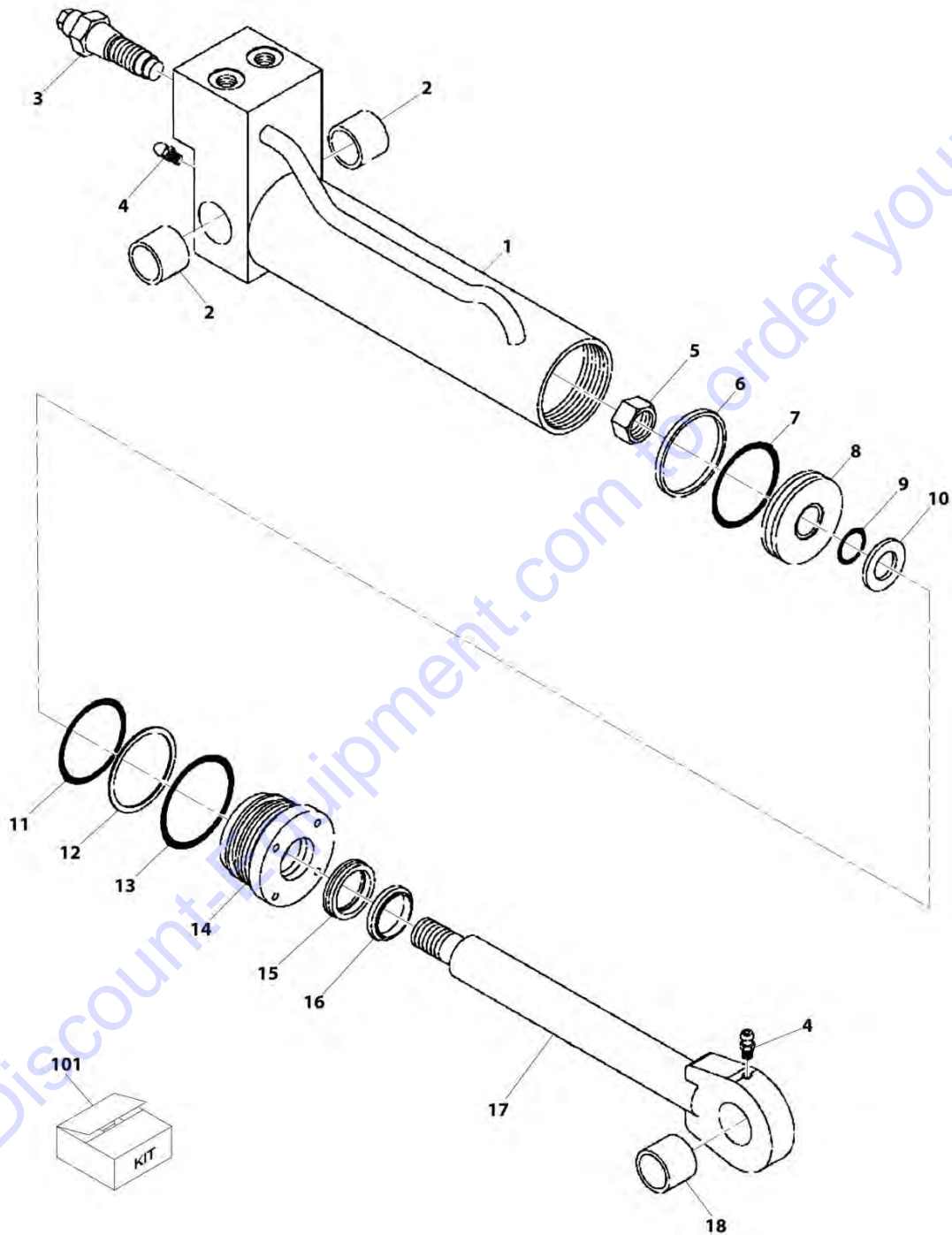
FIGURE 9-45. FLOW DIVIDER VALVE

ITEM	PART NUMBER	QTY	DESCRIPTION	REV
	4641501	Ref	Flow Divider Valve	A
1	70023928	2	Cartridge, PO Check Valve	
2	70023929	1	Cartridge, Valve	

Go to Discount-Equipment.com to order your parts

# SECTION 9 - HYDRAULIC COMPONENTS

## FIGURE 9-46. GRAPPLE BUCKET CYLINDER



ART\_70021393-A

## SECTION 9 - HYDRAULIC COMPONENTS

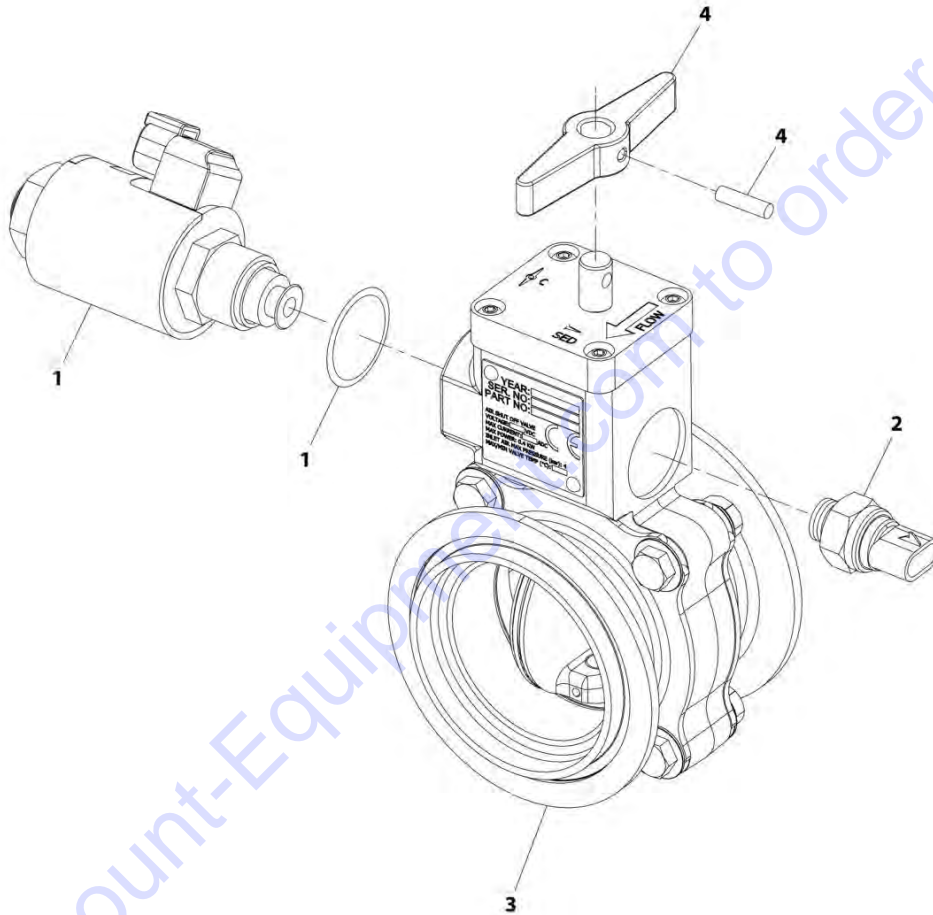
**FIGURE 9-46. GRAPPLE BUCKET CYLINDER**

ITEM	PART NUMBER	QTY	DESCRIPTION	REV
	70021393	Ref	Grapple Bucket Cylinder	
1	70021465	1	Tube, Cylinder	
2	70021448	2	Bushing	
3	70021464	2	Cartridge, Valve	
4	90554045	2	Fitting, Grease	
5	70021440	1	Nut, Hex	
6	Kit	1	Ring, Piston	
7	Kit	1	O-Ring	
8	70021451	1	Piston	
9	Kit	1	O-Ring	
10	70021444	1	Washer	
11	Kit	1	O-Ring	
12	Kit	1	Washer, Back-Up	
13	Kit	1	O-Ring	
14	70021446	1	Gland, Cylinder	
15	Kit	1	Seal, Poly-Pak	
16	Kit	1	Wiper, Rod	
17	70021466	1	Rod, Piston	
18	70021447	1	Bushing	
101	70021452	1	Kit, Seal (includes items 6, 7, 9, 11 thru 13, 15 & 16)	

Go to Discount-Equipment.com to order your parts

# SECTION 9 - HYDRAULIC COMPONENTS

## FIGURE 9-47. AIR SHUT OFF VALVE



ART\_1001204032-A



## SECTION 9 - HYDRAULIC COMPONENTS

**FIGURE 9-47. AIR SHUT OFF VALVE**

ITEM	PART NUMBER	QTY	DESCRIPTION	REV
1	1001204032	Ref	Air Shut Off Valve	A
	70028514	1	Kit, Solenoid 12V	
	N.S.S.	1	Solenoid	
	N.S.S.	1	Coil, 12V	
	N.S.S.	1	O-Ring	
2	70028515	1	Kit, Switch	
	N.S.S.	1	Switch, Ball	
	N.S.S.	1	O-Ring	
3	70028516	1	Kit, Flange and Hardware	
	N.S.S.	1	Flange, Female	
	N.S.S.	1	Flange, Male	
	N.S.S.	4	Bolt	
	N.S.S.	4	Washer	
	N.S.S.	4	Locknut	
4	70028517	1	Handle	
	N.S.S.	1	Handle, Reset	
	N.S.S.	1	Pin	

Go to Discount-Equipment.com to order your parts

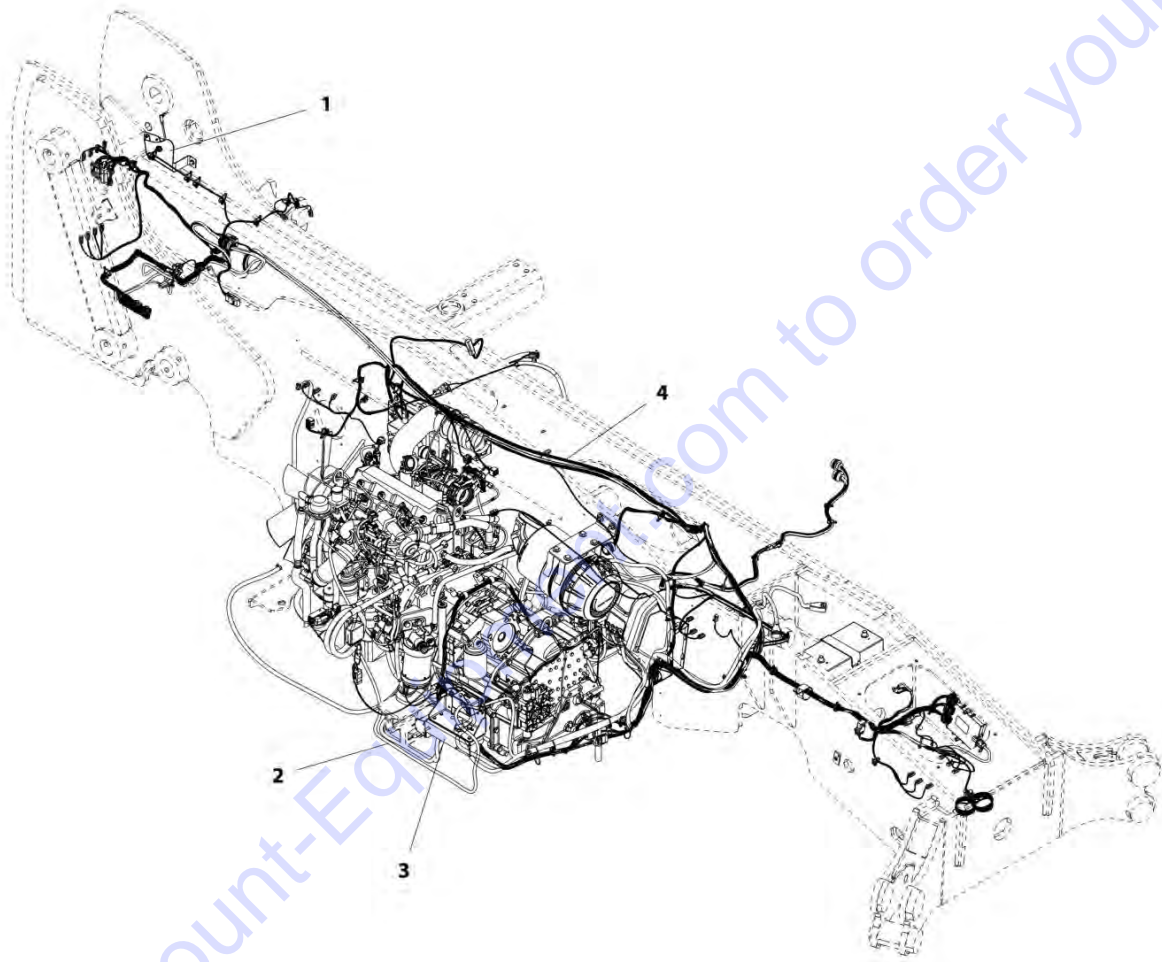


**SECTION 10 - ELECTRICAL**

Go to [Discount-Equipment.com](http://Discount-Equipment.com) to order your parts

# SECTION 10 - ELECTRICAL

## FIGURE 10-1. MAIN ELECTRICAL INSTALLATION (ULS)



ART\_1001160438-C

## SECTION 10 - ELECTRICAL

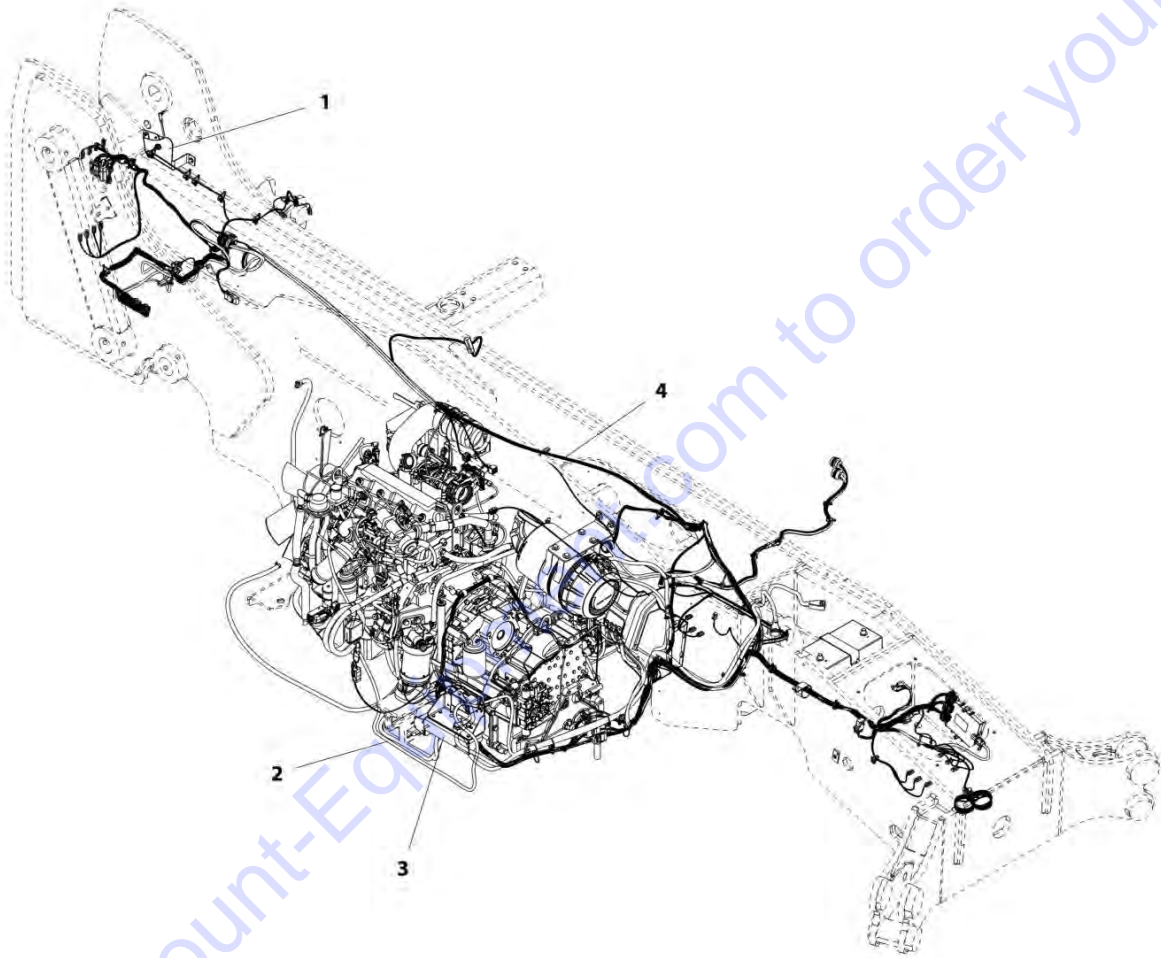
**FIGURE 10-1. MAIN ELECTRICAL INSTALLATION (ULS)**

ITEM	PART NUMBER	QTY	DESCRIPTION	REV
1	1001160438	Ref	Main Electrical Installation (if equipped for ULS)	C
	1001161732	Ref	Installation, Electrical Frame (See ELECTRICAL FRAME INSTALLATION for Breakdown)	
2	1001163255	Ref	Installation, Engine Bay Wiring 3.8L Engine (See ENGINE BAY WIRING INSTALLATION (ULS) for Breakdown)	
3	1001163127	Ref	Installation, Electrical Engine Bay (See ENGINE BAY ELECTRICAL INSTALLATION (ULS) for Breakdown)	
4	1001164287	Ref	Installation, Frame Wiring (See FRAME WIRING INSTALLATION (ULS) for Breakdown)	

Go to Discount-Equipment.com to order your parts

# SECTION 10 - ELECTRICAL

## FIGURE 10-2. MAIN ELECTRICAL INSTALLATION (LS)



ART\_1001182805-C

## SECTION 10 - ELECTRICAL

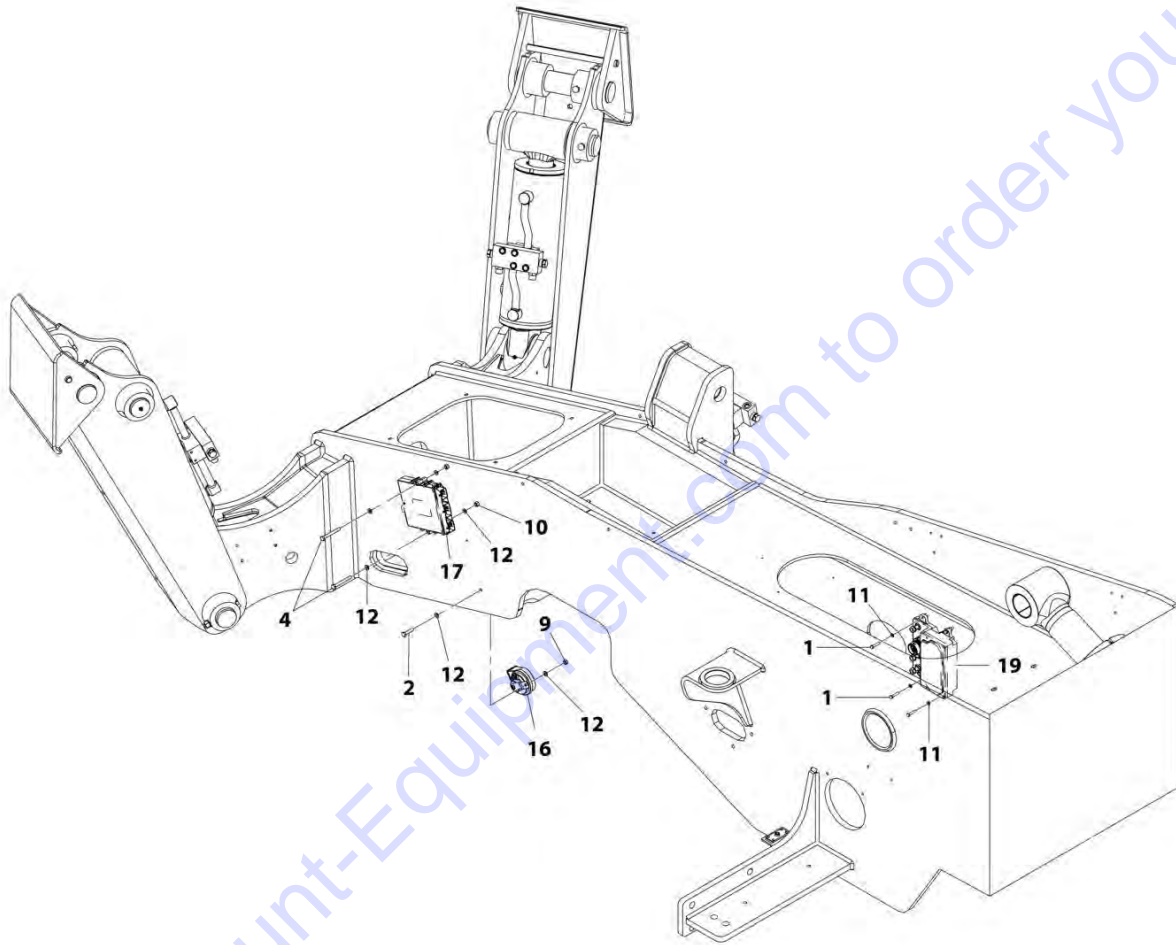
**FIGURE 10-2. MAIN ELECTRICAL INSTALLATION (LS)**

ITEM	PART NUMBER	QTY	DESCRIPTION	REV
1	1001182805	Ref	Main Electrical Installation (if equipped for LS)	C
	1001161732	Ref	Installation, Electrical Frame (See ELECTRICAL FRAME INSTALLATION for Breakdown)	
2	1001188403	Ref	Installation, Engine Bay Wiring 3.8L (See ENGINE BAY WIRING INSTALLATION (LS) for Breakdown)	
3	1001185889	Ref	Installation, Electrical Engine Bay (See ENGINE BAY ELECTRICAL INSTALLATION (LS) for Breakdown)	
4	1001182807	Ref	Installation, Frame Wiring (See FRAME WIRING INSTALLATION (LS) for Breakdown)	

Go to Discount-Equipment.com to order your parts

# SECTION 10 - ELECTRICAL

## FIGURE 10-3. ELECTRICAL FRAME INSTALLATION



ART\_1001161732\_1-H



# PARTS FINDER

**Search Website  
by Part Number**



**Search Manual  
Library For Parts  
Manual & Lookup Part  
Numbers – Purchase  
or Request Quote**

**Can't Find Part or  
Manual? Request Help  
by Manufacturer,  
Model & Description**

Discount-Equipment.com is your online resource for quality parts & equipment.

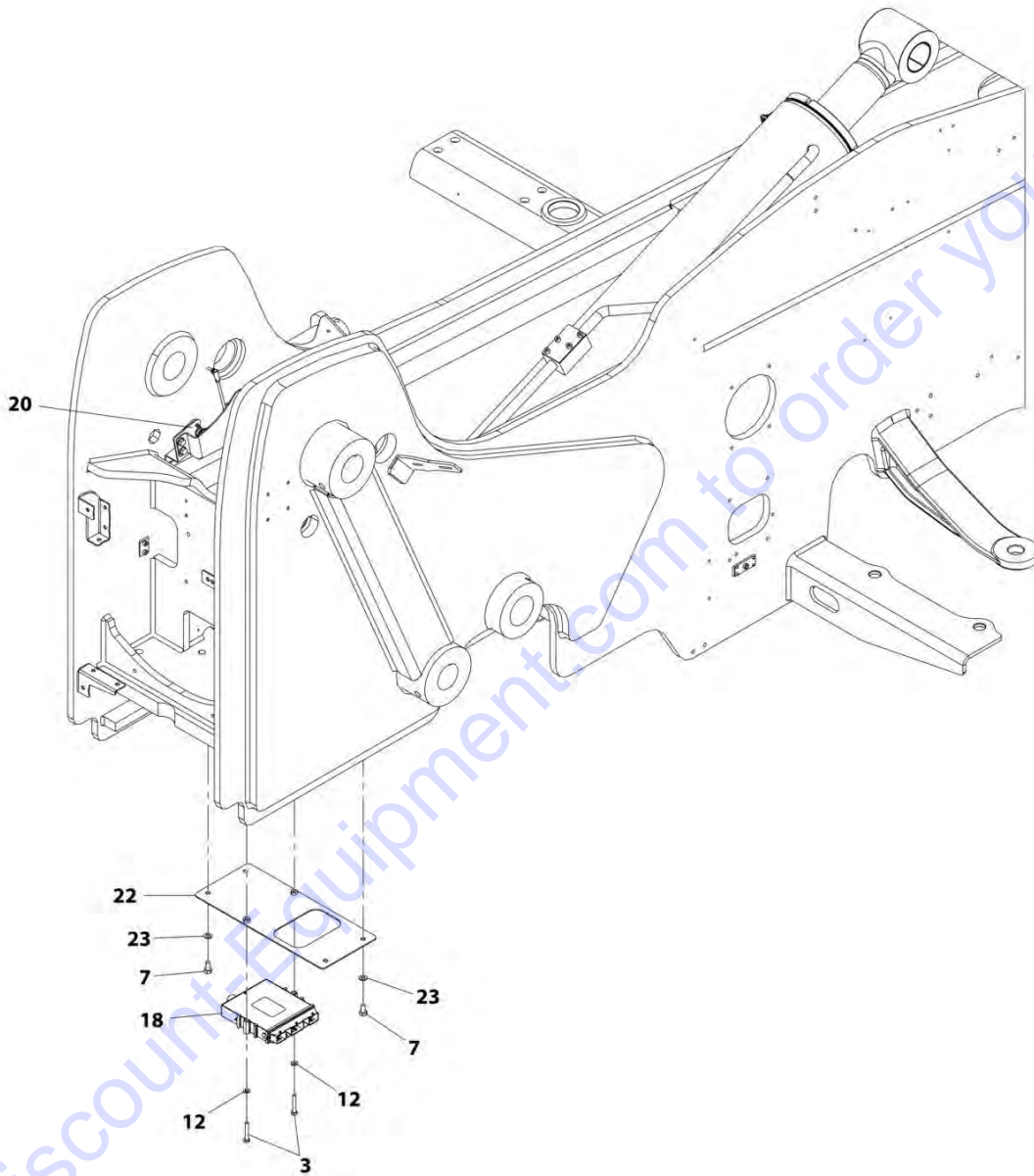
Florida: **561-964-4949** Outside Florida TOLL FREE: **877-690-3101**

## Need parts?

Click on this link: <http://www.discount-equipment.com/category/5443-parts/> and choose one of the options to help get the right parts and equipment you are looking for. Please have the machine model and serial number available in order to help us get you the correct parts. If you don't find the part on the website or on one of the online manuals, please fill out the request form and one of our experienced staff members will get back to you with a quote for the right part that your machine needs.

We sell worldwide for the brands: Genie, Terex, JLG, MultiQuip, Mikasa, Essick, Whiteman, Mayco, Toro Stone, Diamond Products, Generac Magnum, Airman, Haulotte, Barreto, Power Blanket, Nifty Lift, Atlas Copco, Chicago Pneumatic, Allmand, Miller Curber, Skyjack, Lull, Skytrak, Tsurumi, Husquvarna Target, Stow, Wacker, Sakai, Mi-T-M, Sullair, Basic, Dynapac, MBW, Weber, Bartell, Bennar Newman, Haulotte, Ditch Runner, Menegotti, Morrison, Contec, Buddy, Crown, Edco, Wyco, Bomag, Laymor, EZ Trench, Bil-Jax, F.S. Curtis, Gehl Pavers, Heli, Honda, ICS/PowerGrit, IHI, Partner, Imer, Clipper, MMD, Koshin, Rice, CH&E, General Equipment, Amida, Coleman, NAC, Gradall, Square Shooter, Kent, Stanley, Tamco, Toku, Hatz, Kohler, Robin, Wisconsin, Northrock, Oztec, Toker TK, Rol-Air, APT, Wylie, Ingersoll Rand / Doosan, Innovatech, Con X, Ammann, Mecalac, Makinex, Smith Surface Prep, Small Line, Wanco, Yanmar

# SECTION 10 - ELECTRICAL



ART\_1001161732\_2-H

## SECTION 10 - ELECTRICAL

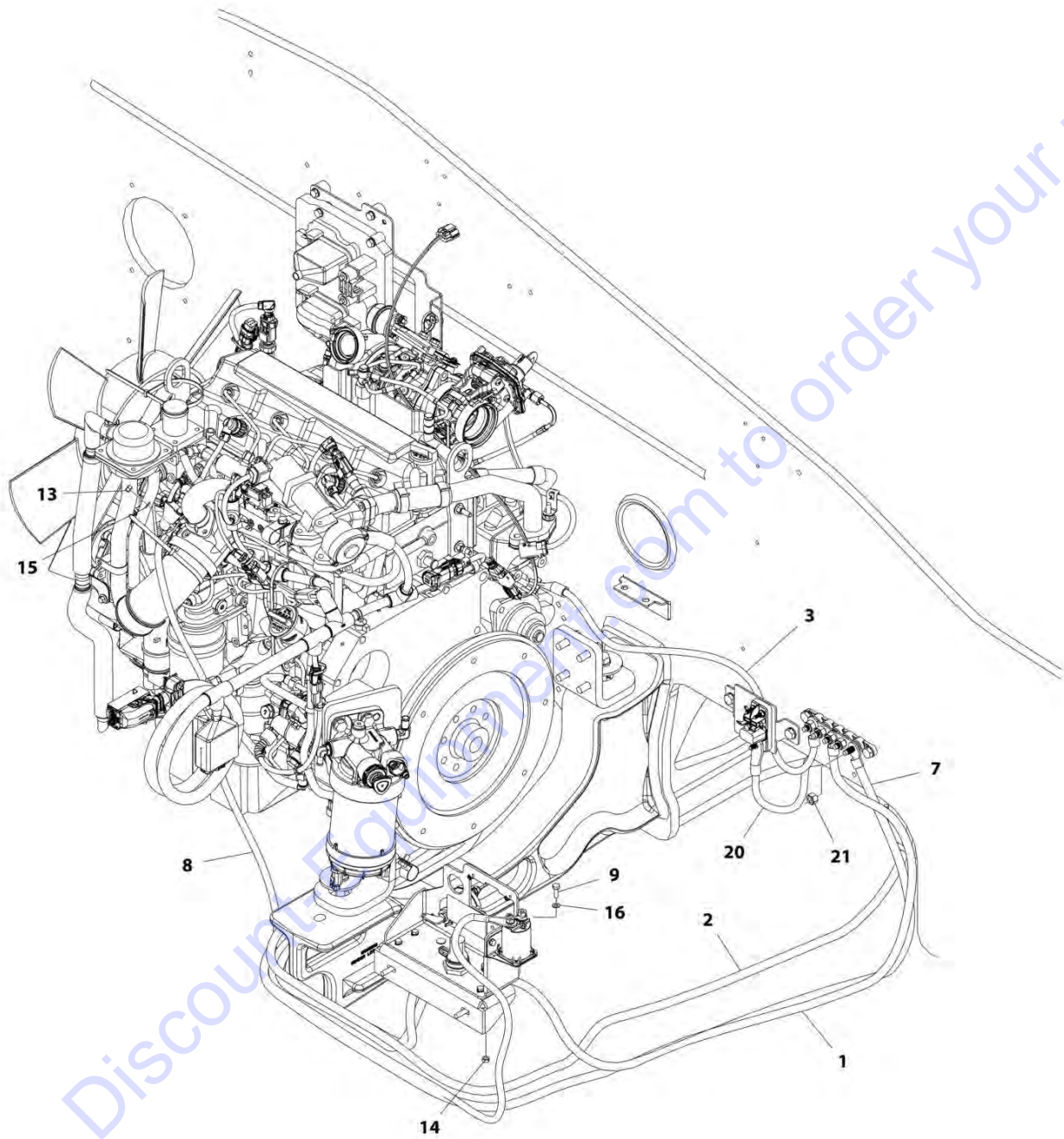
**FIGURE 10-3. ELECTRICAL FRAME INSTALLATION**

ITEM	PART NUMBER	QTY	DESCRIPTION	REV
	1001161732	Ref	Electrical Frame Installation	H
1	0700610	4	Bolt, M6X20	
2	0760815	1	Bolt, M8X35	
3	0700818	2	Bolt, M8X50	
4	0700822	2	Bolt, M8X70	
7	0761010	2	Bolt, M10X20	
9	3290801	1	Nut, M8X1.25 Grade 8	
10	3290805	2	Nut, Lock M8X1.25 Grade 8	
11	4811700	4	Washer, M6	
12	4811900	8	Washer, M8	
16	10713707	1	Horn	
17	1001162253	1	Control, Front Frame Module	
18	1001162256	1	Control, Rear Frame Module	
19	1001164402	1	Assembly, Power distribution Box (See POWER DISTRIBUTION ELECTRICAL BOX for Breakdown)	
20	1001168479	1	Installation, Boom Angle Sensor (See BOOM ANGLE SENSOR INSTALLATION for Breakdown)	
22	1001169817	1	Plate	
23	4812000	2	Washer, M10	



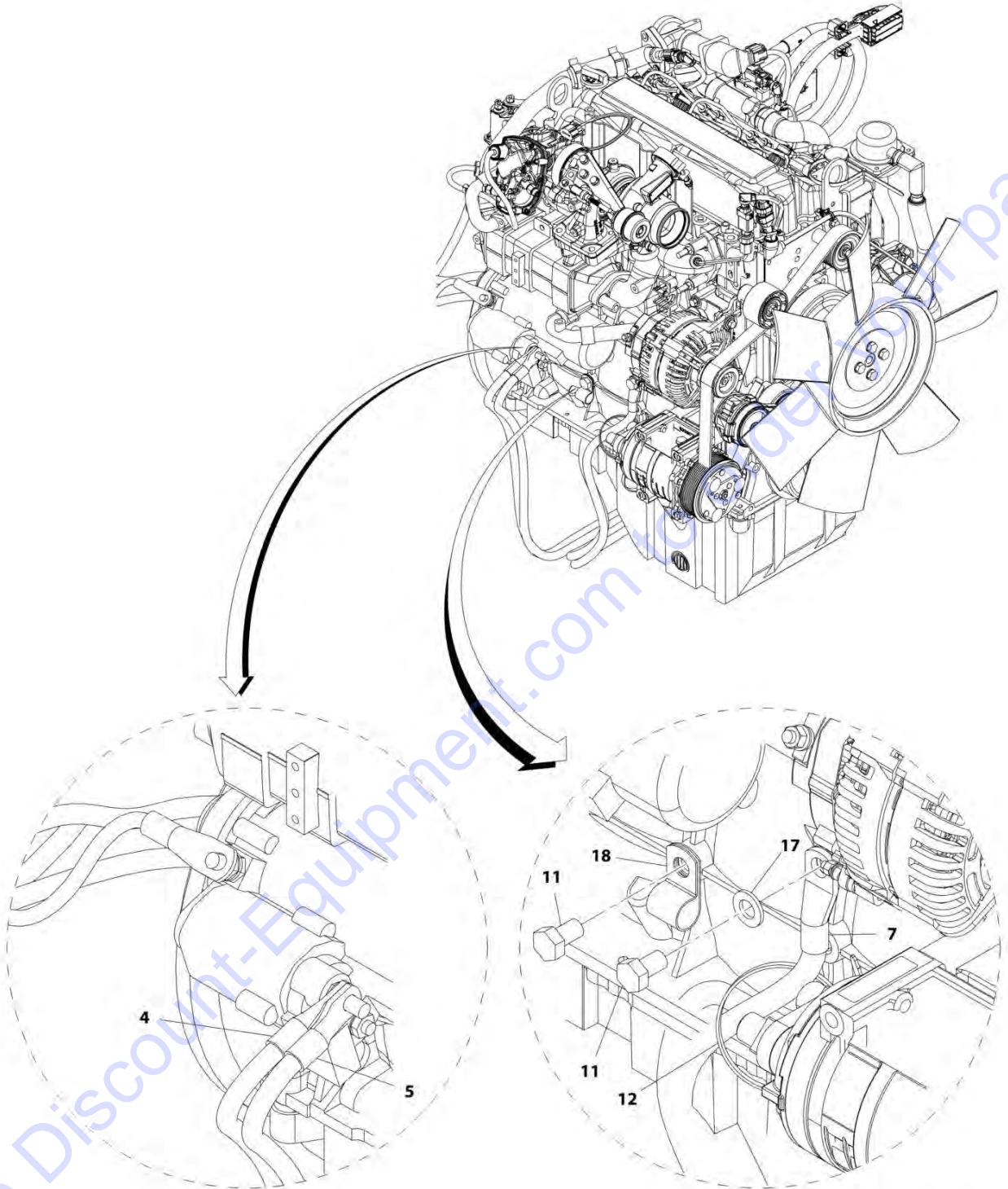
# SECTION 10 - ELECTRICAL

## FIGURE 10-4. ENGINE BAY WIRING INSTALLATION (ULS)



ART\_1001163255\_1-H

# SECTION 10 - ELECTRICAL



ART\_1001163225\_2-H

## SECTION 10 - ELECTRICAL

**FIGURE 10-4. ENGINE BAY WIRING INSTALLATION (ULS)**

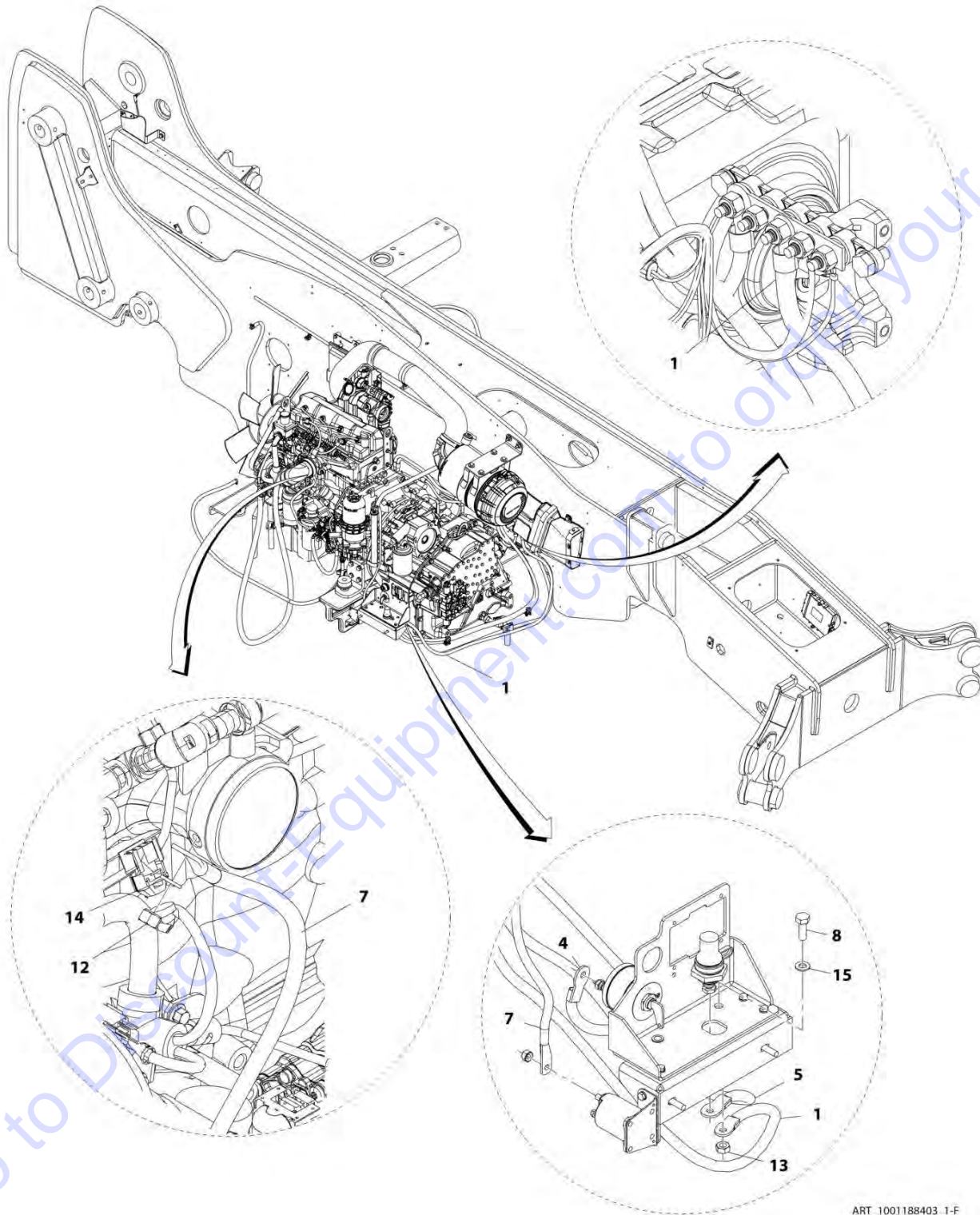
ITEM	PART NUMBER	QTY	DESCRIPTION	REV
	1001163255	Ref	Engine Bay Wiring Installation (if equipped for ULS)	H
1	1001200102	1	Cable, Ground Bus to Remote Ground	
2	1001170215	1	Cable, PDM to Alternator	
3	1001170320	1	Cable, Starter Ground	
4	1001170740	1	Cable, Starter to Battery	
5	1001170741	1	Cable, Starter to Remote B+	
7	1001170749	1	Cable, Engine Ground	
8	1001170816	1	Cable, Grid Heater	
9	0701014	1	Bolt, M10X30	
11	0761210	2	Bolt, M12X20	
12	1062255	1	Tie Strap	
13	3290605	1	Nut, Lock M6X1 Grade 8	
14	3291001	1	Nut, M10X1.5 Grade 8	
15	4811700	1	Washer, M6	
16	4812000	1	Washer, M10	
17	4812100	1	Washer, M12	
18	8406105	1	Clip	
20	1001190585	1	Cable, Glow Plug	
21	3291005	5	Nut, Lock M0X1.5 Grade 8	





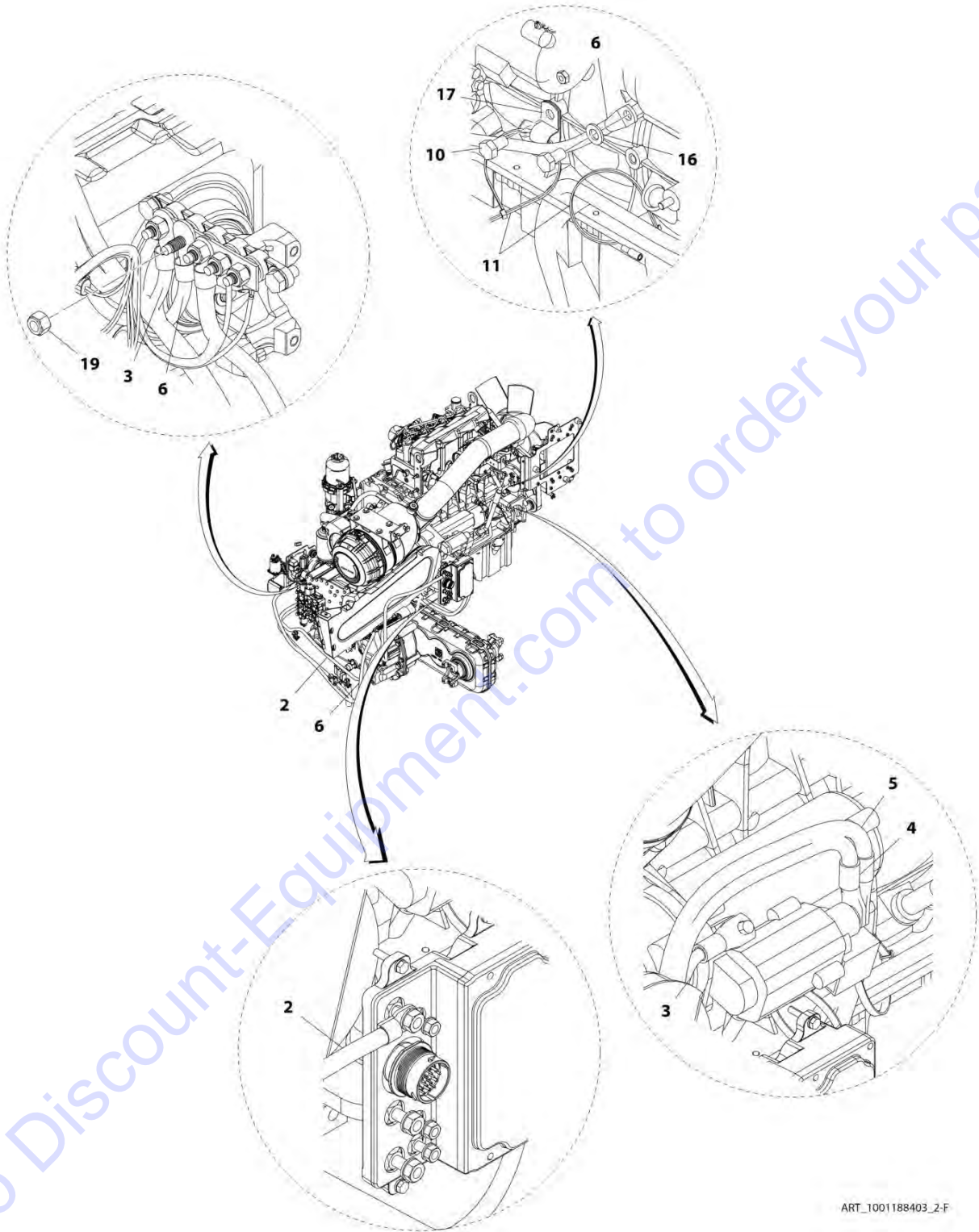
# SECTION 10 - ELECTRICAL

## FIGURE 10-5. ENGINE BAY WIRING INSTALLATION (LS)



ART\_1001188403\_1-F

# SECTION 10 - ELECTRICAL



ART\_1001188403\_2-F

## SECTION 10 - ELECTRICAL

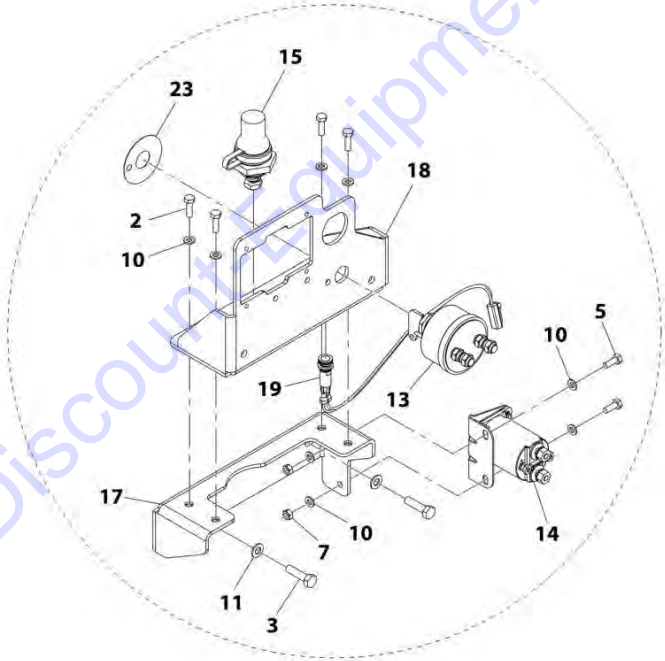
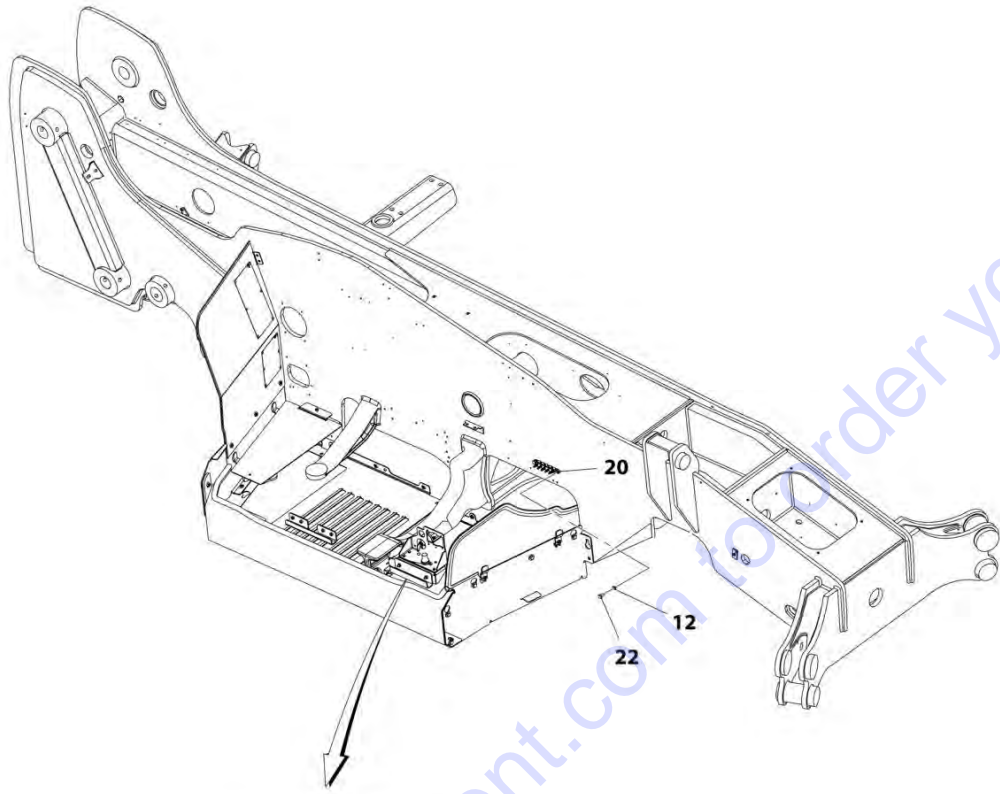
**FIGURE 10-5. ENGINE BAY WIRING INSTALLATION (LS)**

ITEM	PART NUMBER	QTY	DESCRIPTION	REV
	1001188403	Ref	Engine Bay Wiring Installation (if equipped for LS)	F
1	1001200102	1	Cable, Ground Bus to Remote Ground	
2	1001205254	1	Cable, PDM to Alternator	
3	1001170320	1	Cable, Starter Ground	
4	1001187623	1	Cable, Starter to Battery	
5	1001187624	1	Cable, Starter to Remote B+	
6	1001205255	1	Cable, Engine Ground	
7	1001170816	1	Cable, Grid Heater	
8	0701014	1	Bolt, M10X30	
10	0761210	2	Bolt, M12X20	
11	1062255	4	Tie Strap	
12	3290605	1	Nut, Lock M6X1 Grade 8	
13	3291001	1	Nut, M10X1.5 Grade 8	
14	4811700	1	Washer, M6	
15	4812000	1	Washer, M10	
16	4812100	1	Washer, M12	
17	8406105	1	Clip	
19	3291005	5	Nut, Lock M0X1.5 Grade 8	



# SECTION 10 - ELECTRICAL

## FIGURE 10-6. ENGINE BAY ELECTRICAL INSTALLATION (ULS)



ART\_1001163127-J

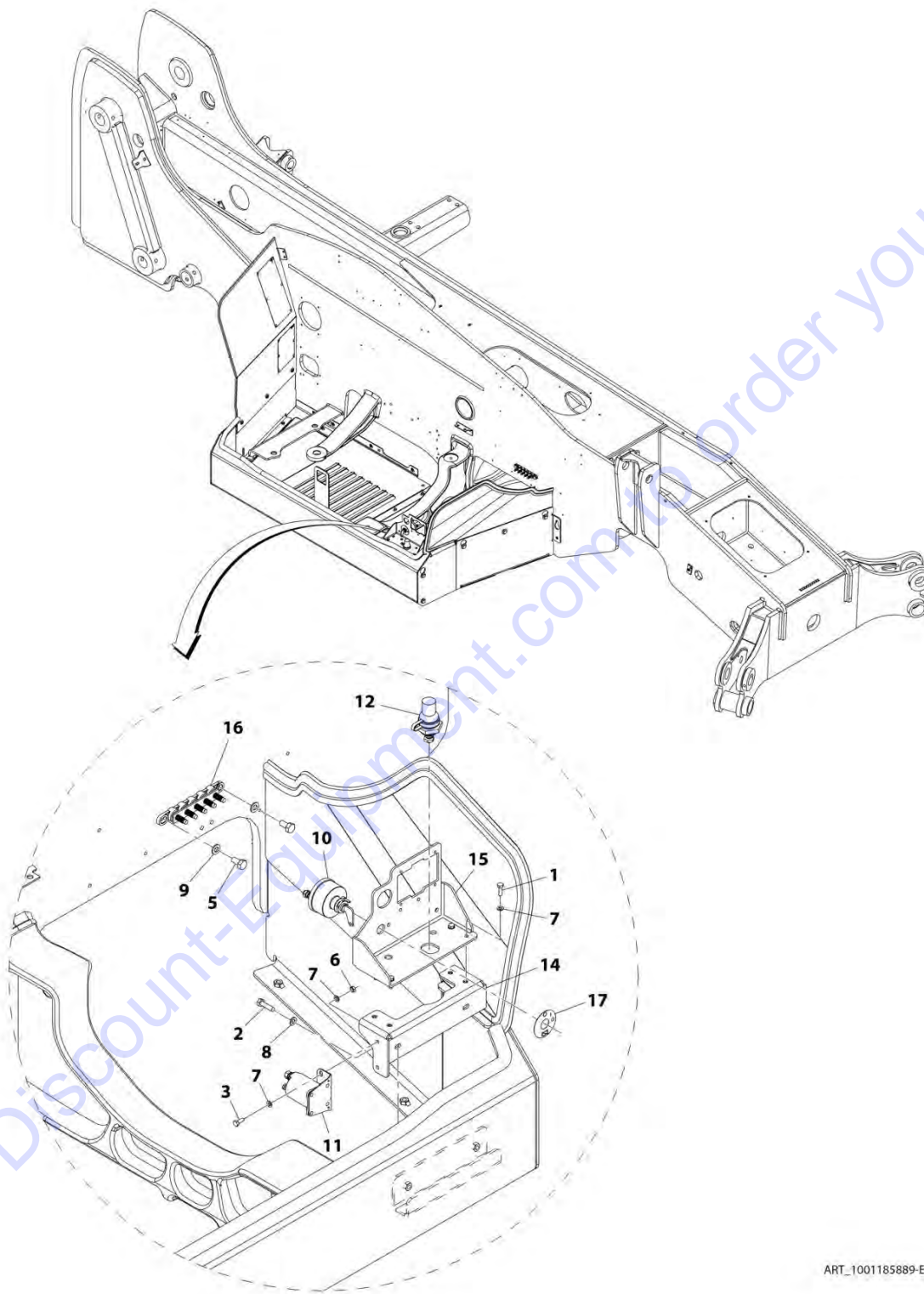
## SECTION 10 - ELECTRICAL

**FIGURE 10-6. ENGINE BAY ELECTRICAL INSTALLATION (ULS)**

ITEM	PART NUMBER	QTY	DESCRIPTION	REV
	1001163127	Ref	Engine Bay Electrical Installation (if equipped for ULS)	J
2	0700610	4	Bolt, M6X20	
3	0700814	2	Bolt, M8X30	
5	0760608	2	Bolt, M6X16	
7	3290601	2	Nut, M6X1 Grade 8	
10	4811700	8	Washer, M6	
11	4811900	2	Washer, M8	
12	4812000	2	Washer, M10	
13	1001192142	1	Switch	
14	1001117308	1	Relay	
15	1001193993	1	Terminal	
17	1001199099	1	Bracket	
18	1001198321	1	Bracket	
19	1001169825	1	Bulb, LED 12V ( <b>Prior to SN 0160093395</b> )	
19	1001232288	Ref	Harness, DEF Purge Light, (See Separate Breakdown in this Section) ( <b>SN 0160093395 to Present</b> )	
20	1001181128	1	Bussbar	
22	0761010	2	Bolt, M10X20	
23	1001008540	1	Plate	

# SECTION 10 - ELECTRICAL

## FIGURE 10-7. ENGINE BAY ELECTRICAL INSTALLATION (LS)



ART\_1001185889-E

## SECTION 10 - ELECTRICAL

**FIGURE 10-7. ENGINE BAY ELECTRICAL INSTALLATION (LS)**

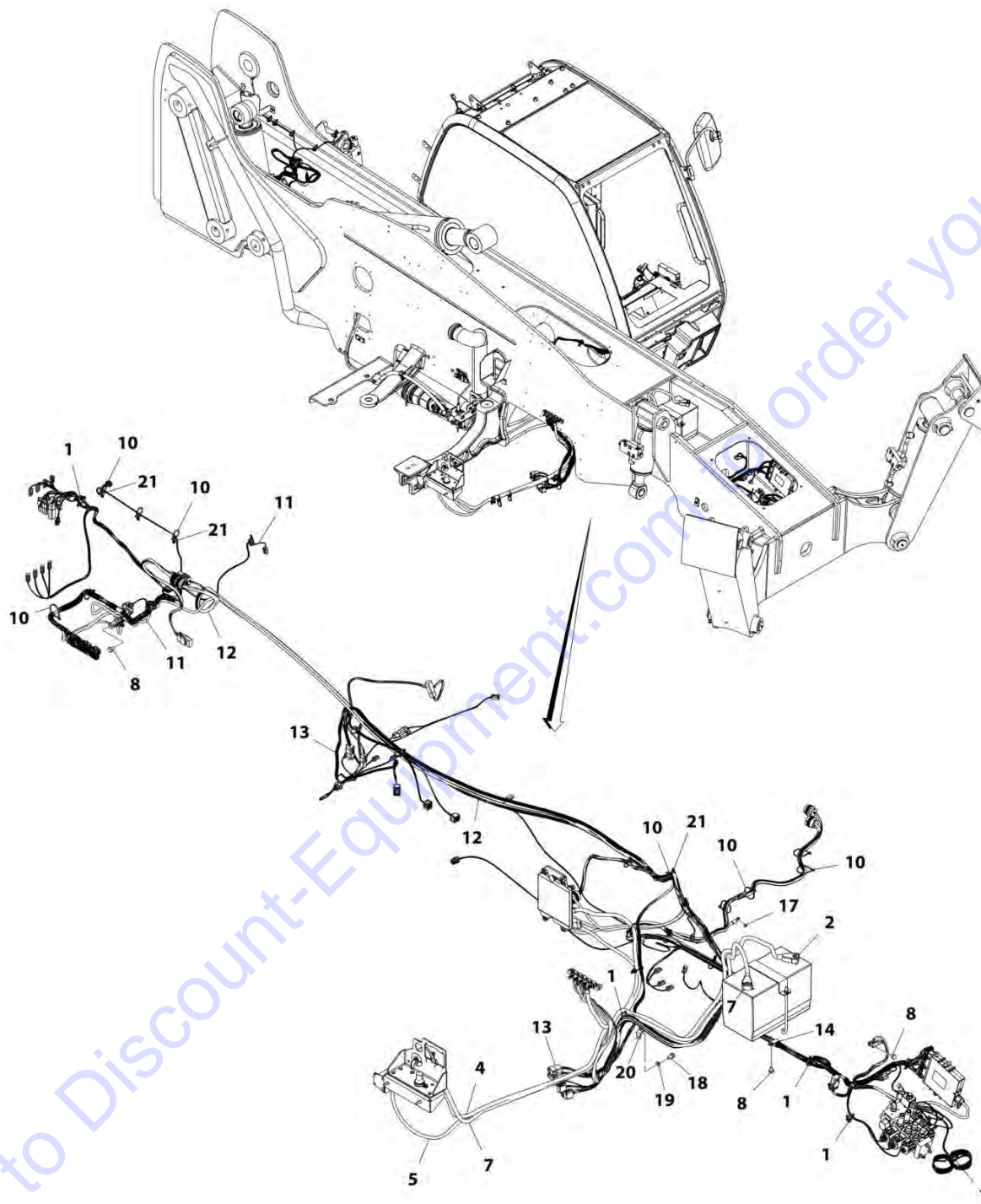
ITEM	PART NUMBER	QTY	DESCRIPTION	REV
	1001185889	Ref	Engine Bay Electrical Installation (if equipped for LS)	E
1	0700610	4	Bolt, M6X20	
2	0700814	2	Bolt, M8X30	
3	0760608	2	Bolt, M6X16	
5	0761010	2	Bolt, M10X20	
6	3290601	2	Nut, M6X1 Grade 8	
7	4811700	8	Washer, M6	
8	4811900	2	Washer, M8	
9	4812000	2	Washer, M10	
10	1001192142	1	Switch	
11	1001117308	1	Relay, 200 Amp	
12	1001193993	1	Terminal	
14	1001199099	1	Bracket	
15	1001198321	1	Bracket	
16	1001181128	1	Busbar	
17	1001008540	1	Plate	

Go to Discount-Equipment.com to order your parts



# SECTION 10 - ELECTRICAL

## FIGURE 10-8. FRAME WIRING INSTALLATION (ULS)



ART\_1001164287-N

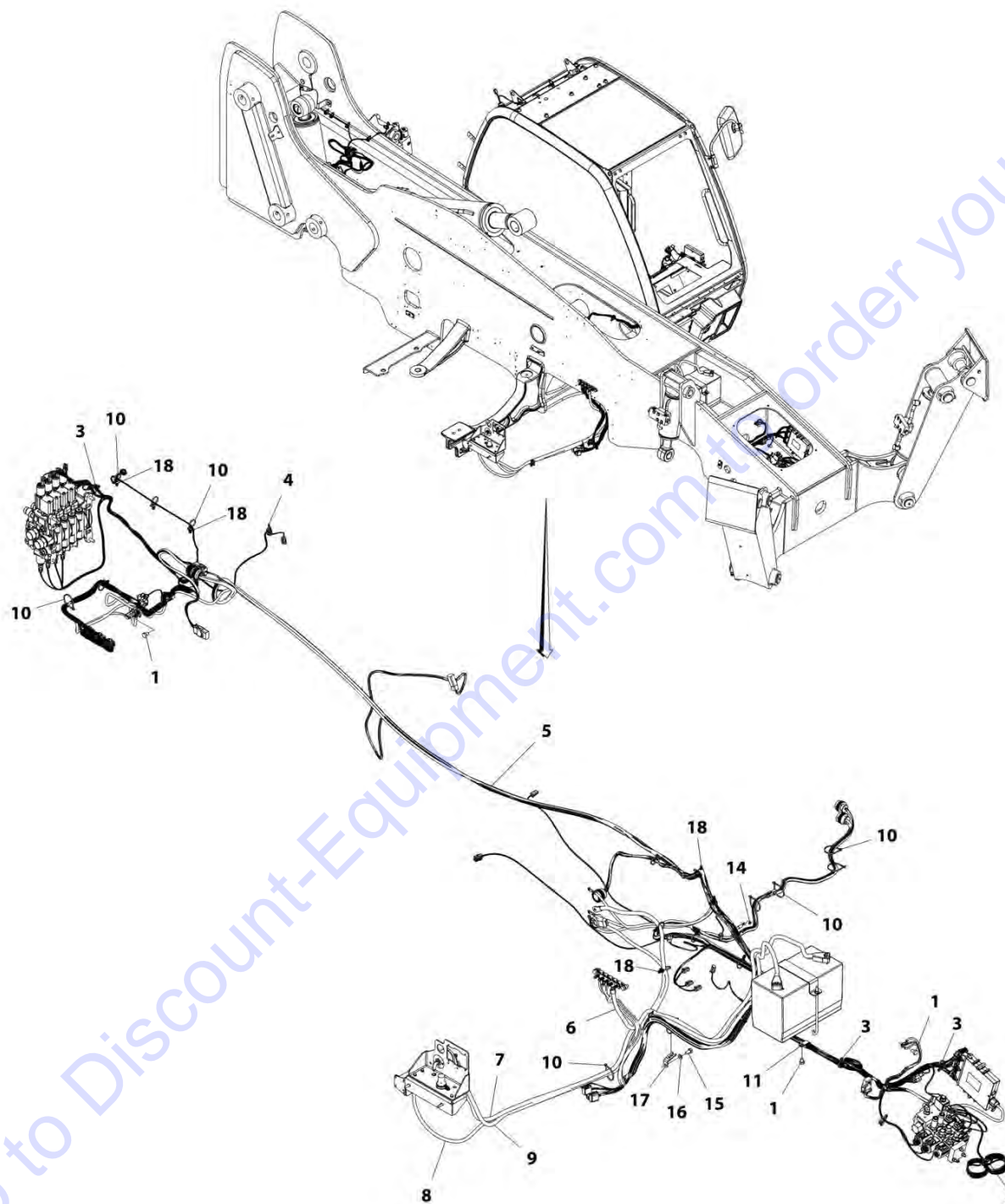
## SECTION 10 - ELECTRICAL

**FIGURE 10-8. FRAME WIRING INSTALLATION (ULS)**

ITEM	PART NUMBER	QTY	DESCRIPTION	REV
	1001164287	Ref	Frame Wiring Installation (if equipped for ULS)	N
1	1001146588	12	Strap, Cable	
2	1001169365	1	Cable, Battery Negative	
4	1001170566	1	Cable, Battery to PDM	
5	1001200082	1	Cable, PDM to Grid Heater	
7	1001170624	1	Cable, B+ to Disconnect	
8	0761007	3	Bolt, M10X14	
10	1001008559	23	Strap	
11	1001164941	1	Harness, Rear Frame (See REAR FRAME HANESS for Breakdown) <b>(Prior to SN 0160073773)</b>	
11	1001202908	1	Harness, Rear Frame (See REAR FRAME HANESS for Breakdown) <b>(SN 0160073773 to Present)</b>	
12	1001165359	1	Harness, Front Frame (See FRONT FRAME HARNESS for Breakdown) <b>(Prior to SN 0160080792)</b>	
12	1001221727	1	Harness, Front Frame (See FRONT FRAME HARNESS for Breakdown) <b>(SN 0160080792 to Present)</b>	
13	1001168952	1	Harness, Cummins (See ENGINE CHASSIS HARNESS for Breakdown)	
14	8406201	1	Clip	
17	3290601	1	Nut, M6X1 Grade 8	
18	0761010	1	Bolt, M10X20	
19	4812000	1	Washer, M10	
20	1001025753	1	Clip	
21	1001202986	16	Strap	

# SECTION 10 - ELECTRICAL

## FIGURE 10-9. FRAME WIRING INSTALLATION (LS)



ART\_1001182807-L

## SECTION 10 - ELECTRICAL

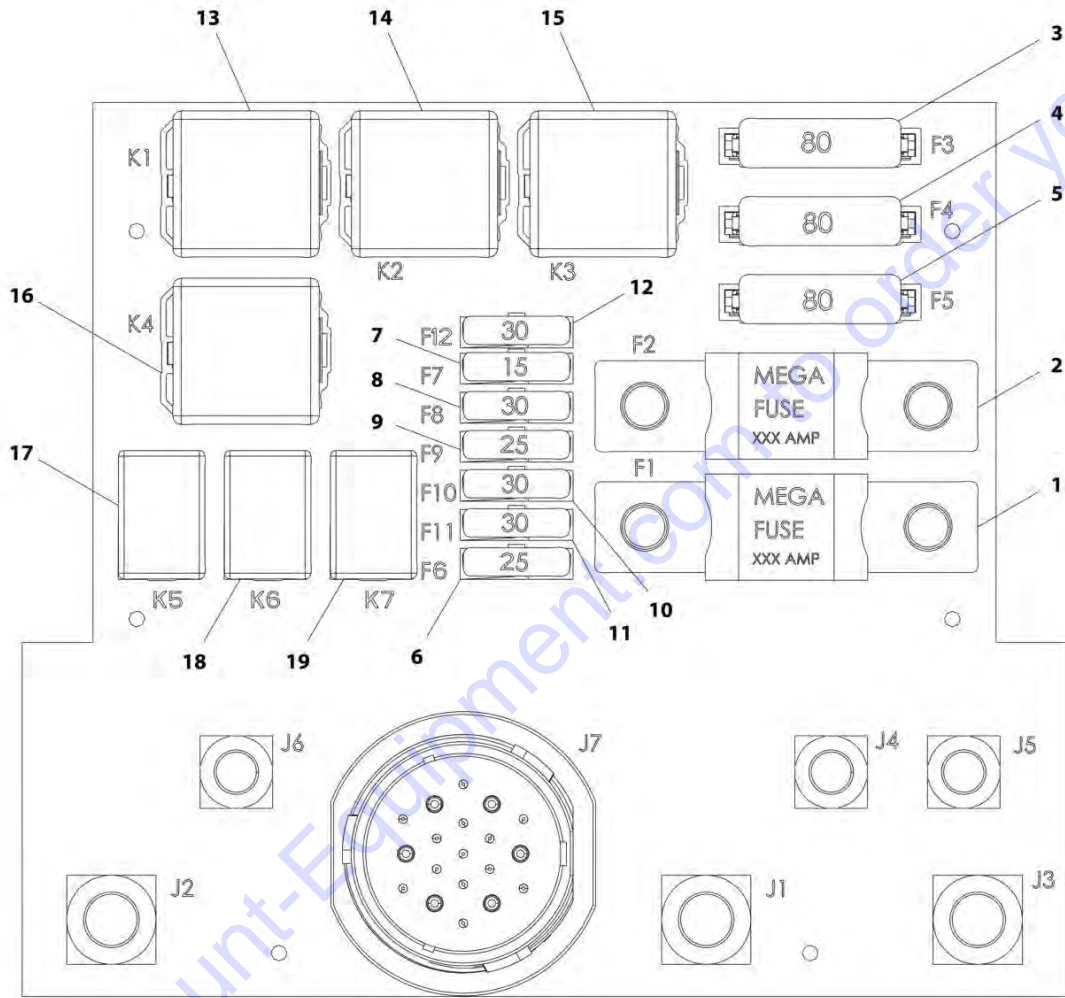
**FIGURE 10-9. FRAME WIRING INSTALLATION (LS)**

ITEM	PART NUMBER	QTY	DESCRIPTION	REV
	1001182807	Ref	Frame Wiring Installation (if equipped for LS)	L
1	0761007	3	Bolt, M10X14	
3	1001146588	12	Strap, Cable	
4	1001164941	1	Harness, Rear Frame (See REAR FRAME HARNESS for Breakdown) <b>(Prior to SN 0160073773)</b>	
4	1001202908	1	Harness, Rear Frame (See REAR FRAME HANESS for Breakdown) <b>(SN 0160073773 to Present)</b>	
5	1001165359	1	Harness, Front Frame (See FRONT FRAME HARNESS for Breakdown) <b>(Prior to SN 0160080792)</b>	
5	1001221727	1	Harness, Front Frame (See FRONT FRAME HARNESS for Breakdown) <b>(SN 0160080792 to Present)</b>	
6	1001169365	1	Cable, Battery Negative	
7	1001170566	1	Cable, Battery to PDM	
8	1001200082	1	Cable, PDM to Grid Heater	
9	1001170624	1	Cable, B+ to Disconnect	
10	1001008559	21	Strap, Cable	
11	8406201	1	Clip	
14	3290601	1	Nut, M6X1 Grade 8	
15	0761010	1	Bolt, M10X20	
16	4812000	1	Washer, M10	
17	1001025753	1	Clip	
18	1001202986	14	Strap	

Go to Discount-Equipment.com to order your parts

# SECTION 10 - ELECTRICAL

## FIGURE 10-10. POWER DISTRIBUTION ELECTRICAL BOX



ART\_1001164402-F

## SECTION 10 - ELECTRICAL

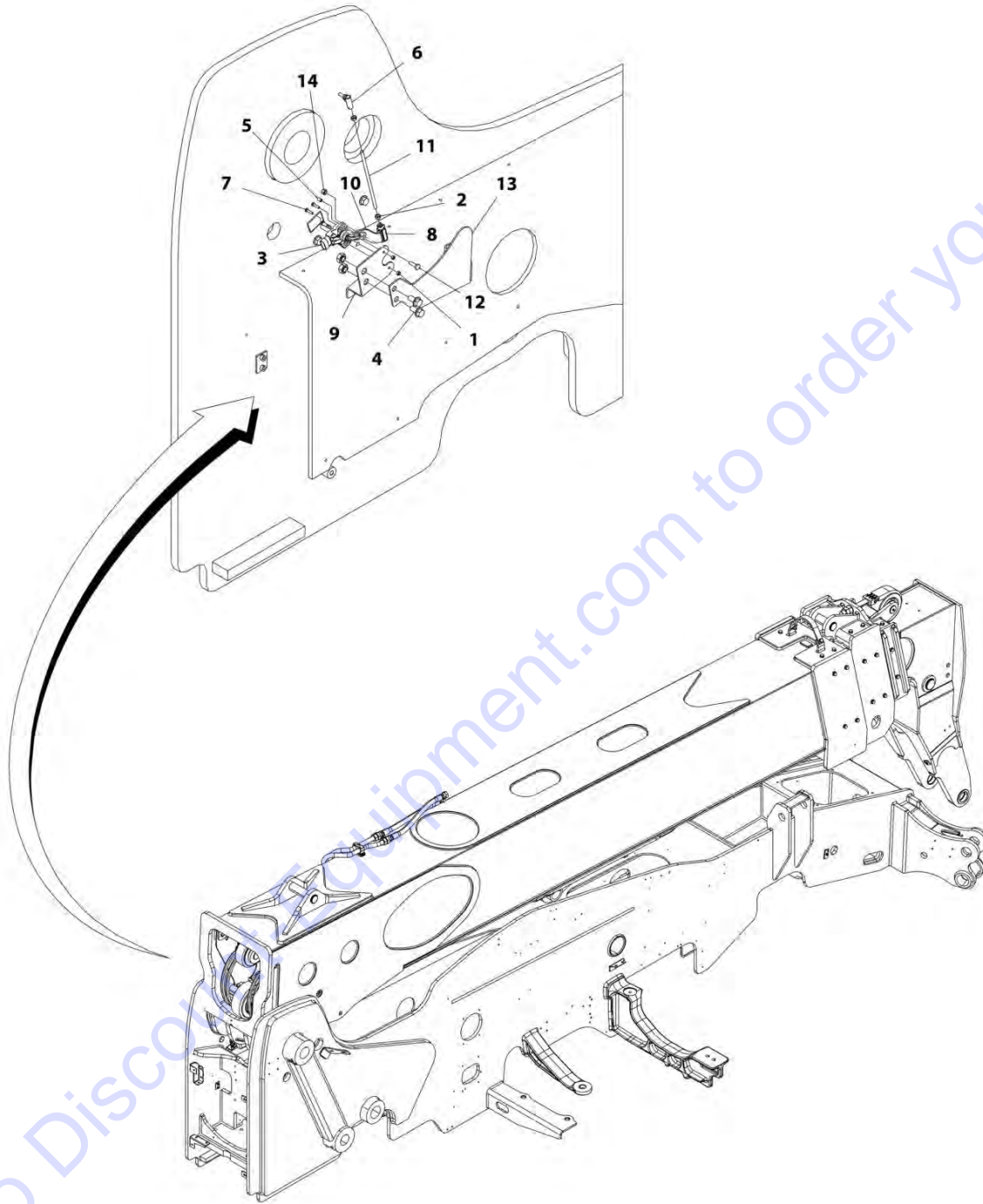
**FIGURE 10-10. POWER DISTRIBUTION ELECTRICAL BOX**

ITEM	PART NUMBER	QTY	DESCRIPTION	REV
	1001164402	Ref	Power distribution Electrical Box	F
1	1001095336	1	Fuse, 150amp	
2	70026296	1	Fuse, 200amp	
3	70026297	1	Fuse, 80amp	
4	70026297	1	Fuse, 80amp	
5	70026297	1	Fuse, 80amp	
6	8229247	1	Fuse, 25amp	
7	8229244	1	Fuse, 15amp	
8	8229245	1	Fuse, 30amp	
9	8229247	1	Fuse, 25amp	
10	8229245	1	Fuse, 30amp	
11	8229245	1	Fuse, 30amp	
12	8229245	1	Fuse, 30amp	
13	70026294	1	Relay, 70amp	
14	70026294	1	Relay, 70amp	
15	70026294	1	Relay, 70amp	
16	70026294	1	Relay, 70amp	
17	70026295	1	Relay, 30amp	
18	70026295	1	Relay, 30amp	
19	70026295	1	Relay, 30amp	

Go to Discount-Equipment.com to order your parts

# SECTION 10 - ELECTRICAL

## FIGURE 10-11. BOOM ANGLE SENSOR INSTALLATION



ART\_1001168479-E

## SECTION 10 - ELECTRICAL

**FIGURE 10-11. BOOM ANGLE SENSOR INSTALLATION**

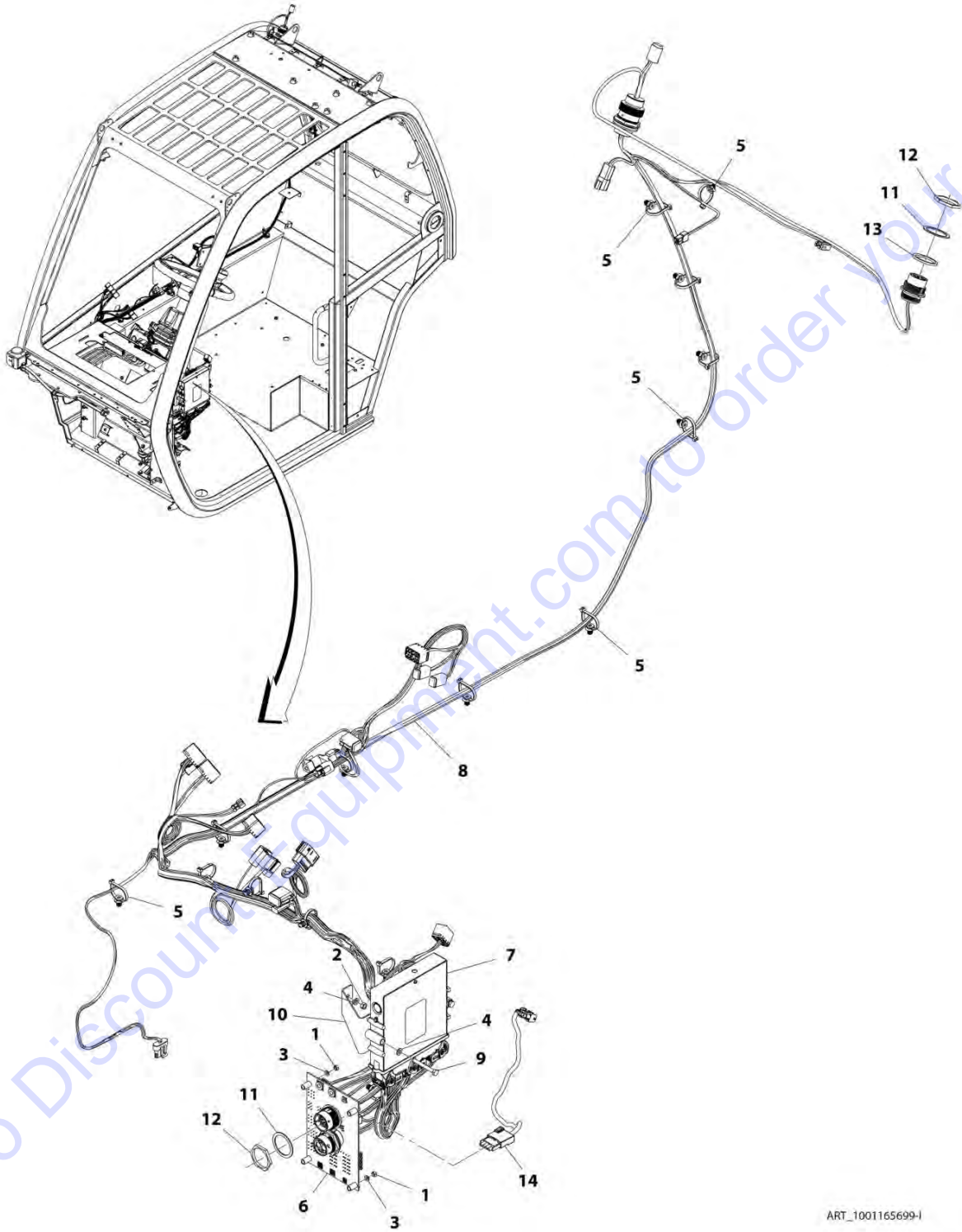
ITEM	PART NUMBER	QTY	DESCRIPTION	REV
	1001168479	Ref	Boom Angle Sensor Installation	E
1	3290405	2	Nut, Lock M4X0.7 Grade 8	
2	3290601	2	Nut, M6X1 Grade 8	
3	4000015	1	Sensor, Angle	
4	5201010	5	Bolt, M10X20	
5	1001103156	1	Pin	
6	1001184484	1	Joint, Ball	
7	1001126837	2	Screw, M4X16	
8	1001134274	1	Clevis	
9	1001188782	1	Bracket	
10	1001188787	1	Link	
11	1001168482	1	Rod	
12	4010610002	1	Screw, M6X20	
13	1001188778	1	Bracket	
14	3290605	1	Nut, Lock M6X1	

Go to Discount-Equipment.com to order your parts



# SECTION 10 - ELECTRICAL

## FIGURE 10-12. CAB ELECTRICAL INSTALLATION



ART\_1001165699-I

## SECTION 10 - ELECTRICAL

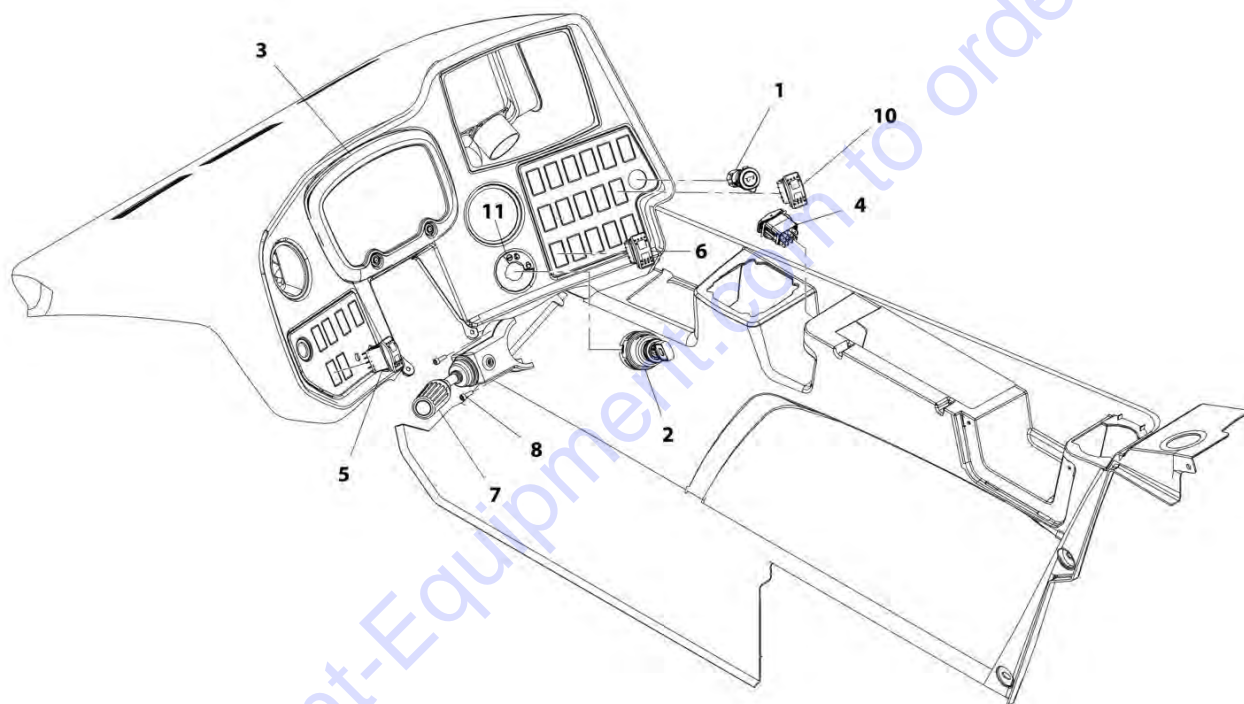
**FIGURE 10-12. CAB ELECTRICAL INSTALLATION**

ITEM	PART NUMBER	QTY	DESCRIPTION	REV
	1001165699	Ref	Cab Electrical Installation	1
1	3290501	3	Nut, M5X0.8	
2	3290601	2	Nut, M6X1	
3	120034	3	Washer, Plastic	
4	4811700	4	Washer, M6	
5	1001146588	16	Strap, Cable Tie	
6	1001161769	1	Assembly, Standard Electrical Board (See STANDARD ELECTRICAL BOARD ASSEMBLY for Breakdown)	
7	1001162249	1	Module, Cab Control	
8	1001196451	1	Harness, Cab (See CAB HARNESS for Breakdown)	
9	0700618	2	Bolt, M6X50	
10	1001178933	1	Bracket	
11	4460496	4	Washer, Terminal Lock	
12	4460497	4	Nut, Terminal	
13	1001211693	2	Seal	
14	1001213988	1	Harness, Communication Analyzer (See Separate Breakdown in this Section)	

Go to Discount-Equipment.com to order your parts

# SECTION 10 - ELECTRICAL

## FIGURE 10-13. DASH ELECTRICAL INSTALLATION (ULS)



ART\_1001173849-G

## SECTION 10 - ELECTRICAL

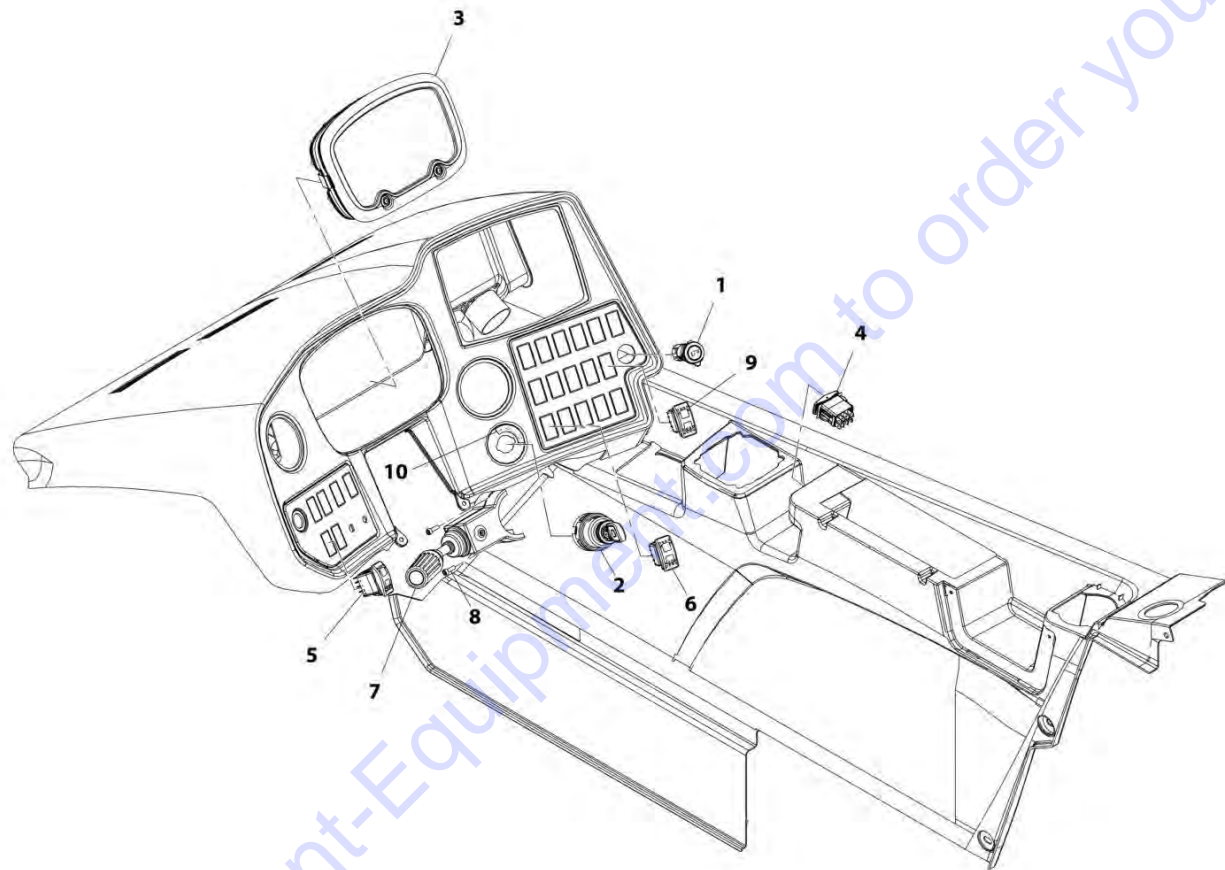
**FIGURE 10-13. DASH ELECTRICAL INSTALLATION (ULS)**

ITEM	PART NUMBER	QTY	DESCRIPTION	REV
	1001173849	Ref	Dash Electrical Installation (if equipped for ULS)	G
1	1001095804	1	Connector, 12V Power Socket	
2	1001102502	1	Switch, 4 Position Key	
2	70022765	1	Key, Ignition	
3	1001158146	1	Cluster, Electrical Gauge	
4	1001189876	1	Switch, Frame Level <b>(Prior to SN 0160081665)</b>	
4	1001212470	1	Switch, Frame Level <b>(SN 0160081665 to Present)</b>	
5	1001159753	1	Switch, Park Brake	
6	1001159849	1	Switch, Steer Mode	
7	1001163698	1	Switch, FNR 4 Speed	
8	4031607	2	Screw, M5-0.8X16	
10	1001104654	1	Switch, AUX	
11	1001181531	1	Decal, Ignition Switch	

Go to Discount-Equipment.com to order your parts

# SECTION 10 - ELECTRICAL

## FIGURE 10-14. DASH ELECTRICAL INSTALLATION (LS)



ART\_1001203225-C

## SECTION 10 - ELECTRICAL

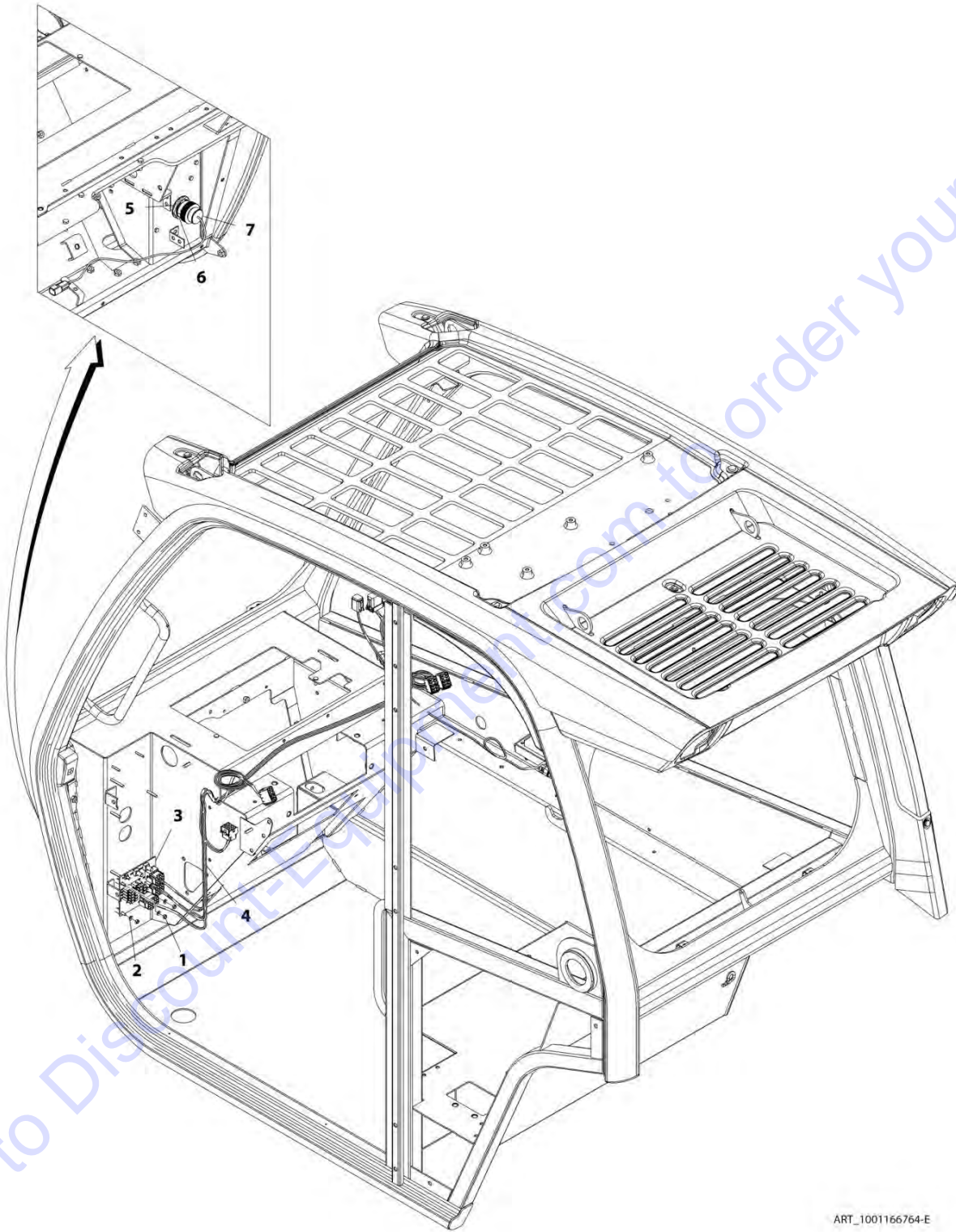
**FIGURE 10-14. DASH ELECTRICAL INSTALLATION (LS)**

ITEM	PART NUMBER	QTY	DESCRIPTION	REV
	1001203225	Ref	Dash Electrical Installation (if equipped for LS)	C
1	1001095804	1	Connector, 12V Power Socket	
2	1001102502	1	Switch, 4 Position Key	
2	70022765	1	Key, Ignition	
3	1001202454	1	Cluster, Electrical Gauge	
4	1001189876	1	Switch, Frame Level <b>(Prior to SN 0160081665)</b>	
4	1001212470	1	Switch, Frame Level <b>(SN 0160081665 to Present)</b>	
5	1001159753	1	Switch, Park Brake	
6	1001159849	1	Switch, Steer Mode	
7	1001163698	1	Switch, FNR 4 Speed	
8	4031607	2	Screw, M5-0.8X16	
9	1001104654	1	Switch, AUX	
10	1001181531	1	Decal, Ignition Switch	

Go to Discount-Equipment.com to order your parts

# SECTION 10 - ELECTRICAL

FIGURE 10-15. OPEN CAB ELECTRICAL INSTALLATION WITH OPTIONS



ART\_1001166764-E

## SECTION 10 - ELECTRICAL

**FIGURE 10-15. OPEN CAB ELECTRICAL INSTALLATION WITH OPTIONS**

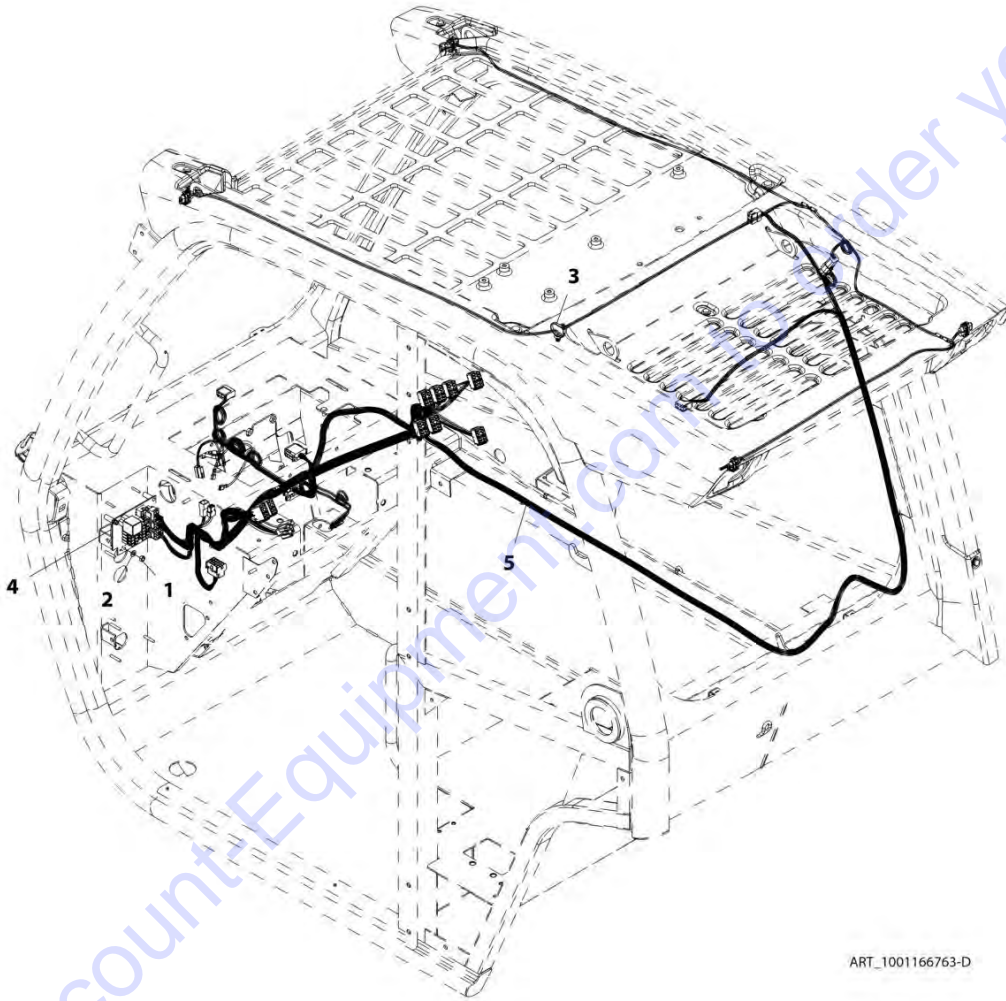
ITEM	PART NUMBER	QTY	DESCRIPTION	REV
	1001166764	Ref	Open Cab Electrical Installation with Options	E
1	3290501	3	Nut, M5X0.8	
2	120034	3	Washer, Plastic	
3	1001161771	1	Assembly, Option 2 Electrical Board (See OPTION 2 ELECTRICAL BOARD ASSEMBLY for Breakdown)	
4	1001163372	1	Harness, Option 2 Cab (See OPTION 2 CAB HARNESS for Breakdown)	
5	4460496	1	Washer, Terminal Lock	
6	4460497	1	Nut, Terminal	
7	1001181573	1	Harness, Cab Option (See CAB OPTION HARNESS for Breakdown)	

Go to Discount-Equipment.com to order your parts



# SECTION 10 - ELECTRICAL

FIGURE 10-16. ENCLOSED CAB ELECTRICAL INSTALLATION WITH OPTIONS



ART\_1001166763-D

## SECTION 10 - ELECTRICAL

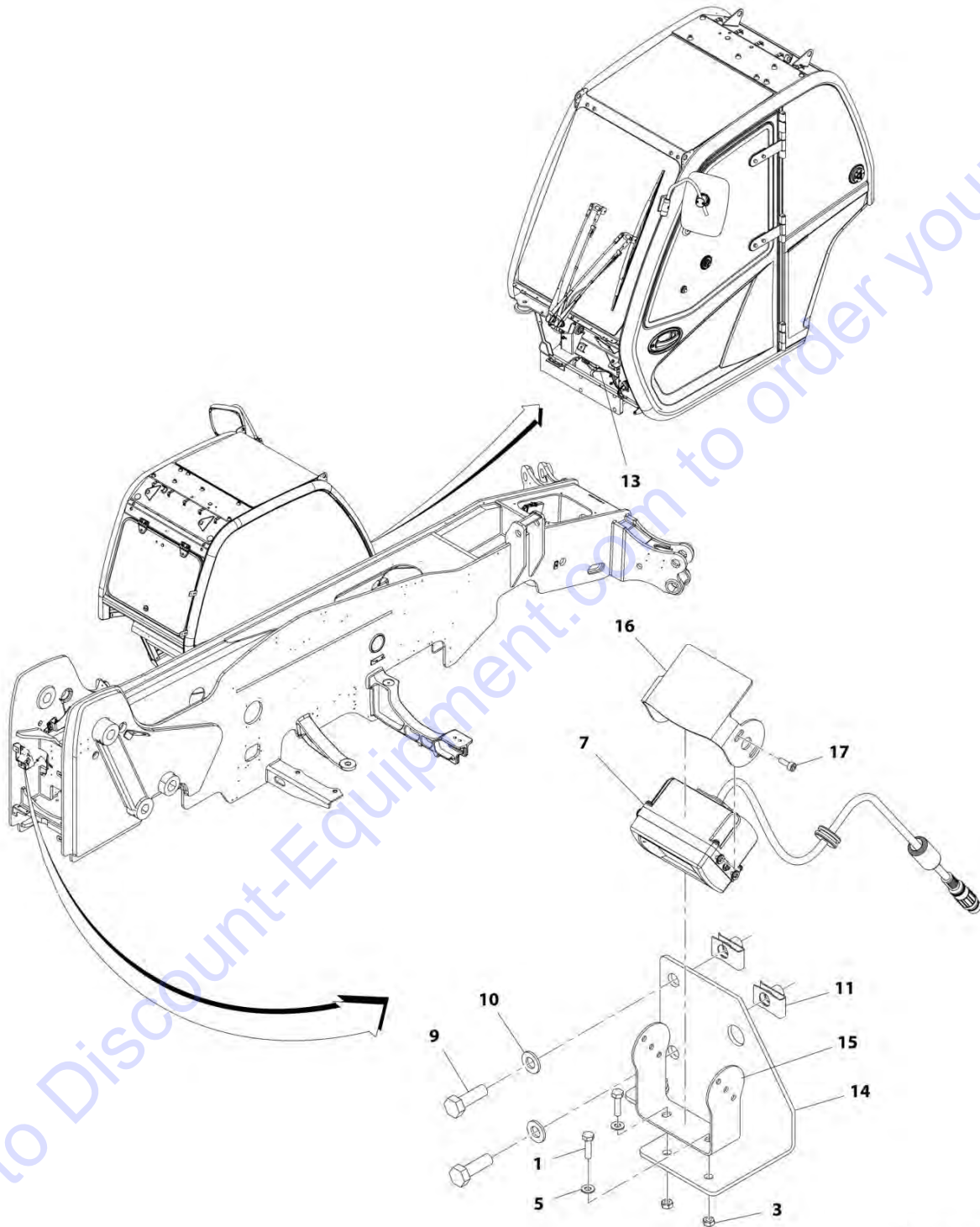
**FIGURE 10-16. ENCLOSED CAB ELECTRICAL INSTALLATION WITH OPTIONS**

ITEM	PART NUMBER	QTY	DESCRIPTION	REV
	1001166763	Ref	Enclosed Cab Electrical Installation with Options	D
1	3290501	1	Nut, M5X0.8	
2	120034	1	Washer, Plastic	
3	1001146588	1	Strap, Cable Tie	
4	1001161770	1	Assembly, Option 1 Electrical Board (See OPTION 1 ELECTRICAL BOARD ASSEMBLY for Breakdown)	
5	1001163371	1	Harness, Option 1 Cab (See OPTION 1 CAB HARNESS for Breakdown)	

Go to Discount-Equipment.com to order your parts

# SECTION 10 - ELECTRICAL

## FIGURE 10-17. REVERSE CAMERA INSTALLATION



## SECTION 10 - ELECTRICAL

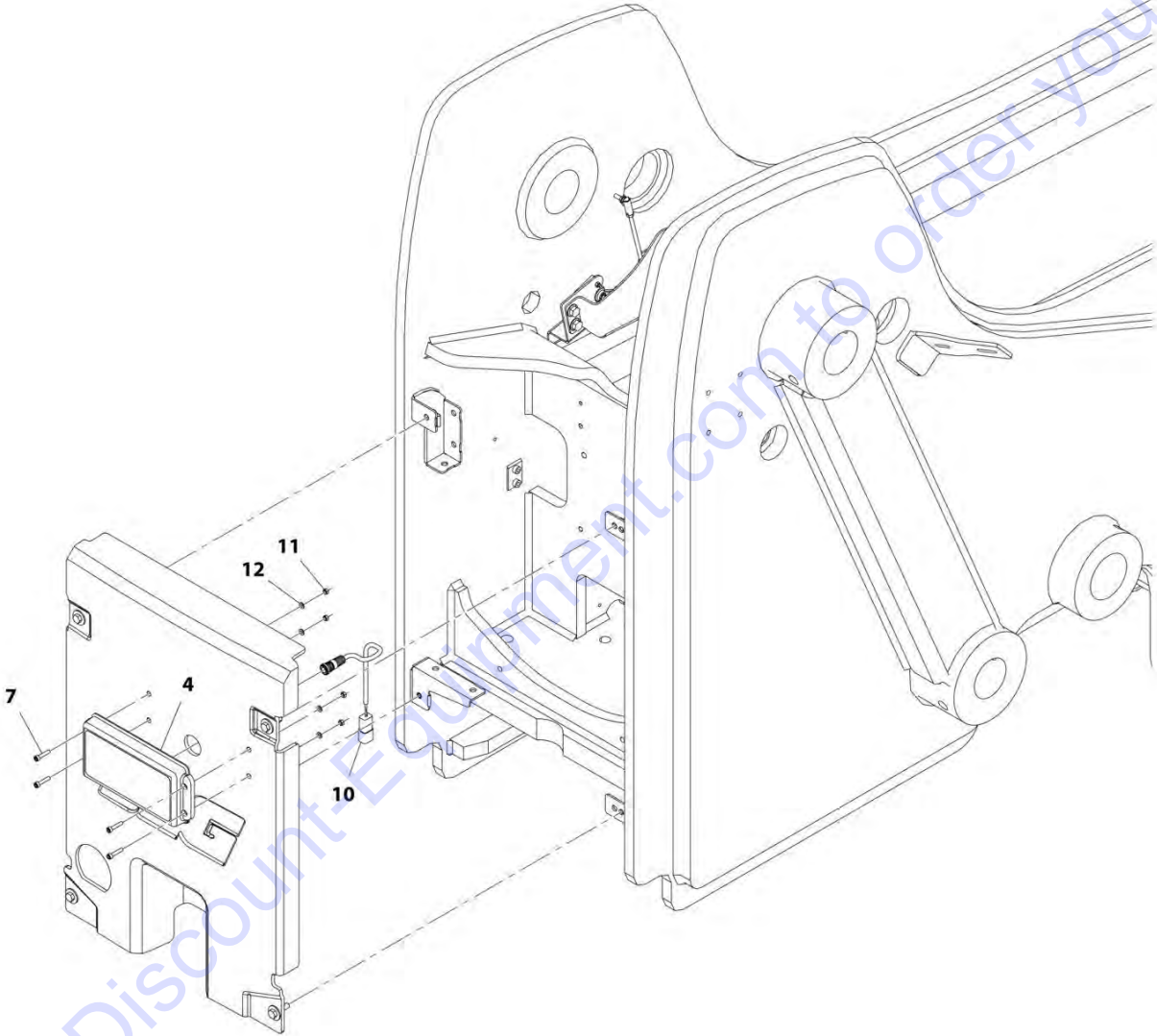
**FIGURE 10-17. REVERSE CAMERA INSTALLATION**

ITEM	PART NUMBER	QTY	DESCRIPTION	REV
	1001168031	Ref	Reverse Camera Installation	E
1	0700408	2	Bolt, M4X16	
3	3290401	2	Nut, M4X0.7	
5	4811400	2	Washer, M4	
7	1001167017	1	Camera	
9	0760812	3	Bolt, M8X25	
10	4811900	3	Washer, M8	
11	8310686	3	Nut, Retainer M8X12.5	
13	1001171962	1	Cable, Reverse Camera	
14	1001202620	1	Bracket, Camera Mount	
15	1001202621	1	Bracket, Camera Mount	
16	1001202622	1	Bracket	
17	4031205	4	Bolt, M3X10	

Go to Discount-Equipment.com to order your parts

**SECTION 10 - ELECTRICAL**

**FIGURE 10-18. REVERSE SENSOR INSTALLATION**



ART\_1001172536-H

## SECTION 10 - ELECTRICAL

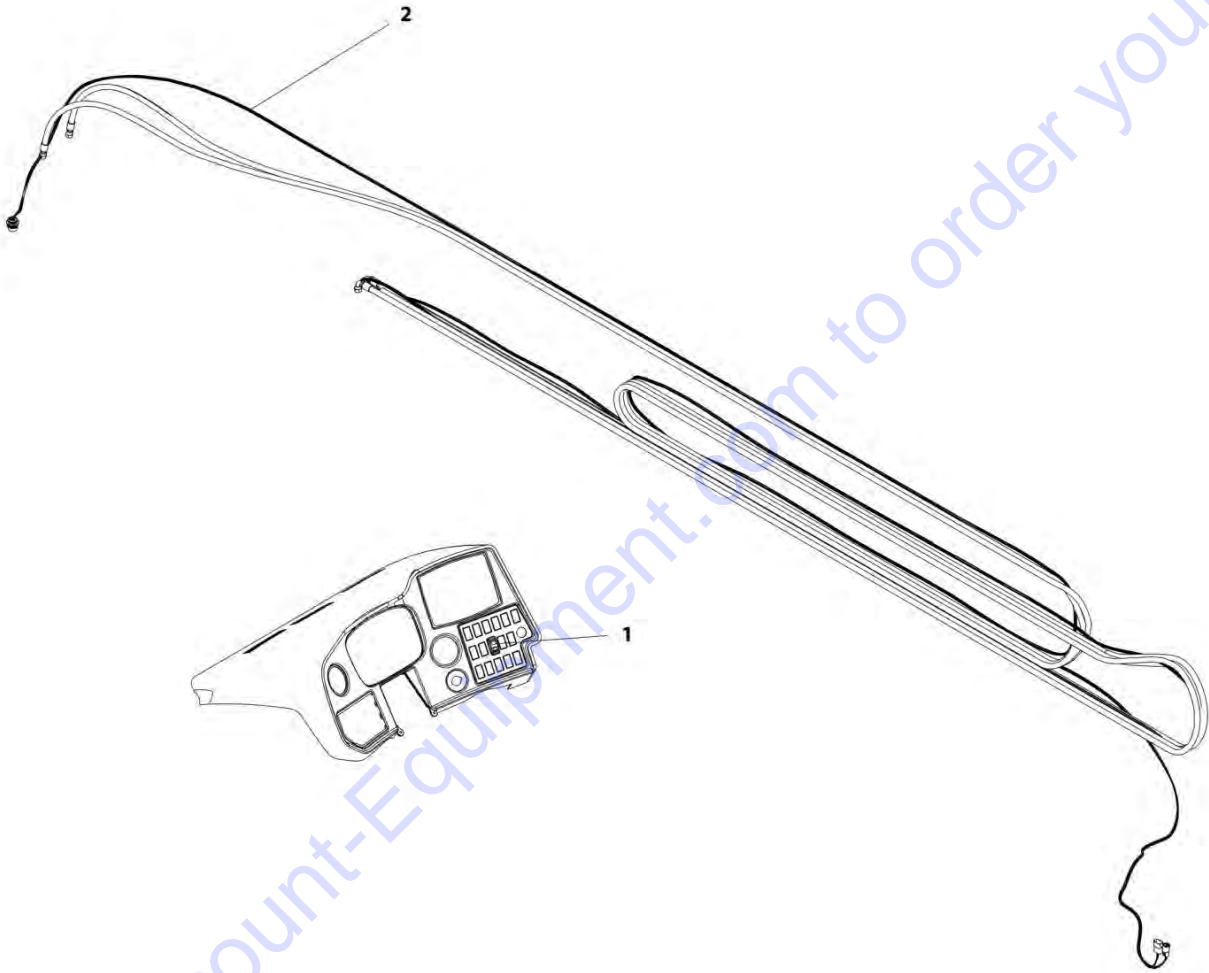
### FIGURE 10-18. REVERSE SENSOR INSTALLATION

ITEM	PART NUMBER	QTY	DESCRIPTION	REV
	1001172536	Ref	Installation, Reverse Sensor	H
4	1001189997	1	Sensor, Reverse	
7	5271609	4	Screw, M5X25	
10	1001175776	1	Harness, Reverse Sensor (See REVERSE SENSOR HARNESS for Breakdown)	
11	3290501	4	Nut, M5X0.8	
12	4811600	4	Washer, M5	

Go to Discount-Equipment.com to order your parts

**SECTION 10 - ELECTRICAL**

**FIGURE 10-19. BOOM AUXILIARY ELECTRIC INSTALLATION**



ART\_1001185494-A

## SECTION 10 - ELECTRICAL

### FIGURE 10-19. BOOM AUXILIARY ELECTRIC INSTALLATION

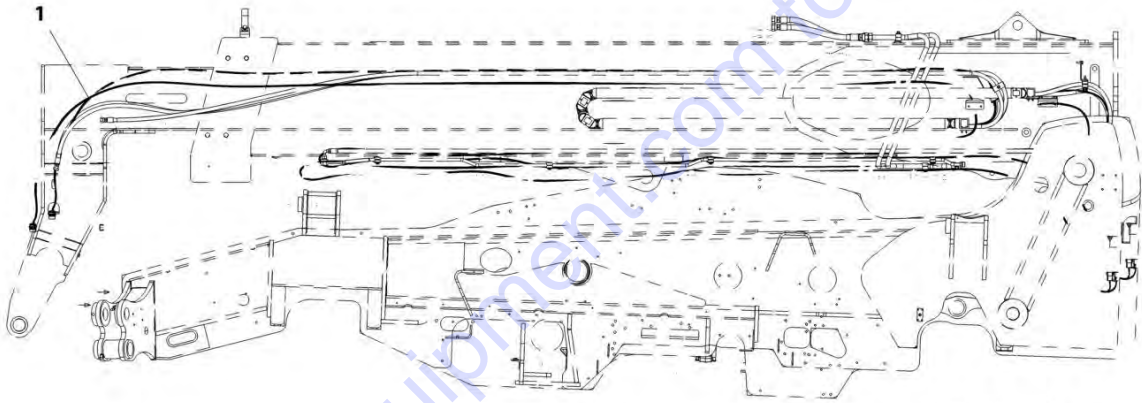
ITEM	PART NUMBER	QTY	DESCRIPTION	REV
	1001185494	Ref	Boom Auxiliary Electric Installation	A
1	1001159746	1	Switch, AUX	
2	1001160168	1	Installation, Boom Auxiliary Electric Harness (See BOOM AUXILIARY ELECTRIC HARNESS INSTALLATION for Breakdown)	

Go to Discount-Equipment.com to order your parts



# SECTION 10 - ELECTRICAL

FIGURE 10-20. BOOM AUXILIARY ELECTRIC HARNESS INSTALLATION



ART\_1001160168-D

Go to Discount-Equipment.com to order your parts

## SECTION 10 - ELECTRICAL

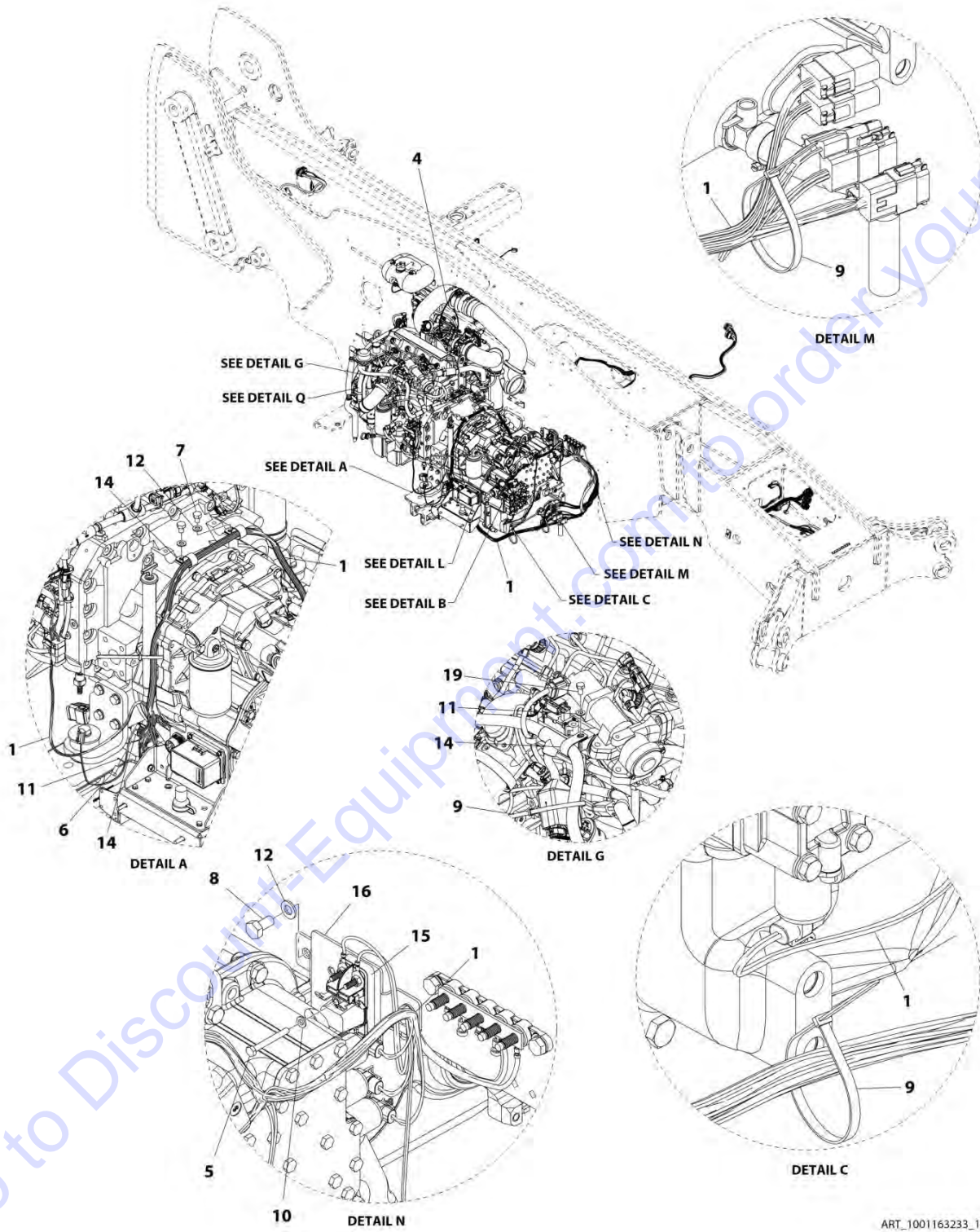
**FIGURE 10-20. BOOM AUXILIARY ELECTRIC HARNESS INSTALLATION**

ITEM	PART NUMBER	QTY	DESCRIPTION	REV
1	1001160168 1001166323	Ref 1	Boom Auxiliary Electric Harness Installation Harness, Boom Auxiliary (See BOOM AUXILIARY HARNESS for Breakdown)	D

Go to Discount-Equipment.com to order your parts

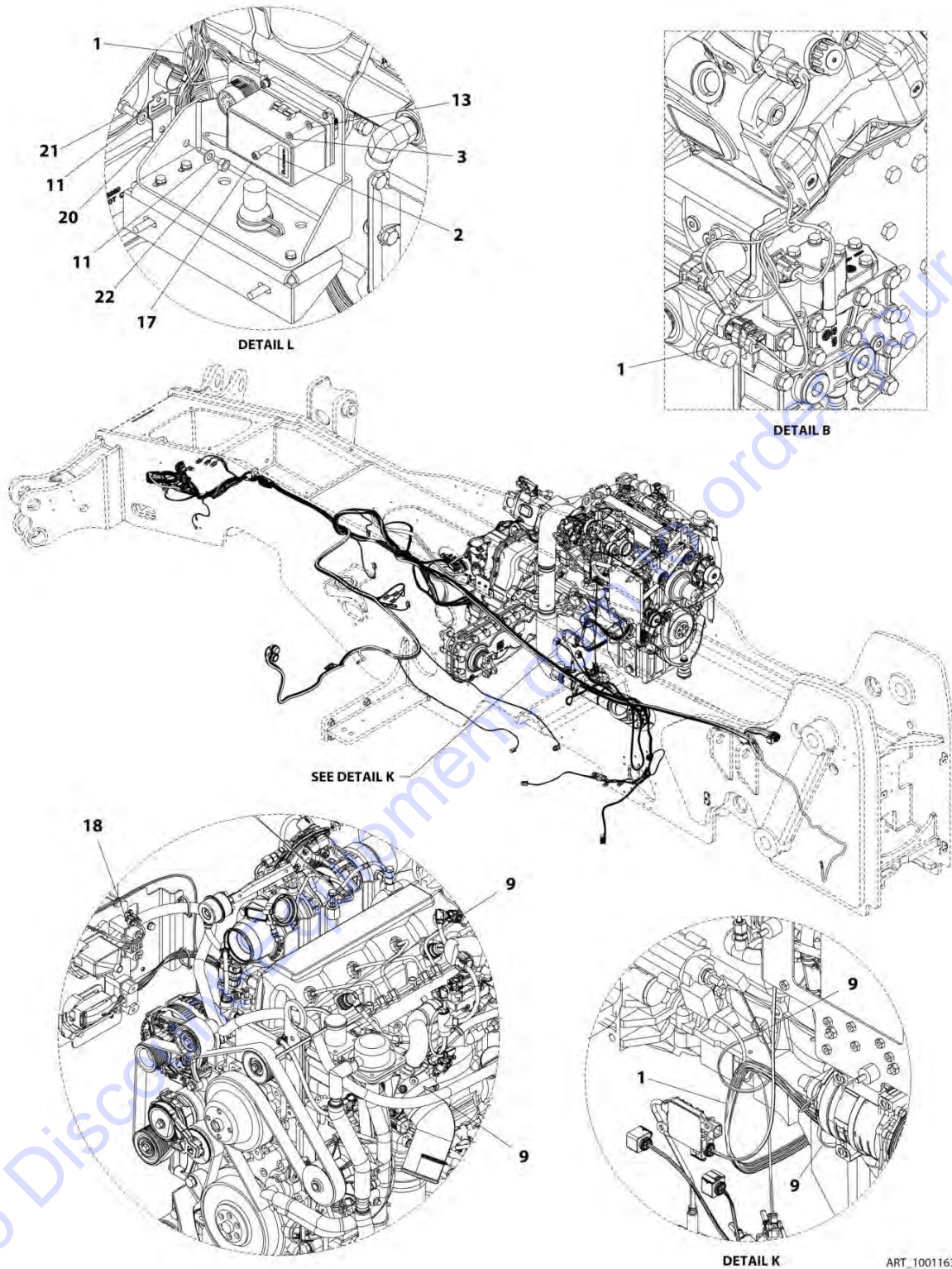
# SECTION 10 - ELECTRICAL

## FIGURE 10-21. ENGINE WIRING INSTALLATION (ULS)



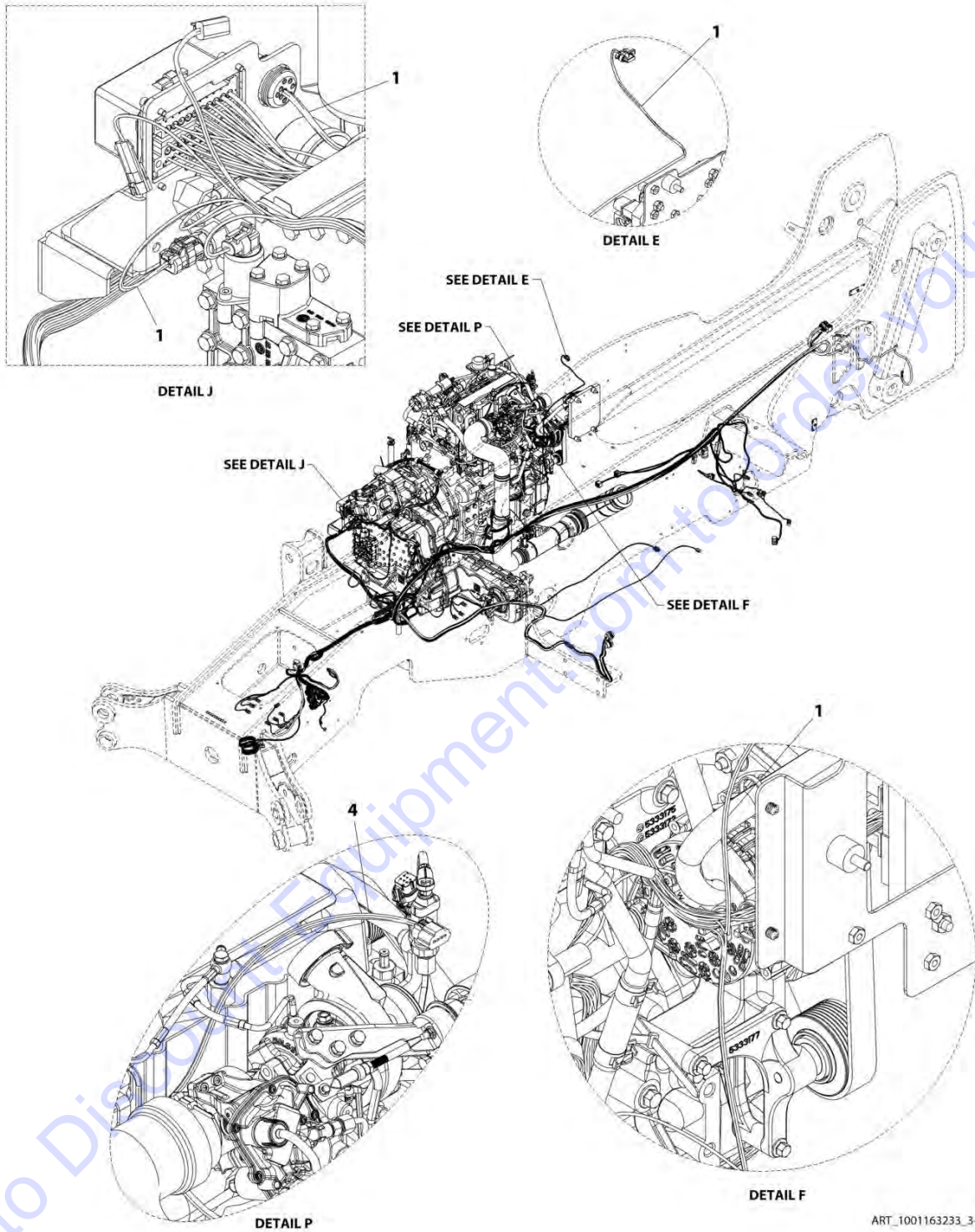
ART\_1001163233\_1-L

# SECTION 10 - ELECTRICAL



ART\_1001163233\_2-L

# SECTION 10 - ELECTRICAL



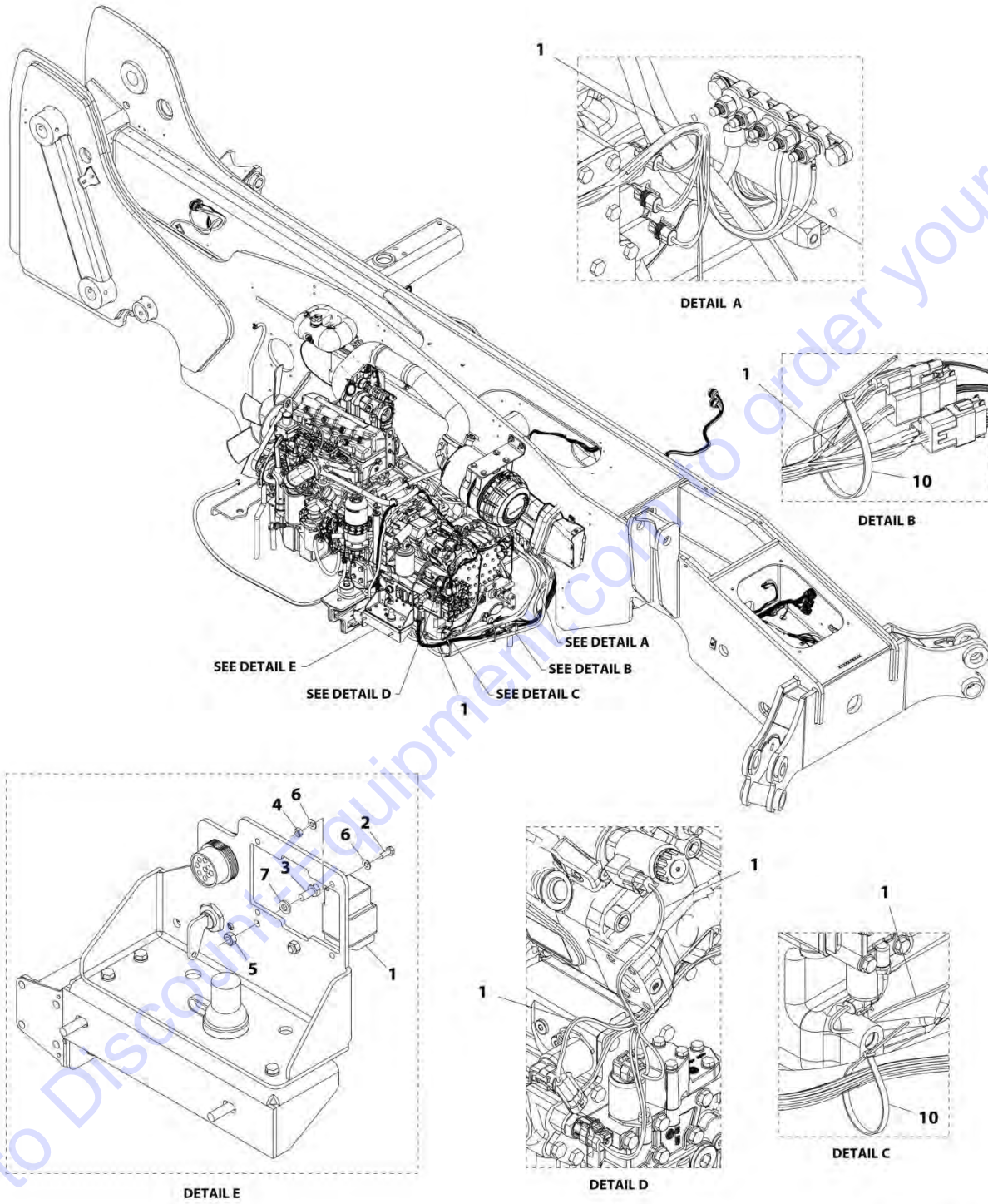
## SECTION 10 - ELECTRICAL

**FIGURE 10-21. ENGINE WIRING INSTALLATION (ULS)**

ITEM	PART NUMBER	QTY	DESCRIPTION	REV
1	1001163233	Ref	Engine Wiring Installation (if equipped for ULS)	L
		Ref	Harness, Engine (if equipped for ULS) (See Separate Breakdown in this Section)	
2	4031608	4	Screw, M5X20	
3	4811600	4	Washer, M5	
4	1001184835	1	Harness	
5	0700618	1	Bolt, M6X50	
6	0760808	1	Bolt, M8X16	
7	0761007	2	Bolt, M10X14	
8	0761010	2	Bolt, M10X20	
9	1062255	8	Strap, Tie	
10	4811700	1	Washer, M6	
11	4811900	2	Washer, M8 <b>(Prior to SN 0160093395)</b>	
11	4811900	4	Washer, M8 <b>(SN 0160093395 to Present)</b>	
12	4812000	4	Washer, M10	
13	4831600	4	Washer, Lock M5	
14	8406201	4	Clip, Tube	
15	1001131177	1	Fuse, Power Module	
16	1001189046	1	Bracket	
17	1001191486	1	Decal	
18	1001167646	1	Connector, Strain Relief	
19	0760807	1	Bolt, M8X14	
20	1001153749	1	Clip <b>(SN 0160093395 to Present)</b>	
21	0700808	1	Bolt, M8X16 <b>(SN 0160093395 to Present)</b>	
22	3290801	1	Hex Nut, M8X1.25 <b>(SN 0160093395 to Present)</b>	

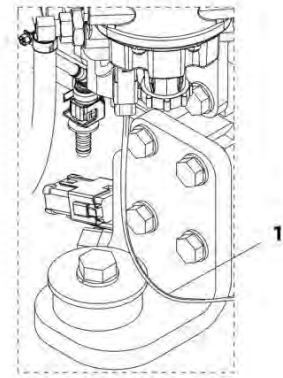
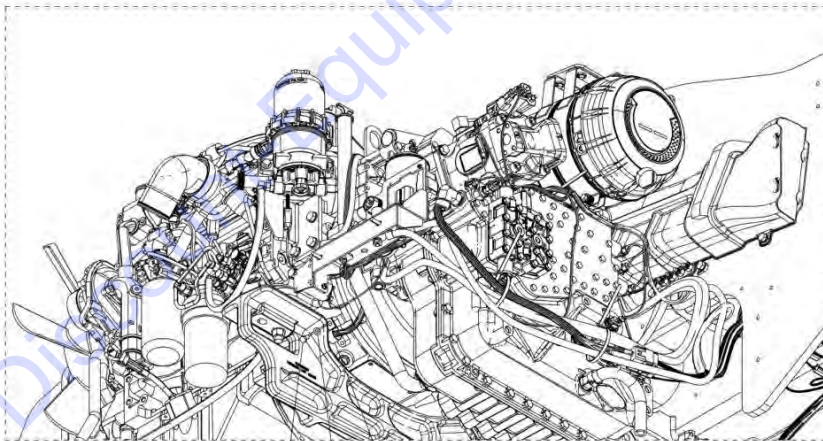
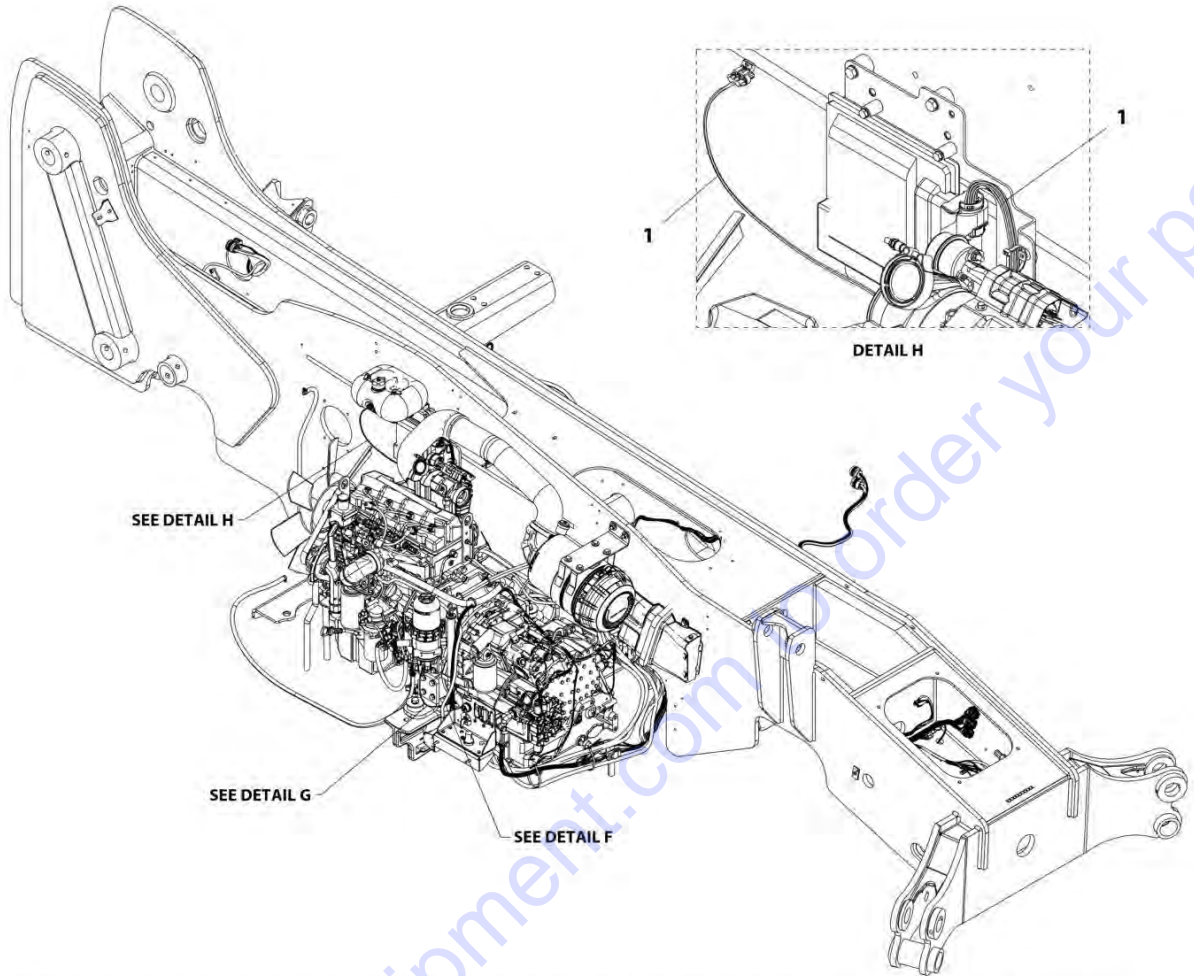
# SECTION 10 - ELECTRICAL

## FIGURE 10-22. ENGINE WIRING INSTALLATION (LS)



ART\_1001163242\_1-H

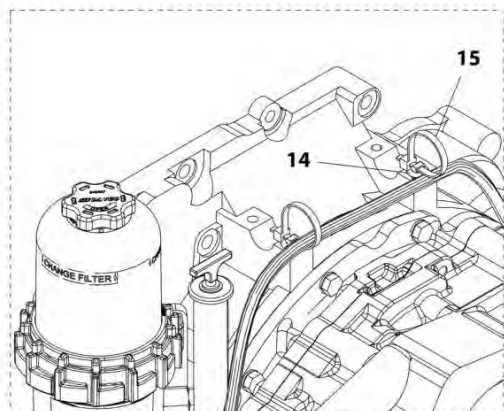
# SECTION 10 - ELECTRICAL



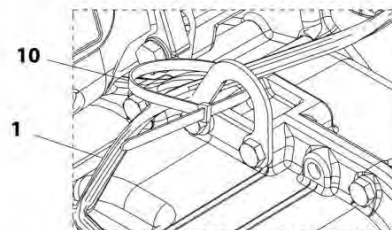
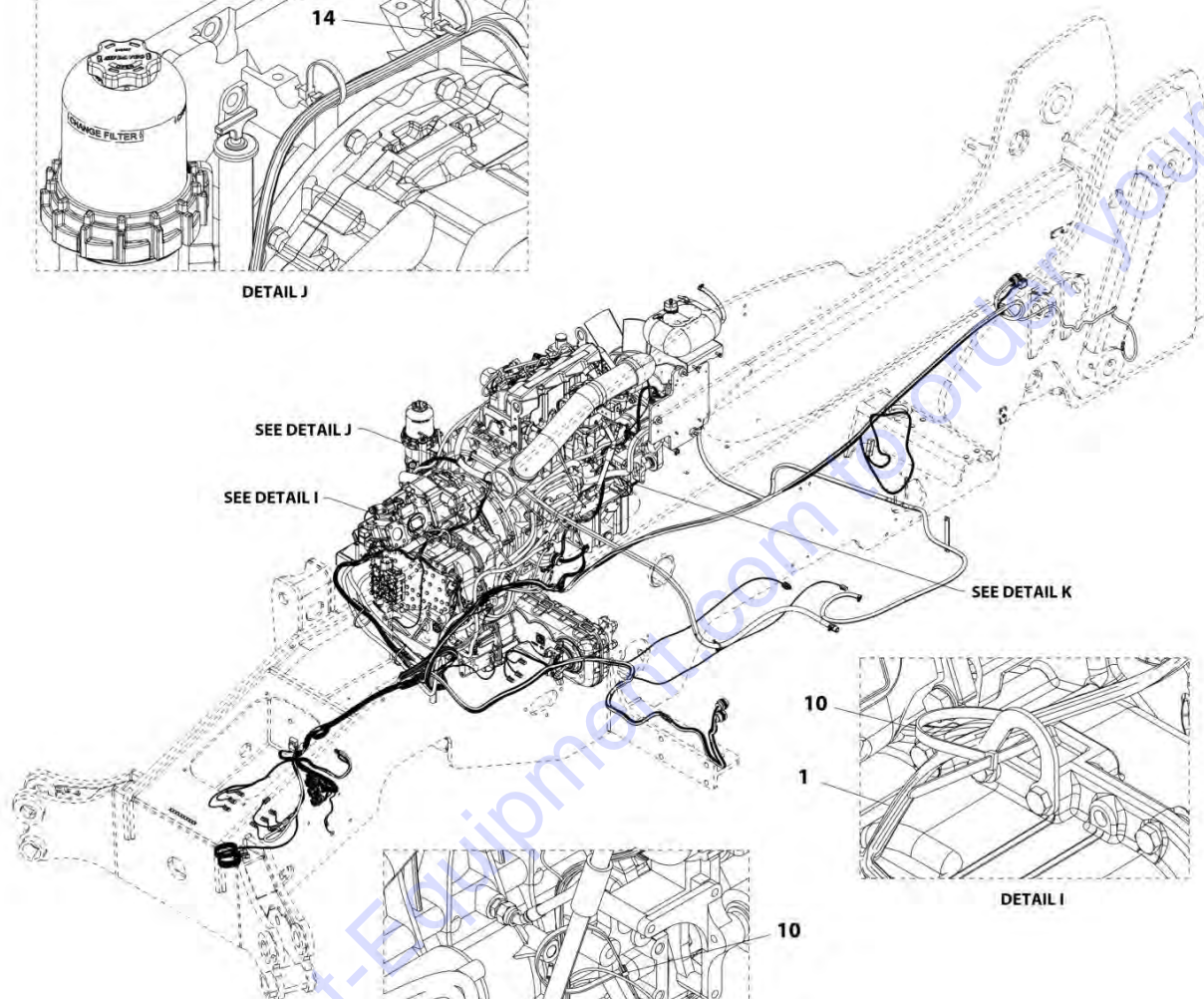
ART\_1001163242\_2-H



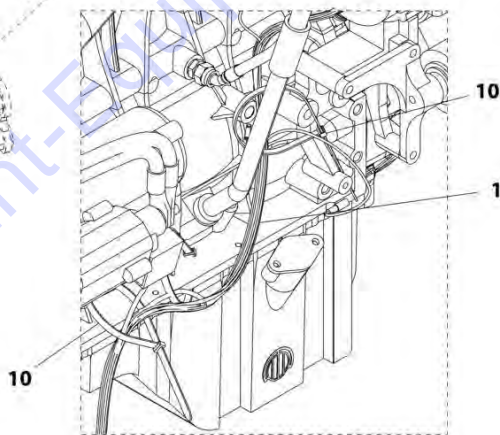
# SECTION 10 - ELECTRICAL



DETAIL J



DETAIL I



DETAIL K

ART\_1001163242\_3-H

## SECTION 10 - ELECTRICAL

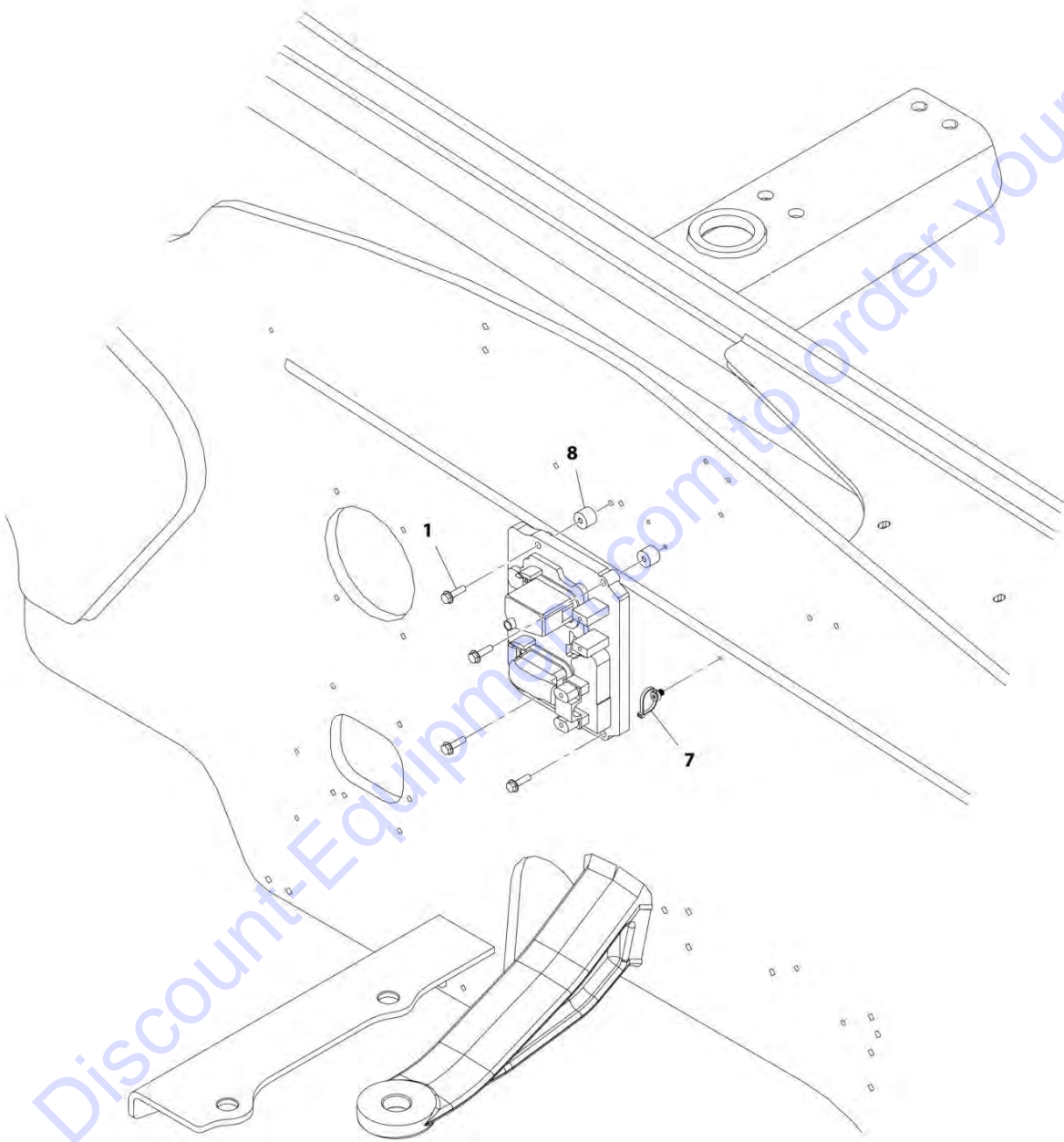
**FIGURE 10-22. ENGINE WIRING INSTALLATION (LS)**

ITEM	PART NUMBER	QTY	DESCRIPTION	REV
1	1001163242	Ref	Engine Wiring Installation (if equipped for LS)	H
		Ref	Harness, Engine (if equipped for LS) (See Separate Breakdown in this Section)	
2	0760405	1	Bolt, M4X10	
3	0760607	2	Bolt, M6X14	
4	3290401	1	Nut, M4X0.7	
5	3290601	2	Nut, M6X1 Grade 8	
6	4811400	2	Washer, M4	
7	4811700	2	Washer, M6	
8	0760808	1	Bolt, M8X16	
10	1062255	5	Strap, Tie	
11	4811900	1	Washer, M8	
13	8406201	1	Clip, Tube	
14	1001202986	2	Strap, Push Mount	
15	1001008559	2	Strap	

Go to Discount-Equipment.com to order your parts

# SECTION 10 - ELECTRICAL

## FIGURE 10-23. ENGINE ECU INSTALLATION (ULS)



ART\_1001170722-G

## SECTION 10 - ELECTRICAL

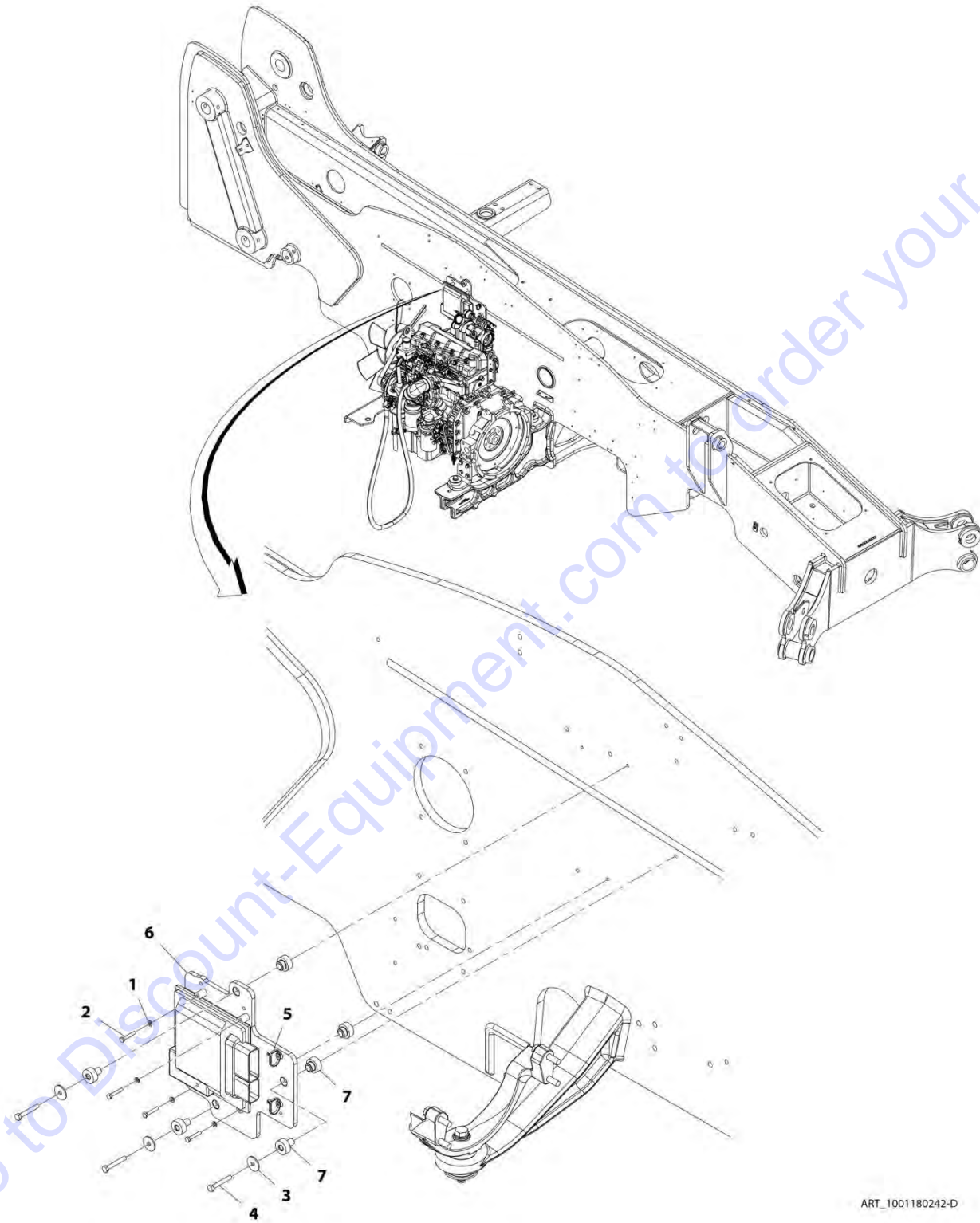
**FIGURE 10-23. ENGINE ECU INSTALLATION (ULS)**

ITEM	PART NUMBER	QTY	DESCRIPTION	REV
	1001170722	Ref	Engine ECU Installation (if equipped for ULS)	G
1	5250814	4	Bolt, M8X30	
7	1001146588	1	Strap, Tie	
8	1001179907	4	Mount, Isolator	

Go to Discount-Equipment.com to order your parts

# SECTION 10 - ELECTRICAL

## FIGURE 10-24. ENGINE ECM INSTALLATION (LS)



ART\_1001180242-D

## SECTION 10 - ELECTRICAL

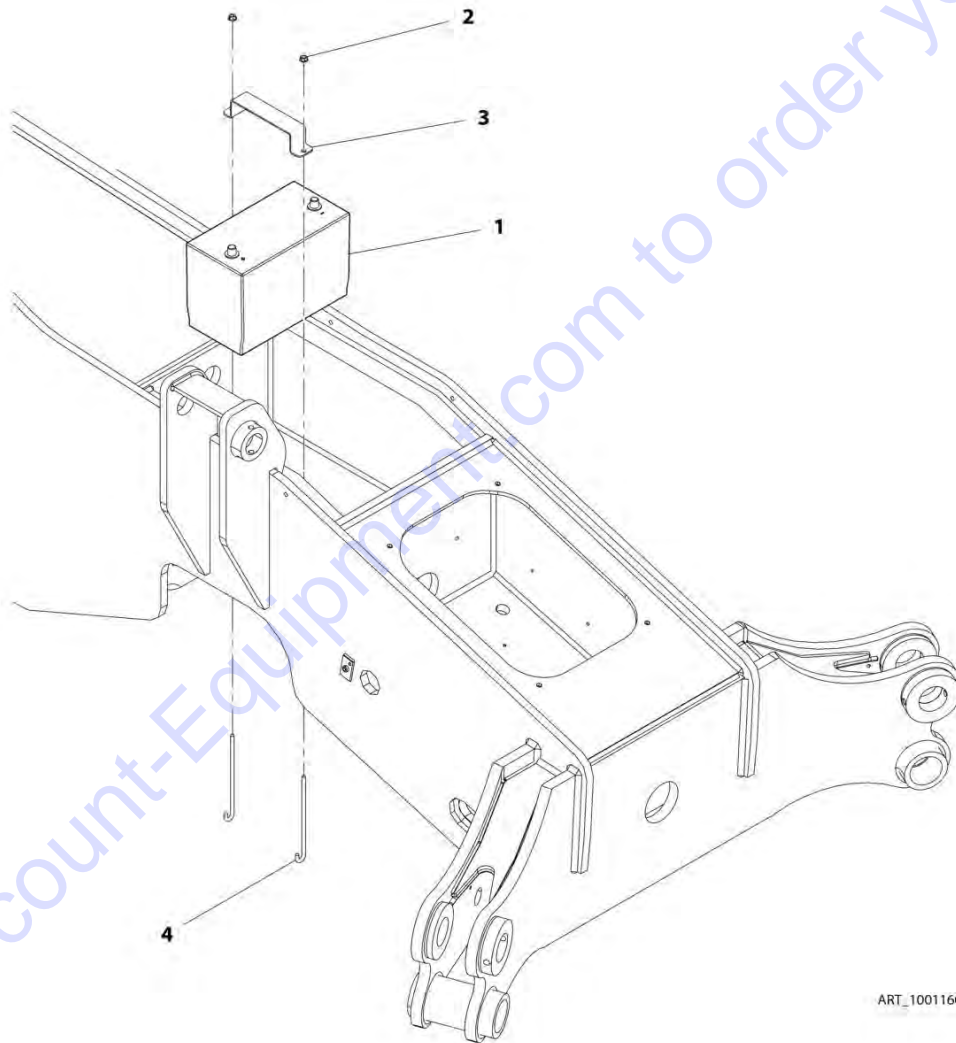
### FIGURE 10-24. ENGINE ECM INSTALLATION (LS)

ITEM	PART NUMBER	QTY	DESCRIPTION	REV
	1001180242	Ref	Engine ECM Installation (if equipped for LS)	D
1	4811700	4	Washer, M6	
2	0760615	4	Bolt, M6X35	
3	1001195089	3	Washer	
4	0700819	3	Bolt, M8X55	
5	1001146588	2	Strap	
6	1001192468	1	Bracket	
7	1001192471	3	Mount, Isolator	

Go to Discount-Equipment.com to order your parts

# SECTION 10 - ELECTRICAL

## FIGURE 10-25. BATTERY INSTALLATION



ART\_1001160711-C

## SECTION 10 - ELECTRICAL

### FIGURE 10-25. BATTERY INSTALLATION

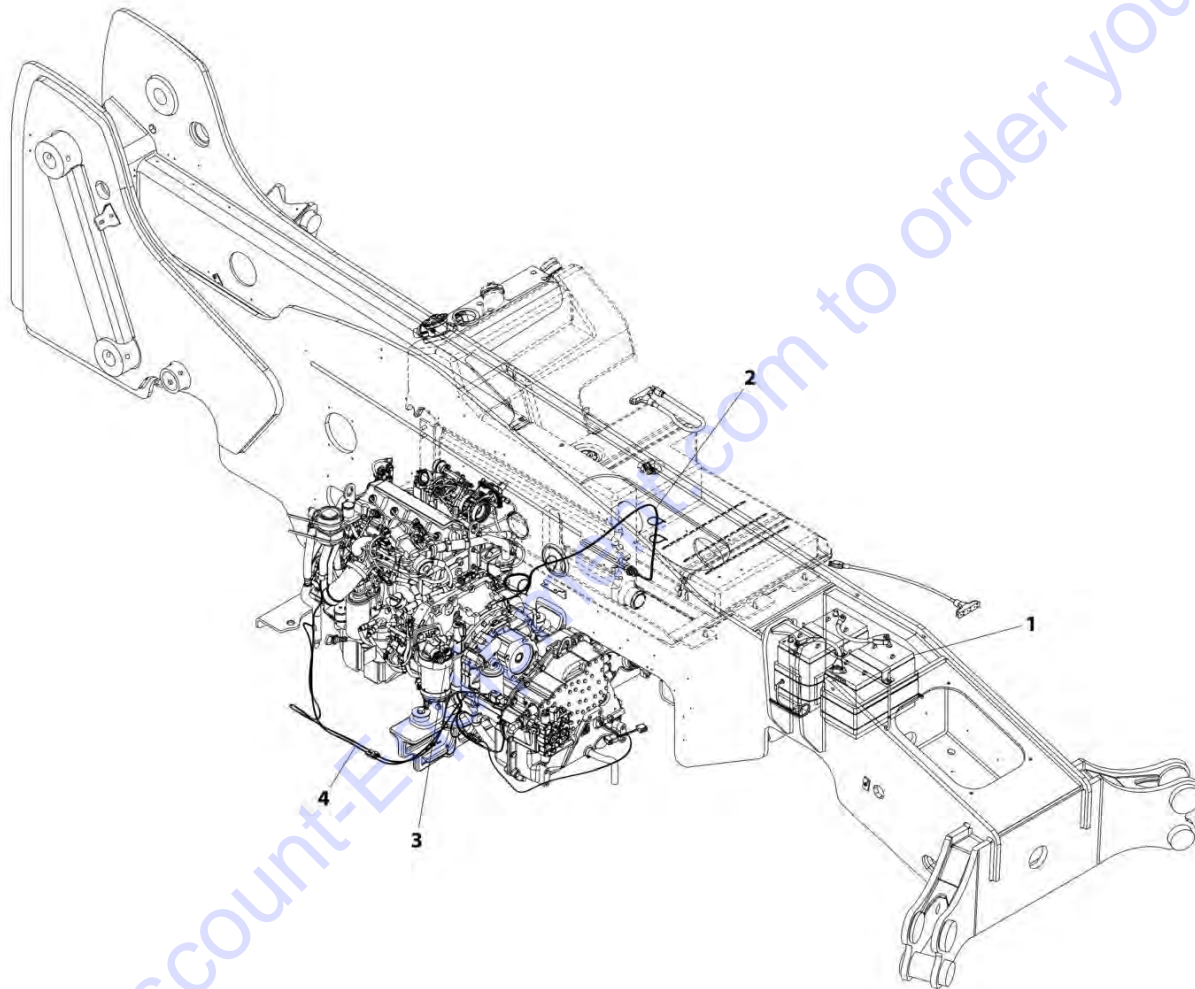
ITEM	PART NUMBER	QTY	DESCRIPTION	REV
	1001160711	Ref	Battery Installation	C
1	0400075	1	Battery, 12V Group 31	
2	5220800	2	Nut, M8	
3	1001160927	1	Plate, Battery Hold Down	
4	1001181961	2	J-Bolt	

Go to Discount-Equipment.com to order your parts



# SECTION 10 - ELECTRICAL

FIGURE 10-26. ARCTIC COLD WEATHER PACKAGE INSTALLATION (ULS)



ART\_1001190179-D

## SECTION 10 - ELECTRICAL

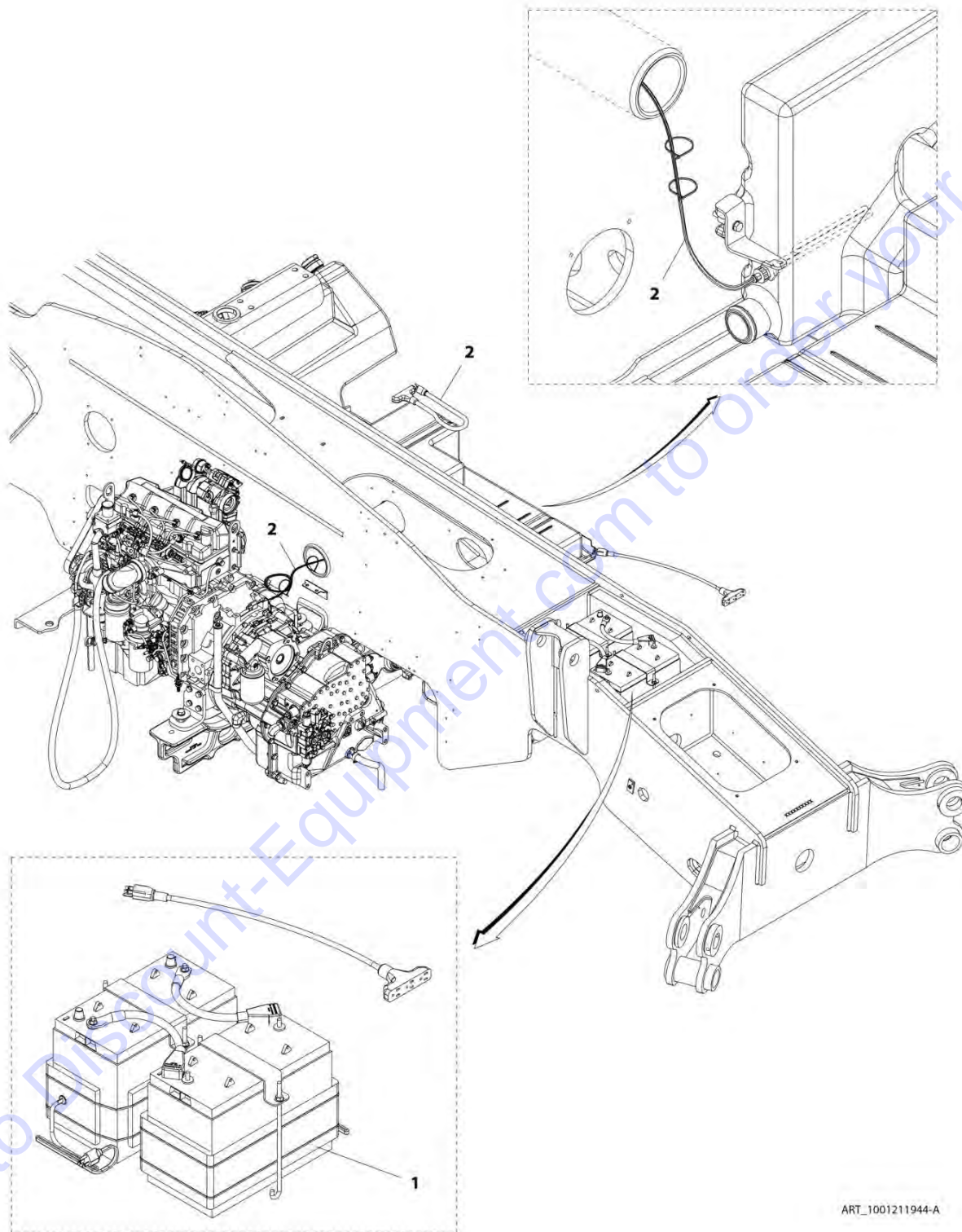
**FIGURE 10-26. ARCTIC COLD WEATHER PACKAGE INSTALLATION (ULS)**

ITEM	PART NUMBER	QTY	DESCRIPTION	REV
1	1001190179	Ref	Arctic Cold Weather Package Installation (if equipped for ULS)	D
	1001190670	1	Installation, Arctic Batteries (See ARCTIC BATTERIES INSTALLATION for Breakdown)	
2	1001190671	1	Installation, Tank Heater (See HYDRAULIC TANK HEATER INSTALLATION for Breakdown)	
3	1001204095	1	Installation, Fuel Filter Heater (See FUEL FILTER HEATER INSTALLATION for Breakdown)	
4	1001232751	1	Heater, Breather (See Separate Breakdown in ENGINE AND ATTACHING PARTS Section)	

Go to Discount-Equipment.com to order your parts

# SECTION 10 - ELECTRICAL

## FIGURE 10-27. ARCTIC COLD WEATHER PACKAGE INSTALLATION (LS)



ART\_1001211944-A

## SECTION 10 - ELECTRICAL

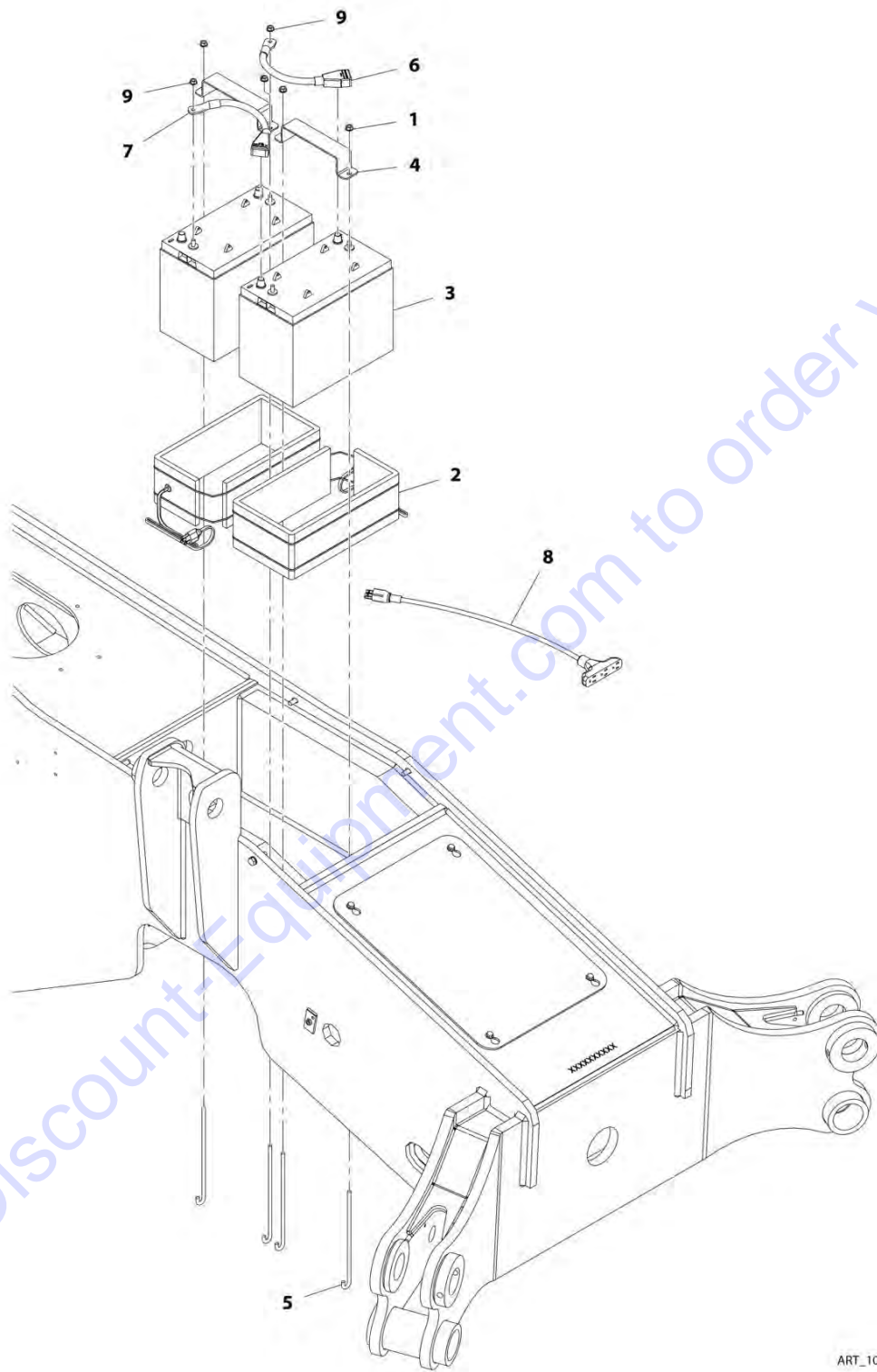
**FIGURE 10-27. ARCTIC COLD WEATHER PACKAGE INSTALLATION (LS)**

ITEM	PART NUMBER	QTY	DESCRIPTION	REV
1	1001211944	Ref	Arctic Cold Weather Package Installation (if equipped for LS)	A
	1001190670	1	Installation, Arctic Batteries (See ARCTIC BATTERIES INSTALLATION for Breakdown)	
2	1001190671	1	Installation, Tank Heater (See HYDRAULIC TANK HEATER INSTALLATION for Breakdown)	

Go to Discount-Equipment.com to order your parts

# SECTION 10 - ELECTRICAL

## FIGURE 10-28. ARCTIC BATTERIES INSTALLATION



Go to Discount-Equipment.com to order your parts

ART\_1001190670-C

## SECTION 10 - ELECTRICAL

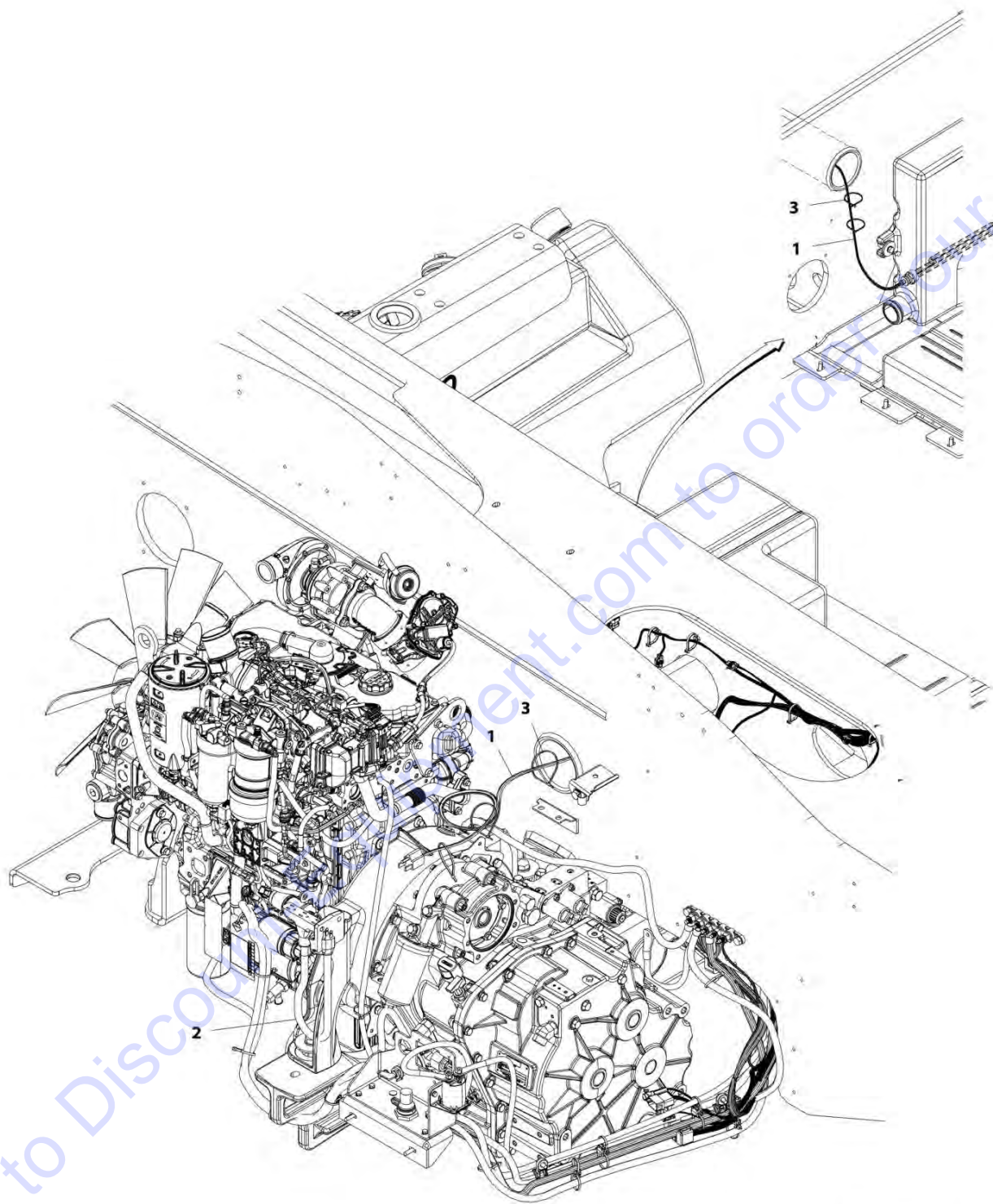
**FIGURE 10-28. ARCTIC BATTERIES INSTALLATION**

ITEM	PART NUMBER	QTY	DESCRIPTION	REV
	1001190670	Ref	Arctic Batteries Installation	C
1	5220800	4	Nut, M8	
2	1001093564	2	Heater, Battery	
3	1001098762	2	Battery, 12V	
4	1001160927	2	Plate, Battery Hold Down	
5	1001160928	4	J-Bolt	
6	1001172495	1	Cable, Positive	
7	1001172496	1	Cable, Negative	
8	1060626	1	Cord, 3-Way Extension	
9	3311508	2	Nut, M5	

Go to Discount-Equipment.com to order your parts

# SECTION 10 - ELECTRICAL

## FIGURE 10-29. HYDRAULIC TANK HEATER INSTALLATION



ART\_1001190671-B

## SECTION 10 - ELECTRICAL

### FIGURE 10-29. HYDRAULIC TANK HEATER INSTALLATION

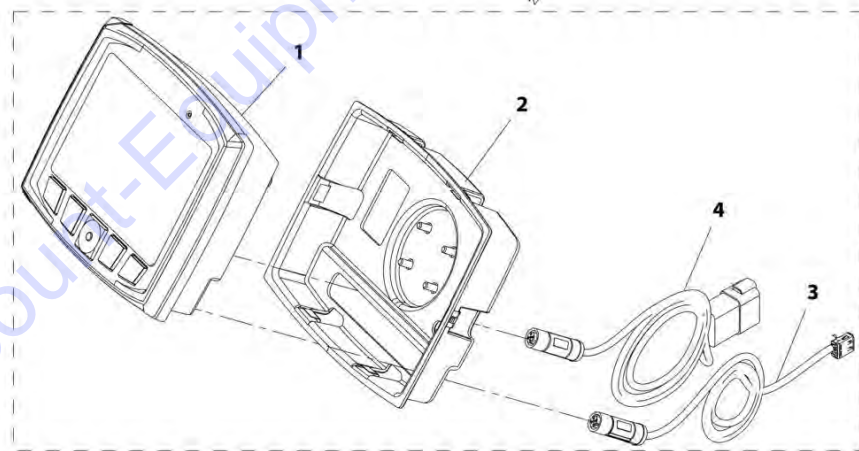
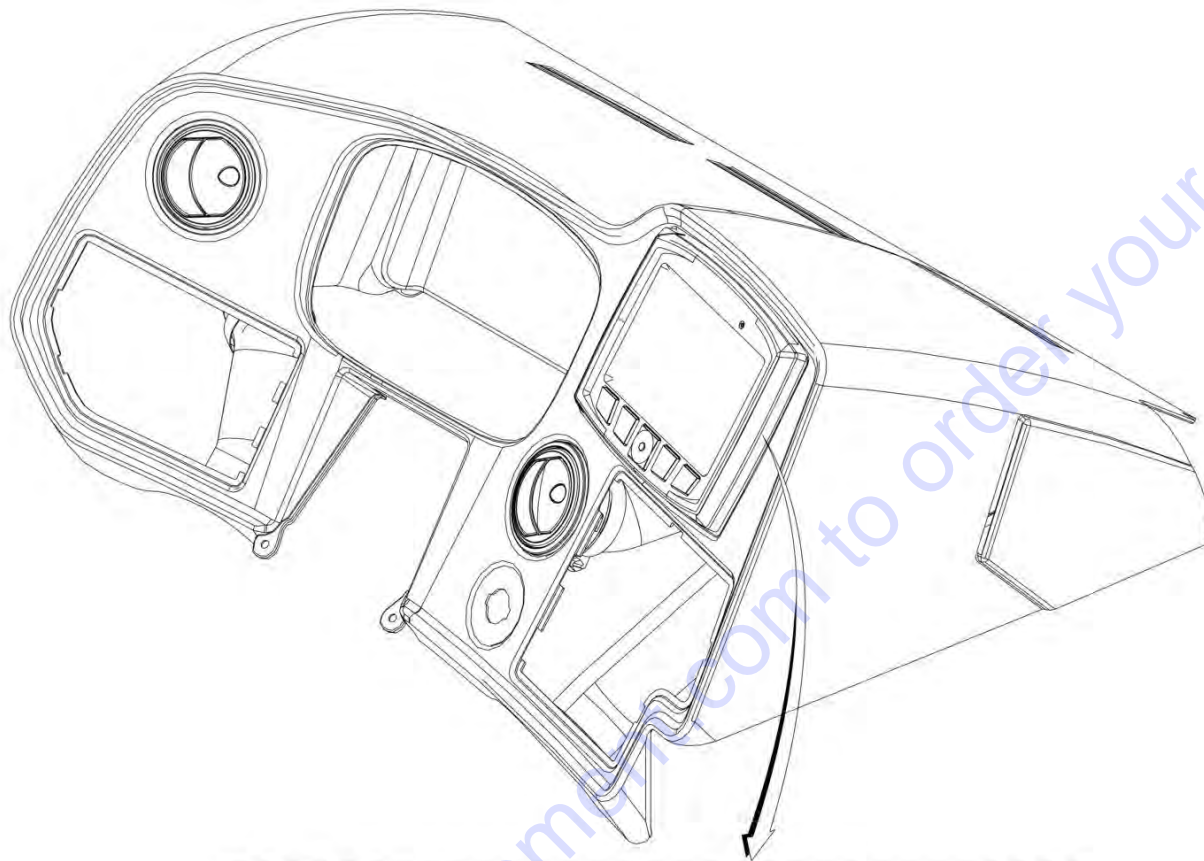
ITEM	PART NUMBER	QTY	DESCRIPTION	REV
	1001190671	Ref	Hydraulic Tank Heater Installation	B
1	1001105886	1	Heater, Immersion	
2	1060626	1	Cord, 3-Way Extension	
3	4240099	5	Wire, Tie	

Go to Discount-Equipment.com to order your parts



# SECTION 10 - ELECTRICAL

## FIGURE 10-30. HIGH END DISPLAY INSTALLATION



ART\_1001176338-B

## SECTION 10 - ELECTRICAL

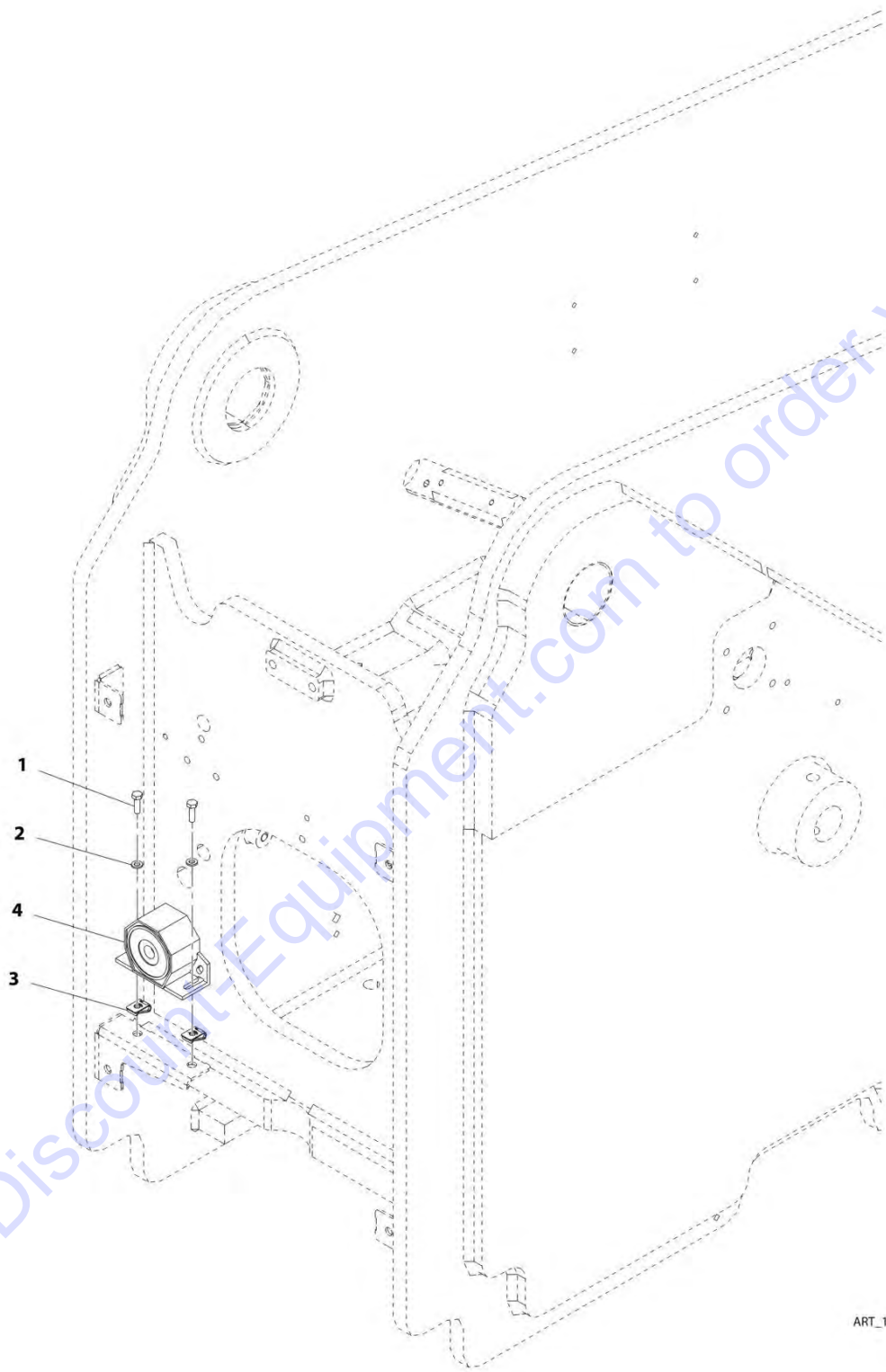
FIGURE 10-30. HIGH END DISPLAY INSTALLATION

ITEM	PART NUMBER	QTY	DESCRIPTION	REV
	1001176338	Ref	High End Display Installation	B
1	1001211357	1	Display	
2	1001178783	1	Bezel	
3	1001180682	1	Cable	
4	1001180683	1	Cable, Video	

Go to Discount-Equipment.com to order your parts

# SECTION 10 - ELECTRICAL

## FIGURE 10-31. BACKUP ALARM INSTALLATION



ART\_1001192393-D

## SECTION 10 - ELECTRICAL

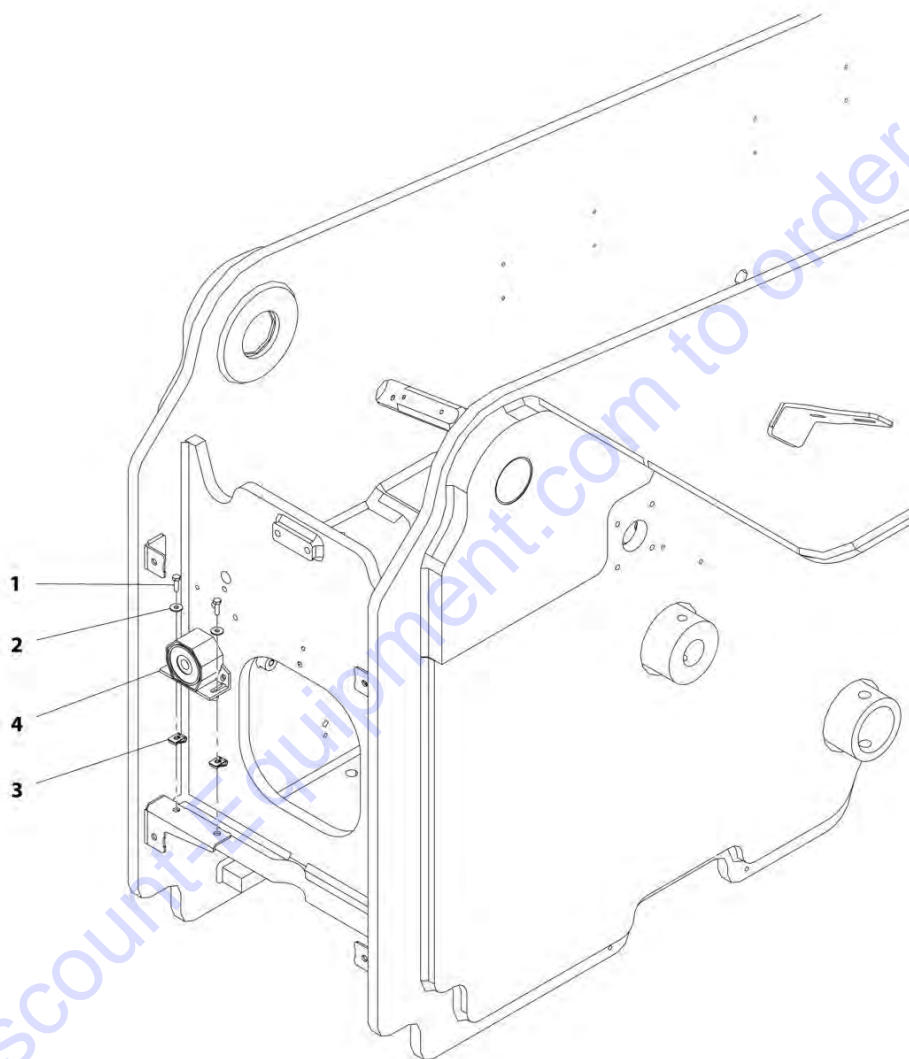
### FIGURE 10-31. BACKUP ALARM INSTALLATION

ITEM	PART NUMBER	QTY	DESCRIPTION	REV
	1001192393	Ref	Backup Alarm Installation	D
1	0700610	2	Bolt, M6X20	
2	4811702	2	Washer, M6	
3	8305919	2	Nut, M6	
4	1001101808	1	Alarm, Backup	

Go to Discount-Equipment.com to order your parts

# SECTION 10 - ELECTRICAL

## FIGURE 10-32. WHITE ALARM BACKUP INSTALLATION



ART\_1001192394-D

## SECTION 10 - ELECTRICAL

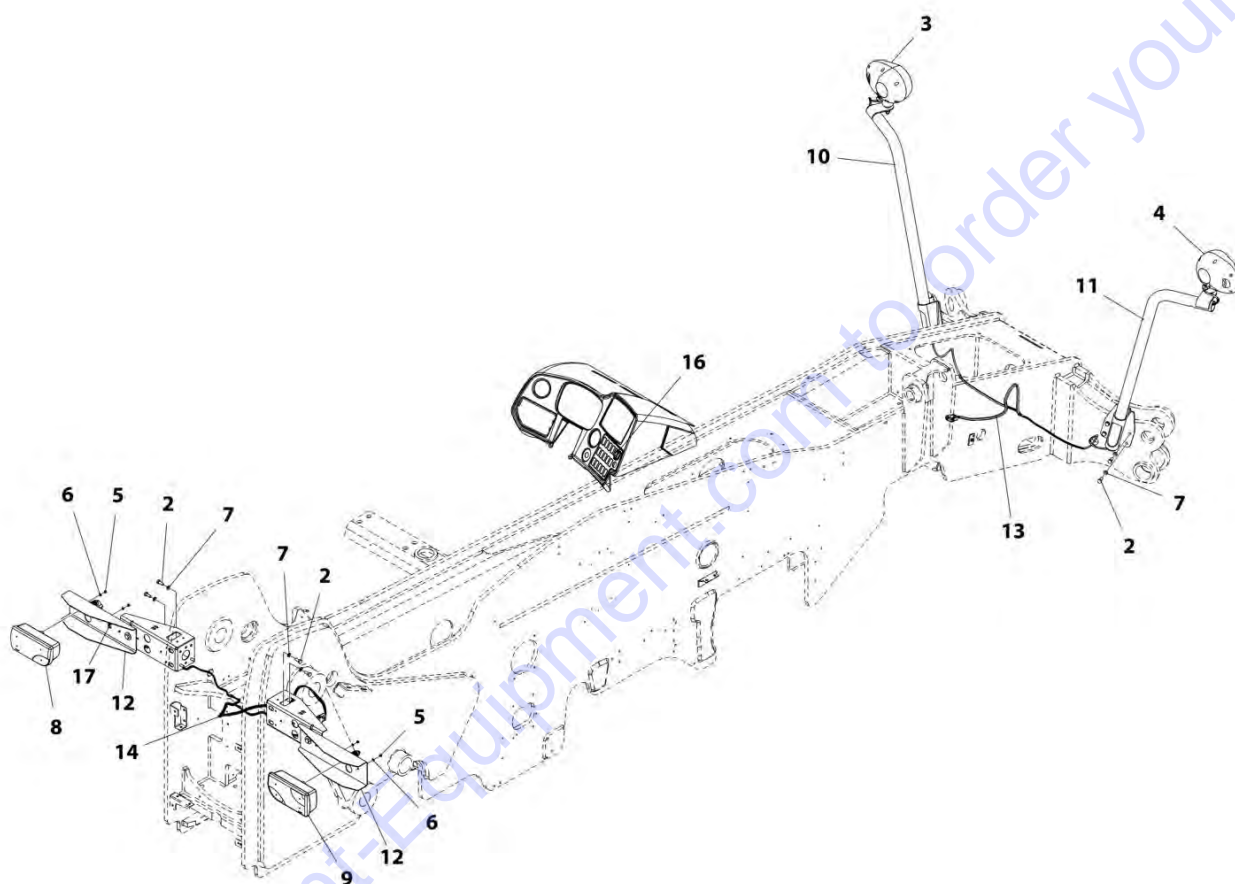
### FIGURE 10-32. WHITE ALARM BACKUP INSTALLATION

ITEM	PART NUMBER	QTY	DESCRIPTION	REV
	1001192394	Ref	White Alarm Backup Installation	D
1	0700610	2	Bolt, M6X20	
2	4811702	2	Washer, M6	
3	8305919	2	Nut, M6	
4	1001165827	1	Alarm, Reverse White Noise	

Go to Discount-Equipment.com to order your parts

# SECTION 10 - ELECTRICAL

## FIGURE 10-33. ROAD LIGHT INSTALLATION (Prior to SN 0160079256)



ART\_1001160260-J

## SECTION 10 - ELECTRICAL

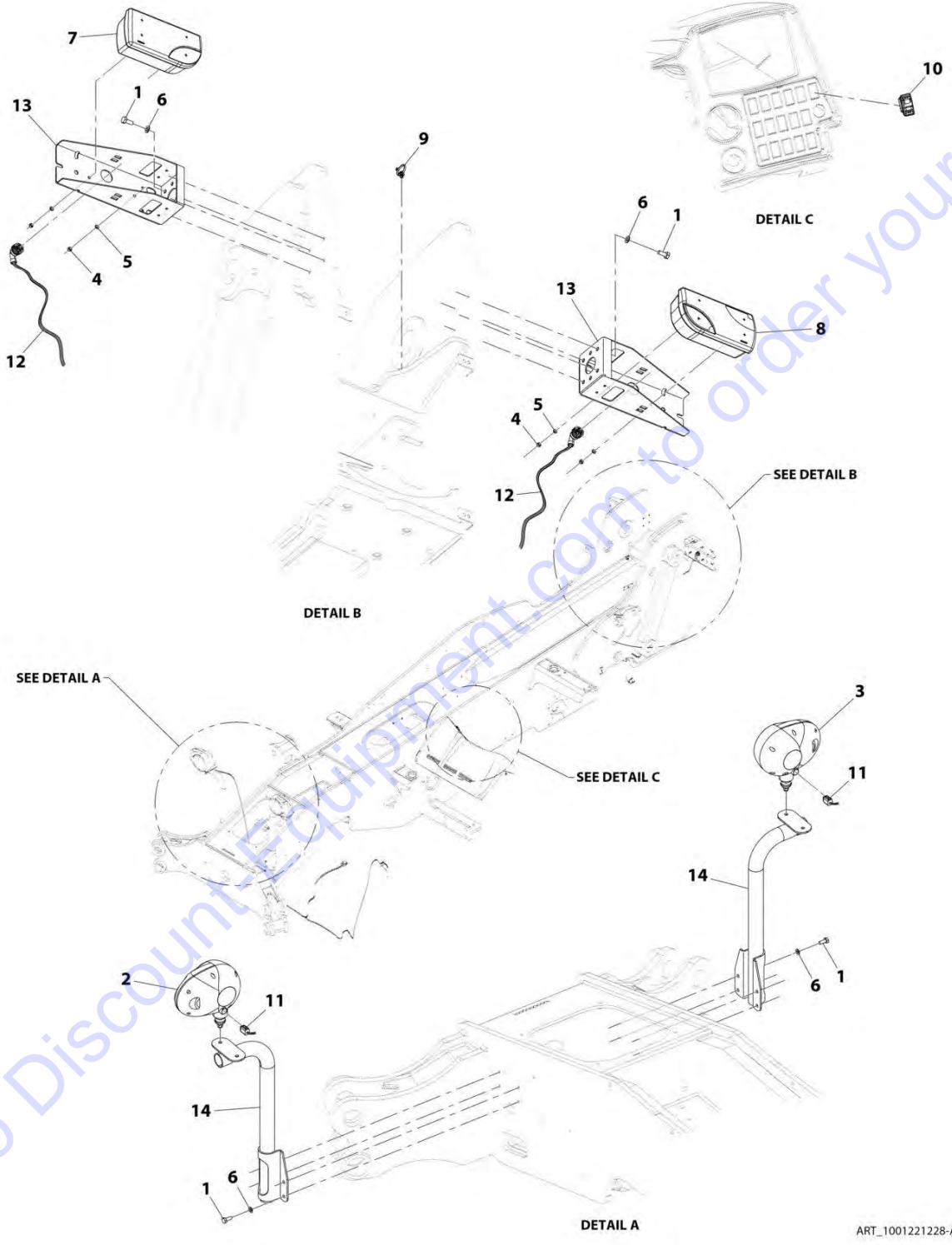
**FIGURE 10-33. ROAD LIGHT INSTALLATION (Prior to SN 0160079256)**

ITEM	PART NUMBER	QTY	DESCRIPTION	REV
	1001160260	Ref	Road Light Installation	J
2	0761012	16	Bolt, M10X25	
3	2920207	1	Light, Driving LH	
	7029969	1	Bulb, 4W	
	7029970	1	Bulb, 55W	
	7029971	1	Bulb, 21W	
4	2920208	1	Light, Driving RH	
	7029969	1	Bulb, 4W	
	7029970	1	Bulb, 55W	
	7029971	1	Bulb, 21W	
5	3290607	4	Nut, Lock M6X1	
6	4811700	4	Washer, M6	
7	4812000	16	Washer, M10	
8	1001091715	1	Lamp, Rear, LH	
	70021341	1	Bulb, 5W	
	70021340	1	Bulb, 21W	
	7029971	1	Bulb, 21W	
9	1001091716	1	Lamp, Rear RH	
	70021341	1	Bulb, 5W	
	70021340	1	Bulb, 21W	
	7029971	1	Bulb, 21W	
10	1001188102	1	Bracket	
11	1001188103	1	Bracket	
12	1001183112	2	Bracket	
13	1001165360	1	Harness, Front Frame (See FRONT FRAME HEADLIGHT HARNESS for Breakdown)	
14	1001165594	1	Harness, Tail Lights (See TAIL LIGHTS HARNESS for Breakdown)	
16	1001159734	1	Switch, Hazard	
17	1001008559	4	Strap	
18	1001146588	1	Strap, Cable Tie (not shown)	



# SECTION 10 - ELECTRICAL

## FIGURE 10-34. ROAD LIGHT INSTALLATION (SN 0160079256 to Present)



Go to DiscountEquipment.com to order your parts

ART\_1001221228-A

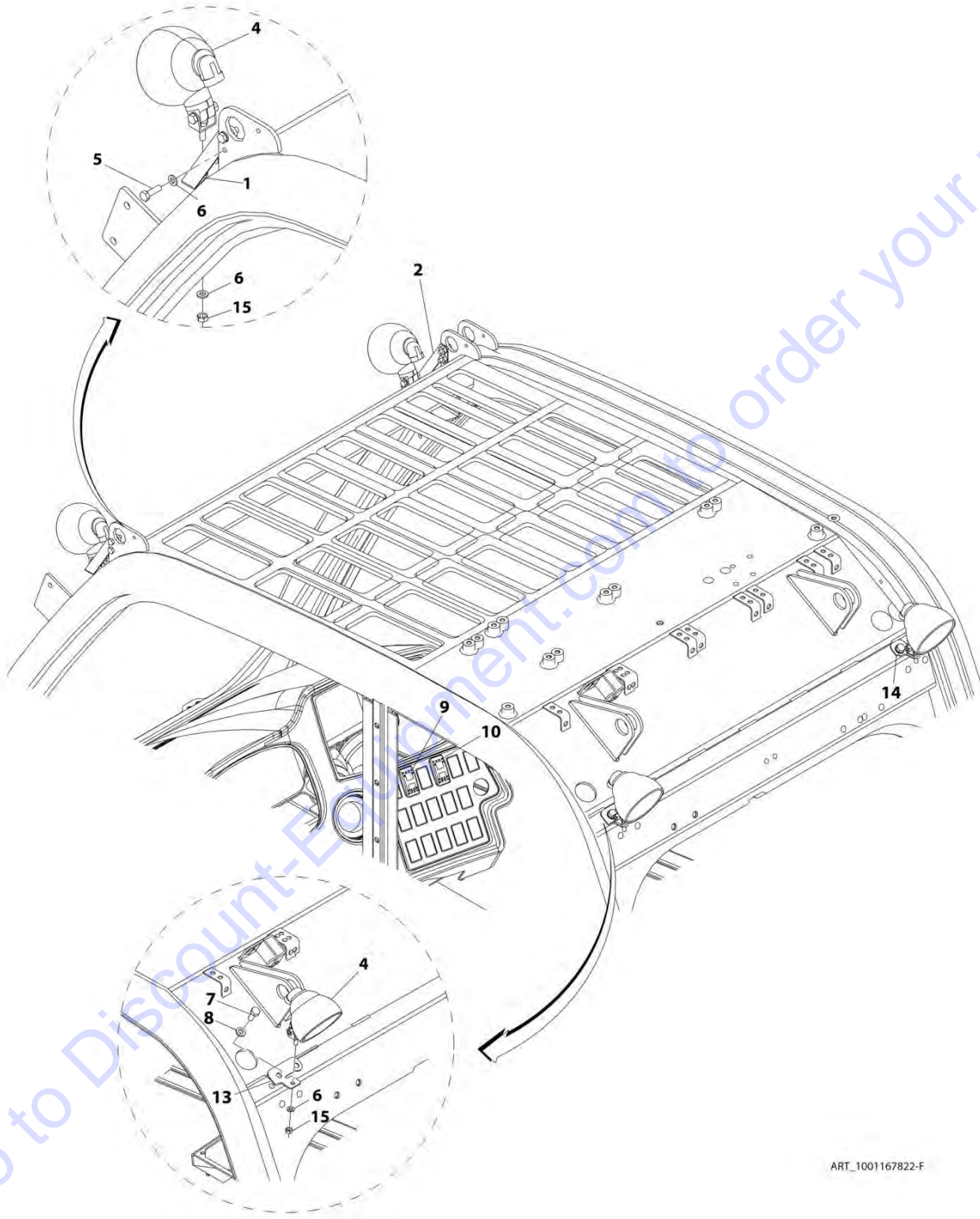
## SECTION 10 - ELECTRICAL

**FIGURE 10-34. ROAD LIGHT INSTALLATION (SN 0160079256 to Present)**

ITEM	PART NUMBER	QTY	DESCRIPTION	REV
	1001221228	1	Road Light Installation	A
1	0761012	16	Bolt, M10X25	
2	2920207	1	Light, Driving LH	
2	7029969	1	Bulb, 4W	
2	7029970	1	Bulb, 55W	
2	7029971	1	Bulb, 21W	
3	2920208	1	Light, Driving RH	
3	7029969	1	Bulb, 4W	
3	7029970	1	Bulb, 55W	
3	7029971	1	Bulb, 21W	
4	3290607	4	Nut, Lock M6X1	
5	4811700	4	Washer, M6	
6	4812000	16	Washer, M10	
7	1001091715	1	Lamp, Rear, LH	
7	70021341	1	Bulb, 5W	
7	70021340	1	Bulb, 21W	
7	7029971	1	Bulb, 21W	
8	1001091716	1	Lamp, Rear RH	
8	70021341	1	Bulb, 5W	
8	70021340	1	Bulb, 21W	
8	7029971	1	Bulb, 21W	
9	1001146588	1	Strap, Cable Tie	
10	1001159734	1	Switch, Hazard	
11	1001165360	1	Harness, Front Frame (See Separate Breakdown in this Section)	
12	1001165594	1	Harness, Tail Lights (See Separate Breakdown in this Section)	
13	1001196100	2	Bracket	
14	1001220817	2	Bracket	

# SECTION 10 - ELECTRICAL

## FIGURE 10-35. CAB WORKLIGHTS INSTALLATION (WITHOUT A/C)



ART\_1001167822-F

## SECTION 10 - ELECTRICAL

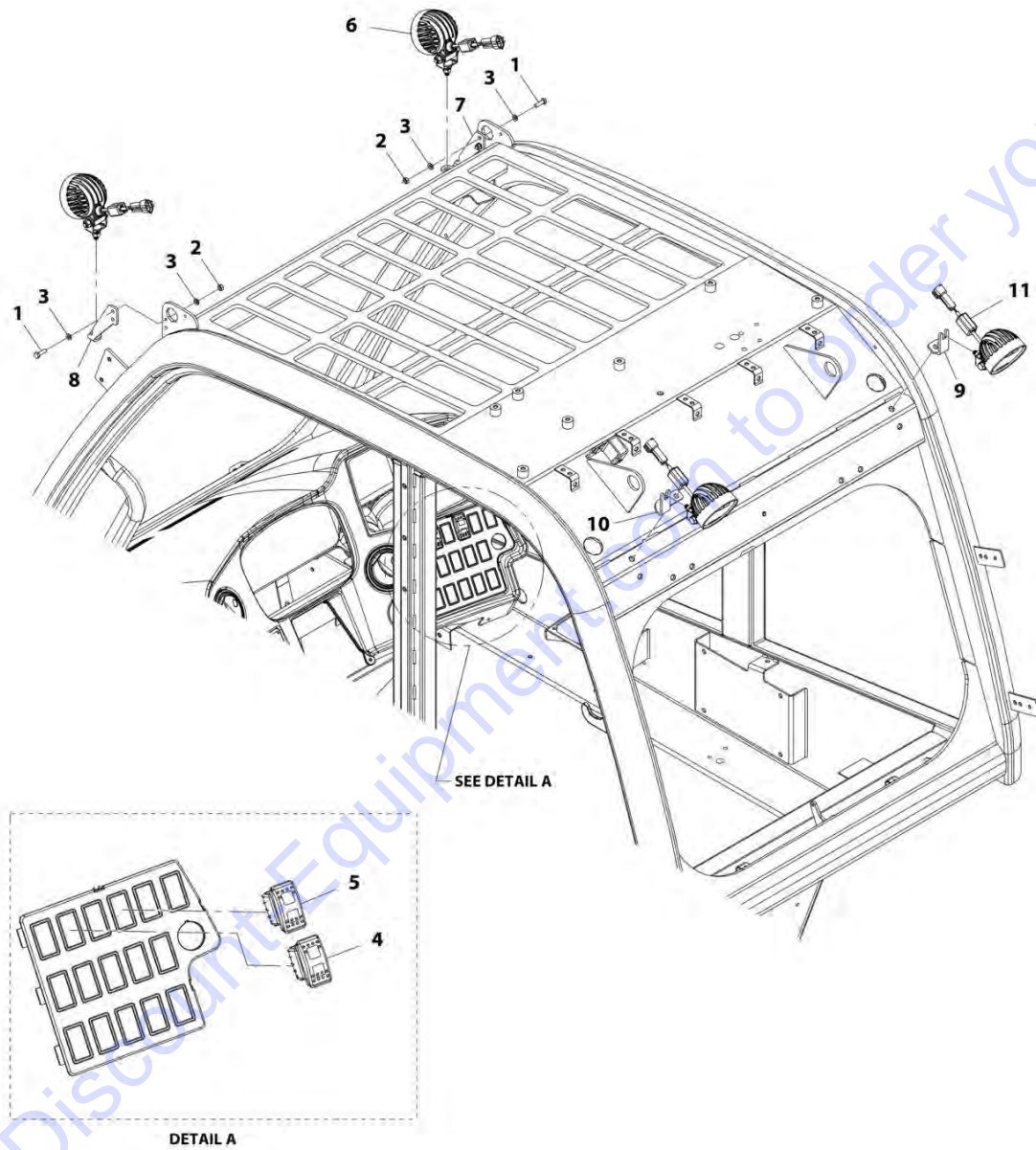
**FIGURE 10-35. CAB WORKLIGHTS INSTALLATION (WITHOUT A/C)**

ITEM	PART NUMBER	QTY	DESCRIPTION	REV
	1001167822	Ref	Cab Worklights Installation (without A/C)	F
1	1001186567	1	Bracket, Work Light LH	
2	1001186565	1	Bracket, Work Light RH	
4	2920206	4	Worklight	
	70020796	1	Bulb, 12V-50W	
5	0700610	4	Bolt, M6X20	
6	4811700	8	Washer, M6	
7	0760810	2	Bolt, M8X20	
8	4811900	2	Washer, M8	
9	1001159845	1	Switch, Front Worklights	
10	1001159846	1	Switch, Rear Worklights	
13	1001183888	1	Bracket, Work Light LH	
14	1001183890	1	Bracket, Work Light RH	
15	3290601	1	Nut, M6X1	

Go to Discount-Equipment.com to order your parts

# SECTION 10 - ELECTRICAL

## FIGURE 10-36. CAB LED WORK LIGHTS INSTALLATION (WITHOUT A/C)



ART\_1001200538-C

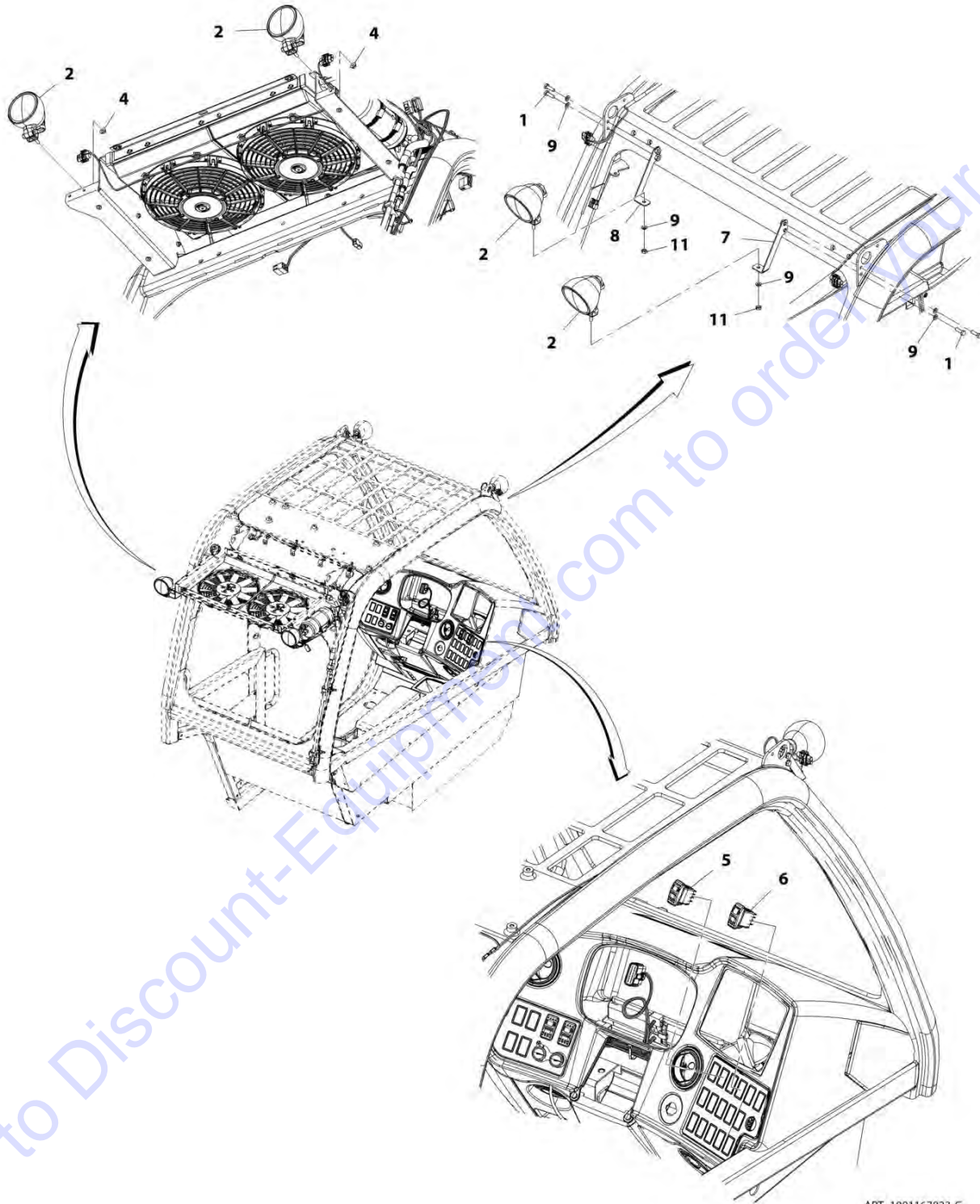
## SECTION 10 - ELECTRICAL

**FIGURE 10-36. CAB LED WORK LIGHTS INSTALLATION (WITHOUT A/C)**

ITEM	PART NUMBER	QTY	DESCRIPTION	REV
	1001200538	Ref	Cab LED Work Lights Installation (without A/C)	C
1	0700610	4	Bolt, M6X20	
2	3290601	4	Nut, M6X1	
3	4811700	8	Washer, M6	
4	1001159845	1	Switch, Front Work Lights	
5	1001159846	1	Switch, Rear Work Lights	
6	1001203640	4	Lamp, LED Work Light	
7	1001204444	1	Support, LED Work Light RH	
8	1001204445	1	Support, LED Work Light LH	
9	1001204528	1	Support, LED Work Light RH	
10	1001204530	1	Support, LED Work Light LH	
11	1001228989	4	Harness	

# SECTION 10 - ELECTRICAL

## FIGURE 10-37. CAB WORKLIGHTS INSTALLATION (WITH A/C)



ART\_1001167823-G

## SECTION 10 - ELECTRICAL

**FIGURE 10-37. CAB WORKLIGHTS INSTALLATION (WITH A/C)**

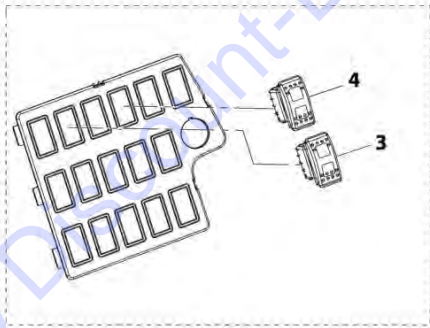
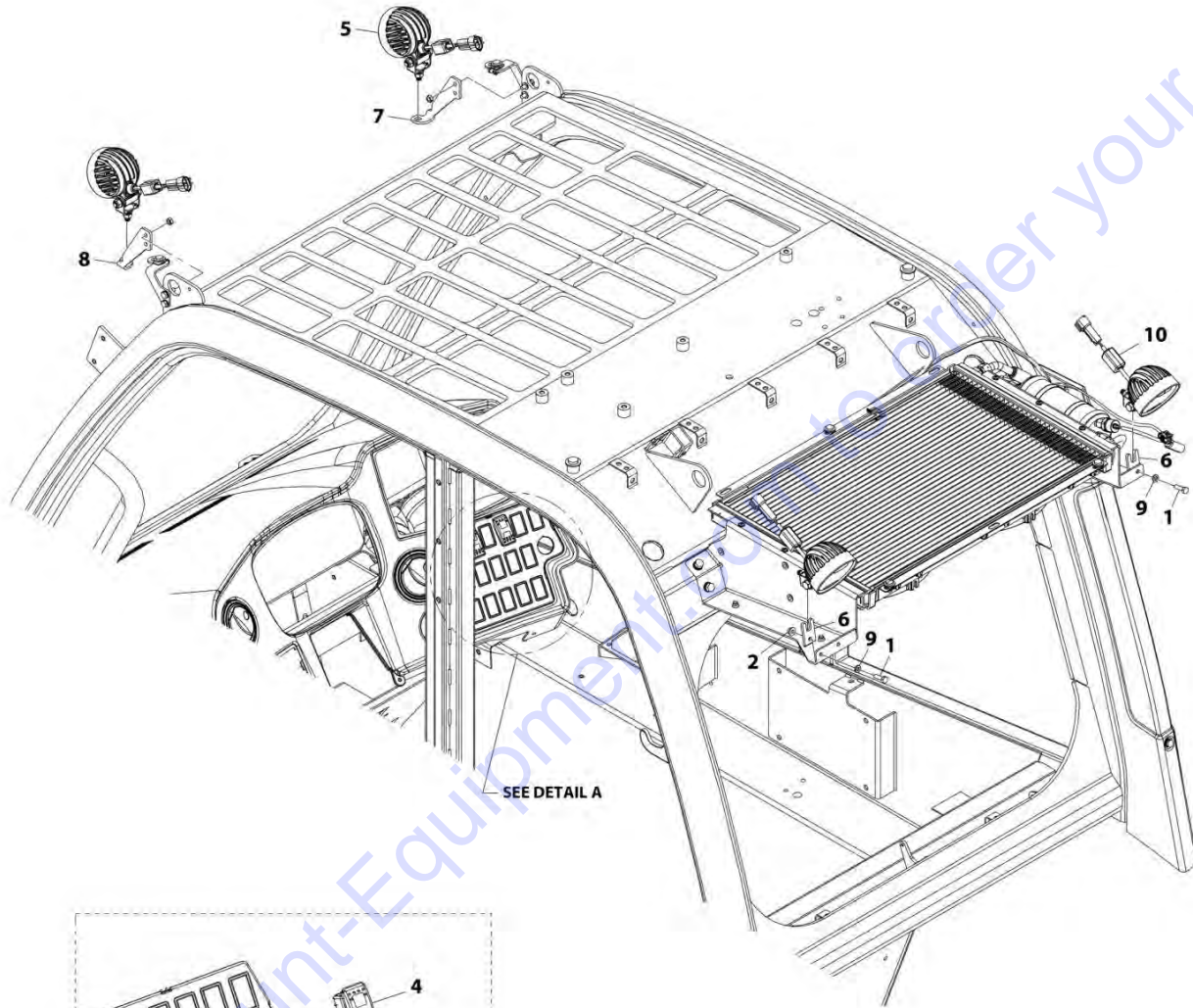
ITEM	PART NUMBER	QTY	DESCRIPTION	REV
	1001167823	Ref	Cab Worklights Installation (with A/C)	G
1	0700610	4	Bolt, M6X20	
2	2920206	4	Worklight	
	70020796	1	Bulb, 12V-50W	
4	5220600	2	Nut	
5	1001159845	1	Switch, Front Worklights	
6	1001159846	1	Switch, Rear Worklights	
7	1001186567	1	Bracket, Work Light LH	
8	1001186565	1	Bracket, Work Light RH	
9	4811700	6	Washer, M6	
11	3290601	2	Nut, M6X1	

Go to Discount-Equipment.com to order your parts



# SECTION 10 - ELECTRICAL

## FIGURE 10-38. CAB LED WORK LIGHTS INSTALLATION (WITH A/C)



ART\_1001200539-C

## SECTION 10 - ELECTRICAL

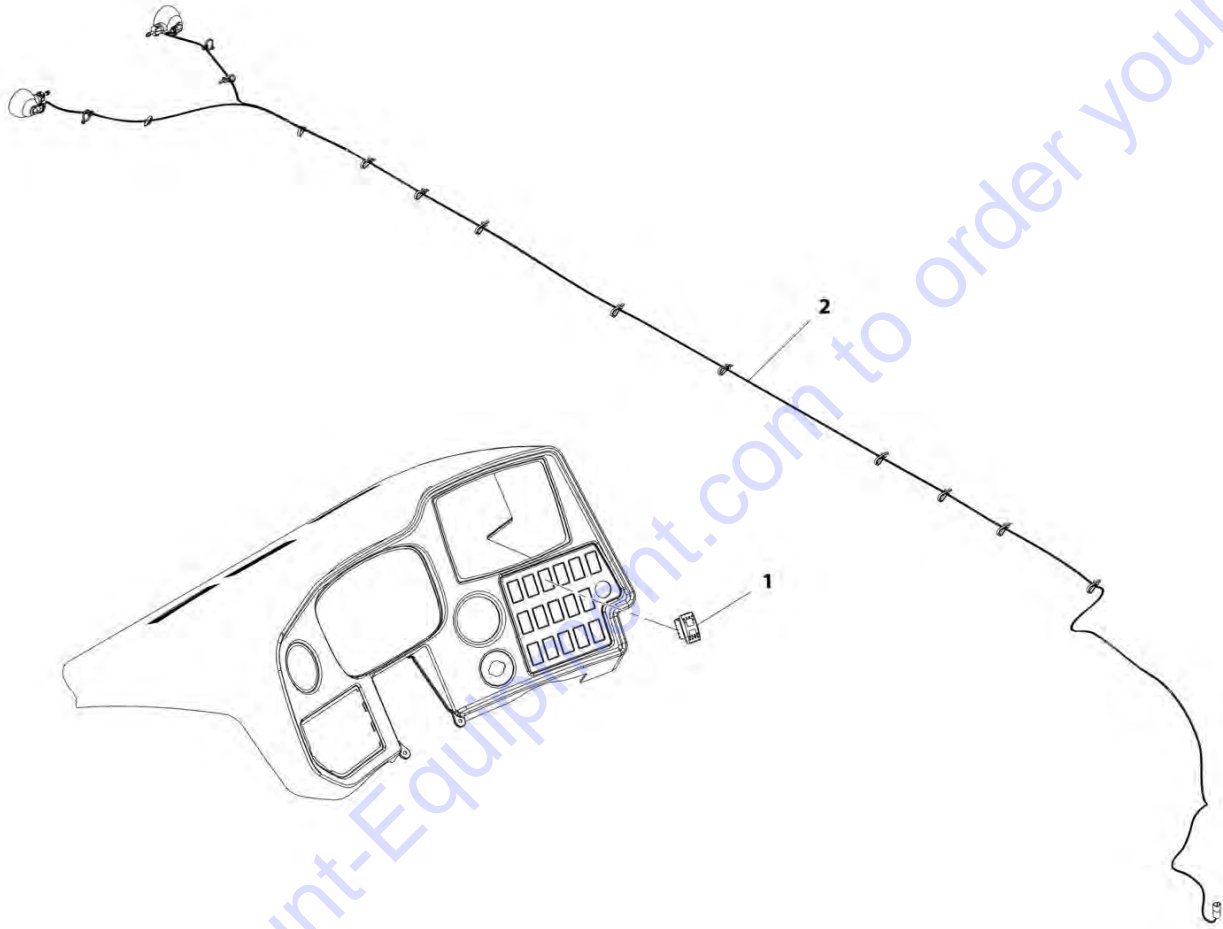
**FIGURE 10-38. CAB LED WORK LIGHTS INSTALLATION (WITH A/C)**

ITEM	PART NUMBER	QTY	DESCRIPTION	REV
	1001200539	Ref	Cab LED Work Lights Installation (with A/C)	C
1	0700610	2	Bolt, M6X20	
2	5220600	2	Nut	
3	1001159845	1	Switch, Front Work Lights	
4	1001159846	1	Switch, Rear Work Lights	
5	1001203640	4	Lamp, LED Work Light	
6	1001204060	2	Bracket, LED Work Light	
7	1001204444	1	Support, LED Work Light RH	
8	1001204445	1	Support, LED Work Light LH	
9	4811700	2	Washer, M6	
10	1001228989	4	Harness	

Go to Discount-Equipment.com to order your parts

# SECTION 10 - ELECTRICAL

## FIGURE 10-39. BOOM WORKLIGHTS INSTALLATION



ART\_1001181327-B

## SECTION 10 - ELECTRICAL

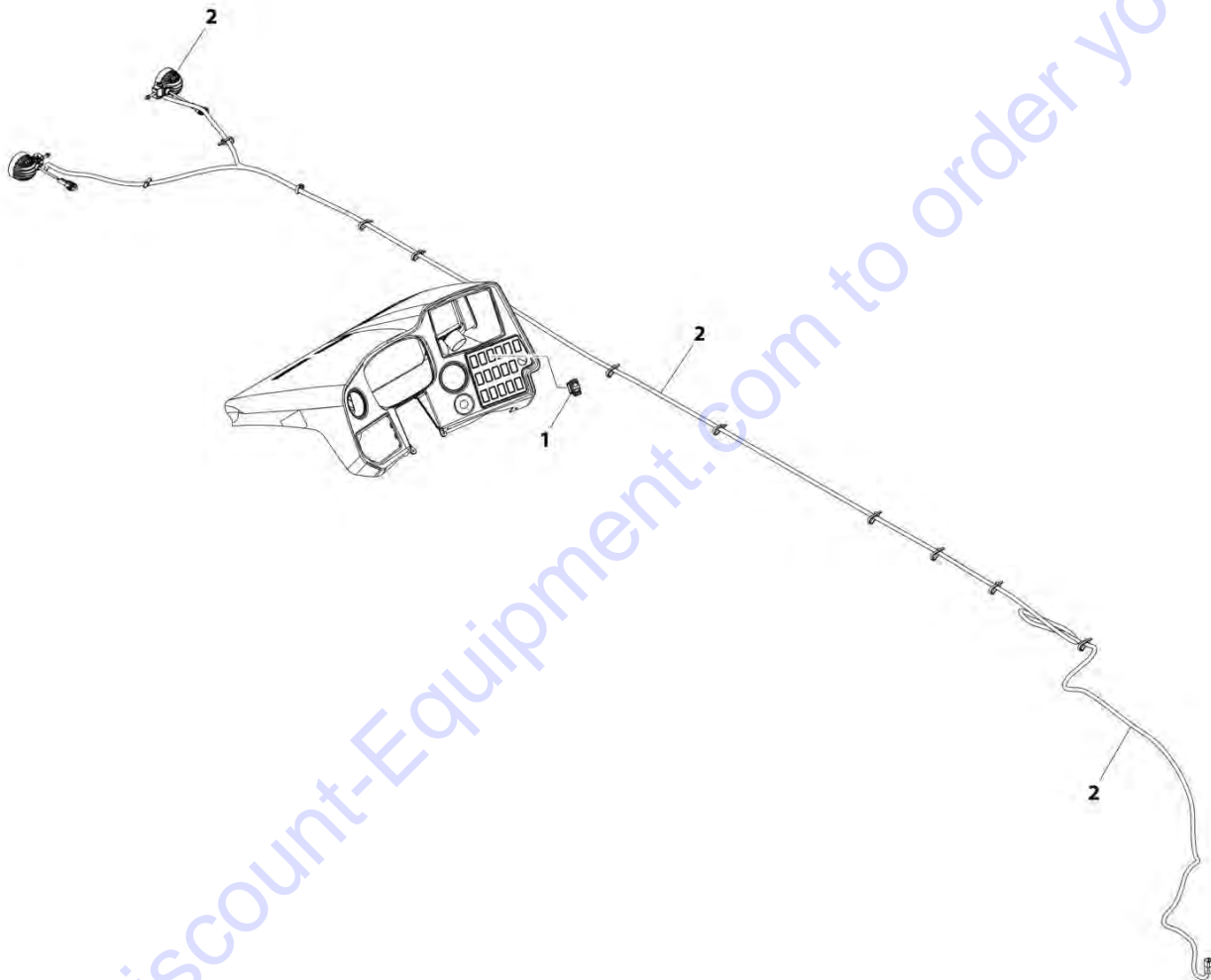
### FIGURE 10-39. BOOM WORKLIGHTS INSTALLATION

ITEM	PART NUMBER	QTY	DESCRIPTION	REV
	1001181327	Ref	Boom Worklights Installation	B
1	1001159739	1	Switch, Boom Worklights	
2	1001167810	1	Installation, Work Lights Boom (See BOOM LIGHTS INSTALLATION for Breakdown)	

Go to Discount-Equipment.com to order your parts

# SECTION 10 - ELECTRICAL

## FIGURE 10-40. BOOM WORK LIGHTS INSTALLATION



ART\_1001230599-A

## SECTION 10 - ELECTRICAL

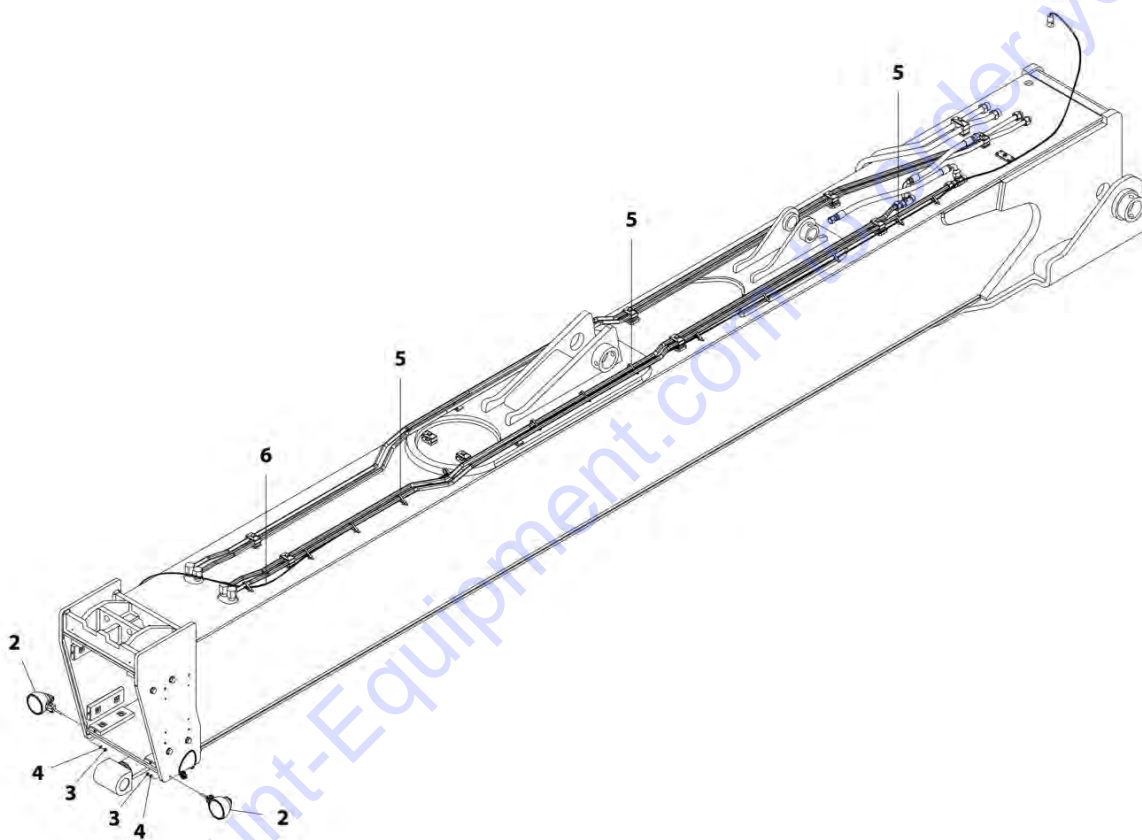
### FIGURE 10-40. BOOM WORK LIGHTS INSTALLATION

ITEM	PART NUMBER	QTY	DESCRIPTION	REV
	1001230599	Ref	Boom Work Lights Installation	A
1	1001159739	1	Switch, Boom Work Lights	
2	1001230623	1	Installation, Boom LED Work Lights (See Separate Breakdown in this Section)	

Go to Discount-Equipment.com to order your parts

# SECTION 10 - ELECTRICAL

## FIGURE 10-41. BOOM LIGHTS INSTALLATION



ART\_1001167810-E

## SECTION 10 - ELECTRICAL

### FIGURE 10-41. BOOM LIGHTS INSTALLATION

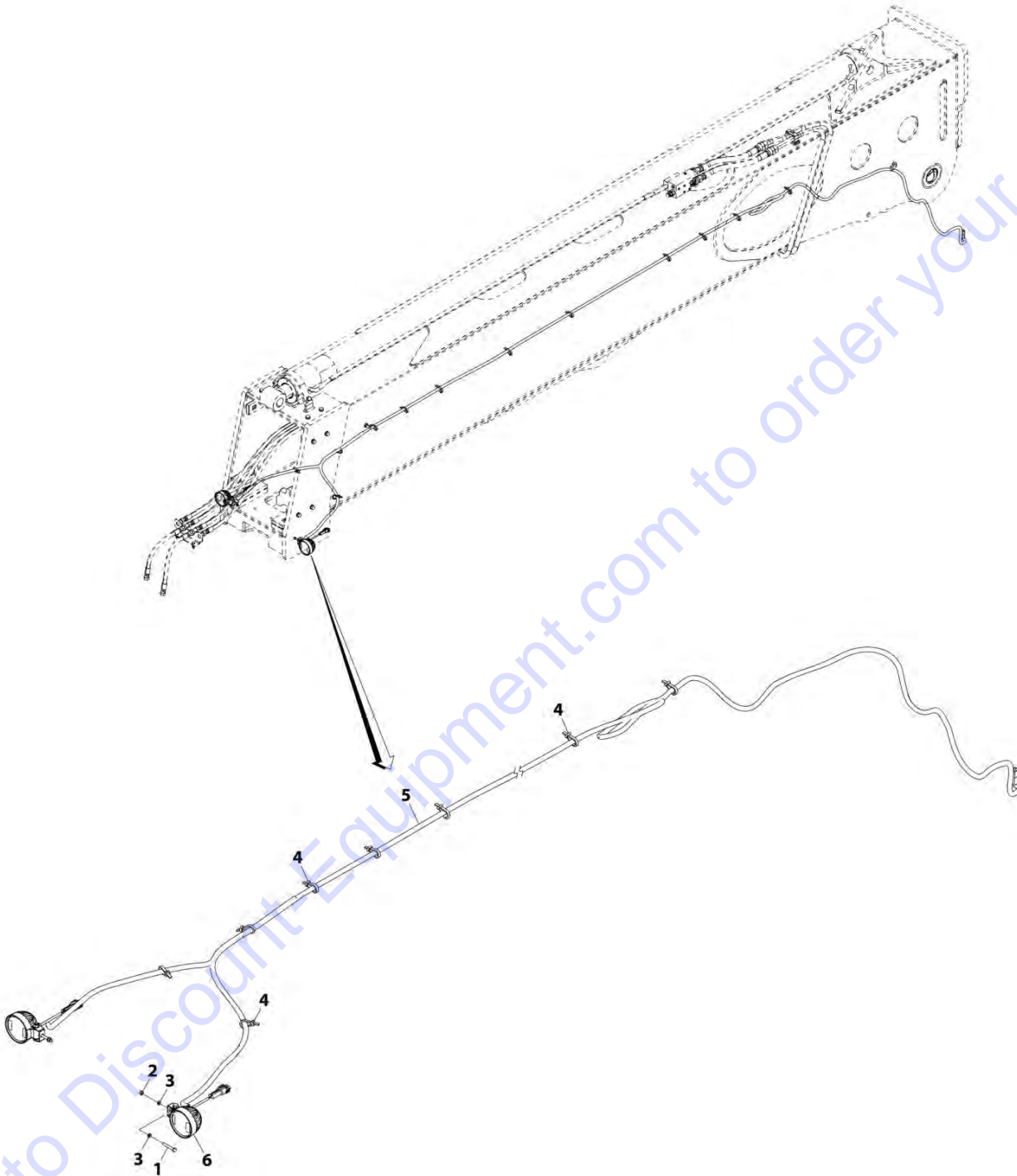
ITEM	PART NUMBER	QTY	DESCRIPTION	REV
	1001167810	Ref	Boom Lights Installation	E
2	1001207287	2	Worklight	
2	70020796	1	Bulb, 12V-50W	
3	3290601	2	Nut, M6X1 Grade 8	
4	4811700	2	Washer, M6	
5	1001008923	AR	Strap, Cable	
6	1001167608	1	Harness, Boom Worklights (See BOOM WORKLIGHTS HARNESS for Breakdown)	

Go to Discount-Equipment.com to order your parts



**SECTION 10 - ELECTRICAL**

**FIGURE 10-42. BOOM LED LIGHTS INSTALLATION**



ART\_1001230623-A

## SECTION 10 - ELECTRICAL

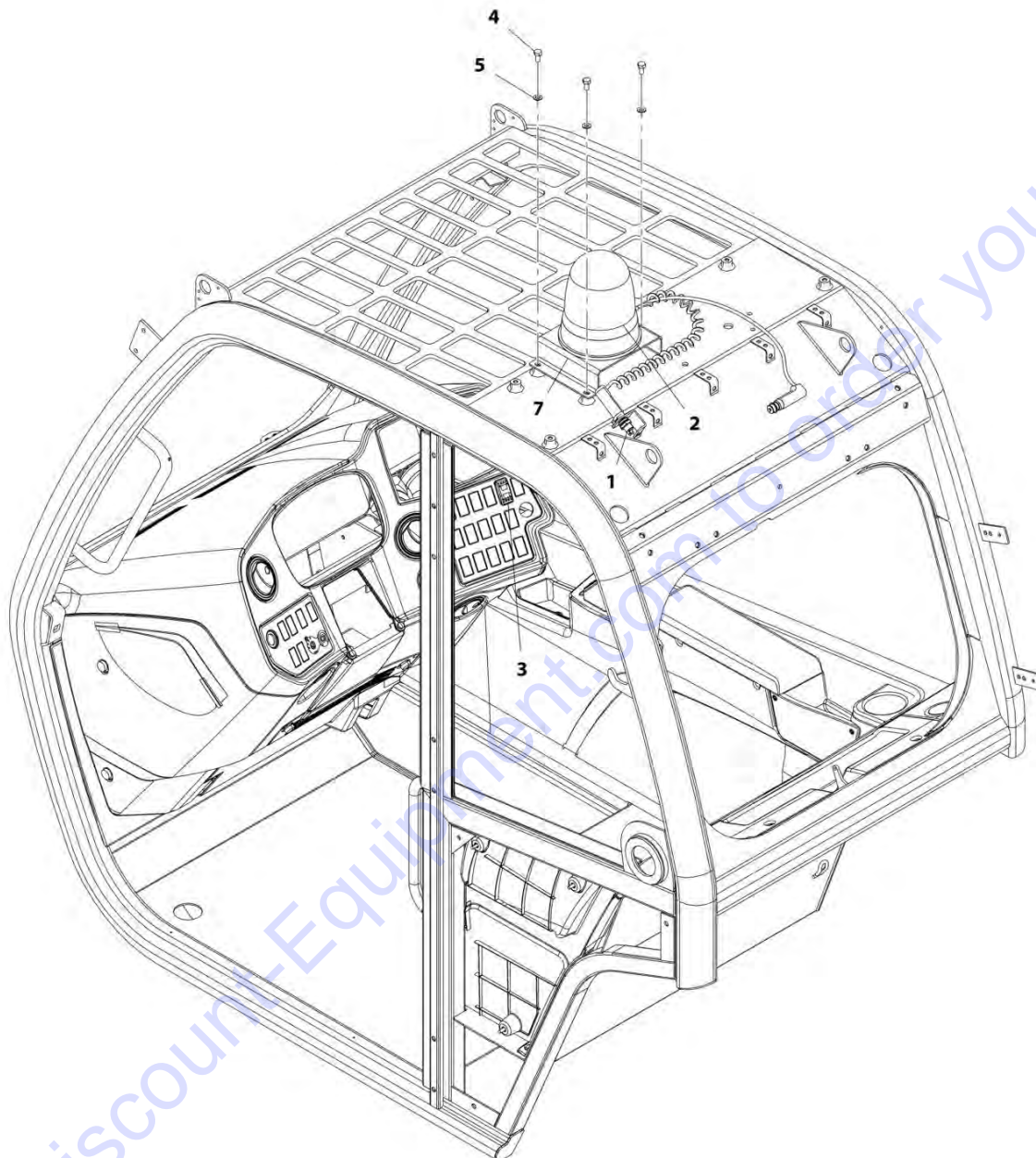
### FIGURE 10-42. BOOM LED LIGHTS INSTALLATION

ITEM	PART NUMBER	QTY	DESCRIPTION	REV
	1001230623	Ref	Boom LED Lights Installation	A
1	0700616	2	Bolt, M6X40	
2	3290601	2	Nut, M6X1 Grade 8	
3	4811700	4	Washer, M6	
4	1001008923	AR	Strap, Cable	
5	1001167608	1	Harness, Boom Work Lights (See Separate Breakdown in this Section)	
6	1001203640	2	Lamp, LED Work Light	

Go to Discount-Equipment.com to order your parts

# SECTION 10 - ELECTRICAL

## FIGURE 10-43. BEACON INSTALLATION



ART\_1001171162-E

## SECTION 10 - ELECTRICAL

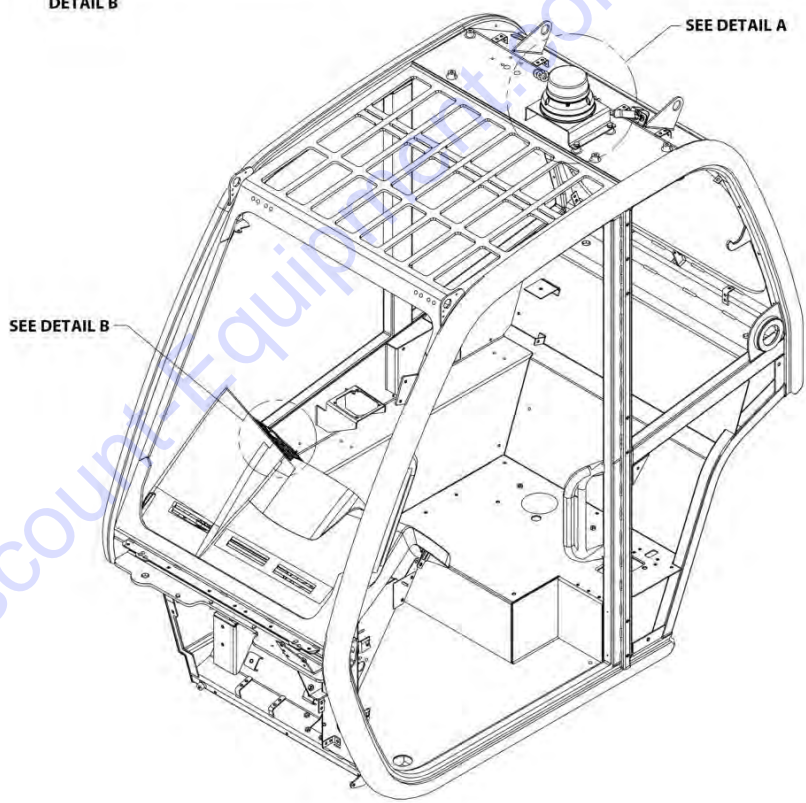
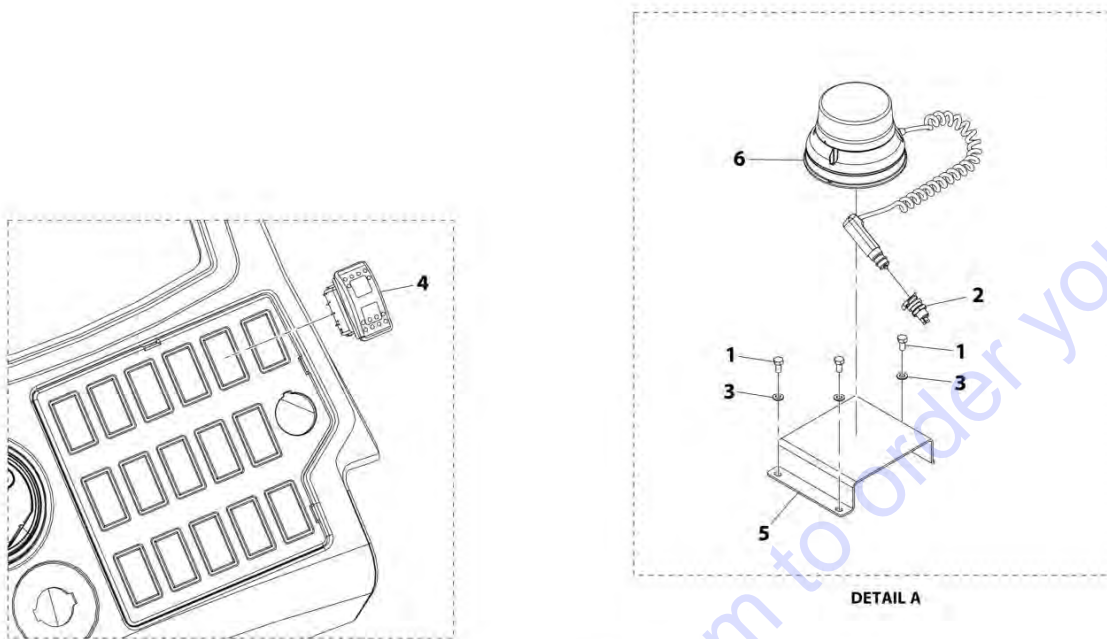
### FIGURE 10-43. BEACON INSTALLATION

ITEM	PART NUMBER	QTY	DESCRIPTION	REV
	1001171162	Ref	Beacon Installation	E
1	4461174	1	Terminal, 12 Volt	
2	1001091573	NLA	Light, Warning, (no longer available, see 1001217623 for replacement)	
2	1001217623	1	Light, Warning	
3	1001159738	1	Switch, Beacon	
4	0760808	3	Bolt, M8X16	
5	4811900	3	Washer, M8	
7	1001174796	1	Bracket, Beacon	

Go to Discount-Equipment.com to order your parts

# SECTION 10 - ELECTRICAL

## FIGURE 10-44. LED BEACON INSTALLATION



ART\_1001195883-A

## SECTION 10 - ELECTRICAL

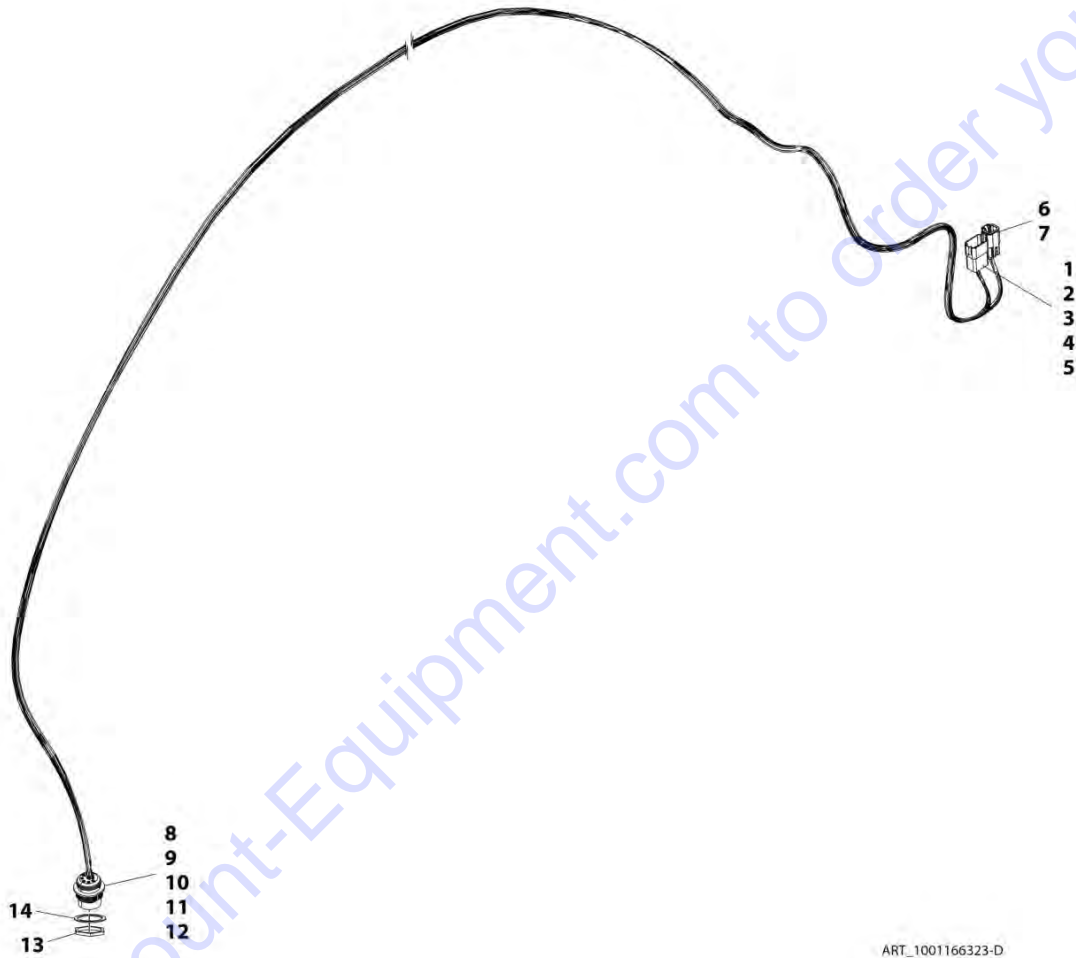
### FIGURE 10-44. LED BEACON INSTALLATION

ITEM	PART NUMBER	QTY	DESCRIPTION	REV
	1001195883	Ref	LED Beacon Installation	A
1	0760808	3	Bolt, M8X16	
2	4461174	1	Terminal, 12 Volt	
3	4811900	3	Washer, M8	
4	1001159738	1	Switch, Beacon	
5	1001174796	1	Bracket, Beacon	
6	1001198893	1	Light, Warning	

Go to Discount-Equipment.com to order your parts

# SECTION 10 - ELECTRICAL

## FIGURE 10-45. BOOM AUXILIARY HARNESS



ART\_1001166323-D

## SECTION 10 - ELECTRICAL

**FIGURE 10-45. BOOM AUXILIARY HARNESS**

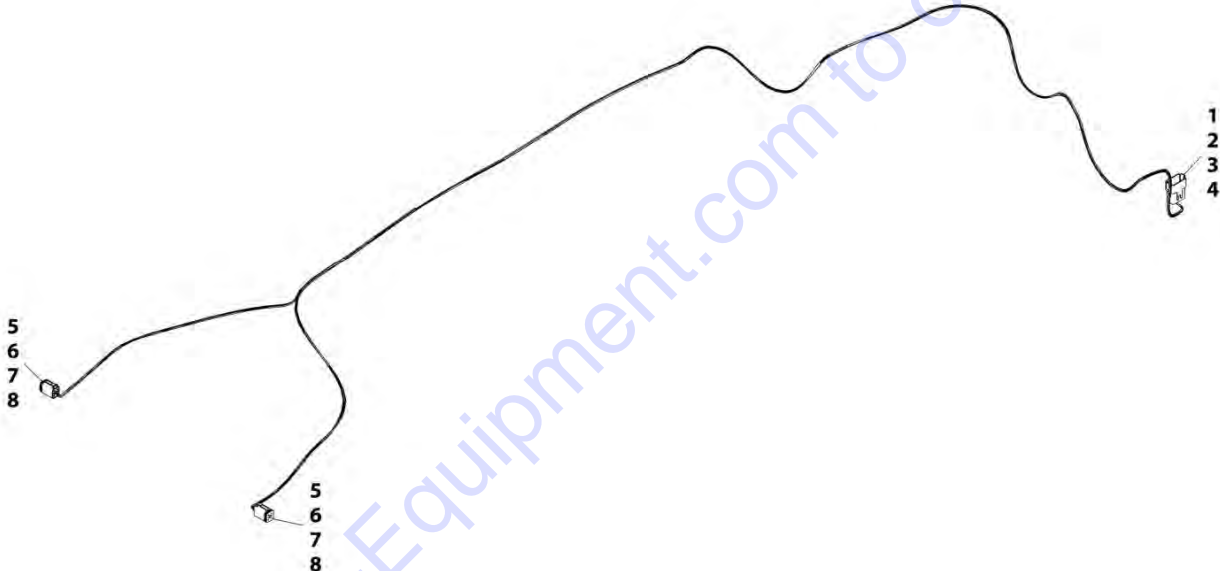
ITEM	PART NUMBER	QTY	DESCRIPTION	REV
	1001166323	Ref	Boom Auxiliary Harness	D
1	4460931	1	Connector	
2	91503106	1	Wedge Lock	
3	4460464	4	Terminal	
4	4460943	2	Terminal	
5	4460466	2	Plug	
6	4461017	1	Connector	
7	4460508	2	Terminal	
8	1001112612	1	Connector	
9	1001157891	2	Terminal	
10	4460464	4	Terminal	
11	4460943	2	Terminal	
12	4460466	1	Plug	
13	4460497	1	Nut	
14	1001125784	1	Washer	

Go to Discount-Equipment.com to order your parts



**SECTION 10 - ELECTRICAL**

**FIGURE 10-46. BOOM WORKLIGHTS HARNESS**



Go to Discount-Equipment.com to order your parts

ART\_1001167608-E

## SECTION 10 - ELECTRICAL

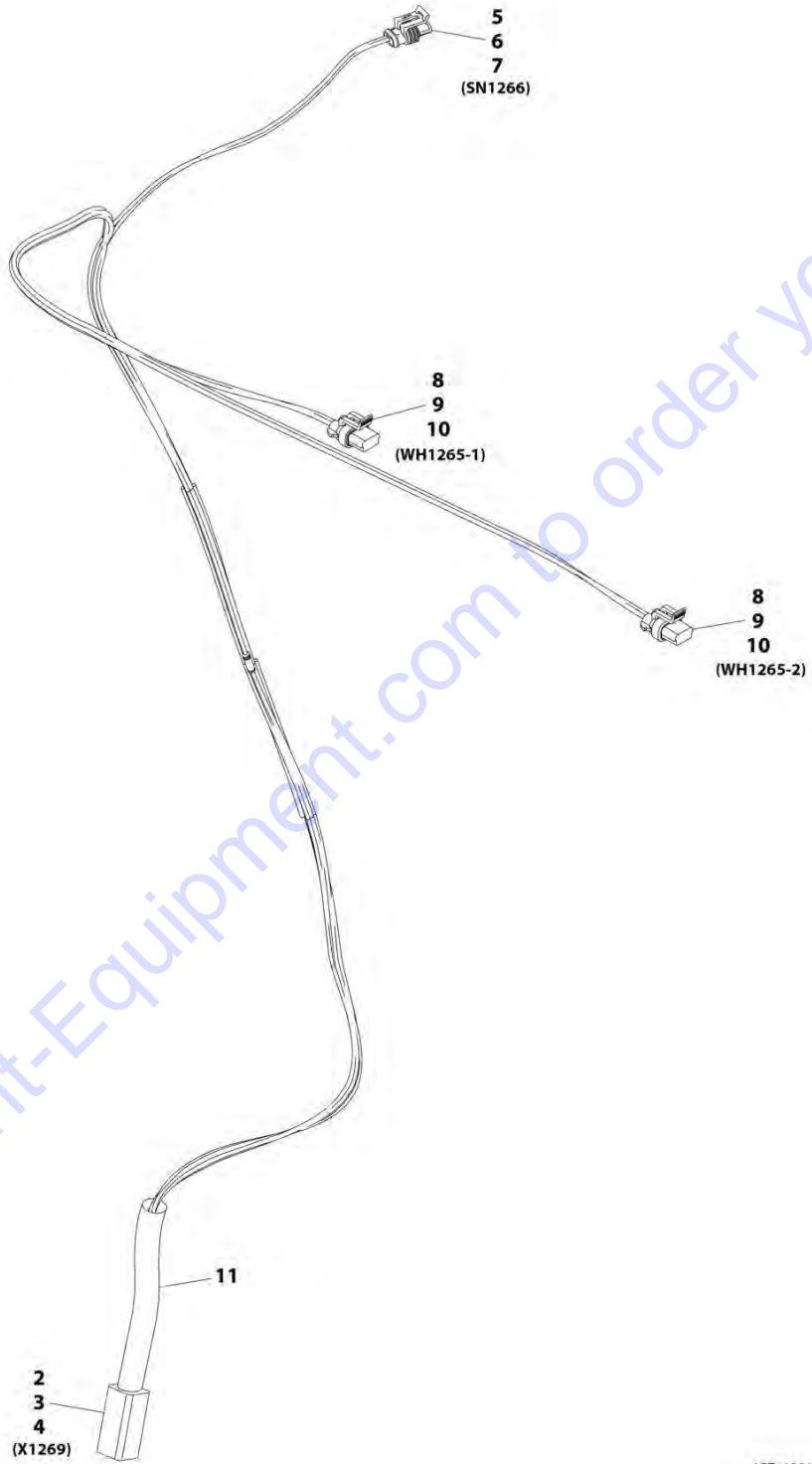
### FIGURE 10-46. BOOM WORKLIGHTS HARNESS

ITEM	PART NUMBER	QTY	DESCRIPTION	REV
	1001167608	Ref	Boom Worklights Harness	E
1	4460932	1	Connector	
2	80604020	1	Lock, Connector	
3	4460464	2	Terminal	
4	4460466	2	Plug	
5	4461115	2	Connector	
6	1001116728	2	Terminal	
7	4460458	2	Seal	
8	1001103564	2	Lock, Terminal	

Go to Discount-Equipment.com to order your parts

# SECTION 10 - ELECTRICAL

## FIGURE 10-47. A/C OPTION HARNESS



ART\_1001169151-E

## SECTION 10 - ELECTRICAL

### FIGURE 10-47. A/C OPTION HARNESS

ITEM	PART NUMBER	QTY	DESCRIPTION	REV
	1001169151	Ref	A/C Option Harness	E
2	4460899	1	Connector	
3	4460941	4	Terminal	
4	4460464	2	Terminal	
5	4461118	1	Connector	
6	1001107854	2	Terminal	
7	1001116763	2	Seal	
8	1001117021	2	Connector	
9	1001116747	4	Terminal	
10	4460789	4	Seal	
11	70028546	1	Backshell	

Go to Discount-Equipment.com to order your parts

# PARTS FINDER

**Search Website  
by Part Number**



**Search Manual  
Library For Parts  
Manual & Lookup Part  
Numbers – Purchase  
or Request Quote**

A screenshot of the "Search Manuals" form. The form has a title "Search Manuals" and a subtitle "Please enter the model number or serial number of the machine you are looking for." Below the subtitle, there are several input fields: "Find" (with a dropdown menu), "Serial Number" (with a dropdown menu), "Year" (with a dropdown menu), "Make" (with a dropdown menu), "Part Number" (with a dropdown menu), "Part Name" (with a dropdown menu), and "Category" (with a dropdown menu). At the bottom of the form, there is a "Search" button.

**Can't Find Part or  
Manual? Request Help  
by Manufacturer,  
Model & Description**

A screenshot of the "Parts Order Form". The form has a title "Parts Order Form" and a subtitle "Please fill out the form below." Below the subtitle, there are several input fields: "Manufacturer" (with a dropdown menu), "Model" (with a dropdown menu), "Description" (with a text area), "Part Number" (with a dropdown menu), "Part Name" (with a dropdown menu), "Quantity" (with a text input field), "Unit Price" (with a text input field), "Total Price" (with a text input field), "Customer Name" (with a text input field), "Address" (with a text input field), "City" (with a text input field), "State" (with a dropdown menu), "Zip" (with a text input field), and "Phone" (with a text input field). At the bottom of the form, there is a "Submit" button.

Discount-Equipment.com is your online resource for quality parts & equipment.

Florida: **561-964-4949** Outside Florida TOLL FREE: **877-690-3101**

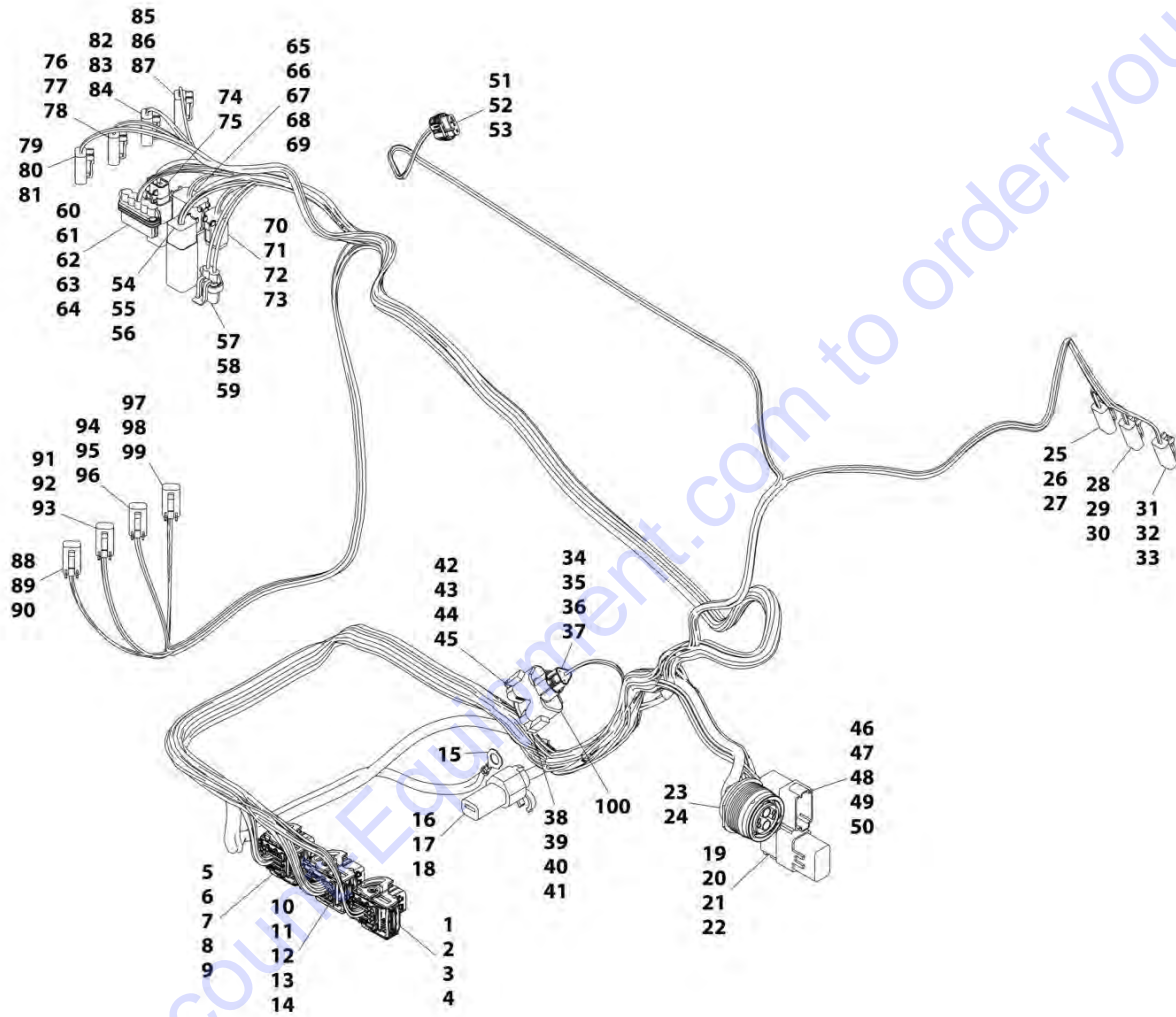
**Need parts?**

Click on this link: <http://www.discount-equipment.com/category/5443-parts/> and choose one of the options to help get the right parts and equipment you are looking for. Please have the machine model and serial number available in order to help us get you the correct parts. If you don't find the part on the website or on one of the online manuals, please fill out the request form and one of our experienced staff members will get back to you with a quote for the right part that your machine needs.

We sell worldwide for the brands: Genie, Terex, JLG, MultiQuip, Mikasa, Essick, Whiteman, Mayco, Toro Stone, Diamond Products, Generac Magnum, Airman, Haulotte, Barreto, Power Blanket, Nifty Lift, Atlas Copco, Chicago Pneumatic, Allmand, Miller Curber, Skyjack, Lull, Skytrak, Tsurumi, Husquvarna Target, Stow, Wacker, Sakai, Mi-T-M, Sullair, Basic, Dynapac, MBW, Weber, Bartell, Bennar Newman, Haulotte, Ditch Runner, Menegotti, Morrison, Contec, Buddy, Crown, Edco, Wyco, Bomag, Laymor, EZ Trench, Bil-Jax, F.S. Curtis, Gehl Pavers, Heli, Honda, ICS/PowerGrit, IHI, Partner, Imer, Clipper, MMD, Koshin, Rice, CH&E, General Equipment, Amida, Coleman, NAC, Gradall, Square Shooter, Kent, Stanley, Tamco, Toku, Hatz, Kohler, Robin, Wisconsin, Northrock, Oztec, Toker TK, Rol-Air, APT, Wylie, Ingersoll Rand / Doosan, Innovatech, Con X, Ammann, Mecalac, Makinex, Smith Surface Prep, Small Line, Wanco, Yanmar

# SECTION 10 - ELECTRICAL

## FIGURE 10-48. REAR FRAME HARNESS (Prior to SN 0160073773)



ART\_1001164941-G

## SECTION 10 - ELECTRICAL

**FIGURE 10-48. REAR FRAME HARNESS (Prior to SN 0160073773)**

ITEM	PART NUMBER	QTY	DESCRIPTION	REV
	1001164941	Ref	Rear Frame Harness	G
1	1001161957	1	Connector	
2	1001161097	8	Terminal	
3	1001161100	16	Plug	
4	1001161101	8	Plug	
5	1001160500	1	Connector	
6	1001161097	2	Terminal	
7	1001161099	7	Terminal	
8	1001161100	22	Plug	
9	1001161101	1	Plug	
10	1001161963	1	Connector	
11	1001161097	21	Terminal	
12	1001161099	5	Terminal	
13	1001161100	19	Plug	
14	1001161101	3	Plug	
15	1001187080	1	Ring, Terminal	
16	1001160509	1	Connector	
17	1001160510	1	Terminal	
18	1001175267	1	Seal	
19	4460933	1	Connector	
20	4460465	10	Terminal	
21	4460466	2	Plug	
22	80604016	1	Lock, Connector	
23	1001165311	1	Connector	
24	91013191	2	Terminal	
25	4460891	1	Connector	
26	4460465	2	Terminal	
27	80604018	1	Lock, Connector	
28	4460891	1	Connector	
29	4460465	2	Terminal	
30	80604018	1	Lock, Connector	
31	4460891	1	Connector	
32	4460465	2	Terminal	
33	80604018	1	Lock, Connector	
34	1001116812	1	Connector	
35	4460944	2	Terminal	
36	91554019	1	Lock, Connector	
37	4460466	1	Plug	
38	4460539	1	Connector	
39	4460944	2	Terminal	
40	77363244	1	Wedge Lock	
41	4460466	1	Plug	
42	1001116812	1	Connector	
43	4460944	2	Terminal	
44	91554019	1	Lock, Connector	
45	4460466	1	Plug	
46	4460970	6	Connector	
47	4460464	4	Terminal	
48	4460941	1	Terminal	
49	4460466	6	Plug	

## SECTION 10 - ELECTRICAL

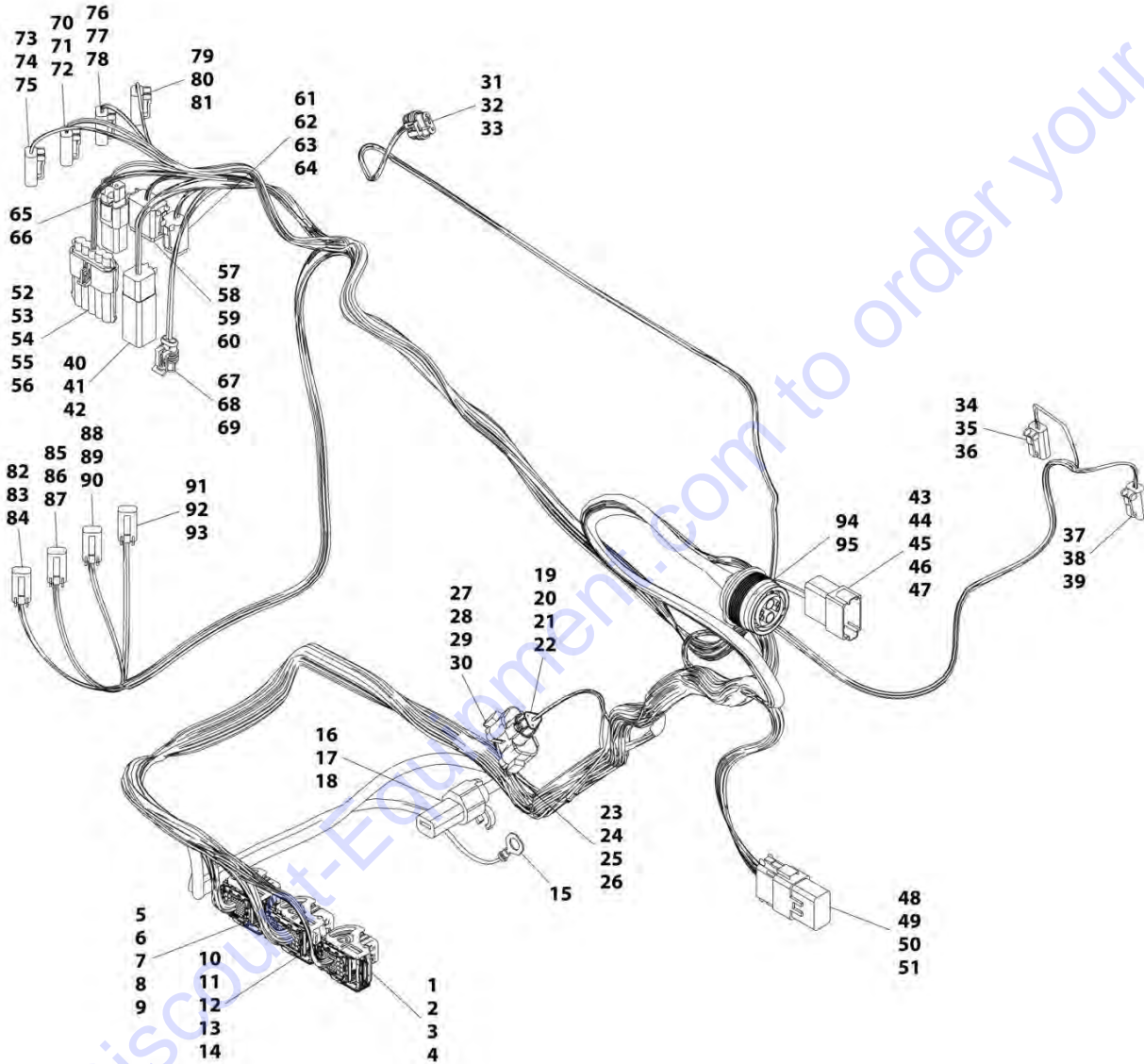
ITEM	PART NUMBER	QTY	DESCRIPTION	REV
50	80363179	1	Lock, Connector	
51	4461262	1	Connector	
52	1001107854	3	Terminal	
53	1001104498	3	Seal	
54	4460884	1	Connector	
55	4460465	4	Terminal	
56	80604021	1	Wedge Lock	
57	1001117021	1	Connector	
58	1001116728	2	Terminal	
59	4460458	2	Seal	
60	1001121726	1	Connector	
61	1001116728	3	Terminal	
62	1001175265	2	Seal	
63	4460458	1	Seal	
64	1001116727	1	Plug	
65	4460930	1	Connector	
66	4460465	2	Terminal	
67	4460466	6	Plug	
68	4460894	2	Bussbar	
69	8220525	1	Wedge Lock	
70	4460884	1	Connector	
71	4460465	2	Terminal	
72	4460466	2	Plug	
73	80604021	1	Wedge Lock	
74	4461018	1	Connector	
75	4460509	2	Terminal	
76	4460891	1	Connector	
77	4460465	2	Terminal	
78	80604018	1	Lock, Connector	
79	4460891	1	Connector	
80	4460465	2	Terminal	
81	80604018	1	Lock, Connector	
82	4460891	1	Connector	
83	4460465	2	Terminal	
84	80604018	1	Lock, Connector	
85	4460891	1	Connector	
86	4460465	2	Terminal	
87	80604018	1	Lock, Connector	
88	4460891	1	Connector	
89	4460465	2	Terminal	
90	80604018	1	Lock, Connector	
91	4460891	1	Connector	
92	4460465	2	Terminal	
93	80604018	1	Lock, Connector	
94	4460891	1	Connector	
95	4460465	2	Terminal	
96	80604018	1	Lock, Connector	
97	4460891	1	Connector	
98	4460465	2	Terminal	
99	80604018	1	Lock, Connector	
100	4460945	1	Connector, 3 Way	





# SECTION 10 - ELECTRICAL

## FIGURE 10-49. REAR FRAME HARNESS (SN 0160073773 to Present)



ART\_1001202908-A

## SECTION 10 - ELECTRICAL

**FIGURE 10-49. REAR FRAME HARNESS (SN 0160073773 to Present)**

ITEM	PART NUMBER	QTY	DESCRIPTION	REV
	1001202908	Ref	Rear Frame Harness	A
1	1001161957	1	Connector	
2	1001161097	7	Terminal	
3	1001161100	17	Plug	
4	1001161101	8	Plug	
5	1001160500	1	Connector	
6	1001161097	2	Terminal	
7	1001161099	7	Terminal	
8	1001161100	22	Plug	
9	1001161101	1	Plug	
10	1001161963	1	Connector	
11	1001161097	21	Terminal	
12	1001161099	5	Terminal	
13	1001161100	19	Plug	
14	1001161101	3	Plug	
15	1001187076	1	Terminal Ring	
16	1001160509	1	Connector	
17	1001160510	1	Terminal	
18	1001175267	1	Seal	
19	1001116812	1	Connector	
20	4460944	2	Terminal	
21	4460466	1	Plug	
22	91554019	1	Lock, Connector	
23	4460539	1	Connector	
24	4460944	2	Terminal	
25	4460466	1	Plug	
26	77363244	1	Wedge Lock	
27	1001116812	1	Connector	
28	4460944	2	Terminal	
29	4460466	1	Plug	
30	91554019	1	Lock, Connector	
31	4461262	1	Connector	
32	1001107854	3	Terminal	
33	1001104498	3	Seal	
34	4460891	1	Connector	
35	4460465	2	Terminal	
36	80604018	1	Wedge Lock	
37	4460891	1	Connector	
38	4460465	2	Terminal	
39	80604018	1	Wedge Lock	
40	4460884	1	Connector	
41	80604021	1	Lock, Connector	
42	4460465	4	Terminal	
43	4460970	1	Connector	
44	4460464	4	Terminal	
45	4460941	1	Terminal	
46	4460466	6	Plug	
47	80604015	1	Lock, Connector	
48	4460933	1	Connector	
49	4460942	10	Terminal	

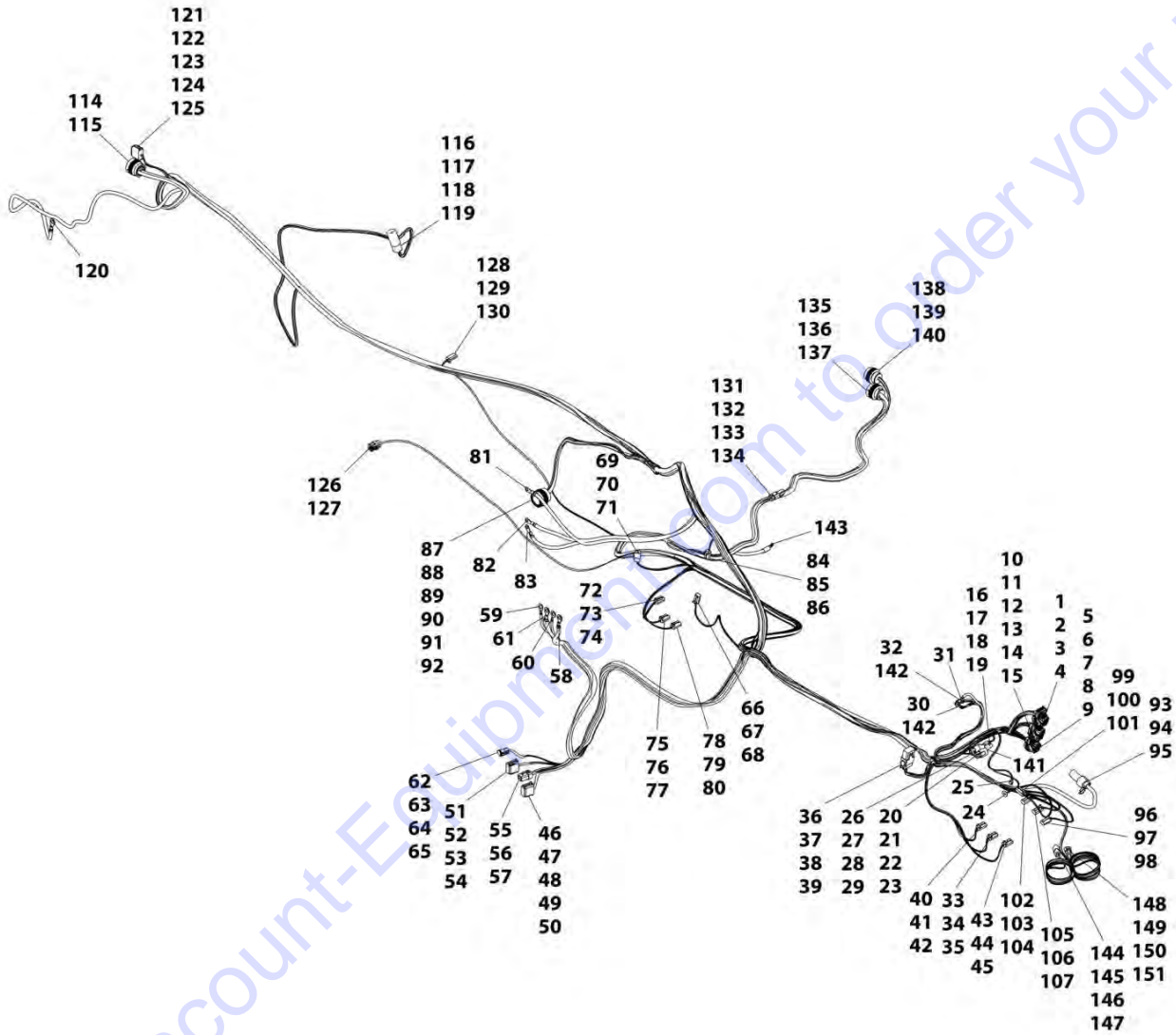
## SECTION 10 - ELECTRICAL

ITEM	PART NUMBER	QTY	DESCRIPTION	REV
50	4460466	2	Plug	
51	80604016	1	Wedge Lock	
52	1001121726	1	Connector	
53	1001116728	3	Terminal	
54	1001116727	2	Plug	
55	1001175265	2	Seal	
56	4460458	1	Seal	
57	4460930	1	Connector	
58	4460465	2	Terminal	
59	4460466	6	Plug	
60	8220525	1	Lock, Connector	
61	4460884	1	Connector	
62	80604021	1	Lock, Connector	
63	4460465	4	Terminal	
64	4460466	2	Plug	
65	4461018	1	Connector	
66	4460509	1	Terminal	
67	4461118	1	Connector	
68	1001107854	2	Terminal	
69	1001116763	2	Seal	
70	4460891	1	Connector	
71	4460465	2	Terminal	
72	80604018	1	Wedge Lock	
73	4460891	1	Connector	
74	4460465	2	Terminal	
75	80604018	1	Wedge Lock	
76	4460891	1	Connector	
77	4460465	2	Terminal	
78	80604018	1	Wedge Lock	
79	4460891	1	Connector	
80	4460465	2	Terminal	
81	80604018	1	Wedge Lock	
82	4460891	1	Connector	
83	4460465	2	Terminal	
84	80604018	1	Wedge Lock	
85	4460891	1	Connector	
86	4460465	2	Terminal	
87	80604018	1	Wedge Lock	
88	4460891	1	Connector	
89	4460465	2	Terminal	
90	80604018	1	Wedge Lock	
91	4460891	1	Connector	
92	4460465	2	Terminal	
93	80604018	1	Wedge Lock	
94	1001165311	1	Connector	
95	91013191	2	Terminal	



# SECTION 10 - ELECTRICAL

## FIGURE 10-50. FRONT FRAME HARNESS (Prior to SN 0160080792)



ART\_1001165359-J

## SECTION 10 - ELECTRICAL

**FIGURE 10-50. FRONT FRAME HARNESS (Prior to SN 0160080792)**

ITEM	PART NUMBER	QTY	DESCRIPTION	REV
	1001165359	Ref	Front Frame Harness	J
1	1001161957	1	Connector	
2	1001161097	19	Terminal	
3	1001161100	5	Plug	
4	1001161101	8	Plug	
5	1001160500	1	Connector	
6	1001161097	9	Terminal	
7	1001161099	7	Terminal	
8	1001161100	15	Plug	
9	1001161101	1	Plug	
10	1001161963	1	Connector	
11	1001161097	21	Terminal	
12	1001161099	5	Terminal	
13	1001161098	1	Terminal	
14	1001161100	19	Plug	
15	1001161101	2	Plug	
16	1001116812	1	Connector	
17	4460944	2	Terminal	
18	91554019	1	Lock, Connector	
19	4460466	1	Plug	
20	4460539	1	Connector	
21	4460944	2	Terminal	
22	77363244	1	Wedge Lock	
23	4460466	1	Plug	
24	1001187073	1	Terminal Ring	
25	8220051	1	Female Blade Coupler	
26	1001116812	1	Connector	
27	4460944	2	Terminal	
28	91554019	1	Lock, Connector	
29	4460466	1	Plug	
30	1001187079	1	Terminal Ring	
31	1001187079	1	Terminal Ring	
32	1001187080	1	Terminal Ring	
33	4460891	1	Connector	
34	4460465	2	Terminal	
35	80604018	1	Wedge Lock	
36	4460933	1	Connector	
37	4460942	10	Terminal	
38	4460466	2	Plug	
39	80604016	1	Wedge Lock	
40	4460891	1	Connector	
41	4460465	2	Terminal	
42	80604018	1	Wedge Lock	
43	4460891	1	Connector	
44	4460465	2	Terminal	
45	80604018	1	Wedge Lock	
46	4460836	1	Connector	
47	4460942	1	Terminal	
48	4460465	10	Terminal	
49	4460466	1	Plug	

## SECTION 10 - ELECTRICAL

ITEM	PART NUMBER	QTY	DESCRIPTION	REV
50	80604016	1	Wedge Lock	
51	4460933	1	Connector	
52	4460465	7	Terminal	
53	4460466	5	Plug	
54	80604016	1	Wedge Lock	
55	1001116810	1	Connector	
56	4460509	1	Terminal	
57	1001150611	3	Terminal	
58	1001128127	2	Terminal Ring	
59	1001187080	1	Terminal Ring	
60	1001187079	1	Terminal Ring	
61	1001128127	1	Terminal Ring	
62	1001116812	1	Connector	
63	4460465	2	Terminal	
64	4460466	1	Plug	
65	91554019	1	Wedge Lock	
66	4460891	1	Connector	
67	4460465	2	Terminal	
68	80604018	1	Wedge Lock	
69	4460539	1	Connector	
70	4460465	3	Terminal	
71	77363244	1	Wedge Lock	
72	4460891	1	Connector	
73	4460465	2	Terminal	
74	80604018	1	Wedge Lock	
75	4460891	1	Connector	
76	4460465	2	Terminal	
77	80604018	1	Wedge Lock	
78	4460891	1	Connector	
79	4460465	2	Terminal	
80	80604018	1	Wedge Lock	
81	1001187075	1	Terminal Ring	
82	1001187075	1	Terminal Ring	
83	1001187075	1	Terminal Ring	
84	4460891	1	Connector	
85	4460465	2	Terminal	
86	80604018	1	Wedge Lock	
87	1001165309	1	Connector	
88	4460465	7	Terminal	
89	4460942	3	Terminal	
90	4460509	3	Terminal	
91	1001150611	3	Terminal	
92	4460466	3	Plug	
93	1001160509	1	Connector	
94	1001160510	1	Terminal	
95	1001175267	1	Seal	
96	4460891	1	Connector	
97	4460465	2	Terminal	
98	80604018	1	Wedge Lock	
99	4460891	1	Connector	
100	4460465	2	Terminal	

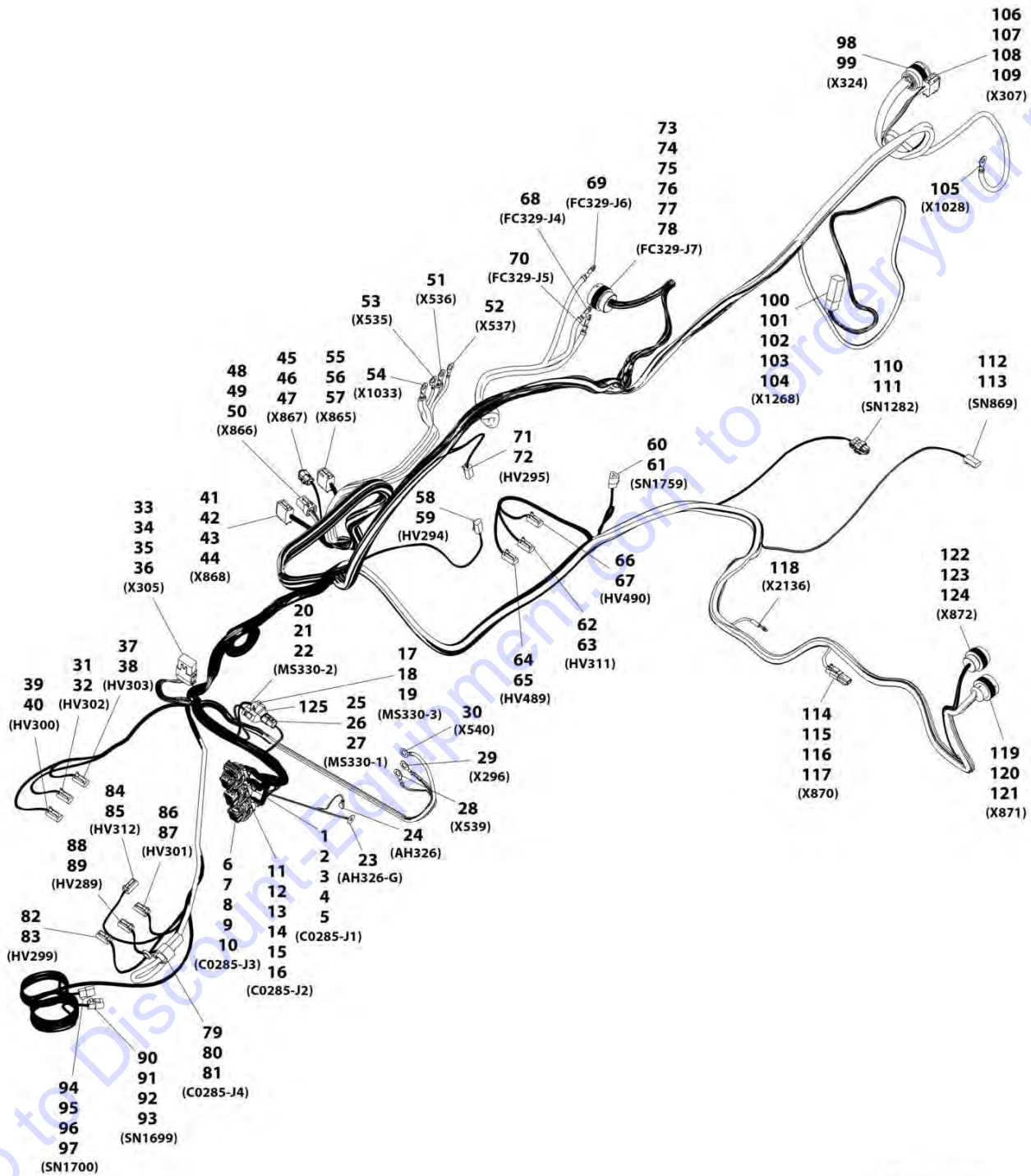


## SECTION 10 - ELECTRICAL

ITEM	PART NUMBER	QTY	DESCRIPTION	REV
101	80604018	1	Wedge Lock	
102	4460891	1	Connector	
103	4460465	2	Terminal	
104	80604018	1	Wedge Lock	
105	4460891	1	Connector	
106	4460465	2	Terminal	
107	80604018	1	Wedge Lock	
114	1001165310	1	Connector	
115	91013192	2	Terminal	
116	4460894	1	Connector	
117	4460942	4	Terminal	
118	4460465	2	Terminal	
119	80604023	1	Wedge Lock	
120	1001187076	1	Terminal Ring	
121	4460933	1	Connector	
122	4460465	3	Terminal	
123	4460942	2	Terminal	
124	4460466	7	Plug	
125	80604016	1	Wedge Lock	
126	1001116950	1	Connector	
127	4460465	2	Terminal	
128	4460891	1	Connector	
129	4460465	2	Terminal	
130	80604018	1	Wedge Lock	
131	4460891	1	Connector	
132	80604018	1	Wedge Lock	
133	4460942	1	Terminal	
134	4460466	1	Plug	
135	1001118323	1	Connector	
136	4460942	4	Terminal	
137	91013192	2	Terminal	
138	4461015	1	Connector	
139	4460465	7	Terminal	
140	4460466	7	Plug	
141	4460945	1	Connector, 3 Way	
142	1001187080	2	Terminal Ring	
143	8220116	1	Terminal Ring	
144	4460539	1	Connector	
145	4460465	3	Terminal	
146	4460466	1	Plug	
147	77363244	1	Wedge Lock	
148	4460539	1	Connector	
149	4460465	3	Terminal	
150	4460466	1	Plug	
151	77363244	1	Wedge Lock	

# SECTION 10 - ELECTRICAL

## FIGURE 10-51. FRONT FRAME HARNESS (SN 0160080792 to Present)



ART\_1001221727-A

## SECTION 10 - ELECTRICAL

**FIGURE 10-51. FRONT FRAME HARNESS (SN 0160080792 to Present)**

ITEM	PART NUMBER	QTY	DESCRIPTION	REV
	1001221727	Ref	Front Frame Harness	A
1	1001161957	1	Connector	
2	1001161097	21	Terminal	
3	1001161099	1	Terminal	
4	1001161100	3	Plug	
5	1001161101	7	Plug	
6	1001160500	1	Connector	
7	1001161097	9	Terminal	
8	1001161099	7	Terminal	
9	1001161100	15	Plug	
10	1001161101	1	Plug	
11	1001161963	1	Connector	
12	1001161097	21	Terminal	
13	1001161099	5	Terminal	
14	1001161098	1	Terminal	
15	1001161100	17	Plug	
16	1001161101	2	Plug	
17	1001116812	1	Connector	
18	4460944	2	Terminal	
19	4460466	1	Plug	
20	4460539	1	Connector	
21	4460944	2	Terminal	
22	4460466	1	Plug	
23	1001187073	1	Terminal Ring	
24	8220051	1	Terminal Ring	
25	1001116812	1	Connector	
26	4460944	2	Terminal	
27	4460466	1	Plug	
28	1001187080	1	Terminal Ring	
29	1001187079	1	Terminal Ring	
30	1001187080	1	Terminal Ring	
31	4460891	1	Connector	
32	4460465	2	Terminal	
33	4460933	1	Connector	
34	4460970	1	Terminal	
35	4460942	10	Terminal	
36	4460466	3	Plug	
37	4460891	1	Connector	
38	4460465	2	Terminal	
39	4460891	1	Connector	
40	4460465	2	Terminal	
41	4460836	1	Connector	
42	4460942	1	Terminal	
43	4460465	10	Terminal	
44	4460466	1	Plug	
45	4460933	1	Connector	
46	4460465	8	Terminal	
47	4460466	4	Plug	
48	1001116810	1	Connector	
49	1001150611	3	Terminal	

## SECTION 10 - ELECTRICAL

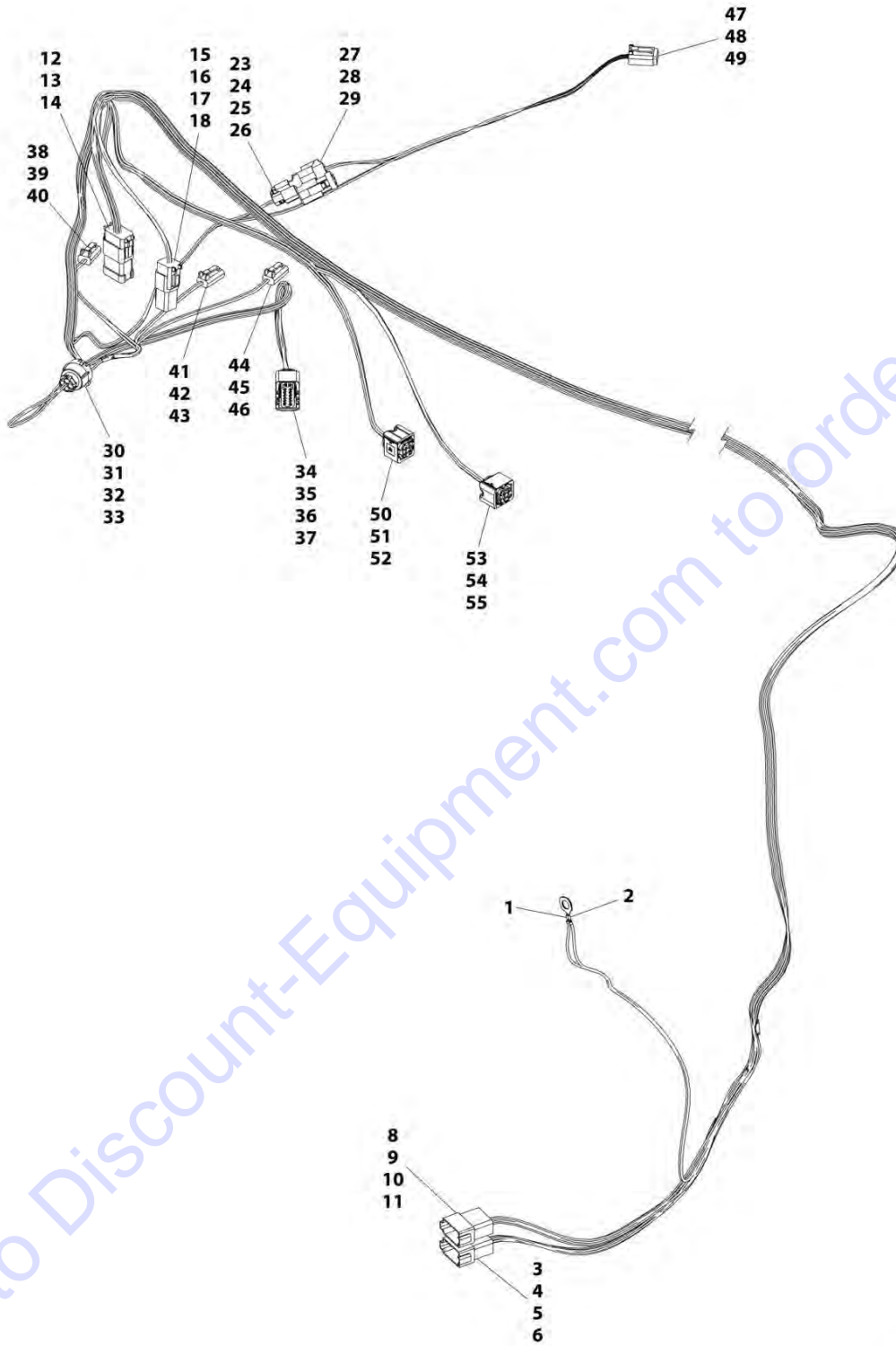
ITEM	PART NUMBER	QTY	DESCRIPTION	REV
50	4460509	1	Terminal	
51	1001128127	1	Terminal Ring	
52	1001187080	1	Terminal Ring	
53	1001187079	1	Terminal Ring	
54	1001128127	1	Terminal Ring	
55	1001116812	1	Connector	
56	4460465	2	Terminal	
57	4460466	1	Plug	
58	4460891	1	Connector	
59	4460465	2	Terminal	
60	4460539	1	Connector	
61	4460465	3	Terminal	
62	4460891	1	Connector	
63	4460465	2	Terminal	
64	4460891	1	Connector	
65	4460465	2	Terminal	
66	4460891	1	Connector	
67	4460465	2	Terminal	
68	1001187075	1	Terminal Ring	
69	1001187075	1	Terminal Ring	
70	1001187075	1	Terminal Ring	
71	4460891	1	Connector	
72	4460465	2	Terminal	
73	1001165309	1	Connector	
74	4460465	7	Terminal	
75	4460942	2	Terminal	
76	4460509	3	Terminal	
77	1001150611	3	Terminal	
78	4460466	3	Plug	
79	1001160509	1	Connector	
80	1001160510	1	Terminal	
81	1001175267	2	Seal	
82	4460891	1	Connector	
83	4460465	2	Terminal	
84	4460891	1	Connector	
85	4460465	2	Terminal	
86	4460891	1	Connector	
87	4460465	2	Terminal	
88	4460891	1	Connector	
89	4460465	2	Terminal	
90	4460539	1	Connector	
91	4460536	1	Terminal	
92	4460465	3	Terminal	
93	4460466	1	Plug	
94	4460539	1	Connector	
95	4460536	1	Terminal	
96	4460465	3	Terminal	
97	4460466	1	Plug	
98	1001165310	1	Connector	
99	91013192	2	Terminal	
100	4460894	1	Connector	

## SECTION 10 - ELECTRICAL

ITEM	PART NUMBER	QTY	DESCRIPTION	REV
101	4460899	1	Terminal	
102	4460942	4	Terminal	
103	4460465	2	Terminal	
104	4460466	1	Plug	
105	1001187076	1	Terminal Ring	
106	4460933	1	Connector	
107	4460942	2	Terminal	
108	4460465	3	Terminal	
109	4460466	7	Plug	
110	1001116950	1	Connector	
111	4460465	2	Terminal	
112	4460891	1	Connector	
113	4460465	2	Terminal	
114	4460891	1	Connector	
115	4460897	1	Terminal	
116	4460942	1	Terminal	
117	4460466	1	Plug	
118	8220116	1	Terminal Ring	
119	1001118323	1	Connector	
120	4460942	4	Terminal	
121	91013192	2	Terminal	
122	4461015	1	Connector	
123	4460465	7	Terminal	
124	4460466	7	Plug	
125	4460945	1	Connector, 3 Way	

# SECTION 10 - ELECTRICAL

## FIGURE 10-52. ENGINE CHASSIS HARNESS



ART\_1001168952-H

## SECTION 10 - ELECTRICAL

### FIGURE 10-52. ENGINE CHASSIS HARNESS

ITEM	PART NUMBER	QTY	DESCRIPTION	REV
	1001168952	Ref	Engine Chassis Harness	H
1	1001187077	1	Ring, Terminal	
2	1001187077	1	Ring, Terminal	
3	1001152742	1	Connector	
4	80363179	1	Lock, Connector	
5	4460464	10	Terminal	
6	4460466	2	Plug	
8	4460982	1	Connector	
9	80363179	1	Lock, Connector	
10	4460464	11	Terminal	
11	4460466	1	Plug	
12	4460930	1	Connector	
13	8220525	1	Lock, Connector	
14	4460465	8	Terminal	
15	4460894	1	Connector	
16	91504107	1	Lock, Connector	
17	4460465	4	Terminal	
18	4460466	2	Plug	
23	1001116812	1	Connector	
24	91554019	1	Lock, Connector	
25	4460944	2	Terminal	
26	4460466	1	Plug	
27	4460539	1	Connector	
28	4460944	2	Terminal	
29	4460466	1	Plug	
30	1001167620	1	Connector	
31	1001176004	2	Terminal	
32	1001176002	2	Seal, Terminal	
33	1001167624	2	Plug	
34	1001165194	1	Connector	
35	1001166703	10	Terminal	
36	1001126393	10	Seal, Terminal	
37	1001126391	2	Plug	
38	4460891	1	Connector	
39	80604018	1	Lock, Connector	
40	4460465	2	Terminal	
41	4460891	1	Connector	
42	80604018	1	Lock, Connector	
43	4460465	2	Terminal	
44	4460891	1	Connector	
45	80604018	1	Lock, Connector	
46	4460465	2	Terminal	
47	4460884	1	Connector	
48	80604021	1	Lock, Connector	
49	4460465	4	Terminal	
50	1001176935	1	Connector	
51	1001166704	4	Terminal	
52	1001137578	4	Seal, Terminal	
53	1001167528	1	Connector	
54	1001166704	4	Terminal	

## SECTION 10 - ELECTRICAL

ITEM	PART NUMBER	QTY	DESCRIPTION	REV
55	1001137578	4	Seal, Terminal	

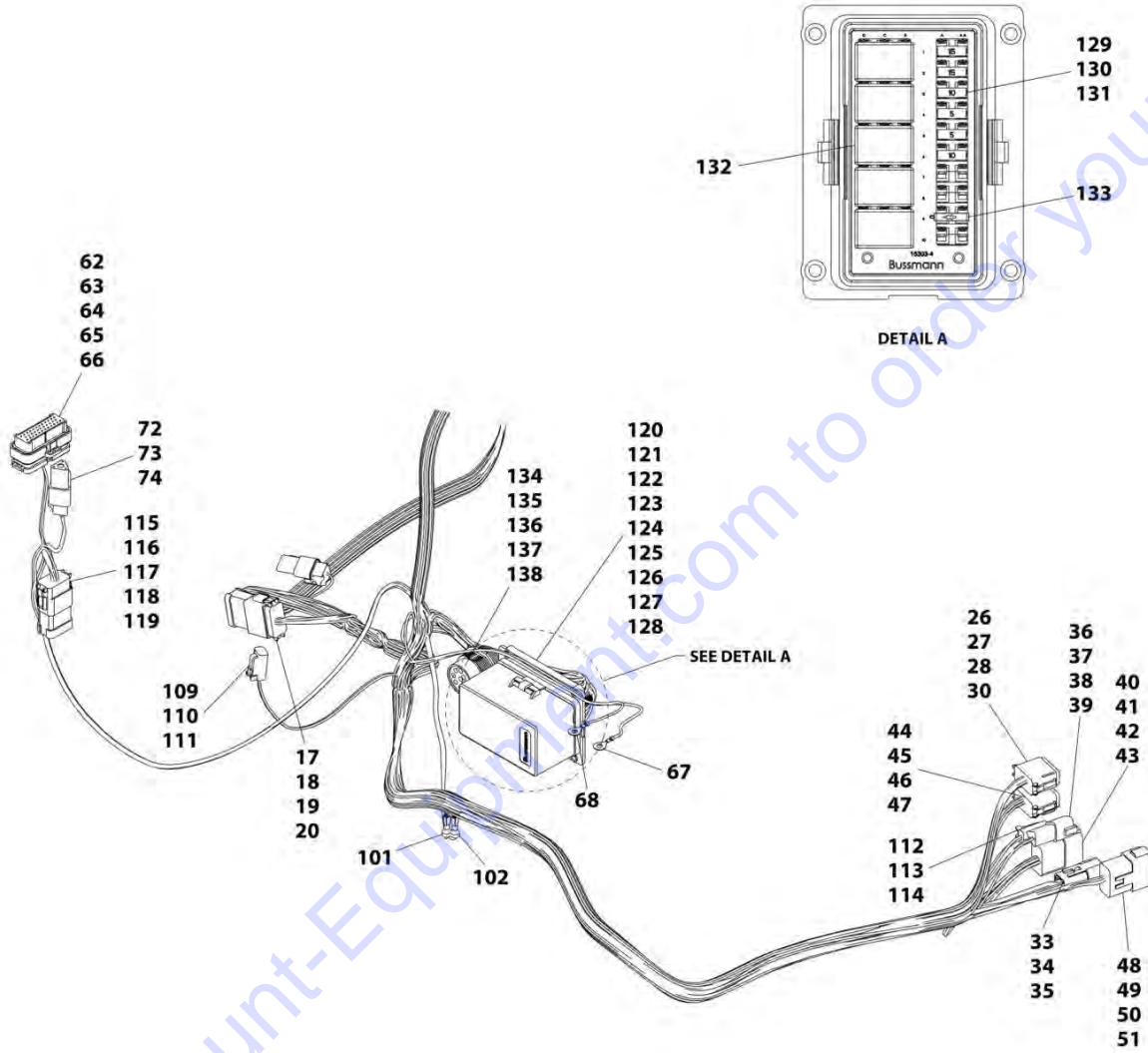
Go to Discount-Equipment.com to order your parts





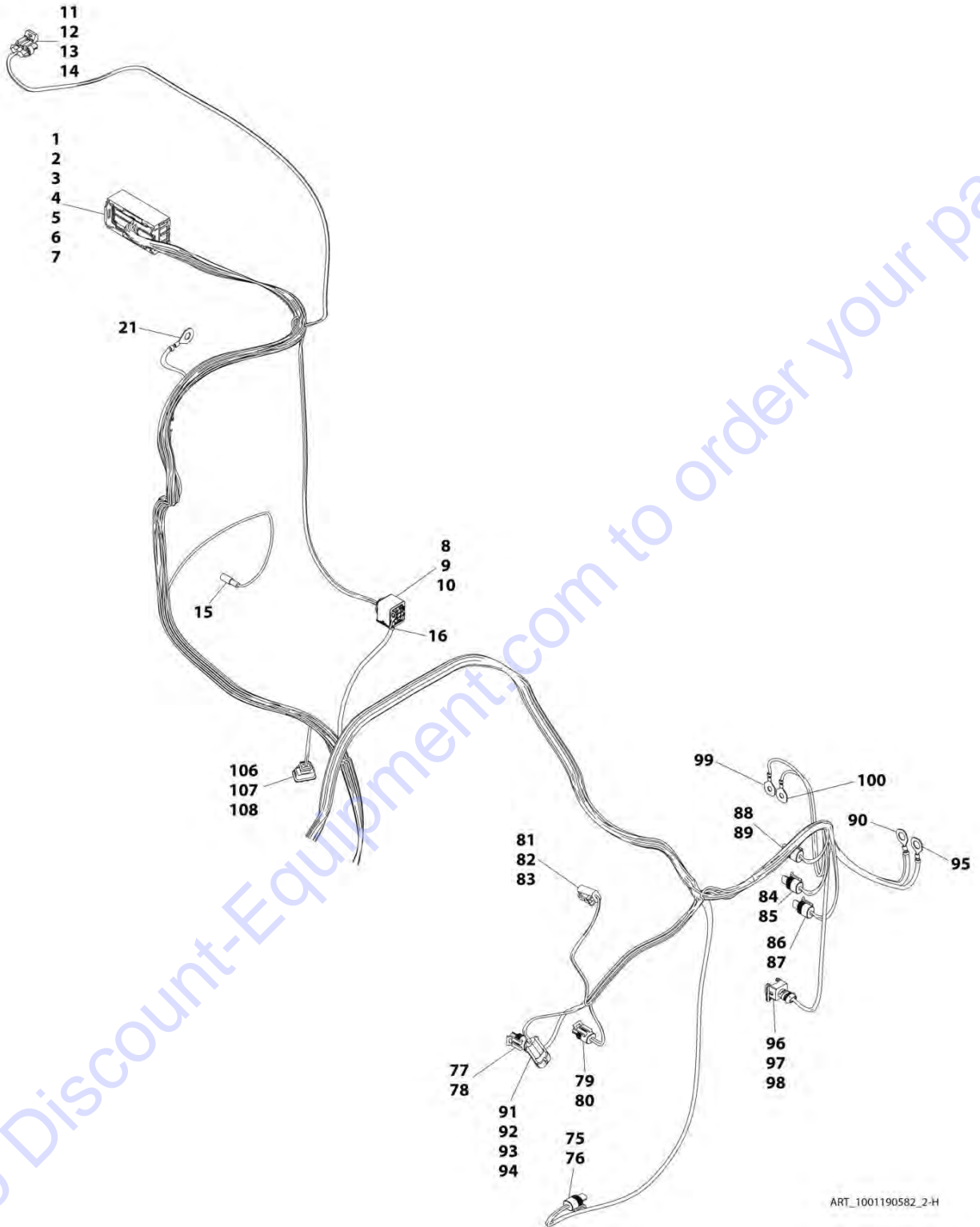
# SECTION 10 - ELECTRICAL

FIGURE 10-53. ENGINE HARNESS (ULS) (Prior to SN 0160080792)



ART\_1001190582\_1-H

# SECTION 10 - ELECTRICAL



ART\_1001190582\_2-H

## SECTION 10 - ELECTRICAL

**FIGURE 10-53. ENGINE HARNESS (ULS) (Prior to SN 0160080792)**

ITEM	PART NUMBER	QTY	DESCRIPTION	REV
	1001190582	Ref	Engine Harness (if equipped for ULS)	H
1	1001167641	1	Connector	
2	1001167648	9	Terminal	
3	1001167649	30	Terminal	
4	1001167650	59	Plug	
5	1001167643	1	Cover	
6	1001167644	1	Lock, Connector	
7	1001167647	1	Boot, Rubber Connector	
8	1001176935	1	Connector	
9	1001166704	4	Terminal	
10	4461006	4	Seal	
11	1001125027	1	Connector	
12	70026217	1	Lock, Connector	
13	8220124	3	Terminal	
14	4460608	3	Seal	
15	1001117125	1	Terminal, Snap Plug	
16	1001197407	1	Ring, Terminal	
17	4460933	1	Connector	
18	4460465	8	Terminal	
19	4460466	4	Plug	
20	80604016	1	Lock, Connector	
21	1001187070	1	Ring, Terminal	
26	4460934	1	Connector	
27	80604016	1	Lock, Connector	
28	4460465	10	Terminal	
30	4460466	2	Plug	
33	1001116811	1	Connector	
34	4460508	3	Terminal	
35	1001150610	1	Terminal	
36	1001144147	1	Connector	
37	91554022	1	Lock, Connector	
38	4460464	2	Terminal	
39	4460466	1	Plug	
40	4460950	1	Connector	
41	80363179	1	Lock, Connector	
42	4460464	9	Terminal	
43	4460466	3	Plug	
44	4460935	1	Connector	
45	80604016	1	Lock, Connector	
46	4460465	11	Terminal	
47	4460466	1	Plug	
48	4460970	1	Connector	
49	80604015	1	Lock, Connector	
50	4460464	7	Terminal	
51	4460466	5	Plug	
62	1001125083	1	Connector	
63	1001195782	7	Plug	
64	1001195781	15	Plug	
65	1001125085	1	Terminal	
66	1001125089	1	Terminal	

## SECTION 10 - ELECTRICAL

ITEM	PART NUMBER	QTY	DESCRIPTION	REV
67	1001187070	1	Ring, Terminal	
68	1001187070	1	Ring, Terminal	
72	4461095	1	Connector	
73	4460944	2	Terminal	
74	4460466	1	Plug	
75	4460955	1	Connector	
76	1001116748	2	Terminal	
77	4460955	1	Connector	
78	1001116748	2	Terminal	
79	4460955	1	Connector	
80	1001116748	2	Terminal	
81	4460891	1	Connector	
82	80604018	1	Lock, Connector	
83	4460465	2	Terminal	
84	4460955	1	Connector	
85	1001116748	2	Terminal	
86	4460955	1	Connector	
87	1001116748	2	Terminal	
88	4460955	1	Connector	
89	1001116748	2	Terminal	
90	1001187080	1	Ring, Terminal	
91	1001117073	1	Connector	
92	70022741	1	Lock, Connector	
93	1001116749	2	Terminal	
94	4460608	2	Seal	
95	1001187079	1	Ring, Terminal	
96	1001190322	1	Connector	
97	4461005	2	Terminal	
98	4461054	2	Seal	
99	1001207171	1	Ring, Terminal	
100	1001207171	1	Ring, Terminal	
101	8220108	1	Connector, Female	
102	8220108	1	Connector, Female	
106	1001126487	1	Connector	
107	1001167656	2	Terminal	
108	1001167657	2	Seal	
109	4460891	1	Connector	
110	4460465	2	Terminal	
111	80604018	1	Lock, Connector	
112	4460891	1	Connector	
113	4460465	2	Terminal	
114	80604018	1	Lock, Connector	
115	4460930	1	Connector	
116	80604025	1	Lock, Connector	
117	4460465	6	Terminal	
118	4460466	2	Plug	
119	4460984	1	Bussbar	
120	1001167616	1	Connector	
121	1001190921	1	Seal, Foam Fuse Box	
122	8220098	3	Terminal	
123	4460789	9	Seal	

## SECTION 10 - ELECTRICAL

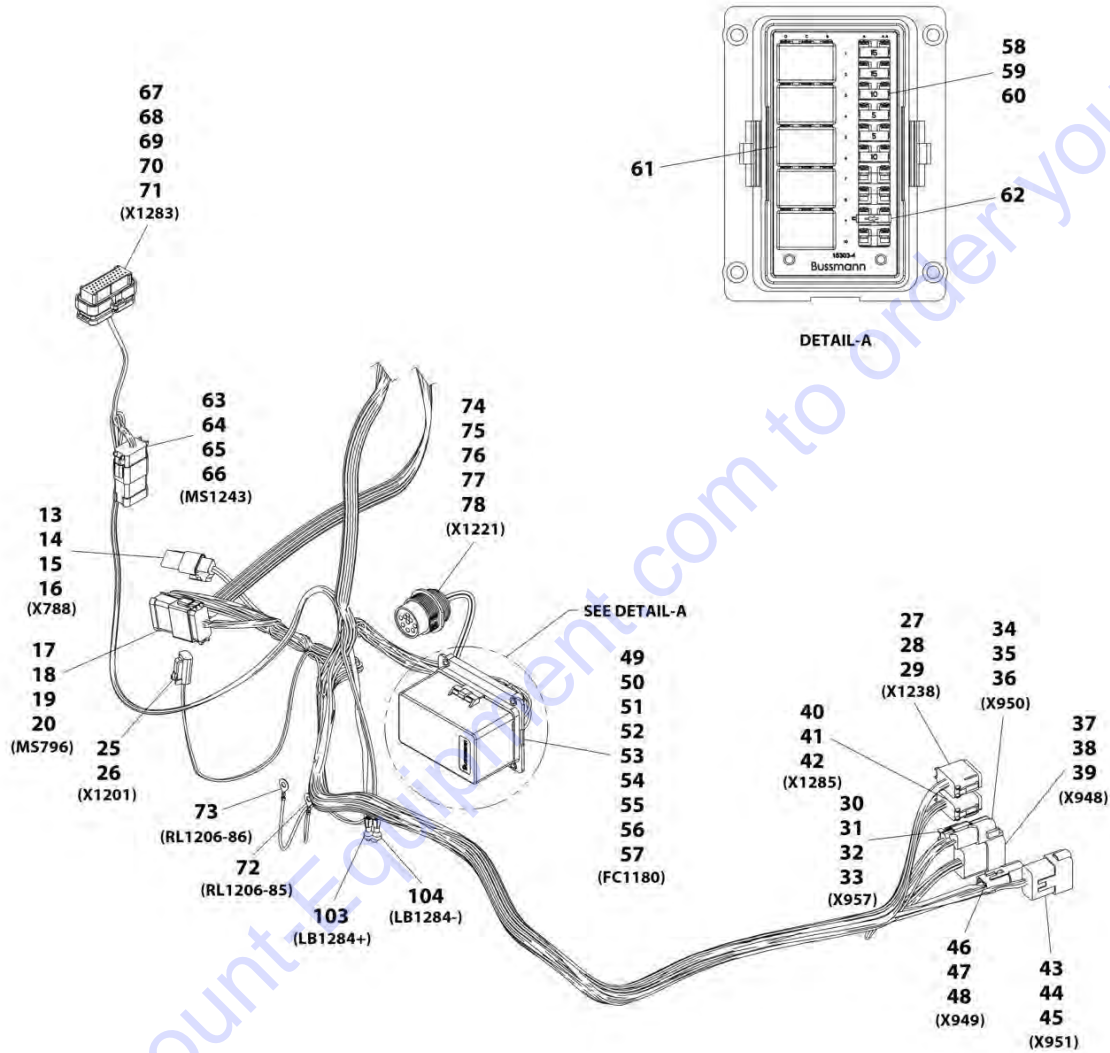
ITEM	PART NUMBER	QTY	DESCRIPTION	REV
124	8220097	29	Terminal	
125	4460458	23	Seal	
126	4460748	11	Plug	
127	1001116725	2	Terminal	
128	80963067	2	Plug	
129	8229244	2	Fuse, 15amp	
130	80983191	2	Fuse, 10amp	
131	8229242	2	Fuse, 5amp	
132	1001205172	5	Relay, 35amp	
133	1001177597	1	Diode, 6amp	
134	1001112612	1	Connector	
135	4469464	4	Terminal	
136	4460466	5	Plug	
137	4460497	1	Nut	
138	4460496	1	Lockwasher	

Go to Discount-Equipment.com to order your parts



# SECTION 10 - ELECTRICAL

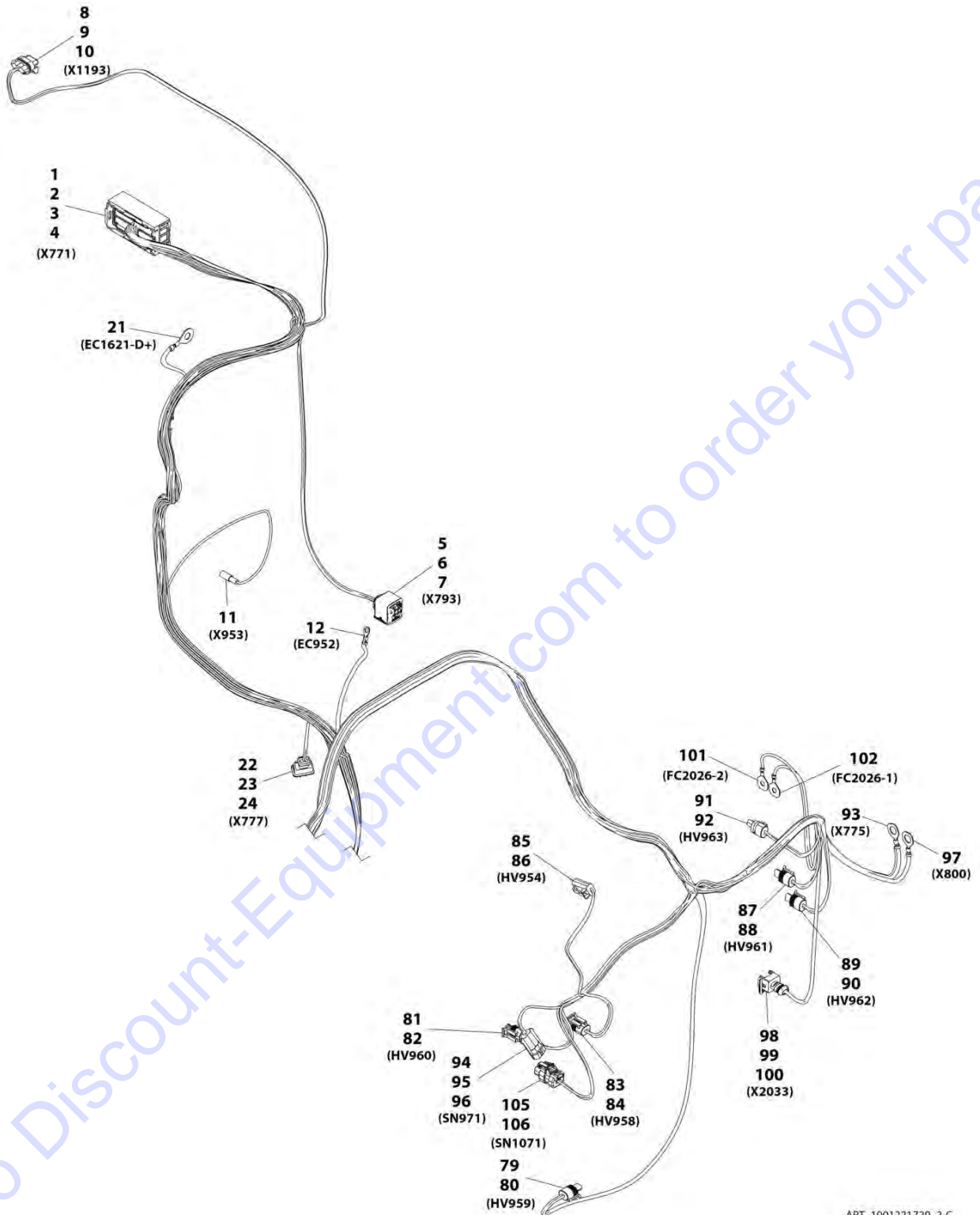
FIGURE 10-54. ENGINE HARNESS (ULS) (Prior to SN 0160093395)



ART\_1001221729\_1-C



# SECTION 10 - ELECTRICAL



## SECTION 10 - ELECTRICAL

**FIGURE 10-54. ENGINE HARNESS (ULS) (Prior to SN 0160093395)**

ITEM	PART NUMBER	QTY	DESCRIPTION	REV
	1001221729	Ref	Engine Harness (if equipped for ULS)	C
1	1001167641	1	Connector	
2	1001167648	9	Terminal	
3	1001167649	30	Terminal	
4	1001167650	59	Plug	
5	1001176935	1	Connector	
6	1001166704	4	Terminal	
7	4461006	4	Seal	
8	1001125027	1	Connector	
9	8220124	3	Terminal	
10	4460608	3	Seal	
11	1001117125	1	Terminal, Snap Plug	
12	1001197407	1	Ring, Terminal	
13	4461095	1	Connector	
14	4460944	2	Terminal	
15	4460466	1	Plug	
16	4461070	1	Connector	
17	4460933	1	Connector	
18	4460465	8	Terminal	
19	4460466	4	Plug	
20	1001125677	1	Connector	
21	1001187070	1	Ring, Terminal	
22	1001126487	1	Connector	
23	1001167656	2	Terminal	
24	1001167657	2	Seal	
25	4460891	1	Connector	
26	4460465	2	Terminal	
27	4460934	1	Connector	
28	4460465	10	Terminal	
29	4460466	2	Plug	
30	4460891	1	Connector	
31	4460465	2	Terminal	
32	4460466	2	Plug	
33	4460897	1	Connector	
34	1001144147	1	Connector	
35	4460464	2	Terminal	
36	4460466	1	Plug	
37	4460950	1	Connector	
38	4460464	9	Terminal	
39	4460466	3	Plug	
40	4460935	1	Connector	
41	4460465	11	Terminal	
42	4460466	1	Plug	
43	4460970	1	Connector	
44	4460464	8	Terminal	
45	4460466	4	Plug	
46	1001116811	1	Connector	
47	4460508	3	Terminal	
48	1001150610	1	Terminal	
49	1001167616	1	Connector	

## SECTION 10 - ELECTRICAL

ITEM	PART NUMBER	QTY	DESCRIPTION	REV
50	1001190921	1	Seal, Foam Fuse Box	
51	8220098	3	Terminal	
52	4460789	9	Seal	
53	8220097	29	Terminal	
54	4460458	23	Seal	
55	4460748	11	Plug	
56	1001116725	2	Terminal	
57	80963067	2	Plug	
58	8229244	2	Fuse, 15amp	
59	80983191	2	Fuse, 10amp	
60	8229242	2	Fuse, 5amp	
61	1001205172	5	Relay, 35amp	
62	1001177597	1	Diode, 6amp	
63	4460930	1	Connector	
64	4460465	6	Terminal	
65	4460466	2	Plug	
66	4460984	1	Bussbar	
67	1001125083	1	Connector	
68	1001195782	7	Plug	
69	1001195781	14	Plug	
70	1001125085	2	Terminal	
71	1001125089	1	Terminal	
72	1001187070	1	Ring, Terminal	
73	1001187070	1	Ring, Terminal	
74	1001112612	1	Connector	
75	4469464	4	Terminal	
76	4460466	5	Plug	
77	4460497	1	Nut	
78	4460496	1	Lockwasher	
79	4460955	1	Connector	
80	1001116748	2	Terminal	
81	4460955	1	Connector	
82	1001116748	2	Terminal	
83	4460955	1	Connector	
84	1001116748	2	Terminal	
85	4460891	1	Connector	
86	4460465	2	Terminal	
87	4460955	1	Connector	
88	1001116748	2	Terminal	
89	4460955	1	Connector	
90	1001116748	2	Terminal	
91	4460955	1	Connector	
92	1001116748	2	Terminal	
93	1001187080	1	Ring, Terminal	
94	1001117073	1	Connector	
95	1001116749	2	Terminal	
96	4460608	2	Seal	
97	1001187079	1	Ring, Terminal	
98	1001190322	1	Connector	
99	4461005	2	Terminal	
100	4461054	2	Seal	

## SECTION 10 - ELECTRICAL

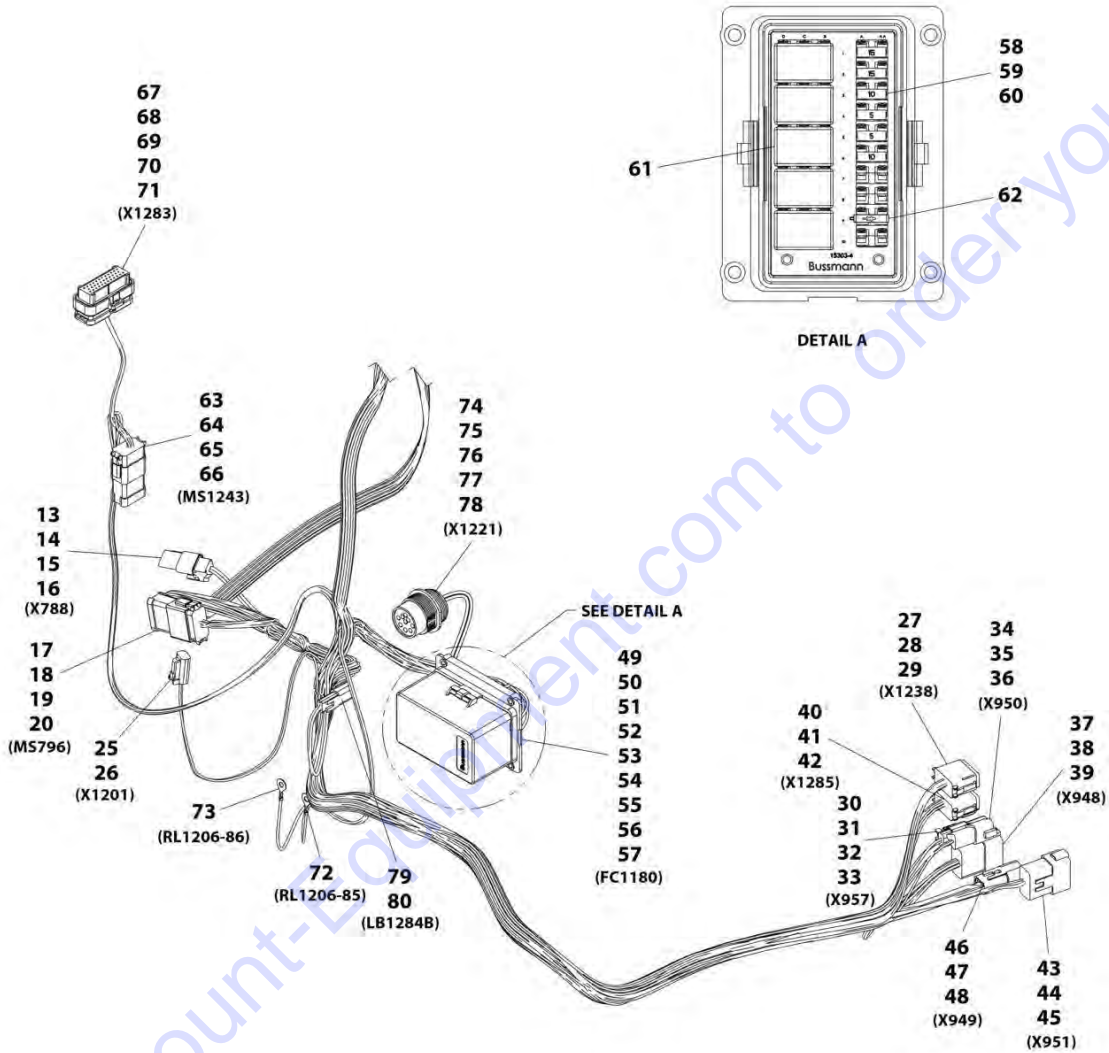
ITEM	PART NUMBER	QTY	DESCRIPTION	REV
101	1001207171	1	Ring, Terminal	
102	1001207171	1	Ring, Terminal	
103	8220108	1	Connector, Female	
104	8220108	1	Connector, Female	
105	1001116950	1	Connector	
106	4460465	2	Terminal	

Go to Discount-Equipment.com to order your parts



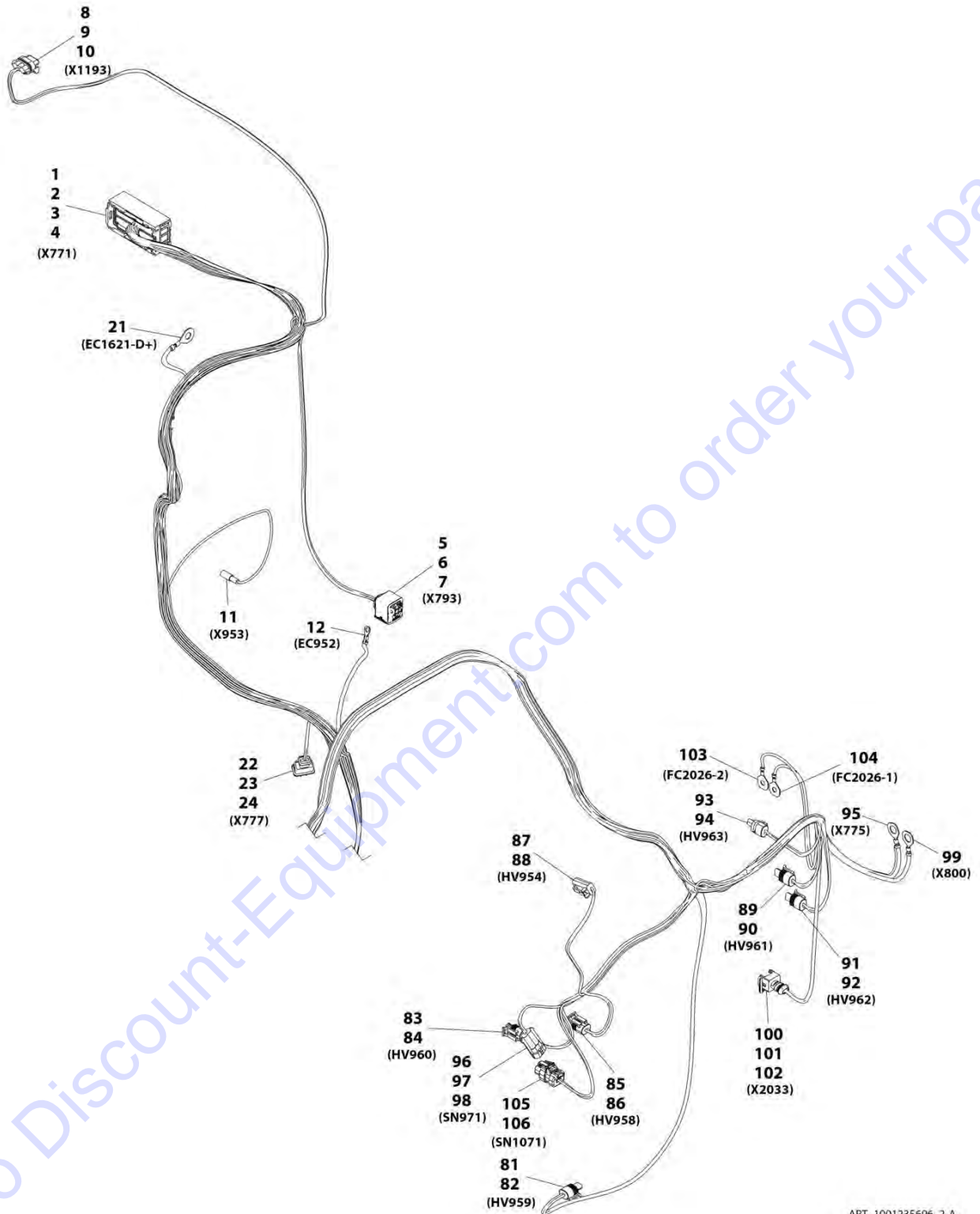
# SECTION 10 - ELECTRICAL

FIGURE 10-55. ENGINE HARNESS (ULS) (SN 0160093395 to Present)



ART\_1001235696\_1-A

# SECTION 10 - ELECTRICAL



## SECTION 10 - ELECTRICAL

FIGURE 10-55. ENGINE HARNESS (ULS) (SN 0160093395 to Present)

ITEM	PART NUMBER	QTY	DESCRIPTION	REV
	1001235696	Ref	Engine Harness (if equipped for ULS)	A
1	1001167641	1	Connector	
2	1001167648	9	Terminal	
3	1001167649	30	Terminal	
4	1001167650	59	Plug	
5	1001176935	1	Connector	
6	1001166704	4	Terminal	
7	4461006	4	Seal	
8	1001125027	1	Connector	
9	8220124	3	Terminal	
10	4460608	3	Seal	
11	1001117125	1	Terminal, Snap Plug	
12	1001197407	1	Ring, Terminal	
13	4461095	1	Connector	
14	4460944	2	Terminal	
15	4460466	1	Plug	
16	4461070	1	Connector	
17	4460933	1	Connector	
18	4460465	8	Terminal	
19	4460466	4	Plug	
20	1001125677	1	Connector	
21	1001187070	1	Ring, Terminal	
22	1001126487	1	Connector	
23	1001167656	2	Terminal	
24	1001167657	2	Seal	
25	4460891	1	Connector	
26	4460465	2	Terminal	
27	4460934	1	Connector	
28	4460465	10	Terminal	
29	4460466	2	Plug	
30	4460891	1	Connector	
31	4460465	2	Terminal	
32	4460466	2	Plug	
33	4460897	1	Connector	
34	1001144147	1	Connector	
35	4460464	2	Terminal	
36	4460466	1	Plug	
37	4460950	1	Connector	
38	4460464	9	Terminal	
39	4460466	3	Plug	
40	4460935	1	Connector	
41	4460465	11	Terminal	
42	4460466	1	Plug	
43	4460970	1	Connector	
44	4460464	8	Terminal	
45	4460466	4	Plug	
46	1001116811	1	Connector	
47	4460508	3	Terminal	
48	1001150610	1	Terminal	
49	1001167616	1	Connector	



## SECTION 10 - ELECTRICAL

ITEM	PART NUMBER	QTY	DESCRIPTION	REV
50	1001190921	1	Seal, Foam Fuse Box	
51	8220098	3	Terminal	
52	4460789	9	Seal	
53	8220097	29	Terminal	
54	4460458	23	Seal	
55	4460748	11	Plug	
56	1001116725	2	Terminal	
57	80963067	2	Plug	
58	8229244	2	Fuse, 15amp	
59	80983191	2	Fuse, 10amp	
60	8229242	2	Fuse, 5amp	
61	1001205172	5	Relay, 35amp	
62	1001177597	1	Diode, 6amp	
63	4460930	1	Connector	
64	4460465	6	Terminal	
65	4460466	2	Plug	
66	4460984	1	Bussbar	
67	1001125083	1	Connector	
68	1001195782	7	Plug	
69	1001195781	14	Plug	
70	1001125085	2	Terminal	
71	1001125089	1	Terminal	
72	1001187070	1	Ring, Terminal	
73	1001187070	1	Ring, Terminal	
74	1001112612	1	Connector	
75	4469464	4	Terminal	
76	4460466	5	Plug	
77	4460497	1	Nut	
78	4460496	1	Lockwasher	
79	1001153612	1	Connector	
80	1001126011	1	Connector	
81	4460955	1	Connector	
82	1001116748	2	Connector	
83	4460955	1	Connector	
84	1001116748	2	Terminal	
85	4460955	1	Connector	
86	1001116748	2	Terminal	
87	4460891	1	Connector	
88	4460465	2	Terminal	
89	4460955	1	Connector	
90	1001116748	2	Terminal	
91	4460955	1	Connector	
92	1001116748	2	Terminal	
93	4460955	1	Connector	
94	1001116748	2	Terminal	
95	1001187080	1	Ring, Terminal	
96	1001117073	1	Connector	
97	1001116749	2	Terminal	
98	4460608	2	Seal	
99	1001187079	1	Ring, Terminal	
100	1001190322	1	Connector	

## SECTION 10 - ELECTRICAL

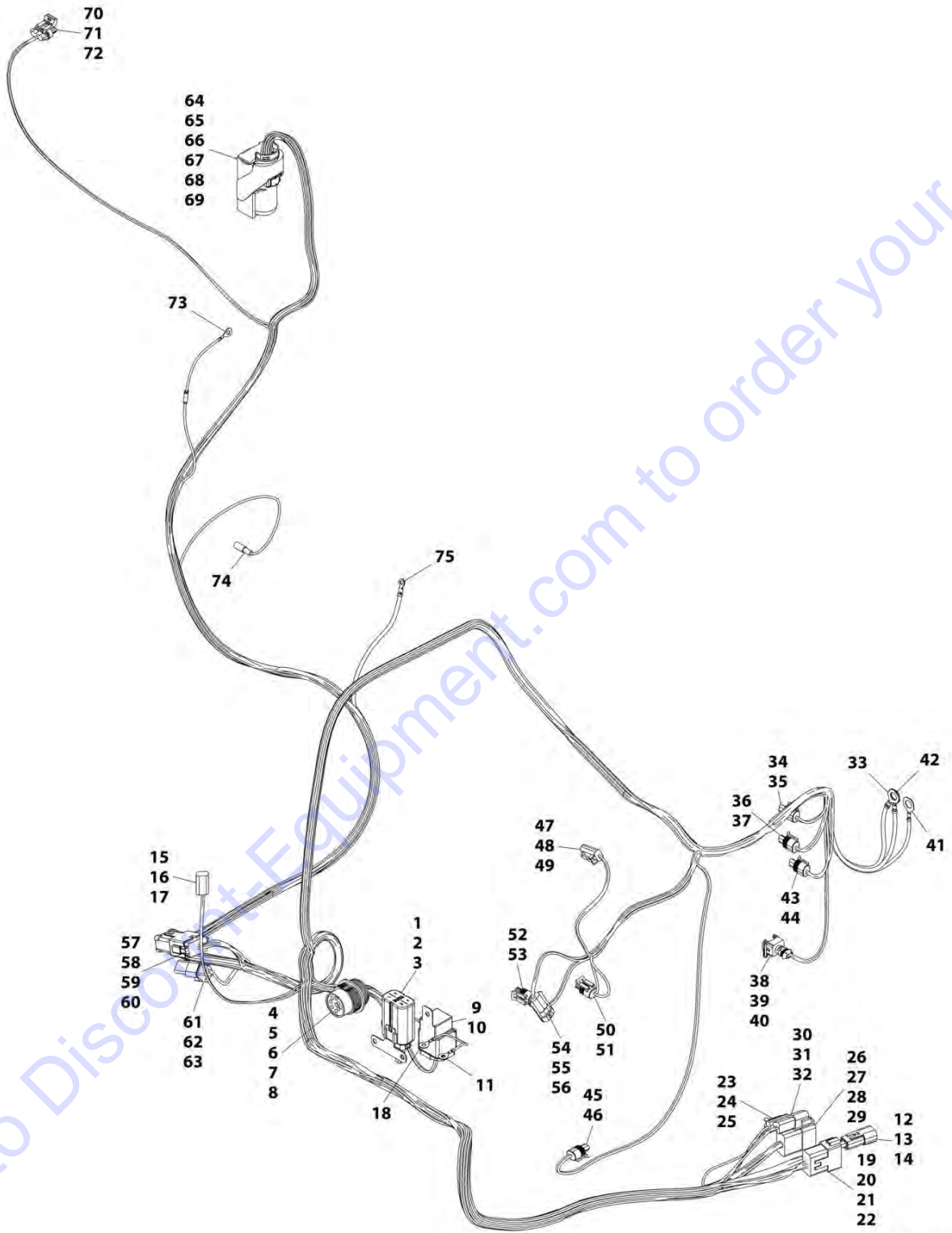
ITEM	PART NUMBER	QTY	DESCRIPTION	REV
101	4461005	2	Terminal	
102	4461054	2	Seal	
103	1001207171	1	Ring, Terminal	
104	1001207171	1	Ring, Terminal	
105	1001116950	1	Connector	
106	4460465	2	Terminal	

Go to [Discount-Equipment.com](http://Discount-Equipment.com) to order your parts



# SECTION 10 - ELECTRICAL

## FIGURE 10-56. ENGINE HARNESS (LS) (Prior to SN 0160080792)



ART\_1001184414-I

## SECTION 10 - ELECTRICAL

**FIGURE 10-56. ENGINE HARNESS (LS) (Prior to SN 0160080792)**

ITEM	PART NUMBER	QTY	DESCRIPTION	REV
	1001184414	Ref	Engine Harness (if equipped for LS)	I
1	1001184551	1	Connector	
2	1001116728	8	Terminal	
3	1001175265	8	Seal	
4	1001112612	1	Connector	
5	4460464	4	Terminal	
6	4460466	5	Plug	
7	4460497	1	Nut	
8	4460496	1	Washer, Lock	
9	1001145707	1	Connector	
10	1001116732	4	Terminal	
11	1001187070	1	Ring, Terminal	
12	1001116811	1	Connector	
13	4460508	3	Terminal	
14	1001150610	1	Terminal	
15	4460891	1	Connector	
16	4460465	2	Terminal	
17	80604018	1	Lock, Connector	
18	1001187070	1	Ring, Terminal	
19	4460970	1	Connector	
20	4460464	7	Terminal	
21	4460466	5	Plug	
22	80604015	1	Lock, Connector	
23	4460891	1	Connector	
24	4460465	2	Terminal	
25	80604018	1	Lock, Connector	
26	4460950	1	Connector	
27	4460464	9	Terminal	
28	4460466	3	Plug	
29	80604015	1	Lock, Connector	
30	1001144147	1	Connector	
31	4460464	2	Terminal	
32	4460466	1	Plug	
33	1001187079	1	Ring, Terminal	
34	4460955	1	Connector	
35	1001116748	2	Terminal	
36	4460955	1	Connector	
37	1001116748	2	Terminal	
38	1001190322	1	Connector	
39	4461005	2	Terminal	
40	4461054	2	Seal	
41	1001187078	1	Ring, Terminal	
42	1001187079	1	Ring, Terminal	
43	4460955	1	Connector	
44	1001116748	2	Terminal	
45	4460955	1	Connector	
46	1001116748	2	Terminal	
47	4460891	1	Connector	
48	4460465	2	Terminal	
49	80604018	1	Lock, Connector	

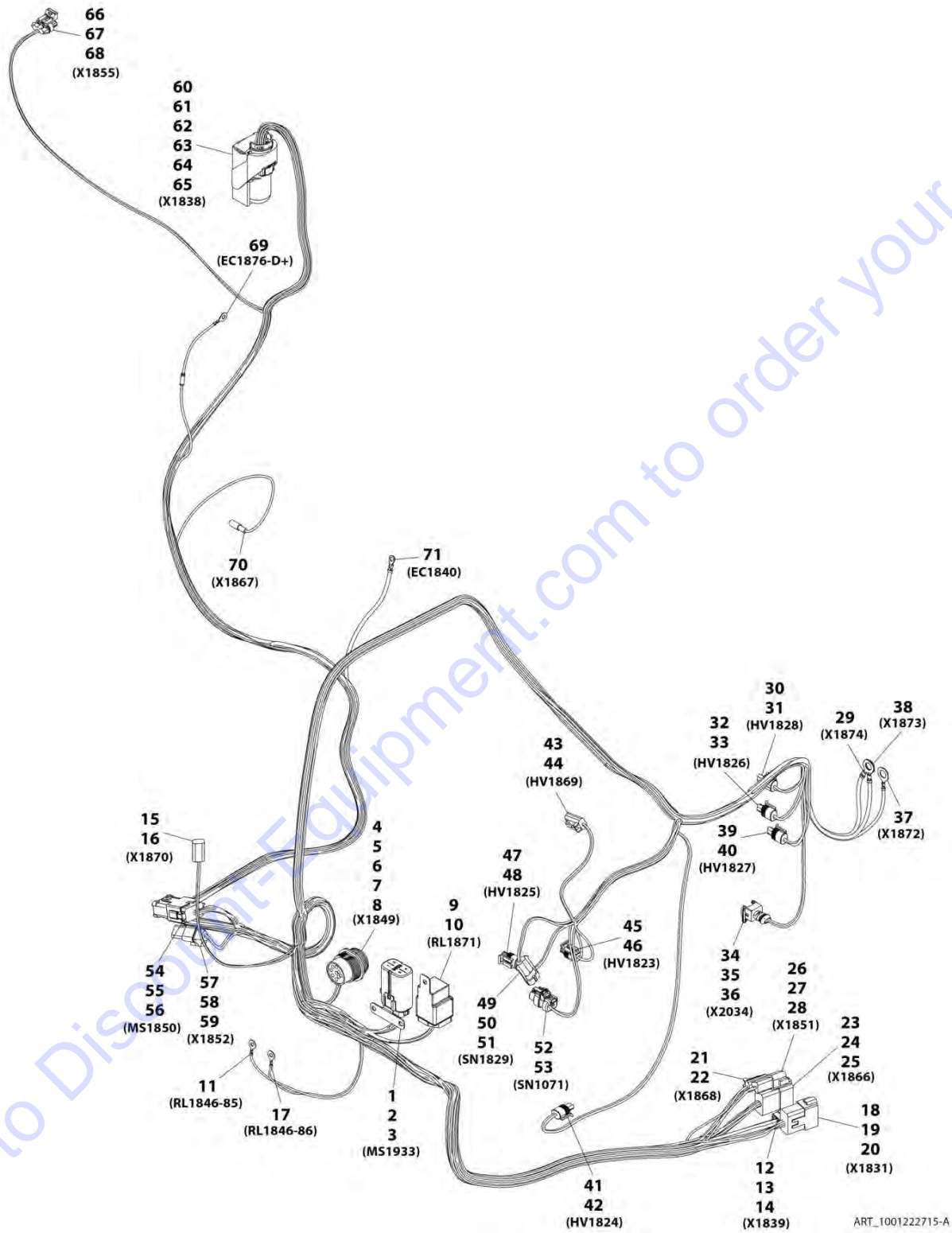
## SECTION 10 - ELECTRICAL

ITEM	PART NUMBER	QTY	DESCRIPTION	REV
50	4460955	1	Connector	
51	1001116748	2	Terminal	
52	4460955	1	Connector	
53	1001116748	2	Terminal	
54	1001117073	1	Connector	
55	1001116749	2	Terminal	
56	4460608	2	Seal	
57	4460933	1	Connector	
58	4460465	8	Terminal	
59	4460466	4	Plug	
60	80604016	1	Lock, Connector	
61	4461095	1	Connector	
62	4460943	2	Terminal	
63	4460466	1	Plug	
64	1001126349	1	Connector	
65	1001185824	6	Terminal	
66	1001185823	10	Terminal	
67	1001126353	6	Seal	
68	1001126357	4	Plug	
69	1001126356	73	Plug	
70	1001125027	1	Connector	
71	8220124	3	Terminal	
72	4460608	3	Seal	
73	1001187070	1	Ring, Terminal	
74	1001117125	1	Terminal, Snap Plug	
75	1001197407	1	Ring, Terminal	



# SECTION 10 - ELECTRICAL

FIGURE 10-57. ENGINE HARNESS (LS) (SN 0160080792 to Present)





## SECTION 10 - ELECTRICAL

**FIGURE 10-57. ENGINE HARNESS (LS) (SN 0160080792 to Present)**

ITEM	PART NUMBER	QTY	DESCRIPTION	REV
	1001222715	Ref	Engine Harness (LS)	A
1	1001184551	1	Connector	
2	1001116728	8	Terminal	
3	1001175265	8	Seal	
4	1001112612	1	Connector	
5	4460464	4	Terminal	
6	4460466	5	Plug	
7	4460497	1	Nut	
8	4460496	1	Washer	
9	1001145707	1	Connector	
10	1001116732	4	Terminal	
11	1001187070	1	Ring, Terminal	
12	1001116811	1	Connector	
13	4460508	3	Terminal	
14	1001150610	1	Terminal	
15	4460891	1	Connector	
16	4460465	2	Terminal	
17	1001187070	1	Ring, Terminal	
18	4460970	1	Connector	
19	4460464	8	Terminal	
20	4460466	4	Plug	
21	4460891	1	Connector	
22	4460465	2	Terminal	
23	4460950	1	Connector	
24	4460464	9	Terminal	
25	4460466	3	Plug	
26	1001144147	1	Connector	
27	4460464	2	Terminal	
28	4460466	1	Plug	
29	1001187079	1	Ring, Terminal	
30	4460955	1	Connector	
31	1001116748	2	Terminal	
32	4460955	1	Connector	
33	1001116748	2	Terminal	
34	1001190322	1	Connector	
35	4461005	2	Terminal	
36	4461054	2	Seal	
37	1001187078	1	Ring, Terminal	
38	1001187079	1	Ring, Terminal	
39	4460955	1	Connector	
40	1001116748	2	Terminal	
41	4460955	1	Connector	
42	1001116748	2	Terminal	
43	4460891	1	Connector	
44	4460465	2	Terminal	
45	4460955	1	Connector	
46	1001116748	2	Terminal	
47	4460955	1	Connector	
48	1001116748	2	Terminal	
49	1001117073	1	Connector	

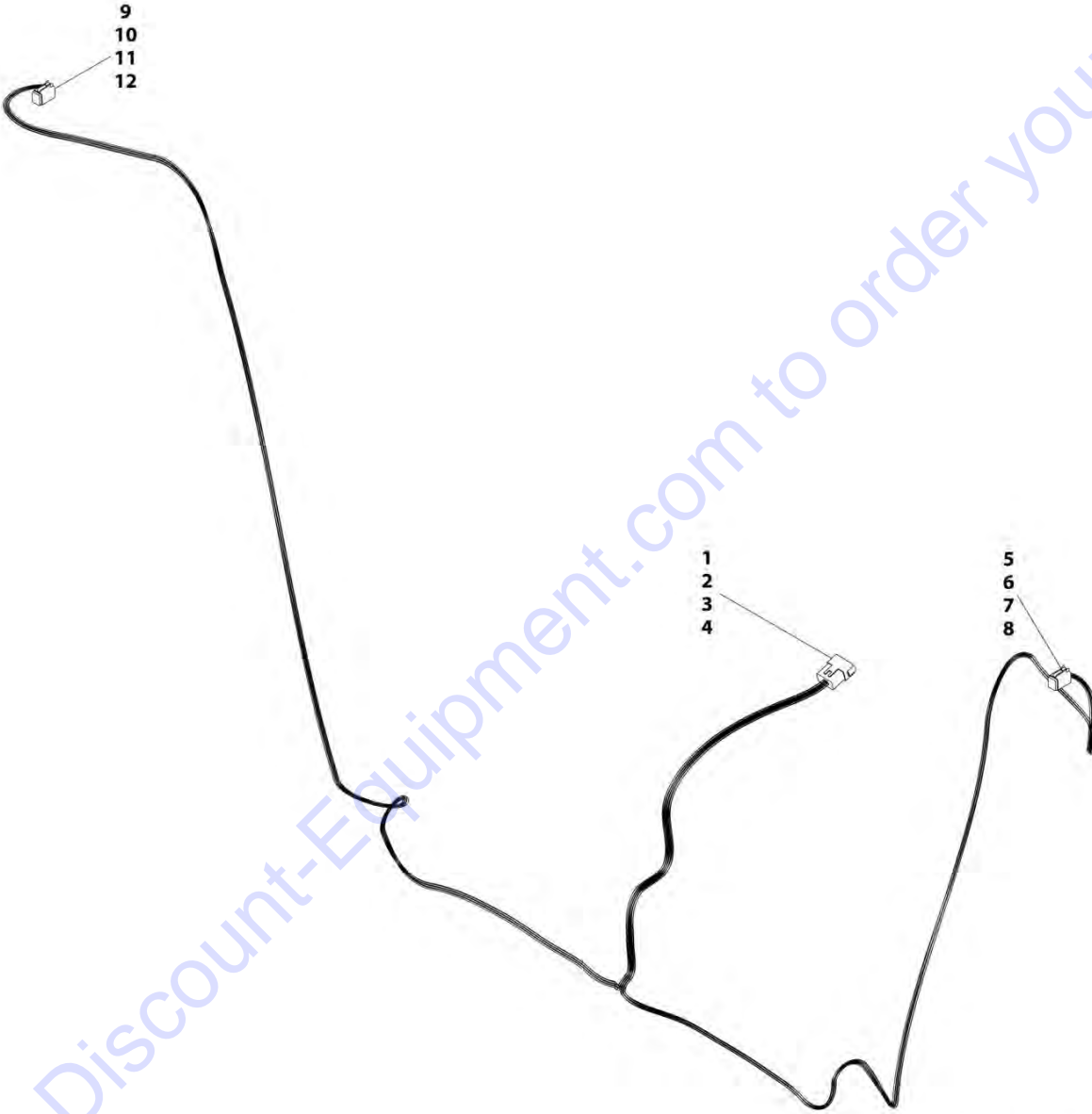
## SECTION 10 - ELECTRICAL

ITEM	PART NUMBER	QTY	DESCRIPTION	REV
50	1001116749	2	Terminal	
51	4460608	2	Seal	
52	1001116950	1	Connector	
53	4460465	2	Terminal	
54	4460933	1	Connector	
55	4460465	8	Terminal	
56	4460466	4	Plug	
57	4461095	1	Connector	
58	4460943	2	Terminal	
59	4460466	1	Plug	
60	1001126349	1	Connector	
61	1001185824	6	Terminal	
62	1001185823	11	Terminal	
63	1001126353	6	Seal	
64	1001126357	4	Plug	
65	1001126356	73	Plug	
66	1001125027	1	Connector	
67	8220124	3	Terminal	
68	4460608	3	Seal	
69	1001197721	1	Connector	
70	1001187070	1	Ring, Terminal	
71	1001117125	1	Terminal, Snap Plug	
72	1001197407	1	Ring, Terminal	



# SECTION 10 - ELECTRICAL

## FIGURE 10-58. FRONT FRAME HEADLIGHT HARNESS



ART\_1001165360-D

**SECTION 10 - ELECTRICAL**

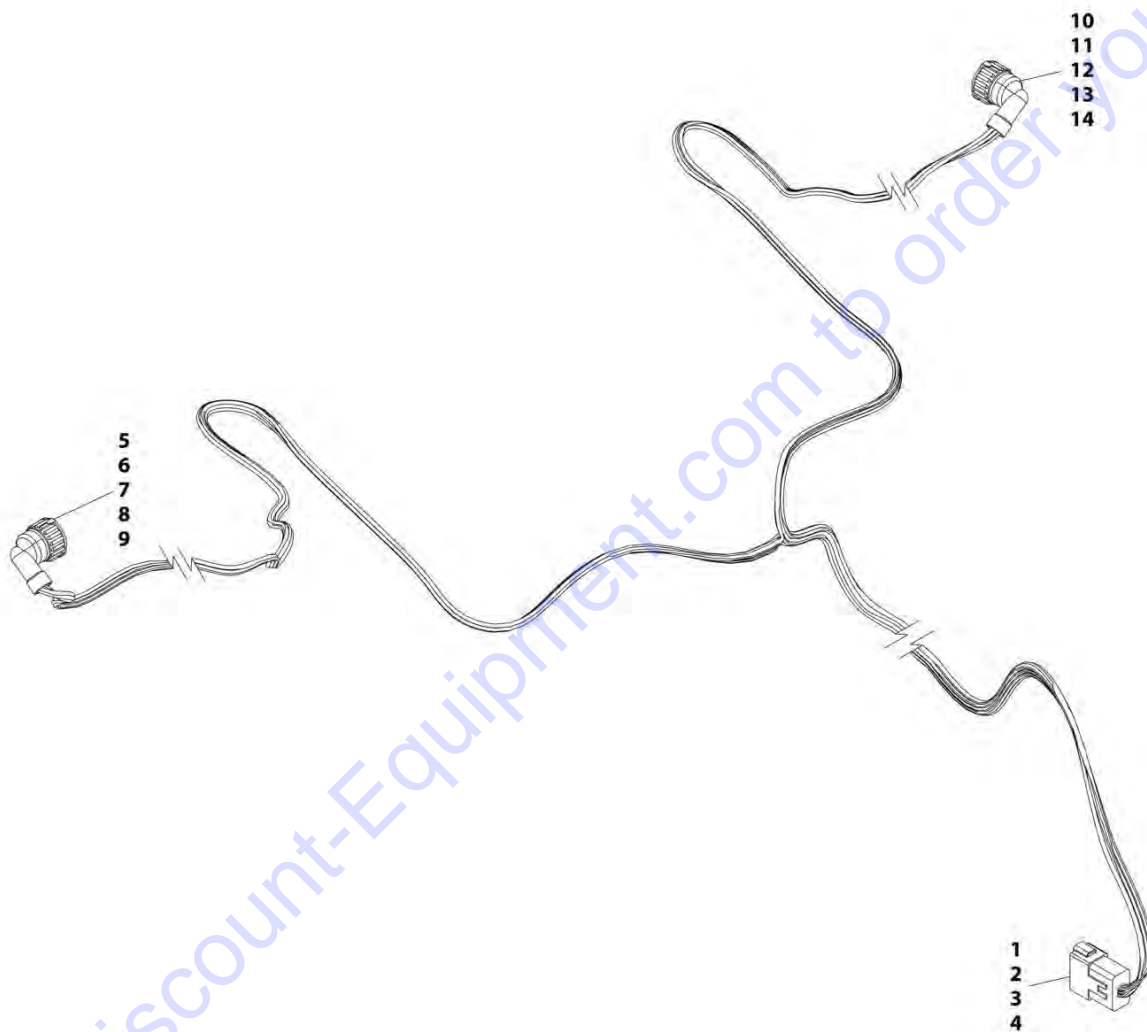
**FIGURE 10-58. FRONT FRAME HEADLIGHT HARNESS**

ITEM	PART NUMBER	QTY	DESCRIPTION	REV
	1001165360	Ref	Front Frame Headlight Harness	D
1	4460970	1	Connector	
2	80363179	1	Lock, Connector	
3	4460941	10	Terminal	
4	4460466	2	Plug	
5	4460894	1	Connector	
6	91504107	1	Lock, Connector	
7	4460942	5	Terminal	
8	4460466	1	Plug	
9	4460894	1	Connector	
10	91504107	1	Lock, Connector	
11	4460942	5	Terminal	
12	4460466	1	Plug	

Go to Discount-Equipment.com to order your parts

# SECTION 10 - ELECTRICAL

## FIGURE 10-59. TAIL LIGHTS HARNESS



ART\_1001165594-E

## SECTION 10 - ELECTRICAL

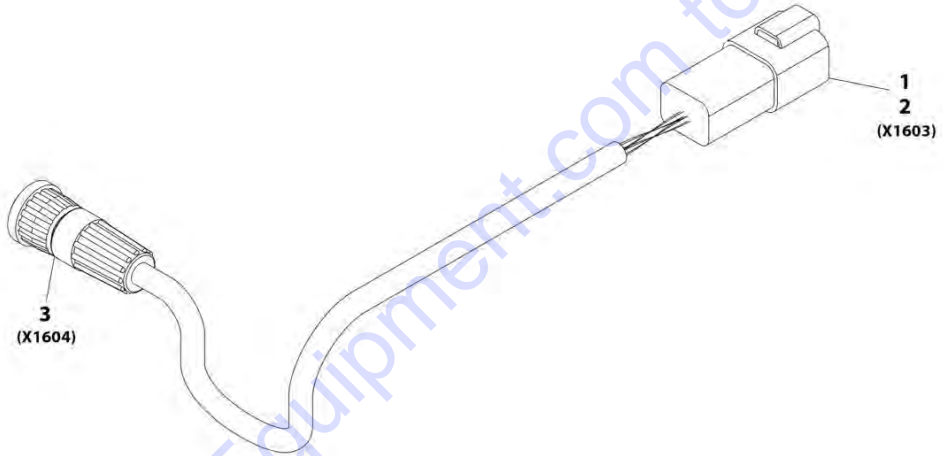
**FIGURE 10-59. TAIL LIGHTS HARNESS**

ITEM	PART NUMBER	QTY	DESCRIPTION	REV
	1001165594	Ref	Tail Lights Harness	E
1	4460970	1	Connector	
2	80363179	1	Connector Lock	
3	4460941	10	Terminal	
4	4460466	2	Plug	
5	1001116996	1	Connector	
6	7028639	1	Cap	
7	1001118392	5	Terminal	
8	828905	5	Terminal Seal	
9	1001116696	2	Plug	
10	1001116996	1	Connector	
11	7028639	1	Cap	
12	1001118392	5	Terminal	
13	828905	5	Terminal Seal	
14	1001116696	2	Plug	

Go to Discount-Equipment.com to order your parts

# SECTION 10 - ELECTRICAL

## FIGURE 10-60. REVERSE SENSOR HARNESS



ART\_1001175776-C



## SECTION 10 - ELECTRICAL

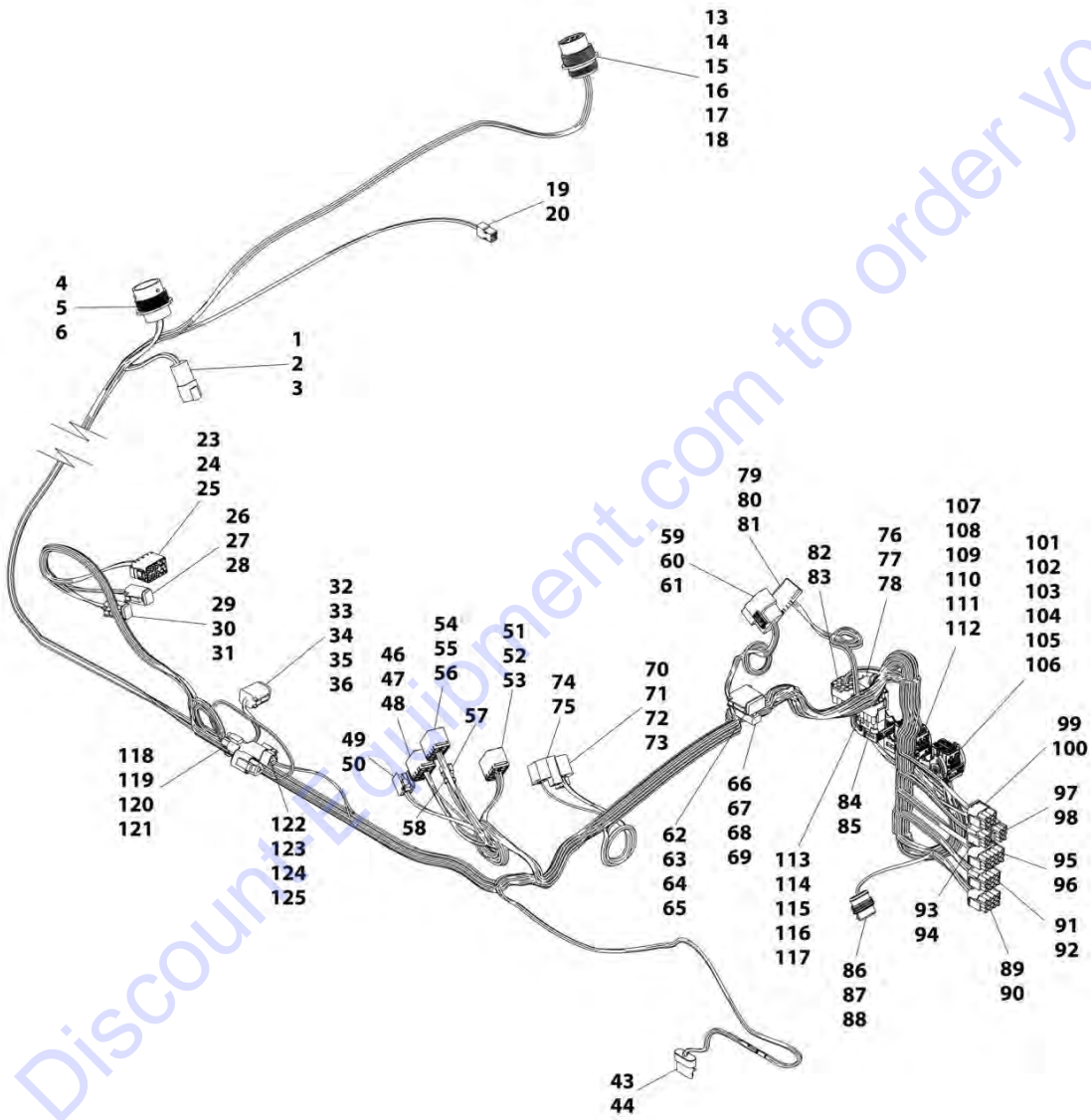
### FIGURE 10-60. REVERSE SENSOR HARNESS

ITEM	PART NUMBER	QTY	DESCRIPTION	REV
	1001175776	Ref	Reverse Sensor Harness	C
1	4460932	1	Connector	
2	4460464	4	Terminal	
3	1001175733	1	Connector	

Go to Discount-Equipment.com to order your parts

# SECTION 10 - ELECTRICAL

## FIGURE 10-61. CAB HARNESS



ART\_1001196451-D

## SECTION 10 - ELECTRICAL

### FIGURE 10-61. CAB HARNESS

ITEM	PART NUMBER	QTY	DESCRIPTION	REV
	1001196451	Ref	Cab Harness	D
1	4460932	1	Connector	
2	80604020	1	Lock, Connector	
3	4460941	4	Terminal	
4	1001201081	1	Connector	
5	4460941	6	Terminal	
6	4460466	8	Plug	
13	1001112612	1	Connector	
14	4460497	1	Nut	
15	4460496	1	Washer, Lock	
16	4460464	3	Terminal	
17	4460943	2	Terminal	
18	4460466	4	Plug	
19	1001116991	1	Connector	
20	1001118384	2	Terminal	
23	1001117081	1	Connector	
24	1001118384	4	Terminal	
25	1001116723	2	Terminal	
26	4460884	1	Connector	
27	80604021	1	Lock, Connector	
28	4460465	4	Terminal	
29	4460884	1	Connector	
30	80604021	1	Lock, Connector	
31	4460465	4	Terminal	
32	4460894	1	Connector	
33	80604023	1	Lock, Connector	
34	4460465	3	Terminal	
35	4460944	2	Terminal	
36	4460466	1	Plug	
43	1001117064	NLA	Connector, (no longer available, use 1001230931 for replacement)	
43	1001230931	1	Connector	
44	91554014	NLA	Terminal, (no longer available, use 1001116748 for replacement)	
44	1001116748	6	Terminal	
46	1001117081	1	Connector	
47	1001116723	6	Terminal	
48	1001118384	1	Terminal	
49	1001118684	1	Connector	
50	1001116754	2	Terminal	
51	1001117081	1	Connector	
52	1001118384	5	Terminal	
53	1001116723	6	Terminal	
54	1001117081	1	Connector	
55	1001118384	2	Terminal	
56	1001116723	4	Terminal	
57	8220051	1	Terminal, Female Blade	
58	8220051	1	Terminal, Female Blade	
59	1001162886	1	Connector	
60	1001162887	7	Terminal	
61	1001163340	13	Plug	
62	4460933	1	Connector	

## SECTION 10 - ELECTRICAL

ITEM	PART NUMBER	QTY	DESCRIPTION	REV
63	80604016	1	Lock, Connector	
64	4460465	9	Terminal	
65	4460466	3	Plug	
66	4460897	1	Connector	
67	80604017	1	Lock, Connector	
68	4460464	1	Terminal	
69	4460466	1	Plug	
70	1001118685	1	Connector	
71	1001116723	2	Terminal	
72	1001118383	1	Terminal	
73	1001118384	1	Terminal	
74	1001117121	1	Connector	
75	1001184841	1	Terminal	
76	4460930	1	Connector	
77	80604025	1	Lock, Connector	
78	4460465	8	Terminal	
79	1001117081	1	Connector	
80	1001118384	2	Terminal	
81	1001116723	4	Terminal	
82	4460343	1	Connector	
83	4460268	8	Terminal	
84	4460434	1	Connector	
85	4460268	14	Terminal	
86	1001103012	1	Connector	
87	1001116697	2	Terminal	
88	1001116698	2	Plug	
89	4460343	1	Connector	
90	4460267	10	Terminal	
91	4460343	1	Connector	
92	4460268	9	Terminal	
93	4460225	1	Connector	
94	4460268	5	Terminal	
95	4460434	1	Connector	
96	4460268	10	Terminal	
97	4460225	1	Connector	
98	4460267	3	Terminal	
99	4460265	1	Connector	
100	4460268	5	Terminal	
101	1001160498	1	Connector	
102	1001161095	22	Terminal	
103	1001161098	5	Terminal	
104	1001161099	1	Terminal	
105	1001161100	2	Plug	
106	1001161101	2	Plug	
107	1001160502	1	Connector	
108	1001161095	17	Terminal	
109	1001161098	5	Terminal	
110	1001161099	1	Terminal	
111	1001161100	23	Plug	
112	1001161101	2	Plug	
113	1001161959	1	Connector	

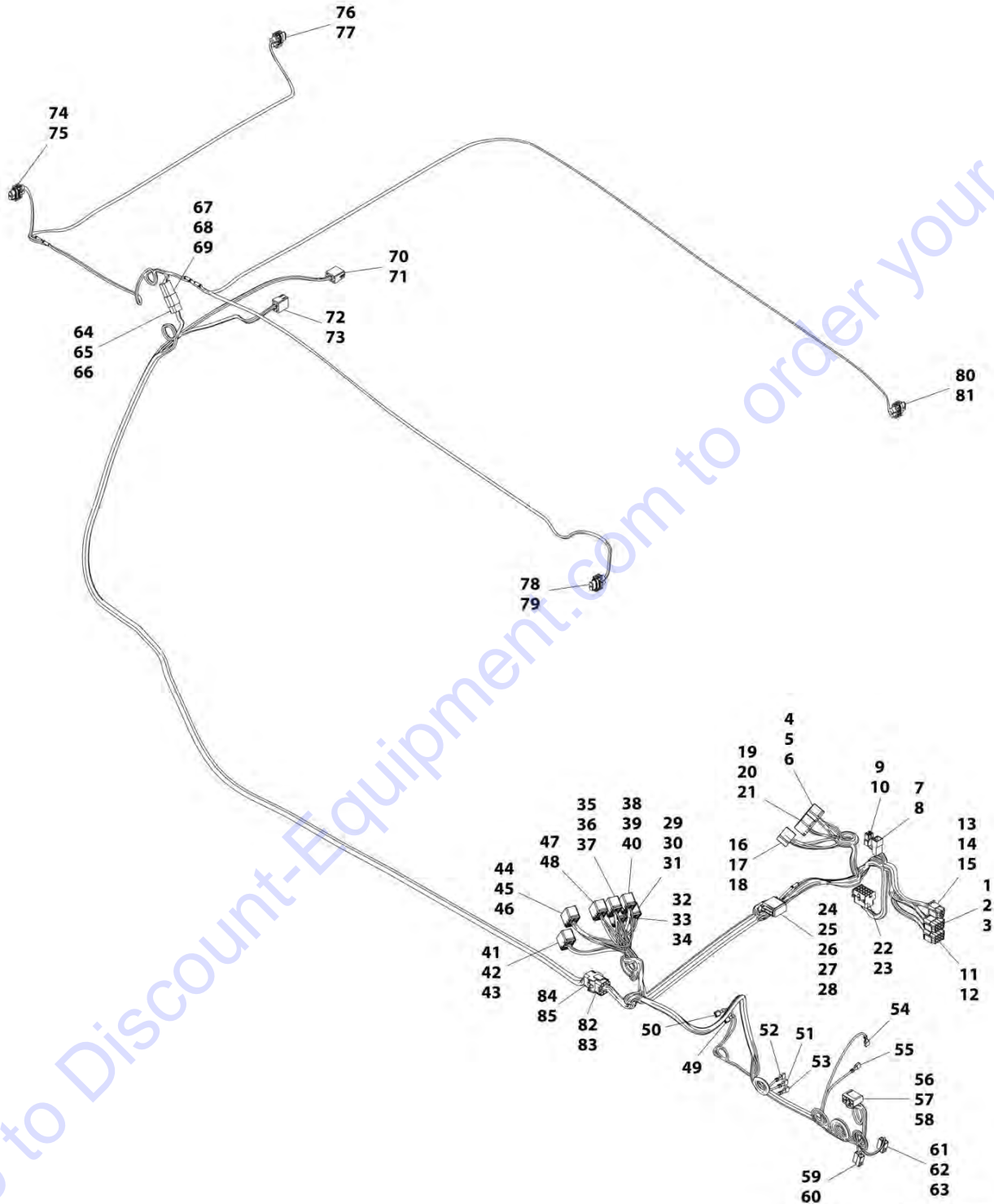
## SECTION 10 - ELECTRICAL

ITEM	PART NUMBER	QTY	DESCRIPTION	REV
114	1001161095	6	Terminal	
115	1001161098	1	Terminal	
116	1001161100	18	Plug	
117	1001161101	7	Plug	
118	1001116812	1	Connector	
119	4460944	2	Terminal	
120	4460466	1	Plug	
121	91554019	1	Lock, Connector	
122	4460539	1	Connector	
123	4460944	2	Terminal	
124	4460466	1	Plug	
125	77363244	1	Lock, Connector	

Go to Discount-Equipment.com to order your parts

# SECTION 10 - ELECTRICAL

## FIGURE 10-62. OPTION 1 CAB HARNESS



ART\_1001163371-F

## SECTION 10 - ELECTRICAL

### FIGURE 10-62. OPTION 1 CAB HARNESS

ITEM	PART NUMBER	QTY	DESCRIPTION	REV
	1001163371	Ref	Option 1 Cab Harness	F
1	4460343	1	Connector	
2	4460268	10	Terminal	
3	4460906	1	Terminal	
4	1001117081	1	Connector	
5	1001116723	6	Terminal	
6	1001118384	1	Terminal	
7	1001116999	1	Connector	
8	1001116700	4	Terminal	
9	1001116991	1	Connector	
10	1001118384	2	Terminal	
11	4460343	1	Connector	
12	4460267	6	Terminal	
13	4460225	1	Connector	
14	4460267	5	Terminal	
15	4460705	1	Terminal	
16	1001173411	1	Connector	
17	1001116716	4	Terminal	
18	1001104519	3	Terminal	
19	1001117081	1	Connector	
20	1001118384	2	Terminal	
21	1001116723	4	Terminal	
22	4460708	1	Connector	
23	4460267	14	Terminal	
24	4460836	1	Connector	
25	4460942	3	Terminal	
26	4460465	8	Terminal	
27	1001157890	1	Terminal	
28	80604016	1	Lock, Connector	
29	1001117081	1	Connector	
30	1001118384	4	Terminal	
31	1001116723	6	Terminal	
32	1001117081	1	Connector	
33	1001118384	3	Terminal	
34	1001116723	4	Terminal	
35	1001117081	1	Connector	
36	1001118384	2	Terminal	
37	1001116723	4	Terminal	
38	1001117081	1	Connector	
39	1001118384	2	Terminal	
40	1001116723	4	Terminal	
41	1001117081	1	Connector	
42	1001116723	8	Terminal	
43	1001118384	2	Terminal	
44	1001117079	1	Connector	
45	1001116723	6	Terminal	
46	1001118384	2	Terminal	
47	1001117081	1	Connector	
48	1001118384	4	Terminal	
49	8220051	1	Female Blade Coupler	

## SECTION 10 - ELECTRICAL

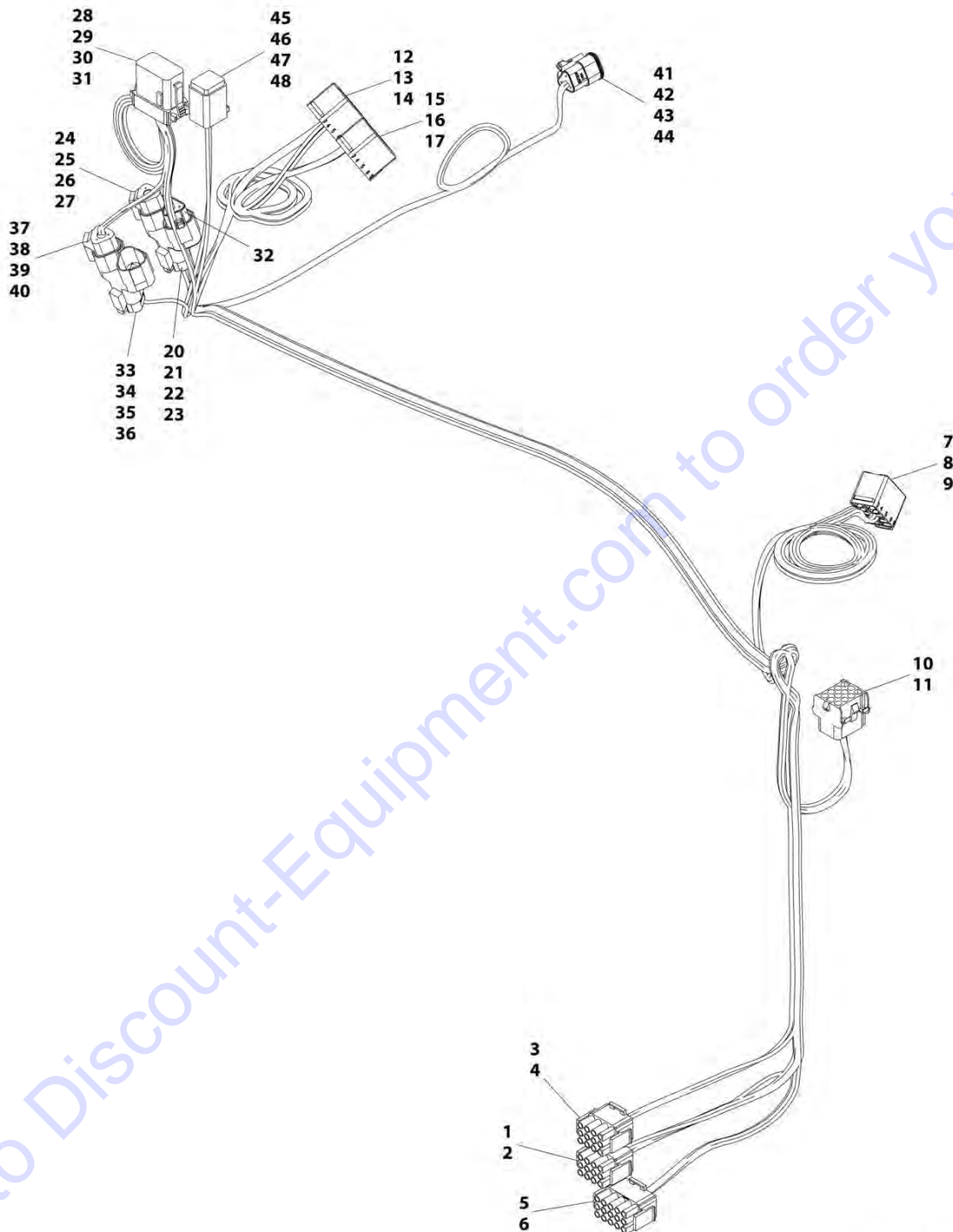
ITEM	PART NUMBER	QTY	DESCRIPTION	REV
50	8220051	1	Female Blade Coupler	
51	8220051	1	Female Blade Coupler	
52	8220051	1	Female Blade Coupler	
53	8220051	1	Female Blade Coupler	
54	8220051	1	Female Blade Coupler	
55	8220051	1	Female Blade Coupler	
56	1001116997	1	Connector	
57	1001118384	4	Terminal	
58	1001116723	1	Terminal	
59	4460994	1	Connector	
60	1001118384	2	Terminal	
61	4460994	1	Connector	
62	1001118384	1	Terminal	
63	1001116723	2	Terminal	
64	4460884	1	Connector	
65	4460942	4	Terminal	
66	80604021	1	Lock, Connector	
67	4460932	1	Connector	
68	4460941	4	Terminal	
69	80604021	1	Lock, Connector	
70	1001116986	1	Connector	
71	1001118384	4	Terminal	
72	1001116986	1	Connector	
73	1001118384	4	Terminal	
74	4461115	1	Connector	
75	1001116747	2	Terminal	
76	4461115	1	Connector	
77	1001116747	2	Terminal	
78	4461115	1	Connector	
79	1001116747	2	Terminal	
80	4461115	1	Connector	
81	1001116747	2	Terminal	
82	4460343	1	Connector	
83	4460268	12	Terminal	
84	4460367	1	Connector	
85	4460267	12	Terminal	





# SECTION 10 - ELECTRICAL

## FIGURE 10-63. OPTION 2 CAB HARNESS



ART\_1001163372-E

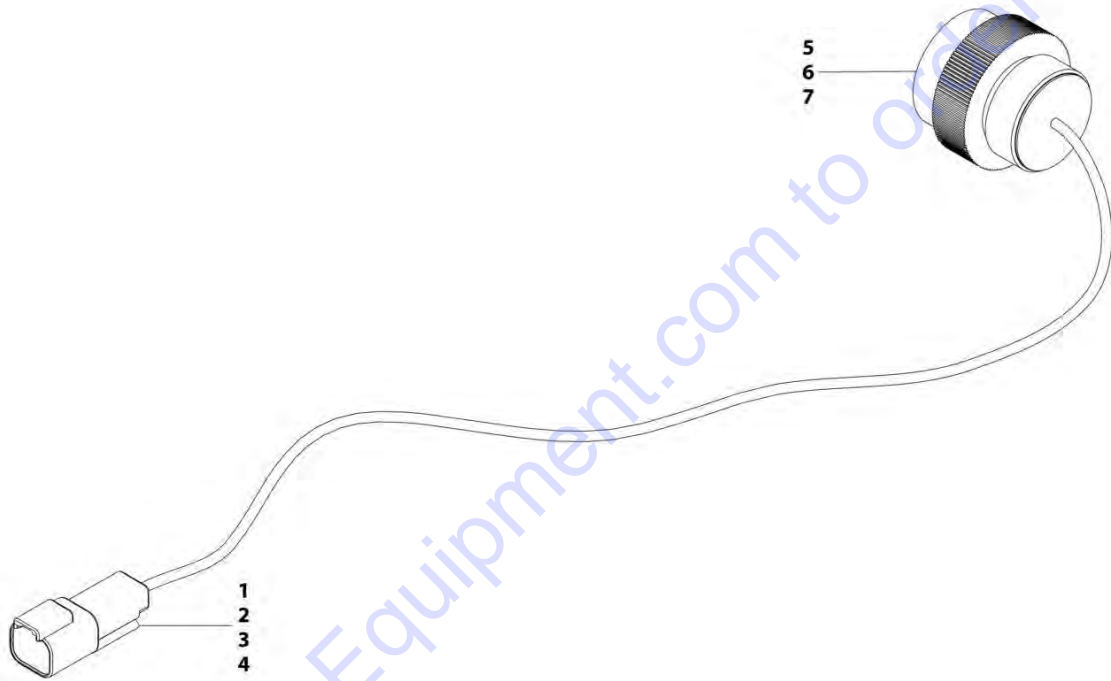
## SECTION 10 - ELECTRICAL

### FIGURE 10-63. OPTION 2 CAB HARNESS

ITEM	PART NUMBER	QTY	DESCRIPTION	REV
	1001163372	Ref	Option 2 Cab Harness	E
1	4460343	1	Connector	
2	4460268	5	Terminal	
3	4460343	1	Connector	
4	4460267	2	Terminal	
5	4460434	1	Connector	
6	4460268	4	Terminal	
7	1001117081	1	Connector	
8	1001116723	6	Terminal	
9	1001118384	1	Terminal	
10	4460367	1	Connector	
11	4460267	6	Terminal	
12	1001117081	1	Connector	
13	1001118384	2	Terminal	
14	1001116723	4	Terminal	
15	1001117081	1	Connector	
16	1001118384	3	Terminal	
17	1001116723	2	Terminal	
20	1001116812	1	Connector	
21	4460944	2	Terminal	
22	4460466	1	Plug	
23	91554019	1	Lock, Connector	
24	4460539	1	Connector	
25	77363244	1	Wedge Lock	
26	4460466	1	Plug	
27	4460944	2	Terminal	
28	1001176333	1	Connector	
29	4460944	4	Terminal	
30	4460466	11	Plug	
31	4460465	3	Terminal	
32	1001116815	1	Connector	
33	1001116812	1	Connector	
34	4460944	2	Terminal	
35	4460466	1	Plug	
36	91554019	1	Lock, Connector	
37	4460539	1	Connector	
38	77363244	1	Wedge Lock	
39	4460466	1	Plug	
40	4460944	2	Terminal	
41	1001116812	1	Connector	
42	4460944	2	Terminal	
43	4460466	1	Plug	
44	91554019	1	Lock, Connector	
45	4460930	1	Connector	
46	4460466	6	Plug	
47	4460465	2	Terminal	
48	80604025	1	Lock, Connector	

# SECTION 10 - ELECTRICAL

## FIGURE 10-64. CAB OPTION HARNESS



ART\_1001181573-B

## SECTION 10 - ELECTRICAL

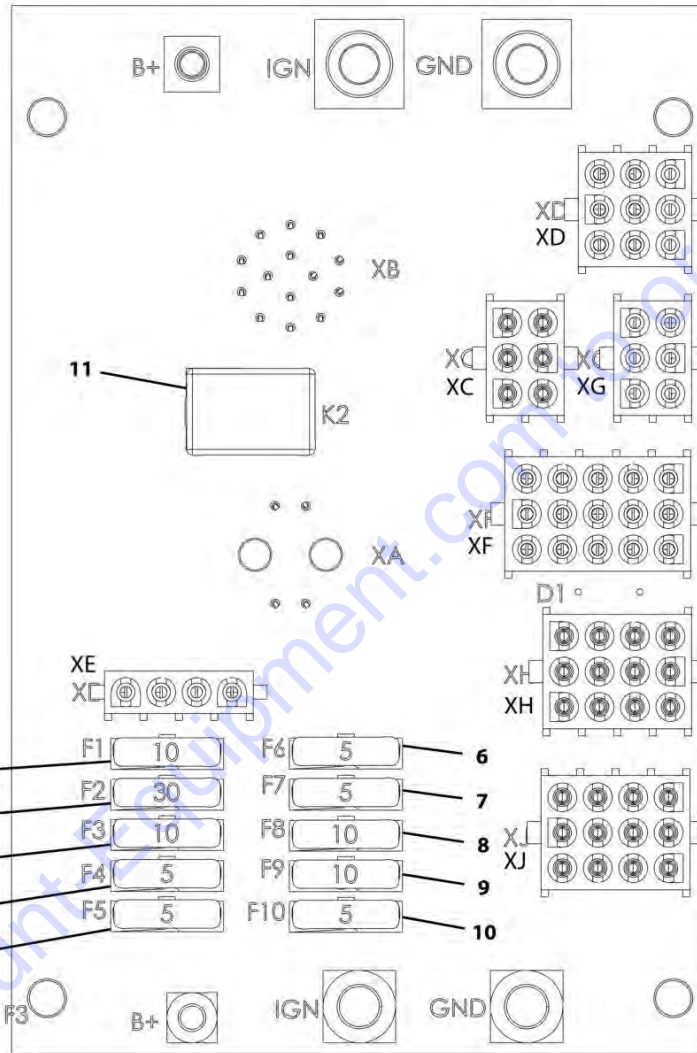
### FIGURE 10-64. CAB OPTION HARNESS

ITEM	PART NUMBER	QTY	DESCRIPTION	REV
	1001181573	Ref	Cab Option Harness	B
1	4460897	1	Connector	
2	4460941	1	Terminal	
3	4460466	1	Seal	
4	80604017	1	Wedge Lock	
5	4461015	1	Connector	
6	4460466	13	Plug	
7	4460942	1	Terminal	

Go to Discount-Equipment.com to order your parts

# SECTION 10 - ELECTRICAL

FIGURE 10-65. STANDARD ELECTRICAL BOARD ASSEMBLY



ART\_1001161769-C

## SECTION 10 - ELECTRICAL

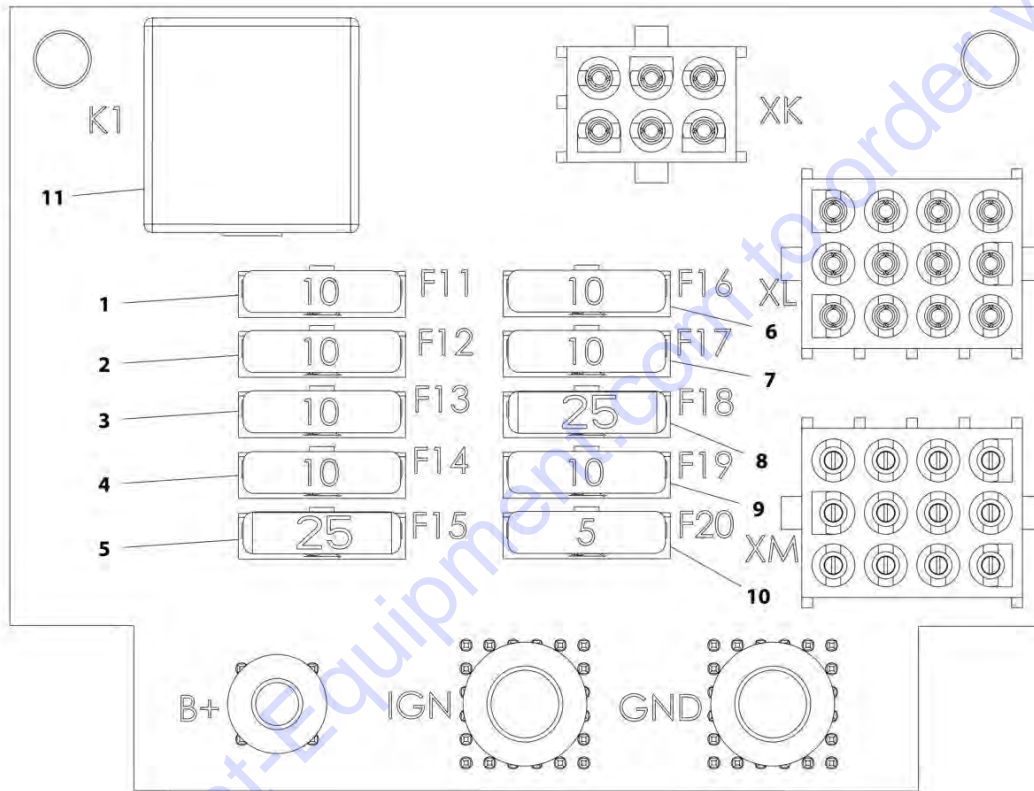
FIGURE 10-65. STANDARD ELECTRICAL BOARD ASSEMBLY

ITEM	PART NUMBER	QTY	DESCRIPTION	REV
	1001161769	Ref	Standard Electrical Board Assembly	C
1	80983191	1	Fuse, 10amp	
2	8229245	1	Fuse, 30amp	
3	80983191	1	FUSE, 10amp	
4	8229242	1	Fuse, 5amp	
5	8229242	1	Fuse, 5amp	
6	8229242	1	Fuse, 5amp	
7	8229242	1	Fuse, 5amp	
8	80983191	1	Fuse, 10amp	
9	80983191	1	Fuse, 10amp	
10	8229242	1	Fuse, 5amp	
11	70026292	1	Relay, Micro, 35amp	

Go to Discount-Equipment.com to order your parts

# SECTION 10 - ELECTRICAL

## FIGURE 10-66. OPTION 1 ELECTRICAL BOARD ASSEMBLY



ART\_1001161770-C



## SECTION 10 - ELECTRICAL

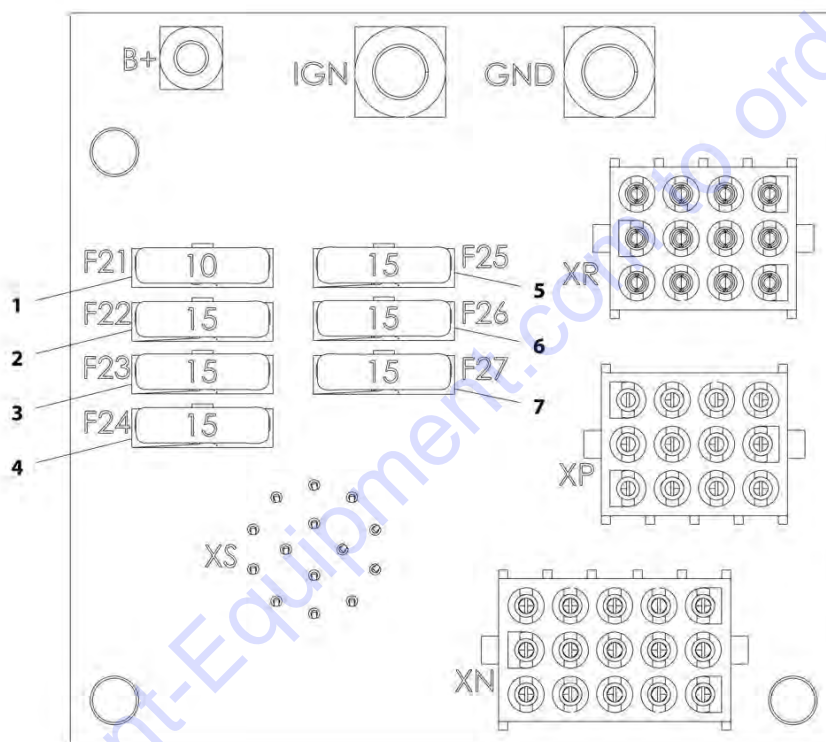
### FIGURE 10-66. OPTION 1 ELECTRICAL BOARD ASSEMBLY

ITEM	PART NUMBER	QTY	DESCRIPTION	REV
	1001161770	Ref	Option 1 Electrical Board Assembly	C
1	80983191	1	Fuse, 10amp	
2	80983191	1	Fuse, 10amp	
3	80983191	1	Fuse, 10amp	
4	80983191	1	Fuse, 10amp	
5	8229247	1	Fuse, 25amp	
6	80983191	1	Fuse, 10amp	
7	80983191	1	Fuse, 10amp	
8	8229247	1	Fuse, 25amp	
9	80983191	1	Fuse, 10amp	
10	8229242	1	Fuse, 5amp	
11	70026293	1	Relay, Mini, 50amp	

Go to Discount-Equipment.com to order your parts

# SECTION 10 - ELECTRICAL

## FIGURE 10-67. OPTION 2 ELECTRICAL BOARD ASSEMBLY



ART\_1001161771-B

## SECTION 10 - ELECTRICAL

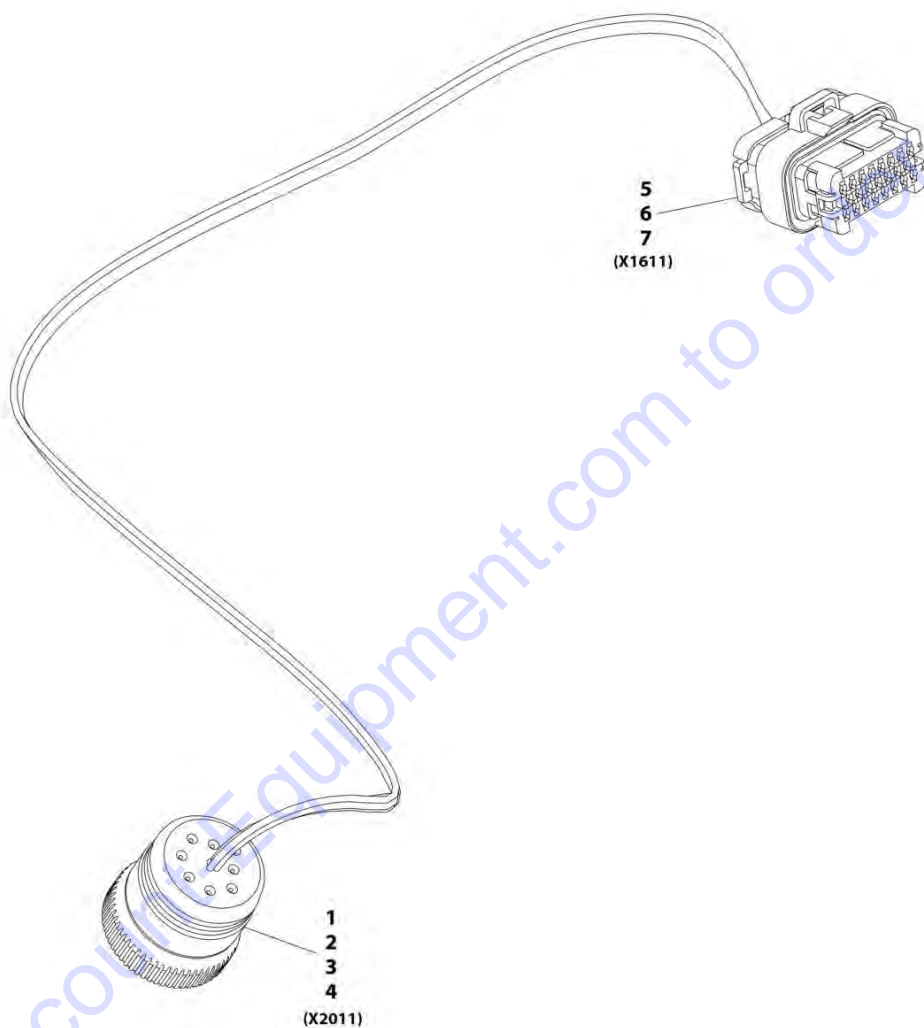
### FIGURE 10-67. OPTION 2 ELECTRICAL BOARD ASSEMBLY

ITEM	PART NUMBER	QTY	DESCRIPTION	REV
	1001161771	Ref	Option 2 Electrical Board Assembly	B
1	80983191	1	Fuse, 10amp	
2	8229244	1	Fuse, 15amp	
3	8229244	1	Fuse, 15amp	
4	8229244	1	Fuse, 15amp	
5	8229244	1	Fuse, 15amp	
6	8229244	1	Fuse, 15amp	
7	8229244	1	Fuse, 15amp	

Go to Discount-Equipment.com to order your parts

# SECTION 10 - ELECTRICAL

FIGURE 10-68. CLEARSKY HARNESS (Prior to SN 0160082543)



ART\_1001196452-A

## SECTION 10 - ELECTRICAL

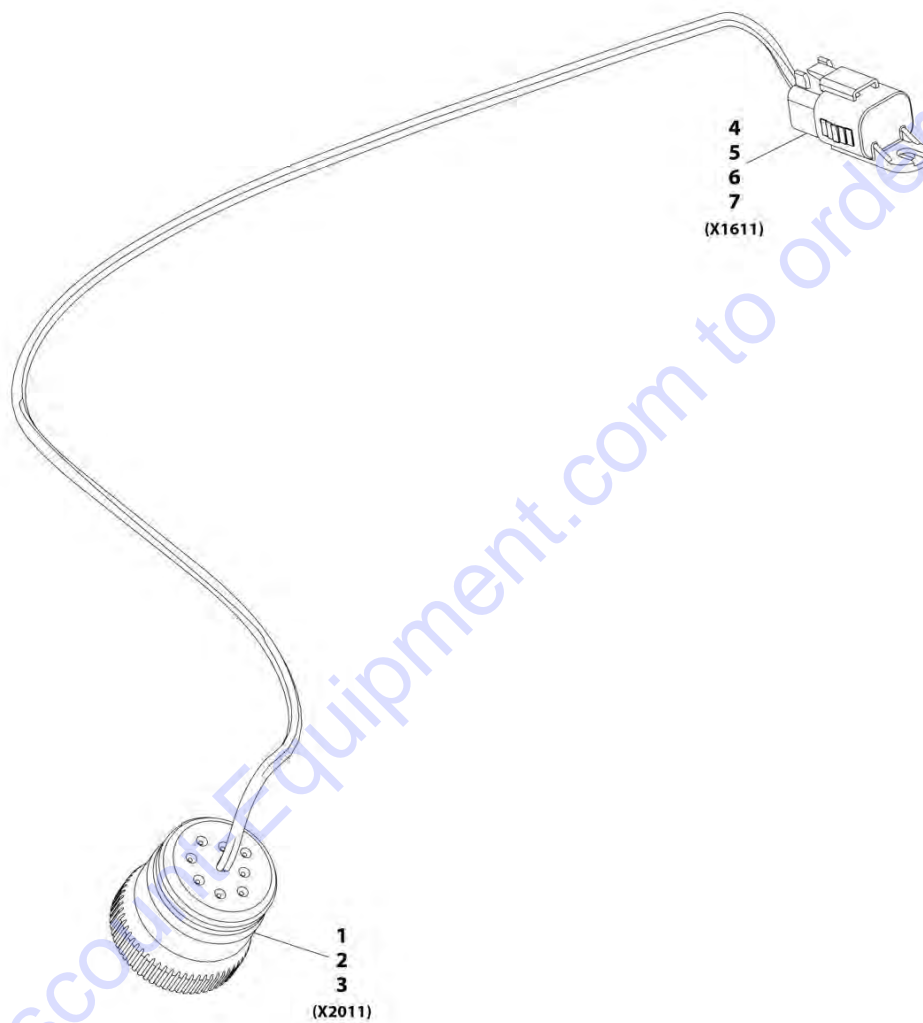
**FIGURE 10-68. CLEARSKY HARNESS (Prior to SN 0160082543)**

ITEM	PART NUMBER	QTY	DESCRIPTION	REV
	1001196452	Ref	Clearsky Harness	A
1	1001112796	1	Connector	
2	4460465	3	Terminal	
3	4460944	2	Terminal	
4	4460466	4	Plug	
5	1001116994	1	Connector	
6	4460871	5	Terminal	
7	4460905	18	Plug	

Go to Discount-Equipment.com to order your parts

# SECTION 10 - ELECTRICAL

## FIGURE 10-69. TELEMATICS READY HARNESS



ART\_1001196289-A

## SECTION 10 - ELECTRICAL

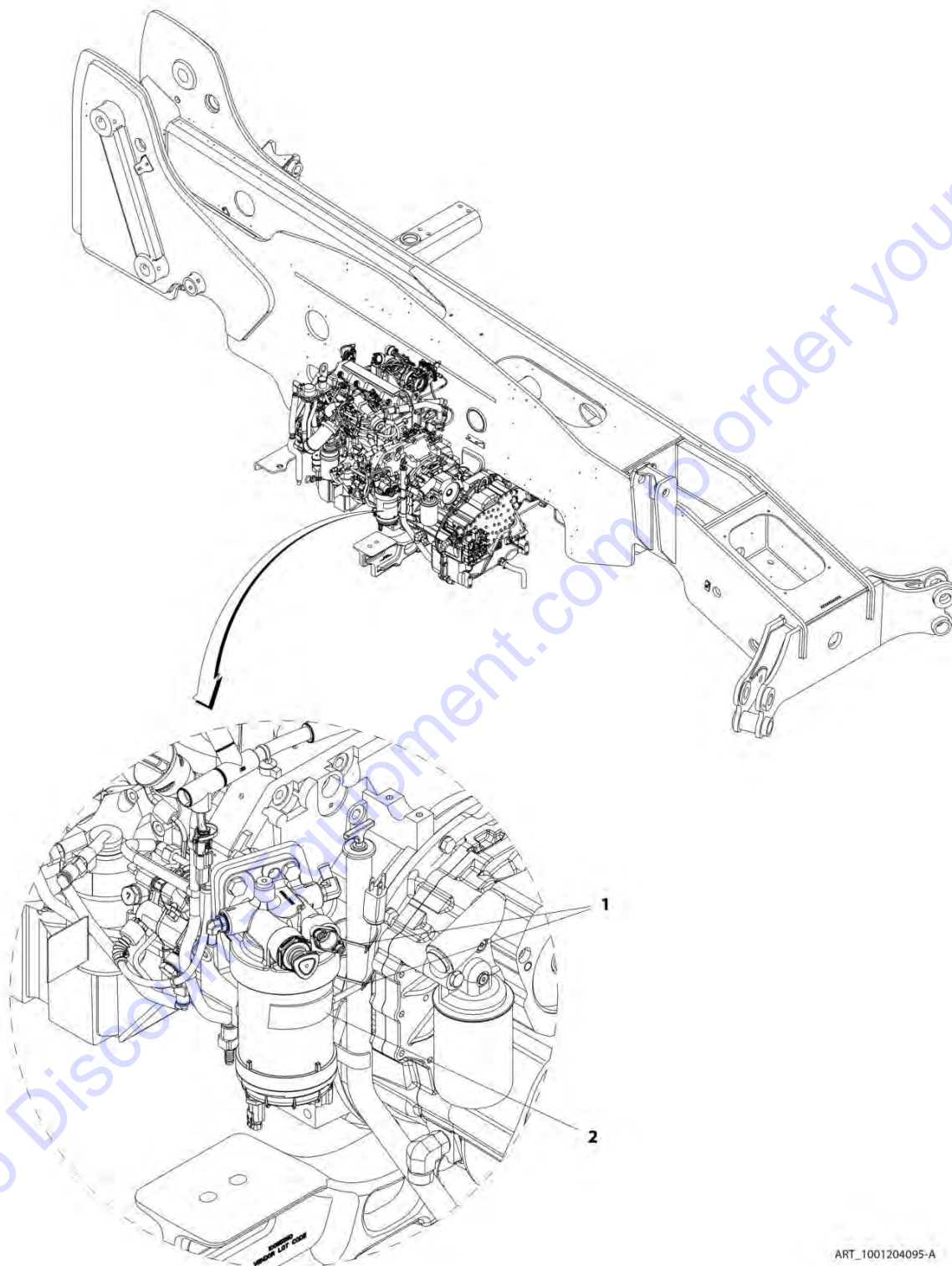
### FIGURE 10-69. TELEMATICS READY HARNESS

ITEM	PART NUMBER	QTY	DESCRIPTION	REV
	1001196289	Ref	Telematics Ready Harness	A
1	1001112796	1	Connector	
2	4460465	3	Terminal	
3	4460466	6	Plug	
4	4460884	1	Connector	
5	4460465	3	Terminal	
6	4460466	1	Plug	
7	80604021	1	Lock, Connector	

Go to Discount-Equipment.com to order your parts

# SECTION 10 - ELECTRICAL

## FIGURE 10-70. FUEL FILTER HEATER INSTALLATION



ART\_1001204095-A



## SECTION 10 - ELECTRICAL

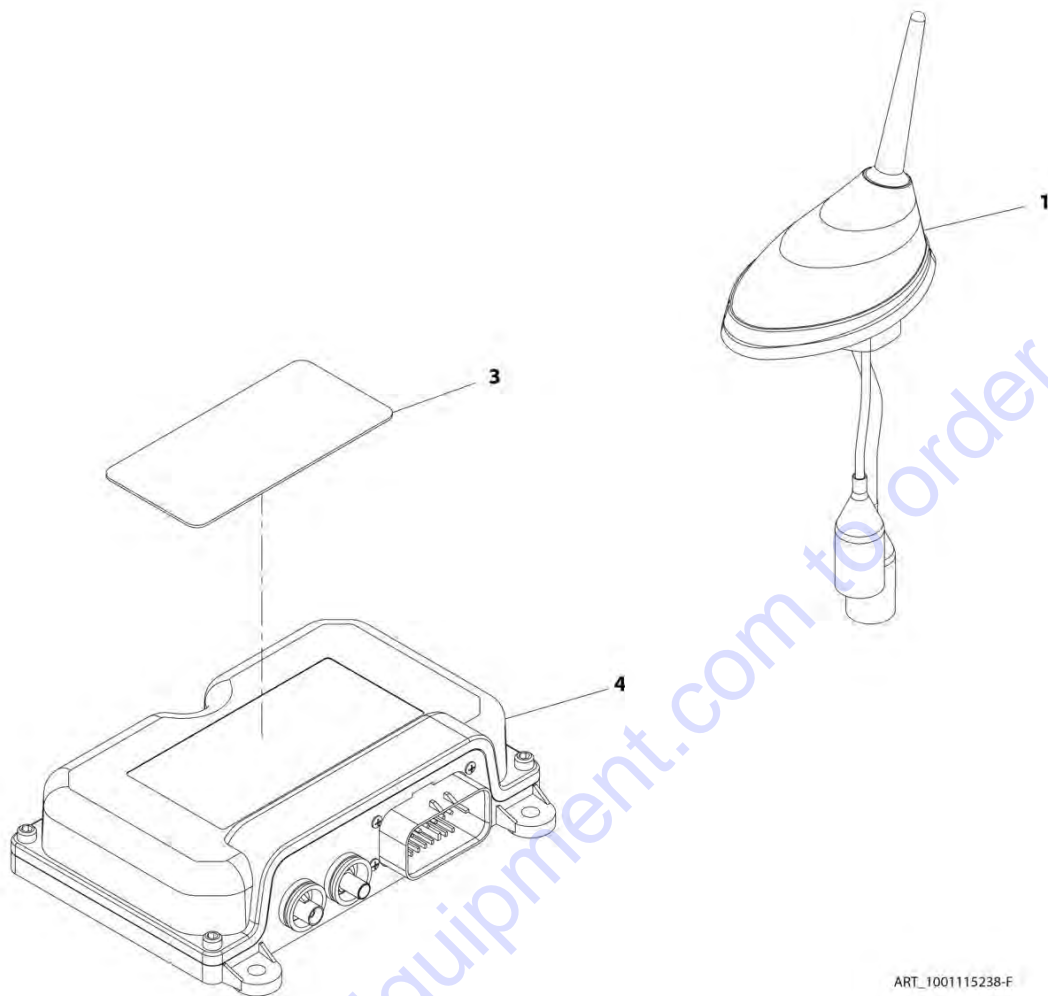
### FIGURE 10-70. FUEL FILTER HEATER INSTALLATION

ITEM	PART NUMBER	QTY	DESCRIPTION	REV
	1001204095	Ref	Fuel Filter Heater Installation	A
1	4240099	2	Tie, Wire	
2	1001202498	1	Fuel Filter Head Heater	

Go to Discount-Equipment.com to order your parts

# SECTION 10 - ELECTRICAL

FIGURE 10-71. CLEARSKY CONTROLLER (US) (Prior to SN 0160082543)



ART\_1001115238-F

## SECTION 10 - ELECTRICAL

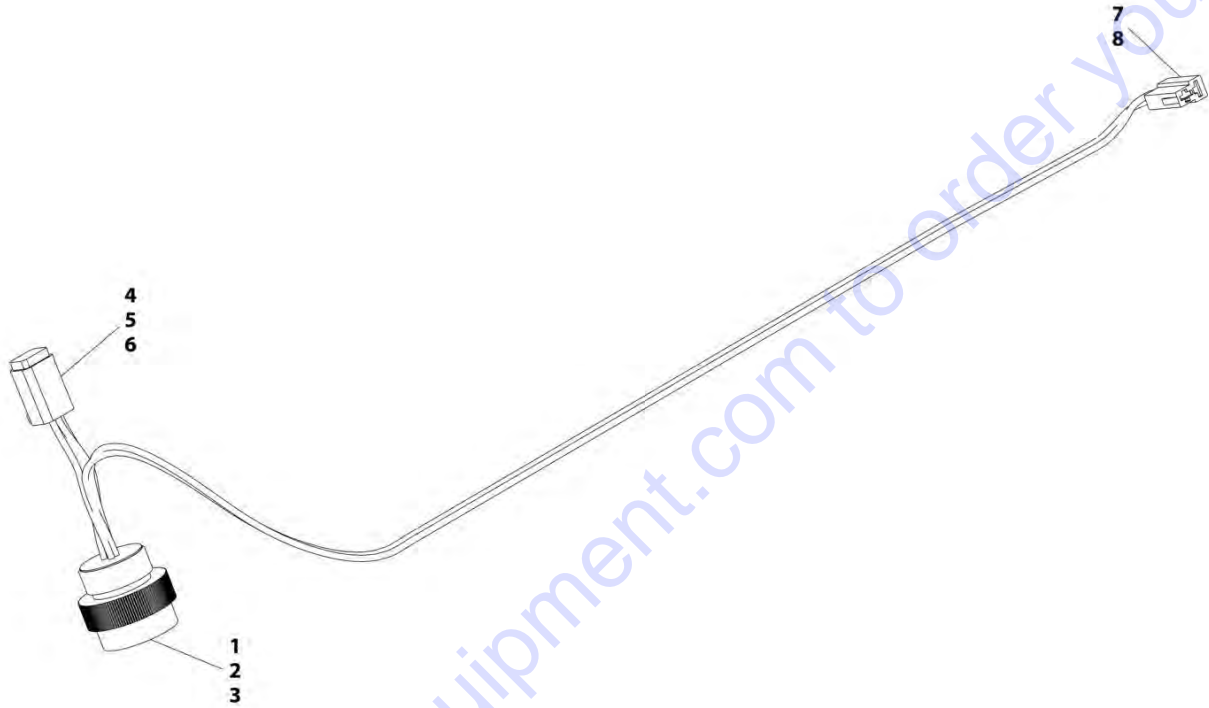
**FIGURE 10-71. CLEARSKY CONTROLLER (US) (Prior to SN 0160082543)**

ITEM	PART NUMBER	QTY	DESCRIPTION	REV
	1001115238	Ref	Clearsky Controller (US) (If equipped)	F
1	1001100443	1	Antenna	
2	1001140321	1	Software	
3	1001140322	1	Decal	
4	1001151032	1	Controller	

Go to Discount-Equipment.com to order your parts

# SECTION 10 - ELECTRICAL

## FIGURE 10-72. ROOF PIGTAIL HARNESS



ART\_1001202132-A

## SECTION 10 - ELECTRICAL

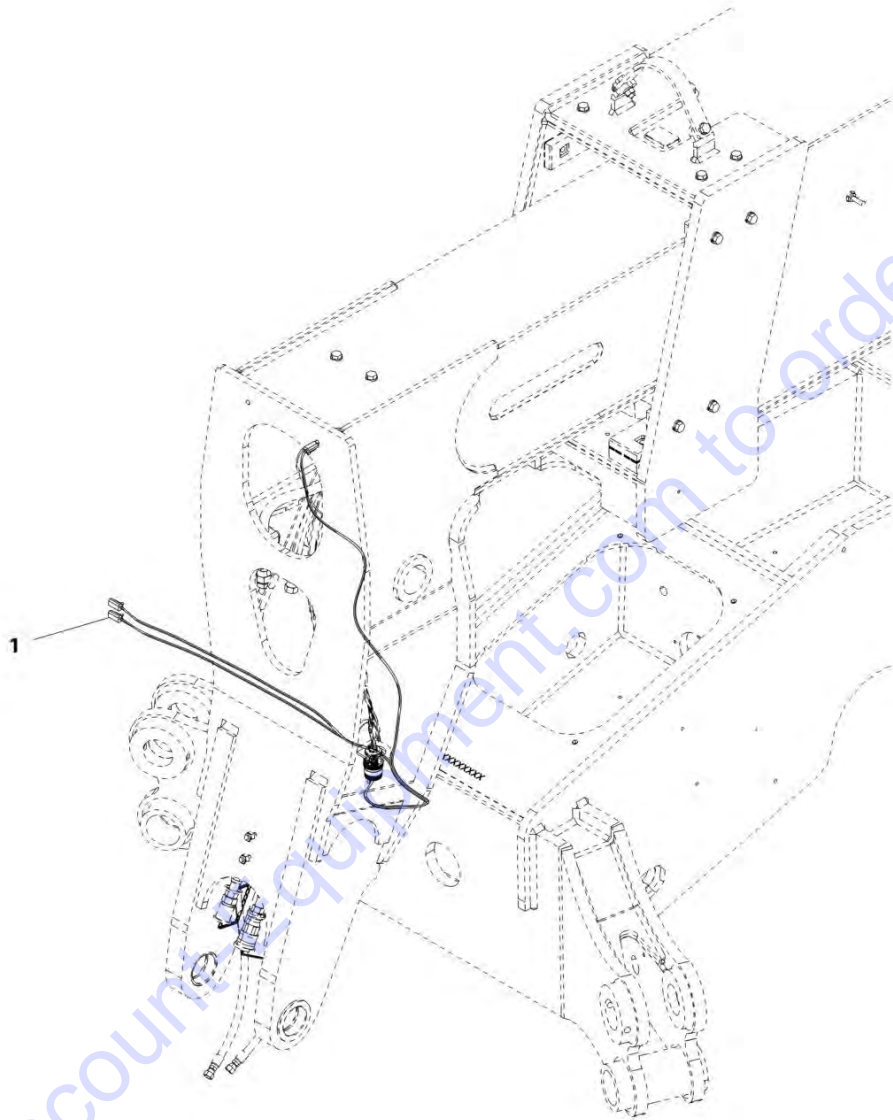
### FIGURE 10-72. ROOF PIGTAIL HARNESS

ITEM	PART NUMBER	QTY	DESCRIPTION	REV
	1001202132	Ref	Roof Pigtail Harness	A
1	1001201080	1	Connector	
2	4460942	6	Terminal	
3	4460466	8	Plug	
4	4460884	1	Connector	
5	4460942	4	Terminal	
6	80604021	1	Wedge Lock	
7	4460994	1	Connector	
8	1001118384	1	Terminal	

Go to Discount-Equipment.com to order your parts

**SECTION 10 - ELECTRICAL**

**FIGURE 10-73. BOOM AUXILIARY ELECTRIC HARNESS INSTALLATION**



ART\_1001167799-A

## SECTION 10 - ELECTRICAL

**FIGURE 10-73. BOOM AUXILIARY ELECTRIC HARNESS INSTALLATION**

ITEM	PART NUMBER	QTY	DESCRIPTION	REV
1	1001167799 1001167695	Ref 1	Boom Auxiliary Electric Harness Installation Harness, Platform (See Separate Breakdown in this Section)	A

Go to Discount-Equipment.com to order your parts

# SECTION 10 - ELECTRICAL

## FIGURE 10-74. PLATFORM HARNESS



ART\_1001167695-C



## SECTION 10 - ELECTRICAL

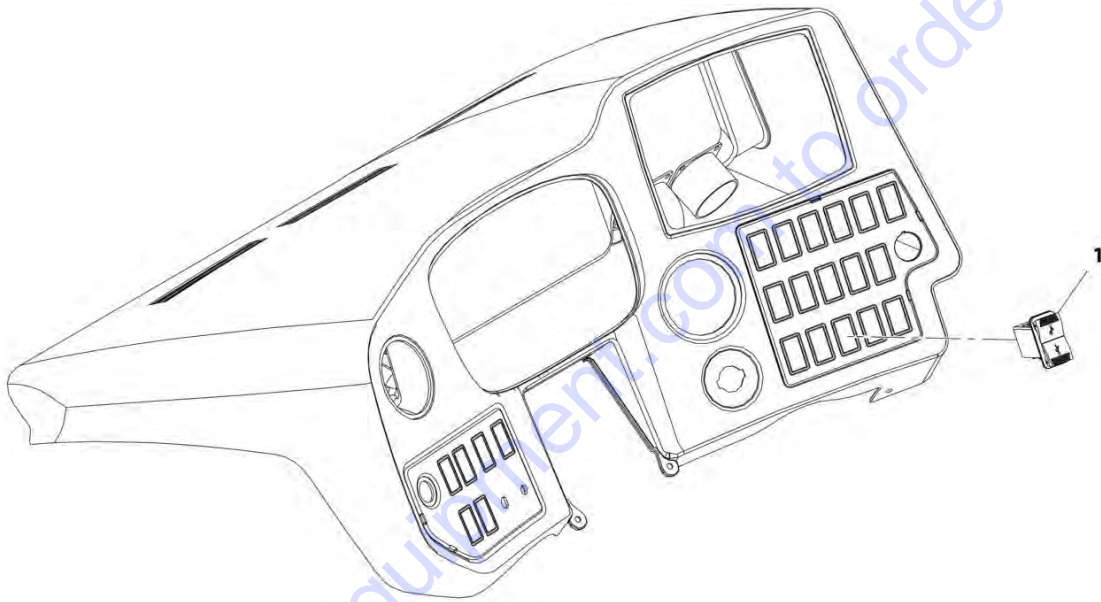
### FIGURE 10-74. PLATFORM HARNESS

ITEM	PART NUMBER	QTY	DESCRIPTION	REV
	1001167695	Ref	Platform Harness	C
1	1001112796	1	Connector	
2	4460466	5	Terminal	
3	4460465	4	Terminal	
4	4460891	3	Connector, (includes rear seal)	
5	4460465	2	Terminal	
6	80604018	3	Lock, Connector	
7	1001155806	3	Cap, Dust	

Go to Discount-Equipment.com to order your parts

# SECTION 10 - ELECTRICAL

## FIGURE 10-75. USB CHARGER INSTALLATION



ART\_1001200152-A

## SECTION 10 - ELECTRICAL

### FIGURE 10-75. USB CHARGER INSTALLATION

ITEM	PART NUMBER	QTY	DESCRIPTION	REV
1	1001200152	Ref	USB Charger Installation	A
	1001174712	1	USB Charger Assembly	

Go to Discount-Equipment.com to order your parts

# SECTION 10 - ELECTRICAL

## FIGURE 10-76. COMMUNICATION ANALYZER HARNESS



ART\_1001213988-A

## SECTION 10 - ELECTRICAL

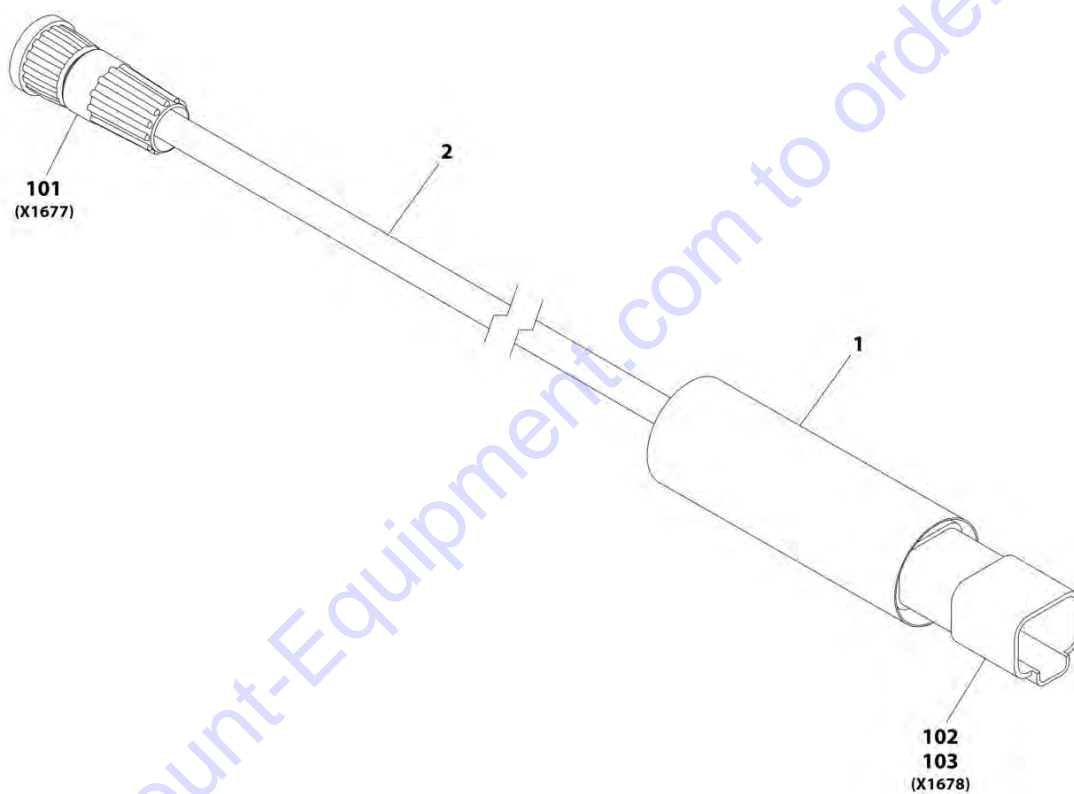
**FIGURE 10-76. COMMUNICATION ANALYZER HARNESS**

ITEM	PART NUMBER	QTY	DESCRIPTION	REV
	1001213988	Ref	Communication Analyzer Harness	A
1	4460321	1	Connector	
2	4460268	4	Terminal	
3	4460761	1	Connector	
4	4460267	4	Terminal	

Go to Discount-Equipment.com to order your parts

# SECTION 10 - ELECTRICAL

## FIGURE 10-77. TELEMATICS HARNESS



ART\_1001227066-A

## SECTION 10 - ELECTRICAL

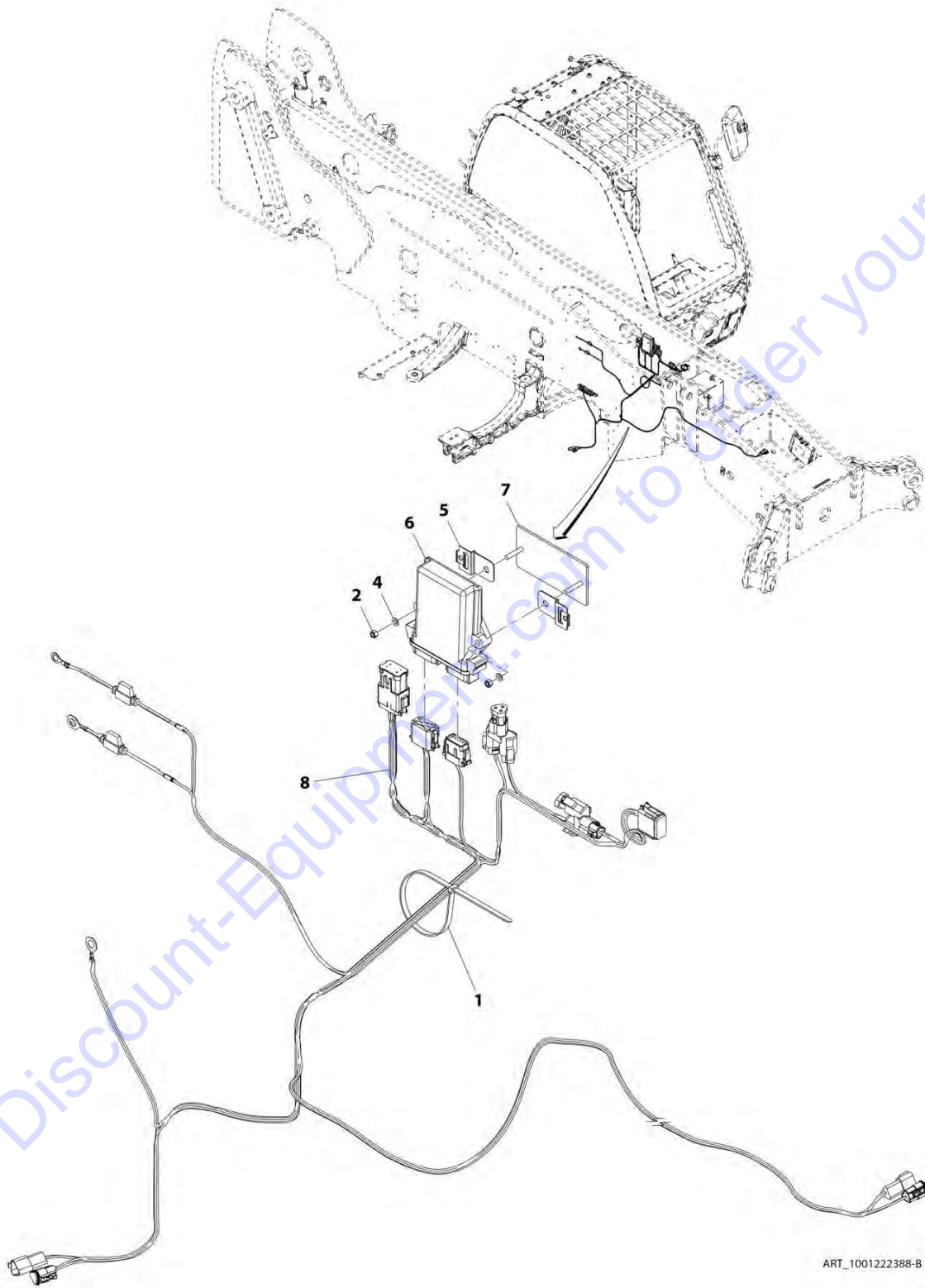
### FIGURE 10-77. TELEMATICS HARNESS

ITEM	PART NUMBER	QTY	DESCRIPTION	REV
	1001227066	Ref	Telematics Harness	A
1	1001226400	0.33 ft	Insulate, Heat Shrink	
2	1001227068	3.3 ft	Cable	
101	1001227266	1	Connector	
102	1001129407	1	Connector	
103	4460464	4	Terminal	

Go to Discount-Equipment.com to order your parts

# SECTION 10 - ELECTRICAL

FIGURE 10-78. CANBUS TELEMATICS INSTALLATION (SN 0160082543 to Present)





## SECTION 10 - ELECTRICAL

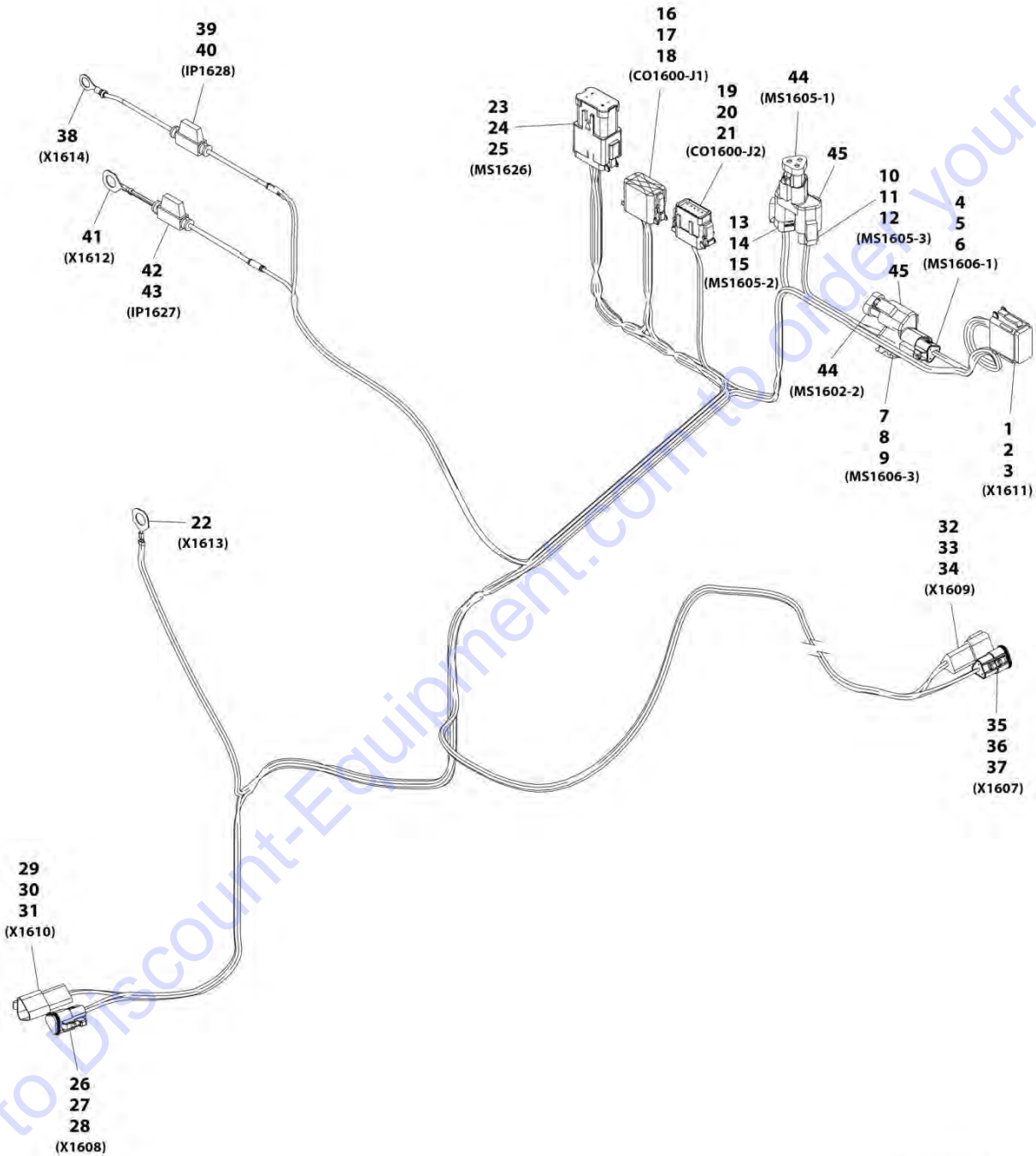
**FIGURE 10-78. CANBUS TELEMATICS INSTALLATION (SN 0160082543 to Present)**

ITEM	PART NUMBER	QTY	DESCRIPTION	REV
	1001222388	Ref	Canbus Telematics Installation	B
1	1062255	AR	Tie, Strap	
2	3290505	2	Nut, Lock M5X0.8	
4	4811600	2	Washer, M5	
5	1001153749	2	Clip, Deutch DT	
6	1001229458	1	Controller, Gateway (See Separate Breakdown in this section)	
7	1001219082	1	Bracket, Control Mount	
8	1001225259	1	Harness, Telematics (See Separate Breakdown in this section)	

Go to Discount-Equipment.com to order your parts

# SECTION 10 - ELECTRICAL

## FIGURE 10-79. TELEMATICS HARNESS (SN 0160082543 to Present)



ART\_1001225259-B

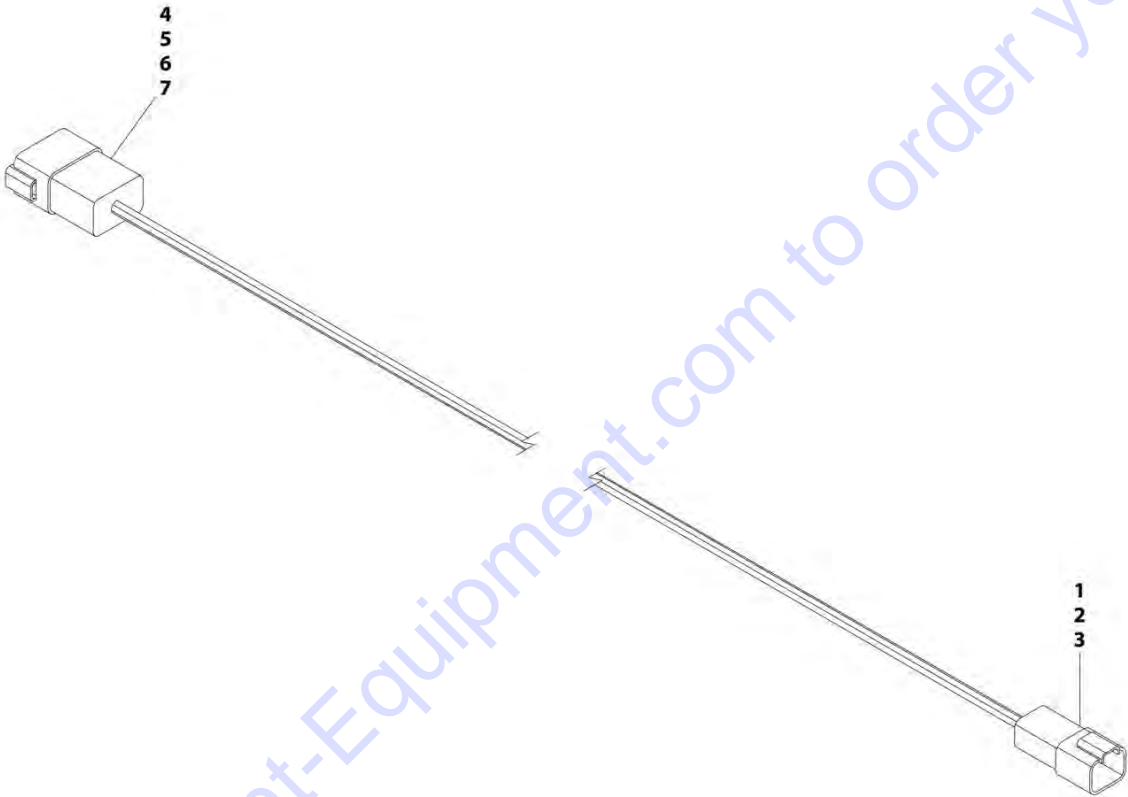
## SECTION 10 - ELECTRICAL

**FIGURE 10-79. TELEMATICS HARNESS (SN 0160082543 to Present)**

ITEM	PART NUMBER	QTY	DESCRIPTION	REV
	1001225259	Ref	Telematics Harness	B
1	4460933	1	Connector	
2	4460465	5	Terminal	
3	4460466	7	Plug	
4	1001116812	1	Connector	
5	4460465	2	Terminal	
6	4460466	1	Plug	
7	4460539	1	Connector	
8	4460465	2	Terminal	
9	4460466	1	Plug	
10	4460539	1	Connector	
11	4460465	2	Terminal	
12	4460466	1	Plug	
13	1001116812	1	Connector	
14	4460465	2	Terminal	
15	4460466	1	Plug	
16	1001116774	1	Connector	
17	4460518	6	Plug	
18	1001126008	6	Terminal	
19	1001116808	1	Connector	
20	4460518	10	Plug	
21	1001126008	2	Terminal	
22	1001187081	1	Connector	
23	4460933	1	Connector	
24	1001200206	1	Connector, DT 12 Pin 4X3 Buss	
25	4460465	13	Terminal	
26	1001116812	1	Connector	
27	4460465	2	Terminal	
28	4460466	1	Plug	
29	1001144147	1	Connector	
30	4460464	2	Terminal	
31	4460466	1	Plug	
32	1001144147	1	Connector	
33	4460464	2	Terminal	
34	4460466	1	Plug	
35	1001116812	1	Connector	
36	4460465	2	Terminal	
37	4460466	1	Plug	
38	4460670	1	Connector	
39	2400060	1	Connector	
40	8229242	1	Terminal	
41	1001187078	1	Connector	
42	2400060	1	Connector	
43	8229242	1	Terminal	
44	1001116815	2	Connector, 3 Pin	
45	4460945	2	Terminal, 3 Way "T" Receptacle	

**SECTION 10 - ELECTRICAL**

**FIGURE 10-80. TELEMATICS INSTALLATION, UNITED RENTALS**



Go to Discount-Equipment.com to order your parts

ART\_1001195424-A

## SECTION 10 - ELECTRICAL

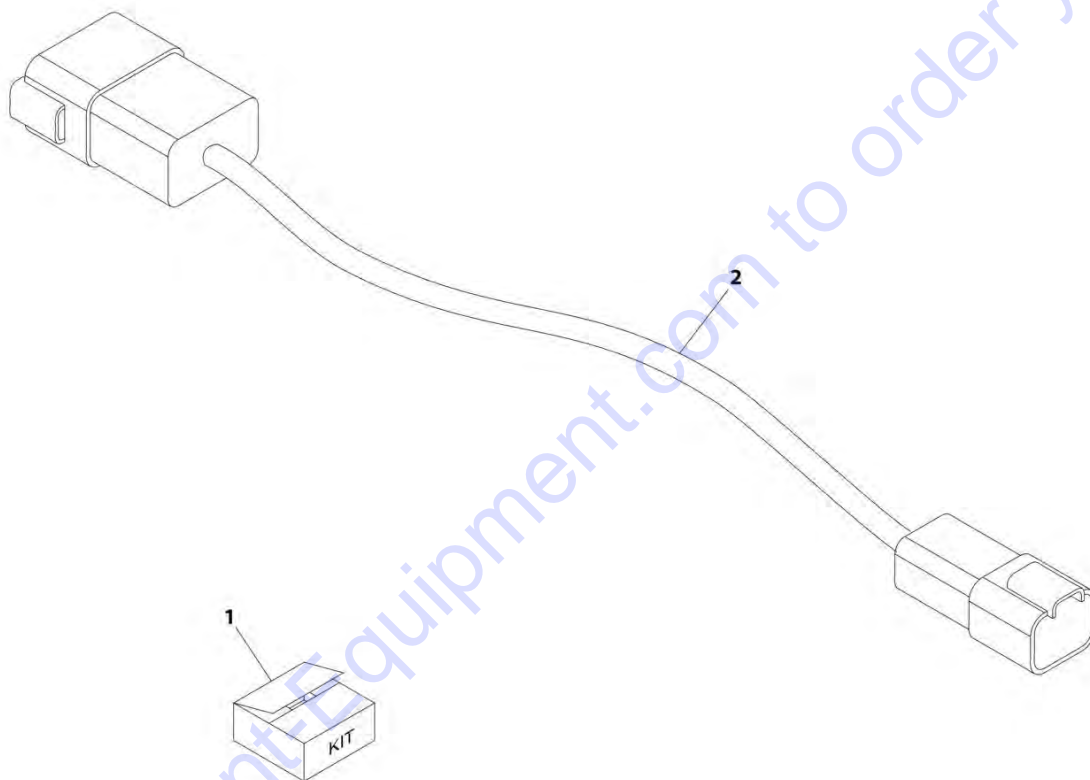
**FIGURE 10-80. TELEMATICS INSTALLATION, UNITED RENTALS**

ITEM	PART NUMBER	QTY	DESCRIPTION	REV
	1001195424	Ref	Telematics Installation, United Rentals	A
1	4460932	1	Connector	
2	80604020	1	Lock Connector	
3	4460464	4	Terminal	
4	4460931	1	Connector	
5	80604022	1	Lock Connector	
6	4460464	4	Terminal	
7	4460466	4	Plug	

Go to Discount-Equipment.com to order your parts

# SECTION 10 - ELECTRICAL

FIGURE 10-81. TELEMATICS INSTALLATION, UNITED RENTALS



ART\_1001195610-A

## SECTION 10 - ELECTRICAL

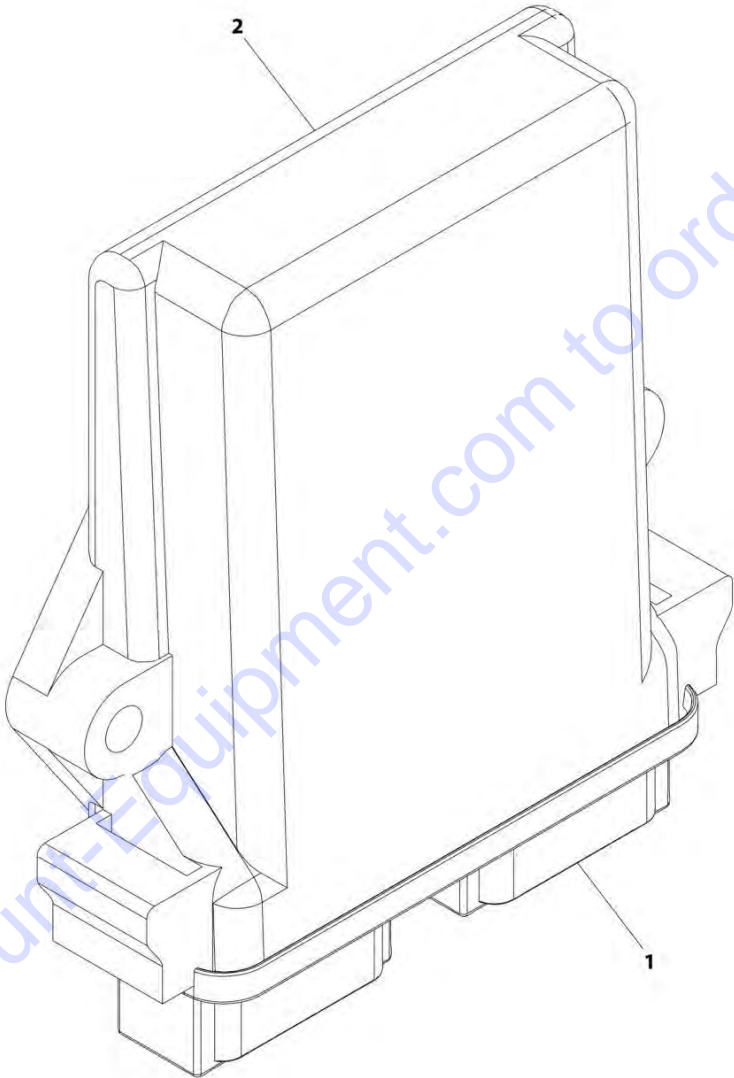
FIGURE 10-81. TELEMATICS INSTALLATION, UNITED RENTALS

ITEM	PART NUMBER	QTY	DESCRIPTION	REV
	1001195610	Ref	Telematics Installation, United Rentals	A
1	N.S.S.	1	Telematics Kit	
2	1001195423	1	Harness, Jumper	

Go to Discount-Equipment.com to order your parts

**SECTION 10 - ELECTRICAL**

**FIGURE 10-82. GATEWAY CONTROLLER**



ART\_1001229458-B



# PARTS FINDER

**Search Website  
by Part Number**



**Search Manual  
Library For Parts  
Manual & Lookup Part  
Numbers – Purchase  
or Request Quote**

A screenshot of the "Search Manuals" form. It includes a title "Search Manuals" and a subtitle "Please enter the model number or serial number of the machine you are looking for." The form has several input fields: "Find" (with a dropdown menu), "Serial Number" (with a dropdown menu), "Year" (with a dropdown menu), "Make" (with a dropdown menu), "Part Number" (with a dropdown menu), "Part Name" (with a dropdown menu), and "Category" (with a dropdown menu). There is a "Search" button at the bottom.

**Can't Find Part or  
Manual? Request Help  
by Manufacturer,  
Model & Description**

A screenshot of the "Parts Order Form". It has a title "Parts Order Form" and a subtitle "Please fill out the form below." The form is a table with several rows and columns. The columns are labeled: "Manufacturer", "Model", "Part Number", "Part Name", "Quantity", "Unit Price", "Total Price", and "Comments". There are several empty rows for data entry.

Discount-Equipment.com is your online resource for quality parts & equipment.

Florida: **561-964-4949** Outside Florida TOLL FREE: **877-690-3101**

## Need parts?

Click on this link: <http://www.discount-equipment.com/category/5443-parts/> and choose one of the options to help get the right parts and equipment you are looking for. Please have the machine model and serial number available in order to help us get you the correct parts. If you don't find the part on the website or on one of the online manuals, please fill out the request form and one of our experienced staff members will get back to you with a quote for the right part that your machine needs.

We sell worldwide for the brands: Genie, Terex, JLG, MultiQuip, Mikasa, Essick, Whiteman, Mayco, Toro Stone, Diamond Products, Generac Magnum, Airman, Haulotte, Barreto, Power Blanket, Nifty Lift, Atlas Copco, Chicago Pneumatic, Allmand, Miller Curber, Skyjack, Lull, Skytrak, Tsurumi, Husquvarna Target, Stow, Wacker, Sakai, Mi-T-M, Sullair, Basic, Dynapac, MBW, Weber, Bartell, Bennar Newman, Haulotte, Ditch Runner, Menegotti, Morrison, Contec, Buddy, Crown, Edco, Wyco, Bomag, Laymor, EZ Trench, Bil-Jax, F.S. Curtis, Gehl Pavers, Heli, Honda, ICS/PowerGrit, IHI, Partner, Imer, Clipper, MMD, Koshin, Rice, CH&E, General Equipment, Amida, Coleman, NAC, Gradall, Square Shooter, Kent, Stanley, Tamco, Toku, Hatz, Kohler, Robin, Wisconsin, Northrock, Oztec, Toker TK, Rol-Air, APT, Wylie, Ingersoll Rand / Doosan, Innovatech, Con X, Ammann, Mecalac, Makinex, Smith Surface Prep, Small Line, Wanco, Yanmar

## SECTION 10 - ELECTRICAL

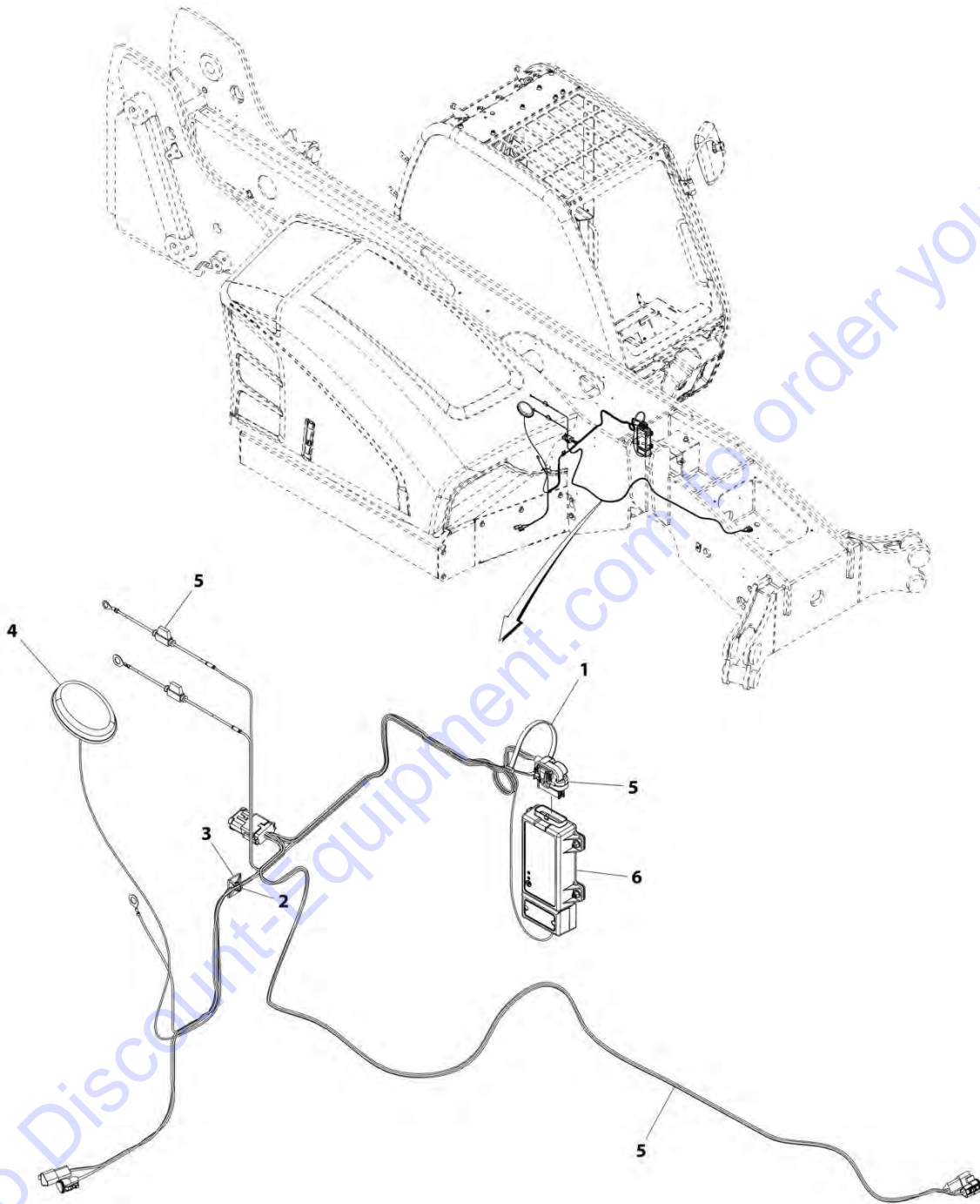
### FIGURE 10-82. GATEWAY CONTROLLER

ITEM	PART NUMBER	QTY	DESCRIPTION	REV
	1001229458	Ref	Gateway Controller	B
1	1001100828	1	PC Board	
2	1001100829	1	Box, Circuit Card	
3	1001229457	1	Software, Gateway (not shown)	

Go to Discount-Equipment.com to order your parts

# SECTION 10 - ELECTRICAL

## FIGURE 10-83. TELEMATICS CANBUS INSTALLATION (CLEARSKY 2) (ANSI)



ART\_1001221941-A

## SECTION 10 - ELECTRICAL

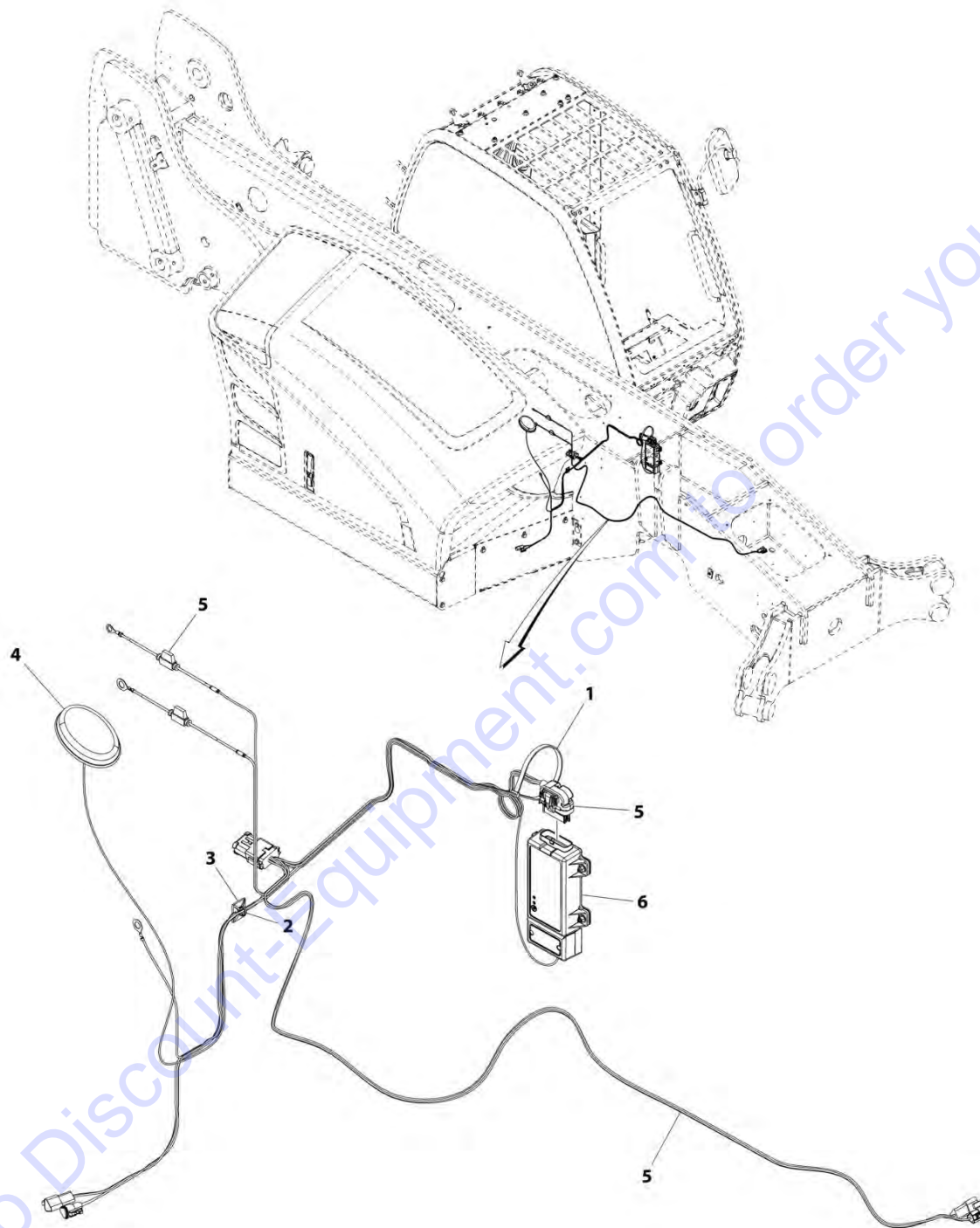
**FIGURE 10-83. TELEMATICS CANBUS INSTALLATION (CLEARSKY 2) (ANSI)**

ITEM	PART NUMBER	QTY	DESCRIPTION	REV
	1001221941	Ref	Telematics Canbus Installation (Clearsky 2) (ANSI)	A
1	1062255	AR	Tie, Strap	
2	4240032	AR	Tie, Strap	
3	4460234	AR	Cable, Tie Mount	
4	1001226799	1	Antenna	
5	1001227297	1	Harness, 4ward Telematics (Clearsky 2) (See Separate Breakdown in this section)	
6	1001229955	1	Module	

Go to Discount-Equipment.com to order your parts

# SECTION 10 - ELECTRICAL

## FIGURE 10-84. TELEMATICS CANBUS INSTALLATION (CLEARSKY 2) (CE)



ART\_1001239249-A

## SECTION 10 - ELECTRICAL

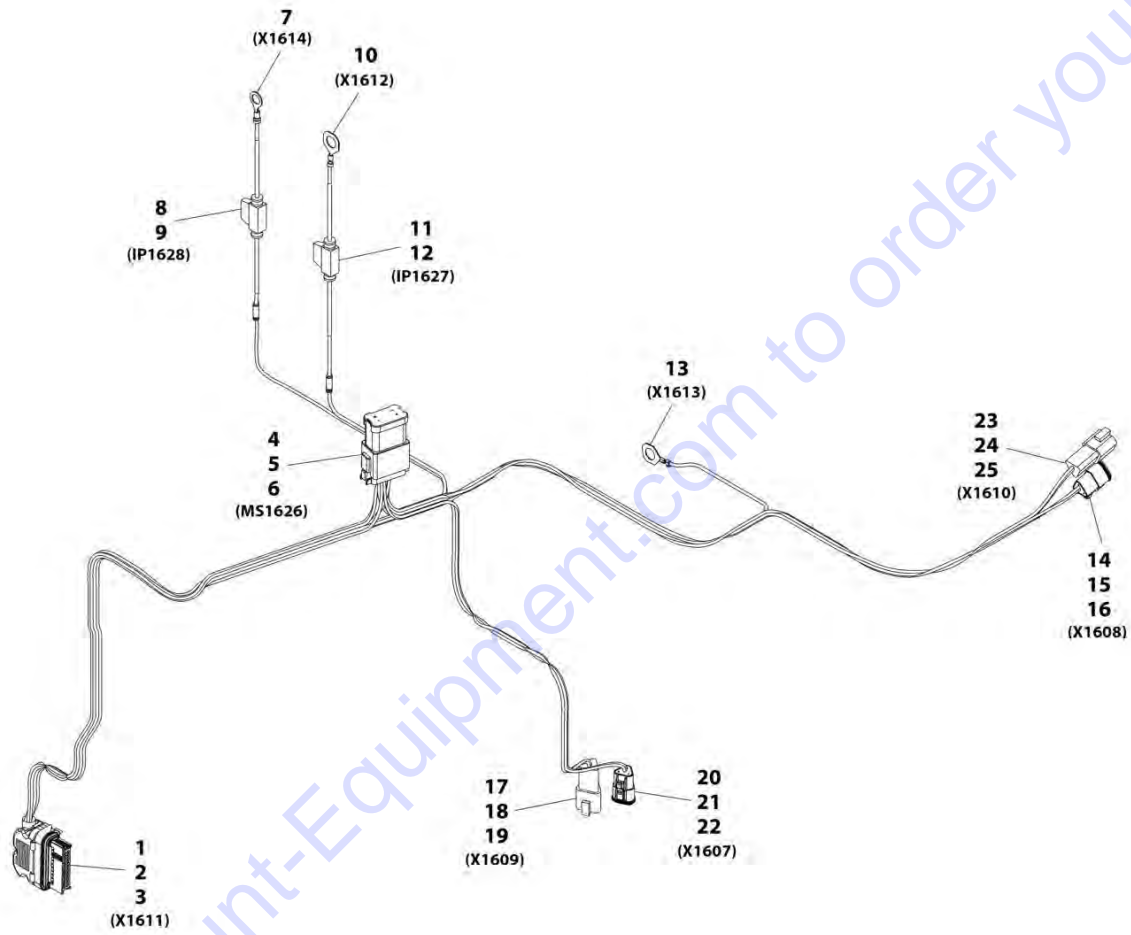
**FIGURE 10-84. TELEMATICS CANBUS INSTALLATION (CLEARSKY 2) (CE)**

ITEM	PART NUMBER	QTY	DESCRIPTION	REV
	1001239249	Ref	Telematics Canbus Installation (Clearsky 2) (CE)	A
1	1062255	AR	Tie, Strap	
2	4240032	AR	Tie, Strap	
3	4460234	AR	Tie, Strap	
4	1001226799	1	Antenna	
5	1001227297	1	Harness, 4ward Telematics (Clearsky 2) (See Separate Breakdown in this section)	
6	1001239194	1	Module	

Go to Discount-Equipment.com to order your parts

# SECTION 10 - ELECTRICAL

## FIGURE 10-85. TELEMATICS HARNESS (CLEARSKY 2)



ART\_1001227297-B

## SECTION 10 - ELECTRICAL

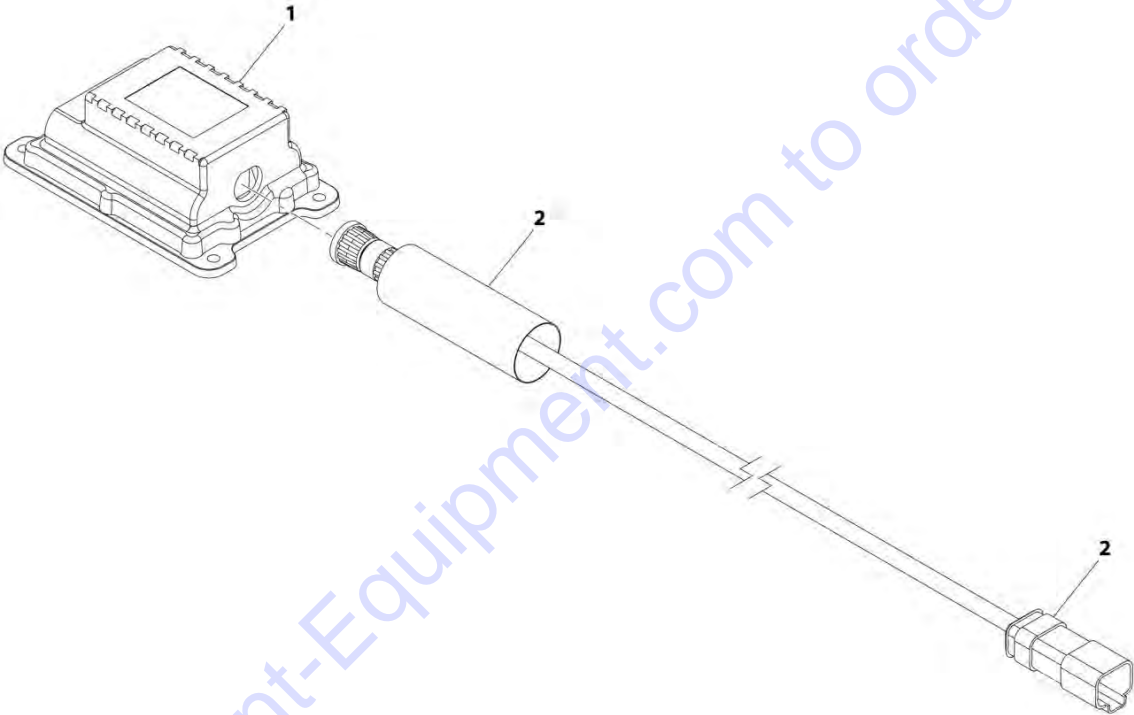
**FIGURE 10-85. TELEMATICS HARNESS (CLEARSKY 2)**

ITEM	PART NUMBER	QTY	DESCRIPTION	REV
	1001227297	Ref	4ward Telematic, Harness (Clearsky 2)	B
1	1001226636	1	Connector	
2	1001226637	7	Terminal	
3	1001116731	17	Plug	
4	4460933	1	Connector	
5	4460465	12	Terminal	
6	1001200206	1	Connector, DT 12 Pin 4X3 Buss	
7	4460670	1	Connector	
8	2400060	1	Connector	
9	8229242	1	Fuse, 5amp	
10	1001187078	1	Connector	
11	2400060	1	Connector	
12	8229242	1	Fuse, 5amp	
13	1001187081	1	Connector	
14	1001116812	1	Connector	
15	4460465	2	Terminal	
16	4460466	1	Plug	
17	1001144147	1	Connector	
18	4460464	2	Terminal	
19	4460466	1	Plug	
20	1001116812	1	Connector	
21	4460465	2	Terminal	
22	4460466	1	Plug	
23	1001144147	1	Connector	
24	4460464	2	Terminal	
25	4460466	1	Plug	



**SECTION 10 - ELECTRICAL**

**FIGURE 10-86. CLEARSKY INSTALLATION 3-WIRE (ANSI)**



ART\_1001229107-C

## SECTION 10 - ELECTRICAL

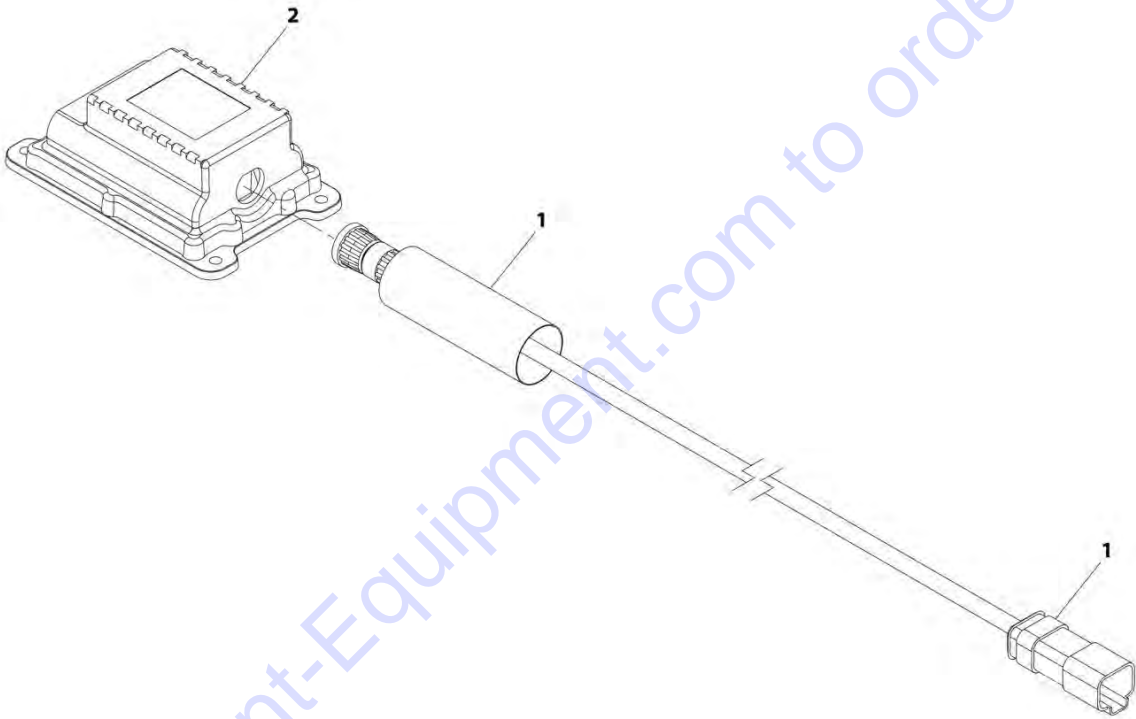
**FIGURE 10-86. CLEARSKY INSTALLATION 3-WIRE (ANSI)**

ITEM	PART NUMBER	QTY	DESCRIPTION	REV
	1001229107	Ref	Clearsky Installation 3-Wire (ANSI)	C
1	1001226328	1	Module, 3W TCU	
2	1001227066	Ref	Telematics Harness (See Separate Breakdown in this Section)	

Go to Discount-Equipment.com to order your parts

**SECTION 10 - ELECTRICAL**

**FIGURE 10-87. CLEARSKY INSTALLATION 3-WIRE (CE)**



ART\_1001233237-C

## SECTION 10 - ELECTRICAL

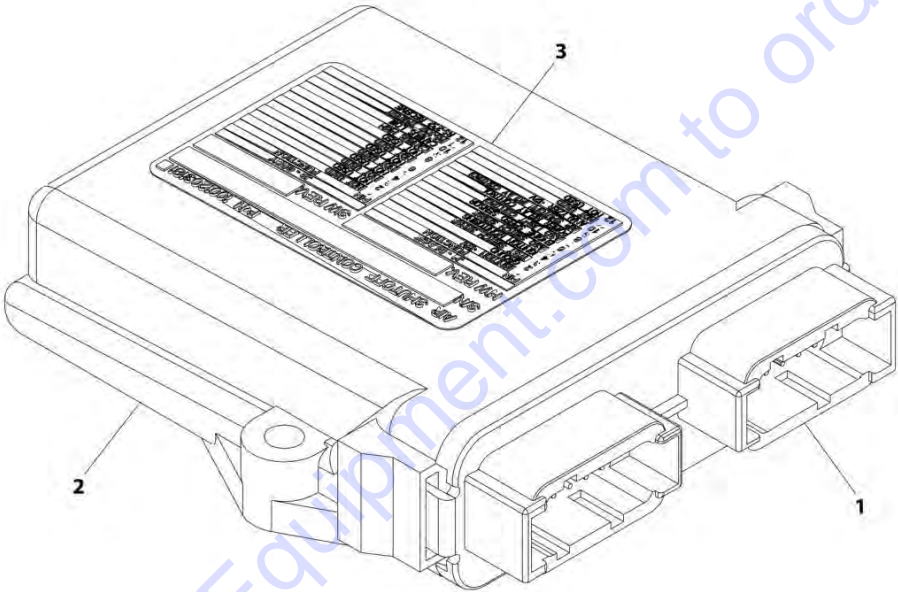
**FIGURE 10-87. CLEARSKY INSTALLATION 3-WIRE (CE)**

ITEM	PART NUMBER	QTY	DESCRIPTION	REV
	1001233237	Ref	Clearsky Installation 3-Wire (CE)	C
1	1001227066	1	Telematics Harness (See Separate Breakdown in this Section)	
2	1001233236	1	Module, 3W TCU	

Go to Discount-Equipment.com to order your parts

**SECTION 10 - ELECTRICAL**

**FIGURE 10-88. CONTROL ACCESSORY**



ART\_1001203181-C

## SECTION 10 - ELECTRICAL

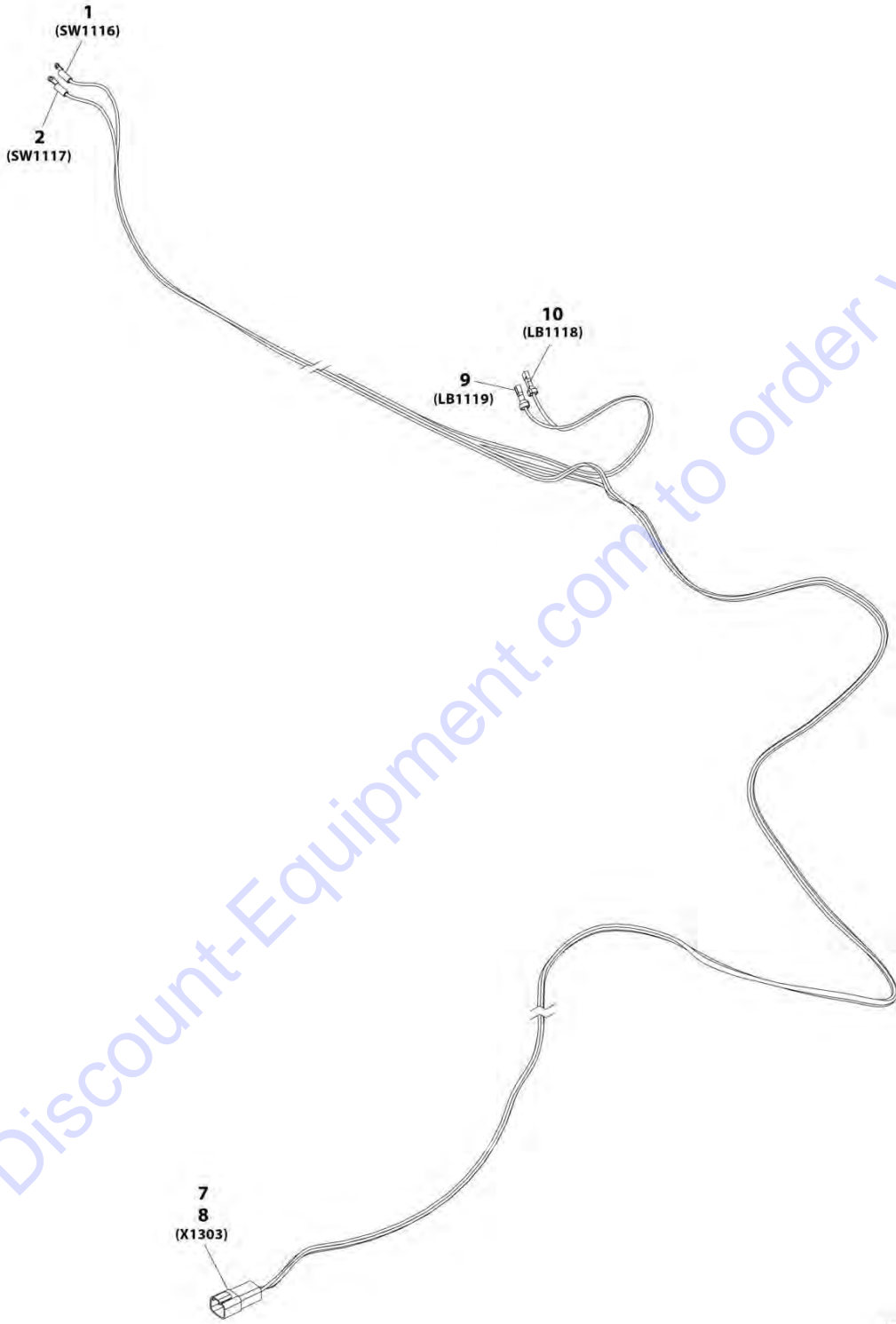
### FIGURE 10-88. CONTROL ACCESSORY

ITEM	PART NUMBER	QTY	DESCRIPTION	REV
	1001203181	Ref	Control Accessory	C
1	1001215630	1	PC Board	
2	0861493	1	Box, Circuit Card	
3	1001215631	1	Decal	
4	1001215632	1	Software (not shown)	

Go to Discount-Equipment.com to order your parts

# SECTION 10 - ELECTRICAL

## FIGURE 10-89. CAB AIR SHUT OFF VALVE HARNESS



ART\_1001231407-C

## SECTION 10 - ELECTRICAL

### FIGURE 10-89. CAB AIR SHUT OFF VALVE HARNESS

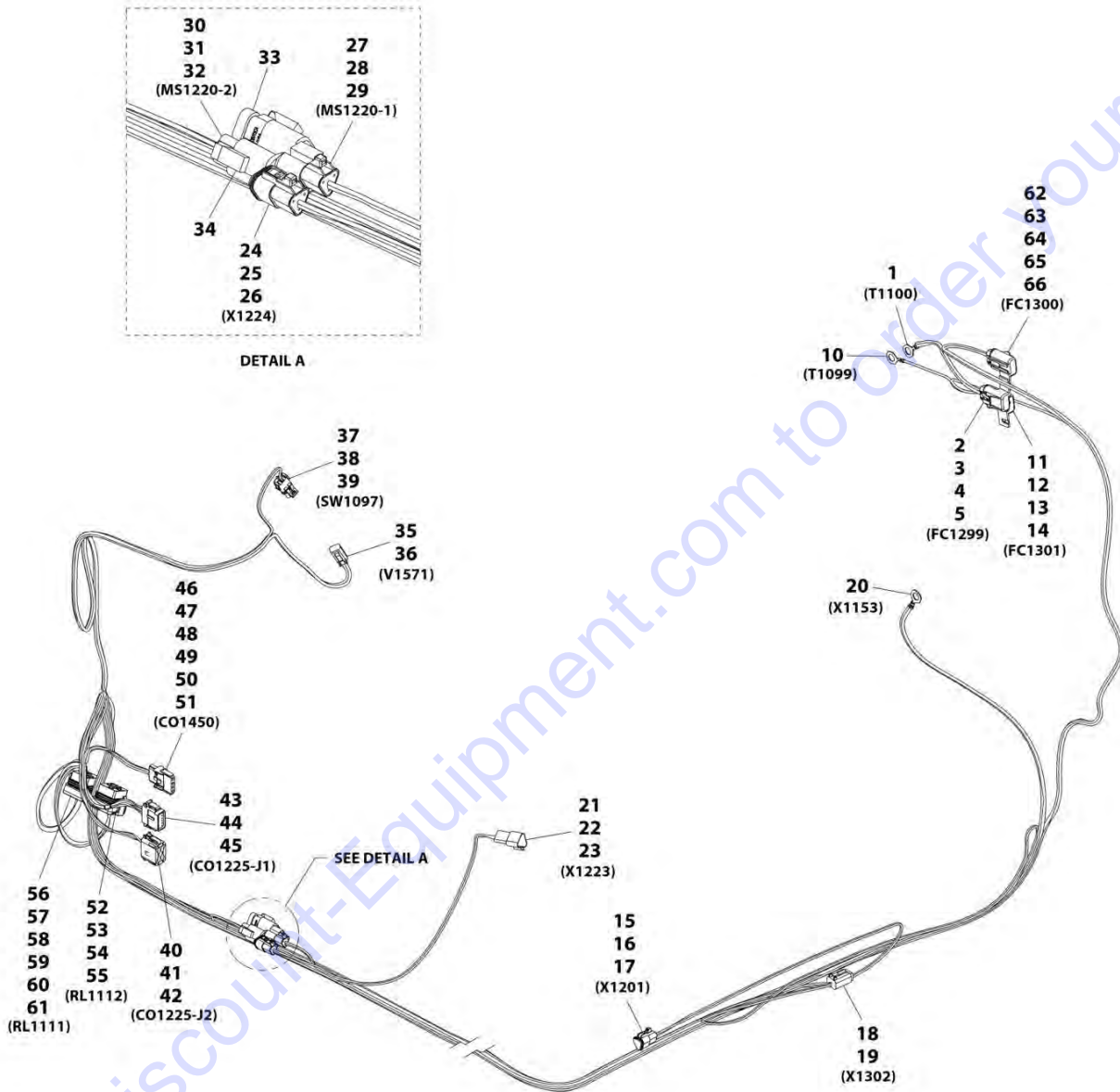
ITEM	PART NUMBER	QTY	DESCRIPTION	REV
	1001231407	Ref	Cab Air Shut Off Valve Harness	C
1	8220035	1	Connector	
2	8220035	1	Connector	
7	4460932	1	Connector	
8	4460464	4	Terminal	
9	8220108	1	Connector	
10	8220108	1	Connector	

Go to Discount-Equipment.com to order your parts



# SECTION 10 - ELECTRICAL

## FIGURE 10-90. ENGINE AIR SHUT OFF VALVE HARNESS



ART\_1001231483-C

## SECTION 10 - ELECTRICAL

**FIGURE 10-90. ENGINE AIR SHUT OFF VALVE HARNESS**

ITEM	PART NUMBER	QTY	DESCRIPTION	REV
	1001231483	Ref	Engine Air Shut Off Valve Harness	C
1	1001187079	1	Connector	
2	1001231397	1	Connector	
3	8229235	1	Fuse, 20amp	
4	1001231401	2	Terminal	
5	1001230402	2	Seal	
10	1001187078	1	Connector	
11	1001231397	1	Connector	
12	8229261	1	Fuse, 20amp	
13	1001231400	2	Terminal	
14	1001230403	2	Seal	
15	1001116812	1	Connector	
16	4460465	2	Terminal	
17	4460466	1	Plug	
18	4460884	1	Connector	
19	4460465	4	Terminal	
20	1001187079	1	Connector	
21	1001144147	1	Connector	
22	4460464	2	Terminal	
23	4460466	1	Plug	
24	1001116812	1	Connector	
25	4460465	2	Terminal	
26	4460466	1	Plug	
27	1001116812	1	Connector	
28	4460465	2	Terminal	
29	4460466	1	Plug	
30	4460539	1	Connector	
31	4460465	2	Terminal	
32	4460466	1	Plug	
33	1001116815	1	Connector, 3 Pin	
34	4460945	1	Terminal, 3 Way "T" Receptacle	
35	4460891	1	Connector	
36	1001157890	2	Terminal	
37	4460742	1	Connector	
38	4460475	2	Terminal	
39	4460458	2	Plug	
40	1001116774	1	Connector	
41	4460518	8	Plug	
42	1001126008	4	Terminal	
43	1001116808	1	Connector	
44	1001126008	9	Terminal	
45	4460518	3	Plug	
46	4460761	1	Connector	
47	4460321	1	Terminal	
48	1001118378	4	Terminal	
49	4460809	4	Plug	
50	1001143551	1	Seal	
51	1001218358	1	Lanyard Rope	
52	1001231398	1	Connector	
53	1001231400	4	Terminal	

## SECTION 10 - ELECTRICAL

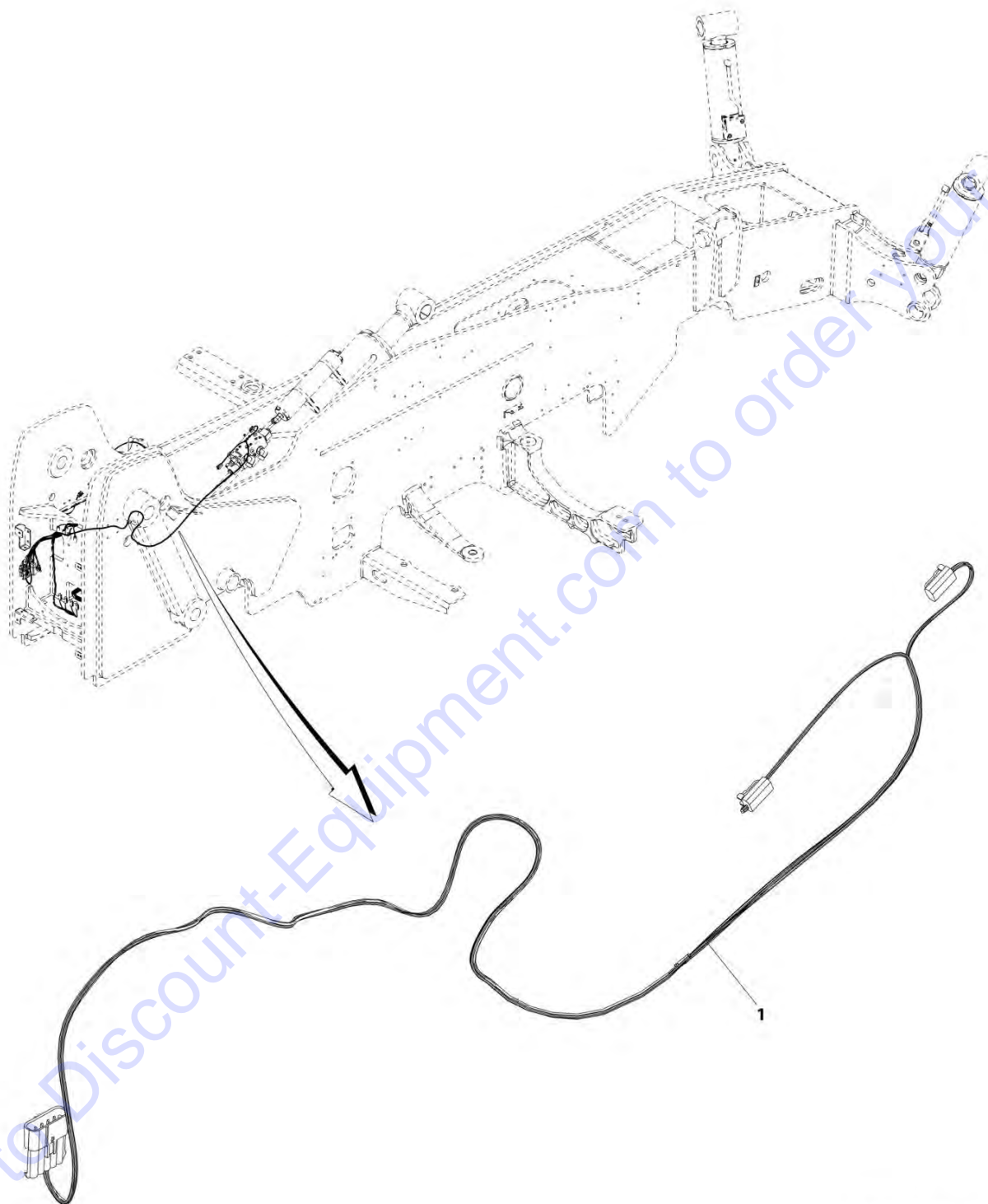
ITEM	PART NUMBER	QTY	DESCRIPTION	REV
54	1001231404	4	Seal	
55	1001231406	1	Plug	
56	1001231398	1	Connector	
57	1001231401	2	Terminal	
58	1001231402	2	Seal	
59	1001231400	2	Terminal	
60	1001231404	2	Seal	
61	1001231406	1	Plug	
62	1001231397	1	Connector	
63	8229234	1	Fuse, 20amp	
64	1001231400	2	Terminal	
65	1001230403	1	Seal	
66	1001230404	1	Seal	

Go to Discount-Equipment.com to order your parts



# SECTION 10 - ELECTRICAL

## FIGURE 10-91. RIDE CONTROL INSTALLATION



ART\_1001169613-A

## SECTION 10 - ELECTRICAL

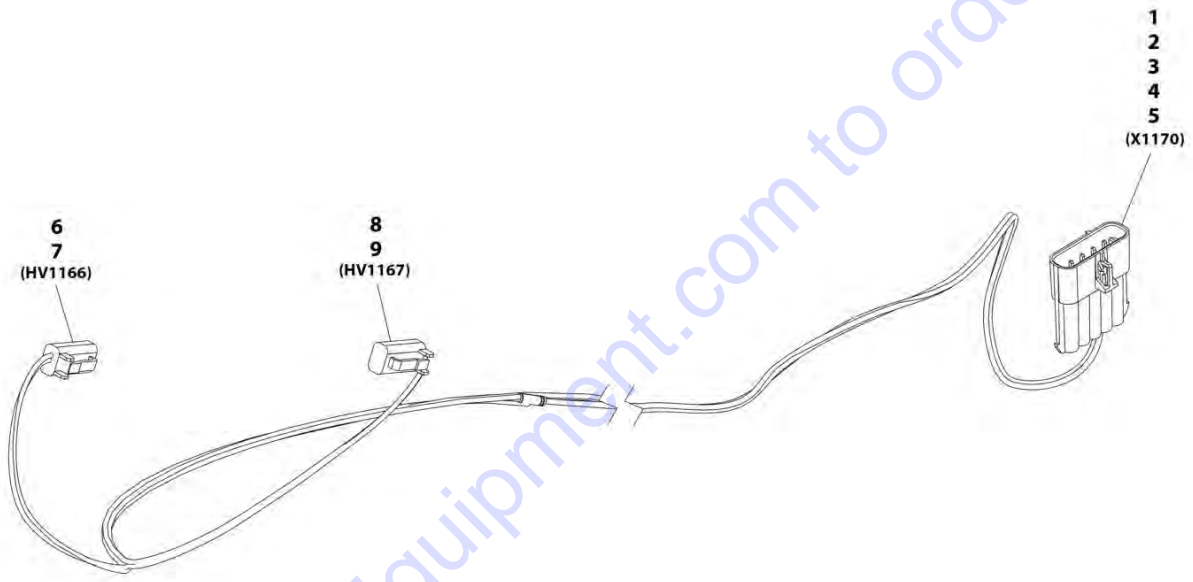
### FIGURE 10-91. RIDE CONTROL INSTALLATION

ITEM	PART NUMBER	QTY	DESCRIPTION	REV
1	1001169613 1001167694	Ref 1	Ride Control Installation Boom Ride Float Harness (See Separate Breakdown in this Section)	A

Go to Discount-Equipment.com to order your parts

# SECTION 10 - ELECTRICAL

## FIGURE 10-92. BOOM RIDE FLOAT HARNESS



ART\_1001167694-D

## SECTION 10 - ELECTRICAL

### FIGURE 10-92. BOOM RIDE FLOAT HARNESS

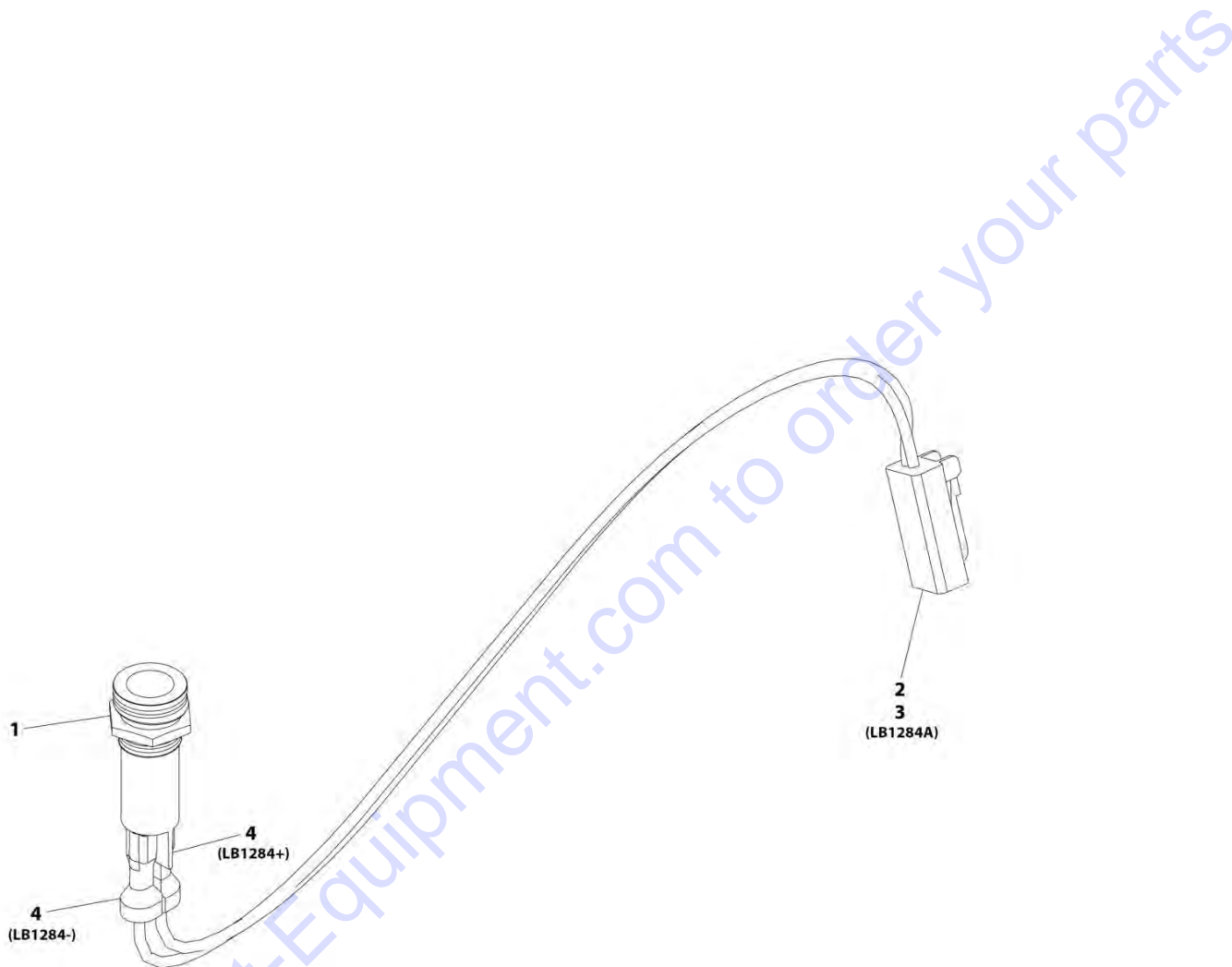
ITEM	PART NUMBER	QTY	DESCRIPTION	REV
	1001167694	Ref	Boom Ride Float Harness	D
1	1001121727	1	Connector	
2	1001116727	2	Plug	
3	1001116745	2	Terminal	
4	1001116729	1	Terminal	
5	4460458	3	Seal	
6	4460891	1	Connector	
7	4460465	2	Terminal	
8	4460891	1	Connector	
9	4460465	2	Terminal	

Go to Discount-Equipment.com to order your parts



# SECTION 10 - ELECTRICAL

## FIGURE 10-93. DEF PURGE LIGHT HARNESS



ART\_1001232288-A

## SECTION 10 - ELECTRICAL

### FIGURE 10-93. DEF PURGE LIGHT HARNESS

ITEM	PART NUMBER	QTY	DESCRIPTION	REV
	1001232288	Ref	DEF Purge Light Harness	A
1	1001169825	1	LED Lamp 12V	
2	4461290	1	Connector	
3	1001126008	2	Terminal	
4	8220108	2	Connector	

Go to Discount-Equipment.com to order your parts

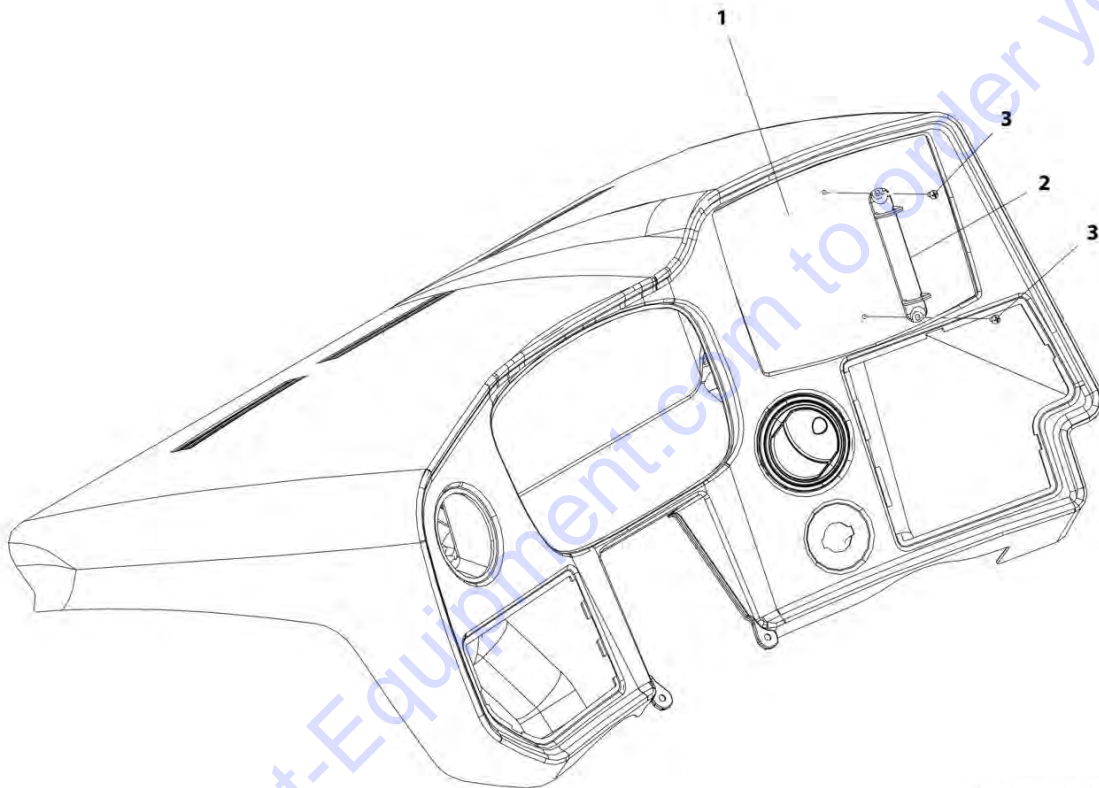


**SECTION 11 - DECALS**

Go to Discount-Equipment.com to order your parts

# SECTION 11 - DECALS

## FIGURE 11-1. CAPACITY CHART HOLDER



ART\_1001178706-A

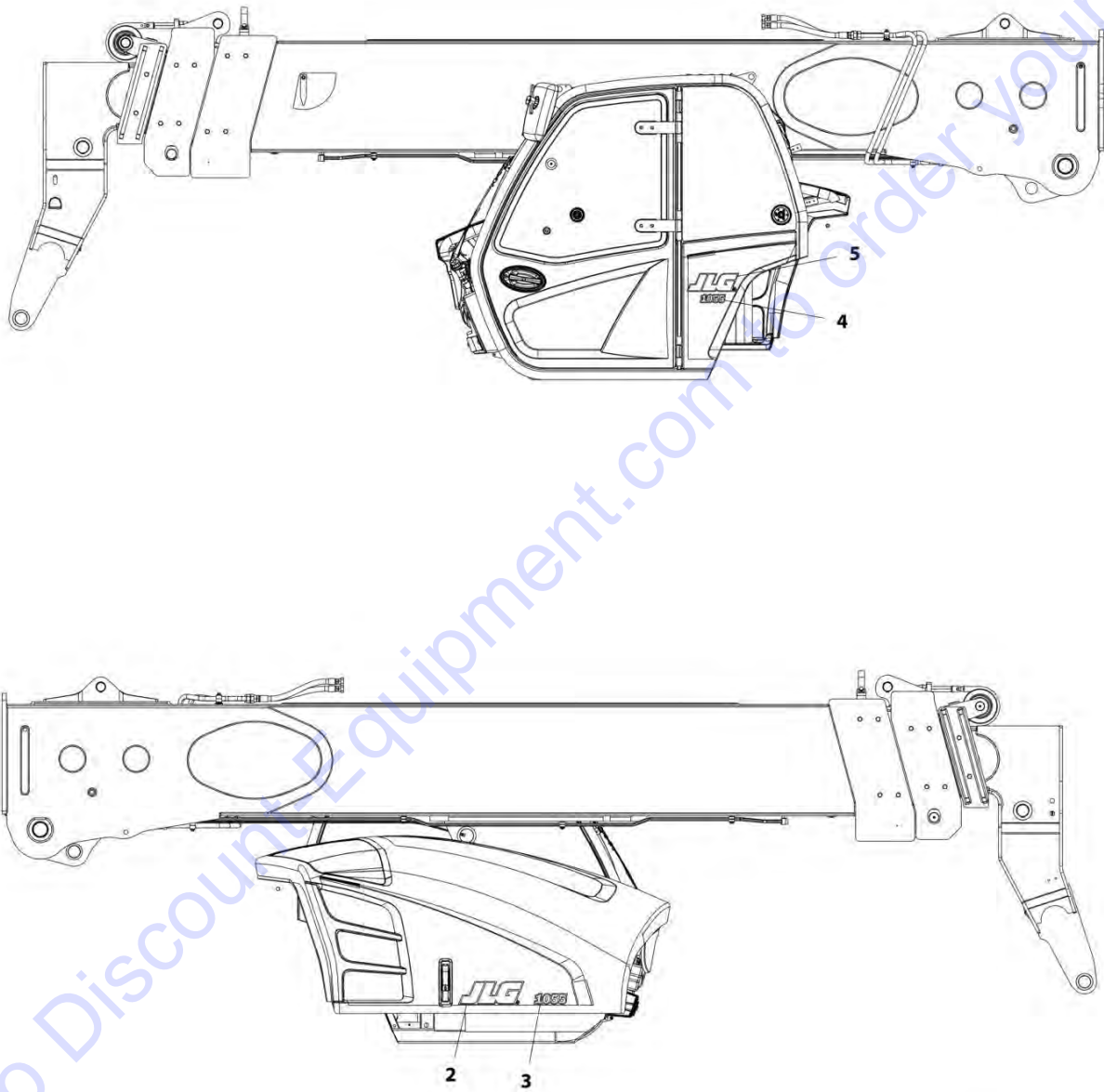
FIGURE 11-1. CAPACITY CHART HOLDER

ITEM	PART NUMBER	QTY	DESCRIPTION	REV
	1001178706	Ref	Capacity Chart Holder	A
1	1001179297	1	Load Chart, Bezel	
2	1001005960	1	Holder	
3	7029486	2	Screw	

Go to Discount-Equipment.com to order your parts

# SECTION 11 - DECALS

## FIGURE 11-2. DECAL INSTALLATION - 1055



ART\_1001160626-D

## SECTION 11 - DECALS

### FIGURE 11-2. DECAL INSTALLATION - 1055

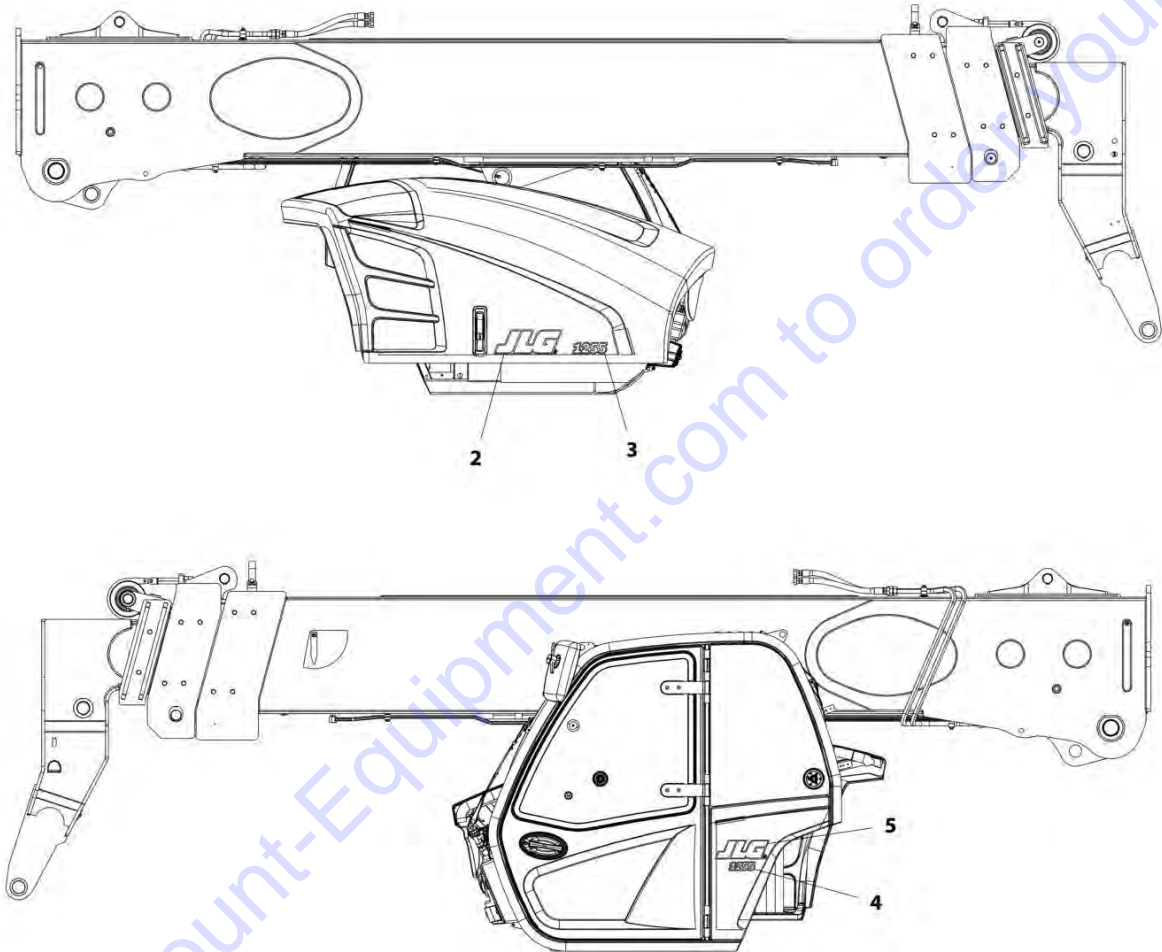
ITEM	PART NUMBER	QTY	DESCRIPTION	REV
	1001160626	Ref	Decal Installation - 1055	D
2	1001160775	1	Decal, JLG 5 Black	
3	1001169654	1	Decal, JLG 1055 Hood	
4	1001169671	1	Decal, JLG 1055 Cab	
5	1001169674	1	Decal, JLG M100X285	

Go to Discount-Equipment.com to order your parts



# SECTION 11 - DECALS

## FIGURE 11-3. DECAL INSTALLATION - 1255



ART\_1001160625-D

## SECTION 11 - DECALS

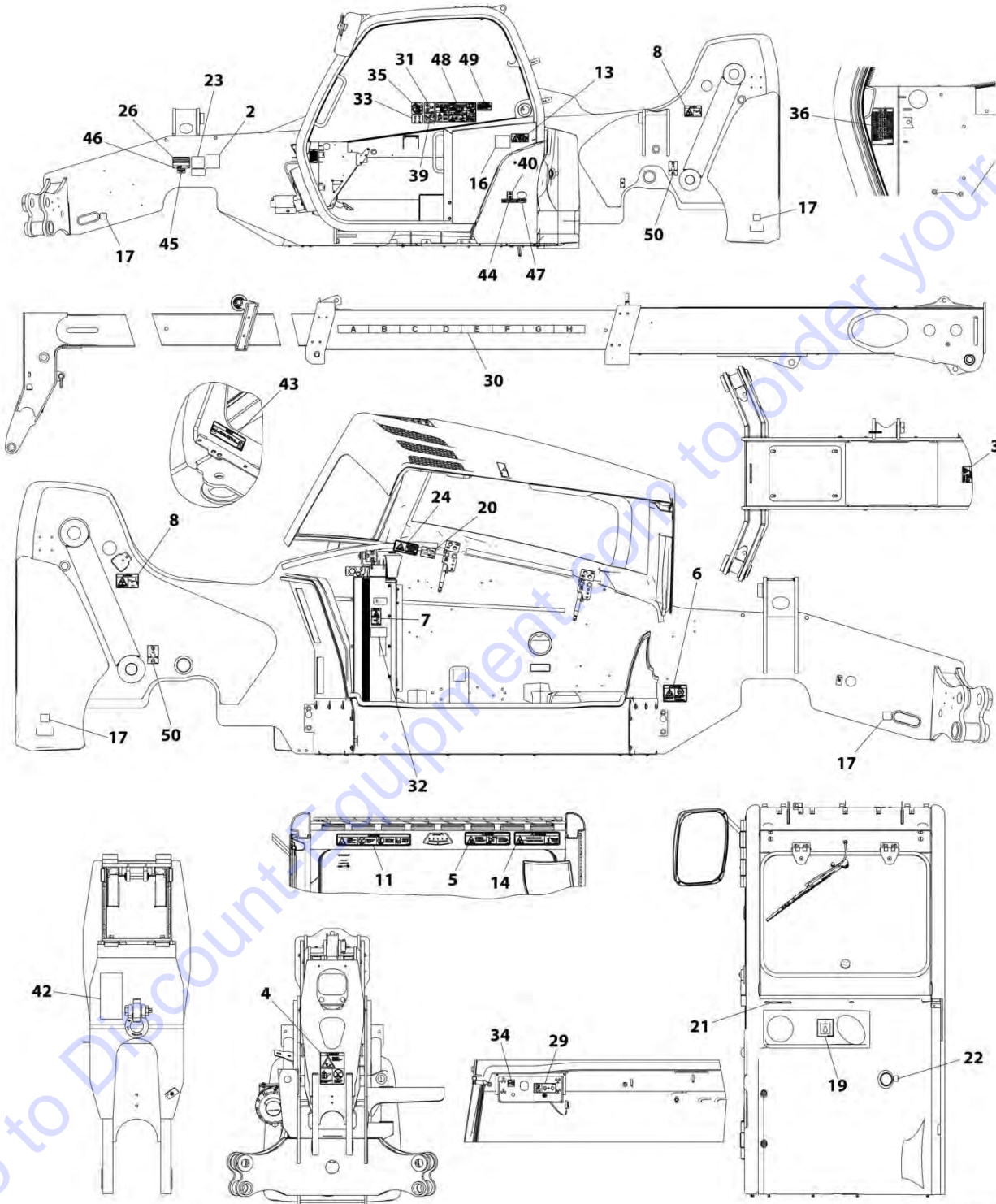
### FIGURE 11-3. DECAL INSTALLATION - 1255

ITEM	PART NUMBER	QTY	DESCRIPTION	REV
	1001160625	Ref	Decal Installation - 1255	D
2	1001160775	1	Decal, JLG 5 Black	
3	1001169624	1	Decal, JLG 1255 Hood	
4	1001169670	1	Decal, JLG 1255 Cab	
5	1001169674	1	Decal, JLG M100X285	

Go to Discount-Equipment.com to order your parts

# SECTION 11 - DECALS

## FIGURE 11-4. DECAL INSTALLATION (ENGLISH)



ART\_1001160673-O

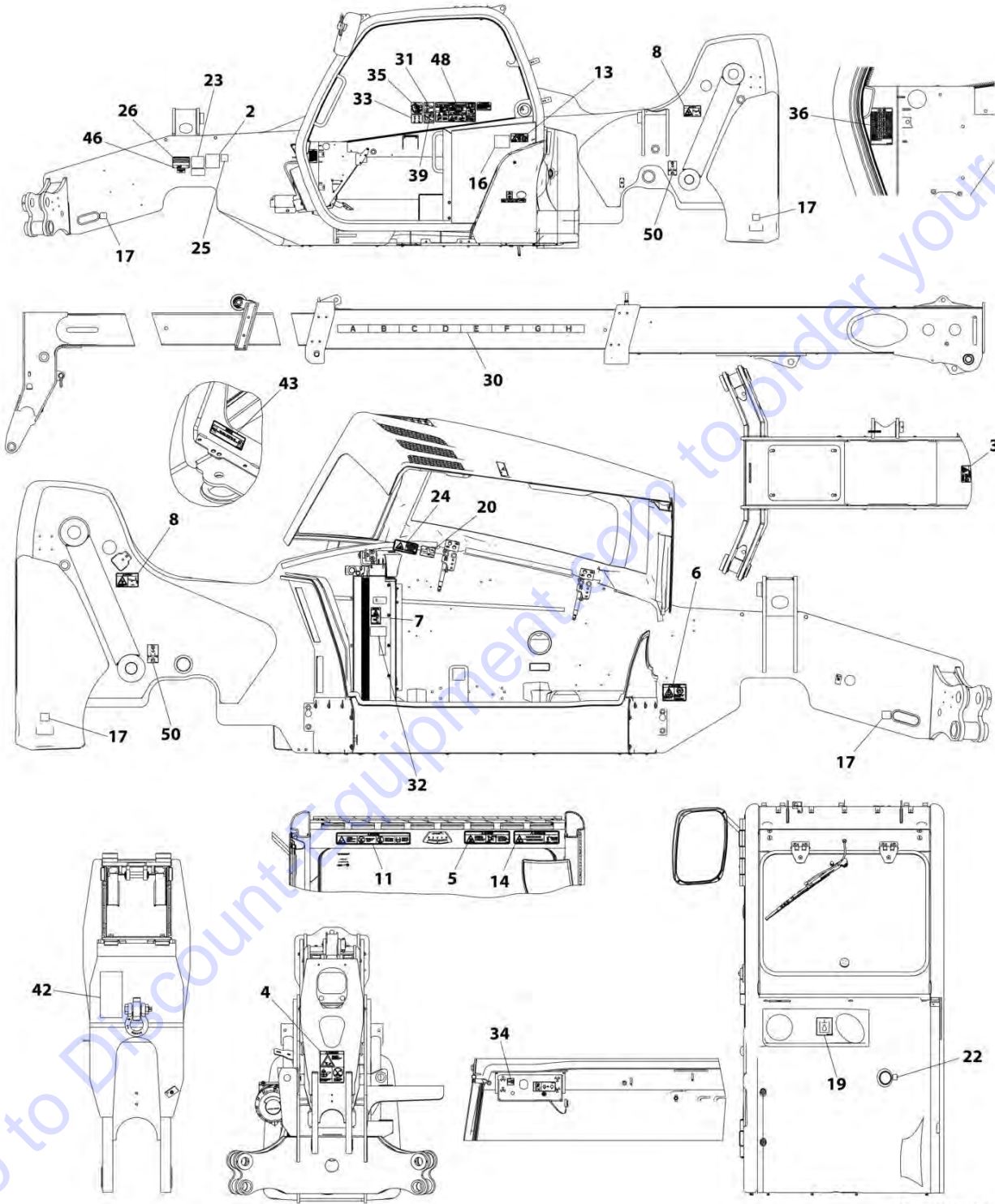
## SECTION 11 - DECALS

**FIGURE 11-4. DECAL INSTALLATION (ENGLISH)**

ITEM	PART NUMBER	QTY	DESCRIPTION	REV
	1001160673	Ref	Decal Installation (ENGLISH)	0
2	1702631	1	Decal, Bar Code	
3	1706296	1	Decal, Battery Warning	
4	1001195849	1	Decal, Carry Personnel	
5	1706299	1	Decal, Contacting Power Lines Warning	
6	1706300	1	Decal, Ether Warning	
7	1706301	1	Decal, Keep Clear of Rotating Parts Warning	
8	1706302	2	Decal, Pinch Point Boom Holes	
11	1706306	1	Decal, Tip Over Warning	
13	1706768	1	Decal, Vehicle Roll Away	
14	1706850	1	Decal, Crush Hazard Warning	
16	3251813	1	Decal, USA	
17	4109801	4	Decal, Tie Down Point	
19	1001094708	1	Decal, Hydraulic Oil	
20	1001109053	1	Decal, Coolant Fill	
21	1001218704	1	Decal, Ultra Low Sulfur Diesel	
22	1001130323	1	Decal, Oil Level	
23	1001131271	1	Decal, Patent	
24	1001139578	1	Decal, Hot Fluid Warning	
26	N.S.S.	1	Decal, Nameplate	
29	1001195855	1	Decal, Battery Disconnect	
30	1001171277	1	Decal, Boom Extend	
31	1001172035	1	Decal, No Weld or Drill	
32	1001172037	1	Decal, 130HP	
33	1001181537	1	Decal, Outrigger Switches	
34	1001184632	1	Decal, Battery Positive	
35	1001188372	1	Decal, Sway	
36	1001191229	1	Decal, Fuse Panel	
39	1001200101	1	Decal, Manual	
40	1001196806	1	Decal, Diesel Exhaust Fluid	
42	1001207217	1	Decal, Danger Swinging Load <b>(SN 0160075710 to Present)</b>	
43	1001218659	1	Decal, Brake Fluid Spec	
44	1001219212	1	Decal, DEF Fluid	
45	1001223453	1	Decal, ICES	
46	1001009178	4	Decal, Track Metal	
47	1001230310	1	Decal, DEF Tank Service	
48	1707078	1	Decal, Warning/Danger Cab	
49	1001231801	1	Decal, Warning Prop 65 Diesel	
50	1001222650	2	Decal, Axle Lift	

# SECTION 11 - DECALS

## FIGURE 11-5. DECAL INSTALLATION (ISO)



ART\_1001160647-O

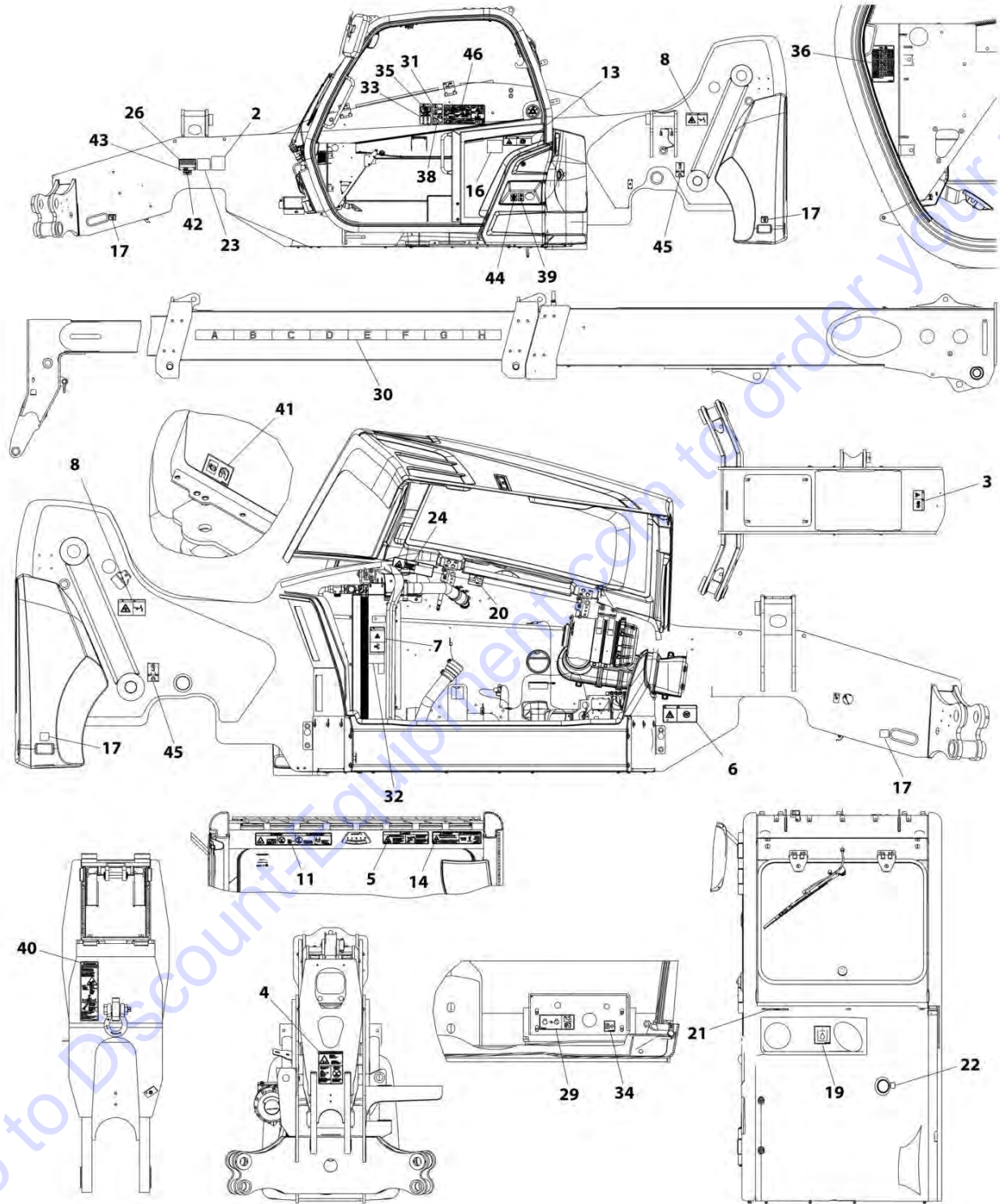
## SECTION 11 - DECALS

**FIGURE 11-5. DECAL INSTALLATION (ISO)**

ITEM	PART NUMBER	QTY	DESCRIPTION	REV
	1001160647	Ref	Decal Installation (ISO)	0
2	1702631	1	Decal, Bar Code	
3	1706281	1	Decal, Battery Warning	
4	1706282	1	Decal, Carry Personnel	
5	1706284	1	Decal, Contacting Power Lines Warning	
6	1706098	1	Decal, Ether Warning	
7	1706285	1	Decal, Moving Parts	
8	1706292	2	Decal, Pinch Point Boom Holes	
11	1706288	1	Decal, Tip Over Warning	
13	1001092878	1	Decal, No Riders	
14	1001092877	1	Decal, Crush Hazard Warning	
16	3251813	1	Decal, USA	
17	4109801	4	Decal, Tie Down Point	
19	1001094708	1	Decal, Hydraulic Oil	
20	1001109053	1	Decal, Coolant Fill	
22	1001130323	1	Decal, Oil Level	
23	1001131271	1	Decal, Patent	
24	1001139942	1	Decal, Hot Fluid Warning	
25	1001143852	1	Decal, LRC EPA	
26	N.S.S.	1	Decal, Nameplate	
30	1001171277	1	Decal, Boom Extend	
31	1001172035	1	Decal, No Weld or Drill	
32	1001172037	1	Decal, 130HP	
33	1001181537	1	Decal, Outrigger Switches	
34	1001184632	1	Decal, Battery Positive	
35	1001188372	1	Decal, Sway	
36	1001191229	1	Decal, Fuse Panel	
39	1001200101	1	Decal, Manual	
42	1001207218	1	Decal, Danger Swinging Load <b>(SN 0160075710 to Present)</b>	
43	1001219211	1	Decal, Brake Fluid Spec (not shown)	
46	1001009178	4	Decal, Track Metal	
48	1001101895	1	Decal, Warning	
50	1001222650	2	Decal, Axle Lift	

# SECTION 11 - DECALS

## FIGURE 11-6. DECAL INSTALLATION (ENGLISH/FRENCH)



ART\_1001160667-O

## SECTION 11 - DECALS

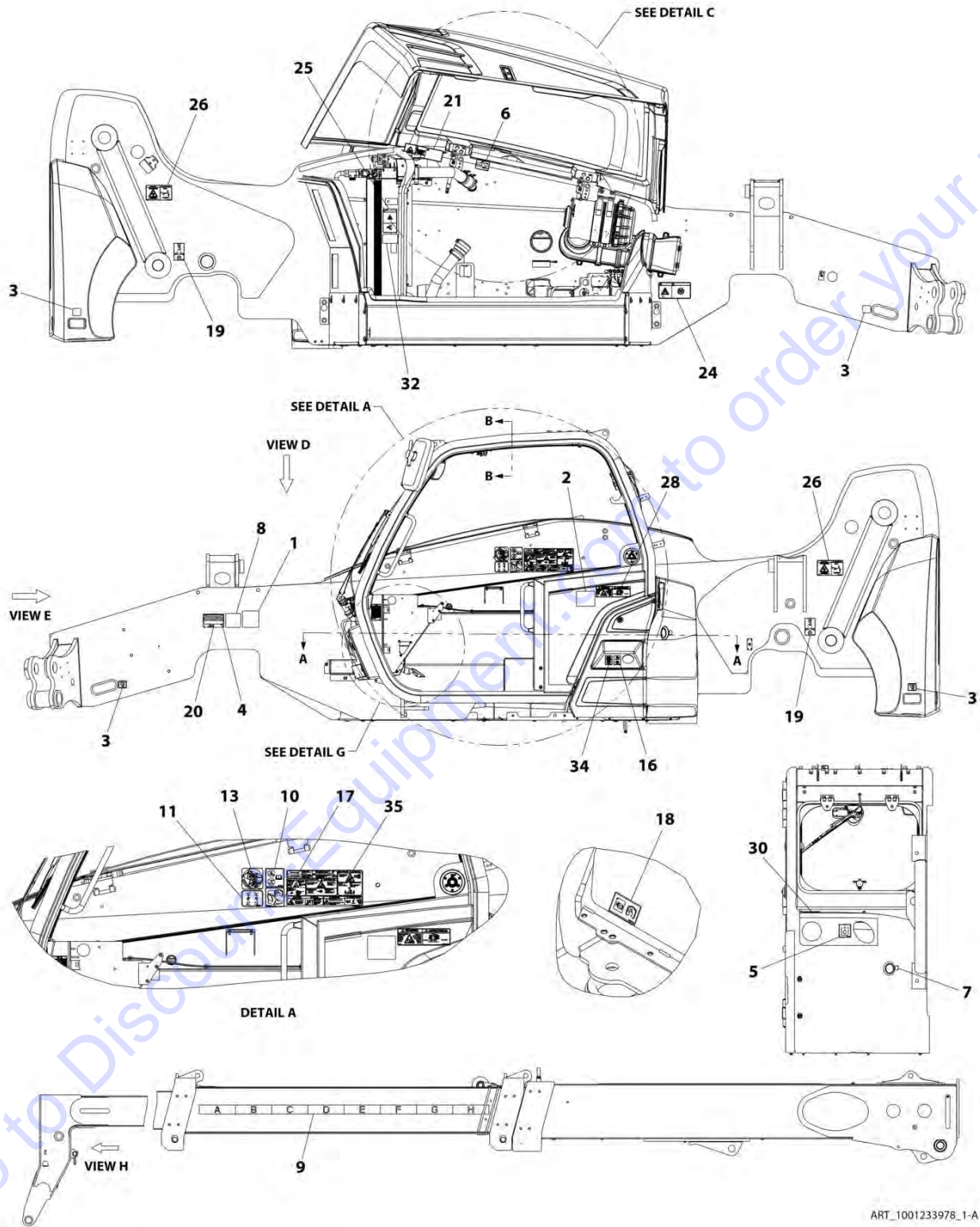
**FIGURE 11-6. DECAL INSTALLATION (ENGLISH/FRENCH)**

ITEM	PART NUMBER	QTY	DESCRIPTION	REV
	1001160667	Ref	Decal Installation (ENGLISH/FRENCH)	0
2	1702631	1	Decal, Bar Code	
3	1001163174	1	Decal, Battery Warning	
4	1001195851	1	Decal, Carry Personnel	
5	1001163210	1	Decal, Electrocutation Hazard	
6	1001163212	1	Decal, Warning No Either	
7	1001163222	1	Decal, Moving Parts	
8	1001163223	2	Decal, Pinch Point	
11	1001163285	1	Decal, Warning Tip Over	
13	1001163300	1	Decal, No Riders	
14	1001163304	1	Decal, Warning Crushing Hazard	
16	3251813	1	Decal, USA	
17	4109801	4	Decal, Tie Down Point	
19	1001094708	1	Decal, Hydraulic Oil	
20	1001109053	1	Decal, Coolant Fill	
21	1001163355	1	Decal, Ultra Low Sulfur Diesel	
22	1001130323	1	Decal, Oil Level	
23	1001131271	1	Decal, Patent, Telehandlers	
24	1001163323	1	Decal, Warning Hot Fluid	
26	N.S.S.	1	Decal, Nameplate, Serial Number	
29	1001195855	1	Decal, Battery Disconnect	
30	1001171277	1	Decal, Boom Extend	
31	1001172035	1	Decal, No Weld or Drill	
32	1001172037	1	Decal, MCO, 130HP	
33	1001181537	1	Decal, Outrigger Switches	
34	1001184632	1	Decal, Battery Positive	
35	1001188372	1	Decal, Sway	
36	1001191229	1	Decal, Fuse Panel	
37	1001191487	1	Decal, Fuse Panel (not shown)	
38	1001200101	1	Decal, Manual	
39	1001196806	1	Decal, Diesel Exhaust Fluid	
40	1001209625	1	Decal, Danger Swinging Load <b>(SN 0160075710 to Present)</b>	
41	1001219211	1	Decal, Brake Fluid Spec	
42	1001223453	1	Decal, ICES	
43	1001009178	4	Decal, Track Metal	
44	1001230311	1	Decal, Tank Service	
45	1001222650	2	Decal, Axle Lift	
46	1001233558	1	Decal, Warning/Danger Cab	

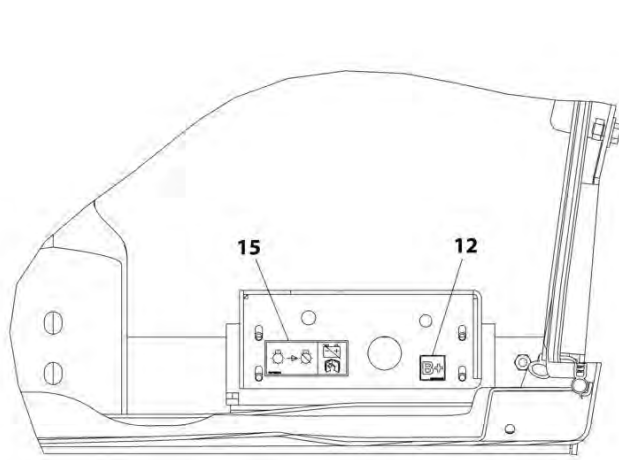


# SECTION 11 - DECALS

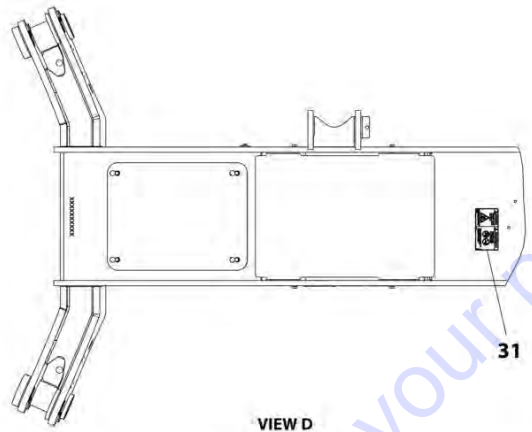
## FIGURE 11-7. DECAL INSTALLATION (ENGLISH/SPANISH)



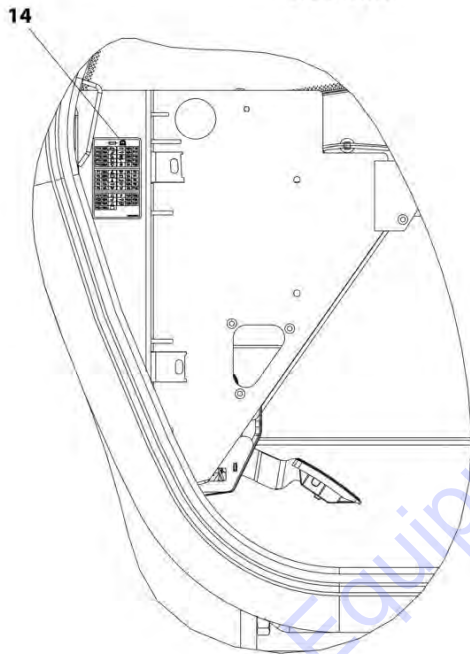
# SECTION 11 - DECALS



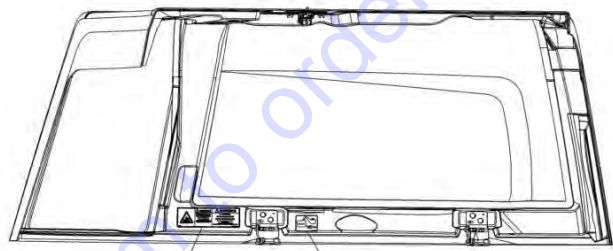
SECTION A-A



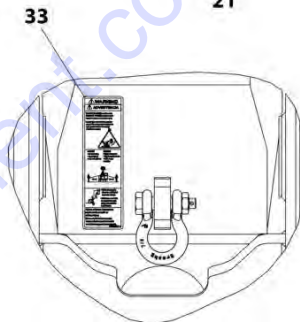
VIEW D



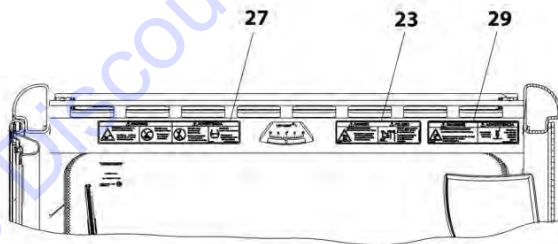
DETAIL G



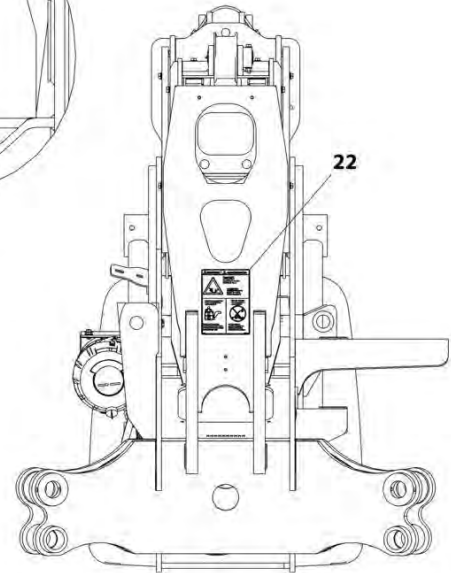
DETAIL C



VIEW H



SECTION B-B



VIEW E

ART\_1001233978\_2-A

## SECTION 11 - DECALS

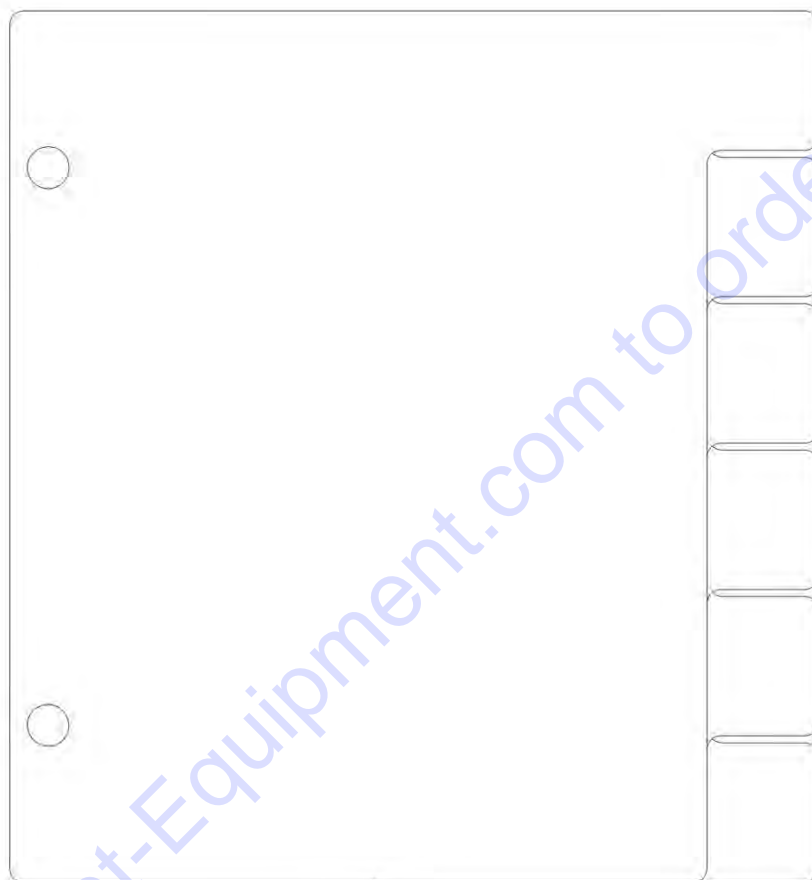
FIGURE 11-7. DECAL INSTALLATION (ENGLISH/SPANISH)

ITEM	PART NUMBER	QTY	DESCRIPTION	REV
	1001233978	Ref	Decal Installation (English/Spanish)	A
1	1702631	1	Decal, Bar Code	
2	3251813	1	Decal, USA	
3	4109801	4	Decal, Tie Down Point	
4	1001009178	4	Decal, Track Metal	
5	1001094708	1	Decal, Hydraulic Oil	
6	1001109053	1	Decal, Coolant Fill	
7	1001130323	1	Decal, Oil Level	
8	1001131271	1	Decal, Patent, Telehandlers	
9	1001171277	1	Decal, Boom Extend	
10	1001172035	1	Decal, No Weld or Drill	
11	1001181537	1	Decal, Outrigger Switches	
12	1001184632	1	Decal, Battery Positive	
13	1001188372	1	Decal, Sway	
14	1001191229	1	Decal, Fuse Panel	
15	1001195855	1	Decal, Battery Disconnect	
16	1001196806	1	Decal, Diesel Exhaust Fluid	
17	1001200101	1	Decal, Manual	
18	1001219211	1	Decal, Brake Fluid Spec	
19	1001222650	1	Decal, Axle Lift	
20	1001229575	1	SN Plate	
21	1001235805	1	Decal, Warning Hot Fluid	
22	1001235796	1	Decal, Carry Personal	
23	1001235797	1	Decal, Electrocutation Hazard	
24	1001235798	1	Decal, Warning No Ether	
25	1001235799	1	Decal, Moving Parts	
26	1001235800	1	Decal, Pinch Point	
27	1001235801	1	Decal, Warning Tip Over	
28	1001235802	1	Decal, No Riding	
29	1001235803	1	Decal, Warning Crushing Hazard	
30	1001235804	1	Decal, Ultra Low Sulfur Diesel	
31	1001235794	1	Decal, Battery Warning	
32	1001235806	1	Decal, MCO 130HP	
33	1001235807	1	Decal, Danger Swinging Load	
34	1001235808	1	Decal, Spanish JLG DEF Tank Service	
35	1001235809	1	Decal, Warning Cab	



# SECTION 11 - DECALS

FIGURE 11-8. CAPACITY CHART (ANSI) - 1055 (Prior to SN 0160075710)



ART\_1001208863-C

## SECTION 11 - DECALS

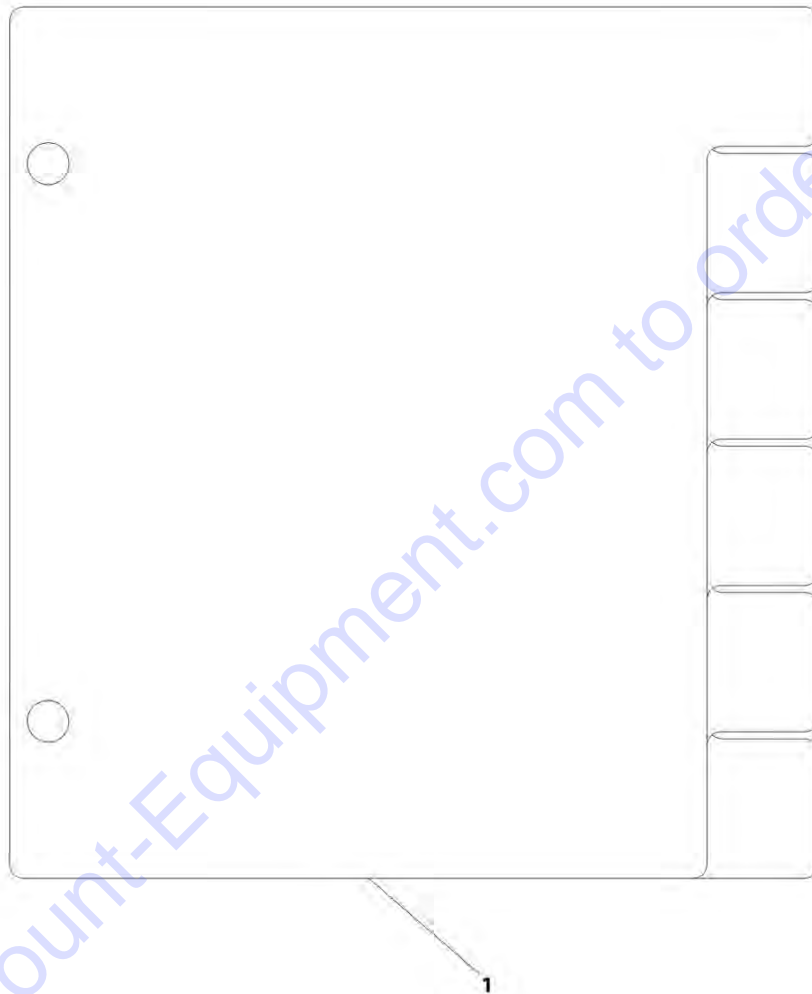
**FIGURE 11-8. CAPACITY CHART (ANSI) - 1055 (Prior to SN 0160075710)**

ITEM	PART NUMBER	QTY	DESCRIPTION	REV
1	1001160610	NLA	Capacity Chart (ANSI) - 1055 (No longer available, use 1001208863 for replacement)	D
1	1001208863	1	Capacity Chart (ANSI) - 1055	C

Go to Discount-Equipment.com to order your parts

# SECTION 11 - DECALS

FIGURE 11-9. CAPACITY CHART (ANSI) - 1055 (SN 0160075710 through 0160081279)



ART\_1001211156-C

## SECTION 11 - DECALS

FIGURE 11-9. CAPACITY CHART (ANSI) - 1055 (SN 0160075710 through 0160081279)

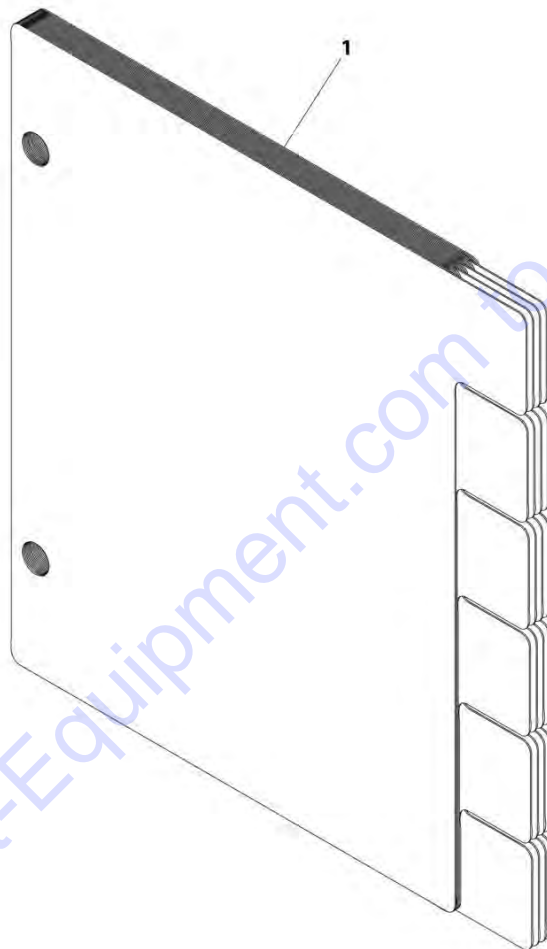
ITEM	PART NUMBER	QTY	DESCRIPTION	REV
1	1001211156	1	Capacity Chart (ANSI) - 1055	C

Go to Discount-Equipment.com to order your parts



## SECTION 11 - DECALS

FIGURE 11-10. CAPACITY CHART (ANSI) - 1055 (SN 0160081279 to Present)



ART\_1001211156-F

## SECTION 11 - DECALS

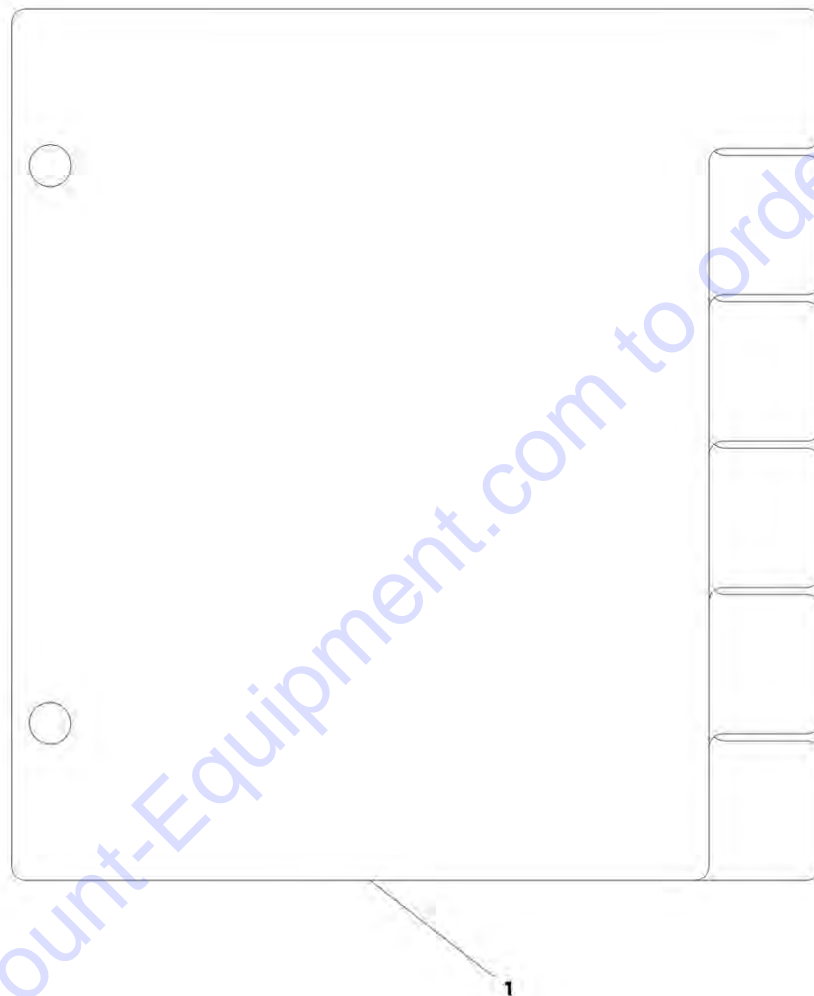
FIGURE 11-10. CAPACITY CHART (ANSI) - 1055 (SN 0160081279 to Present)

ITEM	PART NUMBER	QTY	DESCRIPTION	REV
1	1001211156	1	Capacity Chart (ANSI) - 1055	F

Go to Discount-Equipment.com to order your parts

# SECTION 11 - DECALS

FIGURE 11-11. CAPACITY CHART (ANSI) - 1255 (Prior to SN 0160075710)



ART\_1001208865-C

## SECTION 11 - DECALS

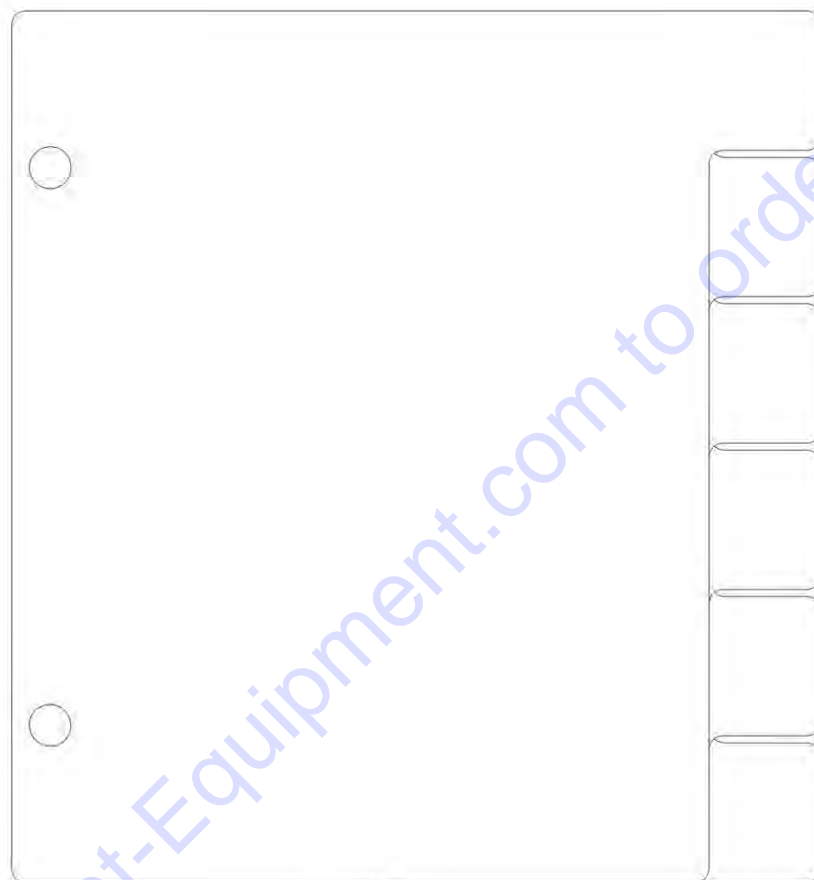
**FIGURE 11-11. CAPACITY CHART (ANSI) - 1255 (Prior to SN 0160075710)**

ITEM	PART NUMBER	QTY	DESCRIPTION	REV
1	1001160609	NLA	Capacity Chart (ANSI) - 1255 (No longer available, use 1001208865 for replacement)	D
1	1001208865	1	Capacity Chart (ANSI) - 1255	C

Go to Discount-Equipment.com to order your parts

# SECTION 11 - DECALS

FIGURE 11-12. CAPACITY CHART (ANSI) - 1255 (SN 0160075710 through 0160081279)



ART\_1001211153-C

## SECTION 11 - DECALS

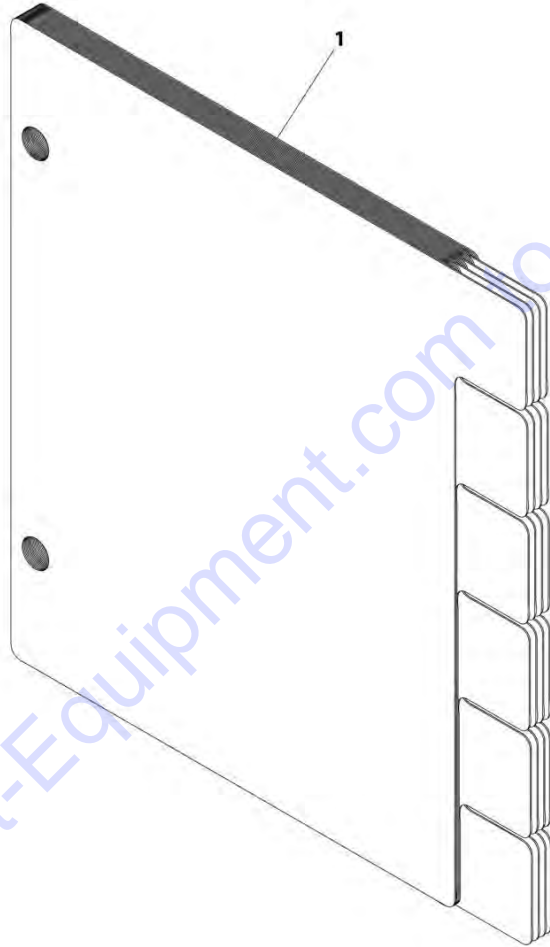
FIGURE 11-12. CAPACITY CHART (ANSI) - 1255 (SN 0160075710 through 0160081279)

ITEM	PART NUMBER	QTY	DESCRIPTION	REV
1	1001211153	1	Capacity Chart (ANSI) - 1255	C

Go to Discount-Equipment.com to order your parts

## SECTION 11 - DECALS

FIGURE 11-13. CAPACITY CHART (ANSI) - 1255 (SN 0160081279 to Present)



ART\_1001211153-F

## SECTION 11 - DECALS

FIGURE 11-13. CAPACITY CHART (ANSI) - 1255 (SN 0160081279 to Present)

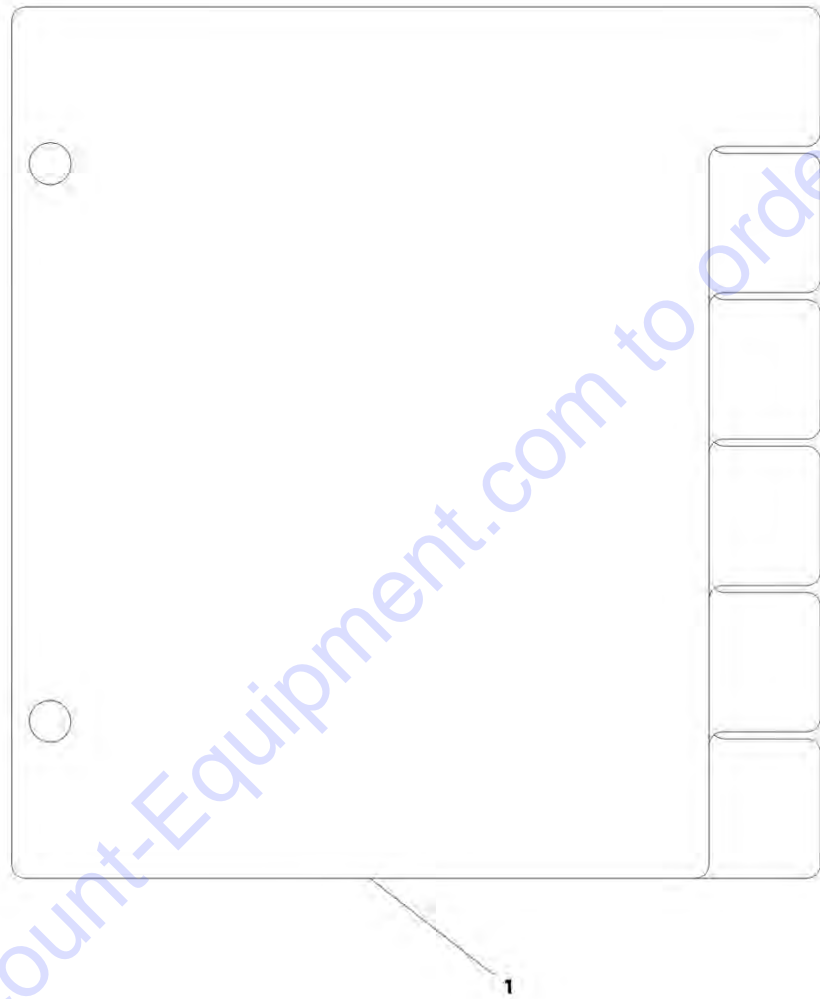
ITEM	PART NUMBER	QTY	DESCRIPTION	REV
1	1001211153	1	Capacity Chart (ANSI) - 1255	F

Go to Discount-Equipment.com to order your parts



# SECTION 11 - DECALS

FIGURE 11-14. CAPACITY CHART (METRIC) - 1055 (Prior to SN 0160075710)



ART\_1001208864-C

## SECTION 11 - DECALS

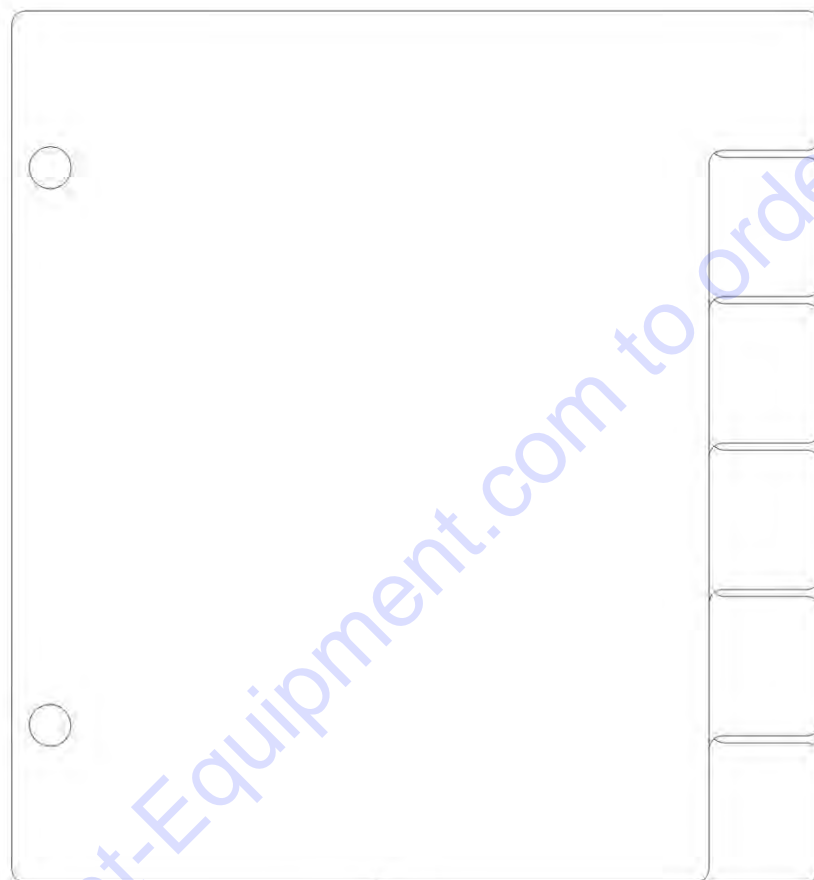
**FIGURE 11-14. CAPACITY CHART (METRIC) - 1055 (Prior to SN 0160075710)**

ITEM	PART NUMBER	QTY	DESCRIPTION	REV
1	1001160618	NLA	Capacity Chart (Metric) - 1055 (No longer available, use 1001208864 for replacement)	D
1	1001208864	1	Capacity Chart (Metric) - 1055	C

Go to Discount-Equipment.com to order your parts

# SECTION 11 - DECALS

FIGURE 11-15. CAPACITY CHART (METRIC) - 1055 (SN 0160075710 through 0160081279)



ART\_1001211157-D

## SECTION 11 - DECALS

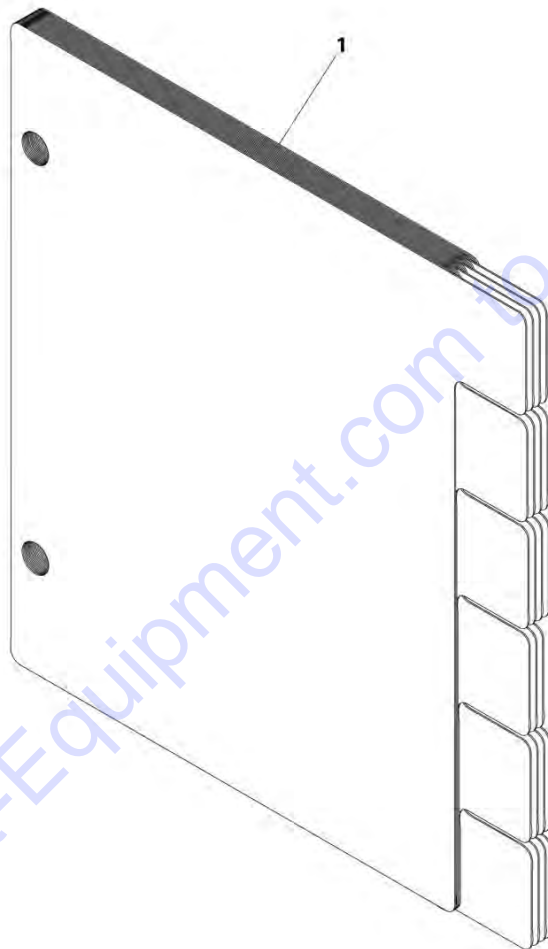
FIGURE 11-15. CAPACITY CHART (METRIC) - 1055 (SN 0160075710 through 0160081279)

ITEM	PART NUMBER	QTY	DESCRIPTION	REV
1	1001211157	1	Capacity Chart (Metric) - 1055	D

Go to Discount-Equipment.com to order your parts

## SECTION 11 - DECALS

FIGURE 11-16. CAPACITY CHART (METRIC) - 1055 (SN 0160081279 to Present)



ART\_1001211157-F

## SECTION 11 - DECALS

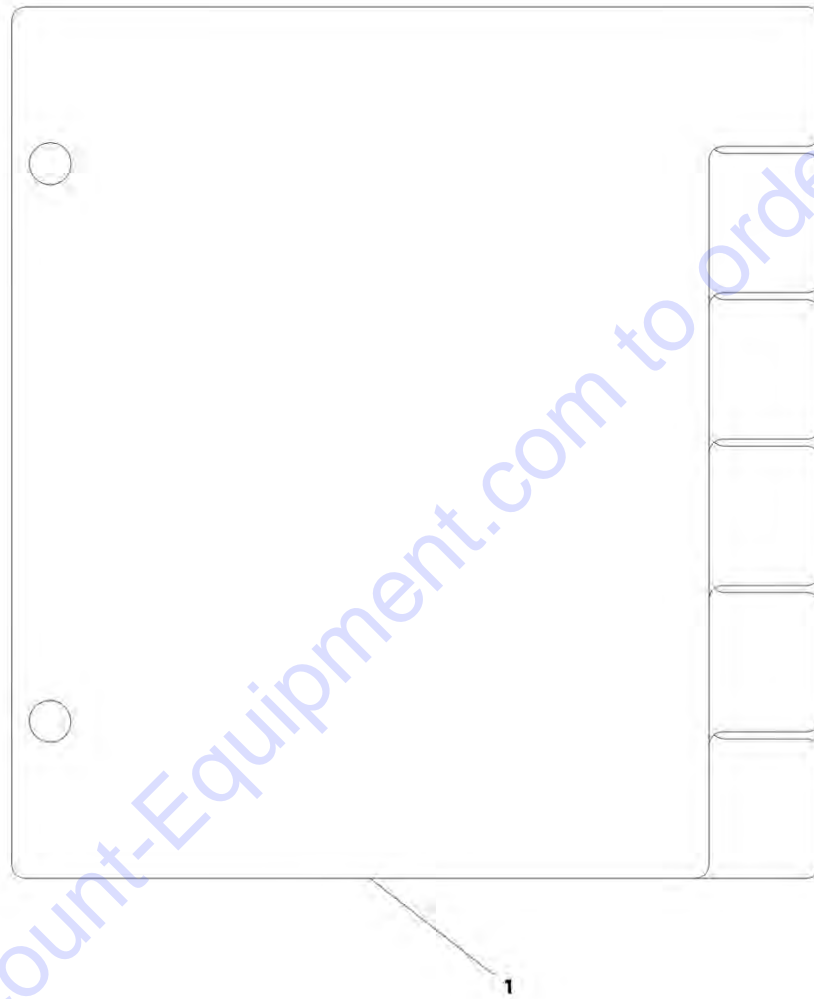
FIGURE 11-16. CAPACITY CHART (METRIC) - 1055 (SN 0160081279 to Present)

ITEM	PART NUMBER	QTY	DESCRIPTION	REV
1	1001211157	1	Capacity Chart (Metric) - 1055	F

Go to Discount-Equipment.com to order your parts

# SECTION 11 - DECALS

FIGURE 11-17. CAPACITY CHART (METRIC) - 1255 (Prior to SN 0160075710)



ART\_1001208866-C

## SECTION 11 - DECALS

**FIGURE 11-17. CAPACITY CHART (METRIC) - 1255 (Prior to SN 0160075710)**

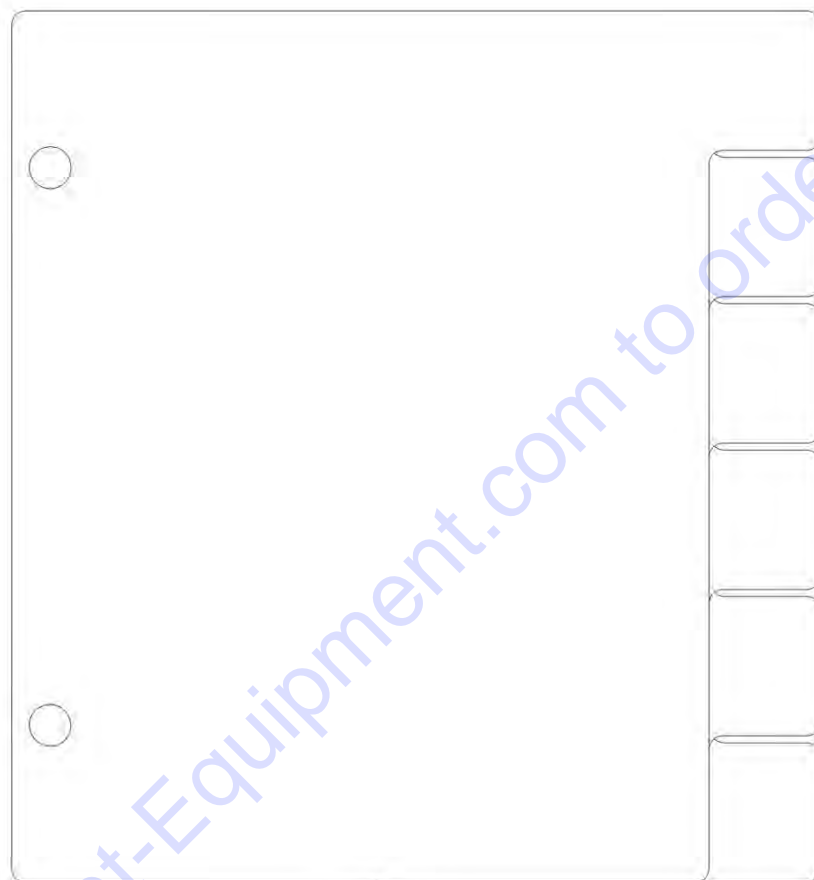
ITEM	PART NUMBER	QTY	DESCRIPTION	REV
1	1001160617	NLA	Capacity Chart (Metric) - 1255 (No longer available, use 1001208866 for replacement)	D
1	1001208866	1	Capacity Chart (Metric) - 1255	C

Go to Discount-Equipment.com to order your parts



# SECTION 11 - DECALS

FIGURE 11-18. CAPACITY CHART (METRIC) - 1255 (SN 0160075710 through 0160081279)



ART\_1001211155-D

## SECTION 11 - DECALS

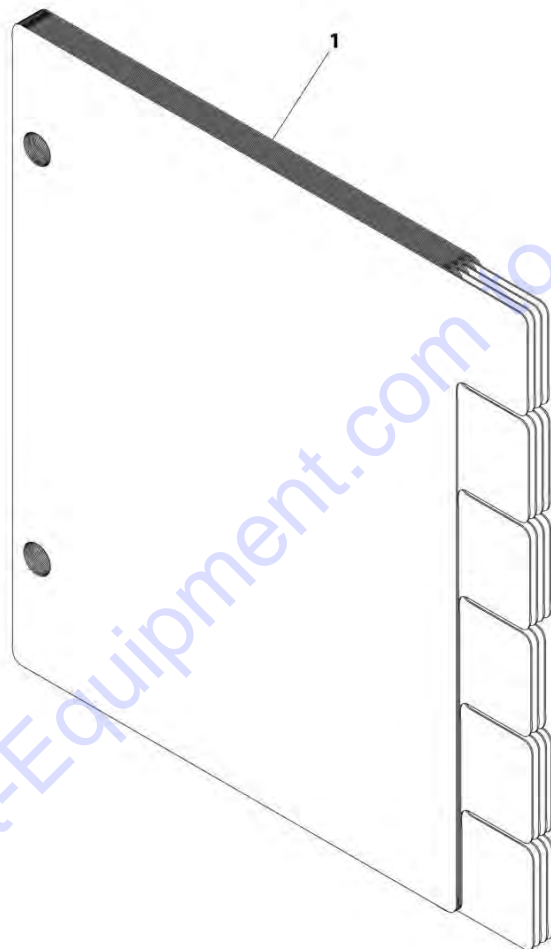
FIGURE 11-18. CAPACITY CHART (METRIC) - 1255 (SN 0160075710 through 0160081279)

ITEM	PART NUMBER	QTY	DESCRIPTION	REV
1	1001211155	1	Capacity Chart (Metric) - 1255	D

Go to Discount-Equipment.com to order your parts

## SECTION 11 - DECALS

FIGURE 11-19. CAPACITY CHART (METRIC) - 1255 (SN 0160081279 to Present)



ART\_1001211155-F

## SECTION 11 - DECALS

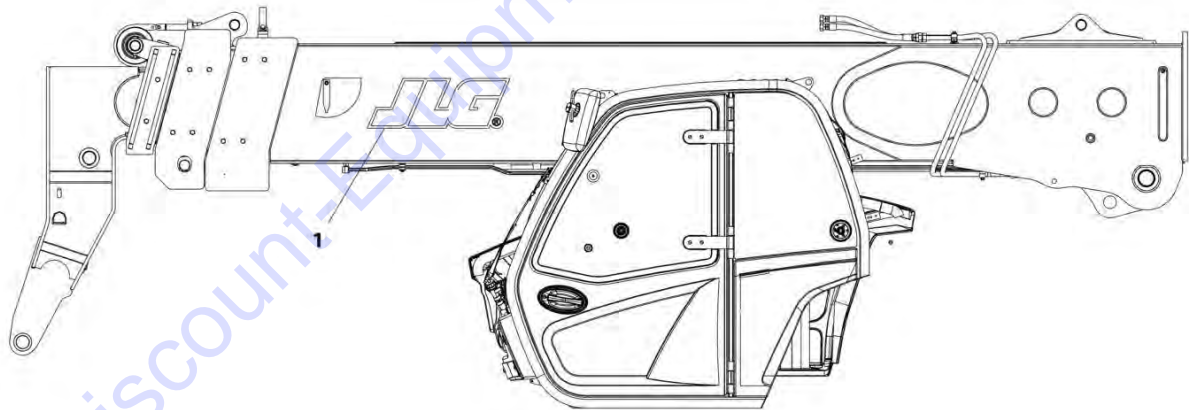
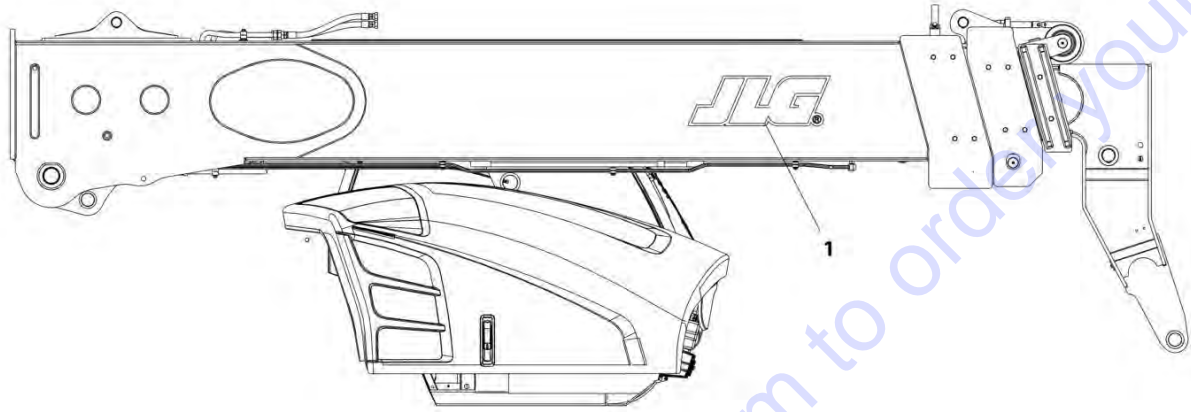
FIGURE 11-19. CAPACITY CHART (METRIC) - 1255 (SN 0160081279 to Present)

ITEM	PART NUMBER	QTY	DESCRIPTION	REV
1	1001211155	1	Capacity Chart (Metric) - 1255	F

Go to Discount-Equipment.com to order your parts

# SECTION 11 - DECALS

## FIGURE 11-20. DECAL INSTALLATION



ART\_1001200720-A

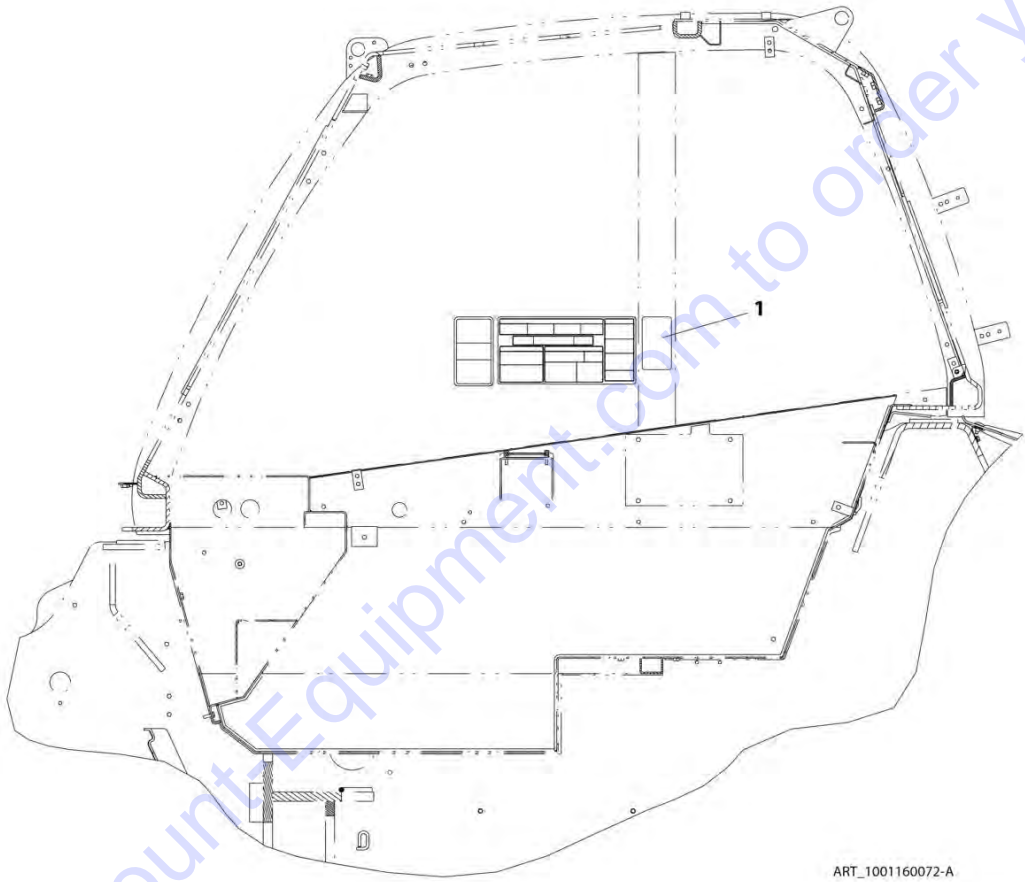
FIGURE 11-20. DECAL INSTALLATION

ITEM	PART NUMBER	QTY	DESCRIPTION	REV
1	1001200720 1001159728	Ref 1	Decal Installation Decal, JLG Logo	A

Go to Discount-Equipment.com to order your parts

**SECTION 11 - DECALS**

**FIGURE 11-21. REVERSE SENSOR SYSTEM DECAL (ENGLISH)**



ART\_1001160072-A

## SECTION 11 - DECALS

FIGURE 11-21. REVERSE SENSOR SYSTEM DECAL (ENGLISH)

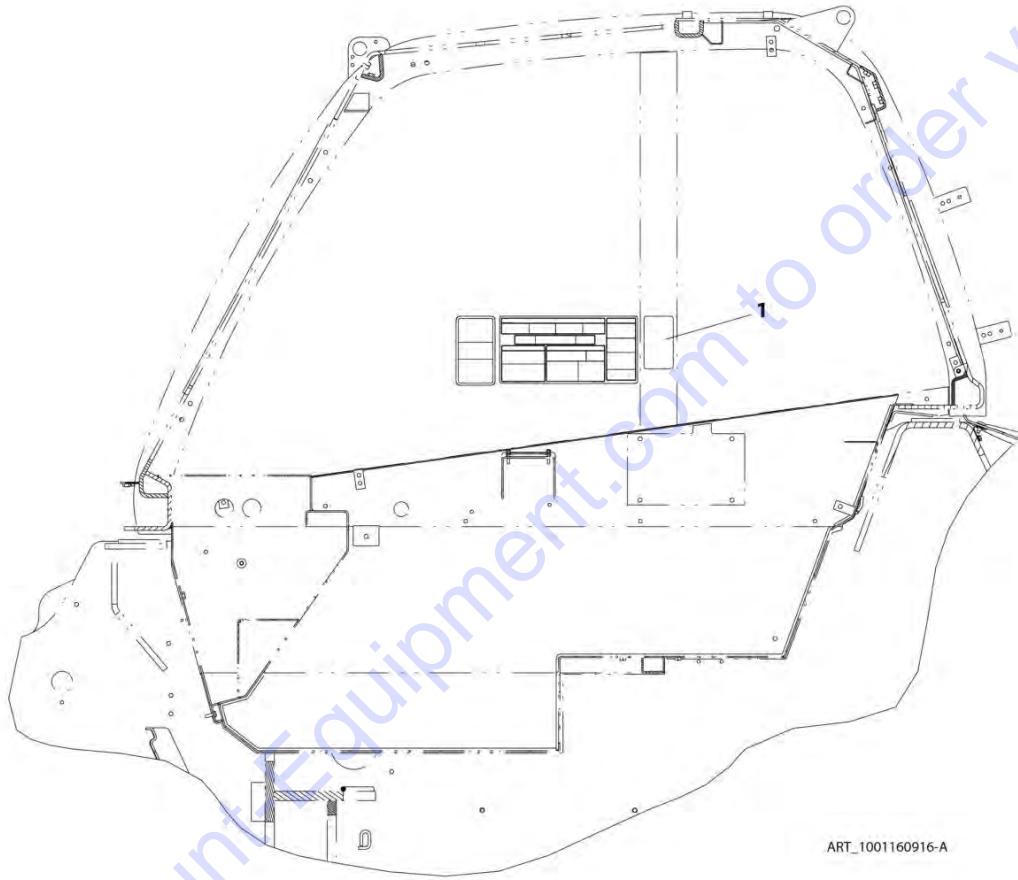
ITEM	PART NUMBER	QTY	DESCRIPTION	REV
1	1001160072	1	Reverse Sensor System Decal (English)	A

Go to Discount-Equipment.com to order your parts



# SECTION 11 - DECALS

FIGURE 11-22. REVERSE SENSOR SYSTEM DECAL (ISO)



## SECTION 11 - DECALS

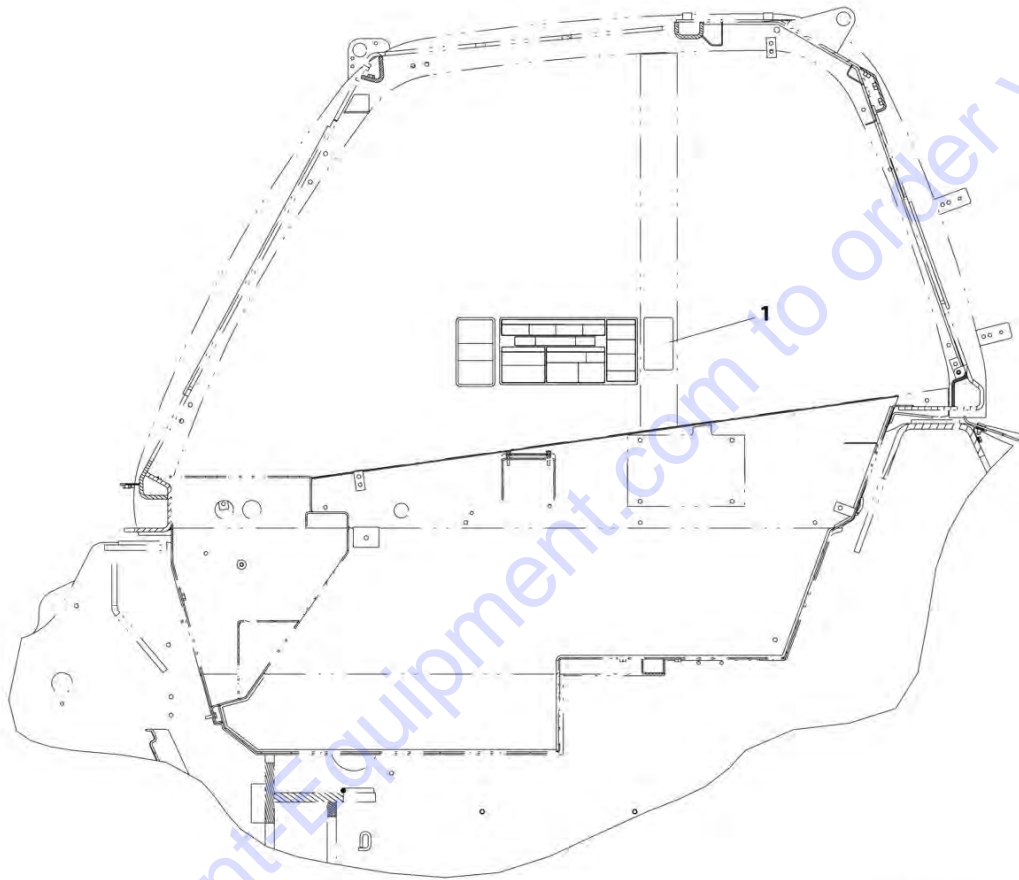
FIGURE 11-22. REVERSE SENSOR SYSTEM DECAL (ISO)

ITEM	PART NUMBER	QTY	DESCRIPTION	REV
1	1001160916	1	Reverse Sensor System Decal (ISO)	A

Go to Discount-Equipment.com to order your parts

# SECTION 11 - DECALS

FIGURE 11-23. REVERSE SENSOR SYSTEM DECAL (ENGLISH/FRENCH)



ART\_1001160945-A

## SECTION 11 - DECALS

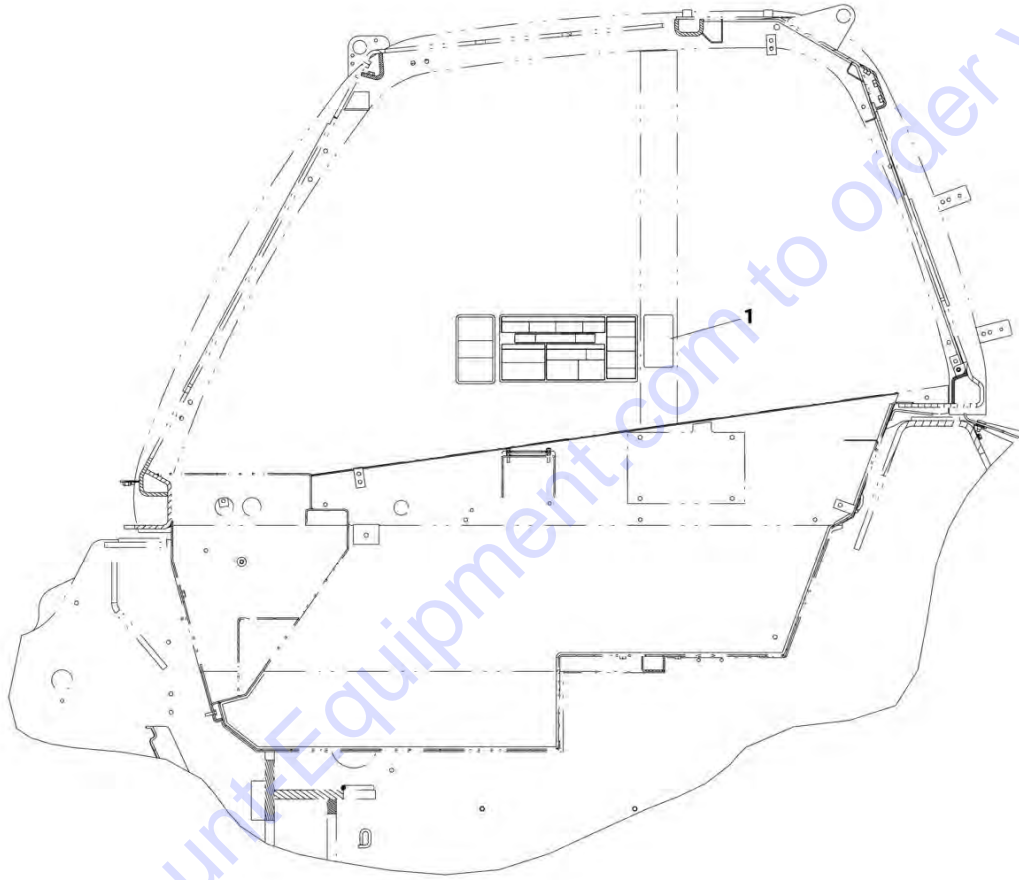
FIGURE 11-23. REVERSE SENSOR SYSTEM DECAL (ENGLISH/FRENCH)

ITEM	PART NUMBER	QTY	DESCRIPTION	REV
1	1001160945	1	Reverse Sensor System Decal (ENGLISH/FRENCH)	A

Go to Discount-Equipment.com to order your parts

# SECTION 11 - DECALS

FIGURE 11-24. REVERSE SENSOR SYSTEM DECAL (ENGLISH/SPANISH)



ART\_1001237846-A

## SECTION 11 - DECALS

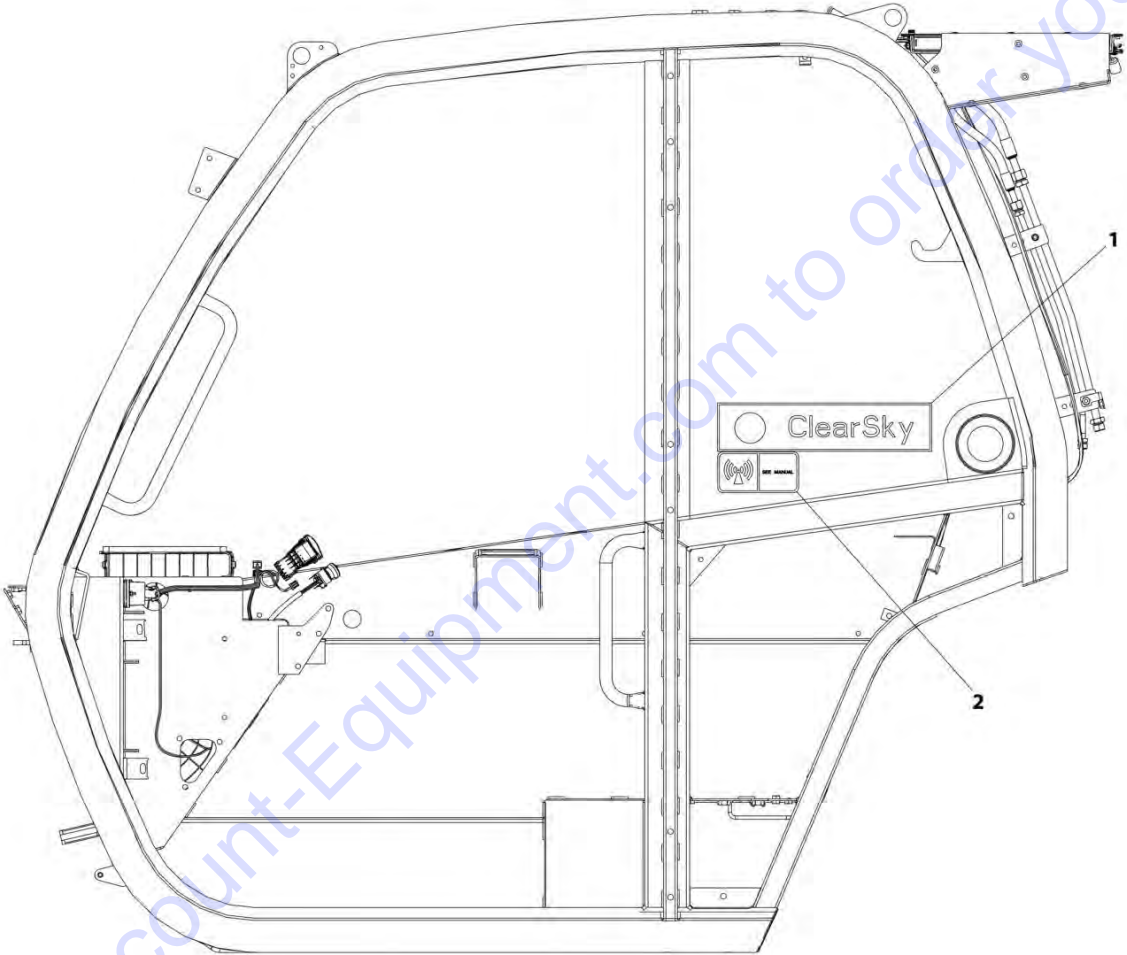
**FIGURE 11-24. REVERSE SENSOR SYSTEM DECAL (ENGLISH/SPANISH)**

ITEM	PART NUMBER	QTY	DESCRIPTION	REV
1	1001237846	Ref	Reverse Sensor System Decal (ENGLISH/SPANISH)	A

Go to Discount-Equipment.com to order your parts

**SECTION 11 - DECALS**

**FIGURE 11-25. CLEARSKY DECAL INSTALLATION**



ART\_1001229707-A

## SECTION 11 - DECALS

FIGURE 11-25. CLEARSKY DECAL INSTALLATION

ITEM	PART NUMBER	QTY	DESCRIPTION	REV
	1001229707	Ref	Clearsky Decal Installation	A
1	1001116208	1	Clearsky Decal	
2	1001120989	1	Radio Frequency Decal	

Go to Discount-Equipment.com to order your parts





**SECTION 12 - RECOMMENDED SPARE PARTS**

**SECTION 12 - RECOMMENDED SPARE PARTS**

Go to Discount-Equipment.com to order your parts

# SECTION 12 - RECOMMENDED SPARE PARTS

FIGURE 12-1. RECOMMENDED SPARE PARTS

ITEM	PART NUMBER	QTY	DESCRIPTION	REV
		Ref	<b>Boom</b>	
	1001162469	8	Pad, Wear	
	1001165171	22	Pad, Wear	
	1001165172	6	Pad, Wear	
	1001165173	6	Pad, Wear	
	1001165175	4	Pad, Wear	
	1001170549	2	Hose	
	1001173934	1	Hose	
	1001173935	1	Hose	
	1001163034	AR	Spacer	
	1001163038	AR	Spacer	
	1001163105	AR	Spacer	
	1001163108	AR	Spacer	
	1001163112	AR	Spacer	
	1001163113	AR	Spacer	
	1001163114	AR	Spacer	
	1001165367	AR	Spacer	
	1001170627	AR	Spacer	
	1001163103	AR	Shim	
	1001163104	AR	Shim	
		Ref	<b>Engine and Attaching Parts</b>	
	1001199740	1	Kit, (Service) T4F 1055/1255 1000 HR Filter	
	1001199739	1	Kit, (Service) T4F 1055/1255 250 HR Filter	
	70026234	1	Element, Fuel Filter	
	70026237	1	Filter, Oil	
	70026229	1	Fan Belt, V-Ribbed	
	1001175269	1	Fan, Cooling	
	70025850	1	Filter, Cylindrical Air Primary	
	70025851	1	Filter, Cylindrical Air Secondary	
	70026248	1	Kit, Def Filter	
		Ref	<b>Drivetrain</b>	
	1319726	1	Filter, Transmission Oil	
	1001163698	1	Switch, FNR 4 Speed	
		Ref	<b>Cab</b>	
	1001172546	1	Filter, HVAC Fresh Air	
	1001172553	1	Filter, HVAC Air Recirculation	
	1001141281	1	Blade, Wiper	
	4807718	1	Blade, Rear Wiper	
	1001141313	1	Blade, Roof Wiper	
		Ref	<b>Hydraulic Components</b>	
	70026291	1	Kit, Seal, Lift Cylinder - 1055	
	70026425	1	Kit, Seal, Lift Cylinder - 1255	
	1001162126	1	Kit, Seal, Tilt Cylinder - 1055	
	1001162144	1	Kit, Seal, Tilt Cylinder - 1255	
	70026340	1	Kit, Seal, Compensation Cylinder - 1055	
	70026343	1	Kit, Seal, Compensation Cylinder - 1255	
	70026253	1	Kit, Seal, Frame Level Cylinder	
	70026309	1	Kit, Seal, Outrigger Cylinder	

## SECTION 12 - RECOMMENDED SPARE PARTS

ITEM	PART NUMBER	QTY	DESCRIPTION	REV
	70026253	1	Kit, Seal, Rear Axle Stabilizer Cylinder	
	1001162168	1	Kit, Seal, Extend/Retract Cylinder	
	1001162660	1	Filter, Hydraulic	
	1001162662	1	Filter, Breather	
		Ref	<b>Electrical</b>	
	0400075	1	Battery, 12V Group 31	
	70022765	1	Key, Ignition	

Go to Discount-Equipment.com to order your parts



**PART NUMBER INDEX**

Go to [Discount-Equipment.com](http://Discount-Equipment.com) to order your parts

# PART NUMBER INDEX

0100011....147, 149, 151, 159, 161, 163	0711214 ... 67, 69, 73, 75, 77	821, 832, 837, 1061, 1063	1001091573.....1081
01043892.....361	0711215 ... 67, 69, 71, 73, 75, 77	0761210 ... 291, 335, 337, 996, 1000	1001091715...1061, 1063
0400075.....1045, 1271	0711216 ... 63, 65, 67, 69, 71, 73	0761214 .... 41, 121, 125, 127, 445, 837	1001091716...1061, 1063
0440321 .....871	0711217 ... 63, 65, 67, 69, 71, 73, 111	0761215 ..... 39, 827	1001091951..... 105, 109
0498748.....633	0711218 .... 63, 65, 71, 73	0761218 ..... 291, 293	1001092391.....251
0641405.....217	0711219 .... 67, 69, 71, 73	0770814 ..... 765	1001092481.....211
0641510.....255	0711220 ..... 67, 69	0771212 ..... 75, 77	1001092482.....211
0641610.....129	0711221 ..... 73	0781016 ..... 285	1001092877.....1225
0641612....147, 149, 151, 159, 161, 163	0711222 ..... 63, 65	0791605 ..... 309	1001092878.....1225
0641812.....824	0711224 ..... 67, 69	0860520 ..... 217	1001093171.....225
0642032....133, 135, 137, 139, 141, 143, 145, 147, 149, 151, 159, 161, 163	0711226 ..... 71, 73	0861493 ..... 1201	1001093564.....1051
0651607.....129	0711227 ..... 71, 73	0930020 ..... 219	1001094134.....229
0681810....147, 149, 151, 159, 161, 163	0711228 ..... 67, 69	1001001568 ..... 875	1001094136.....229
0700408.....759, 1025	0711229 ..... 109	1001002946 ..... 677, 679	1001094708...1223, 1225, 1227, 1230
070061023, 25, 276, 280, 351, 725, 739, 741, 992, 1003, 1005, 1057, 1059, 1065, 1067, 1069, 1071	0711226 ..... 27	1001002947 ..... 677, 679	1001095336.....1011
0700614....255, 694, 739, 741	0711229 ..... 27	1001002953 ..... 677, 679	1001095418.....167
0700616....816, 835, 837, 1079	0711630 ..... 27, 107	1001002957 ..... 677, 679	1001095650.....125, 127, 623, 631, 735, 737, 759
0700618.....1015, 1035	0712020 ..... 577	1001003043 ..... 623	1001095738.....503
0700808.....1035	0712022 ..... 577	1001003043 ..... 623	1001095744.....503
0700812.....561	0712027 ..... 575	1001003301 ..... 951	1001095804...1017, 1019
070081423, 25, 313, 832, 835, 951, 1003, 1005	0712042 ..... 45, 47	1001003427 ..... 287, 289	1001095810.....217
0700815.....816	0712442 ..... 839, 841	1001003590 ..... 841	1001096019.....215
0700816....309, 315, 317, 821, 824, 865	0741610 ... 147, 149, 151, 159, 161, 163	1001004640 ..... 767, 769	1001096020.....215
0700817.....816, 832	0760304 ..... 779	1001005368 ..... 631	1001096021.....213
0700818....845, 863, 992	0760405 ..... 1039	1001005960 ..... 1217	1001096023.....213
0700819.....1043	0760507 ..... 287, 289	1001006731 ..... 687	1001096025.....213
0700820....583, 585, 587, 767, 821	0760512 ..... 619	1001007056 ..... 877	1001096162....211, 213, 215, 217
0700821.....832	0760605...299, 343, 633, 759, 761	1001008540 ..1003, 1005	1001096365.....677, 679
0700822.....832, 992	0760606 ..... 23, 25	1001008559 ..... 276, 280, 1007, 1009, 1039, 1061	1001096679.....885
0700823.....847	0760607 ... 280, 337, 361, 633, 1039	1001008575 ..... 41	1001097053.....457
0700824.....767, 769	0760608 ... 111, 325, 579, 609, 619, 751, 759, 761, 767, 769, 1003, 1005	1001008687 ..... 563	1001097110.....235
0700826.....343	0760615 ..... 1043	1001008742 ..... 619	1001097202.....579
0700827.....353, 359	0760807 ..... 351, 1035	1001008857 ..... 677, 679	1001097205.....225
0701014...29, 31, 49, 327, 824, 996, 1000	0760808 ... 607, 725, 727, 739, 741, 1035, 1039, 1081, 1083	1001008892 ..1077, 1079	1001097244.....737
070101623, 25, 327, 799, 801, 835, 837	0760810. 31, 56, 60, 327, 329, 583, 587, 617, 681, 691, 694, 727, 759, 761, 824, 832, 1065	1001008988 ..... 633	1001097412.....60
0701017.....329, 331	0760812 ... 331, 343, 359, 555, 581, 679, 1025	1001008999 ..... 31	1001097540...23, 25, 669, 671, 673, 675
0701018....291, 293, 319, 321	0760815 ..... 29, 327, 343, 677, 679, 816, 832, 992	1001009163 ..... 457, 951	1001097586.....623
0701020.....41, 291, 293	0760823 ..... 39, 339	1001009178 ..1223, 1225, 1227, 1230	1001097587.....371, 407
0701027.....311	0761007 ..... 1007, 1009, 1035	1001010646 ..... 687	1001097588.....299, 301
0701215.....285	0761010 ... 23, 25, 31, 33, 35, 299, 301, 319, 321, 457, 563, 767, 816, 832, 992, 1003, 1005, 1007, 1009, 1035	1001010647 ..... 687	1001097810.....816, 879
0701216.....27, 283, 795	0761012 ... 291, 293, 319, 321, 355, 767, 769,	1001010648 ..... 687	1001098762.....1051
0701220.....27		1001010649 ..... 687	1001098769.....113
0701226.....763		1001010650 ..... 687	1001098828...71, 73, 111
0701227.....27		1001025750 ..... 335, 337	1001099113.....147, 149, 151, 159, 161, 163
0701229.....43		1001025753 ..1007, 1009	1001099115.....147, 149, 151, 159, 161, 163
0701232.....43		1001028308 ..... 816	1001099170.....605
0711015.....457		1001047062 ..... 633	1001099351.....187
0711027.....839, 841		1001080375 ..... 837	1001099457.....233
		1001080996 ..... 837	1001099901.....191
		1001081152 ..... 759	1001099902.....189
		1001090063 .... 147, 149, 151, 159, 161, 163	1001100443.....1167
		1001090064 .... 147, 149, 151, 159, 161, 163	1001100822.....205
		1001090140 .... 147, 149, 151, 159, 161, 163	1001100823.....207
		1001090336 ..... 617	1001100824.....209
		1001090343 .... 619, 721, 723	1001100828.....1189
			1001100829.....1189
			1001100967.....185
			1001101085.....681, 683
			1001101458.....125, 127

## PART NUMBER INDEX

1001101808 .....	1057	1001116747... 1089, 1148	1001125083..1112, 1119,	1001144147 . 1112, 1118,
1001101867 ... 67, 71, 73,		1001116748..1113, 1119,	1125	1124, 1129, 1133,
99		1125, 1129, 1130,	1001125085..1112, 1119,	1183, 1195, 1205
1001101895 .....	1225	1133, 1143	1125	1001144629J .....
1001101956 .....	149	1001116749.. 1113, 1119,	1001125089..1112, 1119,	217
1001102378 .....	147, 149,	1125, 1130, 1134	1125	1001145539 .....
151, 159, 161, 163		1001116754..... 1143	1001125117....63, 65, 67,	694
1001102502 .. 1017, 1019		1001116763... 1089, 1096	69, 71, 73, 75, 77, 837	1001145707 .. 1129, 1133
1001102509 .....	881	1001116774... 1183, 1205	1001125137.....907, 909,	1001146084 .....
1001102813 .....	217, 255	1001116808... 1183, 1205	913, 929	137
1001103012 .....	1144	1001116810... 1100, 1103	1001125410.....535	1001146088 .....
1001103156 .....	1013	1001116811.. 1112, 1118,	1001125677... 1118, 1124	141
1001103182 .....	167	1124, 1129, 1133	1001125784.....1085	1001146159 .....
1001103564 .....	1087	1001116812.. 1091, 1095,	1001126008..1183, 1205,	133, 137,
1001103637 .....	211	1099, 1100, 1103,	1213	141, 143
1001103730 .....	213	1104, 1107, 1145,	1001126011.....1125	1001146160 .....
1001103736 .....	215	1151, 1183, 1195, 1205	1001126349...1130, 1134	133, 137,
1001104029 .....	832	1001116815.. 1151, 1183,	1001126353... 1130, 1134	141, 143, 263
1001104477 .....	875, 955	1205	1001126357... 1130, 1134	1001146588 .....
1001104498 .. 1092, 1095		1001116950.. 1101, 1105,	1001126391.....1107	276, 280,
1001104519 .....	1147	1120, 1126, 1134	1001126393.....1107	739, 747, 1007, 1009,
1001104654 .. 1017, 1019		1001116986..... 1148	1001126487..1113, 1118,	1015, 1023, 1041,
1001104685 .....	351	1001116991... 1143, 1147	1124	1043, 1061, 1063
1001104992 .....	169	1001116994..... 1161	1001126837..... 1013	1001147072 .....
1001105441 .....	123	1001116996..... 1139	1001128127... 1100, 1104	457
1001105886 .....	1053	1001116997..... 1148	1001128144.....309	1001147340 .....
1001107192 .....	633	1001116999..... 1147	1001128341.....309	816
1001107854 . 1089, 1092,		1001117021... 1089, 1092	1001128478.....457, 951	1001147449 .....
1095, 1096		1001117064..... 1143	1001128594.....271, 273	658, 662,
1001108668 .....	196	1001117073.. 1113, 1119,	1001128890.....263	666
1001109053 . 1223, 1225,		1125, 1130, 1133	1001129407..... 1179	1001147623 .....
1227, 1230		1001117079..... 1147	1001130220.....23, 25	85, 91
1001110544 .....	779	1001117081.. 1143, 1144,	1001130323..1223, 1225,	1001148557 .....
1001110704 .....	167	1147, 1151	1227, 1230	650, 658
1001111076 .....	751	1001117121..... 1144	1001131177..... 1035	1001149160 .....
1001111147 .....	751	1001117125.. 1112, 1118,	1001131271..1223, 1225,	23, 25
1001111190 .....	167	1124, 1130, 1134	1227, 1230	1001149278 .....
1001111317 .....	597, 621,	1001117308... 1003, 1005	1001132168.....33, 35	658, 662,
677		1001118323... 1101, 1105	1001133072..... 147, 149,	666
1001112612 . 1085, 1114,		1001118378..... 1205	151, 159, 161, 163	1001150610 . 1112, 1118,
1119, 1125, 1129,		1001118383..... 1144	1001133534.....285	1124, 1129, 1133
1133, 1143		1001118384.. 1143, 1144,	1001134274..... 1013	1001150611 . 1100, 1103,
1001112796 . 1161, 1163,		1147, 1148, 1151, 1169	1001136975.....276, 280	1104
1173		1001118392..... 1139	1001137512..... 253	1001151032 .....
1001112902 .....	23, 25	1001118684..... 1143	1001137578... 1107, 1108	1167
1001114495 .....	303, 305	1001118685..... 1144	1001138348.....303, 305	1001151101 .....
1001114803 .....	291, 293	1001120163..... 877, 935	1001139551.....723	551
1001115238 .....	1167	1001120178..... 521, 537,	1001139552.....721	1001151108 .....
1001116208 .....	739, 741,	567	1001139568.....631	551
1267		1001120179..... 521, 537	1001139578.....1223	1001151561 .....
1001116696 .....	1139	1001120914..... 147, 149,	1001139942.....1225	133, 137,
1001116697 .....	1144	151, 159, 161, 163	1001140321.....1167	141, 143
1001116698 .....	1144	1001120915..... 147, 149,	1001140322..... 1167	1001152415 .....
1001116700 .....	1147	151, 159, 161, 163	1001141246..... 677, 679	529, 533
1001116716 .....	1147	1001120989..... 739, 741,	1001141281..... 617, 1270	1001152430 .....
1001116723 . 1143, 1144,		1267	1001141311.....723	529
1147, 1148, 1151		1001121103..... 519, 521	1001141312.....721	1001152729 .....
1001116725 . 1114, 1119,		1001121105..... 535, 537	1001141313.....723, 1270	705
1125		1001121109..... 519	1001141400.....276, 280	1001152742 .....
1001116727 . 1092, 1096,		1001121726... 1092, 1096	1001142247.....222	1107
1211		1001121727..... 1211	1001142790..... 165	1001152908 .....
1001116728 . 1087, 1092,		1001121955..... 309	1001143200..... 599, 645	697, 699,
1096, 1129, 1133		1001122453..... 907, 909,	1001143551..... 1205	701
1001116729 .....	1211	913, 929, 931	1001143692..... 123	1001152915 .....
1001116731 .....	1195	1001125027.. 1112, 1118,	1001143852..... 1225	621
1001116732 .. 1129, 1133		1124, 1130, 1134	1001143857..... 767, 769	1001152934 .....
1001116745 .....	1211			621



# PART NUMBER INDEX

1001155796.....725	1001160168.. 1029, 1031	1001161100 . 1091, 1095,	1001161957.. 1091, 1095,
1001155800.....725	1001160176..... 115	1099, 1103, 1144, 1145	1099, 1103
1001155806.....1173	1001160177..... 117	1001161101 . 1091, 1095,	1001161959.....1144
1001156227.....891, 895	1001160253..... 29	1099, 1103, 1144, 1145	1001161963.. 1091, 1095,
1001156265.....767, 769	1001160255..... 49	1001161251 ..... 650, 654,	1099, 1103
1001157036.....867, 929	1001160260..... 1061	658, 662, 666	1001161972..... 816
1001157359.....911, 913	1001160326..... 694	1001161304 ..... 791, 793	1001161973..... 816
1001157360.....905, 907	1001160387..... 267	1001161306 ..... 788, 791	1001161974..... 816
1001157481.....631	1001160396..... 269	1001161308 ..... 788, 795	1001161975..... 816
1001157487.....631	1001160397..... 291	1001161310 ..... 788, 799	1001161976..... 816
1001157663.....353, 359	1001160402..... 293	1001161316 ..... 788, 807	1001161977..... 824
1001157890... 1147, 1205	1001160409..... 327	1001161317 ..... 807, 811	1001161978..... 824
1001157891.....1085	1001160417..... 329	1001161321 ..... 799, 803	1001162069..... 816
1001157919.....779	1001160420..... 313	1001161340 ..... 816	1001162076..... 863, 891,
1001157972.....811, 813,	1001160426..... 353	1001161343 ..... 816	893
961	1001160438..... 987	1001161344 ..... 819	1001162124..... 907
1001158146.....1017	1001160496..... 583	1001161346 ..... 819	1001162126..... 907, 909,
1001158527.....769, 969	1001160498..... 1144	1001161351 ..... 788, 816	1270
1001158620.....843, 927	1001160500 . 1091, 1095,	1001161352 ..... 788, 819	1001162127..... 907
1001159028.....755, 757	1099, 1103	1001161418 ..... 367, 369	1001162128..... 907
1001159347.....291, 293,	1001160502..... 1144	1001161419 ..... 367, 405	1001162129..... 907, 913,
295	1001160503..... 583, 587	1001161420 ..... 369, 371	929
1001159604..... 107	1001160506..... 585	1001161421 ..... 369, 879	1001162130..... 907, 913,
1001159605..... 109	1001160508..... 589, 591,	1001161423 ..... 405, 407	929
1001159609.....79	607	1001161424 ..... 405, 881	1001162131..... 907, 913,
1001159611.....67, 69	1001160509 . 1091, 1095,	1001161499 ..... 589, 591,	929
1001159612.....73	1100, 1104	755	1001162132..... 907
1001159613.....71, 73	1001160510 . 1091, 1095,	1001161527 ..... 819	1001162133..... 907
1001159728.....1257	1100, 1104	1001161528 ..... 819	1001162134..... 907, 913,
1001159734... 1061, 1063	1001160609..... 1239	1001161535 ..... 816	929
1001159735.....721	1001160610..... 1233	1001161538 ..... 597	1001162141..... 913
1001159736.....723	1001160617..... 1251	1001161564 ..... 43	1001162142..... 913
1001159738... 1081, 1083	1001160618..... 1245	1001161664 ..... 267, 269,	1001162144..... 913, 915,
1001159739... 1073, 1075	1001160625..... 1221	457	1270
1001159745.....849, 851,	1001160626..... 1219	1001161672 ..... 767, 769	1001162145..... 913
853, 855	1001160647..... 1225	1001161732 ..... 987, 989,	1001162146..... 913
1001159746.....1029	1001160667..... 1227	992	1001162148..... 913
1001159753... 1017, 1019	1001160669..... 839	1001161733 ..... 767, 769	1001162152..... 913
1001159760.....788, 809	1001160673..... 1223	1001161769 .. 1015, 1155	1001162153..... 913
1001159845.. 1065, 1067,	1001160679..... 841	1001161770 .. 1023, 1157	1001162158..... 907
1069, 1071	1001160705..... 788	1001161771 .. 1021, 1159	1001162159..... 907, 913,
1001159846.. 1065, 1067,	1001160710..... 23	1001161773 ..... 937	929
1069, 1071	1001160711..... 1045	1001161780 ..... 788, 824	1001162166..... 929
1001159847.....809, 813	1001160720..... 893	1001161797 ..... 824	1001162168..... 929, 931,
1001159849... 1017, 1019	1001160721..... 891	1001161813 ..... 907	1271
1001159881.....327	1001160735..... 37	1001161814 ..... 907, 913	1001162169..... 929
1001159882.....327	1001160775.. 1219, 1221	1001161816 ..... 907	1001162170..... 929
1001159925.....691, 694	1001160802..... 371, 373	1001161824 ..... 913	1001162171..... 929
1001159943..... 103	1001160803..... 407, 409	1001161828 ..... 929	1001162176..... 929
1001159947..... 103, 105	1001160888..... 27	1001161830 ..... 929	1001162177..... 929
1001159957.....60	1001160914..... 111	1001161854 ..... 650, 654,	1001162212..... 333
1001159958.....56	1001160916..... 1261	658, 662, 666	1001162239..... 29, 31
1001159966.....60, 65	1001160927 .. 1045, 1051	1001161855 ..... 650, 654,	1001162240J..... 31
1001159967.....56, 63	1001160928..... 1051	658, 662, 666	1001162249..... 1015
1001159970J.....65	1001160945..... 1263	1001161858 ..... 691, 697,	1001162253..... 992
1001159971J.....63	1001161054..... 67, 69	699	1001162256..... 992
1001160013.....60, 69	1001161055..... 71, 73	1001161865 ..... 705	1001162262..... 77
1001160014.....56, 67	1001161068..... 666	1001161896 ..... 767, 769	1001162281..... 327, 329
1001160023.....60, 73	1001161069..... 647	1001161897 ..... 767, 769	1001162286..... 69
1001160024.....56, 71	1001161095.. 1144, 1145	1001161898 ..... 767, 769	1001162376..... 73
1001160032.....60, 77	1001161097 . 1091, 1095,	1001161909 ..... 816	1001162469.... 63, 65, 67,
1001160033.....56, 75	1099, 1103	1001161910 ..... 816	69, 1270
1001160042.....694	1001161098 . 1099, 1103,	1001161911 ..... 816	1001162547..... 849, 853
1001160043.....691	1144, 1145	1001161912 ..... 824	1001162548..... 797, 959
1001160072.....1259	1001161099 . 1091, 1095,	1001161920 ..... 303, 305	1001162597..... 327
1001160116.....27	1099, 1103, 1144	1001161934 ..... 759	1001162628..... 287
1001160122.....777			

## PART NUMBER INDEX

1001162660 ..... 951, 953, 1271	1001163254..... 353, 355, 359	1001164873..... 837	1001165486 .... 83, 89, 93
1001162661 ..... 953	1001163255..... 987, 996	1001164881..... 121	1001165487 ..... 89
1001162662 .... 951, 1271	1001163267..... 907, 909, 913, 915	1001164884..... 115, 117	1001165493 ..... 83
1001162663 ..... 953	1001163285..... 1227	1001164885..... 115, 117	1001165496 ..... 93
1001162667 ..... 953	1001163300..... 1227	1001164888..... 107	1001165590 ... 81, 85, 87, 91
1001162670 ..... 788, 827	1001163304..... 1227	1001164889..... 109	1001165594 . 1061, 1063, 1139
1001162674 ..... 827, 829	1001163323..... 1227	1001164941.. 1007, 1009, 1091	1001165637 ..... 617
1001162765 ..... 951	1001163340..... 1143	1001164948..... 835, 837	1001165699 ..... 1015
1001162789 ..... 591, 619	1001163355..... 1227	1001164964..... 341	1001165739 ..... 81
1001162855 ..... 759, 763	1001163371... 1023, 1147	1001164966..... 339, 341	1001165827 ..... 1059
1001162886 ..... 1143	1001163372... 1021, 1151	1001164967..... 341	1001165847 ..... 845
1001162887 ..... 1143	1001163376..... 929	1001164971..... 839, 841	1001166091 ..... 701, 703, 709, 711
1001162920 ..... 759, 761	1001163414..... 147, 149, 151, 159, 161, 163, 971	1001164972..... 839, 841	1001166092 ..... 701, 703, 709, 711
1001162922 ..... 759, 761	1001163540..... 907, 913, 929	1001165022..... 643	1001166223 ..... 795, 797
1001162953 ..... 694, 715	1001163546..... 327	1001165022J..... 639	1001166323 .. 1031, 1085
1001162979 ..... 769	1001163577..... 865, 891, 893	1001165036..... 87	1001166385 ..... 751
1001162988 ..... 267, 319	1001163619..... 73	1001165040..... 81	1001166397 ..... 816
1001163034 ... 63, 65, 67, 69, 71, 73, 75, 77, 1270	1001163637..... 309	1001165042..... 91	1001166416 ..... 303, 305
1001163038 71, 73, 1270	1001163638..... 71, 75, 77	1001165043..... 85	1001166430 ..... 299, 301
1001163040 ..... 865, 923	1001163639..... 733	1001165045..... 56, 87	1001166449 ..... 315, 317
1001163066 ..... 39, 287	1001163693..... 71, 75, 77	1001165046..... 56, 81	1001166450 ..... 315
1001163067 ..... 41, 951	1001163695..... 783	1001165047..... 56, 60, 85	1001166451 ..... 315, 317
1001163082 ..... 291, 293, 297	1001163698.. 1017, 1019, 1270	1001165066..... 650, 658	1001166455 ..... 63, 65
1001163103 ... 63, 65, 67, 69, 71, 73, 75, 77, 1270	1001163723..... 297	1001165067..... 650, 658	1001166565 ..... 319, 321, 323
1001163104 67, 69, 1270	1001163765..... 445, 447	1001165080..... 595, 603, 633	1001166634 ..... 639, 677, 679
1001163105 ... 71, 73, 75, 77, 1270	1001163841..... 81, 85, 87, 91	1001165171.... 63, 65, 67, 69, 71, 73, 75, 77, 1270	1001166698 ..... 33
1001163107 ..... 71	1001163842..... 83, 89, 93	1001165172.... 71, 73, 75, 77, 1270	1001166703 ..... 1107
1001163108 ... 67, 71, 73, 75, 77, 1270	1001163880..... 79	1001165173.... 67, 69, 71, 73, 75, 77, 1270	1001166704 . 1107, 1112, 1118, 1124
1001163112 ... 63, 65, 67, 69, 1270	1001163881..... 56, 60, 79	1001165175. 67, 69, 1270	1001166716 ..... 321
1001163113 63, 65, 1270	1001163900..... 67	1001165186..... 677	1001166754 ..... 575
1001163114 67, 69, 1270	1001163903..... 71	1001165187..... 677	1001166755 ..... 575
1001163127 .... 987, 1003	1001163908..... 75	1001165194..... 1107	1001166763 ..... 1023
1001163133 ..... 349	1001163987..... 443, 445	1001165269..... 619	1001166764 ..... 1021
1001163134 ..... 351	1001164036..... 843, 891, 893	1001165270..... 619	1001166765 ..... 303
1001163151 ..... 751	1001164039... 81, 83, 85, 87, 89, 91, 93	1001165275..... 677, 679	1001166925 ..... 105
1001163170 ..... 751	1001164287..... 987, 1007	1001165276..... 639	1001166975 ..... 303
1001163174 ..... 1227	1001164402..... 992, 1011	1001165292..... 89	1001166993 ..... 777
1001163210 ..... 1227	1001164404..... 327	1001165293..... 83	1001167001 ..... 103, 107
1001163212 ..... 1227	1001164436..... 43	1001165294..... 93	1001167010 ..... 103, 109
1001163222 ..... 1227	1001164454..... 43	1001165295..... 60, 89	1001167011 ..... 647
1001163223 ..... 1227	1001164498..... 681	1001165296..... 60, 83	1001167015 ..... 1025
1001163227 27, 267, 269	1001164567..... 123	1001165297..... 60, 93	1001167017 ..... 95, 97
1001163228 ..... 267, 315	1001164571..... 115, 123	1001165309... 1100, 1104	1001167025 ..... 97
1001163229 ..... 267, 269, 311	1001164615..... 681	1001165310... 1101, 1104	1001167026 ..... 69, 97
1001163231 ..... 267, 276	1001164655..... 607	1001165311... 1091, 1096	1001167027 ..... 291, 293, 309
1001163232 ..... 267, 333	1001164726..... 633	1001165351..... 619	1001167078 ..... 327
1001163233 .... 267, 1035	1001164837..... 327	1001165359.. 1007, 1009, 1099	1001167167 ..... 327
1001163235 ..... 267, 283	1001164838..... 327	1001165360.. 1061, 1063, 1137	1001167168 ..... 313
1001163238 ..... 269, 317	1001164845..... 117, 871	1001165367.... 71, 73, 75, 77, 1270	1001167186 ..... 715, 719
1001163239 ..... 269, 321	1001164846..... 871	1001165407..... 619	1001167281 ..... 951
1001163241 ..... 269, 280	1001164858..... 871	1001165409..... 47	1001167357 ..... 353, 359
1001163242 ..... 269, 1039	1001164859..... 871	1001165416..... 619	1001167491 ..... 56, 60
1001163245 ..... 291, 299	1001164860..... 871	1001165421..... 45	1001167528 ..... 1107
1001163246 ..... 291, 303	1001164863..... 835, 837	1001165455..... 619	1001167608 . 1077, 1079, 1087
1001163247 ..... 291, 293, 307	1001164864..... 835, 837	1001165458..... 619	1001167616 . 1113, 1118, 1124
1001163248 ..... 293, 301	1001164869..... 837, 875	1001165459..... 677	1001167620 ..... 1107
1001163249 ..... 293, 305	1001164870..... 837	1001165483..... 87	1001167624 ..... 1107
1001163253 ..... 327, 335	1001164871..... 119	1001165484..... 56, 60	

# PART NUMBER INDEX

1001167641..1112, 1118, 1124	1001168795..... 27	1001170366 ..... 589, 591, 609	1001171898..... 577
1001167643..... 1112	1001168797 ..... 27	1001170374 ..... 599	1001171903..... 577
1001167644..... 1112	1001168822 ..... 333	1001170495 ..... 593, 599, 601	1001171962..... 1025
1001167646..... 1035	1001168834 ..... 29, 33	1001170500 ..... 595, 603, 623	1001171991..... 871
1001167647..... 1112	1001168952.. 1007, 1107	1001170502 ..... 623, 631	1001172035.. 1223, 1225, 1227, 1230
1001167648.. 1112, 1118, 1124	1001169151 .... 694, 1089	1001170504 ..... 654, 662, 666	1001172037.. 1223, 1225, 1227
1001167649.. 1112, 1118, 1124	1001169155 ..... 315, 317	1001170506 ..... 650, 654, 658, 662, 666	1001172088..... 759, 761
1001167650.. 1112, 1118, 1124	1001169173 ..... 291, 293	1001170509 ..... 443, 449	1001172094..... 759, 761
1001167656.. 1113, 1118, 1124	1001169174 ..... 291, 293	1001170515 ..... 681	1001172146..... 41
1001167657.. 1113, 1118, 1124	1001169207 ..... 307	1001170518 ..... 650, 654, 658, 662, 666	1001172147..... 41
1001167694... 1209, 1211	1001169265 ..... 31	1001170519 ..... 666	1001172153..... 871
1001167695... 1171, 1173	1001169268 ..... 775	1001170524 ..... 367	1001172154..... 871
1001167697 ..... 839, 841	1001169354 ..... 771, 773	1001170530 ..... 443, 453	1001172178..... 287, 289
1001167761 ..... 115, 117, 119	1001169355 ..... 773	1001170536 ..... 832	1001172193..... 597, 621, 639
1001167762 ..... 115, 117, 121	1001169365.. 1007, 1009	1001170537 ..... 832	1001172401..... 589, 591, 615
1001167781..... 835	1001169367 ..... 773	1001170538 ..... 832	1001172495..... 1051
1001167787 ..... 837	1001169376 ..... 821	1001170539 ..... 832	1001172496..... 1051
1001167799..... 1171	1001169378 ..... 821	1001170540 ..... 832	1001172536..... 1027
1001167806..... 113	1001169393 ..... 307	1001170541 ..... 832	1001172547..... 691, 694, 697, 705
1001167810... 1073, 1077	1001169409 ..... 333	1001170549 .... 832, 1270	1001172550..... 691, 694, 697, 705
1001167822..... 1065	1001169410 ..... 333	1001170566 .. 1007, 1009	1001172551..... 697, 699, 705, 707, 713
1001167823..... 1069	1001169454 ..... 39	1001170601J..... 633	1001172552..... 697, 705
1001167937..... 637	1001169461 ..... 41	1001170603 ..... 595, 603, 645	1001172553..... 691, 694, 1270
1001167958..... 633, 637	1001169602 ..... 39	1001170615 ..... 449, 451	1001172587..... 287
1001167969..... 335	1001169603 .... 650, 654, 658, 662, 666	1001170624 .. 1007, 1009	1001172591..... 303, 305
1001167970..... 335	1001169604 .... 658, 662, 666	1001170627 ... 67, 69, 71, 73, 1270	1001172606..... 650, 654
1001167971..... 335	1001169605 .... 650, 654, 658, 662, 666	1001170645 ..... 23, 25	1001172608..... 650, 654
1001167979..... 666	1001169612 ..... 853	1001170665 ..... 23, 25	1001172638..... 25
1001168030..... 291, 293	1001169613 .... 849, 851, 853, 855, 1209	1001170717 ..... 647	1001172755..... 276, 280
1001168031..... 1025	1001169614 .... 849, 853, 857	1001170722 ..... 267, 1041	1001172774..... 587
1001168054..... 819	1001169624 ..... 1221	1001170740 ..... 996	1001172953..... 299
1001168142..... 767, 769	1001169653 ..... 835	1001170741 ..... 996	1001172997..... 111
1001168151 ..... 767, 769	1001169654 ..... 1219	1001170749 ..... 996	1001173000..... 111
1001168178..... 557	1001169670 ..... 1221	1001170816 .... 996, 1000	1001173257..... 585
1001168182..... 559	1001169671 ..... 1219	1001170944 ..... 677, 679	1001173298..... 633
1001168261..... 555, 557	1001169674 .. 1219, 1221	1001170993 ..... 611	1001173411..... 1147
1001168262..... 555, 559	1001169676 ..... 849	1001171001 ..... 56, 60	1001173414..... 591, 595
1001168264..... 555, 557, 559, 581	1001169680 ..... 849, 851	1001171037 ..... 643	1001173419..... 591
1001168272..... 339	1001169682 ..... 367, 443	1001171153 ..... 37, 39	1001173441..... 669
1001168281..... 43	1001169751 ..... 771	1001171154 ..... 37, 41	1001173446..... 824
1001168285..... 95	1001169763 ..... 775	1001171162 ..... 1081	1001173450..... 824
1001168286..... 67, 95	1001169772 ..... 857	1001171178 ..... 63, 65	1001173451..... 824
1001168327..... 694	1001169817 ..... 992	1001171179 ..... 41	1001173452..... 291, 293
1001168330..... 694	1001169825.. 1003, 1213	1001171182 ..... 631	1001173457..... 291, 293
1001168331..... 694	1001169830 ..... 819, 824	1001171183 ..... 631	1001173468..... 23, 25
1001168456..... 694	1001169867 ..... 287, 289	1001171242 ..... 555	1001173469..... 669
1001168479..... 992, 1013	1001169881 ..... 633, 639	1001171277 . 1223, 1225, 1227, 1230	1001173546..... 291, 293
1001168482..... 1013	1001169883 ..... 643	1001171330 ..... 867, 891, 893	1001173571..... 697, 699, 705, 707
1001168560..... 327	1001169885 ..... 643	1001171634 ..... 643	1001173576..... 111
1001168597..... 845	1001169965 ..... 291, 293	1001171756 ..... 619	1001173678..... 111
1001168598..... 867	1001170071 ..... 39	1001171767 ..... 611	1001173679..... 111
1001168599..... 863	1001170072 ..... 39	1001171772 ..... 23, 25	1001173688..... 111
1001168629..... 839, 841	1001170105 ..... 287	1001171808 ..... 113	1001173689..... 111
1001168635..... 327, 329	1001170171 ..... 457, 459	1001171874 ..... 759, 761	1001173690..... 111
1001168638..... 327, 339	1001170215 ..... 996	1001171885 ..... 29	1001173691..... 111
1001168760..... 23, 25	1001170231 ..... 759, 761	1001171889 ..... 573	1001173692..... 111
1001168761..... 25	1001170287 .... 849, 851, 853, 855	1001171890 ..... 573, 577	1001173693..... 111
1001168771..... 315	1001170308 ..... 327, 343		
	1001170320 .... 996, 1000		
	1001170325 ..... 671		
	1001170326 ..... 613		

## PART NUMBER INDEX

1001173728 ..... 111	1001176945..... 327	1001182671..... 781	1001185846 ..... 727
1001173739 ..... 111	1001177597.. 1114, 1119, 1125	1001182805..... 989	1001185889 .... 989, 1005
1001173740 ..... 111	1001177702..... 811, 813	1001182807..... 989, 1009	1001186225 ..... 457
1001173849 ..... 1017	1001177704..... 816	1001182951..... 153	1001186342 ..... 276, 280
1001173926 ..... 75, 77	1001178060..... 835, 837	1001182952..... 155	1001186418 ..... 824
1001173934 .... 887, 1270	1001178123..... 619	1001182953..... 157	1001186565 .. 1065, 1069
1001173935 .... 887, 1270	1001178170..... 694	1001183046..... 75, 77	1001186567 .. 1065, 1069
1001173953 ..... 832	1001178213..... 639	1001183112..... 1061	1001186603 ..... 741
1001173954 ..... 832	1001178670..... 767	1001183177..... 319	1001186705 ..... 355
1001173955 ..... 832	1001178706..... 1217	1001183243..... 795	1001186843 ..... 824
1001173965 .... 650, 654, 658, 662, 666	1001178729..... 563	1001183759..... 327	1001186898 ..... 319, 321
1001174100 ..... 832	1001178783..... 1055	1001183827..... 325	1001187070 .. 1112, 1113, 1118, 1119, 1124, 1125, 1129, 1130, 1133, 1134
1001174145 ..... 832	1001178791..... 339	1001183829..... 325	1001187073 .. 1099, 1103
1001174295 ..... 633, 641	1001178792..... 56, 60	1001183831..... 319, 321	1001187075 .. 1100, 1104
1001174320 ..... 621	1001178826..... 731	1001183835..... 319, 321, 325	1001187076 .. 1095, 1101, 1105
1001174321 ..... 677, 679	1001178933..... 1015	1001183886..... 1065	1001187077 ..... 1107
1001174329 .. 56, 60, 832	1001179008..... 625, 627, 629, 731	1001183890..... 1065	1001187078 .. 1129, 1133, 1183, 1195, 1205
1001174338 ..... 824	1001179009..... 625, 627, 629, 731	1001184017..... 355	1001187079 .. 1099, 1100, 1103, 1104, 1113, 1119, 1125, 1129, 1133, 1205
1001174356 ..... 291, 293	1001179080..... 715	1001184052..... 315	1001187080 .. 1091, 1099, 1100, 1101, 1103, 1104, 1113, 1119, 1125
1001174359 ..... 739	1001179081..... 715	1001184076..... 31	1001187081 .. 1183, 1195
1001174368 ..... 739	1001179130..... 715, 717	1001184205..... 865	1001187082 ..... 579
1001174372 ..... 739, 741	1001179297..... 1217	1001184275..... 701, 703, 709, 711	1001187623 ..... 1000
1001174478 ..... 43, 779	1001179369..... 863, 921	1001184278..... 701, 703, 709, 711	1001187624 ..... 1000
1001174712 ..... 1175	1001179376..... 305	1001184280..... 709, 711	1001188048 ..... 579
1001174741 ..... 725	1001179548..... 23	1001184294..... 701, 703, 709, 711	1001188102 ..... 1061
1001174788 ..... 43	1001179592..... 671	1001184295..... 701, 703, 709, 711	1001188103 ..... 1061
1001174795 ..... 341	1001179601..... 965	1001184296..... 701, 703, 709, 711	1001188275 ..... 705, 707, 709
1001174796 .. 1081, 1083	1001179853..... 673	1001184306..... 713	1001188303 ..... 694, 705, 707
1001174800 ..... 725	1001179907..... 1041	1001184307..... 713	1001188372 .. 1223, 1225, 1227, 1230
1001174801 ..... 725	1001179968..... 329, 331	1001184309..... 713	1001188390 ..... 179, 183
1001174832 ..... 305	1001179972..... 329	1001184310..... 713	1001188403 .... 989, 1000
1001175033 ..... 887	1001179973..... 331	1001184403..... 717	1001188577 ..... 701, 703, 709, 711
1001175201 ..... 339	1001180076..... 269, 285	1001184404..... 717	1001188578 ..... 701, 703, 709, 711
1001175226 ..... 621	1001180078..... 285	1001184405..... 717	1001188590 ..... 691, 694
1001175227 ..... 639	1001180226..... 331	1001184406..... 717	1001188592 ..... 709, 711
1001175265 .. 1092, 1096, 1129, 1133	1001180227..... 331	1001184414..... 1129	1001188594 ..... 701, 703, 709, 711
1001175267 .. 1091, 1095, 1100, 1104	1001180242..... 269, 1043	1001184427 ..... 709, 711	1001188602 ..... 701, 703, 709, 711
1001175269 .... 311, 1270	1001180263..... 585, 587	1001184439..... 633	1001188603 ..... 701, 703, 709, 711
1001175347 ..... 824	1001180306..... 824	1001184452..... 891, 917	1001188604 ..... 701, 703, 709, 711
1001175470 ..... 613	1001180542..... 299, 301	1001184453..... 893, 919	1001188610 ..... 701, 703, 709, 711
1001175471 ..... 609, 611	1001180553..... 299, 301	1001184484..... 1013	1001188612 ..... 701, 703, 709, 711
1001175477 ..... 633	1001180682..... 1055	1001184551... 1129, 1133	1001188614 ..... 701, 703, 709, 711
1001175733 ..... 1141	1001180683..... 1055	1001184632.. 1223, 1225, 1227, 1230	1001188618 ..... 709, 711
1001175776 .. 1027, 1141	1001181128... 1003, 1005	1001184801..... 641	1001188619 ..... 709, 711
1001175903 .... 658, 662, 666	1001181327..... 1073	1001184814..... 759	1001188637 ..... 821
1001175904 ..... 650, 654	1001181411..... 631	1001184835..... 1035	
1001176002 ..... 1107	1001181531... 1017, 1019	1001184841..... 1144	
1001176004 ..... 1107	1001181537.. 1223, 1225, 1227, 1230	1001184975..... 658, 662	
1001176121 ..... 609, 613	1001181543..... 777	1001185179..... 650, 654, 658, 662	
1001176164 ..... 721	1001181573... 1021, 1153	1001185494..... 1029	
1001176228 ..... 269	1001181625..... 299, 301	1001185498..... 317	
1001176272 ..... 599, 645	1001181815..... 329	1001185633..... 727	
1001176273 ..... 599, 645	1001181920..... 599, 645	1001185722..... 741	
1001176317 ..... 725	1001181921..... 599, 645	1001185823... 1130, 1134	
1001176333 ..... 1151	1001181961..... 1045	1001185824... 1130, 1134	
1001176338 ..... 1055	1001182011..... 299, 301	1001185844..... 727	
1001176490J ..... 47	1001182012..... 299, 301		
1001176492J ..... 45	1001182094..... 283		
1001176515 ..... 193	1001182123..... 599, 645		
1001176626 ..... 599, 645	1001182139..... 599, 645		
1001176650 ..... 327, 329	1001182279..... 829, 963		
1001176935 .. 1107, 1112, 1118, 1124	1001182328..... 727		
	1001182506..... 816		

# PART NUMBER INDEX

1001188720.....701, 703, 709, 711	1001192463..... 675	1001196076..... 681	1001200720..... 1257
1001188725.....701, 703, 709, 711	1001192464..... 675	1001196100..... 1063	1001200989.... 71, 73, 75, 77
1001188728.....709, 711	1001192468..... 1043	1001196289.... 743, 1163	1001201080..... 1169
1001188729.....701, 703, 709, 711	1001192471..... 1043	1001196354..... 335	1001201081..... 1143
1001188733.....701, 703, 709, 711	1001192597..... 893, 899	1001196404..... 31	1001201162..... 743
1001188778..... 1013	1001192643..... 635	1001196421..... 335	1001201331..... 619
1001188782..... 1013	1001192644..... 637	1001196422..... 31	1001201646..... 23, 25
1001188787..... 1013	1001192646..... 633	1001196426J..... 31	1001201755..... 797
1001188817.....709, 711	1001192711..... 255	1001196440..... 280, 337	1001201904..... 557, 559
1001188818.....709, 711	1001192720..... 255	1001196451.. 1015, 1143	1001201905..... 557, 559
1001189023.....709, 711	1001192736..... 255	1001196452.... 739, 741, 1161	1001201921..... 821
1001189024.....709, 711	1001192755..... 635	1001196454..... 893, 911	1001201922..... 821
1001189025.....701, 703, 709, 711	1001192766..... 633, 635	1001196455..... 891, 905	1001202132.... 747, 1169
1001189046..... 1035	1001192836..... 563	1001196491..... 355	1001202133..... 747
1001189048.....709, 711	1001192875..... 255	1001196608..... 797	1001202134..... 745
1001189054.....709, 711	1001192876..... 255	1001196806 . 1223, 1227, 1230	1001202138..... 745
1001189211..... 179, 181	1001192877..... 255	1001197027..... 681, 685	1001202247..... 363
1001189498..... 735	1001193026..... 353, 359	1001197138..... 759, 761, 763	1001202303..... 832
1001189658..... 673	1001193210..... 639	1001197139..... 759, 761, 765	1001202454..... 1019
1001189876... 1017, 1019	1001193295..... 737	1001197151..... 871, 877	1001202487..... 363
1001189888.....907, 909, 913, 915	1001193525..... 255	1001197217..... 729	1001202491..... 363
1001189980..... 713	1001193540..... 255	1001197218..... 729	1001202498..... 1165
1001189997..... 1027	1001193729..... 255	1001197219..... 729	1001202512..... 555, 581
1001190179..... 1047	1001193771..... 821	1001197259..... 729	1001202513..... 555
1001190322.. 1113, 1119, 1125, 1129, 1133	1001193775..... 853, 855	1001197282..... 733	1001202519..... 743
1001190347..... 650, 654	1001193777..... 821	1001197299..... 276, 280	1001202526..... 333
1001190413..... 650, 658	1001193778..... 821	1001197339..... 29	1001202617..... 743
1001190582..... 1112	1001193779..... 821	1001197407 . 1112, 1118, 1124, 1130, 1134	1001202620..... 1025
1001190585..... 996	1001193780..... 821	1001197600..... 967	1001202621..... 1025
1001190589..... 650, 654, 658, 662	1001193781..... 821	1001197709..... 525, 527	1001202622..... 1025
1001190670.. 1047, 1049, 1051	1001193782..... 821	1001197715..... 523, 527	1001202623..... 929
1001190671.. 1047, 1049, 1053	1001193794..... 143	1001197716..... 523, 525	1001202786..... 555, 581
1001190881..... 849, 851, 853, 855	1001193993.. 1003, 1005	1001197721..... 1134	1001202846..... 816
1001190921.. 1113, 1119, 1125	1001194245..... 788, 821	1001198291..... 523	1001202847..... 816
1001190980..... 280	1001194282..... 767	1001198321.. 1003, 1005	1001202908.. 1007, 1009, 1095
1001191091..... 641	1001194534..... 319, 321	1001198355..... 255	1001203067..... 819
1001191229.. 1223, 1225, 1227, 1230	1001194978..... 357	1001198893..... 1083	1001203181..... 363, 1201
1001191348..... 329	1001194981..... 951	1001199099.. 1003, 1005	1001203225..... 1019
1001191486..... 1035	1001195082..... 255	1001199179..... 821	1001203232..... 255
1001191487..... 1227	1001195089..... 1043	1001199640..... 781	1001203503..... 255
1001191603..... 49	1001195342..... 719	1001199645..... 343	1001203640.. 1067, 1071, 1079
1001191617..... 650, 654, 658, 662	1001195343..... 719	1001199670..... 343	1001203932..... 29
1001191635..... 49	1001195345..... 719	1001199739..... 1270	1001203933..... 29
1001192006..... 735	1001195346..... 719	1001199740..... 1270	1001203934..... 29
1001192042..... 816	1001195369..... 737	1001199750..... 816	1001204032..... 363, 983
1001192074..... 735	1001195385..... 719	1001199822..... 337	1001204045..... 75, 77
1001192098..... 824	1001195386..... 719	1001199823..... 337	1001204060..... 1071
1001192142... 1003, 1005	1001195423..... 1187	1001199824..... 337	1001204066..... 679
1001192309..... 633	1001195424..... 1185	1001199825..... 327, 337	1001204086..... 31
1001192393..... 1057	1001195437..... 719	1001199915..... 677	1001204095... 1047, 1165
1001192394..... 1059	1001195438..... 719	1001200080..... 816	1001204115..... 679
1001192435..... 849, 851, 853, 855	1001195438..... 719	1001200082.. 1007, 1009	1001204120..... 679
	1001195518..... 27	1001200101 . 1223, 1225, 1227, 1230	1001204152..... 819
	1001195610..... 1187	1001200102 .... 996, 1000	1001204153..... 819
	1001195634..... 767	1001200152..... 1175	1001204154..... 819
	1001195781. 1112, 1119, 1125	1001200206.. 1183, 1195	1001204225..... 761
	1001195782. 1112, 1119, 1125	1001200239..... 285	1001204444... 1067, 1071
	1001195849..... 1223	1001200538..... 1067	1001204445... 1067, 1071
	1001195851..... 1227	1001200539..... 1071	1001204486..... 31
	1001195855. 1223, 1227, 1230	1001200555..... 351	1001204528..... 1067
	1001195878..... 597, 621	1001200713..... 677	1001204530..... 1067
	1001195883..... 1083		1001204709..... 731
	1001195923..... 271		
	1001195970..... 203		
	1001195972..... 579		

## PART NUMBER INDEX

1001205172 .. 1114, 1119, 1125	1001211628..... 835, 837	1001221052..... 699, 703	1001228989 .. 1067, 1071
1001205254 ..... 1000	1001211693..... 1015	1001221054..... 707, 711	1001229107 ..... 1197
1001205255 ..... 1000	1001211747..... 289	1001221056..... 699, 707	1001229235 ..... 561
1001205402 ..... 605	1001211907..... 650, 654, 658, 662, 666	1001221057..... 703, 711	1001229457 ..... 1189
1001205532 ..... 679	1001211913..... 45, 47	1001221058..... 703, 711	1001229458 .. 1181, 1189
1001205756 ..... 816	1001211944..... 1049	1001221059..... 691, 694	1001229540 ..... 673
1001206019 ..... 283	1001212011..... 641	1001221228..... 1063	1001229541 ..... 675
1001206248 .. 67, 69, 71, 73	1001212047..... 625	1001221295..... 691, 694	1001229550 ..... 673
1001206332 ..... 359	1001212048..... 627	1001221504..... 553	1001229551 ..... 675
1001206448 ..... 359	1001212049..... 625	1001221727 .. 1007, 1009, 1103	1001229575 ..... 1230
1001206588 ..... 276, 280	1001212050..... 627	1001221729..... 1118	1001229707 ..... 1267
1001206746 ..... 25	1001212369..... 617	1001221941 ..... 1191	1001229955 ..... 1191
1001206980 ..... 363	1001212470... 1017, 1019	1001222388..... 1181	1001230163 ..... 641
1001207171 .. 1113, 1120, 1126	1001213065..... 891, 893, 925	1001222609..... 777	1001230239 ..... 263
1001207217 ..... 1223	1001213126J..... 31	1001222650 .. 1223, 1225, 1227, 1230	1001230241 ..... 263
1001207218 ..... 1225	1001213200J..... 553	1001222715..... 1133	1001230310 ..... 1223
1001207282 ..... 287, 289	1001213210..... 343, 347	1001222741..... 679	1001230311 ..... 1227
1001207287 ..... 1077	1001213331..... 679	1001223265..... 654, 662	1001230402 ..... 1205
1001207291J ..... 43	1001213791..... 633	1001223453... 1223, 1227	1001230403 .. 1205, 1206
1001207292 ..... 43	1001213988... 1015, 1177	1001225259... 1181, 1183	1001230404 ..... 1206
1001207299 ..... 23, 25	1001214092..... 617	1001225467 ..... 816	1001230599 ..... 1075
1001207557 ..... 287, 289	1001214156..... 725	1001225751..... 788, 801	1001230623 .. 1075, 1079
1001207606 ..... 227	1001214220..... 761	1001225752..... 801, 805	1001230713J .... 561, 563
1001207939 ..... 107	1001214326..... 589, 591, 605	1001226035..... 847	1001230931 ..... 1143
1001208050 ..... 56, 60	1001214331..... 589, 601	1001226328..... 1197	1001231002 ..... 335
1001208106 ..... 577	1001214332..... 591, 603	1001226362..... 847	1001231003 ..... 335
1001208192 ..... 749	1001214468..... 816	1001226363..... 855	1001231221 .... 125, 127, 129
1001208308 .... 650, 654, 658, 662, 666	1001214480..... 767, 769	1001226364..... 851	1001231244 ..... 563
1001208338 ..... 555	1001214481..... 767, 769	1001226397..... 821	1001231397 .. 1205, 1206
1001208765 .... 873, 893, 901	1001214535..... 727	1001226398..... 859	1001231398 .. 1205, 1206
1001208766 ..... 869, 891	1001214653..... 925	1001226400..... 1179	1001231400 .. 1205, 1206
1001208863 ..... 1233	1001214654..... 925	1001226405..... 821	1001231401 .. 1205, 1206
1001208864 ..... 1245	1001215319..... 341	1001226406..... 821	1001231402 ..... 1206
1001208865 ..... 1239	1001215476..... 363	1001226636..... 1195	1001231404 ..... 1206
1001208866 ..... 1251	1001215531..... 679	1001226637..... 1195	1001231406 ..... 1206
1001208881 ..... 816	1001215630..... 1201	1001226799... 1191, 1193	1001231407 .... 363, 1203
1001209387 ..... 33, 35	1001215631..... 1201	1001226812..... 949	1001231483 .... 363, 1205
1001209388 ..... 31	1001215632..... 1201	1001227056..... 851, 855, 861	1001231692 ..... 263
1001209463 ..... 751	1001215778..... 689	1001227066 .. 1179, 1197, 1199	1001231801 ..... 1223
1001209625 ..... 1227	1001215941..... 363	1001227068..... 1179	1001232148 ..... 125
1001209899 ..... 599, 645	1001217467..... 283	1001227077..... 363	1001232288 .. 1003, 1213
1001210707 ..... 41	1001217623..... 1081	1001227186..... 621	1001232299 ..... 125, 127
1001210780 ..... 885	1001218255..... 200	1001227187..... 639	1001232339 ..... 125
1001210782 ..... 577	1001218341..... 45, 47	1001227188..... 639	1001232355 ..... 247
1001210801 ..... 885	1001218358..... 1205	1001227266..... 1179	1001232439 ..... 361
1001210803 ..... 767, 885	1001218529..... 691, 694	1001227297 .. 1191, 1193, 1195	1001232440 ..... 361
1001210934 ..... 767	1001218542..... 691, 694	1001227379..... 241	1001232500 ..... 263
1001211041 ..... 749	1001218659..... 1223	1001227382..... 243	1001232556 ..... 361
1001211139 ..... 167	1001218704..... 1223	1001227802..... 633	1001232587 ..... 129
1001211153 .. 1241, 1243	1001218996..... 691, 694	1001227964..... 363	1001232624 ..... 361
1001211155 .. 1253, 1255	1001219076..... 654, 662, 666	1001228067..... 867, 931	1001232751 .... 361, 1047
1001211156 .. 1235, 1237	1001219082..... 363, 1181	1001228068..... 911, 915	1001233236 .. 1199
1001211157 .. 1247, 1249	1001219211.. 1225, 1227, 1230	1001228069..... 905, 909	1001233237 ..... 1199
1001211357 ..... 1055	1001219212..... 1223	1001228132..... 703, 711	1001233383 ..... 159
1001211428 ..... 289	1001219220..... 599, 645	1001228140..... 703, 711	1001233384 ..... 161
1001211429 ..... 289	1001219864..... 654, 662	1001228141..... 703, 711	1001233385 ..... 163
1001211432 ..... 39, 289	1001219865..... 654, 662	1001228147..... 703, 711	1001233558 ..... 1227
1001211516 ..... 145	1001220540..... 575	1001228273..... 363	1001233919 ..... 832, 887
1001211607 ..... 869, 897	1001220552J..... 21	1001228643..... 363	1001233978 ..... 1230
1001211608 .... 873, 901, 903	1001220760..... 457	1001228861..... 851, 855, 859	1001234137 ..... 127
1001211627 ..... 835, 837	1001220817..... 1063	1001228872..... 333	1001234254 ..... 127
	1001220947..... 739		1001234455 ..... 35
			1001235100 ..... 289
			1001235696 ..... 1124
			1001235794 ..... 1230
			1001235796 ..... 1230

# PART NUMBER INDEX

1001235797.....1230	1319590.....469	1706288.....1225	2170316.....297
1001235798.....1230	1319593... 473, 475, 477, 479, 481, 483	1706292.....1225	2170806.....879, 881
1001235799.....1230	1319594... 473, 475, 477, 479, 481, 483	1706296.....1223	2171112.....821
1001235800.....1230	1319595... 473, 475, 477, 479, 483	1706299.....1223	2171210.....821
1001235801.....1230	1319596... 477, 479, 483	1706300.....1223	2171308.....835
1001235802.....1230	1319600... 473, 475, 477, 479, 481, 483	1706301.....1223	2172106... 147, 149, 151, 159, 161, 163, 805
1001235803.....1230	1319601... 473, 475, 477, 479, 481, 483	1706302.....255, 1223	2172108.....875
1001235804.....1230	1319602... 473, 475, 477, 479, 481, 483	1706306.....1223	2180467.....309
1001235805.....1230	1319605... 477, 479, 483	1706768.....1223	2180849.....835, 837
1001235806.....1230	1319607.....477	1706850.....1223	2200223.....293, 349
1001235807.....1230	1319608.....477, 487	1706892.....211	2200224.....299, 301
1001235808.....1230	1319614.....479	1707078.....1223	2220218.....285
1001235809.....1230	1319615... 473, 475, 479, 483	1784861.....125, 127	2220237.....291, 293
1001235963.....29, 35	1319617.....473, 475	2080040.....217	2220239.....885, 951
1001236542.....581	1319618.....473, 475	2080078.....631	2220240.....951
1001237845.....629	1319620.....473, 475	2080086.....597, 621	2220242.....297
1001237846.....1265	1319621.....473, 475	2080087.....597, 621	2220415.....167
1001237852.....629	1319622.....473, 475	2080092.....609	2220473.....167
1001239194.....1193	1319623.....473, 475	2110406... 797, 803, 805	2220478.....824
1001239249.....1193	1319624.....473, 475	2110408.....811, 813	2220810.....285
1001239539.....363	1319625.....473, 475	2110606... 147, 149, 151, 159, 161, 163, 177, 797, 805, 811, 813	2220883... 907, 909, 913, 925, 967
1001239734... 147, 149, 151, 159, 161, 163	1319626.....473, 475	2110806.....803	2220886.....925, 965
1001241836.....29	1319627.....473, 475	2110808... 43, 147, 149, 151, 159, 161, 163, 793, 811, 813, 879	2340037.....231
1001241837.....567	1319628.....473, 475	2110810... 797, 875, 905, 911	2340038.....179, 239
1001241841.....565, 567	1319629.....473, 475	2111010... 797, 803, 805, 811, 813, 885	2340039.....249
1001241842.....569	1319630.....473, 475	2111212.....867	2340045.....237
1001241848.....565	1319631.....473, 475	2111616... 803, 805, 951	2400060.....1183, 1195
1001241849.....569	1319632.....473, 475	2130404... 767, 769, 859	24921332... 327, 329
1001242098.....779	1319633.....473, 475	2130406... 811, 813, 839	2600281.....217
1001251067... 867, 933	1319635.....483	2130604... 847, 859	2716143.....200
1024044.....835, 837	1319636... 473, 475, 483	2130606... 173, 175, 177, 803, 805, 841	2717160.....173, 175
1060379.....217	1319638.....473, 475	2130608... 173, 175, 811	2717161.....173, 175
1060626.....1051, 1053	1319647.....517	2130806.....841	2717162.....173, 175
1062255... 359, 824, 996, 1000, 1035, 1039, 1181, 1191, 1193	1319648.....517	2130808... 159, 161, 163, 767, 769, 797	2717283.....173, 175
10700681.....229	1319683.....491	2130810... 297, 905, 911	2717287.....167
10705034.....173, 175	1319684.....491	2131008.....857, 859	2920206.....1065, 1069
10713707.....992	1319685.....491	2131010... 297, 857, 859	2920207.....1061, 1063
10719267.....317	1319686.....491	2131210... 457, 803, 805, 845	2920208.....1061, 1063
10725554.....377, 413	1319687.....491	2131212... 307, 845, 847, 857, 859	2940074.....217
10731709... 469, 491, 495	1319688.....491	2131616.....297, 797	3020043... 907, 913, 929
10731744.....471	1319689.....491	2144605.....879, 881	31200160.....211
10731845... 477, 479, 483	1319694.....491	2150404... 829, 875, 877	31200386.....215
10731959.....517	1319719.....495	2150808.....793, 881	31200387.....213
10732071.....491	1319726.....499, 1270	2160016... 43, 63, 65, 67, 69, 71, 73, 107, 109, 119, 839, 841, 907, 909, 913	31200388.....213
10732072.....491	1320748.....513, 515	2160018... 67, 69, 71, 73	3251813... 1223, 1225, 1227, 1230
10732095.....489	1320754.....513, 515	2170108.....811, 813	3290401... 691, 694, 1025, 1039
10837928.....939, 949	1321094.....271, 273	2170110.....803, 805	3290405.....635, 1013
10837929... 941, 943, 945, 947, 949	1321329.....832	2170204.....847	3290501361, 1015, 1021, 1023, 1027
10837937... 941, 943, 945, 947, 949	1322039.....271, 273	2170208.....767, 769	3290505... 111, 363, 832, 1181
1170021.....135	1322040.....271, 273	2170210.....847	3290601... 111, 255, 276, 280, 351, 361, 694, 725, 739, 741, 759, 761, 807, 809, 1003, 1005, 1007, 1009, 1013, 1015, 1039, 1065, 1067, 1069, 1077, 1079
1170024.....139	1701509.....217	2170212.....307	329060533, 35, 650, 654, 658, 662, 666, 996, 1000, 1013
1170054.....147	1702631... 1223, 1225, 1227, 1230	2170216.....297	3290607.....1061, 1063
1170057.....151	1702773... 211, 213, 215	2170306.....805, 841	
120034.1015, 1021, 1023	1704277.....217	2170308.....821	
1316794.....169	1704885... 211, 213, 215		
1319229.....463	1706098.....1225		
1319436.....511	1706281.....1225		
1319558.....467	1706282.....1225		
1319563.....467	1706284.....1225		
1319571... 469, 471, 487, 501, 511	1706285.....1225		
1319576.....487			

## PART NUMBER INDEX

3290801 ... 315, 317, 327, 359, 633, 755, 992, 1035	4010610002..... 647, 650, 654, 658, 662, 666, 725, 1013	1096, 1099, 1100, 1101, 1103, 1104, 1105, 1107, 1112, 1113, 1114, 1118, 1119, 1124, 1125, 1129, 1130, 1133, 1134, 1137, 1139, 1143, 1144, 1145, 1151, 1153, 1161, 1163, 1169, 1173, 1183, 1185, 1195, 1205	4460933 ..... 1091, 1095, 1099, 1100, 1101, 1103, 1105, 1112, 1118, 1124, 1130, 1134, 1143, 1183, 1195
3290805 ... 765, 767, 832, 835, 992	4010612002..... 639	4460475..... 1205	4460934 ..... 1112, 1118, 1124
3290806 ..... 631	4031205 ..... 1025	4460496..... 1015, 1021, 1114, 1119, 1125, 1129, 1133, 1143	4460935 ..... 1112, 1118, 1124
3291001 ... 291, 293, 319, 321, 327, 329, 832, 996, 1000	4031607 .666, 951, 1017, 1019	4460508..... 1085, 1112, 1118, 1124, 1129, 1133	4460942 ..... 1095, 1099, 1100, 1101, 1103, 1104, 1105, 1137, 1147, 1148, 1153, 1169
3291005 ... 113, 835, 837, 839, 841, 996, 1000	4031608 ... 361, 650, 658, 666, 832, 1035	4460509..... 1092, 1096, 1100, 1104	4460943 ..... 1085, 1130, 1134, 1143
3291201 63, 65, 125, 127	4031608001..... 654, 662, 666	4460518..... 1183, 1205	4460944 ..... 1091, 1095, 1099, 1103, 1107, 1113, 1118, 1124, 1143, 1145, 1151, 1161
3291205 . 43, 71, 73, 109, 445, 763	4031908 ..... 832	4460536..... 1104	4460945 ..... 1092, 1101, 1105, 1183, 1205
3291605 ... 105, 107, 109, 119	4031910 ..... 585, 587	4460539..... 1091, 1095, 1099, 1100, 1101, 1103, 1104, 1107, 1145, 1151, 1183, 1205	4460950 ..... 1112, 1118, 1124, 1129, 1133
3292001 ..... 577	4031912 ..... 791	4460608..... 1112, 1113, 1118, 1119, 1124, 1125, 1130, 1134	4460955 ..... 1113, 1119, 1125, 1129, 1130, 1133
3300240 ... 133, 135, 137, 139, 141, 143, 145, 147, 149, 151, 159, 161, 163	4031917 ..... 867	4460670..... 1183, 1195	4460970 ..... 1091, 1095, 1103, 1112, 1118, 1124, 1129, 1133, 1137, 1139
3311405 ..... 217	4031918 ..... 837	4460705..... 1147	4460982 ..... 1107
3311502 ..... 255	4031920 .... 843, 849, 853	4460708..... 1147	4460984 ..... 1113, 1119, 1125
3311505 ..... 681	4031921 ..... 851, 855	4460742..... 1205	4460994 ..... 1148, 1169
3311508 ..... 1051	4060919 ..... 816, 819	4460748..... 1114, 1119, 1125	4461005 ..... 1113, 1119, 1126, 1129, 1133
3311605 ..... 129	4105262 ..... 113	4460761..... 1177, 1205	4461006 ..... 1112, 1118, 1124
3331615 ..... 27	4109801 ..... 1223, 1225, 1227, 1230	4460789..... 1089, 1113, 1119, 1125	4461015 ..... 1101, 1105, 1153
3332011 ..... 575	4110422 ... 185, 187, 189, 191, 263	4460809..... 1205	4461017 ..... 1085
3332411 ..... 56, 60	4110473 ..... 173, 175	4460836..... 1099, 1103, 1147	4461018 ..... 1092, 1096
3333011 ..... 60	4240018 ..... 819	4460871..... 1161	4461054 ..... 1113, 1119, 1126, 1129, 1133
3340843 ..... 129	4240032 ..... 1191, 1193	4460884..... 1092, 1095, 1096, 1107, 1143, 1148, 1163, 1169, 1205	4461070 ..... 1118, 1124
3391410 ..... 255	4240033 ..... 747	4460891..... 1091, 1092, 1095, 1096, 1099, 1100, 1101, 1103, 1104, 1105, 1107, 1113, 1118, 1119, 1124, 1125, 1129, 1133, 1173, 1205, 1211	4461095 ..... 1113, 1118, 1124, 1130, 1134
3421453 ..... 217	4240099 ... 816, 819, 821, 1053, 1165	4460899..... 1089, 1105	4461115 ..... 1087, 1148
3423242 ... 137, 139, 149, 161	4360658 ..... 759	4460905..... 1161	4461118 ..... 1089, 1096
3423275 ... 133, 135, 147, 159	4460225 ..... 1144, 1147	4460906..... 1147	4461174 ..... 1081, 1083
3423276 ... 141, 143, 145, 151, 163, 167	4460234 ..... 1191, 1193	4460930..... 1092, 1096, 1107, 1113, 1119, 1125, 1144, 1151	4461262 ..... 1092, 1095
3423307 ... 147, 149, 151, 159, 161, 163	4460265 ..... 1144	4460931..... 1085, 1185	4461290 ..... 1213
3440620 ..... 263	4460267 ..... 1144, 1147, 1148, 1151, 1177	4460932..... 1087, 1141, 1143, 1148, 1185, 1203	4469464 ..... 1114, 1119, 1125
3520072 ..... 217	4460268 ..... 1144, 1147, 1148, 1151, 1177		4520482 ..... 545
3520186 ..... 49	4460321 ..... 1177, 1205		4520519 ..... 539
3575947 ..... 311	4460343 ..... 1144, 1147, 1148, 1151		4520527 ..... 541, 543
3740080 ..... 363	4460367 ..... 1148, 1151		4641192 ..... 885
3760170 ..... 217	4460434 ..... 1144, 1151		4641501 ..... 177, 979
3760348 ..... 759, 761	4460458 ..... 1087, 1092, 1096, 1114, 1119, 1125, 1205, 1211		4641502 ... 173, 175, 177
3760493 ..... 79	4460464 ..... 1085, 1087, 1089, 1091, 1095, 1107, 1112, 1118, 1124, 1129, 1133, 1141, 1143, 1144, 1179, 1183, 1185, 1195, 1203, 1205		4711400 ..... 217
3790151 ..... 363, 929	4460465 ..... 1091, 1092, 1095, 1096, 1099, 1100, 1101, 1103, 1104, 1105, 1107, 1112, 1113, 1118, 1119, 1120, 1124, 1125, 1126, 1129, 1130, 1133, 1134, 1143, 1144, 1147, 1151, 1161, 1163, 1173, 1183, 1195, 1205, 1211		471678 ..... 619
3790152 ..... 363			4740003 ..... 121
3790228 ..... 824			4740274 ..... 291, 293
3820020 ..... 217			4740532 ..... 827
3841203 ... 147, 149, 151, 159, 161, 163			
390037923, 25, 669, 671, 673, 675			
4000015 ..... 1013			
4010508002 .... 654, 662, 666			
4010510 ..... 777			
4010510002 ..... 650, 658			
4010608002 ..... 633, 650, 654, 658, 662, 666, 681, 725, 735, 751			



# PART NUMBER INDEX

4761800.....824	4812300..... 27, 105, 107, 109	70021228..... 481	70022075.. 473, 475, 477, 479, 481, 483
4807718.....721, 1270	4812500..... 575, 577	70021268..... 481	70022140..... 377, 413
4811400.... 691, 694, 759, 1025, 1039	4812700..... 56, 60	70021269..... 481	70022147..... 961
4811600.... 111, 361, 363, 650, 654, 658, 662, 666, 832, 1027, 1035, 1181	4831400.... 691, 694, 759	70021340..... 1061, 1063	70022527... 185, 187, 219
4811602.....666	4831600.. 361, 951, 1035	70021341..... 1061, 1063	70022528..... 185, 187
4811602001.....654, 662, 666	4831700... 280, 337, 725, 739, 741	70021342..... 187, 219	70022529..... 185, 187
4811700.... 23, 25, 33, 35, 111, 255, 276, 280, 343, 351, 361, 579, 597, 619, 621, 633, 647, 650, 658, 666, 681, 694, 725, 735, 739, 741, 751, 759, 761, 807, 809, 992, 996, 1000, 1003, 1005, 1015, 1035, 1039, 1043, 1061, 1063, 1065, 1067, 1069, 1071, 1077, 1079	4831900... 313, 691, 694, 759, 761	70021348..... 157	70022530..... 169
4811700001.....654, 662, 666	4832000.... 291, 293, 824	70021349.. 157, 185, 187	70022564... 923, 925, 933
4811702.... 325, 351, 579, 609, 650, 658, 725, 759, 761, 767, 769, 1057, 1059	4832100..... 291, 293	70021351..... 157	70022634..... 271, 273
4811702001.....633, 639, 654, 662, 666, 777	4891800... 147, 149, 151, 159, 161, 163	70021358..... 219	70022741..... 1113
4811900.. 39, 56, 60, 309, 327, 329, 331, 339, 343, 351, 353, 359, 561, 583, 585, 587, 607, 617, 633, 677, 679, 681, 694, 727, 739, 741, 755, 759, 761, 767, 769, 816, 821, 824, 832, 835, 845, 847, 863, 865, 951, 992, 1003, 1005, 1025, 1035, 1039, 1065, 1081, 1083	4892600..... 371, 407	70021361..... 219	70022765..... 1017, 1019, 1271
4811902.... 23, 25, 29, 31, 313, 315, 317, 691, 694, 725, 727	5201010..... 1013	70021362..... 219	70022814..... 415
4812000.... 23, 25, 29, 33, 35, 41, 49, 113, 291, 293, 299, 301, 311, 319, 321, 327, 329, 331, 355, 457, 563, 767, 769, 799, 801, 816, 821, 832, 835, 837, 839, 841, 992, 996, 1000, 1003, 1005, 1007, 1009, 1035, 1061, 1063	5201210..... 871	70021363..... 157, 973	70022931..... 196, 257
481200229, 31, 291, 293, 319, 321	5220600..... 1069, 1071	70021364..... 219	70022932... 196, 200, 257
4812100.... 27, 39, 41, 43, 71, 73, 109, 283, 285, 445, 763, 795, 996, 1000	5220800..... 1045, 1051	70021365..... 219	70022933..... 200
4812102..... 39, 291, 293, 555, 581	5240800.... 67, 69, 71, 73	70021366..... 219	70022934..... 196, 200
	5242400.... 255, 839, 841	70021367..... 169, 219	70022935..... 197, 200
	5250608..... 719	70021382..... 169	70022936..... 196, 200
	5250814..... 23, 25, 1041	70021387..... 185, 219	70022937..... 197, 200
	5271609..... 1027	70021391..... 219	70022938..... 200
	5271808.... 67, 69, 71, 73	70021392..... 219	70022939..... 197, 200
	6604662..... 167	70021393..... 219, 981	70022940..... 200
	70000656..... 491	70021399..... 219	70022941..... 200
	70002219..... 971	70021415..... 185, 187	70022942..... 197, 200
	70002224..... 971	70021429..... 169	70022943..... 200
	70002386..... 965	70021440.. 181, 183, 193, 973, 981	70022944..... 200
	70002963..... 959	70021444..... 973, 981	70022945..... 200
	70002975..... 959	70021446..... 973, 981	70022946..... 197, 200
	70002976..... 959	70021447..... 973, 981	70022947..... 200
	70003788..... 965, 967	70021448..... 973, 981	70022948..... 200
	70003849..... 971	70021451..... 973, 981	70022949..... 197, 200
	70004654..... 961	70021452..... 973, 981	70022950..... 197, 200
	70005014..... 917, 919	70021462..... 973	70022951..... 200
	70005075..... 965	70021464..... 973, 981	70022952..... 197
	70006596..... 933	70021465..... 981	70022957..... 196, 201
	70020002.. 157, 169, 181, 183	70021466..... 981	70022960..... 196, 201
	70020004..... 169	70021526..... 487	70022966..... 200
	70020015..... 169	70021531..... 955	70022969..... 196, 201
	70020017..... 169	70021606..... 417	70022970..... 196, 201
	70020025..... 169	70021607..... 417	70022971..... 200
	70020026..... 169	70021609..... 417	70022972..... 200
	70020027..... 169	70021610..... 417	70022973..... 200
	70020028.. 157, 169, 181, 183	70021611..... 417	70022974..... 200
	70020029..... 169	70021612..... 417	70022975..... 200
	70020438.. 899, 903, 921, 927	70021613..... 417	70022976..... 200
	70020476..... 927	70021614..... 383, 419	70022977..... 200
	70020555..... 225, 227	70021867..... 963	70022978..... 200
	70020562..... 219	70021920..... 471	70022979..... 200
	70020764..... 955	70021921..... 185, 187	70022980..... 197, 200
	70020796.... 1065, 1069, 1077	70021935..... 185, 187	70022982..... 200
	70020867..... 957, 961	70021977..... 185, 187	70022984..... 196, 201
	70020868..... 961	70021978..... 185, 187	70022985..... 196, 201
	70020928..... 683	70021979..... 185, 187	70022987..... 196, 201
	70021177.. 375, 379, 411, 415	70021980..... 219	70022988..... 200
	70021208..... 961	70021981..... 219	70022990..... 197, 200
	70021209..... 961	70021982..... 219	70022992..... 196, 201
	70021213..... 961	70022008..... 949	70022993..... 196, 201
	70021227..... 481	70022010.. 943, 945, 949	70022995..... 196, 201
		70022012..... 939, 949	70022996..... 222
		70022013.. 941, 943, 945, 947, 949	70022997..... 165
		70022014.. 941, 943, 945, 947, 949	70022998..... 197, 200
		70022028..... 185, 187	70022999..... 200
			70023000..... 200, 222
			70023001..... 200

## PART NUMBER INDEX

70023003	196, 201	70024407	963	70026211	935	70026300	923, 925
70023004	196, 259	70024408	963	70026212	935	70026301	923, 925
70023005	197, 259	70024414	963	70026213	935	70026302	923, 925
70023006	197, 259	70024415	963	70026214	935	70026303	923, 925
70023007	197, 259	70024416	963	70026215	935	70026304	923, 925
70023008	196, 201, 259	70024535	165	70026217	1112	70026305	923, 925
70023009	196, 201	70024536	165	70026220	271	70026306	923
70023010	196, 257	70024537	165	70026222	273	70026307	923
70023014	196, 200	70024538	165, 222	70026223	271	70026308	923, 925
70023015	197	70024539	165	70026224	271, 273	70026309	923, 925, 1270
70023016	196, 200, 201	70024540	165	70026225	271, 273	70026310	959
70023040	683	70024541	165	70026226	271, 273	70026311	959
70023086	917, 919	70024542	165	70026228	271, 273	70026312	959
70023327	961	70024543	165	70026229	271, 273, 1270	70026313	959
70023369	923, 925	70024544	165	70026230	271, 273	70026314	959
70023379	923, 925, 933	70024545	165	70026231	271, 273	70026315	959, 965
70023404	469, 511	70024546	165	70026232	271, 273	70026333	959
70023469	377, 413	70024550	165, 222	70026233	271, 273	70026334	959
70023474	509	70024551	165	70026234	271, 273, 1270	70026336	917, 919
70023475	511	70024552	165	70026235	271, 273	70026337	917
70023476	511	70024553	165	70026236	271	70026338	917
70023489	423	70024554	165	70026237	271, 273, 1270	70026339	917
70023490	387, 423	70024555	165	70026238	379, 415	70026340	917, 1270
70023491	387, 423	70024734	975	70026241	271, 273	70026341	919
70023493	423	70024848	381	70026244	345, 347	70026342	919
70023494	377, 413	70024849	381	70026245	345, 347	70026343	919, 1270
70023496	387	70024851	379	70026246	345	70026347	222
70023502	507	70024895	497	70026247	345, 347	70026353	295
70023736	271, 273	70025335	375, 411	70026248	345, 347, 1270	70026354	295
70023800	511	70025336	413	70026249	921, 927	70026355	295
70023801	511	70025337	423	70026250	927	70026356	295
70023885	471, 503	70025338	423	70026251	921	70026357	295
70023890	683	70025339	387, 423	70026252	927	70026358	295
70023925	197, 201, 261	70025341	415	70026253	921, 927, 1270, 1271	70026359	295
70023928	979	70025353	200	70026255	377	70026360	295
70023929	979	70025561	379, 415	70026256	379	70026369	941, 943, 945, 947, 949
70023933	271	70025606	971	70026259	415	70026370	939, 949
70024004	387	70025619	917, 919	70026260	379, 401, 415, 427	70026371	939
70024005	377, 387	70025816	757	70026261	379, 403, 415, 429, 927	70026372	939
70024016	271, 273	70025817	757	70026262	381	70026373	939, 949
70024020	971	70025850	323, 1270	70026263	381	70026374	939, 949
70024059	185, 187	70025851	323, 1270	70026264	381	70026375	937, 949
70024060	187	70025856	387	70026265	385, 397, 421, 437	70026376	939, 949
70024061	187	70025859	763	70026266	385, 399, 421, 439	70026377	941, 943, 945, 947, 949
70024062	193	70025860	763	70026267	427	70026378	941, 943, 945, 947, 949
70024089	157	70025887	377, 413	70026268	429	70026379	939
70024091	157	70025897	963	70026281	895	70026380	941, 943, 945, 947, 949
70024093	157	70025959	971	70026282	895, 897	70026381	941, 943, 945, 947, 949
70024094	157	70026002	379	70026283	895, 897	70026382	939
70024095	157	70026003	413, 423	70026284	895, 897	70026383	941, 943, 945, 947, 949
70024123	165, 222	70026056	971	70026285	895, 897	70026384	937, 939
70024129	883, 975	70026057	971	70026286	895	70026385	937, 941
70024130	883	70026058	971	70026287	895	70026386	937, 943
70024146	379, 391, 415, 433	70026059	971	70026288	895, 897	70026387	937, 945, 949
70024147	391, 425, 433	70026060	971	70026291	895, 897, 1270	70026388	937, 947
70024186	963	70026061	971	70026292	1155	70026389	937, 949
70024188	963	70026062	971	70026293	1157	70026395	323
70024189	963	70026066	379, 415	70026294	1011	70026396	323
70024202	949	70026082	295	70026295	1011	70026401	969
70024210	381, 417	70026154	919	70026296	1011	70026421	899, 903
70024213	381	70026155	919	70026297	1011	70026422	899, 903
70024215	381	70026156	919	70026299	923		
70024216	417	70026157	917, 919				
70024262	971	70026158	917, 919				
70024306	253	70026159	917, 919				
70024307	253	70026163	917				
		70026164	917				

# PART NUMBER INDEX

70026423.....	899, 903	70026569.....	961	70027025.....	685	70029460.....	933
70026424.....	899, 903	70026570.....	961	70027026.....	685	70029461.....	933
70026425.....	899, 903, 1270	70026571.....	961	70027028.....	685	70029462.....	933
70026426.....	899	70026572.....	963	70027030.....	685	70029463.....	933
70026432.....	763	70026582.....	957	70027032.....	685	70029464.....	933
70026433.....	763	70026583.....	963	70027033.....	685	70041616.....	271, 273
70026435.....	921	70026584.....	341	70027034.....	685	70041617.....	271, 273
70026436.....	921	70026585.....	222	70027035.....	685	70041619.....	271, 273
70026440.....	965, 967	70026586.....	222	70027096.....	939	70041620.....	271, 273
70026441.....	965	70026587.....	222, 975	70027097.....	941, 943, 945, 947	70050472.....	939, 949
70026442.....	965, 967	70026588.....	222	70027098.....	947, 949	70050481.....	937, 949
70026443.....	965, 967	70026589.....	222, 883	70027130.....	949	70050504.....	941, 943, 945, 947, 949
70026444.....	965, 967	70026590.....	222	70027281.....	273	70050507.....	939, 941, 943, 945, 947, 949
70026445.....	965, 967	70026591.....	222	70027283.....	181, 183	70050508.....	939, 941, 943, 945, 947, 949
70026446.....	965, 967	70026592.....	222	70027641.....	169	7010543.....	959
70026447.....	965	70026593.....	222	70027642.....	169	7012510.....	965, 967
70026453.....	271	70026594.....	222	70027643.....	169	7012941.....	959
70026470.....	222	70026595.....	222	70027644.....	169	7012953.....	959
70026471.....	222	70026596.....	222	70027645.....	169	7017406.....	959, 965
70026472.....	222	70026597.....	222	70027705.....	347	7017410.....	959
70026473.....	222	70026598.....	222	70027706.....	347	7021653.....	959
70026476.....	222	70026599.....	222	70027758.....	925	7022390.....	861
70026478.....	883	70026600.....	222	70027951.....	201	7022399.....	965, 967
70026481.....	222	70026601.....	222	70028279.....	903	7024808.....	965, 967
70026482.....	222	70026602.....	222	70028281.....	861	7024844.....	965
70026491.....	895, 897	70026603.....	222	70028450.....	271	7024939.....	963
70026495.....	975	70026604.....	222	70028451.....	967	7024943.....	963
70026497.....	975	70026605.....	222	70028453.....	861	7024944.....	963
70026499.....	975	70026606.....	222	70028456.....	157	7024953.....	963
70026500.....	975	70026607.....	222	70028478.....	949	7024954.....	963
70026501.....	222, 975	70026608.....	222	70028479.....	949	7026490.....	383, 419
70026502.....	975	70026609.....	222	70028480.....	949	7026577.....	511
70026503.....	975	70026610.....	975	70028481.....	949	7026578.....	511
70026505.....	975	70026611.....	975	70028482.....	949	7026744.....	463
70026506.....	975	70026612.....	883	70028483.....	949	7026745.....	463
70026515.....	467	70026613.....	883	70028484.....	949	7026746.....	465
70026516.....	467, 469, 471, 503	70026614.....	883	70028486.....	181, 183	7026747.....	467
70026517.....	469, 491, 495	70026615.....	883	70028514.....	983	7026748.....	467
70026518.....	469	70026616.....	883	70028515.....	983	7026749.....	467
70026519.....	471	70026617.....	883	70028516.....	983	7026750.....	469
70026520.....	471	70026618.....	883	70028517.....	983	7026751.....	469
70026521.....	471	70026619.....	883	70028519.....	181, 183	7026752.....	469
70026527.....	473, 475, 477, 479, 481, 483	70026620.....	883	70028520.....	181, 183	7026753.....	471
70026528.....	473, 475, 477, 479, 481, 483	70026621.....	883	70028521.....	181, 183	7026754.....	471
70026529.....	473, 475, 477, 479, 481, 483	70026698.....	185	70028522.....	181, 183	7026755.....	471
70026530.....	477	70026699.....	193	70028523.....	181, 183	7026756.....	471
70026531.....	479	70026700.....	157	70028524.....	181, 183	7026757.....	473
70026532.....	481	70026702.....	157	70028525.....	181, 183	7026758.....	473, 475, 477, 479, 481, 483
70026535.....	483	70026703.....	157	70028526.....	181, 183	7026759.....	473, 475, 477, 479, 481, 483
70026536.....	485, 509, 511	70026704.....	157	70028527.....	181, 183	7026760.....	473, 475, 477, 479, 481, 483
70026538.....	489	70026745.....	227	70028528.....	181, 183	7026761.....	473, 475, 477, 479, 481, 483
70026539.....	489	70026746.....	227	70028529.....	181, 183	7026762.....	475
70026544.....	489, 491	70026747.....	193	70028530.....	181, 183	7026765.....	481
70026546.....	491	70026770.....	977	70028531.....	181, 183	7026766.....	481
70026547.....	491	70026771.....	977	70028546.....	1089	7026769.....	481, 487, 513, 515
70026548.....	491	70026772.....	181, 183, 977	70028759.....	931	7026771.....	487
70026549.....	491	70026773.....	977	70028760.....	931	7026772.....	487
70026554.....	491	70026774.....	977	70028761.....	931	7026773.....	487
70026555.....	491	70026775.....	977	70028772.....	915	7026774.....	487
70026556.....	491	70026800.....	273	70028773.....	915		
70026559.....	505	70026801.....	273	70028774.....	915		
70026561.....	491	70026944.....	193	70028775.....	915, 931		
70026568.....	961	70026946.....	193	70029028.....	203		
		70026948.....	193	70029031.....	909		
		70026949.....	193	70029032.....	909		
		70027009.....	185	70029033.....	909		
		70027024.....	685				

## PART NUMBER INDEX

7026775 ..... 487	7029973 ..... 469	80604016..... 1091, 1096, 1099, 1100, 1101, 1112, 1130, 1144, 1147	8310161 ..... 167
7026776 ..... 489	7029996 ..... 169	80604017..... 1144, 1153	8310302 ..... 173, 175
7026780 ..... 489	7029997 ..... 169	80604018..... 1091, 1092, 1095, 1096, 1099, 1100, 1101, 1107, 1113, 1129, 1173	8310435 ..... 173, 175
7026781 ..... 489	7062922 ..... 167	80604020..... 1087, 1143, 1185	8310559 ..... 641
7026782 ..... 493	7110702 ..... 167	80604021..... 1092, 1095, 1096, 1107, 1143, 1148, 1163, 1169	8310620 ..... 45, 47
7026783 ..... 493	7110712 ..... 167	80604022..... 1185	8310686 ... 327, 329, 791, 824, 1025
7026784 ..... 493	7110722 ..... 167	80604023..... 1101, 1143	83683298 ..... 51
7026787 ..... 491	7114032 ..... 99	80604025..... 1113, 1144, 1151	83683300 ..... 51
7026788 ..... 491	7117502 ..... 99	806253..... 561	8380008 ..... 185
7026789 ..... 491	7139918 ..... 173, 175	806264..... 561	8405006 ..... 816, 819
7026791 ..... 495	7150580 ..... 453, 455	80634004..... 963	8405007 ... 299, 457, 824
7026792 ..... 471, 495	7300435 ..... 27	8065062..... 167	8405009 ... 299, 301, 339, 759, 761
7026793 ..... 495	7301295 ..... 171, 173	80673025..... 816	8405101 ..... 299, 301
7026794 ..... 471, 495	7301408 ..... 171, 245	80933113..... 827	8405201 ... 299, 301, 658, 662, 666
7026798 ..... 683, 685	7301568 ..... 171, 175	80933367..... 315, 317	8405202 ..... 299, 301
7026799 ..... 683	77133136 ..... 832	80963067..... 1114, 1119, 1125	8405209 ..... 824
7026900 ..... 683	77133137 ..... 816, 832	80983191..... 1114, 1119, 1125, 1155, 1157, 1159	8405212 ... 303, 305, 363
7026901 ..... 683	77133139 ..... 832	82033995..... 333, 351	8405305 ... 303, 305, 363
7026902 ..... 683	77133140 ..... 816, 832	8220035..... 1203	8405402 ... 315, 319, 321
7026905 ..... 683	77133168 ..... 816	8220051..... 1099, 1103, 1143, 1147, 1148	8406102 ..... 355
7026906 ..... 683	77363244 ... 1091, 1095, 1099, 1100, 1101, 1145, 1151	8220097..... 1114, 1119, 1125	8406105 .. 832, 996, 1000
7027254 ..... 501	8000759 ..... 631	8220098..... 1113, 1119, 1125	8406112 ..... 276, 280
7027255 ..... 501	8000803 ..... 633	8220108..... 1113, 1120, 1203, 1213	8406201 351, 1007, 1009, 1035, 1039
7027267 ..... 481	8004398 ..... 631	8220116..... 1101, 1105	8410009 ... 333, 351, 691, 694, 816
7027269 ..... 513	8005870 ..... 591	8220124..... 1112, 1118, 1124, 1130, 1134	8410011 ..... 315, 317
7027270 ..... 513	8008175 ..... 375	8220525..... 1092, 1096, 1107	8410013 ... 299, 301, 333
7027271 ..... 515	80204002 ..... 375, 411	8229234..... 1206	8410019 ..... 299
7027272 ..... 515	80204005 . 375, 395, 411, 441	8229235..... 1205	8420053 ... 147, 149, 151, 157, 159, 161, 163, 165, 167, 173, 175, 181, 183, 185, 200
7027273 ..... 517	80204033 ..... 377, 413	8229242..... 1114, 1119, 1125, 1155, 1157, 1183, 1195	8420055 ... 147, 149, 151, 157, 159, 161, 163, 165, 167, 173, 175, 181, 183, 185, 200
7028639 ..... 1139	80204035 ..... 377, 413	8229244..... 1011, 1114, 1119, 1125, 1159	8424217 ..... 829
7028714 ..... 379, 415	80204043 ..... 377, 413	8229245..... 1011, 1155	8424233 ..... 824
7028715 ..... 379, 415	80204048 ..... 377, 413	8229247..... 1011, 1157	8430032 ..... 797, 841
7028716 ..... 379, 415	80204060 ..... 381	8229261..... 1205	8430033 ..... 797
7028733 ... 379, 389, 415, 431	80204065 ..... 389, 431	8275212..... 327	8430034 ..... 285
7029127 ..... 383, 419	80204071 ..... 379, 415	8278020..... 291, 293	8466306 ..... 615
7029267 ..... 489, 491	80204076 ..... 379, 415	828905..... 1139	8526203 ... 537, 541, 543, 547, 549
7029288 ..... 375, 411	80204108 ..... 381	8303634..... 167, 173, 175	8530030 ..... 824
7029290 ... 397, 399, 437, 439	80204117 . 381, 397, 399, 417, 437, 439	8303658..... 173, 175	8546407 ..... 824
7029300 ..... 415	80204143 ..... 383, 419	8303715..... 167	8580315 ..... 167
7029306 ..... 411	80204144 ..... 383, 419	8305624..... 173, 175	8584001 ..... 167
7029307 ..... 375, 411	80204281 ..... 381, 417	8305643..... 167, 173, 175	8584003 ..... 743
7029309 ..... 379	80233218 ..... 819	8305919..... 325, 609, 650, 654, 658, 662, 666, 725, 1057, 1059	8630003 ..... 173, 175
7029317 ... 393, 425, 435	80304227 ..... 481	8307904..... 167	8642207 ..... 167
7029486 ..... 647, 1217	80304394 .. 471, 487, 495	8307918..... 167	86683122 ..... 361
7029520 ..... 225	80304405 ..... 467	8310160..... 167	86883127 ..... 327
7029521 ..... 225	80334277 ..... 963		8750016 ..... 816
7029692 ..... 187, 219	8034697 ... 939, 941, 943, 945, 947, 949		8750024 ..... 821
7029703 ..... 157, 169	8035382 ..... 949		8750025 ..... 821
7029711 ..... 157	8035779 ..... 455		8750029 ..... 816
7029714 ..... 219	8036190 ..... 477, 479		8769132 ..... 167
7029734 ..... 381, 417	80363179 ... 1092, 1107, 1112, 1137, 1139		8769153 ... 816, 835, 837
7029735 ..... 381, 417	80363195 ..... 607		8770016 ..... 167
7029743 ... 379, 393, 415, 425, 435	8036433 ..... 455		8770120 ..... 819
7029789 ..... 381	8036528 ..... 489, 491		8770215 ... 869, 873, 901
7029849 ... 473, 475, 477, 479, 481, 483	8036529 ..... 489		8780039 ..... 531, 533
7029850 ... 473, 475, 477, 479, 481, 483	8036733 ..... 977		
7029852 ... 473, 475, 477, 479, 481, 483	8036847 ..... 469, 471		
7029969 ..... 1061, 1063	8037130 ..... 937		
7029970 ..... 1061, 1063	8037140 ..... 935		
7029971 ..... 1061, 1063	80604015 ... 1095, 1112, 1129		
7029972 ..... 471			

## PART NUMBER INDEX

8786514.....521, 525, 527, 537, 547, 549, 567	90554044 ..... 169	91473206 . 525, 527, 547, 549	91514149.. 379, 395, 415, 441
8841322.....503	90554045 . 157, 169, 973, 981	91474035 ..... 447, 451	91514151.....381
88581157.....56, 60	90554054 ..... 185, 187	91474512 ..... 375, 411	91514152.....381
8866348.....51	90554056 ..... 169	91474524 ..... 379	91514154.....381, 417
88671001..147, 149, 151, 159, 161, 163	90554062 ..... 187, 219	91503106 ..... 1085	91514158.....381
8880218-OM.....445, 449, 453	90554065 ..... 157, 219	91504107 ..... 1107, 1137	91514159.....381, 417
8881800.....832	90554067 ..... 169	91513266 ..... 555, 581	91514161.....381, 417
8881802.....335, 337	90554070 ..... 169	91514081 ..... 379, 415	91514165.....381, 417
8887145.....907, 909, 913	90554076 ..... 187, 219	91514082 ..... 379, 415	91514174.....379, 415
8990147.....735	90554080 ..... 225	91514083 ..... 379	91514175... 391, 425, 433
90200003..133, 135, 137, 139, 141, 143, 145, 147, 149, 151, 159, 161, 163, 167, 173, 175	91013191 ..... 1091, 1096	91514084 ..... 379	91514177... 391, 425, 433
90206198.....31	91013192 ..... 1101, 1104, 1105	91514087 . 375, 379, 411, 415	91514178.....379, 425
90451058.....173, 175	91041596 ..... 69, 73	91514089 . 375, 379, 381, 411	91514179.....379, 415
90554016..181, 183, 185, 187, 193, 219, 227	91043084 ..... 547, 549	91514090 . 397, 399, 437, 439	91514180.....379, 415
90554017.....157, 219	91043125.. 197, 835, 837	91514095 ..... 379, 415	91514181.....379, 415
90554018.....219	91043126.. 197, 835, 837	91514098 ..... 375, 411	91514183.....379, 415
90554019.....181, 183	91053419 ..... 363	91514099 . 379, 397, 399, 415, 437, 439	91514184... 393, 425, 435
90554020... 169, 185, 187	91083106 ..... 824	91514101 ..... 375, 411	91514185... 393, 425, 435
90554021.....169	91083385 . 531, 533, 541, 543	91514111 . 401, 403, 427, 429	91514186... 393, 425, 435
90554024.....169	91355037 ..... 545, 547	91514112 ..... 379, 415	91514188.....379, 415
90554025.....169	91355038 ..... 545, 549	91514117 ..... 389, 431	91514189.....379, 415
90554026.....169	91403119 ..... 101	91514118 ..... 555, 581	91554014.....1143
90554027.....169	91403193 ..... 367	91514123 . 377, 379, 413, 415	91554019..... 1091, 1095, 1099, 1100, 1107, 1145, 1151
90554033.....193	91403413 . 147, 149, 151, 157, 159, 161, 163, 165, 167, 173, 175, 181, 183, 185, 197, 200, 222, 835, 837	91514130 ..... 377, 413	91554022.....1112
90554034.....193	91403414 . 147, 149, 151, 157, 159, 161, 163, 165, 167, 173, 175, 181, 183, 185, 197, 200, 222, 835, 837	91514131 ..... 377, 413	91561240.....871
90554035.....169	91403448 ..... 263	91514133 ..... 377, 413	91563025.....101
90554038.....157	91403530 ..... 129	91514134 ..... 377, 413	91563026.....101
90554039.....169	91413025 ..... 315, 317	91514143 ..... 387	91563250.. 531, 533, 541, 543
90554040.....169		91514146 ..... 395, 441	91564003.....169
90554042.. 157, 169, 185, 187		91514147 ..... 395, 441	91565005..... 69, 73, 101
90554043.....169		91514148 ..... 395, 441	91565039.....539, 543
			91565040.....539, 541
			H000071 .....959
			N.S.S. .... 157, 973

# PARTS FINDER

**Search Website  
by Part Number**



**Search Manual  
Library For Parts  
Manual & Lookup Part  
Numbers – Purchase  
or Request Quote**

**Can't Find Part or  
Manual? Request Help  
by Manufacturer,  
Model & Description**

Discount-Equipment.com is your online resource for quality parts & equipment.

Florida: **561-964-4949** Outside Florida TOLL FREE: **877-690-3101**

## Need parts?

Click on this link: <http://www.discount-equipment.com/category/5443-parts/> and choose one of the options to help get the right parts and equipment you are looking for. Please have the machine model and serial number available in order to help us get you the correct parts. If you don't find the part on the website or on one of the online manuals, please fill out the request form and one of our experienced staff members will get back to you with a quote for the right part that your machine needs.

We sell worldwide for the brands: Genie, Terex, JLG, MultiQuip, Mikasa, Essick, Whiteman, Mayco, Toro Stone, Diamond Products, Generac Magnum, Airman, Haulotte, Barreto, Power Blanket, Nifty Lift, Atlas Copco, Chicago Pneumatic, Allmand, Miller Curber, Skyjack, Lull, Skytrak, Tsurumi, Husquvarna Target, Stow, Wacker, Sakai, Mi-T-M, Sullair, Basic, Dynapac, MBW, Weber, Bartell, Bennar Newman, Haulotte, Ditch Runner, Menegotti, Morrison, Contec, Buddy, Crown, Edco, Wyco, Bomag, Laymor, EZ Trench, Bil-Jax, F.S. Curtis, Gehl Pavers, Heli, Honda, ICS/PowerGrit, IHI, Partner, Imer, Clipper, MMD, Koshin, Rice, CH&E, General Equipment, Amida, Coleman, NAC, Gradall, Square Shooter, Kent, Stanley, Tamco, Toku, Hatz, Kohler, Robin, Wisconsin, Northrock, Oztec, Toker TK, Rol-Air, APT, Wylie, Ingersoll Rand / Doosan, Innovatech, Con X, Ammann, Mecalac, Makinex, Smith Surface Prep, Small Line, Wanco, Yanmar