



Illustrated Parts Manual

Models

642

742

943

1043

642: SN 0160070489 through 0160080898

742: Prior to SN 0160084796

943 & 1043: Prior to SN 0160084858 excluding 0160083719, 0160083720 & 0160084650

31211111

September 28, 2018 - Rev M



PARTS FINDER

**Search Website
by Part Number**



**Search Manual
Library For Parts
Manual & Lookup Part
Numbers – Purchase
or Request Quote**

**Can't Find Part or
Manual? Request Help
by Manufacturer,
Model & Description**

Discount-Equipment.com is your online resource for quality parts & equipment.

Florida: **561-964-4949** Outside Florida TOLL FREE: **877-690-3101**

Need parts?

Click on this link: <http://www.discount-equipment.com/category/5443-parts/> and choose one of the options to help get the right parts and equipment you are looking for. Please have the machine model and serial number available in order to help us get you the correct parts. If you don't find the part on the website or on one of the online manuals, please fill out the request form and one of our experienced staff members will get back to you with a quote for the right part that your machine needs.

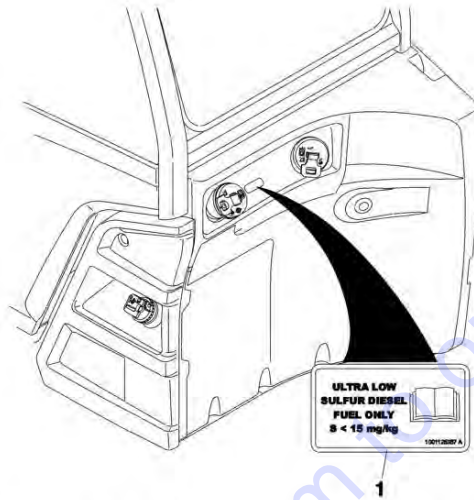
We sell worldwide for the brands: Genie, Terex, JLG, MultiQuip, Mikasa, Essick, Whiteman, Mayco, Toro Stone, Diamond Products, Generac Magnum, Airman, Haulotte, Barreto, Power Blanket, Nifty Lift, Atlas Copco, Chicago Pneumatic, Allmand, Miller Curber, Skyjack, Lull, Skytrak, Tsurumi, Husquvarna Target, Stow, Wacker, Sakai, Mi-T-M, Sullair, Basic, Dynapac, MBW, Weber, Bartell, Bennar Newman, Haulotte, Ditch Runner, Menegotti, Morrison, Contec, Buddy, Crown, Edco, Wyco, Bomag, Laymor, EZ Trench, Bil-Jax, F.S. Curtis, Gehl Pavers, Heli, Honda, ICS/PowerGrit, IHI, Partner, Imer, Clipper, MMD, Koshin, Rice, CH&E, General Equipment, Amida, Coleman, NAC, Gradall, Square Shooter, Kent, Stanley, Tamco, Toku, Hatz, Kohler, Robin, Wisconsin, Northrock, Oztec, Toker TK, Rol-Air, APT, Wylie, Ingersoll Rand / Doosan, Innovatech, Con X, Ammann, Mecalac, Makinex, Smith Surface Prep, Small Line, Wanco, Yanmar

EFFECTIVITY PAGE

September 24, 2015 - A - Original Issue of Manual
November 19, 2015 - B - Revised Manual
February 25, 2016 - C - Revised Manual
May 24, 2016 - D - Revised Manual
August 23, 2016 - E - Revised Manual
November 30, 2016 - F - Revised Manual
March 1, 2017 - G - Revised Manual
April 28, 2017 - H - Revised Manual
September 15, 2017 - I - Revised Manual
November 21, 2017 - J - Revised Manual
January 19, 2018 - K - Revised Manual
June 19, 2018 - L - Revised Manual
September 28, 2018 - M - Revised Manual

Go to Discount-Equipment.com to order your parts

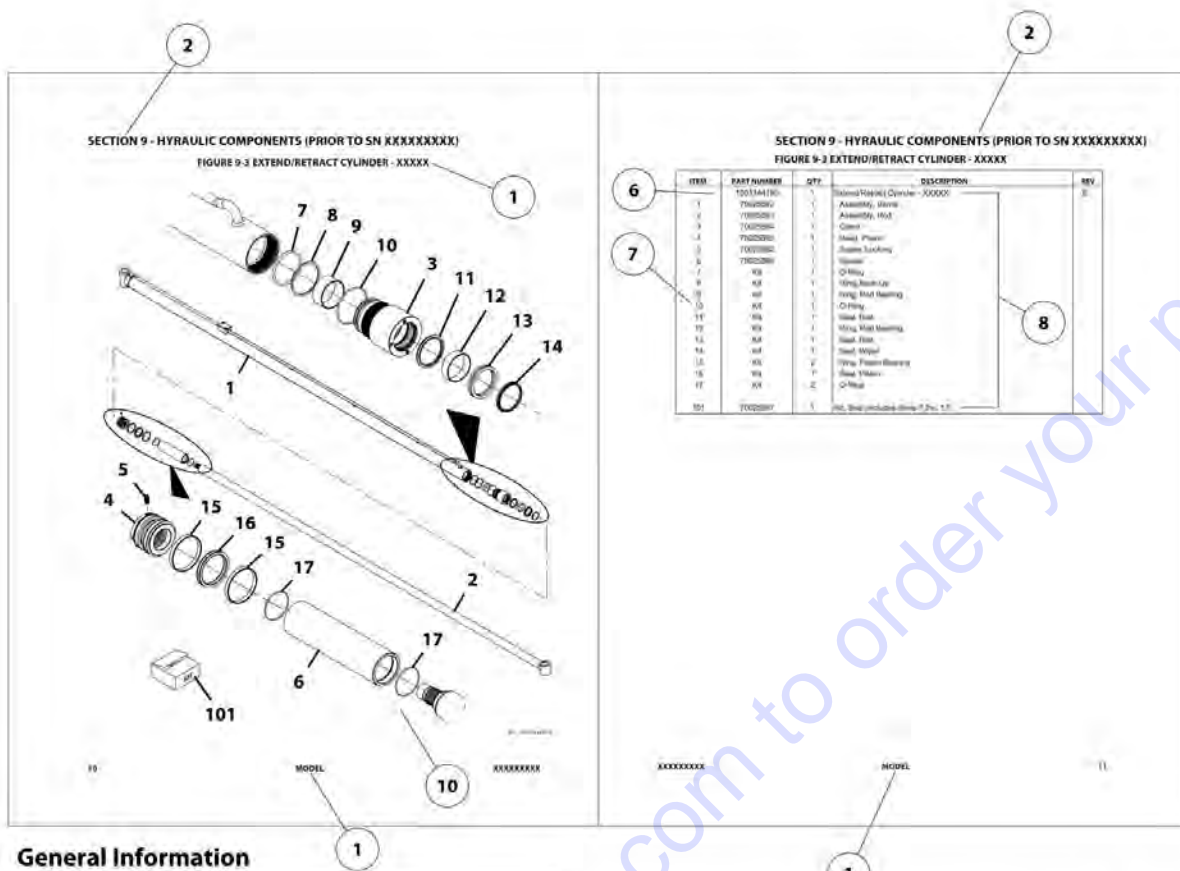
Machine Configuration



Two configurations of each machine are included in this manual. Determine if machine is equipped with Ultra Low Sulfur Fuel Decal (1).

If equipped with the Ultra Low Sulfur decal, all specific references to this machine configuration will be referred to as Ultra Low Sulfur (ULS) from this point forward.

If not equipped with the Ultra Low Sulfur decal, all specific references to this machine configuration will be referred to as Low Sulfur (LS) from this point forward.



General Information

1. MACHINE IDENTIFICATION

Machines are identified by model and in some cases a combination of model, serial number (S/N) or regional standard (e.g. ANSI, CE, CSA, AUS). Components may also be identified by S/N or manufacturer. Common components that may be identified by these characteristics are attachments, engine, transmission and hydraulic components.

2. PARTS MANUAL ORGANIZATION

Product information in this manual is organized under section titles. Frame, Engine and Electrical are a few examples. Each section is organized by Figure and page number. The information within the Figure is then organized by item number, part number, description and corresponding illustration(s).

3. TABLE OF CONTENTS

A table of contents (TOC) is found toward the beginning of the manual. Figure number, description and page number are provided for quick reference to the page containing the related information.

4. RECOMMENDED SPARE PARTS

The Recommended Spare Parts, located near the end of the manual, references most frequently used maintenance parts.

5. PARTS NUMBER INDEX

A numerical index listing all part numbers and the corresponding page number(s) appears at the back of the manual.

6. NON-SERVICED PARTS

In some instances it is necessary to display non-serviced parts, assemblies or installations. In the case of assemblies and installations there will be a Ref in the QTY column and a note after the item description stating what is available for service within. In the case of parts that are not available for service within assemblies or components there will be a NSS (Not Sold Separately) listed in the part number column of the manual.

7. PARTS LIST ITEM NUMBERS

Numbers shown in the Item column correspond to numbers used in the associated illustration(s). Item numbers which are missing from sequence and are not shown in the illustration(s) are not used on that page.

8. INDENTED PART DESCRIPTION

An indented part description is included in the item under which it is indented.

9. ABBREVIATIONS AND SYMBOLS

AC.....	Alternating Current	LB.....	Pound
A/C.....	Air Conditioning	LBP.....	Low Boom Pivot
ADE.....	Advanced Design Electronics	LCD.....	Liquid Crystal Display
AG.....	Agriculture	LED.....	Light Emitting Diode
AMP.....	Amperage	LH.....	Left Hand
ANSI.....	American National Standards Institute	LHD.....	Left Hand Drive
AR.....	As Required	LHP.....	Low Horse Power
ASSY.....	Assembly	LMIS.....	Load Management Indicator System
AUS.....	Australia	LS.....	Low Sulfur
AUX.....	Auxiliary	LSI.....	Load Stability Indicator
AWG.....	American Wire Gauge	LSS.....	Load Sensing System
CAC.....	Charge Air Cooler	M ³	Cubic Meter
CE.....	European Conformity	MA.....	Milliamp
CM.....	Centimeter	M(m).....	Metric/Meter
CONST.....	Construction	MM.....	Millimeter
CSA.....	Canadian Standards Association	N.....	Newton
DEF.....	Diesel Exhaust Fluid	NACD.....	North America Construction Division
DIA.....	Diameter	NLA.....	No Longer Available
DC.....	Direct Current	NSS.....	Not Sold Separately
DTZ.....	Decentralized Transmission Zeros	OD.....	Outside Diameter
ECU.....	Electronic Control Unit	ORB.....	O-Ring Boss
EMS.....	Emergency Stop	ORFS.....	O-Ring Face Seal
FNR.....	Forward Neutral Reverse	OZ.....	Ounce
FT.....	Foot	PR.....	Ply Rating
GA.....	Gauge	QT.....	Quart
GR.....	Grade	QTY.....	Quantity
HBP.....	High Boom Pivot	REF.....	Reference
HHP.....	High Horse Power	REV.....	Revision
HOC.....	Hydraulic Oil Cooler	RH.....	Right Hand
HVAC.....	Heating, Ventilating, and Air Conditioning	RHD.....	Right Hand Drive
ID.....	Inside Diameter	RHOC.....	Remote Hydraulic Oil Cooler
IN.....	Inch	RUS.....	Russia
ISO.....	International Organization for Standards	SAE.....	Society of Automotive Engineers
ITSDF.....	Industrial Truck Standards Development Foundation	SAHR.....	Spring Applied Hydraulically Released
JIC.....	Joint Industry Council	SN.....	Serial Number
KG.....	Kilogram	SPD.....	Speed
KW.....	Kilowatt	TLU.....	Torque Lock Up
L.....	Liter	UGM.....	Universal Ground Module

10. ILLUSTRATION REFERENCE LETTERS

When necessary, illustrations may contain reference letters that are intended to track information from one point to another in the illustration such as harnesses and hoses or any other information that has been separated in the illustration

Note: Due to continuous product improvements, JLG Industries, Inc. reserves the right to make specification changes without prior notification.

TABLE OF CONTENTS

SECTION 1 - FRAME AND ATTACHING PARTS.....	19
FIGURE 1-1. FRAME (NO OUTRIGGERS) (642) (Prior to SN 0160079247).....	20
FIGURE 1-2. FRAME (NO OUTRIGGERS) (642, 742) (642 SN 0160079247 to Present).....	22
FIGURE 1-3. FRAME (OUTRIGGERS) (642) (Prior to SN 0160079165).....	24
FIGURE 1-4. FRAME (OUTRIGGERS) (642) (SN 0160079165 to Present).....	26
FIGURE 1-5. FRAME (NO OUTRIGGERS) (943) (Prior to SN 0160079253).....	28
FIGURE 1-6. FRAME (NO OUTRIGGERS) (943) (SN 0160079253 to Present).....	30
FIGURE 1-7. FRAME (OUTRIGGERS) (1043) (Prior to SN 0160079247).....	32
FIGURE 1-8. FRAME (OUTRIGGERS) (1043) (SN 0160079247 to Present).....	34
FIGURE 1-9. ENGINE ENCLOSURE INSTALLATION.....	36
FIGURE 1-10. ENGINE ENCLOSURE COVER INSTALLATION.....	38
FIGURE 1-11. HOOD ASSEMBLY.....	40
FIGURE 1-12. HOOD ASSEMBLY.....	42
FIGURE 1-13. COVER INSTALLATION (NO OUTRIGGERS) (ULS).....	44
FIGURE 1-14. COVER INSTALLATION (OUTRIGGERS) (ULS) (642, 1043).....	46
FIGURE 1-15. COVER INSTALLATION (NO OUTRIGGERS), 74HP (LS) (642, 742, 943).....	48
FIGURE 1-16. COVER INSTALLATION (OUTRIGGERS) (LS) (642, 1043).....	50
FIGURE 1-17. COUNTERWEIGHT INSTALLATION (642) (Prior to SN 0160078403).....	52
FIGURE 1-18. COUNTERWEIGHT INSTALLATION (642, 742) (642 SN 0160078403 to Present).....	54
FIGURE 1-19. COUNTERWEIGHT INSTALLATION (943, 1043).....	56
FIGURE 1-20. TANK INSTALLATION.....	58
FIGURE 1-21. FUEL TANK INSTALLATION.....	60
FIGURE 1-22. HYDRAULIC TANK INSTALLATION.....	62
FIGURE 1-23. FUEL CAP ASSEMBLY.....	64
FIGURE 1-24. OUTRIGGERS INSTALLATION (642, 1043).....	66
FIGURE 1-25. OUTRIGGER CYLINDER INSTALLATION (642, 1043) (Prior to SN 0160078786).....	68
FIGURE 1-26. MIRROR INSTALLATION.....	70
FIGURE 1-27. BOOM PROP INSTALLATION (ANSI).....	72
FIGURE 1-28. BOOM PROP INSTALLATION (CANADA).....	74
FIGURE 1-29. BOOM PROP BRACKET.....	76
SECTION 2 - BOOM.....	79
FIGURE 2-1. BOOM ASSEMBLY (642, 742).....	80
FIGURE 2-2. BOOM ASSEMBLY (943, 1043).....	82
FIGURE 2-3. FIRST BOOM SECTION ASSEMBLY (642, 742).....	84
FIGURE 2-4. FIRST BOOM SECTION ASSEMBLY (943, 1043).....	86
FIGURE 2-5. SECOND BOOM SECTION ASSEMBLY (642, 742).....	88
FIGURE 2-6. SECOND BOOM SECTION ASSEMBLY (943, 1043).....	90
FIGURE 2-7. THIRD BOOM ASSEMBLY (642, 742).....	92
FIGURE 2-8. THIRD BOOM SECTION ASSEMBLY (943, 1043).....	94
FIGURE 2-9. RETRACT CHAIN INSTALLATION.....	96
FIGURE 2-10. EXTEND CHAIN INSTALLATION (642, 742).....	98
FIGURE 2-11. EXTEND CHAIN INSTALLATION (943, 1043).....	100
FIGURE 2-12. PINS INSTALLATION (642, 742).....	102
FIGURE 2-13. PINS INSTALLATION (943, 1043).....	104
FIGURE 2-14. CHAIN SHEAVE ASSEMBLY.....	106
FIGURE 2-15. RETRACT CHAIN SHEAVE.....	108
FIGURE 2-16. EXTEND CHAIN ROLLER.....	110
FIGURE 2-17. HOSE BRACKET INSTALLATION (642, 742).....	112
FIGURE 2-18. HOSE BRACKET INSTALLATION (943, 1043).....	114
FIGURE 2-19. BOOM PINNING INSTALLATION (642, 742).....	116
FIGURE 2-20. BOOM PINNING INSTALLATION (943, 1043).....	118
FIGURE 2-21. LIFT CYLINDER PINS INSTALLATION (642, 742).....	120
FIGURE 2-22. LIFT CYLINDER PINS INSTALLATION (943, 1043).....	122
FIGURE 2-23. COMPENSATION CYLINDER PINS INSTALLATION (642, 742).....	124
FIGURE 2-24. COMPENSATION CYLINDER PINS INSTALLATION (943, 1043).....	126
FIGURE 2-25. BOOM PIVOT PIN INSTALLATION (642, 742).....	128
FIGURE 2-26. BOOM PIVOT PIN INSTALLATION (943, 1043).....	130
FIGURE 2-27. MANUAL QUICK COUPLER INSTALLATION.....	132
FIGURE 2-28. HYDRAULIC QUICK COUPLER INSTALLATION.....	134
FIGURE 2-29. BOOM PIN INSTALLATION.....	136
FIGURE 2-30. TILT CYLINDER PIN INSTALLATION.....	138
FIGURE 2-31. BOOM ANGLE INDICATOR INSTALLATION.....	140
FIGURE 2-32. BOOM BRUSHES INSTALLATION (642, 742).....	142

TABLE OF CONTENTS

FIGURE 2-33. BOOM BRUSHES INSTALLATION (943, 1043).....	144
FIGURE 2-34. QUICK COUPLER ASSEMBLY.....	146
SECTION 3 - ATTACHMENTS.....	149
FIGURE 3-1. CARRIAGE ASSEMBLY (50 INCH) (Prior to SN 0160075708).....	150
FIGURE 3-2. CARRIAGE ASSEMBLY (50 INCH) (SN 0160075708 to Present).....	152
FIGURE 3-3. CARRIAGE ASSEMBLY (60 INCH) (Prior to SN 0160075708).....	154
FIGURE 3-4. CARRIAGE ASSEMBLY (60 INCH) (SN 0160075708 to Present).....	156
FIGURE 3-5. CARRIAGE ASSEMBLY (72 INCH) (Prior to SN 0160075708).....	158
FIGURE 3-6. CARRIAGE ASSEMBLY (72 INCH) (SN 0160075708 to Present).....	160
FIGURE 3-7. SIDE TILT CARRIAGE ASSEMBLY (50 INCH).....	162
FIGURE 3-8. SIDE TILT CARRIAGE ASSEMBLY (50 INCH).....	164
FIGURE 3-9. SIDE TILT CARRIAGE ASSEMBLY (60 INCH).....	166
FIGURE 3-10. SIDE TILT CARRIAGE ASSEMBLY (60 INCH).....	168
FIGURE 3-11. SIDE TILT CARRIAGE ASSEMBLY (72 INCH).....	170
FIGURE 3-12. SIDE TILT CARRIAGE ASSEMBLY (72 INCH).....	172
FIGURE 3-13. 90 SWING CARRIAGE ASSEMBLY (72 INCH).....	174
FIGURE 3-14. SIDE SHIFT CARRIAGE ASSEMBLY (50 INCH).....	176
FIGURE 3-15. DUAL FORK POSITIONING CARRIAGE (50 INCH) (Prior to SN 0160082569).....	178
FIGURE 3-16. DUAL FORK POSITIONING CARRIAGE (50 INCH) (SN 0160082569 to Present).....	180
FIGURE 3-17. DUAL FORK CARRIAGE ASSEMBLY (50 INCH).....	182
FIGURE 3-18. DUAL FORK CARRIAGE VALVE ASSEMBLY.....	184
FIGURE 3-19. FORK - PALLET (2.36X4X48).....	186
FIGURE 3-20. FORK - PALLET (2.36X5X48).....	188
FIGURE 3-21. FORK - PALLET (2.4X4X48) (742).....	190
FIGURE 3-22. FORK - PALLET (2.4X4X60) (742).....	192
FIGURE 3-23. FORK - PALLET (2X7X60).....	194
FIGURE 3-24. FORK - PALLET (2.36X6X60).....	196
FIGURE 3-25. FORK - PALLET (2.36X6X72).....	198
FIGURE 3-26. FORK - PALLET (2.36X5X72).....	200
FIGURE 3-27. CUBING FORK.....	202
FIGURE 3-28. FORK CLAMPS INSTALL.....	204
FIGURE 3-29. FORK EXTENSION (90 INCH).....	206
FIGURE 3-30. FORK MOUNTED BUCKET (60 INCH).....	208
FIGURE 3-31. BUCKET (72 INCH).....	210
FIGURE 3-32. BUCKET (96 INCH).....	212
FIGURE 3-33. BUCKET (102 INCH).....	214
FIGURE 3-34. GRAPPLE BUCKET.....	216
FIGURE 3-35. TRUSS BOOM (12 FOOT).....	218
FIGURE 3-36. TRUSS BOOM (15 FOOT).....	220
FIGURE 3-37. ADJUSTABLE TRUSS BOOM.....	222
FIGURE 3-38. TRUSS BOOM ASSEMBLY (3 FOOT WITH WINCH).....	224
FIGURE 3-39. TRUSS BOOM (12 FOOT WITH WINCH).....	226
FIGURE 3-40. FORK MOUNTED HOOK.....	228
FIGURE 3-41. COUPLER MOUNTED HOOK.....	230
FIGURE 3-42. MAST (8 FOOT).....	232
FIGURE 3-43. SIDE TILT ELECTRIC MAST (8 FOOT) (Prior to SN 0160075205, Excluding 0160074738, 0160074745 and 0160074938).....	236
FIGURE 3-44. SIDE TILT ELECTRIC MAST (8 FOOT) (SN 0160075205 to Present, Including 0160074738, 0160074745 and 0160074938).....	242
FIGURE 3-45. FORK MOUNTED PLATFORM (ASME).....	246
FIGURE 3-46. FORK MOUNTED PLATFORM (ISO).....	248
FIGURE 3-47. FORK MOUNTED PLATFORM (FRENCH).....	250
FIGURE 3-48. FORK MOUNTED PLATFORM ASSEMBLY.....	252
FIGURE 3-49. SWEEPER ASSEMBLY.....	254
FIGURE 3-50. TRASH HOPPER INSTALLATION.....	256
FIGURE 3-51. PO CHECK VALVE.....	258
FIGURE 3-52. MAIN LIFT CYLINDER.....	260
FIGURE 3-53. KIT DECAL.....	262
FIGURE 3-54. ADJUSTABLE TRUSS BOOM INSTALLATION (FORK MOUNTED).....	264
SECTION 4 - ENGINE AND ATTACHING PARTS.....	267
FIGURE 4-1. ENGINE INSTALLATION, 110HP (ULS).....	268
FIGURE 4-2. ENGINE INSTALLATION, 74HP (ULS) (742, 943).....	270
FIGURE 4-3. ENGINE INSTALLATION, 110HP (LS).....	272

TABLE OF CONTENTS

FIGURE 4-4. ENGINE MOUNTING INSTALLATION	274
FIGURE 4-5. ENGINE, QSF 3.8L, (110HP) (ULS)	276
FIGURE 4-6. ENGINE, 74HP (ULS).....	278
FIGURE 4-7. ENGINE, 110HP (LS).....	280
FIGURE 4-8. FAN INSTALLATION	282
FIGURE 4-9. PRIMARY FUEL FILTER INSTALLATION (ULS)	284
FIGURE 4-10. PRIMARY FUEL FILTER INSTALLATION (LS)	286
FIGURE 4-11. FAN INSTALLATION, 74HP (ULS) (742, 943).....	288
FIGURE 4-12. AIR CLEANER LINES INSTALLATION (ULS)	290
FIGURE 4-13. AIR INTAKE LINES INSTALLATION (LS).....	292
FIGURE 4-14. AIR CLEANER INSTALLATION (ULS)	294
FIGURE 4-15. AIR CLEANER INSTALLATION (LS).....	296
FIGURE 4-16. AIR CLEANER ASSEMBLY (ULS).....	298
FIGURE 4-17. AIR CLEANER ASSEMBLY (LS)	300
FIGURE 4-18. AIR INTAKE DUCT INSTALLATION.....	302
FIGURE 4-19. DEF LINES INSTALLATION	304
FIGURE 4-20. FUEL LINES INSTALLATION (ULS).....	306
FIGURE 4-21. FUEL LINES INSTALLATION (LS)	310
FIGURE 4-22. COOLING PACKAGE INSTALLATION (ULS)	314
FIGURE 4-23. COOLING PACKAGE INSTALLATION (LS)	316
FIGURE 4-24. RADIATOR COOLING PACKAGE.....	318
FIGURE 4-25. HOC LINES INSTALLATION	320
FIGURE 4-26. COOLANT LINES INSTALLATION (ULS).....	322
FIGURE 4-27. COOLANT LINES INSTALLATION (LS)	324
FIGURE 4-28. CAC LINES INSTALLATION (ULS)	326
FIGURE 4-29. CAC LINES INSTALLATION (LS).....	328
FIGURE 4-30. TOC LINES INSTALLATION.....	330
FIGURE 4-31. SURGE TANK INSTALLATION	332
FIGURE 4-32. FAN GUARD INSTALLATION	334
FIGURE 4-33. EXHAUST INSTALLATION, 110HP (ULS)	336
FIGURE 4-34. EXHAUST INSTALLATION, 74HP (ULS) (742, 943).....	338
FIGURE 4-35. EXHAUST INSTALLATION, 110HP (LS).....	340
FIGURE 4-36. ENGINE PARTS INSTALLATION (NO HEATER)	342
FIGURE 4-37. ENGINE PARTS INSTALLATION (HEATER)	344
FIGURE 4-38. A/C PUMP INSTALLATION (ULS).....	346
FIGURE 4-39. A/C PUMP INSTALLATION (LS).....	348
FIGURE 4-40. FUEL TANK ASSEMBLY (Prior to SN 0160075554)	350
FIGURE 4-41. FUEL TANK ASSEMBLY (SN 0160075554 to Present).....	352
FIGURE 4-42. DEF TANK INSTALLATION.....	354
FIGURE 4-43. DEF TANK ASSEMBLY	356
FIGURE 4-44. DEF PUMP AND CONTROL INSTALLATION	358
FIGURE 4-45. DEF PUMP LINES INSTALLATION.....	360
FIGURE 4-46. MUFFLER INSTALLATION (LS).....	362
FIGURE 4-47. A/C LINES INSTALLATION	364
FIGURE 4-48. UREA PUMP (Prior to SN 0160077185).....	366
FIGURE 4-49. UREA PUMP (SN 0160077185 to Present)	368
FIGURE 4-50. HEATER BREATHER (ULS - 110HP).....	370
FIGURE 4-51. HEATER BREATHER (ULS - 74HP).....	372
FIGURE 4-52. AIR INTAKE SHUT OFF VALVE INSTALLATION	374
SECTION 5 - DRIVE TRAIN	377
FIGURE 5-1. DRIVETRAIN INSTALLATION (642, 742).....	378
FIGURE 5-2. DRIVETRAIN INSTALLATION, 74HP (742).....	380
FIGURE 5-3. DRIVETRAIN INSTALLATION, 74HP (943).....	382
FIGURE 5-4. DRIVETRAIN INSTALLATION (943, 1043).....	384
FIGURE 5-5. FRONT AXLE INSTALLATION (642, 742).....	386
FIGURE 5-6. FRONT AXLE INSTALLATION, 74HP (742).....	388
FIGURE 5-7. FRONT AXLE INSTALLATION, 74HP (943).....	390
FIGURE 5-8. FRONT AXLE INSTALLATION (943, 1043).....	392
FIGURE 5-9. REAR AXLE INSTALLATION (642, 742)	394
FIGURE 5-10. REAR AXLE INSTALLATION, 74HP (742)	396
FIGURE 5-11. REAR AXLE INSTALLATION, 74HP (943)	398
FIGURE 5-12. REAR AXLE INSTALLATION (943, 1043)	400
FIGURE 5-13. DRIVE SHAFTS INSTALLATION (642, 742)	402
FIGURE 5-14. DRIVE SHAFTS INSTALLATION (943, 1043)	404
FIGURE 5-15. FRONT AXLE MOUNTING INSTALLATION (642, 742)	406

TABLE OF CONTENTS

FIGURE 5-16. FRONT AXLE MOUNTING INSTALLATION, 74HP (742).....	408
FIGURE 5-17. FRONT AXLE MOUNTING INSTALLATION, 74HP (943).....	410
FIGURE 5-18. FRONT AXLE MOUNTING INSTALLATION (943, 1043).....	412
FIGURE 5-19. FRONT AXLE LINES INSTALLATION (642, 742).....	414
FIGURE 5-20. FRONT AXLE LINES INSTALLATION (943, 1043).....	416
FIGURE 5-21. REAR AXLE MOUNTING INSTALLATION (642, 742).....	418
FIGURE 5-22. REAR AXLE MOUNTING INSTALLATION, 74HP (742).....	420
FIGURE 5-23. REAR AXLE MOUNTING INSTALLATION, 74HP (943).....	422
FIGURE 5-24. REAR AXLE MOUNTING INSTALLATION (943, 1043).....	424
FIGURE 5-25. REAR AXLE LINES INSTALLATION (642, 742).....	426
FIGURE 5-26. REAR AXLE LINES INSTALLATION (943, 1043).....	428
FIGURE 5-27. FRONT DRIVE SHAFT INSTALLATION (642, 742).....	430
FIGURE 5-28. FRONT DRIVE SHAFT INSTALLATION (943, 1043).....	432
FIGURE 5-29. REAR DRIVE SHAFT INSTALLATION.....	434
FIGURE 5-30. FRONT AXLE (642, 742).....	436
FIGURE 5-31. FRONT AXLE, CENTRAL HOUSING (642, 742).....	438
FIGURE 5-32. FRONT AXLE, DIFFERENTIAL (642, 742).....	440
FIGURE 5-33. FRONT AXLE, HUB REDUCTION (642, 742).....	442
FIGURE 5-34. FRONT AXLE, BRAKES (642, 742).....	444
FIGURE 5-35. FRONT AXLE, STEERING (642, 742).....	446
FIGURE 5-36. FRONT AXLE, TRUNION (642, 742).....	448
FIGURE 5-37. FRONT AXLE, DIFFERENTIAL (642, 742).....	450
FIGURE 5-38. FRONT AXLE, REDUCTION BUSHING (642, 742).....	452
FIGURE 5-39. FRONT AXLE, PLANET GEAR CARRIER (642, 742).....	454
FIGURE 5-40. FRONT AXLE, RING GEAR SUPPORT (642, 742).....	456
FIGURE 5-41. FRONT AXLE, PLANET GEAR (642, 742).....	458
FIGURE 5-42. FRONT AXLE, TRUNION KIT (642, 742).....	460
FIGURE 5-43. FRONT AXLE, 74HP (742).....	462
FIGURE 5-44. FRONT AXLE, CENTRAL HOUSING 74HP (742).....	464
FIGURE 5-45. FRONT AXLE, DIFFERENTIAL 74HP (742).....	466
FIGURE 5-46. FRONT AXLE, HUB REDUCTION 74HP (742).....	468
FIGURE 5-47. FRONT AXLE, BRAKES 74HP (742).....	472
FIGURE 5-48. FRONT AXLE, STEERING 74HP (742).....	474
FIGURE 5-49. FRONT AXLE, TRUNION 74HP (742).....	476
FIGURE 5-50. FRONT AXLE, 74HP (943).....	478
FIGURE 5-51. FRONT AXLE, CENTRAL HOUSING 74HP (943).....	480
FIGURE 5-52. FRONT AXLE, DIFFERENTIAL 74HP (943).....	482
FIGURE 5-53. FRONT AXLE, HUB REDUCTION 74HP (943).....	484
FIGURE 5-54. FRONT AXLE, BRAKES 74HP (943).....	488
FIGURE 5-55. FRONT AXLE, STEERING 74HP (943).....	490
FIGURE 5-56. FRONT AXLE, TRUNION 74HP (943).....	492
FIGURE 5-57. FRONT AXLE (943, 1043).....	494
FIGURE 5-58. FRONT AXLE, BRAKES (943, 1043).....	496
FIGURE 5-59. FRONT AXLE, CENTRAL HOUSING (943, 1043).....	498
FIGURE 5-60. FRONT AXLE, DIFFERENTIAL (943, 1043).....	500
FIGURE 5-61. FRONT AXLE, HUB REDUCTION (943, 1043).....	502
FIGURE 5-62. FRONT AXLE, STEERING (943, 1043).....	504
FIGURE 5-63. FRONT AXLE, TRUNION (943, 1043).....	506
FIGURE 5-64. FRONT AXLE, DIFFERENTIAL KIT (943, 1043).....	508
FIGURE 5-65. FRONT AXLE, PLANET GEAR CARRIER (943, 1043).....	510
FIGURE 5-66. FRONT AXLE, RING GEAR SUPPORT (943, 1043).....	512
FIGURE 5-67. FRONT AXLE, PLANET GEAR CARRIER (943, 1043).....	514
FIGURE 5-68. FRONT AXLE, SUPPORT (943, 1043).....	516
FIGURE 5-69. REAR AXLE (642, 742).....	518
FIGURE 5-70. REAR AXLE, CENTRAL HOUSING (642, 742).....	520
FIGURE 5-71. REAR AXLE, DIFFERENTIAL (642, 742).....	522
FIGURE 5-72. REAR AXLE, HUB REDUCTION (642, 742).....	524
FIGURE 5-73. REAR AXLE, BRAKES (642, 742).....	526
FIGURE 5-74. REAR AXLE, STEERING (642, 742).....	528
FIGURE 5-75. REAR AXLE, TRUNION (642, 742).....	530
FIGURE 5-76. REAR AXLE, DIFFERENTIAL KIT (642, 742).....	532
FIGURE 5-77. REAR AXLE, REDUCTION BUSHING (642, 742).....	534
FIGURE 5-78. REAR AXLE, PLANET GEAR CARRIER KIT (642, 742).....	536
FIGURE 5-79. REAR AXLE, RING GEAR SUPPORT KIT (642, 742).....	538
FIGURE 5-80. REAR AXLE, PLANET GEAR KIT (642, 742).....	540
FIGURE 5-81. REAR AXLE, PISTON KIT (642, 742).....	542
FIGURE 5-82. REAR AXLE, SUPPORT KIT (642, 742).....	544

TABLE OF CONTENTS

FIGURE 5-83. REAR AXLE, 74HP (742).....	546
FIGURE 5-84. REAR AXLE, CENTRAL HOUSING 74HP (742)	548
FIGURE 5-85. REAR AXLE, DIFFERENTIAL 74HP (742)	550
FIGURE 5-86. REAR AXLE, HUB REDUCTION 74HP (742).....	552
FIGURE 5-87. REAR AXLE, BRAKES 74HP (742).....	556
FIGURE 5-88. REAR AXLE, STEERING 74HP (742)	558
FIGURE 5-89. REAR AXLE, TRUNION 74HP (742)	560
FIGURE 5-90. REAR AXLE, 74HP (943).....	562
FIGURE 5-91. REAR AXLE, CENTRAL HOUSING 74HP (943)	564
FIGURE 5-92. REAR AXLE, DIFFERENTIAL 74HP (943)	566
FIGURE 5-93. REAR AXLE, HUB REDUCTION 74HP (943).....	568
FIGURE 5-94. REAR AXLE, BRAKES 74HP (943)	572
FIGURE 5-95. REAR AXLE, STEERING 74HP (943)	574
FIGURE 5-96. REAR AXLE, TRUNION 74HP (943)	576
FIGURE 5-97. REAR AXLE (943, 1043).....	578
FIGURE 5-98. REAR AXLE, BRAKES (943, 1043)	580
FIGURE 5-99. REAR AXLE, CENTRAL HOUSING (943, 1043)	582
FIGURE 5-100. REAR AXLE, DIFFERENTIAL (943, 1043)	584
FIGURE 5-101. REAR AXLE, HUB REDUCTION (943, 1043).....	586
FIGURE 5-102. REAR AXLE, STEERING (943, 1043)	588
FIGURE 5-103. REAR AXLE, TRUNION (943, 1043)	590
FIGURE 5-104. REAR AXLE, DIFFERENTIAL KIT (943, 1043).....	592
FIGURE 5-105. REAR AXLE, PLANET GEAR CARRIER (943, 1043).....	594
FIGURE 5-106. REAR AXLE, PLANET GEAR CARRIER (943, 1043).....	596
FIGURE 5-107. REAR AXLE, SUPPORT (943, 1043)	598
FIGURE 5-108. REAR AXLE, RING GEAR SUPPORT (943, 1043)	600
FIGURE 5-109. TRANSMISSION INSTALLATION, (LS).....	602
FIGURE 5-110. TRANSMISSION INSTALLATION, (ULS).....	604
FIGURE 5-111. POWERSHIFT TRANSMISSION	606
FIGURE 5-112. TRANSMISSION, ENGINE CONNECTION	610
FIGURE 5-113. TRANSMISSION, CONVERTER	612
FIGURE 5-114. TRANSMISSION, INPUT	614
FIGURE 5-115. TRANSMISSION, HOUSING GROUP 1	616
FIGURE 5-116. TRANSMISSION, HOUSING GROUP 2	618
FIGURE 5-117. TRANSMISSION, CLUTCH GROUP 1	620
FIGURE 5-118. TRANSMISSION, CLUTCH GROUP 2	622
FIGURE 5-119. TRANSMISSION, COUPLING GROUP 1	624
FIGURE 5-120. TRANSMISSION, COUPLING GROUP 2	626
FIGURE 5-121. TRANSMISSION, COUPLING GROUP 3	628
FIGURE 5-122. TRANSMISSION, COUPLING GROUP 4	630
FIGURE 5-123. TRANSMISSION, OUTPUT	632
FIGURE 5-124. TRANSMISSION, POWER TAKE-OFF	634
FIGURE 5-125. TRANSMISSION, CONTROL UNIT	636
FIGURE 5-126. TRANSMISSION, SHIFT SYSTEM.....	638
FIGURE 5-127. TRANSMISSION, PRESSURE REGULATOR	640
FIGURE 5-128. TRANSMISSION, PRESSURE OIL PUMP	642
FIGURE 5-129. TRANSMISSION, INDUCTIVE TRANSMITTER	644
FIGURE 5-130. TRANSMISSION, FILTER	646
FIGURE 5-131. TRANSMISSION, ACCESSORIES GROUP 1	648
FIGURE 5-132. TRANSMISSION, PERIPHERALS GROUP 1.....	650
FIGURE 5-133. TRANSMISSION, ACCESSORIES GROUP 2.....	652
FIGURE 5-134. TRANSMISSION, TRANSFER BOX	654
FIGURE 5-135. TRANSMISSION, TRANSFER BOX HOUSING 1	656
FIGURE 5-136. TRANSMISSION, TRANSFER BOX HOUSING 2	658
FIGURE 5-137. TRANSMISSION, TRANSFER BOX HOUSING INPUT.....	660
FIGURE 5-138. TRANSMISSION, TRANSFER BOX HOUSING OUTPUT 1	662
FIGURE 5-139. TRANSMISSION, TRANSFER BOX HOUSING OUTPUT 2	664
FIGURE 5-140. TIRE/WHEEL SET 370/75-28 - AIR (642, 742, 943).....	666
FIGURE 5-141. TIRE/WHEEL ASSEMBLY 370/75-28 - AIR (642, 742, 943)	668
FIGURE 5-142. TIRE/WHEEL SET 370/75-28 - FOAM (642, 742, 943)	670
FIGURE 5-143. TIRE/WHEEL SET 400/75-28 - AIR (1043).....	672
FIGURE 5-144. TIRE/WHEEL ASSEMBLY 400/75-28 - AIR (1043)	674
FIGURE 5-145. TIRE/WHEEL SET 400/75-28 - FOAM (1043)	676
FIGURE 5-146. TIRE/WHEEL SET 13-24 16PR - AIR (642, 742).....	678
FIGURE 5-147. TIRE/WHEEL RIGHT ASSEMBLY 13-24 16PR - AIR (642, 742)	680
FIGURE 5-148. TIRE/WHEEL LEFT ASSEMBLY 13-24 16PR - AIR (642, 742).....	682
FIGURE 5-149. TIRE/WHEEL SET 14-24 16PR - AIR (943, 1043).....	684

TABLE OF CONTENTS

FIGURE 5-150. TIRE/WHEEL RIGHT ASSEMBLY 14-24 16PR - AIR (943, 1043).....	686
FIGURE 5-151. TIRE/WHEEL LEFT ASSEMBLY 14-24 16PR - AIR (943, 1043).....	688
FIGURE 5-152. TIRE/WHEEL SET 13-24 12PR - FOAM (642, 742).....	690
FIGURE 5-153. TIRE/WHEEL SET 14-24 12PR - FOAM (943, 1043).....	692
FIGURE 5-154. TIRE/WHEEL SET 13-24 - SOLID (642, 742, 943) (742 Prior to SN 0160083905, Excluding 0160083721; 943 Prior to SN 0160083750).....	694
FIGURE 5-155. TIRE/WHEEL SET 14-24 - SOLID (1043) (Prior to SN 0160084074).....	696
FIGURE 5-156. TIRE/WHEEL SET 315/95-28 - SOLID (742, 943).....	698
FIGURE 5-157. TIRE/WHEEL SET 360/85-28 - SOLID (1043).....	700
FIGURE 5-158. TIRE/WHEEL SET 370/75-28 - PNEUMATIC NON MARKING (943, 1043).....	702
FIGURE 5-159. TIRE/WHEEL SET 370/75-28 - FOAM NON MARKING (943, 1043).....	704
FIGURE 5-160. TIRE/WHEEL ASSEMBLY 370/75-28 - PNEUMATIC NON MARKING (943, 1043).....	706
FIGURE 5-161. TIRE/WHEEL ASSEMBLY 370/75-28 - FOAM NON MARKING (943, 1043).....	708
FIGURE 5-162. TIRE/WHEEL SET 400/75-28 - PNEUMATIC NON MARKING (943, 1043).....	710
FIGURE 5-163. TIRE/WHEEL SET 400/75-28 - FOAM NON MARKING (943, 1043).....	712
FIGURE 5-164. TIRE/WHEEL ASSEMBLY 400/75-28 - PNEUMATIC NON MARKING (943, 1043).....	714
FIGURE 5-165. TIRE/WHEEL ASSEMBLY 400/75-28 - FOAM NON MARKING (943, 1043).....	716
FIGURE 5-166. FENDER INSTALLATION.....	718
FIGURE 5-167. RH FENDER ASSEMBLY (Prior to SN 0160073783).....	720
FIGURE 5-168. LH FENDER ASSEMBLY (Prior to SN 0160073783).....	722
FIGURE 5-169. WHEEL CHOCK INSTALLATION.....	724
FIGURE 5-170. TOOLBOX INSTALLATION.....	726
SECTION 6 - CAB.....	729
FIGURE 6-1. CAB MOUNTING.....	730
FIGURE 6-2. CAB MOUNT INSTALLATION.....	732
FIGURE 6-3. FRONT CAB OUTRIGGER INSTALLATION.....	734
FIGURE 6-4. CAB FENDER INSTALLATION.....	736
FIGURE 6-5. CAB FENDER INSTALLATION (742) (IF EQUIPPED).....	738
FIGURE 6-6. OROPS CAB INSTALLATION.....	740
FIGURE 6-7. EROPS CAB INSTALLATION.....	742
FIGURE 6-8. OPEN CAB INSTALLATION.....	744
FIGURE 6-9. ENCLOSED CAB INSTALLATION (SN 0160079247 to Present).....	746
FIGURE 6-10. OPEN CAB ASSEMBLY.....	748
FIGURE 6-11. OPEN CAB PLUG GROUP.....	750
FIGURE 6-12. CAB (SN 0160079247 to Present).....	752
FIGURE 6-13. ENCLOSED CAB ASSEMBLY.....	754
FIGURE 6-14. REAR WINDOW INSTALLATION.....	756
FIGURE 6-15. REAR WINDOW INSTALLATION (WO/WIPER) (ANSI).....	758
FIGURE 6-16. REAR WINDOW INSTALLATION (WO/WIPER) (ISO).....	760
FIGURE 6-17. REAR WINDOW INSTALLATION (WO/WIPER) (ENG/SPAN).....	762
FIGURE 6-18. REAR WINDOW ASSEMBLY.....	764
FIGURE 6-19. DOOR INSTALLATION.....	766
FIGURE 6-20. DOOR UPPER GLASS ASSEMBLY (642 Prior to SN 0160077281; 943 Prior to SN 0160077094; 1043 Prior to SN 0160077011).....	768
FIGURE 6-21. DOOR UPPER GLASS ASSEMBLY (642 SN 0160077281 to Present; 943 SN 0160077094 to Present; 1043 SN 0160077011 to Present).....	770
FIGURE 6-22. CAB LATCH ASSEMBLY.....	772
FIGURE 6-23. CAB DOOR TRIGGER ASSEMBLY.....	774
FIGURE 6-24. DOOR ASSEMBLY.....	776
FIGURE 6-25. CAB DOOR.....	778
FIGURE 6-26. DOOR STRAP INSTALLATION.....	780
FIGURE 6-27. ENCLOSED CAB PLUG GROUP.....	782
FIGURE 6-28. MIRROR INSTALLATION.....	784
FIGURE 6-29. FRONT COVER INSTALLATION.....	786
FIGURE 6-30. FILTER TRAY PANEL.....	788
FIGURE 6-31. FRONT DUCT COVER.....	790
FIGURE 6-32. LEVEL INDICATOR INSTALLATION.....	792
FIGURE 6-33. SEAT INSTALLATION.....	794
FIGURE 6-34. SEAT.....	796
FIGURE 6-35. SEAT BELT INSTALLATION (642, 742, 943, 1043) (742 Prior to SN 0160085525, Excluding 0160084900; 943 Prior to SN 0160085525, Excluding 0160084900; 1043 Prior to SN 0160085525, Excluding 0160084900; Excluding 0160085188, 0160085189, 0160085188, 0160085189, 0160085188 and 0160085189).....	798
FIGURE 6-36. SEAT BELT INSTALLATION (3 INCH) (742, 943, 1043) (SN 0160085525 to Present, Including 0160084900, 0160085188 and 0160085189).....	800
FIGURE 6-37. HEATER INSTALLATION.....	802

TABLE OF CONTENTS

FIGURE 6-38. HEATER ASSEMBLY (Prior to SN 0160077679)	804
FIGURE 6-39. HEATER ASSEMBLY (SN 0160077679 to Present).....	806
FIGURE 6-40. HEATER	808
FIGURE 6-41. HEATER	810
FIGURE 6-42. HEATER AND A/C INSTALLATION.....	812
FIGURE 6-43. HEATER AND A/C ASSEMBLY (Prior to SN 0160077679)	816
FIGURE 6-44. HEATER AND A/C ASSEMBLY (SN 0160077679 to Present)	818
FIGURE 6-45. HEATER AND A/C	820
FIGURE 6-46. HEATER AND A/C	822
FIGURE 6-47. HVAC CAB ACTUATOR	824
FIGURE 6-48. CAB CONDENSER ASSEMBLY.....	826
FIGURE 6-49. A/C RECEIVER DRIER.....	828
FIGURE 6-50. CONDENSER	830
FIGURE 6-51. FRONT WIPER INSTALLATION.....	832
FIGURE 6-52. REAR WIPER INSTALLATION	834
FIGURE 6-53. ROOF WIPER INSTALLATION	836
FIGURE 6-54. HEADLINER INSTALLATION	838
FIGURE 6-55. OPEN CAB TRIM INSTALLATION (Prior to SN 0160081650).....	840
FIGURE 6-56. OPEN CAB TRIM INSTALLATION (SN 0160081650 to Present).....	844
FIGURE 6-57. ENCLOSED CAB TRIM INSTALLATION (Prior to SN 0160081650)	848
FIGURE 6-58. ENCLOSED CAB TRIM INSTALLATION (SN 0160081650 to Present)	852
FIGURE 6-59. LONG CAB ROOF CAPPING INSTALLATION.....	856
FIGURE 6-60. SHORT CAB ROOF CAPPING INSTALLATION	858
FIGURE 6-61. OPEN CAB FRONT COVER INSTALLATION	860
FIGURE 6-62. ENCLOSED CAB FRONT COVER INSTALLATION.....	862
FIGURE 6-63. NON SKID TAPE INSTALLATION	864
FIGURE 6-64. EXTERNAL WINDOW RELEASE INSTALLATION.....	866
FIGURE 6-65. WASHER TANK INSTALLATION	868
FIGURE 6-66. SCREEN GUARDS INSTALLATION	870
FIGURE 6-67. TOP SCREEN GUARD INSTALLATION	872
FIGURE 6-68. FRONT SCREEN GUARD INSTALLATION	874
FIGURE 6-69. ROOF PIGTAIL CAP INSTALLATION	876
FIGURE 6-70. ROOF PIGTAIL INSTALLATION.....	878
FIGURE 6-71. RETRACTABLE SUNSCREEN INSTALLATION	880
FIGURE 6-72. NO SUNBLIND INSTALLATION	882
SECTION 7 - CONTROLS	885
FIGURE 7-1. BRAKE PEDAL INSTALLATION (642, 742)	886
FIGURE 7-2. BRAKE PEDAL INSTALLATION (943, 1043)	888
FIGURE 7-3. BRAKE PEDAL (642, 742).....	890
FIGURE 7-4. BRAKE PEDAL (943, 1043).....	892
FIGURE 7-5. BRAKE PEDAL PLATE	894
FIGURE 7-6. ACCELERATOR PEDAL INSTALLATION	896
FIGURE 7-7. ACCELERATOR PEDAL	898
FIGURE 7-8. STEERING COLUMN INSTALLATION (642, 742)	900
FIGURE 7-9. STEERING COLUMN INSTALLATION (EMERGENCY STEERING) (642, 742).....	902
FIGURE 7-10. STEERING COLUMN INSTALLATION (943, 1043).....	904
FIGURE 7-11. STEERING COLUMN INSTALLATION (EMERGENCY STEERING) (943, 1043).....	906
FIGURE 7-12. STEERING WHEEL INSTALLATION.....	908
FIGURE 7-13. STEERING WHEEL.....	910
FIGURE 7-14. HORN BUTTON INSTALLATION	912
FIGURE 7-15. JOYSTICK INSTALLATION (AUX, DECLUTCH)	914
FIGURE 7-16. COLUMN CLAMP INSTALLATION.....	916
FIGURE 7-17. WIPER-TURN SWITCH.....	918
FIGURE 7-18. OUTRIGGER SWITCHES INSTALLATION	920
FIGURE 7-19. JOYSTICK	922
SECTION 8 - HYDRAULIC CIRCUITS.....	925
FIGURE 8-1. MAIN HYDRAULIC INSTALLATION (NO OUTRIGGERS) (642,742).....	926
FIGURE 8-2. MAIN HYDRAULIC INSTALLATION (NO OUTRIGGERS) (110HP) (742) (SN 0160084432 to Present)	928
FIGURE 8-3. MAIN HYDRAULIC INSTALLATION (OUTRIGGERS) (642)	930
FIGURE 8-4. MAIN HYDRAULIC INSTALLATION (OUTRIGGERS 74HP) (742)	932
FIGURE 8-5. MAIN HYDRAULIC INSTALLATION (NO OUTRIGGERS) (943) (Prior to SN 0160081535)	934
FIGURE 8-6. MAIN HYDRAULIC INSTALLATION (NO OUTRIGGERS) (943) (SN 0160081535 to Present)	936

TABLE OF CONTENTS

FIGURE 8-7. MAIN HYDRAULIC INSTALLATION, EMERGENCY STEERING (NO OUTRIGGERS) (943) (Prior to SN 0160081535)	938
FIGURE 8-8. MAIN HYDRAULIC INSTALLATION, EMERGENCY STEERING (NO OUTRIGGERS) (943) (SN 0160081535 to Present).....	940
FIGURE 8-9. MAIN HYDRAULIC INSTALLATION (OUTRIGGERS) (1043) (Prior to SN 0160081535)	942
FIGURE 8-10. MAIN HYDRAULIC INSTALLATION (OUTRIGGERS) (1043) (SN 0160081535 to Present)	944
FIGURE 8-11. MAIN HYDRAULIC INSTALLATION (EMERGENCY STEERING NO OUTRIGGERS) (642, 742)	946
FIGURE 8-12. MAIN HYDRAULIC INSTALLATION (EMERGENCY STEERING WITH OUTRIGGERS) (642)	948
FIGURE 8-13. MAIN HYDRAULIC INSTALLATION, EMERGENCY STEERING (OUTRIGGERS) (1043) (Prior to SN 0160081535)	950
FIGURE 8-14. MAIN HYDRAULIC INSTALLATION, EMERGENCY STEERING (OUTRIGGERS) (1043) (SN 0160081535 to Present).....	952
FIGURE 8-15. MAIN HYDRAULIC INSTALLATION - 74HP (EMERGENCY STEERING NO OUTRIGGERS) (742)	954
FIGURE 8-16. VALVE INSTALLATION (NO OUTRIGGERS) (642, 742).....	956
FIGURE 8-17. VALVE INSTALLATION (OUTRIGGERS) (642).....	958
FIGURE 8-18. VALVE INSTALLATION (NO OUTRIGGERS) (943) (Prior to SN 0160081535)	960
FIGURE 8-19. VALVE INSTALLATION (742, 943) (943 SN 0160081535 to Present).....	962
FIGURE 8-20. VALVE INSTALLATION (OUTRIGGERS) (1043) (Prior to SN 0160081535)	964
FIGURE 8-21. VALVE INSTALLATION (OUTRIGGERS) (1043) (SN 0160081535 to Present)	966
FIGURE 8-22. PISTON PUMP INSTALLATION (642, 742)	968
FIGURE 8-23. PISTON PUMP INSTALLATION (742, 943, 1043)	970
FIGURE 8-24. HYDRAULIC LINES INSTALLATION (110HP) (642, 742).....	972
FIGURE 8-25. HYDRAULIC LINES INSTALLATION (74HP) (742)	976
FIGURE 8-26. HYDRAULIC LINES INSTALLATION (110HP) (943, 1043) (Prior to SN 0160081535).....	980
FIGURE 8-27. HYDRAULIC LINES INSTALLATION (74HP) (943, 1043) (SN 0160081535 to Present)	984
FIGURE 8-28. FRAME LEVEL HYDRAULICS INSTALLATION (NO OUTRIGGERS) (642, 742)	988
FIGURE 8-29. FRAME LEVEL HYDRAULICS INSTALLATION (OUTRIGGERS) (642).....	990
FIGURE 8-30. FRAME LEVEL HYDRAULICS INSTALLATION (NO OUTRIGGERS) (742, 943)	992
FIGURE 8-31. FRAME LEVEL HYDRAULICS INSTALLATION (OUTRIGGERS) (943, 1043).....	994
FIGURE 8-32. CAB HYDRAULIC INSTALLATION (OUTRIGGERS) (642)	996
FIGURE 8-33. CAB HYDRAULIC INSTALLATION (OUTRIGGERS) (742)	998
FIGURE 8-34. CAB HYDRAULIC INSTALLATION (NO OUTRIGGERS) (642, 742)	1000
FIGURE 8-35. CAB HYDRAULIC INSTALLATION (943, 1043).....	1002
FIGURE 8-36. CAB HYDRAULIC INSTALLATION EMERGENCY STEERING (642, 742).....	1004
FIGURE 8-37. CAB HYDRAULIC INSTALLATION, EMERGENCY STEERING (943, 1043).....	1006
FIGURE 8-38. BOOM HYDRAULIC INSTALLATION (642, 742)	1008
FIGURE 8-39. BOOM HYDRAULIC INSTALLATION, EMERGENCY STEERING (742, 943, 1043)	1010
FIGURE 8-40. MAIN HYDRAULIC VALVES INSTALLATION (943, 1043) (Prior to SN 0160081535).....	1012
FIGURE 8-41. MAIN HYDRAULIC VALVES INSTALLATION (742, 943, 1043)	1014
FIGURE 8-42. MAIN CONTROL VALVE INSTALLATION (642, 742).....	1016
FIGURE 8-43. MAIN CONTROL VALVE INSTALLATION (943, 1043) (Prior to SN 0160081535)	1018
FIGURE 8-44. MAIN CONTROL VALVE INSTALLATION (742, 943, 1043)	1020
FIGURE 8-45. MAIN CONTROL VALVE ASSEMBLY (642)	1022
FIGURE 8-46. MAIN CONTROL VALVE ASSEMBLY (943, 1043) (Prior to SN 0160081535)	1024
FIGURE 8-47. MAIN CONTROL VALVE ASSEMBLY (742, 943, 1043).....	1026
FIGURE 8-48. STEERING SELECT AND FRAME LEVEL VALVE INSTALLATION	1028
FIGURE 8-49. PARK BRAKE INSTALLATION	1030
FIGURE 8-50. PARK BRAKE VALVE ASSEMBLY	1032
FIGURE 8-51. PISTON PUMP ASSEMBLY (642, 742)	1034
FIGURE 8-52. PISTON PUMP ASSEMBLY (943, 1043)	1036
FIGURE 8-53. FRAME LEVEL INSTALLATION (642, 742)	1038
FIGURE 8-54. FRAME LEVEL INSTALLATION (943, 1043)	1040
FIGURE 8-55. FRAME LEVEL AND OUTRIGGER VALVE INSTALLATION	1042
FIGURE 8-56. FRAME LEVEL AND OUTRIGGER VALVE ASSEMBLY	1044
FIGURE 8-57. FRAME LEVEL VALVE ASSEMBLY	1046
FIGURE 8-58. STEERING SELECT VALVE MOUNTING INSTALLATION	1048
FIGURE 8-59. STEERING SELECT VALVE INSTALLATION	1050
FIGURE 8-60. STEERING SELECT VALVE ASSEMBLY	1052
FIGURE 8-61. REAR AXLE STABILIZER INSTALLATION (642, 742)	1054
FIGURE 8-62. REAR AXLE STABILIZER INSTALLATION (943, 1043)	1056
FIGURE 8-63. COUNTERBALANCE VALVE INSTALLATION (LIFT - NON PGLS NO RIDE CONTROL) (642, 943, 1043)	1058
FIGURE 8-64. COUNTERBALANCE VALVE INSTALLATION (LIFT - PGLS NO RIDE CONTROL) (742 (74HP), 943, 1043) ..	1060
FIGURE 8-65. COUNTERBALANCE VALVE INSTALLATION (LIFT - PGLS NO RIDE CONTROL 110HP) (742)	1062
FIGURE 8-66. COUNTERBALANCE VALVE INSTALLATION (LIFT - PGLS RIDE CONTROL 74HP) (742).....	1064
FIGURE 8-67. COUNTERBALANCE VALVE INSTALLATION (LIFT - PGLS RIDE CONTROL 110HP) (742).....	1066
FIGURE 8-68. COUNTERBALANCE VALVE HYDRAULIC LINES (LIFT - RIDE CONTROL) (742, 943, 1043).....	1068
FIGURE 8-69. COUNTERBALANCE VALVE INSTALLATION (LIFT- RIDE CONTROL) (642)	1070

TABLE OF CONTENTS

FIGURE 8-70. COUNTERBALANCE VALVE INSTALLATION (LIFT - RIDE CONTROL) (943, 1043) (Prior to SN 0160081007)	1072
FIGURE 8-71. COUNTERBALANCE VALVE INSTALLATION (LIFT - RIDE CONTROL) (943, 1043) (SN 0160081007 to Present)	1074
FIGURE 8-72. COUNTERBALANCE VALVE HYDRAULIC LINES (LIFT - RIDE CONTROL) (943, 1043)	1076
FIGURE 8-73. COUNTERBALANCE VALVE HYDRAULIC LINES (LIFT - RIDE CONTROL) (642)	1078
FIGURE 8-74. BOOM HYDRAULIC TUBES INSTALLATION (642, 742)	1080
FIGURE 8-75. BOOM HYDRAULIC TUBES INSTALLATION (943, 1043)	1082
FIGURE 8-76. BOOM AUXILIARY HYDRAULICS INSTALLATION (642, 742)	1084
FIGURE 8-77. BOOM AUXILIARY HYDRAULICS INSTALLATION (943, 1043)	1086
FIGURE 8-78. BOOM AUXILIARY HYDRAULICS (HYDRAULIC COUPLER) (642, 742)	1088
FIGURE 8-79. BOOM AUXILIARY HYDRAULICS (HYDRAULIC COUPLER) (943, 1043)	1090
FIGURE 8-80. BOOM AUXILIARY HYDRAULICS (SIDE MOUNTED) (742)	1092
FIGURE 8-81. BOOM AUXILIARY HYDRAULICS (SIDE MOUNTED) (943, 1043)	1094
FIGURE 8-82. QUICK COUPLER VALVE ASSEMBLY (642, 742)	1096
FIGURE 8-83. QUICK COUPLER VALVE ASSEMBLY (943, 1043)	1098
FIGURE 8-84. HYDRAULIC QUICK COUPLER ASSEMBLY	1100
FIGURE 8-85. QUICK COUPLER CYLINDER ASSEMBLY (Prior to SN 0160073806)	1102
FIGURE 8-86. QUICK COUPLER CYLINDER ASSEMBLY (SN 0160073806 to Present)	1104
FIGURE 8-87. BOOM ANGLE SENSOR INSTALLATION	1106
FIGURE 8-88. PRIORITY FUNCTION MANIFOLD INSTALLATION	1108
FIGURE 8-89. PRIORITY FUNCTION MANIFOLD VALVE ASSEMBLY	1110
FIGURE 8-90. EMERGENCY STEERING MANIFOLD	1112
FIGURE 8-91. INTGRATED RECOVERY VALVE (LIFT - RIDE CONTROL) (742)	1114
SECTION 9 - HYDRAULIC COMPONENTS	1117
FIGURE 9-1. CYLINDER GROUP INSTALLATION (642, 742)	1118
FIGURE 9-2. CYLINDER GROUP INSTALLATION - 74HP (742)	1120
FIGURE 9-3. CYLINDER GROUP INSTALLATION (943, 1043) (Prior to SN 0160081535)	1122
FIGURE 9-4. CYLINDER GROUP INSTALLATION (943, 1043) (SN 0160081535 to Present)	1124
FIGURE 9-5. LIFT CYLINDER (642, 742)	1126
FIGURE 9-6. LIFT CYLINDER (642, 742)	1128
FIGURE 9-7. LIFT CYLINDER (943, 1043) (Prior to SN 0160074518)	1130
FIGURE 9-8. LIFT CYLINDER (943, 1043)	1132
FIGURE 9-9. LIFT CYLINDER (943, 1043) (SN 0160074518 to Present)	1134
FIGURE 9-10. TILT CYLINDER ASSEMBLY (642, 742)	1136
FIGURE 9-11. TILT CYLINDER ASSEMBLY (943, 1043)	1138
FIGURE 9-12. TILT CYLINDER (642, 742)	1140
FIGURE 9-13. TILT CYLINDER (642, 742)	1142
FIGURE 9-14. TILT CYLINDER (943, 1043) (Prior to SN 0160085980)	1144
FIGURE 9-15. TILT CYLINDER (943, 1043) (SN 0160085980 to Present)	1146
FIGURE 9-16. COMPENSATION CYLINDER (642, 742)	1148
FIGURE 9-17. COMPENSATION CYLINDER (742)	1150
FIGURE 9-18. COMPENSATION CYLINDER (943, 1043)	1152
FIGURE 9-19. FRAME LEVEL CYLINDER INSTALLATION	1154
FIGURE 9-20. FRAME LEVEL CYLINDER	1156
FIGURE 9-21. EXTEND/RETRACT CYLINDER ASSEMBLY (642) (Prior to SN 0160080899)	1158
FIGURE 9-22. EXTEND/RETRACT CYLINDER ASSEMBLY (642, 742) (SN 0160080899 to Present)	1160
FIGURE 9-23. EXTEND/RETRACT CYLINDER ASSEMBLY (943, 1043) (Prior to SN 0160081535)	1162
FIGURE 9-24. EXTEND/RETRACT CYLINDER ASSEMBLY (943, 1043) (SN 0160081535 to Present)	1164
FIGURE 9-25. EXTEND/RETRACT CYLINDER (642, 742) (Prior to SN 0160084897)	1166
FIGURE 9-26. EXTEND/RETRACT CYLINDER (642, 742) (SN 0160084897 to Present)	1168
FIGURE 9-27. EXTEND/RETRACT CYLINDER (742)	1170
FIGURE 9-28. EXTEND/RETRACT CYLINDER (943, 1043)	1172
FIGURE 9-29. REAR AXLE STABILIZER CYLINDER INSTALLATION	1174
FIGURE 9-30. REAR AXLE STABILITY CYLINDER	1176
FIGURE 9-31. OUTRIGGER CYLINDER (642, 1043) (Prior to SN 0160078786)	1178
FIGURE 9-32. OUTRIGGER CYLINDER (642, 1043) (SN 0160078786 to Present)	1180
FIGURE 9-33. SIDE TILT CYLINDER	1182
FIGURE 9-34. REAR AXLE STABILIZER VALVE (Prior to SN 0160080899)	1184
FIGURE 9-35. REAR AXLE STABILIZER VALVE (SN 0160080899 to Present)	1186
FIGURE 9-36. MAIN CONTROL VALVE (642)	1188
FIGURE 9-37. MAIN CONTROL VALVE (943, 1043) (Prior to SN 0160081535)	1190
FIGURE 9-38. MAIN CONTROL VALVE - INLET SECTION (943, 1043)	1192
FIGURE 9-39. MAIN CONTROL VALVE - SPOOL SECTION (943, 1043)	1194
FIGURE 9-40. MAIN CONTROL VALVE - SPOOL SECTION (943, 1043)	1196

TABLE OF CONTENTS

FIGURE 9-41. MAIN CONTROL VALVE - SPOOL SECTION (943, 1043).....	1198
FIGURE 9-42. MAIN CONTROL VALVE - SPOOL SECTION (943, 1043).....	1200
FIGURE 9-43. MAIN CONTROL VALVE (742, 943, 1043)	1202
FIGURE 9-44. GEAR PUMP (642, 742).....	1204
FIGURE 9-45. PISTON PUMP (943, 1043).....	1206
FIGURE 9-46. STEERING ORBITAL VALVE (642, 742)	1208
FIGURE 9-47. STEERING ORBITAL VALVE (943, 1043)	1210
FIGURE 9-48. STEER SELECT VALVE	1212
FIGURE 9-49. PARK BRAKE VALVE	1214
FIGURE 9-50. FRAME LEVEL VALVE	1216
FIGURE 9-51. FRAME LEVEL AND OUTRIGGER VALVE	1218
FIGURE 9-52. QUICK COUPLER VALVE	1220
FIGURE 9-53. HYDRAULIC TANK	1222
FIGURE 9-54. PRIORITY MANIFOLD VALVE.....	1224
FIGURE 9-55. QUICK COUPLER CYLINDER.....	1226
FIGURE 9-56. SWING CARRIAGE CYLINDER.....	1228
FIGURE 9-57. GRAPPLE BUCKET CYLINDER	1230
FIGURE 9-58. SIDE SHIFT CARRIAGE CYLINDER	1232
FIGURE 9-59. AIR SHUT OFF VALVE	1234
SECTION 10 - ELECTRICAL.....	1237
FIGURE 10-1. MAIN ELECTRICAL INSTALLATION (ULS) (642, 742).....	1238
FIGURE 10-2. MAIN ELECTRICAL INSTALLATION (ULS) (943, 1043).....	1240
FIGURE 10-3. MAIN ELECTRICAL INSTALLATION (ULS) (74 HP) (742, 943, 1043)	1242
FIGURE 10-4. MAIN ELECTRICAL INSTALLATION (LS) (642, 742)	1244
FIGURE 10-5. MAIN ELECTRICAL INSTALLATION (LS) (943, 1043)	1246
FIGURE 10-6. ELECTRICAL FRAME INSTALLATION.....	1248
FIGURE 10-7. POWER DISTRIBUTION ELECTRICAL BOX	1250
FIGURE 10-8. ENGINE BAY WIRING INSTALLATION (ULS).....	1252
FIGURE 10-9. ENGINE BAY WIRING INSTALLATION (74HP) (ULS)	1254
FIGURE 10-10. ENGINE BAY WIRING INSTALLATION (LS)	1256
FIGURE 10-11. FRAME WIRING INSTALLATION (ULS) (642, 742).....	1258
FIGURE 10-12. FRAME WIRING INSTALLATION (ULS) (742, 943, 1043).....	1260
FIGURE 10-13. FRAME WIRING INSTALLATION (ULS) (943, 1043).....	1262
FIGURE 10-14. FRAME WIRING INSTALLATION (LS) (642, 742)	1264
FIGURE 10-15. FRAME WIRING INSTALLATION (LS) (943, 1043)	1266
FIGURE 10-16. ENGINE BAY ELECTRICAL INSTALLATION (742, 943, 1043 - ULS 74 HP) (642, 743, 943, 1043 - LS)	1268
FIGURE 10-17. ENGINE BAY ELECTRICAL INSTALLATION (642 - ULS) (742, 943, 1043 - ULS 110HP).....	1270
FIGURE 10-18. ENGINE WIRING INSTALLATION (ULS).....	1272
FIGURE 10-19. ENGINE WIRING INSTALLATION, 74HP (ULS) (742, 943).....	1276
FIGURE 10-20. ENGINE WIRING INSTALLATION (LS)	1278
FIGURE 10-21. ENGINE ECU INSTALLATION	1282
FIGURE 10-22. ENGINE ECM INSTALLATION (LS).....	1284
FIGURE 10-23. BOOM AUXILIARY ELECTRIC INSTALLATION.....	1286
FIGURE 10-24. BOOM AUXILIARY ELECTRIC HARNESS INSTALLATION.....	1288
FIGURE 10-25. BATTERY INSTALLATION (642, 742)	1290
FIGURE 10-26. BATTERY INSTALLATION (742, 943, 1043)	1292
FIGURE 10-27. ARCTIC COLD WEATHER PACKAGE INSTALLATION (ULS - 110HP)	1294
FIGURE 10-28. ARCTIC COLD WEATHER PACKAGE INSTALLATION (ULS - 74HP)	1296
FIGURE 10-29. ARCTIC COLD WEATHER PACKAGE INSTALLATION (LS)	1298
FIGURE 10-30. FUEL FILTER HEATER INSTALLATION	1300
FIGURE 10-31. ARCTIC BATTERIES INSTALLATION	1302
FIGURE 10-32. HYDRAULIC TANK HEATER INSTALLATION	1304
FIGURE 10-33. BACKUP ALARM INSTALLATION (120 DB).....	1306
FIGURE 10-34. BACKUP ALARM INSTALLATION (97 DB).....	1308
FIGURE 10-35. WHITE NOISE BACKUP ALARM INSTALLATION	1310
FIGURE 10-36. CAB ELECTRICAL INSTALLATION.....	1312
FIGURE 10-37. DASH ELECTRICAL INSTALLATION (ULS).....	1314
FIGURE 10-38. DASH ELECTRICAL INSTALLATION (LS)	1316
FIGURE 10-39. SWITCH LIGHT INSTALLATION.....	1318
FIGURE 10-40. USB CHARGER INSTALLATION.....	1320
FIGURE 10-41. OPEN CAB ELECTRICAL INSTALLATION WITH OPTIONS	1322
FIGURE 10-42. HIGH END DISPLAY INSTALLATION.....	1324
FIGURE 10-43. ENCLOSED CAB ELECTRICAL INSTALLATION WITH OPTIONS	1326
FIGURE 10-44. REVERSE CAMERA INSTALLATION.....	1328
FIGURE 10-45. REVERSE SENSOR INSTALLATION.....	1330

TABLE OF CONTENTS

FIGURE 10-46. CLEARSKY INSTALLATION (LONG ROOF CAP) (Prior to SN 0160082365, Including 0160081891, 0160081892, 0160081893, 0160082021, 0160082022 and 0160082054)	1332
FIGURE 10-47. CLEARSKY INSTALLATION (SHORT ROOF CAP) (Prior to SN 0160082365, Including 0160081891, 0160081892, 0160081893, 0160082021, 0160082022 and 0160082054)	1334
FIGURE 10-48. TELEMATICS READY INSTALLATION	1336
FIGURE 10-49. CLEARSKY CONTROLLER (Prior to SN 0160082365, Including 0160081891, 0160081892, 0160081893, 0160082021, 0160082022 and 0160082054)	1338
FIGURE 10-50. ROAD LIGHTS INSTALLATION (NO OUTRIGGERS) (Prior to SN 0160079247)	1340
FIGURE 10-51. ROAD LIGHTS INSTALLATION (NO OUTRIGGERS) (SN 0160079247 to Present)	1342
FIGURE 10-52. ROAD LIGHTS INSTALLATION (OUTRIGGERS) (Prior to SN 0160079247)	1344
FIGURE 10-53. ROAD LIGHTS INSTALLATION (OUTRIGGERS) (SN 0160079247 to Present)	1346
FIGURE 10-54. CAB WORKLIGHTS INSTALLATION (NO A/C)	1348
FIGURE 10-55. CAB LED WORK LIGHTS INSTALLATION (NO A/C)	1350
FIGURE 10-56. CAB WORKLIGHTS INSTALLATION (A/C)	1352
FIGURE 10-57. CAB LED WORK LIGHTS INSTALLATION (A/C)	1354
FIGURE 10-58. BOOM WORK LIGHTS INSTALLATION	1356
FIGURE 10-59. BOOM WORK LIGHTS INSTALLATION (LED)	1358
FIGURE 10-60. BOOM LIGHTS INSTALLATION	1360
FIGURE 10-61. BOOM LED LIGHTS INSTALLATION	1362
FIGURE 10-62. A/C OPTION HARNESS	1364
FIGURE 10-63. BEACON INSTALLATION	1366
FIGURE 10-64. LED BEACON INSTALLATION	1368
FIGURE 10-65. OUTRIGGER HARNESS	1370
FIGURE 10-66. RIDE CONTROL CB VALVE HARNESS INSTALLATION (LIFT) (642, 742)	1372
FIGURE 10-67. RIDE CONTROL CB VALVE HARNESS INSTALLATION (LIFT) (943, 1043)	1374
FIGURE 10-68. RIDE CONTROL CB VALVE HARNESS (LIFT)	1376
FIGURE 10-69. FRONT FRAME HARNESS (Prior to SN 0160080782)	1378
FIGURE 10-70. FRONT FRAME HARNESS (742, 943, 1043) (SN 0160080782 to Present)	1382
FIGURE 10-71. REAR FRAME HARNESS (642, 742)	1388
FIGURE 10-72. REAR FRAME HARNESS (742, 943, 1043)	1392
FIGURE 10-73. ENGINE CHASSIS HARNESS (ULS)	1396
FIGURE 10-74. ENGINE HARNESS (ULS) (Prior to SN 0160080782)	1400
FIGURE 10-75. ENGINE HARNESS (ULS) (SN 0160080782 to Present)	1406
FIGURE 10-76. ENGINE HARNESS, 74HP (ULS) (943)	1412
FIGURE 10-77. ENGINE HARNESS (LS) (Prior to SN 0160080782)	1416
FIGURE 10-78. ENGINE HARNESS (LS) (SN 0160080782 to Present)	1420
FIGURE 10-79. TBAP HARNESS	1424
FIGURE 10-80. BOOM ELECTRICAL HARNESS INSTALLATION	1426
FIGURE 10-81. BOOM HARNESS	1428
FIGURE 10-82. PLATFORM HARNESS	1430
FIGURE 10-83. CAB HARNESS	1432
FIGURE 10-84. FRONT FRAME HEADLIGHT HARNESS	1436
FIGURE 10-85. HBP TAIL LIGHTS HARNESS	1438
FIGURE 10-86. CLEARSKY HARNESS (Prior to SN 0160082365, Including 0160081891, 0160081892, 0160081893, 0160082021, 0160082022 and 0160082054)	1440
FIGURE 10-87. BOOM WORKLIGHT HARNESS (Prior to SN 0160076255, Excluding 0160076040, 0160076041 and 0160076042)	1442
FIGURE 10-88. BOOM WORKLIGHTS HARNESS (SN 0160076255 to Present, Including 0160076040, 0160076041 and 0160076042)	1444
FIGURE 10-89. REVERSE SENSOR HARNESS	1446
FIGURE 10-90. TELEMATICS INSTALLATION, UNITED RENTALS	1448
FIGURE 10-91. OPTION 1 CAB HARNESS	1450
FIGURE 10-92. ROOF PIGTAIL HARNESS	1454
FIGURE 10-93. OPTION 2 CAB HARNESS	1456
FIGURE 10-94. OPTION 2 ELECTRICAL BOARD ASSEMBLY	1458
FIGURE 10-95. CAB OPTION HARNESS	1460
FIGURE 10-96. TELEMATICS READY HARNESS	1462
FIGURE 10-97. STANDARD ELECTRICAL BOARD ASSEMBLY	1464
FIGURE 10-98. OPTION 1 ELECTRICAL BOARD ASSEMBLY	1466
FIGURE 10-99. CUMMUNICATION ANALYZER CABLE	1468
FIGURE 10-100. TELEMATICS HARNESS	1470
FIGURE 10-101. CUSTOMER SUPPLIED TELEMATICS CANBUS (SN 0160082365 to Present, Excluding 0160081891, 0160081892, 0160081893, 0160082021, 0160082022 and 0160082054)	1472
FIGURE 10-102. TELEMATICS HARNESS (SN 0160082365 to Present, Excluding 0160081891, 0160081892, 0160081893, 0160082021, 0160082022 and 0160082054)	1474
FIGURE 10-103. TELEMATICS INSTALLATION, UNITED RENTALS	1476
FIGURE 10-104. GATEWAY CONTROLLER	1478

TABLE OF CONTENTS

FIGURE 10-105. TELEMATICS CANBUS INSTALLATION (CLEARSKY 2) (ANSI).....	1480
FIGURE 10-106. TELEMATICS CANBUS INSTALLATION (CLEARSKY 2) (CE).....	1482
FIGURE 10-107. TELEMATICS HARNESS (CLEARSKY 2).....	1484
FIGURE 10-108. CLEARSKY INSTALLATION 3-WIRE (ANSI).....	1486
FIGURE 10-109. CLEARSKY INSTALLATION 3-WIRE (CE).....	1488
FIGURE 10-110. CONTROL ACCESSORY.....	1490
FIGURE 10-111. CAB AIR SHUT OFF VALVE HARNESS.....	1492
FIGURE 10-112. ENGINE AIR SHUT OFF VALVE HARNESS.....	1494
 SECTION 11 - DECALS.....	 1497
FIGURE 11-1. CAPACITY CHART HOLDER.....	1498
FIGURE 11-2. BRAND AND MODEL DECAL INSTALLATION (642).....	1500
FIGURE 11-3. BRAND AND MODEL DECAL INSTALLATION (742).....	1502
FIGURE 11-4. BRAND AND MODEL DECAL INSTALLATION (943).....	1504
FIGURE 11-5. BRAND AND MODEL DECAL INSTALLATION (1043).....	1506
FIGURE 11-6. DECAL INSTALLATION (ANSI).....	1508
FIGURE 11-7. DECAL INSTALLATION (ANSI) (742, 943).....	1512
FIGURE 11-8. DECAL INSTALLATION (ISO).....	1516
FIGURE 11-9. DECAL INSTALLATION (ISO) (742, 943).....	1520
FIGURE 11-10. DECAL INSTALLATION (CSA ENGLISH/FRENCH) (642, 742).....	1524
FIGURE 11-11. DECAL INSTALLATION (CSA ENGLISH/FRENCH) (742, 943).....	1528
FIGURE 11-12. DECAL INSTALLATION (ENGLISH/SPANISH).....	1532
FIGURE 11-13. CAPACITY CHART BOOKLET (ANSI) (NO OUTRIGGERS) (642) (Prior to SN 0160075708).....	1536
FIGURE 11-14. CAPACITY CHART BOOKLET (ANSI) (NO OUTRIGGERS) (642) (SN 0160075708 to Present).....	1538
FIGURE 11-15. CAPACITY CHART BOOKLET (ANSI) (OUTRIGGERS) (642) (SN 0160075708 to Present).....	1540
FIGURE 11-16. CAPACITY CHART BOOKLET (ISO) (NO OUTRIGGERS) (642) (SN 0160075708 to Present).....	1542
FIGURE 11-17. CAPACITY CHART BOOKLET (ISO) (OUTRIGGERS) (642) (SN 0160075708 to Present).....	1544
FIGURE 11-18. CAPACITY CHART BOOKLET (ANSI) (742).....	1546
FIGURE 11-19. CAPACITY CHART BOOKLET (ISO) (742).....	1548
FIGURE 11-20. CAPACITY CHART BOOKLET (ANSI) (943) (Prior to SN 0160075708).....	1550
FIGURE 11-21. CAPACITY CHART BOOKLET (ANSI) (943) (SN 0160075708 through 0160081272).....	1552
FIGURE 11-22. CAPACITY CHART BOOKLET (ANSI) (943) (SN 0160081272 to Present).....	1554
FIGURE 11-23. CAPACITY CHART BOOKLET (ISO) (943) (SN 0160075708 through 0160081272).....	1556
FIGURE 11-24. CAPACITY CHART BOOKLET (ISO) (943) (SN 0160081272 to Present).....	1558
FIGURE 11-25. CAPACITY CHART BOOKLET (ANSI) (OUTRIGGERS) (1043) (Prior to SN 0160075708).....	1560
FIGURE 11-26. CAPACITY CHART BOOKLET (ANSI) (OUTRIGGERS) (1043) (SN 0160075708 through 0160081272).....	1562
FIGURE 11-27. CAPACITY CHART BOOKLET (ANSI) (OUTRIGGERS) (1043) (SN 0160081272 to Present).....	1564
FIGURE 11-28. CAPACITY CHART BOOKLET (ISO) (OUTRIGGERS) (1043) (SN 0160075708 through 0160081272).....	1566
FIGURE 11-29. CAPACITY CHART BOOKLET (ISO) (OUTRIGGERS) (1043) (SN 0160081272 to Present).....	1568
FIGURE 11-30. REVERSE SENSOR SYSTEM DECAL (ENGLISH).....	1570
FIGURE 11-31. REVERSE SENSOR SYSTEM DECAL (ISO).....	1572
FIGURE 11-32. REVERSE SENSOR SYSTEM DECAL (ENGLISH/FRENCH).....	1574
FIGURE 11-33. REVERSE SENSOR SYSTEM DECAL (ENGLISH/SPANISH).....	1576
FIGURE 11-34. DECAL INSTALLATION (642).....	1578
FIGURE 11-35. DECAL INSTALLATION (943, 1043).....	1580
FIGURE 11-36. CLEARSKY DECAL INSTALLATION.....	1582
FIGURE 11-37. DECAL INSTALLATION (742, 943, 1043) (110 HP - ENGLISH/SPANISH).....	1584
FIGURE 11-38. DECAL INSTALLATION (742, 943) (74 HP - ENGLISH/SPANISH).....	1588
 SECTION 12 - RECOMMENDED SPARE PARTS.....	 1591
FIGURE 12-1. RECOMMENDED SPARE PARTS.....	1592
 PART NUMBER INDEX.....	 1595

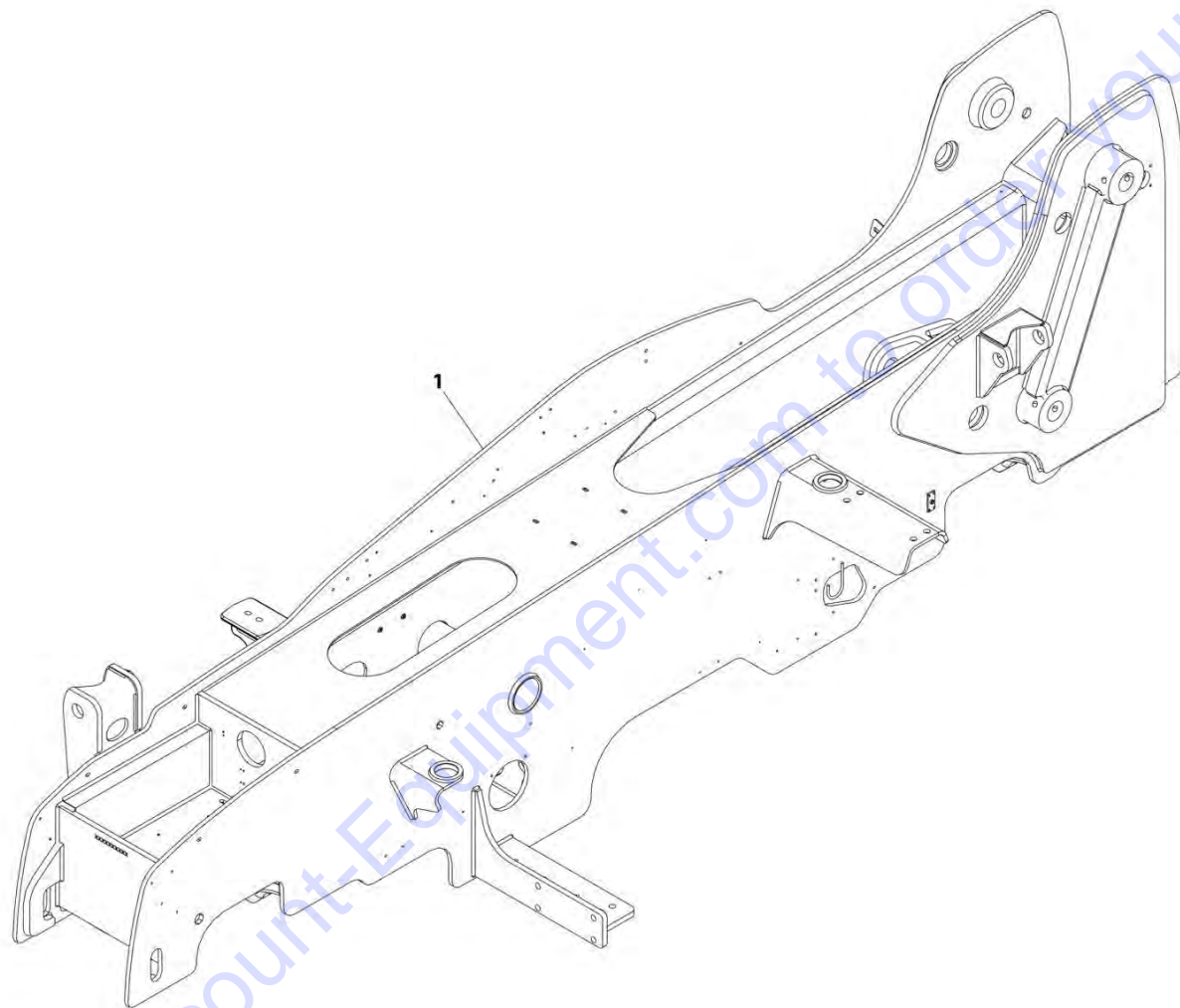
SECTION 1 - FRAME AND ATTACHING PARTS

SECTION 1 - FRAME AND ATTACHING PARTS

Go to Discount-Equipment.com to order your parts

SECTION 1 - FRAME AND ATTACHING PARTS

FIGURE 1-1. FRAME (NO OUTRIGGERS) (642) (Prior to SN 0160079247)



ART_1001159982J-P

SECTION 1 - FRAME AND ATTACHING PARTS

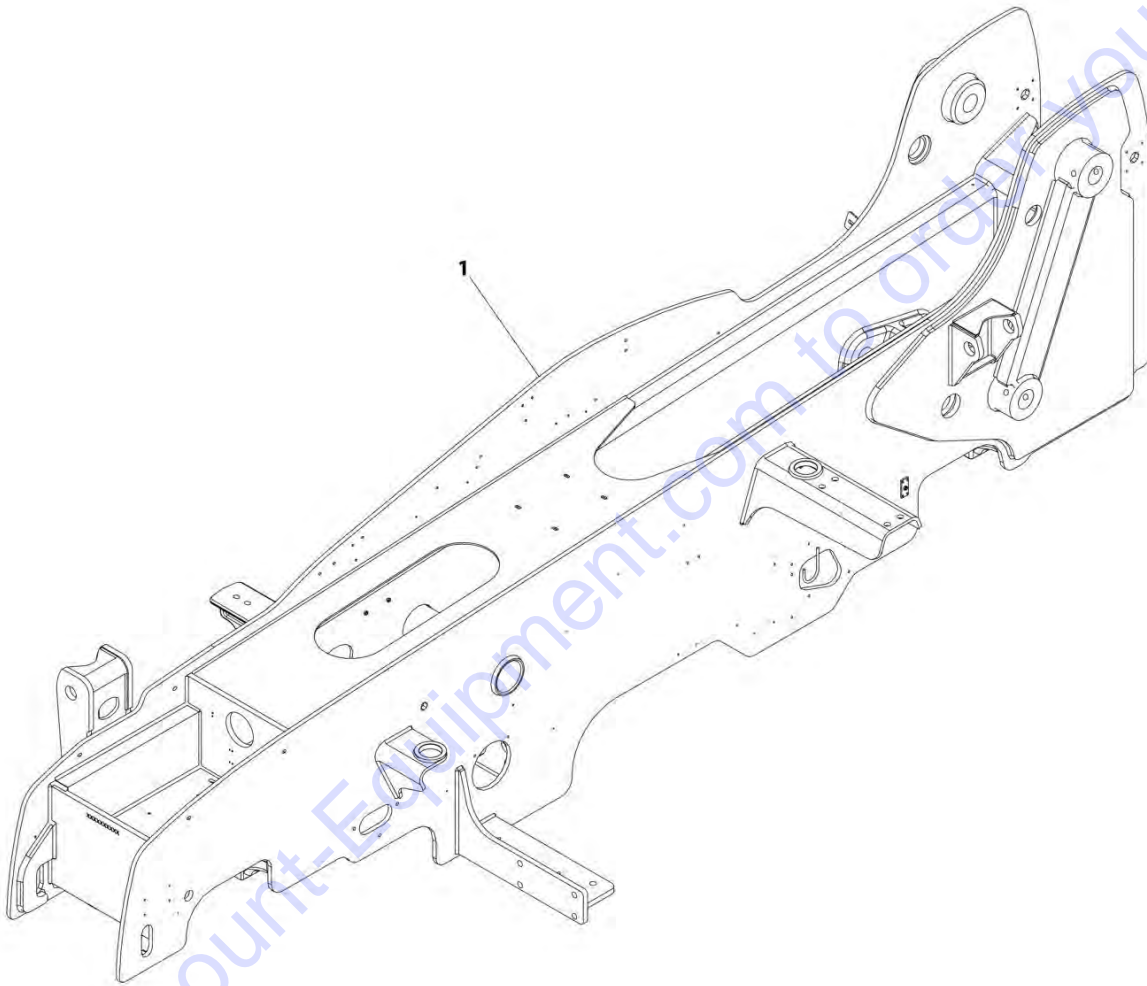
FIGURE 1-1. FRAME (NO OUTRIGGERS) (642) (Prior to SN 0160079247)

ITEM	PART NUMBER	QTY	DESCRIPTION	REV
1	1001159982J	1	Frame (No Outriggers) (642)	P

Go to Discount-Equipment.com to order your parts

SECTION 1 - FRAME AND ATTACHING PARTS

FIGURE 1-2. FRAME (NO OUTRIGGERS) (642, 742) (642 SN 0160079247 to Present)



ART_1001220553J-C

SECTION 1 - FRAME AND ATTACHING PARTS

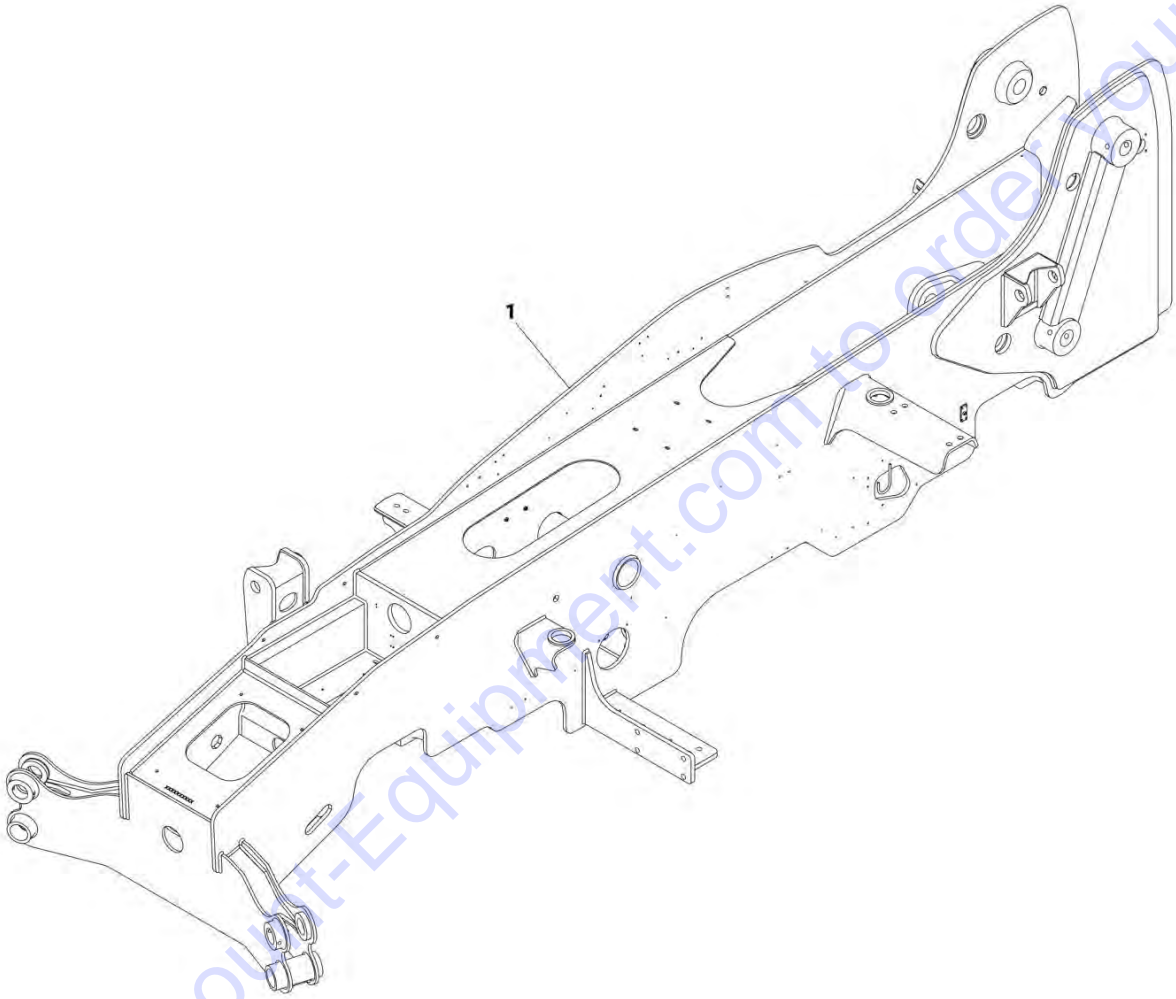
FIGURE 1-2. FRAME (NO OUTRIGGERS) (642, 742) (642 SN 0160079247 to Present)

ITEM	PART NUMBER	QTY	DESCRIPTION	REV
1	1001220553J	1	Frame (No Outriggers) (642, 742)	C

Go to Discount-Equipment.com to order your parts

SECTION 1 - FRAME AND ATTACHING PARTS

FIGURE 1-3. FRAME (OUTRIGGERS) (642) (Prior to SN 0160079165)



ART_1001162653J-S

SECTION 1 - FRAME AND ATTACHING PARTS

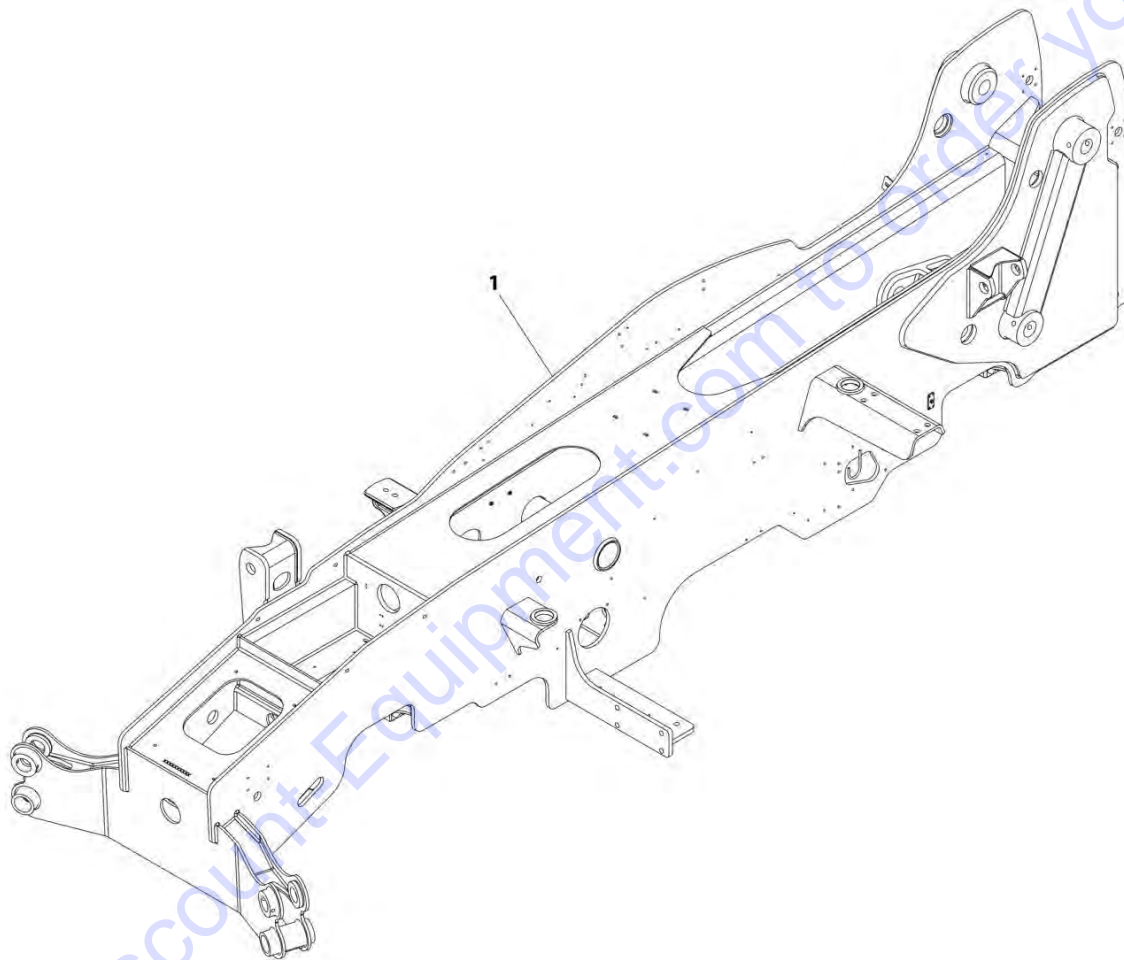
FIGURE 1-3. FRAME (OUTRIGGERS) (642) (Prior to SN 0160079165)

ITEM	PART NUMBER	QTY	DESCRIPTION	REV
1	1001162653J	1	Frame (Outriggers) (642)	S

Go to Discount-Equipment.com to order your parts

SECTION 1 - FRAME AND ATTACHING PARTS

FIGURE 1-4. FRAME (OUTRIGGERS) (642) (SN 0160079165 to Present)



ART_1001220554J-B

SECTION 1 - FRAME AND ATTACHING PARTS

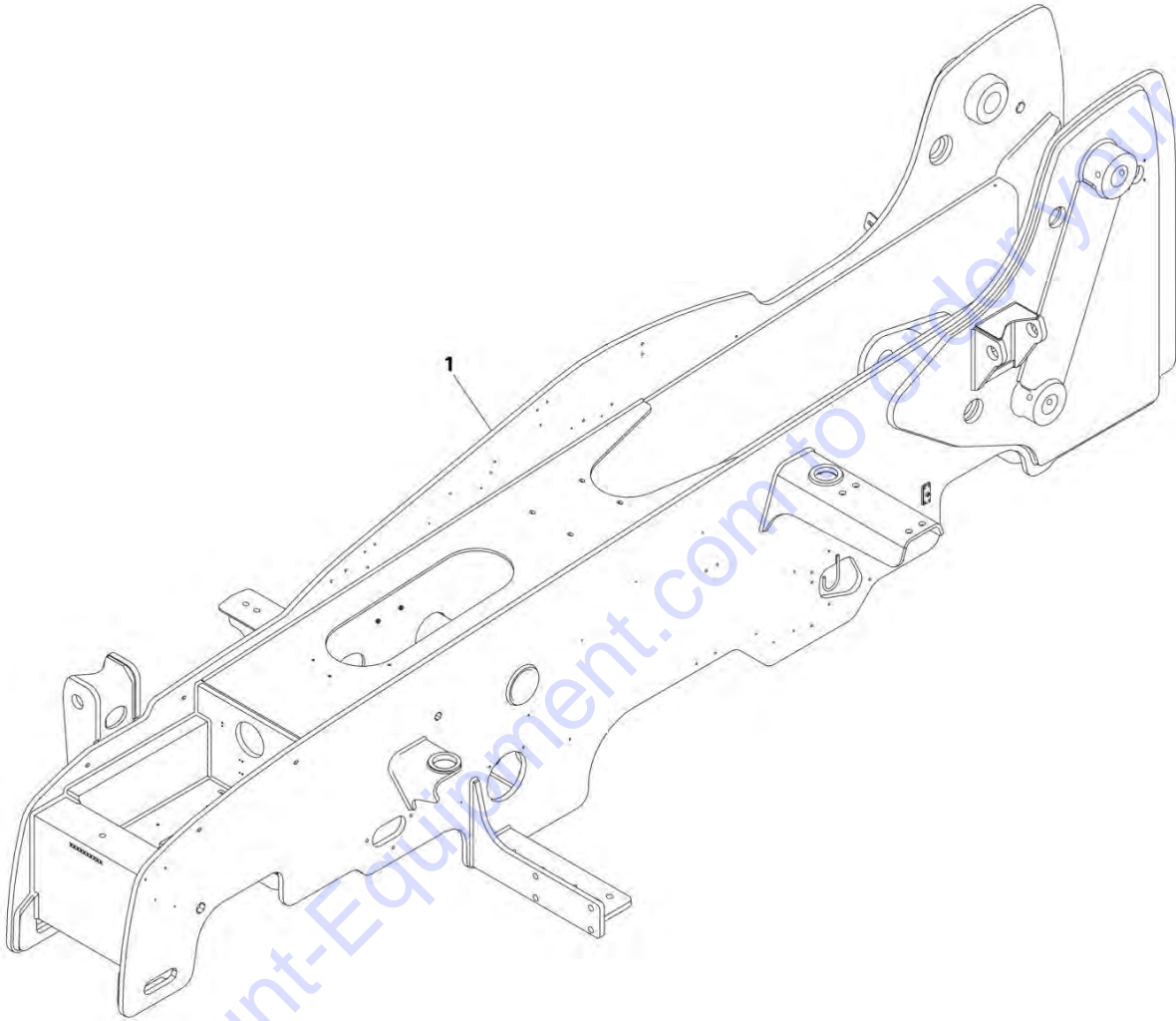
FIGURE 1-4. FRAME (OUTRIGGERS) (642) (SN 0160079165 to Present)

ITEM	PART NUMBER	QTY	DESCRIPTION	REV
1	1001220554J	1	Frame (Outriggers) (642)	B

Go to Discount-Equipment.com to order your parts

SECTION 1 - FRAME AND ATTACHING PARTS

FIGURE 1-5. FRAME (NO OUTRIGGERS) (943) (Prior to SN 0160079253)



ART_1001162654J-N

SECTION 1 - FRAME AND ATTACHING PARTS

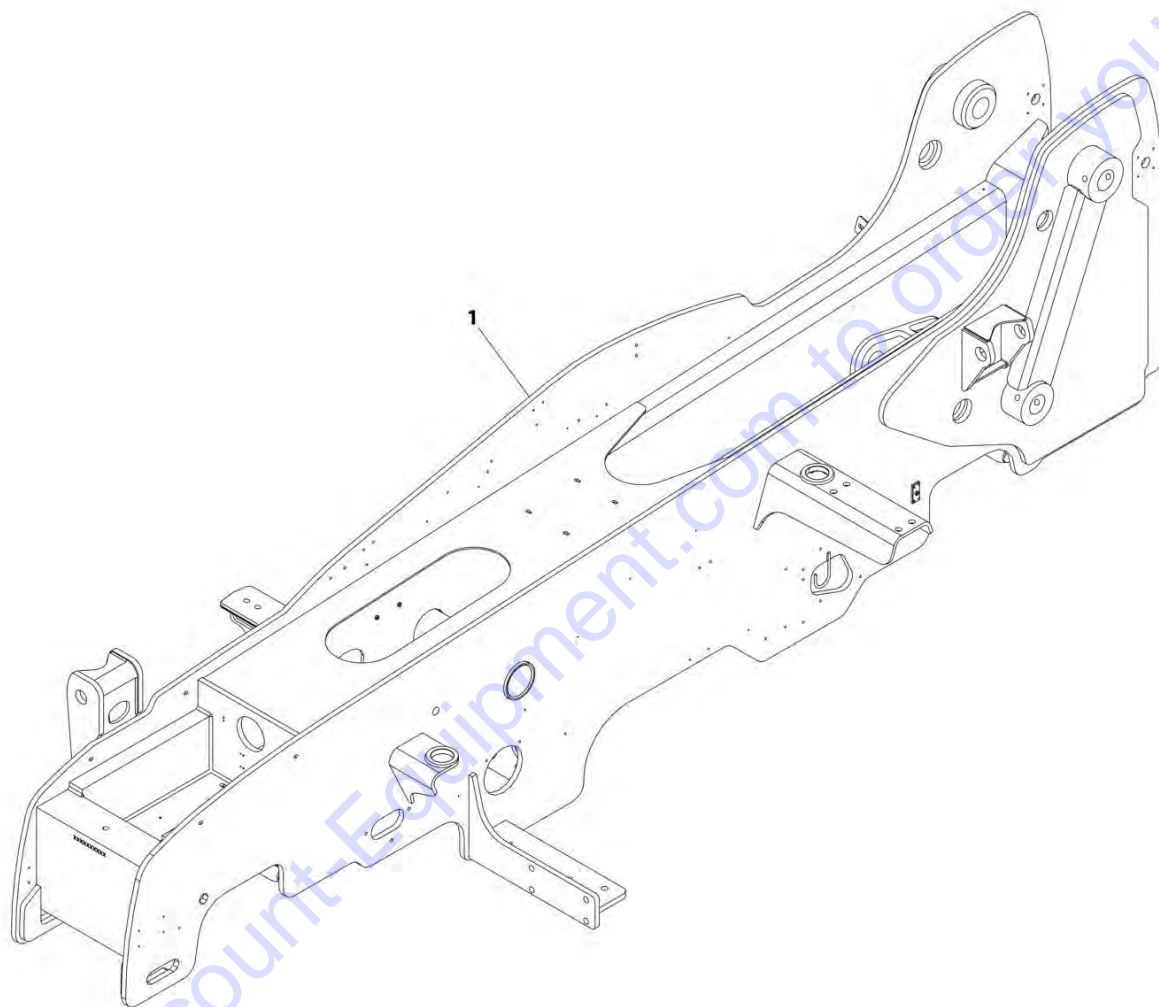
FIGURE 1-5. FRAME (NO OUTRIGGERS) (943) (Prior to SN 0160079253)

ITEM	PART NUMBER	QTY	DESCRIPTION	REV
1	1001162654J	1	Frame (No Outriggers) (943)	N

Go to Discount-Equipment.com to order your parts

SECTION 1 - FRAME AND ATTACHING PARTS

FIGURE 1-6. FRAME (NO OUTRIGGERS) (943) (SN 0160079253 to Present)



ART_1001220556J-B

SECTION 1 - FRAME AND ATTACHING PARTS

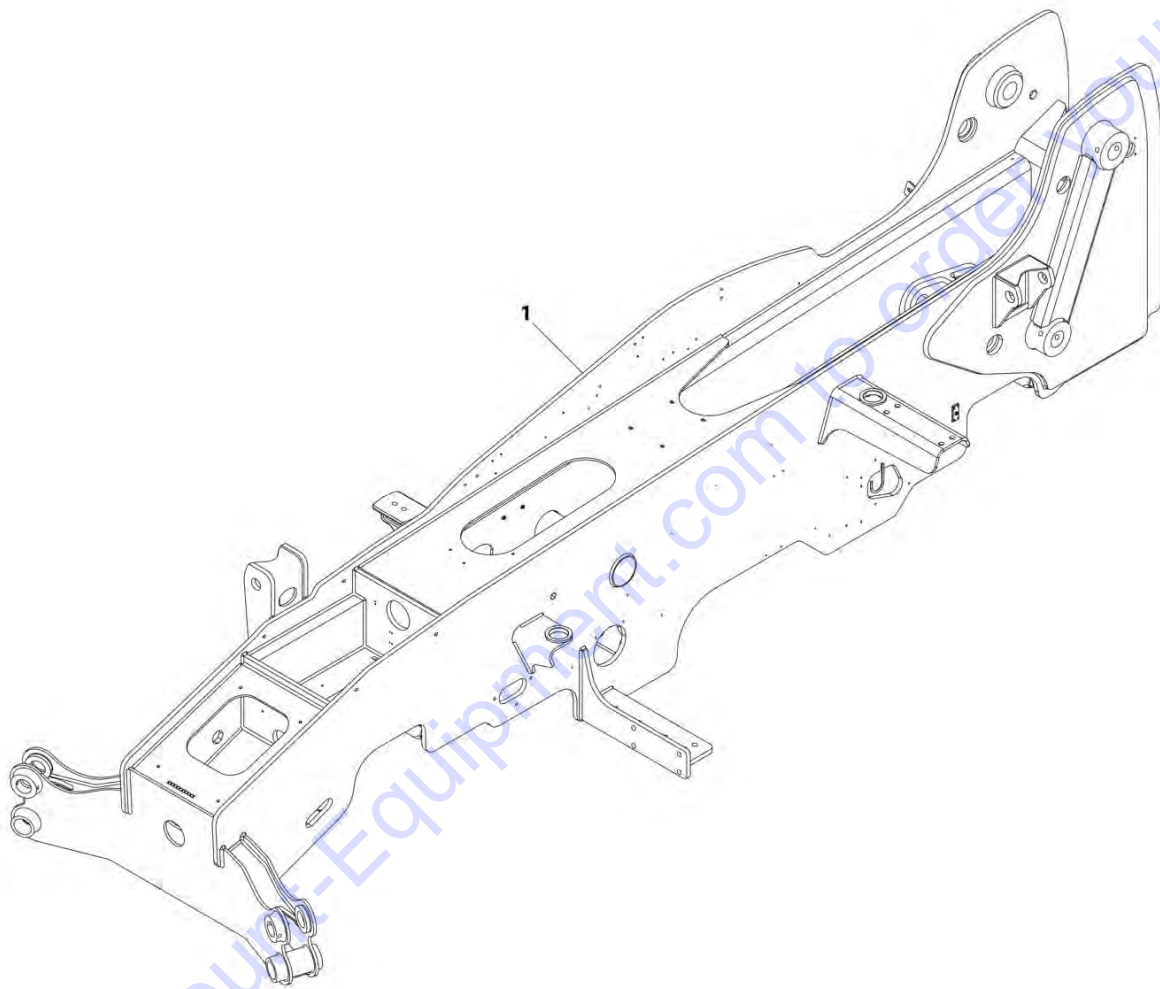
FIGURE 1-6. FRAME (NO OUTRIGGERS) (943) (SN 0160079253 to Present)

ITEM	PART NUMBER	QTY	DESCRIPTION	REV
1	1001220556J	1	Frame (No Outriggers) (943)	B

Go to Discount-Equipment.com to order your parts

SECTION 1 - FRAME AND ATTACHING PARTS

FIGURE 1-7. FRAME (OUTRIGGERS) (1043) (Prior to SN 0160079247)



ART_1001158909J-N

SECTION 1 - FRAME AND ATTACHING PARTS

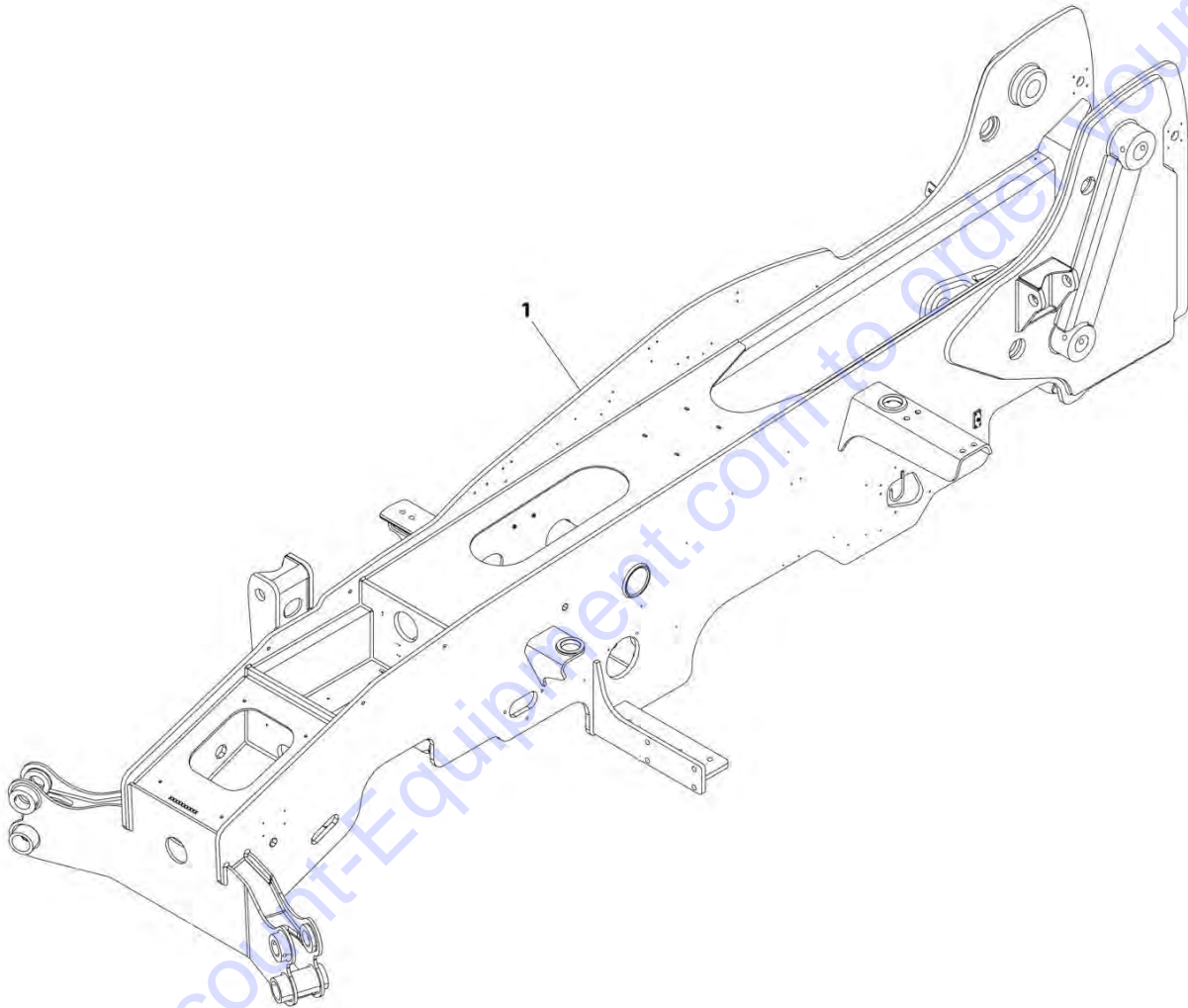
FIGURE 1-7. FRAME (OUTRIGGERS) (1043) (Prior to SN 0160079247)

ITEM	PART NUMBER	QTY	DESCRIPTION	REV
1	1001158909J	1	Frame (Outriggers)	N

Go to Discount-Equipment.com to order your parts

SECTION 1 - FRAME AND ATTACHING PARTS

FIGURE 1-8. FRAME (OUTRIGGERS) (1043) (SN 0160079247 to Present)



ART_1001220557J-B

SECTION 1 - FRAME AND ATTACHING PARTS

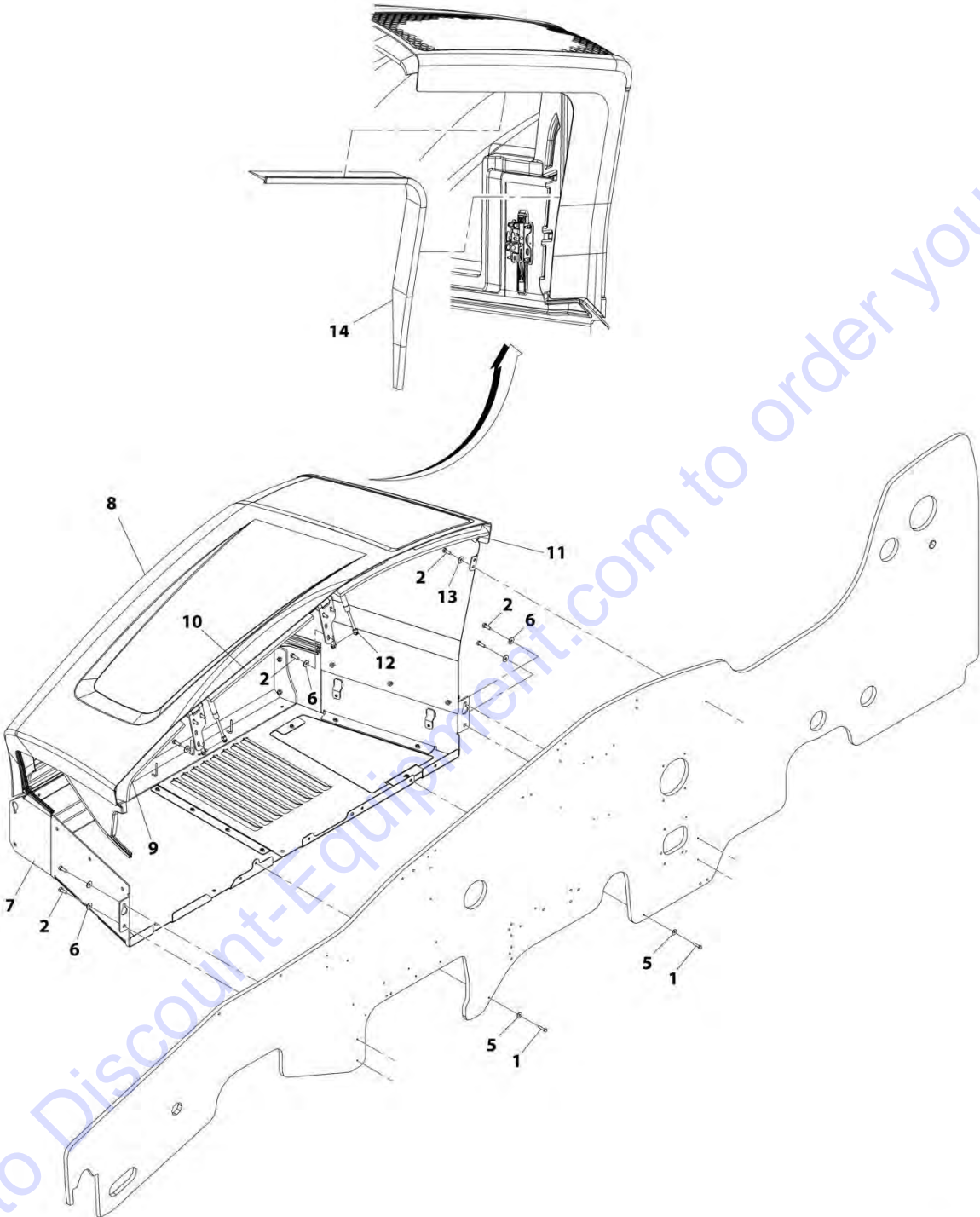
FIGURE 1-8. FRAME (OUTRIGGERS) (1043) (SN 0160079247 to Present)

ITEM	PART NUMBER	QTY	DESCRIPTION	REV
1	1001220557J	1	Frame (No Outriggers) (1043)	B

Go to Discount-Equipment.com to order your parts

SECTION 1 - FRAME AND ATTACHING PARTS

FIGURE 1-9. ENGINE ENCLOSURE INSTALLATION



ART_1001160253-1

SECTION 1 - FRAME AND ATTACHING PARTS

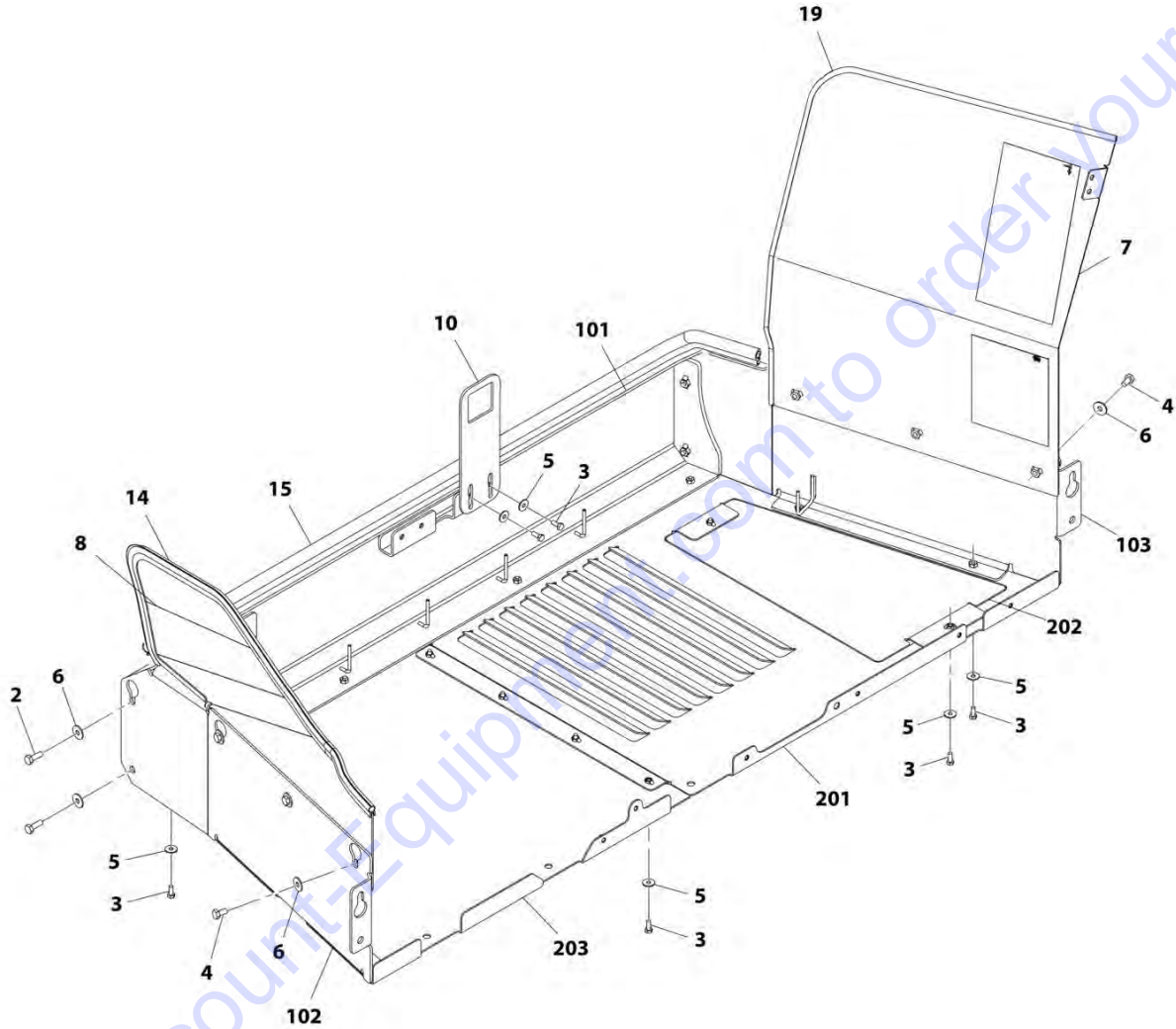
FIGURE 1-9. ENGINE ENCLOSURE INSTALLATION

ITEM	PART NUMBER	QTY	DESCRIPTION	REV
	1001160253	Ref	Engine Enclosure Installation	I
1	0760815	2	Bolt, M8X35	
2	0701014	11	Bolt, M10X30	
5	4811902	2	Washer, M8	
6	4812002	10	Washer, M10	
7	1001162239	Ref	Installation, Engine Enclosure Cover, (See ENGINE ENCLOSURE COVER INSTALLATION for Breakdown)	
8	1001168834	NLA	Assembly, Hood (no longer available, use 1001235963 for replacement)	
8	1001235963	Ref	Assembly, Hood (See HOOD ASSEMBLY for Breakdown)	
9	1001203932	1	Seal	
10	1001203933	1	Seal	
11	1001203934	1	Seal	
12	1001171885	2	Spring, Gas	
13	4812000	1	Washer, M10	
14	1001197339	1	Trim, Lock Seal	

Go to Discount-Equipment.com to order your parts

SECTION 1 - FRAME AND ATTACHING PARTS

FIGURE 1-10. ENGINE ENCLOSURE COVER INSTALLATION



ART_1001162239-L

SECTION 1 - FRAME AND ATTACHING PARTS

FIGURE 1-10. ENGINE ENCLOSURE COVER INSTALLATION

ITEM	PART NUMBER	QTY	DESCRIPTION	REV
	1001162239	Ref	Engine Enclosure Cover Installation	L
2	0701014	4	Bolt, M10X30	
3	0760810	16	Bolt, M8X20	
4	0761010	6	Bolt, M10X20	
5	4811902	16	Washer, M8	
6	4812002	10	Washer, M10	
7	1001204086	1	Plate, Rear Cover	
8	1001184076	1	Panel, Front Cover	
10	1001209388	1	Latch, Hood	
14	1001003227	1375 mm	Seal	
15	1001204486	1795 mm	Seal	
19	1001008999	1345 mm	Trim, Edge	
101	1001162240J	1	Panel, Side Skirt	
102	1001213126J	1	Panel, Front Skirt	
103	1001196426J	1	Panel, Rear Skirt	
201	1001196422	1	Panel, Bottom Cover	
202	1001169265	1	Panel, Access	
203	1001196404	1	Panel, Engine Pod	

Go to Discount-Equipment.com to order your parts

SECTION 1 - FRAME AND ATTACHING PARTS

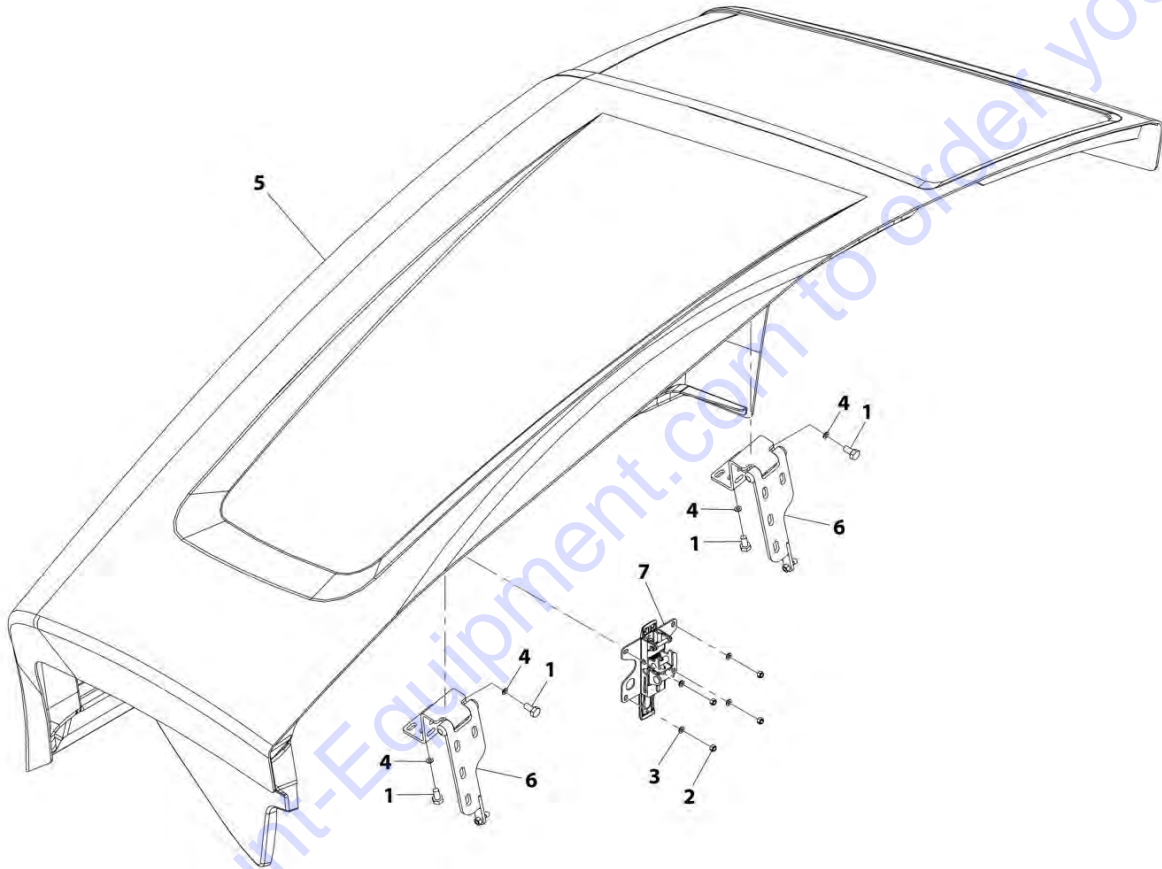
FIGURE 1-11. HOOD ASSEMBLY

ITEM	PART NUMBER	QTY	DESCRIPTION	REV
	1001168834	NLA	Hood Assembly (no longer available, use items 1 thru 7 for service or 1001235963 for replacement)	K
1	0761010	8	Bolt, M10X20	
2	3290605	4	Nut, Lock M6X1	
3	4811700	4	Washer, M6	
4	4812000	8	Washer, M10	
5	1001166698	1	Hood	
6	1001209387	2	Hinge, Hood	
7	1001132168	1	Latch, Hood	

Go to Discount-Equipment.com to order your parts

SECTION 1 - FRAME AND ATTACHING PARTS

FIGURE 1-12. HOOD ASSEMBLY



ART_1001235963-B

SECTION 1 - FRAME AND ATTACHING PARTS

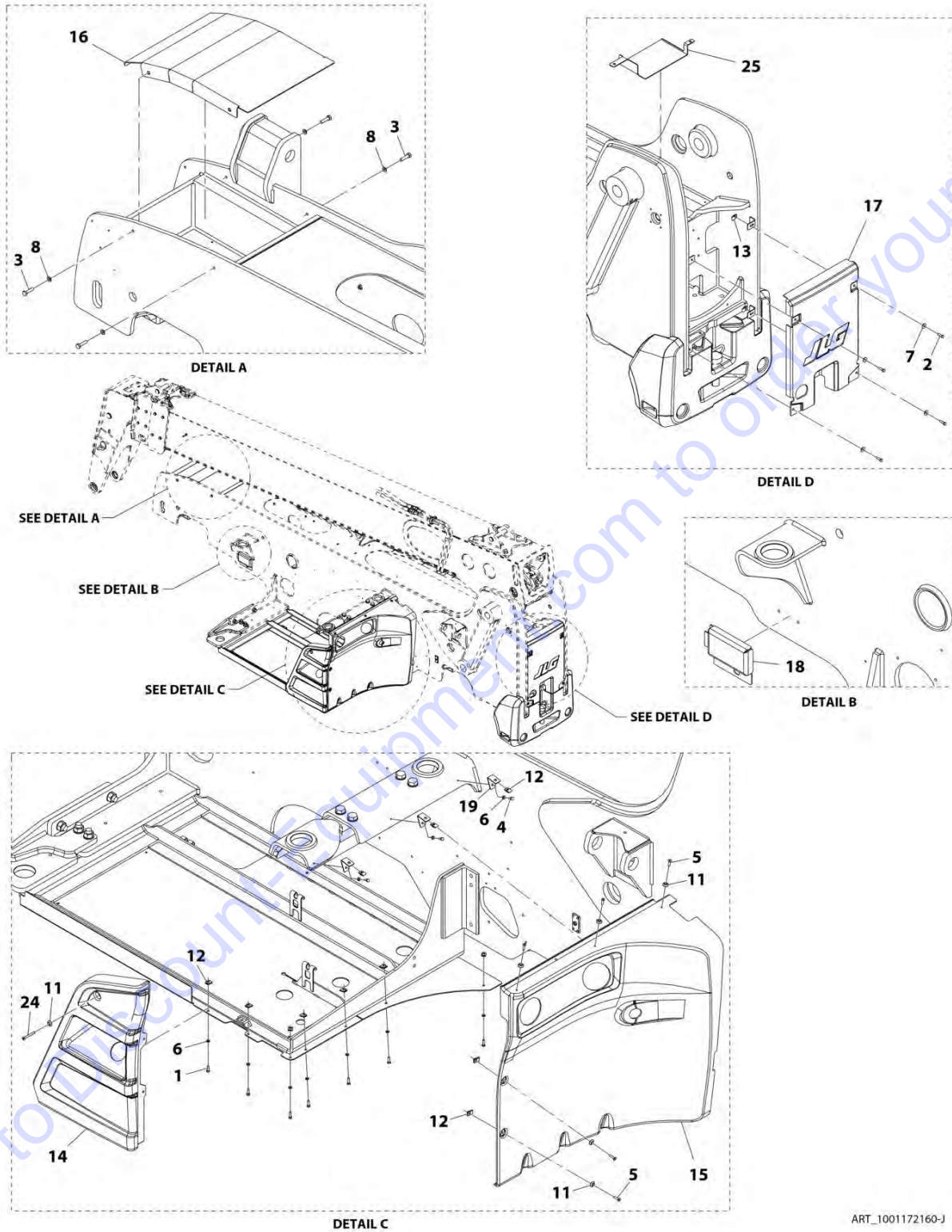
FIGURE 1-12. HOOD ASSEMBLY

ITEM	PART NUMBER	QTY	DESCRIPTION	REV
	1001235963	Ref	Hood Assembly	B
1	0761010	8	Bolt, M10X20	
2	3290605	4	Nut, Lock M6X1	
3	4811700	4	Washer, M6	
4	4812000	8	Washer, M10	
5	1001234455	1	Hood	
6	1001209387	2	Hinge, Hood	
7	1001132168	1	Latch, Hood	

Go to Discount-Equipment.com to order your parts

SECTION 1 - FRAME AND ATTACHING PARTS

FIGURE 1-13. COVER INSTALLATION (NO OUTRIGGERS) (ULS)



ART_1001172160-J

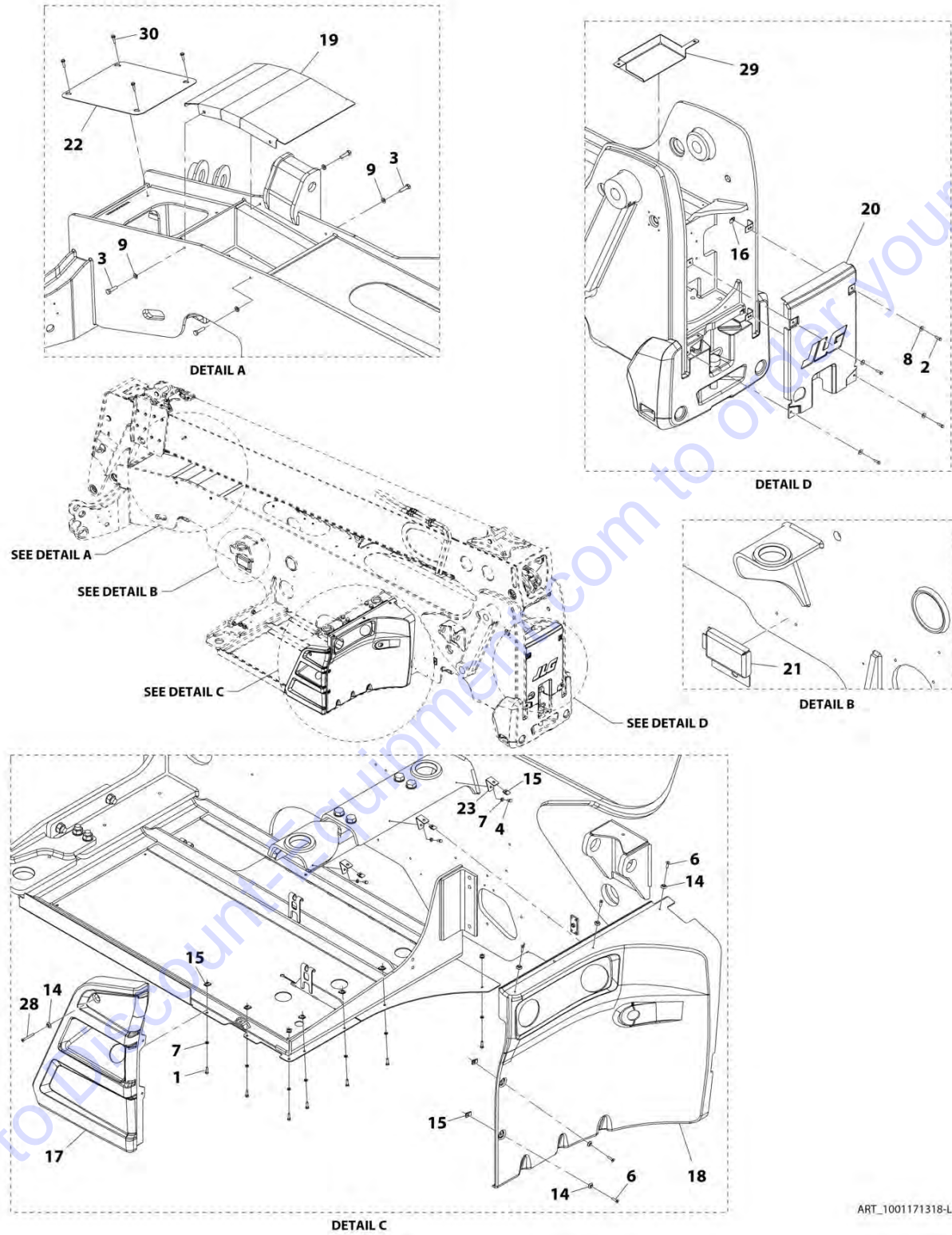
SECTION 1 - FRAME AND ATTACHING PARTS

FIGURE 1-13. COVER INSTALLATION (NO OUTRIGGERS) (ULS)

ITEM	PART NUMBER	QTY	DESCRIPTION	REV
	1001172160	Ref	Cover Installation (No Outriggers) (ULS)	J
1	0700610	7	Bolt, M6X20	
2	0700814	4	Bolt, M8X30	
3	0701016	4	Bolt, M10X40	
4	0760606	3	Bolt, M6X12	
5	3900379	5	Screw, M6-1X25 Grade 10.9	
6	4811700	10	Washer, M6	
7	4811902	4	Washer, M8	
8	4812000	4	Washer, M10	
11	1001097540	6	Washer, M6	
12	1001130220	12	Nut, M6	
13	1001149160	4	Nut, M8	
14	1001168760	1	Cover, Side Tank	
15	1001168761	1	Cover, Rear Tank	
16	1001170323	1	Shield, Battery (Prior to SN 0160076465)	
16	1001207343	1	Shield, Battery (SN 0160076465 to Present)	
17	1001170645	1	Cover	
18	1001201646	1	Shield, Inspection Port	
19	1001171772	3	Bracket	
24	1001112902	1	Screw, M6	
25	1001204488	1	Cover, Rear Frame Module	

SECTION 1 - FRAME AND ATTACHING PARTS

FIGURE 1-14. COVER INSTALLATION (OUTRIGGERS) (ULS) (642, 1043)



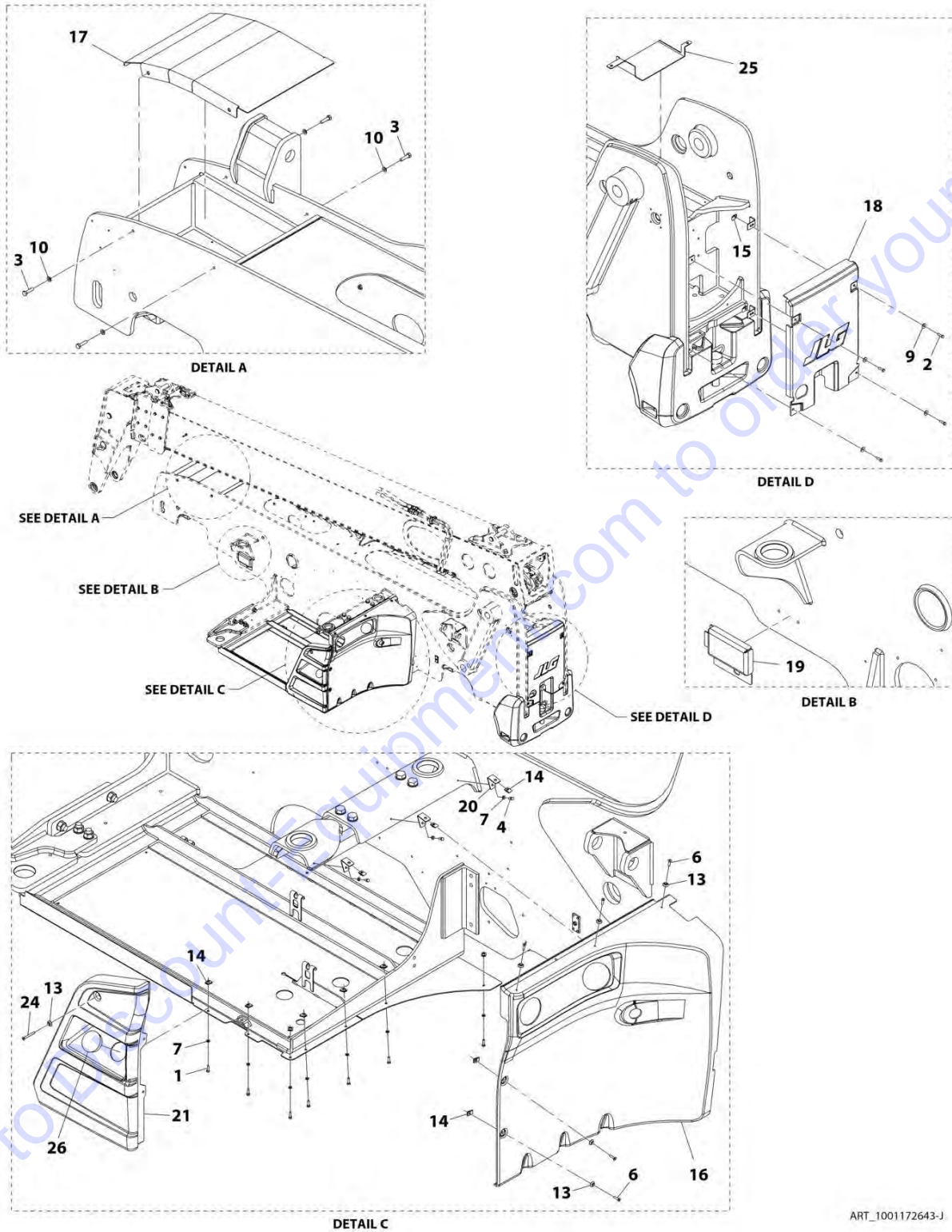
SECTION 1 - FRAME AND ATTACHING PARTS

FIGURE 1-14. COVER INSTALLATION (OUTRIGGERS) (ULS) (642, 1043)

ITEM	PART NUMBER	QTY	DESCRIPTION	REV
	1001171318	Ref	Cover Installation (Outriggers) (ULS) (642, 1043)	L
1	0700610	7	Bolt, M6X20	
2	0700814	4	Bolt, M8X30	
3	0701016	4	Bolt, M10X40	
4	0760606	3	Bolt, M6X12	
6	3900379	5	Screw, M6-1X25	
7	4811700	10	Washer, M6	
8	4811902	4	Washer, M8	
9	4812000	4	Washer, M10	
14	1001097540	6	Washer, M6	
15	1001130220	12	Nut, M6	
16	1001149160	4	Nut, M8	
17	1001168760	1	Cover, Side Tank	
18	1001168761	1	Cover, Rear Tank	
19	1001170323	1	Shield, Battery (Prior to SN 0160076465)	
19	1001207343	1	Shield, Battery (SN 0160076465 to Present)	
20	1001170645	1	Cover	
21	1001201646	1	Shield, Inspection Port	
22	1001170665	1	Plate, Valve Cover	
23	1001171772	3	Plate, Angle Bracket	
28	1001112902	1	Screw, M6	
29	1001204488	1	Cover, Rear Frame Module	
30	5250814	4	Bolt, M8X30	

SECTION 1 - FRAME AND ATTACHING PARTS

FIGURE 1-15. COVER INSTALLATION (NO OUTRIGGERS), 74HP (LS) (642, 742, 943)



ART_1001172643-J

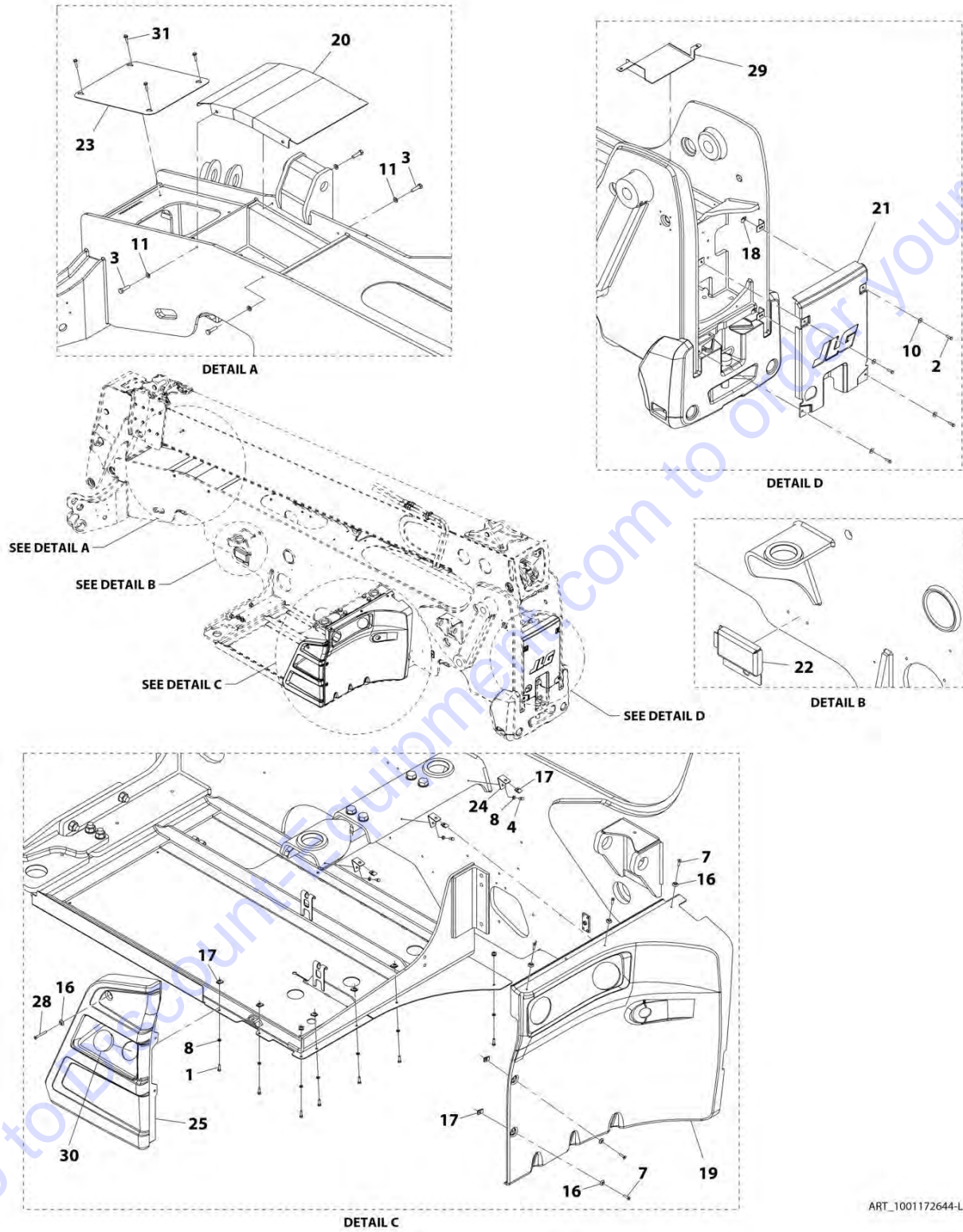
SECTION 1 - FRAME AND ATTACHING PARTS

FIGURE 1-15. COVER INSTALLATION (NO OUTRIGGERS), 74HP (LS) (642, 742, 943)

ITEM	PART NUMBER	QTY	DESCRIPTION	REV
	1001172643	Ref	Cover Installation (No Outriggers), 74HP (LS) (642, 742, 943)	J
1	0700610	7	Bolt, M6X20	
2	0700814	4	Bolt, M8X30	
3	0701016	4	Bolt, M10X40	
4	0760606	3	Bolt, M6X12	
6	3900379	5	Screw, M6-1X25	
7	4811700	10	Washer, M6	
9	4811902	4	Washer, M8	
10	4812000	4	Washer, M10	
13	1001097540	6	Washer, M6	
14	1001130220	12	Nut, M6	
15	1001149160	4	Nut, M8	
16	1001168761	1	Cover, Rear Tank	
17	1001170323	1	Shield, Battery (Prior to SN 0160076465)	
17	1001207343	1	Shield, Battery (SN 0160076465 to Present)	
18	1001170645	1	Cover	
19	1001201646	1	Shield, Inspection Port	
20	1001171772	3	Bracket	
21	1001168760	1	Cover, Side Tank	
24	1001112902	1	Screw, M6	
25	1001204488	1	Cover, Rear Frame Module	
26	1001206746	1	Cap, Side Tank Cover	

SECTION 1 - FRAME AND ATTACHING PARTS

FIGURE 1-16. COVER INSTALLATION (OUTRIGGERS) (LS) (642, 1043)



ART_1001172644-L

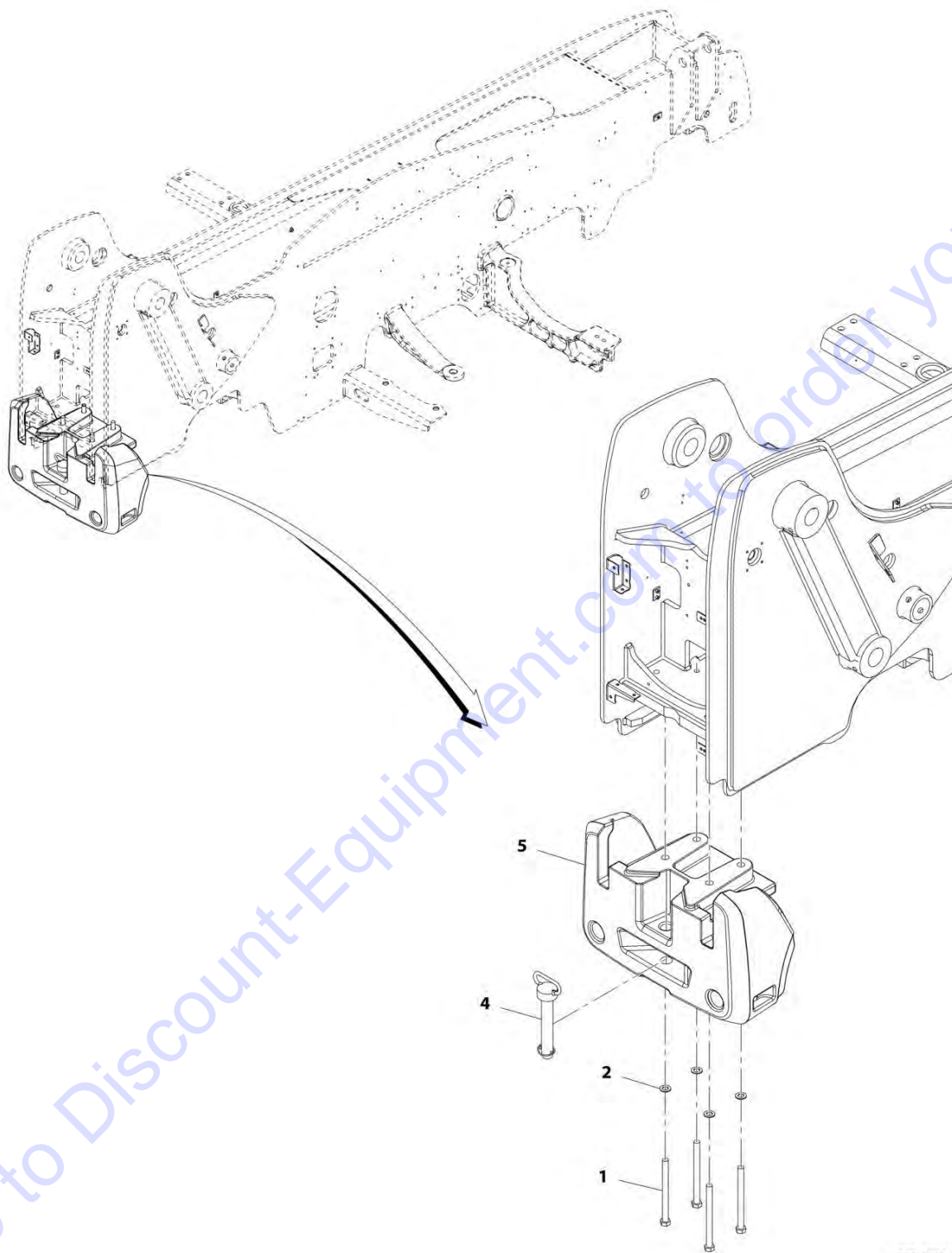
SECTION 1 - FRAME AND ATTACHING PARTS

FIGURE 1-16. COVER INSTALLATION (OUTRIGGERS) (LS) (642, 1043)

ITEM	PART NUMBER	QTY	DESCRIPTION	REV
	1001172644	Ref	Cover Installation (Outriggers) (LS) (642, 1043)	L
1	0700610	7	Bolt, M6X20	
2	0700814	4	Bolt, M8X30	
3	0701016	4	Bolt, M10X40	
4	0760606	3	Bolt, M6X12	
7	3900379	5	Screw, M6-1X25	
8	4811700	10	Washer, M6	
10	4811902	4	Washer, M8	
11	4812000	4	Washer, M10	
16	1001097540	6	Washer, M6	
17	1001130220	12	Nut, M6	
18	1001149160	4	Nut, M8	
19	1001168761	1	Cover, Rear Tank	
20	1001170323	1	Shield, Battery (Prior to SN 0160076465)	
20	1001207343	1	Shield, Battery (SN 0160076465 to Present)	
21	1001170645	1	Cover	
22	1001201646	1	Shield, Inspection Port	
23	1001170665	1	Plate, Valve Cover	
24	1001171772	3	Plate, Angle Bracket	
25	1001168760	1	Cover, Side Tank	
28	1001112902	1	Screw, M6	
29	1001204488	1	Cover, Rear Frame Module	
30	1001206746	1	Cap, Side Tank Cover	
31	5250814	4	Bolt, M8X30	

SECTION 1 - FRAME AND ATTACHING PARTS

FIGURE 1-17. COUNTERWEIGHT INSTALLATION (642) (Prior to SN 0160078403)



ART_1001176183-D

SECTION 1 - FRAME AND ATTACHING PARTS

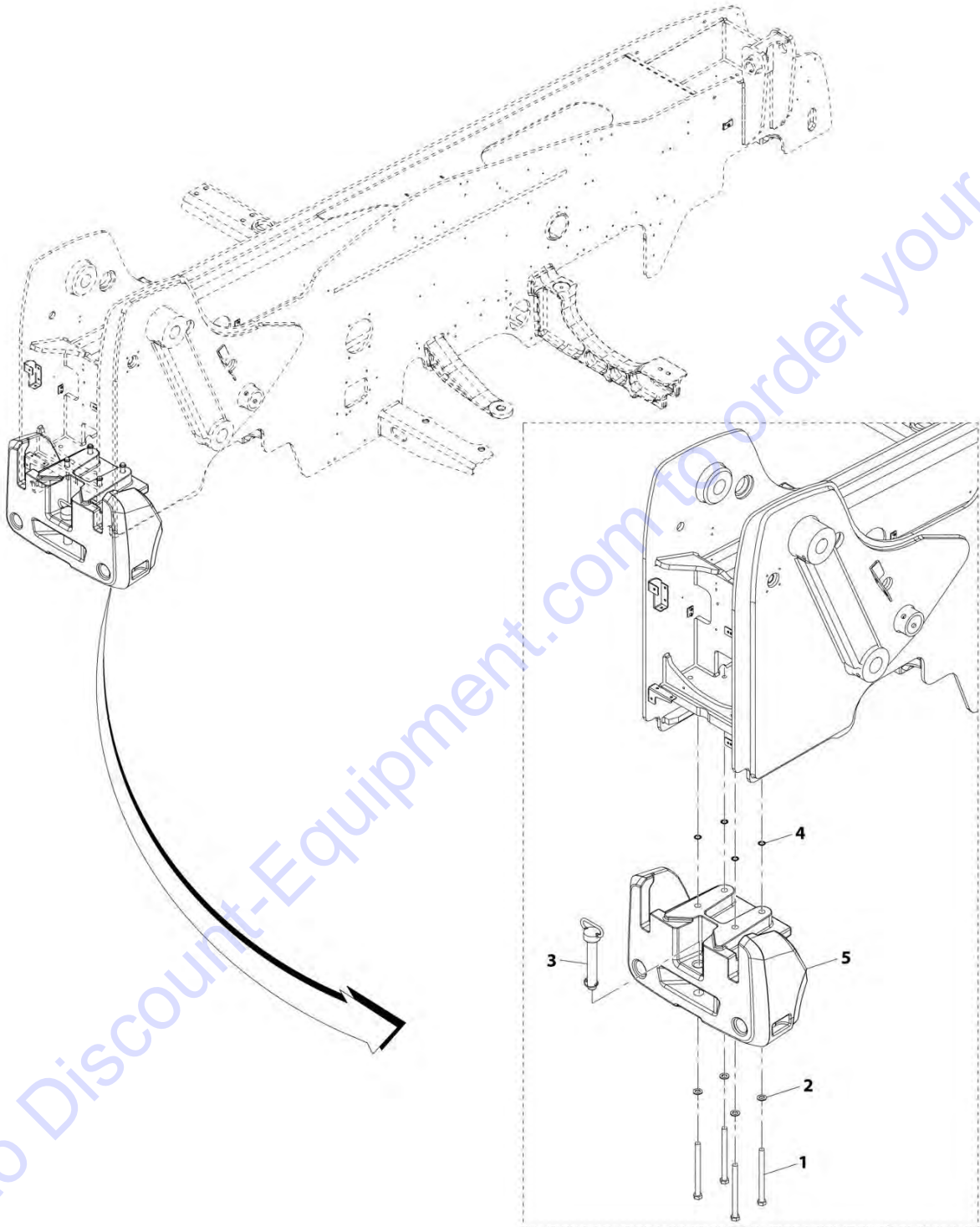
FIGURE 1-17. COUNTERWEIGHT INSTALLATION (642) (Prior to SN 0160078403)

ITEM	PART NUMBER	QTY	DESCRIPTION	REV
	1001176183	Ref	Counterweight Installation (642)	D
1	0712042	4	Bolt, M20X250 Grade 10.9	
2	8310620	4	Washer, M20	
4	1001211913	1	Pin, Hitch	
5	1001177653J	1	Counterweight	

Go to Discount-Equipment.com to order your parts

SECTION 1 - FRAME AND ATTACHING PARTS

FIGURE 1-18. COUNTERWEIGHT INSTALLATION (642, 742) (642 SN 0160078403 to Present)



ART_1001218487-A

SECTION 1 - FRAME AND ATTACHING PARTS

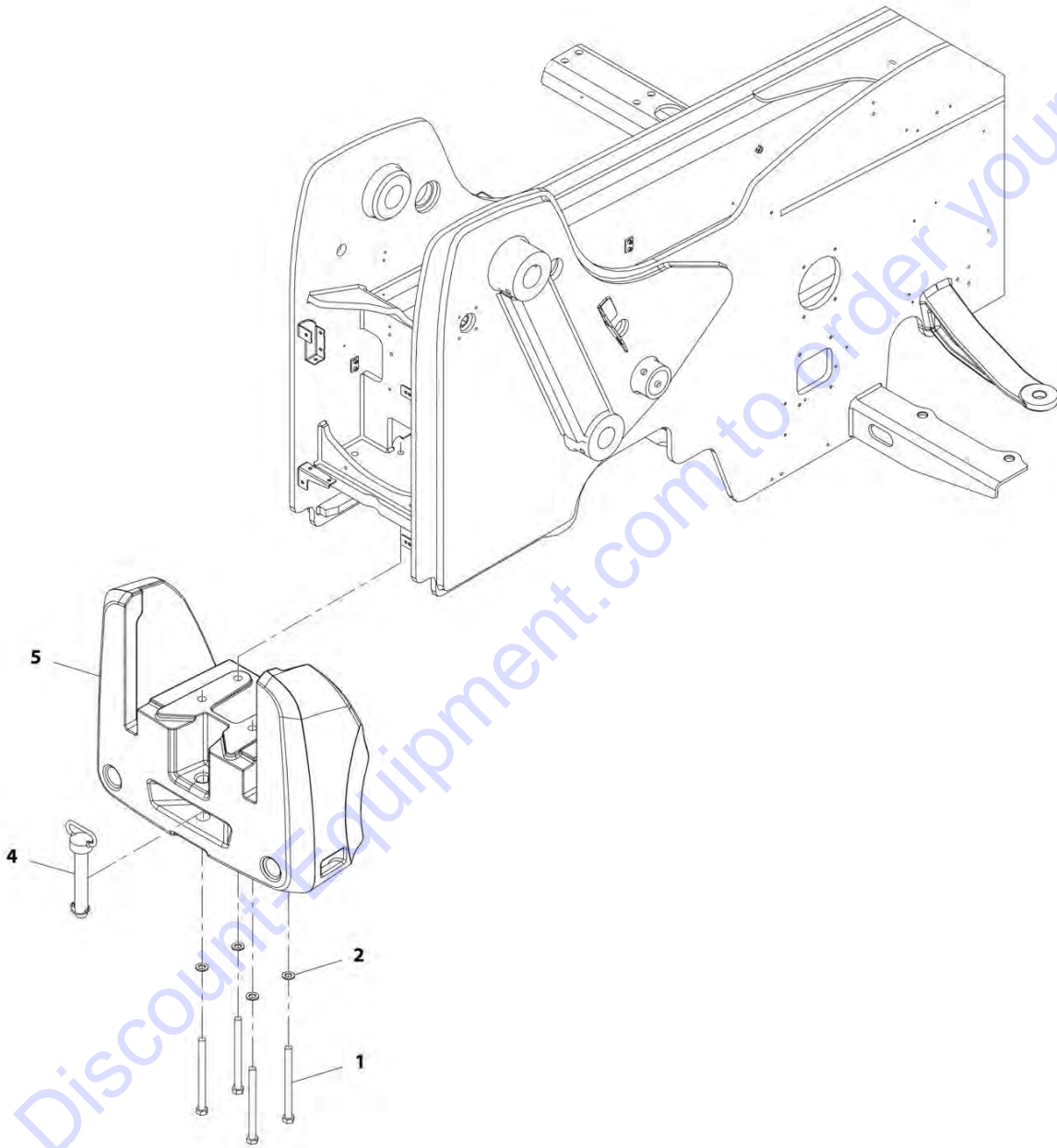
FIGURE 1-18. COUNTERWEIGHT INSTALLATION (642, 742) (642 SN 0160078403 to Present)

ITEM	PART NUMBER	QTY	DESCRIPTION	REV
	1001218487	Ref	Counterweight Installation (642, 742)	A
1	0712042	4	Bolt, M20X250 Grade 10.9	
2	8310620	4	Washer, M20	
3	1001211913	1	Pin, Hitch	
4	1001218341	4	Washer	
5	1001177653J	1	Counterweight	

Go to Discount-Equipment.com to order your parts

SECTION 1 - FRAME AND ATTACHING PARTS

FIGURE 1-19. COUNTERWEIGHT INSTALLATION (943, 1043)



ART_1001175368-D

SECTION 1 - FRAME AND ATTACHING PARTS

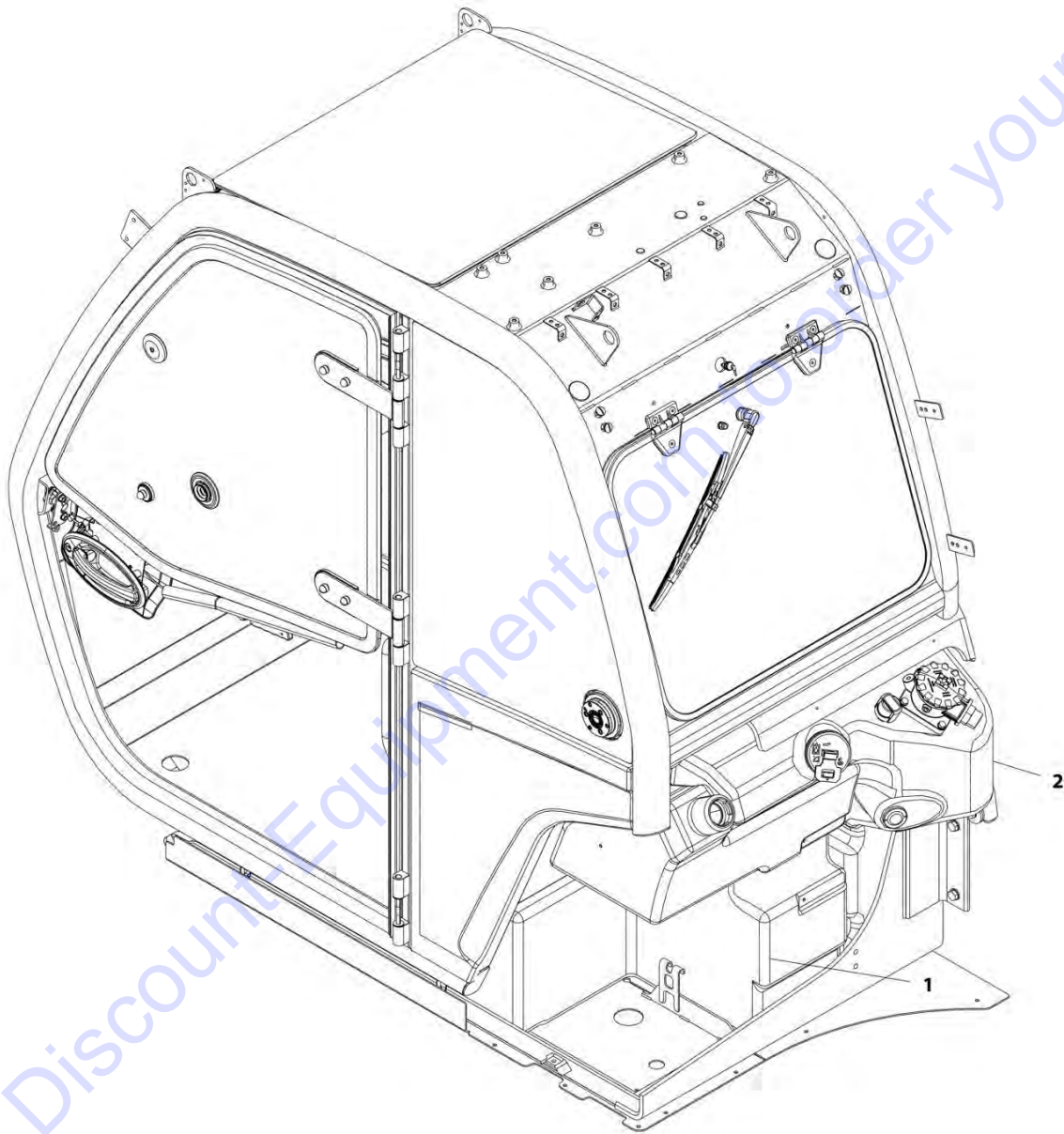
FIGURE 1-19. COUNTERWEIGHT INSTALLATION (943, 1043)

ITEM	PART NUMBER	QTY	DESCRIPTION	REV
	1001175368	Ref	Counterweight Installation (943, 1043)	D
1	0712042	4	Bolt, M20X250 Grade 10.9	
2	8310620	4	Washer, M20	
4	1001211913	1	Pin, Hitch	
5	1001177654J	1	Counterweight	

Go to Discount-Equipment.com to order your parts

SECTION 1 - FRAME AND ATTACHING PARTS

FIGURE 1-20. TANK INSTALLATION



ART_1001160735-A

SECTION 1 - FRAME AND ATTACHING PARTS

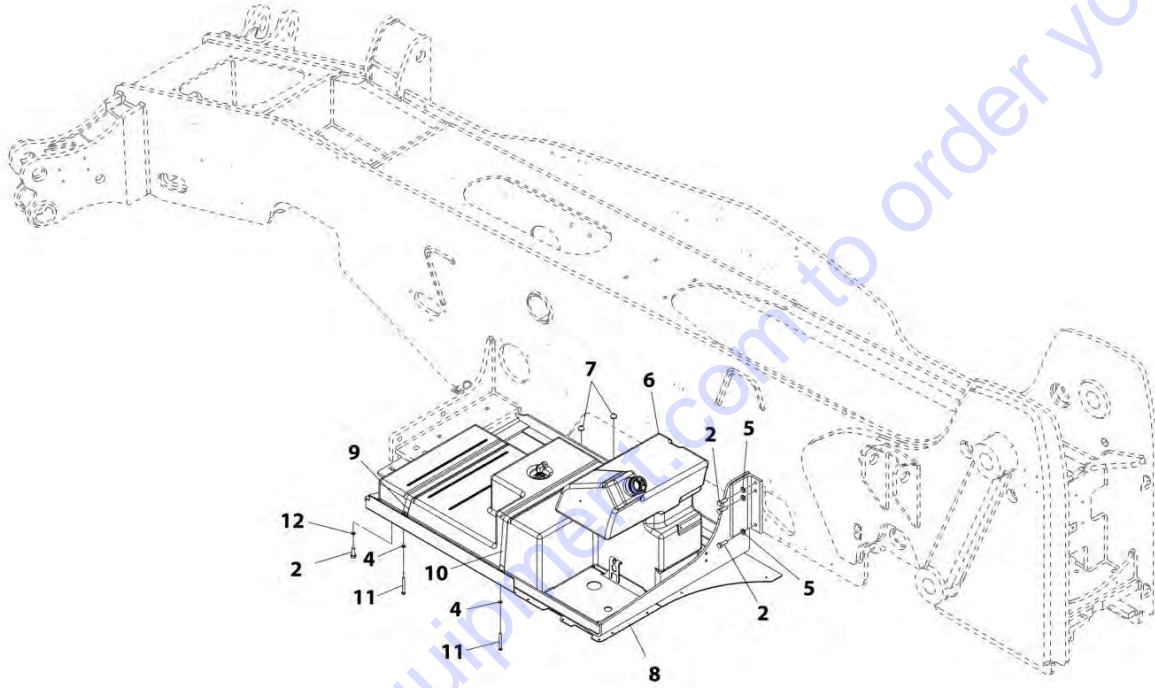
FIGURE 1-20. TANK INSTALLATION

ITEM	PART NUMBER	QTY	DESCRIPTION	REV
1	1001160735	Ref	Tank Installation	A
	1001171153	Ref	Installation, Fuel Tank (See FUEL TANK INSTALLATION for Breakdown)	
2	1001171154	Ref	Installation, Hydraulic Tank (See HYDRAULIC TANK INSTALLATION for Breakdown)	

Go to Discount-Equipment.com to order your parts

SECTION 1 - FRAME AND ATTACHING PARTS

FIGURE 1-21. FUEL TANK INSTALLATION



ART_1001171153-H

SECTION 1 - FRAME AND ATTACHING PARTS

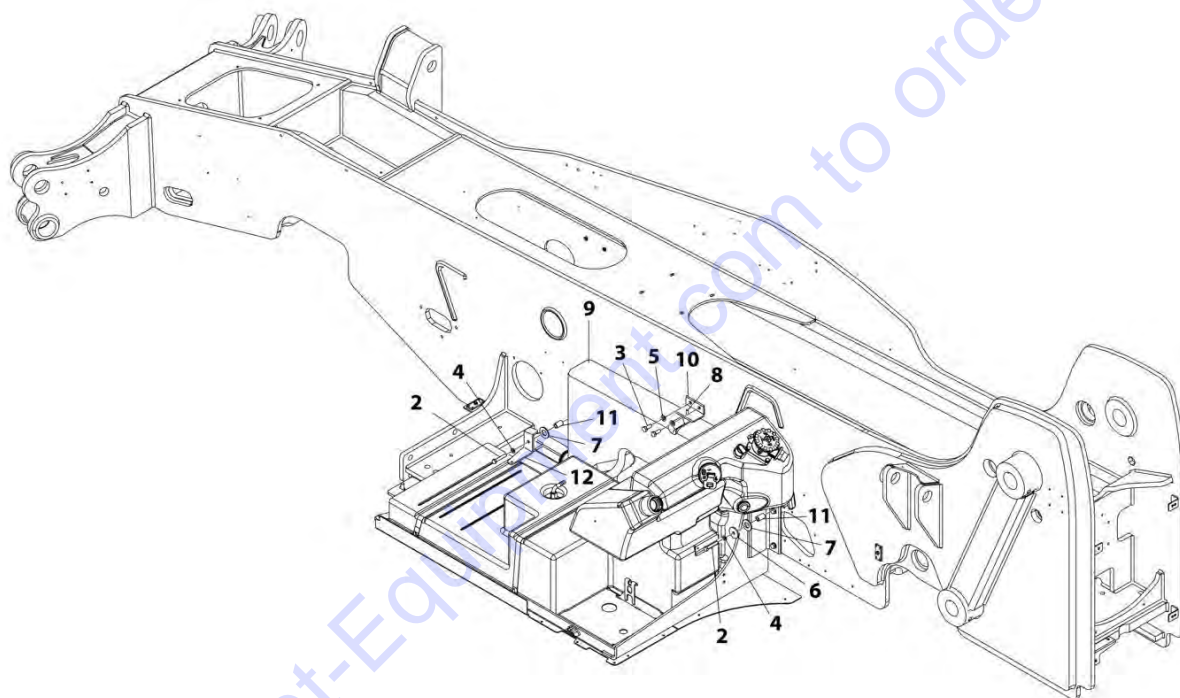
FIGURE 1-21. FUEL TANK INSTALLATION

ITEM	PART NUMBER	QTY	DESCRIPTION	REV
	1001171153	Ref	Fuel Tank Installation	H
2	0761215	6	Bolt, M12X35	
4	4811900	2	Washer, M8	
5	4812100	3	Washer, M12	
6	1001163066	1	Tank, Fuel (See ENGINE AND ATTACHING PARTS SECTION for Breakdown) (Prior to SN 0160075554)	
6	1001211432	1	Tank, Fuel (See ENGINE AND ATTACHING PARTS SECTION for Breakdown) (SN 0160075554 to Present)	
7	1001169454	4	Mount, Buffer	
8	1001169602	1	Support, Tank Plate	
9	1001170071	1	Strap, Tank	
10	1001170072	1	Strap, Tank	
11	0760823	2	Bolt, M8X75	
12	4812102	3	Washer, M12	

Go to Discount-Equipment.com to order your parts

SECTION 1 - FRAME AND ATTACHING PARTS

FIGURE 1-22. HYDRAULIC TANK INSTALLATION



ART_1001171154-E

SECTION 1 - FRAME AND ATTACHING PARTS

FIGURE 1-22. HYDRAULIC TANK INSTALLATION

ITEM	PART NUMBER	QTY	DESCRIPTION	REV
	1001171154	Ref	Hydraulic Tank Installation	E
2	0701020	2	Bolt, M10X60	
3	0761214	2	Bolt, M12X30	
4	4812000	2	Washer, M10	
5	4812100	2	Washer, M12	
6	1001172147	1	Washer, M10	
7	1001172146	2	Washer, Rubber	
8	1001008575	1	Bumper, Conical	
9	1001163067	Ref	Tank, Hydraulic (See HYDRAULIC COMPONENT SECTION for Breakdown)	
10	1001169461	1	Bracket	
11	1001171179	2	Spacer	
12	1001210707	1	Bracket	

Go to Discount-Equipment.com to order your parts

SECTION 1 - FRAME AND ATTACHING PARTS

FIGURE 1-23. FUEL CAP ASSEMBLY



Go to Discount-Equipment.com to order your parts

ART_1001194978-A

SECTION 1 - FRAME AND ATTACHING PARTS

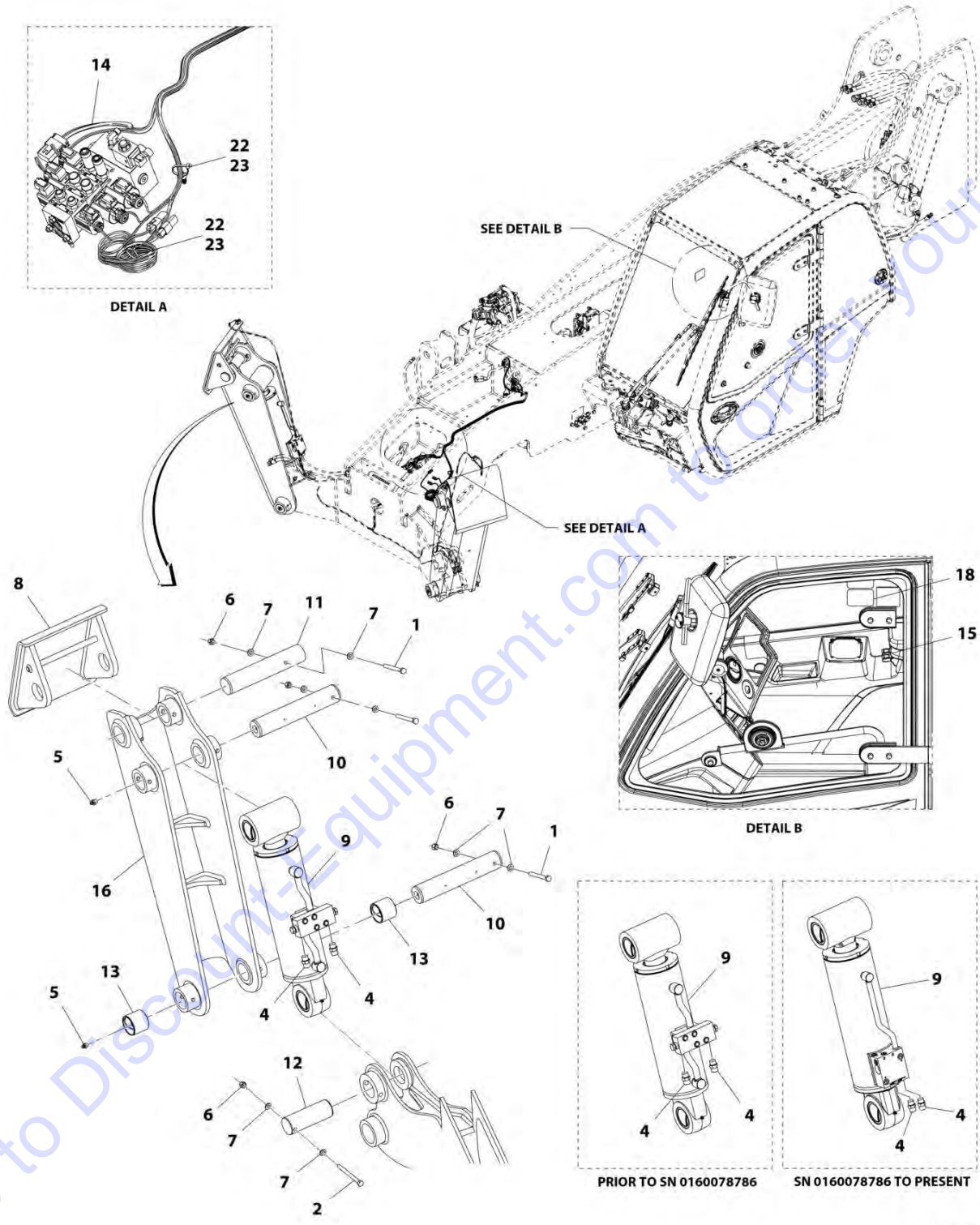
FIGURE 1-23. FUEL CAP ASSEMBLY

ITEM	PART NUMBER	QTY	DESCRIPTION	REV
1	1001194978	1	Fuel Cap Assembly	A

Go to Discount-Equipment.com to order your parts

SECTION 1 - FRAME AND ATTACHING PARTS

FIGURE 1-24. OUTRIGGERS INSTALLATION (642, 1043)



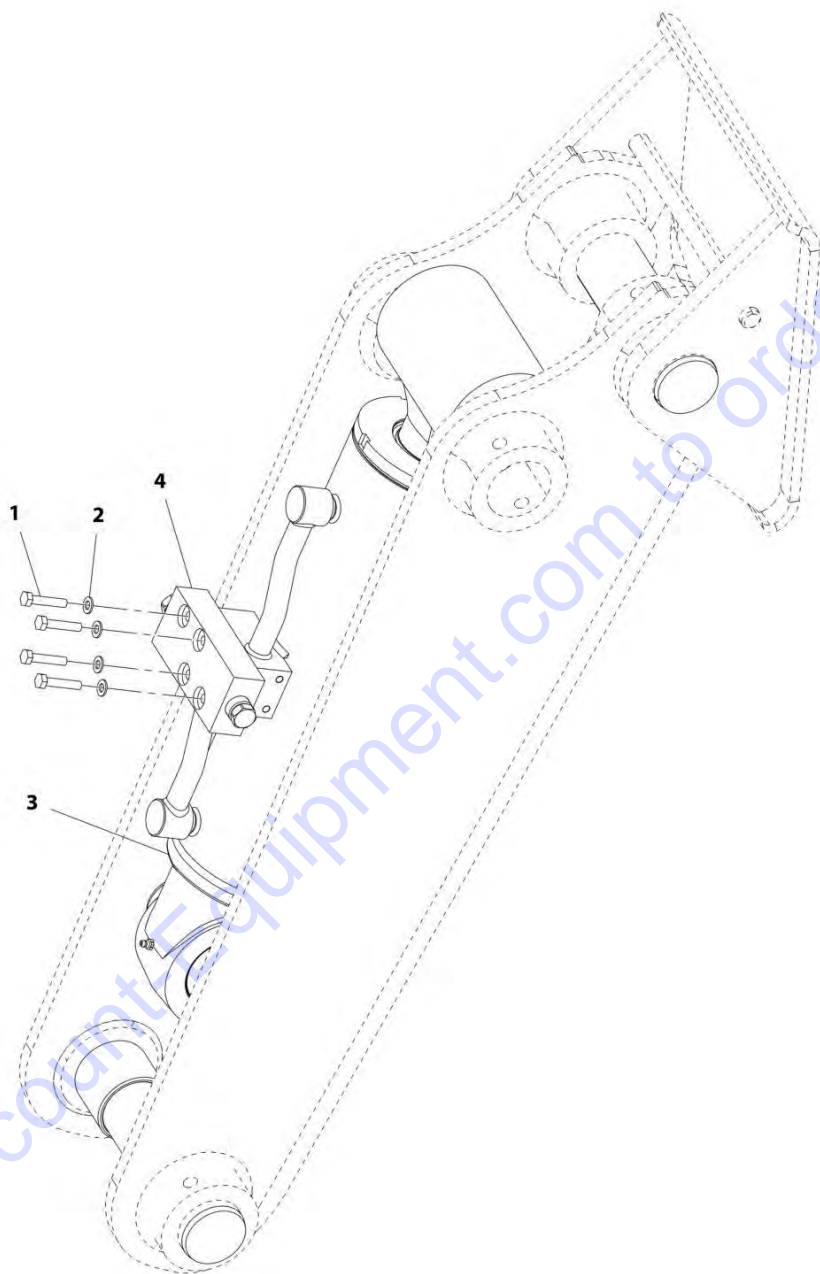
SECTION 1 - FRAME AND ATTACHING PARTS

FIGURE 1-24. OUTRIGGERS INSTALLATION (642, 1043)

ITEM	PART NUMBER	QTY	DESCRIPTION	REV
	1001168644	Ref	Outriggers Installation (642, 1043)	1
1	0701229	6	Bolt, M12X120	
2	0701230	2	Bolt, M12X130	
4	2110808	4	Fitting, Straight ORFS	
5	2160016	4	Fitting, Grease	
6	3291205	8	Nut, Lock M12X1.75 Grade 8	
7	4812100	16	Washer, M12	
8	1001161564	2	Weldment, Outrigger Pad	
9	1001163577	2	Installation, Outrigger Cylinder (See OUTRIGGER CYLINDER INSTALLATION for Breakdown) (Prior to SN 0160078786)	
9	1001213065	2	Outrigger Cylinder (See OUTRIGGER CYLINDER for Breakdown) (SN 0160078786 to Present)	
10	1001164436	4	Pin, Outrigger	
11	1001207292	2	Pin, Outrigger	
12	1001164454	2	Pin, Cylinder Base	
13	1001168281	4	Bearing, Outrigger	
14	1001172822	1	Harness, Outrigger (See ELECTRICAL SECTION for Breakdown)	
15	1001174478	1	Installation, Outrigger Switches (See CONTROLS SECTION for Breakdown)	
16	1001207291J	2	Bracket, Outrigger Leg Weldment	
18	1001181537	1	Decal, Outrigger Switched	
22	1001202986	2	Strap, Cable Tie	
23	1001008559	2	Strap	

SECTION 1 - FRAME AND ATTACHING PARTS

FIGURE 1-25. OUTRIGGER CYLINDER INSTALLATION (642, 1043) (Prior to SN 0160078786)



ART_1001163577-D

SECTION 1 - FRAME AND ATTACHING PARTS

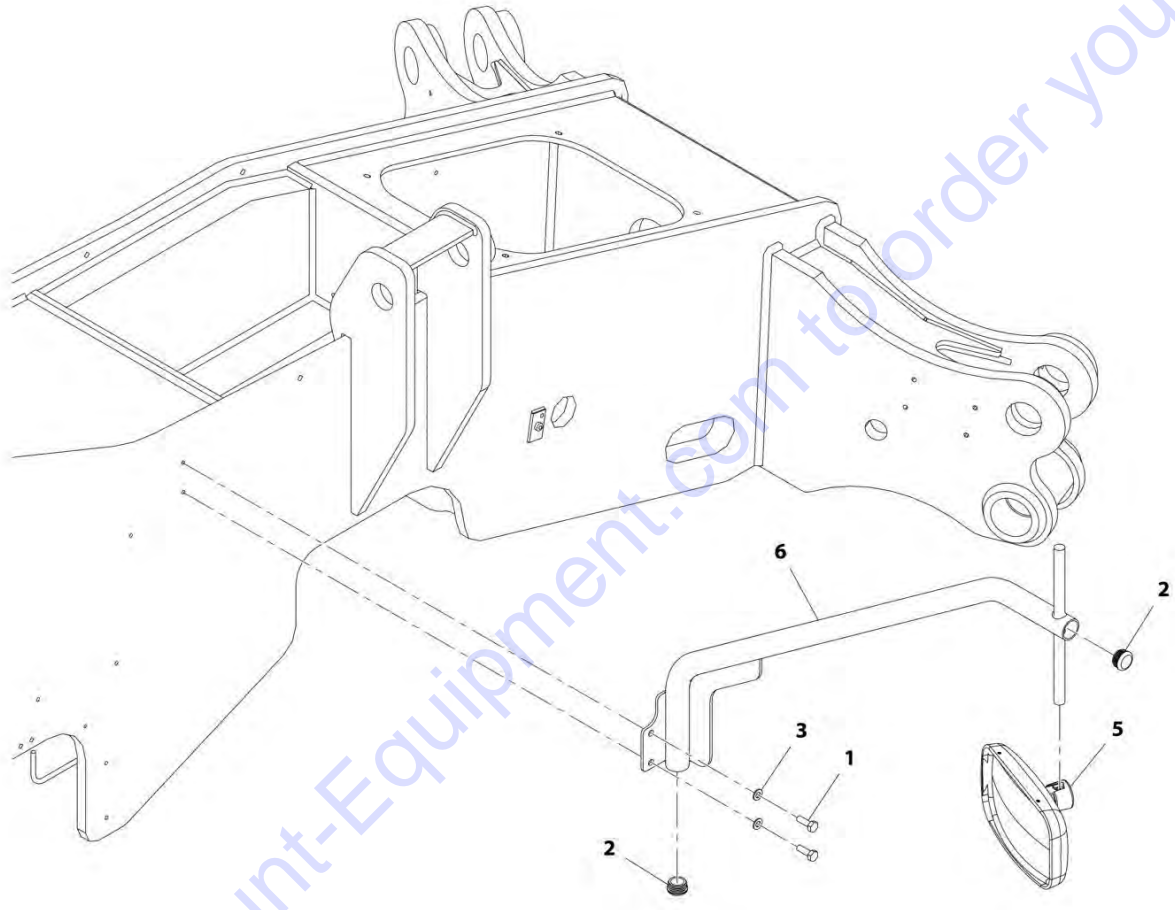
FIGURE 1-25. OUTRIGGER CYLINDER INSTALLATION (642, 1043) (Prior to SN 0160078786)

ITEM	PART NUMBER	QTY	DESCRIPTION	REV
	1001163577	Ref	Outrigger Cylinder Installation (642, 1043)	D
1	0700816	4	Bolt, M8X40	
2	4811900	4	Washer, M8	
3	1001163040	1	Cylinder, Outrigger (See HYDRAULIC COMPONENTS SECTION for Breakdown)	
4	1001184205	1	Valve	

Go to Discount-Equipment.com to order your parts

SECTION 1 - FRAME AND ATTACHING PARTS

FIGURE 1-26. MIRROR INSTALLATION



ART_1001160255-D

SECTION 1 - FRAME AND ATTACHING PARTS

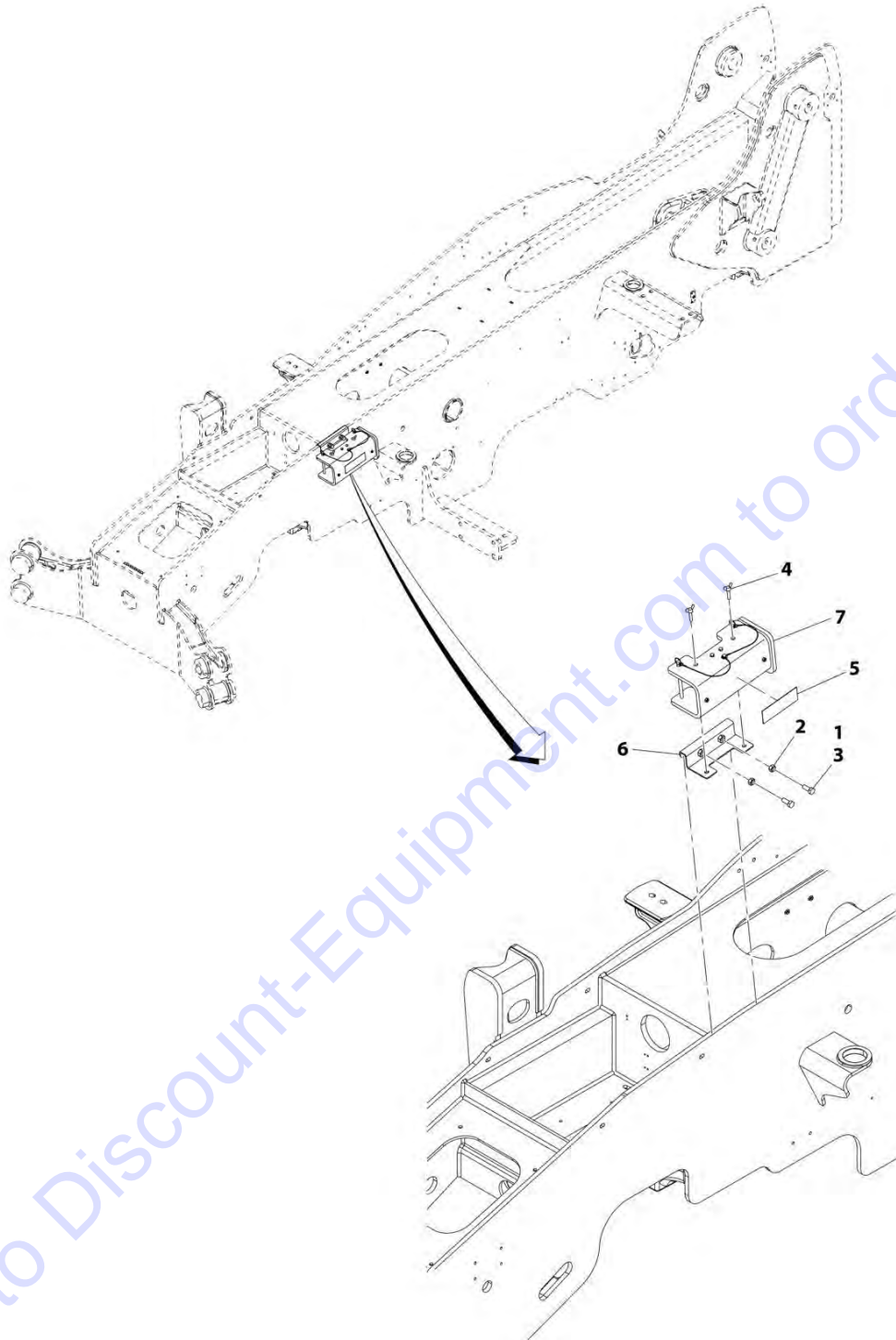
FIGURE 1-26. MIRROR INSTALLATION

ITEM	PART NUMBER	QTY	DESCRIPTION	REV
	1001160255	Ref	Mirror Installation	D
1	0701014	2	Bolt, M10X30 GR8.8	
2	3520186	2	Plug, 1-1/4	
3	4812000	2	Washer, M10	
5	1001191635	1	Convex Mirror	
6	1001191603	1	Bracket, Mirror	

Go to Discount-Equipment.com to order your parts

SECTION 1 - FRAME AND ATTACHING PARTS

FIGURE 1-27. BOOM PROP INSTALLATION (ANSI)



ART_1001232338-A

SECTION 1 - FRAME AND ATTACHING PARTS

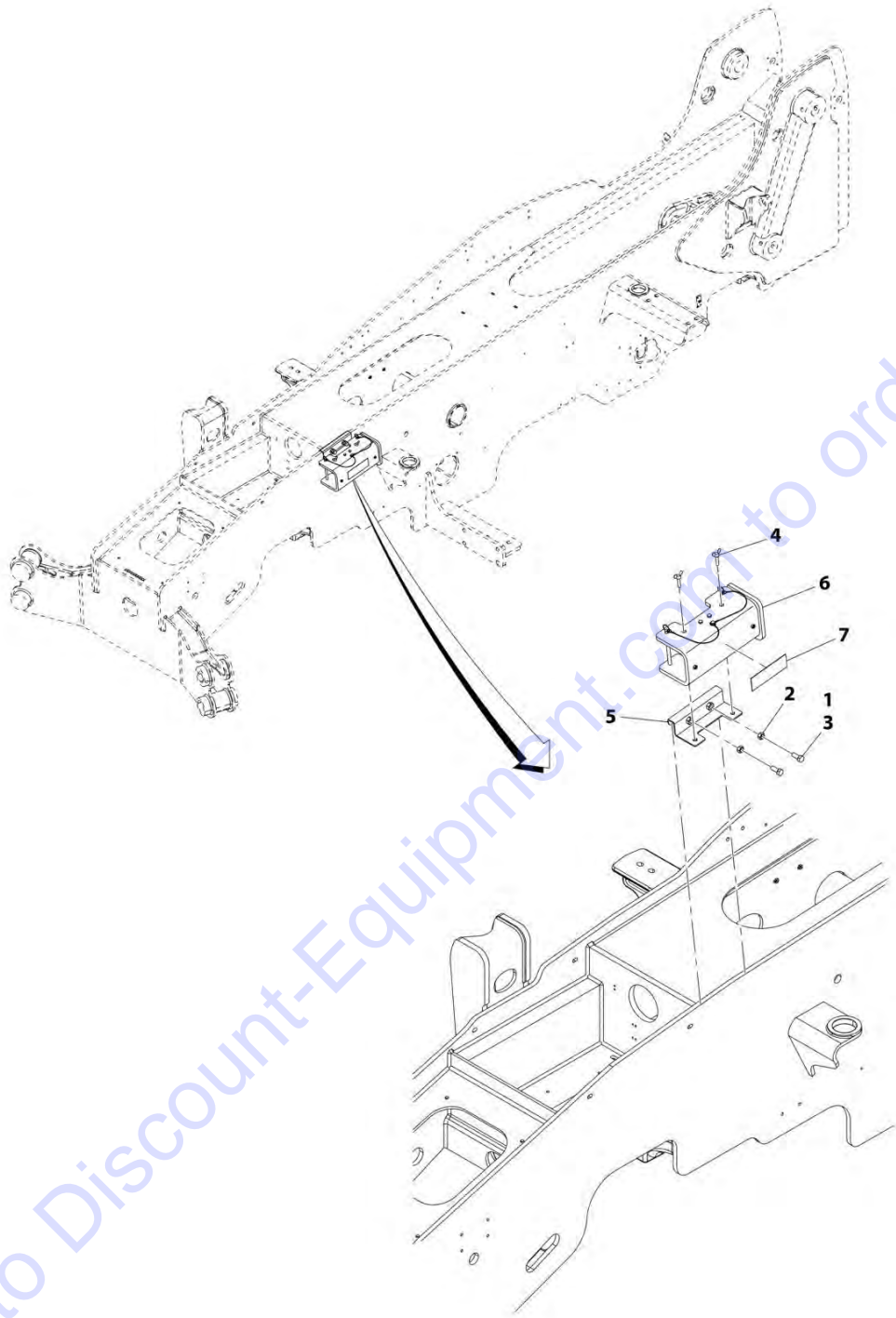
FIGURE 1-27. BOOM PROP INSTALLATION (ANSI)

ITEM	PART NUMBER	QTY	DESCRIPTION	REV
	1001232338	Ref	Boom Prop Installation (ANSI)	A
1	0761214	2	Bolt, M12X30	
2	3291201	2	Nut, M12X1.75	
3	1001095650	AR	Compound, Locking	
4	1001101458	2	Wing Bolt, M8X40	
5	1001232147	1	Decal, Warning	
6	1001232299	1	Bracket, Mount	
7	1001232336	Ref	Bracket, Boom Prop (See Separate Breakdown in this Section)	

Go to Discount-Equipment.com to order your parts

SECTION 1 - FRAME AND ATTACHING PARTS

FIGURE 1-28. BOOM PROP INSTALLATION (CANADA)



Go to Discount-Equipment.com to order your parts

ART_1001234139-A

SECTION 1 - FRAME AND ATTACHING PARTS

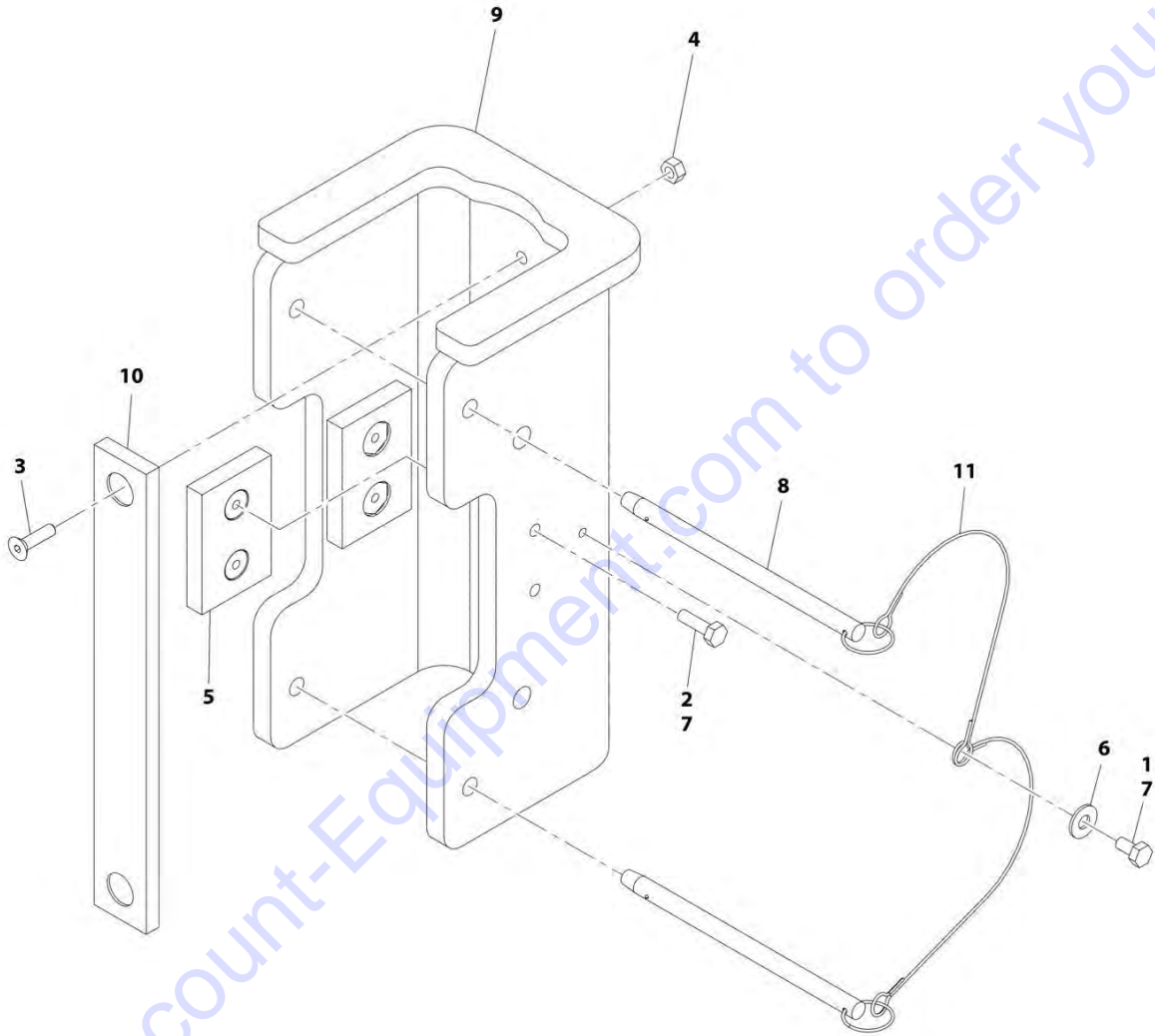
FIGURE 1-28. BOOM PROP INSTALLATION (CANADA)

ITEM	PART NUMBER	QTY	DESCRIPTION	REV
	1001234139	Ref	Boom Prop Installation (Canada)	A
1	0761214	2	Bolt, M12X30	
2	3291201	2	Nut, M12X1.75	
3	1001095650	AR	Compound, Locking	
4	1001101458	2	Wing Bolt, M8X40	
5	1001232299	1	Bracket, Mount	
6	1001232336	Ref	Bracket, Boom Prop (See Separate Breakdown in this Section)	
7	1001234253	1	Decal, Warning	

Go to Discount-Equipment.com to order your parts

SECTION 1 - FRAME AND ATTACHING PARTS

FIGURE 1-29. BOOM PROP BRACKET



ART_1001232336-A

SECTION 1 - FRAME AND ATTACHING PARTS

FIGURE 1-29. BOOM PROP BRACKET

ITEM	PART NUMBER	QTY	DESCRIPTION	REV
	1001232336	Ref	Boom Prop Bracket	A
1	0641404	1	Bolt, 1/4-20X1/2	
2	0641407	4	Bolt, 1/4-20X7/8	
3	0741408	2	Bolt, 1/4-20	
4	3311405	2	Nut, Lock 1/4-20	
5	3340829	2	Pad, Wear	
6	4751400	1	Washer	
7	1001095650	AR	Compound, Locking	
8	1001164019	2	Pin, Ball Locking	
9	1001232588	1	Bracket	
10	4679000268	1	Pad, Wear	
11	1001164183	2	Lanyard, Boom Prop	

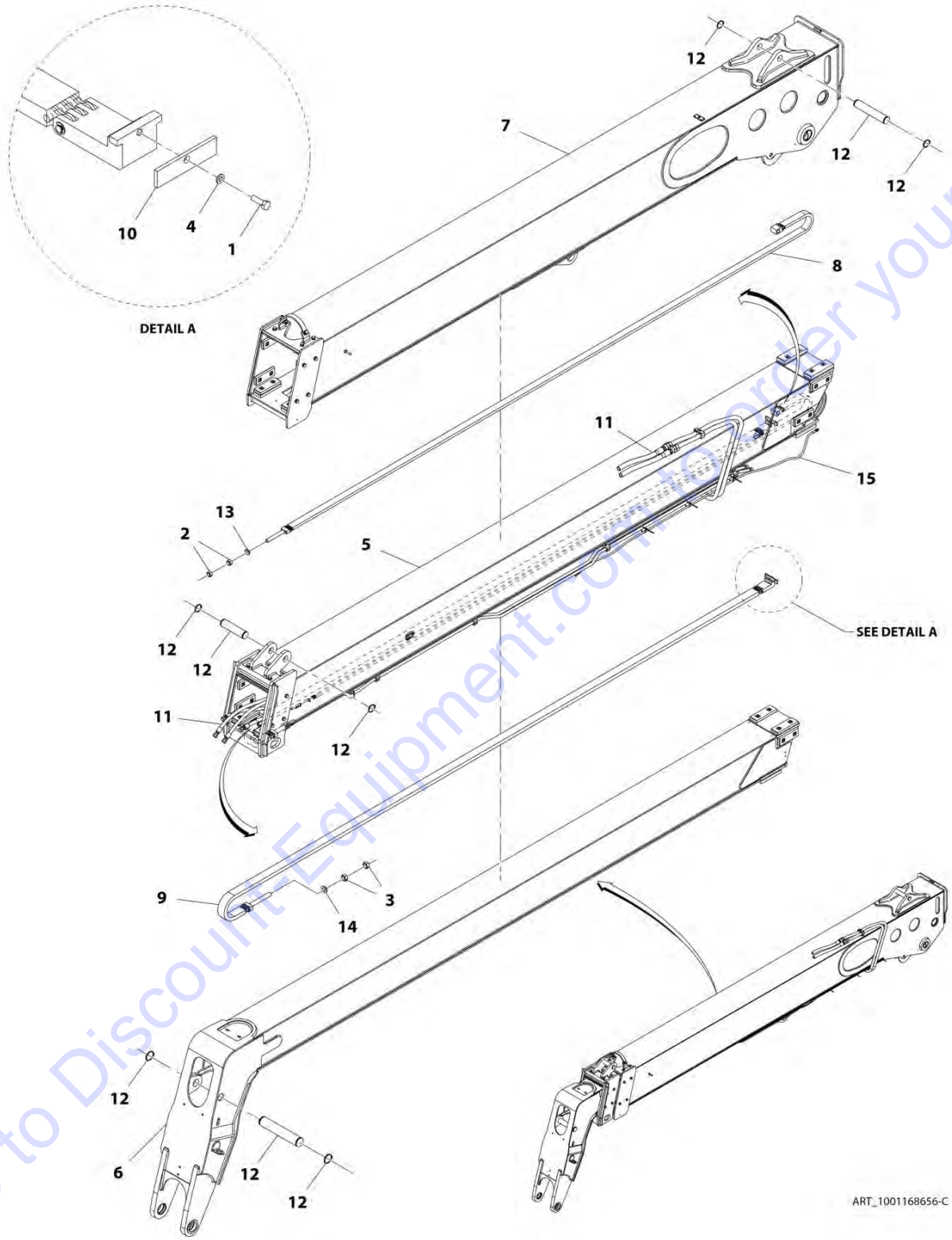
Go to Discount-Equipment.com to order your parts

SECTION 2 - BOOM

Go to Discount-Equipment.com to order your parts

SECTION 2 - BOOM

FIGURE 2-1. BOOM ASSEMBLY (642, 742)



ART_1001168656-C

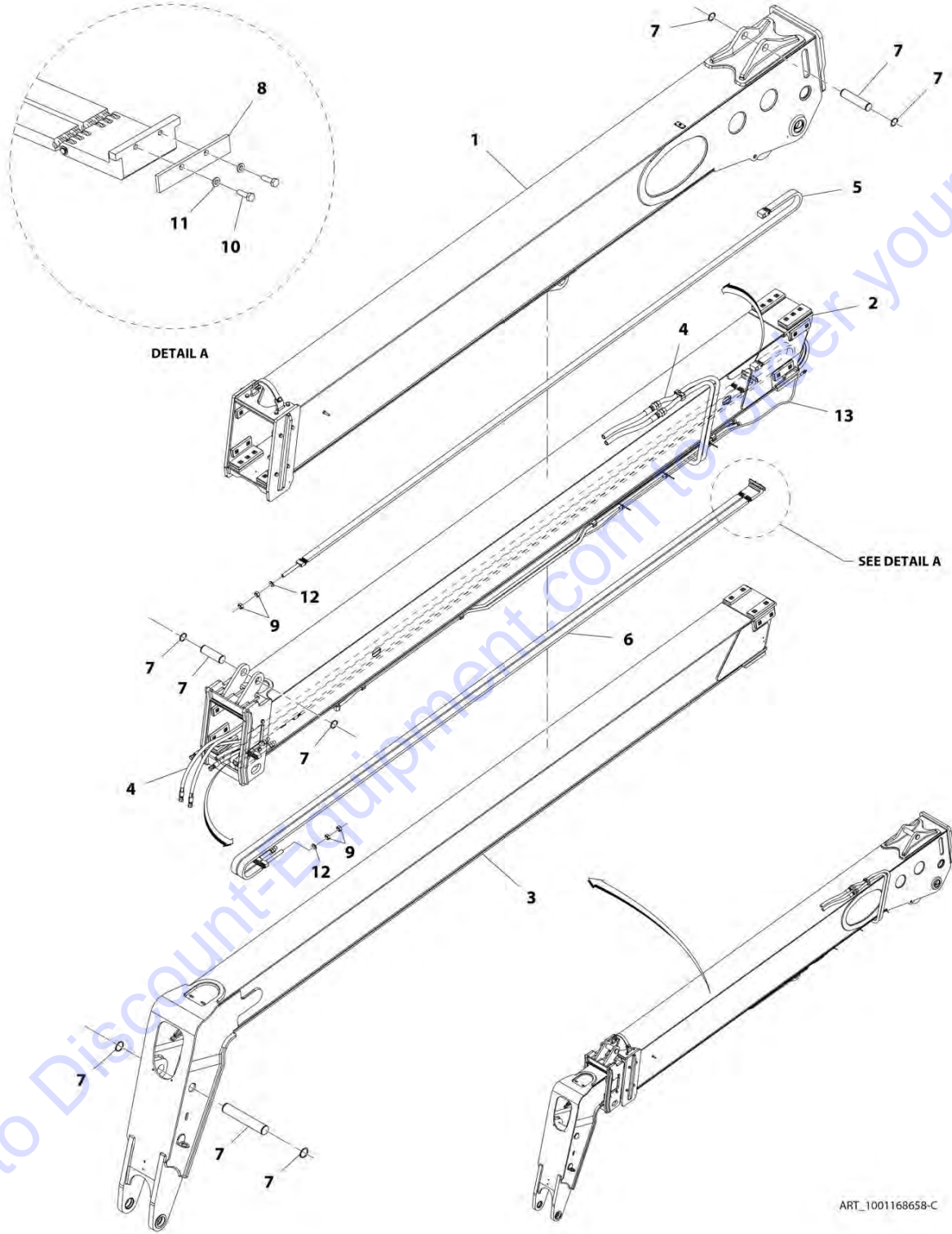
SECTION 2 - BOOM

FIGURE 2-1. BOOM ASSEMBLY (642, 742)

ITEM	PART NUMBER	QTY	DESCRIPTION	REV
	1001168656	1	Boom Assembly (642, 742)	C
1	0700610	1	Bolt, M6X20	
2	3332011	2	Nut, M20X2.5	
3	3332411	2	Nut, M24X3	
4	4811700	1	Washer, M6	
5	1001168574	1	Assembly, Second Boom Section (642, 742) (See SECOND BOOM SECTION ASSEMBLY (642, 742) for Breakdown)	
6	1001168735	1	Assembly, Third Boom Section (642, 742) (See THIRD BOOM SECTION ASSEMBLY (642, 742) for Breakdown)	
7	1001168963	1	Assembly, First Boom Section (642, 742) (See FIRST BOOM SECTION ASSEMBLY (642, 742) for Breakdown)	
8	1001169278	Ref	Installation, Retract Chain (See RETRACT CHAIN INSTALLATION for Breakdown)	
9	1001169326	Ref	Installation, Extend Chain (642, 742) (See EXTEND CHAIN INSTALLATION (642, 742) for Breakdown)	
10	1001171451	1	Plate, Clevis	
11	1001173470	Ref	Installation, Boom Hydraulic Tubes (See HYDRAULIC CIRCUITS SECTION for Breakdown)	
12	1001173542	Ref	Installation, Pins (642, 742) (See PINS INSTALLATION (642, 742) for Breakdown)	
13	4812500	1	Washer, M20	
14	4812700	1	Washer, M24	
15	1001186859	1	Hose	

SECTION 2 - BOOM

FIGURE 2-2. BOOM ASSEMBLY (943, 1043)



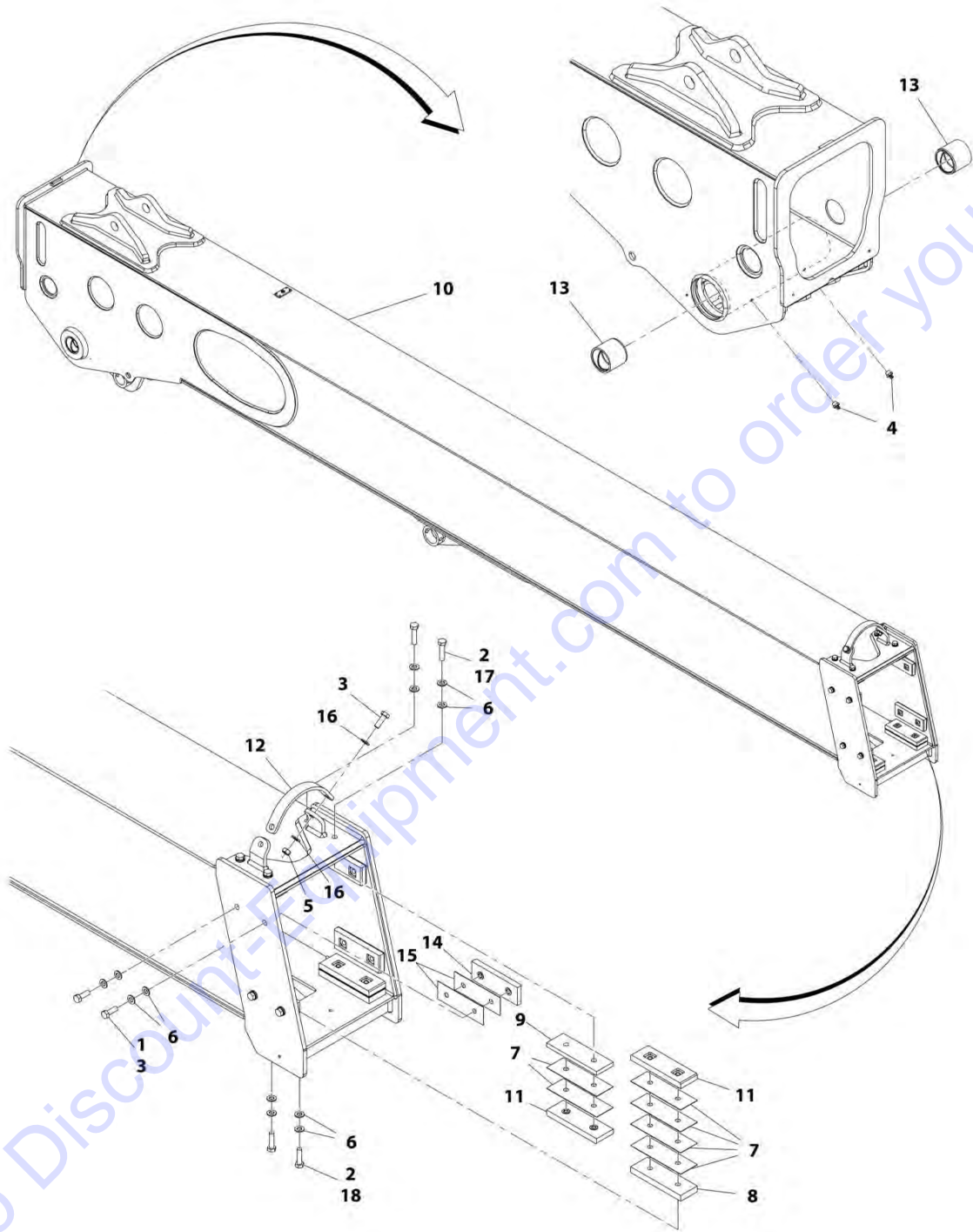
SECTION 2 - BOOM

FIGURE 2-2. BOOM ASSEMBLY (943, 1043)

ITEM	PART NUMBER	QTY	DESCRIPTION	REV
	1001168658	1	Boom Assembly (943, 1043)	C
1	1001168341	1	Assembly, First Boom Section (943, 1043) (See FIRST BOOM SECTION ASSEMBLY (943, 1043) for Breakdown)	
2	1001168546	1	Assembly, Second Boom Section (943, 1043) (See SECOND BOOM SECTION ASSEMBLY (943, 1043) for Breakdown)	
3	1001168602	1	Assembly, Third Boom Section (943, 1043) (See THIRD BOOM SECTION ASSEMBLY (943, 1043) for Breakdown)	
4	1001173471	Ref	Installation, Boom Hydraulic Tubes (See HYDRAULIC CIRCUITS SECTION for Breakdown)	
5	1001169278	Ref	Installation, Retract Chain (See RETRACT CHAIN INSTALLATION for Breakdown)	
6	1001169281	Ref	Installation, Extend Chain (943, 1043) (See EXTEND CHAIN INSTALLATION (943, 1043) for Breakdown)	
7	1001173541	Ref	Installation, Pins (943, 1043) (See PINS INSTALLATION (943, 1043) for Breakdown)	
8	1001171450	1	Plate, Clevis	
9	3332011	6	Nut, M20X2.5	
10	0700610	2	Bolt, M6X20	
11	4811700	2	Washer, M6	
12	4812500	3	Washer, M20	
13	1001186859	1	Hose	

SECTION 2 - BOOM

FIGURE 2-3. FIRST BOOM SECTION ASSEMBLY (642, 742)



ART_1001168963-F

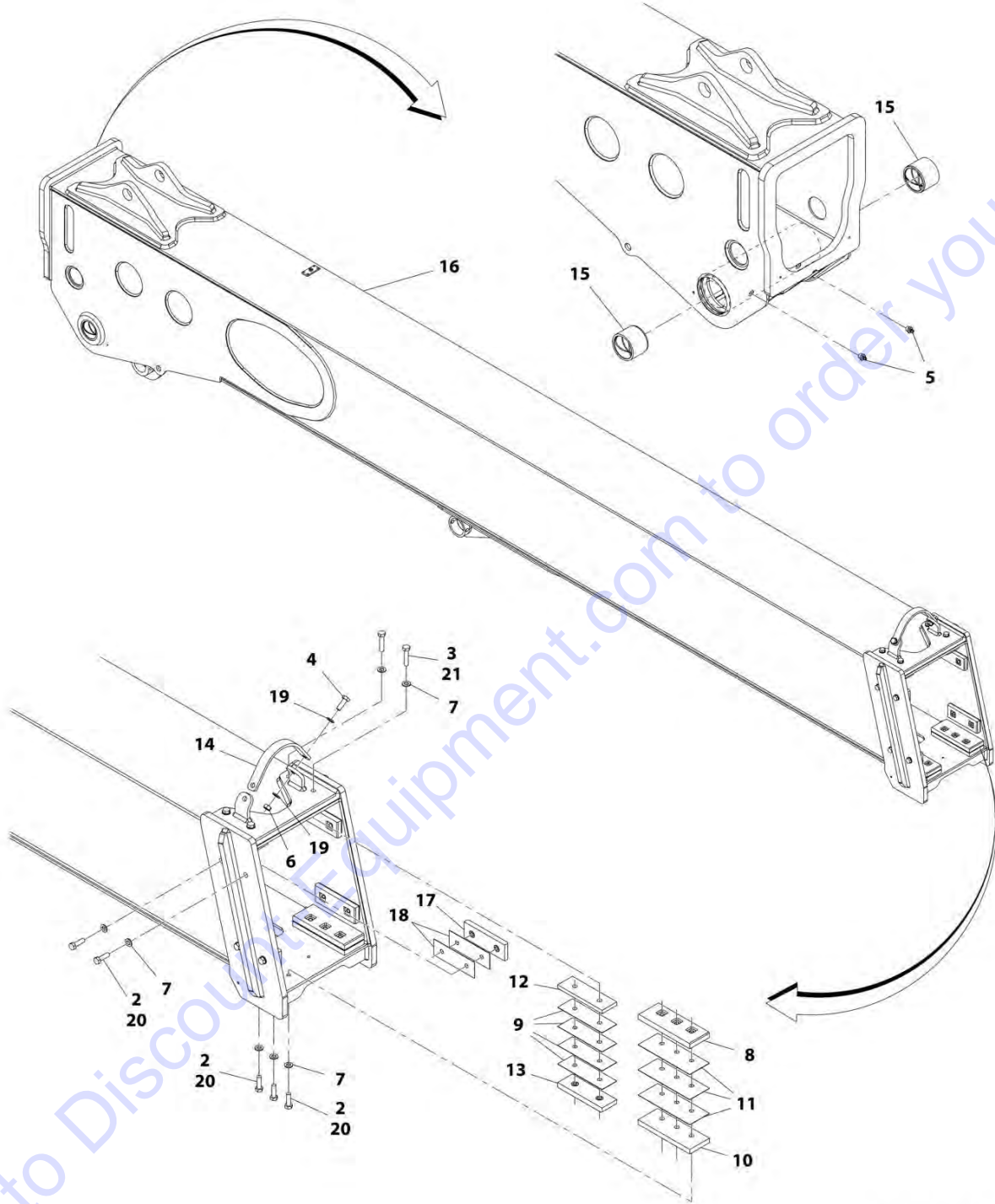
SECTION 2 - BOOM

FIGURE 2-3. FIRST BOOM SECTION ASSEMBLY (642, 742)

ITEM	PART NUMBER	QTY	DESCRIPTION	REV
	1001168963	Ref	First Boom Section Assembly (642, 742)	F
1	0711214	AR	Bolt, M12X30	
2	0711217	4	Bolt, M12X45	
3	0711215	10	Bolt, M12X35	
4	2160016	2	Fitting, Grease	
5	3291201	2	Nut, M12X1.75 Grade 8	
6	1001125117	AR	Washer, M12	
7	1001163034	AR	Plate, Spacer	
8	1001163038	2	Plate, Spacer	
9	1001163136	2	Plate, Stop	
10	1001168964J	1	Boom, First	
11	1001165171	4	Pad	
12	1001168987	1	Strap	
13	1001188246	2	Bearing, Boom Pivot	
14	1001165172	4	Pad	
15	1001165367	AR	Plate, Spacer	
16	4812100	4	Washer, M12	
17	0711218	4	Bolt, 12X50 Grade 10.9	
18	0711216	AR	Bolt, M12X40 Grade 10.9	

SECTION 2 - BOOM

FIGURE 2-4. FIRST BOOM SECTION ASSEMBLY (943, 1043)



ART_1001168341-D

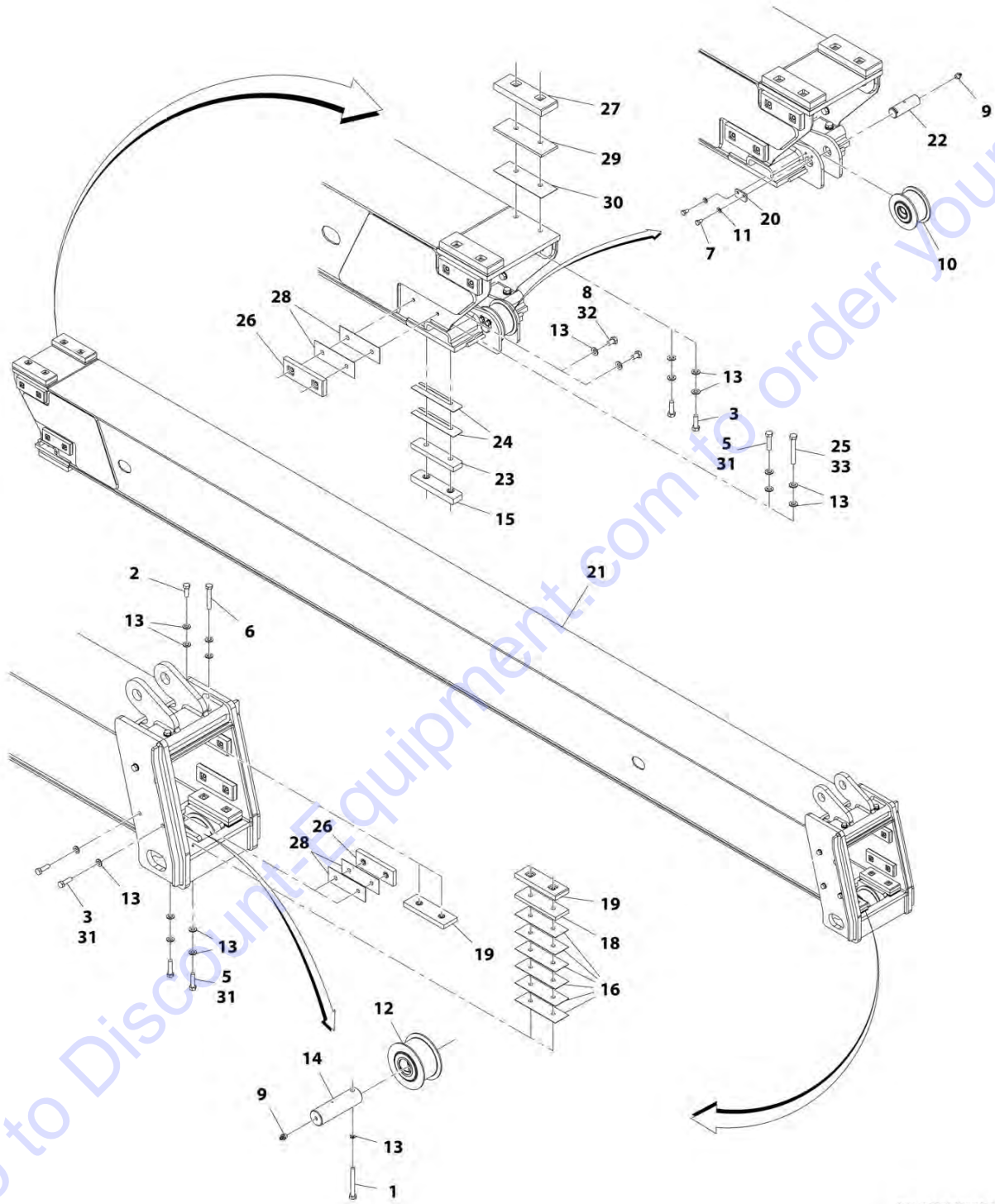
SECTION 2 - BOOM

FIGURE 2-4. FIRST BOOM SECTION ASSEMBLY (943, 1043)

ITEM	PART NUMBER	QTY	DESCRIPTION	REV
	1001168341	Ref	First Boom Section Assembly (943, 1043)	D
2	0711216	14	Bolt, M12X40 Grade 10.9	
3	0711219	4	Bolt, M12X55 Grade 10.9	
4	0711215	2	Bolt, M12X35	
5	2160016	2	Fitting, Grease	
6	3291201	2	Nut, M12X1.75 Grade 8	
7	1001125117	AR	Washer, M12	
8	1001162469	2	Pad	
9	1001163034	AR	Plate, Spacer	
10	1001189714	2	Plate, Stop	
11	1001163112	AR	Plate, Spacer	
12	1001163136	2	Plate, Stop	
13	1001165171	2	Pad	
14	1001168368	1	Strap	
15	1001188244	2	Bearing, Boom Pivot	
16	1001168342J	1	Boom, First	
17	1001165172	4	Pad	
18	1001165367	AR	Plate, Spacer	
19	4812100	4	Washer, M12	
20	0711217	AR	Bolt, M12X45	
21	0711220	AR	Bolt, M12-1.75X60 Grade 10.9	

SECTION 2 - BOOM

FIGURE 2-5. SECOND BOOM SECTION ASSEMBLY (642, 742)



ART_1001168574-E

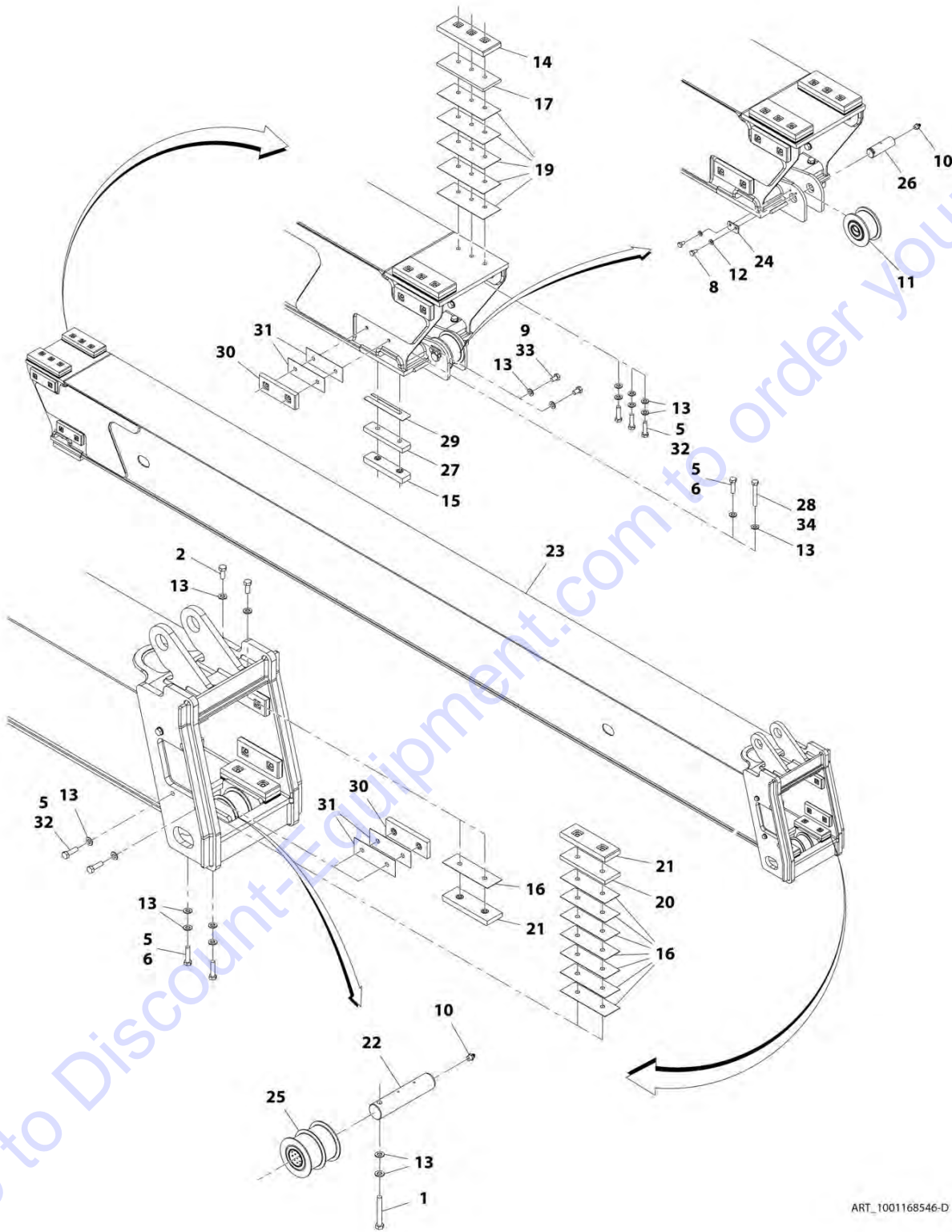
SECTION 2 - BOOM

FIGURE 2-5. SECOND BOOM SECTION ASSEMBLY (642, 742)

ITEM	PART NUMBER	QTY	DESCRIPTION	REV
	1001168574	Ref	Second Boom Section Assembly (642, 742)	E
1	0701227	1	Bolt, M12X100	
2	0711215	2	Bolt, M12X35 Grade 10.9	
3	0711216	12	Bolt, M12X40 Grade 10.9	
5	0711218	6	Bolt, M12X50 Grade 10.9	
6	0711224	2	Bolt, M12X80 Grade 10.9	
7	0760807	2	Bolt, M8X14	
8	0771210	8	Bolt, M12X20 Grade 10.9	
9	2160016	2	Fitting, Grease	
10	7138986	1	Sheave, Retract Chain (See RETRACT CHAIN SHEAVE for Breakdown)	
11	4811900	2	Washer, M8	
12	1001101867	1	Assembly, Chain Sheave (See CHAIN SHEAVE ASSEMBLY for Breakdown)	
13	1001125117	AR	Washer, M12	
14	1001161055	1	Pin	
15	1001163029	2	Pad	
16	1001163034	AR	Plate, Spacer	
18	1001163136	2	Plate, Stop	
19	1001165171	4	Pad	
20	1001168561	1	Bracket	
21	1001168575	1	Boom, Second	
22	1001168587	1	Pin, Boom Chain Pulley	
23	1001189492	2	Plate, Stop	
24	1001189793	AR	Shim	
25	0711226	2	Bolt, M12X90 Grade 10.9	
26	1001165172	8	Pad	
27	1001165173	2	Pad	
28	1001165367	AR	Plate, Spacer	
29	1001190187	2	Plate, Stop	
30	1001163108	AR	Plate, Spacer	
31	0711217	AR	Bolt, M12X45	
32	0771212	AR	Bolt, M12X25	
33	0711225	AR	Bolt, M12X85	

SECTION 2 - BOOM

FIGURE 2-6. SECOND BOOM SECTION ASSEMBLY (943, 1043)



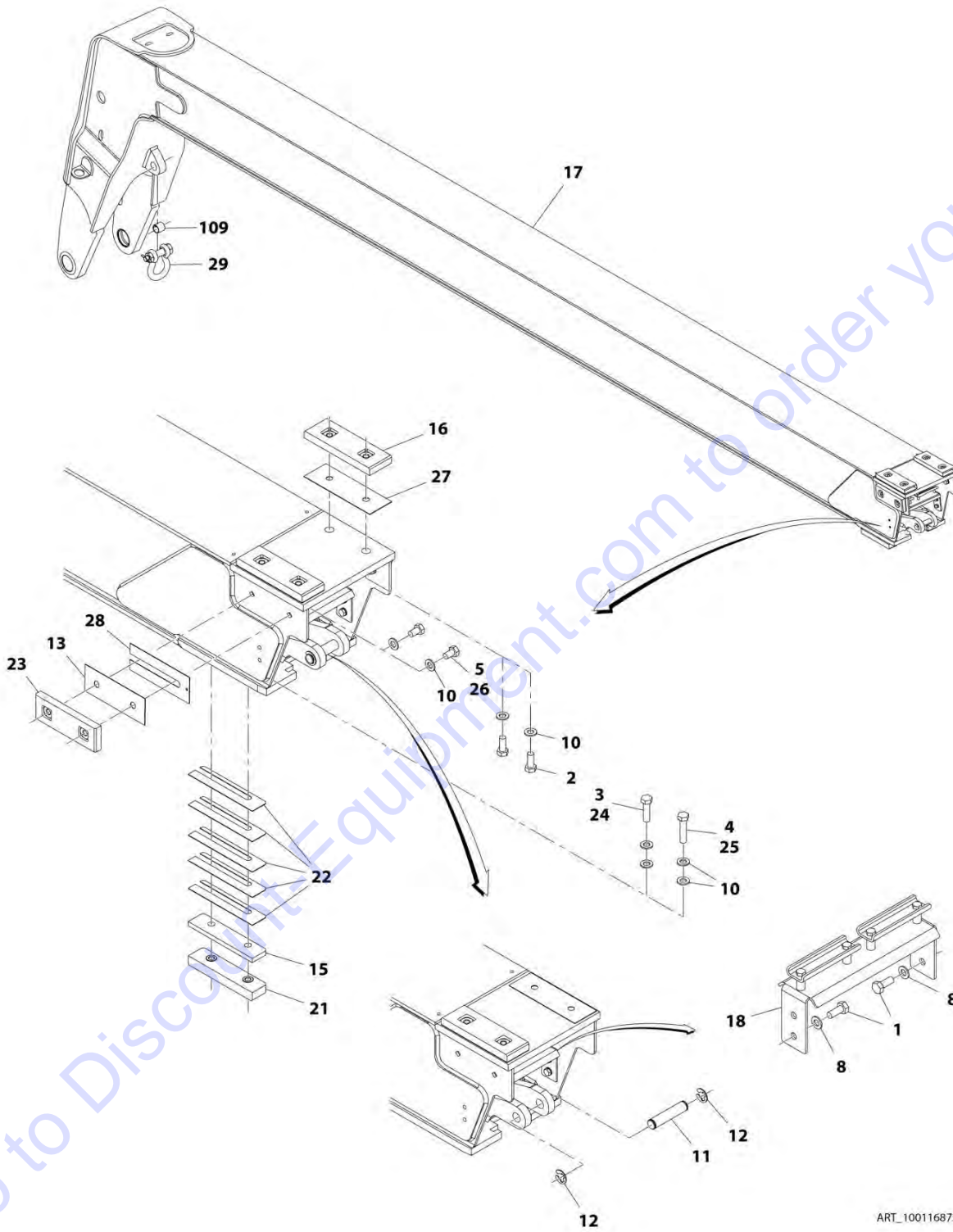
SECTION 2 - BOOM

FIGURE 2-6. SECOND BOOM SECTION ASSEMBLY (943, 1043)

ITEM	PART NUMBER	QTY	DESCRIPTION	REV
	1001168546	Ref	Second Boom Section Assembly (943, 1043)	D
1	0701226	1	Bolt, M12X90 Grade 10.9	
2	0711214	4	Bolt, M12X30 Grade 10.9	
5	0711217	8	Bolt, M12X45	
6	0711218	4	Bolt, M12X50 Grade 10.9	
8	0770807	2	Bolt, M8X14 Grade 10.9	
9	0771210	8	Bolt, M12X20 Grade 10.9	
10	2160016	2	Fitting, Grease	
11	7138986	1	Sheave, Retract Chain (See RETRACT CHAIN SHEAVE for Breakdown)	
12	4811900	2	Washer, M8	
13	1001125117	AR	Washer, M12	
14	1001162469	2	Pad	
15	1001163029	2	Pad	
16	1001163034	AR	Plate, Spacer	
17	1001163035	2	Plate, Stop	
19	1001163112	AR	Plate, Spacer	
20	1001163136	2	Plate, Stop	
21	1001165171	4	Pad	
22	1001167493	1	Pin	
23	1001168547	1	Boom, Second	
24	1001168561	1	Bracket	
25	1001168567	1	Roller, Extend Chain (See EXTEND CHAIN ROLLER for Breakdown)	
26	1001168587	1	Pin, Boom Chain Pulley	
27	1001189492	2	Plate, Stop	
28	0711225	2	Bolt, M12X85 Grade 10.9	
29	1001189793	AR	Shim	
30	1001165172	8	Pad	
31	1001165367	AR	Plate, Spacer	
32	0711216	8	Bolt, M12X40 Grade 10.9	
33	0771212	AR	Bolt, M12X25 Grade 10.9	
34	0711226	AR	Bolt, M12X90 Grade 10.9	

SECTION 2 - BOOM

FIGURE 2-7. THIRD BOOM ASSEMBLY (642, 742)



ART_1001168735-H

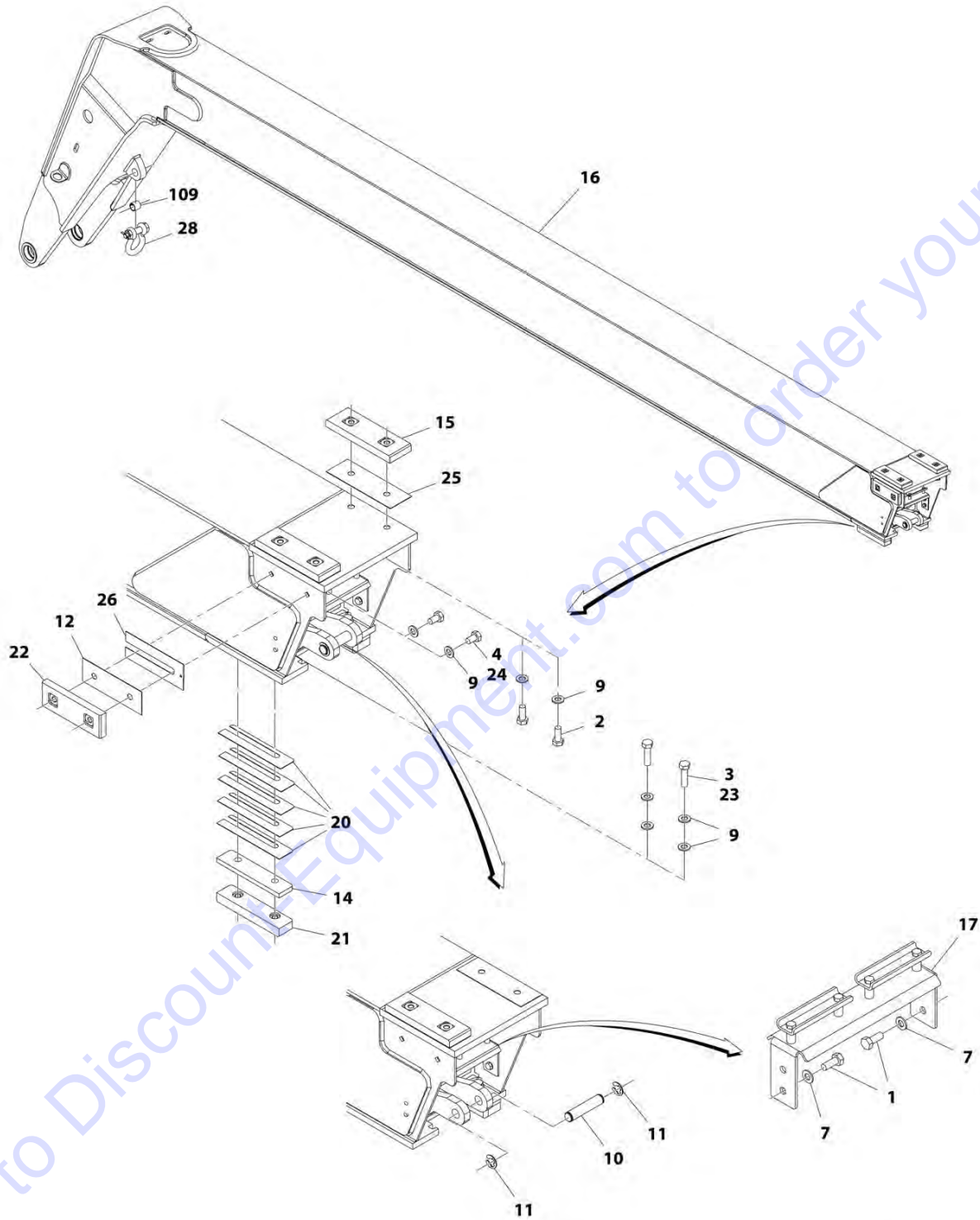
SECTION 2 - BOOM

FIGURE 2-7. THIRD BOOM ASSEMBLY (642, 742)

ITEM	PART NUMBER	QTY	DESCRIPTION	REV
	1001168735	Ref	Third Boom Section Assembly (642, 742)	H
1	0760810	4	Bolt, M8X20	
2	0711214	4	Bolt, M12X30 Grade 10.9	
3	0711217	2	Bolt, M12X45	
4	0711219	2	Bolt, M12X55 Grade 10.9	
5	0771210	4	Bolt, M12X20 Grade 10.9	
8	4811900	4	Washer, M8	
10	1001125117	AR	Washer, M12	
11	1001163712	1	Pin	
12	1001163704	2	Ring, M15	
13	1001165367	AR	Plate, Spacer	
15	1001168589	2	Plate, Stop	
16	1001165171	2	Pad	
17	1001168736	1	Boom, Third Section	
18	1001168755	Ref	Installation, Hose Bracket (642, 742) (See HOSE BRACKET INSTALLATION (642, 742) for Breakdown)	
21	1001163029	2	Pad	
22	1001189793	AR	Shim	
23	1001165172	2	Pad	
24	0711216	AR	Bolt, M12X40 Grade 10.9	
25	0711218	AR	Bolt, M12X50 Grade 10.9	
26	0771212	AR	Bolt, M12X25 Grade 10.9	
27	1001163034	AR	Plate, Spacer	
28	1001200989	AR	Plate, Shim	
29	1001204045	1	Clevis (SN 0160075708 to Present)	
109	1001204047	1	Sleeve (SN 0160075708 to Present)	

SECTION 2 - BOOM

FIGURE 2-8. THIRD BOOM SECTION ASSEMBLY (943, 1043)



ART_1001168602-H

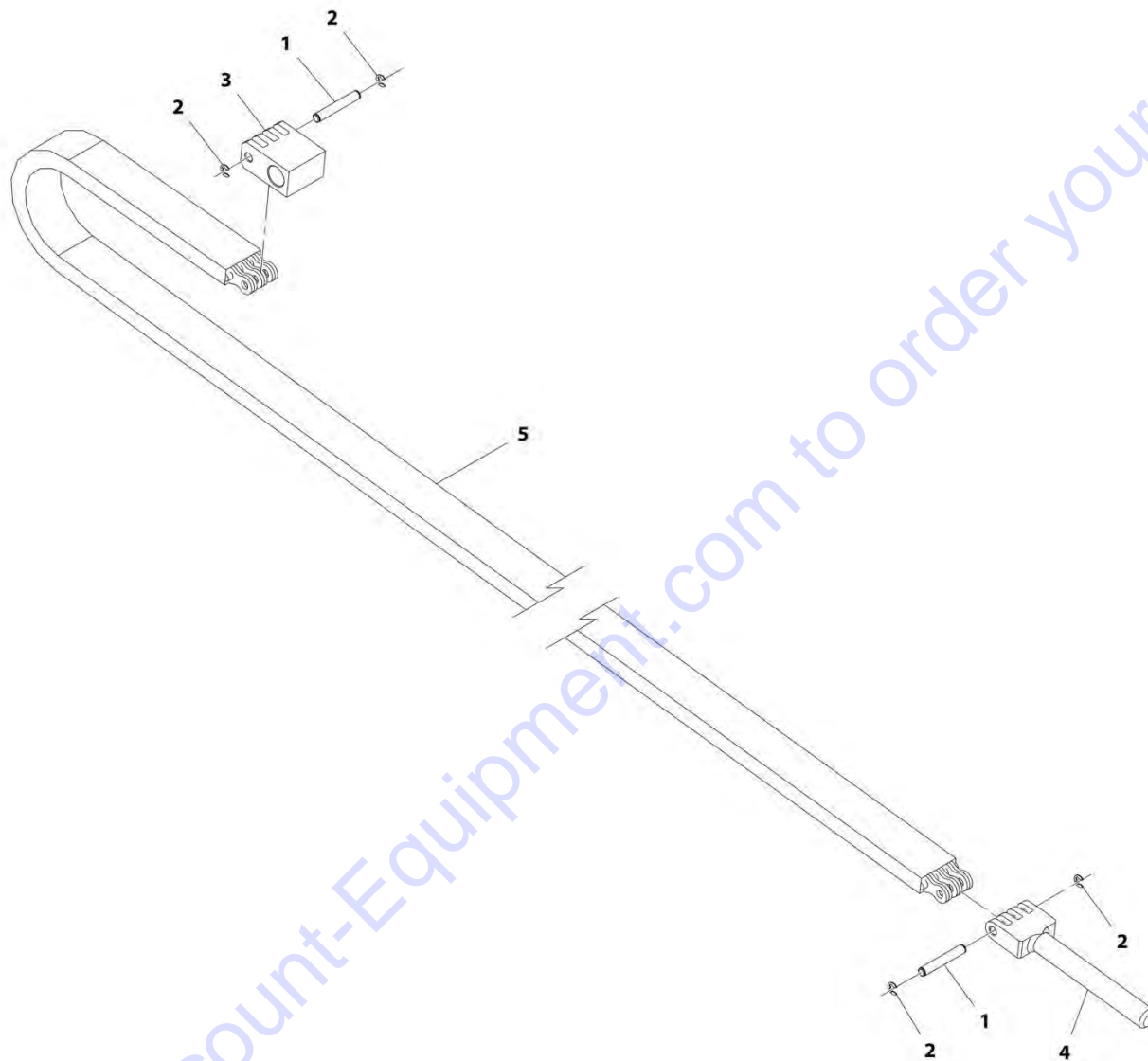
SECTION 2 - BOOM

FIGURE 2-8. THIRD BOOM SECTION ASSEMBLY (943, 1043)

ITEM	PART NUMBER	QTY	DESCRIPTION	REV
	1001168602	1	Third Boom Section Assembly (943, 1043)	H
1	0760810	4	Bolt, M8X20	
2	0711214	4	Bolt, M12X30 Grade 10.9	
3	0711217	4	Bolt, M12X45	
4	0771210	4	Bolt, M12X20 Grade 10.9	
7	4811900	4	Washer, M8	
9	1001125117	AR	Washer, M12	
10	1001163712	1	Pin	
11	1001163704	2	Ring, M15	
12	1001165367	AR	Plate, Spacer	
14	1001168589	2	Plate, Stop	
15	1001165171	2	Pad	
16	1001168603	1	Boom, Third	
17	1001168630	Ref	Installation, Hose Bracket (943, 1043) (See HOSE BRACKET INSTALLATION (943, 1043) for Breakdown)	
20	1001189793	AR	Shim	
21	1001163029	2	Pad	
22	1001165172	2	Pad	
23	0711216	AR	Bolt, M12X40 Grade 10.9	
24	0771212	AR	Bolt, M12X25 Grade 10.9	
25	1001163034	AR	Plate, Spacer	
26	1001200989	AR	Plate, Shim	
28	1001204045	1	Clevis (SN 0160075708 to Present)	
109	1001204047	1	Sleeve (SN 0160075708 to Present)	

SECTION 2 - BOOM

FIGURE 2-9. RETRACT CHAIN INSTALLATION



ART_1001169278-B

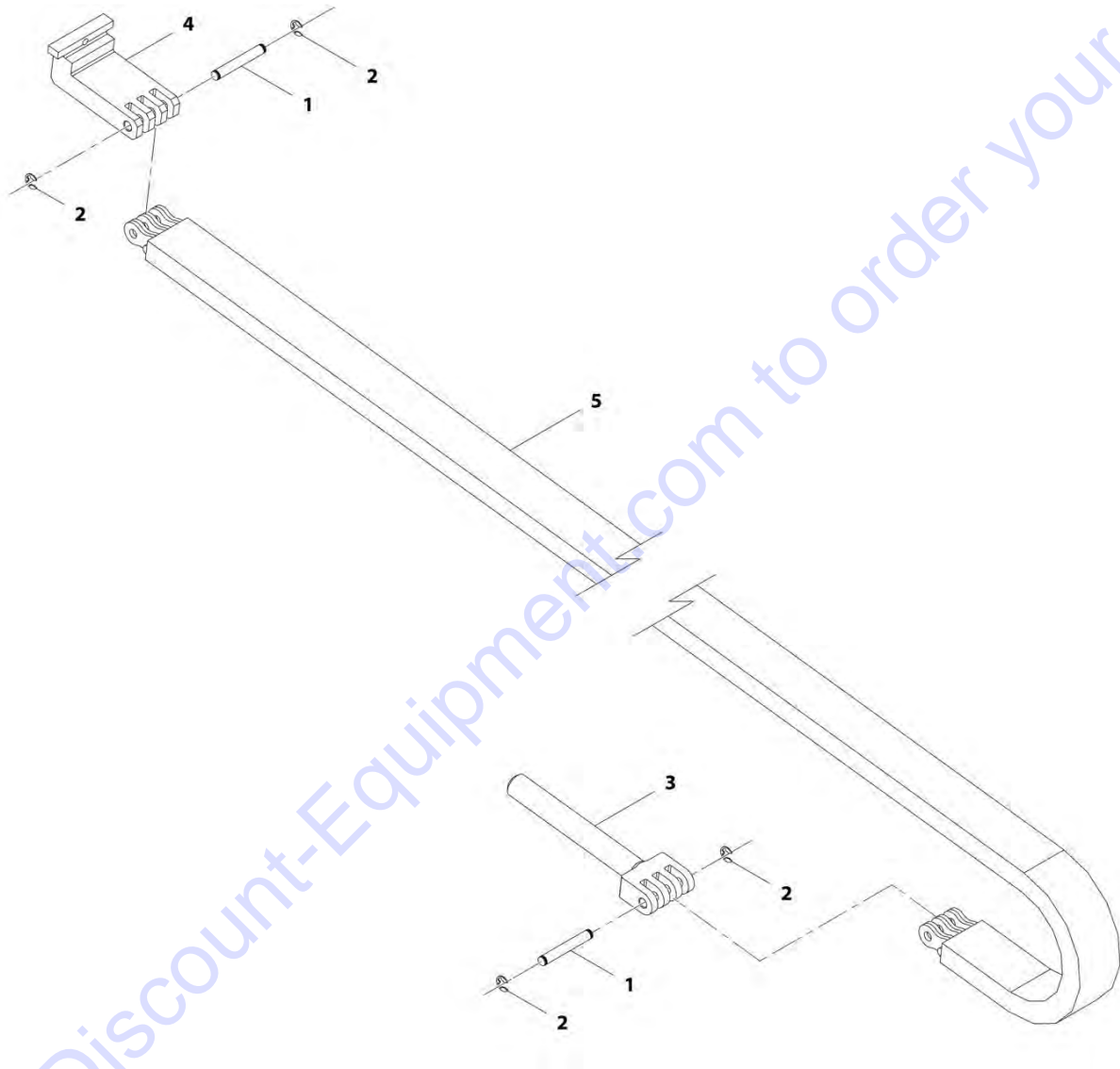
FIGURE 2-9. RETRACT CHAIN INSTALLATION

ITEM	PART NUMBER	QTY	DESCRIPTION	REV
	1001169278	Ref	Retract Chain Installation	B
1	1001187785	2	Pin, Clevis	
2	1001166163	4	Ring, External M6	
3	1001166233	1	Clevis, Chain	
4	1001166235	1	Clevis, Chain	
5	1001169279	1	Chain, Retract	

Go to Discount-Equipment.com to order your parts

SECTION 2 - BOOM

FIGURE 2-10. EXTEND CHAIN INSTALLATION (642, 742)



ART_1001169326-A

FIGURE 2-10. EXTEND CHAIN INSTALLATION (642, 742)

ITEM	PART NUMBER	QTY	DESCRIPTION	REV
	1001169326	Ref	Extend Chain Installation (642, 742)	A
1	1001163841	2	Pin, Clevis	
2	1001164039	4	Ring, External M8	
3	1001165590	1	Clevis, Chain	
4	1001165739	1	Clevis, Chain	
5	1001169327	1	Chain, Extend	

Go to Discount-Equipment.com to order your parts

PARTS FINDER

**Search Website
by Part Number**



**Search Manual
Library For Parts
Manual & Lookup Part
Numbers – Purchase
or Request Quote**

**Can't Find Part or
Manual? Request Help
by Manufacturer,
Model & Description**

Discount-Equipment.com is your online resource for quality parts & equipment.

Florida: **561-964-4949** Outside Florida TOLL FREE: **877-690-3101**

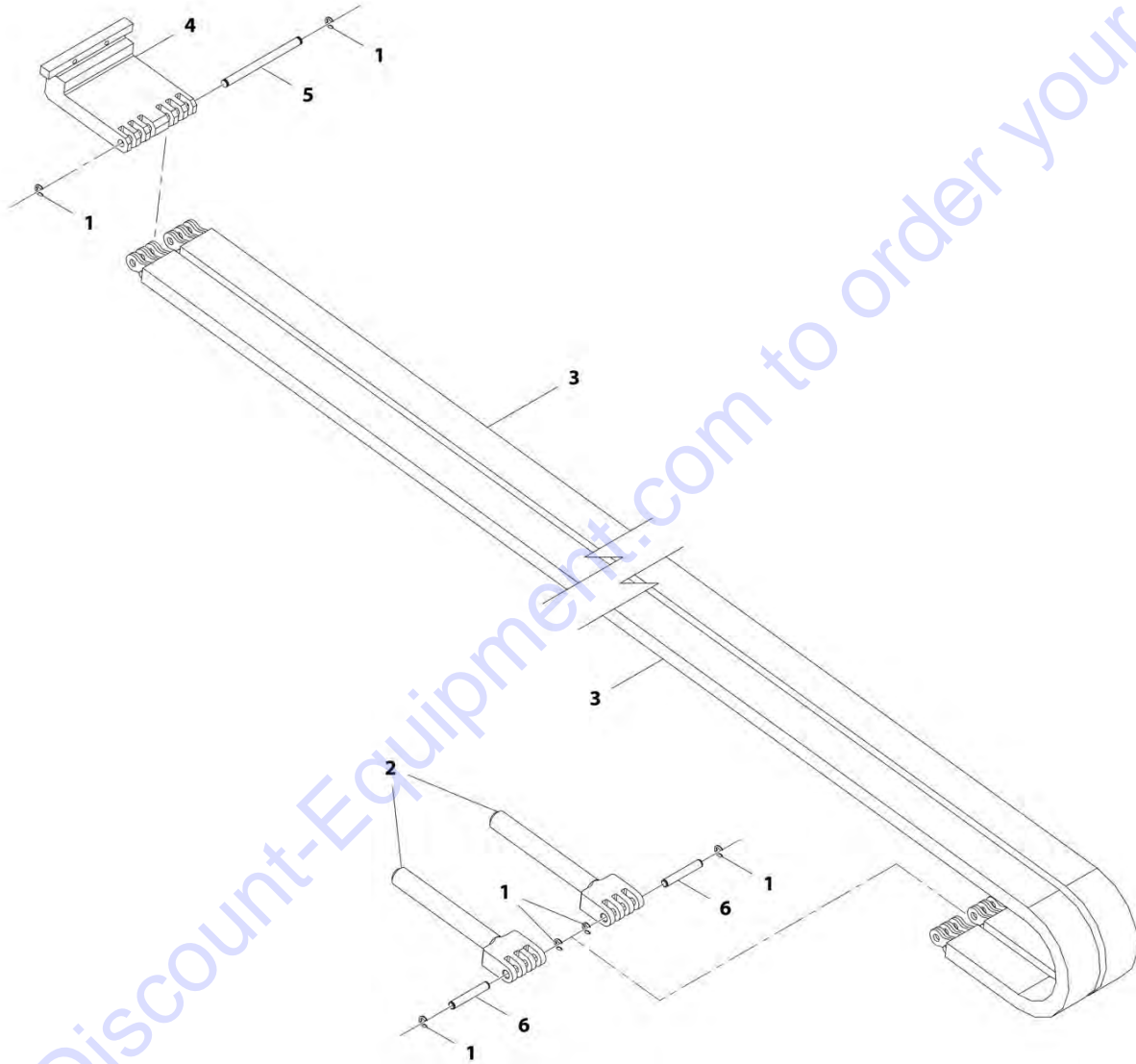
Need parts?

Click on this link: <http://www.discount-equipment.com/category/5443-parts/> and choose one of the options to help get the right parts and equipment you are looking for. Please have the machine model and serial number available in order to help us get you the correct parts. If you don't find the part on the website or on one of the online manuals, please fill out the request form and one of our experienced staff members will get back to you with a quote for the right part that your machine needs.

We sell worldwide for the brands: Genie, Terex, JLG, MultiQuip, Mikasa, Essick, Whiteman, Mayco, Toro Stone, Diamond Products, Generac Magnum, Airman, Haulotte, Barreto, Power Blanket, Nifty Lift, Atlas Copco, Chicago Pneumatic, Allmand, Miller Curber, Skyjack, Lull, Skytrak, Tsurumi, Husquvarna Target, Stow, Wacker, Sakai, Mi-T-M, Sullair, Basic, Dynapac, MBW, Weber, Bartell, Bennar Newman, Haulotte, Ditch Runner, Menegotti, Morrison, Contec, Buddy, Crown, Edco, Wyco, Bomag, Laymor, EZ Trench, Bil-Jax, F.S. Curtis, Gehl Pavers, Heli, Honda, ICS/PowerGrit, IHI, Partner, Imer, Clipper, MMD, Koshin, Rice, CH&E, General Equipment, Amida, Coleman, NAC, Gradall, Square Shooter, Kent, Stanley, Tamco, Toku, Hatz, Kohler, Robin, Wisconsin, Northrock, Oztec, Toker TK, Rol-Air, APT, Wylie, Ingersoll Rand / Doosan, Innovatech, Con X, Ammann, Mecalac, Makinex, Smith Surface Prep, Small Line, Wanco, Yanmar

SECTION 2 - BOOM

FIGURE 2-11. EXTEND CHAIN INSTALLATION (943, 1043)



ART_1001169281-B

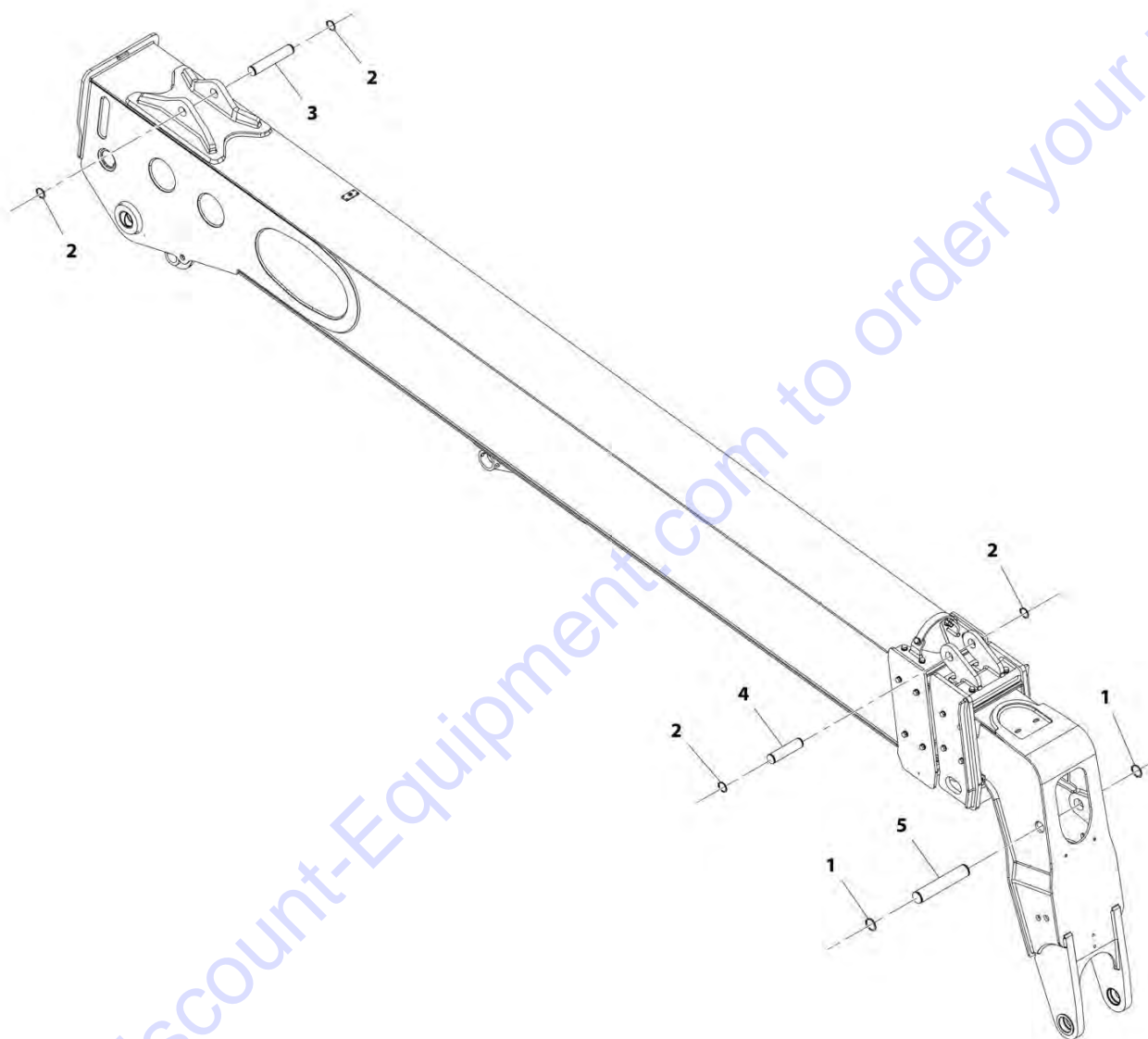
FIGURE 2-11. EXTEND CHAIN INSTALLATION (943, 1043)

ITEM	PART NUMBER	QTY	DESCRIPTION	REV
	1001169281	Ref	Extend Chain Installation (943, 1043)	B
1	1001166163	6	Ring, External M6	
2	1001166235	2	Clevis, Chain	
3	1001169279	2	Chain, Retract	
4	1001169373	1	Clevis, Dual	
5	1001169379	1	Pin, Clevis	
6	1001187785	2	Pin, Clevis	

Go to Discount-Equipment.com to order your parts

SECTION 2 - BOOM

FIGURE 2-12. PINS INSTALLATION (642, 742)



ART_1001173542-B

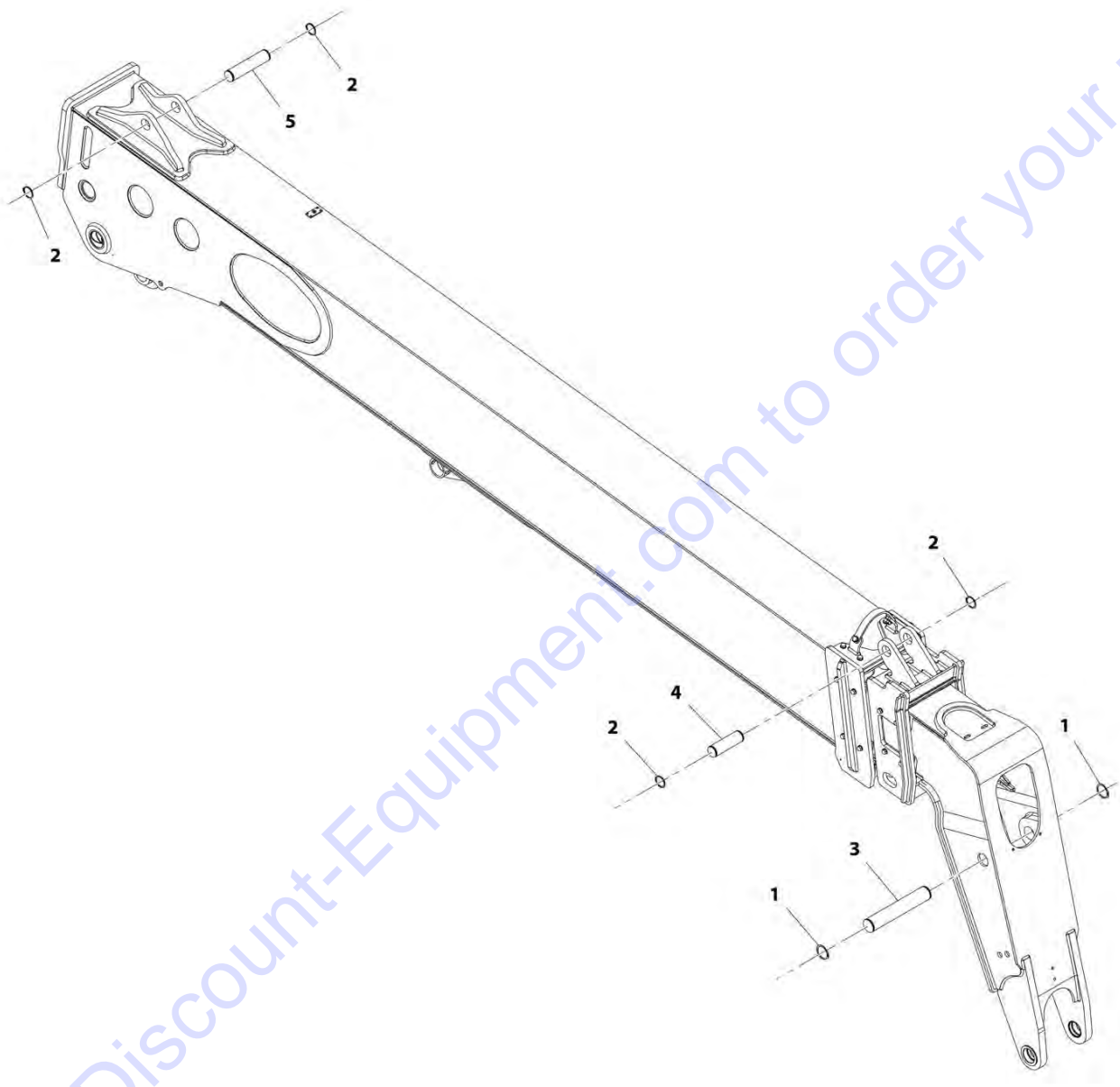
FIGURE 2-12. PINS INSTALLATION (642, 742)

ITEM	PART NUMBER	QTY	DESCRIPTION	REV
	1001173542	Ref	Pins Installation (642, 742)	B
1	3760493	2	Ring, Retaining M5	
2	3760491	4	Ring, Retaining M40	
3	1001173543	1	Pin	
4	1001173544	1	Pin	
5	1001174726	1	Pin, Tilt Cylinder	

Go to Discount-Equipment.com to order your parts

SECTION 2 - BOOM

FIGURE 2-13. PINS INSTALLATION (943, 1043)



ART_1001173541-B

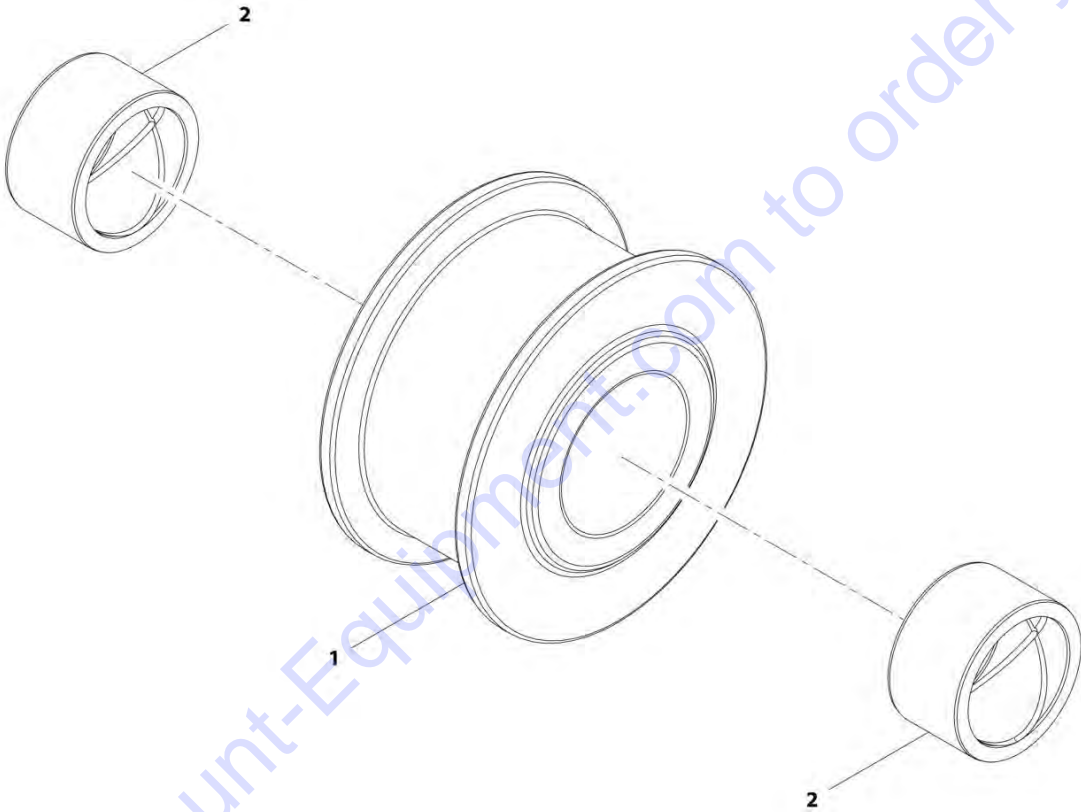
FIGURE 2-13. PINS INSTALLATION (943, 1043)

ITEM	PART NUMBER	QTY	DESCRIPTION	REV
	1001173541	Ref	Pins Installation (943, 1043)	B
1	3760463	2	Ring, Retaining M60	
2	3760493	4	Ring, Retaining M50	
3	1001173538	1	Pin, Tilt Cylinder	
4	1001173539	1	Pin	
5	1001173540	1	Pin	

Go to Discount-Equipment.com to order your parts

SECTION 2 - BOOM

FIGURE 2-14. CHAIN SHEAVE ASSEMBLY



ART_1001101867-A

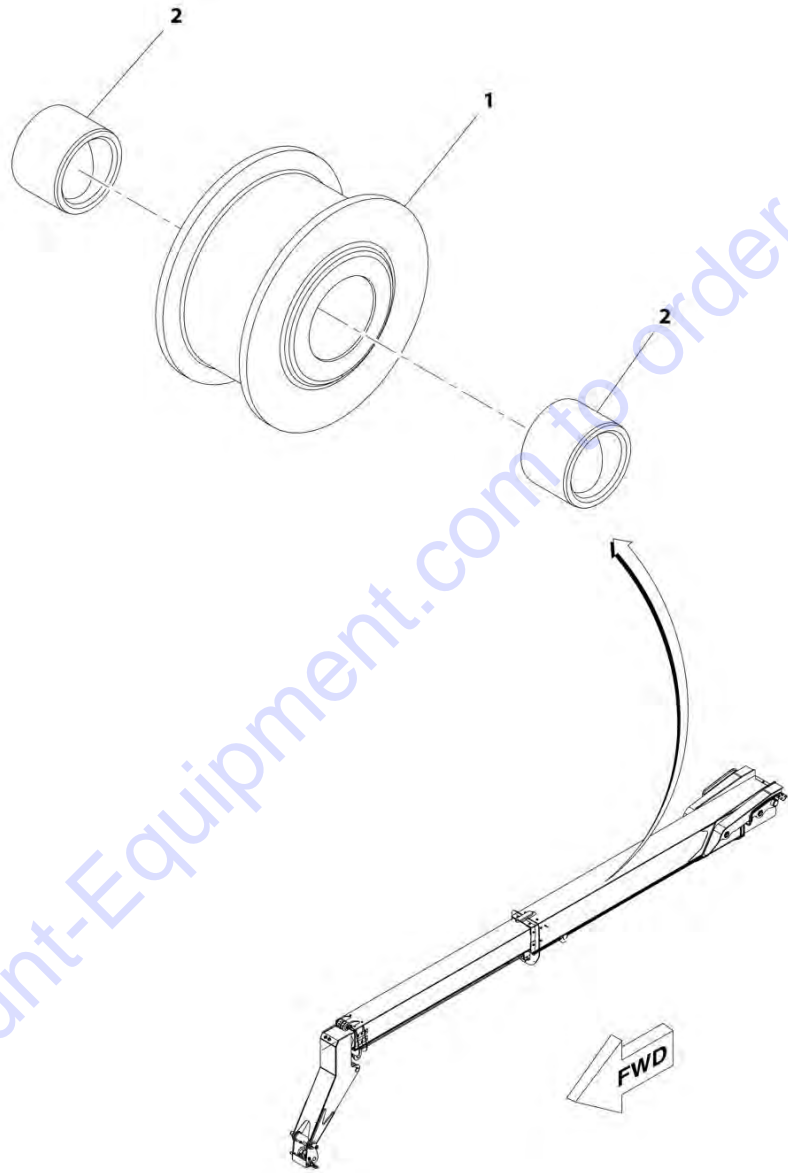
FIGURE 2-14. CHAIN SHEAVE ASSEMBLY

ITEM	PART NUMBER	QTY	DESCRIPTION	REV
	1001101867	Ref	Chain Sheave Assembly	A
1	7114032	1	Sheave, Chain	
2	7117502	2	Bushing, Sheave Chain	

Go to Discount-Equipment.com to order your parts

SECTION 2 - BOOM

FIGURE 2-15. RETRACT CHAIN SHEAVE



ART_7138986-C

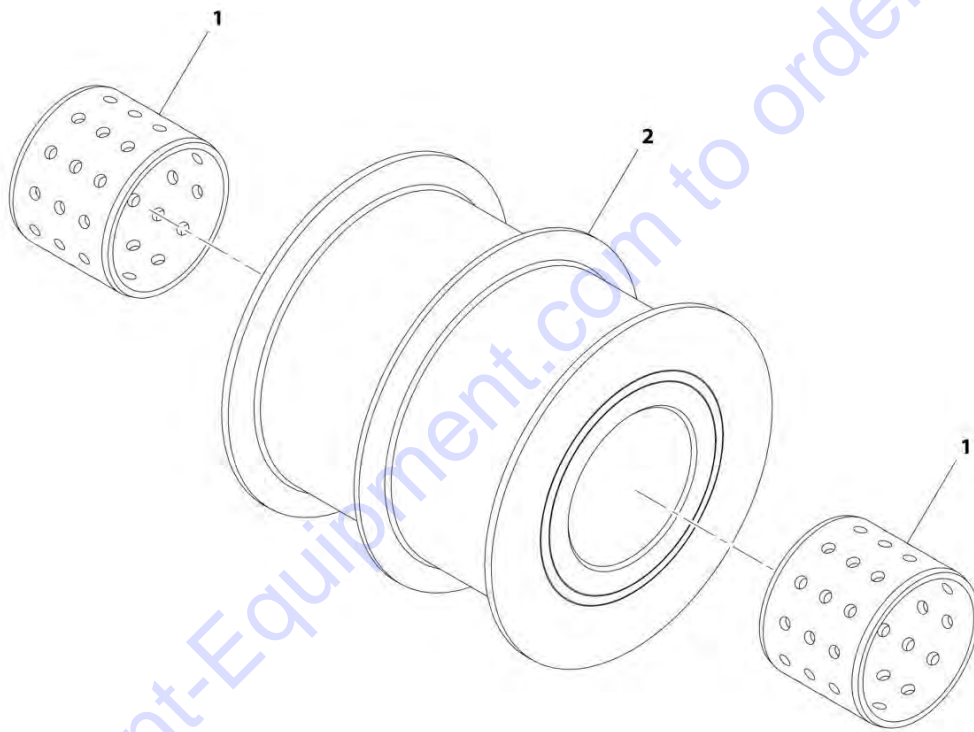
FIGURE 2-15. RETRACT CHAIN SHEAVE

ITEM	PART NUMBER	QTY	DESCRIPTION	REV
	7138986	Ref	Retract Chain Sheave	C
1	7138978	1	Sheave, Retract Chain	
2	7138979	2	Bushing, Sheave Retract Chain	

Go to Discount-Equipment.com to order your parts

SECTION 2 - BOOM

FIGURE 2-16. EXTEND CHAIN ROLLER



ART_1001168567-C

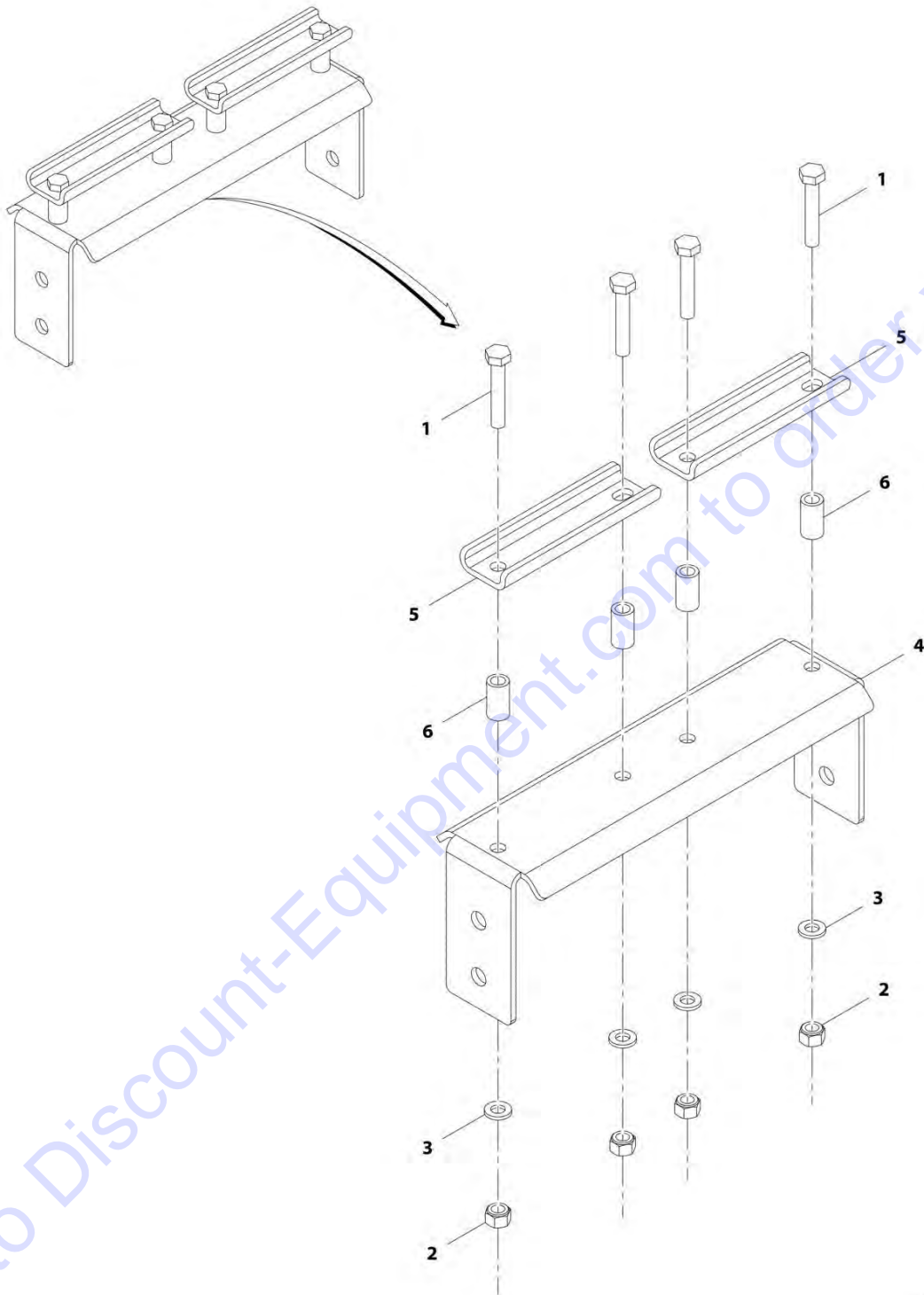
FIGURE 2-16. EXTEND CHAIN ROLLER

ITEM	PART NUMBER	QTY	DESCRIPTION	REV
	1001168567	Ref	Extend Chain Roller	C
1	0440296	2	Bearing	
2	1001168831	1	Roller, Extend Chain	

Go to Discount-Equipment.com to order your parts

SECTION 2 - BOOM

FIGURE 2-17. HOSE BRACKET INSTALLATION (642, 742)



ART_1001168755-B

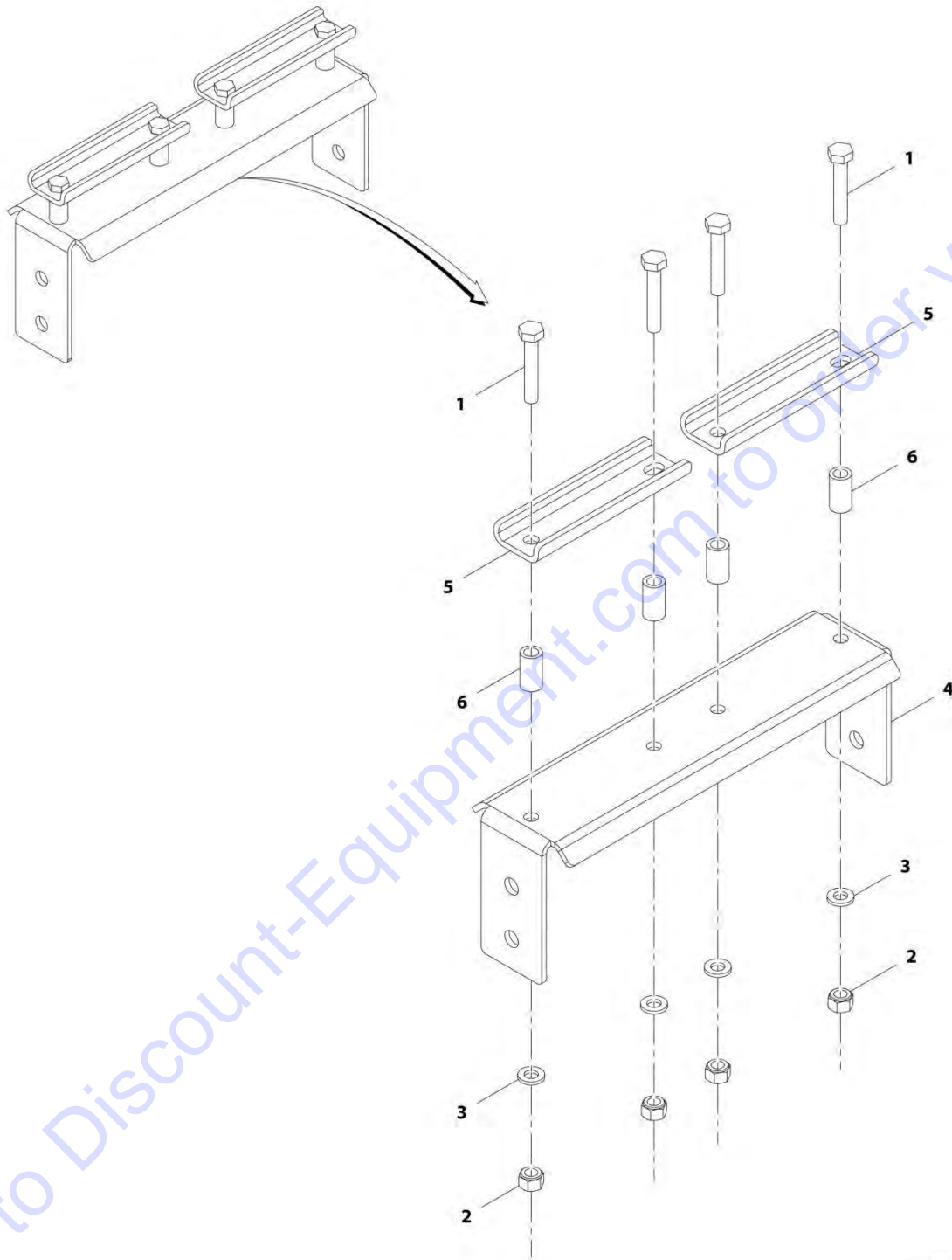
FIGURE 2-17. HOSE BRACKET INSTALLATION (642, 742)

ITEM	PART NUMBER	QTY	DESCRIPTION	REV
	1001168755	Ref	Hose Bracket Installation (642, 742)	B
1	0760615	4	Bolt, M6X35	
2	3290605	4	Nut, Lock M6X1 GR8	
3	4811700	4	Washer, M6	
4	1001168757	1	Bracket	
5	1001169209	2	Plate	
6	1001169214	4	Spacer	

Go to Discount-Equipment.com to order your parts

SECTION 2 - BOOM

FIGURE 2-18. HOSE BRACKET INSTALLATION (943, 1043)



ART_1001168630-B

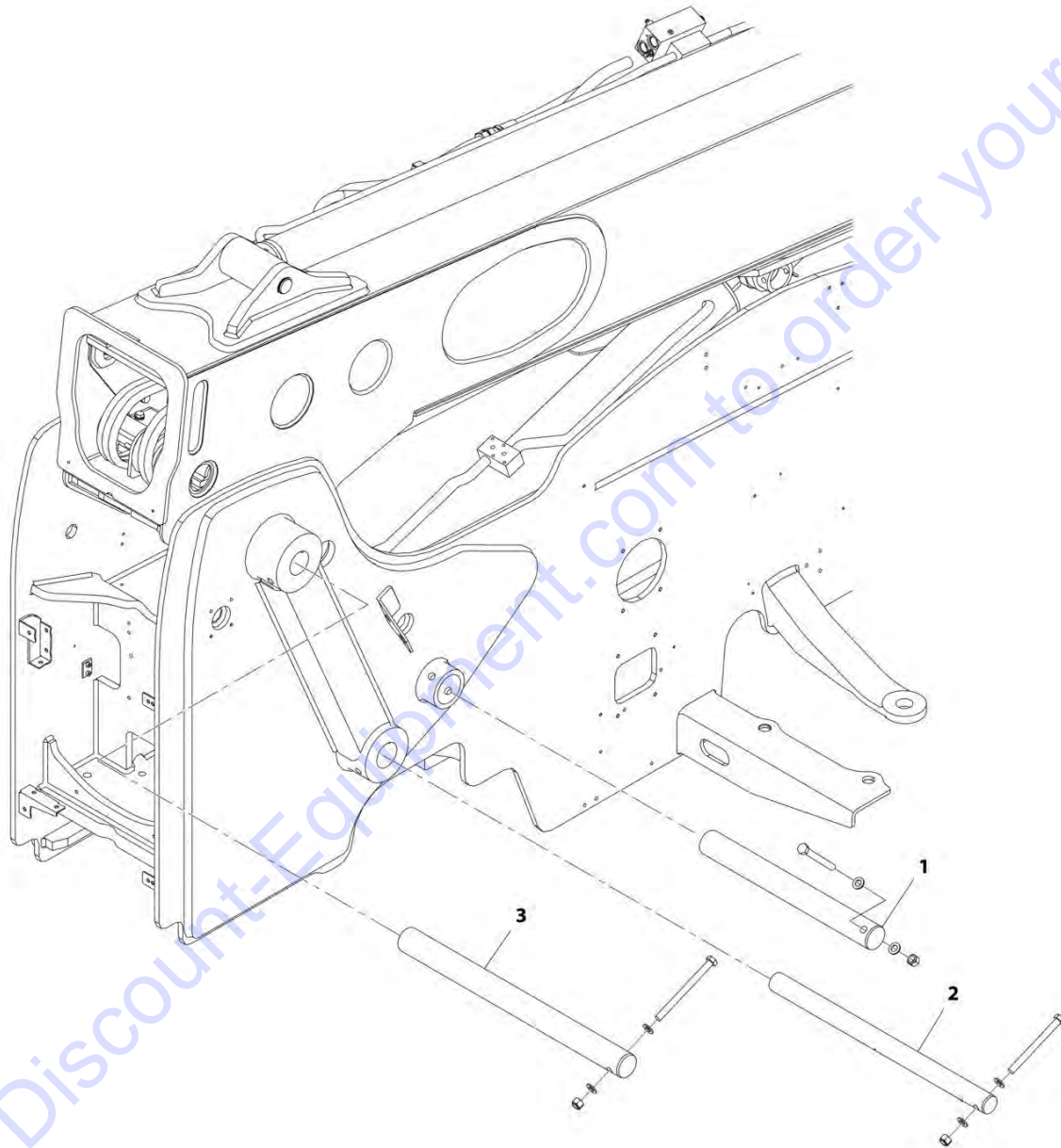
FIGURE 2-18. HOSE BRACKET INSTALLATION (943, 1043)

ITEM	PART NUMBER	QTY	DESCRIPTION	REV
	1001168630	Ref	Hose Bracket Installation (943, 1043)	B
1	0760615	4	Bolt, M6X35	
2	3290605	4	Nut, Lock M6X1 Grade 8	
3	4811700	4	Washer, M6	
4	1001168632	1	Bracket	
5	1001169209	2	Plate	
6	1001169214	4	Spacer	

Go to Discount-Equipment.com to order your parts

SECTION 2 - BOOM

FIGURE 2-19. BOOM PINNING INSTALLATION (642, 742)



ART_1001168634-B

SECTION 2 - BOOM

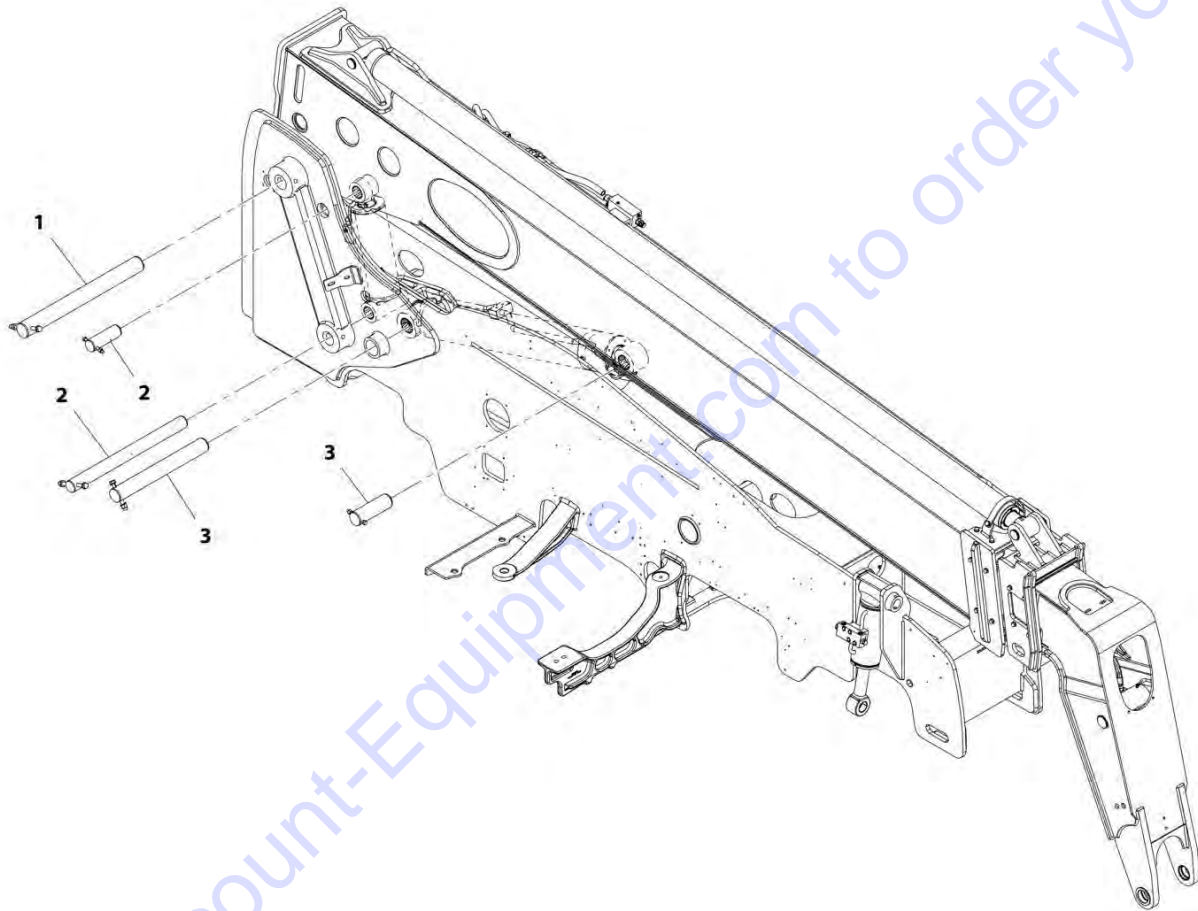
FIGURE 2-19. BOOM PINNING INSTALLATION (642, 742)

ITEM	PART NUMBER	QTY	DESCRIPTION	REV
1	1001168634	Ref	Boom Pinning Installation (642, 742)	B
	1001173111	Ref	Installation, Lift Cylinder Pins (642, 742) (See LIFT CYLINDER PINS INSTALLATION (642, 742) for Breakdown)	
2	1001173114	Ref	Installation, Compensation Cylinder Pins (642, 742) (See COMPENSATION CYLINDER PINS INSTALLATION (642, 742) for Breakdown)	
3	1001173117	Ref	Installation, Boom Pivot Pin (642, 742) (See BOOM PIVOT PIN INSTALLATION (642, 742) for Breakdown)	

Go to Discount-Equipment.com to order your parts

SECTION 2 - BOOM

FIGURE 2-20. BOOM PINNING INSTALLATION (943, 1043)



ART_1001168486-B

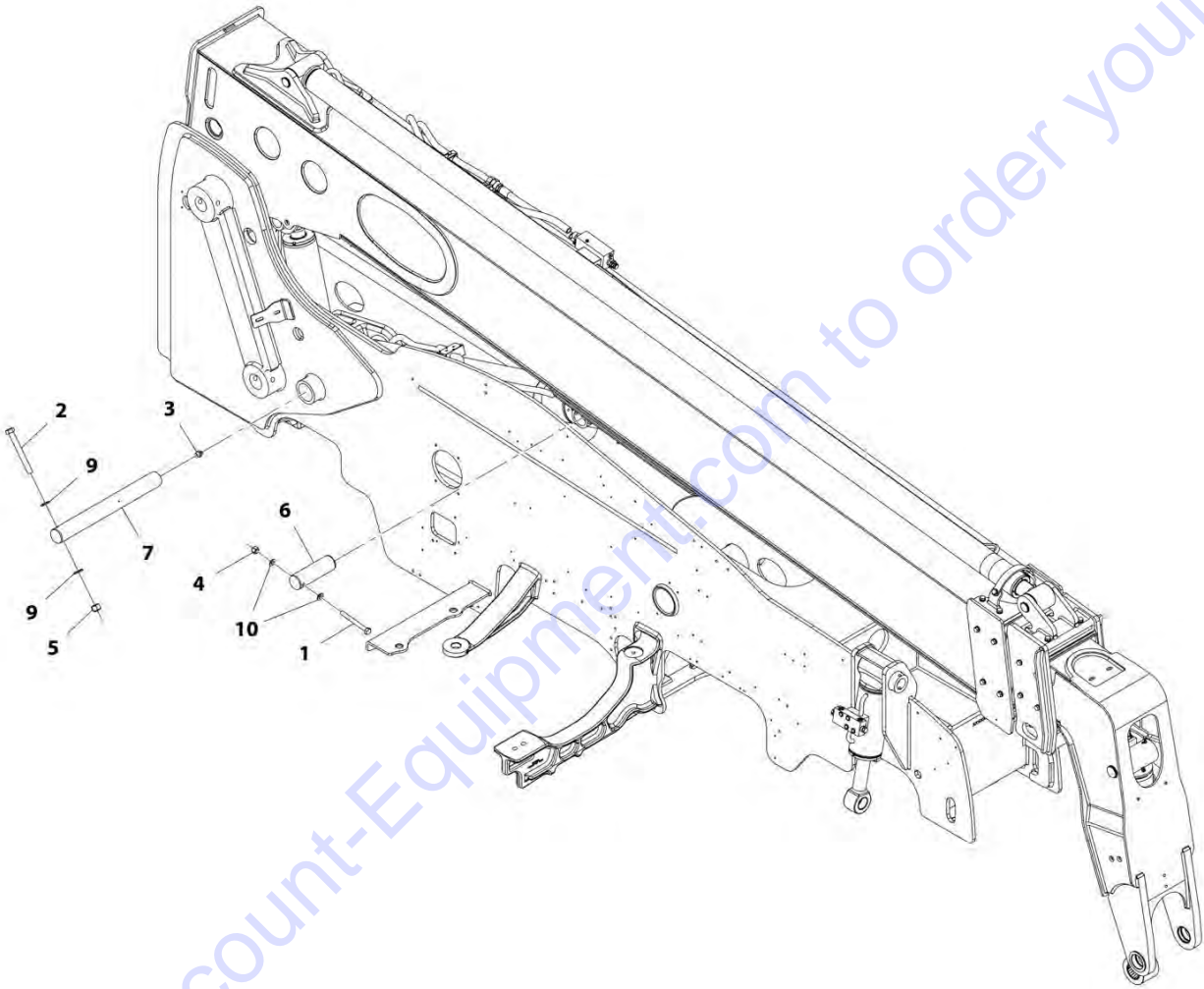
FIGURE 2-20. BOOM PINNING INSTALLATION (943, 1043)

ITEM	PART NUMBER	QTY	DESCRIPTION	REV
1	1001168486	Ref	Boom Pinning Installation (943, 1043)	B
	1001172344	Ref	Installation, Boom Pivot Pin (See BOOM PIVOT PIN INSTALLATION (943, 1043) for Breakdown)	
2	1001172345	Ref	Installation, Compensation Cylinder Pins (See COMPENSATION CYLINDER PINS INSTALLATION (943, 1043) for Breakdown)	
3	1001172346	Ref	Installation, Lift Cylinder Pins (See LIFT CYLINDER PINS INSTALLATION (943, 1043) for Breakdown)	

Go to Discount-Equipment.com to order your parts

SECTION 2 - BOOM

FIGURE 2-21. LIFT CYLINDER PINS INSTALLATION (642, 742)



ART_1001173111-F

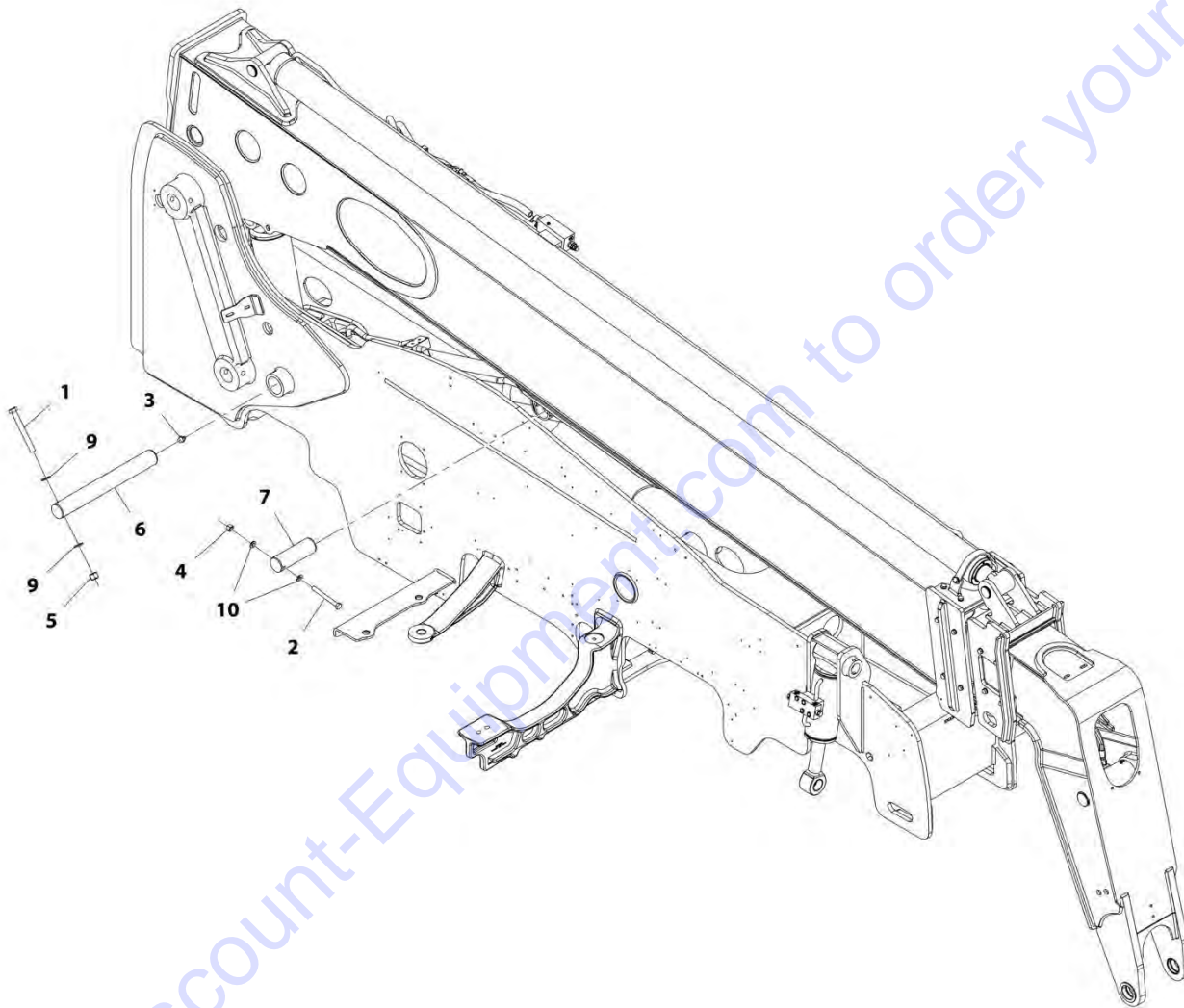
FIGURE 2-21. LIFT CYLINDER PINS INSTALLATION (642, 742)

ITEM	PART NUMBER	QTY	DESCRIPTION	REV
	1001173111	Ref	Lift Cylinder Pins Installation (642, 742)	F
1	0711228	1	Bolt, M12X110	
2	0711631	1	Bolt, M16X140	
3	2160016	1	Fitting, Grease	
4	3291205	1	Nut, Lock M12X1.75 Grade 8	
5	3291605	1	Nut, Lock M16X2 Grade 8	
6	1001205336	1	Pin, Cylinder	
7	1001173113	1	Pin, Cylinder	
9	4812300	2	Washer, M16	
10	4812100	2	Washer, M12	

Go to Discount-Equipment.com to order your parts

SECTION 2 - BOOM

FIGURE 2-22. LIFT CYLINDER PINS INSTALLATION (943, 1043)



ART_1001172346-G

SECTION 2 - BOOM

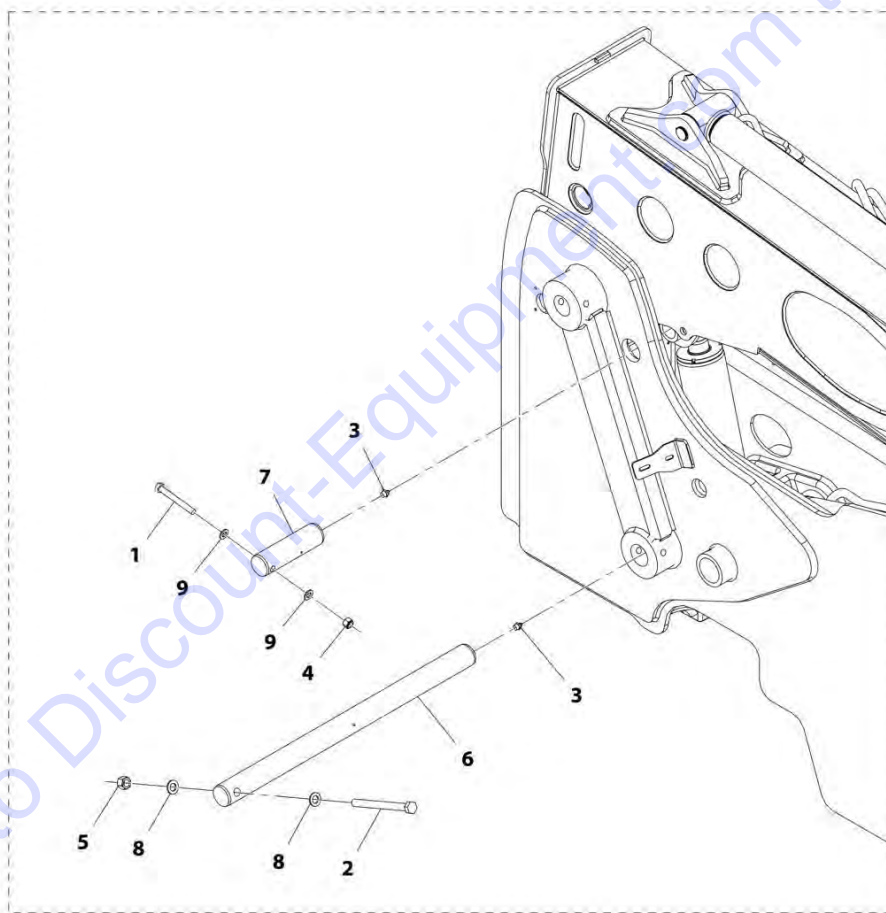
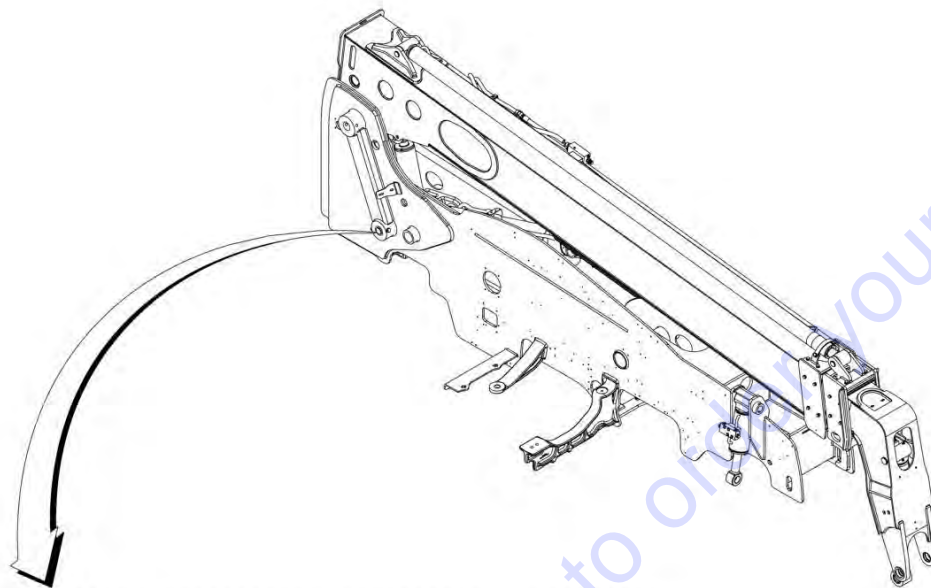
FIGURE 2-22. LIFT CYLINDER PINS INSTALLATION (943, 1043)

ITEM	PART NUMBER	QTY	DESCRIPTION	REV
	1001172346	Ref	Lift Cylinder Pins Installation (943, 1043)	G
1	0711631	1	Bolt, M16X140	
2	0711228	1	Bolt, M12X110	
3	2160016	1	Fitting, Grease	
4	3291205	1	Nut, Lock M12X1.75 Grade 8	
5	3291605	1	Nut, Lock M16X2 Grade 8	
6	1001172350	1	Pin, Cylinder	
7	1001205335	1	Pin, Cylinder	
9	4812300	2	Washer, M16	
10	4812100	2	Washer, M12	

Go to Discount-Equipment.com to order your parts

SECTION 2 - BOOM

FIGURE 2-23. COMPENSATION CYLINDER PINS INSTALLATION (642, 742)



ART_1001173114-D

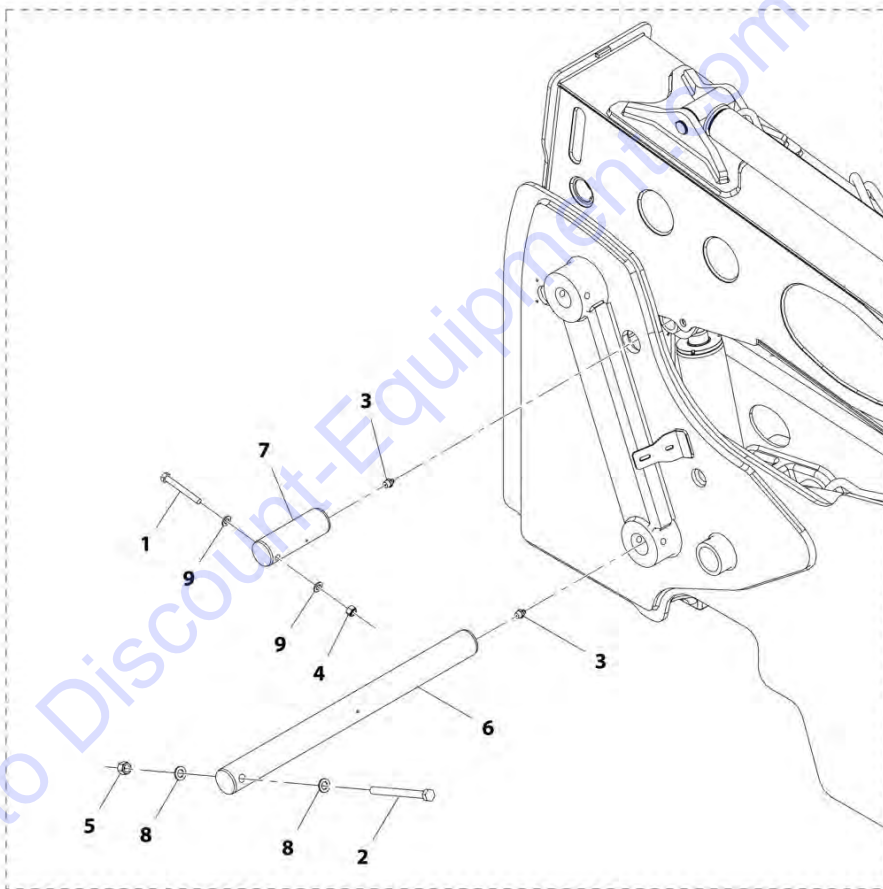
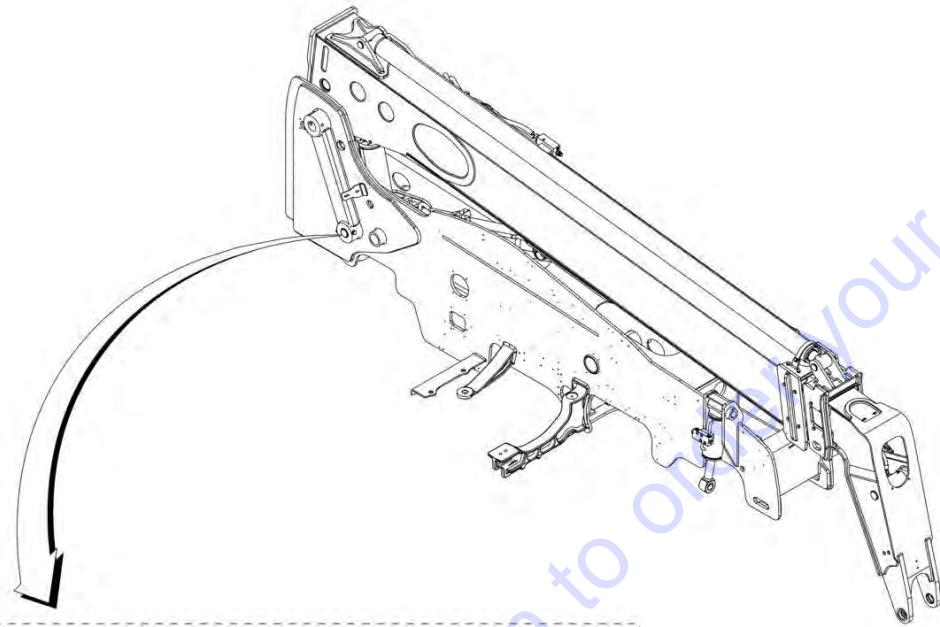
FIGURE 2-23. COMPENSATION CYLINDER PINS INSTALLATION (642, 742)

ITEM	PART NUMBER	QTY	DESCRIPTION	REV
	1001173114	Ref	Compensation Cylinder Pins Installation (642, 742)	D
1	0711227	1	Bolt, M12X100 Grade 10.9	
2	0711635	1	Bolt, M16X180 Grade 10.9	
3	2160016	2	Fitting, Grease	
4	3291205	1	Nut, Lock M12X1.75 Grade 8	
5	3291605	1	Nut, Lock M16X2 Grade 8	
6	1001173115	1	Pin, Cylinder Base	
7	1001173116	1	Pin, Cylinder End	
8	4812300	2	Washer, M16	
9	4812100	2	Washer, M12	

Go to Discount-Equipment.com to order your parts

SECTION 2 - BOOM

FIGURE 2-24. COMPENSATION CYLINDER PINS INSTALLATION (943, 1043)



ART_1001172345-D

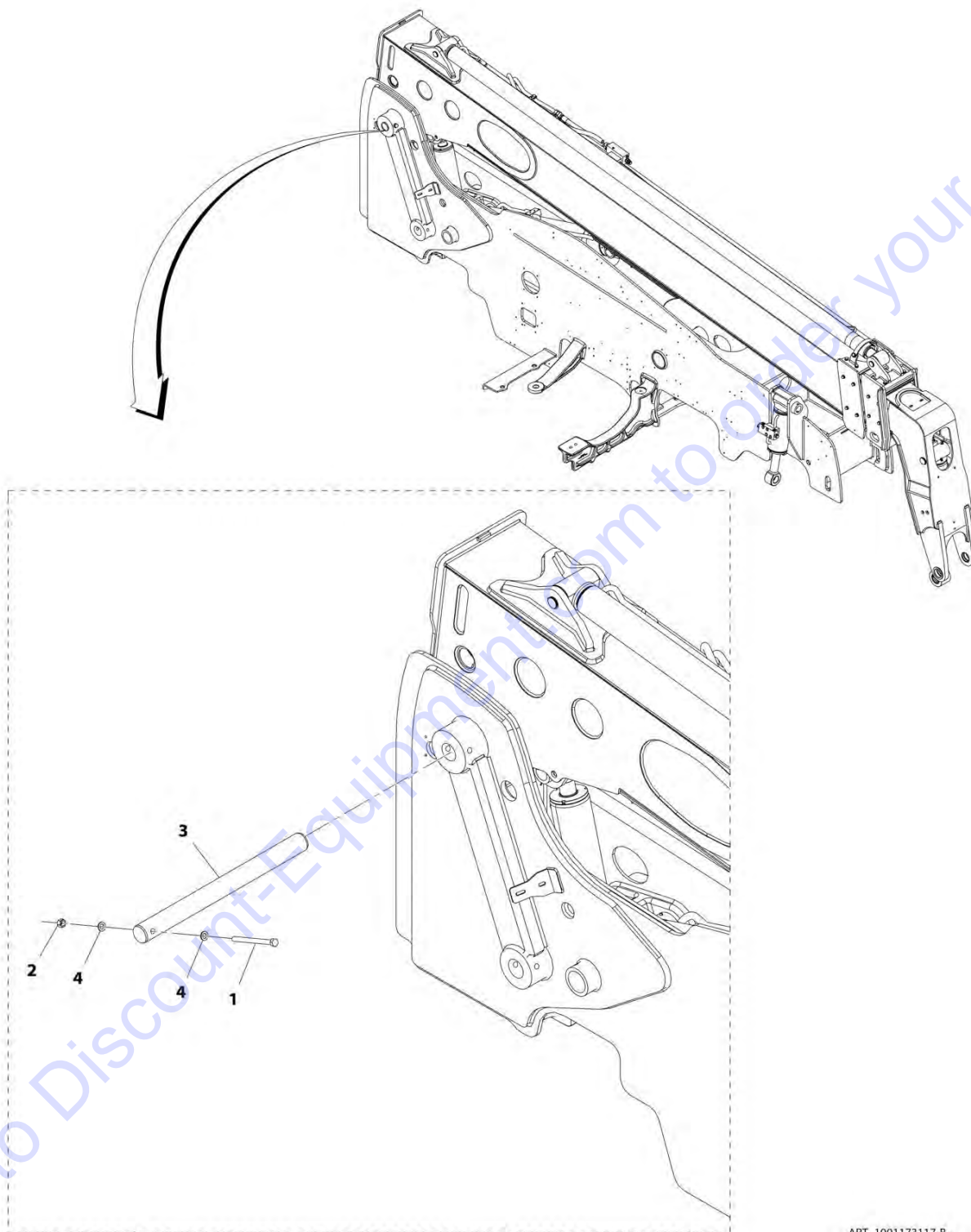
FIGURE 2-24. COMPENSATION CYLINDER PINS INSTALLATION (943, 1043)

ITEM	PART NUMBER	QTY	DESCRIPTION	REV
	1001172345	Ref	Compensation Cylinder Pins Installation (943, 1043)	D
1	0711229	1	Bolt, M12X120 Grade 10.9	
2	0711635	1	Bolt, M16X180 Grade 10.9	
3	2160016	2	Fitting, Grease	
4	3291205	1	Nut, Lock M12X1.75 Grade 8	
5	3291605	1	Nut, Lock M16X2 Grade 8	
6	1001172352	1	Pin, Cylinder Base	
7	1001172353	1	Pin, Cylinder End	
8	4812300	2	Washer, M16	
9	4812100	2	Washer, M12	

Go to Discount-Equipment.com to order your parts

SECTION 2 - BOOM

FIGURE 2-25. BOOM PIVOT PIN INSTALLATION (642, 742)



ART_1001173117-B

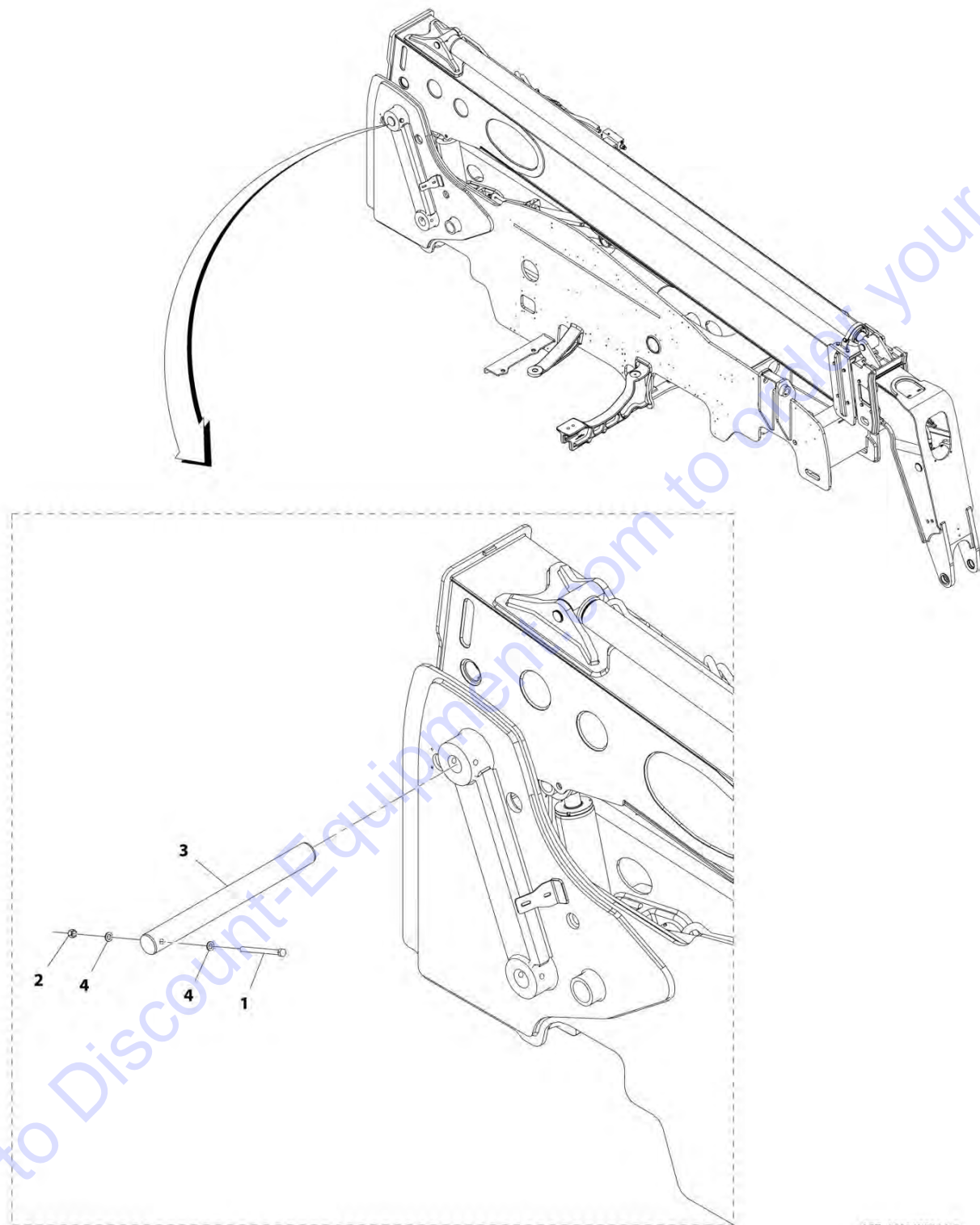
FIGURE 2-25. BOOM PIVOT PIN INSTALLATION (642, 742)

ITEM	PART NUMBER	QTY	DESCRIPTION	REV
	1001173117	Ref	Boom Pivot Pin Installation (642, 742)	B
1	1001091951	1	Bolt, M16X200	
2	3291605	1	Nut, Lock M16X2 Grade 8	
3	1001173118	1	Pin	
4	4812300	2	Washer, M16	

Go to Discount-Equipment.com to order your parts

SECTION 2 - BOOM

FIGURE 2-26. BOOM PIVOT PIN INSTALLATION (943, 1043)



ART_1001172344-C

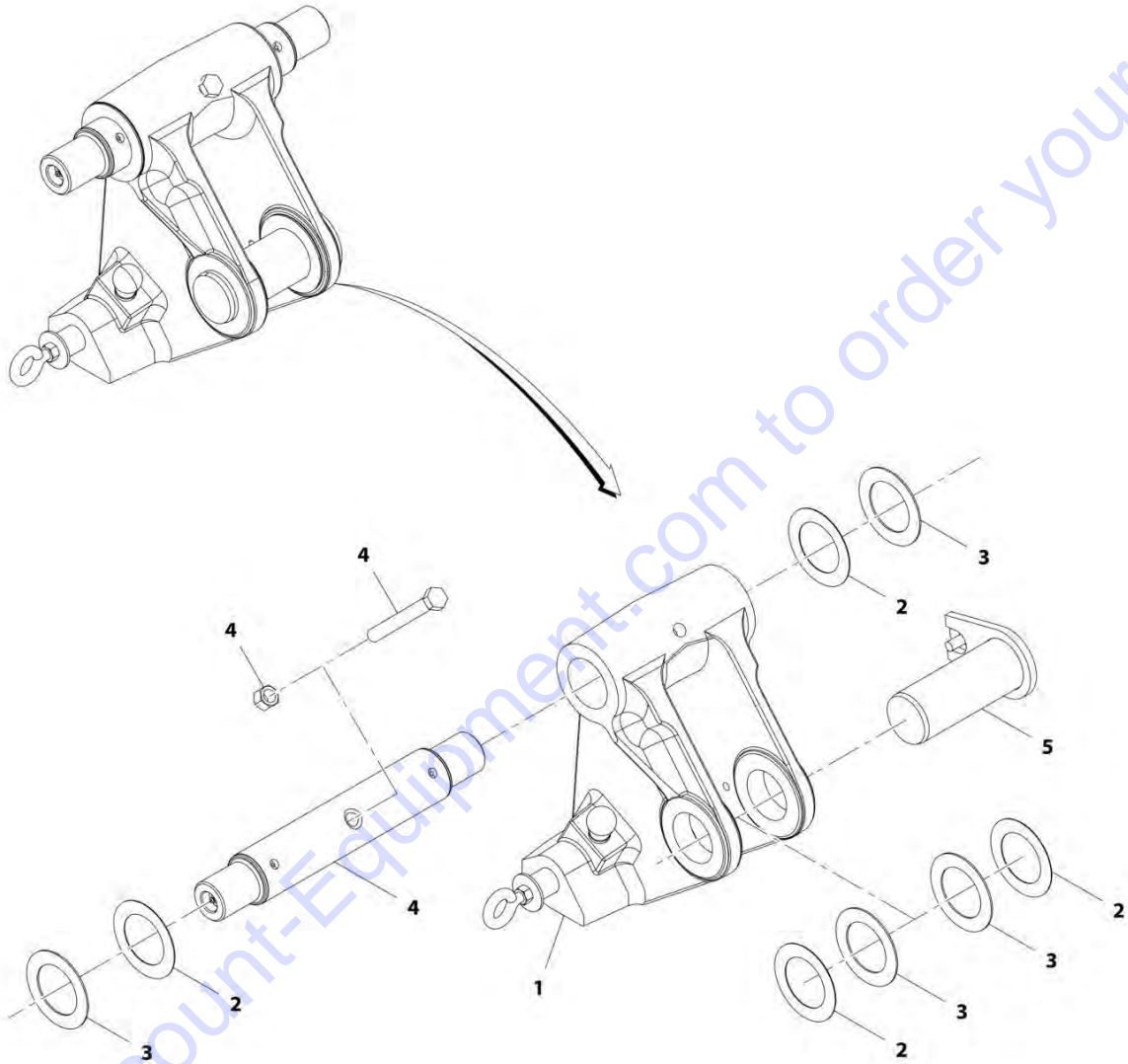
FIGURE 2-26. BOOM PIVOT PIN INSTALLATION (943, 1043)

ITEM	PART NUMBER	QTY	DESCRIPTION	REV
	1001172344	Ref	Boom Pivot Pin Installation (943, 1043)	C
1	1001091951	1	Bolt, M16X200	
2	3291605	1	Nut, Lock M16X2 Grade 8	
3	1001166975	1	Pin	
4	4812300	2	Washer, M16	

Go to Discount-Equipment.com to order your parts

SECTION 2 - BOOM

FIGURE 2-27. MANUAL QUICK COUPLER INSTALLATION



ART_1001170628-A

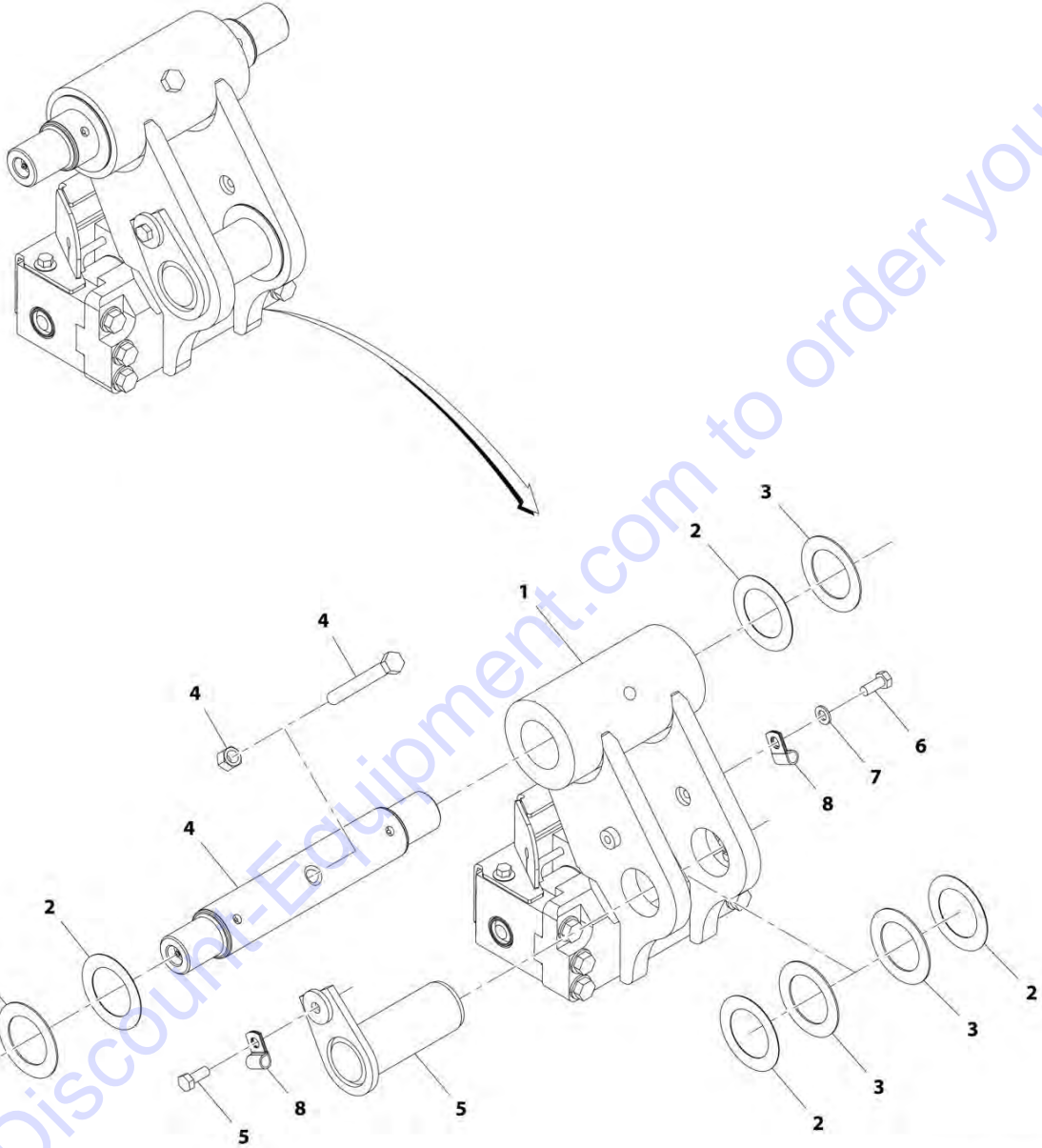
FIGURE 2-27. MANUAL QUICK COUPLER INSTALLATION

ITEM	PART NUMBER	QTY	DESCRIPTION	REV
1	1001170628	Ref	Manual Quick Coupler Installation	A
	1001171764	1	Coupling, Quick Connect, (See Separate Breakdown in this Section)	
2	1001164884	AR	Shim	
3	1001164885	AR	Shim	
4	1001167761	Ref	Installation, Boom Pin (See BOOM PIN INSTALLATION for Breakdown)	
5	1001167762	Ref	Installation, Tilt Cylinder Pin (See TILT CYLINDER PIN INSTALLATION for Breakdown)	

Go to Discount-Equipment.com to order your parts

SECTION 2 - BOOM

FIGURE 2-28. HYDRAULIC QUICK COUPLER INSTALLATION



ART_1001170631-B

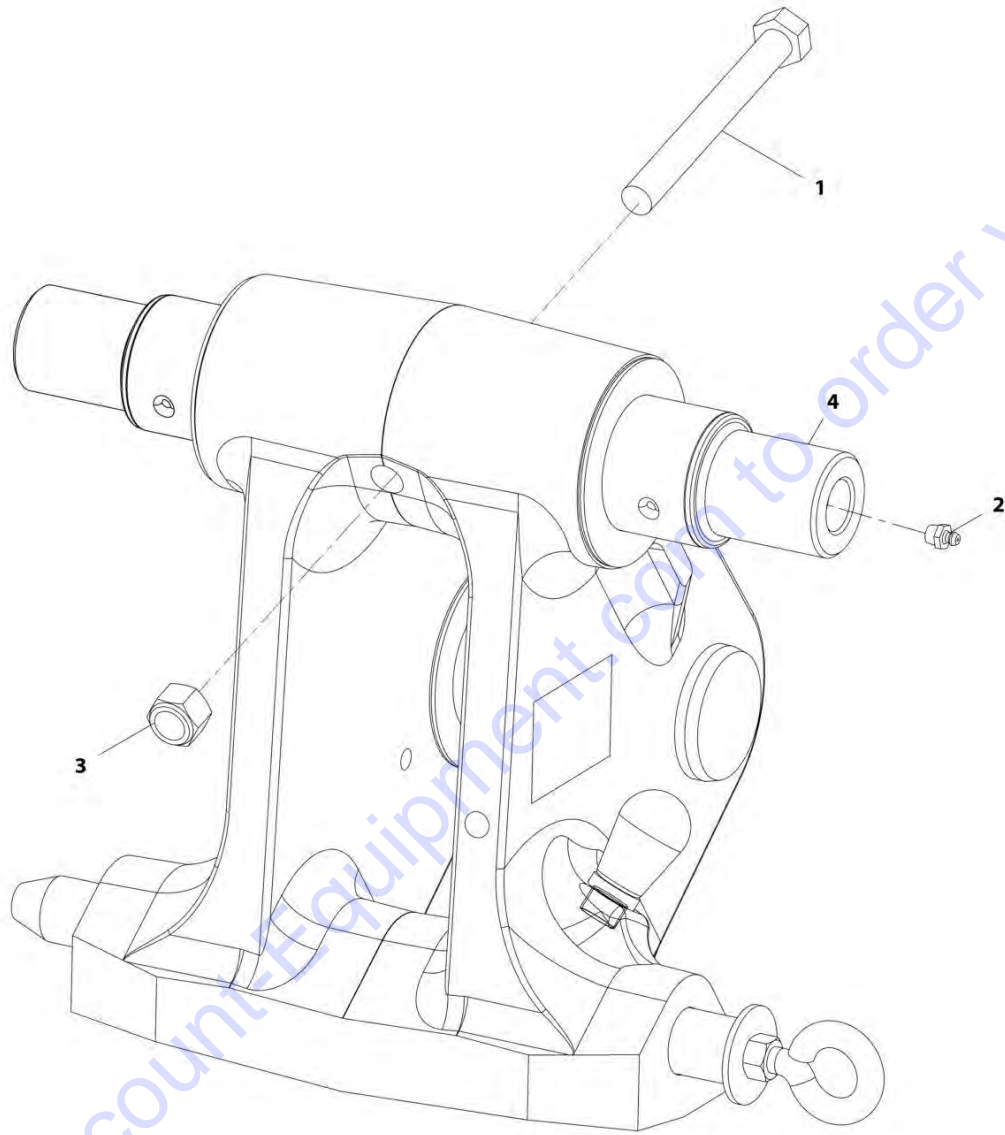
FIGURE 2-28. HYDRAULIC QUICK COUPLER INSTALLATION

ITEM	PART NUMBER	QTY	DESCRIPTION	REV
	1001170631	Ref	Hydraulic Quick Coupler Installation	B
1	1001172134	1	Assembly, Hydraulic Quick Coupler (See HYDRAULIC CIRCUITS SECTION for Breakdown)	
2	1001164884	AR	Shim	
3	1001164885	AR	Shim	
4	1001167761	Ref	Installation, Boom Pin (See BOOM PIN INSTALLATION for Breakdown)	
5	1001167762	Ref	Installation, Tilt Cylinder Pin (See TILT CYLINDER PIN INSTALLATION for Breakdown)	
6	0761214	1	Capscrew, M12X30	
7	4812100	1	Washer, M12	
8	1001080996	2	Clamp	

Go to Discount-Equipment.com to order your parts

SECTION 2 - BOOM

FIGURE 2-29. BOOM PIN INSTALLATION



ART_1001167761-B

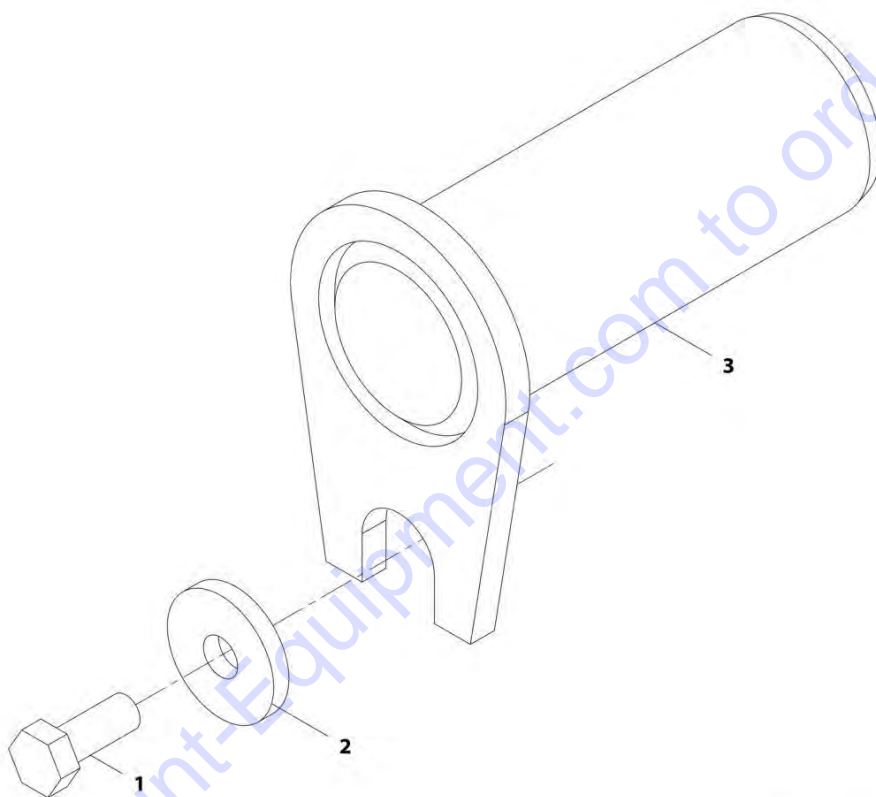
FIGURE 2-29. BOOM PIN INSTALLATION

ITEM	PART NUMBER	QTY	DESCRIPTION	REV
	1001167761	Ref	Boom Pin Installation	B
1	0711631	1	Bolt, M16X140	
2	2160016	2	Fitting, Straight	
3	3291605	1	Nut, Lock M16X2	
4	1001164871	1	Pin	

Go to Discount-Equipment.com to order your parts

SECTION 2 - BOOM

FIGURE 2-30. TILT CYLINDER PIN INSTALLATION



ART_1001167762-A

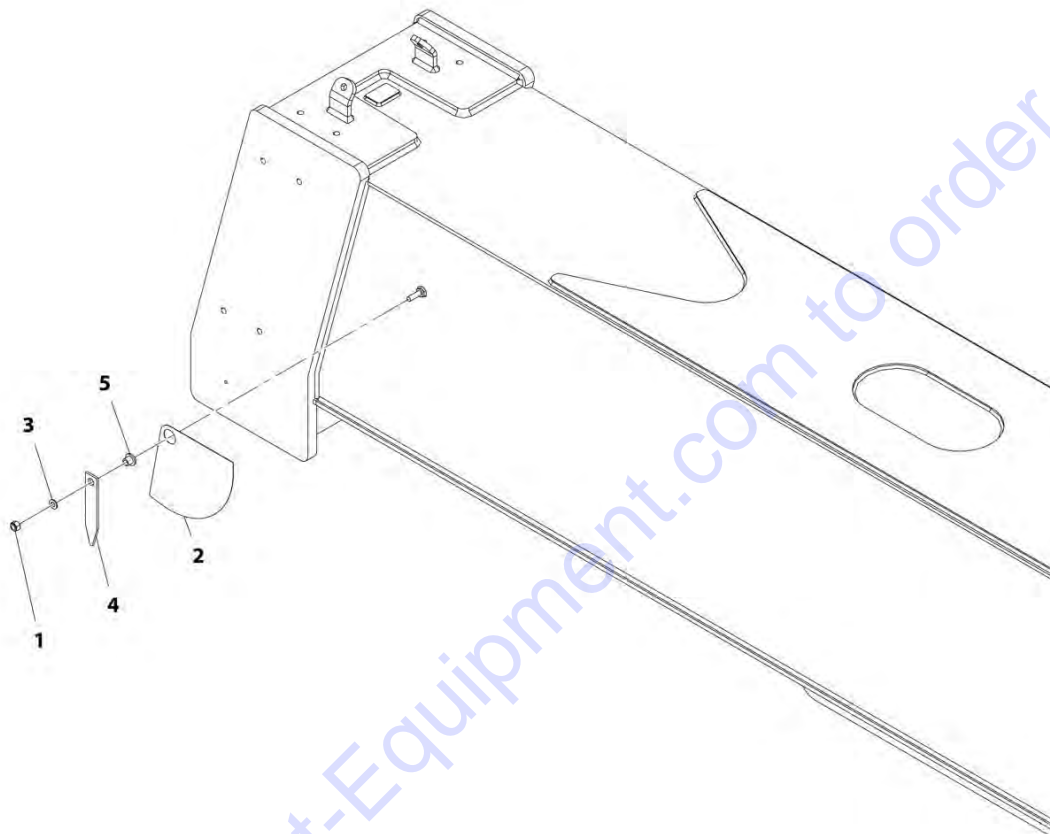
FIGURE 2-30. TILT CYLINDER PIN INSTALLATION

ITEM	PART NUMBER	QTY	DESCRIPTION	REV
	1001167762	Ref	Tilt Cylinder Pin Installation	A
1	0761214	1	Bolt, M12X30	
2	4740003	1	Washer	
3	1001164881	1	Pin	

Go to Discount-Equipment.com to order your parts

SECTION 2 - BOOM

FIGURE 2-31. BOOM ANGLE INDICATOR INSTALLATION



ART_1001167806-B

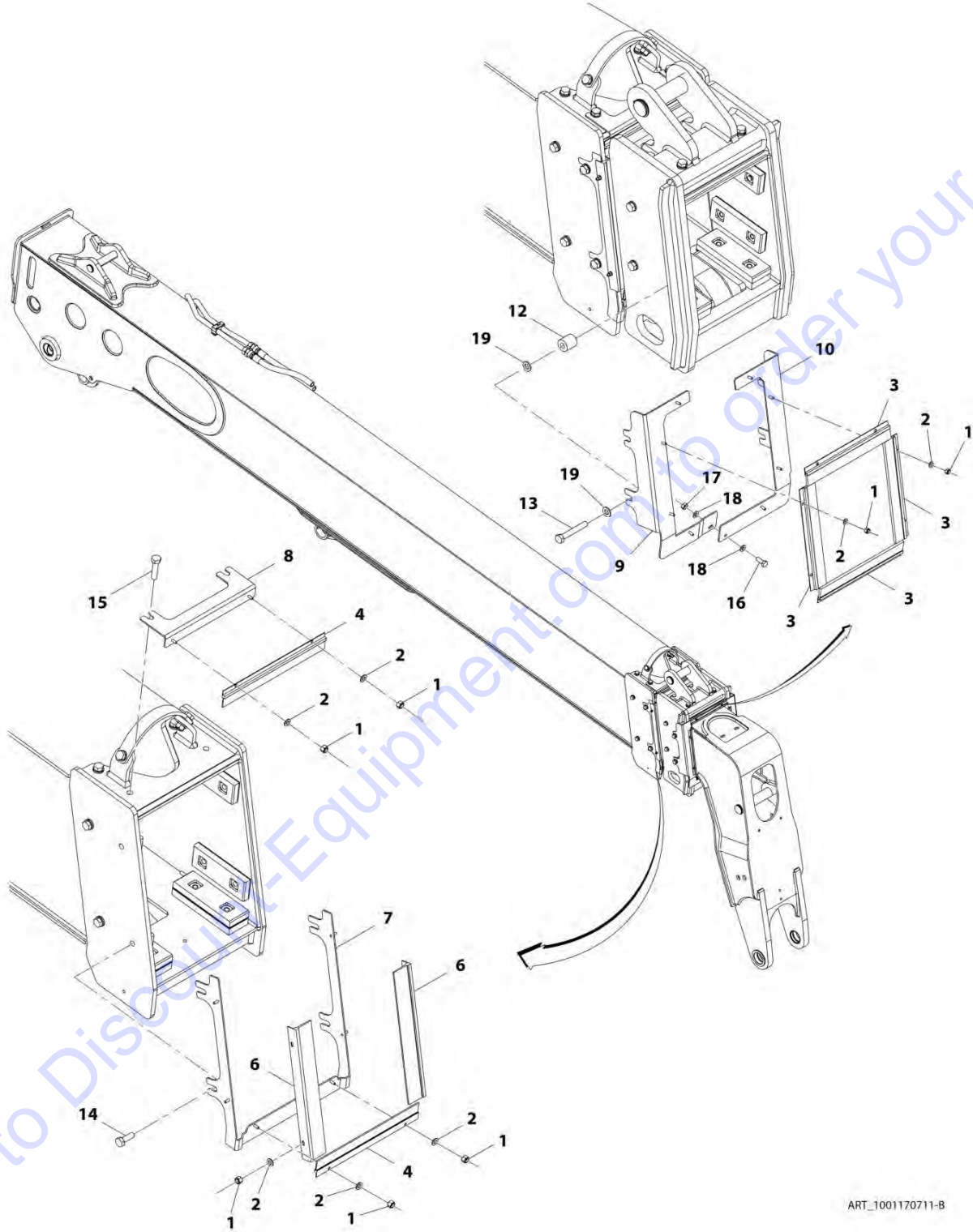
FIGURE 2-31. BOOM ANGLE INDICATOR INSTALLATION

ITEM	PART NUMBER	QTY	DESCRIPTION	REV
	1001167806	Ref	Boom Angle Indicator Installation	B
1	3291005	1	Nut, Lock M10X1.5 Grade 8	
2	4105262	1	Decal, Boom Angle Indicator	
3	4812000	1	Washer, M10	
4	1001098769	1	Plate	
5	1001171808	1	Spacer	

Go to Discount-Equipment.com to order your parts

SECTION 2 - BOOM

FIGURE 2-32. BOOM BRUSHES INSTALLATION (642, 742)



ART_1001170711-B

SECTION 2 - BOOM

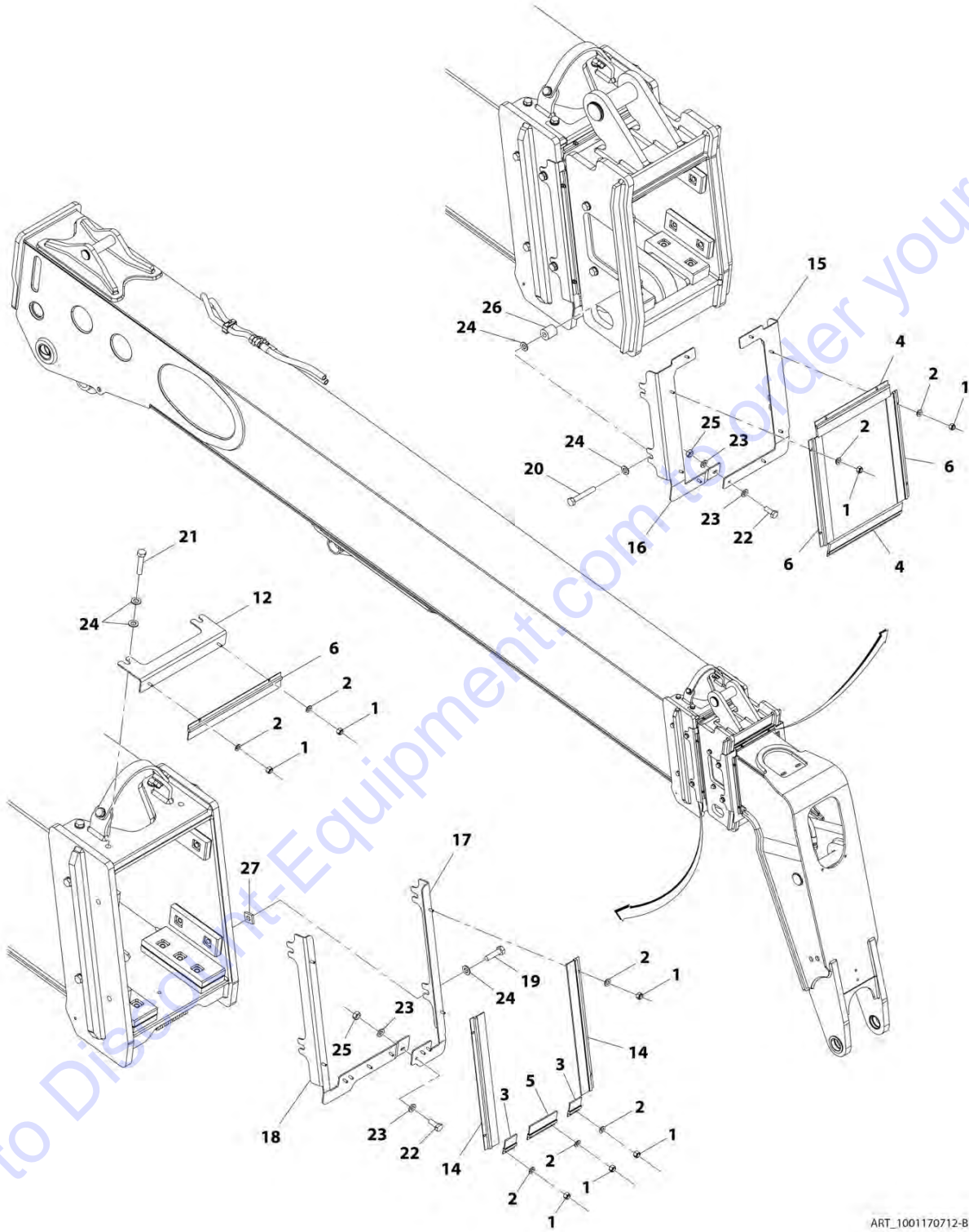
FIGURE 2-32. BOOM BRUSHES INSTALLATION (642, 742)

ITEM	PART NUMBER	QTY	DESCRIPTION	REV
	1001170711	Ref	Boom Brushes Installation (642, 742)	B
1	3290505	16	Nut, Lock M5X0.8 Grade 8	
2	4811600	16	Washer, M5	
3	1001172995	4	Brush, Boom	
4	1001172997	2	Brush, Boom	
6	1001172999	2	Brush, Boom	
7	1001175485	1	Bracket, Boom Brush	
8	1001175486	1	Bracket, Boom Brush	
9	1001196931	1	Bracket, Boom Brush	
10	1001196929	1	Bracket, Boom Brush	
12	1001193577	4	Spacer	
13	0701224	4	Bolt, M12X80	
14	0711215	4	Bolt, M12X35 Grade 10.9	
15	0711218	2	Bolt, M12X50 Grade 10.9	
16	0760608	1	Bolt, M6X16	
17	3290601	1	Nut, M6X1	
18	4811700	2	Washer, M6	
19	1001125117	4	Washer, M12	

Go to Discount-Equipment.com to order your parts

SECTION 2 - BOOM

FIGURE 2-33. BOOM BRUSHES INSTALLATION (943, 1043)



ART_1001170712-B

SECTION 2 - BOOM

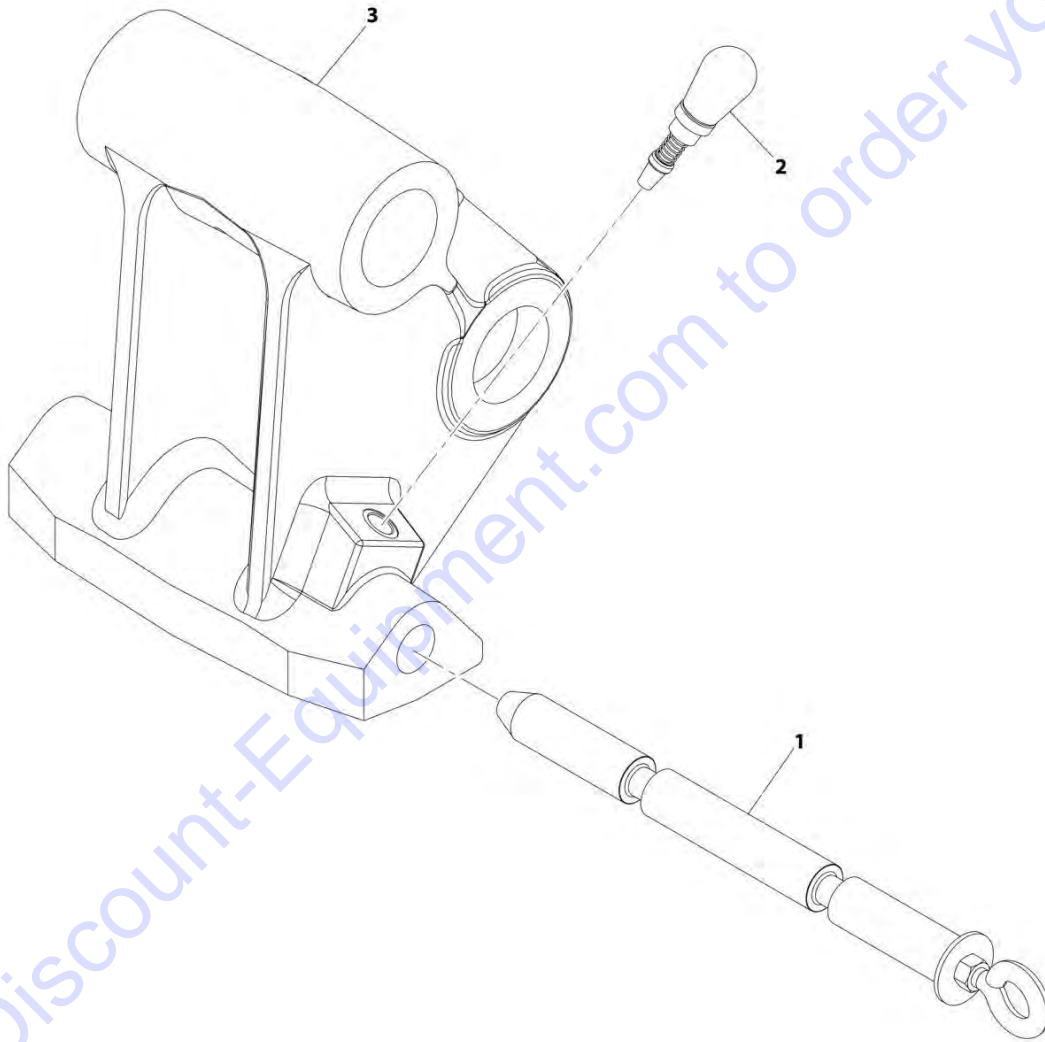
FIGURE 2-33. BOOM BRUSHES INSTALLATION (943, 1043)

ITEM	PART NUMBER	QTY	DESCRIPTION	REV
	1001170712	Ref	Boom Brushes Installation (943, 1043)	B
1	3290505	20	Nut, Lock M5X0.8 Grade 8	
2	4811600	20	Washer, M5	
3	1001172994	2	Brush, Boom	
4	1001172995	2	Brush, Boom	
5	1001172996	1	Brush, Boom	
6	1001172997	3	Brush, Boom	
12	1001175683	1	Bracket, Boom Brush	
14	1001173739	2	Brush, Boom	
15	1001193578	1	Bracket, Boom Brush	
16	1001193579	1	Bracket, Boom Brush	
17	1001194785	1	Bracket, Boom Brush	
18	1001194787	1	Bracket, Boom Brush	
19	0701217	4	Bolt, M12X45	
20	0701224	4	Bolt, M12X80	
21	0711220	2	Bolt, M12-1.75X60 Grade 10.9	
22	0760608	2	Bolt, M6X16	
23	4811700	4	Washer, M6	
24	1001125117	16	Washer, M12	
25	3290601	2	Nut, M6X1	
26	1001193577	4	Spacer	
27	1001194789	4	Plate	

Go to Discount-Equipment.com to order your parts

SECTION 2 - BOOM

FIGURE 2-34. QUICK COUPLER ASSEMBLY



ART_1001171764-A

FIGURE 2-34. QUICK COUPLER ASSEMBLY

ITEM	PART NUMBER	QTY	DESCRIPTION	REV
	1001171764	Ref	Quick Coupler Assembly	A
1	1001105441	1	Pin	
2	1001143692	1	Pin, Poppin	
3	1001164567	1	Coupling, Quick Connect	

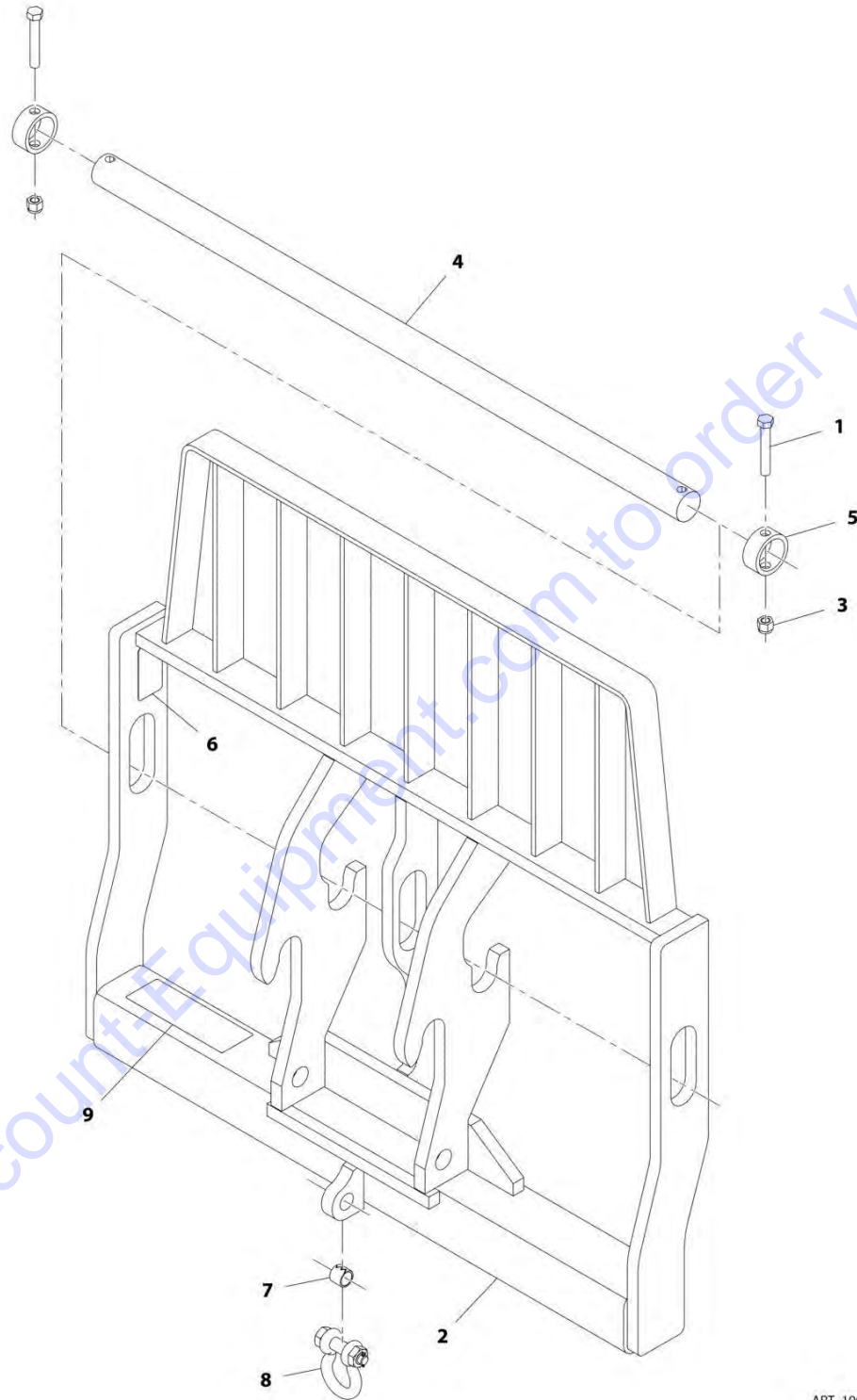
Go to Discount-Equipment.com to order your parts

SECTION 3 - ATTACHMENTS

Go to Discount-Equipment.com to order your parts

SECTION 3 - ATTACHMENTS

FIGURE 3-1. CARRIAGE ASSEMBLY (50 INCH) (Prior to SN 0160075708)



ART_1001146084-D

SECTION 3 - ATTACHMENTS

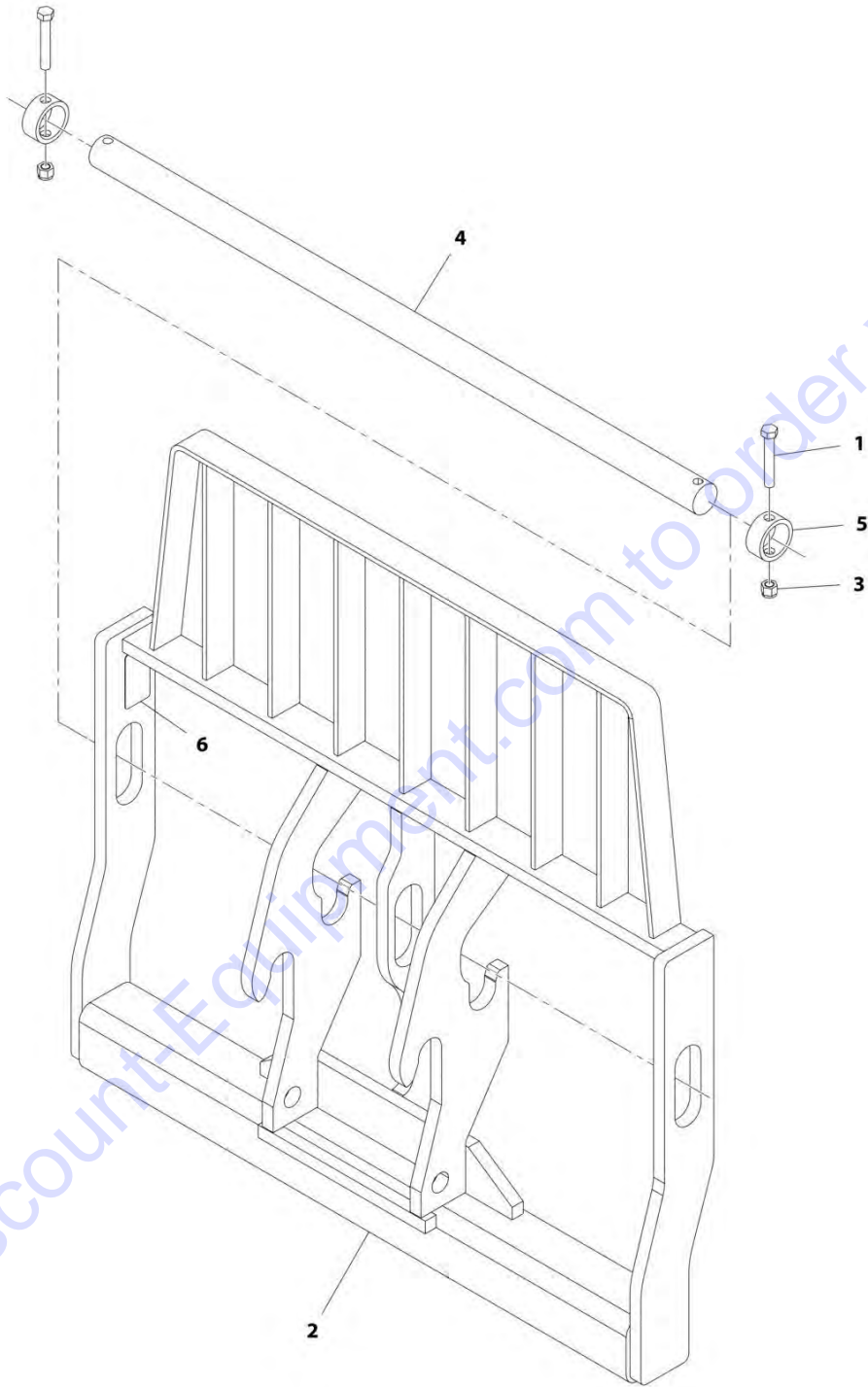
FIGURE 3-1. CARRIAGE ASSEMBLY (50 INCH) (Prior to SN 0160075708)

ITEM	PART NUMBER	QTY	DESCRIPTION	REV
	1001146084	1	Carriage Assembly (50 Inch)	D
1	0642032	2	Bolt, 5/8-11X4	
2	N.S.S.	1	Weldment, Carriage	
3	3300240	2	Nut, Lock 5/8-11	
4	3423275	1	Pin, Fork	
5	90200003	2	Collar, Fork Pin	
6	N.S.S.	1	S/N Plate	
7	1001146159	1	Sleeve, Insert	
8	1001146160	1	Shackle	
9	1001151561	1	Decal, Danger Swinging Loads	

Go to Discount-Equipment.com to order your parts

SECTION 3 - ATTACHMENTS

FIGURE 3-2. CARRIAGE ASSEMBLY (50 INCH) (SN 0160075708 to Present)



ART_1170021-F

SECTION 3 - ATTACHMENTS

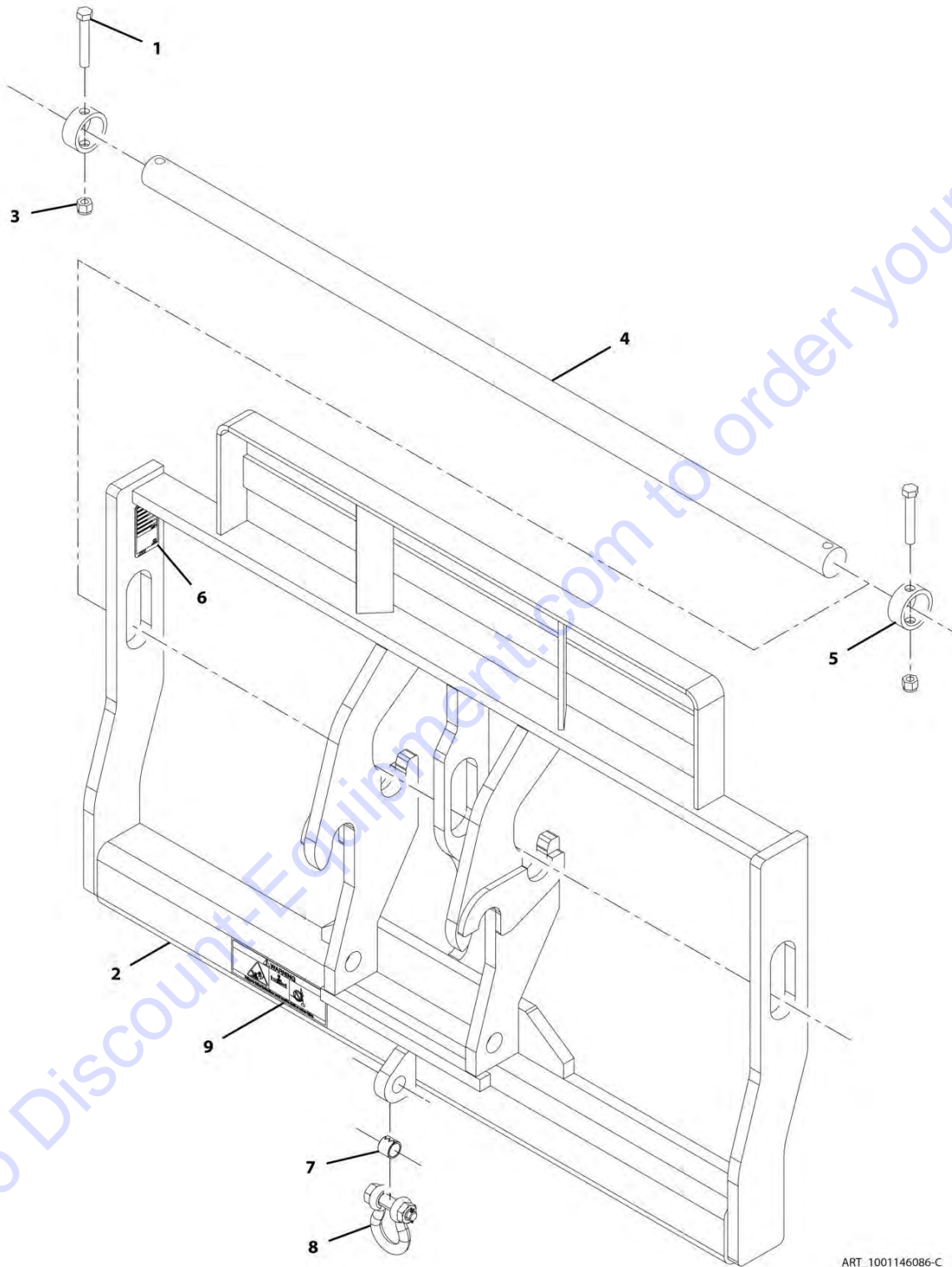
FIGURE 3-2. CARRIAGE ASSEMBLY (50 INCH) (SN 0160075708 to Present)

ITEM	PART NUMBER	QTY	DESCRIPTION	REV
	1170021	Ref	Carriage Assembly (50 Inch)	F
1	0642032	2	Bolt, 5/8-11X4	
2	N.S.S.	1	Weldment, Carriage	
3	3300240	2	Nut, Lock 5/8-11	
4	3423275	1	Pin, Fork	
5	90200003	2	Collar, Fork Pin	
6	N.S.S.	1	S/N Plate	

Go to Discount-Equipment.com to order your parts

SECTION 3 - ATTACHMENTS

FIGURE 3-3. CARRIAGE ASSEMBLY (60 INCH) (Prior to SN 0160075708)



ART_1001146086-C

SECTION 3 - ATTACHMENTS

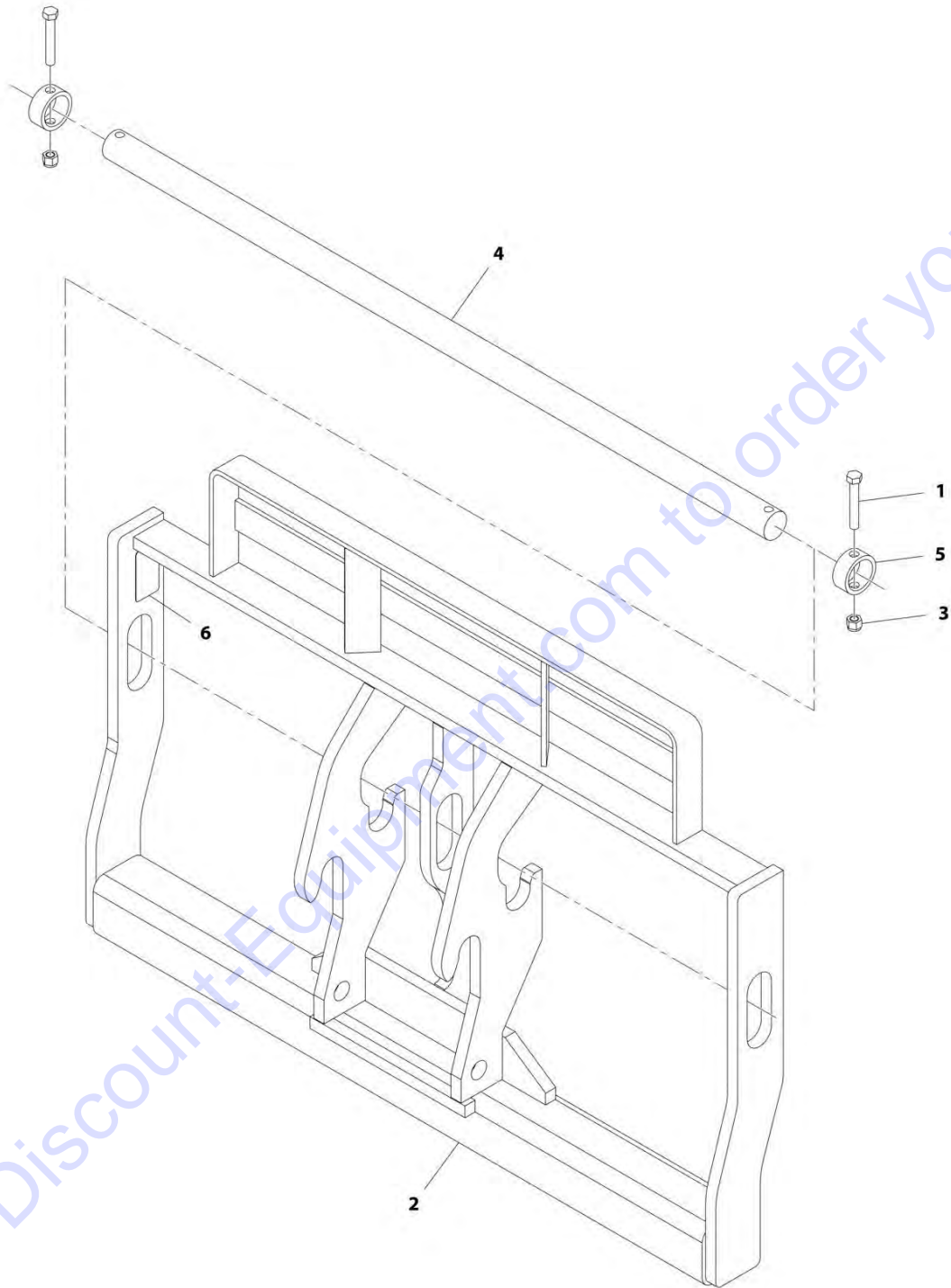
FIGURE 3-3. CARRIAGE ASSEMBLY (60 INCH) (Prior to SN 0160075708)

ITEM	PART NUMBER	QTY	DESCRIPTION	REV
	1001146086	1	Carriage Assembly (60 Inch)	C
1	0642032	2	Bolt, 5/8-11X4	
2	N.S.S.	1	Weldment, Carriage	
3	3300240	2	Nut, Lock 5/8-11	
4	3423242	1	Pin, Fork	
5	90200003	2	Collar, Fork Pin	
6	N.S.S.	1	S/N Plate	
7	1001146159	1	Sleeve, Insert	
8	1001146160	1	Shackle, Bolt 3/4	
9	1001151561	1	Decal, Danger Swinging Loads	

Go to Discount-Equipment.com to order your parts

SECTION 3 - ATTACHMENTS

FIGURE 3-4. CARRIAGE ASSEMBLY (60 INCH) (SN 0160075708 to Present)



ART_1170024-F

SECTION 3 - ATTACHMENTS

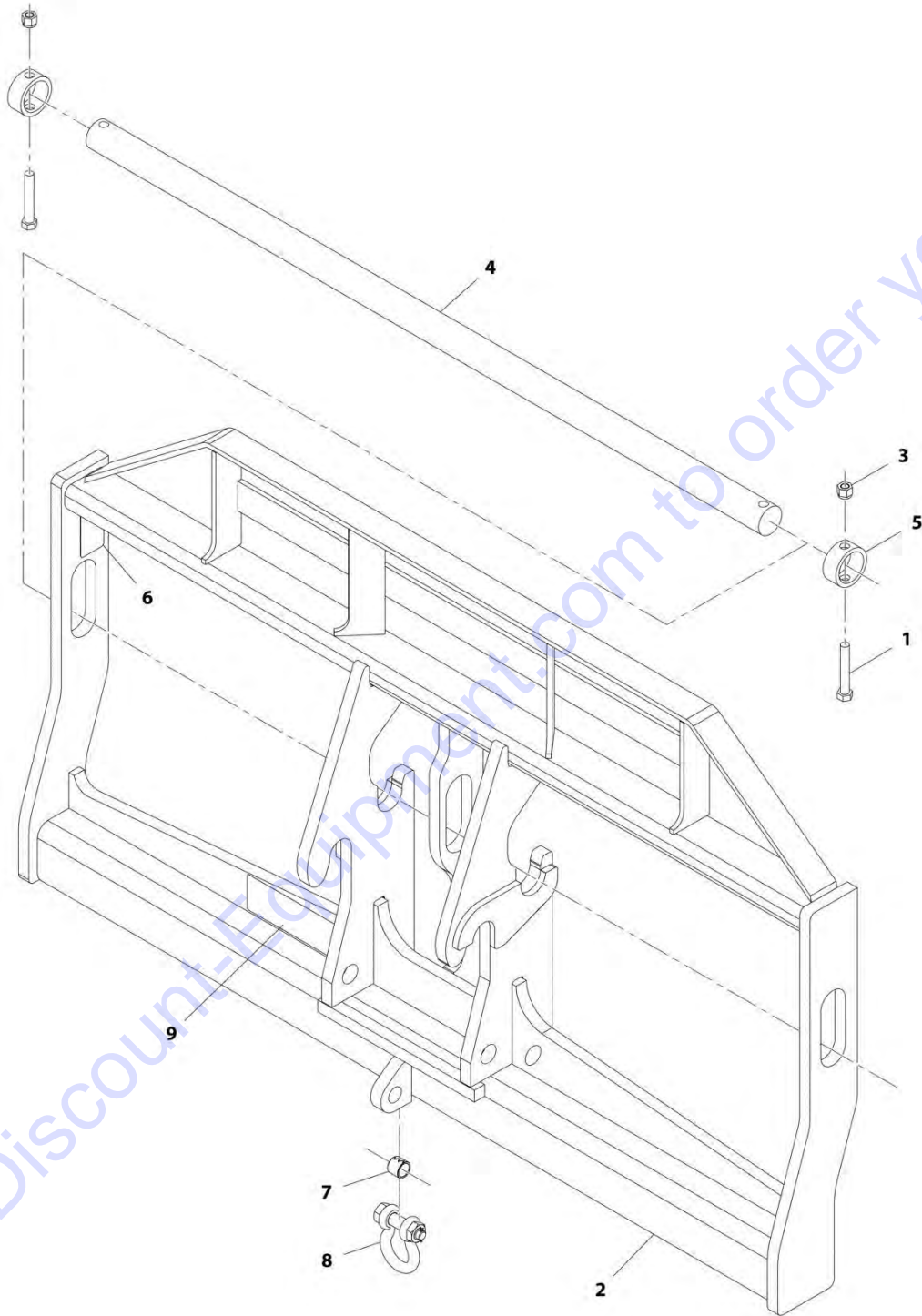
FIGURE 3-4. CARRIAGE ASSEMBLY (60 INCH) (SN 0160075708 to Present)

ITEM	PART NUMBER	QTY	DESCRIPTION	REV
	1170024	Ref	Carriage Assembly (60 Inch)	F
1	0642032	2	Bolt, 5/8-11X4	
2	N.S.S.	1	Weldment, Carriage	
3	3300240	2	Nut, Lock 5/8-11	
4	3423242	1	Pin, Fork	
5	90200003	2	Collar, Fork Pin	
6	N.S.S.	1	S/N Plate	

Go to Discount-Equipment.com to order your parts

SECTION 3 - ATTACHMENTS

FIGURE 3-5. CARRIAGE ASSEMBLY (72 INCH) (Prior to SN 0160075708)



ART_1001193794-D

SECTION 3 - ATTACHMENTS

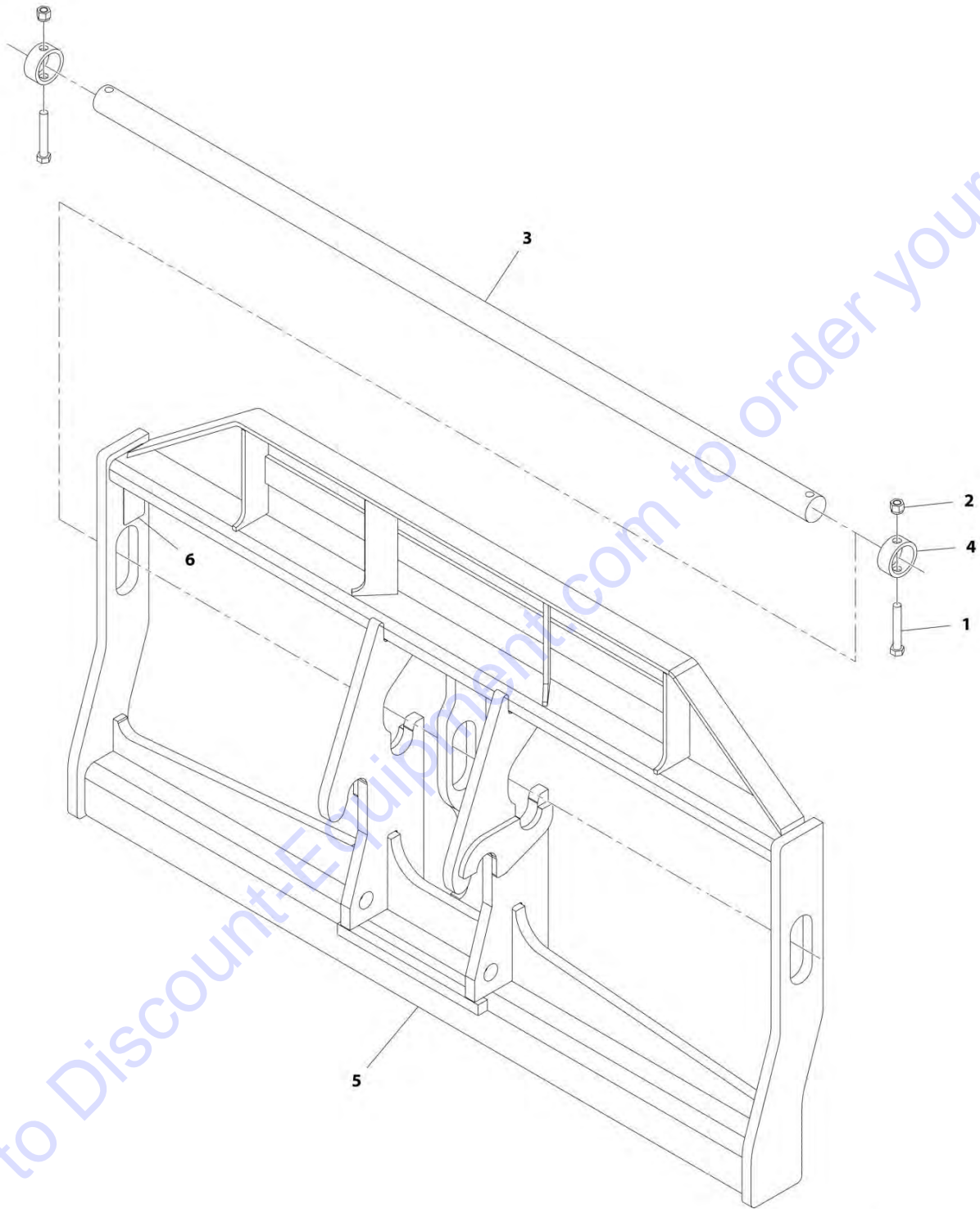
FIGURE 3-5. CARRIAGE ASSEMBLY (72 INCH) (Prior to SN 0160075708)

ITEM	PART NUMBER	QTY	DESCRIPTION	REV
	1001193794	Ref	Carriage Assembly (72 Inch)	D
1	0642032	2	Bolt, 5/8-11X4	
2	N.S.S.	1	Weldment, Carriage	
3	3300240	2	Nut, Lock 5/8-11	
4	3423276	1	Pin, Fork	
5	90200003	2	Collar, Fork Pin	
6	N.S.S.	1	S/N Plate	
7	1001146159	1	Sleeve, Insert	
8	1001146160	1	Shackle, Bolt 3/4	
9	1001151561	1	Decal, Danger Swinging Loads	

Go to Discount-Equipment.com to order your parts

SECTION 3 - ATTACHMENTS

FIGURE 3-6. CARRIAGE ASSEMBLY (72 INCH) (SN 0160075708 to Present)



ART_1001211516-A

SECTION 3 - ATTACHMENTS

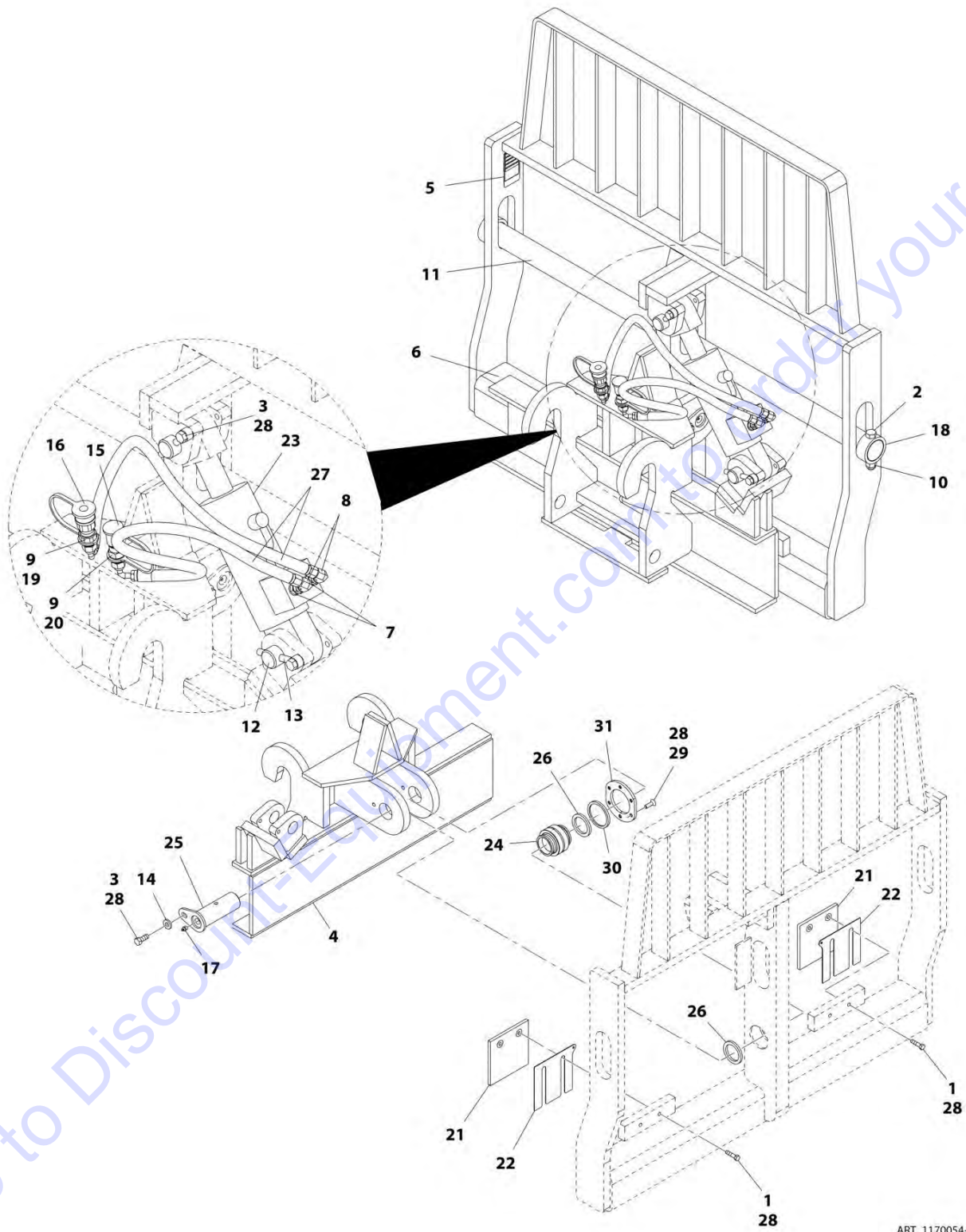
FIGURE 3-6. CARRIAGE ASSEMBLY (72 INCH) (SN 0160075708 to Present)

ITEM	PART NUMBER	QTY	DESCRIPTION	REV
	1001211516	Ref	Carriage Assembly (72 Inch)	A
1	0642032	2	Bolt, 5/8-11X4	
2	3300240	2	Nut, Lock 5/8-11	
3	3423276	1	Pin, Fork	
4	90200003	2	Collar, Fork Pin	
5	N.S.S.	1	Weldment, Carriage	
6	N.S.S.	1	S/N Plate	

Go to Discount-Equipment.com to order your parts

SECTION 3 - ATTACHMENTS

FIGURE 3-7. SIDE TILT CARRIAGE ASSEMBLY (50 INCH)



ART_1170054-M

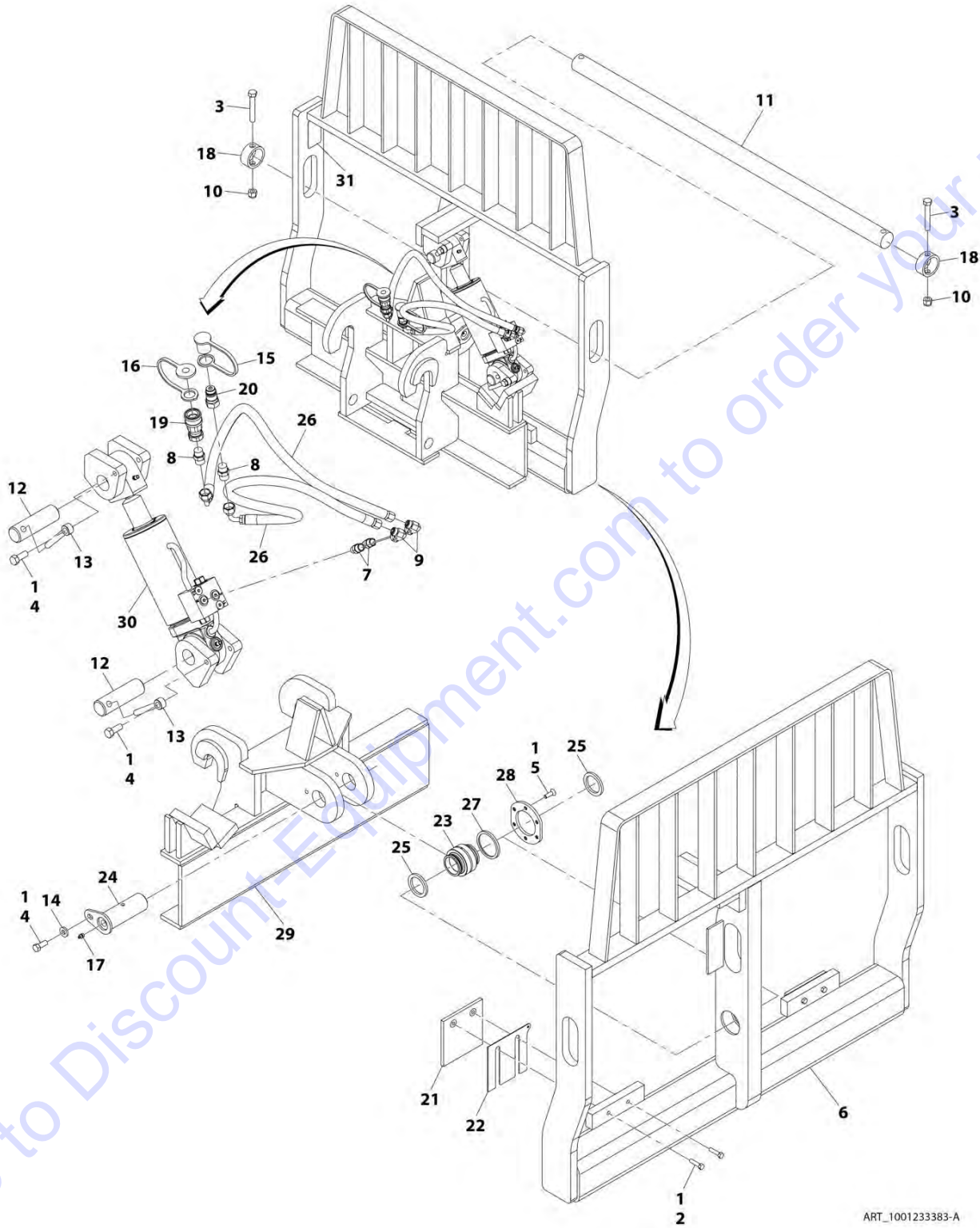
SECTION 3 - ATTACHMENTS

FIGURE 3-7. SIDE TILT CARRIAGE ASSEMBLY (50 INCH)

ITEM	PART NUMBER	QTY	DESCRIPTION	REV
	1170054	Ref	Side Tilt Carriage Assembly (50 Inch) - 642	M
	1170054	NLA	Side Tilt Carriage Assembly (50 Inch) - 742, 943, 1043 (no longer available, see items 1 through 31 for service or 1001233383 for replacement)	M
1	0641612	4	Bolt, 3/8-16X1-1/2	
2	0642032	2	Bolt, 5/8-11X4	
3	0681810	3	Bolt, 1/2-13X1-1/4	
4	1001133072	1	Carriage, Base Pivot	
5	N.S.S.	1	S/N Plate	
6	N.S.S.	1	Carriage, Side Tilt	
7	2110606	2	Adapter, Straight	
8	2172106	2	Adapter, 90	
9	2110808	2	Adapter, Straight	
10	3300240	2	Nut, Lock 5/8-11	
11	3423275	1	Pin, Fork	
12	3423307	2	Pin, Side Tilt Cylinder	
13	3841203	2	Keeper, Rod	
14	4891800	1	Washer, 1/2	
15	8420053	1	Cap, Dust	
16	8420055	1	Plug, Dust	
17	88671001	1	Fitting, Grease	
18	90200003	2	Collar, Fork Pin	
19	91403413	1	Adapter	
20	91403414	1	Adapter	
21	1001090063	2	Pad, Wear	
22	1001090064	AR	Shim, Wear Pad	
23	1001163414	1	Cylinder, Side Tilt (See HYDRAULIC COMPONENTS SECTION for Breakdown)	
24	1001090140	1	Bearing, Side Tilt Spherical	
25	1001099113	1	Pin, Side Tilt Frame Pivot	
26	1001099115	2	Sleeve, Tilt Bearing Spacer	
27	1001102378	2	Hose	
28	0100011	AR	Compound, Locking	
29	0741610	6	Screw, 3/8-16X1-1/4	
30	1001120914	1	Shim, Bearing Retainer	
31	1001120915	1	Plate, Bearing Retainer	

SECTION 3 - ATTACHMENTS

FIGURE 3-8. SIDE TILT CARRIAGE ASSEMBLY (50 INCH)



ART_1001233383-A

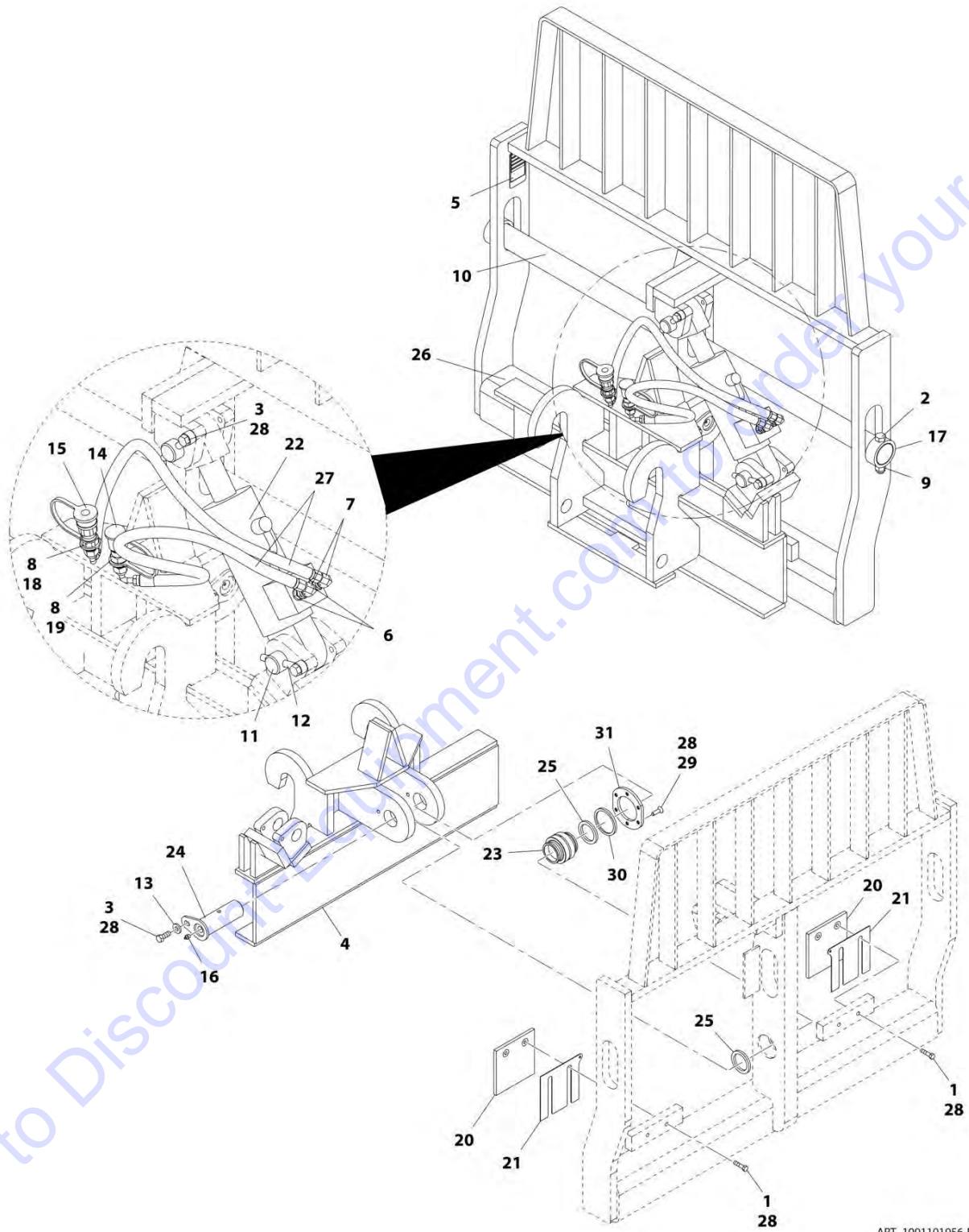
SECTION 3 - ATTACHMENTS

FIGURE 3-8. SIDE TILT CARRIAGE ASSEMBLY (50 INCH)

ITEM	PART NUMBER	QTY	DESCRIPTION	REV
	1001233383	Ref	Side Tilt Carriage Assembly (50 Inch) - 742, 943, 1043	A
1	0100011	AR	Compound, Locking	
2	0641612	4	Bolt, 3/8-16X1-1/2	
3	0642032	2	Bolt, 5/8-11X4	
4	0681810	3	Bolt, 1/2-13X1-1/4	
5	0741610	6	Screw, 3/8-16X1-1/4	
6	N.S.S.	1	Carriage, Side Tilt	
7	2110606	2	Adapter, Straight	
8	2110808	2	Adapter, Straight	
9	2172106	2	Adapter, 90	
10	3300240	2	Nut, Lock 5/8-11	
11	3423275	1	Pin, Fork	
12	3423307	2	Pin, Side Tilt Cylinder	
13	3841203	2	Keeper, Rod	
14	4891800	1	Washer, 1/2	
15	8420053	1	Cap, Dust	
16	8420055	1	Plug, Dust	
17	88671001	1	Fitting, Grease	
18	90200003	2	Collar, Fork Pin	
19	91403413	1	Adapter	
20	91403414	1	Adapter	
21	1001090063	2	Pad, Wear	
22	1001090064	AR	Shim, Wear Pad	
23	1001090140	1	Bearing, Side Tilt Spherical	
24	1001099113	1	Pin, Side Tilt Frame Pivot	
25	1001099115	2	Sleeve, Tilt Bearing Spacer	
26	1001102378	2	Hose	
27	1001120914	1	Shim, Bearing Retainer	
28	1001120915	1	Plate, Bearing Retainer	
29	1001133072	1	Carriage, Base Pivot	
30	1001163414	1	Cylinder, Side Tilt (See HYDRAULIC COMPONENTS SECTION for Breakdown)	
31	N.S.S.	1	S/N Plate	

SECTION 3 - ATTACHMENTS

FIGURE 3-9. SIDE TILT CARRIAGE ASSEMBLY (60 INCH)



ART_1001101956-N

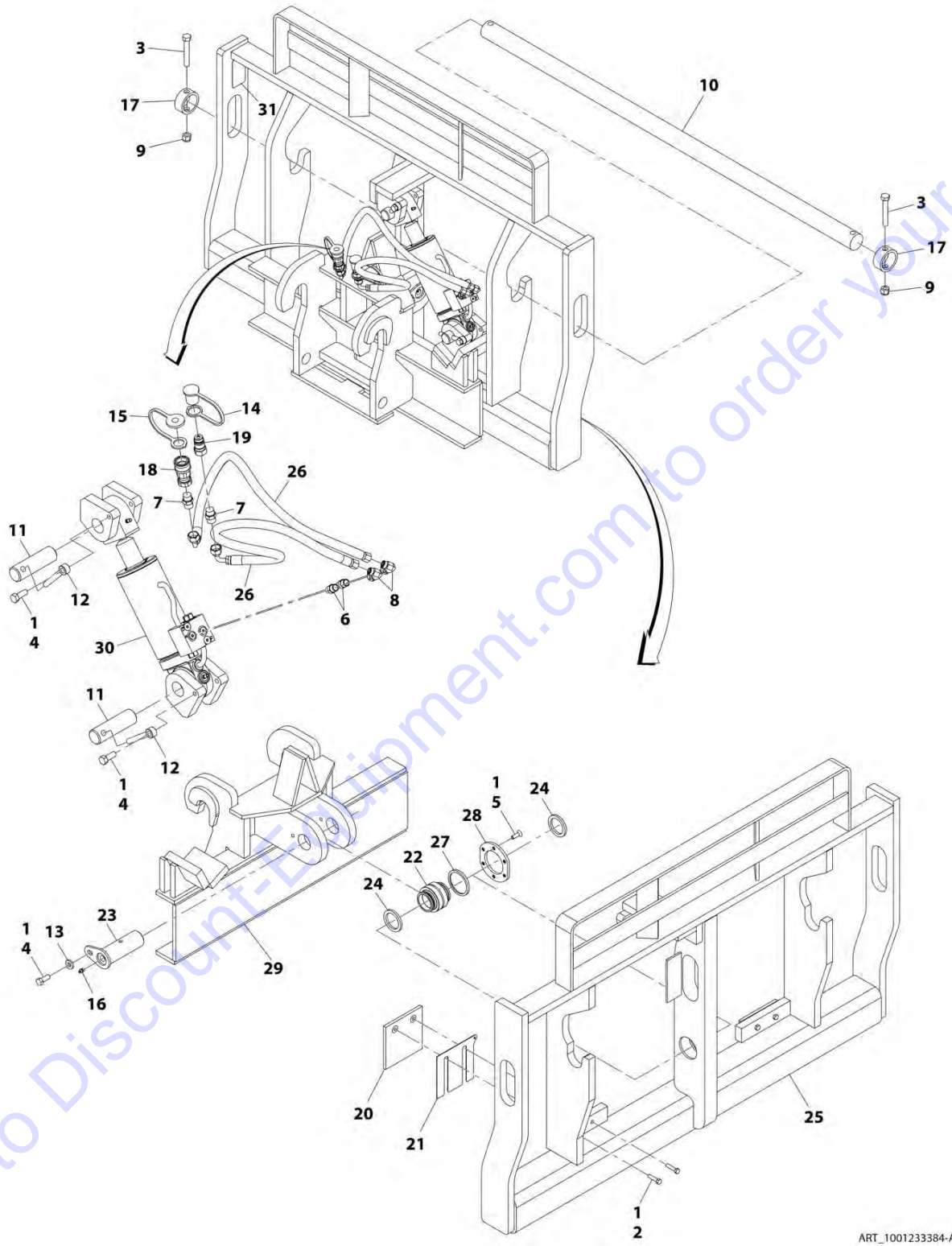
SECTION 3 - ATTACHMENTS

FIGURE 3-9. SIDE TILT CARRIAGE ASSEMBLY (60 INCH)

ITEM	PART NUMBER	QTY	DESCRIPTION	REV
	1001101956	Ref	Side Tilt Carriage Assembly (60 Inch) - 642	N
	1001101956	NLA	Side Tilt Carriage Assembly (60 Inch) - 742, 943, 1043 (no longer available, see items 1 through 31 for service or 1001233384 for replacement)	N
1	0641612	4	Bolt, 3/8-16X1-1/2	
2	0642032	2	Bolt, 5/8-11X4	
3	0681810	3	Bolt, 1/2-13X1-1/4	
4	1001133072	1	Carriage, Base Pivot	
5	N.S.S.	1	S/N Plate	
6	2110606	2	Adapter, Straight	
7	2172106	2	Adapter, 90	
8	2110808	2	Adapter, Straight	
9	3300240	2	Nut, Lock 5/8-11	
10	3423242	1	Pin, Fork	
11	3423307	2	Pin, Side Tilt Cylinder	
12	3841203	2	Keeper, Rod	
13	4891800	1	Washer, 1/2	
14	8420053	1	Cap, Dust	
15	8420055	1	Plug, Dust	
16	88671001	1	Fitting, Grease	
17	90200003	2	Collar, Fork Pin	
18	91403413	1	Adapter	
19	91403414	1	Adapter	
20	1001090063	2	Pad, Wear	
21	1001090064	AR	Shim, Wear Pad	
22	1001163414	1	Cylinder, Side Tilt (See HYDRAULIC COMPONENTS SECTION for Breakdown)	
23	1001090140	1	Bearing, Side Tilt Spherical	
24	1001099113	1	Pin, Side Tilt Frame Pivot	
25	1001099115	2	Sleeve, Tilt Bearing Spacer	
26	N.S.S.	1	Carriage, Side Tilt	
27	1001102378	2	Hose	
28	0100011	AR	Compound, Locking	
29	0741610	6	Screw, 3/8-16X1-1/4	
30	1001120914	1	Shim, Bearing Retainer	
31	1001120915	1	Plate, Bearing Retainer	

SECTION 3 - ATTACHMENTS

FIGURE 3-10. SIDE TILT CARRIAGE ASSEMBLY (60 INCH)



ART_1001233384-A

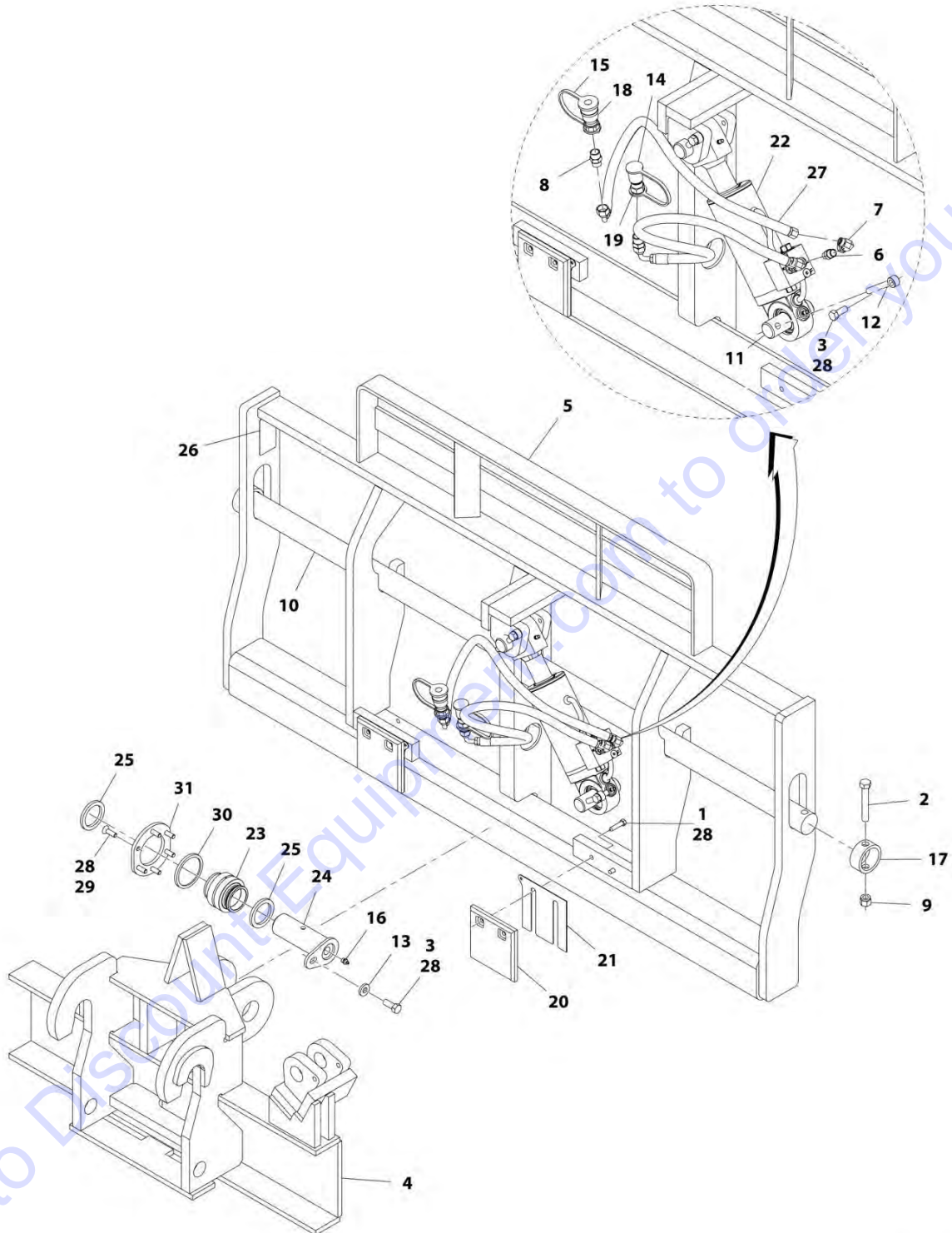
SECTION 3 - ATTACHMENTS

FIGURE 3-10. SIDE TILT CARRIAGE ASSEMBLY (60 INCH)

ITEM	PART NUMBER	QTY	DESCRIPTION	REV
	1001233384	Ref	Side Tilt Carriage Assembly (60 Inch) - 742, 943, 1043	A
1	0100011	AR	Compound, Locking	
2	0641612	4	Bolt, 3/8-16X1-1/2	
3	0642032	2	Bolt, 5/8-11X4	
4	0681810	3	Bolt, 1/2-13X1-1/4	
5	0741610	6	Screw, 3/8-16X1-1/4	
6	2110606	2	Adapter, Straight	
7	2110808	2	Adapter, Straight	
8	2172106	2	Adapter, 90	
9	3300240	2	Nut, Lock 5/8-11	
10	3423242	1	Pin, Fork	
11	3423307	2	Pin, Side Tilt Cylinder	
12	3841203	2	Keeper, Rod	
13	4891800	1	Washer, 1/2	
14	8420053	1	Cap, Dust	
15	8420055	1	Plug, Dust	
16	88671001	1	Fitting, Grease	
17	90200003	2	Collar, Fork Pin	
18	91403413	1	Adapter	
19	91403414	1	Adapter	
20	1001090063	2	Pad, Wear	
21	1001090064	AR	Shim, Wear Pad	
22	1001090140	1	Bearing, Side Tilt Spherical	
23	1001099113	1	Pin, Side Tilt Frame Pivot	
24	1001099115	2	Sleeve, Tilt Bearing Spacer	
25	N.S.S.	1	Carriage, Side Tilt	
26	1001102378	2	Hose	
27	1001120914	1	Shim, Bearing Retainer	
28	1001120915	1	Plate, Bearing Retainer	
29	1001133072	1	Carriage, Base Pivot	
30	1001163414	1	Cylinder, Side Tilt (See HYDRAULIC COMPONENTS SECTION for Breakdown)	
31	N.S.S.	1	S/N Plate	

SECTION 3 - ATTACHMENTS

FIGURE 3-11. SIDE TILT CARRIAGE ASSEMBLY (72 INCH)



ART_1170057-M

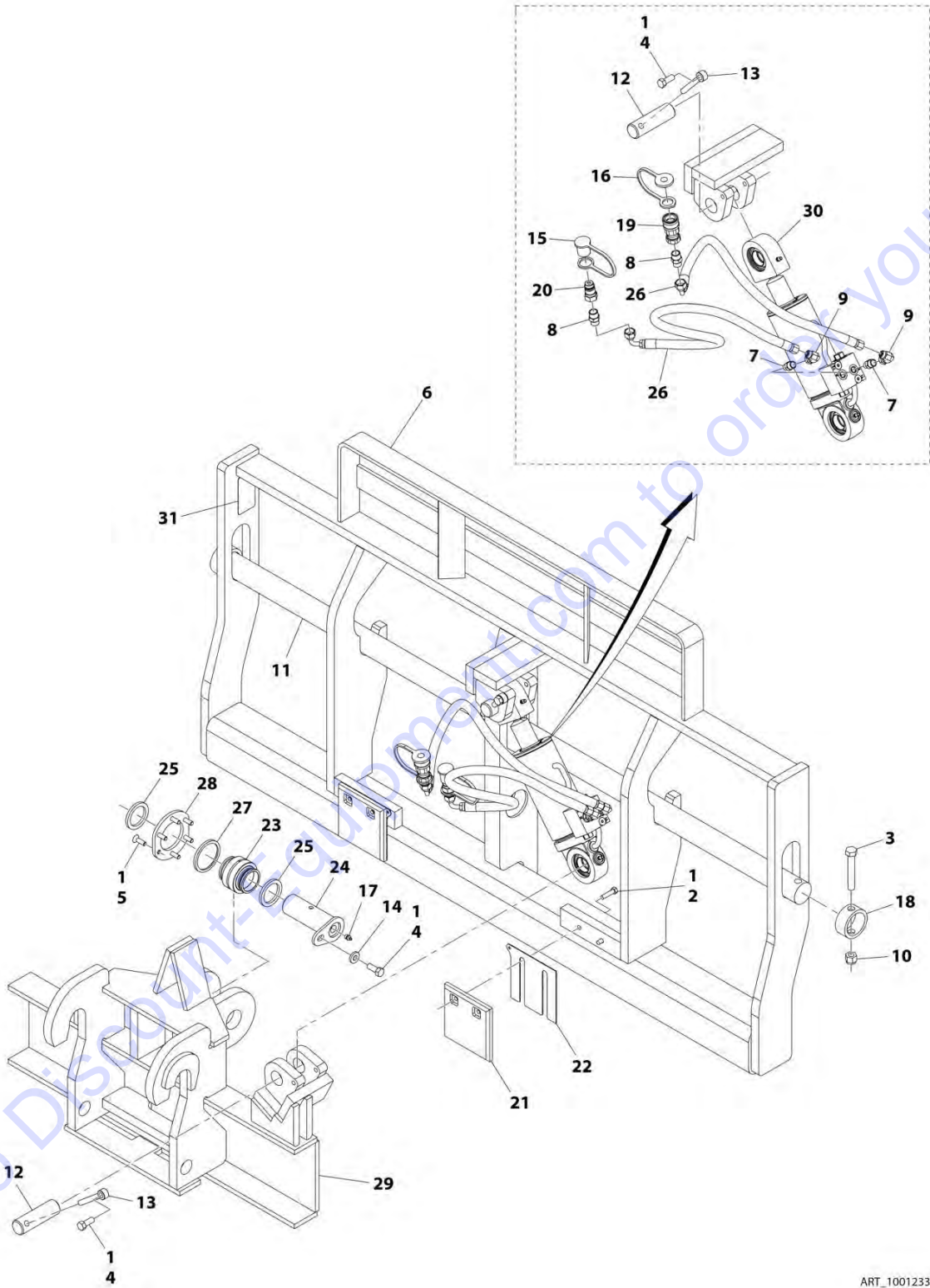
SECTION 3 - ATTACHMENTS

FIGURE 3-11. SIDE TILT CARRIAGE ASSEMBLY (72 INCH)

ITEM	PART NUMBER	QTY	DESCRIPTION	REV
	1170057	Ref	Side Tilt Carriage Assembly (72 Inch) - 642	M
	1170057	NLA	Side Tilt Carriage Assembly (72 Inch) - 742, 943, 1043 (no longer available, see items 1 through 31 for service or 1001233385 for replacement)	M
1	0641612	4	Bolt, 3/8-16X1 1/2	
2	0642032	2	Bolt, 5/8-11X4	
3	0681810	3	Bolt, 1/2-13X1 1/4 Grade 8	
4	1001133072	1	Pivot, Carriage	
5	1170051	1	Carriage	
6	2110606	2	Fitting, Straight ORFS	
7	2172106	2	Fitting, 90 ORFS	
8	2110808	2	Fitting, Straight ORFS	
9	3300240	2	Nut, Locking 5/8-11	
10	3423276	1	Pin	
11	3423307	2	Pin	
12	3841203	2	Keeper	
13	4891800	1	Flatwasher	
14	8420053	1	Cap	
15	8420055	1	Plug	
16	88671001	1	Fitting, Grease	
17	90200003	2	Collar	
18	91403413	1	Fitting	
19	91403414	1	Fitting	
20	1001090063	2	Pad	
21	1001090064	AR	Shim	
22	1001163414	1	Cylinder, Side Tilt (See HYDRAULIC COMPONENTS SECTION for Breakdown)	
23	1001090140	1	Bearing	
24	1001099113	1	Pin	
25	1001099115	2	Sleeve	
26	1001161197	1	Plate	
27	1001102378	2	Hose, .38X39.00 6X8-90 ORFS	
28	0100011	AR	Compound, Locking	
29	0741610	6	Screw, 3/8-16X1.25	
30	1001120914	1	Shim	
31	1001120915	1	Plate	

SECTION 3 - ATTACHMENTS

FIGURE 3-12. SIDE TILT CARRIAGE ASSEMBLY (72 INCH)



ART_1001233385-A

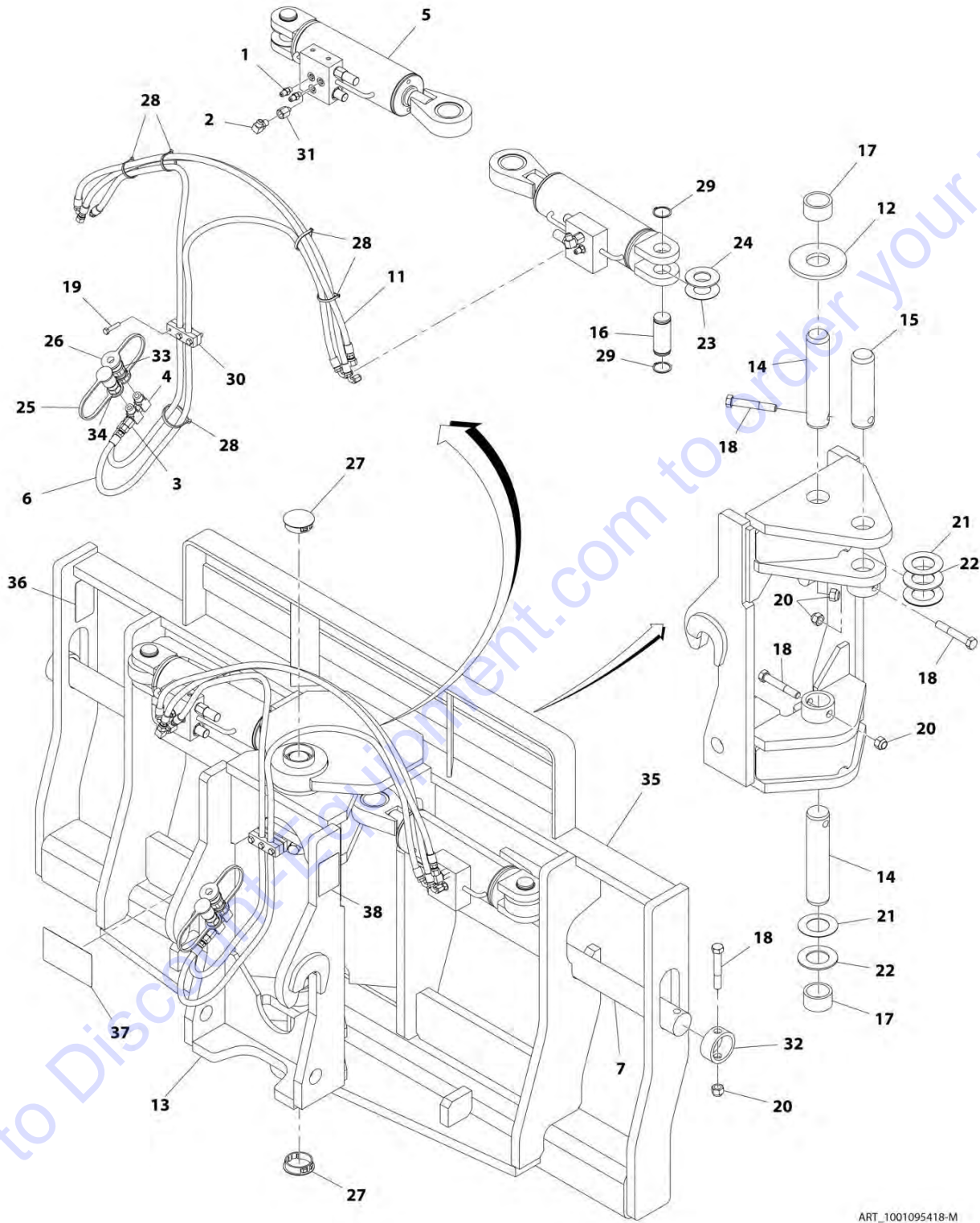
SECTION 3 - ATTACHMENTS

FIGURE 3-12. SIDE TILT CARRIAGE ASSEMBLY (72 INCH)

ITEM	PART NUMBER	QTY	DESCRIPTION	REV
	1001233385	Ref	Side Tilt Carriage Assembly (72 Inch) - 742, 943, 1043	A
1	0100011	AR	Compound, Locking	
2	0641612	4	Bolt, 3/8-16X1-1/2	
3	0642032	2	Bolt, 5/8-11X4	
4	0681810	3	Bolt, 1/2-13X1-1/4	
5	0741610	6	Screw, 3/8-16X1-1/4	
6	N.S.S.	1	Carriage, Side Tilt	
7	2110606	2	Adapter, Straight	
8	2110808	2	Adapter, Straight	
9	2172106	2	Adapter, 90	
10	3300240	2	Nut, Lock 5/8-11	
11	3423276	1	Pin, Fork	
12	3423307	2	Pin, Side Tilt Cylinder	
13	3841203	2	Keeper, Rod	
14	4891800	1	Washer, 1/2	
15	8420053	1	Cap, Dust	
16	8420055	1	Plug, Dust	
17	88671001	1	Fitting, Grease	
18	90200003	2	Collar, Fork Pin	
19	91403413	1	Adapter	
20	91403414	1	Adapter	
21	1001090063	2	Pad, Wear	
22	1001090064	AR	Shim, Wear Pad	
23	1001090140	1	Bearing, Side Tilt Spherical	
24	1001099113	1	Pin, Side Tilt Frame Pivot	
25	1001099115	2	Sleeve, Tilt Bearing Spacer	
26	1001102378	2	Hose	
27	1001120914	1	Shim, Bearing Retainer	
28	1001120915	1	Plate, Bearing Retainer	
29	1001133072	1	Carriage, Base Pivot	
30	1001163414	1	Cylinder, Side Tilt (See HYDRAULIC COMPONENTS SECTION for Breakdown)	
31	N.S.S.	1	S/N Plate	

SECTION 3 - ATTACHMENTS

FIGURE 3-13. 90 SWING CARRIAGE ASSEMBLY (72 INCH)



ART_1001095418-M

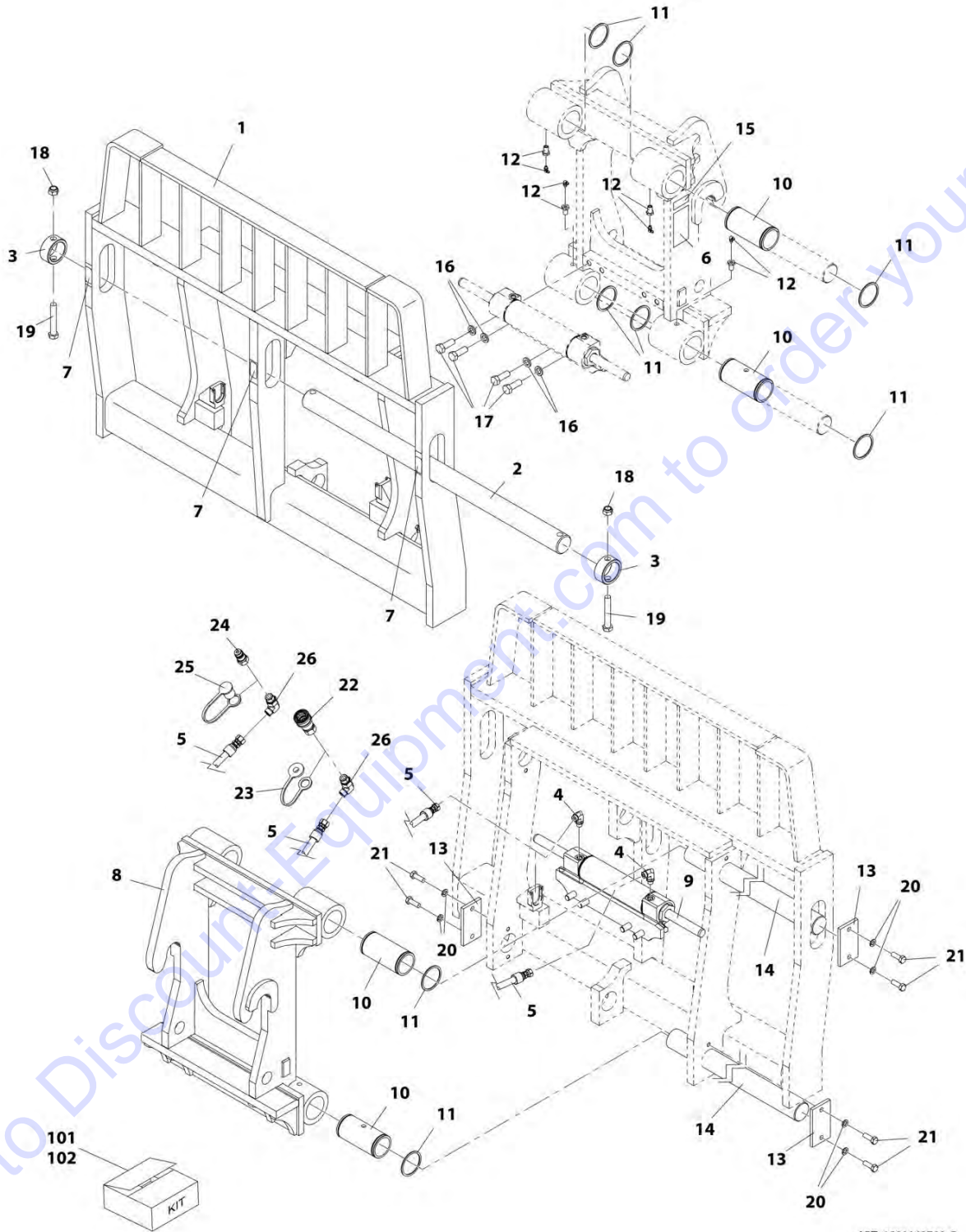
SECTION 3 - ATTACHMENTS

FIGURE 3-13. 90 SWING CARRIAGE ASSEMBLY (72 INCH)

ITEM	PART NUMBER	QTY	DESCRIPTION	REV
	1001095418	1	90 Swing Carriage Assembly (72 Inch)	M
1	2220415	4	Fitting, Straight ORFS	
2	2220473	2	Fitting, 90 ORFS	
3	2220609	2	Connector	
4	2220628	2	Fitting, 90 ORFS	
5	1001103182	2	Swing Carriage Cylinder (See Separate Breakdown in HYDRAULIC COMPONENTS Section)	
6	2717287	2	Hose	
7	3423276	1	Pin	
11	6604662	2	Hose	
12	7062922	1	Washer	
13	N.S.S.	1	Pivot	
14	7110702	2	Pin	
15	7110712	1	Pin	
16	7110722	2	Pin	
17	8065062	2	Bushing	
18	8303634	5	Screw, .625-11X4	
19	8303715	3	Screw, .312-18X1.500	
20	8305643	5	Nut, Lock .625-11	
21	8307904	AR	Washer	
22	8307918	AR	Washer	
23	8310160	AR	Washer	
24	8310161	AR	Washer	
25	8420053	1	Cap	
26	8420055	1	Plug	
27	8580315	2	Plug	
28	8584001	5	Tie Wrap	
29	8642207	4	Retaining Ring	
30	8769132	2	Clamp	
31	8770016	2	Fitting, Straight ORFS	
32	90200003	2	Collar	
33	91403413	1	Fitting, Straight ORFS	
34	91403414	1	Fitting, Straight	
35	N.S.S.	1	Carriage	
36	N.S.S.	1	Plate	
37	1001110704	1	Decal, Warning Crushing Hazard	
38	1001111190	2	Decal, Warning	

SECTION 3 - ATTACHMENTS

FIGURE 3-14. SIDE SHIFT CARRIAGE ASSEMBLY (50 INCH)



ART_1001142790-C

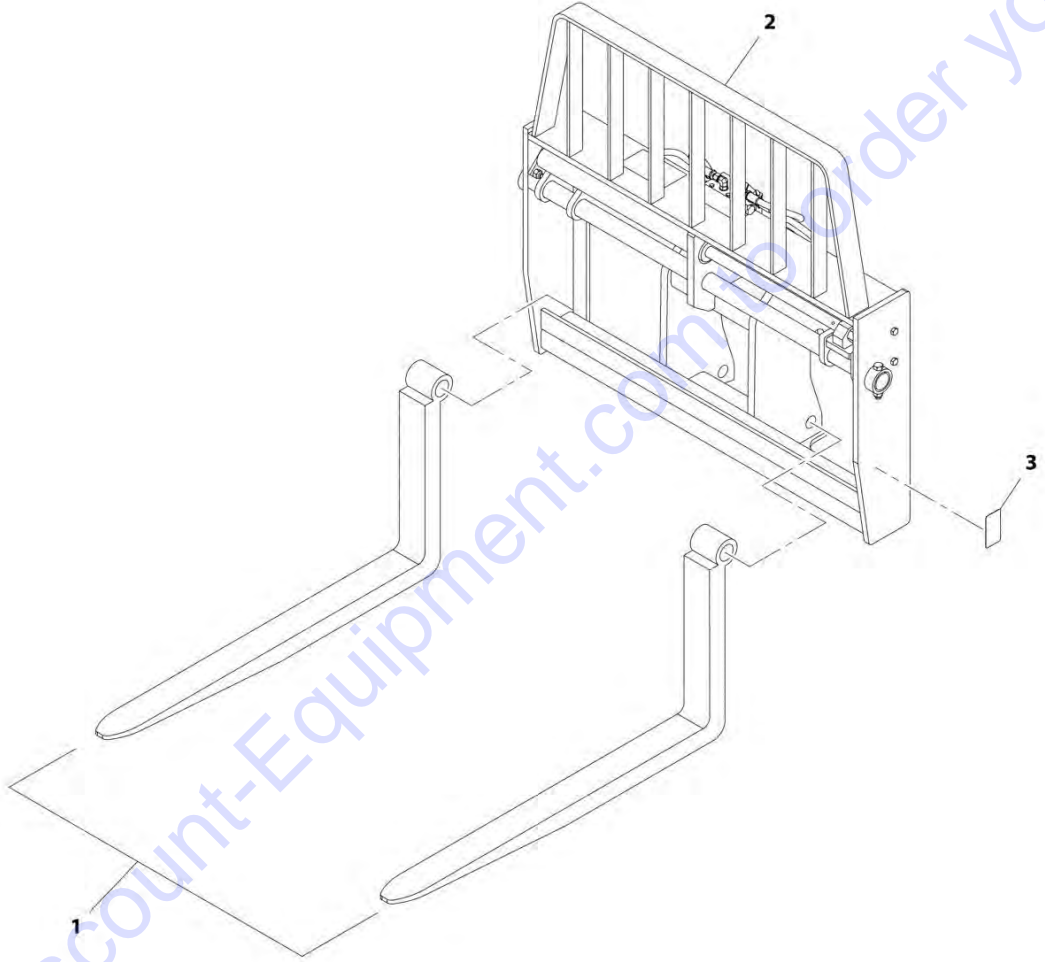
SECTION 3 - ATTACHMENTS

FIGURE 3-14. SIDE SHIFT CARRIAGE ASSEMBLY (50 INCH)

ITEM	PART NUMBER	QTY	DESCRIPTION	REV
	1001142790	1	Side Shift Carriage Assembly (50 Inch)	C
1	N.S.S.	1	Weldment	
2	70024535	1	Shaft	
3	70024536	2	Collar	
4	70024123	2	Adapter, 90 (includes O-Ring)	
5	70024537	2	Hose	
6	N.S.S.	1	S/N Plate	
7	70024538	3	Decal, Warning	
8	N.S.S.	1	Weldment	
9	70024539	1	Cylinder, Side Shift Carriage (50 Inch) (See HYDRAULIC COMPONENTS SECTION for Breakdown)	
10	70024540	4	Bushing	
11	70024541	8	Circlip	
12	70024542	4	Fitting, Grease	
13	70024543	4	Retainer	
14	70024544	2	Shaft	
15	N.S.S.	1	S/N Plate	
16	70024551	4	Washer, Lock 16	
17	70024552	4	Bolt, M16X45	
18	70024553	2	Nut, Hex M16	
19	70024554	2	Bolt, M16X100	
20	70022997	8	Washer, Lock 12	
21	70024555	8	Bolt, M12X35	
22	91403413	1	Adapter, Female Quick Disconnect	
23	8420055	1	Plug, Dust	
24	91403414	1	Adapter, Male Quick Disconnect	
25	8420053	1	Cap, Dust	
26	70024550	2	Adapter, 90 (includes O-Ring)	
101	70024545	1	Kit, Hydraulic Repair (includes items 5 & 22 thru 26)	
102	70024546	1	Kit, Retainer (includes items 13, 20 & 21)	

SECTION 3 - ATTACHMENTS

FIGURE 3-15. DUAL FORK POSITIONING CARRIAGE (50 INCH) (Prior to SN 0160082569)



ART_7301295-G

Go to Discount-Equipment.com to order your parts

SECTION 3 - ATTACHMENTS

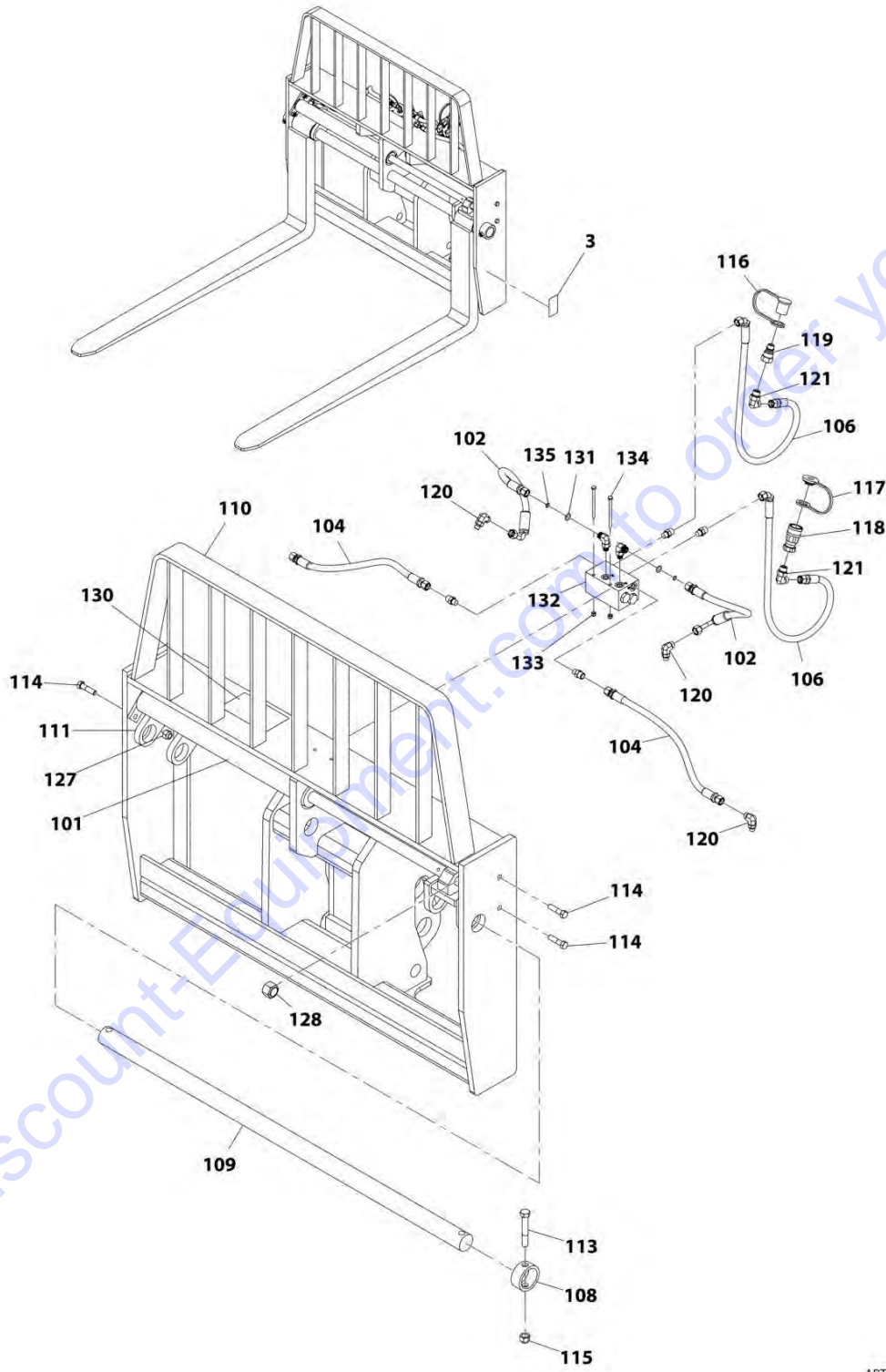
FIGURE 3-15. DUAL FORK POSITIONING CARRIAGE (50 INCH) (Prior to SN 0160082569)

ITEM	PART NUMBER	QTY	DESCRIPTION	REV
	7301295	Ref	Dual Fork Carriage (50 Inch)	G
1	7301408	2	Fork, Pallet	
2	7301568	1	Assembly, Dual Fork Carriage Part List, (See Separate Breakdown in this Section)	
3	N.S.S.	1	S/N Plate	

Go to Discount-Equipment.com to order your parts

SECTION 3 - ATTACHMENTS

FIGURE 3-16. DUAL FORK POSITIONING CARRIAGE (50 INCH) (SN 0160082569 to Present)



ART_7301295-H

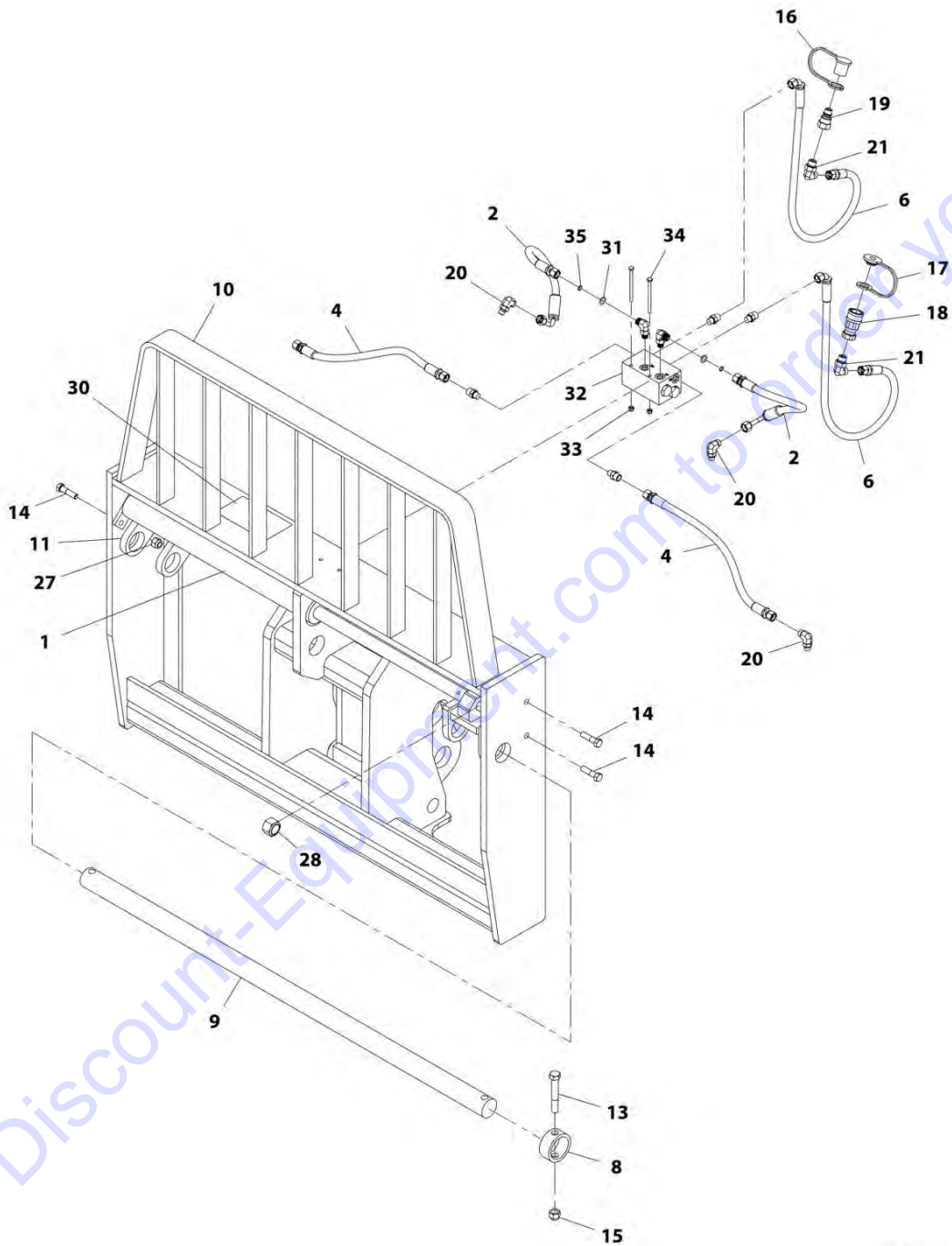
SECTION 3 - ATTACHMENTS

FIGURE 3-16. DUAL FORK POSITIONING CARRIAGE (50 INCH) (SN 0160082569 to Present)

ITEM	PART NUMBER	QTY	DESCRIPTION	REV
	7301295	Ref	Dual Fork Carriage (50 Inch)	H
3	N.S.S.	1	S/N Plate	
101	2717283	2	Cylinder, Fork Positioning	
102	2717160	2	Hose	
104	2717161	2	Hose	
106	2717162	2	Hose	
108	90200003	2	Collar, Fork Pin	
109	90451058	1	Shaft, Fork	
110	N.S.S.	1	Weldment, Carriage	
111	N.S.S.	2	Weldment, Fork Adapter	
113	8303634	2	Bolt, 5/8-11X4	
114	8303658	4	Bolt, 1/2-13X2	
115	8305643	2	Nut, Lock 5/8-11	
116	8420053	1	Cap, Dust	
117	8420055	1	Plug, Dust	
118	91403413	1	Adapter, Quick Disconnect	
119	91403414	1	Adapter, Quick Disconnect	
120	2130606	4	Adapter, 90 Straight	
121	2130608	2	Adapter, 90 Straight	
127	8310302	4	Nut, Lock 1/2-13	
128	10705034	2	Nut, Lock 1-14	
130	4110473	1	Decal, Warning Route Hoses	
131	7139918	2	Disk, Orifice	
132	4641502	1	Assembly, Dual Fork Carriage Valve (See Separate Breakdown in this Section)	
133	8305624	2	Nut, Lock 1/4-20	
134	8310435	2	Bolt, 1/4-20X3-3/4	
135	8630003	2	O-Ring	

SECTION 3 - ATTACHMENTS

FIGURE 3-17. DUAL FORK CARRIAGE ASSEMBLY (50 INCH)



ART_7301568-J

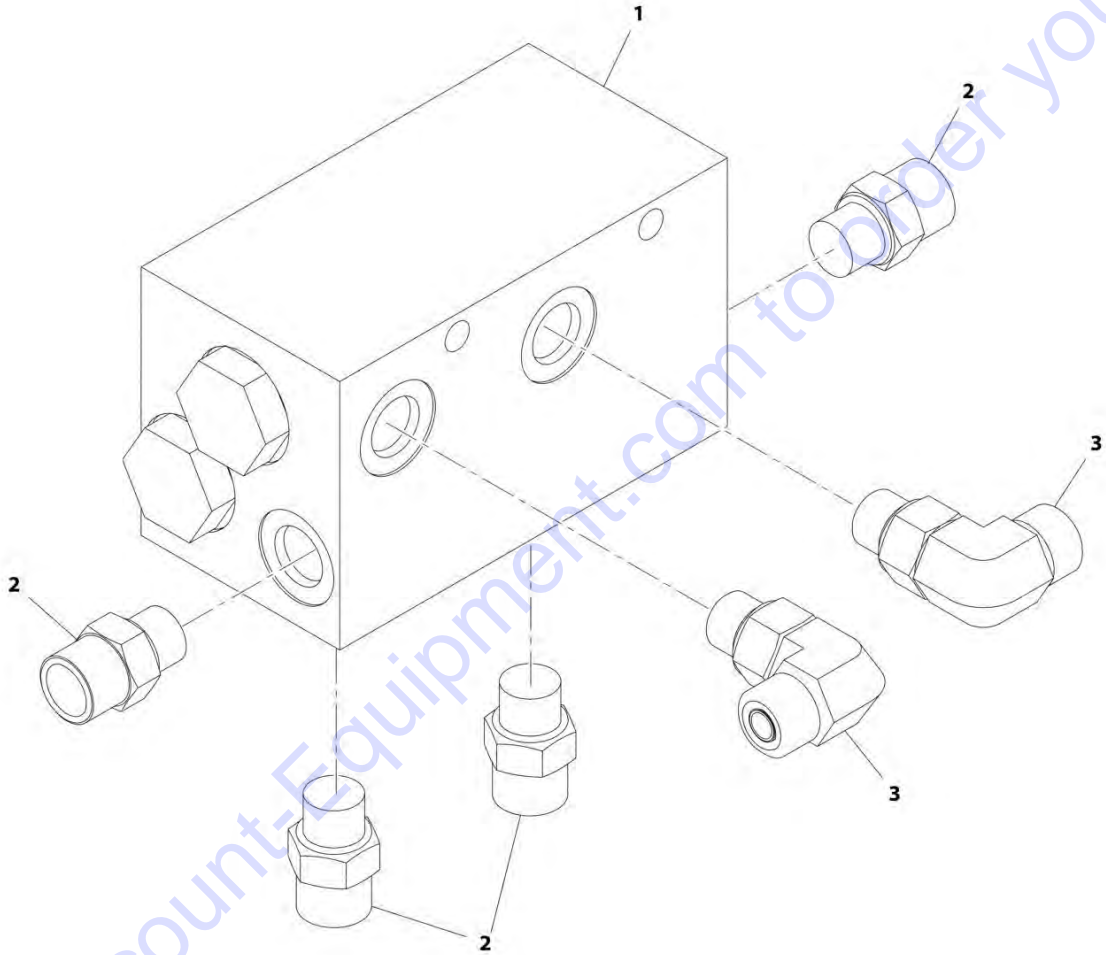
SECTION 3 - ATTACHMENTS

FIGURE 3-17. DUAL FORK CARRIAGE ASSEMBLY (50 INCH)

ITEM	PART NUMBER	QTY	DESCRIPTION	REV
	7301568	Ref	Dual Fork Carriage Assembly (50 Inch)	J
1	2717283	2	Cylinder, Fork Positioning	
2	2717160	2	Hose	
4	2717161	2	Hose	
6	2717162	2	Hose	
8	90200003	2	Collar, Fork Pin	
9	90451058	1	Shaft, Fork	
10	NSS	1	Weldment, Carriage	
11	NSS	1	Weldment, Fork Adapter	
13	8303634	2	Bolt, 5/8-11X4	
14	8303658	4	Bolt, 1/2-13X2	
15	8305643	2	Nut, Lock 5/8-11	
16	8420053	1	Cap, Dust	
17	8420055	1	Plug, Dust	
18	91403413	1	Adapter, Quick Disconnect	
19	91403414	1	Adapter, Quick Disconnect	
20	2130606	4	Adapter, 90 Straight	
21	2130608	2	Adapter, 90 Straight	
27	8310302	4	Nut, Lock 1/2-13	
28	10705034	2	Nut, Lock 1-14	
30	4110473	1	Decal, Warning Route Hoses	
31	7139918	2	Disk, Orifice	
32	4641502	1	Assembly, Dual Fork Carriage Valve (See Separate Breakdown in this Section)	
33	8305624	2	Nut, Lock 1/4-20	
34	8310435	2	Bolt, 1/4-20X3-3/4	
35	8630003	2	O-Ring	

SECTION 3 - ATTACHMENTS

FIGURE 3-18. DUAL FORK CARRIAGE VALVE ASSEMBLY



ART_4641502-B

SECTION 3 - ATTACHMENTS

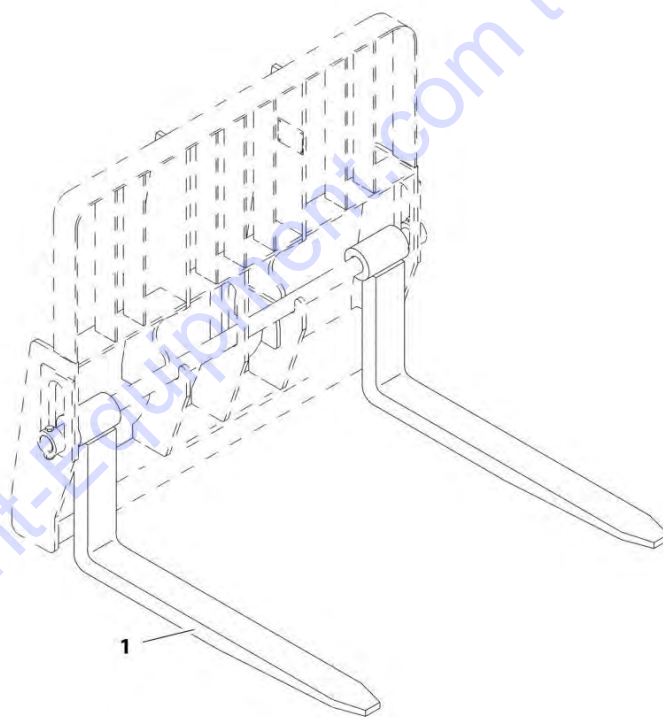
FIGURE 3-18. DUAL FORK CARRIAGE VALVE ASSEMBLY

ITEM	PART NUMBER	QTY	DESCRIPTION	REV
	4641502	Ref	Dual Fork Carriage Valve Assembly	B
1	4641501	1	Valve, Flow Divider	
2	2110606	4	Adapter, Straight	
3	2130606	2	Adapter, 90	

Go to Discount-Equipment.com to order your parts

SECTION 3 - ATTACHMENTS

FIGURE 3-19. FORK - PALLET (2.36X4X48)



ART_2340045_B

SECTION 3 - ATTACHMENTS

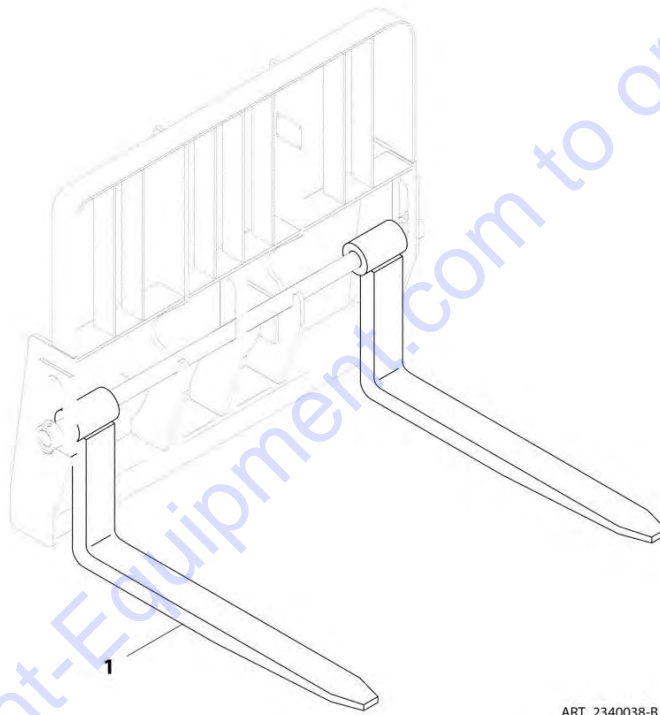
FIGURE 3-19. FORK - PALLET (2.36X4X48)

ITEM	PART NUMBER	QTY	DESCRIPTION	REV
N1	2340045 Note	2 Ref	Fork - Pallet (2.36X4X48) FORKS RATED LESS THAN THE ATTACHMENT OR MACHINE'S CAPACITY DECREASES CAPACITY OF THE ATTACHMENT OR MACHINE TO THAT OF THE FORKS. FORKS RATED MORE THAN THE ATTACHMENT OR MACHINE'S CAPACITY DO NOT INCREASE ATTACHMENT OR MACHINE'S CAPACITY.	B
N2	Note	Ref	PLEASE CONSULT DISCOUNT-EQUIPMENT TO DETERMINE THE CORRECT FORKS APPLICABLE TO YOUR SPECIFIC CARRIASE ASSEMBLY AND APPLICATION.	

Go to Discount-Equipment.com to order your parts

SECTION 3 - ATTACHMENTS

FIGURE 3-20. FORK - PALLET (2.36X5X48)



ART_2340038-B

SECTION 3 - ATTACHMENTS

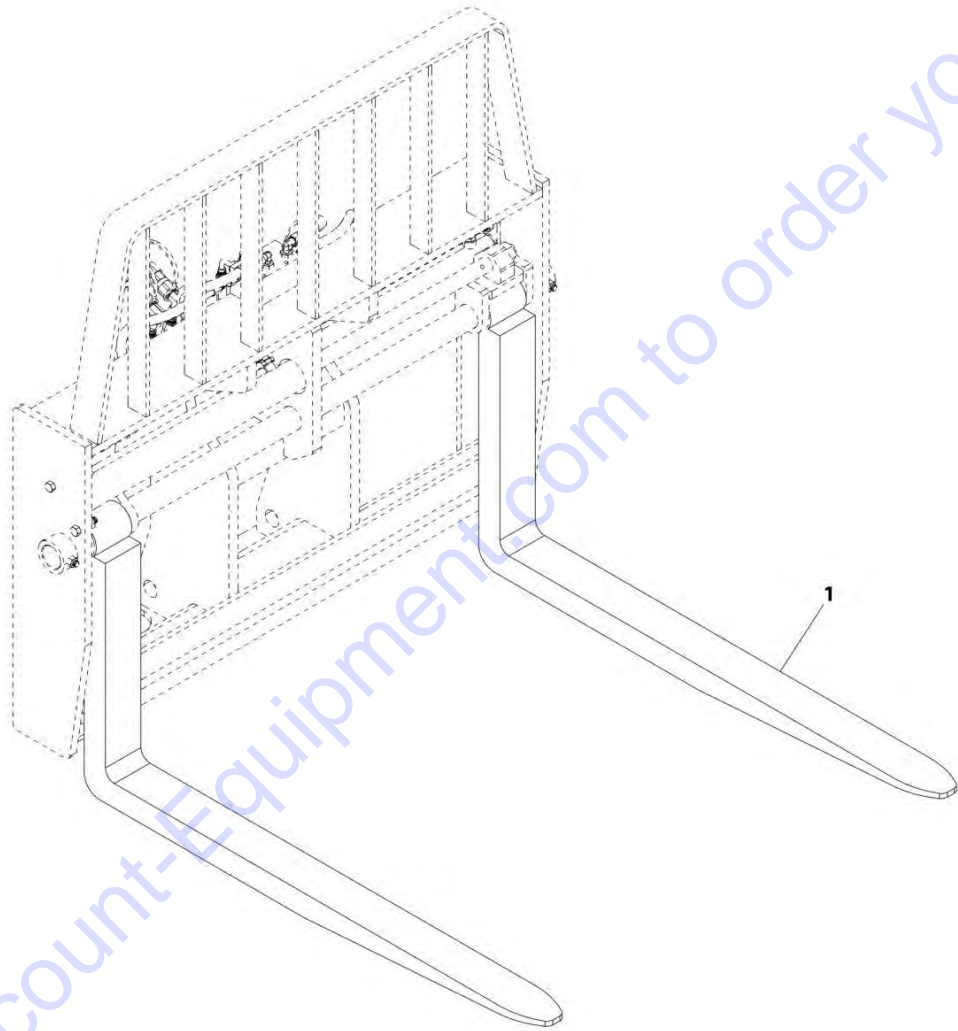
FIGURE 3-20. FORK - PALLET (2.36X5X48)

ITEM	PART NUMBER	QTY	DESCRIPTION	REV
N1	2340038 Note	2 Ref	Fork - Pallet (2.36X5X48) FORKS RATED LESS THAN THE ATTACHMENT OR MACHINE'S CAPACITY DECREASES CAPACITY OF THE ATTACHMENT OR MACHINE TO THAT OF THE FORKS. FORKS RATED MORE THAN THE ATTACHMENT OR MACHINE'S CAPACITY DO NOT INCREASE ATTACHMENT OR MACHINE'S CAPACITY.	B
N2	Note	Ref	PLEASE CONSULT DISCOUNT-EQUIPMENT TO DETERMINE THE CORRECT FORKS APPLICABLE TO YOUR SPECIFIC CARRIASE ASSEMBLY AND APPLICATION.	

Go to Discount-Equipment.com to order your parts

SECTION 3 - ATTACHMENTS

FIGURE 3-21. FORK - PALLET (2.4X4X48) (742)



ART_7301408-D

SECTION 3 - ATTACHMENTS

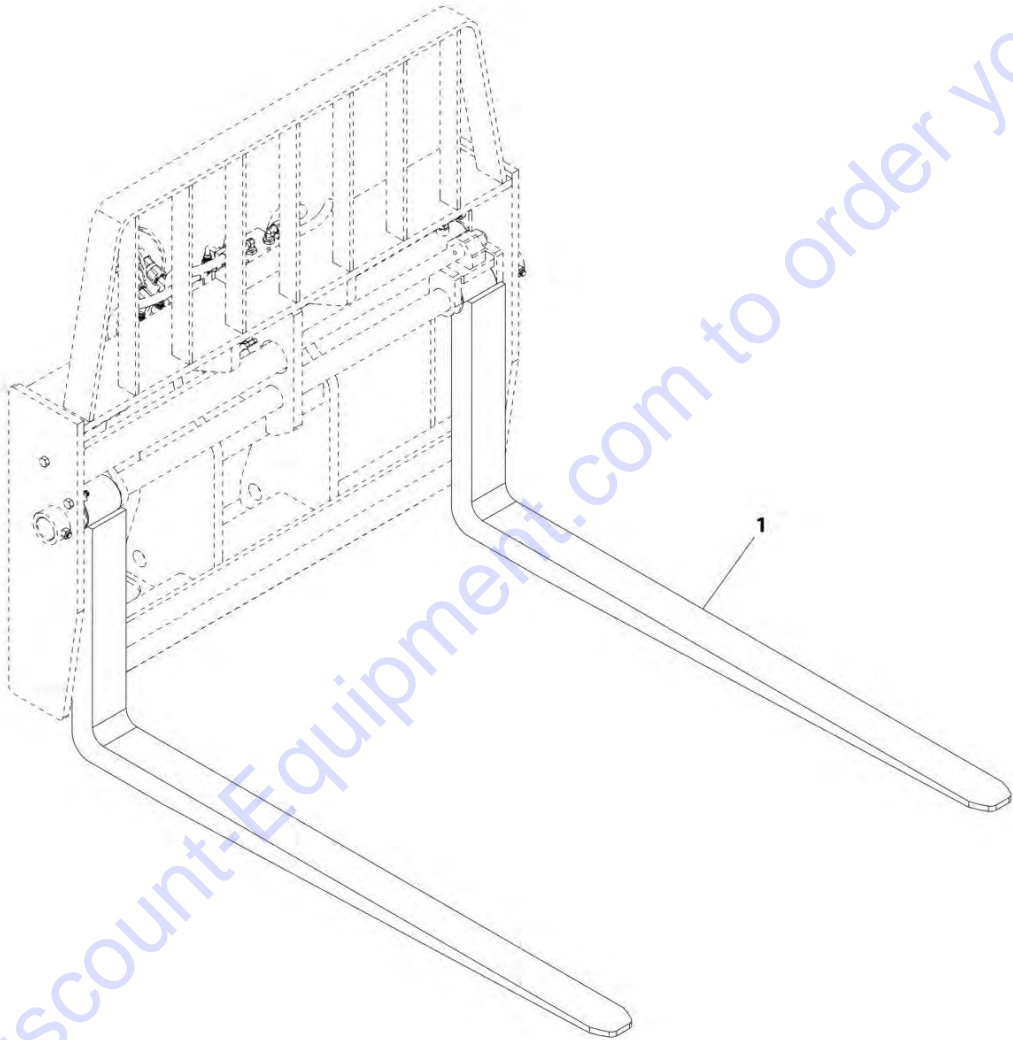
FIGURE 3-21. FORK - PALLET (2.4X4X48) (742)

ITEM	PART NUMBER	QTY	DESCRIPTION	REV
N1	7301408 Note	2 Ref	Fork - Pallet (2.4X4X48) FORKS RATED LESS THAN THE ATTACHMENT OR MACHINE'S CAPACITY DECREASES CAPACITY OF THE ATTACHMENT OR MACHINE TO THAT OF THE FORKS. FORKS RATED MORE THAN THE ATTACHMENT OR MACHINE'S CAPACITY DO NOT INCREASE ATTACHMENT OR MACHINE'S CAPACITY.	D
N2	Note	Ref	PLEASE CONSULT DISCOUNT-EQUIPMENT TO DETERMINE THE CORRECT FORKS APPLICABLE TO YOUR SPECIFIC CARRIASE ASSEMBLY AND APPLICATION.	

Go to Discount-Equipment.com to order your parts

SECTION 3 - ATTACHMENTS

FIGURE 3-22. FORK - PALLET (2.4X4X60) (742)



Go to Discount-Equipment.com to order your parts

ART_1001227379-A

SECTION 3 - ATTACHMENTS

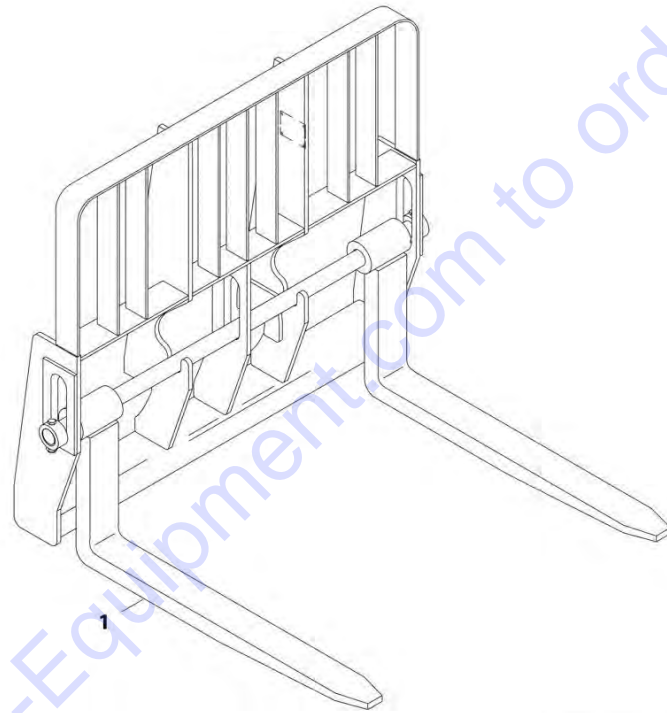
FIGURE 3-22. FORK - PALLET (2.4X4X60) (742)

ITEM	PART NUMBER	QTY	DESCRIPTION	REV
N1	1001227379 Note	2 Ref	Fork - Pallet (2.4X4X60) FORKS RATED LESS THAN THE ATTACHMENT OR MACHINE'S CAPACITY DECREASES CAPACITY OF THE ATTACHMENT OR MACHINE TO THAT OF THE FORKS. FORKS RATED MORE THAN THE ATTACHMENT OR MACHINE'S CAPACITY DO NOT INCREASE ATTACHMENT OR MACHINE'S CAPACITY.	A
N2	Note	Ref	PLEASE CONSULT DISCOUNT-EQUIPMENT TO DETERMINE THE CORRECT FORKS APPLICABLE TO YOUR SPECIFIC CARRIASE ASSEMBLY AND APPLICATION.	

Go to Discount-Equipment.com to order your parts

SECTION 3 - ATTACHMENTS

FIGURE 3-23. FORK - PALLET (2X7X60)



ART_1001097110-A

SECTION 3 - ATTACHMENTS

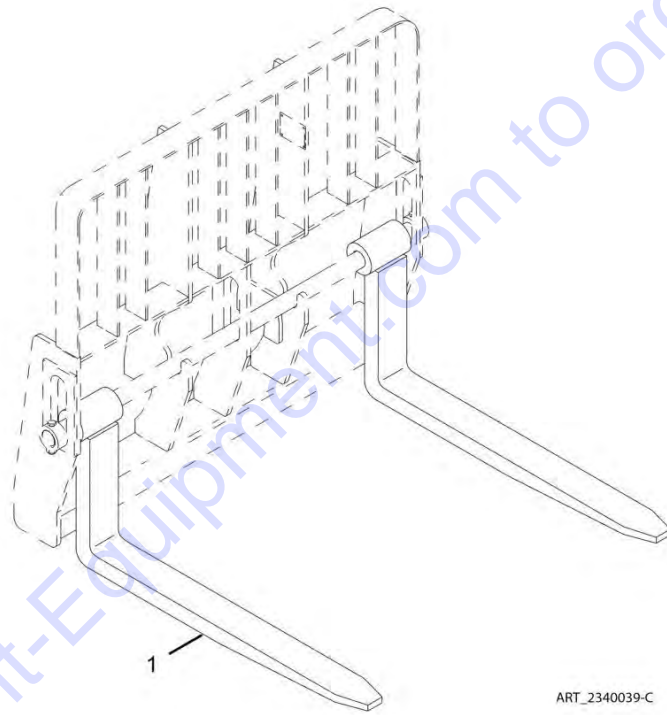
FIGURE 3-23. FORK - PALLET (2X7X60)

ITEM	PART NUMBER	QTY	DESCRIPTION	REV
1	1001097110	2	Fork - Pallet (2X7X60)	A

Go to Discount-Equipment.com to order your parts

SECTION 3 - ATTACHMENTS

FIGURE 3-24. FORK - PALLET (2.36X6X60)



SECTION 3 - ATTACHMENTS

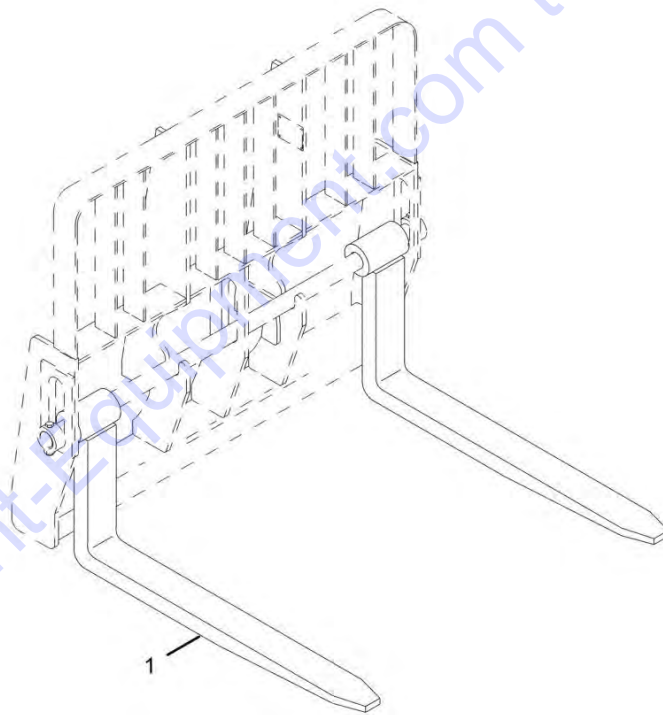
FIGURE 3-24. FORK - PALLET (2.36X6X60)

ITEM	PART NUMBER	QTY	DESCRIPTION	REV
N1	2340039 Note	2 Ref	Fork - Pallet (2.36X6X60) FORKS RATED LESS THAN THE ATTACHMENT OR MACHINE'S CAPACITY DECREASES CAPACITY OF THE ATTACHMENT OR MACHINE TO THAT OF THE FORKS. FORKS RATED MORE THAN THE ATTACHMENT OR MACHINE'S CAPACITY DO NOT INCREASE ATTACHMENT OR MACHINE'S CAPACITY.	C
N2	Note	Ref	PLEASE CONSULT DISCOUNT-EQUIPMENT TO DETERMINE THE CORRECT FORKS APPLICABLE TO YOUR SPECIFIC CARRIASE ASSEMBLY AND APPLICATION.	

Go to Discount-Equipment.com to order your parts

SECTION 3 - ATTACHMENTS

FIGURE 3-25. FORK - PALLET (2.36X6X72)



ART_1001092391_B

PARTS FINDER

**Search Website
by Part Number**



**Search Manual
Library For Parts
Manual & Lookup Part
Numbers – Purchase
or Request Quote**

**Can't Find Part or
Manual? Request Help
by Manufacturer,
Model & Description**

Discount-Equipment.com is your online resource for quality parts & equipment.

Florida: **561-964-4949** Outside Florida TOLL FREE: **877-690-3101**

Need parts?

Click on this link: <http://www.discount-equipment.com/category/5443-parts/> and choose one of the options to help get the right parts and equipment you are looking for. Please have the machine model and serial number available in order to help us get you the correct parts. If you don't find the part on the website or on one of the online manuals, please fill out the request form and one of our experienced staff members will get back to you with a quote for the right part that your machine needs.

We sell worldwide for the brands: Genie, Terex, JLG, MultiQuip, Mikasa, Essick, Whiteman, Mayco, Toro Stone, Diamond Products, Generac Magnum, Airman, Haulotte, Barreto, Power Blanket, Nifty Lift, Atlas Copco, Chicago Pneumatic, Allmand, Miller Curber, Skyjack, Lull, Skytrak, Tsurumi, Husquvarna Target, Stow, Wacker, Sakai, Mi-T-M, Sullair, Basic, Dynapac, MBW, Weber, Bartell, Bennar Newman, Haulotte, Ditch Runner, Menegotti, Morrison, Contec, Buddy, Crown, Edco, Wyco, Bomag, Laymor, EZ Trench, Bil-Jax, F.S. Curtis, Gehl Pavers, Heli, Honda, ICS/PowerGrit, IHI, Partner, Imer, Clipper, MMD, Koshin, Rice, CH&E, General Equipment, Amida, Coleman, NAC, Gradall, Square Shooter, Kent, Stanley, Tamco, Toku, Hatz, Kohler, Robin, Wisconsin, Northrock, Oztec, Toker TK, Rol-Air, APT, Wylie, Ingersoll Rand / Doosan, Innovatech, Con X, Ammann, Mecalac, Makinex, Smith Surface Prep, Small Line, Wanco, Yanmar

SECTION 3 - ATTACHMENTS

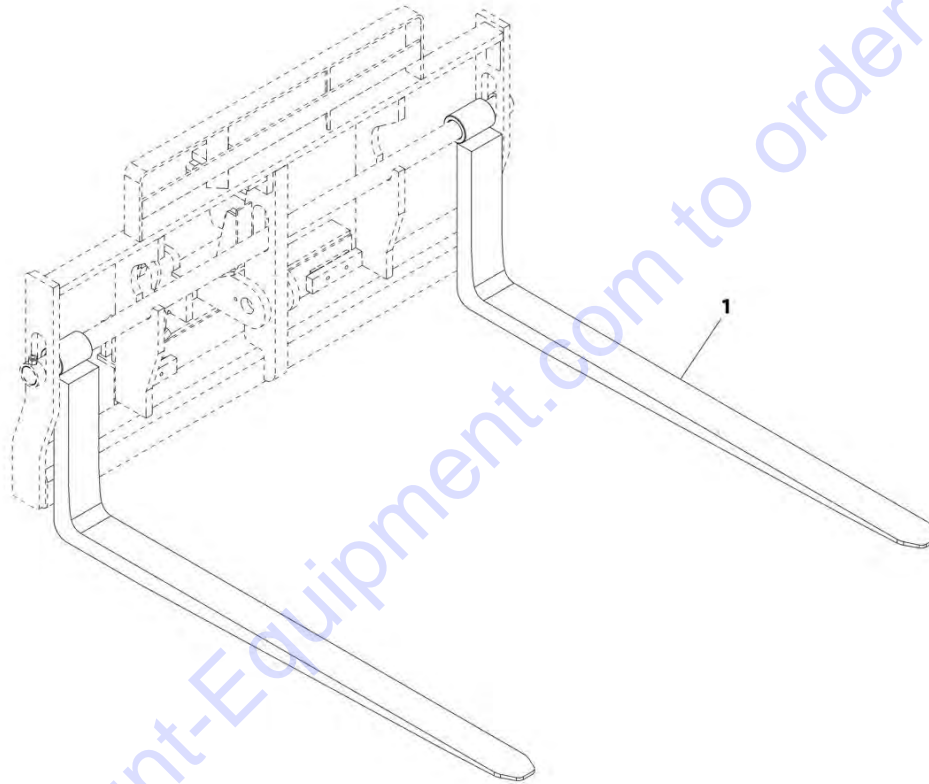
FIGURE 3-25. FORK - PALLET (2.36X6X72)

ITEM	PART NUMBER	QTY	DESCRIPTION	REV
N1	1001092391 Note	2 Ref	Fork - Pallet (2.36X6X72) FORKS RATED LESS THAN THE ATTACHMENT OR MACHINE'S CAPACITY DECREASES CAPACITY OF THE ATTACHMENT OR MACHINE TO THAT OF THE FORKS. FORKS RATED MORE THAN THE ATTACHMENT OR MACHINE'S CAPACITY DO NOT INCREASE ATTACHMENT OR MACHINE'S CAPACITY.	B
N2	Note	Ref	PLEASE CONSULT DISCOUNT-EQUIPMENT TO DETERMINE THE CORRECT FORKS APPLICABLE TO YOUR SPECIFIC CARRIASE ASSEMBLY AND APPLICATION.	

Go to Discount-Equipment.com to order your parts

SECTION 3 - ATTACHMENTS

FIGURE 3-26. FORK - PALLET (2.36X5X72)



ART_1001232355-A

SECTION 3 - ATTACHMENTS

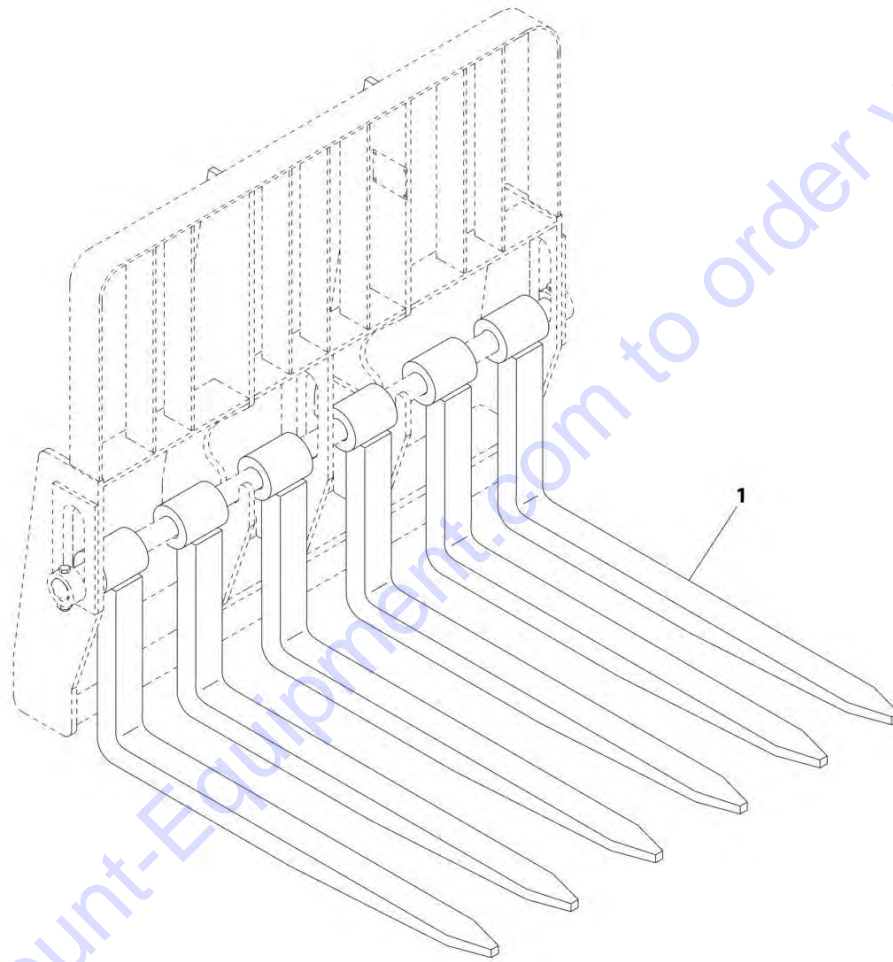
FIGURE 3-26. FORK - PALLET (2.36X5X72)

ITEM	PART NUMBER	QTY	DESCRIPTION	REV
N1	1001232355 See Note	2 Ref	Fork - Pallet (2.36X5X72) FORKS RATED LESS THAN THE ATTACHMENT OR MACHINE'S CAPACITY DECREASES CAPACITY OF THE ATTACHMENT OR MACHINE TO THAT OF THE FORKS. FORKS RATED MORE THAN THE ATTACHMENT OR MACHINE'S CAPACITY DO NOT INCREASE ATTACHMENT OR MACHINE'S CAPACITY.	A
N2	See Note	Ref	PLEASE CONSULT DISCOUNT-EQUIPMENT TO DETERMINE THE CORRECT FORKS APPLICABLE TO YOUR SPECIFIC CARRIASE ASSEMBLY AND APPLICATION.	

Go to Discount-Equipment.com to order your parts

SECTION 3 - ATTACHMENTS

FIGURE 3-27. CUBING FORK



ART_2340037-A

SECTION 3 - ATTACHMENTS

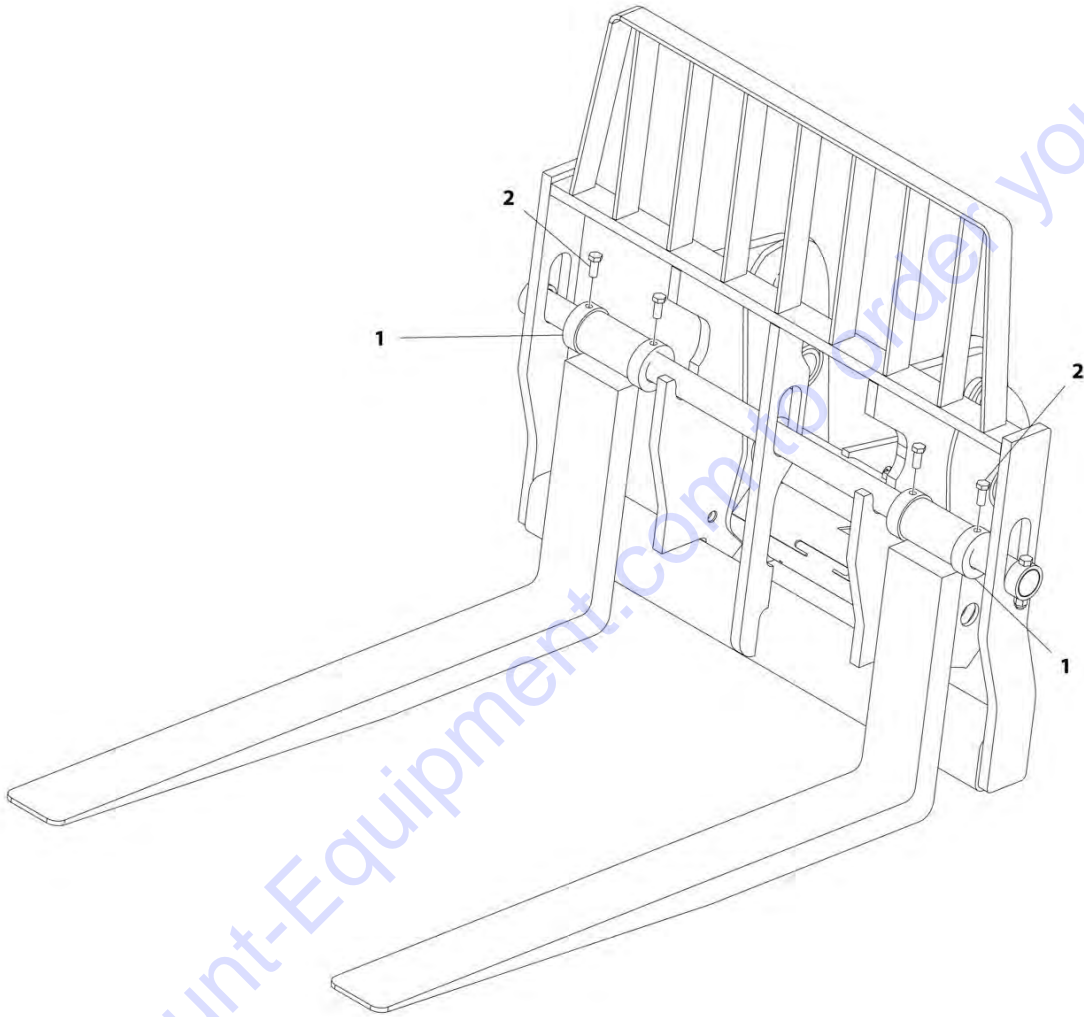
FIGURE 3-27. CUBING FORK

ITEM	PART NUMBER	QTY	DESCRIPTION	REV
N1	2340037 Note	6 Ref	Cubing Fork FORKS RATED LESS THAN THE ATTACHMENT OR MACHINE'S CAPACITY DECREASES CAPACITY OF THE ATTACHMENT OR MACHINE TO THAT OF THE FORKS. FORKS RATED MORE THAN THE ATTACHMENT OR MACHINE'S CAPACITY DO NOT INCREASE ATTACHMENT OR MACHINE'S CAPACITY.	A
N2	Note	Ref	PLEASE CONSULT DISCOUNT-EQUIPMENT TO DETERMINE THE CORRECT FORKS APPLICABLE TO YOUR SPECIFIC CARRIASE ASSEMBLY AND APPLICATION.	

Go to Discount-Equipment.com to order your parts

SECTION 3 - ATTACHMENTS

FIGURE 3-28. FORK CLAMPS INSTALL



ART_1001094134-A

SECTION 3 - ATTACHMENTS

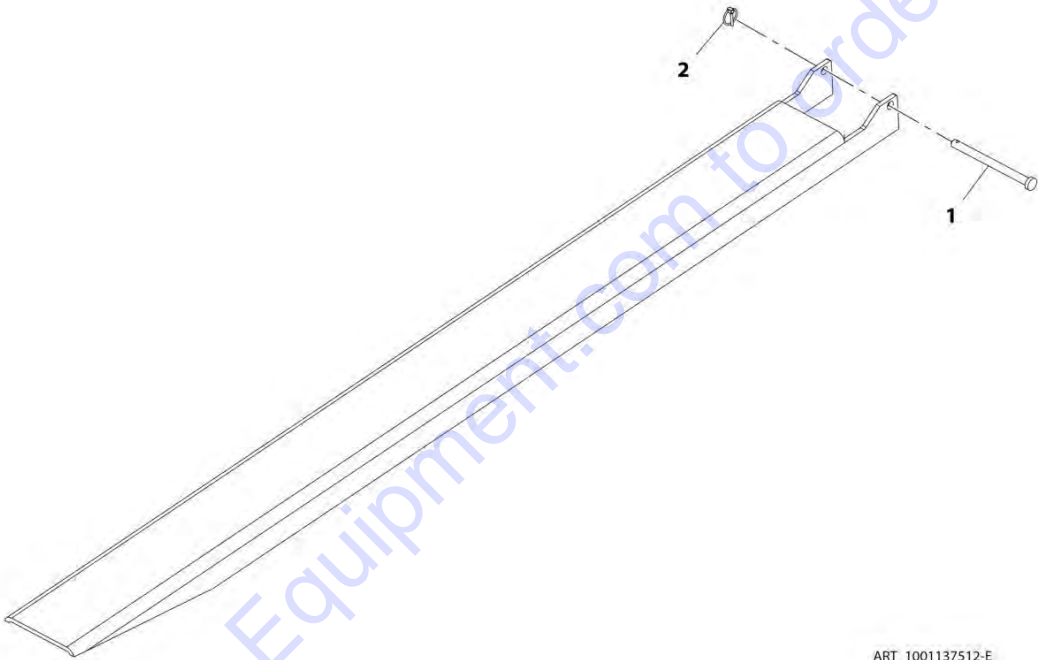
FIGURE 3-28. FORK CLAMPS INSTALL

ITEM	PART NUMBER	QTY	DESCRIPTION	REV
	1001094134	Ref	Fork Clamps Installation	A
1	1001094136	4	Clamp, Fork	
2	10700681	4	Bolt, 0.625-18X1.5	

Go to Discount-Equipment.com to order your parts

SECTION 3 - ATTACHMENTS

FIGURE 3-29. FORK EXTENSION (90 INCH)



ART_1001137512-E

Go to Discount-Equipment.com to order your parts

SECTION 3 - ATTACHMENTS

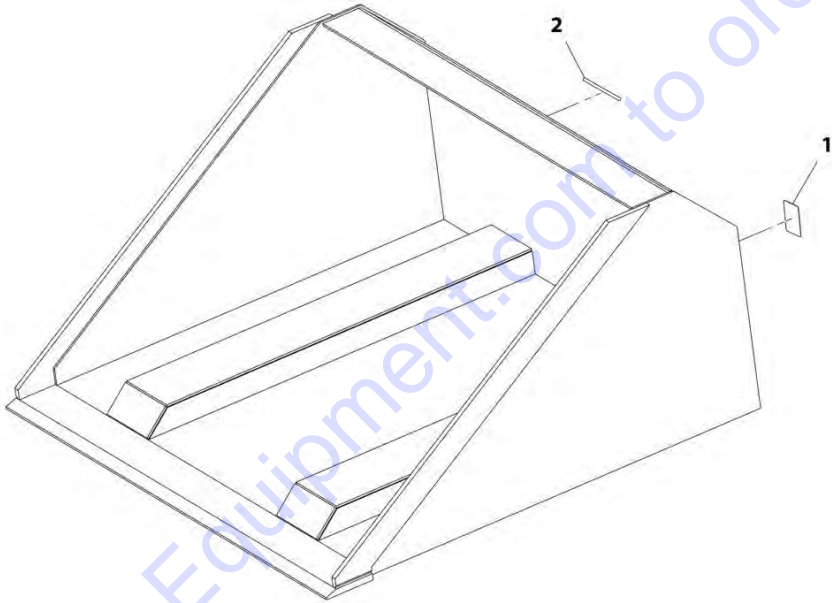
FIGURE 3-29. FORK EXTENSION (90 INCH)

ITEM	PART NUMBER	QTY	DESCRIPTION	REV
	1001137512	1	Fork Extension (90 Inch)	E
1	70024306	1	Pin	
2	70024307	1	Clip	

Go to Discount-Equipment.com to order your parts

SECTION 3 - ATTACHMENTS

FIGURE 3-30. FORK MOUNTED BUCKET (60 INCH)



ART_1001195970-B

SECTION 3 - ATTACHMENTS

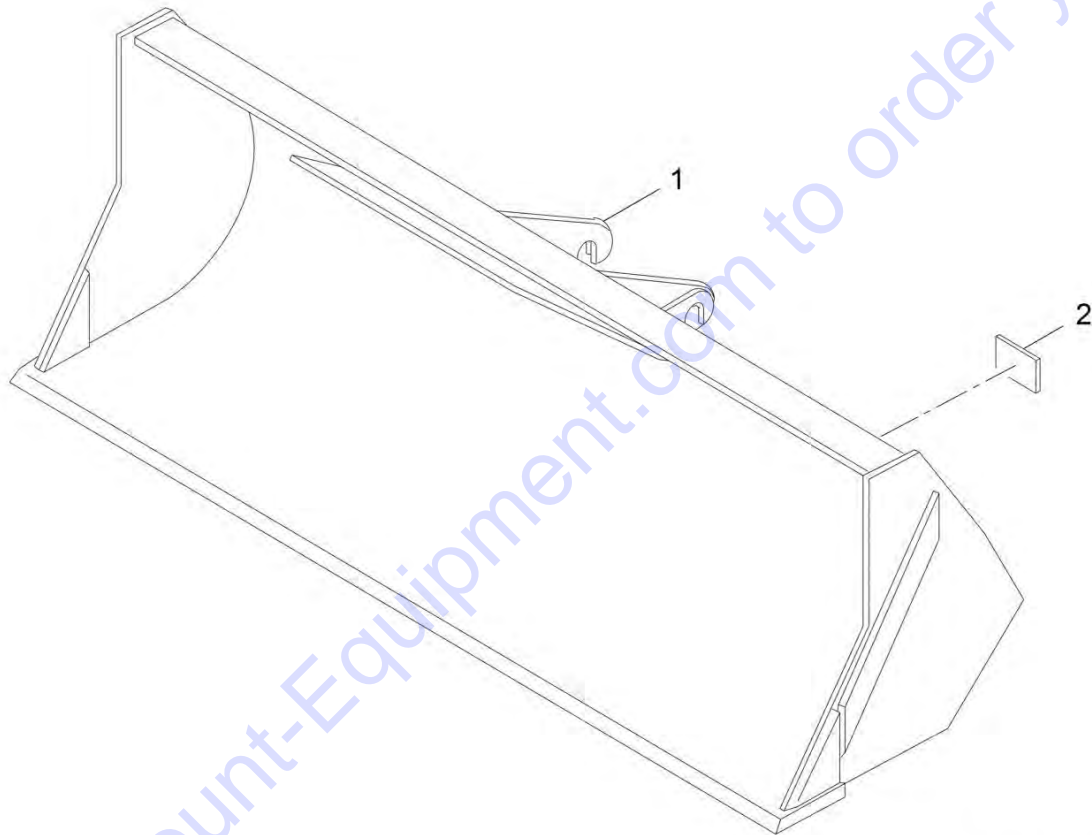
FIGURE 3-30. FORK MOUNTED BUCKET (60 INCH)

ITEM	PART NUMBER	QTY	DESCRIPTION	REV
1	1001195970	1	Fork Mounted Bucket (60 Inch)	B
	N.S.S.	1	S/N Plate	

Go to Discount-Equipment.com to order your parts

SECTION 3 - ATTACHMENTS

FIGURE 3-31. BUCKET (72 INCH)



ART_1001100822-C

SECTION 3 - ATTACHMENTS

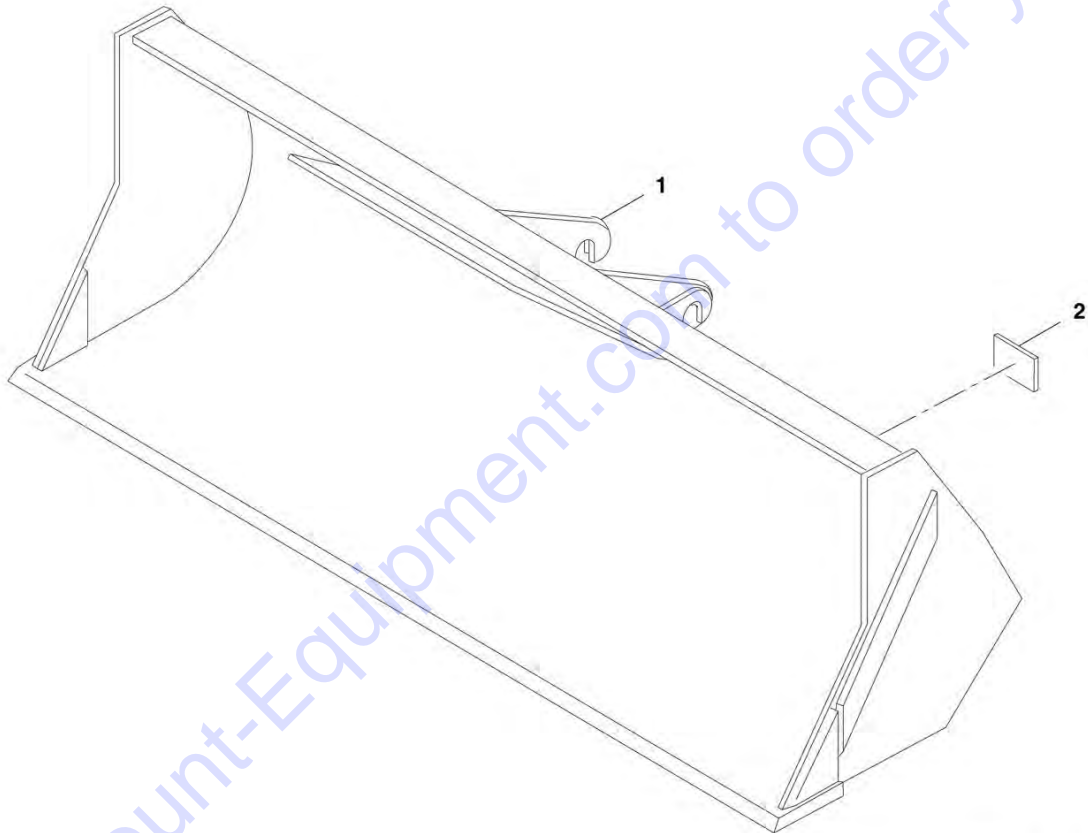
FIGURE 3-31. BUCKET (72 INCH)

ITEM	PART NUMBER	QTY	DESCRIPTION	REV
1	1001100822	1	Bucket (72 Inch)	C
2	N.S.S.	1	S/N Plate	

Go to Discount-Equipment.com to order your parts

SECTION 3 - ATTACHMENTS

FIGURE 3-32. BUCKET (96 INCH)



ART_1001100823-C

SECTION 3 - ATTACHMENTS

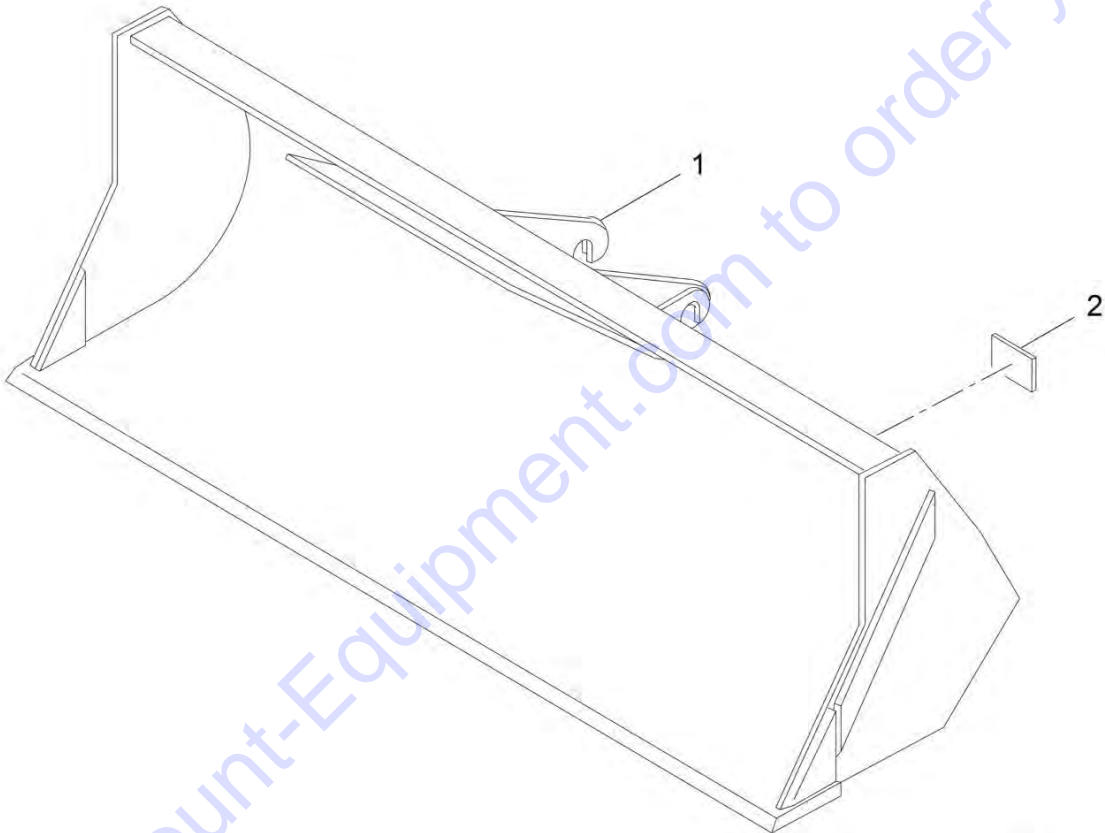
FIGURE 3-32. BUCKET (96 INCH)

ITEM	PART NUMBER	QTY	DESCRIPTION	REV
1	1001100823	1	Bucket (96 Inch)	C
2	N.S.S.	1	S/N Plate	

Go to Discount-Equipment.com to order your parts

SECTION 3 - ATTACHMENTS

FIGURE 3-33. BUCKET (102 INCH)



ART_1001100824-C

SECTION 3 - ATTACHMENTS

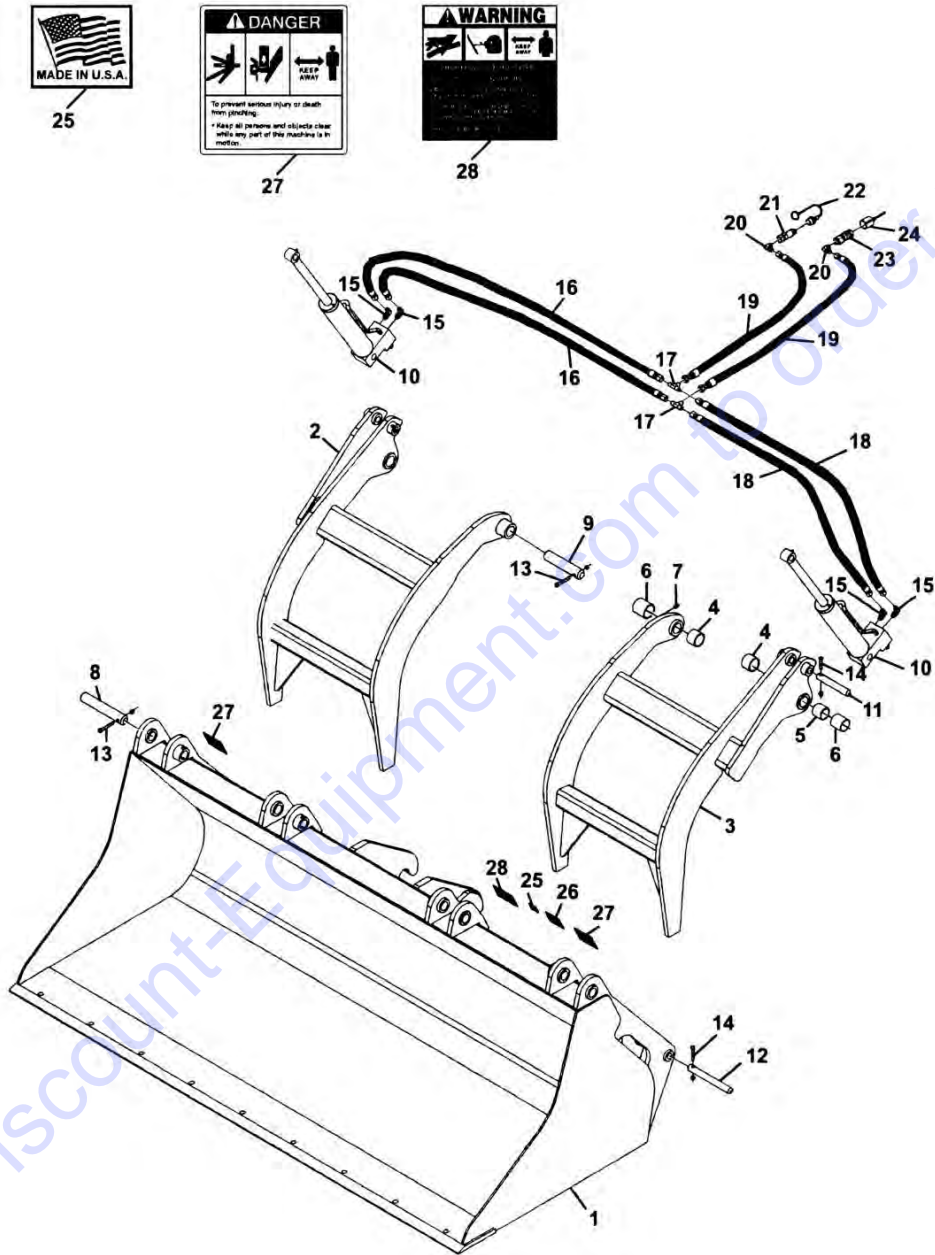
FIGURE 3-33. BUCKET (102 INCH)

ITEM	PART NUMBER	QTY	DESCRIPTION	REV
1	1001100824	1	Bucket (102 Inch)	C
2	N.S.S.	1	S/N Plate	

Go to Discount-Equipment.com to order your parts

SECTION 3 - ATTACHMENTS

FIGURE 3-34. GRAPPLE BUCKET



ART_0930020-H

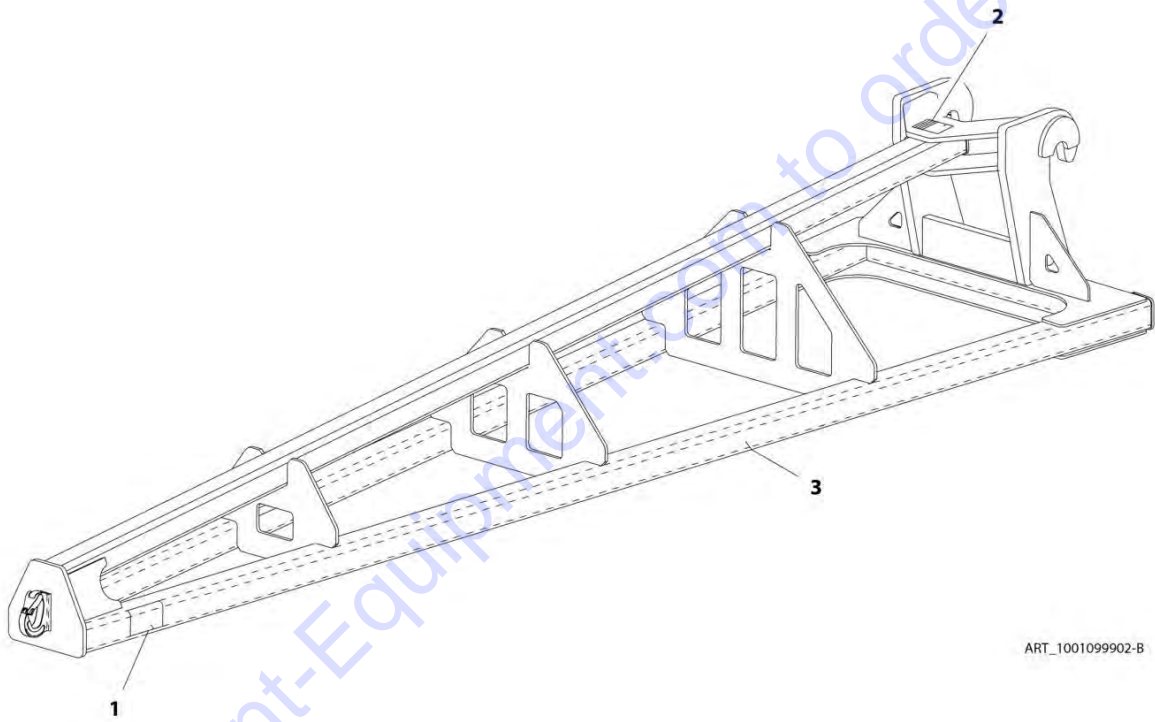
SECTION 3 - ATTACHMENTS

FIGURE 3-34. GRAPPLE BUCKET

ITEM	PART NUMBER	QTY	DESCRIPTION	REV
	0930020	1	Grapple Bucket	H
1	N.S.S.	1	Bucket	
1	70021387	4	Clamp, Hose	
2	70021391	1	Hook, RH Grapple	
3	70021392	1	Hook, LH Grapple	
4	70021358	4	Bushing	
5	70021359	2	Spacer	
6	70021360	4	Bushing	
7	7029714	4	Fitting, Grease	
8	70021361	2	Pin, Outer Pivot	
9	70021362	2	Pin, Inner Pivot	
10	70021393	2	Cylinder, Grapple Bucket (See HYDRAULIC COMPONENTS for Breakdown)	
11	70021364	2	Pin, Cylinder (base end)	
12	70021365	2	Pin, Cylinder (rod end)	
13	70021366	4	Bolt, 3/8X2-3/4	
13	70021367	4	Nut, Lock 3/8	
14	70021399	4	Bolt, 3/8X2-1/4	
14	70021367	4	Nut, Lock 3/8	
15	90554065	4	Elbow, 90	
16	70021980	2	Hose	
17	70020562	2	Fitting, Tee	
18	70021981	2	Hose	
19	70021982	2	Hose	
20	70022527	2	Elbow, 90	
21	7029692	1	Quick Coupler, Male	
22	90554062	1	Cover, Dust	
23	70021342	1	Quick Coupler, Female	
24	90554076	1	Cover, Dust	
25	90554016	1	Decal, Made in USA	
26	N.S.S.	1	S/N Plate	
27	90554017	2	Decal, Danger Pinch Point	
28	90554018	1	Decal, Warning High Pressure	

SECTION 3 - ATTACHMENTS

FIGURE 3-35. TRUSS BOOM (12 FOOT)



ART_1001099902-B

SECTION 3 - ATTACHMENTS

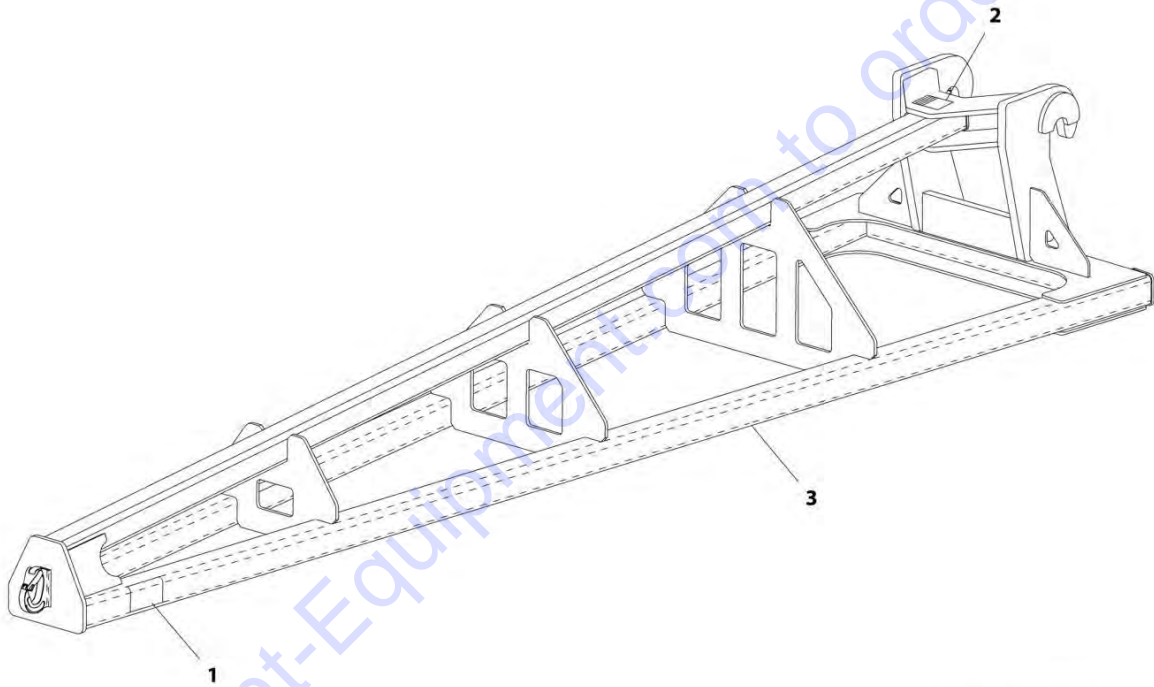
FIGURE 3-35. TRUSS BOOM (12 FOOT)

ITEM	PART NUMBER	QTY	DESCRIPTION	REV
	1001099902	1	Truss Boom (12 Foot)	B
1	4110422	2	Decal, Danger Swinging Loads	
2	N.S.S.	1	S/N Plate	
3	N.S.S.	1	Boom, Truss	

Go to Discount-Equipment.com to order your parts

SECTION 3 - ATTACHMENTS

FIGURE 3-36. TRUSS BOOM (15 FOOT)



ART_1001099901-C

SECTION 3 - ATTACHMENTS

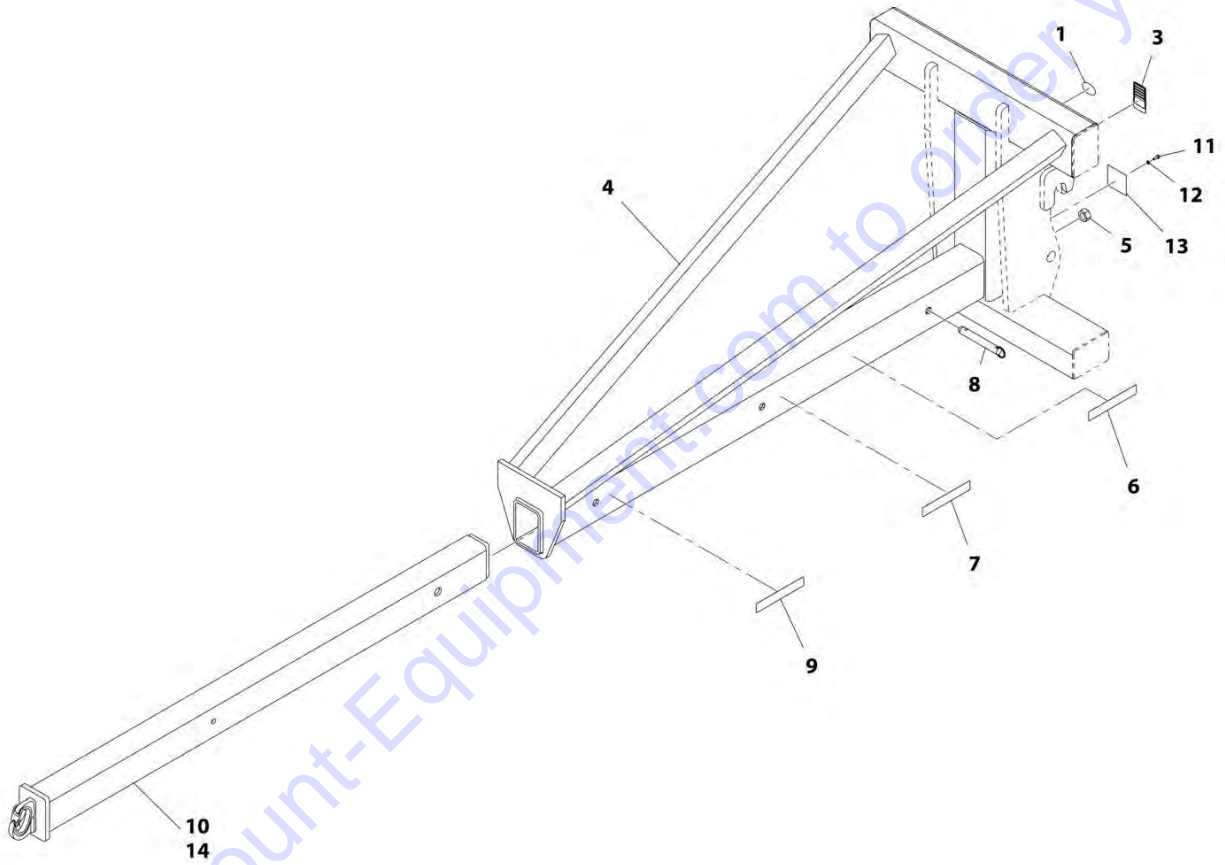
FIGURE 3-36. TRUSS BOOM (15 FOOT)

ITEM	PART NUMBER	QTY	DESCRIPTION	REV
	1001099901	1	Truss Boom (15 Foot)	C
1	4110422	2	Decal, Danger Swinging Loads	
2	N.S.S.	1	S/N Plate	
3	N.S.S.	1	Boom, Truss	

Go to Discount-Equipment.com to order your parts

SECTION 3 - ATTACHMENTS

FIGURE 3-37. ADJUSTABLE TRUSS BOOM



ART_1001176515-B

SECTION 3 - ATTACHMENTS

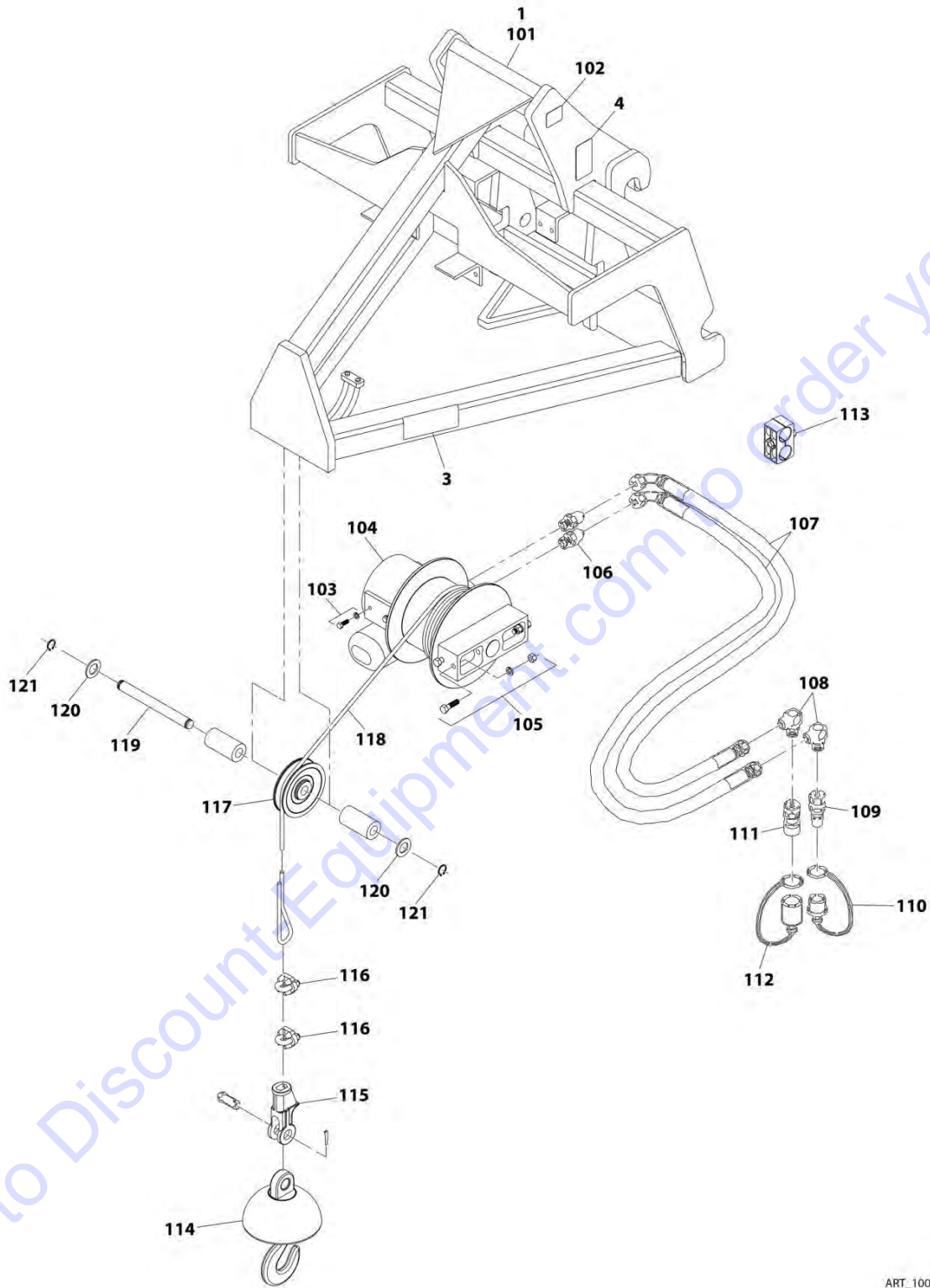
FIGURE 3-37. ADJUSTABLE TRUSS BOOM

ITEM	PART NUMBER	QTY	DESCRIPTION	REV
	1001176515	1	Adjustable Truss Boom	B
1	90554016	1	Decal, Made in USA	
3	N.S.S.	1	S/N Plate	
4	N.S.S.	1	Truss Boom, Adjustable	
5	70021440	1	Nut, Lock	
6	70024062	2	Decal, 4000 lbs cap	
7	70026944	2	Decal, 3000 lbs cap	
8	70026946	1	Pin	
9	70026699	2	Decal, 2000 lbs cap	
10	70026747	1	Stop Rod, Boom Extension	
11	90554033	1	Bolt, 3/4X1/4	
12	90554034	1	Washer, Lock 1/4	
13	70026948	1	Plate, Stop	
14	70026949	1	Boom, Telescopic	

Go to Discount-Equipment.com to order your parts

SECTION 3 - ATTACHMENTS

FIGURE 3-38. TRUSS BOOM ASSEMBLY (3 FOOT WITH WINCH)



ART_1001100967-C

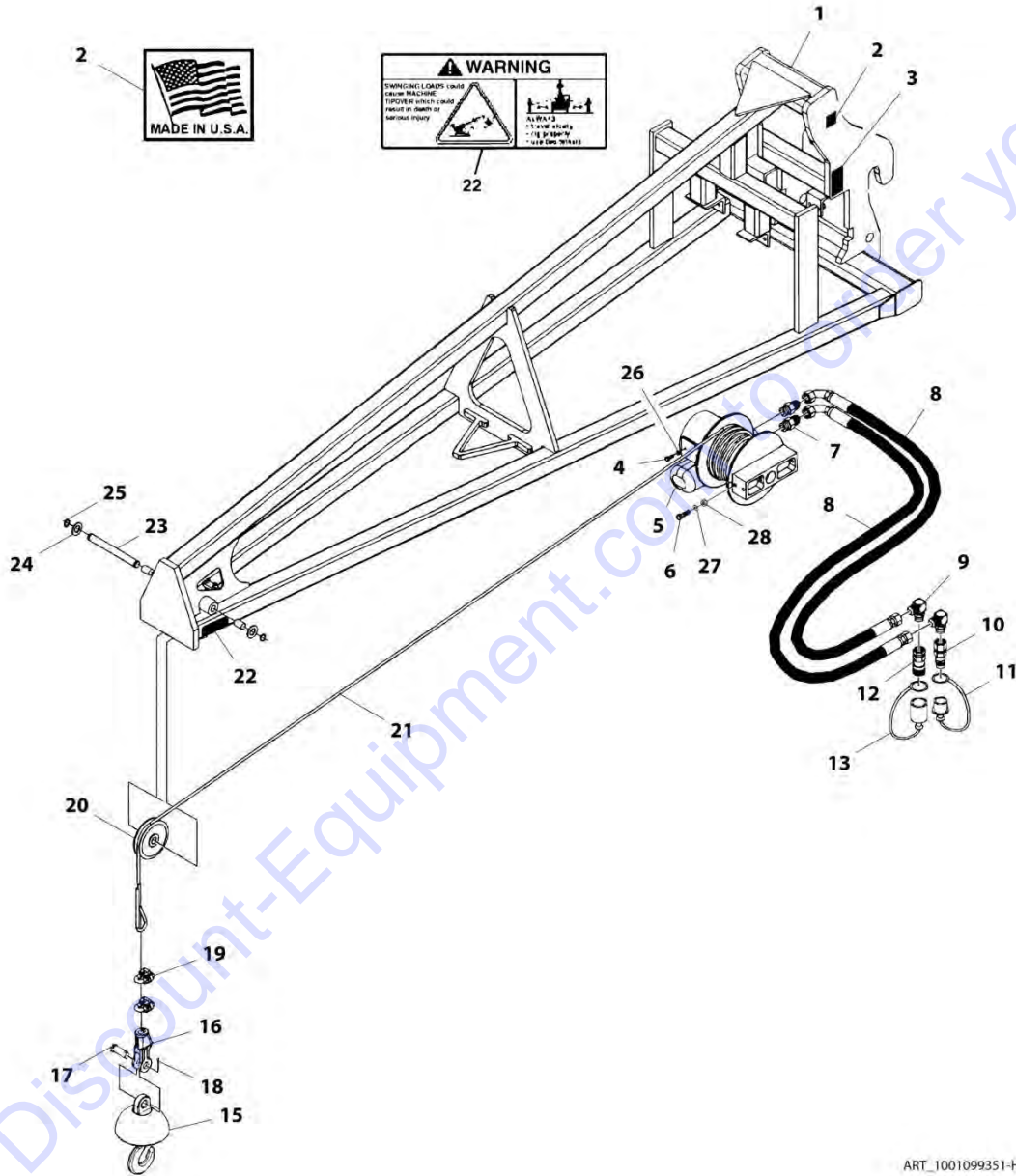
SECTION 3 - ATTACHMENTS

FIGURE 3-38. TRUSS BOOM ASSEMBLY (3 FOOT WITH WINCH)

ITEM	PART NUMBER	QTY	DESCRIPTION	REV
	1001100967	Ref	Truss Boom Assembly (3 Foot with Winch) (includes items 1, 3, 4 & 101 thru 121)	C
1	8380008	NLA	Truss Boom (3 Foot with Winch) (no longer available, use 1001100967 for replacement)	
3	4110422	2	Decal, Danger Swinging Loads	
4	N.S.S.	1	S/N Plate	
101	N.S.S.	1	Truss Boom Frame	
102	90554016	1	Decal	
103	70021349	4	Bolt	
103	90554042	4	Washer	
104	70021921	1	Winch, Truss Boom	
105	70024059	4	Bolt	
105	90554054	4	Nut	
105	90554020	4	Washer	
106	70021415	2	Fitting	
107	70021977	2	Hose	
108	70022527	2	Fitting, 90	
109	91403414	1	Hydraulic Coupler, Male	
110	8420053	1	Cap Dust, Male	
111	91403413	1	Hydraulic Coupler, Female	
112	8420055	1	Plug Dust, Female	
113	70021387	1	Clamp	
114	70021978	1	Ball Swivel Safety Hook	
115	70021979	1	Assembly, Socket	
116	70022528	2	Clamp	
117	70021935	1	Pulley	
118	70022028	1	Cable	
119	70022529	1	Pin	
120	70027009	2	Washer	
121	70026698	2	Ring, Snap	

SECTION 3 - ATTACHMENTS

FIGURE 3-39. TRUSS BOOM (12 FOOT WITH WINCH)



ART_1001099351-H

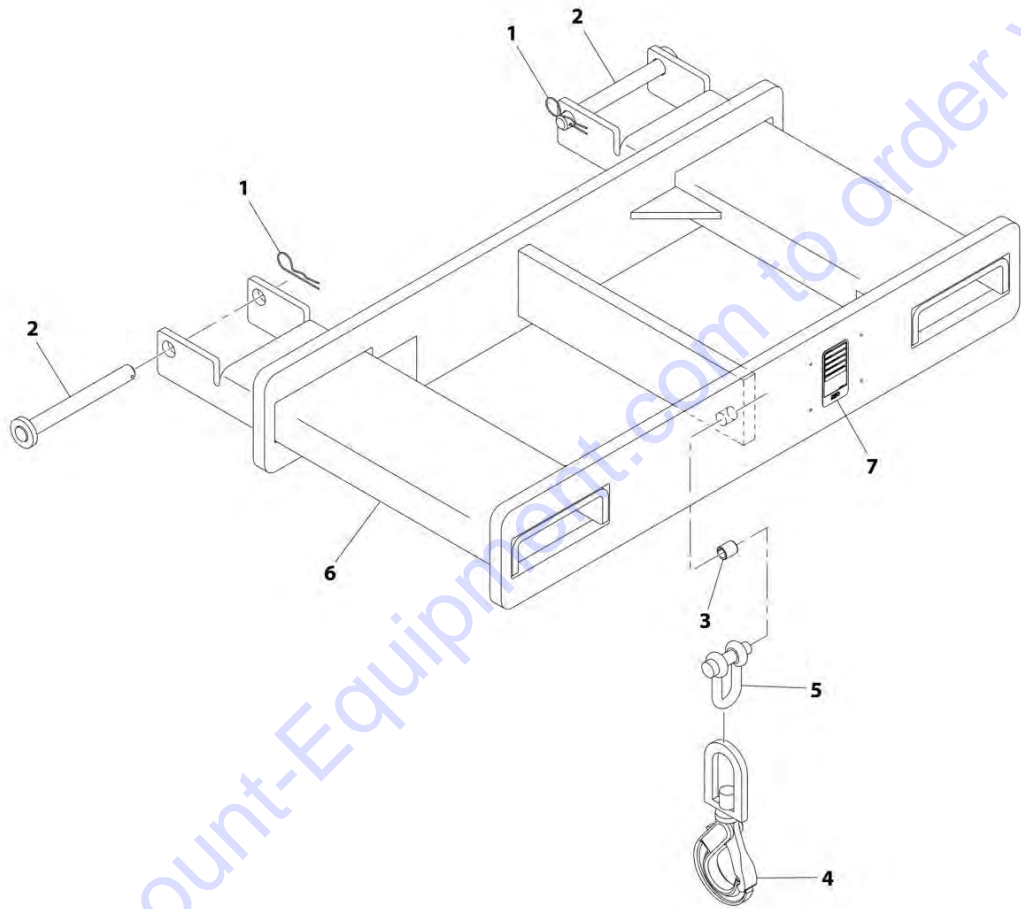
SECTION 3 - ATTACHMENTS

FIGURE 3-39. TRUSS BOOM (12 FOOT WITH WINCH)

ITEM	PART NUMBER	QTY	DESCRIPTION	REV
	1001099351	1	Truss Boom (12 Foot with Winch)	H
1	N.S.S.	1	Frame, Truss Boom	
2	90554016	1	Decal, Made in USA	
3	N.S.S.	1	S/N Plate	
4	70021349	4	Bolt, 3/8X1	
5	70021921	1	Motor, Truss Boom Winch	
6	70024059	2	Bolt, 1/2X1-3/4	
7	70021415	2	Connector	
8	70021977	2	Hose	
9	70022527	2	Elbow, 90	
10	7029692	1	Quick Coupler, Male	
11	90554062	1	Cap, Dust	
12	70021342	1	Quick Coupler, Female	
13	90554076	1	Cover, Dust	
15	70021978	1	Ball Swivel with Safety Hook	
16	70021979	1	Assembly, Socket (includes items 17 thru 18)	
17	N.S.S.	1	Pin	
18	N.S.S.	1	Pin, Cotter	
19	70022528	2	Clamp	
20	70021935	1	Pulley	
21	70022028	1	Cable	
22	4110422	2	Decal, Warning Swinging Loads	
23	70022529	1	Pin	
24	70024060	2	Washer	
25	70024061	2	Ring, Snap	
26	90554042	4	Washer, Lock 3/8	
27	90554020	2	Washer, Lock 1/2	
28	90554054	2	Nut, 1/2	

SECTION 3 - ATTACHMENTS

FIGURE 3-40. FORK MOUNTED HOOK



ART_1001097205-H

SECTION 3 - ATTACHMENTS

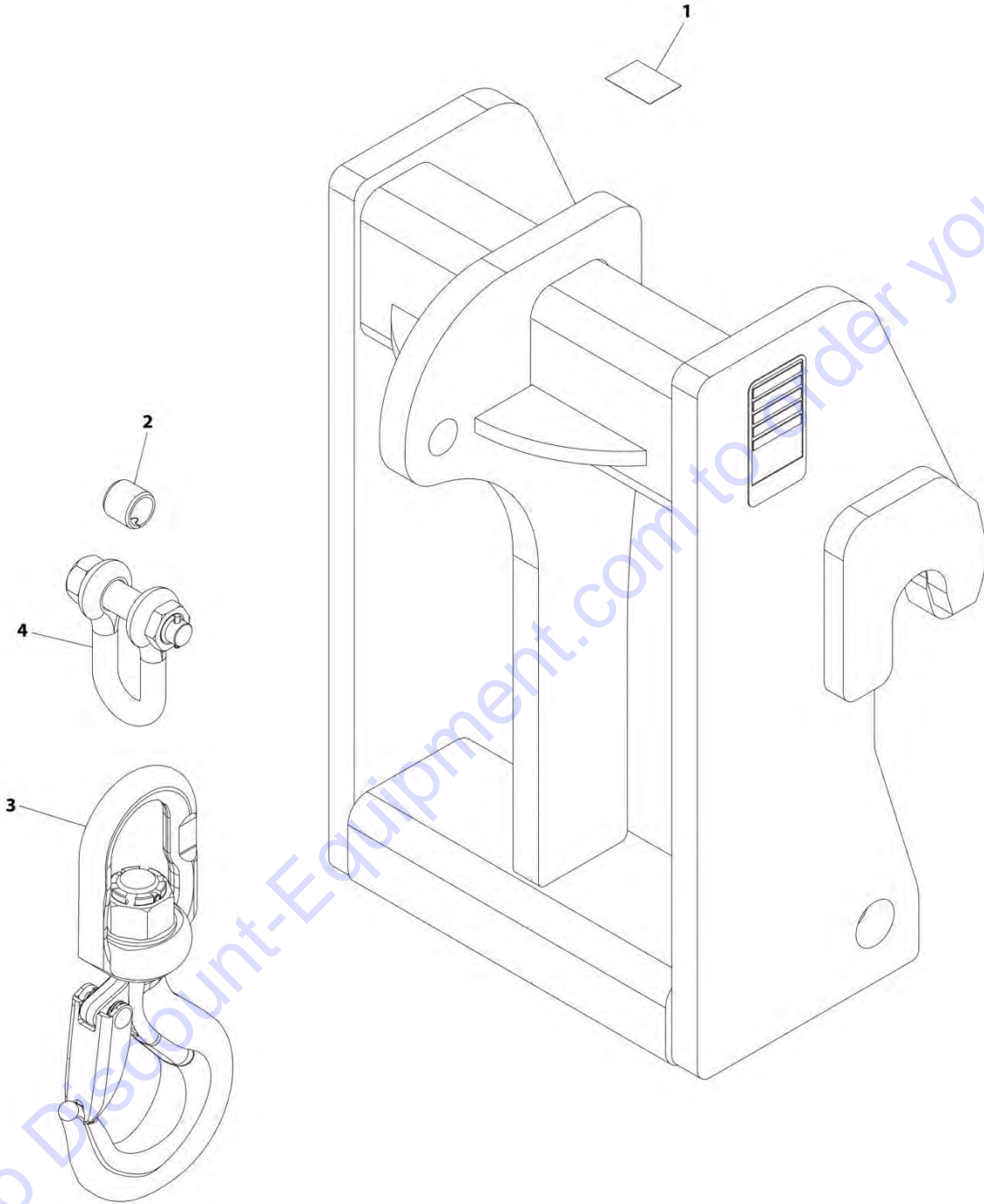
FIGURE 3-40. FORK MOUNTED HOOK

ITEM	PART NUMBER	QTY	DESCRIPTION	REV
	1001097205	1	Fork Mounted Hook	H
1	7029520	2	Pin, Cotter	
2	1001093171	2	Pin	
3	70020555	1	Bushing	
4	90554080	1	Hook	
5	7029521	1	Shackle	
6	N.S.S.	1	Weldment, Hook	
7	N.S.S.	1	S/N Plate	

Go to Discount-Equipment.com to order your parts

SECTION 3 - ATTACHMENTS

FIGURE 3-41. COUPLER MOUNTED HOOK



ART_1001207606-B

SECTION 3 - ATTACHMENTS

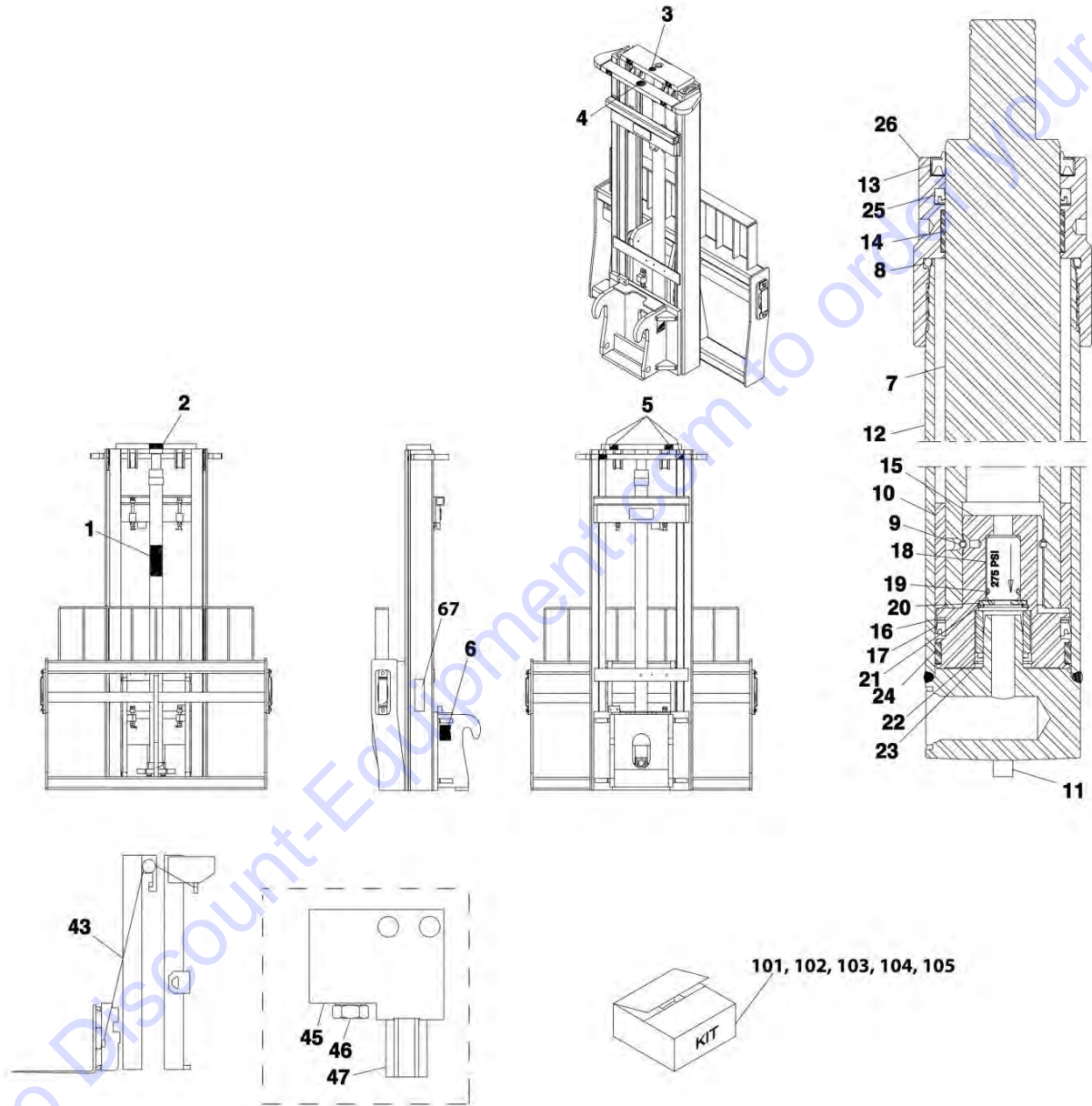
FIGURE 3-41. COUPLER MOUNTED HOOK

ITEM	PART NUMBER	QTY	DESCRIPTION	REV
	1001207606	Ref	Coupler Mounted Hook	B
1	90554016	1	Decal	
2	70020555	1	Bushing	
3	70026745	1	Hook Swivel	
4	70026746	1	Shackle Chain	

Go to Discount-Equipment.com to order your parts

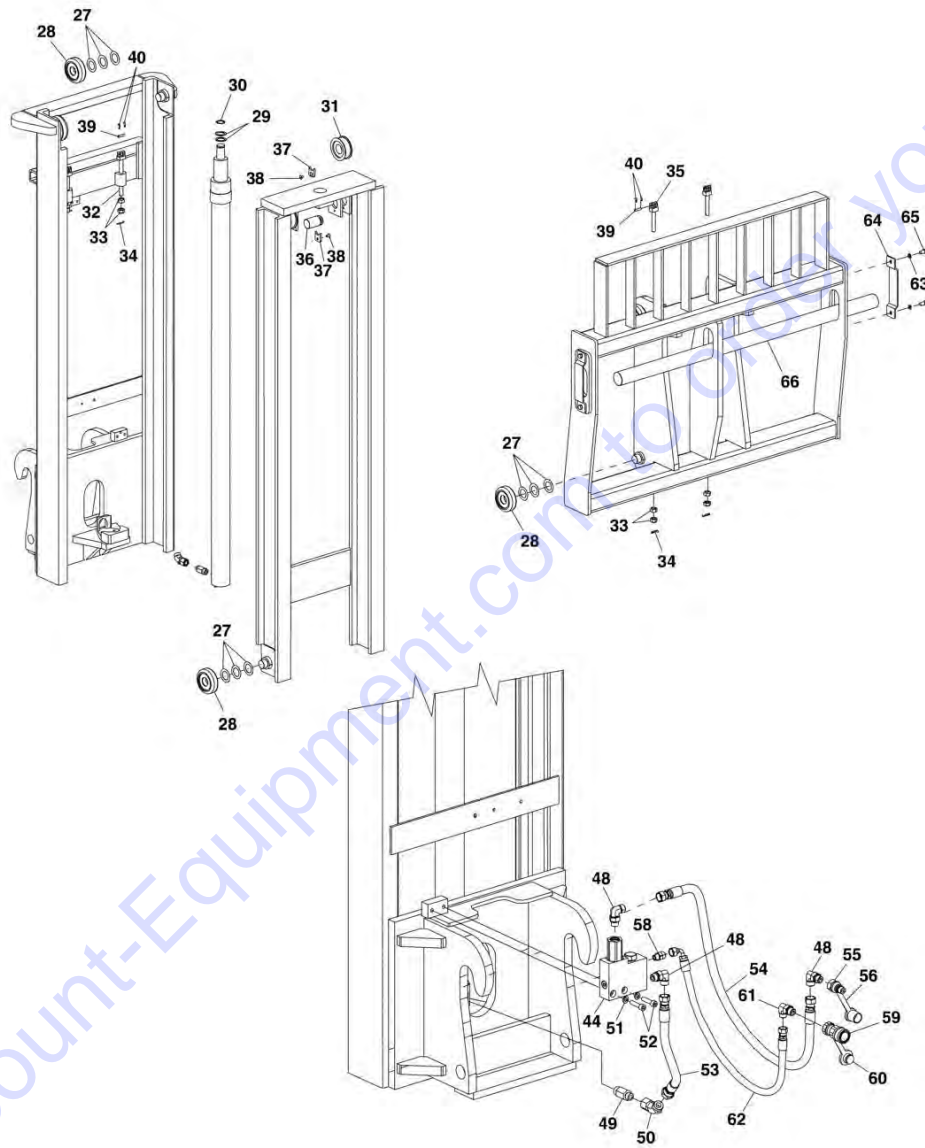
SECTION 3 - ATTACHMENTS

FIGURE 3-42. MAST (8 FOOT)



ART_1001108668_1-C

SECTION 3 - ATTACHMENTS



ART_1001108668_2-C

SECTION 3 - ATTACHMENTS

FIGURE 3-42. MAST (8 FOOT)

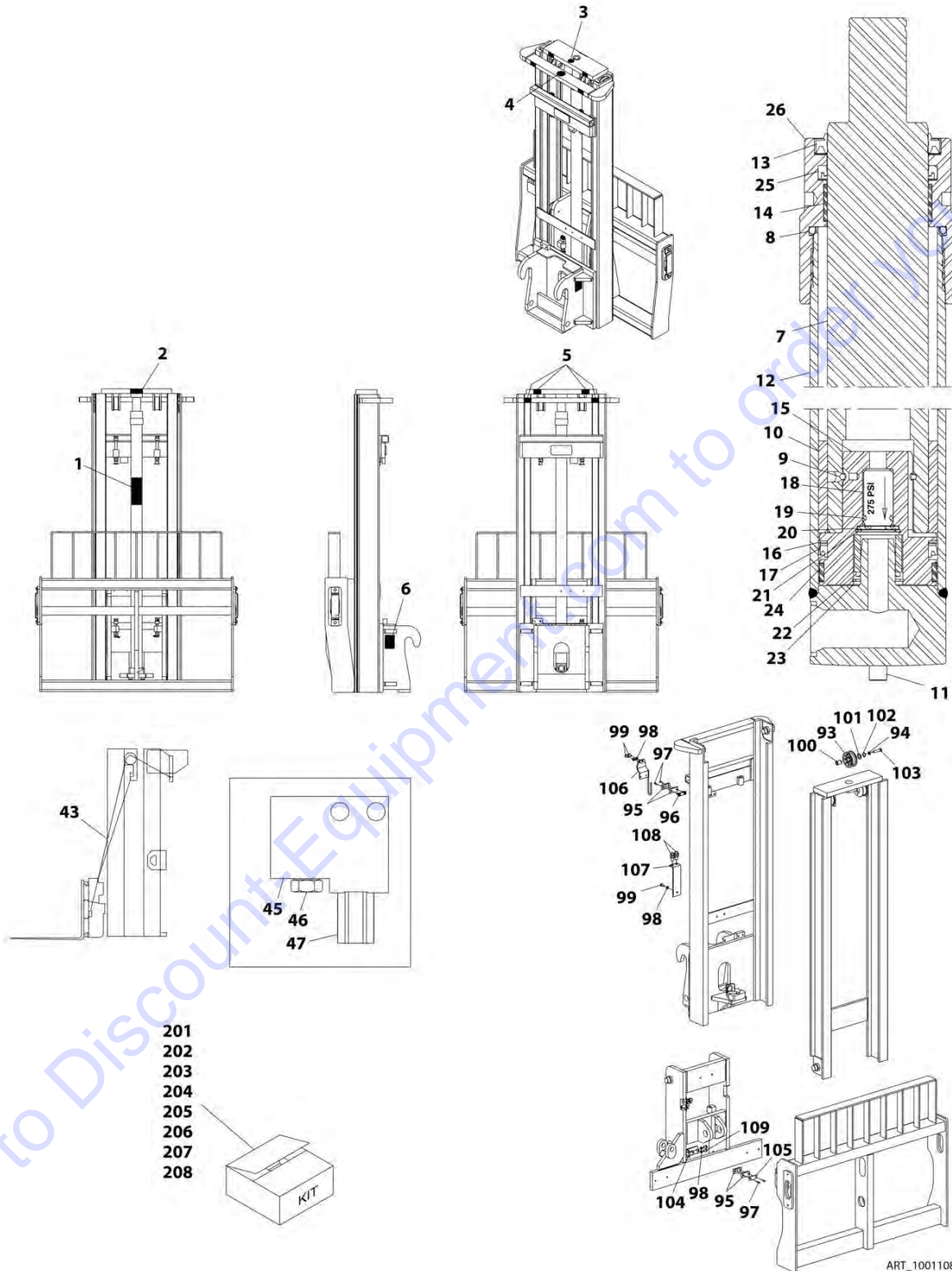
ITEM	PART NUMBER	QTY	DESCRIPTION	REV
	1001108668	1	Mast (8 Foot)	C
1	Kit	1	Decal, Warning	
2	Kit	1	Decal, Warning	
3	Kit	1	Decal, No Step	
4	Kit	1	Decal, No Step	
5	Kit	4	Decal, Hands Off	
6	Kit	1	Decal, Hose Routing	
	70023008	1	Cylinder, Main Lift (includes items 7 thru 26)	
7	N.S.S.	1	Rod/Plunger	
8	Kit	1	O-Ring	
9	Kit	1	Wire, Pull	
10	N.S.S.	1	Spacer	
11	N.S.S.	2	Pin, Roll	
12	N.S.S.	1	Barrel	
13	Kit	1	Wiper	
14	Kit	1	Bushing	
15	N.S.S.	1	Barrel	
16	Kit	1	Ring, Nylon	
17	Kit	1	Seal, Piston	
18	Kit	1	Valve, Check	
19	Kit	1	O-Ring	
20	Kit	1	Washer	
21	Kit	1	Circlip	
22	N.S.S.	1	Sleeve	
23	Kit	1	Ring, Retaining	
24	Kit	1	Ring, Wear	
25	Kit	1	Seal, Rod	
26	70023004	1	Retainer/Gland	
27	70023014	24	Shim	
28	70022987	8	Bearing, Ball	
29	Kit	2	Washer, Shim	
30	70023016	1	Ring, Snap	
31	70022969	2	Assembly, Sheave	
32	70022960	2	Anchor, Chain	
33	70022957	8	Nut, 5/8-18	
34	70022993	4	Pin, Cotter	
35	70022995	2	Anchor, Chain	
36	70022984	1	Shaft, Sheave	
37	70022970	2	Bar, Retainer	
38	70023003	2	Capscrew	
39	70022994	4	Pin, Chain Anchor	
40	70022992	8	Pin, Cotter	
41	70022985	1	Shaft, Sheave	
43	70023009	2	Chain, Lift	
44	70022932	1	Assembly, PO Check Valve (includes items 45, 46 & 47)	
45	N.S.S.	1	Manifold	
46	70022931	1	Cartridge, PO Check Valve	
47	70023010	1	Check, PO	
48	70022934	3	Fitting, 90	
49	70022936	1	Limitter, Flow	

SECTION 3 - ATTACHMENTS

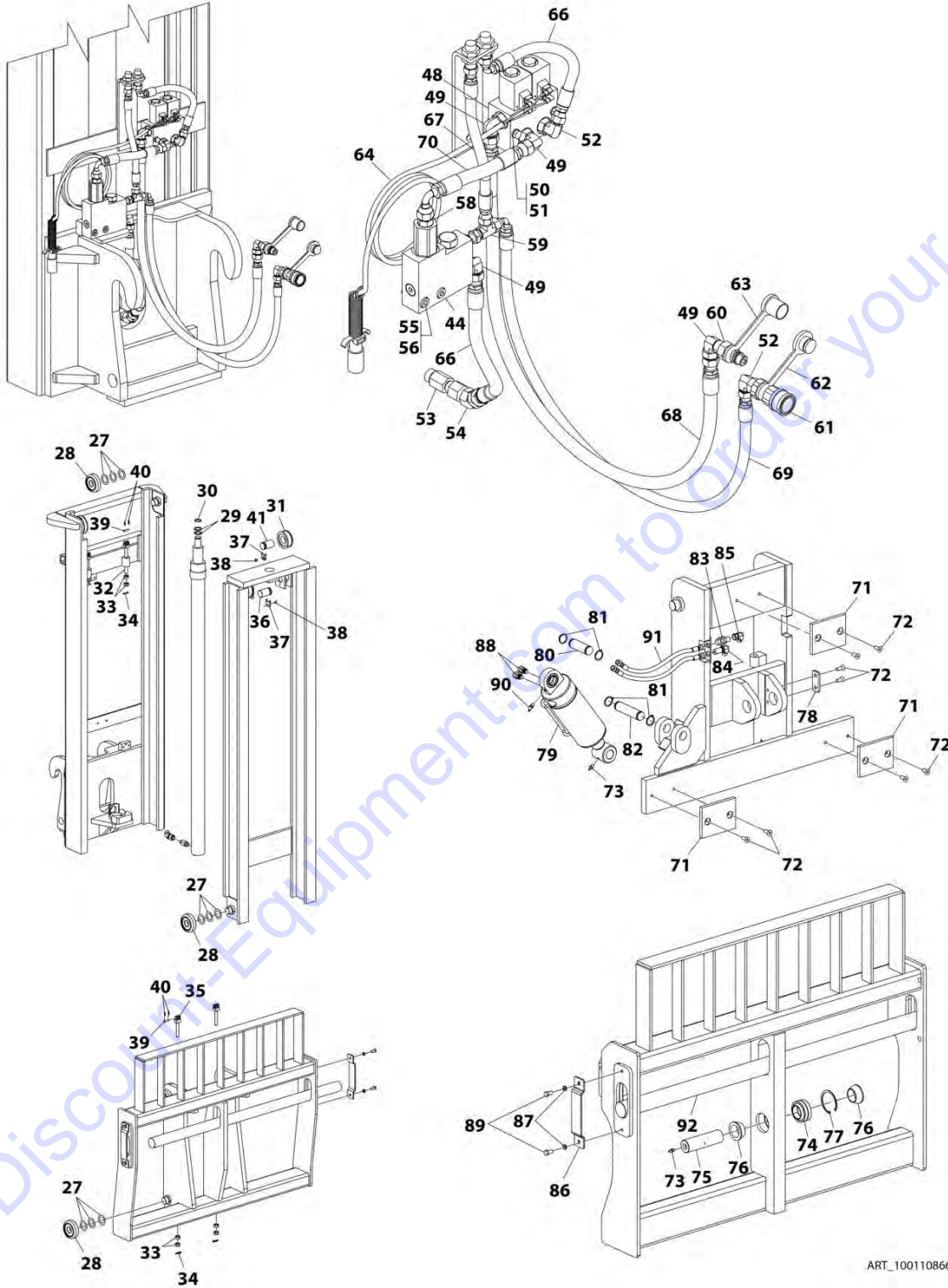
ITEM	PART NUMBER	QTY	DESCRIPTION	REV
50	70022937	1	Fitting, 45	
51	70022949	2	Washer, Lock M10	
52	70022950	2	Bolt	
53	70022942	1	Hose	
54	70022952	1	Hose	
55	91403414	1	Adapter, Male Quick Disconnect	
56	91043126	1	Cap, Dust	
58	70022939	1	Fitting, Straight	
59	91403413	1	Adapter, Female Quick Disconnect	
60	91043125	1	Plug, Dust	
61	70022935	1	Elbow, Straight Thread	
62	70022946	1	Hose	
63	70022949	4	Washer, Lock M10	
64	70022980	2	Keeper, Fork Pin	
65	70022998	4	Screw, M10X20	
66	70022990	1	Pin, Fork	
67	N.S.S.	1	S/N Plate	
101	70023925	1	Kit, Decal (includes items 1 thru 6)	
102	70023005	1	Seal Kit, Main Lift Cylinder (includes items 8, 9, 13, 14, 16, 17, 19, 21 & 23 thru 25)	
103	70023006	1	Kit, Check Valve (includes items 18 thru 21 & 23)	
104	70023007	1	Kit, Shim	
105	70023015	1	Kit, Mast Common Parts (includes items 27 thru 41)	

SECTION 3 - ATTACHMENTS

FIGURE 3-43. SIDE TILT ELECTRIC MAST (8 FOOT) (Prior to SN 0160075205, Excluding 0160074738, 0160074745 and 0160074938)



SECTION 3 - ATTACHMENTS



ART_1001108669_2-D

SECTION 3 - ATTACHMENTS

FIGURE 3-43. SIDE TILT ELECTRIC MAST (8 FOOT) (Prior to SN 0160075205, Excluding 0160074738, 0160074745 and 0160074938)

ITEM	PART NUMBER	QTY	DESCRIPTION	REV
	1001108669	1	Side Tilt Electric Mast (8 Foot)	D
1	Kit	1	Decal, Warning	
2	Kit	1	Decal, Warning	
3	Kit	1	Decal, No Step	
4	Kit	1	Decal, No Step	
5	Kit	4	Decal, Hands Off	
6	1001111190	2	Decal, Hose Routing	
	70023008	1	Cylinder, Main Lift	
7	N.S.S.	1	Rod/Plunger	
8	Kit	1	O-Ring	
9	Kit	1	Wire, Pull	
10	N.S.S.	1	Spacer	
11	N.S.S.	2	Pin, Roll	
12	N.S.S.	1	Barrel	
13	Kit	1	Wiper	
14	Kit	1	Bushing	
15	N.S.S.	1	Piston	
16	Kit	1	Ring, Nylon	
17	Kit	1	Seal, Piston	
18	Kit	1	Valve, Check	
19	Kit	1	O-Ring	
20	Kit	1	Washer	
21	Kit	1	Circlip	
22	N.S.S.	1	Sleeve	
23	Kit	1	Ring, Retaining	
24	Kit	1	Ring, Wear	
25	Kit	1	Seal, Rod	
26	70023004	1	Retainer/Gland	
27	70023014	24	Shim	
28	70022987	8	Bearing, Ball	
29	Kit	2	Shim, Washer	
30	70023016	1	Ring, Snap	
31	70022969	2	Assembly, Sheave	
32	70022960	2	Anchor, Chain	
33	70022957	8	Nut, 5/8-18	
34	70022993	4	Pin, Cotter	
35	70022995	2	Anchor, Chain	
36	70022984	1	Shaft, Sheave	
37	70022970	2	Bar, Retainer	
38	70023003	2	Capscrew	
39	70022994	4	Pin, Chain Anchor	
40	70022992	8	Pin, Cotter	
41	70022985	1	Shaft, Sheave	
43	70023009	2	Chain, Lift	
44	70022932	1	Assembly, PO Check Valve (includes items 45, 46 & 47)	
45	N.S.S.	1	Manifold	
46	70022931	1	Cartridge, PO Check Valve	
47	70023010	1	Check, PO	
48	70022933	1	Solenoid, Valve Bank	

SECTION 3 - ATTACHMENTS

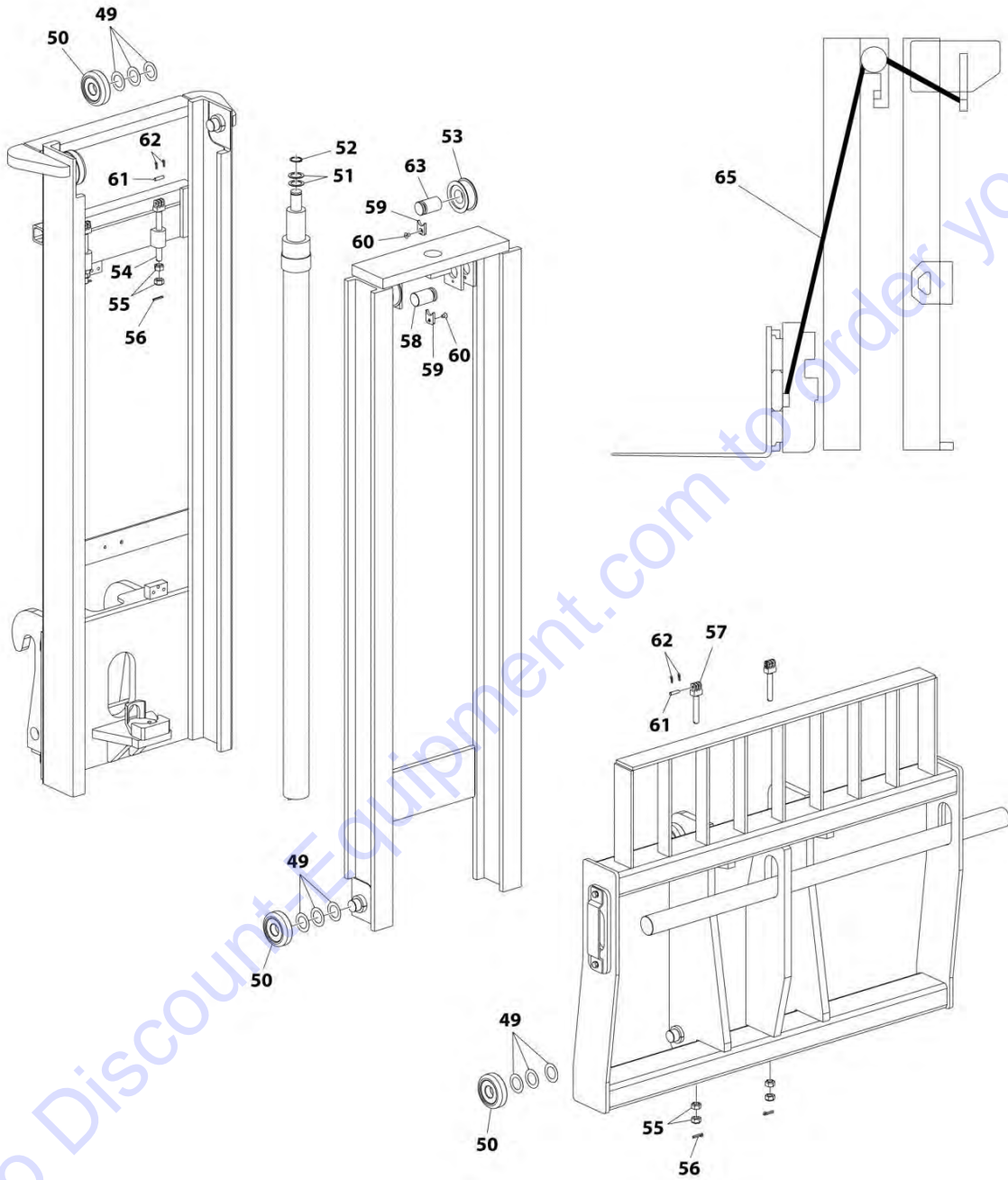
ITEM	PART NUMBER	QTY	DESCRIPTION	REV
49	70022934	4	Fitting, 90	
50	70022948	2	Washer, Lock M8	
51	70022951	2	Capscrew	
52	70022935	2	Elbow, Straight Thread	
53	70022936	1	Limiter, Flow	
54	70022937	1	Fitting, 45	
55	70022949	2	Washer, Lock M10	
56	70022950	2	Capscrew	
57	70022938	1	Fitting, Straight	
58	70022939	1	Fitting, Straight	
59	70022940	1	Fitting, Tee	
60	91403414	1	Adapter, Male Quick Disconnect	
61	91403413	1	Adapter, Female Quick Disconnect	
62	91043125	1	Plug, Dust	
63	91043126	1	Cap, Dust	
64	70022941	1	Harness	
65	70022942	1	Hose, (not shown)	
66	70022943	1	Hose	
67	70022944	1	Hose	
68	70022945	1	Hose	
69	70022946	1	Hose	
70	70022947	1	Hose	
71	70022972	3	Pad, Wear	
72	70022971	8	Capscrew	
73	70023001	2	Fitting, Grease	
74	70022975	1	Bearing	
75	70022973	1	Shaft, Pivot	
76	70022974	2	Spacer, Beveled	
77	70022988	1	Ring, Retaining	
78	70022976	1	Plate, Retainer	
79	2716143	1	Cylinder, Tilt	
80	70022977	1	Pin	
81	70023016	4	Ring, Snap	
82	70022978	1	Pin	
83	70023000	1	Bulkhead Union, With Locknut	
84	70022999	1	Elbow, Bulkhead Union	
85	70022982	1	Elbow, Straight	
86	70022980	2	Keeper, Fork Pin	
87	70022949	4	Washer, Lock M10	
88	70022991	2	Elbow, 90	
89	70022998	4	Capscrew	
90	70022966	1	Fitting, Grease	
91	70022979	2	Hose	
92	70022990	1	Pin, Fork	
93	70022965	1	Sheave	
94	70022997	1	Washer, Lock M12	
95	70022967	4	Clamp, Hose	
96	70022962	1	Assembly, Bar	
97	70023002	4	Capscrew	
98	70022949	5	Washer, Lock M10	
99	70022958	3	Capscrew	

SECTION 3 - ATTACHMENTS

ITEM	PART NUMBER	QTY	DESCRIPTION	REV
100	70022961	1	Shaft	
101	70022959	1	Washer	
102	70022989	1	Ring, Retaining	
103	70022964	1	Capscrew	
104	70022981	1	Bracket, IHR	
105	70022968	1	Bar, Hose Clamp	
106	70023011	1	Bracket, IHR	
107	70022983	1	Bracket, Termination	
108	70023000	2	Bulkhead Union, With Locknut	
109	70022996	3	Capscrew	
110	70022963	2	Hose, (not shown)	
201	70023925	1	Kit, Decal (includes items 1 thru 6)	
202	70023005	1	Seal Kit, Main Lift Cylinder, (includes items 8, 9, 13, 14, 16, 17, 19, 21, 23, 24 & 25)	
203	70023006	1	Kit, Check Valve (includes items 18, 19, 20, 21 & 23)	
204	70023007	1	Kit, Shim	
205	70023015	1	Kit, Mast Common Parts (includes items 27 thru 42)	
206	8035831	1	Seal Kit, Tilt Cylinder	
207	70023013	1	Kit, IHR Common Parts, (includes items 93 thru 109)	
208	70022986	1	Kit, IHR (includes items 93 thru 110)	

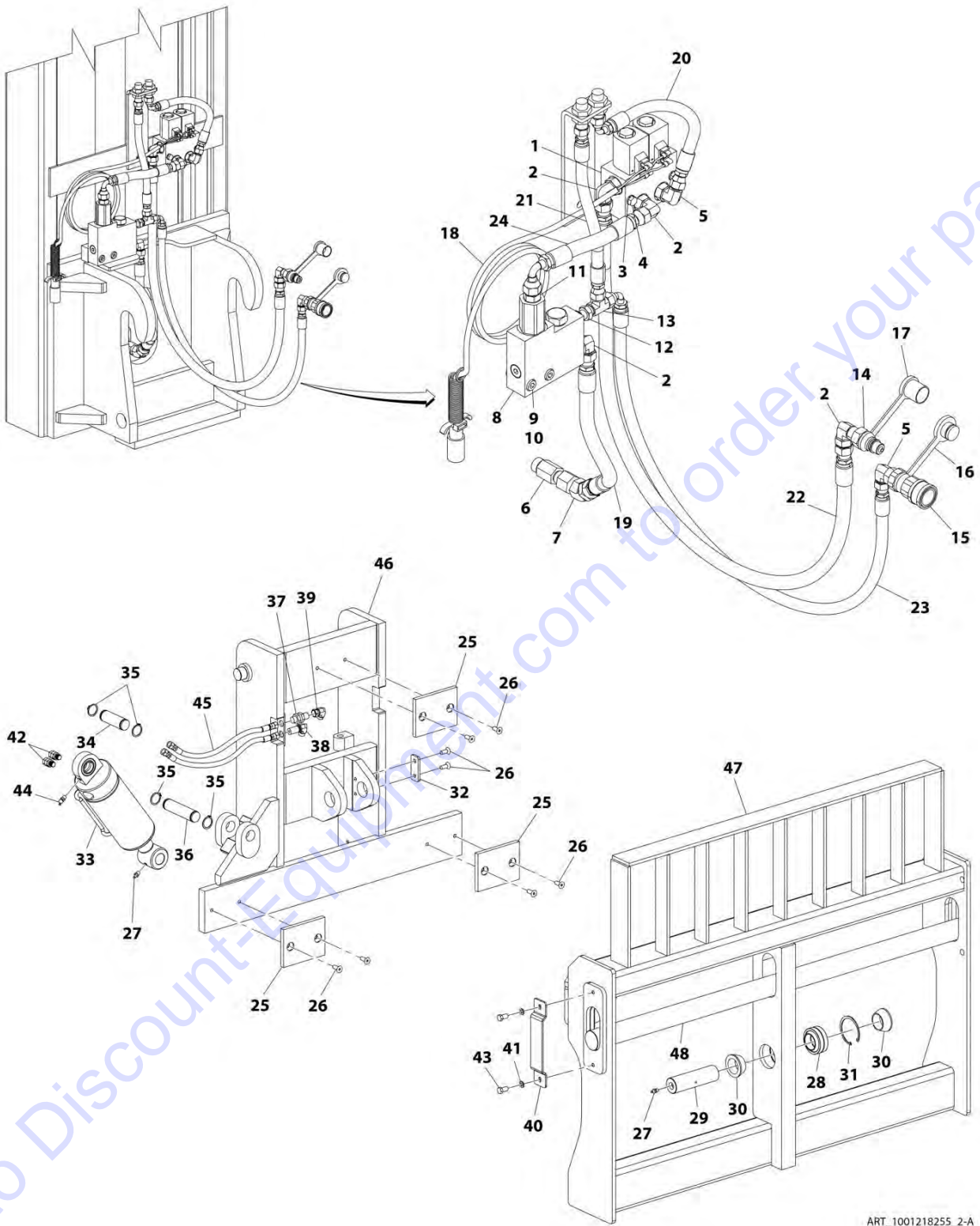
SECTION 3 - ATTACHMENTS

FIGURE 3-44. SIDE TILT ELECTRIC MAST (8 FOOT) (SN 0160075205 to Present, Including 0160074738, 0160074745 and 0160074938)



ART_1001218255_1-A

SECTION 3 - ATTACHMENTS



ART_1001218255_2-A

SECTION 3 - ATTACHMENTS

FIGURE 3-44. SIDE TILT ELECTRIC MAST (8 FOOT) (SN 0160075205 to Present, Including 0160074738, 0160074745 and 0160074938)

ITEM	PART NUMBER	QTY	DESCRIPTION	REV
	1001218255	Ref	Side Tilt Electric Mast (8 Foot)	A
1	70022933	1	Solenoid Valve Bank	
2	70022934	4	Fitting, 90	
3	70022948	2	Washer, Lock M8	
4	70022951	2	Screw, M8X60	
5	70022935	2	Elbow, Straight Thread	
6	70022936	1	Limiter, Flow	
7	70022937	1	Fitting, 45	
8	70022932	1	Assembly, PO Check Valve	
9	70022949	2	Washer, Lock M10	
10	70022950	2	Bolt	
11	70022938	1	Fitting, Straight	
12	70022939	1	Fitting, Straight	
13	70022940	1	Tee Fitting	
14	91403414	1	Adapter, Male Quick Disconnect	
15	91403413	1	Adapter, Female Quick Disconnect	
16	8420055	1	Cover, Dust	
17	8420053	1	Cover, Dust	
18	70022941	1	Harness	
19	70022942	1	Hose	
20	70022943	1	Hose	
21	70022944	1	Hose	
22	70022945	1	Hose	
23	70022946	1	Hose	
24	70022947	1	Hose	
25	70022972	3	Wear Pad	
26	70022971	8	Capscrew, Flat Head	
27	70023001	2	Grease Fitting	
28	70022975	1	Spherical Bearing	
29	70022973	1	Pivot Shaft	
30	70022974	2	Beveled Spacer	
31	70022988	1	Ring, Retaining	
32	70022976	1	Retainer Plate	
33	2716143	1	Tilt Cylinder	
34	70022977	1	Pin	
35	70023016	4	Ring, Snap	
36	70022978	1	Pin	
37	70023000	1	Fitting	
38	70022999	1	Elbow	
39	70022982	1	Elbow, Straight Thread	
40	70022980	2	Keeper, Fork Pin	
41	70022949	4	Washer, Lock M10	
42	70022939	2	Fitting, Straight	
43	70022998	4	Screw, M10X20	
44	70022966	1	Grease Fitting 30	
45	70022979	2	Hose	
46	70025353	1	Spine Weldment	
47	N.S.S.	1	Front Frame Weldment	
48	70022990	1	Pin, Fork	

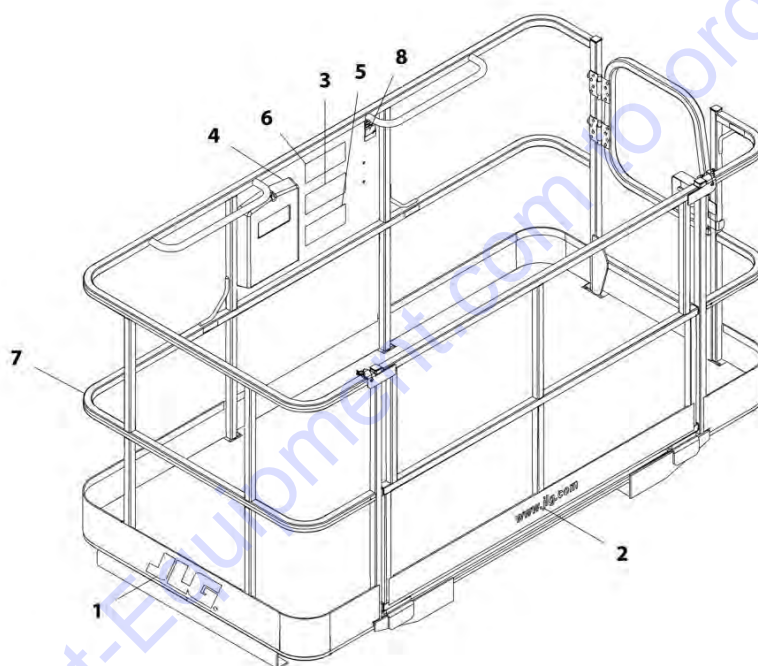
SECTION 3 - ATTACHMENTS

ITEM	PART NUMBER	QTY	DESCRIPTION	REV
49	70023014	24	Shim	
50	70022987	8	Bearing, Ball	
51	70027951	2	Washer, Shim	
52	70023016	1	Ring, Snap	
53	70022969	2	Assembly, Sheave	
54	70022960	2	Anchor, Chain	
55	70022957	8	Nut, 5/8-18	
56	70022993	4	Pin, Cotter	
57	70022995	2	Anchor, Chain	
58	70022984	1	Shaft, Sheave	
59	70022970	2	Bar, Retainer	
60	70023003	2	Capscrew	
61	70022994	4	Pin, Chain Anchor	
62	70022992	8	Pin, Cotter	
63	70022985	1	Shaft, Sheave	
64	70023925	1	Kit, Decal (not shown) (See Separate Breakdown in this Section)	
65	70023009	2	Chain, Lift	
66	70023008	1	Cylinder, Main Lift (not shown) (See Separate Breakdown in this Section)	

Go to Discount-Equipment.com to order your parts

SECTION 3 - ATTACHMENTS

FIGURE 3-45. FORK MOUNTED PLATFORM (ASME)



ART_1001103637-F

SECTION 3 - ATTACHMENTS

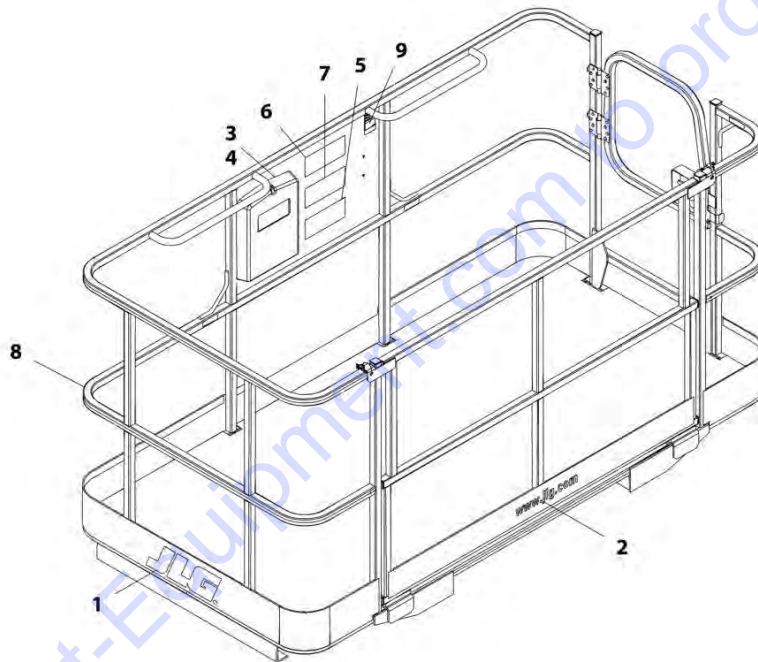
FIGURE 3-45. FORK MOUNTED PLATFORM (ASME)

ITEM	PART NUMBER	QTY	DESCRIPTION	REV
	1001103637	1	Fork Mounted Platform (ASME)	F
1	1702773	2	Decal, JLG	
2	1704885	1	Decal, Website	
3	1706892	1	Decal, Platform Warning	
4	31200160	1	Manual, Personnel Work Platform Operation and Safety	
5	1001092481	1	Decal, Warning Attachment	
6	1001092482	1	Decal, Platform Capacity	
7	1001096162	1	Platform, Fork Mounted (See FORK MOUNTED PLATFORM ASSEMBLY for Breakdown)	
8	N.S.S.	1	S/N Plate	

Go to Discount-Equipment.com to order your parts

SECTION 3 - ATTACHMENTS

FIGURE 3-46. FORK MOUNTED PLATFORM (ISO)



ART_1001103730-F

SECTION 3 - ATTACHMENTS

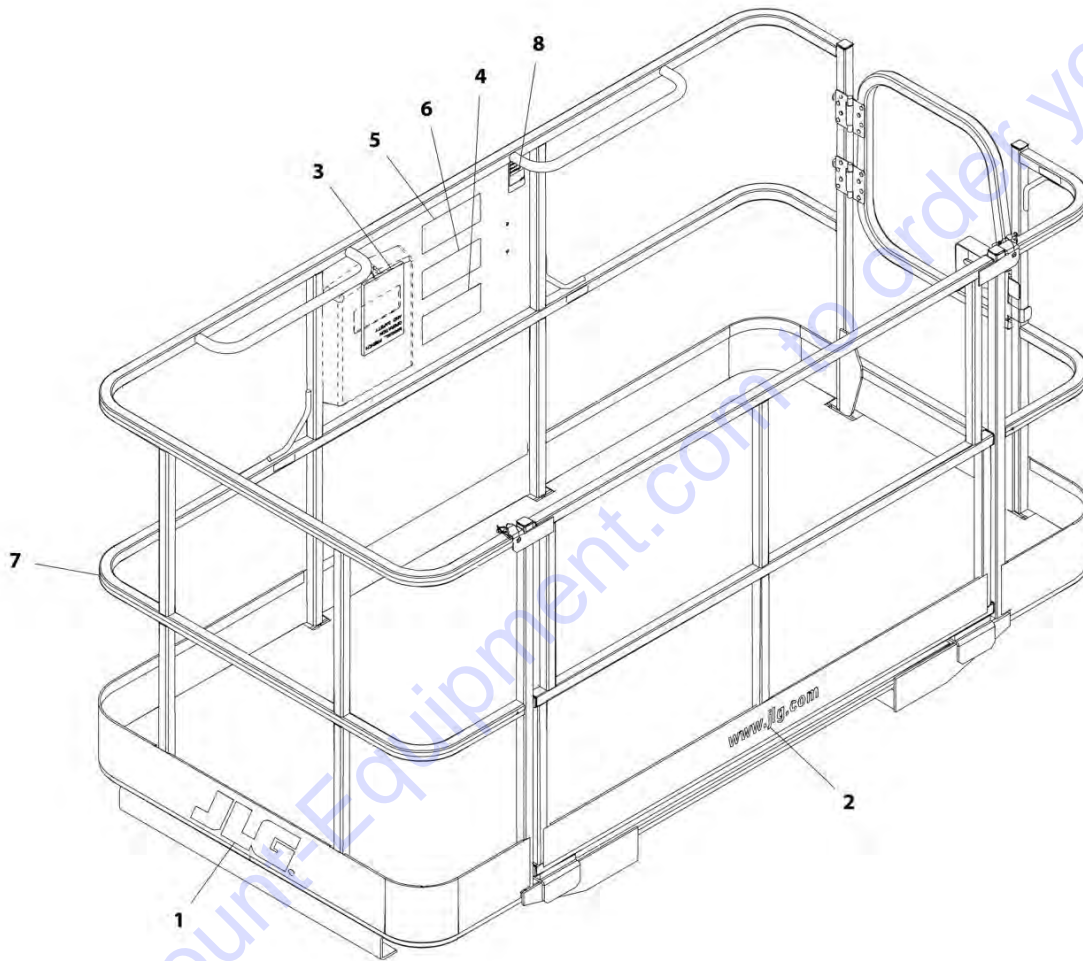
FIGURE 3-46. FORK MOUNTED PLATFORM (ISO)

ITEM	PART NUMBER	QTY	DESCRIPTION	REV
	1001103730	1	Fork Mounted Platform (ISO)	F
1	1702773	2	Decal, JLG	
2	1704885	1	Decal, Website	
3	31200387	1	Manual, Personnel Work Platform Operation and Safety (Spanish)	
4	31200388	1	Manual, Personnel Work Platform Operation and Safety (Portuguese)	
5	1001096021	1	Decal, Warning Attachment (ISO)	
6	1001096023	1	Decal, Platform Capacity (ISO)	
7	1001096025	1	Decal, Platform Warning (ISO)	
8	1001096162	1	Platform, Fork Mounted (See FORK MOUNTED PLATFORM ASSEMBLY for Breakdown)	
9	N.S.S.	1	S/N Plate	

Go to Discount-Equipment.com to order your parts

SECTION 3 - ATTACHMENTS

FIGURE 3-47. FORK MOUNTED PLATFORM (FRENCH)



ART_1001103736-F

SECTION 3 - ATTACHMENTS

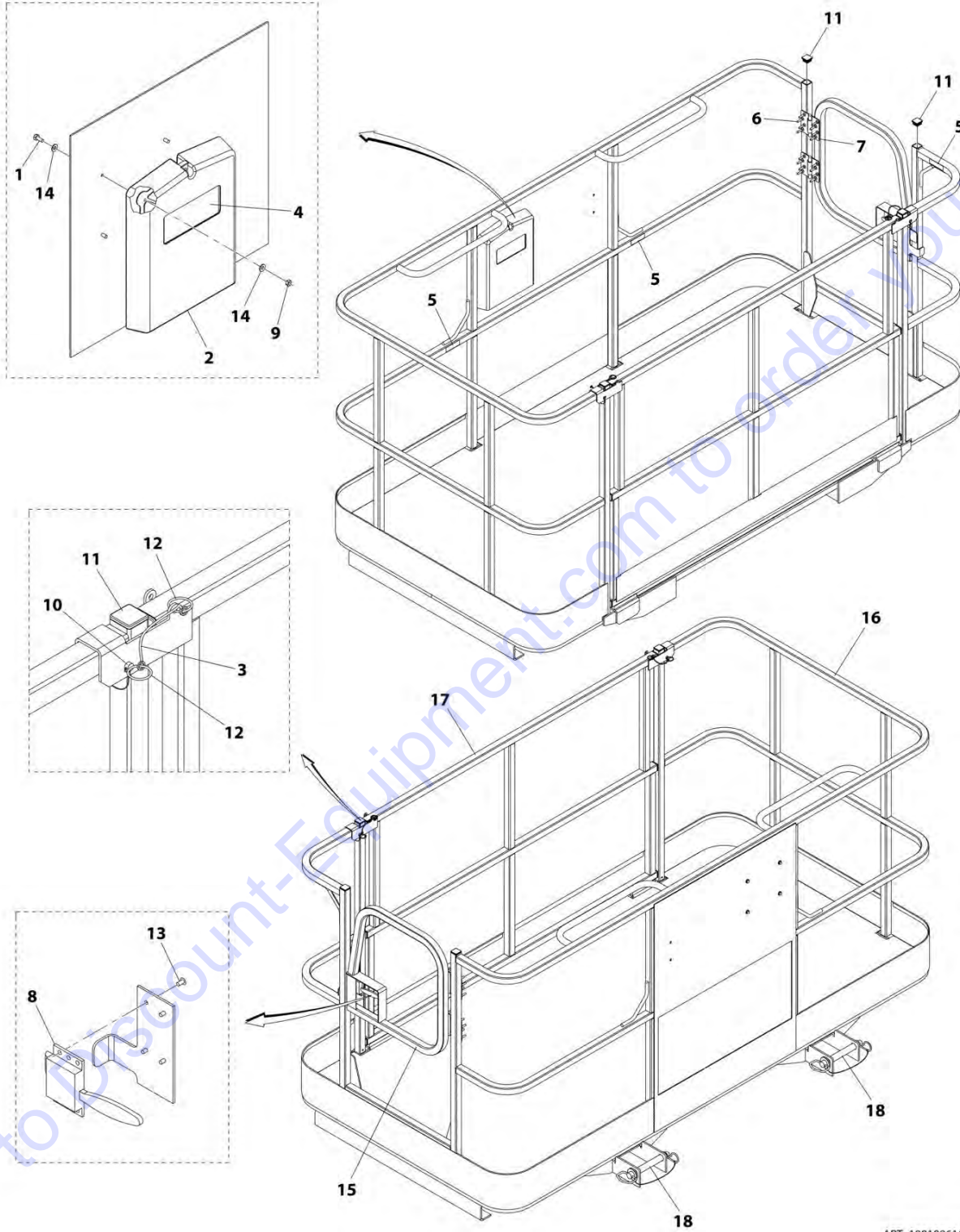
FIGURE 3-47. FORK MOUNTED PLATFORM (FRENCH)

ITEM	PART NUMBER	QTY	DESCRIPTION	REV
	1001103736	1	Fork Mounted Platform (FRENCH)	F
1	1702773	2	Decal, JLG	
2	1704885	1	Decal, Website	
3	31200386	1	Manual, Personnel Work Platform Operation and Safety (French)	
4	1001096019	1	Decal, Warning Attachment (French)	
5	1001096020	1	Decal, Platform Capacity (French)	
6	1001096024	1	Decal, Platform Warning (French)	
7	1001096162	1	Platform, Fork Mounted (See FORK MOUNTED PLATFORM ASSEMBLY for Breakdown)	
8	N.S.S.	1	S/N Plate	

Go to Discount-Equipment.com to order your parts

SECTION 3 - ATTACHMENTS

FIGURE 3-48. FORK MOUNTED PLATFORM ASSEMBLY



ART_1001096162-M

SECTION 3 - ATTACHMENTS

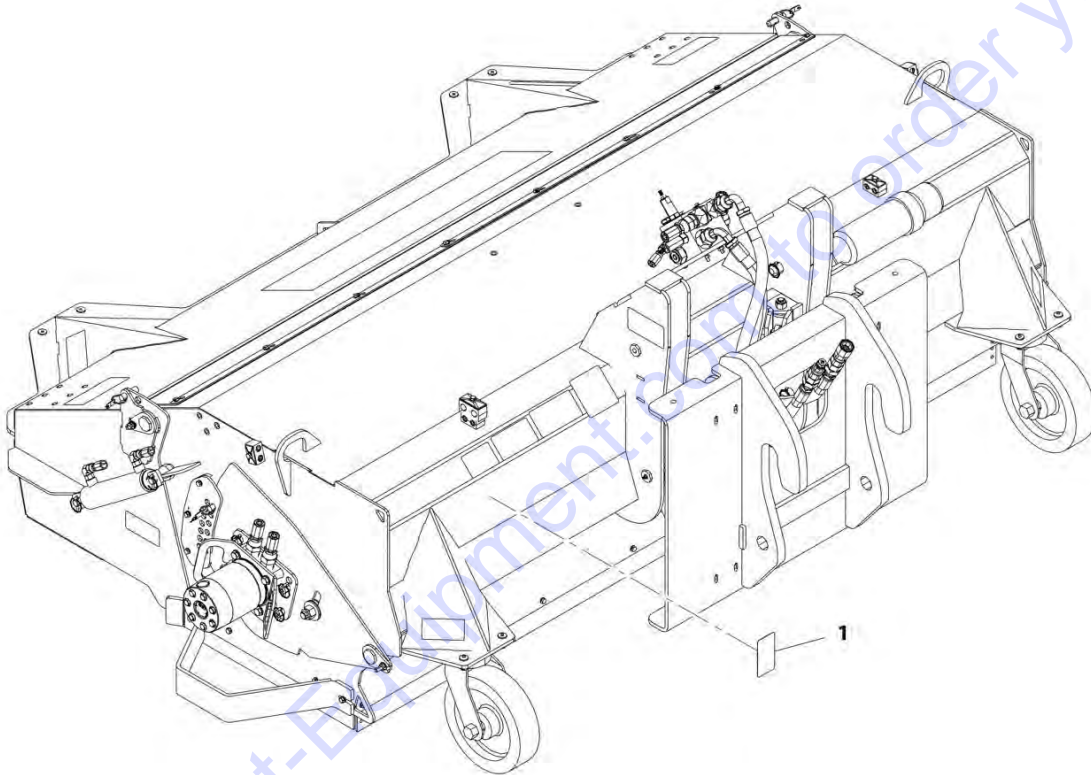
FIGURE 3-48. FORK MOUNTED PLATFORM ASSEMBLY

ITEM	PART NUMBER	QTY	DESCRIPTION	REV
	1001096162	Ref	Fork Mounted Platform Assembly	M
1	0641405	4	Bolt, 1/4-20X5/8	
2	0860520	1	Box, Manual Storage	
3	1060379	2	Cable, Lanyard	
4	1701509	1	Decal, Manual	
5	1704277	3	Decal, Lanyard Attach	
6	2080040	16	Fastener	
7	2600281	2	Hinge	
8	2940074	1	Latch	
9	3311405	4	Nut, Lock 1/4-20	
10	3421453	2	Pin	
11	3520072	10	Plug	
12	3760170	4	Ring	
13	3820020	4	Rivet	
14	4711400	8	Washer, 1/4	
15	1001144629J	1	Weldment, Gate	
16	N.S.S.	1	Platform, Fork Mounted	
17	1001095810	1	Weldment, Gate	
18	1001102813	2	Pin, Hitch	

Go to Discount-Equipment.com to order your parts

SECTION 3 - ATTACHMENTS

FIGURE 3-49. SWEEPER ASSEMBLY



ART_1001202904-B

SECTION 3 - ATTACHMENTS

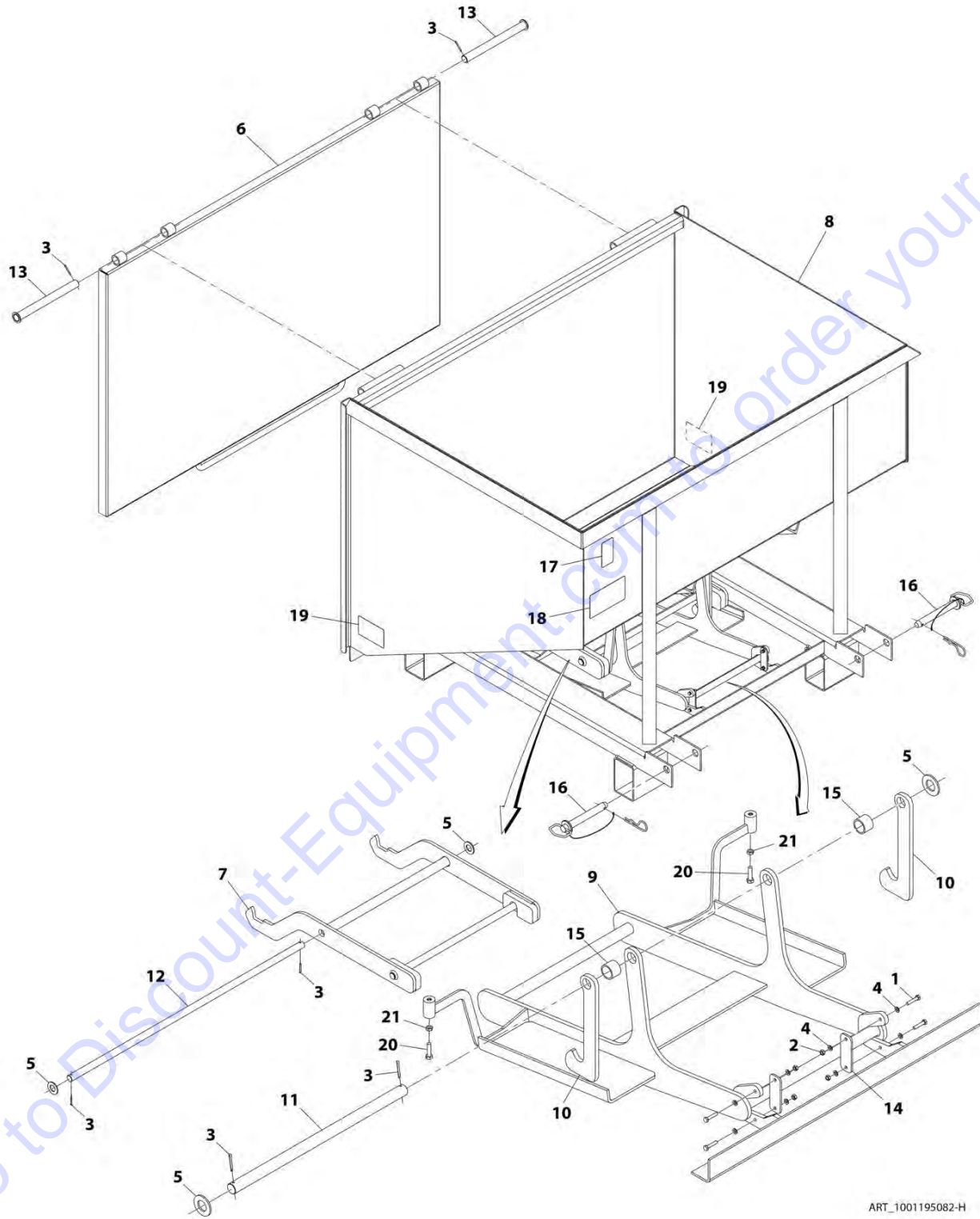
FIGURE 3-49. SWEEPER ASSEMBLY

ITEM	PART NUMBER	QTY	DESCRIPTION	REV
1	1001202904 N.S.S.	Ref 1	Sweeper Assembly S/N Plate	B

Go to Discount-Equipment.com to order your parts

SECTION 3 - ATTACHMENTS

FIGURE 3-50. TRASH HOPPER INSTALLATION



ART_1001195082-H

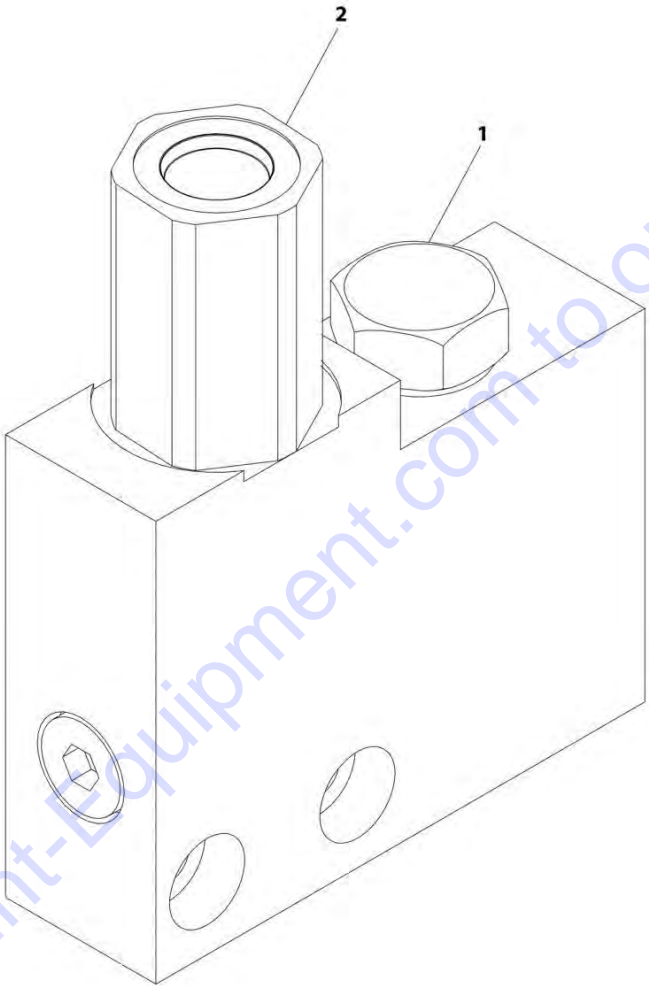
SECTION 3 - ATTACHMENTS

FIGURE 3-50. TRASH HOPPER INSTALLATION

ITEM	PART NUMBER	QTY	DESCRIPTION	REV
	1001195082	Ref	Trash Hopper Installation	H
1	0700614	4	Bolt, M6X30	
2	3290601	4	Nut, M6X1 Grade 8	
3	3391410	6	Pin	
4	4811700	8	Washer, M6	
5	5242400	4	Washer, M24	
6	1001192711	1	Door Assembly	
7	1001192720	1	Hook Assembly	
8	N.S.S.	1	Weldment, Trash Hopper	
9	1001192875	1	Tray Assembly	
10	1001192876	2	Arm, Swing	
11	1001192877	1	Rod, Swing	
12	1001193525	1	Bar	
13	1001193540	2	Pin	
14	1001193729	2	Plate	
15	1001198355	2	Spacer	
16	1001102813	2	Pin	
17	N.S.S.	1	S/N Plate	
18	1001203503	1	Decal, Trash Hopper Operation	
19	1706302	2	Decal, Pinch Point	
20	0641510	2	Screw, 5/16-18X14/4	
21	3311502	2	Nut, 5/16-18	

SECTION 3 - ATTACHMENTS

FIGURE 3-51. PO CHECK VALVE



ART_70022932-A

SECTION 3 - ATTACHMENTS

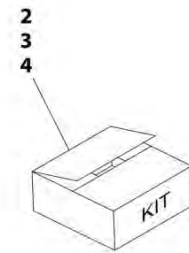
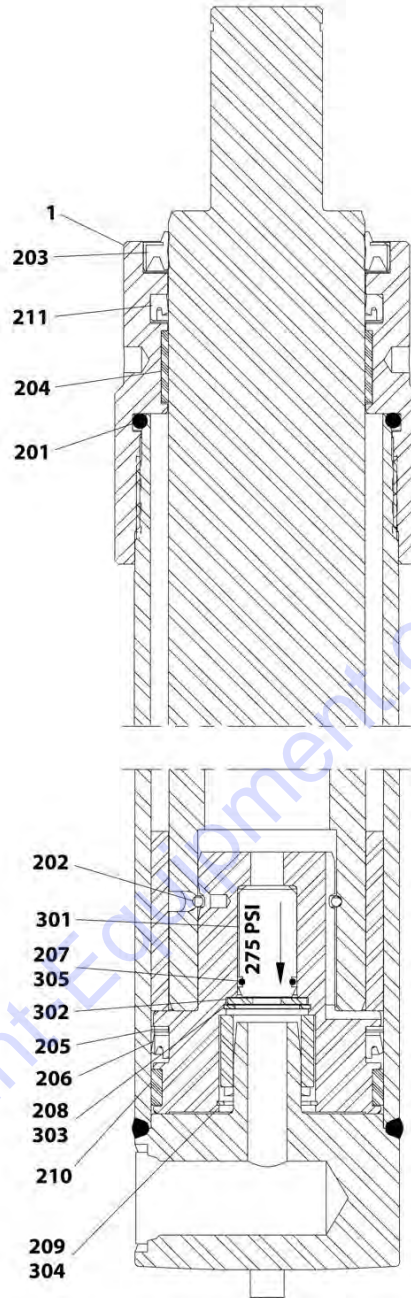
FIGURE 3-51. PO CHECK VALVE

ITEM	PART NUMBER	QTY	DESCRIPTION	REV
	70022932	Ref	PO Check Valve	A
1	70022931	1	Cartridge, PO Check Valve	
2	70023010	1	Check, PO	

Go to Discount-Equipment.com to order your parts

SECTION 3 - ATTACHMENTS

FIGURE 3-52. MAIN LIFT CYLINDER



ART_70023008-A

SECTION 3 - ATTACHMENTS

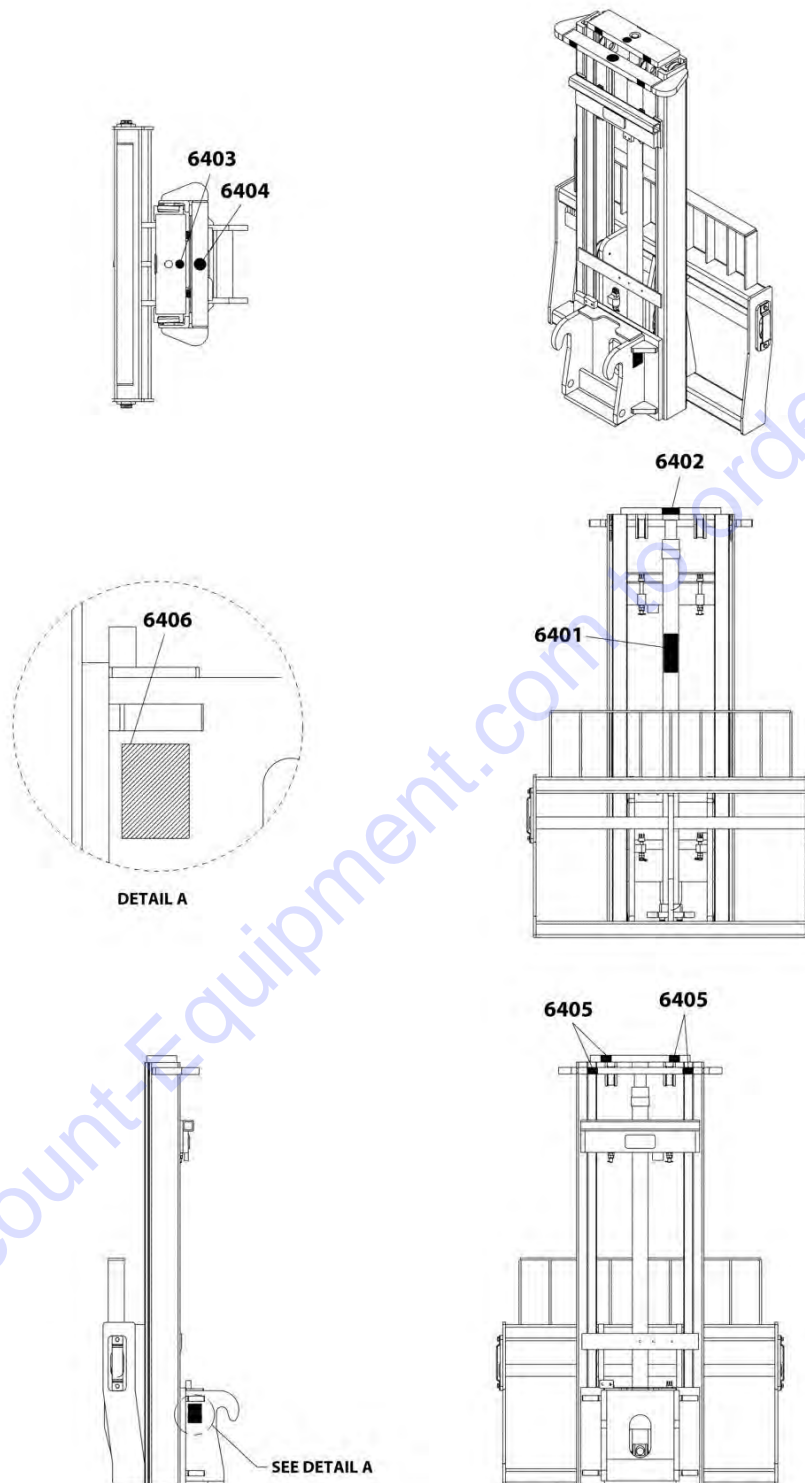
FIGURE 3-52. MAIN LIFT CYLINDER

ITEM	PART NUMBER	QTY	DESCRIPTION	REV
	70023008	Ref	Main Lift Cylinder	A
1	70023004	1	Retainer/Gland	
2	70023005	1	Seal Kit, Main Lift Cylinder	
201	Kit	1	O-Ring	
202	Kit	1	Wire, Pull	
203	Kit	1	Wiper	
204	Kit	1	Bushing	
205	Kit	1	Ring, Nylon	
206	Kit	1	Seal, Piston	
207	Kit	1	O-Ring	
208	Kit	1	Circlip	
209	Kit	1	Ring, Retaining	
210	Kit	1	Ring, Wear	
211	Kit	1	Seal, Rod	
3	70023006	1	Kit, Check Valve	
301	Kit	1	Valve, Check	
302	Kit	1	Washer	
303	Kit	1	Circlip	
304	Kit	1	Ring, Retaining	
304	Kit	1	O-Ring	
4	70023007	1	Kit, Shim	

Go to Discount-Equipment.com to order your parts

SECTION 3 - ATTACHMENTS

FIGURE 3-53. KIT DECAL



ART_70023925-A

SECTION 3 - ATTACHMENTS

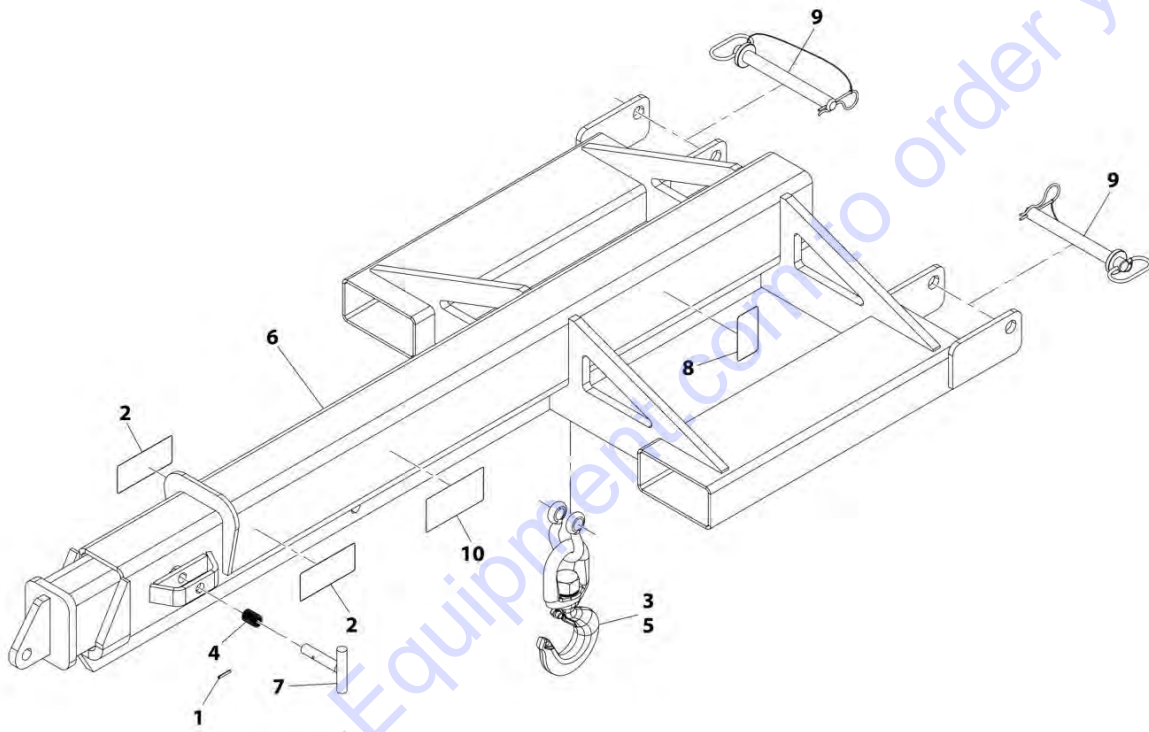
FIGURE 3-53. KIT DECAL

ITEM	PART NUMBER	QTY	DESCRIPTION	REV
	70023925	Ref	Kit, Decal	A
6401	Kit	1	Decal, Warning	
6402	Kit	1	Decal, Warning	
6403	Kit	1	Decal, No Step	
6404	Kit	1	Decal, No Step	
6405	Kit	4	Decal, Hands Off	
6406	Kit	2	Decal, Hose Routing	

Go to Discount-Equipment.com to order your parts

SECTION 3 - ATTACHMENTS

FIGURE 3-54. ADJUSTABLE TRUSS BOOM INSTALLATION (FORK MOUNTED)



ART_1001230241-F

SECTION 3 - ATTACHMENTS

FIGURE 3-54. ADJUSTABLE TRUSS BOOM INSTALLATION (FORK MOUNTED)

ITEM	PART NUMBER	QTY	DESCRIPTION	REV
	1001230241	Ref	Adjustable Truss Boom Installation (Fork Mounted)	F
1	3440620	1	Pin	
2	4110422	2	Decal, Danger Swinging Loads	
3	91403448	1	Hook, Swivel	
4	1001128890	1	Spring	
5	1001146160	1	Shackle	
6	N.S.S.	1	Truss Boom, Adjustable	
7	1001230239	1	Pin	
8	N.S.S.	1	Plate, Serial Number	
9	1001231692	2	Pin	
10	1001232500	1	Decal, Load Capacities	

Go to Discount-Equipment.com to order your parts

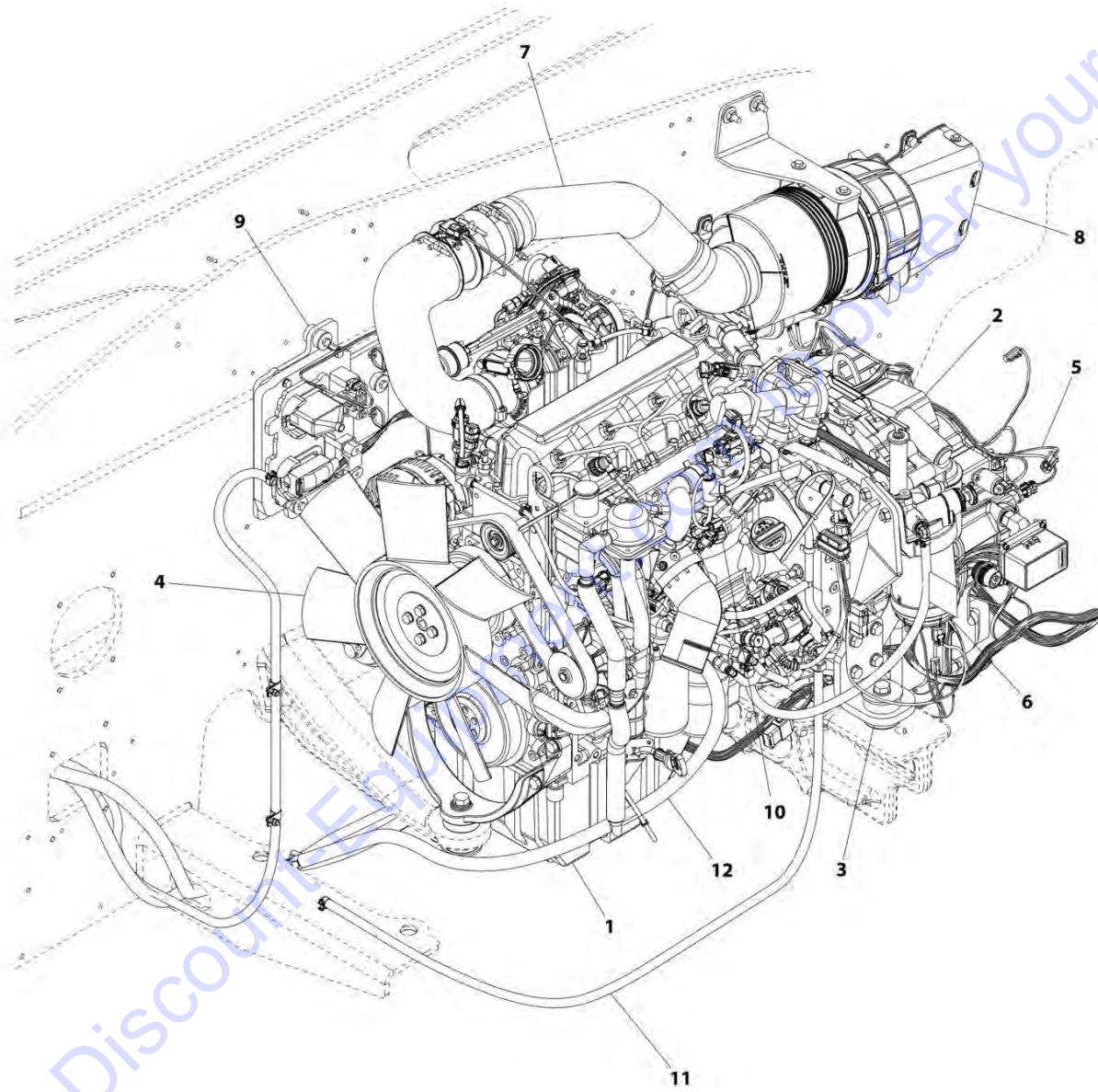
SECTION 4 - ENGINE AND ATTACHING PARTS

SECTION 4 - ENGINE AND ATTACHING PARTS

Go to Discount-Equipment.com to order your parts

SECTION 4 - ENGINE AND ATTACHING PARTS

FIGURE 4-1. ENGINE INSTALLATION, 110HP (ULS)



ART_1001169009-H

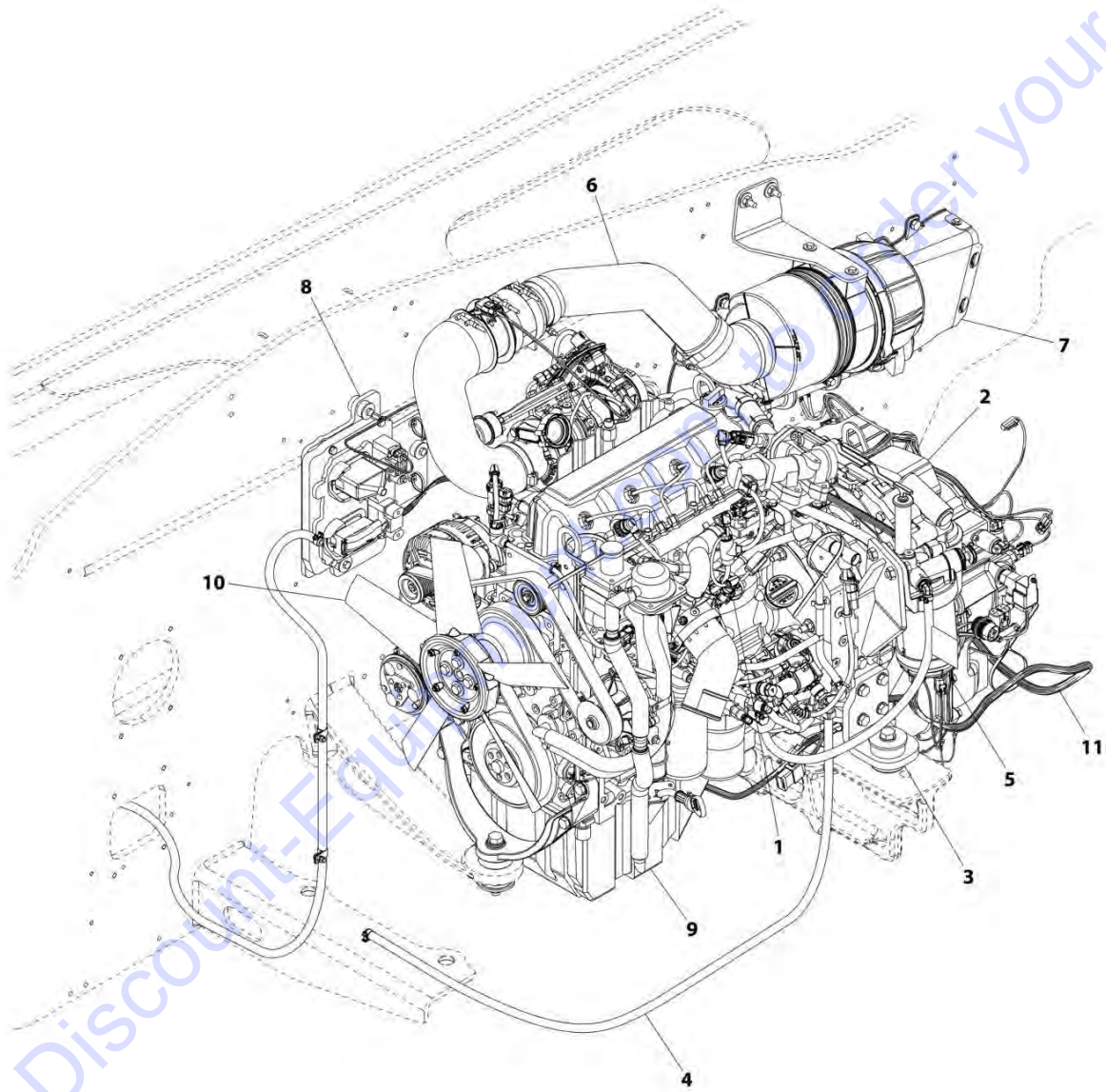
SECTION 4 - ENGINE AND ATTACHING PARTS

FIGURE 4-1. ENGINE INSTALLATION, 110HP (ULS)

ITEM	PART NUMBER	QTY	DESCRIPTION	REV
	1001169009	Ref	ENGINE INSTALLATION, 110HP (ULS)	H
1	1001154511	Ref	Engine, 110HP (ULS) (See Engine, 110HP (ULS) for Breakdown)	
2	1001161664	Ref	Installation, Transmission (See DRIVETRAIN SECTION for Breakdown)	
3	1001163227	Ref	Installation, Engine Mounting (See ENGINE MOUNTING INSTALLATION for Breakdown)	
4	1001163230	Ref	Installation, Fan (See FAN INSTALLATION for Breakdown)	
5	1001163233	Ref	Installation, Engine Wiring (ULS) (See ELECTRICAL SECTION for Breakdown)	
6	1001163235	Ref	Installation, Primary Fuel Filter (See PRIMARY FUEL FILTER INSTALLATION for Breakdown)	
7	1001169011	Ref	Installation, Air Cleaner Lines (See AIR CLEANER LINES INSTALLATION for Breakdown)	
8	1001169012	Ref	Installation, Air Cleaner (See AIR CLEANER INSTALLATION for Breakdown)	
9	1001194286	Ref	Installation, Engine ECU (See ELECTRICAL SECTION for Breakdown)	
10	1062255	1	Strap, Tie	
11	1001163231	Ref	Installation, Fuel Lines (See Separate Breakdown in this Section)	
12	1001163232	Ref	Installation, DEF Lines (See Separate Breakdown in this Section)	

SECTION 4 - ENGINE AND ATTACHING PARTS

FIGURE 4-2. ENGINE INSTALLATION, 74HP (ULS) (742, 943)



ART_1001225230-B

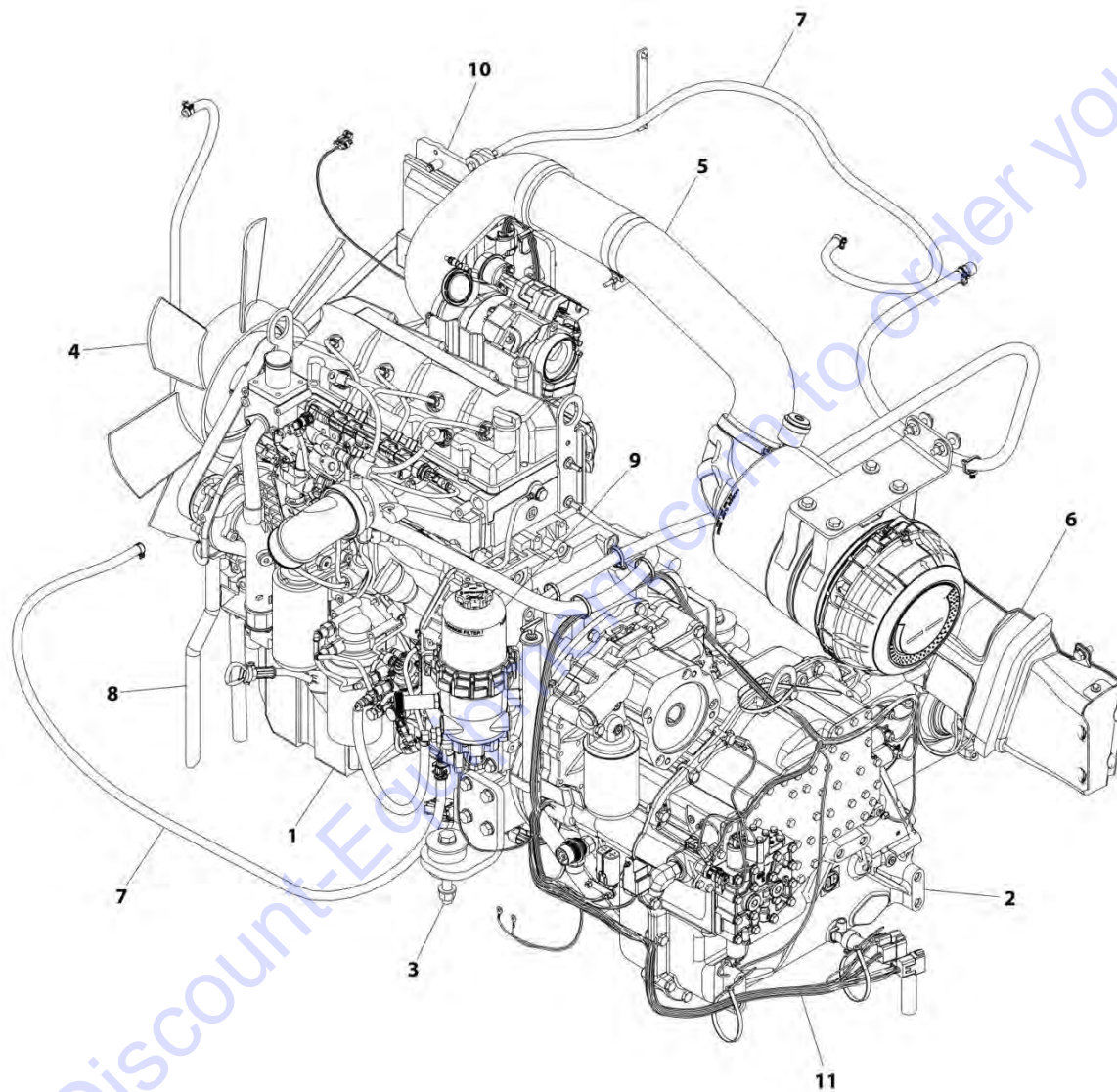
SECTION 4 - ENGINE AND ATTACHING PARTS

FIGURE 4-2. ENGINE INSTALLATION, 74HP (ULS) (742, 943)

ITEM	PART NUMBER	QTY	DESCRIPTION	REV
	1001225230	Ref	Engine Installation, 74HP (ULS) (742, 943)	B
1	1062255	1	Strap, Tie	
2	1001227962	Ref	Installation, Transmission (742, 943) (See Separate Breakdown in DRIVETRAIN Section)	
3	1001163227	Ref	Installation, Engine Mounting (See Separate Breakdown in this Section)	
4	1001163231	Ref	Installation, Fuel Lines (See Separate Breakdown in this Section)	
5	1001163235	Ref	Installation, Primary Fuel Filter (See Separate Breakdown in this Section)	
6	1001169011	Ref	Installation, Air Cleaner Lines (See Separate Breakdown in this Section)	
7	1001169012	Ref	Installation, Air Cleaner (See Separate Breakdown in this Section)	
8	1001194286	Ref	Installation, Engine ECU (See Separate Breakdown in ELECTRICAL Section)	
9	1001196665	Ref	Engine, 74HP (742, 943) (See Separate Breakdown in this Section)	
10	1001225231	Ref	Installation, Fan (742, 943) (See Separate Breakdown in this Section)	
11	1001225232	Ref	Installation, Engine Wiring (742, 943) (See Separate Breakdown in ELECTRICAL Section)	

SECTION 4 - ENGINE AND ATTACHING PARTS

FIGURE 4-3. ENGINE INSTALLATION, 110HP (LS)



ART_1001160396-D

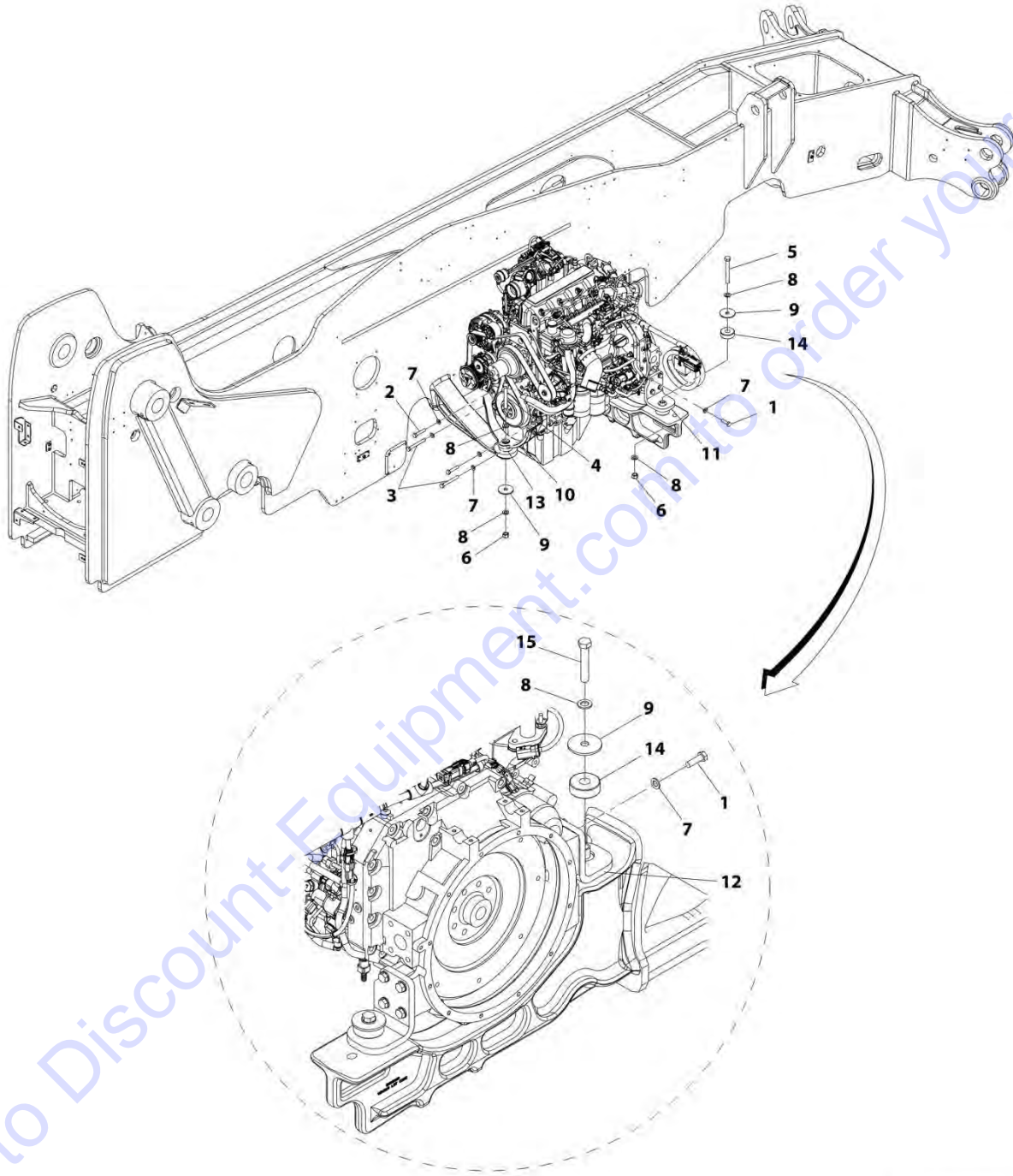
SECTION 4 - ENGINE AND ATTACHING PARTS

FIGURE 4-3. ENGINE INSTALLATION, 110HP (LS)

ITEM	PART NUMBER	QTY	DESCRIPTION	REV
	1001160396	Ref	ENGINE INSTALLATION, 110HP (LS)	D
1	1001154790	Ref	Engine, 110HP (LS) (See ENGINE 110HP (LS) for Breakdown)	
2	1001161664	Ref	Installation, Transmission (See DRIVETRAIN SECTION for Breakdown)	
3	1001163227	Ref	Installation, Engine Mounting (See ENGINE MOUNTING INSTALLATION for Breakdown)	
4	1001163230	Ref	Installation, Fan (See FAN INSTALLATION for Breakdown)	
5	1001163238	Ref	Installation, Air Intake Lines (LS) (See AIR INTAKE LINES INSTALLATION (LS) for Breakdown)	
6	1001163239	Ref	Installation, Air Cleaner (LS) (See AIR CLEANER INSTALLATION (LS) for Breakdown)	
7	1001163241	Ref	Installation, Fuel Lines (LS) (See FUEL LINES INSTALLATION (LS) for Breakdown)	
8	1001176228	1	Hose, 3.8L	
9	1001180076	Ref	Installation, Primary Fuel Filter (LS) (See PRIMARY FUEL FILTER INSTALLATION (LS) for Breakdown)	
10	1001180242	Ref	Installation, Engine ECM (LS) (See ELECTRICAL SECTION for Breakdown)	
11	1001163242	Ref	Installation, Engine Wiring (LS) (See ELECTRICAL SECTION for Breakdown)	

SECTION 4 - ENGINE AND ATTACHING PARTS

FIGURE 4-4. ENGINE MOUNTING INSTALLATION



ART_1001163227-H

SECTION 4 - ENGINE AND ATTACHING PARTS

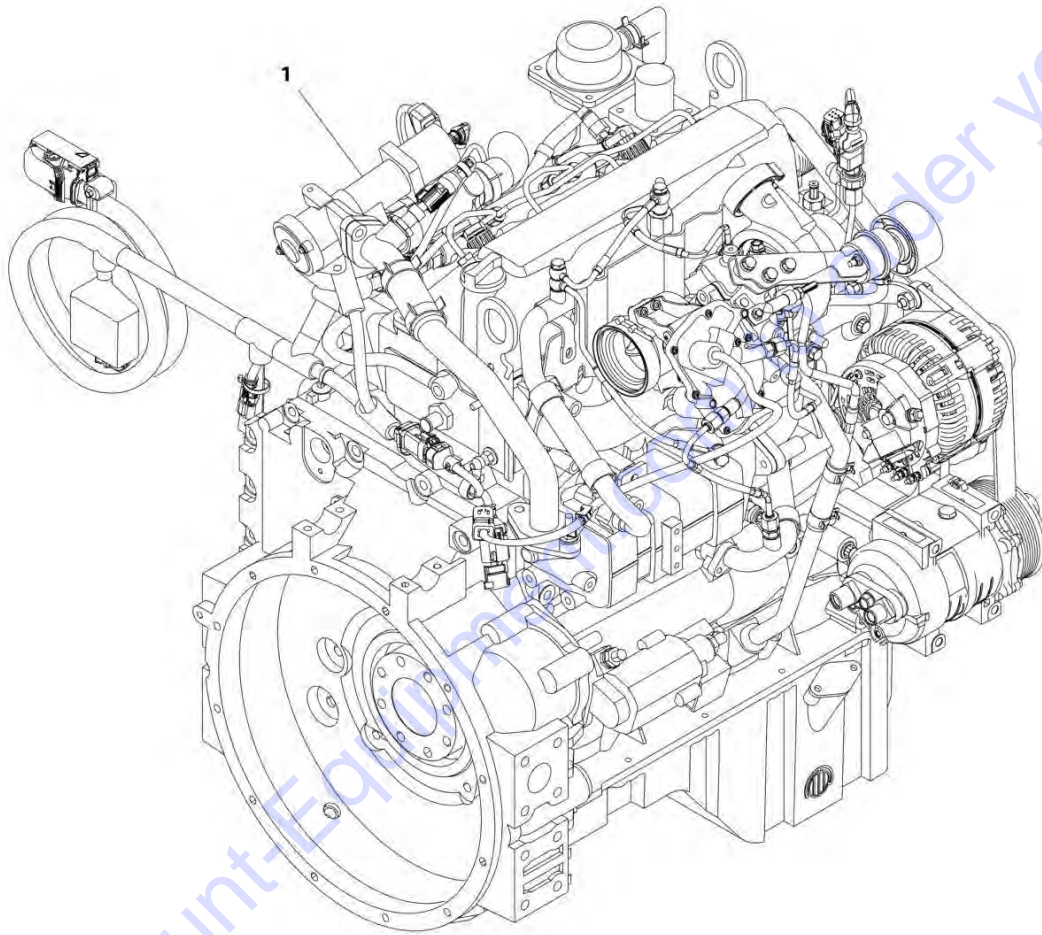
FIGURE 4-4. ENGINE MOUNTING INSTALLATION

ITEM	PART NUMBER	QTY	DESCRIPTION	REV
	1001163227	Ref	Engine Mounting Installation	H
1	0701216	8	Bolt, M12X40	
2	0701220	2	Bolt, M12X60	
3	0701227	2	Bolt, M12X100	
4	0711629	1	Bolt, M16x120	
5	0711630	1	Bolt, M16X130	
6	3331615	2	Nut, M16	
7	4812100	12	Washer, M12	
8	4812300	5	Washer, M16	
9	7300435	3	Washer	
10	1001160116	1	Bracket, Engine	
11	1001168795	1	Plate, Engine Mount	
12	1001168797	1	Plate, Engine Mount	
13	1001160888	1	Mount, Isolator Engine	
14	1001195518	2	Mount, Isolator Engine	
15	0711626	1	Bolt, M16X90	

Go to Discount-Equipment.com to order your parts

SECTION 4 - ENGINE AND ATTACHING PARTS

FIGURE 4-5. ENGINE, QSF 3.8L, (110HP) (ULS)



ART_1001154511-P

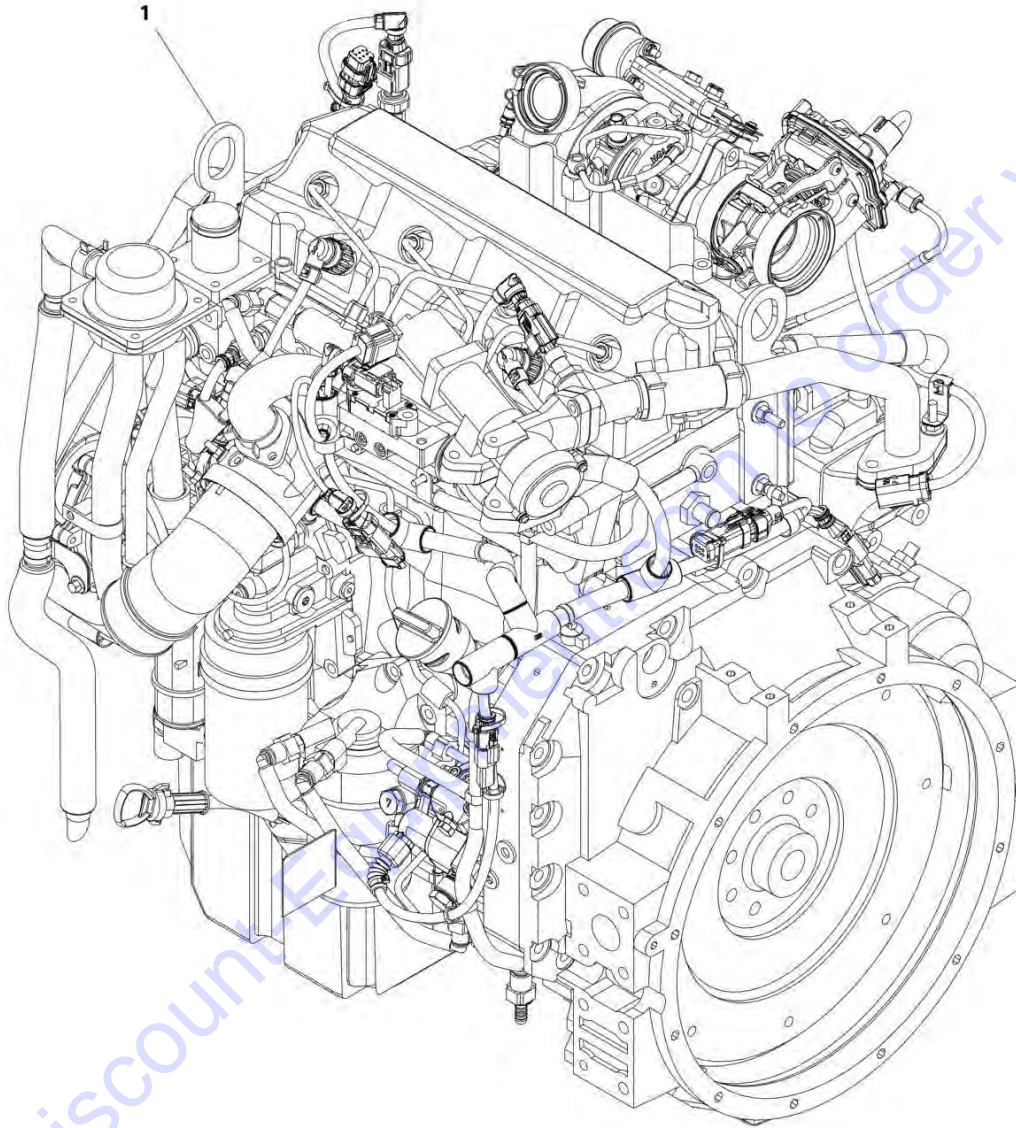
SECTION 4 - ENGINE AND ATTACHING PARTS

FIGURE 4-5. ENGINE, QSF 3.8L, (110HP) (ULS)

ITEM	PART NUMBER	QTY	DESCRIPTION	REV
	1001154511	1	Engine, QSF 3.8L (if equipped for ULS)	P
	70026220	1	Assembly, Secondary Fuel Filter (includes shell, seal and cartridge)	
	70026453	1	Cartridge, Fuel Filter	
	70026223	1	Pan, Oil	
	70026224	1	Seal, Oil Pan	
	70026225	1	Plug, Oil Pan	
	70026226	1	Seal, Oil Pan Plug	
	1001128594	1	Starter	
	70026228	1	Filler Cap, Valve Cover	
	70026229	1	Fan Belt, V-Ribbed	
	70026230	1	Support, Fan	
	70026231	1	Pulley, Fan	
	70026232	1	Alternator	
	70026233	NLA	Assembly, Primary Fuel Filter, (includes filter head, seal and element), (no longer available, use 70028450 for replacement)	
	70028450	1	Assembly, Primary Fuel Filter, (includes filter head, seal and element)	
	70026235	1	Assembly, Dipstick Oil Level	
	70026236	1	Assembly, Block Heater	
	70026241	1	Assembly, Fuel Filter Plug	
	70026237	1	Filter, Oil	
	70023933	1	O-Ring, Oil Pressure Switch	
	70041620	2	Ring, Retaining	
	70041616	1	Bolt	
	70041617	1	Bearing, Ball	
	70041619	1	Retainer, Fan Hub	
	1322039	1	Spacer, Fan Pilot	
	1321094	16	Bolt, Fan Drive	
	70024016	1	Cap, Side Oil Fill	
	70022634	1	Flywheel w/Ring Gear	
	70023736	1	Ring Gear, Flywheel	
	1322040	1	Plug, Flywheel	

SECTION 4 - ENGINE AND ATTACHING PARTS

FIGURE 4-6. ENGINE, 74HP (ULS)



ART_1001196665-J

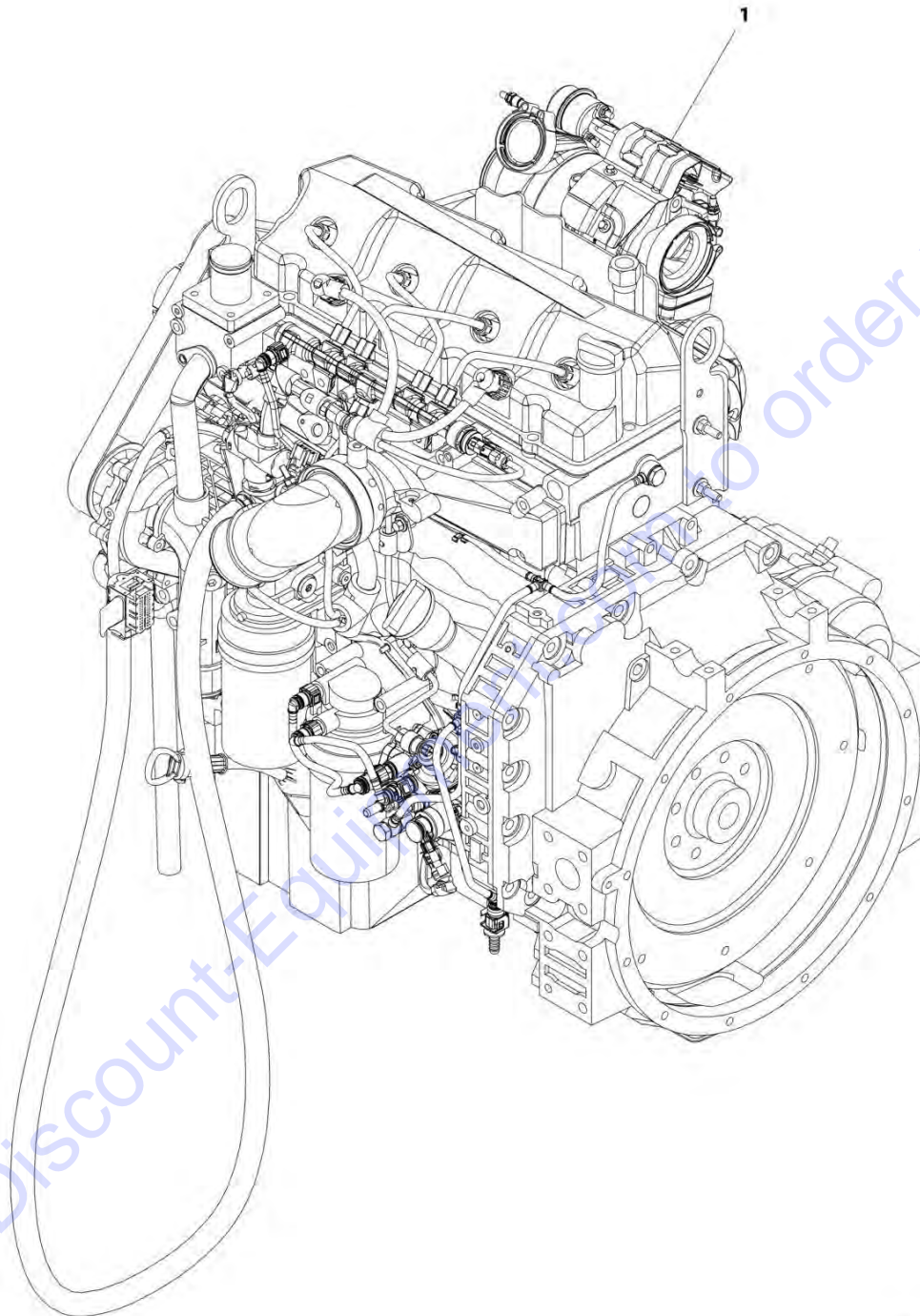
SECTION 4 - ENGINE AND ATTACHING PARTS

FIGURE 4-6. ENGINE, 74HP (ULS)

ITEM	PART NUMBER	QTY	DESCRIPTION	REV
	1001196665	Ref	ENGINE, 74HP (if equipped for ULS)	J
	70026220	1	Assembly, Secondary Fuel Filter (includes filter head, seal and element)	
	70026453	1	Element, Fuel Filter	
	70026221	1	Head, Fuel Filter	
	70026222	1	Assembly, Flywheel Housing	
	70027281	1	Pan, Oil	
	70026224	1	Seal, Oil Pan	
	70026225	1	Plug, Oil Pan	
	70026226	1	Seal, Oil Pan Plug	
	1001128594	1	Starter	
	70026228	1	Filler Cap, Valve Cover	
	70026229	1	Fan Belt, V-Ribbed	
	70026230	1	Support, Fan	
	70026231	1	Pulley, Fan	
	70026232	1	Alternator	
	70026233	NLA	Assembly, Primary Fuel Filter, (no longer available, use 70028450 for replacement)	
	70028450	1	Assembly, Primary Fuel Filter	
	70026234	1	Element, Fuel Filter	
	70026235	1	Assembly, Dipstick Oil Level	
	N.S.S.	1	Dipstick, (no longer available, use 70026235 for replacement)	
	N.S.S.	1	Tube, Dipstick, (no longer available, use 70026235 for replacement)	
	70026241	1	Assembly, Fuel Filter Plug	
	70026237	1	Filter, Oil	
	70023933	1	O-Ring, Oil Pressure Switch	
	70041620	2	Ring, Retaining	
	70041616	1	Bolt	
	70041617	1	Bearing, Ball	
	70041619	1	Retainer, Fan Hub	
	1322039	1	Spacer, Fan Pilot	
	1321094	19	Screw	
	70024016	1	Cap, Side Oil Fill	
	70022634	1	Flywheel w/Ring Gear	
	70023736	1	Ring Gear, Flywheel	
	1322040	1	Plug, Flywheel	

SECTION 4 - ENGINE AND ATTACHING PARTS

FIGURE 4-7. ENGINE, 110HP (LS)



ART_1001154790-J

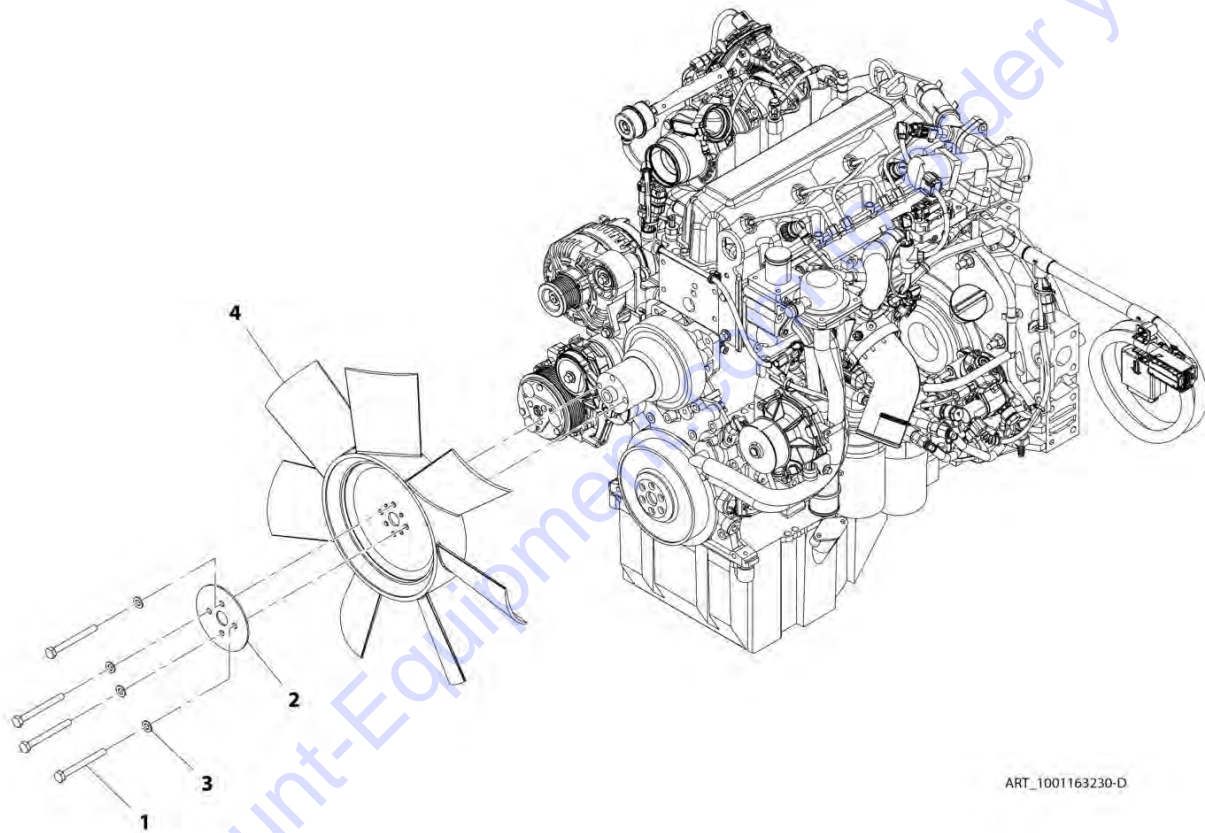
SECTION 4 - ENGINE AND ATTACHING PARTS

FIGURE 4-7. ENGINE, 110HP (LS)

ITEM	PART NUMBER	QTY	DESCRIPTION	REV
	1001154790	Ref	3.8L Engine (LS)	J
	70026800	1	Fuel Filter Assembly	
	70026801	1	Fuel Filter Element	
	70026222	1	Assembly, Flywheel Housing	
	70027281	1	Pan, Oil	
	70026224	1	Seal, Oil Pan	
	70026225	1	Plug, Oil Pan	
	70026226	1	Seal, Oil Pan Plug	
	1001128594	1	Starter	
	70026228	1	Filler Cap, Valve Cover	
	70026229	1	Fan Belt, V-Ribbed	
	70026230	1	Support, Fan	
	70026231	1	Pulley, Fan	
	70026232	1	Alternator	
	70026233	1	Assembly, Primary Fuel Filter	
	70026234	1	Element, Fuel Filter	
	70026235	1	Assembly, Dipstick Oil Level	
	70026241	1	Assembly, Fuel Filter Plug	
	70026237	1	Filter, Oil	
	70041620	2	Ring, Retaining	
	70041616	1	Bolt	
	70041617	1	Bearing, Ball	
	70041619	1	Retainer, Fan Hub	
	1322039	1	Spacer, Fan Pilot	
	1321094	17	Screw	
	70024016	1	Cap, Side Oil Fill	
	70022634	1	Flywheel w/Ring Gear	
	70023736	1	Ring Gear, Flywheel	
	1322040	1	Plug, Flywheel	

SECTION 4 - ENGINE AND ATTACHING PARTS

FIGURE 4-8. FAN INSTALLATION



ART_1001163230-D

SECTION 4 - ENGINE AND ATTACHING PARTS

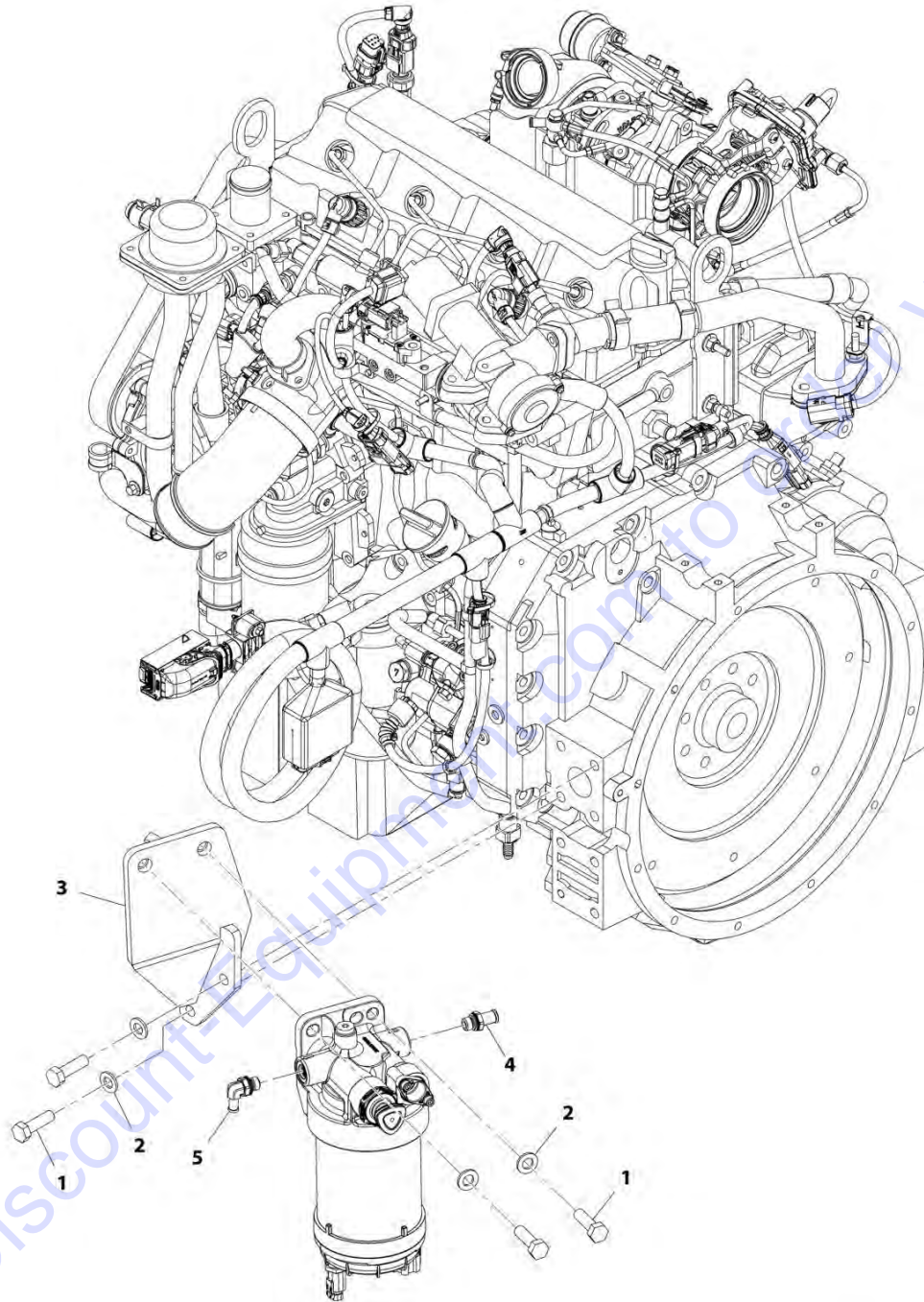
FIGURE 4-8. FAN INSTALLATION

ITEM	PART NUMBER	QTY	DESCRIPTION	REV
	1001163230	Ref	Fan Installation	D
1	0701027	4	Bolt, M10X100	
2	3575947	1	Plate	
3	4812000	4	Washer, M10	
4	1001175269	1	Fan, Cooling	

Go to Discount-Equipment.com to order your parts

SECTION 4 - ENGINE AND ATTACHING PARTS

FIGURE 4-9. PRIMARY FUEL FILTER INSTALLATION (ULS)



ART_1001163235-F

SECTION 4 - ENGINE AND ATTACHING PARTS

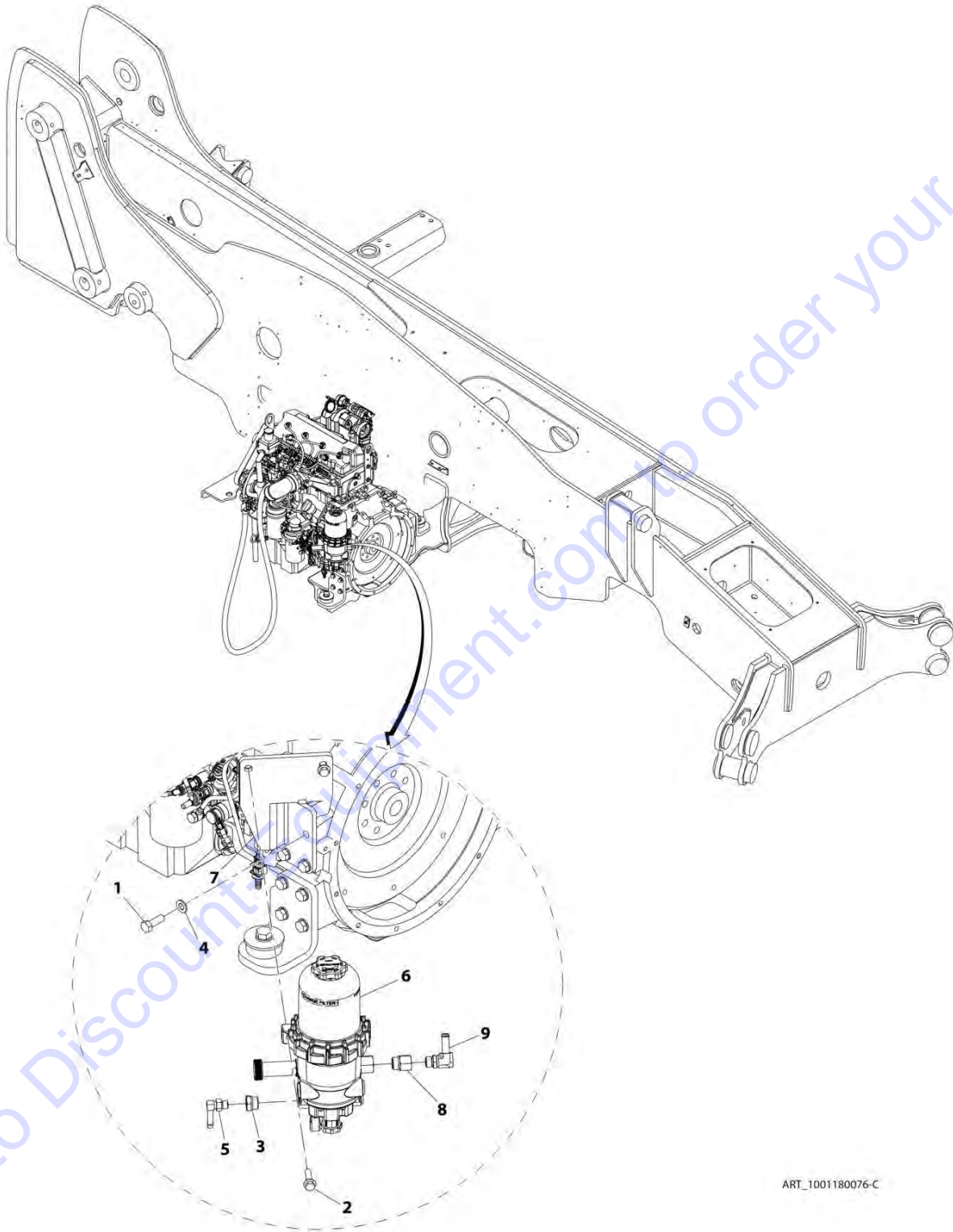
FIGURE 4-9. PRIMARY FUEL FILTER INSTALLATION (ULS)

ITEM	PART NUMBER	QTY	DESCRIPTION	REV
	1001163235	Ref	Primary Fuel Filter Installation	F
1	0701216	4	Bolt, M12X40	
2	4812100	4	Washer, M12	
3	1001206019	1	Bracket, Fuel Filter Mount	
4	1001217467	1	Barb, Hose	
5	1001182094	1	Hose	

Go to Discount-Equipment.com to order your parts

SECTION 4 - ENGINE AND ATTACHING PARTS

FIGURE 4-10. PRIMARY FUEL FILTER INSTALLATION (LS)



ART_1001180076-C

SECTION 4 - ENGINE AND ATTACHING PARTS

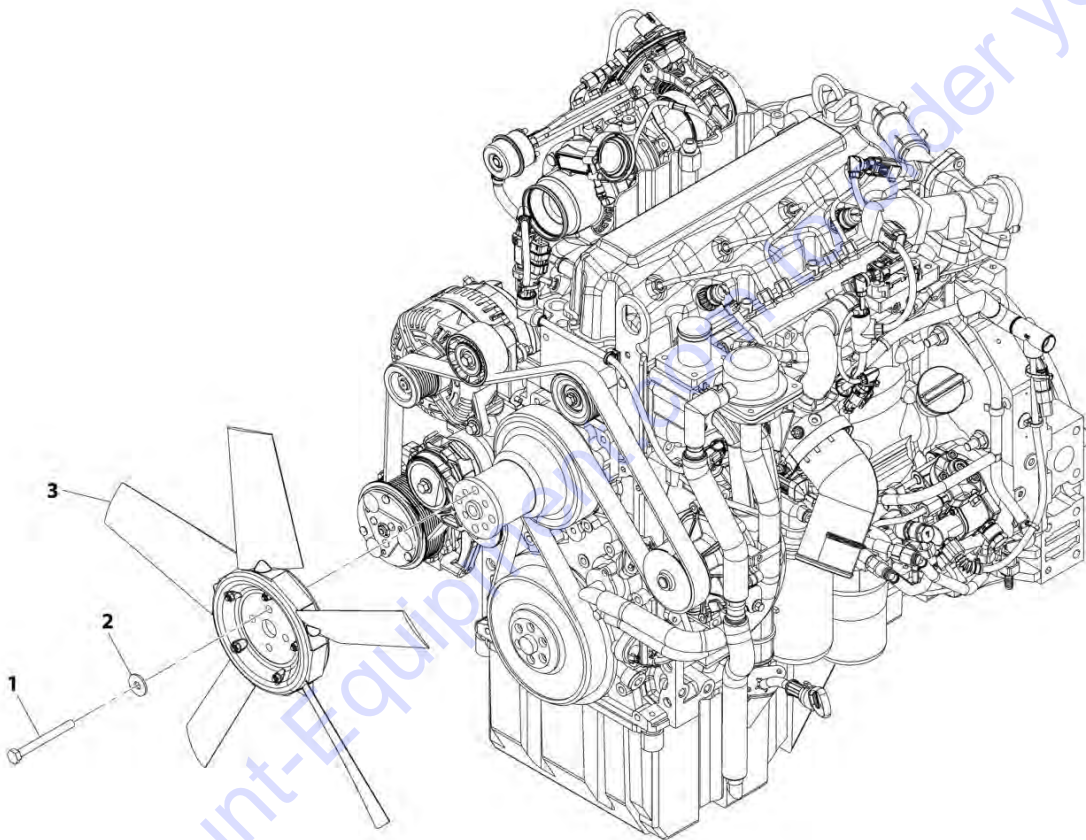
FIGURE 4-10. PRIMARY FUEL FILTER INSTALLATION (LS)

ITEM	PART NUMBER	QTY	DESCRIPTION	REV
	1001180076	Ref	Primary Fuel Filter Installation (LS)	C
1	0701215	3	Bolt, M12X35	
2	0781016	2	Bolt, M10X40	
3	2220218	1	Fitting, Straight ORFS	
4	4812100	3	Washer, M12	
5	8430034	1	Elbow, 90	
6	1001133534	1	Filter, Fuel	
7	1001180078	1	Bracket, Fuel Filter Mount	
8	2220810	1	Fitting, Straight	
9	1001200239	1	Fitting, 90 ORFS	

Go to Discount-Equipment.com to order your parts

SECTION 4 - ENGINE AND ATTACHING PARTS

FIGURE 4-11. FAN INSTALLATION, 74HP (ULS) (742, 943)



ART_1001225231-A

SECTION 4 - ENGINE AND ATTACHING PARTS

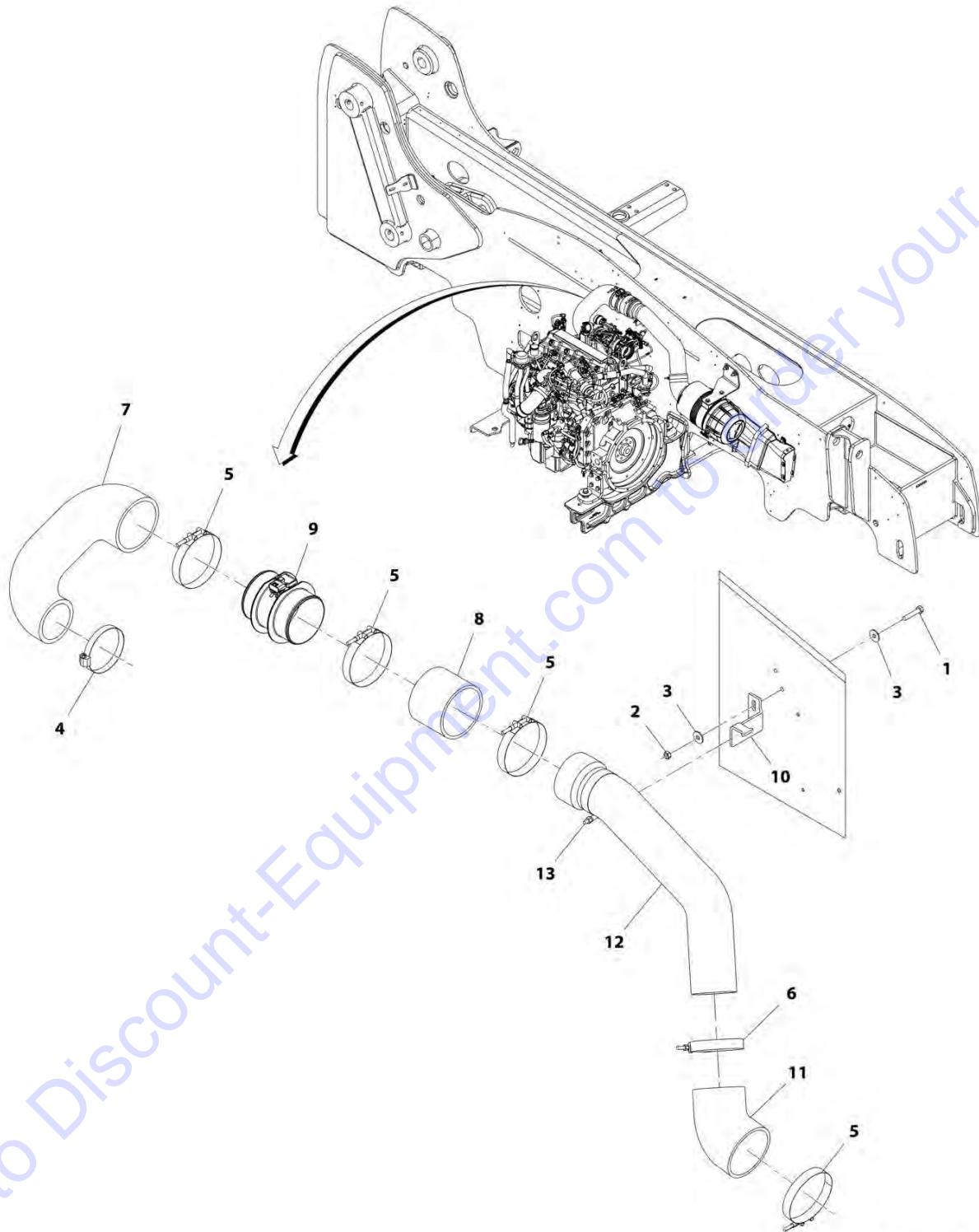
FIGURE 4-11. FAN INSTALLATION, 74HP (ULS) (742, 943)

ITEM	PART NUMBER	QTY	DESCRIPTION	REV
	1001225231	Ref	Fan Installation (ULS) (742, 943)	A
1	0701027	4	Bolt, M10X100	
2	4812002	4	Washer, M10	
3	1001225982	1	Fan, Cooling	

Go to Discount-Equipment.com to order your parts

SECTION 4 - ENGINE AND ATTACHING PARTS

FIGURE 4-12. AIR CLEANER LINES INSTALLATION (ULS)



ART_1001169011-C

SECTION 4 - ENGINE AND ATTACHING PARTS

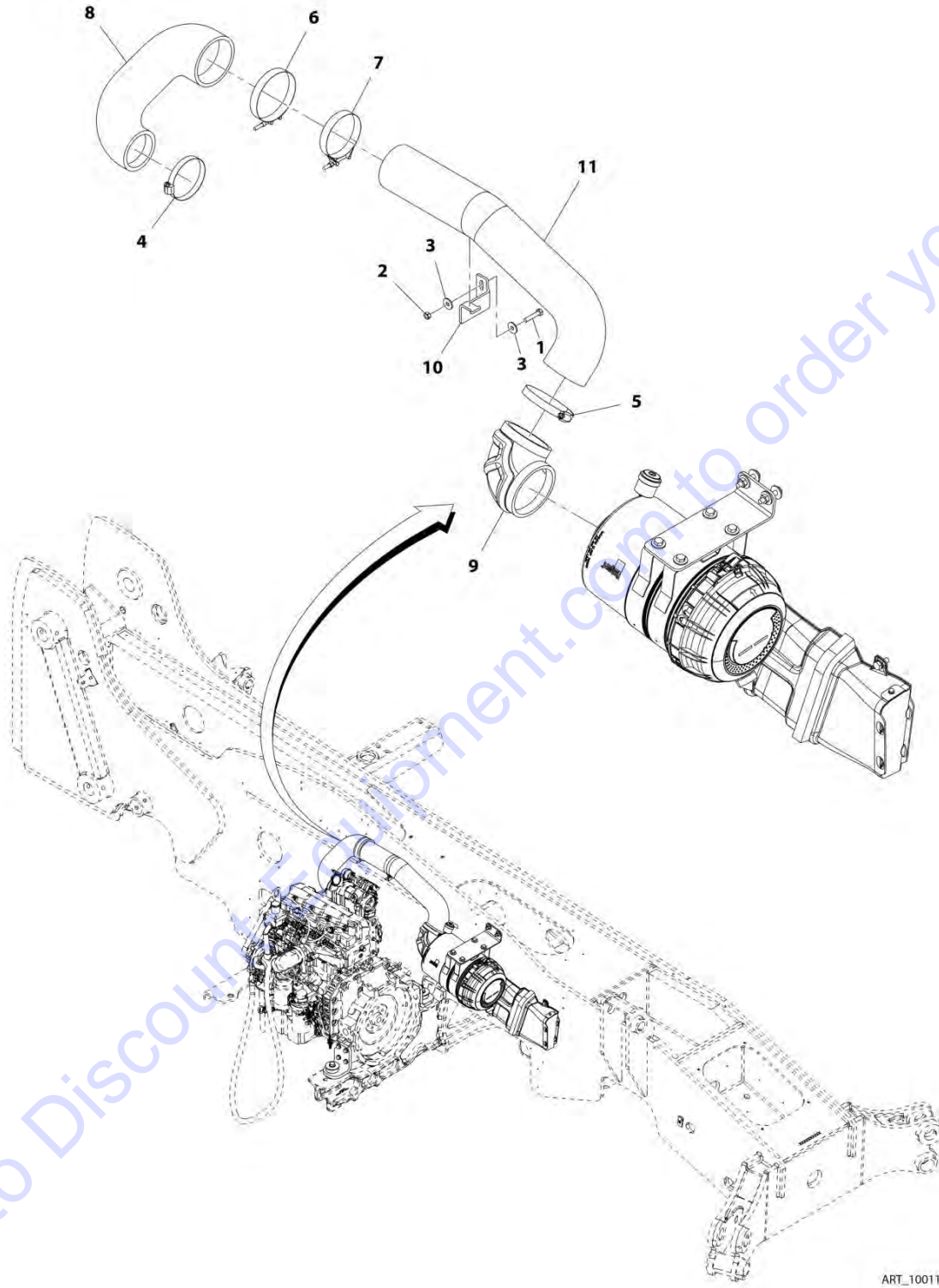
FIGURE 4-12. AIR CLEANER LINES INSTALLATION (ULS)

ITEM	PART NUMBER	QTY	DESCRIPTION	REV
	1001169011	Ref	Air Cleaner Lines Installation	C
1	0700816	1	Bolt, M8X40	
2	3290801	1	Nut, M8X1.25 Grade 8	
3	4811902	2	Washer, M8	
4	8410011	1	Clamp	
5	80933367	4	Clamp	
6	91413025	1	Clamp	
7	1001166449	1	Hose	
8	1001166450	1	Hose	
9	1001168771	1	Tube	
10	1001169155	1	Bracket	
11	1001185505	1	Elbow	
12	1001185497	1	Tube	
13	8410007	1	Clamp, T-Bolt	

Go to Discount-Equipment.com to order your parts

SECTION 4 - ENGINE AND ATTACHING PARTS

FIGURE 4-13. AIR INTAKE LINES INSTALLATION (LS)



ART_1001163238-C

SECTION 4 - ENGINE AND ATTACHING PARTS

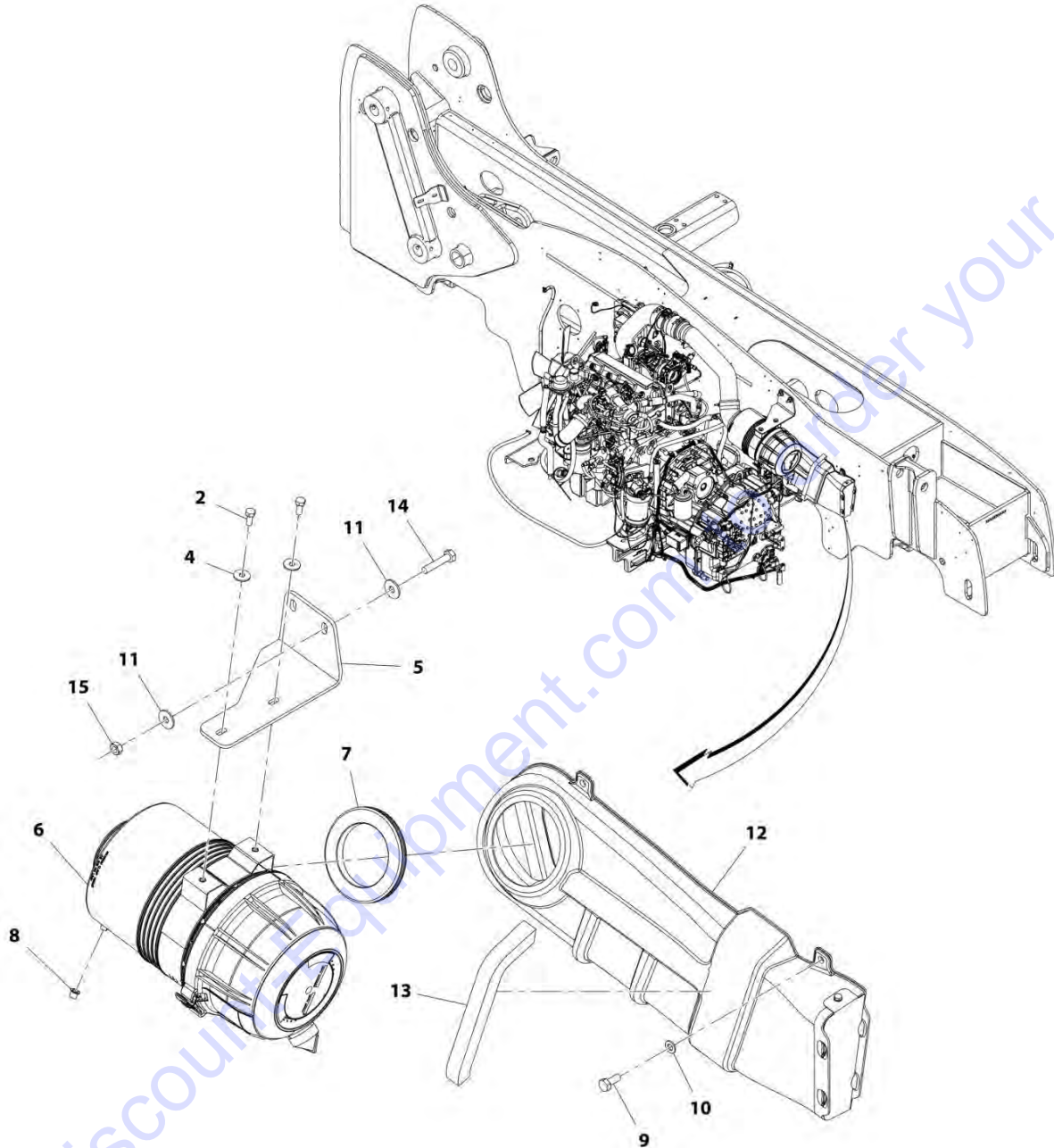
FIGURE 4-13. AIR INTAKE LINES INSTALLATION (LS)

ITEM	PART NUMBER	QTY	DESCRIPTION	REV
	1001163238	Ref	Air Intake Lines Installation (LS)	C
1	0700816	1	Bolt, M8X40	
2	3290801	1	Nut, M8X1.25 Grade 8	
3	4811902	2	Washer, M8	
4	8410011	1	Clamp	
5	10719267	1	Clamp	
6	80933367	1	Clamp	
7	91413025	1	Clamp	
8	1001166449	1	Hose	
9	1001166451	1	Elbow	
10	1001169155	1	Bracket	
11	1001185498	1	Tube	

Go to Discount-Equipment.com to order your parts

SECTION 4 - ENGINE AND ATTACHING PARTS

FIGURE 4-14. AIR CLEANER INSTALLATION (ULS)



ART_1001169012-F

SECTION 4 - ENGINE AND ATTACHING PARTS

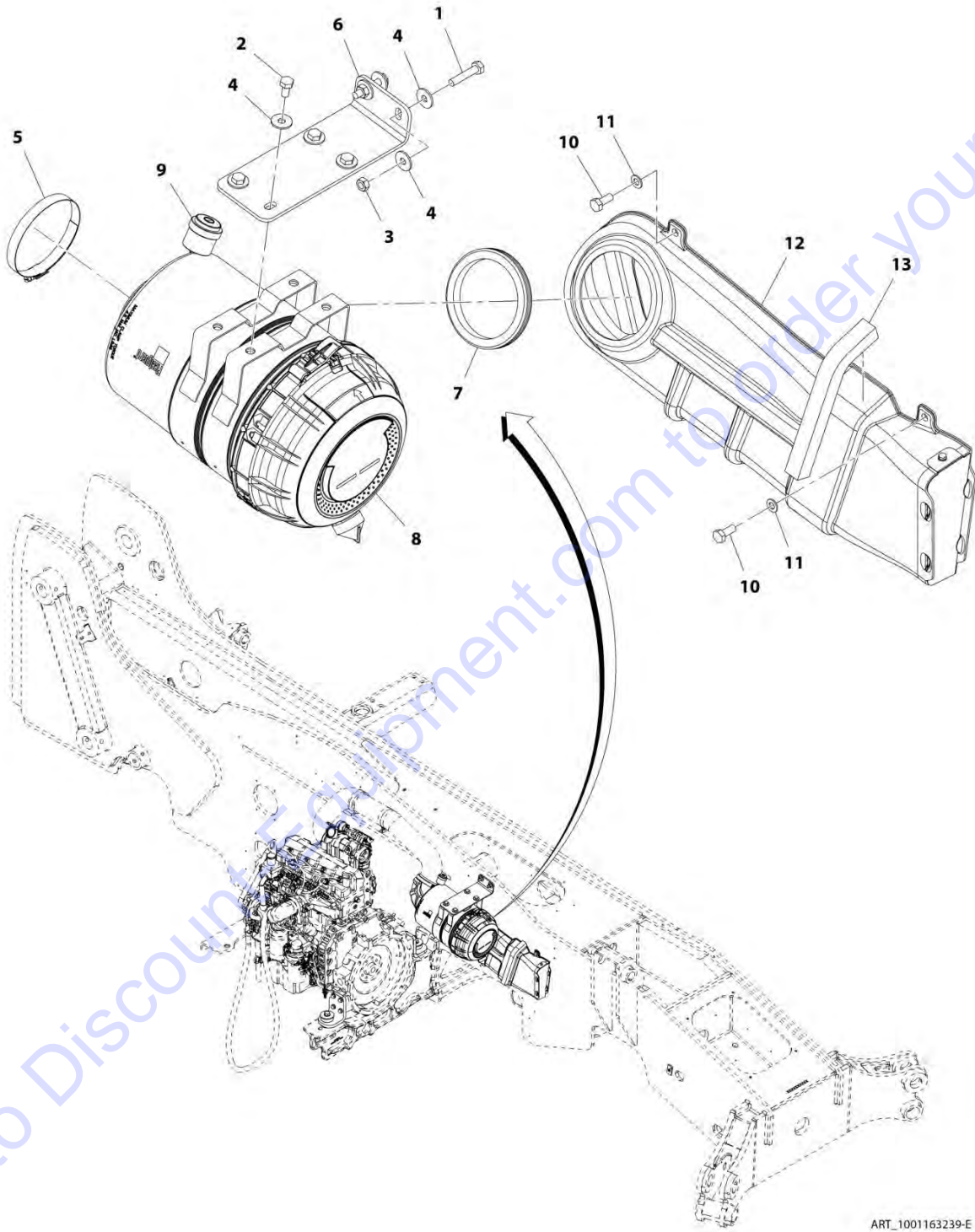
FIGURE 4-14. AIR CLEANER INSTALLATION (ULS)

ITEM	PART NUMBER	QTY	DESCRIPTION	REV
	1001169012	Ref	Air Cleaner Installation	F
2	0760810	2	Bolt, M8X20	
4	4811902	2	Washer, M8	
5	1001185278	1	Bracket	
6	1001166566	1	Filter, Air Cleaner (See AIR CLEANER ASSEMBLY (ULS) for Breakdown)	
7	1001183830	1	Grommet, Intake	
8	1001183177	1	Cap, Air Cleaner	
9	0761012	4	Bolt, M10X25	
10	4812000	4	Washer, M10	
11	4812002	4	Washer, M10	
12	1001183835	1	Installation, Air Intake Duct (See AIR INTAKE DUCT INSTALLATION for Breakdown)	
13	1001186898	1	Seal	
14	0701018	2	Bolt, M8X50	
15	3291001	1	Nut, M10X1.5 Grade 8	

Go to Discount-Equipment.com to order your parts

SECTION 4 - ENGINE AND ATTACHING PARTS

FIGURE 4-15. AIR CLEANER INSTALLATION (LS)



ART_1001163239-E

SECTION 4 - ENGINE AND ATTACHING PARTS

FIGURE 4-15. AIR CLEANER INSTALLATION (LS)

ITEM	PART NUMBER	QTY	DESCRIPTION	REV
	1001163239	Ref	Air Cleaner Installation (LS)	E
1	0701018	2	Bolt, M10X50	
2	0761010	4	Bolt, M10X20	
3	3291001	2	Nut, M10X1.5 Grade 8	
4	4812002	8	Washer, M10	
5	8405402	1	Clamp	
6	1001194534	1	Bracket, Air Cleaner Mount	
7	1001183831	1	Grommet	
8	1001166565	1	Filter, Air Cleaner (See AIR CLEANER ASSEMBLY (LS) for Breakdown)	
9	1001166716	1	Indicator	
10	0761012	4	Bolt, M10X25	
11	4812000	4	Washer, M10	
12	1001183835	1	Installation, Duct Air Intake (See AIR INTAKE DUCT INSTALLATION for Breakdown)	
13	1001186898	1	Seal, Foam Gasket	

Go to Discount-Equipment.com to order your parts

PARTS FINDER

**Search Website
by Part Number**



**Search Manual
Library For Parts
Manual & Lookup Part
Numbers – Purchase
or Request Quote**

**Can't Find Part or
Manual? Request Help
by Manufacturer,
Model & Description**

Discount-Equipment.com is your online resource for quality parts & equipment.

Florida: **561-964-4949** Outside Florida TOLL FREE: **877-690-3101**

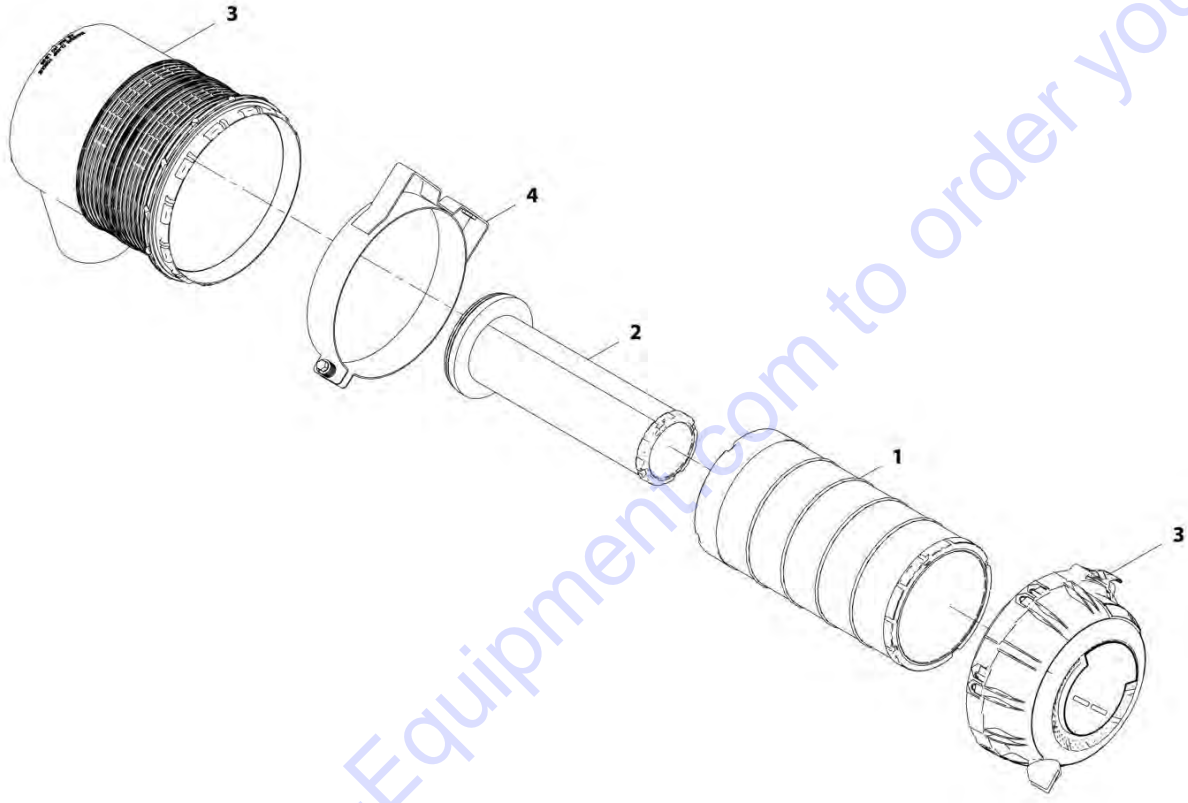
Need parts?

Click on this link: <http://www.discount-equipment.com/category/5443-parts/> and choose one of the options to help get the right parts and equipment you are looking for. Please have the machine model and serial number available in order to help us get you the correct parts. If you don't find the part on the website or on one of the online manuals, please fill out the request form and one of our experienced staff members will get back to you with a quote for the right part that your machine needs.

We sell worldwide for the brands: Genie, Terex, JLG, MultiQuip, Mikasa, Essick, Whiteman, Mayco, Toro Stone, Diamond Products, Generac Magnum, Airman, Haulotte, Barreto, Power Blanket, Nifty Lift, Atlas Copco, Chicago Pneumatic, Allmand, Miller Curber, Skyjack, Lull, Skytrak, Tsurumi, Husquvarna Target, Stow, Wacker, Sakai, Mi-T-M, Sullair, Basic, Dynapac, MBW, Weber, Bartell, Bennar Newman, Haulotte, Ditch Runner, Menegotti, Morrison, Contec, Buddy, Crown, Edco, Wyco, Bomag, Laymor, EZ Trench, Bil-Jax, F.S. Curtis, Gehl Pavers, Heli, Honda, ICS/PowerGrit, IHI, Partner, Imer, Clipper, MMD, Koshin, Rice, CH&E, General Equipment, Amida, Coleman, NAC, Gradall, Square Shooter, Kent, Stanley, Tamco, Toku, Hatz, Kohler, Robin, Wisconsin, Northrock, Oztec, Toker TK, Rol-Air, APT, Wylie, Ingersoll Rand / Doosan, Innovatech, Con X, Ammann, Mecalac, Makinex, Smith Surface Prep, Small Line, Wanco, Yanmar

SECTION 4 - ENGINE AND ATTACHING PARTS

FIGURE 4-16. AIR CLEANER ASSEMBLY (ULS)



ART_1001166566-G

Go to Discount-Equipment.com to order your parts

SECTION 4 - ENGINE AND ATTACHING PARTS

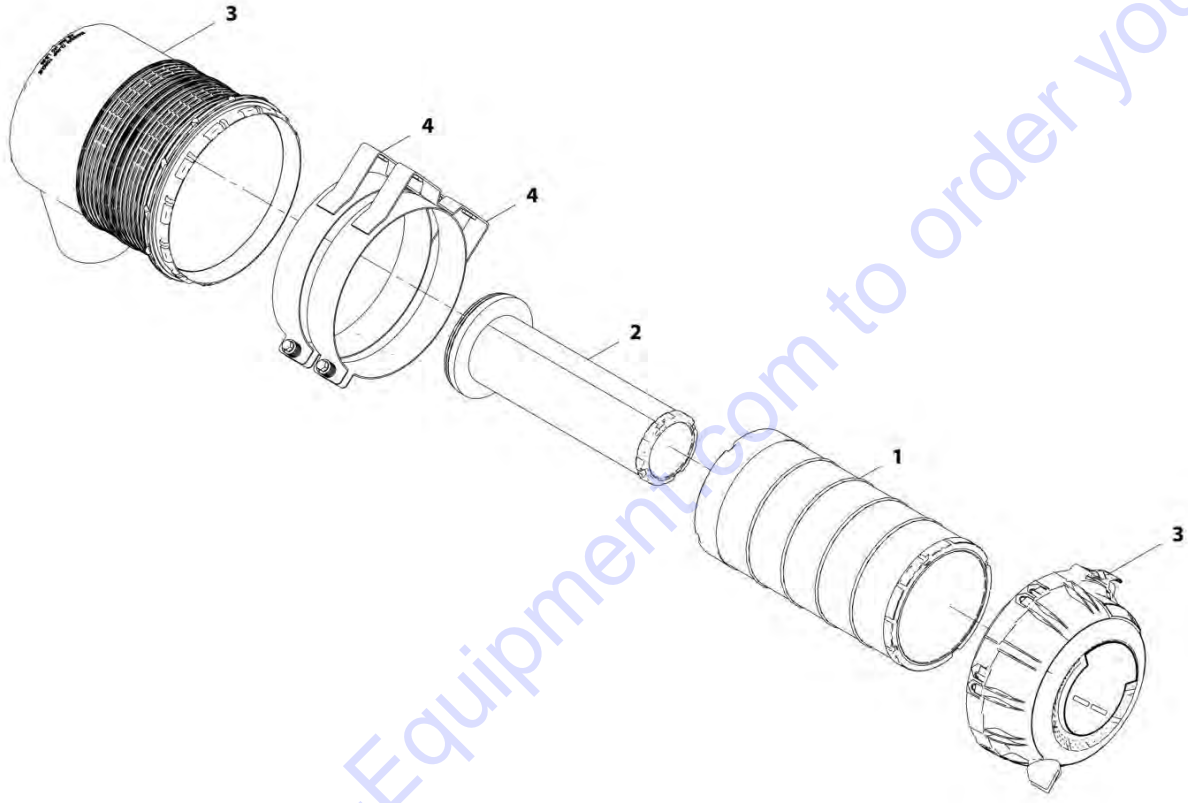
FIGURE 4-16. AIR CLEANER ASSEMBLY (ULS)

ITEM	PART NUMBER	QTY	DESCRIPTION	REV
	1001166566	Ref	Air Cleaner Assembly (ULS)	G
1	70025852	1	Filter, Air Cylindrical Primary	
2	70025853	1	Filter, Air Cylindrical Secondary	
3	70026393	1	Cover, Air Cleaner	
4	70026394	1	Bracket, Mounting Band	

Go to Discount-Equipment.com to order your parts

SECTION 4 - ENGINE AND ATTACHING PARTS

FIGURE 4-17. AIR CLEANER ASSEMBLY (LS)



ART_1001166565-E

Go to Discount-Equipment.com to order your parts

SECTION 4 - ENGINE AND ATTACHING PARTS

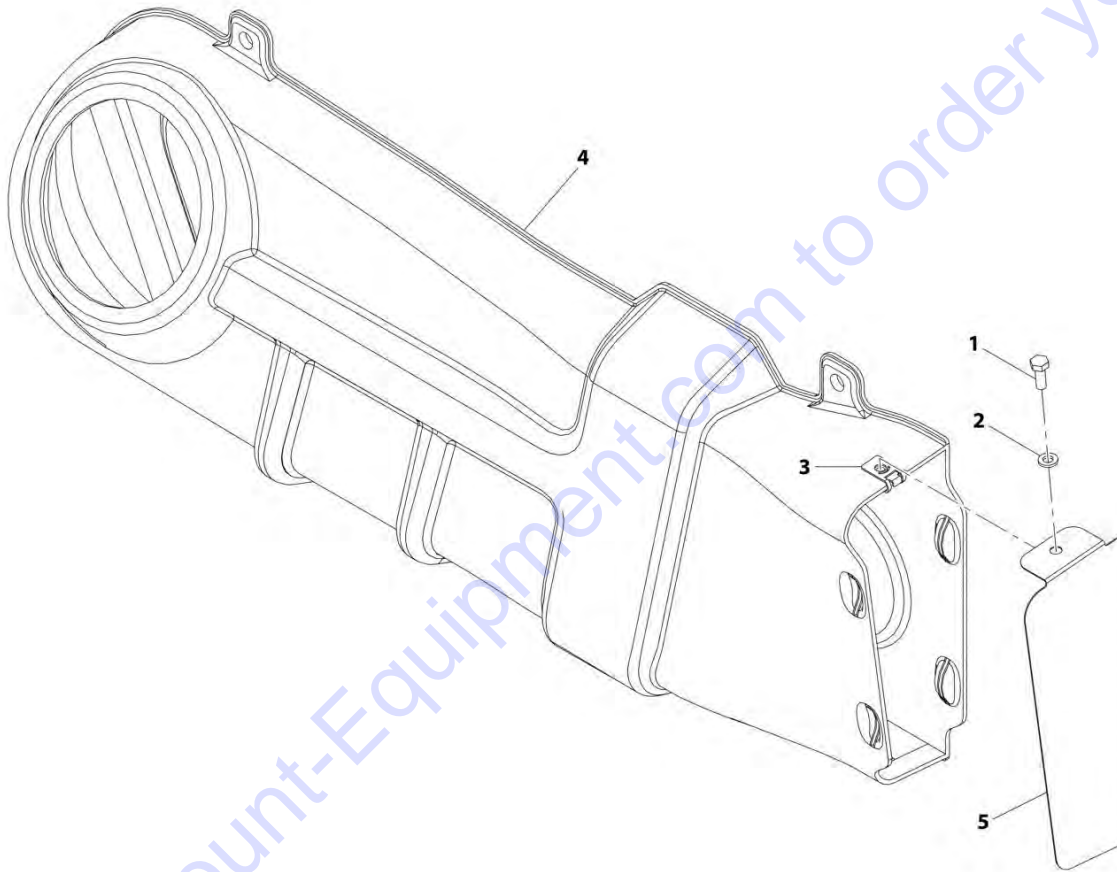
FIGURE 4-17. AIR CLEANER ASSEMBLY (LS)

ITEM	PART NUMBER	QTY	DESCRIPTION	REV
	1001166565	Ref	Air Cleaner Assembly (LS)	E
1	70025850	1	Filter, Cylindrical Air Primary	
2	70025851	1	Filter, Cylindrical Air Secondary	
3	70026395	1	Cover, Air Cleaner	
4	70026396	2	Bracket, Mounting Band	

Go to Discount-Equipment.com to order your parts

SECTION 4 - ENGINE AND ATTACHING PARTS

FIGURE 4-18. AIR INTAKE DUCT INSTALLATION



ART_1001183835-C

SECTION 4 - ENGINE AND ATTACHING PARTS

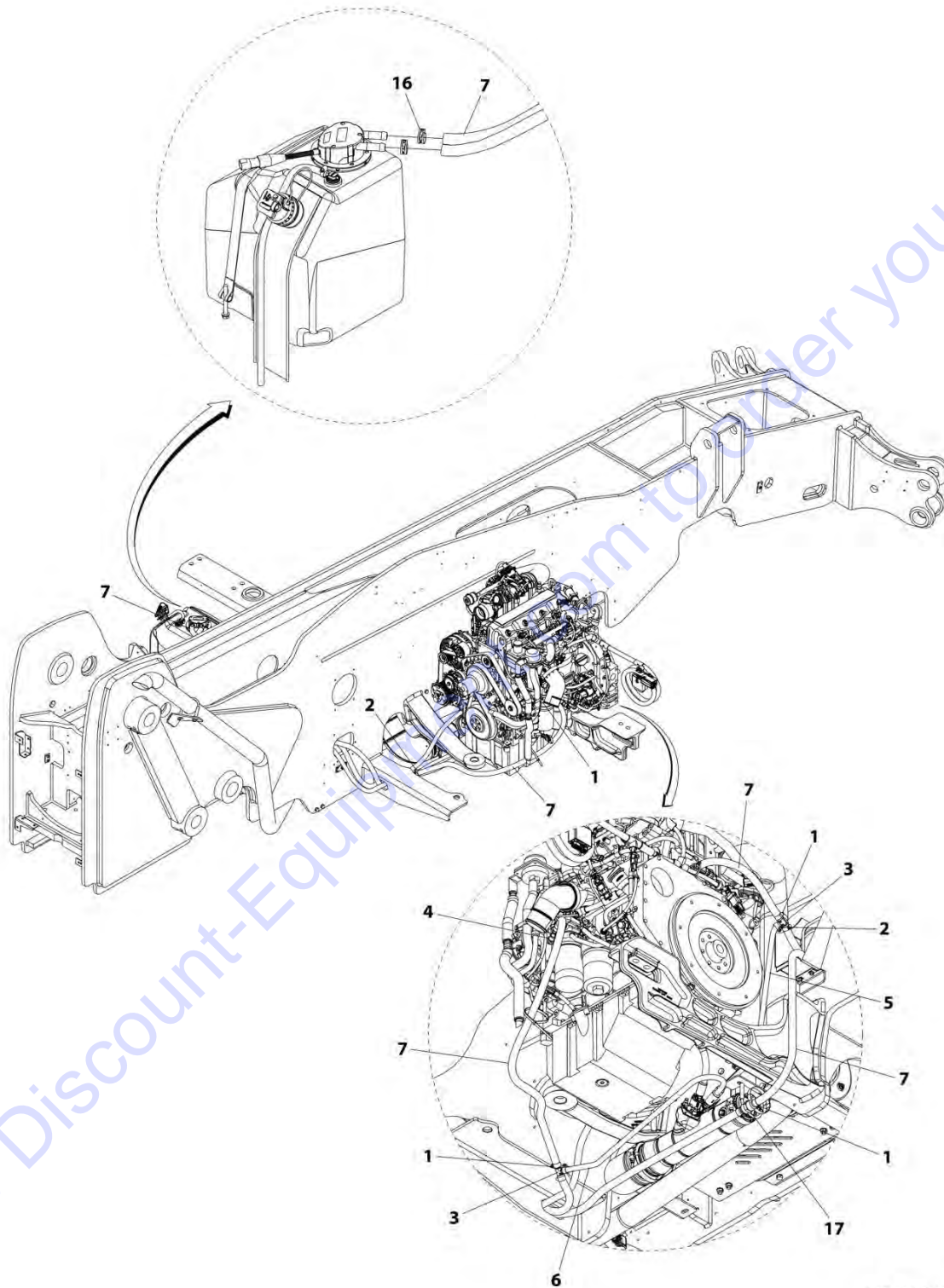
FIGURE 4-18. AIR INTAKE DUCT INSTALLATION

ITEM	PART NUMBER	QTY	DESCRIPTION	REV
	1001183835	Ref	Air Intake Duct Installation	C
1	0760608	1	Bolt, M6X16	
2	4811702	1	Washer, M6	
3	8305919	1	Nut	
4	1001183827	1	Duct	
5	1001183829	1	Plate	

Go to Discount-Equipment.com to order your parts

SECTION 4 - ENGINE AND ATTACHING PARTS

FIGURE 4-19. DEF LINES INSTALLATION



ART_1001163232-I

SECTION 4 - ENGINE AND ATTACHING PARTS

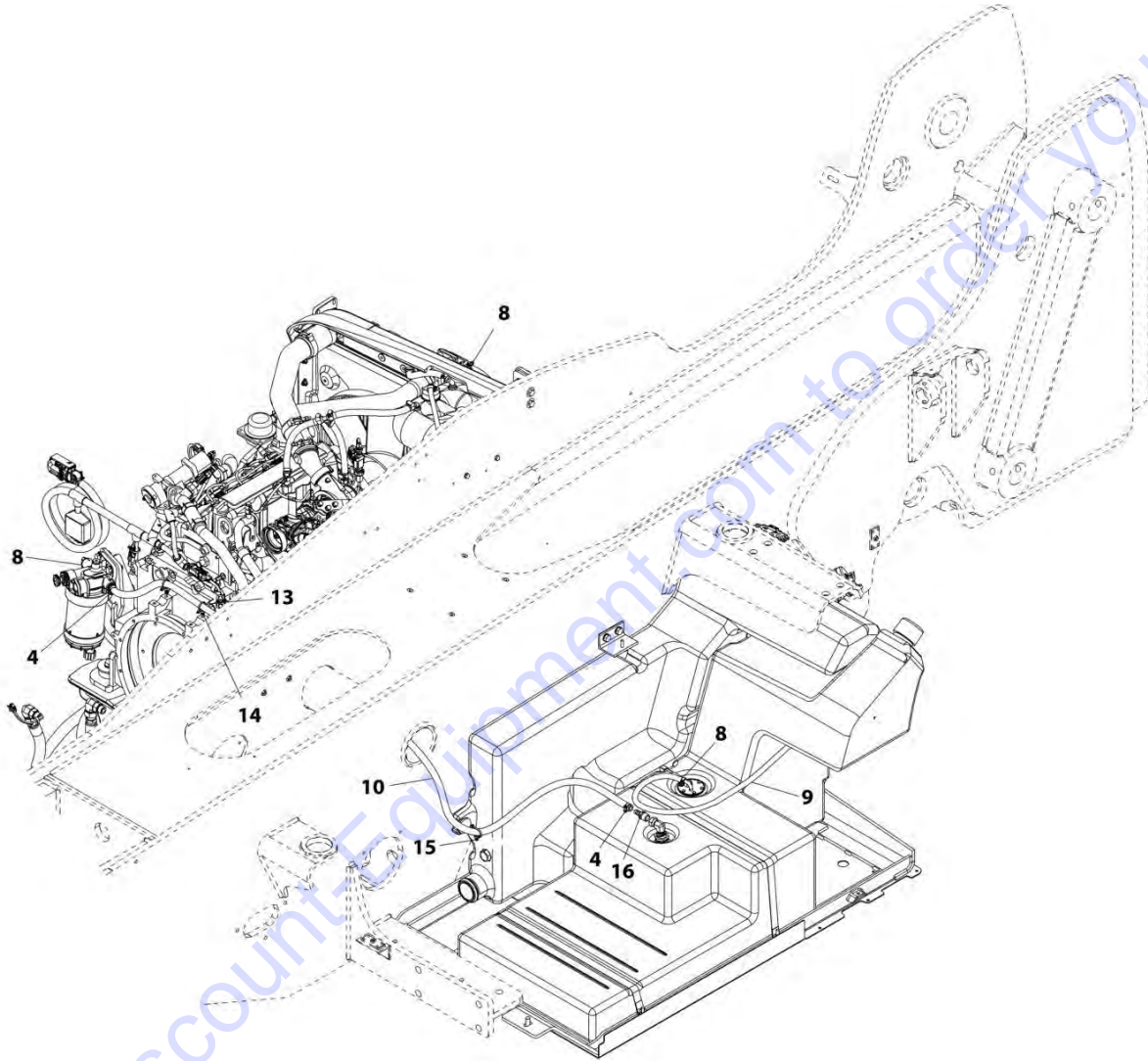
FIGURE 4-19. DEF LINES INSTALLATION

ITEM	PART NUMBER	QTY	DESCRIPTION	REV
	1001163232	Ref	DEF Lines Installation	I
1	8410009	10	Gear Clamp	
2	8410013	2	Gear Clamp	
3	1001162212	2	Pipe	
4	1001168822	1	Pipe	
5	1001169409	1	Hose	
6	1001169410	1	Hose	
7	82033995	6.9 m	Hose	
16	1001202526	2	Clamp	
17	1001228872	1	Filter	

Go to Discount-Equipment.com to order your parts

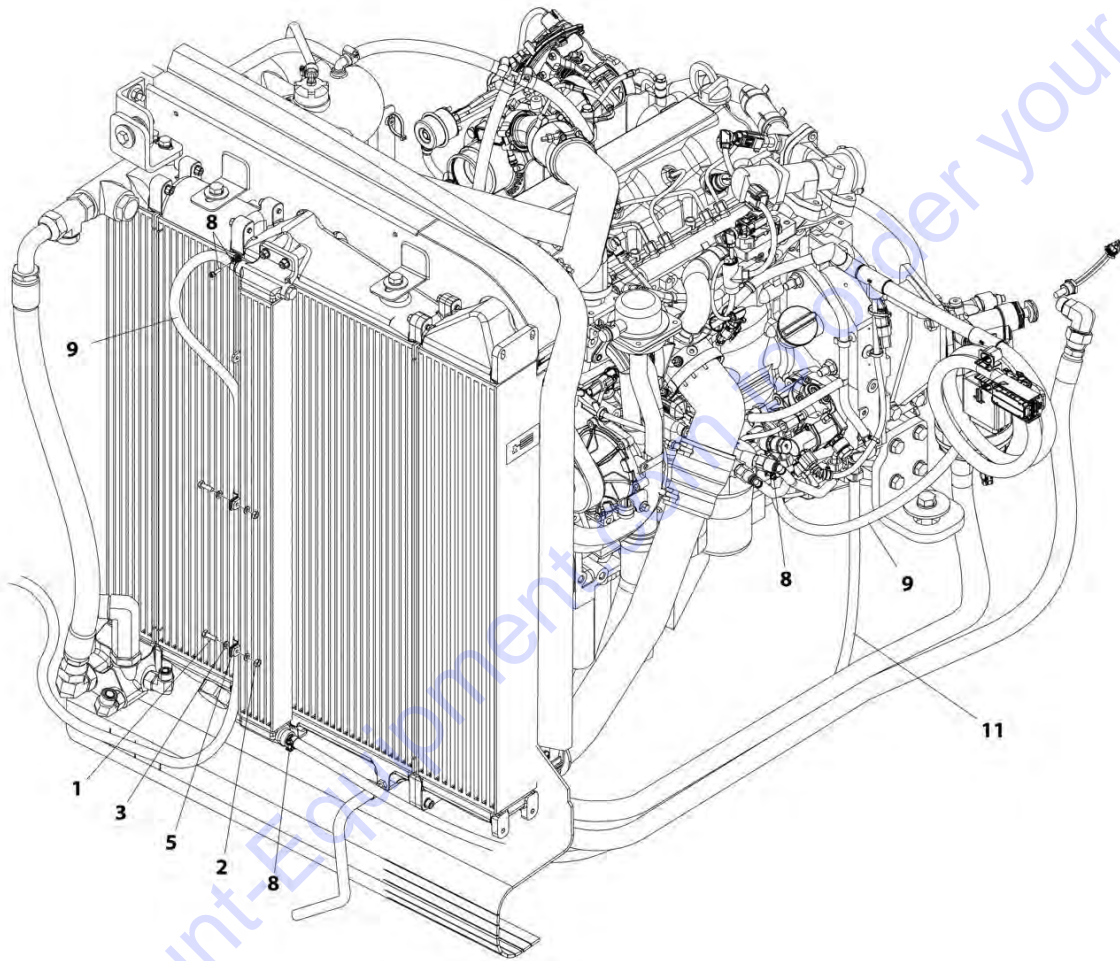
SECTION 4 - ENGINE AND ATTACHING PARTS

FIGURE 4-20. FUEL LINES INSTALLATION (ULS)



ART_1001163231_1-I

SECTION 4 - ENGINE AND ATTACHING PARTS



ART_1001163231_2-I

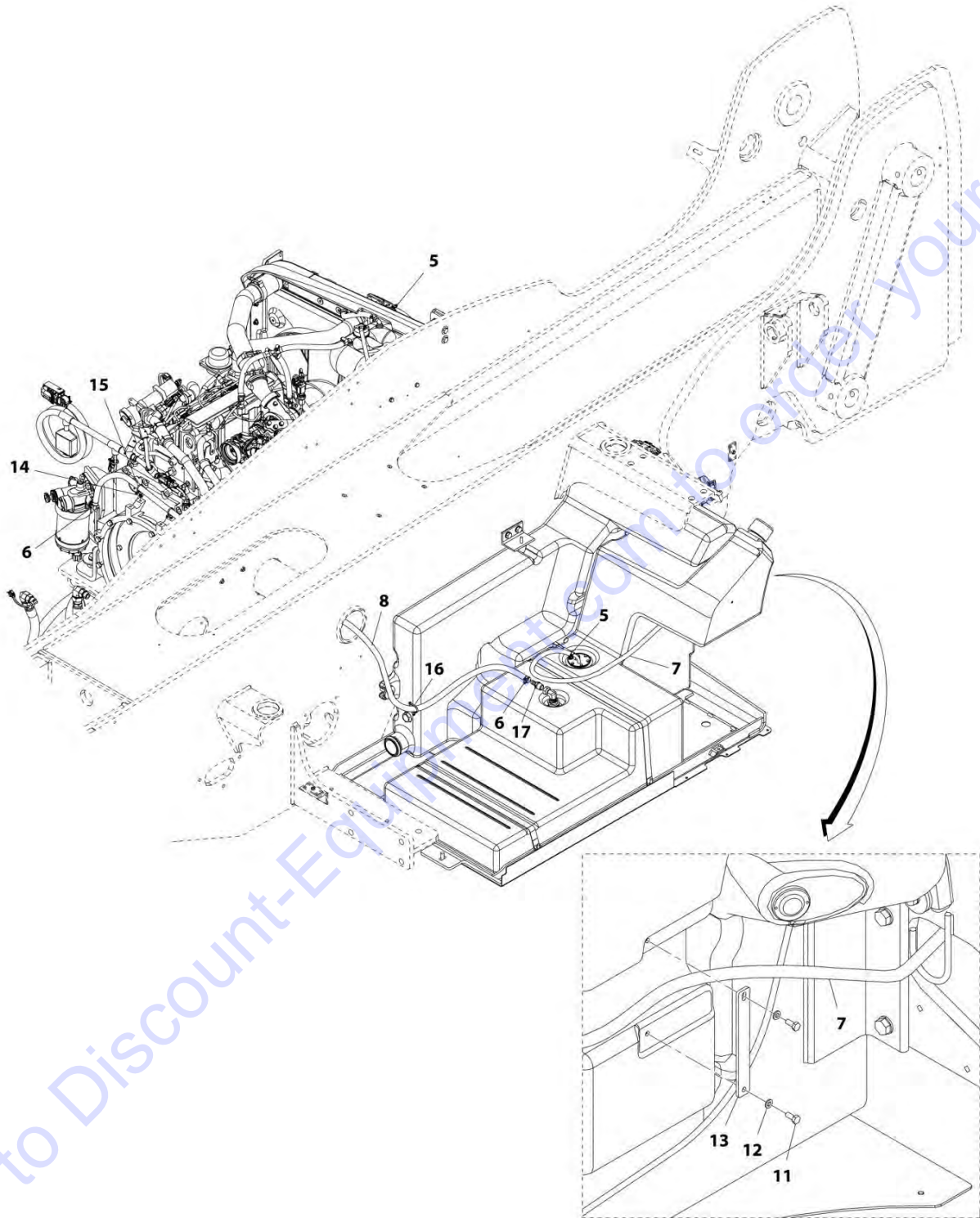
SECTION 4 - ENGINE AND ATTACHING PARTS

FIGURE 4-20. FUEL LINES INSTALLATION (ULS)

ITEM	PART NUMBER	QTY	DESCRIPTION	REV
	1001163231	Ref	Fuel Lines Installation	I
1	0700610	2	Bolt, M6X20	
2	3290601	2	Nut, M6X1 Grade 8	
3	4811700	4	Washer, M6	
4	1001186342	2	Clip, Hose	
5	8406112	2	Clip, Tube	
8	1001136975	5	Clamp	
9	1001141400	4.3 m	Hose	
10	1001172755	2.4 m	Hose	
11	1001197299	1	Hose	
13	1001008559	2	Strap	
14	1001202986	2	Strap, Fir Tree Push Mount	
15	1001146588	1	Strap	
16	1001206588	1	Fitting	

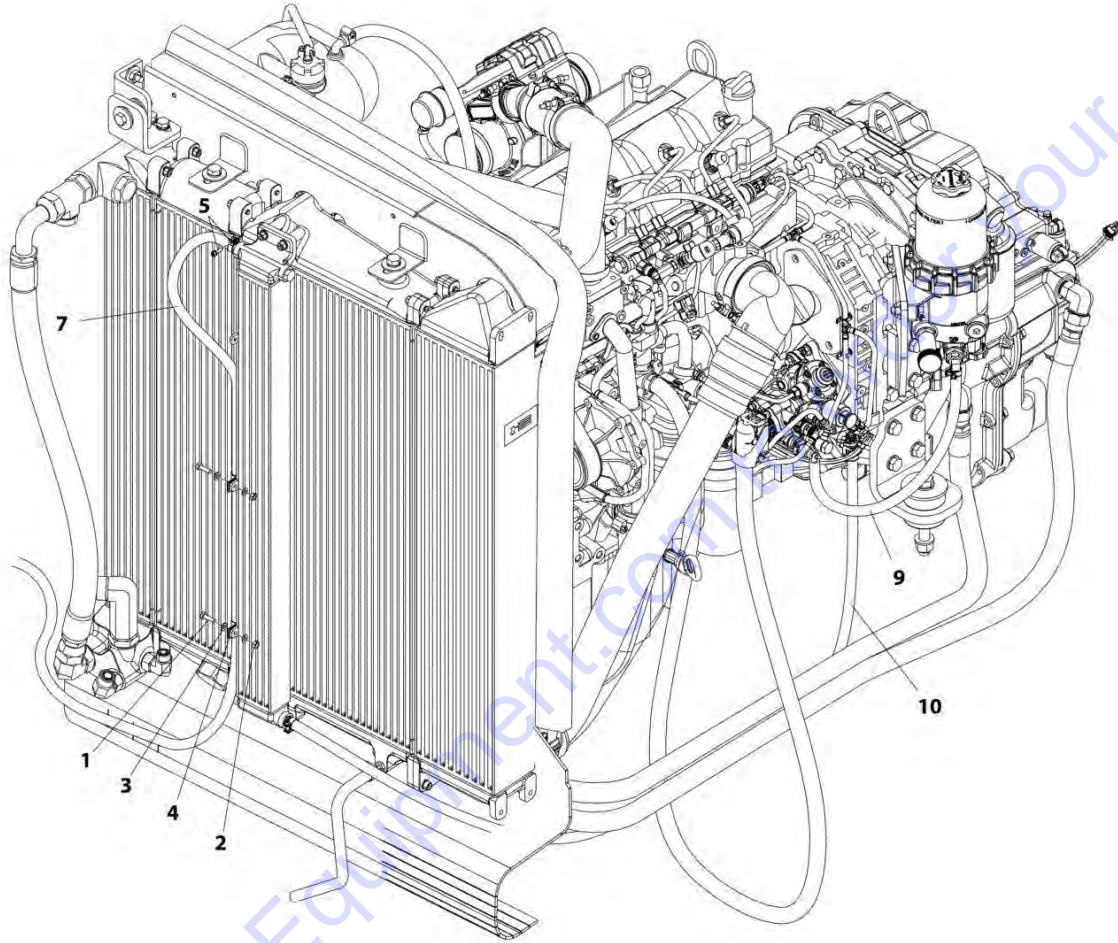
SECTION 4 - ENGINE AND ATTACHING PARTS

FIGURE 4-21. FUEL LINES INSTALLATION (LS)



ART_1001163241_1-G

SECTION 4 - ENGINE AND ATTACHING PARTS



ART_1001163241_2-G

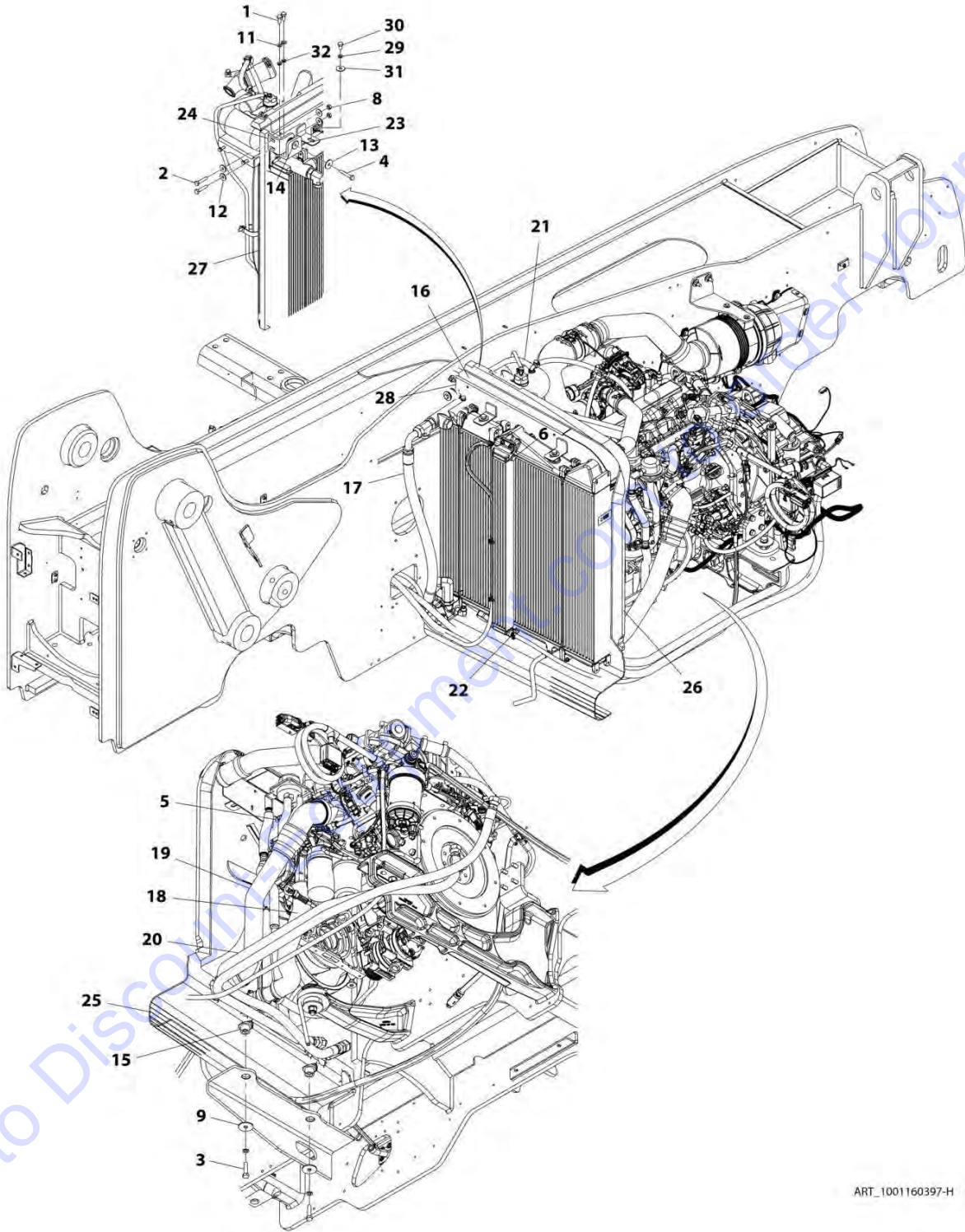
SECTION 4 - ENGINE AND ATTACHING PARTS

FIGURE 4-21. FUEL LINES INSTALLATION (LS)

ITEM	PART NUMBER	QTY	DESCRIPTION	REV
	1001163241	Ref	Fuel Lines Installation (LS)	G
1	0700610	2	Bolt, M6X20	
2	3290601	2	Nut, M6X1 Grade 8	
3	4811700	4	Washer, M6	
4	8406112	2	Clip	
5	1001136975	4	Clamp	
6	1001186342	2	Clip	
7	1001141400	3.7 m	Hose	
8	1001172755	2.4 m	Hose	
9	1001190980	1	Hose	
10	1001197299	1	Hose	
11	0760607	2	Bolt, M6X14	
12	4831700	2	Washer, Lock M6	
13	1001196440	1	Plate, Retainer	
14	1001202986	2	Strap, Fir Tree Push Mount	
15	1001008559	2	Strap	
16	1001146588	1	Strap	
17	1001206588	1	Fitting	

SECTION 4 - ENGINE AND ATTACHING PARTS

FIGURE 4-22. COOLING PACKAGE INSTALLATION (ULS)



ART_1001160397-H

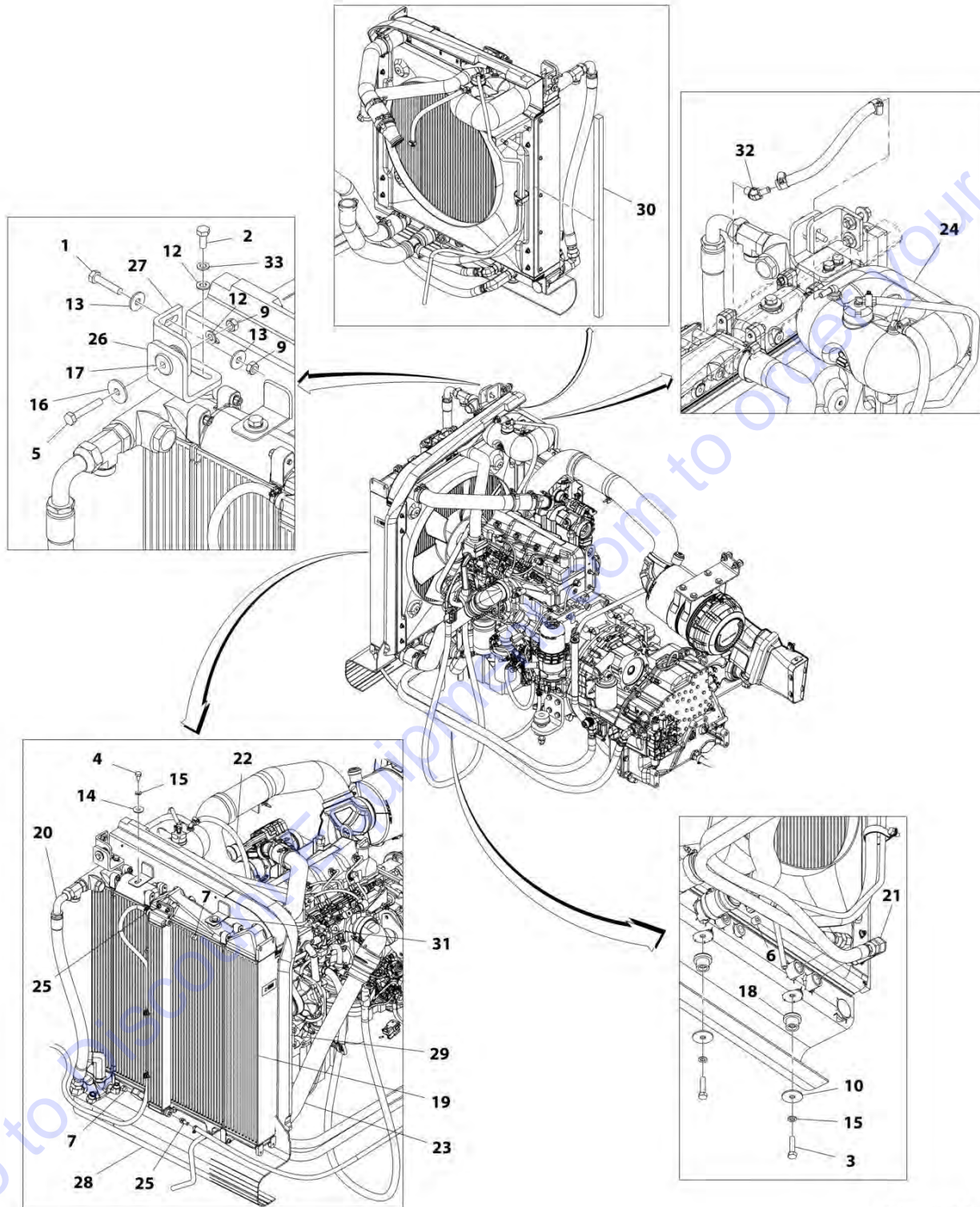
SECTION 4 - ENGINE AND ATTACHING PARTS

FIGURE 4-22. COOLING PACKAGE INSTALLATION (ULS)

ITEM	PART NUMBER	QTY	DESCRIPTION	REV
	1001160397	Ref	Cooling Package Installation (ULS)	H
1	0761012	2	Bolt, M10X25	
2	0701018	2	Bolt, M10X50	
3	0761218	2	Bolt, M12X50	
4	0701020	1	Bolt, M10X60	
5	1001174356	1	Barb, Hose	
6	2220237	2	Plug	
8	3291001	3	Nut, M10X1.5 Grade 8	
9	4740274	4	Washer	
11	4812000	3	Washer, M10	
12	4812002	4	Washer, M10	
13	1001155540	2	Washer	
14	8278020	1	Mount	
15	1001114803	2	Mount	
16	1001159347	Ref	Radiator Cooling Package (See RADIATOR COOLING PACKAGE for Breakdown)	
17	1001163082	Ref	Installation, HOC Lines (See HOC LINES INSTALLATION for Breakdown)	
18	1001163245	Ref	Installation, Coolant Lines (ULS) (See COOLANT LINES INSTALLATION (ULS) for Breakdown)	
19	1001163246	Ref	Installation, CAC Lines (ULS) (See CAC LINES INSTALLATION (ULS) for Breakdown)	
20	1001163247	Ref	Installation, TOC Lines (See TOC LINES INSTALLATION for Breakdown)	
21	1001167078	Ref	Installation, Surge Tank (See SURGE TANK INSTALLATION for Breakdown)	
22	1001168030	2	Barb, Hose	
23	1001169173	1	Bracket	
24	1001169174	1	Bracket	
25	1001169965	1	Panel	
26	1001173452	1	Seal, Foam Gasket	
27	1001173457	1	Seal, Foam Gasket	
28	1001173546	1	Bracket	
29	4832100	4	Washer, Lock M12	
30	0761210	2	Bolt, M12X20	
31	4812102	2	Washer, M12	
32	4832000	2	Washer, Lock M10	

SECTION 4 - ENGINE AND ATTACHING PARTS

FIGURE 4-23. COOLING PACKAGE INSTALLATION (LS)



ART_1001160402-E

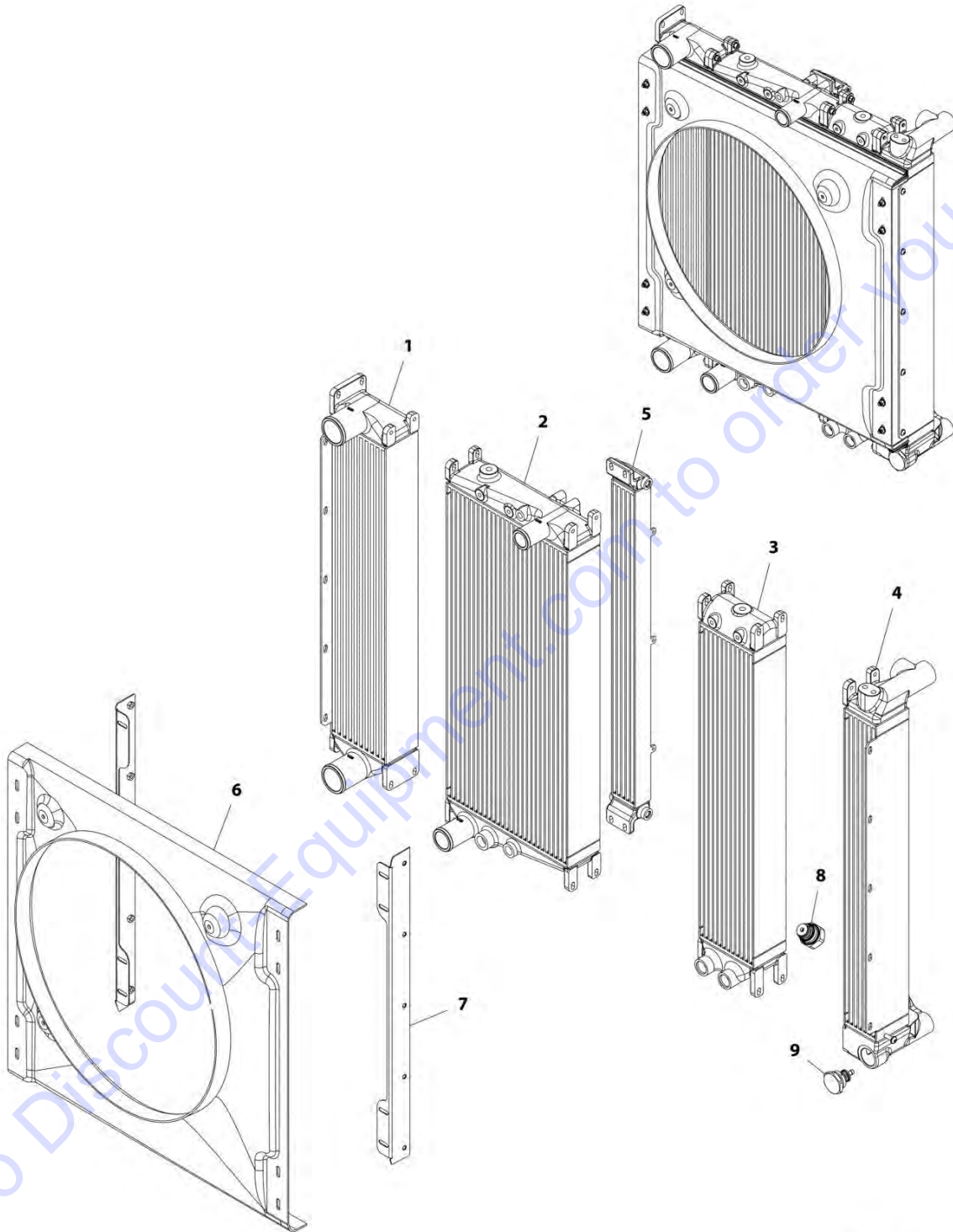
SECTION 4 - ENGINE AND ATTACHING PARTS

FIGURE 4-23. COOLING PACKAGE INSTALLATION (LS)

ITEM	PART NUMBER	QTY	DESCRIPTION	REV
	1001160402	Ref	Cooling Package Installation (LS)	E
1	0701018	2	Bolt, M10X50	
2	0761012	2	Bolt, M10X25	
3	0761218	2	Bolt, M12X50	
4	0771210	2	Bolt, M12X20 Grade 10.9	
5	0701020	1	Bolt, M10X60	
6	2200223	1	Plug	
7	2220237	2	Plug	
9	3291001	3	Nut, M10X1.5 Grade 8	
10	4740274	4	Washer	
12	4812000	3	Washer, M10	
13	4812002	4	Washer, M10	
14	4812102	2	Washer, M12	
15	4832100	4	Washer, Lock M12	
16	1001155540	2	Washer	
17	8278020	1	Mount	
18	1001114803	2	Mount	
19	1001159347	Ref	Radiator Cooling Package (See RADIATOR COOLING PACKAGE for Breakdown)	
20	1001163082	Ref	Installation, HOC Lines (See HOC LINES INSTALLATION for Breakdown)	
21	1001163247	Ref	Installation, TOC Lines (See TOC LINES INSTALLATION for Breakdown)	
22	1001163248	Ref	Installation, Coolant Lines (LS) (See COOLANT LINES INSTALLATION (LS) for Breakdown)	
23	1001163249	Ref	Installation, CAC Lines (LS) (See CAC LINES INSTALLATION (LS) for Breakdown)	
24	1001167078	Ref	Installation, Surge Tank (See SURGE TANK INSTALLATION for Breakdown)	
25	1001168030	2	Barb, Hose	
26	1001169173	1	Bracket	
27	1001169174	1	Bracket	
28	1001169965	1	Panel, Air Dam	
29	1001173452	1	Gasket	
30	1001173457	1	Gasket	
31	1001173546	1	Bracket, Air Baffle	
32	1001174356	1	Barb, Hose	
33	4832000	2	Washer, Lock M10	

SECTION 4 - ENGINE AND ATTACHING PARTS

FIGURE 4-24. RADIATOR COOLING PACKAGE



ART_1001159347-G

SECTION 4 - ENGINE AND ATTACHING PARTS

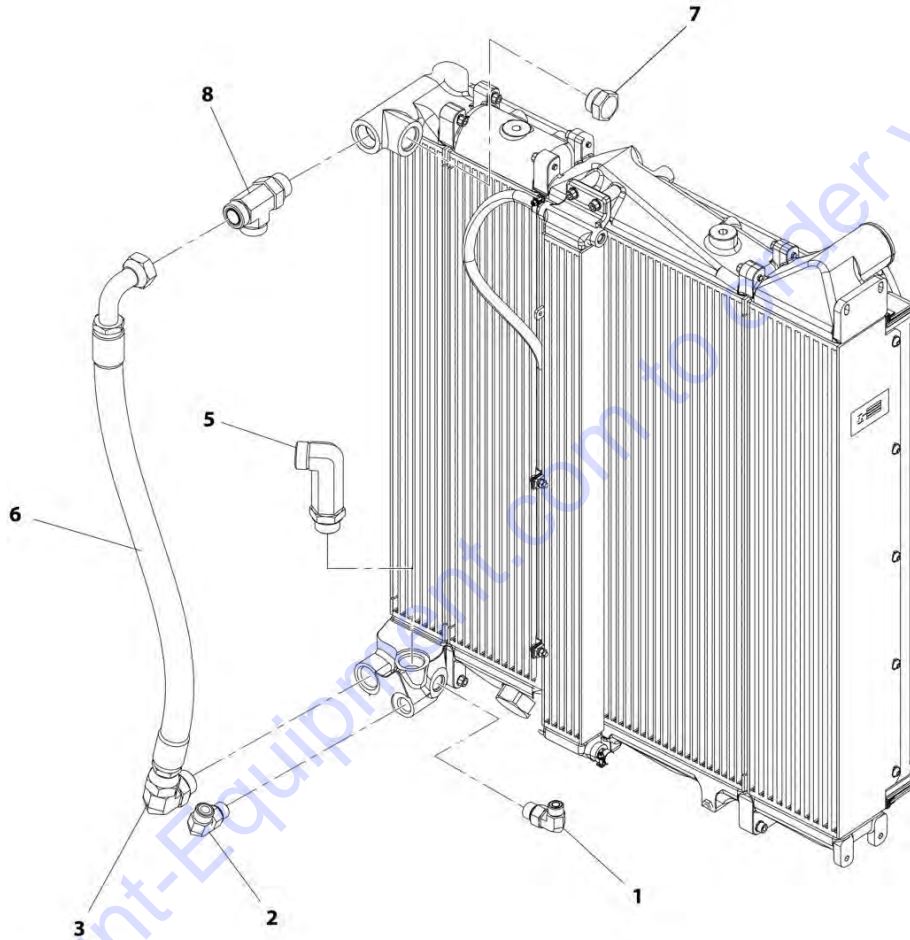
FIGURE 4-24. RADIATOR COOLING PACKAGE

ITEM	PART NUMBER	QTY	DESCRIPTION	REV
	1001159347	Ref	Radiator Cooling Package	G
1	70026353	1	Cooler, Air Charge	
2	70026354	1	Radiator	
3	70026355	1	Cooler, Transmission Oil	
4	70026356	1	Cooler, Hydraulic Oil	
5	70026357	1	Cooler, Fuel	
6	70026358	1	Shroud	
7	70026359	2	Bracket, Shroud Mounting	
8	70026082	1	Valve, Bypass	
9	70026360	1	Valve, Bypass	

Go to Discount-Equipment.com to order your parts

SECTION 4 - ENGINE AND ATTACHING PARTS

FIGURE 4-25. HOC LINES INSTALLATION



ART_1001163082-C

SECTION 4 - ENGINE AND ATTACHING PARTS

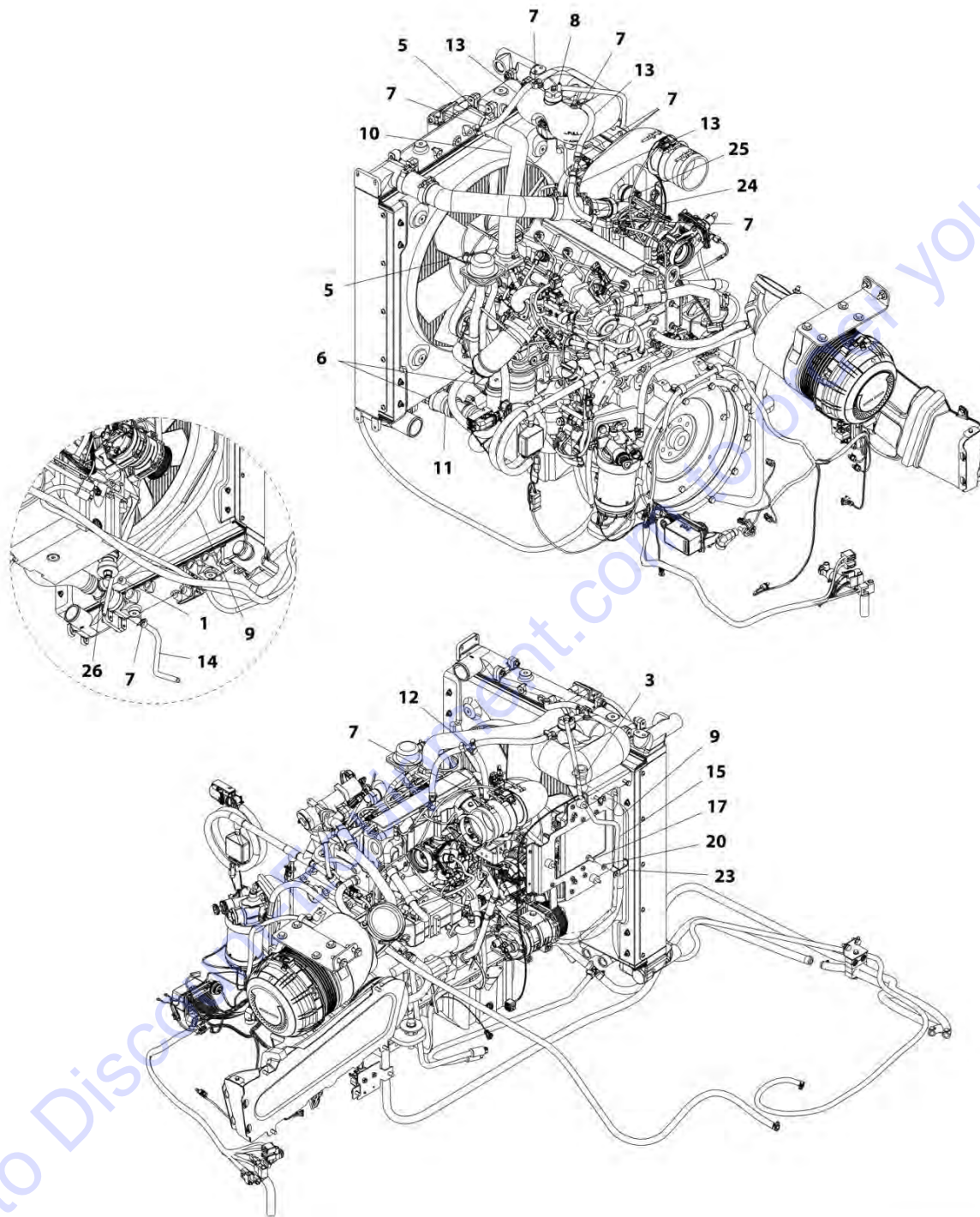
FIGURE 4-25. HOC LINES INSTALLATION

ITEM	PART NUMBER	QTY	DESCRIPTION	REV
	1001163082	Ref	HOC Lines Installation	C
1	2130810	1	Fitting, ORFS	
2	2131010	1	Fitting, ORFS	
3	2131616	1	Fitting, ORFS	
5	2170216	1	Fitting, ORFS	
6	1001163723	1	Hose	
7	2220242	1	Fitting	
8	2170316	1	Fitting, Tee ORFS	

Go to Discount-Equipment.com to order your parts

SECTION 4 - ENGINE AND ATTACHING PARTS

FIGURE 4-26. COOLANT LINES INSTALLATION (ULS)



ART_1001163245-1

SECTION 4 - ENGINE AND ATTACHING PARTS

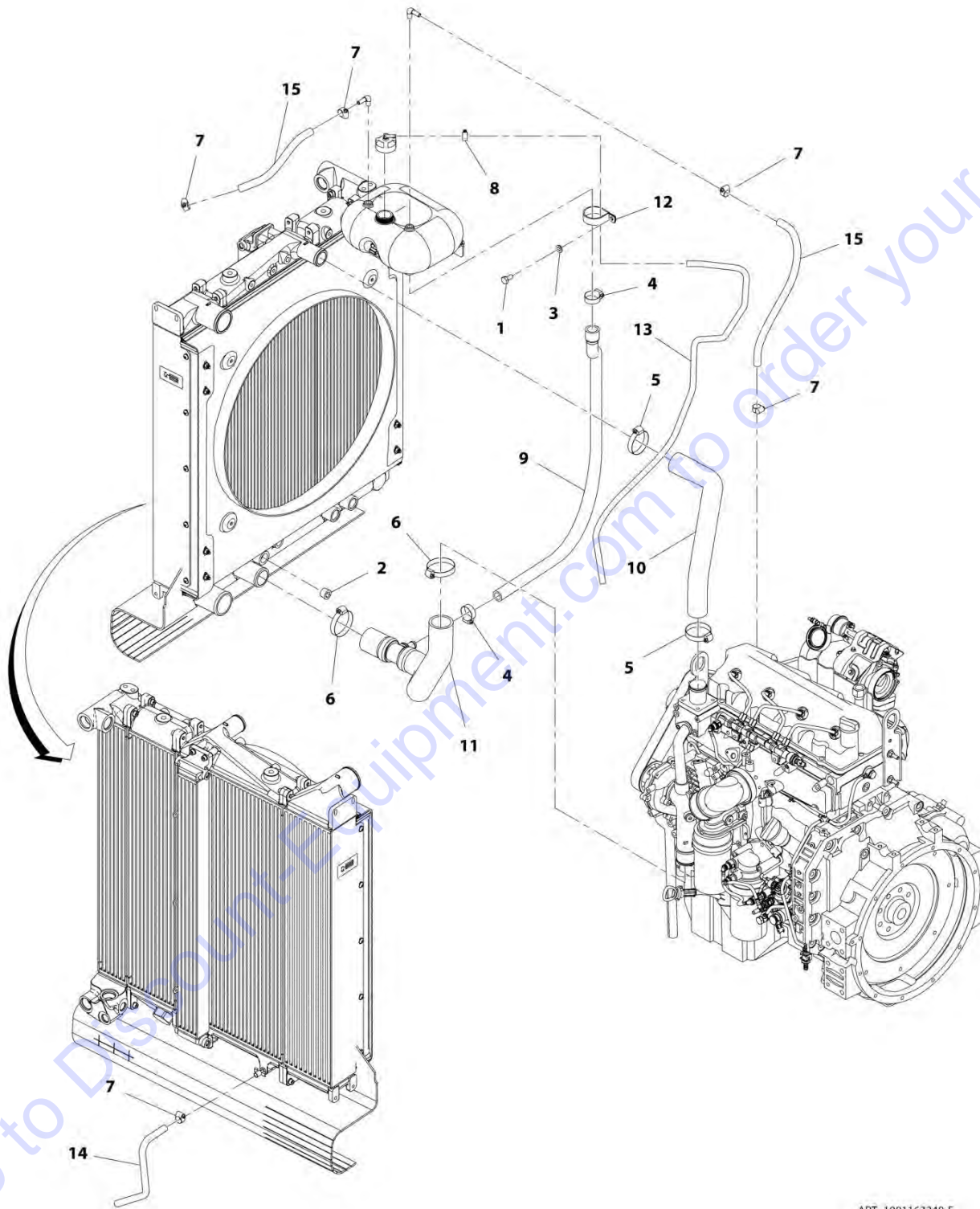
FIGURE 4-26. COOLANT LINES INSTALLATION (ULS)

ITEM	PART NUMBER	QTY	DESCRIPTION	REV
	1001163245	Ref	Coolant Lines Installation (ULS)	I
1	2200224	1	Plug	
3	8405101	1	Clamp, Gear	
5	8405201	2	Clamp, Gear	
6	8405202	2	Clamp, Gear	
7	8410013	9	Clamp, Gear	
8	8405009	1	Clamp, Gear	
9	1001182011	1	Hose	
10	1001166430	1	Pipe	
11	1001182012	1	Hose	
12	1001172953	1	Pipe, Tee	
13	1001181625	1042 mm	Hose	
14	1001180553	370 mm	Hose	
15	1001180542	1680 mm	Hose	
17	0761010	1	Bolt, M10X20	
20	4812000	1	Washer, M10	
23	1001097588	1	Clamp	
24	8410019	1	Clamp, 7/8	
25	0760605	1	Bolt, 6X10	
26	8405007	1	Clamp, Hose	

Go to Discount-Equipment.com to order your parts

SECTION 4 - ENGINE AND ATTACHING PARTS

FIGURE 4-27. COOLANT LINES INSTALLATION (LS)



ART_1001163248-E

SECTION 4 - ENGINE AND ATTACHING PARTS

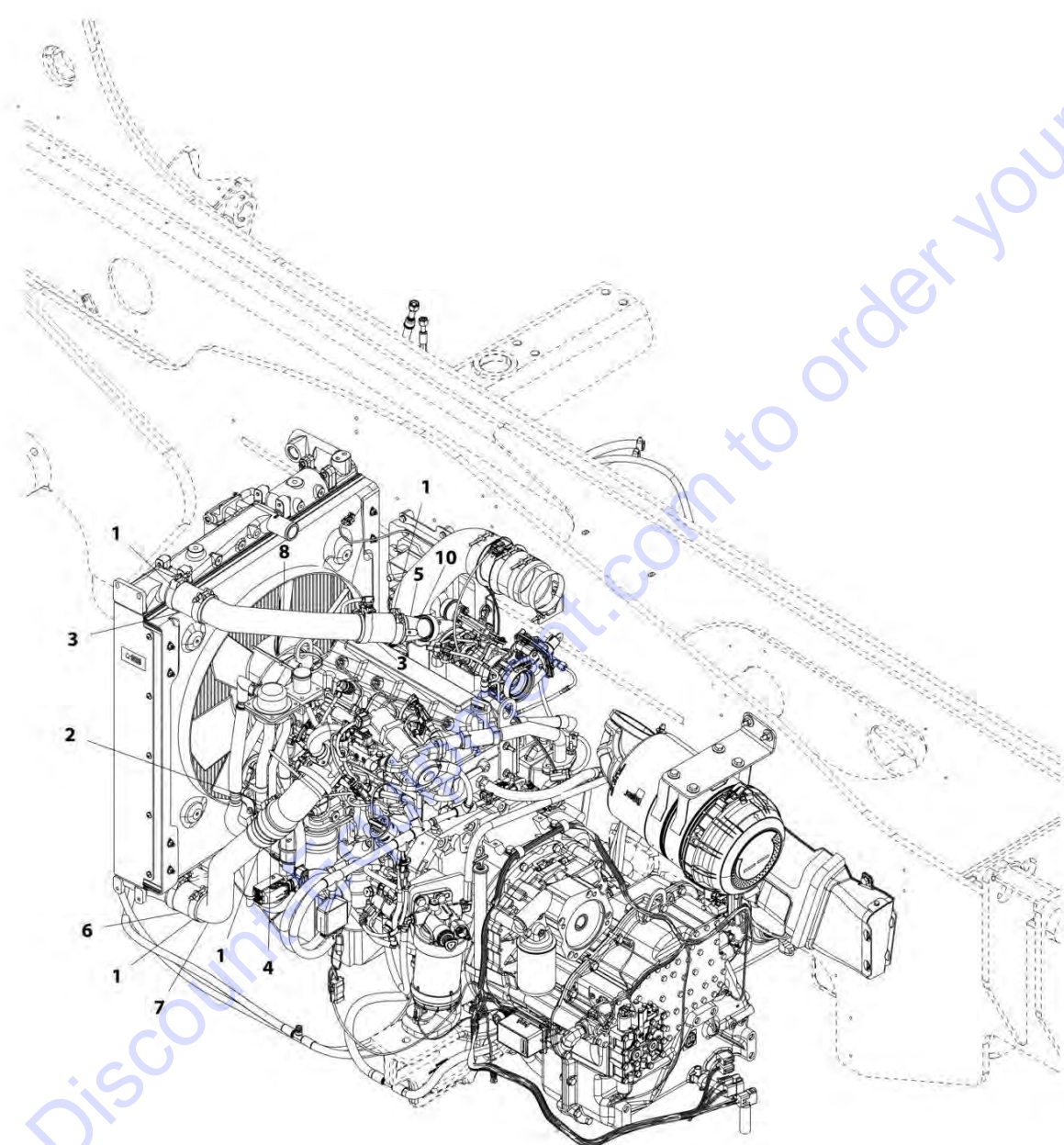
FIGURE 4-27. COOLANT LINES INSTALLATION (LS)

ITEM	PART NUMBER	QTY	DESCRIPTION	REV
	1001163248	Ref	Coolant Lines Installation (LS)	E
1	0761010	1	Bolt, M10X20	
2	2200224	1	Plug	
3	4812000	1	Washer, M10	
4	8405101	2	Clamp, Gear	
5	8405201	2	Clamp, Gear	
6	8405202	2	Clamp, Gear	
7	8410013	5	Clamp, Gear	
8	8405009	1	Clamp, Gear	
9	1001182011	1	Hose	
10	1001166430	1	Pipe	
11	1001182012	1	Hose	
12	1001097588	1	Clamp	
13	1001180542	1680 mm	Hose	
14	1001180553	369 mm	Hose	
15	1001181625	711 mm	Hose	

Go to Discount-Equipment.com to order your parts

SECTION 4 - ENGINE AND ATTACHING PARTS

FIGURE 4-28. CAC LINES INSTALLATION (ULS)



ART_1001163246-F

SECTION 4 - ENGINE AND ATTACHING PARTS

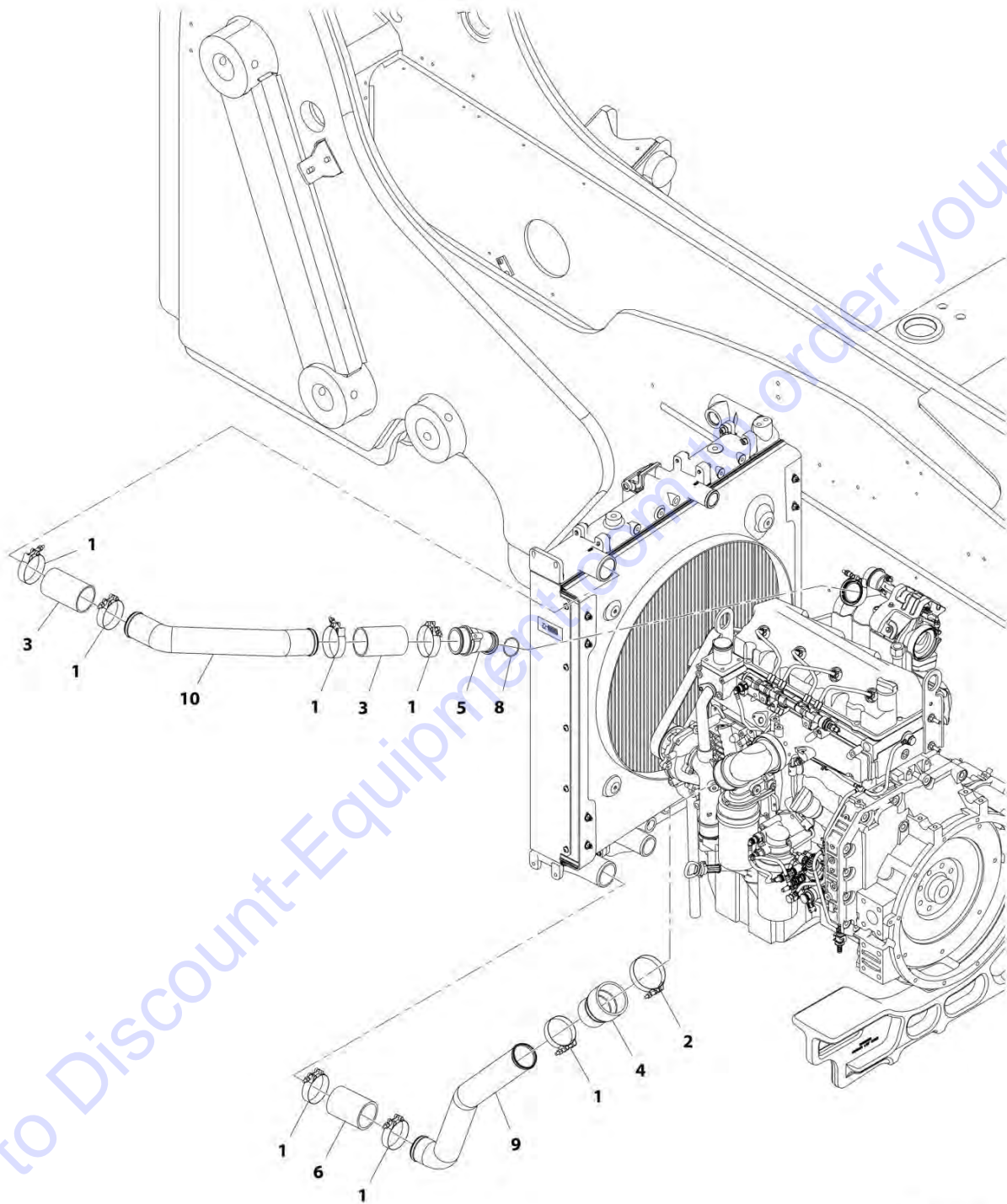
FIGURE 4-28. CAC LINES INSTALLATION (ULS)

ITEM	PART NUMBER	QTY	DESCRIPTION	REV
	1001163246	Ref	CAC Lines Installation (ULS)	F
1	8405212	7	Clamp, T-Bolt	
2	8405305	1	Clamp, T-Bolt	
3	1001114495	2	Hose	
4	1001138348	1	Hose	
5	1001161920	1	Adapter Mech	
6	1001166416	1	Hose	
7	1001166925	1	Pipe	
8	1001166993	1	Pipe	
10	1001172591	1	O-Ring	

Go to Discount-Equipment.com to order your parts

SECTION 4 - ENGINE AND ATTACHING PARTS

FIGURE 4-29. CAC LINES INSTALLATION (LS)



ART_1001163249-C

SECTION 4 - ENGINE AND ATTACHING PARTS

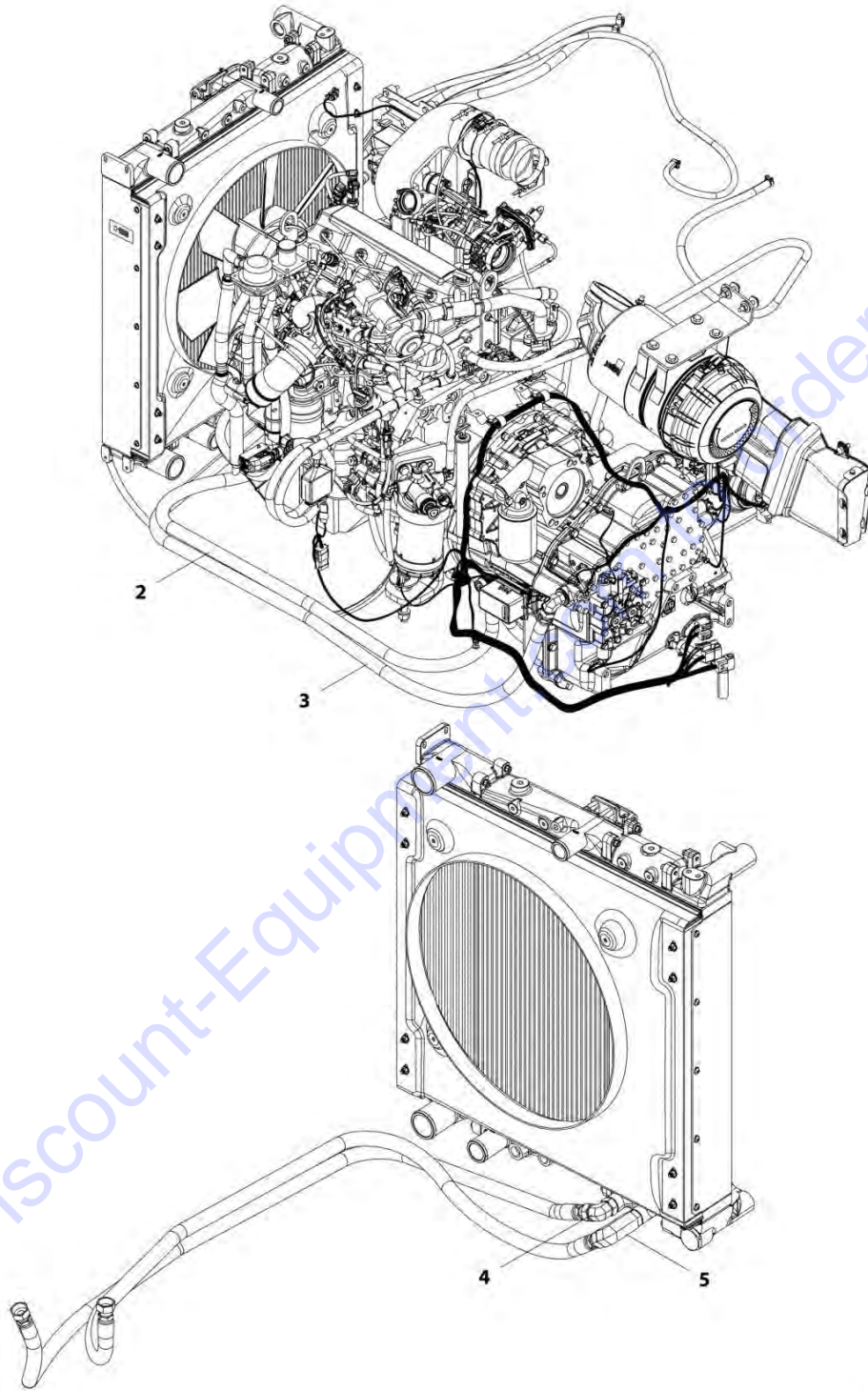
FIGURE 4-29. CAC LINES INSTALLATION (LS)

ITEM	PART NUMBER	QTY	DESCRIPTION	REV
	1001163249	Ref	CAC Lines Installation (LS)	C
1	8405212	7	Clamp, T-Bolt	
2	8405305	1	Clamp, T-Bolt	
3	1001114495	2	Hose	
4	1001138348	1	Hose	
5	1001161920	1	Adapter Mech	
6	1001166416	1	Hose	
8	1001172591	1	O-Ring	
9	1001174832	1	Pipe	
10	1001179376	1	Pipe	

Go to Discount-Equipment.com to order your parts

SECTION 4 - ENGINE AND ATTACHING PARTS

FIGURE 4-30. TOC LINES INSTALLATION



ART_1001163247-C

SECTION 4 - ENGINE AND ATTACHING PARTS

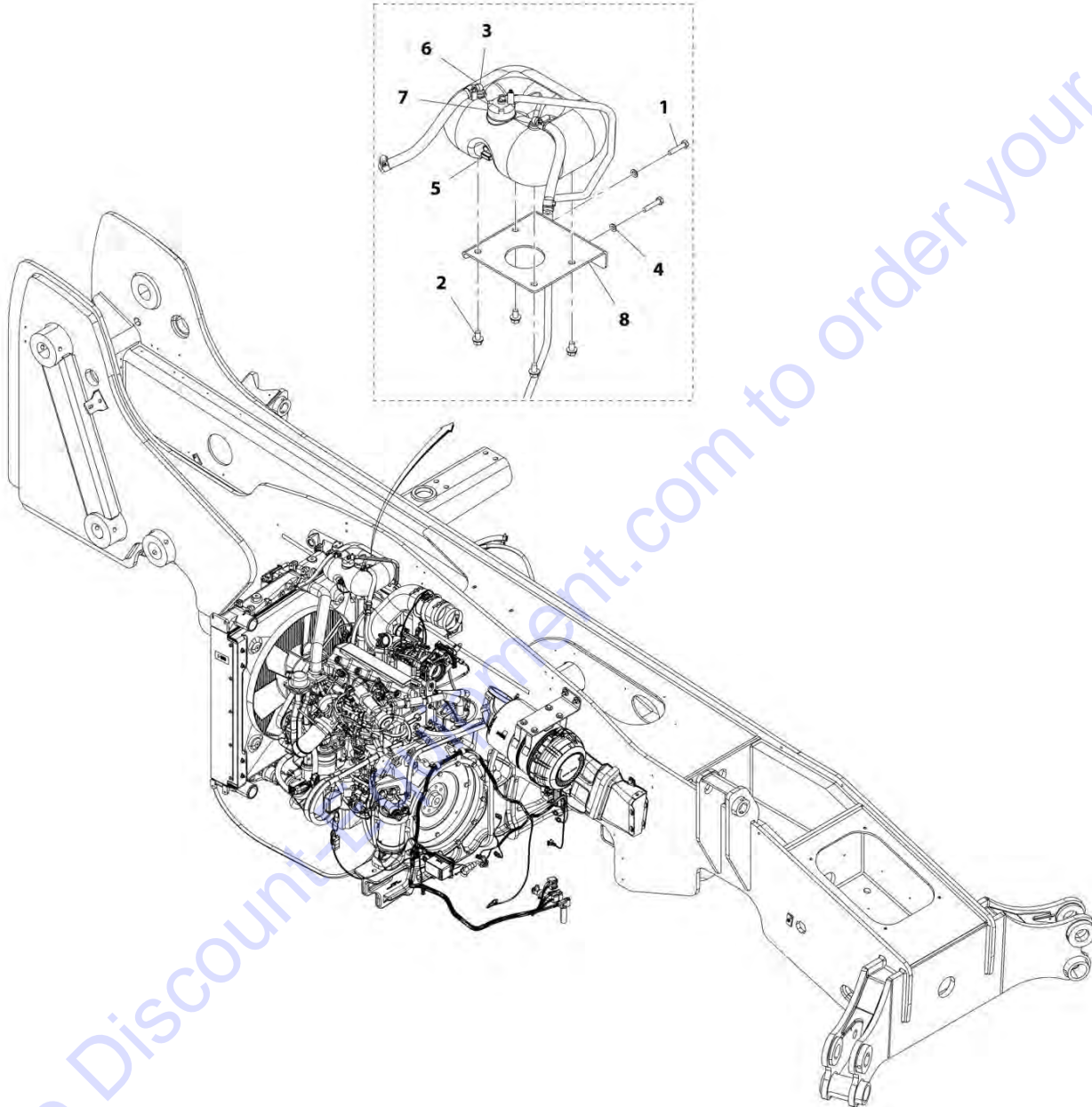
FIGURE 4-30. TOC LINES INSTALLATION

ITEM	PART NUMBER	QTY	DESCRIPTION	REV
	1001163247	Ref	TOC Lines Installation	C
2	1001169207	1	Hose	
3	1001169393	1	Hose	
4	2131212	1	Fitting, 90 ORFS	
5	2170212	1	Fitting, 90 ORFS	

Go to Discount-Equipment.com to order your parts

SECTION 4 - ENGINE AND ATTACHING PARTS

FIGURE 4-31. SURGE TANK INSTALLATION



ART_1001167078-E

SECTION 4 - ENGINE AND ATTACHING PARTS

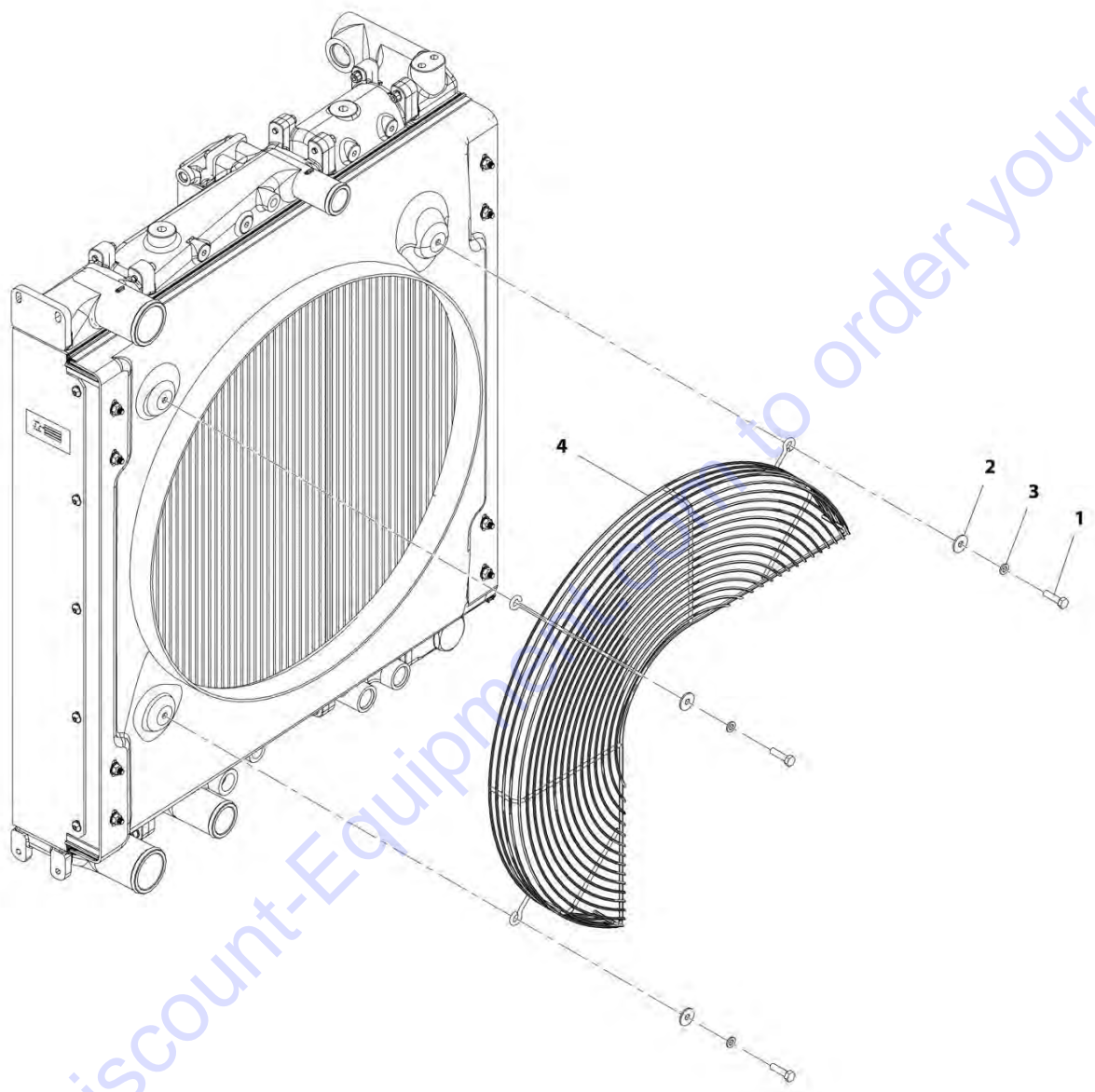
FIGURE 4-31. SURGE TANK INSTALLATION

ITEM	PART NUMBER	QTY	DESCRIPTION	REV
	1001167078	Ref	Surge Tank Installation	E
1	0700816	2	Bolt, M8X40	
2	0791605	4	Bolt, M3/8-16X5/8	
3	2180467	2	Fitting	
4	4811900	2	Washer, M8	
5	1001121955	1	Sensor, Coolant Level	
6	1001128144	1	Tank, Coolant	
7	1001128341	1	Cap	
8	1001163637	1	Bracket, Coolant Tank	

Go to Discount-Equipment.com to order your parts

SECTION 4 - ENGINE AND ATTACHING PARTS

FIGURE 4-32. FAN GUARD INSTALLATION



ART_1001160420-D

SECTION 4 - ENGINE AND ATTACHING PARTS

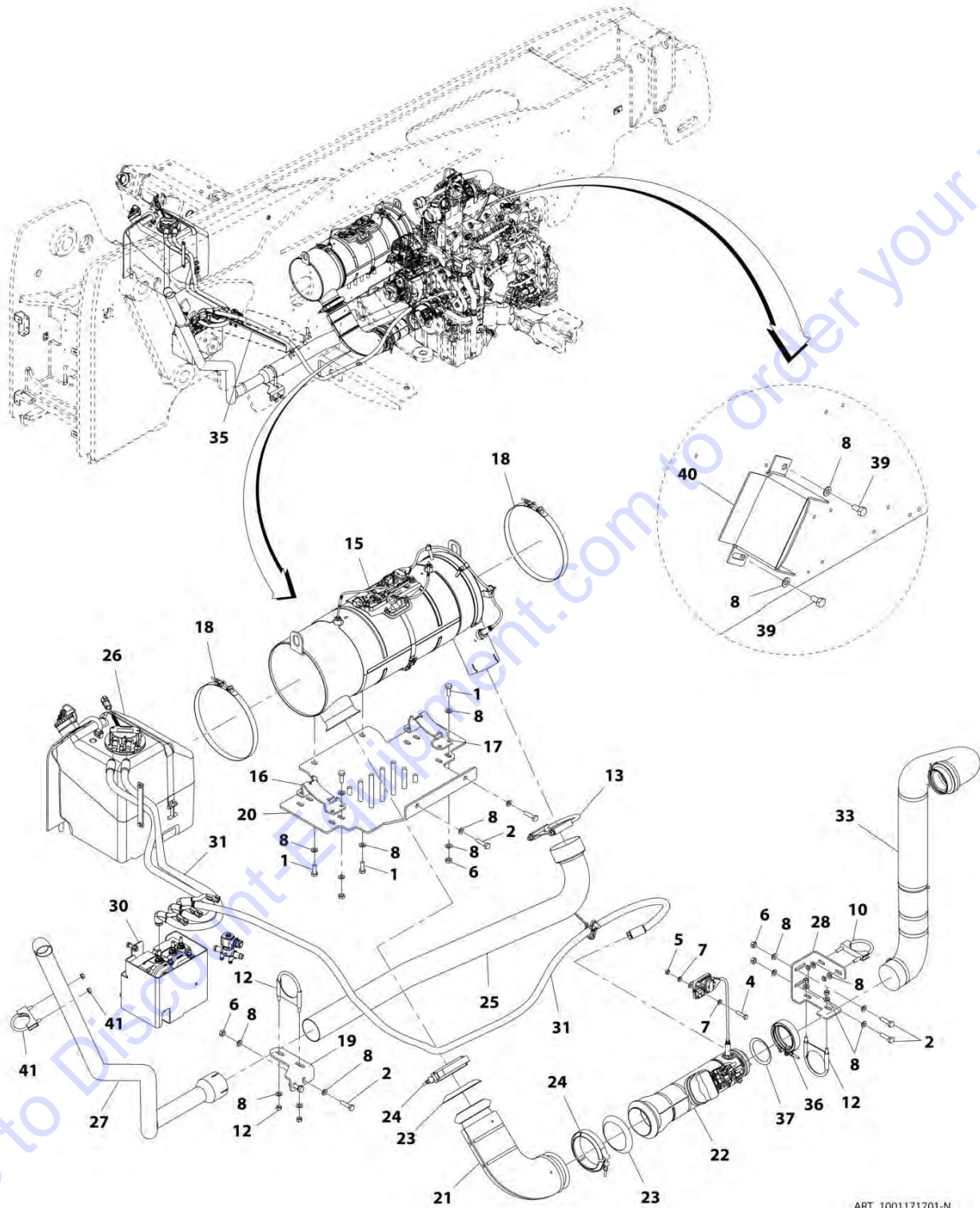
FIGURE 4-32. FAN GUARD INSTALLATION

ITEM	PART NUMBER	QTY	DESCRIPTION	REV
	1001160420	Ref	Fan Guard Installation	D
1	0700814	3	Bolt, M8X30	
2	4811902	3	Washer, M8	
3	4831900	3	Washer, Lock M8	
4	1001167186	1	Grill	

Go to Discount-Equipment.com to order your parts

SECTION 4 - ENGINE AND ATTACHING PARTS

FIGURE 4-33. EXHAUST INSTALLATION, 110HP (ULS)



ART_1001171701-N

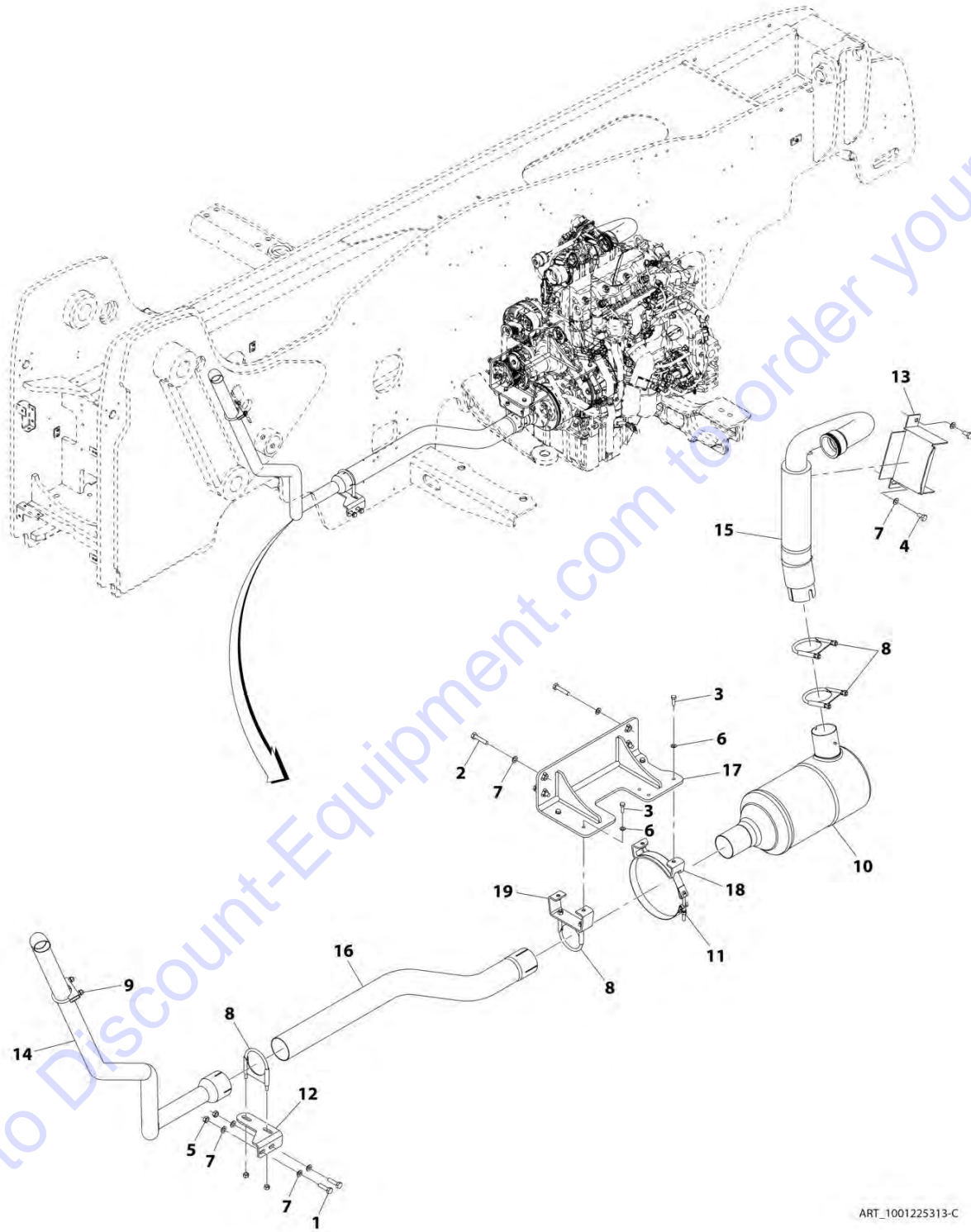
SECTION 4 - ENGINE AND ATTACHING PARTS

FIGURE 4-33. EXHAUST INSTALLATION, 110HP (ULS)

ITEM	PART NUMBER	QTY	DESCRIPTION	REV
	1001171701	1	Exhaust Installation (ULS)	N
1	0701014	10	Bolt, M10X30	
2	0701016	6	Bolt, M10X40	
4	0760815	2	Bolt, M8X35	
5	3290801	2	Nut, M8X1.25	
6	3291001	12	Nut, M10X1.5	
7	4811900	4	Washer, M8	
8	4812000	36	Washer, M10	
10	8275212	1	Clamp	
12	24921332	2	Clamp	
13	86883127	1	Clamp	
15	1001155261	1	Muffler	
16	1001159881	1	Bracket	
17	1001159882	1	Bracket	
18	1001176945	2	Strap	
19	1001162281	1	Support	
20	1001162597	1	Bracket	
21	1001163546	1	Pipe	
22	1001164404	1	Tube, Decomposition Reactor	
23	1001164837	2	Gasket	
24	1001164838	2	Clamp	
25	1001168560	1	Pipe	
26	1001168638	Ref	Installation, DEF Tank (See DEF TANK INSTALLATION for Breakdown)	
27	1001171363	NLA	Pipe, (No longer available, use 1001204144 for replacement)	
27	1001204144	1	Pipe	
28	1001183836	1	Bracket	
29	1001173626	NLA	Pipe, (not shown) (No longer available, use 1001204144 for replacement)	
30	1001174271	Ref	Installation, DEF Pump and Control (See DEF PUMP AND CONTROL INSTALLATION for Breakdown)	
31	1001163253	Ref	Installation, DEF Pump Lines (See DEF PUMP LINES INSTALLATION for Breakdown)	
33	1001183759	1	Pipe	
35	90206195	490 mm	Trim-Lock	
36	1001167167	1	Clamp	
37	1001167168	1	Seal	
39	0761010	2	Bolt, M10X20	
40	1001179206	1	Bracket	
41	86683211	1	Clamp	

SECTION 4 - ENGINE AND ATTACHING PARTS

FIGURE 4-34. EXHAUST INSTALLATION, 74HP (ULS) (742, 943)



ART_1001225313-C

SECTION 4 - ENGINE AND ATTACHING PARTS

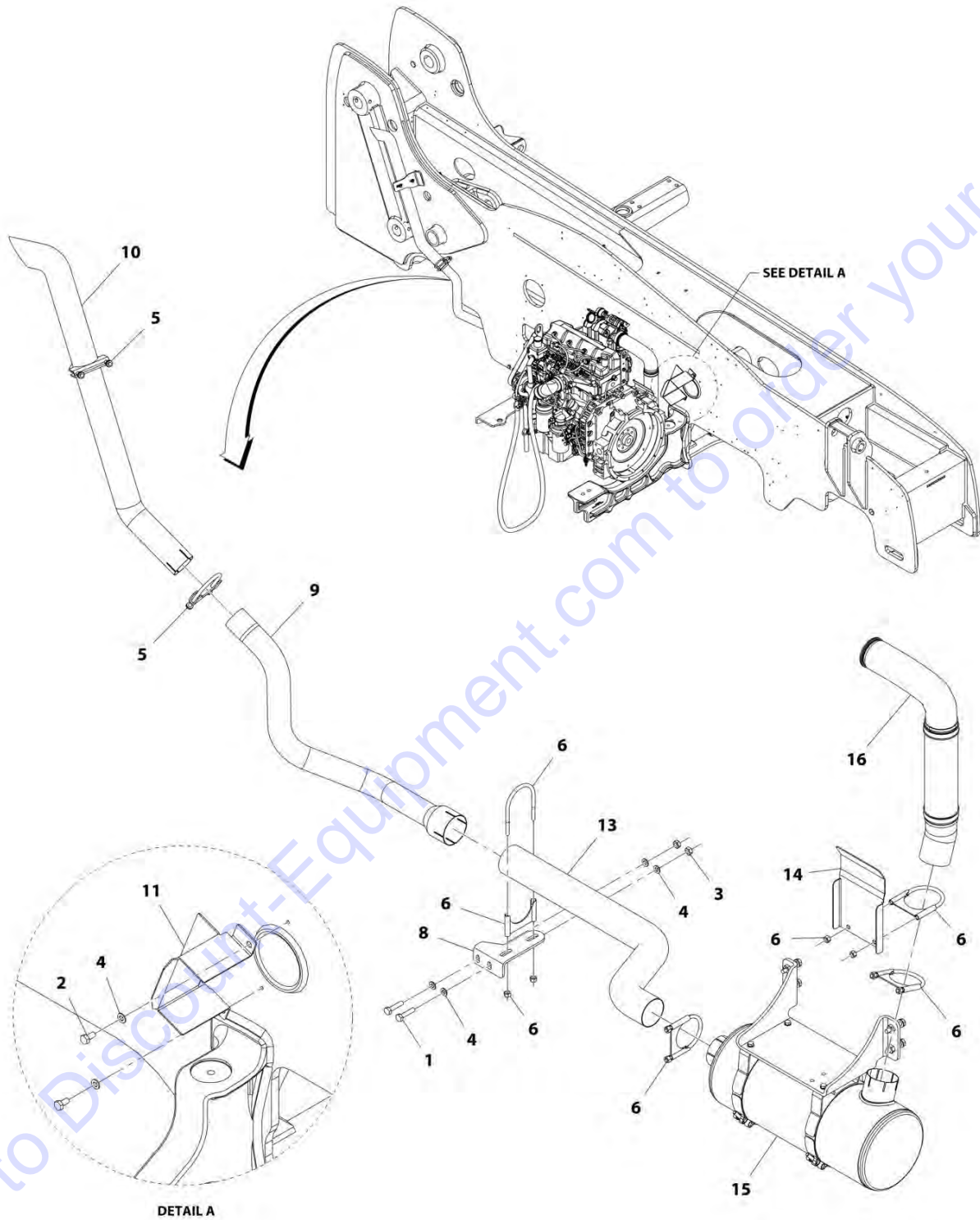
FIGURE 4-34. EXHAUST INSTALLATION, 74HP (ULS) (742, 943)

ITEM	PART NUMBER	QTY	DESCRIPTION	REV
	1001225313	Ref	Exhaust Installation (74HP) (ULS)	C
1	0701016	2	Bolt, M10X40	
2	0701018	4	Bolt, M10X50	
3	0760812	4	Bolt, M8X25	
4	0761010	2	Screw, M10X20	
5	3291001	2	Nut, M10X1.5	
6	4811900	4	Washer, M8	
7	4812000	10	Washer, M10	
8	24921332	4	Clamp	
9	86683211	1	Clamp	
10	1001128714	1	Muffler	
11	1001128901	1	Strap	
12	1001162281	1	Support	
13	1001228516	1	Bracket	
14	1001204144	1	Pipe	
15	1001224030	1	Pipe	
16	1001224031	1	Pipe	
17	1001227234	1	Bracket	
18	1001225126	1	Bracket	
19	1001225402	1	Bracket	

Go to Discount-Equipment.com to order your parts

SECTION 4 - ENGINE AND ATTACHING PARTS

FIGURE 4-35. EXHAUST INSTALLATION, 110HP (LS)



ART_1001169850-E

SECTION 4 - ENGINE AND ATTACHING PARTS

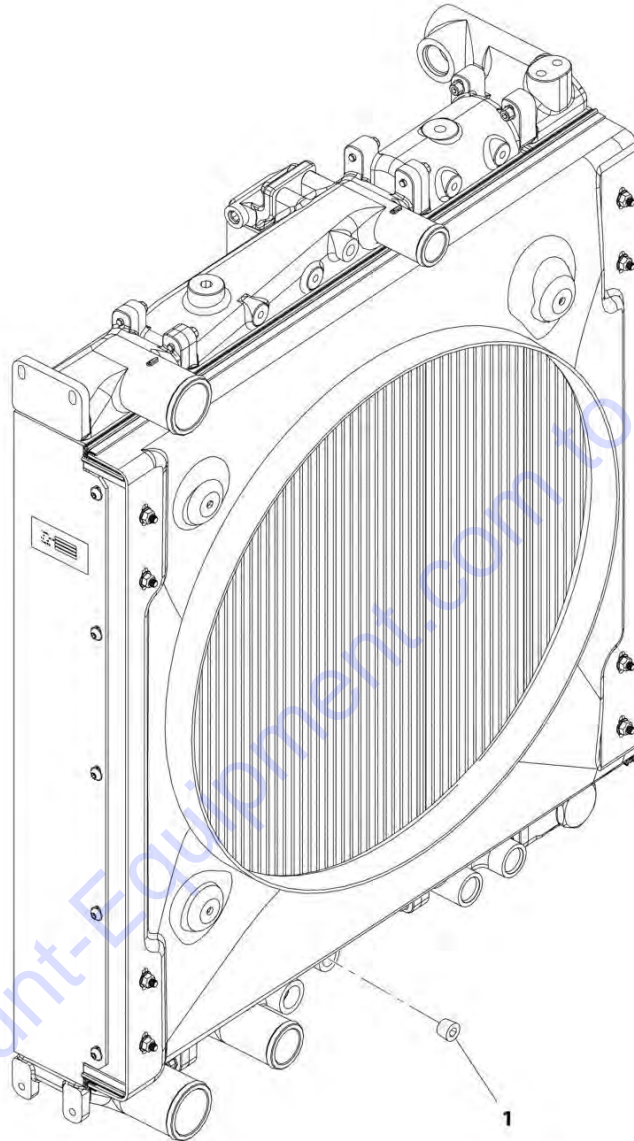
FIGURE 4-35. EXHAUST INSTALLATION, 110HP (LS)

ITEM	PART NUMBER	QTY	DESCRIPTION	REV
	1001169850	Ref	Exhaust Installation (LS)	E
1	0701017	2	Bolt, M10X45	
2	0761010	2	Bolt, M10X20	
3	3291001	2	Nut, M10X1.5	
4	4812000	6	Washer, M10	
5	8275212	2	Clamp, Exhaust	
6	24921332	4	Clamp, Exhaust	
8	1001162281	1	Bracket, Exhaust	
9	1001208186	1	Pipe, Exhaust	
10	1001173626	1	Pipe, Exhaust	
11	1001179206	1	Bracket, Heat Shield	
13	1001179972	1	Pipe, Exhaust	
14	1001181815	1	Plate, Heat Shield	
15	1001179968	1	Installation, Muffler (LS) (See MUFFLER INSTALLATION (LS) for Breakdown)	
16	1001191348	1	Pipe, Exhaust Flex	

Go to Discount-Equipment.com to order your parts

SECTION 4 - ENGINE AND ATTACHING PARTS

FIGURE 4-36. ENGINE PARTS INSTALLATION (NO HEATER)



ART_1001163133-C

SECTION 4 - ENGINE AND ATTACHING PARTS

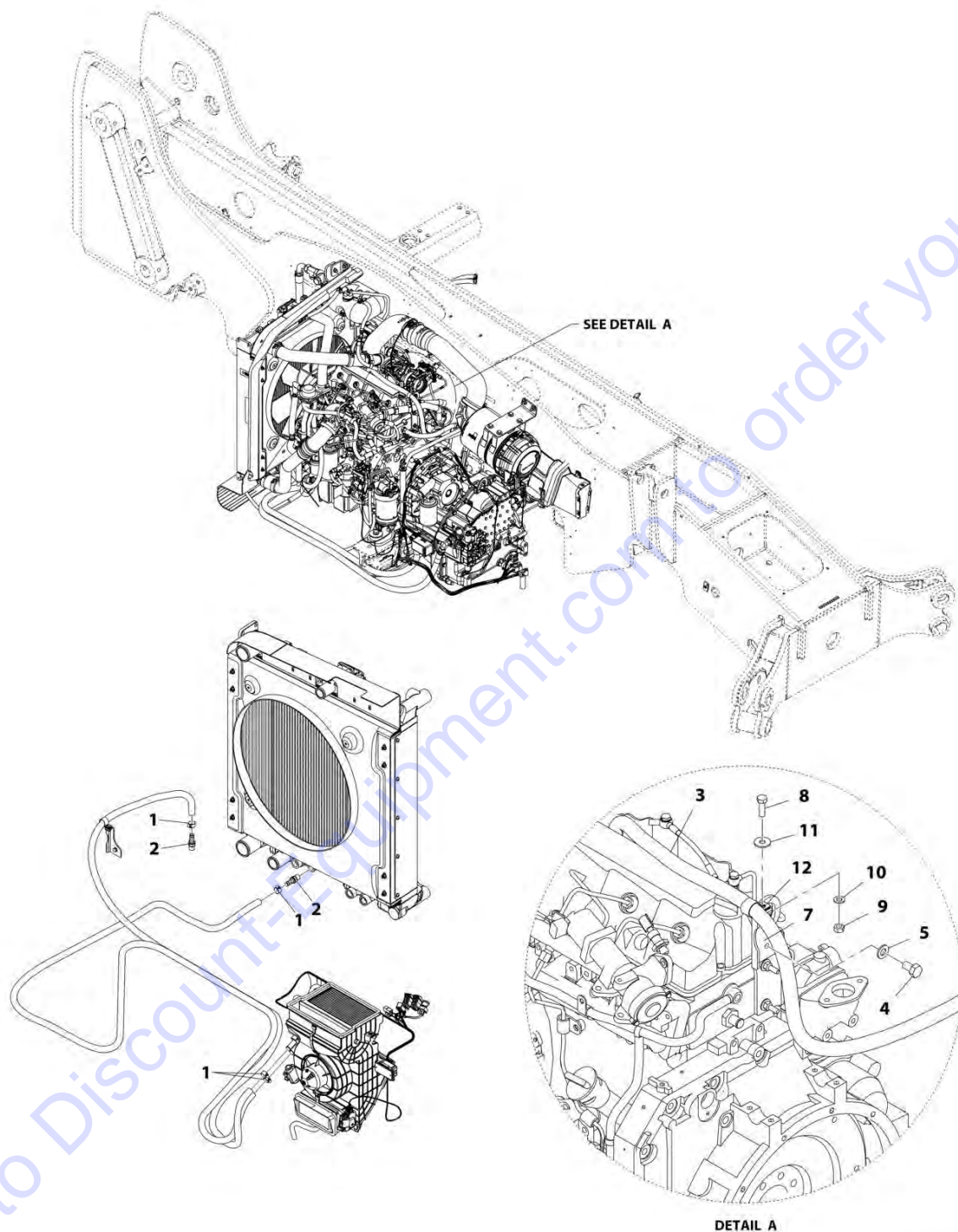
FIGURE 4-36. ENGINE PARTS INSTALLATION (NO HEATER)

ITEM	PART NUMBER	QTY	DESCRIPTION	REV
1	1001163133 2200223	Ref 1	Engine Parts Installation (No Heater) Plug	C

Go to Discount-Equipment.com to order your parts

SECTION 4 - ENGINE AND ATTACHING PARTS

FIGURE 4-37. ENGINE PARTS INSTALLATION (HEATER)



ART_1001163134-J

SECTION 4 - ENGINE AND ATTACHING PARTS

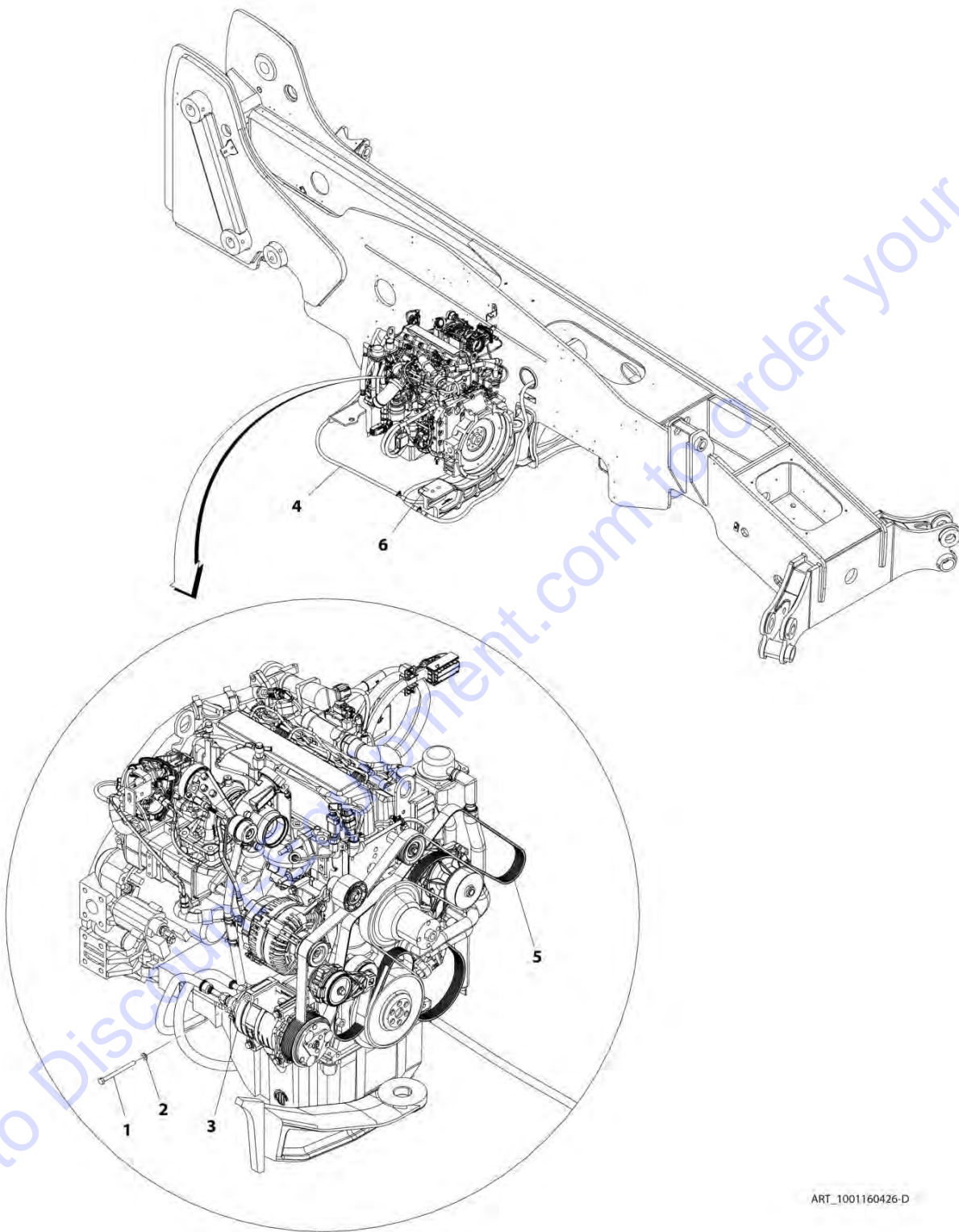
FIGURE 4-37. ENGINE PARTS INSTALLATION (HEATER)

ITEM	PART NUMBER	QTY	DESCRIPTION	REV
	1001163134	Ref	Engine Parts Installation (Heater)	J
1	8410009	4	Clamp, Gear	
2	1001104685	2	Pipe	
3	82033995	7 m	Hose	
4	0760807	1	Bolt, M8X14	
5	4811900	1	Washer, M8	
7	1001200555	1	Bracket	
8	0700610	1	Bolt, M6X20	
9	3290601	1	Nut, M6X1	
10	4811700	1	Washer, M6	
11	4811702	1	Washer, M6	
12	8406201	1	Clip	

Go to Discount-Equipment.com to order your parts

SECTION 4 - ENGINE AND ATTACHING PARTS

FIGURE 4-38. A/C PUMP INSTALLATION (ULS)



ART_1001160426-D

SECTION 4 - ENGINE AND ATTACHING PARTS

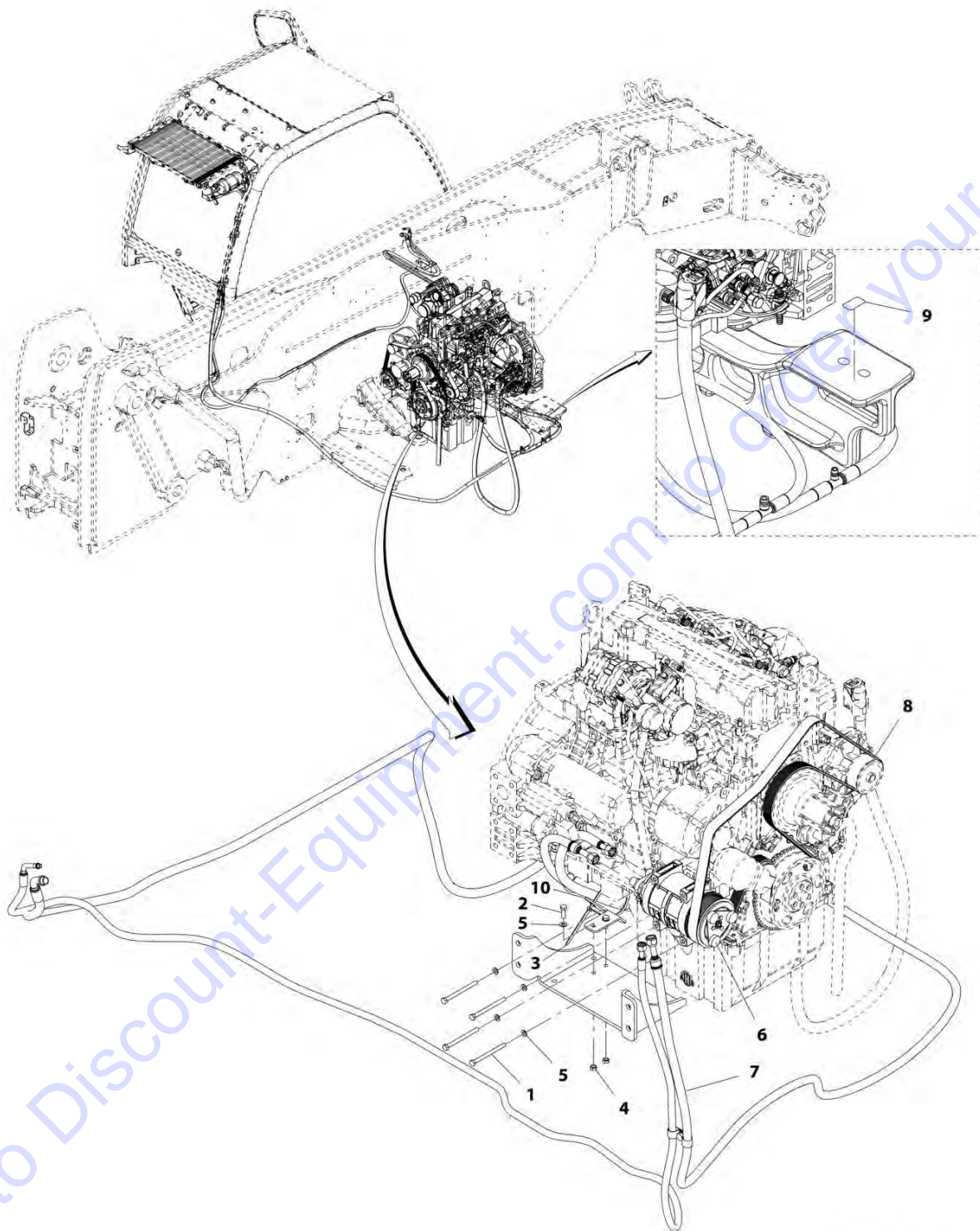
FIGURE 4-38. A/C PUMP INSTALLATION (ULS)

ITEM	PART NUMBER	QTY	DESCRIPTION	REV
	1001160426	Ref	A/C Pump Installation (ULS)	D
1	0700827	4	Bolt, M8X100	
2	4811900	4	Washer, M8	
3	1001157663	1	Compressor, A/C	
4	1001163254	Ref	Installation, A/C Lines (See A/C LINES INSTALLATION for Breakdown)	
5	1001167357	1	Belt	
6	1001193026	1	Decal, A/C Refrigerant	

Go to Discount-Equipment.com to order your parts

SECTION 4 - ENGINE AND ATTACHING PARTS

FIGURE 4-39. A/C PUMP INSTALLATION (LS)



ART_1001206448-A

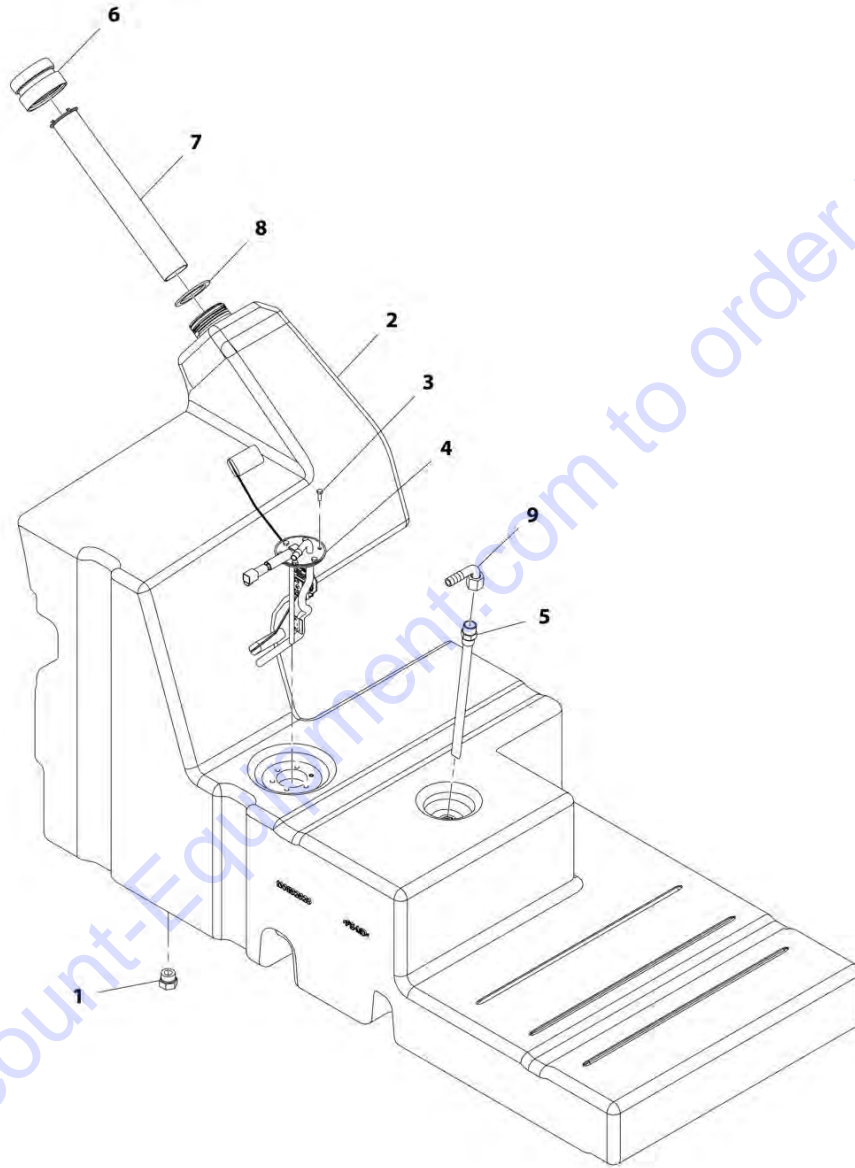
SECTION 4 - ENGINE AND ATTACHING PARTS

FIGURE 4-39. A/C PUMP INSTALLATION (LS)

ITEM	PART NUMBER	QTY	DESCRIPTION	REV
	1001206448	Ref	A/C Pump Installation (LS)	A
1	0700827	4	Bolt, M8X100	
2	0760812	2	Bolt, M8X25	
3	1062255	1	Strap, Tie	
4	3290801	2	Nut, M8X1.25 Grade 8	
5	4811900	6	Washer, M8	
6	1001157663	1	Compressor, A/C	
7	1001163254	1	Installation, A/C Lines (See A/C LINES INSTALLATION for Breakdown)	
8	1001167357	1	Belt	
9	1001193026	1	Decal, A/C Refrigerant	
10	1001206332	1	Bracket	

SECTION 4 - ENGINE AND ATTACHING PARTS

FIGURE 4-40. FUEL TANK ASSEMBLY (Prior to SN 0160075554)



ART_1001163066-K

SECTION 4 - ENGINE AND ATTACHING PARTS

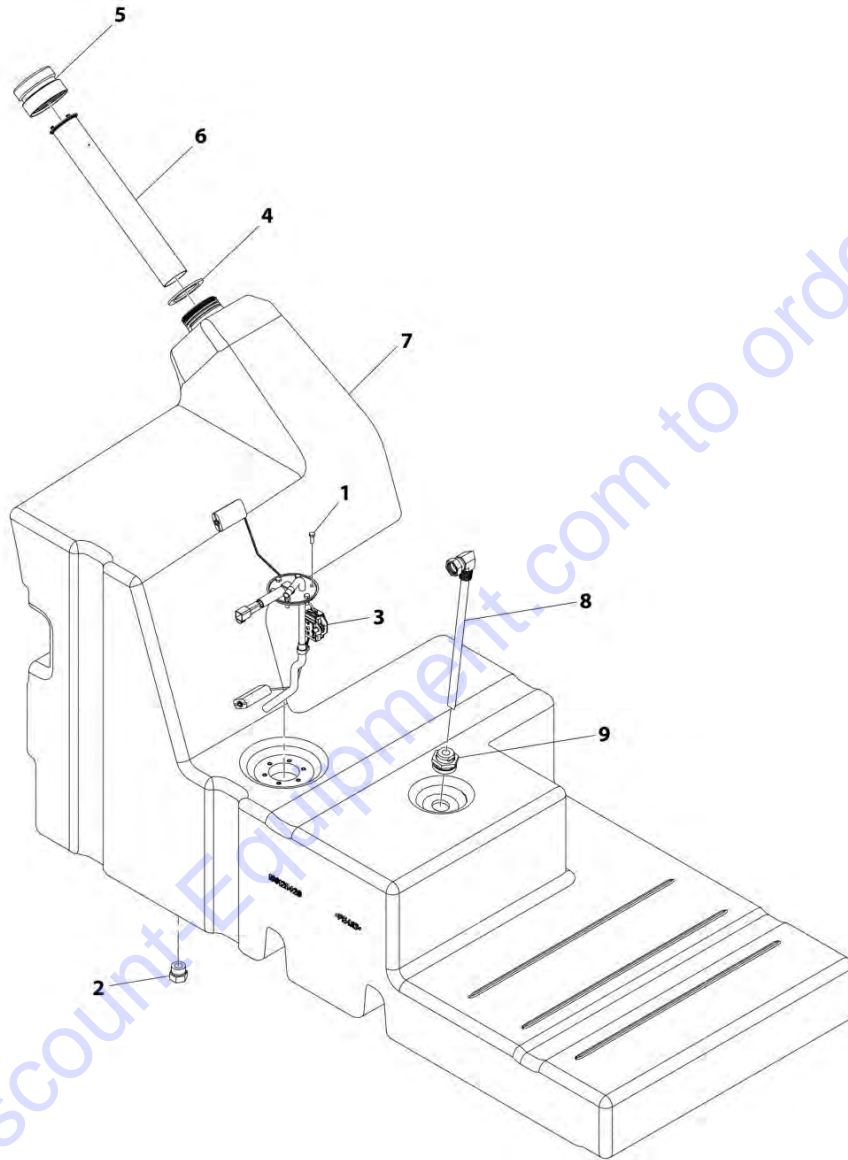
FIGURE 4-40. FUEL TANK ASSEMBLY (Prior to SN 0160075554)

ITEM	PART NUMBER	QTY	DESCRIPTION	REV
	1001163066	Ref	Fuel Tank Assembly	K
1	1001003427	1	Plug	
2	1001162628	1	Tank, Fuel	
3	0760507	6	Bolt, M5X14	
4	1001169867	1	Gauge, Fuel Level	
5	1001170105	1	Pipe, Fuel Supply	
6	1001207282	1	Fitting, Straight	
7	1001207557	1	Tube	
8	1001172178	1	Gasket	
9	1001172587	1	Coupling, ORFS	

Go to Discount-Equipment.com to order your parts

SECTION 4 - ENGINE AND ATTACHING PARTS

FIGURE 4-41. FUEL TANK ASSEMBLY (SN 0160075554 to Present)



ART_1001211432-F

SECTION 4 - ENGINE AND ATTACHING PARTS

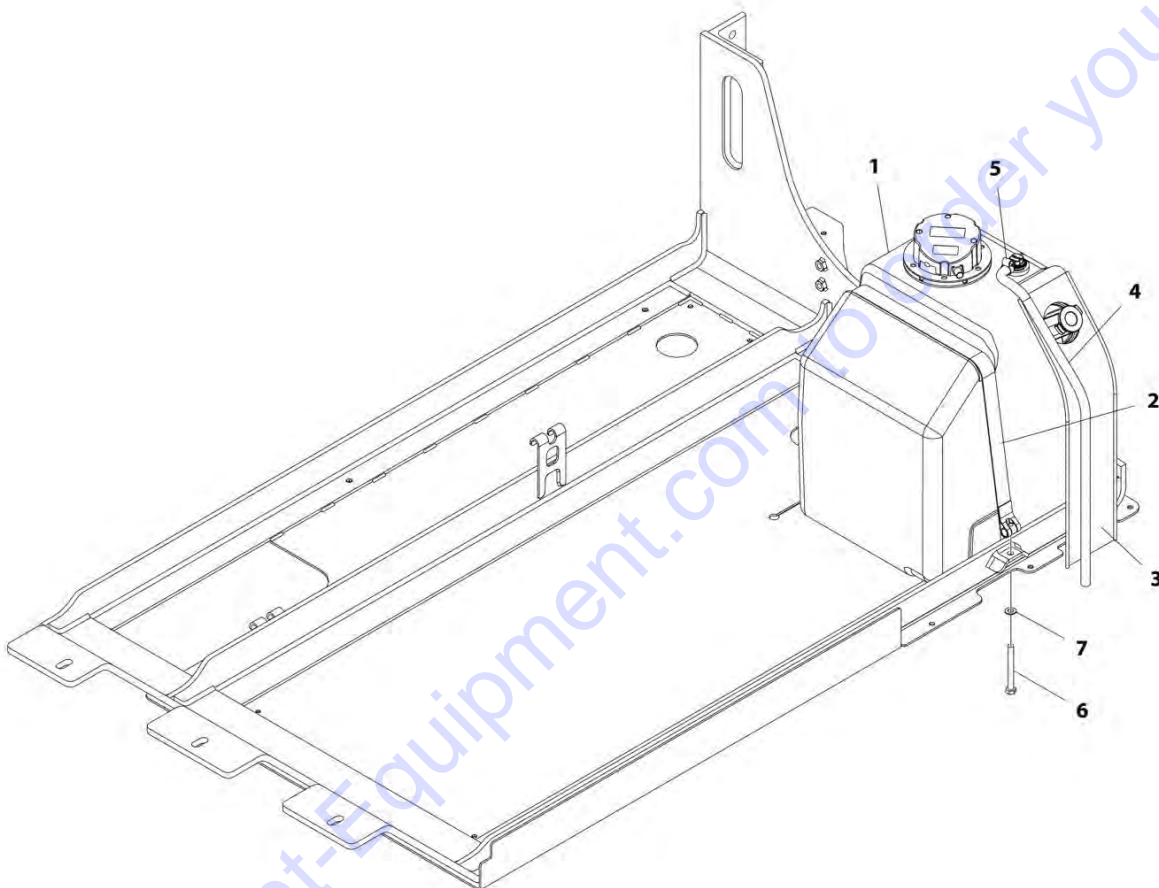
FIGURE 4-41. FUEL TANK ASSEMBLY (SN 0160075554 to Present)

ITEM	PART NUMBER	QTY	DESCRIPTION	REV
	1001211432	Ref	Fuel Tank Assembly	F
1	0760507	6	Bolt, M5X14	
2	1001003427	1	Plug	
3	1001169867	NLA	Gauge, Fuel Level (no longer available, use 1001235100 for replacement)	
3	1001235100	1	Gauge, Fuel Level	
4	1001172178	1	Gasket	
5	1001207282	1	Adapter, Tank Cap	
6	1001207557	1	Pipe, Fuel Tank Drop	
7	1001211428	1	Tank, Fuel	
8	1001211429	1	Coupling, ORFS	
9	1001211747	1	Pipe, Fuel Supply	

Go to Discount-Equipment.com to order your parts

SECTION 4 - ENGINE AND ATTACHING PARTS

FIGURE 4-42. DEF TANK INSTALLATION



ART_1001168638-I

SECTION 4 - ENGINE AND ATTACHING PARTS

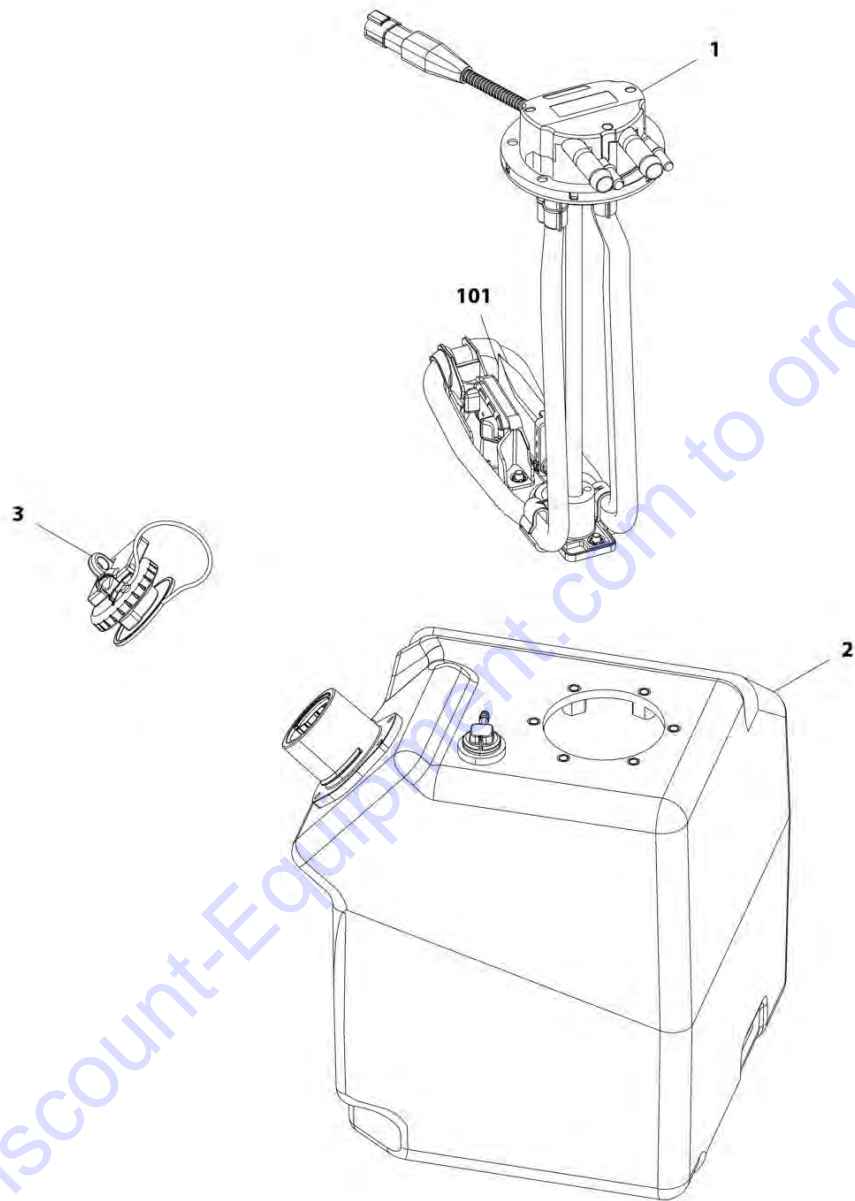
FIGURE 4-42. DEF TANK INSTALLATION

ITEM	PART NUMBER	QTY	DESCRIPTION	REV
	1001168638	Ref	DEF Tank Installation	I
1	1001164966	1	Tank, DEF (See DEF TANK ASSEMBLY for Breakdown)	
2	1001178791	1	Strap, Tank	
3	1001168272	1	Sleeve	
4	1001175201	0.6 m	Hose	
5	8405009	1	Clamp, Gear	
6	0760823	1	Bolt, M8X75	
7	4811900	1	Washer, M8	

Go to Discount-Equipment.com to order your parts

SECTION 4 - ENGINE AND ATTACHING PARTS

FIGURE 4-43. DEF TANK ASSEMBLY



ART_1001164966-E

SECTION 4 - ENGINE AND ATTACHING PARTS

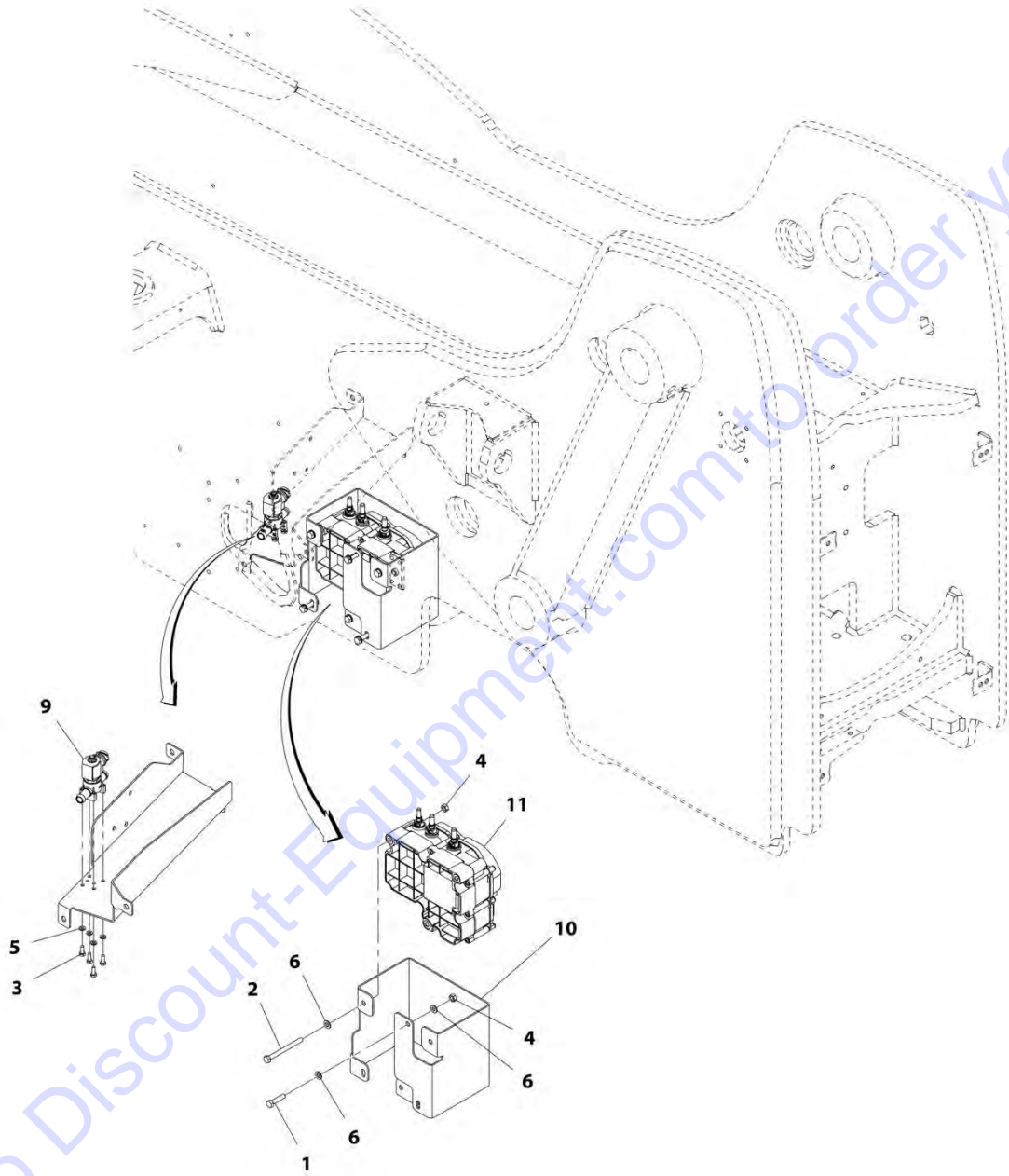
FIGURE 4-43. DEF TANK ASSEMBLY

ITEM	PART NUMBER	QTY	DESCRIPTION	REV
	1001164966	Ref	DEF Tank Assembly	E
1	1001164964	1	Assembly, DEF Electrical (includes item 101)	
2	1001164967	1	Tank	
3	1001174795	1	Cap	
101	70026584	1	Filter, DEF	

Go to Discount-Equipment.com to order your parts

SECTION 4 - ENGINE AND ATTACHING PARTS

FIGURE 4-44. DEF PUMP AND CONTROL INSTALLATION



ART_1001174271-H

SECTION 4 - ENGINE AND ATTACHING PARTS

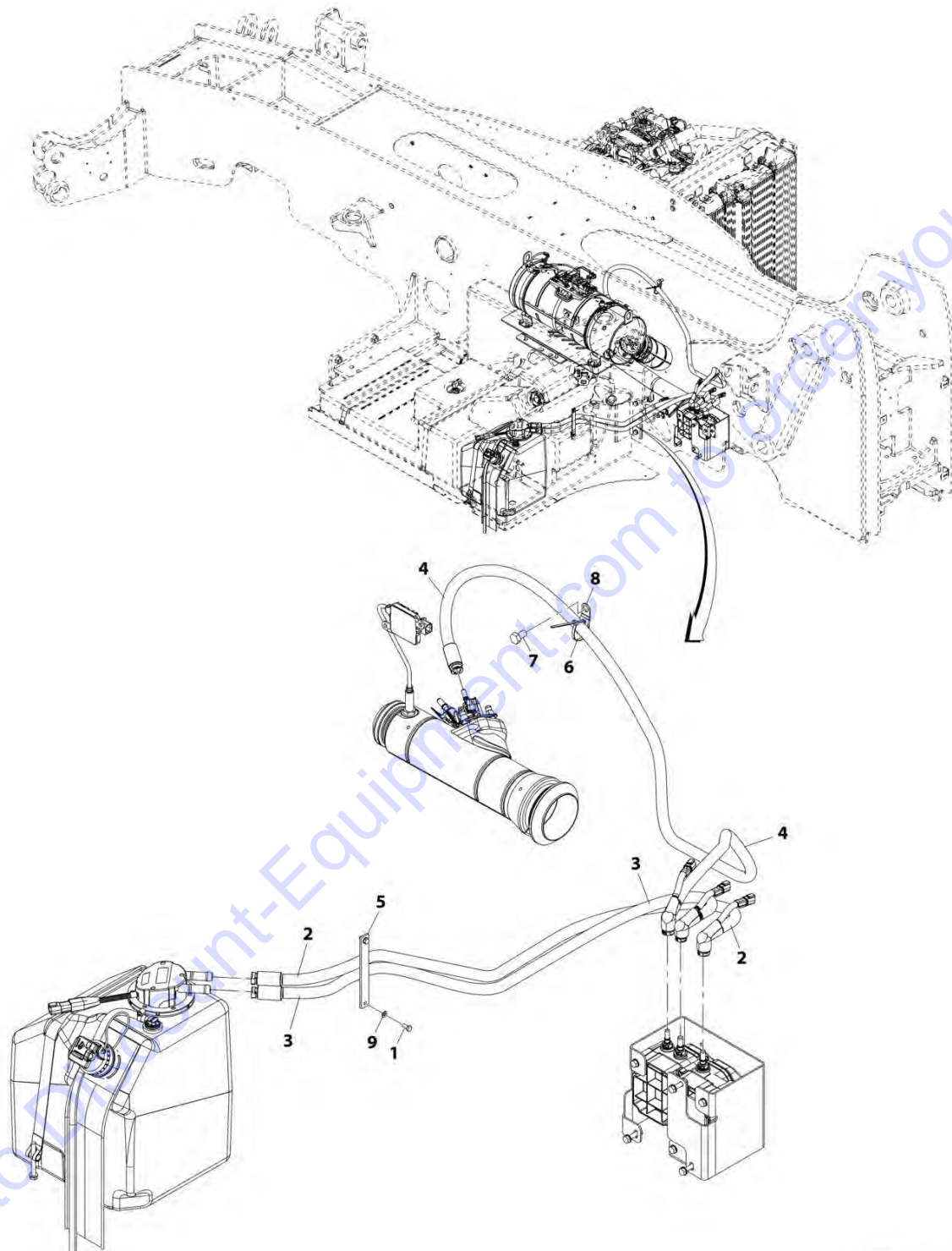
FIGURE 4-44. DEF PUMP AND CONTROL INSTALLATION

ITEM	PART NUMBER	QTY	DESCRIPTION	REV
	1001174271	Ref	DEF Pump and Control Installation	H
1	0700815	3	Bolt, M8X35	
2	0700826	3	Bolt, M8X90	
3	0760608	4	Bolt, M6X16	
4	3290801	5	Nut, M8X1.25	
5	4811700	4	Washer, M6	
6	4811900	8	Washer, M8	
9	1001199670	1	Valve, DEF Tank Coolant Flow	
10	1001191168	1	Bracket	
11		Ref	Pump, Urea (See UREA PUMP for Breakdown)	

Go to Discount-Equipment.com to order your parts

SECTION 4 - ENGINE AND ATTACHING PARTS

FIGURE 4-45. DEF PUMP LINES INSTALLATION



ART_1001163253-G

SECTION 4 - ENGINE AND ATTACHING PARTS

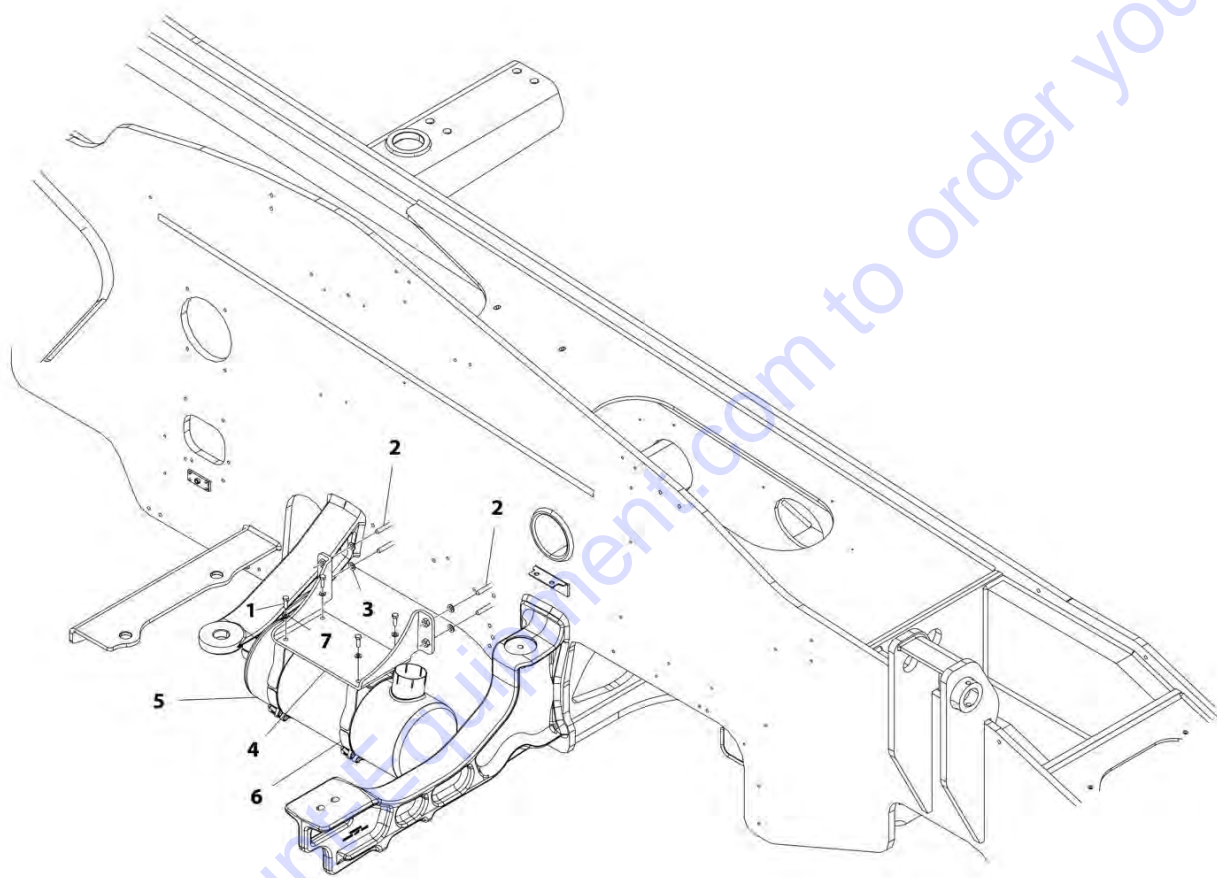
FIGURE 4-45. DEF PUMP LINES INSTALLATION

ITEM	PART NUMBER	QTY	DESCRIPTION	REV
	1001163253	Ref	DEF Pump Lines Installation	G
1	0760607	2	Bolt, M6X14	
2	1001196354	1	Hose	
3	1001196421	1	Hose	
4	1001167971	1	Hose	
5	1001196440	1	Plate, Retainer	
6	8881802	1	Strap, Tie	
7	0761210	1	Bolt, M12X20	
8	1001025750	1	Clip	
9	4831700	2	Washer, Lock M6	

Go to Discount-Equipment.com to order your parts

SECTION 4 - ENGINE AND ATTACHING PARTS

FIGURE 4-46. MUFFLER INSTALLATION (LS)



ART_1001179968-D

SECTION 4 - ENGINE AND ATTACHING PARTS

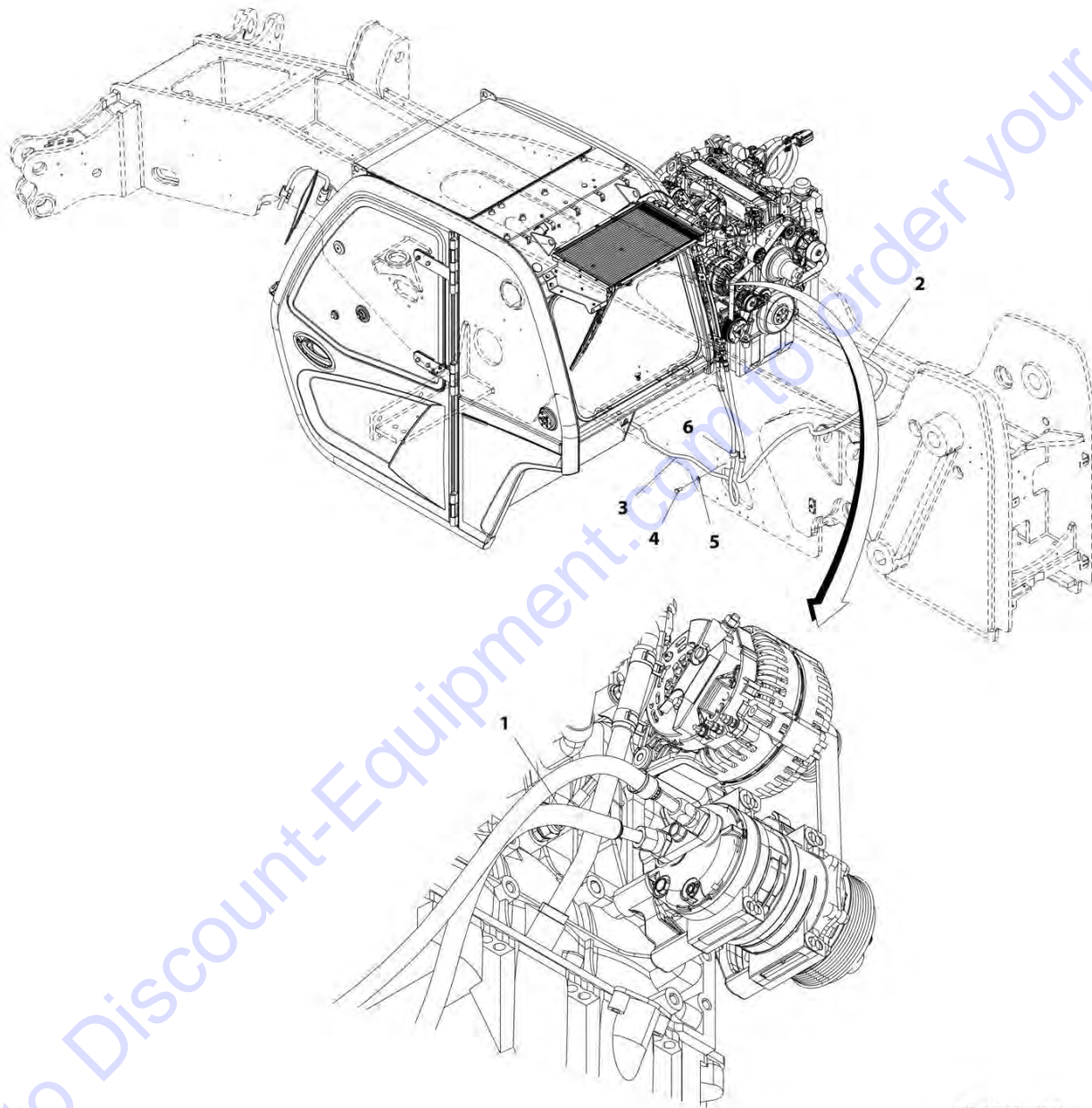
FIGURE 4-46. MUFFLER INSTALLATION (LS)

ITEM	PART NUMBER	QTY	DESCRIPTION	REV
	1001179968	Ref	Muffler Installation (LS)	D
1	0760812	4	Bolt, M8X25	
2	0701017	4	Bolt, M10X45	
3	4812000	4	Washer, M10	
4	1001179973	1	Bracket	
5	1001180226	1	Muffler	
6	1001180227	2	Clamp, Muffler	
7	4811900	4	Washer, M8	

Go to Discount-Equipment.com to order your parts

SECTION 4 - ENGINE AND ATTACHING PARTS

FIGURE 4-47. A/C LINES INSTALLATION



ART_1001163254-H

SECTION 4 - ENGINE AND ATTACHING PARTS

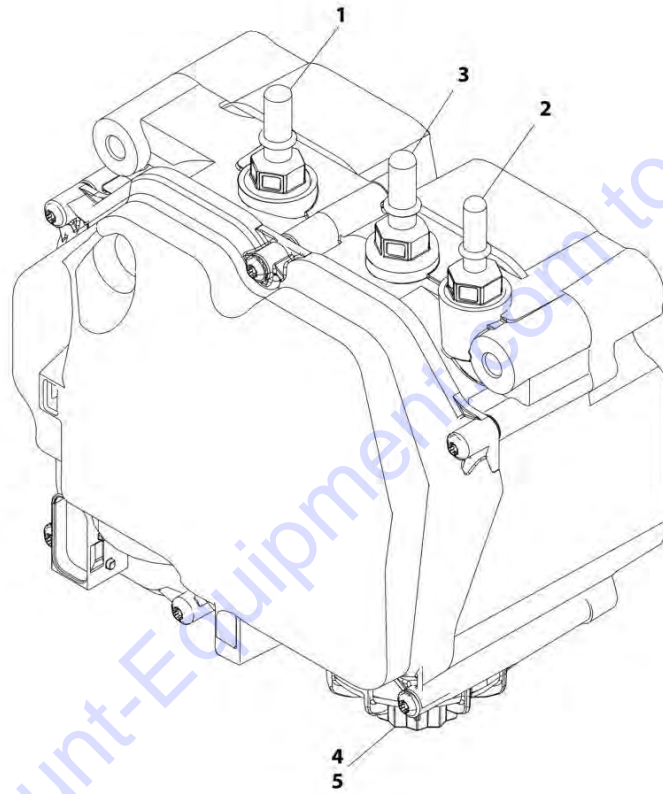
FIGURE 4-47. A/C LINES INSTALLATION

ITEM	PART NUMBER	QTY	DESCRIPTION	REV
	1001163254	Ref	A/C Lines Installation	H
1	1001196491	1	Hose	
2	1001184017	1	Hose	
3	1001186705	1	Hose	
4	0761012	1	Bolt, M10X25	
5	4812000	1	Washer, M10	
6	8406102	2	Clip	

Go to Discount-Equipment.com to order your parts

SECTION 4 - ENGINE AND ATTACHING PARTS

FIGURE 4-48. UREA PUMP (Prior to SN 0160077185)



ART_1001154227-C

SECTION 4 - ENGINE AND ATTACHING PARTS

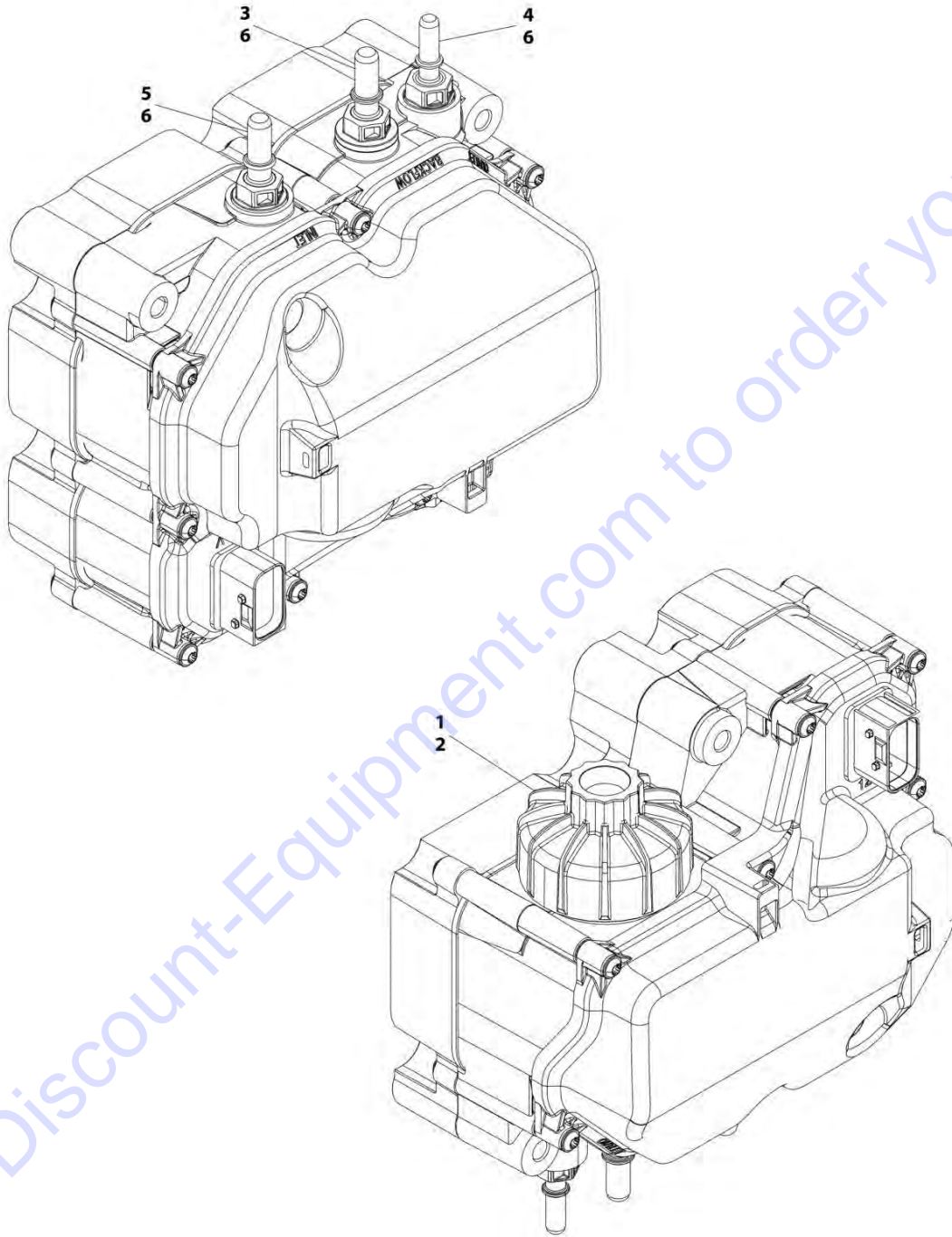
FIGURE 4-48. UREA PUMP (Prior to SN 0160077185)

ITEM	PART NUMBER	QTY	DESCRIPTION	REV
	1001154227	1	Urea Pump	C
1	70026244	1	Connector, Male (Inlet)	
2	70026245	1	Connector, Male (Outlet)	
3	70026246	1	Connector, Male (Backflow)	
4	70026247	1	Cap, Filter	
5	70026248	1	Kit, Filter	

Go to Discount-Equipment.com to order your parts

SECTION 4 - ENGINE AND ATTACHING PARTS

FIGURE 4-49. UREA PUMP (SN 0160077185 to Present)



ART_1001213210-A

SECTION 4 - ENGINE AND ATTACHING PARTS

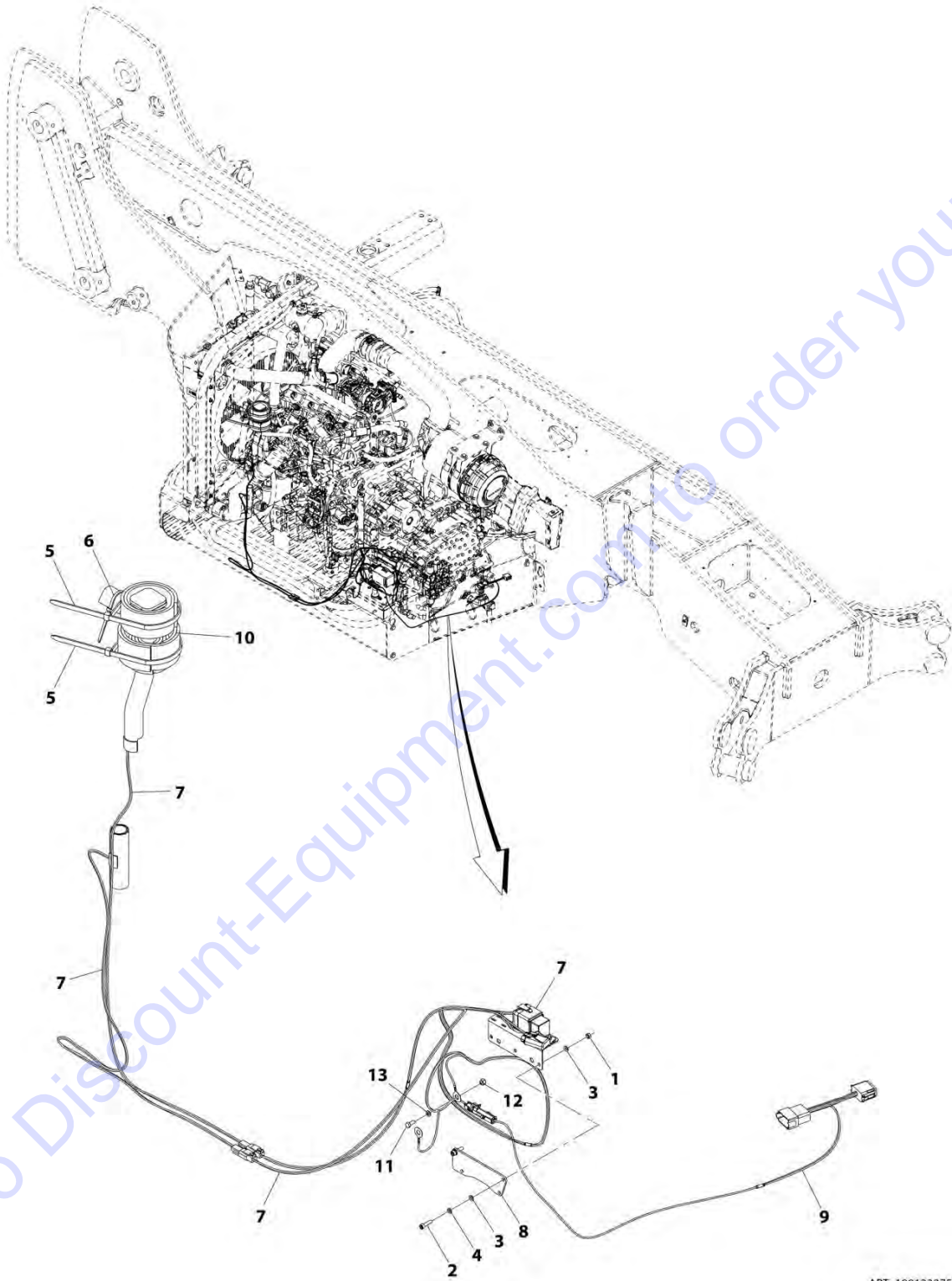
FIGURE 4-49. UREA PUMP (SN 0160077185 to Present)

ITEM	PART NUMBER	QTY	DESCRIPTION	REV
	1001213210	1	DEF Module Pump	A
1	70026248	1	Kit, Filter	
2	70026247	1	Cap, Filter	
3	70027705	1	Connector, Male (Backflow)	
4	70026245	1	Connector, Male (Outlet)	
5	70026244	1	Connector, Male (Inlet)	
6	70027706	3	Gasket, Circular (O-Ring)	

Go to Discount-Equipment.com to order your parts

SECTION 4 - ENGINE AND ATTACHING PARTS

FIGURE 4-50. HEATER BREATHER (ULS - 110HP)



ART_1001232751-B

SECTION 4 - ENGINE AND ATTACHING PARTS

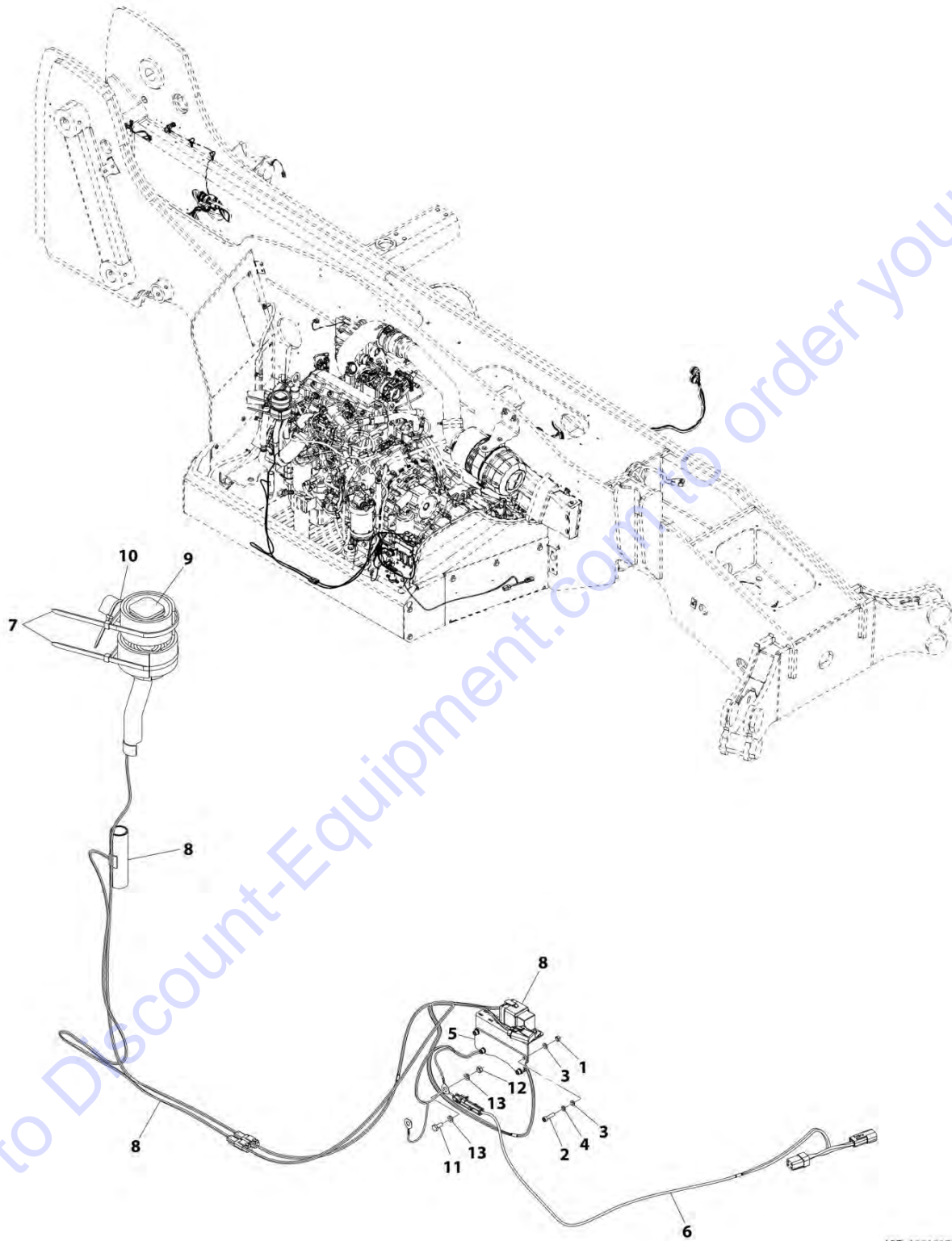
FIGURE 4-50. HEATER BREATHER (ULS - 110HP)

ITEM	PART NUMBER	QTY	DESCRIPTION	REV
	1001232751	Ref	Heater Breather	B
1	3290501	2	Nut, M5X0.8	
2	4031608	2	Screw, M5X20	
3	4811600	4	Washer, M5	
4	4831600	2	Washer, Lock M5	
5	01043892	2	Tie wrap, Long	
6	86683122	1	Tie wrap, Short	
7	1001232439	1	Engine, Cummins Breather Kit	
8	1001232440	1	Bracket, Cummins Kit Support	
9	1001232556	1	Harness, Cummins Heater Jump	
10	1001232624	1	Insulate, Cummins Insulation	
11	0760607	1	Bolt, M6X14	
12	3290601	1	Nut, M6X1	
13	4811700	2	Washer, M6	

Go to Discount-Equipment.com to order your parts

SECTION 4 - ENGINE AND ATTACHING PARTS

FIGURE 4-51. HEATER BREATHER (ULS - 74HP)



ART_1001237208-A

SECTION 4 - ENGINE AND ATTACHING PARTS

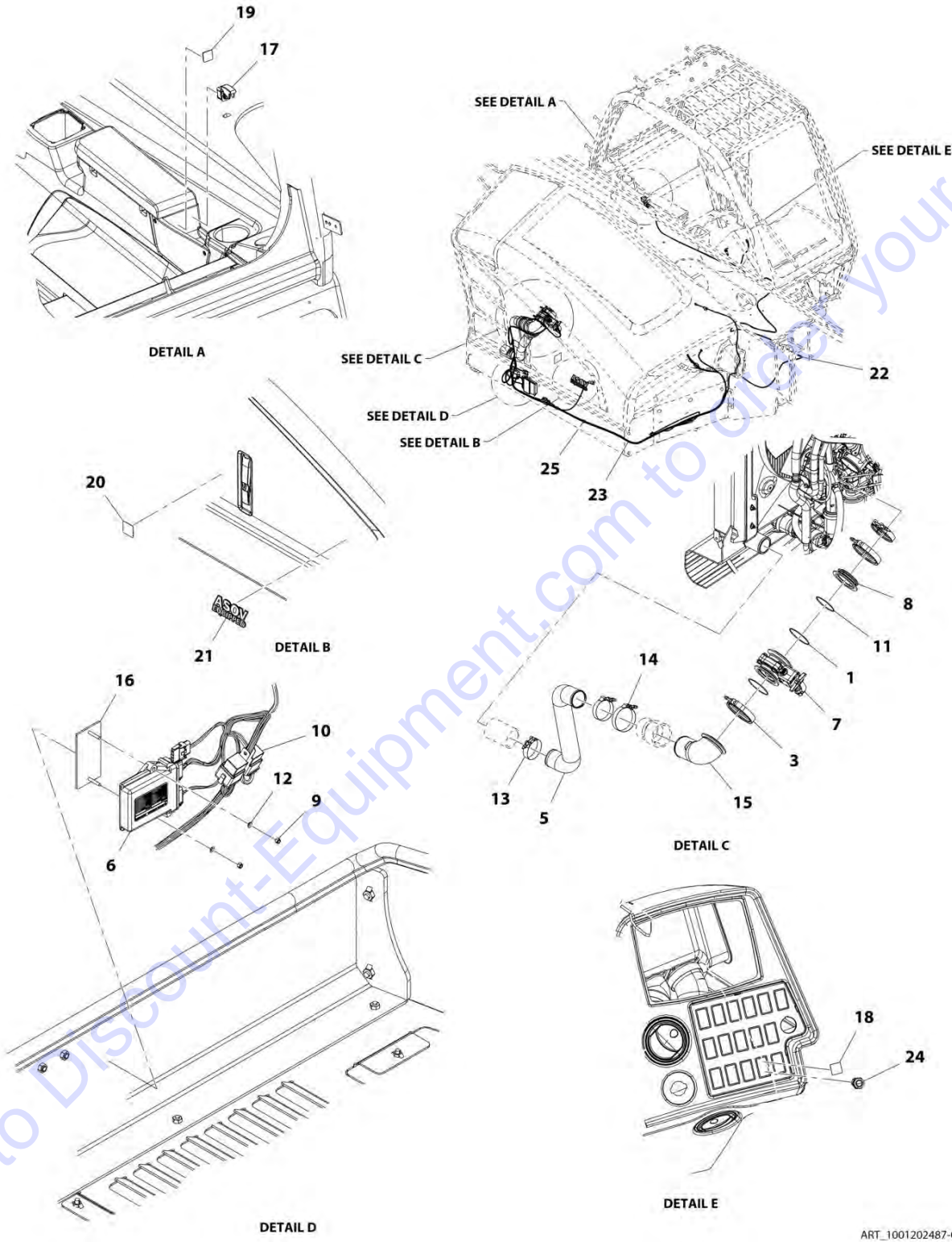
FIGURE 4-51. HEATER BREATHER (ULS - 74HP)

ITEM	PART NUMBER	QTY	DESCRIPTION	REV
	1001237208	Ref	Heater Breather - 74 HP	A
1	3290501	4	Nut, M5X0.8	
2	4031608	4	Screw, M5X20	
3	4811600	8	Washer, M5	
4	4831600	4	Washer, Lock M5	
5	1001232440	1	Bracket	
6	1001237171	1	Harness, Cummins Breather Heater	
7	01043892	2	Strap, Tie	
8	1001232439	1	Engine, Cummins Breather Kit	
9	1001232624	1	Insulate, Cummins Insulation	
10	86683122	1	Strap, Tie	
11	0760607	1	Bolt, M6X1	
12	3290601	1	Nut, M6X1	
13	4811700	2	Washer, M6	

Go to Discount-Equipment.com to order your parts

SECTION 4 - ENGINE AND ATTACHING PARTS

FIGURE 4-52. AIR INTAKE SHUT OFF VALVE INSTALLATION



ART_1001202487-C

SECTION 4 - ENGINE AND ATTACHING PARTS

FIGURE 4-52. AIR INTAKE SHUT OFF VALVE INSTALLATION

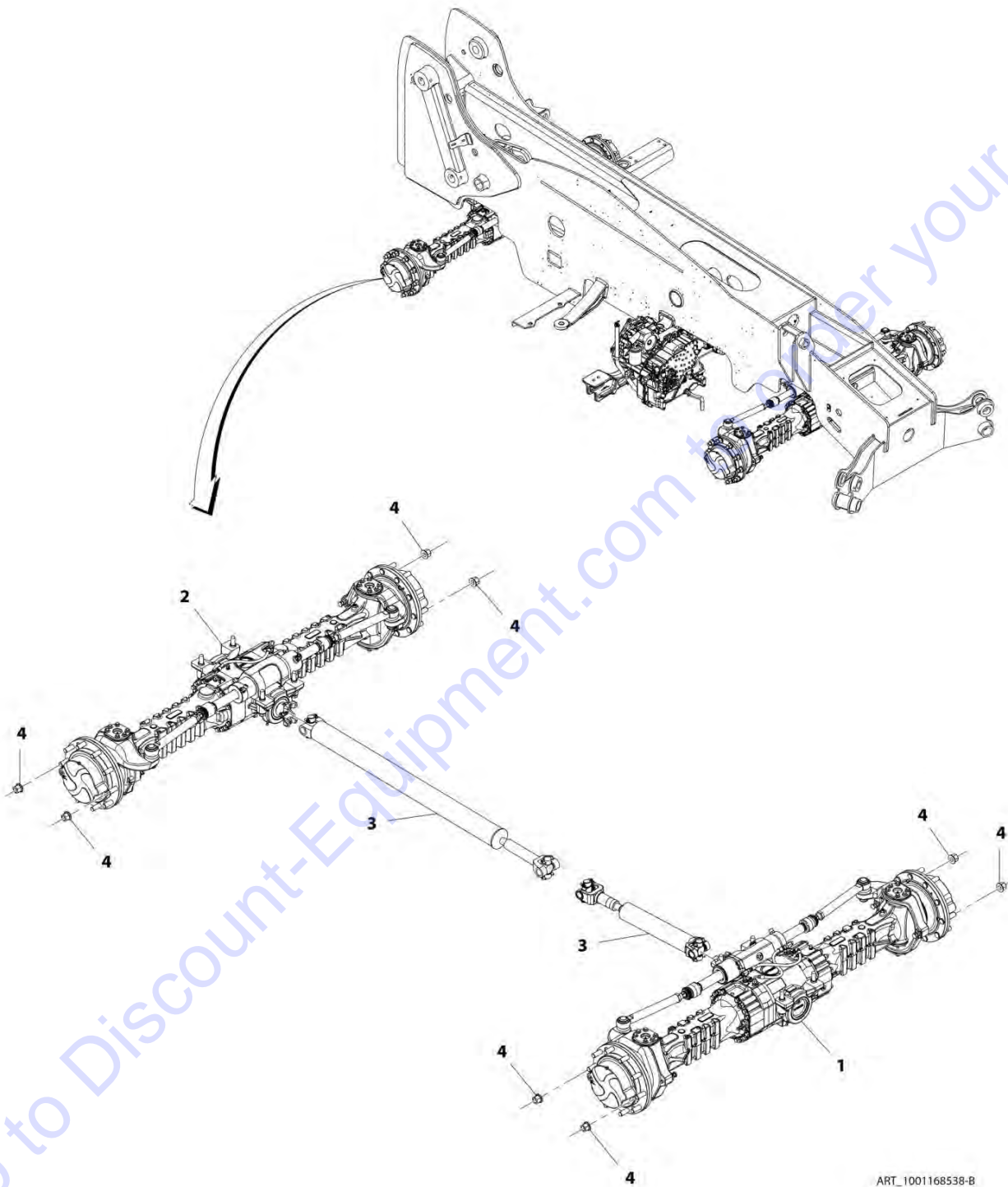
ITEM	PART NUMBER	QTY	DESCRIPTION	REV
	1001202487	Ref	Air Intake Shut Off Valve Installation	C
1	3790152	2	Ring	
3	1001202247	2	Clamp	
5	1001202491	1	Pipe	
6	1001203181	Ref	Accessory, Control (See Separate Breakdown in Electrical Section)	
7	1001204032	Ref	Valve, Air Shut Off (See Separate Breakdown in Hydraulic Circuits Section)	
8	1001206980	1	Plate	
9	3290505	2	Nut, Lock M5X0.8 Grade 8	
10	3740080	2	Relay	
11	3790151	1	O-Ring	
12	4811600	2	Washer, M5	
13	8405212	2	Clamp	
14	8405305	1	Clamp	
15	1001215476	1	Pipe	
16	1001219082	1	Bracket	
17	1001215941	1	Switch	
18	1001227077	1	Decal, Air Shut Off	
19	1001227964	1	Decal, ASOV Test	
20	1001228273	1	Decal, Air Shut Off	
21	1001228643	1	Decal, ASOV Equipped	
22	1001231407	Ref	Harness, Cab Air Shut Off Valve (See Separate Breakdown in Electrical Section)	
23	1001231483	Ref	Harness, Engine Air Shut Off Valve (See Separate Breakdown in Electrical Section)	
24	1001239539	1	Lamp	
25	91053419	AR	Strap, Cable	

SECTION 5 - DRIVE TRAIN

Go to Discount-Equipment.com to order your parts

SECTION 5 - DRIVE TRAIN

FIGURE 5-1. DRIVETRAIN INSTALLATION (642, 742)



ART_1001168538-B

SECTION 5 - DRIVE TRAIN

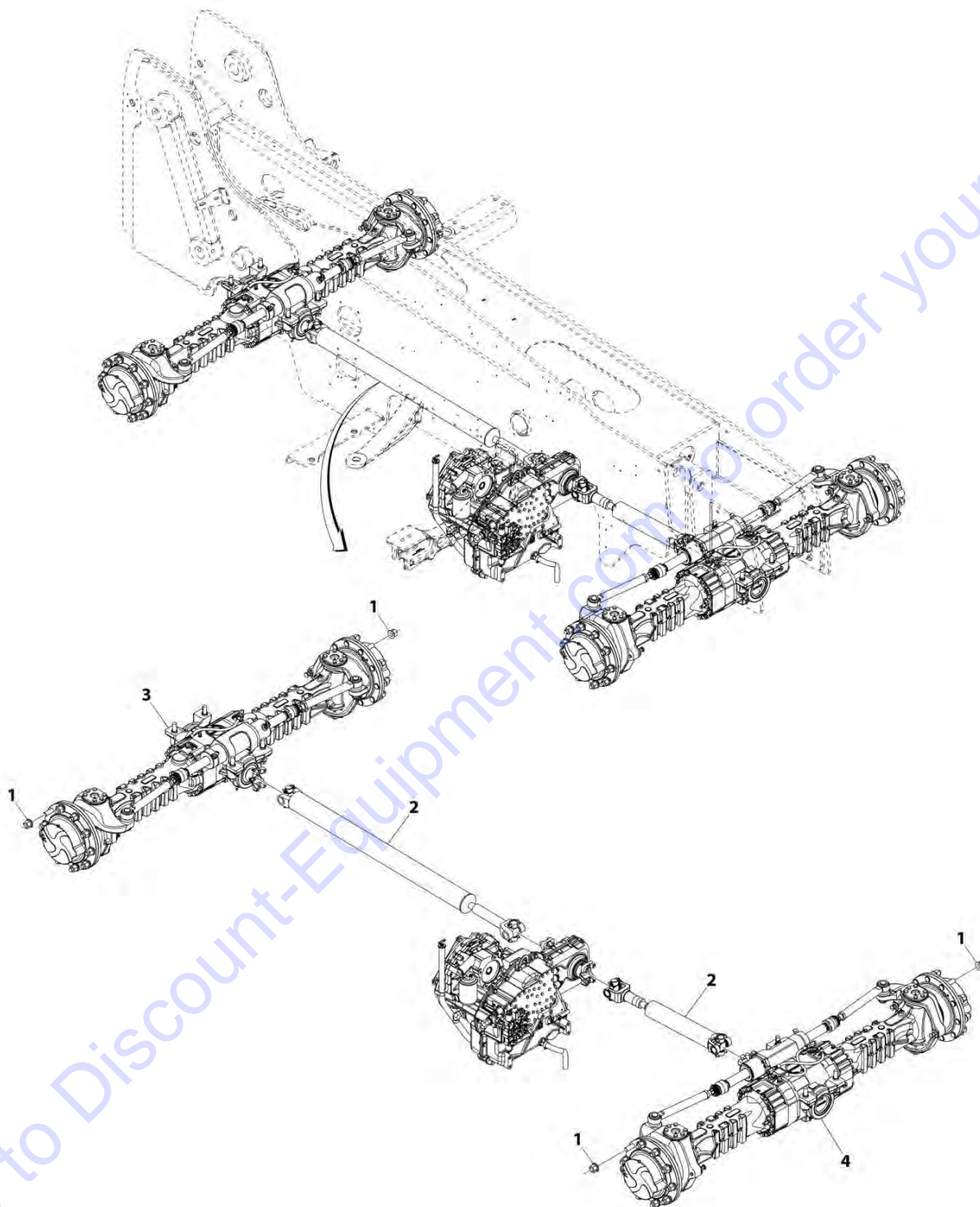
FIGURE 5-1. DRIVETRAIN INSTALLATION (642, 742)

ITEM	PART NUMBER	QTY	DESCRIPTION	REV
1	1001168538	Ref	Drivetrain Installation (642, 742)	B
	1001168530	Ref	Installation, Front Axle (642, 742) (See FRONT AXLE INSTALLATION (642) for Breakdown)	
2	1001168537	Ref	Installation, Rear Axle (642, 742) (See REAR AXLE INSTALLATION (642) for Breakdown)	
3	1001169348	Ref	Installation, Drive Shafts (642, 742) (See DRIVE SHAFTS INSTALLATION (642) for Breakdown)	
4	91403193	40	Nut, Lug M22X1.5	

Go to Discount-Equipment.com to order your parts

SECTION 5 - DRIVE TRAIN

FIGURE 5-2. DRIVETRAIN INSTALLATION, 74HP (742)



ART_1001225285-A

SECTION 5 - DRIVE TRAIN

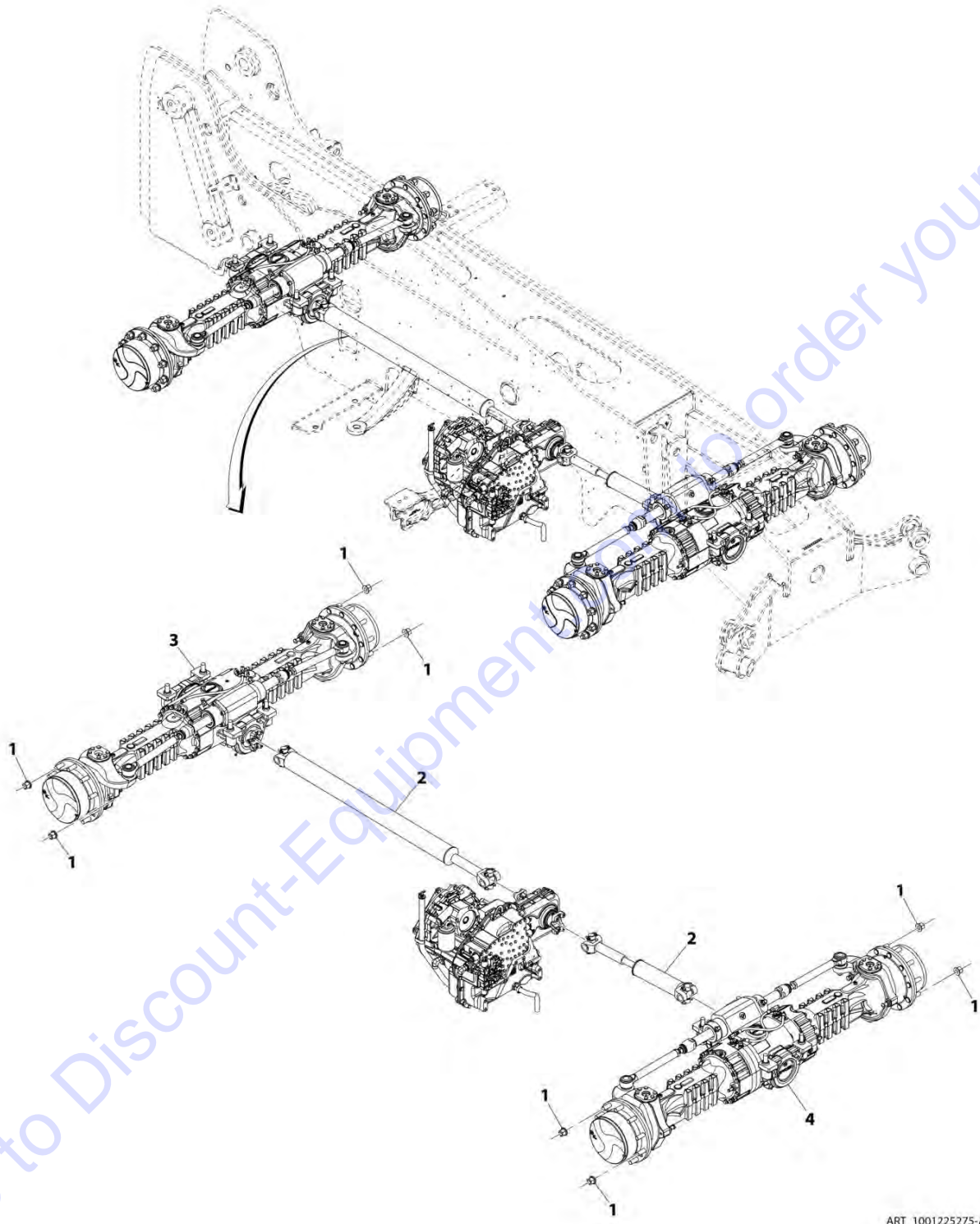
FIGURE 5-2. DRIVETRAIN INSTALLATION, 74HP (742)

ITEM	PART NUMBER	QTY	DESCRIPTION	REV
	1001225285	Ref	Drivetrain Installation, 74HP (742)	A
1	91403193	40	Nut, Lug M22X1.5	
2	1001169348	Ref	Installation, Drive Shafts (742) (See Separate Breakdown in this Section)	
3	1001225282	Ref	Installation, Rear Axle (742) (See Separate Breakdown in this Section)	
4	1001225284	Ref	Installation, Front Axle (742) (See Separate Breakdown in this Section)	

Go to Discount-Equipment.com to order your parts

SECTION 5 - DRIVE TRAIN

FIGURE 5-3. DRIVETRAIN INSTALLATION, 74HP (943)



ART_1001225275-A

SECTION 5 - DRIVE TRAIN

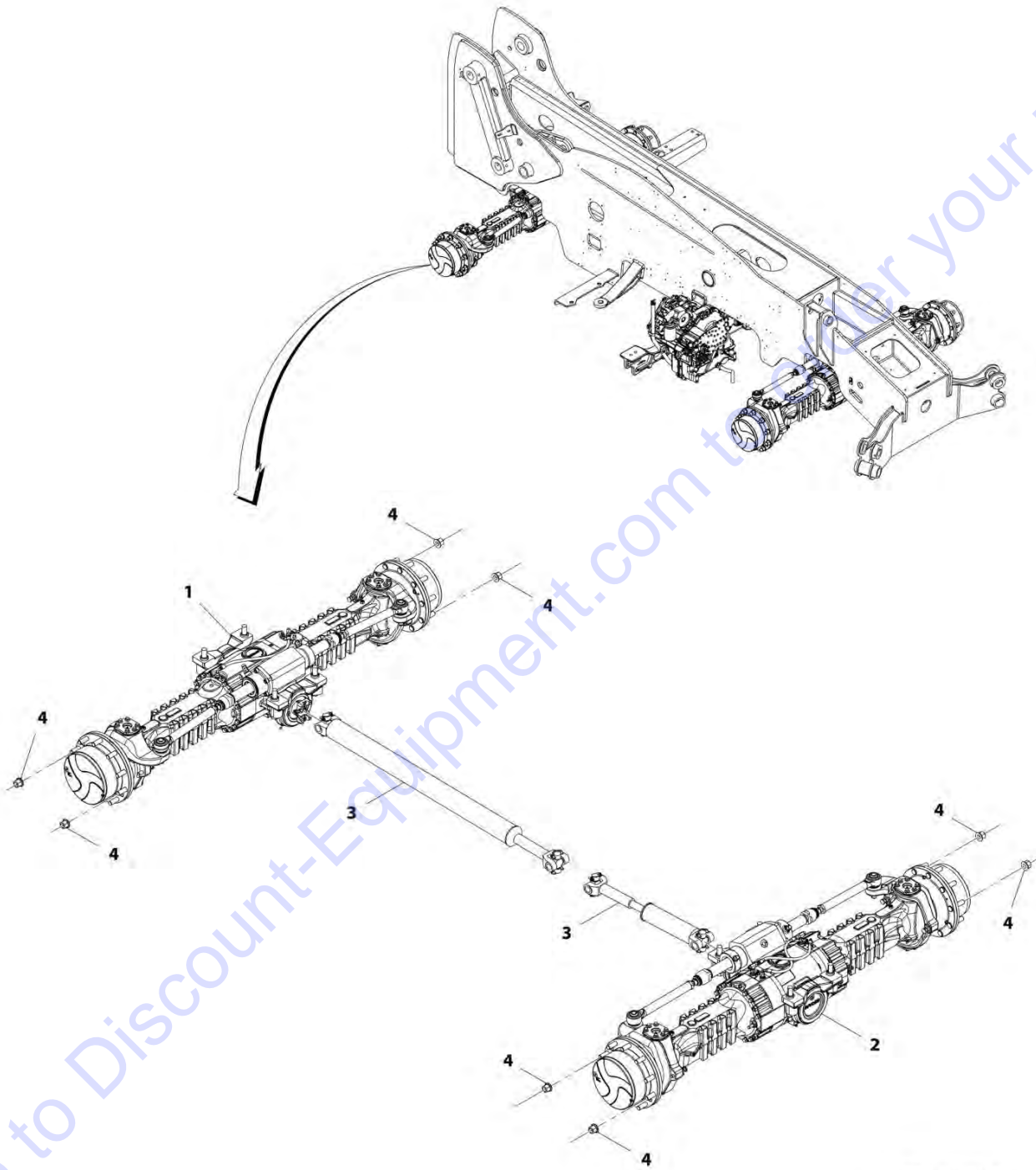
FIGURE 5-3. DRIVETRAIN INSTALLATION, 74HP (943)

ITEM	PART NUMBER	QTY	DESCRIPTION	REV
	1001225275	Ref	Drivetrain Installation, 74HP (943)	A
1	91403193	40	Nut, Lug M22X1.5	
2	1001169350	Ref	Installation, Drive Shafts (943) (See Separate Breakdown in this Section)	
3	1001225272	Ref	Installation, Rear Axle (943) (See Separate Breakdown in this Section)	
4	1001225274	Ref	Installation, Front Axle (943) (See Separate Breakdown in this Section)	

Go to Discount-Equipment.com to order your parts

SECTION 5 - DRIVE TRAIN

FIGURE 5-4. DRIVETRAIN INSTALLATION (943, 1043)



ART_1001168786-B

SECTION 5 - DRIVE TRAIN

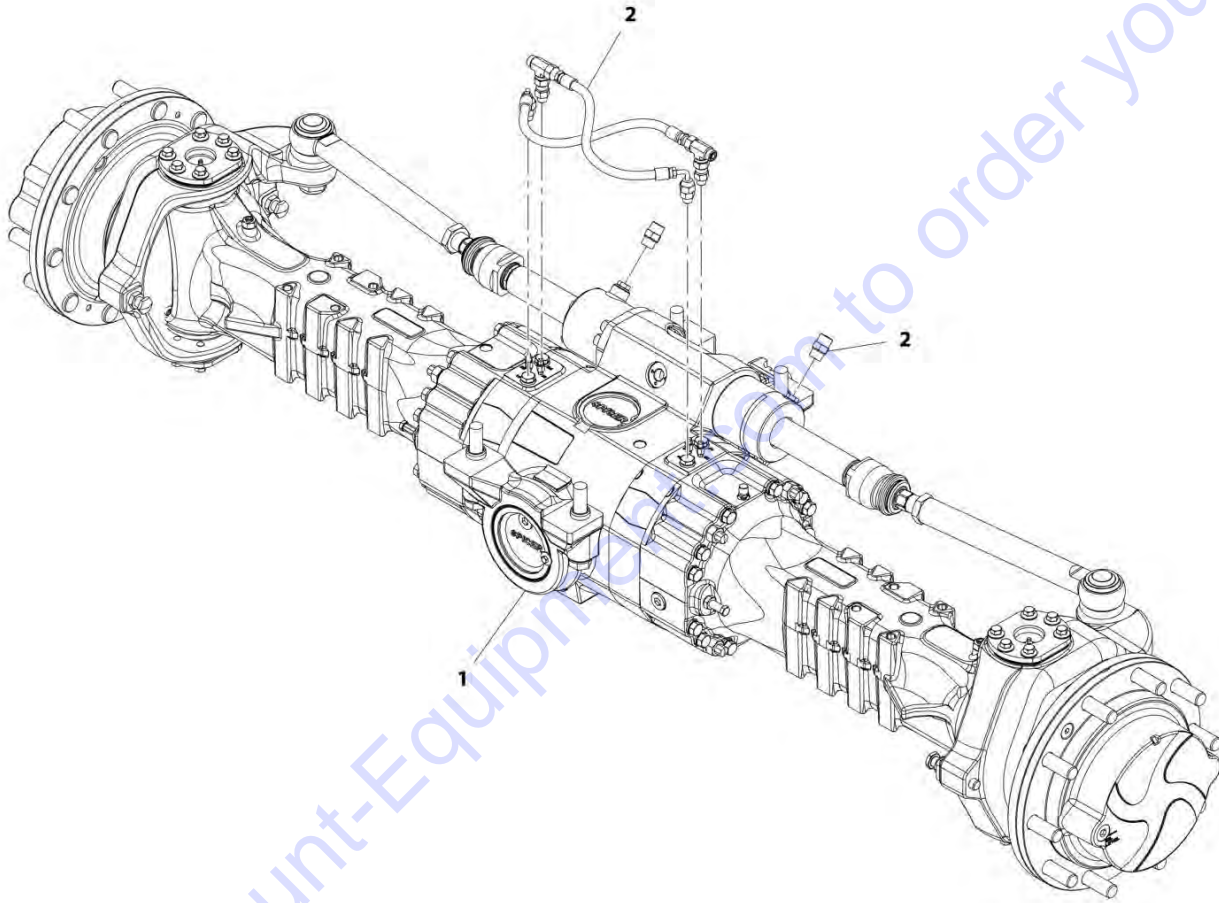
FIGURE 5-4. DRIVETRAIN INSTALLATION (943, 1043)

ITEM	PART NUMBER	QTY	DESCRIPTION	REV
1	1001168786	Ref	Drivetrain Installation (943, 1043)	B
	1001168783	Ref	Installation, Rear Axle (943, 1043) (See REAR AXLE INSTALLATION (943, 1043) for Breakdown)	
2	1001168785	Ref	Installation, Front Axle (943, 1043) (See FRONT AXLE INSTALLATION (943, 1043) for Breakdown)	
3	1001169350	Ref	Installation, Drive Shafts (943, 1043) (See DRIVE SHAFTS INSTALLATION (943, 1043) for Breakdown)	
4	91403193	40	Nut, Lug M22X1.5	

Go to Discount-Equipment.com to order your parts

SECTION 5 - DRIVE TRAIN

FIGURE 5-5. FRONT AXLE INSTALLATION (642, 742)



ART_1001168530-A

SECTION 5 - DRIVE TRAIN

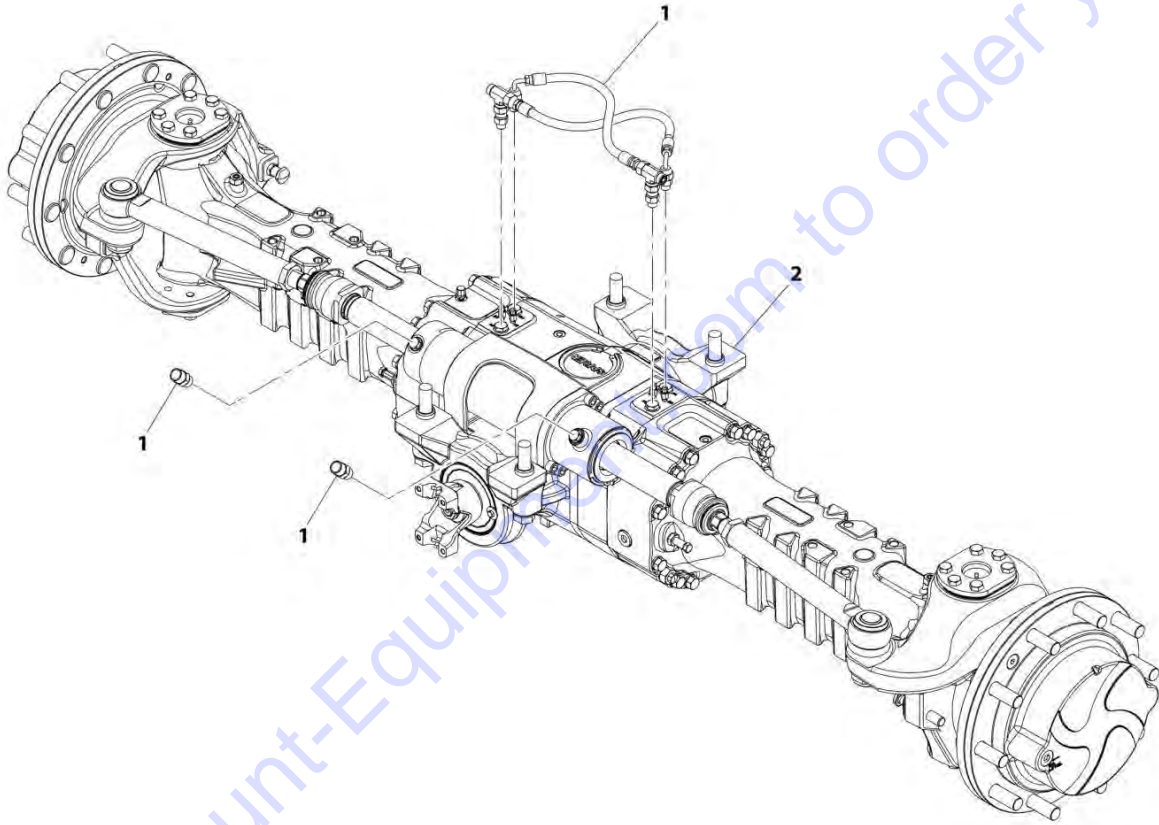
FIGURE 5-5. FRONT AXLE INSTALLATION (642, 742)

ITEM	PART NUMBER	QTY	DESCRIPTION	REV
1	1001168530	Ref	Front Axle Installation (642, 742)	A
	1001168529	Ref	Installation, Front Axle Mounting (642, 742) (See FRONT AXLE MOUNTING INSTALLATION (642) for Breakdown)	
2	1001171860	Ref	Installation, Front Axle Lines (642, 742) (See FRONT AXLE LINES INSTALLATION for Breakdown)	

Go to Discount-Equipment.com to order your parts

SECTION 5 - DRIVE TRAIN

FIGURE 5-6. FRONT AXLE INSTALLATION, 74HP (742)



ART_1001225284-A

SECTION 5 - DRIVE TRAIN

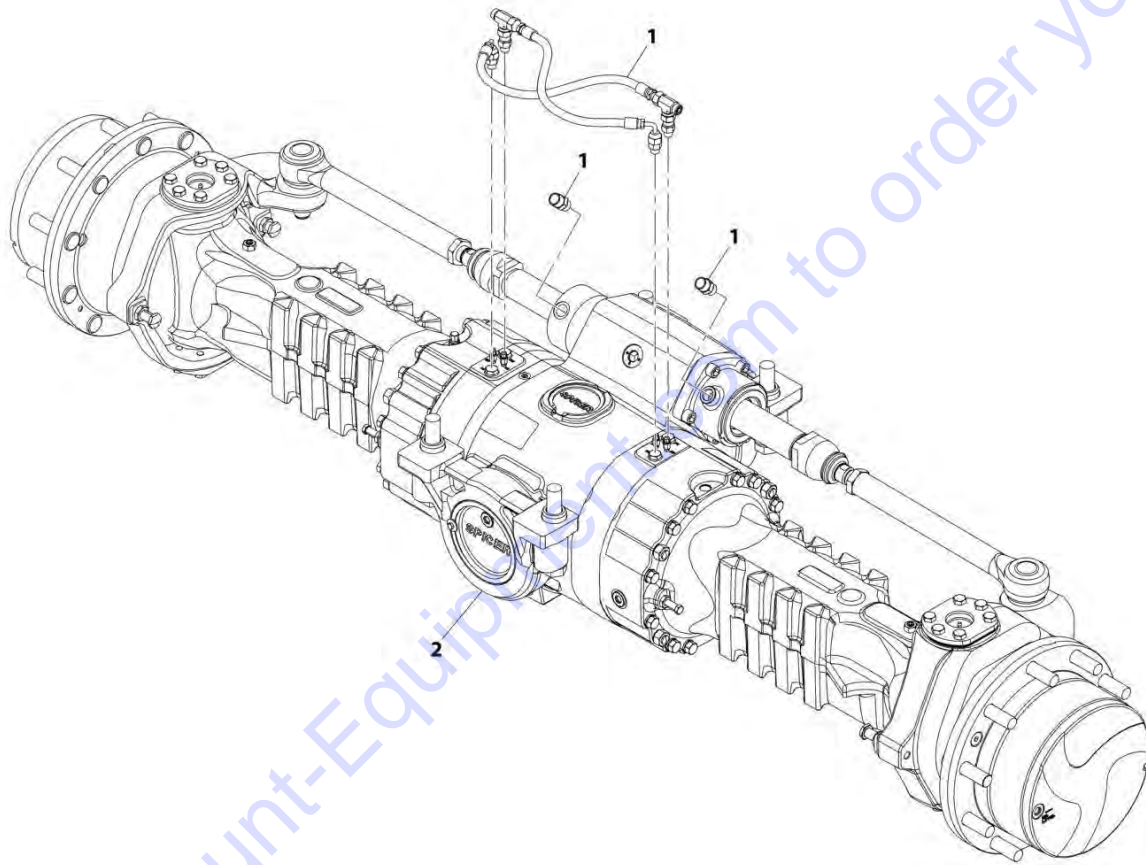
FIGURE 5-6. FRONT AXLE INSTALLATION, 74HP (742)

ITEM	PART NUMBER	QTY	DESCRIPTION	REV
1	1001225284	Ref	Front Axle Installation, 74HP (742)	A
	1001171860	Ref	Installation, Front Axle Lines (742) (See Separate Breakdown in this Section)	
2	1001225283	Ref	Installation, Front Axle Mounting (742) (See Separate Breakdown in this Section)	

Go to Discount-Equipment.com to order your parts

SECTION 5 - DRIVE TRAIN

FIGURE 5-7. FRONT AXLE INSTALLATION, 74HP (943)



ART_1001225274-A

SECTION 5 - DRIVE TRAIN

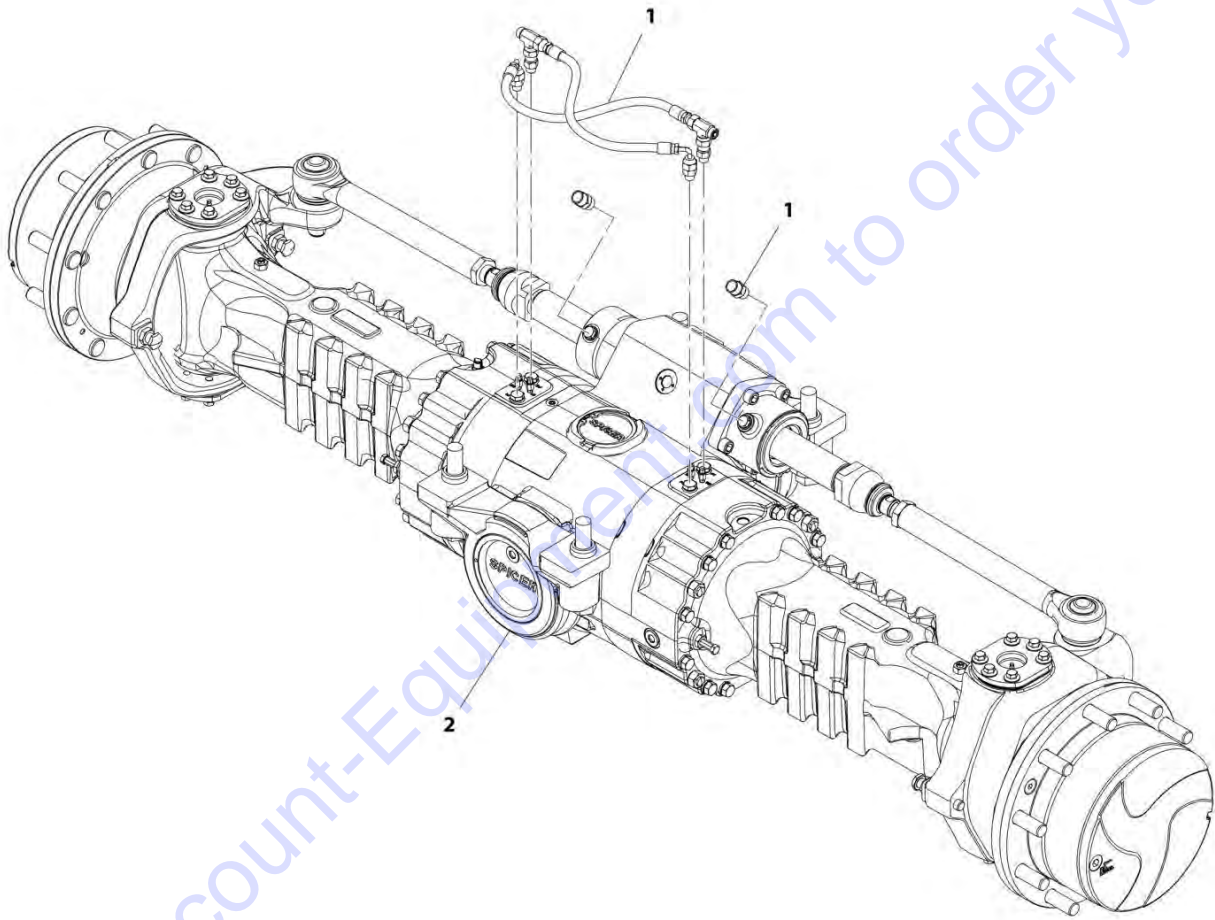
FIGURE 5-7. FRONT AXLE INSTALLATION, 74HP (943)

ITEM	PART NUMBER	QTY	DESCRIPTION	REV
1	1001225274	Ref	Front Axle Installation, 74HP (943)	A
	1001161421	Ref	Installation, Front Axle Lines (943) (See Separate Breakdown in this Section)	
2	1001225273	Ref	Installation, Front Axle Mounting (943) (See Separate Breakdown in this Section)	

Go to Discount-Equipment.com to order your parts

SECTION 5 - DRIVE TRAIN

FIGURE 5-8. FRONT AXLE INSTALLATION (943, 1043)



ART_1001168785-A

SECTION 5 - DRIVE TRAIN

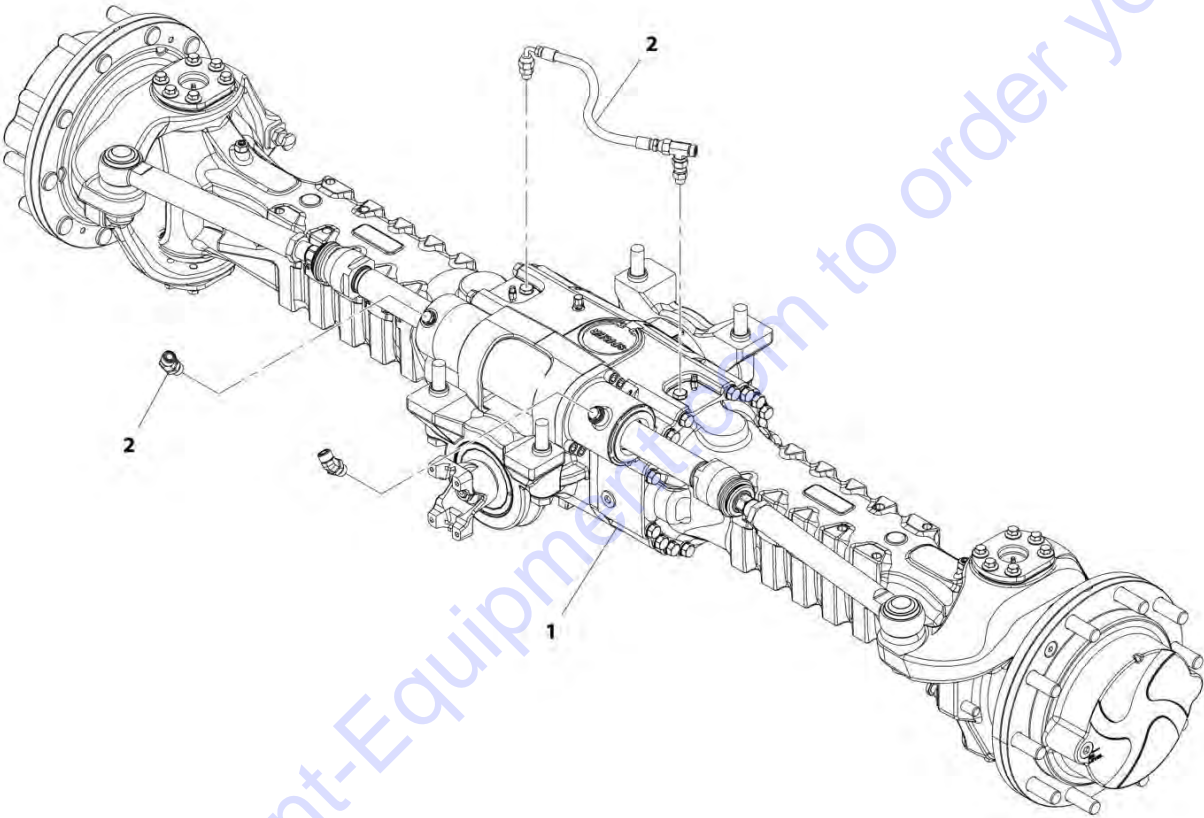
FIGURE 5-8. FRONT AXLE INSTALLATION (943, 1043)

ITEM	PART NUMBER	QTY	DESCRIPTION	REV
1	1001168785	Ref	Front Axle Installation (943, 1043)	A
	1001161421	Ref	Installation, Front Axle Lines (943, 1043) (See FONT AXLE LINES INSTALLATION (943, 1043) for Breakdown)	
2	1001168784	Ref	Installation, Front Axle Mounting (943, 1043) (See FRONT AXLE MOUNTING INSTALLATION (943, 1043) for Breakdown)	

Go to Discount-Equipment.com to order your parts

SECTION 5 - DRIVE TRAIN

FIGURE 5-9. REAR AXLE INSTALLATION (642, 742)



ART_1001168537-A

SECTION 5 - DRIVE TRAIN

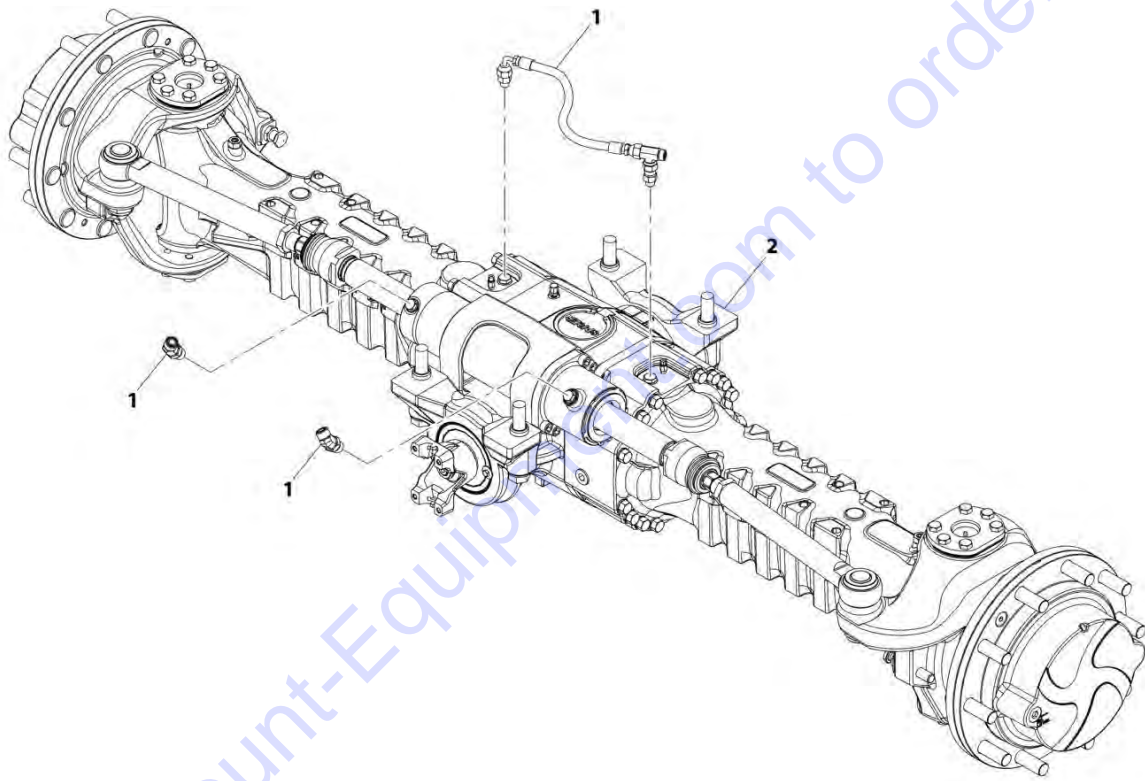
FIGURE 5-9. REAR AXLE INSTALLATION (642, 742)

ITEM	PART NUMBER	QTY	DESCRIPTION	REV
1	1001168537	Ref	Rear Axle Installation (642, 742)	A
	1001168536	Ref	Installation, Rear Axle Mounting (642, 742) (See REAR AXLE MOUNTING INSTALLATION (642) for Breakdown)	
2	1001171863	Ref	Installation, Rear Axle Lines (642, 742) (See REAR AXLE LINES INSTALLATION (642) for Breakdown)	

Go to Discount-Equipment.com to order your parts

SECTION 5 - DRIVE TRAIN

FIGURE 5-10. REAR AXLE INSTALLATION, 74HP (742)



ART_1001225282-A

PARTS FINDER

**Search Website
by Part Number**



**Search Manual
Library For Parts
Manual & Lookup Part
Numbers – Purchase
or Request Quote**

**Can't Find Part or
Manual? Request Help
by Manufacturer,
Model & Description**

Discount-Equipment.com is your online resource for quality parts & equipment.

Florida: **561-964-4949** Outside Florida TOLL FREE: **877-690-3101**

Need parts?

Click on this link: <http://www.discount-equipment.com/category/5443-parts/> and choose one of the options to help get the right parts and equipment you are looking for. Please have the machine model and serial number available in order to help us get you the correct parts. If you don't find the part on the website or on one of the online manuals, please fill out the request form and one of our experienced staff members will get back to you with a quote for the right part that your machine needs.

We sell worldwide for the brands: Genie, Terex, JLG, MultiQuip, Mikasa, Essick, Whiteman, Mayco, Toro Stone, Diamond Products, Generac Magnum, Airman, Haulotte, Barreto, Power Blanket, Nifty Lift, Atlas Copco, Chicago Pneumatic, Allmand, Miller Curber, Skyjack, Lull, Skytrak, Tsurumi, Husquvarna Target, Stow, Wacker, Sakai, Mi-T-M, Sullair, Basic, Dynapac, MBW, Weber, Bartell, Bennar Newman, Haulotte, Ditch Runner, Menegotti, Morrison, Contec, Buddy, Crown, Edco, Wyco, Bomag, Laymor, EZ Trench, Bil-Jax, F.S. Curtis, Gehl Pavers, Heli, Honda, ICS/PowerGrit, IHI, Partner, Imer, Clipper, MMD, Koshin, Rice, CH&E, General Equipment, Amida, Coleman, NAC, Gradall, Square Shooter, Kent, Stanley, Tamco, Toku, Hatz, Kohler, Robin, Wisconsin, Northrock, Oztec, Toker TK, Rol-Air, APT, Wylie, Ingersoll Rand / Doosan, Innovatech, Con X, Ammann, Mecalac, Makinex, Smith Surface Prep, Small Line, Wanco, Yanmar

SECTION 5 - DRIVE TRAIN

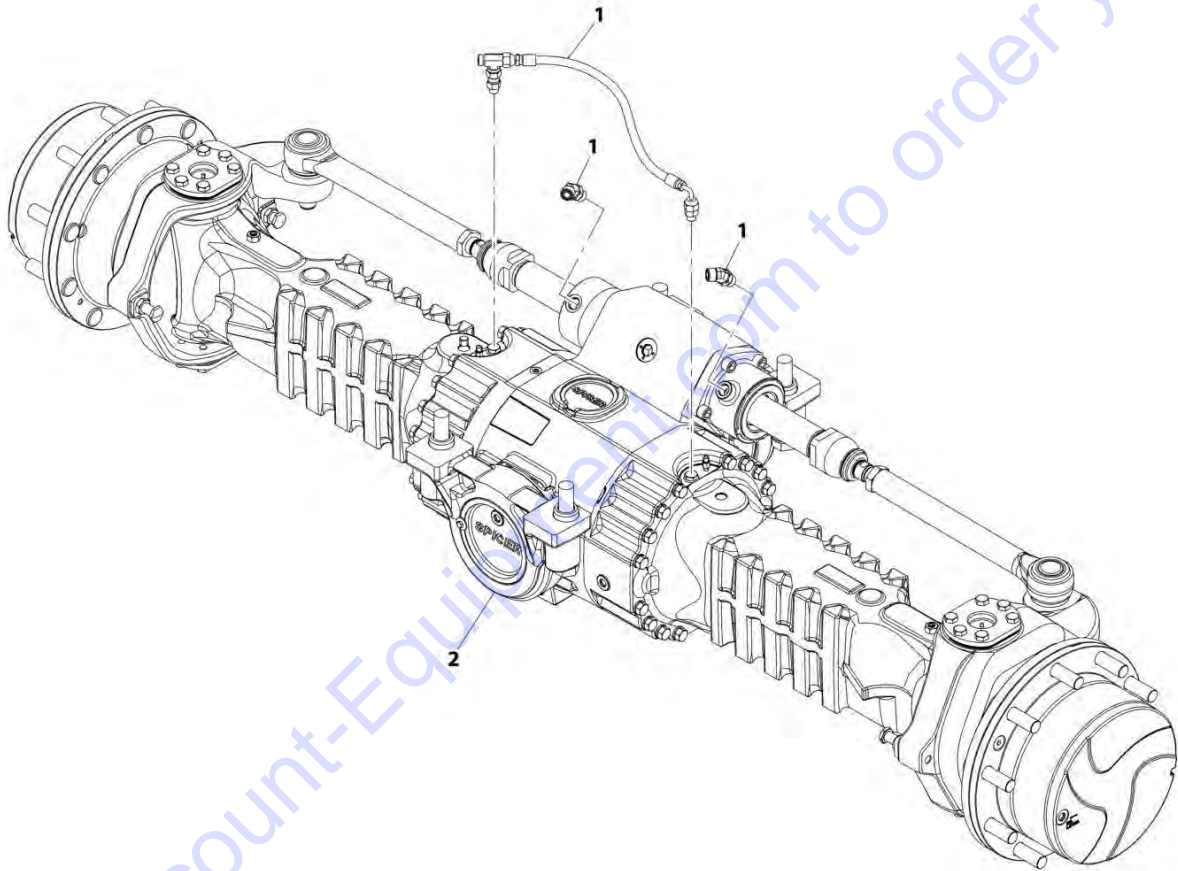
FIGURE 5-10. REAR AXLE INSTALLATION, 74HP (742)

ITEM	PART NUMBER	QTY	DESCRIPTION	REV
1	1001225282	Ref	Rear Axle Installation, 74HP (742)	A
	1001171863	Ref	Installation, Rear Axle Lines (742) (See Separate Breakdown in this section)	
2	1001225281	Ref	Installation, Rear Axle Mounting (742) (See Separate Breakdown in this section)	

Go to Discount-Equipment.com to order your parts

SECTION 5 - DRIVE TRAIN

FIGURE 5-11. REAR AXLE INSTALLATION, 74HP (943)



ART_1001225272-A

SECTION 5 - DRIVE TRAIN

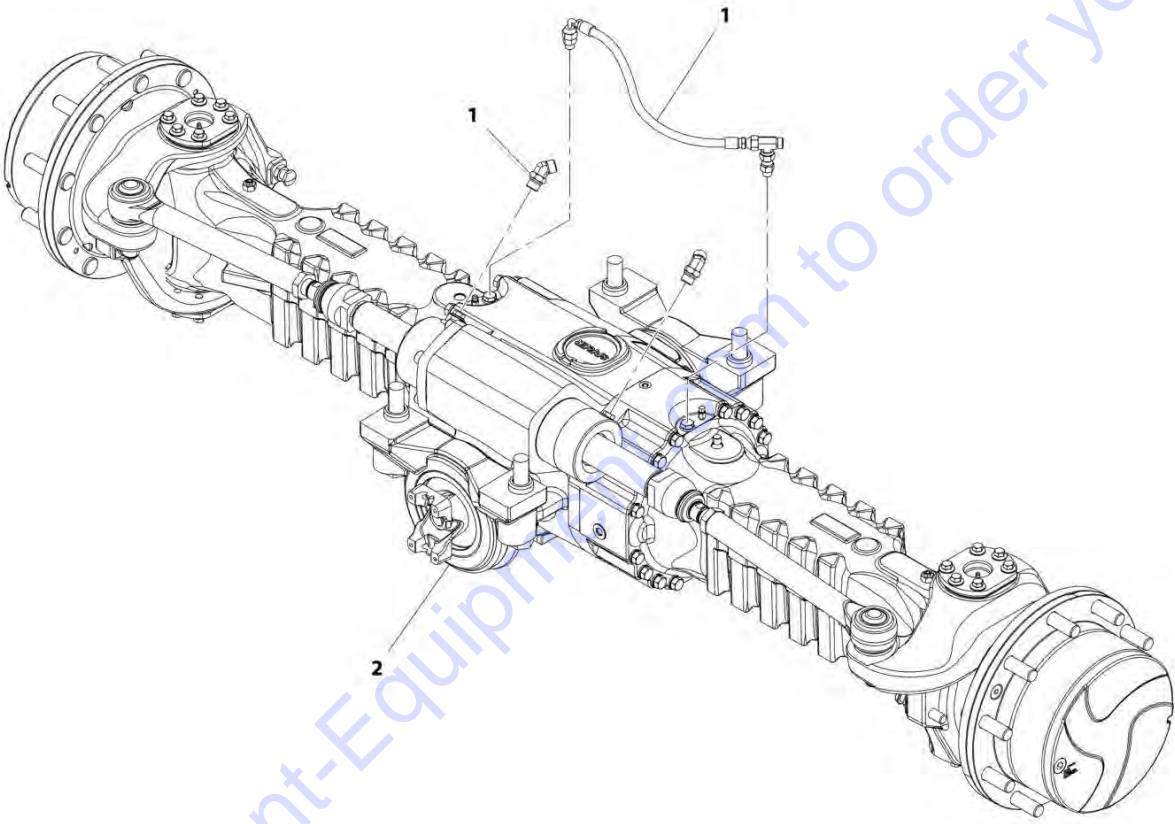
FIGURE 5-11. REAR AXLE INSTALLATION, 74HP (943)

ITEM	PART NUMBER	QTY	DESCRIPTION	REV
1	1001225272	Ref	Rear Axle Installation, 74HP (943)	A
	1001161424	Ref	Installation, Rear Axle Lines (943) (See Separate Breakdown in this section)	
2	1001225271	Ref	Installation, Rear Axle Mounting (943) (See Separate Breakdown in this section)	

Go to Discount-Equipment.com to order your parts

SECTION 5 - DRIVE TRAIN

FIGURE 5-12. REAR AXLE INSTALLATION (943, 1043)



ART_1001168783-A

SECTION 5 - DRIVE TRAIN

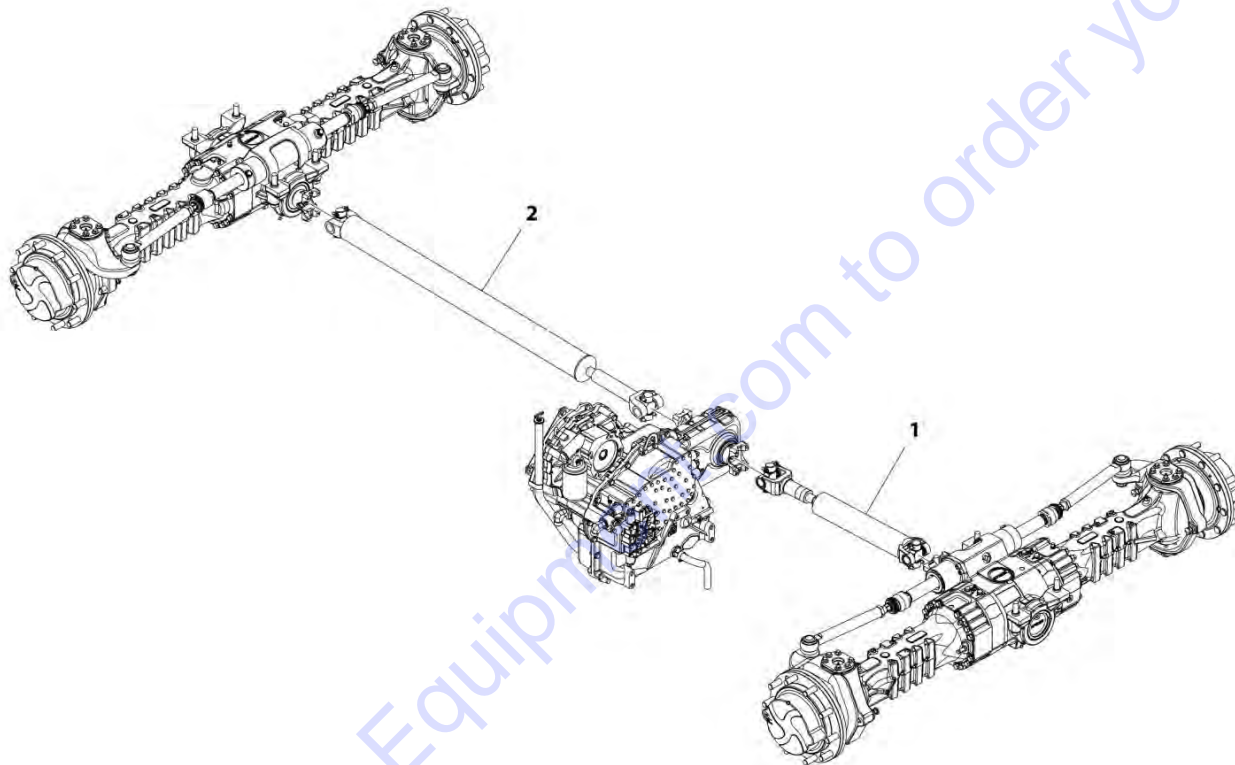
FIGURE 5-12. REAR AXLE INSTALLATION (943, 1043)

ITEM	PART NUMBER	QTY	DESCRIPTION	REV
1	1001168783	Ref	Rear Axle Installation (943, 1043)	A
	1001161424	Ref	Installation, Rear Axle Lines (943, 1043) (See REAR AXLE LINES INSTALLATION (943, 1043) for Breakdown)	
2	1001168782	Ref	Installation, Rear Axle Mounting (943, 1043) (See REAR AXLE MOUNTING INSTALLATION (943, 1043) for Breakdown)	

Go to Discount-Equipment.com to order your parts

SECTION 5 - DRIVE TRAIN

FIGURE 5-13. DRIVE SHAFTS INSTALLATION (642, 742)



ART_1001169348-A

SECTION 5 - DRIVE TRAIN

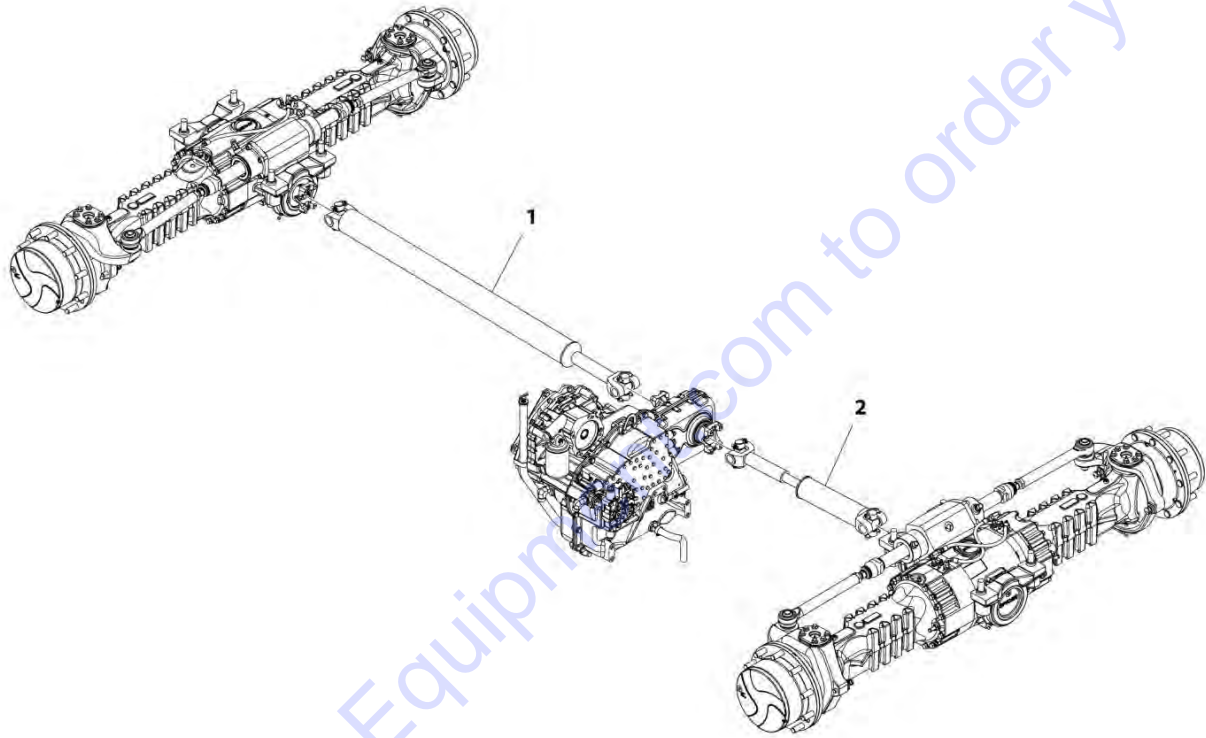
FIGURE 5-13. DRIVE SHAFTS INSTALLATION (642, 742)

ITEM	PART NUMBER	QTY	DESCRIPTION	REV
1	1001169348	Ref	Drive Shafts Installation (642, 742)	A
	1001172836	Ref	Installation, Front Drive Shaft (642, 742) (See Separate Breakdown in this Section)	
2	1001169351	Ref	Installation, Rear Drive Shaft (See Separate Breakdown in this Section)	

Go to Discount-Equipment.com to order your parts

SECTION 5 - DRIVE TRAIN

FIGURE 5-14. DRIVE SHAFTS INSTALLATION (943, 1043)



ART_1001169350-A

SECTION 5 - DRIVE TRAIN

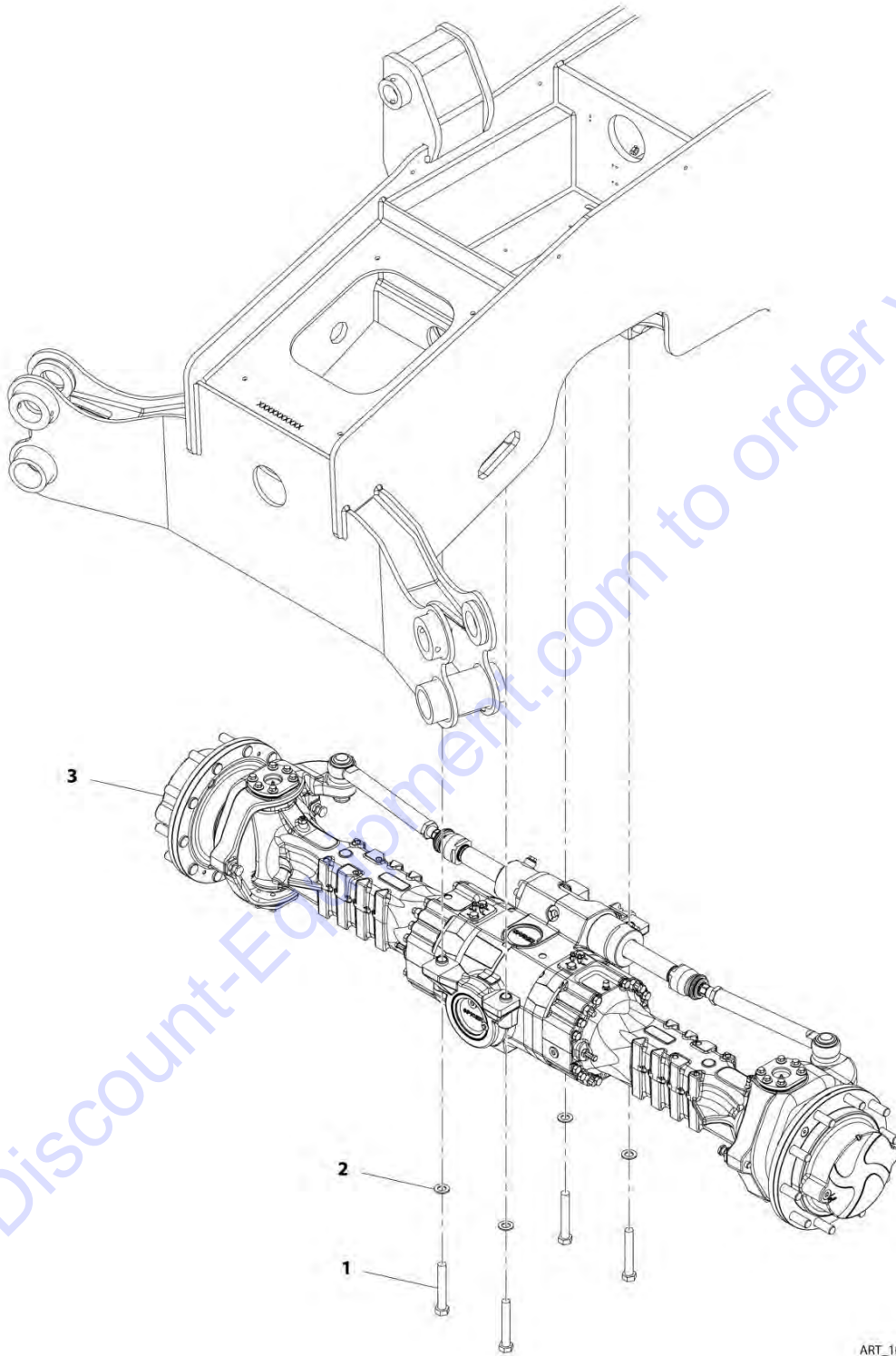
FIGURE 5-14. DRIVE SHAFTS INSTALLATION (943, 1043)

ITEM	PART NUMBER	QTY	DESCRIPTION	REV
1	1001169350	Ref	Drive Shafts Installation (943, 1043)	A
	1001169351	Ref	Installation, Rear Drive Shaft (See REAR DRIVE SHAFT INSTALLATION for Breakdown)	
2	1001172954	Ref	Installation, Front Drive Shaft (943, 1043) (See FRONT DRIVE SHAFT INSTALLATION (943, 1043) for Breakdown)	

Go to Discount-Equipment.com to order your parts

SECTION 5 - DRIVE TRAIN

FIGURE 5-15. FRONT AXLE MOUNTING INSTALLATION (642, 742)



ART_1001168529-D

SECTION 5 - DRIVE TRAIN

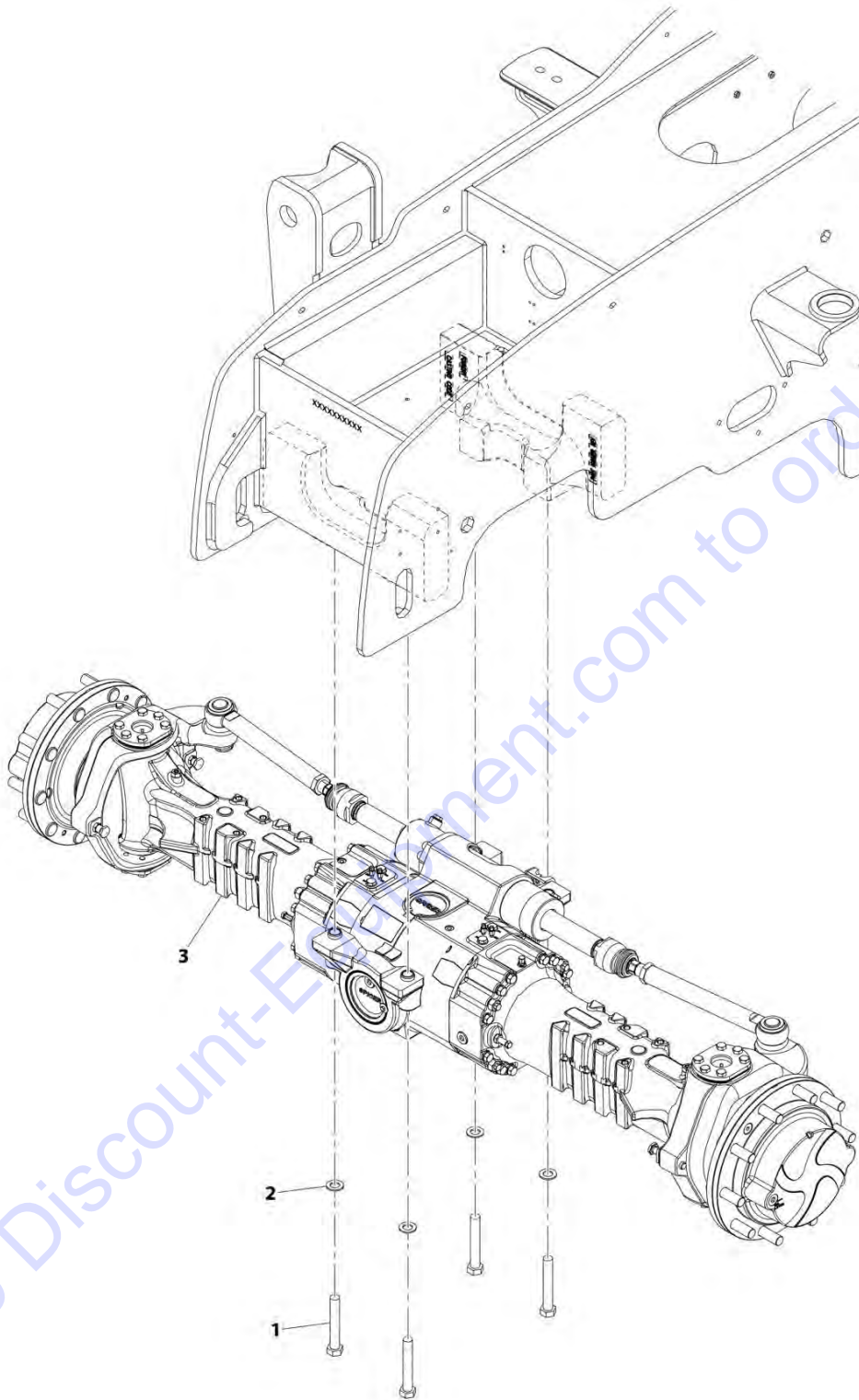
FIGURE 5-15. FRONT AXLE MOUNTING INSTALLATION (642, 742)

ITEM	PART NUMBER	QTY	DESCRIPTION	REV
	1001168529	Ref	Front Axle Mounting Installation (642, 742)	D
1	0712030	4	Bolt, M20X130	
2	8310620	4	Washer, M20	
3	1001165833	1	Axle, Front (642) (See FRONT AXLE (642, 742) for Breakdown)	

Go to Discount-Equipment.com to order your parts

SECTION 5 - DRIVE TRAIN

FIGURE 5-16. FRONT AXLE MOUNTING INSTALLATION, 74HP (742)



ART_1001225283-A

SECTION 5 - DRIVE TRAIN

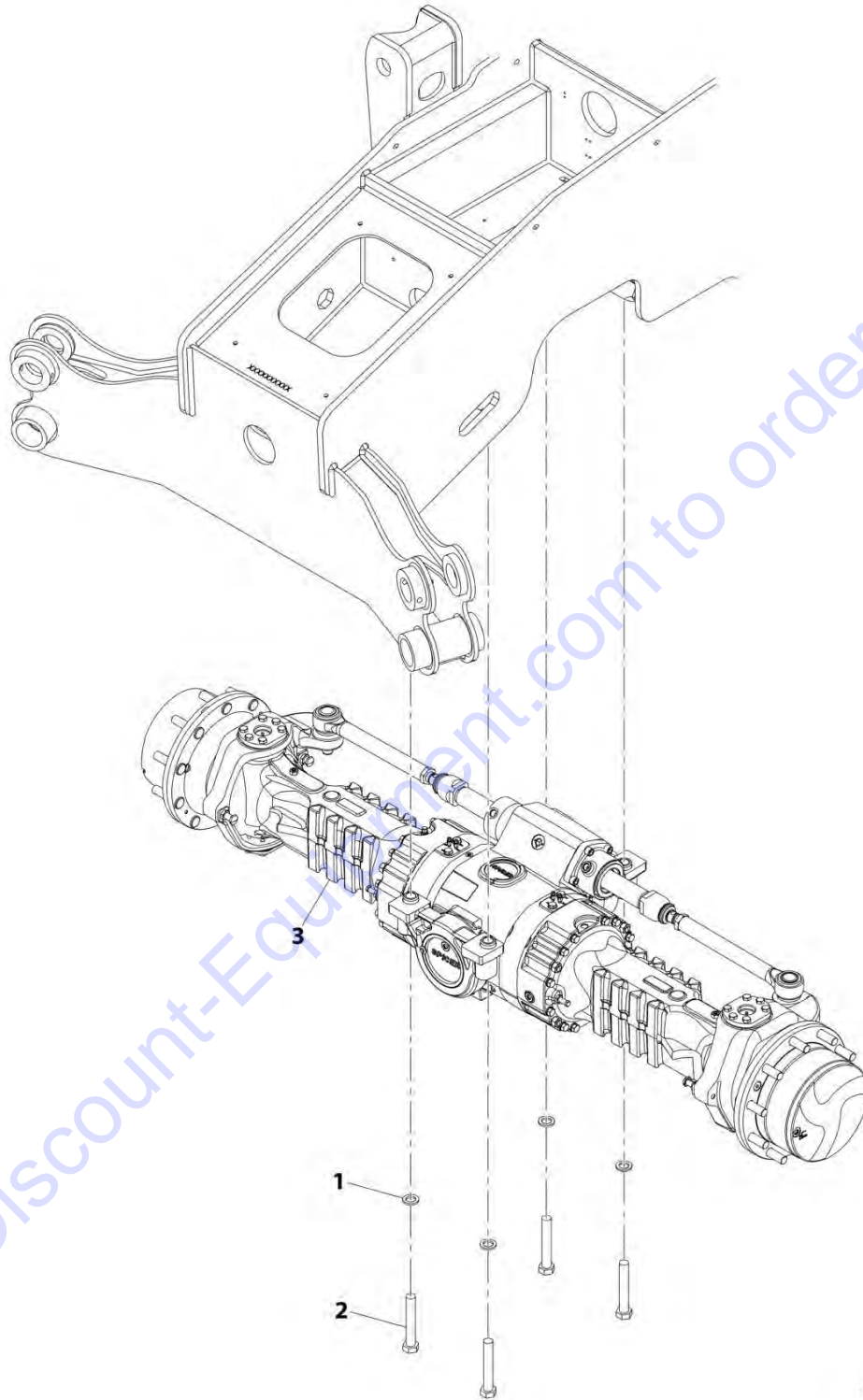
FIGURE 5-16. FRONT AXLE MOUNTING INSTALLATION, 74HP (742)

ITEM	PART NUMBER	QTY	DESCRIPTION	REV
	1001225283	Ref	Front Axle Mounting Installation, 74HP (742)	A
1	0712030	4	Bolt, M20X130	
2	8310620	4	Washer	
3	1005182600	1	Axle, Front 74HP (742) (See Separate Breakdown in this Section)	

Go to Discount-Equipment.com to order your parts

SECTION 5 - DRIVE TRAIN

FIGURE 5-17. FRONT AXLE MOUNTING INSTALLATION, 74HP (943)



ART_1001225273-A

SECTION 5 - DRIVE TRAIN

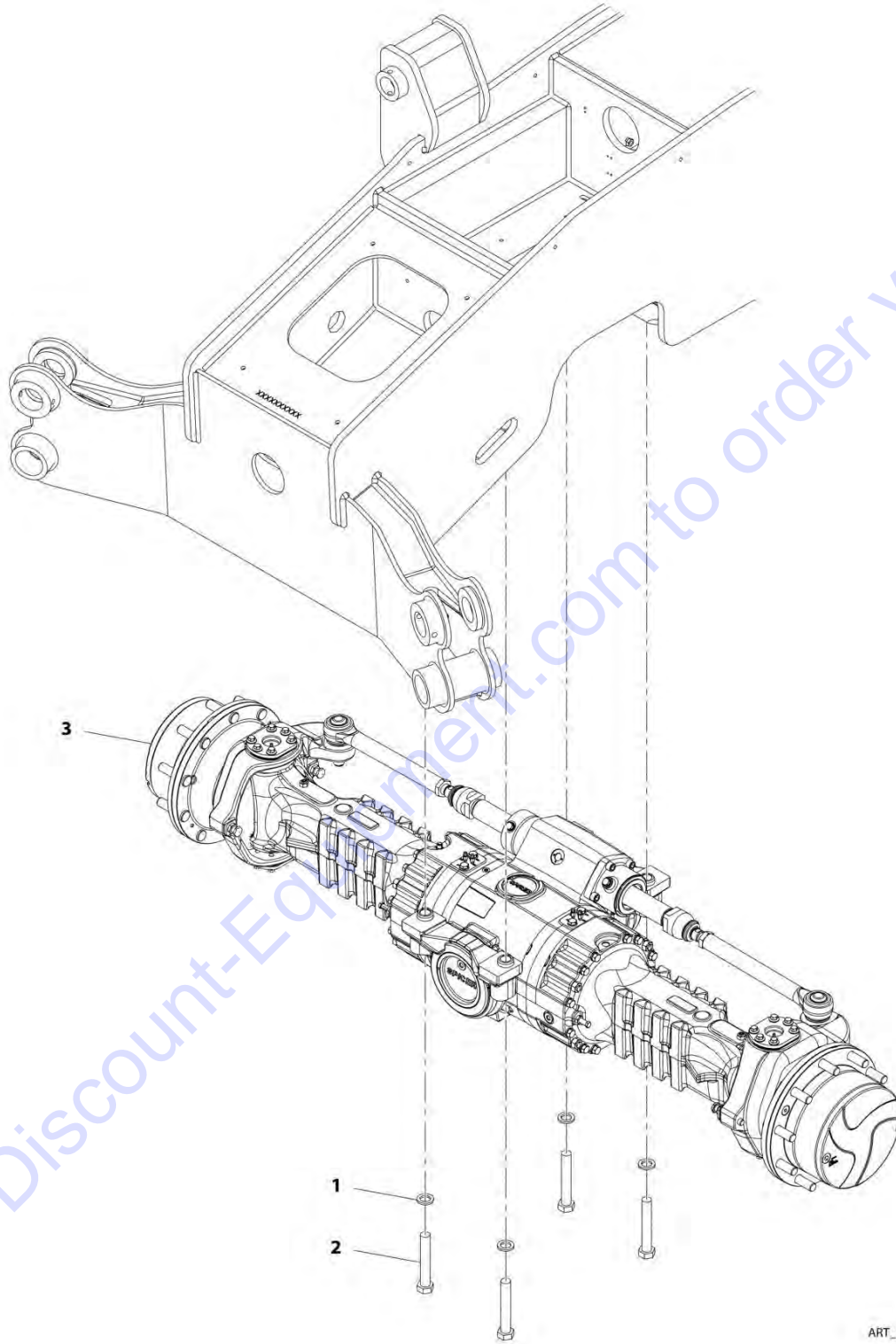
FIGURE 5-17. FRONT AXLE MOUNTING INSTALLATION, 74HP (943)

ITEM	PART NUMBER	QTY	DESCRIPTION	REV
	1001225273	Ref	Front Axle Mounting Installation, 74HP (943)	A
1	4892600	4	Washer	
2	1001097587	4	Bolt, M24-3X150	
3	1005198900	1	Axle, Front 74HP (943) (See Separate Breakdown in this Section)	

Go to Discount-Equipment.com to order your parts

SECTION 5 - DRIVE TRAIN

FIGURE 5-18. FRONT AXLE MOUNTING INSTALLATION (943, 1043)



ART_1001168784-C

SECTION 5 - DRIVE TRAIN

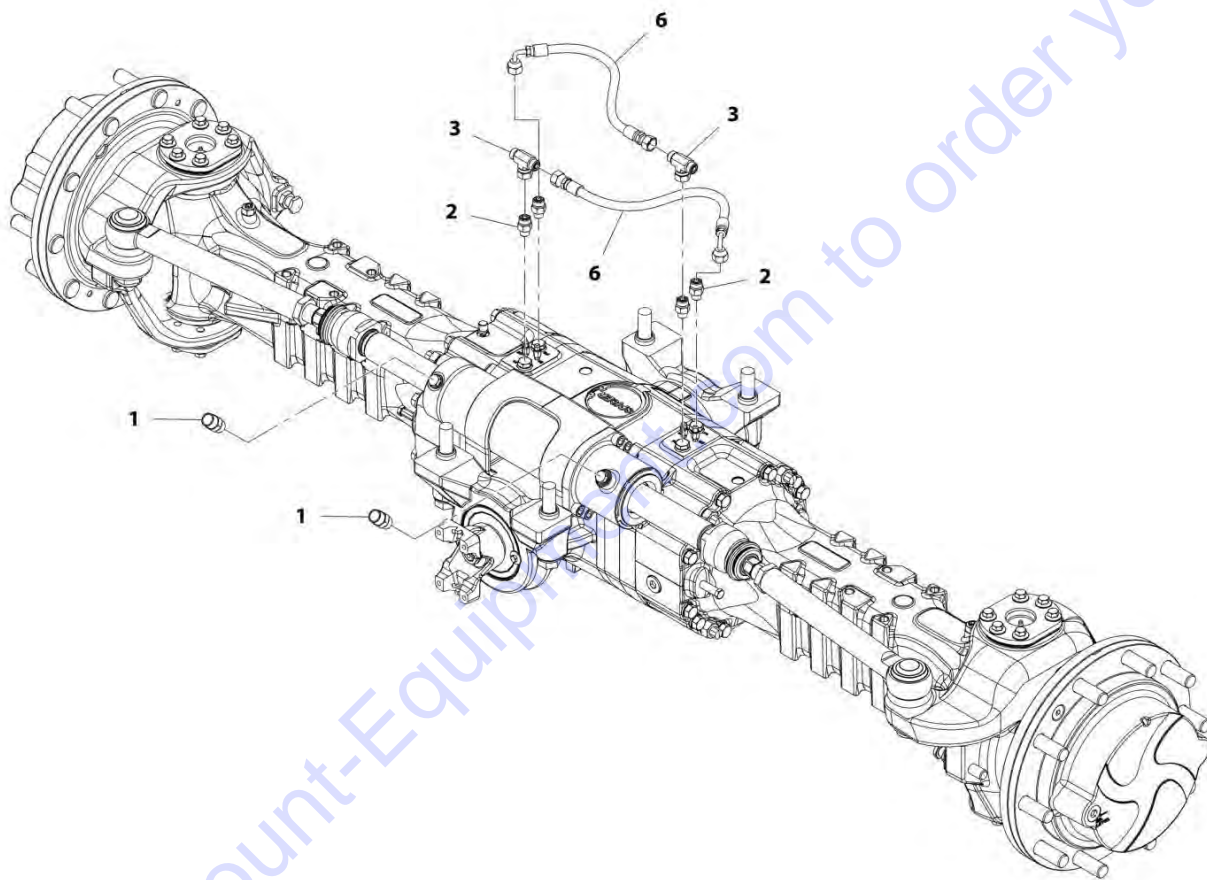
FIGURE 5-18. FRONT AXLE MOUNTING INSTALLATION (943, 1043)

ITEM	PART NUMBER	QTY	DESCRIPTION	REV
	1001168784	Ref	Front Axle Mounting Installation (943, 1043)	C
1	4892600	4	Washer	
2	1001097587	4	Bolt, M24-3X150	
3	1001165831	1	Axle, Front (943, 1043) (See FRONT AXLE (943, 1043) for Breakdown)	

Go to Discount-Equipment.com to order your parts

SECTION 5 - DRIVE TRAIN

FIGURE 5-19. FONT AXLE LINES INSTALLATION (642, 742)



ART_1001171860-D

SECTION 5 - DRIVE TRAIN

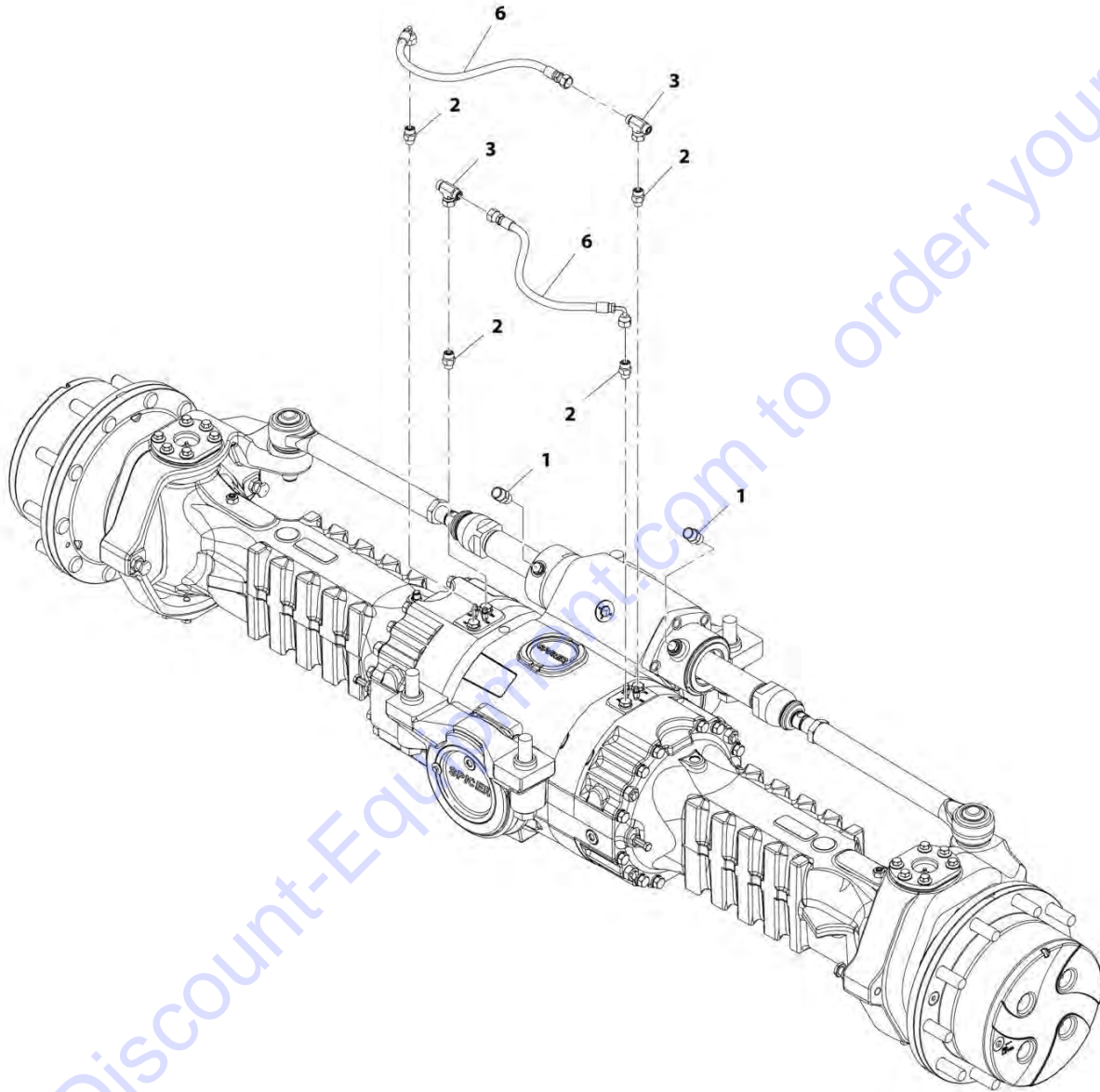
FIGURE 5-19. FONT AXLE LINES INSTALLATION (642, 742)

ITEM	PART NUMBER	QTY	DESCRIPTION	REV
	1001171860	Ref	Font Axle Lines Installation (642, 742)	D
1	2110808	2	Fitting, Straight ORFS	
2	2144605	4	Fitting, Straight ORFS	
3	2170806	2	Fitting, Tee ORFS	
6	1001139375	2	Hose	

Go to Discount-Equipment.com to order your parts

SECTION 5 - DRIVE TRAIN

FIGURE 5-20. FONT AXLE LINES INSTALLATION (943, 1043)



ART_1001161421-C

SECTION 5 - DRIVE TRAIN

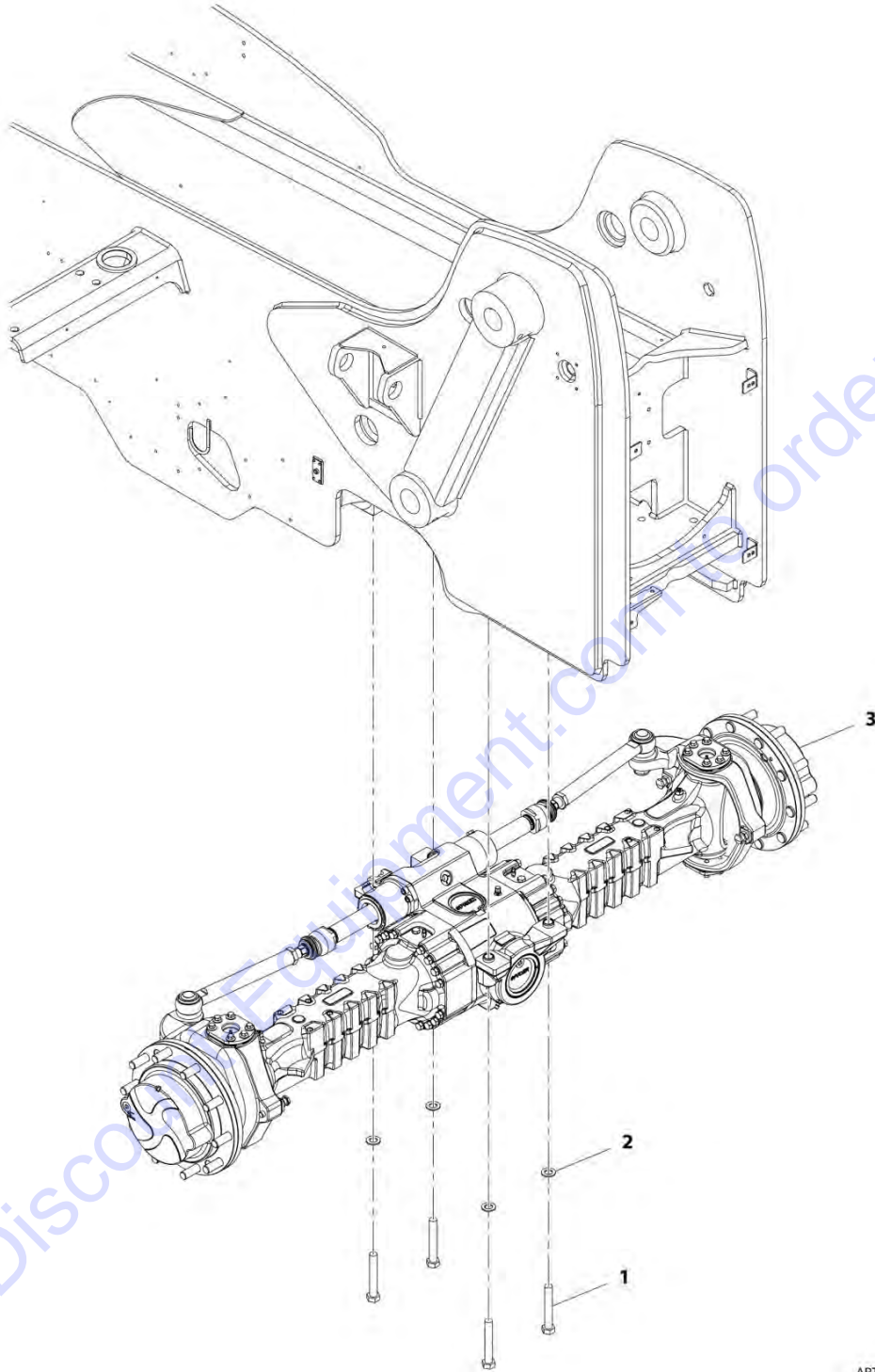
FIGURE 5-20. FONT AXLE LINES INSTALLATION (943, 1043)

ITEM	PART NUMBER	QTY	DESCRIPTION	REV
	1001161421	Ref	Font Axle Lines Installation (943, 1043)	C
1	2110808	2	Fitting, Straight ORFS	
2	2144605	4	Fitting, Straight ORFS	
3	2170806	2	Fitting, Tee ORFS	
6	1001097810	2	Hose	

Go to Discount-Equipment.com to order your parts

SECTION 5 - DRIVE TRAIN

FIGURE 5-21. REAR AXLE MOUNTING INSTALLATION (642, 742)



ART_1001168536-D

SECTION 5 - DRIVE TRAIN

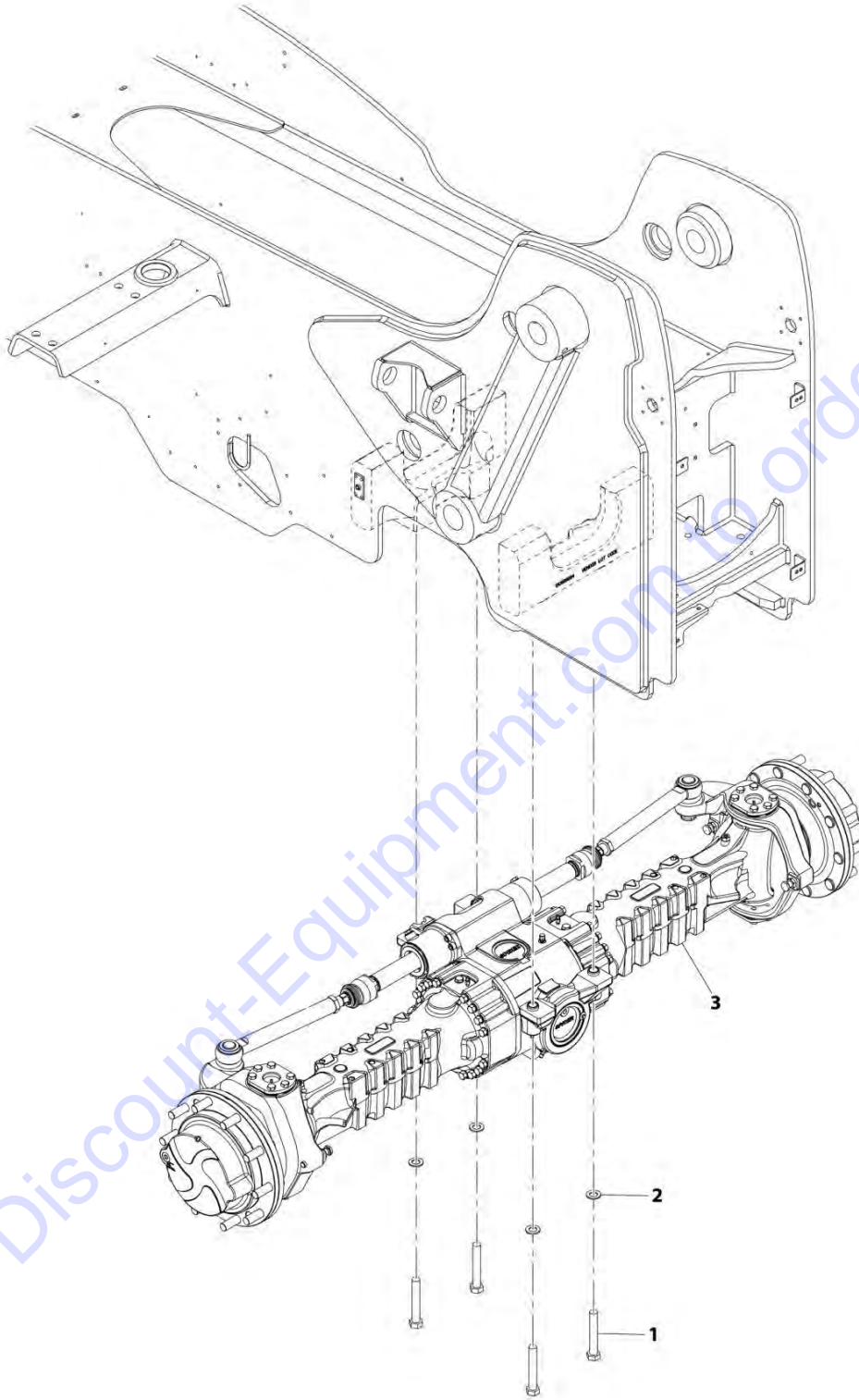
FIGURE 5-21. REAR AXLE MOUNTING INSTALLATION (642, 742)

ITEM	PART NUMBER	QTY	DESCRIPTION	REV
	1001168536	Ref	Rear Axle Mounting Installation (642, 742)	D
1	0712030	4	Bolt, M20X130	
2	8310620	4	Washer, M20	
3	1001165834	1	Axle, Rear (642) (See REAR AXLE (642, 742) for Breakdown)	

Go to Discount-Equipment.com to order your parts

SECTION 5 - DRIVE TRAIN

FIGURE 5-22. REAR AXLE MOUNTING INSTALLATION, 74HP (742)



ART_1001225281-A

SECTION 5 - DRIVE TRAIN

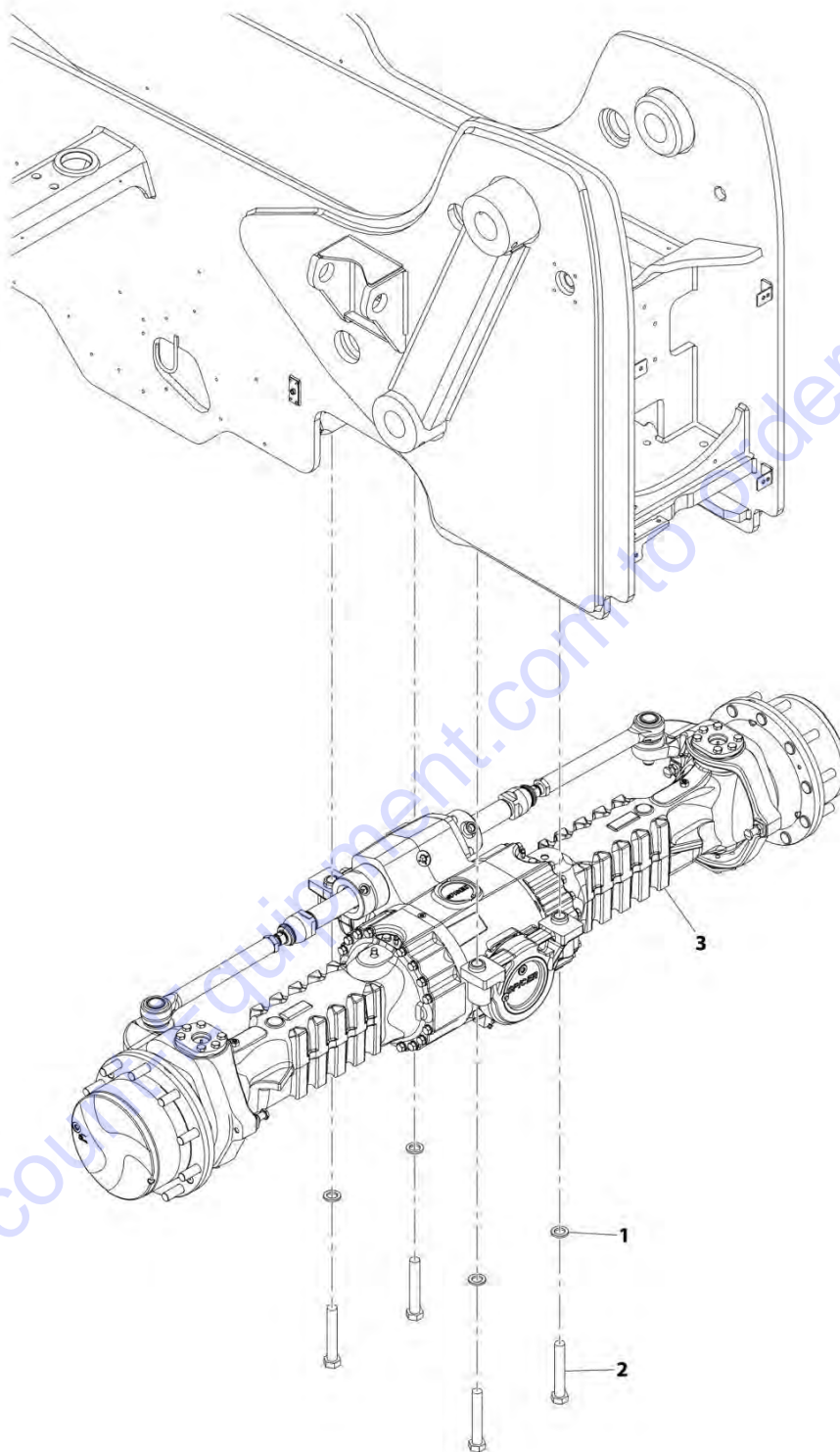
FIGURE 5-22. REAR AXLE MOUNTING INSTALLATION, 74HP (742)

ITEM	PART NUMBER	QTY	DESCRIPTION	REV
	1001225281	Ref	Rear Axle Mounting Installation, 74HP	A
1	0712030	4	Bolt, M20X130	
2	8310620	4	Washer	
3	1005183200	1	Axle, Rear 74HP (See Separate Breakdown in this Section)	

Go to Discount-Equipment.com to order your parts

SECTION 5 - DRIVE TRAIN

FIGURE 5-23. REAR AXLE MOUNTING INSTALLATION, 74HP (943)



ART_1001225271-A

SECTION 5 - DRIVE TRAIN

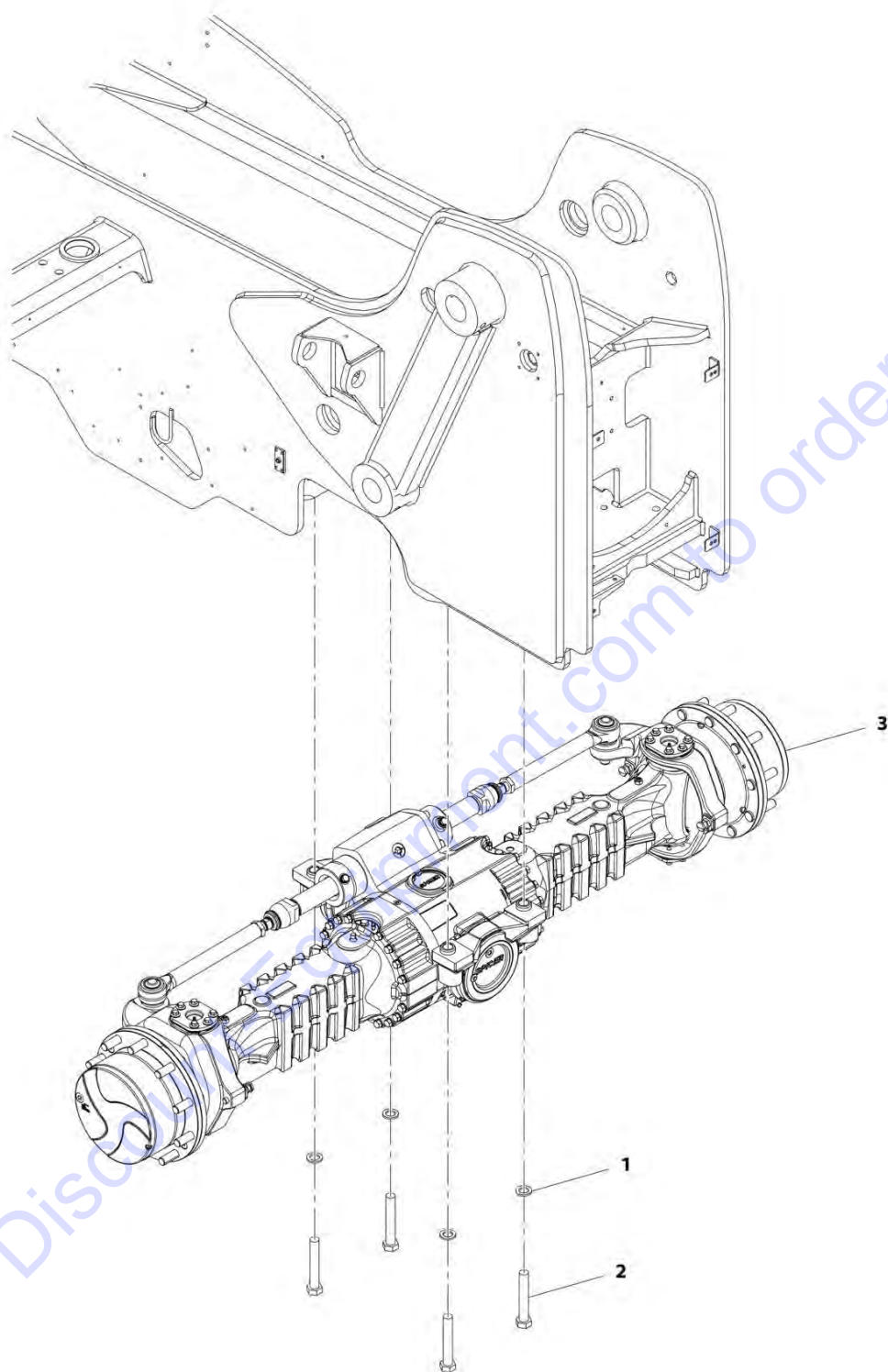
FIGURE 5-23. REAR AXLE MOUNTING INSTALLATION, 74HP (943)

ITEM	PART NUMBER	QTY	DESCRIPTION	REV
	1001225271	Ref	Rear Axle Mounting Installation, 74HP (943)	A
1	4892600	4	Washer	
2	1001097587	4	Bolt, M24X150	
3	1005207700	1	Axle, Rear, 74HP (943) (See Separate Breakdown in this Section)	

Go to Discount-Equipment.com to order your parts

SECTION 5 - DRIVE TRAIN

FIGURE 5-24. REAR AXLE MOUNTING INSTALLATION (943, 1043)



ART_1001168782-C

SECTION 5 - DRIVE TRAIN

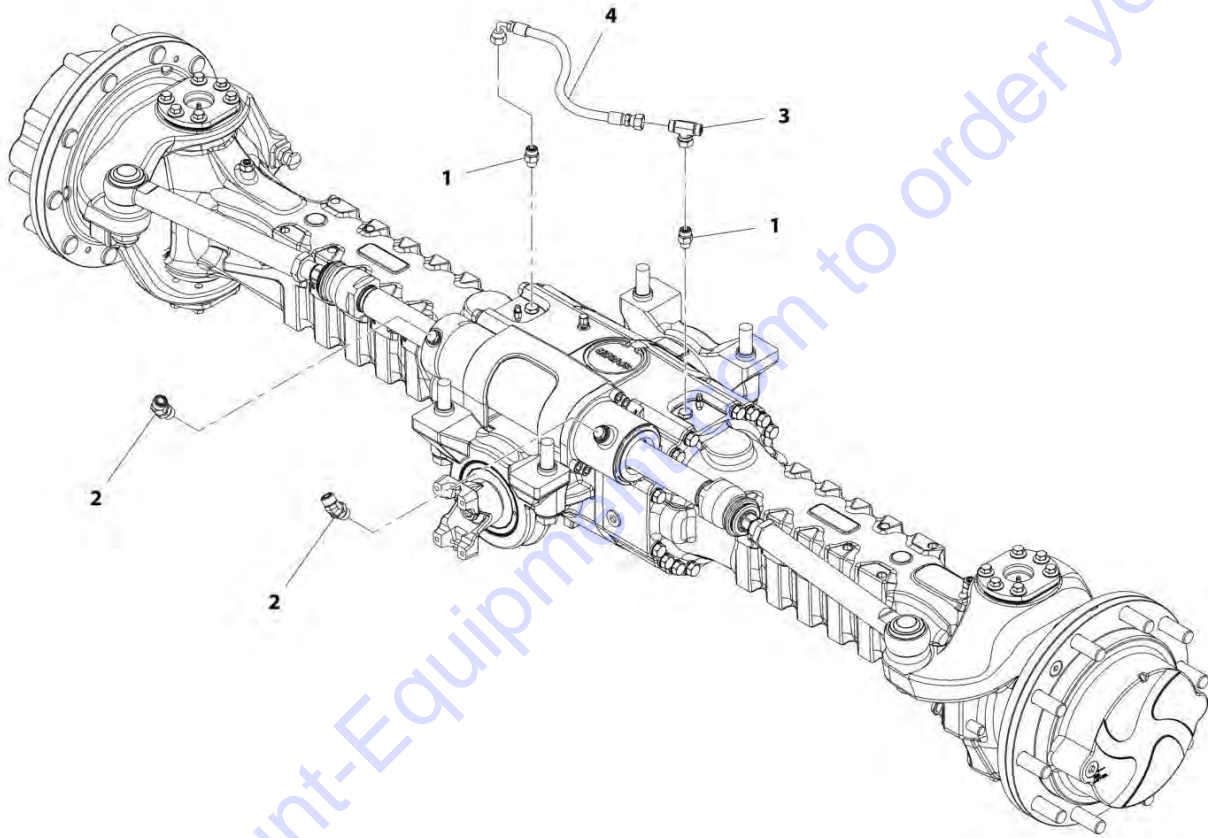
FIGURE 5-24. REAR AXLE MOUNTING INSTALLATION (943, 1043)

ITEM	PART NUMBER	QTY	DESCRIPTION	REV
	1001168782	Ref	Rear Axle Mounting Installation (943, 1043)	C
1	4892600	4	Washer	
2	1001097587	4	Bolt, M24X150	
3	1001165832	1	Axle, Rear (943, 1043) (See REAR AXLE (943, 1043) for Breakdown)	

Go to Discount-Equipment.com to order your parts

SECTION 5 - DRIVE TRAIN

FIGURE 5-25. REAR AXLE LINES INSTALLATION (642, 742)



ART_1001171863-D

SECTION 5 - DRIVE TRAIN

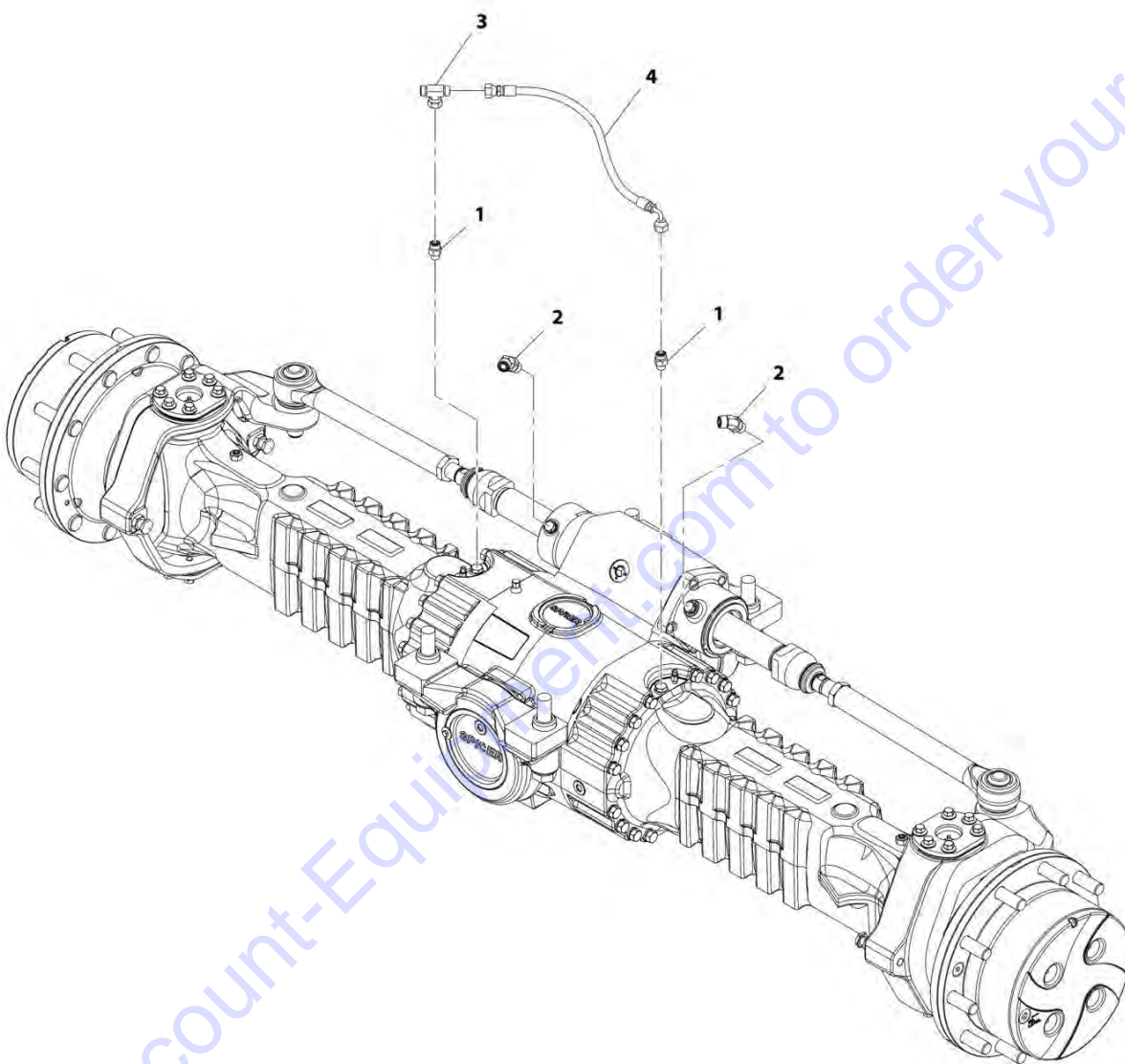
FIGURE 5-25. REAR AXLE LINES INSTALLATION (642, 742)

ITEM	PART NUMBER	QTY	DESCRIPTION	REV
	1001171863	Ref	Rear Axle Lines Installation (642, 742)	D
1	2144605	2	Fitting, Straight ORFS	
2	1250808	2	Fitting, 45 ORFS	
3	2170806	1	Fitting, Tee ORFS	
4	1001139375	1	Hose	

Go to Discount-Equipment.com to order your parts

SECTION 5 - DRIVE TRAIN

FIGURE 5-26. REAR AXLE LINES INSTALLATION (943, 1043)



ART_1001161424-C

SECTION 5 - DRIVE TRAIN

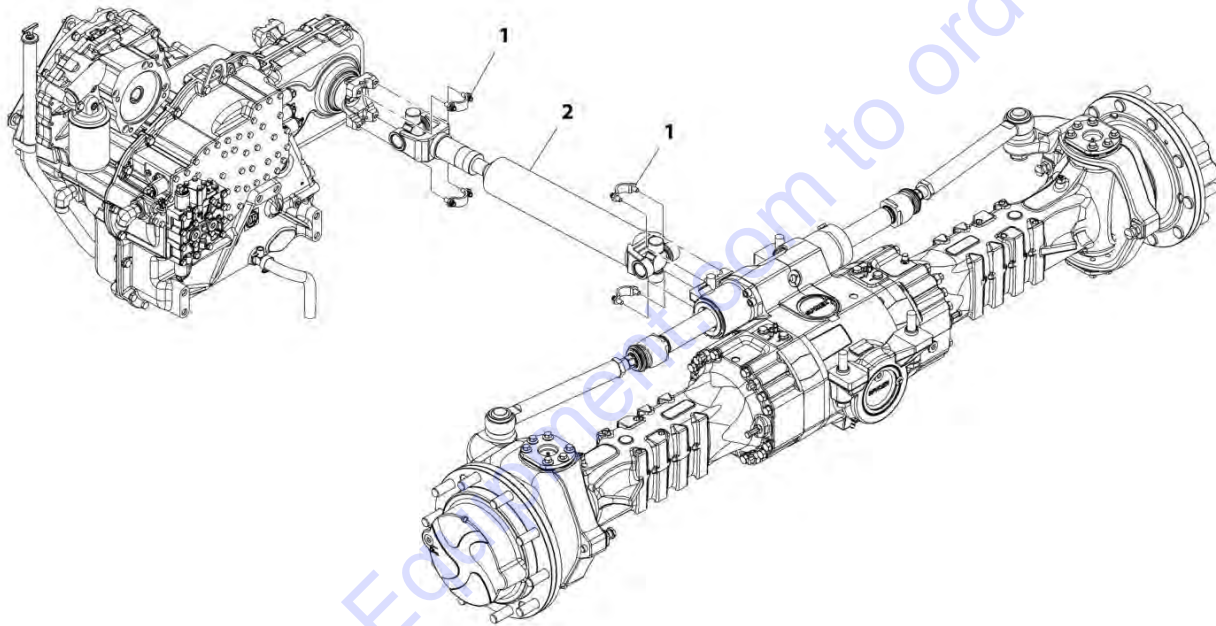
FIGURE 5-26. REAR AXLE LINES INSTALLATION (943, 1043)

ITEM	PART NUMBER	QTY	DESCRIPTION	REV
	1001161424	Ref	Rear Axle Lines Installation (943, 1043)	C
1	2144605	2	Fitting, Straight ORFS	
2	2150808	2	Fitting, 45 ORFS	
3	2170806	1	Fitting, Tee ORFS	
4	1001102509	1	Hose	

Go to Discount-Equipment.com to order your parts

SECTION 5 - DRIVE TRAIN

FIGURE 5-27. FRONT DRIVE SHAFT INSTALLATION (642, 742)



ART_1001172836-B

SECTION 5 - DRIVE TRAIN

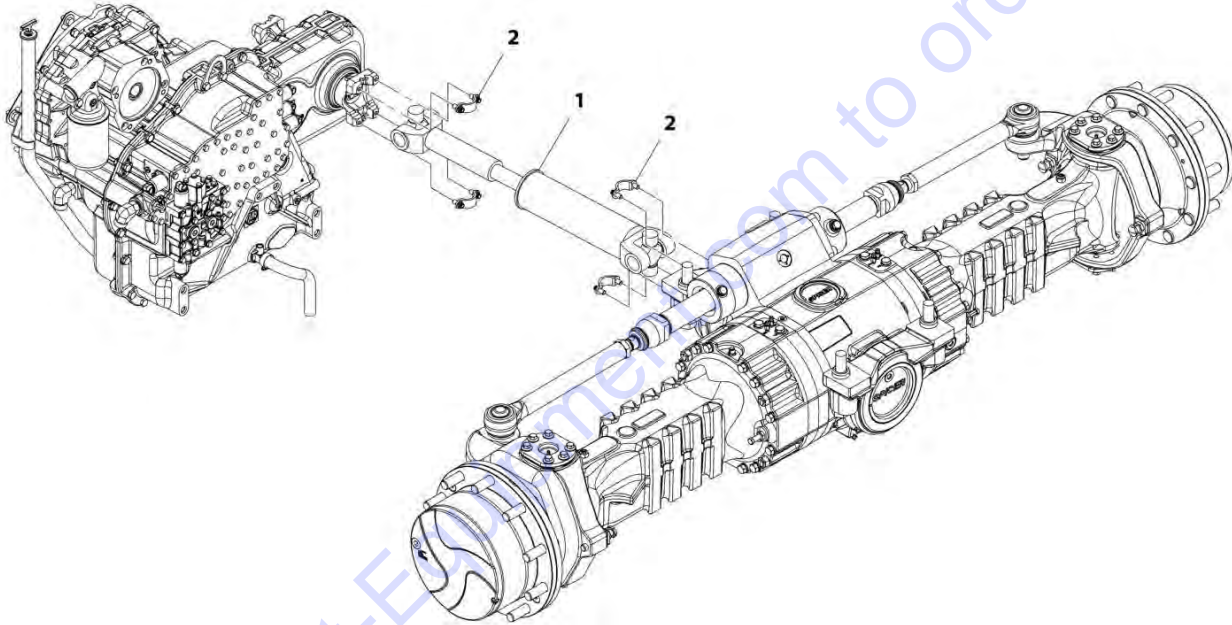
FIGURE 5-27. FRONT DRIVE SHAFT INSTALLATION (642, 742)

ITEM	PART NUMBER	QTY	DESCRIPTION	REV
	1001172836	Ref	Front Drive Shaft Installation (642, 742)	B
1	8880218-OM	2	Kit, Strap	
2	91473151	1	Drive Shaft, Front (642, 742)	

Go to Discount-Equipment.com to order your parts

SECTION 5 - DRIVE TRAIN

FIGURE 5-28. FRONT DRIVE SHAFT INSTALLATION (943, 1043)



ART_1001172954-A

SECTION 5 - DRIVE TRAIN

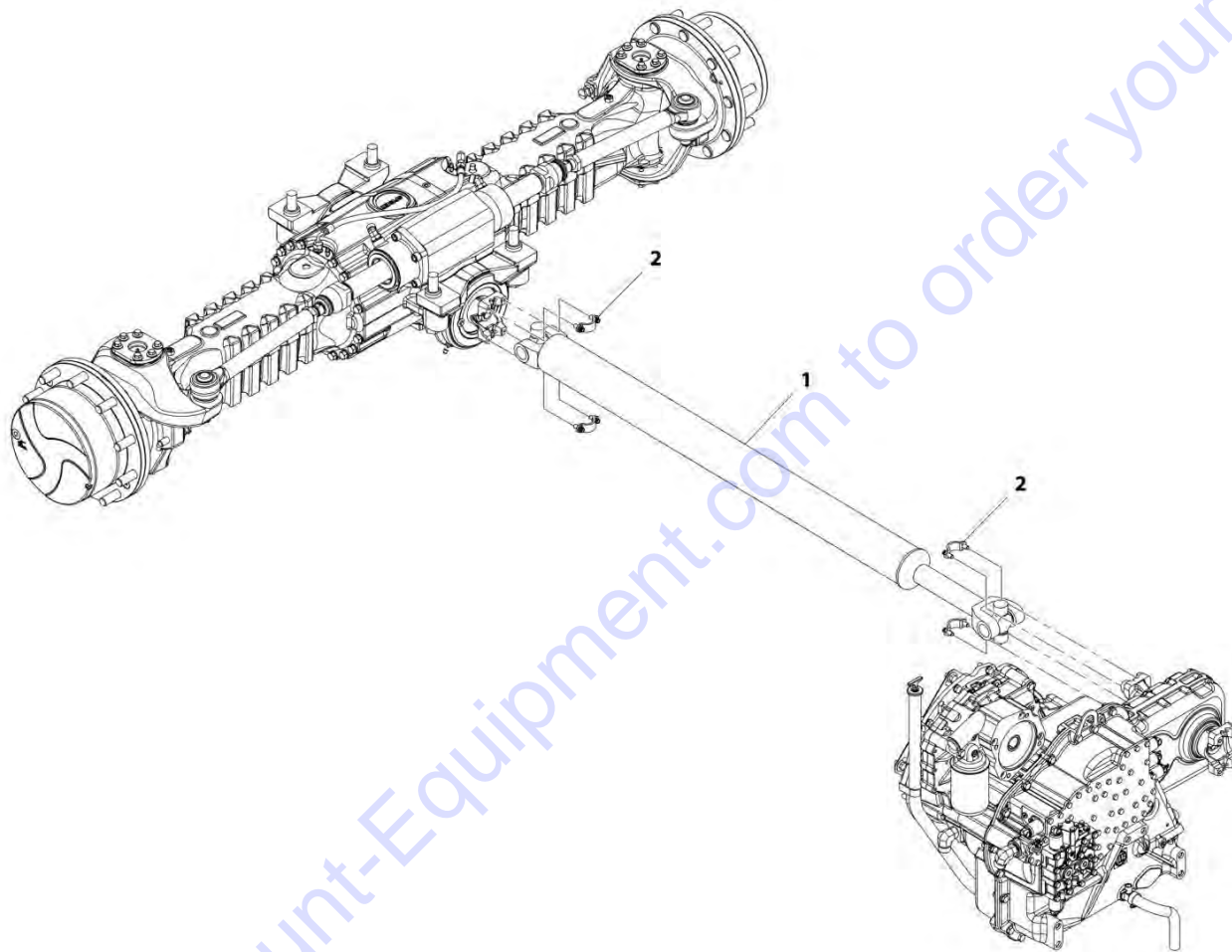
FIGURE 5-28. FRONT DRIVE SHAFT INSTALLATION (943, 1043)

ITEM	PART NUMBER	QTY	DESCRIPTION	REV
	1001172954	Ref	Front Drive Shaft Installation (943, 1043)	A
1	7150580	1	Drive Shaft, Front (943, 1043)	
2	8880218-OM	2	Kit, Strap	

Go to Discount-Equipment.com to order your parts

SECTION 5 - DRIVE TRAIN

FIGURE 5-29. REAR DRIVE SHAFT INSTALLATION



ART_1001169351-A

SECTION 5 - DRIVE TRAIN

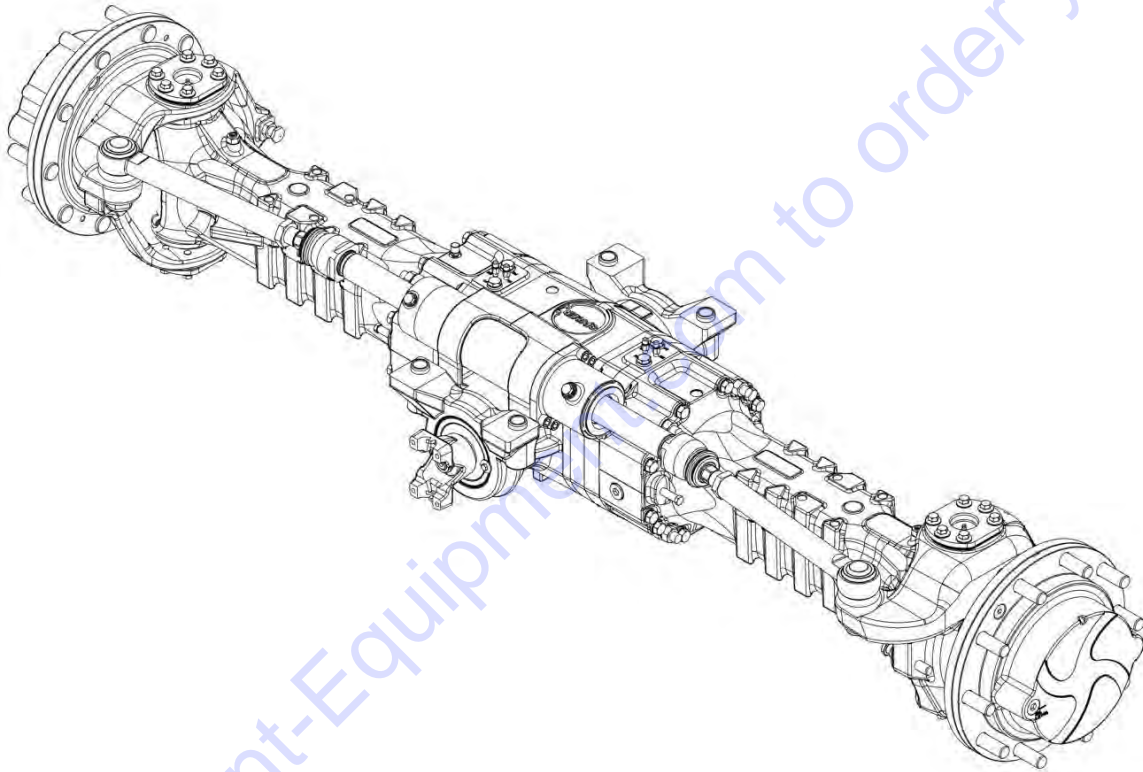
FIGURE 5-29. REAR DRIVE SHAFT INSTALLATION

ITEM	PART NUMBER	QTY	DESCRIPTION	REV
	1001169351	Ref	Rear Drive Shaft Installation	A
1	1001170616	1	Drive Shaft, Rear	
2	8880218-OM	2	Kit, Strap	

Go to Discount-Equipment.com to order your parts

SECTION 5 - DRIVE TRAIN

FIGURE 5-30. FRONT AXLE (642, 742)



ART_1001165833-F

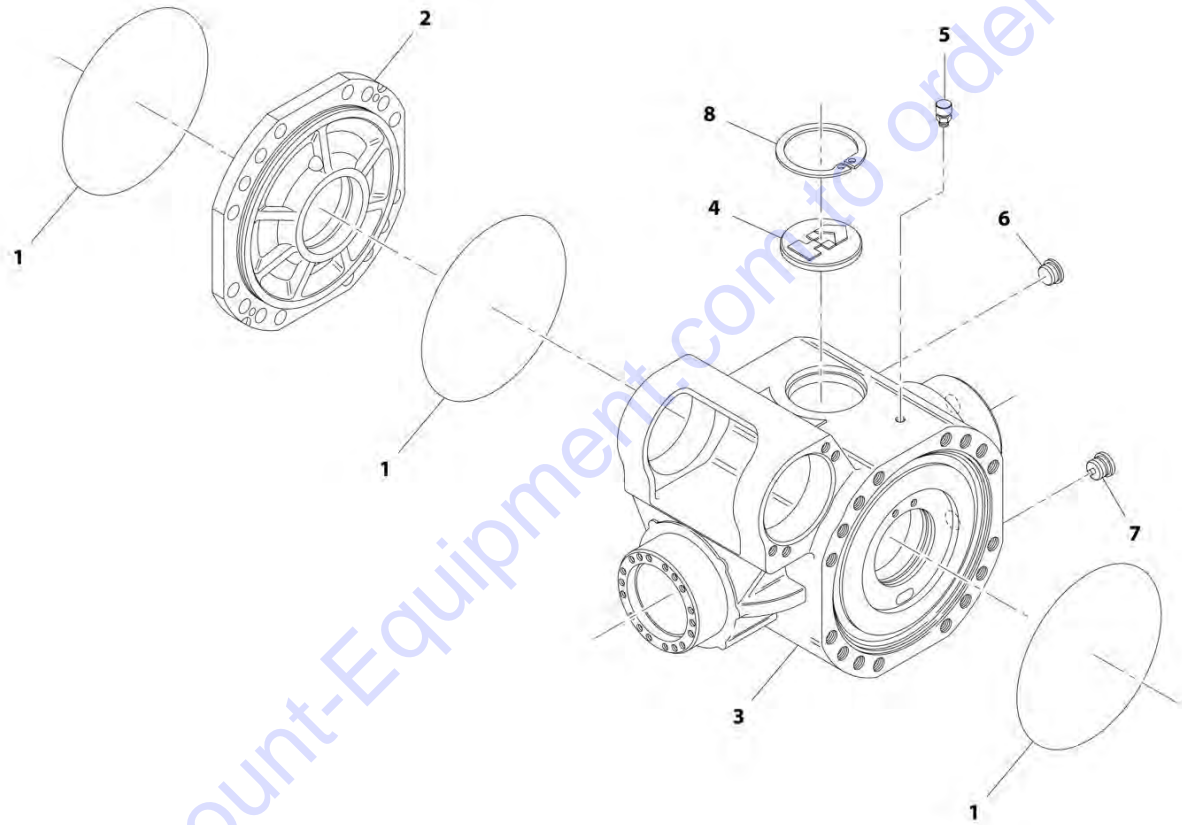
SECTION 5 - DRIVE TRAIN

FIGURE 5-30. FRONT AXLE (642, 742)

ITEM	PART NUMBER	QTY	DESCRIPTION	REV
	1001165833	Ref	Front Axle (642, 742)	F
		Ref	Front Axle, Central Housing (642, 742) (See CENTRAL HOUSING (642, 743) for Breakdown)	
		Ref	Front Axle, Differential (642, 742) (See DIFFERENTIAL (642, 742) for Breakdown)	
		Ref	Front Axle, Hub Reduction (642, 742) (See HUB REDUCTION (642, 742) for Breakdown)	
		Ref	Front Axle, Brakes (642, 742) (See BRAKES (642, 742) for Breakdown)	
		Ref	Front Axle, Steering (642, 742) (See STEERING (642, 742) for Breakdown)	
		Ref	Front Axle, Trunion (642, 742) (See TRUNION (642, 742) for Breakdown)	

SECTION 5 - DRIVE TRAIN

FIGURE 5-31. FRONT AXLE, CENTRAL HOUSING (642, 742)



ART_1001165833_1-F

SECTION 5 - DRIVE TRAIN

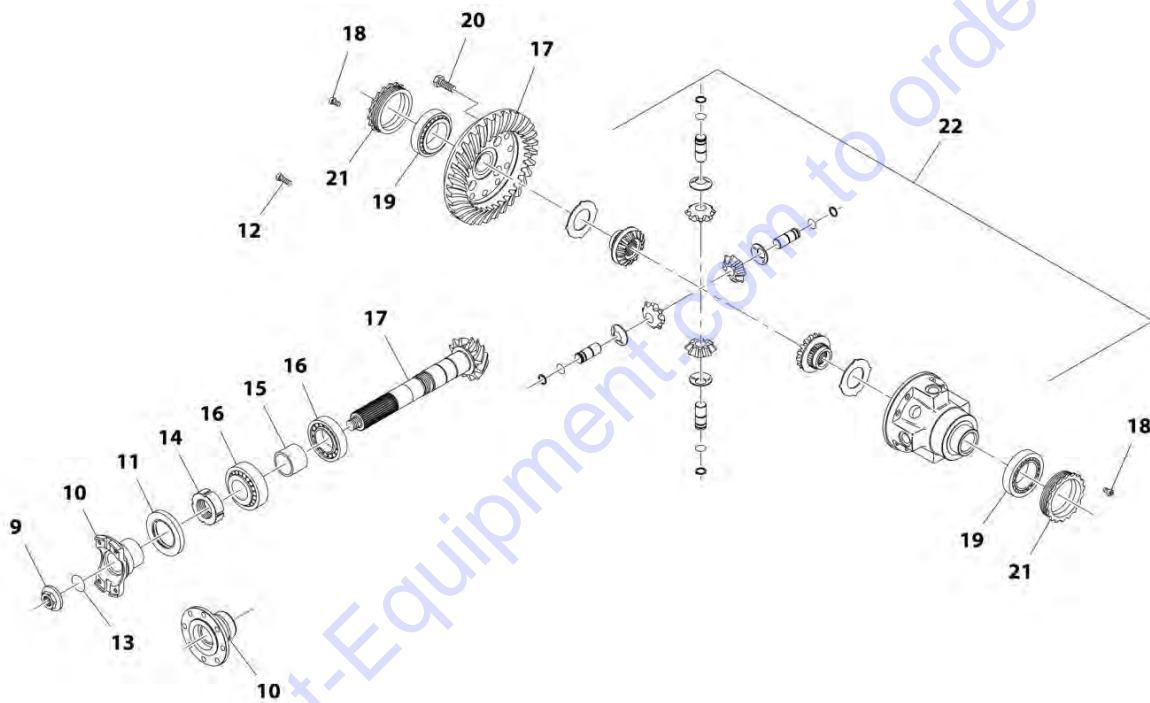
FIGURE 5-31. FRONT AXLE, CENTRAL HOUSING (642, 742)

ITEM	PART NUMBER	QTY	DESCRIPTION	REV
1	91474507	3	O-Ring	
2	70024872	1	Cover	
3	70026749	1	Housing	
4	91514098	1	Plug	
5	91474512	1	Vent	
6	91514188	1	Plug	
7	91474513	1	Plug, Magnet	
8	80204005	1	Circlip	

Go to Discount-Equipment.com to order your parts

SECTION 5 - DRIVE TRAIN

FIGURE 5-32. FRONT AXLE, DIFFERENTIAL (642, 742)



ART_1001165833_2-F

SECTION 5 - DRIVE TRAIN

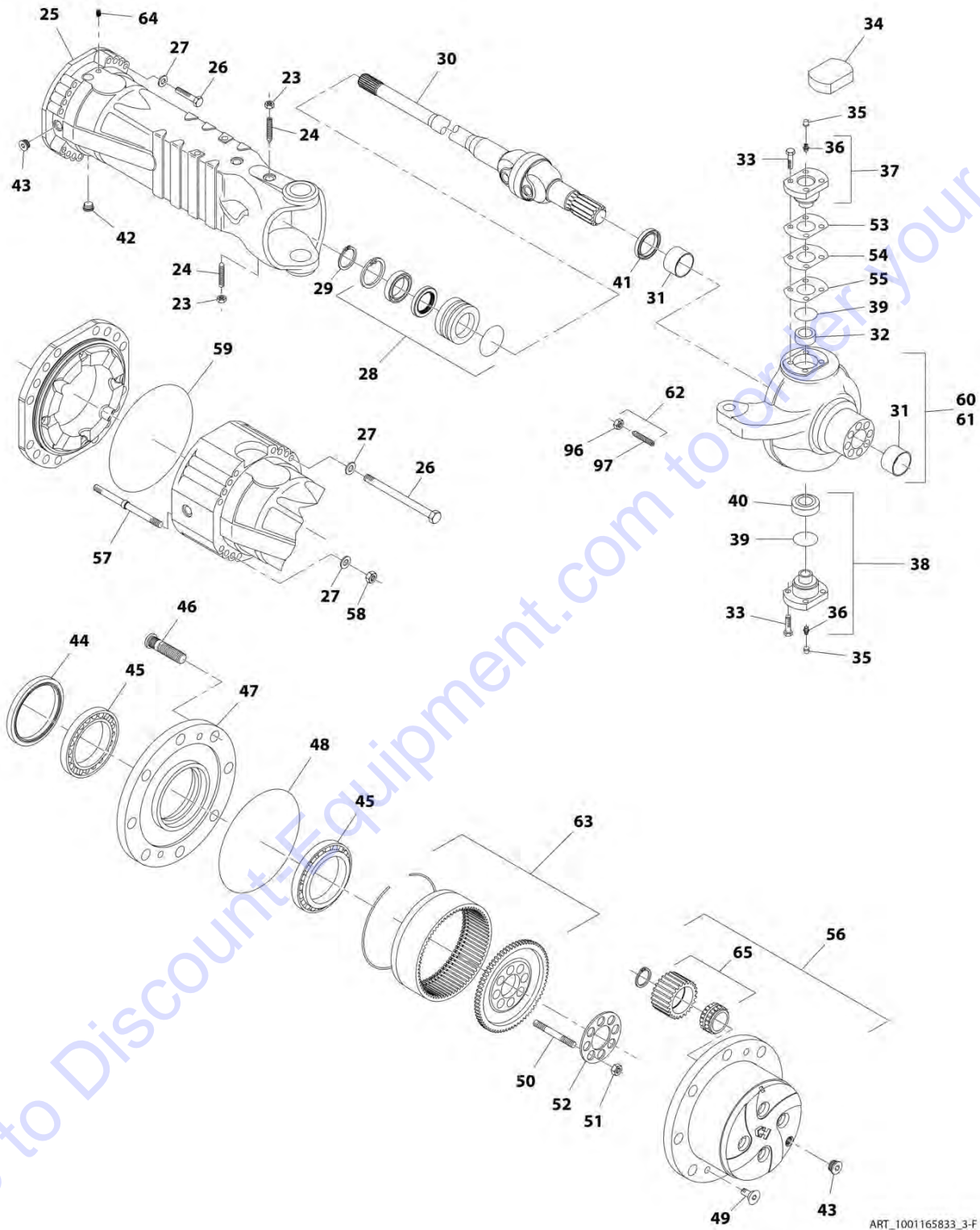
FIGURE 5-32. FRONT AXLE, DIFFERENTIAL (642, 742)

ITEM	PART NUMBER	QTY	DESCRIPTION	REV
9	70026631	1	Nut	
10	70022797	1	Flange	
11	70024522	1	Seal	
12	91474591	4	Bolt	
13	91474529	1	O-Ring	
14	91474533	1	Nut, Ring	
15	91474539	1	Spacer	
16	3968141	2	Bearing, Taper Roller	
17	8007749	1	Bevel Gear Set	
18	91514134	2	Bolt	
19	70026031	2	Bearing, Taper Roller	
20	91514123	12	Bolt	
21	91474547	2	Nut, Ring	
22	7028710	1	Differential (642, 742) (See DIFFERENTIAL (642, 742) for Breakdown)	

Go to Discount-Equipment.com to order your parts

SECTION 5 - DRIVE TRAIN

FIGURE 5-33. FRONT AXLE, HUB REDUCTION (642, 742)



ART_1001165833_3-F

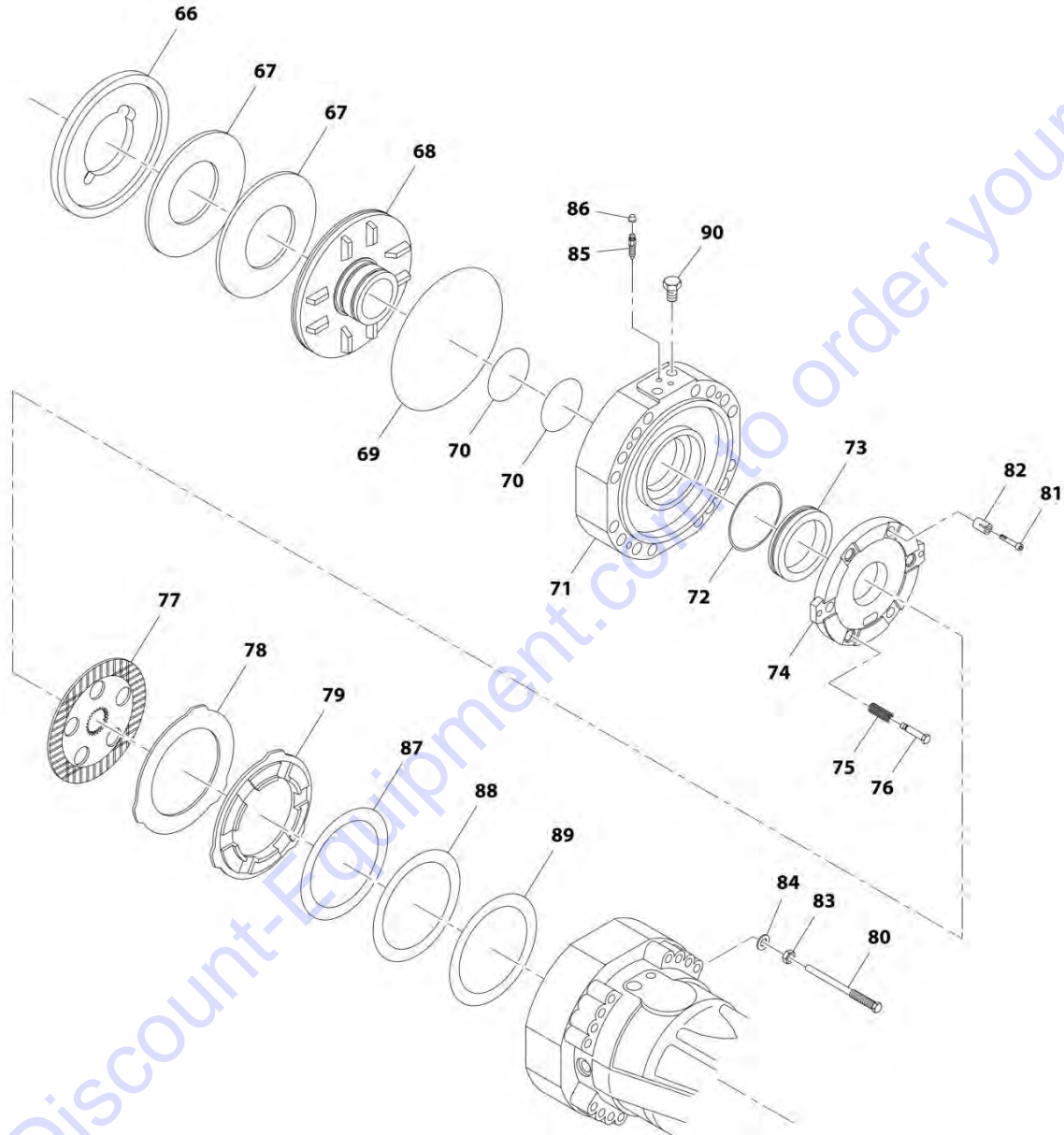
SECTION 5 - DRIVE TRAIN

FIGURE 5-33. FRONT AXLE, HUB REDUCTION (642, 742)

ITEM	PART NUMBER	QTY	DESCRIPTION	REV
23	91514082	2	Nut	
24	91514081	2	Bolt	
25	70025011	2	Case, Axle	
26	70025012	24	Bolt	
27	91514084	8	Washer	
28	91514149	2	Bushing, Reduction (See REDUCTION BUSHING (642, 742) for Breakdown)	
29	80204071	2	Circlip	
30	70026624	2	Joint, Double Universal	
31	91514111	2	Bushing, Thrust	
32	7028714	2	Bushing	
33	70025562	24	Bolt	
34	91474524	2	Cover	
35	80204117	2	Plug	
36	91514099	4	Fitting, Grease	
37	91514112	2	Pin, Pivot	
38	7028715	2	Pin, Pivot	
39	7028716	4	Seal, Dust	
40	91514095	2	Bearing	
41	70026238	2	Seal	
42	91474513	2	Plug	
43	91514188	4	Plug	
44	7028721	2	Seal	
45	91474576	4	Bearing	
46	91514183	20	Stud, Wheel	
47	7029737	2	Hub, Wheel	
48	91474507	2	O-Ring	
49	91514189	4	Bolt	
50	91474583	16	Stud	
51	91474584	16	Nut	
52	70026622	2	Plate, Locking	
53	91514113	2	Shim	
54	91514114	2	Shim	
55	91514115	2	Shim	
56	7029431	2	Planet Gear Carrier (642, 742) (See PLANET GEAR CARRIER (642, 742) for Breakdown)	
57	70025014	8	Stud	
58	91514083	8	Nut	
59	91514181	2	O-Ring	
60	70026626	1	Case, Steering	
61	70026627	1	Case, Steering	
62	7028733	4	Bolt, Steering Adjust (642, 742) (includes items 45 & 46)	
63	70026625	2	Kit, Ring Gear Support (See RING GEAR SUPPORT (642, 742) for Breakdown)	
64	80204012	2	Plug	
65	70023900	8	Kit, Planet Gear	
96	91514117	4	Bolt	
97	80204065	4	Nut	

SECTION 5 - DRIVE TRAIN

FIGURE 5-34. FRONT AXLE, BRAKES (642, 742)



ART_1001165833_4-F

SECTION 5 - DRIVE TRAIN

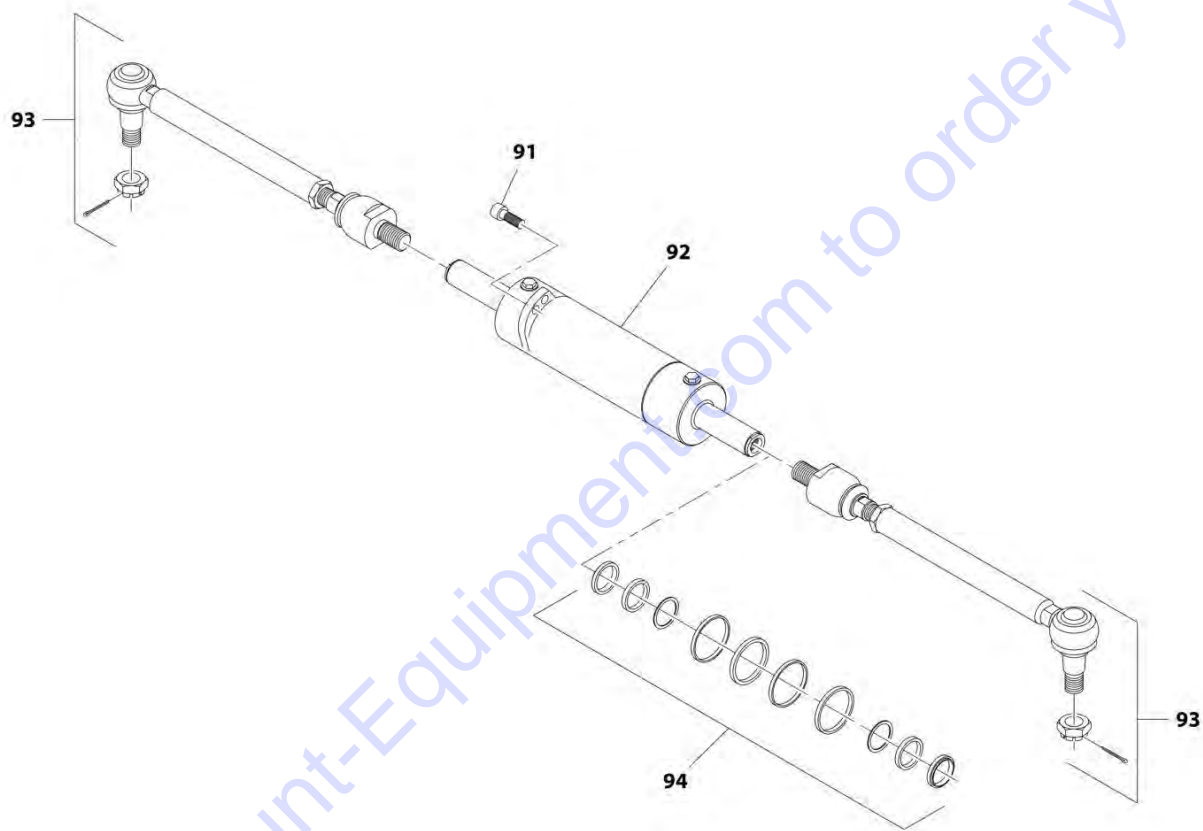
FIGURE 5-34. FRONT AXLE, BRAKES (642, 742)

ITEM	PART NUMBER	QTY	DESCRIPTION	REV
66	7028734	1	Spacer	
67	91474559	4	Spring	
68	91474560	2	Piston	
69	91474561	2	O-Ring	
70	70026262	4	Seal	
71	7028735	2	Cover	
72	70026623	2	Seal	
73	91474564	2	Piston	
74	91474565	2	Disc, Intermediate Brake	
75	91514159	6	Spring	
76	70024210	6	Bolt	
77	91474568	8	Disc	
78	70025823	8	Disc, Intermediate Brake	
79	91474570	2	Spacer	
80	70024213	4	Bolt, M12X122.5	
81	7029788	6	Bolt	
82	91514165	6	Spring	
83	80204060	4	Nut	
84	80204108	4	Washer, Lock	
85	80204281	4	Bolt	
86	80204117	4	Plug	
87	91474571	2	Shim	
88	91474572	2	Shim	
89	91474573	2	Shim	
90	91514154	4	Bolt	

Go to Discount-Equipment.com to order your parts

SECTION 5 - DRIVE TRAIN

FIGURE 5-35. FRONT AXLE, STEERING (642, 742)



ART_1001165833_5-F

SECTION 5 - DRIVE TRAIN

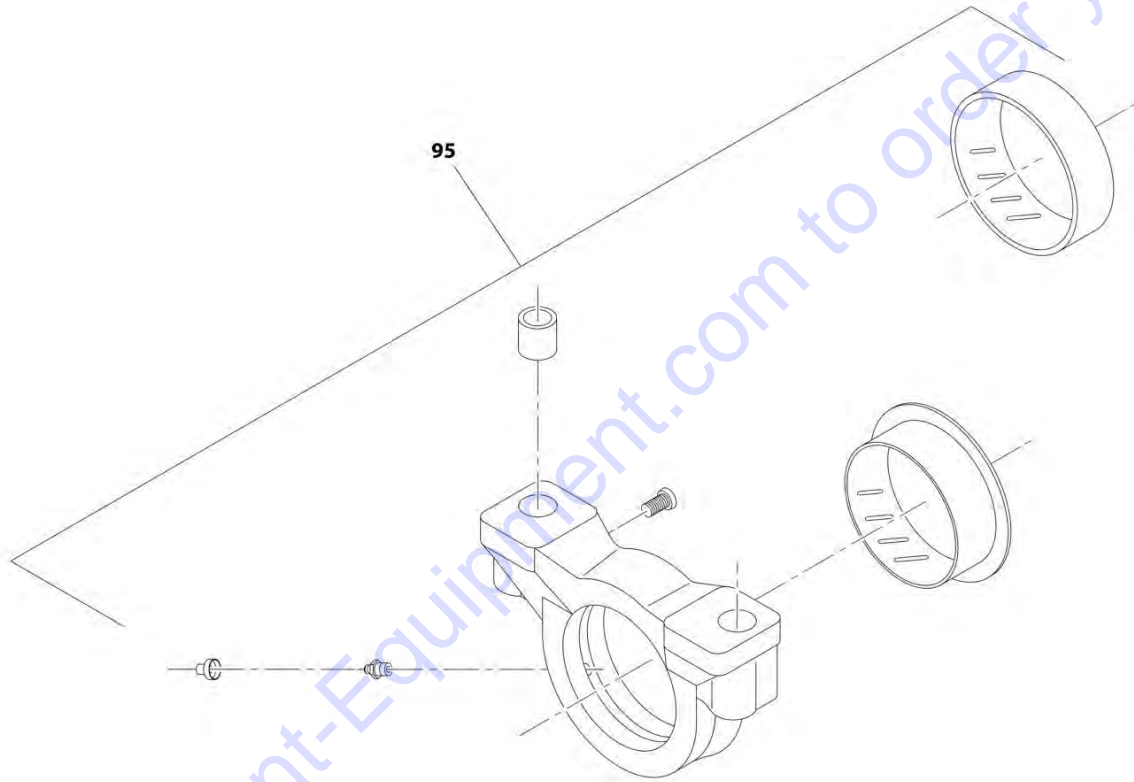
FIGURE 5-35. FRONT AXLE, STEERING (642, 742)

ITEM	PART NUMBER	QTY	DESCRIPTION	REV
91	91474522	4	Bolt	
92	7029528	1	Cylinder	
93	70026799	2	Rod, Tie	
94	7029529	1	Kit, Seal	

Go to Discount-Equipment.com to order your parts

SECTION 5 - DRIVE TRAIN

FIGURE 5-36. FRONT AXLE, TRUNION (642, 742)



ART_1001165833_6-F

SECTION 5 - DRIVE TRAIN

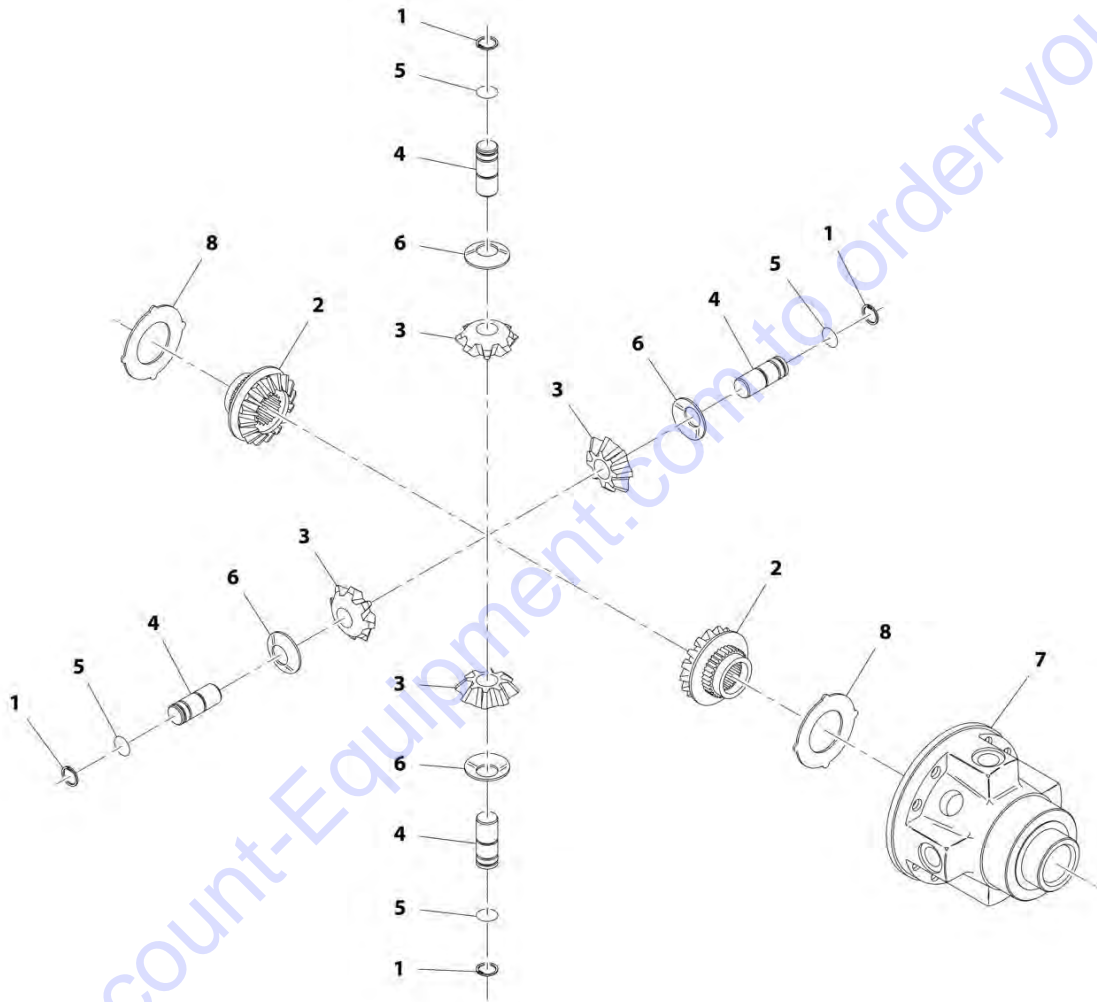
FIGURE 5-36. FRONT AXLE, TRUNION (642, 742)

ITEM	PART NUMBER	QTY	DESCRIPTION	REV
95	70026630	2	Trunion (642, 742) (See TRUNION KIT (642, 742) for Breakdown)	

Go to Discount-Equipment.com to order your parts

SECTION 5 - DRIVE TRAIN

FIGURE 5-37. FRONT AXLE, DIFFERENTIAL (642, 742)



ART_1001165833_7-F

SECTION 5 - DRIVE TRAIN

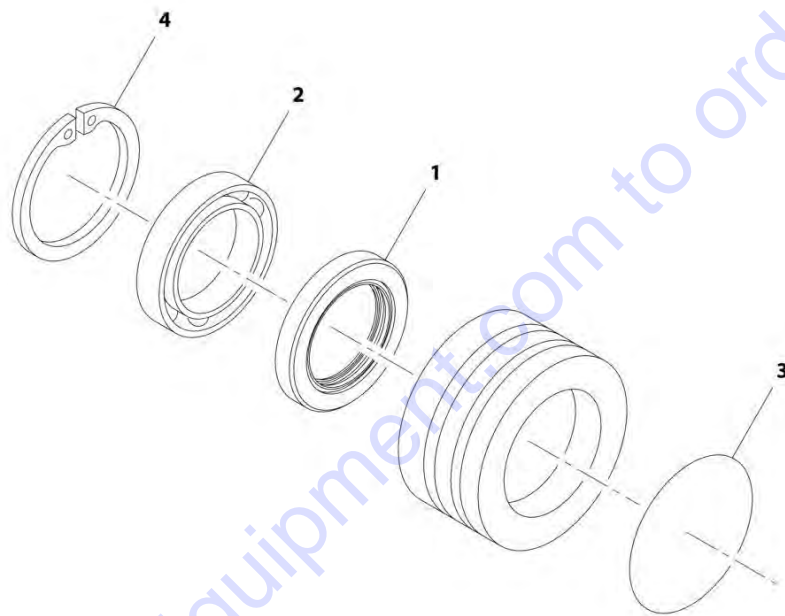
FIGURE 5-37. FRONT AXLE, DIFFERENTIAL (642, 742)

ITEM	PART NUMBER	QTY	DESCRIPTION	REV
	7028710	Ref	Differential (642, 742)	
1	91474550	4	Circlip	
2	91474549	2	Gear, Differential Side	
3	7029129	4	Pinion, Differential	
4	7029131	4	Pin	
5	91474551	4	Circlip	
6	91474553	4	Washer, Friction	
7	8007751	1	Carrier, Differential	
8	8007755	1	Disc	

Go to Discount-Equipment.com to order your parts

SECTION 5 - DRIVE TRAIN

FIGURE 5-38. FRONT AXLE, REDUCTION BUSHING (642, 742)



ART_1001165833_8-F

SECTION 5 - DRIVE TRAIN

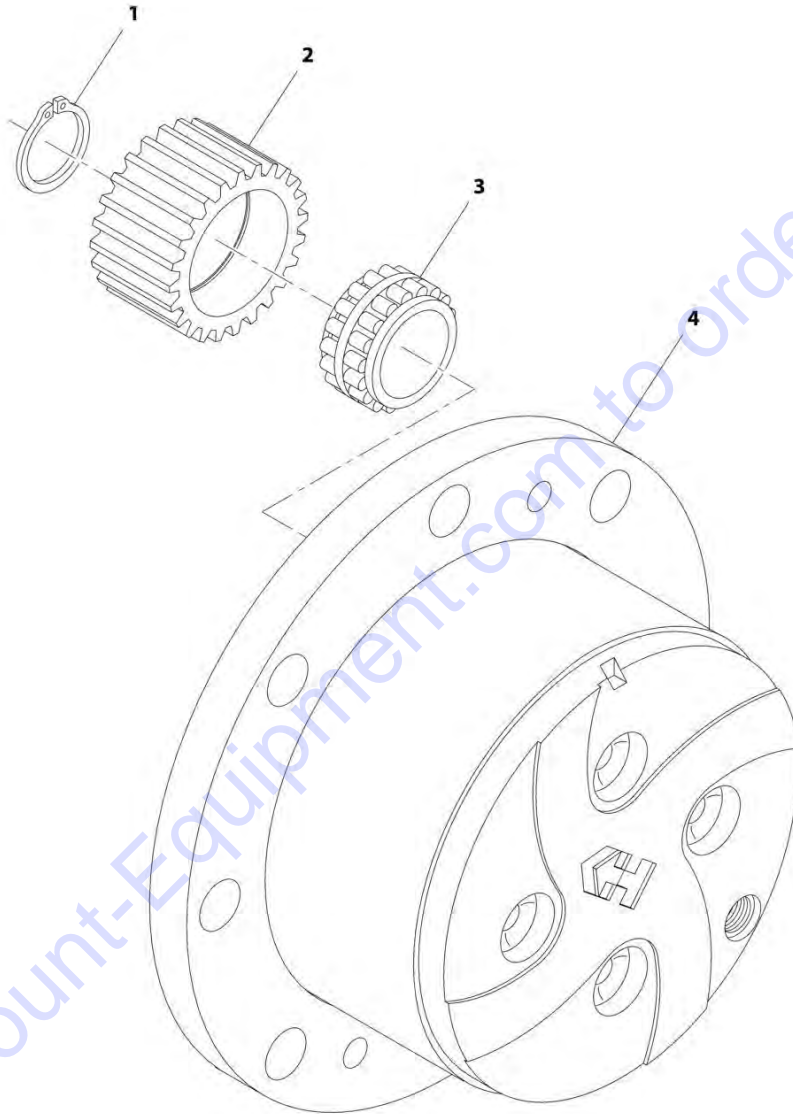
FIGURE 5-38. FRONT AXLE, REDUCTION BUSHING (642, 742)

ITEM	PART NUMBER	QTY	DESCRIPTION	REV
	91514149	Ref	Reduction Bushing (642, 742)	
1	91514147	1	Seal	
2	91514146	1	Bearing, Ball	
3	91514148	1	O-Ring	
4	80204005	1	Circlip	

Go to Discount-Equipment.com to order your parts

SECTION 5 - DRIVE TRAIN

FIGURE 5-39. FRONT AXLE, PLANET GEAR CARRIER (642, 742)



ART_1001165833_9-F

SECTION 5 - DRIVE TRAIN

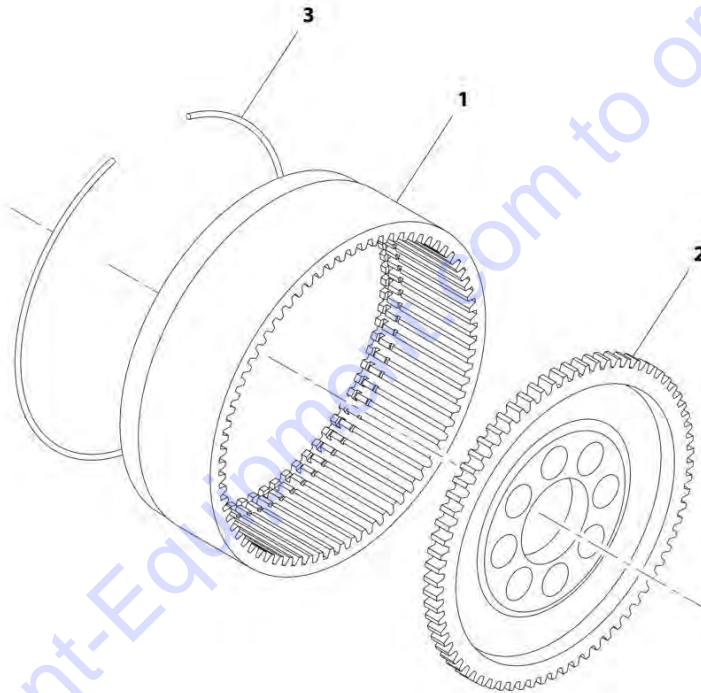
FIGURE 5-39. FRONT AXLE, PLANET GEAR CARRIER (642, 742)

ITEM	PART NUMBER	QTY	DESCRIPTION	REV
	7029431	Ref	Planet Gear Carrier (642, 742)	
1	91474585	2	Circlip	
2	91474586	4	Gear, Planet	
3	91474587	4	Bearing	
4	7029286	1	Carrier, Planet Gear	

Go to Discount-Equipment.com to order your parts

SECTION 5 - DRIVE TRAIN

FIGURE 5-40. FRONT AXLE, RING GEAR SUPPORT (642, 742)



ART_1001165833_10-F

SECTION 5 - DRIVE TRAIN

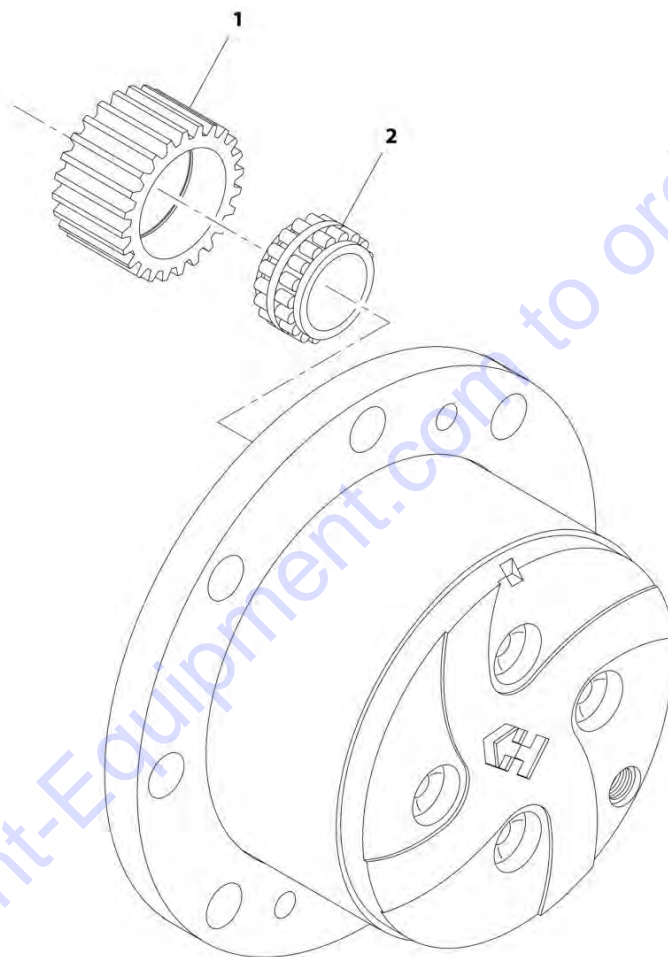
FIGURE 5-40. FRONT AXLE, RING GEAR SUPPORT (642, 742)

ITEM	PART NUMBER	QTY	DESCRIPTION	REV
	70026625	Ref	Ring Gear Support (642, 742)	
1	91474580	1	Gear, Ring	
2	70026798	1	Support, Ring Gear	
3	91474579	1	Circlip	

Go to Discount-Equipment.com to order your parts

SECTION 5 - DRIVE TRAIN

FIGURE 5-41. FRONT AXLE, PLANET GEAR (642, 742)



ART_1001165833_11-F

SECTION 5 - DRIVE TRAIN

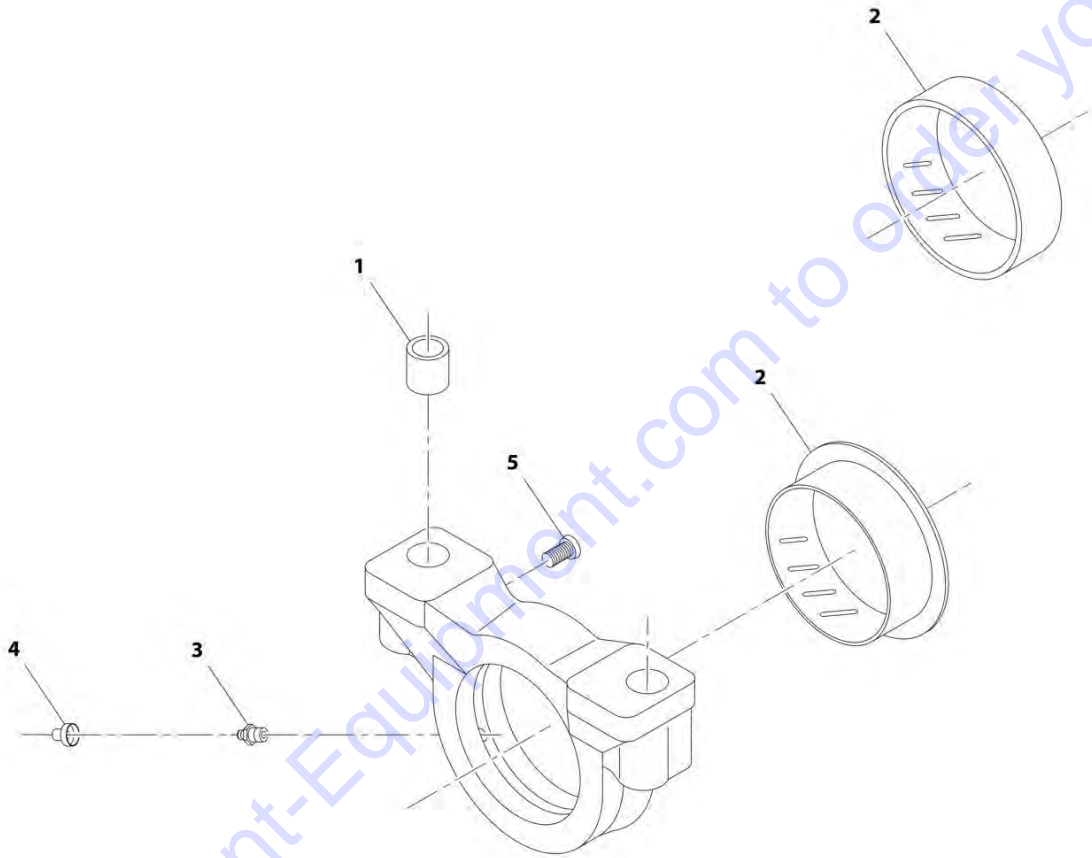
FIGURE 5-41. FRONT AXLE, PLANET GEAR (642, 742)

ITEM	PART NUMBER	QTY	DESCRIPTION	REV
	70023900	Ref	Planet Gear (642, 742)	
1	91474586	4	Gear, Planet	
2	91474587	4	Bearing	

Go to Discount-Equipment.com to order your parts

SECTION 5 - DRIVE TRAIN

FIGURE 5-42. FRONT AXLE, TRUNION KIT (642, 742)



ART_1001165833_12-F

SECTION 5 - DRIVE TRAIN

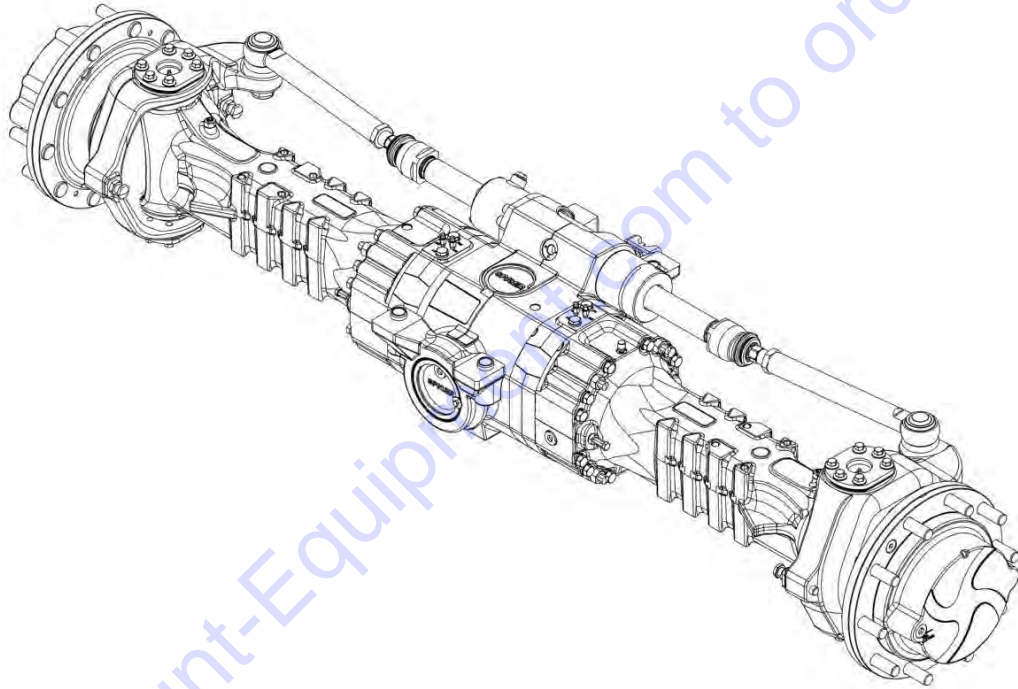
FIGURE 5-42. FRONT AXLE, TRUNION KIT (642, 742)

ITEM	PART NUMBER	QTY	DESCRIPTION	REV
	70026630	Ref	Trunion Kit (642, 742)	
1	91474516	2	Bushing, Reduction	
2	91474515	1	Bushing, Thrust	
3	91514099	1	Fitting, Grease	
4	80204117	1	Plug	
5	70025884	1	Bolt	

Go to Discount-Equipment.com to order your parts

SECTION 5 - DRIVE TRAIN

FIGURE 5-43. FRONT AXLE, 74HP (742)



ART_1005182600-A

SECTION 5 - DRIVE TRAIN

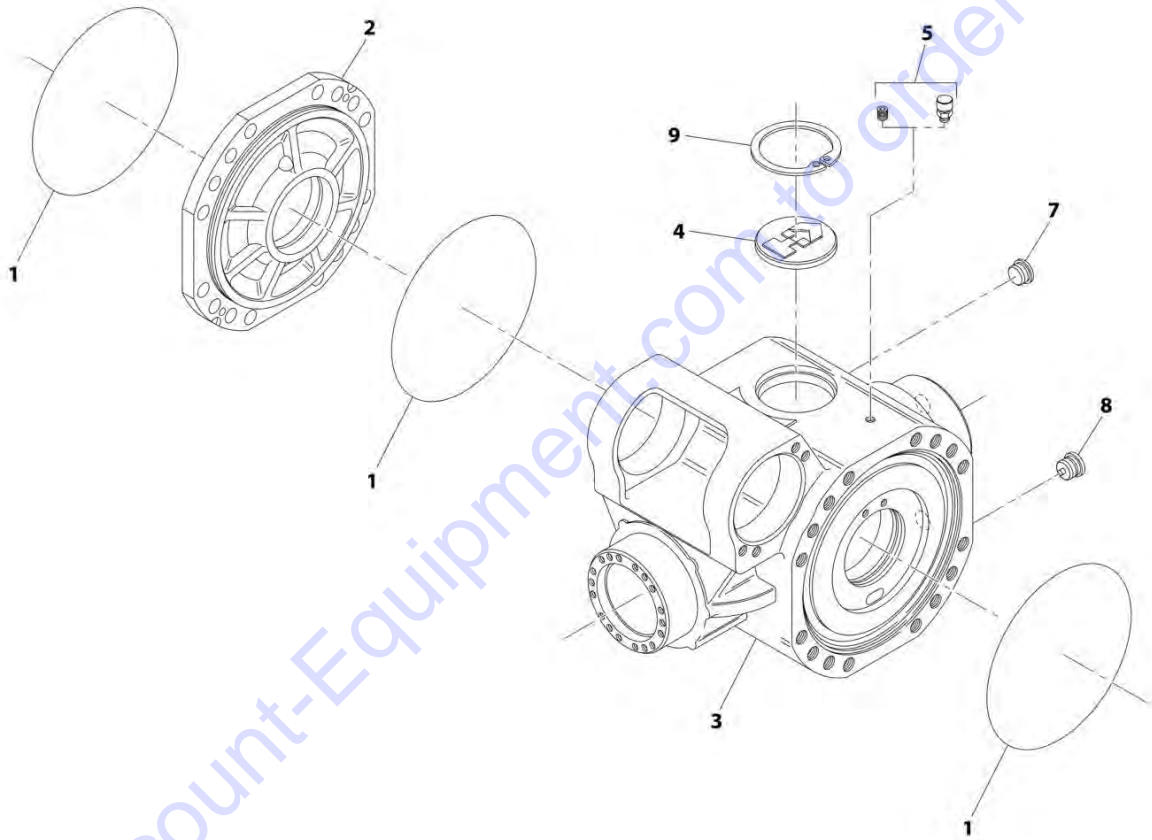
FIGURE 5-43. FRONT AXLE, 74HP (742)

ITEM	PART NUMBER	QTY	DESCRIPTION	REV
	1005182600	Ref	Front Axle, 74HP	A
		Ref	Front Axle, Central Housing (See Separate Breakdown in this Section)	
		Ref	Front Axle, Differential (See Separate Breakdown in this Section)	
		Ref	Front Axle, Hub Reduction (See Separate Breakdown in this Section)	
		Ref	Front Axle, Brakes (See Separate Breakdown in this Section)	
		Ref	Front Axle, Steering (See Separate Breakdown in this Section)	
		Ref	Front Axle, Trunion (See Separate Breakdown in this Section)	

Go to Discount-Equipment.com to order your parts

SECTION 5 - DRIVE TRAIN

FIGURE 5-44. FRONT AXLE, CENTRAL HOUSING 74HP (742)



ART_1005182600_1-A

SECTION 5 - DRIVE TRAIN

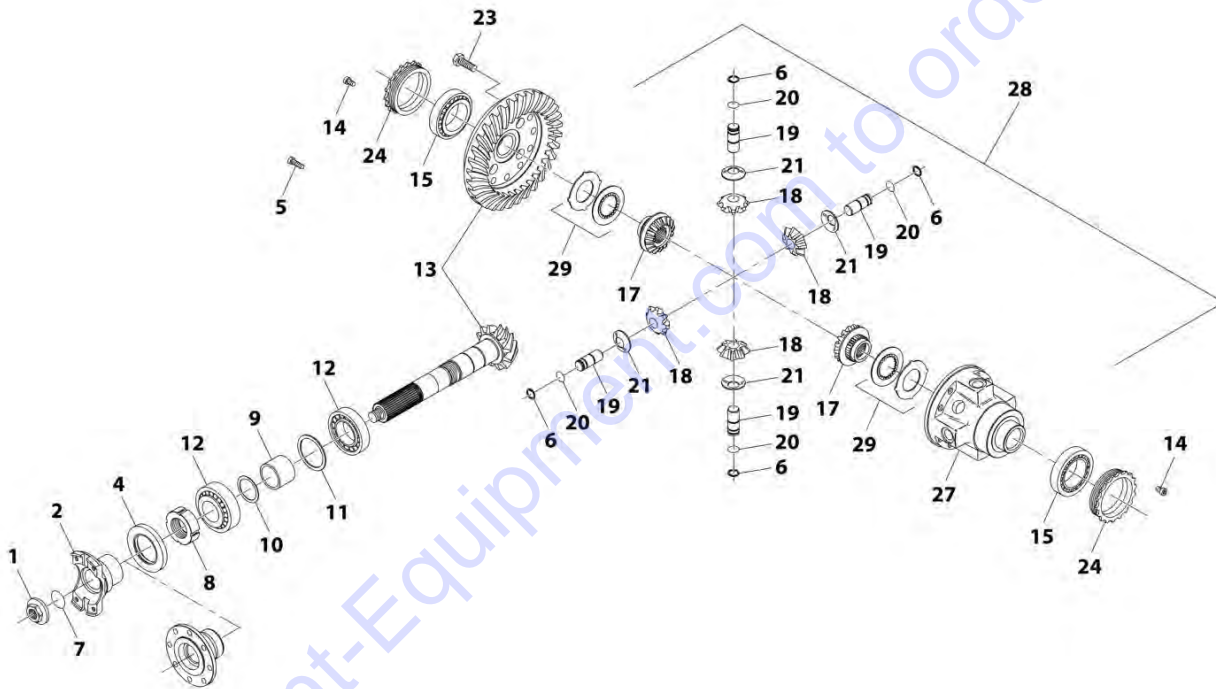
FIGURE 5-44. FRONT AXLE, CENTRAL HOUSING 74HP (742)

ITEM	PART NUMBER	QTY	DESCRIPTION	REV
1	91474507	3	O-Ring	
2	70024872	1	Cover	
3	70026749	1	Housing	
4	91514098	1	Plug	
5	91474512	1	Vent	
7	70028387	1	Plug	
8	70028469	1	Plug	
9	80204005	1	Circlip	

Go to Discount-Equipment.com to order your parts

SECTION 5 - DRIVE TRAIN

FIGURE 5-45. FRONT AXLE, DIFFERENTIAL 74HP (742)



ART_1005182600_2-A

SECTION 5 - DRIVE TRAIN

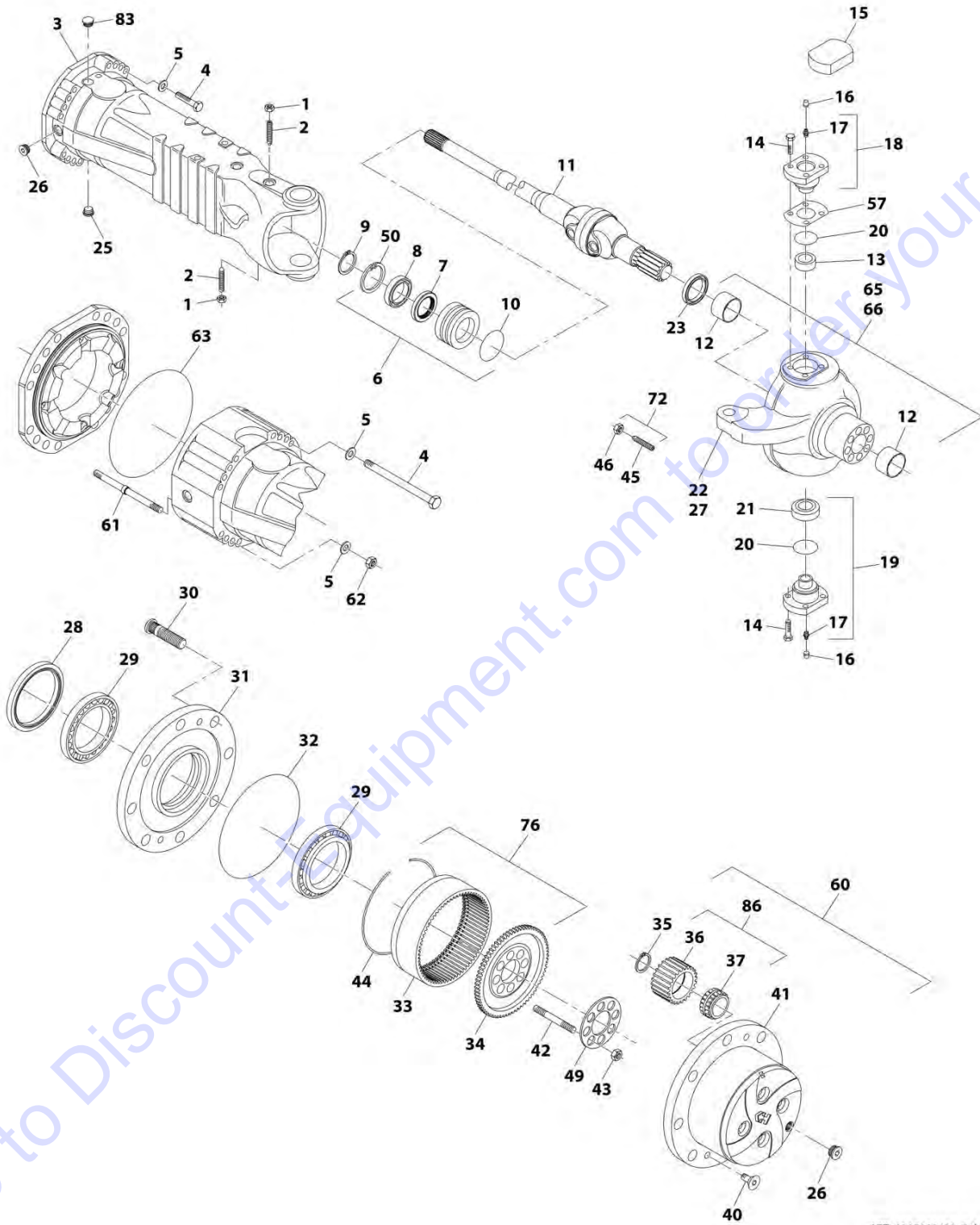
FIGURE 5-45. FRONT AXLE, DIFFERENTIAL 74HP (742)

ITEM	PART NUMBER	QTY	DESCRIPTION	REV
1	70026631	1	Nut	
2	70022797	1	Flange	
4	70024522	1	Seal	
5	91474591	4	Bolt	
6	91474550	4	Circlip	
7	91474529	1	O-Ring	
8	91474533	1	Nut, Ring	
9	91474539	1	Spacer	
10	70025556	1	Kit, Shim	
11	70025555	1	Kit, Shim	
12	3968141	2	Bearing, Taper Roller	
13	91474592	1	Bevel Gear Set	
14	91514134	2	Bolt	
15	70028471	2	Bearing, Taper Roller	
17	91474549	2	Gear, Differential Side	
18	7029129	4	Pinion, Differential	
19	7029131	4	Pin	
20	91474551	4	Circlip	
21	91474553	4	Washer, Friction	
23	91514123	12	Bolt	
24	91474547	2	Nut, Ring	
27	8007751	1	Carrier, Differential	
28	7028710	1	Differential (includes items 6, 17 thru 21, 26 & 27)	
29	8007755	1	Disc	

Go to Discount-Equipment.com to order your parts

SECTION 5 - DRIVE TRAIN

FIGURE 5-46. FRONT AXLE, HUB REDUCTION 74HP (742)



ART_1005182600_3-A

SECTION 5 - DRIVE TRAIN

FIGURE 5-46. FRONT AXLE, HUB REDUCTION 74HP (742)

ITEM	PART NUMBER	QTY	DESCRIPTION	REV
1	91514082	2	Nut	
2	91514081	2	Bolt	
3	70025011	2	Case, Axle	
4	70025012	24	Bolt	
5	91514084	8	Washer	
6	91514149	2	Reduction Bushing (includes items 7, 8, 10, 50)	
7	91514147	2	Seal	
8	91514146	2	Ball Bearing	
9	80204071	2	Circlip	
10	91514148	2	O-Ring	
11	70026624	2	Joint, Double Universal	
12	91514111	2	Bushing, Thrust	
13	7028714	2	Bushing	
14	70025562	24	Bolt	
15	70028392	2	Cover	
16	80204117	2	Plug	
17	70024881	4	Fitting, Grease	
18	91514112	2	Pivot Pin	
19	7028715	2	Pivot Pin	
20	7028716	4	Seal, Dust	
21	91514095	2	Bearing	
22	N.S.S.	1	Steering Case	
23	70026238	2	Seal	
25	70028469	2	Plug	
26	70028387	4	Plug	
27	N.S.S.	1	Steering Case	
28	7028721	2	Seal	
29	91474576	4	Bearing	
30	91514183	20	Wheel Stud	
31	7029737	2	Wheel Hub	
32	91474507	2	O-Ring	
33	91474580	2	Gear, Ring	
34	70026798	2	Support, Ring Gear	
35	91474585	4	Circlip	
36	70028473	8	Planet Gear	
37	70028474	8	Bearing	
40	91514189	4	Bolt, Countersunk	
41	7029286	1	Carrier, Planet Gear	
42	70027315	16	Stud	
43	91474584	16	Nut	
44	91474579	2	Circlip	
45	91514117	4	Bolt	
46	80204065	4	Nut	
49	70026622	2	Plate, Locking	
50	80204005	2	Circlip	
57	70025561	1	Kit, Shim	
60	7029431	2	Planet Gear Carrier Assembly	
61	70025014	8	Stud	
62	91514083	8	Nut	
63	91514181	2	O-Ring	

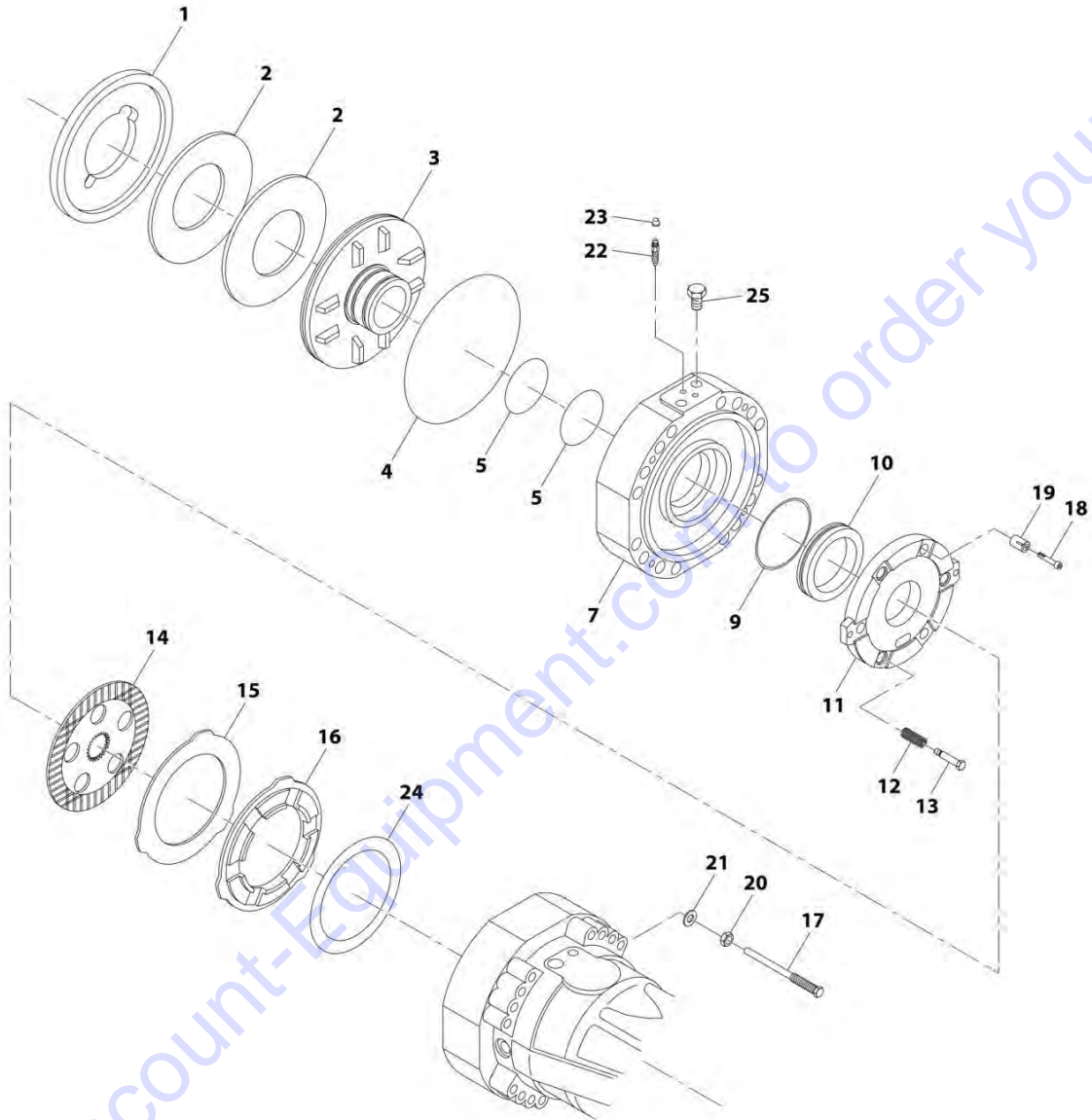
SECTION 5 - DRIVE TRAIN

ITEM	PART NUMBER	QTY	DESCRIPTION	REV
65	70026626	1	Case, Steering (includes items 22 & 12)	
66	70026627	1	Case, Steering (includes items 27 & 12)	
72	7028733	1	Bolt, Steering Adjust (includes items 45 & 46)	
76	70026625	2	Kit, Ring Gear Support	
83	80204012	2	Plug	
86	70027114	8	Kit, Planet Gear	

Go to Discount-Equipment.com to order your parts

SECTION 5 - DRIVE TRAIN

FIGURE 5-47. FRONT AXLE, BRAKES 74HP (742)



ART_1005182600_4-A

SECTION 5 - DRIVE TRAIN

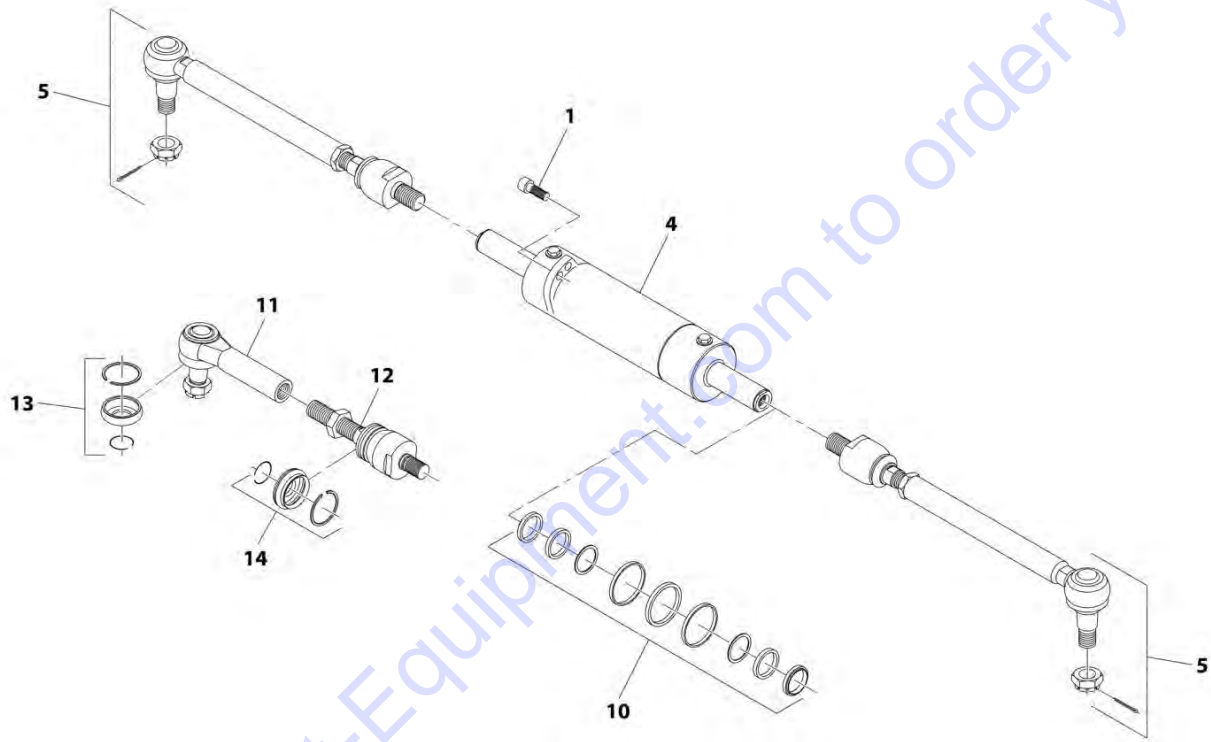
FIGURE 5-47. FRONT AXLE, BRAKES 74HP (742)

ITEM	PART NUMBER	QTY	DESCRIPTION	REV
1	7028734	1	Spacer	
2	91474559	4	Spring	
3	91474560	2	Piston	
4	91474561	2	O-Ring	
5	70026262	4	Seal	
7	7028735	2	Cover	
9	70026623	2	Seal	
10	91474564	2	Piston	
11	91474565	2	Disc, Intermediate Brake	
12	91514159	6	Spring	
13	70024210	6	Adjusting Bolt	
14	91474568	8	Disc	
15	70025823	8	Disc, Intermediate Brake	
16	91474570	2	Spacer	
17	70024213	4	Bolt	
18	7029788	6	Bolt	
19	70027317	6	Spring	
20	80204060	4	Nut	
21	80204108	4	Washer, Lock	
22	80204281	4	Bolt	
23	80204117	4	Plug	
24	70025981	1	Shim Kit	
25	91514154	4	Bolt	

Go to Discount-Equipment.com to order your parts

SECTION 5 - DRIVE TRAIN

FIGURE 5-48. FRONT AXLE, STEERING 74HP (742)



ART_1005182600_S-A

SECTION 5 - DRIVE TRAIN

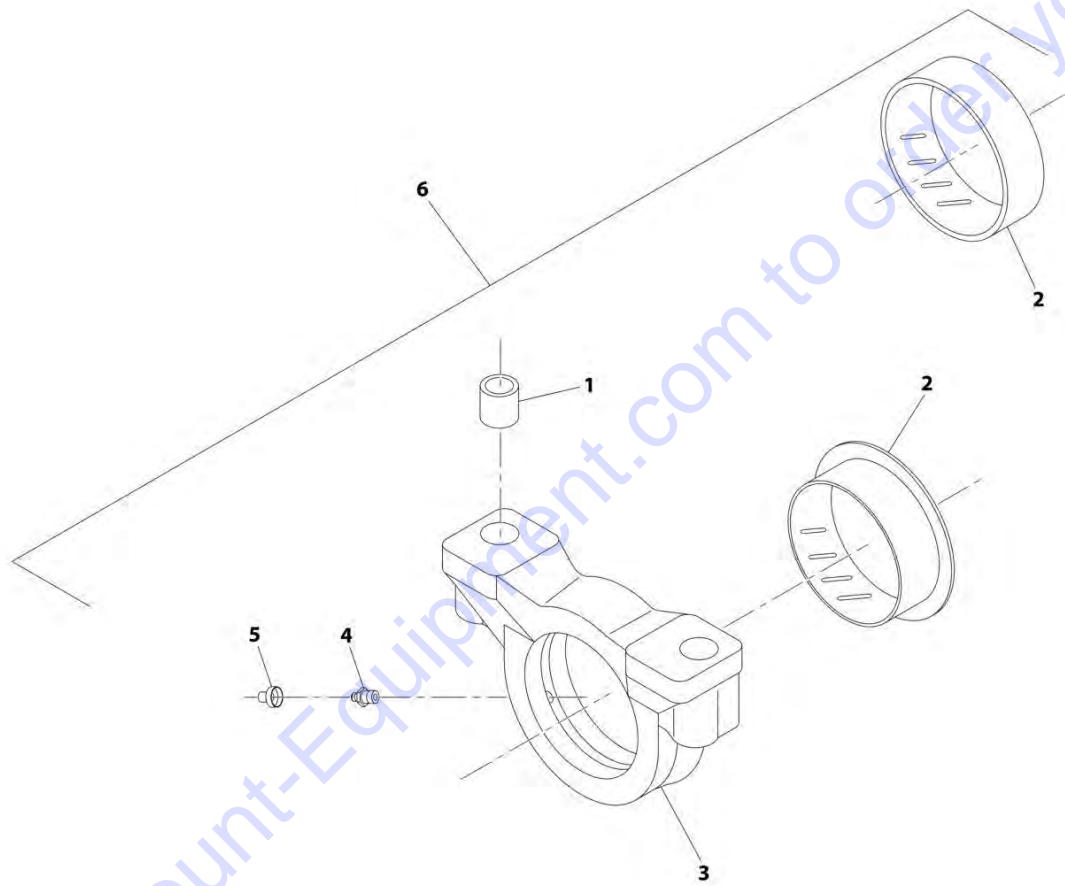
FIGURE 5-48. FRONT AXLE, STEERING 74HP (742)

ITEM	PART NUMBER	QTY	DESCRIPTION	REV
1	91474522	4	Bolt	
4	7029528	1	Cylinder	
5	70026799	2	Bar	
10	7029529	1	Kit, Seal	
11	70028475	1	Joint, 90	
12	70028476	1	Axial Joint	
13	70028477	1	Rubber Boot and Locking Ring Kit	
14	70028468	1	Rubber Boot and Locking Ring Kit	

Go to Discount-Equipment.com to order your parts

SECTION 5 - DRIVE TRAIN

FIGURE 5-49. FRONT AXLE, TRUNION 74HP (742)



ART_1005182600_6-A

SECTION 5 - DRIVE TRAIN

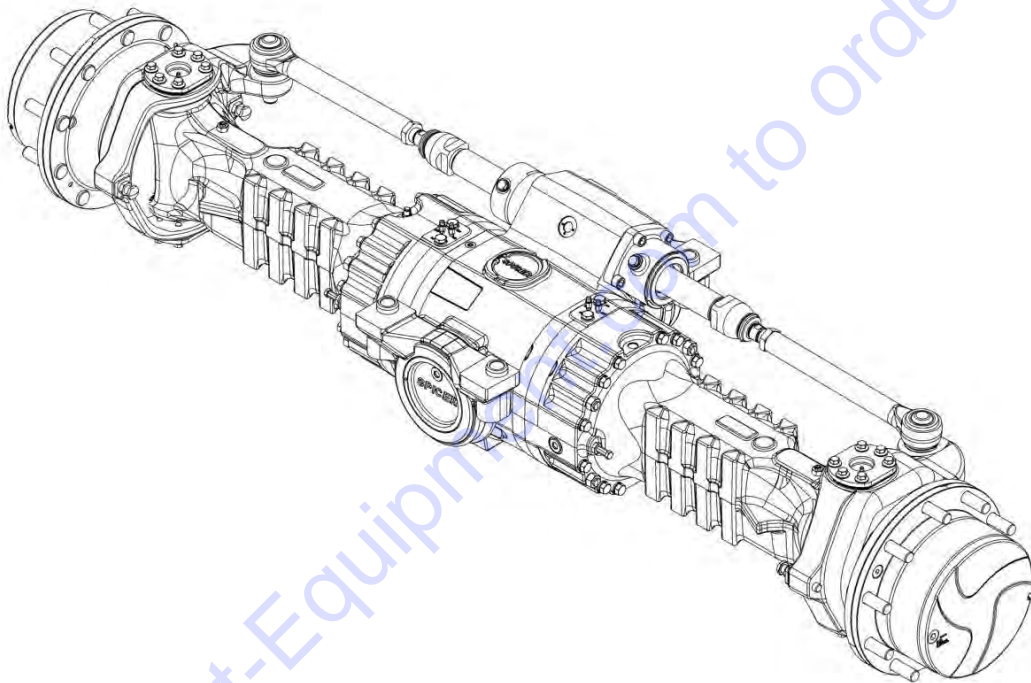
FIGURE 5-49. FRONT AXLE, TRUNION 74HP (742)

ITEM	PART NUMBER	QTY	DESCRIPTION	REV
1	91474516	4	Bushing, Reduction	
2	91474515	2	Bushing, Thrust	
3	N.S.S.	2	Support	
4	70024881	2	Fitting, Grease	
5	80204117	2	Plug	
6	70026630	2	Kit, Support (includes items 1 thru 5)	

Go to Discount-Equipment.com to order your parts

SECTION 5 - DRIVE TRAIN

FIGURE 5-50. FRONT AXLE, 74HP (943)



ART_1005198900-A

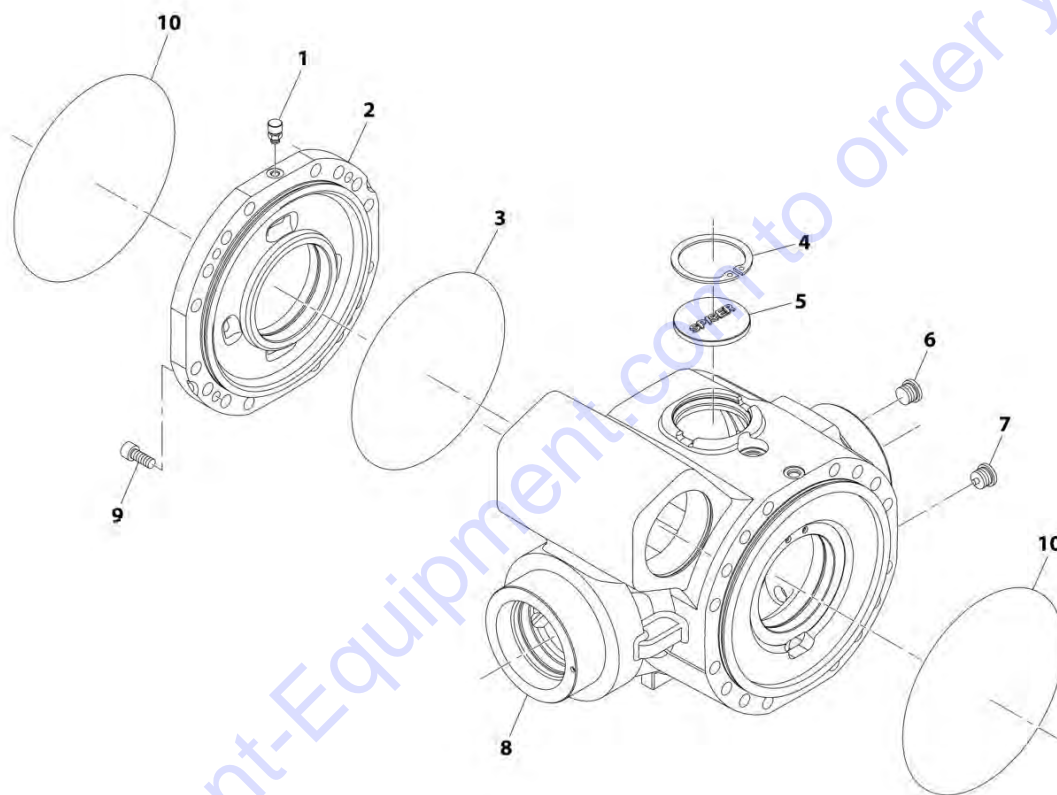
SECTION 5 - DRIVE TRAIN

FIGURE 5-50. FRONT AXLE, 74HP (943)

ITEM	PART NUMBER	QTY	DESCRIPTION	REV
	1005198900	Ref	Front Axle, 74HP (943)	A
		Ref	Front Axle, Central Housing (943) (See Separate Breakdown in this Section)	
		Ref	Front Axle, Differential (943) (See Separate Breakdown in this Section)	
		Ref	Front Axle, Hub Reduction (943) (See Separate Breakdown in this Section)	
		Ref	Front Axle, Brakes (943) (See Separate Breakdown in this Section)	
		Ref	Front Axle, Steering (943) (See Separate Breakdown in this Section)	
		Ref	Front Axle, Trunion (943) (See Separate Breakdown in this Section)	

SECTION 5 - DRIVE TRAIN

FIGURE 5-51. FRONT AXLE, CENTRAL HOUSING 74HP (943)



ART_1005198900_1-A

SECTION 5 - DRIVE TRAIN

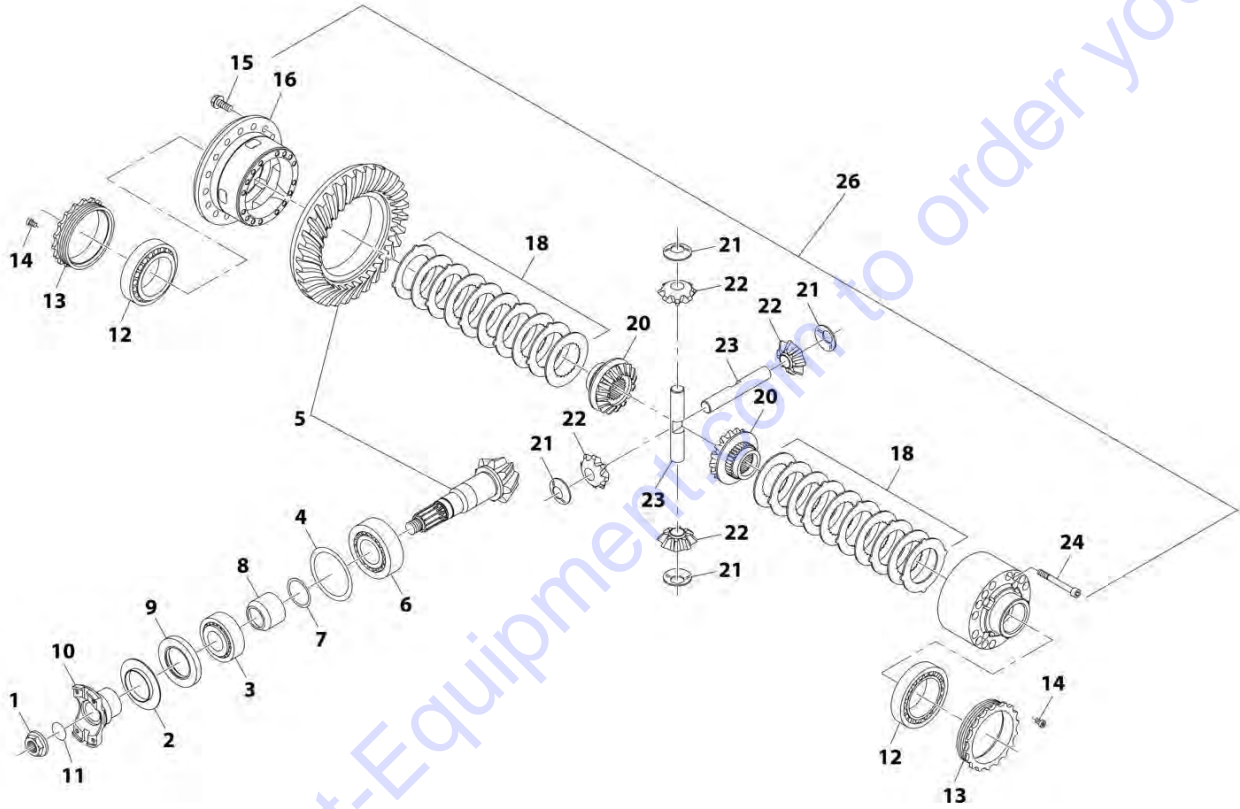
FIGURE 5-51. FRONT AXLE, CENTRAL HOUSING 74HP (943)

ITEM	PART NUMBER	QTY	DESCRIPTION	REV
1	70028464	1	Vent	
2	7029288	1	Cover, Intermediate	
3	80204002	1	O-Ring	
4	80204005	1	Circlip	
5	91514098	1	Plug	
6	70028389	1	Plug	
7	70028388	1	Plug	
8	70025335	1	Housing	
9	91514101	4	Bolt	
10	91514089	2	O-Ring	

Go to Discount-Equipment.com to order your parts

SECTION 5 - DRIVE TRAIN

FIGURE 5-52. FRONT AXLE, DIFFERENTIAL 74HP (943)



ART_1005198900_2-A

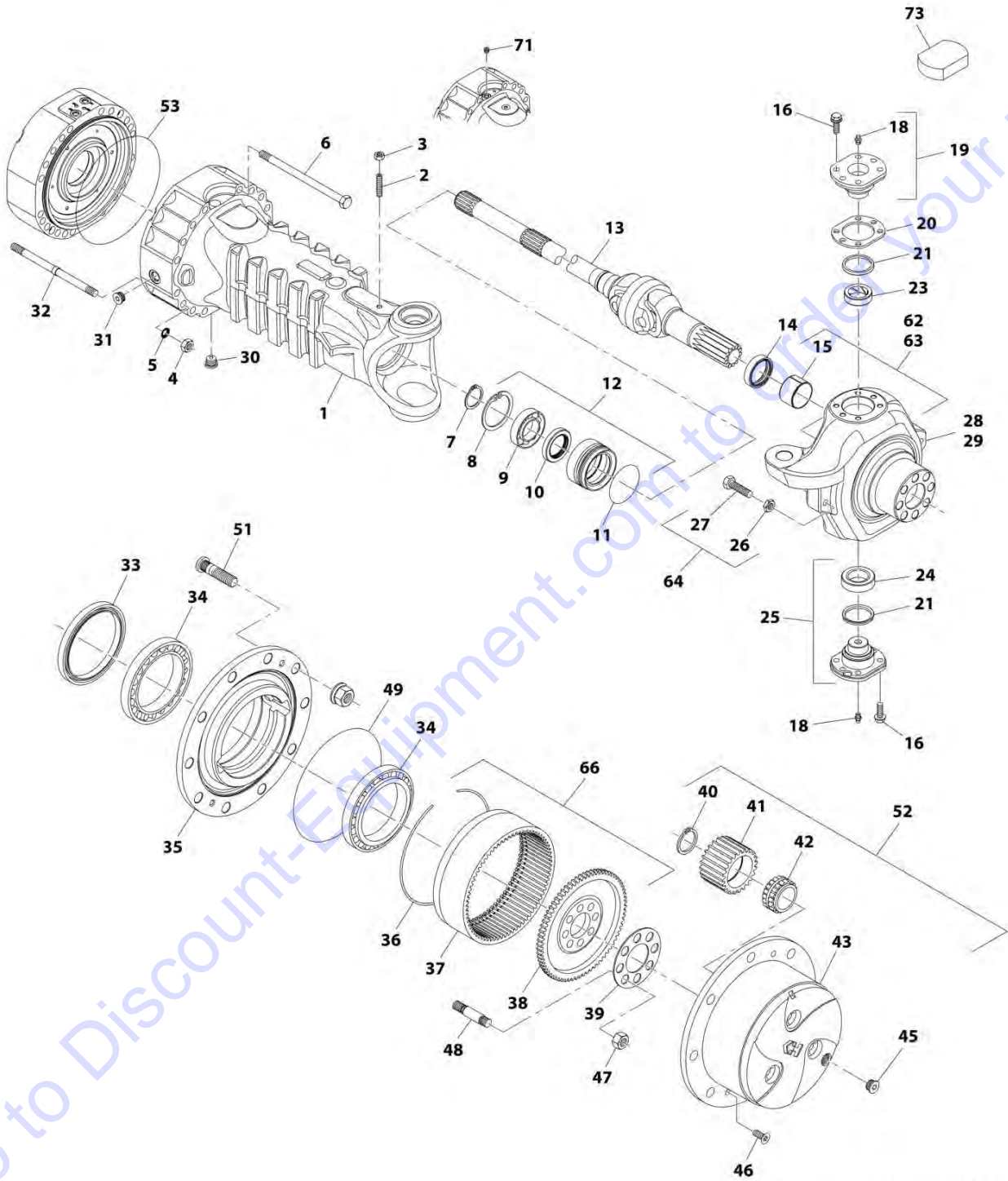
SECTION 5 - DRIVE TRAIN

FIGURE 5-52. FRONT AXLE, DIFFERENTIAL 74HP (943)

ITEM	PART NUMBER	QTY	DESCRIPTION	REV
1	80204043	1	Nut	
2	91514130	1	Plate, Cover	
3	80204048	1	Bearing, Taper Roller	
4	70023469	1	Shim	
5	70028391	1	Bevel Gear Set	
6	80204035	1	Bearing, Taper Roller	
7	70023494	1	Spacer	
8	70022140	1	Spacer	
9	70025887	1	Seal	
10	91514131	1	Flange	
11	10725554	1	O-Ring	
12	80204033	2	Bearing, Taper Roller	
13	91514133	2	Nut, Ring	
14	91514134	2	Bolt	
15	70025562	16	Bolt	
16	70024004	1	Carrier, Differential	
18	70026750	2	Kit, Clutch	
20	70025856	2	Gear, Differential Side	
21	70027105	4	Washer	
22	70025339	4	Pinion, Differential	
23	70023490	2	Shaft, Differential	
24	91514143	15	Bolt	
26	70028390	1	Kit, Differential (includes items 16 thru 24)	

SECTION 5 - DRIVE TRAIN

FIGURE 5-53. FRONT AXLE, HUB REDUCTION 74HP (943)



SECTION 5 - DRIVE TRAIN

FIGURE 5-53. FRONT AXLE, HUB REDUCTION 74HP (943)

ITEM	PART NUMBER	QTY	DESCRIPTION	REV
1	70024850	2	Case, Axle	
2	91514081	2	Bolt	
3	91514082	2	Nut	
4	91514083	8	Nut	
5	91514084	8	Washer	
6	7029309	24	Bolt	
7	80204071	2	Circlip	
8	80204005	2	Circlip	
9	91514146	2	Bearing, Ball	
10	91514147	2	Seal	
11	91514148	2	O-Ring	
12	91514149	2	Reduction Bushing (includes items 8 thru 11)	
13	70025855	2	Joint, Double Universal	
14	70026238	2	Seal	
15	91514111	2	Bushing, Thrust	
16	70025562	24	Bolt	
18	70024881	4	Fitting, Grease	
19	91514112	2	Pin, Pivot	
20	70025561	1	Kit, Shim	
21	7028716	4	Seal, Dust	
23	7028714	2	Bushing	
24	91514095	2	Bearing	
25	7028715	2	Pin, Pivot	
26	80204065	4	Nut	
27	91514117	4	Bolt	
28	N.S.S.	1	Case, Steering	
29	N.S.S.	1	Case, Steering	
30	70028388	2	Plug	
31	70028389	2	Plug	
32	70024851	8	Stud	
33	70026002	2	Seal	
34	80204076	4	Bearing, Taper Roller	
35	91514174	2	Hub, Wheel	
36	91514175	2	Circlip	
37	70024147	2	Gear, Ring	
38	91514177	2	Gear, Ring Support	
39	91514178	2	Plate, Locking	
40	91514184	3	Ring, Snap	
41	91514185	6	Gear, Planet	
42	91514186	6	Bearing	
43	7026731	1	Carrier, Planet Gear	
45	70028387	2	Plug	
46	91514189	4	Bolt, Countersunk	
47	91514179	16	Nut	
48	91514180	16	Stud	
49	91514181	2	O-Ring	
51	91514183	20	Stud, Wheel	
52	7029733	2	Carrier, Planet Gear (includes items 40, 41, 43)	
53	91514089	2	O-Ring	
62	70026239	1	Case, Steering (includes items 15 & 28)	

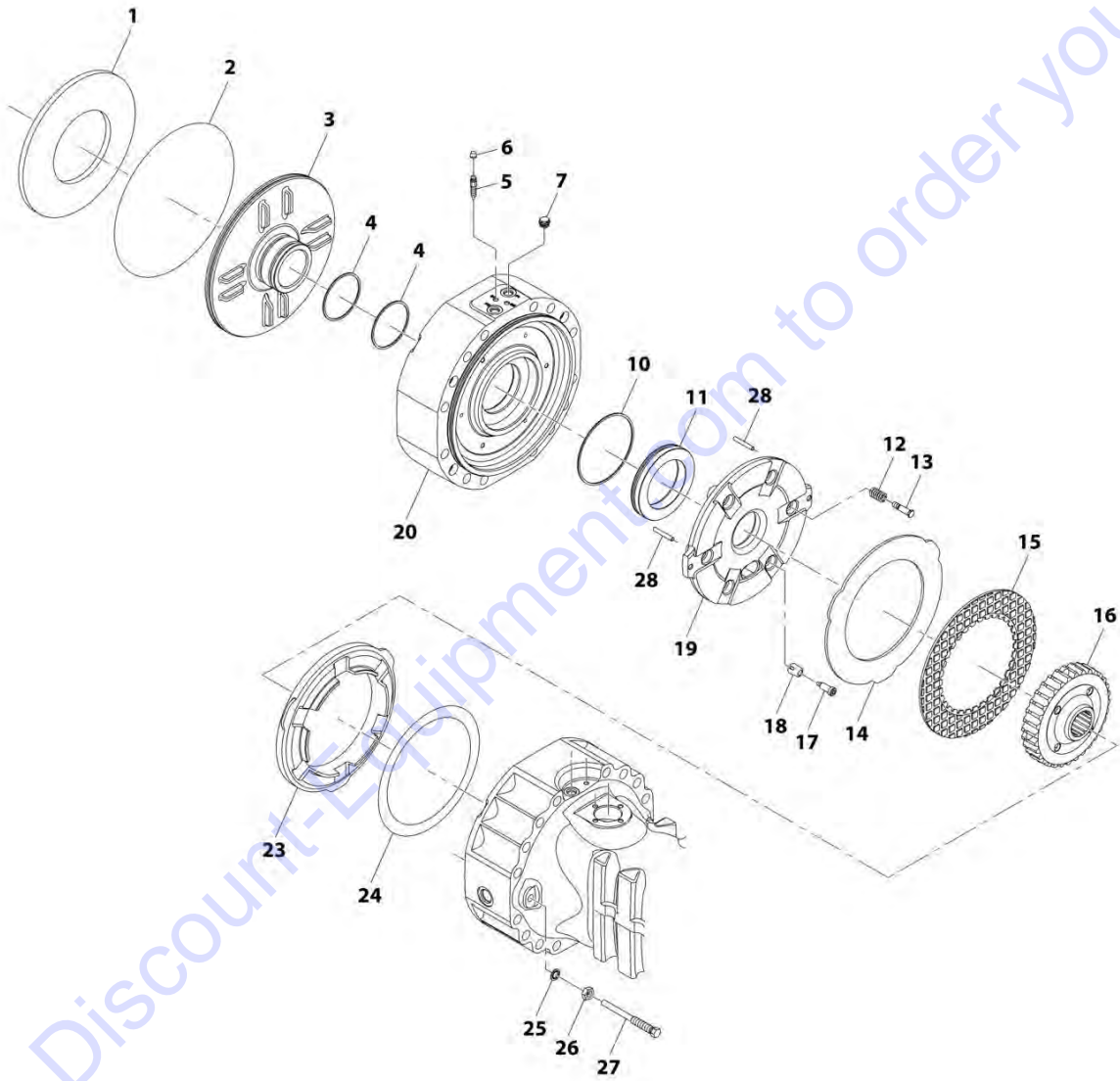
SECTION 5 - DRIVE TRAIN

ITEM	PART NUMBER	QTY	DESCRIPTION	REV
63	70026240	1	Case, Steering (includes items 15 & 29)	
64	7028733	4	Bolt, Steering Adjust	
66	70024146	2	Kit, Ring Gear Support (includes items 36 thru 38)	
71	80204012	2	Plug	
73	70028392	2	Cover	

Go to Discount-Equipment.com to order your parts

SECTION 5 - DRIVE TRAIN

FIGURE 5-54. FRONT AXLE, BRAKES 74HP (943)



ART_1005198900_4-A

SECTION 5 - DRIVE TRAIN

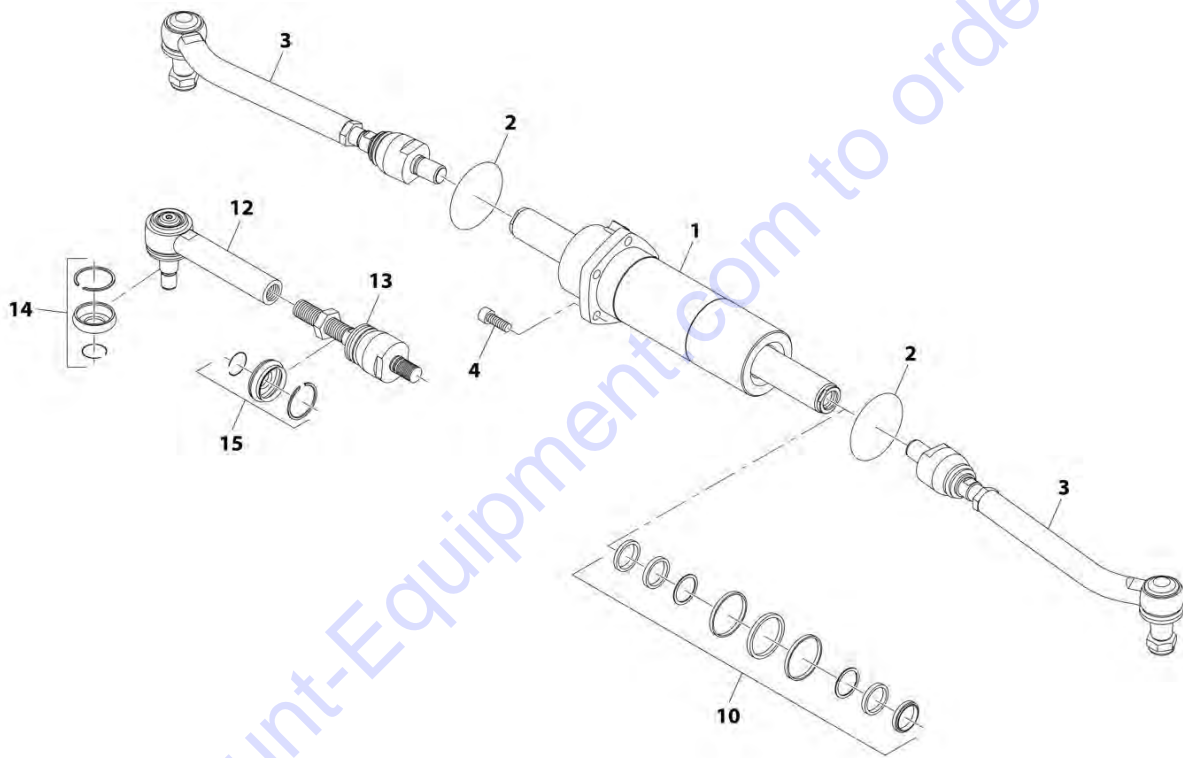
FIGURE 5-54. FRONT AXLE, BRAKES 74HP (943)

ITEM	PART NUMBER	QTY	DESCRIPTION	REV
1	91514151	2	Washer	
2	91514089	2	O-Ring	
3	70027092	2	Piston	
4	70026262	4	Seal	
5	80204281	4	Bolt	
6	80204117	4	Plug	
7	91514154	4	Plug	
10	70026263	2	Seal	
11	70027796	2	Piston	
12	91514159	6	Spring	
13	70024210	6	Bolt, Adjusting	
14	70027022	6	Disc, Intermediate Brake	
15	7029735	6	Disk, Brake	
16	7029734	2	Bushing, Reduction	
17	7029787	6	Bolt, Adjusting	
18	70027317	6	Spring	
19	70024849	2	Disc, Intermediate Brake	
20	70024848	2	Cover	
23	70026264	2	Spacer	
24	70025970	1	Shim	
25	80204108	4	Washer, Lock	
26	80204060	4	Nut	
27	70024213	4	Bolt	
28	70024215	4	Dowel	

Go to Discount-Equipment.com to order your parts

SECTION 5 - DRIVE TRAIN

FIGURE 5-55. FRONT AXLE, STEERING 74HP (943)



ART_1005198900_5-A

SECTION 5 - DRIVE TRAIN

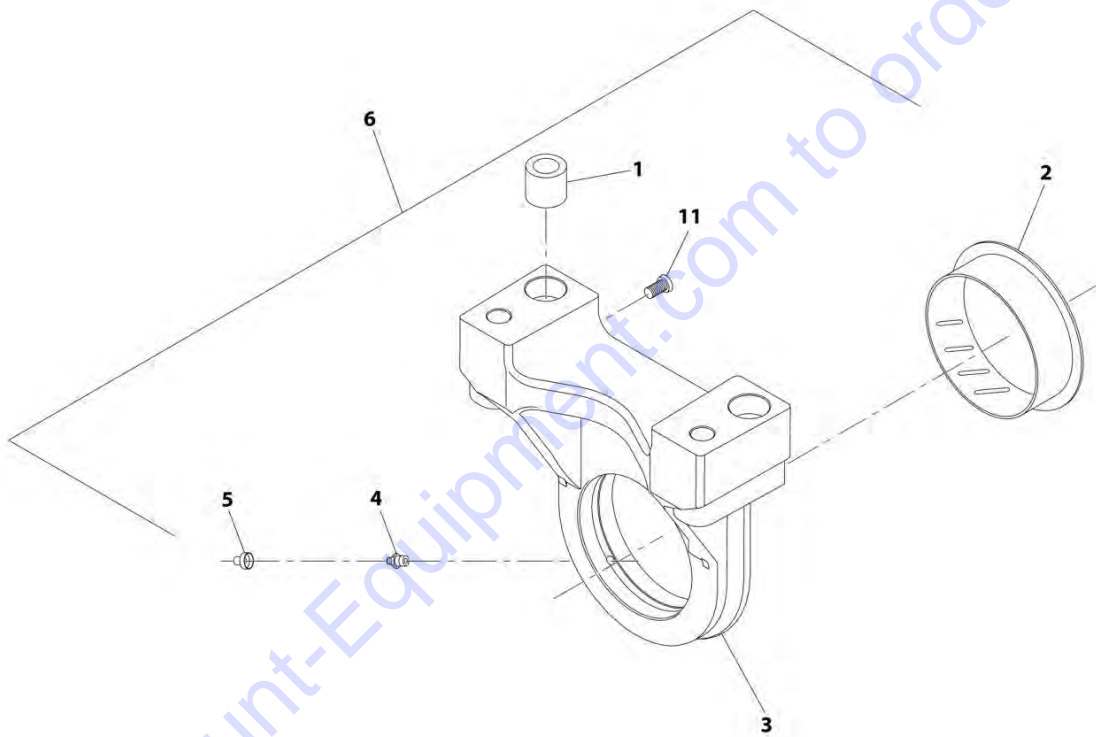
FIGURE 5-55. FRONT AXLE, STEERING 74HP (943)

ITEM	PART NUMBER	QTY	DESCRIPTION	REV
1	7026490	1	Cylinder	
2	80204143	2	O-Ring	
3	70026753	2	Rod, Articulated Tie	
3	70022773	2	Nut	
4	80204144	5	Bolt	
10	7029127	1	Kit, Seal	
12	70028465	1	Joint, 90	
13	70028466	1	Axial Joint Shaft	
14	70028467	1	Rubber Boot and Locking Ring Kit	
15	70028468	1	Rubber Boot and Locking Ring Kit	

Go to Discount-Equipment.com to order your parts

SECTION 5 - DRIVE TRAIN

FIGURE 5-56. FRONT AXLE, TRUNION 74HP (943)



ART_1005198900_6-A

SECTION 5 - DRIVE TRAIN

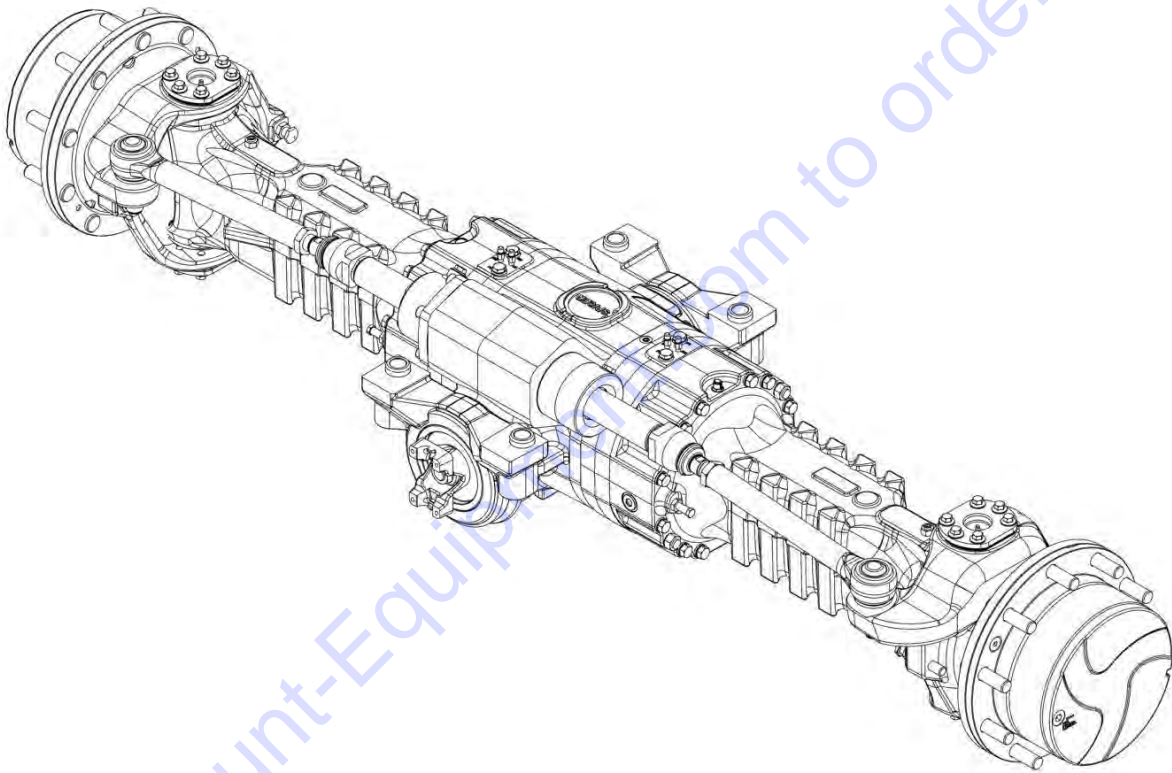
FIGURE 5-56. FRONT AXLE, TRUNION 74HP (943)

ITEM	PART NUMBER	QTY	DESCRIPTION	REV
1	7029290	4	Bushing	
2	91514090	2	Bushing, Thrust	
3	N.S.S.	2	Support	
4	70024881	2	Fitting, Grease	
5	80204117	2	Plug	
6	70026266	2	Support Assembly (includes items 1 thru 5)	
11	70025884	2	Bolt	

Go to Discount-Equipment.com to order your parts

SECTION 5 - DRIVE TRAIN

FIGURE 5-57. FRONT AXLE (943, 1043)



ART_1001165831-G

SECTION 5 - DRIVE TRAIN

FIGURE 5-57. FRONT AXLE (943, 1043)

ITEM	PART NUMBER	QTY	DESCRIPTION	REV
	1001165831	Ref	Front Axle (943, 1043)	G
		Ref	Front Axle, Brakes (943, 1043) (See BRAKES (943, 1043) for Breakdown)	
		Ref	Front Axle, Central Housing (943, 1043) (See CENTRAL HOUSING (943, 1043) for Breakdown)	
		Ref	Front Axle, Differential (943, 1043) (See DIFFERENTIAL (943, 1043) for Breakdown)	
		Ref	Front Axle, Hub Reduction (943, 1043) (See HUB REDUCTION (943, 1043) for Breakdown)	
		Ref	Front Axle, Steering (943, 1043) (See STEERING (943, 1043) for Breakdown)	
		Ref	Front Axle, Trunion (943, 1043) (See TRUNION (943, 1043) for Breakdown)	
		Ref	Front Axle, Differential Kit (943, 1043) (See DIFFERENTIAL KIT (943, 1043) for Breakdown)	
		Ref	Front Axle, Planet Gear Carrier (943, 1043) (See PLANET GEAR CARRIER (943, 1043) for Breakdown)	
		Ref	Front Axle, Ring Gear Support (943, 1043) (See RING GEAR SUPPORT (943, 1043) for Breakdown)	
		Ref	Front Axle, Planet Gear Carrier (943, 1043) (See PLANET GEAR CARRIER (943, 1043) for Breakdown)	
		Ref	Front Axle, Support (943, 1043) (See SUPPORT (943, 1043) for Breakdown)	

PARTS FINDER

**Search Website
by Part Number**



**Search Manual
Library For Parts
Manual & Lookup Part
Numbers – Purchase
or Request Quote**

**Can't Find Part or
Manual? Request Help
by Manufacturer,
Model & Description**

Discount-Equipment.com is your online resource for quality parts & equipment.

Florida: **561-964-4949** Outside Florida TOLL FREE: **877-690-3101**

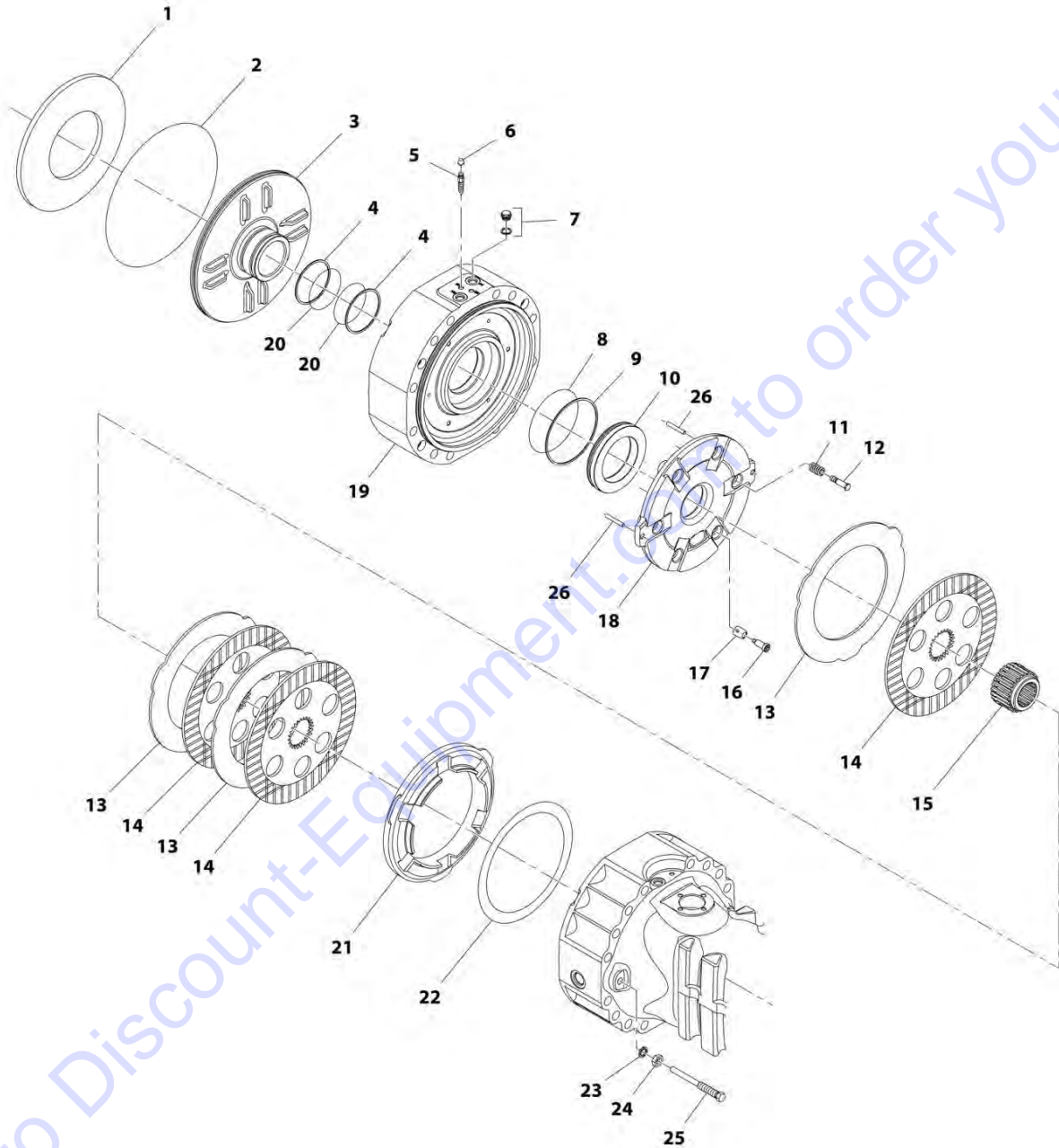
Need parts?

Click on this link: <http://www.discount-equipment.com/category/5443-parts/> and choose one of the options to help get the right parts and equipment you are looking for. Please have the machine model and serial number available in order to help us get you the correct parts. If you don't find the part on the website or on one of the online manuals, please fill out the request form and one of our experienced staff members will get back to you with a quote for the right part that your machine needs.

We sell worldwide for the brands: Genie, Terex, JLG, MultiQuip, Mikasa, Essick, Whiteman, Mayco, Toro Stone, Diamond Products, Generac Magnum, Airman, Haulotte, Barreto, Power Blanket, Nifty Lift, Atlas Copco, Chicago Pneumatic, Allmand, Miller Curber, Skyjack, Lull, Skytrak, Tsurumi, Husquvarna Target, Stow, Wacker, Sakai, Mi-T-M, Sullair, Basic, Dynapac, MBW, Weber, Bartell, Bennar Newman, Haulotte, Ditch Runner, Menegotti, Morrison, Contec, Buddy, Crown, Edco, Wyco, Bomag, Laymor, EZ Trench, Bil-Jax, F.S. Curtis, Gehl Pavers, Heli, Honda, ICS/PowerGrit, IHI, Partner, Imer, Clipper, MMD, Koshin, Rice, CH&E, General Equipment, Amida, Coleman, NAC, Gradall, Square Shooter, Kent, Stanley, Tamco, Toku, Hatz, Kohler, Robin, Wisconsin, Northrock, Oztec, Toker TK, Rol-Air, APT, Wylie, Ingersoll Rand / Doosan, Innovatech, Con X, Ammann, Mecalac, Makinex, Smith Surface Prep, Small Line, Wanco, Yanmar

SECTION 5 - DRIVE TRAIN

FIGURE 5-58. FRONT AXLE, BRAKES (943, 1043)



ART_1001165831_1-G

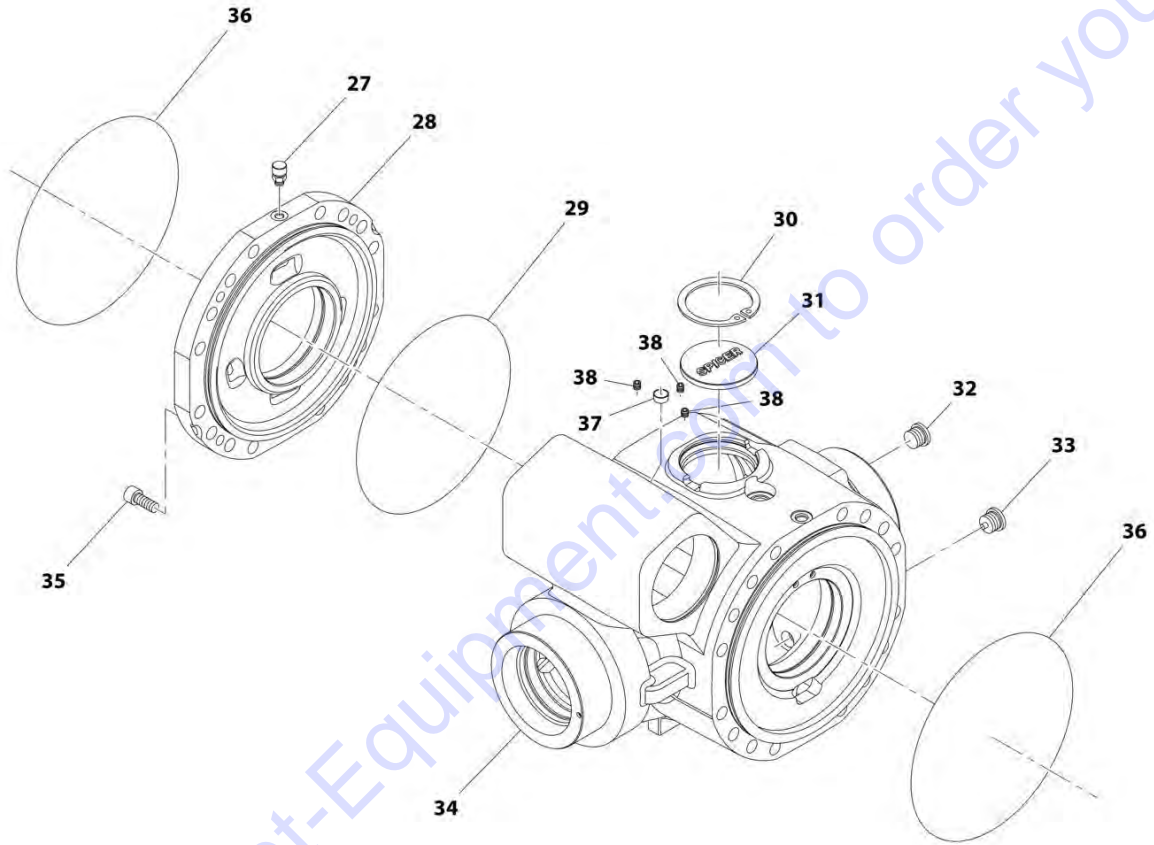
SECTION 5 - DRIVE TRAIN

FIGURE 5-58. FRONT AXLE, BRAKES (943, 1043)

ITEM	PART NUMBER	QTY	DESCRIPTION	REV
1	91514151	2	Washer	
2	91514089	2	O-Ring	
3	91514152	2	Piston	
4	91514153	4	Ring, Backup	
5	80204281	4	Bolt	
6	80204117	4	Plug	
7	91514154	4	Plug	
8	91514156	2	O-Ring	
9	91514157	2	Ring, Backup	
10	91514158	1	Piston	
11	91514159	6	Spring	
12	70024210	6	Adjusting	
13	91514161	6	Disc, Intermediate Brake	
14	7029735	6	Disc, Brake	
15	7029734	2	Bushing, Reduction	
16	7029789	6	Bolt	
17	91514165	6	Spring	
18	70024849	2	Disc, Intermediate Brake	
19	70024848	2	Cover	
20	91514167	4	O-Ring	
21	7029298	2	Spacer	
22	70025970	1	Shim	
23	80204108	4	Washer, Lock	
24	80204060	4	Nut	
25	70024213	4	Bolt, M12X122.5	
26	70024215	4	Dowel	

SECTION 5 - DRIVE TRAIN

FIGURE 5-59. FRONT AXLE, CENTRAL HOUSING (943, 1043)



ART_1001165831_2-G

SECTION 5 - DRIVE TRAIN

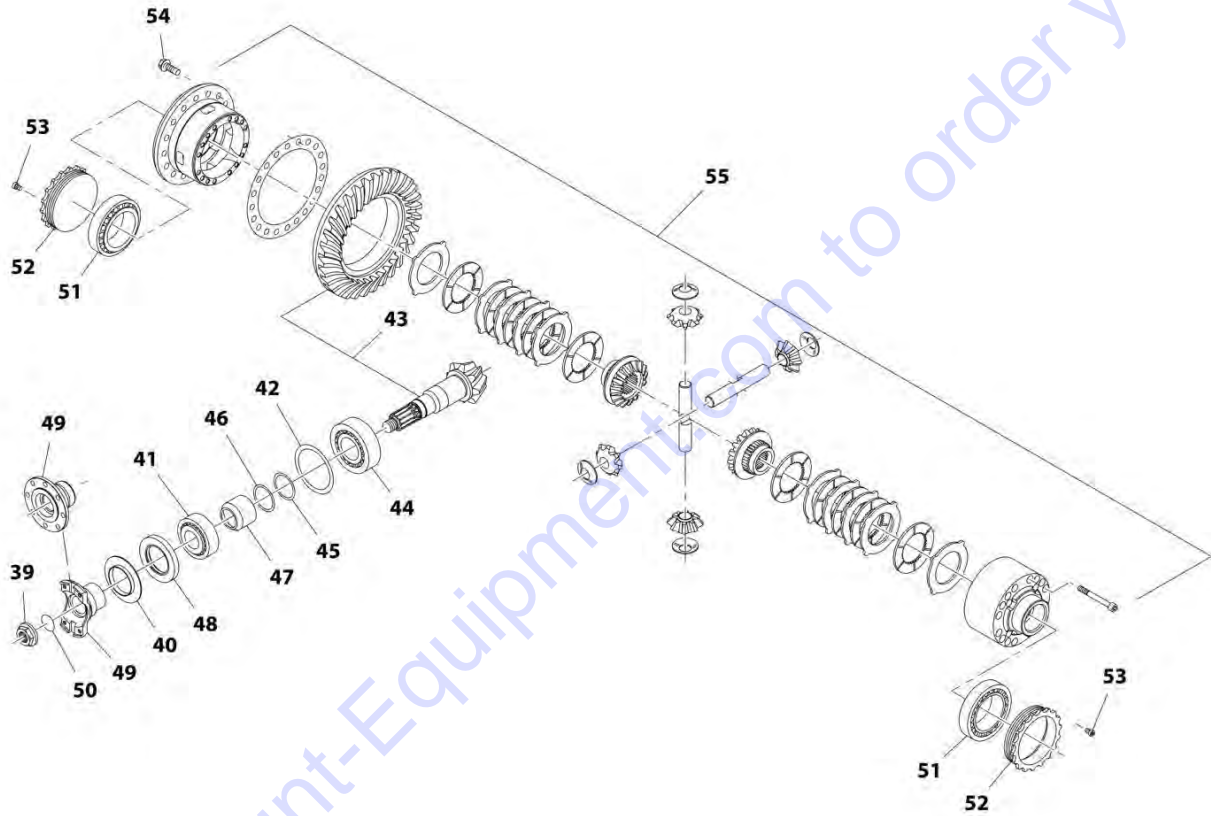
FIGURE 5-59. FRONT AXLE, CENTRAL HOUSING (943, 1043)

ITEM	PART NUMBER	QTY	DESCRIPTION	REV
27	91474512	1	Vent	
28	7029288	1	Cover, Intermediate	
29	80204002	1	O-Ring	
30	80204005	1	Circlip	
31	91514098	1	Plug	
32	91514087	1	Plug	
33	70021177	1	Plug	
34	70025335	1	Housing	
35	91514101	4	Bolt	
36	91514089	2	O-Ring	
37	7029307	1	Plug	
38	8008175	3	Bolt	

Go to Discount-Equipment.com to order your parts

SECTION 5 - DRIVE TRAIN

FIGURE 5-60. FRONT AXLE, DIFFERENTIAL (943, 1043)



ART_1001165831_3-G

SECTION 5 - DRIVE TRAIN

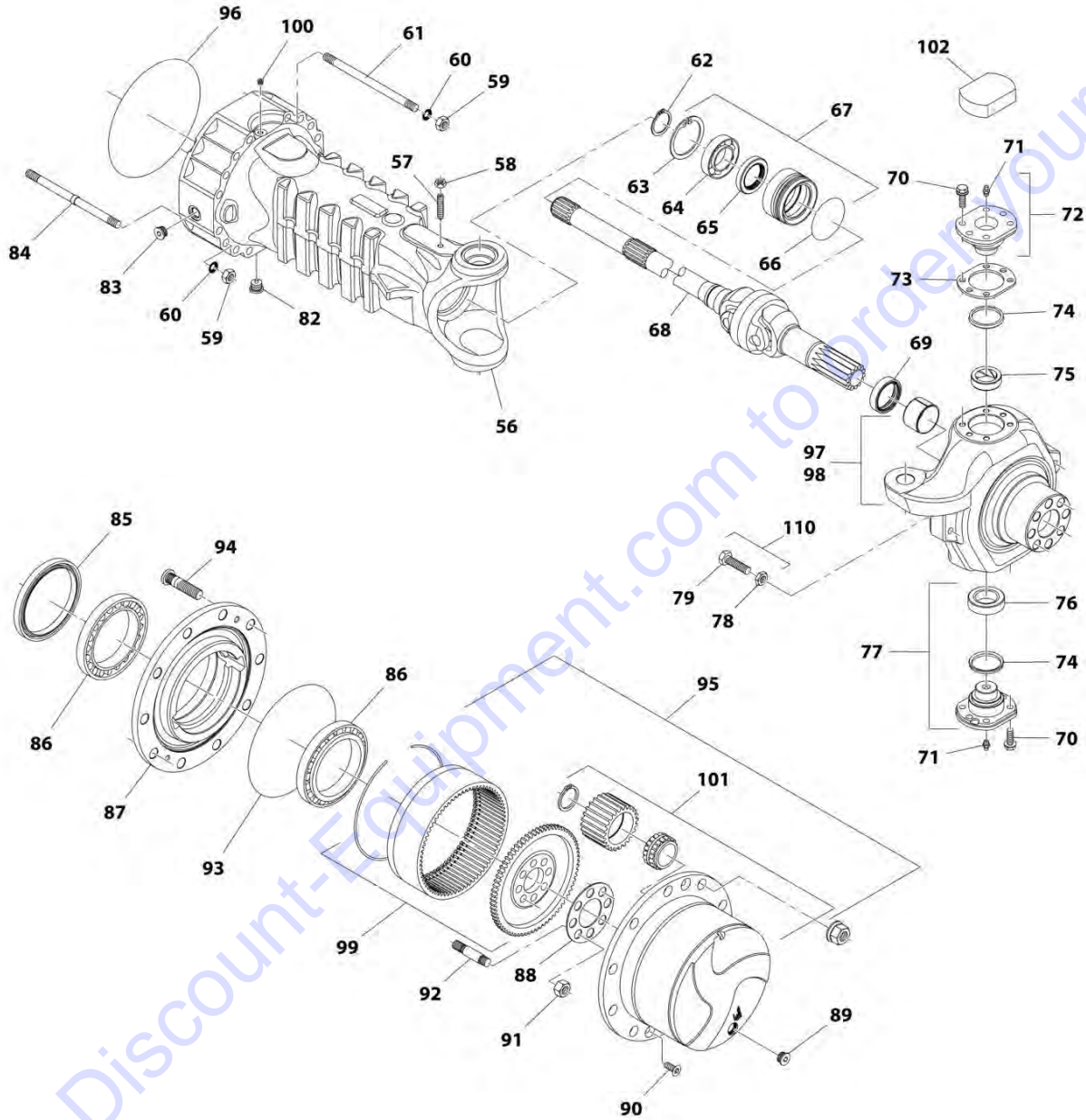
FIGURE 5-60. FRONT AXLE, DIFFERENTIAL (943, 1043)

ITEM	PART NUMBER	QTY	DESCRIPTION	REV
39	80204043	1	Nut	
40	91514130	1	Plate, Cover	
41	80204048	1	Bearing, Tape Roller	
42	70023469	1	Shim	
43	70026633	1	Gear, Bevel Set	
44	80204035	1	Bearing, Tape Roller	
45	70026438	1	Kit, Shim	
46	70026439	1	Kit, Shim	
47	70022140	1	Spacer	
48	70025887	1	Seal	
49	91514131	1	Flange	
50	10725554	1	O-Ring	
51	80204033	2	Bearing, Tape Roller	
52	91514133	2	Nut, Ring	
53	91514134	2	Bolt	
54	91514123	16	Bolt	
55	70024005	1	Kit, Differential (See DIFFERENTIAL KIT (943, 1043) for Breakdown)	

Go to Discount-Equipment.com to order your parts

SECTION 5 - DRIVE TRAIN

FIGURE 5-61. FRONT AXLE, HUB REDUCTION (943, 1043)



ART_1001165831_4-G

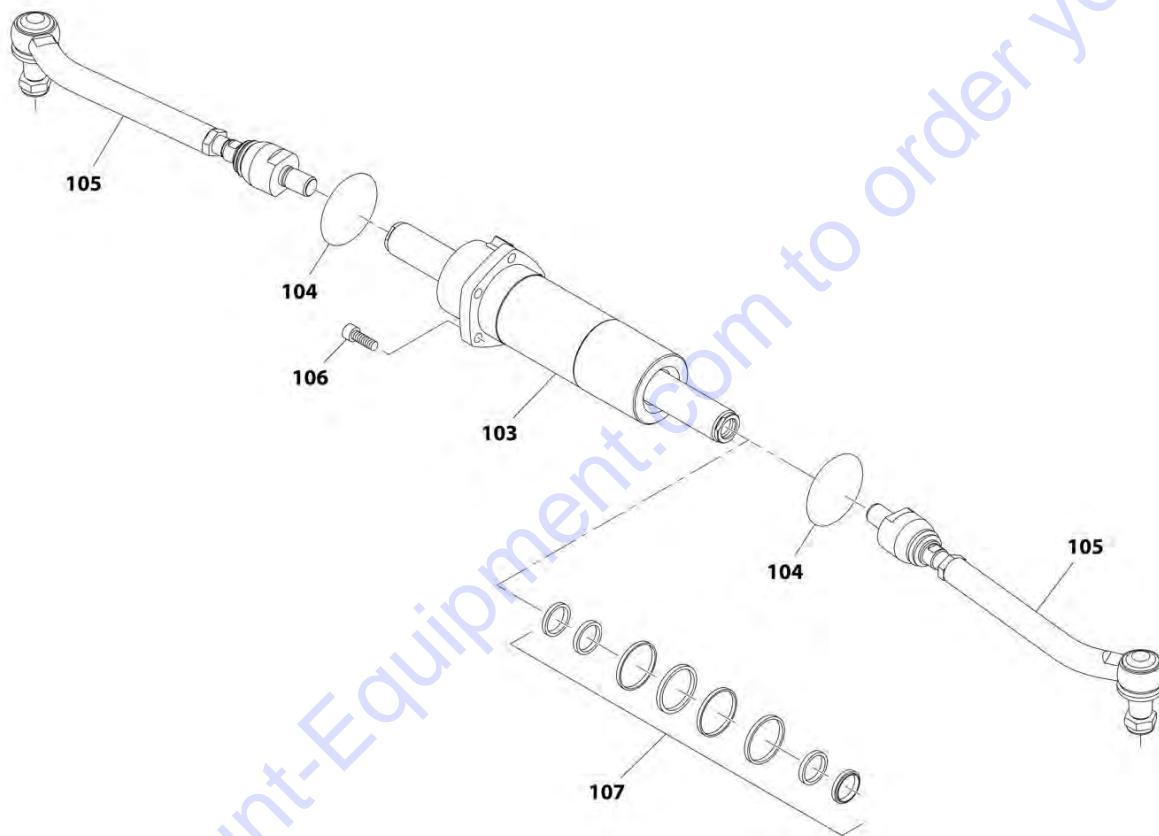
SECTION 5 - DRIVE TRAIN

FIGURE 5-61. FRONT AXLE, HUB REDUCTION (943, 1043)

ITEM	PART NUMBER	QTY	DESCRIPTION	REV
57	91514081	2	Bolt	
58	91514082	2	Nut	
59	91514083	8	Nut	
56	70024850	2	Case, Axle	
60	91514084	8	Washer	
61	7029309	24	Bolt	
62	80204071	2	Circlip	
63	80204005	2	Circlip	
64	91514146	2	Ball Bearing	
65	91514147	2	Seal	
66	91514148	2	O-Ring	
67	91514149	2	Bushing, Reduction	
68	70025855	2	Joint, Double Universal	
69	70026238	2	Seal	
70	91514123	24	Bolt	
71	91514099	4	Fitting, Grease	
72	91514112	2	Pin, Pivot	
73	70025561	1	Kit, Shim	
74	7028716	4	Seal, Dust	
75	7028714	2	Bushing	
76	91514095	2	Bearing	
77	7028715	2	Pin, Pivot	
78	80204065	4	Nut	
79	91514117	4	Bolt	
82	70021177	2	Plug	
83	91514087	2	Plug	
84	70024851	8	Stud	
85	7029300	2	Seal	
86	80204076	4	Bearing, Taper Roller	
87	91514174	2	Hub, Wheel	
88	91514178	1	Plate, Locking	
89	91514188	2	Plug	
90	91514189	4	Bolt	
91	91514179	16	Nut	
92	91514180	16	Stud	
93	91514181	2	O-Ring	
94	91514183	20	Stud	
95	70025972	2	Kit, Planet Gear Carrier (See PLANET GEAR CARRIER (943, 1043) for Breakdown)	
96	91514089	2	O-Ring	
97	70026239	1	Case, Steering	
98	70026240	1	Case, Steering	
99	70024146	2	Kit, Ring Gear Support (See RING GEAR SUPPORT (943, 1043) for Breakdown)	
110	7028733	1	Bolt, Steering Adjust (943, 1043) (includes items 78 & 79)	
100	80204012	2	Plug	
101	7029733	2	Kit, Planet Gear Carrier (See PLANET GEAR CARRIER (943, 1043) for Breakdown)	
102	91474524	2	Cover	

SECTION 5 - DRIVE TRAIN

FIGURE 5-62. FRONT AXLE, STEERING (943, 1043)



ART_1001165831_5-G

SECTION 5 - DRIVE TRAIN

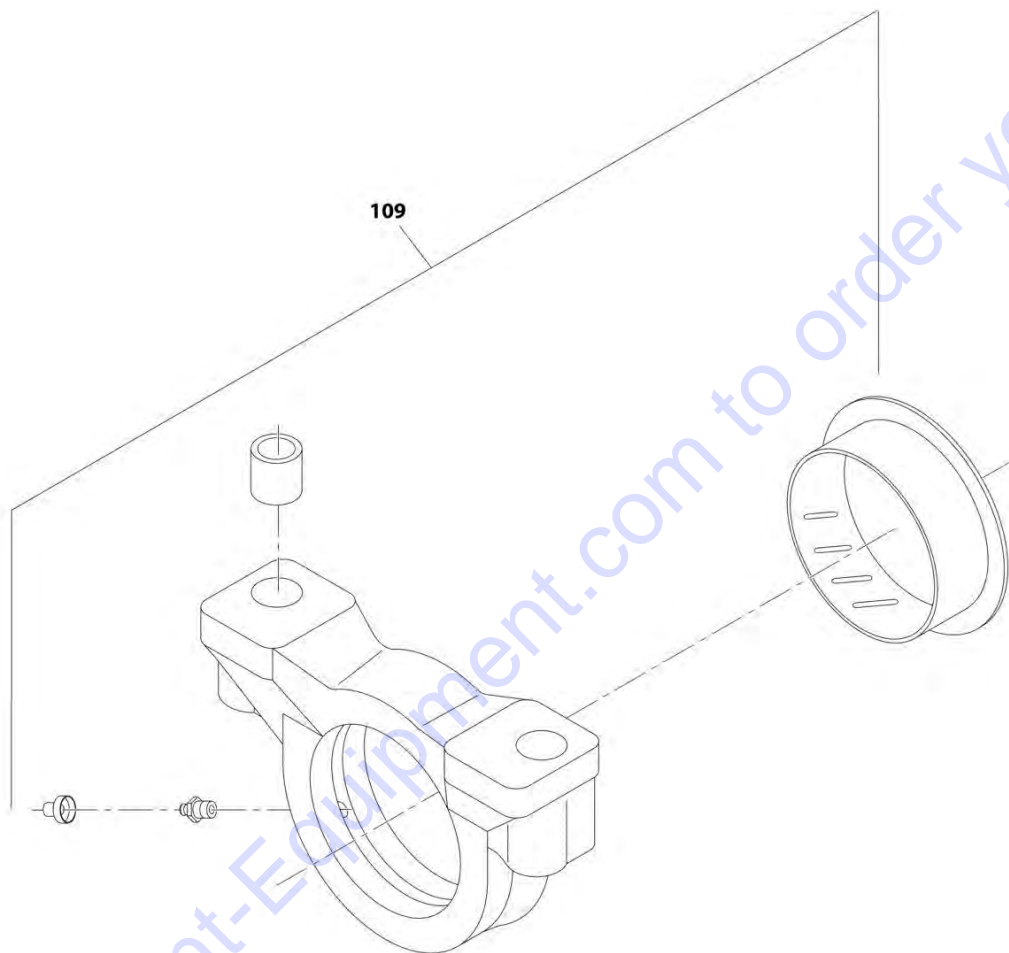
FIGURE 5-62. FRONT AXLE, STEERING (943, 1043)

ITEM	PART NUMBER	QTY	DESCRIPTION	REV
103	7026490	1	Cylinder	
104	80204143	2	O-Ring	
105	70021614	2	Rod, Articulated Tie	
106	80204144	5	Bolt	
107	7029127	1	Kit, Seal	

Go to Discount-Equipment.com to order your parts

SECTION 5 - DRIVE TRAIN

FIGURE 5-63. FRONT AXLE, TRUNION (943, 1043)



ART_1001165831_6-G

SECTION 5 - DRIVE TRAIN

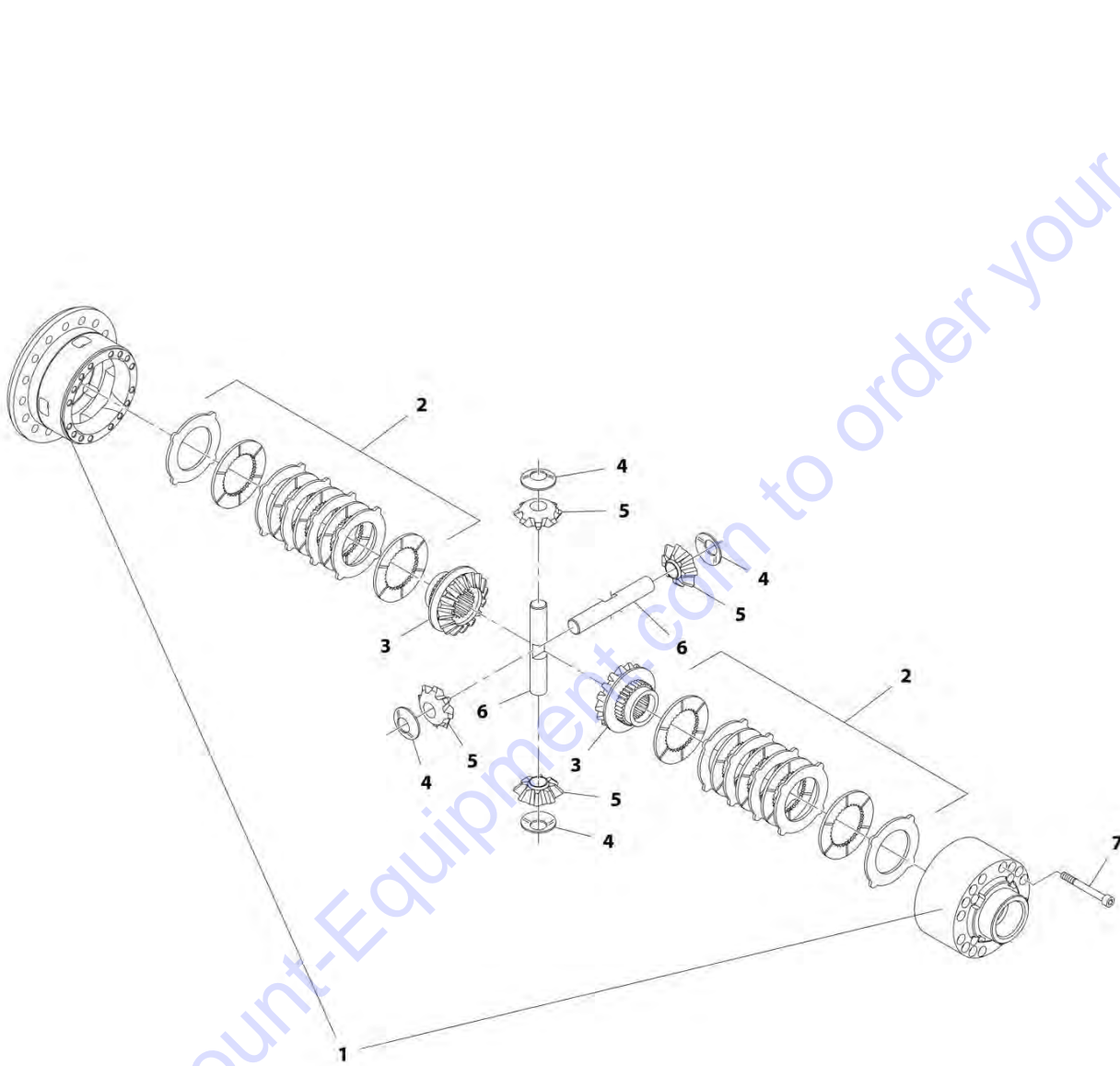
FIGURE 5-63. FRONT AXLE, TRUNION (943, 1043)

ITEM	PART NUMBER	QTY	DESCRIPTION	REV
109	70026266	2	Trunion (943, 1043) (See Support (943, 1043) for Breakdown)	

Go to Discount-Equipment.com to order your parts

SECTION 5 - DRIVE TRAIN

FIGURE 5-64. FRONT AXLE, DIFFERENTIAL KIT (943, 1043)



ART_1001165831_7-G

SECTION 5 - DRIVE TRAIN

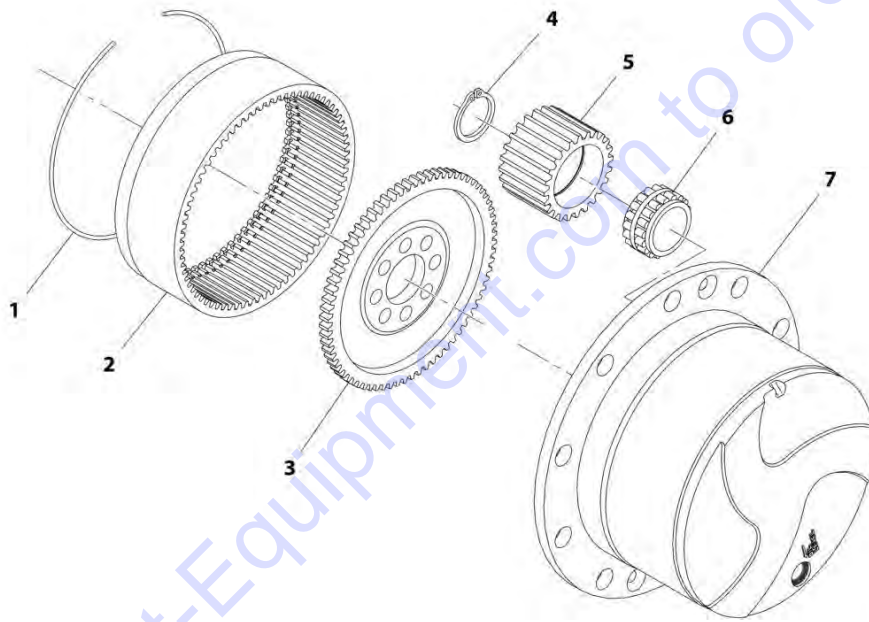
FIGURE 5-64. FRONT AXLE, DIFFERENTIAL KIT (943, 1043)

ITEM	PART NUMBER	QTY	DESCRIPTION	REV
	70024005	Ref	Differential Kit (943, 1043)	
1	70024004	1	Carrier, Differential	
2	70023496	2	Disc, Clutch	
3	70025856	2	Gear, Differential Side	
4	70023491	4	Washer	
5	70025339	4	Pinion, Differential	
6	70023490	2	Shaft, Differential	
7	91514143	1	Bolt	

Go to Discount-Equipment.com to order your parts

SECTION 5 - DRIVE TRAIN

FIGURE 5-65. FRONT AXLE, PLANET GEAR CARRIER (943, 1043)



ART_1001165831_8-G

SECTION 5 - DRIVE TRAIN

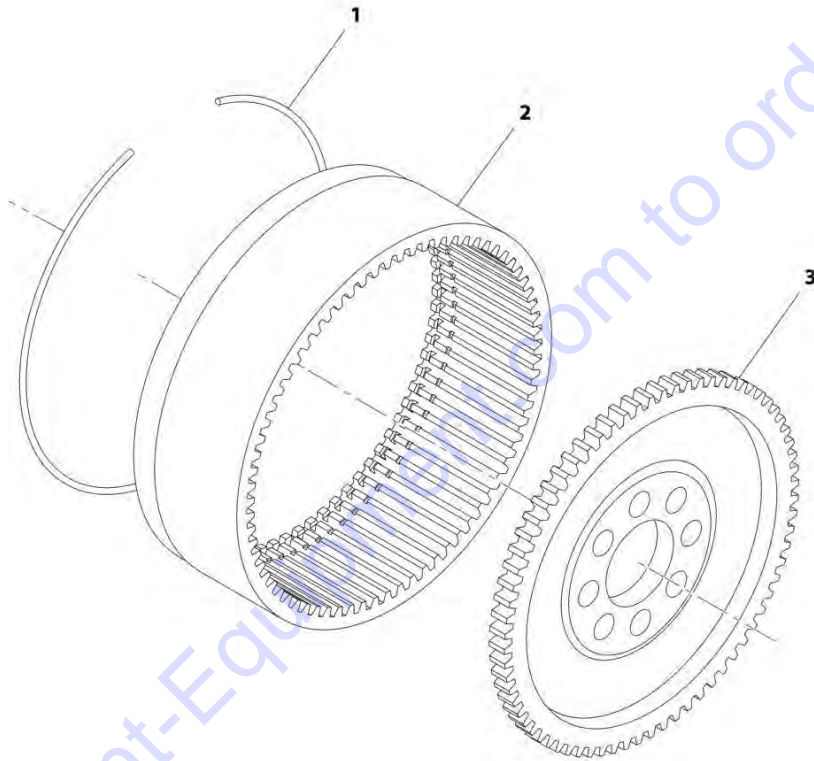
FIGURE 5-65. FRONT AXLE, PLANET GEAR CARRIER (943, 1043)

ITEM	PART NUMBER	QTY	DESCRIPTION	REV
	70025972	Ref	Planet Gear Carrier (943, 1043)	
1	91514175	1	Circlip	
2	70024147	1	Gear, Ring	
3	91514177	1	Gear, Ring Support	
4	91514184	3	Ring, Snap	
5	91514185	3	Gear, Planet	
6	91514186	3	Bearing	
7	7026731	1	Carrier, Planet Gear	

Go to Discount-Equipment.com to order your parts

SECTION 5 - DRIVE TRAIN

FIGURE 5-66. FRONT AXLE, RING GEAR SUPPORT (943, 1043)



ART_1001165831_9-G

SECTION 5 - DRIVE TRAIN

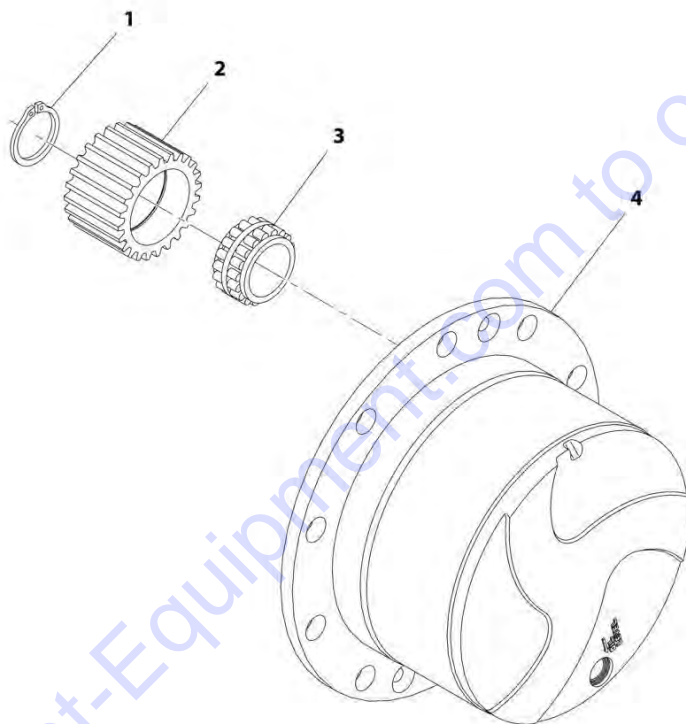
FIGURE 5-66. FRONT AXLE, RING GEAR SUPPORT (943, 1043)

ITEM	PART NUMBER	QTY	DESCRIPTION	REV
	70024146	Ref	Ring Gear Support (943, 1043)	
1	91514175	1	Circlip	
2	70024147	1	Gear, Ring	
3	91514177	1	Gear, Ring Support	

Go to Discount-Equipment.com to order your parts

SECTION 5 - DRIVE TRAIN

FIGURE 5-67. FRONT AXLE, PLANET GEAR CARRIER (943, 1043)



ART_1001165831_10-G

SECTION 5 - DRIVE TRAIN

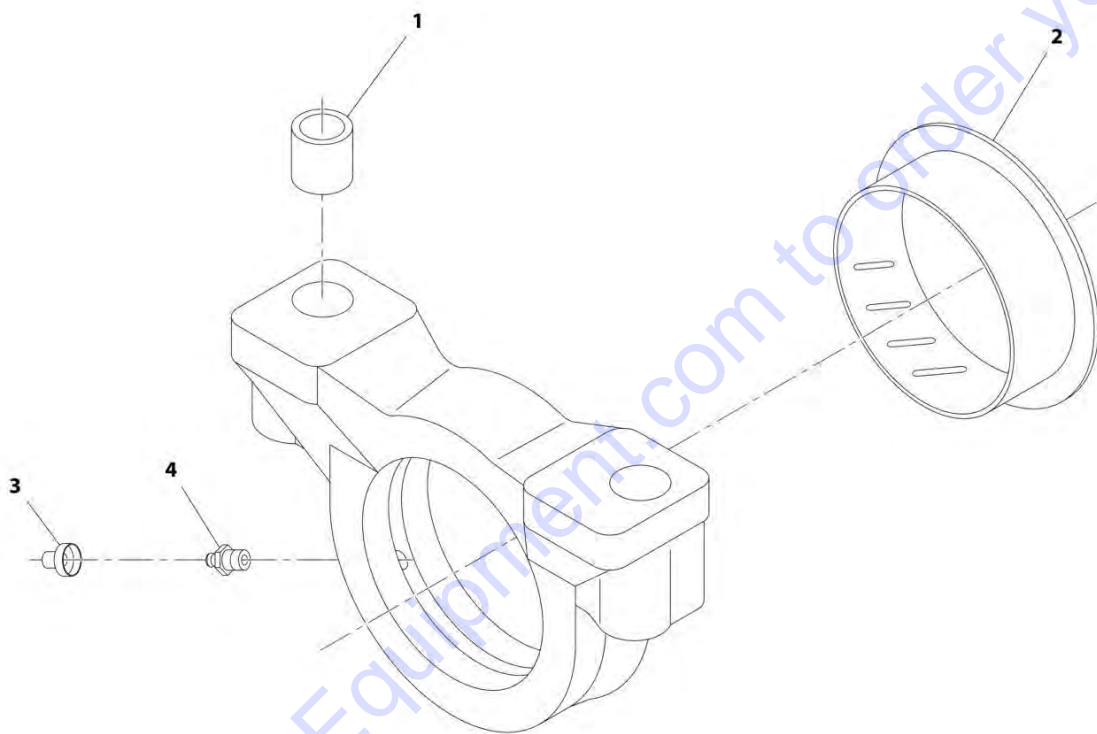
FIGURE 5-67. FRONT AXLE, PLANET GEAR CARRIER (943, 1043)

ITEM	PART NUMBER	QTY	DESCRIPTION	REV
	7029733	Ref	Planet Gear Carrier (943, 1043)	
1	91514184	3	Ring, Snap	
2	91514185	3	Gear, Planet	
3	91514186	3	Bearing	
4	7026731	1	Carrier, Planet Gear	

Go to Discount-Equipment.com to order your parts

SECTION 5 - DRIVE TRAIN

FIGURE 5-68. FRONT AXLE, SUPPORT (943, 1043)



ART_1001165831_11-G

SECTION 5 - DRIVE TRAIN

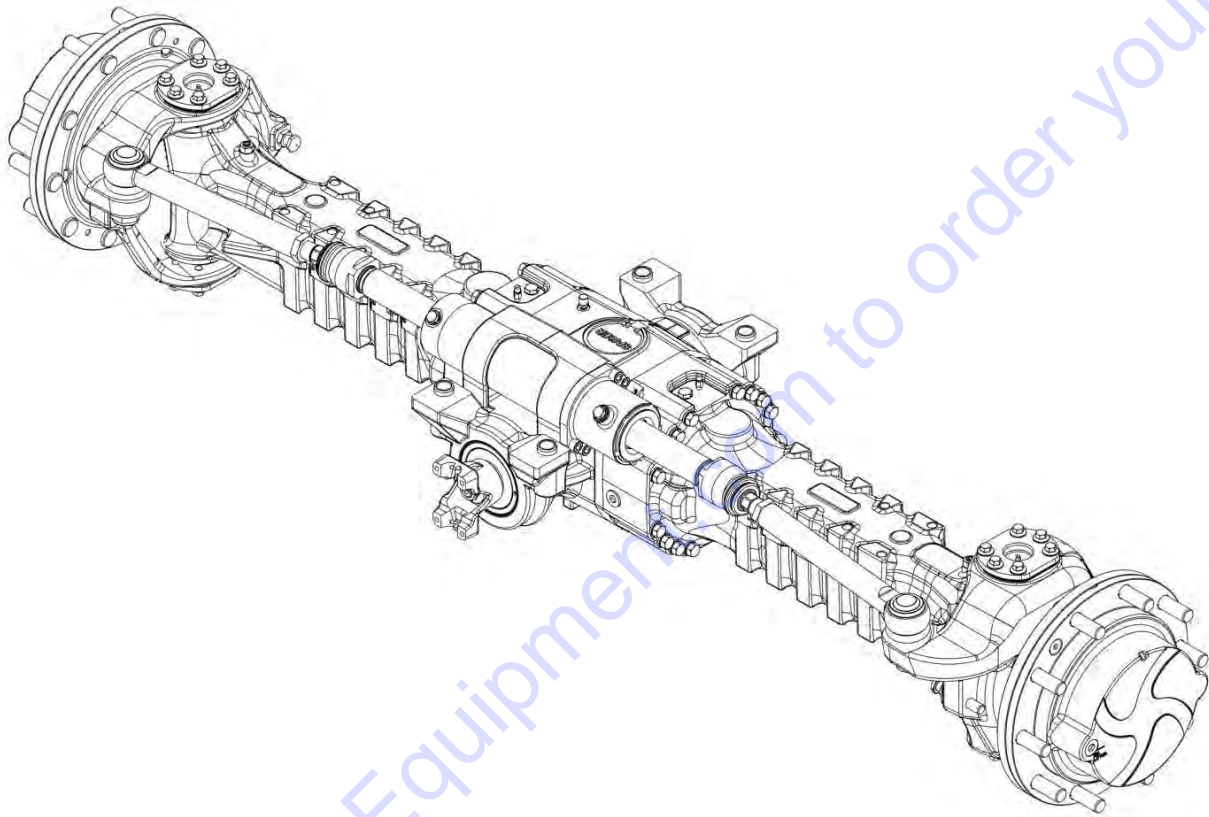
FIGURE 5-68. FRONT AXLE, SUPPORT (943, 1043)

ITEM	PART NUMBER	QTY	DESCRIPTION	REV
	70026266	Ref	Support (943, 1043)	
1	7029290	2	Bushing, Reduction	
2	91514090	1	Bushing, Thrust	
3	80204117	1	Plug	
4	91514099	1	Fitting, Grease	

Go to Discount-Equipment.com to order your parts

SECTION 5 - DRIVE TRAIN

FIGURE 5-69. REAR AXLE (642, 742)



ART_1001165834-F

SECTION 5 - DRIVE TRAIN

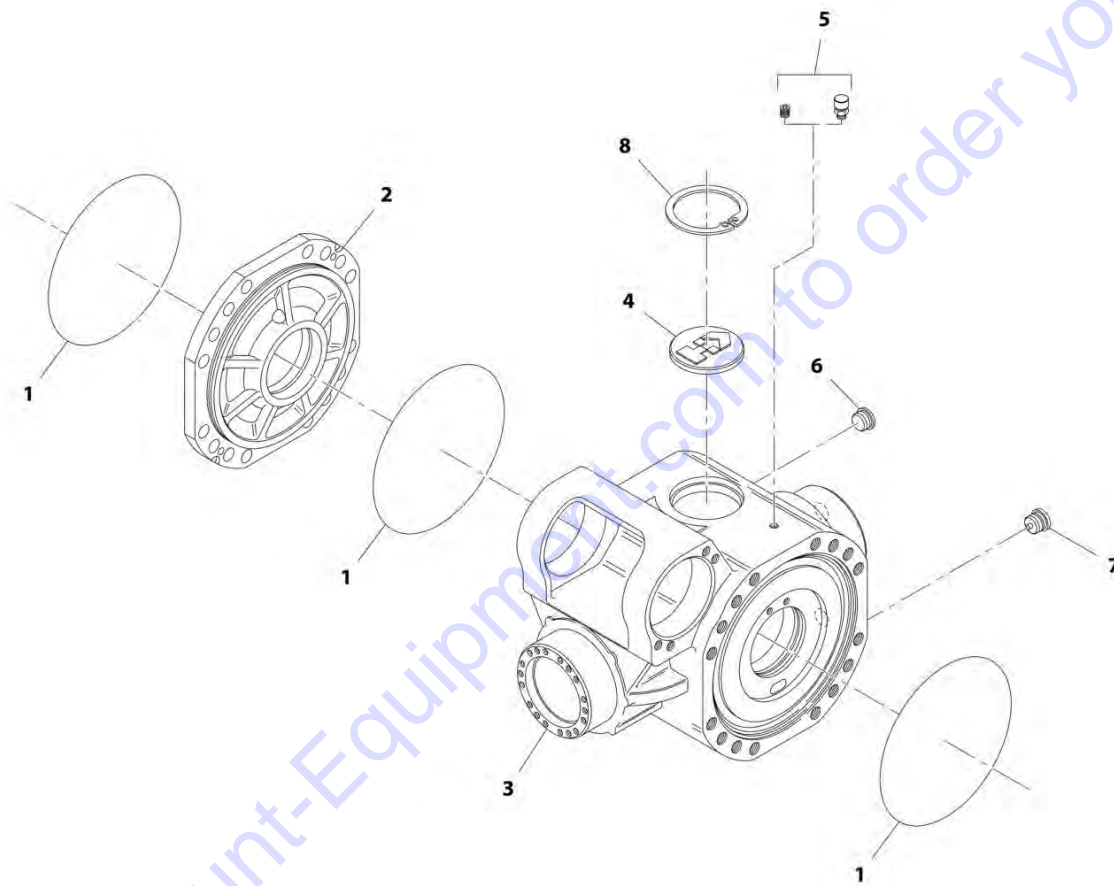
FIGURE 5-69. REAR AXLE (642, 742)

ITEM	PART NUMBER	QTY	DESCRIPTION	REV
	1001165834	Ref	Rear Axle (642, 742)	F
		Ref	Rear Axle, Central Housing (642, 742) (See REAR AXLE, CENTRAL HOUSING (642, 742) for Breakdown)	
		Ref	Rear Axle, Differential (642, 742) (See REAR AXLE, DIFFERENTIAL (642, 742) for Breakdown)	
		Ref	Rear Axle, Hub Reduction (642, 742) (See REAR AXLE, HUB REDUCTION (642, 742) for Breakdown)	
		Ref	Rear Axle, Brakes (642, 742) (See REAR AXLE, BRAKES (642, 742) for Breakdown)	
		Ref	Rear Axle, Steering (642, 742) (See REAR AXLE, STEERING (642, 742) for Breakdown)	
		Ref	Rear Axle, Trunion (642, 742) (See REAR AXLE, TRUNION (642, 742) for Breakdown)	

Go to Discount-Equipment.com to order your parts

SECTION 5 - DRIVE TRAIN

FIGURE 5-70. REAR AXLE, CENTRAL HOUSING (642, 742)



ART_1001165834_1-F

SECTION 5 - DRIVE TRAIN

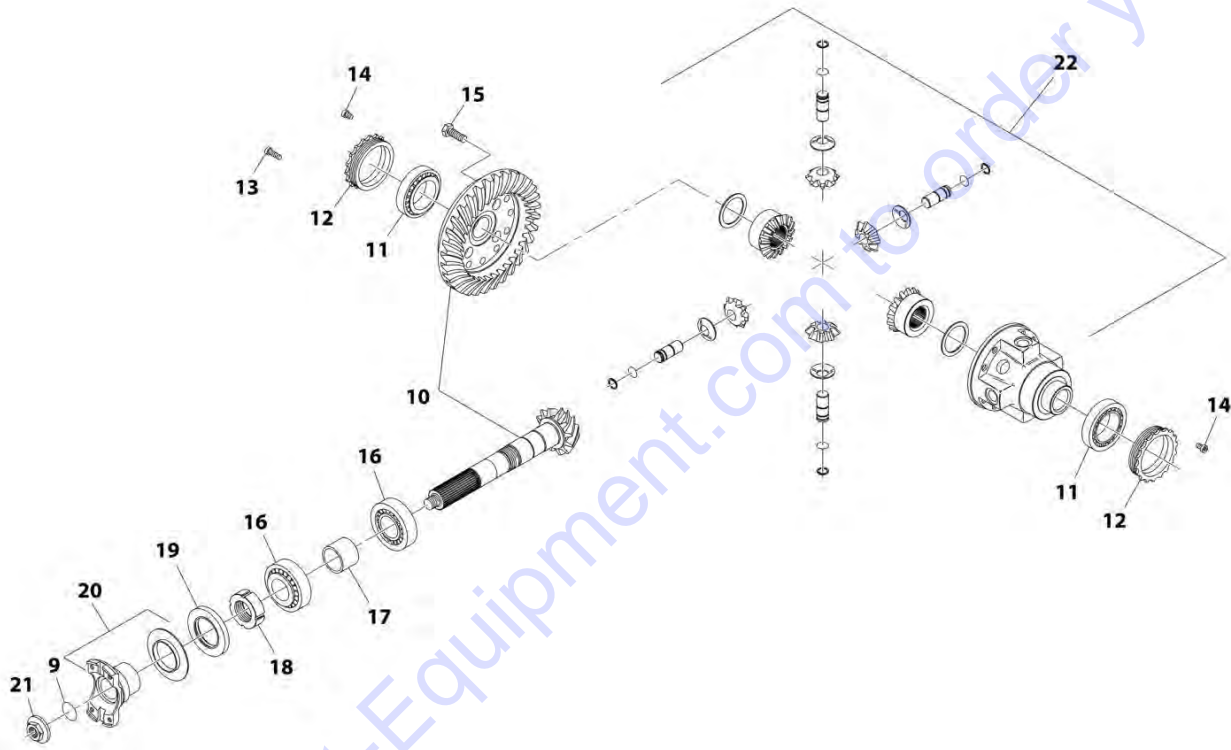
FIGURE 5-70. REAR AXLE, CENTRAL HOUSING (642, 742)

ITEM	PART NUMBER	QTY	DESCRIPTION	REV
1	91474507	3	O-Ring	
2	70024519	1	Cover	
3	70026749	1	Housing	
4	91514098	1	Plug	
5	91474512	1	Vent	
6	91514188	1	Plug	
7	91474513	1	Plug, Magnet	
8	80204005	1	Circlip	

Go to Discount-Equipment.com to order your parts

SECTION 5 - DRIVE TRAIN

FIGURE 5-71. REAR AXLE, DIFFERENTIAL (642, 742)



ART_1001165834_2-F

SECTION 5 - DRIVE TRAIN

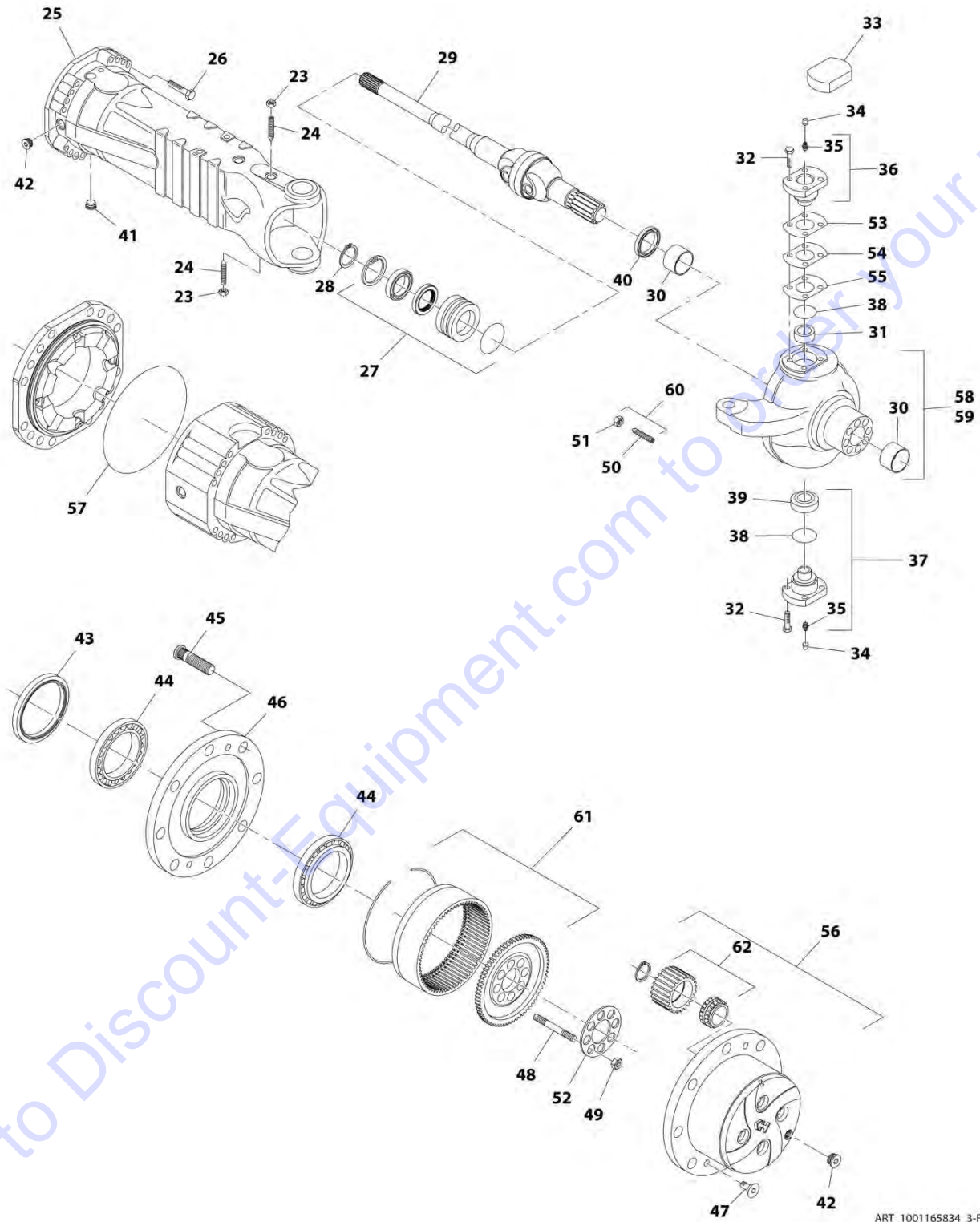
FIGURE 5-71. REAR AXLE, DIFFERENTIAL (642, 742)

ITEM	PART NUMBER	QTY	DESCRIPTION	REV
9	91474529	1	O-Ring	
10	70026634	1	Bevel Gear Set	
11	70026031	2	Bearing, Taper Roller	
12	91474547	2	Nut, Ring	
13	91474591	4	Bolt	
14	91514134	2	Bolt	
15	91514123	12	Bolt	
16	3968141	2	Bearing, Taper Roller	
17	91474539	1	Spacer	
18	91474533	1	Nut, Ring	
19	70024522	1	Seal	
20	70022797	1	FLANGE	
21	70026631	1	Nut	
22	70021140	1	Kit, Differential (642, 742) (See DIFFERENTIAL KIT (642, 742) for Breakdown)	

Go to Discount-Equipment.com to order your parts

SECTION 5 - DRIVE TRAIN

FIGURE 5-72. REAR AXLE, HUB REDUCTION (642, 742)



ART_1001165834_3-F

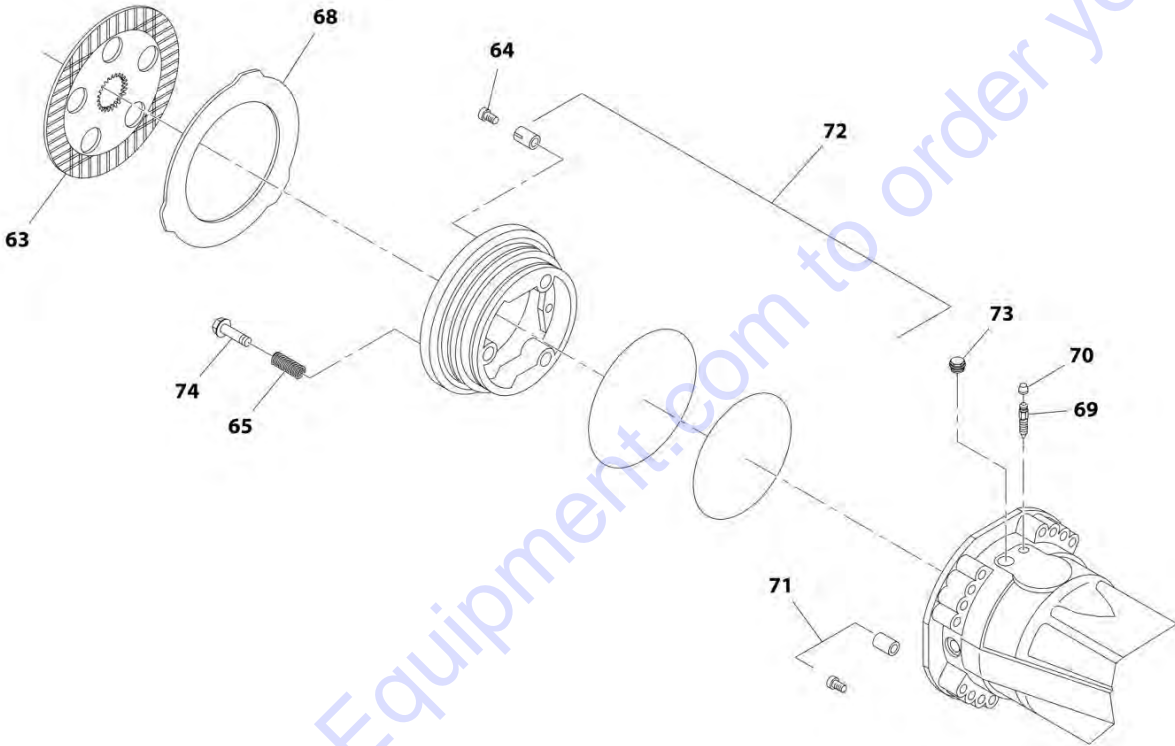
SECTION 5 - DRIVE TRAIN

FIGURE 5-72. REAR AXLE, HUB REDUCTION (642, 742)

ITEM	PART NUMBER	QTY	DESCRIPTION	REV
23	91514082	2	Nut	
24	91514081	2	Bolt	
25	70022798	2	Axle Case	
26	70022799	32	Bolt	
27	91514149	2	Bushing, Reduction (642, 742) (See REDUCTION BUSHING (642, 742) for Breakdown)	
28	91514146	2	Circlip	
29	70026624	2	Joint, Double Universal	
30	91514111	2	Bushing, Thrust	
31	7028714	2	Bushing	
32	70025562	24	Bolt	
33	91474524	2	Cover	
34	80204117	2	Plug	
35	91514099	4	Grease Fitting	
36	91514112	2	Pivot Pin	
37	7028715	2	Pivot Pin	
38	7028716	4	Dust Excluder	
39	91514095	2	Bearing	
40	70026238	2	Seal	
41	91474513	2	Plug, Magnet	
42	91514188	4	Plug	
43	7028721	2	Seal	
44	91474576	4	Bearing	
45	91514183	20	Wheel Stud	
46	7029737	2	Wheel Hub	
47	91514189	4	Bolt, Countersunk	
48	91474583	16	Stud	
49	91474584	16	Nut	
50	3984312	4	Bolt	
51	80204065	4	Nut	
52	70026622	2	Plate, Locking	
53	91514113	2	Shim	
54	91514114	2	Shim	
55	91514115	2	Shim	
56	7029431	2	Kit, Planet Gear Carrier (642, 742) (See PLANET GEAR CARRIER KIT (642, 742) for Breakdown)	
57	91514181	2	O-Ring	
58	70026626	1	Case, Steering	
59	70026627	1	Case, Steering	
60	7028733	4	Bolt, Steering Adjust (642, 742) (includes items 50 & 51)	
61	70026625	2	Kit, Ring Gear Support (642, 742) (See RING GEAR SUPPORT KIT (642, 742) for Breakdown)	
62	70023900	8	Kit, Planet Gear (642, 742) (See PLANET GEAR KIT (642, 742) for Breakdown)	

SECTION 5 - DRIVE TRAIN

FIGURE 5-73. REAR AXLE, BRAKES (642, 742)



ART_1001165834_4-F

SECTION 5 - DRIVE TRAIN

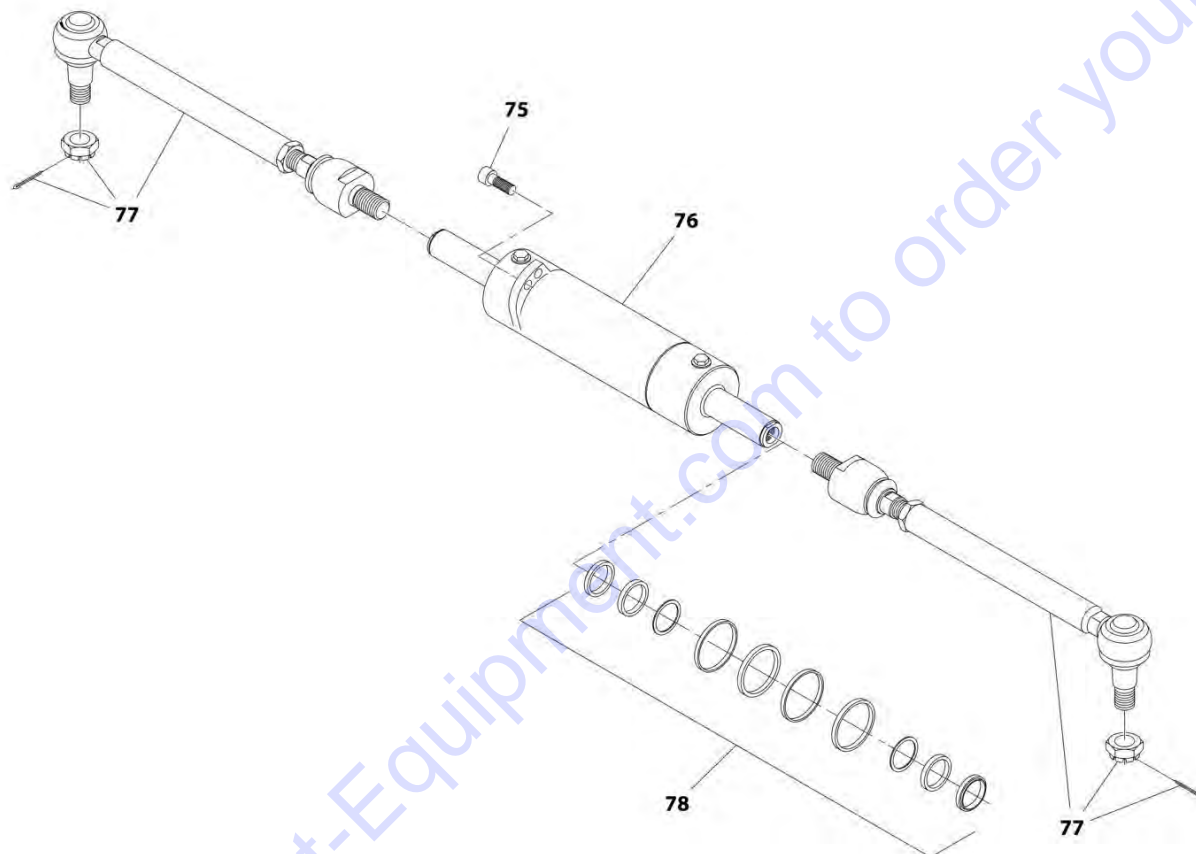
FIGURE 5-73. REAR AXLE, BRAKES (642, 742)

ITEM	PART NUMBER	QTY	DESCRIPTION	REV
63	91474568	6	Disc	
64	7029786	6	Bolt, Adjusting	
65	91514159	6	Spring	
68	91474569	8	Disc, Intermediate Brake	
69	80204281	2	Bolt, Bleeding	
70	80204117	2	Plug	
71	70021613	2	Bolt, Pilot	
72	70025841	2	Kit, Piston (642, 742) (See PISTON KIT (642, 742) for Breakdown)	
73	91514154	2	Bolt	
74	70024210	6	Bolt, Adjusting	

Go to Discount-Equipment.com to order your parts

SECTION 5 - DRIVE TRAIN

FIGURE 5-74. REAR AXLE, STEERING (642, 742)



ART_1001165834_5-F

SECTION 5 - DRIVE TRAIN

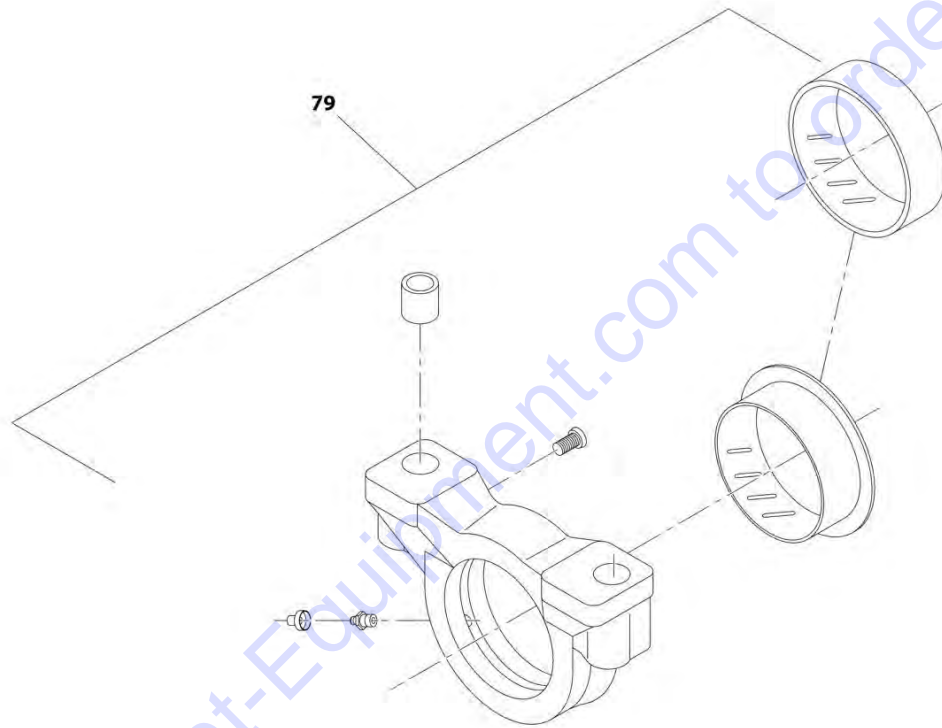
FIGURE 5-74. REAR AXLE, STEERING (642, 742)

ITEM	PART NUMBER	QTY	DESCRIPTION	REV
75	91474522	4	Bolt	
76	7029528	1	Cylinder	
77	70026799	2	Bar	
78	7029529	1	Seal	

Go to Discount-Equipment.com to order your parts

SECTION 5 - DRIVE TRAIN

FIGURE 5-75. REAR AXLE, TRUNION (642, 742)



ART_1001165834_6-F

SECTION 5 - DRIVE TRAIN

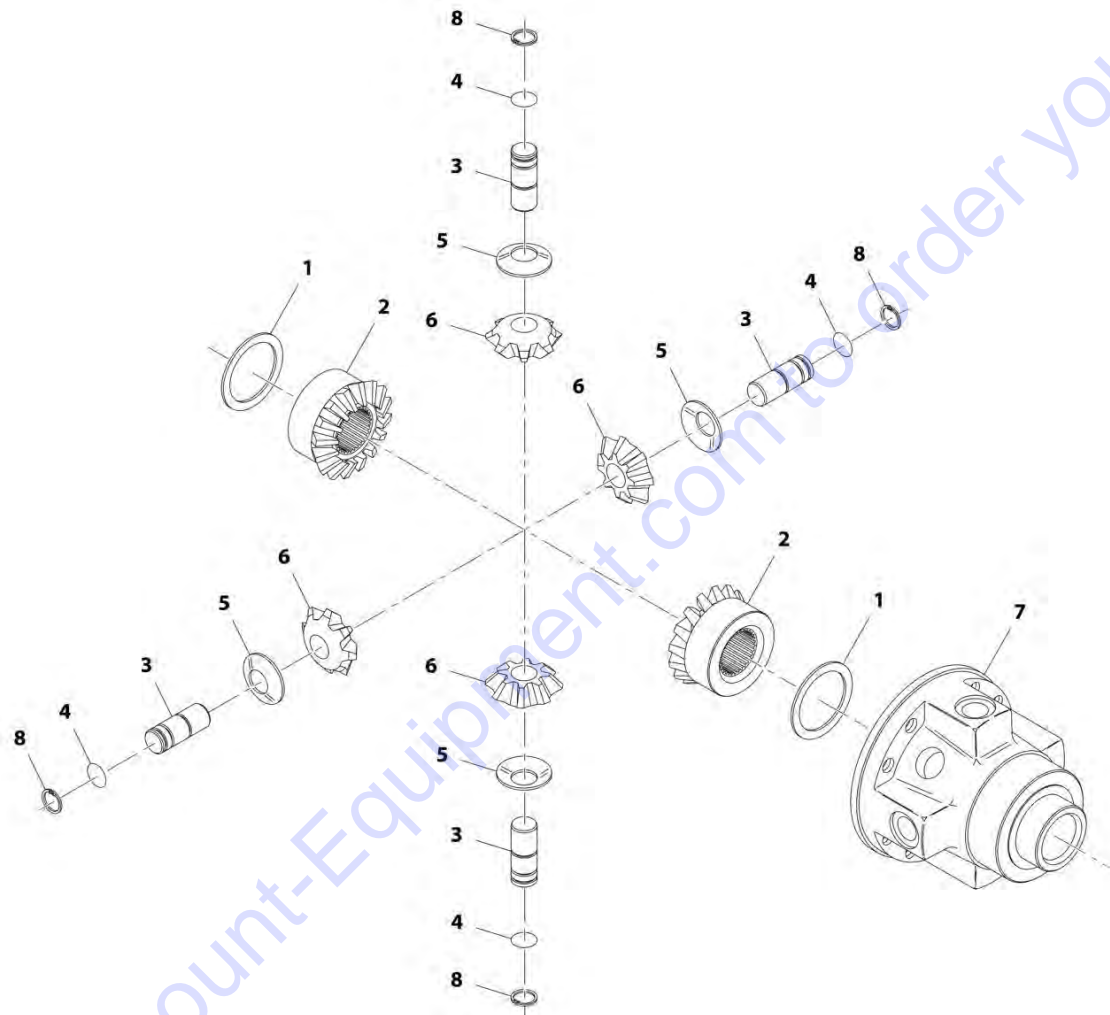
FIGURE 5-75. REAR AXLE, TRUNION (642, 742)

ITEM	PART NUMBER	QTY	DESCRIPTION	REV
79	70026630	2	Kit, Support (642, 742) (See SUPPORT KIT (642, 742) for Breakdown)	

Go to Discount-Equipment.com to order your parts

SECTION 5 - DRIVE TRAIN

FIGURE 5-76. REAR AXLE, DIFFERENTIAL KIT (642, 742)



Go to Discount-Equipment.com to order your parts

ART_1001165834_7-F

SECTION 5 - DRIVE TRAIN

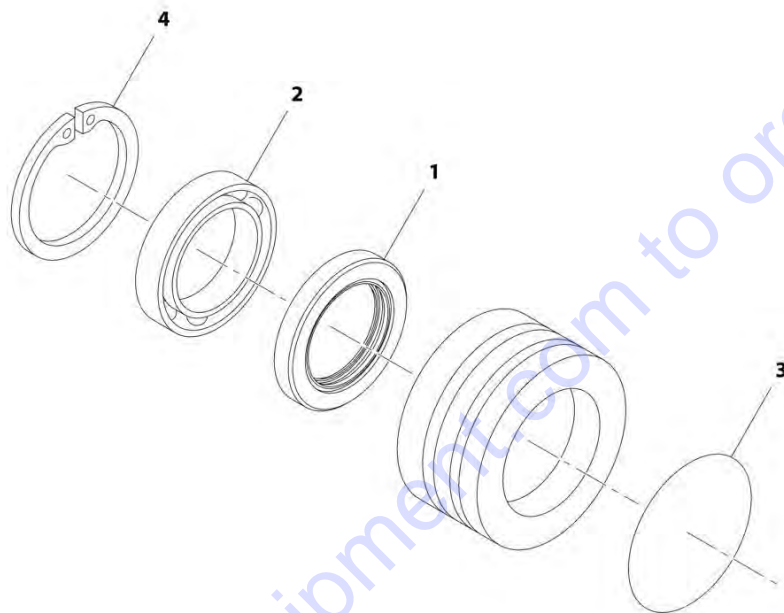
FIGURE 5-76. REAR AXLE, DIFFERENTIAL KIT (642, 742)

ITEM	PART NUMBER	QTY	DESCRIPTION	REV
	70021140	Ref	Differential Kit (642, 742)	
1	91474593	2	Washer, Friction	
2	70025569	2	Gear, Differential Side	
3	7029131	4	Pin	
4	91474551	4	Circlip	
5	91474553	4	Washer, Friction	
6	70025570	4	Pinion, Differential	
7	91474595	1	Carrier, Differential	
8	91474550	4	Circlip	

Go to Discount-Equipment.com to order your parts

SECTION 5 - DRIVE TRAIN

FIGURE 5-77. REAR AXLE, REDUCTION BUSHING (642, 742)



ART_1001165834_8-F

SECTION 5 - DRIVE TRAIN

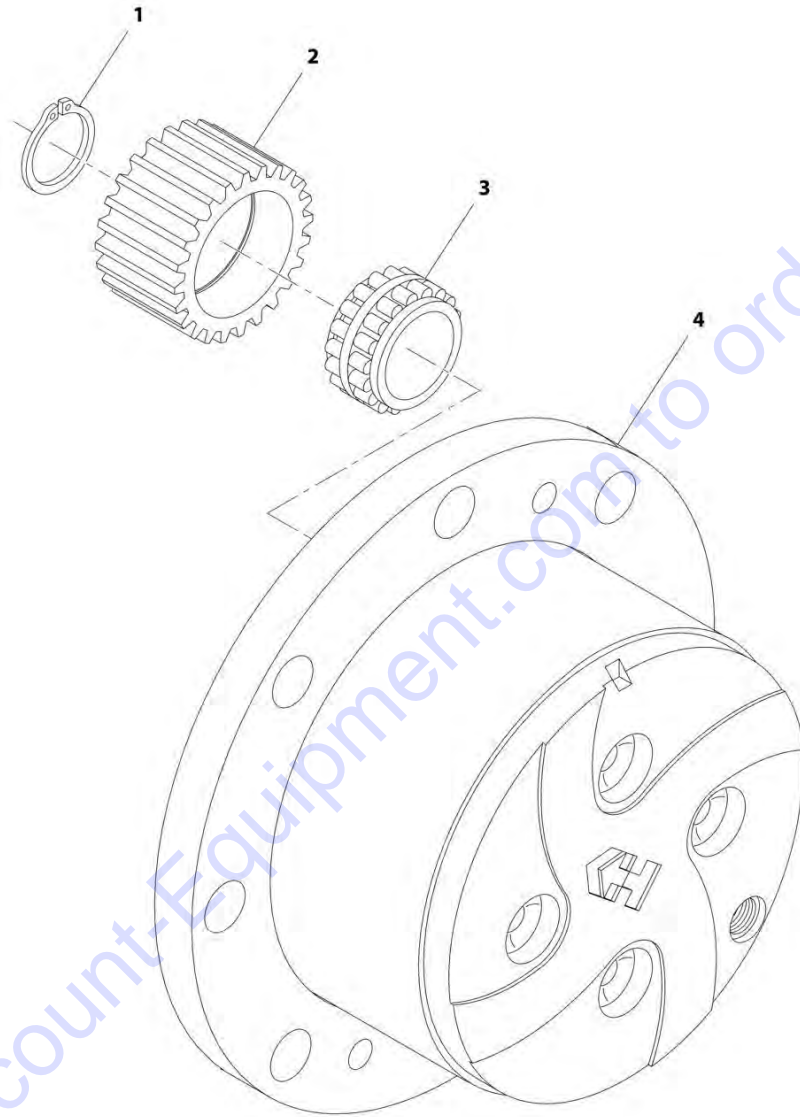
FIGURE 5-77. REAR AXLE, REDUCTION BUSHING (642, 742)

ITEM	PART NUMBER	QTY	DESCRIPTION	REV
	91514149	Ref	Reduction Bushing	
1	91514147	1	Seal	
2	91514146	1	Ball Bearing	
3	91514148	1	O-Ring	
4	80204005	1	Circlip	

Go to Discount-Equipment.com to order your parts

SECTION 5 - DRIVE TRAIN

FIGURE 5-78. REAR AXLE, PLANET GEAR CARRIER KIT (642, 742)



ART_1001165834_9-F

SECTION 5 - DRIVE TRAIN

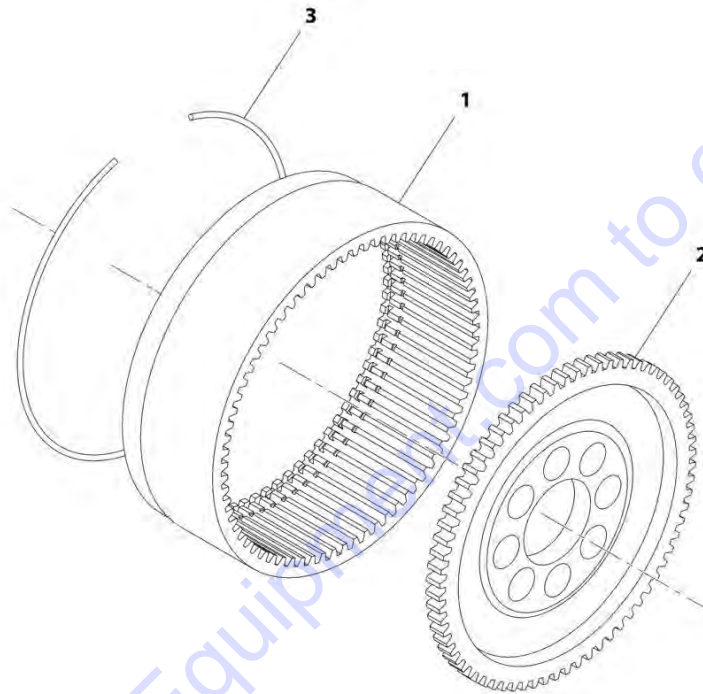
FIGURE 5-78. REAR AXLE, PLANET GEAR CARRIER KIT (642, 742)

ITEM	PART NUMBER	QTY	DESCRIPTION	REV
	7029431	Ref	Planet Gear Carrier Kit (642, 742)	
1	91474585	1	Circlip	
2	70023900	1	Gear, Planet	
3	91474587	1	Bearing	
4	7029286	1	Carrier, Planet Gear	

Go to Discount-Equipment.com to order your parts

SECTION 5 - DRIVE TRAIN

FIGURE 5-79. REAR AXLE, RING GEAR SUPPORT KIT (642, 742)



ART_1001165834_10-F

SECTION 5 - DRIVE TRAIN

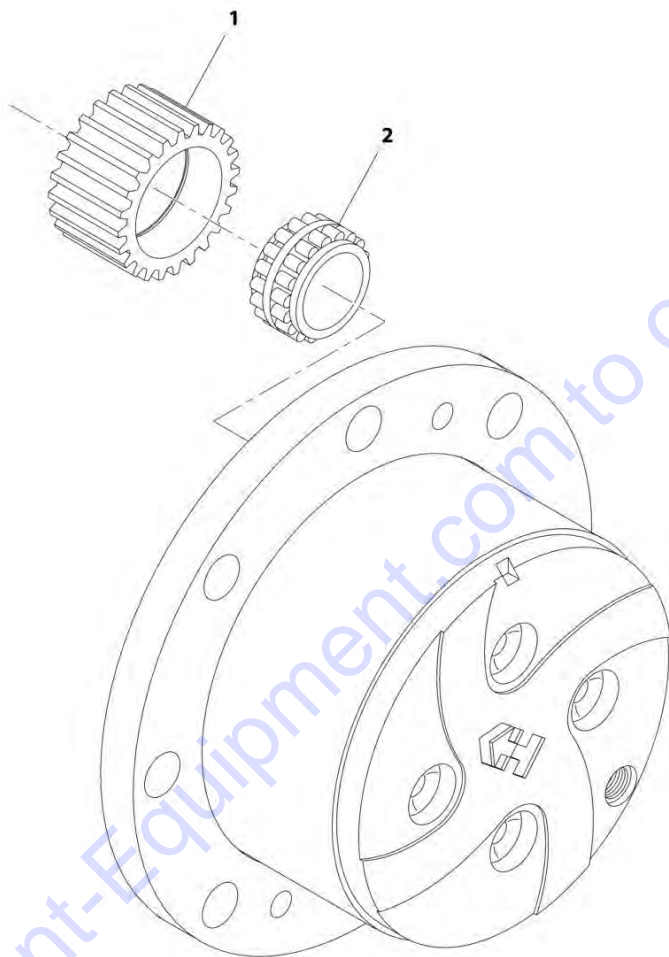
FIGURE 5-79. REAR AXLE, RING GEAR SUPPORT KIT (642, 742)

ITEM	PART NUMBER	QTY	DESCRIPTION	REV
	70026625	Ref	Ring Gear Support Kit (642, 742)	
1	91474580	1	Gear, Ring	
2	70026798	1	Support, Ring Gear	
3	91474579	1	Circlip	

Go to Discount-Equipment.com to order your parts

SECTION 5 - DRIVE TRAIN

FIGURE 5-80. REAR AXLE, PLANET GEAR KIT (642, 742)



ART_1001165834_11-F

SECTION 5 - DRIVE TRAIN

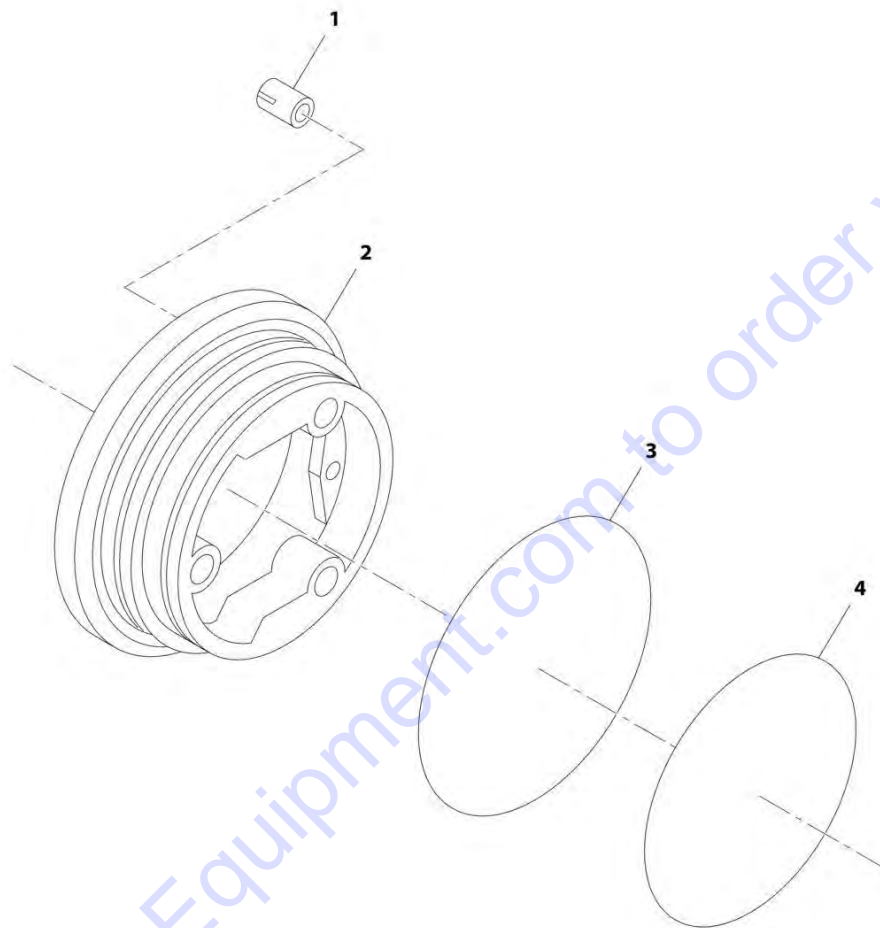
FIGURE 5-80. REAR AXLE, PLANET GEAR KIT (642, 742)

ITEM	PART NUMBER	QTY	DESCRIPTION	REV
	70023900	Ref	Planet Gear Kit (642, 742)	
1	91474586	4	Gear, Planet	
2	91474587	4	Bearing	

Go to Discount-Equipment.com to order your parts

SECTION 5 - DRIVE TRAIN

FIGURE 5-81. REAR AXLE, PISTON KIT (642, 742)



ART_1001165834_12-F

SECTION 5 - DRIVE TRAIN

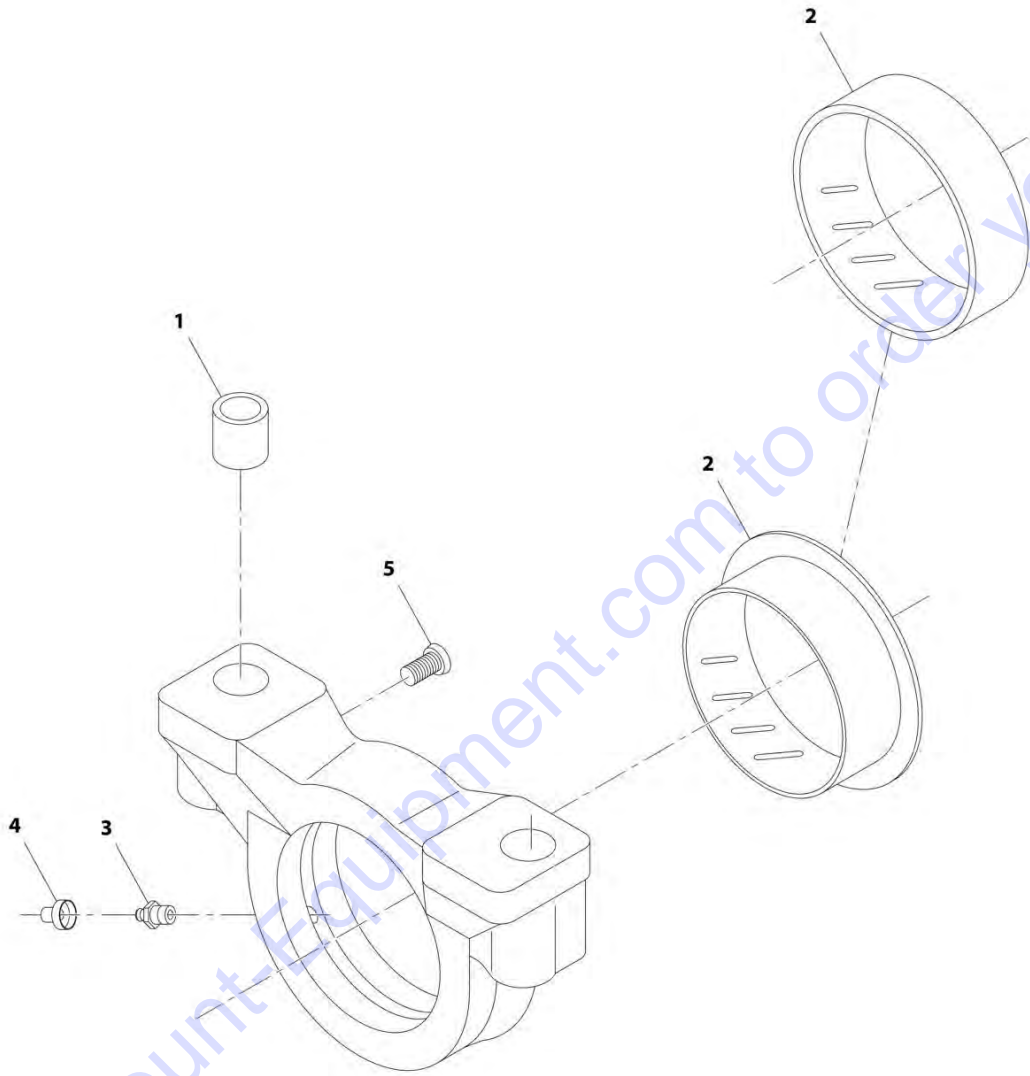
FIGURE 5-81. REAR AXLE, PISTON KIT (642, 742)

ITEM	PART NUMBER	QTY	DESCRIPTION	REV
	70025841	Ref	Piston Kit (642, 742)	
1	91514165	3	Spring	
2	NSS	1	Piston	
3	70025821	1	O-Ring	
4	70025822	1	O-Ring	

Go to Discount-Equipment.com to order your parts

SECTION 5 - DRIVE TRAIN

FIGURE 5-82. REAR AXLE, SUPPORT KIT (642, 742)



ART_1001165834_13-F

SECTION 5 - DRIVE TRAIN

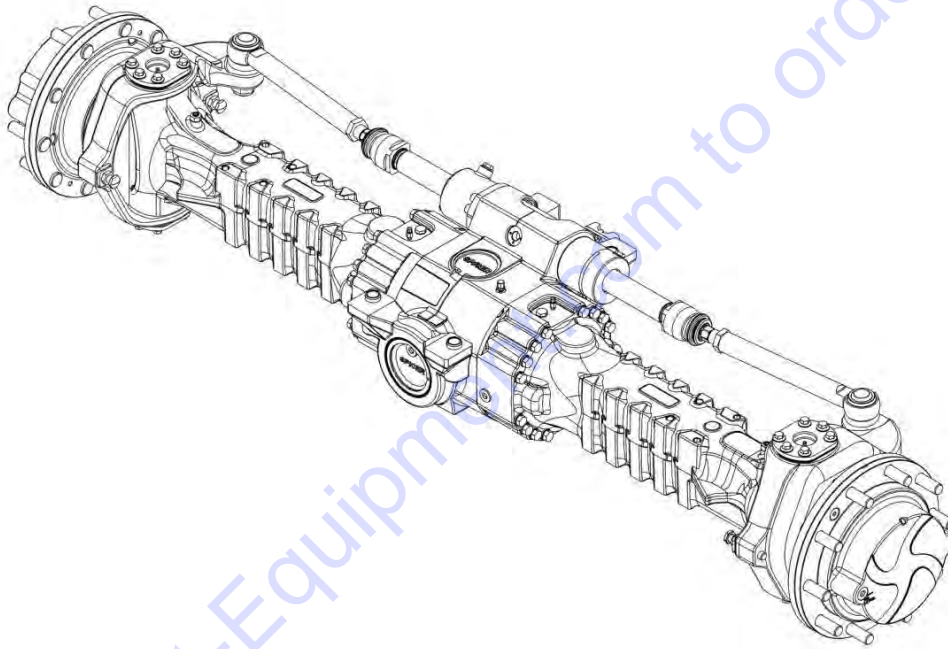
FIGURE 5-82. REAR AXLE, SUPPORT KIT (642, 742)

ITEM	PART NUMBER	QTY	DESCRIPTION	REV
	70026630	Ref	Support Kit (642, 742)	
1	91474516	2	Bushing, Reduction	
2	91474515	1	Bushing, Thrust	
3	91514099	1	Fitting, Grease	
4	80204117	1	Plug	
5	70025884	1	Bolt	

Go to Discount-Equipment.com to order your parts

SECTION 5 - DRIVE TRAIN

FIGURE 5-83. REAR AXLE, 74HP (742)



ART_1005183200-A

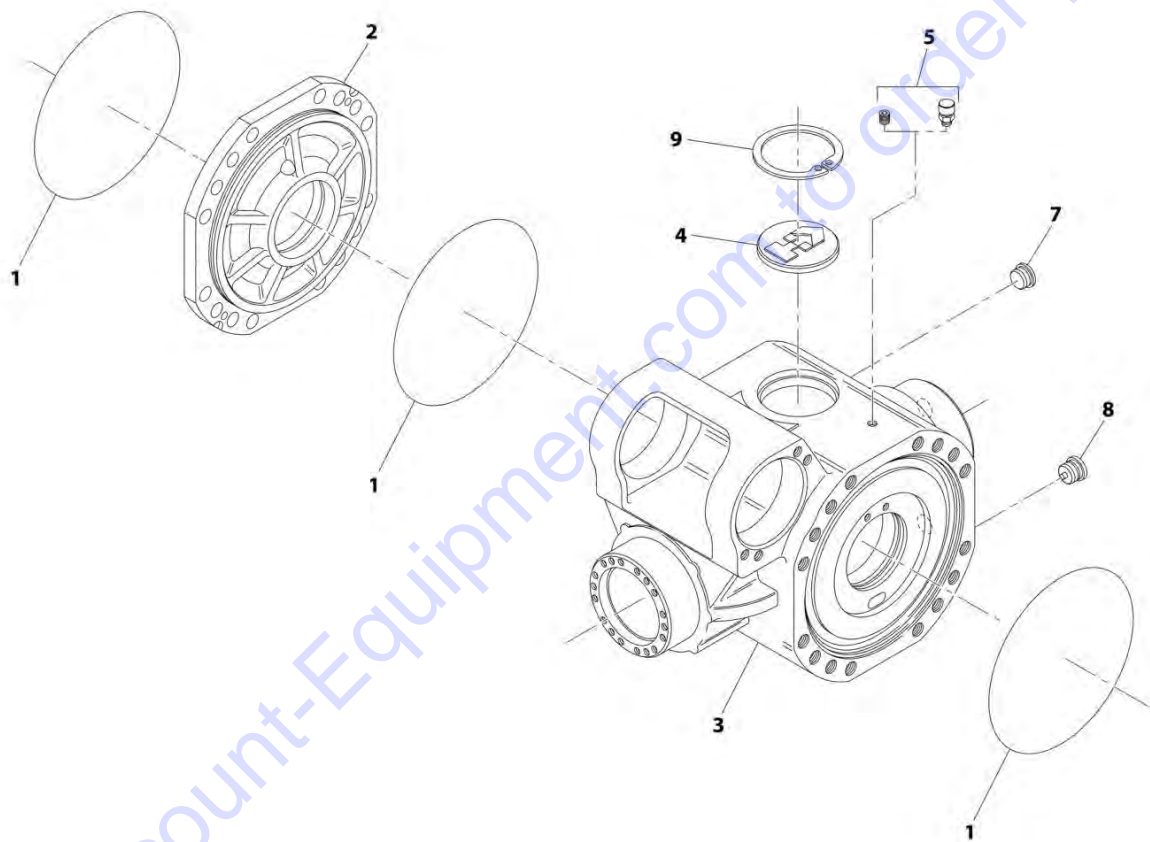
SECTION 5 - DRIVE TRAIN

FIGURE 5-83. REAR AXLE, 74HP (742)

ITEM	PART NUMBER	QTY	DESCRIPTION	REV
	1005183200	Ref	Rear Axle, 74HP (742)	A
		Ref	Rear Axle, Central Housing (742) (See Separate Breakdown in this Section)	
		Ref	Rear Axle, Differential (742) (See Separate Breakdown in this Section)	
		Ref	Rear Axle, Hub Reduction (742) (See Separate Breakdown in this Section)	
		Ref	Rear Axle, Brakes (742) (See Separate Breakdown in this Section)	
		Ref	Rear Axle, Steering (742) (See Separate Breakdown in this Section)	
		Ref	Rear Axle, Trunion (742) (See Separate Breakdown in this Section)	

SECTION 5 - DRIVE TRAIN

FIGURE 5-84. REAR AXLE, CENTRAL HOUSING 74HP (742)



ART_1005183200_1-A

SECTION 5 - DRIVE TRAIN

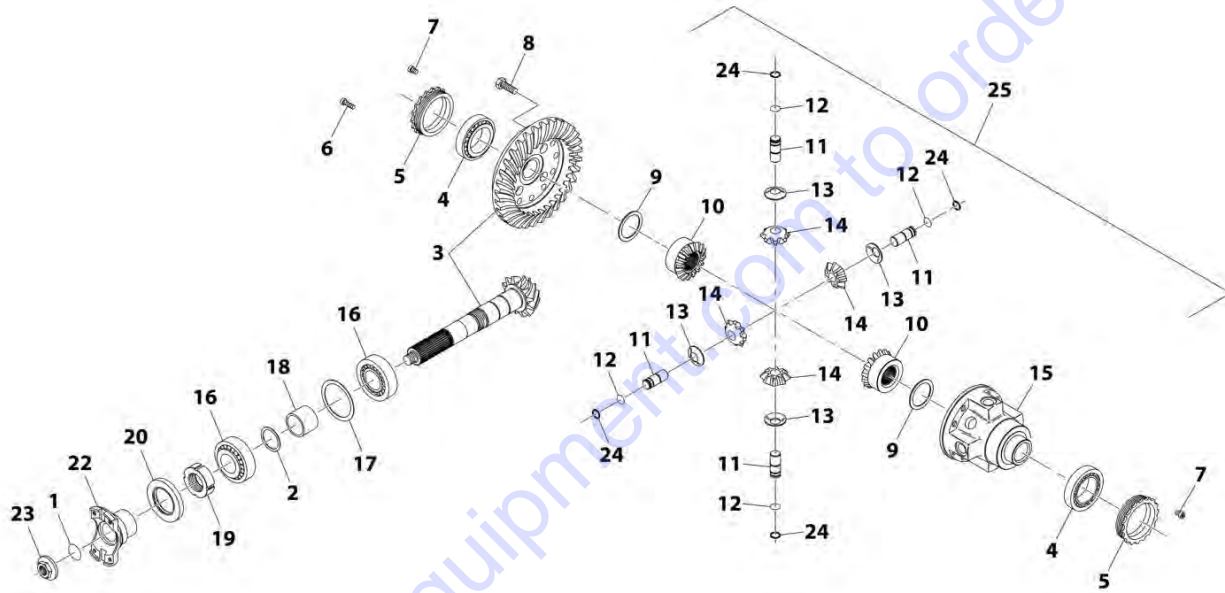
FIGURE 5-84. REAR AXLE, CENTRAL HOUSING 74HP (742)

ITEM	PART NUMBER	QTY	DESCRIPTION	REV
1	91474507	3	O-Ring	
2	70024519	1	Cover	
3	70026749	1	Housing	
4	91514098	1	Plug	
5	91474512	1	Vent	
7	70028387	1	Plug	
8	70028469	1	Plug	
9	80204005	1	Circlip	

Go to Discount-Equipment.com to order your parts

SECTION 5 - DRIVE TRAIN

FIGURE 5-85. REAR AXLE, DIFFERENTIAL 74HP (742)



ART_1005183200_2-A

SECTION 5 - DRIVE TRAIN

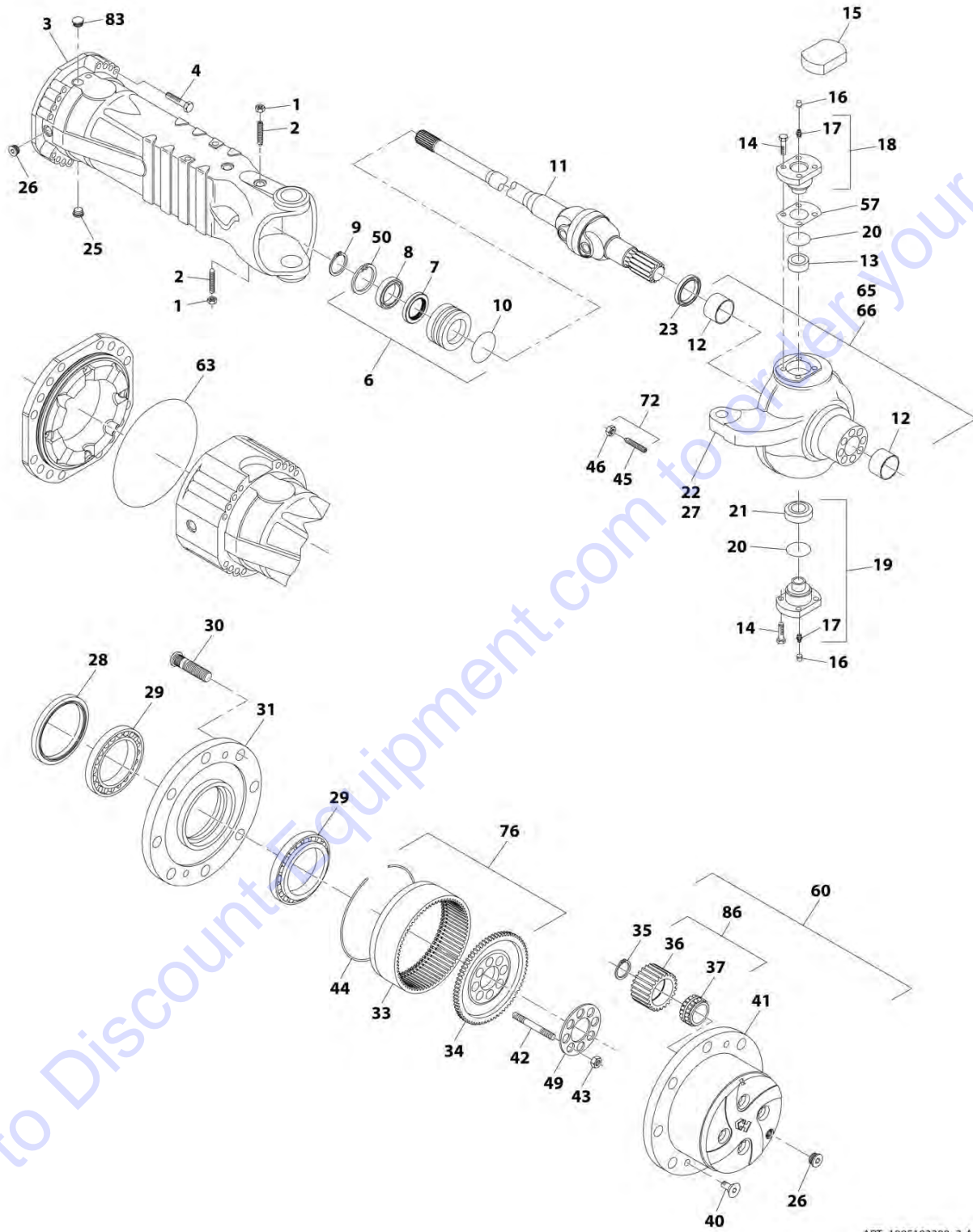
FIGURE 5-85. REAR AXLE, DIFFERENTIAL 74HP (742)

ITEM	PART NUMBER	QTY	DESCRIPTION	REV
1	91474529	1	O-Ring	
2	70025556	1	Shim Kit	
3	70028470	1	Bevel Gear Set	
4	70028471	2	Bearing, Taper Roller	
5	70028472	2	Nut, Ring	
6	91474591	4	Bolt	
7	91514134	2	Bolt	
8	70025562	12	Bolt	
9	91474593	2	Washer, Friction	
10	70025569	2	Gear, Differential Side	
11	7029131	4	Pin	
12	91474551	4	Circlip	
13	91474553	4	Washer, Friction	
14	70025570	4	Pinion, Differential	
15	91474595	1	Carrier, Differential	
16	3968141	2	Bearing, Taper Roller	
17	70025555	1	Shim Kit	
18	91474539	1	Spacer	
19	91474533	1	Nut, Ring	
20	70024522	1	Seal	
22	70022797	1	Flange	
23	70026631	1	Nut	
24	91474550	4	Circlip	
25	70021140	1	Differential (includes items 9 thru 15, 24)	

Go to Discount-Equipment.com to order your parts

SECTION 5 - DRIVE TRAIN

FIGURE 5-86. REAR AXLE, HUB REDUCTION 74HP (742)



ART_1005183200_3-A

SECTION 5 - DRIVE TRAIN

FIGURE 5-86. REAR AXLE, HUB REDUCTION 74HP (742)

ITEM	PART NUMBER	QTY	DESCRIPTION	REV
1	91514082	2	Nut	
2	91514081	2	Bolt	
3	70022798	2	Axle Case	
4	70022799	32	Bolt	
6	91514149	2	Reduction Bushing (includes items 7, 8, 10 & 50)	
7	91514147	2	Seal	
8	91514146	2	Ball Bearing	
9	80204071	2	Circlip	
10	91514148	2	O-Ring	
11	70026624	2	Joint, Double Universal	
12	91514111	2	Bushing, Thrust	
13	7028714	2	Bushing	
14	70025562	24	Bolt	
15	70028392	2	Cover	
16	80204117	2	Plug	
17	70024881	4	Fitting, Grease	
18	91514112	2	Pivot Pin	
19	7028715	2	Pivot Pin	
20	7028716	4	Seal, Dust	
21	91514095	2	Bearing	
22	N.S.S.	1	Steering Case	
23	70026238	2	Seal	
25	70028469	2	Plug	
26	70028387	4	Plug	
27	N.S.S.	1	Steering Case	
28	7028721	2	Seal	
29	91474576	4	Bearing	
30	91514183	20	Wheel Stud	
31	7029737	2	Wheel Hub	
33	91474580	2	Ring Gear	
34	70026798	2	Support, Ring Gear	
35	91474585	4	Circlip	
36	70028473	8	Planet Gear	
37	70028474	8	Bearing	
40	91514189	4	Bolt, Countersunk	
41	7029286	1	Carrier, Planet Gear	
42	70027315	16	Stud	
43	91474584	16	Nut	
44	91474579	2	Circlip	
45	91514117	4	Bolt	
46	80204065	4	Nut	
49	70026622	2	Plate, Locking	
50	80204005	2	Circlip	
57	70025561	1	Shim Kit	
60	7029431	2	Planet Gear Carrier	
63	91514181	2	O-Ring	
65	70026626	1	Case, Steering (includes items 22 & 12)	
66	70026627	1	Case, Steering (includes items 27 & 12)	
72	7028733	4	Bolt, Steering Adjust (includes items 45 & 46)	
76	70026625	2	Kit, Ring Gear Support	

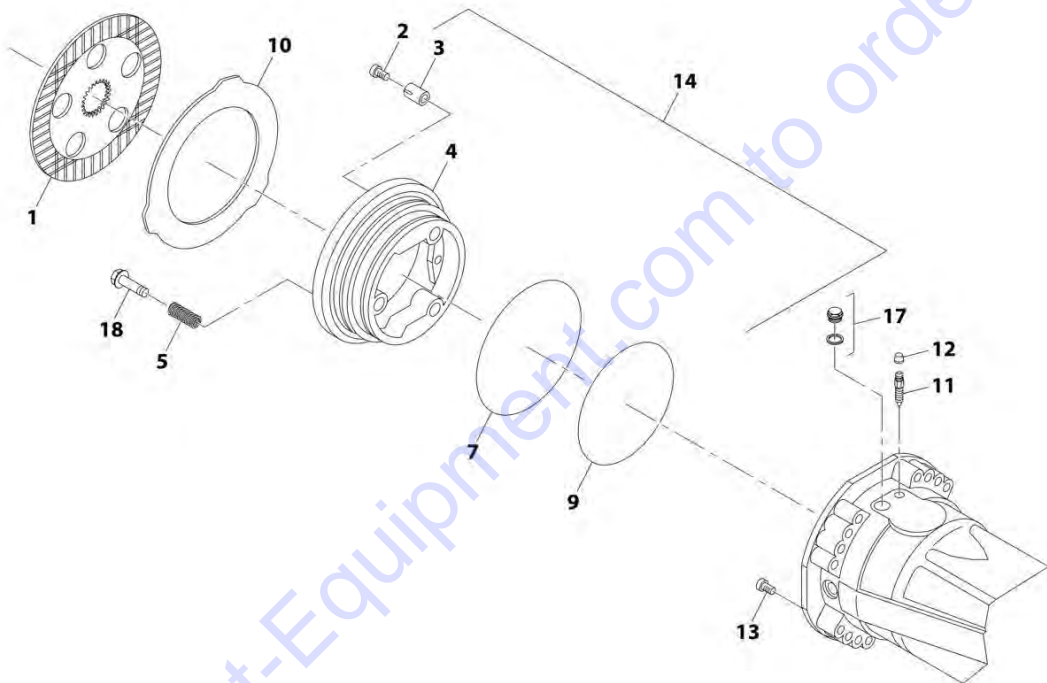
SECTION 5 - DRIVE TRAIN

ITEM	PART NUMBER	QTY	DESCRIPTION	REV
83	80204012	2	Plug	
86	70027114	8	Kit, Planet Gear	

Go to Discount-Equipment.com to order your parts

SECTION 5 - DRIVE TRAIN

FIGURE 5-87. REAR AXLE, BRAKES 74HP (742)



Go to Discount-Equipment.com to order your parts

ART_1005183200_4-A

SECTION 5 - DRIVE TRAIN

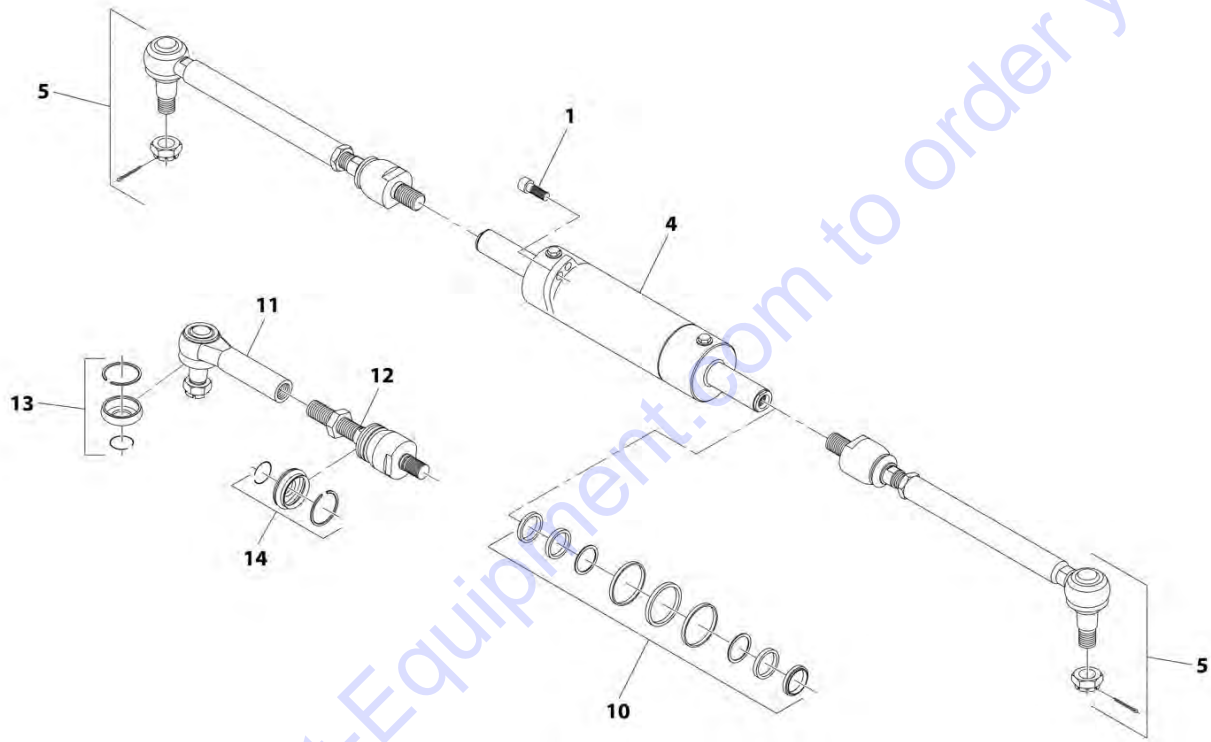
FIGURE 5-87. REAR AXLE, BRAKES 74HP (742)

ITEM	PART NUMBER	QTY	DESCRIPTION	REV
1	91474568	6	Disc	
2	7029786	6	Bolt	
3	70027317	6	Spring	
4	N.S.S.	2	Piston	
5	91514159	6	Spring	
7	70025821	2	O-Ring	
9	70025822	2	O-Ring	
10	70025823	8	Disc, Intermediate Brake	
11	80204281	2	Bolt, Bleeding	
12	80204117	2	Plug	
13	70021613	2	Bolt	
14	70027772	2	Piston (includes items 4, 3, 7, 9)	
17	91514154	2	Bolt	
18	70024210	6	Bolt	

Go to Discount-Equipment.com to order your parts

SECTION 5 - DRIVE TRAIN

FIGURE 5-88. REAR AXLE, STEERING 74HP (742)



ART_1005183200_S-A

SECTION 5 - DRIVE TRAIN

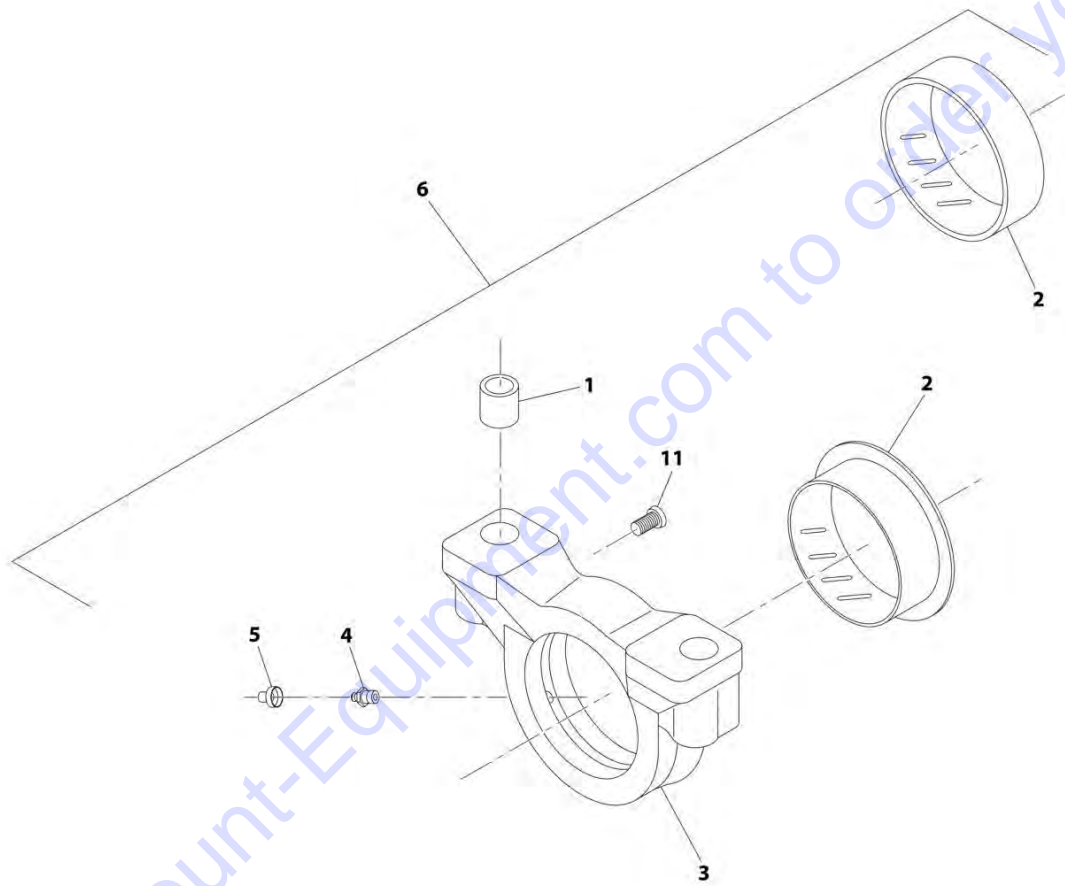
FIGURE 5-88. REAR AXLE, STEERING 74HP (742)

ITEM	PART NUMBER	QTY	DESCRIPTION	REV
1	91474522	4	Bolt	
4	7029528	1	Cylinder	
5	70026799	2	Bar	
10	7029529	1	Seal Kit	
11	70028475	1	Joint, 90	
12	70028476	1	Axial Joint	
13	70028477	1	Rubber Boot and Locking Ring	
14	70028468	1	Rubber Boot and Locking Ring	

Go to Discount-Equipment.com to order your parts

SECTION 5 - DRIVE TRAIN

FIGURE 5-89. REAR AXLE, TRUNION 74HP (742)



ART_1005183200_6-A

SECTION 5 - DRIVE TRAIN

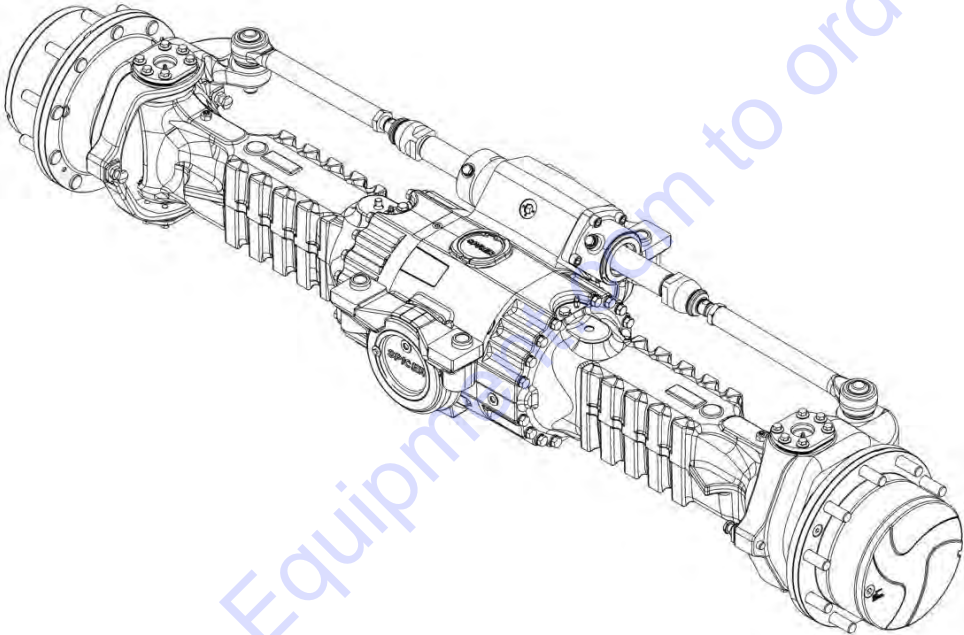
FIGURE 5-89. REAR AXLE, TRUNION 74HP (742)

ITEM	PART NUMBER	QTY	DESCRIPTION	REV
1	91474516	4	Bushing, Reduction	
2	91474515	2	Bushing, Thrust	
3	N.S.S.	2	Support	
4	70024881	2	Fitting, Grease	
5	80204117	2	Plug	
6	70026630	2	Kit, Support (includes items 1 thru 5, 11)	
11	70025884	2	Bolt	

Go to Discount-Equipment.com to order your parts

SECTION 5 - DRIVE TRAIN

FIGURE 5-90. REAR AXLE, 74HP (943)



ART_1005207700-A

SECTION 5 - DRIVE TRAIN

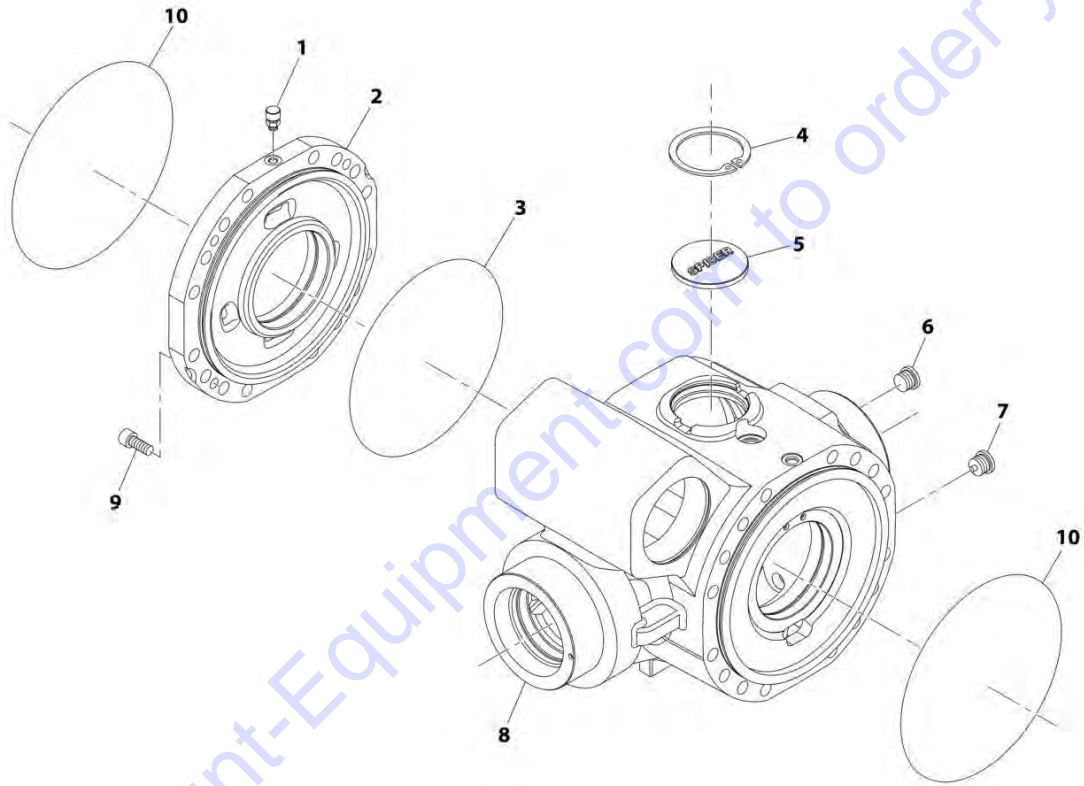
FIGURE 5-90. REAR AXLE, 74HP (943)

ITEM	PART NUMBER	QTY	DESCRIPTION	REV
	1005207700	Ref	Rear Axle, 74HP (943)	A
		Ref	Rear Axle, Central Housing (943) (See Separate Breakdown in this Section)	
		Ref	Rear Axle, Differential (943) (See Separate Breakdown in this Section)	
		Ref	Rear Axle, Hub Reduction (943) (See Separate Breakdown in this Section)	
		Ref	Rear Axle, Brakes (943) (See Separate Breakdown in this Section)	
		Ref	Rear Axle, Steering (943) (See Separate Breakdown in this Section)	
		Ref	Rear Axle, Trunion (943) (See Separate Breakdown in this Section)	

Go to Discount-Equipment.com to order your parts

SECTION 5 - DRIVE TRAIN

FIGURE 5-91. REAR AXLE, CENTRAL HOUSING 74HP (943)



ART_1005207700_1-A

SECTION 5 - DRIVE TRAIN

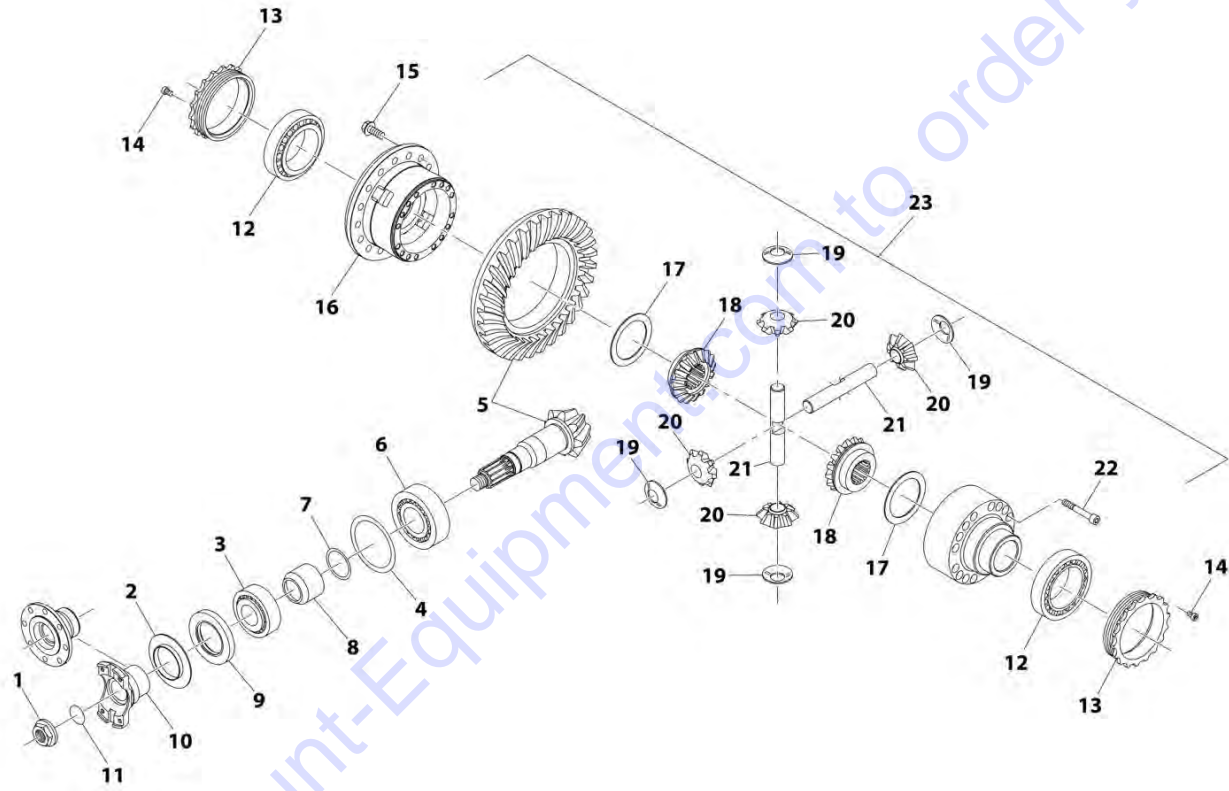
FIGURE 5-91. REAR AXLE, CENTRAL HOUSING 74HP (943)

ITEM	PART NUMBER	QTY	DESCRIPTION	REV
1	70028464	1	Vent	
2	7029288	1	Cover, Intermediate	
3	80204002	1	O-Ring	
4	80204005	1	Circlip	
5	91514098	1	Plug	
6	70028389	1	Plug	
7	70028388	1	Plug	
8	70025335	1	Housing	
9	91514101	4	Bolt	
10	91514089	2	O-Ring	

Go to Discount-Equipment.com to order your parts

SECTION 5 - DRIVE TRAIN

FIGURE 5-92. REAR AXLE, DIFFERENTIAL 74HP (943)



ART_1005207700_2-A

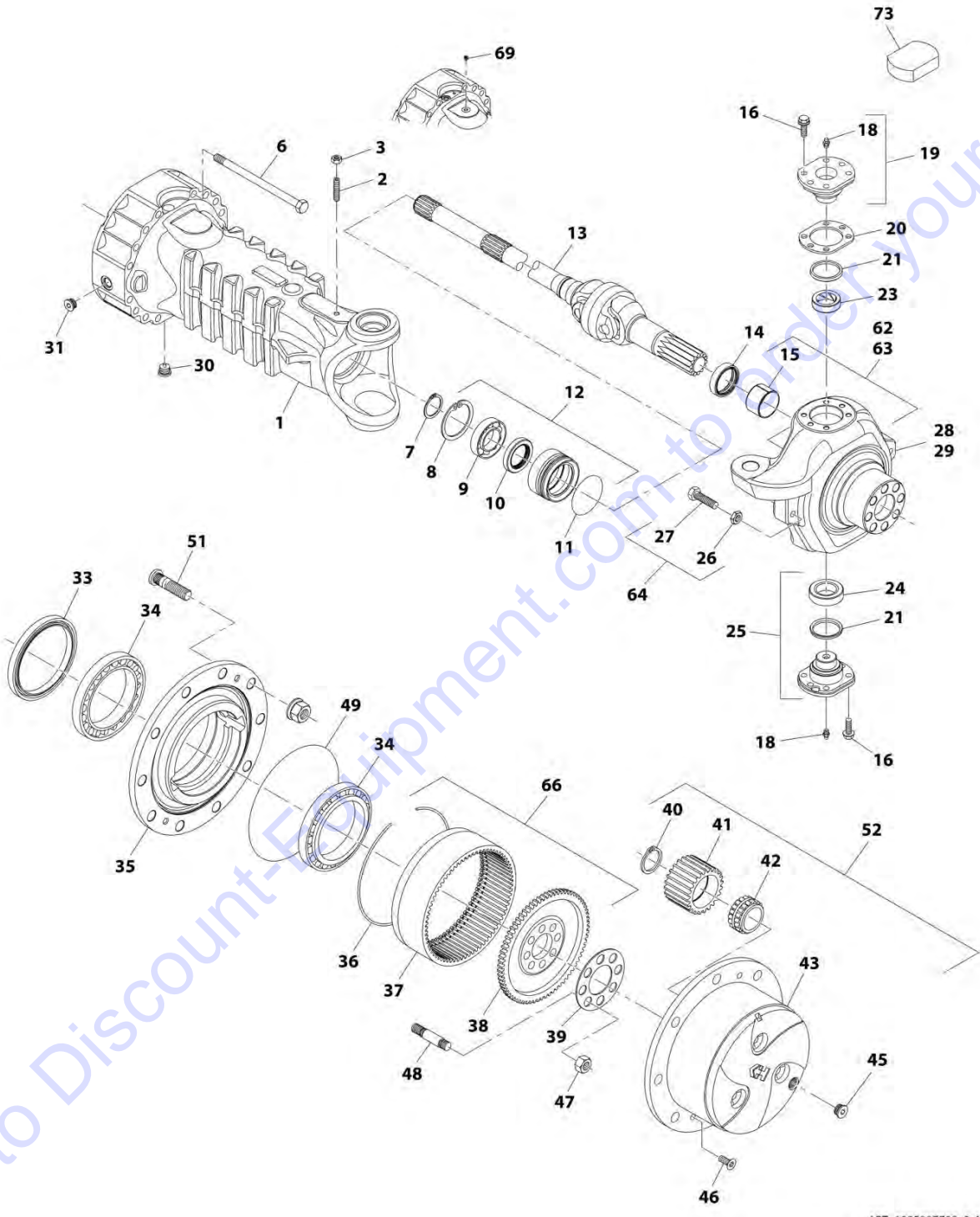
SECTION 5 - DRIVE TRAIN

FIGURE 5-92. REAR AXLE, DIFFERENTIAL 74HP (943)

ITEM	PART NUMBER	QTY	DESCRIPTION	REV
1	80204043	1	Nut	
2	91514130	1	Plate, Cover	
3	80204048	1	Bearing, Taper Roller	
4	70023469	1	Shim	
5	70028399	1	Gear, Bevel Set	
6	80204035	1	Bearing, Tape Roller	
7	70023494	1	Spacer	
8	70022140	1	Spacer	
9	70025887	1	Seal	
10	91514131	1	Flange	
11	10725554	1	O-Ring	
12	80204033	2	Bearing, Tape Roller	
13	91514133	2	Nut, Ring	
14	91514134	2	Bolt	
15	70025562	16	Bolt	
16	70025337	1	Carrier, Differential	
17	70023493	2	Washer	
18	70025338	2	Gear, Differential Side	
19	70027105	4	Washer	
20	70025339	4	Pinion, Differential	
21	70023490	2	Shaft, Differential	
22	70023489	15	Bolt	
23	70028398	1	Differential (includes items 16 thru 22)	

SECTION 5 - DRIVE TRAIN

FIGURE 5-93. REAR AXLE, HUB REDUCTION 74HP (943)



ART_1005207700_3-A

SECTION 5 - DRIVE TRAIN

FIGURE 5-93. REAR AXLE, HUB REDUCTION 74HP (943)

ITEM	PART NUMBER	QTY	DESCRIPTION	REV
1	70025980	2	Case, Axle	
2	91514081	2	Bolt	
3	91514082	2	Nut	
6	70022814	32	Bolt	
7	80204071	2	Circlip	
8	80204005	2	Circlip	
9	91514146	2	Ball Bearing	
10	91514147	2	Seal	
11	91514148	2	O-Ring	
12	91514149	2	Reduction Bushing (includes items 8 thru 11)	
13	70025855	2	Joint, Double Universal	
14	70026238	2	Seal	
15	91514111	2	Bushing, Thrust	
16	70025562	24	Bolt	
18	70024881	4	Fitting, Grease	
19	91514112	2	Pivot Pin	
20	70025561	1	Kit, Shim	
21	7028716	4	Seal, Dust	
23	7028714	2	Bushing	
24	91514095	2	Bearing	
25	7028715	2	Pivot Pin	
26	80204065	4	Nut	
27	91514117	4	Bolt	
28	N.S.S.	1	Case, Steering	
29	N.S.S.	1	Case, Steering	
30	70028388	2	Plug	
31	70028389	2	Plug	
33	70026002	2	Seal	
34	80204076	4	Bearing, Taper Roller	
35	91514174	2	Hub, Wheel	
36	91514175	2	Circlip	
37	70024147	2	Gear, Ring	
38	91514177	2	Support, Ring Gear	
39	91514178	2	Plate, Locking	
40	91514184	3	Snap Ring	
41	91514185	6	Gear, Planet	
42	91514186	6	Bearing	
43	7026731	1	Carrier, Planetary Gear	
45	70028387	2	Plug	
46	91514189	4	Bolt, Countersunk	
47	91514179	16	Nut	
48	91514180	16	Stud	
49	91514181	2	O-Ring	
51	91514183	20	Wheel Stud	
52	7029733	2	Carrier, Planet Gear (includes items 40 thru 43)	
62	70026239	1	Steering Case (includes items 15 & 28)	
63	70026240	1	Case, Steering (includes items 15 & 29)	
64	7028733	4	Bolt, Steering Adjust	
66	70024146	2	Support, Ring Gear (includes items 36 thru 38)	
69	80204012	2	Plug	

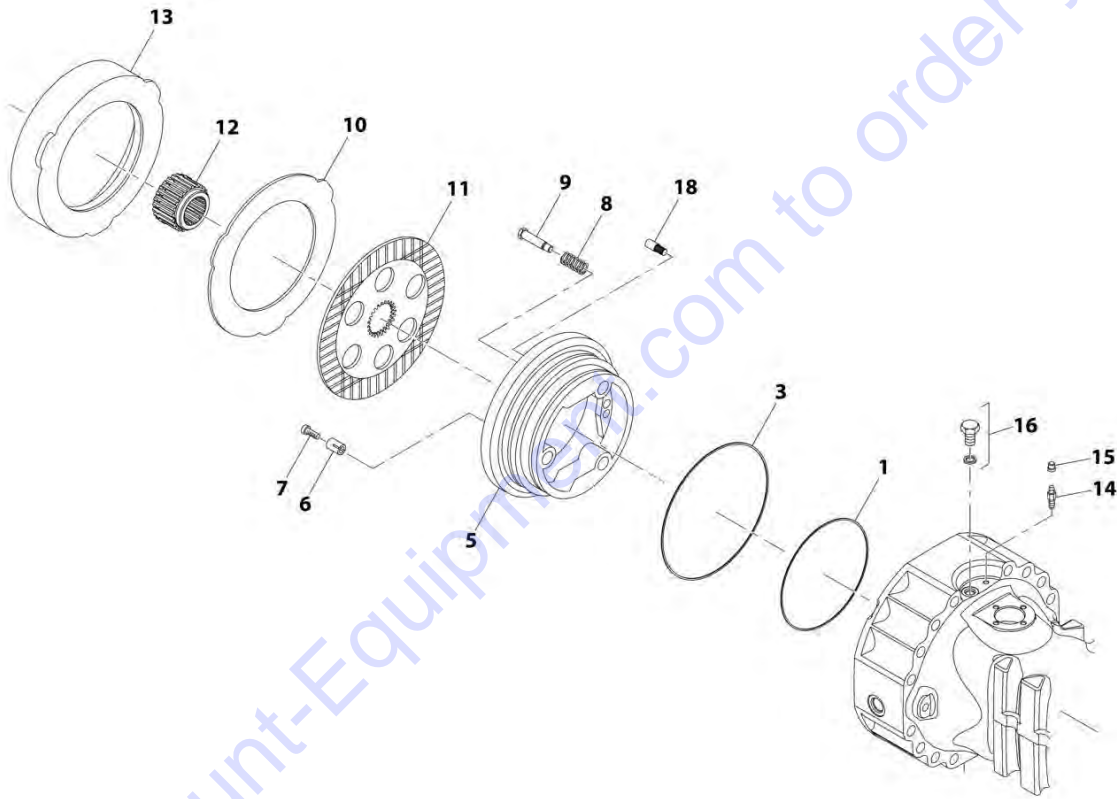
SECTION 5 - DRIVE TRAIN

ITEM	PART NUMBER	QTY	DESCRIPTION	REV
73	70028392	2	Cover	

Go to Discount-Equipment.com to order your parts

SECTION 5 - DRIVE TRAIN

FIGURE 5-94. REAR AXLE, BRAKES 74HP (943)



ART_1005207700_4-A

SECTION 5 - DRIVE TRAIN

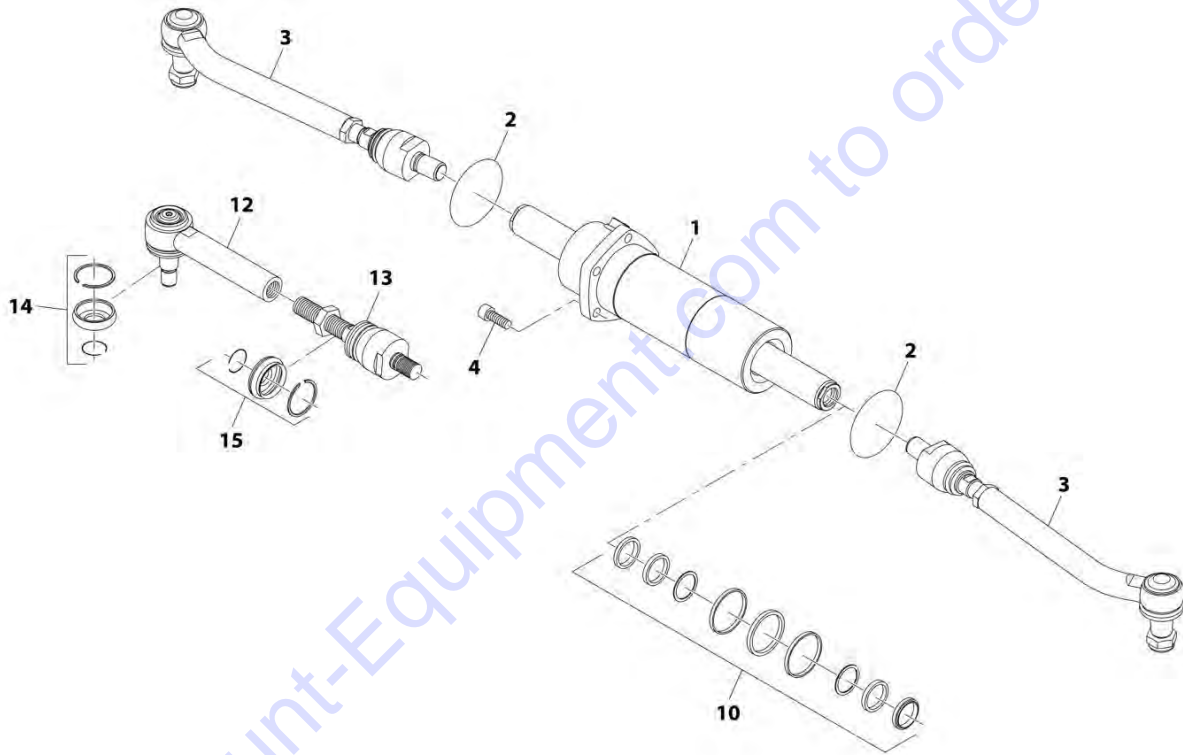
FIGURE 5-94. REAR AXLE, BRAKES 74HP (943)

ITEM	PART NUMBER	QTY	DESCRIPTION	REV
1	70026747	2	Seal	
3	70026748	2	Seal	
5	70024216	2	Piston	
6	70027317	6	Spring	
7	7029785	6	Bolt, Adjusting	
8	91514159	6	Spring	
9	70024210	6	Bolt, Adjusting	
10	70027022	6	Disc, Intermediate Brake	
11	7029735	6	Disc, Brake	
12	7029734	2	Bushing, Reduction	
13	70021606	2	Spacer	
14	80204281	2	Bolt, Bleeding	
15	80204117	2	Plug	
16	91514154	2	Bolt	
18	70021613	2	Bolt, Pilot	

Go to Discount-Equipment.com to order your parts

SECTION 5 - DRIVE TRAIN

FIGURE 5-95. REAR AXLE, STEERING 74HP (943)



ART_1005207700_5-A

SECTION 5 - DRIVE TRAIN

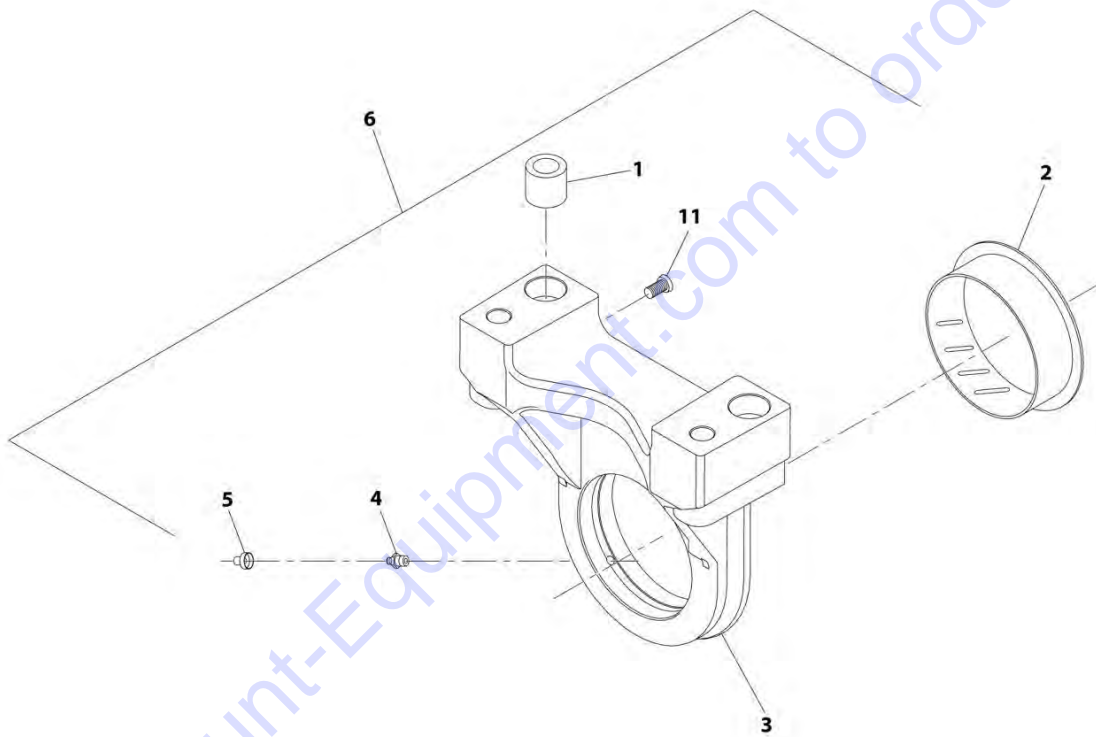
FIGURE 5-95. REAR AXLE, STEERING 74HP (943)

ITEM	PART NUMBER	QTY	DESCRIPTION	REV
1	7026490	1	Cylinder	
2	80204143	2	O-Ring	
3	70026753	2	Tie Rod	
3	70022773	2	Nut	
4	80204144	5	Bolt	
10	7029127	1	Seal Kit	
12	70028465	1	Joint, 90	
13	70028466	1	Axial Joint Shaft	
14	70028467	1	Rubber Boot and Locking Ring Kit	
15	70028468	1	Rubber Boot and Locking Ring Kit	

Go to Discount-Equipment.com to order your parts

SECTION 5 - DRIVE TRAIN

FIGURE 5-96. REAR AXLE, TRUNION 74HP (943)



ART_1005207700_6-A

SECTION 5 - DRIVE TRAIN

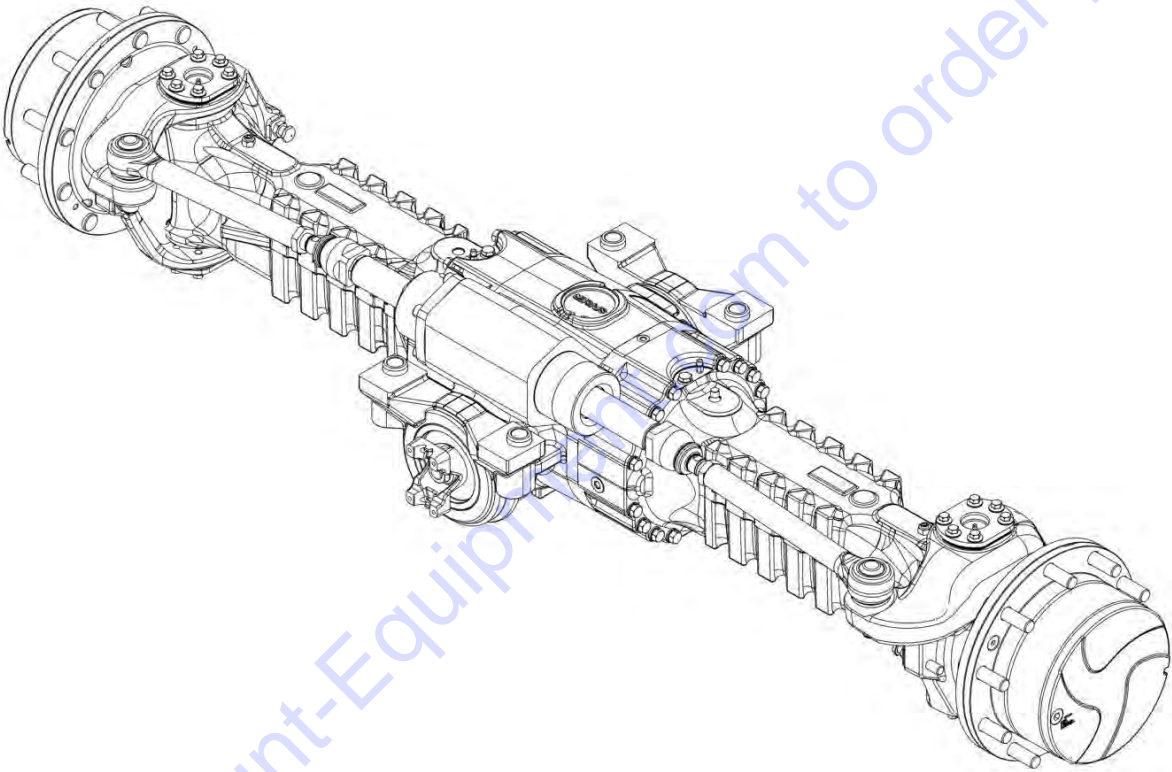
FIGURE 5-96. REAR AXLE, TRUNION 74HP (943)

ITEM	PART NUMBER	QTY	DESCRIPTION	REV
1	7029290	4	Bushing	
2	91514090	2	Bushing, Thrust	
3	N.S.S.	2	Support	
4	70024881	2	Fitting, Grease	
5	80204117	2	Plug	
6	70026266	2	Support Assembly ((includes items 1 thru 5)	
11	70025884	2	Bolt	

Go to Discount-Equipment.com to order your parts

SECTION 5 - DRIVE TRAIN

FIGURE 5-97. REAR AXLE (943, 1043)



ART_1001165832-G

SECTION 5 - DRIVE TRAIN

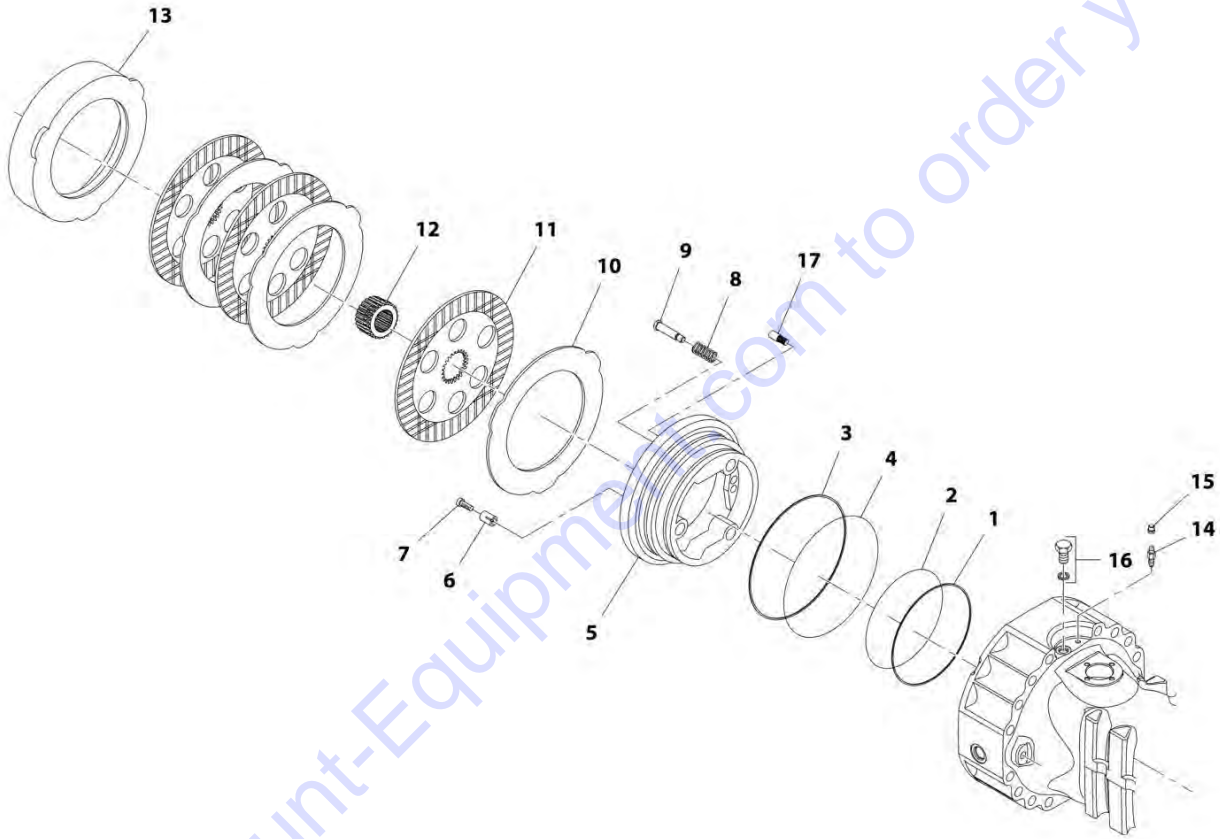
FIGURE 5-97. REAR AXLE (943, 1043)

ITEM	PART NUMBER	QTY	DESCRIPTION	REV
	1001165832	Ref	Rear Axle (943, 1043)	G
		Ref	Rear Axle, Brakes (943, 1043) (See REAR AXLE, BRAKES (943, 1043) for Breakdown)	
		Ref	Rear Axle, Central Housing (943, 1043) (See REAR AXLE, CENTRAL HOUSING (943, 1043) for Breakdown)	
		Ref	Rear Axle, Differential (943, 1043) (See REAR AXLE, DIFFERENTIAL (943, 1043) for Breakdown)	
		Ref	Rear Axle, Hub Reduction (943, 1043) (See REAR AXLE, HUB REDUCTION (943, 1043) for Breakdown)	
		Ref	Rear Axle, Steering (943, 1043) (See REAR AXLE, STEERING (943, 1043) for Breakdown)	
		Ref	Rear Axle, Trunion (943, 1043) (See REAR AXLE, TRUNION (943, 1043) for Breakdown)	

Go to Discount-Equipment.com to order your parts

SECTION 5 - DRIVE TRAIN

FIGURE 5-98. REAR AXLE, BRAKES (943, 1043)



ART_1001165832_1-G

SECTION 5 - DRIVE TRAIN

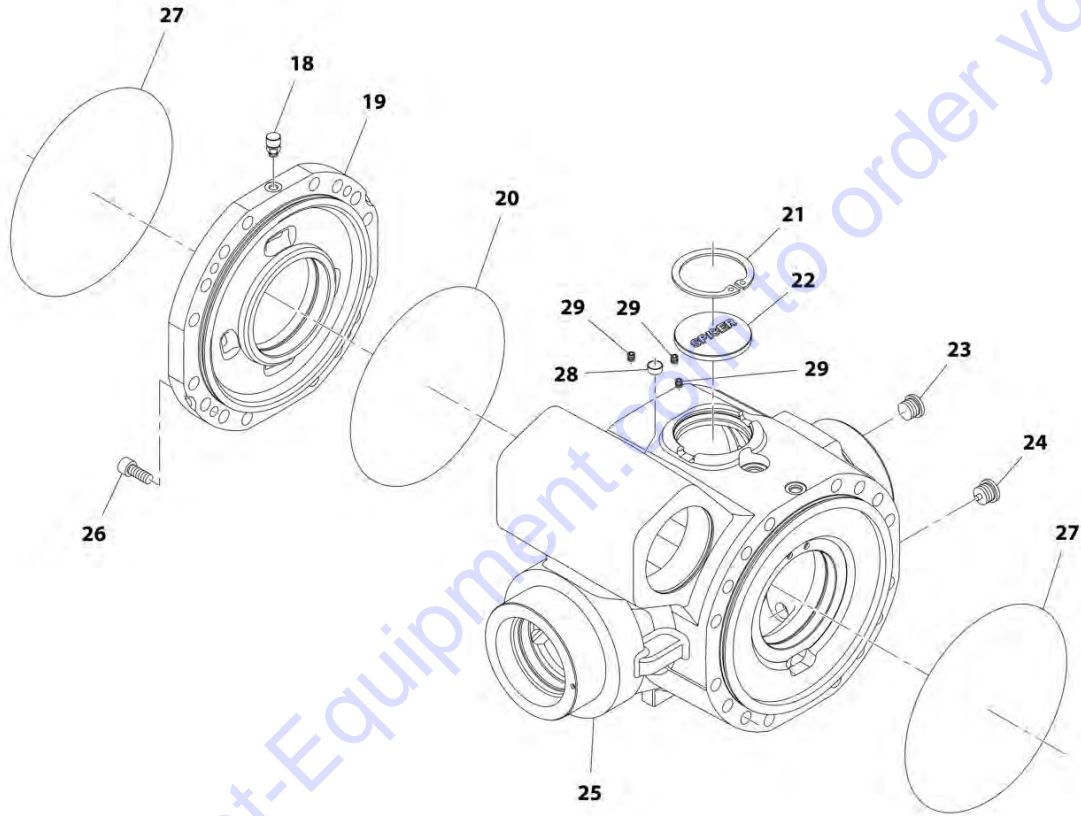
FIGURE 5-98. REAR AXLE, BRAKES (943, 1043)

ITEM	PART NUMBER	QTY	DESCRIPTION	REV
1	70021609	2	Ring, Back-Up	
2	70021610	2	O-Ring	
3	70021612	2	Ring, Back-Up	
4	70021611	2	O-Ring	
5	70024216	2	Piston	
6	91514165	6	Spring	
7	70021607	6	Bolt, Adjusting	
8	91514159	6	Spring	
9	70024210	6	Bolt, Adjusting	
10	91514161	6	Disc, Intermediate Brake	
11	7029735	6	Disk, Brake	
12	7029734	2	Bushing, Reduction	
13	70021606	2	Spacer	
14	80204281	2	Bolt, Bleeding	
15	80204117	2	Plug	
16	91514154	2	Bolt	
17	70021613	2	Bolt, Pilot	

Go to Discount-Equipment.com to order your parts

SECTION 5 - DRIVE TRAIN

FIGURE 5-99. REAR AXLE, CENTRAL HOUSING (943, 1043)



ART_1001165832_2-G

SECTION 5 - DRIVE TRAIN

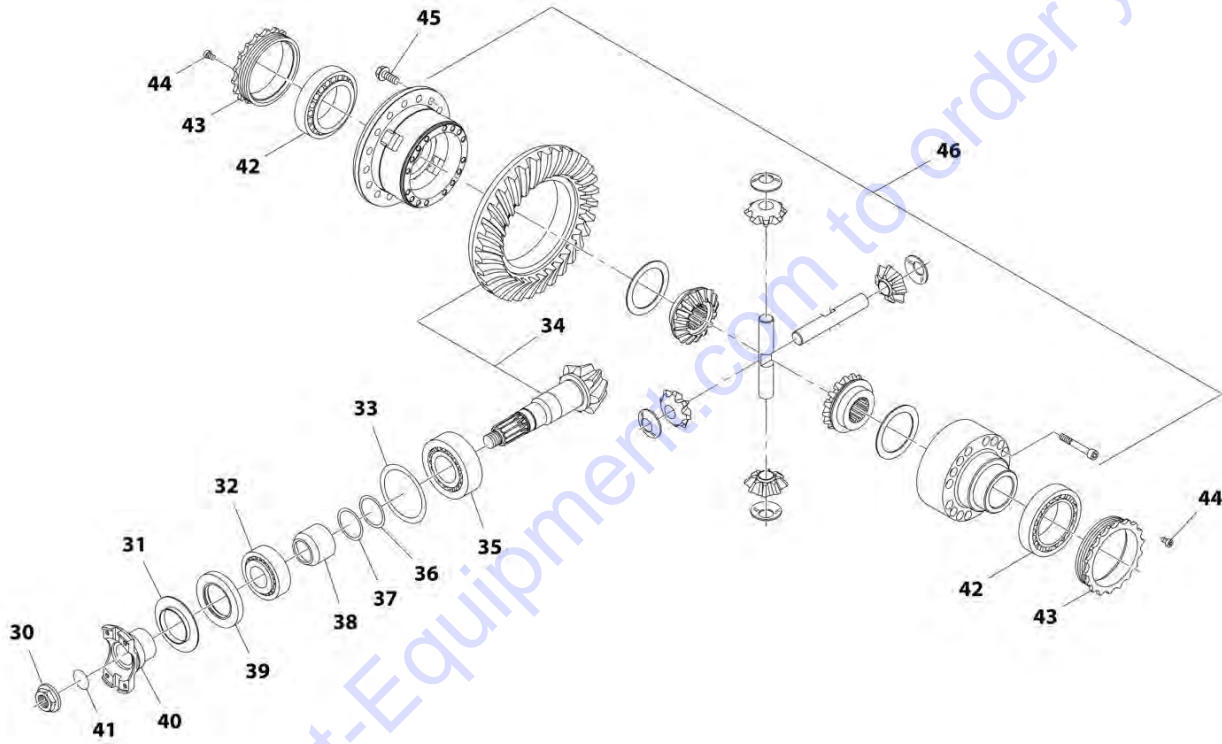
FIGURE 5-99. REAR AXLE, CENTRAL HOUSING (943, 1043)

ITEM	PART NUMBER	QTY	DESCRIPTION	REV
18	91474512	1	Vent	
19	7029288	1	Cover, Intermediate	
20	80204002	1	O-Ring	
21	80204005	1	Circlip	
22	91514098	1	Plug	
23	91514087	1	Plug	
24	70021177	1	Plug	
25	70025335	1	Housing	
26	91514101	4	Bolt	
27	91514089	2	O-Ring	
28	7029307	1	Plug	
29	8008175	3	Bolt	

Go to Discount-Equipment.com to order your parts

SECTION 5 - DRIVE TRAIN

FIGURE 5-100. REAR AXLE, DIFFERENTIAL (943, 1043)



ART_1001165832_3-G

SECTION 5 - DRIVE TRAIN

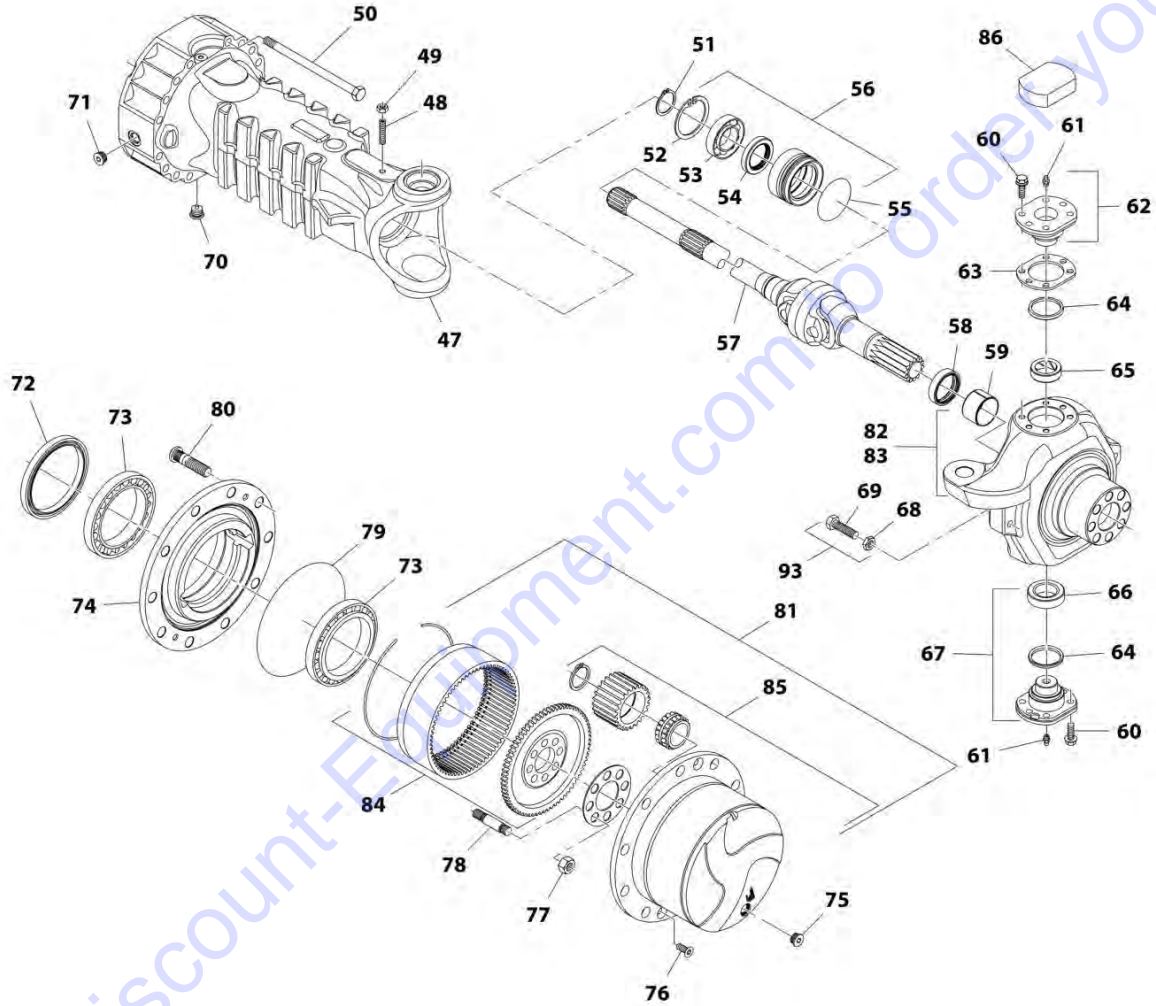
FIGURE 5-100. REAR AXLE, DIFFERENTIAL (943, 1043)

ITEM	PART NUMBER	QTY	DESCRIPTION	REV
30	80204043	1	Nut	
31	91514130	1	Plate, Cover	
32	80204048	1	Bearing, Taper Roller	
33	70023469	1	Shim	
34	70026632	1	Gear, Bevel Set	
35	80204035	1	Bearing, Taper Roller	
36	70026438	1	Kit, Shim	
37	70026439	1	Kit, Shim	
38	70022140	1	Spacer	
39	70025887	1	Seal	
40	91514131	1	Flange	
41	10725554	1	O-Ring	
42	80204033	2	Bearing, Taper Roller	
43	91514133	2	Nut, Ring	
44	91514134	2	Bolt	
45	91514123	16	Bolt	
46	70026030	1	Kit, Differential (943, 1043) (See DIFFERENTIAL KIT (943, 1043) for Breakdown)	

Go to Discount-Equipment.com to order your parts

SECTION 5 - DRIVE TRAIN

FIGURE 5-101. REAR AXLE, HUB REDUCTION (943, 1043)



ART_1001165832_4-G

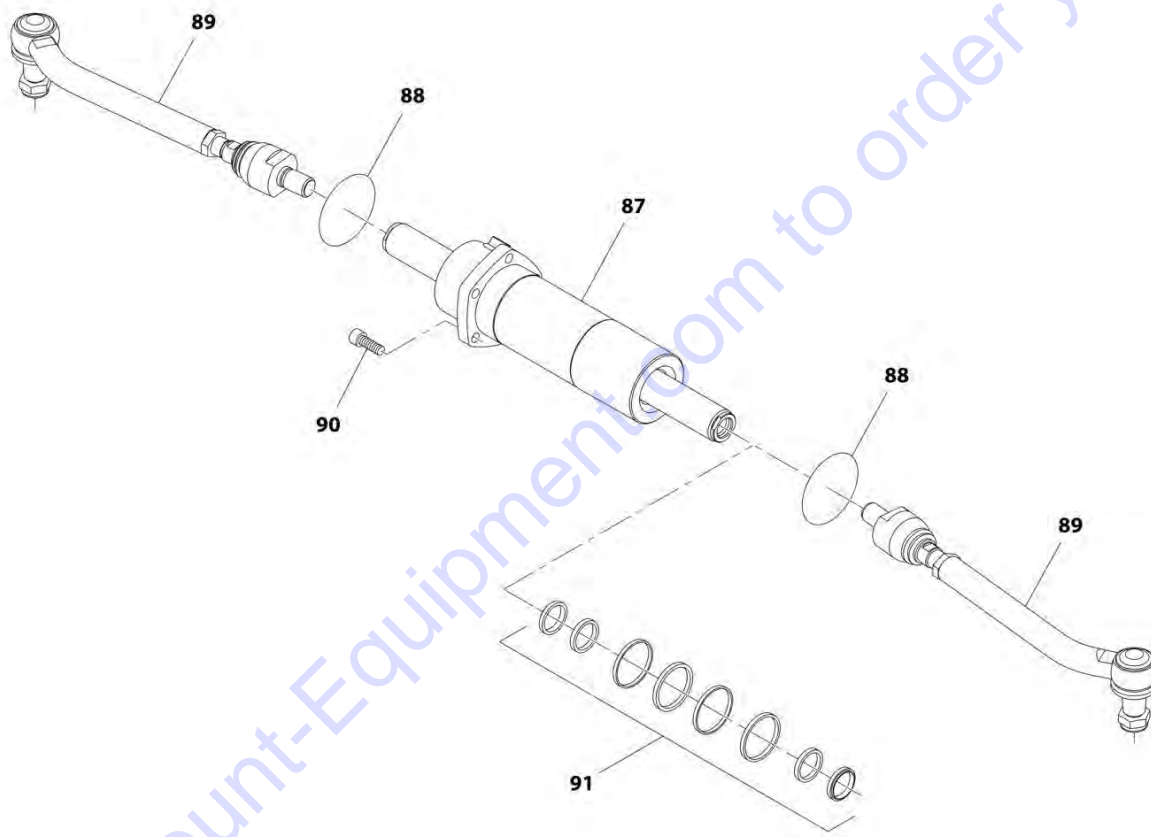
SECTION 5 - DRIVE TRAIN

FIGURE 5-101. REAR AXLE, HUB REDUCTION (943, 1043)

ITEM	PART NUMBER	QTY	DESCRIPTION	REV
47	70025980	2	Case, Axle	
48	91514081	2	Bolt	
49	91514082	2	Nut	
50	70022814	32	Bolt	
51	80204071	2	Circlip	
52	80204005	2	Circlip	
53	91514146	2	Ball Bearing	
54	91514147	2	Seal	
55	91514148	2	O-Ring	
56	91514149	2	Bushing, Reduction	
57	70025855	2	Joint, Double Universal	
58	70026238	2	Seal	
59	91514111	2	Bushing, Thrust	
60	91514123	24	Bolt	
61	91514099	4	Fitting, Grease	
62	91514112	2	Pin, Pivot	
63	70025561	1	Kit, Shim	
64	7028716	4	Seal, Dust	
65	7028714	2	Bushing	
66	91514095	2	Bearing	
67	7028715	2	Pin, Pivot	
68	80204065	4	Nut	
69	91514117	4	Bolt	
70	70021177	2	Plug	
71	91514087	2	Plug	
72	7029300	2	Seal	
73	80204076	4	Bearing, Taper Roller	
74	91514174	2	Hub, Wheel	
75	91514188	2	Plug	
76	91514189	4	Bolt, Countersunk	
77	91514179	16	Nut	
78	91514180	16	Stud	
79	91514181	2	O-Ring	
80	91514183	20	Stud, Wheel	
81	70025972	2	Carrier, Planet Gear (943, 1043) (See PLANET GEAR CARRIER (943, 1043) for Breakdown)	
82	70026239	1	Case, Steering	
83	70026240	1	Case, Steering	
93	7028733	4	Bolt, Steering Adjust (943, 1043) (includes items 68 & 69)	
84	70024146	2	Support, Ring Gear (943, 1043) (See RING GEAR SUPPORT (943, 1043) for Breakdown)	
85	7029733	2	Carrier, Planet Gear (943, 1043) (See PLANET GEAR CARRIER (943, 1043) for Breakdown)	
86	91474524	2	Cover	

SECTION 5 - DRIVE TRAIN

FIGURE 5-102. REAR AXLE, STEERING (943, 1043)



ART_1001165832_5-G

SECTION 5 - DRIVE TRAIN

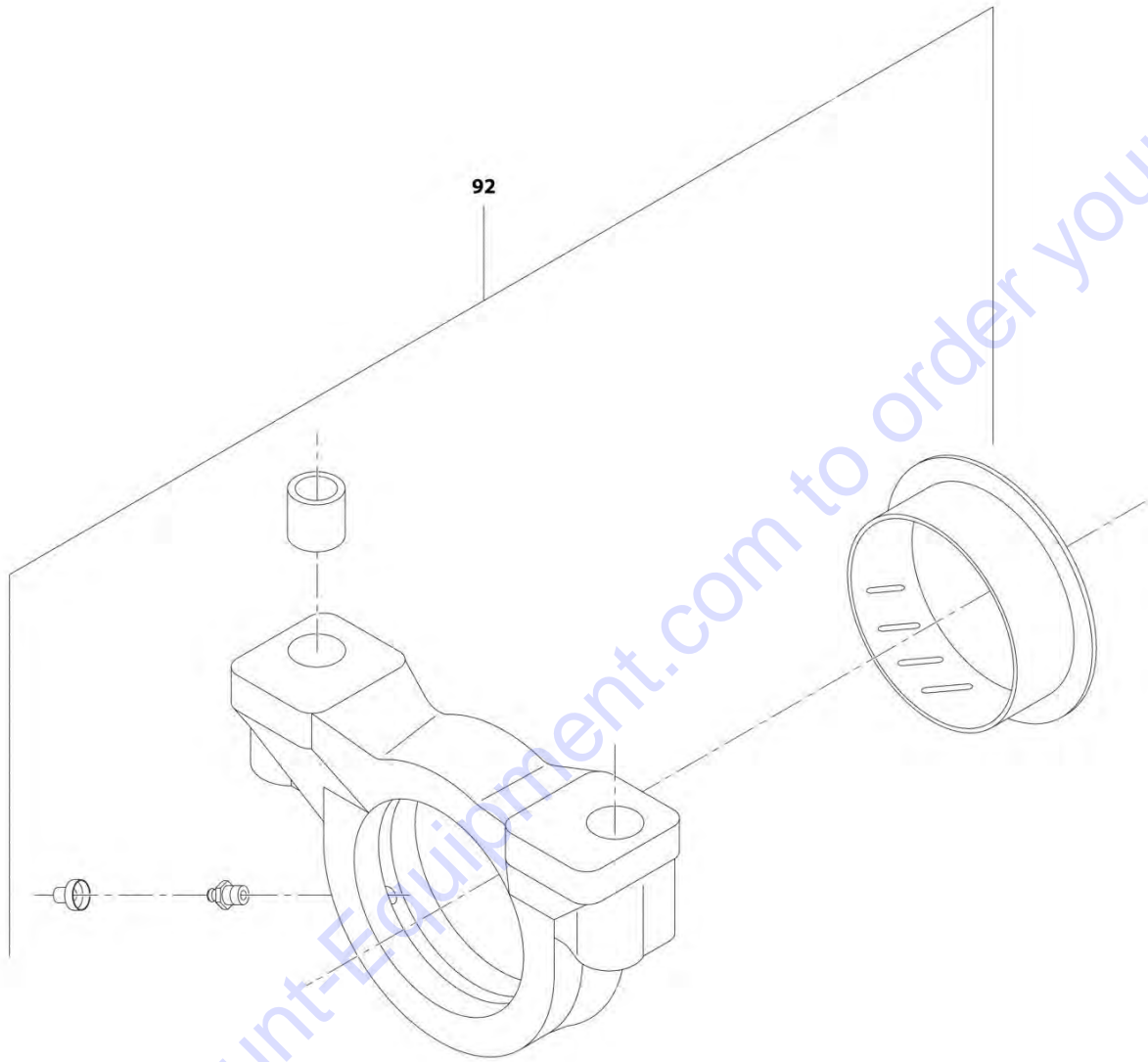
FIGURE 5-102. REAR AXLE, STEERING (943, 1043)

ITEM	PART NUMBER	QTY	DESCRIPTION	REV
87	7026490	1	Cylinder	
88	80204143	2	O-Ring	
89	70021614	2	Bar	
90	80204144	5	Bolt	
91	7029127	1	Kit, Seal	

Go to Discount-Equipment.com to order your parts

SECTION 5 - DRIVE TRAIN

FIGURE 5-103. REAR AXLE, TRUNION (943, 1043)



Go to Discount-Equipment.com to order your parts

ART_1001165832_6-G

SECTION 5 - DRIVE TRAIN

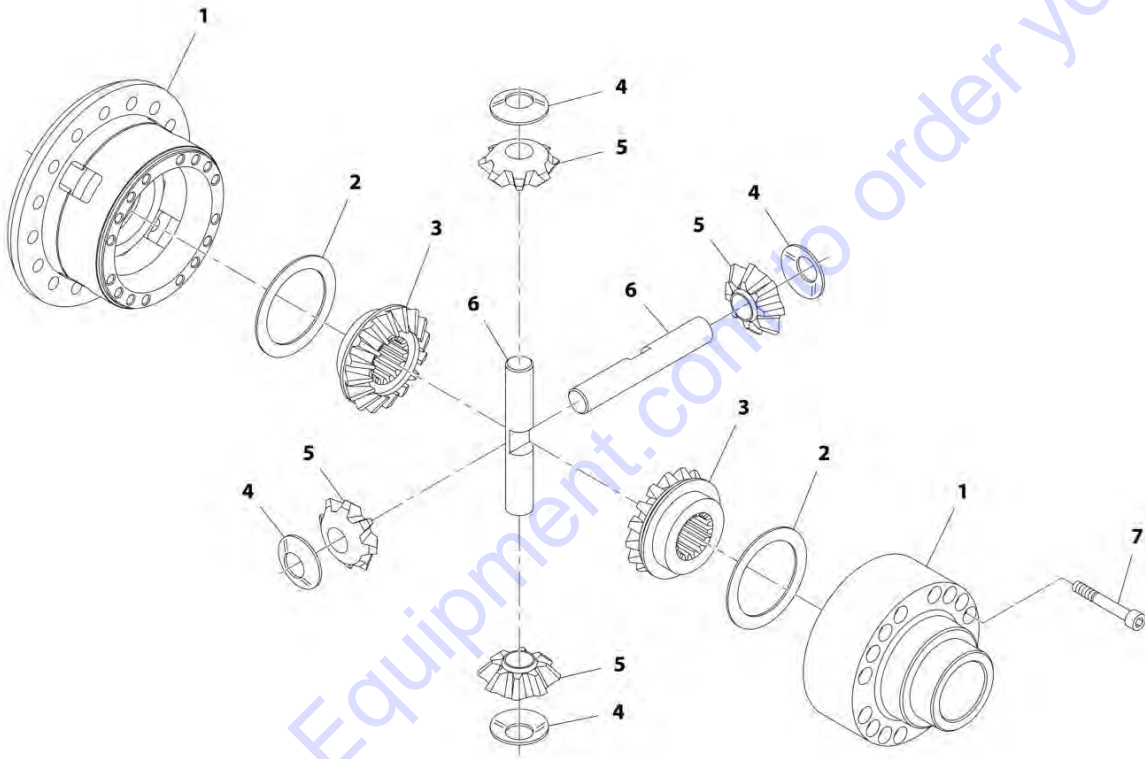
FIGURE 5-103. REAR AXLE, TRUNION (943, 1043)

ITEM	PART NUMBER	QTY	DESCRIPTION	REV
92	70026266	2	Support (943, 1043) (See SUPPORT (943, 1043) for Breakdown)	

Go to Discount-Equipment.com to order your parts

SECTION 5 - DRIVE TRAIN

FIGURE 5-104. REAR AXLE, DIFFERENTIAL KIT (943, 1043)



ART_1001165832_7-G

SECTION 5 - DRIVE TRAIN

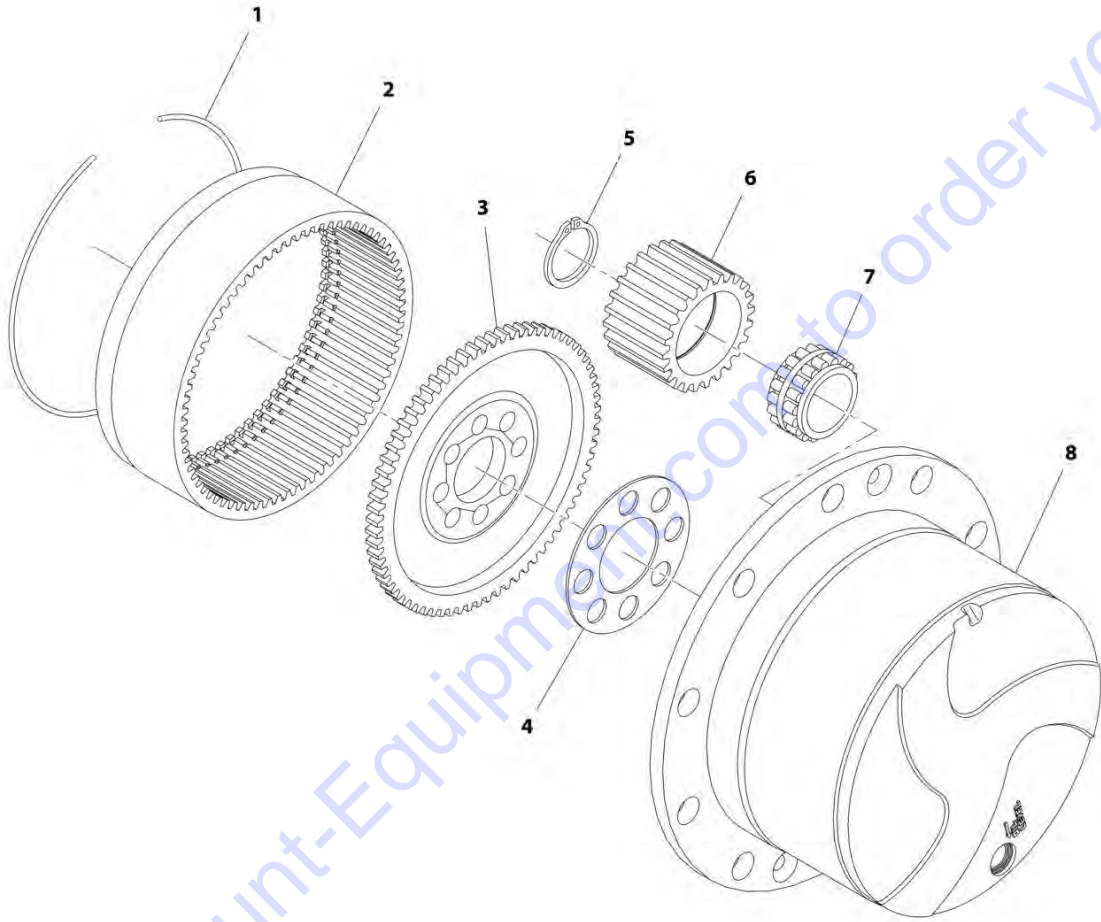
FIGURE 5-104. REAR AXLE, DIFFERENTIAL KIT (943, 1043)

ITEM	PART NUMBER	QTY	DESCRIPTION	REV
	70026030	Ref	Differential Kit (943, 1043)	
1	70025337	1	Carrier, Differential	
2	70023493	2	Washer, Friction	
3	70025338	2	Gear, Differential Side	
4	70023491	4	Washer, Friction	
5	70025339	4	Pinion, Differential	
6	70023490	2	Shaft, Differential	
7	70023489	15	Bolt	

Go to Discount-Equipment.com to order your parts

SECTION 5 - DRIVE TRAIN

FIGURE 5-105. REAR AXLE, PLANET GEAR CARRIER (943, 1043)



ART_1001165832_8-G

PARTS FINDER

**Search Website
by Part Number**



**Search Manual
Library For Parts
Manual & Lookup Part
Numbers – Purchase
or Request Quote**

**Can't Find Part or
Manual? Request Help
by Manufacturer,
Model & Description**

Discount-Equipment.com is your online resource for quality parts & equipment.

Florida: **561-964-4949** Outside Florida TOLL FREE: **877-690-3101**

Need parts?

Click on this link: <http://www.discount-equipment.com/category/5443-parts/> and choose one of the options to help get the right parts and equipment you are looking for. Please have the machine model and serial number available in order to help us get you the correct parts. If you don't find the part on the website or on one of the online manuals, please fill out the request form and one of our experienced staff members will get back to you with a quote for the right part that your machine needs.

We sell worldwide for the brands: Genie, Terex, JLG, MultiQuip, Mikasa, Essick, Whiteman, Mayco, Toro Stone, Diamond Products, Generac Magnum, Airman, Haulotte, Barreto, Power Blanket, Nifty Lift, Atlas Copco, Chicago Pneumatic, Allmand, Miller Curber, Skyjack, Lull, Skytrak, Tsurumi, Husquvarna Target, Stow, Wacker, Sakai, Mi-T-M, Sullair, Basic, Dynapac, MBW, Weber, Bartell, Bennar Newman, Haulotte, Ditch Runner, Menegotti, Morrison, Contec, Buddy, Crown, Edco, Wyco, Bomag, Laymor, EZ Trench, Bil-Jax, F.S. Curtis, Gehl Pavers, Heli, Honda, ICS/PowerGrit, IHI, Partner, Imer, Clipper, MMD, Koshin, Rice, CH&E, General Equipment, Amida, Coleman, NAC, Gradall, Square Shooter, Kent, Stanley, Tamco, Toku, Hatz, Kohler, Robin, Wisconsin, Northrock, Oztec, Toker TK, Rol-Air, APT, Wylie, Ingersoll Rand / Doosan, Innovatech, Con X, Ammann, Mecalac, Makinex, Smith Surface Prep, Small Line, Wanco, Yanmar

SECTION 5 - DRIVE TRAIN

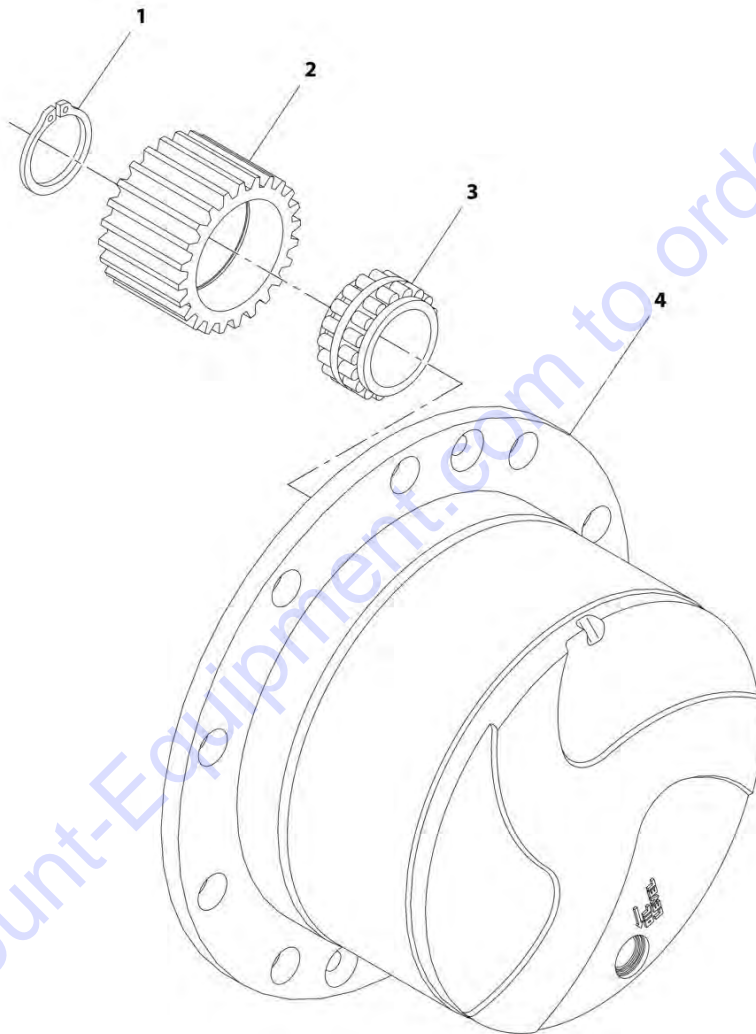
FIGURE 5-105. REAR AXLE, PLANET GEAR CARRIER (943, 1043)

ITEM	PART NUMBER	QTY	DESCRIPTION	REV
	70025972	Ref	Planet Gear Carrier (943, 1043)	
1	91514175	1	Circlip	
2	70024147	1	Gear, Ring	
3	91514177	1	Support, Ring Gear	
4	91514178	1	Plate, Locking	
5	91514184	3	Circlip	
6	91514185	3	Gear, Planet	
7	91514186	3	Bearing	
8	7026731	1	Carrier, Planetary Gear	

Go to Discount-Equipment.com to order your parts

SECTION 5 - DRIVE TRAIN

FIGURE 5-106. REAR AXLE, PLANET GEAR CARRIER (943, 1043)



ART_1001165832_9-G

SECTION 5 - DRIVE TRAIN

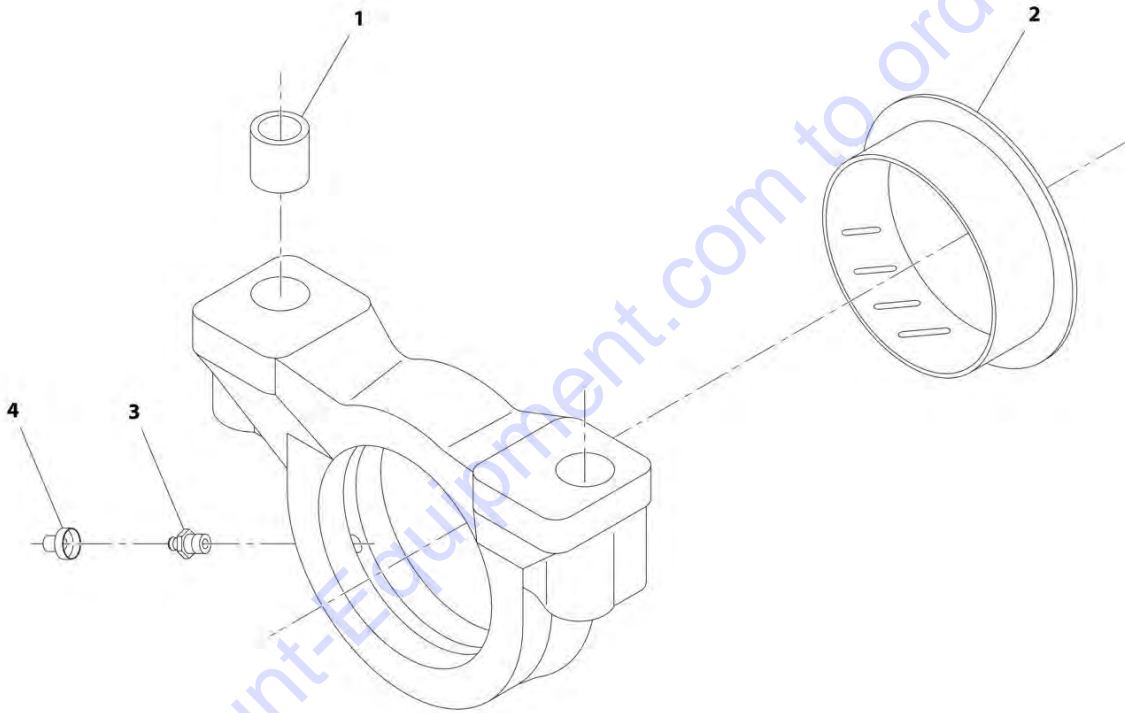
FIGURE 5-106. REAR AXLE, PLANET GEAR CARRIER (943, 1043)

ITEM	PART NUMBER	QTY	DESCRIPTION	REV
	7029733	Ref	Planet Gear Carrier (943, 1043)	
1	91514184	3	Circlip	
2	91514185	3	Gear, Planet	
3	91514186	3	Bearing	
4	7026731	1	Carrier, Planet Gear	

Go to Discount-Equipment.com to order your parts

SECTION 5 - DRIVE TRAIN

FIGURE 5-107. REAR AXLE, SUPPORT (943, 1043)



ART_1001165832_10-G

SECTION 5 - DRIVE TRAIN

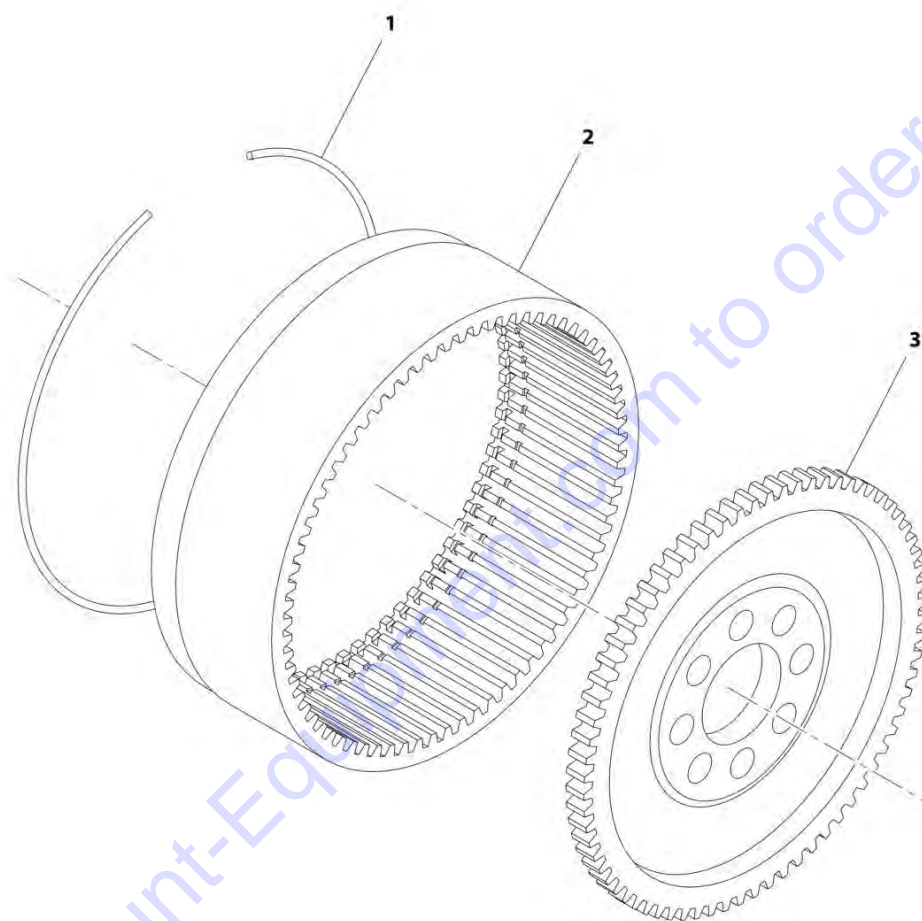
FIGURE 5-107. REAR AXLE, SUPPORT (943, 1043)

ITEM	PART NUMBER	QTY	DESCRIPTION	REV
	70026266	Ref	Support (943, 1043)	
1	7029290	2	Bushing	
2	91514090	1	Bushing, Thrust	
3	91514099	1	Fitting, Grease	
4	80204117	1	Plug	

Go to Discount-Equipment.com to order your parts

SECTION 5 - DRIVE TRAIN

FIGURE 5-108. REAR AXLE, RING GEAR SUPPORT (943, 1043)



ART_1001165832_11-G

SECTION 5 - DRIVE TRAIN

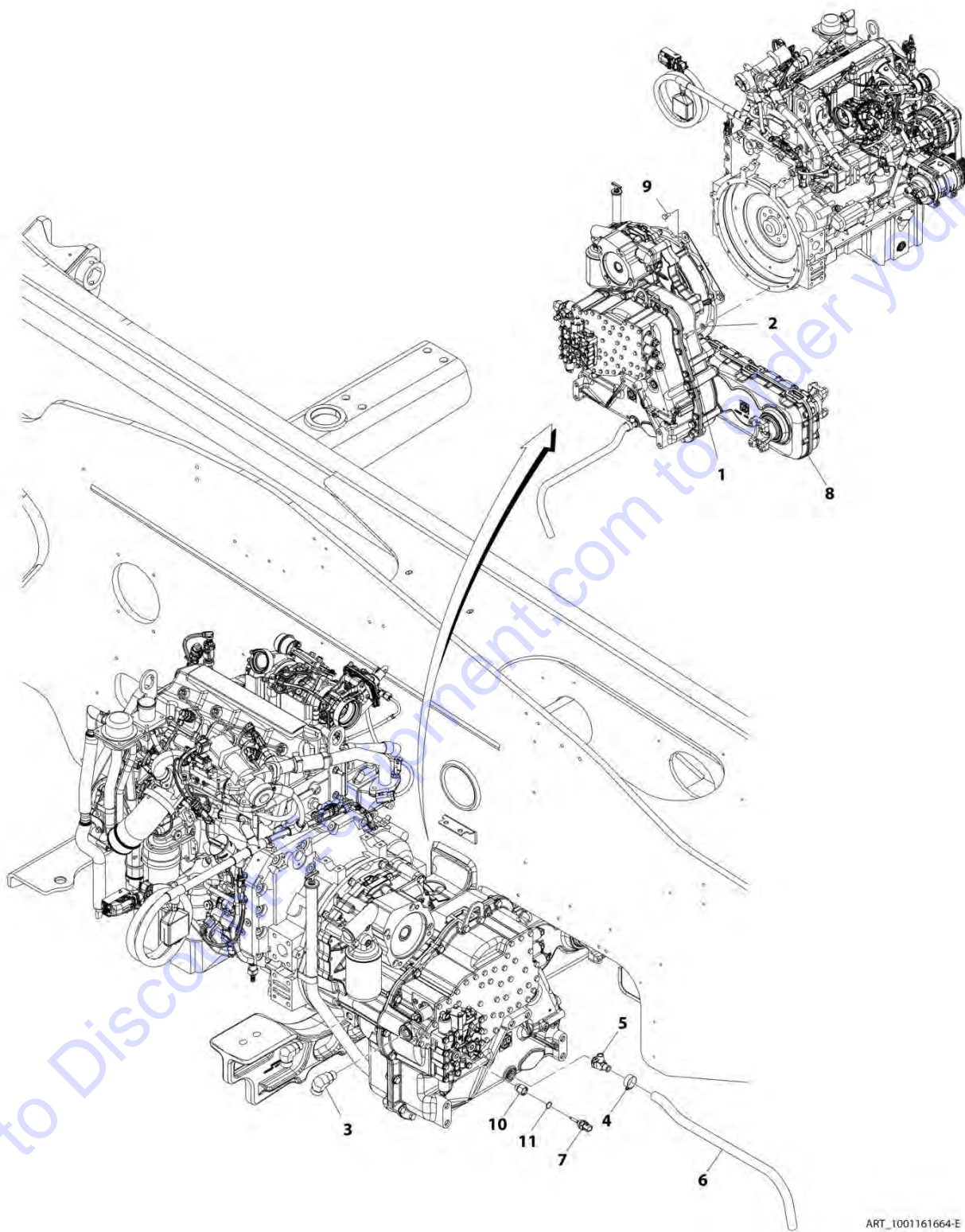
FIGURE 5-108. REAR AXLE, RING GEAR SUPPORT (943, 1043)

ITEM	PART NUMBER	QTY	DESCRIPTION	REV
	70024146	Ref	Ring Gear Support (943, 1043)	
1	91514175	1	Circlip	
2	70024147	1	Gear, Ring	
3	91514177	1	Support, Ring Gear	

Go to Discount-Equipment.com to order your parts

SECTION 5 - DRIVE TRAIN

FIGURE 5-109. TRANSMISSION INSTALLATION, (LS)



ART_1001161664-E

SECTION 5 - DRIVE TRAIN

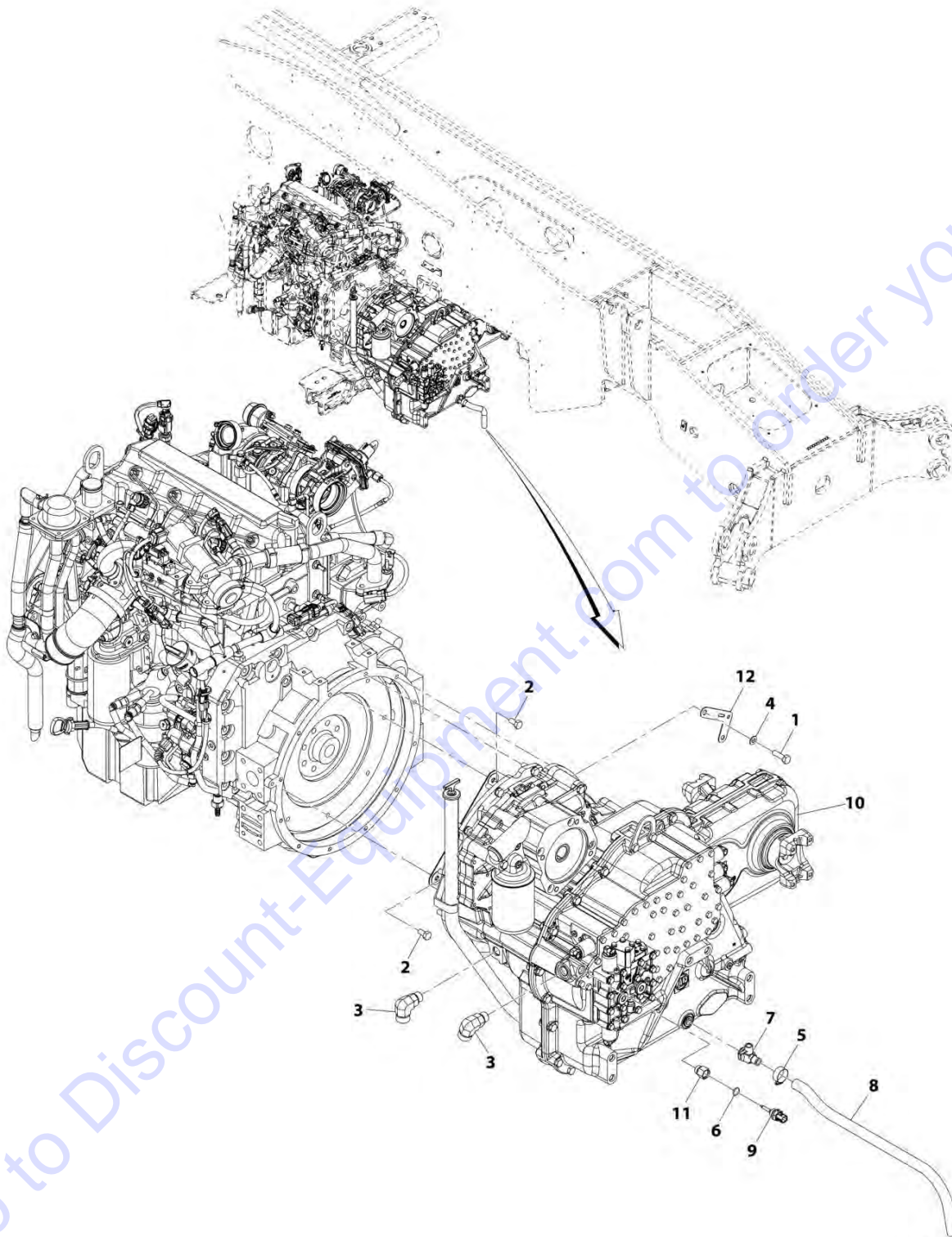
FIGURE 5-109. TRANSMISSION INSTALLATION, (LS)

ITEM	PART NUMBER	QTY	DESCRIPTION	REV
	1001161664	Ref	Transmission Installation	E
1	0711015	12	Screw, M10X35	
2	4812000	12	Washer, M10	
3	2131210	2	Fitting, 90 ORFS	
4	8405007	1	Clamp, Hose	
5	1001097053	1	Valve, Oil Drain	
6	1001186225	1	Hose, Drain	
7	1001147072	1	Switch, Oil Temperature (Prior to SN 0160080782)	
7	1001128478	1	Switch, Oil Temperature (SN 0160080782 to Present)	
8	1001170171	1	Transmission, Powershift (See POWERSHIFT TRANSMISSION for Breakdown)	
9	0761010	4	Screw, M10X20	
10	1001220760	1	Adapter (SN 0160080782 to Present)	
11	1001009163	1	Seal (SN 0160080782 to Present)	

Go to Discount-Equipment.com to order your parts

SECTION 5 - DRIVE TRAIN

FIGURE 5-110. TRANSMISSION INSTALLATION, (ULS)



ART_1001227962-B

SECTION 5 - DRIVE TRAIN

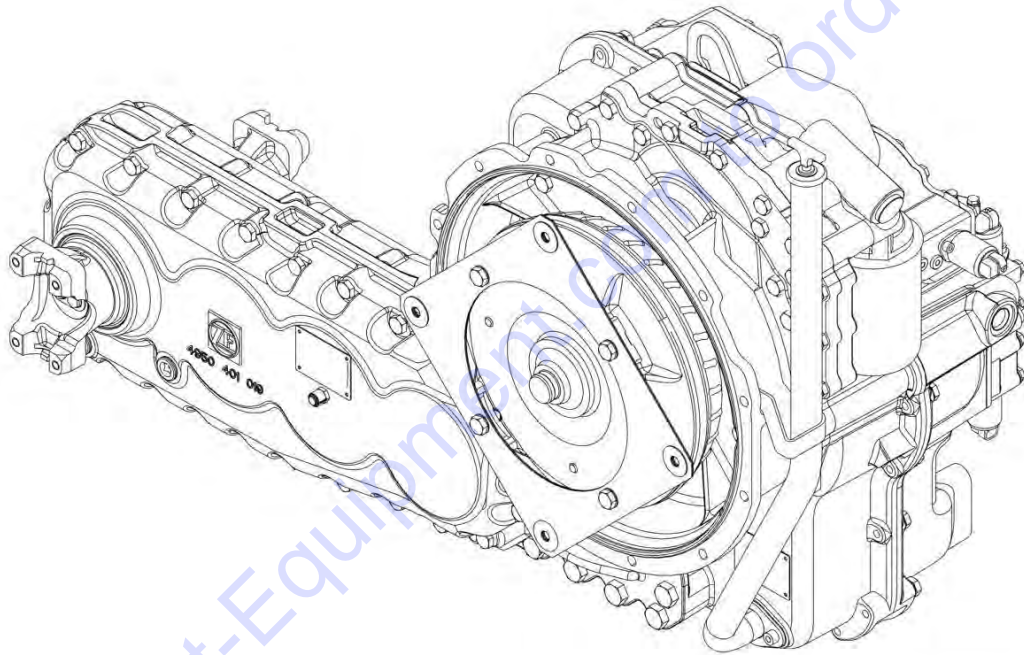
FIGURE 5-110. TRANSMISSION INSTALLATION, (ULS)

ITEM	PART NUMBER	QTY	DESCRIPTION	REV
	1001227962	Ref	Transmission Installation, 74HP (ULS) (742, 943)	B
1	0711015	12	Screw, M10X35	
2	0761010	4	Screw, M10X20	
3	2131210	2	Fitting, 90 ORFS	
4	4812000	12	Washer, M10	
5	8405007	1	Clamp, Hose	
6	1001009163	1	Seal	
7	1001097053	1	Valve, Oil Drain	
8	1001186225	1	Hose, Drain	
9	1001128478	1	Sensor	
10	1001170171	1	Transmission, Powershift (See Separate Breakdown in this Section)	
11	1001220760	1	Adapter	
12	1001227286	2	Bracket	

Go to Discount-Equipment.com to order your parts

SECTION 5 - DRIVE TRAIN

FIGURE 5-111. POWERSHIFT TRANSMISSION



ART_1001170171_1-C

SECTION 5 - DRIVE TRAIN

FIGURE 5-111. POWERSHIFT TRANSMISSION

ITEM	PART NUMBER	QTY	DESCRIPTION	REV
	1001170171	Ref	Powershift Transmission	C
		Ref	Transmission, Engine Connection (See TRANSMISSION, ENGINE CONNECTION for Breakdown)	
		Ref	Transmission, Converter (See TRANSMISSION, CONVERTER for Breakdown)	
		Ref	Transmission, Input (See TRANSMISSION, INPUT for Breakdown)	
		Ref	Transmission, Housing Group 1 (See TRANSMISSION, HOUSING GROUP 1 for Breakdown)	
		Ref	Transmission, Housing Group 2 (See TRANSMISSION, HOUSING GROUP 2 for Breakdown)	
		Ref	Transmission, Clutch Group 1 (See TRANSMISSION, CLUTCH GROUP 1 for Breakdown)	
		Ref	Transmission, Clutch Group 2 (See TRANSMISSION, CLUTCH GROUP 2 for Breakdown)	
		Ref	Transmission, Coupling Group 1 (See TRANSMISSION, COUPLING GROUP 1 for Breakdown)	
		Ref	Transmission, Coupling Group 2 (See TRANSMISSION, COUPLING GROUP 2 for Breakdown)	
		Ref	Transmission, Coupling Group 3 (See TRANSMISSION, COUPLING GROUP 3 for Breakdown)	
		Ref	Transmission, Coupling Group 4 (See TRANSMISSION, COUPLING GROUP 4 for Breakdown)	
		Ref	Transmission, Output (See TRANSMISSION, OUTPUT for Breakdown)	
		Ref	Transmission, Power Take-Off (See TRANSMISSION, POWER TAKE-OFF for Breakdown)	
		Ref	Transmission, Control Unit (See TRANSMISSION, CONTROL UNIT for Breakdown)	
		Ref	Transmission, Shift System (See TRANSMISSION, SHIFT SYSTEM for Breakdown)	
		Ref	Transmission, Pressure Regulator (See TRANSMISSION, PRESSURE REGULATOR for Breakdown)	
		Ref	Transmission, Pressure Oil Pump (See TRANSMISSION, PRESSURE OIL PUMP for Breakdown)	
		Ref	Transmission, Inductive Transmitter (See TRANSMISSION, INDUCTIVE TRANSMITTER for Breakdown)	
		Ref	Transmission, Filter (See TRANSMISSION, FILTER for Breakdown)	
		Ref	Transmission, Accessories Group 1 (See TRANSMISSION, ACCESSORIES GROUP 1 for Breakdown)	
		Ref	Transmission, Peripherals Group 1 (See TRANSMISSION, PERIPHERALS GROUP 1 for Breakdown)	
		Ref	Transmission, Peripherals Group 2 (See TRANSMISSION, PERIPHERALS GROUP 2 for Breakdown)	
		Ref	Transmission, Accessories Group 2 (See TRANSMISSION, ACCESSORIES GROUP 2 for Breakdown)	
		Ref	Transmission, Transfer Box (See TRANSMISSION, TRANSFER BOX for Breakdown)	
		Ref	Transmission, Transfer Box Housing 1 (See TRANSMISSION, TRANSFER BOX HOUSING 1 for Breakdown)	
		Ref	Transmission, Transfer Box Housing 2 (See TRANSMISSION, TRANSFER BOX HOUSING 2 for Breakdown)	
		Ref	Transmission, Transfer Box Housing Input (See TRANSMISSION, TRANSFER BOX HOUSING INPUT for Breakdown)	

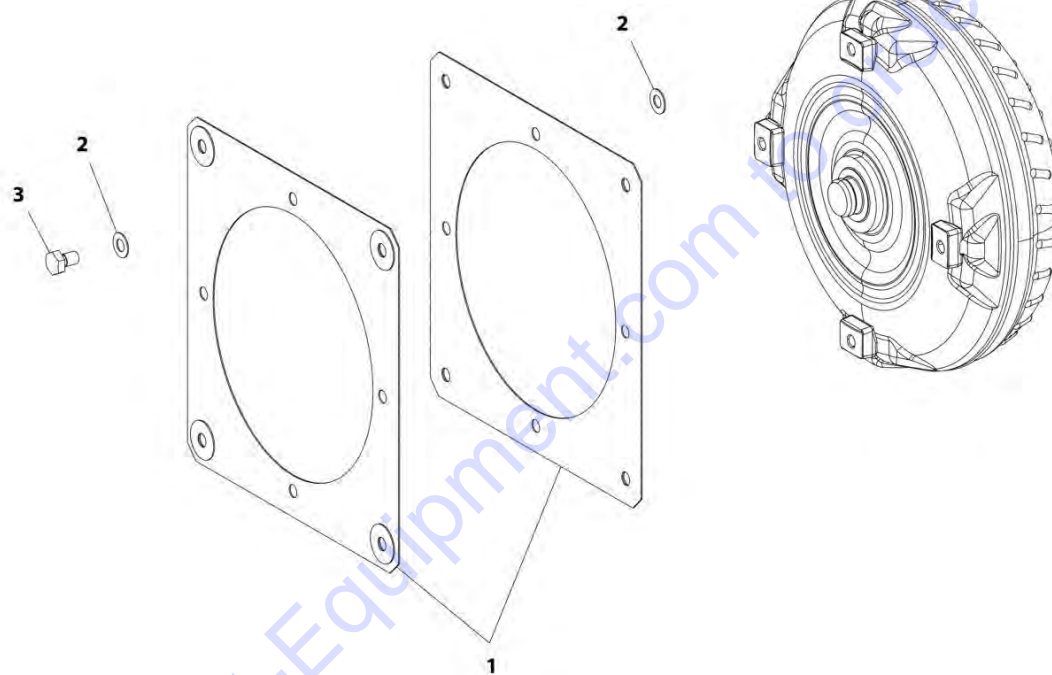
SECTION 5 - DRIVE TRAIN

ITEM	PART NUMBER	QTY	DESCRIPTION	REV
		Ref	Transmission, Transfer Box Housing Output 1 (See TRANSMISSION, TRANSFER BOX HOUSING OUTPUT 1 for Breakdown)	
		Ref	Transmission, Transfer Box Housing Output 2 (See TRANSMISSION, TRANSFER BOX HOUSING OUTPUT 2 for Breakdown)	

Go to Discount-Equipment.com to order your parts

SECTION 5 - DRIVE TRAIN

FIGURE 5-112. TRANSMISION, ENGINE CONNECTION



ART_1001170171_2-C

SECTION 5 - DRIVE TRAIN

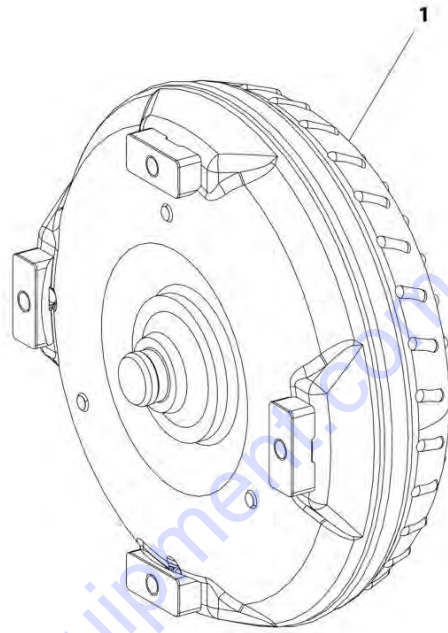
FIGURE 5-112. TRANSMISION, ENGINE CONNECTION

ITEM	PART NUMBER	QTY	DESCRIPTION	REV
1	1319229	2	Diaphragm	
2	7026745	8	Washer, Thrust M10	
3	7026744	4	Bolt, M10X16	

Go to Discount-Equipment.com to order your parts

SECTION 5 - DRIVE TRAIN

FIGURE 5-113. TRANSMISSION, CONVERTER



ART_1001170171_3-C

SECTION 5 - DRIVE TRAIN

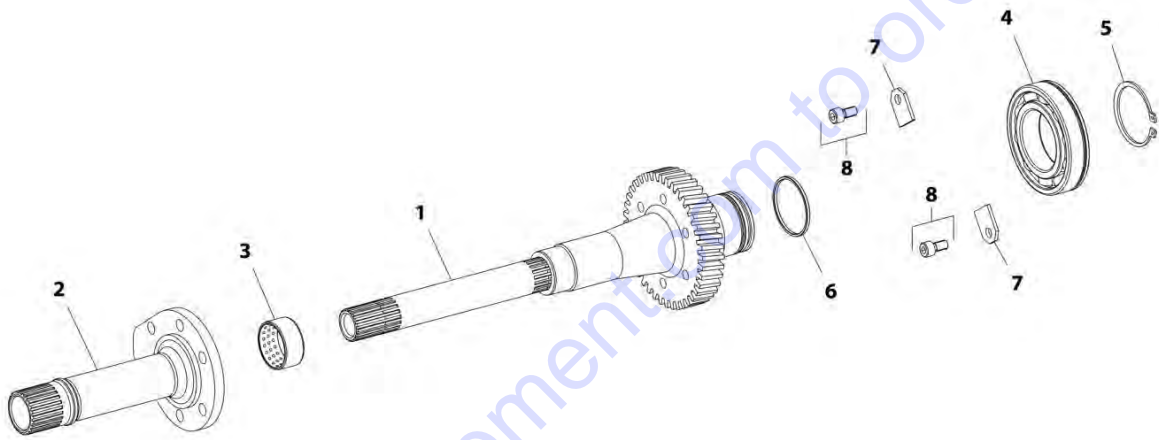
FIGURE 5-113. TRANSMISSION, CONVERTER

ITEM	PART NUMBER	QTY	DESCRIPTION	REV
1	7026746	1	Converter, Torque	

Go to Discount-Equipment.com to order your parts

SECTION 5 - DRIVE TRAIN

FIGURE 5-114. TRANSMISSION, INPUT



ART_1001170171_4-C

SECTION 5 - DRIVE TRAIN

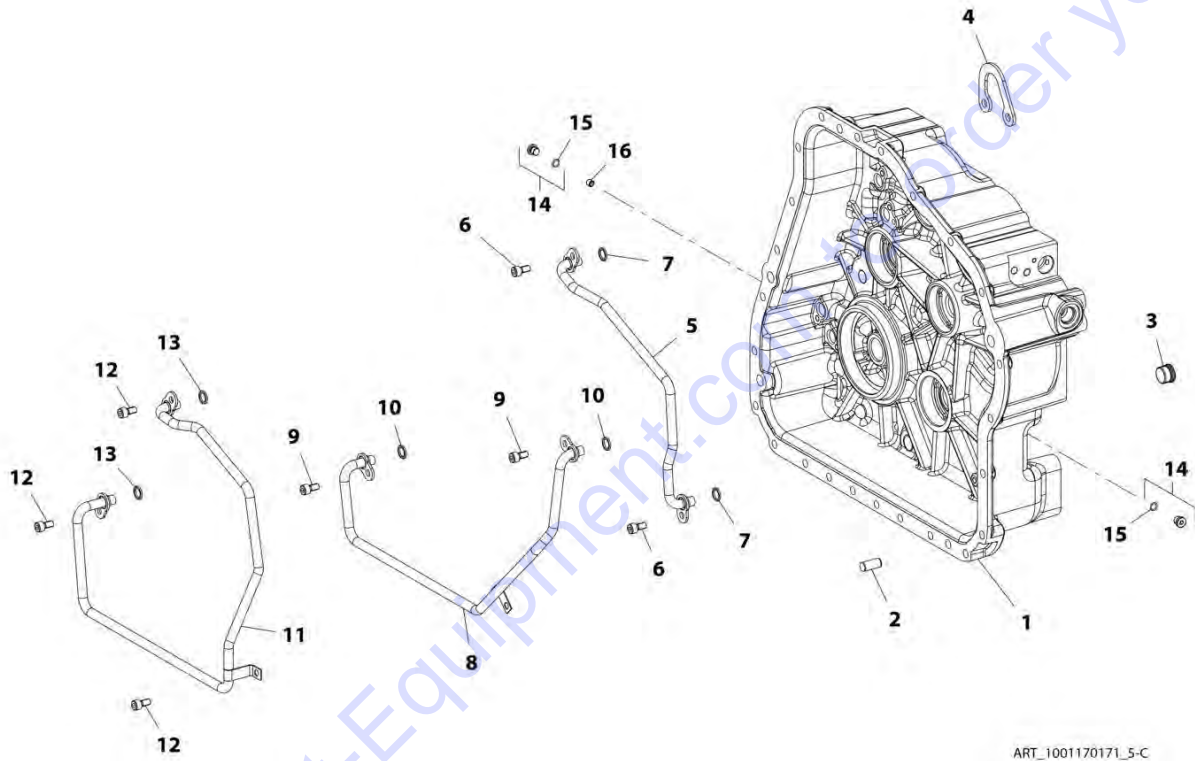
FIGURE 5-114. TRANSMISSION, INPUT

ITEM	PART NUMBER	QTY	DESCRIPTION	REV
1	7026747	1	Shaft, Turbine	
2	7026748	1	Shaft, Stator	
3	1319558	1	Bushing, Bearing	
4	1319563	1	Bearing, Ball	
5	80304405	1	Ring, Retaining	
6	7026749	1	Ring, Piston	
7	70026515	2	Strap	
8	70026516	2	Bolt, M8X16	

Go to Discount-Equipment.com to order your parts

SECTION 5 - DRIVE TRAIN

FIGURE 5-115. TRANSMISSION, HOUSING GROUP 1



ART_100117017L_5-C

SECTION 5 - DRIVE TRAIN

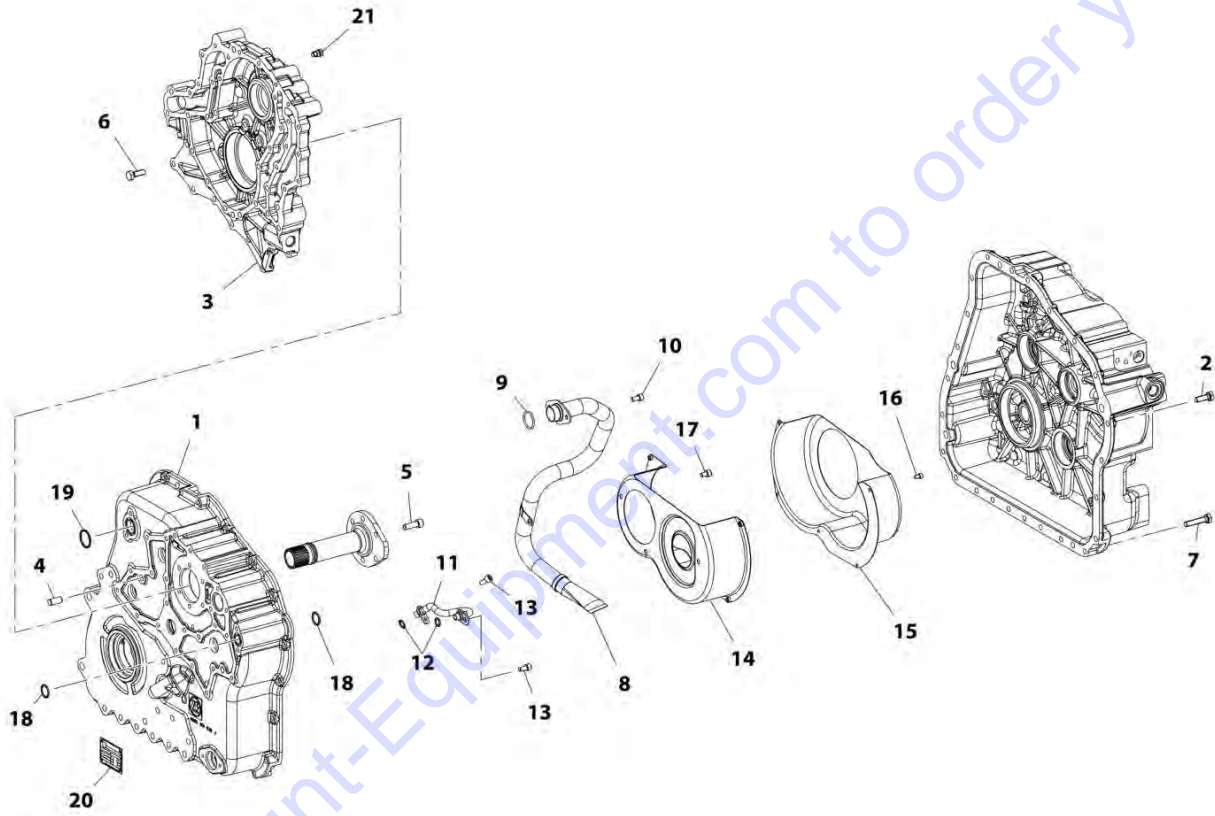
FIGURE 5-115. TRANSMISSION, HOUSING GROUP 1

ITEM	PART NUMBER	QTY	DESCRIPTION	REV
1	7029973	1	Housing	
2	1319571	2	Pin, Dowel	
3	70023404	1	Plug	
4	1319590	1	Bracket, Lift	
5	7026750	1	Pipe	
6	70026516	2	Bolt, M8X16	
7	8036847	2	O-Ring	
8	7026751	1	Pipe	
9	70026516	2	Bolt, M8X16	
10	8036847	2	O-Ring	
11	7026752	1	Pipe	
12	70026516	3	Bolt, M8X16	
13	8036847	2	O-Ring	
14	70026517	7	Plug, Screw	
15	10731709	7	O-Ring	
16	70026518	1	Nozzle	

Go to Discount-Equipment.com to order your parts

SECTION 5 - DRIVE TRAIN

FIGURE 5-116. TRANSMISSION, HOUSING GROUP 2



ART_1001170171_6-C

SECTION 5 - DRIVE TRAIN

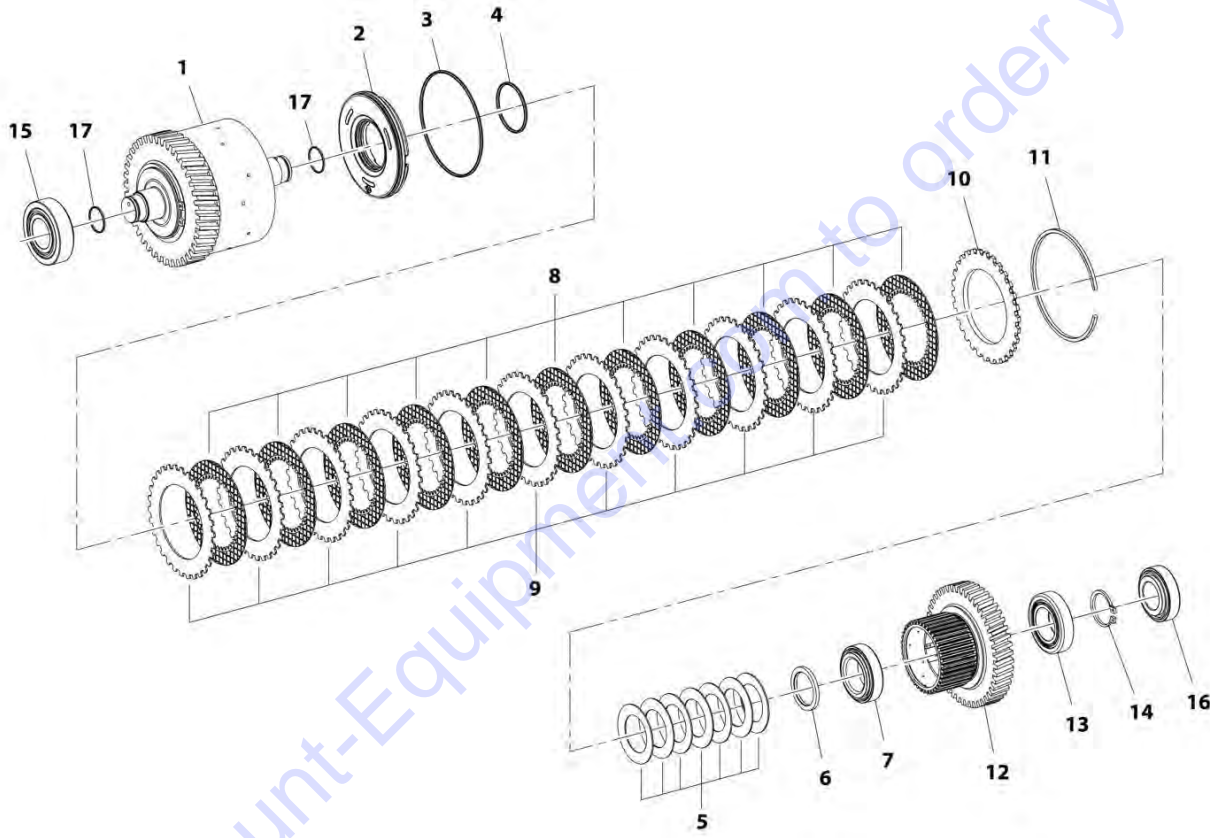
FIGURE 5-116. TRANSMISSION, HOUSING GROUP 2

ITEM	PART NUMBER	QTY	DESCRIPTION	REV
1	7029972	1	Housing	
2	80304394	18	Bolt, M10X30	
3	70021920	1	Housing, PTO	
4	1319571	2	Pin, Dowel	
5	70026519	6	Bolt, M10X30	
6	80304394	13	Bolt, M10X30	
7	7026794	6	Bolt, M10X50	
8	7026753	1	Tube, Suction	
9	70023885	1	O-Ring	
10	70026516	2	Bolt, M8X16	
11	7026754	1	Pipe	
12	8036847	2	O-Ring	
13	70026516	2	Bolt, M8X16	
14	7026755	1	Sheet, Screen	
15	7026756	1	Sheet, Screen	
16	70026520	5	Bolt, M6X10	
17	70026521	3	Bolt, M8X12	
18	7026792	2	O-Ring	
19	70023885	1	O-Ring	
20	N.S.S.	1	Plate, Serial Number	
21	10731744	1	Breather	

Go to Discount-Equipment.com to order your parts

SECTION 5 - DRIVE TRAIN

FIGURE 5-117. TRANSMISSION, CLUTCH GROUP 1



ART_1001170171_7-C

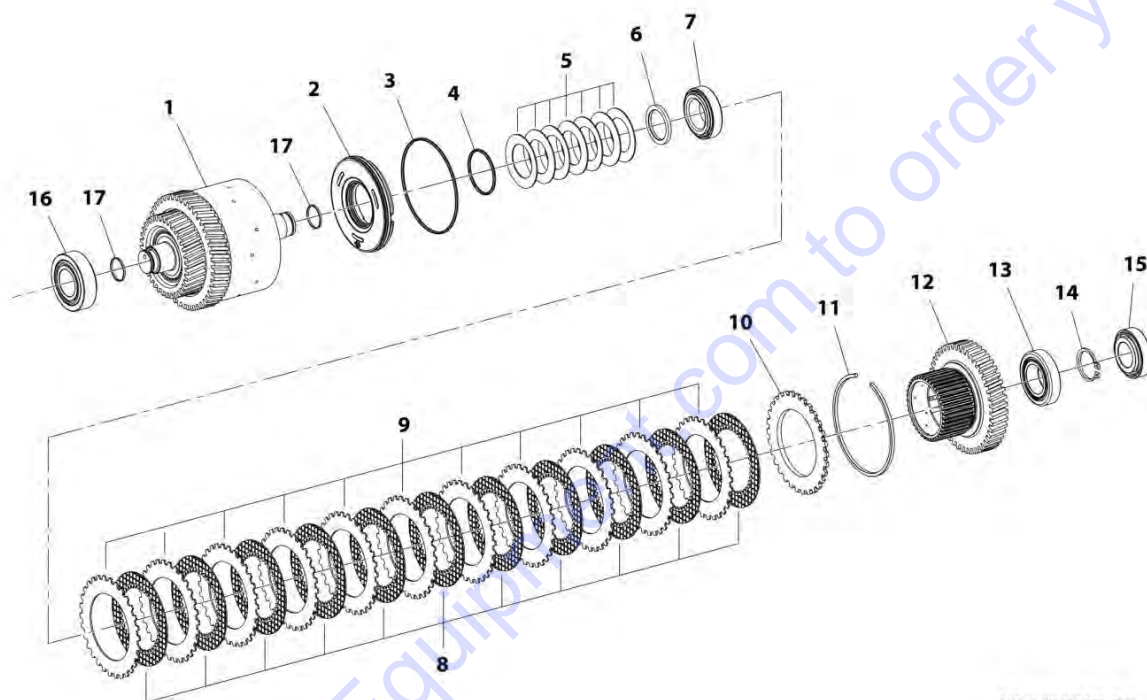
SECTION 5 - DRIVE TRAIN

FIGURE 5-117. TRANSMISSION, CLUTCH GROUP 1

ITEM	PART NUMBER	QTY	DESCRIPTION	REV
1	7026757	1	Coupling	
2	70022075	1	Piston	
3	1319594	1	O-Ring	
4	1319593	1	O-Ring	
5	1319595	7	Spring, Cup	
6	1319617	1	Support, Shim	
7	1319618	AR	Bearing, Roller	
8	7026758	11	Disc, Friction	
9	7026759	11	Disc, Clutch	
10	7026760	1	Shim, End	
11	70026527	AR	Ring, Snap 2.00	
11	70026528	AR	Ring, Snap 2.25	
11	70026529	AR	Ring, Snap 2.50	
11	7029852	AR	Ring, Snap 2.75	
11	1319602	AR	Ring, Snap 3.00	
11	7029849	AR	Ring, Snap 3.25	
11	1319601	AR	Ring, Snap 3.50	
11	7029850	AR	Ring, Snap 3.75	
11	1319600	AR	Ring, Snap 4.00	
12	1319638	1	Carrier, Inner Disc	
13	1319620	AR	Bearing, Roller	
14	1319632	AR	Ring, Retaining 2.10	
14	1319631	AR	Ring, Retaining 2.20	
14	1319630	AR	Ring, Retaining 2.30	
14	1319629	AR	Ring, Retaining 2.40	
14	1319628	AR	Ring, Retaining 2.50	
14	1319627	AR	Ring, Retaining 2.60	
14	1319626	AR	Ring, Retaining 2.70	
14	1319625	AR	Ring, Retaining 2.80	
14	1319624	AR	Ring, Retaining 2.90	
14	1319623	AR	Ring, Retaining 3.00	
14	1319622	AR	Ring, Retaining 3.10	
14	1319621	AR	Ring, Retaining 3.20	
15	1319615	1	Bearing, Roller	
16	1319636	1	Bearing, Roller	
17	7026761	1	Ring, Piston	

SECTION 5 - DRIVE TRAIN

FIGURE 5-118. TRANSMISSION, CLUTCH GROUP 2



ART_1001170171_8-C

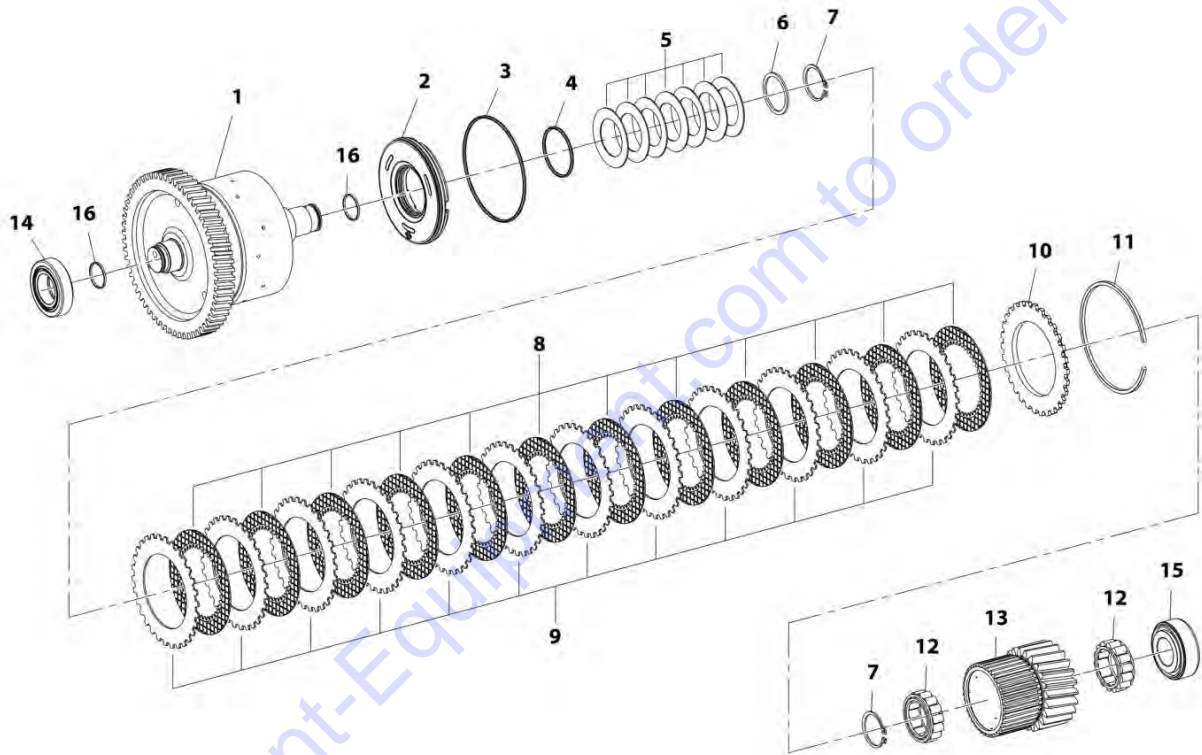
SECTION 5 - DRIVE TRAIN

FIGURE 5-118. TRANSMISSION, CLUTCH GROUP 2

ITEM	PART NUMBER	QTY	DESCRIPTION	REV
1	7026762	1	Coupling	
2	70022075	1	Piston	
3	1319594	1	O-Ring	
4	1319593	1	O-Ring	
5	1319595	7	Spring, Cup	
6	1319617	1	Shim, Support	
7	1319618	AR	Bearing, Roller	
8	7026758	11	Disc, Friction	
9	7026759	11	Disc, Static	
10	7026760	1	Shim, End	
11	70026527	AR	Ring, Snap 2.00	
11	70026528	AR	Ring, Snap 2.25	
11	70026529	AR	Ring, Snap 2.50	
11	7029852	AR	Ring, Snap 2.75	
11	1319602	AR	Ring, Snap 3.00	
11	7029849	AR	Ring, Snap 3.25	
11	1319601	AR	Ring, Snap 3.50	
11	7029850	AR	Ring, Snap 3.75	
11	1319600	AR	Ring, Snap 4.00	
12	1319638	1	Carrier, Disc	
13	1319620	1	Bearing, Roller	
14	1319632	AR	Ring, Retaining 2.10	
14	1319631	AR	Ring, Retaining 2.20	
14	1319630	AR	Ring, Retaining 2.30	
14	1319629	AR	Ring, Retaining 2.40	
14	1319628	AR	Ring, Retaining 2.50	
14	1319627	AR	Ring, Retaining 2.60	
14	1319626	AR	Ring, Retaining 2.70	
14	1319625	AR	Ring, Retaining 2.80	
14	1319624	AR	Ring, Retaining 2.90	
14	1319623	AR	Ring, Retaining 3.00	
14	1319622	AR	Ring, Retaining 3.10	
14	1319621	1	Ring, Retaining 3.20	
15	1319615	1	Bearing, Roller	
16	1319636	1	Bearing, Roller	
17	7026761	2	Ring, Piston	

SECTION 5 - DRIVE TRAIN

FIGURE 5-119. TRANSMISSION, COUPLING GROUP 1



ART_1001170171_9-C

SECTION 5 - DRIVE TRAIN

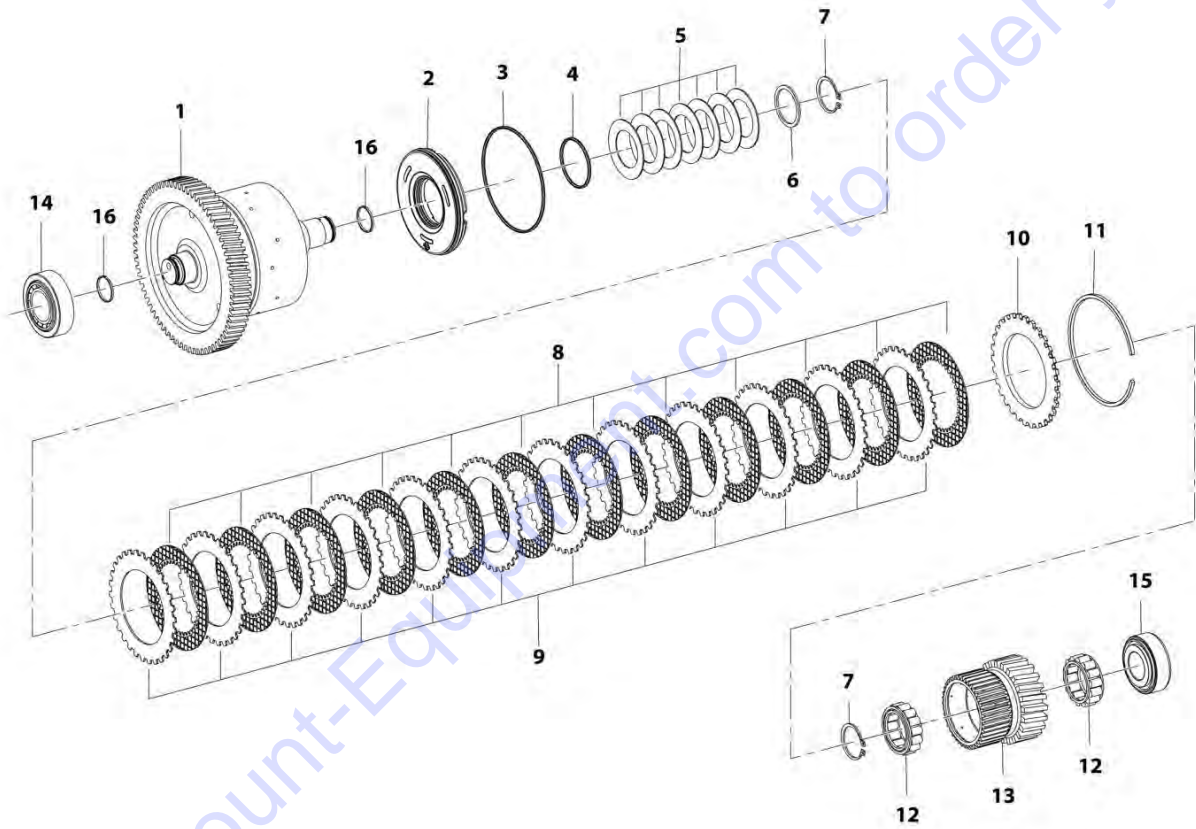
FIGURE 5-119. TRANSMISSION, COUPLING GROUP 1

ITEM	PART NUMBER	QTY	DESCRIPTION	REV
1	70026530	1	Coupling	
2	70022075	1	Piston	
3	1319594	1	O-Ring	
4	1319593	1	O-Ring	
5	1319595	7	Spring, Cup	
6	1319596	1	Shim 2.00	
7	10731845	2	Ring, Retaining	
8	7026758	1	Disc, Friction	
9	7026759	1	Disc, Clutch	
10	7026760	1	Shim, End	
11	70026527	AR	Ring, Snap 2.00	
11	70026528	AR	Ring, Snap 2.25	
11	70026529	AR	Ring, Snap 2.50	
11	7029852	AR	Ring, Snap 2.75	
11	1319602	AR	Ring, Snap 3.00	
11	7029849	AR	Ring, Snap 3.25	
11	1319601	AR	Ring, Snap 3.50	
11	7029850	AR	Ring, Snap 3.75	
11	1319600	AR	Ring, Snap 4.00	
12	1319605	AR	Cage, Roller	
13	1319607	1	Carrier, Disc	
14	1319608	1	Bearing, Roller	
15	8036190	1	Bearing, Roller	
16	7026761	2	Ring, Piston	

Go to Discount-Equipment.com to order your parts

SECTION 5 - DRIVE TRAIN

FIGURE 5-120. TRANSMISSION, COUPLING GROUP 2



ART_1001170171_10-C

SECTION 5 - DRIVE TRAIN

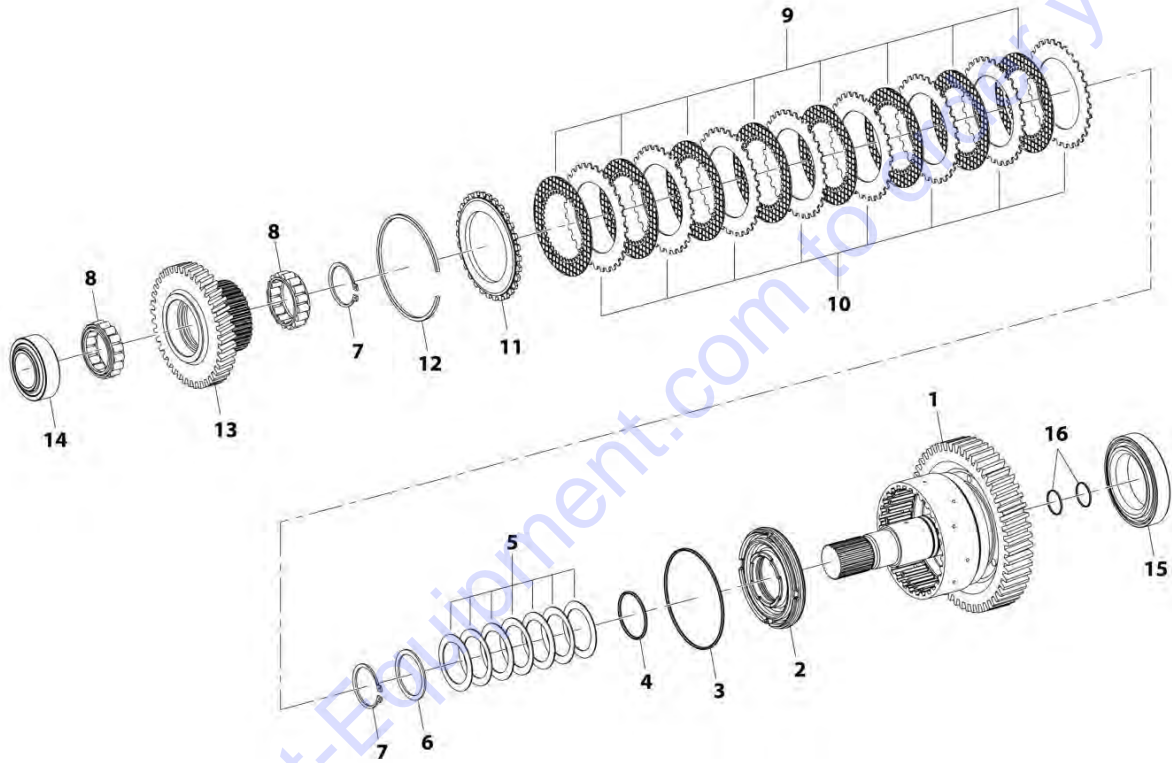
FIGURE 5-120. TRANSMISSION, COUPLING GROUP 2

ITEM	PART NUMBER	QTY	DESCRIPTION	REV
1	70026531	1	Coupling	
2	70022075	1	Piston	
3	1319594	1	O-Ring	
4	1319593	1	O-Ring	
5	1319595	7	Spring, Cup	
6	1319596	1	Shim	
7	10731845	2	Ring, Retaining	
8	7026758	12	Disc, Friction	
9	7026759	12	Disc, Clutch	
10	7026760	1	Shim, End	
11	70026527	AR	Ring, Snap 2.00	
11	70026528	AR	Ring, Snap 2.25	
11	70026529	AR	Ring, Snap 2.50	
11	7029852	AR	Ring, Snap 2.75	
11	1319602	AR	Ring, Snap 3.00	
11	7029849	AR	Ring, Snap 3.25	
11	1319601	AR	Ring, Snap 3.50	
11	7029850	AR	Ring, Snap 3.75	
11	1319600	AR	Ring, Snap 4.00	
12	1319605	AR	Bearing, Roller	
13	1319614	1	Carrier, Disc	
14	1319615	1	Bearing, Roller	
15	8036190	1	Bearing, Roller	
16	7026761	2	Ring, Piston	

Go to Discount-Equipment.com to order your parts

SECTION 5 - DRIVE TRAIN

FIGURE 5-121. TRANSMISSION, COUPLING GROUP 3



ART_1001170171_11-C

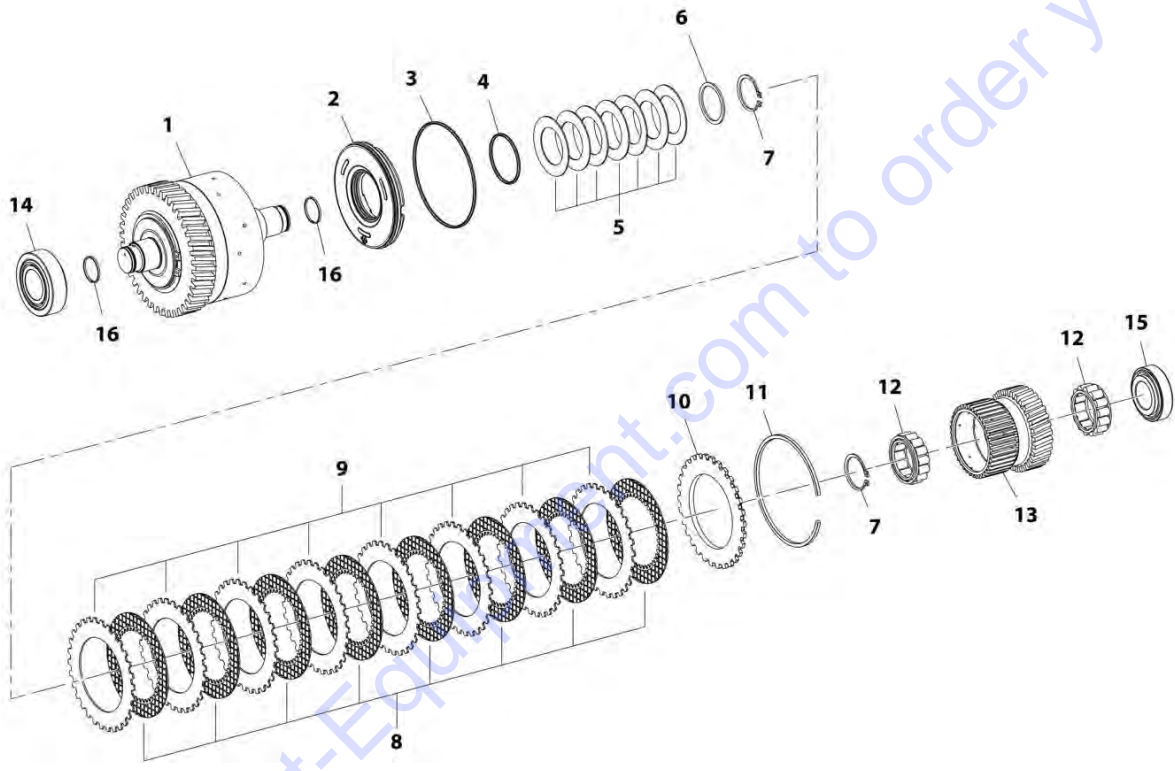
SECTION 5 - DRIVE TRAIN

FIGURE 5-121. TRANSMISSION, COUPLING GROUP 3

ITEM	PART NUMBER	QTY	DESCRIPTION	REV
1	70026532	1	Coupling	
2	70022075	1	Piston	
3	1319594	1	O-Ring	
4	1319593	1	O-Ring	
5	7026765	7	Spring, Cup	
6	7026766	1	Washer	
7	80304227	AR	Ring, Retaining	
8	70021227	AR	Ring	
8	70021228	AR	Cage, Roller	
9	7026758	AR	Disc, Friction	
10	7026759	AR	Disc, Clutch	
11	7026760	AR	Shim, End	
12	70026527	AR	Ring, Snap 2.00	
12	70026528	AR	Ring, Snap 2.25	
12	70026529	AR	Ring, Snap 2.50	
12	7029852	AR	Ring, Snap 2.75	
12	1319602	AR	Ring, Snap 3.00	
12	7029849	AR	Ring, Snap 3.25	
12	1319601	AR	Ring, Snap 3.50	
12	7029850	AR	Ring, Snap 3.75	
12	1319600	AR	Ring, Snap 4.00	
13	7027267	1	Carrier, Disc	
14	70021268	1	Bearing, Outer Ring	
14	70021269	1	Bearing, Inner Ring	
15	7026769	AR	Bearing, Roller	
16	7026761	2	Ring, Piston	

SECTION 5 - DRIVE TRAIN

FIGURE 5-122. TRANSMISSION, COUPLING GROUP 4



ART_1001170171_12-C

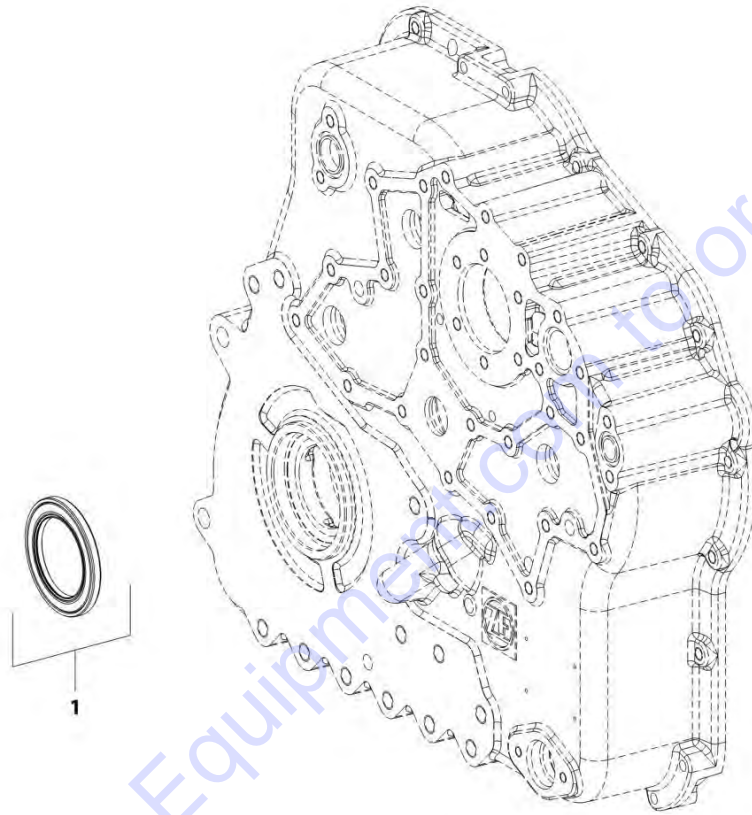
SECTION 5 - DRIVE TRAIN

FIGURE 5-122. TRANSMISSION, COUPLING GROUP 4

ITEM	PART NUMBER	QTY	DESCRIPTION	REV
1	70026535	1	Coupling	
2	70022075	1	Piston	
3	1319594	1	O-Ring	
4	1319593	1	O-Ring	
5	1319595	7	Spring, Cup	
6	1319596	1	Shim	
7	10731845	2	Ring, Retaining	
8	7026758	8	Disc, Friction	
9	7026759	8	Disc, Clutch	
10	7026760	1	Shim, End	
11	70026527	AR	Ring, Snap 2.00	
11	70026528	AR	Ring, Snap 2.25	
11	70026529	AR	Ring, Snap 2.50	
11	7029852	AR	Ring, Snap 2.75	
11	1319602	AR	Ring, Snap 3.00	
11	7029849	AR	Ring, Snap 3.25	
11	1319601	AR	Ring, Snap 3.5	
11	7029850	AR	Ring, Snap 3.75	
11	1319600	AR	Ring, Snap 4.00	
12	1319605	AR	Bearing, Roller	
13	1319635	1	Carrier, Disc	
14	1319615	1	Bearing, Roller	
15	1319636	1	Bearing, Roller	
16	7026761	2	Ring, Piston	

SECTION 5 - DRIVE TRAIN

FIGURE 5-123. TRANSMISSION, OUTPUT



ART_1001170171_13-C

SECTION 5 - DRIVE TRAIN

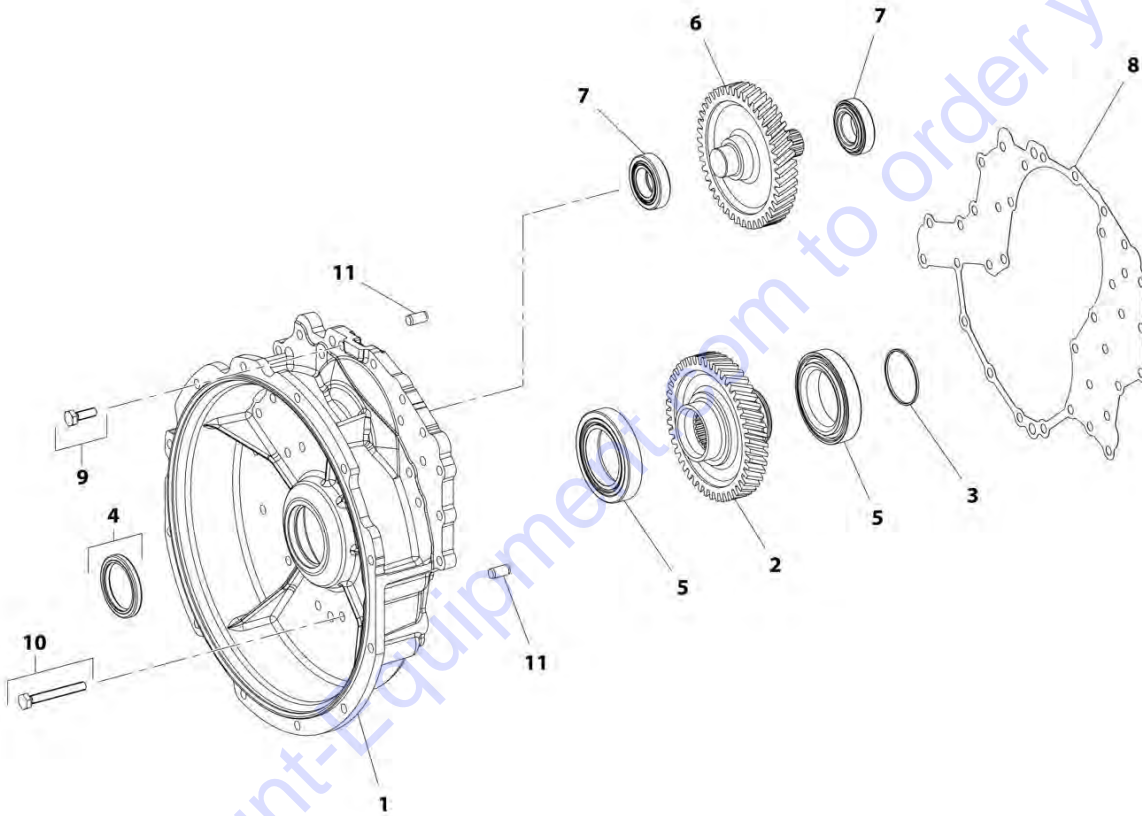
FIGURE 5-123. TRANSMISSION, OUTPUT

ITEM	PART NUMBER	QTY	DESCRIPTION	REV
1	70026536	1	Seal, Shaft	

Go to Discount-Equipment.com to order your parts

SECTION 5 - DRIVE TRAIN

FIGURE 5-124. TRANSMISSION, POWER TAKE-OFF



ART_1001170171_14-C

SECTION 5 - DRIVE TRAIN

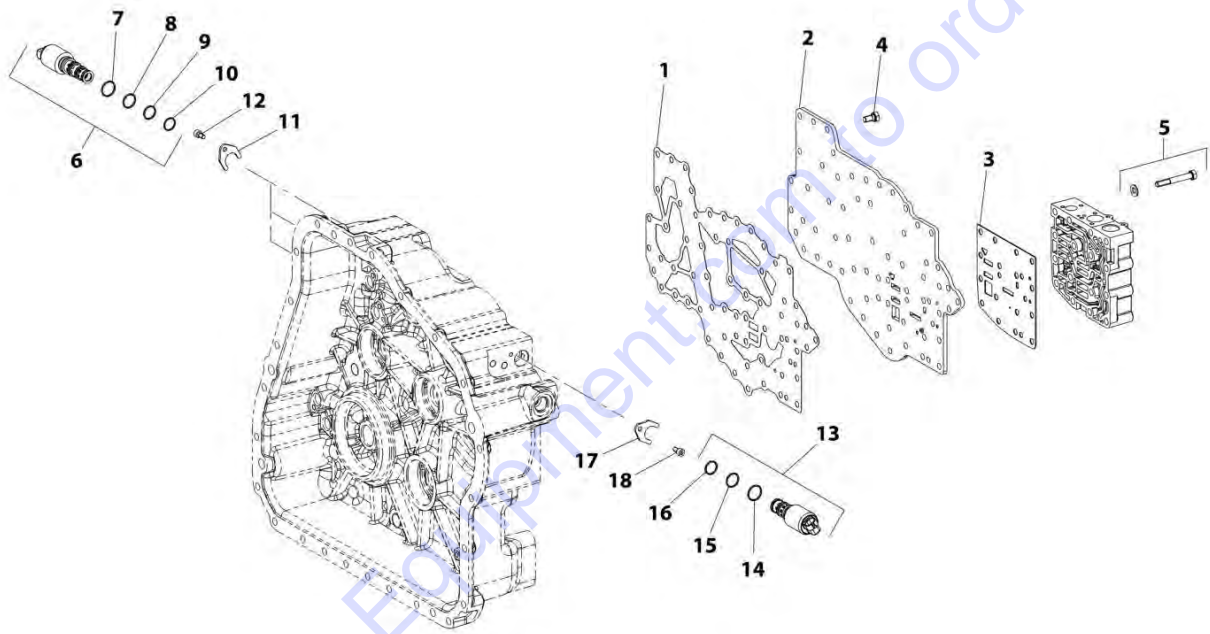
FIGURE 5-124. TRANSMISSION, POWER TAKE-OFF

ITEM	PART NUMBER	QTY	DESCRIPTION	REV
1	70021526	1	Housing	
2	7026771	1	Shaft	
3	7026772	1	Ring, Piston	
4	1319576	1	Seal, Shaft	
5	7026769	AR	Bearing, Roller	
6	7026773	1	Shaft	
7	1319608	AR	Bearing, Roller	
8	7026774	1	Gasket	
9	80304394	21	Bolt, M10X30	
10	7026775	15	Bolt, M10X80	
11	1319571	2	Pin	

Go to Discount-Equipment.com to order your parts

SECTION 5 - DRIVE TRAIN

FIGURE 5-125. TRANSMISSION, CONTROL UNIT



ART_1001170171_15-C

SECTION 5 - DRIVE TRAIN

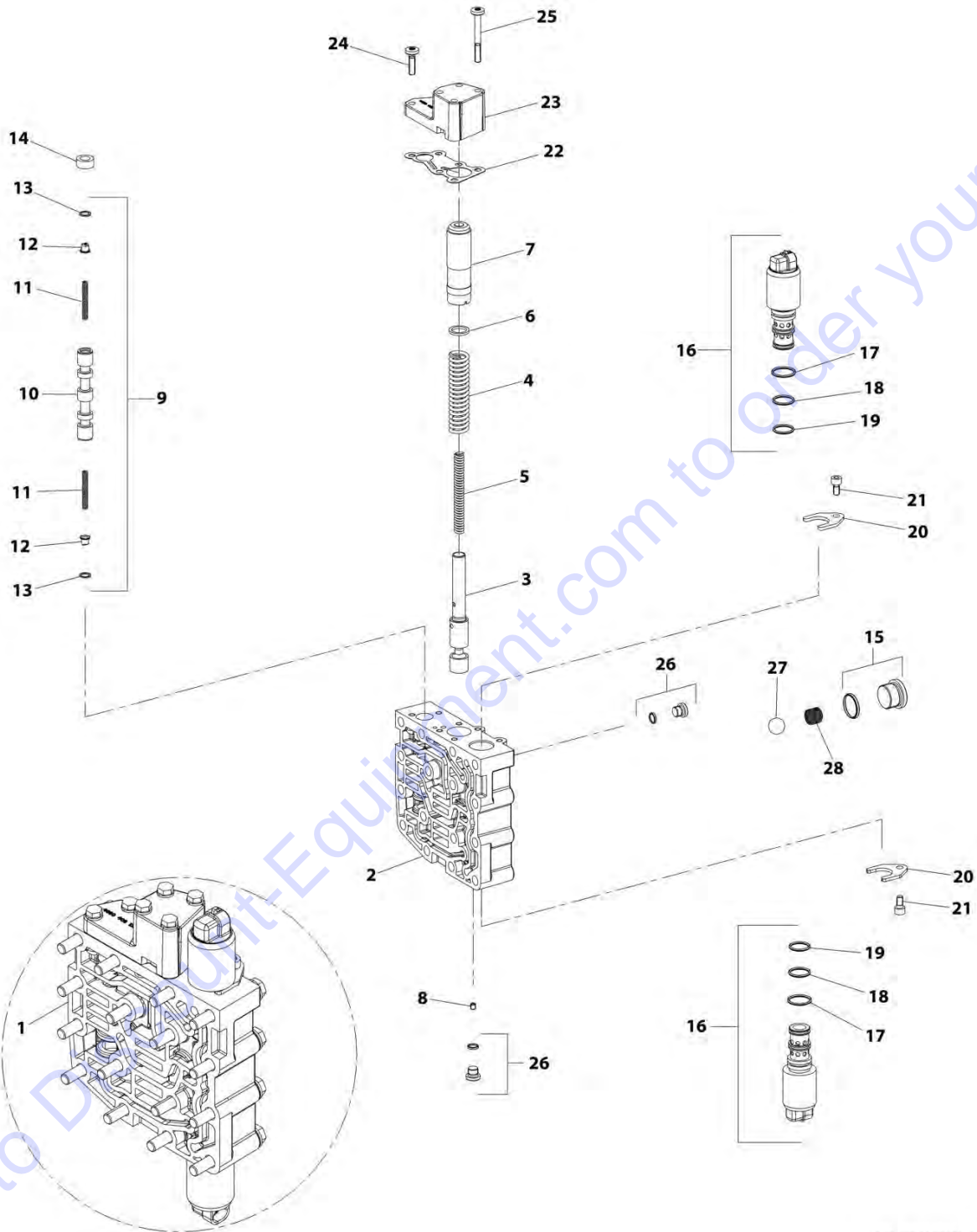
FIGURE 5-125. TRANSMISSION, CONTROL UNIT

ITEM	PART NUMBER	QTY	DESCRIPTION	REV
1	7026776	1	Gasket	
2	70026538	1	Plate	
3	70026539	1	Sheet, Intermediate	
4	7026780	46	Bolt, M8X16	
5	7026781	16	Bolt, M8X60 (includes washer)	
5	10732095	16	Washer	
6	8036529	3	Valve, Solenoid (includes items 7 thru 10)	
7	N.S.S.	3	O-Ring	
8	N.S.S.	3	O-Ring	
9	N.S.S.	3	O-Ring	
10	N.S.S.	3	O-Ring	
11	7029267	3	Bracket	
12	70026544	3	Bolt, M6X12	
13	8036528	1	Valve, Solenoid (includes items 14 thru 16)	
14	N.S.S.	1	O-Ring	
15	N.S.S.	1	O-Ring	
16	N.S.S.	1	O-Ring	
17	7029267	1	Bracket	
18	70026544	1	Bolt, M6X12	

Go to Discount-Equipment.com to order your parts

SECTION 5 - DRIVE TRAIN

FIGURE 5-126. TRANSMISSION, SHIFT SYSTEM



ART_1001170171_16-C

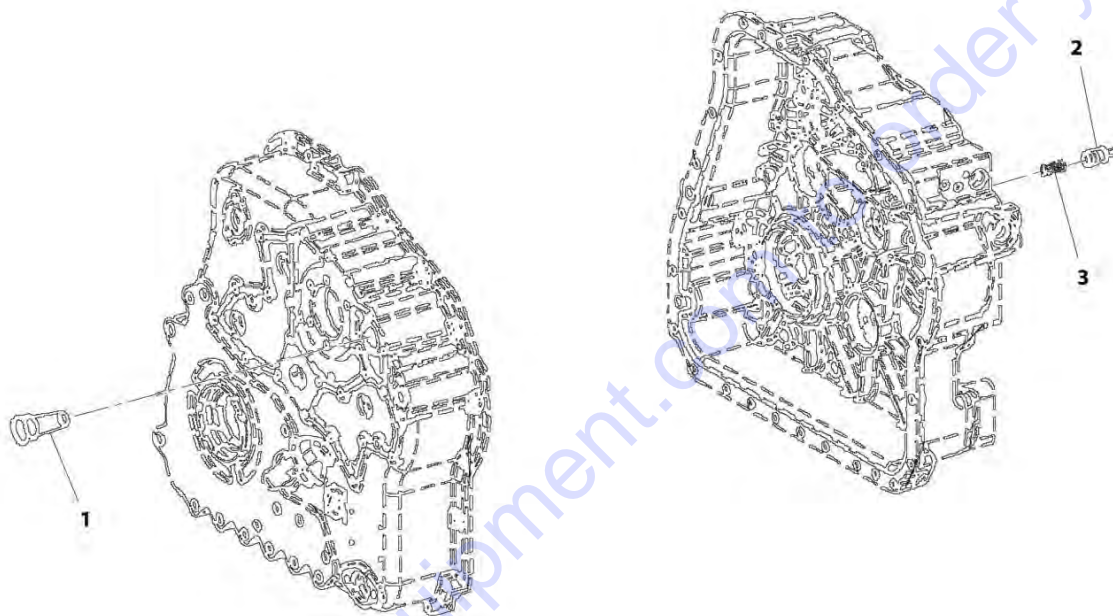
SECTION 5 - DRIVE TRAIN

FIGURE 5-126. TRANSMISSION, SHIFT SYSTEM

ITEM	PART NUMBER	QTY	DESCRIPTION	REV
1	70026561	1	Assembly, Shift System (includes all items)	
2	70026546	1	Housing, Valve	
3	70026547	1	Piston, Control	
4	1319683	1	Spring	
5	1319684	1	Spring	
6	1319689	AR	Washer 0.20	
6	1319688	AR	Washer, 0.30	
6	1319687	AR	Washer, 0.50	
6	1319686	AR	Washer, 1.00	
6	1319685	AR	Washer, 2.00	
7	70026548	1	Piston	
8	70026549	1	Nozzle	
9	1319694	1	Assembly, Valve (includes items 10 thru 13)	
10	N.S.S.	1	Piston	
11	N.S.S.	2	Spring, Compression	
12	N.S.S.	2	Sleeve, Spring	
13	N.S.S.	2	Ring, Snap	
14	7026787	1	Spacer	
15	70026554	1	Plug, Screw (includes O-Ring)	
15	70000656	1	O-Ring	
16	8036528	2	Valve, Solenoid (includes items 17 thru 19)	
17	N.S.S.	2	O-Ring	
18	N.S.S.	2	O-Ring	
19	N.S.S.	2	O-Ring	
20	7029267	2	Bracket	
21	70026544	2	Bolt, M6X12	
22	7026788	1	Gasket	
23	7026789	1	Cover	
24	70026555	2	Screw, Torx M6X23	
25	70026556	4	Screw, Torx M6X52	
26	70026517	2	Plug, Screw (includes O-Ring)	
26	10731709	2	O-Ring	
27	10732071	1	Ball	
28	10732072	1	Spring	

SECTION 5 - DRIVE TRAIN

FIGURE 5-127. TRANSMISSION, PRESSURE REGULATOR



ART_1001170171_17-C

SECTION 5 - DRIVE TRAIN

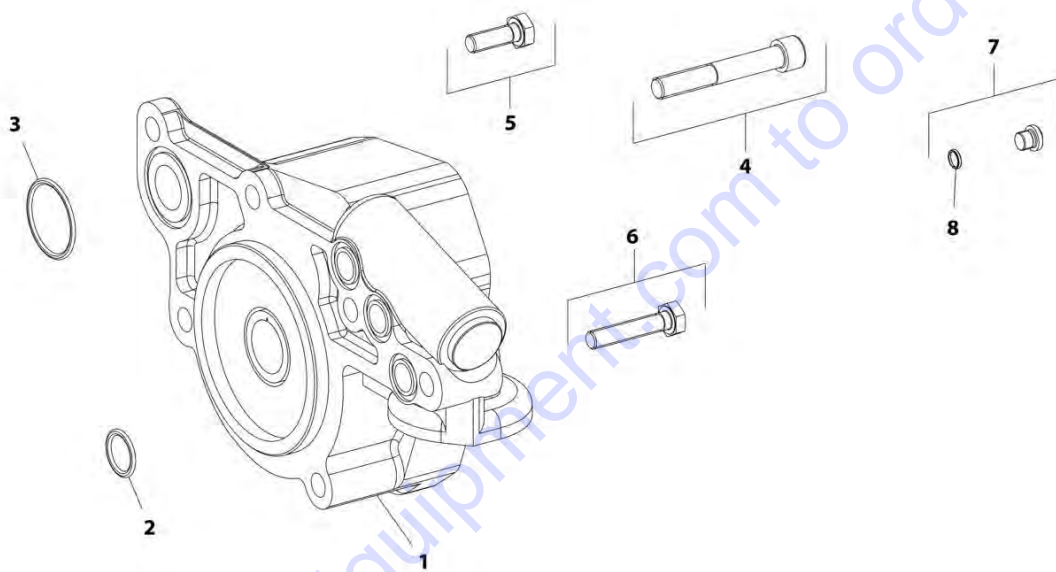
FIGURE 5-127. TRANSMISSION, PRESSURE REGULATOR

ITEM	PART NUMBER	QTY	DESCRIPTION	REV
1	7026782	1	Valve	
2	7026783	1	Piston	
3	7026784	1	Spring	

Go to Discount-Equipment.com to order your parts

SECTION 5 - DRIVE TRAIN

FIGURE 5-128. TRANSMISSION, PRESSURE OIL PUMP



ART_1001170171_18-C

SECTION 5 - DRIVE TRAIN

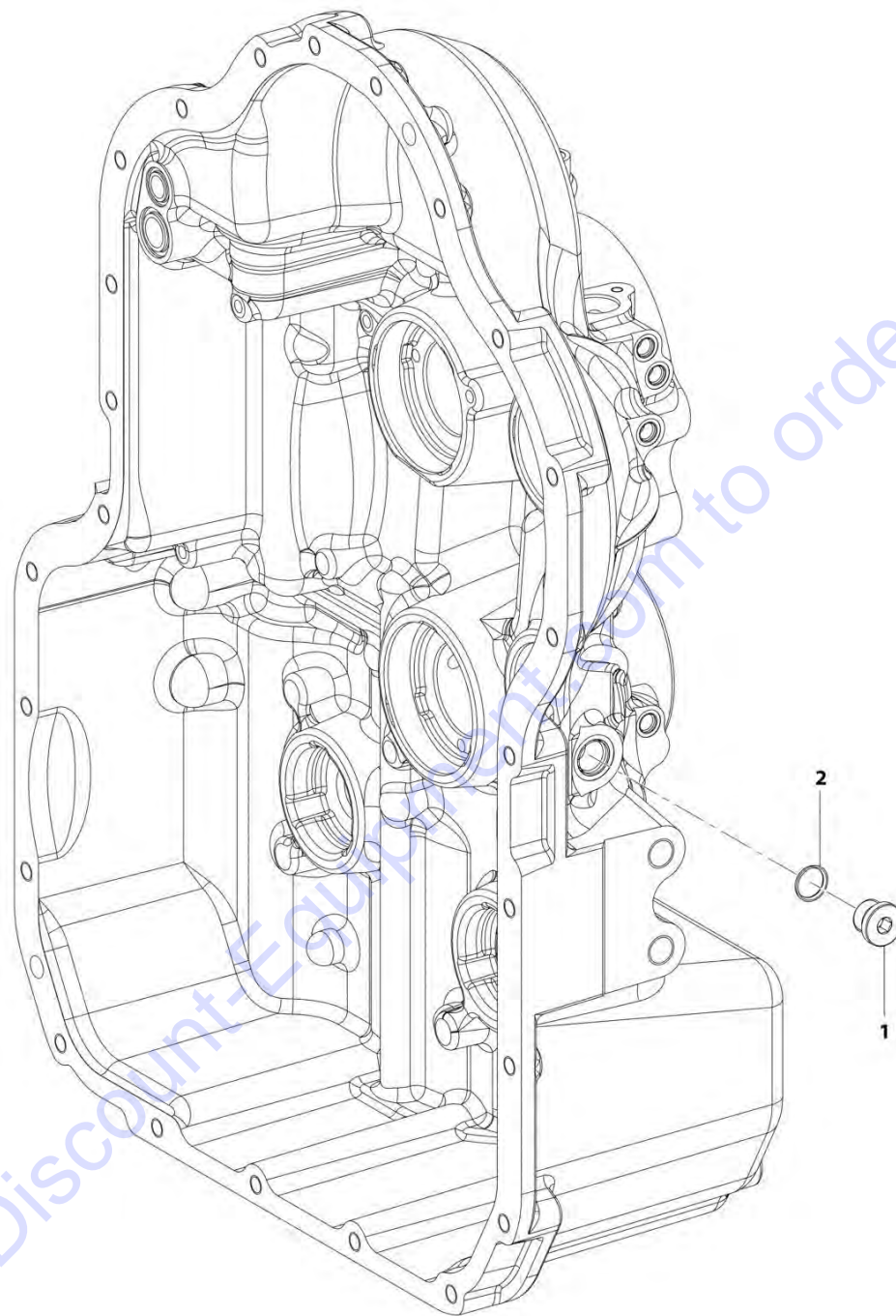
FIGURE 5-128. TRANSMISSION, PRESSURE OIL PUMP

ITEM	PART NUMBER	QTY	DESCRIPTION	REV
1	7026791	1	Pump	
2	7026792	3	O-Ring	
3	1319719	1	O-Ring	
4	7026793	4	Bolt, M12X80	
5	80304394	1	Bolt, M10X30	
6	7026794	1	Bolt, M10X50	
7	70026517	2	Plug, Screw	
8	10731709	2	O-Ring	

Go to Discount-Equipment.com to order your parts

SECTION 5 - DRIVE TRAIN

FIGURE 5-129. TRANSMISSION, INDUCTIVE TRANSMITTER



ART_1001170171_19-C

SECTION 5 - DRIVE TRAIN

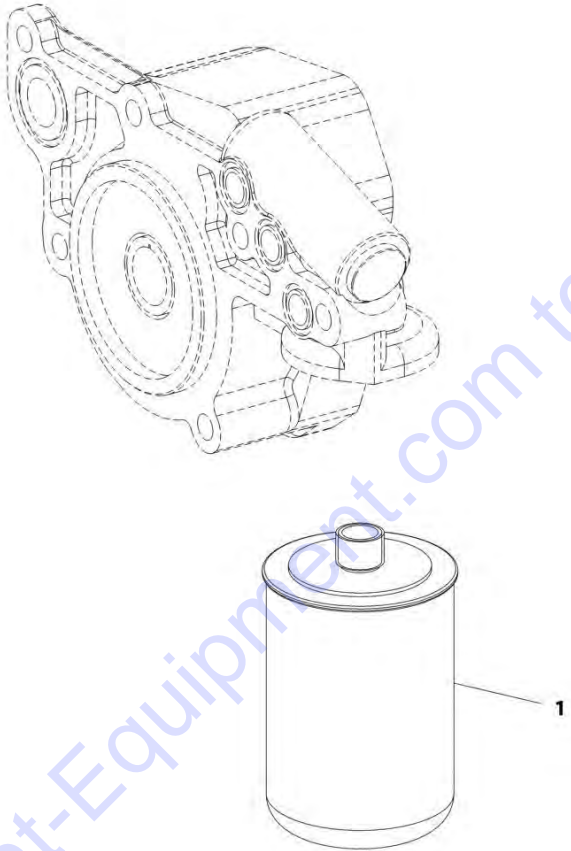
FIGURE 5-129. TRANSMISSION, INDUCTIVE TRANSMITTER

ITEM	PART NUMBER	QTY	DESCRIPTION	REV
1	70024895	1	Plug, Screw (includes O-Ring)	
2	N.S.S.	1	O-Ring	

Go to Discount-Equipment.com to order your parts

SECTION 5 - DRIVE TRAIN

FIGURE 5-130. TRANSMISSION, FILTER



ART_1001170171_20-C

SECTION 5 - DRIVE TRAIN

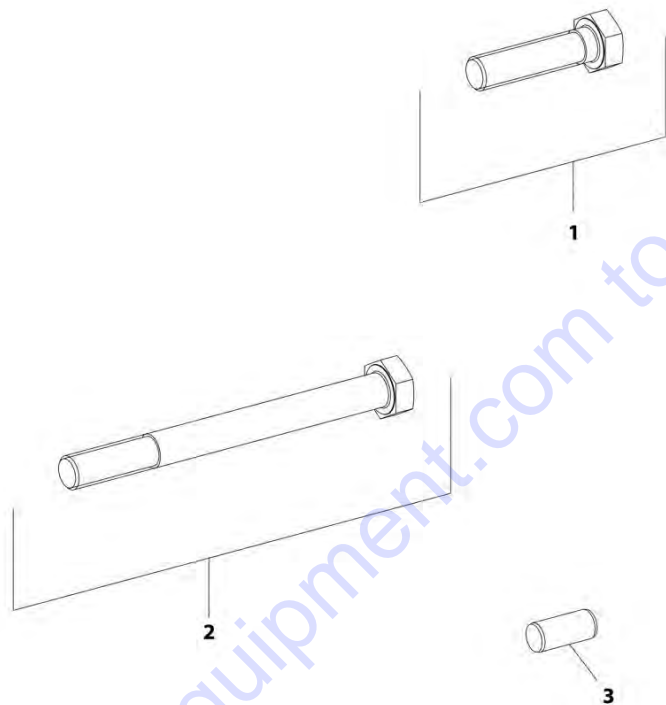
FIGURE 5-130. TRANSMISSION, FILTER

ITEM	PART NUMBER	QTY	DESCRIPTION	REV
1	1319726	1	Filter	

Go to Discount-Equipment.com to order your parts

SECTION 5 - DRIVE TRAIN

FIGURE 5-131. TRANSMISSION, ACCESSORIES GROUP 1



ART_1001170171_21-C

SECTION 5 - DRIVE TRAIN

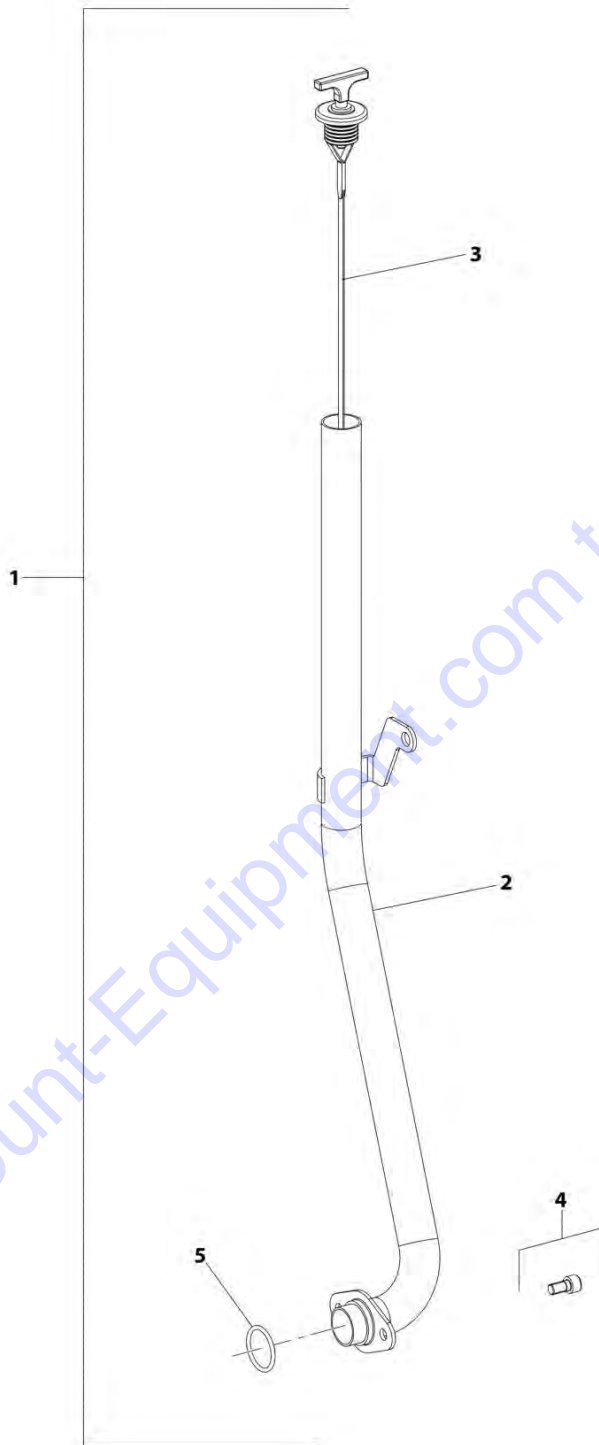
FIGURE 5-131. TRANSMISSION, ACCESSORIES GROUP 1

ITEM	PART NUMBER	QTY	DESCRIPTION	REV
1	7027254	12	Bolt, M14X55	
2	7027255	2	Bolt, M14X150	
3	1319571	1	Pin	

Go to Discount-Equipment.com to order your parts

SECTION 5 - DRIVE TRAIN

FIGURE 5-132. TRANSMISSION, PERIPHERALS GROUP 1



ART_1001170171_22-C

SECTION 5 - DRIVE TRAIN

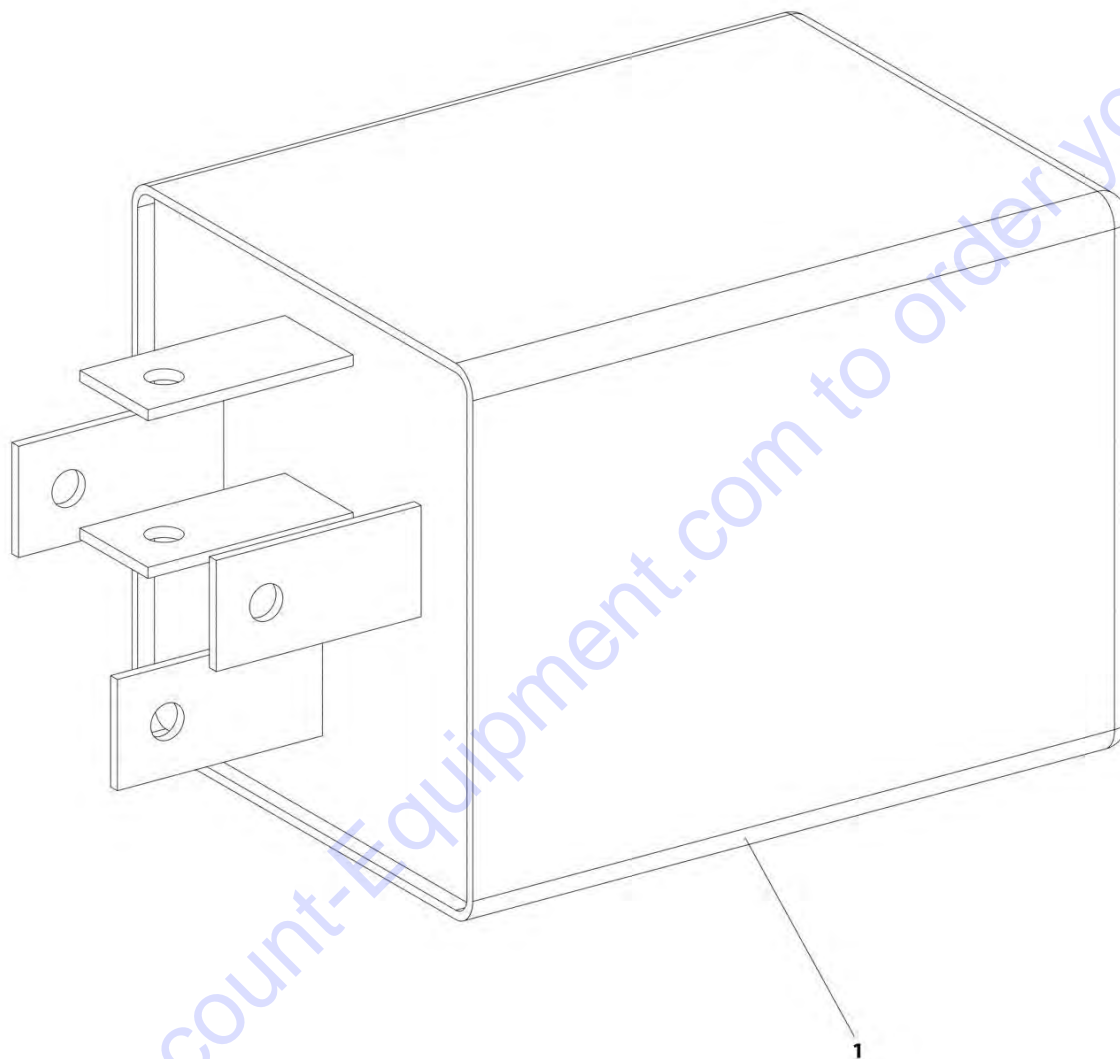
FIGURE 5-132. TRANSMISSION, PERIPHERALS GROUP 1

ITEM	PART NUMBER	QTY	DESCRIPTION	REV
1	1001095738	1	Kit, Oil Level Dipstick (includes items 2 & 3)	
2	1001095744	1	Tube, Oil Level	
3	8841322	1	Dipstick, Oil Level	
4	70026516	2	Bolt, M8X16	
5	70023885	1	O-Ring	

Go to Discount-Equipment.com to order your parts

SECTION 5 - DRIVE TRAIN

FIGURE 5-133. TRANSMISSION, ACCESSORIES GROUP 2



ART_1001170171_24-C

SECTION 5 - DRIVE TRAIN

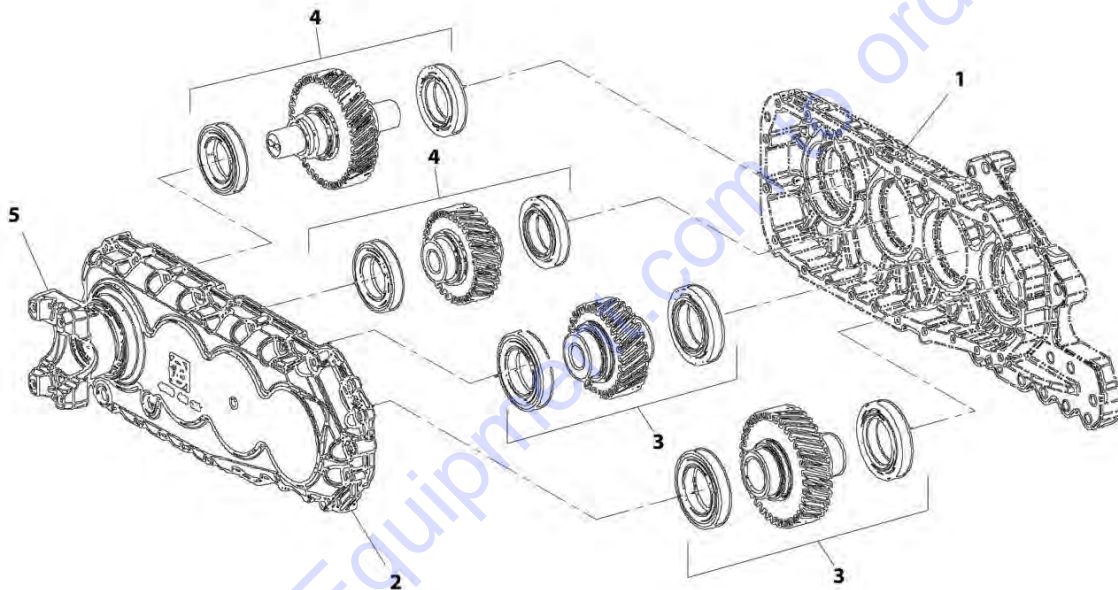
FIGURE 5-133. TRANSMISSION, ACCESSORIES GROUP 2

ITEM	PART NUMBER	QTY	DESCRIPTION	REV
1	70026559	1	Relay	

Go to Discount-Equipment.com to order your parts

SECTION 5 - DRIVE TRAIN

FIGURE 5-134. TRANSMISSION, TRANSFER BOX



ART_1001170171_25-C

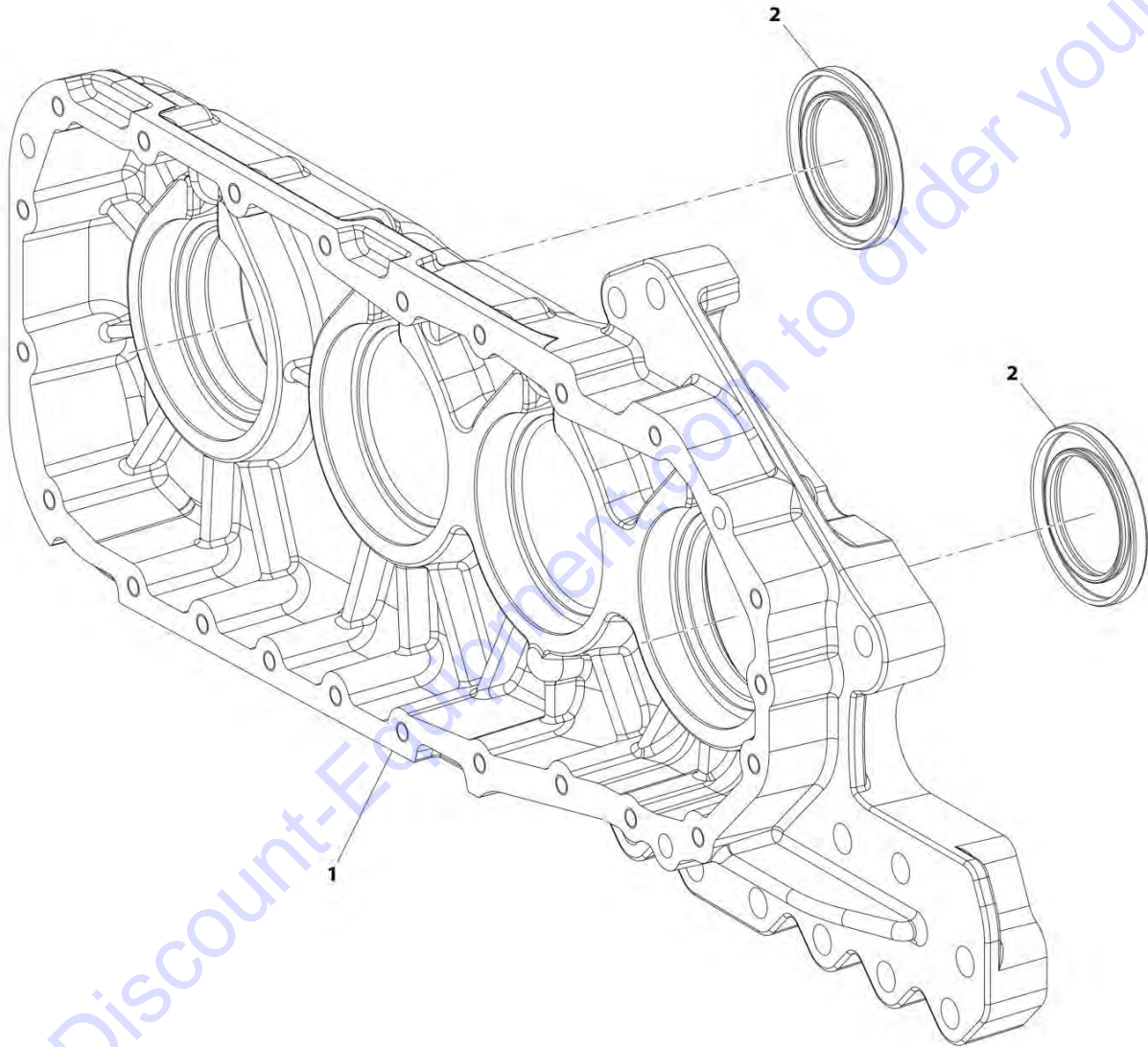
SECTION 5 - DRIVE TRAIN

FIGURE 5-134. TRANSMISSION, TRANSFER BOX

ITEM	PART NUMBER	QTY	DESCRIPTION	REV
	70023502	1	Box Transfer (includes all items)	
1	N.S.S.	Ref	Housing 1, Transfer Box (see TRANSFER BOX HOUSING 1 for Breakdown)	
2	N.S.S.	Ref	Housing 2, Transfer Box (See TRANSFER BOX HOUSING 2 for Breakdown)	
3	N.S.S.	Ref	Input, Transfer Box (See TRANSFER BOX INPUT for Breakdown)	
4	N.S.S.	Ref	Output 1, Transfer Box (See TRANSFER BOX OUTPUT 1 for Breakdown)	
5	N.S.S.	Ref	Output 2, Transfer Box (See TRANSFER BOX OUTPUT 2 for Breakdown)	

SECTION 5 - DRIVE TRAIN

FIGURE 5-135. TRANSMISSION, TRANSFER BOX HOUSING 1



ART_1001170171_26-C

SECTION 5 - DRIVE TRAIN

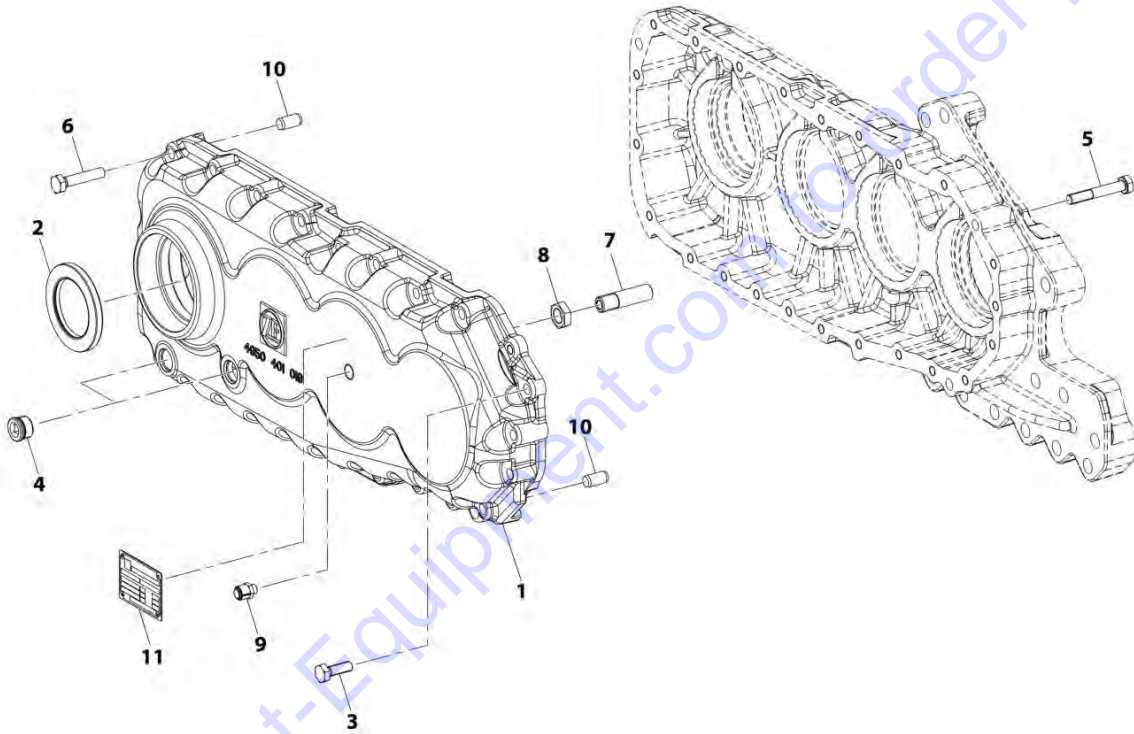
FIGURE 5-135. TRANSMISSION, TRANSFER BOX HOUSING 1

ITEM	PART NUMBER	QTY	DESCRIPTION	REV
1	70023474	1	Housing, Transfer Box	
2	70026536	2	Seal, Shaft	

Go to Discount-Equipment.com to order your parts

SECTION 5 - DRIVE TRAIN

FIGURE 5-136. TRANSMISSION, TRANSFER BOX HOUSING 2



ART_1001170171_27-C

SECTION 5 - DRIVE TRAIN

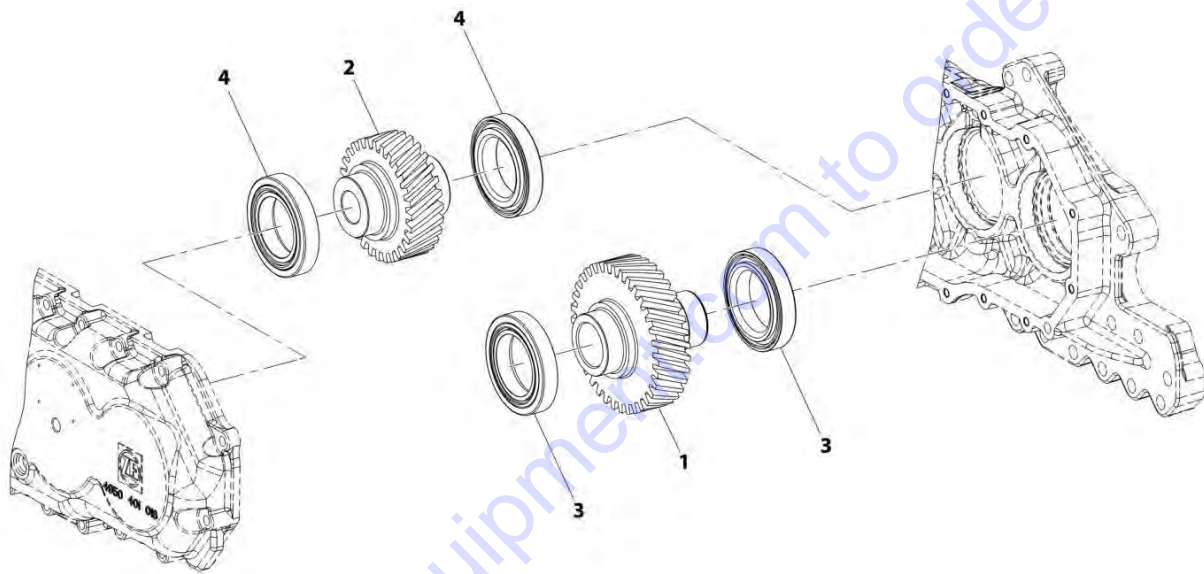
FIGURE 5-136. TRANSMISSION, TRANSFER BOX HOUSING 2

ITEM	PART NUMBER	QTY	DESCRIPTION	REV
1	70023475	1	Housing	
2	70026536	1	Seal, Shaft	
3	70023800	1	Bolt, M10X30	
4	70023404	2	Plug	
5	70023476	1	Bolt, M10X65	
6	70023801	22	Bolt, M10X50	
7	7026577	1	Sleeve	
8	7026578	1	Nut, M16	
9	1319436	1	Breather	
10	1319571	2	Pin	
11	N.S.S.	1	S/N Plate	

Go to Discount-Equipment.com to order your parts

SECTION 5 - DRIVE TRAIN

FIGURE 5-137. TRANSMISSION, TRANSFER BOX HOUSING INPUT



ART_1001170171_28-C

SECTION 5 - DRIVE TRAIN

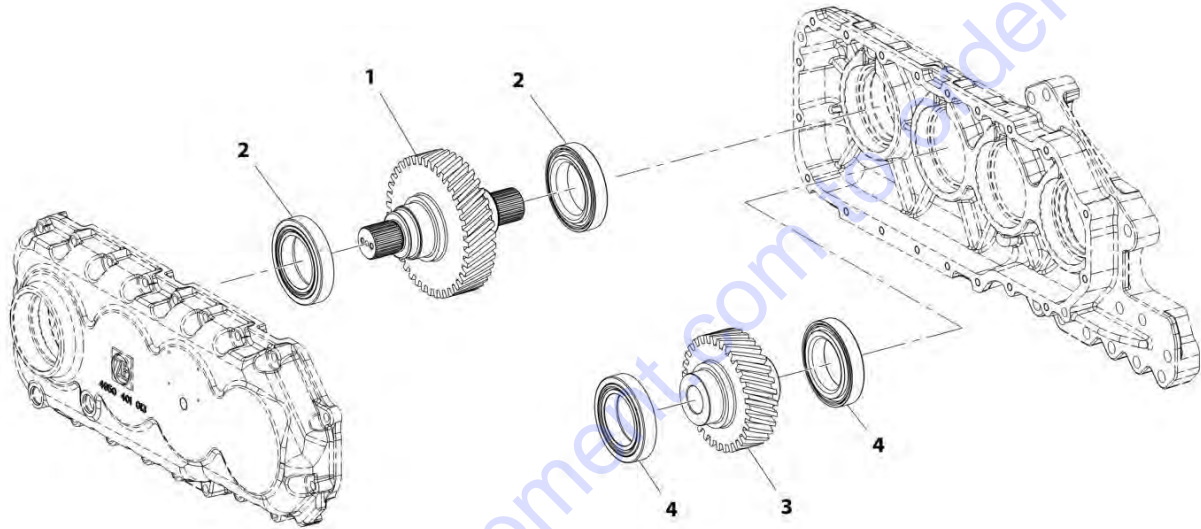
FIGURE 5-137. TRANSMISSION, TRANSFER BOX HOUSING INPUT

ITEM	PART NUMBER	QTY	DESCRIPTION	REV
1	7027269	1	Shaft	
2	7027270	1	Gear, Idler	
3	7026769	2	Bearing, Roller	
4	1320748	2	Cup, Tapered Roller	
4	1320754	2	Cone, Tapered Roller	

Go to Discount-Equipment.com to order your parts

SECTION 5 - DRIVE TRAIN

FIGURE 5-138. TRANSMISSION, TRANSFER BOX HOUSING OUTPUT 1



ART_1001170171_29-C

SECTION 5 - DRIVE TRAIN

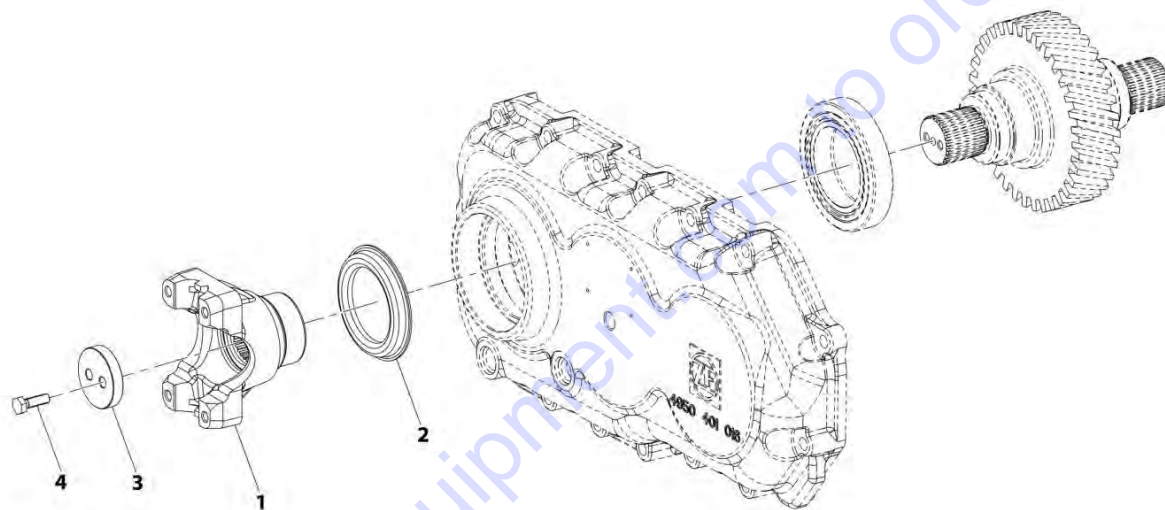
FIGURE 5-138. TRANSMISSION, TRANSFER BOX HOUSING OUTPUT 1

ITEM	PART NUMBER	QTY	DESCRIPTION	REV
1	7027271	1	Gear, Output	
2	7026769	2	Bearing, Roller	
3	7027272	1	Gear, Idler	
4	1320748	2	Cup, Tapered Roller	
4	1320754	2	Cone, Tapered Roller	

Go to Discount-Equipment.com to order your parts

SECTION 5 - DRIVE TRAIN

FIGURE 5-139. TRANSMISSION, TRANSFER BOX HOUSING OUTPUT 2



ART_1001170171_30-C

SECTION 5 - DRIVE TRAIN

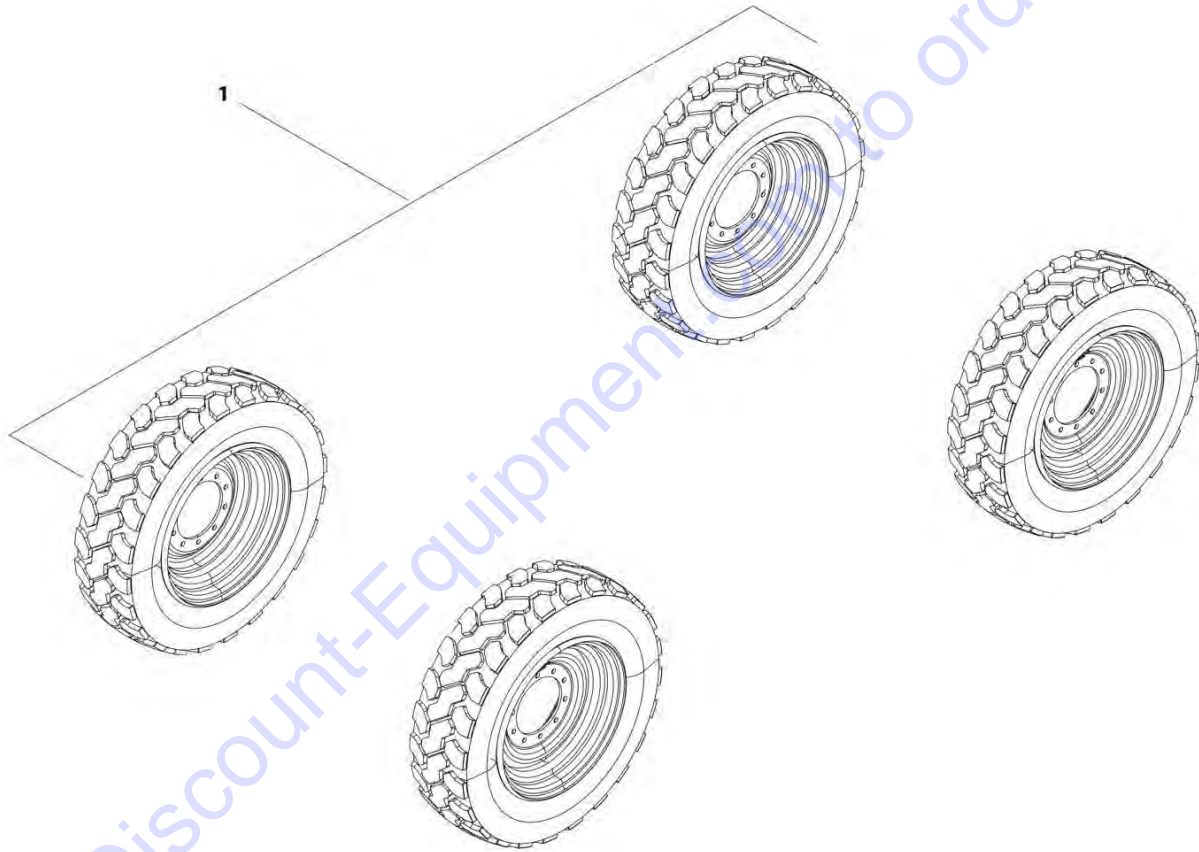
FIGURE 5-139. TRANSMISSION, TRANSFER BOX HOUSING OUTPUT 2

ITEM	PART NUMBER	QTY	DESCRIPTION	REV
1	7027273	2	Flange (one per side)	
2	1319647	2	Sheet, Screen (one per side)	
3	1319648	2	Washer, (one per side)	
4	10731959	4	Bolt, M8X25 (two per side)	

Go to Discount-Equipment.com to order your parts

SECTION 5 - DRIVE TRAIN

FIGURE 5-140. TIRE/WHEEL SET 370/75-28 - AIR (642, 742, 943)



Go to Discount-Equipment.com to order your parts

ART_1001120963_B

SECTION 5 - DRIVE TRAIN

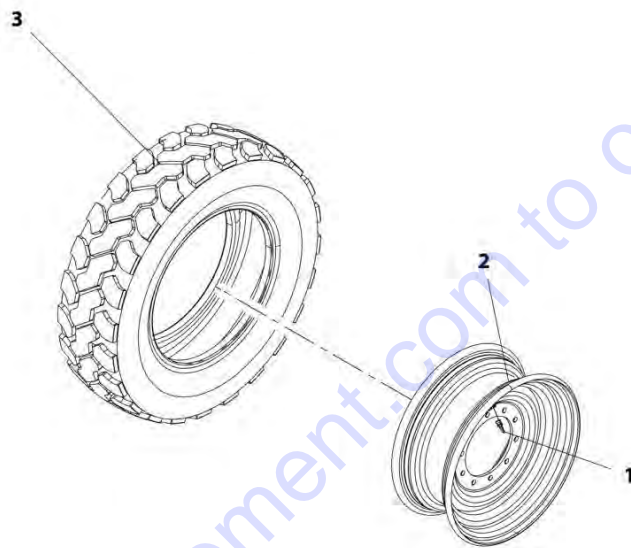
FIGURE 5-140. TIRE/WHEEL SET 370/75-28 - AIR (642, 742, 943)

ITEM	PART NUMBER	QTY	DESCRIPTION	REV
1	1001120963 1001100323	1 4	Tire/Wheel Set 370/75-28 - Air (642, 742, 943) Assembly, Tire/Wheel 370/75-28 - Air (642, 742, 943) (See TIRE/WHEEL ASSEMBLY 370/75-28 - AIR (642, 742, 943) for Breakdown)	B

Go to Discount-Equipment.com to order your parts

SECTION 5 - DRIVE TRAIN

FIGURE 5-141. TIRE/WHEEL ASSEMBLY 370/75-28 - AIR (642, 742, 943)



Go to Discount-Equipment.com to order your parts

ART_1001100323_D

SECTION 5 - DRIVE TRAIN

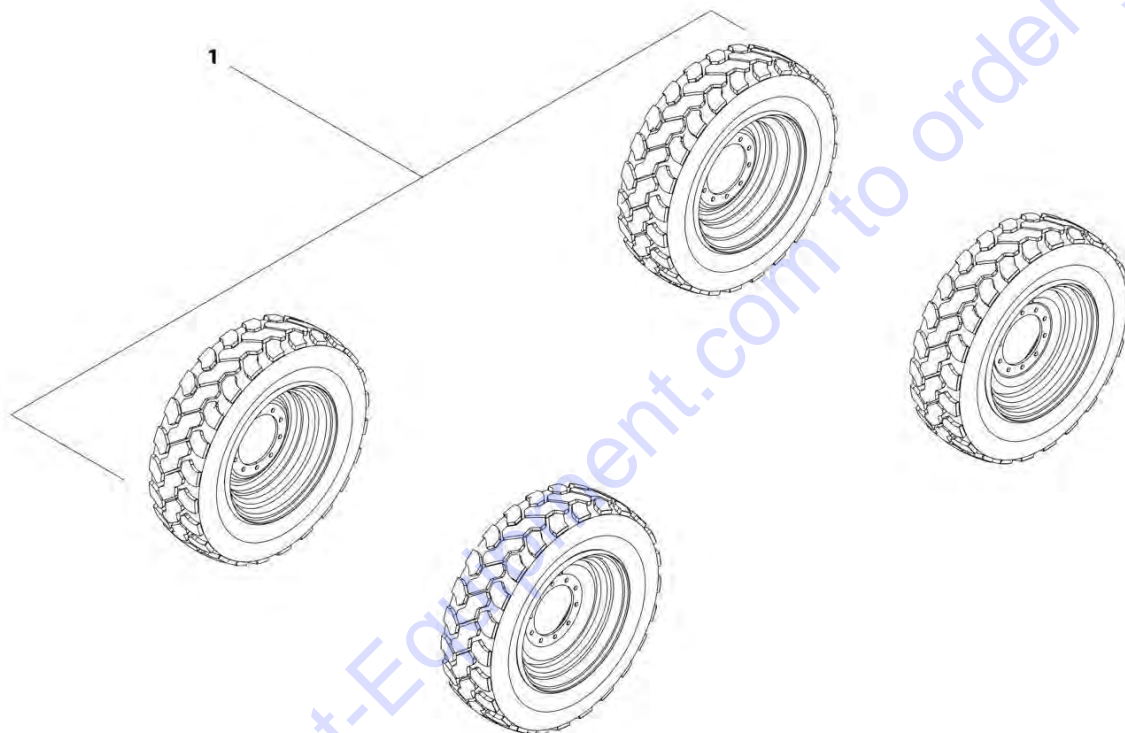
FIGURE 5-141. TIRE/WHEEL ASSEMBLY 370/75-28 - AIR (642, 742, 943)

ITEM	PART NUMBER	QTY	DESCRIPTION	REV
	1001100323	Ref	Tire/Wheel Assembly 370/75-28 - Air (642, 742, 943)	D
1	8786514	1	Valve, Stem	
2	1001099976	1	Wheel, 28X11w/.216 Offset	
3	1001100284	1	Tire, 370/75-28	

Go to Discount-Equipment.com to order your parts

SECTION 5 - DRIVE TRAIN

FIGURE 5-142. TIRE/WHEEL SET 370/75-28 - FOAM (642, 742, 943)



ART_1001121519_B

SECTION 5 - DRIVE TRAIN

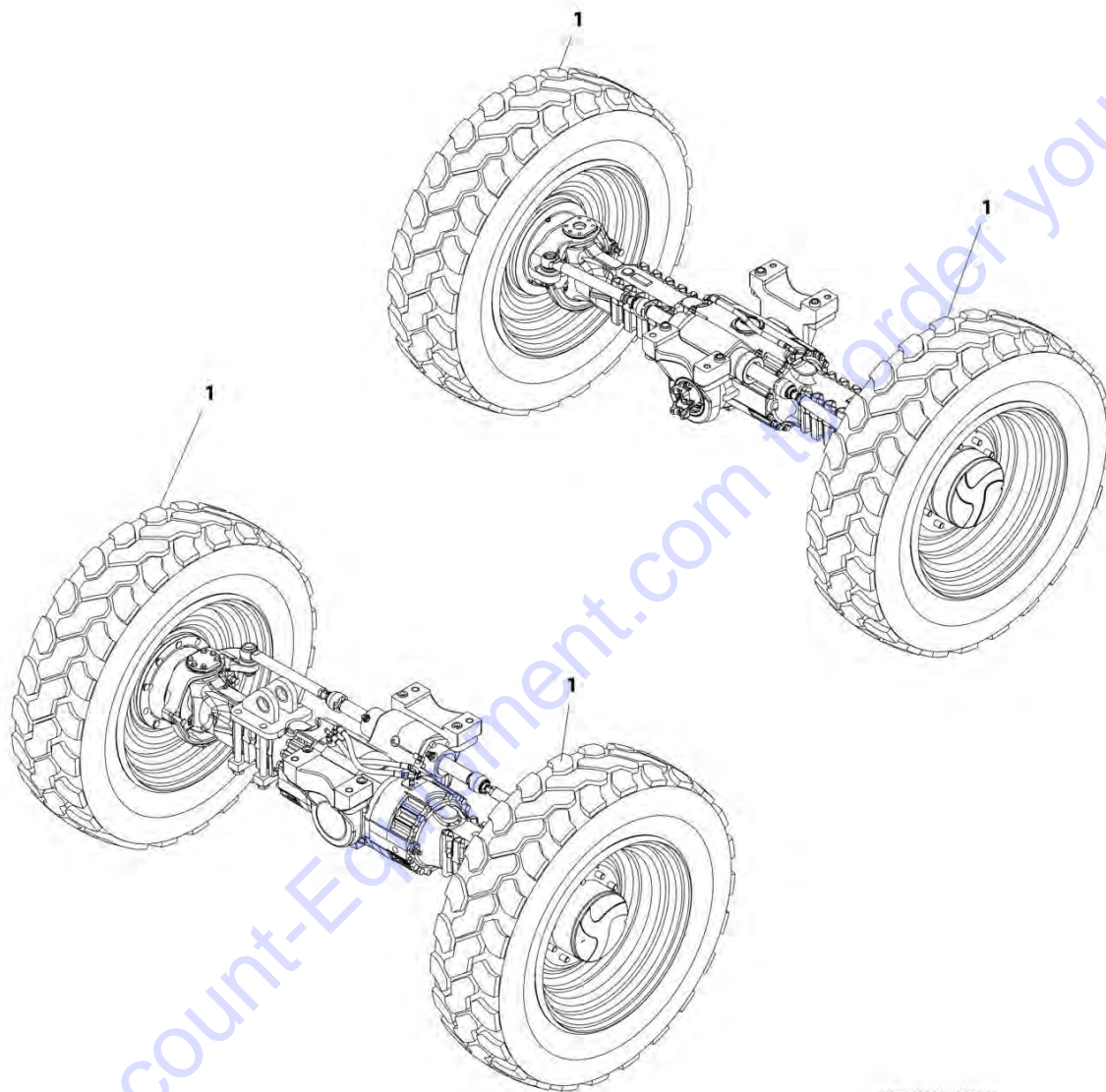
FIGURE 5-142. TIRE/WHEEL SET 370/75-28 - FOAM (642, 742, 943)

ITEM	PART NUMBER	QTY	DESCRIPTION	REV
1	1001121519	1	Tire/Wheel Set 370/75-28 - Foam (642, 742, 943)	B
	1001121101	4	Tire/Wheel 370/75-28 Foam (642, 742, 943)	

Go to Discount-Equipment.com to order your parts

SECTION 5 - DRIVE TRAIN

FIGURE 5-143. TIRE/WHEEL SET 400/75-28 - AIR (1043)



ART_1001121109-B

SECTION 5 - DRIVE TRAIN

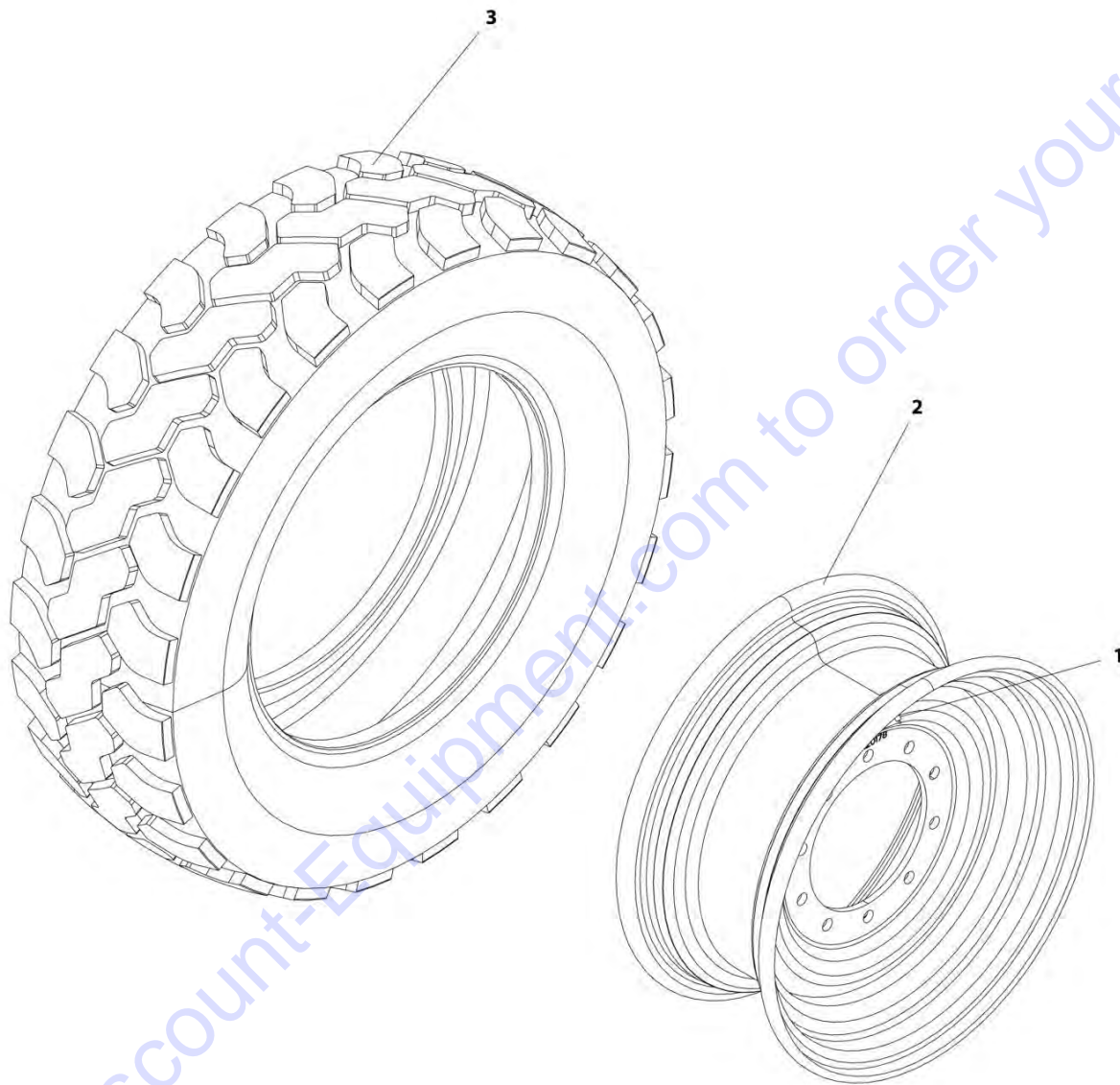
FIGURE 5-143. TIRE/WHEEL SET 400/75-28 - AIR (1043)

ITEM	PART NUMBER	QTY	DESCRIPTION	REV
1	1001121109	1	Tire/Wheel Set 400/75-28 - Air (1043)	B
	1001121103	4	Assembly, Tire/Wheel 400/75-28 - Air (1043) (See TIRE/WHEEL ASSEMBLY 400/75-28 - AIR (1043) for Breakdown)	

Go to Discount-Equipment.com to order your parts

SECTION 5 - DRIVE TRAIN

FIGURE 5-144. TIRE/WHEEL ASSEMBLY 400/75-28 - AIR (1043)



ART_1001121103-B

SECTION 5 - DRIVE TRAIN

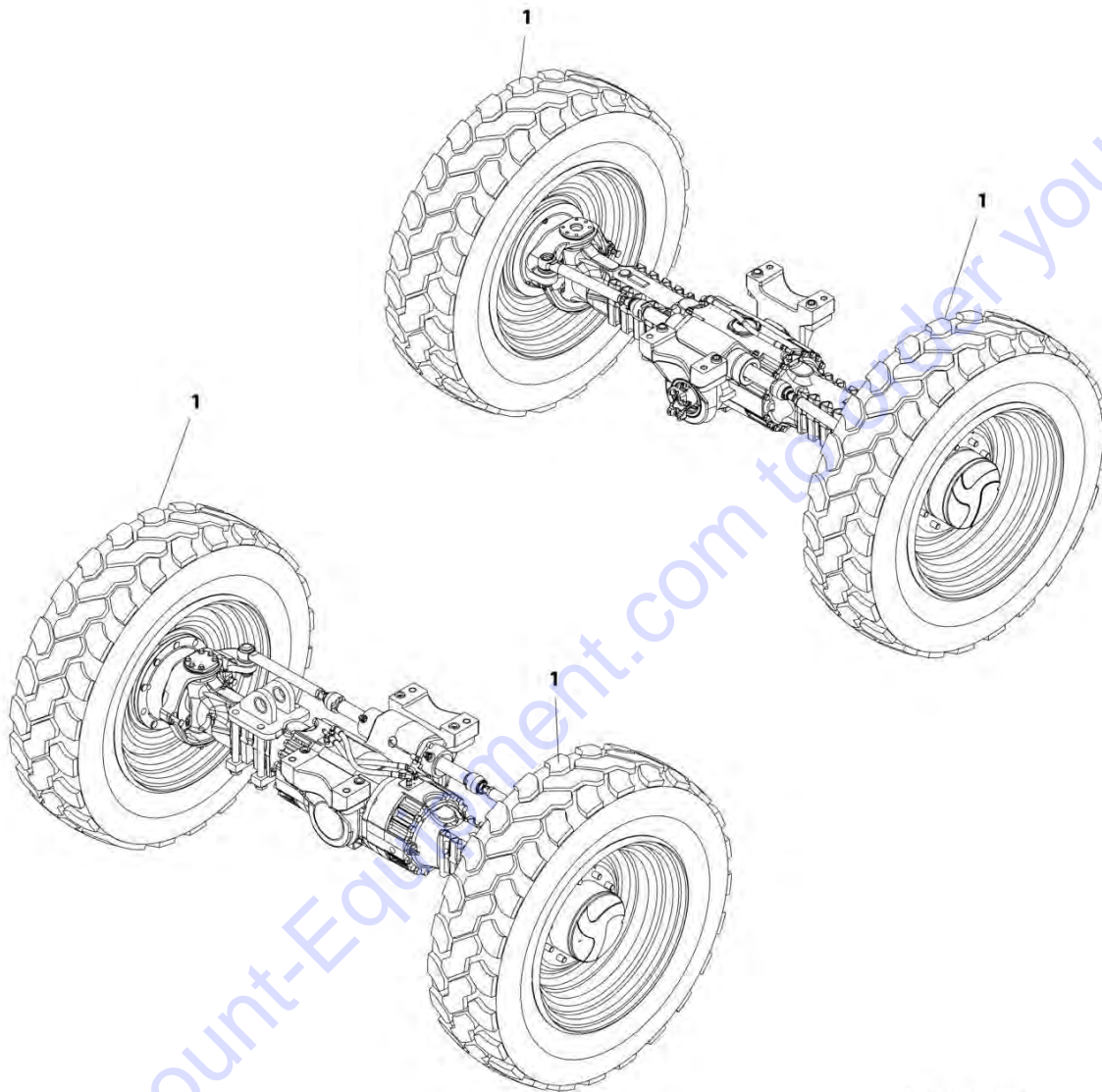
FIGURE 5-144. TIRE/WHEEL ASSEMBLY 400/75-28 - AIR (1043)

ITEM	PART NUMBER	QTY	DESCRIPTION	REV
	1001121103	Ref	Tire/Wheel Assembly 400/75-28 - Air (1043)	B
1	8786514	1	Valve, Stem	
2	1001120178	1	Wheel, 28.00x12w/.75 Offset	
3	1001120179	1	Tire, 400/75D-28	

Go to Discount-Equipment.com to order your parts

SECTION 5 - DRIVE TRAIN

FIGURE 5-145. TIRE/WHEEL SET 400/75-28 - FOAM (1043)



ART_1001125410-B

SECTION 5 - DRIVE TRAIN

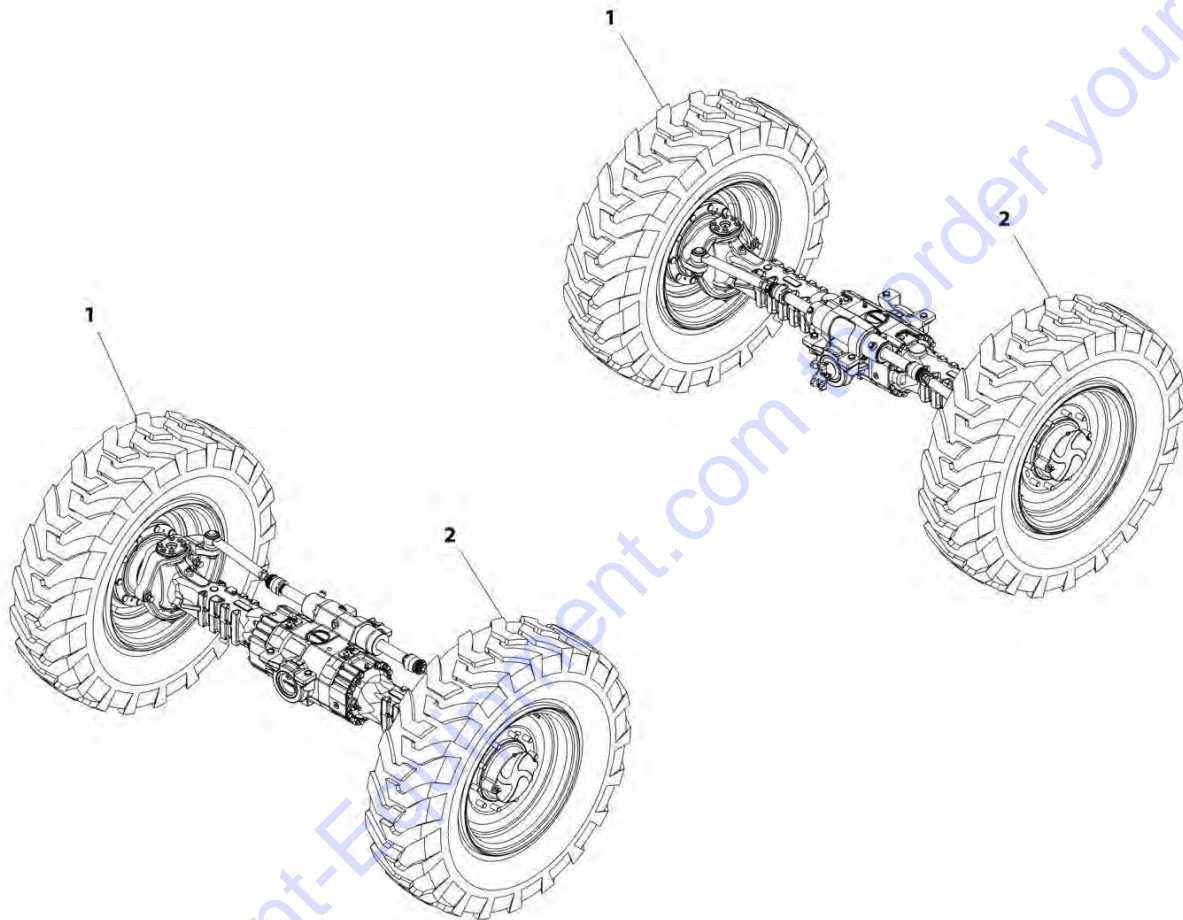
FIGURE 5-145. TIRE/WHEEL SET 400/75-28 - FOAM (1043)

ITEM	PART NUMBER	QTY	DESCRIPTION	REV
1	1001125410	1	Tire/Wheel Set 400/75-28 - Foam (1043)	B
	1001121105	4	Tire/Wheel 400/75-28 Foam (1043)	

Go to Discount-Equipment.com to order your parts

SECTION 5 - DRIVE TRAIN

FIGURE 5-146. TIRE/WHEEL SET 13-24 16PR - AIR (642, 742)



ART_1001200151-A

SECTION 5 - DRIVE TRAIN

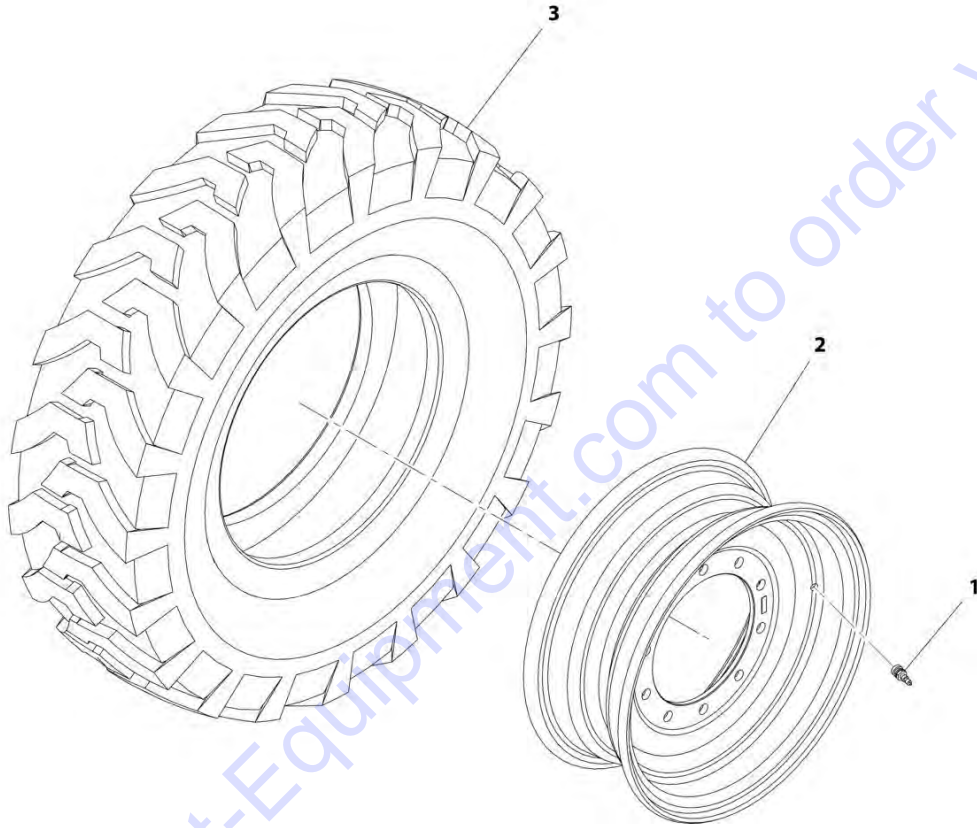
FIGURE 5-146. TIRE/WHEEL SET 13-24 16PR - AIR (642, 742)

ITEM	PART NUMBER	QTY	DESCRIPTION	REV
1	1001200151	1	Tire/Wheel Set 13-24 16PR - Air (642, 742)	A
	1001199808	2	Assembly, Tire/Wheel Right 13-24 16PR - Air (642, 742) (See TIRE/WHEEL RIGHT ASSEMBLY 13-24 16PR - AIR (642, 742) for Breakdown)	
2	1001199810	2	Assembly, Tire/Wheel Left 13-24 16PR - Air (642, 742) (See TIRE/WHEEL LEFT ASSEMBLY 13-24 16PR - AIR (642, 742) for Breakdown)	

Go to Discount-Equipment.com to order your parts

SECTION 5 - DRIVE TRAIN

FIGURE 5-147. TIRE/WHEEL RIGHT ASSEMBLY 13-24 16PR - AIR (642, 742)



ART_1001199808-A

SECTION 5 - DRIVE TRAIN

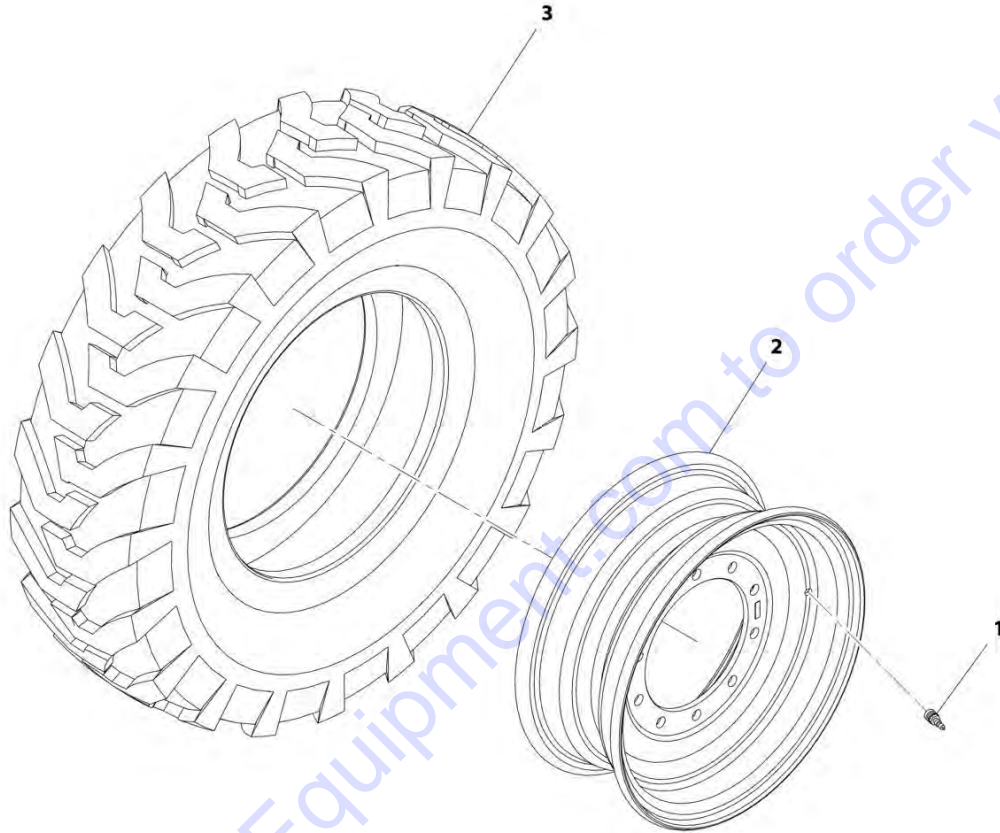
FIGURE 5-147. TIRE/WHEEL RIGHT ASSEMBLY 13-24 16PR - AIR (642, 742)

ITEM	PART NUMBER	QTY	DESCRIPTION	REV
	1001199808	Ref	Tire/Wheel Right Assembly 13-24 16PR - Air (642, 742)	A
1	8786514	1	Valve, Stem	
2	91473206	1	Wheel, 24x9.00 GR	
3	1001199807	1	Tire, 13.00x24 TG 16 PLY G2, BIAS	

Go to Discount-Equipment.com to order your parts

SECTION 5 - DRIVE TRAIN

FIGURE 5-148. TIRE/WHEEL LEFT ASSEMBLY 13-24 16PR - AIR (642, 742)



ART_1001199810-A

SECTION 5 - DRIVE TRAIN

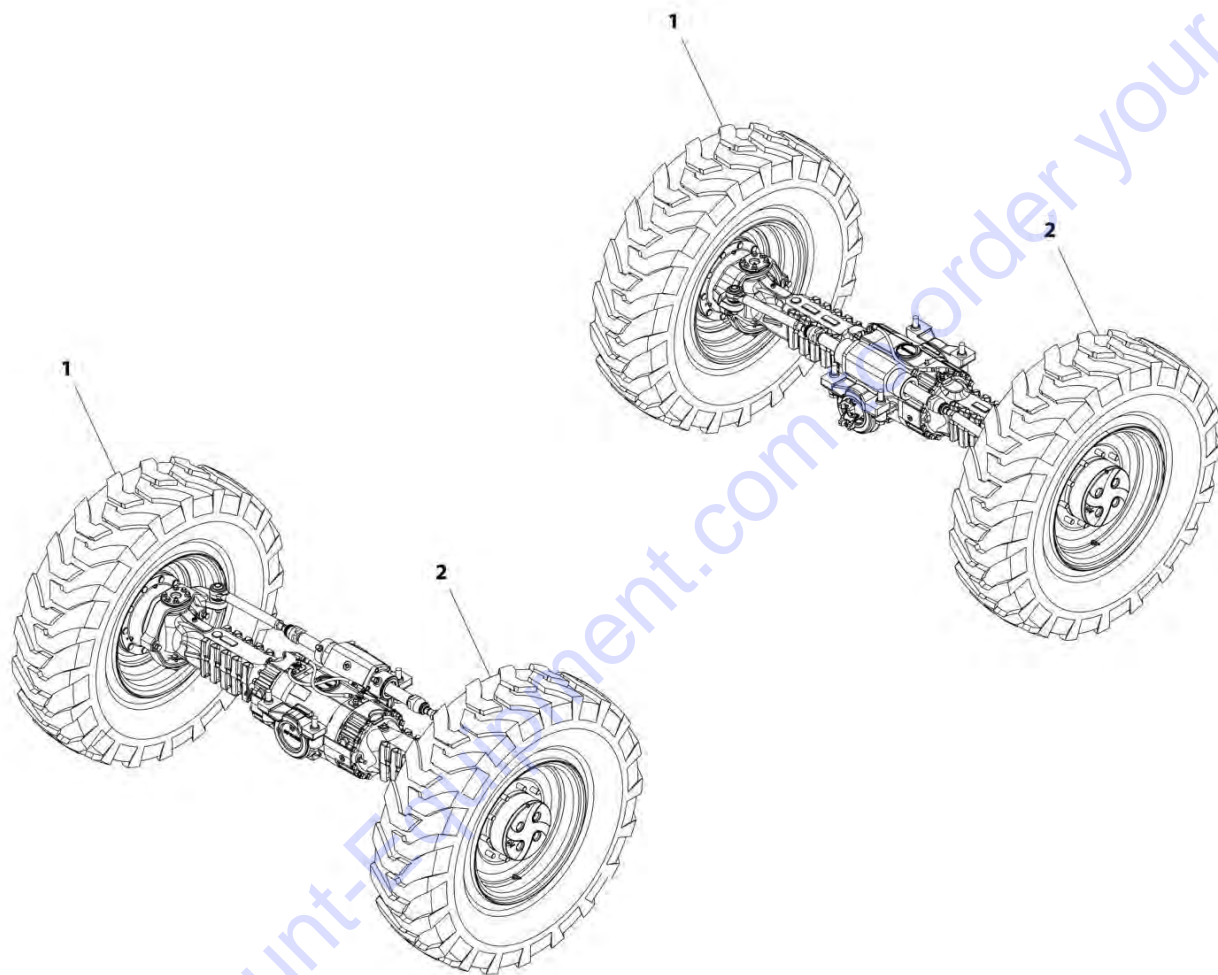
FIGURE 5-148. TIRE/WHEEL LEFT ASSEMBLY 13-24 16PR - AIR (642, 742)

ITEM	PART NUMBER	QTY	DESCRIPTION	REV
	1001199810	Ref	Tire/Wheel Left Assembly 13-24 16PR - Air (642, 742)	A
1	8786514	1	Valve, Stem	
2	91473206	1	Wheel, 24x9.00 GR	
3	1001199807	1	Tire, 13.00x24 TG 16 PLY G2, BIAS	

Go to Discount-Equipment.com to order your parts

SECTION 5 - DRIVE TRAIN

FIGURE 5-149. TIRE/WHEEL SET 14-24 16PR - AIR (943, 1043)



ART_1001198291-A

SECTION 5 - DRIVE TRAIN

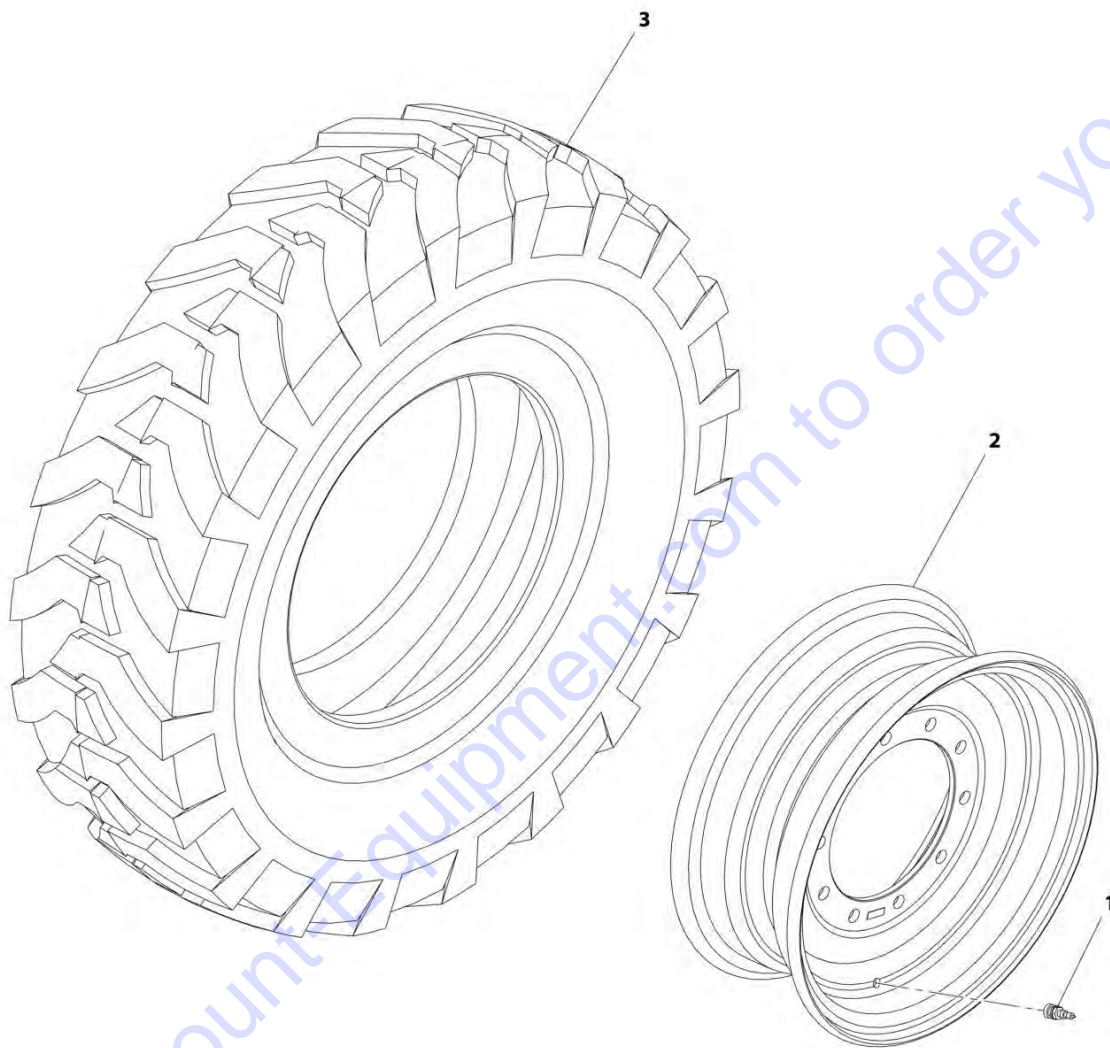
FIGURE 5-149. TIRE/WHEEL SET 14-24 16PR - AIR (943, 1043)

ITEM	PART NUMBER	QTY	DESCRIPTION	REV
1	1001198291	1	Tire/Wheel Set 14-24 16PR - Air (943, 1043)	A
	1001197715	2	Assembly, Tire/Wheel Right 14-24 16PR - Air (943, 1043) (See TIRE/WHEEL RIGHT ASSEMBLY 14-24 16PR - AIR (943, 1043) for Breakdown)	
2	1001197716	2	Assembly, Tire/Wheel Left 14-24 16PR - Air (943, 1043) (See TIRE/WHEEL LEFT ASSEMBLY 14-24 16PR - AIR (943, 1043) for Breakdown)	

Go to Discount-Equipment.com to order your parts

SECTION 5 - DRIVE TRAIN

FIGURE 5-150. TIRE/WHEEL RIGHT ASSEMBLY 14-24 16PR - AIR (943, 1043)



ART_1001197715-B

SECTION 5 - DRIVE TRAIN

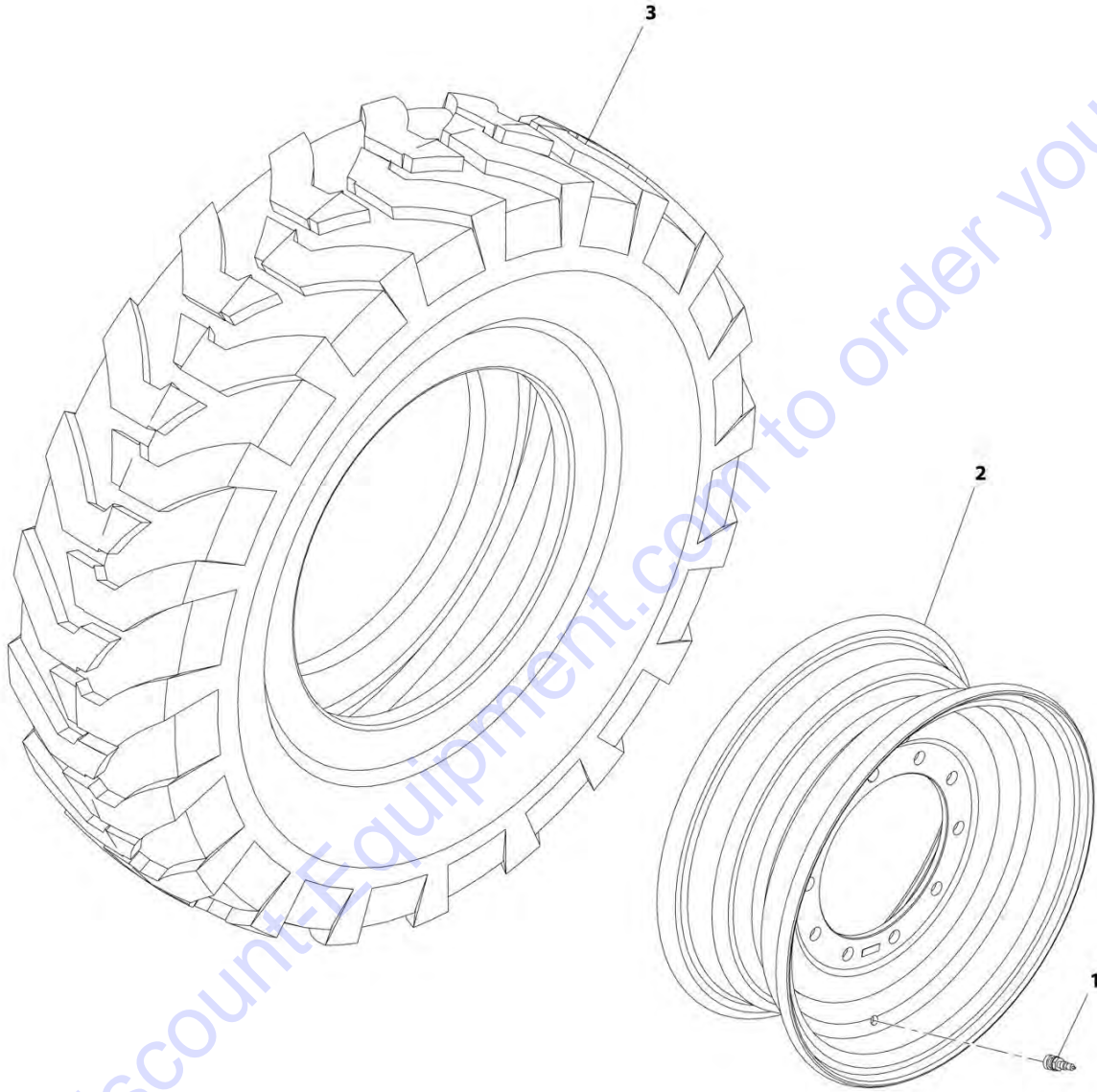
FIGURE 5-150. TIRE/WHEEL RIGHT ASSEMBLY 14-24 16PR - AIR (943, 1043)

ITEM	PART NUMBER	QTY	DESCRIPTION	REV
	1001197715	Ref	Tire/Wheel Right Assembly 14-24 16PR - Air (943, 1043)	B
1	8786514	1	Valve, Stem	
2	91473206	1	Wheel, 24x9.00 GR	
3	1001197709	1	Tire, 14.00x24 TG 16 PLY BIAS G2	

Go to Discount-Equipment.com to order your parts

SECTION 5 - DRIVE TRAIN

FIGURE 5-151. TIRE/WHEEL LEFT ASSEMBLY 14-24 16PR - AIR (943, 1043)



ART_1001197716-B

SECTION 5 - DRIVE TRAIN

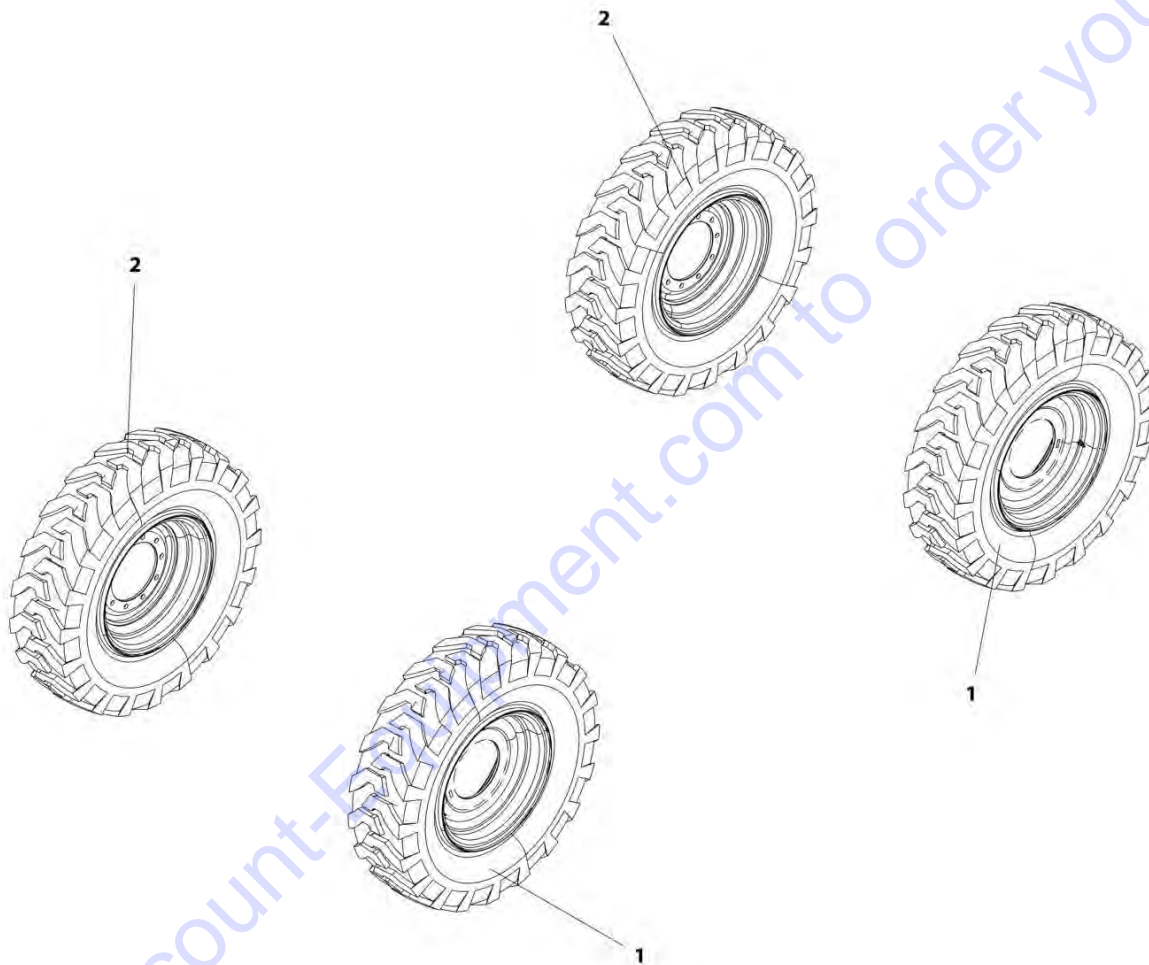
FIGURE 5-151. TIRE/WHEEL LEFT ASSEMBLY 14-24 16PR - AIR (943, 1043)

ITEM	PART NUMBER	QTY	DESCRIPTION	REV
	1001197716	Ref	Tire/Wheel Left Assembly 14-24 16PR - Air (943, 1043)	B
1	8786514	1	Valve, Stem	
2	91473206	1	Wheel, 24x9.00 GR	
3	1001197709	1	Tire, 14.00x24 TG 16 PLY BIAS G2	

Go to Discount-Equipment.com to order your parts

SECTION 5 - DRIVE TRAIN

FIGURE 5-152. TIRE/WHEEL SET 13-24 12PR - FOAM (642, 742)



ART_4520370_B

SECTION 5 - DRIVE TRAIN

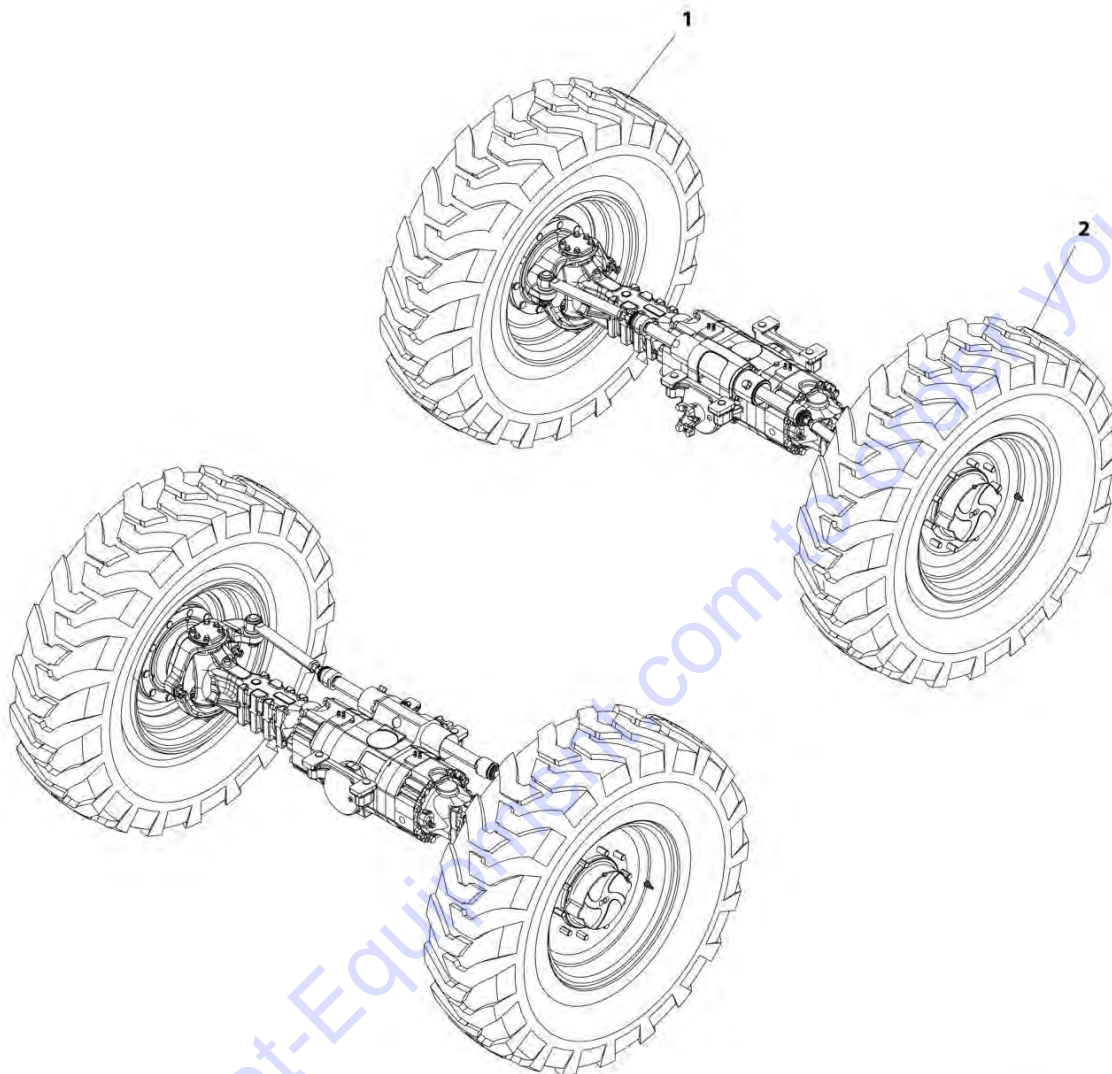
FIGURE 5-152. TIRE/WHEEL SET 13-24 12PR - FOAM (642, 742)

ITEM	PART NUMBER	QTY	DESCRIPTION	REV
	4520370	1	Tire/Wheel Set 13-24 12PR - Foam (642, 742)	B
1	91475054	2	Tire/Wheel Right 13-24 G-2 - Foam	
2	91475055	2	Tire/Wheel Left 13-24 G-2 - Foam	

Go to Discount-Equipment.com to order your parts

SECTION 5 - DRIVE TRAIN

FIGURE 5-153. TIRE/WHEEL SET 14-24 12PR - FOAM (943, 1043)



ART_4520482-C

SECTION 5 - DRIVE TRAIN

FIGURE 5-153. TIRE/WHEEL SET 14-24 12PR - FOAM (943, 1043)

ITEM	PART NUMBER	QTY	DESCRIPTION	REV
	4520482	1	Tire/Wheel Set 14-24 12PR - Foam (943, 1043)	C
1	91355037	2	Tire/Wheel Right 14-24 G-2 - Foam	
2	91355038	2	Tire/Wheel Left 14-24 G-2 - Foam	

Go to Discount-Equipment.com to order your parts

PARTS FINDER

**Search Website
by Part Number**



**Search Manual
Library For Parts
Manual & Lookup Part
Numbers – Purchase
or Request Quote**

**Can't Find Part or
Manual? Request Help
by Manufacturer,
Model & Description**

Discount-Equipment.com is your online resource for quality parts & equipment.

Florida: **561-964-4949** Outside Florida TOLL FREE: **877-690-3101**

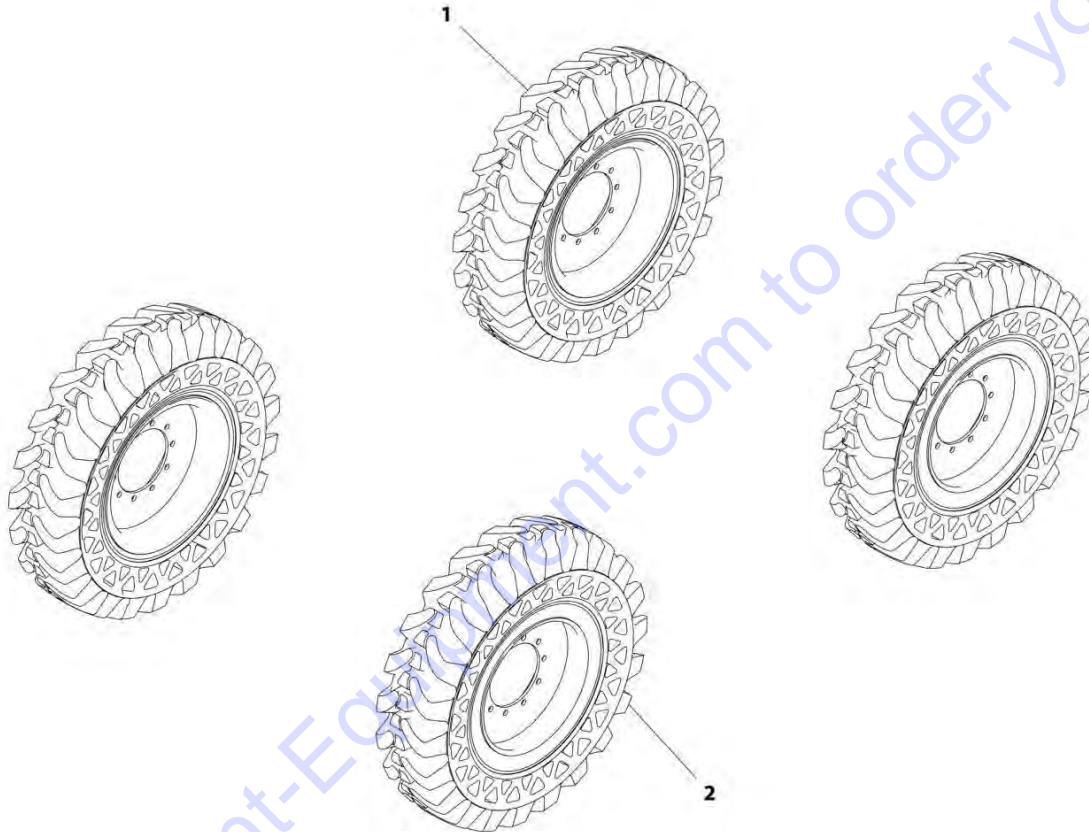
Need parts?

Click on this link: <http://www.discount-equipment.com/category/5443-parts/> and choose one of the options to help get the right parts and equipment you are looking for. Please have the machine model and serial number available in order to help us get you the correct parts. If you don't find the part on the website or on one of the online manuals, please fill out the request form and one of our experienced staff members will get back to you with a quote for the right part that your machine needs.

We sell worldwide for the brands: Genie, Terex, JLG, MultiQuip, Mikasa, Essick, Whiteman, Mayco, Toro Stone, Diamond Products, Generac Magnum, Airman, Haulotte, Barreto, Power Blanket, Nifty Lift, Atlas Copco, Chicago Pneumatic, Allmand, Miller Curber, Skyjack, Lull, Skytrak, Tsurumi, Husquvarna Target, Stow, Wacker, Sakai, Mi-T-M, Sullair, Basic, Dynapac, MBW, Weber, Bartell, Bennar Newman, Haulotte, Ditch Runner, Menegotti, Morrison, Contec, Buddy, Crown, Edco, Wyco, Bomag, Laymor, EZ Trench, Bil-Jax, F.S. Curtis, Gehl Pavers, Heli, Honda, ICS/PowerGrit, IHI, Partner, Imer, Clipper, MMD, Koshin, Rice, CH&E, General Equipment, Amida, Coleman, NAC, Gradall, Square Shooter, Kent, Stanley, Tamco, Toku, Hatz, Kohler, Robin, Wisconsin, Northrock, Oztec, Toker TK, Rol-Air, APT, Wylie, Ingersoll Rand / Doosan, Innovatech, Con X, Ammann, Mecalac, Makinex, Smith Surface Prep, Small Line, Wanco, Yanmar

SECTION 5 - DRIVE TRAIN

FIGURE 5-154. TIRE/WHEEL SET 13-24 - SOLID (642, 742, 943) (742 Prior to SN 0160083905, Excluding 0160083721; 943 Prior to SN 0160083750)



ART_1001151106-A

SECTION 5 - DRIVE TRAIN

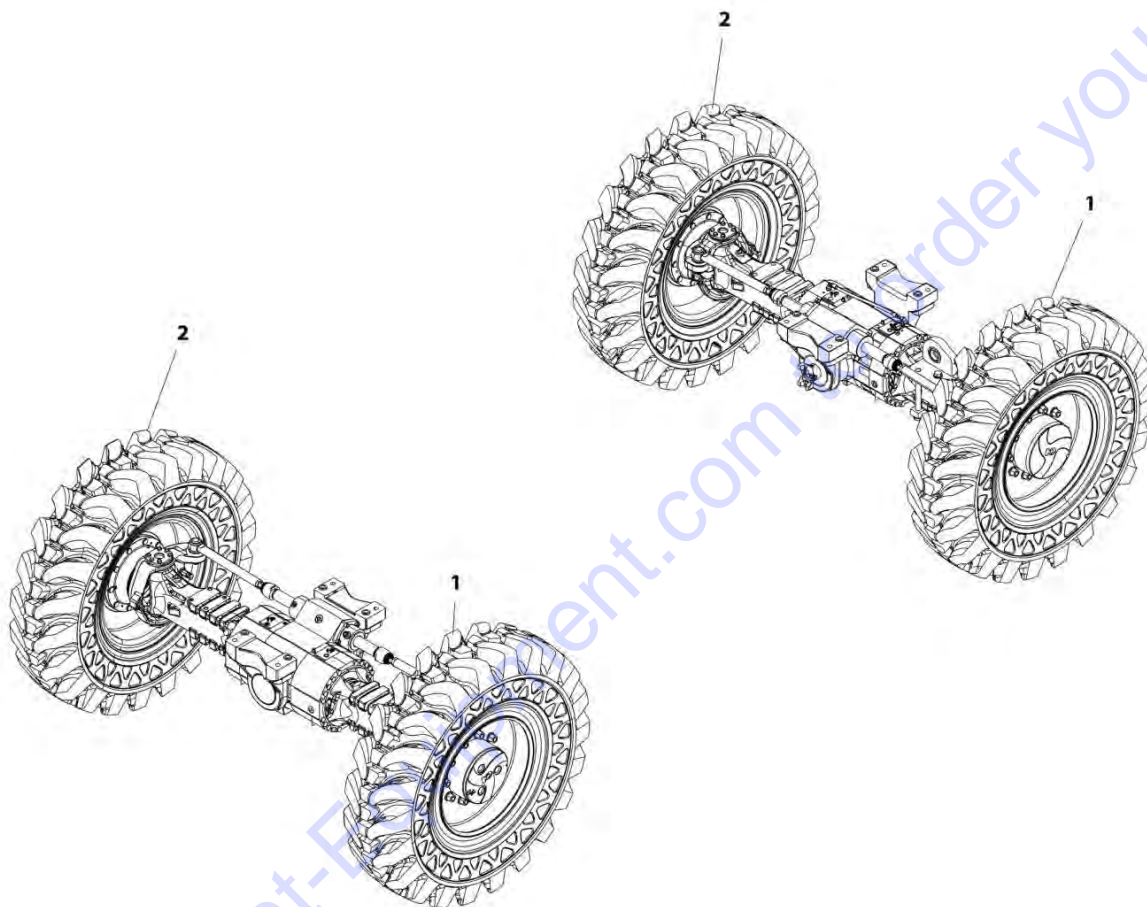
FIGURE 5-154. TIRE/WHEEL SET 13-24 - SOLID (642, 742, 943) (742 Prior to SN 0160083905, Excluding 0160083721; 943 Prior to SN 0160083750)

ITEM	PART NUMBER	QTY	DESCRIPTION	REV
	1001151106	1	Tire/Wheel Set 13-24 - Solid (642, 742, 943)	A
1	1001151097	2	Tire/Wheel Left 13-24 .219 - Offset	
2	1001151098	2	Tire/Wheel Right 13-24 .219 - Offset	

Go to Discount-Equipment.com to order your parts

SECTION 5 - DRIVE TRAIN

FIGURE 5-155. TIRE/WHEEL SET 14-24 - SOLID (1043) (Prior to SN 0160084074)



ART_1001151108-A

SECTION 5 - DRIVE TRAIN

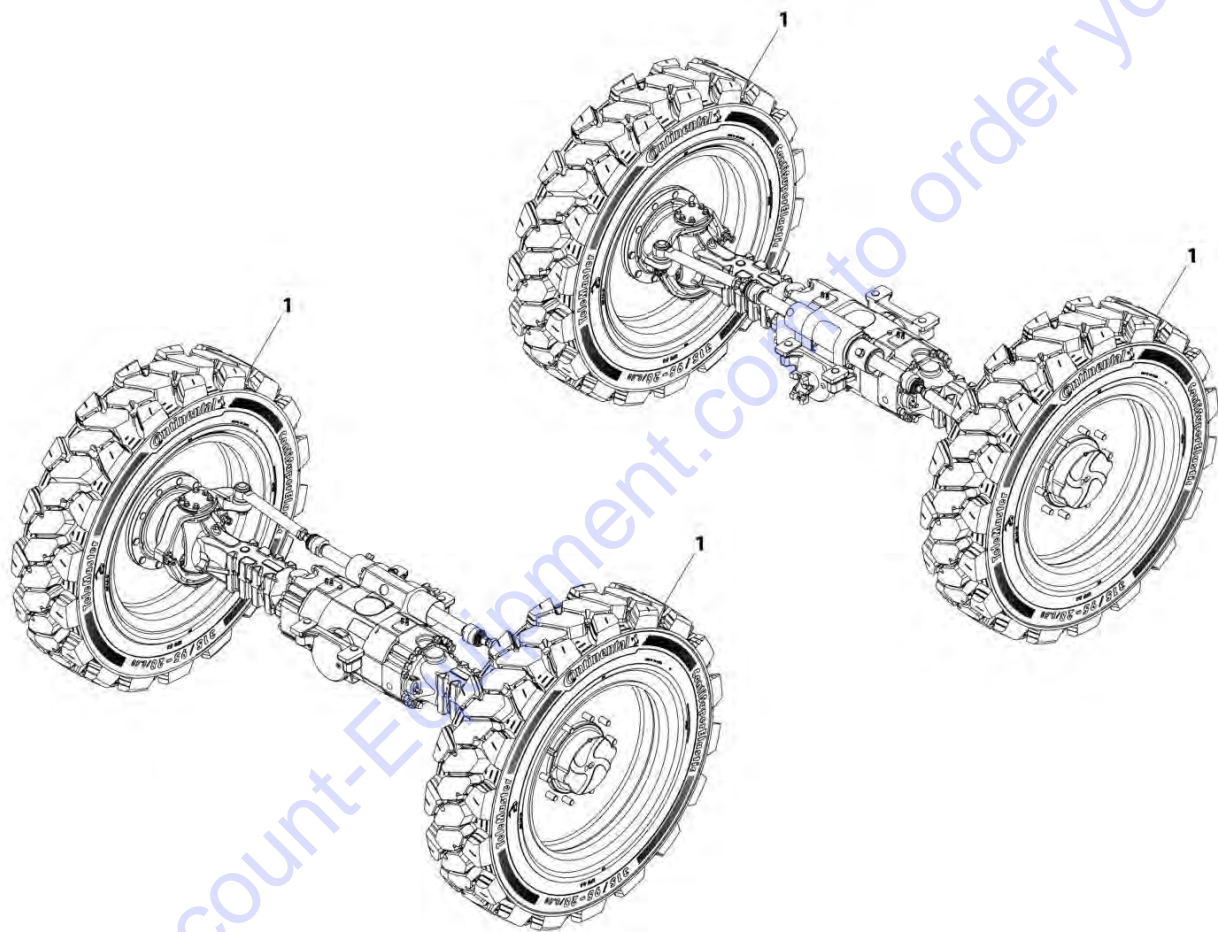
FIGURE 5-155. TIRE/WHEEL SET 14-24 - SOLID (1043) (Prior to SN 0160084074)

ITEM	PART NUMBER	QTY	DESCRIPTION	REV
	1001151108	1	Tire/Wheel Set 14-24 - Solid (1043)	A
1	1001151101	2	Tire/Wheel Left 14-24 .219 - Offset	
2	1001151102	2	Tire/Wheel Right 14-24 .219 - Offset	

Go to Discount-Equipment.com to order your parts

SECTION 5 - DRIVE TRAIN

FIGURE 5-156. TIRE/WHEEL SET 315/95-28 - SOLID (742, 943)



ART_1001221503-A

SECTION 5 - DRIVE TRAIN

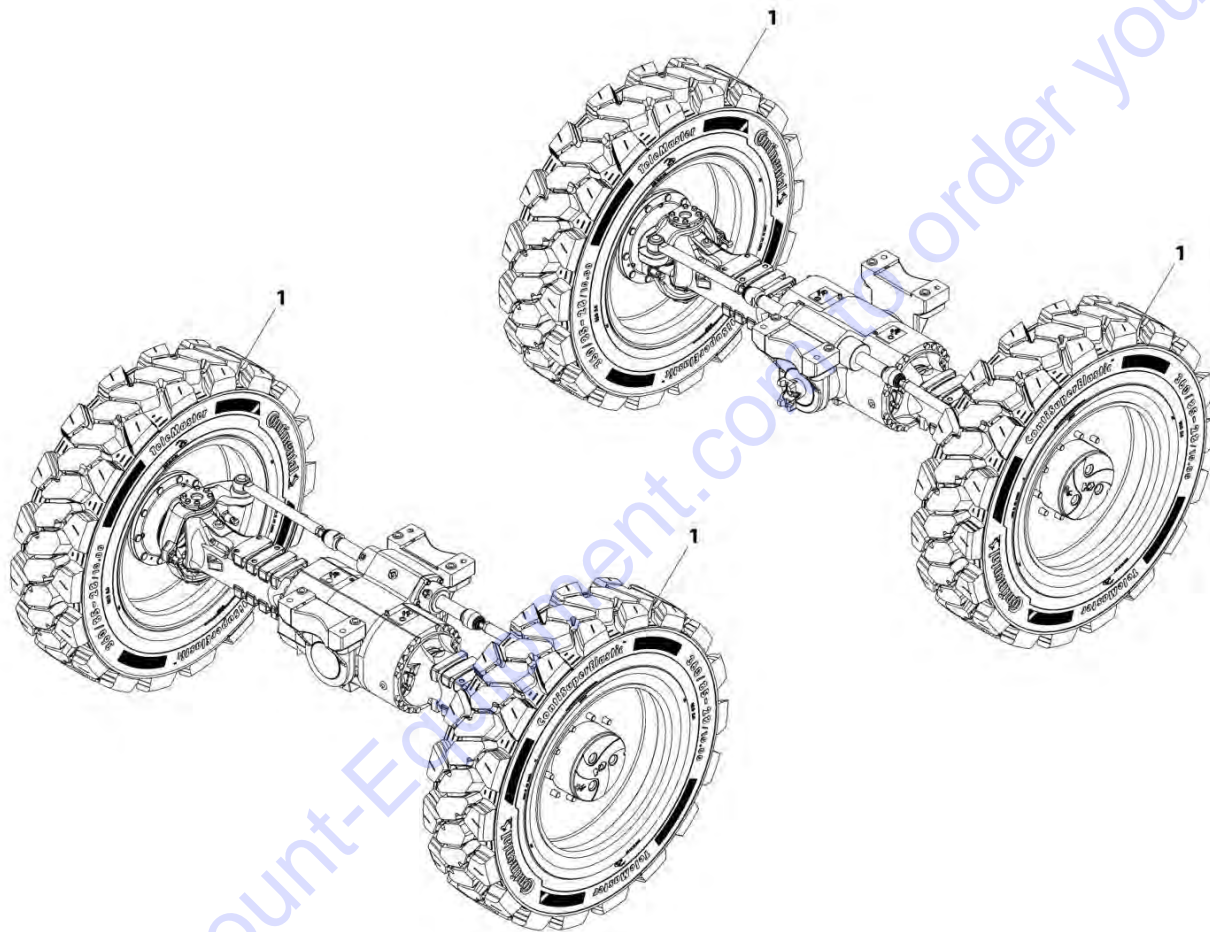
FIGURE 5-156. TIRE/WHEEL SET 315/95-28 - SOLID (742, 943)

ITEM	PART NUMBER	QTY	DESCRIPTION	REV
1	1001221503	1	Tire/Wheel Set 315/95-28 - Solid (742, 943)	A
	1001213199J	4	Tire/Wheel Solid 315/95-28/8.50 - 8M Offset	

Go to Discount-Equipment.com to order your parts

SECTION 5 - DRIVE TRAIN

FIGURE 5-157. TIRE/WHEEL SET 360/85-28 - SOLID (1043)



ART_1001221504-A

SECTION 5 - DRIVE TRAIN

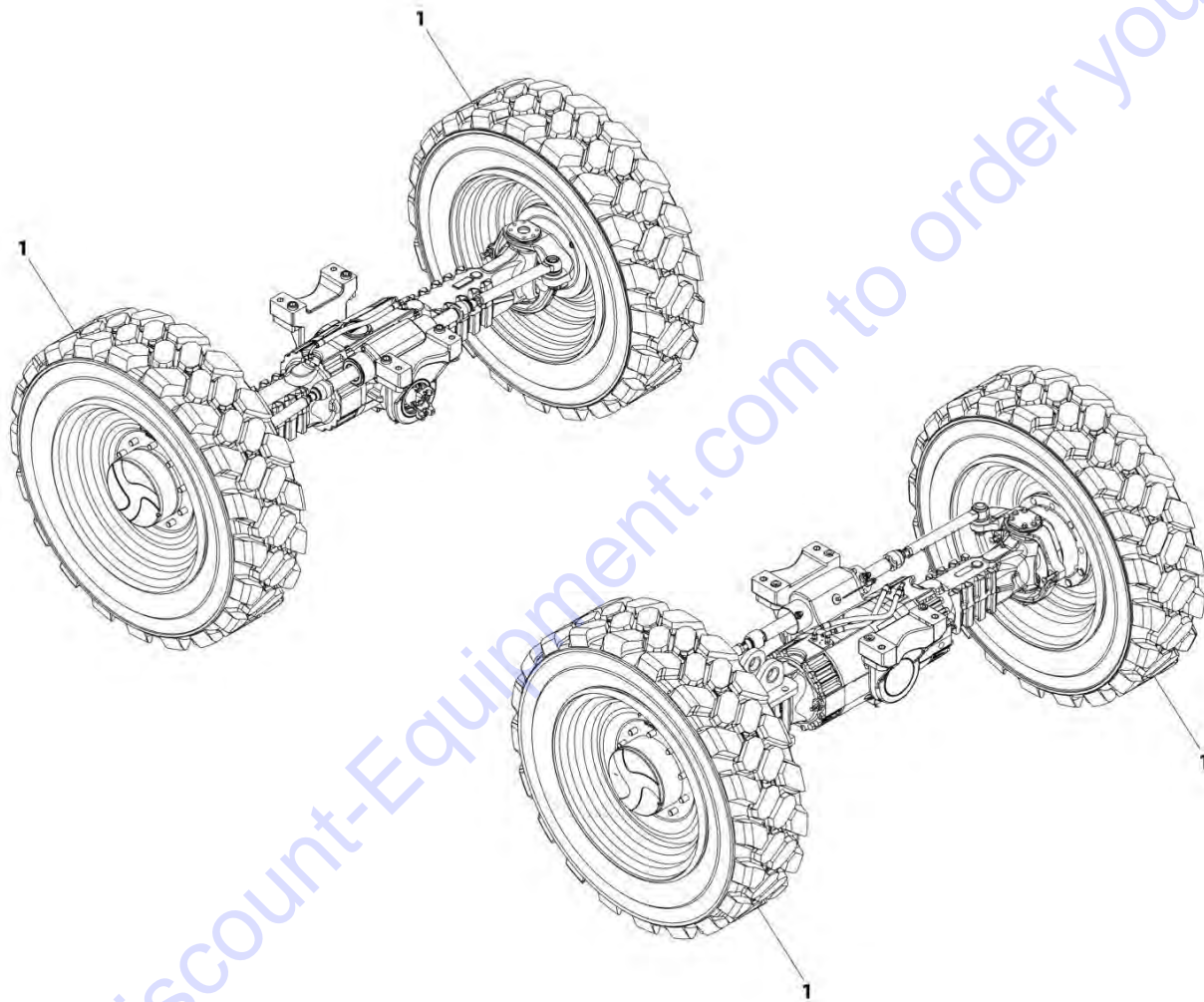
FIGURE 5-157. TIRE/WHEEL SET 360/85-28 - SOLID (1043)

ITEM	PART NUMBER	QTY	DESCRIPTION	REV
1	1001221504	1	Tire/Wheel Set 360/85-28 - Solid (1043)	A
	1001213200J	4	Tire/Wheel Solid 360/85-28/10 - 1M Offset	

Go to Discount-Equipment.com to order your parts

SECTION 5 - DRIVE TRAIN

FIGURE 5-158. TIRE/WHEEL SET 370/75-28 - PNEUMATIC NON MARKING (943, 1043)



ART_1001241846-A

SECTION 5 - DRIVE TRAIN

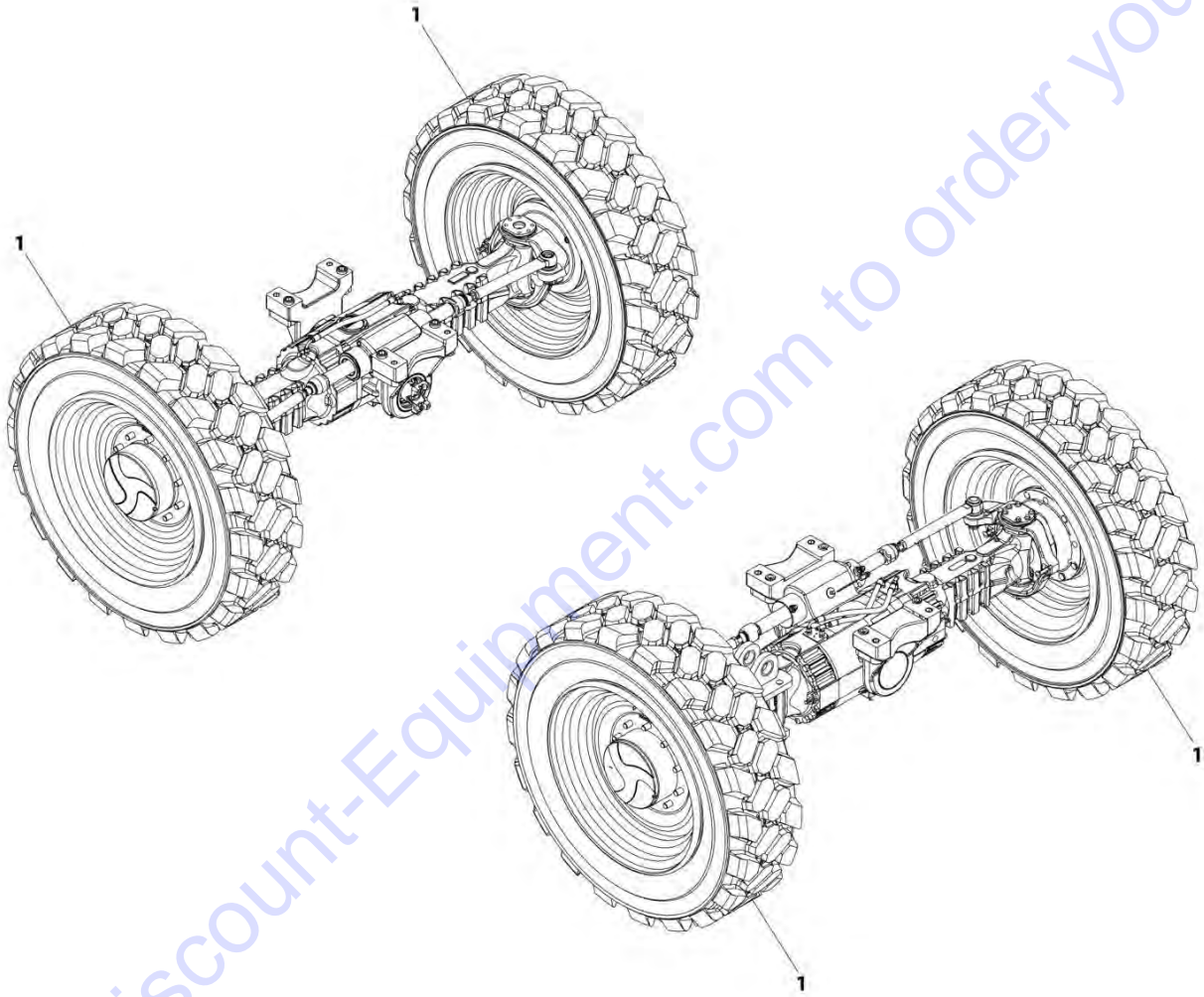
FIGURE 5-158. TIRE/WHEEL SET 370/75-28 - PNEUMATIC NON MARKING (943, 1043)

ITEM	PART NUMBER	QTY	DESCRIPTION	REV
1	1001241846 1001241839	Ref 4	Tire Set, 370/75-28 - Pneumatic Non Marking Assembly, Tire and Wheel (See TIRE AND WHEEL ASSEMBLY, 370/75-28 PNEUMATIC for Breakdown)	A

Go to Discount-Equipment.com to order your parts

SECTION 5 - DRIVE TRAIN

FIGURE 5-159. TIRE/WHEEL SET 370/75-28 - FOAM NON MARKING (943, 1043)



ART_1001241847-A

SECTION 5 - DRIVE TRAIN

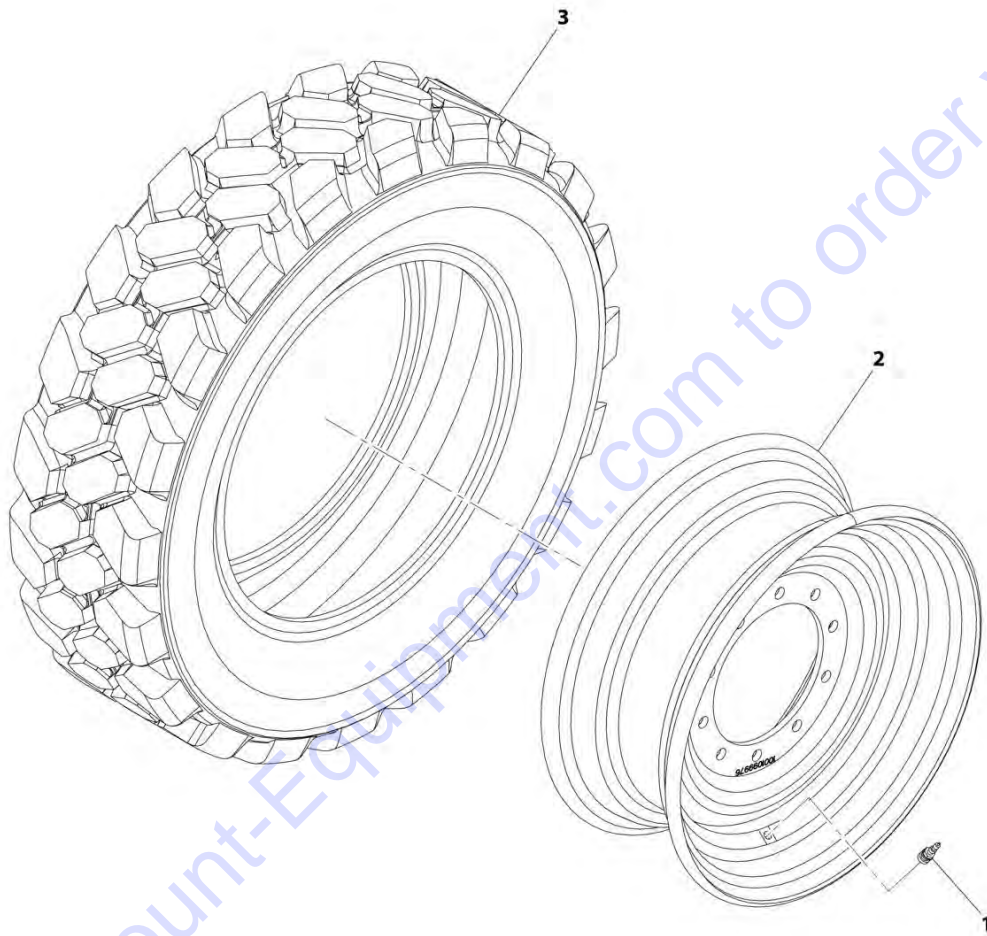
FIGURE 5-159. TIRE/WHEEL SET 370/75-28 - FOAM NON MARKING (943, 1043)

ITEM	PART NUMBER	QTY	DESCRIPTION	REV
1	1001241847	Ref	Tire/Wheel Set, 370/75-28 - Foam Non-Marking	A
	1001241840	4	Tire and Wheel, 370/75-28 - Foam Non-Marking	

Go to Discount-Equipment.com to order your parts

SECTION 5 - DRIVE TRAIN

FIGURE 5-160. TIRE/WHEEL ASSEMBLY 370/75-28 - PNEUMATIC NON MARKING (943, 1043)



ART_1001241839-A

SECTION 5 - DRIVE TRAIN

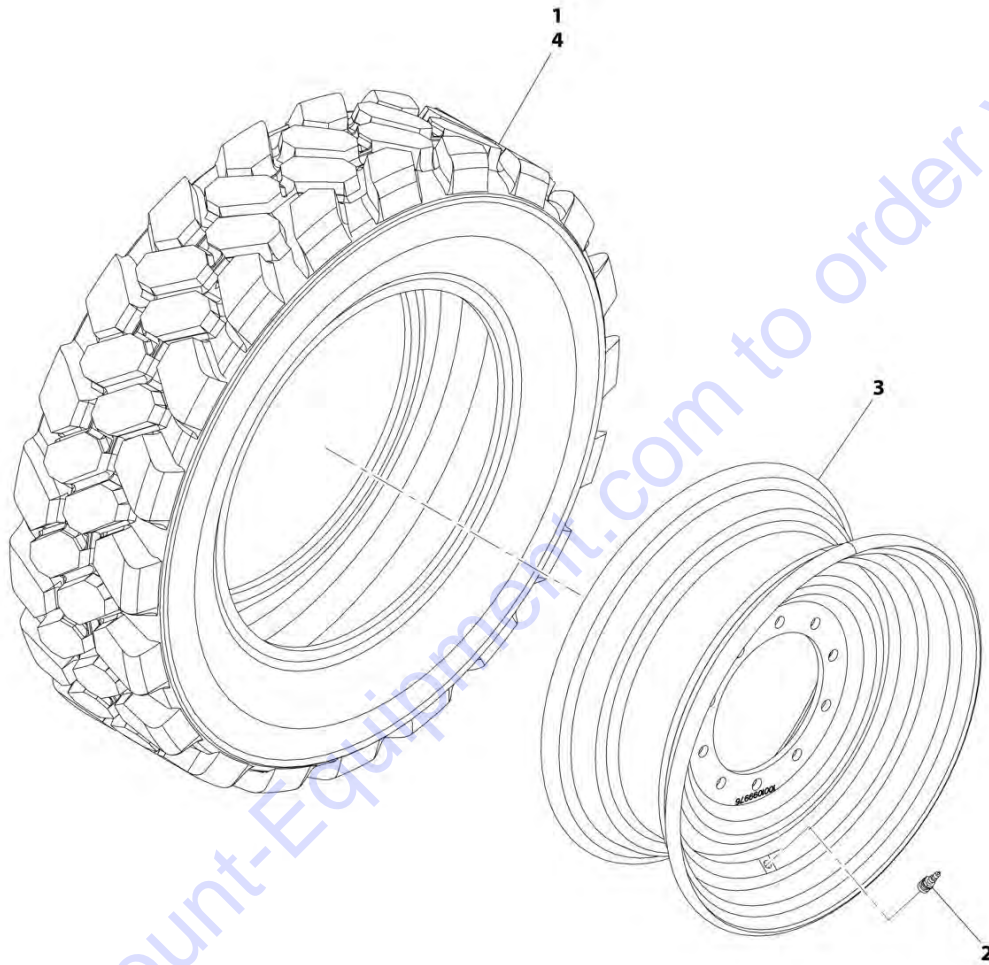
FIGURE 5-160. TIRE/WHEEL ASSEMBLY 370/75-28 - PNEUMATIC NON MARKING (943, 1043)

ITEM	PART NUMBER	QTY	DESCRIPTION	REV
	1001241839	Ref	Tire/Wheel Assembly, 370/75-28 - Pneumatic Non-Marking	A
1	8786514	1	Valve, Stem	
2	1001099976	1	Wheel, 28X11.00	
3	1001241838	1	Tire, 370/75-28 Non-Marking	

Go to Discount-Equipment.com to order your parts

SECTION 5 - DRIVE TRAIN

FIGURE 5-161. TIRE/WHEEL ASSEMBLY 370/75-28 - FOAM NON MARKING (943, 1043)



ART_1001241840-A

SECTION 5 - DRIVE TRAIN

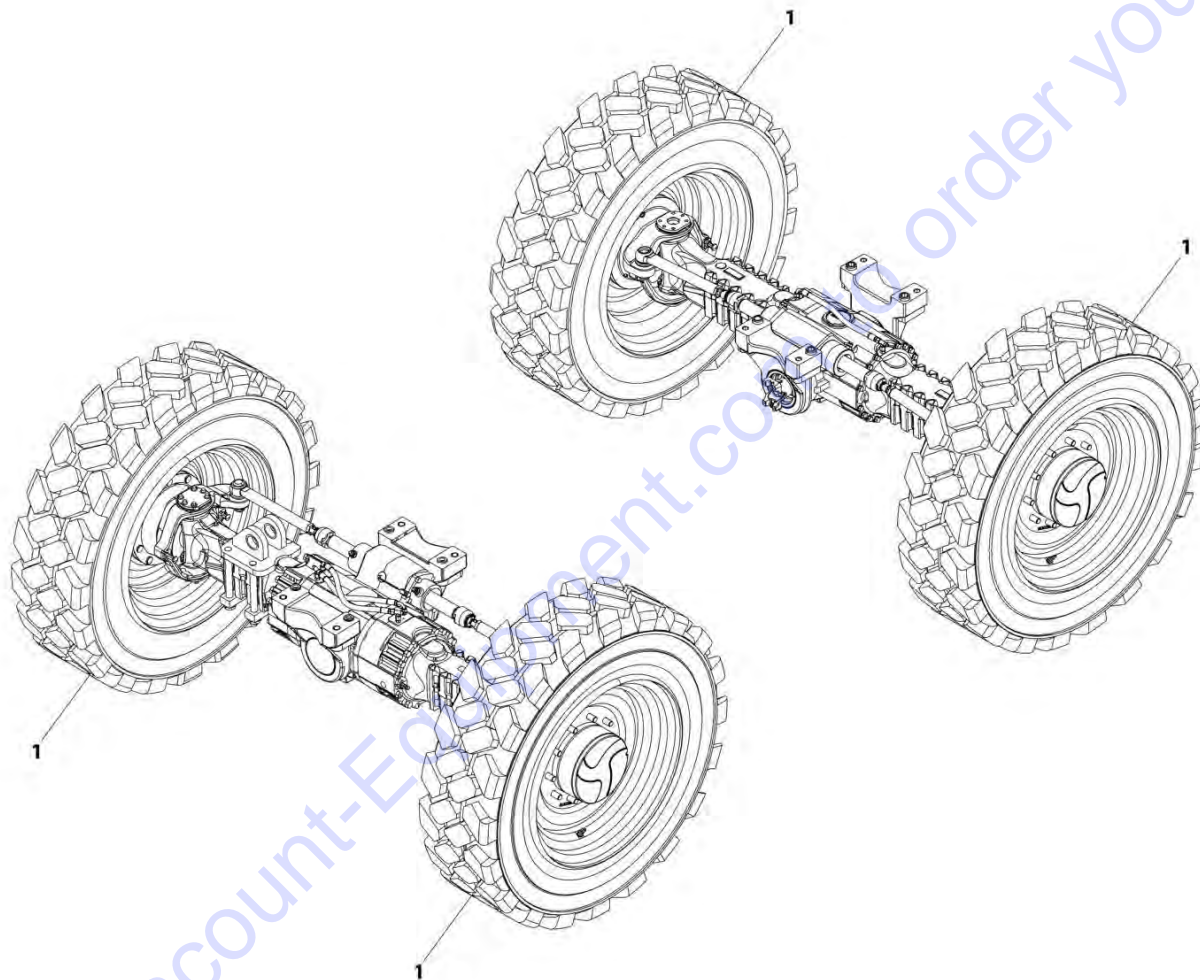
FIGURE 5-161. TIRE/WHEEL ASSEMBLY 370/75-28 - FOAM NON MARKING (943, 1043)

ITEM	PART NUMBER	QTY	DESCRIPTION	REV
	1001241840	Ref	Tire/Wheel Set 370/75-28 - Foam Non Marking (943, 1043)	A
1	8526203	465 lb	Foam Fill, Ballast Flat proof	
2	8786514	1	Valve	
3	1001099976	1	Wheel, 28X11/W .216 Offset	
4	1001241838	1	Tire, 370/75-28, Non Marking	

Go to Discount-Equipment.com to order your parts

SECTION 5 - DRIVE TRAIN

FIGURE 5-162. TIRE/WHEEL SET 400/75-28 - PNEUMATIC NON MARKING (943, 1043)



ART_1001241848-A

SECTION 5 - DRIVE TRAIN

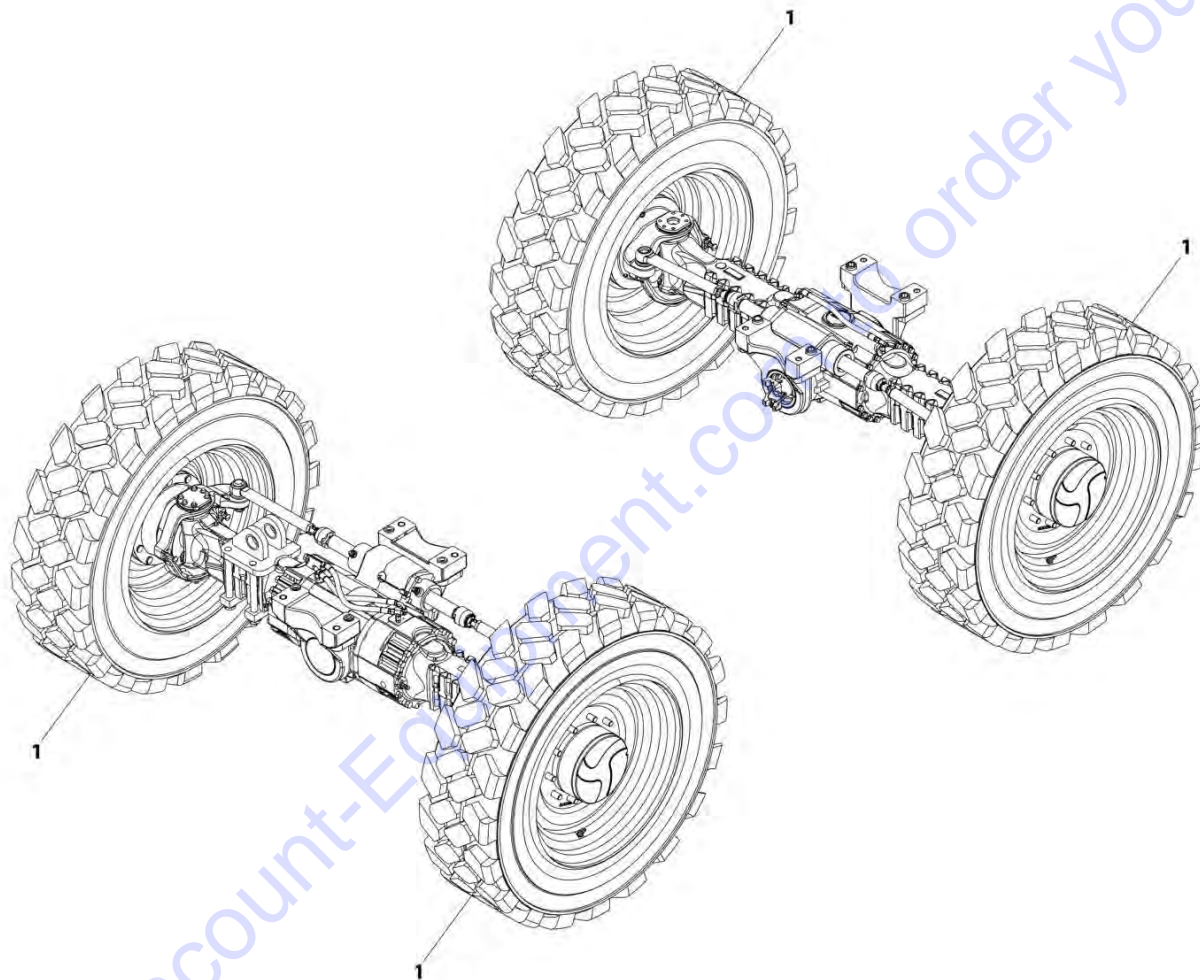
FIGURE 5-162. TIRE/WHEEL SET 400/75-28 - PNEUMATIC NON MARKING (943, 1043)

ITEM	PART NUMBER	QTY	DESCRIPTION	REV
1	1001241848 1001241841	Ref 4	Tire/Wheel Set 400/75-28 - Pneumatic Non Marking(943, 1043) Tire/Wheel Pneumatic Non-Marking 400/75-28 (See Separate Breakdown in this Section)	A

Go to Discount-Equipment.com to order your parts

SECTION 5 - DRIVE TRAIN

FIGURE 5-163. TIRE/WHEEL SET 400/75-28 - FOAM NON MARKING (943, 1043)



ART_1001241849-A

SECTION 5 - DRIVE TRAIN

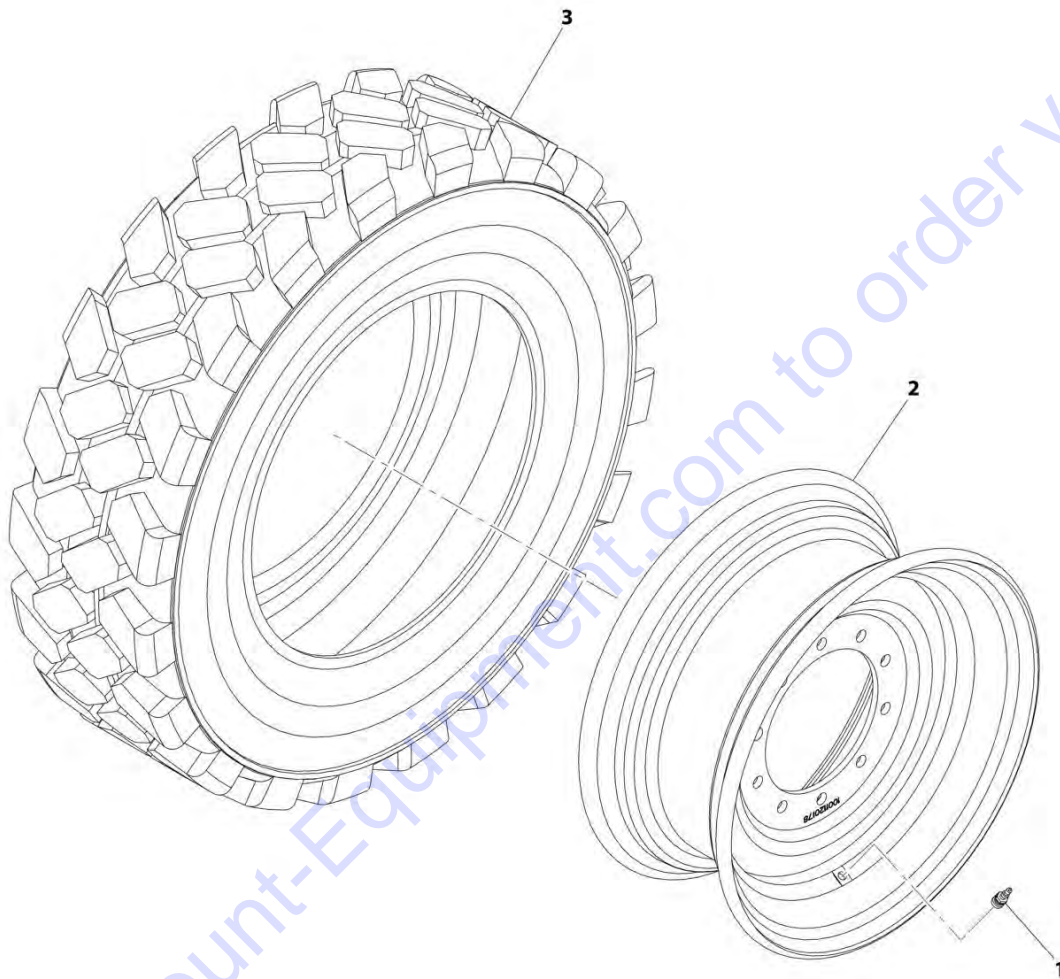
FIGURE 5-163. TIRE/WHEEL SET 400/75-28 - FOAM NON MARKING (943, 1043)

ITEM	PART NUMBER	QTY	DESCRIPTION	REV
1	1001241849 1001241842	Ref 4	Tire/Wheel Set 400/75-28 - Foam Non Marking (943, 1043) Tire/Wheel Foam Non Marking 400/75-28 (See Separate Breakdown in this Section)	A

Go to Discount-Equipment.com to order your parts

SECTION 5 - DRIVE TRAIN

FIGURE 5-164. TIRE/WHEEL ASSEMBLY 400/75-28 - PNEUMATIC NON MARKING (943, 1043)



ART_1001241841-A

SECTION 5 - DRIVE TRAIN

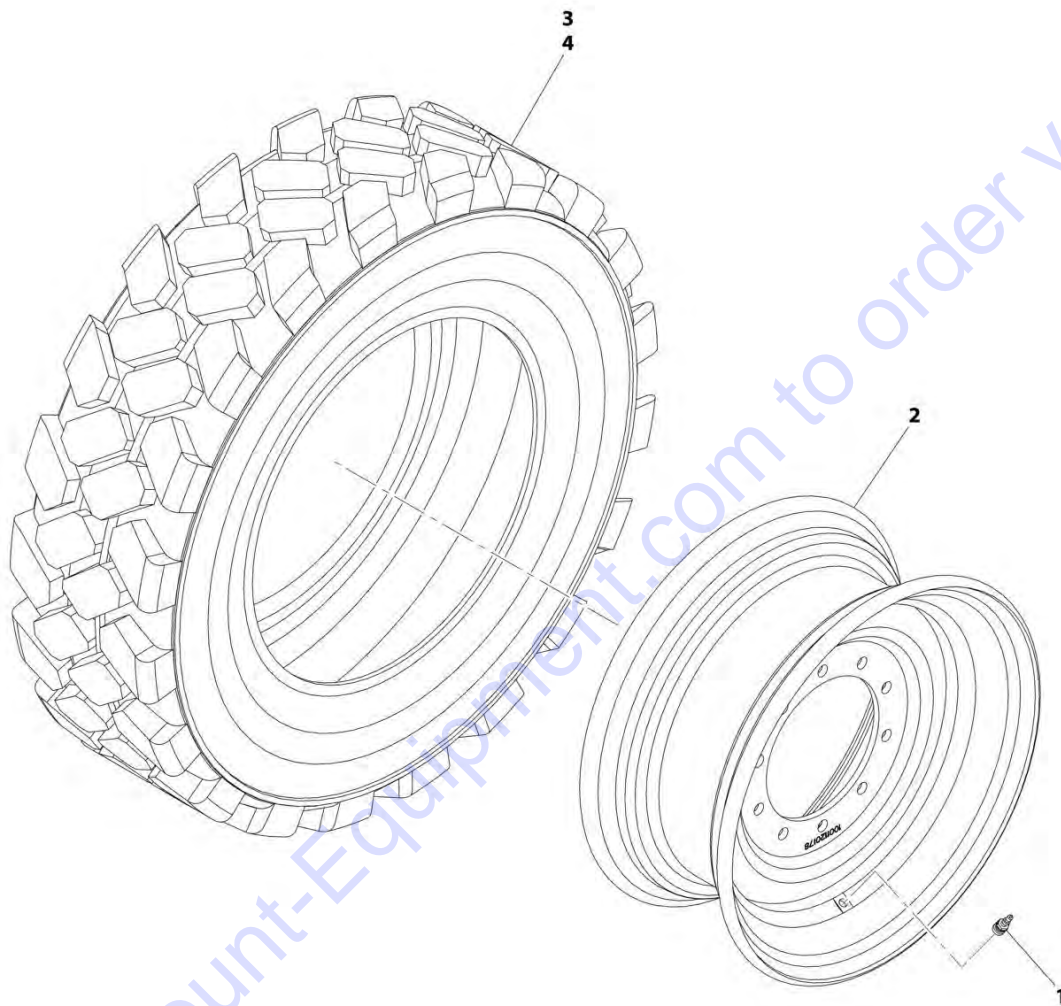
FIGURE 5-164. TIRE/WHEEL ASSEMBLY 400/75-28 - PNEUMATIC NON MARKING (943, 1043)

ITEM	PART NUMBER	QTY	DESCRIPTION	REV
	1001241841	Ref	Tire/Wheel Set 400/75-28 - Pneumatic Non Marking (943, 1043)	A
1	8786514	1	Valve	
2	1001120178	1	Wheel, 28X12/W .75 Offset	
3	1001241837	1	Tire, 400/75-28, Non Marking	

Go to Discount-Equipment.com to order your parts

SECTION 5 - DRIVE TRAIN

FIGURE 5-165. TIRE/WHEEL ASSEMBLY 400/75-28 - FOAM NON MARKING (943, 1043)



ART_1001241842-A

SECTION 5 - DRIVE TRAIN

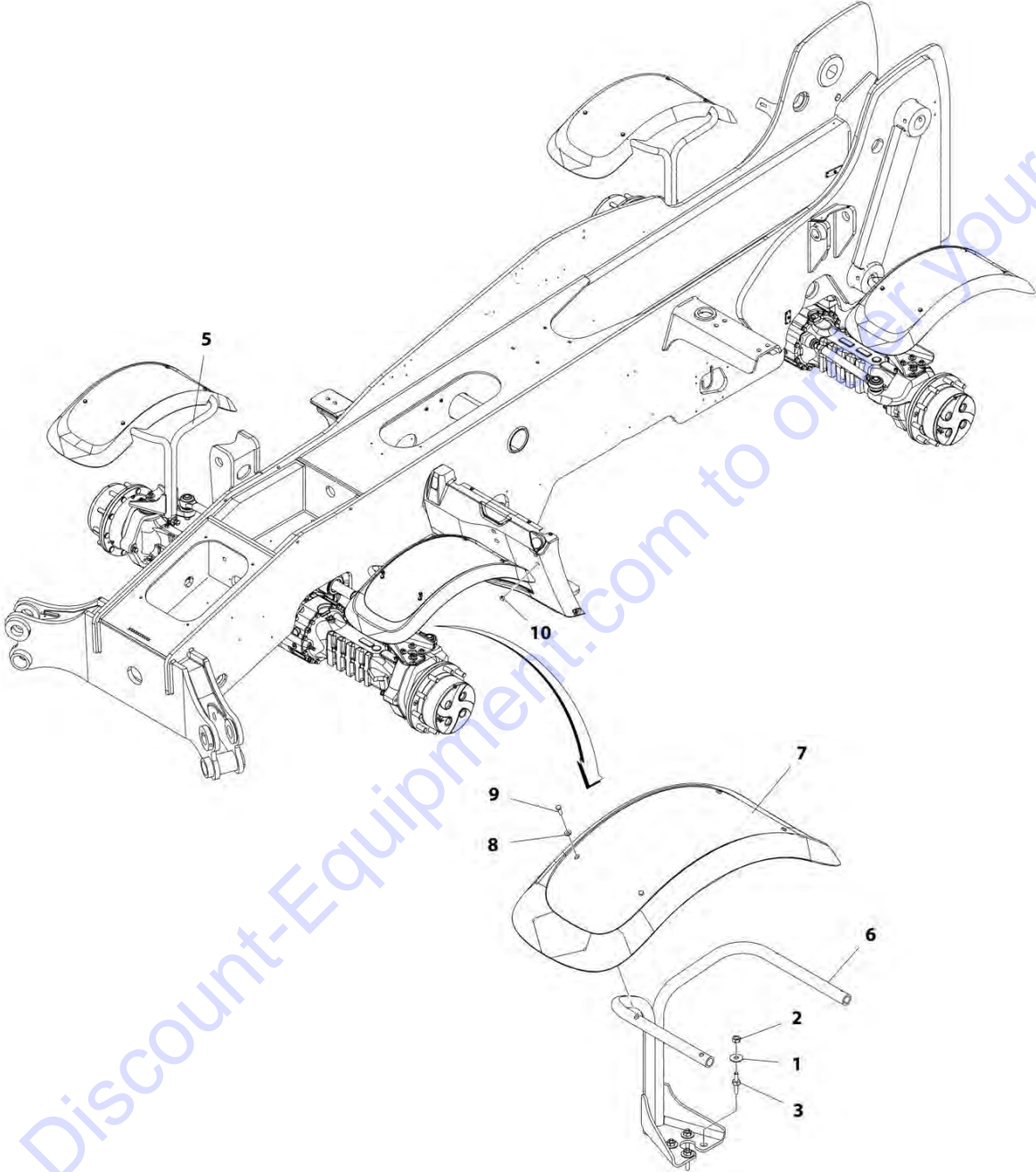
FIGURE 5-165. TIRE/WHEEL ASSEMBLY 400/75-28 - FOAM NON MARKING (943, 1043)

ITEM	PART NUMBER	QTY	DESCRIPTION	REV
	1001241842	Ref	Tire/Wheel Set 400/75-28 - Foam Non Marking (943, 1043)	A
1	8786514	1	Valve	
2	1001120178	1	Wheel, 28X12/W .75 Offset	
3	1001241837	1	Tire, 400/75-28, Non Marking	
4	8526203	570 lb	Foam Fill	

Go to Discount-Equipment.com to order your parts

SECTION 5 - DRIVE TRAIN

FIGURE 5-166. FENDER INSTALLATION



ART_1001171242-E

SECTION 5 - DRIVE TRAIN

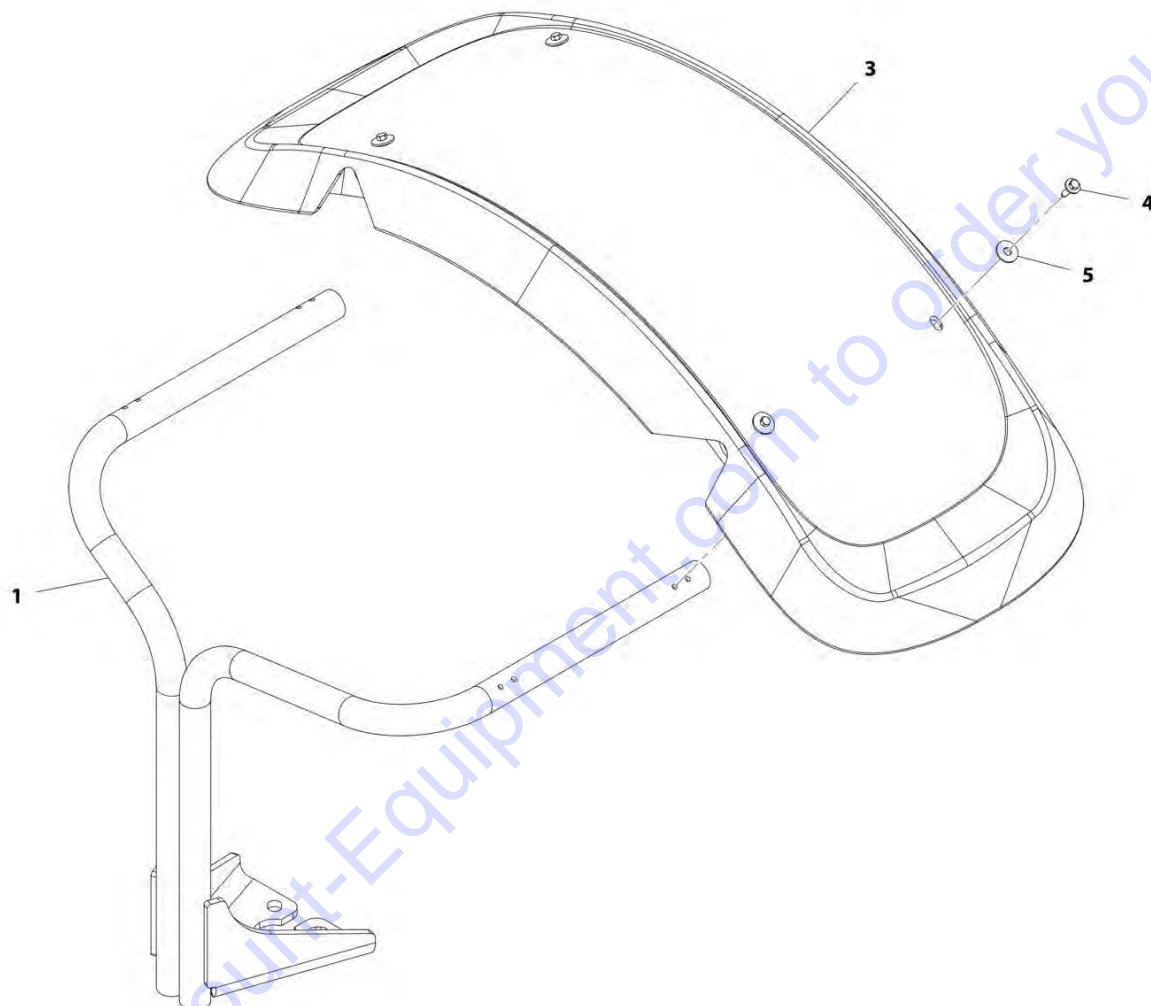
FIGURE 5-166. FENDER INSTALLATION

ITEM	PART NUMBER	QTY	DESCRIPTION	REV
	1001171242	1	Fender Installation	E
1	4812102	16	Washer, M12	
2	91513266	16	Nut, M12X1.25	
3	91514118	16	Stud, Fender	
5	1001168261	2	Assembly, RH Fender (See RH FENDER ASSEMBLY for Breakdown) (Prior to SN 0160073783)	
5	1001202513	2	RH Bracket (SN 0160073783 to Present)	
6	1001168262	2	Assembly, LH Fender (See LH FENDER ASSEMBLY for Breakdown) (Prior to SN 0160073783)	
6	1001202512	2	LH Bracket (SN 0160073783 to Present)	
7	1001168264	4	Fender (SN 0160073783 to Present)	
8	1001202786	16	Washer (SN 0160073783 to Present)	
9	0760812	16	Screw, M8X25 (SN 0160073783 to Present)	
10	1001208338	4	Plug (SN 0160073783 to Present)	

Go to Discount-Equipment.com to order your parts

SECTION 5 - DRIVE TRAIN

FIGURE 5-167. RH FENDER ASSEMBLY (Prior to SN 0160073783)



ART_1001168261-E

SECTION 5 - DRIVE TRAIN

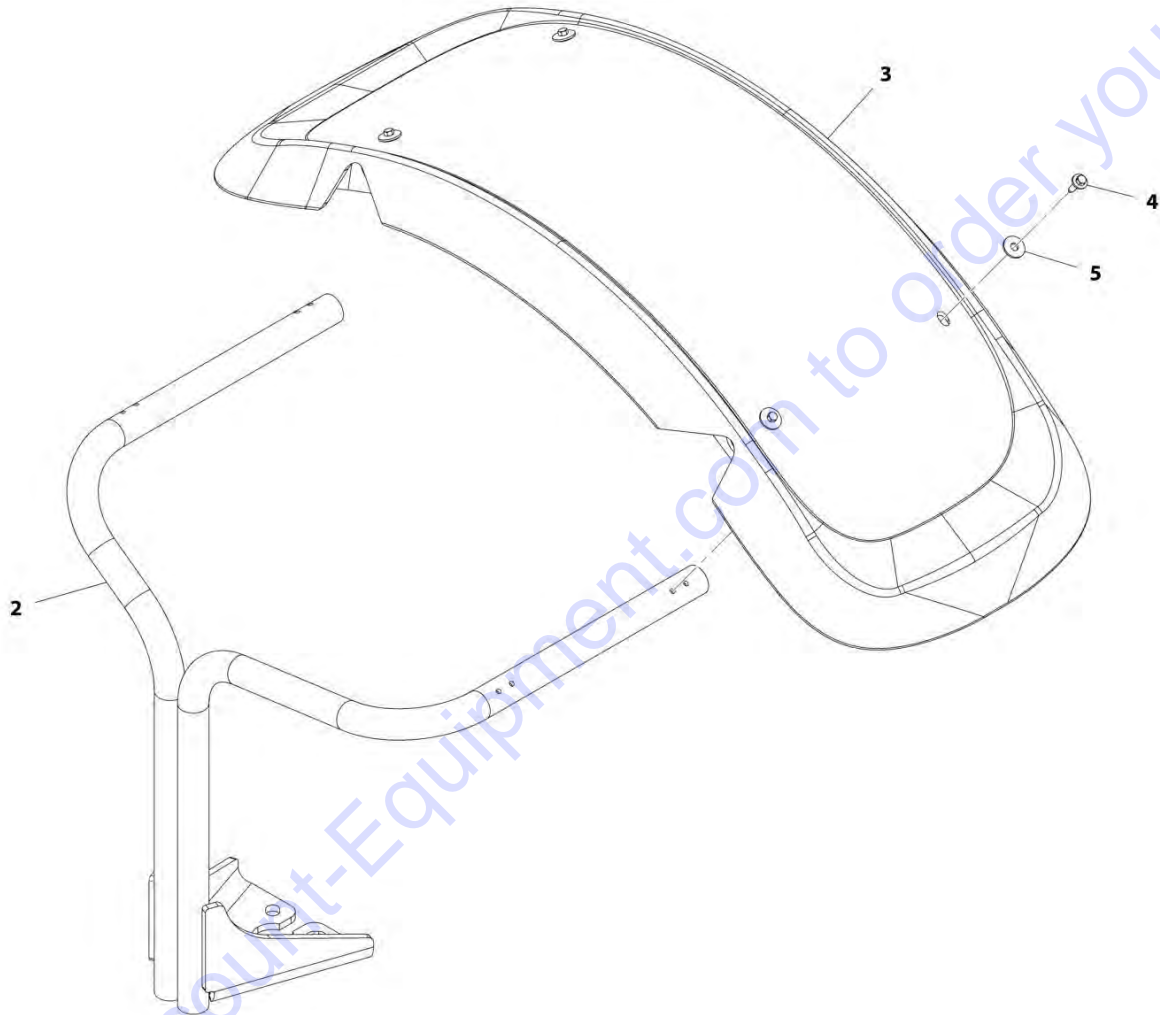
FIGURE 5-167. RH FENDER ASSEMBLY (Prior to SN 0160073783)

ITEM	PART NUMBER	QTY	DESCRIPTION	REV
	1001168261	Ref	RH Fender Assembly	E
1	1001168178	1	Bracket	
3	1001168264	1	Fender	
4	1001201904	4	Screw	
5	1001201905	4	Washer	

Go to Discount-Equipment.com to order your parts

SECTION 5 - DRIVE TRAIN

FIGURE 5-168. LH FENDER ASSEMBLY (Prior to SN 0160073783)



ART_1001168262-E

SECTION 5 - DRIVE TRAIN

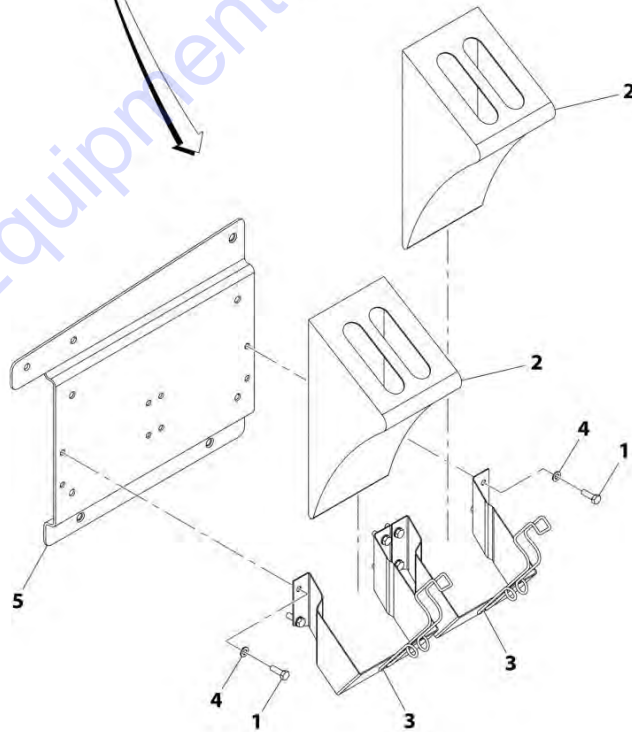
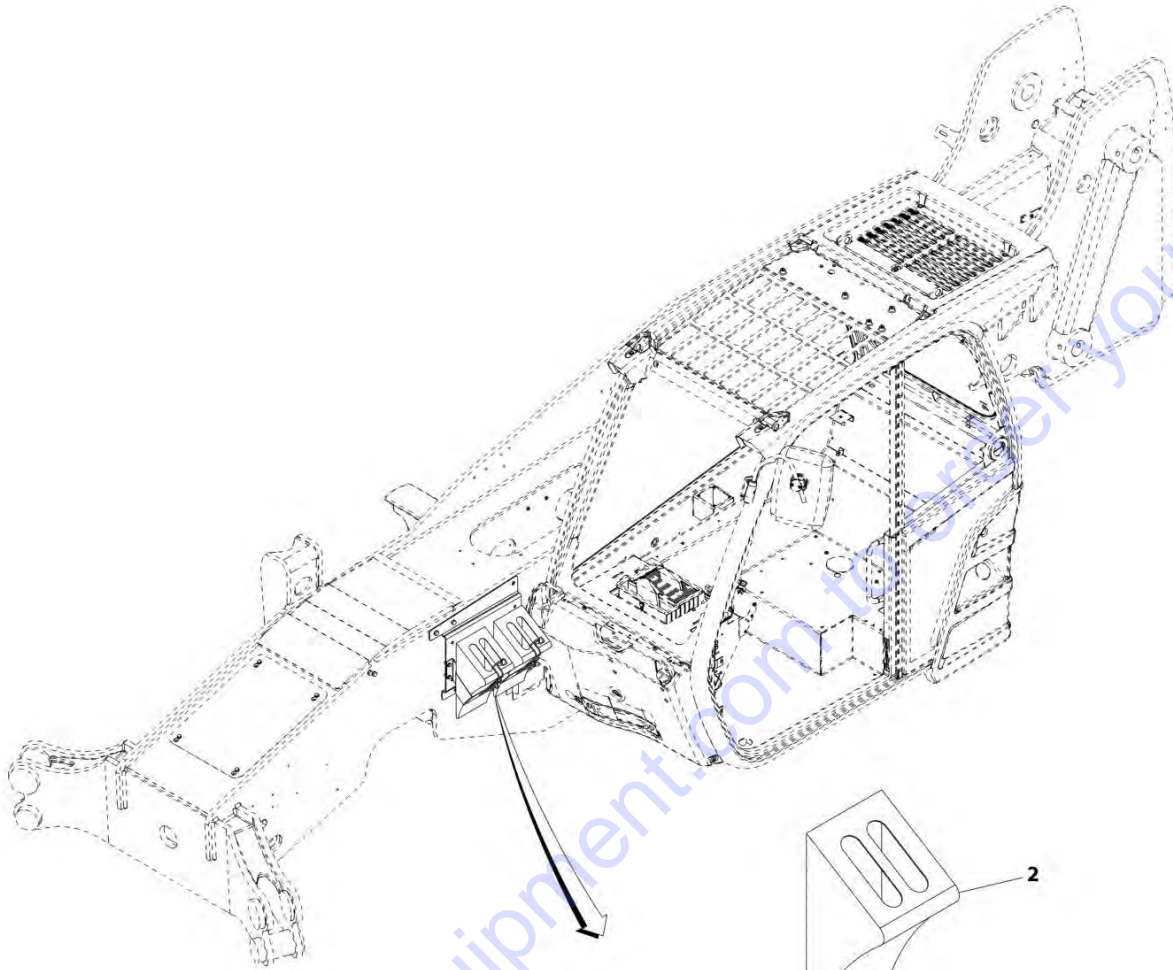
FIGURE 5-168. LH FENDER ASSEMBLY (Prior to SN 0160073783)

ITEM	PART NUMBER	QTY	DESCRIPTION	REV
	1001168262	Ref	LH Fender Assembly	E
2	1001168182	1	Bracket	
3	1001168264	1	Fender	
4	1001201904	4	Screw	
5	1001201905	4	Washer	

Go to Discount-Equipment.com to order your parts

SECTION 5 - DRIVE TRAIN

FIGURE 5-169. WHEEL CHOCK INSTALLATION



ART_1001229235-A

SECTION 5 - DRIVE TRAIN

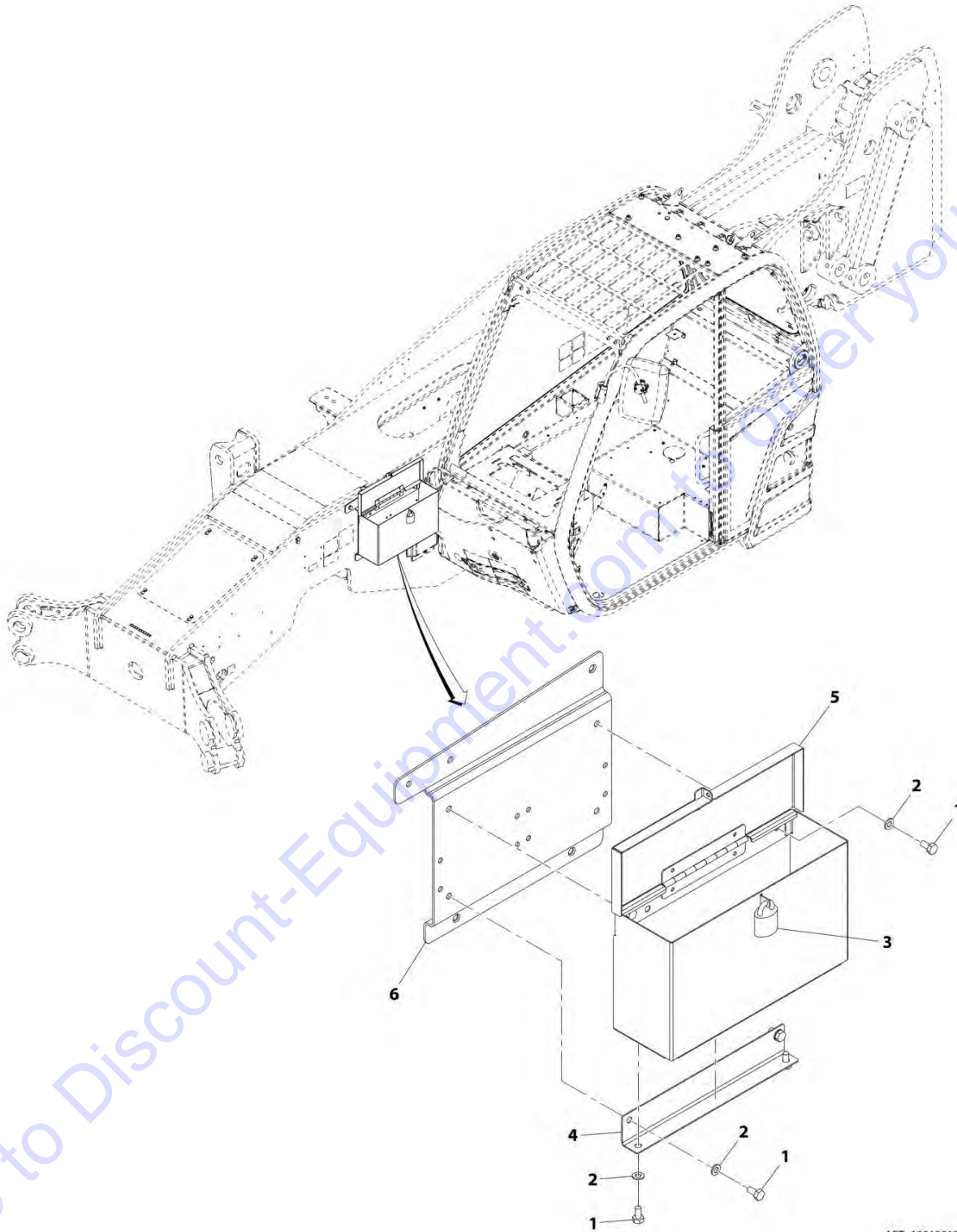
FIGURE 5-169. WHEEL CHOCK INSTALLATION

ITEM	PART NUMBER	QTY	DESCRIPTION	REV
	1001229235	Ref	Wheel Chock Installation (If equipped)	A
1	0700812	8	Screw, 8X25 LG	
2	806253	2	Wedge	
3	806264	2	Holder	
4	4811900	8	Washer, 8mm	
5	1001230713J	1	Bracket	

Go to Discount-Equipment.com to order your parts

SECTION 5 - DRIVE TRAIN

FIGURE 5-170. TOOLBOX INSTALLATION



ART_1001231244-A

SECTION 5 - DRIVE TRAIN

FIGURE 5-170. TOOLBOX INSTALLATION

ITEM	PART NUMBER	QTY	DESCRIPTION	REV
	1001231244	Ref	ToolBox Installation (If equipped)	A
1	0761010	6	Bolt, M10X20	
2	4812000	6	Washer, M10	
3	1001008687	1	Padlock	
4	1001178729	1	Bracket	
5	1001192836	1	Box	
6	1001230713J	1	Bracket	

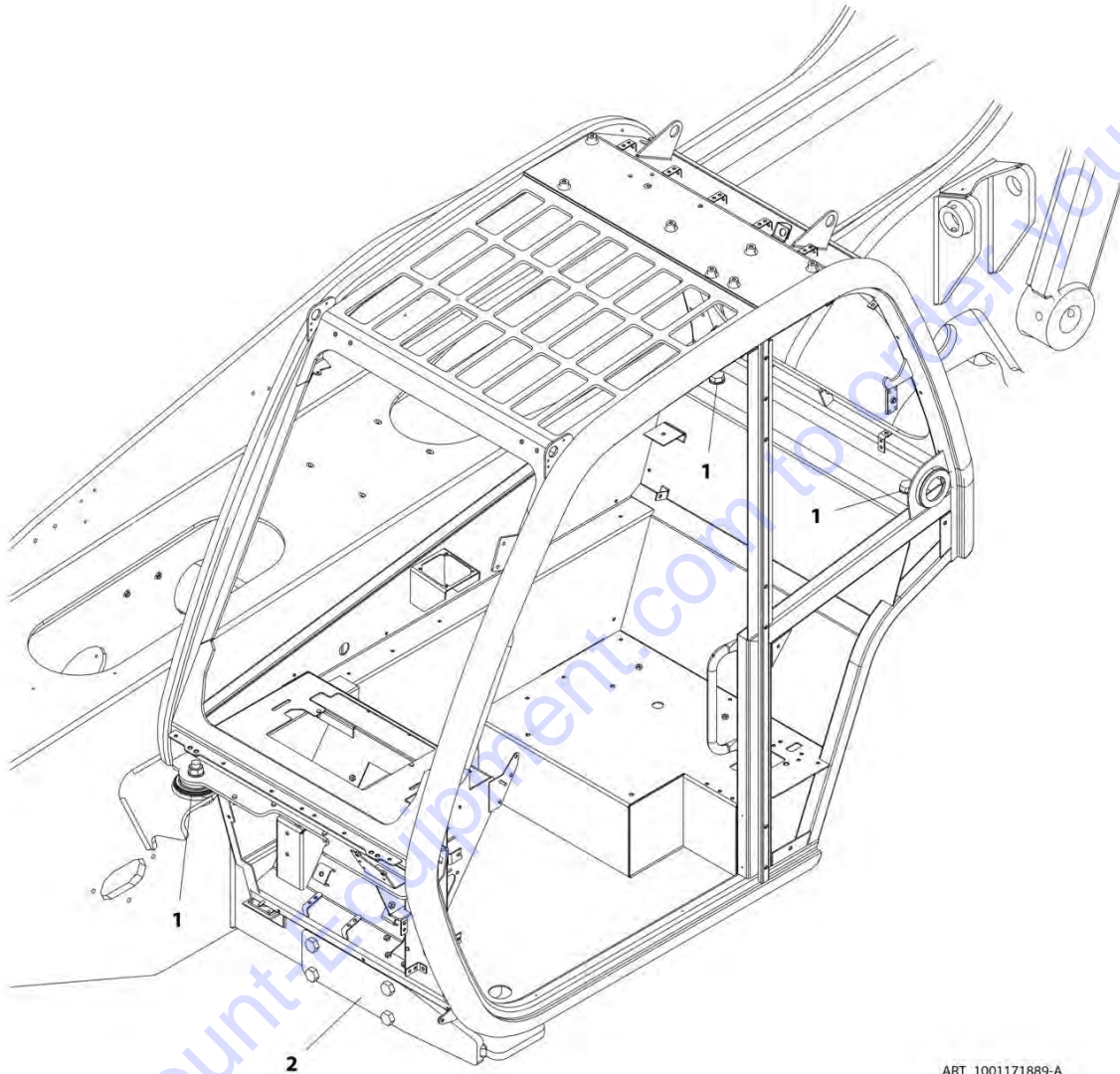
Go to Discount-Equipment.com to order your parts

SECTION 6 - CAB

Go to Discount-Equipment.com to order your parts

SECTION 6 - CAB

FIGURE 6-1. CAB MOUNTING



ART_1001171889-A

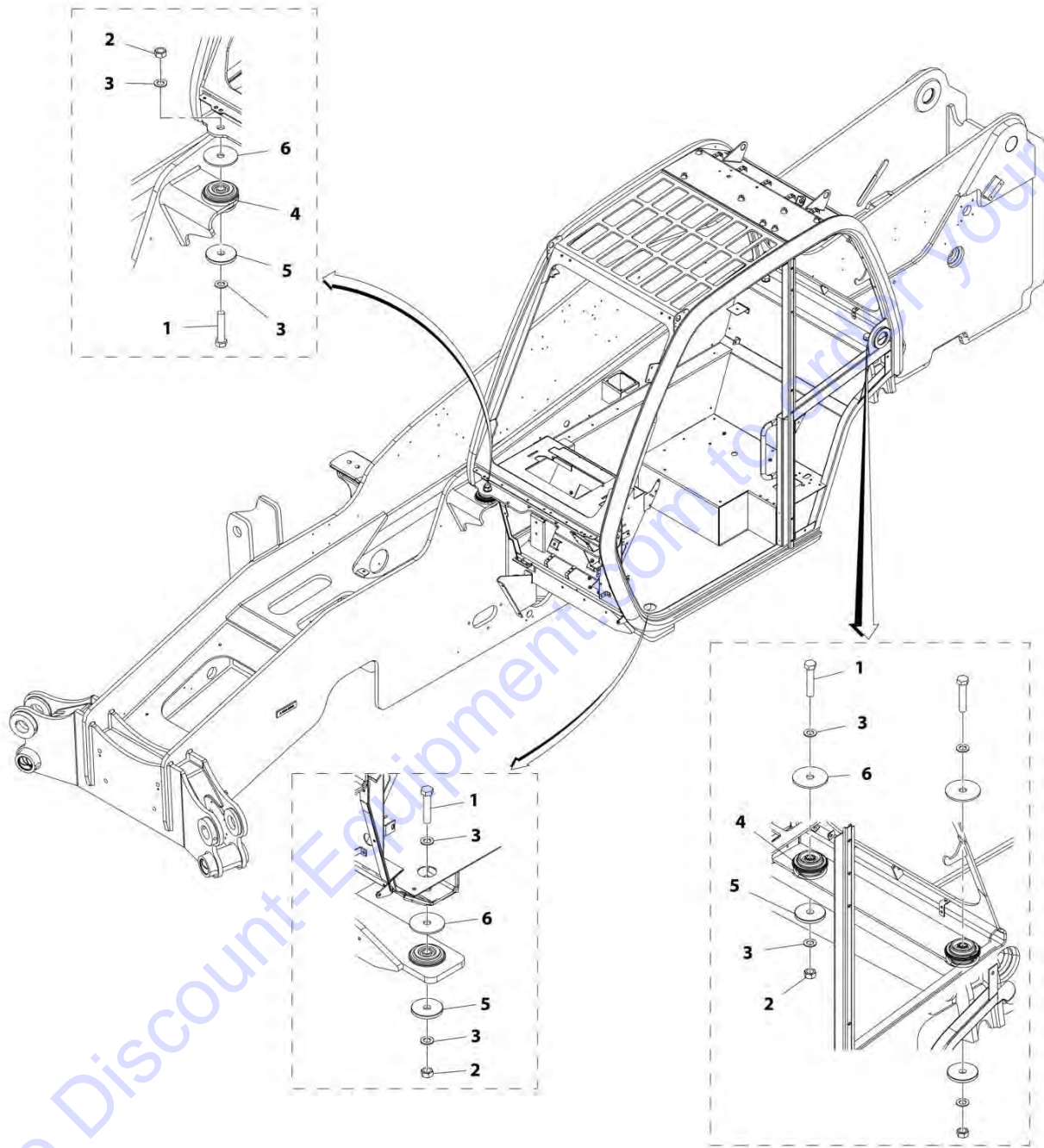
FIGURE 6-1. CAB MOUNTING

ITEM	PART NUMBER	QTY	DESCRIPTION	REV
1	1001171889	1	Cab Mounting	A
	1001155446	1	Installation, Cab Mounts (See CAB MOUNT INSTALLATION for Breakdown)	
2	1001171890	1	Installation, Front Cab Outrigger (See FRONT CAB OUTRIGGER INSTALLATION for Breakdown)	

Go to Discount-Equipment.com to order your parts

SECTION 6 - CAB

FIGURE 6-2. CAB MOUNT INSTALLATION



ART_1001155446-E

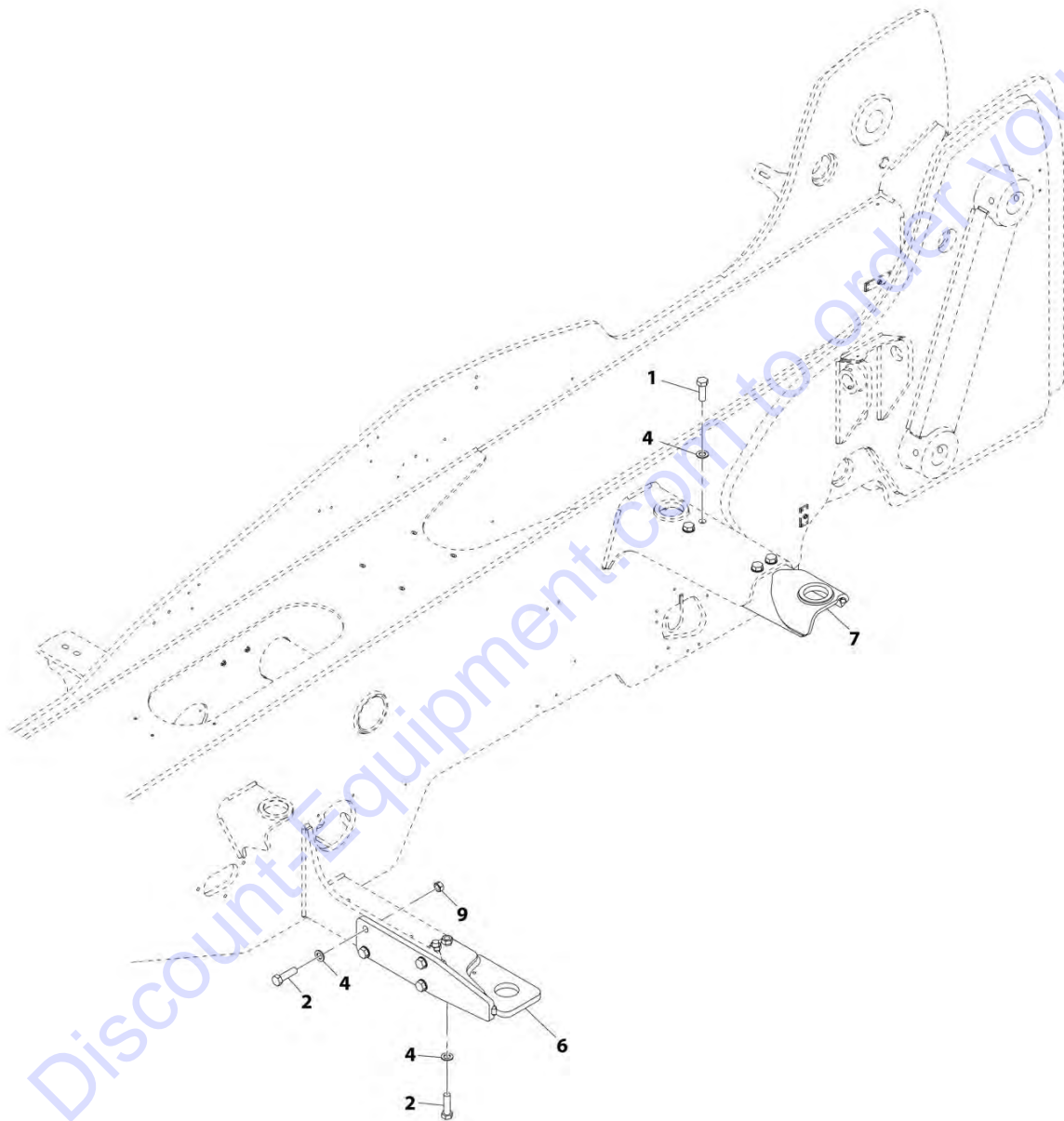
FIGURE 6-2. CAB MOUNT INSTALLATION

ITEM	PART NUMBER	QTY	DESCRIPTION	REV
	1001155446	Ref	Cab Mount Installation	E
1	0712027	4	Bolt, M20X100	
2	3332011	4	Nut, M20X2.5	
3	4812500	8	Washer, M20	
4	1001166754	4	Mount, Cab Isolation	
5	1001166755	4	Washer, Cab Rebound	
6	1001220540	4	Washer	

Go to Discount-Equipment.com to order your parts

SECTION 6 - CAB

FIGURE 6-3. FRONT CAB OUTRIGGER INSTALLATION



ART_1001171890-E

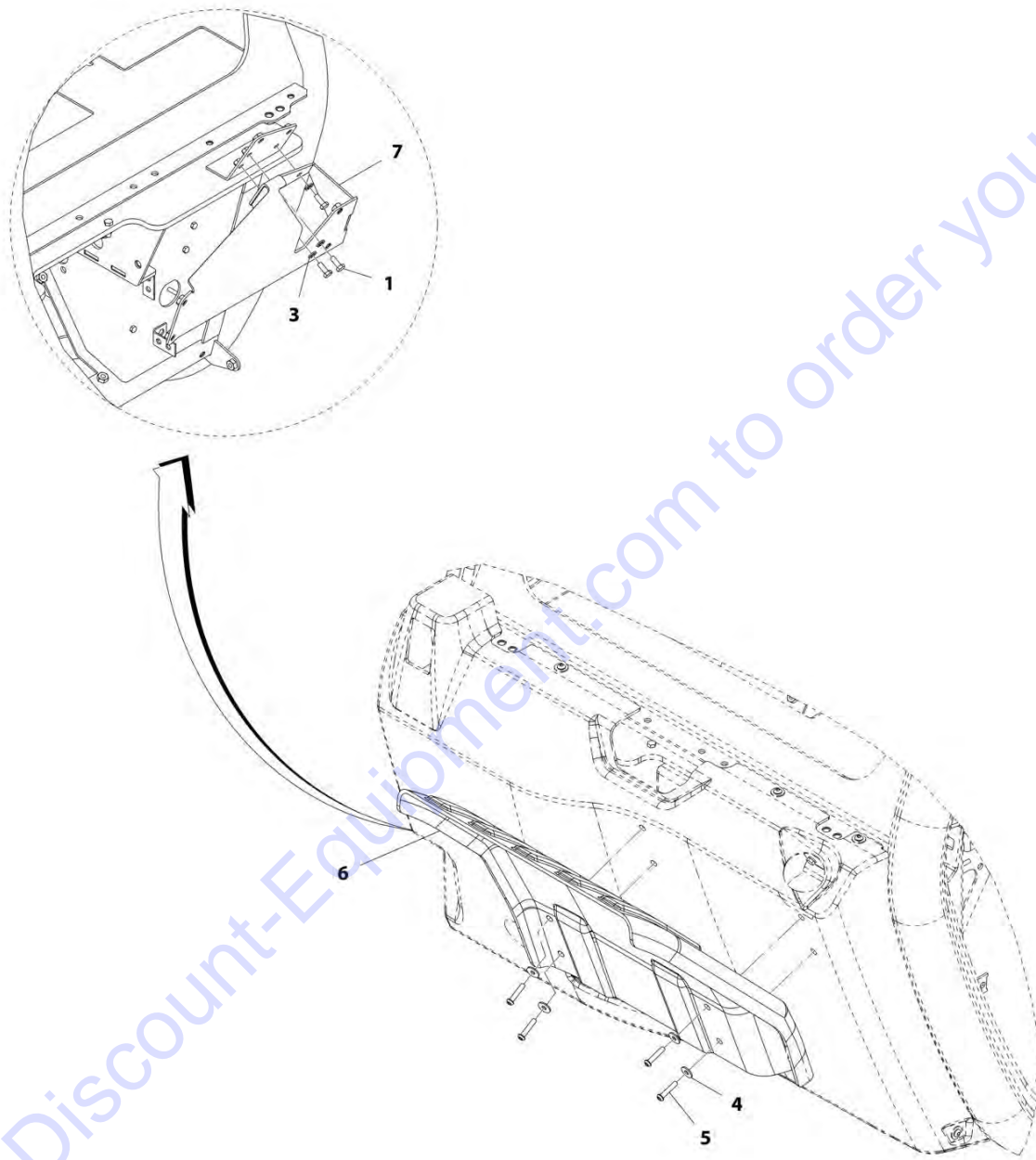
FIGURE 6-3. FRONT CAB OUTRIGGER INSTALLATION

ITEM	PART NUMBER	QTY	DESCRIPTION	REV
	1001171890	Ref	Front Cab Outrigger Installation	E
1	0712020	4	Bolt, M20X60	
2	0712022	6	Bolt, M20X70	
4	4812500	10	Washer, M20	
6	1001171898	NLA	Bracket, Front Lower Cab, (no longer available, use 1001208106 for replacement)	
6	1001208106	1	Bracket, Front Lower Cab	
7	1001171903	NLA	Bracket, Rear Cab Mount, (no longer available, use 1001210782 for replacement)	
7	1001210782	1	Bracket, Rear Cab Mount	
9	3292001	4	Hex Nut, M20X2.5	

Go to Discount-Equipment.com to order your parts

SECTION 6 - CAB

FIGURE 6-4. CAB FENDER INSTALLATION



ART_1001195972-C

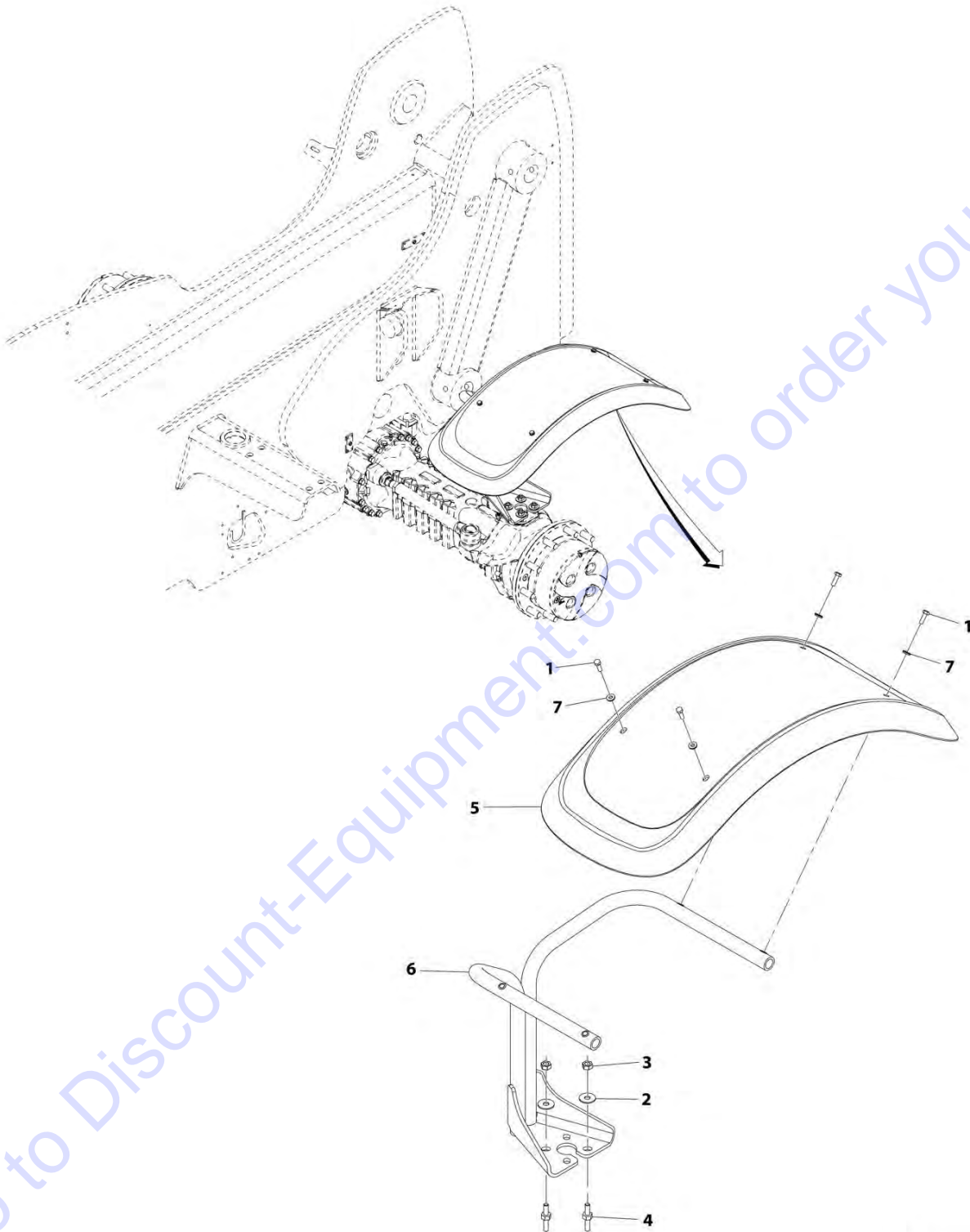
FIGURE 6-4. CAB FENDER INSTALLATION

ITEM	PART NUMBER	QTY	DESCRIPTION	REV
	1001195972	1	Cab Fender Installation	C
1	0760608	3	Bolt, M6X16	
3	4811700	3	Washer, M6	
4	4811702	4	Washer, M6	
5	1001097202	4	Screw, M6X30	
6	1001187335	1	Fender, Front	
7	1001188048	1	Plate	

Go to Discount-Equipment.com to order your parts

SECTION 6 - CAB

FIGURE 6-5. CAB FENDER INSTALLATION (742) (IF EQUIPPED)



ART_1001236542-A

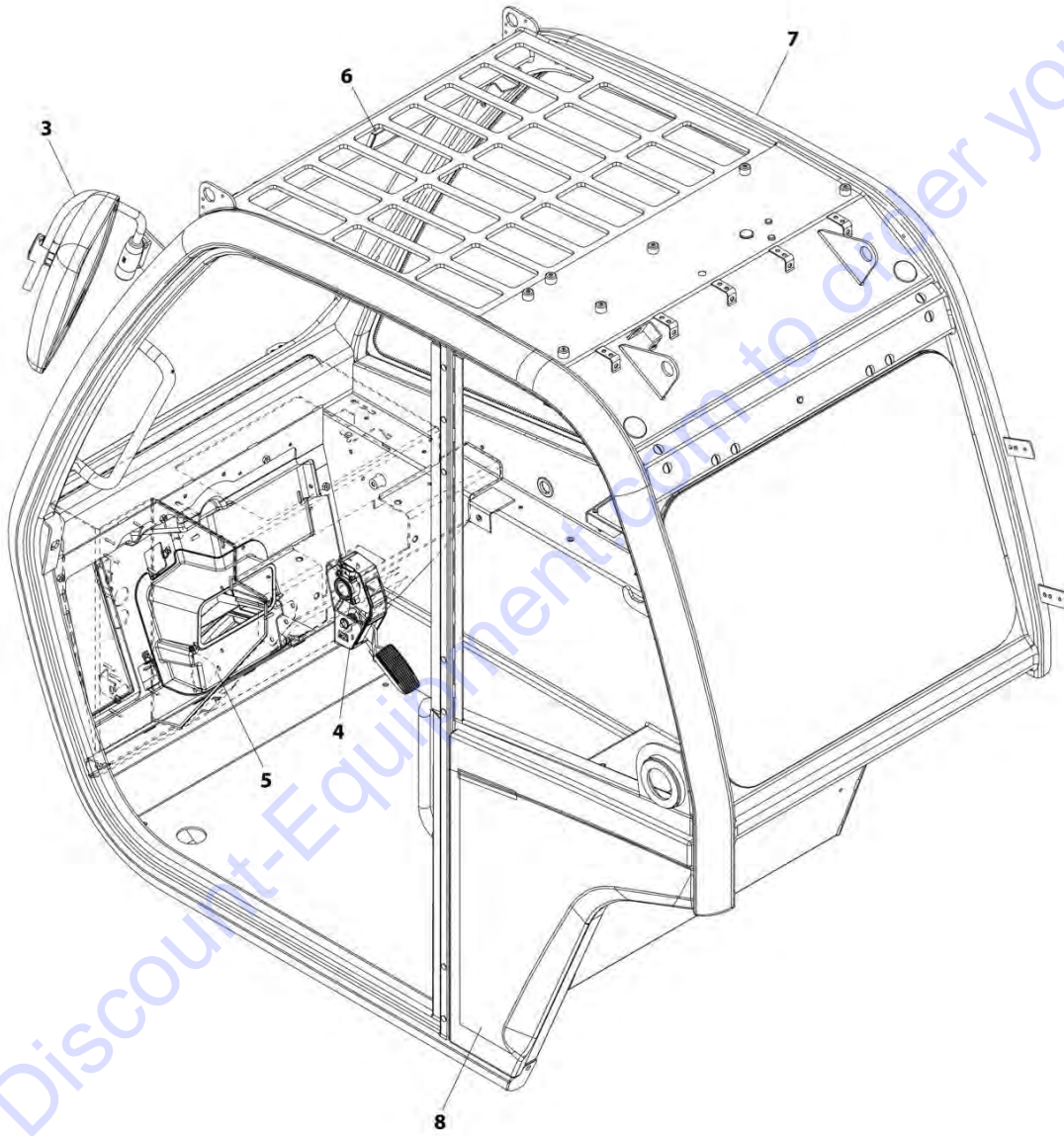
FIGURE 6-5. CAB FENDER INSTALLATION (742) (IF EQUIPPED)

ITEM	PART NUMBER	QTY	DESCRIPTION	REV
	1001236542	Ref	Cab Fender Installation Rear (LH) - 742, 943, 1043 (if equipped)	A
1	0760812	4	Bolt, M8X25	
2	4812102	4	Washer, M12	
3	91513266	4	Nut, M12X1.25	
4	91514118	4	Stud, Fender	
5	1001168264	1	Plastic, Fender	
6	1001202512	1	LH Bracket	
7	1001202786	4	Washer	

Go to Discount-Equipment.com to order your parts

SECTION 6 - CAB

FIGURE 6-6. OROPS CAB INSTALLATION



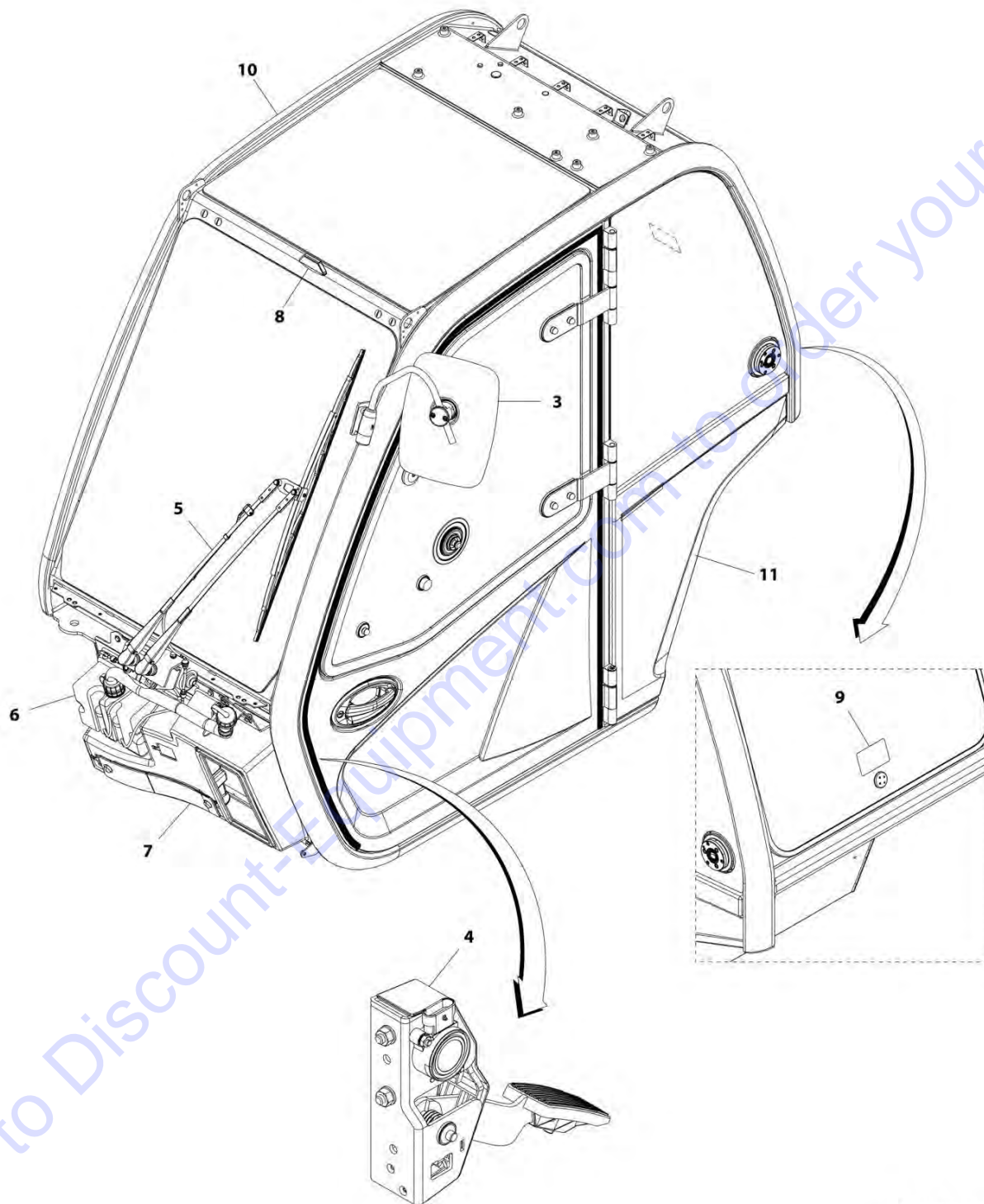
ART_1001154984-G

FIGURE 6-6. OROPS CAB INSTALLATION

ITEM	PART NUMBER	QTY	DESCRIPTION	REV
	1001154984	Ref	OROPS Cab Installation	G
3	1001160508	Ref	Installation, Mirror (See Separate Breakdown in this Section)	
4	1001161499	Ref	Installation, Accelerator Pedal (See Separate Breakdown in CONTROLS Section)	
5	1001170366	Ref	Installation, Front Cover (See Separate Breakdown in this Section)	
6	1001172401	Ref	Installation, Level Indicator (See Separate Breakdown in this Section)	
7	1001214326	Ref	Cab, (See Separate Breakdown in this Section) (SN 0160079247 to Present)	
8	1001214331	Ref	Installation, Open Cab, (See Separate Breakdown in this Section) (SN 0160079247 to Present)	

SECTION 6 - CAB

FIGURE 6-7. EROPS CAB INSTALLATION



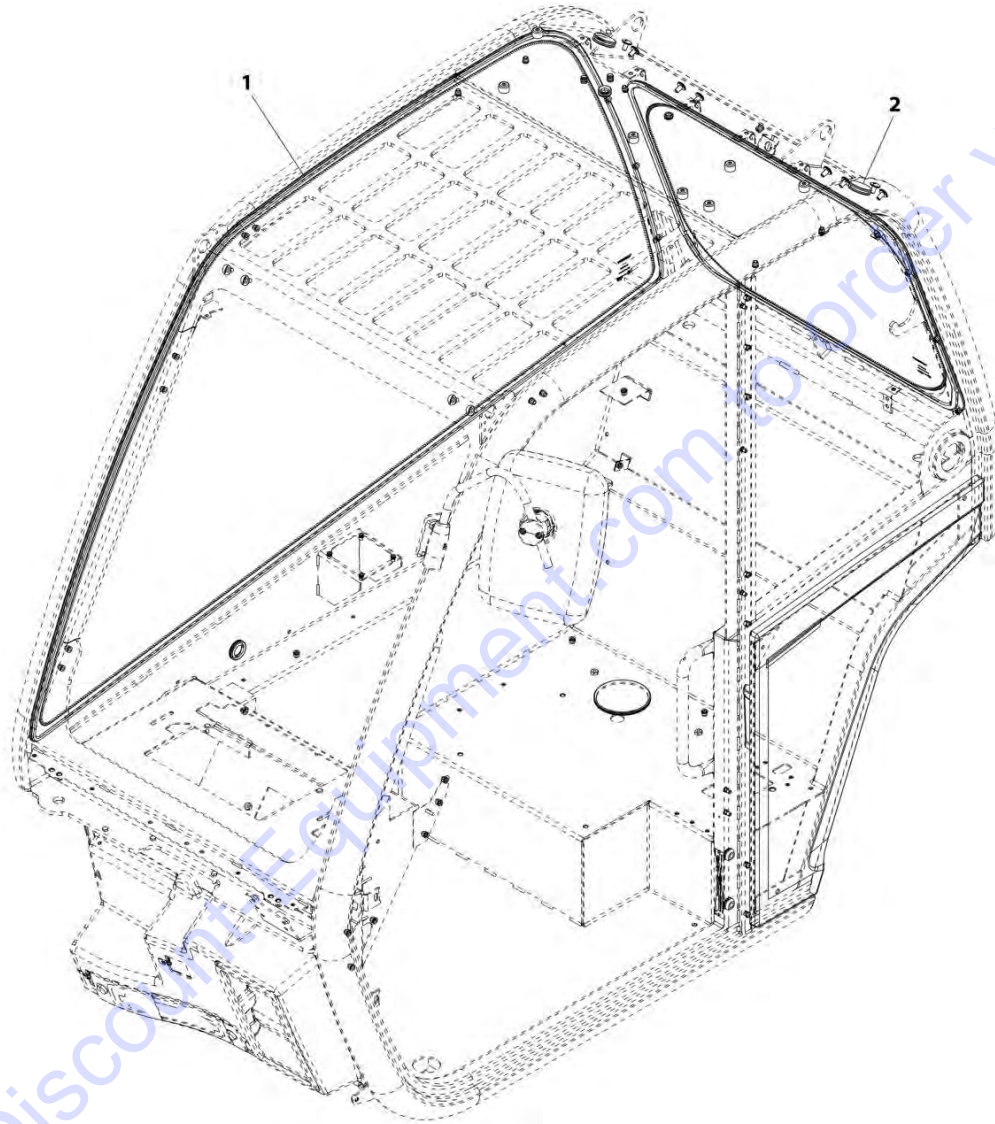
ART_1001173419-I

FIGURE 6-7. EROPS CAB INSTALLATION

ITEM	PART NUMBER	QTY	DESCRIPTION	REV
	1001173419	Ref	EROPS Cab Installation	I
3	1001160508	Ref	Installation, Mirror (See Separate Breakdown in this Section)	
4	1001161499	Ref	Installation, Accelerator Pedal (See Separate Breakdown in CONTROLS Section)	
5	1001155447	Ref	Installation, Front Wiper (See Separate Breakdown in this Section)	
6	1001162789	Ref	Installation, Washer Tank (See Separate Breakdown in this Section)	
7	1001170366	Ref	Installation, Front Cover (See Separate Breakdown in this Section)	
8	1001172401	Ref	Installation, Level Indicator (See Separate Breakdown in this Section)	
9	1001204598	1	Decal, Emergency Exit	
10	1001214326	Ref	Cab, (See Separate Breakdown in this Section) (SN 0160079247 to Present)	
11	1001214332	Ref	Installation, Enclosed Cab (See Separate Breakdown in this Section) (SN 0160079247 to Present)	

SECTION 6 - CAB

FIGURE 6-8. OPEN CAB INSTALLATION



ART_1001214331-D

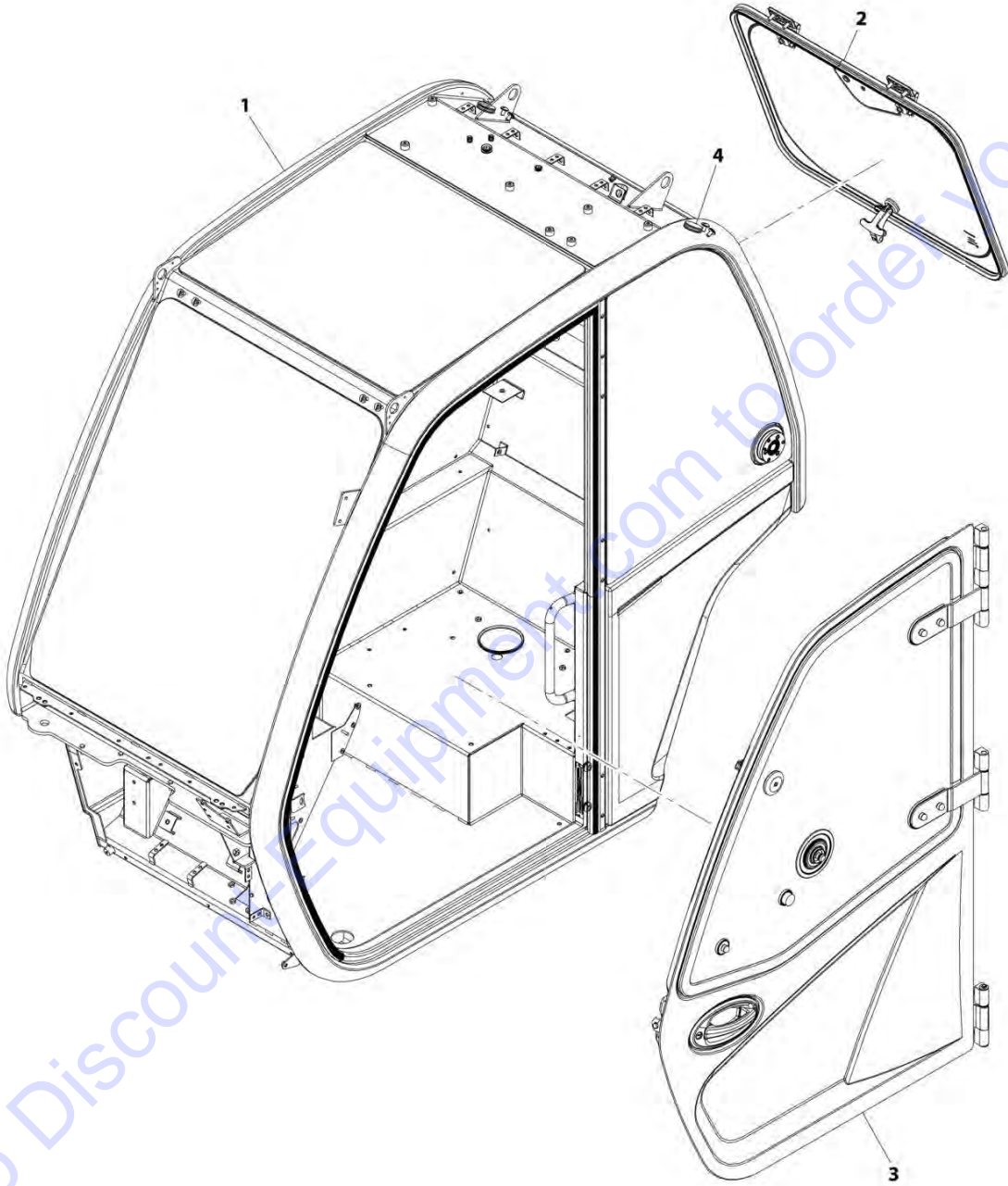
FIGURE 6-8. OPEN CAB INSTALLATION

ITEM	PART NUMBER	QTY	DESCRIPTION	REV
	1001214331	Ref	Open Cab Installation	D
1	1001154721	1	Assembly, Open Cab (See Separate Breakdown in this Section)	
2	1001170495	1	Group, Open Cab Plug (See Separate Breakdown in this Section)	

Go to Discount-Equipment.com to order your parts

SECTION 6 - CAB

FIGURE 6-9. ENCLOSED CAB INSTALLATION (SN 0160079247 to Present)



ART_1001214332-F

SECTION 6 - CAB

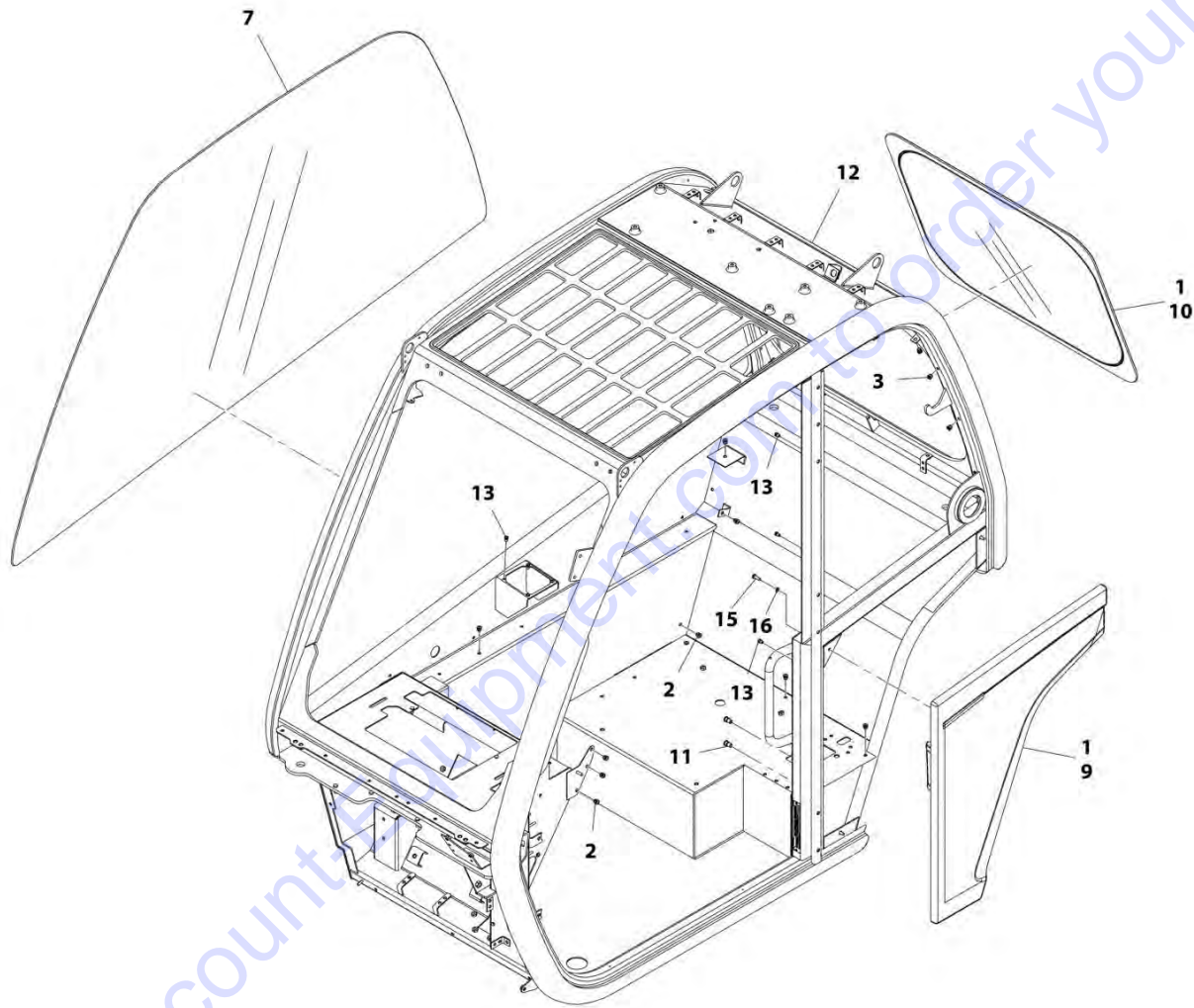
FIGURE 6-9. ENCLOSED CAB INSTALLATION (SN 0160079247 to Present)

ITEM	PART NUMBER	QTY	DESCRIPTION	REV
	1001214332	Ref	Enclosed Cab Installation	F
1	1001154365	1	Assembly, Enclosed Cab (See Separate Breakdown in this Section)	
2	1001170500	1	Installation, Rear Window (See Separate Breakdown in this Section)	
3	1001165080	1	Installation, Door (See Separate Breakdown in this Section)	
4	1001170603	1	Group, Enclosed Cab Plug (See Separate Breakdown in this Section)	

Go to Discount-Equipment.com to order your parts

SECTION 6 - CAB

FIGURE 6-10. OPEN CAB ASSEMBLY



ART_1001154721-I

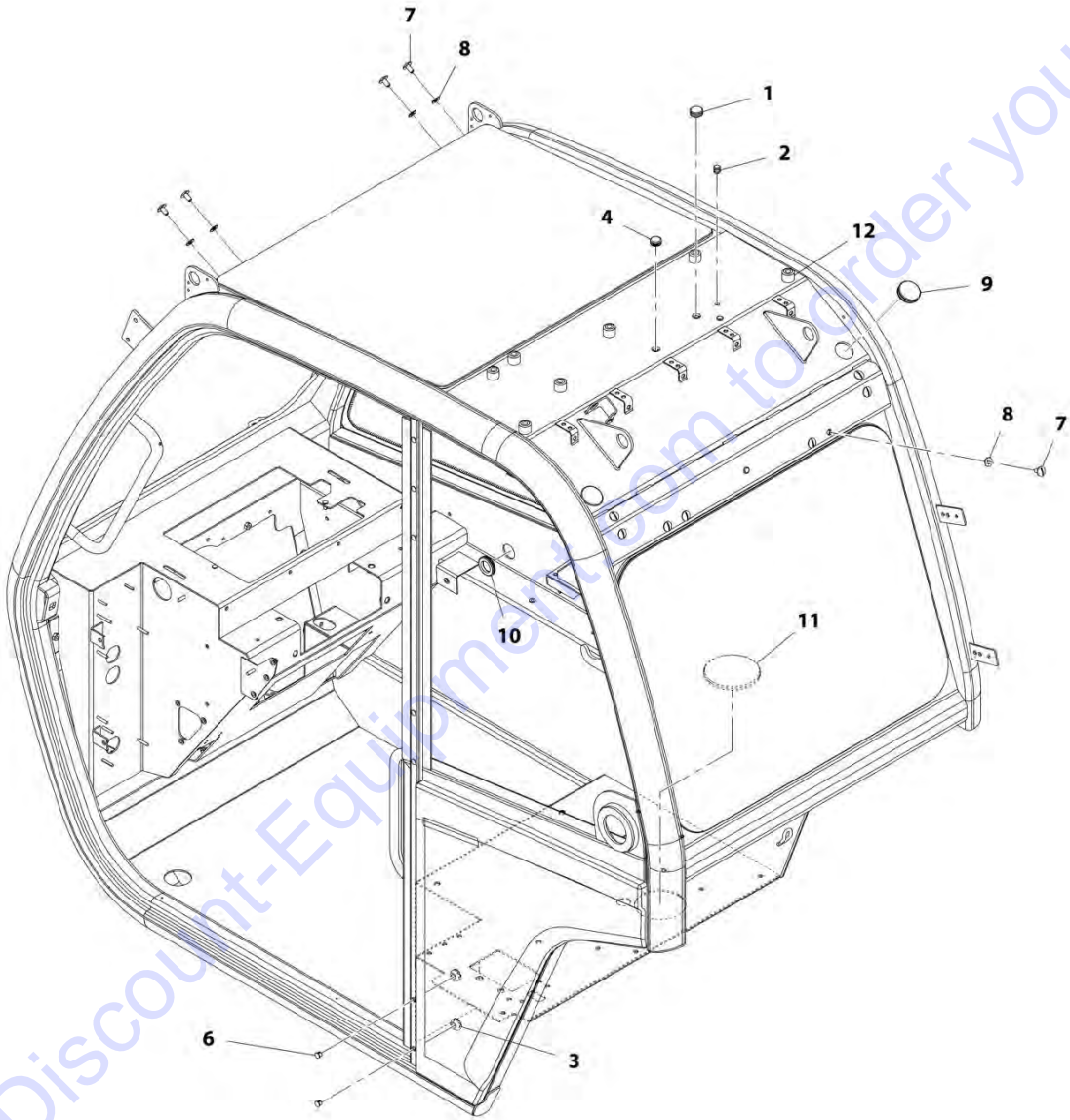
FIGURE 6-10. OPEN CAB ASSEMBLY

ITEM	PART NUMBER	QTY	DESCRIPTION	REV
	1001154721	Ref	Open Cab Assembly	I
1	1001111317	AR	Compound, Locking	
2	2080086	17	Rivnut, M6X1	
3	2080087	16	Rivnut, M8X1.25	
7	1001152947	1	Glass, RH Screen	
9	N.S.S.	1	Panel, Cab Quarter	
10	1001161538	1	Glass, Rear Window	
11	1001172193	2	Rivnut, M5X0.8	
12	N.S.S.	1	Weldment, Cab (Prior to SN 0160079247)	
13	1001195878	7	Rivnut, M5X0.8	
15	N.S.S.	3	Screw	
16	4811700	3	Washer, M6	

Go to Discount-Equipment.com to order your parts

SECTION 6 - CAB

FIGURE 6-11. OPEN CAB PLUG GROUP



ART_1001170495-E

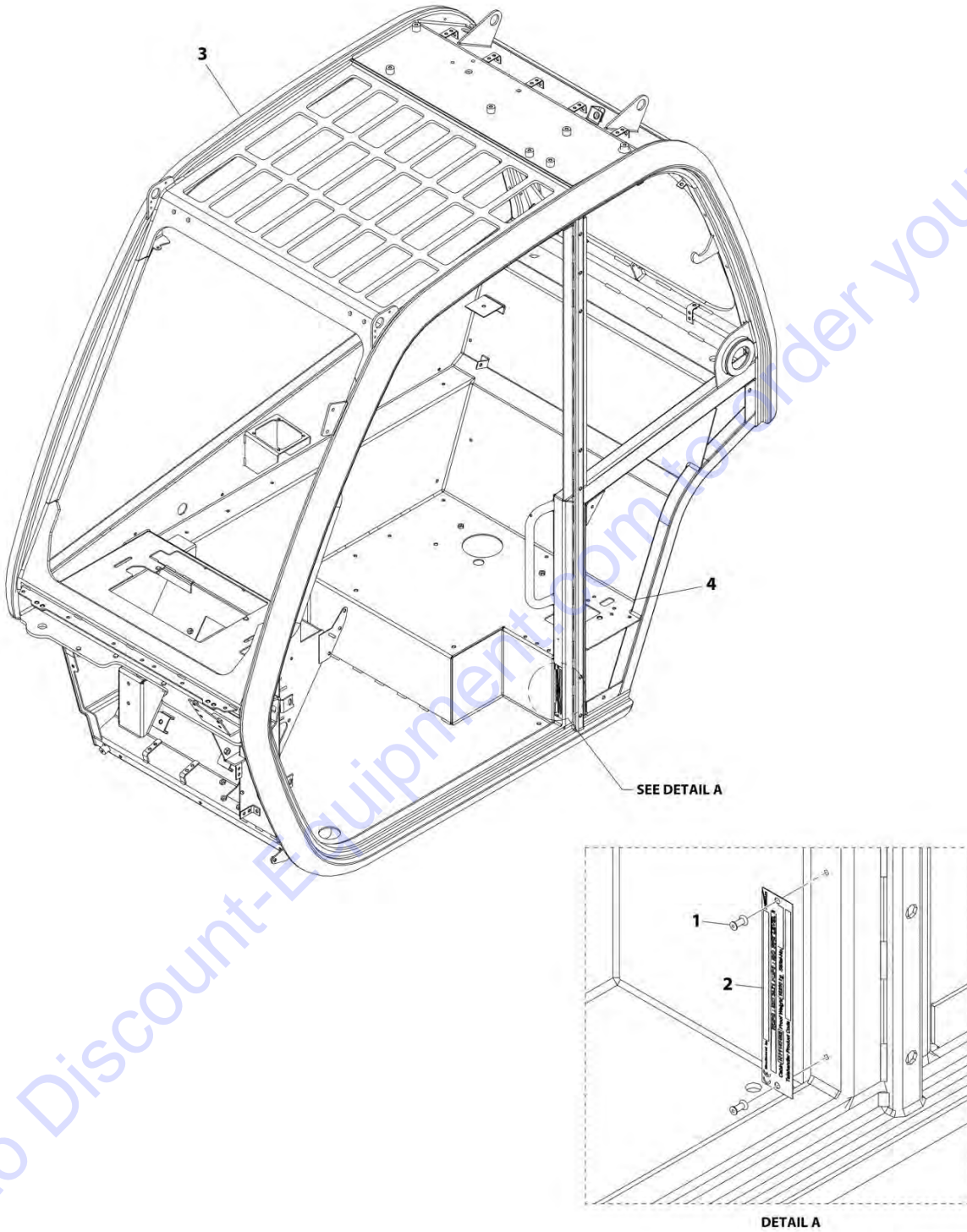
FIGURE 6-11. OPEN CAB PLUG GROUP

ITEM	PART NUMBER	QTY	DESCRIPTION	REV
	1001170495	Ref	Open Cab Plug Group	E
1	1001176273	1	Plug	
2	1001176272	3	Plug	
3	1001143200	2	Plug	
4	1001176626	1	Plug	
6	1001170374	7	Plug	
7	1001181920	12	Screw, M8X16	
8	1001181921	12	Washer, Rubber M8	
9	1001182123	2	Plug	
10	1001182139	1	Plug	
11	1001209899	1	Plug	
12	1001219220	7	Plug	

Go to Discount-Equipment.com to order your parts

SECTION 6 - CAB

FIGURE 6-12. CAB (SN 0160079247 to Present)



ART_1001214326-D

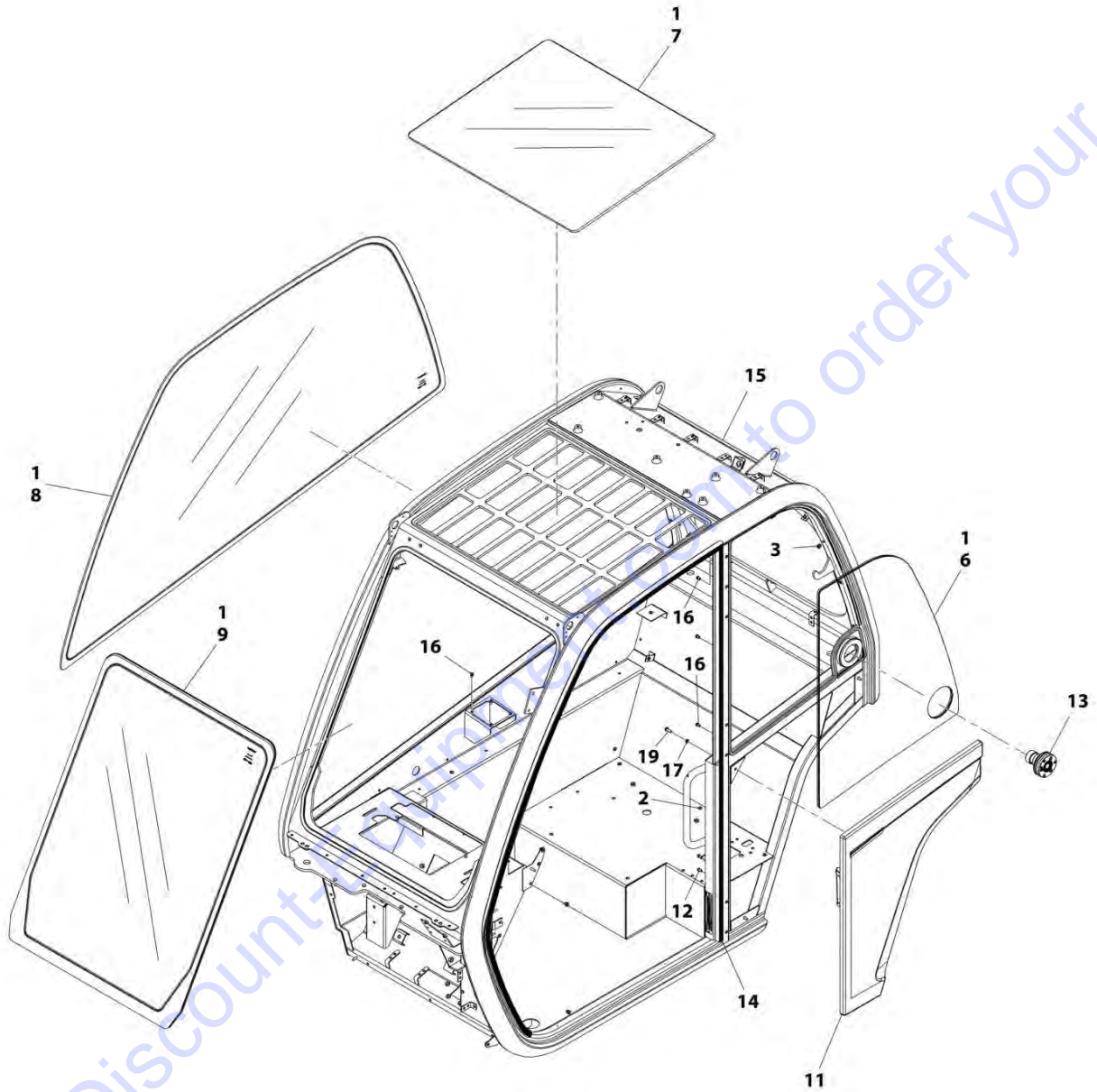
FIGURE 6-12. CAB (SN 0160079247 to Present)

ITEM	PART NUMBER	QTY	DESCRIPTION	REV
	1001214326	Ref	Cab	D
1	1001099170	2	Rivet, 4	
2	N.S.S.	1	S/N Plate, Cab	
3	N.S.S.	1	Weldment	
4	1001205402	AR	Sealant	

Go to Discount-Equipment.com to order your parts

SECTION 6 - CAB

FIGURE 6-13. ENCLOSED CAB ASSEMBLY



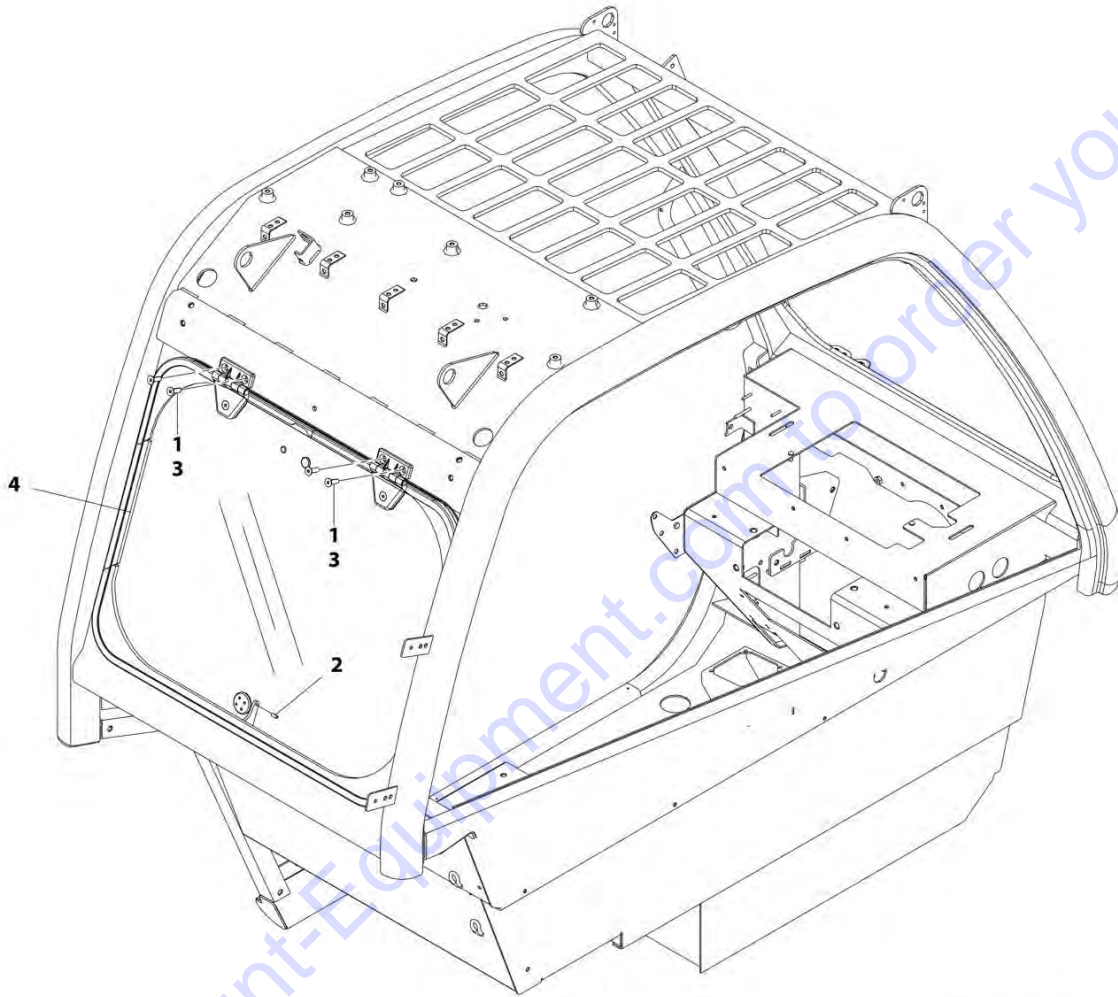
ART_1001154365-J

FIGURE 6-13. ENCLOSED CAB ASSEMBLY

ITEM	PART NUMBER	QTY	DESCRIPTION	REV
	1001154365	Ref	Enclosed Cab Assembly	J
1	1001111317	AR	Compound, Locking	
2	2080086	17	Rivnut, M6X1	
3	2080087	16	Rivnut, M8X1.25	
6	1001152915	1	Glass, LH Screen	
7	1001152934	1	Glass, Roof	
8	1001152947	1	Glass, RH Screen	
9	1001154419	1	Glass, Front	
11	N.S.S.	1	Panel, Cab Quarter	
12	1001172193	2	Rivnut, M5X0.8	
13	1001174320	1	Latch, Top Window	
14	1001175226	NLA	Seal, Cab Door, (no longer available, use 1001227186 for replacement)	
14	1001227186	1	Seal, Cab Door	
15	N.S.S.	1	Weldment, Cab (Prior to SN 0160079247)	
16	1001195878	7	Rivnut, M5X0.8	
17	4811700	3	Washer, M6	
19	N.S.S.	3	Screw	

SECTION 6 - CAB

FIGURE 6-14. REAR WINDOW INSTALLATION



ART_1001170500-C

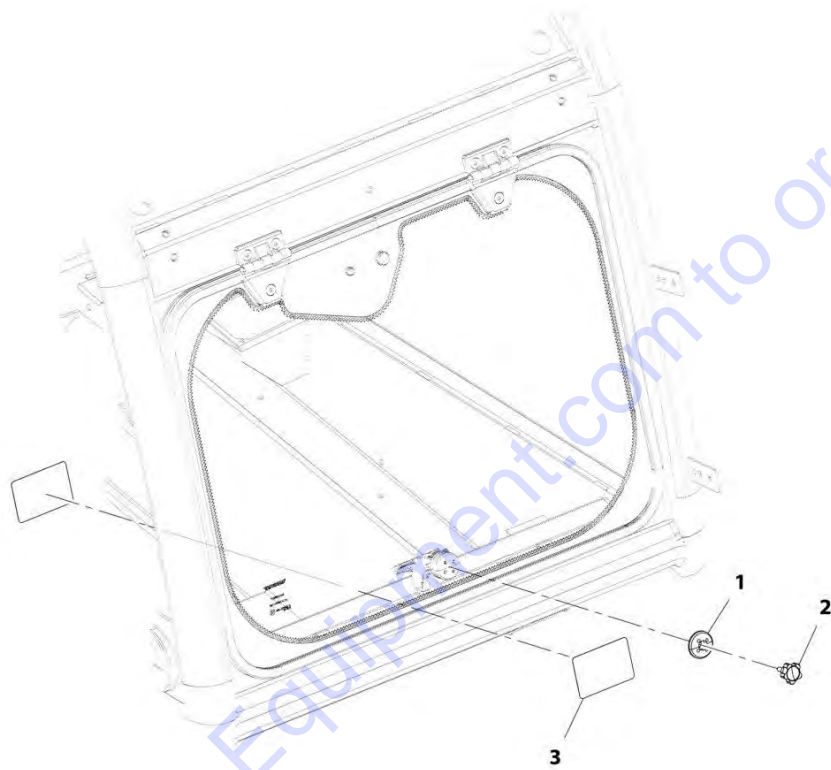
FIGURE 6-14. REAR WINDOW INSTALLATION

ITEM	PART NUMBER	QTY	DESCRIPTION	REV
	1001170500	Ref	Rear Window Installation	C
1	1001095650	AR	Compound, Locking	
2	1001003043	1	Pin, Spring	
3	1001097586	4	Bolt, M8-1.25X25	
4	1001170502	1	Window, Rear (See REAR WINDOW ASSEMBLY for Breakdown)	

Go to Discount-Equipment.com to order your parts

SECTION 6 - CAB

FIGURE 6-15. REAR WINDOW INSTALLATION (WOWIPER) (ANSI)



ART_1001212047-A

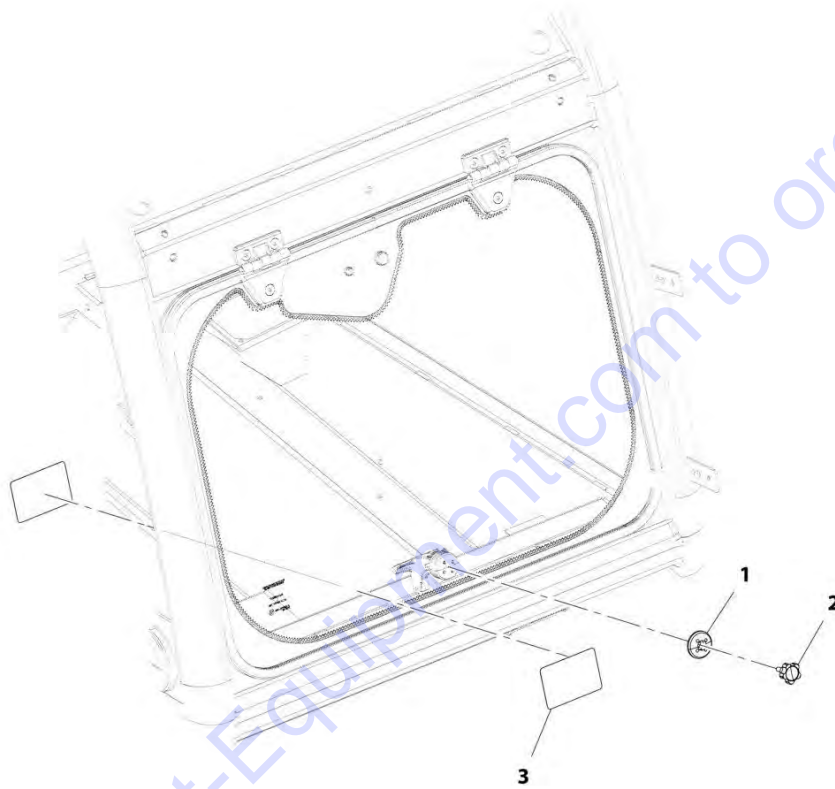
FIGURE 6-15. REAR WINDOW INSTALLATION (WO/WIPER) (ANSI)

ITEM	PART NUMBER	QTY	DESCRIPTION	REV
	1001212047	Ref	Rear Window Installation (WO/Wiper) (ANSI)	A
1	1001179008	1	Cap, Latch Window	
2	1001179009	1	Cap, Knob M6	
3	1001212049	2	Decal, Emergency Exit	

Go to Discount-Equipment.com to order your parts

SECTION 6 - CAB

FIGURE 6-16. REAR WINDOW INSTALLATION (WO/WIPER) (ISO)



ART_1001212048-A

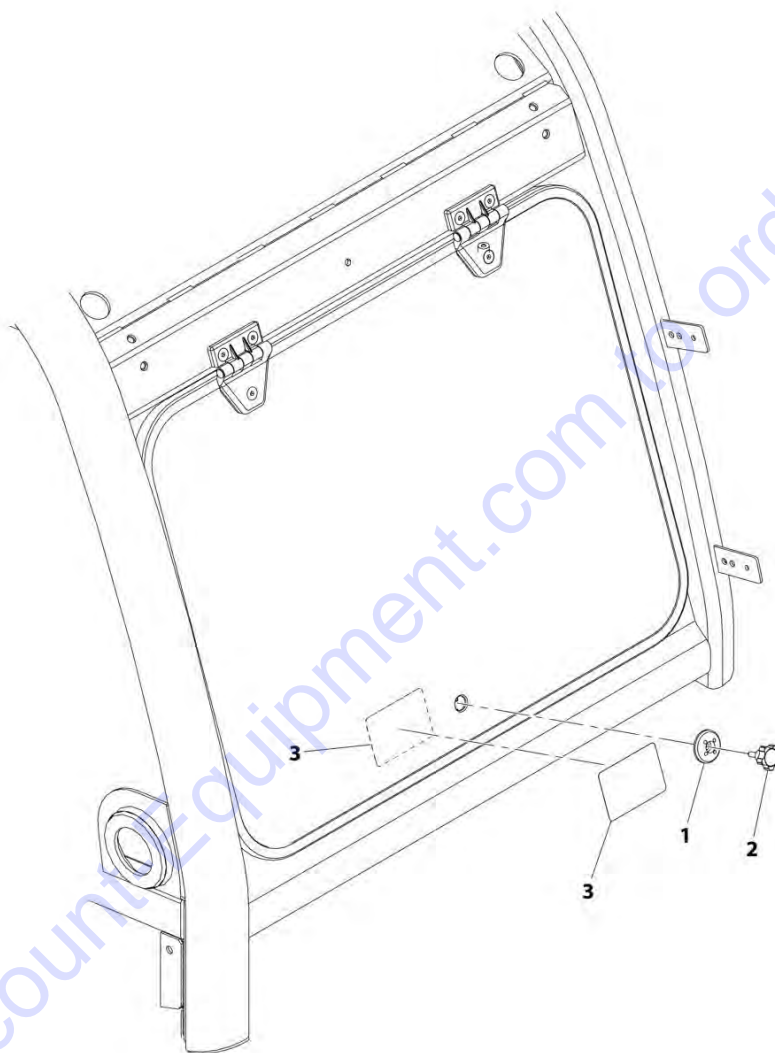
FIGURE 6-16. REAR WINDOW INSTALLATION (WO/WIPER) (ISO)

ITEM	PART NUMBER	QTY	DESCRIPTION	REV
	1001212048	Ref	Rear Window Installation (WO/Wiper) (ISO)	A
1	1001179008	1	Cap, Latch Window	
2	1001179009	1	Cap, Knob M6	
3	1001212050	2	Decal, Emergency Exit	

Go to Discount-Equipment.com to order your parts

SECTION 6 - CAB

FIGURE 6-17. REAR WINDOW INSTALLATION (WO/WIPER) (ENG/SPAN)



ART_1001237852-A

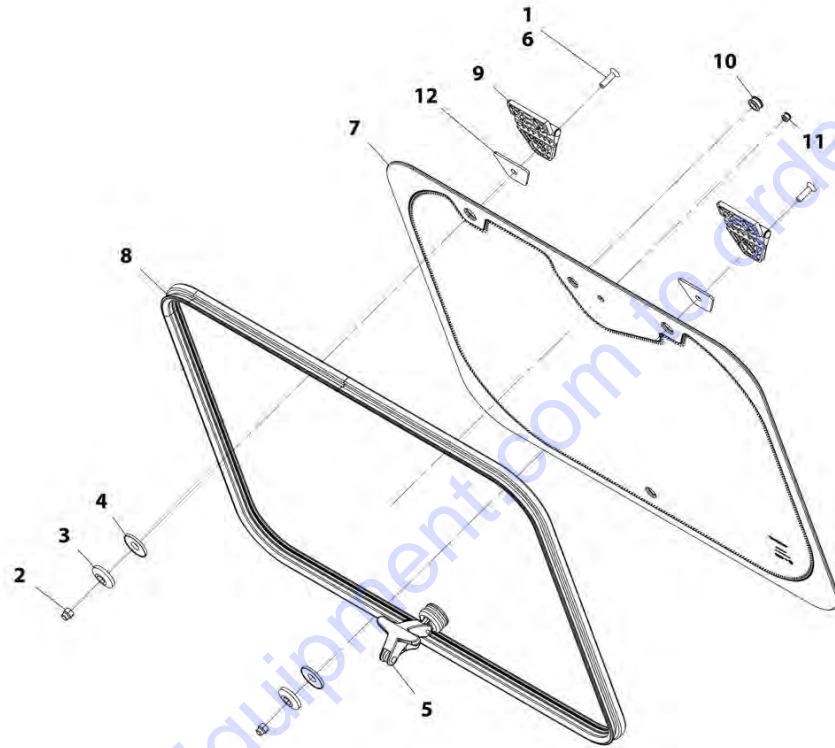
FIGURE 6-17. REAR WINDOW INSTALLATION (WO/WIPER) (ENG/SPAN)

ITEM	PART NUMBER	QTY	DESCRIPTION	REV
	1001237852	Ref	Rear Window Installation (WO/Wiper) (ENG/SPAN)	A
1	1001179008	1	Cap, Latch Window	
2	1001179009	1	Cap, Knob M6	
3	1001237845	2	Decal, Emergency Exit	

Go to Discount-Equipment.com to order your parts

SECTION 6 - CAB

FIGURE 6-18. REAR WINDOW ASSEMBLY



ART_1001170502-C

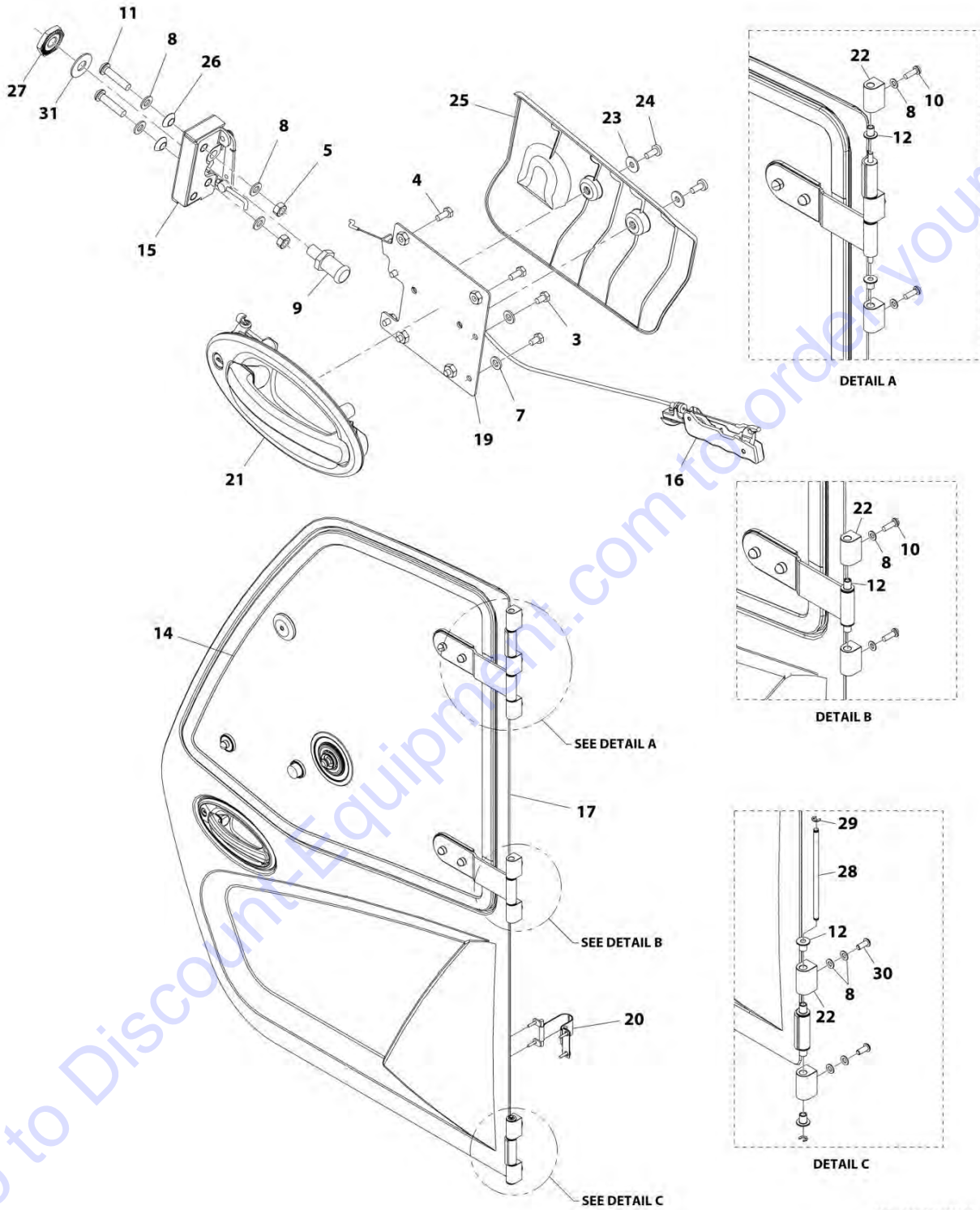
FIGURE 6-18. REAR WINDOW ASSEMBLY

ITEM	PART NUMBER	QTY	DESCRIPTION	REV
	1001170502	Ref	Rear Window Assembly	C
1	1001095650	AR	Compound, Locking	
2	3290806	2	Nut, M8X1.25 Grade 8	
3	8000759	2	Spacer	
4	8004398	2	Washer	
5	1001005368	1	Latch, Window	
6	2080078	2	Fastener, M8X30	
7	1001157481	1	Glass, Rear Window	
8	1001157487	1	Seal	
9	1001139568	2	Hinge	
10	1001171182	1	Grommet	
11	1001171183	1	Grommet	
12	1001181411	2	Gasket, Rear Window Hinge	

Go to Discount-Equipment.com to order your parts

SECTION 6 - CAB

FIGURE 6-19. DOOR INSTALLATION



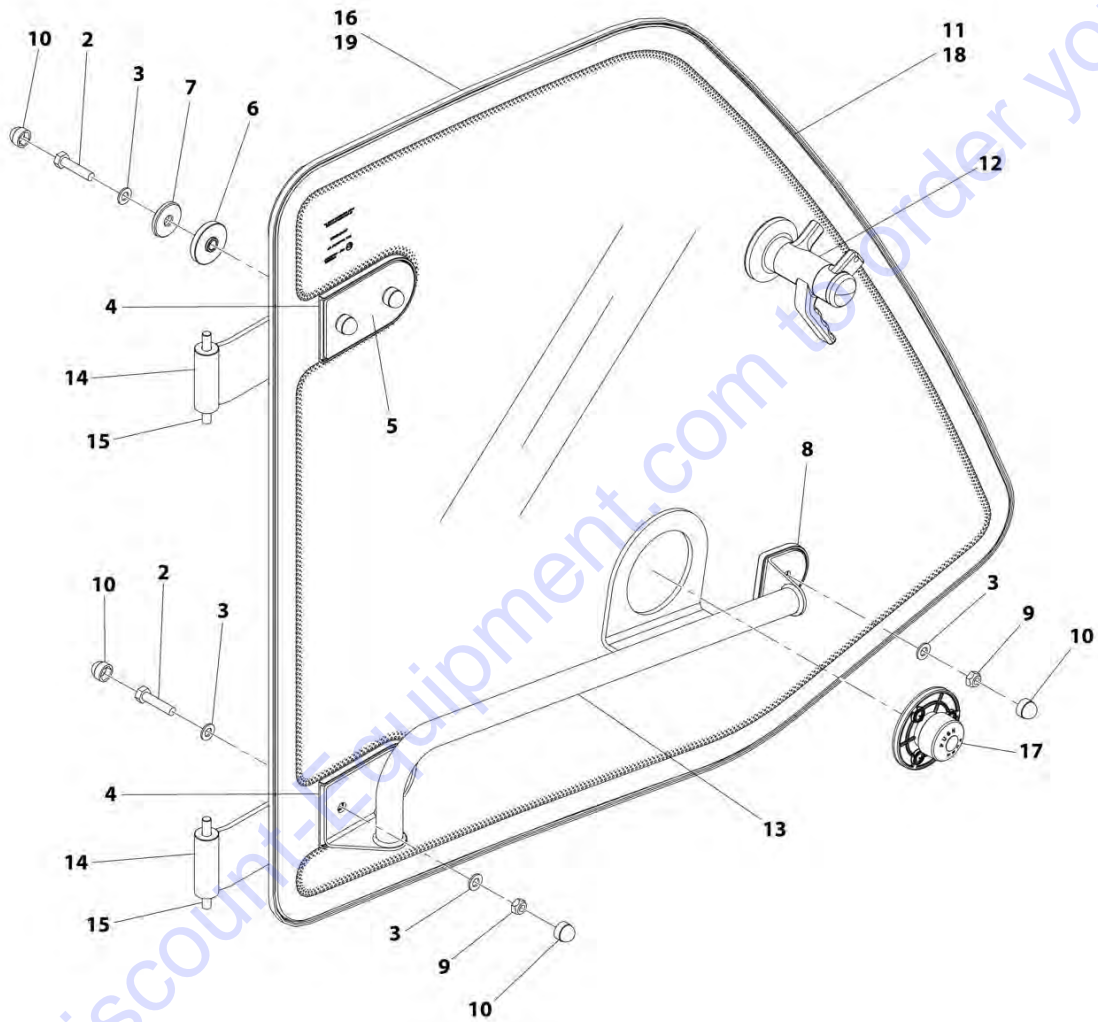
ART_1001165080-M

FIGURE 6-19. DOOR INSTALLATION

ITEM	PART NUMBER	QTY	DESCRIPTION	REV
	1001165080	Ref	Door Installation	M
3	0760605	4	Bolt, M6X10	
4	0760607	4	Bolt, M6X14	
5	3290801	2	Nut, M8X1.25 Grade 8	
7	4811700	4	Washer, M6	
8	4811900	13	Washer, M8	
9	8000803	1	Pin, Door Striker	
10	1001008988	5	Screw M8X25	
11	1001047062	2	Screw, M8X35	
12	1001107192	10	Sleeve, Hinge	
14		Ref	Assembly, Door Upper Glass (See Separate Breakdown in this Section)	
15	1001192766	1	Assembly, Cab Latch (See Separate Breakdown in this Section)	
16	1001167958	1	Assembly, Cab Door Trigger (See Separate Breakdown in this Section)	
17	1001169881	1	Assembly, Door (See Separate Breakdown in this Section)	
19	1001173298	1	Bracket	
20	1001174295	1	Installation, Door Strap (See Separate Breakdown in this Section)	
21	1001192646	1	Handle, Exterior Door	
22	1001170601J	7	Lug, Hinge	
23	4811702001	2	Washer, M6	
24	4010608002	2	Screw, Posi-Drive, M6X16	
25	1001175477	1	Cover, Cab Door Interior	
26	1001184439	2	Bushing	
27	1001192309	1	Nut, M12X1	
28	1001213791	1	Pin, Hinge	
29	0498748	1	Clip, Snap Ring	
30	1001164726	1	Bolt, M8X20	
31	1001227802	1	Washer, Striker	

SECTION 6 - CAB

FIGURE 6-20. DOOR UPPER GLASS ASSEMBLY (642 Prior to SN 0160077281; 943 Prior to SN 0160077094; 1043 Prior to SN 0160077011)



ART_1001165186-F

SECTION 6 - CAB

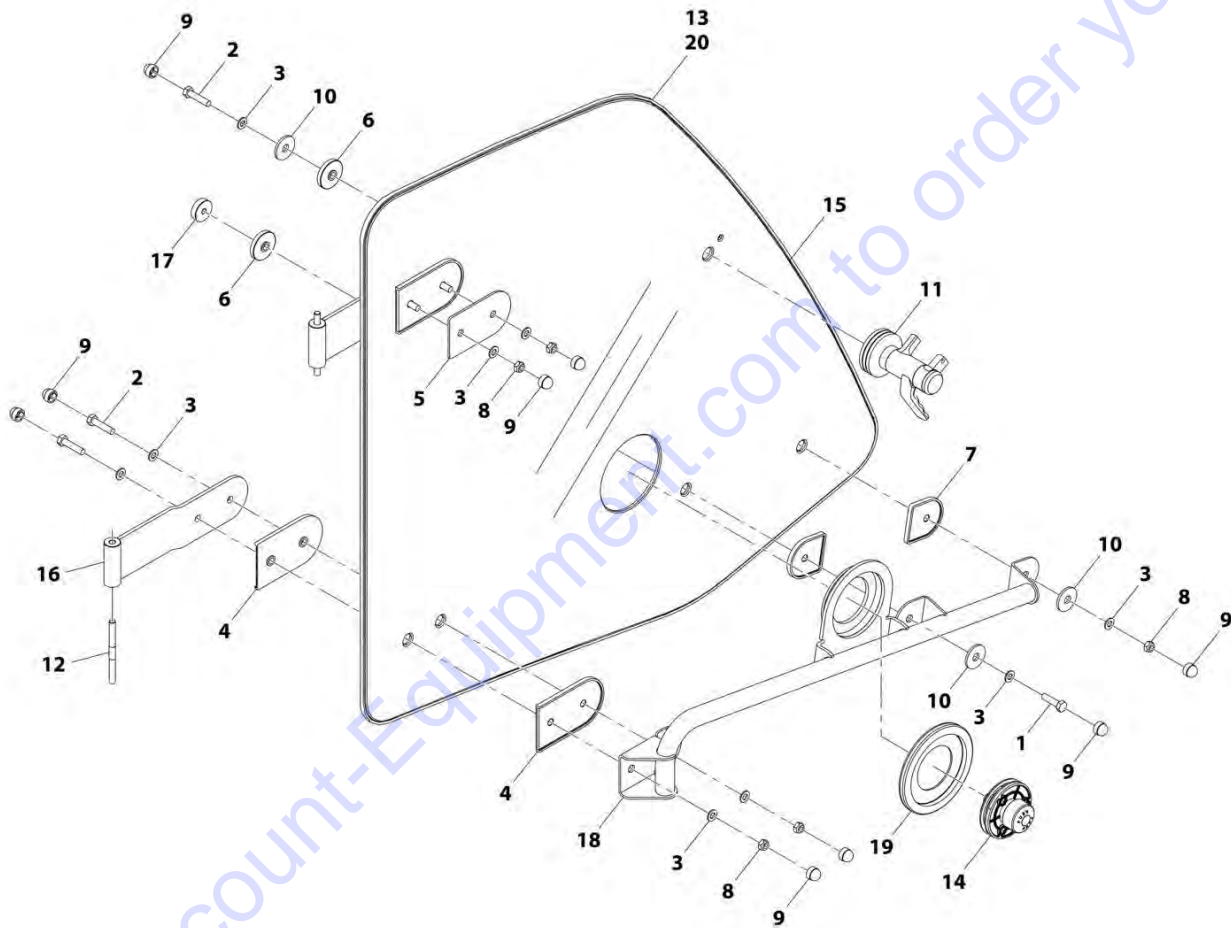
FIGURE 6-20. DOOR UPPER GLASS ASSEMBLY (642 Prior to SN 0160077281; 943 Prior to SN 0160077094; 1043 Prior to SN 0160077011)

ITEM	PART NUMBER	QTY	DESCRIPTION	REV
	1001165186	Ref	Door Upper Glass Assembly	F
2	0760815	5	Bolt, M8X35	
3	4811900	10	Washer, M8	
4	1001002946	4	Mount, Hinge	
5	1001002947	1	Mount, Hinge	
6	1001002953	1	Mount, Hinge	
7	1001141246	1	Mount, Rubber	
8	1001002957	1	Mount, Latch	
9	1001008857	5	Nut, Lock	
10	1001096365	10	Cap, M8	
11	1001165187	1	Glass, Window	
12	1001165275	1	Latch, Window	
13	1001199915	1	Handle	
14	1001165459	2	Hinge	
15	1001166634	2	Pin, Hinge	
16	1001170944	1	Panel, Window Surround	
17	1001174321	1	Striker, Top Window	
18	1001111317	AR	Adhesive, Window Sealant	
19	1001200713	AR	Adhesive, Window Surround	

Go to Discount-Equipment.com to order your parts

SECTION 6 - CAB

FIGURE 6-21. DOOR UPPER GLASS ASSEMBLY (642 SN 0160077281 to Present; 943 SN 0160077094 to Present; 1043 SN 0160077011 to Present)



ART_1001205532-E

SECTION 6 - CAB

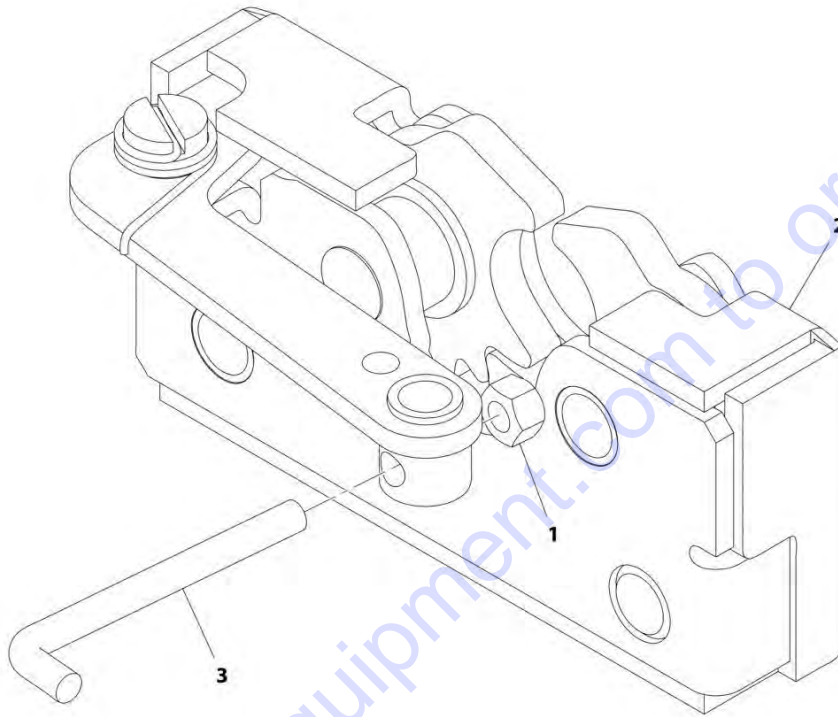
FIGURE 6-21. DOOR UPPER GLASS ASSEMBLY (642 SN 0160077281 to Present; 943 SN 0160077094 to Present; 1043 SN 0160077011 to Present)

ITEM	PART NUMBER	QTY	DESCRIPTION	REV
	1001205532	Ref	Door Upper Glass Assembly	E
1	0760812	1	Bolt, M8X25	
2	0760815	5	Bolt, M8X35	
3	4811900	11	Washer, M8	
4	1001002946	4	Mount, Hinge	
5	1001002947	1	Mount, Hinge	
6	1001002953	2	Mount, Rubber	
7	1001002957	2	Mount, Latch	
8	1001008857	5	Nut, Lock	
9	1001096365	11	Cap, M8	
10	1001141246	3	Mount, Handle	
11	1001165275	1	Latch, Window	
12	1001166634	2	Pin, Hinge	
13	1001170944	1	Panel, Window Surround	
14	1001174321	1	Striker, Top Window	
15	1001204066	1	Glass, Window	
16	1001204115	2	Hinge, Assembly	
17	1001222741	1	Buffer, Cab	
18	1001204120	1	Handle	
19	1001213331	1	Gasket, Back Window	
20	1001215531	AR	Adhesive	

Go to Discount-Equipment.com to order your parts

SECTION 6 - CAB

FIGURE 6-22. CAB LATCH ASSEMBLY



Go to Discount-Equipment.com to order your parts

ART_1001192766-A

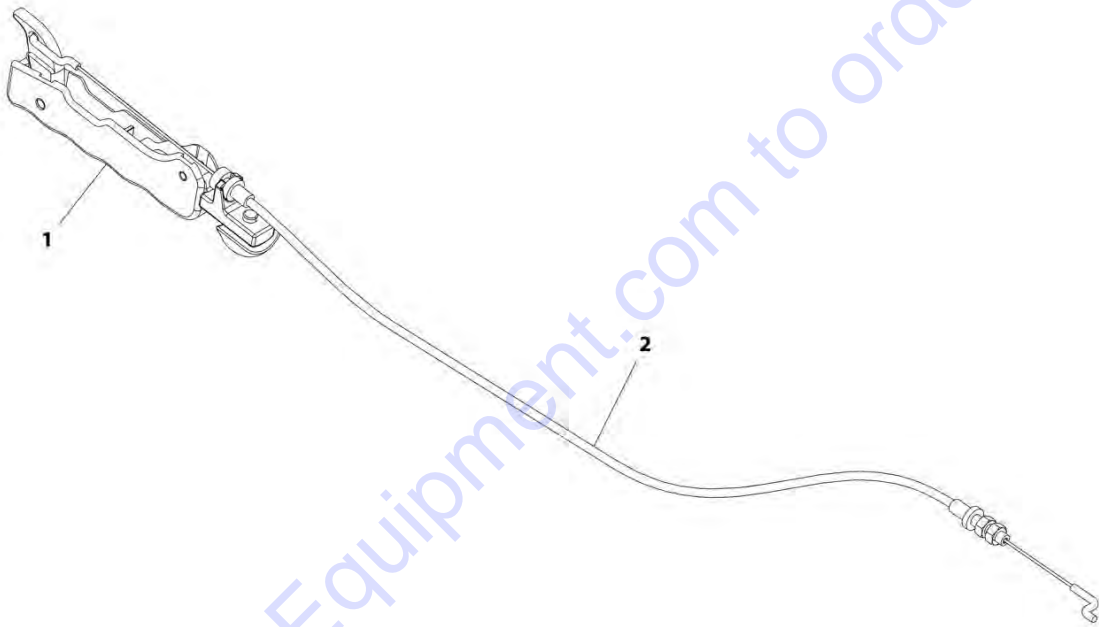
FIGURE 6-22. CAB LATCH ASSEMBLY

ITEM	PART NUMBER	QTY	DESCRIPTION	REV
	1001192766	Ref	Cab Latch Assembly	A
1	3290405	1	Nut, Lock M4X0.7 Grade 8	
2	1001192643	1	Latch	
3	1001192755	1	Link, Door Handle	

Go to Discount-Equipment.com to order your parts

SECTION 6 - CAB

FIGURE 6-23. CAB DOOR TRIGGER ASSEMBLY



ART_1001167958-E

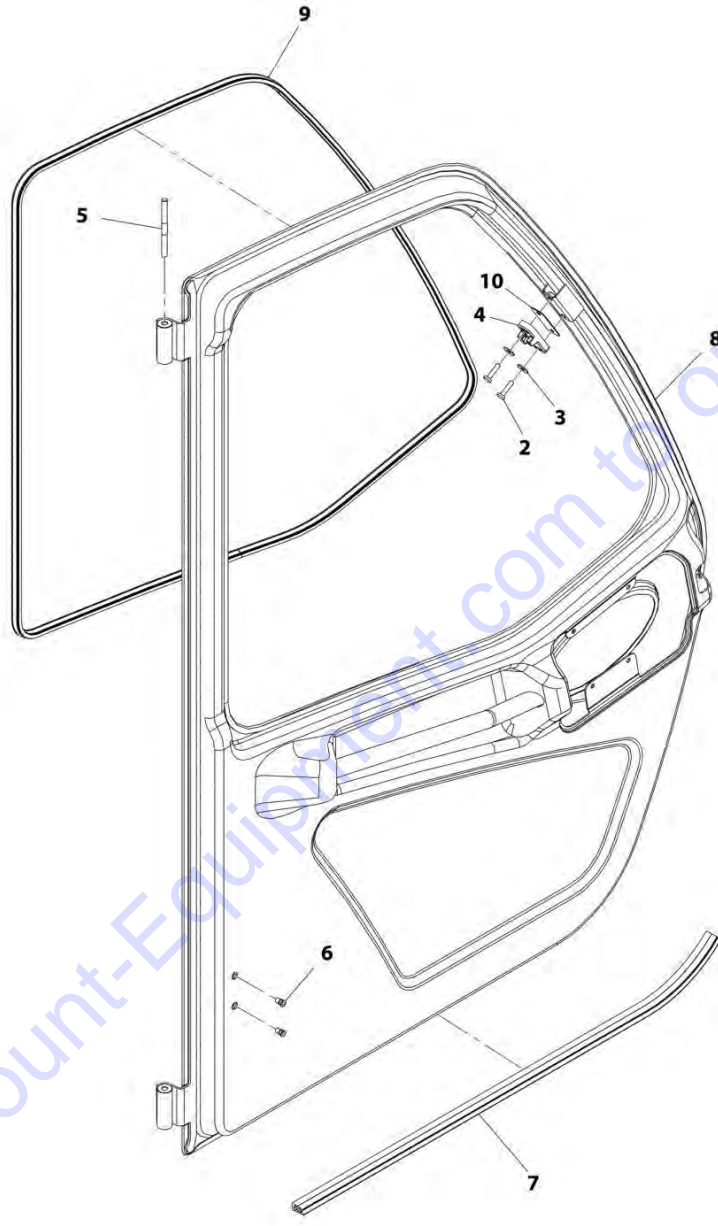
FIGURE 6-23. CAB DOOR TRIGGER ASSEMBLY

ITEM	PART NUMBER	QTY	DESCRIPTION	REV
	1001167958	Ref	Cab Door Trigger Assembly	E
1	1001167937	1	Trigger, Cab Interior Release	
2	1001192644	1	Cable, Cab Latch Release	

Go to Discount-Equipment.com to order your parts

SECTION 6 - CAB

FIGURE 6-24. DOOR ASSEMBLY



ART_1001169881-J

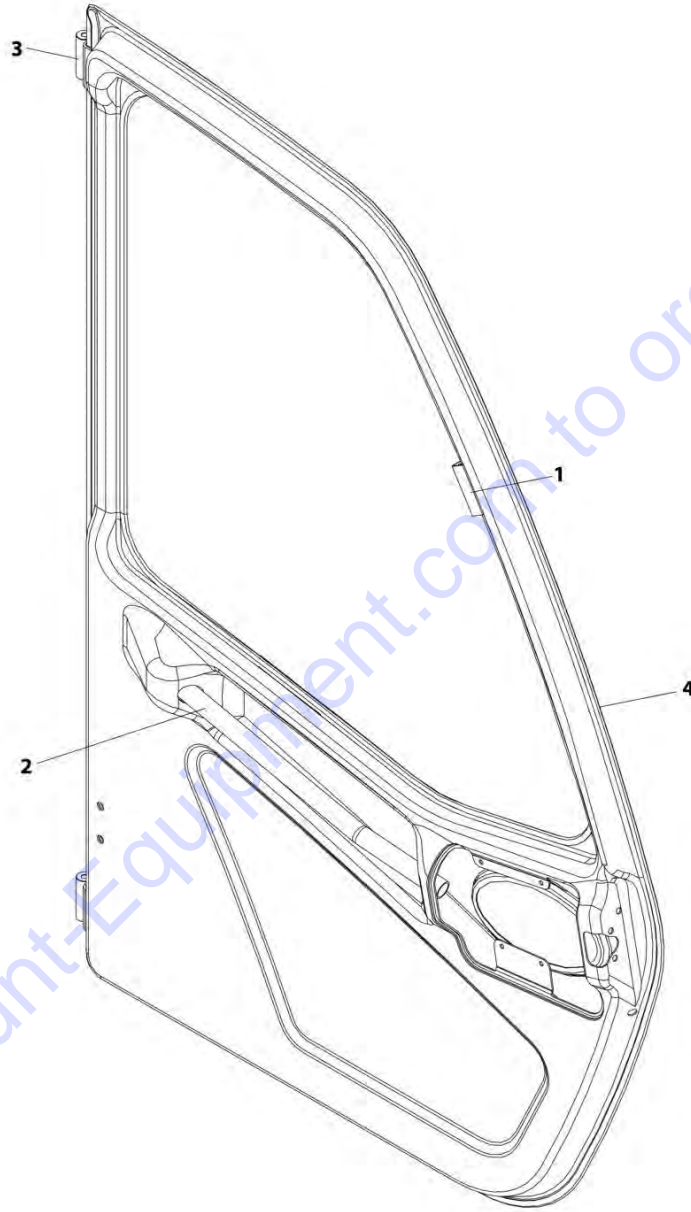
FIGURE 6-24. DOOR ASSEMBLY

ITEM	PART NUMBER	QTY	DESCRIPTION	REV
	1001169881	Ref	Door Assembly	J
2	4010612002	2	Screw, Posi-Drive, M6X25	
3	4811702001	2	Washer, M6	
4	1001165276	1	Plate, Window Latch Striker	
5	1001166634	1	Pin, Hinge	
6	1001172193	2	Rivnut, M5X0.8	
7	1001175227	NLA	Seal, Cab Door, (no longer available, use 1001227188 for replacement)	
7	1001227188	1	Seal, Cab Door	
8	1001165022J	1	Door, Cab (See Separate Breakdown in this Section)	
9	1001178213	NLA	Seal, Cab Door Window, (no longer available, use 1001227187 for replacement)	
9	1001227187	1	Seal, Cab Door Window	
10	1001193210	AR	Shim, Window Latch	

Go to Discount-Equipment.com to order your parts

SECTION 6 - CAB

FIGURE 6-25. CAB DOOR



ART_1001165022-E

FIGURE 6-25. CAB DOOR

ITEM	PART NUMBER	QTY	DESCRIPTION	REV
	1001165022	Ref	Cab Door	E
1	1001169883	1	Bracket, Window Latch	
2	1001169885	1	Handle, Interior Door	
3	1001171037	1	Plate, Hinge	
4	1001171634	1	Frame, Door	

Go to Discount-Equipment.com to order your parts

SECTION 6 - CAB

FIGURE 6-26. DOOR STRAP INSTALLATION

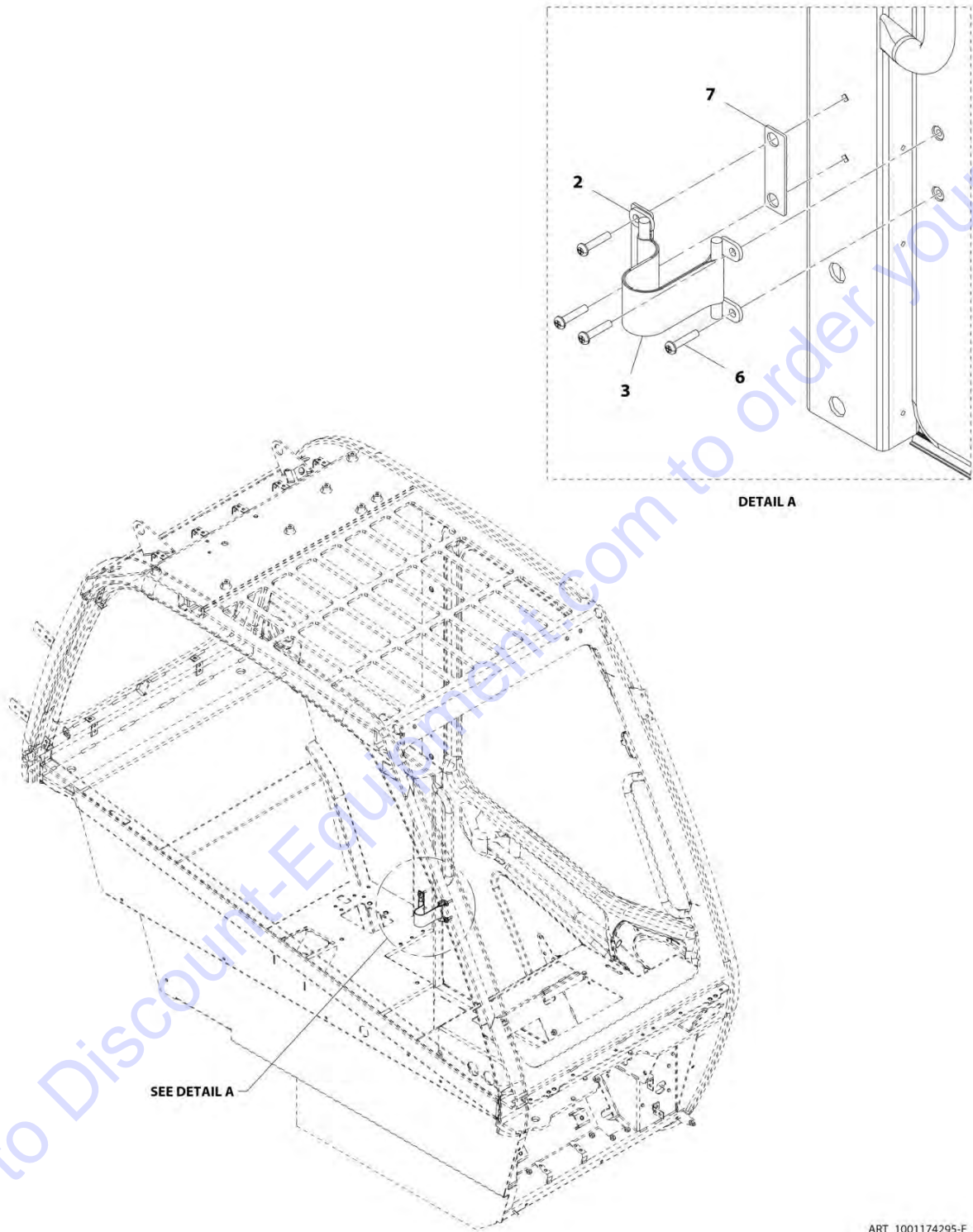


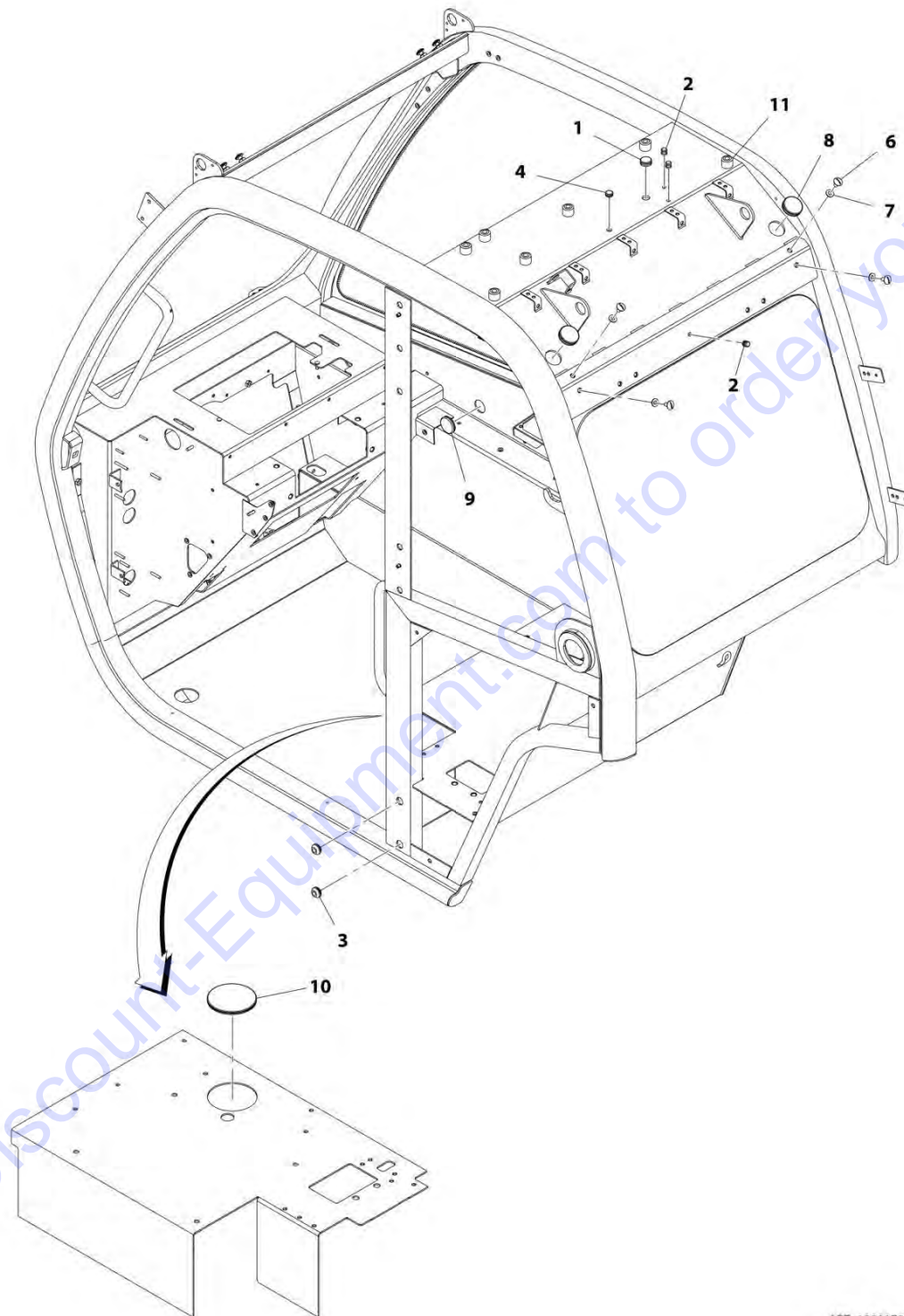
FIGURE 6-26. DOOR STRAP INSTALLATION

ITEM	PART NUMBER	QTY	DESCRIPTION	REV
	1001174295	Ref	Door Strap Installation	F
2	1001230163	2	Bracket, Door Strap Holder	
3	1001184801	NLA	Strap, Door Hold Open, (no longer available, use 1001212011 for replacement)	
3	1001212011	1	Strap, Door Hold Open	
6	8310559	4	Screw	
7	1001191091	1	Plate, Cab Door Strap	

Go to Discount-Equipment.com to order your parts

SECTION 6 - CAB

FIGURE 6-27. ENCLOSED CAB PLUG GROUP



ART_1001170603-E

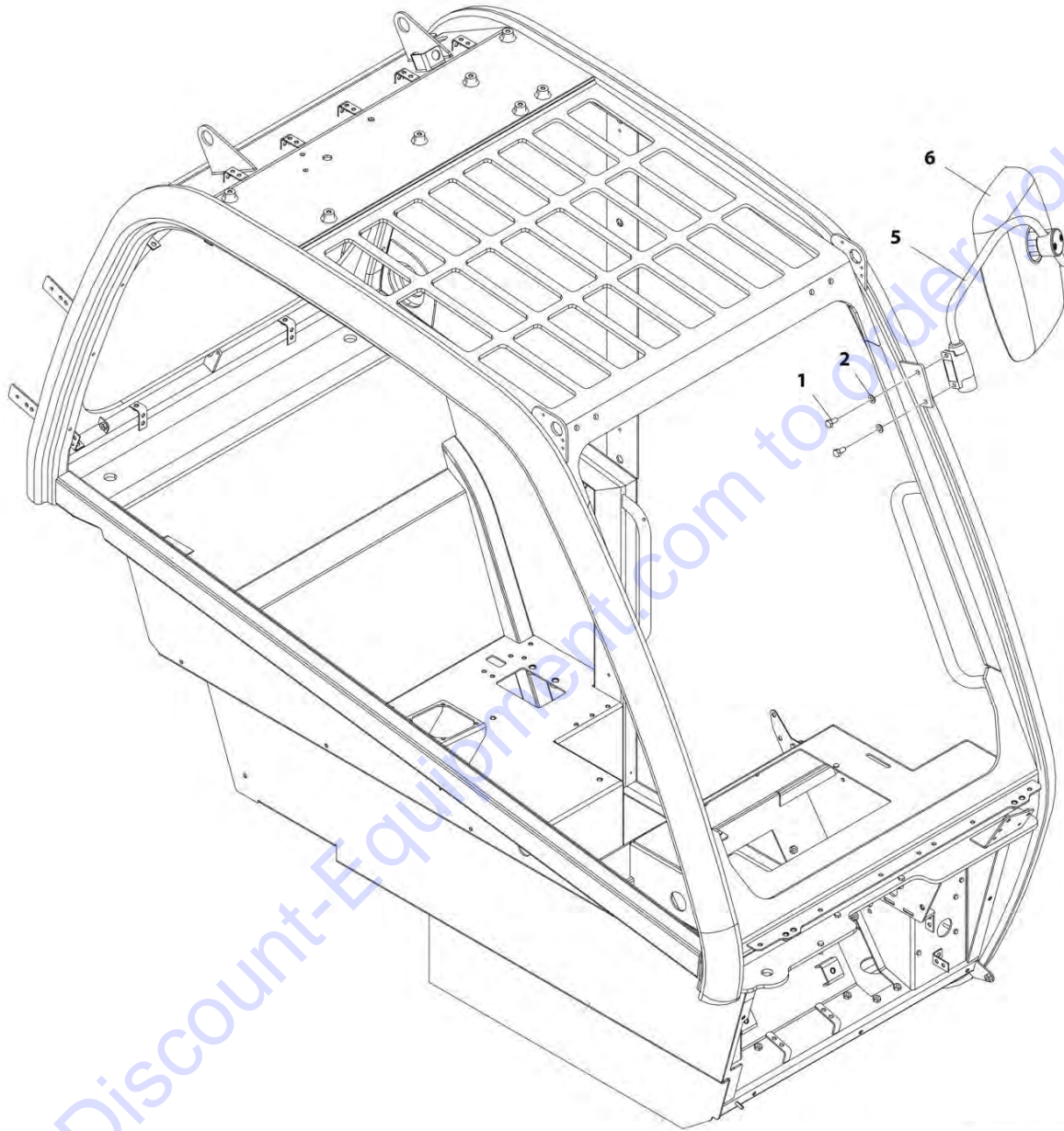
FIGURE 6-27. ENCLOSED CAB PLUG GROUP

ITEM	PART NUMBER	QTY	DESCRIPTION	REV
	1001170603	Ref	Enclosed Cab Plug Group	E
1	1001176273	1	Plug	
2	1001176272	3	Plug	
3	1001143200	2	Plug	
4	1001176626	1	Plug	
6	1001181920	8	Screw, M8X16	
7	1001181921	8	Washer, Rubber M8	
8	1001182123	2	Plug	
9	1001182139	1	Plug	
10	1001209899	1	Plug	
11	1001219220	7	Plug	

Go to Discount-Equipment.com to order your parts

SECTION 6 - CAB

FIGURE 6-28. MIRROR INSTALLATION



ART_1001160508-E

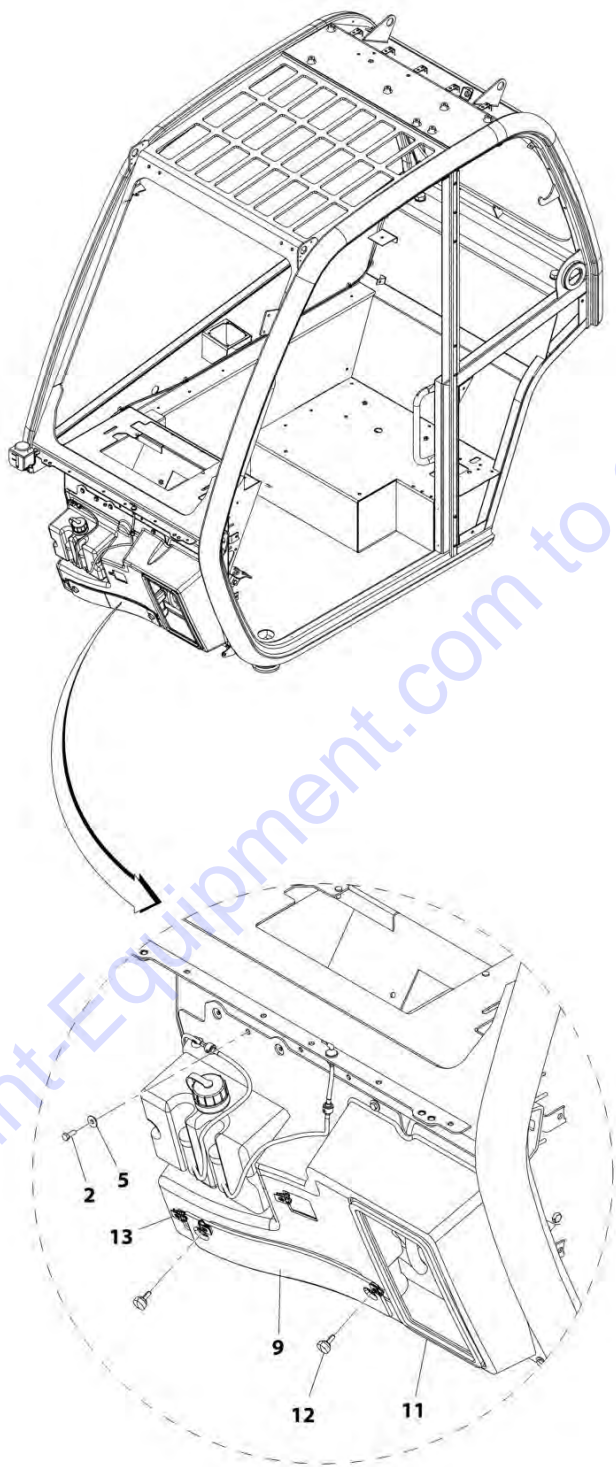
FIGURE 6-28. MIRROR INSTALLATION

ITEM	PART NUMBER	QTY	DESCRIPTION	REV
	1001160508	Ref	Mirror Installation	E
1	0760808	2	Bolt, M8X16	
2	4811900	2	Washer, M8	
5	1001164655	1	Bracket, Mirror	
6	80363195	1	Assembly, Convex Mirror	

Go to Discount-Equipment.com to order your parts

SECTION 6 - CAB

FIGURE 6-29. FRONT COVER INSTALLATION



ART_1001170366-G

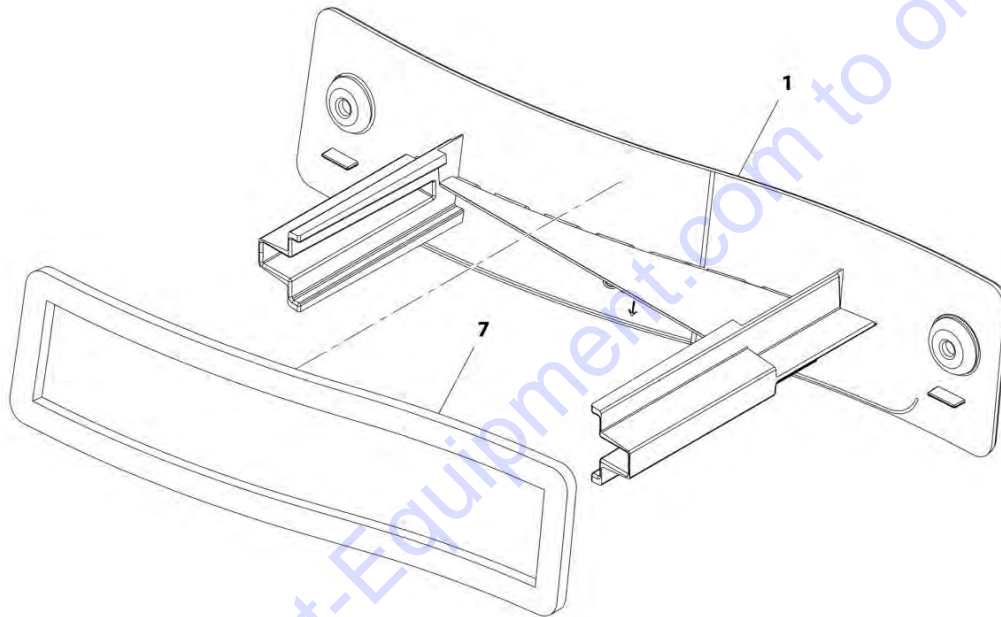
FIGURE 6-29. FRONT COVER INSTALLATION

ITEM	PART NUMBER	QTY	DESCRIPTION	REV
	1001170366	Ref	Front Cover Installation	G
2	0760608	7	Bolt, M6X16	
5	4811702	7	Washer, M6	
9	1001175471	1	Assembly, Filter Tray Panel (See FILTER TRAY PANEL for Breakdown)	
11	1001176121	1	Assembly, Front Duct Cover (See FRONT DUCT COVER ASSEMBLY for Breakdown)	
12	2080092	2	Thumb Screw, M6X16	
13	8305919	4	Nut, M6	

Go to Discount-Equipment.com to order your parts

SECTION 6 - CAB

FIGURE 6-30. FILTER TRAY PANEL



ART_1001175471-D

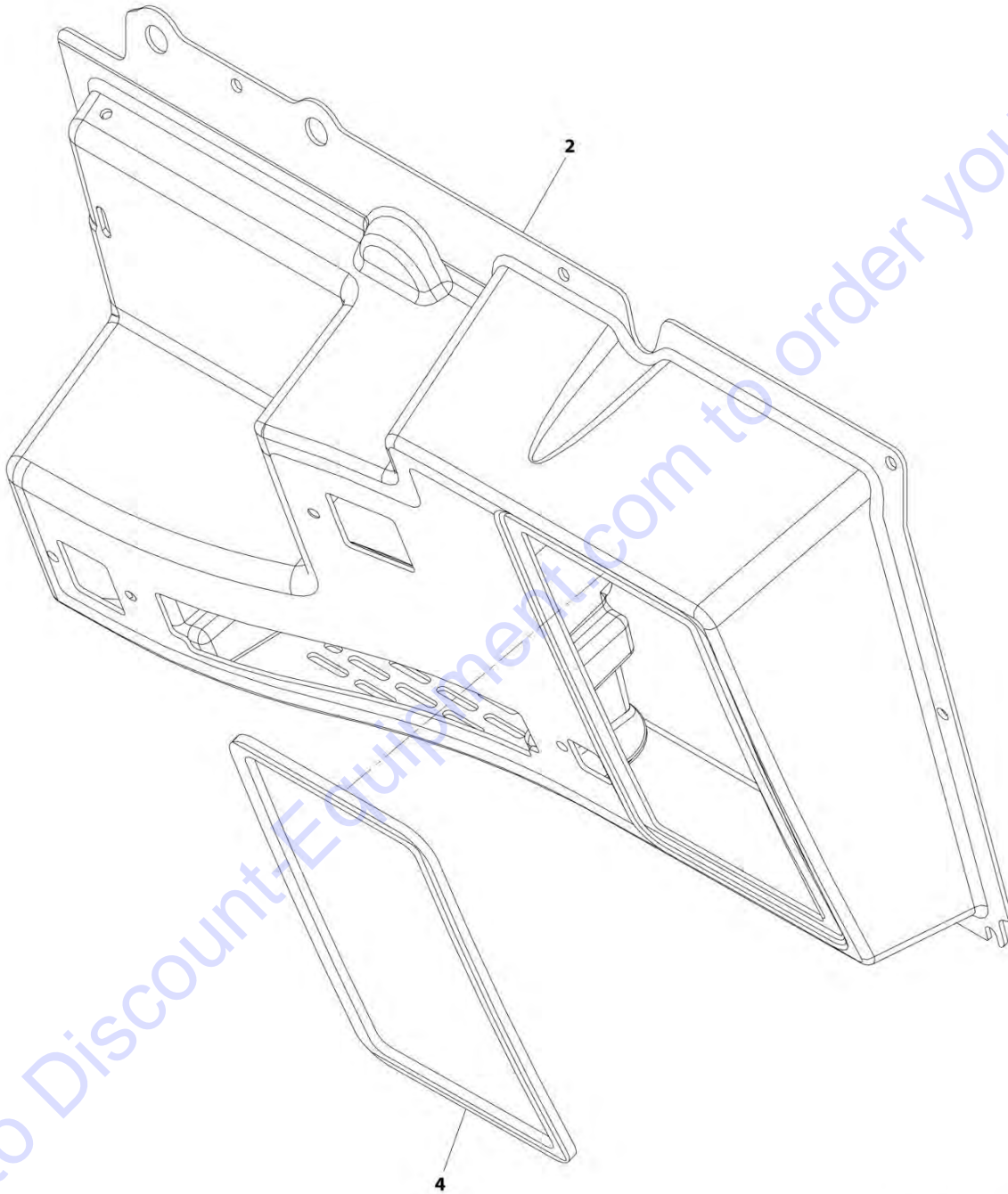
FIGURE 6-30. FILTER TRAY PANEL

ITEM	PART NUMBER	QTY	DESCRIPTION	REV
	1001175471	Ref	Filter Tray Assembly	D
1	1001170993	1	Panel, Front Inlet	
7	1001171767	1	Cab, Front Panel Seal	

Go to Discount-Equipment.com to order your parts

SECTION 6 - CAB

FIGURE 6-31. FRONT DUCT COVER



Go to Discount-Equipment.com to order your parts

ART_1001176121-G

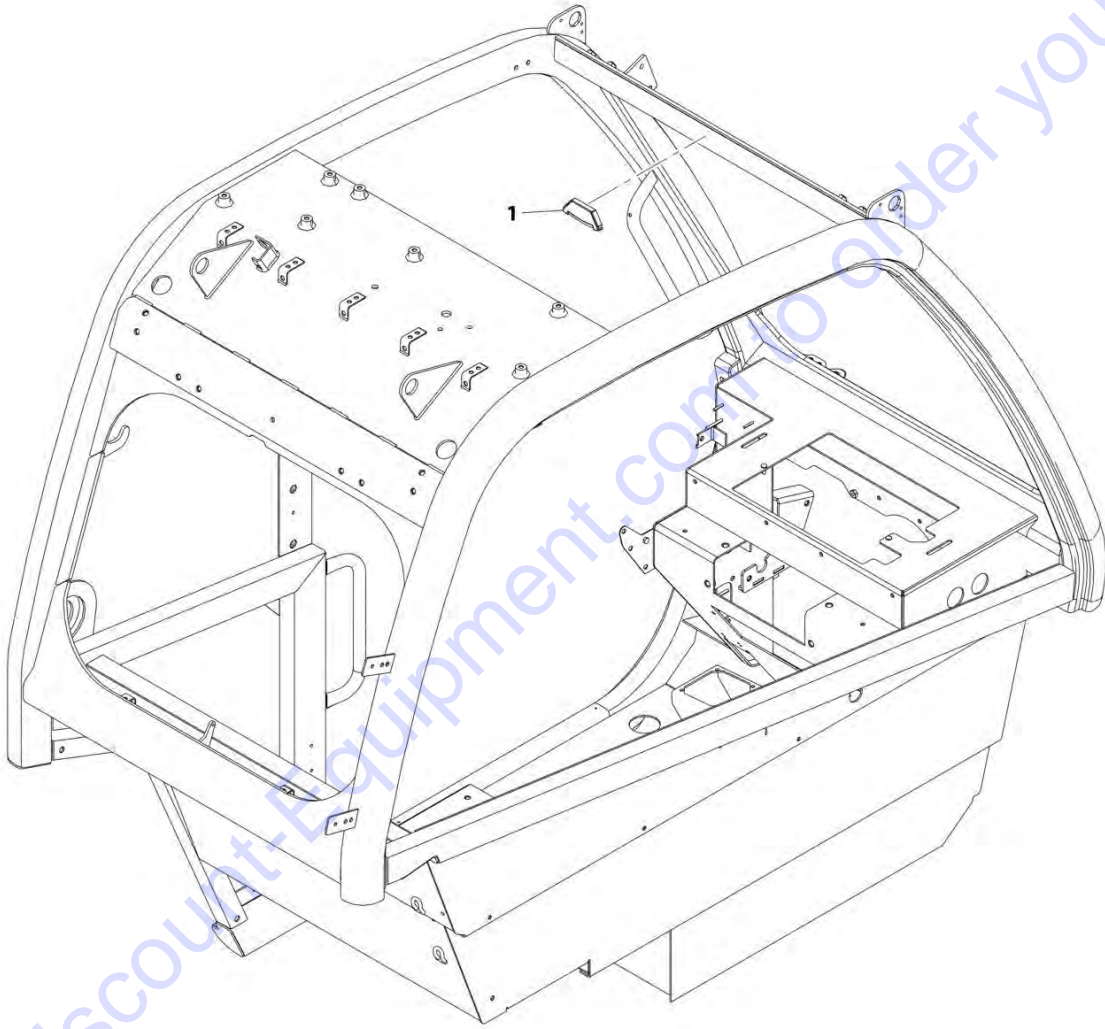
FIGURE 6-31. FRONT DUCT COVER

ITEM	PART NUMBER	QTY	DESCRIPTION	REV
	1001176121	Ref	Font Duct Cover	G
2	1001170326	1	Cover, Front	
4	1001175470	1	Seal, Front Cab Panel	

Go to Discount-Equipment.com to order your parts

SECTION 6 - CAB

FIGURE 6-32. LEVEL INDICATOR INSTALLATION



ART_1001172401-C

PARTS FINDER

**Search Website
by Part Number**



**Search Manual
Library For Parts
Manual & Lookup Part
Numbers – Purchase
or Request Quote**

**Can't Find Part or
Manual? Request Help
by Manufacturer,
Model & Description**

Discount-Equipment.com is your online resource for quality parts & equipment.

Florida: **561-964-4949** Outside Florida TOLL FREE: **877-690-3101**

Need parts?

Click on this link: <http://www.discount-equipment.com/category/5443-parts/> and choose one of the options to help get the right parts and equipment you are looking for. Please have the machine model and serial number available in order to help us get you the correct parts. If you don't find the part on the website or on one of the online manuals, please fill out the request form and one of our experienced staff members will get back to you with a quote for the right part that your machine needs.

We sell worldwide for the brands: Genie, Terex, JLG, MultiQuip, Mikasa, Essick, Whiteman, Mayco, Toro Stone, Diamond Products, Generac Magnum, Airman, Haulotte, Barreto, Power Blanket, Nifty Lift, Atlas Copco, Chicago Pneumatic, Allmand, Miller Curber, Skyjack, Lull, Skytrak, Tsurumi, Husquvarna Target, Stow, Wacker, Sakai, Mi-T-M, Sullair, Basic, Dynapac, MBW, Weber, Bartell, Bennar Newman, Haulotte, Ditch Runner, Menegotti, Morrison, Contec, Buddy, Crown, Edco, Wyco, Bomag, Laymor, EZ Trench, Bil-Jax, F.S. Curtis, Gehl Pavers, Heli, Honda, ICS/PowerGrit, IHI, Partner, Imer, Clipper, MMD, Koshin, Rice, CH&E, General Equipment, Amida, Coleman, NAC, Gradall, Square Shooter, Kent, Stanley, Tamco, Toku, Hatz, Kohler, Robin, Wisconsin, Northrock, Oztec, Toker TK, Rol-Air, APT, Wylie, Ingersoll Rand / Doosan, Innovatech, Con X, Ammann, Mecalac, Makinex, Smith Surface Prep, Small Line, Wanco, Yanmar

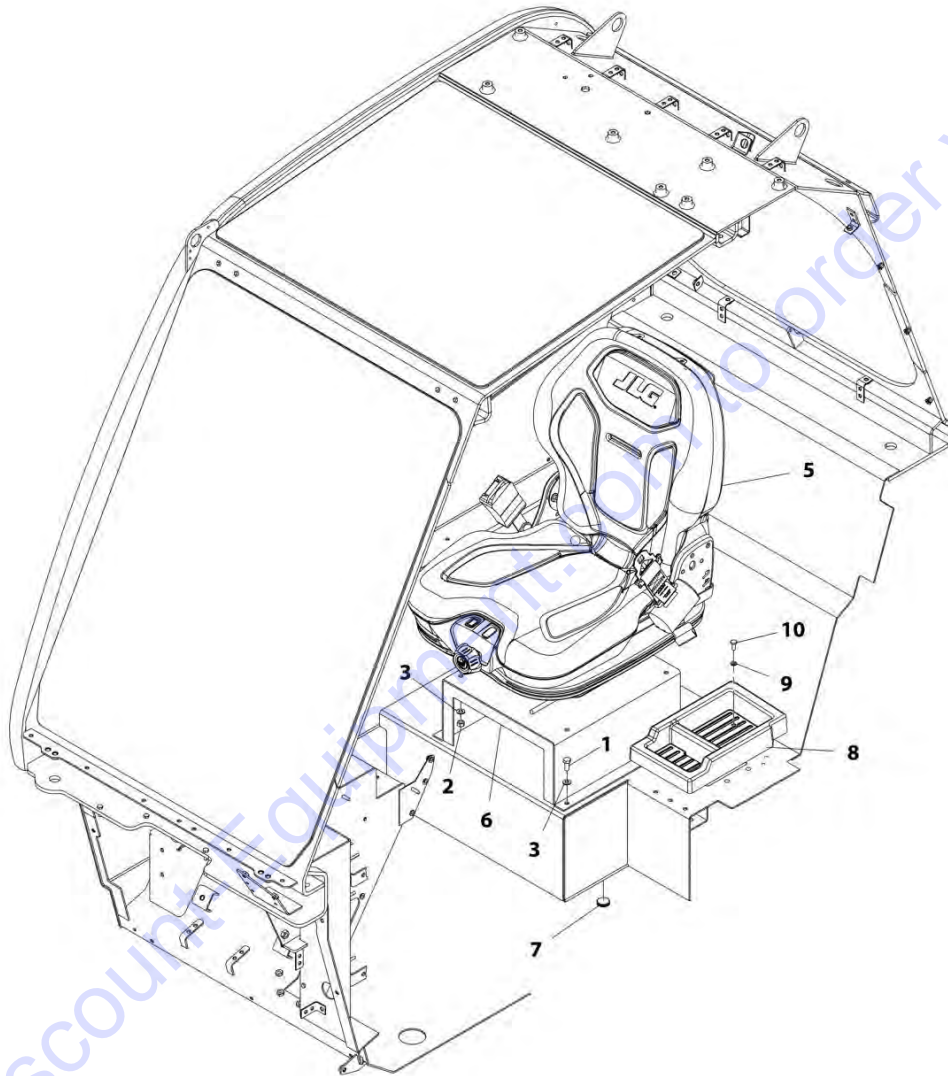
FIGURE 6-32. LEVEL INDICATOR INSTALLATION

ITEM	PART NUMBER	QTY	DESCRIPTION	REV
1	1001172401 8466306	Ref 1	Level Indicator Installation Gauge, Tilt Angle	C

Go to Discount-Equipment.com to order your parts

SECTION 6 - CAB

FIGURE 6-33. SEAT INSTALLATION



ART_1001164615-G

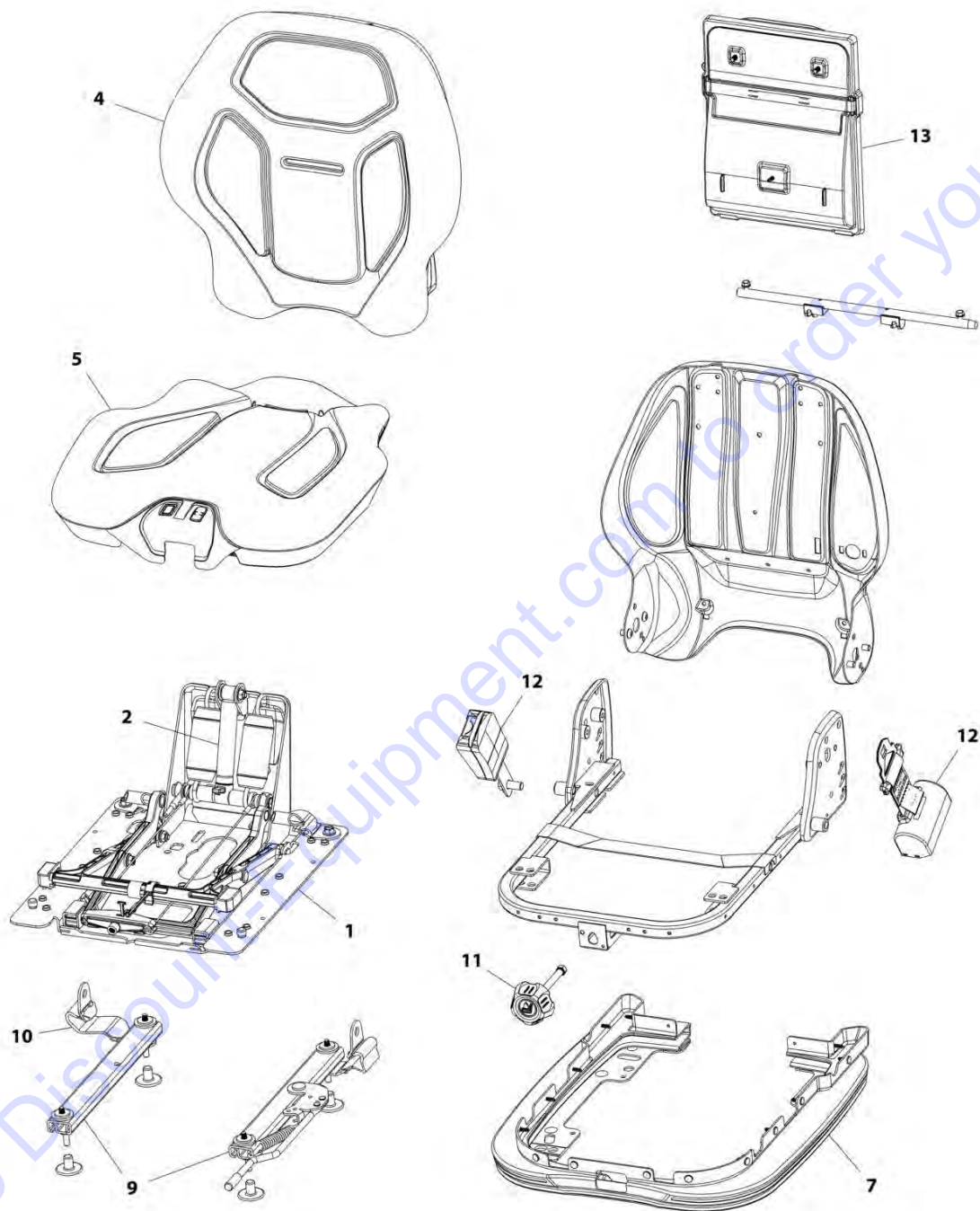
FIGURE 6-33. SEAT INSTALLATION

ITEM	PART NUMBER	QTY	DESCRIPTION	REV
	1001164615	Ref	Seat Installation	G
1	0760810	4	Bolt, M8X20	
2	3311505	4	Nut, Lock 5/16-18	
3	4811900	8	Washer, M8	
5	1001197027	1	Seat, (See SEAT for Breakdown)	
6	1001164498	1	Plinth, Seat	
7	1001196076	1	Plug	
8	1001170515	1	Insert, Storage Tray	
9	4811700	1	Washer, M6	
10	4010608002	1	Screw, Posi-Drive, M6X16	

Go to Discount-Equipment.com to order your parts

SECTION 6 - CAB

FIGURE 6-34. SEAT



ART_1001197027-D

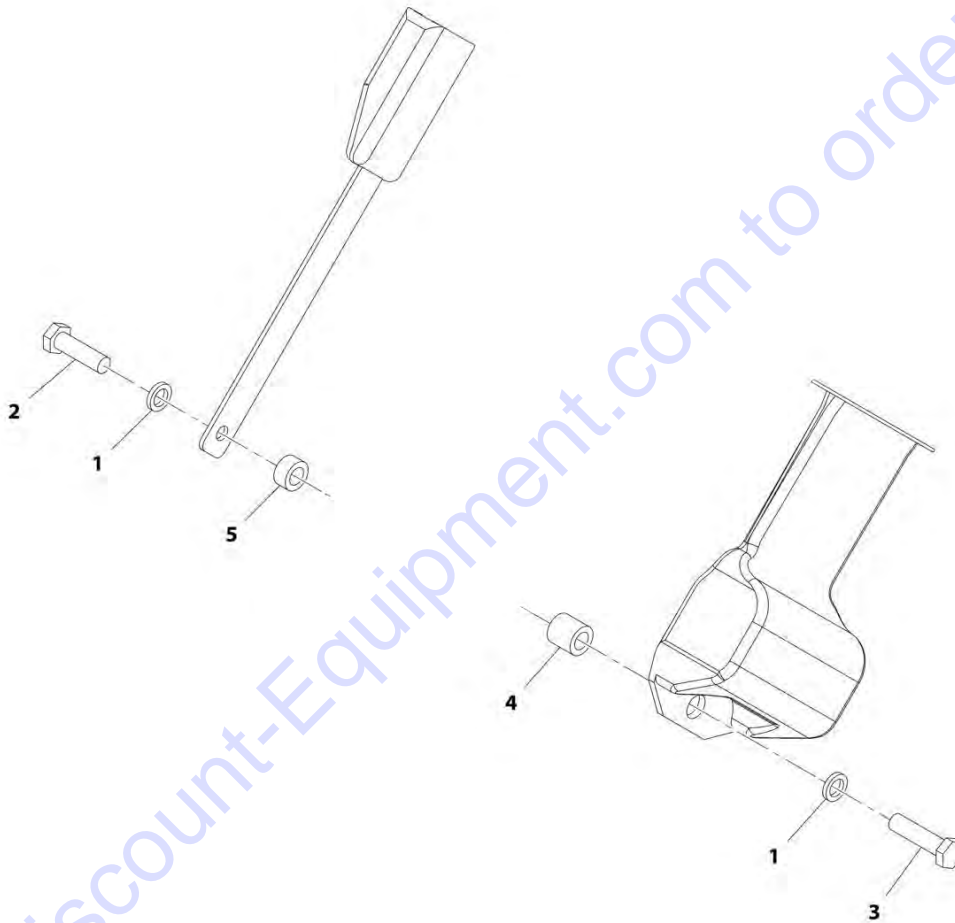
FIGURE 6-34. SEAT

ITEM	PART NUMBER	QTY	DESCRIPTION	REV
	1001197027	1	Seat	D
1	70027024	1	Suspension Assembly Kit	
2	70027025	1	Spring Saddle Assembly Kit	
4	70027026	1	Back Cushion Kit	
5	70027028	1	Seat Cushion Assembly Kit	
7	70027030	1	Boot Kit	
9	7026798	1	Adjuster Kit	
10	70027032	1	Tether strap	
11	70027033	1	Weight adjust knob kit	
12	70027034	2	Seat belt kit	
13	70027035	1	Document box kit	

Go to Discount-Equipment.com to order your parts

SECTION 6 - CAB

FIGURE 6-35. SEAT BELT INSTALLATION (642, 742, 943, 1043) (742 Prior to SN 0160085525, Excluding 0160084900; 943 Prior to SN 0160085525, Excluding 0160084900; 1043 Prior to SN 0160085525, Excluding 0160084900; Excluding 0160085188, 0160085189, 0160085188, 0160085189, 0160085188 and 0160085189)



ART_1001006731-B

SECTION 6 - CAB

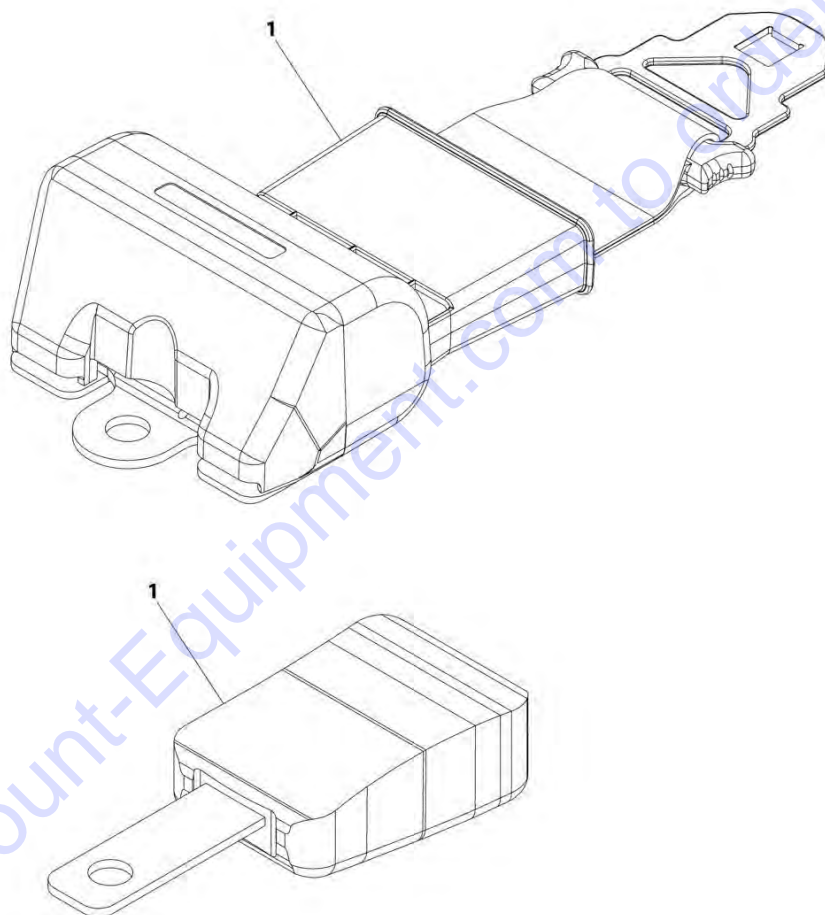
FIGURE 6-35. SEAT BELT INSTALLATION (642, 742, 943, 1043) (742 Prior to SN 0160085525, Excluding 0160084900; 943 Prior to SN 0160085525, Excluding 0160084900; 1043 Prior to SN 0160085525, Excluding 0160084900; Excluding 0160085188, 0160085189, 0160085188, 0160085189, 0160085188 and 0160085189)

ITEM	PART NUMBER	QTY	DESCRIPTION	REV
	1001006731	1	Seat Belt Installation	B
1	1001010646	2	Washer	
2	1001010647	1	Bolt	
3	1001010648	1	Bolt	
4	1001010649	1	Spacer, Shim	
5	1001010650	1	Spacer, Shim	

Go to Discount-Equipment.com to order your parts

SECTION 6 - CAB

FIGURE 6-36. SEAT BELT INSTALLATION (3 INCH) (742, 943, 1043) (SN 0160085525 to Present, Including 0160084900, 0160085188 and 0160085189)



ART_1001215778-B

SECTION 6 - CAB

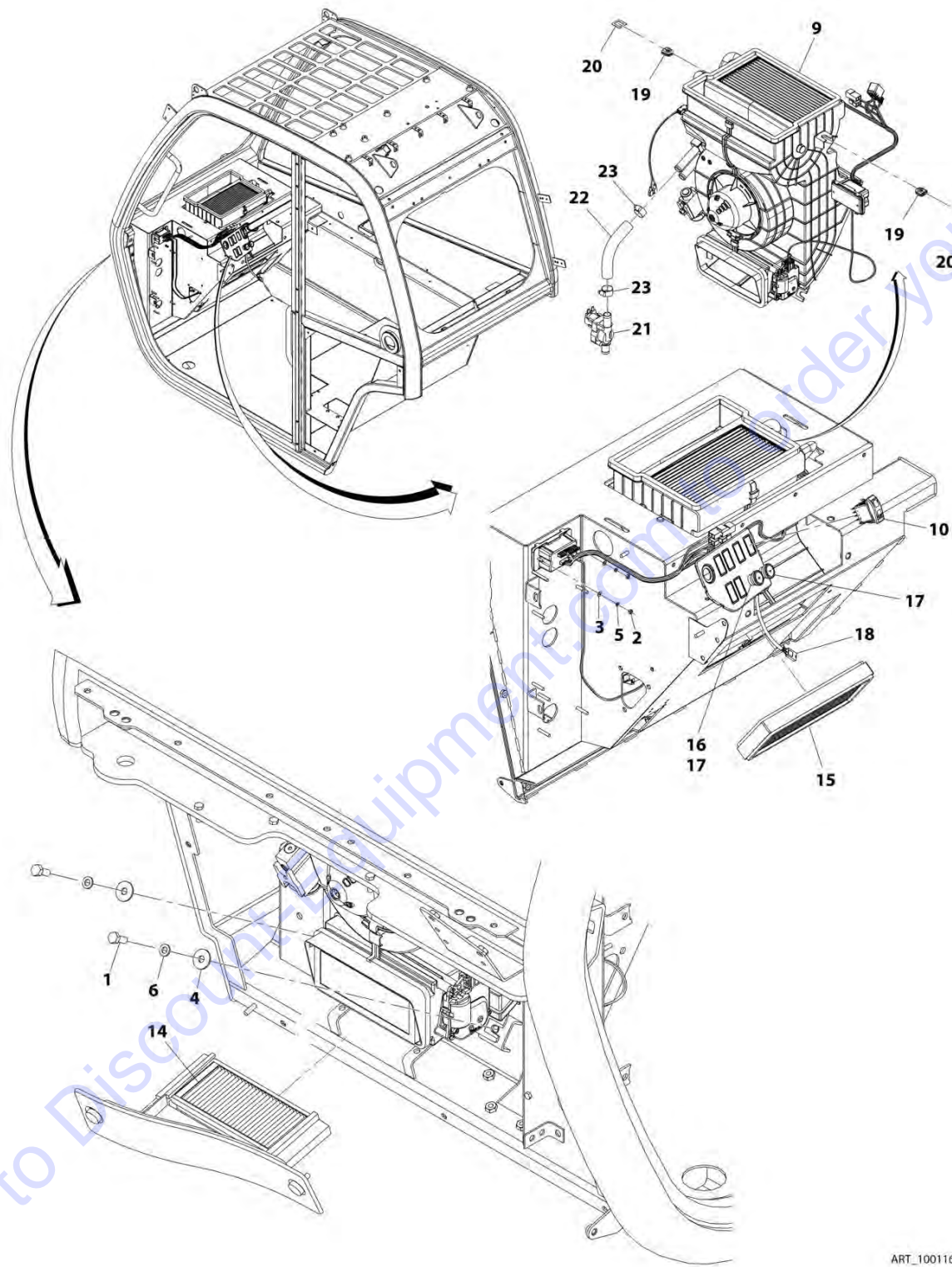
FIGURE 6-36. SEAT BELT INSTALLATION (3 INCH) (742, 943, 1043) (SN 0160085525 to Present, Including 0160084900, 0160085188 and 0160085189)

ITEM	PART NUMBER	QTY	DESCRIPTION	REV
	1001215778	Ref	Seat Belt Installation (3 Inch)	B

Go to Discount-Equipment.com to order your parts

SECTION 6 - CAB

FIGURE 6-37. HEATER INSTALLATION



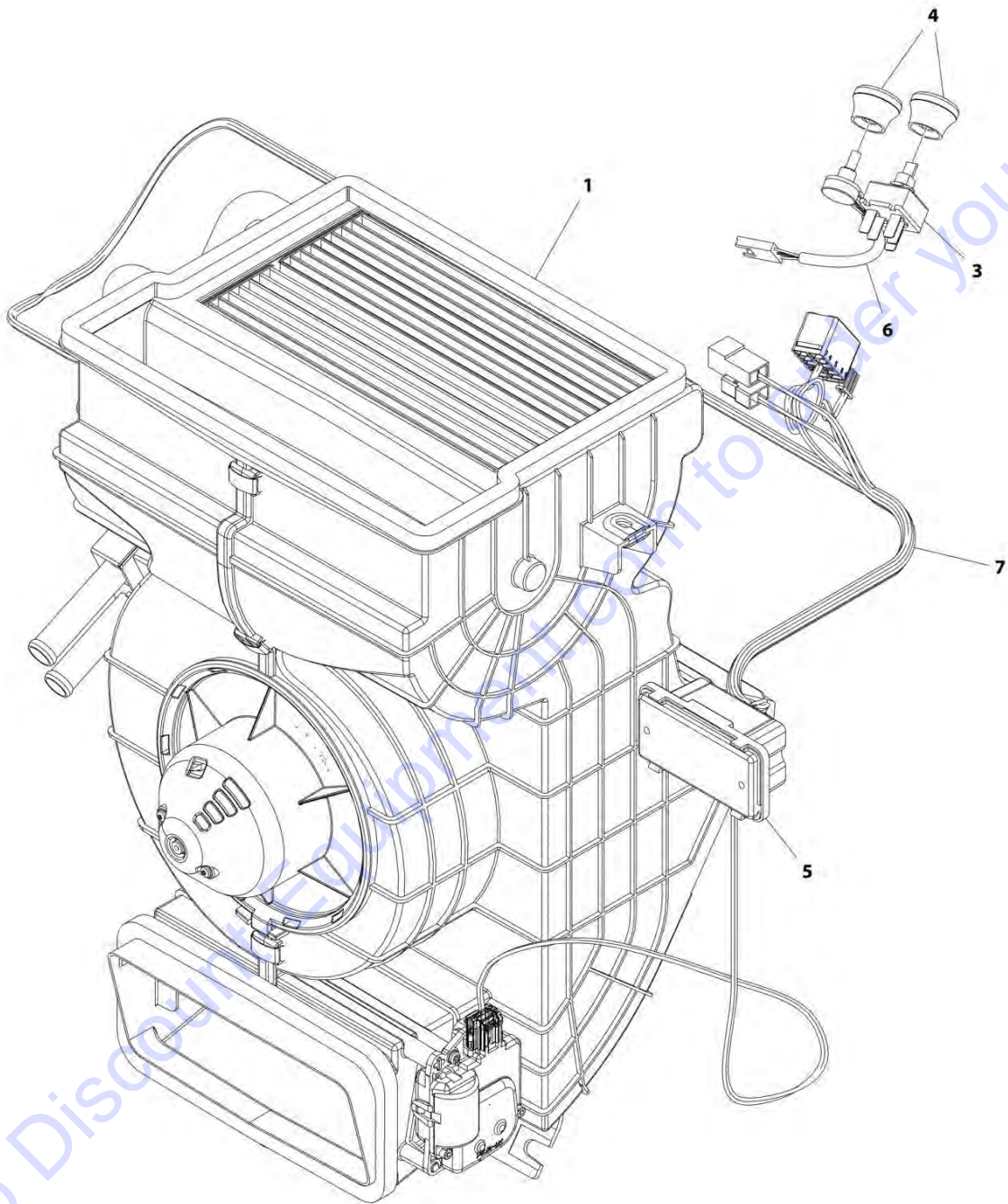
ART_1001160043-K

FIGURE 6-37. HEATER INSTALLATION

ITEM	PART NUMBER	QTY	DESCRIPTION	REV
	1001160043	Ref	Heater Installation	K
1	0760810	2	Bolt, M8X20	
2	3290401	2	Nut, M4X0.7	
3	4811400	2	Washer, M4	
4	4811902	2	Washer, M8	
5	4831400	2	Washer, Lock M4	
6	4831900	2	Washer, M8	
9	1001161858	1	Assembly, Heater (See Separate Breakdown in this Section)	
10	1001159925	1	Switch, HVAC Recycle	
14	1001218996	1	Filter, HVAC Fresh Air	
15	1001172553	1	Filter, HVAC Recirculation Air	
16	1001172547	1	Switch, HVAC Rotary 3 Speed	
17	1001172550	2	Knob, HVAC Control	
18	1001218529	1	Cable, HVAC	
19	1001188590	2	Grommet, Cable Passage	
20	1001218542	2	Shim, HVAC Damper	
21	1001221059	1	Valve, Water	
22	1001221295	1	Hose	
23	8410009	2	Clamp, Gear	

SECTION 6 - CAB

FIGURE 6-38. HEATER ASSEMBLY (Prior to SN 0160077679)



ART_1001161858-E

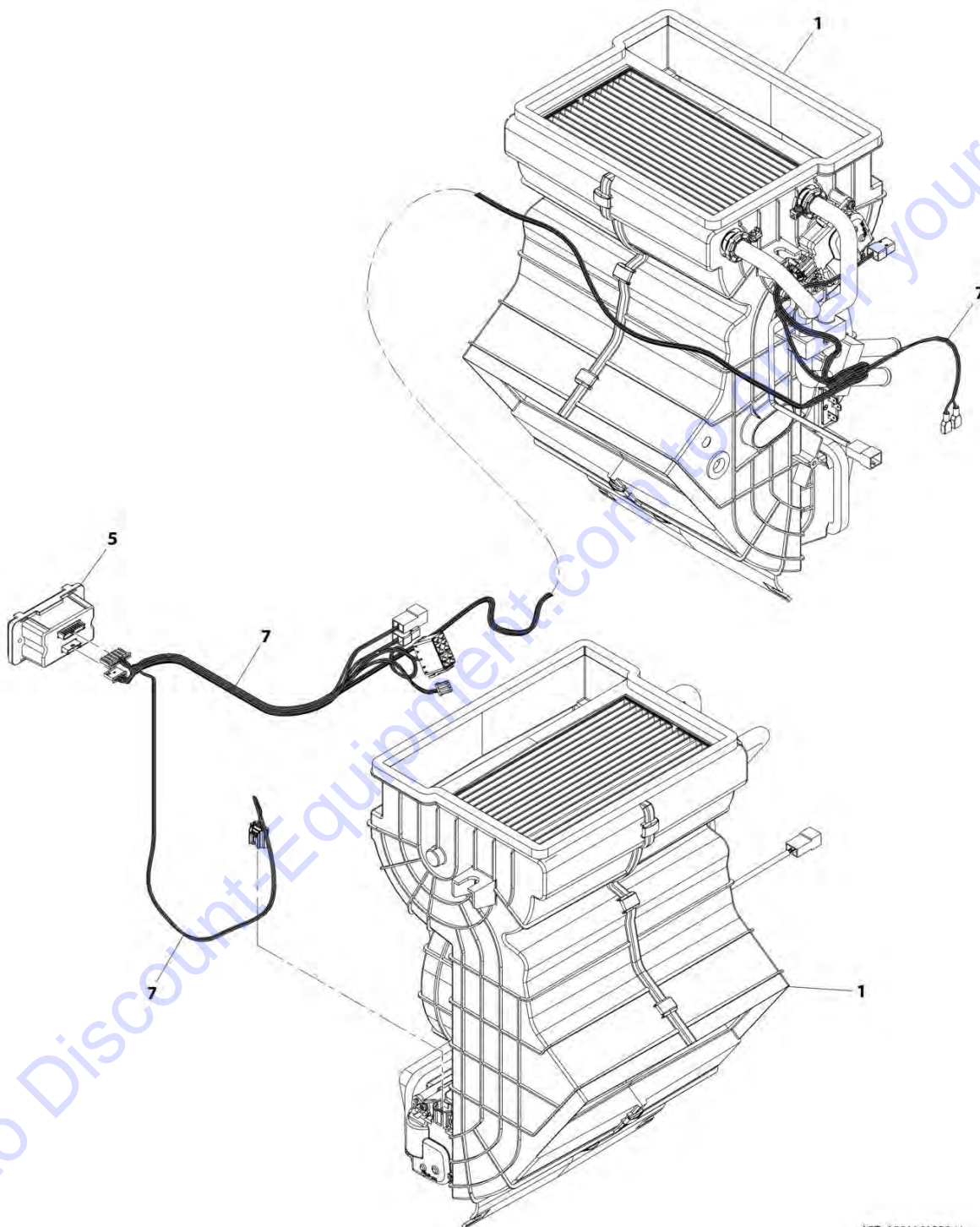
SECTION 6 - CAB**FIGURE 6-38. HEATER ASSEMBLY (Prior to SN 0160077679)**

ITEM	PART NUMBER	QTY	DESCRIPTION	REV
	1001161858	Ref	Heater Assembly	E
1	1001152908	1	Heater, Cab (See HEATER for Breakdown)	
3	1001172547	1	Switch, HVAC Rotary 3 Speed	
4	1001172550	2	Knob, HVAC Control	
5	1001172551	1	Actuator, HVAC Cab (See HVAC CAB ACTUATOR for Breakdown)	
6	1001172552	1	Cable, HVAC	
7	1001173571	1	Harness, HVAC Actuators (See Electrical Section for Breakdown)	

Go to Discount-Equipment.com to order your parts

SECTION 6 - CAB

FIGURE 6-39. HEATER ASSEMBLY (SN 0160077679 to Present)



ART_1001161858-H

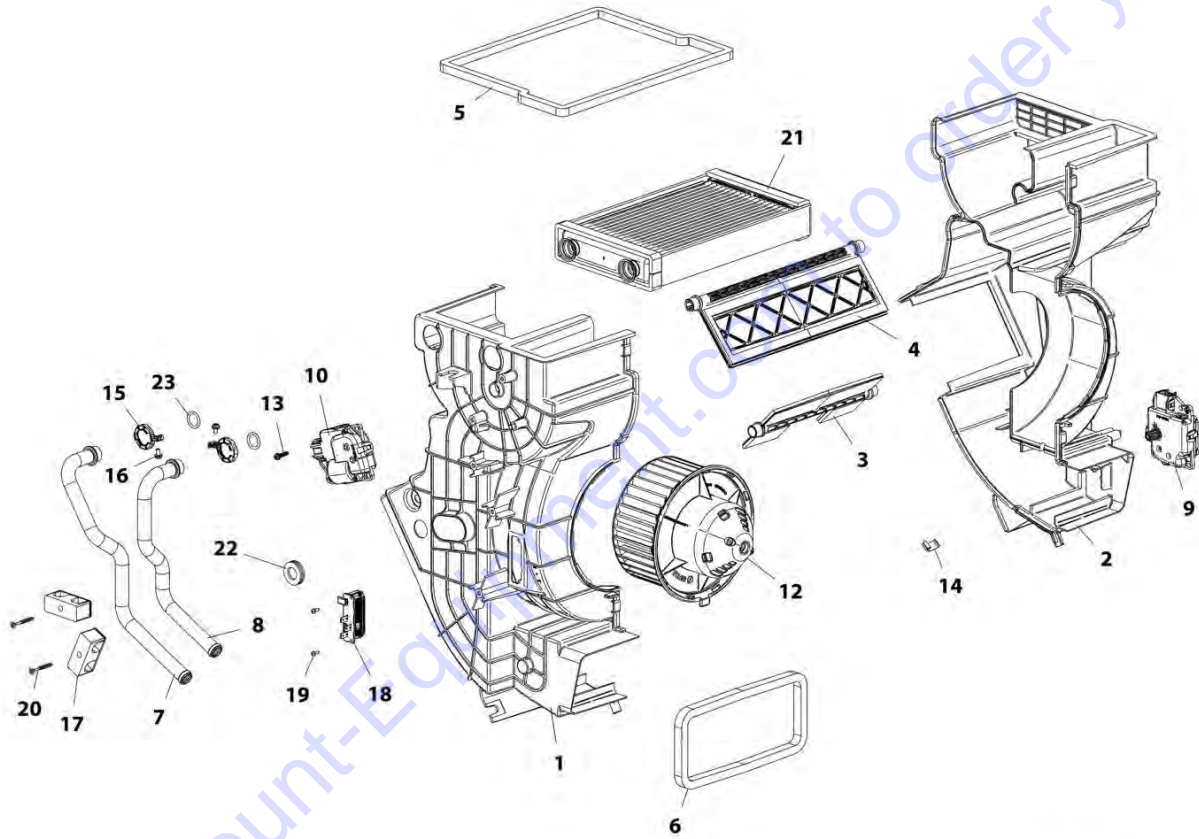
FIGURE 6-39. HEATER ASSEMBLY (SN 0160077679 to Present)

ITEM	PART NUMBER	QTY	DESCRIPTION	REV
	1001161858	Ref	Heater Assembly	H
1	1001152908	Ref	Heater, Cab (See Separate Breakdown in this Section), (no longer available, use 1001221052 for replacement)	
1	1001221052	1	Heater, Cab (See Separate Breakdown in this Section)	
5	1001172551	1	Actuator, HVAC Cab (See HVAC CAB ACUATOR for Breakdown)	
7	1001173571	Ref	Harness, HVAC Actuator, (no longer available, use 1001221056 for replacement)	
7	1001221056	1	Harness, HVAC Actuator	

Go to Discount-Equipment.com to order your parts

SECTION 6 - CAB

FIGURE 6-40. HEATER



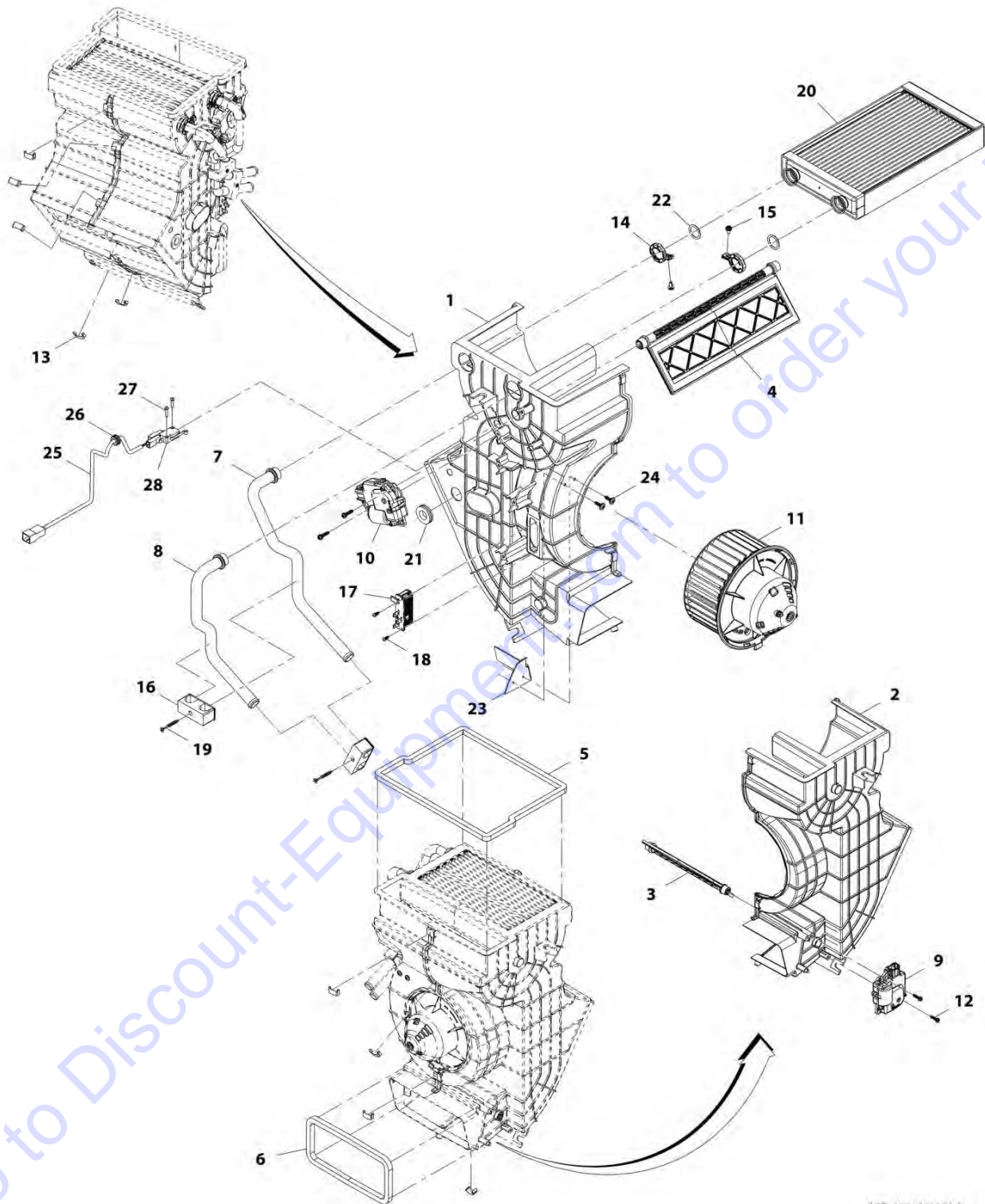
ART_1001152908-E

FIGURE 6-40. HEATER

ITEM	PART NUMBER	QTY	DESCRIPTION	REV
	1001152908	Ref	Heater, (no longer available, see items 1 through 23 for service or use 1001221052 for replacement)	E
1	1001166091	1	Housing, RH	
2	1001166092	1	Housing, LH	
3	1001184275	1	Flap, Recirculation with Foam	
4	1001184278	1	Flap, Mixing with Foam	
5	1001184294	1	Foam, Air Outlet	
6	1001184295	1	Foam, Air Inlet	
7	1001184296	1	Pipe, Water	
8	1001184297	1	Pipe, Water	
9	1001188577	1	Actuator, Fresh/Recirculation Air	
10	1001188578	1	Actuator, Hot/Cold	
12	1001188594	1	Fan, 12V	
13	1001188602	4	Screw	
14	1001188603	9	Clamp	
15	1001188604	2	Clamp	
16	1001188610	2	Screw	
17	1001188612	2	Clamp	
18	1001188614	1	Resistor	
19	1001188720	2	Screw	
20	1001188725	2	Screw	
21	1001188729	1	Radiator, Heater Core	
22	1001188733	1	Grommet	
23	1001189025	2	O-Ring	

SECTION 6 - CAB

FIGURE 6-41. HEATER



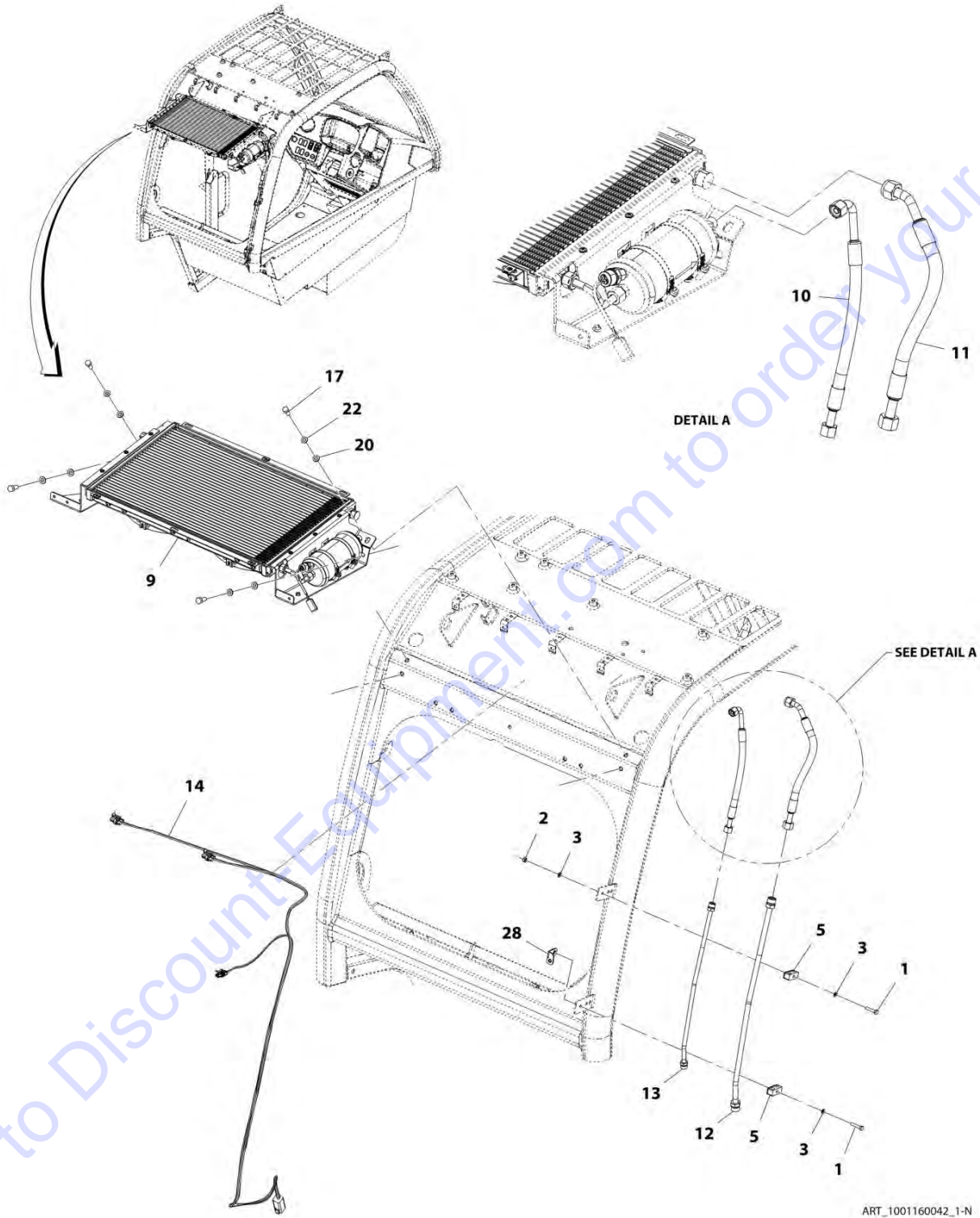
ART_1001221052-B

FIGURE 6-41. HEATER

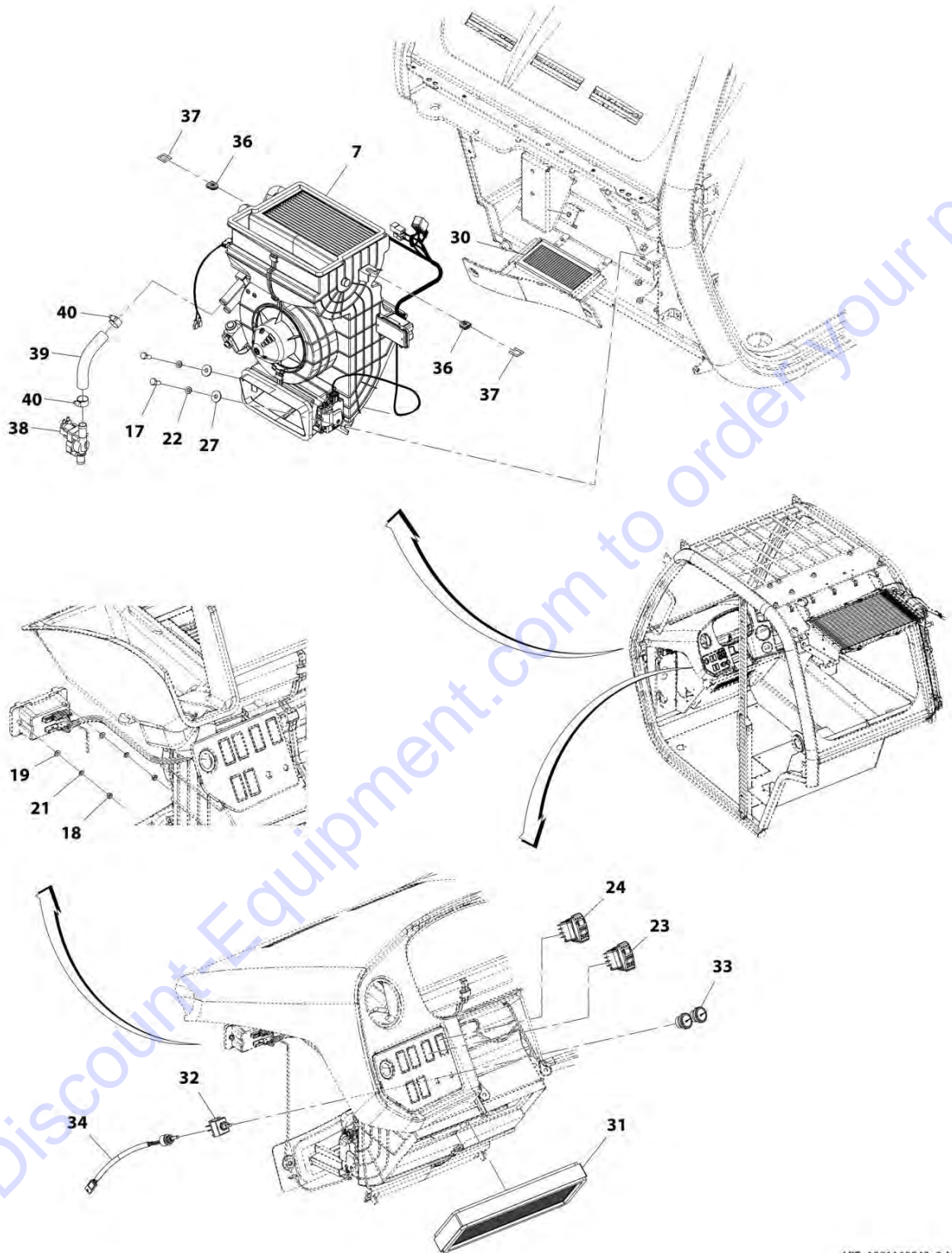
ITEM	PART NUMBER	QTY	DESCRIPTION	REV
	1001221052	Ref	Heater	B
1	1001166091	1	Housing, RH	
2	1001166092	1	Housing, LH	
3	1001184275	1	Flap, Recirculation with Foam	
4	1001184278	1	Flap, Mixing with Foam	
5	1001184294	1	Foam, Air Outlet	
6	1001184295	1	Foam, Air Inlet	
7	1001184296	1	Pipe, Water	
8	1001184297	1	Pipe, Water	
9	1001188577	1	Actuator, Fresh/Recirculation Air	
10	1001188578	1	Actuator, Hot/Cold	
11	1001188594	1	Fan, 12V	
12	1001188602	4	Screw	
13	1001188603	9	Clamp	
14	1001188604	2	Clamp	
15	1001188610	2	Screw	
16	1001188612	2	Clamp	
17	1001188614	1	Resistor	
18	1001188720	2	Screw	
19	1001188725	2	Screw	
20	1001188729	1	Radiator, Heater Core	
21	1001188733	1	Grommet	
22	1001189025	2	O-Ring	
23	1001221057	1	Baffle, Plate	
24	1001221058	2	Screw	
25	1001228132	1	Harness	
26	1001228140	1	Grommet	
27	1001228141	2	Screw	
28	1001228147	1	Sensor	

SECTION 6 - CAB

FIGURE 6-42. HEATER AND A/C INSTALLATION



SECTION 6 - CAB



ART_1001160042_2-N

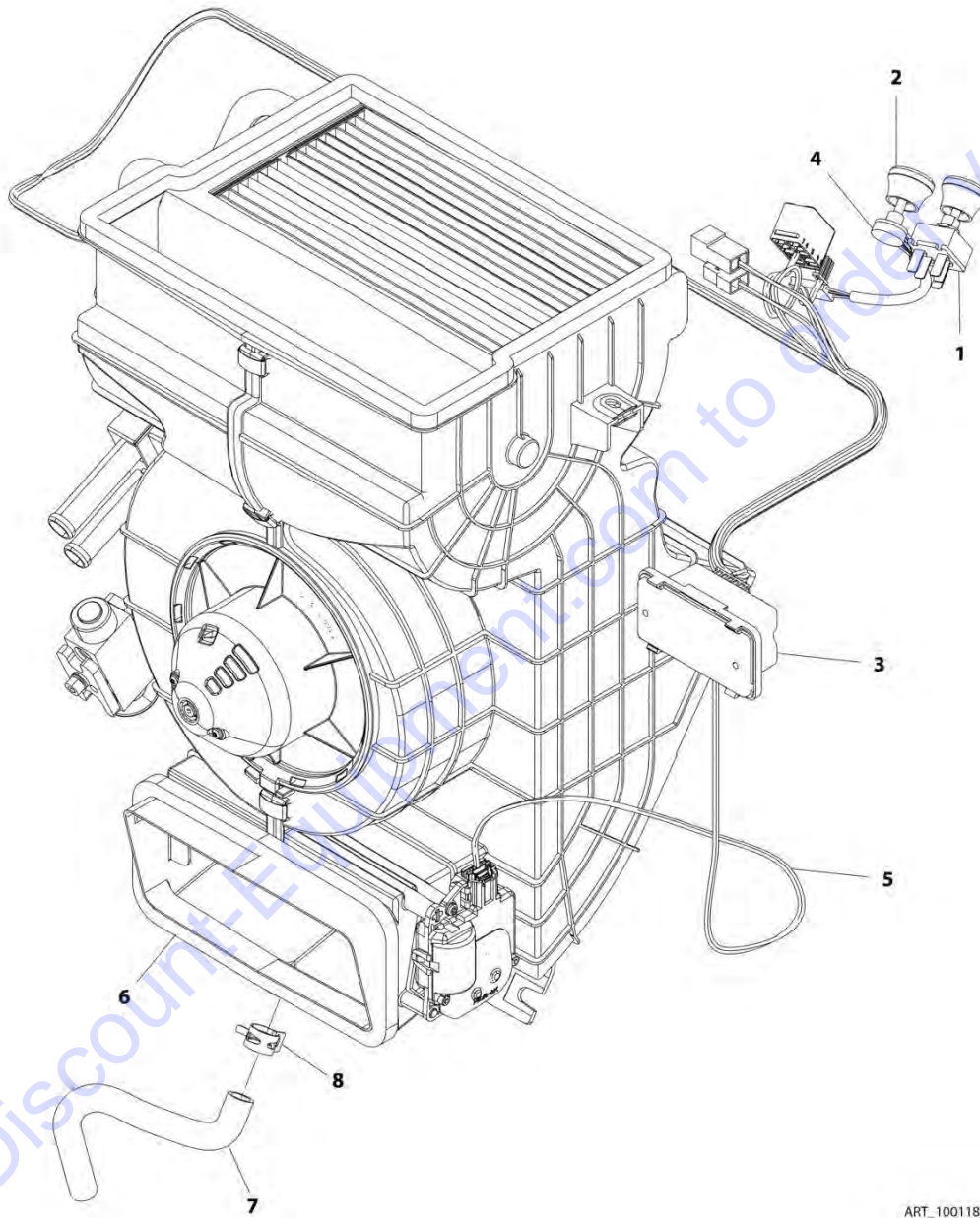
SECTION 6 - CAB

FIGURE 6-42. HEATER AND A/C INSTALLATION

ITEM	PART NUMBER	QTY	DESCRIPTION	REV
	1001160042	Ref	Heater and A/C Installation	N
1	0700614	2	Bolt, M6X30	
2	3290601	1	Nut, M6X1	
3	4811700	3	Washer, M6	
5	1001145539	2	Support, Pipe	
7	1001188303	1	Assembly, Heater and A/C (See HEATER AND A/C ASSEMBLY for Breakdown)	
9	1001162953	1	Assembly, Cab Condenser (See CAB CONDENSER ASSEMBLY for Breakdown)	
10	1001168327	1	Hose	
11	1001168330	1	Hose	
12	1001168331	1	Tube	
13	1001168456	1	Tube	
14	1001169151	1	Harness, A/C Option (See ELECTRICAL SECTION for Breakdown)	
17	0760810	6	Bolt, M8X20 GR8.8	
18	3290401	2	Nut, M4X0.7 Grade 8	
19	4811400	2	Washer, M4	
20	4811900	4	Washer, M8	
21	4831400	2	Washer, Lock M4	
22	4831900	6	Washer, Lock M8	
23	1001159925	1	Switch, HVAC Recycle	
24	1001160326	1	Switch, HVAC On/Off	
27	4811902	2	Washer, M8	
28	1001178170	1	Bracket	
30	1001218996	1	Filter, HVAC Fresh Air	
31	1001172553	1	Filter, HVAC Air Recirculation	
32	1001172547	1	Switch, HVAC Rotary 3 Speed	
33	1001172550	2	Knob, HVAC Control	
34	1001218529	1	Cable, HVAC	
36	1001188590	2	Grommet, Cable Passage	
37	1001218542	2	Shim, HVAC Damper	
38	1001221059	1	Valve, Water	
39	1001221295	1	Hose	
40	8410009	2	Clamp, Gear	

SECTION 6 - CAB

FIGURE 6-43. HEATER AND A/C ASSEMBLY (Prior to SN 0160077679)



ART_1001188303-B

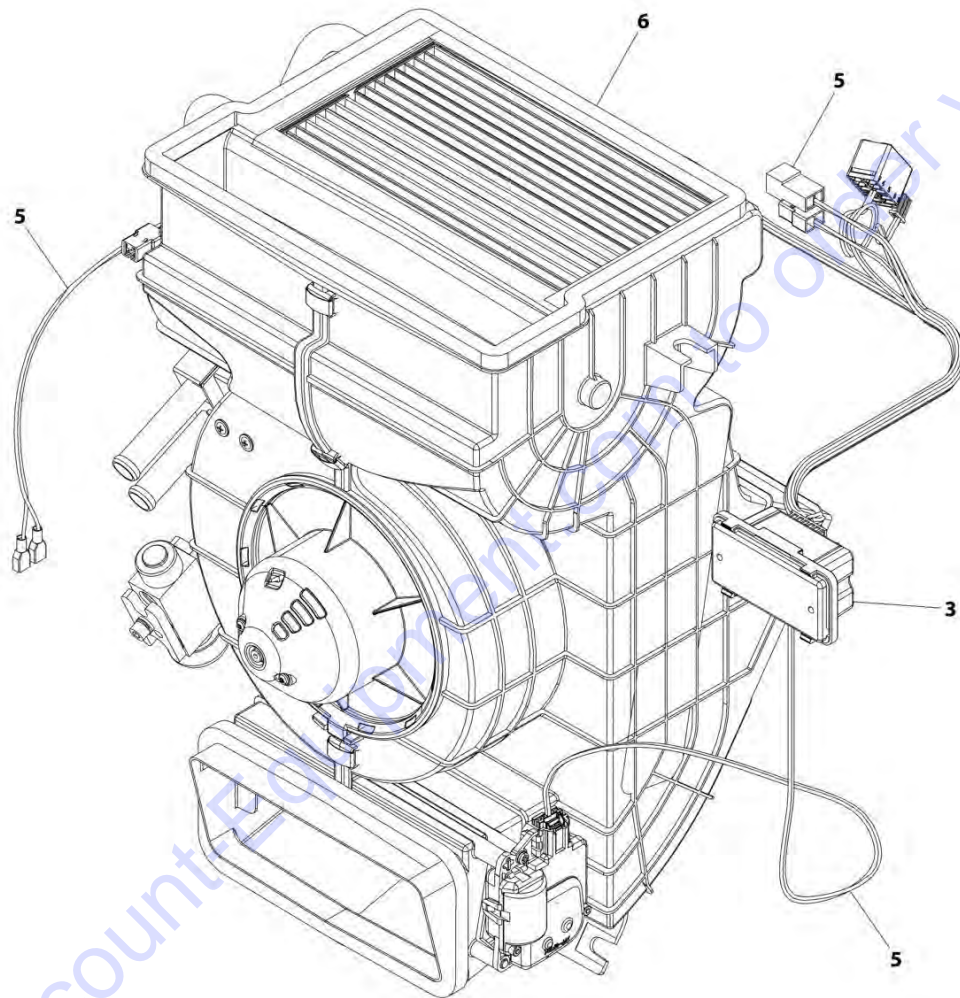
SECTION 6 - CAB**FIGURE 6-43. HEATER AND A/C ASSEMBLY (Prior to SN 0160077679)**

ITEM	PART NUMBER	QTY	DESCRIPTION	REV
	1001188303	Ref	Heater and A/C Assembly	B
1	1001172547	1	Switch, HVAC Rotary 3 Speed	
2	1001172550	2	Knob, HVAC Control	
3	1001172551	1	Actuator, HVAC Cab (See HVAC Cab Actuator for Breakdown)	
4	1001172552	1	Cable, HVAC	
5	1001173571	1	Harness, HVAC Actuators (See Electrical Section for Breakdown)	
6	1001188275	1	Cab, Heater and AC (See HEATER AND A/C for Breakdown)	
7	1001161865	1	Hose	
8	1001152729	1	Clamp	

Go to Discount-Equipment.com to order your parts

SECTION 6 - CAB

FIGURE 6-44. HEATER AND A/C ASSEMBLY (SN 0160077679 to Present)



ART_1001188303-G

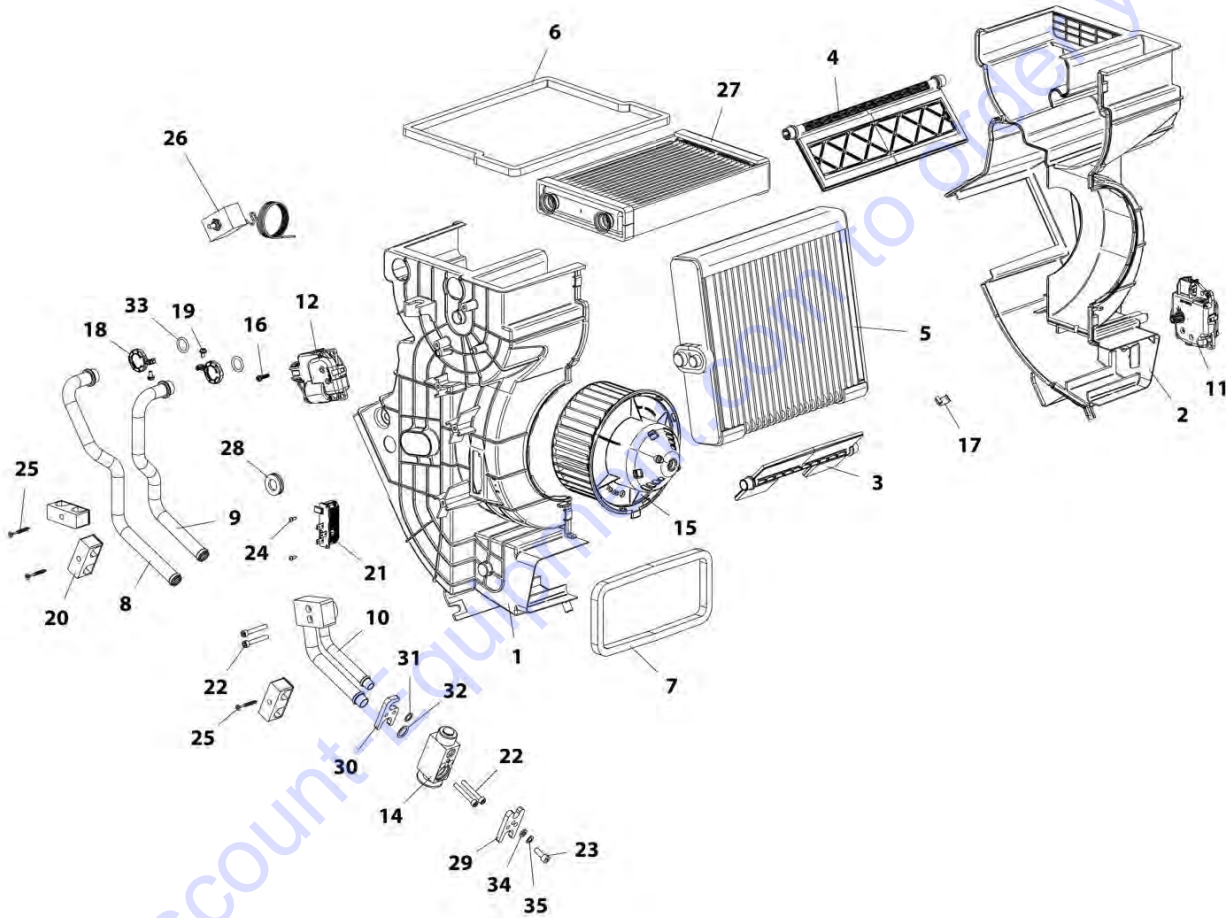
FIGURE 6-44. HEATER AND A/C ASSEMBLY (SN 0160077679 to Present)

ITEM	PART NUMBER	QTY	DESCRIPTION	REV
	1001188303	Ref	Heater and A/C Assembly	G
3	1001172551	1	Actuator, HVAC Cab (See HVAC Cab Actuator for Breakdown)	
5	1001173571	Ref	Harness, HVAC Actuator, (no longer available, use 1001221056 for replacement)	
5	1001221056	1	Harness, HVAC Actuator	
6	1001188275	Ref	Heater and A/C (See Separate Breakdown in this Section), (no longer available, use 1001221054 for replacement)	
6	1001221054	1	Heater and A/C (See Separate Breakdown in this Section)	

Go to Discount-Equipment.com to order your parts

SECTION 6 - CAB

FIGURE 6-45. HEATER AND A/C



ART_1001188275-D

FIGURE 6-45. HEATER AND A/C

ITEM	PART NUMBER	QTY	DESCRIPTION	REV
	1001188275	Ref	Heater and A/C, (no longer available, see items 1 through 35 for service or use 1001221054 for replacement)	D
1	1001166091	1	Housing, HVAC RH	
2	1001166092	1	Housing, HVAC LH	
3	1001184275	1	Foam, Heater Flap	
4	1001184278	1	Foam, Heater Mixing Flap	
5	1001184280	1	Evaporator, Heater	
6	1001184294	1	Seal, Heater Foam	
7	1001184295	1	Seal, Air Inlet Foam	
8	1001184296	1	Pipe, Heater Water	
9	1001184297	1	Pipe, Heater Water	
10	1001184427	1	Pipe, Heater	
11	1001188577	1	Actuator, Fresh/Recirculation Air	
12	1001188578	1	Actuator, Hot/Cold Mixing	
14	1001188592	1	Valve, HVAC Expansion	
15	1001188594	1	Fan, HVAC Centrifugal 12V	
16	1001188602	4	Screw, M4	
17	1001188603	9	Clamp, HVAC Case	
18	1001188604	2	Clamp, HVAC Pipe	
19	1001188610	2	Screw, M4X0.7	
20	1001188612	3	Clamp, Pipe	
21	1001188614	1	Resistor	
22	1001188618	4	Screw, M5	
23	1001188619	1	Screw, M6	
24	1001188720	2	Screw, M2.9X9.5	
25	1001188725	3	Screw, M4X35	
26	1001188728	1	Sensor, HVAC Thermostat	
27	1001188729	1	Radiator, Heater Core	
28	1001188733	1	Grommet	
29	1001188817	1	Clamp, Hose	
30	1001188818	1	Clamp, HVAC EVAP/Valve	
31	1001189023	1	O-Ring	
32	1001189024	1	O-Ring	
33	1001189025	2	O-Ring	
34	1001189048	1	Washer	
35	1001189054	1	Washer, Spring	

SECTION 6 - CAB

FIGURE 6-46. HEATER AND A/C

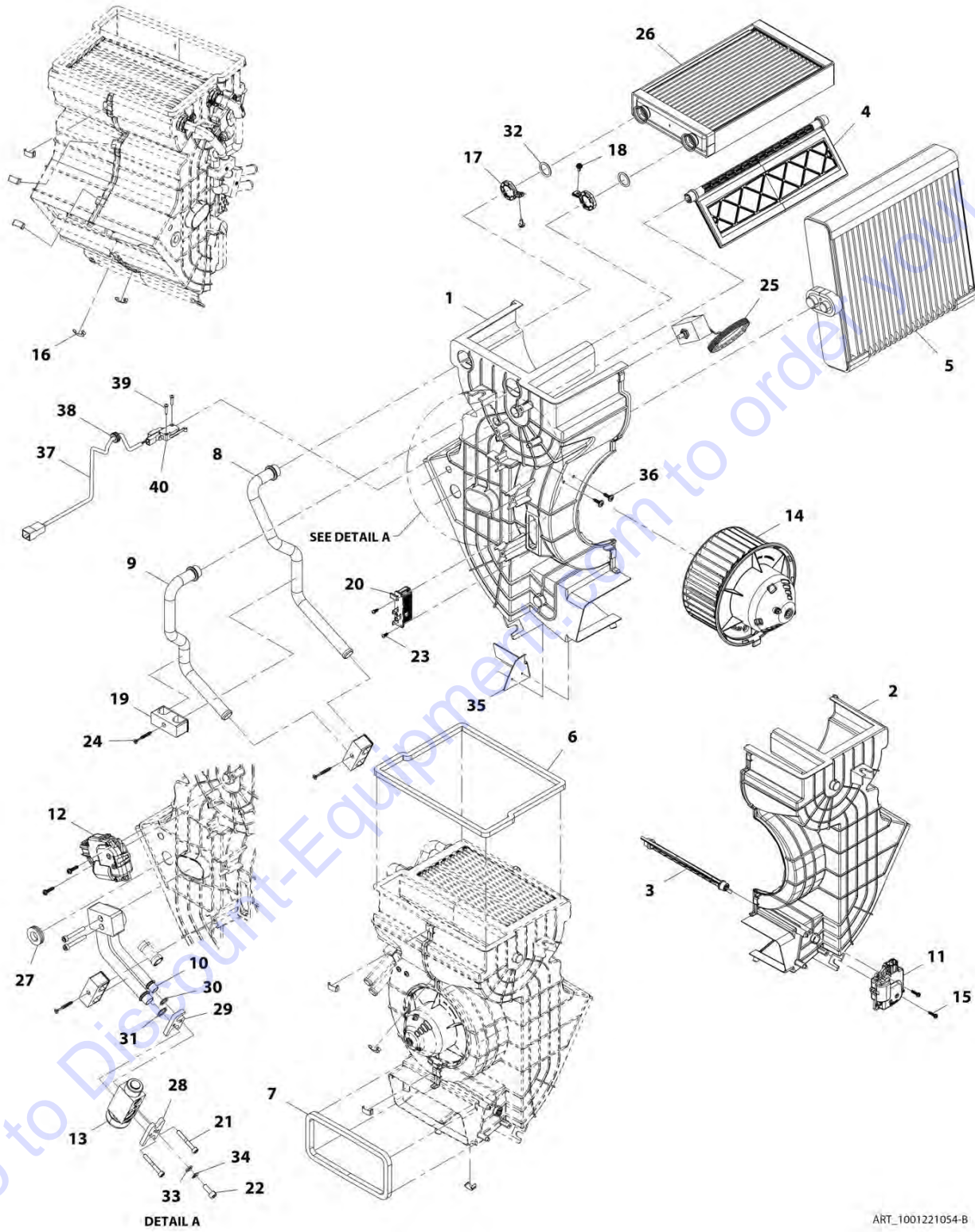
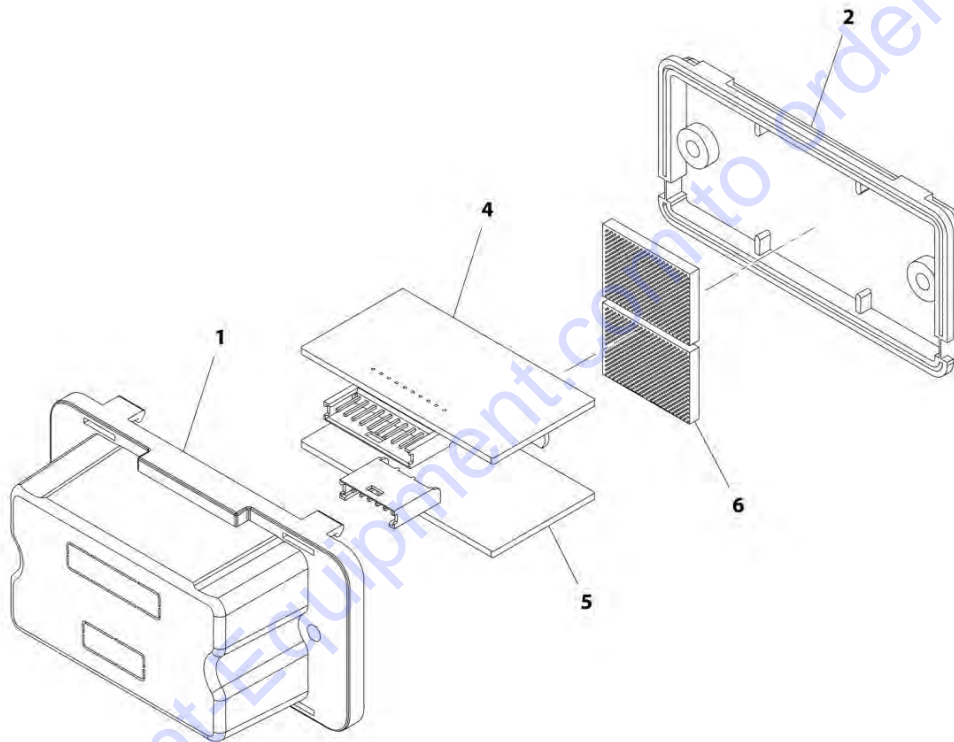


FIGURE 6-46. HEATER AND A/C

ITEM	PART NUMBER	QTY	DESCRIPTION	REV
	1001221054	Ref	Heater and A/C	B
1	1001166091	1	Housing, HVAC RH	
2	1001166092	1	Housing, HVAC LH	
3	1001184275	1	Foam, Heater Flap	
4	1001184278	1	Foam, Heater Mixing Flap	
5	1001184280	1	Evaporator, Heater	
6	1001184294	1	Seal, Heater Foam	
7	1001184295	1	Seal, Air Inlet Foam	
8	1001184296	1	Pipe, Heater Water	
9	1001184297	1	Pipe, Heater Water	
10	1001184427	1	Pipe, Heater	
11	1001188577	1	Actuator, Fresh/Recirculation Air	
12	1001188578	1	Actuator, Hot/Cold Mixing	
13	1001188592	1	Valve, HVAC Expansion	
14	1001188594	1	Fan, HVAC Centrifugal 12V	
15	1001188602	4	Screw, 4mm	
16	1001188603	9	Clamp, HVAC Case	
17	1001188604	2	Clamp, HVAC Pipe	
18	1001188610	2	Screw, M4X0.7	
19	1001188612	3	Clamp, Pipe	
20	1001188614	1	Resistor	
21	1001188618	4	Screw, M5	
22	1001188619	1	Screw, M6	
23	1001188720	2	Screw, M2.9X9.5	
24	1001188725	3	Screw, M4X35	
25	1001188728	1	Sensor, HVAC Thermostat	
26	1001188729	1	Radiator, Heater Core	
27	1001188733	1	Grommet	
28	1001188817	1	Clamp, Hose	
29	1001188818	1	Clamp, HVAC EVAP/Valve	
30	1001189023	1	O-Ring	
31	1001189024	1	O-Ring	
32	1001189025	2	O-Ring	
33	1001189048	1	Washer	
34	1001189054	1	Washer, Spring	
35	1001221057	1	Baffle, Plate	
36	1001221058	2	Screw	
37	1001228132	1	Harness	
38	1001228140	1	Grommet	
39	1001228141	2	Screw	
40	1001228147	1	Sensor	

SECTION 6 - CAB

FIGURE 6-47. HVAC CAB ACTUATOR



ART_1001172551-C

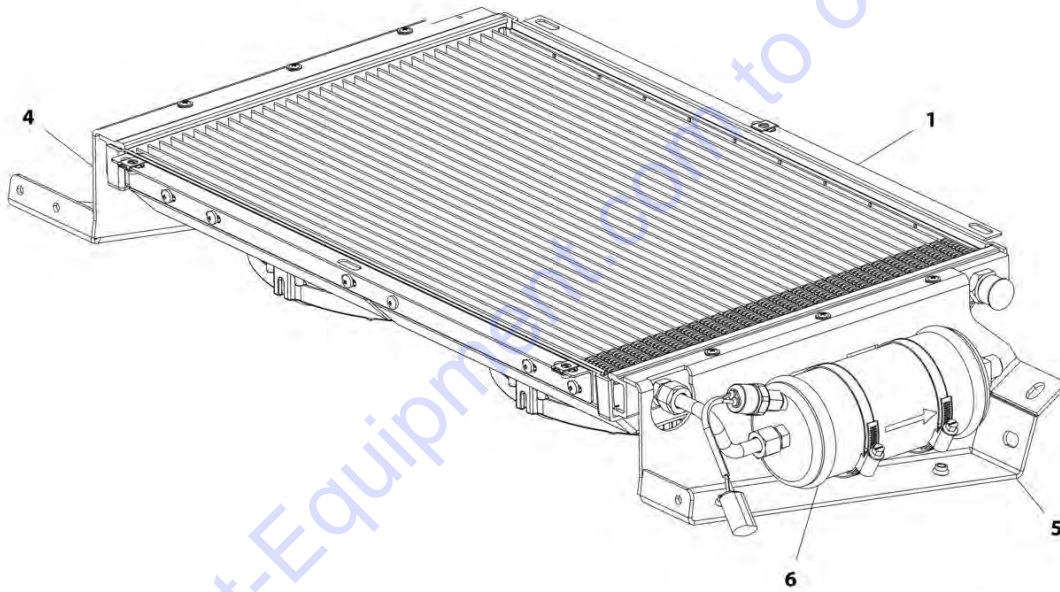
FIGURE 6-47. HVAC CAB ACTUATOR

ITEM	PART NUMBER	QTY	DESCRIPTION	REV
	1001172551	Ref	HVAC Cab Actuator	C
1	1001184306	1	Box, Heater Controller	
2	1001184307	1	Base, Heater Controller Box	
4	1001184309	1	Board, Heater Control	
5	1001184310	1	Board, Heater Control	
6	1001189980	2	Insulator, Heater Controller Box	

Go to Discount-Equipment.com to order your parts

SECTION 6 - CAB

FIGURE 6-48. CAB CONDENSER ASSEMBLY



ART_1001162953-F

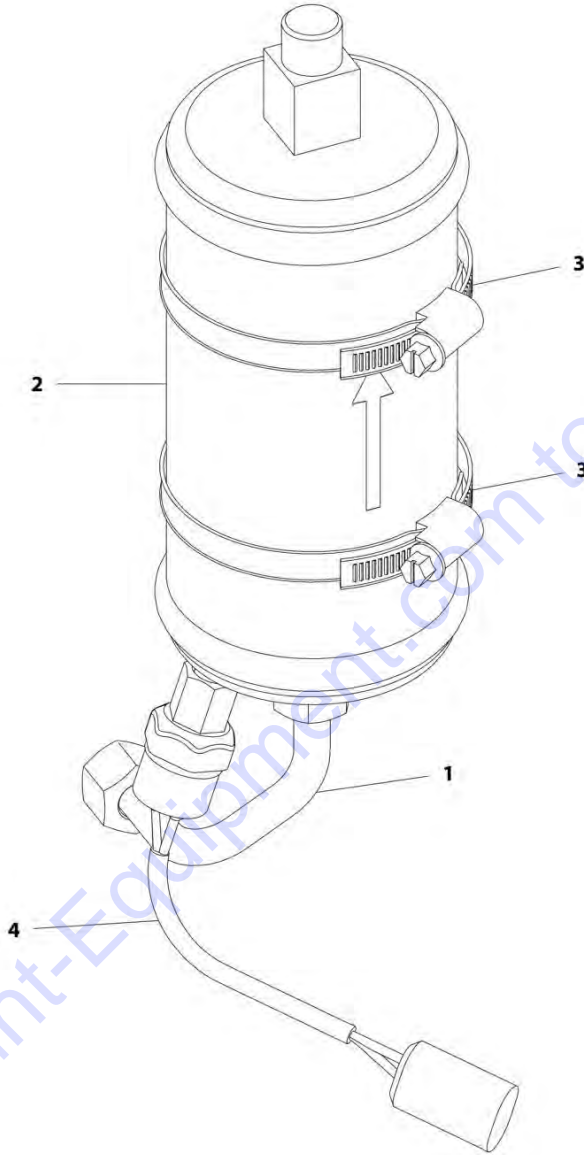
FIGURE 6-48. CAB CONDENSER ASSEMBLY

ITEM	PART NUMBER	QTY	DESCRIPTION	REV
	1001162953	Ref	Cab Condenser Assembly	F
1	1001167266	1	Condenser (See CONDENSER for Breakdown)	
4	1001179080	1	Bracket	
5	1001179081	1	Bracket	
6	1001179130	1	Drier, A/C Receiver (See A/C RECEIVER DRIER for Breakdown)	

Go to Discount-Equipment.com to order your parts

SECTION 6 - CAB

FIGURE 6-49. A/C RECEIVER DRIER



ART_1001179130-B

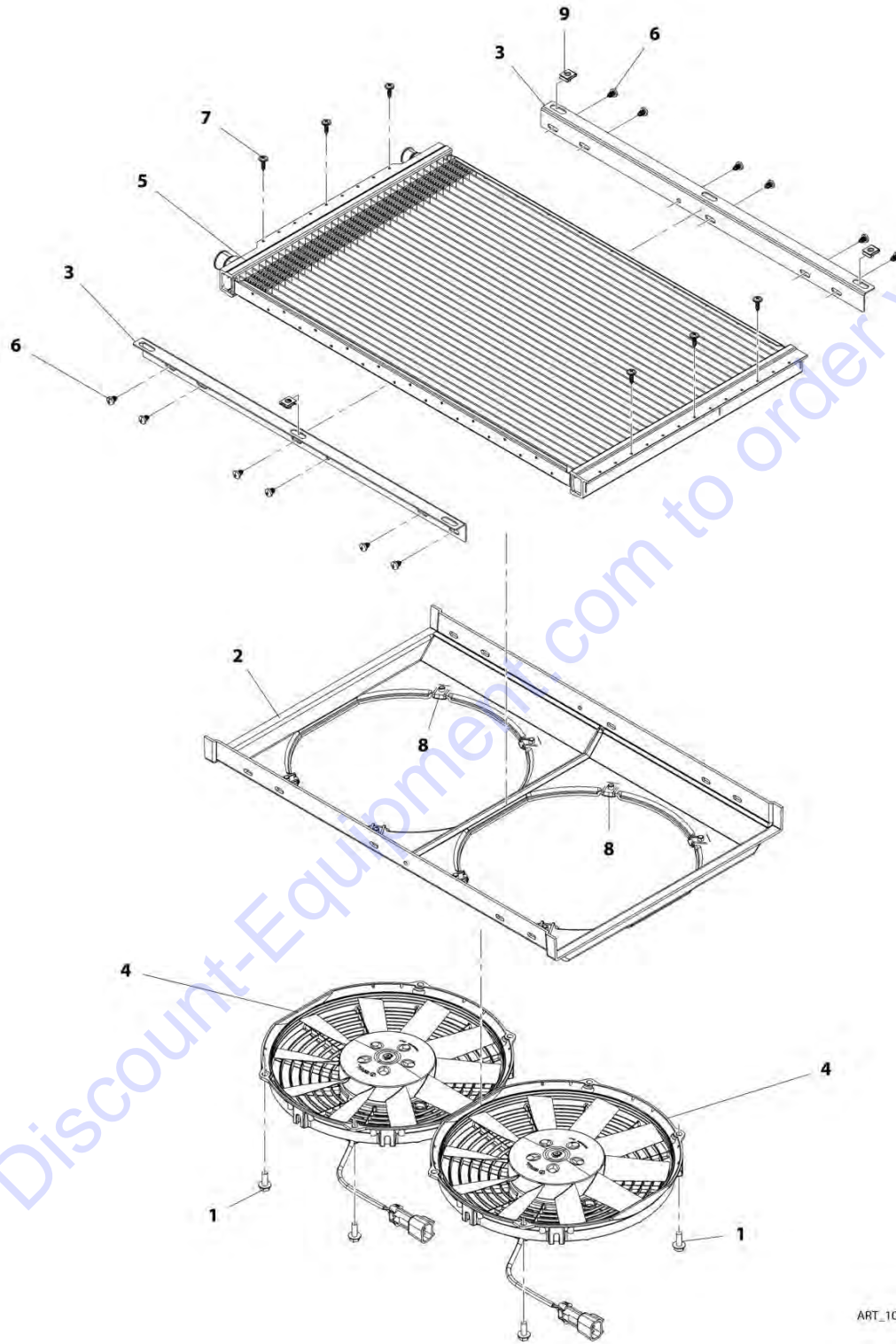
FIGURE 6-49. A/C RECEIVER DRIER

ITEM	PART NUMBER	QTY	DESCRIPTION	REV
	1001179130	Ref	A/C Receiver Drier	B
1	1001184403	1	Tube, Heater	
2	1001184404	1	Receiver, Heater Drier	
3	1001184405	2	Clamp	
4	1001184406	1	Connector, Heater	

Go to Discount-Equipment.com to order your parts

SECTION 6 - CAB

FIGURE 6-50. CONDENSER



ART_1001167266-C

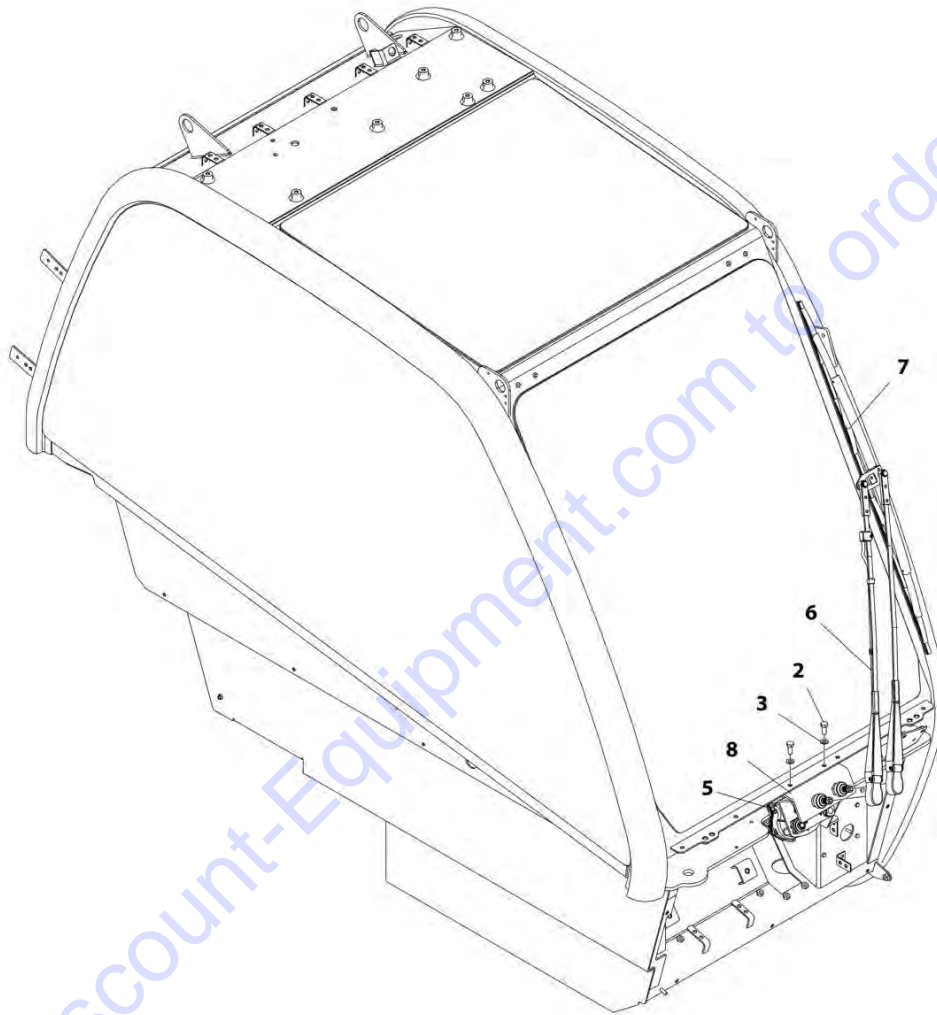
FIGURE 6-50. CONDENSER

ITEM	PART NUMBER	QTY	DESCRIPTION	REV
	1001167266	Ref	Condenser	C
1	5250608	8	Bolt, M6X16	
2	1001195342	1	Bracket, Condenser Fan Mount	
3	1001195343	2	Support, Condenser	
4	1001195345	2	Fan, Condenser	
5	1001195346	1	Condenser	
6	1001195385	12	Screw, M3.9X9.5	
7	1001195386	6	Screw, M4.2X16	
8	1001195437	8	Clip, M6X1	
9	1001195438	3	Clip, M6X1	

Go to Discount-Equipment.com to order your parts

SECTION 6 - CAB

FIGURE 6-51. FRONT WIPER INSTALLATION



ART_1001155447-G

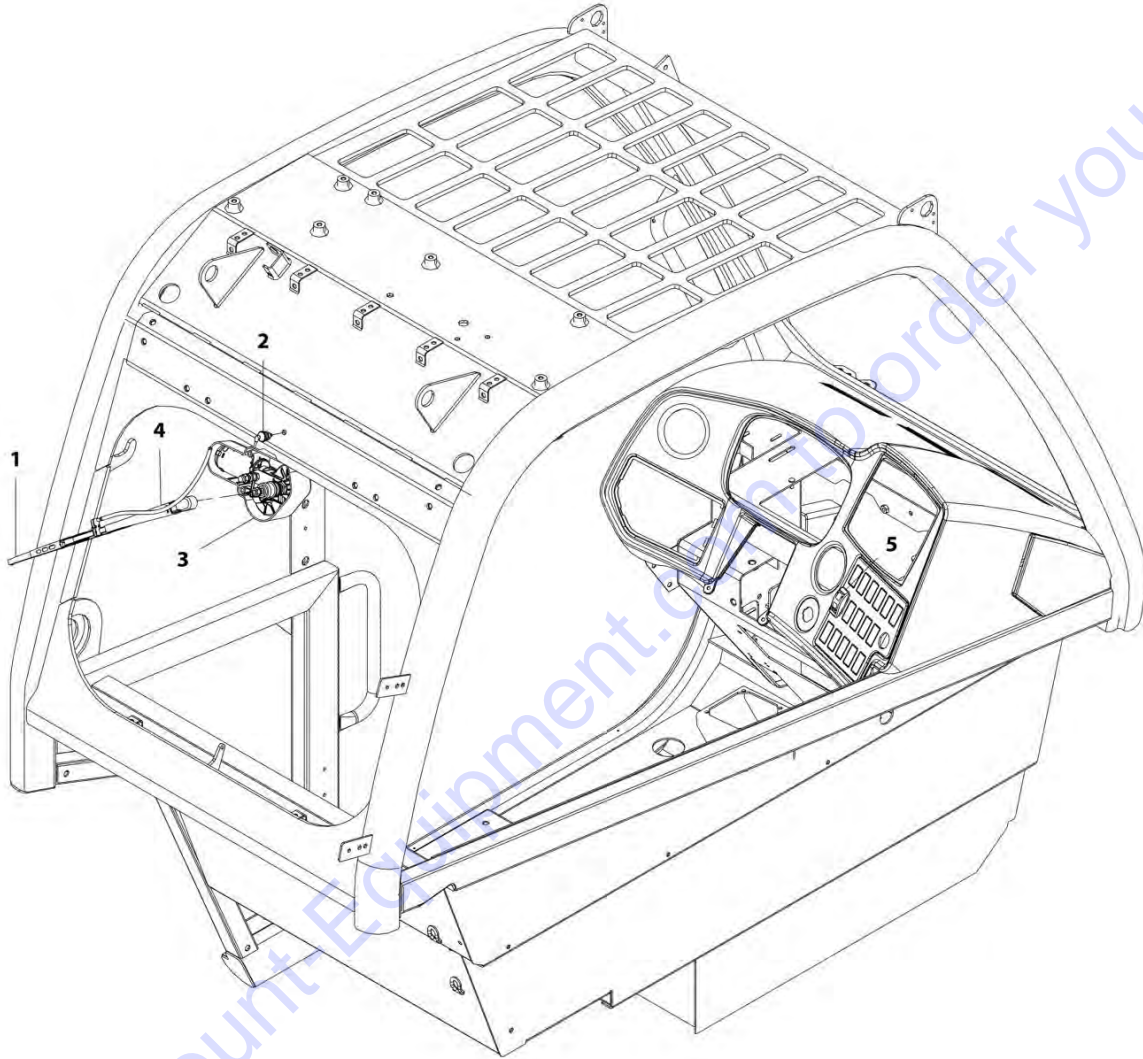
FIGURE 6-51. FRONT WIPER INSTALLATION

ITEM	PART NUMBER	QTY	DESCRIPTION	REV
	1001155447	Ref	Front Wiper Installation	G
2	0760810	2	Bolt, M8X20	
3	4811900	2	Washer, M8	
5	1001090336	1	Motor, Front Wiper, (Prior to SN 0160076912)	
5	1001214092	1	Motor, Front Wiper, (SN 0160076912 to Present)	
6	1001212369	1	Blade, Front Arm Wiper	
7	1001141281	1	Blade, Wiper	
8	1001165637	1	Bracket	

Go to Discount-Equipment.com to order your parts

SECTION 6 - CAB

FIGURE 6-52. REAR WIPER INSTALLATION



ART_1001176164-B

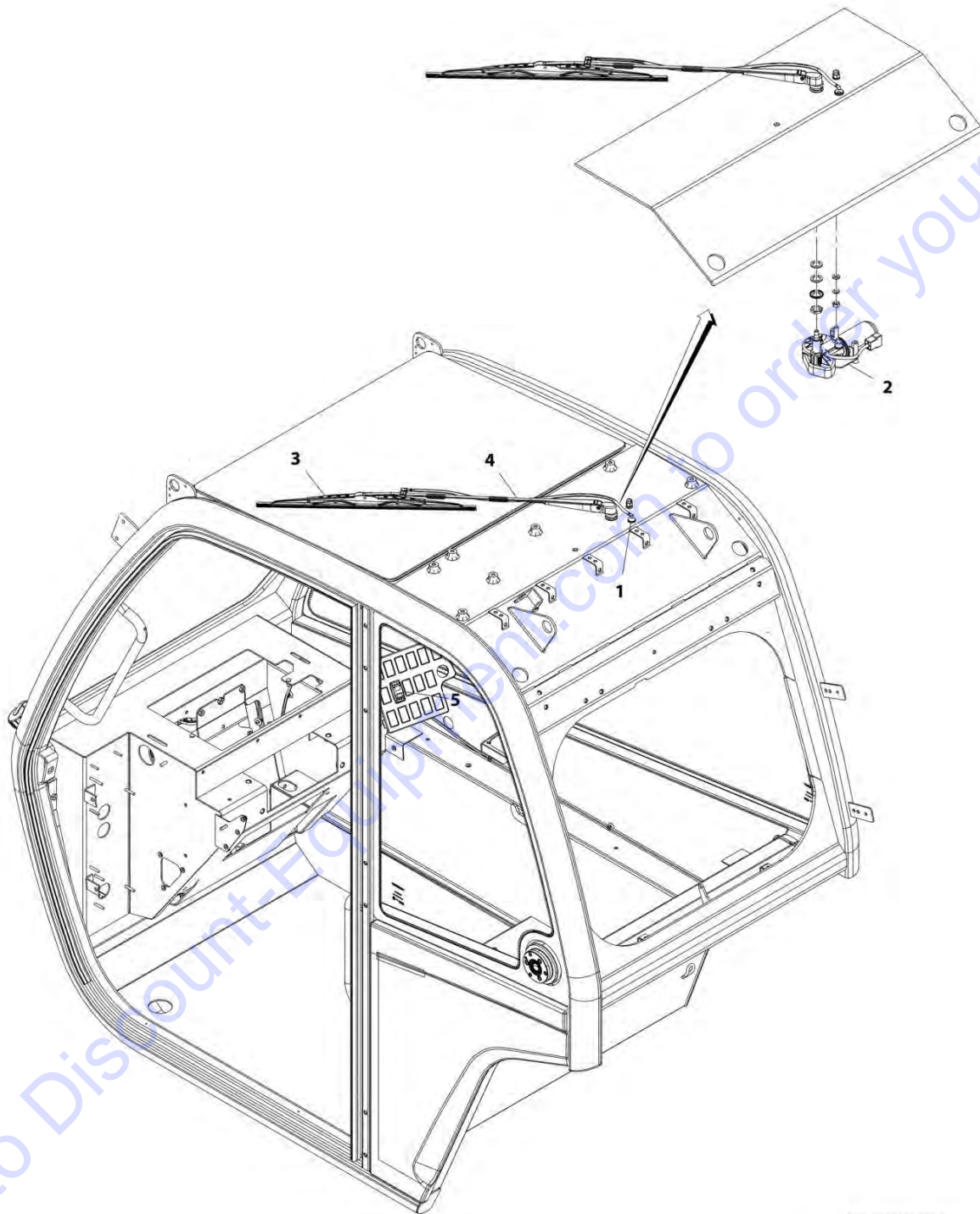
FIGURE 6-52. REAR WIPER INSTALLATION

ITEM	PART NUMBER	QTY	DESCRIPTION	REV
	1001176164	1	Rear Wiper Installation	B
1	4807718	1	Blade, Wiper	
2	1001090343	1	Connector	
3	1001139552	1	Motor, Rear Wiper Window	
4	1001141312	1	Arm, Rear Window Wiper Blade	
5	1001159735	1	Switch, Rear Wiper	

Go to Discount-Equipment.com to order your parts

SECTION 6 - CAB

FIGURE 6-53. ROOF WIPER INSTALLATION



ART_1001155486-B

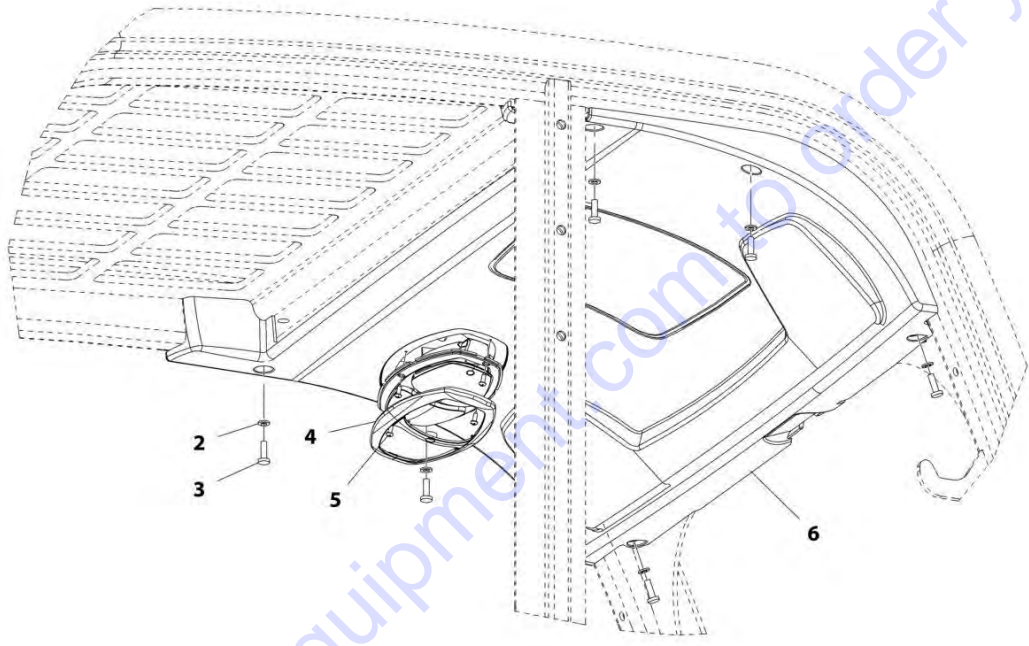
FIGURE 6-53. ROOF WIPER INSTALLATION

ITEM	PART NUMBER	QTY	DESCRIPTION	REV
	1001155486	1	Roof Wiper Installation	B
1	1001090343	1	Connector	
2	1001139551	1	Motor, Roof Wiper	
3	1001141313	1	Blade, Roof Wiper	
4	1001141311	1	Arm, Roof Wiper Blade	
5	1001159736	1	Switch, Roof Wiper	

Go to Discount-Equipment.com to order your parts

SECTION 6 - CAB

FIGURE 6-54. HEADLINER INSTALLATION



ART_1001170717-D

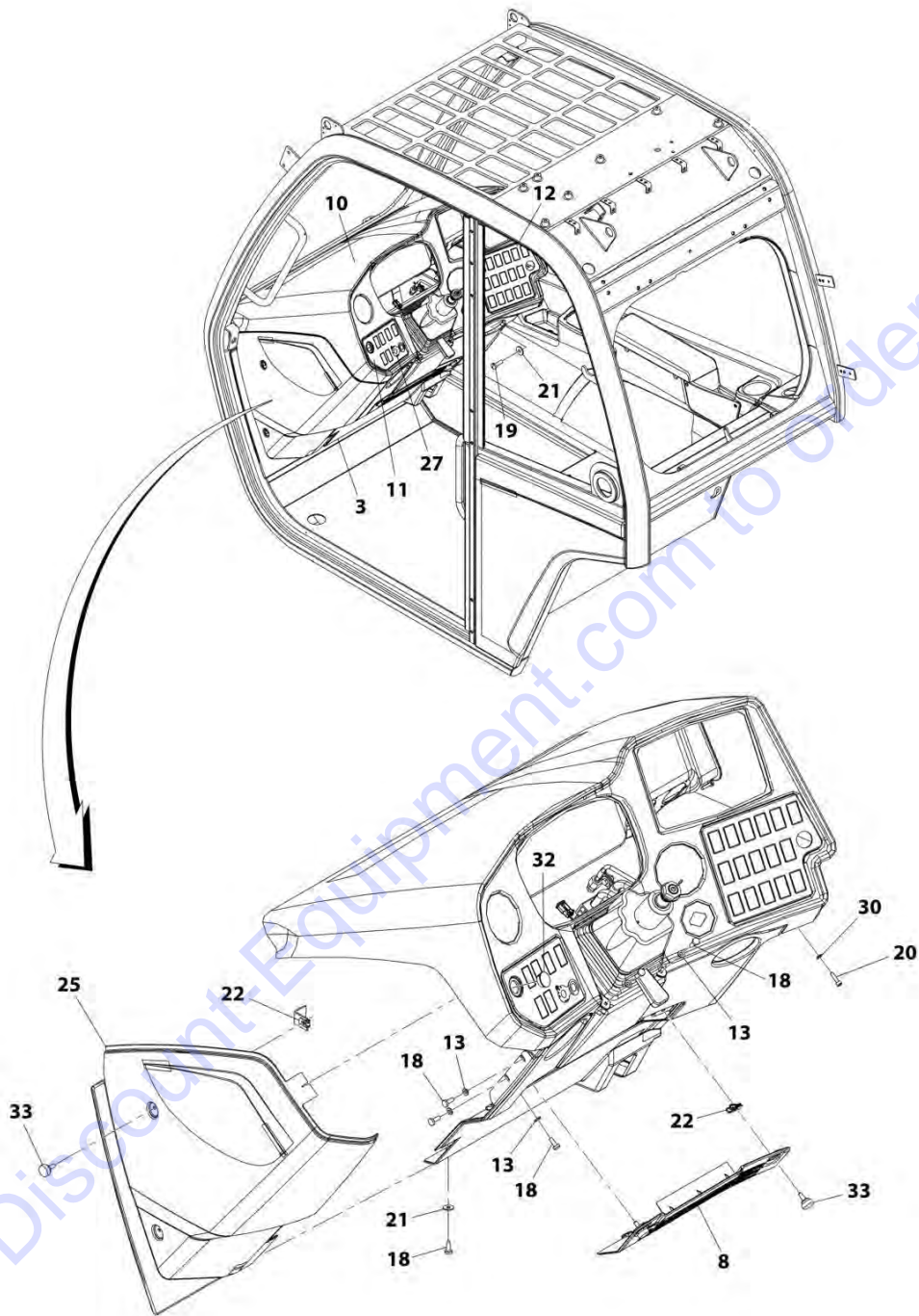
FIGURE 6-54. HEADLINER INSTALLATION

ITEM	PART NUMBER	QTY	DESCRIPTION	REV
	1001170717	1	Headliner Installation	D
2	4811700	6	Washer, M6	
3	4010610002	6	Screw, M6X20	
4	1001167015	1	Lamp	
5	7029486	4	Screw	
6	1001161069	1	Panel, Headliner	

Go to Discount-Equipment.com to order your parts

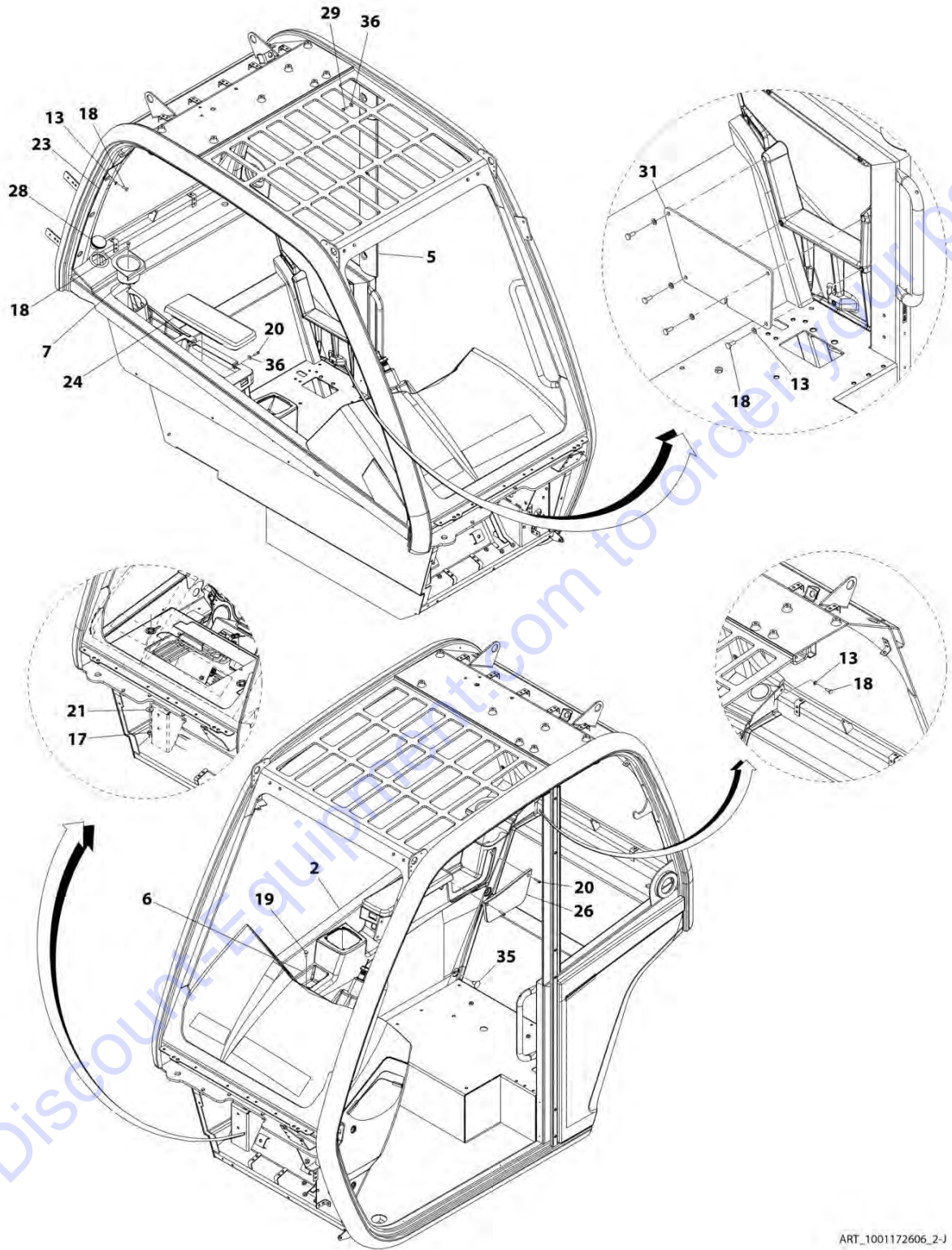
SECTION 6 - CAB

FIGURE 6-55. OPEN CAB TRIM INSTALLATION (Prior to SN 0160081650)



ART_1001172606_1-J

SECTION 6 - CAB



ART_1001172606_2-J

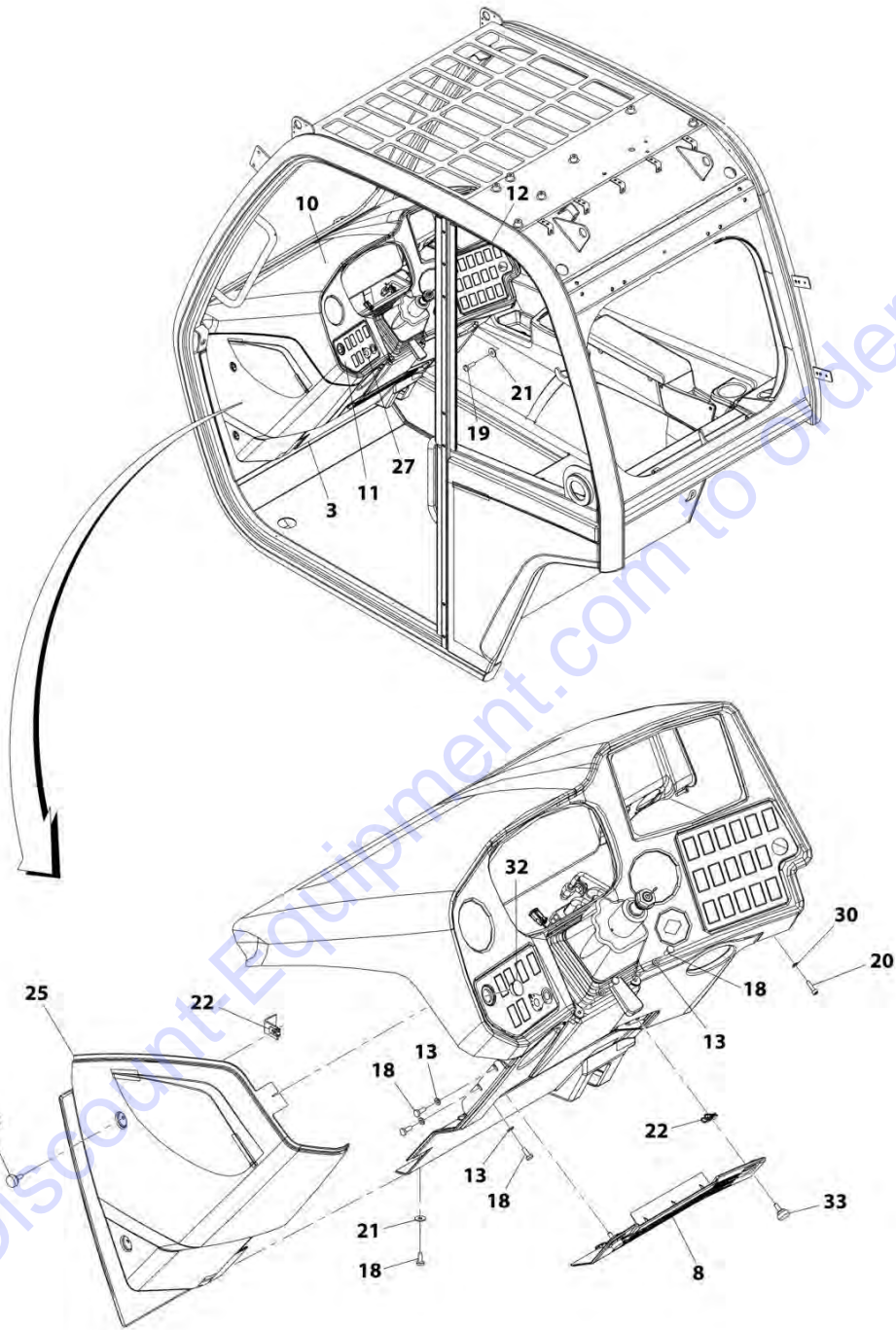
SECTION 6 - CAB

FIGURE 6-55. OPEN CAB TRIM INSTALLATION (Prior to SN 0160081650)

ITEM	PART NUMBER	QTY	DESCRIPTION	REV
	1001172606	Ref	Open Cab Trim Installation	F
2	1001169605	1	Cover, Side	
3	1001175904	1	Panel, Lower Dash	
5	1001161251	1	Panel, Cover	
6	1001169603	1	Panel, Trinket Tray	
7	1001170518	1	Holder, Cup	
8	1001170506	1	Panel, Recirculation Grille Cover	
10	1001172608	1	Panel, Dash	
11	1001165066	1	Plate, LH Switch	
12	1001165067	1	Plate, RH Switch	
13	4811700	14	Washer, M6	
17	3290605	2	Nut, Lock M6X1 Grade 8	
18	4010608002	19	Screw, Posi-Drive M6X16 GR4.8	
19	4010610002	1	Screw, Posi-Drive M6X20 GR4.8	
20	4031608	5	Screw, M5X20	
21	4811702	6	Washer, M6	
22	8305919	2	Nut, M6	
23	1001191617	1	Panel, Cover	
24	1001161854	1	Armrest	
25	1001161855	1	Panel, LH Dash	
26	1001173965	1	Bezel, RH	
27	1001190347	1	Decal, No HVAC	
28	1001190413	1	Plug	
29	4010510002	2	Screw, Posi-Drive M5X20	
30	4811600	3	Washer, M5	
31	1001185179	1	Cover, LH Rear Panel	
32	1001190589	1	Blanking Plug	
33	1001208308	2	Thumb Screw, M6X15	
34	1001148557	2	Washer	
35	1001211907	1	Screw	

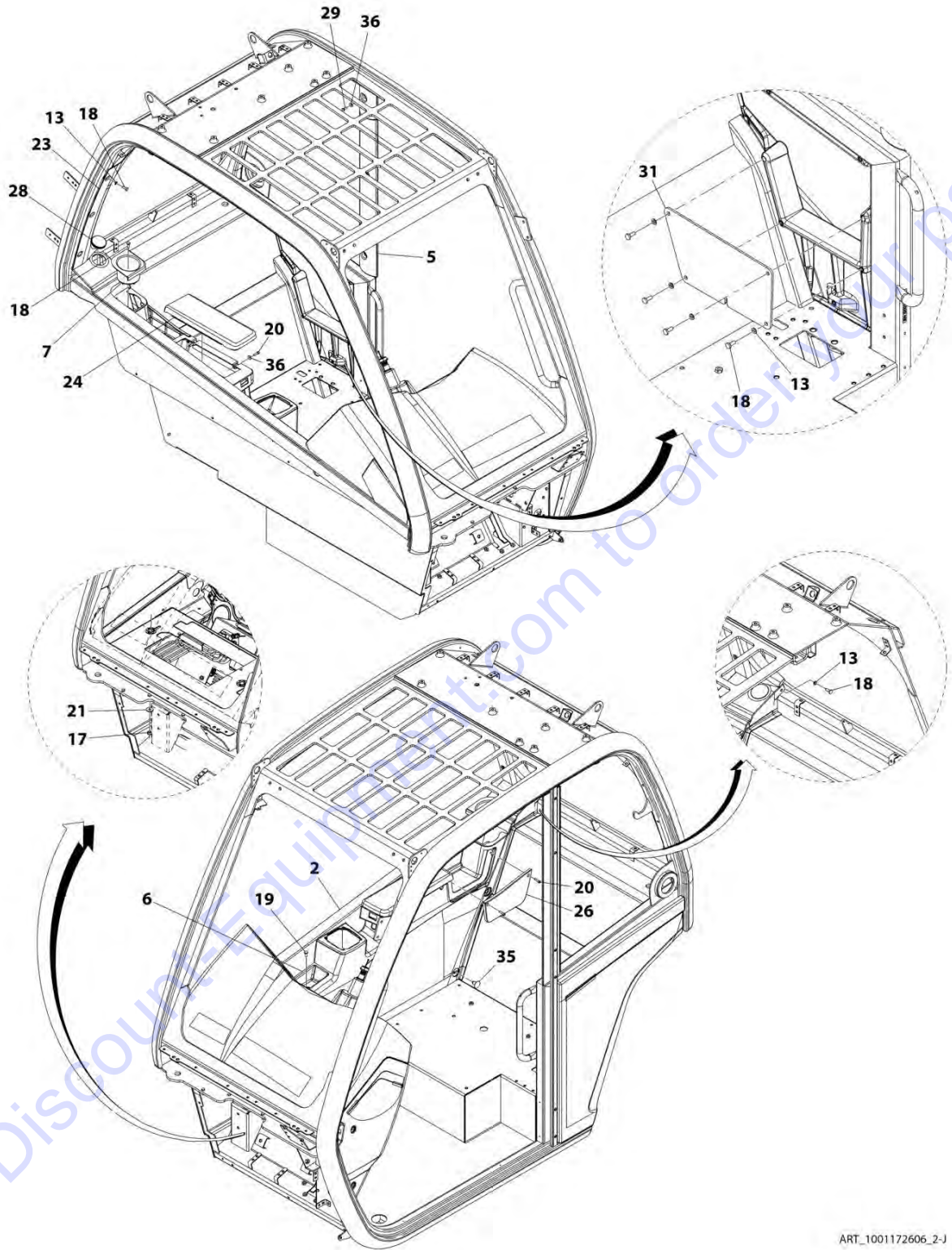
SECTION 6 - CAB

FIGURE 6-56. OPEN CAB TRIM INSTALLATION (SN 0160081650 to Present)



ART_1001172606_1-J

SECTION 6 - CAB



ART_1001172606_2-J

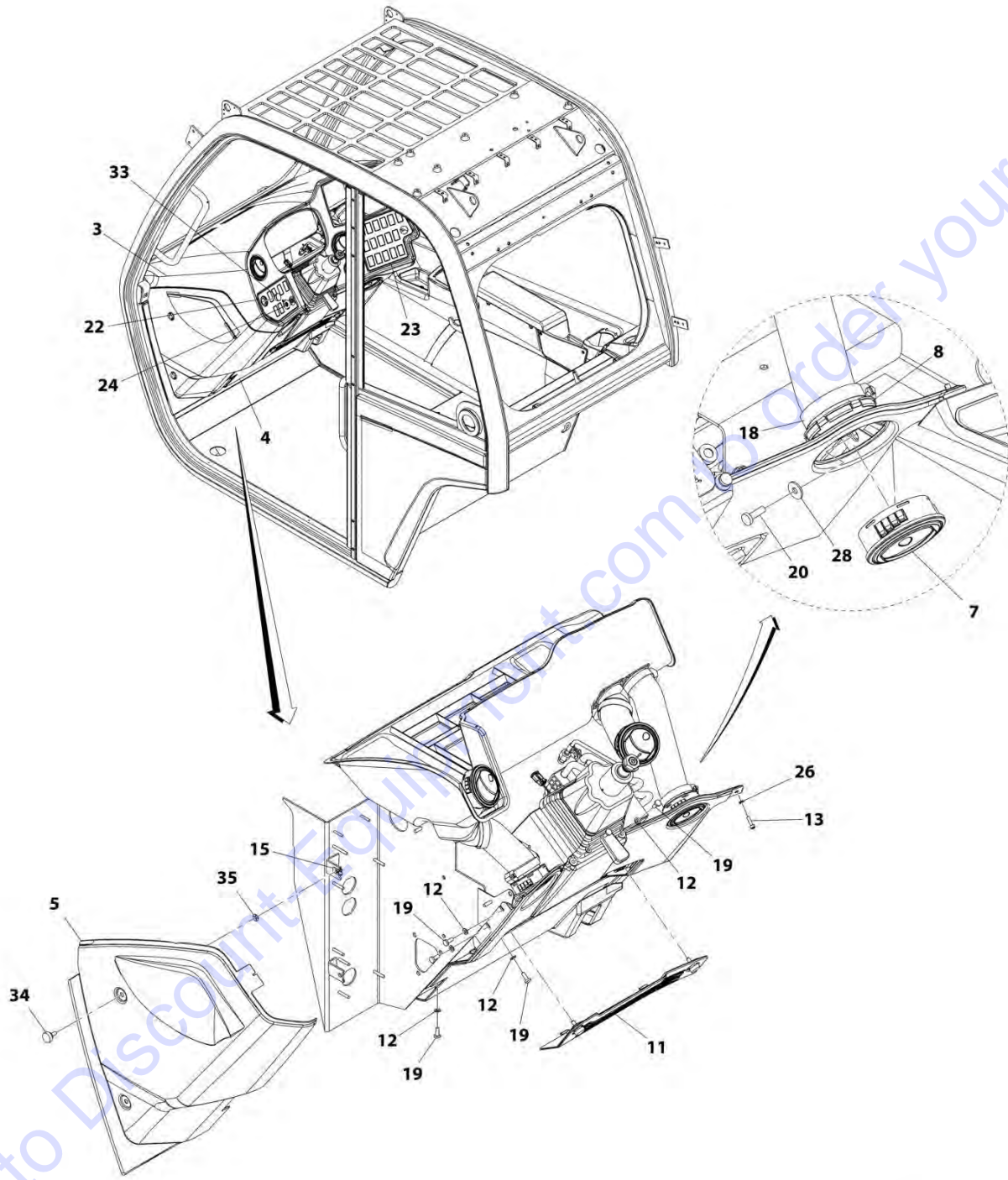
SECTION 6 - CAB

FIGURE 6-56. OPEN CAB TRIM INSTALLATION (SN 0160081650 to Present)

ITEM	PART NUMBER	QTY	DESCRIPTION	REV
	1001172606	Ref	Open Cab Trim Installation	J
2	1001169605	1	Cover, Side	
3	1001175904	1	Panel, Lower Dash	
5	1001161251	NLA	Panel, Cover (no longer available, use 1001219076 for replacement)	
5	1001219076	1	Panel, Cover	
6	1001169603	1	Panel, Trinket Tray	
7	1001170518	1	Holder, Cup	
8	1001170506	NLA	Panel, Recirculation Grille Cover (no longer available, use 1001170504 for replacement)	
8	1001170504	1	Panel, Recirculation Grille Cover	
10	1001172608	1	Panel, Dash	
11	1001219864	1	Plate, LH Switch	
12	1001219865	1	Plate, RH Switch	
13	4811700001	14	Washer, M6	
17	3290605	2	Nut, Lock M6X1 Grade 8	
18	4010608002	18	Screw, Posi-Drive M6X16 GR4.8	
19	4010610002	2	Screw, Posi-Drive M6X20 GR4.8	
20	4031608001	5	Screw, M5X20	
21	4811702001	6	Washer, M6	
22	8305919	4	Nut, M6	
23	1001191617	1	Panel, Cover	
24	1001161854	1	Armrest	
25	1001161855	1	Panel, LH Dash	
26	1001173965	1	Bezel, RH	
27	1001190347	1	Decal, No HVAC	
28	1001223265	1	Plug	
29	4010508002	3	Screw, Posi-Drive M5X16	
30	4811600	1	Washer, M5	
31	1001185179	1	Cover, LH Rear Panel	
32	1001190589	1	Blanking Plug	
33	1001208308	4	Screw, M6X15	
35	1001211907	1	Screw	
36	4811602001	5	Washer, M5	

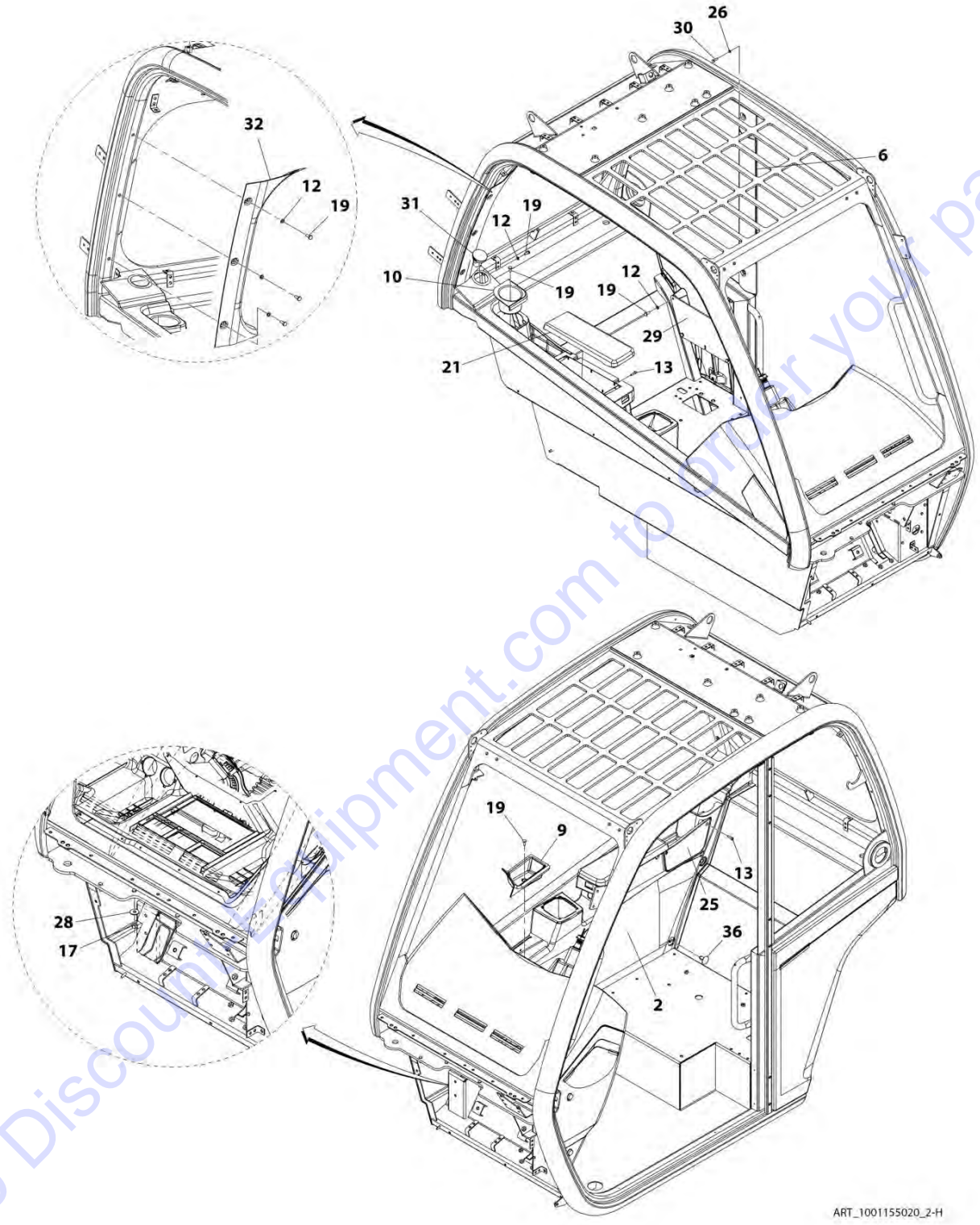
SECTION 6 - CAB

FIGURE 6-57. ENCLOSED CAB TRIM INSTALLATION (Prior to SN 0160081650)



ART_1001155020_1-H

SECTION 6 - CAB



ART_1001155020_2-H

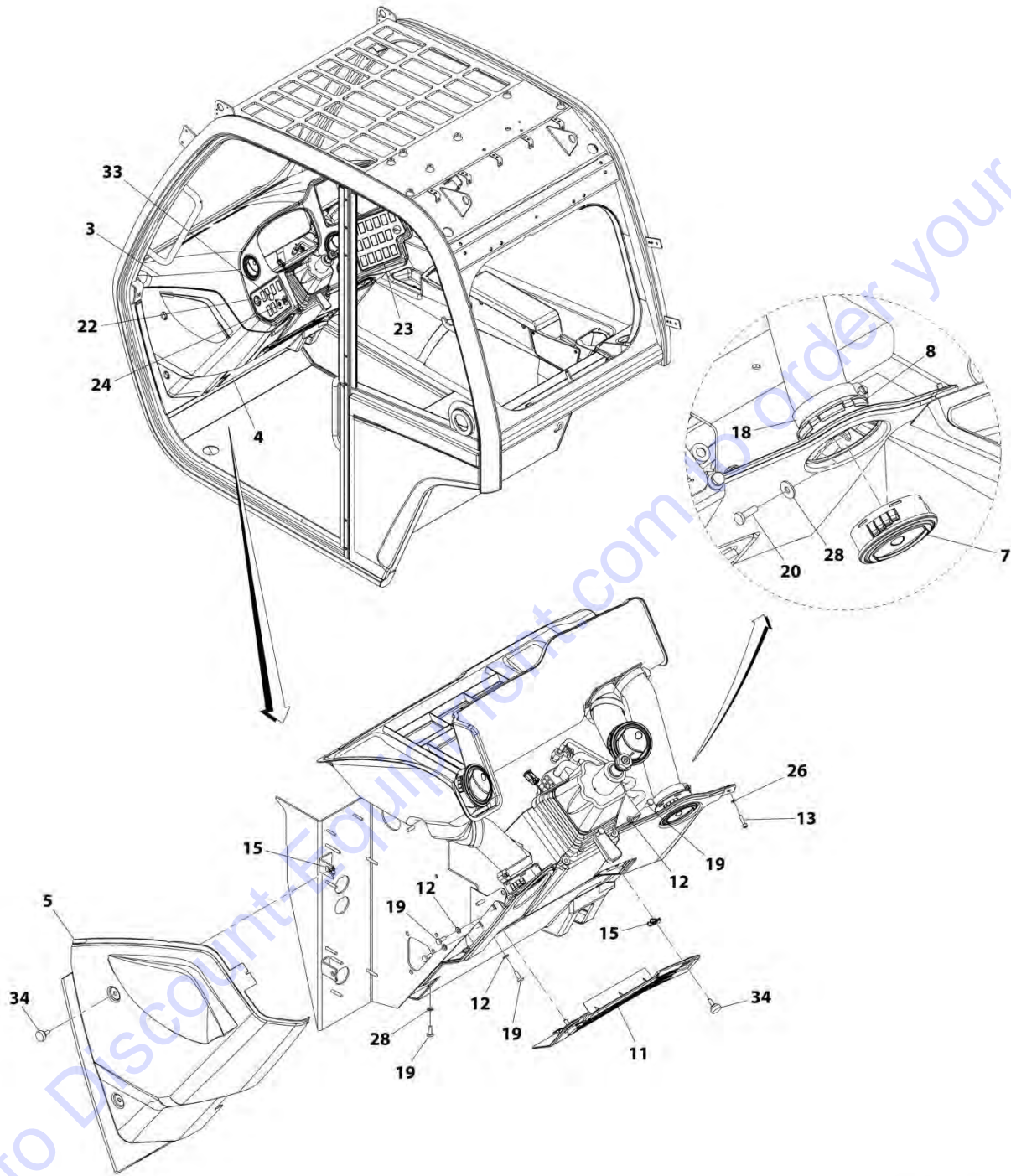
SECTION 6 - CAB

FIGURE 6-57. ENCLOSED CAB TRIM INSTALLATION (Prior to SN 0160081650)

ITEM	PART NUMBER	QTY	DESCRIPTION	REV
	1001155020	1	Enclosed Cab Trim Installation	H
2	1001169605	1	Cover, Side	
3	1001169604	1	Cover, Dash	
4	1001175903	1	Panel, Lower Dash	
5	1001161855	1	Panel, Cover	
6	1001161251	1	Panel, Cover	
7	1001147449	2	Vent, Air	
8	1001149278	2	Vent, Connector	
9	1001169603	1	Panel, Trinket Tray	
10	1001170518	1	Holder, Cup	
11	1001170506	1	Panel, Recirculation Grille Cover	
12	4811700	16	Washer, M6	
13	4031608	5	Bolt, M5X20	
15	8305919	2	Nut, M6	
17	3290605	2	Nut, Lock M6X1 Grade 8	
18	8405201	2	Clamp, Gear	
19	4010608002	19	Screw, Posi-Drive M6X16 GR4.8	
20	4010610002	1	Screw, Posi-Drive M6X20 GR4.8	
21	1001161854	1	Armrest	
22	1001165066	1	Plate, LH Switch	
23	1001165067	1	Plate, RH Switch	
24	1001184975	1	Decal, HVAC	
25	1001173965	1	Bezel, RH	
26	4811600	3	Washer, M5	
28	4811702	4	Washer, M6	
29	1001185179	1	Panel, LH Rear Cover	
30	4010510002	2	Screw, Posi-Drive M5X20 GR4.8	
31	1001190413	1	Plug	
32	1001191617	1	Panel, RH C Post	
33	1001190589	1	Blanking Plug	
34	1001208308	2	Thumb Screw, M6X15	
35	1001148557	2	Washer	
36	1001211907	1	Screw	

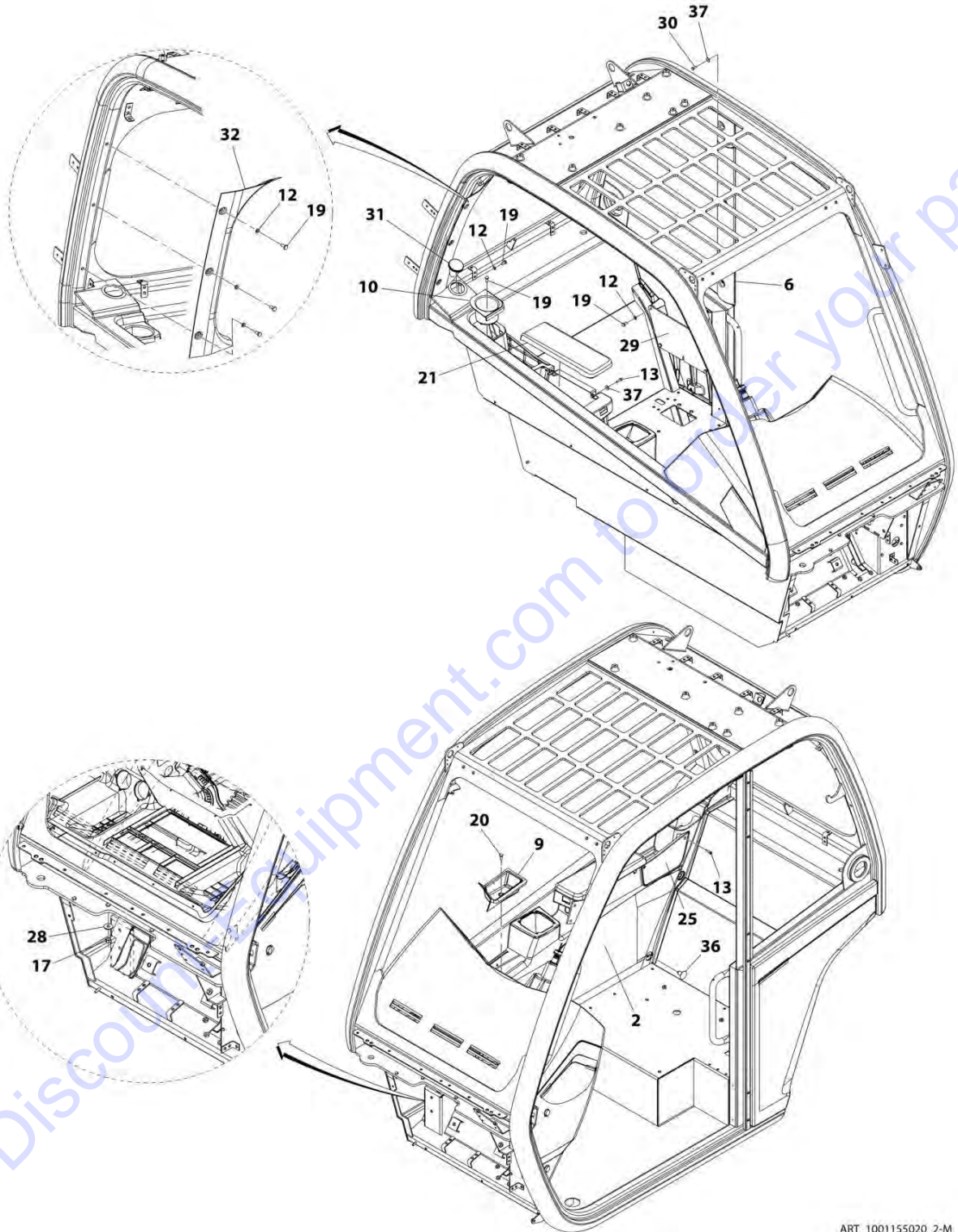
SECTION 6 - CAB

FIGURE 6-58. ENCLOSED CAB TRIM INSTALLATION (SN 0160081650 to Present)



ART_1001155020_1-M

SECTION 6 - CAB



ART_1001155020_2-M

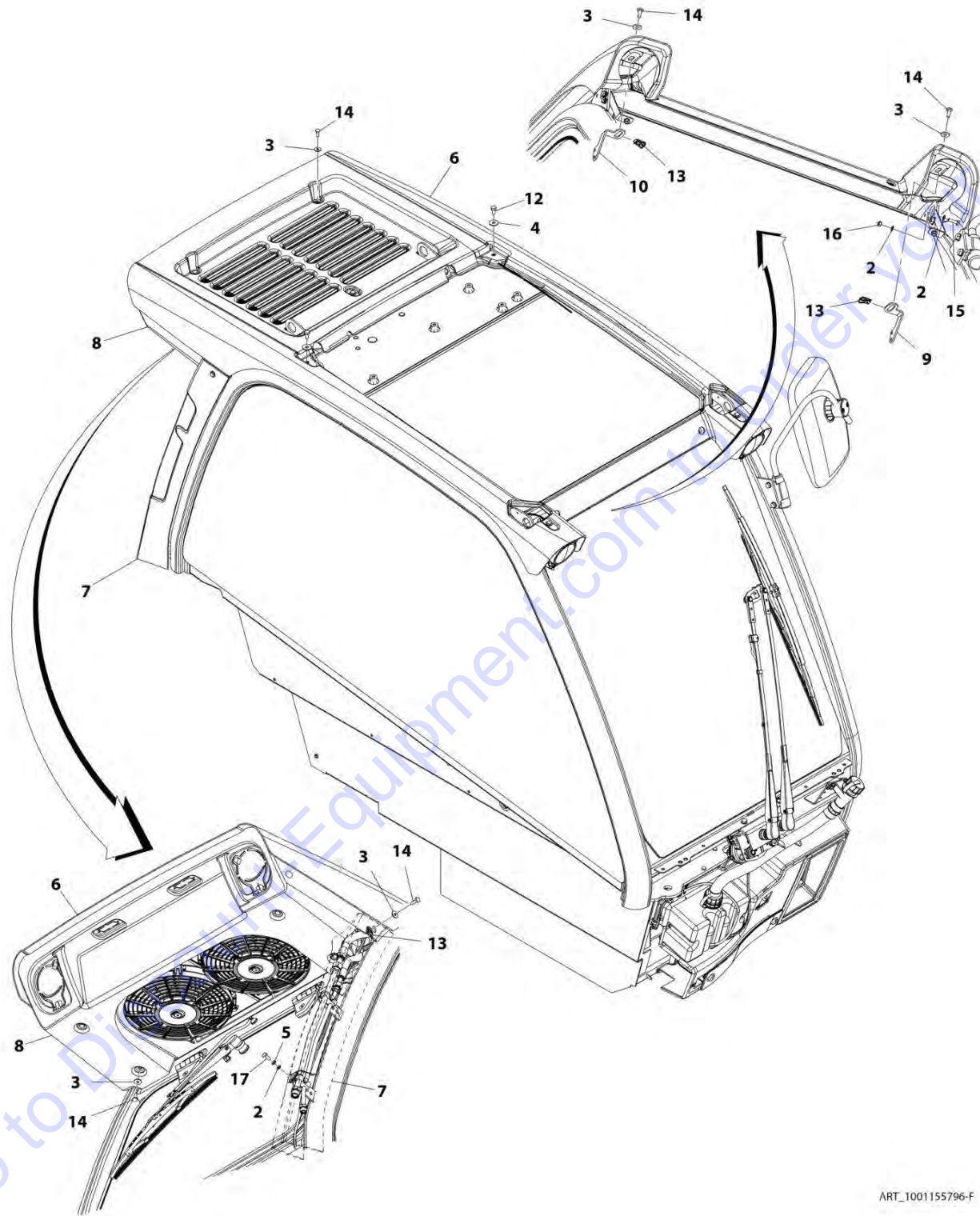
SECTION 6 - CAB

FIGURE 6-58. ENCLOSED CAB TRIM INSTALLATION (SN 0160081650 to Present)

ITEM	PART NUMBER	QTY	DESCRIPTION	REV
	1001155020	Ref	Enclosed Cab Trim Installation	M
2	1001169605	1	Cover, Side	
3	1001169604	1	Cover, Dash	
4	1001175903	1	Panel, Lower Dash	
5	1001161855	1	Panel, Dash LH	
6	1001161251	NLA	Panel, Cover (no longer available, use 1001219076 for replacement)	
6	1001219076	1	Panel, Cover	
7	1001147449	2	Vent, Air	
8	1001149278	2	Vent, Connector	
9	1001169603	1	Panel, Trinket Tray	
10	1001170518	1	Holder, Cup	
11	1001170506	NLA	Panel, Recirculation Grille Cover (no longer available, use 1001170504 for replacement)	
11	1001170504	1	Panel, Recirculation Grille Cover	
12	4811700001	14	Washer, M6	
13	4031608001	5	Bolt, M5X20	
15	8305919	4	Nut, M6	
17	3290605	2	Nut, Lock M6X1	
18	8405201	2	Clamp, Gear	
19	4010608002	18	Screw, Posi-Drive M6X16 GR4.8	
20	4010610002	2	Screw, Posi-Drive M6X20 GR4.8	
21	1001161854	1	Armrest	
22	1001219864	1	Plate, LH Switch	
23	1001219865	1	Plate, RH Switch	
24	1001184975	1	Decal, HVAC	
25	1001173965	1	Bezel, RH	
26	4811600	1	Washer, M5	
28	4811702001	6	Washer, M6	
29	1001185179	1	Panel, LH Rear Cover	
30	4010508002	3	Screw, Posi-Drive M5X16	
31	1001223265	1	Plug	
32	1001191617	1	Panel, Cover	
33	1001190589	1	Blanking Plug	
34	1001208308	4	Screw, M6X15	
36	1001211907	1	Screw	
37	4811602001	5	Washer, M5	

SECTION 6 - CAB

FIGURE 6-59. LONG CAB ROOF CAPPING INSTALLATION



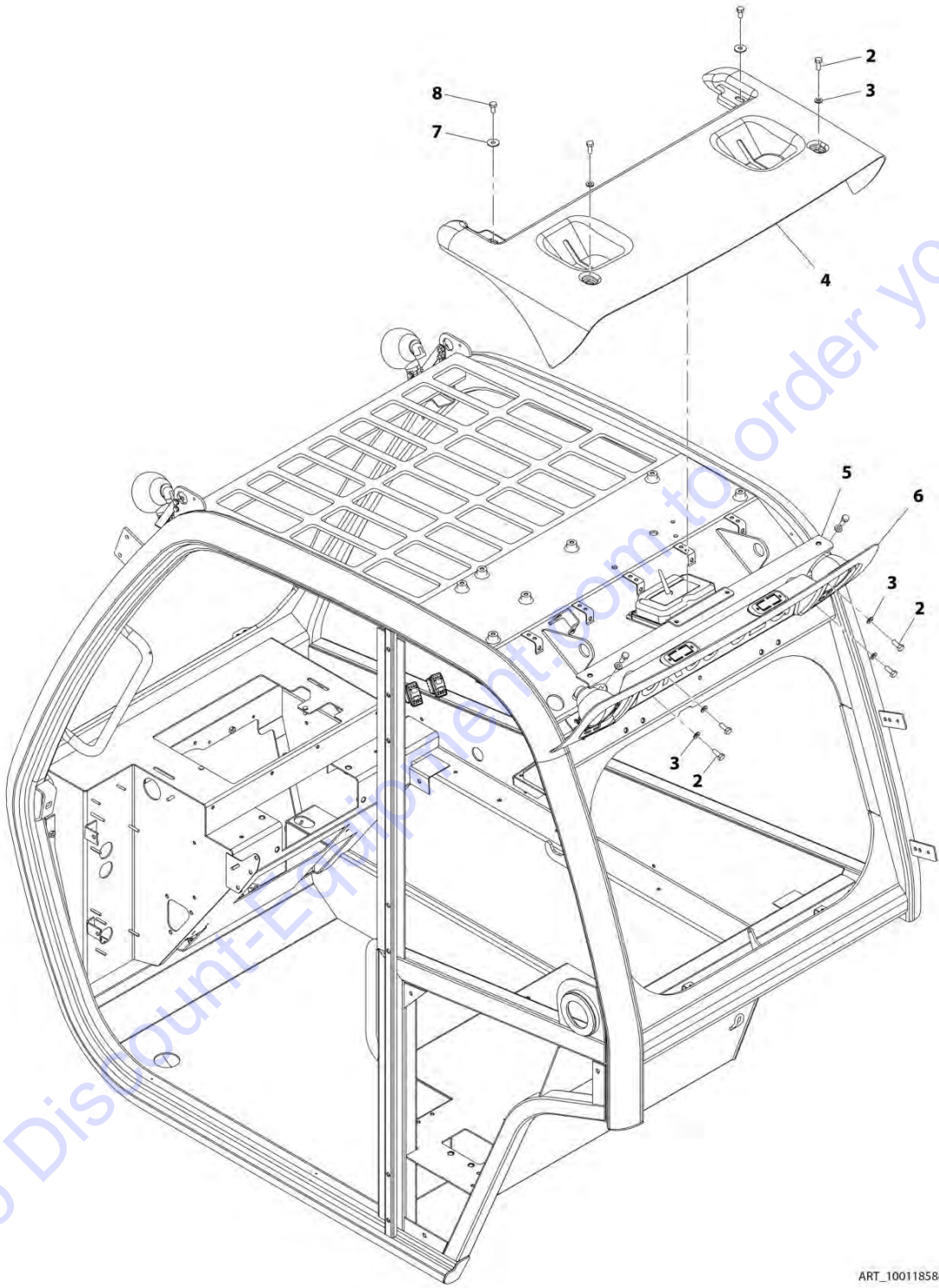
ART_1001155796-F

FIGURE 6-59. LONG CAB ROOF CAPPING INSTALLATION

ITEM	PART NUMBER	QTY	DESCRIPTION	REV
	1001155796	1	Long Cab Roof Capping Installation	F
2	4811700	9	Washer, M6	
3	4811702	10	Washer, M6	
4	4811902	2	Washer, M8	
5	4831700	1	Washer, Lock M6	
6	1001155800	1	Cover, Upper Roof Cap	
7	1001174741	1	Cover	
8	1001176317	NLA	Cover, Lower Roof Cap, (no longer available, use 1001214156 for replacement)	
8	1001214156	1	Cover, Lower Roof Cap	
9	1001174800	1	Bracket, Roof Cap	
10	1001174801	1	Bracket, Roof Cap	
12	0760808	2	Hex HD Capscrew, M8X16, GR8.8	
13	8305919	3	Nut, M6X1	
14	4010610002	10	Screw, Posi-Drive M6X20	
15	0700610	4	Bolt, M6X20	
16	3290601	4	Nut, M6X1	
17	4010608002	1	Screw, M6X16	

SECTION 6 - CAB

FIGURE 6-60. SHORT CAB ROOF CAPPING INSTALLATION



ART_1001185846-D

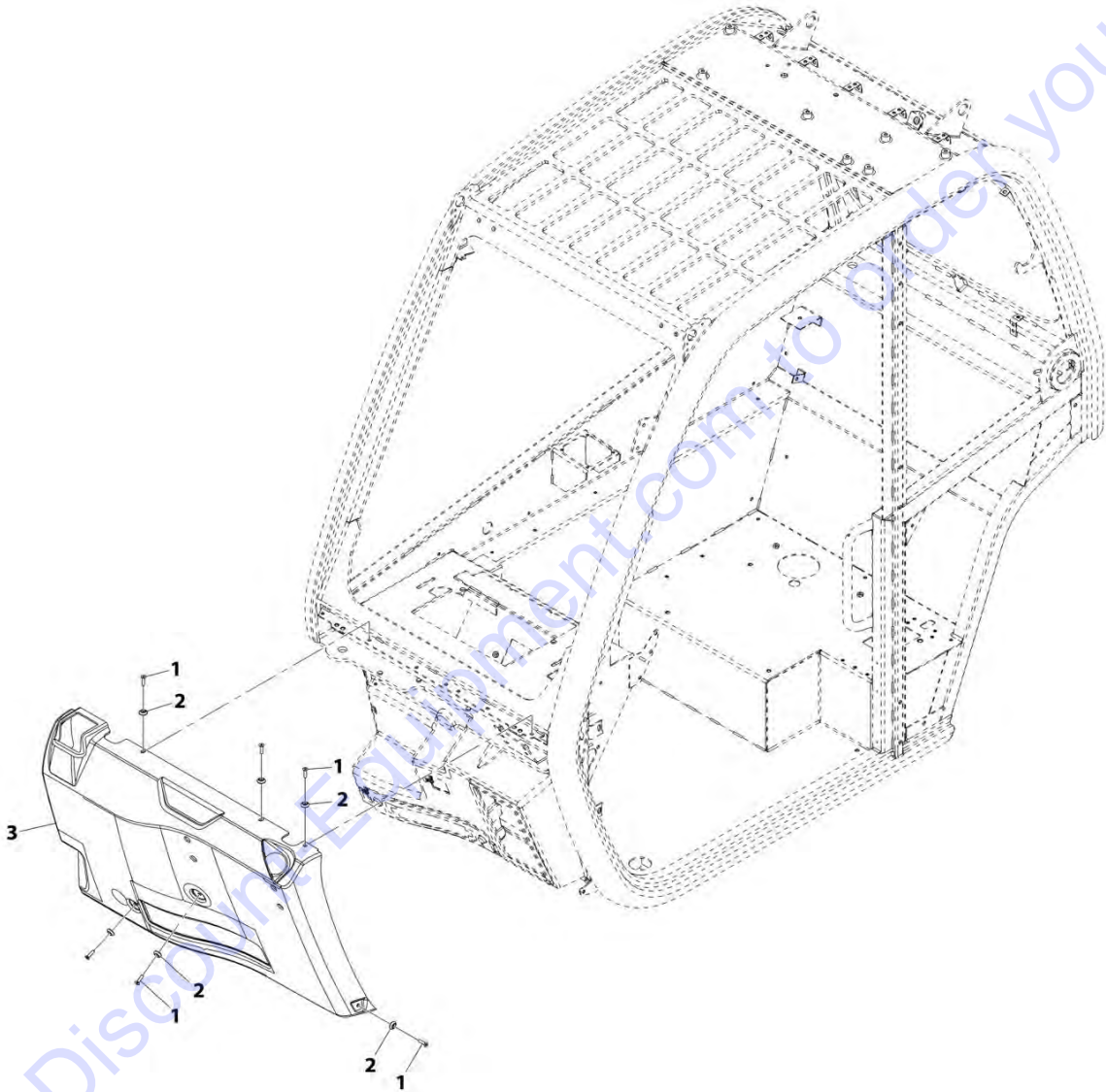
FIGURE 6-60. SHORT CAB ROOF CAPPING INSTALLATION

ITEM	PART NUMBER	QTY	DESCRIPTION	REV
	1001185846	1	Short Cab Roof Capping Installation	D
2	0760810	8	Bolt, M8X20	
3	4811900	8	Washer, M8	
4	1001182328	1	Cover, Short Upper Roof Cap	
5	1001185633	1	Bracket, Roof Cap Mount	
6	1001185844	NLA	Cover, Short Lower Roof Cap, (no longer available, use 1001214535 for replacement)	
6	1001214535	1	Cover, Short Lower Roof Cap	
7	4811902	2	Washer, M8	
8	0760808	2	Bolt, M8X16	

Go to Discount-Equipment.com to order your parts

SECTION 6 - CAB

FIGURE 6-61. OPEN CAB FRONT COVER INSTALLATION



ART_1001229550-A

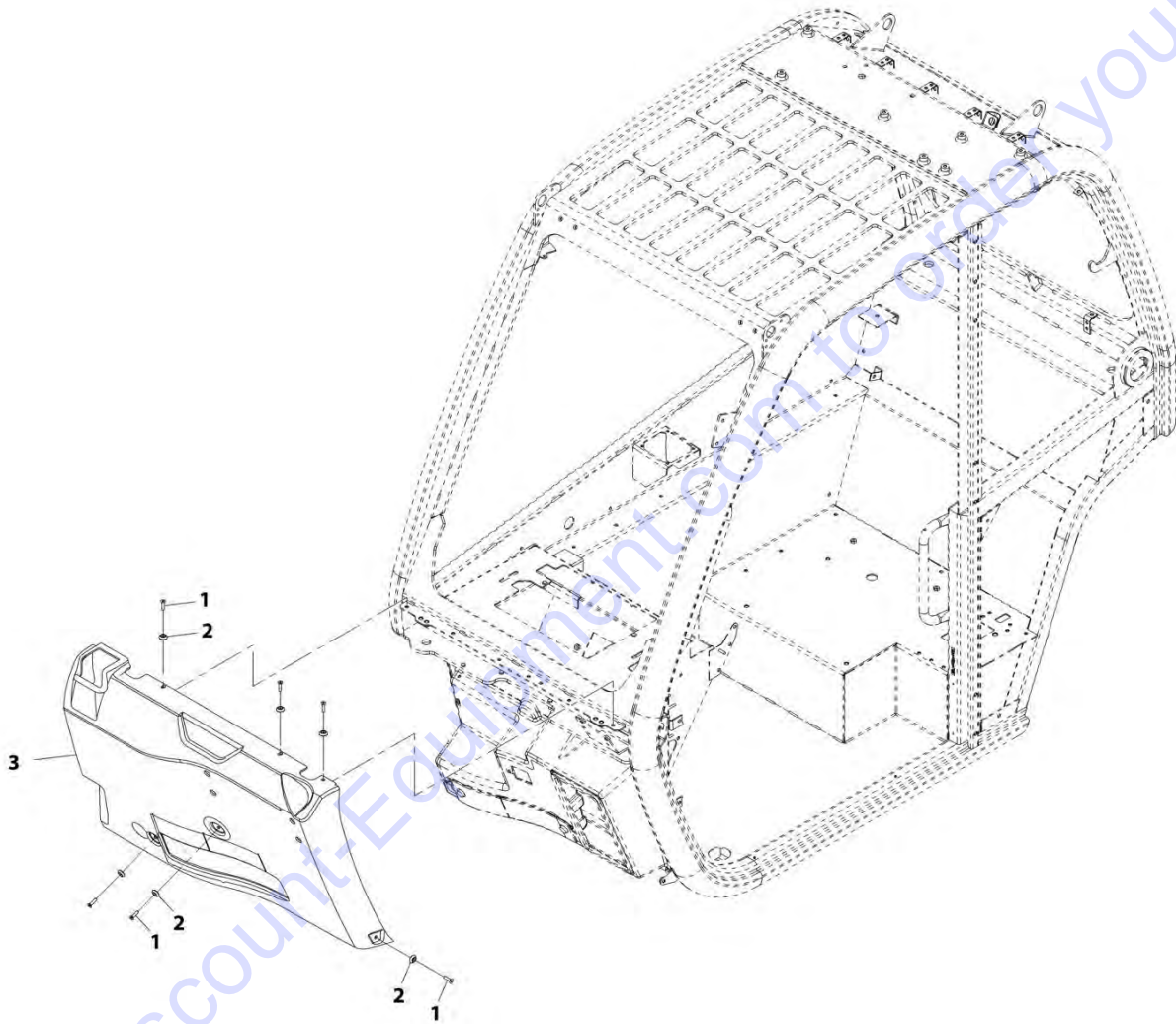
FIGURE 6-61. OPEN CAB FRONT COVER INSTALLATION

ITEM	PART NUMBER	QTY	DESCRIPTION	REV
	1001179853	Ref	Open Cab Front Cover with Cab Fender Installation, (no longer available, use 1001229550 for replacement)	G
	1001229550	Ref	Open Cab Front Cover with Cab Fender Installation	A
1	3900379	6	Screw, M6X25	
2	1001097540	6	Washer, M6	
3	1001189658	Ref	Cover, (no longer available, use 1001229540 for replacement)	
3	1001229540	1	Cover	

Go to Discount-Equipment.com to order your parts

SECTION 6 - CAB

FIGURE 6-62. ENCLOSED CAB FRONT COVER INSTALLATION



ART_1001229551-A

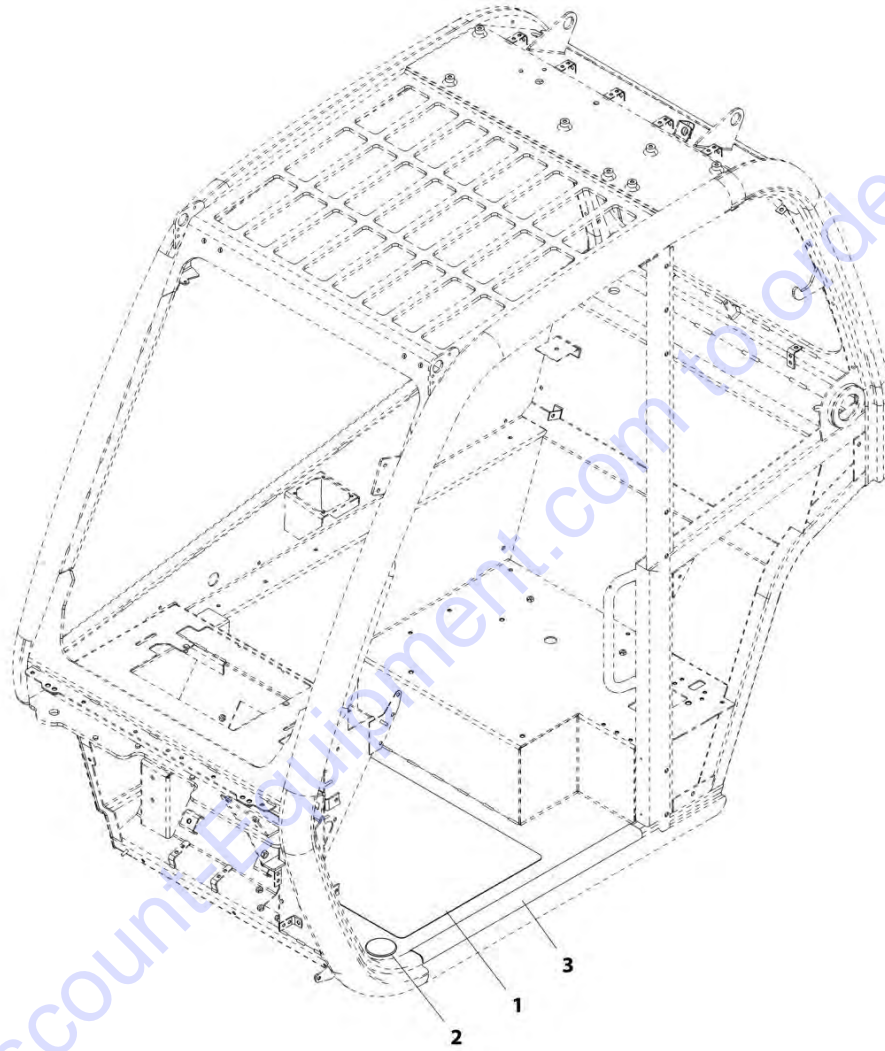
FIGURE 6-62. ENCLOSED CAB FRONT COVER INSTALLATION

ITEM	PART NUMBER	QTY	DESCRIPTION	REV
	1001192463	Ref	Enclosed Cab Front Cover with Cab Fender Installation, (no longer available, use 1001229551 for replacement)	E
	1001229551	Ref	Enclosed Cab Front Cover with Cab Fender Installation	A
1	3900379	6	Screw, M6X25	
2	1001097540	6	Washer, M6	
3	1001192464	Ref	Cover, (no longer available, use 1001229541 for replacement)	
3	1001229541	1	Cover	

Go to Discount-Equipment.com to order your parts

SECTION 6 - CAB

FIGURE 6-63. NON SKID TAPE INSTALLATION



ART_1001197219-B

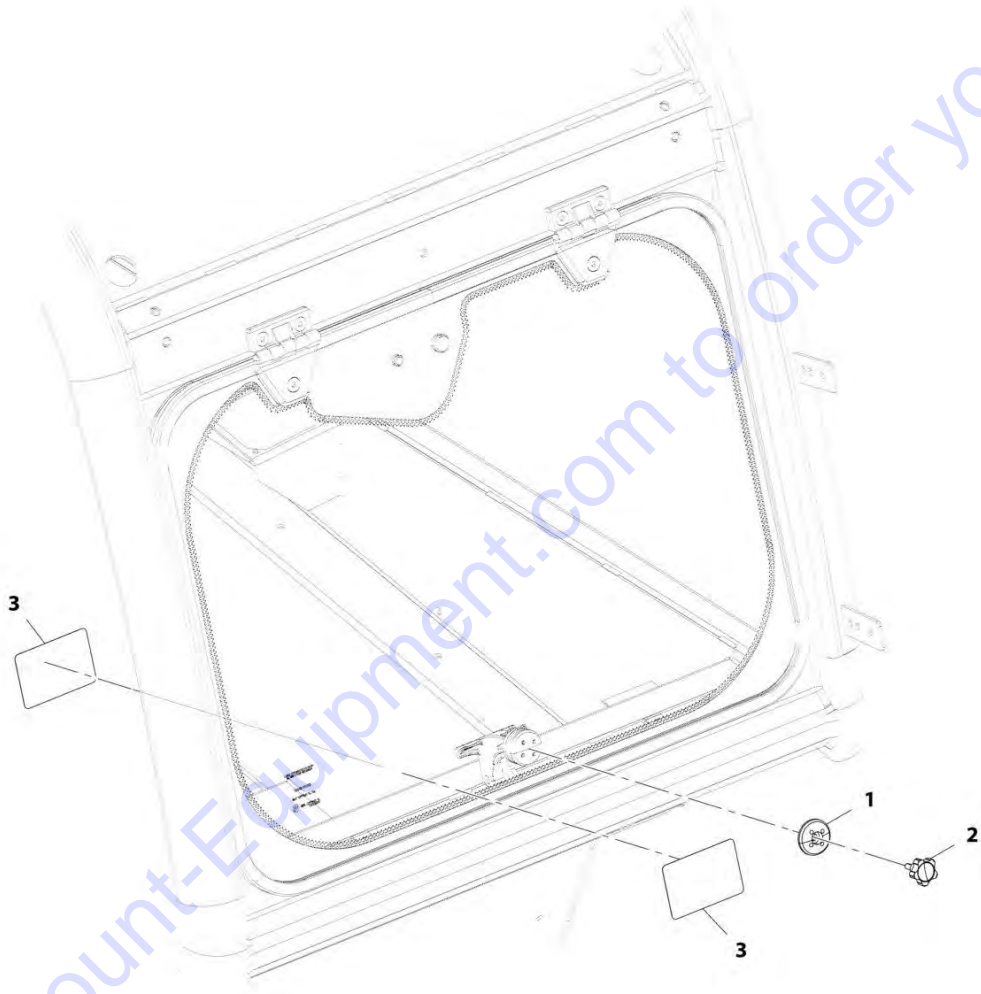
FIGURE 6-63. NON SKID TAPE INSTALLATION

ITEM	PART NUMBER	QTY	DESCRIPTION	REV
	1001197219	1	Non Skid Tape Installation	B
1	1001197217	1	Tape, Non Skid Floor	
2	1001197218	1	Grommet	
3	1001197259	1	Tape, Non Skid Frame	

Go to Discount-Equipment.com to order your parts

SECTION 6 - CAB

FIGURE 6-64. EXTERNAL WINDOW RELEASE INSTALLATION



ART_1001178826-C

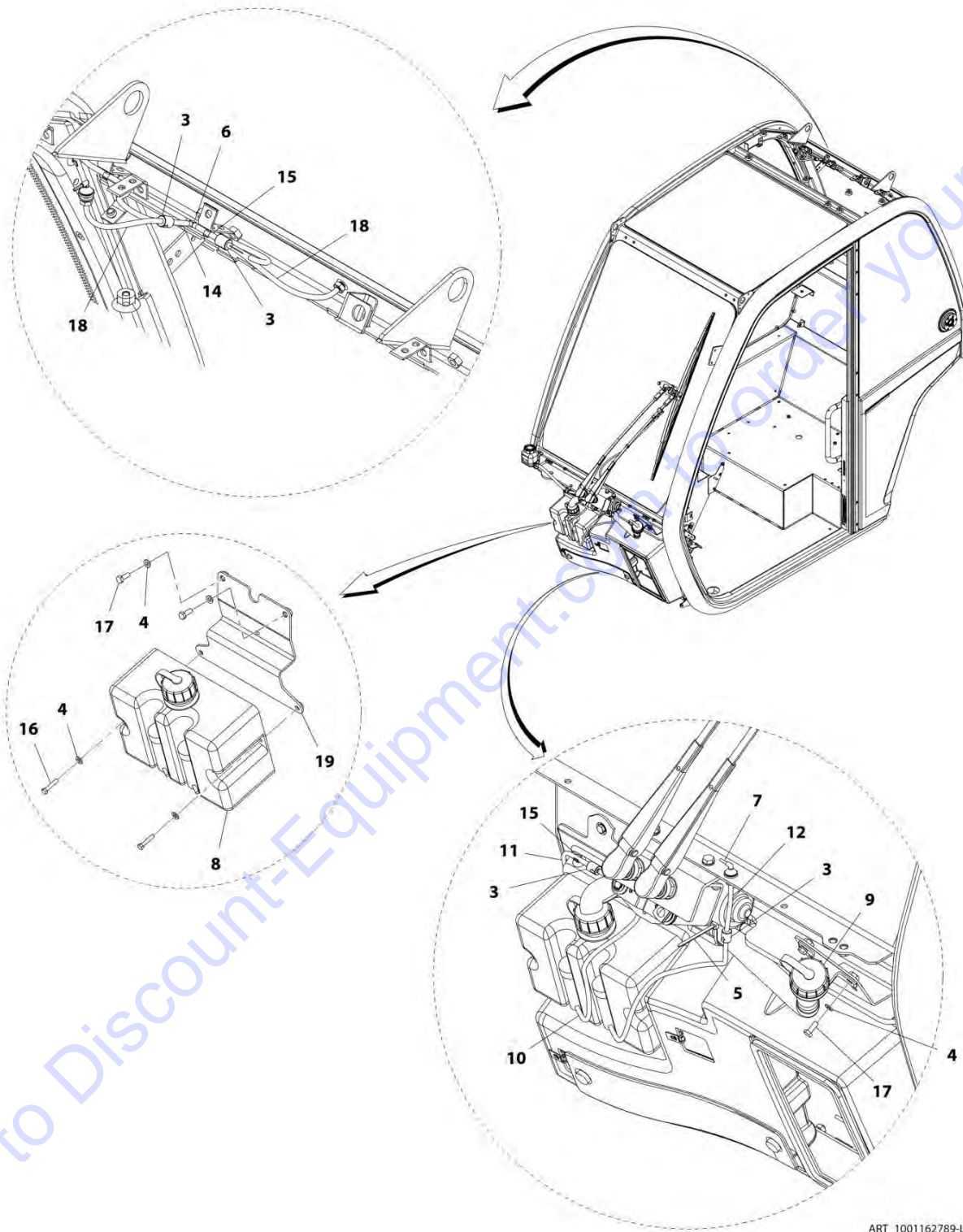
FIGURE 6-64. EXTERNAL WINDOW RELEASE INSTALLATION

ITEM	PART NUMBER	QTY	DESCRIPTION	REV
	1001178826	Ref	External Window Release Installation	C
1	1001179008	1	Cap, Latch Window	
2	1001179009	1	Knob	
3	1001204709	2	Decal, Emergency Exit EN/FR	

Go to Discount-Equipment.com to order your parts

SECTION 6 - CAB

FIGURE 6-65. WASHER TANK INSTALLATION



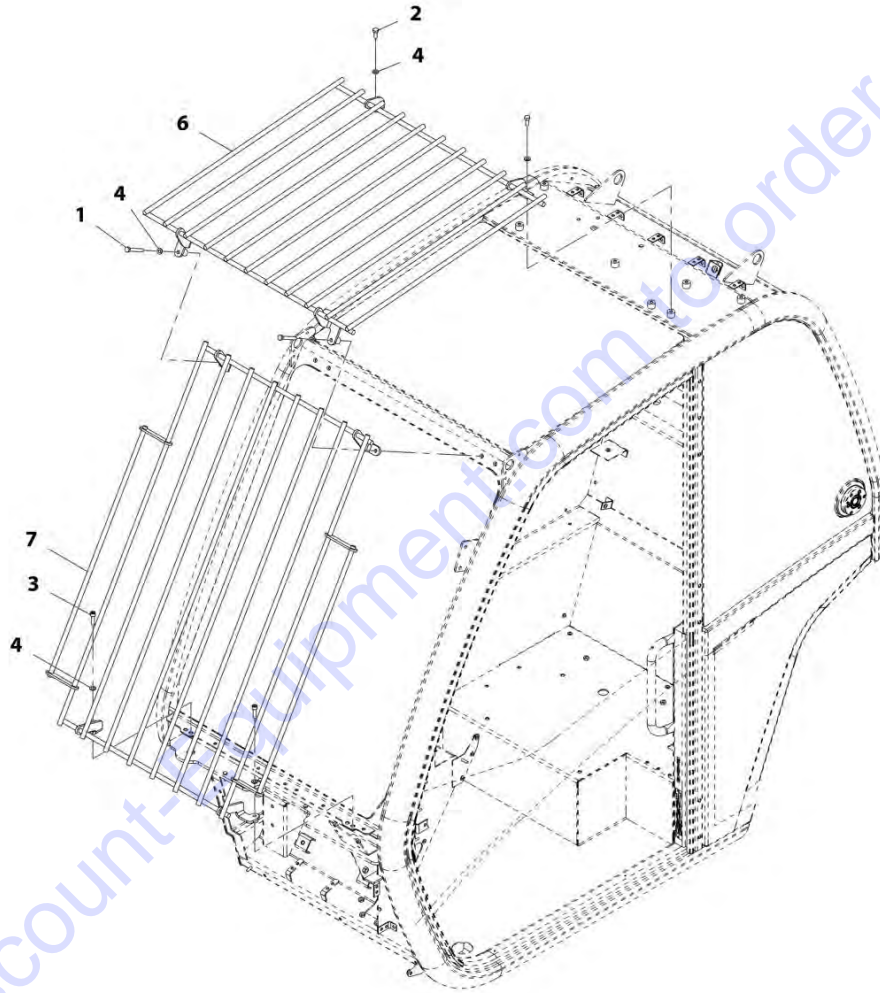
ART_1001162789-L

FIGURE 6-65. WASHER TANK INSTALLATION

ITEM	PART NUMBER	QTY	DESCRIPTION	REV
	1001162789	Ref	Washer Tank Installation	L
3	1001201331	4	Valve, Check	
4	4811700	6	Washer, M6	
5	471678	2	Strap, Cable	
6	1001008742	1	Coupling, Tee	
7	1001090343	1	Connector	
8	1001165269	1	Bottle, Washer	
9	1001165270	1	Hose, Washer Filler	
10	1001165351	2	Hose	
11	1001165407	1	Hose	
12	1001165416	1	Hose	
14	1001165455	2	Hose	
15	1001165458	16	Hose	
16	0760512	2	Bolt M5X25	
17	0760608	4	Bolt, M6X16	
18	1001178123	2	Hose	
19	1001171756	1	Bracket	

SECTION 6 - CAB

FIGURE 6-66. SCREEN GUARDS INSTALLATION



ART_1001172774-F

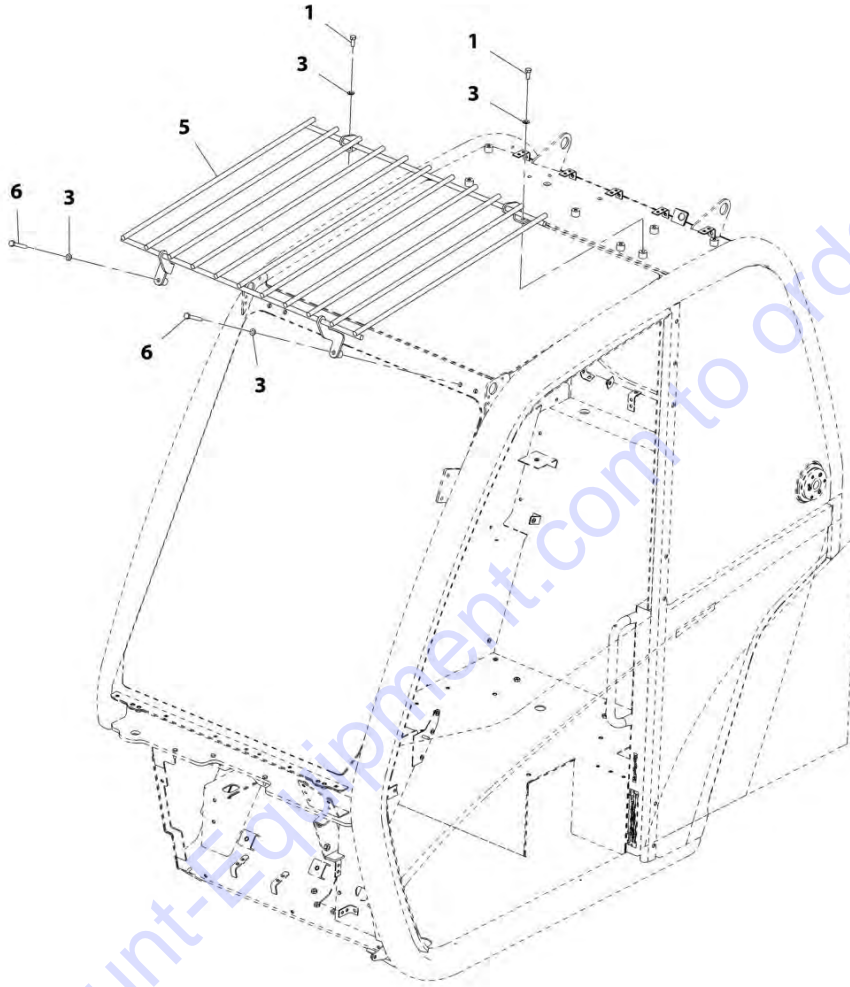
FIGURE 6-66. SCREEN GUARDS INSTALLATION

ITEM	PART NUMBER	QTY	DESCRIPTION	REV
	1001172774	Ref	Screen Guards Installation	F
1	0700820	2	Bolt, M8X60	
2	0760810	2	Bolt, M8X20	
3	4031910	2	Bolt, M8X30	
4	4811900	6	Washer, M8	
6	1001160503	1	Top Screen Guard	
7	1001180263	1	Front Screen Guard	

Go to Discount-Equipment.com to order your parts

SECTION 6 - CAB

FIGURE 6-67. TOP SCREEN GUARD INSTALLATION



ART_1001160496-F

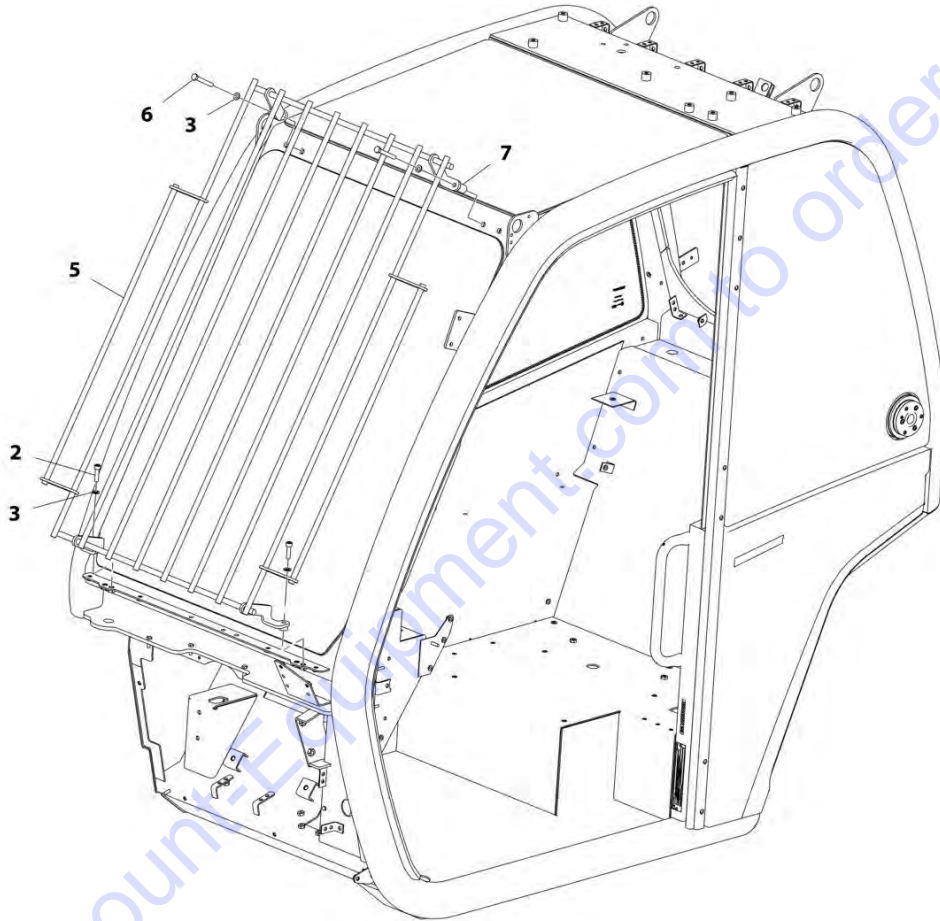
FIGURE 6-67. TOP SCREEN GUARD INSTALLATION

ITEM	PART NUMBER	QTY	DESCRIPTION	REV
	1001160496	Ref	Top Screen Guard Installation	F
1	0760810	2	Bolt, M8X20	
3	4811900	4	Washer, M8	
5	1001160503	1	Top Screen Guard	
6	0700820	2	Bolt, M8X60	

Go to Discount-Equipment.com to order your parts

SECTION 6 - CAB

FIGURE 6-68. FRONT SCREEN GUARD INSTALLATION



ART_1001160506-G

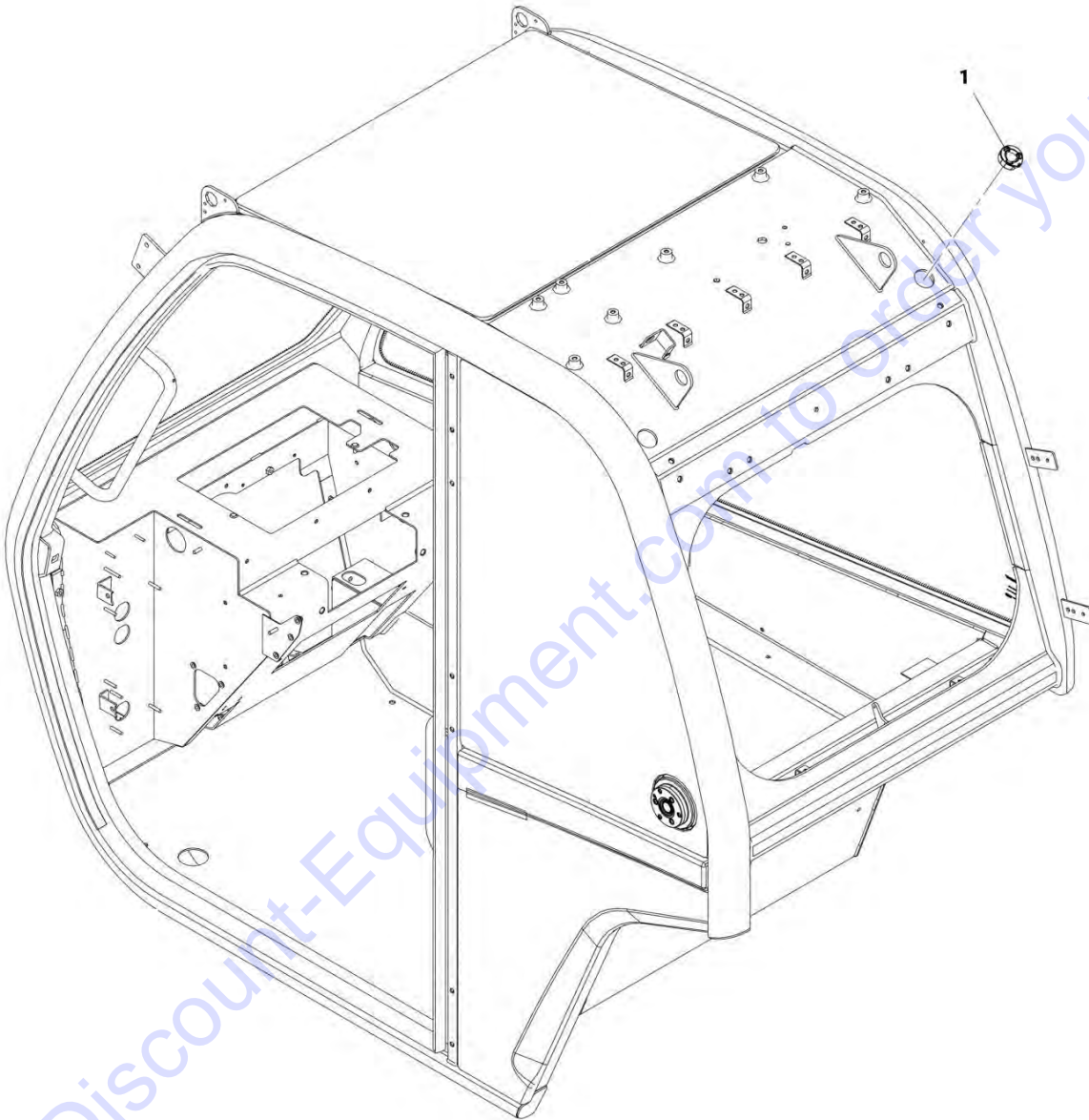
FIGURE 6-68. FRONT SCREEN GUARD INSTALLATION

ITEM	PART NUMBER	QTY	DESCRIPTION	REV
	1001160506	Ref	Front Screen Guard Installation	G
2	4031910	2	Bolt, M8X30	
3	4811900	4	Washer, M8	
5	1001180263	1	Front Screen Guard	
6	0700820	2	Bolt, M8X60	
7	1001173257	2	Spacer	

Go to Discount-Equipment.com to order your parts

SECTION 6 - CAB

FIGURE 6-69. ROOF PIGTAIL CAP INSTALLATION



ART_1001202138-A

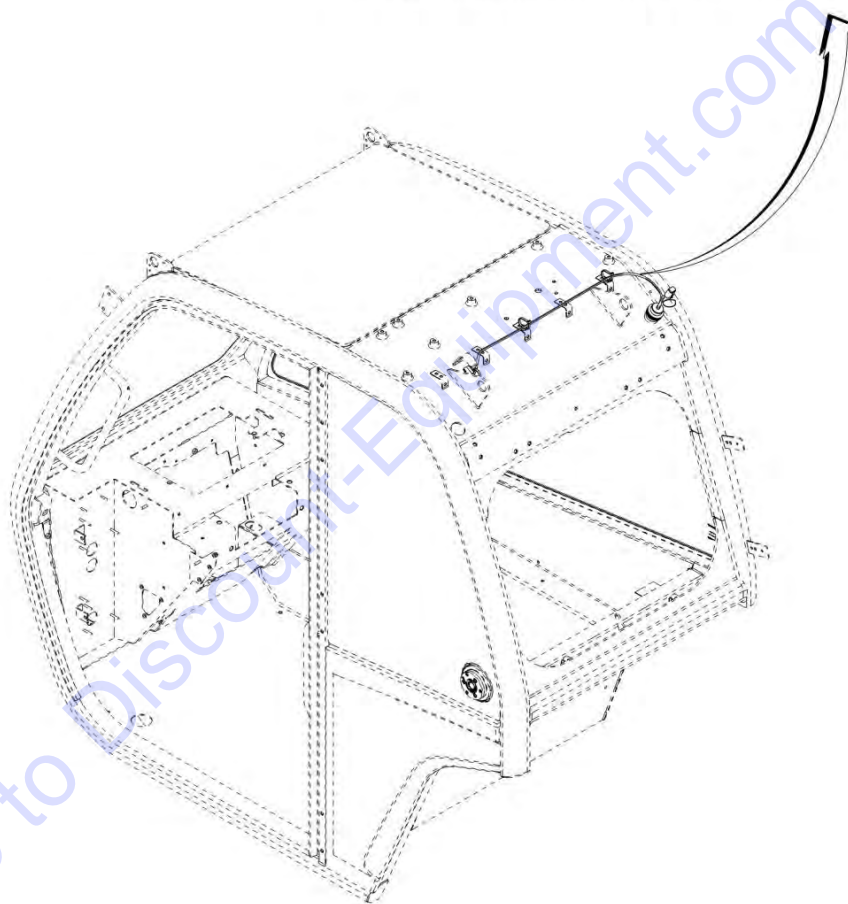
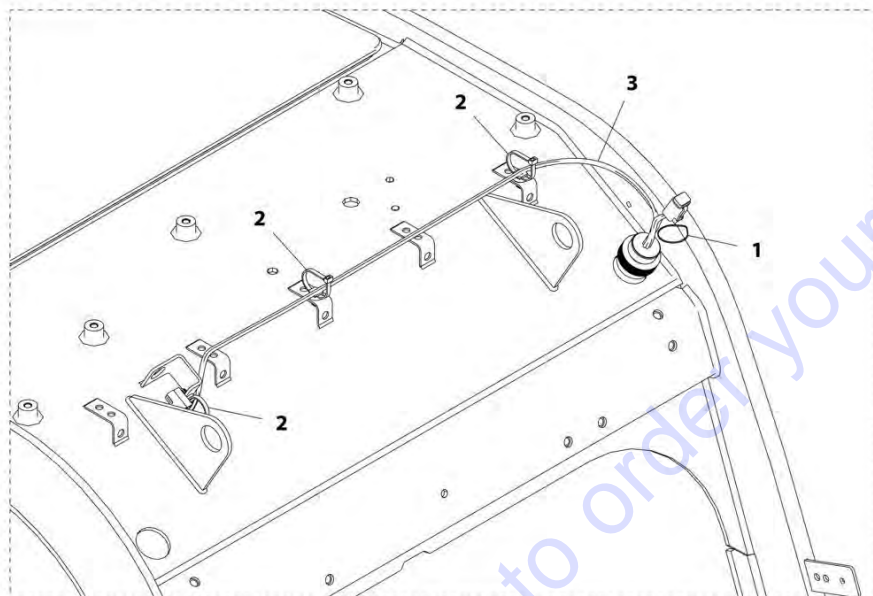
FIGURE 6-69. ROOF PIGTAIL CAP INSTALLATION

ITEM	PART NUMBER	QTY	DESCRIPTION	REV
1	1001202138 1001202134	Ref 1	Roof Pigtail Cap Installation Cap, Deutsch Dust	A

Go to Discount-Equipment.com to order your parts

SECTION 6 - CAB

FIGURE 6-70. ROOF PIGTAIL INSTALLATION



ART_1001202133-A

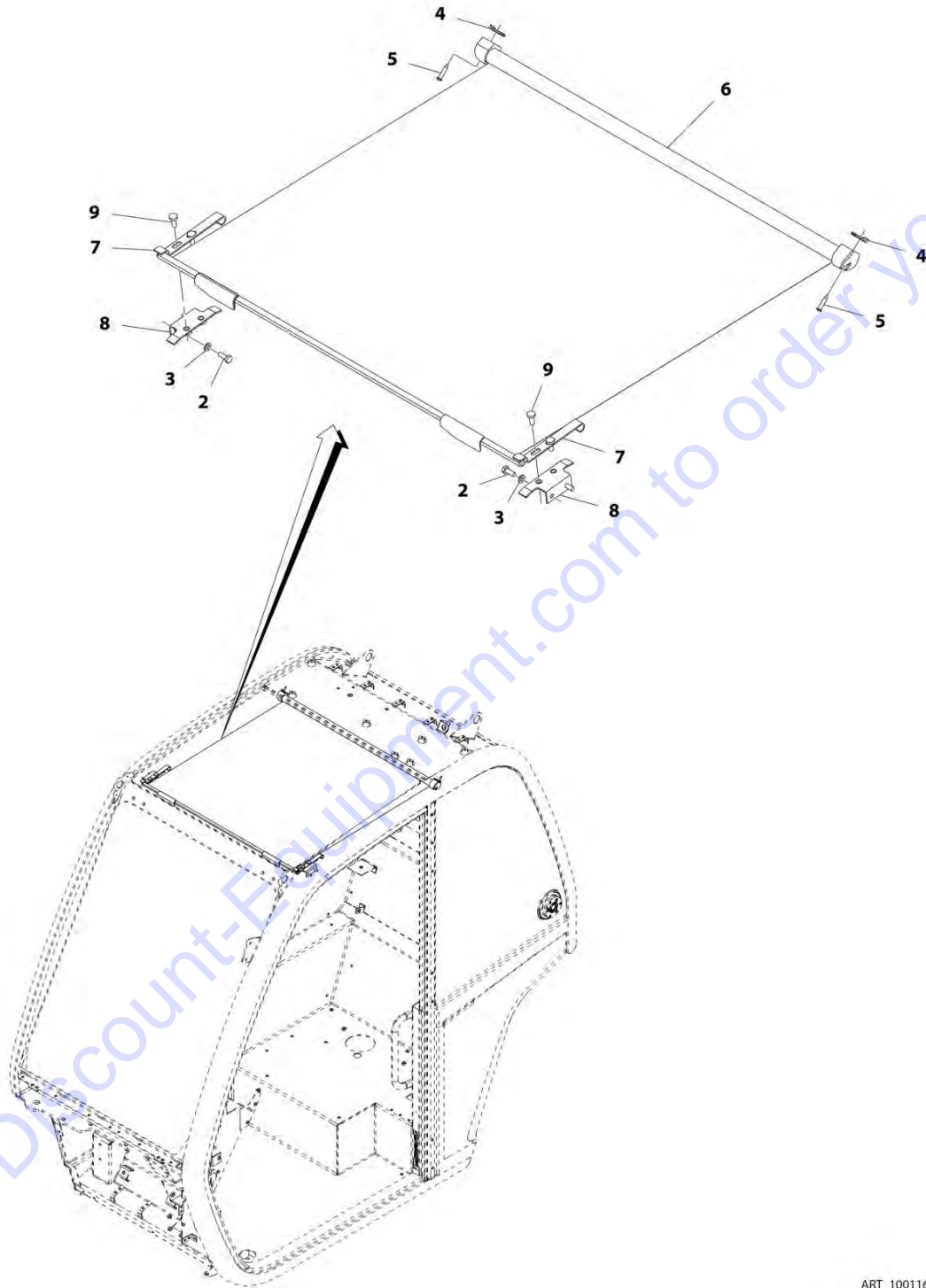
FIGURE 6-70. ROOF PIGTAIL INSTALLATION

ITEM	PART NUMBER	QTY	DESCRIPTION	REV
	1001202133	Ref	Roof Pigtail Installation	A
1	4240033	1	Cable Tie	
2	1001146588	3	Strap	
3	1001202132	1	Harness, Roof Pigtail (See ELECTRICAL SECTION for Breakdown)	

Go to Discount-Equipment.com to order your parts

SECTION 6 - CAB

FIGURE 6-71. RETRACTABLE SUNSCREEN INSTALLATION



ART_1001163151-G

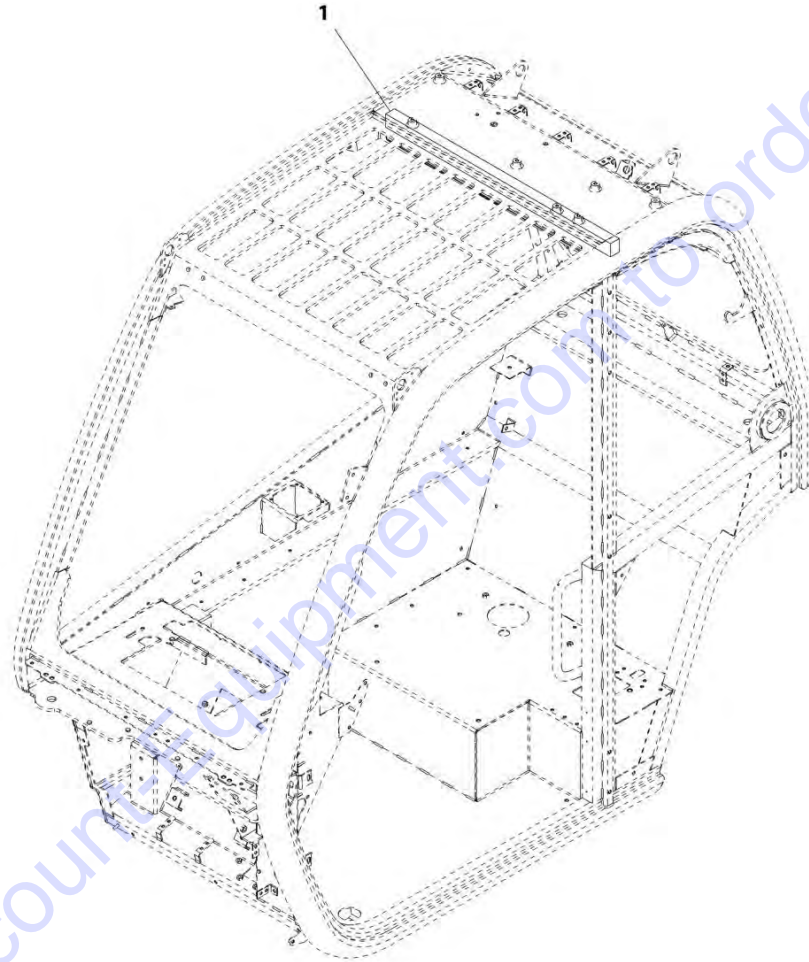
FIGURE 6-71. RETRACTABLE SUNSCREEN INSTALLATION

ITEM	PART NUMBER	QTY	DESCRIPTION	REV
	1001163151	Ref	Retractable Sunscreen Installation	G
2	0760608	4	Bolt, M6X16	
3	4811700	4	Washer, M6	
4	1001111076	2	Nut	
5	1001111147	2	Screw	
6	1001163170	1	Cab, Screen Blind	
7	1001209463	2	Bracket, Sunscreen Mount	
8	1001166385	2	Bracket	
9	4010608002	4	Screw, M6X16	

Go to Discount-Equipment.com to order your parts

SECTION 6 - CAB

FIGURE 6-72. NO SUNBLIND INSTALLATION



ART_1001211041-A

FIGURE 6-72. NO SUNBLIND INSTALLATION

ITEM	PART NUMBER	QTY	DESCRIPTION	REV
1	1001211041 1001208192	Ref 1	No Sunblind Installation Seal, Foam	A

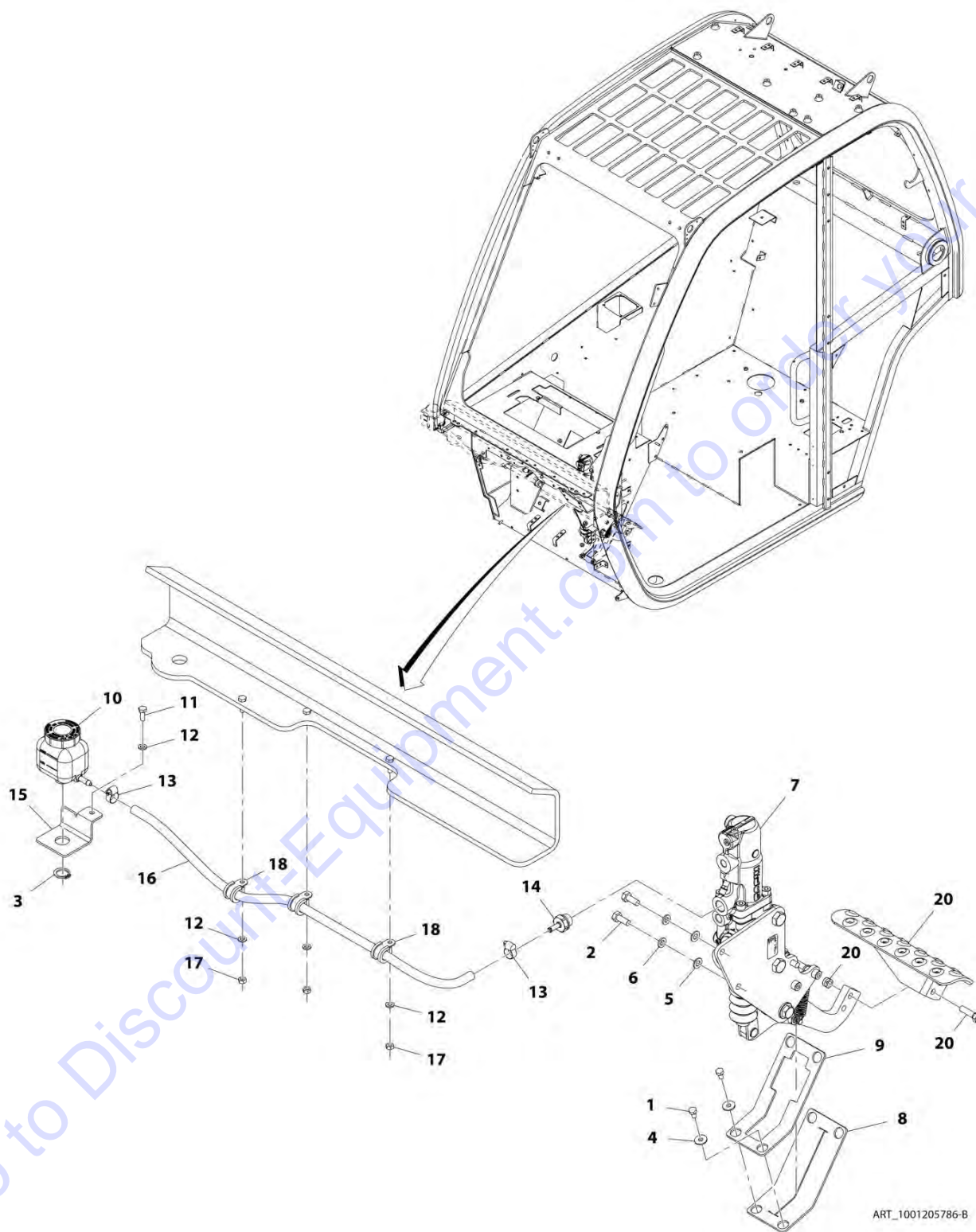
Go to Discount-Equipment.com to order your parts

SECTION 7 - CONTROLS

Go to Discount-Equipment.com to order your parts

SECTION 7 - CONTROLS

FIGURE 7-1. BRAKE PEDAL INSTALLATION (642, 742)



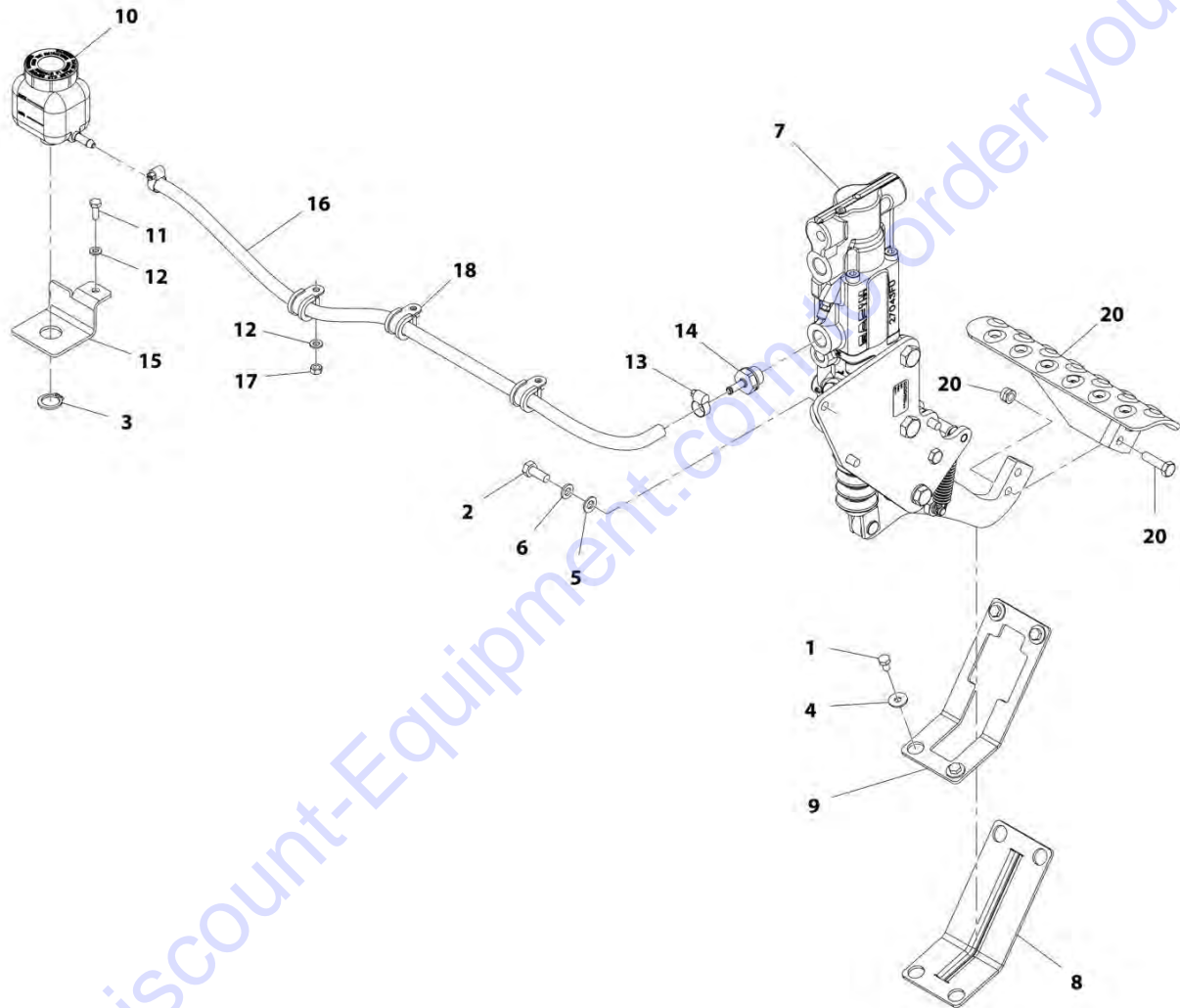
SECTION 7 - CONTROLS

FIGURE 7-1. BRAKE PEDAL INSTALLATION (642, 742)

ITEM	PART NUMBER	QTY	DESCRIPTION	REV
	1001205786	Ref	Brake Pedal Installation (642, 742)	B
1	0760605	4	Bolt, M6X10	
2	0760810	3	Bolt, M8X20	
3	3760348	1	Ring, Retaining	
4	4811702	4	Washer, M6	
5	4811900	3	Washer, M8	
6	4831900	3	Washer, Lock M8	
7	1001197137	1	Pedal, Brake (642, 742) (See BRAKE PEDAL (642, 742) for Breakdown)	
8	1001162920	1	Gasket, Brake Pedal	
9	1001162922	1	Plate	
10	1001214220	1	Reservoir, Brake	
11	0760608	1	Bolt, M6X16	
12	4811700	4	Washer, M6	
13	8405009	2	Clamp, Gear	
14	1001171874	1	Fitting, Straight	
15	1001172088	1	Bracket, Brake Reservoir	
16	1001172094	1	Hose, Brake Reservoir	
17	3290601	3	Nut, M6X1	
18	1001170231	3	Clip, M6X15	
20	1001197139	1	Plate, Brake Pedal (See BRAKE PEDAL PLATE for Breakdown)	

SECTION 7 - CONTROLS

FIGURE 7-2. BRAKE PEDAL INSTALLATION (943, 1043)



ART_1001204225-C

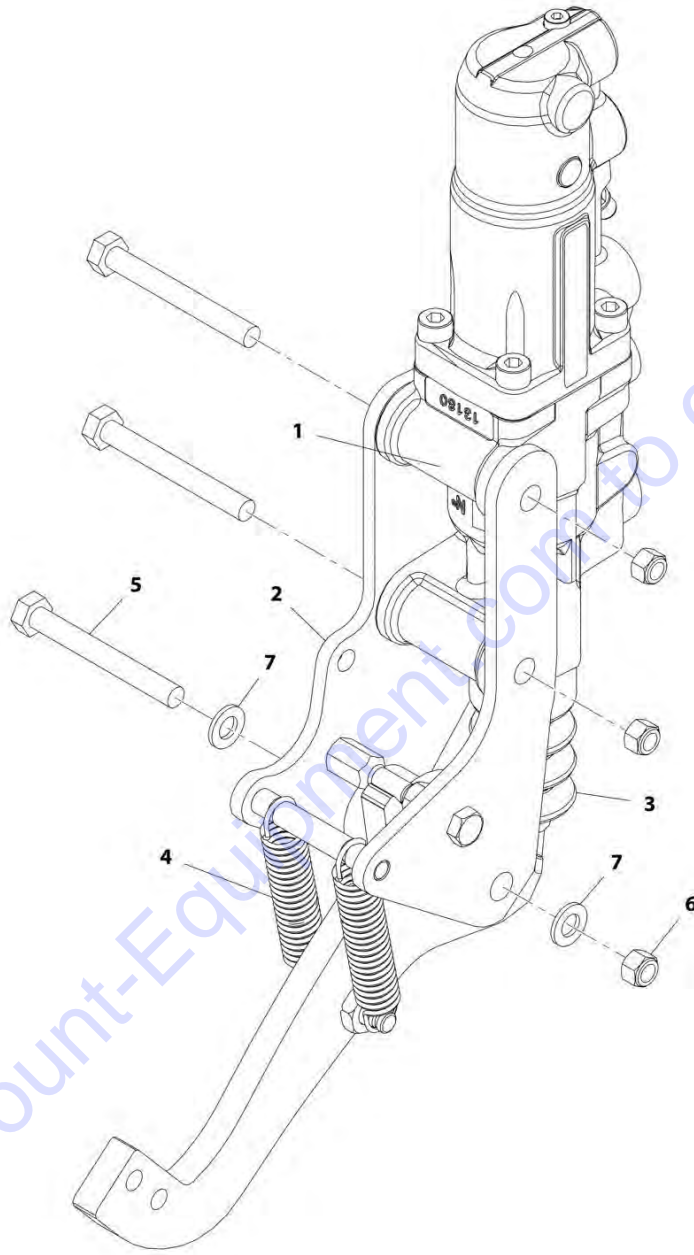
SECTION 7 - CONTROLS

FIGURE 7-2. BRAKE PEDAL INSTALLATION (943, 1043)

ITEM	PART NUMBER	QTY	DESCRIPTION	REV
	1001204225	Ref	Brake Pedal Installation (943, 1043)	C
1	0760605	4	Bolt, M6X10	
2	0760810	3	Bolt, M8X20	
3	3760348	1	Ring, Retaining	
4	4811702	4	Washer, M6	
5	4811900	3	Washer, M8	
6	4831900	3	Washer, Lock M8	
7	1001197138	1	Pedal, Brake (943, 1043) (See BRAKE PEDAL (943, 1043) for Breakdown)	
8	1001162920	1	Gasket, Brake Pedal	
9	1001162922	1	Plate	
10	1001214220	1	Reservoir, Brake	
11	0760608	1	Bolt, M6X16	
12	4811700	4	Washer, M6	
13	8405009	2	Clamp, Gear	
14	1001171874	1	Fitting, Hose Barb	
15	1001172088	1	Bracket, Brake Reservoir	
16	1001172094	1	Hose, Brake Reservoir	
17	3290601	3	Nut, M6X1	
18	1001170231	3	Clip, M6X15	
20	1001197139	1	Plate, Brake Pedal (642, 943, 1043) (See BRAKE PEDAL PLATE (642, 943, 1043) for Breakdown)	

SECTION 7 - CONTROLS

FIGURE 7-3. BRAKE PEDAL (642, 742)



ART_1001197137-B

SECTION 7 - CONTROLS

FIGURE 7-3. BRAKE PEDAL (642, 742)

ITEM	PART NUMBER	QTY	DESCRIPTION	REV
	1001197137	Ref	Brake Pedal (642)	B
1	70026537	1	Cylinder, Master	
2	70026433	1	Support	
3	70025859	1	Cover, Dust	
4	70025860	2	Spring, Return	
5	0701226	3	Bolt, M12X90	
6	3291205	3	Nut, Lock M12X1.75	
7	4812100	2	Washer, M12	

Go to Discount-Equipment.com to order your parts

PARTS FINDER

**Search Website
by Part Number**



**Search Manual
Library For Parts
Manual & Lookup Part
Numbers – Purchase
or Request Quote**

**Can't Find Part or
Manual? Request Help
by Manufacturer,
Model & Description**

Discount-Equipment.com is your online resource for quality parts & equipment.

Florida: **561-964-4949** Outside Florida TOLL FREE: **877-690-3101**

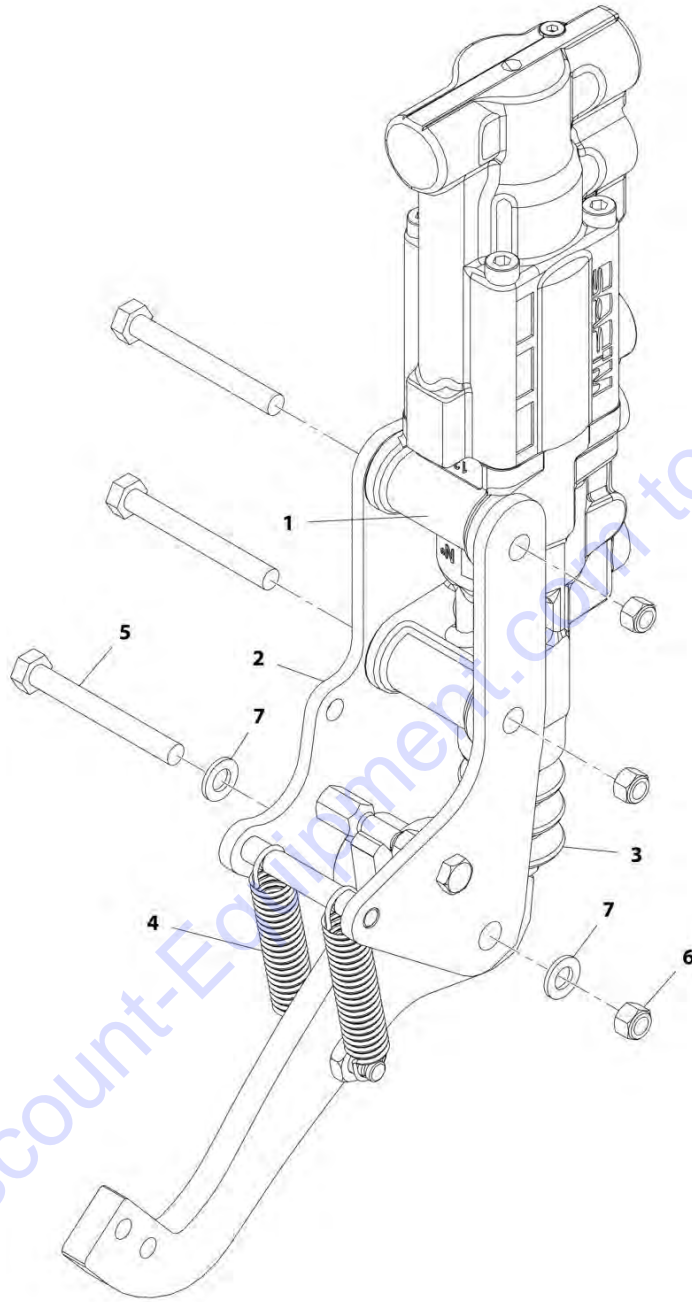
Need parts?

Click on this link: <http://www.discount-equipment.com/category/5443-parts/> and choose one of the options to help get the right parts and equipment you are looking for. Please have the machine model and serial number available in order to help us get you the correct parts. If you don't find the part on the website or on one of the online manuals, please fill out the request form and one of our experienced staff members will get back to you with a quote for the right part that your machine needs.

We sell worldwide for the brands: Genie, Terex, JLG, MultiQuip, Mikasa, Essick, Whiteman, Mayco, Toro Stone, Diamond Products, Generac Magnum, Airman, Haulotte, Barreto, Power Blanket, Nifty Lift, Atlas Copco, Chicago Pneumatic, Allmand, Miller Curber, Skyjack, Lull, Skytrak, Tsurumi, Husquvarna Target, Stow, Wacker, Sakai, Mi-T-M, Sullair, Basic, Dynapac, MBW, Weber, Bartell, Bennar Newman, Haulotte, Ditch Runner, Menegotti, Morrison, Contec, Buddy, Crown, Edco, Wyco, Bomag, Laymor, EZ Trench, Bil-Jax, F.S. Curtis, Gehl Pavers, Heli, Honda, ICS/PowerGrit, IHI, Partner, Imer, Clipper, MMD, Koshin, Rice, CH&E, General Equipment, Amida, Coleman, NAC, Gradall, Square Shooter, Kent, Stanley, Tamco, Toku, Hatz, Kohler, Robin, Wisconsin, Northrock, Oztec, Toker TK, Rol-Air, APT, Wylie, Ingersoll Rand / Doosan, Innovatech, Con X, Ammann, Mecalac, Makinex, Smith Surface Prep, Small Line, Wanco, Yanmar

SECTION 7 - CONTROLS

FIGURE 7-4. BRAKE PEDAL (943, 1043)



ART_1001197138-D

SECTION 7 - CONTROLS

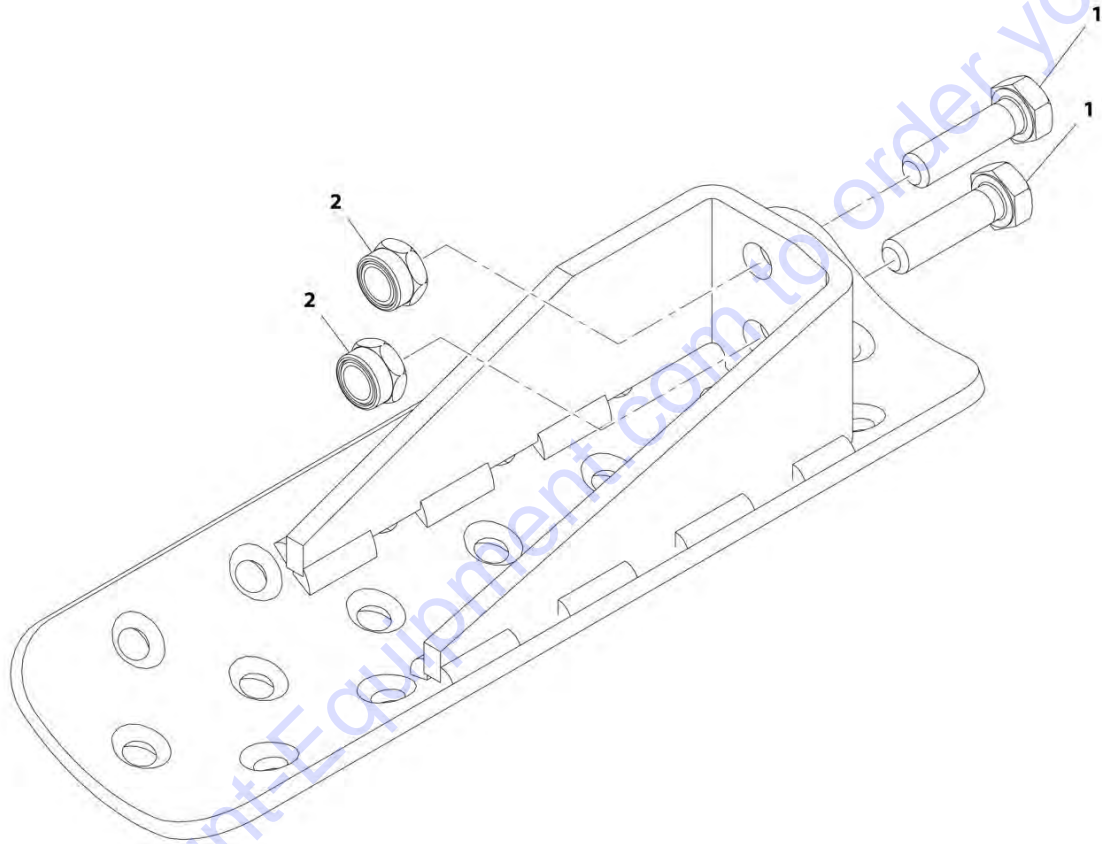
FIGURE 7-4. BRAKE PEDAL (943, 1043)

ITEM	PART NUMBER	QTY	DESCRIPTION	REV
	1001197138	Ref	Brake Pedal (943, 1043)	D
1	70026432	1	Cylinder, Master	
2	70026433	1	Support	
3	70025859	1	Cover, Dust	
4	70025860	2	Spring, Return	
5	0701226	3	Bolt, M12X90	
6	3291205	3	Nut, Lock M12X1.75	
7	4812100	2	Washer, M12	

Go to Discount-Equipment.com to order your parts

SECTION 7 - CONTROLS

FIGURE 7-5. BRAKE PEDAL PLATE



ART_1001197139-A

SECTION 7 - CONTROLS

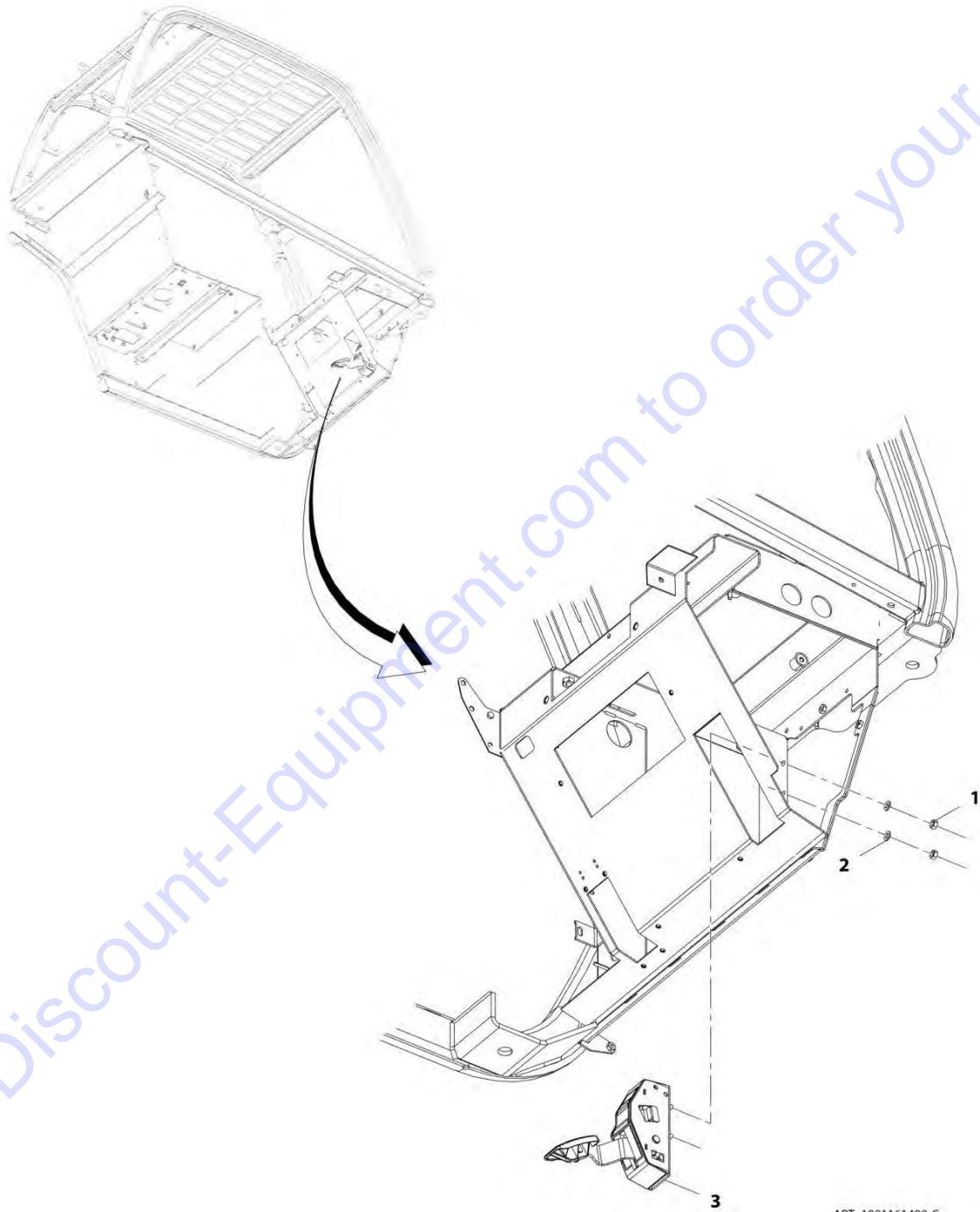
FIGURE 7-5. BRAKE PEDAL PLATE

ITEM	PART NUMBER	QTY	DESCRIPTION	REV
	1001197139	Ref	Brake Pedal Plate	A
1	0770814	2	Bolt, M8X30	
2	3290805	2	Nut, Lock M8X1.25 Grade 8	

Go to Discount-Equipment.com to order your parts

SECTION 7 - CONTROLS

FIGURE 7-6. ACCELERATOR PEDAL INSTALLATION



ART_1001161499-C

SECTION 7 - CONTROLS

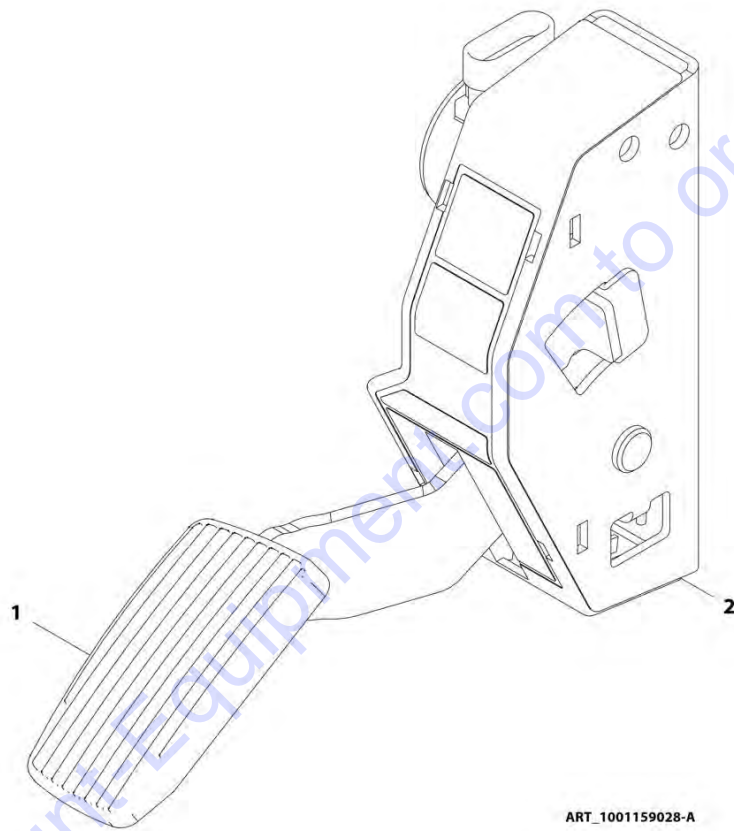
FIGURE 7-6. ACCELERATOR PEDAL INSTALLATION

ITEM	PART NUMBER	QTY	DESCRIPTION	REV
	1001161499	Ref	Accelerator Pedal Installation	C
1	3290801	2	Nut, M8X1.25	
2	4811900	2	Washer, M8	
3	1001159028	1	Pedal, Accelerator (See ACCELERATOR PEDAL for Breakdown)	

Go to Discount-Equipment.com to order your parts

SECTION 7 - CONTROLS

FIGURE 7-7. ACCELERATOR PEDAL



ART_1001159028-A

SECTION 7 - CONTROLS

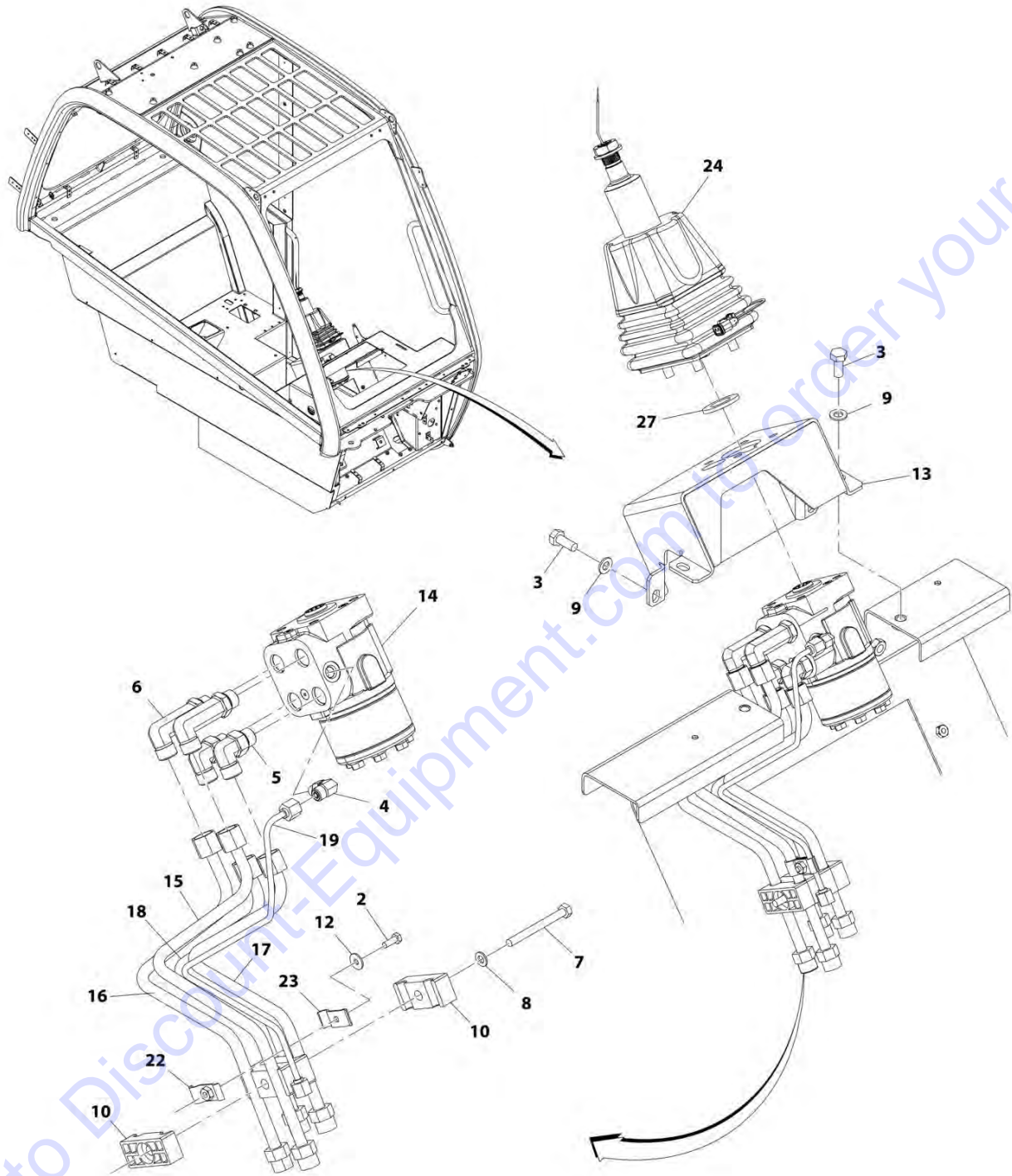
FIGURE 7-7. ACCELERATOR PEDAL

ITEM	PART NUMBER	QTY	DESCRIPTION	REV
	1001159028	Ref	Accelerator Pedal	A
1	70025816	1	Pad, Rubber	
2	70025817	1	Cover, Rubber	

Go to Discount-Equipment.com to order your parts

SECTION 7 - CONTROLS

FIGURE 7-8. STEERING COLUMN INSTALLATION (642, 742)



ART_1001162707-G

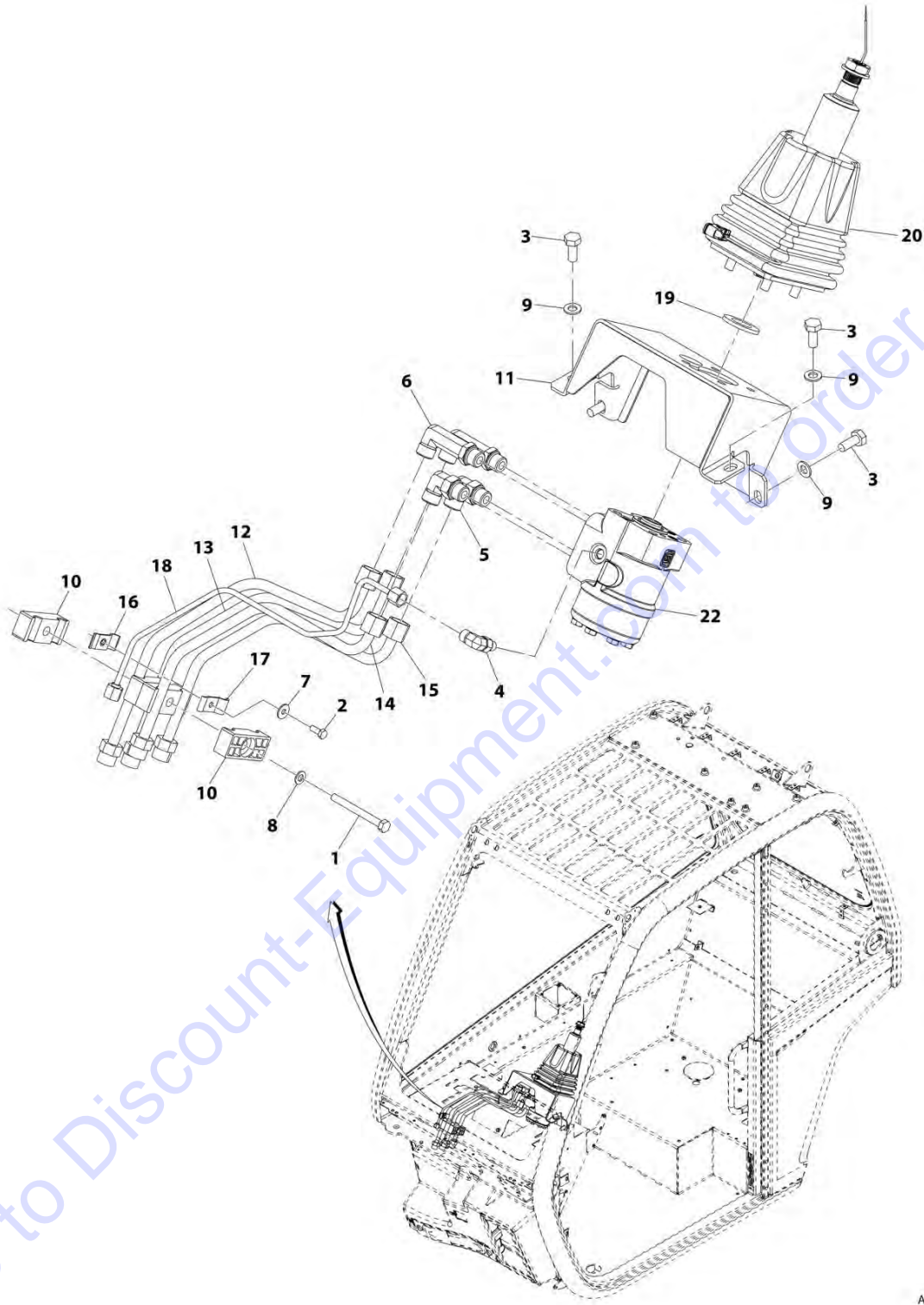
SECTION 7 - CONTROLS

FIGURE 7-8. STEERING COLUMN INSTALLATION (642, 742)

ITEM	PART NUMBER	QTY	DESCRIPTION	REV
	1001162707	Ref	Steering Column Installation (642, 742)	G
2	0760608	1	Bolt, M6X16	
3	0761012	8	Bolt, M10X25	
4	2130404	1	Fitting, 90 ORFS	
5	2130808	2	Fitting, 90 ORFS	
6	2170208	2	Fitting, 90 ORFS	
7	0700824	1	Bolt, M8X80	
8	4811900	1	Washer, M8	
9	4812000	8	Washer, M10	
10	1001004640	4	Clamp	
11	1001110490	4	Fitting, Straight ORFS, (not shown) (Prior to SN 0160079247)	
12	4811702	1	Washer, M6	
13	1001156265	1	Plate	
14	1001160599	1	Valve, Steering Unit (See HYDRAULIC COMPONENTS SECTION for Breakdown)	
15	1001161672	1	Pipe	
16	1001161896	1	Pipe	
17	1001161897	1	Pipe	
18	1001161898	1	Pipe	
19	1001162979	1	Pipe	
22	1001168142	1	Bracket	
23	1001168151	1	Bracket	
24	1001161733	NLA	Column, Steering (no longer available, see 1001214481 for replacement)	
24	1001214481	1	Column, Steering	
27	1001214480	1	Washer	

SECTION 7 - CONTROLS

FIGURE 7-9. STEERING COLUMN INSTALLATION (EMERGENCY STEERING) (642, 742)



ART_1001221994-A

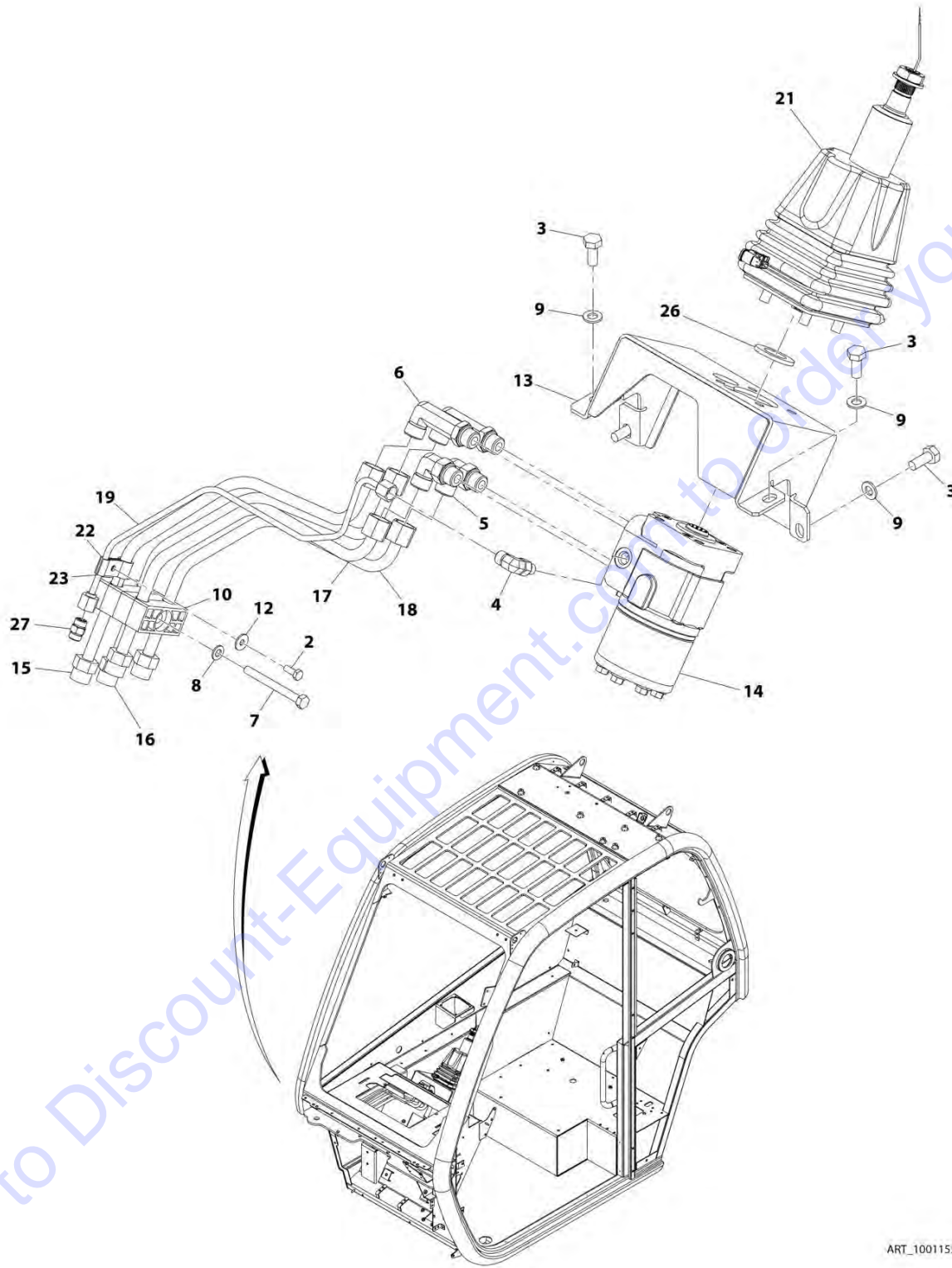
SECTION 7 - CONTROLS

FIGURE 7-9. STEERING COLUMN INSTALLATION (EMERGENCY STEERING) (642, 742)

ITEM	PART NUMBER	QTY	DESCRIPTION	REV
	1001221994	Ref	Steering Column Installation (Emergency Steering) (642, 742)	A
1	0700824	1	Bolt, M8X80	
2	0760608	1	Bolt, M6X16	
3	0761012	8	Bolt, M10X25	
4	2130404	1	Fitting, 90 ORFS	
5	2130808	2	Fitting, 90 ORFS	
6	2170208	2	Fitting, 90 ORFS	
7	4811702	1	Washer, M6	
8	4811900	1	Washer, M8	
9	4812000	8	Washer, M10	
10	1001004640	4	Clamp	
11	1001156265	1	Cab, Steering Column Support	
12	1001161672	1	Pipe	
13	1001161896	1	Pipe	
14	1001161897	1	Pipe	
15	1001161898	1	Pipe	
16	1001168142	1	Bracket	
17	1001168151	1	Bracket	
18	1001194282	1	Pipe	
19	1001214480	1	Washer	
20	1001214481	1	Column, Steering	
22	1001219396	1	Valve, Steering Unit	

SECTION 7 - CONTROLS

FIGURE 7-10. STEERING COLUMN INSTALLATION (943, 1043)



ART_1001155307-F

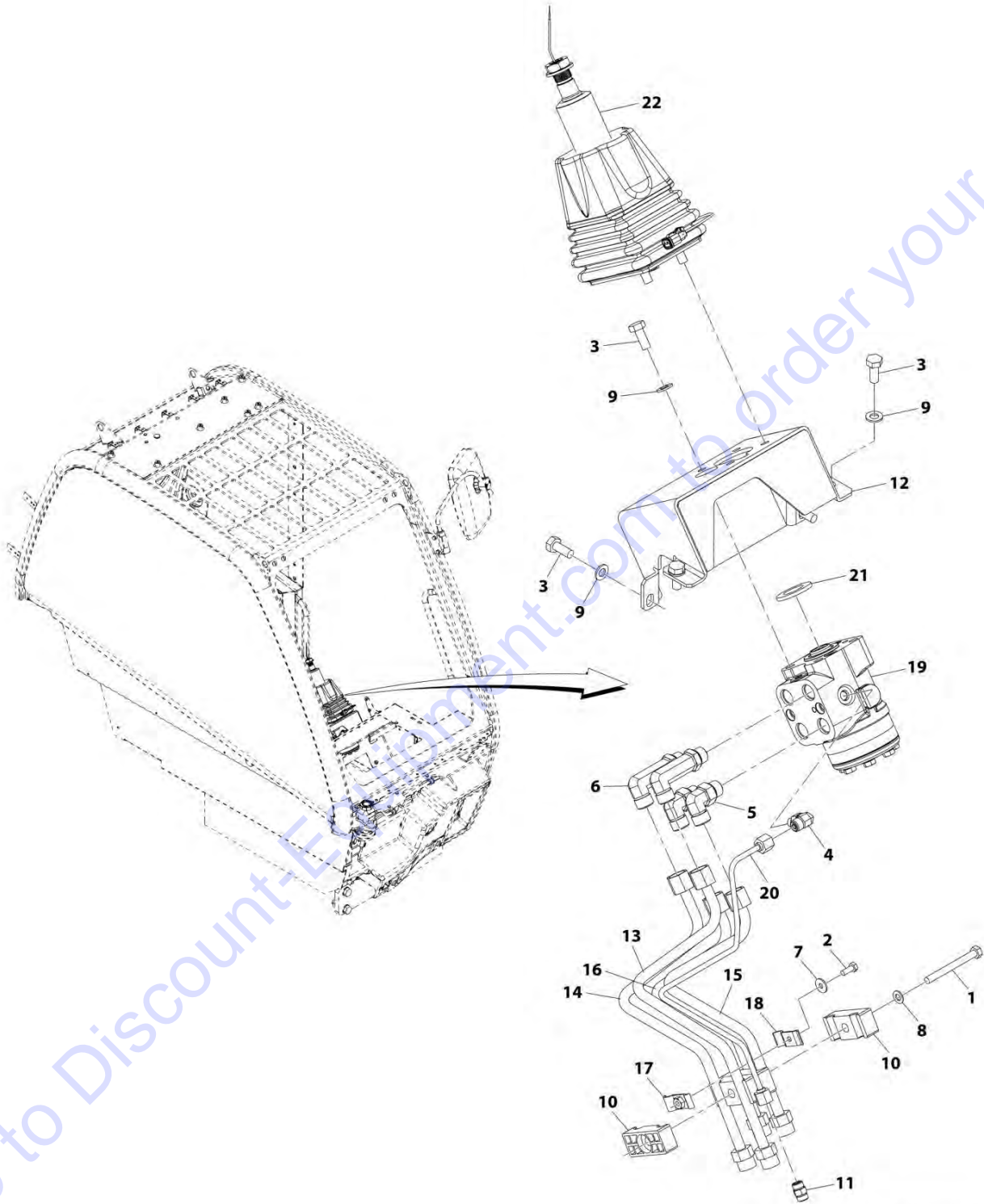
SECTION 7 - CONTROLS

FIGURE 7-10. STEERING COLUMN INSTALLATION (943, 1043)

ITEM	PART NUMBER	QTY	DESCRIPTION	REV
	1001155307	1	Steering Column Installation (943, 1043)	F
2	0760608	1	Bolt, M6X16	
3	0761012	8	Bolt, M10X25	
4	2130404	1	Fitting, 90 ORFS	
5	2130808	2	Fitting, 90 ORFS	
6	2170208	2	Fitting, 90 ORFS	
7	0700824	1	Bolt, M8X80	
8	4811900	1	Washer, M8	
9	4812000	8	Washer, M10	
10	1001004640	4	Clamp	
12	4811702	1	Washer, M6	
13	1001156265	1	Cab, Steering Column Support	
14	1001158527	1	Valve, Steering (See HYDRAULIC COMPONENTS SECTION for Breakdown)	
15	1001161672	1	Pipe	
16	1001161896	1	Pipe	
17	1001161897	1	Pipe	
18	1001161898	1	Pipe	
19	1001162979	1	Pipe	
21	1001161733	NLA	Column, Steering (no longer available, see 1001214481 for replacement)	
21	1001214481	1	Column, Steering	
22	1001168142	1	Bracket	
23	1001168151	1	Bracket	
26	1001214480	1	Washer	
27	1001143857	1	Adaptor	

SECTION 7 - CONTROLS

FIGURE 7-11. STEERING COLUMN INSTALLATION (EMERGENCY STEERING) (943, 1043)



ART_1001221749-A

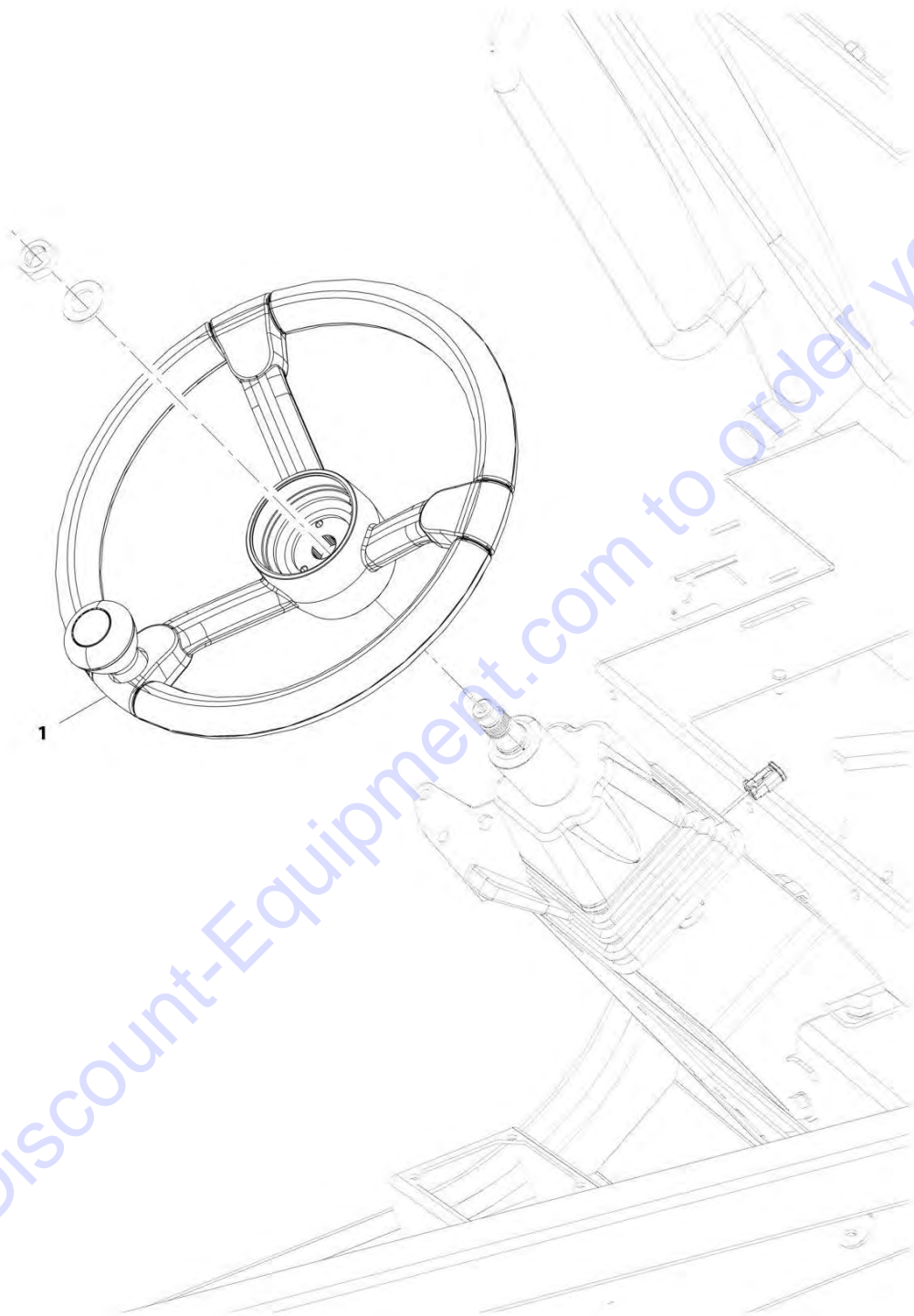
SECTION 7 - CONTROLS

FIGURE 7-11. STEERING COLUMN INSTALLATION (EMERGENCY STEERING) (943, 1043)

ITEM	PART NUMBER	QTY	DESCRIPTION	REV
	1001221749	Ref	Emergency Steering Column Installation (943, 1043)	A
1	0700824	1	Bolt, M8X80	
2	0760608	1	Bolt, M6X16	
3	0761012	8	Bolt, M10X25	
4	2130404	1	Fitting, 90 ORFS	
5	2130808	2	Fitting, 90 ORFS	
6	2170208	2	Fitting, 90 ORFS	
7	4811702	1	Washer, M6	
8	4811900	1	Washer, M8	
9	4812000	8	Washer, M10	
10	1001004640	4	Clamp	
11	1001143857	1	Adapter	
12	1001156265	1	Cab, Steering Column Support	
13	1001161672	1	Pipe	
14	1001161896	1	Pipe	
15	1001161897	1	Pipe	
16	1001161898	1	Pipe	
17	1001168142	1	Bracket	
18	1001168151	1	Bracket	
19	1001178670	1	Valve, Steering	
20	1001194282	1	Pipe	
21	1001214480	1	Washer	
22	1001214481	1	Column, Steering	

SECTION 7 - CONTROLS

FIGURE 7-12. STEERING WHEEL INSTALLATION



ART_1001169751-C

SECTION 7 - CONTROLS

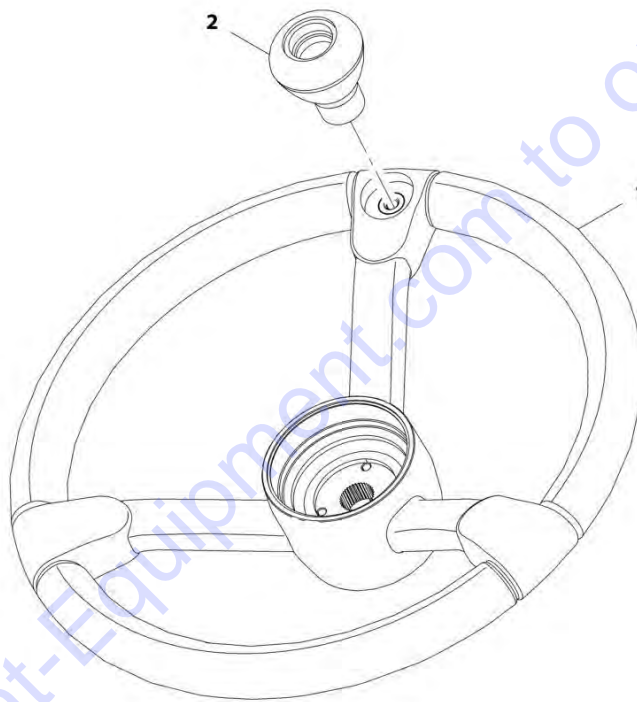
FIGURE 7-12. STEERING WHEEL INSTALLATION

ITEM	PART NUMBER	QTY	DESCRIPTION	REV
1	1001169751	1	Steering Wheel Installation	C
	1001169354	1	Wheel, Steering (See STEERING WHEEL for Breakdown)	

Go to Discount-Equipment.com to order your parts

SECTION 7 - CONTROLS

FIGURE 7-13. STEERING WHEEL



ART_1001169354-D

SECTION 7 - CONTROLS

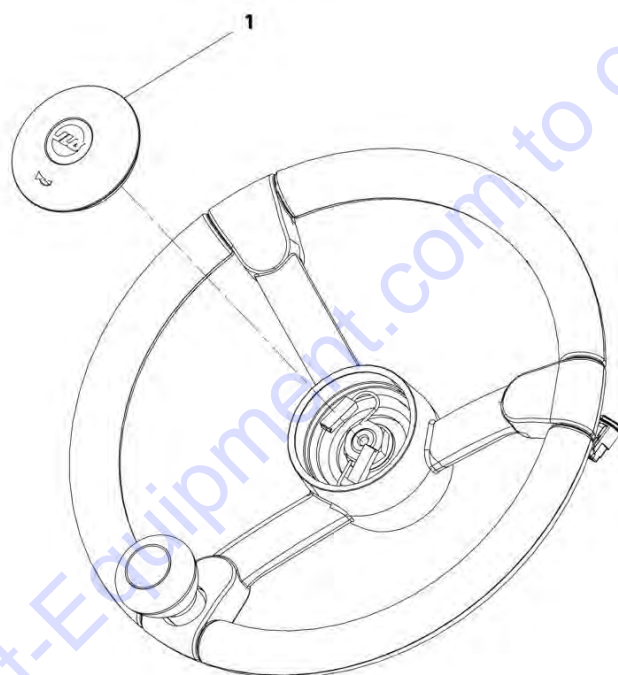
FIGURE 7-13. STEERING WHEEL

ITEM	PART NUMBER	QTY	DESCRIPTION	REV
	1001169354	Ref	Steering Wheel	D
1	1001169367	1	Wheel, Steering	
2	1001169355	1	Handle, Steer Spinner	

Go to Discount-Equipment.com to order your parts

SECTION 7 - CONTROLS

FIGURE 7-14. HORN BUTTON INSTALLATION



ART_1001169763-A

SECTION 7 - CONTROLS

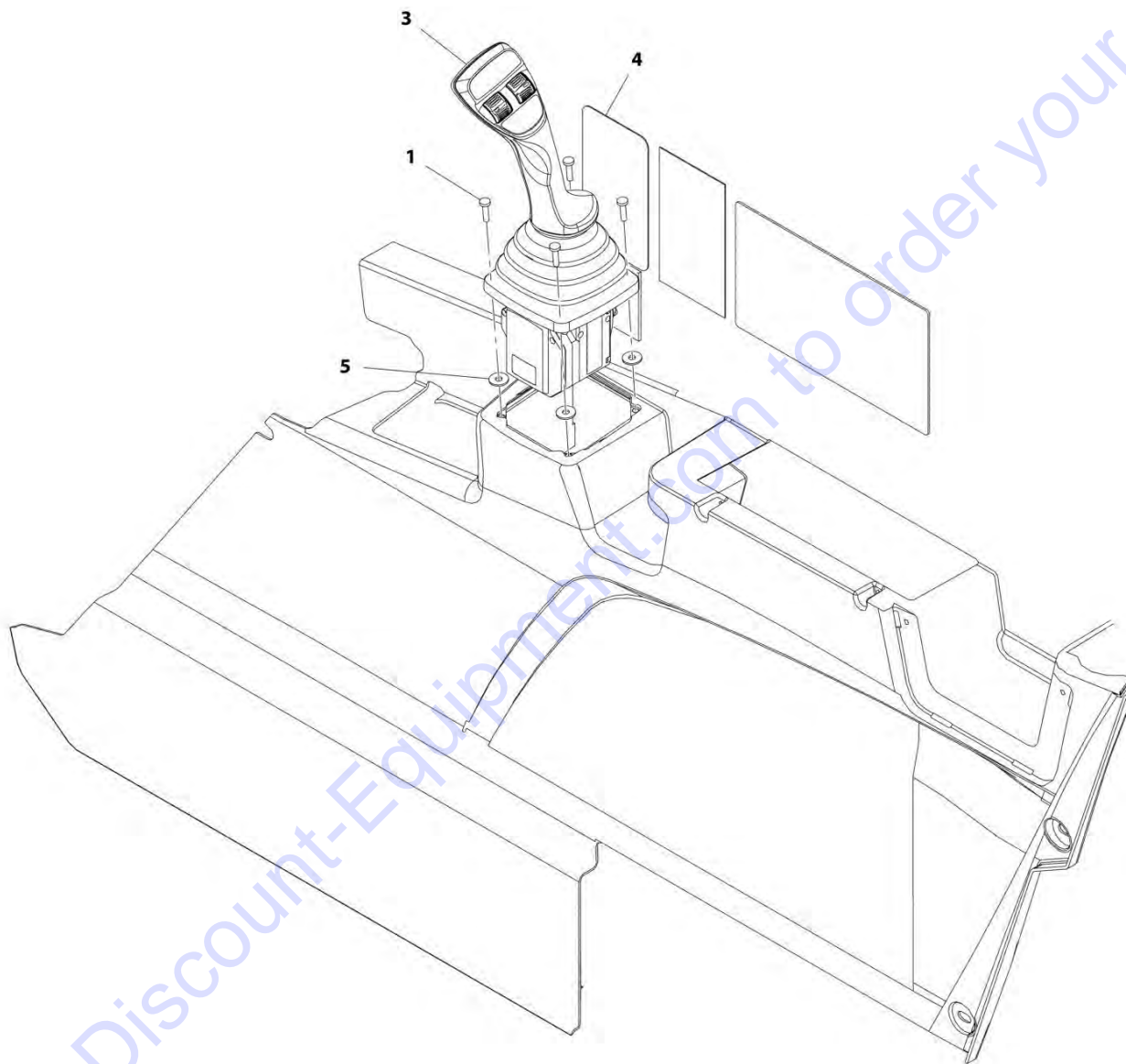
FIGURE 7-14. HORN BUTTON INSTALLATION

ITEM	PART NUMBER	QTY	DESCRIPTION	REV
1	1001169763	1	Horn Button Installation	A
	1001169268	1	Button, Horn	

Go to Discount-Equipment.com to order your parts

SECTION 7 - CONTROLS

FIGURE 7-15. JOYSTICK INSTALLATION (AUX, DECLUTCH)



ART_1001167001-E

SECTION 7 - CONTROLS

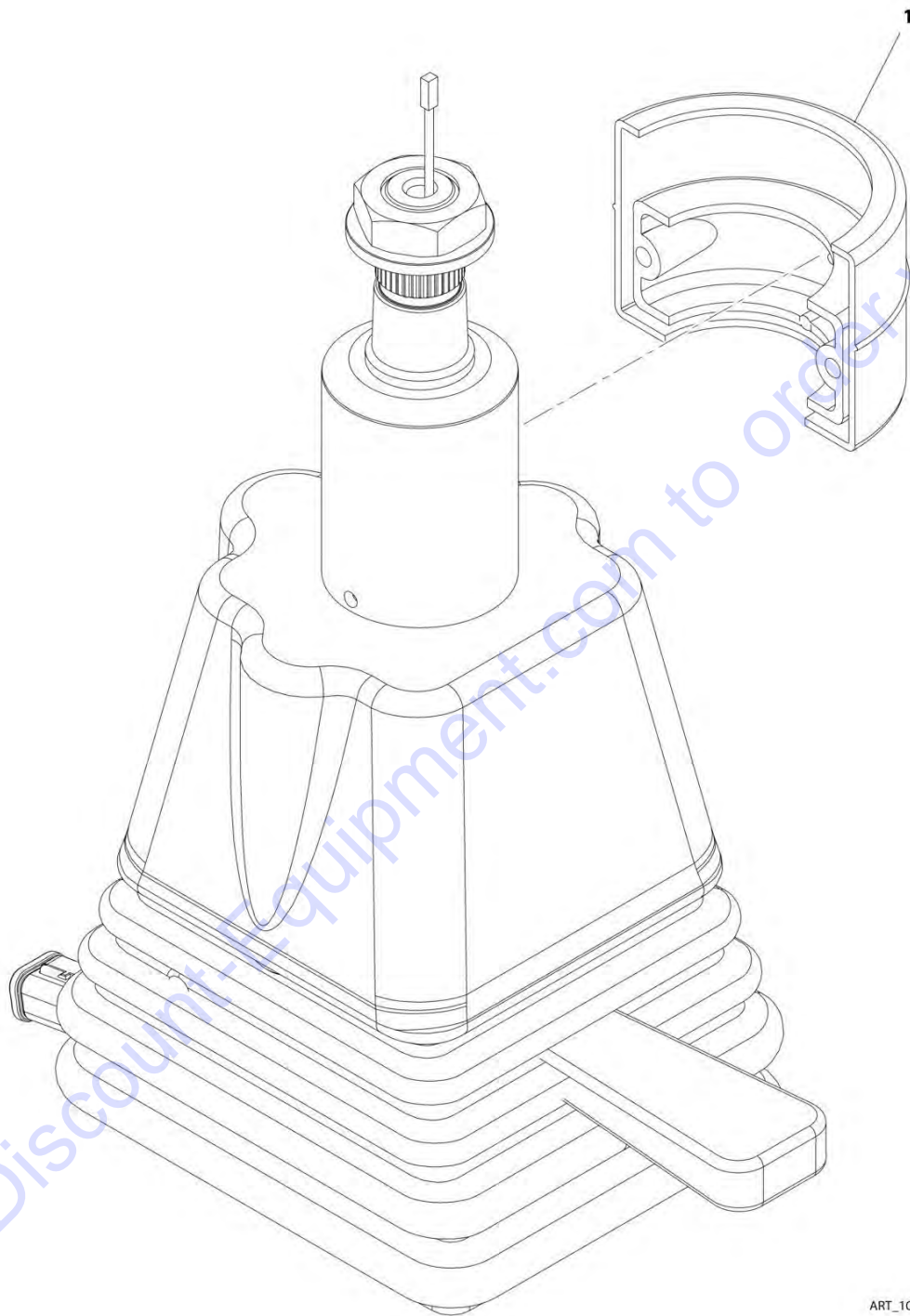
FIGURE 7-15. JOYSTICK INSTALLATION (AUX, DECLUTCH)

ITEM	PART NUMBER	QTY	DESCRIPTION	REV
	1001167001	1	Joystick Installation (Aux, Declutch)	E
1	4010510	4	Screw, Pan HD M5X20	
3		Ref	Joystick (See Separate Breakdown in this Section)	
4	1001181543	1	Decal Joystick	
5	4811702001	AR	Washer, M6	

Go to Discount-Equipment.com to order your parts

SECTION 7 - CONTROLS

FIGURE 7-16. COLUMN CLAMP INSTALLATION



ART_1001182671-C

SECTION 7 - CONTROLS

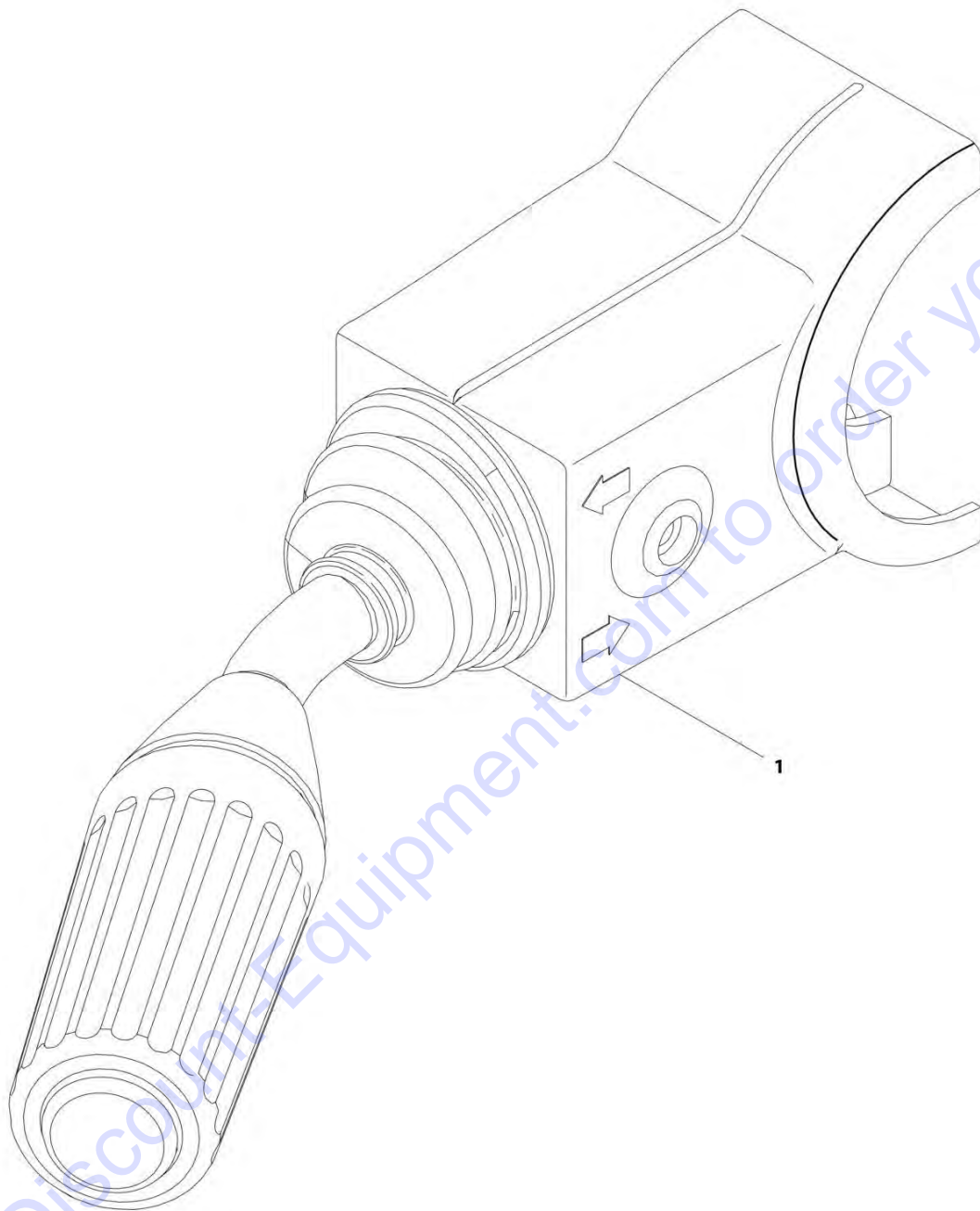
FIGURE 7-16. COLUMN CLAMP INSTALLATION

ITEM	PART NUMBER	QTY	DESCRIPTION	REV
1	1001182671	1	Column Clamp Installation	C
	1001199640	1	Clamp	

Go to Discount-Equipment.com to order your parts

SECTION 7 - CONTROLS

FIGURE 7-17. WIPER-TURN SWITCH



ART_1001163695-A

SECTION 7 - CONTROLS

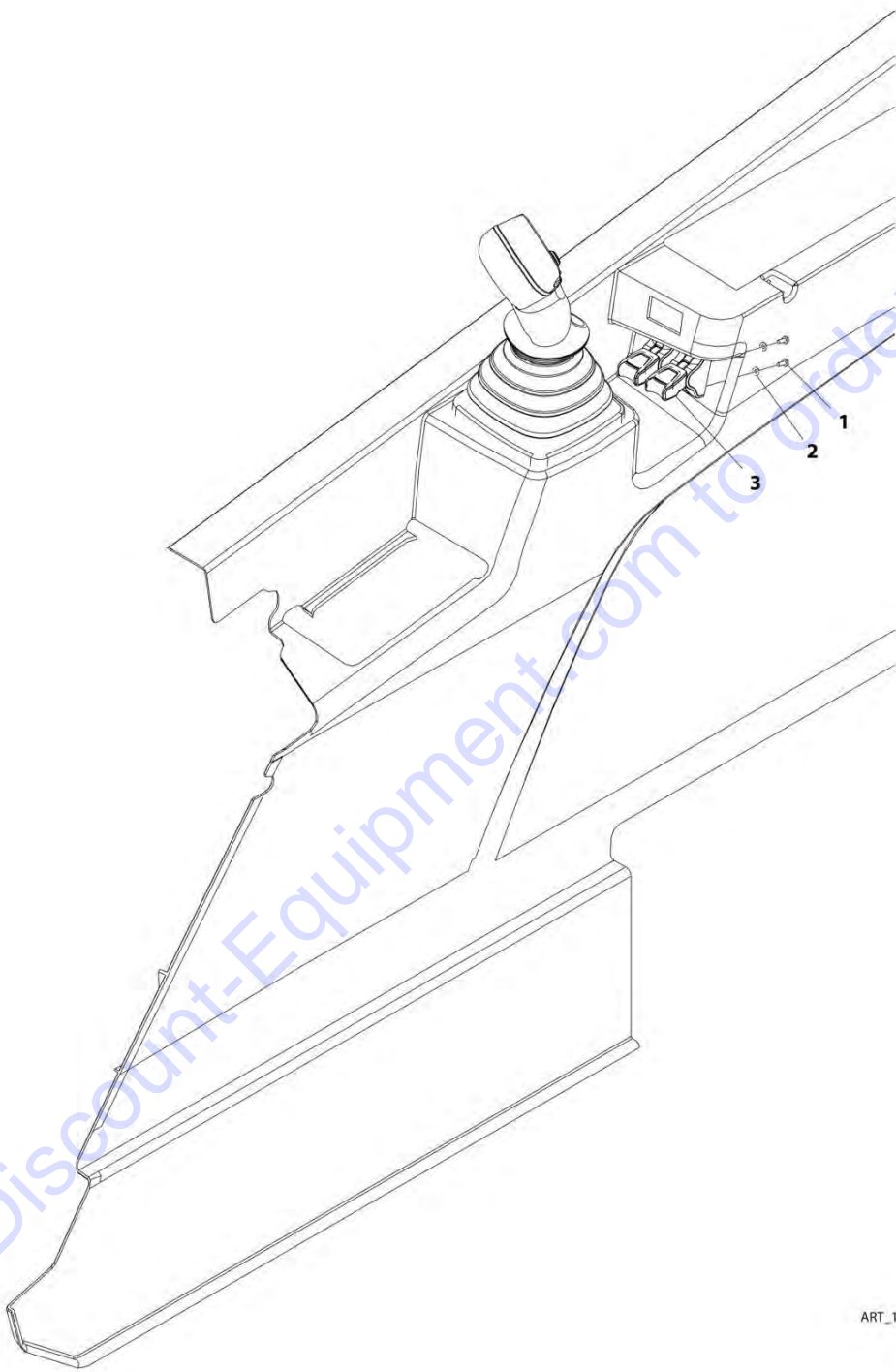
FIGURE 7-17. WIPER-TURN SWITCH

ITEM	PART NUMBER	QTY	DESCRIPTION	REV
	1001163695	1	Wiper-Turn Switch	A

Go to Discount-Equipment.com to order your parts

SECTION 7 - CONTROLS

FIGURE 7-18. OUTRIGGER SWITCHES INSTALLATION



ART_1001174478-B

SECTION 7 - CONTROLS

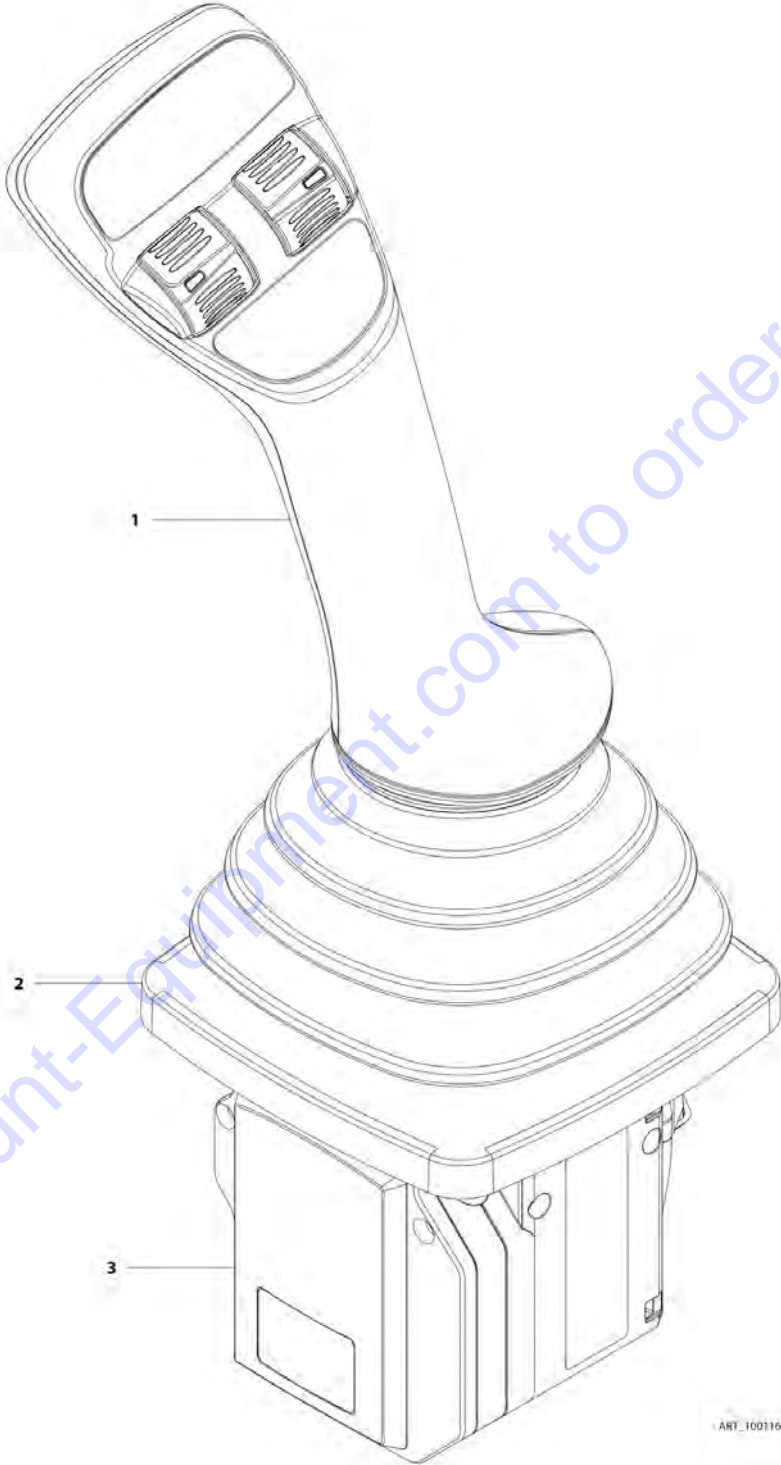
FIGURE 7-18. OUTRIGGER SWITCHES INSTALLATION

ITEM	PART NUMBER	QTY	DESCRIPTION	REV
	1001174478	Ref	Outrigger Switches Installation	B
1	0760304	4	Bolt, M3X8 GR8.8	
2	1001110544	4	Washer, M3	
3	1001157919	2	Control, Fingertip Joystick	

Go to Discount-Equipment.com to order your parts

SECTION 7 - CONTROLS

FIGURE 7-19. JOYSTICK



SECTION 7 - CONTROLS

FIGURE 7-19. JOYSTICK

ITEM	PART NUMBER	QTY	DESCRIPTION	REV
	1001160122	NLA	Joystick, (no longer available, use 1001222609 for replacement)	F
	1001222609	Ref	Joystick	A
1	70026257	1	Handle, Joystick	
2	70025844	1	Gaiter	
3	70026258	1	Base, Joystick	

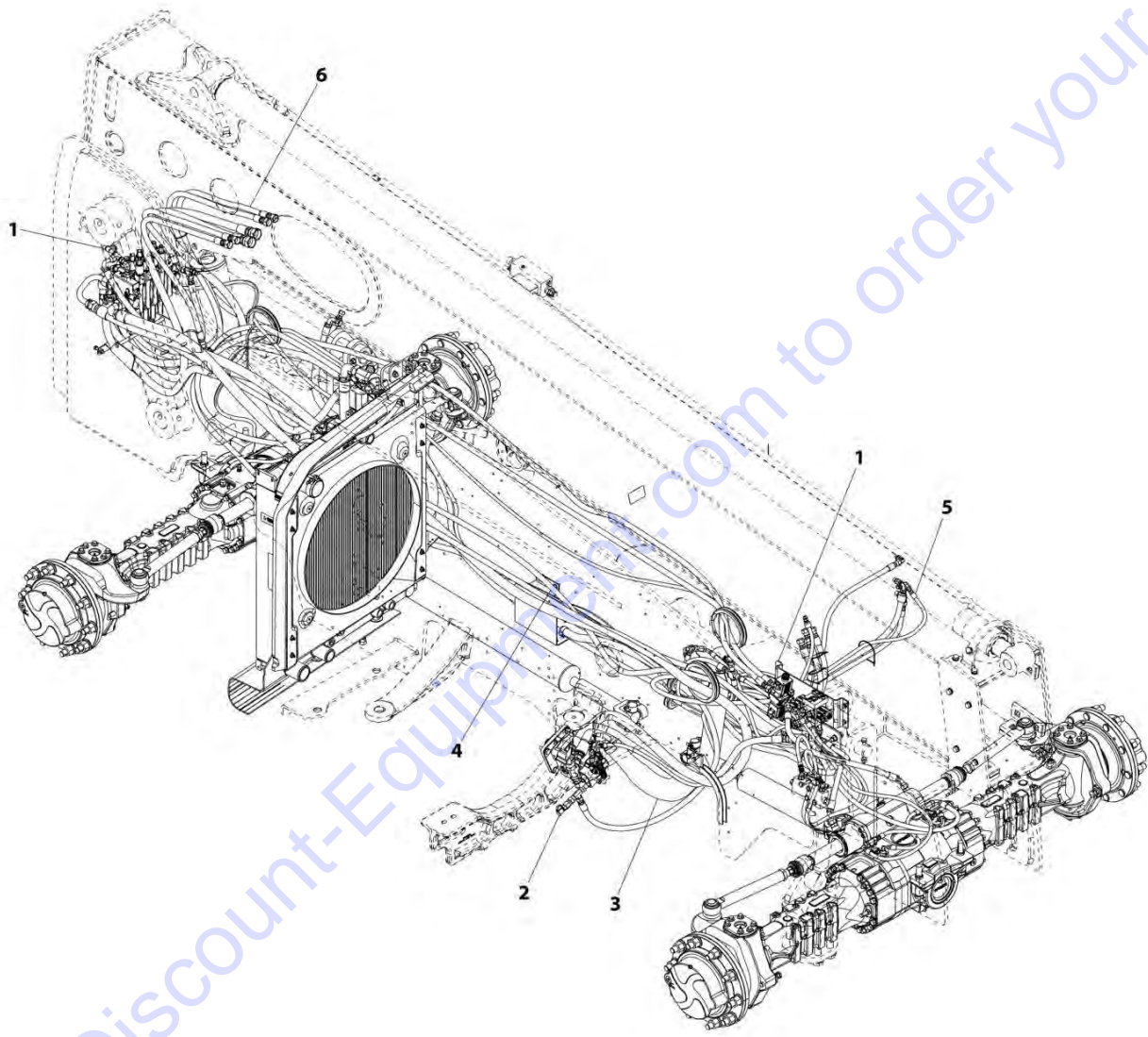
Go to Discount-Equipment.com to order your parts

SECTION 8 - HYDRAULIC CIRCUITS

Go to Discount-Equipment.com to order your parts

SECTION 8 - HYDRAULIC CIRCUITS

FIGURE 8-1. MAIN HYDRAULIC INSTALLATION (NO OUTRIGGERS) (642,742)



ART_1001168430-C

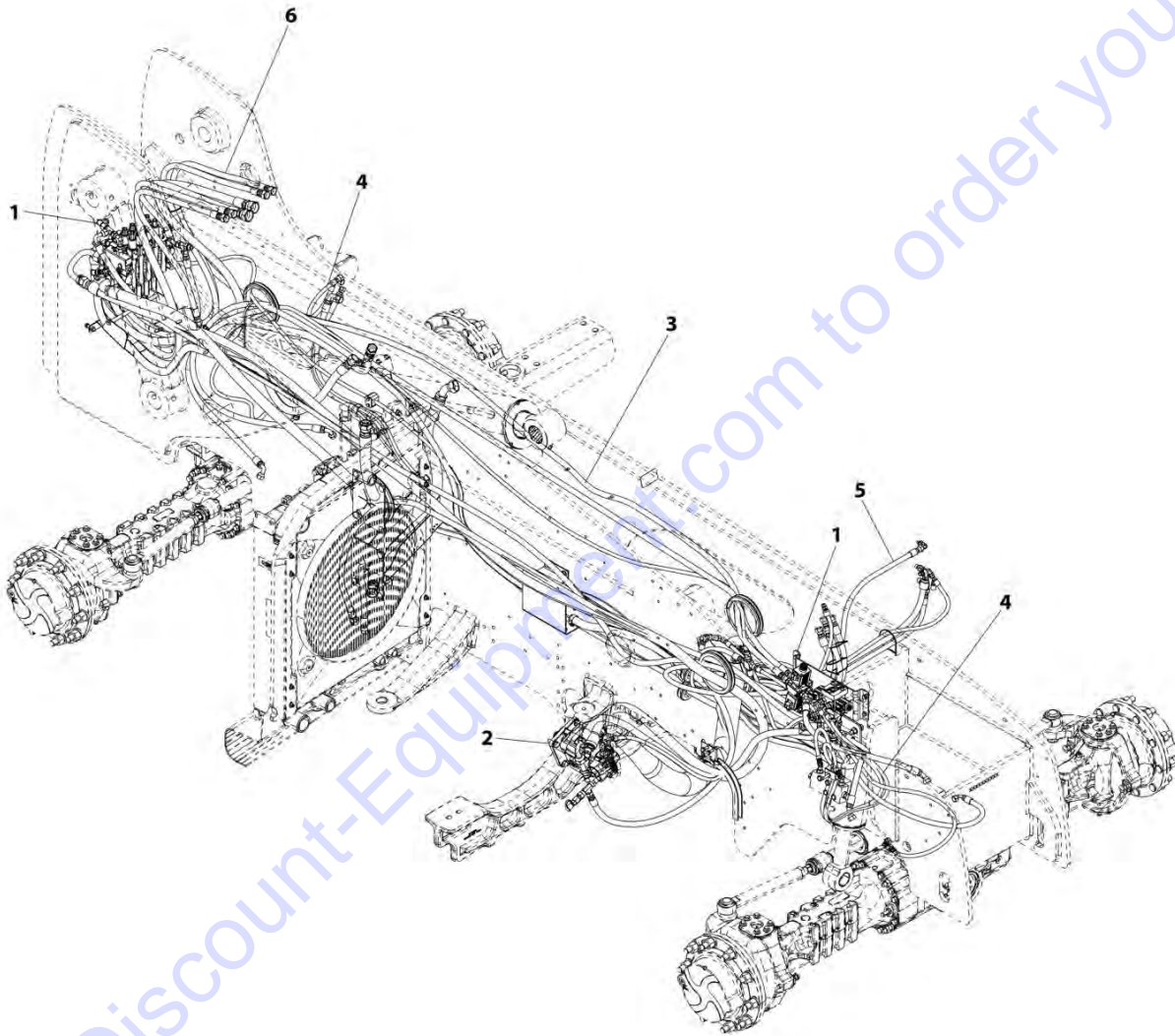
SECTION 8 - HYDRAULIC CIRCUITS

FIGURE 8-1. MAIN HYDRAULIC INSTALLATION (NO OUTRIGGERS) (642,742)

ITEM	PART NUMBER	QTY	DESCRIPTION	REV
1	1001168430	Ref	Main Hydraulic Installation (No Outriggers) (642, 742 (110HP))	C
	1001169910	Ref	Installation, Valve (No Outriggers) (642, 742) (See Separate Breakdown in this Section)	
2	1001169915	Ref	Installation, Pump (642, 742) (See Separate Breakdown in this Section)	
3	1001171208	Ref	Installation, Hydraulic Lines (110HP) (642, 742) (See Separate Breakdown in this Section)	
4	1001171209	Ref	Installation, Frame Level Hydraulics (No Outriggers) (642, 742) (See Separate Breakdown in this Section)	
5	1001175933	Ref	Installation, Cab Hydraulic (642, 742) (See Separate Breakdown in this Section)	
6	1001189995	Ref	Installation, Boom Hydraulic (642, 742) (See Separate Breakdown in this Section)	

SECTION 8 - HYDRAULIC CIRCUITS

FIGURE 8-2. MAIN HYDRAULIC INSTALLATION (NO OUTRIGGERS) (110HP) (742) (SN 0160084432 to Present)



ART_1001232290-A

SECTION 8 - HYDRAULIC CIRCUITS

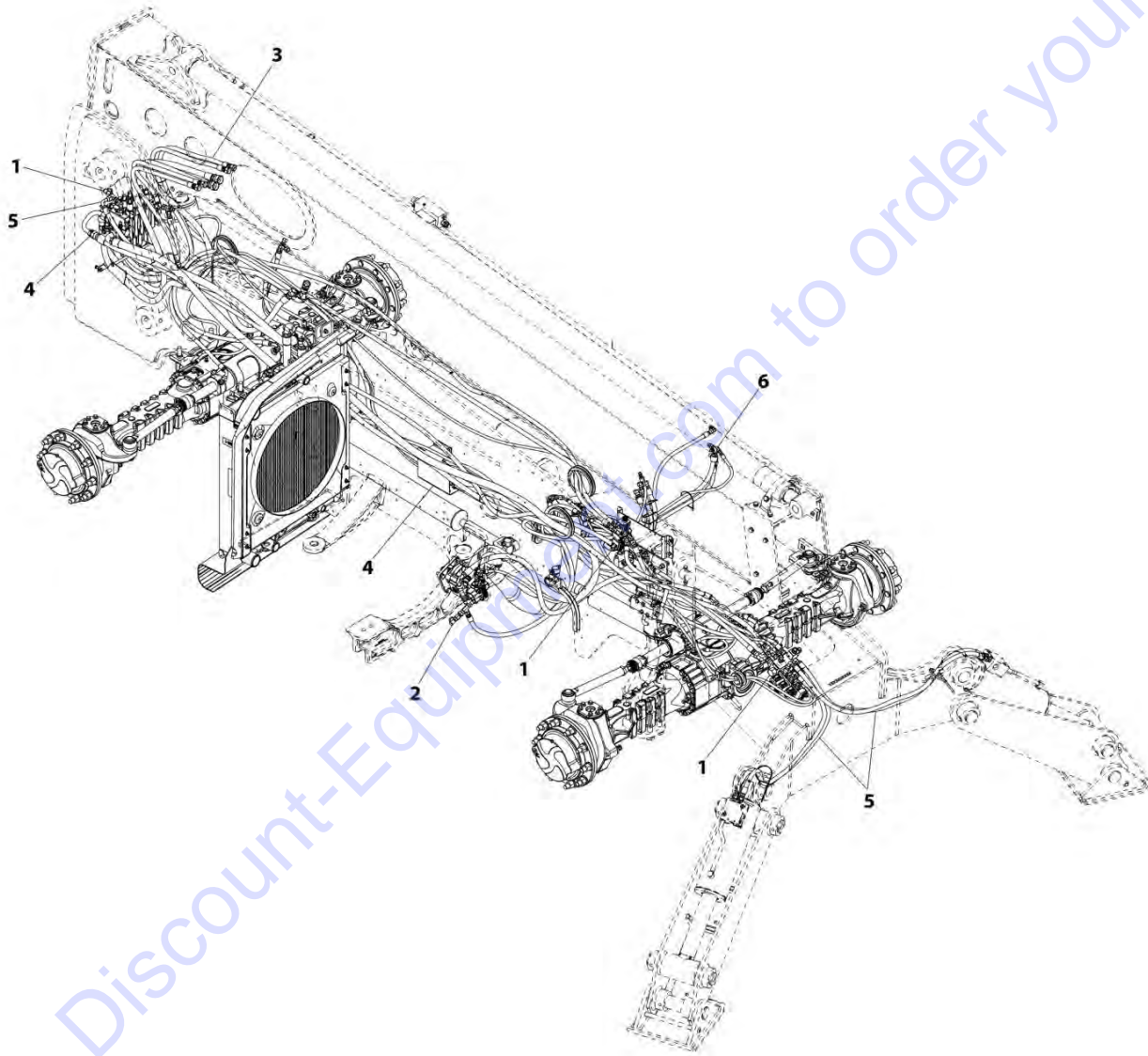
FIGURE 8-2. MAIN HYDRAULIC INSTALLATION (NO OUTRIGGERS) (110HP) (742) (SN 0160084432 to Present)

ITEM	PART NUMBER	QTY	DESCRIPTION	REV
1	1001232290 1001169910	Ref Ref	Main Hydraulic Installation (No Outriggers) (110HP) (742) Installation, Valve (No Outriggers) (642, 742) (See Separate Breakdown in this Section)	A
2	1001169915	Ref	Installation, Pump (642, 742) (See Separate Breakdown in this Section)	
3	1001171208	Ref	Installation, Hydraulic Lines (110HP) (642, 742) (See Separate Breakdown in this Section)	
4	1001171209	Ref	Installation, Frame Level Hydraulics (No Outriggers) (642, 742) (See Separate Breakdown in this Section)	
5	1001175933	Ref	Installation, Cab Hydraulic (642, 742) (See Separate Breakdown in this Section)	
6	1001189995	Ref	Installation, Boom Hydraulic (642, 742) (See Separate Breakdown in this Section)	

Go to Discount-Equipment.com to order your parts

SECTION 8 - HYDRAULIC CIRCUITS

FIGURE 8-3. MAIN HYDRAULIC INSTALLATION (OUTRIGGERS) (642)



ART_1001168454-C

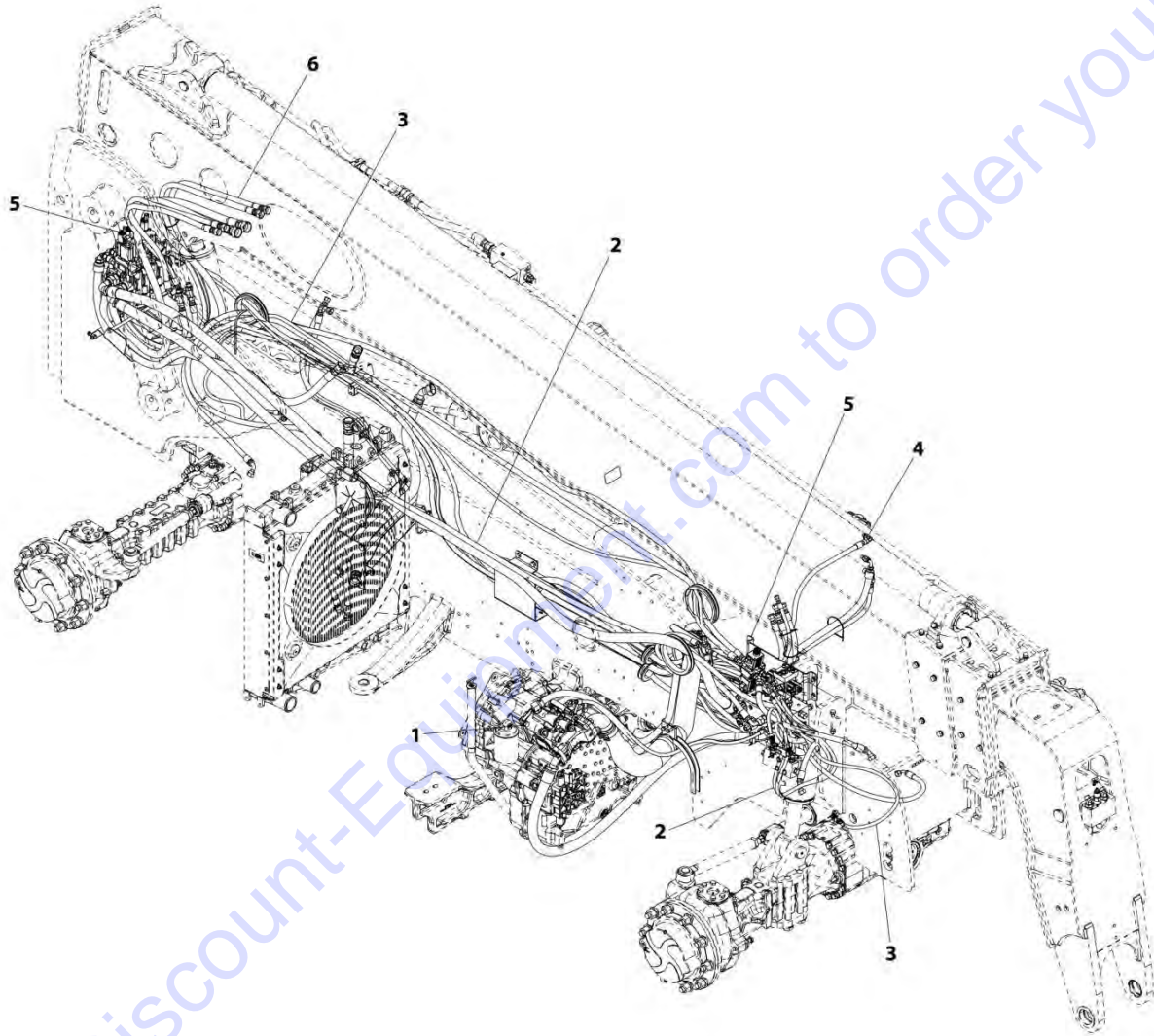
SECTION 8 - HYDRAULIC CIRCUITS

FIGURE 8-3. MAIN HYDRAULIC INSTALLATION (OUTRIGGERS) (642)

ITEM	PART NUMBER	QTY	DESCRIPTION	REV
1	1001168454	Ref	Main Hydraulic Installation (Outriggers) (642)	C
	1001169912	Ref	Installation, Valve (Outriggers) (642) (See Separate Breakdown in this Section)	
2	1001169915	Ref	Installation, Piston Pump (642, 742) (See Separate Breakdown in this Section)	
3	1001189995	Ref	Installation, Boom Hydraulic (642, 742) (See Separate Breakdown in this Section)	
4	1001171208	Ref	Installation, Hydraulic Lines (110HP) (642, 742) (See Separate Breakdown in this Section)	
5	1001171211	Ref	Installation, Frame Level Hydraulics (Outriggers) (642) (See Separate Breakdown in this Section)	
6	1001175933	Ref	Installation, Cab Hydraulic (642, 742) (See Separate Breakdown in this Section)	

SECTION 8 - HYDRAULIC CIRCUITS

FIGURE 8-4. MAIN HYDRAULIC INSTALLATION (OUTRIGGERS 74HP) (742)



ART_1001225198-A

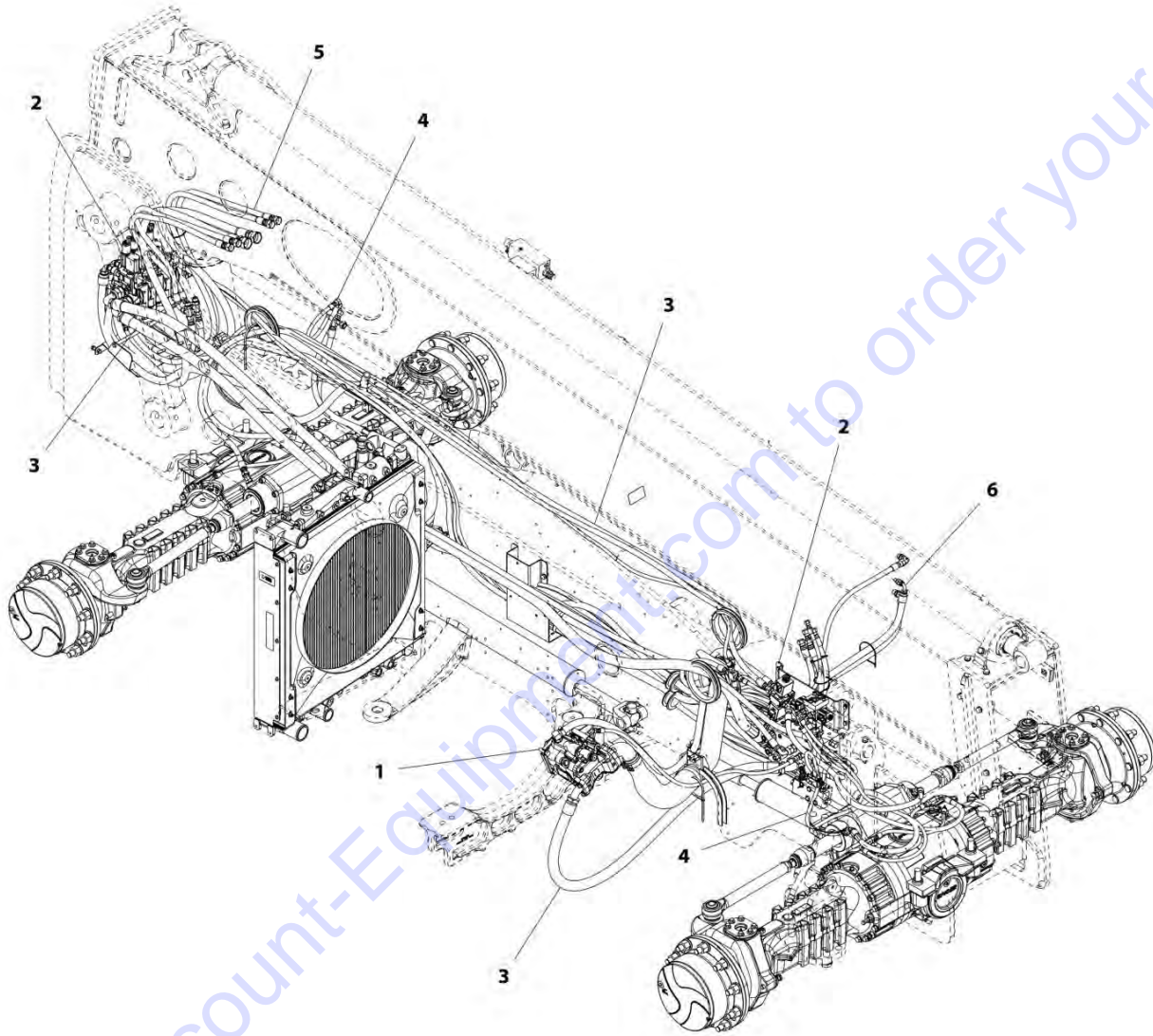
SECTION 8 - HYDRAULIC CIRCUITS

FIGURE 8-4. MAIN HYDRAULIC INSTALLATION (OUTRIGGERS 74HP) (742)

ITEM	PART NUMBER	QTY	DESCRIPTION	REV
1	1001225198	Ref	Main Hydraulic Installation (Outriggers 74HP) (742)	A
	1001162670	Ref	Installation, Piston Pump (742, 943, 1043) (See Separate Breakdown in this Section)	
2	1001168468	Ref	Installation, Frame Level Hydraulics (742, 943) (See Separate Breakdown in this Section)	
3	1001225200	Ref	Installation, Hydraulic Lines (74HP) (742) (See Separate Breakdown in this Section)	
4	1001225202	Ref	Installation, Cab Hydraulics (742) (See Separate Breakdown in this Section)	
5	1001225748	Ref	Installation, Valve (742) (See Separate Breakdown in this Section)	
6	1001170100	Ref	Installation, Boom Hydraulic (742, 943, 1043) (See Separate Breakdown in this Section)	

SECTION 8 - HYDRAULIC CIRCUITS

FIGURE 8-5. MAIN HYDRAULIC INSTALLATION (NO OUTRIGGERS) (943) (Prior to SN 0160081535)



ART_1001167313-B

SECTION 8 - HYDRAULIC CIRCUITS

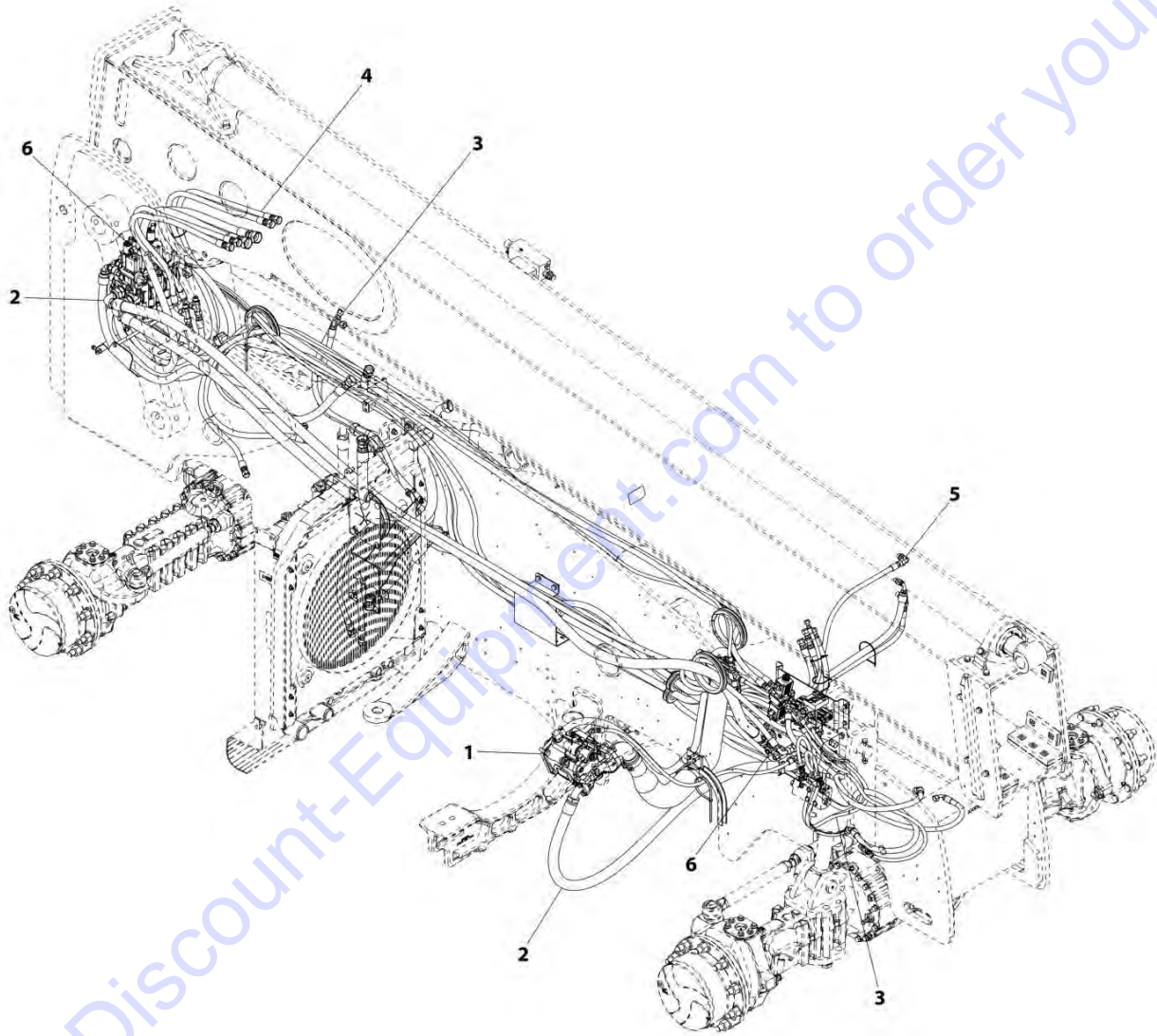
FIGURE 8-5. MAIN HYDRAULIC INSTALLATION (NO OUTRIGGERS) (943) (Prior to SN 0160081535)

ITEM	PART NUMBER	QTY	DESCRIPTION	REV
1	1001167313	Ref	Main Hydraulic Installation (No Outriggers) (943)	B
	1001162670	Ref	Installation, Piston Pump (742, 943, 1043) (See PISTON PUMP INSTALLATION (742, 943, 1043) for Breakdown)	
2	1001168460	Ref	Installation, Valve (No Outriggers) (943) (See VALVE INSTALLATION (NO OUTRIGGERS) (943, 1043) for Breakdown)	
3	1001168467	Ref	Installation, Hydraulic Lines (110HP) (943, 1043) (See MAIN HYDRAULICS INSTALLATION (943, 1043) for Breakdown)	
4	1001168468	Ref	Installation, Frame Level Hydraulics (742, 943) (See FRAME LEVEL HYDRAULICS INSTALLATION (742, 943) for Breakdown)	
5	1001170100	Ref	Installation, Boom Hydraulic (742, 943, 1043) (See BOOM HYDRAULIC INSTALLATION (742, 943, 1043) for Breakdown)	
6	1001175789	Ref	Installation, Cab Hydraulic (943, 1043) (See CAB HYDRAULIC INSTALLATION (943, 1043) for Breakdown)	

Go to Discount-Equipment.com to order your parts

SECTION 8 - HYDRAULIC CIRCUITS

FIGURE 8-6. MAIN HYDRAULIC INSTALLATION (NO OUTRIGGERS) (943) (SN 0160081535 to Present)



ART_1001227385-A

SECTION 8 - HYDRAULIC CIRCUITS

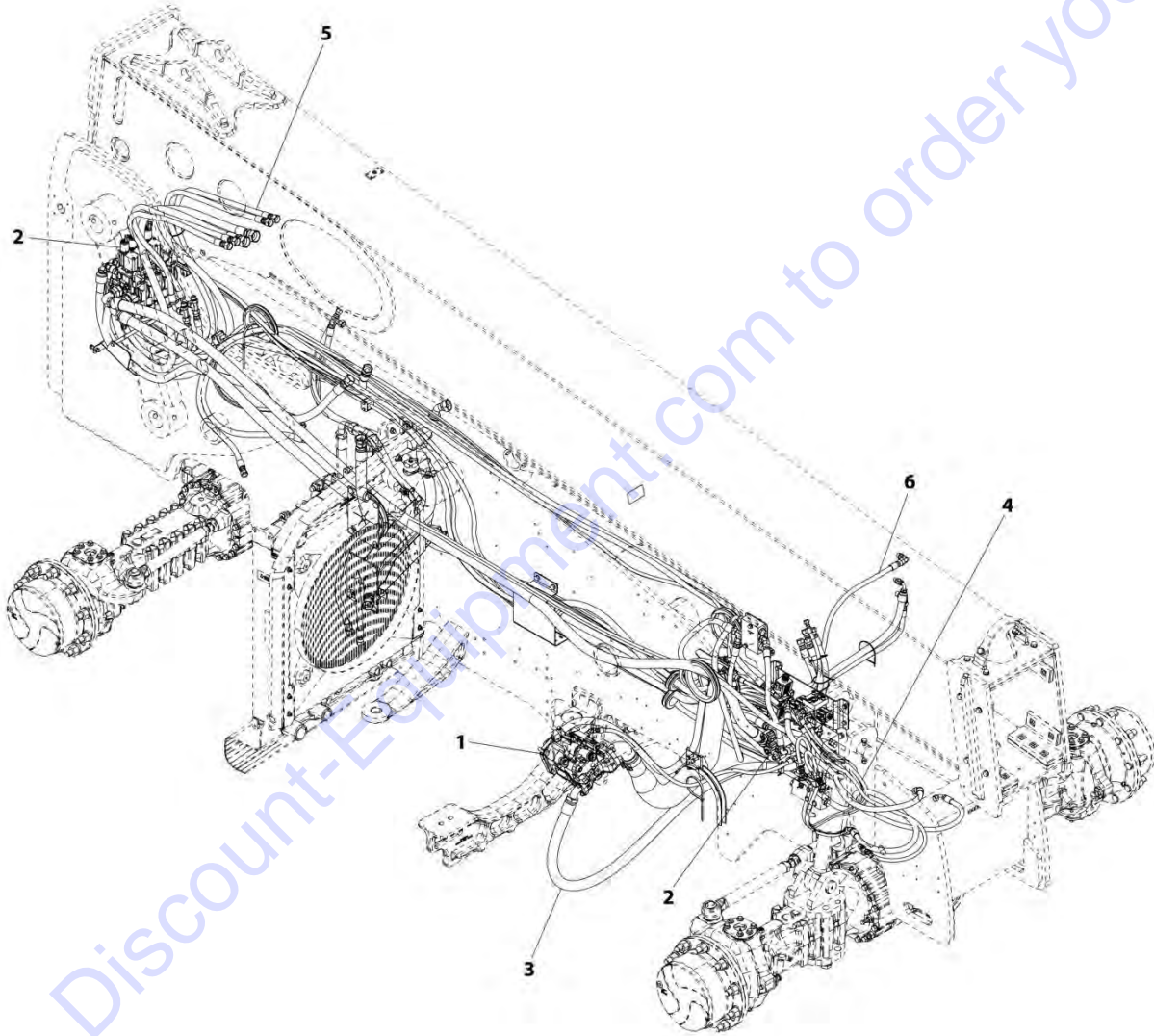
FIGURE 8-6. MAIN HYDRAULIC INSTALLATION (NO OUTRIGGERS) (943) (SN 0160081535 to Present)

ITEM	PART NUMBER	QTY	DESCRIPTION	REV
1	1001227385	Ref	Main Hydraulic Installation (No Outriggers) (943)	A
	1001162670	Ref	Installation, Piston Pump (943, 1043) (See Separate Breakdown in this Section)	
2	1001227497	Ref	Installation, Hydraulic Lines (74HP) (943, 1043) (See Separate Breakdown in this Section)	
3	1001168468	Ref	Installation, Frame Level Hydraulics (742, 943) (See Separate Breakdown in this Section)	
4	1001170100	Ref	Installation, Boom Hydraulic (943, 1043) (See Separate Breakdown in this Section)	
5	1001175789	Ref	Installation, Cab Hydraulic (943, 1043) (See Separate Breakdown in this Section)	
6	1001225748	Ref	Installation, Valve (742, 943) (See Separate Breakdown in this Section)	

Go to Discount-Equipment.com to order your parts

SECTION 8 - HYDRAULIC CIRCUITS

FIGURE 8-7. MAIN HYDRAULIC INSTALLATION, EMERGENCY STEERING (NO OUTRIGGERS) (943)
(Prior to SN 0160081535)



ART_100126576-A

SECTION 8 - HYDRAULIC CIRCUITS

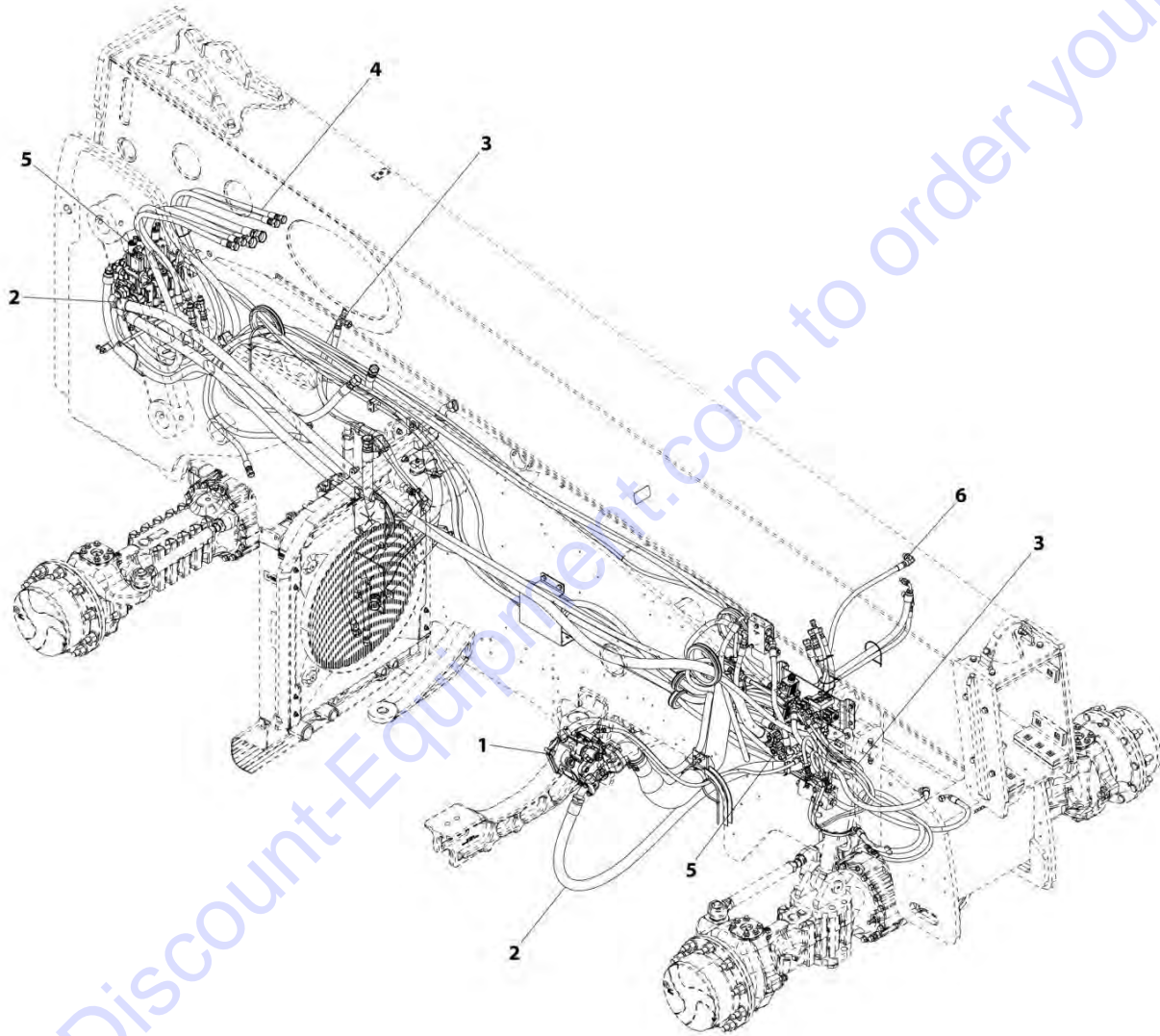
**FIGURE 8-7. MAIN HYDRAULIC INSTALLATION, EMERGENCY STEERING (NO OUTRIGGERS) (943)
(Prior to SN 0160081535)**

ITEM	PART NUMBER	QTY	DESCRIPTION	REV
	1001226576	Ref	Main Hydraulic Installation, Emergency Steering (No Outriggers) (943)	A
1	1001162670	Ref	Installation, Piston Pump (See Separate Breakdown in this Section)	
2	1001168460	Ref	Installation, Valve (No Outriggers) (943) (See Separate Breakdown in this Section)	
3	1001168467	Ref	Installation, Hydraulic Lines (110HP) (943, 1043) (See Separate Breakdown in this Section)	
4	1001168468	Ref	Installation, Frame Level Hydraulics (742, 943) (See Separate Breakdown in this Section)	
5	1001170100	Ref	Installation, Boom Hydraulic (943, 1043) (See Separate Breakdown in this Section)	
6	1001226575	Ref	Installation, Cab Hydraulic, Emergency Steering (943, 1043) (See Separate Breakdown in this Section)	

Go to Discount-Equipment.com to order your parts

SECTION 8 - HYDRAULIC CIRCUITS

FIGURE 8-8. MAIN HYDRAULIC INSTALLATION, EMERGENCY STEERING (NO OUTRIGGERS) (943)
(SN 0160081535 to Present)



ART_1001227387-A

SECTION 8 - HYDRAULIC CIRCUITS

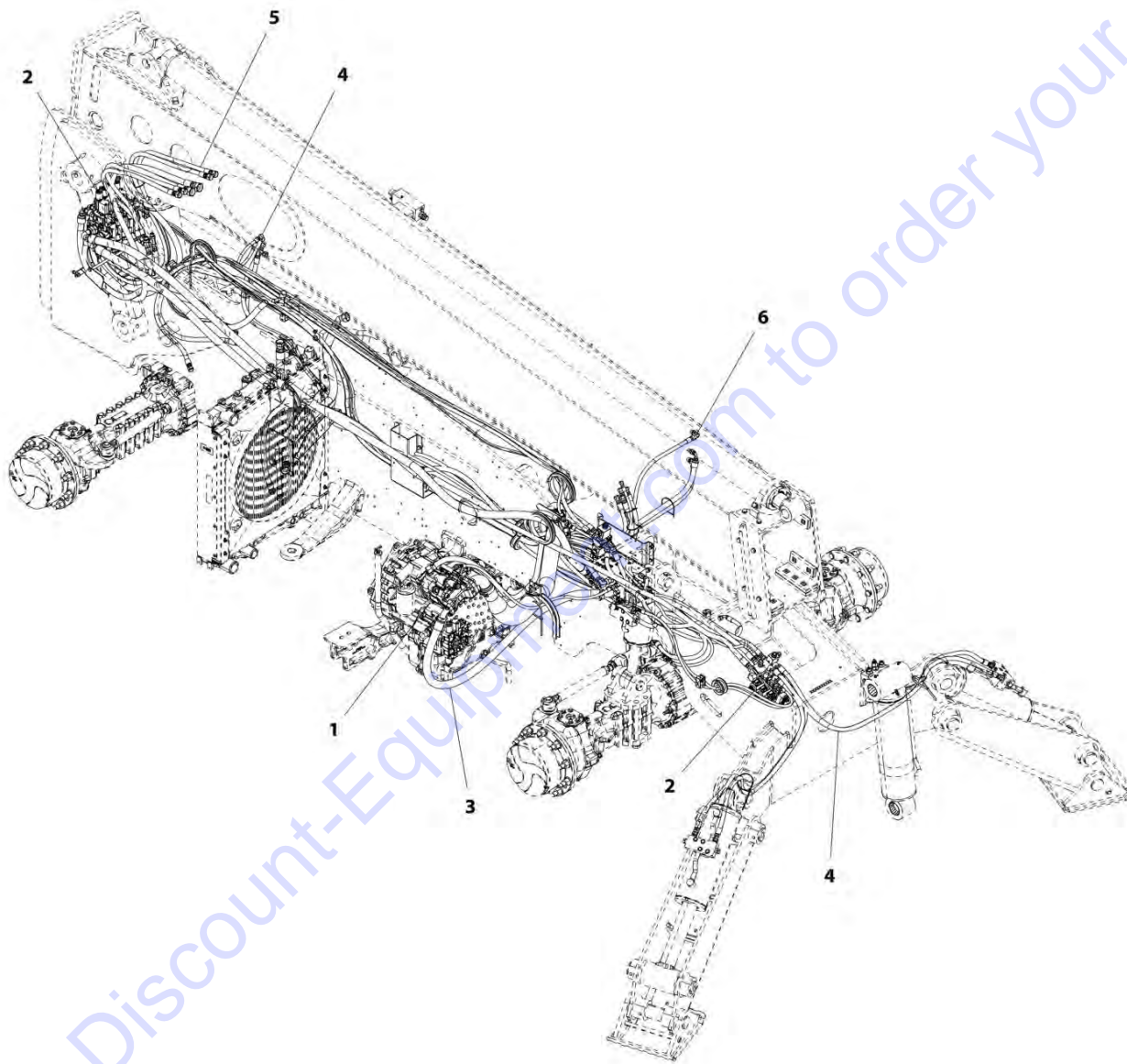
**FIGURE 8-8. MAIN HYDRAULIC INSTALLATION, EMERGENCY STEERING (NO OUTRIGGERS) (943)
(SN 0160081535 to Present)**

ITEM	PART NUMBER	QTY	DESCRIPTION	REV
	1001227387	Ref	Main Hydraulic Installation, Emergency Steering (No Outriggers) (943)	A
1	1001162670	Ref	Installation, Piston Pump (See Separate Breakdown in this Section)	
2	1001227497	Ref	Installation, Hydraulic Lines (74HP) (943, 1043) (See Separate Breakdown in this Section)	
3	1001168468	Ref	Installation, Frame Level Hydraulics (742, 943) (See Separate Breakdown in this Section)	
4	1001170100	Ref	Installation, Boom Hydraulic (943, 1043) (See Separate Breakdown in this Section)	
5	1001225748	Ref	Installation, Valve (742) (See Separate Breakdown in this Section)	
6	1001226575	Ref	Installation, Cab Hydraulic, Emergency Steering (943, 1043) (See Separate Breakdown in this Section)	

Go to Discount-Equipment.com to order your parts

SECTION 8 - HYDRAULIC CIRCUITS

FIGURE 8-9. MAIN HYDRAULIC INSTALLATION (OUTRIGGERS) (1043) (Prior to SN 0160081535)



ART_1001167314-B

SECTION 8 - HYDRAULIC CIRCUITS

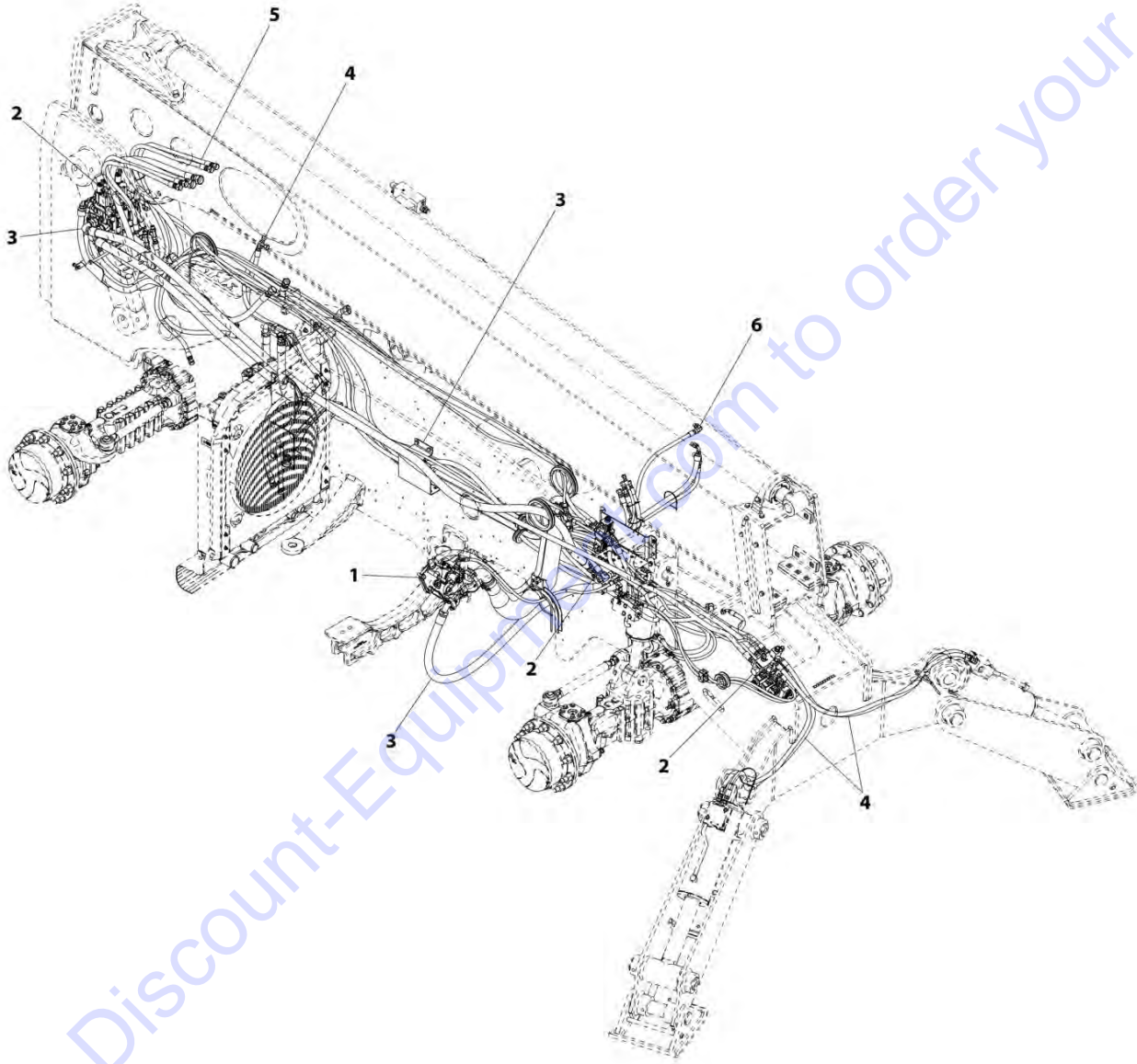
FIGURE 8-9. MAIN HYDRAULIC INSTALLATION (OUTRIGGERS) (1043) (Prior to SN 0160081535)

ITEM	PART NUMBER	QTY	DESCRIPTION	REV
1	1001167314	Ref	Main Hydraulic Installation (Outriggers) (1043)	B
	1001162670	Ref	Installation, Piston Pump (742, 943, 1043) (See PISTON PUMP INSTALLATION (742, 943, 1043) for Breakdown)	
2	1001168462	Ref	Installation, Valve (See VALVE INSTALLATION WITH OUTRIGGERS (1043) for Breakdown)	
3	1001168467	Ref	Installation, Hydraulic Lines (110HP) (943, 1043) (See Separate Breakdown in this Section)	
4	1001168469	Ref	Installation, Frame Level Hydraulics (1043) (See FRAME LEVEL HYDRAULICS INSTALLATION WITH OUTRIGGERS (1043) for Breakdown)	
5	1001170100	Ref	Installation, Boom Hydraulic (742, 943, 1043) (See BOOM HYDRAULIC INSTALLATION (742, 943, 1043) for Breakdown)	
6	1001175789	Ref	Installation, Cab Hydraulics (943, 1043) (See CAB HYDRAULIC INSTALLATION (943, 1043) for Breakdown)	

Go to Discount-Equipment.com to order your parts

SECTION 8 - HYDRAULIC CIRCUITS

FIGURE 8-10. MAIN HYDRAULIC INSTALLATION (OUTRIGGERS) (1043) (SN 0160081535 to Present)



Go to Discount-Equipment.com to order your parts

ART_1001227386-A

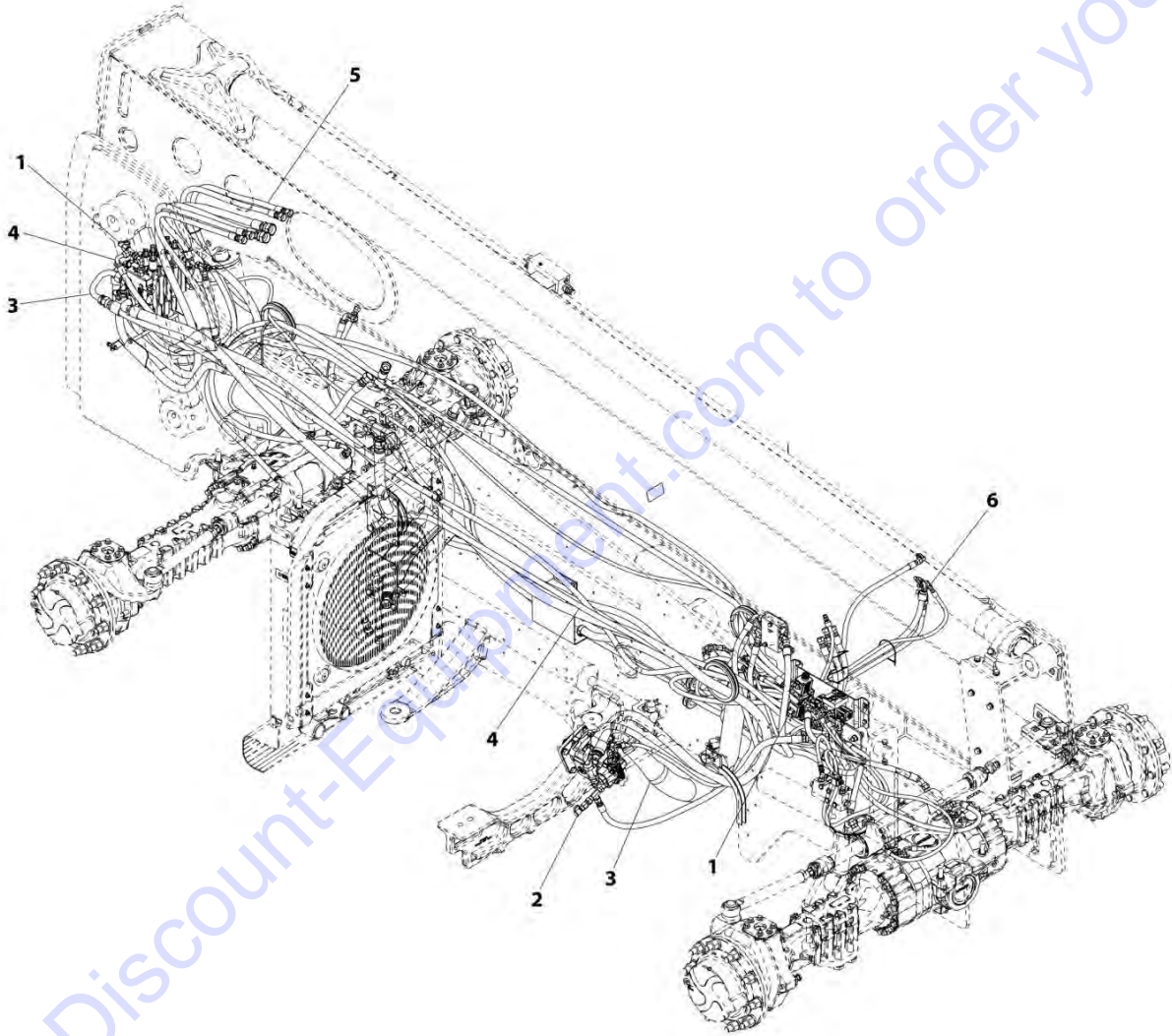
SECTION 8 - HYDRAULIC CIRCUITS

FIGURE 8-10. MAIN HYDRAULIC INSTALLATION (OUTRIGGERS) (1043) (SN 0160081535 to Present)

ITEM	PART NUMBER	QTY	DESCRIPTION	REV
1	1001227386	Ref	Main Hydraulic Installation (Outriggers) (1043)	A
	1001162670	Ref	Installation, Piston Pump (See Separate Breakdown in this Section)	
2	1001225749	Ref	Installation, Valve (See Separate Breakdown in this Section)	
3	1001227497	Ref	Installation, Main Hydraulics (943, 1043) (See Separate Breakdown in this Section)	
4	1001168469	Ref	Installation, Frame Level Hydraulics (1043) (See Separate Breakdown in this Section)	
5	1001170100	Ref	Installation, Boom Hydraulic (742, 943, 1043) (See Separate Breakdown in this Section)	
6	1001175789	Ref	Installation, Cab Hydraulics (943, 1043) (See Separate Breakdown in this Section)	

SECTION 8 - HYDRAULIC CIRCUITS

FIGURE 8-11. MAIN HYDRAULIC INSTALLATION (EMERGENCY STEERING NO OUTRIGGERS) (642, 742)



ART_1001226272-A

SECTION 8 - HYDRAULIC CIRCUITS

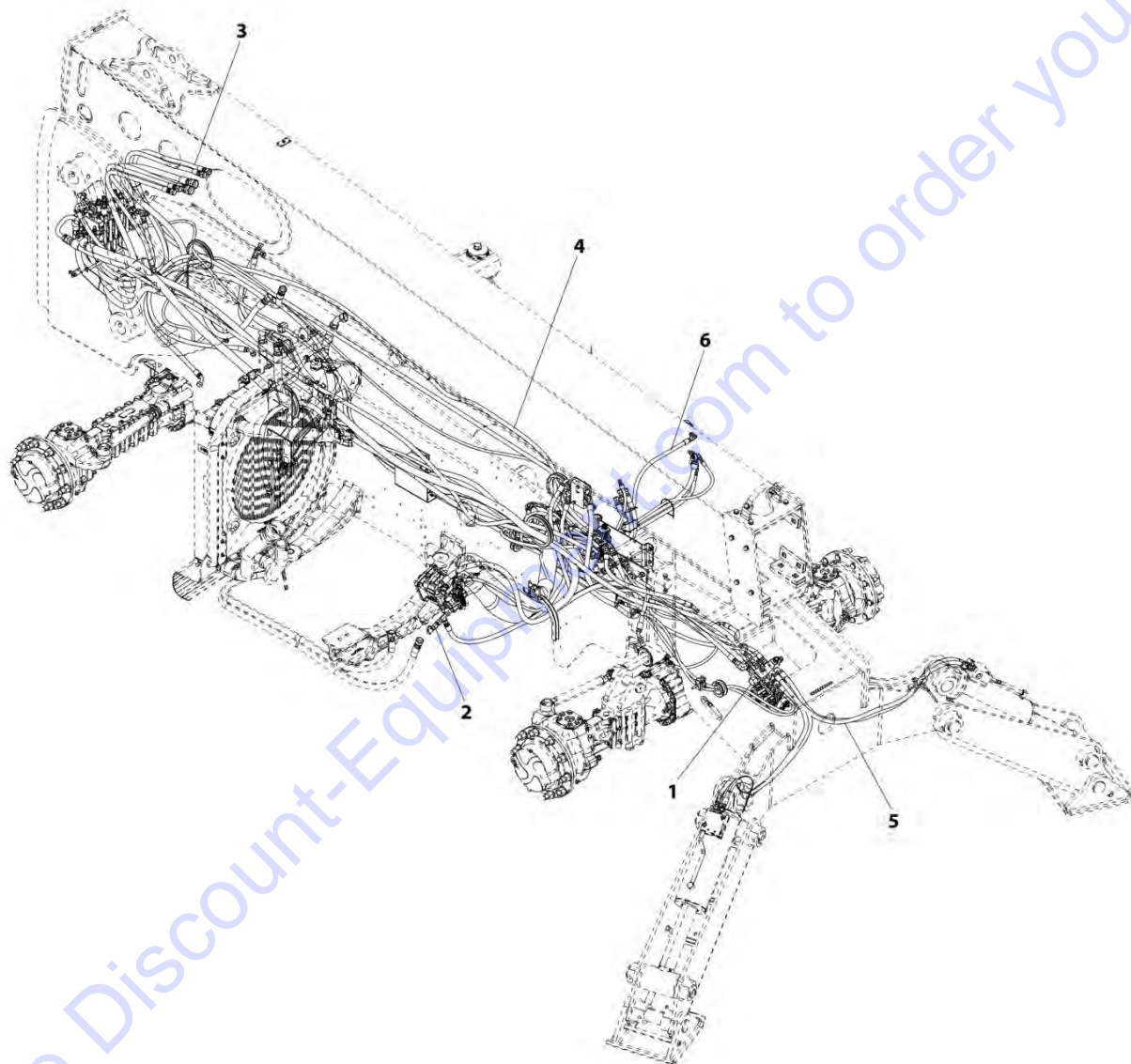
FIGURE 8-11. MAIN HYDRAULIC INSTALLATION (EMERGENCY STEERING NO OUTRIGGERS) (642, 742)

ITEM	PART NUMBER	QTY	DESCRIPTION	REV
	1001226272	Ref	Main Hydraulic Installation (Emergency Steering No Outriggers) (642, 742)	A
1	1001169910	Ref	Installation, Valve (No Outriggers) (642, 742) (See Separate Breakdown in this Section)	
2	1001169915	Ref	Installation, Pump (642, 742) (See Separate Breakdown in this Section)	
3	1001171208	Ref	Installation, Hydraulic Lines (110HP) (642, 742) (See Separate Breakdown in this Section)	
4	1001171209	Ref	Installation, Frame Level Hydraulics (No Outriggers) (642, 742) (See Separate Breakdown in this Section)	
5	1001189995	Ref	Installation, Boom Hydraulic (642, 742) (See Separate Breakdown in this Section)	
6	1001226271	Ref	Installation, Cab Hydraulic (Emergency Steering) (642, 742) (See Separate Breakdown in this Section)	

Go to Discount-Equipment.com to order your parts

SECTION 8 - HYDRAULIC CIRCUITS

FIGURE 8-12. MAIN HYDRAULIC INSTALLATION (EMERGENCY STEERING WITH OUTRIGGERS)
(642)



ART_1001226273-A

SECTION 8 - HYDRAULIC CIRCUITS

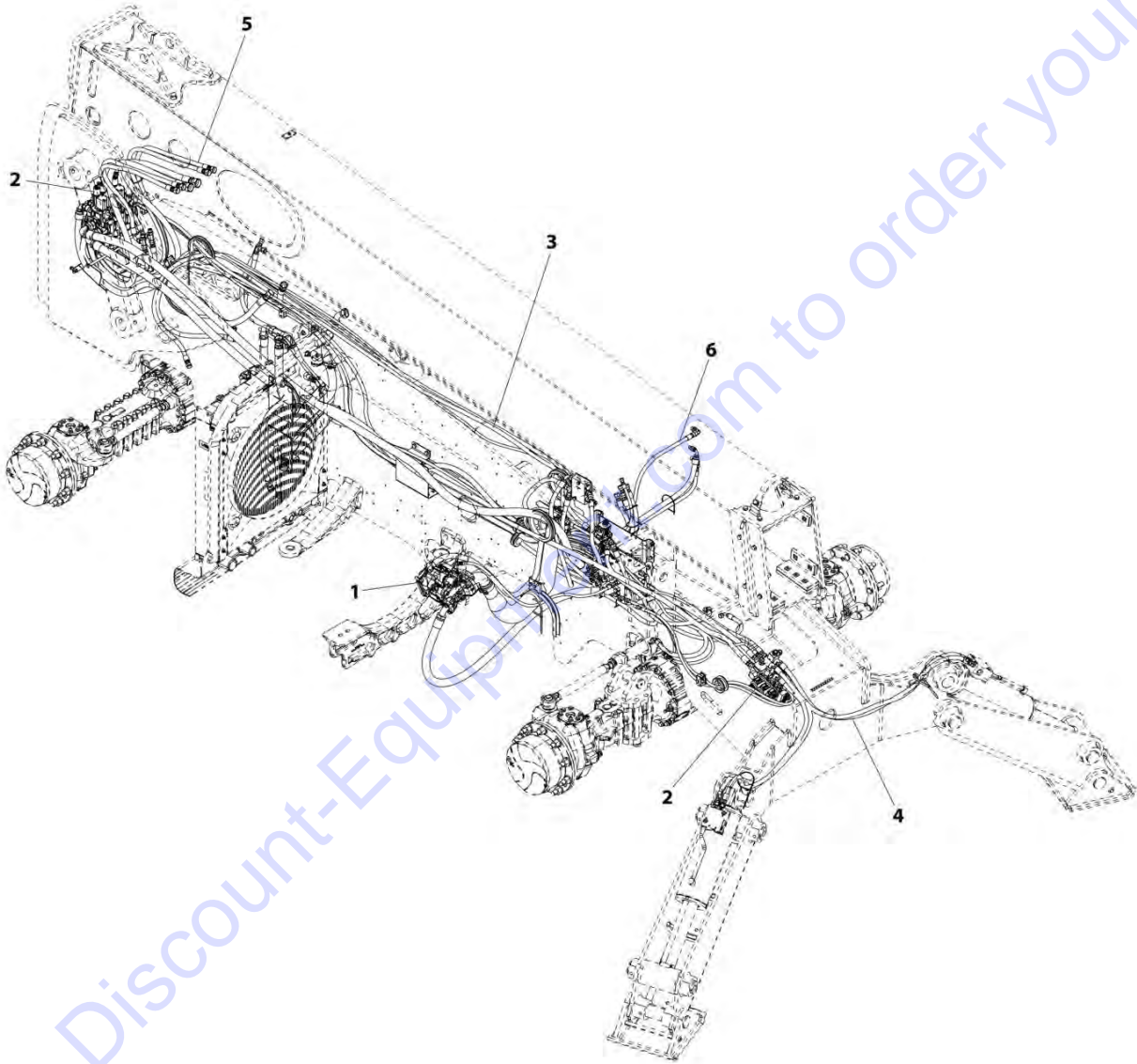
**FIGURE 8-12. MAIN HYDRAULIC INSTALLATION (EMERGENCY STEERING WITH OUTRIGGERS)
(642)**

ITEM	PART NUMBER	QTY	DESCRIPTION	REV
	1001226273	Ref	Main Hydraulic Installation (Emergency Steering with Outriggers) (642)	A
1	1001169912	Ref	Installation, Valve (Outriggers) (642) (See Separate Breakdown in this Section)	
2	1001169915	Ref	Installation, Pump (642, 742) (See Separate Breakdown in this Section)	
3	1001189995	Ref	Installation, Boom Hydraulic (642, 742) (See Separate Breakdown in this Section)	
4	1001171208	Ref	Installation, Hydraulic Lines (110HP) (642, 742) (See Separate Breakdown in this Section)	
5	1001171211	Ref	Installation, Frame Level Hydraulics (Outriggers) (642) (See Separate Breakdown in this Section)	
6	1001226271	Ref	Installation, Cab Hydraulic (Emergency Steering) (642) (See Separate Breakdown in this Section)	

Go to Discount-Equipment.com to order your parts

SECTION 8 - HYDRAULIC CIRCUITS

FIGURE 8-13. MAIN HYDRAULIC INSTALLATION, EMERGENCY STEERING (OUTRIGGERS) (1043)
(Prior to SN 0160081535)



ART_1001226577-A

SECTION 8 - HYDRAULIC CIRCUITS

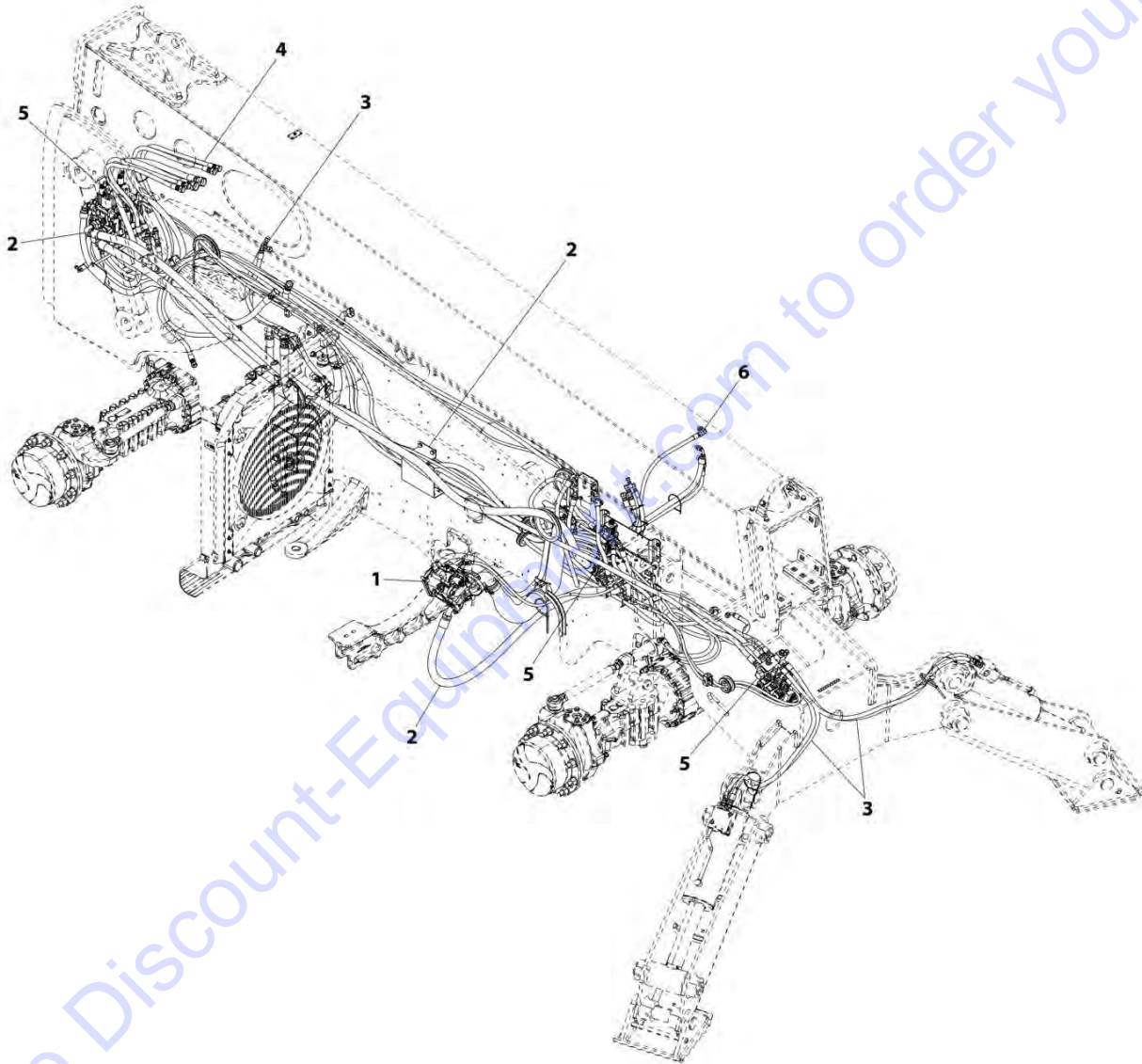
**FIGURE 8-13. MAIN HYDRAULIC INSTALLATION, EMERGENCY STEERING (OUTRIGGERS) (1043)
(Prior to SN 0160081535)**

ITEM	PART NUMBER	QTY	DESCRIPTION	REV
1	1001226577	Ref	Main Hydraulic Installation, Secondary Steering (Outriggers) (1043)	A
	1001162670	Ref	Installation, Piston Pump (See Separate Breakdown in this Section)	
2	1001168462	Ref	Installation, Valve (Outriggers) (1043) (See Separate Breakdown in this Section)	
3	1001168467	Ref	Installation, Hydraulic Lines (110HP) (943, 1043) (See Separate Breakdown in this Section)	
4	1001168469	Ref	Installation, Frame Level Hydraulics (Outriggers) (1043) (See Separate Breakdown in this Section)	
5	1001170100	Ref	Installation, Boom Hydraulic (742, 943, 1043) (See Separate Breakdown in this Section)	
6	1001226575	Ref	Installation, Cab Hydraulic, Emergency Steering (943, 1043) (See Separate Breakdown in this Section)	

Go to Discount-Equipment.com to order your parts

SECTION 8 - HYDRAULIC CIRCUITS

FIGURE 8-14. MAIN HYDRAULIC INSTALLATION, EMERGENCY STEERING (OUTRIGGERS) (1043)
(SN 0160081535 to Present)



ART_1001227388-A

SECTION 8 - HYDRAULIC CIRCUITS

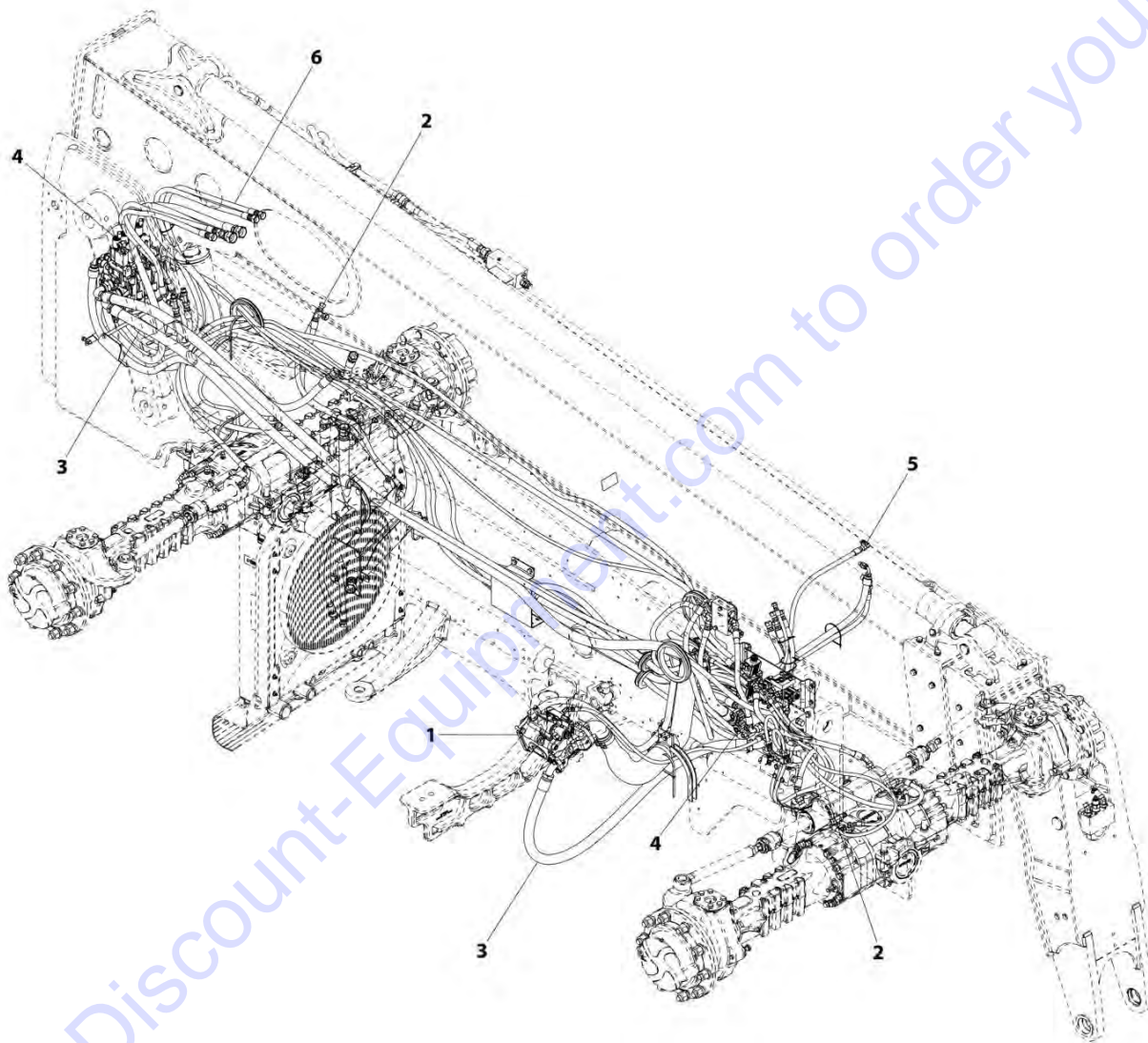
**FIGURE 8-14. MAIN HYDRAULIC INSTALLATION, EMERGENCY STEERING (OUTRIGGERS) (1043)
(SN 0160081535 to Present)**

ITEM	PART NUMBER	QTY	DESCRIPTION	REV
1	1001227388	Ref	Main Hydraulic Installation, Emergency Steering (Outriggers) (1043)	A
	1001162670	Ref	Installation, Piston Pump (See Separate Breakdown in this Section)	
2	1001227497	Ref	Installation, Hydraulic Lines (74HP) (943, 1043) (See Separate Breakdown in this Section)	
3	1001168469	Ref	Installation, Frame Level Hydraulics (Outriggers) (1043) (See Separate Breakdown in this Section)	
4	1001170100	Ref	Installation, Boom Hydraulic (742, 943, 1043) (See Separate Breakdown in this Section)	
5	1001225749	Ref	Installation, Valve (See Separate Breakdown in this Section)	
6	1001226575	Ref	Installation, Cab Hydraulic, Emergency Steering (943, 1043) (See Separate Breakdown in this Section)	

Go to Discount-Equipment.com to order your parts

SECTION 8 - HYDRAULIC CIRCUITS

FIGURE 8-15. MAIN HYDRAULIC INSTALLATION - 74HP (EMERGENCY STEERING NO OUTRIGGERS) (742)



ART_1001226919-B

SECTION 8 - HYDRAULIC CIRCUITS

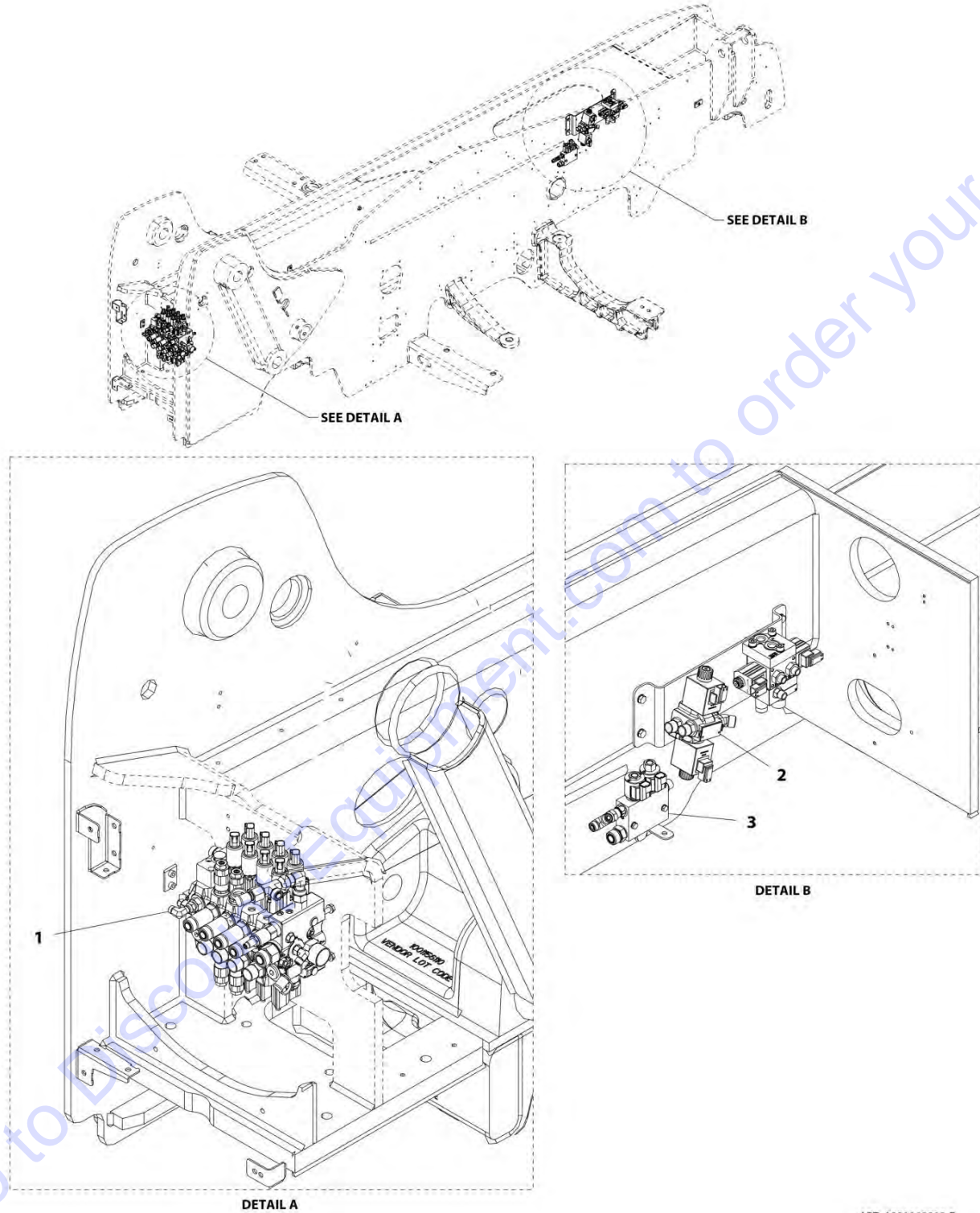
FIGURE 8-15. MAIN HYDRAULIC INSTALLATION - 74HP (EMERGENCY STEERING NO OUTRIGGERS) (742)

ITEM	PART NUMBER	QTY	DESCRIPTION	REV
	1001226919	Ref	Main Hydraulic Installation - 74HP (Emergency Steering No Outriggers) (742)	B
1	1001162670	Ref	Installation, Piston Pump (742, 943, 1043) (See Separate Breakdown in this Section)	
2	1001168468	Ref	Installation, Frame Level Hydraulics (742, 943) (See FRAME LEVEL HYDRAULICS INSTALLATION (742, 943) for Breakdown)	
3	1001225200	Ref	Installation, Hydraulic Lines (74HP) (742) (See Separate Breakdown in this Section)	
4	1001225748	Ref	Installation, Valve (742) (See Separate Breakdown in this Section)	
5	1001226920	Ref	Installation, Hoses Cab Hydraulics (See Separate Breakdown in this Section)	
6	1001170100	Ref	Installation, Boom Hydraulic (742, 943, 1043) (See Separate Breakdown in this Section)	

Go to Discount-Equipment.com to order your parts

SECTION 8 - HYDRAULIC CIRCUITS

FIGURE 8-16. VALVE INSTALLATION (NO OUTRIGGERS) (642, 742)



SECTION 8 - HYDRAULIC CIRCUITS

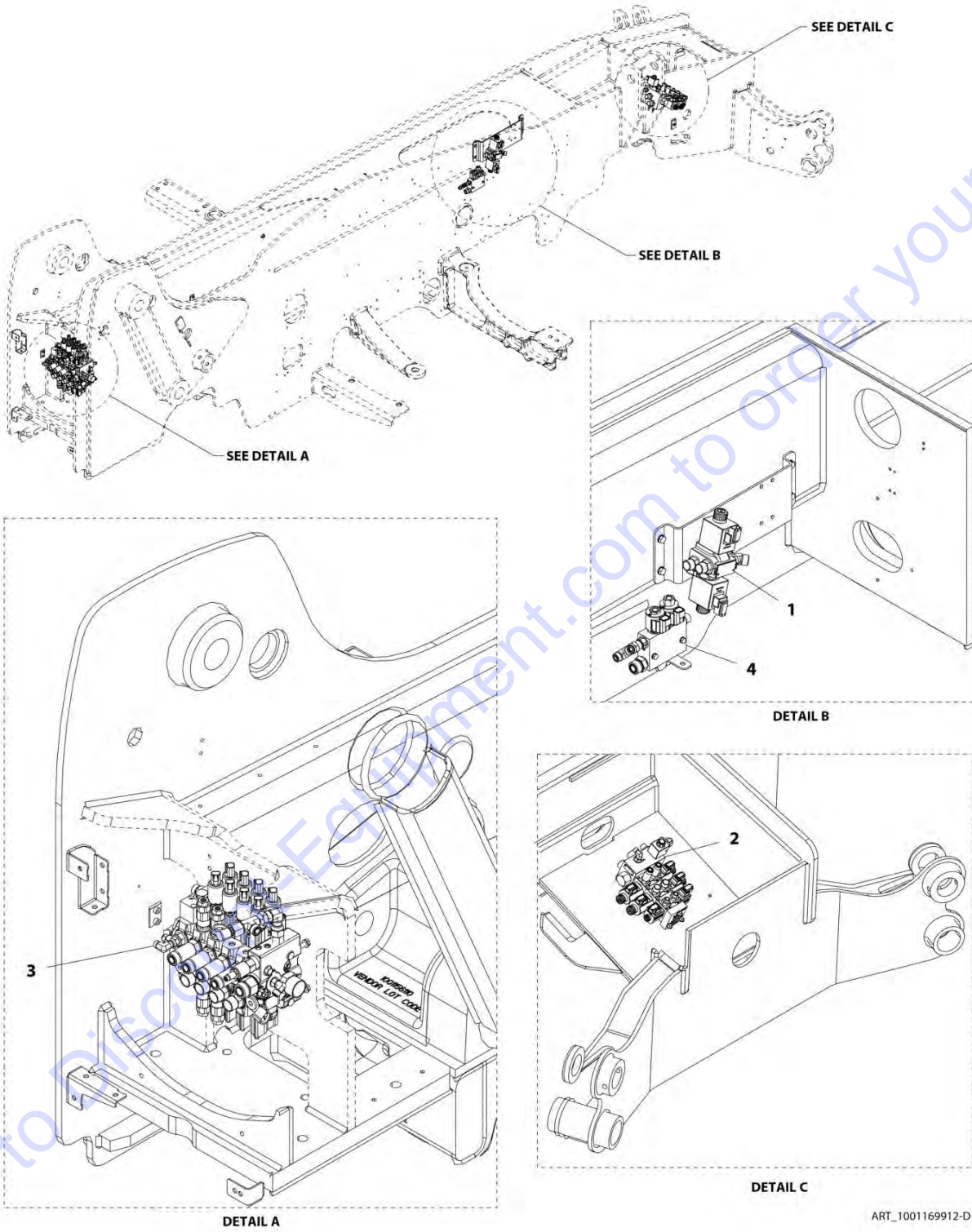
FIGURE 8-16. VALVE INSTALLATION (NO OUTRIGGERS) (642, 742)

ITEM	PART NUMBER	QTY	DESCRIPTION	REV
1	1001169910	Ref	Valve Installation (No Outriggers) (642, 742)	E
	1001169346	Ref	Installation, Main Control Valve (642, 742) (See Separate Breakdown in this Section)	
2	1001168465	Ref	Installation, Steering Select and Frame Level Valve (See Separate Breakdown in this Section)	
3	1001172370	Ref	Installation, Park Brake (See Separate Breakdown in this Section)	

Go to Discount-Equipment.com to order your parts

SECTION 8 - HYDRAULIC CIRCUITS

FIGURE 8-17. VALVE INSTALLATION (OUTRIGGERS) (642)



SECTION 8 - HYDRAULIC CIRCUITS

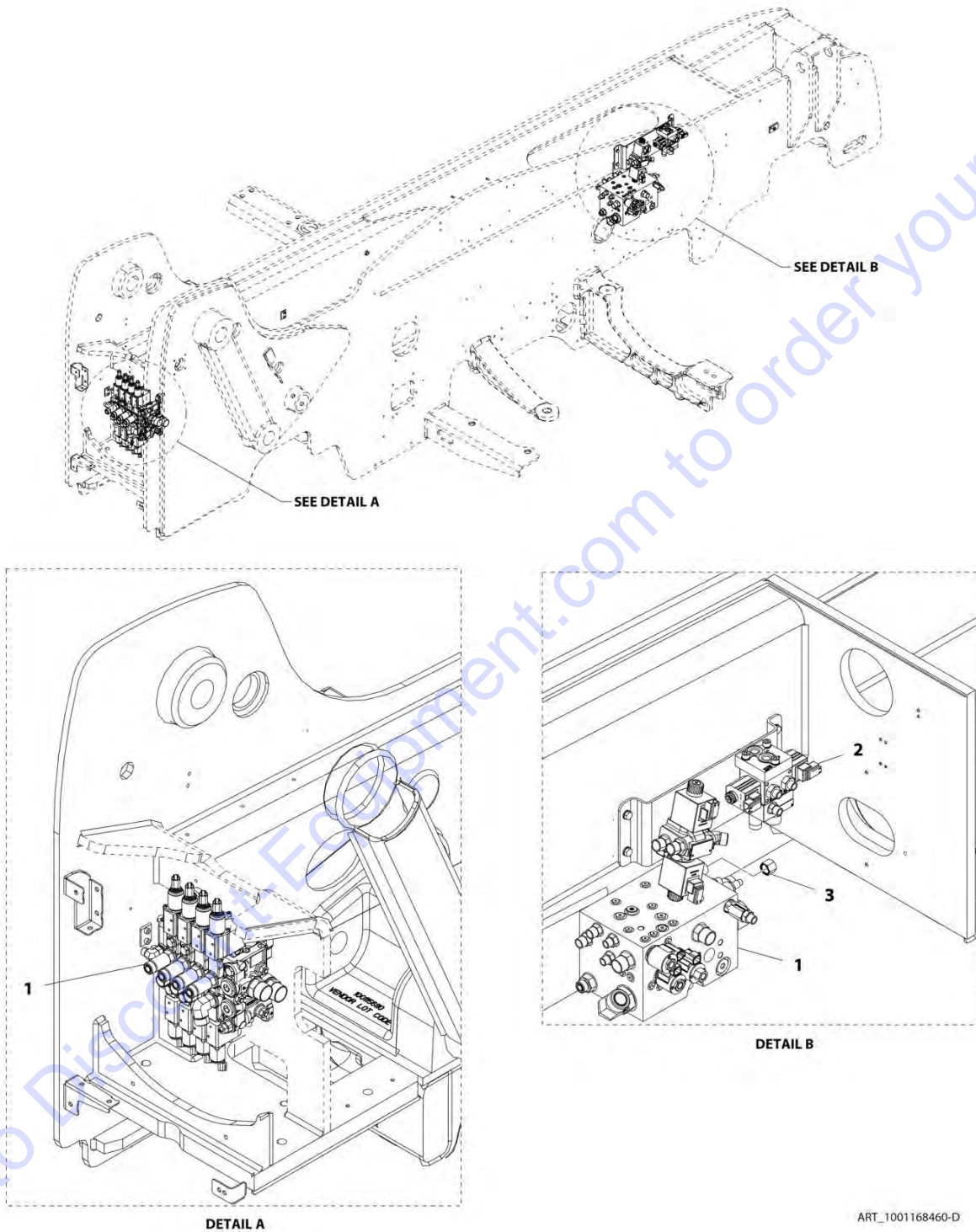
FIGURE 8-17. VALVE INSTALLATION (OUTRIGGERS) (642)

ITEM	PART NUMBER	QTY	DESCRIPTION	REV
1	1001169912	Ref	Valve Installation (Outriggers) (642)	D
	1001168464	Ref	Installation, Steering Select Valve Mounting (See STEERING SELECT VALVE MOUNTING INSTALLATION for Breakdown)	
2	1001159760	Ref	Installation, Frame Level and Outtrigger Valve (See FRAME LEVEL AND OUTRIGGER VALVE INSTALLATION for Breakdown)	
3	1001169346	Ref	Installation, Main Control Valve (642, 742) (See Separate Breakdown in this Section)	
4	1001172370	Ref	Installation, Park Brake (See PARK BRAKE INSTALLATION for Breakdown)	

Go to Discount-Equipment.com to order your parts

SECTION 8 - HYDRAULIC CIRCUITS

FIGURE 8-18. VALVE INSTALLATION (NO OUTRIGGERS) (943) (Prior to SN 0160081535)



ART_1001168460-D

SECTION 8 - HYDRAULIC CIRCUITS

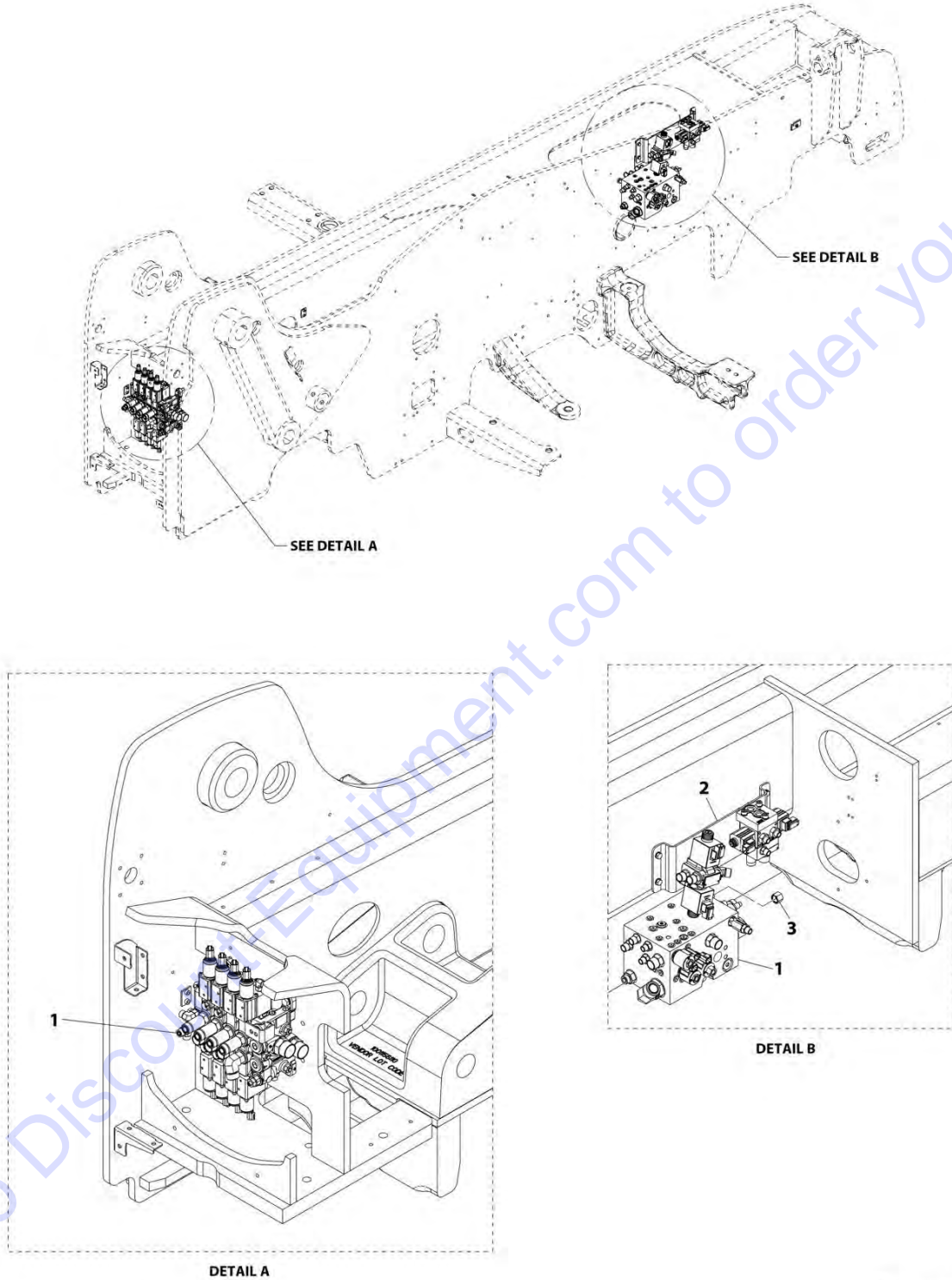
FIGURE 8-18. VALVE INSTALLATION (NO OUTRIGGERS) (943) (Prior to SN 0160081535)

ITEM	PART NUMBER	QTY	DESCRIPTION	REV
1	1001168460	Ref	Valve Installation (No Outriggers) (943)	D
	1001168463	Ref	Installation, Main Control Valve (943, 1043) (See Main Control Valve Installation (943, 1043)	
2	1001168465	Ref	Installation, Steering Select and Frame Level Valve (See STEERING SELECT AND FRAME LEVEL VALVE INSTALLATION for Breakdown)	
3	2170906	1	Fitting, ORFS	

Go to Discount-Equipment.com to order your parts

SECTION 8 - HYDRAULIC CIRCUITS

FIGURE 8-19. VALVE INSTALLATION (742, 943) (943 SN 0160081535 to Present)



ART_1001225748-A

SECTION 8 - HYDRAULIC CIRCUITS

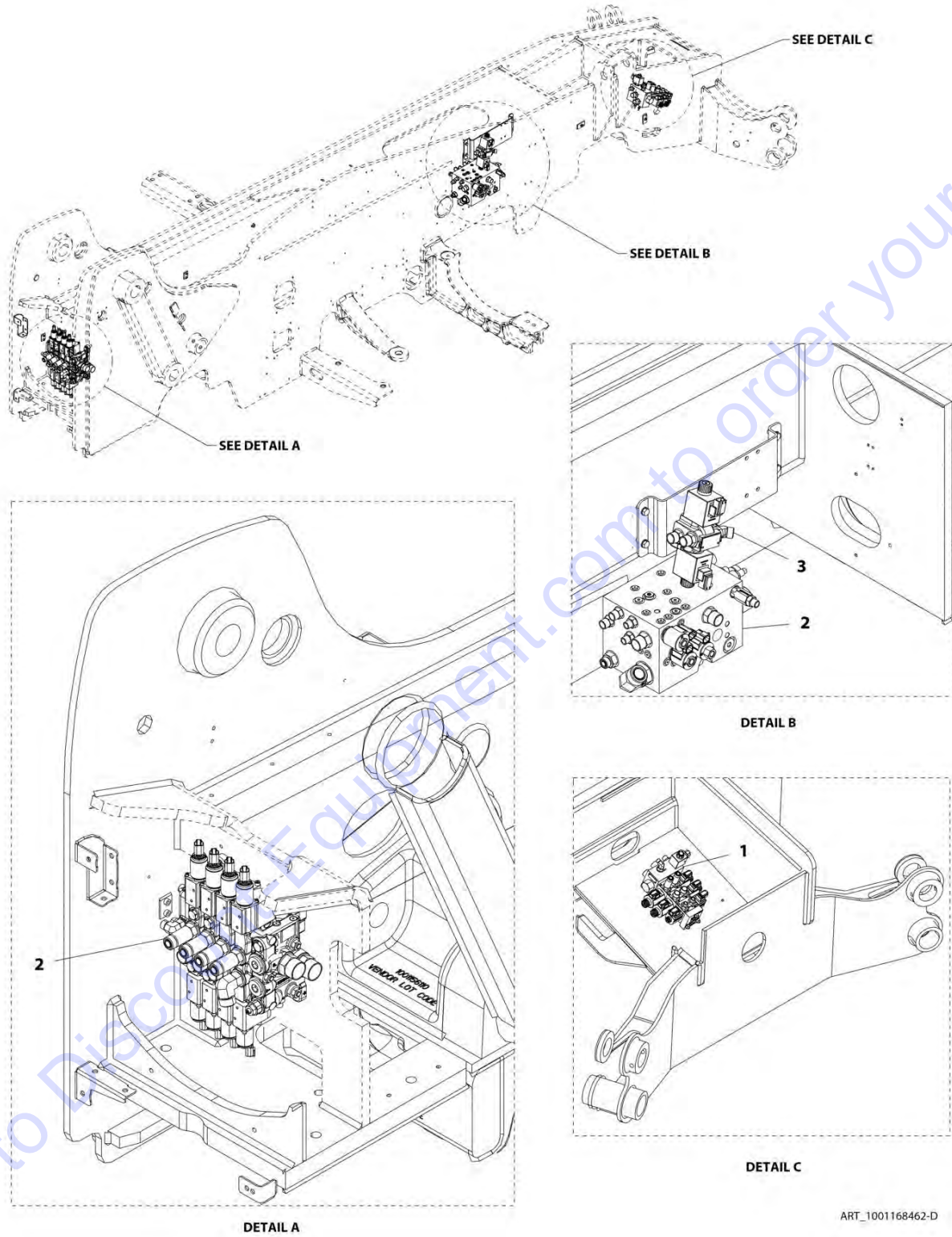
FIGURE 8-19. VALVE INSTALLATION (742, 943) (943 SN 0160081535 to Present)

ITEM	PART NUMBER	QTY	DESCRIPTION	REV
1	1001225748	Ref	Valve Installation (742, 943)	A
	1001225750	Ref	Installation, Main Control Valve (742, 943, 1043) (See Separate Breakdown in this Section)	
2	1001168465	Ref	Installation, Steering Select and Frame Level Valve (See Separate Breakdown in this Section)	
3	2170906	1	Fitting, ORFS	

Go to Discount-Equipment.com to order your parts

SECTION 8 - HYDRAULIC CIRCUITS

FIGURE 8-20. VALVE INSTALLATION (OUTRIGGERS) (1043) (Prior to SN 0160081535)



ART_1001168462-D

SECTION 8 - HYDRAULIC CIRCUITS

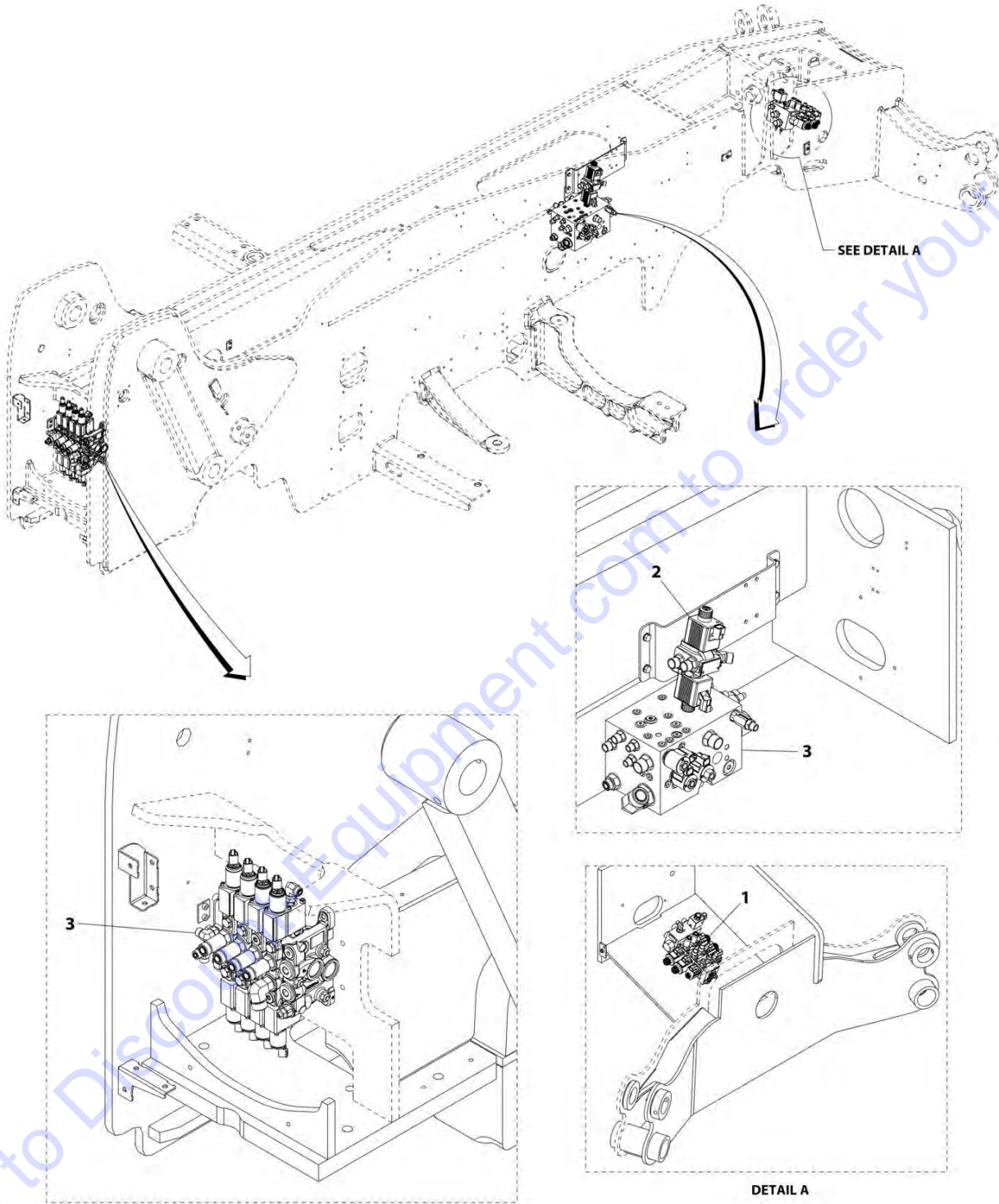
FIGURE 8-20. VALVE INSTALLATION (OUTRIGGERS) (1043) (Prior to SN 0160081535)

ITEM	PART NUMBER	QTY	DESCRIPTION	REV
1	1001168462	Ref	Valve Installation (Outriggers) (1043)	D
	1001159760	Ref	Installation, Frame Level and Outrigger Valve (See FRAME LEVEL AND OUTRIGGER VALVE INSTALLATION for Breakdown)	
2	1001168463	Ref	Installation, Main Control Valve (943, 1043) (See MAIN CONTROL VALVE INSTALLATION (943, 1043) for Breakdown)	
3	1001168464	Ref	Installation, Steering Select Valve Mounting (See STEERING SELECT VALVE MOUNTING INSTALLATION for Breakdown)	

Go to Discount-Equipment.com to order your parts

SECTION 8 - HYDRAULIC CIRCUITS

FIGURE 8-21. VALVE INSTALLATION (OUTRIGGERS) (1043) (SN 0160081535 to Present)



ART_1001225749-A

SECTION 8 - HYDRAULIC CIRCUITS

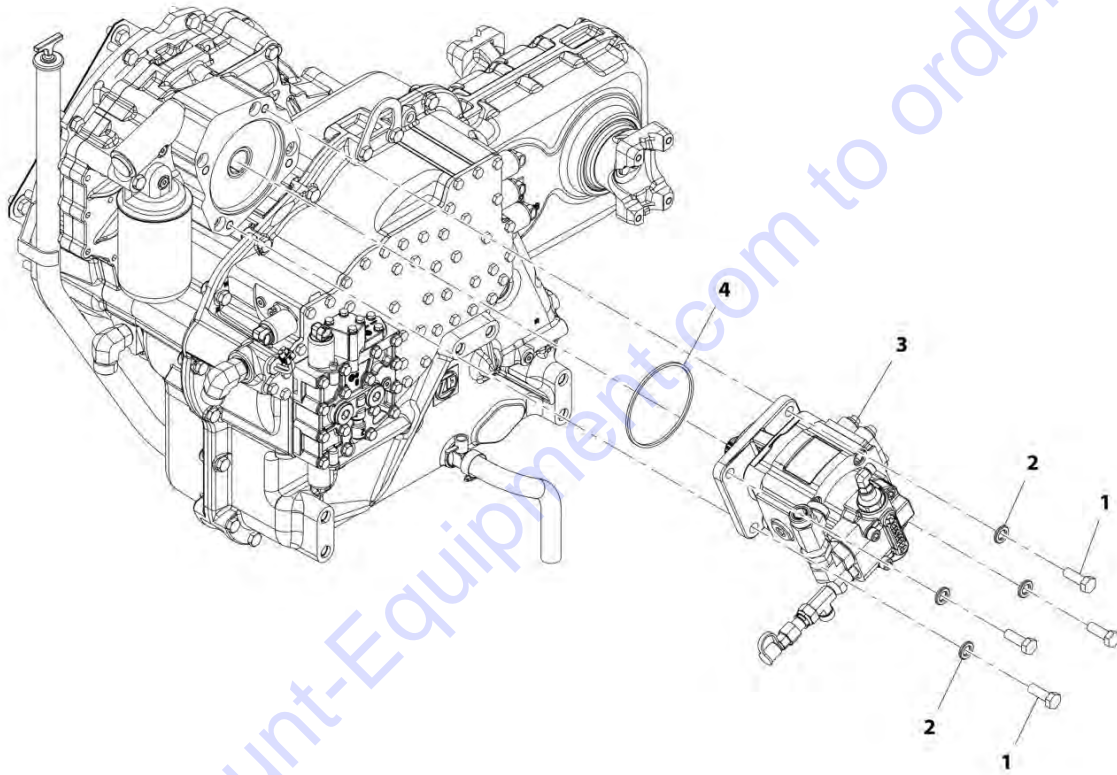
FIGURE 8-21. VALVE INSTALLATION (OUTRIGGERS) (1043) (SN 0160081535 to Present)

ITEM	PART NUMBER	QTY	DESCRIPTION	REV
1	1001225749	Ref	Valve Installation (Outriggers) (1043)	A
	1001159760	Ref	Installation, Frame Level and Outrigger Valve (See Separate Breakdown in this Section)	
2	1001168464	Ref	Installation, Steering Select Valve Mounting (See Separate Breakdown in this Section)	
3	1001225750	Ref	Installation, Main Control Valve (742, 943, 1043) (See Separate Breakdown in this Section)	

Go to Discount-Equipment.com to order your parts

SECTION 8 - HYDRAULIC CIRCUITS

FIGURE 8-22. PISTON PUMP INSTALLATION (642, 742)



ART_1001169915-C

SECTION 8 - HYDRAULIC CIRCUITS

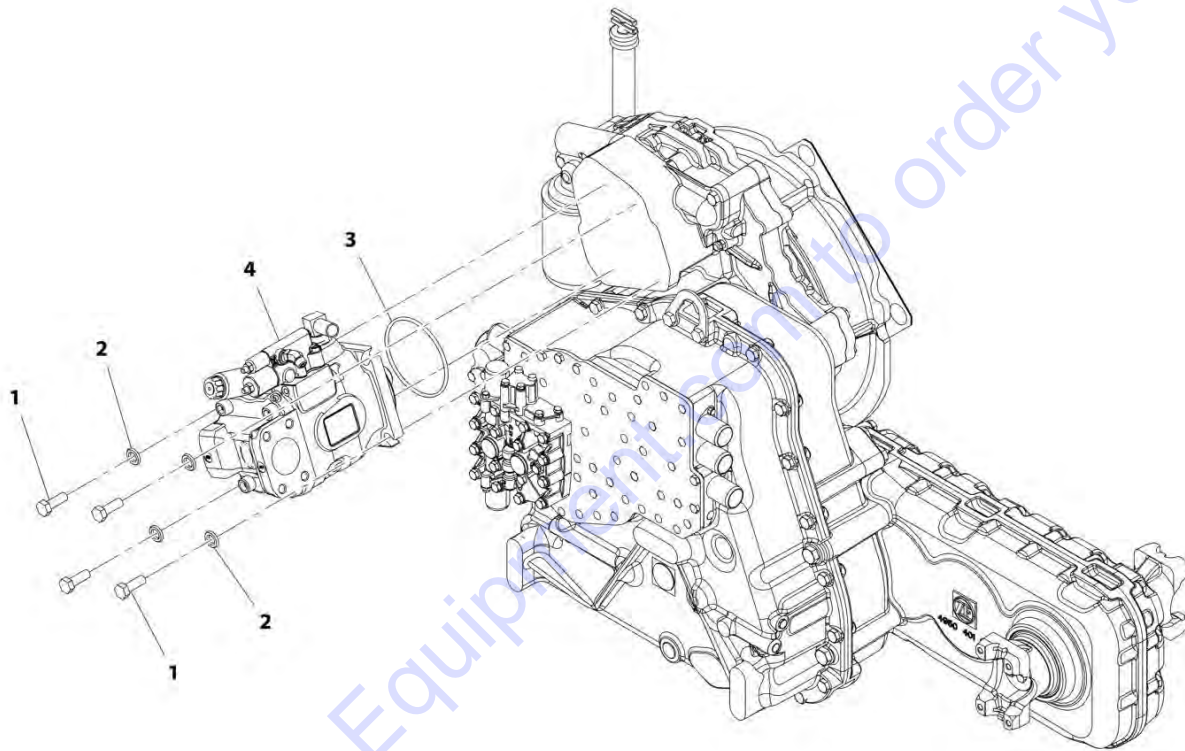
FIGURE 8-22. PISTON PUMP INSTALLATION (642, 742)

ITEM	PART NUMBER	QTY	DESCRIPTION	REV
	1001169915	Ref	Piston Pump Installation (642, 742)	C
1	0761215	4	Bolt, M12X35	
2	4740532	4	Washer	
3	1001171097	1	Assembly, Piston Pump (See Separate Breakdown in this Section)	
4	80933113	1	O-Ring	

Go to Discount-Equipment.com to order your parts

SECTION 8 - HYDRAULIC CIRCUITS

FIGURE 8-23. PISTON PUMP INSTALLATION (742, 943, 1043)



ART_1001162670-C

SECTION 8 - HYDRAULIC CIRCUITS

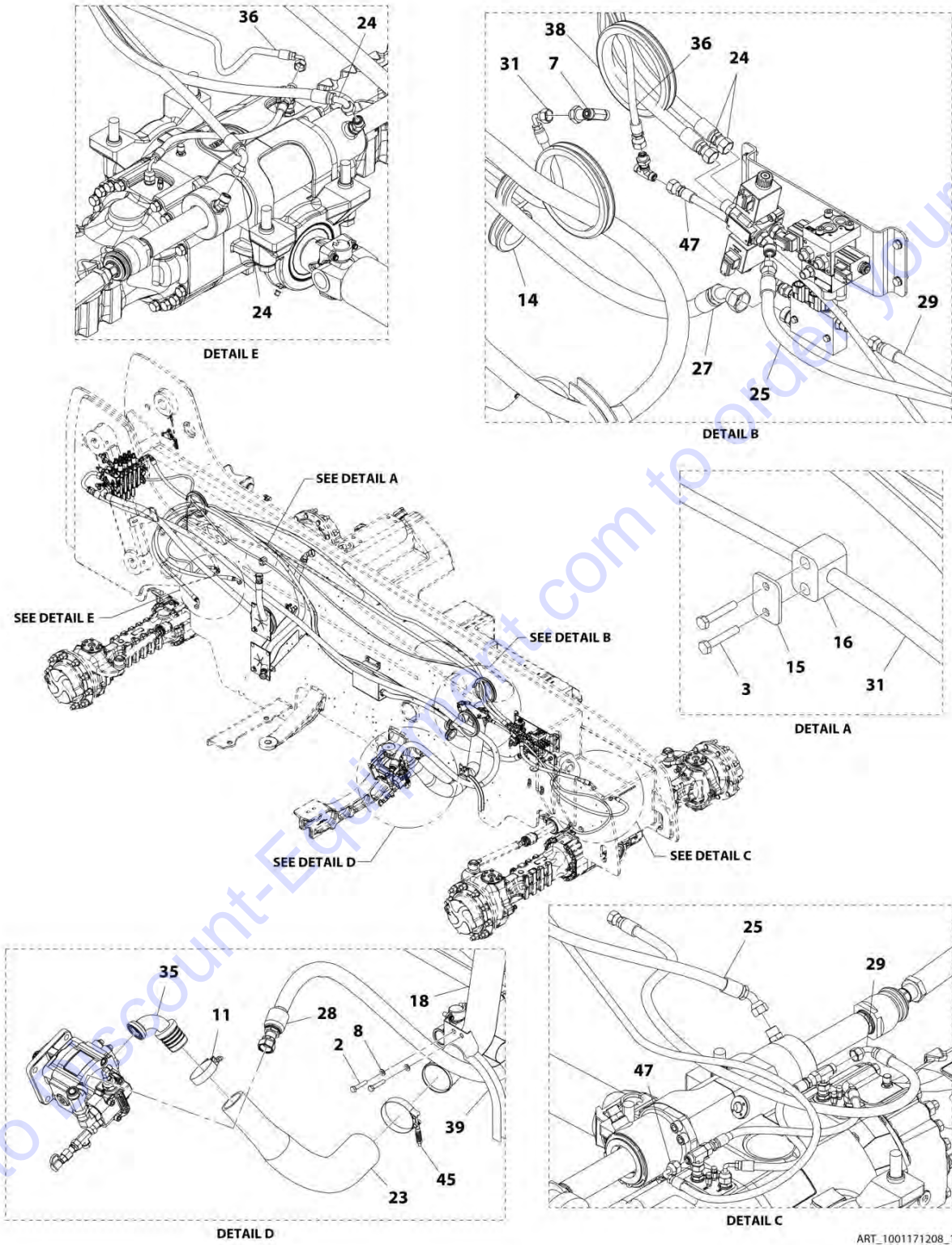
FIGURE 8-23. PISTON PUMP INSTALLATION (742, 943, 1043)

ITEM	PART NUMBER	QTY	DESCRIPTION	REV
	1001162670	Ref	Piston Pump Installation (742, 943, 1043)	C
1	0761215	4	Bolt, M12X35	
2	4740532	4	Washer	
3	80933113	1	O-Ring	
4	1001162674	1	Assembly, Piston Pump (See PISTON PUMP ASSEMBLY (943, 1043) for Breakdown)	

Go to Discount-Equipment.com to order your parts

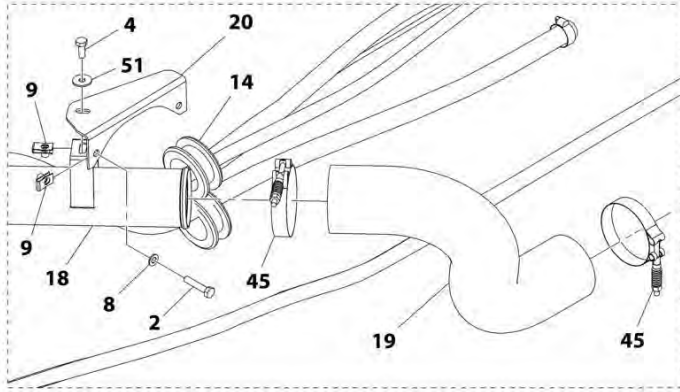
SECTION 8 - HYDRAULIC CIRCUITS

FIGURE 8-24. HYDRAULIC LINES INSTALLATION (110HP) (642, 742)

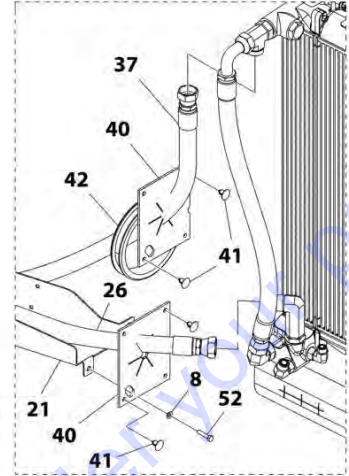


ART_1001171208_1-N

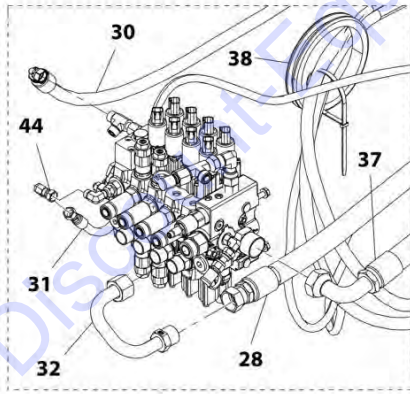
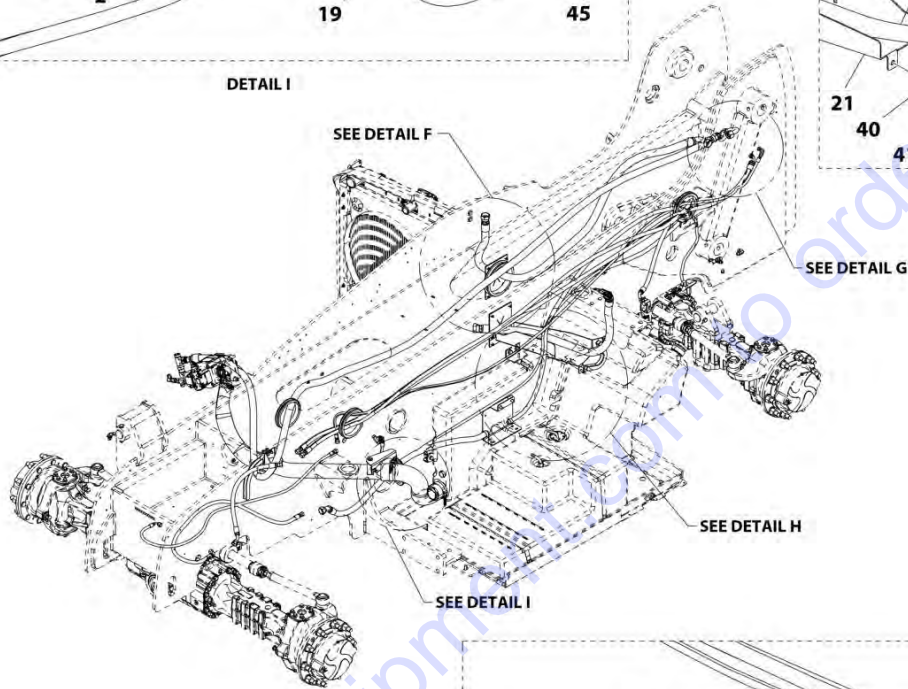
SECTION 8 - HYDRAULIC CIRCUITS



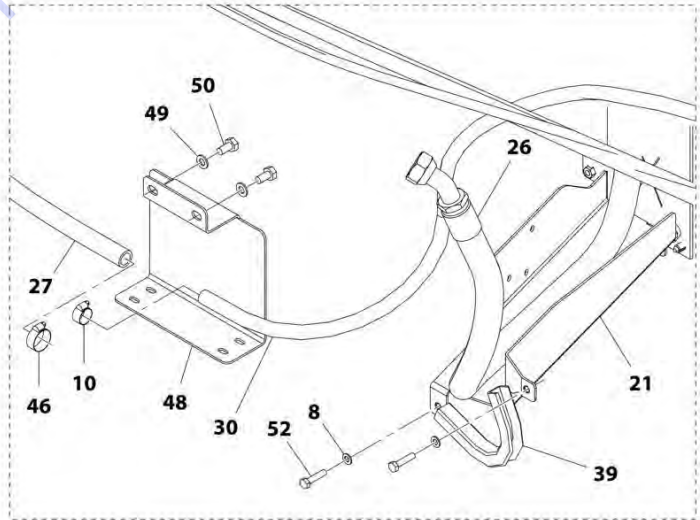
DETAIL I



DETAIL F



DETAIL G



DETAIL H

ART_1001171208_2-N

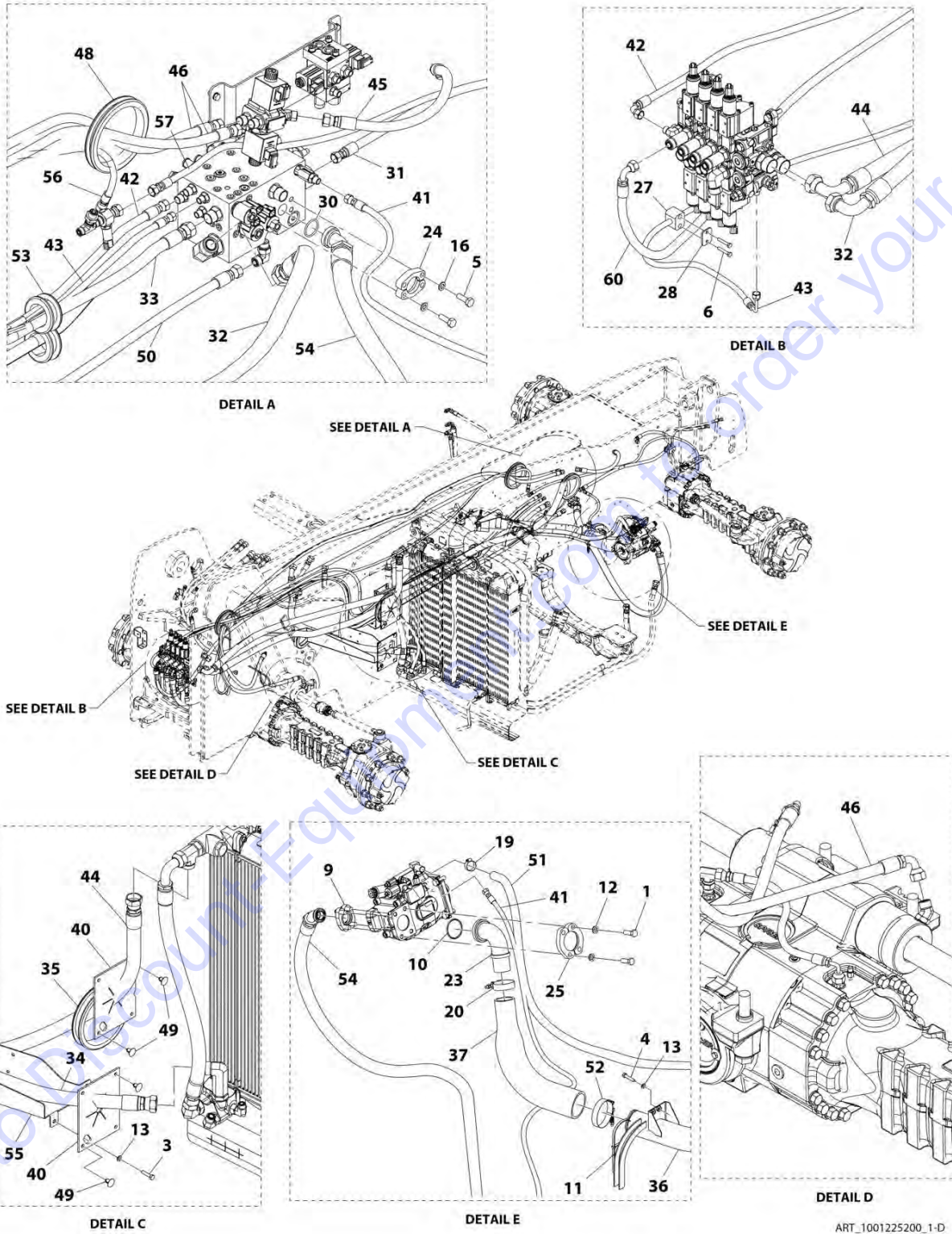
SECTION 8 - HYDRAULIC CIRCUITS

FIGURE 8-24. HYDRAULIC LINES INSTALLATION (110HP) (642, 742)

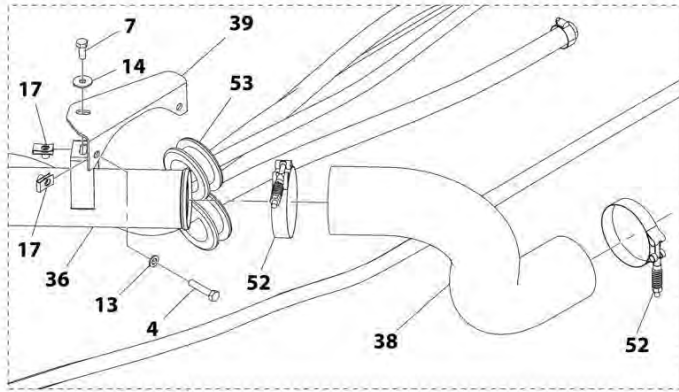
ITEM	PART NUMBER	QTY	DESCRIPTION	REV
	1001171208	Ref	Hydraulic Lines Installation (110HP) (642, 742)	N
2	0700816	4	Bolt, M8X40	
3	0760615	2	Bolt, M6X35	
4	0760810	1	Bolt, M8X20	
7	2221225	1	Fitting, Tee	
8	4811900	8	Washer	
9	8310686	3	Nut, M8X12.5	
10	8405006	1	Clamp, Gear	
11	8405209	1	Clamp, T-Bolt	
14	1001188971	2	Grommet	
15	8769146	1	Cover, Plate	
16	8750030	1	Clamp, Set	
18	1001173446	1	Pipe	
19	1001173451	1	Hose	
20	1001174338	1	Bracket	
21	1001199750	1	Channel	
23	1001175057	1	Hose	
24	1001177273	2	Hose	
25	1001177248	1	Hose	
26	1001161978	1	Hose	
27	1001187872	1	Hose	
28	1001175997	1	Hose	
29	1001176043	1	Hose	
30	1001176050	1	Hose (Prior to SN 0160084432)	
30	1001231874	1	Hose (SN 0160084432 to Present)	
31	1001176124	1	Hose	
32	1001176139	1	Pipe	
35	1001176548	1	Fitting, 90	
36	1001202847	1	Hose	
37	1001175699	1	Hose	
38	1001177704	3	Grommet	
39	4060918	467 mm	Trim	
40	1001175347	2	Grommet	
41	1001180306	8	Screw	
42	1001169830	1	Grommet	
44	2172104	1	Fitting, 90 ORFS	
45	1001186843	3	Clamp, T-Bolt	
46	8405007	1	Clamp, Gear	
47	1001203502	1	Hose	
48	1001208881	1	Bracket	
49	4812000	2	Washer, M10	
50	0761010	2	Bolt, M10X20	
51	4811902	1	Washer, M8	
52	0700815	4	Bolt, M8X35	

SECTION 8 - HYDRAULIC CIRCUITS

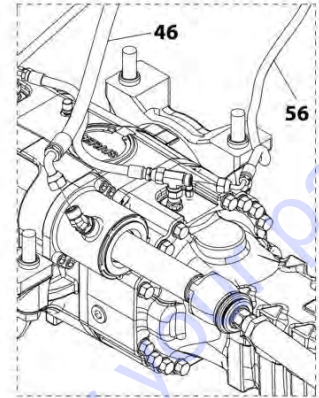
FIGURE 8-25. HYDRAULIC LINES INSTALLATION (74HP) (742)



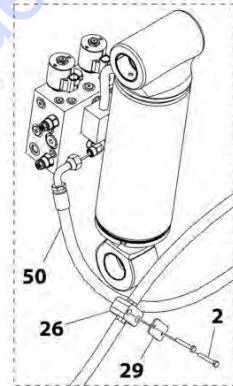
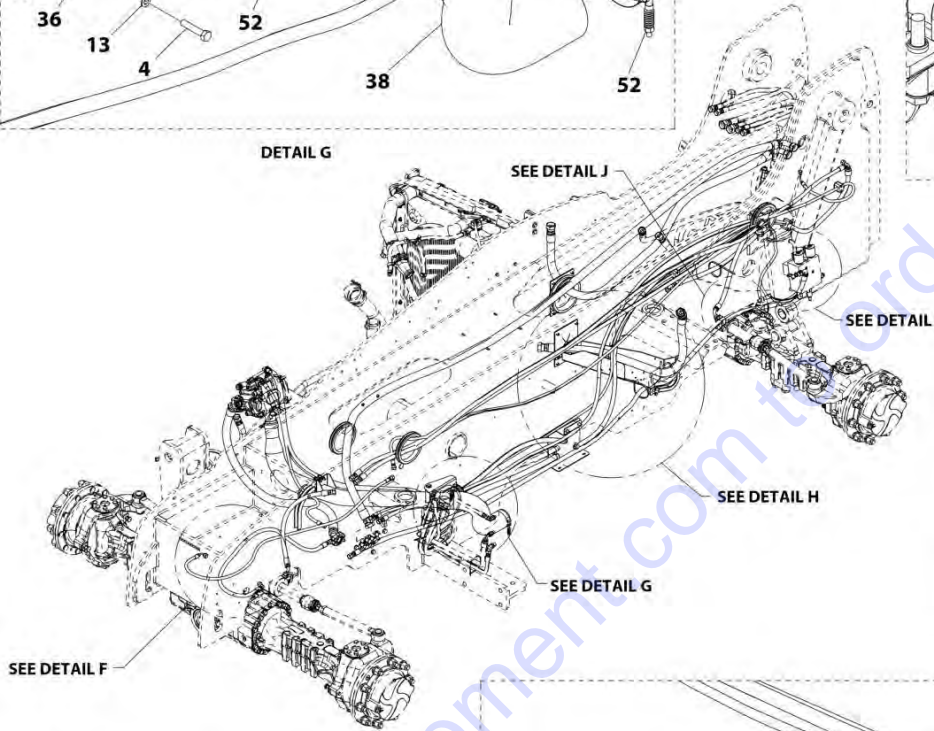
SECTION 8 - HYDRAULIC CIRCUITS



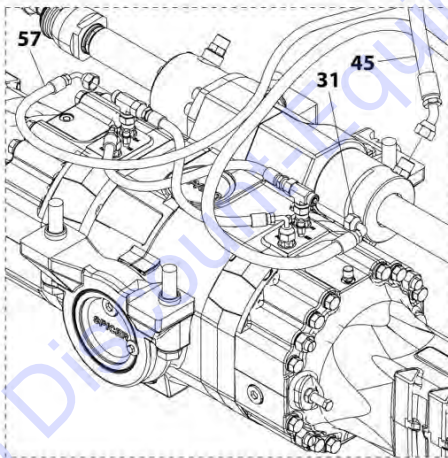
DETAIL G



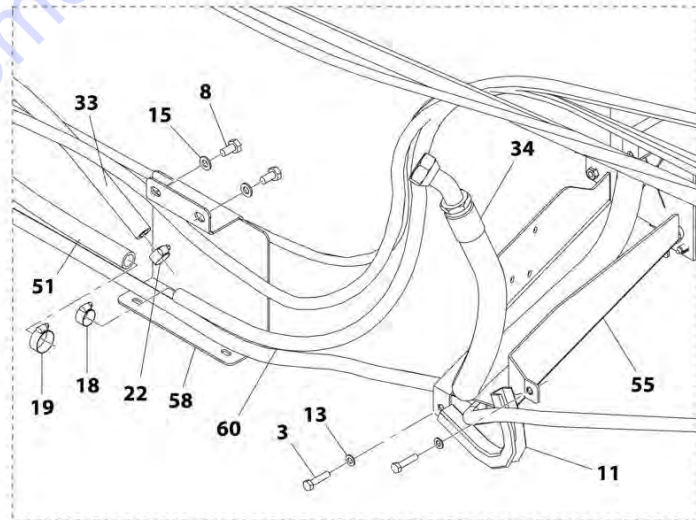
DETAIL J



DETAIL I



DETAIL F



DETAIL H

ART_1001225200_2-D

SECTION 8 - HYDRAULIC CIRCUITS

FIGURE 8-25. HYDRAULIC LINES INSTALLATION (74HP) (742)

ITEM	PART NUMBER	QTY	DESCRIPTION	REV
	1001225200	Ref	Hydraulic Lines Installation (74HP) (742)	D
1	0641812	4	Bolt, 1/2-13X1	
2	0700616	2	Bolt, M6X40	
3	0700815	4	Bolt, M8X35	
4	0700816	4	Bolt, M8X40	
5	0701014	4	Bolt, M10X30	
6	0760615	4	Bolt, M6X35	
7	0760810	1	Bolt, M8X20	
8	0761010	2	Bolt, M10X20	
9	2220478	1	Kit, Flange	
10	3790228	1	O-Ring	
11	4060919	467 mm	Trim	
12	4761800	4	Washer, Lock 1/2	
13	4811900	8	Washer, M8	
14	4811902	1	Washer, M8	
15	4812000	2	Washer, M10	
16	4832000	4	Washer, Lock M10	
17	8310686	3	Nut, Retainer M8X12.5	
18	8405006	1	Clamp, Gear	
19	8405007	2	Clamp, Gear	
20	8405209	1	Clamp, T-Bolt	
22	8410009	1	Clamp, Gear	
23	8424233	1	Elbow, 90	
24	8530030	2	Flange	
25	8546407	2	Flange, Half	
26	8750029	1	Clamp, Hose	
27	8750030	2	Clamp, Hose	
28	8769146	2	Plate, Cover	
29	8769153	1	Plate, Cover	
30	91083106	1	O-Ring	
31	1001161535	1	Hose	
32	1001161972	1	Hose	
33	1001161976	1	Hose	
34	1001161978	1	Hose	
35	1001169830	1	Grommet	
36	1001173446	1	Pipe	
37	1001173450	1	Hose	
38	1001173451	1	Hose	
39	1001174338	1	Bracket	
40	1001175347	2	Grommet	
41	1001175694	1	Hose	
42	1001175696	1	Hose	
43	1001175697	1	Hose	
44	1001175699	1	Hose	
45	1001177248	1	Hose	
46	1001177273	2	Hose	
48	1001177704	3	Grommet	
49	1001180306	8	Screw	
50	1001182506	1	Hose	
51	1001186418	1	Hose	

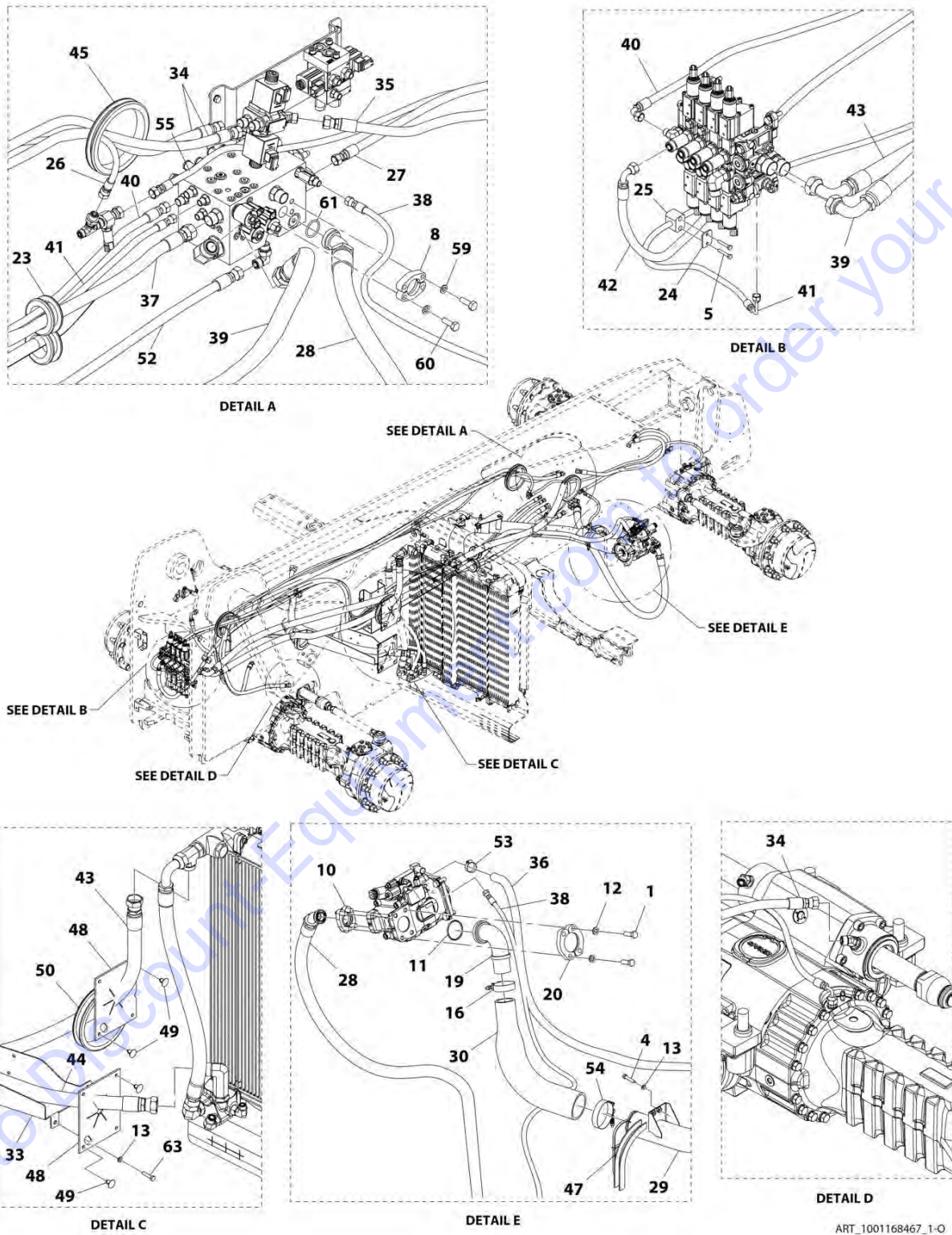
SECTION 8 - HYDRAULIC CIRCUITS

ITEM	PART NUMBER	QTY	DESCRIPTION	REV
52	1001186843	3	Clamp, T-Bolt	
53	1001188971	2	Grommet	
54	1001192098	1	Hose	
55	1001199750	1	Channel	
56	1001202847	1	Hose	
57	1001203502	1	Hose	
58	1001208881	1	Bracket	
60	1001225467	1	Hose	

Go to Discount-Equipment.com to order your parts

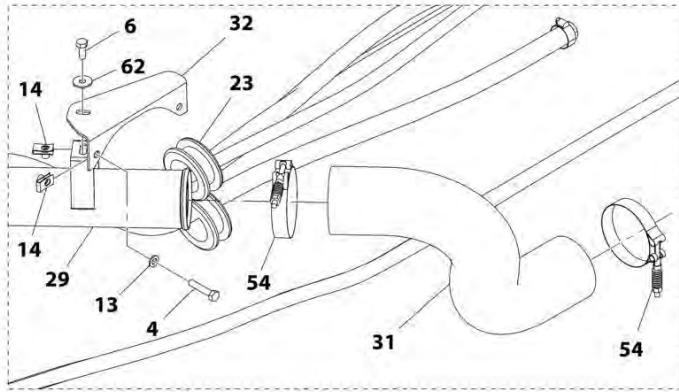
SECTION 8 - HYDRAULIC CIRCUITS

FIGURE 8-26. HYDRAULIC LINES INSTALLATION (110HP) (943, 1043) (Prior to SN 0160081535)

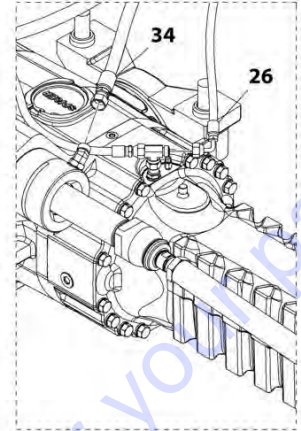


ART_1001168467_1-O

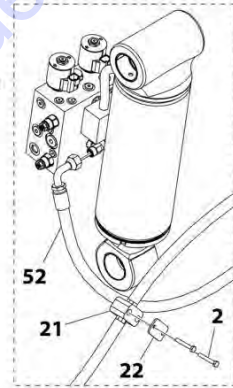
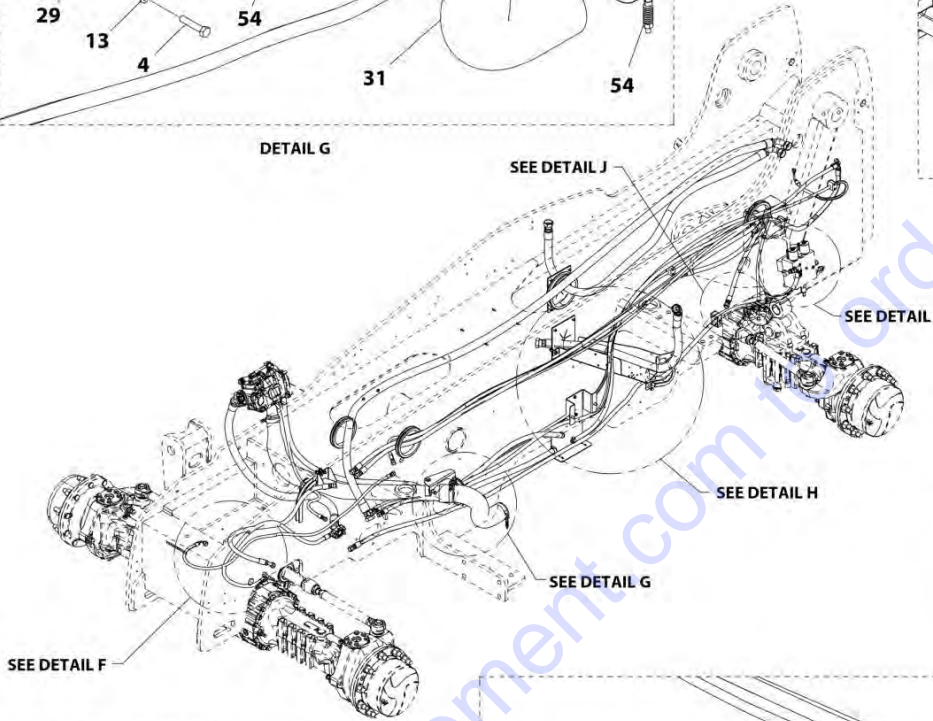
SECTION 8 - HYDRAULIC CIRCUITS



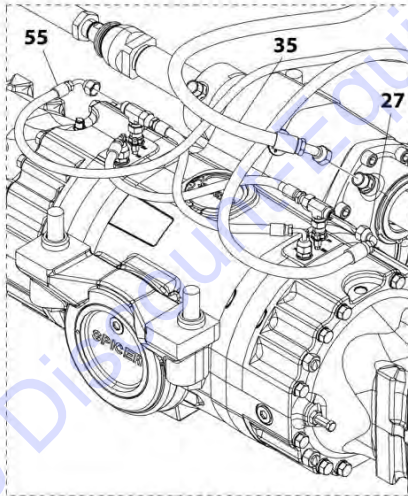
DETAIL G



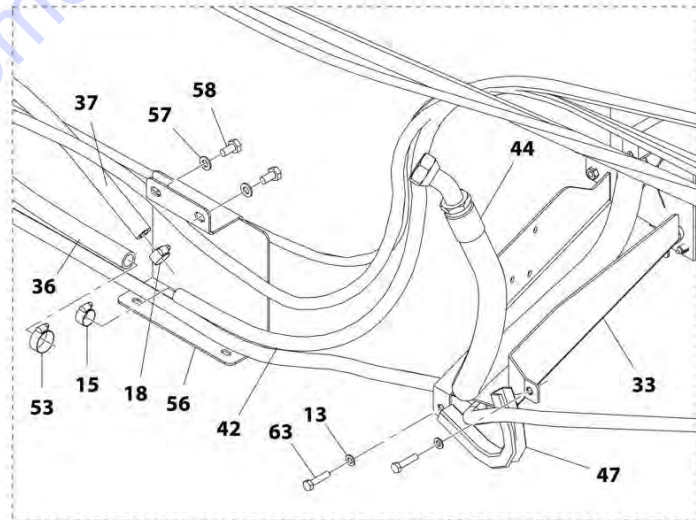
DETAIL J



DETAIL I



DETAIL F



DETAIL H

ART_1001168467_2-O

SECTION 8 - HYDRAULIC CIRCUITS

FIGURE 8-26. HYDRAULIC LINES INSTALLATION (110HP) (943, 1043) (Prior to SN 0160081535)

ITEM	PART NUMBER	QTY	DESCRIPTION	REV
	1001168467	Ref	Hydraulic Lines Installation (110HP) (943, 1043)	O
1	0641812	4	Bolt, 1/2-13X1	
2	0700616	2	Bolt, M6X40	
4	0700816	4	Bolt, M8X40	
5	0760615	4	Bolt, M6X35	
6	0760810	1	Bolt, M8X20	
8	8530030	2	Flange	
10	2220478	1	Kit, Flange	
11	3790228	1	O-Ring	
12	4761800	4	Washer, Lock 1/2	
13	4811900	8	Washer, M8	
14	8310686	3	Nut, Retainer M8X12.5	
15	8405006	1	Clamp, Gear	
16	8405209	1	Clamp, T-Bolt	
18	8410009	1	Clamp, Gear	
19	8424233	1	Elbow, 90	
20	8546407	2	Flange, Half	
21	8750029	1	Clamp, Hose	
22	8769153	1	Plate, Cover	
23	1001188971	2	Grommet	
24	8769146	2	Plate, Cover	
25	8750030	2	Clamp, Hose	
26	1001202847	1	Hose	
27	1001161535	1	Hose	
28	1001192098	1	Hose	
29	1001173446	1	Pipe	
30	1001173450	1	Hose	
31	1001173451	1	Hose	
32	1001174338	1	Bracket	
33	1001199750	1	Channel	
34	1001161343	2	Hose	
35	1001161340	1	Hose	
36	1001186418	1	Hose	
37	1001161976	1	Hose	
38	1001175694	1	Hose	
39	1001161972	1	Hose	
40	1001175696	1	Hose	
41	1001175697	1	Hose	
42	1001175698	1	Hose	
43	1001175699	1	Hose	
44	1001161978	1	Hose	
45	1001177704	3	Grommet	
47	4060919	467 mm	Trim	
48	1001175347	2	Grommet	
49	1001180306	8	Screw	
50	1001169830	1	Grommet	
52	1001182506	1	Hose	
53	8405007	2	Clamp, Hose	
54	1001186843	3	Clamp, T-Bolt	
55	1001203502	1	Hose	

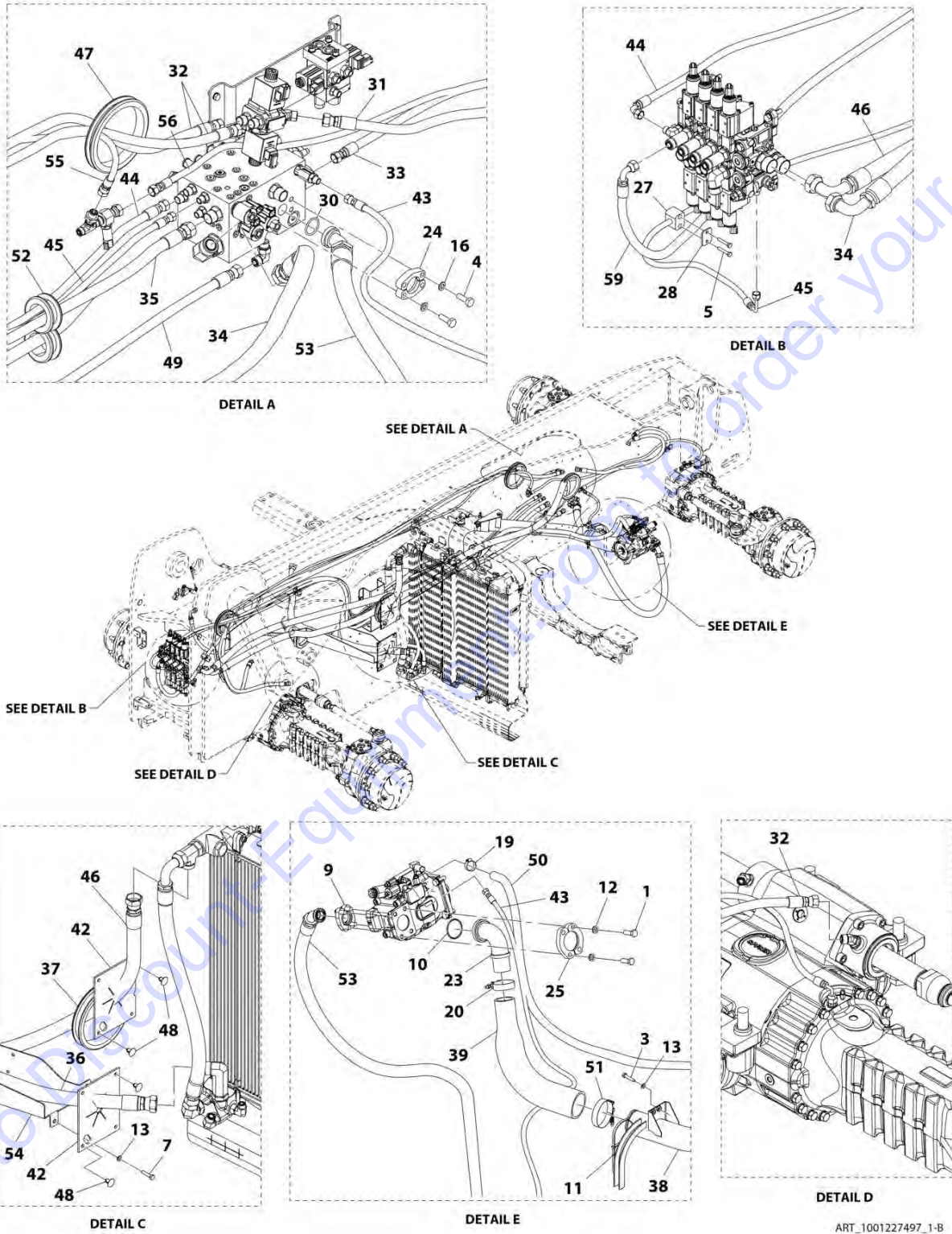
SECTION 8 - HYDRAULIC CIRCUITS

ITEM	PART NUMBER	QTY	DESCRIPTION	REV
56	1001208881	1	Bracket	
57	4812000	2	Washer, M10	
58	0761010	2	Bolt, M10X20	
59	4832000	4	Washer, Lock M10	
60	0701014	4	Bolt, M10X30	
61	91083106	1	O-Ring	
62	4811902	1	Washer, M8	
63	0700815	4	Bolt, M8X35	

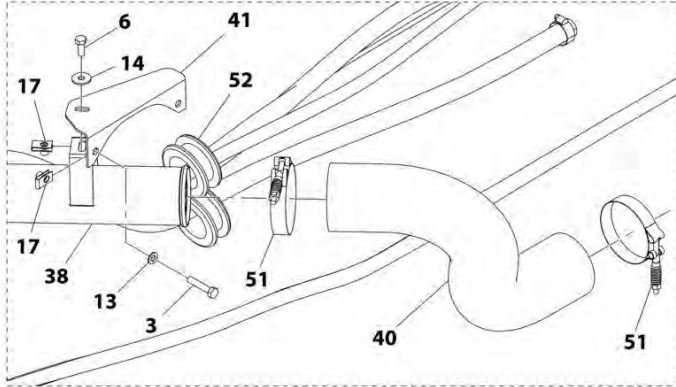
Go to Discount-Equipment.com to order your parts

SECTION 8 - HYDRAULIC CIRCUITS

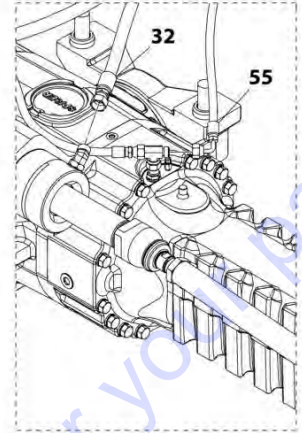
FIGURE 8-27. HYDRAULIC LINES INSTALLATION (74HP) (943, 1043) (SN 0160081535 to Present)



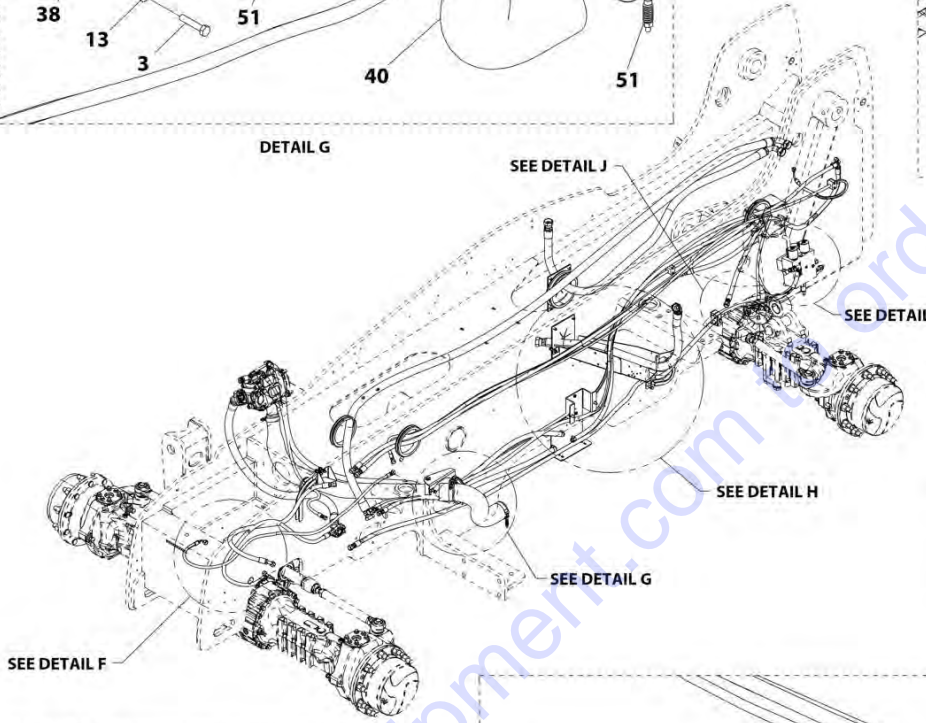
SECTION 8 - HYDRAULIC CIRCUITS



DETAIL G



DETAIL J



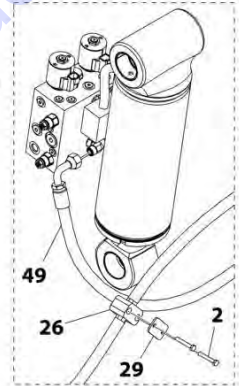
SEE DETAIL F

SEE DETAIL G

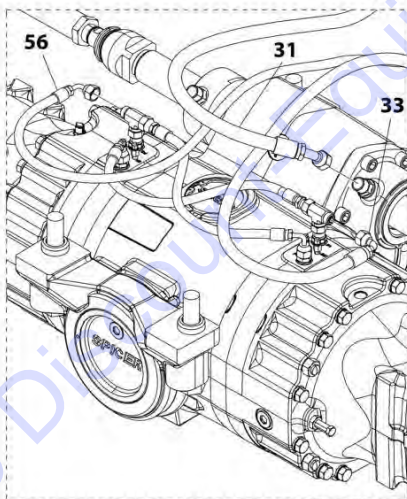
SEE DETAIL H

SEE DETAIL I

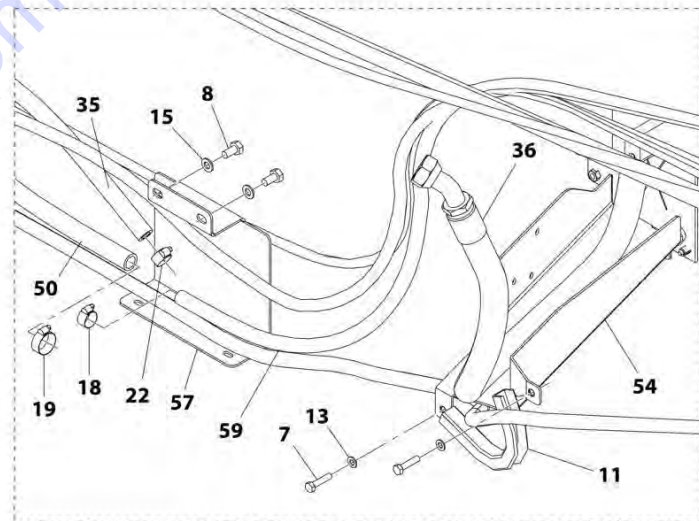
SEE DETAIL J



DETAIL I



DETAIL F



DETAIL H

ART_1001227497_2-B

SECTION 8 - HYDRAULIC CIRCUITS

FIGURE 8-27. HYDRAULIC LINES INSTALLATION (74HP) (943, 1043) (SN 0160081535 to Present)

ITEM	PART NUMBER	QTY	DESCRIPTION	REV
	1001227497	Ref	Hydraulic Lines Installation (74HP) (943, 1043)	B
1	0641812	4	Bolt, 1/2-13X1	
2	0700616	2	Bolt, M6X40	
3	0700816	4	Bolt, M8X40	
4	0701014	4	Bolt, M10X30	
5	0760615	4	Bolt, M6X35	
6	0760810	1	Bolt, M8X20	
7	0760815	4	Bolt, M8X35	
8	0761010	2	Bolt, M10X20	
9	2220478	1	Kit, Flange	
10	3790228	1	O-Ring	
11	4060919	467 mm	Trim	
12	4761800	4	Washer, Lock 1/2	
13	4811900	8	Washer, M8	
14	4811902	1	Washer, M8	
15	4812000	2	Washer, M10	
16	4832000	4	Washer, Lock M10	
17	8310686	3	Nut, Retainer M8X12.5	
18	8405006	1	Clamp, Gear	
19	8405007	2	Clamp, Hose	
20	8405209	1	Clamp, T-Bolt	
22	8410009	1	Clamp, Gear	
23	8424233	1	Elbow, 90	
24	8530030	2	Flange	
25	8546407	2	Flange, Half	
26	8750029	1	Clamp, Hose	
27	8750030	2	Clamp, Hose	
28	8769146	2	Plate, Cover	
29	8769153	1	Plate, Cover	
30	91083106	1	O-Ring	
31	1001161340	1	Hose	
32	1001161343	2	Hose	
33	1001161535	1	Hose	
34	1001161972	1	Hose	
35	1001161976	1	Hose	
36	1001161978	1	Hose	
37	1001169830	1	Grommet	
38	1001173446	1	Pipe	
39	1001173450	1	Hose	
40	1001173451	1	Hose	
41	1001174338	1	Bracket	
42	1001175347	2	Grommet	
43	1001175694	1	Hose	
44	1001175696	1	Hose	
45	1001175697	1	Hose	
46	1001175699	1	Hose	
47	1001177704	3	Grommet	
48	1001180306	8	Screw	
49	1001182506	1	Hose	
50	1001186418	1	Hose	

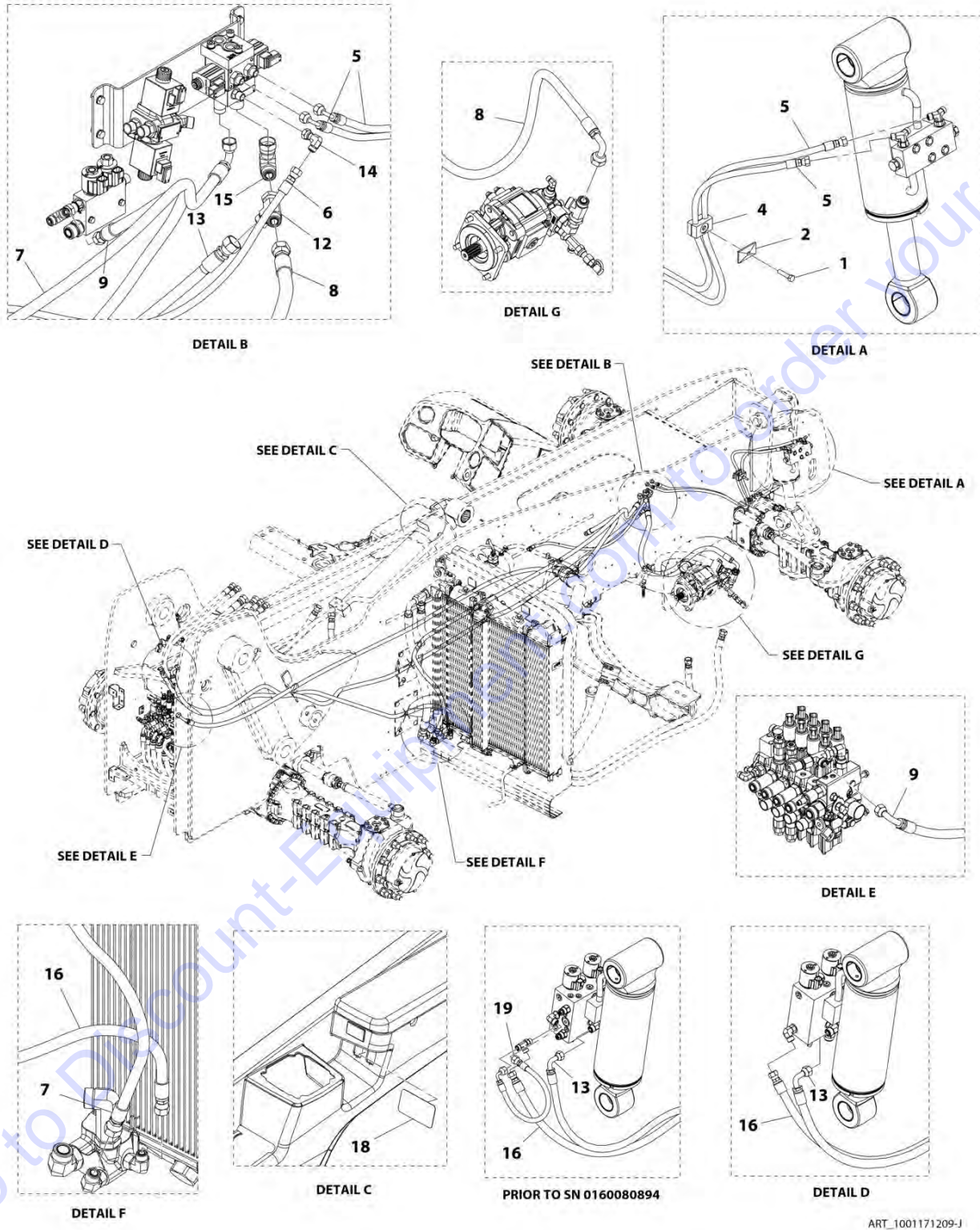
SECTION 8 - HYDRAULIC CIRCUITS

ITEM	PART NUMBER	QTY	DESCRIPTION	REV
51	1001186843	3	Clamp, T-Bolt	
52	1001188971	2	Grommet	
53	1001192098	1	Hose	
54	1001199750	1	Channel	
55	1001202847	1	Hose	
56	1001203502	1	Hose	
57	1001208881	1	Bracket	
59	1001225467	1	Hose	

Go to Discount-Equipment.com to order your parts

SECTION 8 - HYDRAULIC CIRCUITS

FIGURE 8-28. FRAME LEVEL HYDRAULICS INSTALLATION (NO OUTRIGGERS) (642, 742)



SECTION 8 - HYDRAULIC CIRCUITS

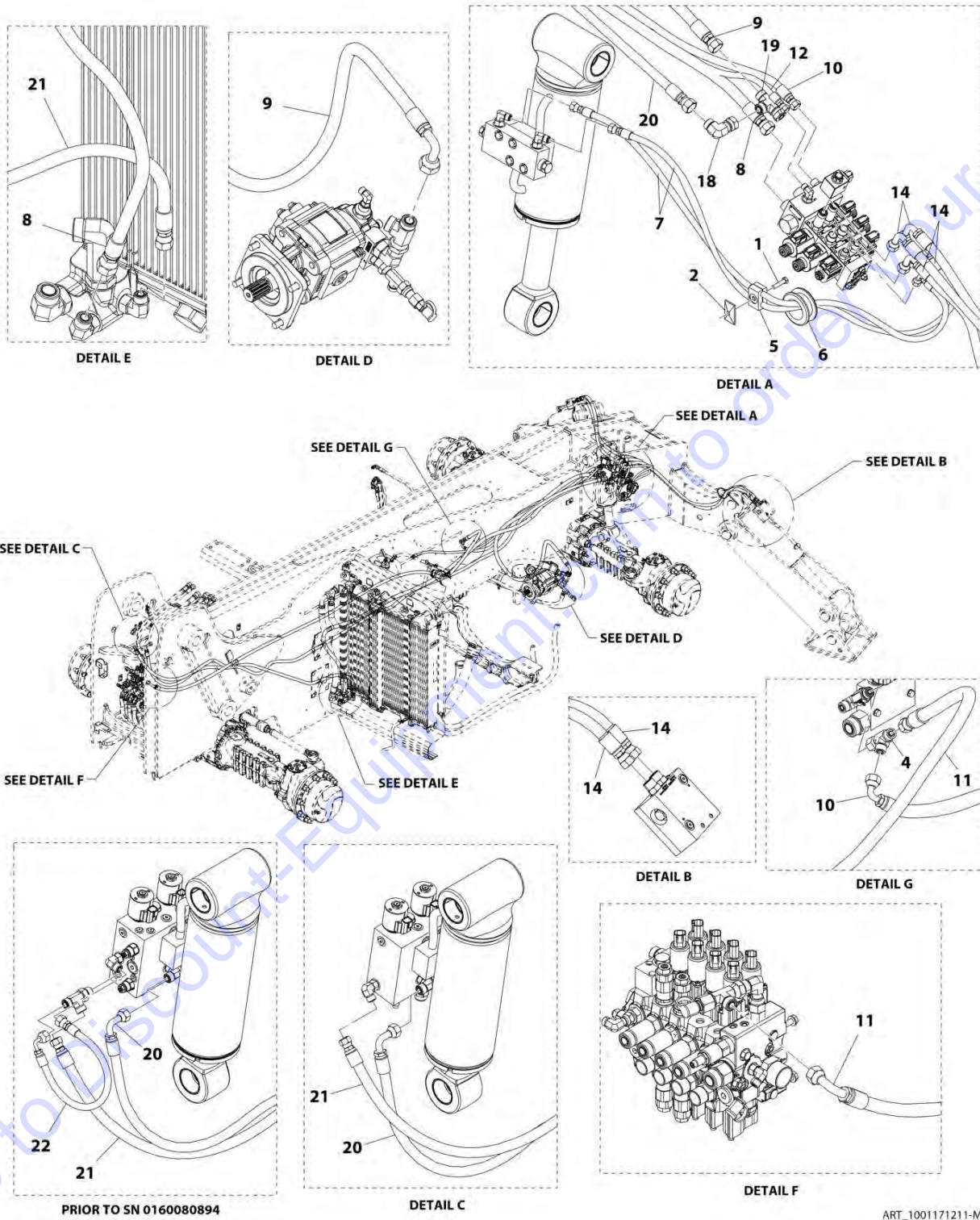
FIGURE 8-28. FRAME LEVEL HYDRAULICS INSTALLATION (NO OUTRIGGERS) (642, 742)

ITEM	PART NUMBER	QTY	DESCRIPTION	REV
	1001171209	Ref	Frame Level Hydraulics Installation (No Outriggers) (642, 742)	J
1	0760815	1	Bolt, M8X35	
2	1321752	1	Clamp	
4	77133168	1	Clamp	
5	1001162069	2	Hose	
6	1001176145	1	Hose	
7	1001175704	1	Hose	
8	1001176150	1	Hose	
9	1001188281	1	Hose	
12	2170710	1	Fitting, Tee ORFS	
13	1001185357	1	Hose	
14	2172104	1	Fitting, 90 ORFS	
15	2172110	1	Fitting, 90 ORFS	
16	1001192042	1	Hose	
18	1670836	1	Cover, Boom	
19	1001097810	1	Hose (Prior to SN 0160080894)	

Go to Discount-Equipment.com to order your parts

SECTION 8 - HYDRAULIC CIRCUITS

FIGURE 8-29. FRAME LEVEL HYDRAULICS INSTALLATION (OUTRIGGERS) (642)



ART_1001171211-M

PARTS FINDER

**Search Website
by Part Number**



**Search Manual
Library For Parts
Manual & Lookup Part
Numbers – Purchase
or Request Quote**

**Can't Find Part or
Manual? Request Help
by Manufacturer,
Model & Description**

Discount-Equipment.com is your online resource for quality parts & equipment.

Florida: **561-964-4949** Outside Florida TOLL FREE: **877-690-3101**

Need parts?

Click on this link: <http://www.discount-equipment.com/category/5443-parts/> and choose one of the options to help get the right parts and equipment you are looking for. Please have the machine model and serial number available in order to help us get you the correct parts. If you don't find the part on the website or on one of the online manuals, please fill out the request form and one of our experienced staff members will get back to you with a quote for the right part that your machine needs.

We sell worldwide for the brands: Genie, Terex, JLG, MultiQuip, Mikasa, Essick, Whiteman, Mayco, Toro Stone, Diamond Products, Generac Magnum, Airman, Haulotte, Barreto, Power Blanket, Nifty Lift, Atlas Copco, Chicago Pneumatic, Allmand, Miller Curber, Skyjack, Lull, Skytrak, Tsurumi, Husquvarna Target, Stow, Wacker, Sakai, Mi-T-M, Sullair, Basic, Dynapac, MBW, Weber, Bartell, Bennar Newman, Haulotte, Ditch Runner, Menegotti, Morrison, Contec, Buddy, Crown, Edco, Wyco, Bomag, Laymor, EZ Trench, Bil-Jax, F.S. Curtis, Gehl Pavers, Heli, Honda, ICS/PowerGrit, IHI, Partner, Imer, Clipper, MMD, Koshin, Rice, CH&E, General Equipment, Amida, Coleman, NAC, Gradall, Square Shooter, Kent, Stanley, Tamco, Toku, Hatz, Kohler, Robin, Wisconsin, Northrock, Oztec, Toker TK, Rol-Air, APT, Wylie, Ingersoll Rand / Doosan, Innovatech, Con X, Ammann, Mecalac, Makinex, Smith Surface Prep, Small Line, Wanco, Yanmar

SECTION 8 - HYDRAULIC CIRCUITS

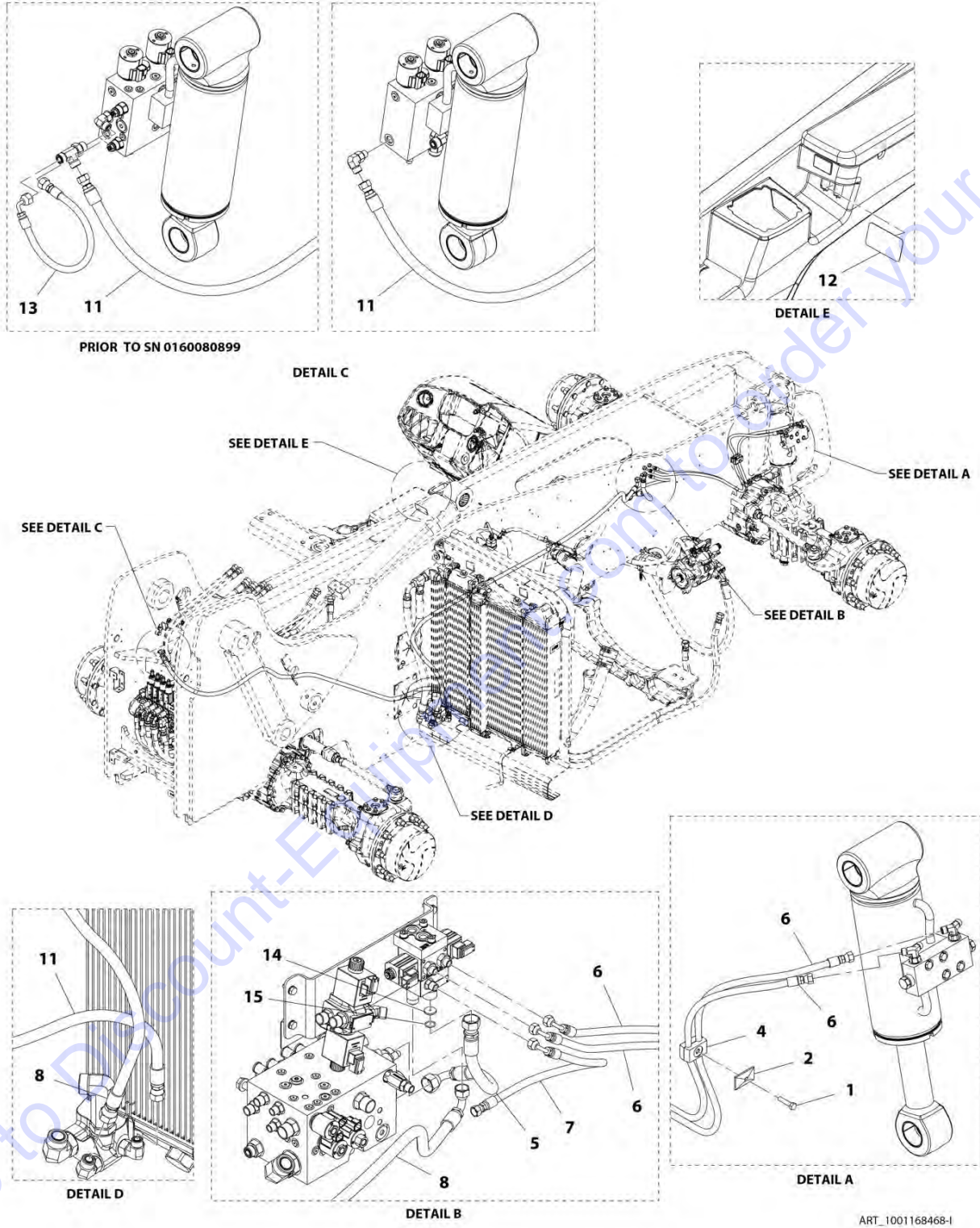
FIGURE 8-29. FRAME LEVEL HYDRAULICS INSTALLATION (OUTRIGGERS) (642)

ITEM	PART NUMBER	QTY	DESCRIPTION	REV
	1001171211	Ref	Frame Level Hydraulics Installation (Outriggers) (642)	M
1	0760815	1	Bolt, M8X35	
2	1321752	1	Clamp	
4	2170706	1	Fitting, Tee ORFS	
5	77133168	1	Clamp	
6	1001028308	1	Grommet	
7	1001175570	2	Hose	
8	1001175814	1	Hose	
9	1001176165	1	Hose	
10	1001176167	1	Hose	
11	1001188281	1	Hose	
12	1001176169	1	Hose	
14	1001200080	4	Hose (Prior to SN 0160078786)	
14	1001214468	4	Hose (SN 0160078786 to Present)	
18	2172110	1	Fitting, 90 ORFS	
19	2170710	1	Fitting, Tee ORFS	
20	1001185470	1	Hose	
21	1001192042	1	Hose	
22	1001097810	1	Hose (Prior to SN 0160080894)	

Go to Discount-Equipment.com to order your parts

SECTION 8 - HYDRAULIC CIRCUITS

FIGURE 8-30. FRAME LEVEL HYDRAULICS INSTALLATION (NO OUTRIGGERS) (742, 943)



SECTION 8 - HYDRAULIC CIRCUITS

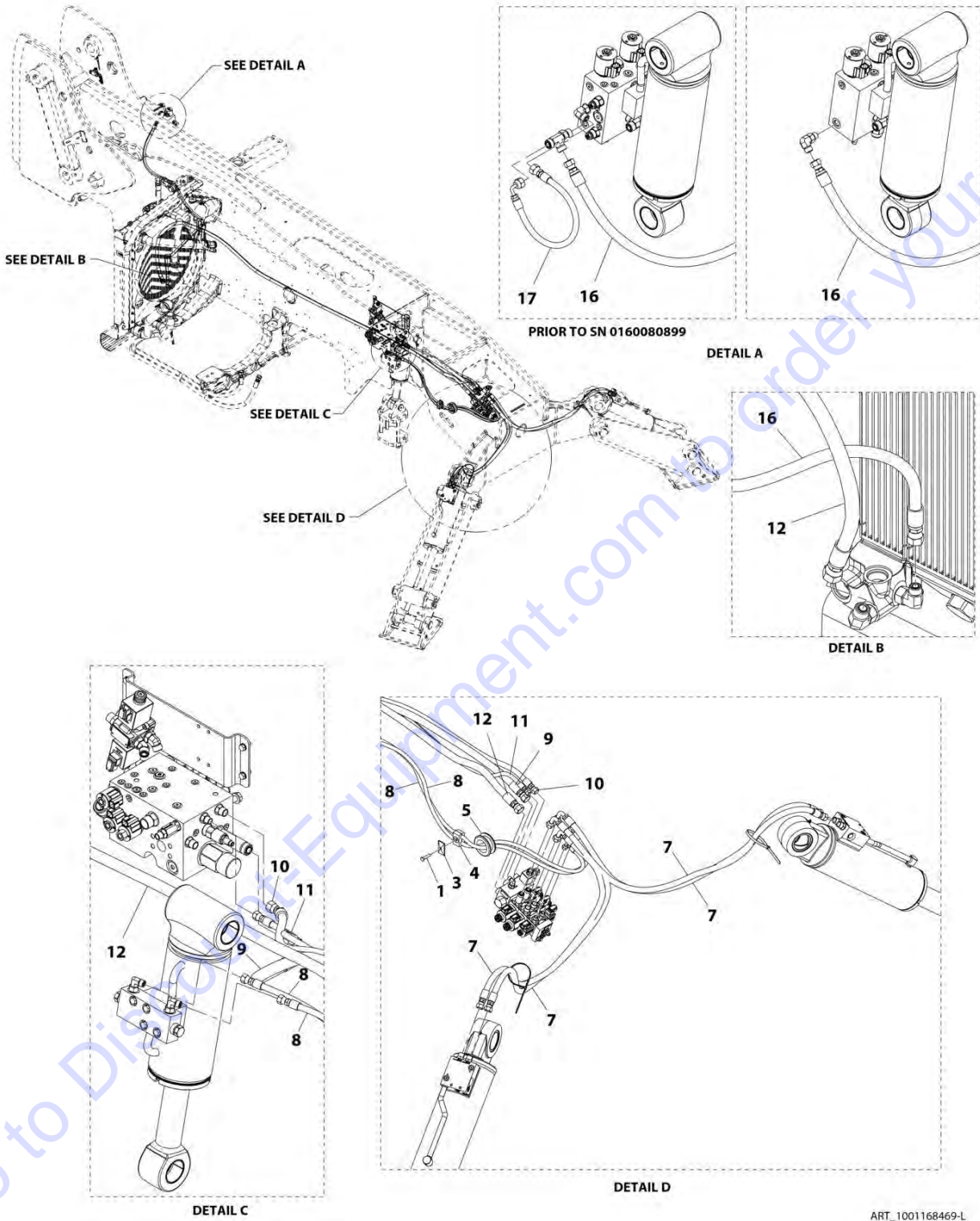
FIGURE 8-30. FRAME LEVEL HYDRAULICS INSTALLATION (NO OUTRIGGERS) (742, 943)

ITEM	PART NUMBER	QTY	DESCRIPTION	REV
	1001168468	Ref	Frame Level Hydraulics Installation (No Outriggers) (742, 943)	I
1	0760815	1	Bolt, M8X35	
2	1321752	1	Clamp	
4	77133168	1	Clamp	
5	1001204090	1	Hose	
6	1001162069	2	Hose	
7	1001175703	1	Hose	
8	1001175704	1	Hose	
11	1001192042	1	Hose	
12	1670836	1	Cover, Boom	
13	1001097810	1	Hose (Prior to SN 0160080899)	
14	1001207296	1	Disc, Orifice	
15	8630005	1	O-Ring	

Go to Discount-Equipment.com to order your parts

SECTION 8 - HYDRAULIC CIRCUITS

FIGURE 8-31. FRAME LEVEL HYDRAULICS INSTALLATION (OUTRIGGERS) (943, 1043)



SECTION 8 - HYDRAULIC CIRCUITS

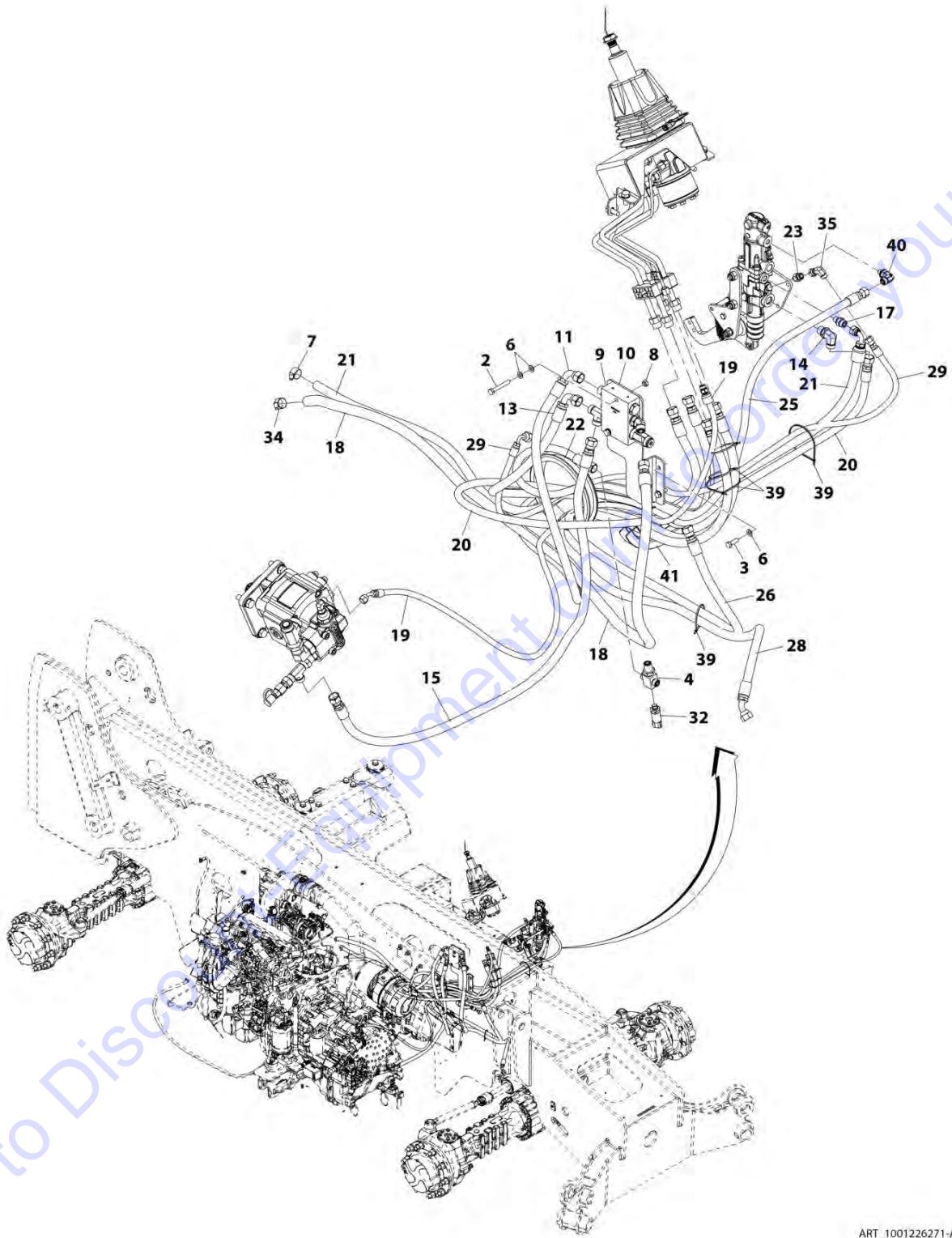
FIGURE 8-31. FRAME LEVEL HYDRAULICS INSTALLATION (OUTRIGGERS) (943, 1043)

ITEM	PART NUMBER	QTY	DESCRIPTION	REV
	1001168469	Ref	Frame Level Hydraulics Installation (Outriggers) (943, 1043)	L
1	0760815	1	Bolt, M8X35	
3	1321752	1	Clamp	
4	77133168	1	Clamp	
5	1001028308	1	Grommet	
7	1001200080	4	Hose (Prior to SN 0160078786)	
7	1001214468	4	Hose (SN 0160078786 to Present)	
8	1001175570	2	Hose	
9	1001175705	1	Hose	
10	1001175706	1	Hose	
11	1001175707	1	Hose	
12	1001175814	1	Hose	
16	1001192042	1	Hose	
17	1001097810	1	Hose (Prior to SN 0160080899)	

Go to Discount-Equipment.com to order your parts

SECTION 8 - HYDRAULIC CIRCUITS

FIGURE 8-32. CAB HYDRAULIC INSTALLATION (OUTRIGGERS) (642)



ART_1001226271-A

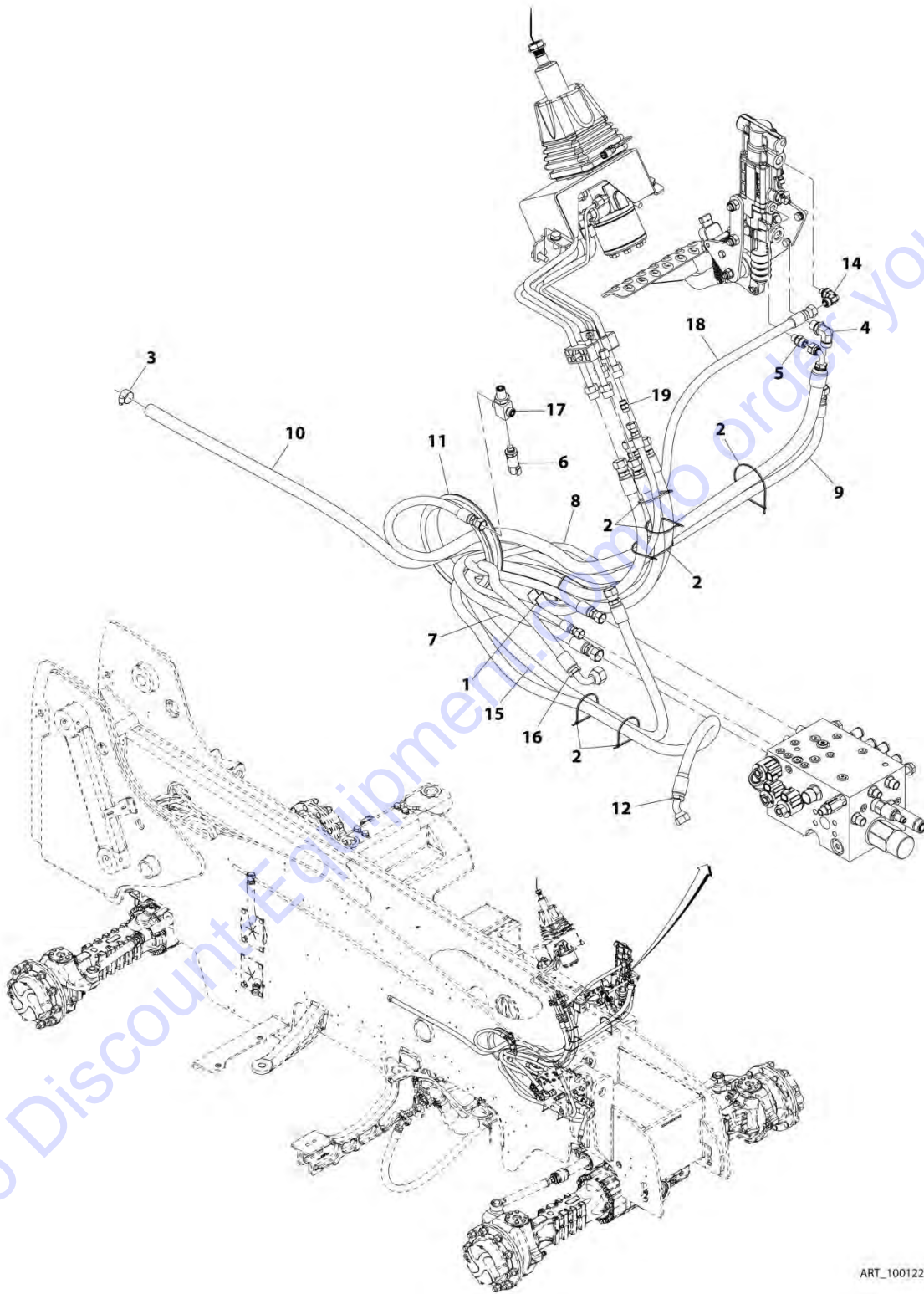
SECTION 8 - HYDRAULIC CIRCUITS

FIGURE 8-32. CAB HYDRAULIC INSTALLATION (OUTRIGGERS) (642)

ITEM	PART NUMBER	QTY	DESCRIPTION	REV
	1001226271	Ref	Cab Hydraulic Installation (Emergency Steering) (642)	A
2	0700819	2	Bolt, M8X55	
3	0760812	2	Bolt, M8X25	
4	1001205756	1	Adapter	
6	4811900	6	Washer, M8	
7	8405006	1	Clamp, Gear	
8	3290801	2	Nut, M8X1.25	
9	1001219191	1	Install, Emergency Steering Manifold (See Separate Breakdown in this Section)	
10	1001221520	1	Bracket	
11	1001221527	1	Hose	
13	1001222090	1	Hose	
14	8770120	1	Fitting, 90 ORFS	
15	1001222132	1	Hose	
17	80233218	1	Fitting, Straight ORFS	
18	1001222158	1	Hose	
19	1001209710	1	Hose	
20	1001186912	1	Hose	
21	1001161528	1	Hose	
22	1001169830	1	Grommet	
23	1001184418	1	Valve, Check	
25	1001222088	1	Hose	
26	1001204152	1	Hose	
28	1001177256	1	Hose	
29	1001175934	1	Hose	
32	1001147340	1	Sensor, Pressure Transducer	
34	8410009	1	Gear Clamp	
35	2172104	1	Fitting, 90 ORFS	
39	4240099	AR	Tie, Wire	
40	1001202962	1	Fitting, 90 ORFS	
41	4060919	230 mm	Trim, Hose Protection	

SECTION 8 - HYDRAULIC CIRCUITS

FIGURE 8-33. CAB HYDRAULIC INSTALLATION (OUTRIGGERS) (742)



ART_1001225202-C

SECTION 8 - HYDRAULIC CIRCUITS

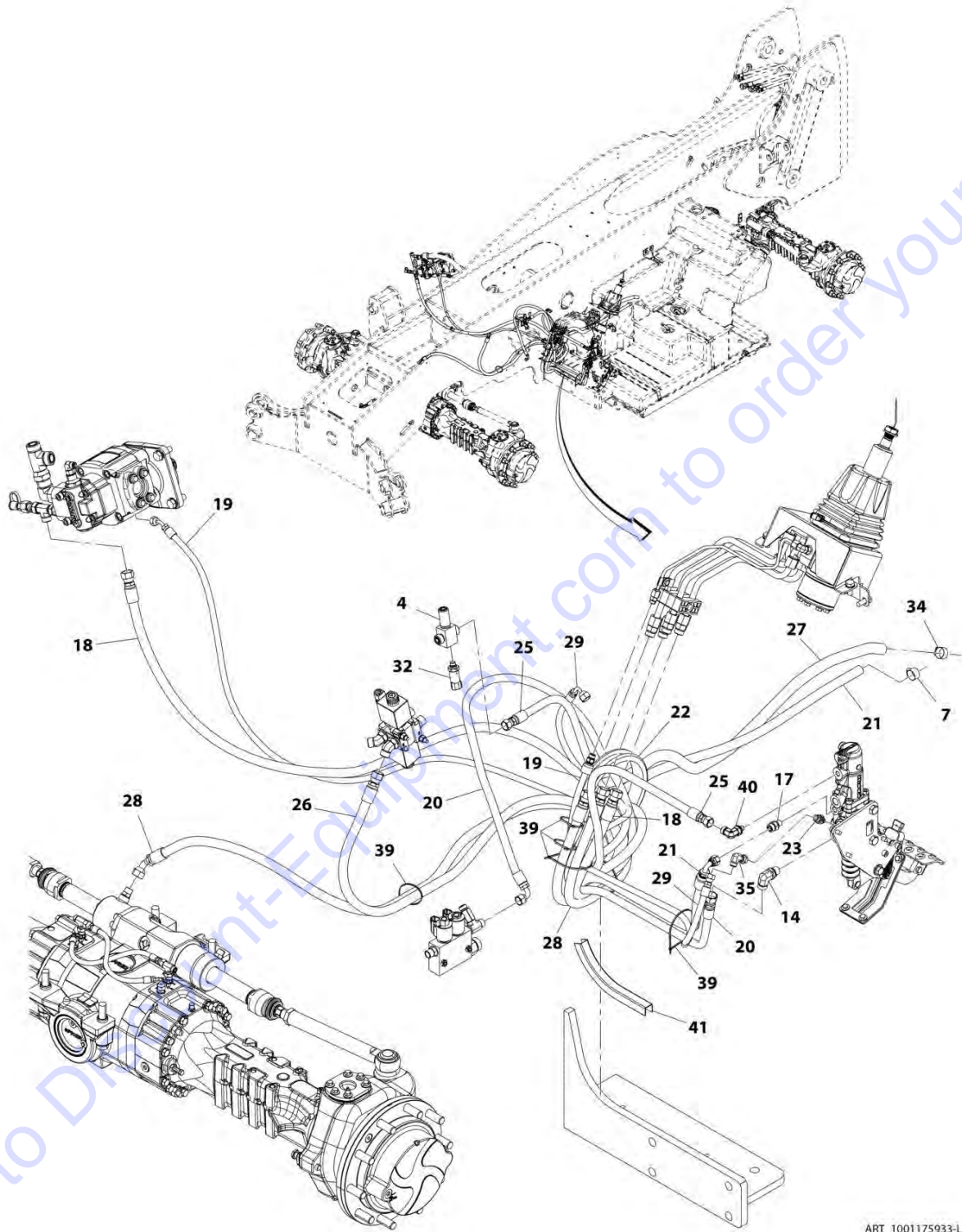
FIGURE 8-33. CAB HYDRAULIC INSTALLATION (OUTRIGGERS) (742)

ITEM	PART NUMBER	QTY	DESCRIPTION	REV
	1001225202	Ref	Cab Hydraulic Installation (742)	C
1	4060919	230 mm	Trim, Hose Protection	
2	4240099	AR	Strap, Tie	
3	8405006	1	Clamp, Gear	
4	8770120	1	Fitting, 90 ORFS	
5	80233218	1	Fitting, Straight ORFS	
6	1001147340	1	Sensor, Pressure Transducer	
7	1001161344	1	Hose	
8	1001161346	1	Hose	
9	1001161527	1	Hose	
10	1001161528	1	Hose	
11	1001169830	1	Grommet	
12	1001177256	1	Hose	
14	1001202962	1	Fitting, 90 ORFS	
15	1001204152	1	Hose	
16	1001204154	1	Hose	
17	1001205756	1	Adapter	
18	1001222088	1	Hose	
19	1001143857	1	Fitting, Straight ORFS	

Go to Discount-Equipment.com to order your parts

SECTION 8 - HYDRAULIC CIRCUITS

FIGURE 8-34. CAB HYDRAULIC INSTALLATION (NO OUTRIGGERS) (642, 742)



ART_1001175933-L

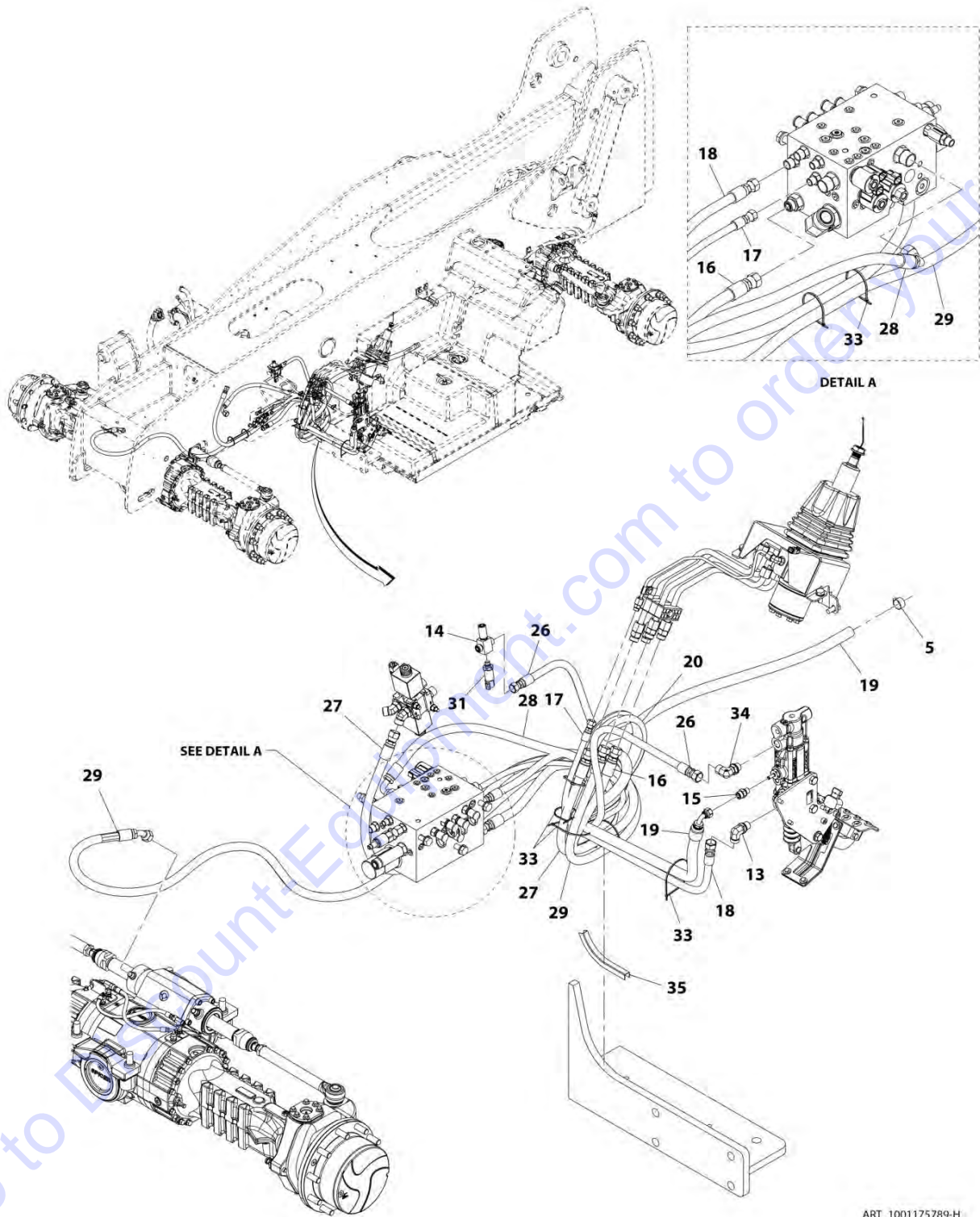
SECTION 8 - HYDRAULIC CIRCUITS

FIGURE 8-34. CAB HYDRAULIC INSTALLATION (NO OUTRIGGERS) (642, 742)

ITEM	PART NUMBER	QTY	DESCRIPTION	REV
	1001175933	Ref	Cab Hydraulic Installation (642, 742)	L
4	1001205756	1	Adapter	
7	8405006	1	Clamp, Gear	
14	8770120	1	Fitting, 90 ORFS	
17	80233218	1	Fitting, Straight ORFS	
18	1001188438	1	Hose	
19	1001188439	NLA	Hose, (no longer available, use 1001209710 for replacement)	
19	1001209710	1	Hose	
20	1001186912	1	Hose	
21	1001161528	1	Hose	
22	1001169830	1	Grommet	
23	1001184418	1	Valve, Check	
25	1001202959	1	Hose (Prior to SN 0160079247)	
25	1001222088	1	Hose (SN 0160079247 to Present)	
26	1001204152	1	Hose	
27	1001187850	1	Hose	
28	1001177256	1	Hose	
29	1001175934	1	Hose	
32	1001147340	1	Sensor, Pressure Transducer	
34	8410009	1	Clamp, Gear	
35	2172104	1	Fitting, 90 ORFS	
39	4240099	AR	Strap, Tie	
40	1001202962	1	Fitting, 90 ORFS	
41	4060919	230 mm	Trim, Hose Protection	

SECTION 8 - HYDRAULIC CIRCUITS

FIGURE 8-35. CAB HYDRAULIC INSTALLATION (943, 1043)



ART_1001175789-H

SECTION 8 - HYDRAULIC CIRCUITS

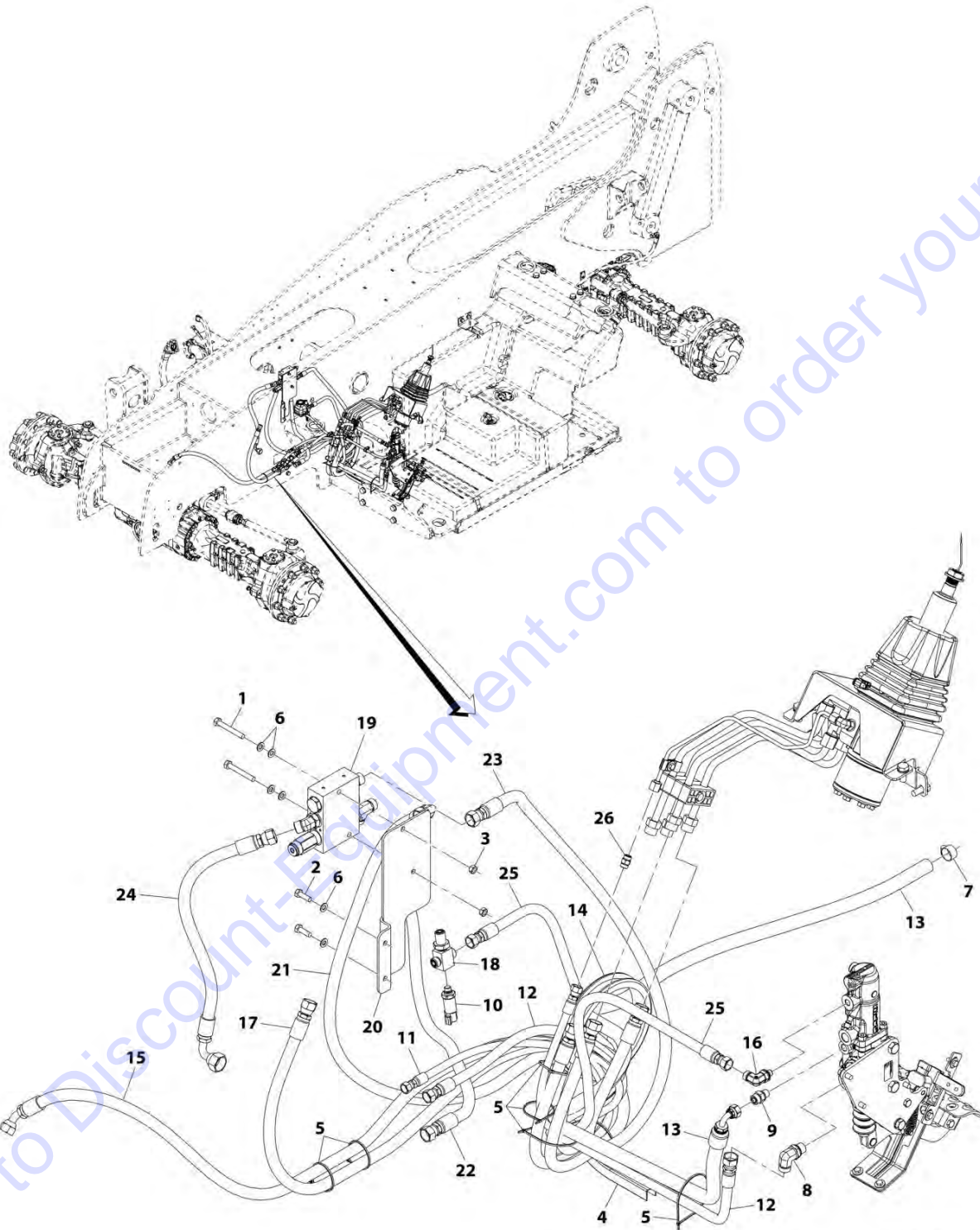
FIGURE 8-35. CAB HYDRAULIC INSTALLATION (943, 1043)

ITEM	PART NUMBER	QTY	DESCRIPTION	REV
	1001175789	Ref	Cab Hydraulic Installation (943, 1043)	H
5	8405006	1	Clamp, Gear	
13	8770120	1	Fitting, 90 ORFS	
14	1001205756	1	Adapter	
15	80233218	1	Fitting, Straight ORFS	
16	1001161344	1	Hose	
17	1001161346	1	Hose	
18	1001161527	1	Hose	
19	1001161528	1	Hose	
20	1001169830	1	Grommet	
26	1001203067	1	Hose	
27	1001204152	1	Hose	
28	1001204154	1	Hose	
29	1001175713	1	Hose	
31	1001147340	1	Sensor, Pressure Transducer	
33	4240099	AR	Tie, Wire	
34	1001168054	1	Fitting, 90 ORFS	
35	4060919	230 mm	Trim, Hose Protection	

Go to Discount-Equipment.com to order your parts

SECTION 8 - HYDRAULIC CIRCUITS

FIGURE 8-36. CAB HYDRAULIC INSTALLATION EMERGENCY STEERING (642, 742)



ART_1001226920-B

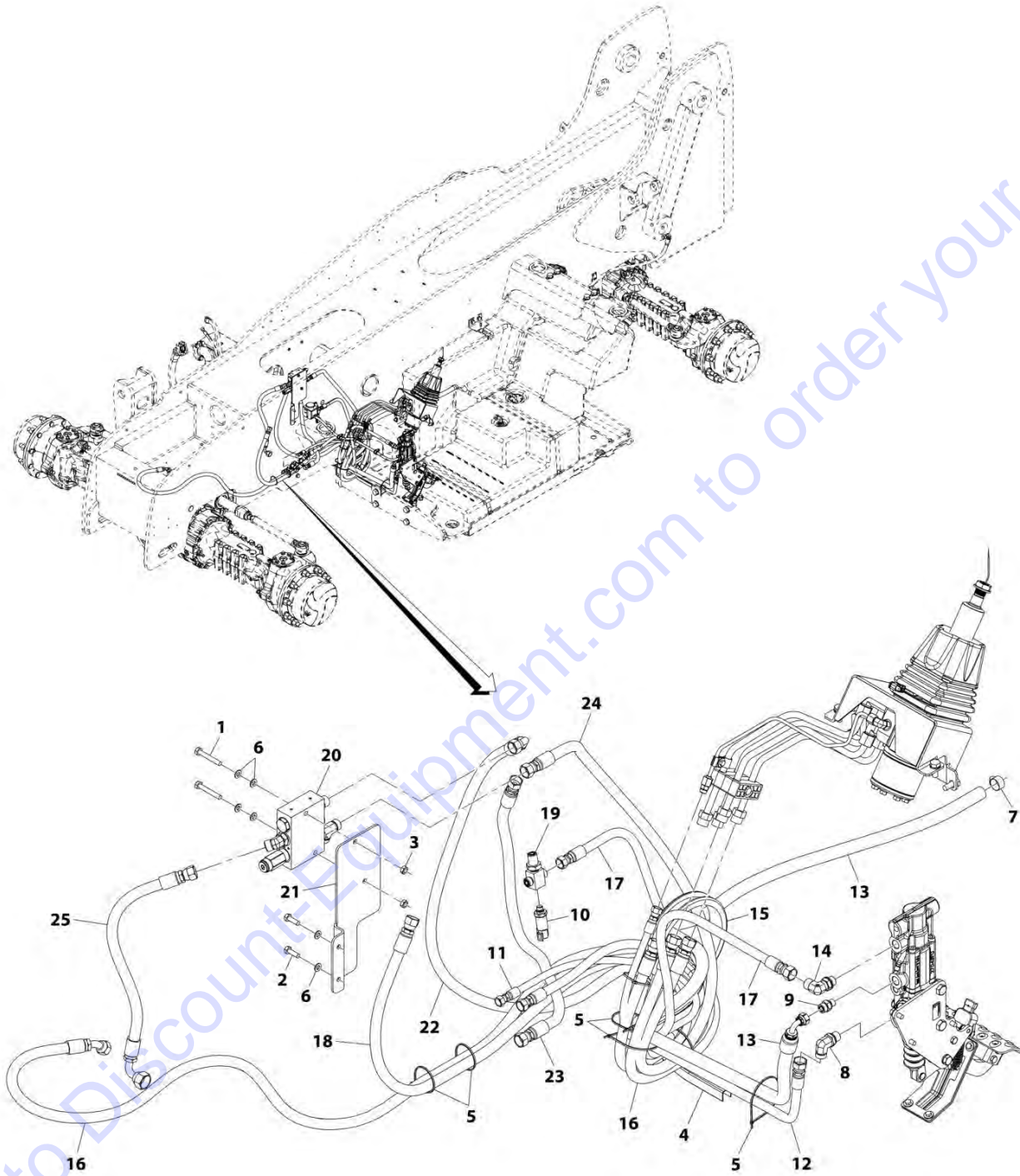
SECTION 8 - HYDRAULIC CIRCUITS

FIGURE 8-36. CAB HYDRAULIC INSTALLATION EMERGENCY STEERING (642, 742)

ITEM	PART NUMBER	QTY	DESCRIPTION	REV
	1001226920	Ref	Cab Hydraulic Installation Emergency Steering (642, 742)	B
1	0700820	2	Bolt, M8X60	
2	0760812	2	Bolt, M8X25	
3	3290801	2	Nut, M8X1.25	
4	4060919	230 mm	Trim, Hose Protection	
5	4240099	AR	Tie, Wire	
6	4811900	6	Washer, M8	
7	8405006	1	Clamp, Gear	
8	8770120	1	Fitting, 90 ORFS	
9	80233218	1	Fitting, Straight ORFS	
10	1001147340	1	Sensor, Pressure Transducer	
11	1001161346	1	Hose	
12	1001161527	1	Hose	
13	1001161528	1	Hose	
14	1001169830	1	Grommet	
15	1001177256	1	Hose	
16	1001202962	1	Fitting, 90 ORFS	
17	1001204152	1	Hose	
18	1001205756	1	Adapter	
19	1001219191	1	Installation, Emergency Steering Manifold (See Separate Breakdown in this Section)	
20	1001221520	1	Bracket	
21	1001221527	1	Hose	
22	1001221741	1	Hose	
23	1001221742	1	Hose	
24	1001221744	1	Hose	
25	1001222088	1	Hose	
26	1001143857	1	Fitting, Straight ORFS	

SECTION 8 - HYDRAULIC CIRCUITS

FIGURE 8-37. CAB HYDRAULIC INSTALLATION, EMERGENCY STEERING (943, 1043)



ART_1001226575-A

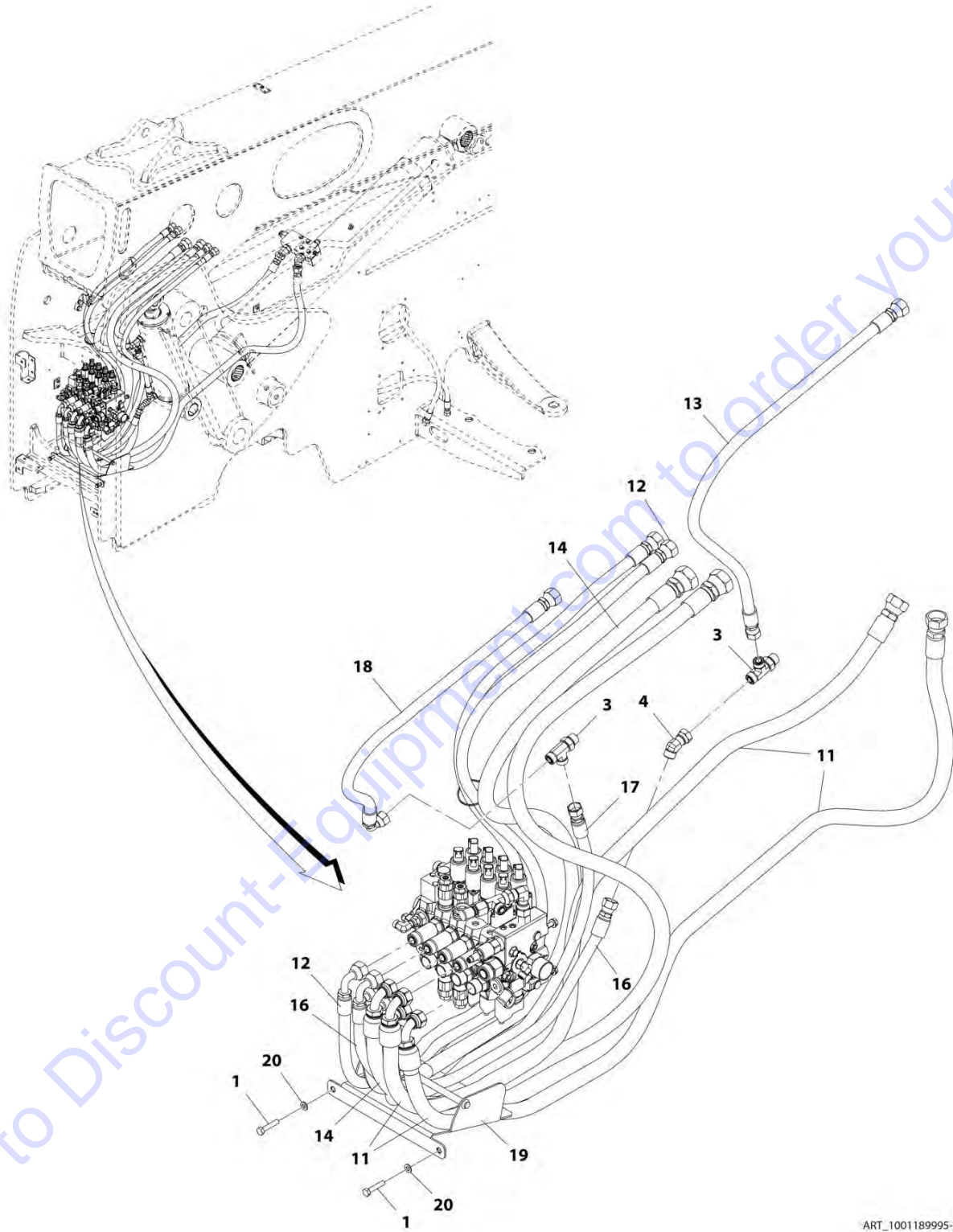
SECTION 8 - HYDRAULIC CIRCUITS

FIGURE 8-37. CAB HYDRAULIC INSTALLATION, EMERGENCY STEERING (943, 1043)

ITEM	PART NUMBER	QTY	DESCRIPTION	REV
	1001226575	Ref	Cab Hydraulic Installation, Emergency Steering (Outriggers) (943, 1043)	A
1	0700819	2	Bolt, M8X55	
2	0760812	2	Bolt, M8X25	
3	3290801	2	Nut, M8X1.25	
4	4060919	230 mm	Trim, Hose Protection	
5	4240099	AR	Tie, Wire	
6	4811900	6	Washer, M8	
7	8405006	1	Clamp, Gear	
8	8770120	1	Fitting, 90 ORFS	
9	80233218	1	Fitting, Straight ORFS	
10	1001147340	1	Sensor, Pressure Transducer	
11	1001161346	1	Hose	
12	1001161527	1	Hose	
13	1001161528	1	Hose	
14	1001168054	1	Fitting, 90 ORFS	
15	1001169830	1	Grommet	
16	1001175713	1	Hose	
17	1001203067	1	Hose	
18	1001204152	1	Hose	
19	1001205756	1	Adapter	
20	1001219191	1	Emergency Steering Manifold Installation (See Separate Breakdown in HYDRAULIC COMPONENTS Section)	
21	1001221520	1	Bracket, Emergency Steer Manifold	
22	1001221527	1	Hose	
23	1001221741	1	Hose	
24	1001221742	1	Hose	
25	1001221744	1	Hose	

SECTION 8 - HYDRAULIC CIRCUITS

FIGURE 8-38. BOOM HYDRAULIC INSTALLATION (642, 742)



ART_1001189995-D

SECTION 8 - HYDRAULIC CIRCUITS

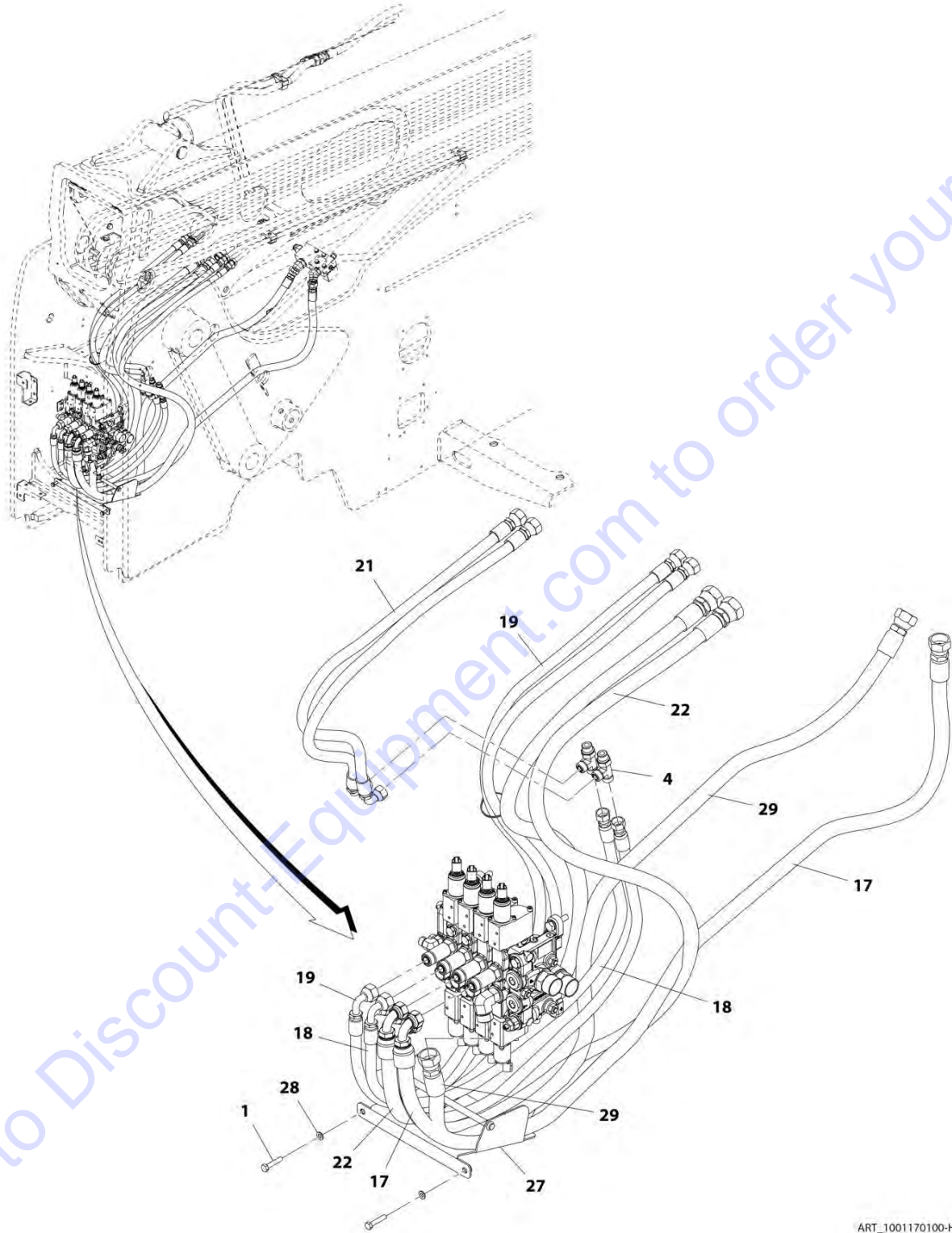
FIGURE 8-38. BOOM HYDRAULIC INSTALLATION (642, 742)

ITEM	PART NUMBER	QTY	DESCRIPTION	REV
	1001189995	Ref	Boom Hydraulic Installation (642, 742)	D
1	0700816	2	Bolt, M8X40	
3	2170308	2	Fitting, Tee ORFS	
4	2221231	1	Fitting, 45 ORFS	
11	1001169375	2	Hose	
12	1001169378	2	Hose	
13	1001203963	1	Hose	
14	1001169376	2	Hose	
16	1001203944	1	Hose	
17	1001203954	1	Hose	
18	1001203967	1	Hose	
19	1001193771	1	Channel, Boom Hose	
20	4811900	2	Washer, M8	

Go to Discount-Equipment.com to order your parts

SECTION 8 - HYDRAULIC CIRCUITS

FIGURE 8-39. BOOM HYDRAULIC INSTALLATION, EMERGENCY STEERING (742, 943, 1043)



ART_1001170100-H

SECTION 8 - HYDRAULIC CIRCUITS

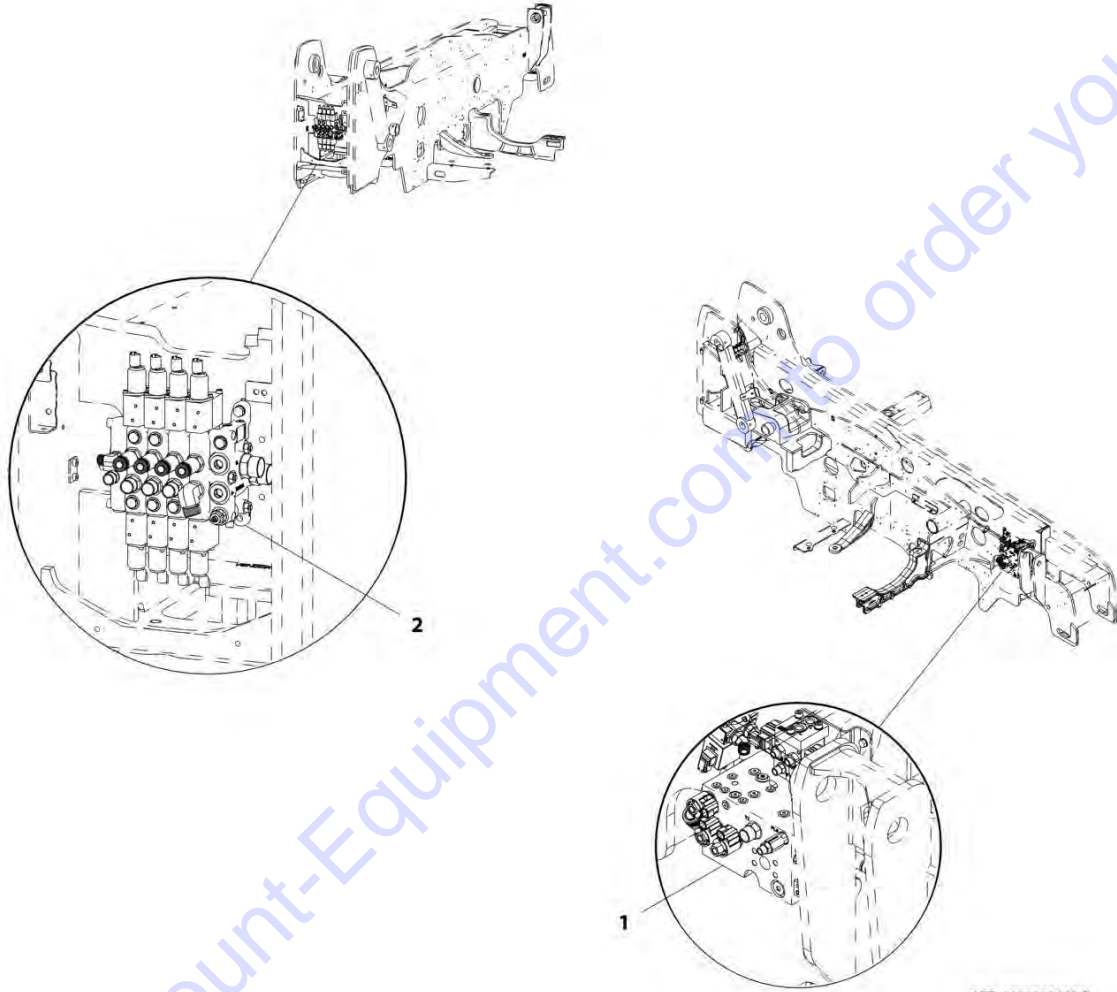
FIGURE 8-39. BOOM HYDRAULIC INSTALLATION, EMERGENCY STEERING (742, 943, 1043)

ITEM	PART NUMBER	QTY	DESCRIPTION	REV
	1001170100	Ref	Boom Hydraulic Installation, Emergency Steering (742, 943, 1043)	H
1	0700816	2	Bolt, M8X40	
4	2170308	2	Fitting, Tee ORFS	
17	1001169375	1	Hose	
18	1001188637	2	Hose	
19	1001169378	2	Hose	
21	1001175718	1	Hose	
22	1001169376	2	Hose	
27	1001193771	1	Channel, Boom Hose	
28	4811900	2	Washer, M8	
29	1001195217	1	Hose	

Go to Discount-Equipment.com to order your parts

SECTION 8 - HYDRAULIC CIRCUITS

FIGURE 8-40. MAIN HYDRAULIC VALVES INSTALLATION (943, 1043) (Prior to SN 0160081535)



ART_1001168463-B

SECTION 8 - HYDRAULIC CIRCUITS

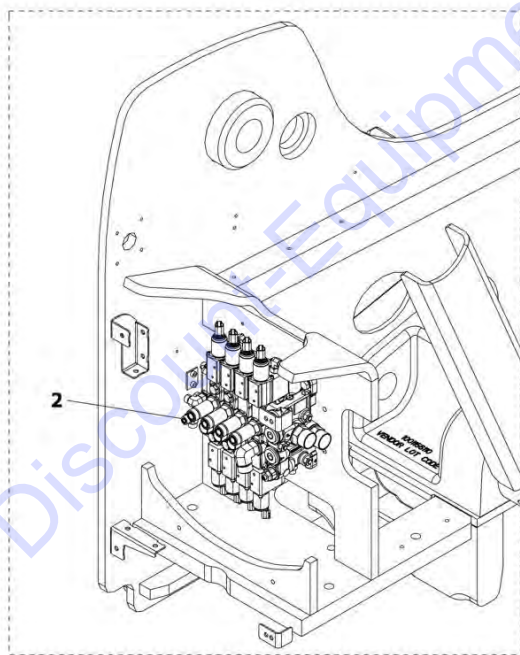
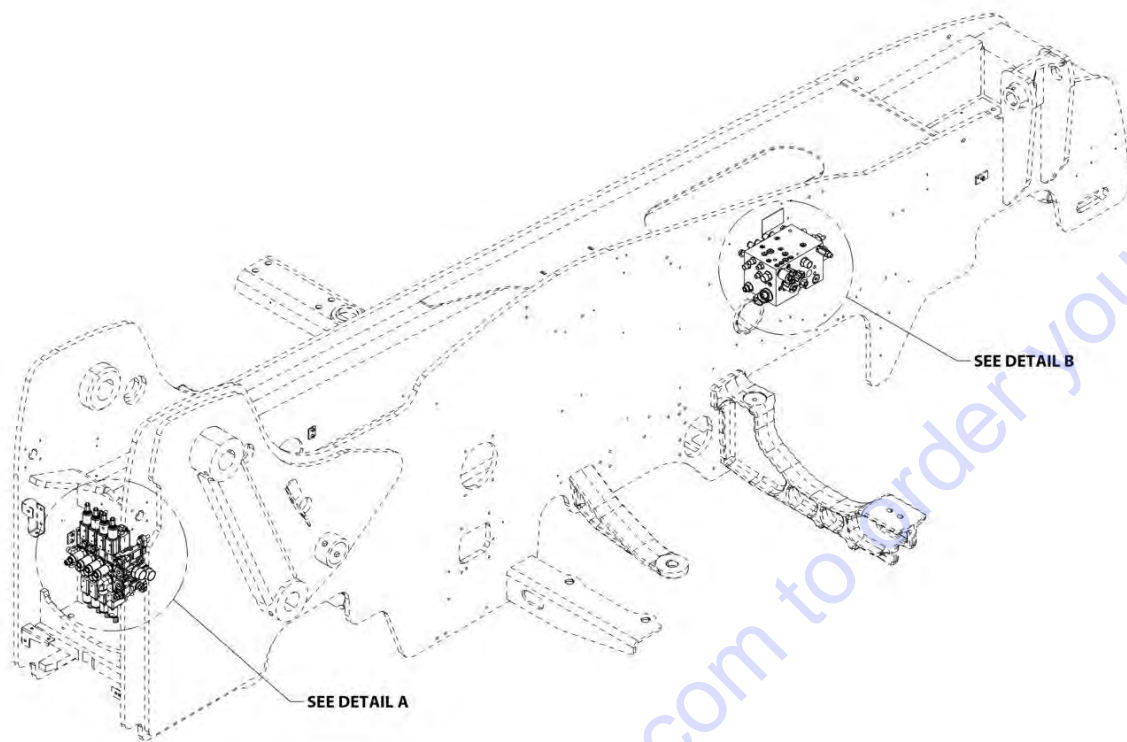
FIGURE 8-40. MAIN HYDRAULIC VALVES INSTALLATION (943, 1043) (Prior to SN 0160081535)

ITEM	PART NUMBER	QTY	DESCRIPTION	REV
1	1001168463	Ref	Main Hydraulic Valves Installation (943, 1043)	B
	1001161308	Ref	Installation, Priority Manifold Valve (See PRIORITY FUNCTION MANIFOLD INSTALLATION for Breakdown)	
2	1001161310	Ref	Installation, Main Control Valve (See MAIN CONTROL VALVE INSTALLATION (943, 1043) for Breakdown)	

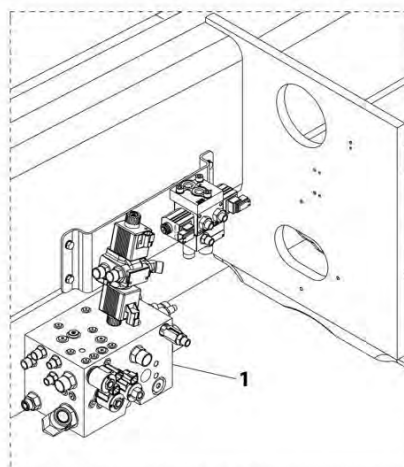
Go to Discount-Equipment.com to order your parts

SECTION 8 - HYDRAULIC CIRCUITS

FIGURE 8-41. MAIN HYDRAULIC VALVES INSTALLATION (742, 943, 1043)



DETAIL A



DETAIL B

ART_1001225750-A

SECTION 8 - HYDRAULIC CIRCUITS

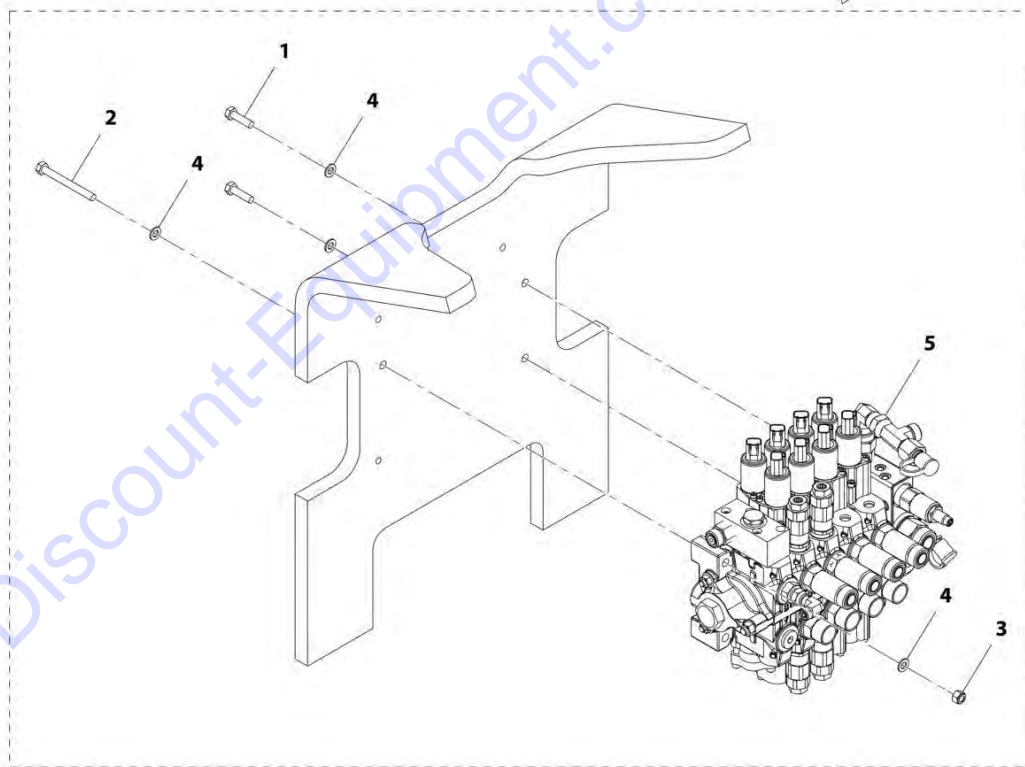
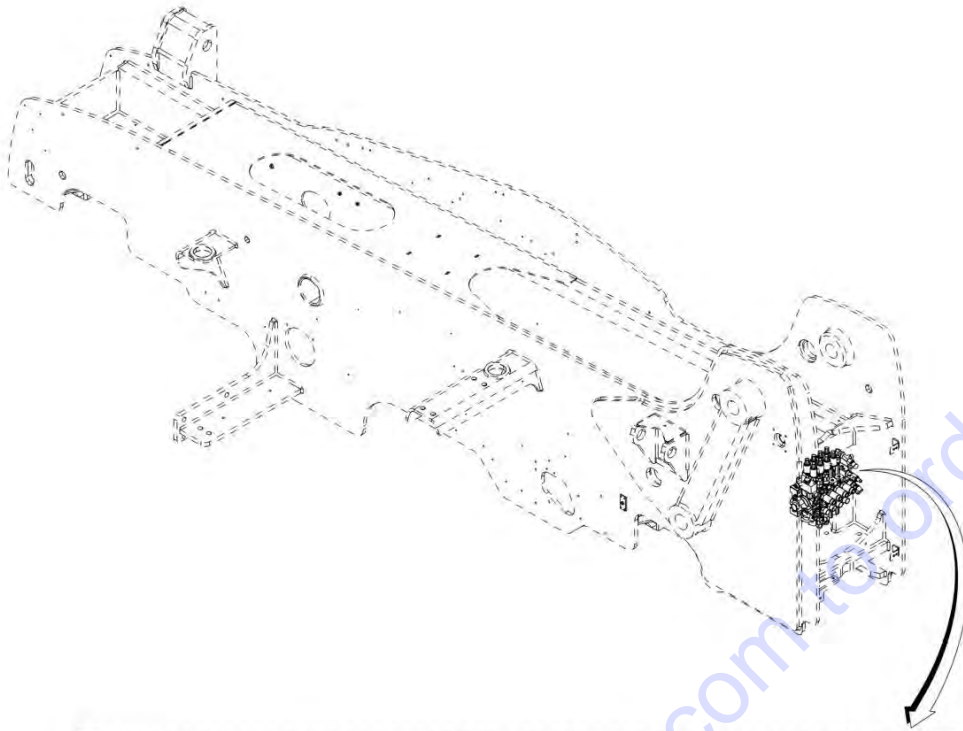
FIGURE 8-41. MAIN HYDRAULIC VALVES INSTALLATION (742, 943, 1043)

ITEM	PART NUMBER	QTY	DESCRIPTION	REV
1	1001225750	Ref	Main Hydraulic Valves Installation (742, 943, 1043)	A
	1001161308	Ref	Installation, Priority Manifold Valve (See Separate Breakdown in this Section)	
2	1001225751	Ref	Installation, Main Control Valve (See Separate Breakdown in this Section)	

Go to Discount-Equipment.com to order your parts

SECTION 8 - HYDRAULIC CIRCUITS

FIGURE 8-42. MAIN CONTROL VALVE INSTALLATION (642, 742)



ART_1001169346-C

SECTION 8 - HYDRAULIC CIRCUITS

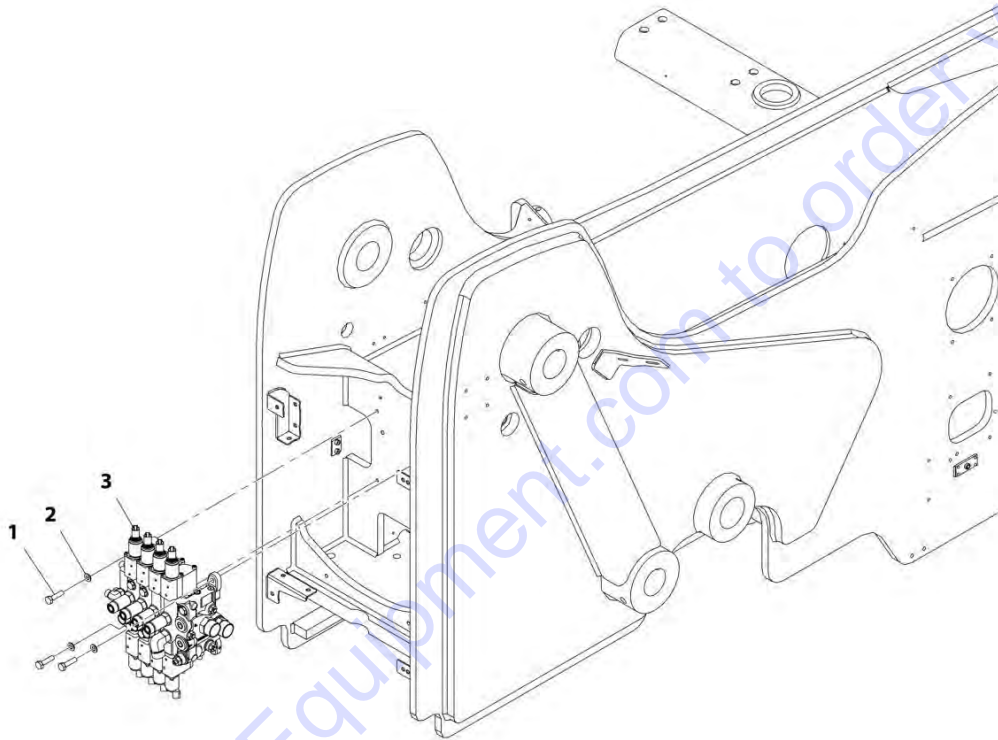
FIGURE 8-42. MAIN CONTROL VALVE INSTALLATION (642, 742)

ITEM	PART NUMBER	QTY	DESCRIPTION	REV
	1001169346	Ref	Main Control Valve Installation (642, 742)	C
1	0700814	2	Bolt, M8X30	
2	0700824	1	Bolt, M8X80	
3	3290805	1	Nut, Lock M8X1.25 Grade 8	
4	4811900	4	Washer, M8	
5	1001169349	1	Assembly, Main Control Valve (See MAIN CONTROL VALVE ASSEMBLY for Breakdown)	

Go to Discount-Equipment.com to order your parts

SECTION 8 - HYDRAULIC CIRCUITS

FIGURE 8-43. MAIN CONTROL VALVE INSTALLATION (943, 1043) (Prior to SN 0160081535)



ART_1001161310-E

SECTION 8 - HYDRAULIC CIRCUITS

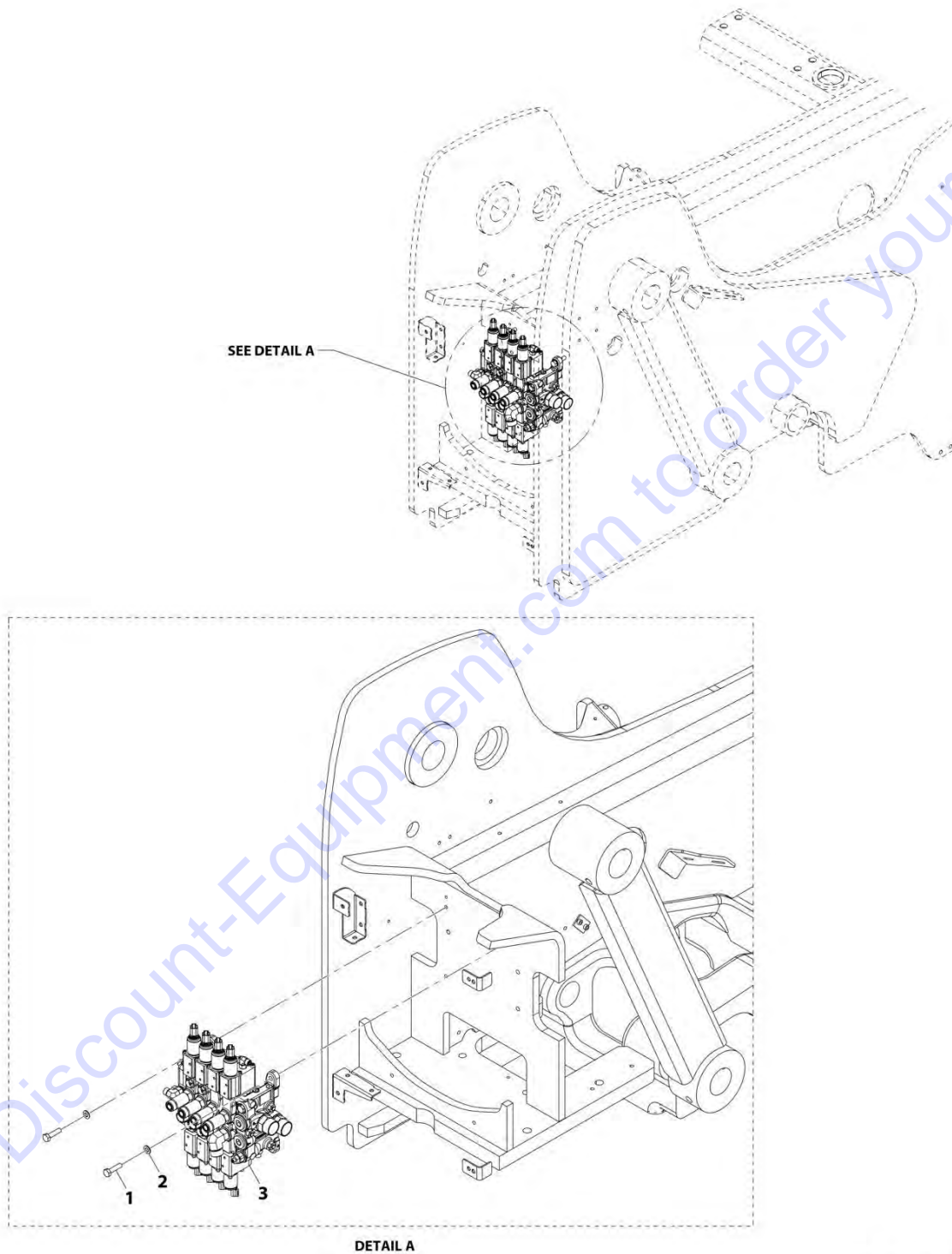
FIGURE 8-43. MAIN CONTROL VALVE INSTALLATION (943, 1043) (Prior to SN 0160081535)

ITEM	PART NUMBER	QTY	DESCRIPTION	REV
	1001161310	Ref	Main Control Valve Installation (943, 1043)	E
1	0701016	3	Bolt, M10X40	
2	4812000	3	Washer, M10	
3	1001161321	1	Assembly, Main Control Valve Assembly (943, 1043) (See MAIN CONTROL VALVE ASSEMBLY (943, 1043) for Breakdown)	

Go to Discount-Equipment.com to order your parts

SECTION 8 - HYDRAULIC CIRCUITS

FIGURE 8-44. MAIN CONTROL VALVE INSTALLATION (742, 943, 1043)



ART_1001225751-A

SECTION 8 - HYDRAULIC CIRCUITS

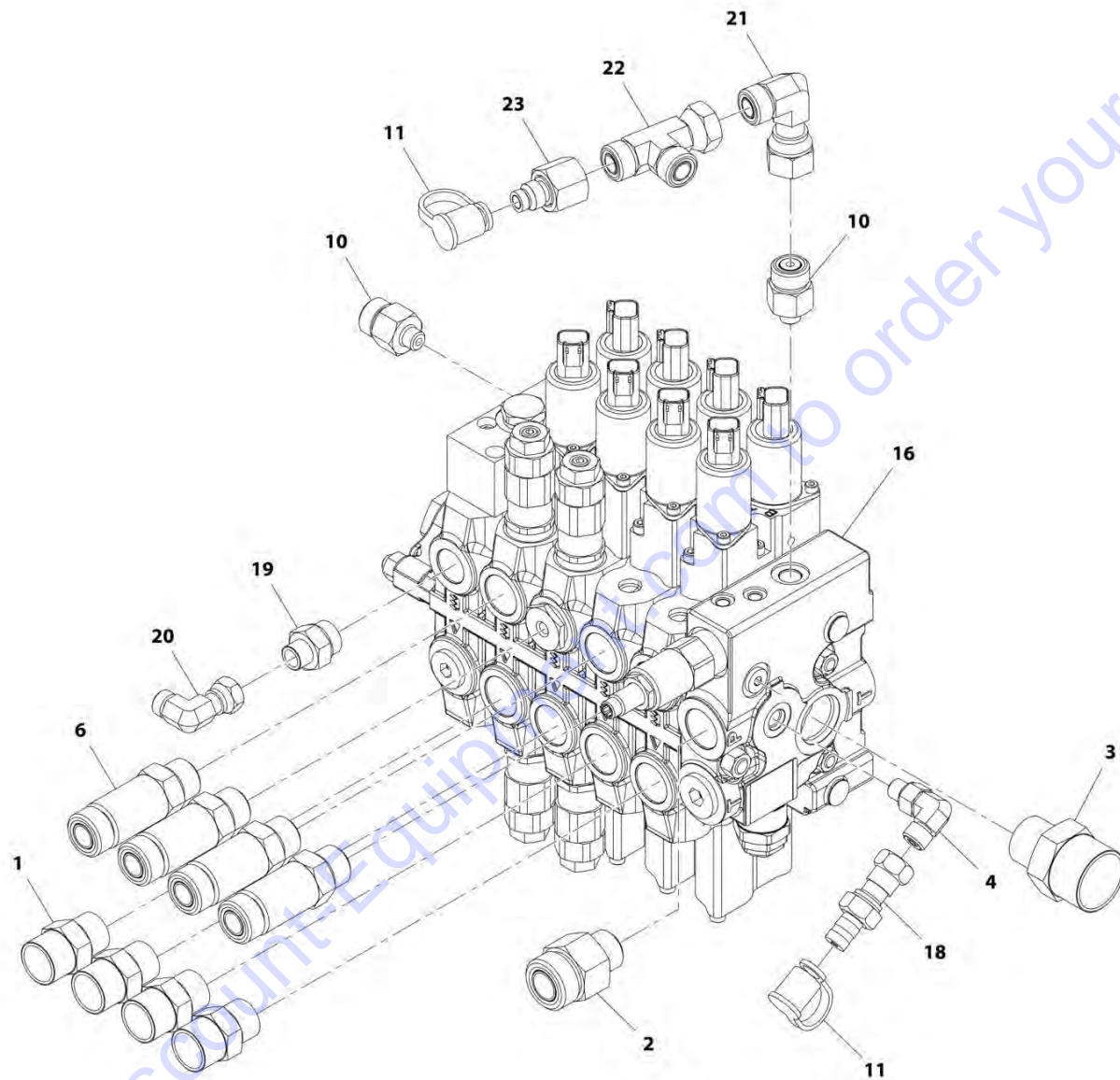
FIGURE 8-44. MAIN CONTROL VALVE INSTALLATION (742, 943, 1043)

ITEM	PART NUMBER	QTY	DESCRIPTION	REV
	1001225751	Ref	Main Control Valve Installation (742, 943, 1043)	A
1	0701016	3	Bolt, M10X40	
2	4812000	3	Washer, M10	
3	1001225752	1	Assembly, Main Control Valve Assembly (742, 943, 1043) (See Separate Breakdown in this Section)	

Go to Discount-Equipment.com to order your parts

SECTION 8 - HYDRAULIC CIRCUITS

FIGURE 8-45. MAIN CONTROL VALVE ASSEMBLY (642)



ART_1001169349-G

SECTION 8 - HYDRAULIC CIRCUITS

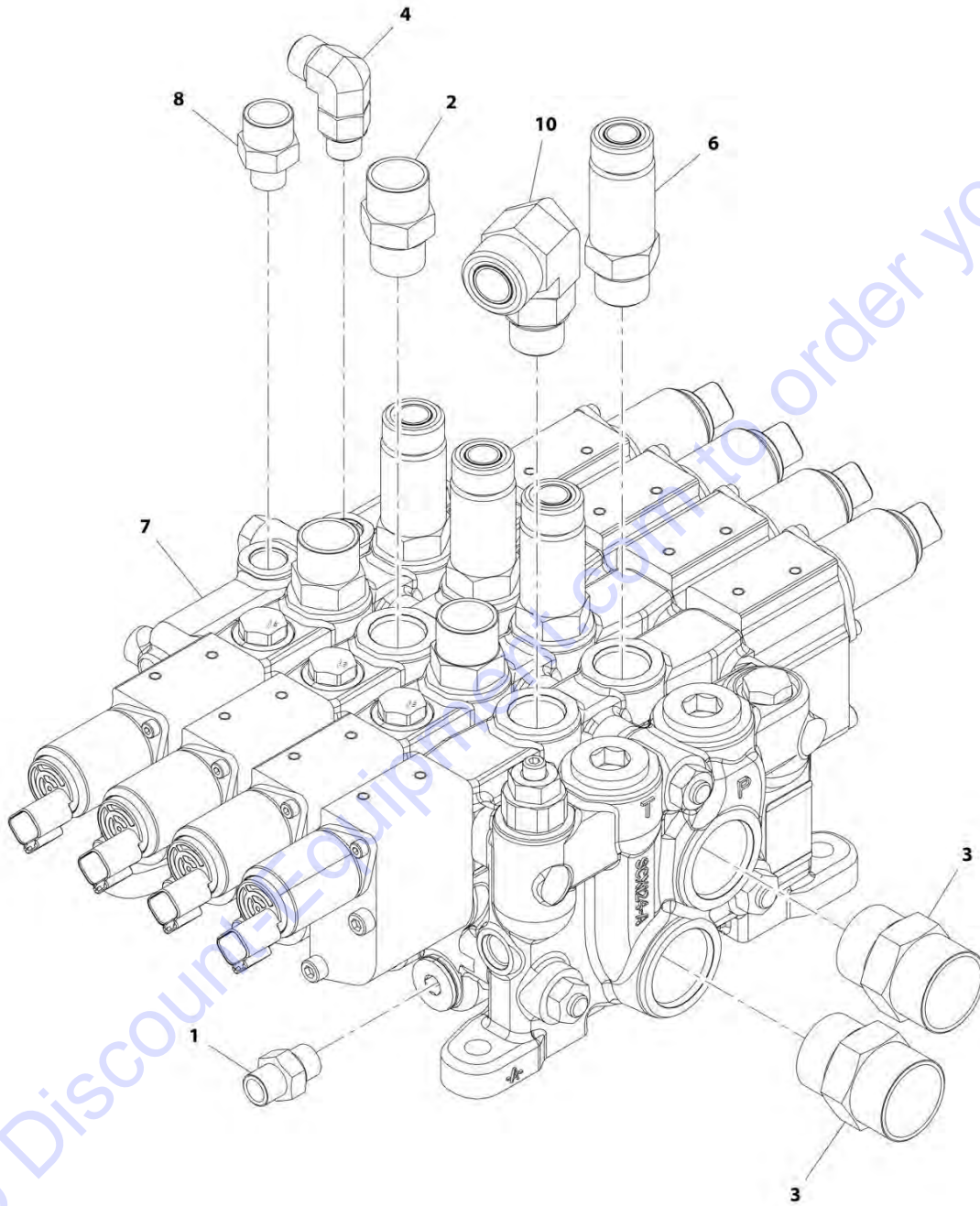
FIGURE 8-45. MAIN CONTROL VALVE ASSEMBLY (642)

ITEM	PART NUMBER	QTY	DESCRIPTION	REV
	1001169349	Ref	Main Control Valve Assembly (642)	G
1	2111010	4	Fitting, Straight ORFS	
2	2111210	1	Fitting, Straight ORFS	
3	2111612	1	Fitting, Straight ORFS	
4	2130404	1	Fitting, 90 ORFS	
6	2170110	4	Fitting, Straight ORFS	
10	2221233	2	Fitting, Straight ORFS	
11	8430032	2	Plug	
16	1001166765	1	Valve, Main Control (See HYDRAULIC COMPONENTS SECTION for Breakdown)	
18	2221229	1	Fitting, Straight ORFS	
19	2110408	1	Fitting, Straight ORFS	
20	2172104	1	Fitting, 90 ORFS	
21	2172108	1	Fitting, 90 ORFS	
22	2170708	1	Fitting, Tee ORFS	
23	8430082	1	Fitting, Straight ORFS	

Go to Discount-Equipment.com to order your parts

SECTION 8 - HYDRAULIC CIRCUITS

FIGURE 8-46. MAIN CONTROL VALVE ASSEMBLY (943, 1043) (Prior to SN 0160081535)



ART_1001161321-H

SECTION 8 - HYDRAULIC CIRCUITS

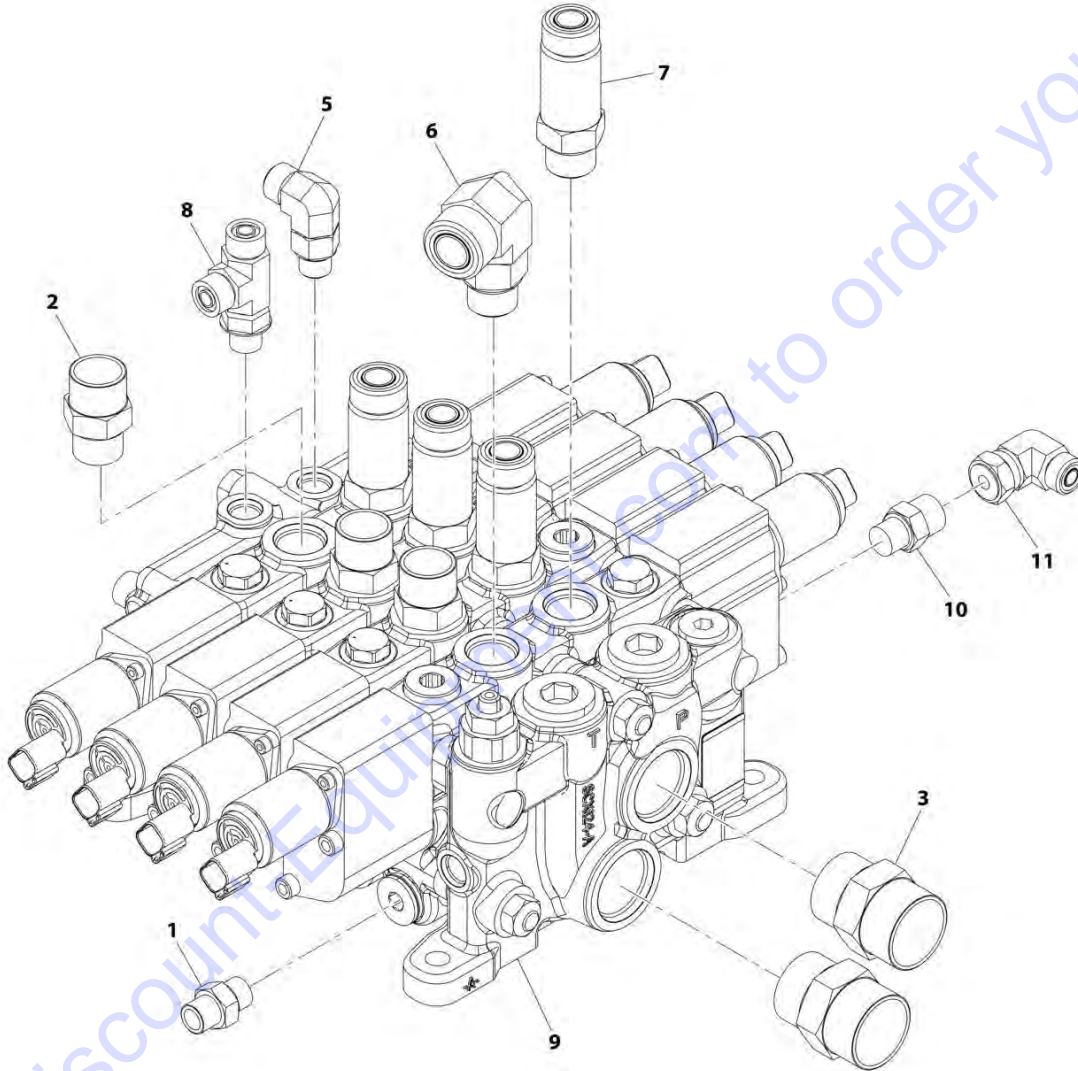
FIGURE 8-46. MAIN CONTROL VALVE ASSEMBLY (943, 1043) (Prior to SN 0160081535)

ITEM	PART NUMBER	QTY	DESCRIPTION	REV
	1001161321	Ref	Main Control Valve Assembly (943, 1043)	H
1	2110406	1	Fitting, Straight ORFS	
2	2111010	3	Fitting, Straight ORFS	
3	2111616	2	Fitting, Straight ORFS	
4	2130606	1	Fitting, 90 ORFS	
6	2170110	4	Fitting, Straight ORFS	
7		Ref	Valve, Main Control (See HYDRAULIC COMPONENTS for Breakdown)	
8	2110806	1	Fitting, Straight ORFS	
10	2131210	1	Fitting, 90 ORFS	

Go to Discount-Equipment.com to order your parts

SECTION 8 - HYDRAULIC CIRCUITS

FIGURE 8-47. MAIN CONTROL VALVE ASSEMBLY (742, 943, 1043)



ART_1001225752-C

SECTION 8 - HYDRAULIC CIRCUITS

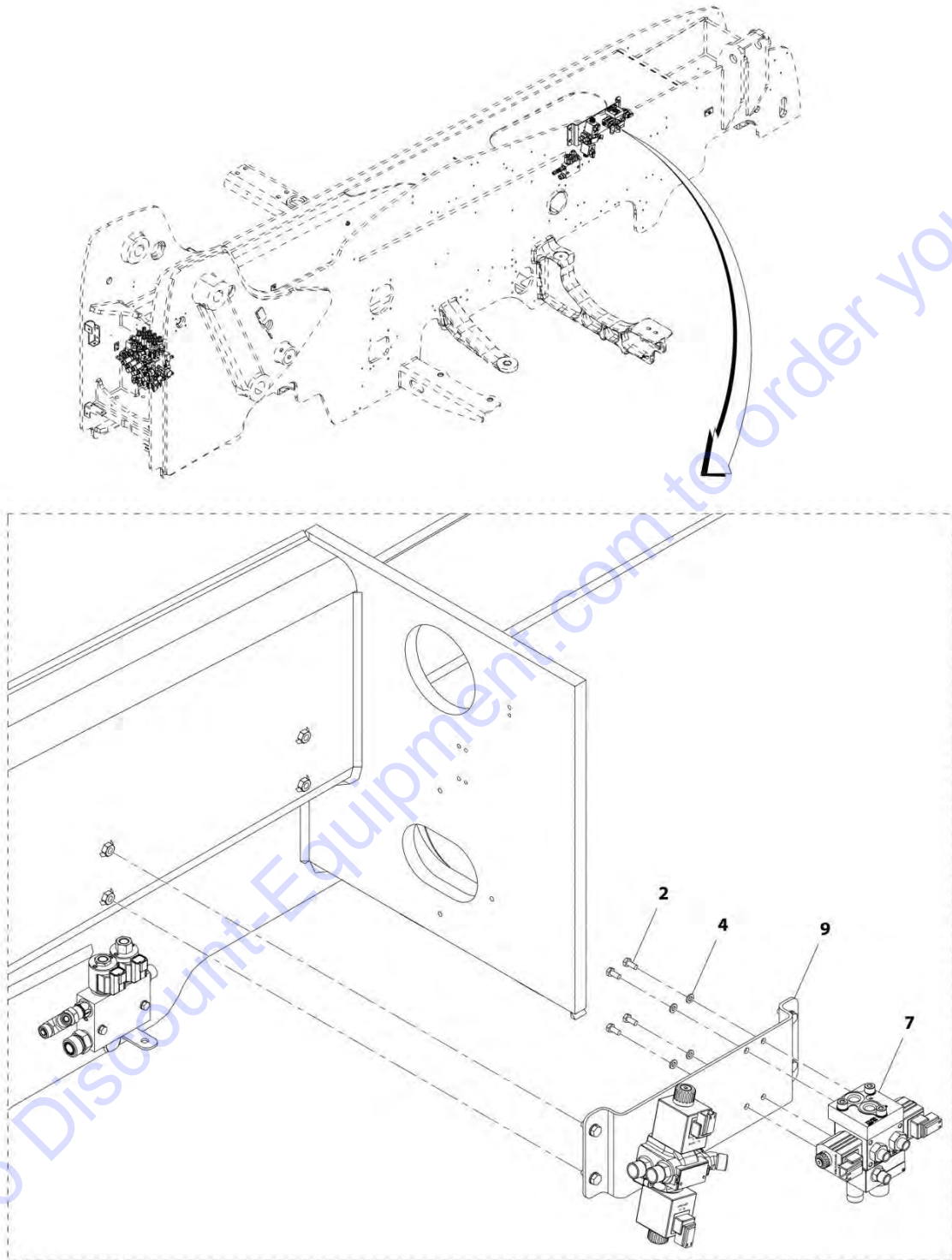
FIGURE 8-47. MAIN CONTROL VALVE ASSEMBLY (742, 943, 1043)

ITEM	PART NUMBER	QTY	DESCRIPTION	REV
	1001225752	Ref	Main Control Valve Assembly (742, 943, 1043)	C
1	2110406	1	Fitting, Straight ORFS	
2	2111010	3	Fitting, Straight ORFS	
3	2111616	2	Fitting, Straight ORFS	
5	2130606	1	Fitting, 90 ORFS	
6	2131210	1	Fitting, 90 ORFS	
7	2170110	4	Fitting, Straight ORFS	
8	2170306	1	Fitting, Tee ORFS	
9		Ref	Valve, Main Control (See Separate Breakdown in HYDRAULIC COMPONENTS Section)	
10	2110606	1	Fitting, Straight ORFS	
11	2172106	1	Adapter, 90	

Go to Discount-Equipment.com to order your parts

SECTION 8 - HYDRAULIC CIRCUITS

FIGURE 8-48. STEERING SELECT AND FRAME LEVEL VALVE INSTALLATION



ART_1001168465-D

SECTION 8 - HYDRAULIC CIRCUITS

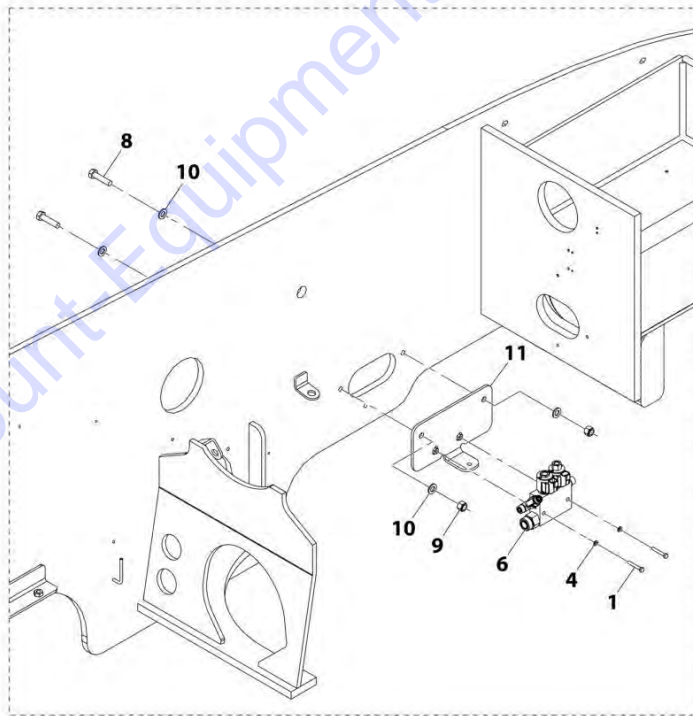
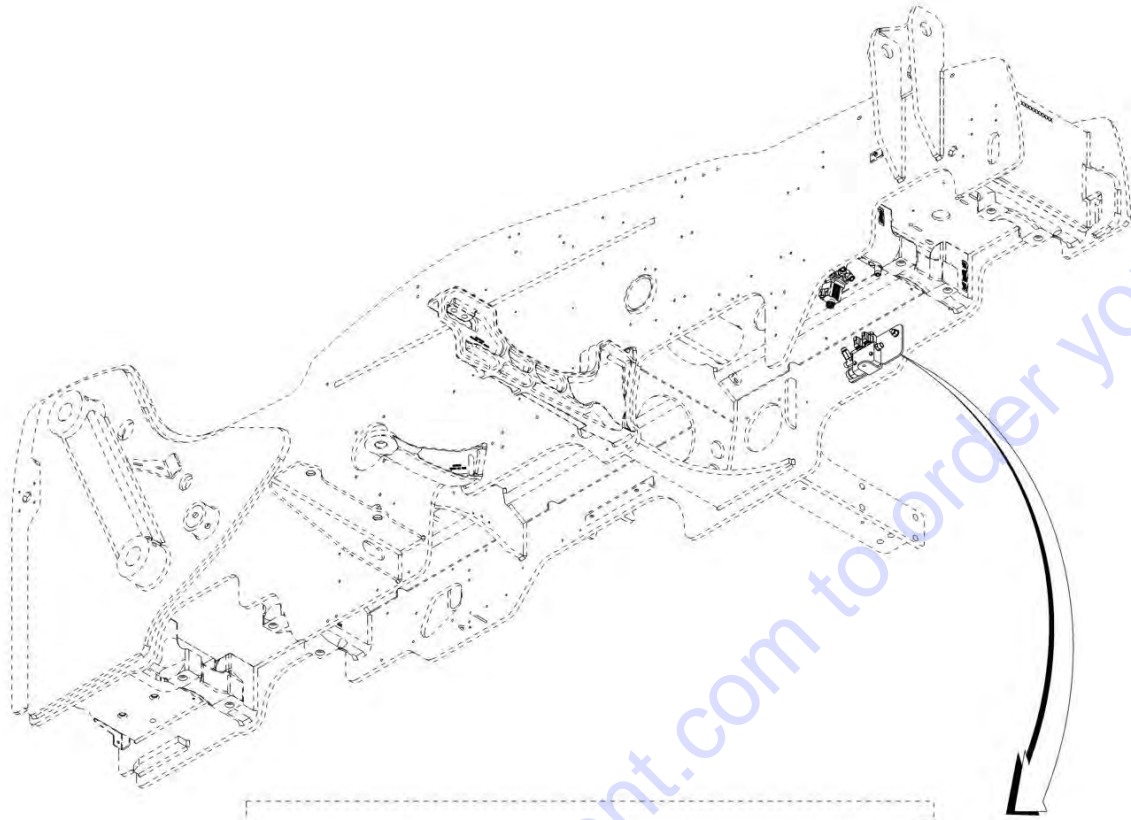
FIGURE 8-48. STEERING SELECT AND FRAME LEVEL VALVE INSTALLATION

ITEM	PART NUMBER	QTY	DESCRIPTION	REV
	1001168465	Ref	Steering Select and Frame Level Valve Installation	D
2	0760607	4	Bolt, M6X14	
4	4811700	4	Washer, M6	
7	1001169087	1	Assembly, Frame Level Valve (See FRAME LEVEL VALVE ASSEMBLY for Breakdown)	
9	1001168464	Ref	Installation, Steering Select Valve Mounting (See STEERING SELECT VALVE MOUNTING INSTALLATION for Breakdown)	

Go to Discount-Equipment.com to order your parts

SECTION 8 - HYDRAULIC CIRCUITS

FIGURE 8-49. PARK BRAKE INSTALLATION



ART_1001172370-E

SECTION 8 - HYDRAULIC CIRCUITS

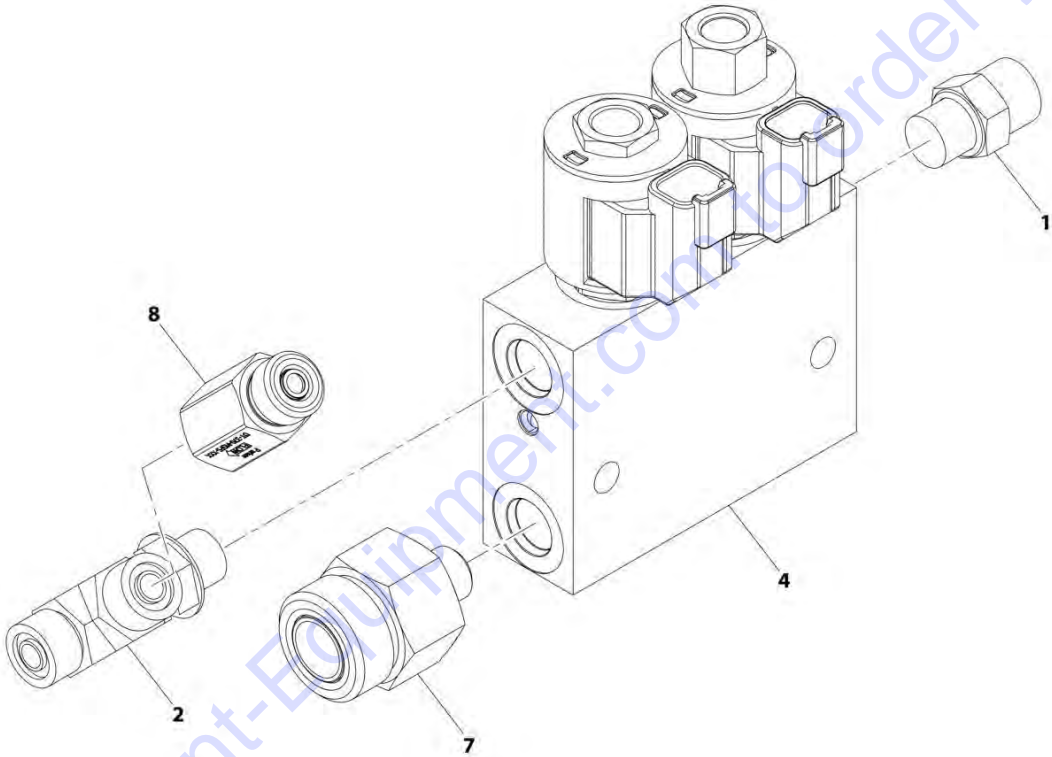
FIGURE 8-49. PARK BRAKE INSTALLATION

ITEM	PART NUMBER	QTY	DESCRIPTION	REV
	1001172370	Ref	Park Brake Installation	E
1	0700616	2	Bolt, M6X40	
4	4811700	2	Washer, M6	
6	1001170561	1	Installation, Park Brake Valve (See PARK BRAKE VALVE ASSEMBLY for Breakdown)	
8	0761218	2	Bolt, M12X50	
9	3291205	2	Nut, Lock M12X1.75 Grade 8	
10	4812100	4	Washer, M12	
11	1001225995	1	Bracket Assembly	

Go to Discount-Equipment.com to order your parts

SECTION 8 - HYDRAULIC CIRCUITS

FIGURE 8-50. PARK BRAKE VALVE ASSEMBLY



ART_1001170561-F

SECTION 8 - HYDRAULIC CIRCUITS

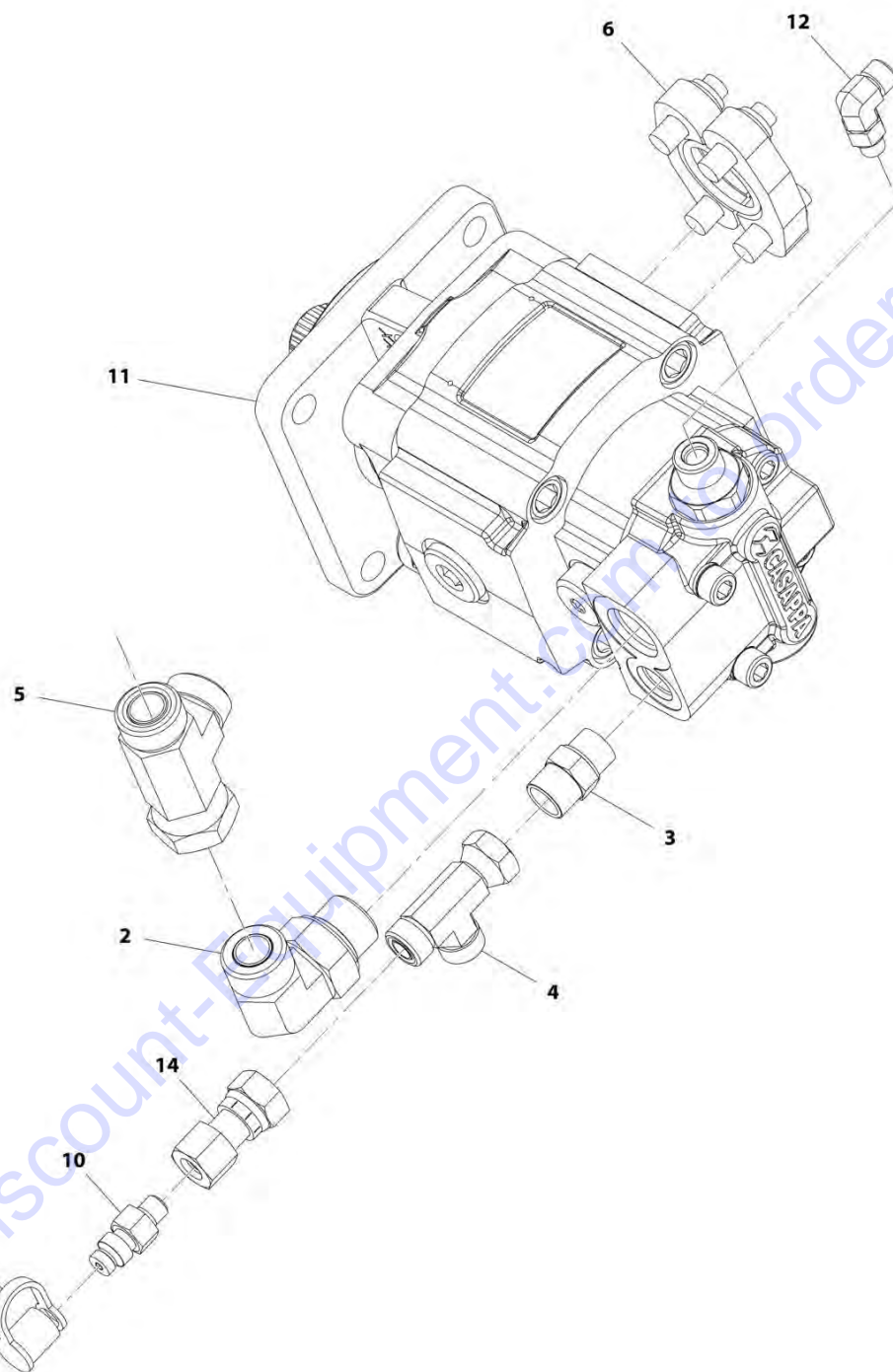
FIGURE 8-50. PARK BRAKE VALVE ASSEMBLY

ITEM	PART NUMBER	QTY	DESCRIPTION	REV
	1001170561	Ref	Park Brake Valve Assembly	F
1	2110606	1	Fitting, Straight ORFS	
2	2170306	1	Fitting, Tee ORFS	
4	1001164652	1	Valve, Park Brake (See HYDRAULIC COMPONENTS SECTION for Breakdown)	
7	1001207758	1	Fitting, Straight ORFS	
8	1001218781	1	Check Valve	

Go to Discount-Equipment.com to order your parts

SECTION 8 - HYDRAULIC CIRCUITS

FIGURE 8-51. PISTON PUMP ASSEMBLY (642, 742)



ART_1001171097-E

SECTION 8 - HYDRAULIC CIRCUITS

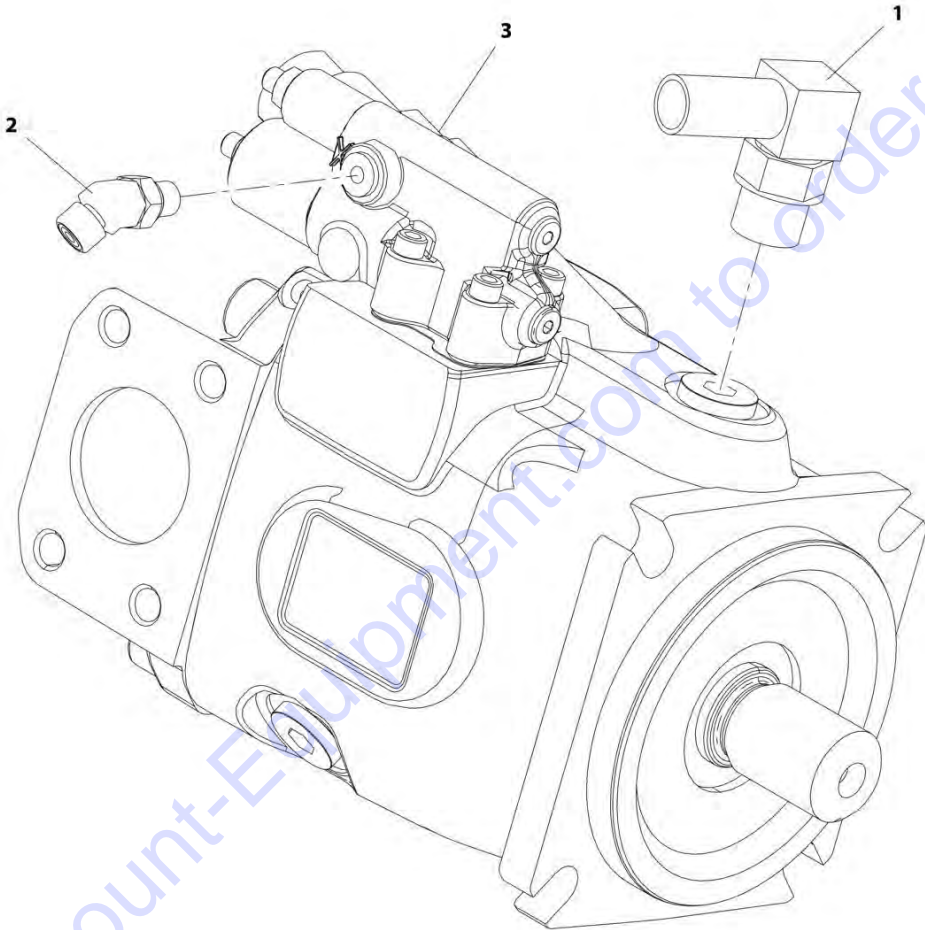
FIGURE 8-51. PISTON PUMP ASSEMBLY (642, 742)

ITEM	PART NUMBER	QTY	DESCRIPTION	REV
	1001171097	Ref	Piston Pump Assembly (642, 742)	E
2	2131212	1	Fitting, 90 ORFS	
3	2110808	1	Fitting, Straight ORFS	
4	2170708	1	Fitting, Tee ORFS	
5	2170712	1	Fitting, Tee ORFS	
6	2171820	1	Flange	
9	8430032	1	Plug	
10	8430033	1	Fitting, Straight	
11	1001163746	1	Assembly, Pump (See HYDRAULIC COMPONENTS SECTION for Breakdown)	
12	2130404	1	Fitting, 90 ORFS	
14	1001176529	1	Fitting, Straight ORFS	

Go to Discount-Equipment.com to order your parts

SECTION 8 - HYDRAULIC CIRCUITS

FIGURE 8-52. PISTON PUMP ASSEMBLY (943, 1043)



ART_1001162674-C

SECTION 8 - HYDRAULIC CIRCUITS

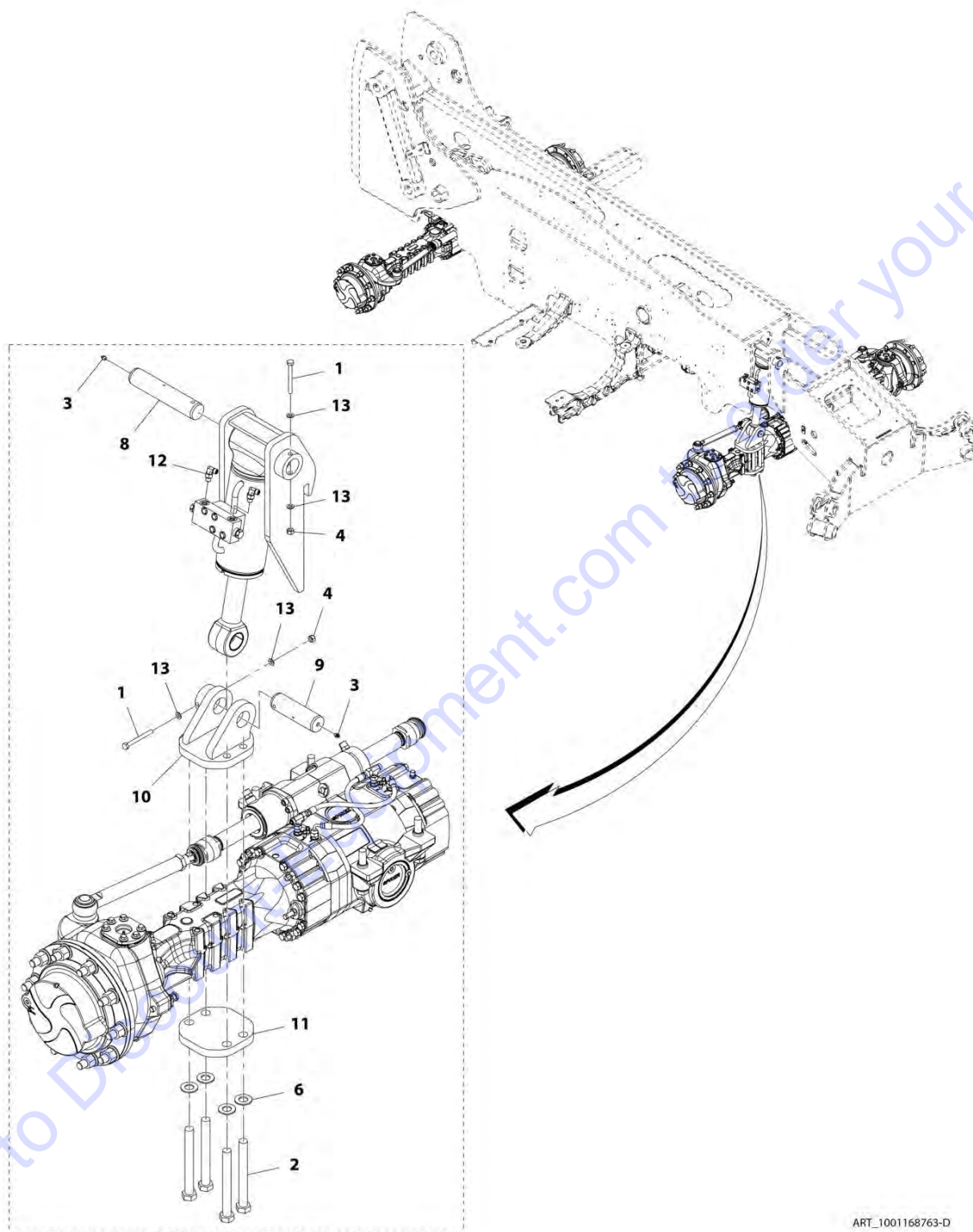
FIGURE 8-52. PISTON PUMP ASSEMBLY (943, 1043)

ITEM	PART NUMBER	QTY	DESCRIPTION	REV
	1001162674	Ref	Piston Pump Assembly (943, 1043)	C
1	8424217	1	Elbow, Fitting	
2	2150404	1	Fitting, 45 ORFS	
3	1001182279	1	Piston Pump (See HYDRAULIC COMPONENTS SECTION for Breakdown)	

Go to Discount-Equipment.com to order your parts

SECTION 8 - HYDRAULIC CIRCUITS

FIGURE 8-53. FRAME LEVEL INSTALLATION (642, 742)



ART_1001168763-D

SECTION 8 - HYDRAULIC CIRCUITS

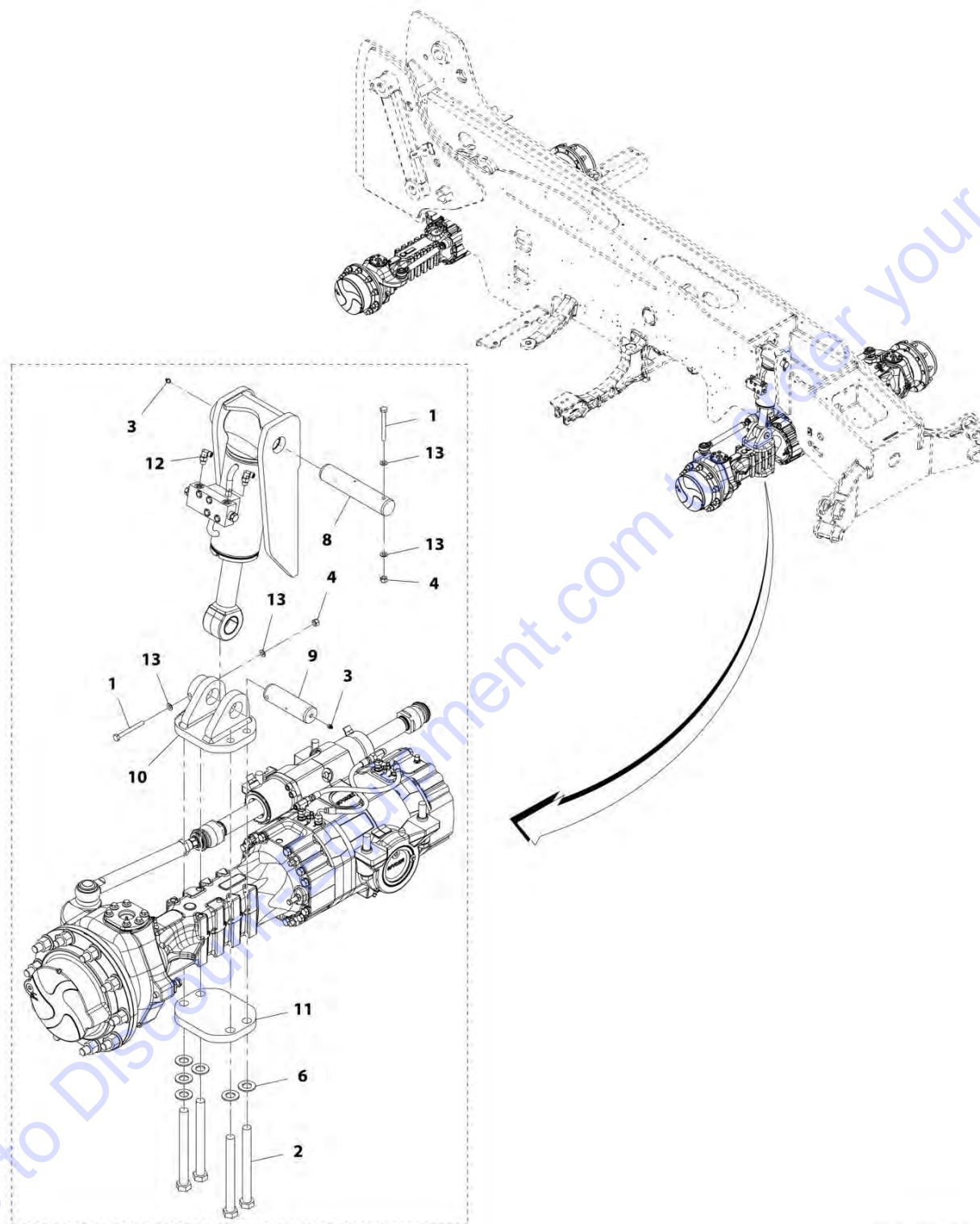
FIGURE 8-53. FRAME LEVEL INSTALLATION (642, 742)

ITEM	PART NUMBER	QTY	DESCRIPTION	REV
	1001168763	Ref	Frame Level Installation (642, 742)	D
1	0711027	2	Bolt, M10X100	
2	0712439	4	Bolt, M24X220	
3	2160016	2	Fitting, Grease	
4	3291005	2	Nut, Lock M10X1.5	
6	5242400	4	Washer, M24	
8	1001164971	1	Pin	
9	1001164972	1	Pin	
10	1001182545	1	Bracket	
11	1001182908	1	Plate	
12	2130406	2	Fitting, 90 ORFS	
13	4812000	4	Washer, M10	

Go to Discount-Equipment.com to order your parts

SECTION 8 - HYDRAULIC CIRCUITS

FIGURE 8-54. FRAME LEVEL INSTALLATION (943, 1043)



ART_1001168764-G

SECTION 8 - HYDRAULIC CIRCUITS

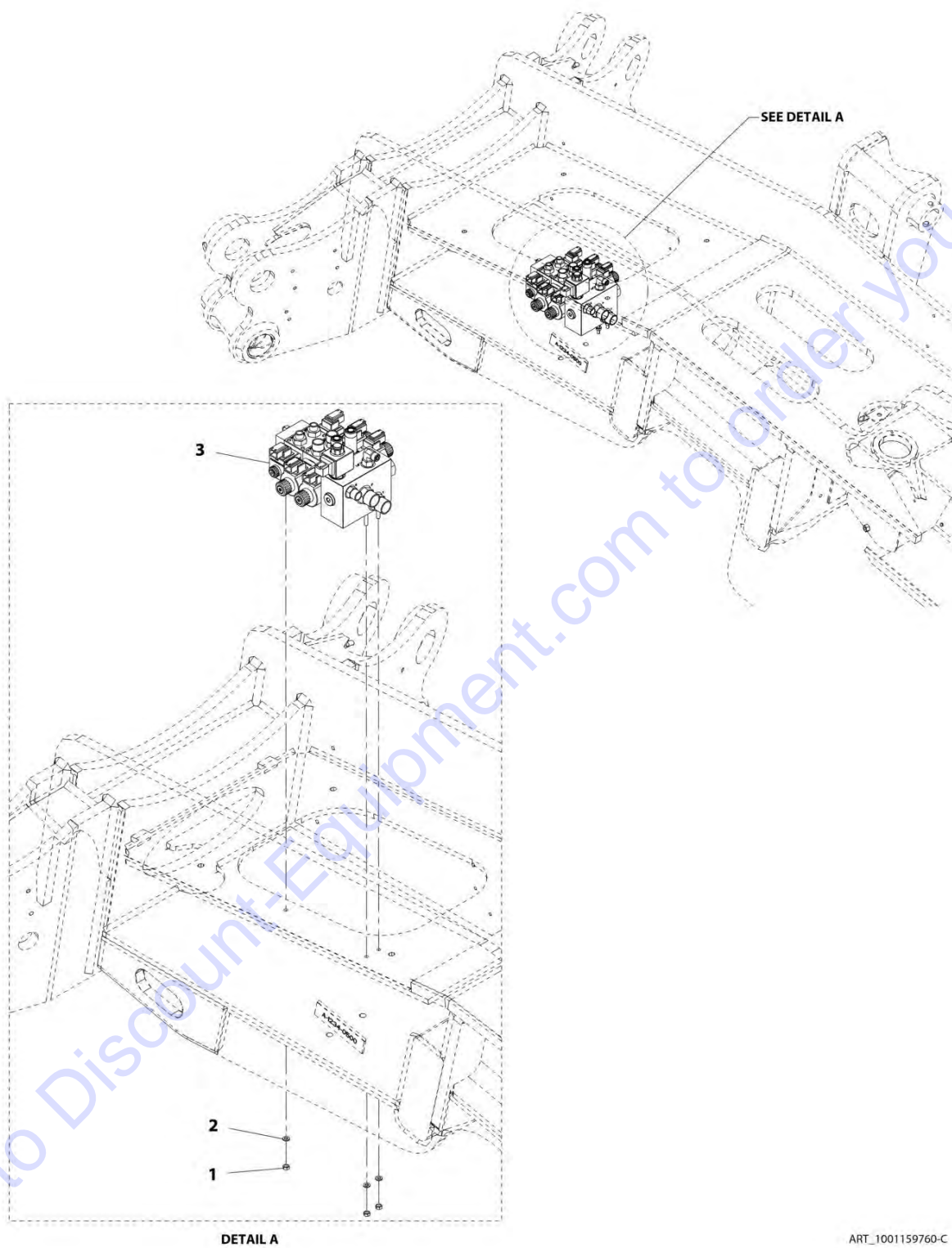
FIGURE 8-54. FRAME LEVEL INSTALLATION (943, 1043)

ITEM	PART NUMBER	QTY	DESCRIPTION	REV
	1001168764	Ref	Frame Level Installation (943, 1043)	G
1	0711027	2	Bolt, M10X100	
2	0712442	4	Bolt, M24X250	
3	2160016	2	Fitting, Grease	
4	3291005	2	Nut, Lock M10X1.5	
6	5242400	6	Washer, M24	
8	1001164971	1	Pin	
9	1001164972	1	Pin	
10	1001167697	1	Bracket	
11	1001168629	1	Plate	
12	2130406	2	Fitting, 90 ORFS	
13	4812000	4	Washer, M10	

Go to Discount-Equipment.com to order your parts

SECTION 8 - HYDRAULIC CIRCUITS

FIGURE 8-55. FRAME LEVEL AND OUTRIGGER VALVE INSTALLATION



SECTION 8 - HYDRAULIC CIRCUITS

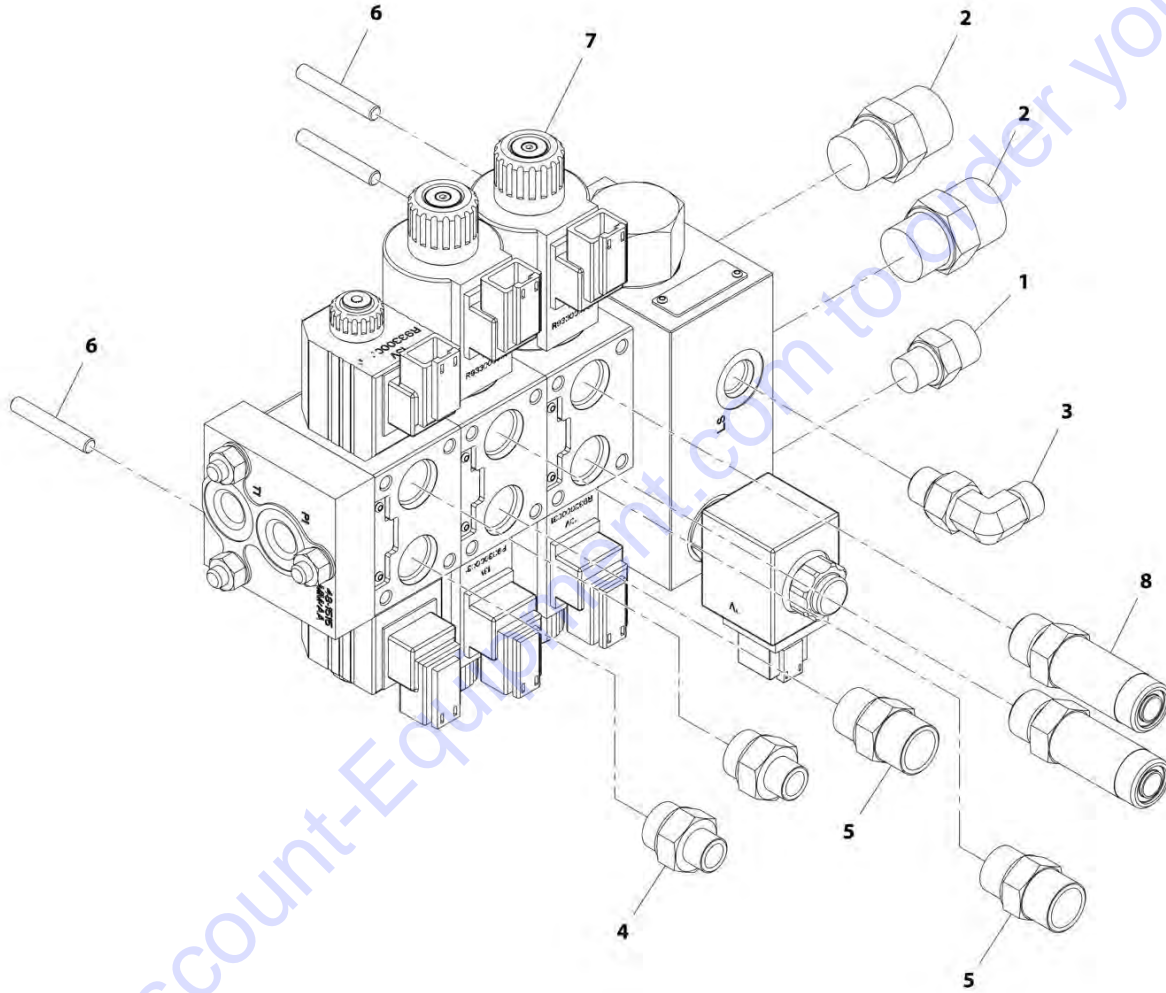
FIGURE 8-55. FRAME LEVEL AND OUTRIGGER VALVE INSTALLATION

ITEM	PART NUMBER	QTY	DESCRIPTION	REV
	1001159760	Ref	Frame Level and Outrigger Valve Installation	C
1	3290601	3	Nut, M6X1	
2	4811700	3	Washer, M6	
3	1001159847	1	Assembly, Frame Level and Outrigger Valve (See FRAME LEVEL AND OUTRIGGER VALVE ASSEMBLY for Breakdown)	

Go to Discount-Equipment.com to order your parts

SECTION 8 - HYDRAULIC CIRCUITS

FIGURE 8-56. FRAME LEVEL AND OUTRIGGER VALVE ASSEMBLY



ART_1001159847-E

SECTION 8 - HYDRAULIC CIRCUITS

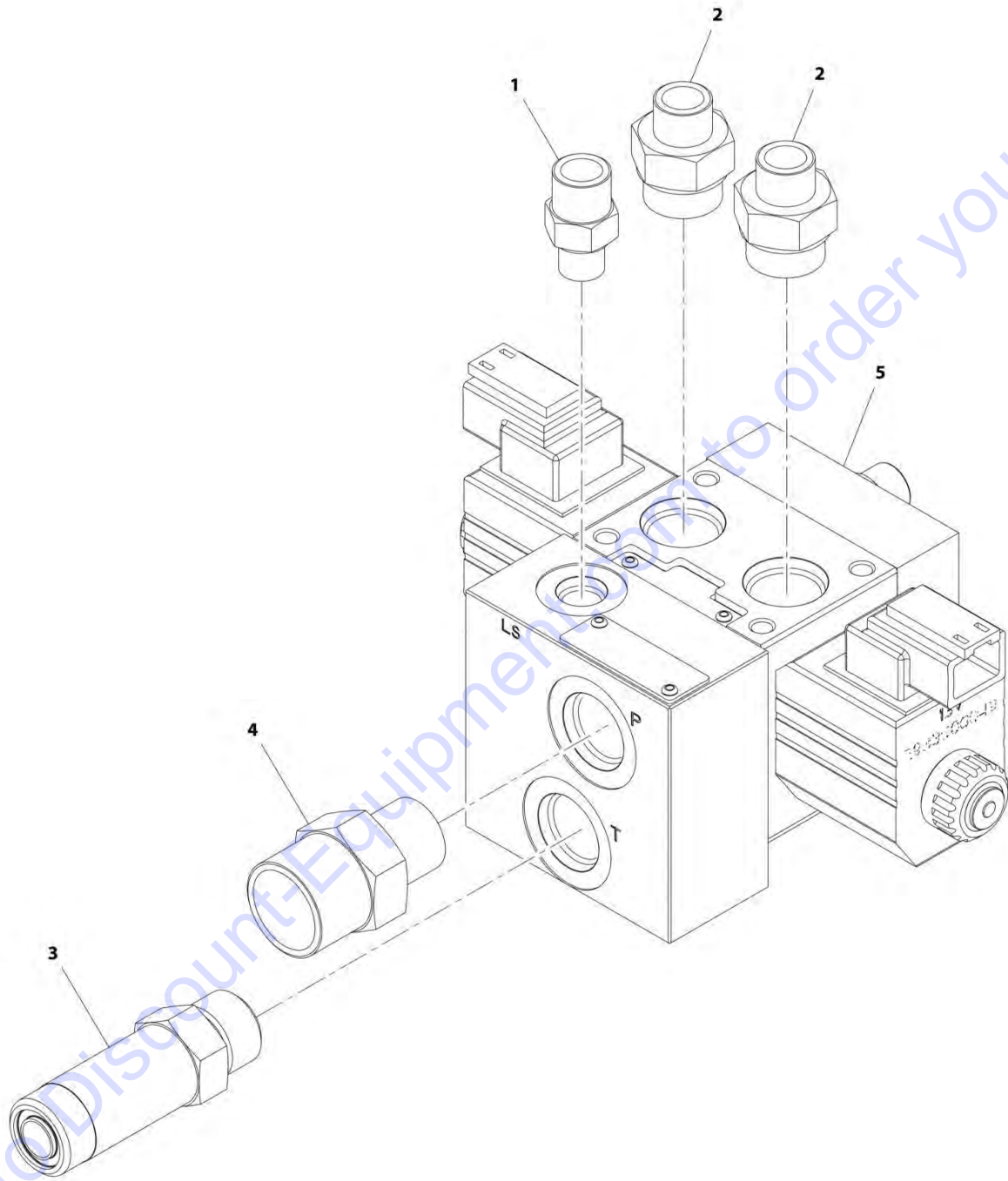
FIGURE 8-56. FRAME LEVEL AND OUTRIGGER VALVE ASSEMBLY

ITEM	PART NUMBER	QTY	DESCRIPTION	REV
	1001159847	1	Frame Level and Outrigger Valve Assembly	E
1	2110606	1	Fitting, Straight	
2	2111010	2	Fitting, Straight ORFS	
3	2130406	1	Fitting, 90 ORFS	
4	2110408	2	Fitting, Straight ORFS	
5	2110808	2	Fitting, Straight ORFS	
6	1001177702	3	Stud, M6X40	
7	1001157972	1	Valve, Frame Level and Outrigger (See HYDRAULIC COMPONENTS SECTION for Breakdown)	
8	2170108	2	Fitting	

Go to Discount-Equipment.com to order your parts

SECTION 8 - HYDRAULIC CIRCUITS

FIGURE 8-57. FRAME LEVEL VALVE ASSEMBLY



ART_1001169087-E

SECTION 8 - HYDRAULIC CIRCUITS

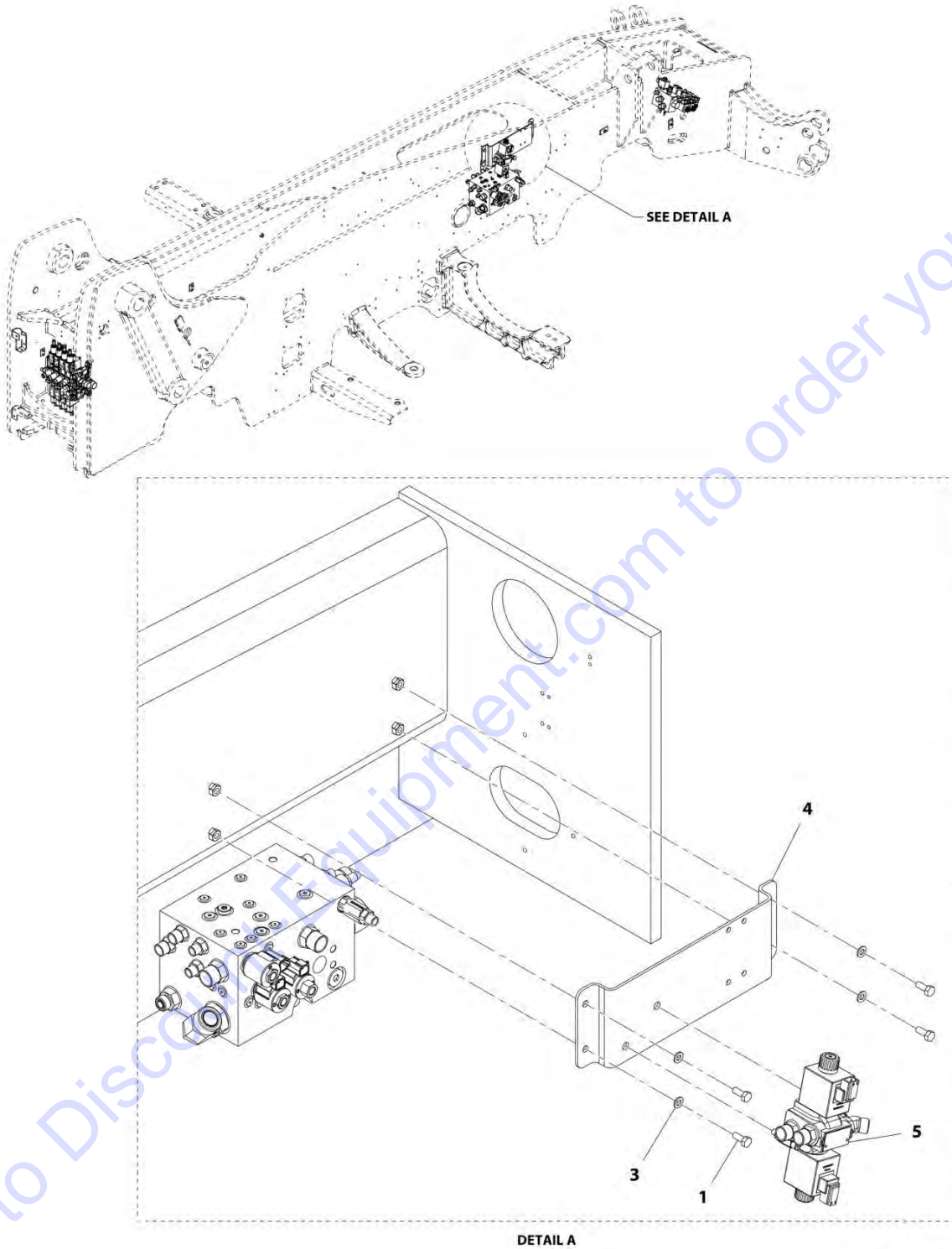
FIGURE 8-57. FRAME LEVEL VALVE ASSEMBLY

ITEM	PART NUMBER	QTY	DESCRIPTION	REV
	1001169087	1	Frame Level Valve Assembly	E
1	2110404	1	Fitting, Straight ORFS	
2	2110408	2	Fitting, Straight ORFS	
3	2170108	1	Fitting, Straight ORFS	
4	2111008	1	Fitting, Straight ORFS	
5	1001162959	1	Valve, Frame Level (See HYDRAULIC COMPONENTS SECTION for Breakdown)	

Go to Discount-Equipment.com to order your parts

SECTION 8 - HYDRAULIC CIRCUITS

FIGURE 8-58. STEERING SELECT VALVE MOUNTING INSTALLATION



ART_1001168464-E

SECTION 8 - HYDRAULIC CIRCUITS

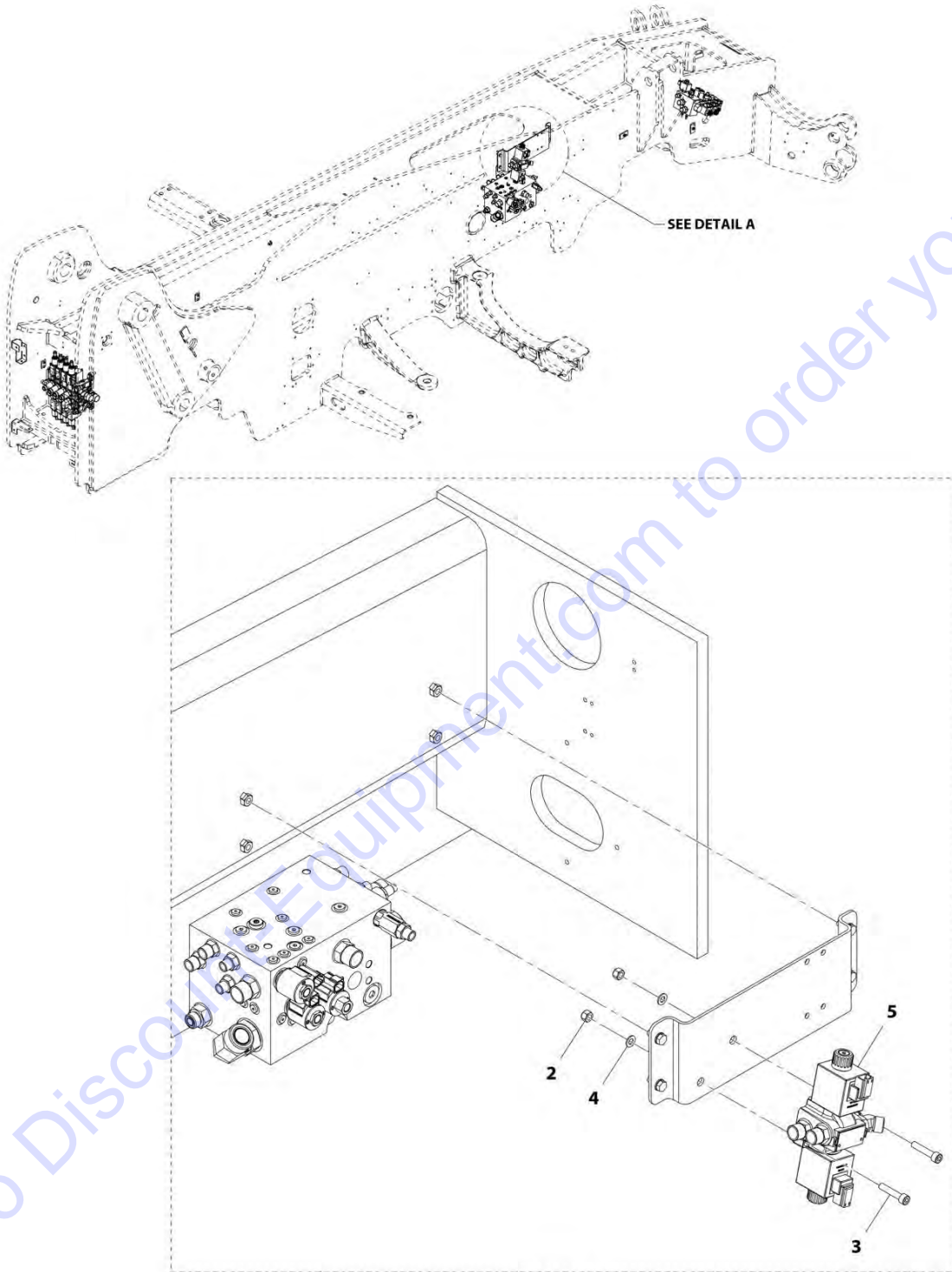
FIGURE 8-58. STEERING SELECT VALVE MOUNTING INSTALLATION

ITEM	PART NUMBER	QTY	DESCRIPTION	REV
	1001168464	Ref	Steering Select Valve Mounting Installation	E
1	0760810	4	Bolt, M8X20	
3	4811900	4	Washer, M8	
4	1001167437	1	Bracket	
5	1001173702	Ref	Installation, Steering Select Valve (See STEERING SELECT VALVE INSTALLATION for Breakdown)	

Go to Discount-Equipment.com to order your parts

SECTION 8 - HYDRAULIC CIRCUITS

FIGURE 8-59. STEERING SELECT VALVE INSTALLATION



ART_1001173702-D

SECTION 8 - HYDRAULIC CIRCUITS

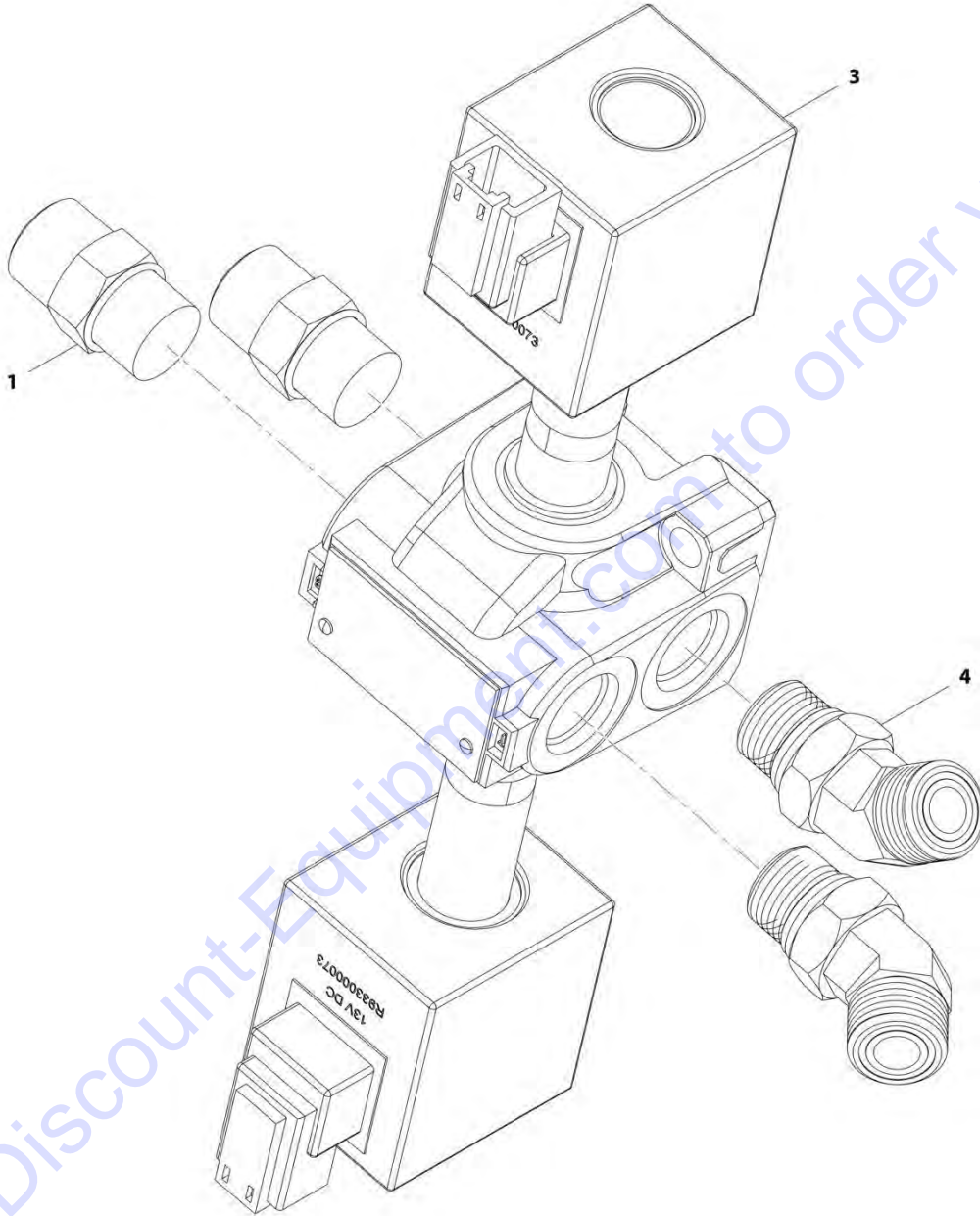
FIGURE 8-59. STEERING SELECT VALVE INSTALLATION

ITEM	PART NUMBER	QTY	DESCRIPTION	REV
	1001173702	Ref	Steering Select Valve Installation	D
2	3290805	2	Nut, Lock M8X1.25	
3	4031912	2	Bolt, M8X40	
4	4811900	2	Washer, M8	
5	1001161304	1	Assembly, Valve (See STEERING SELECT VALVE ASSEMBLY for Breakdown)	

Go to Discount-Equipment.com to order your parts

SECTION 8 - HYDRAULIC CIRCUITS

FIGURE 8-60. STEERING SELECT VALVE ASSEMBLY



ART_1001161304-B

SECTION 8 - HYDRAULIC CIRCUITS

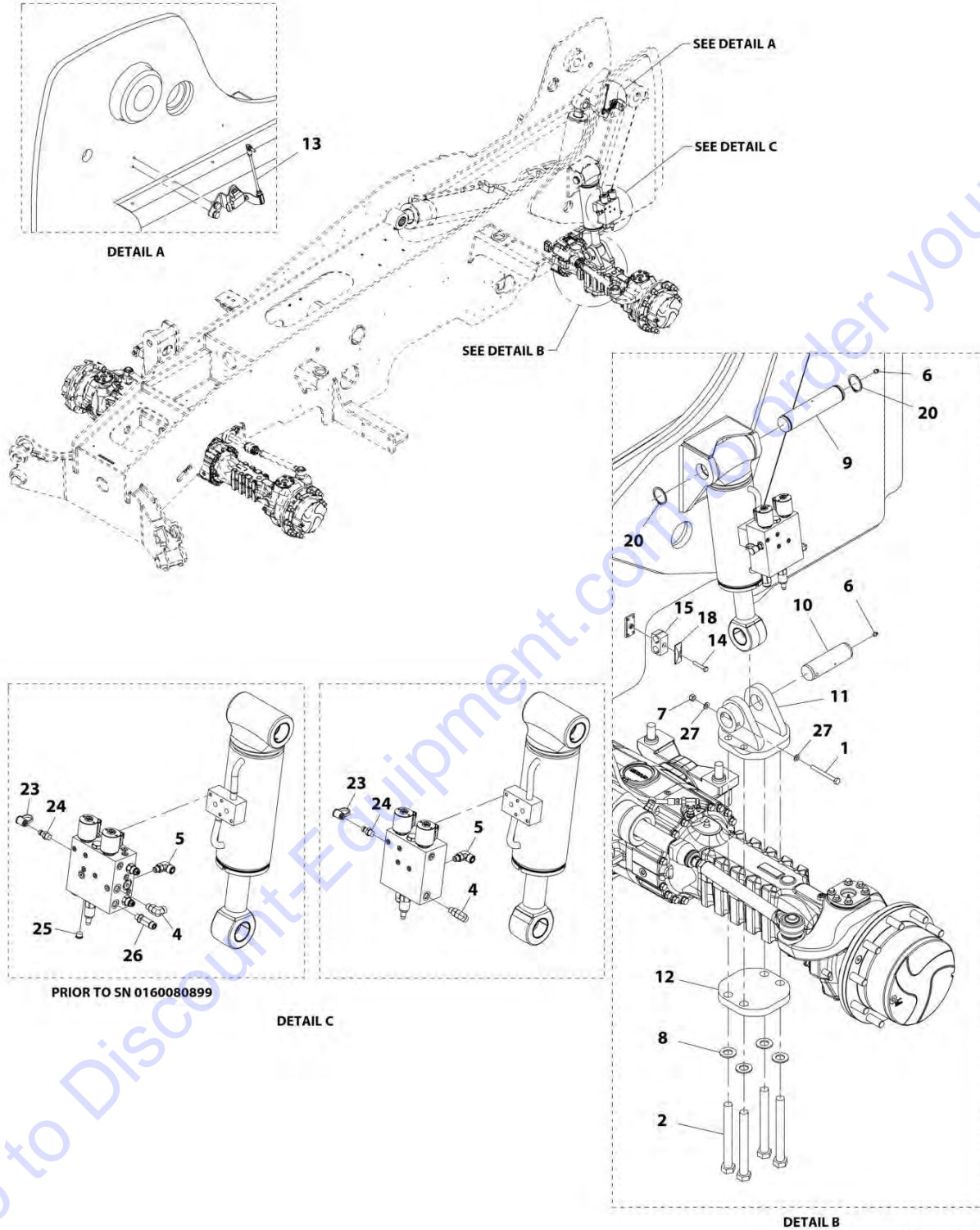
FIGURE 8-60. STEERING SELECT VALVE ASSEMBLY

ITEM	PART NUMBER	QTY	DESCRIPTION	REV
	1001161304	Ref	Steering Select Valve Assembly	B
1	2110808	2	Fitting, Straight ORFS	
3	1001153748	1	Assembly, Valve (See HYDRAULIC COMPONENTS SECTION for Breakdown)	
4	2150808	2	Fitting, 45 ORFS	

Go to Discount-Equipment.com to order your parts

SECTION 8 - HYDRAULIC CIRCUITS

FIGURE 8-61. REAR AXLE STABILIZER INSTALLATION (642, 742)



ART_1001182910-G

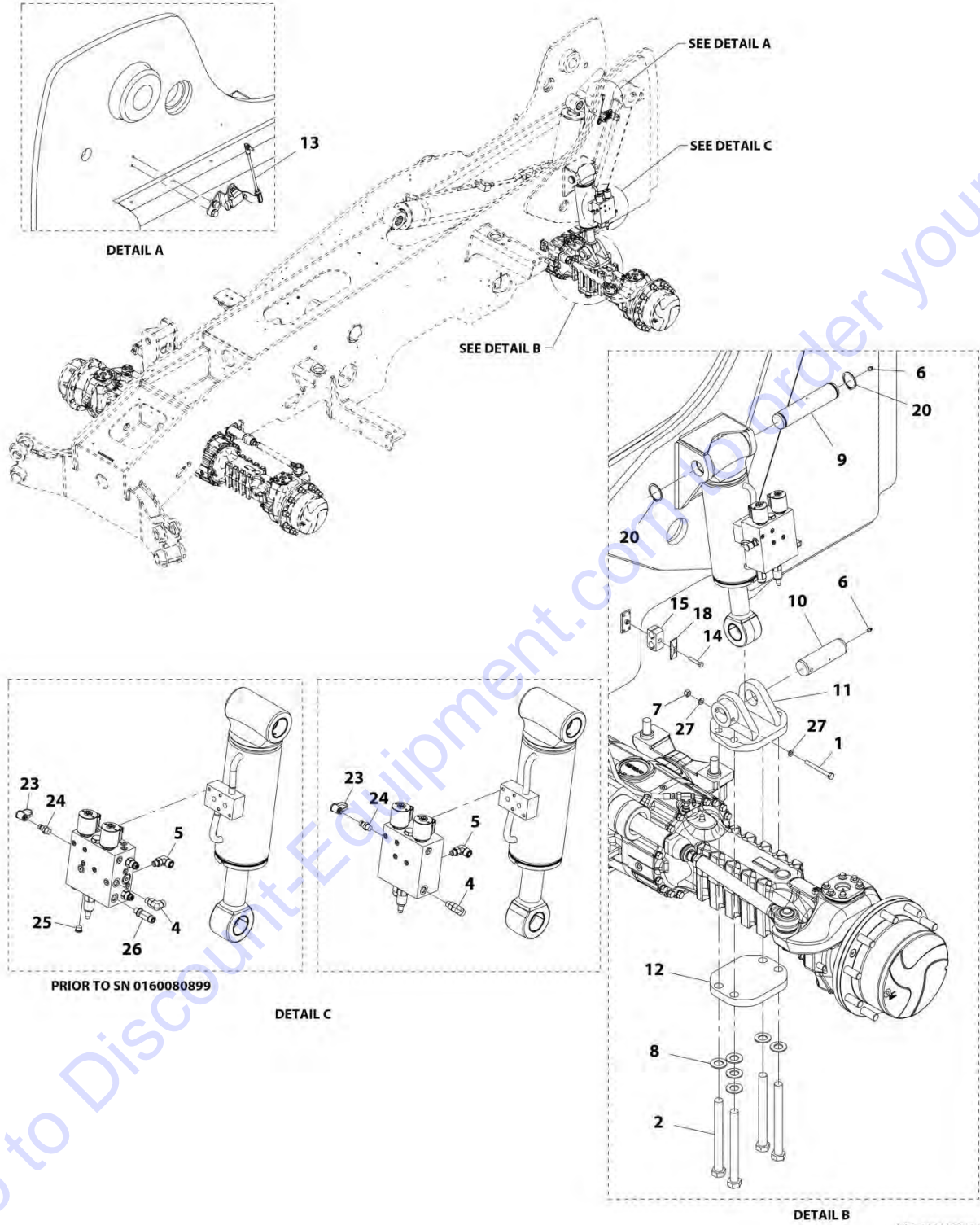
SECTION 8 - HYDRAULIC CIRCUITS

FIGURE 8-61. REAR AXLE STABILIZER INSTALLATION (642, 742)

ITEM	PART NUMBER	QTY	DESCRIPTION	REV
	1001182910	Ref	Rear Axle Stabilizer Installation (642, 742)	G
1	0711027	1	Bolt, M10X100	
2	0712439	4	Bolt, M10.9X24	
4	2130606	1	Fitting, 90 ORFS	
5	2130806	1	Fitting, 90 ORFS	
6	2160016	2	Fitting, Grease	
7	3291005	1	Bolt, M10X1.5	
8	5242400	4	Washer, M24	
9	1001192341	1	Pin	
10	1001164972	1	Pin	
11	1001182903	1	Bracket	
12	1001182908	1	Plate	
13	1001184056	1	Installation, Boom Angle Sensor (See BOOM ANGLE SENSOR INSTALLATION for Breakdown)	
14	0760817	1	Bolt, M8X45	
15	8750016	1	Clamp	
18	77133137	1	Plate	
20	3760493	2	Ring, Retaining	
23	8430032	1	Plug	
24	1001003590	1	Fitting, Straight	
25	2220885	1	Plug (Prior to SN 0160080899)	
26	2170306	1	Fitting, Tee ORFS (Prior to SN 0160080899)	
27	4812000	2	Washer, M10	

SECTION 8 - HYDRAULIC CIRCUITS

FIGURE 8-62. REAR AXLE STABILIZER INSTALLATION (943, 1043)



ART_1001182911-I

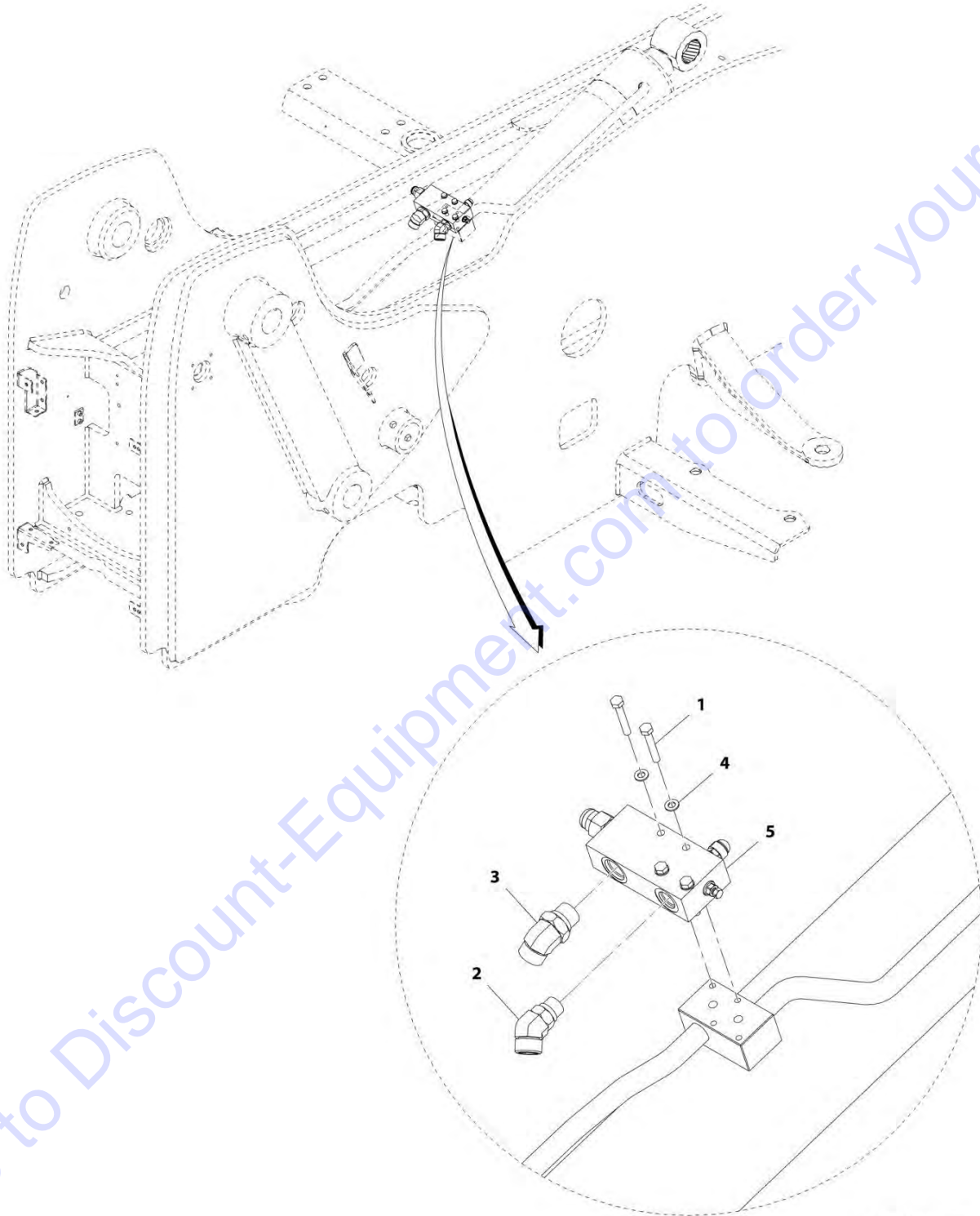
SECTION 8 - HYDRAULIC CIRCUITS

FIGURE 8-62. REAR AXLE STABILIZER INSTALLATION (943, 1043)

ITEM	PART NUMBER	QTY	DESCRIPTION	REV
	1001182911	Ref	Rear Axle Stabilizer Installation (943, 1043)	I
1	0711027	1	Bolt, M10X100	
2	0712442	4	Bolt, M24X250	
4	2130606	1	Fitting, 90 ORFS	
5	2130806	1	Fitting, 90 ORFS	
6	2160016	2	Fitting, Grease	
7	3291005	1	Nut, Lock M10X1.5	
8	5242400	6	Washer, M24	
9	1001192341	1	Pin	
10	1001164972	1	Pin	
11	1001167697	1	Bracket	
12	1001168629	1	Plate	
13	1001184056	Ref	Installation, Boom Angle Sensor (See BOOM ANGLE SENSOR INSTALLATION for Breakdown)	
14	0760817	1	Bolt, M8X45	
15	8750016	1	Clamp	
18	77133137	1	Plate	
20	3760493	2	Ring, Retaining	
23	8430032	1	Plug	
24	1001003590	1	Fitting, Straight	
25	2220885	1	Plug (Prior to SN 0160080899)	
26	2170306	1	Fitting, Tee ORFS (Prior to SN 0160080899)	
27	4812000	2	Washer, M10	

SECTION 8 - HYDRAULIC CIRCUITS

FIGURE 8-63. COUNTERBALANCE VALVE INSTALLATION (LIFT - NON PGLS NO RIDE CONTROL)
(642, 943, 1043)



ART_1001175843-C

SECTION 8 - HYDRAULIC CIRCUITS

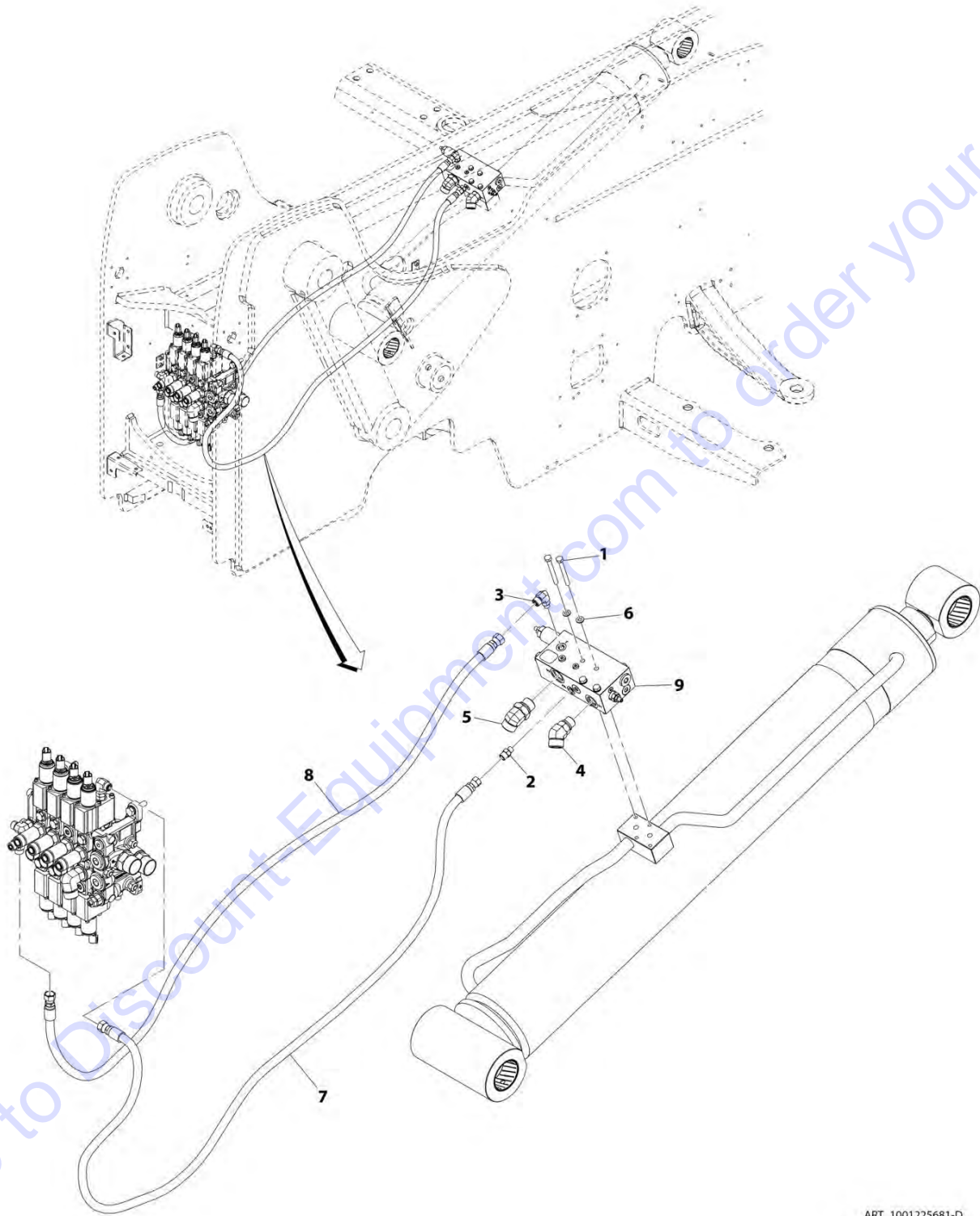
**FIGURE 8-63. COUNTERBALANCE VALVE INSTALLATION (LIFT - NON PGLS NO RIDE CONTROL)
(642, 943, 1043)**

ITEM	PART NUMBER	QTY	DESCRIPTION	REV
	1001175843	Ref	Counterbalance Valve Installation (Lift - No Ride Control)	C
1	0700818	4	Bolt, M8X50	
2	2151210	1	Fitting, 45 ORFS	
3	2151212	1	Fitting, 45 ORFS	
4	4811900	4	Washer, M8	
5	1001168597	1	Valve, Counterbalance	

Go to Discount-Equipment.com to order your parts

SECTION 8 - HYDRAULIC CIRCUITS

FIGURE 8-64. COUNTERBALANCE VALVE INSTALLATION (LIFT - PGLS NO RIDE CONTROL) (742 (74HP), 943, 1043)



ART_1001225681-D

SECTION 8 - HYDRAULIC CIRCUITS

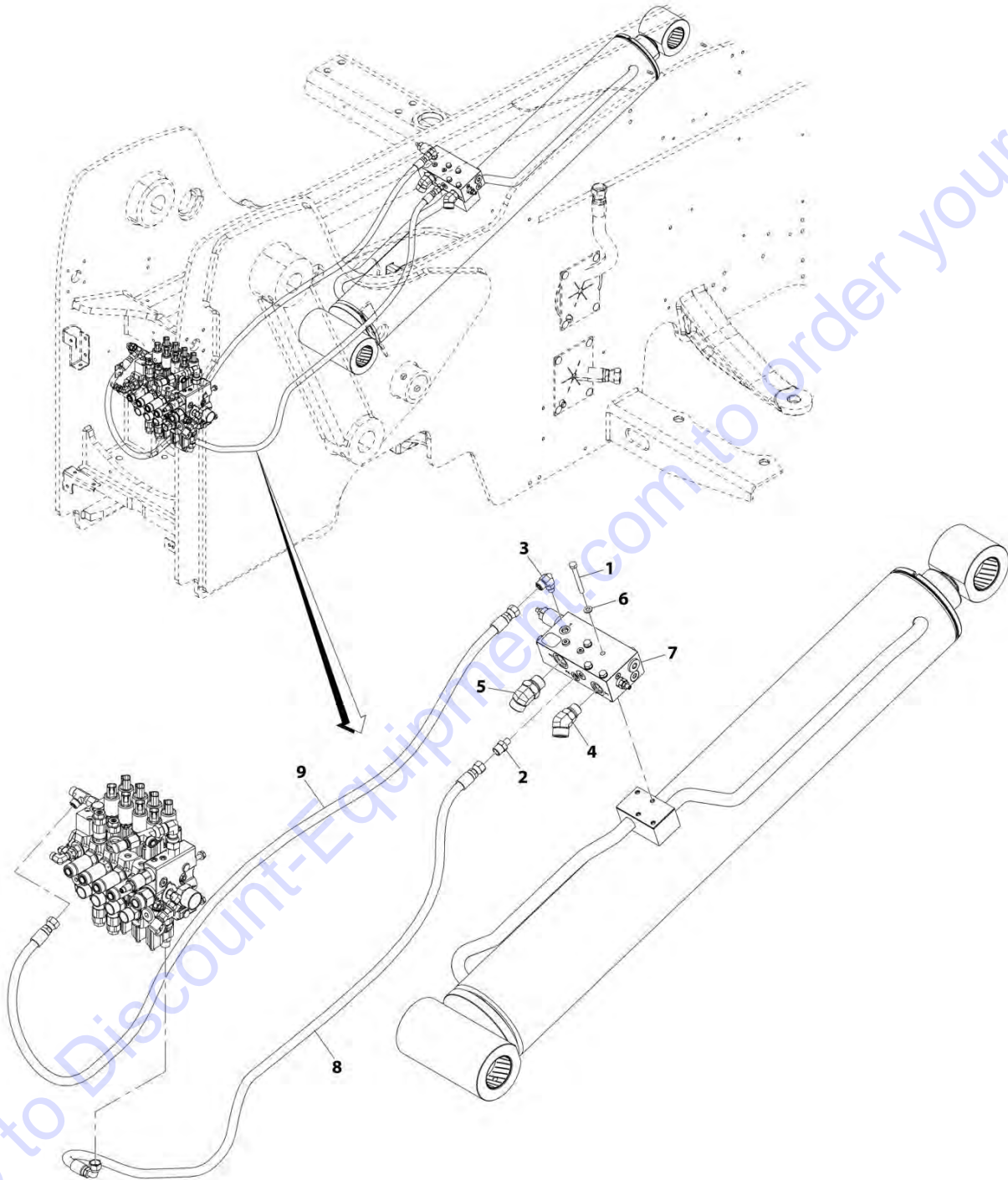
FIGURE 8-64. COUNTERBALANCE VALVE INSTALLATION (LIFT - PGLS NO RIDE CONTROL) (742 (74HP), 943, 1043)

ITEM	PART NUMBER	QTY	DESCRIPTION	REV
	1001225681	Ref	Counterbalance Valve Installation (Lift - PGLS No Ride Control) (742 (74HP), 943, 1043)	D
1	0700823	4	Bolt, M8X75	
2	2110404	1	Fitting, Straight ORFS	
3	2130604	1	Fitting, 90 ORFS	
4	2151210	1	Fitting, 45 ORFS	
5	2151212	1	Fitting, 45 ORFS	
6	4811900	4	Washer, M8	
7	1001225462	1	Hose	
8	1001225464	1	Hose	
9	1001226035	1	Valve, Counterbalance (PGLS)	

Go to Discount-Equipment.com to order your parts

SECTION 8 - HYDRAULIC CIRCUITS

FIGURE 8-65. COUNTERBALANCE VALVE INSTALLATION (LIFT - PGLS NO RIDE CONTROL 110HP)
(742)



ART_1001232296-A

SECTION 8 - HYDRAULIC CIRCUITS

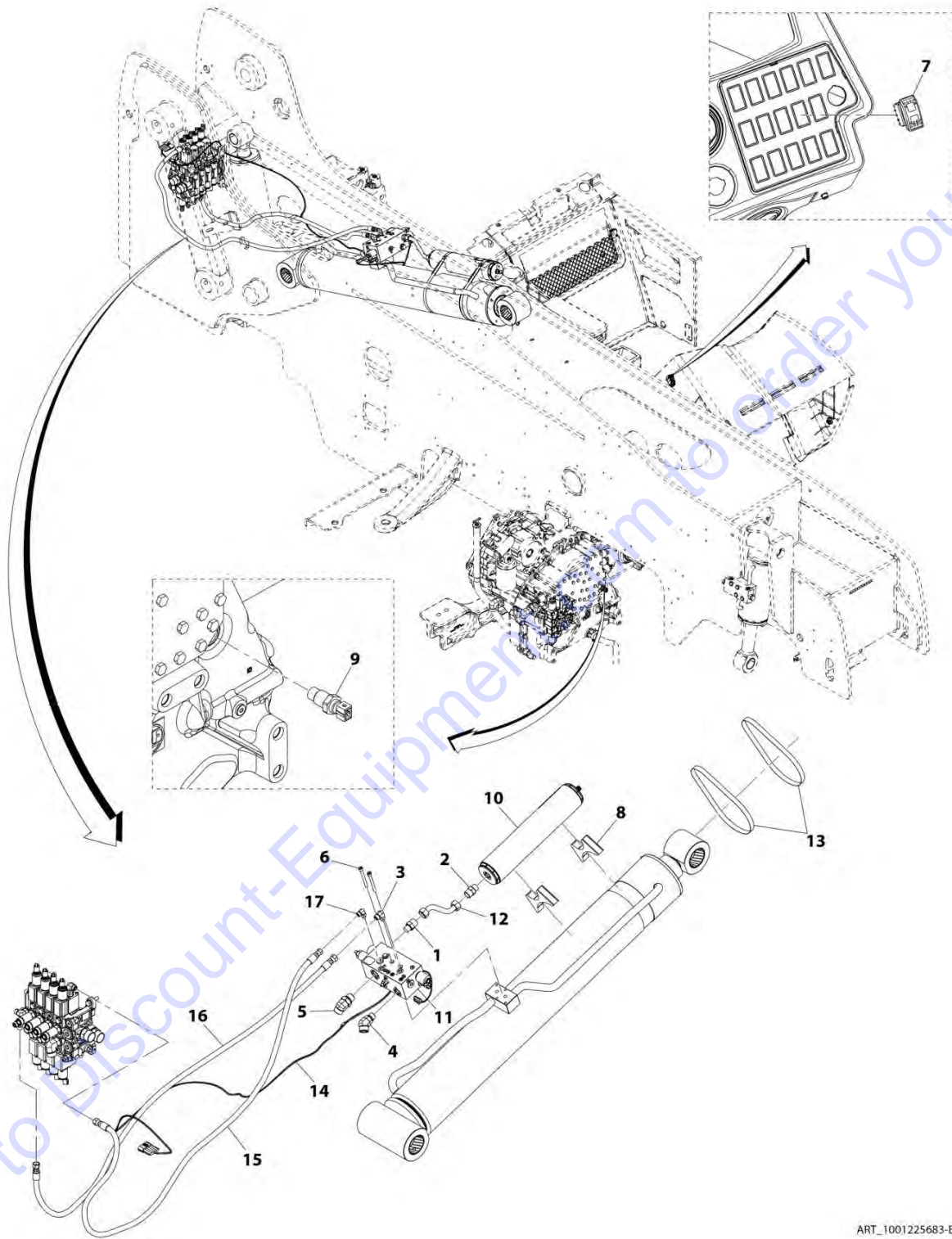
**FIGURE 8-65. COUNTERBALANCE VALVE INSTALLATION (LIFT - PGLS NO RIDE CONTROL 110HP)
(742)**

ITEM	PART NUMBER	QTY	DESCRIPTION	REV
	1001232296	Ref	Counterbalance Valve Installation (Lift - PGLS No Ride Control 110HP) (742)	A
1	0700823	4	Bolt, M8X75	
2	2110604	1	Fitting, Straight ORFS	
3	2130604	1	Fitting, 90 ORFS	
4	2151210	1	Fitting, 45 ORFS	
5	2151212	1	Fitting, 45 ORFS	
6	4811900	4	Washer, M8	
7	1001226035	1	Valve, Counterbalance (PGLS)	
8	1001232294	1	Hose	
9	1001232295	1	Hose	

Go to Discount-Equipment.com to order your parts

SECTION 8 - HYDRAULIC CIRCUITS

FIGURE 8-66. COUNTERBALANCE VALVE INSTALLATION (LIFT - PGLS RIDE CONTROL 74HP) (742)



ART_1001225683-E

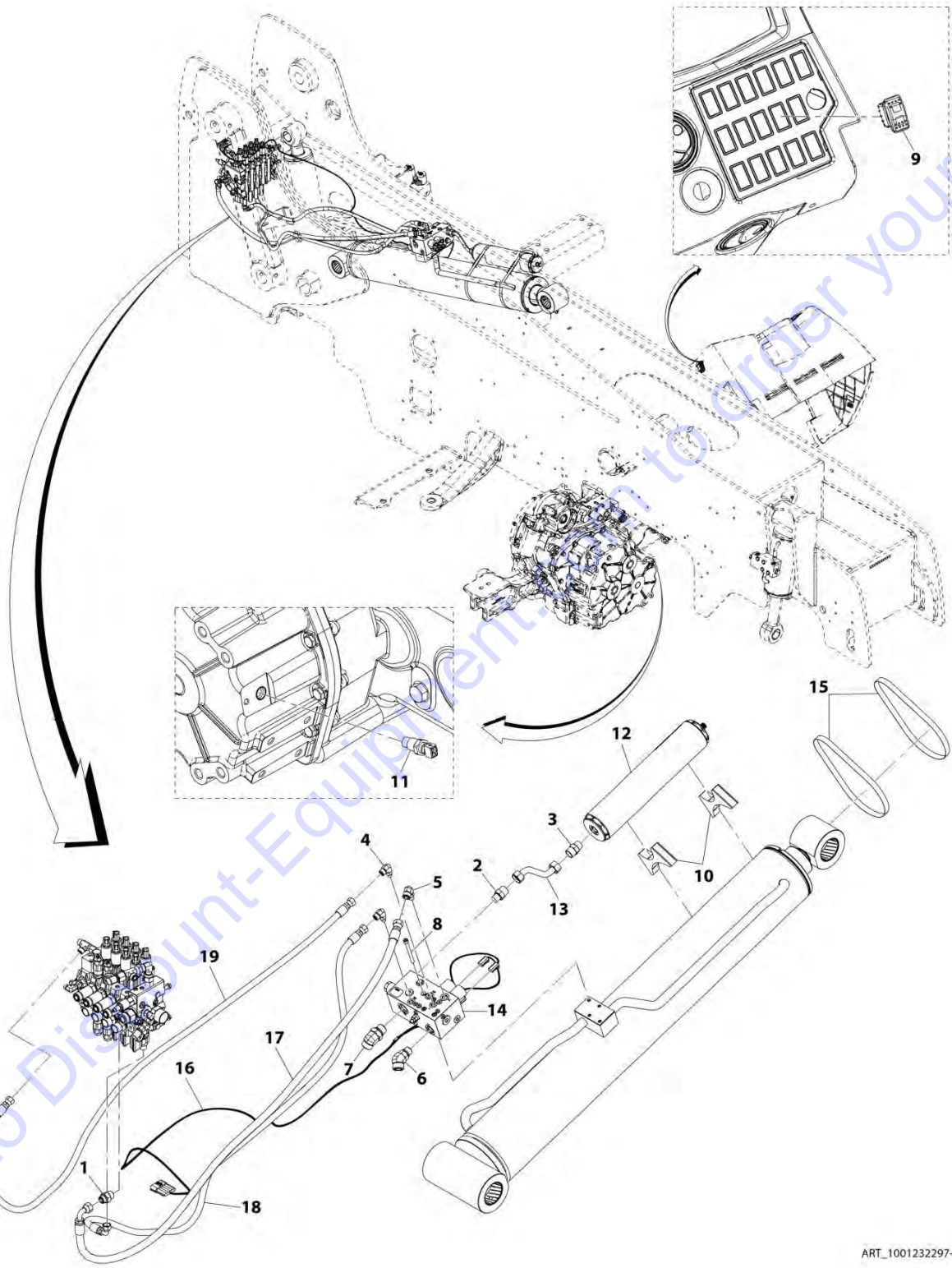
SECTION 8 - HYDRAULIC CIRCUITS

FIGURE 8-66. COUNTERBALANCE VALVE INSTALLATION (LIFT - PGLS RIDE CONTROL 74HP) (742)

ITEM	PART NUMBER	QTY	DESCRIPTION	REV
	1001225683	Ref	Counterbalance Valve Installation (Lift - PGLS Ride Control 74HP) (742)	E
1	2111008	1	Fitting, Straight ORFS	
2	2111010	1	Fitting, Straight ORFS	
3	2130604	1	Fitting, 90 ORFS	
4	2151210	1	Fitting, 45 ORFS	
5	2151212	1	Fitting, 45 ORFS	
6	4031921	4	Bolt, M8X85	
7	1001159745	1	Switch, Boom Ride	
8	1001175740	2	Bumper, Cylinder Saddle	
9	1001190881	1	Sensor, Speed	
10	1001192435	1	Cylinder, Piston	
11	1001227056	1	Line, Counterbalance Valve (Lift - Ride Control) (742, 943, 1043) (See Separate Breakdown in this Section)	
12	1001227137	1	Pipe, Ride Control	
13	1001095396	2	Clamp	
14	1001175676	Ref	Installation, Ride Control CB Valve Harness (Lift) (642, 742) (See Separate Breakdown in Electrical Section)	
15	1001225462	1	Hose	
16	1001225464	1	Hose	
17	2130404	1	Fitting, 90 ORFS	

SECTION 8 - HYDRAULIC CIRCUITS

FIGURE 8-67. COUNTERBALANCE VALVE INSTALLATION (LIFT - PGLS RIDE CONTROL 110HP)
(742)



ART_1001232297-C

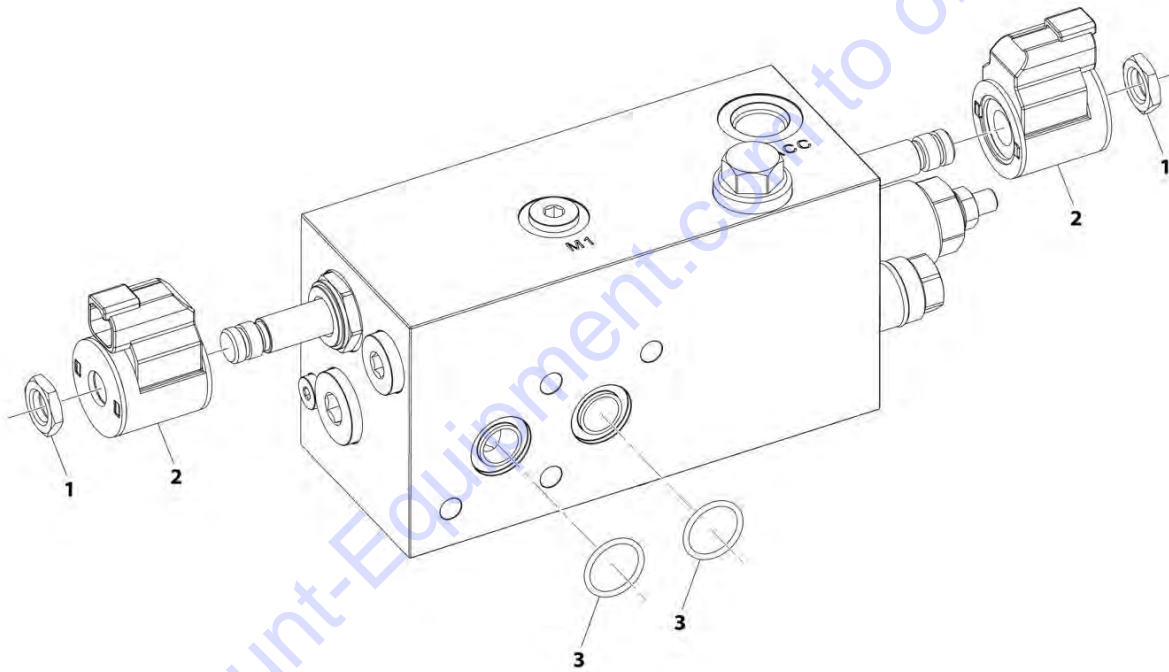
SECTION 8 - HYDRAULIC CIRCUITS

**FIGURE 8-67. COUNTERBALANCE VALVE INSTALLATION (LIFT - PGLS RIDE CONTROL 110HP)
(742)**

ITEM	PART NUMBER	QTY	DESCRIPTION	REV
	1001232297	Ref	Counterbalance Valve Installation (Lift - PGLS Ride Control 110HP) (742)	C
1	2110810	1	Fitting, Straight ORFS	
2	2111008	1	Fitting, Straight ORFS	
3	2111010	1	Fitting, Straight ORFS	
4	2130604	2	Fitting, 90 ORFS	
5	2130806	1	Fitting, 90 ORFS	
6	2151210	1	Fitting, 45 ORFS	
7	2151212	1	Fitting, 45 ORFS	
8	4031921	4	Bolt, M8X85	
9	1001159745	1	Switch, Boom Ride	
10	1001175740	2	Bumper, Cylinder Saddle	
11	1001190881	1	Sensor, Speed	
12	1001192435	1	Cylinder, Piston	
13	1001227137	1	Pipe, Ride Control	
14	1001229685	1	Valve, PGLS W/Intgrated Recovery (Lift - Ride Control) (See Separate Breakdown in this Section)	
15	1001095396	2	Clamp	
16	1001175676	Ref	Installation, Ride Control CB Valve Harness (Lift) (642, 742) (See Separate Breakdown in Electrical Section)	
17	1001207295	1	Hose (Prior to SN 0160089255, Excluding 0160089249 and 0160089251)	
17	1001207283	1	Hose (SN 0160089255 to Present, Including 0160089249 and 0160089251)	
18	1001232294	1	Hose	
19	1001232295	1	Hose	

SECTION 8 - HYDRAULIC CIRCUITS

FIGURE 8-68. COUNTERBALANCE VALVE HYDRAULIC LINES (LIFT - RIDE CONTROL) (742, 943, 1043)



ART_1001227056-A

SECTION 8 - HYDRAULIC CIRCUITS

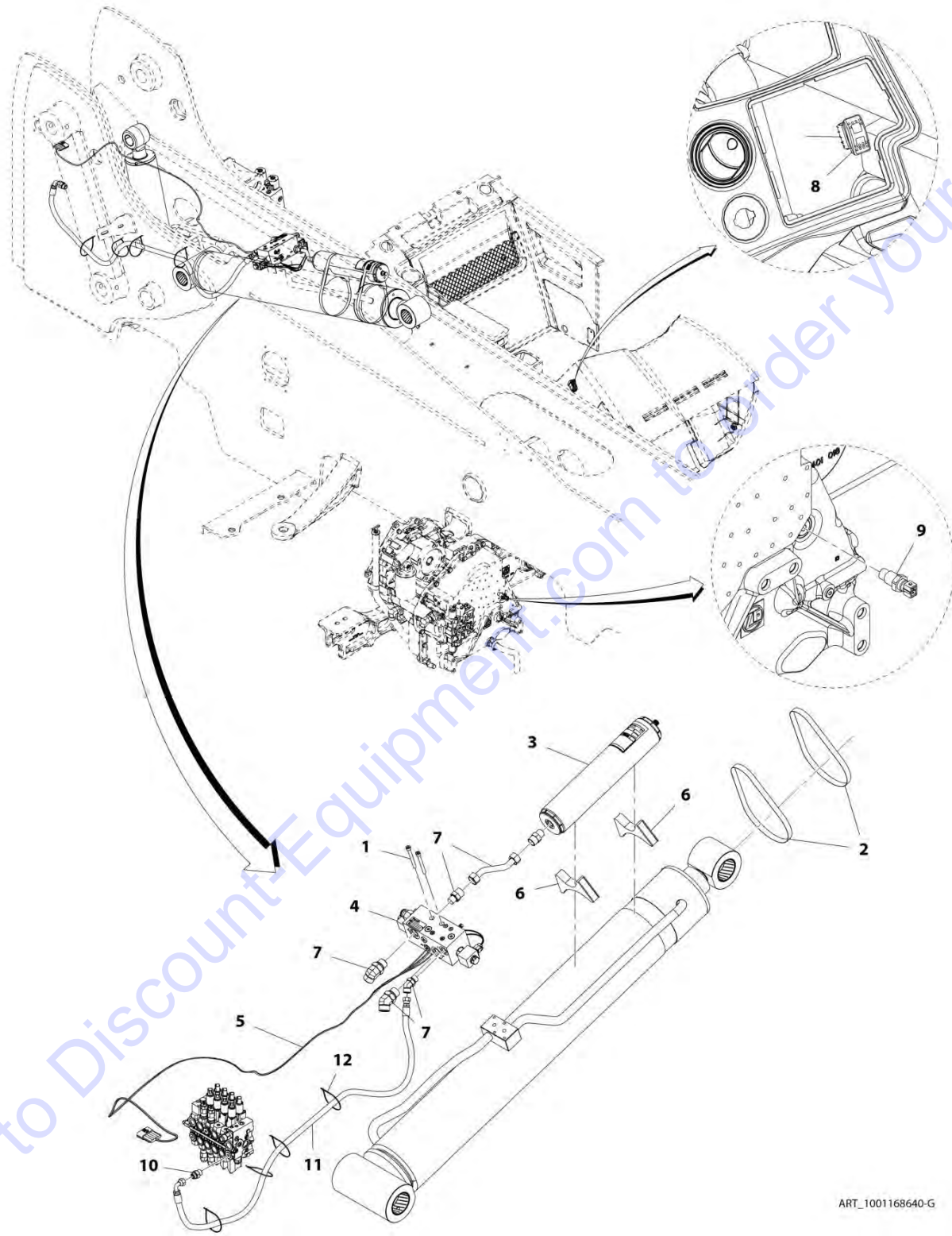
FIGURE 8-68. COUNTERBALANCE VALVE HYDRAULIC LINES (LIFT - RIDE CONTROL) (742, 943, 1043)

ITEM	PART NUMBER	QTY	DESCRIPTION	REV
	1001227056	Ref	Counterbalance Valve Hydraulic Lines (Lift - Ride Control) (742, 943, 1043)	A
1	7022390	2	Nut	
2	70028281	2	Coil	
3	70028453	2	O-Ring	

Go to Discount-Equipment.com to order your parts

SECTION 8 - HYDRAULIC CIRCUITS

FIGURE 8-69. COUNTERBALANCE VALVE INSTALLATION (LIFT- RIDE CONTROL) (642)



ART_1001168640-G

SECTION 8 - HYDRAULIC CIRCUITS

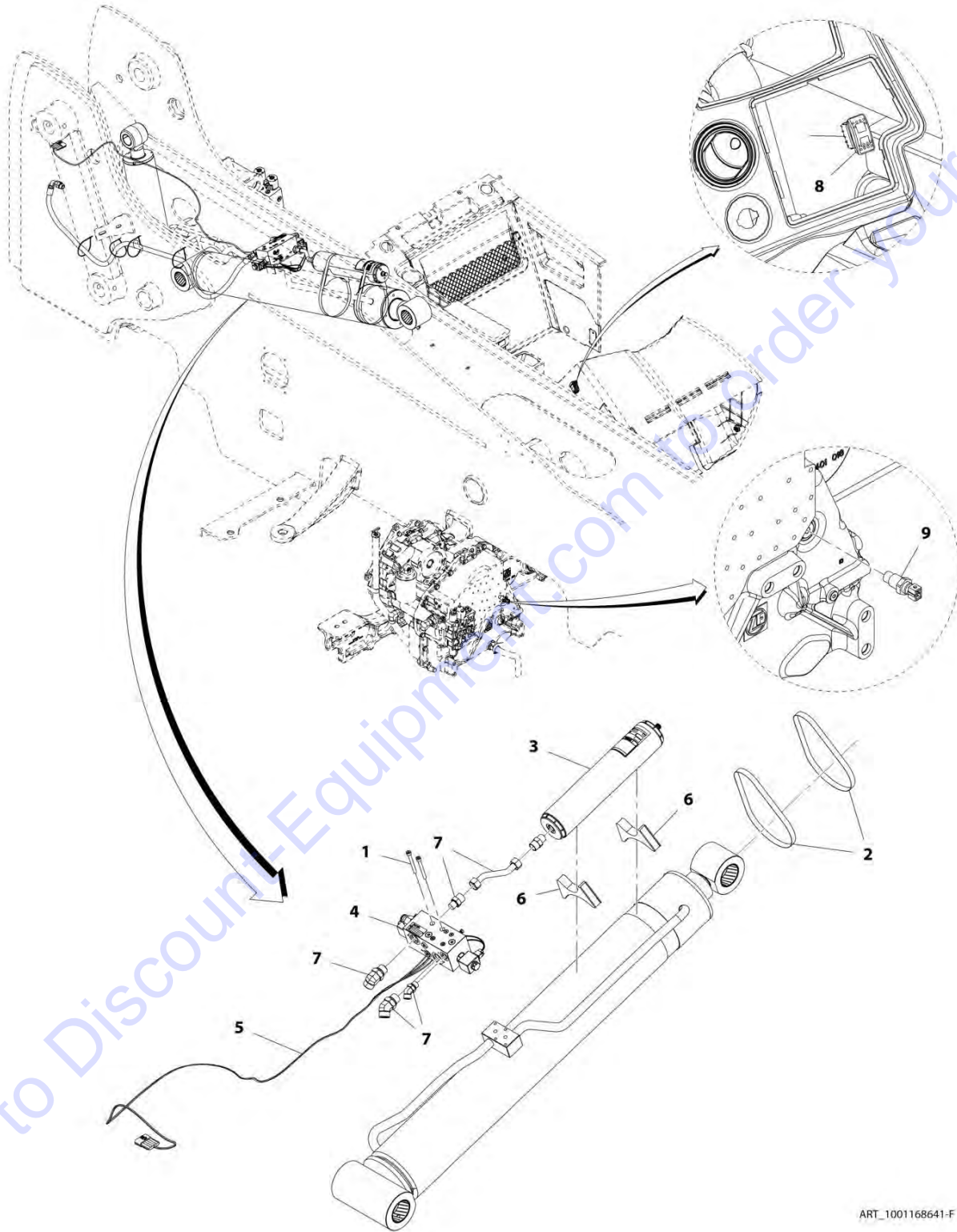
FIGURE 8-69. COUNTERBALANCE VALVE INSTALLATION (LIFT- RIDE CONTROL) (642)

ITEM	PART NUMBER	QTY	DESCRIPTION	REV
	1001168640	Ref	Counterbalance Valve Installation (Lift - Ride Control) (642)	G
1	4031920	4	Screw, M8X1.25	
2	1001095396	2	Clamp	
3	1001192435	1	Cylinder, Piston	
4	1001207286	1	Valve, Ride Control	
5	1001175676	Ref	Installation, Ride Control CB Valve Harness (Lift) (642, 742) (See ELECTRICAL SECTION for Breakdown)	
6	1001175740	2	Bumper, Cylinder Saddle	
7	1001207688	Ref	Lines, Counterbalance Valve (Lift - Ride Control) (See COUNTERBALANCE HYDRAULIC LINES (Lift - Ride VALVE Control) (642) for Breakdown)	
8	1001159745	1	Switch, Boom Ride	
9	1001190881	1	Sensor, Speed	
10	2110810	1	Fitting, Straight	
11	1001207283	1	Hose	
12	4240099	AR	Wire, Tie	

Go to Discount-Equipment.com to order your parts

SECTION 8 - HYDRAULIC CIRCUITS

FIGURE 8-70. COUNTERBALANCE VALVE INSTALLATION (LIFT - RIDE CONTROL) (943, 1043) (Prior to SN 0160081007)



ART_1001168641-F

SECTION 8 - HYDRAULIC CIRCUITS

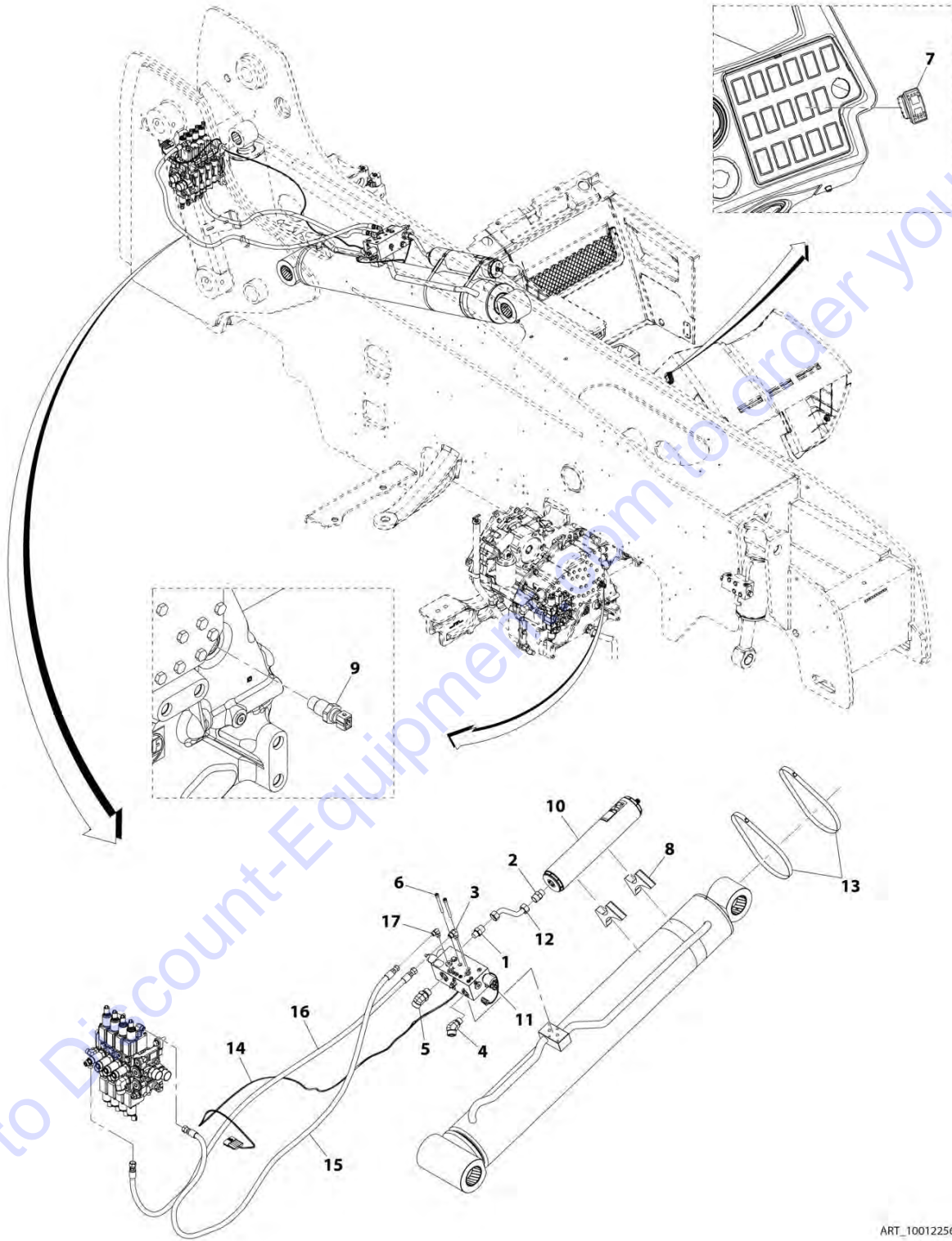
FIGURE 8-70. COUNTERBALANCE VALVE INSTALLATION (LIFT - RIDE CONTROL) (943, 1043) (Prior to SN 0160081007)

ITEM	PART NUMBER	QTY	DESCRIPTION	REV
	1001168641	Ref	Counterbalance Valve Installation (Lift - Ride Control) (943, 1043)	F
1	4031920	4	Screw, M8X1.25	
2	1001095396	2	Clamp	
3	1001192435	1	Cylinder, Piston	
4	1001162547	1	Valve, Ride Control	
5	1001175677	Ref	Installation, Ride Control CB Valve Harness (Lift) (943, 1043) (See ELECTRICAL SECTION for Breakdown)	
6	1001175741	2	Bumper, Cylinder Saddle	
7	1001175744	Ref	Lines, Counterbalance Valve Hydraulic (Lift - Ride Control) (See COUNTERBALANCE VALVE HYDRAULIC LINES (LIFT - RIDE CONTROL) for Breakdown)	
8	1001159745	1	Switch, Boom Ride	
9	1001190881	1	Sensor, Speed	

Go to Discount-Equipment.com to order your parts

SECTION 8 - HYDRAULIC CIRCUITS

FIGURE 8-71. COUNTERBALANCE VALVE INSTALLATION (LIFT - RIDE CONTROL) (943, 1043) (SN 0160081007 to Present)



ART_1001225682-E

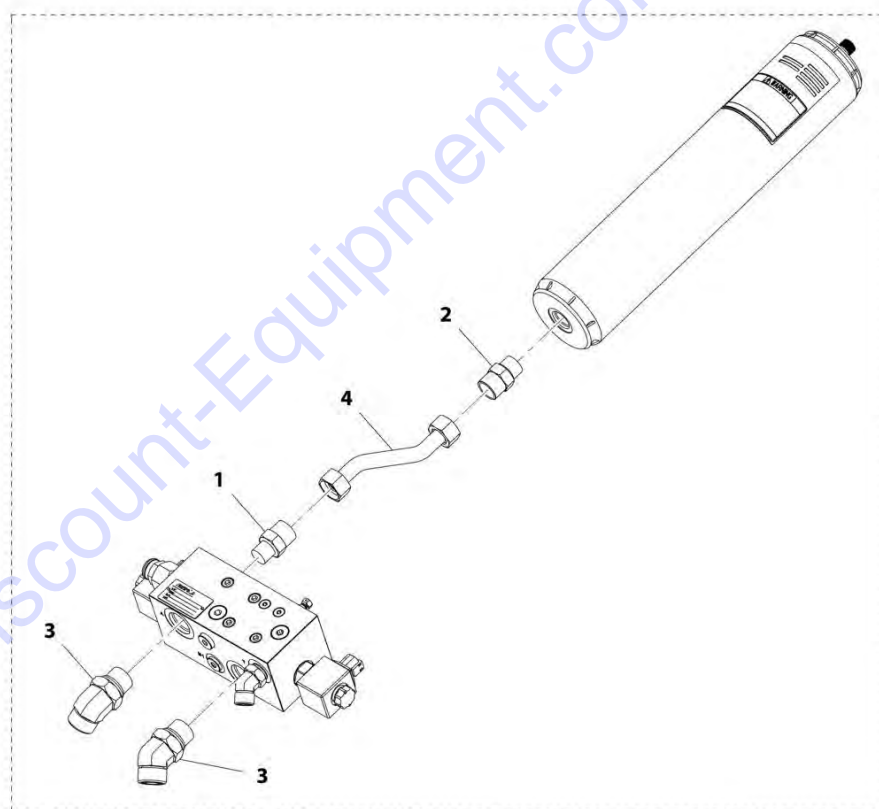
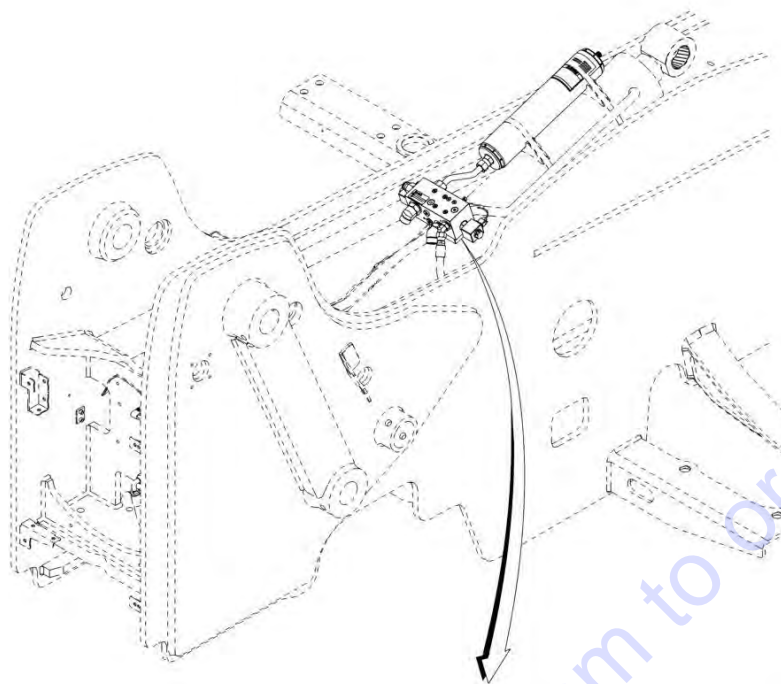
SECTION 8 - HYDRAULIC CIRCUITS

FIGURE 8-71. COUNTERBALANCE VALVE INSTALLATION (LIFT - RIDE CONTROL) (943, 1043) (SN 0160081007 to Present)

ITEM	PART NUMBER	QTY	DESCRIPTION	REV
	1001225682	Ref	Counterbalance Valve Installation (Lift - Ride Control) (943, 1043)	E
1	2111008	1	Fitting, Straight ORFS	
2	2111010	1	Fitting, Straight ORFS	
3	2130604	1	Fitting, 90 ORFS	
4	2151210	1	Fitting, 45 ORFS	
5	2151212	1	Fitting, 45 ORFS	
6	4031921	4	Bolt, M8X85	
7	1001159745	1	Switch, Boom Ride	
8	1001175741	2	Bumper, Cylinder Saddle	
9	1001190881	1	Sensor, Speed	
10	1001192435	1	Cylinder, Piston	
11	1001227056	1	Line, Counterbalance Valve (Lift - Ride Control) (742, 943, 1043) (See Separate Breakdown in this Section)	
12	1001227137	1	Pipe, Ride Control	
13	1001095396	2	Clamp	
14	1001175677	Ref	Installation, Ride Control CB Valve Harness (Lift) (943, 1043) (See Separate Breakdown in Electrical Section)	
15	1001225462	1	Hose	
16	1001225464	1	Hose	
17	2130404	1	Fitting, 90 ORFS	

SECTION 8 - HYDRAULIC CIRCUITS

FIGURE 8-72. COUNTERBALANCE VALVE HYDRAULIC LINES (LIFT - RIDE CONTROL) (943, 1043)



ART_1001175744-D

SECTION 8 - HYDRAULIC CIRCUITS

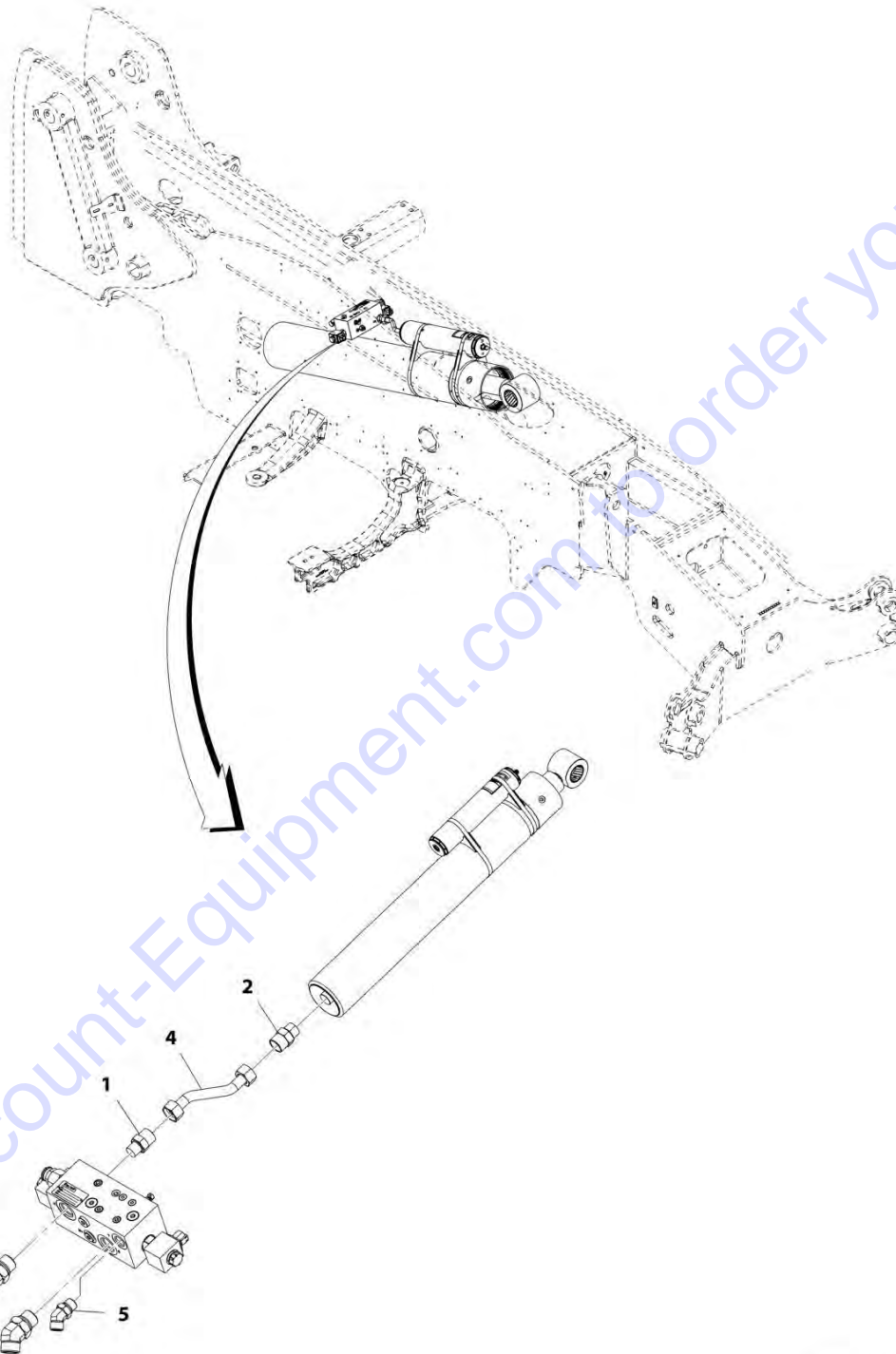
FIGURE 8-72. COUNTERBALANCE VALVE HYDRAULIC LINES (LIFT - RIDE CONTROL) (943, 1043)

ITEM	PART NUMBER	QTY	DESCRIPTION	REV
	1001175744	Ref	Counterbalance Valve Hydraulic Lines (Lift - Ride Control) (943, 1043)	D
1	2111008	1	Fitting, Straight ORFS	
2	2111010	1	Fitting, Straight ORFS	
3	2151212	2	Fitting, 45 ORFS	
4	1001175745	1	Pipe	

Go to Discount-Equipment.com to order your parts

SECTION 8 - HYDRAULIC CIRCUITS

FIGURE 8-73. COUNTERBALANCE VALVE HYDRAULIC LINES (LIFT - RIDE CONTROL) (642)



ART_1001207688-A

SECTION 8 - HYDRAULIC CIRCUITS

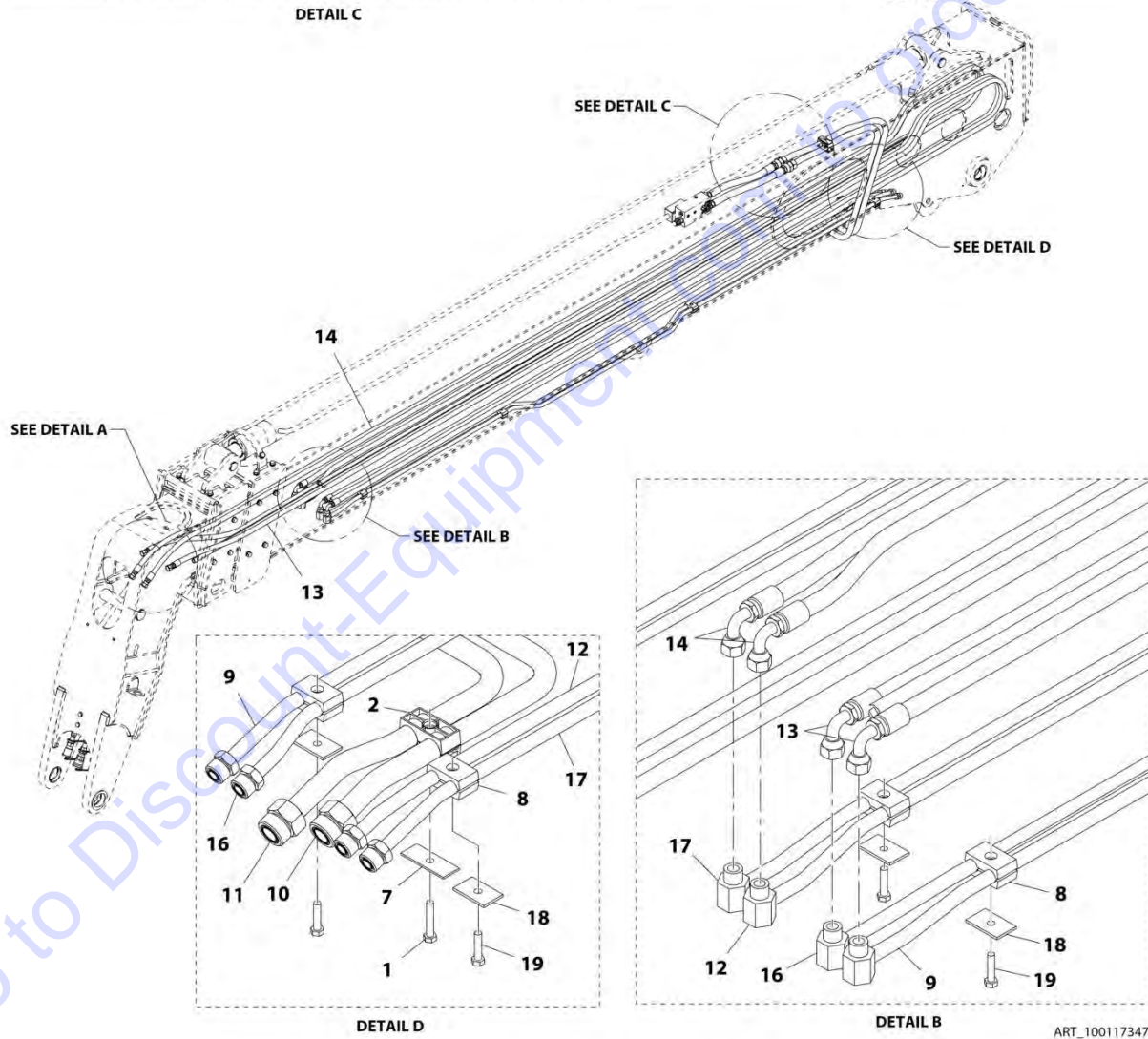
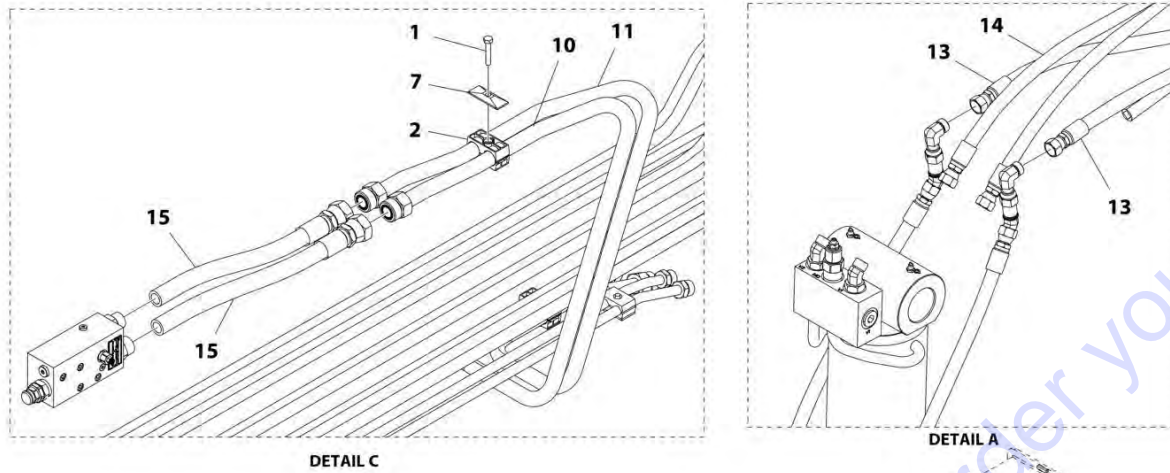
FIGURE 8-73. COUNTERBALANCE VALVE HYDRAULIC LINES (LIFT - RIDE CONTROL) (642)

ITEM	PART NUMBER	QTY	DESCRIPTION	REV
	1001207688	Ref	Counterbalance Valve Hydraulic Lines (Lift - Ride Control) (642)	A
1	2111008	1	Fitting, Straight ORFS	
2	2111010	1	Fitting, Straight ORFS	
3	2151212	2	Fitting, 45 ORFS	
4	1001175745	1	Pipe	
5	2150808	1	Fitting, 45 ORFS	

Go to Discount-Equipment.com to order your parts

SECTION 8 - HYDRAULIC CIRCUITS

FIGURE 8-74. BOOM HYDRAULIC TUBES INSTALLATION (642, 742)



ART_1001173470-G

SECTION 8 - HYDRAULIC CIRCUITS

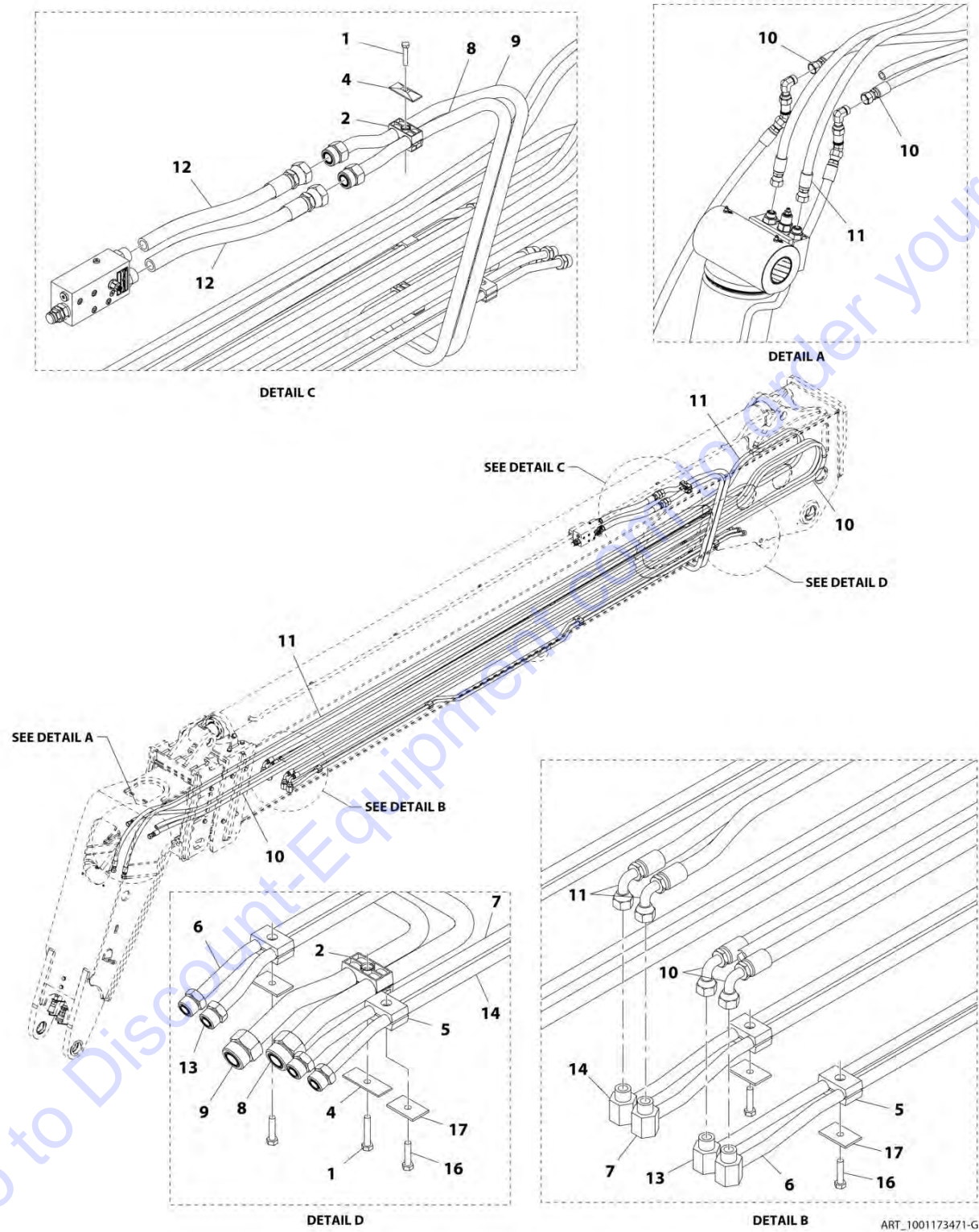
FIGURE 8-74. BOOM HYDRAULIC TUBES INSTALLATION (642, 742)

ITEM	PART NUMBER	QTY	DESCRIPTION	REV
	1001173470	Ref	Boom Hydraulic Tubes Installation (642, 742)	G
1	0700817	2	Bolt, M8X45	
2	1321329	2	Clamp	
7	77133137	2	Plate, Cover	
8	77133139	8	Clamp	
9	1001162339	1	Tube	
10	1001162343	1	Tube	
11	1001162344	1	Tube	
12	1001162346	1	Tube	
13	1001163072	1	Hose	
14	1001163073	1	Hose	
15	1001170549	2	Hose	
16	1001173956	1	Tube	
17	1001173957	1	Tube	
18	77133140	8	Plate, Cover	
19	0760815	8	Bolt, M8X35	

Go to Discount-Equipment.com to order your parts

SECTION 8 - HYDRAULIC CIRCUITS

FIGURE 8-75. BOOM HYDRAULIC TUBES INSTALLATION (943, 1043)



ART_1001173471-G

SECTION 8 - HYDRAULIC CIRCUITS

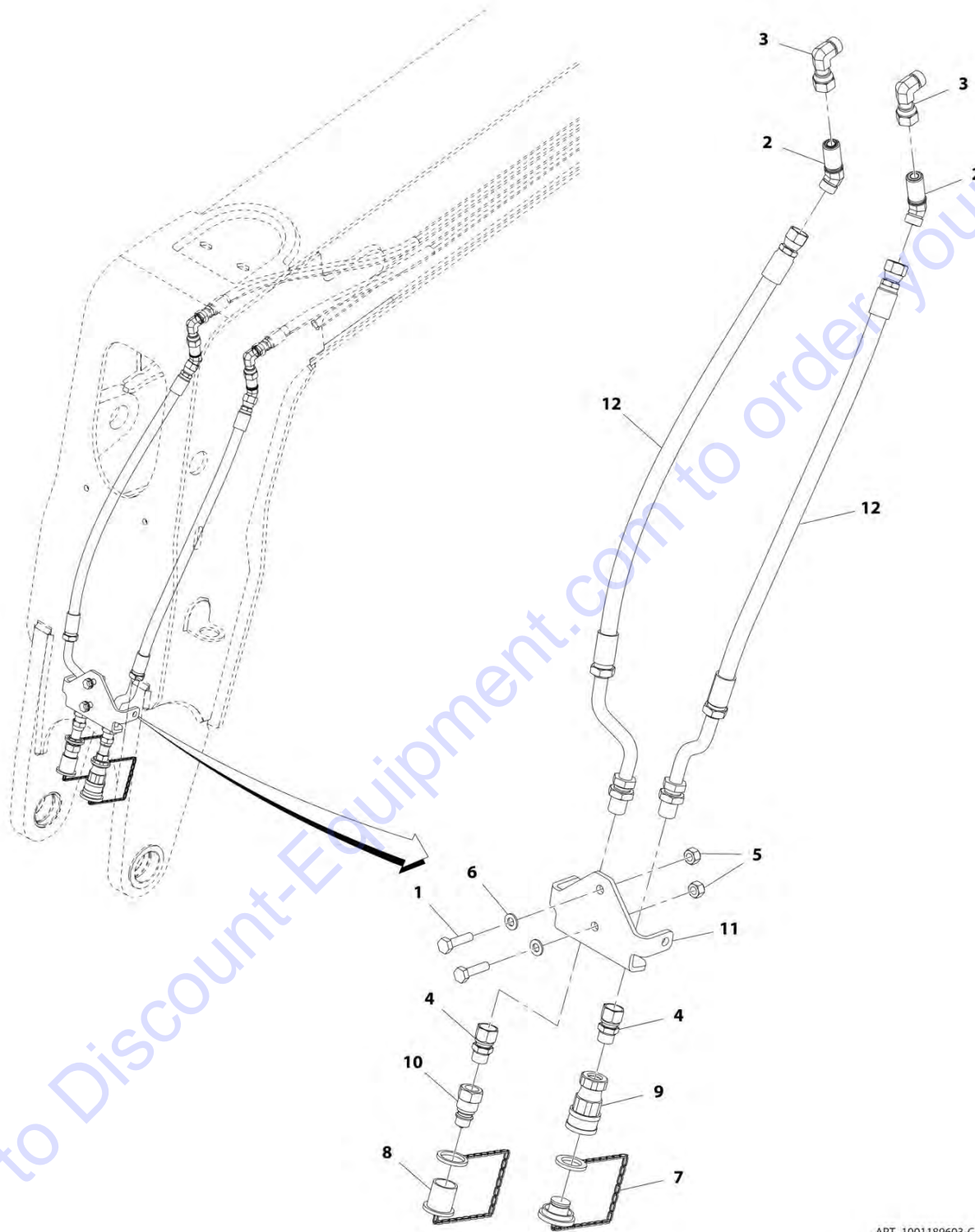
FIGURE 8-75. BOOM HYDRAULIC TUBES INSTALLATION (943, 1043)

ITEM	PART NUMBER	QTY	DESCRIPTION	REV
	1001173471	Ref	Boom Hydraulic Tubes Installation (943, 1043)	G
1	0700817	2	Bolt, M8X45	
2	1321329	2	Clamp	
4	77133137	2	Plate, Cover	
5	77133139	8	Clamp	
6	1001162339	1	Tube	
7	1001162346	1	Tube	
8	1001162365	1	Tube	
9	1001162366	1	Tube	
10	1001163072	1	Hose	
11	1001163073	1	Hose	
12	1001170549	2	Hose	
13	1001173956	1	Tube	
14	1001173957	1	Tube	
16	0760815	8	Bolt, M8X35	
17	77133140	8	Plate, Cover	

Go to Discount-Equipment.com to order your parts

SECTION 8 - HYDRAULIC CIRCUITS

FIGURE 8-76. BOOM AUXILIARY HYDRAULICS INSTALLATION (642, 742)



ART_1001189603-C

SECTION 8 - HYDRAULIC CIRCUITS

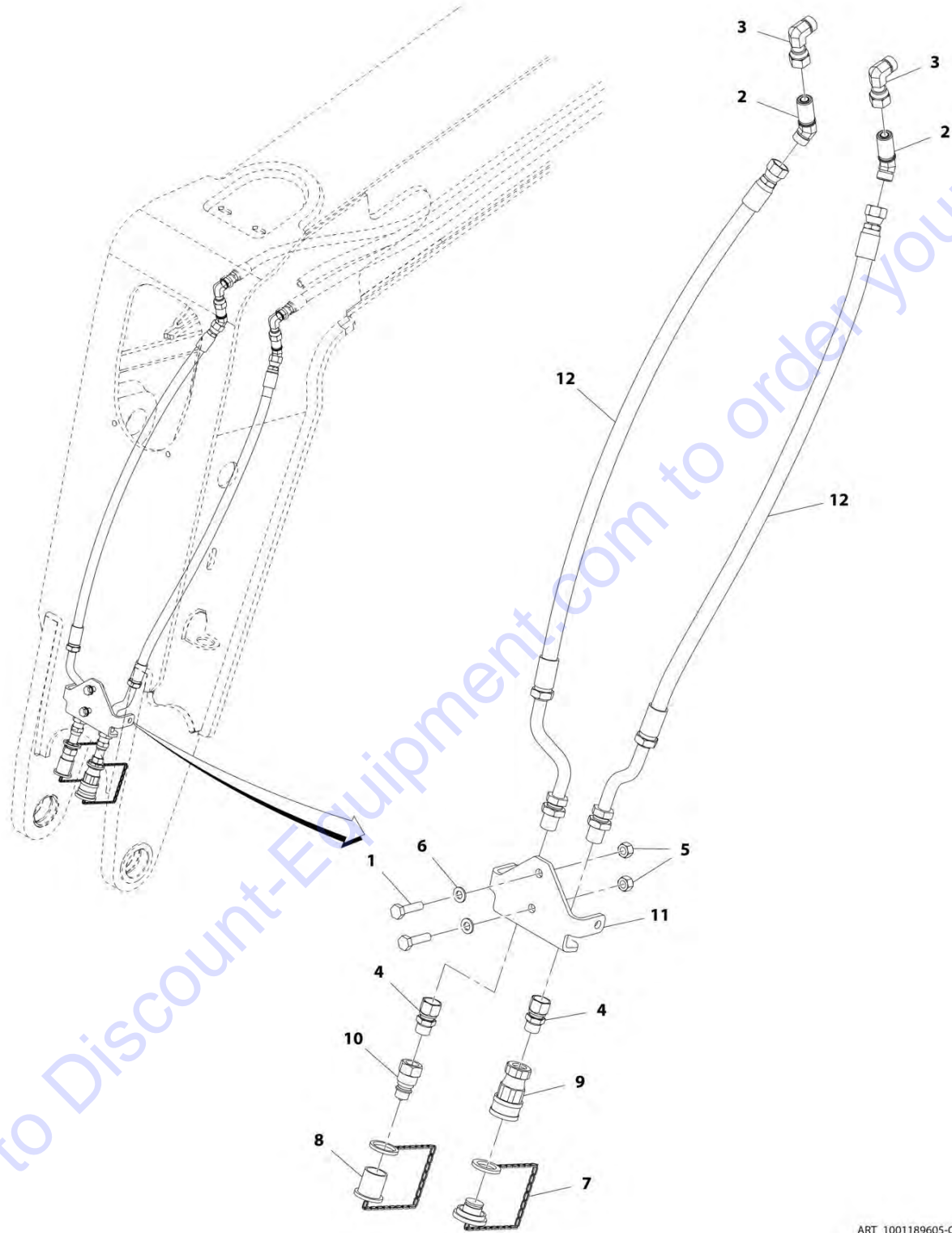
FIGURE 8-76. BOOM AUXILIARY HYDRAULICS INSTALLATION (642, 742)

ITEM	PART NUMBER	QTY	DESCRIPTION	REV
	1001189603	Ref	Boom Auxiliary Hydraulics Installation (642, 742)	C
1	0701016	2	Bolt, M10X40	
2	2171308	2	Fitting, 45 ORFS	
3	2172108	2	Fitting, 90 ORFS	
4	1001210775	2	Fitting, Straight	
5	3291005	2	Bolt, M10X1.5	
6	4812000	2	Washer, M10	
7	91043125	1	Plug	
8	91043126	1	Cap	
9	91403413	1	Fitting, Straight	
10	91403414	1	Fitting, Straight	
11	1001164948	1	Bracket	
12	1001189217	2	Hose	

Go to Discount-Equipment.com to order your parts

SECTION 8 - HYDRAULIC CIRCUITS

FIGURE 8-77. BOOM AUXILIARY HYDRAULICS INSTALLATION (943, 1043)



ART_1001189605-C

SECTION 8 - HYDRAULIC CIRCUITS

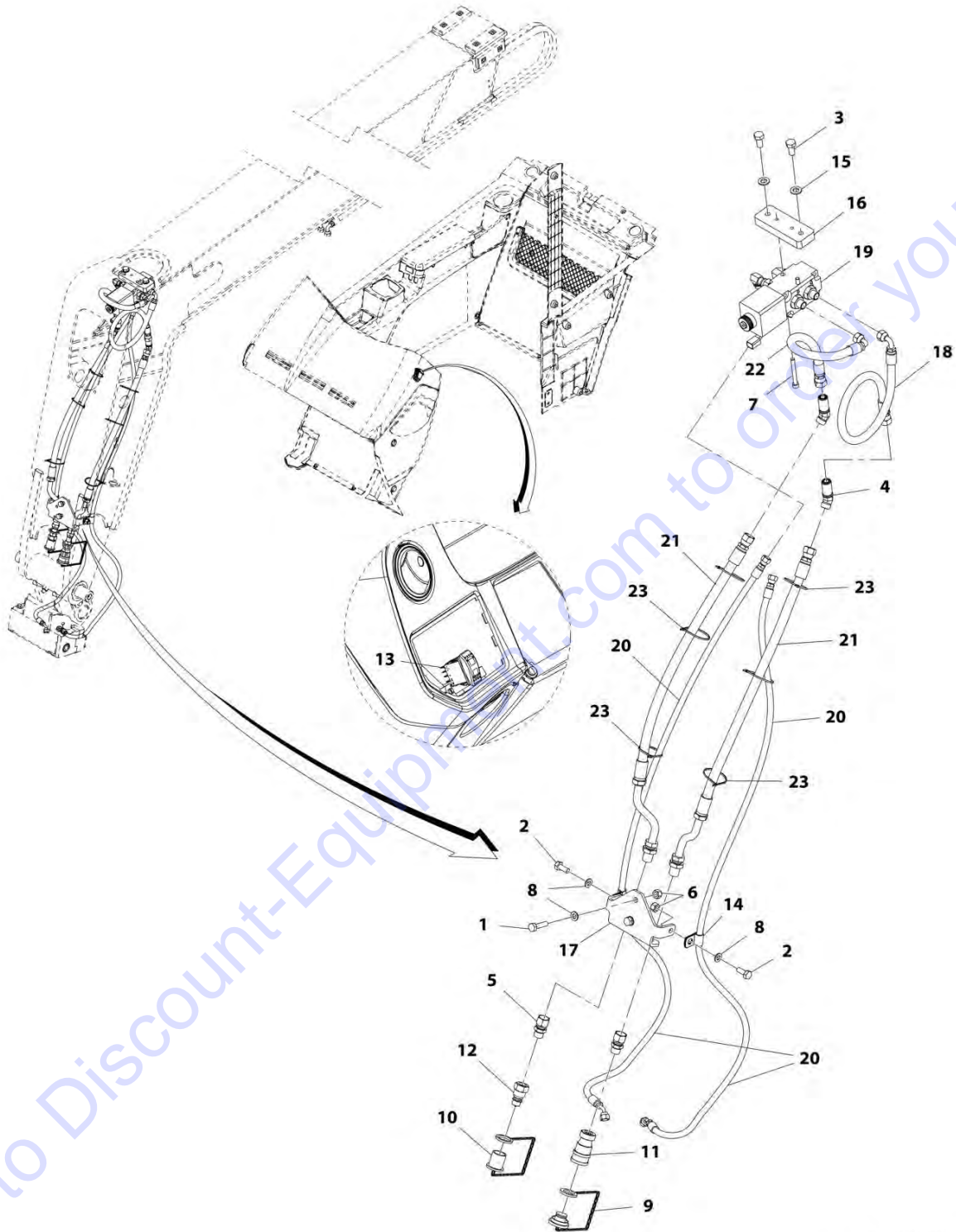
FIGURE 8-77. BOOM AUXILIARY HYDRAULICS INSTALLATION (943, 1043)

ITEM	PART NUMBER	QTY	DESCRIPTION	REV
	1001189605	Ref	Boom Auxiliary Hydraulics Installation (943, 1043)	C
1	0701016	2	Bolt, M10X40	
2	2171308	2	Fitting, 45 ORFS	
3	2172108	2	Fitting, 90 ORFS	
4	1001210775	2	Fitting, Straight	
5	3291005	2	Nut, Lock M10X1.5	
6	4812000	2	Washer, M10	
7	91043125	1	Plug	
8	91043126	1	Cap	
9	91403413	1	Fitting, Straight	
10	91403414	1	Fitting, Straight	
11	1001164948	1	Bracket	
12	1001189224	2	Hose	

Go to Discount-Equipment.com to order your parts

SECTION 8 - HYDRAULIC CIRCUITS

FIGURE 8-78. BOOM AUXILIARY HYDRAULICS (HYDRAULIC COUPLER) (642, 742)



ART_1001189604-F

SECTION 8 - HYDRAULIC CIRCUITS

FIGURE 8-78. BOOM AUXILIARY HYDRAULICS (HYDRAULIC COUPLER) (642, 742)

ITEM	PART NUMBER	QTY	DESCRIPTION	REV
	1001189604	Ref	Boom Auxiliary Hydraulics (Hydraulic Coupler) (642, 742)	F
1	0701016	2	Bolt, M10X40	
2	0761012	2	Bolt, M10X25	
3	0761212	2	Bolt, M12X25	
4	2171308	2	Fitting, 45 ORFS	
5	1001210775	2	Fitting, Straight	
6	3291005	4	Nut, Lock M10X1.5	
7	4031918	2	Bolt, M8X70	
8	4812000	4	Washer, M10	
9	91043125	1	Plug	
10	91043126	1	Cap	
11	91403413	1	Fitting, Straight	
12	91403414	1	Fitting, Straight	
13	1001080375	1	Switch	
14	1001080996	2	Clamp	
15	1001125117	2	Washer, M12	
16	1001164870	1	Plate, Valve Attachment	
17	1001164948	1	Bracket	
18	1001189308	1	Hose	
19	1001197182	1	Assembly, Valve Quick Coupler (See QUICK COUPLER VALVE ASSEMBLY (642) for Breakdown)	
20	1001210348	2	Hose	
21	1001189217	2	Hose	
22	1001189299	1	Hose	
23	4240099	6	Strap, Tie	

PARTS FINDER

**Search Website
by Part Number**



**Search Manual
Library For Parts
Manual & Lookup Part
Numbers – Purchase
or Request Quote**

**Can't Find Part or
Manual? Request Help
by Manufacturer,
Model & Description**

Discount-Equipment.com is your online resource for quality parts & equipment.

Florida: **561-964-4949** Outside Florida TOLL FREE: **877-690-3101**

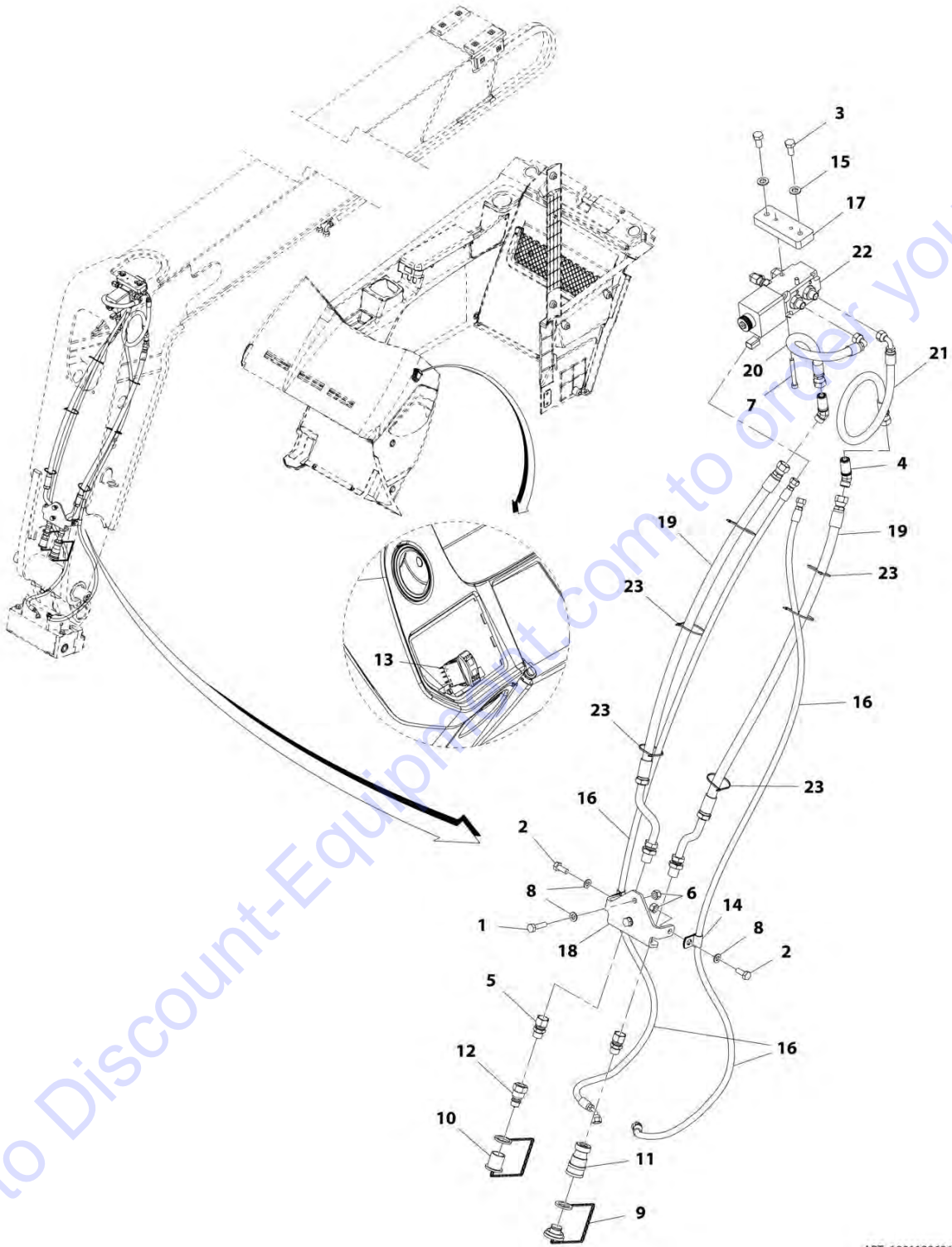
Need parts?

Click on this link: <http://www.discount-equipment.com/category/5443-parts/> and choose one of the options to help get the right parts and equipment you are looking for. Please have the machine model and serial number available in order to help us get you the correct parts. If you don't find the part on the website or on one of the online manuals, please fill out the request form and one of our experienced staff members will get back to you with a quote for the right part that your machine needs.

We sell worldwide for the brands: Genie, Terex, JLG, MultiQuip, Mikasa, Essick, Whiteman, Mayco, Toro Stone, Diamond Products, Generac Magnum, Airman, Haulotte, Barreto, Power Blanket, Nifty Lift, Atlas Copco, Chicago Pneumatic, Allmand, Miller Curber, Skyjack, Lull, Skytrak, Tsurumi, Husquvarna Target, Stow, Wacker, Sakai, Mi-T-M, Sullair, Basic, Dynapac, MBW, Weber, Bartell, Bennar Newman, Haulotte, Ditch Runner, Menegotti, Morrison, Contec, Buddy, Crown, Edco, Wyco, Bomag, Laymor, EZ Trench, Bil-Jax, F.S. Curtis, Gehl Pavers, Heli, Honda, ICS/PowerGrit, IHI, Partner, Imer, Clipper, MMD, Koshin, Rice, CH&E, General Equipment, Amida, Coleman, NAC, Gradall, Square Shooter, Kent, Stanley, Tamco, Toku, Hatz, Kohler, Robin, Wisconsin, Northrock, Oztec, Toker TK, Rol-Air, APT, Wylie, Ingersoll Rand / Doosan, Innovatech, Con X, Ammann, Mecalac, Makinex, Smith Surface Prep, Small Line, Wanco, Yanmar

SECTION 8 - HYDRAULIC CIRCUITS

FIGURE 8-79. BOOM AUXILIARY HYDRAULICS (HYDRAULIC COUPLER) (943, 1043)



ART_1001189606-F

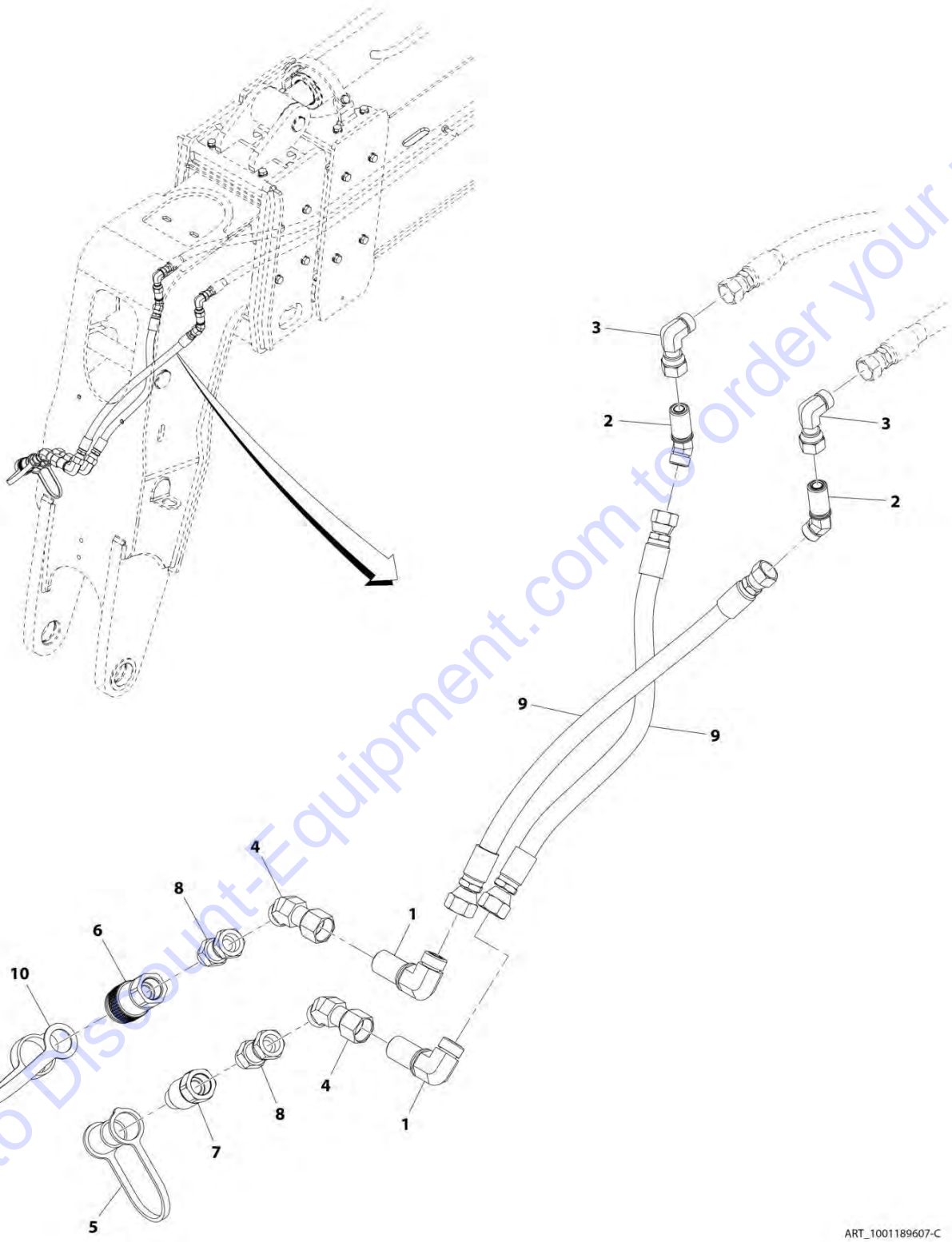
SECTION 8 - HYDRAULIC CIRCUITS

FIGURE 8-79. BOOM AUXILIARY HYDRAULICS (HYDRAULIC COUPLER) (943, 1043)

ITEM	PART NUMBER	QTY	DESCRIPTION	REV
	1001189606	1	Boom Auxiliary Hydraulics (Hydraulic Coupler) (943, 1043)	F
1	0701016	2	Bolt, M10X40	
2	0761012	2	Bolt, M10X25	
3	0761212	2	Bolt, M12X25	
4	2171308	2	Fitting, 45 ORFS	
5	1001210775	2	Fitting, Straight	
6	3291005	4	Nut, Lock M10X1.5	
7	4031918	2	Bolt, M8X70	
8	4812000	4	Washer, M10	
9	91043125	1	Plug	
10	91043126	1	Cap	
11	91403413	1	Fitting, Straight	
12	91403414	1	Fitting, Straight	
13	1001080375	1	Switch	
14	1001080996	2	Clamp	
15	1001125117	2	Washer, M12	
16	1001210340	2	Hose	
17	1001164870	1	Plate	
18	1001164948	1	Bracket	
19	1001189224	2	Hose	
20	1001189299	1	Hose	
21	1001189308	1	Hose	
22	1001189663	1	Assembly, Valve Quick Coupler (See QUICK COUPLER VALVE ASSEMBLY (943, 1043) for Breakdown)	
23	4240099	6	Strap, Tie	

SECTION 8 - HYDRAULIC CIRCUITS

FIGURE 8-80. BOOM AUXILIARY HYDRAULICS (SIDE MOUNTED) (742)



ART_1001189607-C

SECTION 8 - HYDRAULIC CIRCUITS

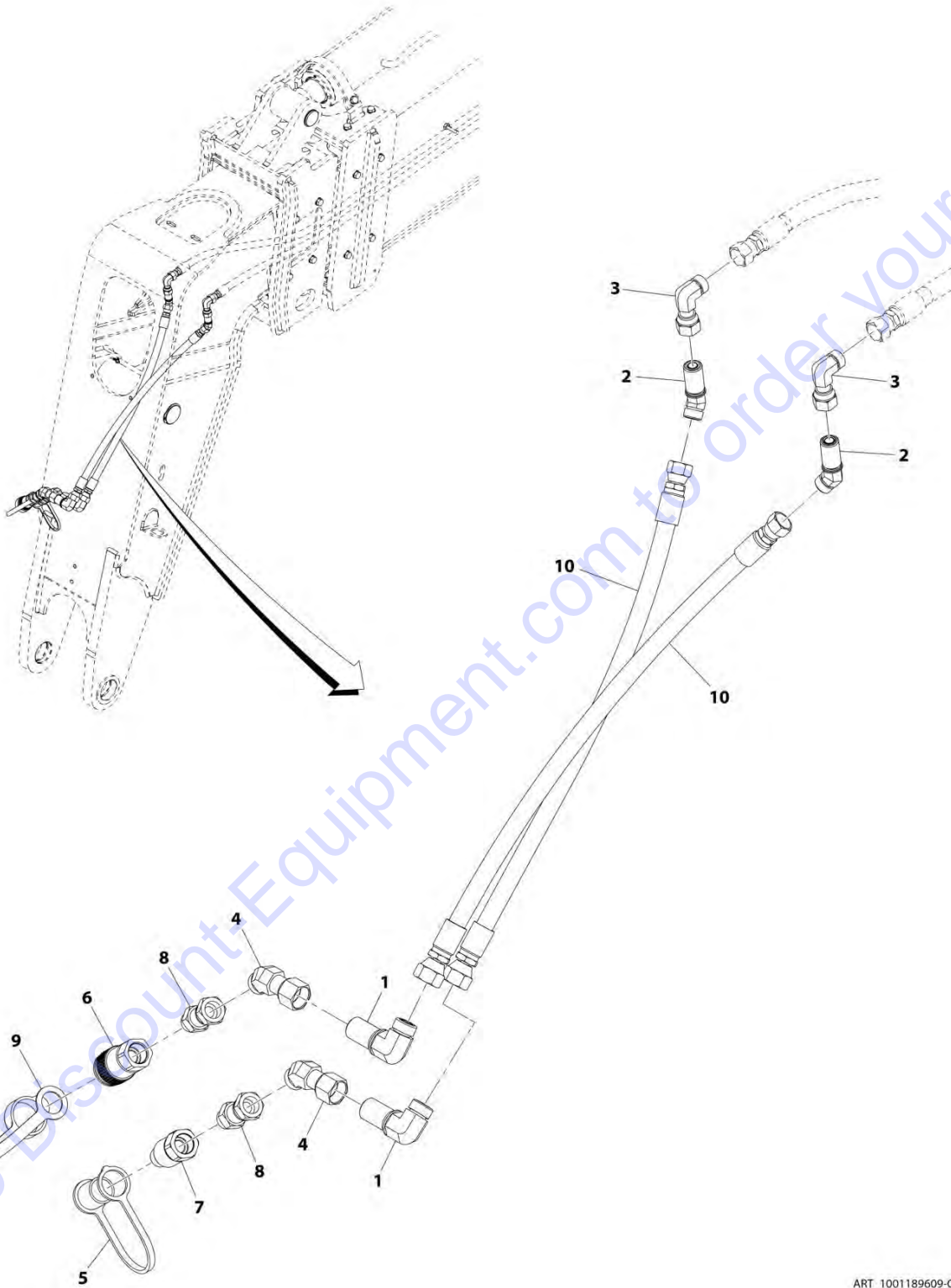
FIGURE 8-80. BOOM AUXILIARY HYDRAULICS (SIDE MOUNTED) (742)

ITEM	PART NUMBER	QTY	DESCRIPTION	REV
	1001189607	Ref	Boom Auxiliary Hydraulics (Side Mounted) (742)	C
1	2171210	2	Fitting, 90	
2	2171308	2	Fitting, 45 ORFS	
3	2172108	2	Fitting, 90 ORFS	
4	2172310	2	Fitting, 45 ORFS	
5	8420053	1	Cap, Dust	
6	1001001240	1	Coupling, Female Quick Disconnect	
7	1001001241	1	Coupling, Male Quick Disconnect	
8	1001001556	2	Fitting, Straight ORFS	
9	1001189310	2	Hose	
10	1001001557	1	Plug, Dust	

Go to Discount-Equipment.com to order your parts

SECTION 8 - HYDRAULIC CIRCUITS

FIGURE 8-81. BOOM AUXILIARY HYDRAULICS (SIDE MOUNTED) (943, 1043)



ART_1001189609-C

SECTION 8 - HYDRAULIC CIRCUITS

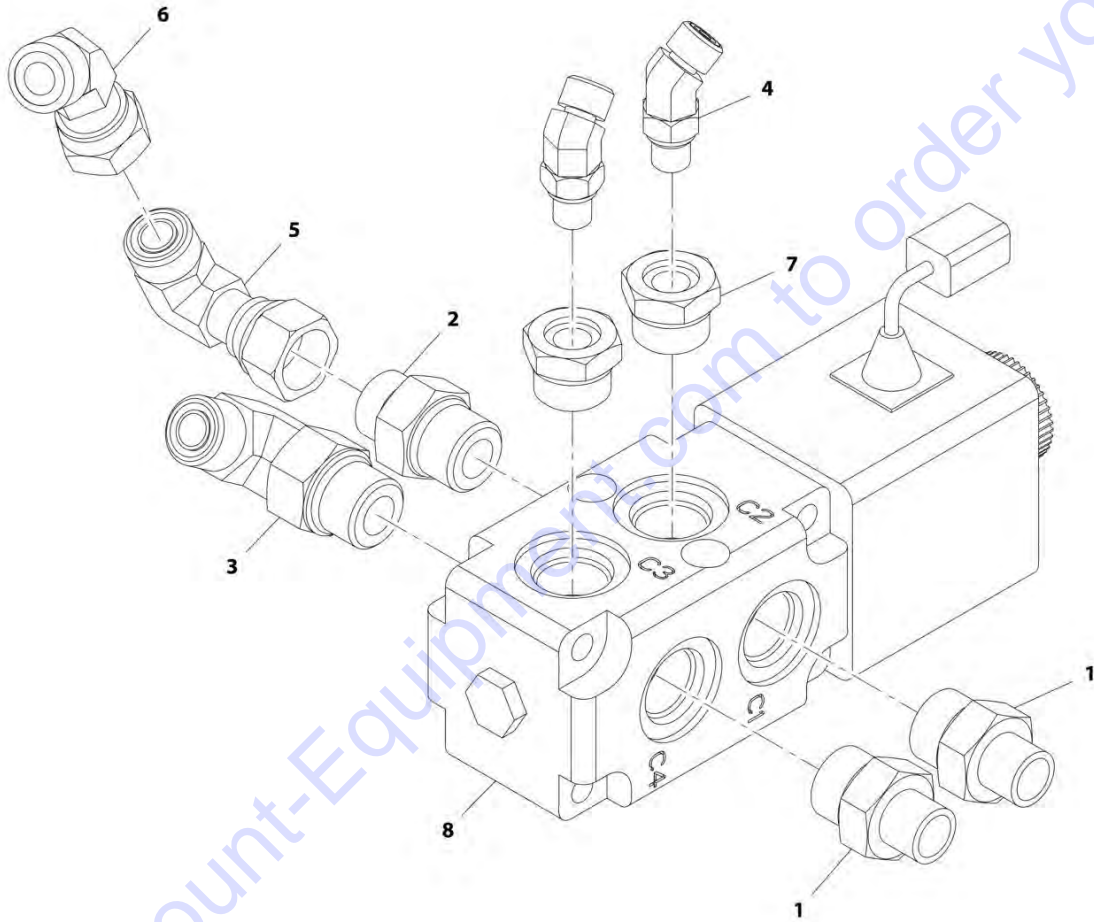
FIGURE 8-81. BOOM AUXILIARY HYDRAULICS (SIDE MOUNTED) (943, 1043)

ITEM	PART NUMBER	QTY	DESCRIPTION	REV
	1001189609	Ref	Boom Auxiliary Hydraulics (Side Mounted) (943, 1043)	C
1	2171210	2	Fitting, 90	
2	2171308	2	Fitting, 45 ORFS	
3	2172108	2	Fitting, 90 ORFS	
4	2172310	2	Fitting, 45 ORFS	
5	8420053	1	Cap, Dust	
6	1001001240	1	Coupling, Female Quick Disconnect	
7	1001001241	1	Coupling, Male Quick Disconnect	
8	1001001556	2	Fitting, Straight ORFS	
9	1001001557	1	Plug, Dust	
10	1001189311	2	Hose	

Go to Discount-Equipment.com to order your parts

SECTION 8 - HYDRAULIC CIRCUITS

FIGURE 8-82. QUICK COUPLER VALVE ASSEMBLY (642, 742)



ART_1001197182-B

SECTION 8 - HYDRAULIC CIRCUITS

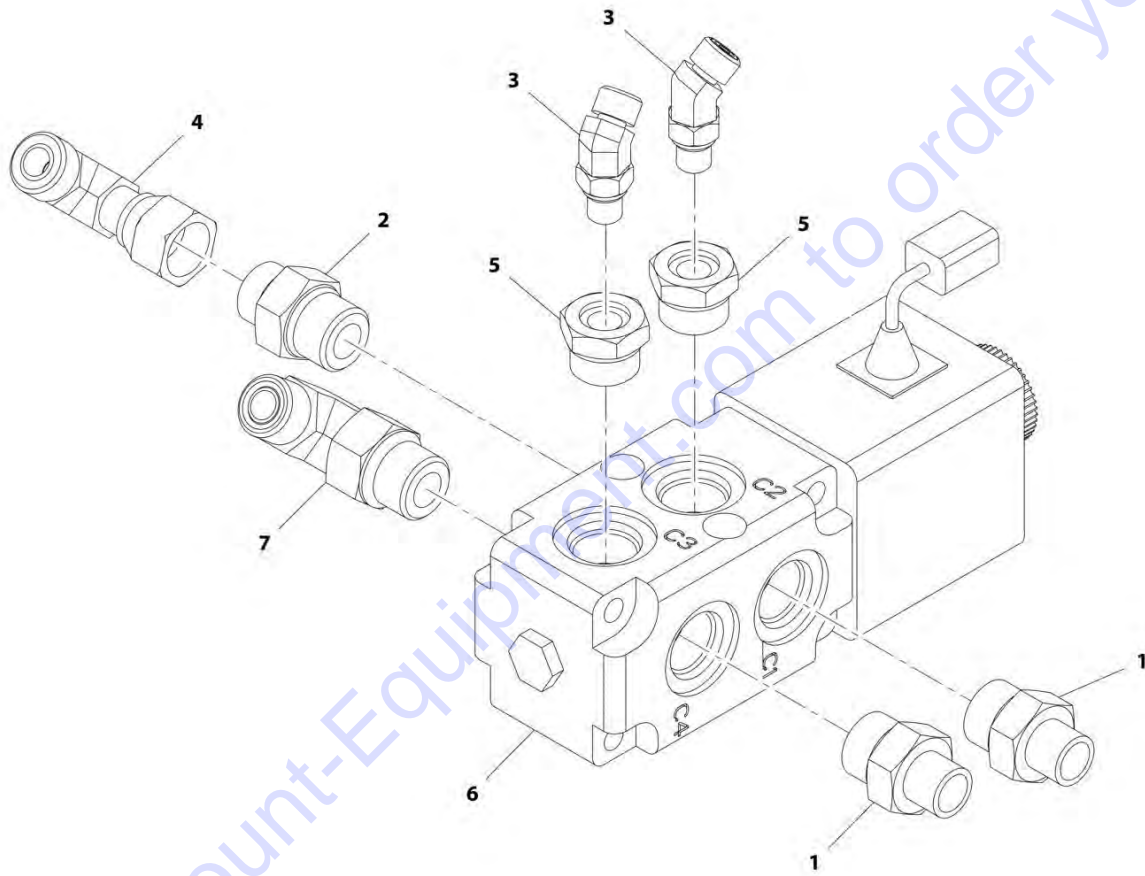
FIGURE 8-82. QUICK COUPLER VALVE ASSEMBLY (642, 742)

ITEM	PART NUMBER	QTY	DESCRIPTION	REV
	1001197182	Ref	Quick Coupler Valve Assembly (642, 742)	B
1	2110610	2	Fitting, Straight	
2	2110810	1	Fitting, Straight	
3	2130810	1	Fitting, 90 ORFS	
4	2150404	2	Fitting, 45 ORFS	
5	2172108	1	Fitting, 90 ORFS	
6	2221231	1	Fitting, 45 ORFS	
7	1001001568	2	Reducer	
8	1001104477	1	Valve, Quick Coupler (See HYDRAULIC COMPONENTS SECTION for Breakdown)	

Go to Discount-Equipment.com to order your parts

SECTION 8 - HYDRAULIC CIRCUITS

FIGURE 8-83. QUICK COUPLER VALVE ASSEMBLY (943, 1043)



ART_1001189663-C

SECTION 8 - HYDRAULIC CIRCUITS

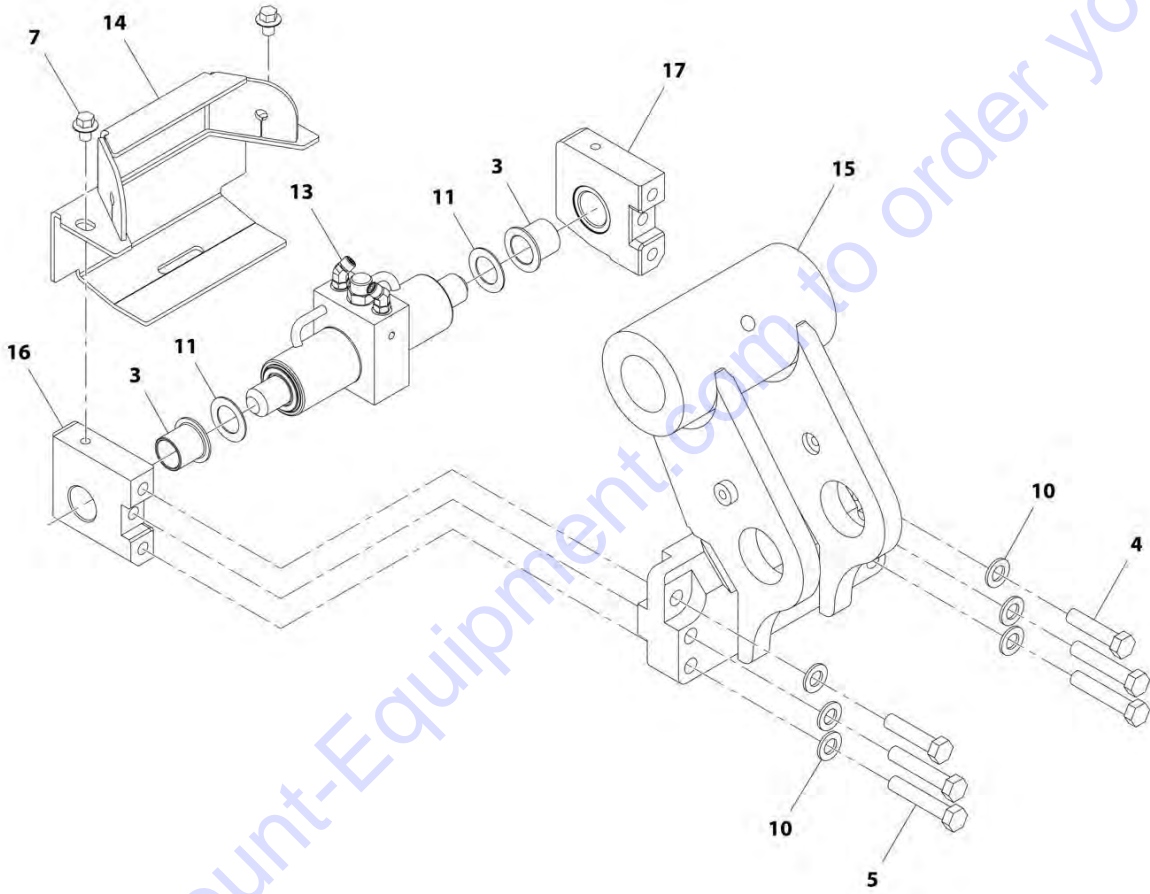
FIGURE 8-83. QUICK COUPLER VALVE ASSEMBLY (943, 1043)

ITEM	PART NUMBER	QTY	DESCRIPTION	REV
	1001189663	Ref	Quick Coupler Valve Assembly (943, 1043)	C
1	2110610	2	Fitting, Straight ORFS	
2	2110810	1	Fitting, Straight ORFS	
3	2150404	2	Fitting, 45 ORFS	
4	2172108	1	Fitting, 90 ORFS	
5	1001001568	2	Reducer	
6	1001104477	1	Valve, Quick Coupler (See HYDRAULIC COMPONENTS SECTION for Breakdown)	
7	2130810	1	Fitting, 90 ORFS	

Go to Discount-Equipment.com to order your parts

SECTION 8 - HYDRAULIC CIRCUITS

FIGURE 8-84. HYDRAULIC QUICK COUPLER ASSEMBLY



ART_1001172134-D

SECTION 8 - HYDRAULIC CIRCUITS

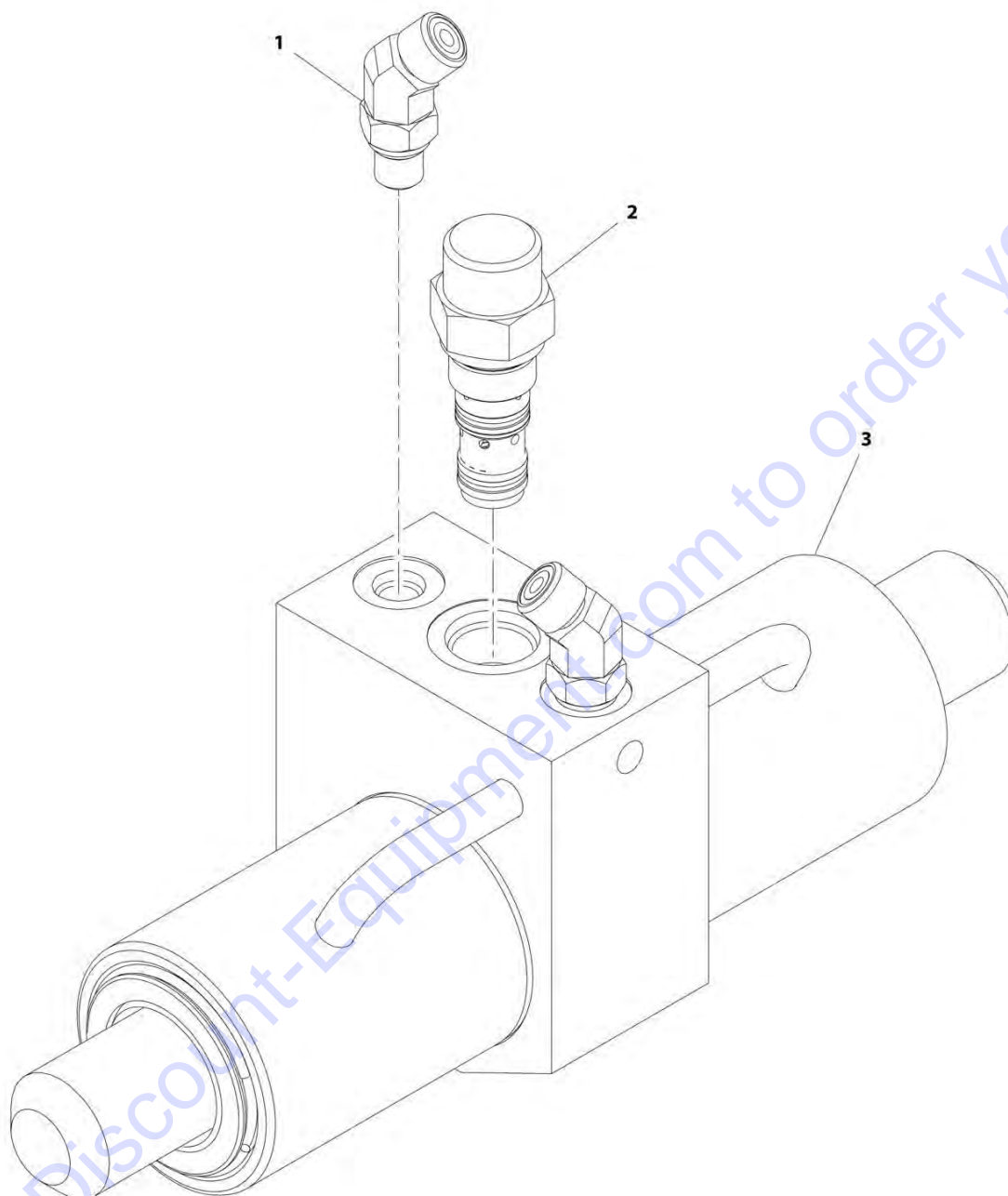
FIGURE 8-84. HYDRAULIC QUICK COUPLER ASSEMBLY

ITEM	PART NUMBER	QTY	DESCRIPTION	REV
	1001172134	Ref	Hydraulic Quick Coupler Assembly	D
3	0440321	2	Bearing, Flange	
4	1001191503	2	Bolt, M16X1.5X17 GR10.9	
5	1001191505	4	Bolt, M16X1.5X85 GR10.9	
7	0781208	2	Bolt, M12X16	
10	5241600	6	Washer, M16	
11	91561240	AR	Shim	
13	1001197151	1	Cylinder, Quick Coupler (See HYDRAULIC QUICK COUPLER ASSEMBLY for Breakdown) (Prior to SN 0160073806)	
13	1001210390	1	Assembly, Quick Coupler Cylinder (See QUICK COUPLER CYLINDER ASSEMBLY for Breakdown) (SN 0160073806 to Present)	
14	1001164860	1	Cover	
15	1001172075	1	Adapter, Hydraulic Quick Coupler	
16	1001172077	1	Plate	
17	1001172078	1	Plate	

Go to Discount-Equipment.com to order your parts

SECTION 8 - HYDRAULIC CIRCUITS

FIGURE 8-85. QUICK COUPLER CYLINDER ASSEMBLY (Prior to SN 0160073806)



ART_1001197151-B

SECTION 8 - HYDRAULIC CIRCUITS

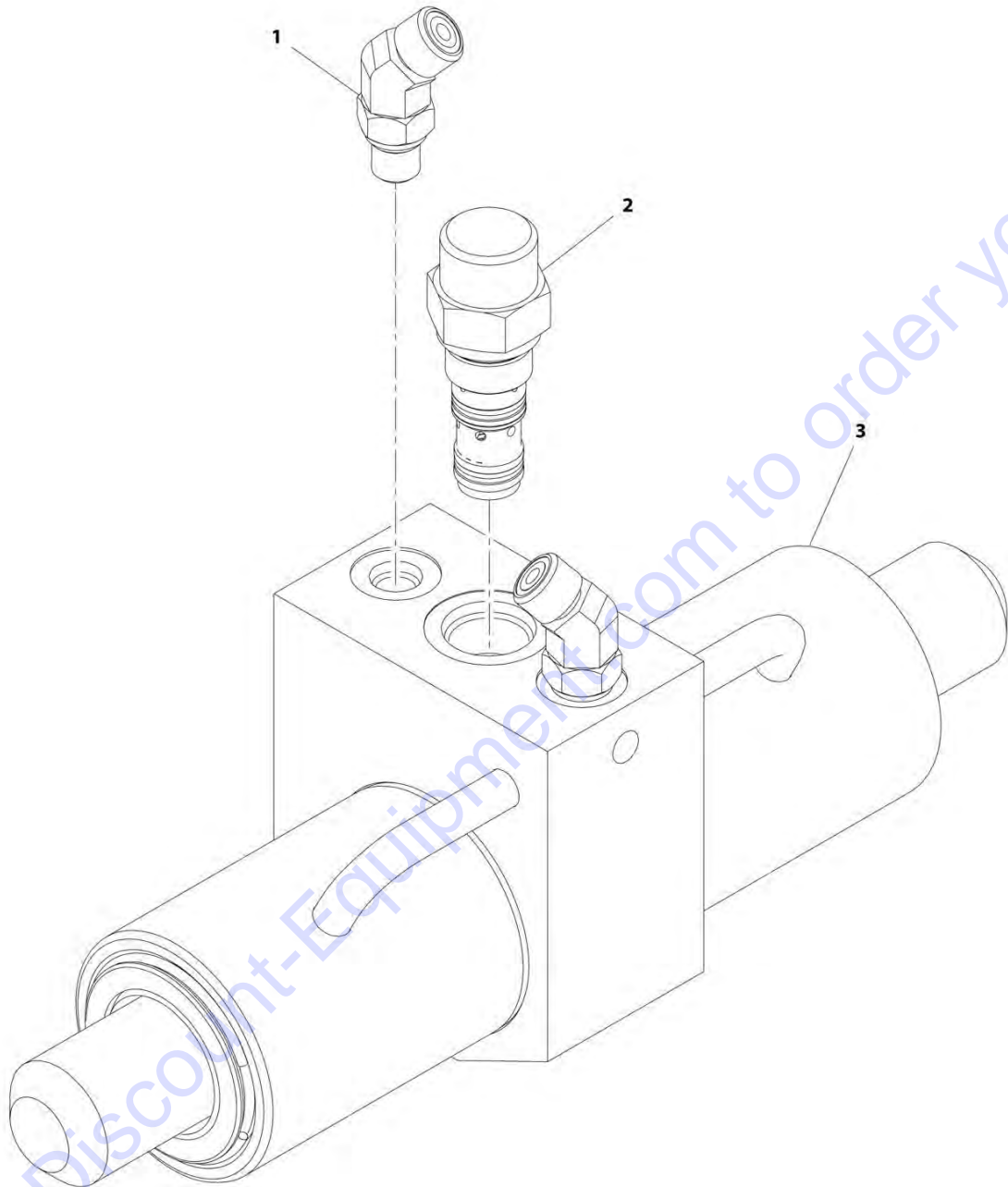
FIGURE 8-85. QUICK COUPLER CYLINDER ASSEMBLY (Prior to SN 0160073806)

ITEM	PART NUMBER	QTY	DESCRIPTION	REV
	1001197151	Ref	Quick Coupler Cylinder Assembly	B
1	2150404	2	Fitting, 45 ORFS	
2	1001007056	1	Valve, Check	
3	1001120163	1	Cylinder, Quick Coupler (See HYDRAULIC COMPONENTS SECTION for Breakdown)	

Go to Discount-Equipment.com to order your parts

SECTION 8 - HYDRAULIC CIRCUITS

FIGURE 8-86. QUICK COUPLER CYLINDER ASSEMBLY (SN 0160073806 to Present)



ART_1001210390-A

SECTION 8 - HYDRAULIC CIRCUITS

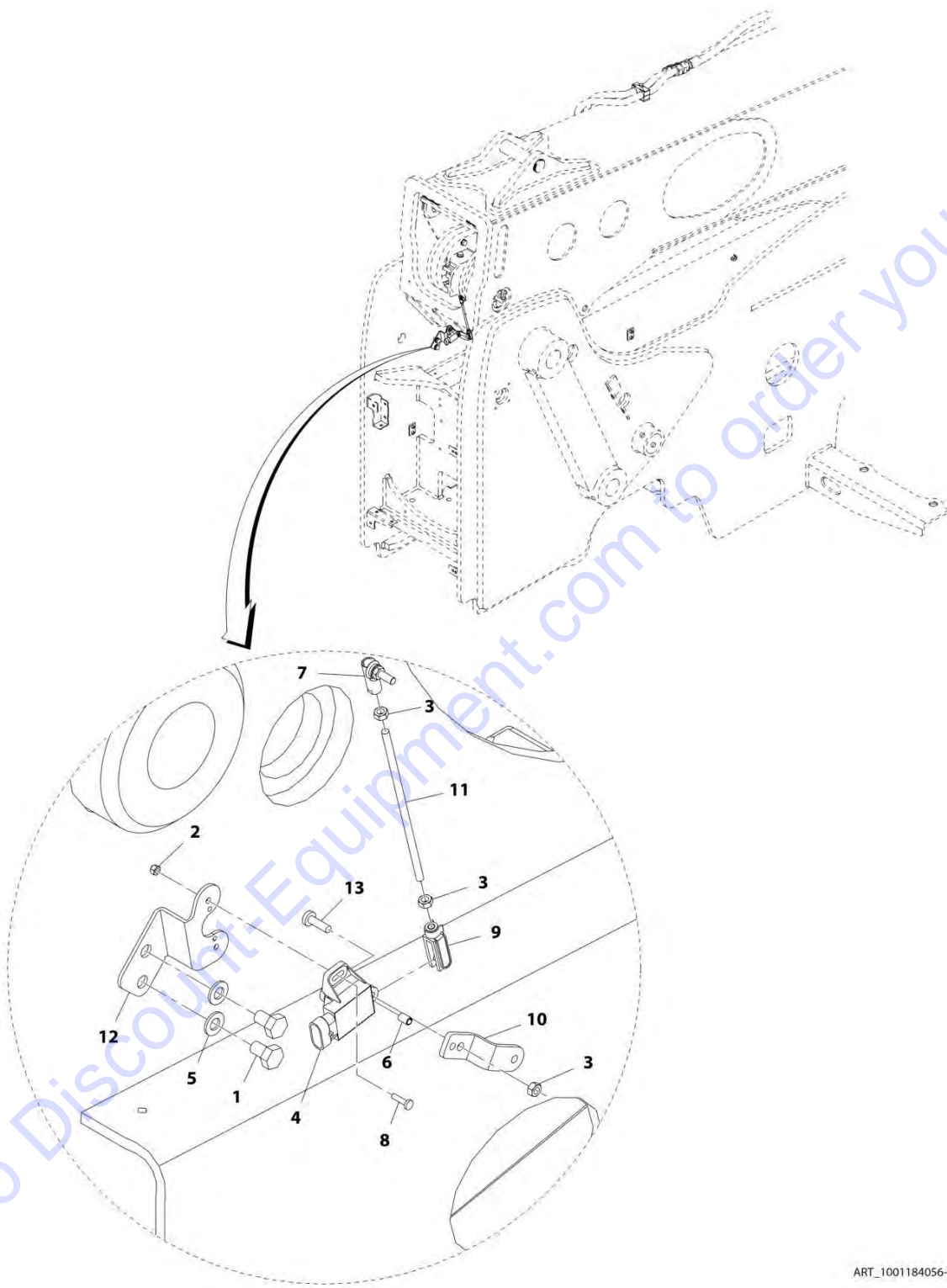
FIGURE 8-86. QUICK COUPLER CYLINDER ASSEMBLY (SN 0160073806 to Present)

ITEM	PART NUMBER	QTY	DESCRIPTION	REV
	1001210390	Ref	Quick Coupler Cylinder Assembly	A
1	2150404	2	Fitting, 45 ORFS	
2	1001007056	1	Valve, Check	
3	1001120163	1	Cylinder, Quick Coupler (See HYDRAULIC COMPONENTS SECTION for Breakdown)	

Go to Discount-Equipment.com to order your parts

SECTION 8 - HYDRAULIC CIRCUITS

FIGURE 8-87. BOOM ANGLE SENSOR INSTALLATION



ART_1001184056-C

SECTION 8 - HYDRAULIC CIRCUITS

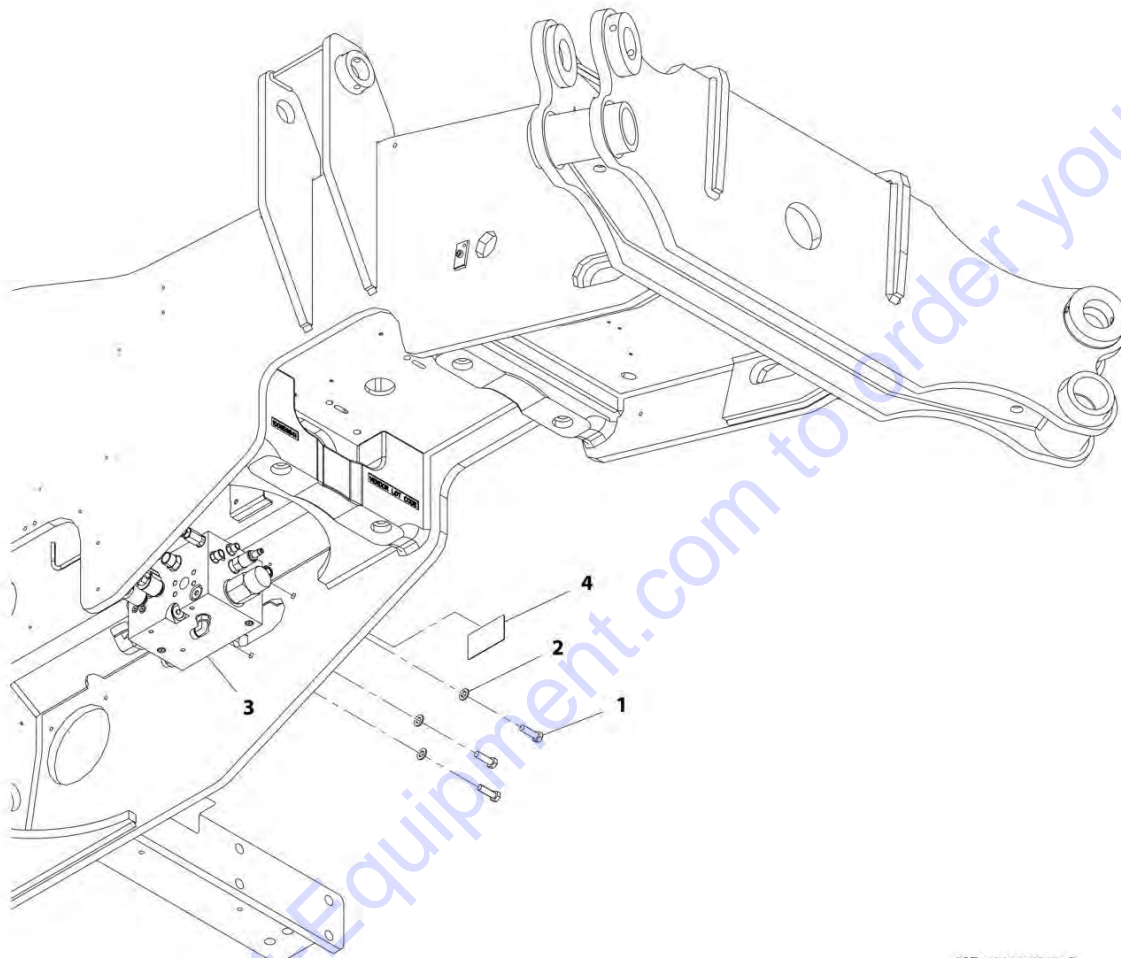
FIGURE 8-87. BOOM ANGLE SENSOR INSTALLATION

ITEM	PART NUMBER	QTY	DESCRIPTION	REV
	1001184056	Ref	Boom Angle Sensor Installation	C
1	0761008	2	Bolt, M10X16	
2	3290405	2	Nut, Lock M4X0.7	
3	3290601	3	Nut, M6X1	
4	4000015	1	Sensor, Angle	
5	4812000	2	Washer, M10	
6	1001103156	1	Pin	
7	1001184484	1	Joint, Ball	
8	1001126837	2	Screw, M4X16	
9	1001134274	1	Clevis	
10	1001188787	1	Link, Boom Angle Sensor	
11	1001168482	1	Rod	
12	1001211059	1	Bracket, Boom Angle Sensor	
13	4010610002	1	Screw, M6X20	

Go to Discount-Equipment.com to order your parts

SECTION 8 - HYDRAULIC CIRCUITS

FIGURE 8-88. PRIORITY FUNCTION MANIFOLD INSTALLATION



ART_1001161308-C

SECTION 8 - HYDRAULIC CIRCUITS

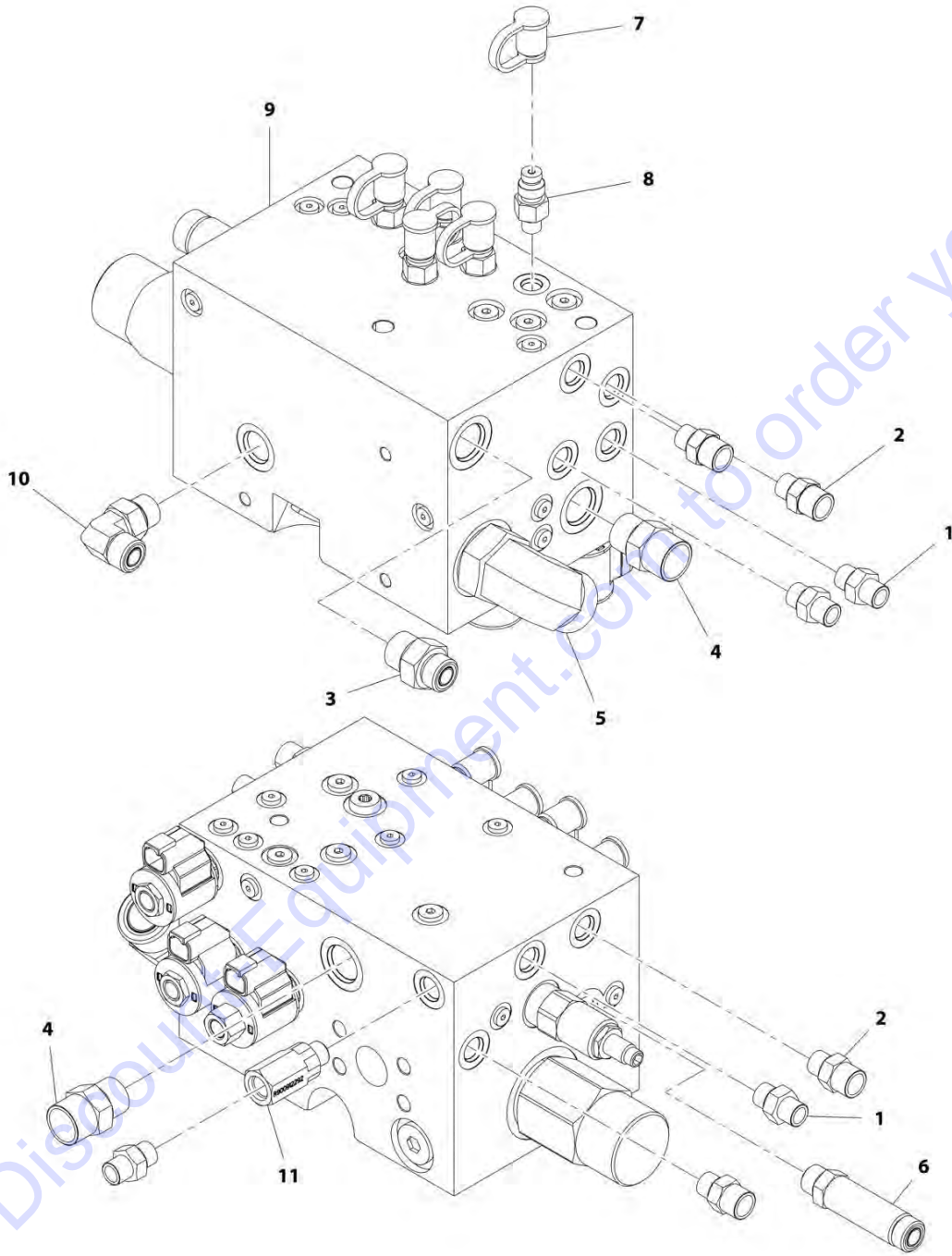
FIGURE 8-88. PRIORITY FUNCTION MANIFOLD INSTALLATION

ITEM	PART NUMBER	QTY	DESCRIPTION	REV
	1001161308	Ref	Priority Function Manifold Installation	C
1	0701216	3	Bolt, M12X40	
2	4812100	3	Washer, M12	
3	1001166223	1	Assembly, Priority Manifold Valve (See PRIORITY FUNCTION MANIFOLD VALVE ASSEMBLY for Breakdown)	
4	1001183243	1	Decal, Port ID	

Go to Discount-Equipment.com to order your parts

SECTION 8 - HYDRAULIC CIRCUITS

FIGURE 8-89. PRIORITY FUNCTION MANIFOLD VALVE ASSEMBLY



ART_1001166223-F

SECTION 8 - HYDRAULIC CIRCUITS

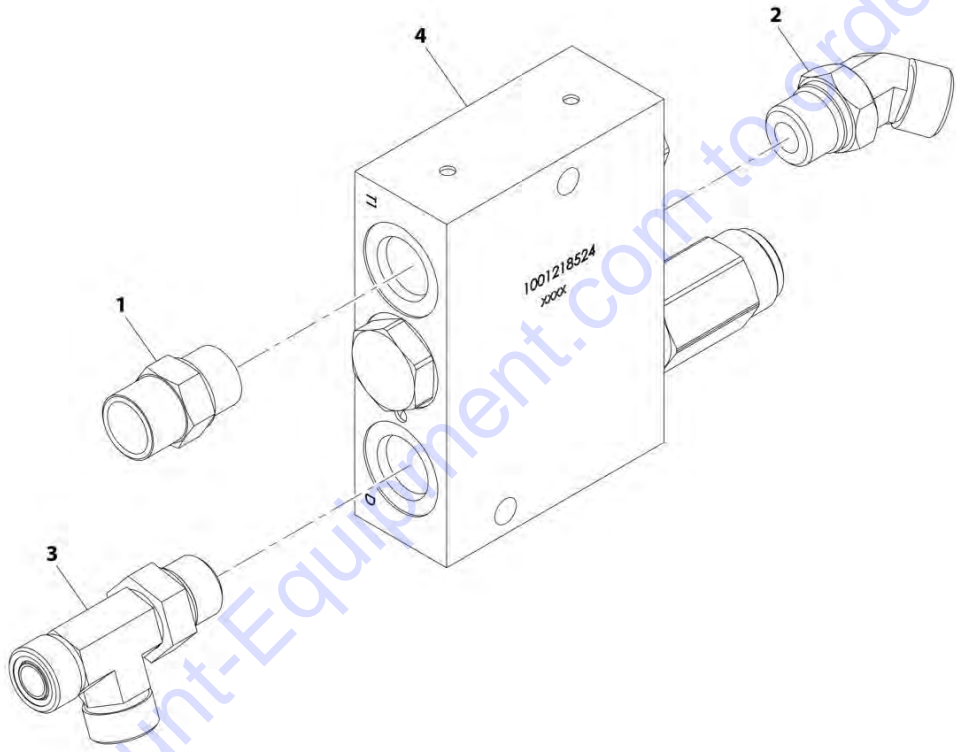
FIGURE 8-89. PRIORITY FUNCTION MANIFOLD VALVE ASSEMBLY

ITEM	PART NUMBER	QTY	DESCRIPTION	REV
	1001166223	Ref	Priority Function Manifold Valve Assembly	F
1	2110406	4	Fitting, Straight ORFS	
2	2110606	4	Fitting, Straight ORFS	
3	2110810	1	Fitting, Straight ORFS	
4	2111010	2	Fitting, Straight ORFS	
5	2131616	1	Fitting, 90 ORFS	
6	1001201755	1	Fitting, Straight ORFS	
7	8430032	5	Plug	
8	8430033	5	Fitting, Straight	
9	1001162548	1	Valve, Priority Manifold (See HYDRAULIC COMPONENTS SECTION for Breakdown)	
10	2130808	1	Fitting, 90 ORFS	
11	1001196608	1	Valve, Check	

Go to Discount-Equipment.com to order your parts

SECTION 8 - HYDRAULIC CIRCUITS

FIGURE 8-90. EMERGENCY STEERING MANIFOLD



ART_1001219191-A

SECTION 8 - HYDRAULIC CIRCUITS

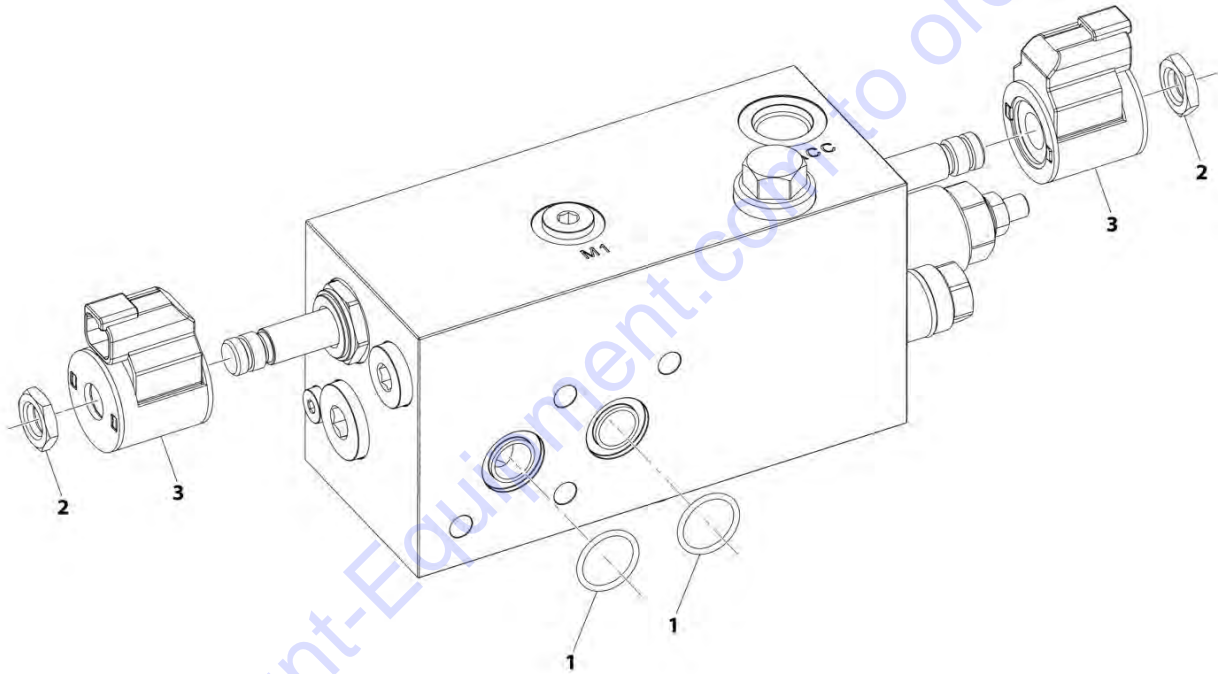
FIGURE 8-90. EMERGENCY STEERING MANIFOLD

ITEM	PART NUMBER	QTY	DESCRIPTION	REV
	1001219191	Ref	Emergency Steering Manifold	A
1	2110808	1	Fitting, Straight ORFS	
2	2150808	1	Fitting, 45 ORFS	
3	2170308	1	Fitting, Tee ORFS	
4	1001218524	1	Manifold	

Go to Discount-Equipment.com to order your parts

SECTION 8 - HYDRAULIC CIRCUITS

FIGURE 8-91. INTGRATED RECOVERY VALVE (LIFT - RIDE CONTROL) (742)



ART_1001229685-A

SECTION 8 - HYDRAULIC CIRCUITS

FIGURE 8-91. INTGRATED RECOVERY VALVE (LIFT - RIDE CONTROL) (742)

ITEM	PART NUMBER	QTY	DESCRIPTION	REV
	1001229685	Ref	Integrated Recovery Valve (Lift - Ride Control) (742)	A
1	70028453	2	O-ring	
2	7022390	2	Nut	
3	70028281	2	Coil	

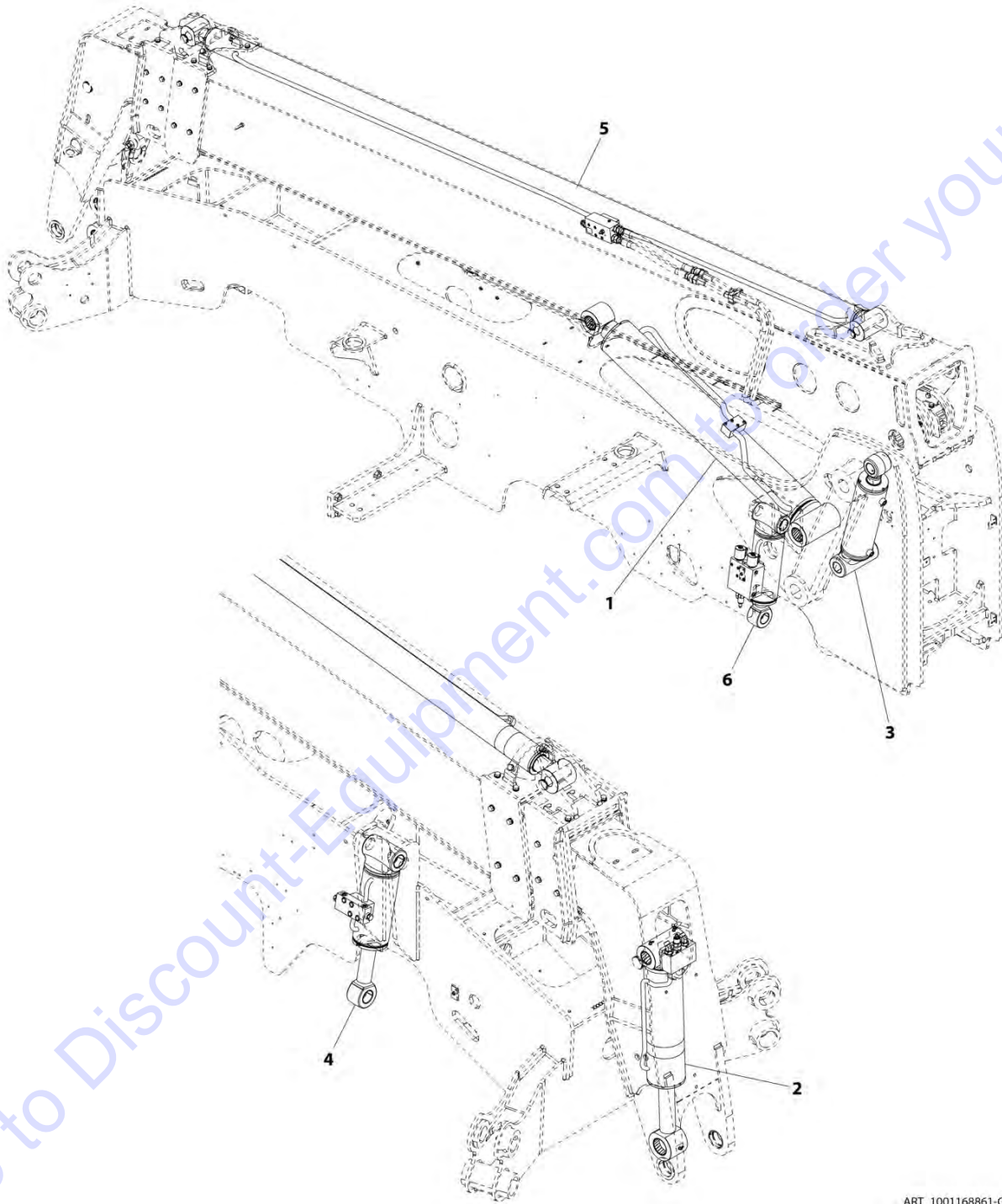
Go to Discount-Equipment.com to order your parts

SECTION 9 - HYDRAULIC COMPONENTS

Go to Discount-Equipment.com to order your parts

SECTION 9 - HYDRAULIC COMPONENTS

FIGURE 9-1. CYLINDER GROUP INSTALLATION (642, 742)



ART_1001168861-G

SECTION 9 - HYDRAULIC COMPONENTS

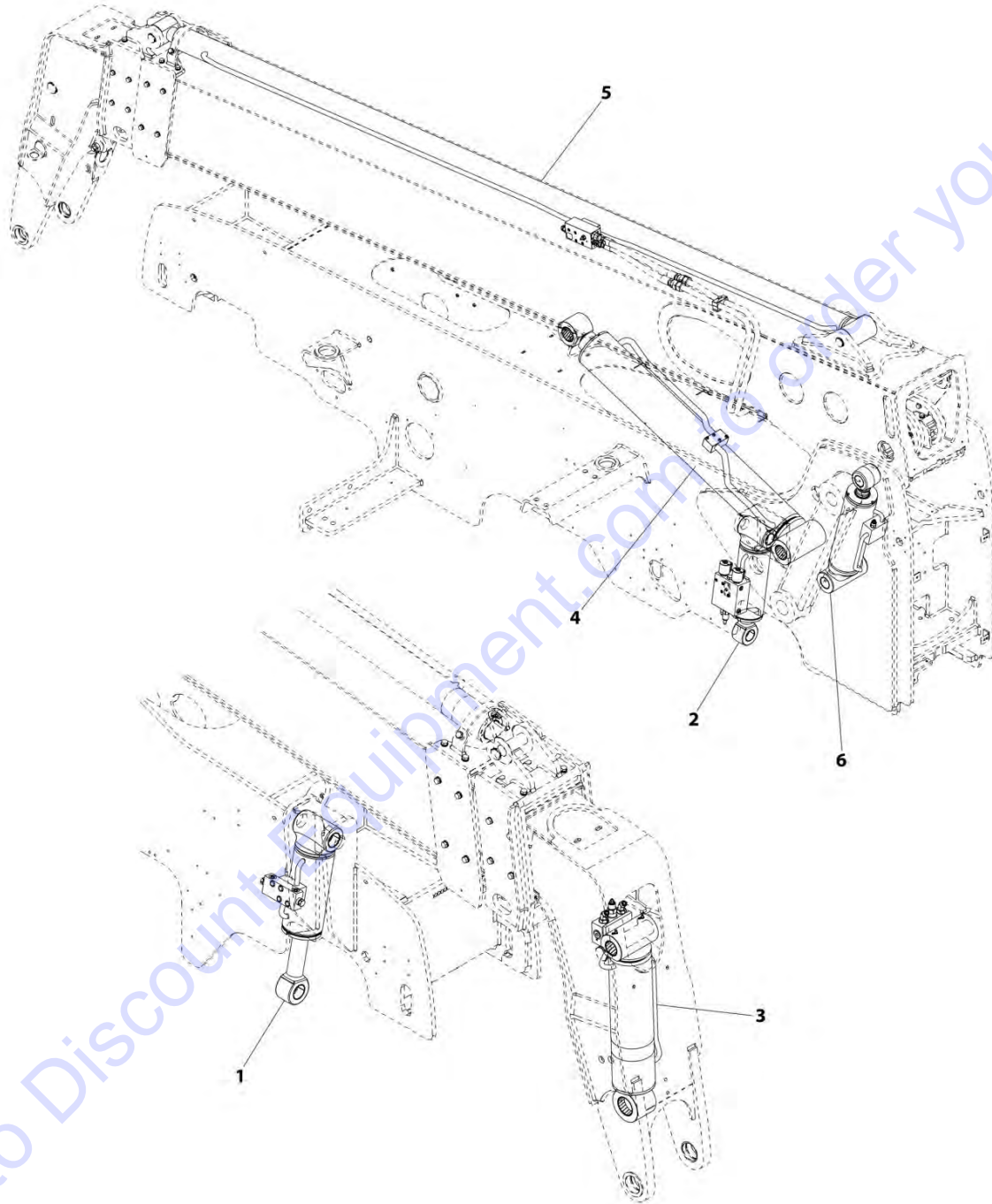
FIGURE 9-1. CYLINDER GROUP INSTALLATION (642, 742)

ITEM	PART NUMBER	QTY	DESCRIPTION	REV
	1001168861	Ref	Cylinder Group Installation (642, 742)	G
1	1001204381	NLA	Cylinder, Lift (no longer available, use 1001228096 for replacement) (See Separate Breakdown in this Section)	
1	1001228096	1	Cylinder, Lift (See Separate Breakdown in this Section)	
2	1001184714	1	Cylinder, Tilt (See Separate Breakdown in this Section)	
3	1001197491	1	Cylinder, Compensation (See Separate Breakdown in this Section)	
4	1001162076	1	Cylinder, Frame Level (See Separate Breakdown in this Section)	
5		Ref	Cylinder, Extend/Retract (See Separate Breakdown in this Section)	
6	1001164036	1	Cylinder, Rear Axle Stabilizer (See Separate Breakdown in this Section)	

Go to Discount-Equipment.com to order your parts

SECTION 9 - HYDRAULIC COMPONENTS

FIGURE 9-2. CYLINDER GROUP INSTALLATION - 74HP (742)



ART_1001226793-C

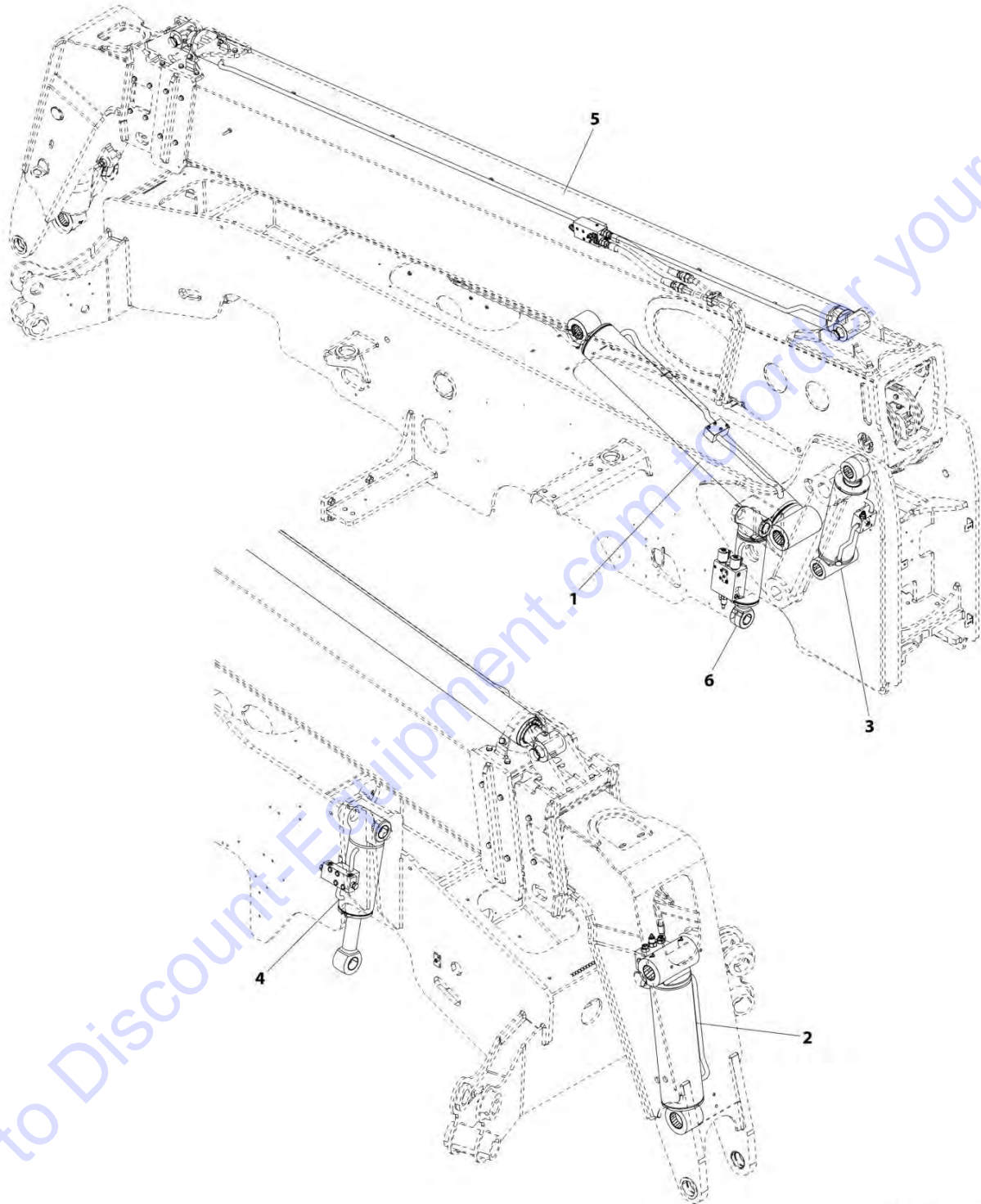
SECTION 9 - HYDRAULIC COMPONENTS

FIGURE 9-2. CYLINDER GROUP INSTALLATION - 74HP (742)

ITEM	PART NUMBER	QTY	DESCRIPTION	REV
	1001226793	Ref	Cylinder Group Installation - 74HP (742)	C
1	1001162076	1	Cylinder, Frame Level (See Separate Breakdown in this Section)	
2	1001164036	1	Cylinder, Rear Axle Stabilizer (See Separate Breakdown in this Section)	
3	1001184714	1	Cylinder, Tilt (See Separate Breakdown in this Section)	
4	1001204381	NLA	Cylinder, Lift (no longer available, use 1001228096 for replacement) (See Separate Breakdown in this Section)	
4	1001228096	1	Cylinder, Lift (See Separate Breakdown in this Section)	
5	1001226849	1	Cylinder, Extend/Retract (See Separate Breakdown in this Section)	
6	1001226670	1	Cylinder, Compensation (See Separate Breakdown in this Section)	

SECTION 9 - HYDRAULIC COMPONENTS

FIGURE 9-3. CYLINDER GROUP INSTALLATION (943, 1043) (Prior to SN 0160081535)



ART_1001168840-F

SECTION 9 - HYDRAULIC COMPONENTS

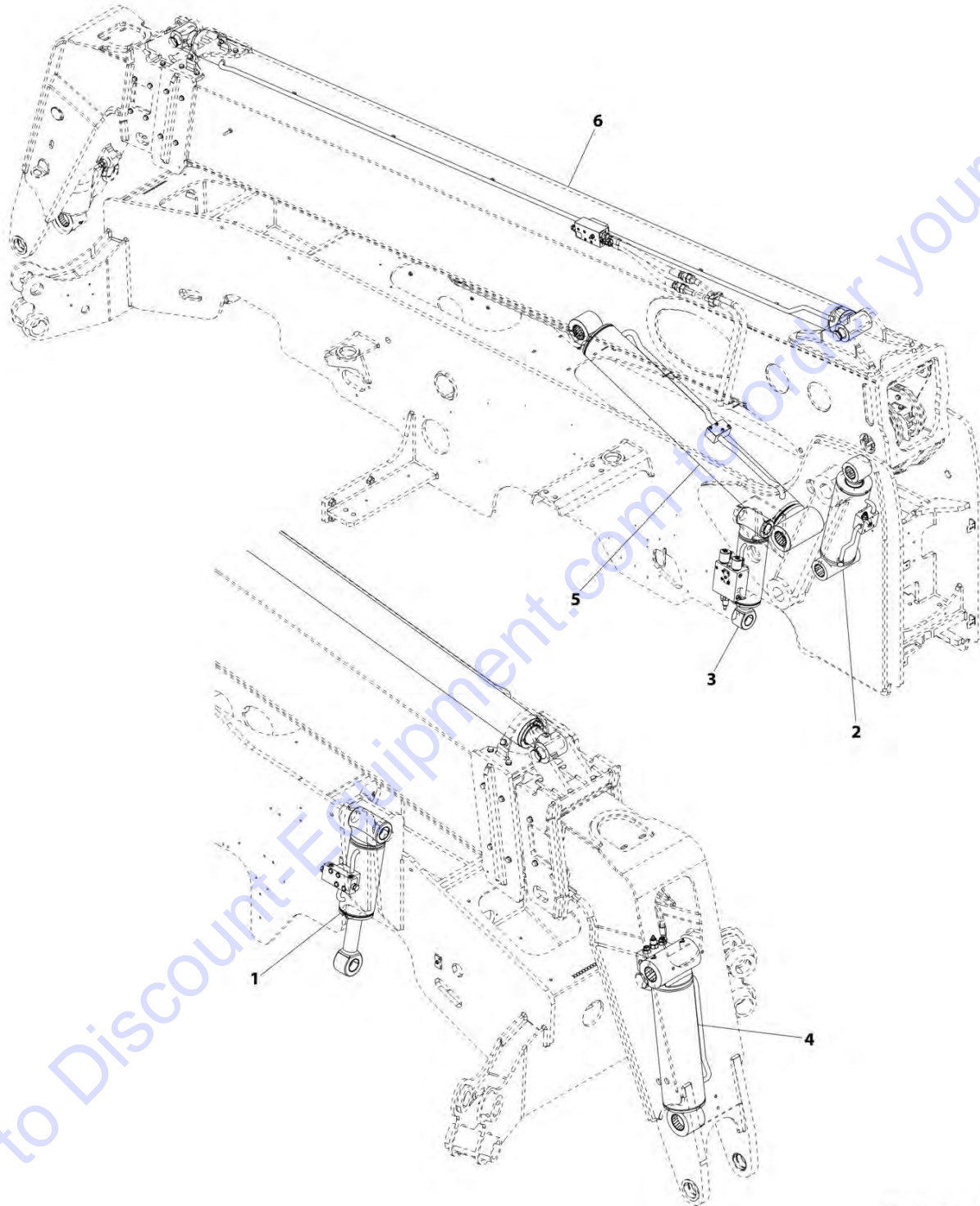
FIGURE 9-3. CYLINDER GROUP INSTALLATION (943, 1043) (Prior to SN 0160081535)

ITEM	PART NUMBER	QTY	DESCRIPTION	REV
	1001168840	Ref	Cylinder Group Installation (943, 1043)	F
1	1001162043	1	Cylinder, Lift (See Separate Breakdown in this Section) (Prior to SN 0160074518)	
1	1001204380	NLA	Cylinder, Lift (no longer available, use 1001228095 for replacement) (See Separate Breakdown in this Section)	
1	1001228095	1	Cylinder, Lift (See Separate Breakdown in this Section) (SN 0160074518 to Present)	
2	1001184640	1	Cylinder, Tilt (943, 1043) (See Separate Breakdown in this Section)	
3	1001162600	1	Cylinder, Compensation (943, 1043) (See Separate Breakdown in this Section)	
4	1001162076	1	Cylinder, Frame Level (See Separate Breakdown in this Section)	
5	1001175262	1	Cylinder, Extend/Retract (943, 1043) (See Separate Breakdown in this Section)	
6	1001164036	1	Cylinder, Rear Axle Stabilizer (See Separate Breakdown in this Section)	

Go to Discount-Equipment.com to order your parts

SECTION 9 - HYDRAULIC COMPONENTS

FIGURE 9-4. CYLINDER GROUP INSTALLATION (943, 1043) (SN 0160081535 to Present)



ART_1001227676-D

SECTION 9 - HYDRAULIC COMPONENTS

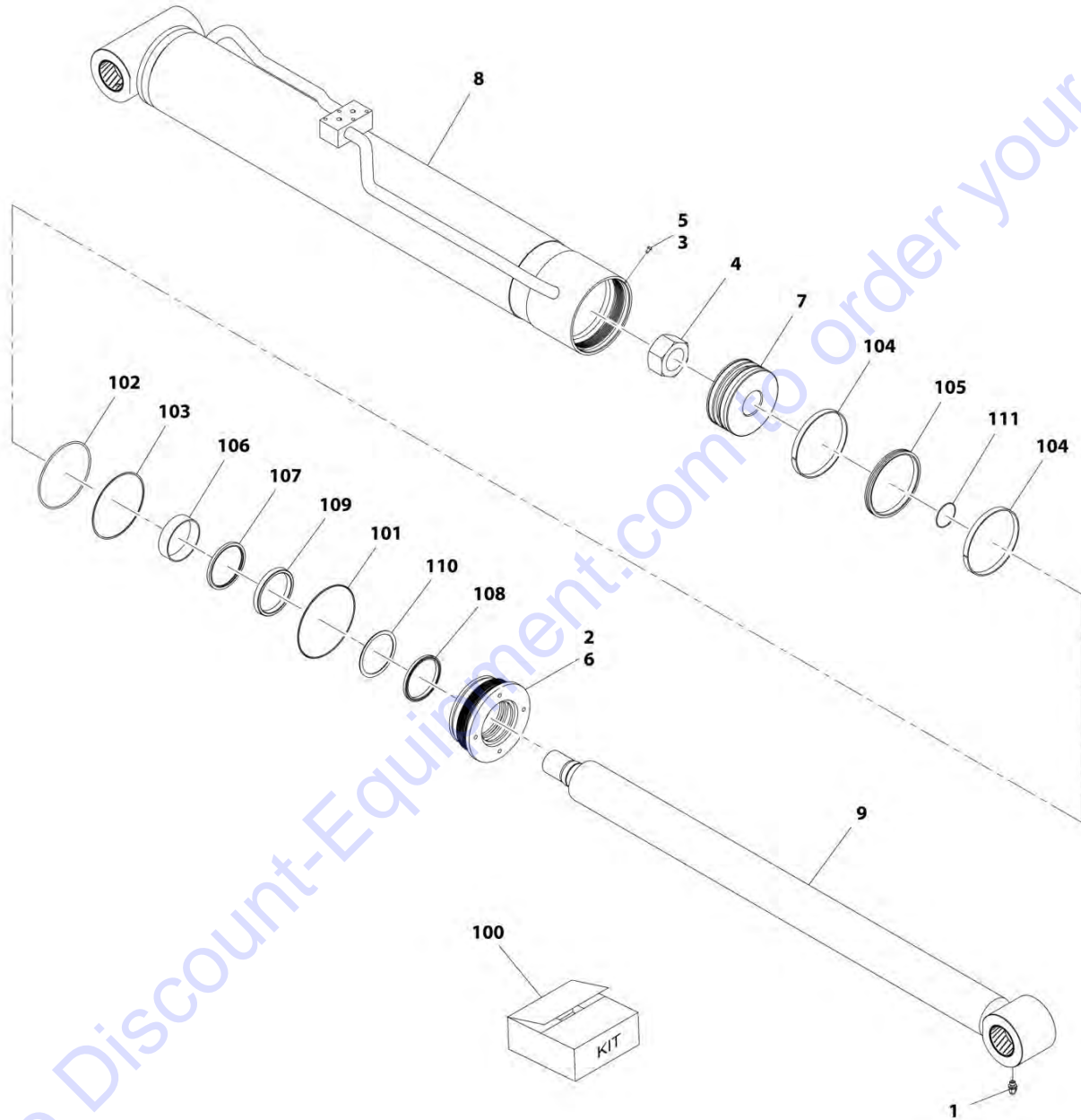
FIGURE 9-4. CYLINDER GROUP INSTALLATION (943, 1043) (SN 0160081535 to Present)

ITEM	PART NUMBER	QTY	DESCRIPTION	REV
	1001227676	Ref	Cylinder Group Installation (943, 1043)	D
1	1001162076	Ref	Cylinder, Frame Level (See Separate Breakdown in this Section)	
2	1001162600	Ref	Cylinder, Compensation (943, 1043) (See Separate Breakdown in this Section)	
3	1001164036	Ref	Cylinder, Rear Axle Stabilizer (See Separate Breakdown in this Section)	
4	1001184640	Ref	Cylinder, Tilt (943, 1043) (See Separate Breakdown in this Section)	
5	1001204380	NLA	Cylinder, Lift (943, 1043) (no longer available, use 1001228095 for replacement) (See Separate Breakdown in this Section)	
5	1001228095	Ref	Cylinder, Lift (943, 1043) See Separate Breakdown in this Section)	
6	1001227677	Ref	Cylinder, Extend/Retract (943, 1043) (See Separate Breakdown in this Section)	

Go to Discount-Equipment.com to order your parts

SECTION 9 - HYDRAULIC COMPONENTS

FIGURE 9-5. LIFT CYLINDER (642, 742)



ART_1001204381-C

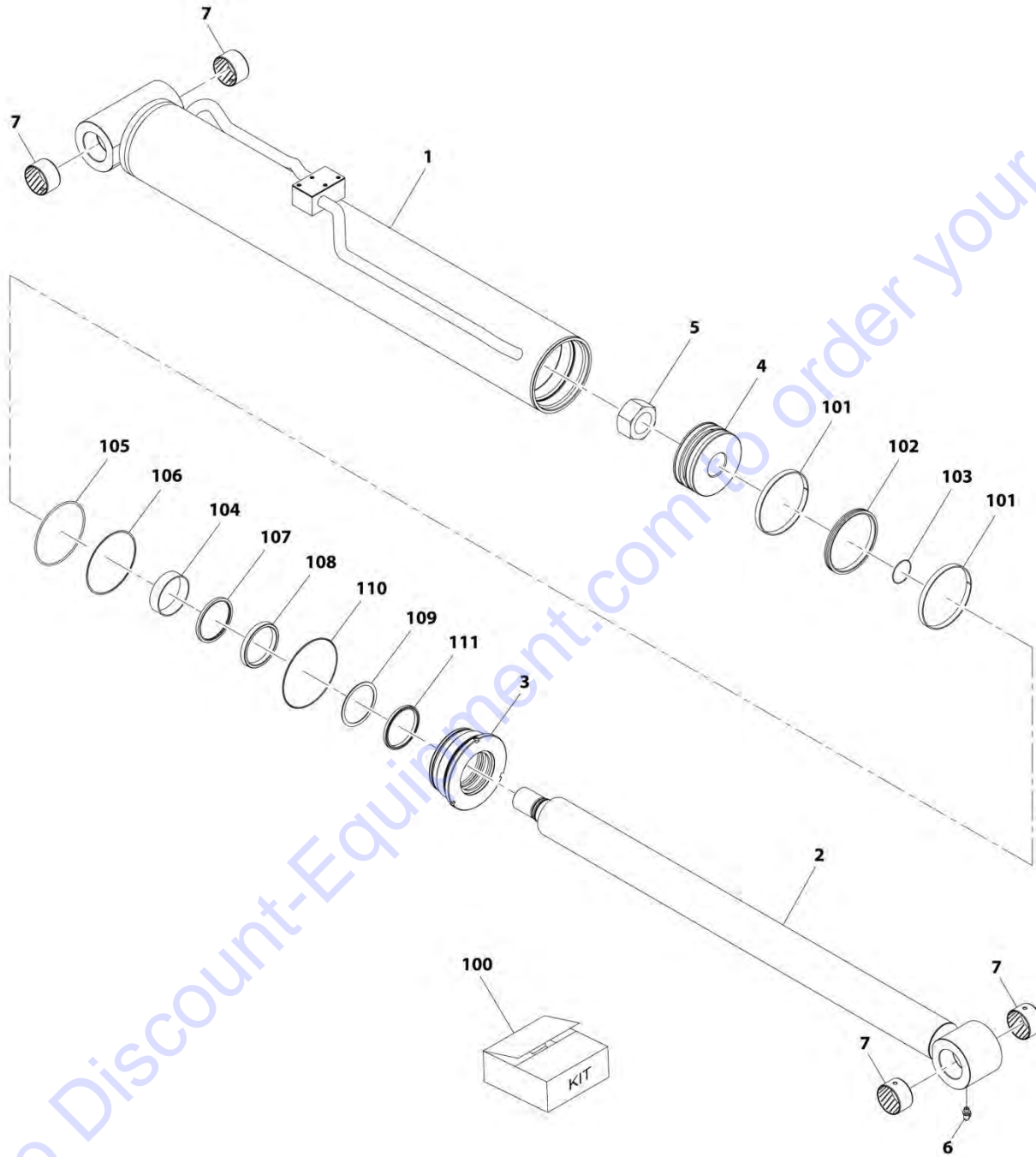
SECTION 9 - HYDRAULIC COMPONENTS

FIGURE 9-5. LIFT CYLINDER (642, 742)

ITEM	PART NUMBER	QTY	DESCRIPTION	REV
	1001204381	NLA	Lift Cylinder (642, 742), (no longer available, use items 1 thru 100 for service or 1001228096 for replacement)	C
1	8770215	1	Fitting, 90	
2	3020043	AR	Lube, Anti-Seize	
3	0100011	AR	Compound, Locking	
4	1001122453	1	Nut, Lock	
5	1001125137	1	Screw, Self Tapping	
6	1001197699	1	Head	
7	1001197700	1	Piston	
8	1001197695	1	Barrel	
9	1001204379	1	Rod	
100	1001197918	1	Kit, Seal (includes items 101 thru 111)	
101	Kit	1	O-Ring	
102	Kit	1	O-Ring	
103	Kit	1	Ring, Backup	
104	Kit	2	Ring, Wear	
105	Kit	1	Seal	
106	Kit	1	Ring, Wear	
107	Kit	1	Seal, Buffer	
108	Kit	1	Seal, Wiper	
109	Kit	1	Seal	
110	Kit	1	Ring, Backup	
111	Kit	1	O-Ring	

SECTION 9 - HYDRAULIC COMPONENTS

FIGURE 9-6. LIFT CYLINDER (642, 742)



ART_1001228096-A

SECTION 9 - HYDRAULIC COMPONENTS

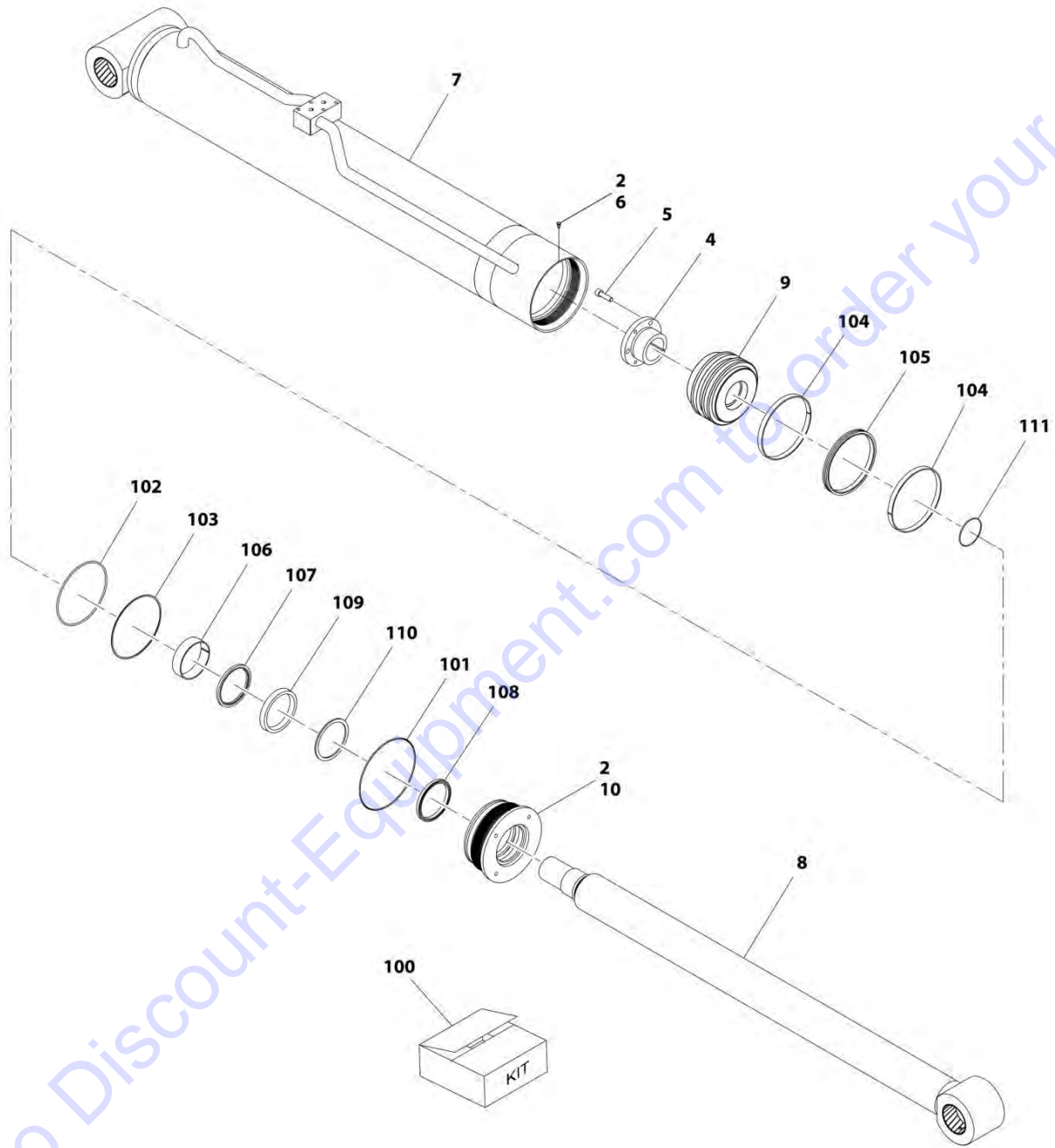
FIGURE 9-6. LIFT CYLINDER (642, 742)

ITEM	PART NUMBER	QTY	DESCRIPTION	REV
	1001228096	Ref	Lift Cylinder	A
1	N.S.S.	1	Barrel	
2	70028990	1	Rod	
3	70028991	1	Head	
4	70028992	1	Piston	
5	1001122453	1	Nut, Lock	
6	8770215	1	Fitting, 90	
7	1001170138	4	Bush Bearing	
100	1001197918	1	Kit, Seal (includes items 101 thru 111)	
101	Kit	2	Bearing	
102	Kit	1	Piston Seal	
103	Kit	1	O-Ring	
104	Kit	1	O-Ring	
105	Kit	1	Ring, Backup	
106	Kit	1	Bearing	
107	Kit	1	Buffer	
108	Kit	1	Rod Seal	
109	Kit	1	Ring, Backup	
110	Kit	1	O-Ring	
111	Kit	1	Wiper	

Go to Discount-Equipment.com to order your parts

SECTION 9 - HYDRAULIC COMPONENTS

FIGURE 9-7. LIFT CYLINDER (943, 1043) (Prior to SN 0160074518)



ART_1001162043-H

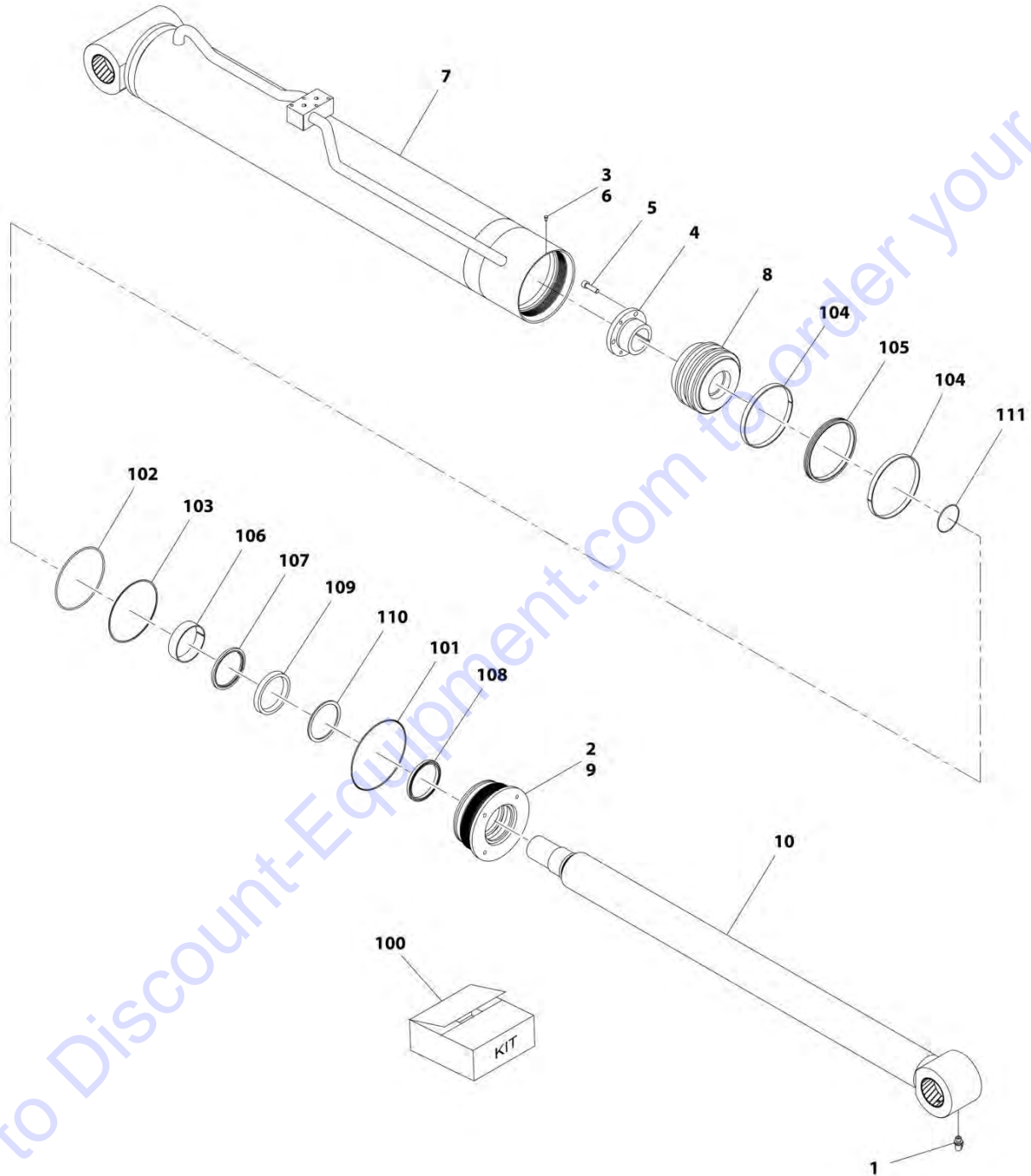
SECTION 9 - HYDRAULIC COMPONENTS

FIGURE 9-7. LIFT CYLINDER (943, 1043) (Prior to SN 0160074518)

ITEM	PART NUMBER	QTY	DESCRIPTION	REV
	1001162043	Ref	Lift Cylinder (943, 1043)	H
2	3020043	AR	Lube, Anti-Seize	
4	0961903	1	Bushing, Tapered	
5	5272011	3	Bolt, M10X35	
6	1001125137	1	Screw, Self Tapping	
7	1001167610	1	Barrel	
8	1001167613	1	Rod	
9	1001167785	1	Piston	
10	1001167788	1	Head	
100	1001168661	1	Kit, Seal (includes items 101 thru 111)	
101	Kit	1	O-Ring	
102	Kit	1	O-Ring	
103	Kit	1	Ring, Backup	
104	Kit	2	Ring, Wear	
105	Kit	1	Seal	
106	Kit	1	Ring, Wear	
107	Kit	1	Seal, Buffer	
108	Kit	1	Seal, Wiper	
109	Kit	1	Seal	
110	Kit	1	Ring, Backup	
111	Kit	1	O-Ring	

SECTION 9 - HYDRAULIC COMPONENTS

FIGURE 9-8. LIFT CYLINDER (943, 1043)



ART_1001204380-C

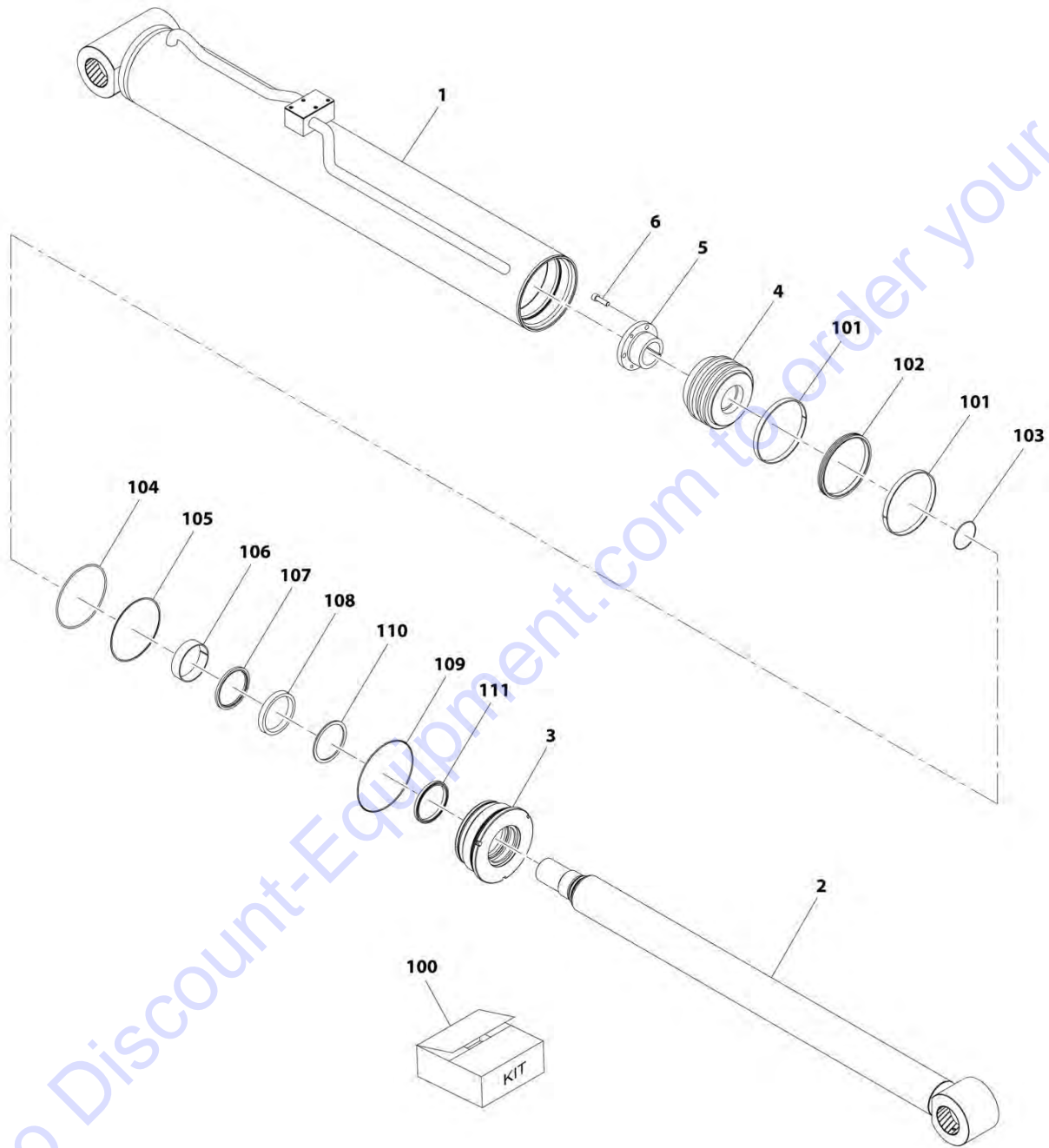
SECTION 9 - HYDRAULIC COMPONENTS

FIGURE 9-8. LIFT CYLINDER (943, 1043)

ITEM	PART NUMBER	QTY	DESCRIPTION	REV
	1001204380	NLA	Lift Cylinder (943, 1043), (no longer available, use items 1 thru 100 for service or 1001228095 for replacement)	C
1	8770215	1	Fitting, 90	
2	3020043	AR	Lube, Anti-Seize	
3	0100011	AR	Compound, Locking	
4	0961903	1	Bushing, Tapered	
5	5272011	3	Bolt, M10X35	
6	1001125137	1	Screw, Self Tapping	
7	1001167610	1	Barrel	
8	1001167785	1	Piston	
9	1001167788	1	Head	
10	1001204378	1	Rod	
100	1001168661	1	Kit, Seal (includes items 101 thru 111)	
101	Kit	1	O-Ring	
102	Kit	1	O-Ring	
103	Kit	1	Ring, Backup	
104	Kit	2	Ring, Wear	
105	Kit	1	Seal	
106	Kit	1	Ring, Wear	
107	Kit	1	Seal, Buffer	
108	Kit	1	Seal, Wiper	
109	Kit	1	Seal	
110	Kit	1	Ring, Backup	
111	Kit	1	O-Ring	

SECTION 9 - HYDRAULIC COMPONENTS

FIGURE 9-9. LIFT CYLINDER (943, 1043) (SN 0160074518 to Present)



ART_1001228095-A

SECTION 9 - HYDRAULIC COMPONENTS

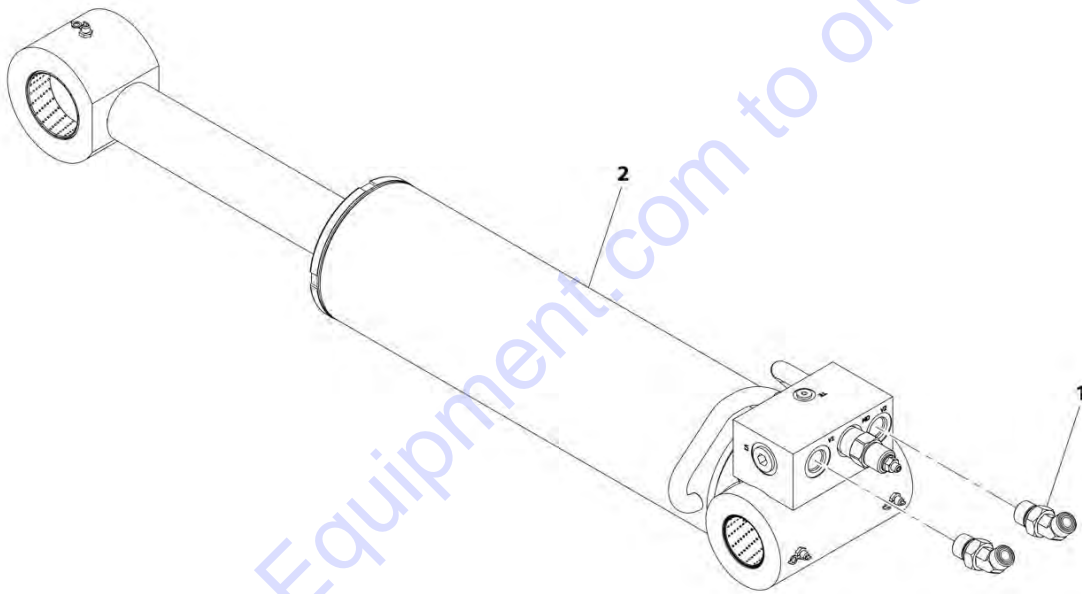
FIGURE 9-9. LIFT CYLINDER (943, 1043) (SN 0160074518 to Present)

ITEM	PART NUMBER	QTY	DESCRIPTION	REV
	1001228095	Ref	Lift Cylinder	A
1	N.S.S.	1	Barrel	
2	70028776	1	Rod	
3	70028777	1	Rod Guide	
4	70028778	1	Piston	
5	0961903	1	Bushing, Tapered	
6	5272011	3	Bolt, M10X35	
100	1001168661	1	Kit, Seal (includes items 101 thru 111)	
101	Kit	2	Bearing	
102	Kit	1	Piston Seal	
103	Kit	1	O-Ring	
104	Kit	1	O-Ring	
105	Kit	1	Ring, Backup	
106	Kit	1	Bearing	
107	Kit	1	Seal, Buffer	
108	Kit	1	Seal, Rod	
109	Kit	1	O-Ring	
110	Kit	1	Ring, Backup	
111	Kit	1	Wiper	

Go to Discount-Equipment.com to order your parts

SECTION 9 - HYDRAULIC COMPONENTS

FIGURE 9-10. TILT CYLINDER ASSEMBLY (642, 742)



ART_1001184714-E

SECTION 9 - HYDRAULIC COMPONENTS

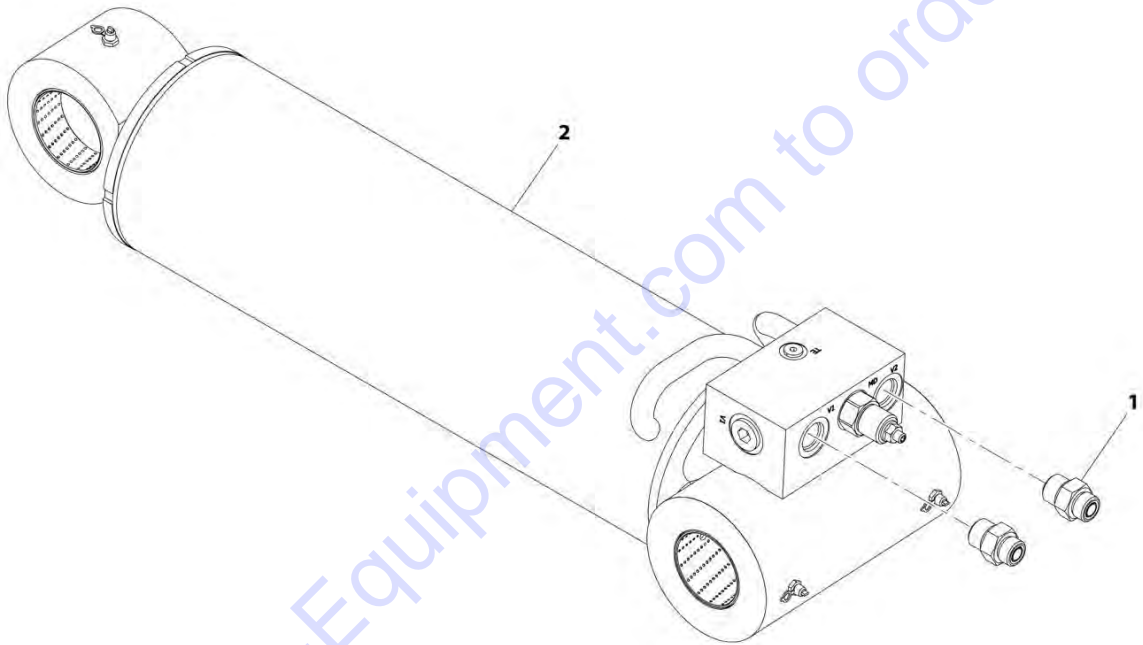
FIGURE 9-10. TILT CYLINDER ASSEMBLY (642, 742)

ITEM	PART NUMBER	QTY	DESCRIPTION	REV
	1001184714	Ref	Tilt Cylinder Assembly (642, 742)	E
1	2150810	2	Fitting, 45 ORFS	
2	1001197574	NLA	Tilt Cylinder (no longer available, use 1001228089 for replacement) (See Separate Breakdown in this Section)	
2	1001228089	1	Tilt Cylinder (See Separate Breakdown in this Section)	

Go to Discount-Equipment.com to order your parts

SECTION 9 - HYDRAULIC COMPONENTS

FIGURE 9-11. TILT CYLINDER ASSEMBLY (943, 1043)



ART_1001184640-C

SECTION 9 - HYDRAULIC COMPONENTS

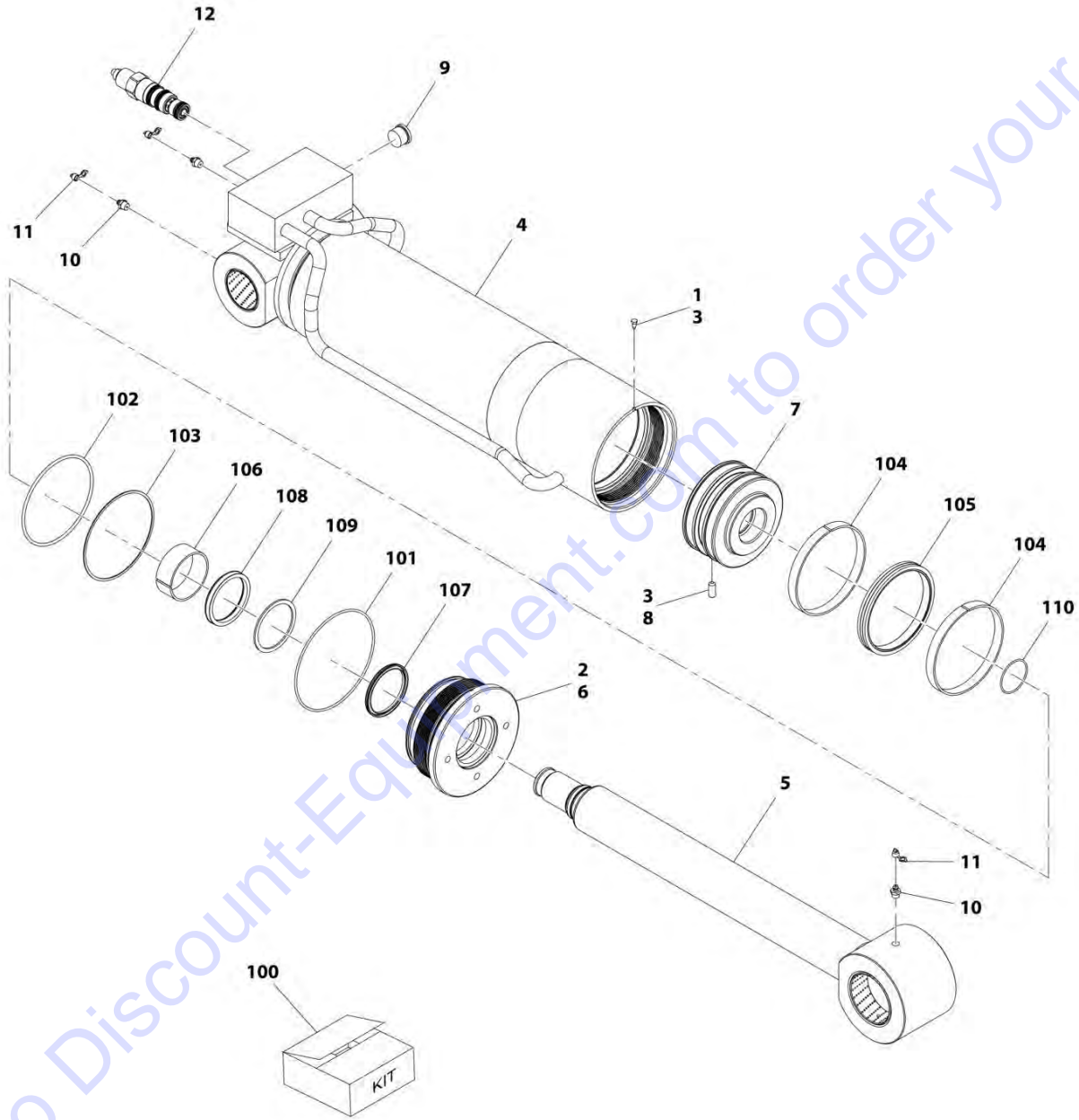
FIGURE 9-11. TILT CYLINDER ASSEMBLY (943, 1043)

ITEM	PART NUMBER	QTY	DESCRIPTION	REV
	1001184640	Ref	Tilt Cylinder Assembly (943, 1043)	C
1	2110810	2	Fitting, Straight ORFS	
2	1001162599	Ref	Tilt Cylinder (See TILT CYLINDER (943, 1043) for Breakdown) (Prior to SN 0160085980)	
2	1001228073	Ref	Tilt Cylinder (See TILT CYLINDER (943, 1043) for Breakdown) (SN 0160085980 to Present)	

Go to Discount-Equipment.com to order your parts

SECTION 9 - HYDRAULIC COMPONENTS

FIGURE 9-12. TILT CYLINDER (642, 742)



ART_1001197574-C

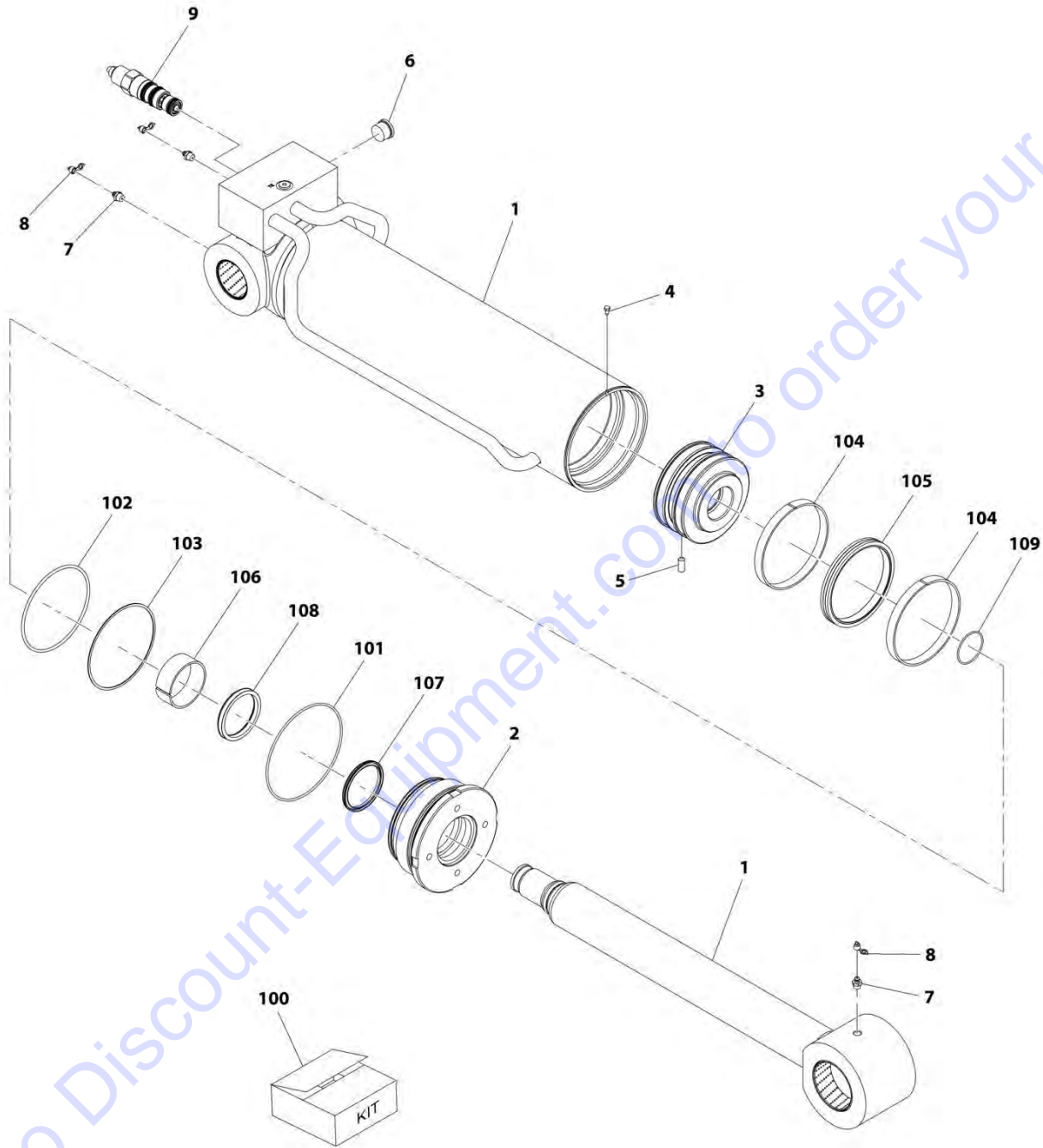
SECTION 9 - HYDRAULIC COMPONENTS

FIGURE 9-12. TILT CYLINDER (642, 742)

ITEM	PART NUMBER	QTY	DESCRIPTION	REV
	1001197574	Ref	Tilt Cylinder (642, 742), (no longer available, use items 1 thru 100 for service or 1001228089 for replacement)	C
1	1001125137	1	Screw, Self Tapping	
2	3020043	AR	Lube, Anti-Seize	
3	0100011	AR	Adhesive, Loctite	
4	1001197576	1	Barrel	
5	1001167727	1	Rod	
6	1001197209	1	Cylinder, Head	
7	1001197210	1	Cylinder, Piston	
8	1001169050	1	Screw, M8X1.25	
9	2220887	1	Plug	
10	2160016	3	Fitting, Grease	
11	8887145	3	Cap, Grease Fitting	
12	1001189888	1	Valve, Counterbalance	
100	1001197801	1	Kit, Seal (includes items 101 thru 110)	
101	Kit	1	O-Ring	
102	Kit	1	O-Ring	
103	Kit	1	Ring, Back-Up	
104	Kit	2	Ring, Piston Wear	
105	Kit	1	Seal, Piston Cap	
106	Kit	1	Ring, Wear	
107	Kit	1	Seal, Rod Wiper	
108	Kit	1	Seal, Rod	
109	Kit	1	Ring, Back-Up	
110	Kit	1	O-Ring	

SECTION 9 - HYDRAULIC COMPONENTS

FIGURE 9-13. TILT CYLINDER (642, 742)



ART_1001228089-A

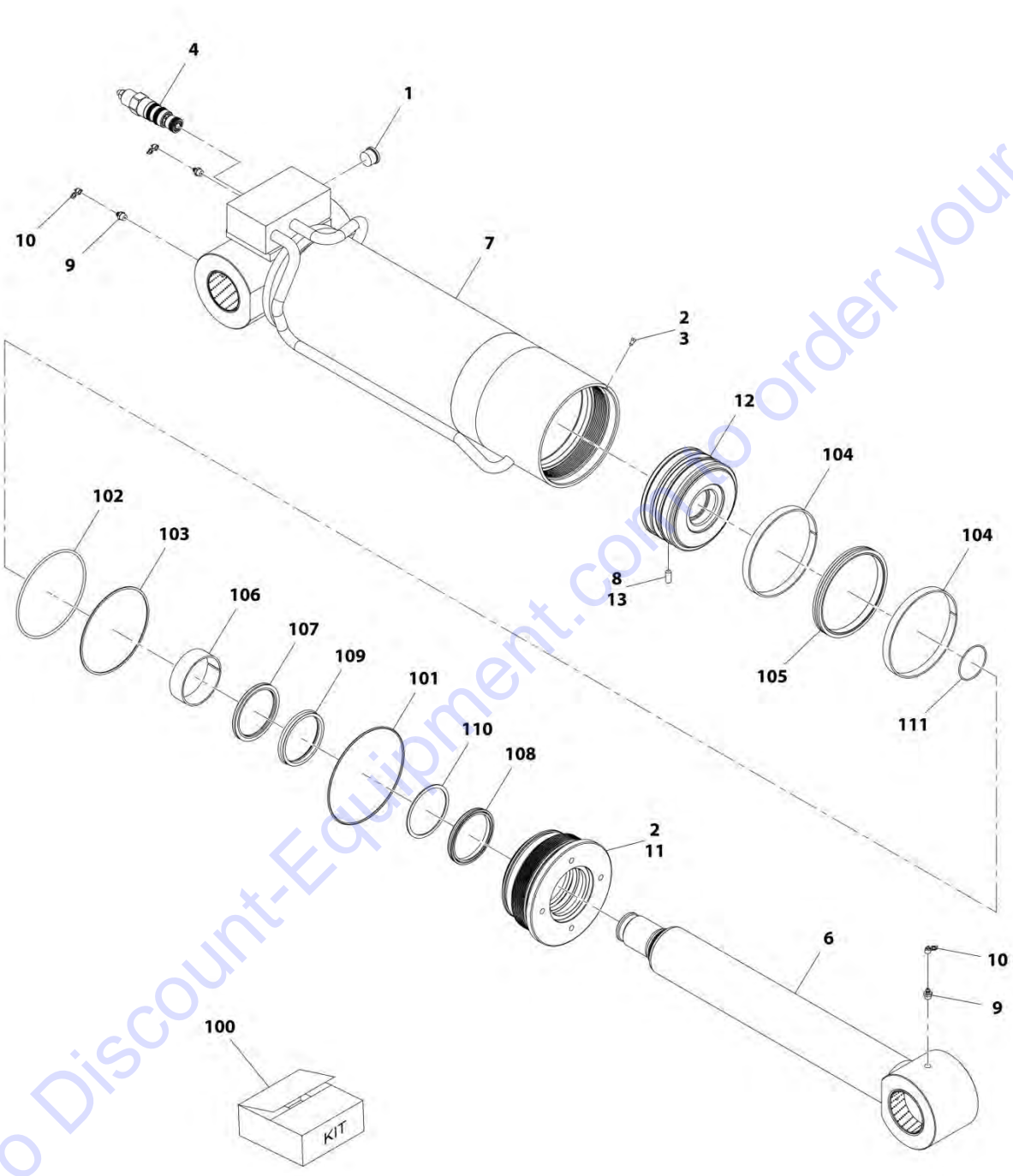
SECTION 9 - HYDRAULIC COMPONENTS

FIGURE 9-13. TILT CYLINDER (642, 742)

ITEM	PART NUMBER	QTY	DESCRIPTION	REV
	1001228089	Ref	Tilt Cylinder	A
1	70029042	1	Rod	
2	70029043	1	Gland	
3	70029044	1	Piston	
4	1001125137	1	Screw, Self Tapping	
5	1001169050	1	Screw, M8X1.25	
6	2220887	1	Plug	
7	2160016	3	Fitting, Grease	
8	8887145	3	Cap, Grease Fitting	
9	1001189888	1	Valve, Counterbalance	
100	1001197801	1	Kit, Seal (includes items 101 thru 109)	
101	Kit	1	O-Ring	
102	Kit	1	O-Ring	
103	Kit	1	Ring, Back-Up	
104	Kit	4	Ring, Piston Wear	
105	Kit	1	Seal, Piston Cap	
106	Kit	1	Ring, Wear	
107	Kit	1	Seal, Rod Wiper	
108	Kit	1	Seal, Rod	
109	Kit	1	O-Ring	

SECTION 9 - HYDRAULIC COMPONENTS

FIGURE 9-14. TILT CYLINDER (943, 1043) (Prior to SN 0160085980)



ART_1001162599-I

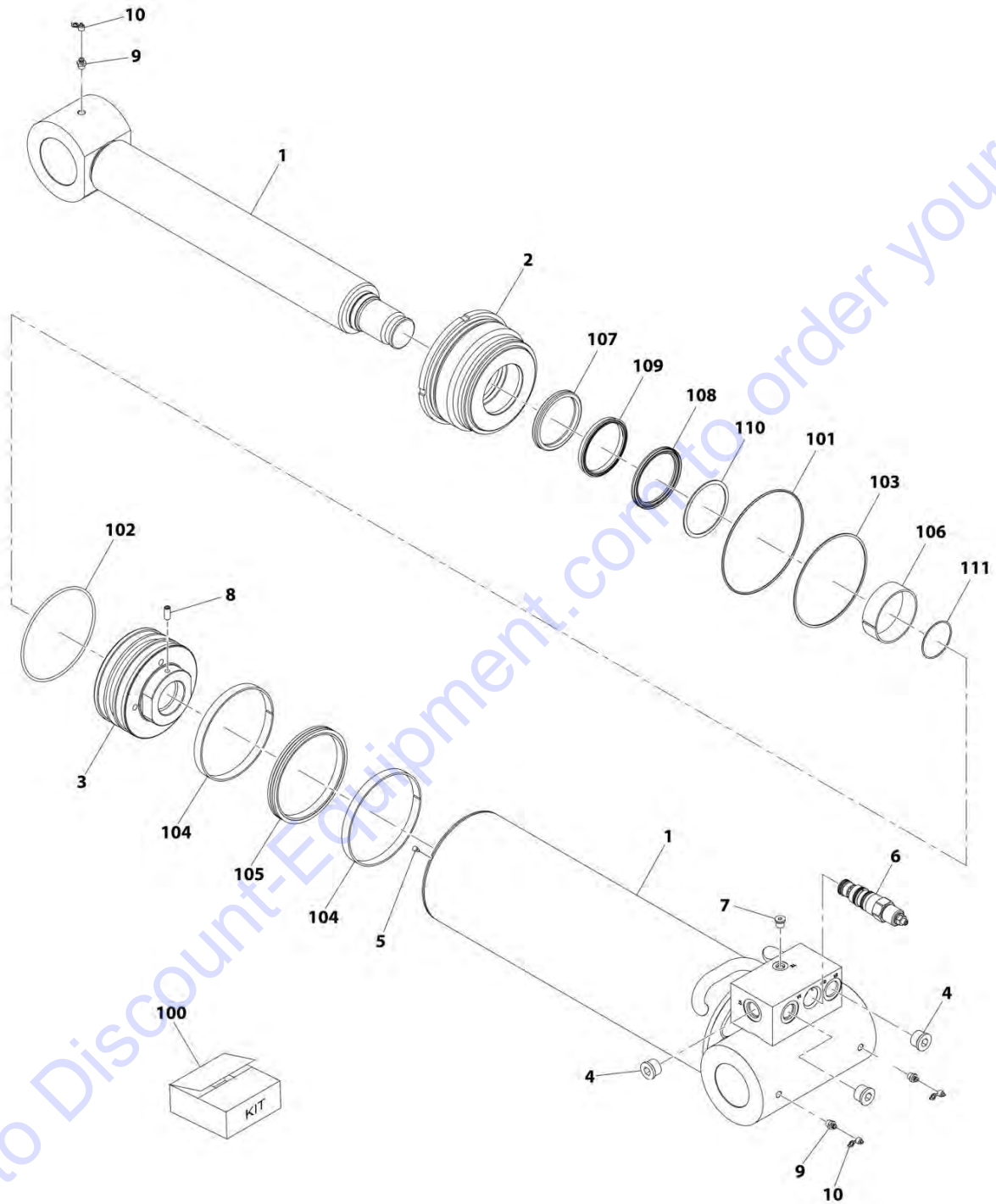
SECTION 9 - HYDRAULIC COMPONENTS

FIGURE 9-14. TILT CYLINDER (943, 1043) (Prior to SN 0160085980)

ITEM	PART NUMBER	QTY	DESCRIPTION	REV
	1001162599	Ref	Tilt Cylinder (943, 1043)	I
1	2220887	1	Plug	
2	3020043	AR	Lube, Anti-Seize	
3	1001125137	1	Screw, Self Tapping	
4	1001189888	1	Valve, Counterbalance	
6	1001167929	1	Rod	
7	1001167931	1	Barrel	
8	1001169050	1	Screw, M8X1.25	
9	2160016	3	Fitting, Grease	
10	8887145	3	Cap, Grease Fitting	
11	1001169071	1	Cylinder, Head	
12	1001169072	1	Cylinder, Piston	
13	0100035	AR	Adhesive, Loctite	
100	1001168666	1	Kit, Seal (includes items 101 thru 111)	
101	Kit	1	O-Ring	
102	Kit	1	O-Ring	
103	Kit	1	Ring, Back-Up	
104	Kit	2	Ring, Piston Wear	
105	Kit	1	Seal, Piston Cap	
106	Kit	1	Seal, Wear Rod	
107	Kit	1	Seal, Rod Buffer	
108	Kit	1	Seal, Rod Wiper	
109	Kit	1	Seal, Rod Type B	
110	Kit	1	Ring, Back-Up	
111	Kit	1	O-Ring	

SECTION 9 - HYDRAULIC COMPONENTS

FIGURE 9-15. TILT CYLINDER (943, 1043) (SN 0160085980 to Present)



ART_1001228073-A

SECTION 9 - HYDRAULIC COMPONENTS

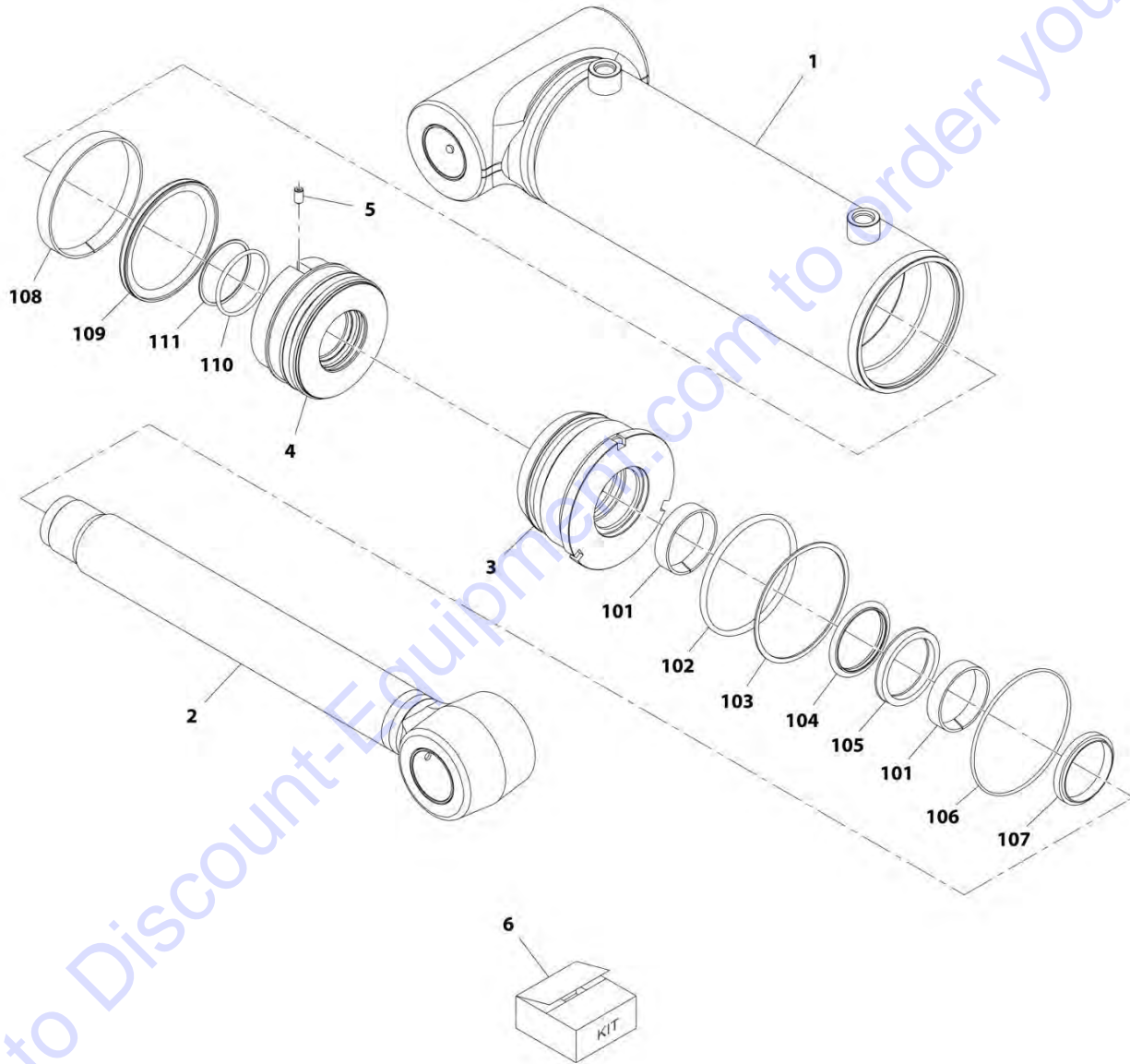
FIGURE 9-15. TILT CYLINDER (943, 1043) (SN 0160085980 to Present)

ITEM	PART NUMBER	QTY	DESCRIPTION	REV
	1001228073	Ref	Tilt Cylinder (943, 1043)	A

Go to Discount-Equipment.com to order your parts

SECTION 9 - HYDRAULIC COMPONENTS

FIGURE 9-16. COMPENSATION CYLINDER (642, 742)



ART_1001197491-B

SECTION 9 - HYDRAULIC COMPONENTS

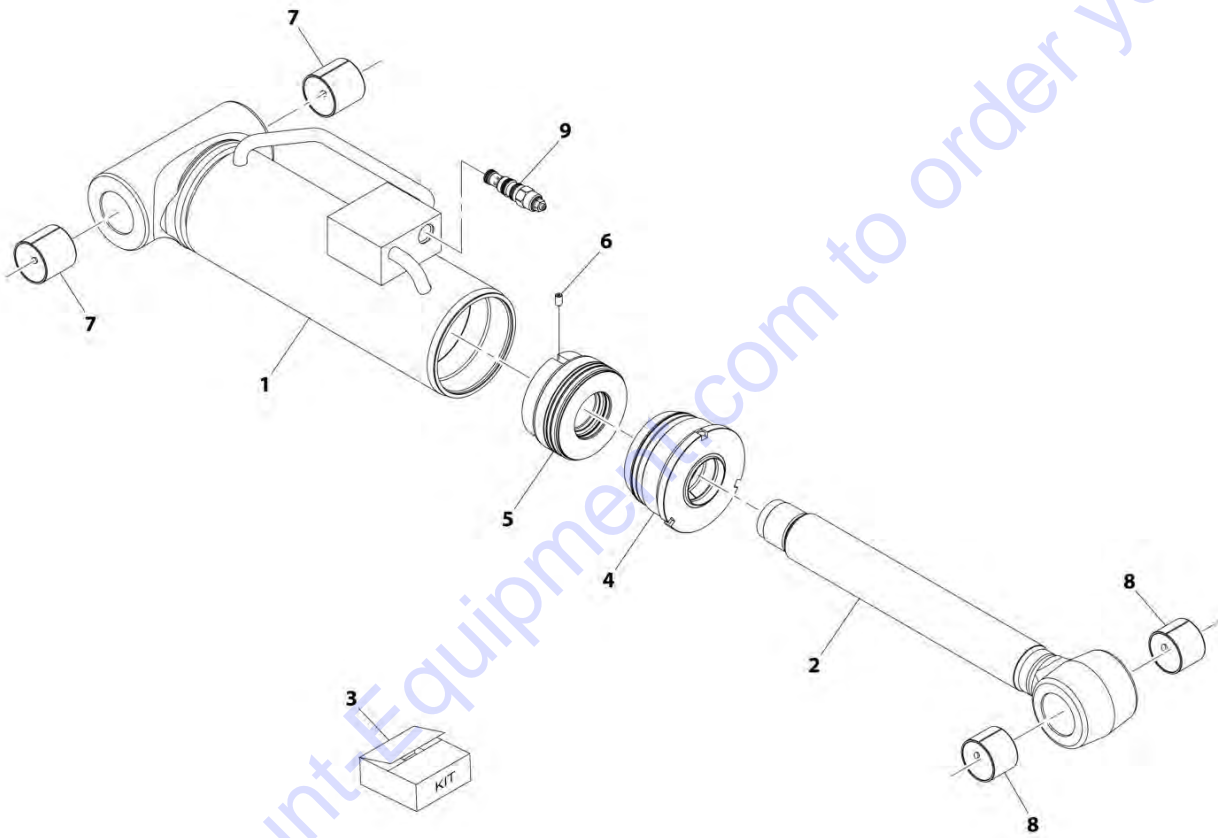
FIGURE 9-16. COMPENSATION CYLINDER (642, 742)

ITEM	PART NUMBER	QTY	DESCRIPTION	REV
	1001197491	Ref	Compensation Cylinder (642, 742)	B
1	70026636	1	Body, Assembled	
2	70026436	1	Rod	
3	70026637	1	Guide, Rod	
4	70026638	1	Piston	
5	70020438	1	Screw, Piston Locking	
6	70026639	1	Kit, Seal (includes items 101 thru 111)	
101	Kit	1	Bearing	
102	Kit	2	O-Ring	
103	Kit	1	Ring, Backup	
104	Kit	1	Buffer	
105	Kit	1	Buffer	
106	Kit	1	O-Ring	
107	Kit	1	Wiper	
108	Kit	1	Bearing	
109	Kit	1	Seal, Piston	
110	Kit	1	O-Ring	
111	Kit	2	Ring, Backup	

Go to Discount-Equipment.com to order your parts

SECTION 9 - HYDRAULIC COMPONENTS

FIGURE 9-17. COMPENSATION CYLINDER (742)



ART_1001226670-A

SECTION 9 - HYDRAULIC COMPONENTS

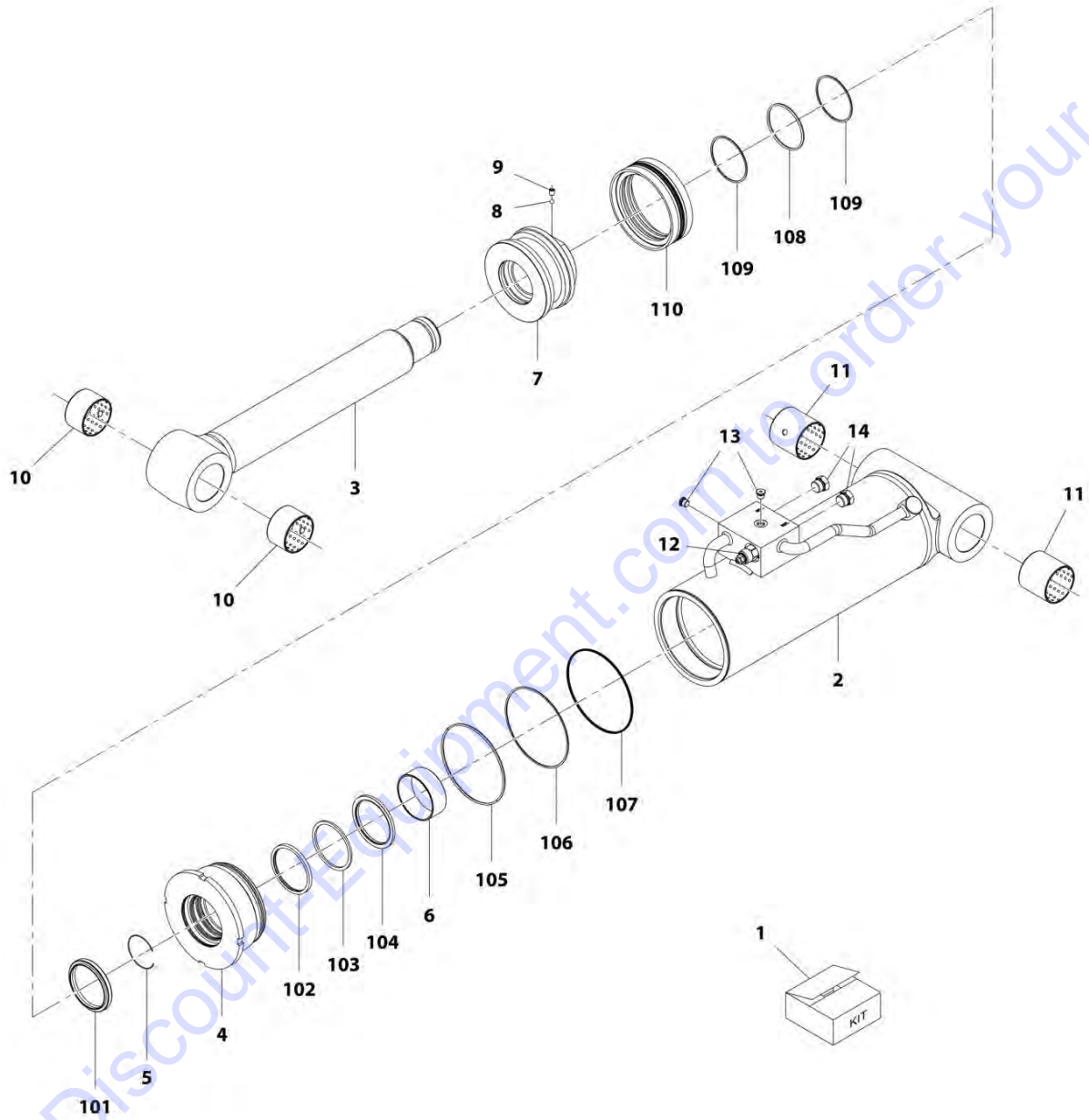
FIGURE 9-17. COMPENSATION CYLINDER (742)

ITEM	PART NUMBER	QTY	DESCRIPTION	REV
	1001226670	Ref	Compensation Cylinder (742)	A
1	N.S.S.	1	Barrel Assembly	
2	70028643	1	Rod Assembly	
3	70026639	1	Seal Kit	
4	70026637	1	Rod Guide	
5	70026638	1	Piston Assembly	
6	70020438	1	Screw	
7	70028644	2	Bearing	
8	70028645	2	Bearing	
9	70028646	1	Valve, Counterbalance	

Go to Discount-Equipment.com to order your parts

SECTION 9 - HYDRAULIC COMPONENTS

FIGURE 9-18. COMPENSATION CYLINDER (943, 1043)



ART_1001162600-F

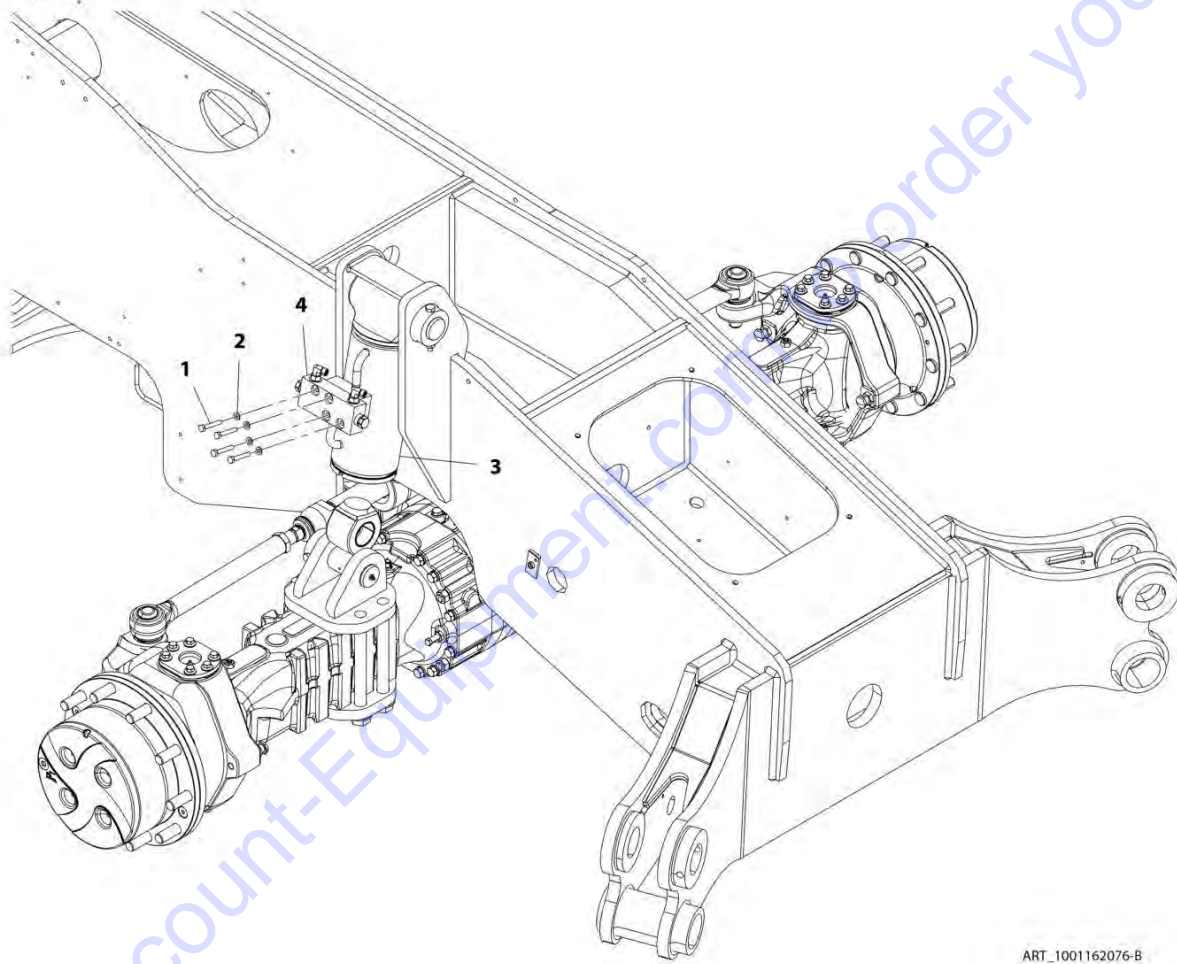
SECTION 9 - HYDRAULIC COMPONENTS

FIGURE 9-18. COMPENSATION CYLINDER (943, 1043)

ITEM	PART NUMBER	QTY	DESCRIPTION	REV
	1001162600	Ref	Compensation Cylinder (943, 1043)	F
1	70026550	1	Kit, Seal (includes items 101 thru 110)	
2	70026540	1	Barrel	
3	70026541	1	Gland	
4	70026542	1	Ring, Retaining	
5	70023379	1	Ring, Retaining	
6	70026302	1	Bearing, Dry	
7	70026303	1	Piston	
8	70022564	1	Ball, Steel	
9	70023369	1	Screw, Set	
10	70026543	2	Bearing, Dry	
11	70026545	2	Bearing, Dry	
12	70026336	1	Valve, Counterbalance	
13	70023370	2	Plug, Socket	
14	70023372	2	Plug, Hex	
101	Kit	1	Wiper, Dust	
102	Kit	1	Seal, Rod	
103	Kit	1	Ring, Backup	
104	Kit	1	Ring, Buffer	
105	Kit	1	O-Ring	
106	Kit	1	Ring, Backup	
107	Kit	1	O-Ring	
108	Kit	1	O-Ring	
109	Kit	2	Ring, Backup	
110	Kit	1	Seal, Piston	

SECTION 9 - HYDRAULIC COMPONENTS

FIGURE 9-19. FRAME LEVEL CYLINDER INSTALLATION



ART_1001162076-B

SECTION 9 - HYDRAULIC COMPONENTS

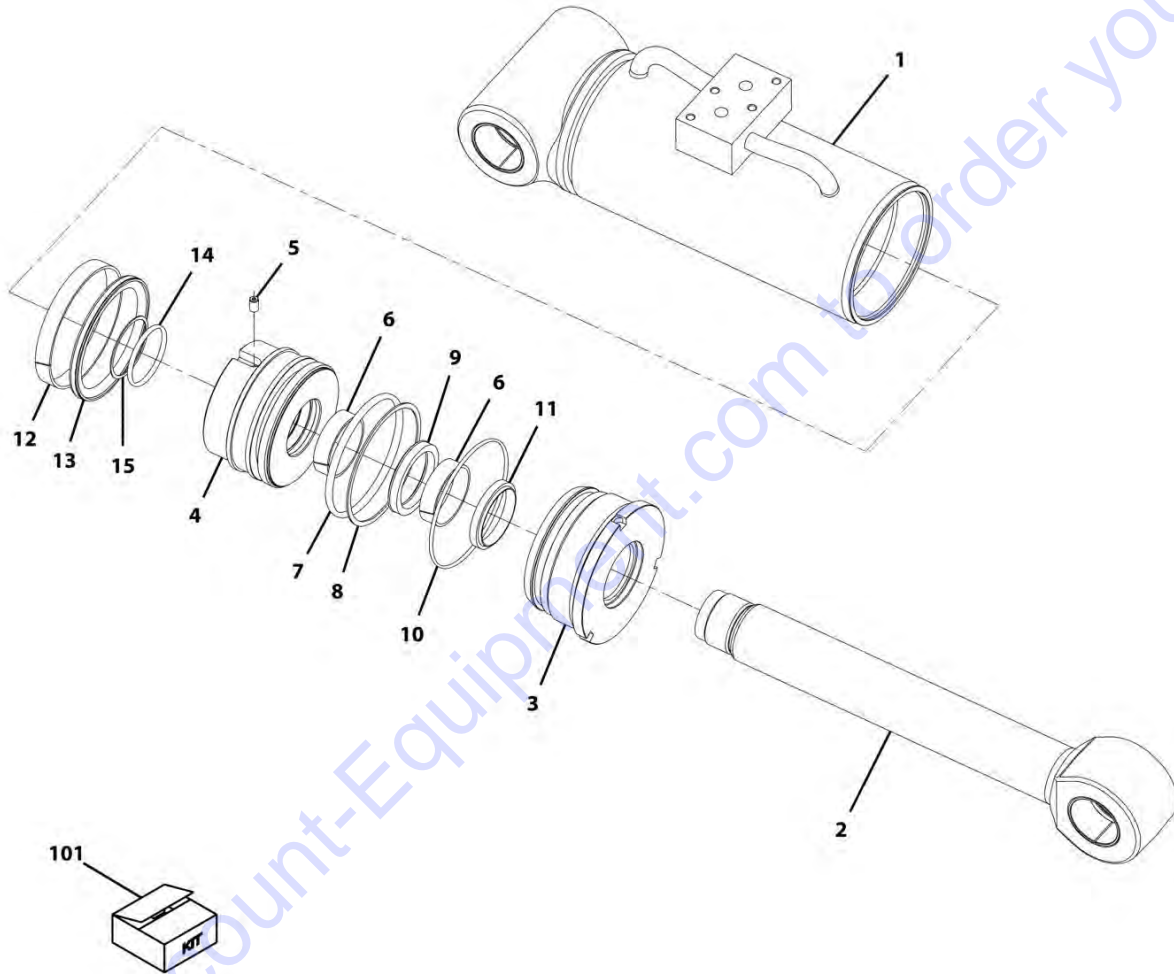
FIGURE 9-19. FRAME LEVEL CYLINDER INSTALLATION

ITEM	PART NUMBER	QTY	DESCRIPTION	REV
	1001162076	Ref	Frame Level Cylinder Installation	B
1	0700818	4	Bolt, M8X50	
2	4811900	4	Washer, M8	
3	1001179369	1	Cylinder, Frame Stability (See FRAME LEVEL CYLINDER for Breakdown)	
4	1001168599	1	Valve, Counterbalance	

Go to Discount-Equipment.com to order your parts

SECTION 9 - HYDRAULIC COMPONENTS

FIGURE 9-20. FRAME LEVEL CYLINDER



ART_1001179369-A

SECTION 9 - HYDRAULIC COMPONENTS

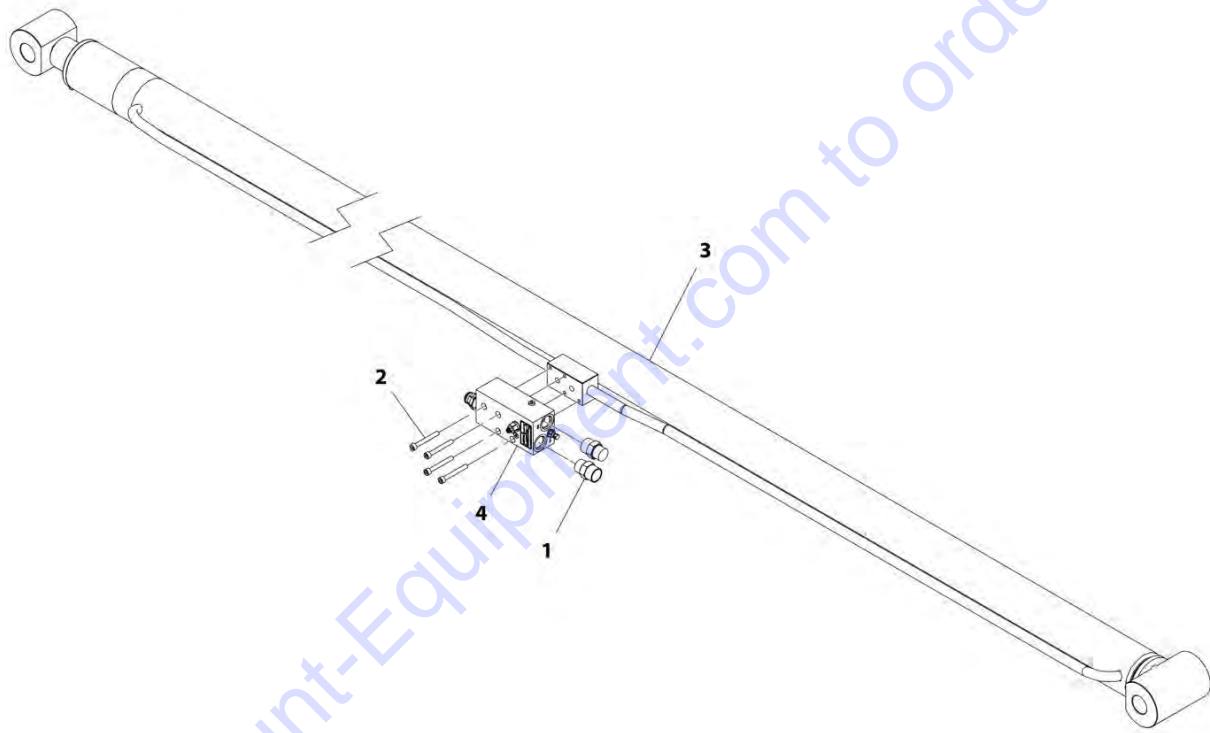
FIGURE 9-20. FRAME LEVEL CYLINDER

ITEM	PART NUMBER	QTY	DESCRIPTION	REV
	1001179369	Ref	Frame Level Cylinder	A
1	70026435	1	Barrel	
2	70026436	1	Rod	
3	70026249	1	Guide, Rod	
4	70026251	1	Piston	
5	70020438	1	Screw	
6	Kit	2	Bearing	
7	Kit	1	O-Ring	
8	Kit	1	Ring, Backup	
9	Kit	1	Seal, Rod	
10	Kit	1	O-Ring	
11	Kit	1	Wiper	
12	Kit	1	Bearing	
13	Kit	1	Seal, Piston	
14	Kit	1	O-Ring	
15	Kit	2	Ring, Backup	
101	70026253	1	Kit, Seal (includes items 6 thru 15)	

Go to Discount-Equipment.com to order your parts

SECTION 9 - HYDRAULIC COMPONENTS

FIGURE 9-21. EXTEND/RETRACT CYLINDER ASSEMBLY (642) (Prior to SN 0160080899)



ART_1001175263-C

SECTION 9 - HYDRAULIC COMPONENTS

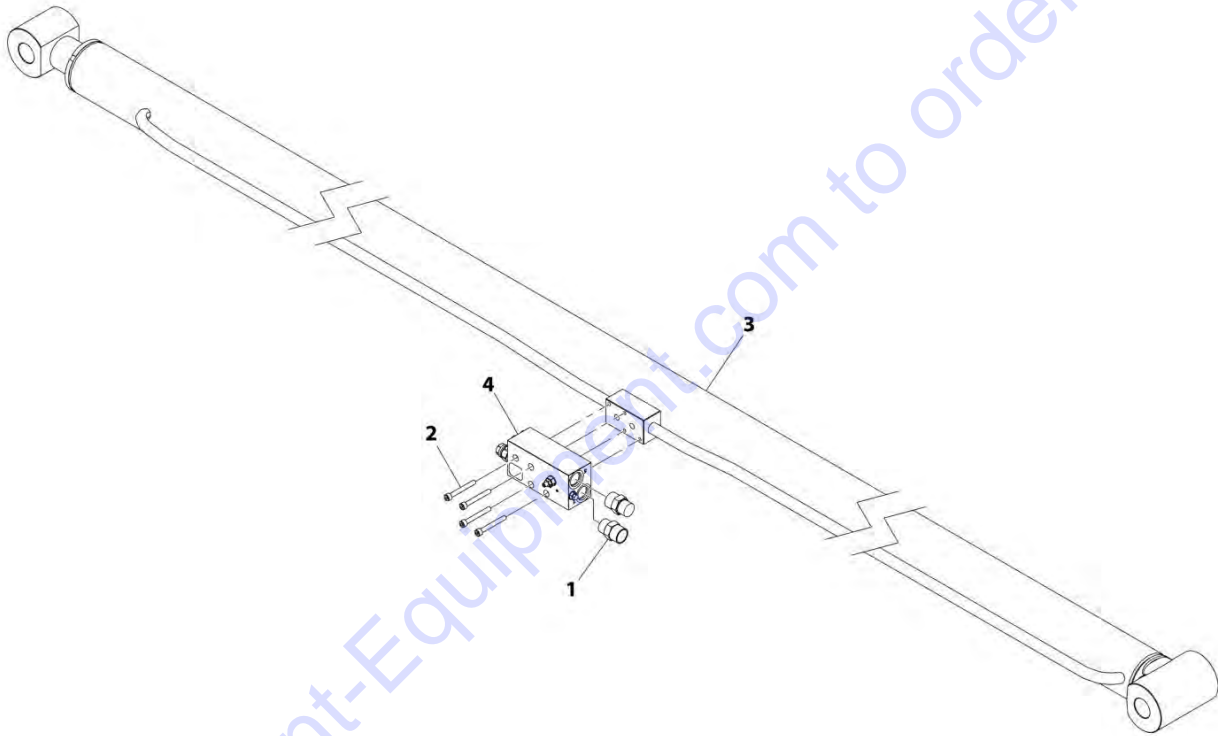
FIGURE 9-21. EXTEND/RETRACT CYLINDER ASSEMBLY (642) (Prior to SN 0160080899)

ITEM	PART NUMBER	QTY	DESCRIPTION	REV
	1001175263	Ref	Extend/Retract Cylinder Assembly (642)	C
1	2111212	2	Fitting, Straight ORFS	
2	4031917	4	Bolt, M8X65	
3	1001162686	1	Extend/Retract Cylinder, (See EXTEND/RETRACT CYLINDER (642) for Breakdown)	
4	1001168598	1	Valve, Counterbalance	

Go to Discount-Equipment.com to order your parts

SECTION 9 - HYDRAULIC COMPONENTS

FIGURE 9-22. EXTEND/RETRACT CYLINDER ASSEMBLY (642, 742) (SN 0160080899 to Present)



ART_1001218577-C

SECTION 9 - HYDRAULIC COMPONENTS

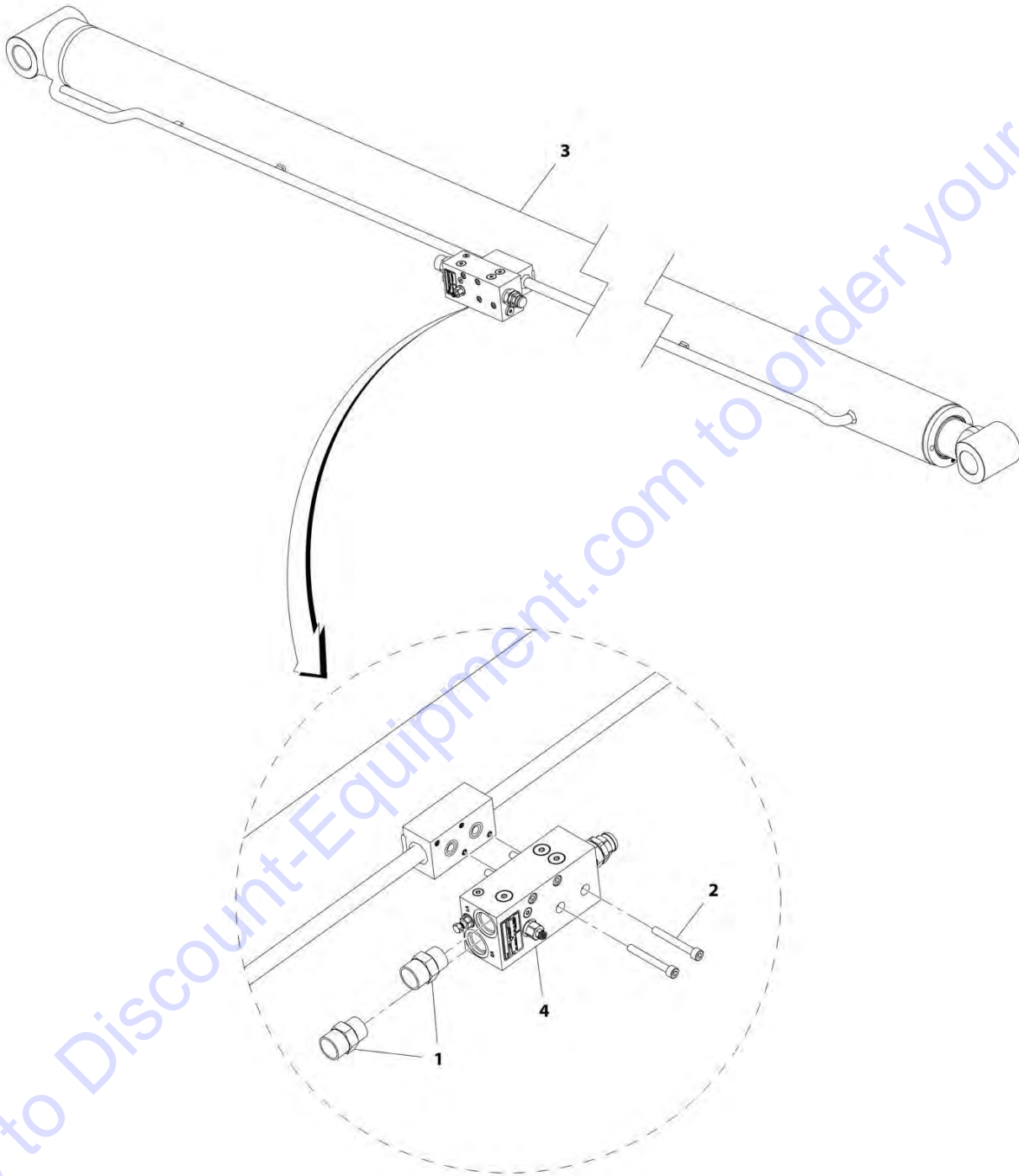
FIGURE 9-22. EXTEND/RETRACT CYLINDER ASSEMBLY (642, 742) (SN 0160080899 to Present)

ITEM	PART NUMBER	QTY	DESCRIPTION	REV
	1001218577	Ref	Extend/Retract Cylinder Assembly (642, 742)	C
1	2111212	2	Fitting, Straight ORFS	
2	4031917	4	Bolt, M8X65	
3	1001162686	1	Extend/Retract Cylinder (See Separate Breakdown in this Section) (Prior to SN 0160084897)	
3	1001228074	1	Extend/Retract Cylinder (See Separate Breakdown in this Section) (SN 0160084897 to Present)	
4	1001216522	1	Valve, Counterbalance (Prior to SN 0160084897)	
4	1001231065	1	Valve, Counterbalance (includes 2 O-Ring) (SN 0160084897 to Present)	

Go to Discount-Equipment.com to order your parts

SECTION 9 - HYDRAULIC COMPONENTS

FIGURE 9-23. EXTEND/RETRACT CYLINDER ASSEMBLY (943, 1043) (Prior to SN 0160081535)



ART_1001175262-C

SECTION 9 - HYDRAULIC COMPONENTS

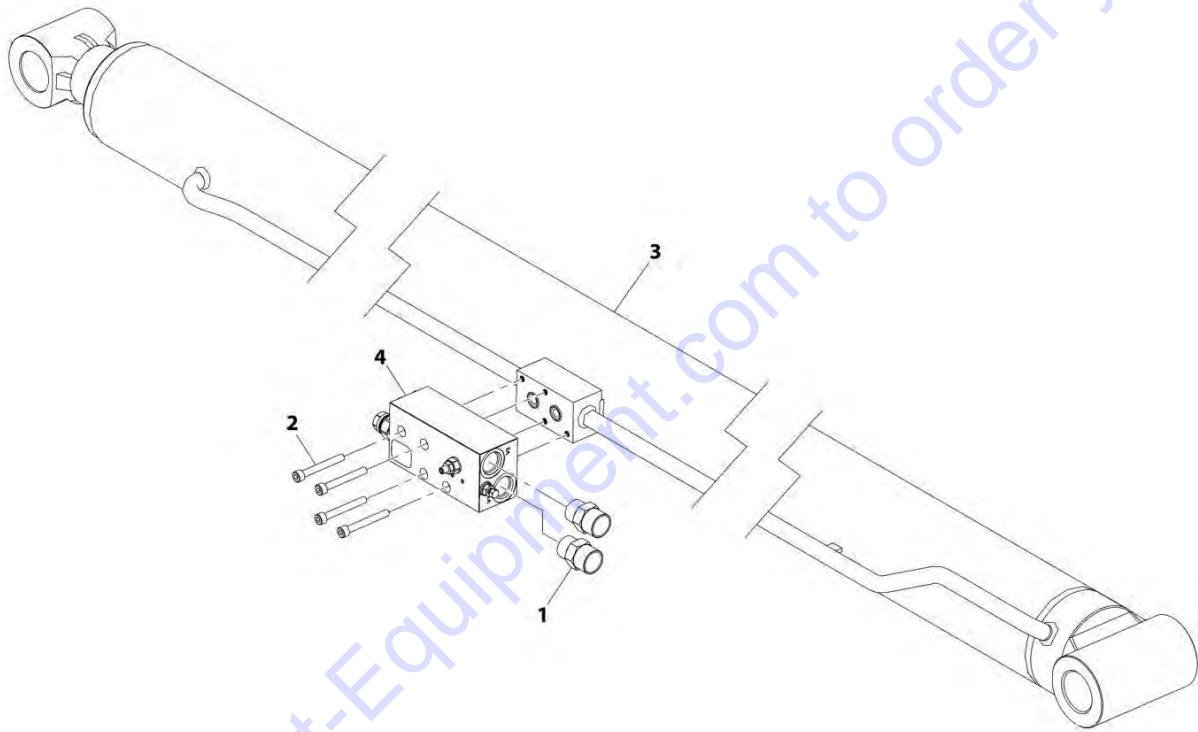
FIGURE 9-23. EXTEND/RETRACT CYLINDER ASSEMBLY (943, 1043) (Prior to SN 0160081535)

ITEM	PART NUMBER	QTY	DESCRIPTION	REV
	1001175262	Ref	Extend/Retract Cylinder Assembly (943, 1043)	C
1	2111212	2	Fitting, Straight ORFS	
2	4031917	4	Bolt, M8X65	
3	1001162685	1	Extend/Retract Cylinder, (See EXTEND/RETRACT CYLINDER (943, 1043) for Breakdown)	
4	1001168598	1	Valve, Counterbalance	

Go to Discount-Equipment.com to order your parts

SECTION 9 - HYDRAULIC COMPONENTS

FIGURE 9-24. EXTEND/RETRACT CYLINDER ASSEMBLY (943, 1043) (SN 0160081535 to Present)



ART_1001227677-A

SECTION 9 - HYDRAULIC COMPONENTS

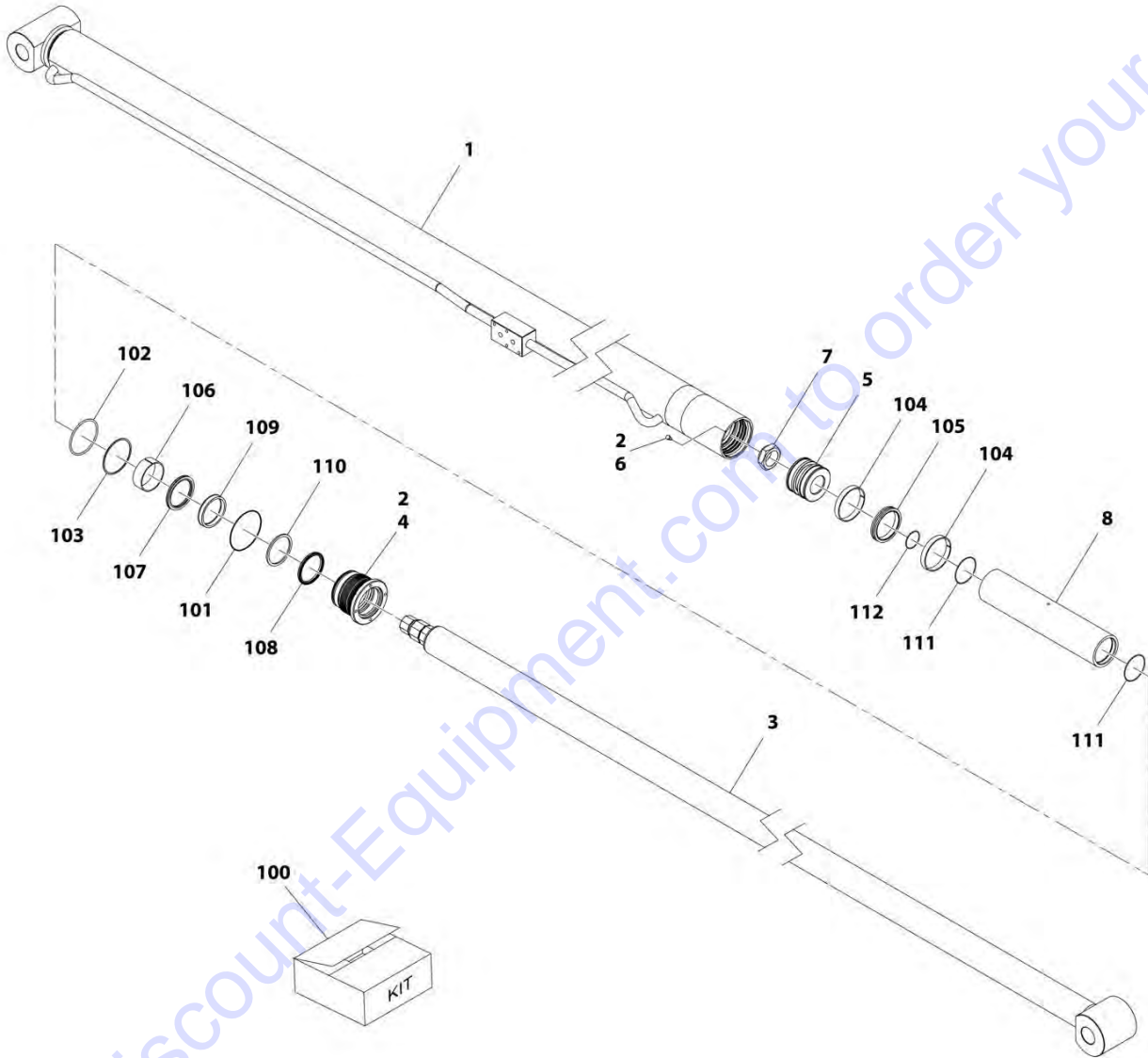
FIGURE 9-24. EXTEND/RETRACT CYLINDER ASSEMBLY (943, 1043) (SN 0160081535 to Present)

ITEM	PART NUMBER	QTY	DESCRIPTION	REV
	1001227677	Ref	Extend/Retract Cylinder Assembly (943, 1043)	A
1	2111212	2	Fitting, Straight ORFS	
2	4031917	4	Bolt, M8X65	
3	1001162685	1	Extend/Retract Cylinder, (See Separate Breakdown in this Section)	
4	1001226876	1	Valve, Counterbalance, (includes 2 O-Ring)	

Go to Discount-Equipment.com to order your parts

SECTION 9 - HYDRAULIC COMPONENTS

FIGURE 9-25. EXTEND/RETRACT CYLINDER (642, 742) (Prior to SN 0160084897)



ART_1001162686-I

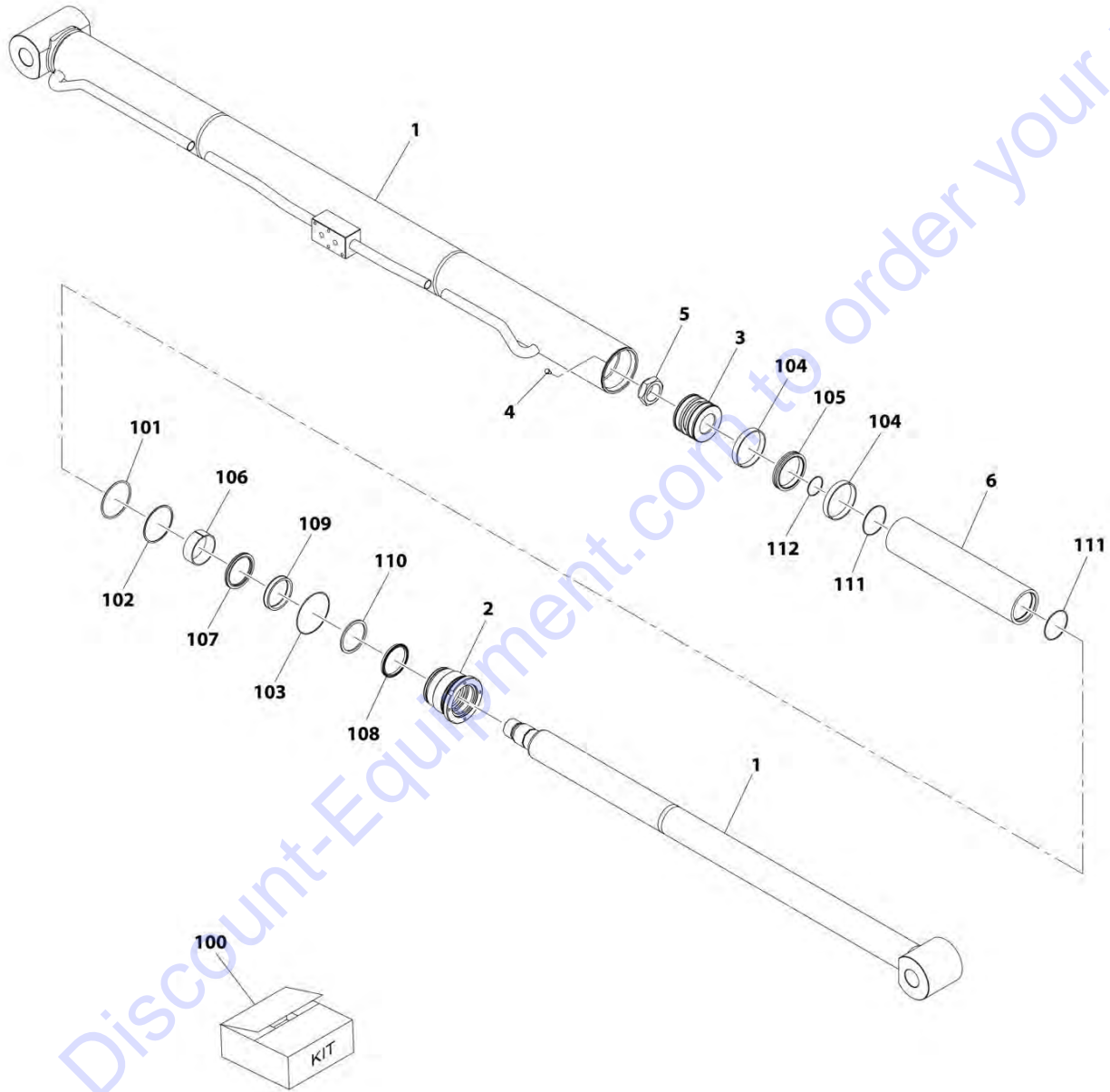
SECTION 9 - HYDRAULIC COMPONENTS

FIGURE 9-25. EXTEND/RETRACT CYLINDER (642, 742) (Prior to SN 0160084897)

ITEM	PART NUMBER	QTY	DESCRIPTION	REV
	1001162686	Ref	Extend/Retract Cylinder (642, 742)	I
1	1001167549	1	Barrel	
2	3020043	AR	Lube, Anti-Seize	
3	1001167552	1	Rod	
4	1001167557	1	Head, Cylinder	
5	1001167555	1	Piston, Cylinder	
6	1001125137	1	Screw, Self Tapping	
7	1001167576	1	Nut, Lock	
8	1001168671	1	Sleeve, Spacer	
100	1001168668	1	Kit, Seal (includes items 101 thru 112)	
101	Kit	1	O-Ring	
102	Kit	1	O-Ring	
103	Kit	1	Ring, Back-up	
104	Kit	2	Ring, Wear Piston	
105	Kit	1	Seal, Piston Cap-T	
106	Kit	1	Ring, Wear Head	
107	Kit	1	Seal, Rod Buffer	
108	Kit	1	Seal, Rod Wiper	
109	Kit	1	Seal, Rod	
110	Kit	1	Ring, Back-up	
111	Kit	2	O-Ring	
112	Kit	1	O-Ring	

SECTION 9 - HYDRAULIC COMPONENTS

FIGURE 9-26. EXTEND/RETRACT CYLINDER (642, 742) (SN 0160084897 to Present)



ART_1001228074-A

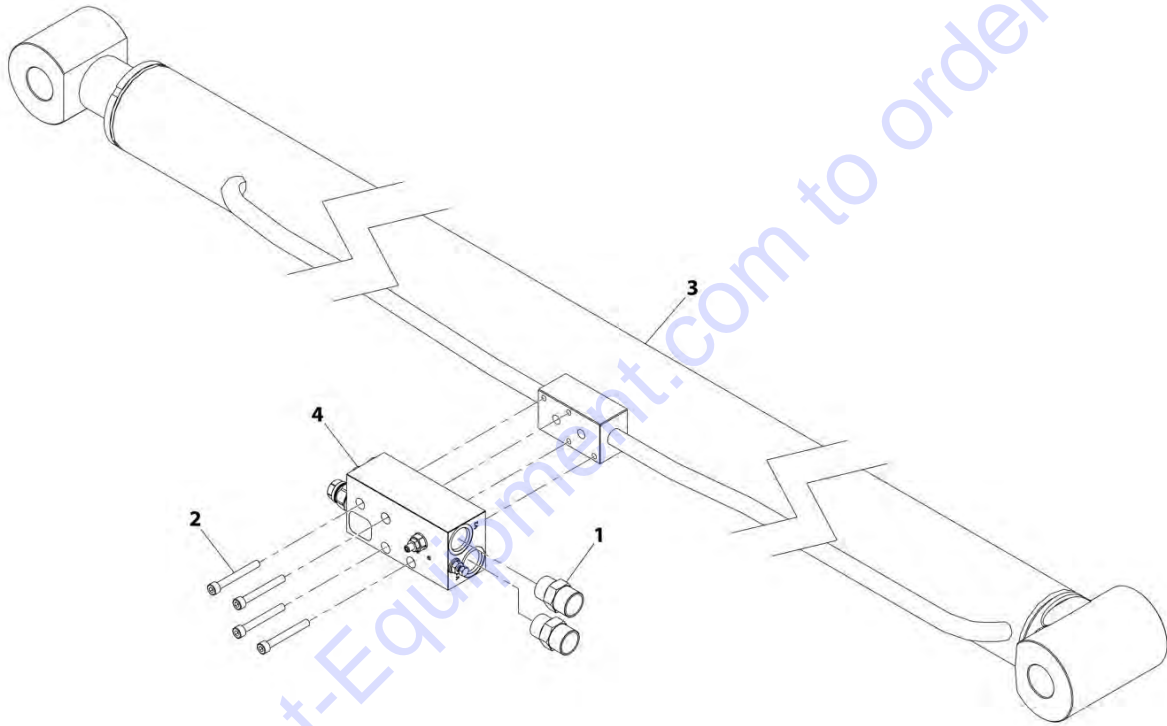
SECTION 9 - HYDRAULIC COMPONENTS

FIGURE 9-26. EXTEND/RETRACT CYLINDER (642, 742) (SN 0160084897 to Present)

ITEM	PART NUMBER	QTY	DESCRIPTION	REV
	1001228074	Ref	Extend/Retract Cylinder (642, 742)	A
1	70029039	1	Rod Assembly	
2	70029040	1	Gland	
3	70029041	1	Piston	
4	1001125137	1	Screw, Self Tapping	
5	1001167576	1	Locknut	
6	1001168671	1	Sleeve, Spacer	
100	1001168668	1	Kit, Seal (includes items 101 thru 112)	
101	Kit	1	O-Ring	
102	Kit	1	O-Ring	
103	Kit	1	Back Up Ring	
104	Kit	2	Ring, Wear Piston	
105	Kit	1	Seal, Piston Cap-T	
106	Kit	1	Ring, Wear Head	
107	Kit	1	Seal, Rod Buffer	
108	Kit	1	Seal, Rod Wiper	
109	Kit	1	Seal, Rod Type B	
110	Kit	1	Back Up Ring	
111	Kit	2	O-Ring	
112	Kit	1	O-Ring	

SECTION 9 - HYDRAULIC COMPONENTS

FIGURE 9-27. EXTEND/RETRACT CYLINDER (742)



ART_1001226849-C

SECTION 9 - HYDRAULIC COMPONENTS

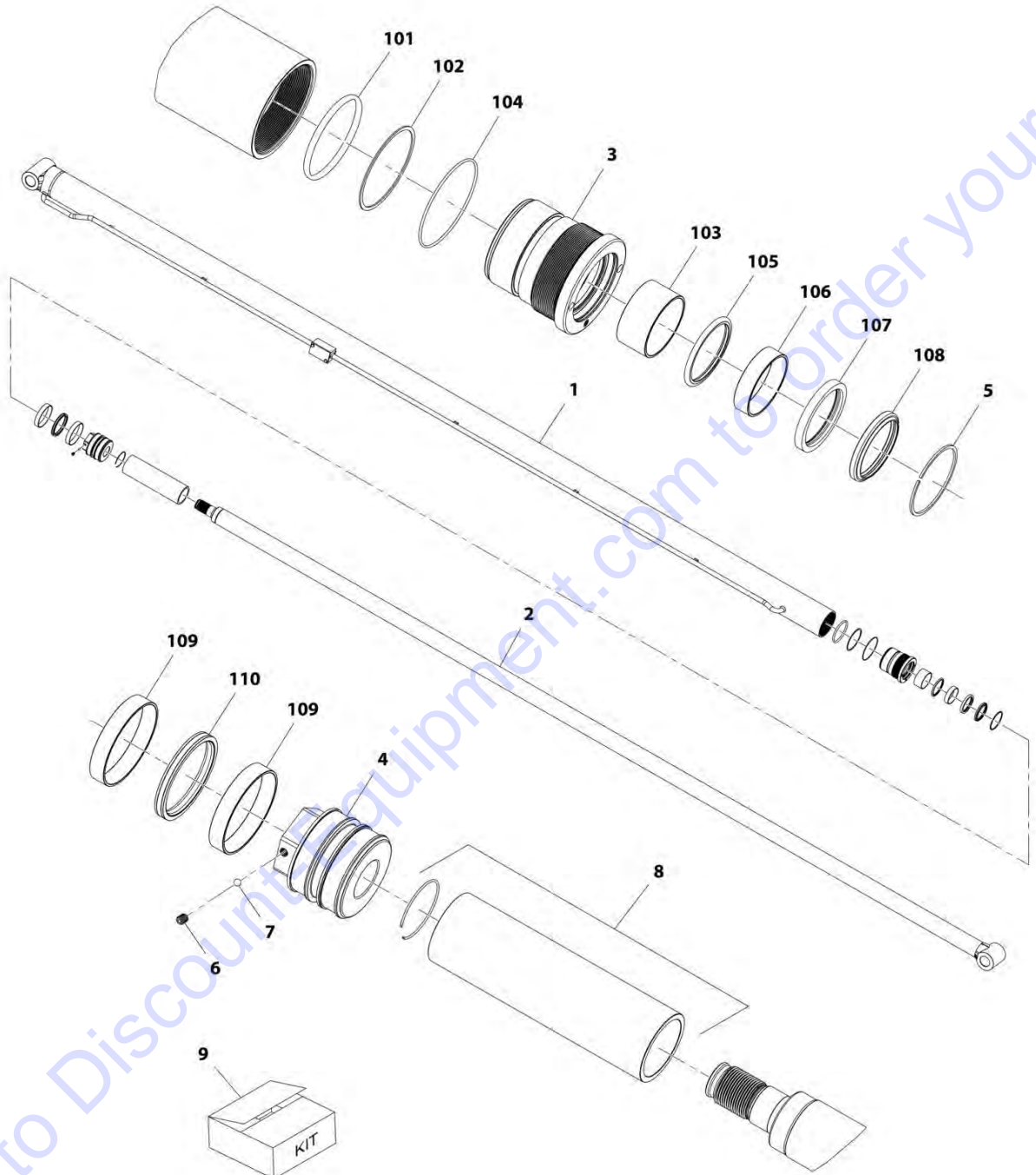
FIGURE 9-27. EXTEND/RETRACT CYLINDER (742)

ITEM	PART NUMBER	QTY	DESCRIPTION	REV
	1001226849	Ref	Extend/Retract Cylinder (742)	C
1	2111212	2	Fitting, Straight ORFS	
2	4031917	4	Bolt, M8X65	
3	1001162686	1	Extend/Retract Cylinder (See Separate Breakdown in this Section) (Prior to SN 0160084897)	
3	1001228074	1	Extend/Retract Cylinder (See Separate Breakdown in this Section) (SN 0160084897 to Present)	
4	1001226876	1	Valve, Counterbalance	

Go to Discount-Equipment.com to order your parts

SECTION 9 - HYDRAULIC COMPONENTS

FIGURE 9-28. EXTEND/RETRACT CYLINDER (943, 1043)



ART_1001162685-E

SECTION 9 - HYDRAULIC COMPONENTS

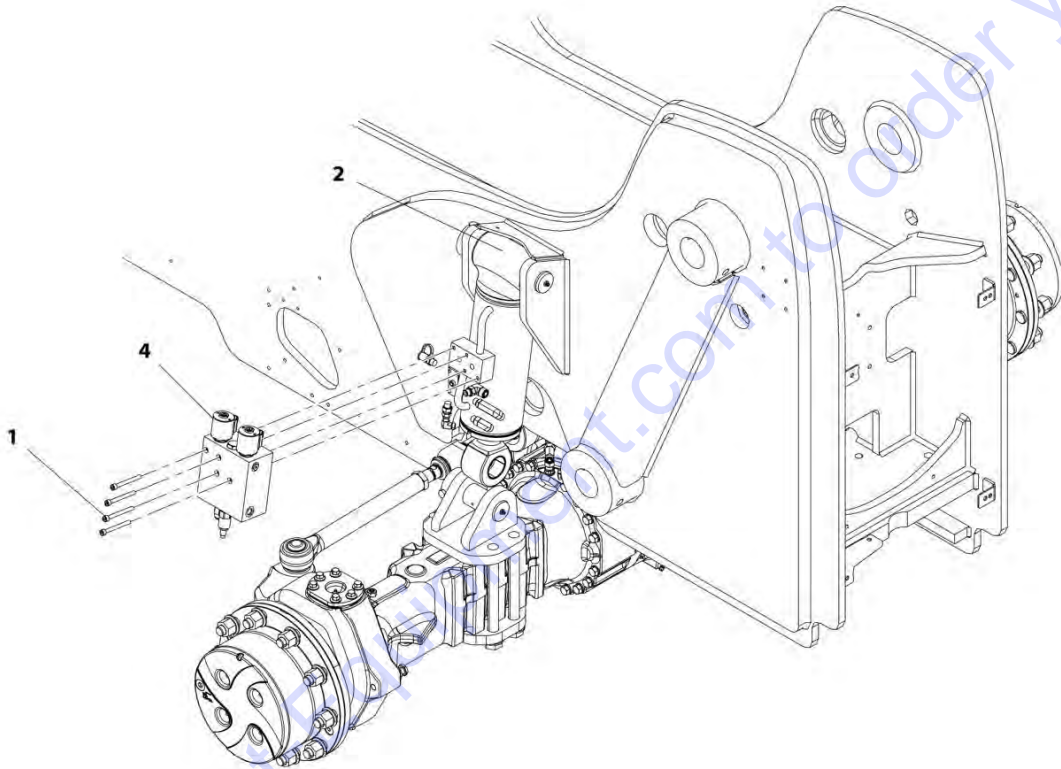
FIGURE 9-28. EXTEND/RETRACT CYLINDER (943, 1043)

ITEM	PART NUMBER	QTY	DESCRIPTION	REV
	1001162685	Ref	Extend/Retract Cylinder (943, 1043)	E
1	70026456	1	Barrel	
2	70026457	1	Rod	
3	70026459	1	Gland	
4	70026460	1	Head, Piston	
5	70023086	1	Ring, Snap	
6	70026461	1	Screw, Set	
7	70025614	1	Ball, Steel	
8	70026458	1	Spacer	
9	70026462	1	Kit, Seal (includes items 101 thru 110)	
101	Kit	1	O-Ring	
102	Kit	1	Ring, Backup	
103	Kit	1	Ring, Bearing	
104	Kit	1	O-Ring	
105	Kit	1	Seal, Rod	
106	Kit	1	Ring, Bearing	
107	Kit	1	Seal, Rod	
108	Kit	1	Seal, Wiper	
109	Kit	2	Ring, Bearing	
110	Kit	1	Seal, Piston	

Go to Discount-Equipment.com to order your parts

SECTION 9 - HYDRAULIC COMPONENTS

FIGURE 9-29. REAR AXLE STABILIZER CYLINDER INSTALLATION



ART_1001164036-E

SECTION 9 - HYDRAULIC COMPONENTS

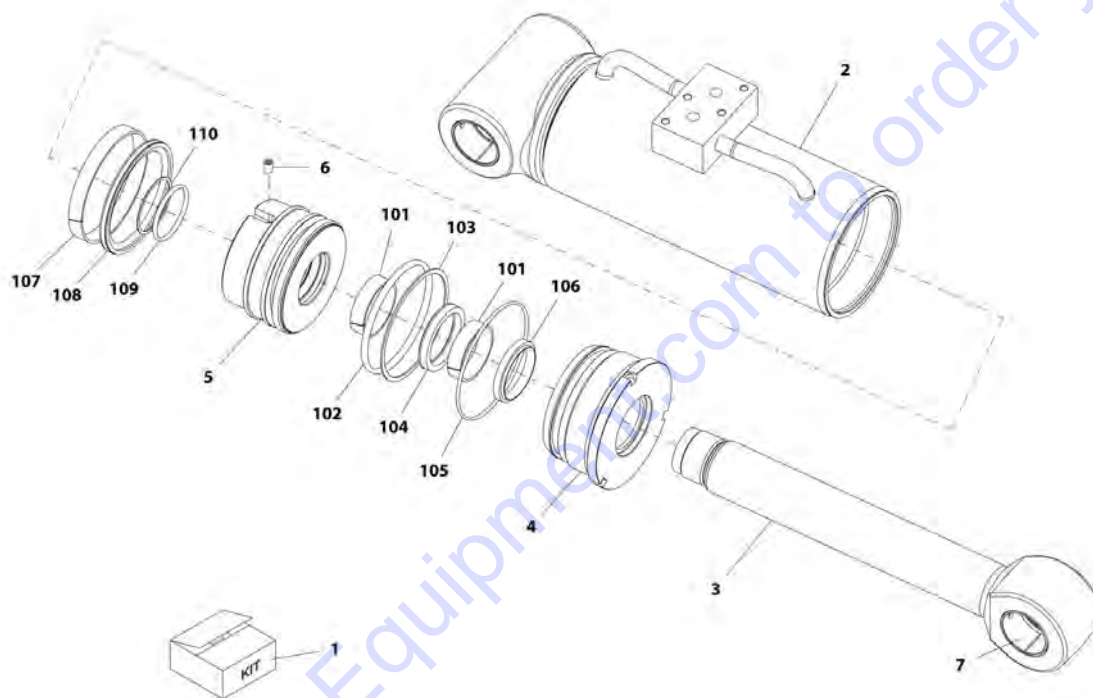
FIGURE 9-29. REAR AXLE STABILIZER CYLINDER INSTALLATION

ITEM	PART NUMBER	QTY	DESCRIPTION	REV
	1001164036	Ref	Rear Axle Stabilizer Cylinder Installation	E
1	4031920	4	Screw, M8X1.25	
2	1001158620	1	Cylinder, Frame Stability (See Separate Breakdown in this Section)	
4		Ref	Valve (See Separate Breakdown in this Section)	

Go to Discount-Equipment.com to order your parts

SECTION 9 - HYDRAULIC COMPONENTS

FIGURE 9-30. REAR AXLE STABILITY CYLINDER



ART. 1001158620-E

SECTION 9 - HYDRAULIC COMPONENTS

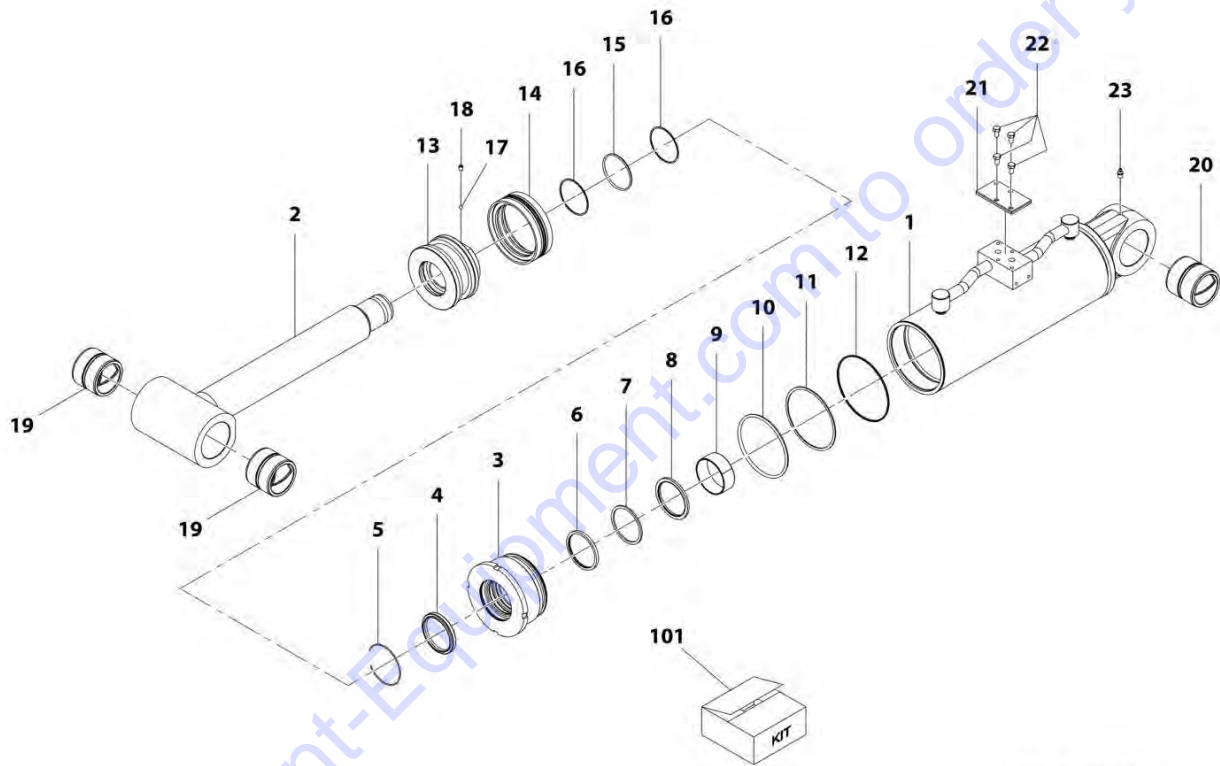
FIGURE 9-30. REAR AXLE STABILITY CYLINDER

ITEM	PART NUMBER	QTY	DESCRIPTION	REV
	1001158620	Ref	Rear Axle Stability Cylinder	E
2	70026250	1	Barrel	
3	70026252	1	Rod	
4	70026249	1	Rod, Guide	
5	70026261	1	Piston	
6	70020438	1	Screw	
7	70020476	1	Bushing	
1	70026253	1	Kit, Seal (includes items 101 thru 110)	
101	Kit	2	Bearing	
102	Kit	1	O-Ring	
103	Kit	1	Ring, Back-Up	
104	Kit	1	Seal, Rod	
105	Kit	1	O-Ring	
106	Kit	1	Wiper	
107	Kit	1	Bearing	
108	Kit	1	Seal, Piston	
109	Kit	1	O-Ring	
110	Kit	1	Ring, Back-Up	

Go to Discount-Equipment.com to order your parts

SECTION 9 - HYDRAULIC COMPONENTS

FIGURE 9-31. OUTRIGGER CYLINDER (642, 1043) (Prior to SN 0160078786)



ART_1001163040-D

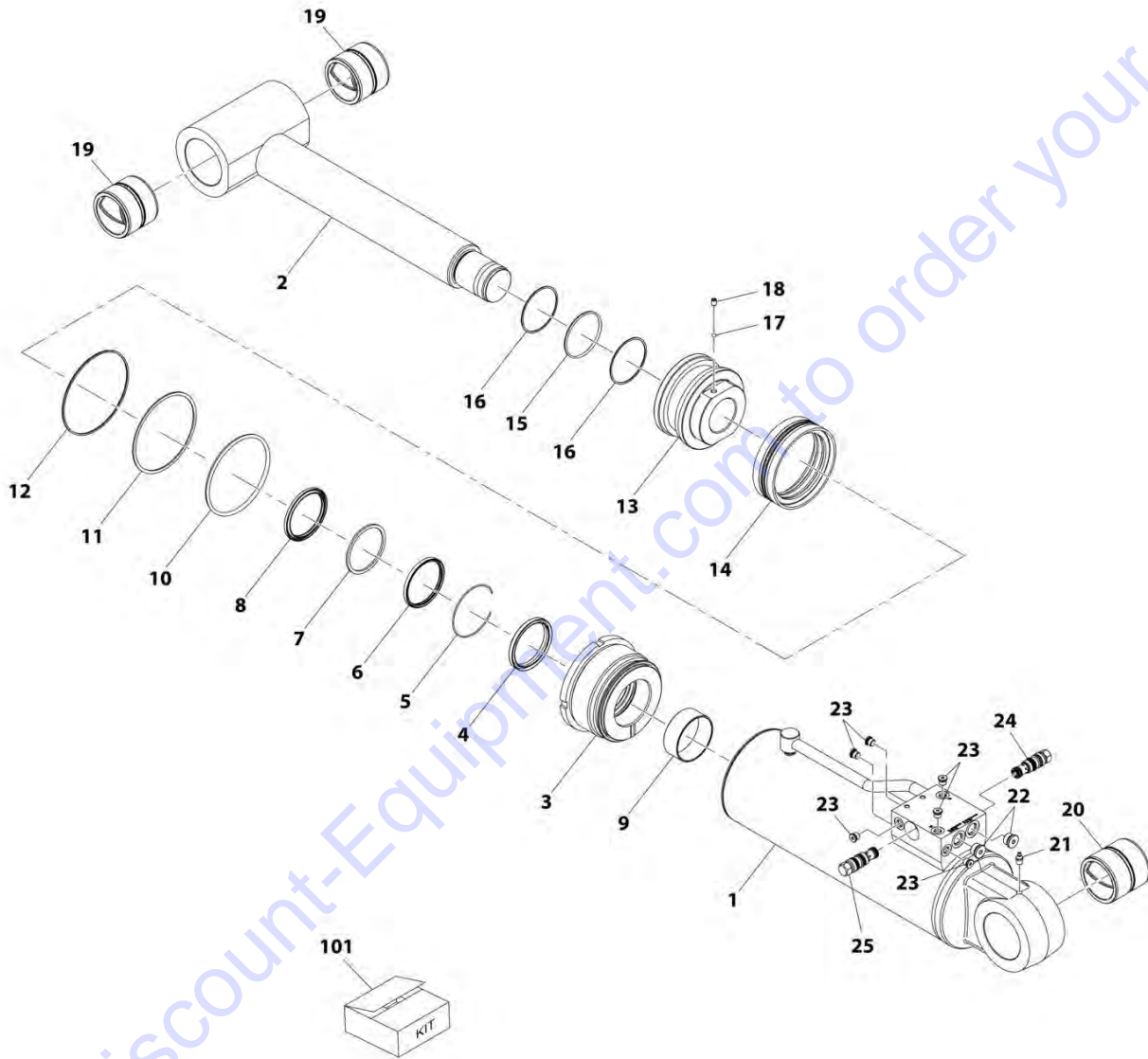
SECTION 9 - HYDRAULIC COMPONENTS

FIGURE 9-31. OUTRIGGER CYLINDER (642, 1043) (Prior to SN 0160078786)

ITEM	PART NUMBER	QTY	DESCRIPTION	REV
	1001163040	Ref	Outrigger Cylinder (642, 1043)	D
1	70026299	1	Barrel	
2	70026300	1	Rod	
3	70026301	1	Gland	
4	Kit	1	Wiper, Dust	
5	70023379	1	Ring, Retaining	
6	Kit	1	Seal, Rod	
7	Kit	1	Ring, Back-Up	
8	Kit	1	Ring, Buffer	
9	70026302	1	Bearing, Dry	
10	Kit	1	O-Ring	
11	Kit	1	Ring, Back-up	
12	Kit	1	O-Ring	
13	70026303	1	Piston	
14	Kit	1	Seal, Piston	
15	Kit	1	O-Ring	
16	Kit	2	Ring, Back-Up	
17	70022564	1	Ball, Steel	
18	70023369	1	Screw, Set	
19	70026304	2	Pin	
20	70026305	1	Pin	
21	70026306	1	Cover, Dust	
22	70026307	4	Bolt	
23	70026308	1	Fitting, Grease	
101	70026309	1	Kit, Seal (includes items 4, 6 thru 8, 10 thru 12, 14 thru 16)	

SECTION 9 - HYDRAULIC COMPONENTS

FIGURE 9-32. OUTRIGGER CYLINDER (642, 1043) (SN 0160078786 to Present)



ART_1001213065-C

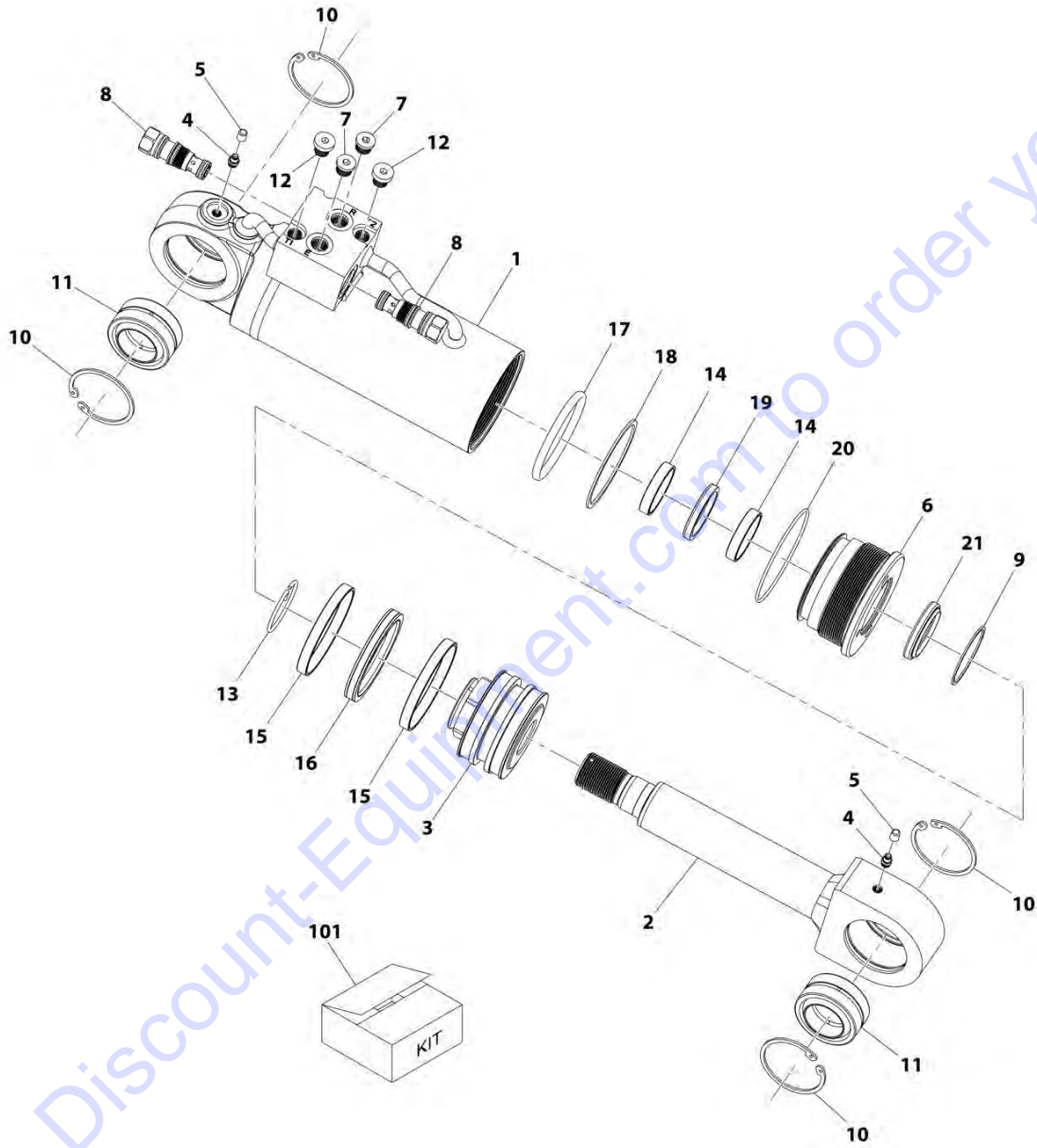
SECTION 9 - HYDRAULIC COMPONENTS

FIGURE 9-32. OUTRIGGER CYLINDER (642, 1043) (SN 0160078786 to Present)

ITEM	PART NUMBER	QTY	DESCRIPTION	REV
	1001213065	Ref	Outrigger Cylinder (642, 1043)	C
1	70027758	1	Tube Assembly	
2	70026300	1	Rod Assembly	
3	70026301	1	Gland	
4	Kit	1	Dust Wiper	
5	70023379	1	Retain Ring	
6	Kit	1	Rod Seal	
7	Kit	1	Back-up Ring	
8	Kit	1	Buffer Ring	
9	70026302	1	Dry Bearing	
10	Kit	1	O-ring	
11	Kit	1	Back-up Ring	
12	Kit	1	O-ring	
13	70026303	1	Piston	
14	Kit	1	Piston Seal	
15	Kit	1	O-ring	
16	Kit	2	Back-up Ring	
17	70022564	1	Steel Ball	
18	70023369	1	Set Screw	
19	70026304	2	Pin Bush	
20	70026305	1	Pin Bush	
21	70026308	1	Grease Nipple	
22	2220886	2	Hex Soc. Plug	
23	2220883	6	Hex Soc. Plug	
24	1001214653	1	Counter Balance Valve	
25	1001214654	1	Counter Balance Valve	
101	70026309	1	Kit, Seal (includes items 4, 6, 7, 8, 10, 11, 12 & 14 thru 16)	

SECTION 9 - HYDRAULIC COMPONENTS

FIGURE 9-33. SIDE TILT CYLINDER



ART_1001163414-A

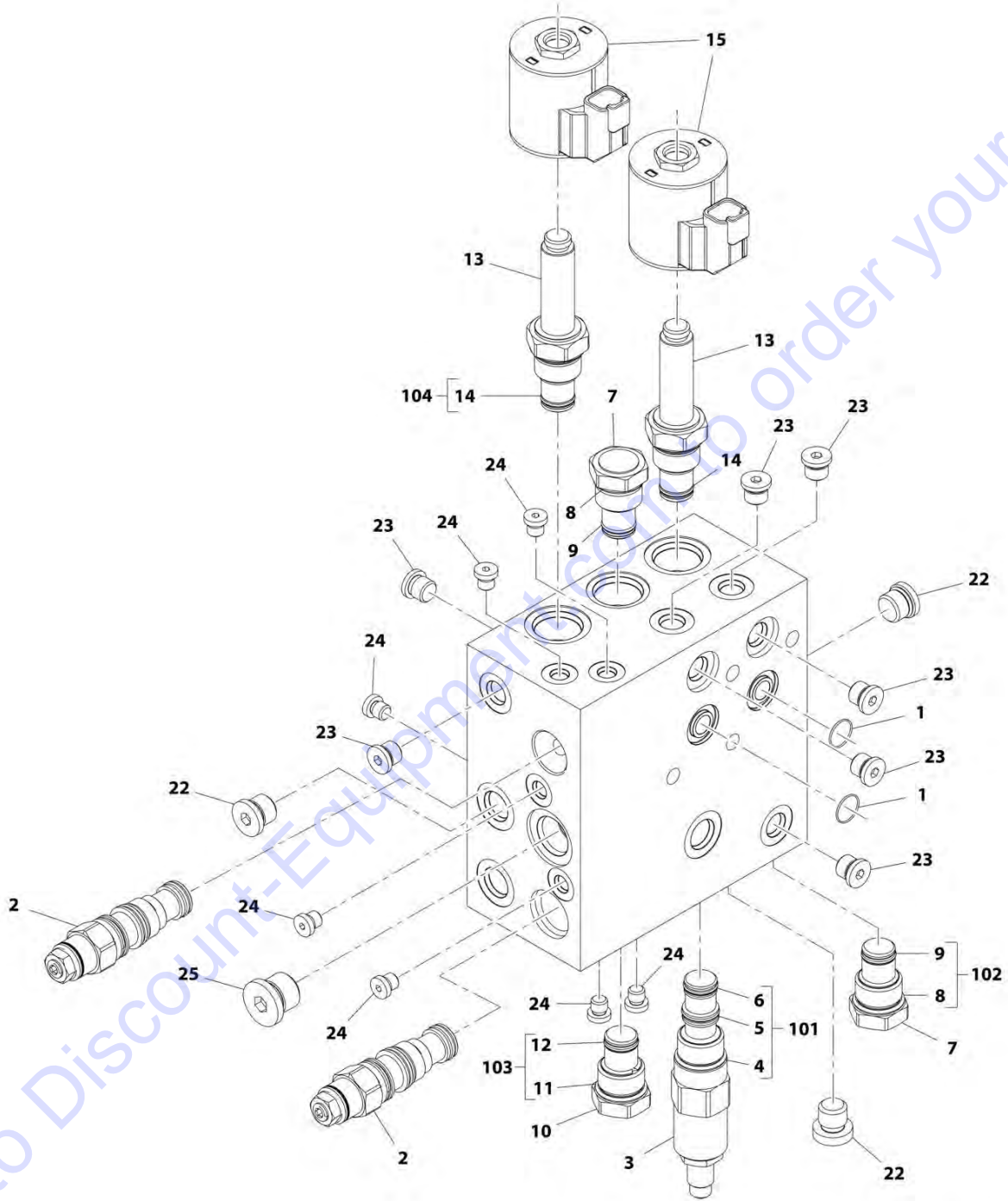
SECTION 9 - HYDRAULIC COMPONENTS

FIGURE 9-33. SIDE TILT CYLINDER

ITEM	PART NUMBER	QTY	DESCRIPTION	REV
	1001163414	Ref	Side Tilt Cylinder	A
1	70026056	1	Barrel	
2	70026057	1	Rod	
3	70026058	1	Head, Piston	
4	70025606	2	Nipple, Grease	
5	70024020	2	Fitting, Grease	
6	70003849	1	Gland	
7	70025959	2	Plug	
8	70026059	2	Valve, P.O. Check	
9	70002219	1	Ring, Internal Snap	
10	70026060	4	Ring, Internal Snap	
11	70026061	2	Bearing, Spherical	
12	70024262	2	Plug	
13	70002224	1	Ring, Locking	
14	Kit	2	Ring, Rod Bearing	
15	Kit	2	Ring, Piston Bearing	
16	Kit	1	Seal, Piston	
17	Kit	1	O-Ring	
18	Kit	1	Ring, Back-Up	
19	Kit	1	Seal, Rod	
20	Kit	1	O-Ring	
21	Kit	1	Seal, Wiper	
101	70026062	1	Kit, Seal (includes items 14 thru 21)	

SECTION 9 - HYDRAULIC COMPONENTS

FIGURE 9-34. REAR AXLE STABILIZER VALVE (Prior to SN 0160080899)



ART_1001179601-D

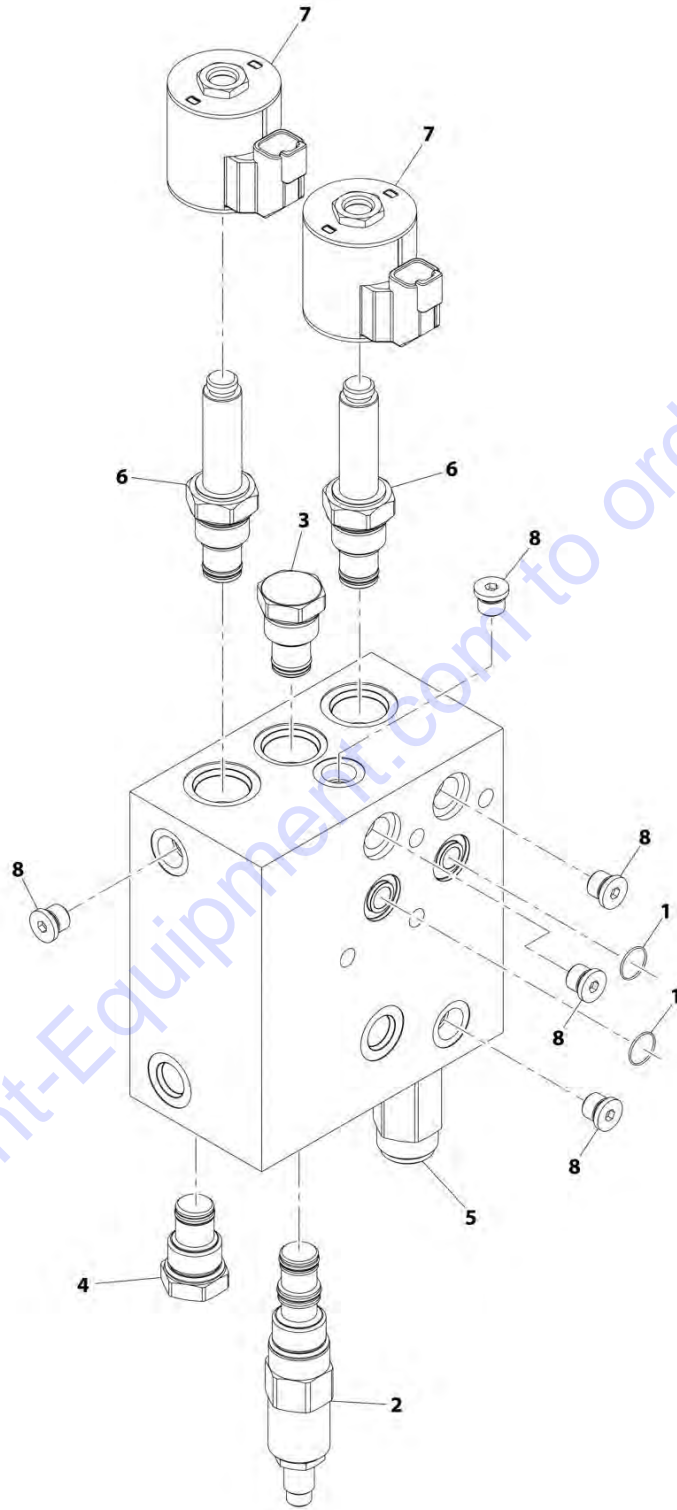
SECTION 9 - HYDRAULIC COMPONENTS

FIGURE 9-34. REAR AXLE STABILIZER VALVE (Prior to SN 0160080899)

ITEM	PART NUMBER	QTY	DESCRIPTION	REV
	1001179601	Ref	Rear Axle Stabilizer Valve	D
1	70026440	2	O-Ring	
2	70026441	2	Valve	
3	70026442	1	Valve	
4	Kit	1	O-Ring	
5	Kit	1	O-Ring	
6	Kit	1	O-Ring	
7	70026443	2	Valve	
8	Kit	1	O-Ring	
9	Kit	1	O-Ring	
10	70026444	1	Valve	
11	Kit	1	O-Ring	
12	Kit	1	O-Ring	
13	70026445	2	Valve	
14	Kit	1	O-Ring	
15	70003788	2	Coil	
16	70026447	1	Valve (not shown)	
17	Kit	1	O-Ring (not shown)	
18	Kit	1	O-Ring (not shown)	
19	Kit	1	O-Ring (not shown)	
20	Kit	1	O-Ring (not shown)	
21	70002386	1	Coil (not shown)	
22	7024844	3	Plug	
23	7017406	7	Plug	
24	70026315	1	Plug	
25	2220886	1	Plug	
101	7012510	1	Kit, Seal (includes items 4 thru 6)	
102	7024808	1	Kit, Seal (includes items 8 & 9)	
103	7022399	1	Kit, Seal (includes items 11 & 12)	
104	70026446	1	Kit, Seal (includes item 14)	
105	70005075	1	Kit, Seal (includes items 17 thru 20) (not shown)	

SECTION 9 - HYDRAULIC COMPONENTS

FIGURE 9-35. REAR AXLE STABILIZER VALVE (SN 0160080899 to Present)



ART_1001197600-A

SECTION 9 - HYDRAULIC COMPONENTS

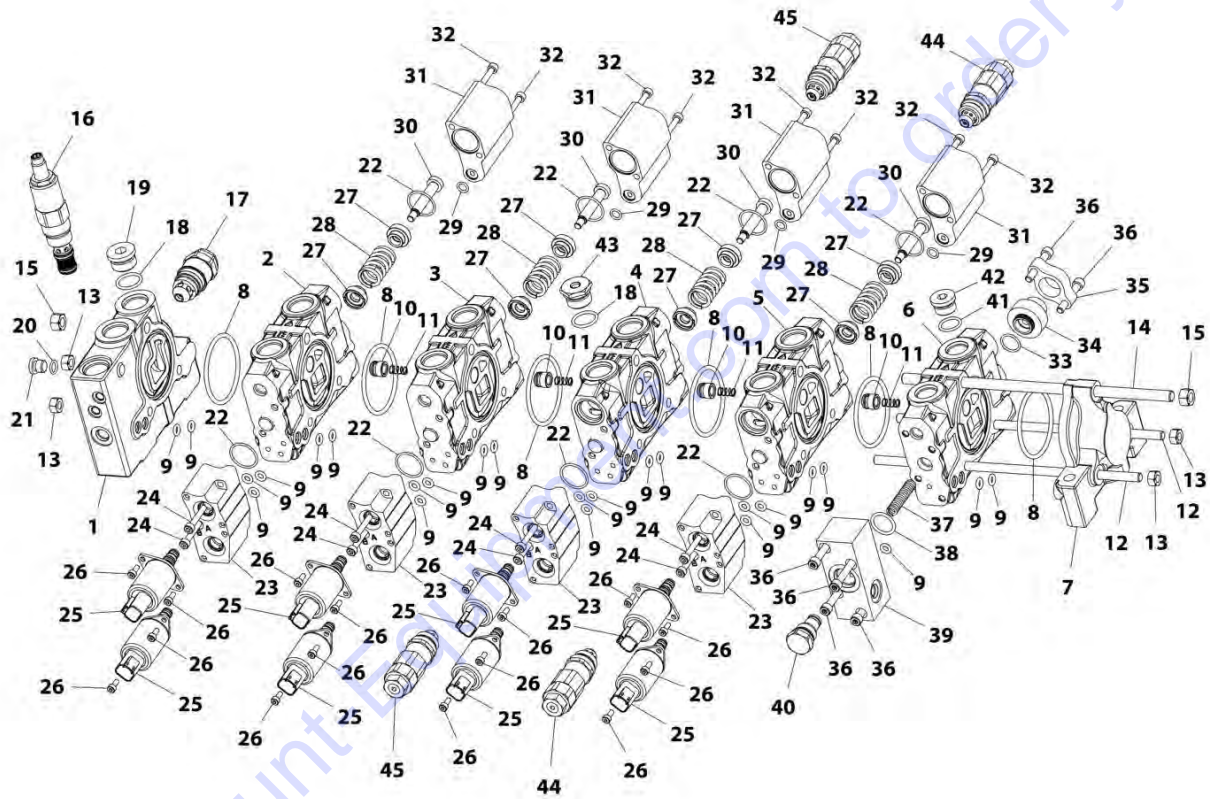
FIGURE 9-35. REAR AXLE STABILIZER VALVE (SN 0160080899 to Present)

ITEM	PART NUMBER	QTY	DESCRIPTION	REV
	1001197600	Ref	Rear Axle Stabilizer Valve	A
1	70026440	2	O-Ring	
2	70026442	1	Cartridge Valve	
2	7012510	1	Seal Kit	
2	Kit	1	O-Ring	
2	Kit	1	O-Ring	
2	Kit	1	O-Ring	
3	70026443	1	Cartridge Valve	
3	7024808	1	Seal Kit	
3	Kit	1	O-Ring	
3	Kit	1	O-Ring	
4	70026444	1	Cartridge Valve	
4	7022399	1	Seal Kit	
4	Kit	1	O-Ring	
4	Kit	1	O-Ring	
5	70028451	1	Cartridge Valve	
5	7024808	1	Seal Kit	
5	Kit	1	O-Ring	
5	Kit	1	O-Ring	
6	70026445	2	Cartridge Valve	
6	70026446	1	Seal Kit	
6	Kit	1	O-Ring	
7	70003788	2	Coil	
8	2220883	5	Plug	

Go to Discount-Equipment.com to order your parts

SECTION 9 - HYDRAULIC COMPONENTS

FIGURE 9-36. MAIN CONTROL VALVE (642)



ART_1001166765-C

PARTS FINDER

**Search Website
by Part Number**



**Search Manual
Library For Parts
Manual & Lookup Part
Numbers – Purchase
or Request Quote**

**Can't Find Part or
Manual? Request Help
by Manufacturer,
Model & Description**

Discount-Equipment.com is your online resource for quality parts & equipment.

Florida: **561-964-4949** Outside Florida TOLL FREE: **877-690-3101**

Need parts?

Click on this link: <http://www.discount-equipment.com/category/5443-parts/> and choose one of the options to help get the right parts and equipment you are looking for. Please have the machine model and serial number available in order to help us get you the correct parts. If you don't find the part on the website or on one of the online manuals, please fill out the request form and one of our experienced staff members will get back to you with a quote for the right part that your machine needs.

We sell worldwide for the brands: Genie, Terex, JLG, MultiQuip, Mikasa, Essick, Whiteman, Mayco, Toro Stone, Diamond Products, Generac Magnum, Airman, Haulotte, Barreto, Power Blanket, Nifty Lift, Atlas Copco, Chicago Pneumatic, Allmand, Miller Curber, Skyjack, Lull, Skytrak, Tsurumi, Husquvarna Target, Stow, Wacker, Sakai, Mi-T-M, Sullair, Basic, Dynapac, MBW, Weber, Bartell, Bennar Newman, Haulotte, Ditch Runner, Menegotti, Morrison, Contec, Buddy, Crown, Edco, Wyco, Bomag, Laymor, EZ Trench, Bil-Jax, F.S. Curtis, Gehl Pavers, Heli, Honda, ICS/PowerGrit, IHI, Partner, Imer, Clipper, MMD, Koshin, Rice, CH&E, General Equipment, Amida, Coleman, NAC, Gradall, Square Shooter, Kent, Stanley, Tamco, Toku, Hatz, Kohler, Robin, Wisconsin, Northrock, Oztec, Toker TK, Rol-Air, APT, Wylie, Ingersoll Rand / Doosan, Innovatech, Con X, Ammann, Mecalac, Makinex, Smith Surface Prep, Small Line, Wanco, Yanmar

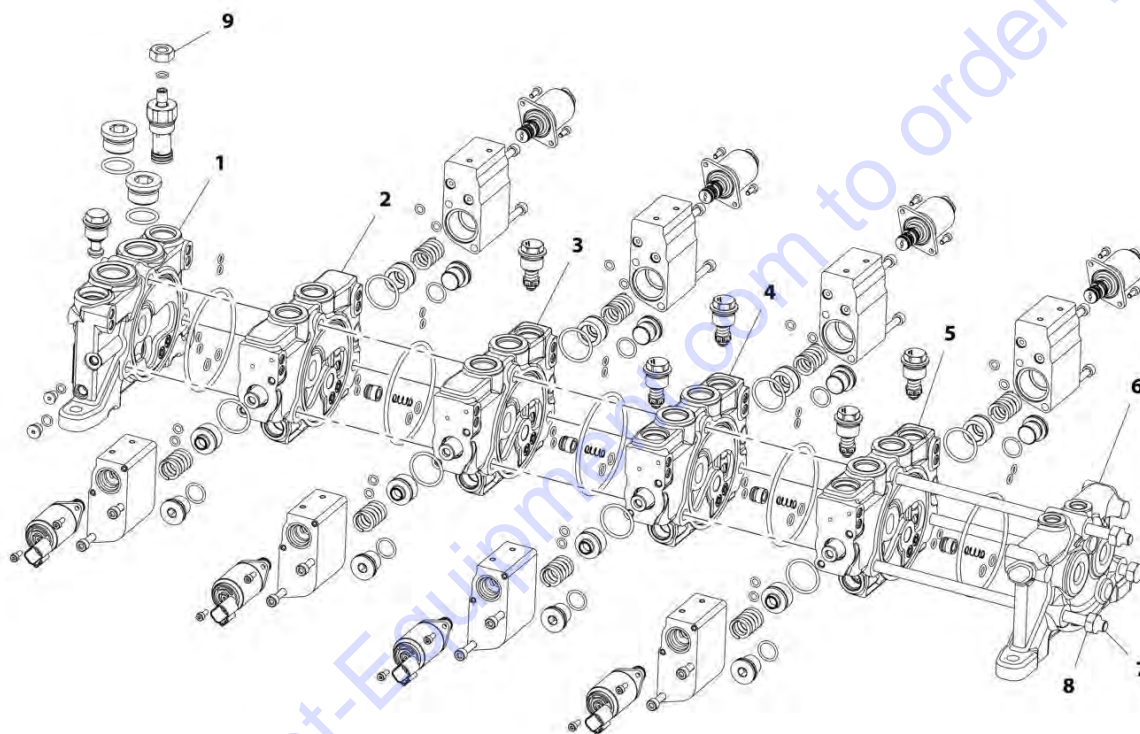
SECTION 9 - HYDRAULIC COMPONENTS

FIGURE 9-36. MAIN CONTROL VALVE (642)

ITEM	PART NUMBER	QTY	DESCRIPTION	REV
	1001166765	1	Main Control Valve (642)	C
1	70026640	1	Section, Inlet	
2	70026641	1	Section, Spool	
3	70026642	1	Section, Spool	
4	70026643	1	Section, Spool	
5	70026644	1	Section, Spool	
6	70026645	1	Section, Spool	
7	70026646	1	Section, Outlet	
8	10837923	6	O-Ring	
9	70026647	25	O-Ring	
10	10837929	4	Poppet	
11	10837937	4	Spring	
12	70026648	2	Rod, Tie	
13	8035348	4	Nut	
14	70026649	1	Rod, Tie	
15	8035346	2	Nut	
16	70026650	1	Valve	
17	70026651	1	Valve	
18	70026652	2	O-Ring	
19	70026653	1	Plug	
20	70026654	1	O-Ring	
21	70026655	1	Plug	
22	70026656	8	O-Ring	
23	70026657	4	Solenoid	
24	70026658	8	Screw	
25	70026659	8	Solenoid	
26	70022014	16	Bolt	
27	70026660	8	Spring, Seat	
28	70026661	4	Spring	
29	70026662	4	O-Ring	
30	70026663	4	Spool	
31	70026664	4	Cap, End	
32	70026665	8	Screw	
33	70026666	1	O-Ring	
34	70026667	1	Spool, Cap	
35	8035373	1	Plate, Seal	
36	8037088	6	Screw	
37	70026668	1	Spring	
38	70026669	1	O-Ring	
39	70026670	1	Cap, End	
40	70026671	1	Regulator, Drain	
41	70026672	1	O-Ring	
42	8035382	1	Plug	
43	70026673	1	Plug	
44	70026674	2	Valve	
45	70026675	2	Valve	

SECTION 9 - HYDRAULIC COMPONENTS

FIGURE 9-37. MAIN CONTROL VALVE (943, 1043) (Prior to SN 0160081535)



ART_1001161773_1-F

SECTION 9 - HYDRAULIC COMPONENTS

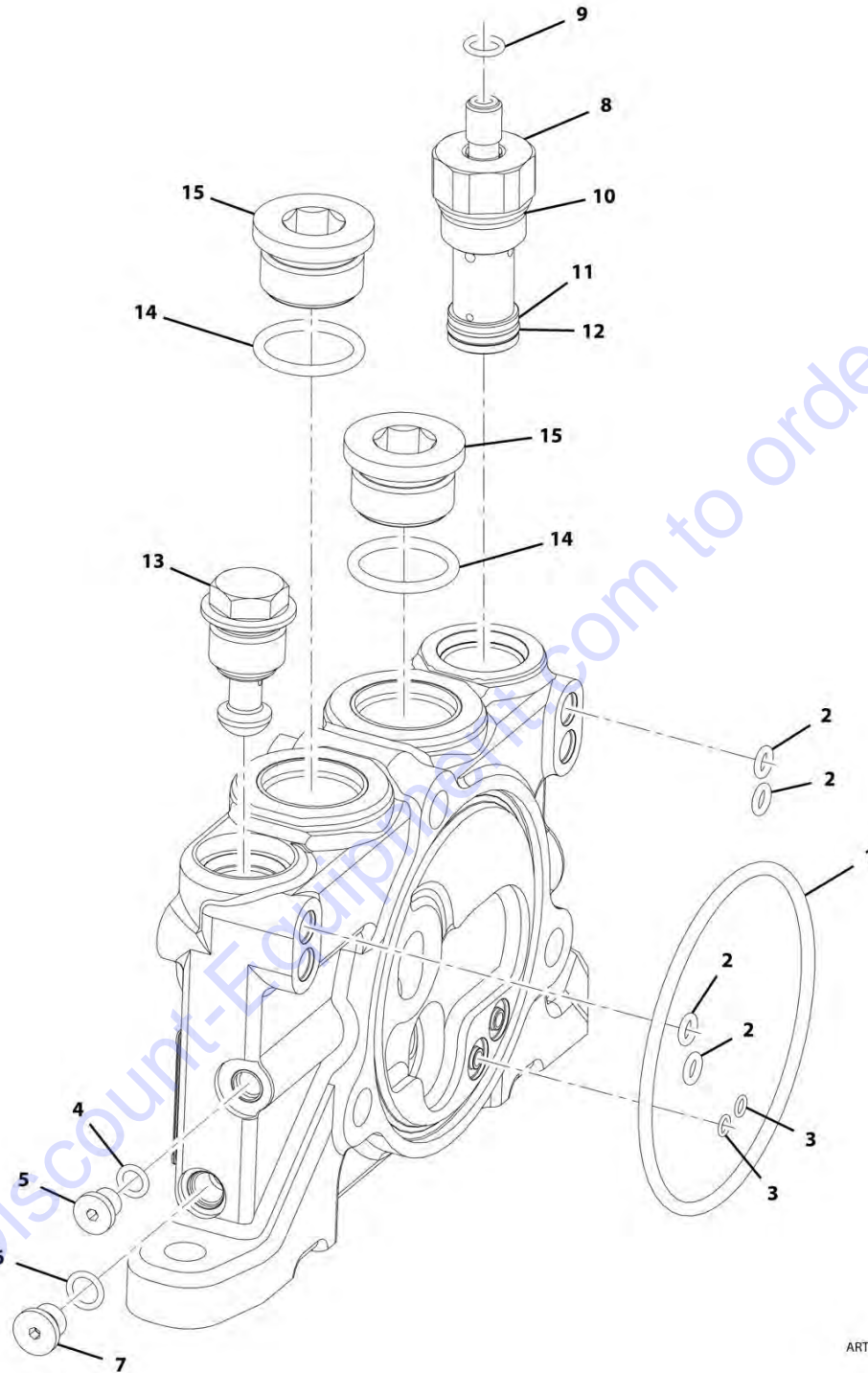
FIGURE 9-37. MAIN CONTROL VALVE (943, 1043) (Prior to SN 0160081535)

ITEM	PART NUMBER	QTY	DESCRIPTION	REV
	1001161773	Ref	Main Control Valve	F
1	70026384	1	Section, Inlet (See INLET SECTION for Breakdown)	
2	70026385	1	Section, Spool (See SPOOL SECTION for Breakdown)	
3	70026386	1	Section, Spool (See SPOOL SECTION for Breakdown)	
4	70026387	1	Section, Spool (See SPOOL SECTION for Breakdown)	
5	70026388	1	Section, Spool (See SPOOL SECTION for Breakdown)	
6	70026389	1	Section, Outlet	
7	70026375	3	Rod, Tie	
8	70050481	6	Nut	
9	8037130	1	Nut	

Go to Discount-Equipment.com to order your parts

SECTION 9 - HYDRAULIC COMPONENTS

FIGURE 9-38. MAIN CONTROL VALVE - INLET SECTION (943, 1043)



ART_1001161773_2

SECTION 9 - HYDRAULIC COMPONENTS

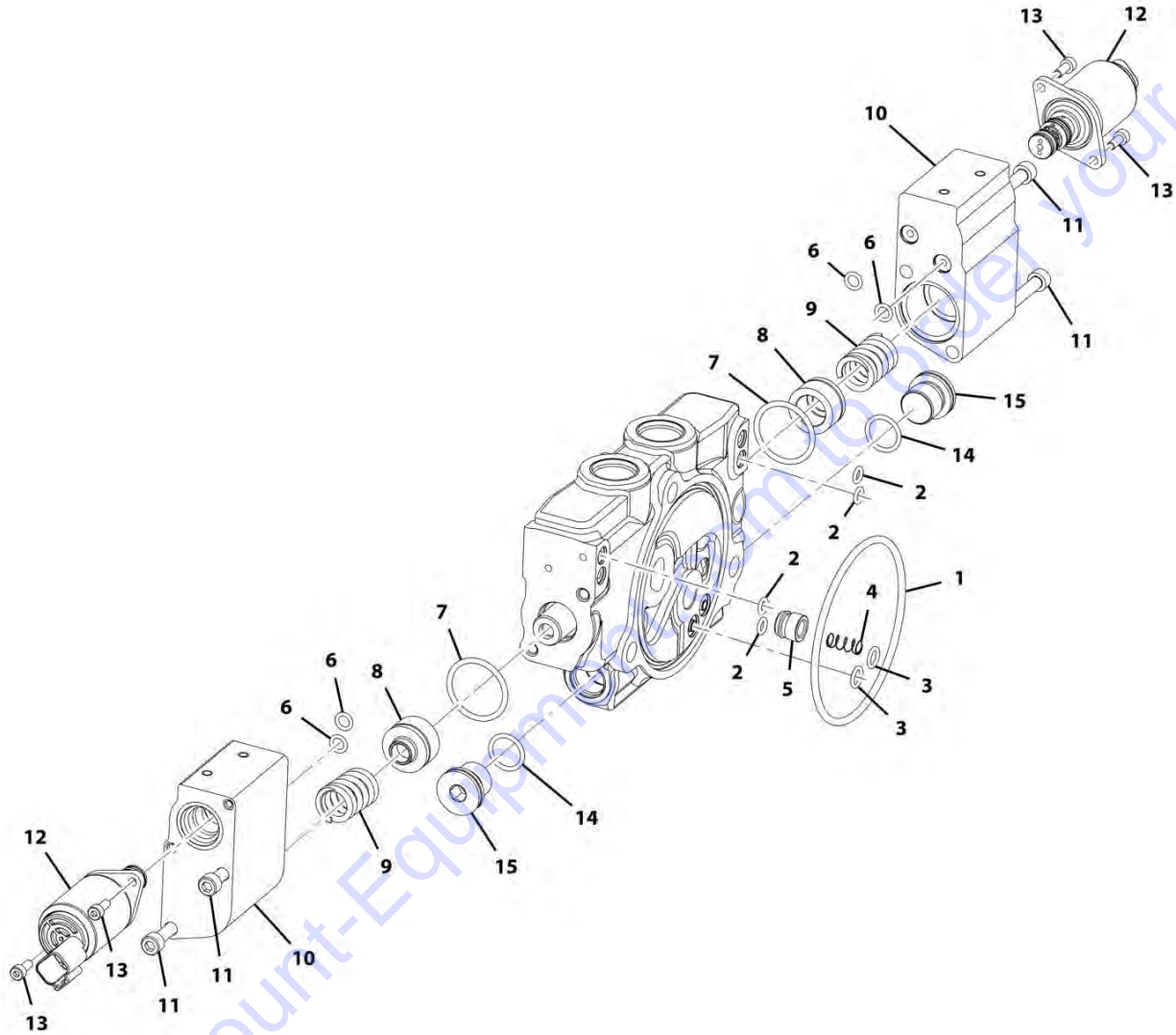
FIGURE 9-38. MAIN CONTROL VALVE - INLET SECTION (943, 1043)

ITEM	PART NUMBER	QTY	DESCRIPTION	REV
	70026384	Ref	Main Control Valve - Inlet Section	
1	8034697	1	O-Ring	
2	70050508	4	O-Ring	
3	70050507	2	O-Ring	
4	70026372	1	O-Ring	
5	70026379	1	Plug	
6	70026371	1	O-Ring	
7	70026368	1	Plug	
8	70022012	1	Regulator	
9	70026373	1	O-Ring	
10	10837928	1	O-Ring	
11	70026376	1	Ring	
12	70026370	1	O-Ring	
13	70026382	1	Plug	
14	70026374	2	O-Ring	
15	70050472	2	Plug	

Go to Discount-Equipment.com to order your parts

SECTION 9 - HYDRAULIC COMPONENTS

FIGURE 9-39. MAIN CONTROL VALVE - SPOOL SECTION (943, 1043)



ART_1001161773_3

SECTION 9 - HYDRAULIC COMPONENTS

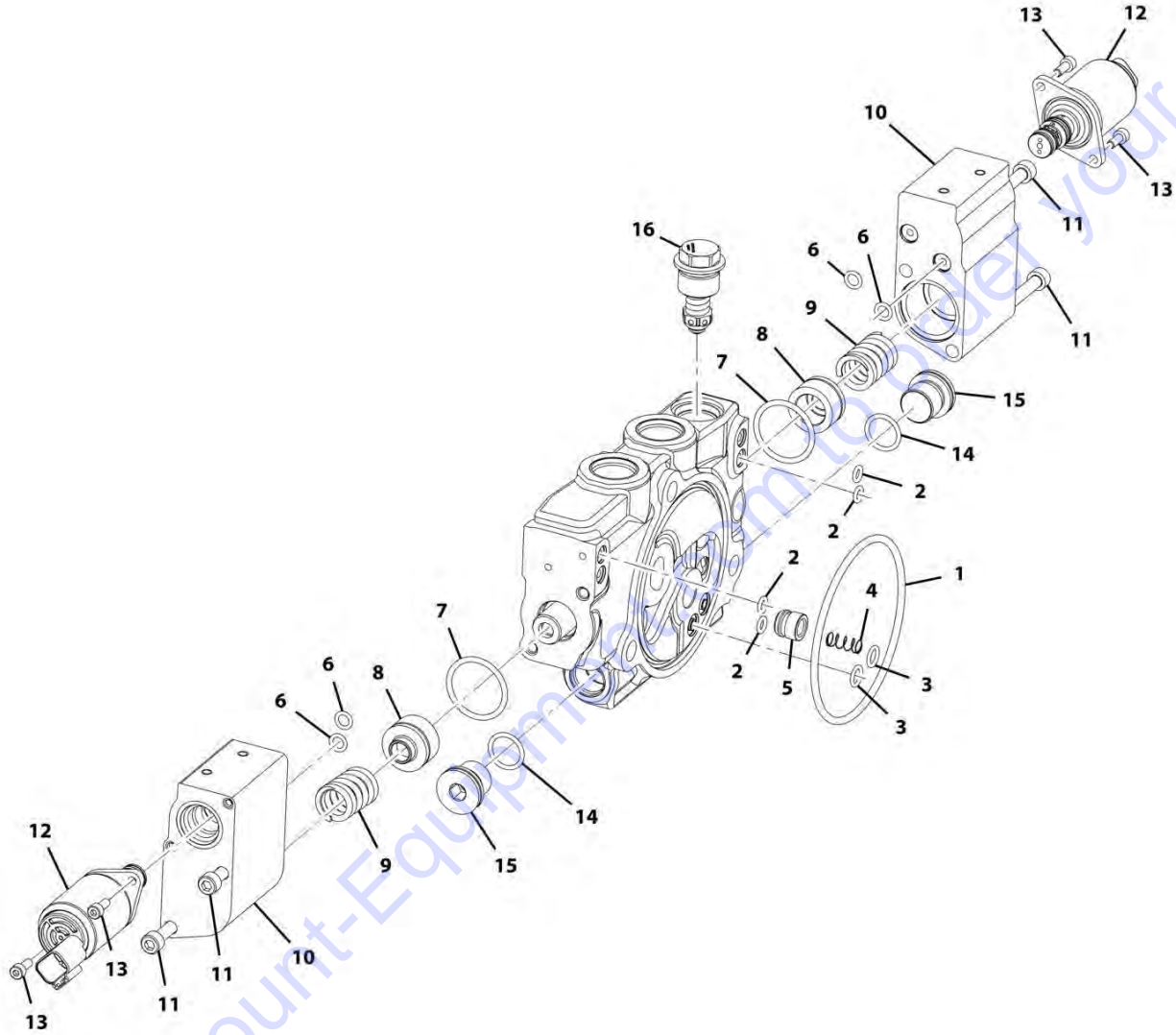
FIGURE 9-39. MAIN CONTROL VALVE - SPOOL SECTION (943, 1043)

ITEM	PART NUMBER	QTY	DESCRIPTION	REV
	70026385	Ref	Main Control Valve - Spool Section	
1	8034697	1	O-Ring	
2	70050508	4	O-Ring	
3	70050507	2	O-Ring	
4	10837937	1	Spring	
5	10837929	1	Poppet	
6	70026369	4	O-Ring	
7	70026380	2	O-Ring	
8	70026378	2	Spring	
9	70026377	2	Spring	
10	70026381	2	Cap	
11	70026383	4	Cap	
12	70022013	2	Valve	
13	70022014	4	Bolt	
14	70022012	2	Regulator	
15	70026373	2	O-Ring	

Go to Discount-Equipment.com to order your parts

SECTION 9 - HYDRAULIC COMPONENTS

FIGURE 9-40. MAIN CONTROL VALVE - SPOOL SECTION (943, 1043)



ART_1001161773_4

SECTION 9 - HYDRAULIC COMPONENTS

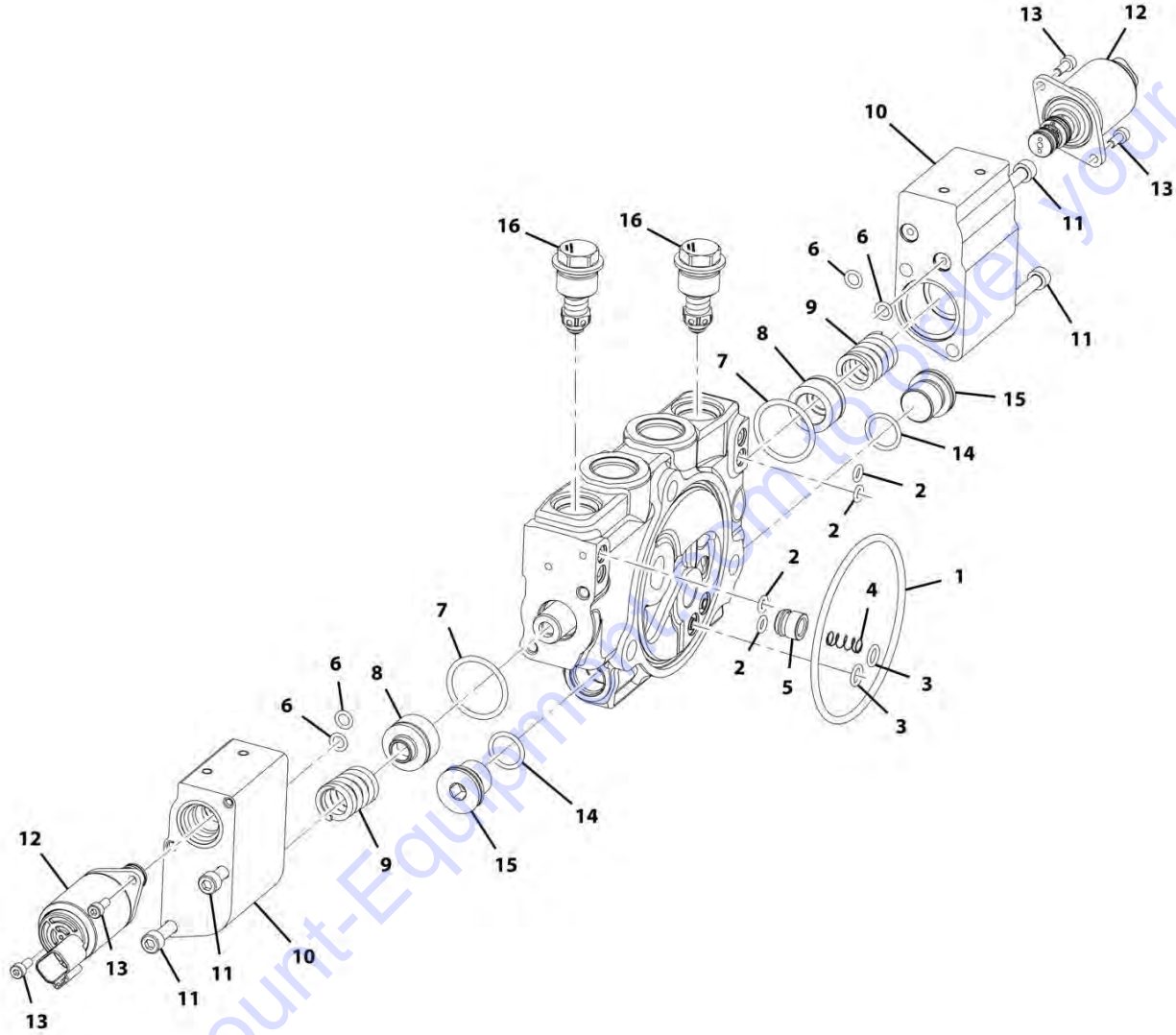
FIGURE 9-40. MAIN CONTROL VALVE - SPOOL SECTION (943, 1043)

ITEM	PART NUMBER	QTY	DESCRIPTION	REV
	70026386	Ref	Main Control Valve - Spool Section	
1	8034697	1	O-Ring	
2	70050508	4	O-Ring	
3	70050507	2	O-Ring	
4	10837937	1	Spring	
5	10837929	1	Poppet	
6	70026369	4	O-Ring	
7	70026380	2	O-Ring	
8	70026378	2	Spring	
9	70026377	2	Spring	
10	70026381	2	Cap	
11	70026383	4	Cap	
12	70022013	2	Valve	
13	70022014	4	Bolt	
14	70022012	2	Regulator	
15	70026373	2	O-Ring	
16	70022010	1	Valve	

Go to Discount-Equipment.com to order your parts

SECTION 9 - HYDRAULIC COMPONENTS

FIGURE 9-41. MAIN CONTROL VALVE - SPOOL SECTION (943, 1043)



ART_1001161773_5

SECTION 9 - HYDRAULIC COMPONENTS

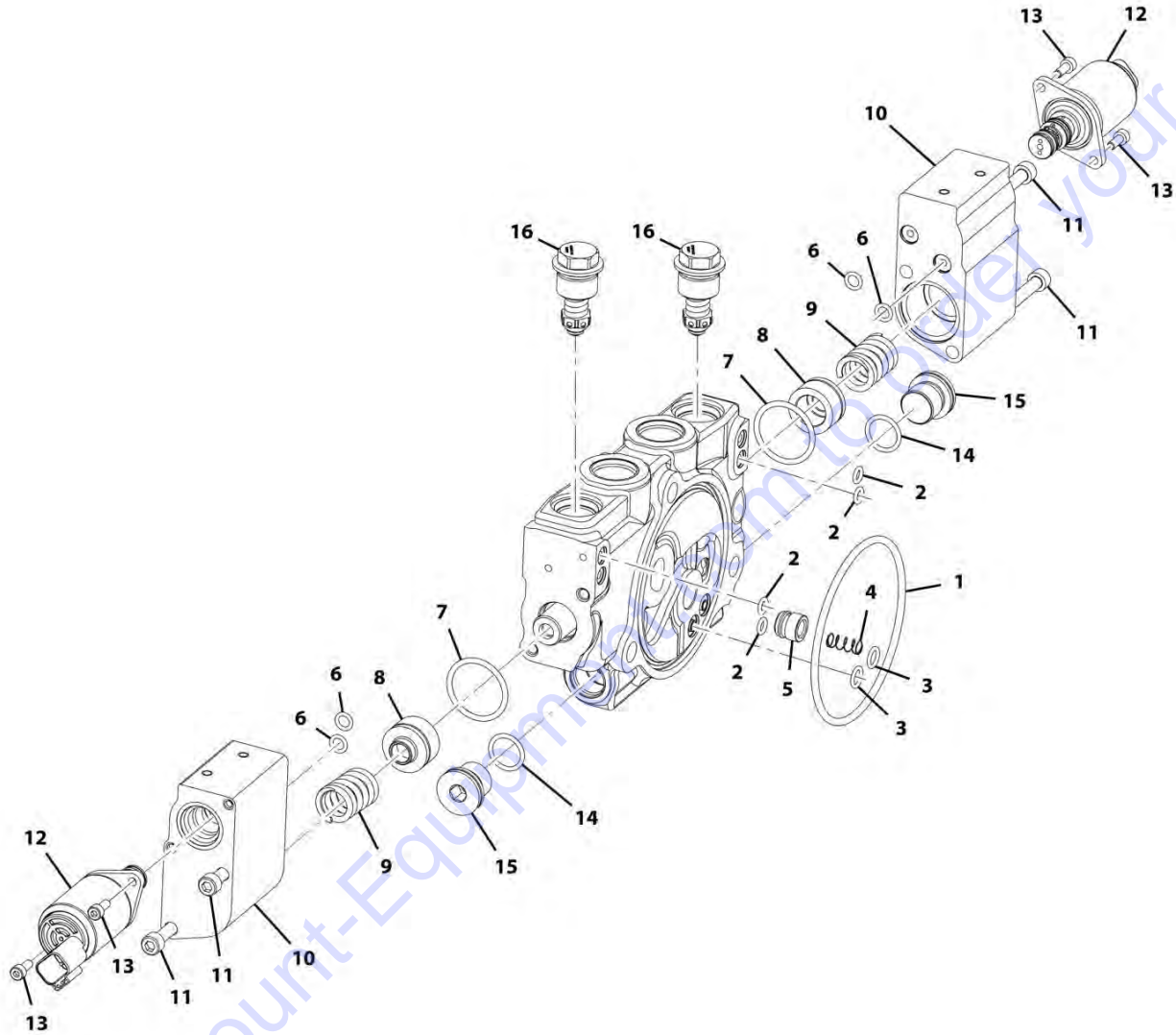
FIGURE 9-41. MAIN CONTROL VALVE - SPOOL SECTION (943, 1043)

ITEM	PART NUMBER	QTY	DESCRIPTION	REV
	70026387	Ref	Main Control Valve - Spool Section	
1	8034697	1	O-Ring	
2	70050508	4	O-Ring	
3	70050507	2	O-Ring	
4	10837937	1	Spring	
5	10837929	1	Poppet	
6	70026369	4	O-Ring	
7	70026380	2	O-Ring	
8	70026378	2	Spring	
9	70026377	2	Spring	
10	70026381	2	Cap	
11	70026383	4	Cap	
12	70022013	2	Valve	
13	70022014	4	Bolt	
14	70022012	2	Regulator	
15	70026373	2	O-Ring	
16	70022010	2	Valve	

Go to Discount-Equipment.com to order your parts

SECTION 9 - HYDRAULIC COMPONENTS

FIGURE 9-42. MAIN CONTROL VALVE - SPOOL SECTION (943, 1043)



ART_1001161773_6

SECTION 9 - HYDRAULIC COMPONENTS

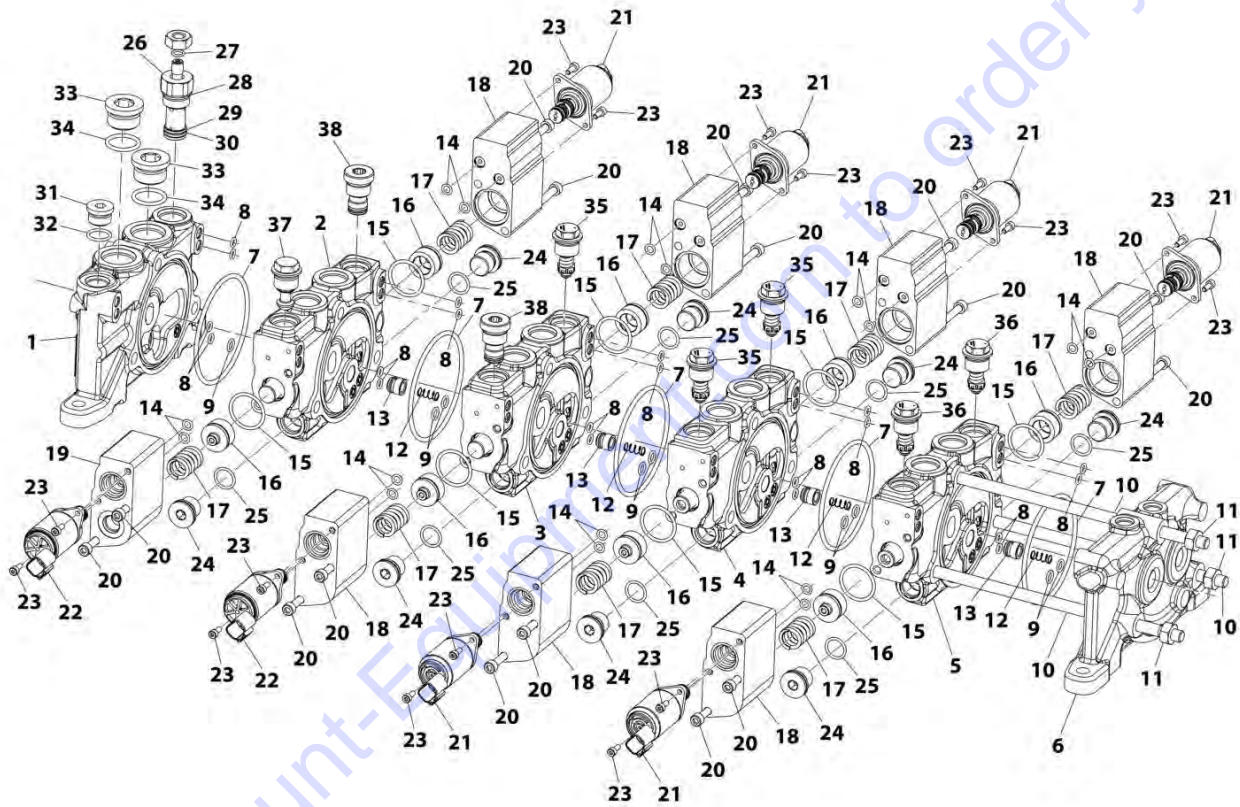
FIGURE 9-42. MAIN CONTROL VALVE - SPOOL SECTION (943, 1043)

ITEM	PART NUMBER	QTY	DESCRIPTION	REV
	70026388	Ref	Main Control Valve - Spool Section	
1	8034697	1	O-Ring	
2	70050508	4	O-Ring	
3	70050507	2	O-Ring	
4	10837937	1	Spring	
5	10837929	1	Poppet	
6	70026369	4	O-Ring	
7	70026380	2	O-Ring	
8	70026378	2	Spring	
9	70026377	2	Spring	
10	70026381	2	Cap	
11	70026383	4	Cap	
12	70022013	2	Valve	
13	70022014	4	Bolt	
14	70022012	2	Regulator	
15	70026373	2	O-Ring	
16	70025982	2	Valve	

Go to Discount-Equipment.com to order your parts

SECTION 9 - HYDRAULIC COMPONENTS

FIGURE 9-43. MAIN CONTROL VALVE (742, 943, 1043)



ART_1001226812-D

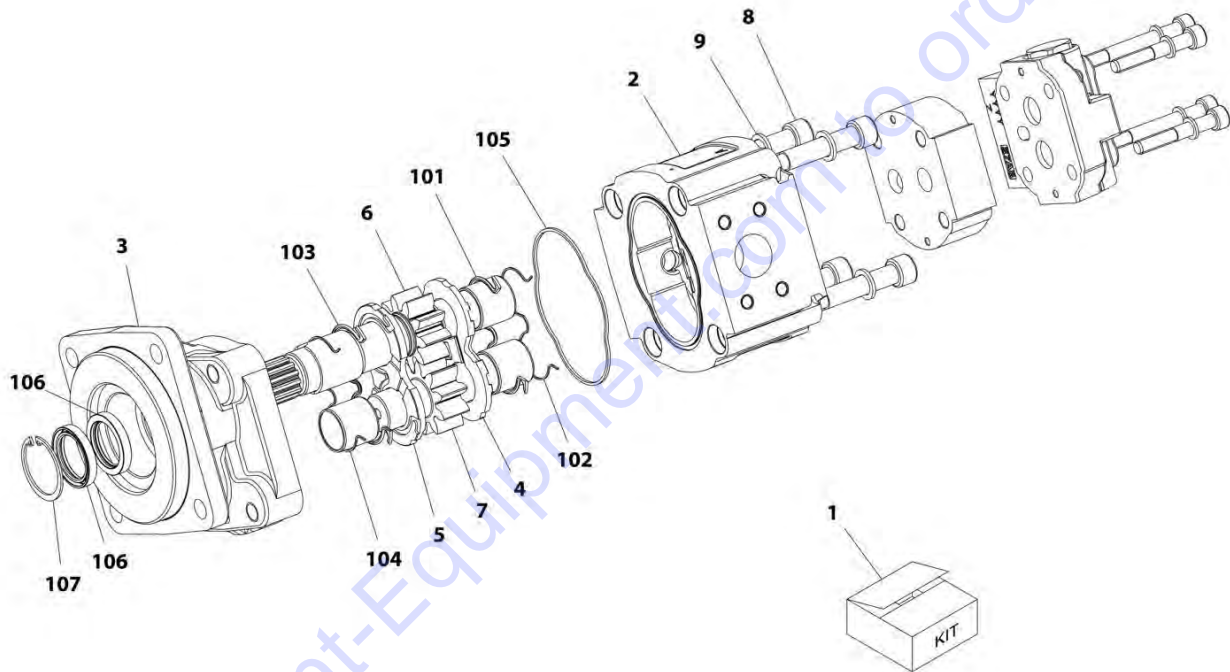
SECTION 9 - HYDRAULIC COMPONENTS

FIGURE 9-43. MAIN CONTROL VALVE (742, 943, 1043)

ITEM	PART NUMBER	QTY	DESCRIPTION	REV
	1001226812	Ref	Main Control Valve (742, 943, 1043)	D
1	70028478	1	Section, Inlet	
2	70028479	1	Section, Spool	
3	70028480	1	Section, Spool	
4	70026387	1	Section, Spool	
5	70028481	1	Section, Spool	
6	70026389	1	Section, Outlet	
7	8034697	5	O-Ring	
8	70050508	20	O-Ring	
9	70050507	9	O-Ring	
10	70026375	3	Rod, Tie	
11	70050481	6	Nut	
12	10837937	4	Spring	
13	10837929	4	Poppet	
14	70026369	16	O-Ring	
15	70026380	8	O-Ring	
16	70026378	8	Spring	
17	70026377	8	Spring	
18	70026381	7	Cap	
19	70028482	1	Cap	
20	70026383	16	Cap	
21	70022013	6	Valve	
22	70028483	2	Valve	
23	70022014	16	Bolt	
24	70050504	8	Plug	
25	70027130	8	O-Ring	
26	70022012	1	Regulator	
27	70026373	1	O-Ring	
28	10837928	1	O-Ring	
29	70026376	1	Ring	
30	70026370	1	O-Ring	
31	8035382	1	Plug	
32	70024202	1	O-Ring	
33	70050472	2	Plug	
34	70026374	2	O-Ring	
35	70022010	3	Valve	
36	70027098	2	Valve	
37	70028484	1	Valve	
38	70022008	2	Plug	

SECTION 9 - HYDRAULIC COMPONENTS

FIGURE 9-44. GEAR PUMP (642, 742)



ART_1001163746-A

SECTION 9 - HYDRAULIC COMPONENTS

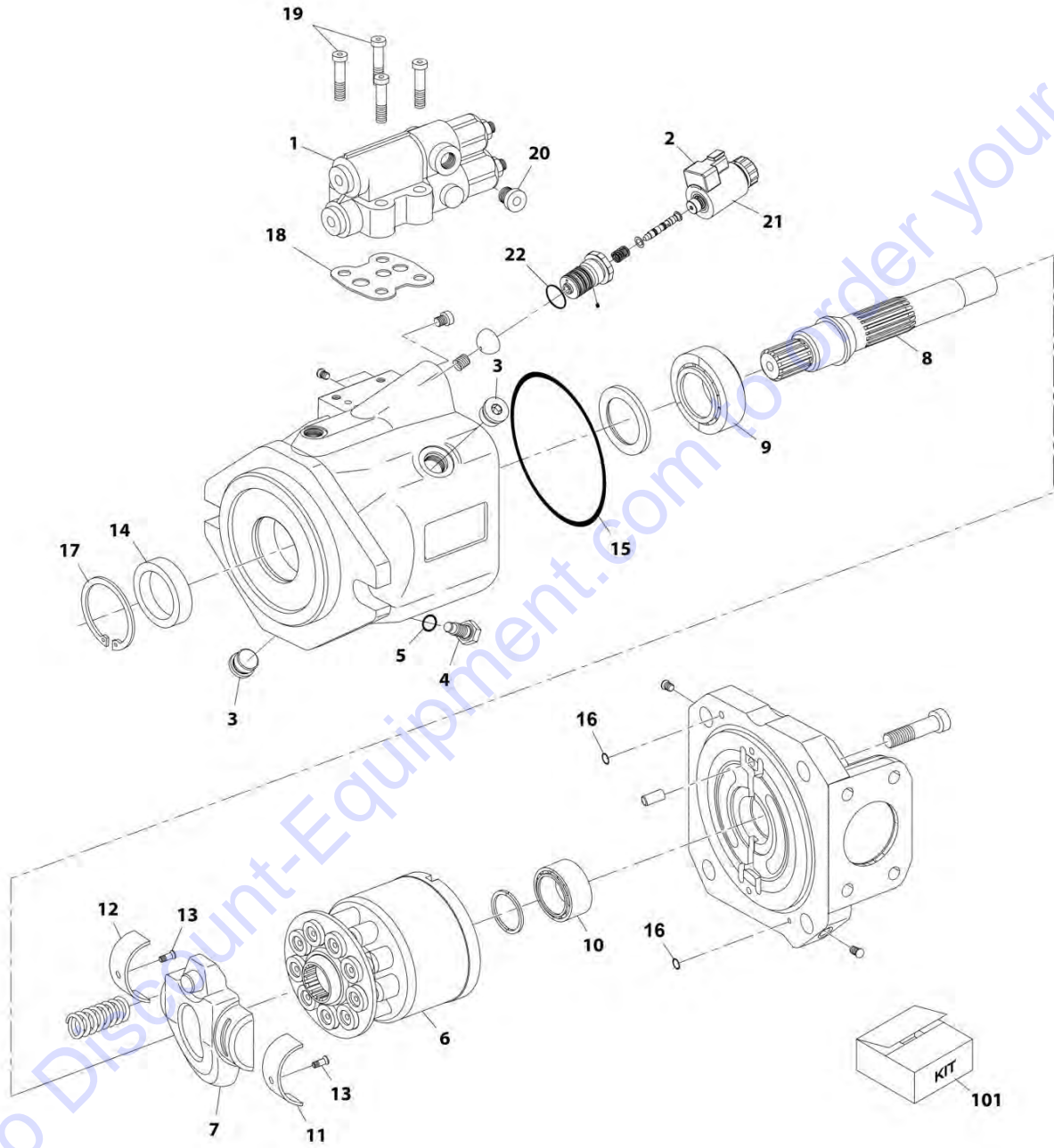
FIGURE 9-44. GEAR PUMP (642, 742)

ITEM	PART NUMBER	QTY	DESCRIPTION	REV
	1001163746	Ref	Gear Pump (642, 742)	A
1	70026567	1	Kit, Seal (includes items 101 thru 107)	
2	70026507	1	Housing, Pump	
3	70026508	1	Cover, Front	
4	70026509	1	Plate, Thrust	
5	70026566	1	Plate, Thrust Upper	
6	70026511	1	Shaft, Drive	
7	70026512	1	Shaft, Driven	
8	70026513	4	Bolt M14X100	
9	70026493	4	Washer	
101	Kit	1	Seal	
102	Kit	1	Ring	
103	Kit	1	Seal, Upper	
104	Kit	1	Ring	
105	Kit	1	Seal	
106	Kit	2	Seal	
107	Kit	1	Ring	

Go to Discount-Equipment.com to order your parts

SECTION 9 - HYDRAULIC COMPONENTS

FIGURE 9-45. PISTON PUMP (943, 1043)



ART_1001168376-B

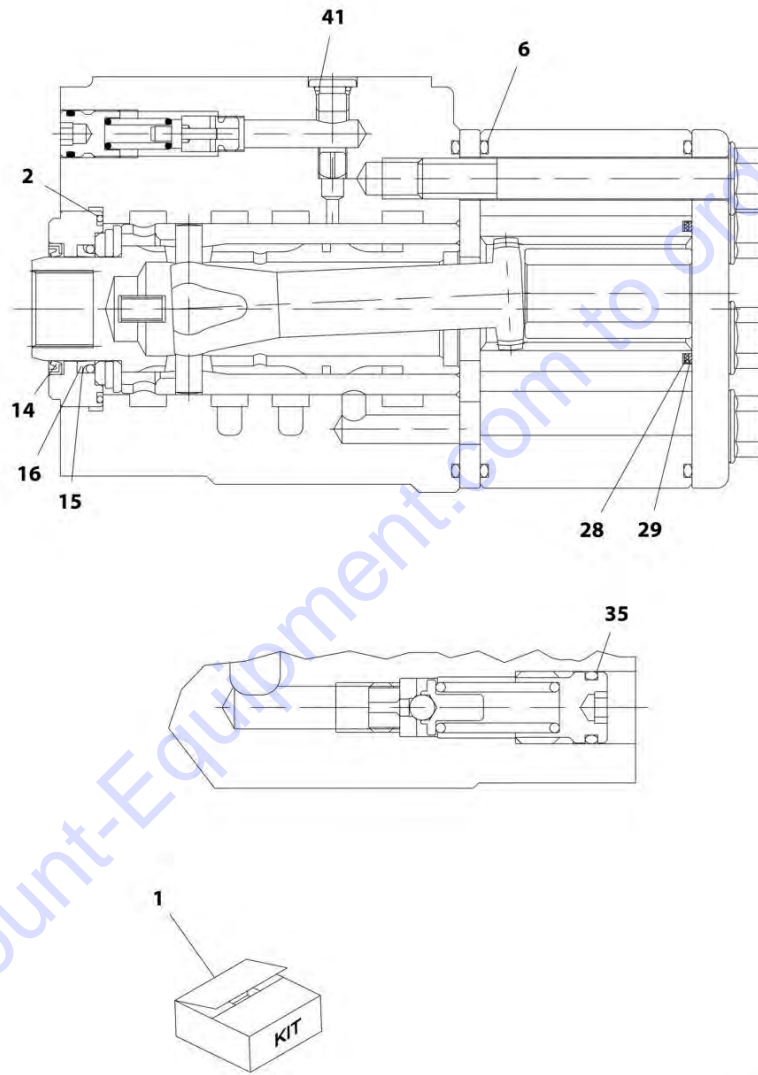
SECTION 9 - HYDRAULIC COMPONENTS

FIGURE 9-45. PISTON PUMP (943, 1043)

ITEM	PART NUMBER	QTY	DESCRIPTION	REV
	1001182279	Ref	Piston Pump (943, 1043)	B
1	70026572	1	Valve, Control	
2	70024186	1	Valve, Control	
3	70024407	2	Plug	
4	70024408	1	Screw, Stop	
5	Kit	1	O-Ring	
6	70024188	1	Group, Rotary	
7	70026583	1	Plate, Swash	
8	7024939	1	Shaft, Drive	
9	7024943	1	Bearing, Front	
10	7024944	1	Bearing, Rear	
11	70024414	1	Liner, Bearing	
12	70024415	1	Liner, Bearing	
13	7024953	2	Screw, M5X16	
14	80634004	1	Seal, Shaft	
15	Kit	1	O-Ring	
16	Kit	2	Sing, Seal	
17	80334277	1	Ring, Safety	
18	70021867	1	Gasket	
19	7024954	4	Screw, M6X30	
20	70024416	1	Plug	
21	70025897	1	Solenoid	
22	Kit	1	O-Ring	
101	70024189	1	Kit, Seal (includes items 5, 15 thru 16 & 22)	

SECTION 9 - HYDRAULIC COMPONENTS

FIGURE 9-46. STEERING ORBITAL VALVE (642, 742)



ART_1001160599-C

SECTION 9 - HYDRAULIC COMPONENTS

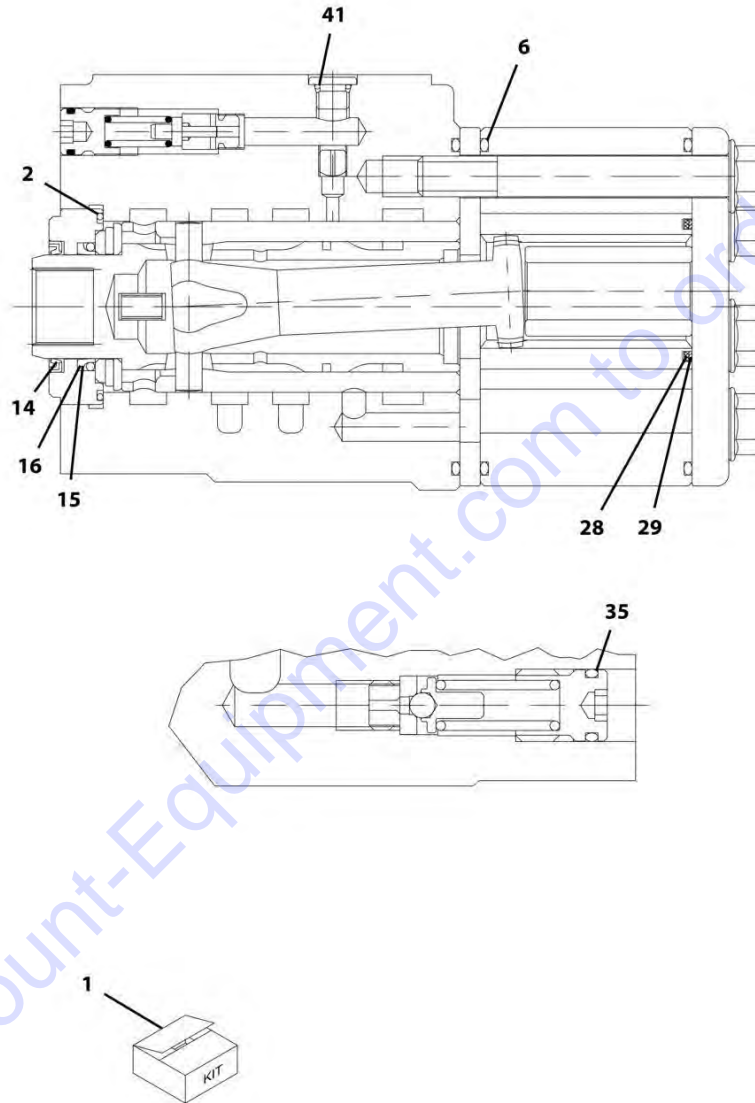
FIGURE 9-46. STEERING ORBITAL VALVE (642, 742)

ITEM	PART NUMBER	QTY	DESCRIPTION	REV
	1001160599	Ref	Steering Orbital Valve	C
1	70026401	1	Kit, Seal (includes items 2 thru 41)	
2	Kit	1	O-Ring	
6	Kit	3	O-Ring	
14	Kit	1	Seal, Dust	
15	Kit	1	O-Ring	
16	Kit	1	Seal, Shaft	
28	Kit	1	Washer, Back-Up	
29	Kit	1	Seal, Ring	
35	Kit	3	O-Ring	
41	Kit	2	O-Ring	

Go to Discount-Equipment.com to order your parts

SECTION 9 - HYDRAULIC COMPONENTS

FIGURE 9-47. STEERING ORBITAL VALVE (943, 1043)



ART_1001158527-E

SECTION 9 - HYDRAULIC COMPONENTS

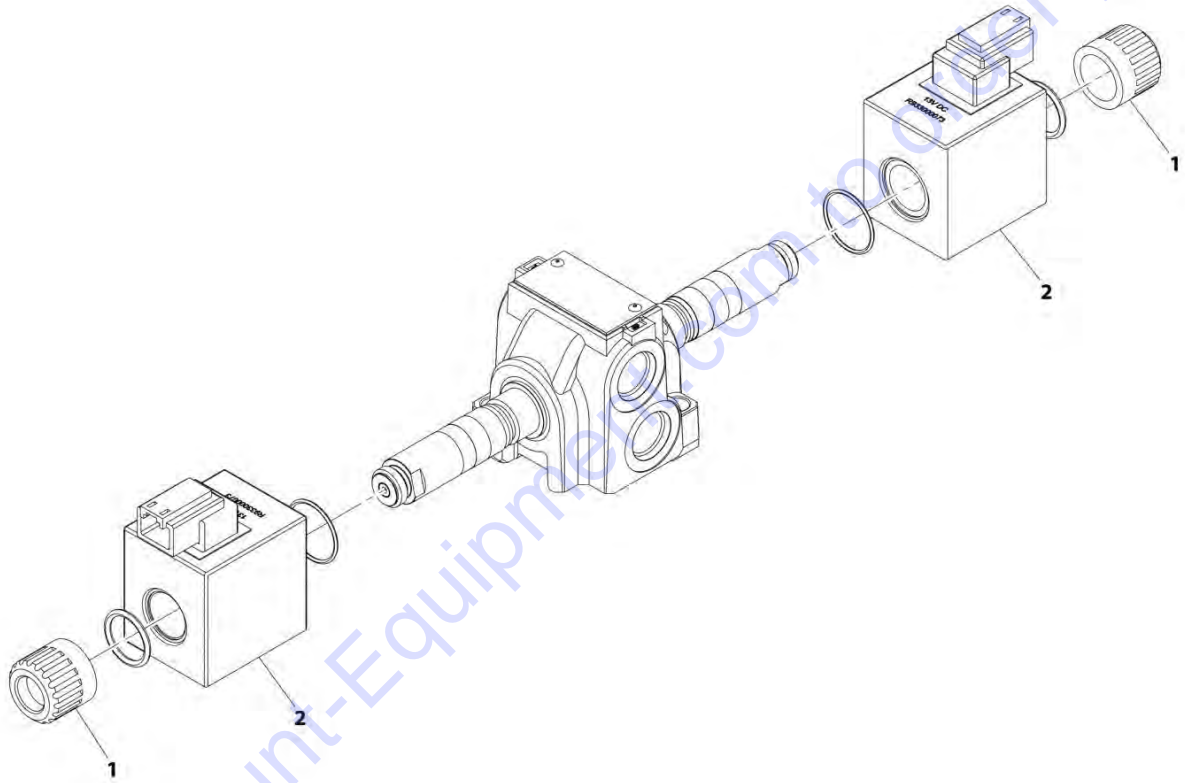
FIGURE 9-47. STEERING ORBITAL VALVE (943, 1043)

ITEM	PART NUMBER	QTY	DESCRIPTION	REV
	1001158527	1	Steering Orbital Valve (943, 1043)	E
1	70026401	1	Kit, Seal (includes items 2 thru 41)	
2	Kit	1	O-Ring	
6	Kit	3	O-Ring	
14	Kit	1	Seal, Dust	
15	Kit	1	O-Ring	
16	Kit	1	Seal, Shaft	
28	Kit	1	Washer, Back-Up	
29	Kit	1	Seal, Ring	
35	Kit	3	O-Ring	
41	Kit	2	O-Ring	

Go to Discount-Equipment.com to order your parts

SECTION 9 - HYDRAULIC COMPONENTS

FIGURE 9-48. STEER SELECT VALVE



ART_1001153748-C

SECTION 9 - HYDRAULIC COMPONENTS

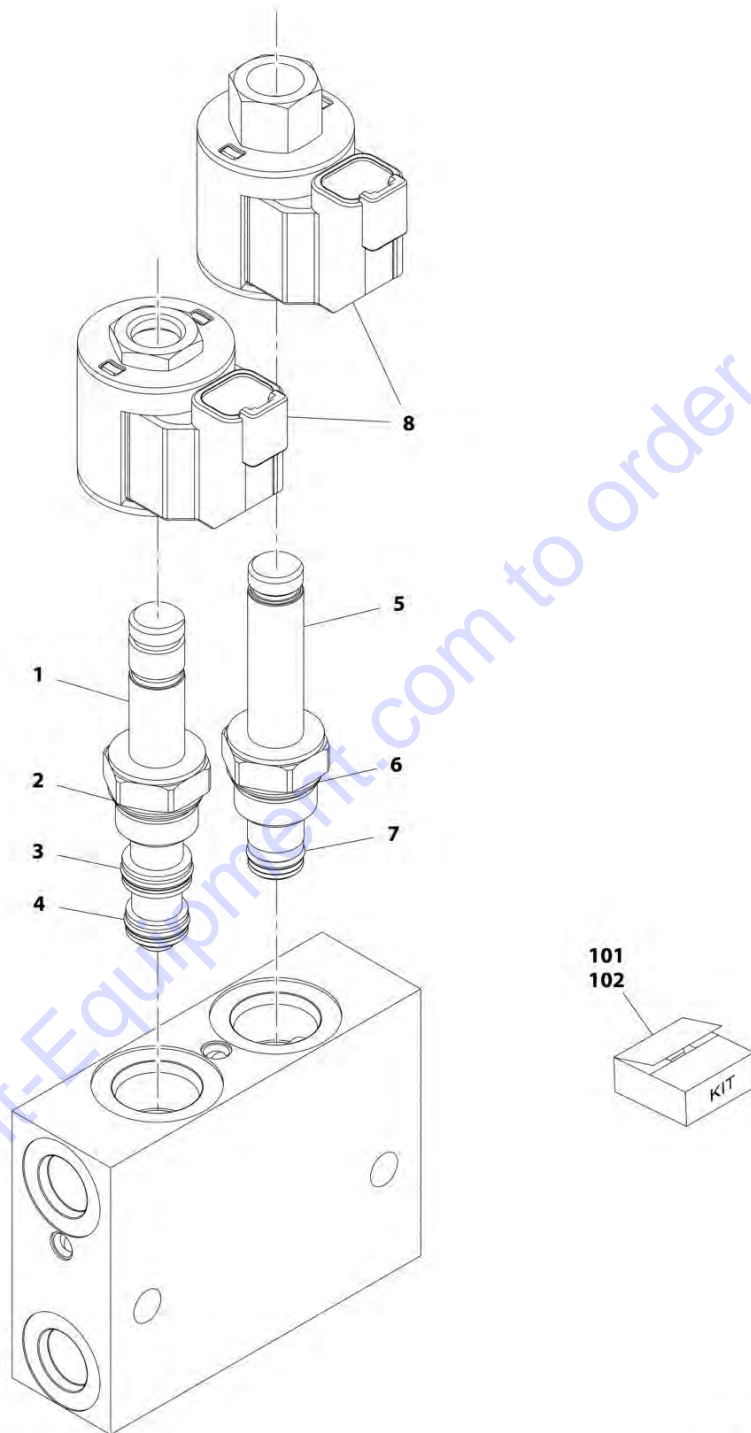
FIGURE 9-48. STEER SELECT VALVE

ITEM	PART NUMBER	QTY	DESCRIPTION	REV
	1001153748	Ref	Steering Select Valve	C
1	70020867	2	Kit, Retainer, W/Seals	
2	70026582	2	Coil	

Go to Discount-Equipment.com to order your parts

SECTION 9 - HYDRAULIC COMPONENTS

FIGURE 9-49. PARK BRAKE VALVE



ART_1001164652-A

SECTION 9 - HYDRAULIC COMPONENTS

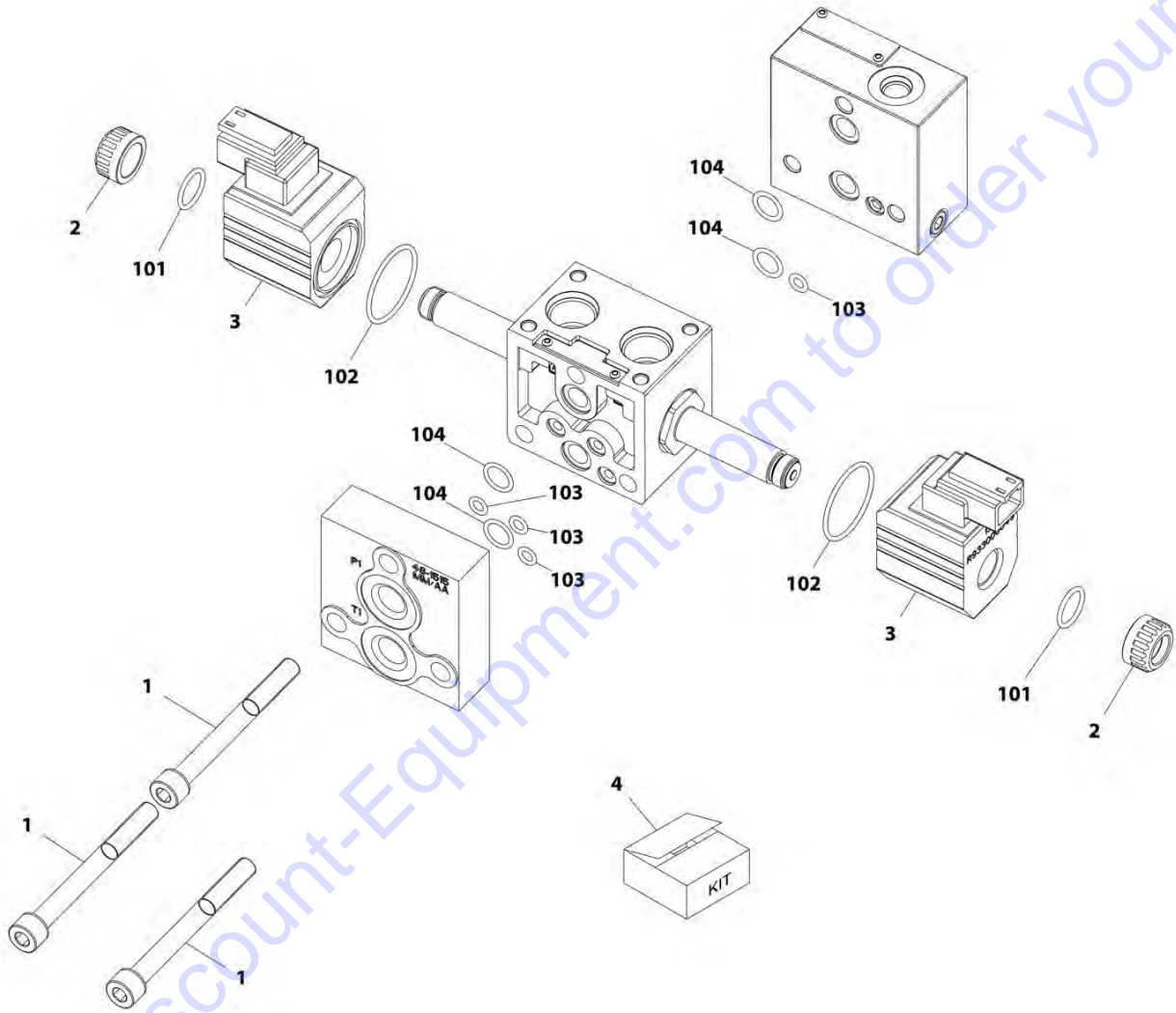
FIGURE 9-49. PARK BRAKE VALVE

ITEM	PART NUMBER	QTY	DESCRIPTION	REV
	1001164652	1	Park Brake Valve	A
1	7012941	1	Valve	
2	Kit	1	O-Ring	
3	Kit	1	O-Ring	
4	Kit	1	O-Ring	
5	7017410	1	Valve	
6	Kit	1	O-Ring	
7	Kit	1	O-Ring	
8	70002386	2	Coil	
101	7010543	1	Kit, Seal (includes items 2 thru 4)	
102	7012967	1	Kit, Seal (includes items 6 thru 7)	

Go to Discount-Equipment.com to order your parts

SECTION 9 - HYDRAULIC COMPONENTS

FIGURE 9-50. FRAME LEVEL VALVE



ART_1001162959-D

SECTION 9 - HYDRAULIC COMPONENTS

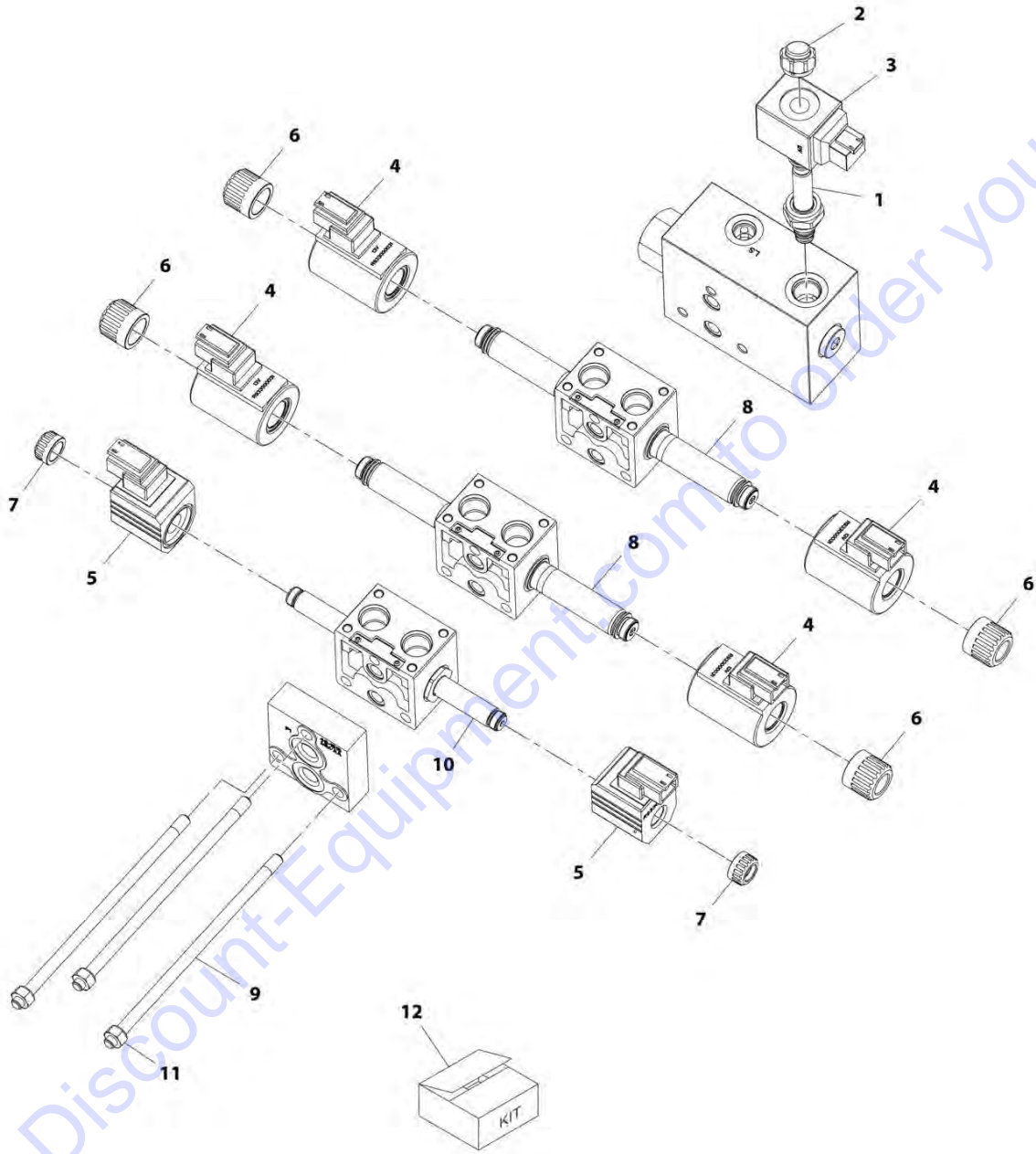
FIGURE 9-50. FRAME LEVEL VALVE

ITEM	PART NUMBER	QTY	DESCRIPTION	REV
	1001162959	Ref	Frame Level Valve	D
1	70026685	3	Screw	
2	70021209	2	Retainer	
3	70021208	2	Coil	
4	70026686	1	Kit, Seal (includes items 101 thru 104)	
101	Kit	2	O-Ring	
102	Kit	2	O-Ring	
103	Kit	4	O-Ring	
104	Kit	4	O-Ring	

Go to Discount-Equipment.com to order your parts

SECTION 9 - HYDRAULIC COMPONENTS

FIGURE 9-51. FRAME LEVEL AND OUTRIGGER VALVE



ART_1001157972-E

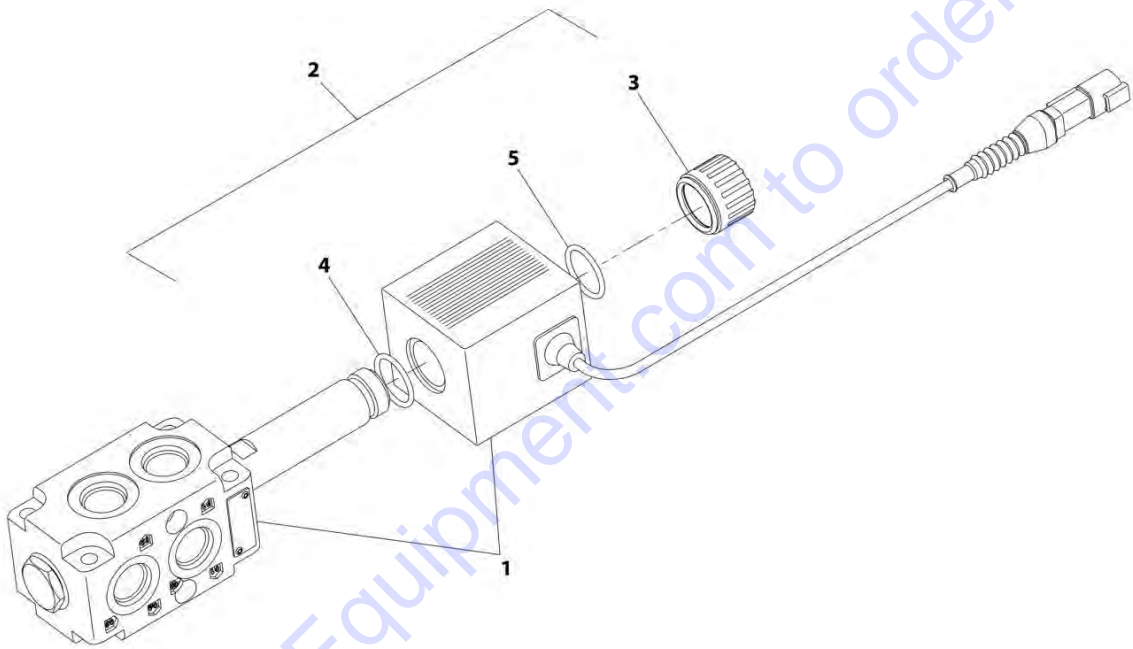
SECTION 9 - HYDRAULIC COMPONENTS

FIGURE 9-51. FRAME LEVEL AND OUTRIGGER VALVE

ITEM	PART NUMBER	QTY	DESCRIPTION	REV
	1001157972	Ref	Valve, Frame Level and Outrigger	E
1	70023327	1	Solenoid	
2	70004654	1	Nut, Coil	
3	70022147	1	Coil	
4	70020868	4	Coil	
5	70021208	2	Coil	
6	70020867	4	Kit, Retainer, W/Seals	
7	70021209	2	Kit, Retainer, W/Seals	
8	70026568	2	Section, Outrigger Valve	
9	70026569	3	Rod, Tie	
10	70021213	1	Section, Frame Level	
11	70026570	3	Nut	
12	70026571	1	Kit, Seal	
	Kit	1	O-Ring	
	Kit	1	O-Ring	
	Kit	1	O-Ring	
	Kit	1	O-Ring	
	Kit	1	O-Ring	
	Kit	1	O-Ring	
	Kit	4	O-Ring	
	Kit	4	O-Ring	
	Kit	2	O-Ring	
	Kit	2	O-Ring	

SECTION 9 - HYDRAULIC COMPONENTS

FIGURE 9-52. QUICK COUPLER VALVE



ART_1001104477-D

SECTION 9 - HYDRAULIC COMPONENTS

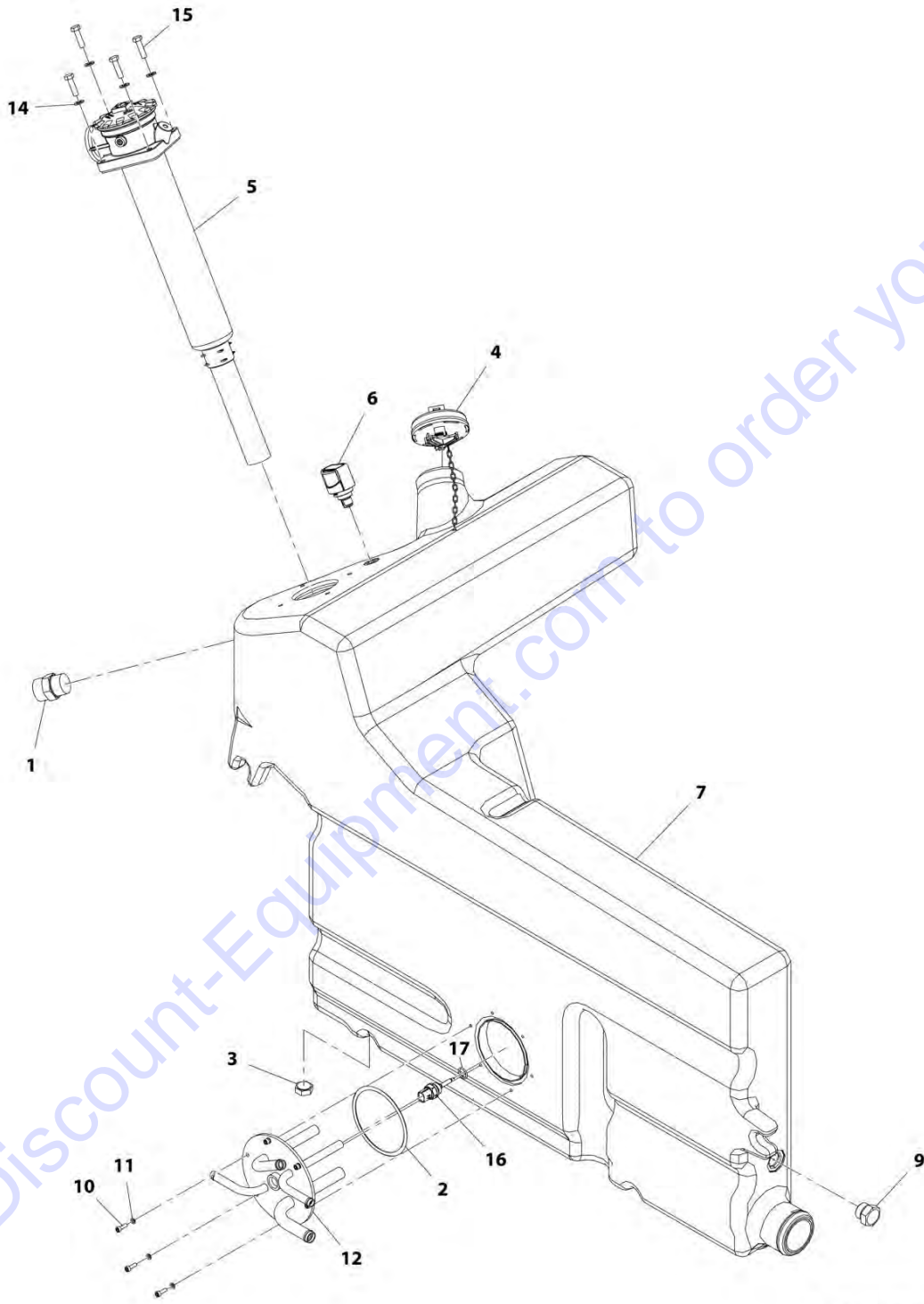
FIGURE 9-52. QUICK COUPLER VALVE

ITEM	PART NUMBER	QTY	DESCRIPTION	REV
	1001104477	Ref	Quick Coupler Valve	D
1	70020764	1	Coil	
2	70021531	1	Kit, Retainer	
3	N.S.S.	1	Nut	
4	N.S.S.	1	O-Ring	
5	N.S.S.	1	O-Ring	

Go to Discount-Equipment.com to order your parts

SECTION 9 - HYDRAULIC COMPONENTS

FIGURE 9-53. HYDRAULIC TANK



ART_1001163067-N

SECTION 9 - HYDRAULIC COMPONENTS

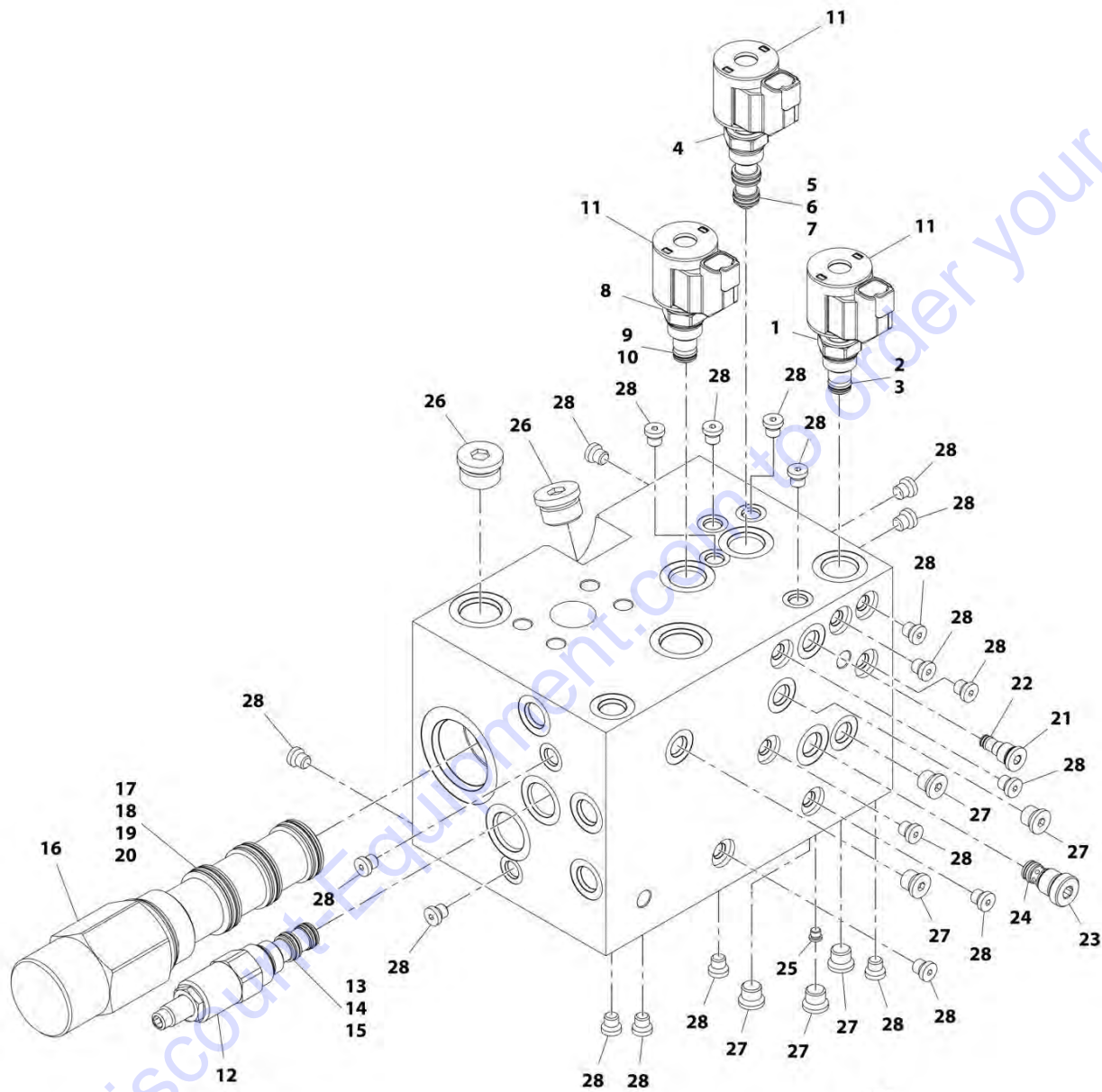
FIGURE 9-53. HYDRAULIC TANK

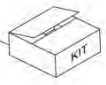
ITEM	PART NUMBER	QTY	DESCRIPTION	REV
	1001163067	Ref	Hydraulic Tank	N
1	2111616	1	Fitting, Straight ORFS	
2	1001003301	1	Seal O-Ring	
3	2220239	1	Plug	
4	1001194981	1	Cap	
5	1001162660	1	Filter	
6	1001162662	1	Filter, Breather	
7	1001162765	1	Tank	
9	2220240	1	Adapter	
10	4031607	6	Screw, M5-0.8X16	
11	4831600	6	Washer, Lock M5	
12	1001167281	1	Manifold, Hydraulic Return	
14	4811900	4	Washer, M8	
15	0700814	4	Bolt, M8X30	
16	1001128478	1	Sensor	
17	1001009163	1	Seal	

Go to Discount-Equipment.com to order your parts

SECTION 9 - HYDRAULIC COMPONENTS

FIGURE 9-54. PRIORITY MANIFOLD VALVE



- 101
 - 102
 - 103
 - 104
 - 105
 - 106
 - 107
- 

ART_1001162548-F

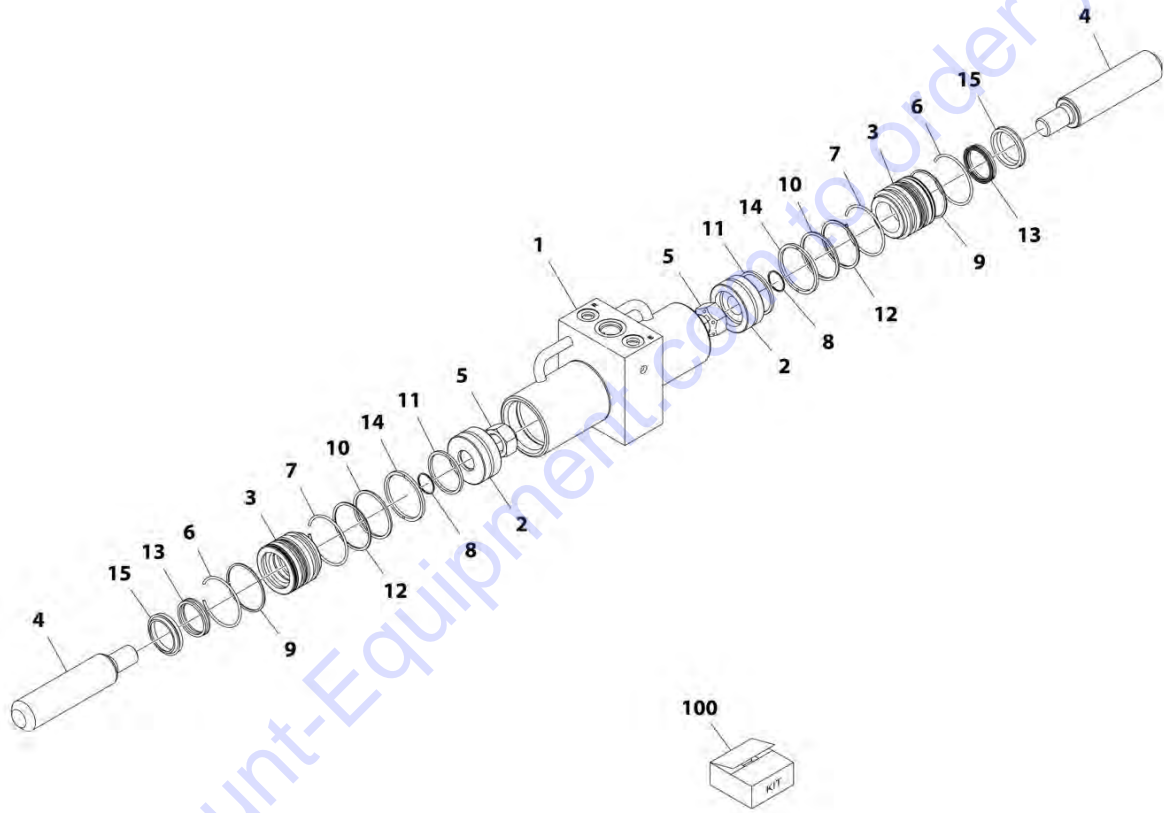
SECTION 9 - HYDRAULIC COMPONENTS

FIGURE 9-54. PRIORITY MANIFOLD VALVE

ITEM	PART NUMBER	QTY	DESCRIPTION	REV
	1001162548	Ref	Priority Manifold Valve	F
1	H000071	1	Cartridge	
2	Kit	1	Seal	
3	Kit	1	Seal	
4	7012941	1	Cartridge	
5	Kit	1	Seal	
6	Kit	1	Seal	
7	Kit	1	Seal	
8	7017410	1	Cartridge	
9	Kit	1	Seal	
10	Kit	1	Seal	
11	70002963	3	Coil	
12	70026310	1	Cartridge	
13	Kit	1	Seal	
14	Kit	1	Seal	
15	Kit	1	Seal	
16	70026311	1	Cartridge	
17	Kit	1	Seal	
18	Kit	1	Seal	
19	Kit	1	Seal	
20	Kit	1	Seal	
21	70002975	1	Cartridge	
22	Kit	1	Seal	
23	70026312	1	Cartridge	
24	Kit	1	Seal	
25	70026313	1	Plug	
26	70026314	2	Plug	
27	7017406	6	Plug	
28	70026315	21	Plug	
101	7012953	1	Kit, Seal (includes items 2 thru 3)	
102	7010543	1	Kit, Seal (includes items 5 thru 7)	
103	7012953	1	Kit, Seal (includes items 9 thru 10)	
104	7021653	1	Kit, Seal (includes items 13 thru 15)	
105	70026333	1	Kit, Seal (includes items 17 thru 20)	
106	70002976	1	Kit, Seal (includes items 22)	
107	70026334	1	Kit, Seal (includes items 24)	

SECTION 9 - HYDRAULIC COMPONENTS

FIGURE 9-55. QUICK COUPLER CYLINDER



ART_1001120163-D

SECTION 9 - HYDRAULIC COMPONENTS

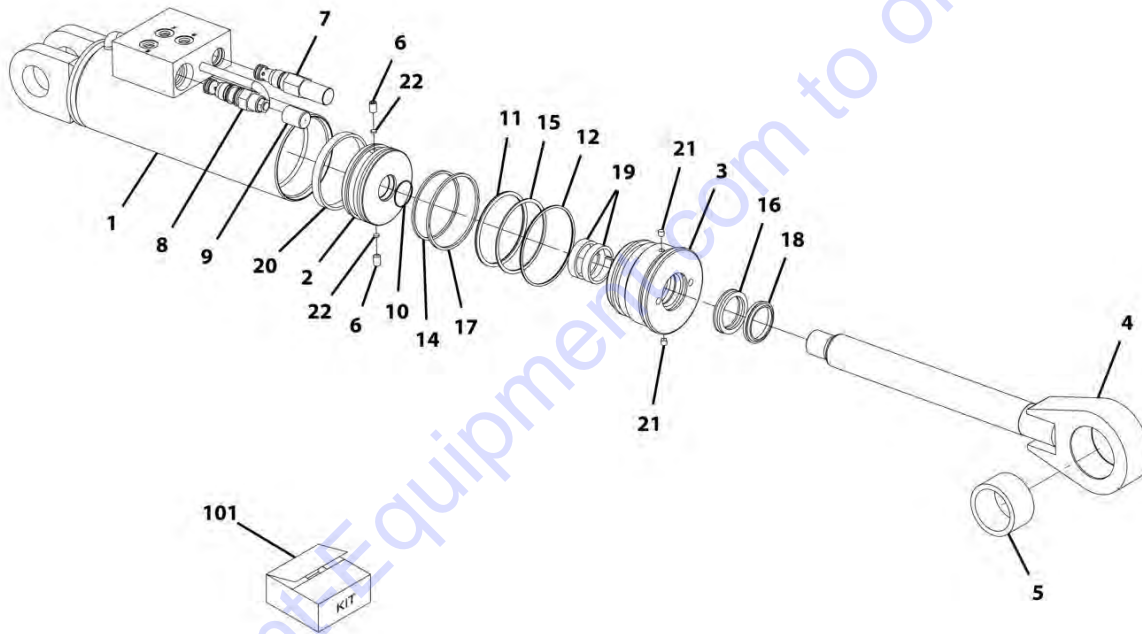
FIGURE 9-55. QUICK COUPLER CYLINDER

ITEM	PART NUMBER	QTY	DESCRIPTION	REV
	1001120163	Ref	Quick Coupler Cylinder	D
1	70026211	1	Barrel	
2	70026212	2	Piston	
3	70026213	2	Head Gland	
4	70026214	2	Cylinder Rod	
5	8037140	2	Locknut	
6	Kit	2	Round Retaining Ring	
7	Kit	2	Round Retaining Ring	
8	Kit	2	O-Ring	
9	Kit	2	O-Ring	
10	Kit	2	O-Ring	
11	Kit	2	Square Ring	
12	Kit	2	Backup Ring	
13	Kit	2	Rod Seal	
14	Kit	2	Piston Seal	
15	Kit	2	Rod Wiper	
100	70026215	1	Seal Kit (includes items 6 thru 15)	

Go to Discount-Equipment.com to order your parts

SECTION 9 - HYDRAULIC COMPONENTS

FIGURE 9-56. SWING CARRIAGE CYLINDER



ART_1001103182-B

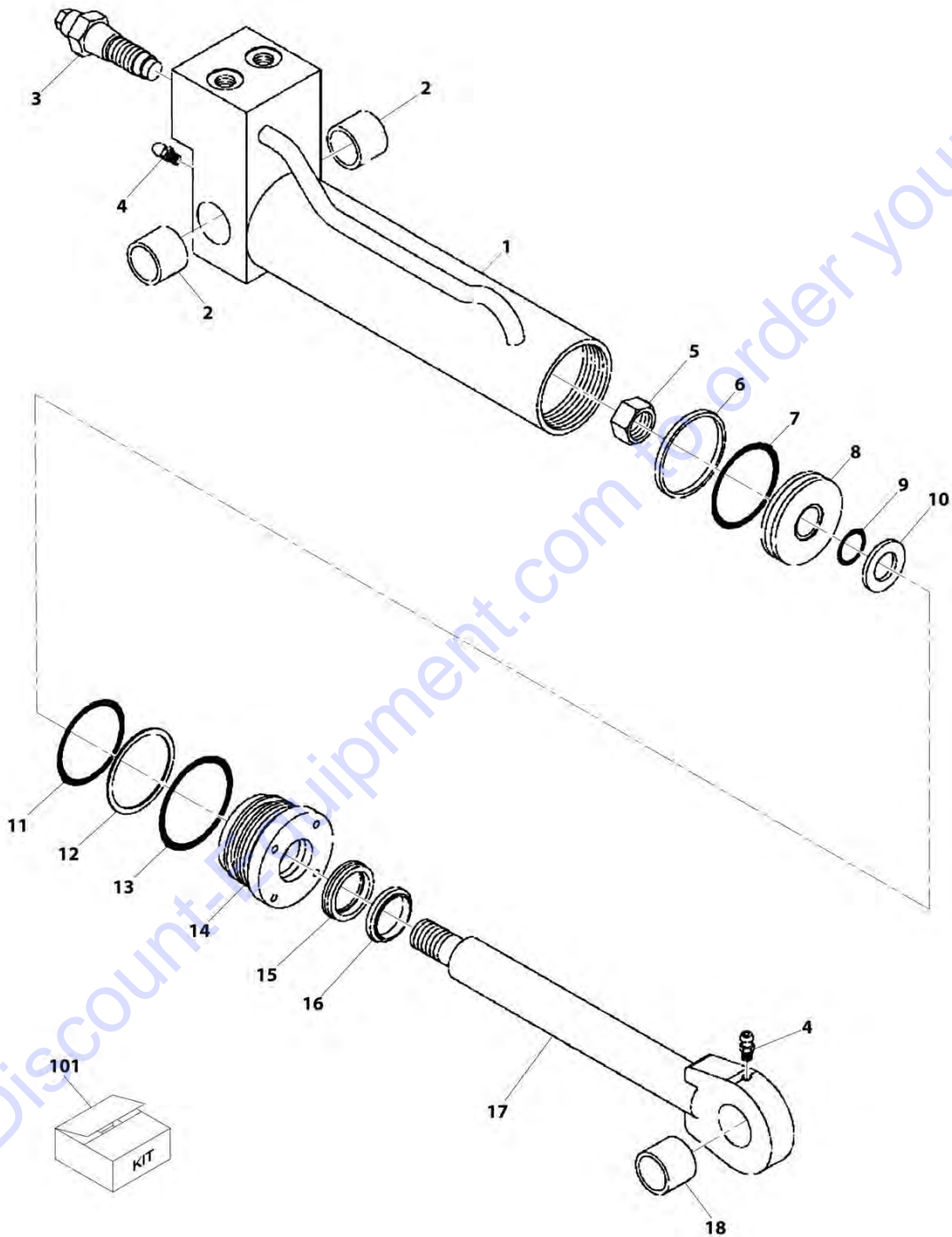
SECTION 9 - HYDRAULIC COMPONENTS

FIGURE 9-56. SWING CARRIAGE CYLINDER

ITEM	PART NUMBER	QTY	DESCRIPTION	REV
	1001103182	Ref	Swing Carriage Cylinder	B
1	70022044	1	Assembly, Tube	
2	8035863	1	Piston	
3	8035862	1	Gland, Head	
4	70022045	1	Assembly, Rod	
5	70022046	1	Bearing	
6	8035536	2	Screw, Set 5/16-18X1/2	
7	70020428	1	Valve, Relief	
7	7024574	1	Kit, Seal	
8	8033786	1	Valve, Counterbalance	
8	8205655	1	Kit, Seal	
11	Kit	1	O-Ring	
12	Kit	1	O-Ring	
13	Kit	1	O-Ring	
14	Kit	1	Ring, Square	
15	Kit	1	Ring, Backup	
16	Kit	1	Seal	
17	Kit	1	Seal, Piston	
18	Kit	1	Wiper, Rod	
19	Kit	2	Wearband	
20	Kit	1	Wearband	
21	Kit	2	Insert	
22	Kit	2	Insert	
101	2915023	1	Kit, Seal (includes items 11 thru 22)	

SECTION 9 - HYDRAULIC COMPONENTS

FIGURE 9-57. GRAPPLE BUCKET CYLINDER



ART_70021393-A

SECTION 9 - HYDRAULIC COMPONENTS

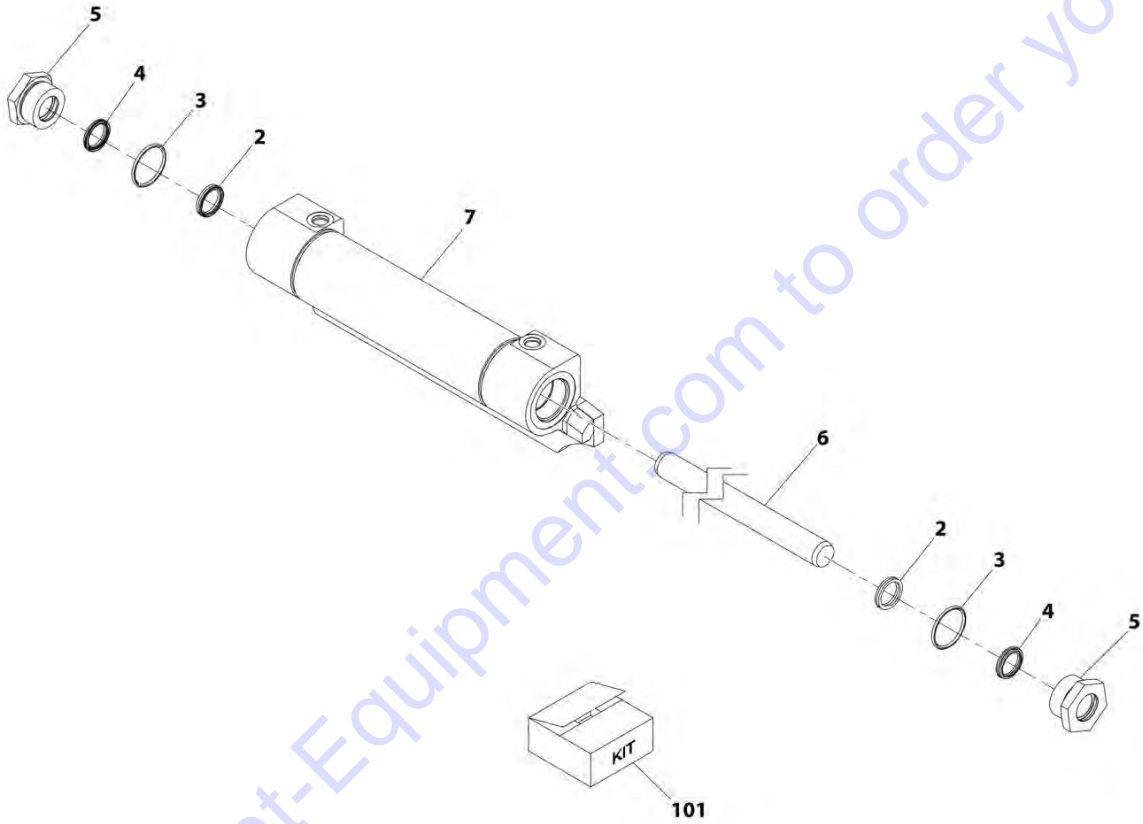
FIGURE 9-57. GRAPPLE BUCKET CYLINDER

ITEM	PART NUMBER	QTY	DESCRIPTION	REV
	70021393	Ref	Grapple Bucket Cylinder	A
1	70021465	1	Tube, Cylinder	
2	70021448	2	Bushing	
3	70021464	2	Cartridge, Valve	
4	90554045	2	Fitting, Grease	
5	70021440	1	Nut	
6	Kit	1	Ring, Piston	
7	Kit	1	O-Ring	
8	70021451	1	Piston	
9	Kit	1	O-Ring	
10	70021444	1	Washer	
11	Kit	1	O-Ring	
12	Kit	1	Washer, Back-Up	
13	Kit	1	O-Ring	
14	70021446	1	Gland, Cylinder	
15	Kit	1	Seal, Poly-Pak	
16	Kit	1	Wiper, Rod	
17	70021466	1	Rod, Piston	
18	70021447	1	Bushing	
101	70021452	1	Kit, Seal (includes items 6, 7, 9, 11 thru 13, 15 & 16)	

Go to Discount-Equipment.com to order your parts

SECTION 9 - HYDRAULIC COMPONENTS

FIGURE 9-58. SIDE SHIFT CARRIAGE CYLINDER



ART_70024539-B

SECTION 9 - HYDRAULIC COMPONENTS

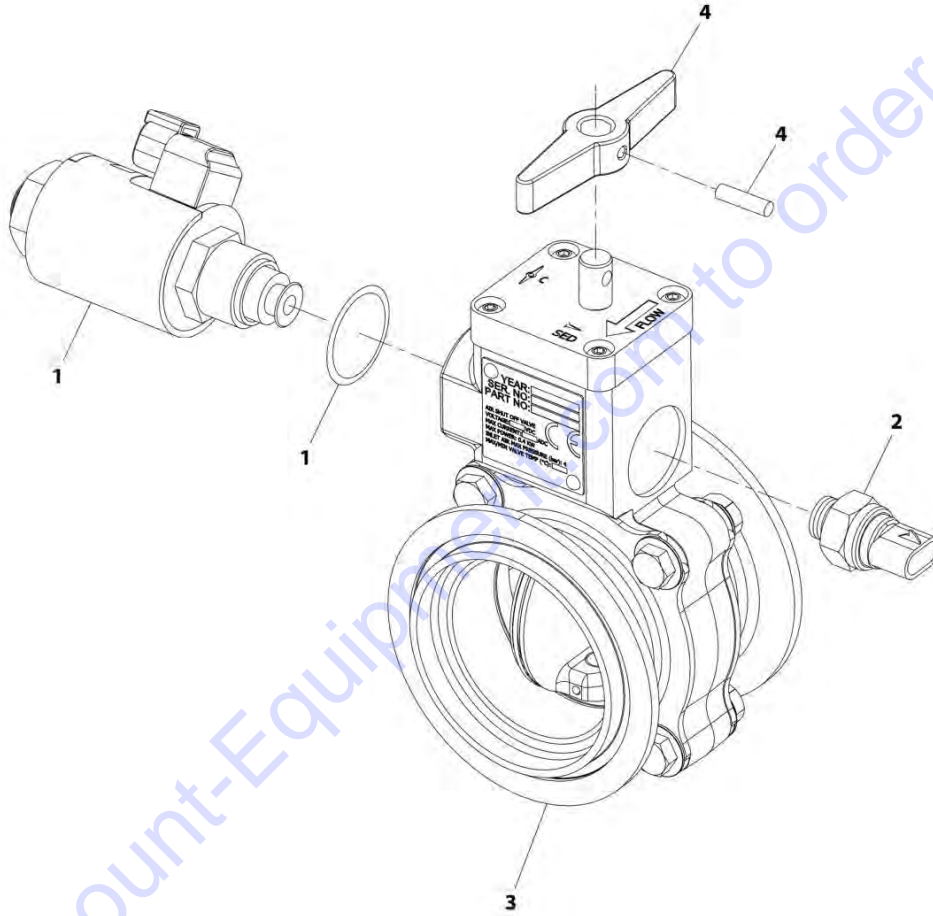
FIGURE 9-58. SIDE SHIFT CARRIAGE CYLINDER

ITEM	PART NUMBER	QTY	DESCRIPTION	REV
	70024539	Ref	Side Shift Carriage Cylinder	B
2	Kit	2	Seal, Rod	
3	70024547	2	O-Ring	
4	Kit	2	Seal, Rod Wiper	
5	70024548	2	Seal, Retainer	
6	N.S.S.	1	Rod	
7	N.S.S.	1	Barrel	
101	70024549	1	Kit, Seal (includes items 2 & 4)	

Go to Discount-Equipment.com to order your parts

SECTION 9 - HYDRAULIC COMPONENTS

FIGURE 9-59. AIR SHUT OFF VALVE



ART_1001204032-A

SECTION 9 - HYDRAULIC COMPONENTS

FIGURE 9-59. AIR SHUT OFF VALVE

ITEM	PART NUMBER	QTY	DESCRIPTION	REV
	1001204032	Ref	Air Shut Off Valve	A
1	70028514	1	Kit, Solenoid 12V	
	N.S.S.	1	Solenoid	
	N.S.S.	1	Coil, 12V	
	N.S.S.	1	O-Ring	
2	70028515	1	Kit, Switch	
	N.S.S.	1	Switch, Ball	
	N.S.S.	1	O-Ring	
3	70028516	1	Kit, Flange and Hardware	
	N.S.S.	1	Flange, Female	
	N.S.S.	1	Flange, Male	
	N.S.S.	4	Bolt	
	N.S.S.	8	Washer	
	N.S.S.	4	Locknut	
4	70028517	1	Handle	
	N.S.S.	1	Handle, Reset	
	N.S.S.	1	Pin	

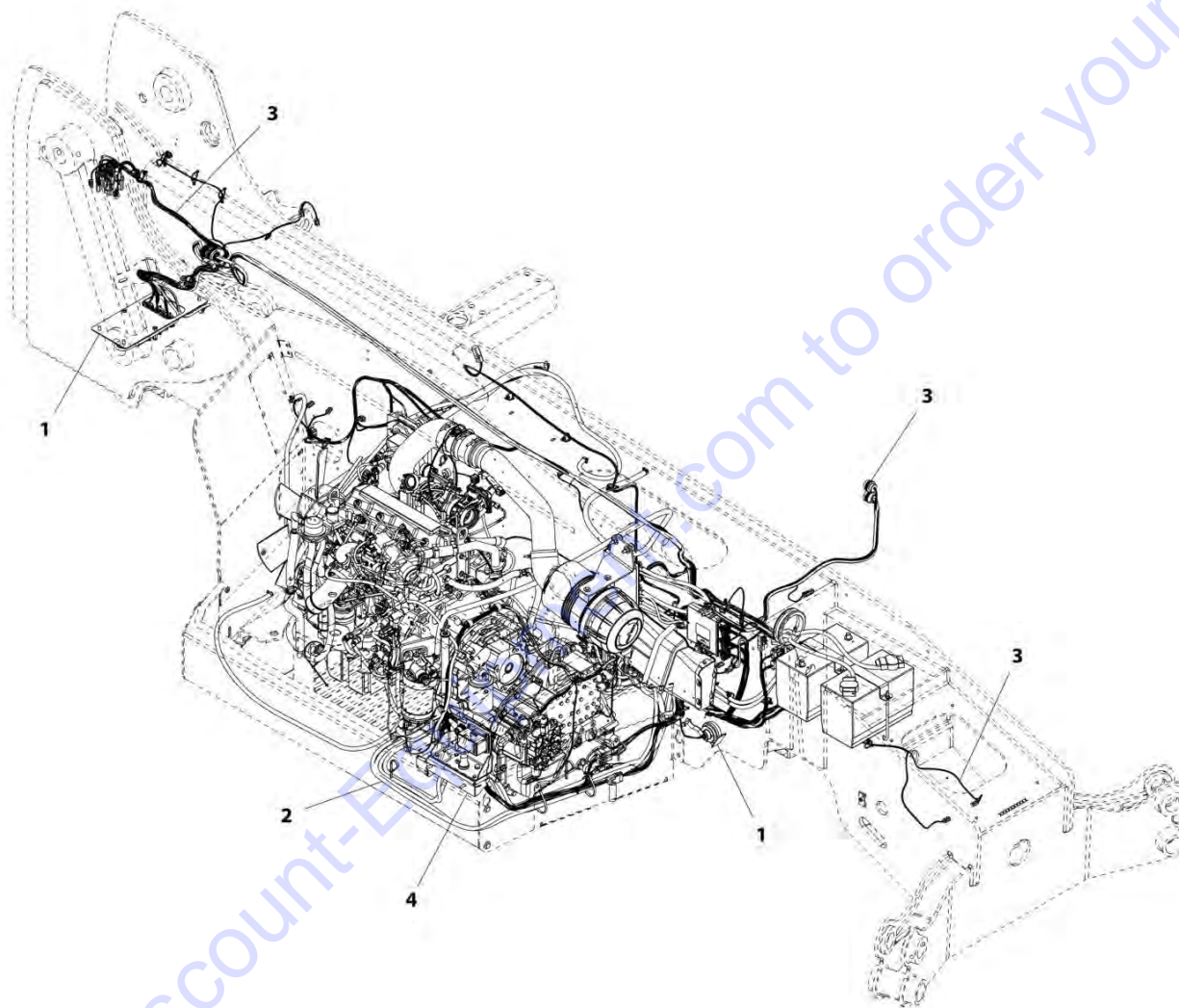
Go to Discount-Equipment.com to order your parts

SECTION 10 - ELECTRICAL

Go to Discount-Equipment.com to order your parts

SECTION 10 - ELECTRICAL

FIGURE 10-1. MAIN ELECTRICAL INSTALLATION (ULS) (642, 742)



ART_1001173622-C

SECTION 10 - ELECTRICAL

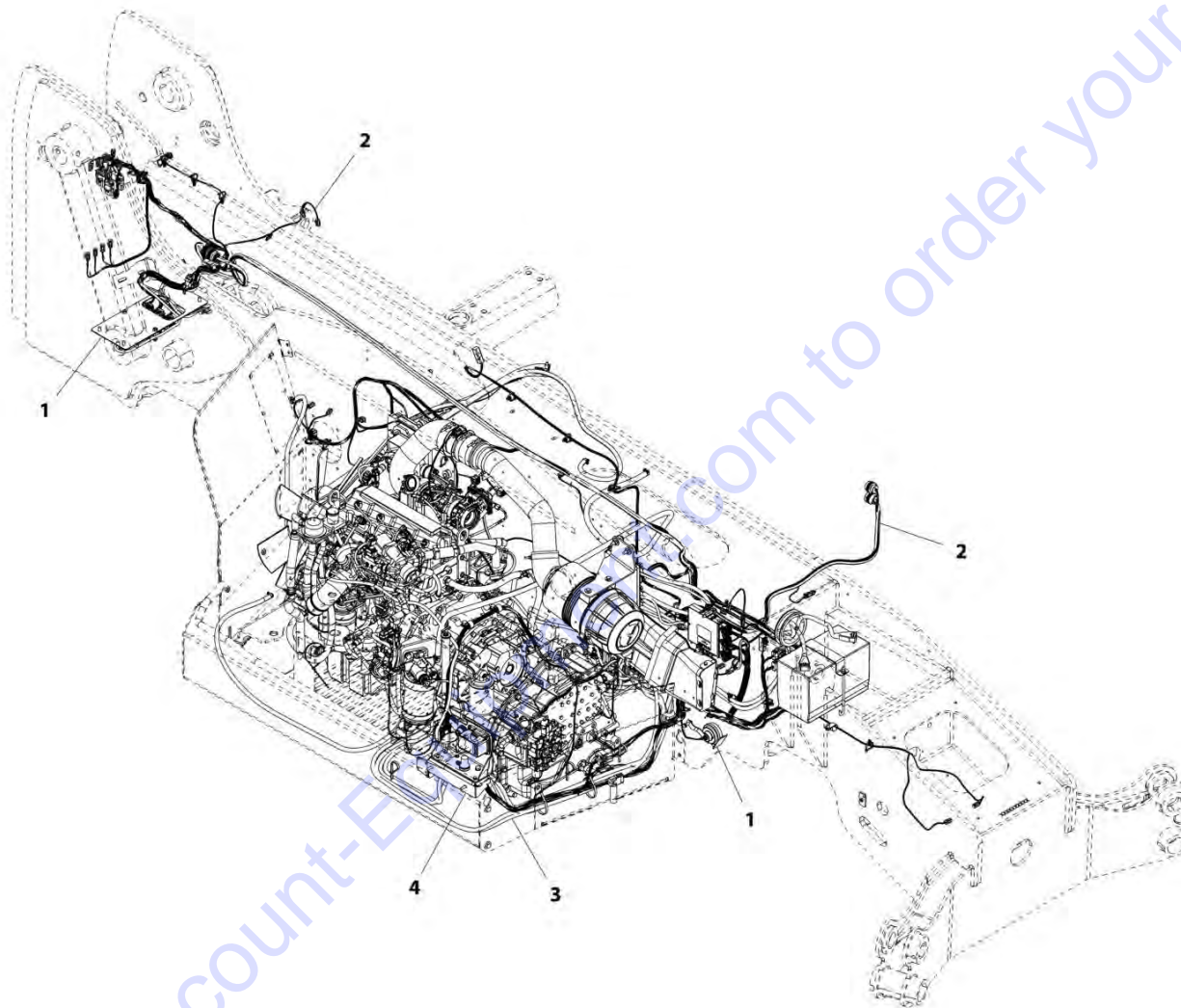
FIGURE 10-1. MAIN ELECTRICAL INSTALLATION (ULS) (642, 742)

ITEM	PART NUMBER	QTY	DESCRIPTION	REV
1	1001173622	Ref	Main Electrical Installation (ULS) (642, 742)	C
	1001167051	Ref	Installation, Electrical Frame (See ELECTRICAL FRAME INSTALLATION for Breakdown)	
2	1001173531	Ref	Installation, Engine Bay Wiring (ULS) (See ENGINE BAY WIRING INSTALLATION (ULS) for Breakdown)	
3	1001173618	Ref	Installation, Frame Wiring (ULS) (642, 742) (See FRAME WIRING INSTALLATION (ULS) (642)	
4		Ref	Installation, Engine Bay Electrical (See ENGINE BAY ELECTRICAL INSTALLATION for Breakdown)	

Go to Discount-Equipment.com to order your parts

SECTION 10 - ELECTRICAL

FIGURE 10-2. MAIN ELECTRICAL INSTALLATION (ULS) (943, 1043)



ART_1001167050-C

SECTION 10 - ELECTRICAL

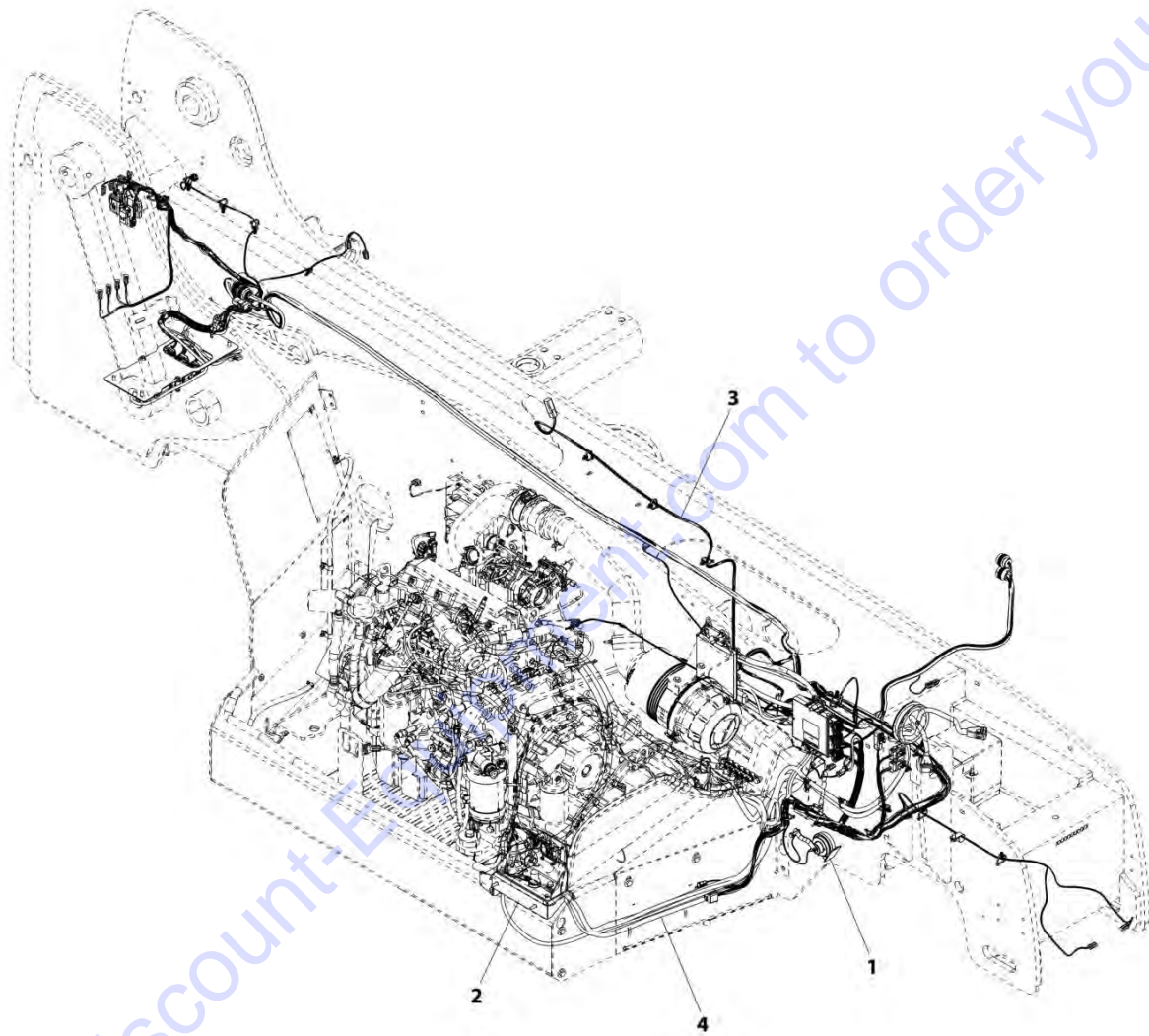
FIGURE 10-2. MAIN ELECTRICAL INSTALLATION (ULS) (943, 1043)

ITEM	PART NUMBER	QTY	DESCRIPTION	REV
1	1001167050	Ref	Main Electrical Installation (ULS) (943, 1043)	C
	1001167051	Ref	Installation, Electrical Frame (See ELECTRICAL FRAME INSTALLATION for Breakdown)	
2	1001173530	Ref	Installation, Frame Wiring (ULS) (943, 1043) (See FRAME WIRING INSTALLATION (ULS) (943, 1043) for Breakdown)	
3	1001173531	Ref	Installation, Engine Bay Wiring (ULS) (See ENGINE BAY WIRING INSTALLATION (ULS) for Breakdown)	
4		Ref	Installation, Engine Bay Electrical (See ENGINE BAY ELECTRICAL INSTALLATION for Breakdown)	

Go to Discount-Equipment.com to order your parts

SECTION 10 - ELECTRICAL

FIGURE 10-3. MAIN ELECTRICAL INSTALLATION (ULS) (74 HP) (742, 943, 1043)



ART_1001225986-B

SECTION 10 - ELECTRICAL

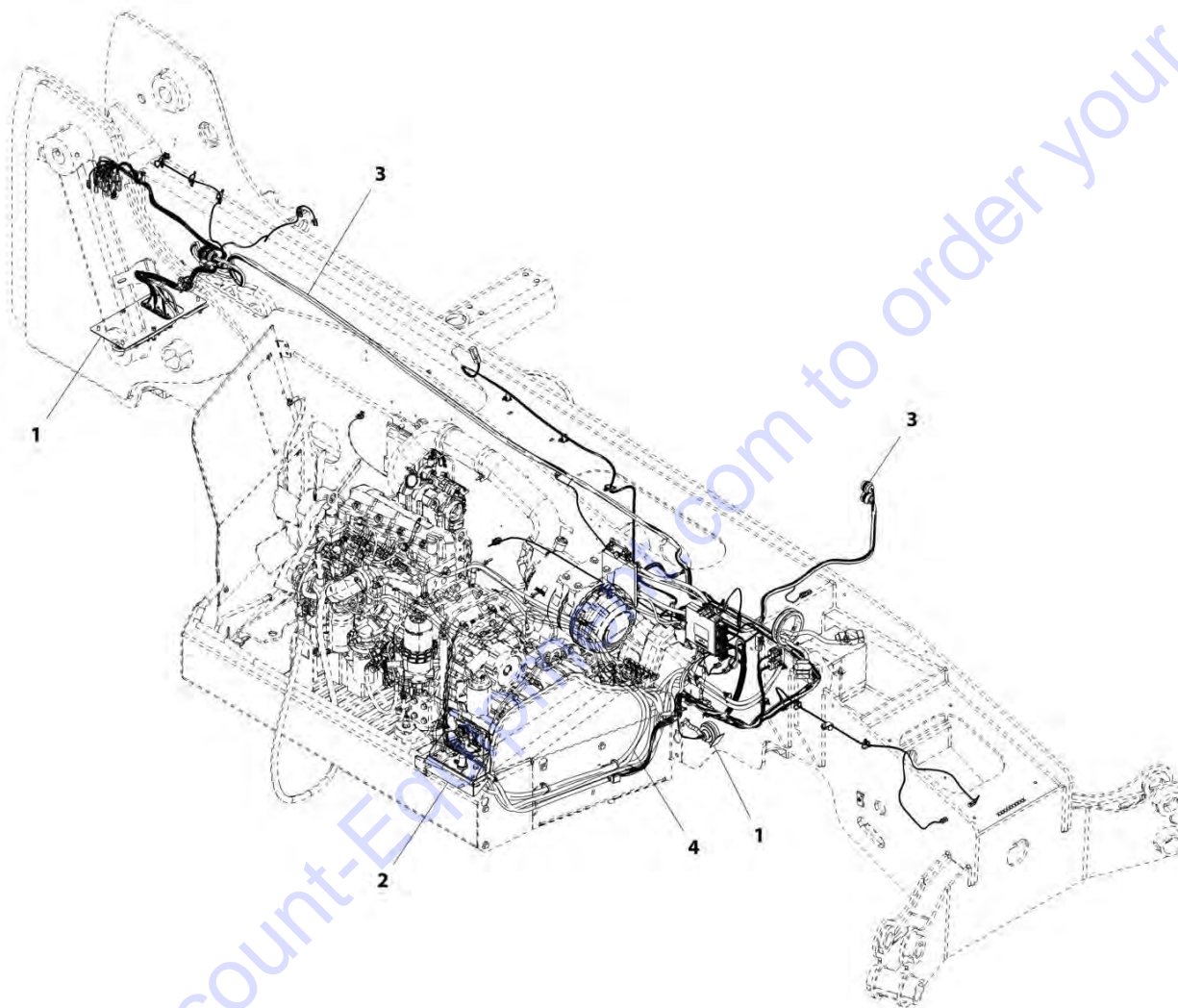
FIGURE 10-3. MAIN ELECTRICAL INSTALLATION (ULS) (74 HP) (742, 943, 1043)

ITEM	PART NUMBER	QTY	DESCRIPTION	REV
1	1001225986	Ref	Main Electrical Installation (ULS) (74 HP) (742, 943, 1043)	B
	1001167051	Ref	Installation, Electrical Frame (See Separate Breakdown in this Section)	
2	1001173765	Ref	Installation, Engine Bay Electrical (See Separate Breakdown in this Section)	
3	1001225987	Ref	Installation, Wiring Frame (742, 943, 1043) (See Separate Breakdown in this Section)	
4		Ref	Installation, Engine Bay Wiring (See Separate Breakdown in this Section)	

Go to Discount-Equipment.com to order your parts

SECTION 10 - ELECTRICAL

FIGURE 10-4. MAIN ELECTRICAL INSTALLATION (LS) (642, 742)



ART_1001192302-A

SECTION 10 - ELECTRICAL

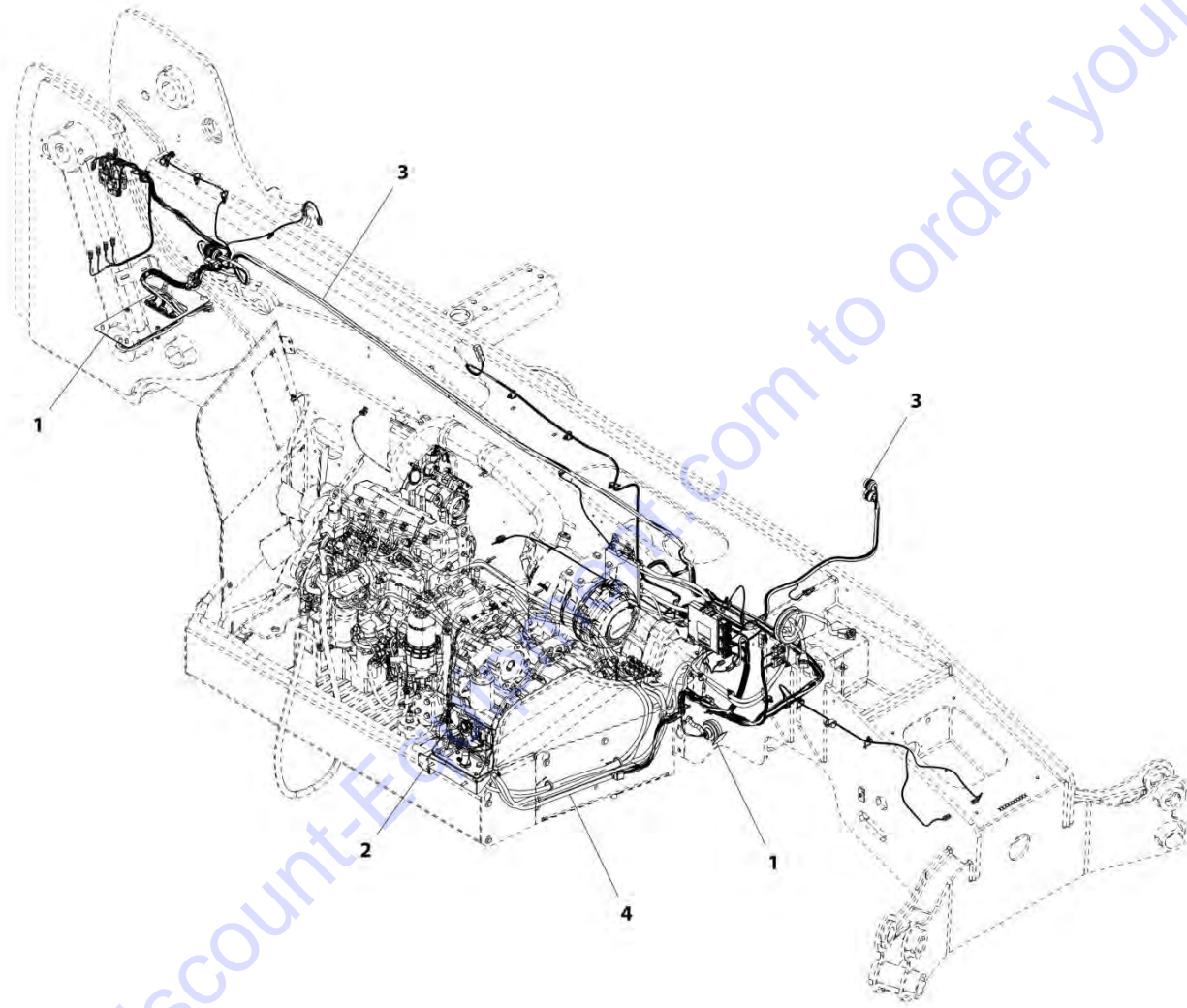
FIGURE 10-4. MAIN ELECTRICAL INSTALLATION (LS) (642, 742)

ITEM	PART NUMBER	QTY	DESCRIPTION	REV
1	1001192302	Ref	Main Electrical Installation (LS) (642, 742)	A
	1001167051	Ref	Installation, Electrical Frame (See ELECTRICAL FRAME INSTALLATION for Breakdown)	
2	1001173765	Ref	Installation, Engine Bay Electrical (See ENGINE BAY ELECTRICAL INSTALLATION for Breakdown)	
3	1001192304	Ref	Installation, Frame Wiring (LS) (642, 742) (See FRAME WIRING INSTALLATION (LS) (642) for Breakdown)	
4	1001193171	Ref	Installation, Engine Bay Wiring (See ENGINE BAY WIRING INSTALLATION for Breakdown)	

Go to Discount-Equipment.com to order your parts

SECTION 10 - ELECTRICAL

FIGURE 10-5. MAIN ELECTRICAL INSTALLATION (LS) (943, 1043)



ART_1001192303-A

SECTION 10 - ELECTRICAL

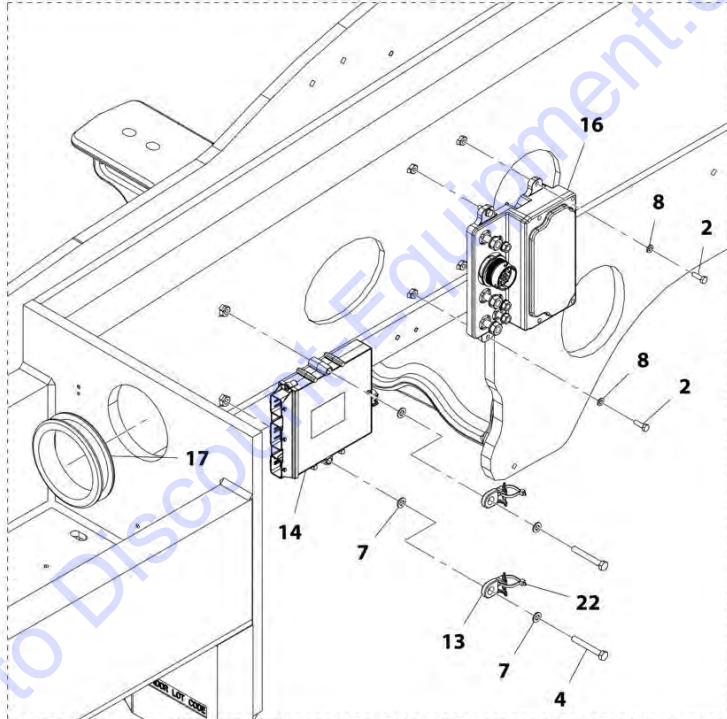
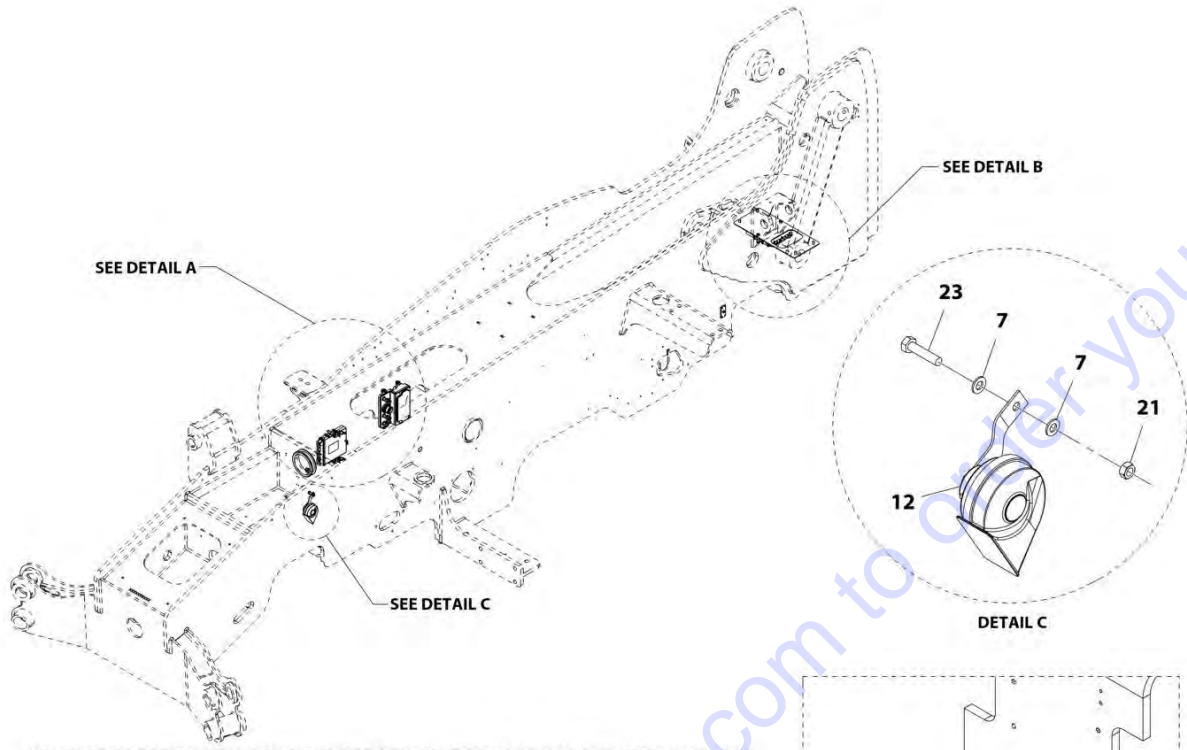
FIGURE 10-5. MAIN ELECTRICAL INSTALLATION (LS) (943, 1043)

ITEM	PART NUMBER	QTY	DESCRIPTION	REV
1	1001192303	Ref	Main Electrical Installation (LS) (943, 1043)	A
	1001167051	Ref	Installation, Electrical Frame (See ELECTRICAL FRAME INSTALLATION for Breakdown)	
2	1001173765	Ref	Installation, Engine Bay Electrical (See ENGINE BAY ELECTRICAL INSTALLATION for Breakdown)	
3	1001192305	Ref	Installation, Frame Wiring (LS) (943, 1043) (See FRAME WIRING INSTALLATION (LS) (943, 1043) for Breakdown)	
4	1001193171	Ref	Installation, Engine Bay Wiring (See ENGINE BAY WIRING INSTALLATION for Breakdown)	

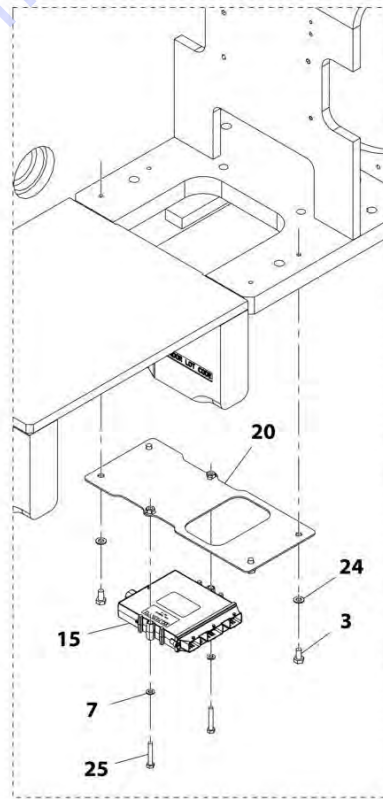
Go to Discount-Equipment.com to order your parts

SECTION 10 - ELECTRICAL

FIGURE 10-6. ELECTRICAL FRAME INSTALLATION



DETAIL A



DETAIL B

ART_1001167051-H

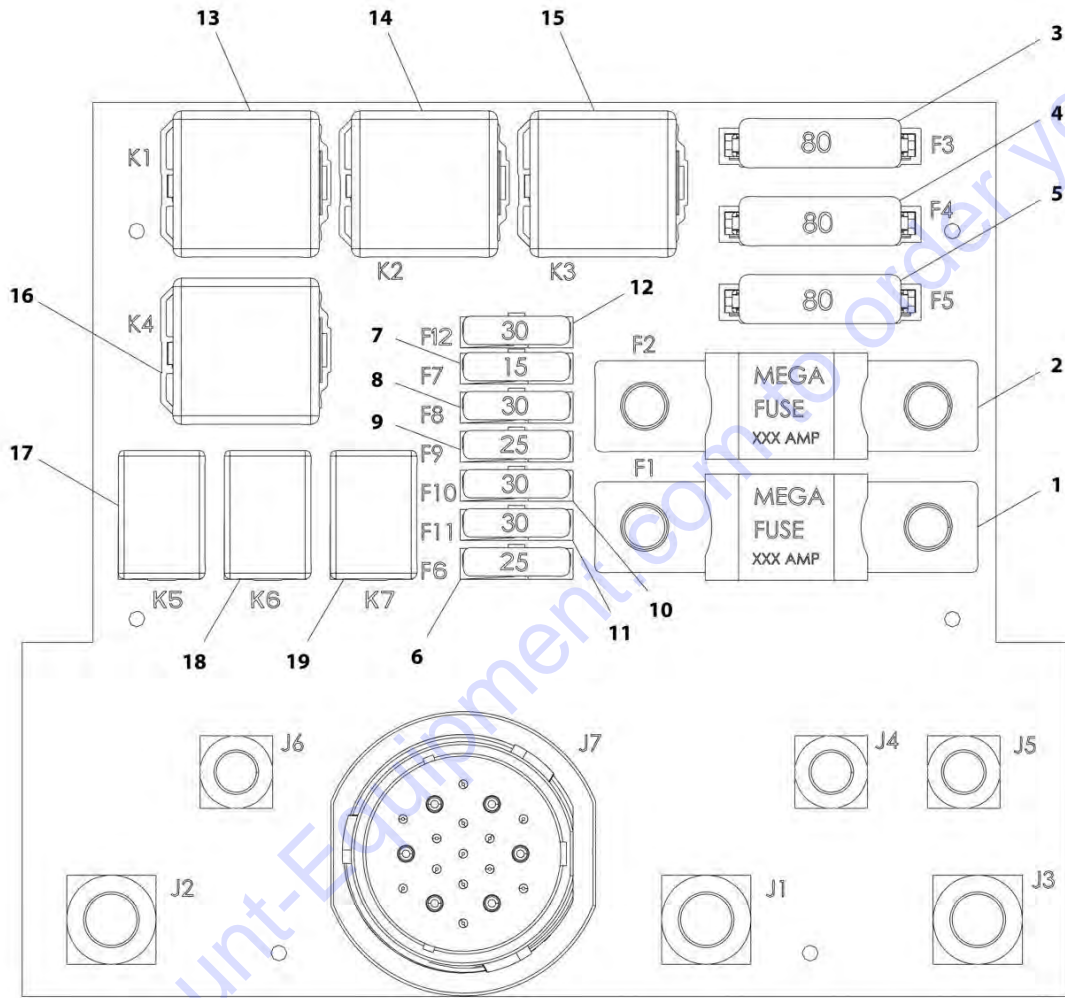
SECTION 10 - ELECTRICAL

FIGURE 10-6. ELECTRICAL FRAME INSTALLATION

ITEM	PART NUMBER	QTY	DESCRIPTION	REV
	1001167051	Ref	Electrical Frame Installation	H
2	0700610	4	Bolt, M6 X 20	
3	0761010	4	Bolt, M10 X 20	
4	0700820	2	Bolt, M8 X 60	
7	4811900	8	Washer, M8	
8	4811700	4	Washer, M6	
12	10713707	1	Horn	
13	1001169146	2	Mount	
14	1001162253	1	Module, Front Frame Control	
15	1001162256	1	Module, Rear Frame Control	
16	1001164402	1	Box, Power Distribution Electrical (See POWER DISTRIBUTION ELECTRICAL BOX for Breakdown)	
17	1001166397	1	Grommet	
20	1001210450	1	Plate, Mounting	
21	3290801	1	Nut, M8X1.25	
22	1001008559	2	Strap, Cable	
23	0760815	1	Bolt, M8X35	
24	4812000	4	Washer, M10	
25	0700818	2	Bolt, M8X50	

SECTION 10 - ELECTRICAL

FIGURE 10-7. POWER DISTRIBUTION ELECTRICAL BOX



ART_1001164402-F

SECTION 10 - ELECTRICAL

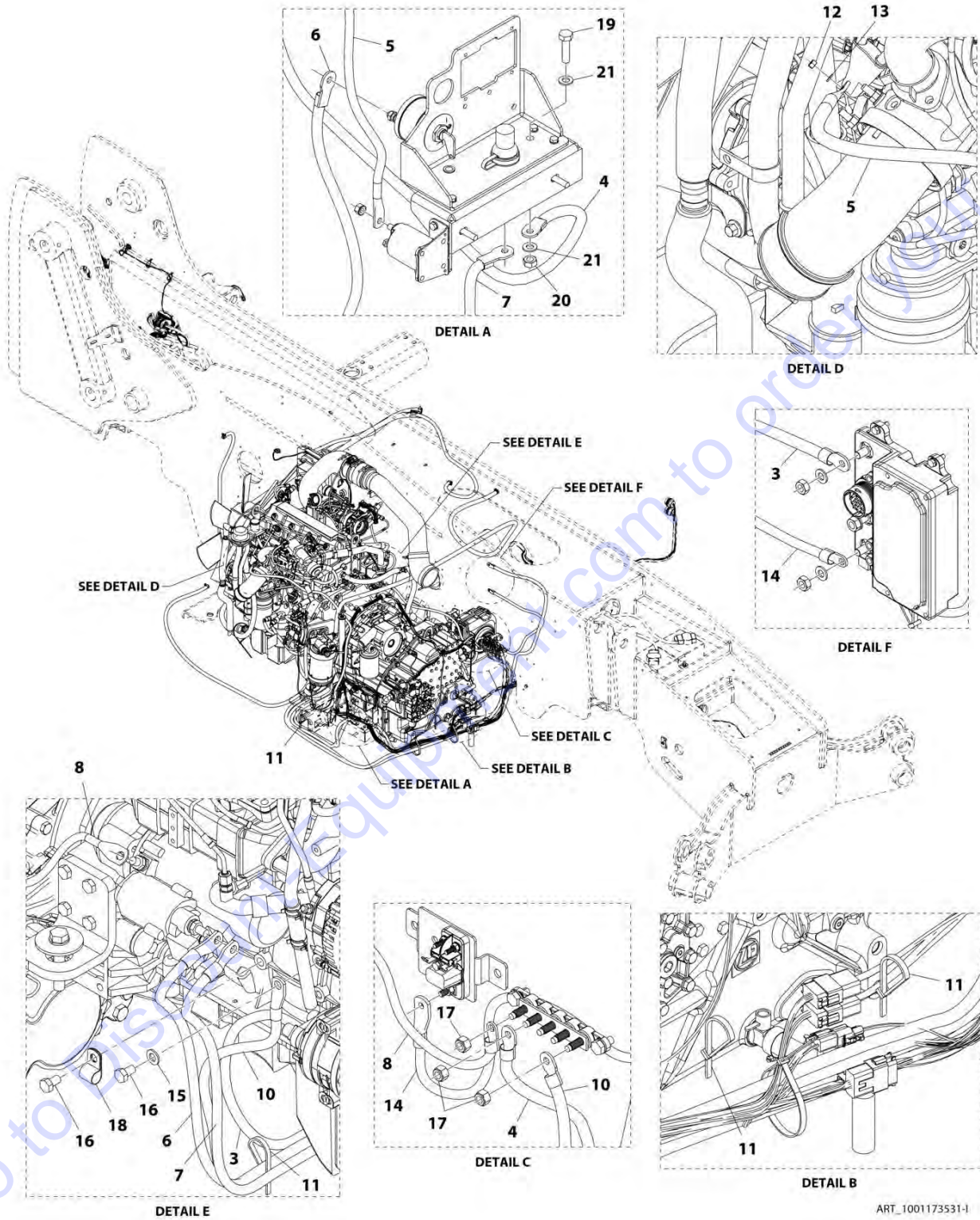
FIGURE 10-7. POWER DISTRIBUTION ELECTRICAL BOX

ITEM	PART NUMBER	QTY	DESCRIPTION	REV
	1001164402	Ref	Power Distribution Electrical Box	F
1	1001095336	1	Fuse, 150amp	
2	70026296	1	Fuse, 200amp	
3	70026297	1	Fuse, 80amp	
4	70026297	1	Fuse, 80amp	
5	70026297	1	Fuse, 80amp	
6	8229247	1	Fuse, 25amp	
7	8229244	1	Fuse, 15amp	
8	8229245	1	Fuse, 30amp	
9	8229247	1	Fuse, 25amp	
10	8229245	1	Fuse, 30amp	
11	8229245	1	Fuse, 30amp	
12	8229245	1	Fuse, 30amp	
13	70026294	1	Relay, 70amp	
14	70026294	1	Relay, 70amp	
15	70026294	1	Relay, 70amp	
16	70026294	1	Relay, 70amp	
17	70026295	1	Relay, 30amp	
18	70026295	1	Relay, 30amp	
19	70026295	1	Relay, 30amp	

Go to Discount-Equipment.com to order your parts

SECTION 10 - ELECTRICAL

FIGURE 10-8. ENGINE BAY WIRING INSTALLATION (ULS)



ART_1001173531-1

SECTION 10 - ELECTRICAL

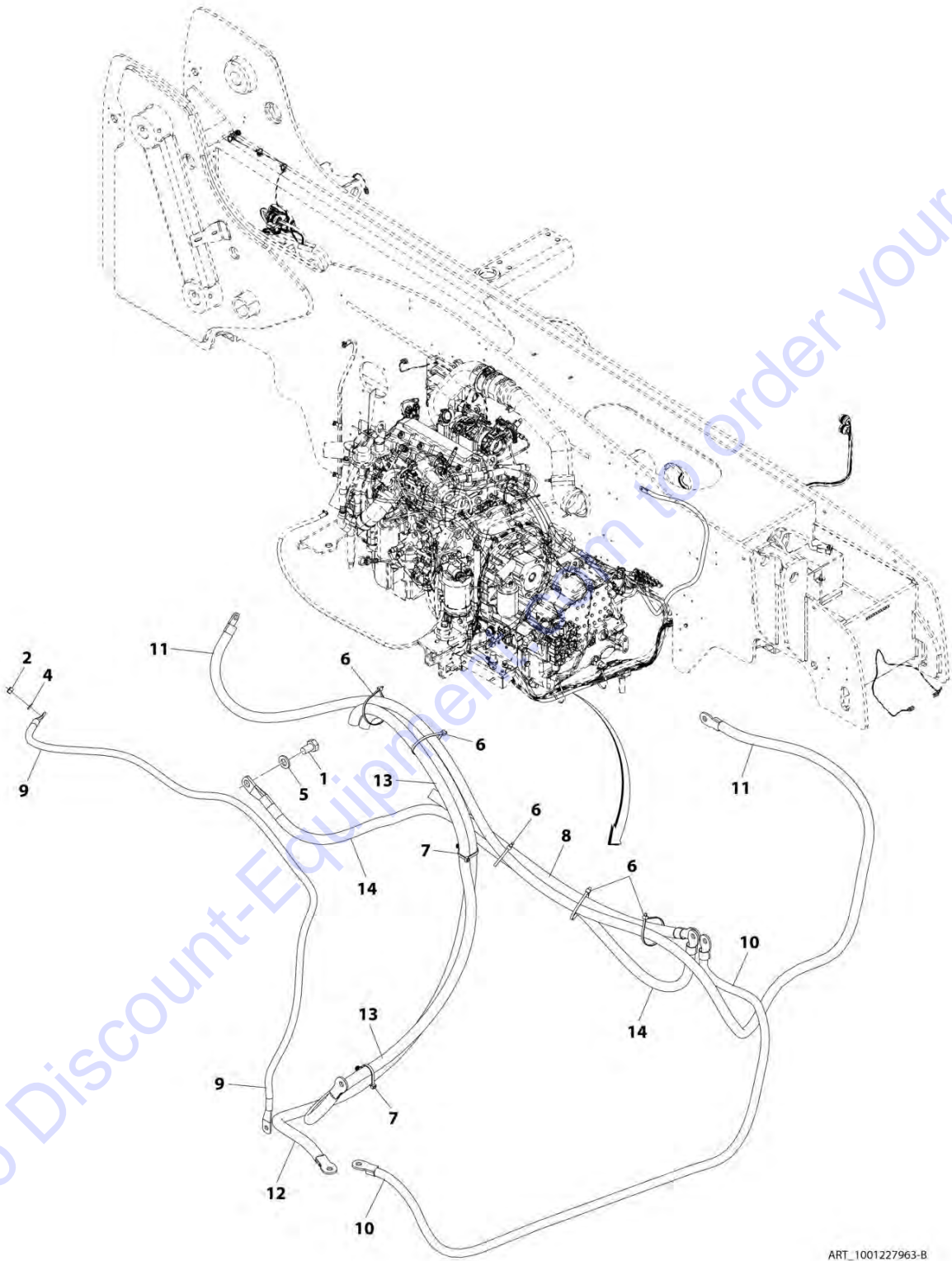
FIGURE 10-8. ENGINE BAY WIRING INSTALLATION (ULS)

ITEM	PART NUMBER	QTY	DESCRIPTION	REV
	1001173531	Ref	Engine Bay Wiring Installation (ULS)	1
3	1001170215	1	Cable, PDM to ALT+	
4	1001200102	1	Cable, Ground Buss to Remote Ground	
5	1001170816	1	Cable, Grid Heater	
6	1001170740	1	Cable, Starter to Battery Disconnect	
7	1001170741	1	Cable, Starter to Remote B+	
8	1001170320	1	Cable, Starter Ground	
10	1001170749	1	Cable, Engine Ground	
11	1001008559	5	Strap, Cable	
12	3290605	1	Nut, Lock M6X1	
13	4811700	1	Washer, M6	
14	1001190585	1	Cable, Glow Plug	
15	4812100	1	Washer, M12	
16	0761210	2	Bolt, M12X20	
17	3291005	3	Nut, Lock M10X1.5	
18	8406105	1	Clip, Tube	
19	0701016	1	Bolt, M10X40	
20	3291001	1	Nut, M10X1.5	
21	4812000	2	Washer, M10	

Go to Discount-Equipment.com to order your parts

SECTION 10 - ELECTRICAL

FIGURE 10-9. ENGINE BAY WIRING INSTALLATION (74HP) (ULS)



SECTION 10 - ELECTRICAL

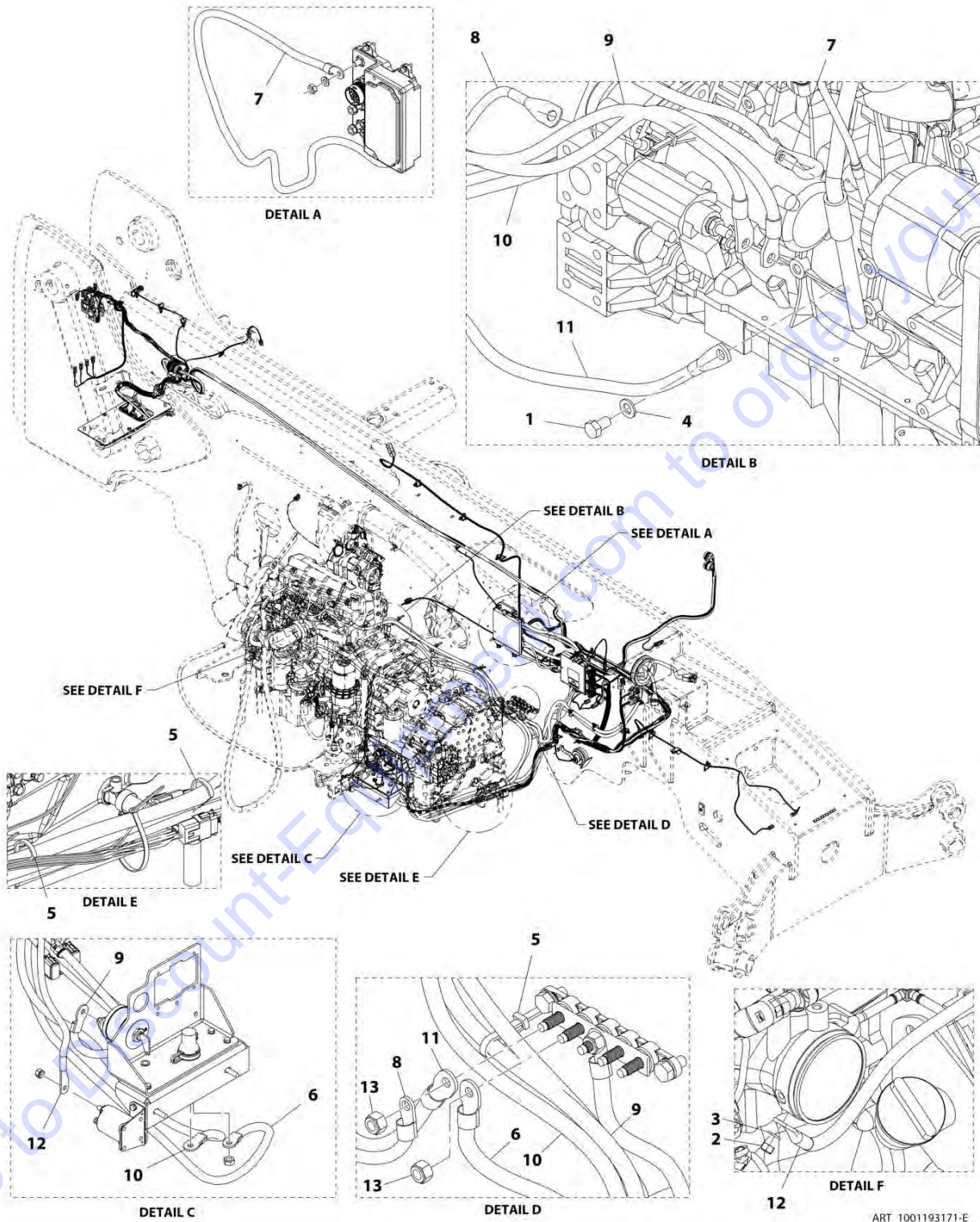
FIGURE 10-9. ENGINE BAY WIRING INSTALLATION (74HP) (ULS)

ITEM	PART NUMBER	QTY	DESCRIPTION	REV
	1001227963	Ref	Engine Bay Wiring Installation, 74HP (ULS)	B
1	0761210	1	Bolt, M12X20	
2	3290605	1	Nut, Lock M6X1	
4	4811700	1	Washer, M6	
5	4812100	1	Washer, M12	
6	1001008559	5	Strap, Cable	
7	1001146588	2	Strap, Cable Tie	
8	1001170320	1	Cable, Starter Ground	
9	1001170816	1	Cable, Grid Heater	
10	1001200102	1	Cable, Ground Buss to Remote Ground	
11	1001205254	1	Cable	
12	1001228118	1	Cable, Starter to Remote	
13	1001228119	1	Cable, Starter to Battery Disconnect	
14	1001228490	1	Cable, Engine Ground	

Go to Discount-Equipment.com to order your parts

SECTION 10 - ELECTRICAL

FIGURE 10-10. ENGINE BAY WIRING INSTALLATION (LS)



ART_1001193171-E

SECTION 10 - ELECTRICAL

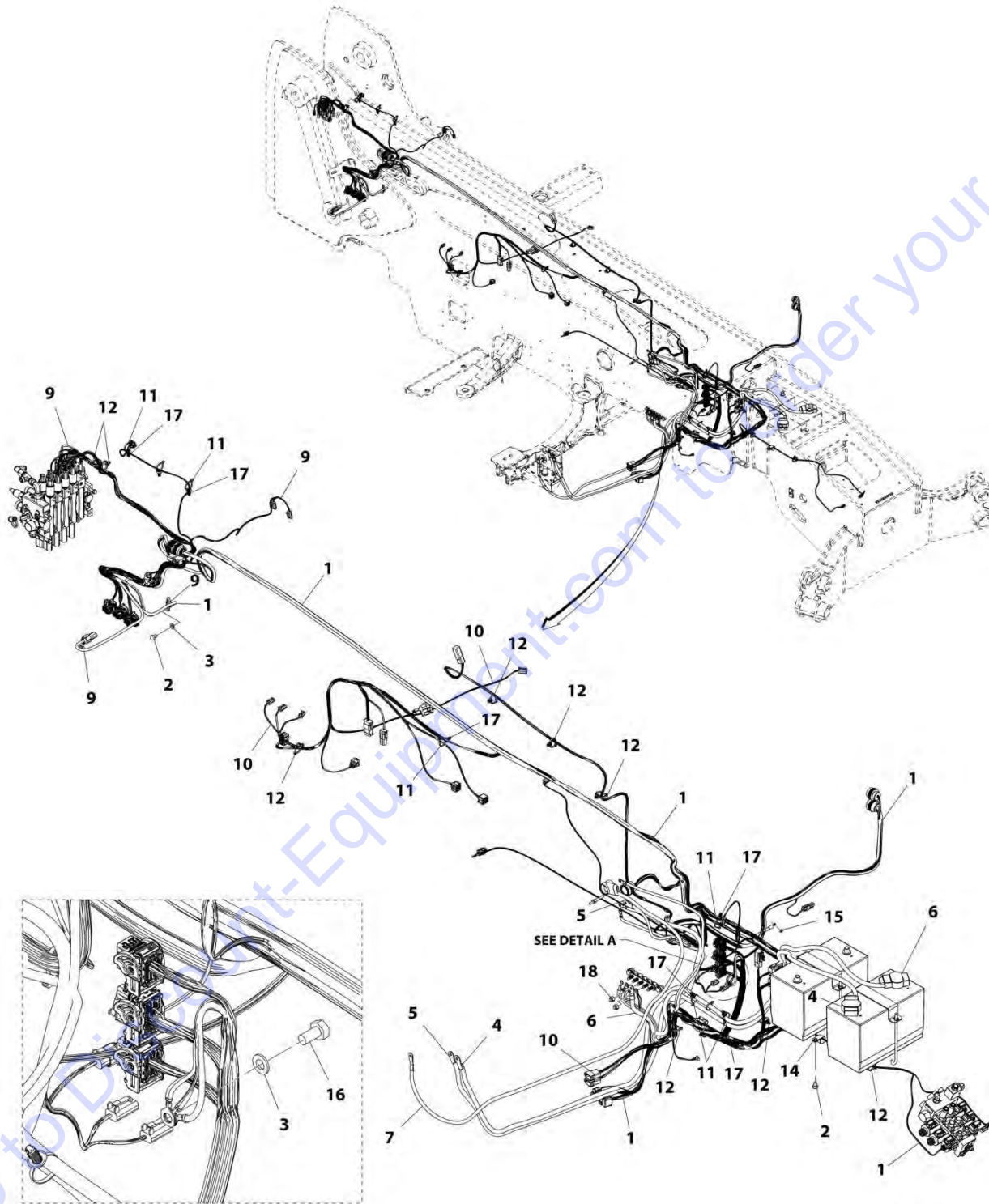
FIGURE 10-10. ENGINE BAY WIRING INSTALLATION (LS)

ITEM	PART NUMBER	QTY	DESCRIPTION	REV
	1001193171	Ref	Engine Bay Wiring Installation (LS)	E
1	0761210	1	Bolt, M12X20	
2	3290605	1	Nut, Lock M6X1	
3	4811700	1	Washer, M6	
4	4812100	1	Washer, M12	
5	1001008559	6	Strap, Cable	
6	1001200102	1	Cable, Ground Buss to Remote Ground	
7	1001205254	1	Cable, PDM to Alt+	
8	1001170320	1	Cable, Starter Ground	
9	1001187623	1	Cable, Starter to Battery Disconnect	
10	1001187624	1	Cable, Starter to Remote B+	
11	1001205255	1	Cable, Engine Ground	
12	1001170816	1	Cable, Grid Heater	
13	3291005	2	Nut, Lock M10X1.5	

Go to Discount-Equipment.com to order your parts

SECTION 10 - ELECTRICAL

FIGURE 10-11. FRAME WIRING INSTALLATION (ULS) (642, 742)



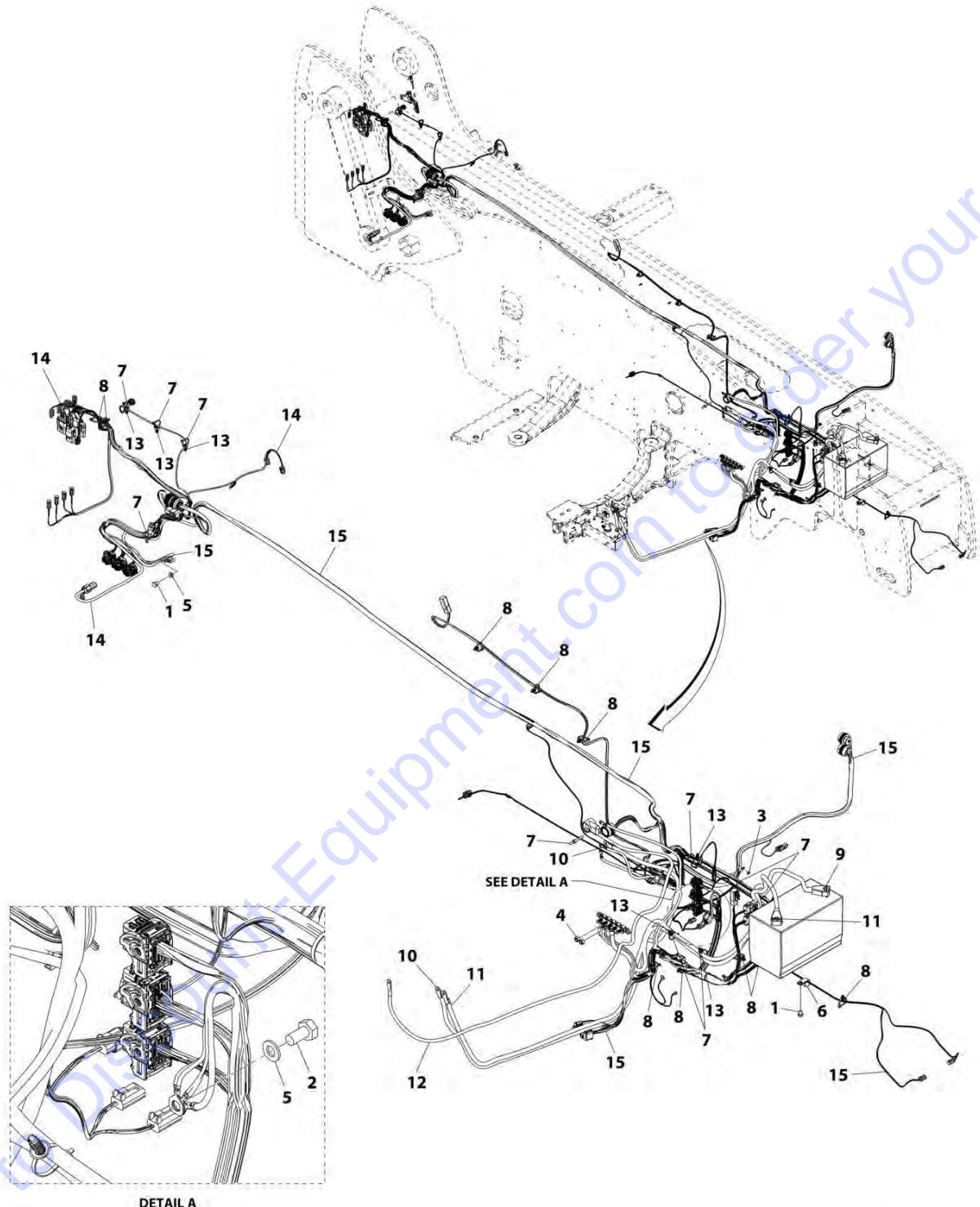
SECTION 10 - ELECTRICAL

FIGURE 10-11. FRAME WIRING INSTALLATION (ULS) (642, 742)

ITEM	PART NUMBER	QTY	DESCRIPTION	REV
	1001173618	Ref	Frame Wiring Installation (ULS) (642, 742)	L
1		Ref	Harness, Front Frame (See Separate Breakdown in this Section)	
2	0761007	2	Bolt, M10X14	
3	4812000	2	Washer, M10	
4	1001203052	1	Cable, Battery + to Battery Disconnect	
5	1001170566	1	Cable, Battery Disconnect to PDM	
6	1001203053	1	Cable, Battery Negative	
7	1001200082	1	Cable, PDM to Grid Heater	
9	1001204351	1	Harness, Rear Frame (See REAR FRAME HARNESS (642, 742) for Breakdown)	
10	1001173091	1	Harness, Engine Chassis Harness (ULS) (See ENGINE CHASSIS HARNESS (ULS) for Breakdown)	
11	1001008559	19	Strap, Cable	
12	1001146588	14	Strap, Cable Tie	
14	8406201	1	Clip, Wire and Tube	
15	3290601	1	Nut, M6X1	
16	0761010	1	Bolt, M10X20	
17	1001202986	9	Strap, Fir Tree Push Mount	
18	3291005	2	Nut, Lock M10X1.5	

SECTION 10 - ELECTRICAL

FIGURE 10-12. FRAME WIRING INSTALLATION (ULS) (742, 943, 1043)



SECTION 10 - ELECTRICAL

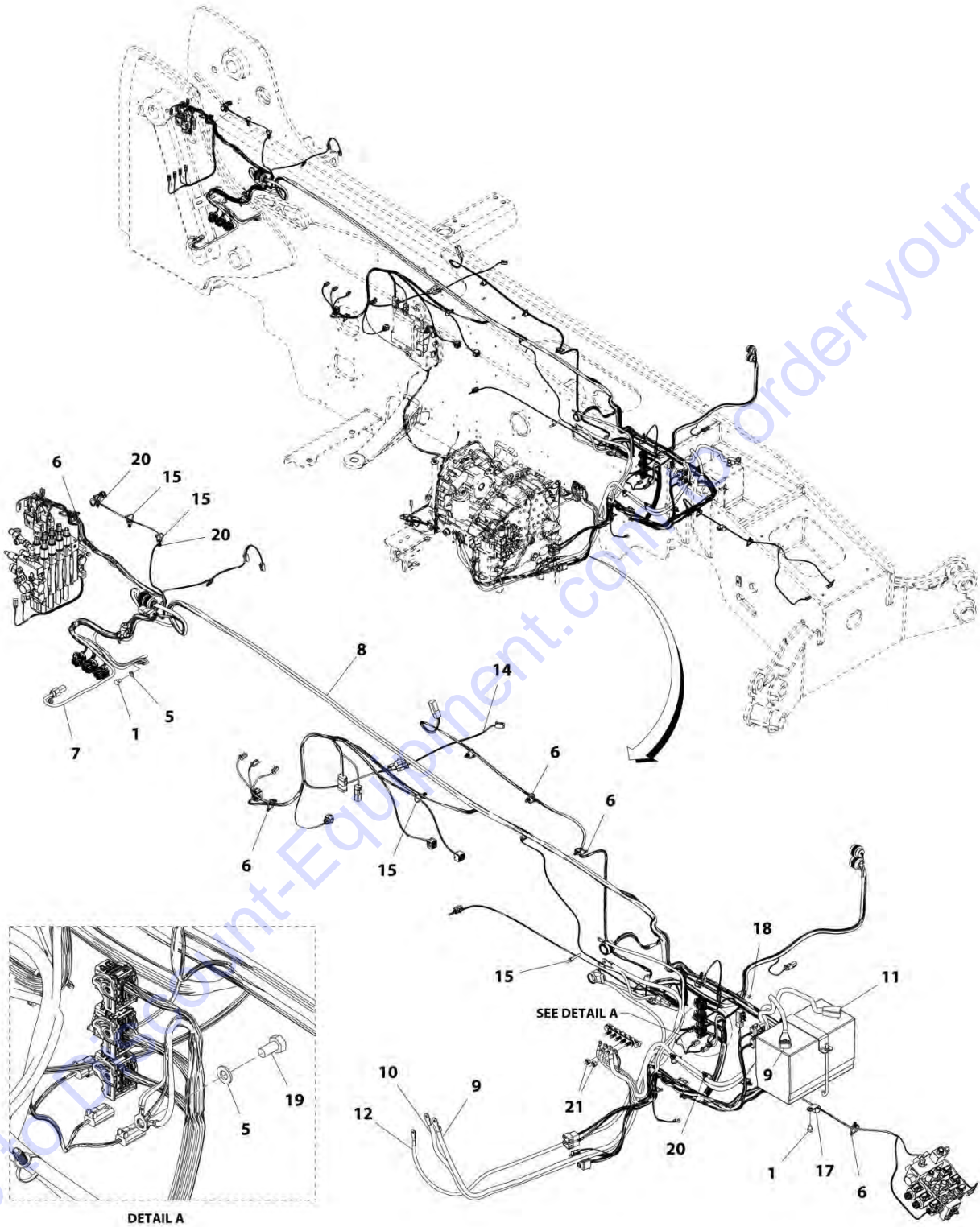
FIGURE 10-12. FRAME WIRING INSTALLATION (ULS) (742, 943, 1043)

ITEM	PART NUMBER	QTY	DESCRIPTION	REV
	1001225987	Ref	Frame Wiring Installation (ULS) (742, 943, 1043)	B
1	0761007	2	Bolt, M10X14	
2	0761010	1	Bolt, M10X20	
3	3290601	1	Nut, M6X1	
4	3291005	5	Nut, Lock M10X1.5	
5	4812000	2	Washer, M10	
6	8406201	1	Clip, Wire and Tube	
7	1001008559	19	Strap, Cable	
8	1001146588	13	Strap, Cable Tie	
9	1001169365	1	Cable, Battery Negative	
10	1001170566	1	Cable, Battery Disconnect to PDM	
11	1001170624	1	Cable, Battery + to Battery Disconnect	
12	1001200082	1	Cable, PDM to Grid Heater	
13	1001202986	8	Strap	
14	1001204352	1	Harness, Rear Frame (See Separate Breakdown in this Section)	
15	1001221728	1	Harness, Front Frame (See Separate Breakdown in this Section)	

Go to Discount-Equipment.com to order your parts

SECTION 10 - ELECTRICAL

FIGURE 10-13. FRAME WIRING INSTALLATION (ULS) (943, 1043)



ART_1001173530-L

SECTION 10 - ELECTRICAL

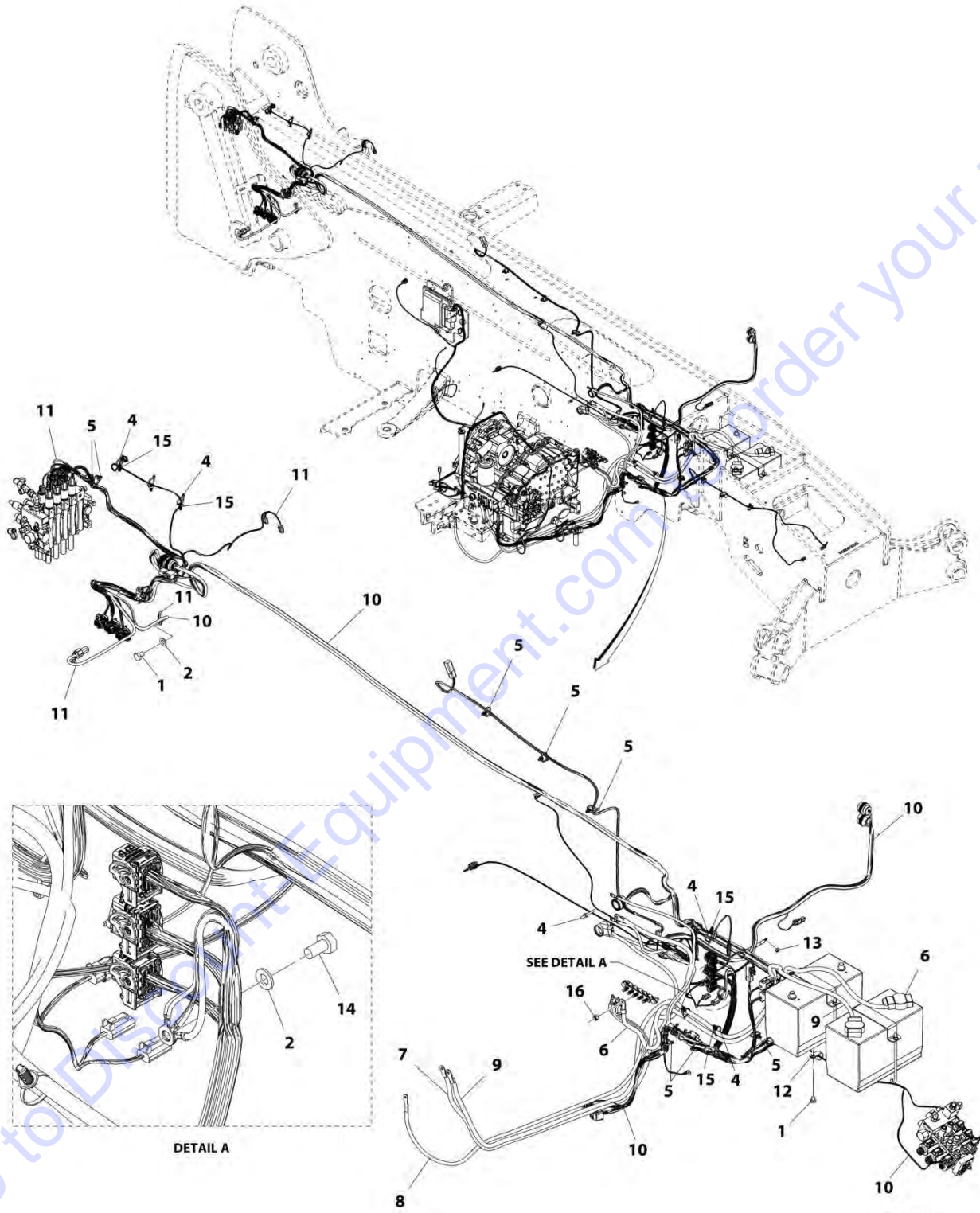
FIGURE 10-13. FRAME WIRING INSTALLATION (ULS) (943, 1043)

ITEM	PART NUMBER	QTY	DESCRIPTION	REV
	1001173530	Ref	Frame Wiring Installation (ULS) (943, 1043)	L
1	0761007	2	Bolt, M10X14	
5	4812000	2	Washer, M10	
6	1001146588	14	Strap, Fir Tree Cable Tie	
7	1001204352	1	Harness, Rear Frame (See REAR FRAME HARNESS (943, 1043) for Breakdown)	
8		Ref	Harness, Front Frame (See Separate Breakdown in this Section)	
9	1001170624	1	Cable, Battery + to Battery Disconnect	
10	1001170566	1	Cable, Battery Disconnect to PDM	
11	1001169365	1	Cable, Battery Negative	
12	1001200082	1	Cable, PDM to Grid Heater	
14	1001173091	1	Harness, Engine Chassis Harness (See ENGINE CHASSIS HARNESS (ULS) for Breakdown)	
15	1001008559	19	Strap, Cable	
17	8406201	1	Clip, Wire and Tube	
18	3290601	1	Nut, M6X1	
19	0761010	1	Bolt, M10X20	
20	1001202986	9	Strap, Fir Tree Push Mount	
21	3291005	2	Nut, Lock M10X1.5	

Go to Discount-Equipment.com to order your parts

SECTION 10 - ELECTRICAL

FIGURE 10-14. FRAME WIRING INSTALLATION (LS) (642, 742)



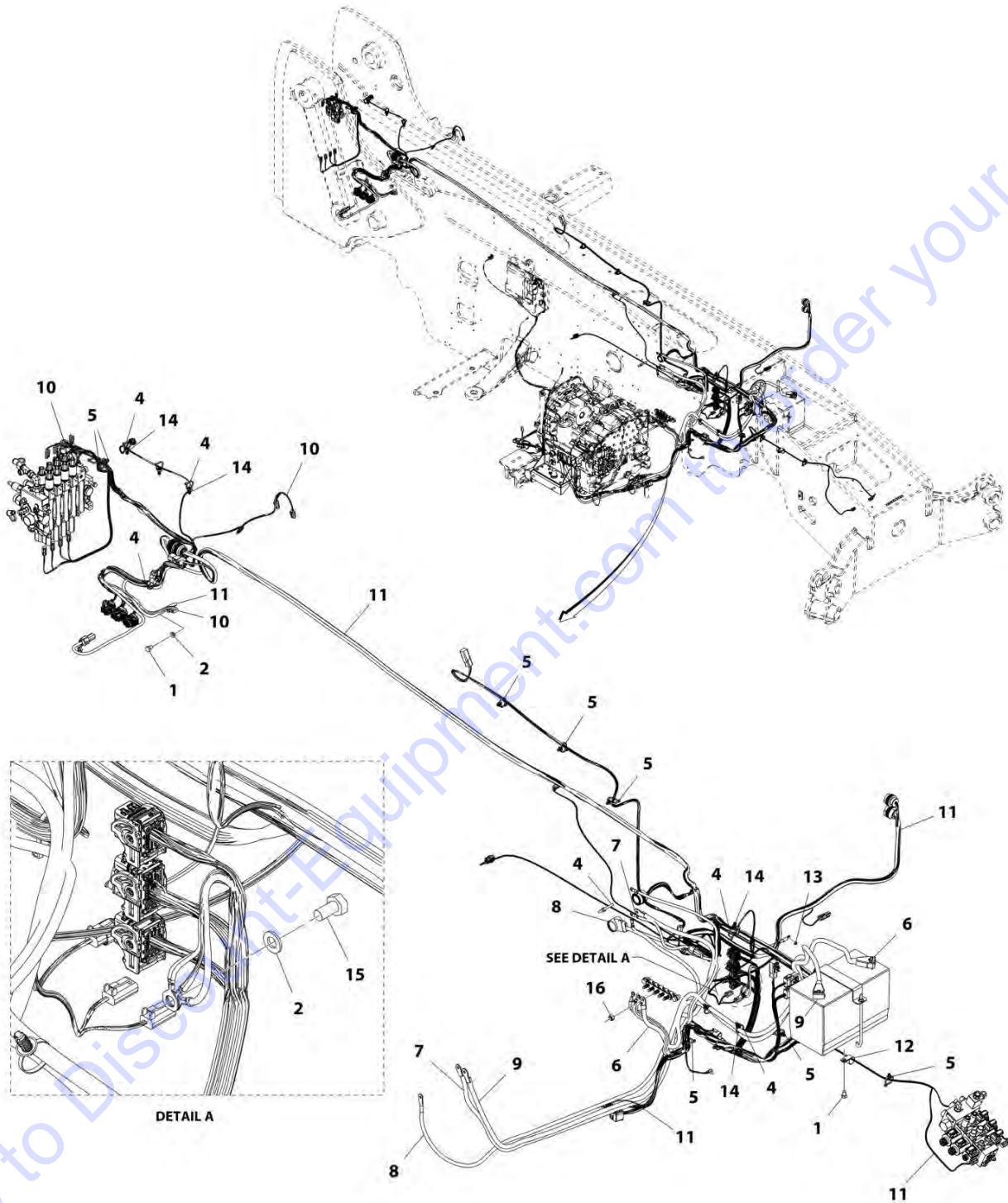
SECTION 10 - ELECTRICAL

FIGURE 10-14. FRAME WIRING INSTALLATION (LS) (642, 742)

ITEM	PART NUMBER	QTY	DESCRIPTION	REV
	1001192304	Ref	Frame Wiring Installation (LS) (642, 742)	I
1	0761007	2	Bolt, M10X14	
2	4812000	2	Washer, M10	
4	1001008559	19	Strap, Cable	
5	1001146588	13	Strap, Fir Tree Cable Tie	
6	1001203053	1	Cable, Battery Negative	
7	1001170566	1	Cable, Battery Disconnect to PDM	
8	1001200082	1	Cable, PDM to Grid Heater	
9	1001203052	1	Cable, Battery + to Battery Disconnect	
10		Ref	Harness, Frame (See Separate Breakdown in this Section)	
11	1001204351	1	Harness, Rear Frame (See REAR FRAME HARNESS (642, 742) for Breakdown)	
12	8406201	1	Clip, Wire and Tube	
13	3290601	1	Nut, M6X1	
14	0761010	1	Bolt, M10X20	
15	1001202986	8	Strap, Fir Tree Push Mount	
16	3291005	1	Nut, Lock M10X1.5	

SECTION 10 - ELECTRICAL

FIGURE 10-15. FRAME WIRING INSTALLATION (LS) (943, 1043)



ART_1001192305-J

SECTION 10 - ELECTRICAL

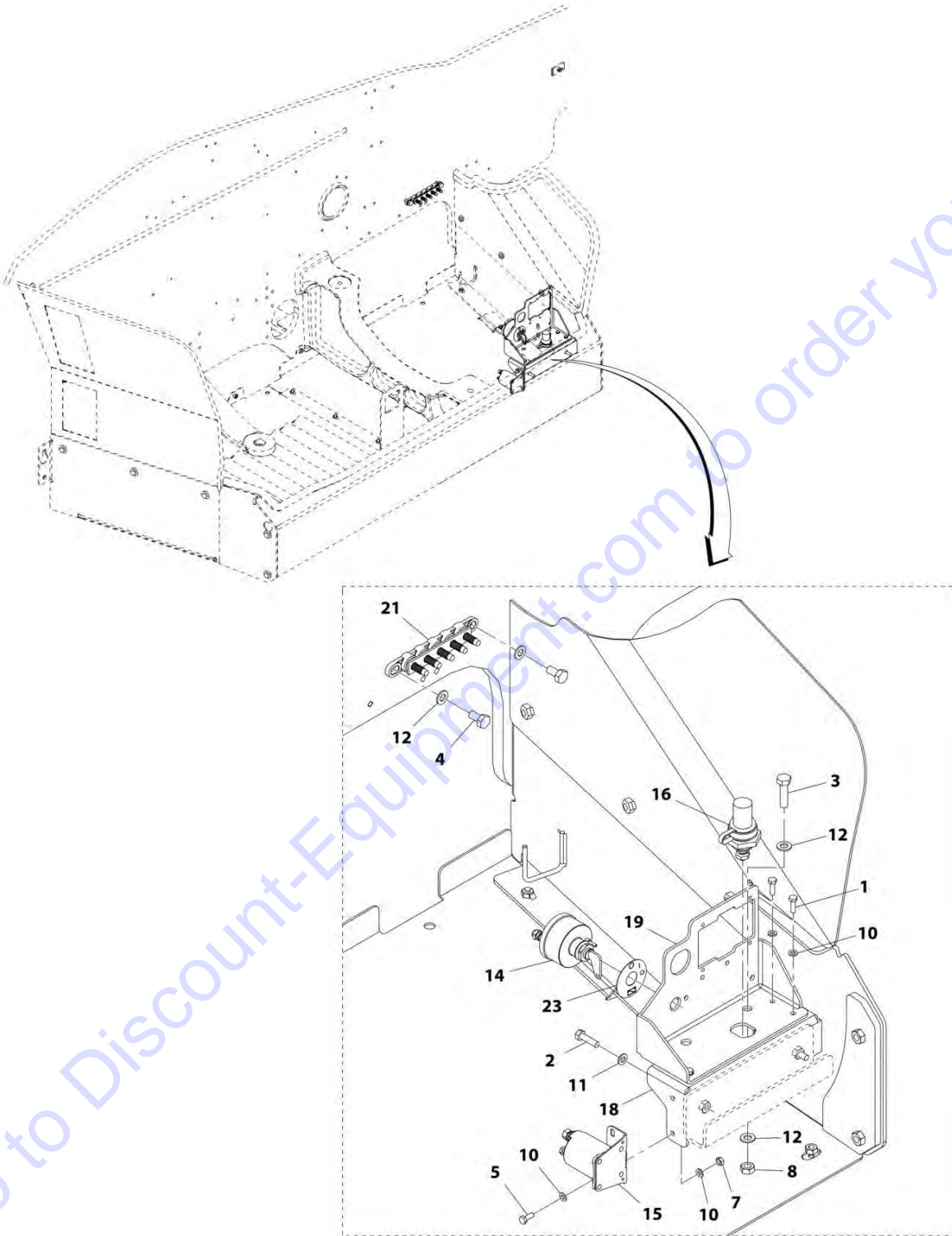
FIGURE 10-15. FRAME WIRING INSTALLATION (LS) (943, 1043)

ITEM	PART NUMBER	QTY	DESCRIPTION	REV
	1001192305	Ref	Frame Wiring Installation (LS) (943, 1043)	J
1	0761007	2	Bolt, M10X14	
2	4812000	2	Washer, M10	
4	1001008559	19	Strap, Cable	
5	1001146588	13	Strap, Fir Tree Cable Tie	
6	1001169365	1	Cable, Battery Negative	
7	1001170566	1	Cable, Battery Disconnect to PDM	
8	1001200082	1	Cable, PDM to Grid Heater	
9	1001170624	1	Cable, Battery + to Battery Disconnect	
10	1001204352	1	Harness, Rear Frame (See REAR FRAME HARNESS (943, 1043) for Breakdown)	
11		Ref	Harness, Front Frame (See Separate Breakdown in this Section)	
12	8406201	1	Clip, Wire and Tube	
13	3290601	1	Nut, M6X1	
14	1001202986	8	Strap, Fir Tree Push Mount	
15	0761010	1	Bolt, M10X20	
16	3291005	1	Nut, Lock M10X1.5	

Go to Discount-Equipment.com to order your parts

SECTION 10 - ELECTRICAL

FIGURE 10-16. ENGINE BAY ELECTRICAL INSTALLATION (742, 943, 1043 - ULS 74 HP) (642, 743, 943, 1043 - LS)



ART_1001173765-J

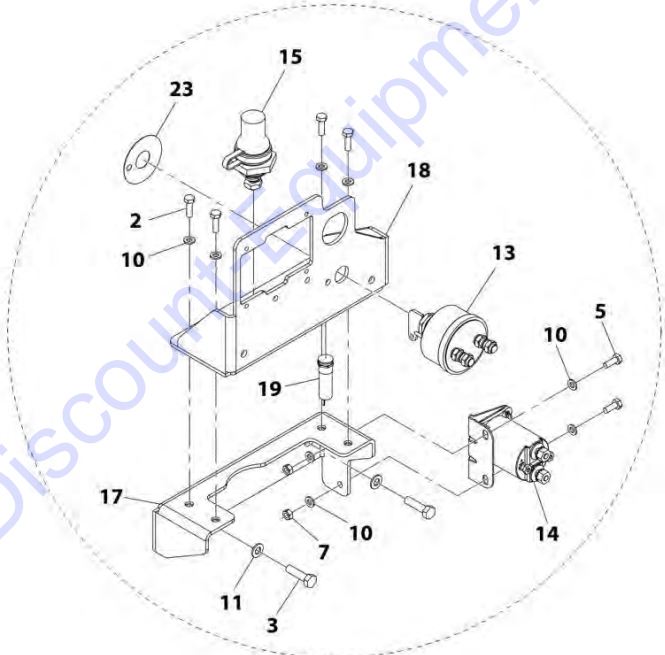
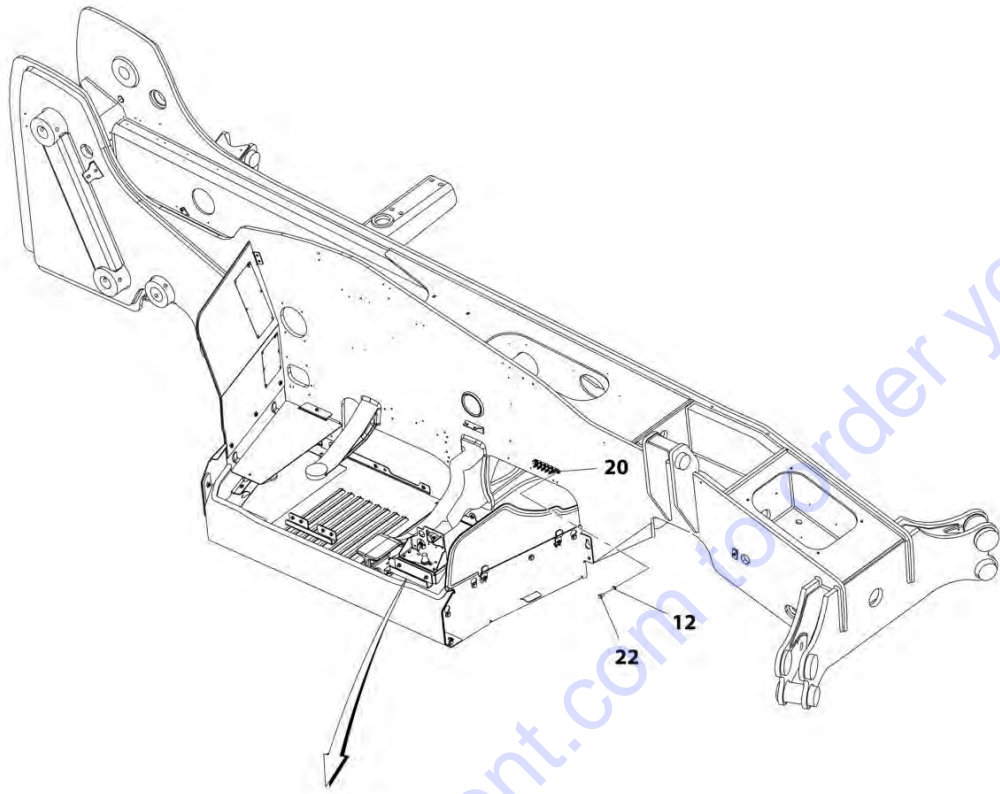
SECTION 10 - ELECTRICAL

FIGURE 10-16. ENGINE BAY ELECTRICAL INSTALLATION (742, 943, 1043 - ULS 74 HP) (642, 743, 943, 1043 - LS)

ITEM	PART NUMBER	QTY	DESCRIPTION	REV
	1001173765	Ref	Engine Bay Electrical Installation	J
1	0700610	4	Bolt, M6X20	
2	0700814	2	Bolt, M8X30	
3	0701016	1	Bolt, M10X40	
4	0761010	2	Bolt, M10X20	
5	0760608	2	Bolt, M6X16	
7	3290601	2	Nut, M6X1	
8	3291001	1	Nut, M10X1.5	
10	4811700	8	Washer, M6	
11	4811900	2	Washer, M8	
12	4812000	4	Washer, M10	
14	1001192142	1	Switch, Disconnect	
15	1001117308	1	Relay, 200 Amp	
16	1001193993	1	Terminal, Battery	
18	1001199099	1	Bracket, Engine Power Distribution Lower	
19	1001198321	1	Bracket, Engine Power Distribution Center	
21	1001181128	1	Bussbar	
23	1001008540	1	Plate, Battery	

SECTION 10 - ELECTRICAL

FIGURE 10-17. ENGINE BAY ELECTRICAL INSTALLATION (642 - ULS) (742, 943, 1043 - ULS 110HP)



ART_1001163127-I

SECTION 10 - ELECTRICAL

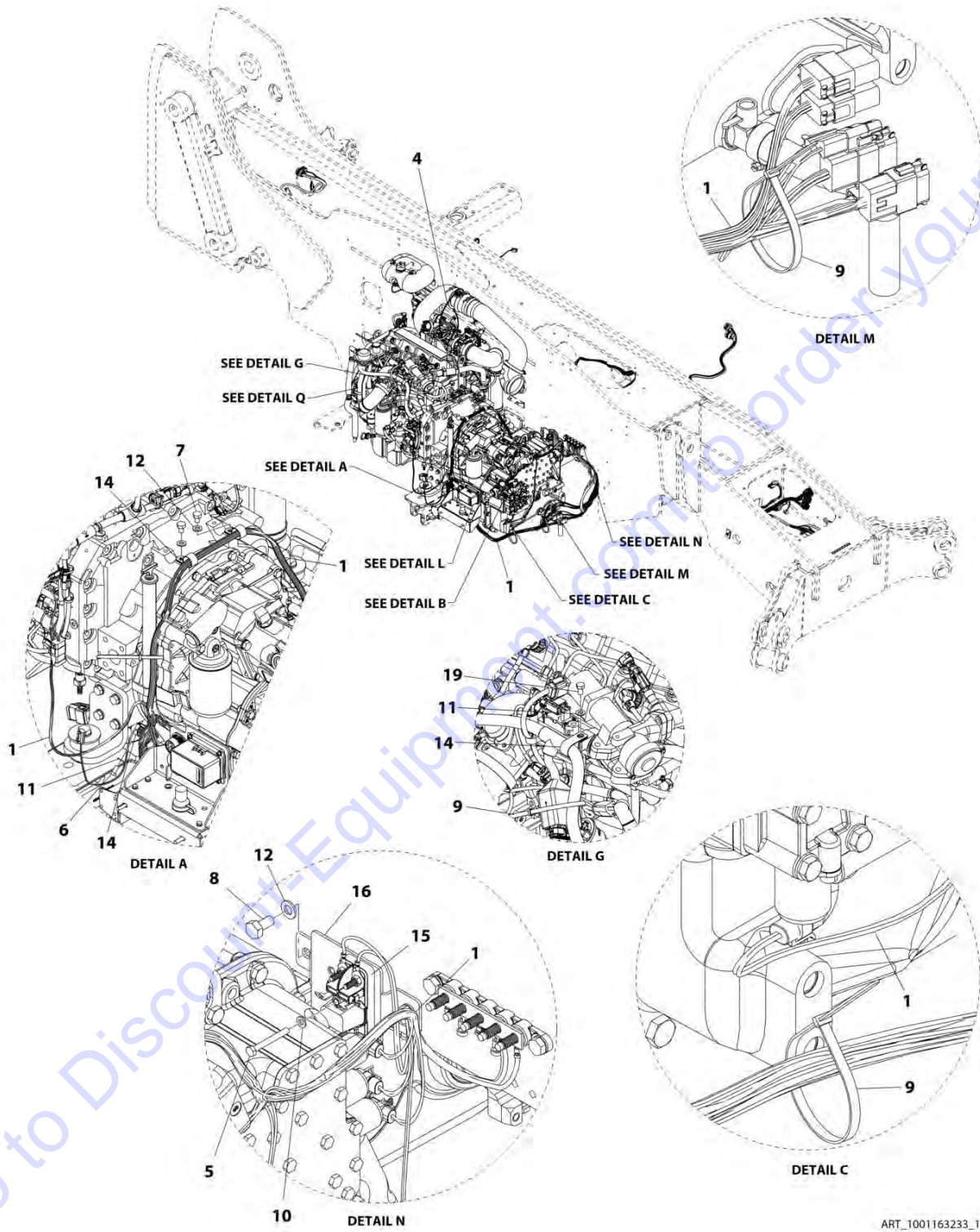
FIGURE 10-17. ENGINE BAY ELECTRICAL INSTALLATION (642 - ULS) (742, 943, 1043 - ULS 110HP)

ITEM	PART NUMBER	QTY	DESCRIPTION	REV
	1001163127	Ref	Engine Bay Electrical Installation (if equipped for ULS)	I
2	0700610	4	Bolt, M6X20	
3	0700814	2	Bolt, M8X30	
5	0760608	2	Bolt, M6X16	
7	3290601	2	Nut, M6X1 Grade 8	
10	4811700	8	Washer, M6	
11	4811900	2	Washer, M8	
12	4812000	2	Washer, M10	
13	1001192142	1	Switch	
14	1001117308	1	Relay	
15	1001193993	1	Terminal	
17	1001199099	1	Bracket	
18	1001198321	1	Bracket	
19	1001169825	1	Bulb, LED 12V	
20	1001181128	1	Bussbar	
22	0761010	2	Bolt, M10X20	
23	1001008540	1	Plate	

Go to Discount-Equipment.com to order your parts

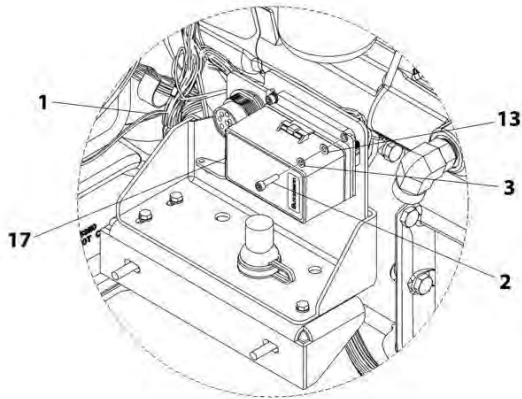
SECTION 10 - ELECTRICAL

FIGURE 10-18. ENGINE WIRING INSTALLATION (ULS)

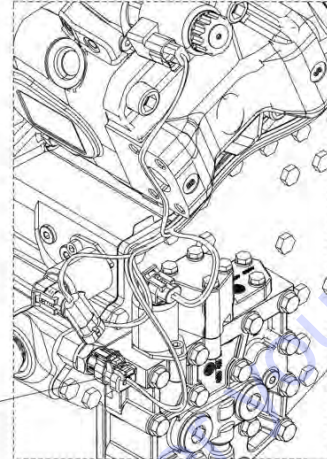


ART_1001163233_1-K

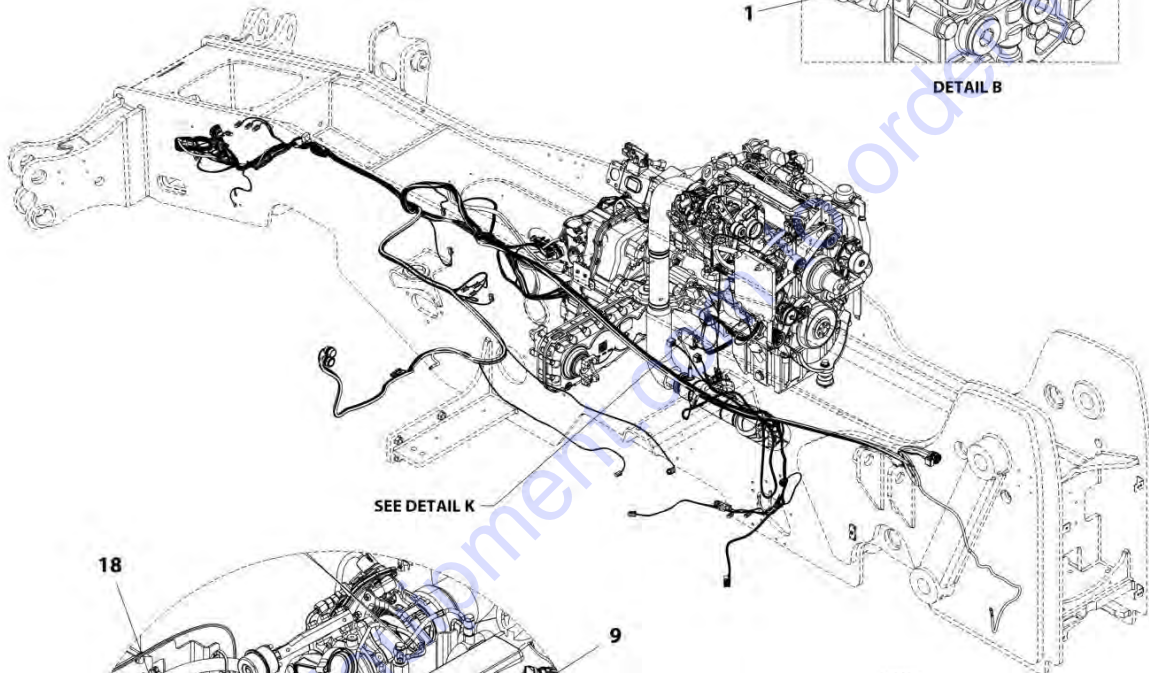
SECTION 10 - ELECTRICAL



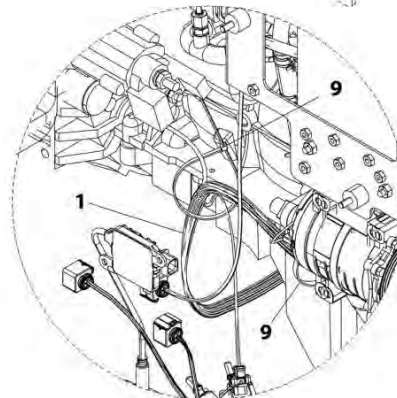
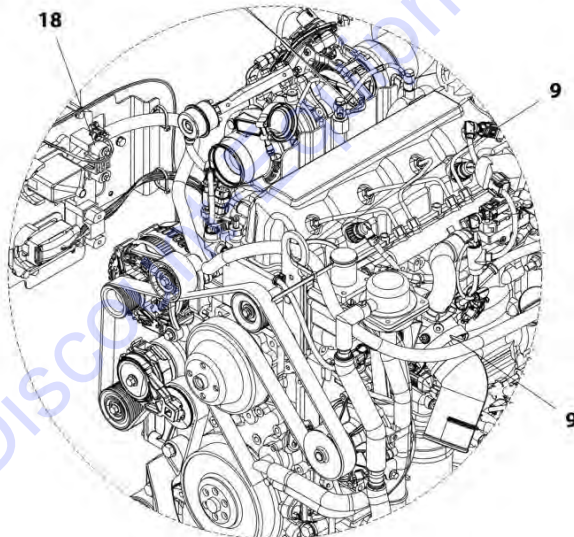
DETAIL L



DETAIL B



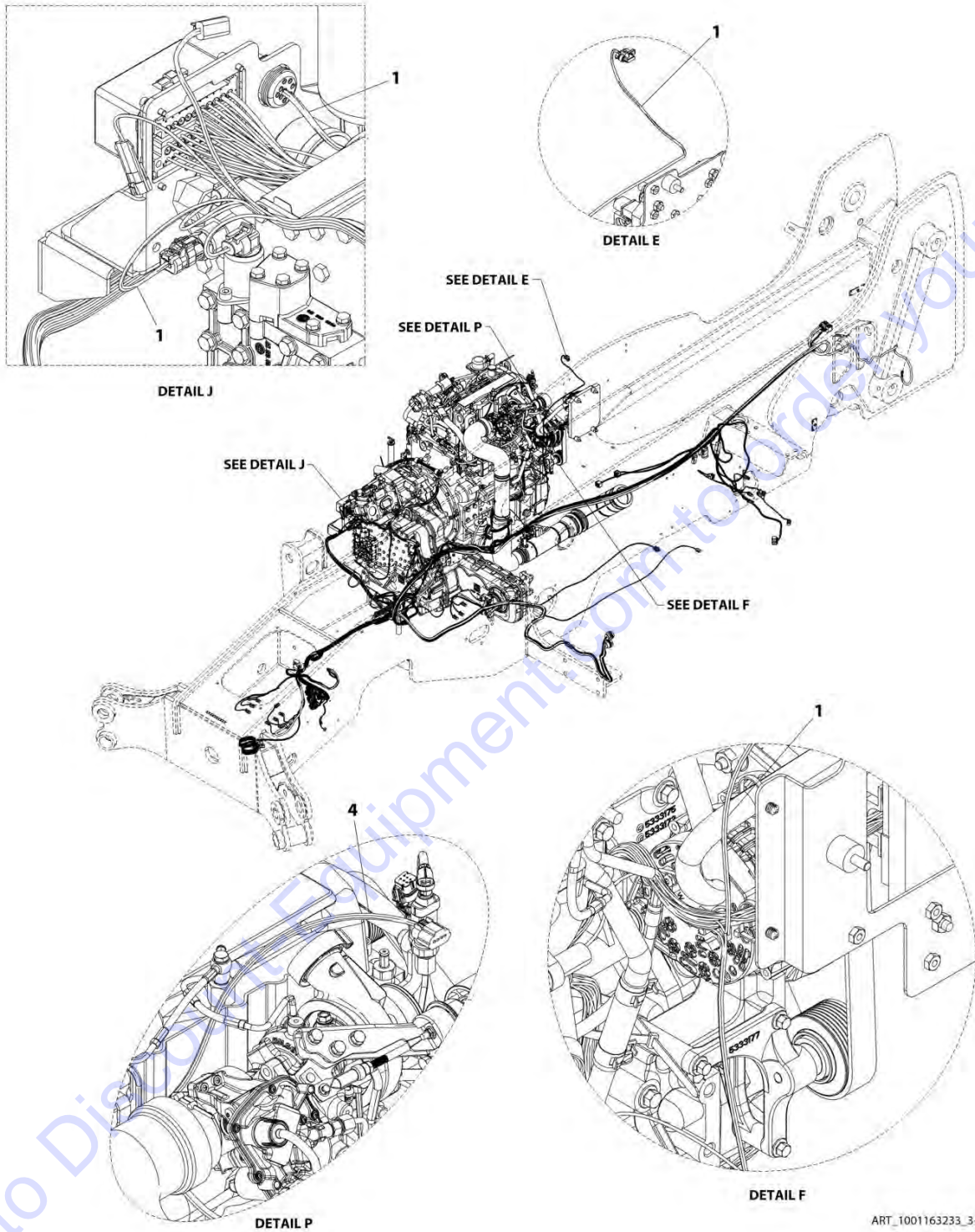
SEE DETAIL K



DETAIL K

ART_1001163233_2-K

SECTION 10 - ELECTRICAL



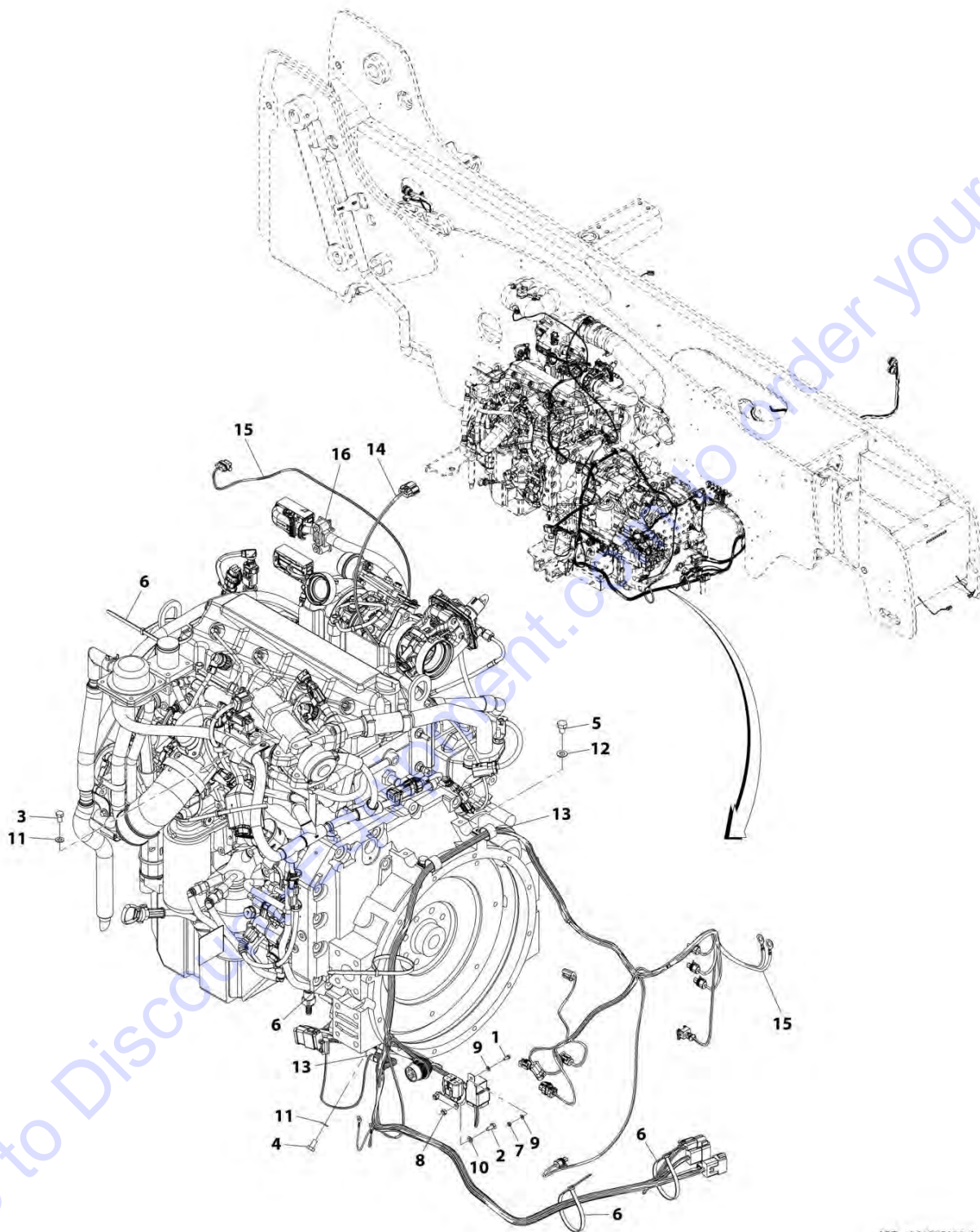
SECTION 10 - ELECTRICAL

FIGURE 10-18. ENGINE WIRING INSTALLATION (ULS)

ITEM	PART NUMBER	QTY	DESCRIPTION	REV
	1001163233	Ref	Engine Wiring Installation (ULS)	K
1		Ref	Harness, Engine (ULS) (See Separate Breakdown in this Section)	
2	4031608	4	Screw, M5X20	
3	4811600	4	Washer, M5	
4	1001184835	1	Harness, TBAP (See TBAP HARNESS for Breakdown)	
5	0700618	1	Bolt, M6X50	
6	0760808	1	Bolt, M8X16	
7	0761007	2	Bolt, M10X14	
8	0761010	2	Bolt, M10X20	
9	1062255	8	Strap, Tie	
10	4811700	1	Washer, M6	
11	4811900	2	Washer, M8	
12	4812000	4	Washer, M10	
13	4831600	4	Washer, Lock M5	
14	8406201	4	Clip, Tube	
15	1001131177	1	Fuse, Power Module	
16	1001189046	1	Bracket	
17	1001191486	1	Decal	
18	1001167646	1	Connector, Strain Relief	
19	0760807	1	Bolt, M8X14	

SECTION 10 - ELECTRICAL

FIGURE 10-19. ENGINE WIRING INSTALLATION, 74HP (ULS) (742, 943)



ART_1001225232-A

SECTION 10 - ELECTRICAL

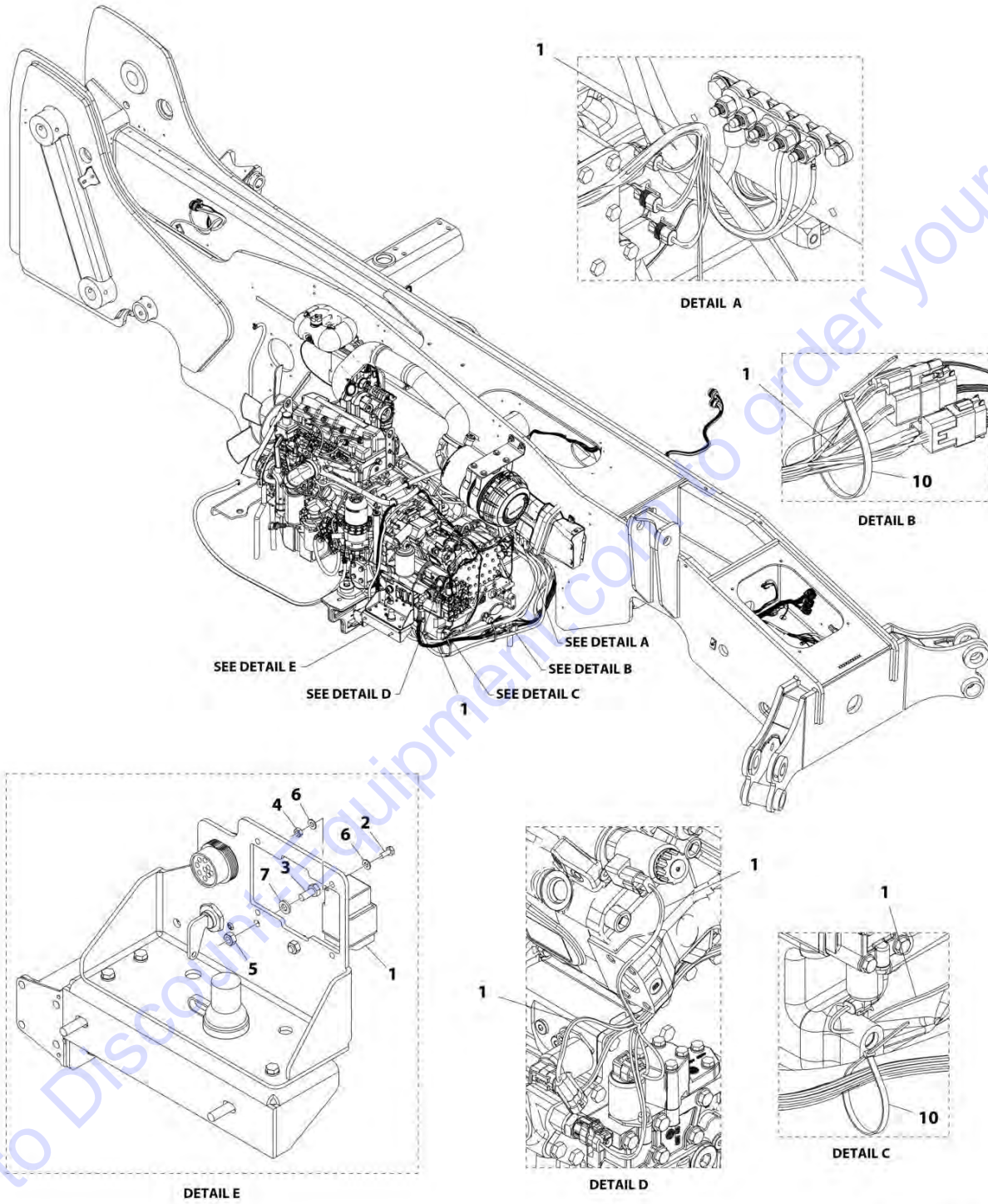
FIGURE 10-19. ENGINE WIRING INSTALLATION, 74HP (ULS) (742, 943)

ITEM	PART NUMBER	QTY	DESCRIPTION	REV
	1001225232	Ref	Engine Wiring Installation, 74HP (ULS) (742, 943)	A
1	0760405	1	Bolt, M4X10	
2	0760607	2	Bolt, M6X14	
3	0760807	1	Bolt, M8X14	
4	0760808	1	Bolt, M8X16	
5	0761007	2	Bolt, M10X14	
6	1062255	8	Strap, Tie	
7	3290401	1	Nut, M4X0.7	
8	3290601	2	Nut, M6X1 Grade 8	
9	4811400	2	Washer, M4	
10	4811700	2	Washer, M6	
11	4811900	2	Washer, M8	
12	4812000	2	Washer, M10	
13	8406201	4	Clip, Wire and Tube	
14	1001184835	1	Harness, TBAP (See Separate Breakdown in this Section)	
15	1001225067	1	Harness, Engine, Cummins 74HP (See Separate Breakdown in this Section)	
16	1001167646	1	Connector, Strain Relief	

Go to Discount-Equipment.com to order your parts

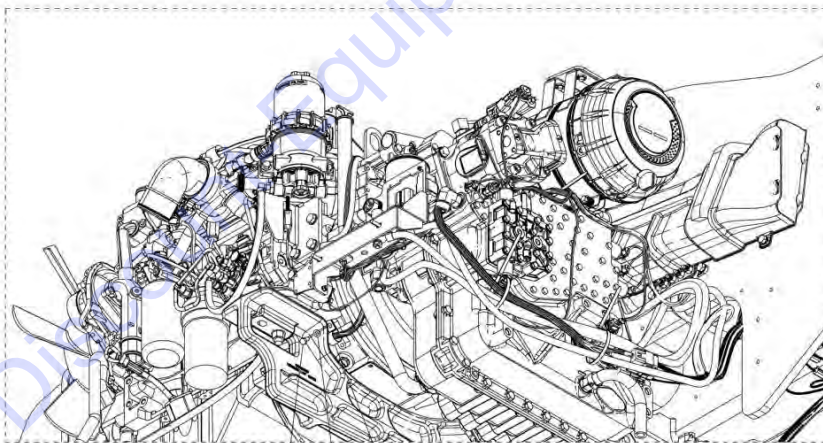
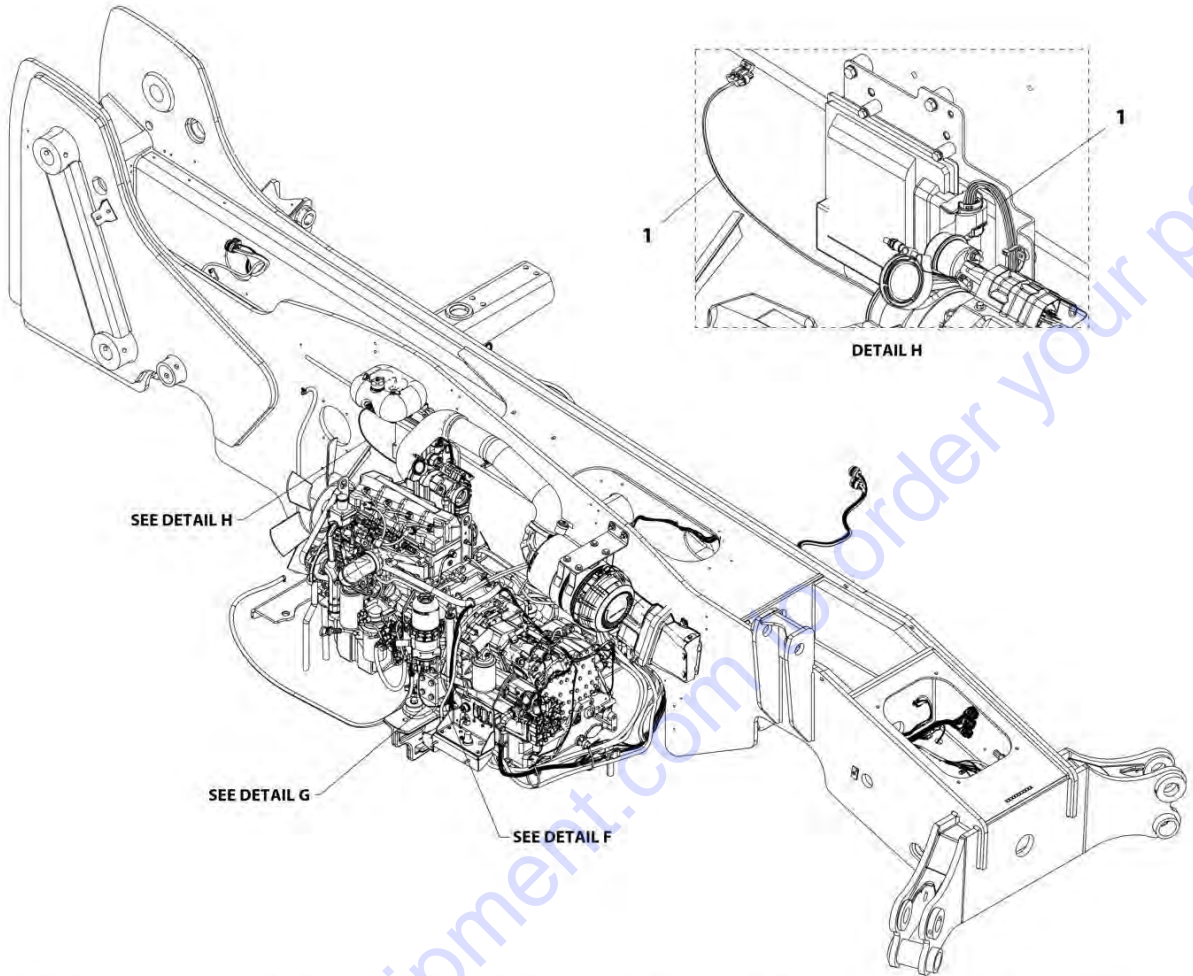
SECTION 10 - ELECTRICAL

FIGURE 10-20. ENGINE WIRING INSTALLATION (LS)

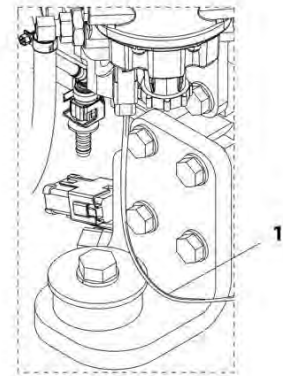


ART_1001163242_1-H

SECTION 10 - ELECTRICAL



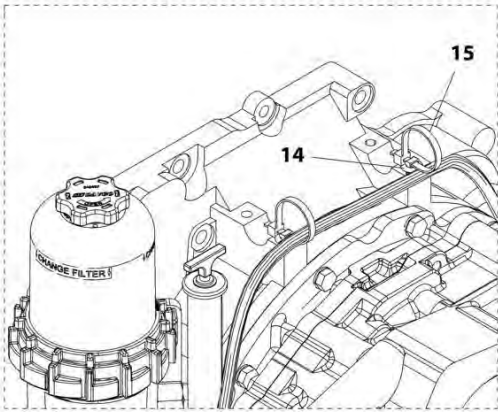
8 11 13 DETAIL F



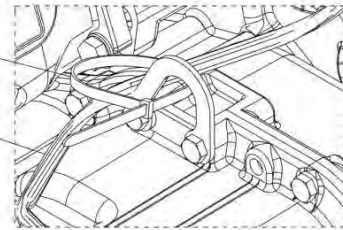
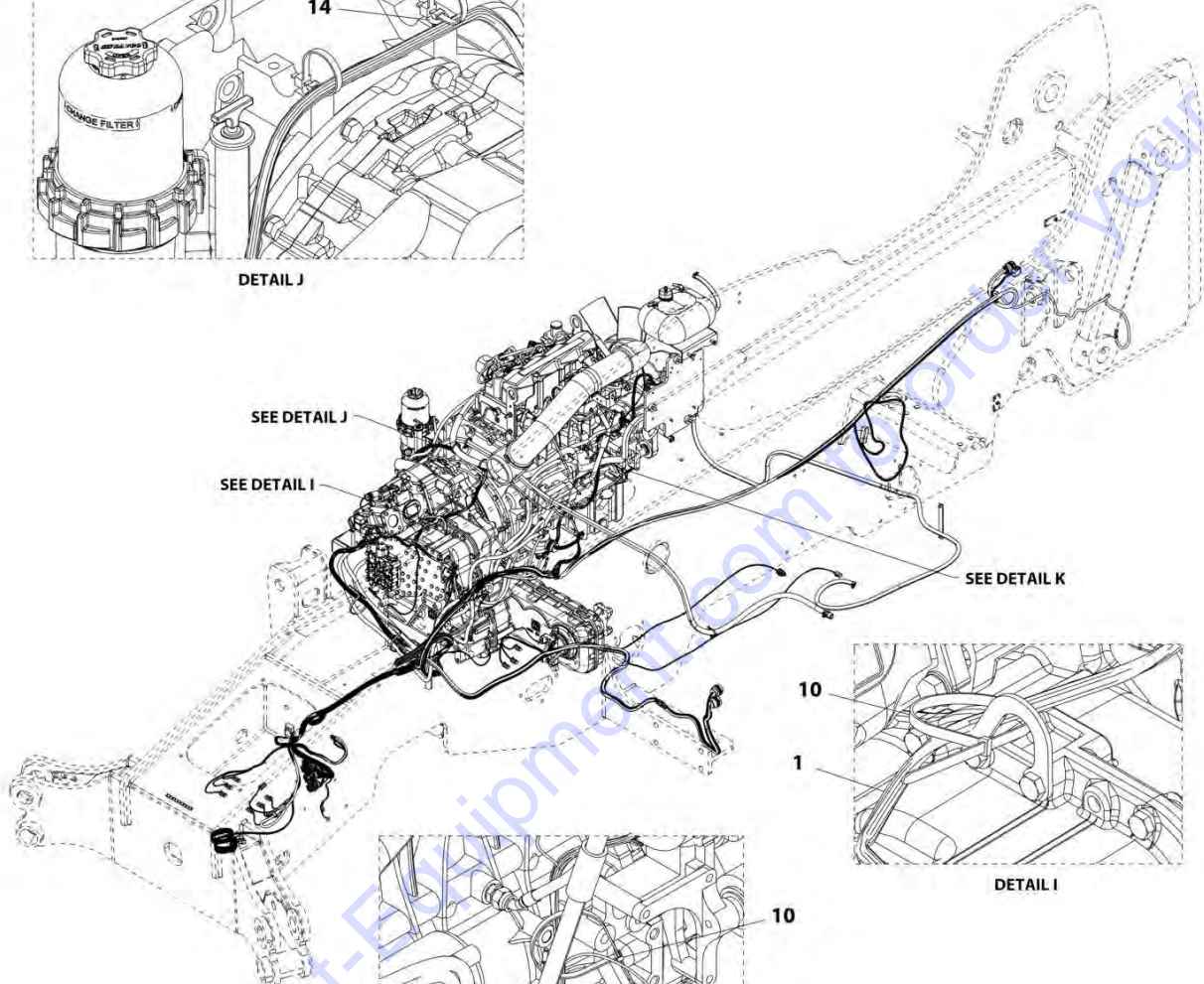
DETAIL G

ART_1001163242_2-H

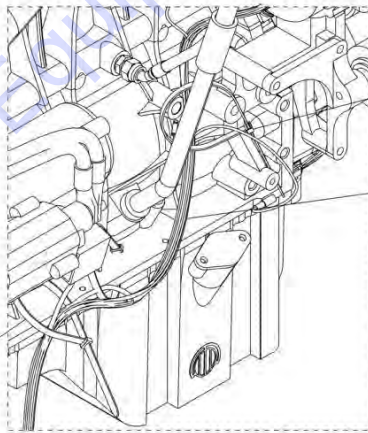
SECTION 10 - ELECTRICAL



DETAIL J



DETAIL I



DETAIL K

ART_1001163242_3-H

SECTION 10 - ELECTRICAL

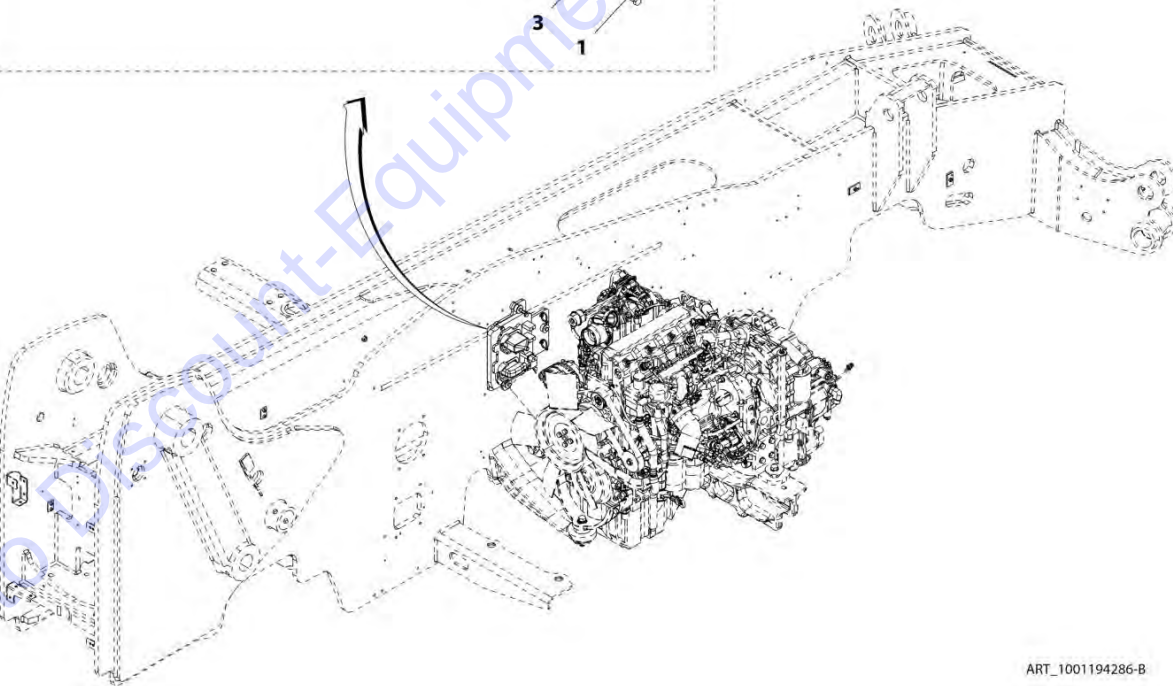
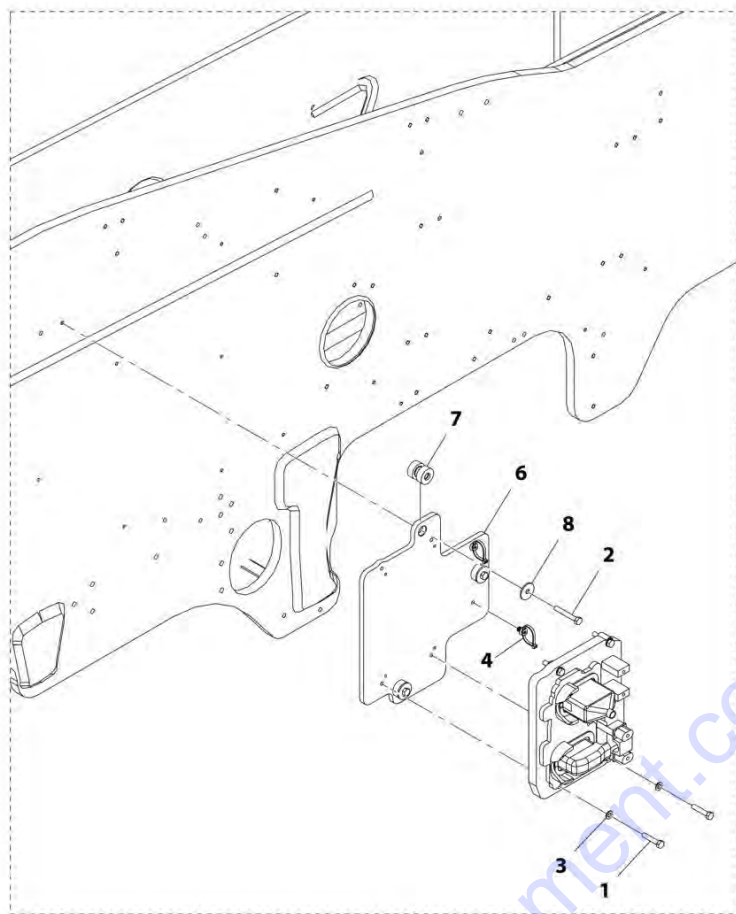
FIGURE 10-20. ENGINE WIRING INSTALLATION (LS)

ITEM	PART NUMBER	QTY	DESCRIPTION	REV
	1001163242	Ref	Engine Wiring Installation (LS)	H
1		Ref	Harness, Engine (LS) (See Separate Breakdown in this Section)	
2	0760405	1	Bolt, M4X10	
3	0760607	2	Bolt, M6X14	
4	3290401	1	Nut, M4X0.7	
5	3290601	2	Nut, M6X1 Grade 8	
6	4811400	2	Washer, M4	
7	4811700	2	Washer, M6	
8	0760808	1	Bolt, M8X16	
10	1062255	5	Strap, Tie	
11	4811900	1	Washer, M8	
13	8406201	1	Clip, Tube	
14	1001202986	2	Strap, Fir Tree Push Mount	
15	1001008559	2	Strap	

Go to Discount-Equipment.com to order your parts

SECTION 10 - ELECTRICAL

FIGURE 10-21. ENGINE ECU INSTALLATION



ART_1001194286-B

SECTION 10 - ELECTRICAL

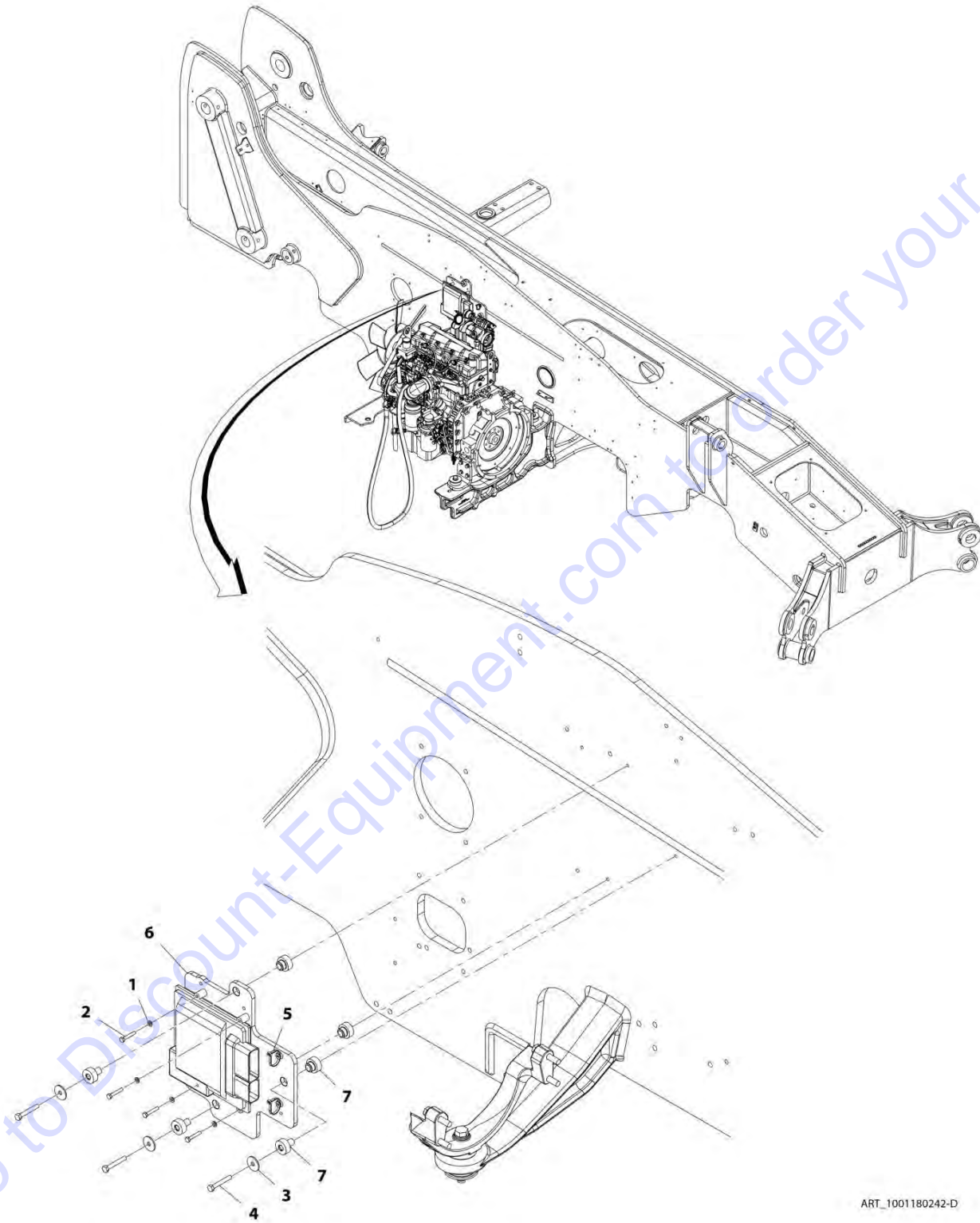
FIGURE 10-21. ENGINE ECU INSTALLATION

ITEM	PART NUMBER	QTY	DESCRIPTION	REV
	1001194286	Ref	Engine ECU Installation	B
1	0700816	4	Bolt, M8X40	
2	0700819	3	Bolt, M8X55	
3	4811900	4	Washer, M8	
4	1001146588	2	Strap, Fir Tree Cable Tie	
6	1001192468	1	Bracket	
7	1001192471	3	Mount, Isolator	
8	1001195089	3	Washer	

Go to Discount-Equipment.com to order your parts

SECTION 10 - ELECTRICAL

FIGURE 10-22. ENGINE ECM INSTALLATION (LS)



ART_1001180242-D

SECTION 10 - ELECTRICAL

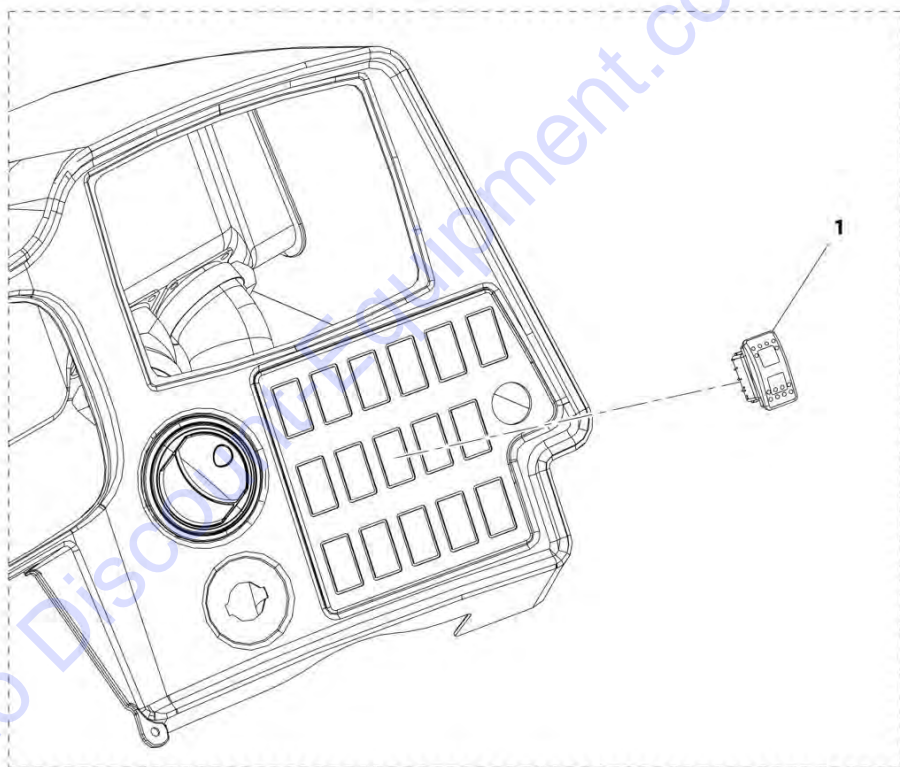
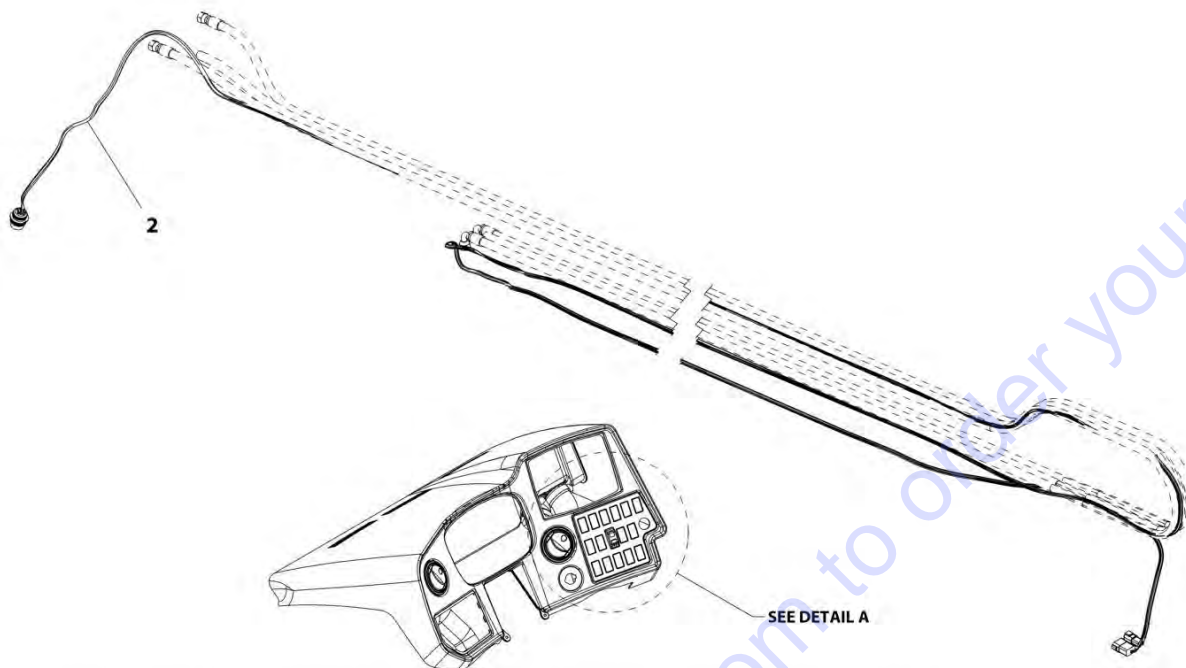
FIGURE 10-22. ENGINE ECM INSTALLATION (LS)

ITEM	PART NUMBER	QTY	DESCRIPTION	REV
	1001180242	Ref	Engine ECM Installation (LS)	D
1	4811700	4	Washer, M6	
2	0760615	4	Bolt, M6X35	
3	1001195089	3	Washer	
4	0700819	3	Bolt, Grade 8	
5	1001146588	2	Strap	
6	1001192468	1	Bracket	
7	1001192471	3	Mount, Isolator	

Go to Discount-Equipment.com to order your parts

SECTION 10 - ELECTRICAL

FIGURE 10-23. BOOM AUXILIARY ELECTRIC INSTALLATION



DETAIL A

ART_1001187532-A

SECTION 10 - ELECTRICAL

FIGURE 10-23. BOOM AUXILIARY ELECTRIC INSTALLATION

ITEM	PART NUMBER	QTY	DESCRIPTION	REV
	1001187532	Ref	Boom Auxiliary Electric Installation	A
1	1001159746	1	Switch, Auxiliary Electric	
2	1001174426	1	Installation, Boom Electrical Harness (See BOOM ELECTRICAL HARNESS INSTALLATION for Breakdown)	

Go to Discount-Equipment.com to order your parts

PARTS FINDER

**Search Website
by Part Number**



**Search Manual
Library For Parts
Manual & Lookup Part
Numbers – Purchase
or Request Quote**

**Can't Find Part or
Manual? Request Help
by Manufacturer,
Model & Description**

Discount-Equipment.com is your online resource for quality parts & equipment.

Florida: **561-964-4949** Outside Florida TOLL FREE: **877-690-3101**

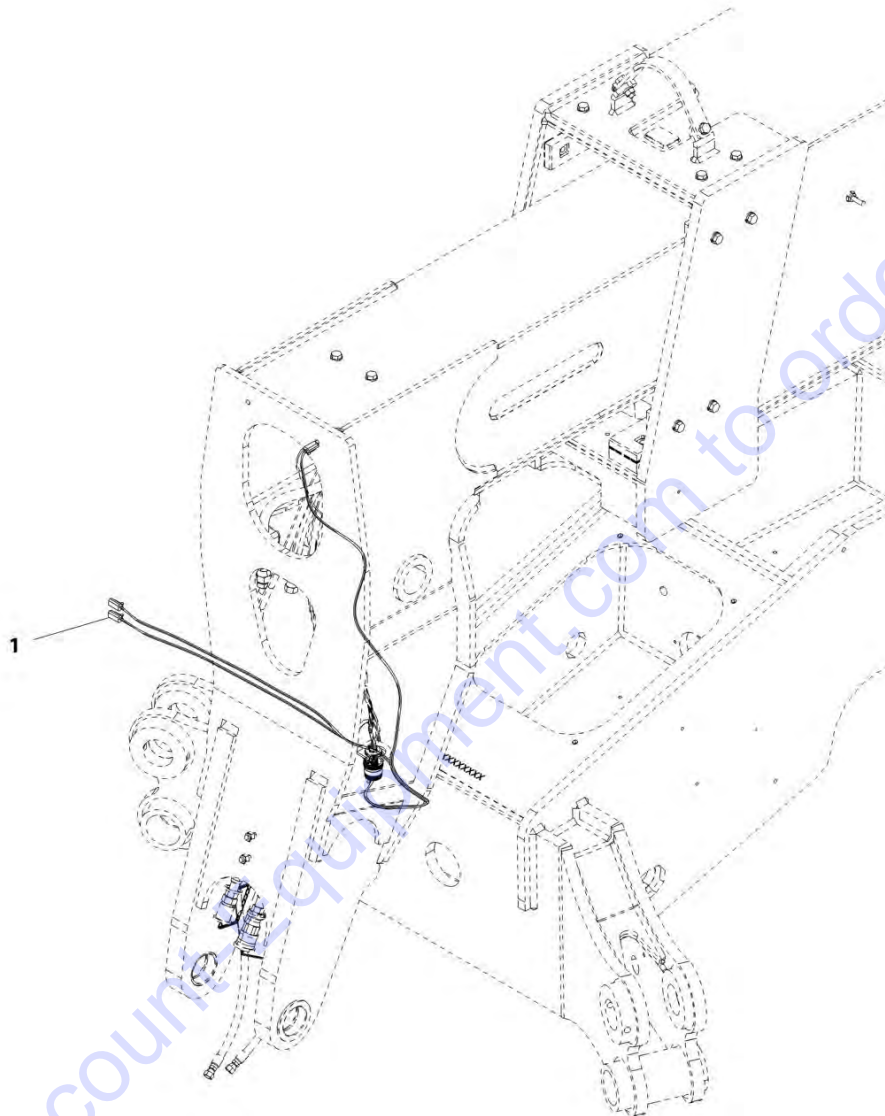
Need parts?

Click on this link: <http://www.discount-equipment.com/category/5443-parts/> and choose one of the options to help get the right parts and equipment you are looking for. Please have the machine model and serial number available in order to help us get you the correct parts. If you don't find the part on the website or on one of the online manuals, please fill out the request form and one of our experienced staff members will get back to you with a quote for the right part that your machine needs.

We sell worldwide for the brands: Genie, Terex, JLG, MultiQuip, Mikasa, Essick, Whiteman, Mayco, Toro Stone, Diamond Products, Generac Magnum, Airman, Haulotte, Barreto, Power Blanket, Nifty Lift, Atlas Copco, Chicago Pneumatic, Allmand, Miller Curber, Skyjack, Lull, Skytrak, Tsurumi, Husquvarna Target, Stow, Wacker, Sakai, Mi-T-M, Sullair, Basic, Dynapac, MBW, Weber, Bartell, Bennar Newman, Haulotte, Ditch Runner, Menegotti, Morrison, Contec, Buddy, Crown, Edco, Wyco, Bomag, Laymor, EZ Trench, Bil-Jax, F.S. Curtis, Gehl Pavers, Heli, Honda, ICS/PowerGrit, IHI, Partner, Imer, Clipper, MMD, Koshin, Rice, CH&E, General Equipment, Amida, Coleman, NAC, Gradall, Square Shooter, Kent, Stanley, Tamco, Toku, Hatz, Kohler, Robin, Wisconsin, Northrock, Oztec, Toker TK, Rol-Air, APT, Wylie, Ingersoll Rand / Doosan, Innovatech, Con X, Ammann, Mecalac, Makinex, Smith Surface Prep, Small Line, Wanco, Yanmar

SECTION 10 - ELECTRICAL

FIGURE 10-24. BOOM AUXILIARY ELECTRIC HARNESS INSTALLATION



ART_1001167799-A

SECTION 10 - ELECTRICAL

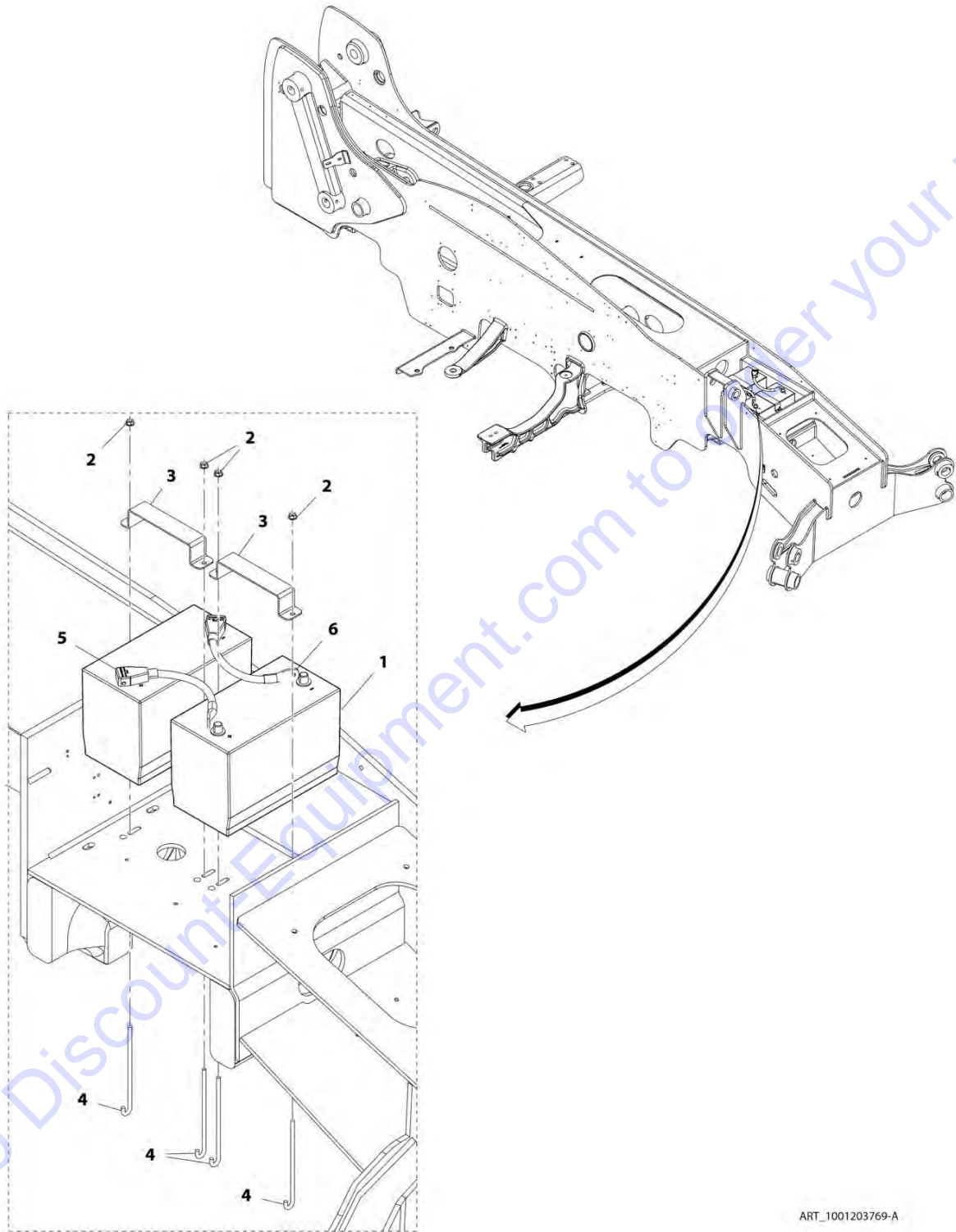
FIGURE 10-24. BOOM AUXILIARY ELECTRIC HARNESS INSTALLATION

ITEM	PART NUMBER	QTY	DESCRIPTION	REV
1	1001167799	Ref	Boom Auxiliary Electric Harness Installation	A
	1001167695	1	Harness, Platform (See PLATFORM HARNESS for Breakdown)	

Go to Discount-Equipment.com to order your parts

SECTION 10 - ELECTRICAL

FIGURE 10-25. BATTERY INSTALLATION (642, 742)



ART_1001203769-A

SECTION 10 - ELECTRICAL

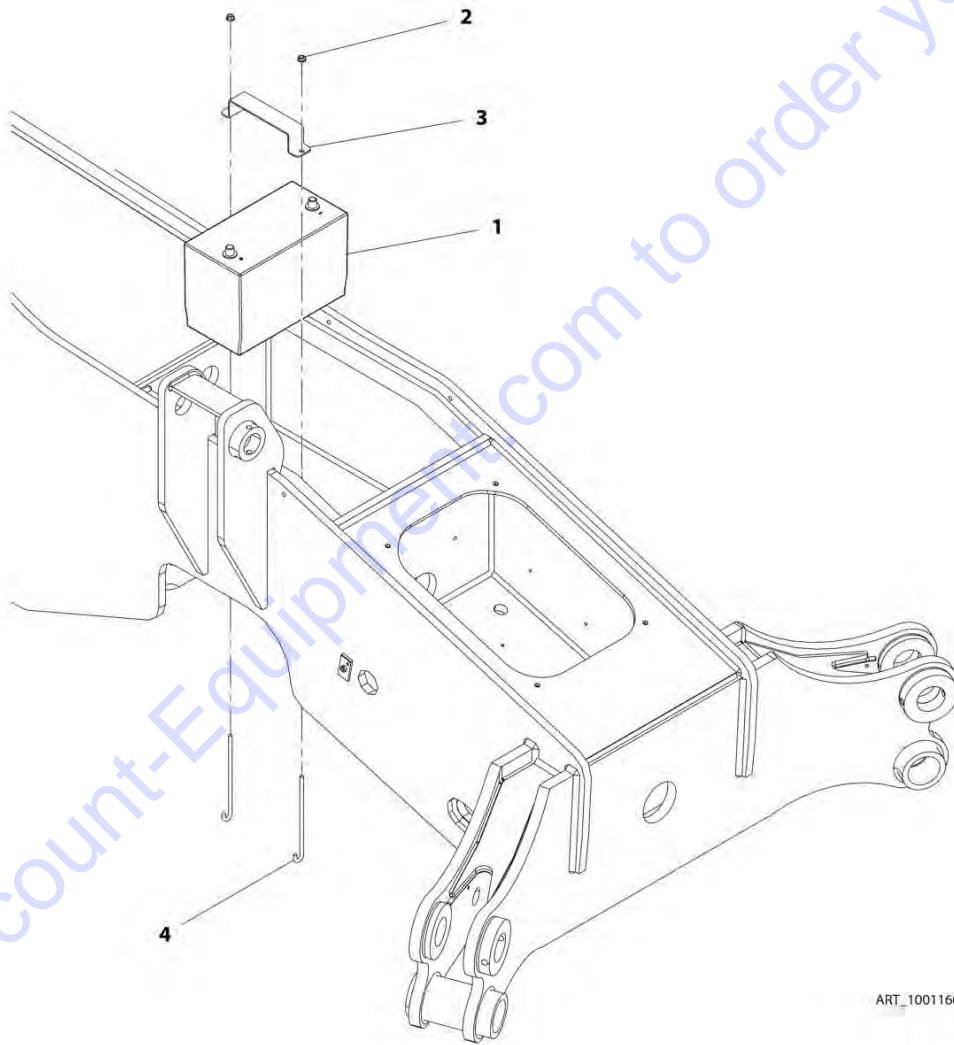
FIGURE 10-25. BATTERY INSTALLATION (642, 742)

ITEM	PART NUMBER	QTY	DESCRIPTION	REV
	1001203769	Ref	Battery Installation (642, 742)	A
1	0400075	2	Battery, 12V	
2	5220800	4	Nut, M8	
3	1001160927	2	Plate, Battery Hold Down	
4	1001181961	4	J-Bolt	
5	1001203557	1	Cable, Positive Battery	
6	1001203558	1	Cable, Negative Battery	

Go to Discount-Equipment.com to order your parts

SECTION 10 - ELECTRICAL

FIGURE 10-26. BATTERY INSTALLATION (742, 943, 1043)



ART_1001160711-C

SECTION 10 - ELECTRICAL

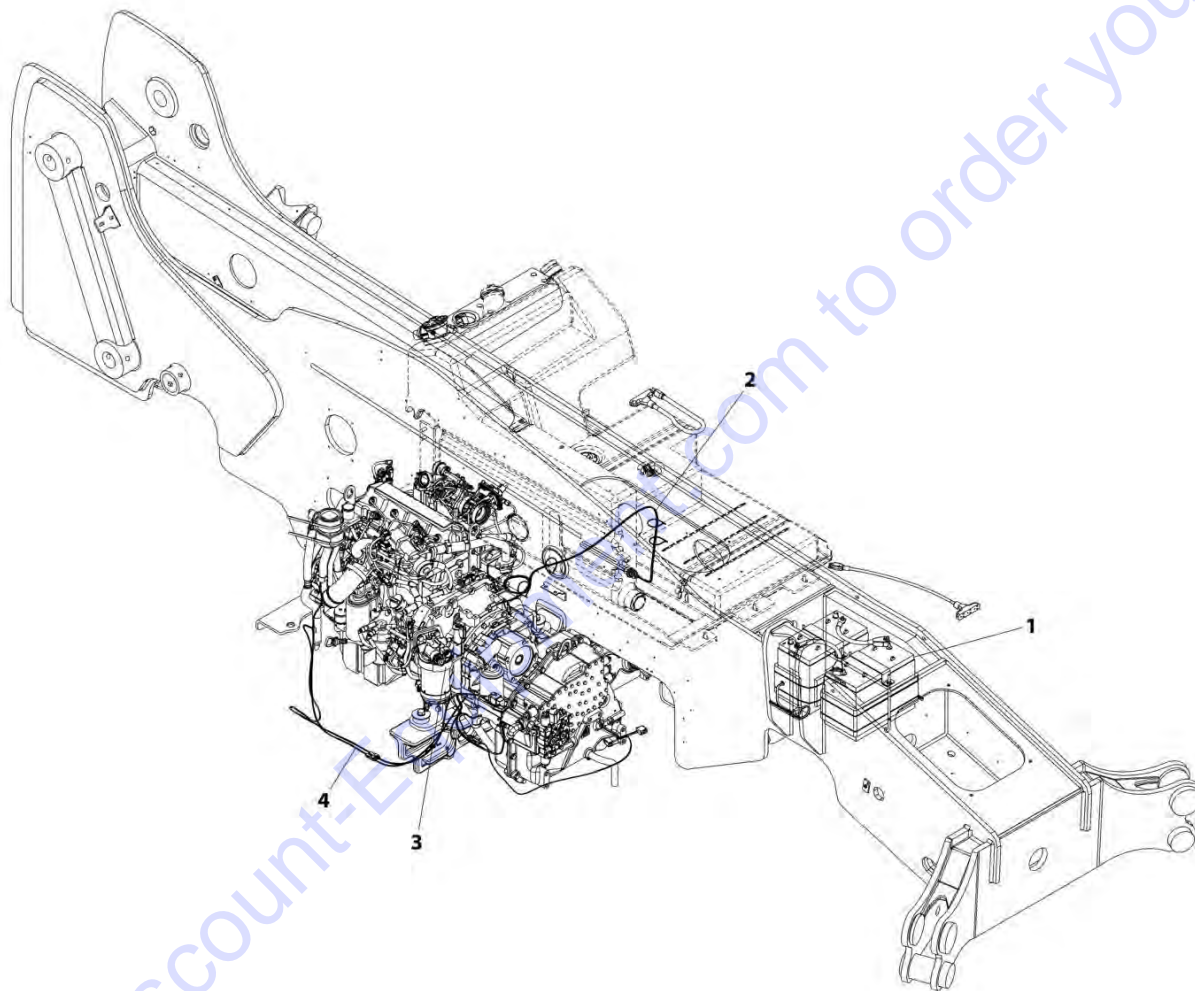
FIGURE 10-26. BATTERY INSTALLATION (742, 943, 1043)

ITEM	PART NUMBER	QTY	DESCRIPTION	REV
	1001160711	Ref	Battery Installation, (742, 943, 1043)	C
1	0400075	1	Battery, 12V	
2	5220800	2	Nut, M8	
3	1001160927	1	Plate, Battery Hold Down	
4	1001181961	2	J-Bolt	

Go to Discount-Equipment.com to order your parts

SECTION 10 - ELECTRICAL

FIGURE 10-27. ARCTIC COLD WEATHER PACKAGE INSTALLATION (ULS - 110HP)



ART_1001190179-D

SECTION 10 - ELECTRICAL

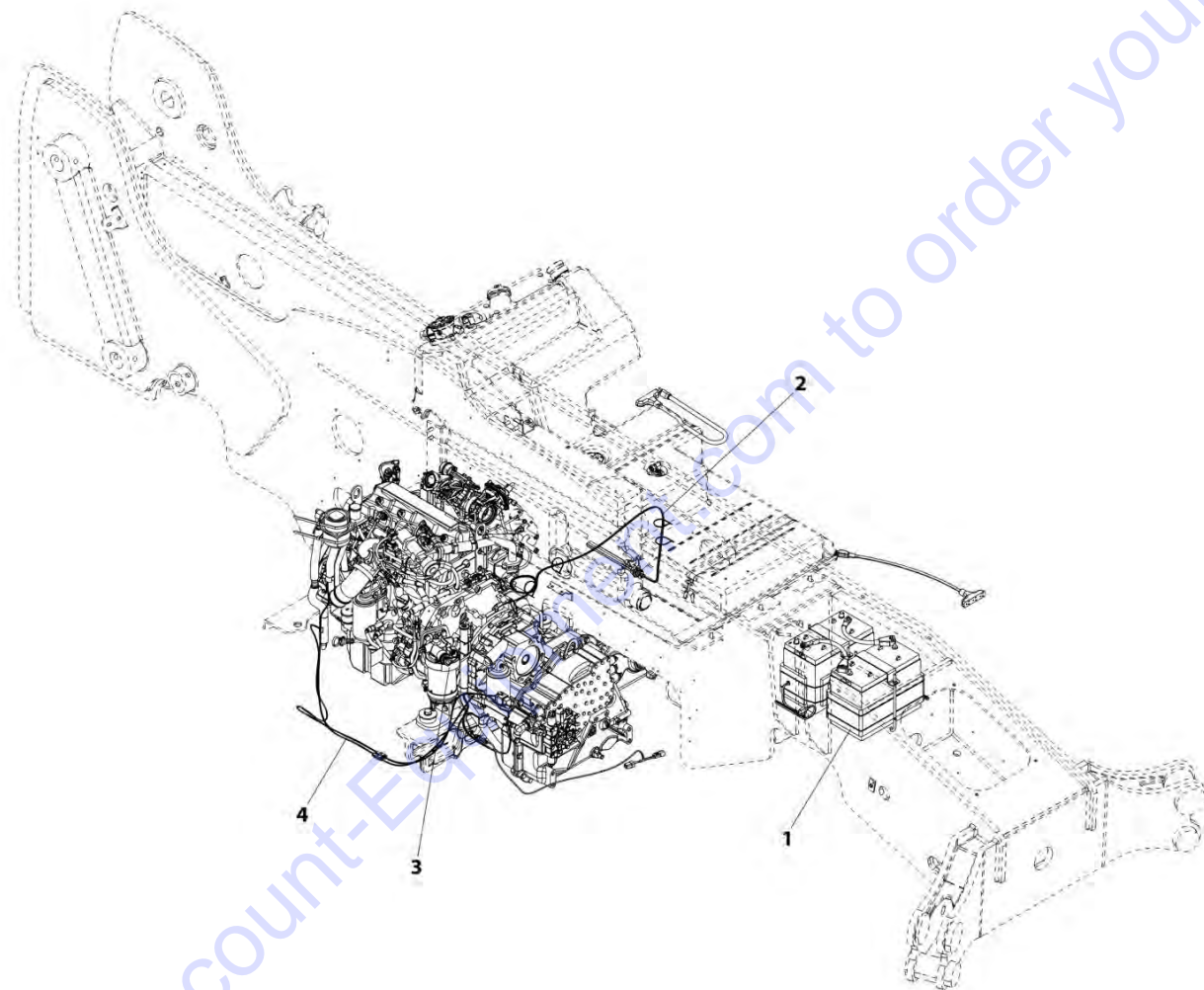
FIGURE 10-27. ARCTIC COLD WEATHER PACKAGE INSTALLATION (ULS - 110HP)

ITEM	PART NUMBER	QTY	DESCRIPTION	REV
1	1001190179	Ref	Arctic Cold Weather Package Installation	D
	1001190670	Ref	Installation, Arctic Batteries (See ARCTIC BATTERIES INSTALLATION for Breakdown)	
2	1001190671	Ref	Installation, Tank Heater (See HYDRAULIC TANK HEATER INSTALLATION for Breakdown)	
3	1001204095	Ref	Installation, Tank Heater (See FUEL FILTER HEATER INSTALLATION for Breakdown)	
4	1001232751	Ref	Heater, Breather (See Separate Breakdown in ENGINE AND ATTACHING PARTS Section)	

Go to Discount-Equipment.com to order your parts

SECTION 10 - ELECTRICAL

FIGURE 10-28. ARCTIC COLD WEATHER PACKAGE INSTALLATION (ULS - 74HP)



ART_1001237209-A

SECTION 10 - ELECTRICAL

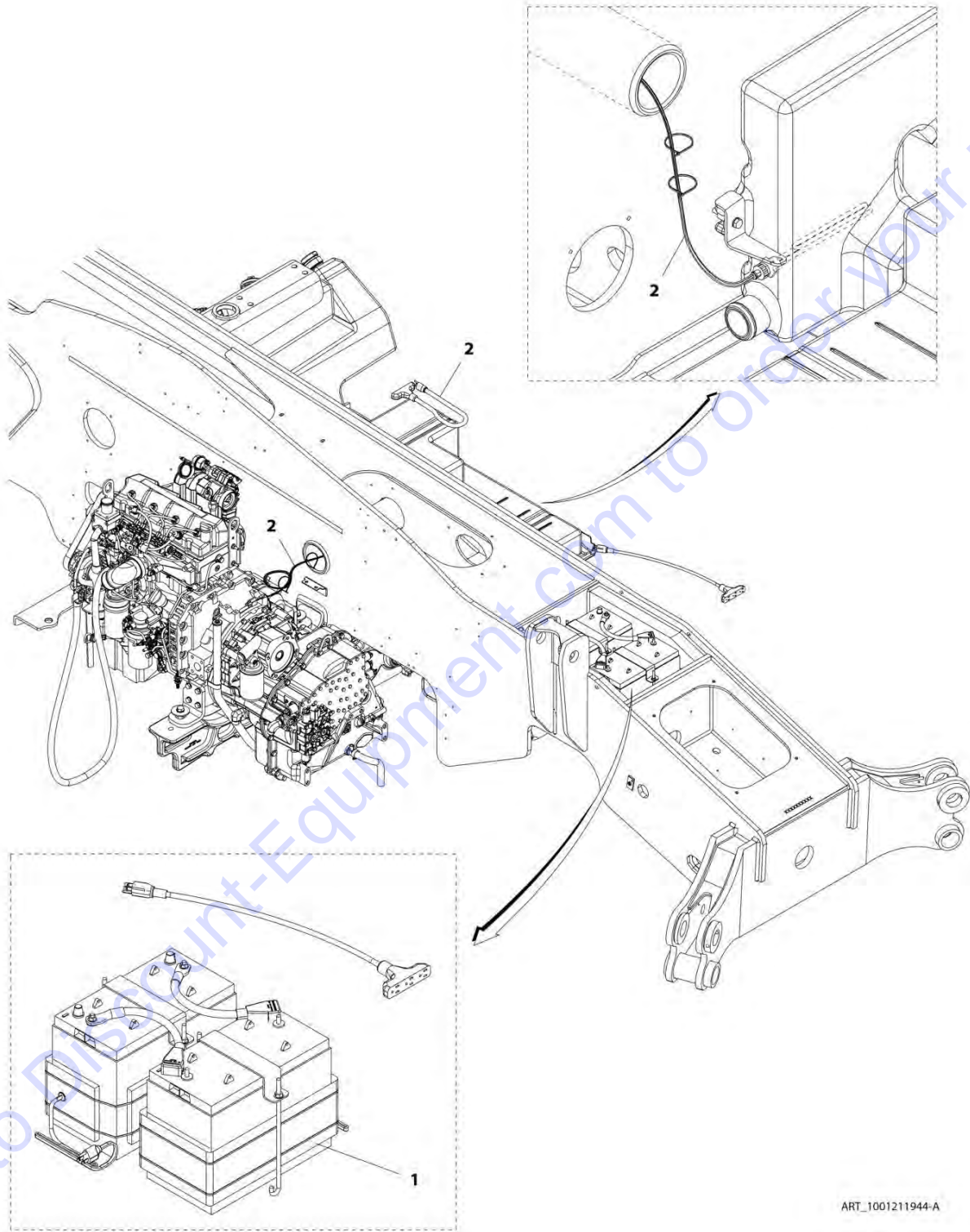
FIGURE 10-28. ARCTIC COLD WEATHER PACKAGE INSTALLATION (ULS - 74HP)

ITEM	PART NUMBER	QTY	DESCRIPTION	REV
1	1001237209	Ref	Arctic Weather Package Installation - 74 HP (ULS)	A
	1001190670	Ref	Installation, Arctic Batteries (See Separate Breakdown in this Section)	
2	1001190671	Ref	Installation, Hydraulic Tank Heater (See Separate Breakdown in this Section)	
3	1001204095	Ref	Installation, Fuel Filter Heater (See Separate Breakdown in this Section)	
4	1001237208	Ref	Heater, Breather - 74 HP (See Separate Breakdown in Engine And Attaching Parts Section)	

Go to Discount-Equipment.com to order your parts

SECTION 10 - ELECTRICAL

FIGURE 10-29. ARCTIC COLD WEATHER PACKAGE INSTALLATION (LS)



ART_1001211944-A

SECTION 10 - ELECTRICAL

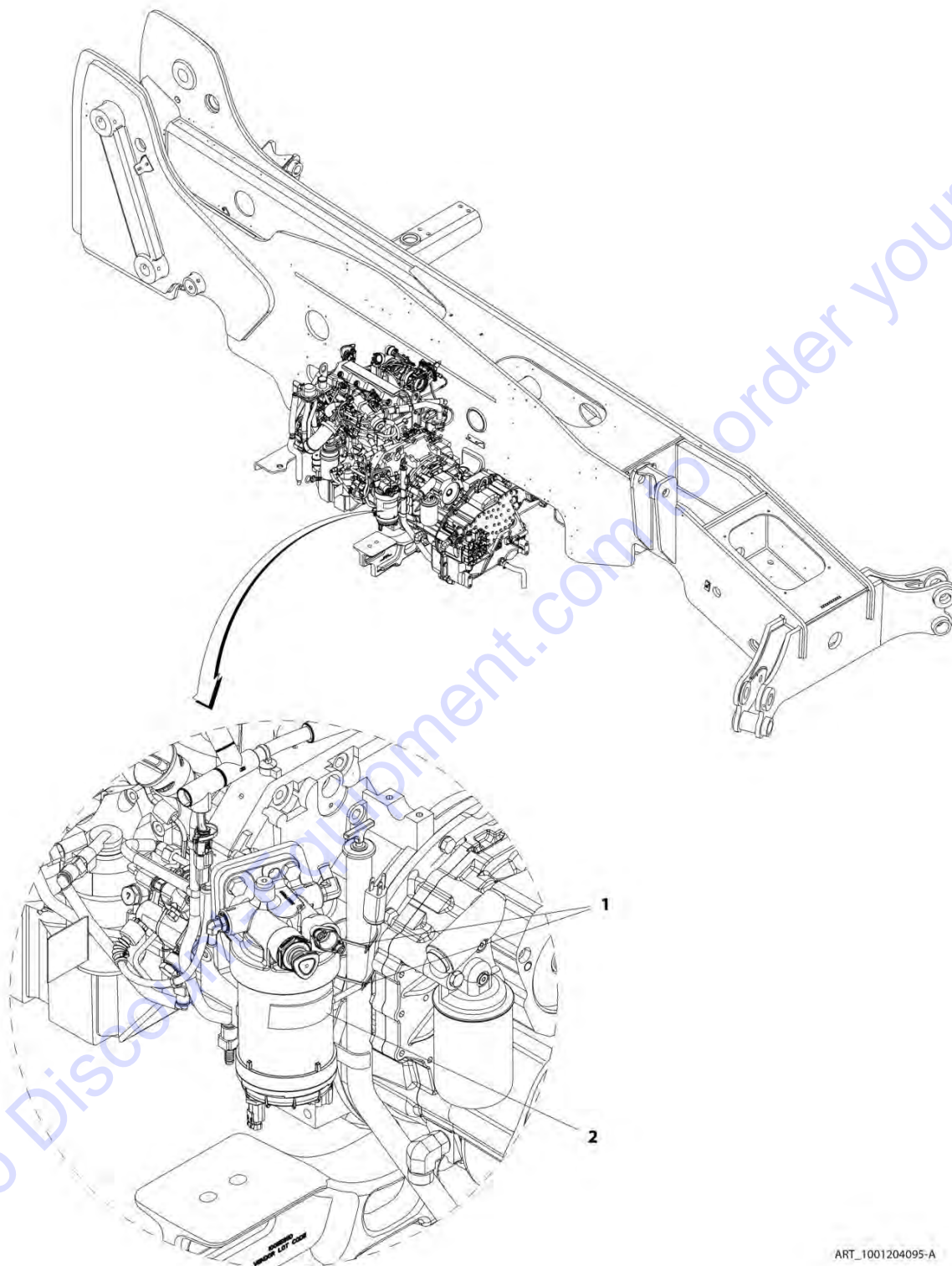
FIGURE 10-29. ARCTIC COLD WEATHER PACKAGE INSTALLATION (LS)

ITEM	PART NUMBER	QTY	DESCRIPTION	REV
1	1001211944	Ref	Arctic Cold Weather Package Installation (LS)	A
	1001190670	Ref	Installation, Arctic Batteries (See ARCTIC BATTERIES INSTALLATION for Breakdown)	
2	1001190671	Ref	Installation, Tank Heater (See HYDRAULIC TANK HEATER INSTALLATION for Breakdown)	

Go to Discount-Equipment.com to order your parts

SECTION 10 - ELECTRICAL

FIGURE 10-30. FUEL FILTER HEATER INSTALLATION



ART_1001204095-A

SECTION 10 - ELECTRICAL

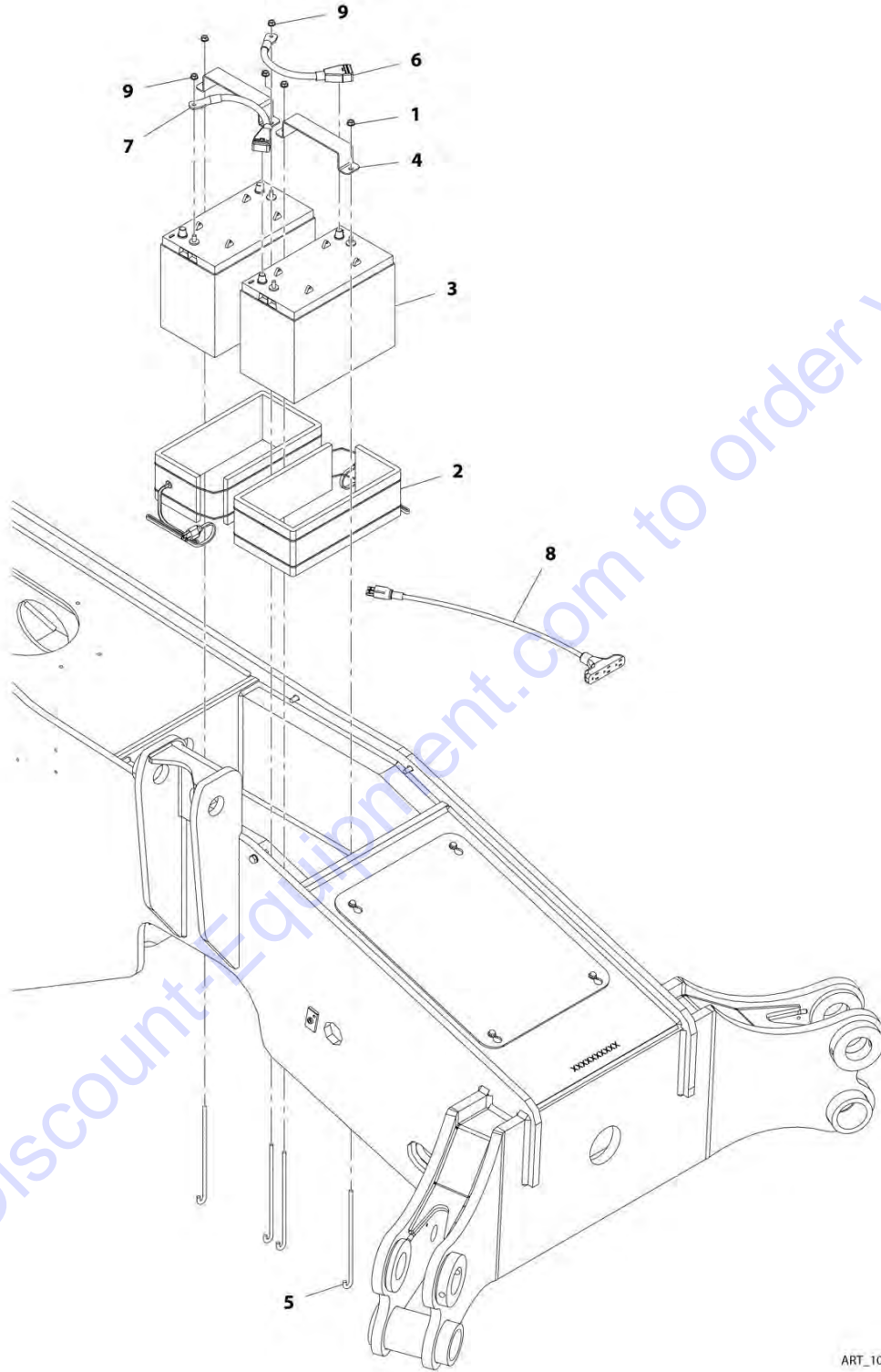
FIGURE 10-30. FUEL FILTER HEATER INSTALLATION

ITEM	PART NUMBER	QTY	DESCRIPTION	REV
	1001204095	Ref	Fuel Filter Heater Installation	A
1	4240099	2	Strap, Tie	
2	1001202498	1	Pad, Fuel Filter Heater	

Go to Discount-Equipment.com to order your parts

SECTION 10 - ELECTRICAL

FIGURE 10-31. ARCTIC BATTERIES INSTALLATION



ART_1001190670-C

SECTION 10 - ELECTRICAL

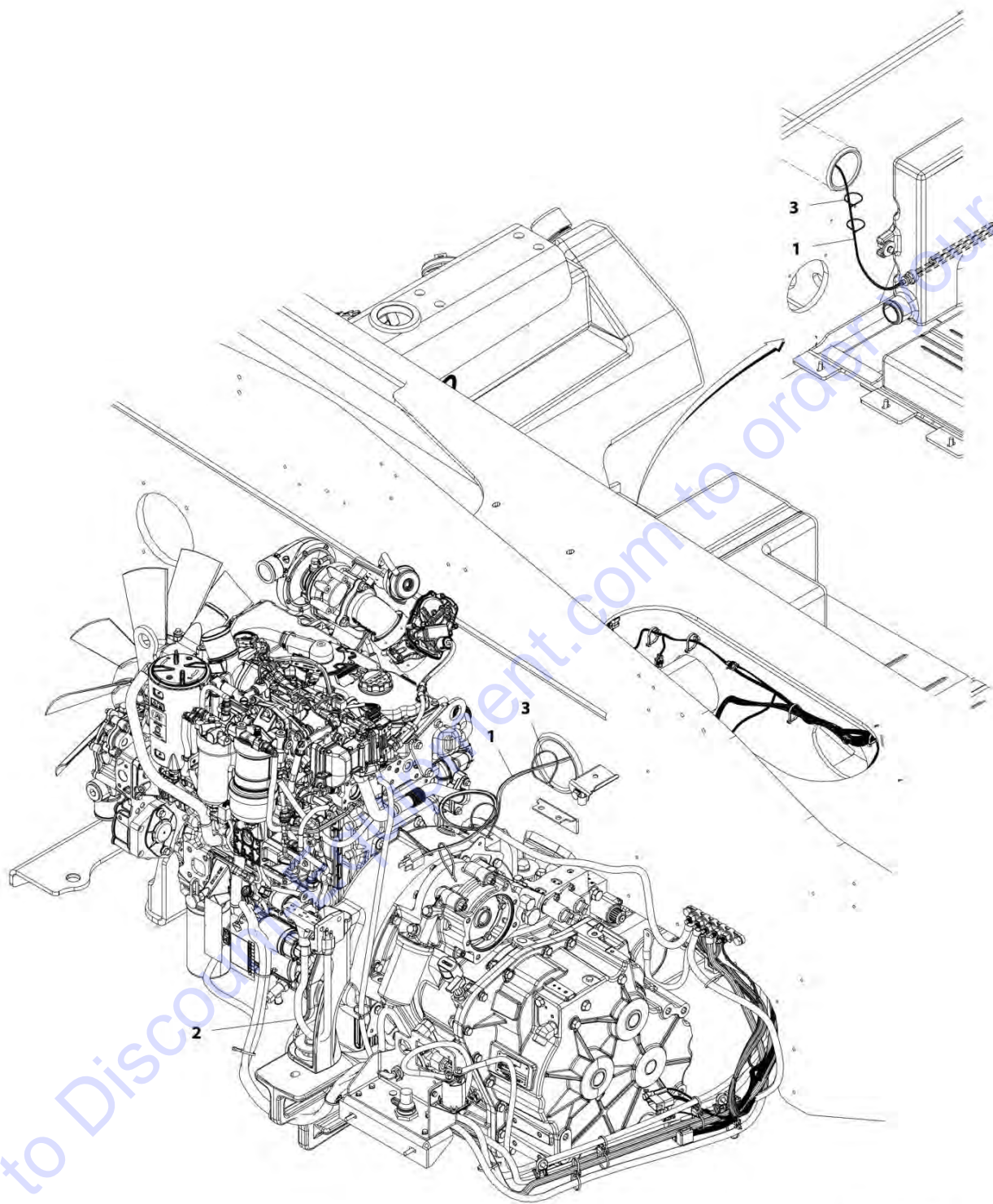
FIGURE 10-31. ARCTIC BATTERIES INSTALLATION

ITEM	PART NUMBER	QTY	DESCRIPTION	REV
	1001190670	Ref	Artic Batteries Installation	C
1	5220800	4	Nut, M8	
2	1001093564	2	Heater, Battery	
3	1001098762	2	Battery, 12V	
4	1001160927	2	Plate, Battery Hold Down	
5	1001160928	4	J-Bolt	
6	1001172495	1	Cable, Positive	
7	1001172496	1	Cable, Negative	
8	1060626	1	Cord, 3-Way Extension	
9	3311508	2	Nut	

Go to Discount-Equipment.com to order your parts

SECTION 10 - ELECTRICAL

FIGURE 10-32. HYDRAULIC TANK HEATER INSTALLATION



ART_1001190671-B

SECTION 10 - ELECTRICAL

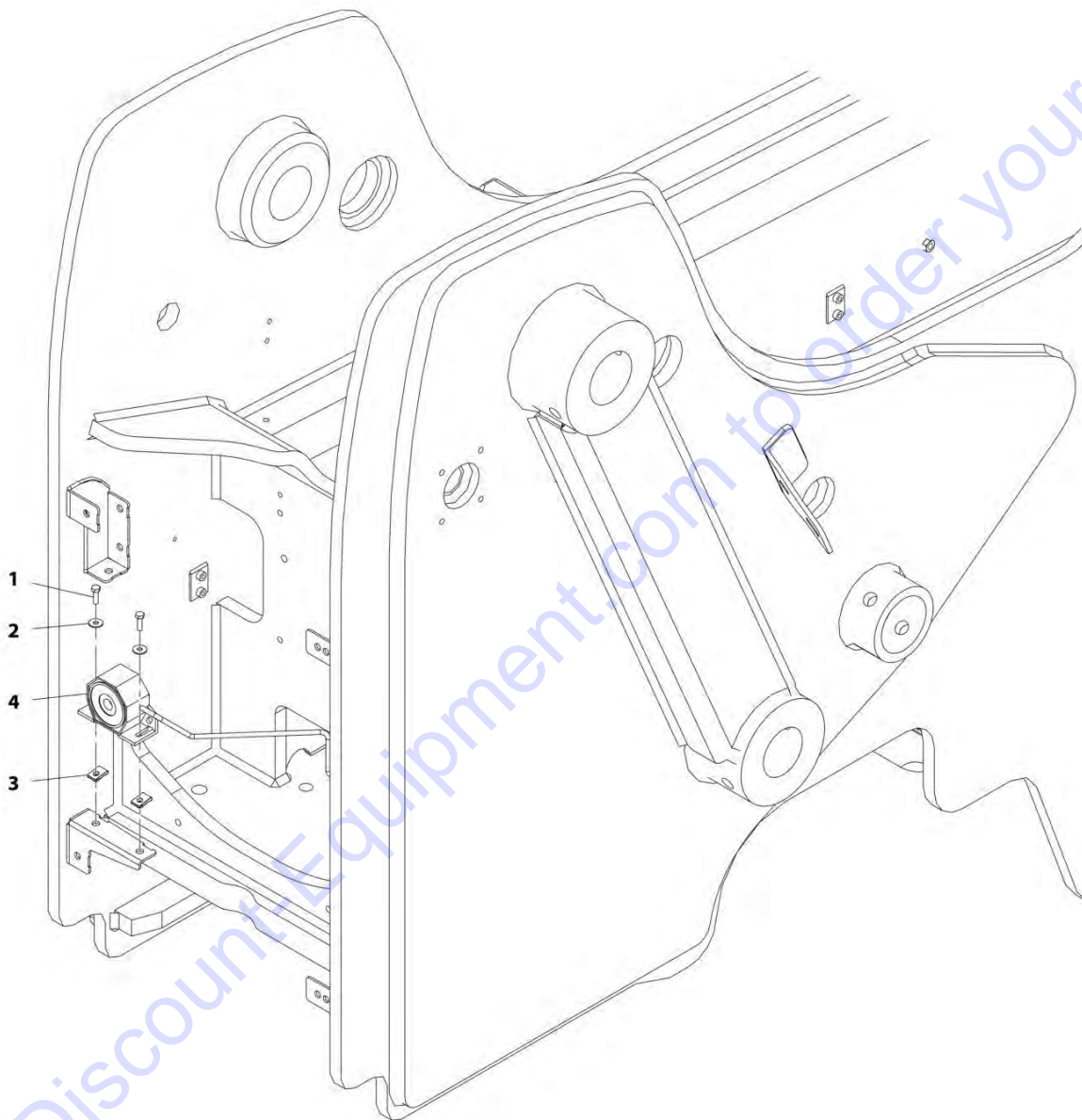
FIGURE 10-32. HYDRAULIC TANK HEATER INSTALLATION

ITEM	PART NUMBER	QTY	DESCRIPTION	REV
	1001190671	Ref	Hydraulic Tank Heater Installation	B
1	1001105886	1	Heater, Immersion	
2	1060626	1	Cord, 3-Way Extension	
3	4240099	5	Wire, Tie	

Go to Discount-Equipment.com to order your parts

SECTION 10 - ELECTRICAL

FIGURE 10-33. BACKUP ALARM INSTALLATION (120 DB)



ART_1001199183-B

SECTION 10 - ELECTRICAL

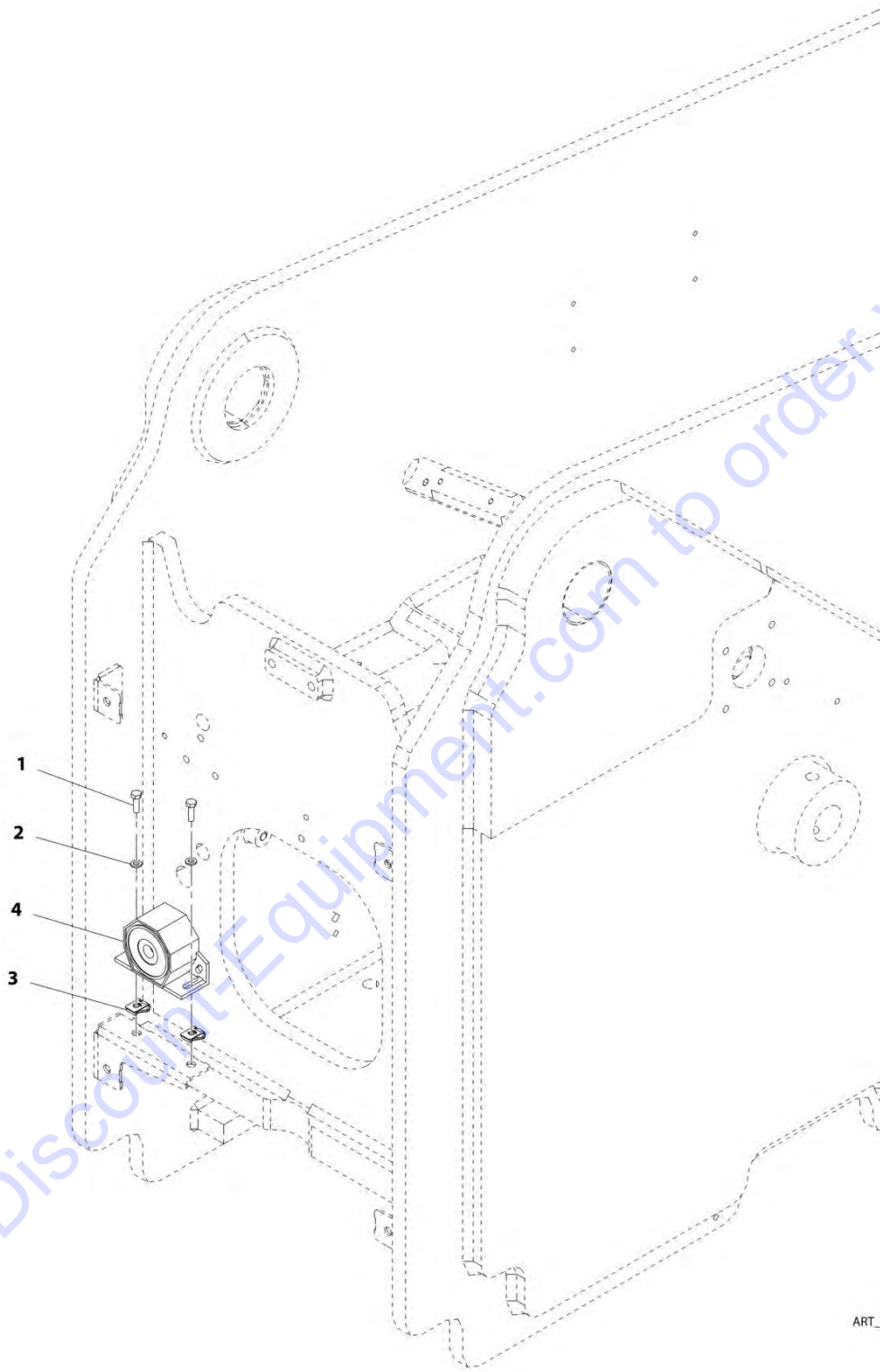
FIGURE 10-33. BACKUP ALARM INSTALLATION (120 DB)

ITEM	PART NUMBER	QTY	DESCRIPTION	REV
	1001199183	Ref	Backup Alarm Installation (120 dB)	B
1	0700610	2	Bolt, M6X20	
2	4811702	2	Washer, M6	
3	1001130220	2	Nut, M6	
4	1001147060	1	Alarm, Backup	

Go to Discount-Equipment.com to order your parts

SECTION 10 - ELECTRICAL

FIGURE 10-34. BACKUP ALARM INSTALLATION (97 DB)



ART_1001192393-D

SECTION 10 - ELECTRICAL

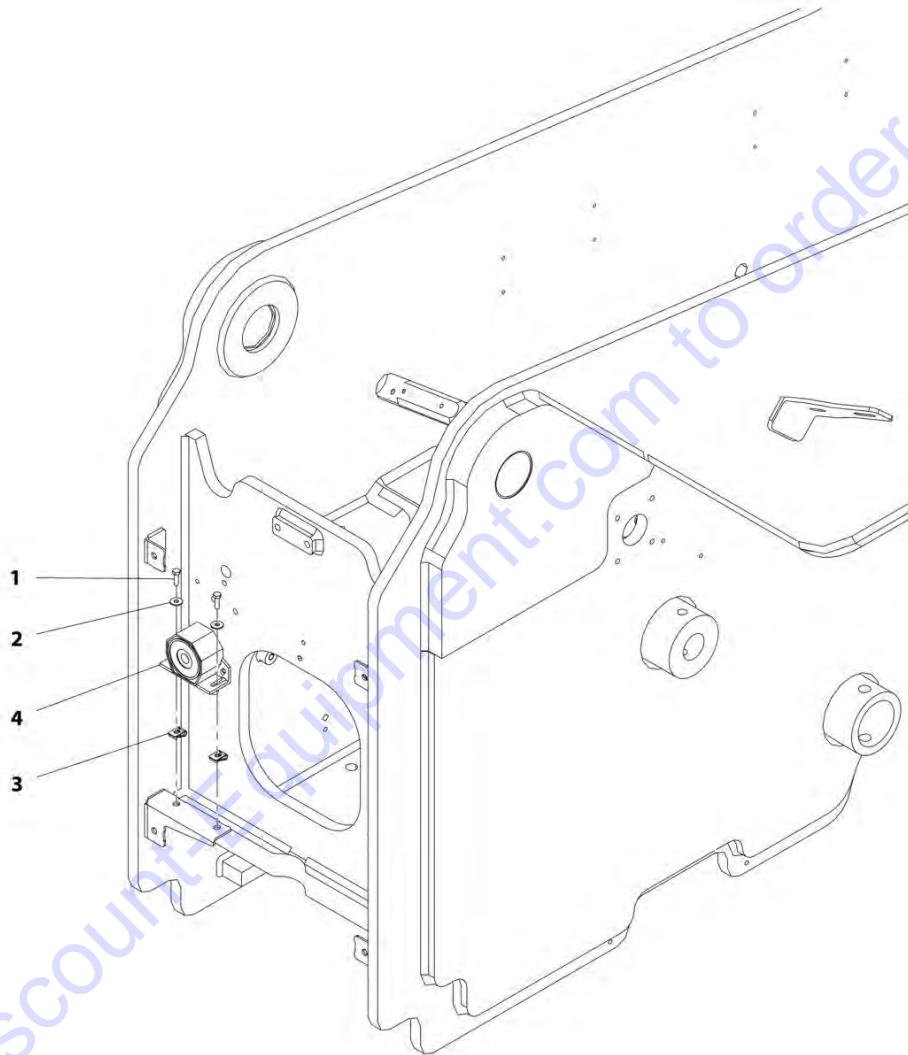
FIGURE 10-34. BACKUP ALARM INSTALLATION (97 DB)

ITEM	PART NUMBER	QTY	DESCRIPTION	REV
	1001192393	Ref	Backup Alarm Installation (97 dB)	D
1	0700610	2	Bolt, M6X20	
2	4811702	2	Washer, M6	
3	8305919	2	Nut, M6	
4	1001101808	1	Alarm, Backup	

Go to Discount-Equipment.com to order your parts

SECTION 10 - ELECTRICAL

FIGURE 10-35. WHITE NOISE BACKUP ALARM INSTALLATION



ART_1001192394-D

SECTION 10 - ELECTRICAL

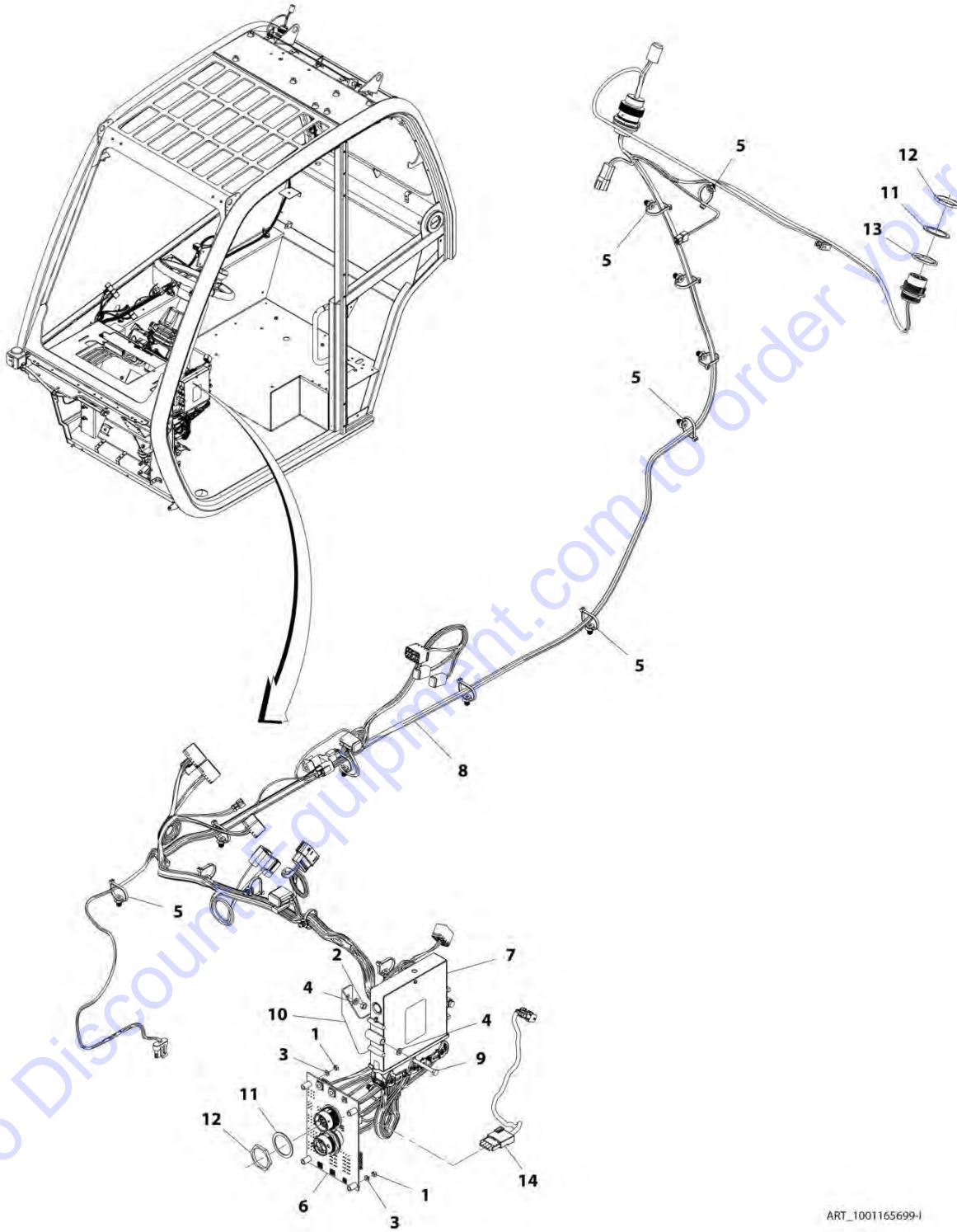
FIGURE 10-35. WHITE NOISE BACKUP ALARM INSTALLATION

ITEM	PART NUMBER	QTY	DESCRIPTION	REV
	1001192394	Ref	White Noise Backup Alarm Installation	D
1	0700610	2	Bolt, M6X20	
2	4811702	2	Washer, M6	
3	8305919	2	Nut, M6	
4	1001165827	1	Alarm, White Noise Backup	

Go to Discount-Equipment.com to order your parts

SECTION 10 - ELECTRICAL

FIGURE 10-36. CAB ELECTRICAL INSTALLATION



ART_1001165699-I

SECTION 10 - ELECTRICAL

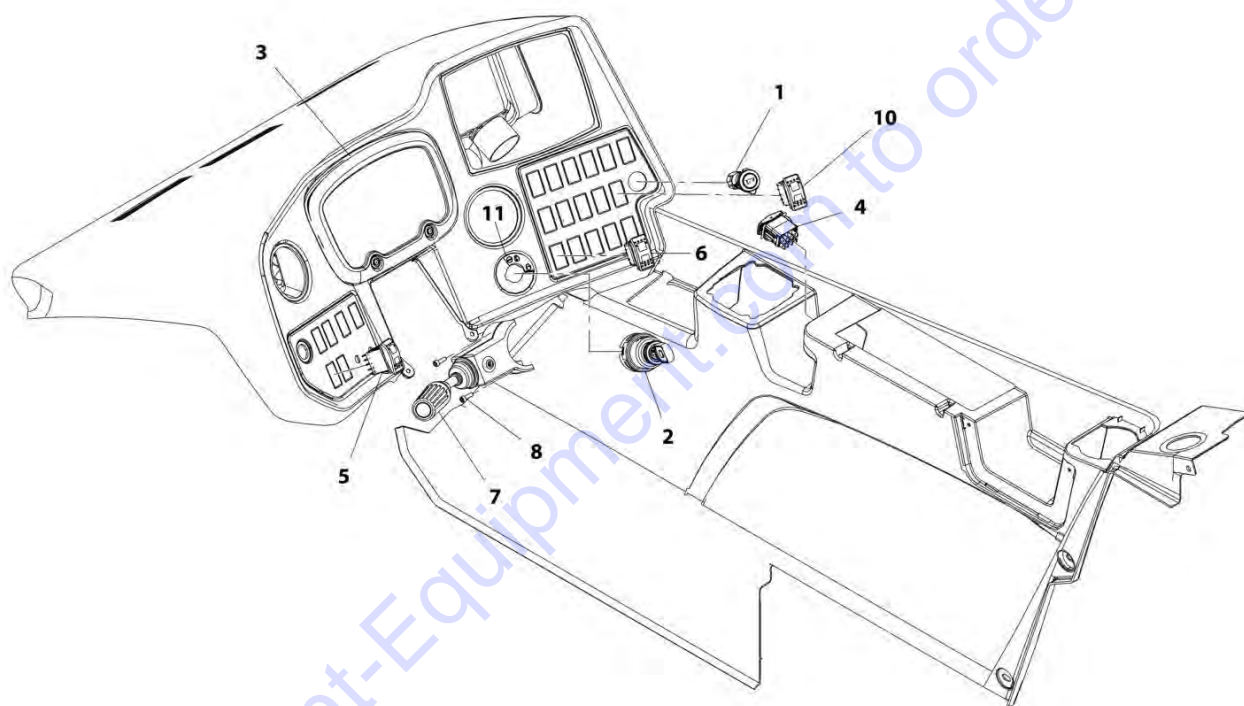
FIGURE 10-36. CAB ELECTRICAL INSTALLATION

ITEM	PART NUMBER	QTY	DESCRIPTION	REV
	1001165699	Ref	Cab Electrical Installation	1
1	3290501	3	Nut, M5X0.8	
2	3290601	2	Nut, M6X1	
3	120034	3	Washer, Plastic	
4	4811700	4	Washer, M6	
5	1001146588	16	Strap, Cable Tie	
6	1001161769	1	Assembly, Standard Electrical Board (See STANDARD ELECTRICAL BOARD ASSEMBLY for Breakdown)	
7	1001162249	1	Module, Cab Control	
8	1001196451	1	Harness, Cab (See CAB HARNESS for Breakdown)	
9	0700618	2	Bolt, M6X50	
10	1001178933	1	Bracket	
11	4460496	4	Washer, Terminal Lock	
12	4460497	4	Nut, Terminal	
13	1001211693	2	Seal	
14	1001213988	1	Cable (See Separate Breakdown in this Section)	

Go to Discount-Equipment.com to order your parts

SECTION 10 - ELECTRICAL

FIGURE 10-37. DASH ELECTRICAL INSTALLATION (ULS)



ART_1001173849-G

SECTION 10 - ELECTRICAL

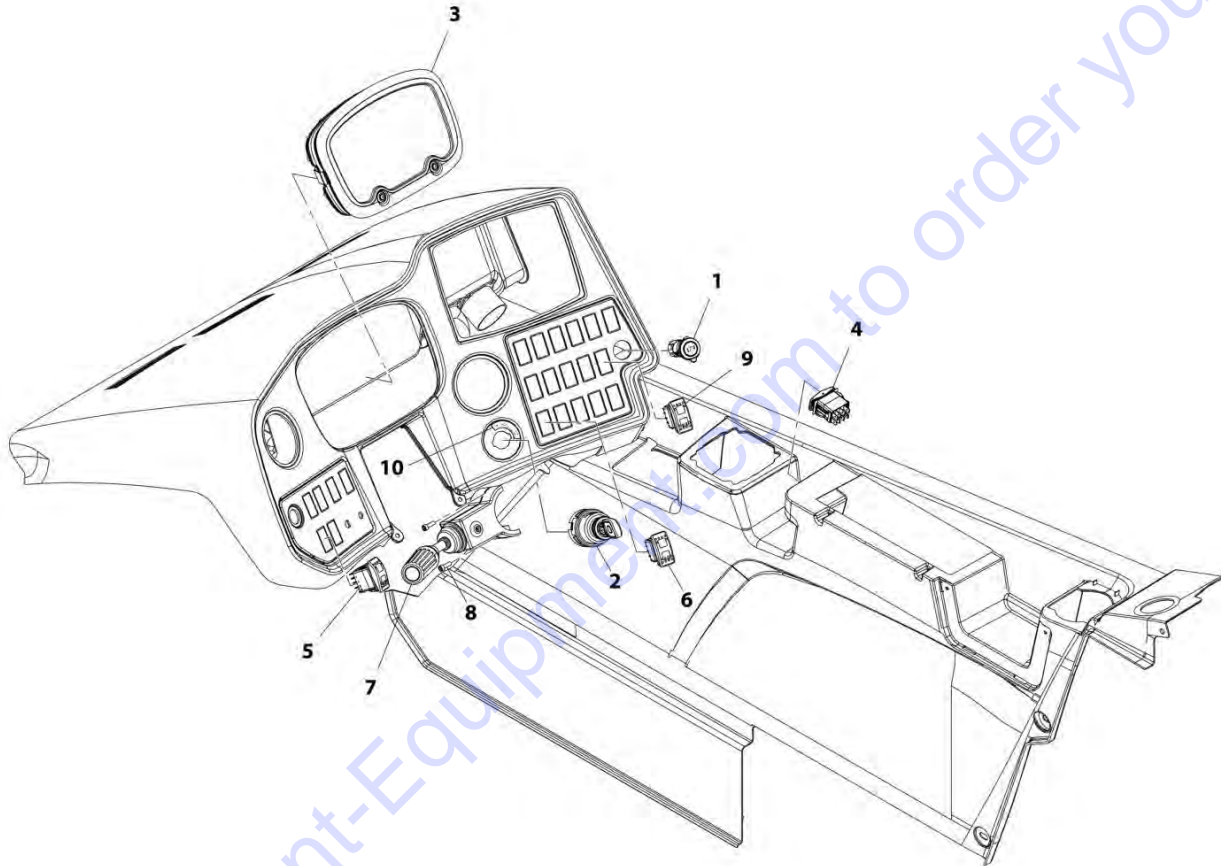
FIGURE 10-37. DASH ELECTRICAL INSTALLATION (ULS)

ITEM	PART NUMBER	QTY	DESCRIPTION	REV
	1001173849	Ref	Dash Electrical Installation (ULS)	G
1	1001095804	1	Connector, 12V Power Socket	
2	1001102502	1	Switch, 4 Position Key	
2	70022765	1	Key, Ignition	
3	1001158146	1	Cluster, Electrical Gauge	
4	1001189876	1	Switch, Frame Level (Prior to SN 0160081650)	
4	1001212470	1	Switch, Frame Level (SN 0160081650 to Present)	
5	1001159753	1	Switch, Park Brake	
6	1001159849	1	Switch, Steer Mode	
7	1001163698	1	Switch, FNR 4 Speed	
8	4031607	2	Screw, M5-0.8X16	
10	1001104654	1	Switch, AUX	
11	1001181531	1	Decal, Ignition Switch	

Go to Discount-Equipment.com to order your parts

SECTION 10 - ELECTRICAL

FIGURE 10-38. DASH ELECTRICAL INSTALLATION (LS)



ART_1001203225-C

SECTION 10 - ELECTRICAL

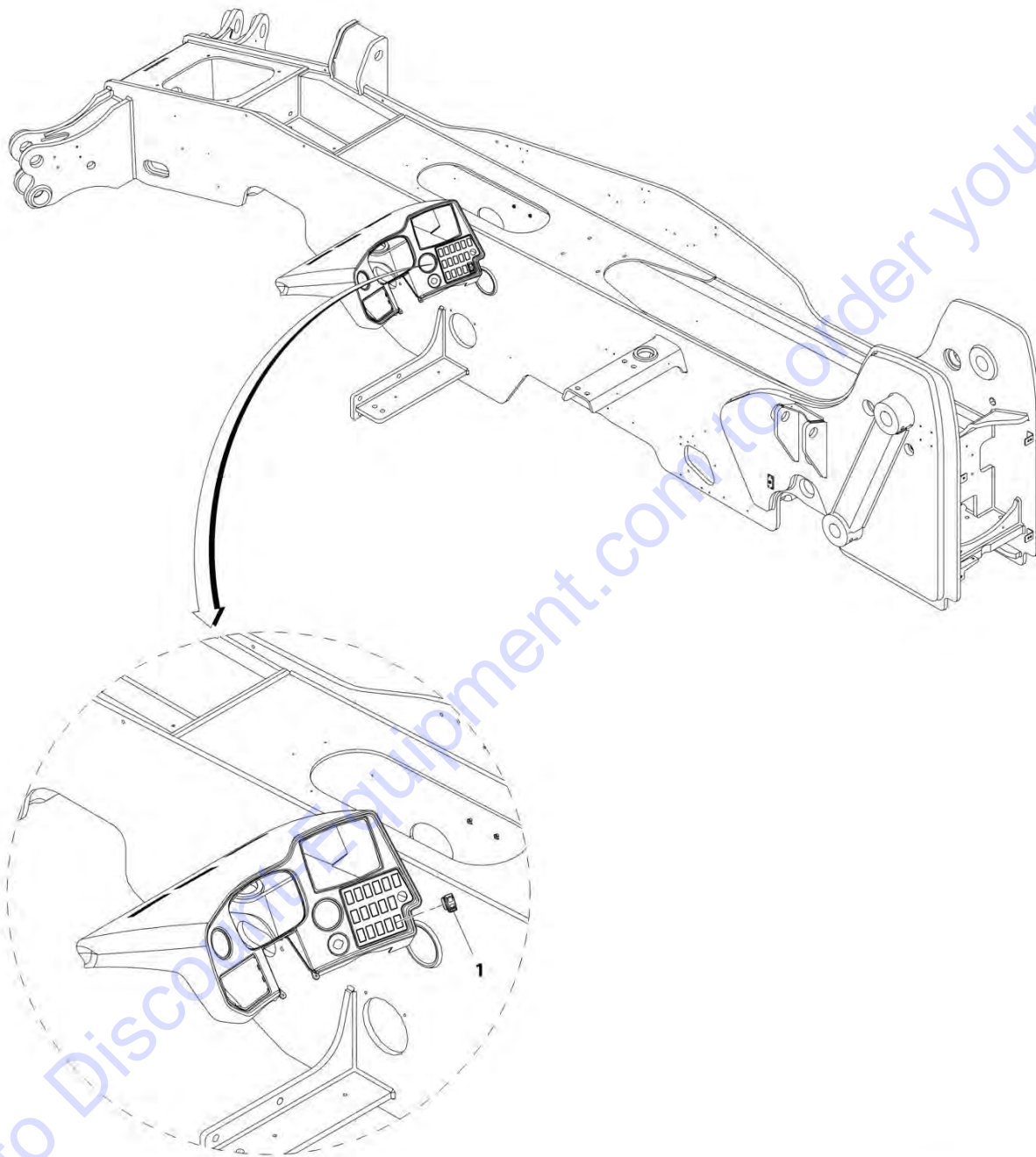
FIGURE 10-38. DASH ELECTRICAL INSTALLATION (LS)

ITEM	PART NUMBER	QTY	DESCRIPTION	REV
	1001203225	Ref	Dash Electrical Installation (LS)	C
1	1001095804	1	Connector, 12V Power Socket	
2	1001102502	1	Switch, 4 Position Key	
2	70022765	1	Key, Ignition	
3	1001202454	1	Cluster, Electrical Gauge	
4	1001189876	1	Switch, Frame Level (Prior to SN 0160081650)	
4	1001212470	1	Switch, Frame Level (SN 0160081650 to Present)	
5	1001159753	1	Switch, Park Brake	
6	1001159849	1	Switch, Steer Mode	
7	1001163698	1	Switch, FNR 4 Speed	
8	4031607	2	Screw, M5X16	
9	1001104654	1	Switch, AUX	
10	1001181531	1	Decal, Ignition Switch	

Go to Discount-Equipment.com to order your parts

SECTION 10 - ELECTRICAL

FIGURE 10-39. SWITCH LIGHT INSTALLATION



ART_100197282-A

SECTION 10 - ELECTRICAL

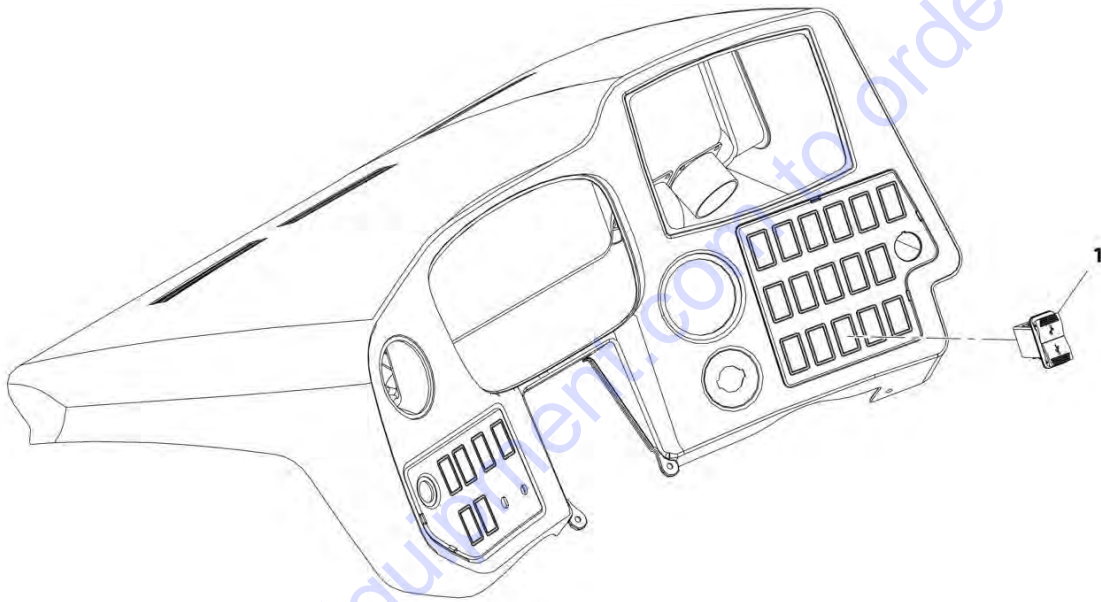
FIGURE 10-39. SWITCH LIGHT INSTALLATION

ITEM	PART NUMBER	QTY	DESCRIPTION	REV
1	1001197282	Ref	Switch Light Installation	A
	1001163639	1	Switch, Driving Lights	

Go to Discount-Equipment.com to order your parts

SECTION 10 - ELECTRICAL

FIGURE 10-40. USB CHARGER INSTALLATION



ART_1001200152-A

SECTION 10 - ELECTRICAL

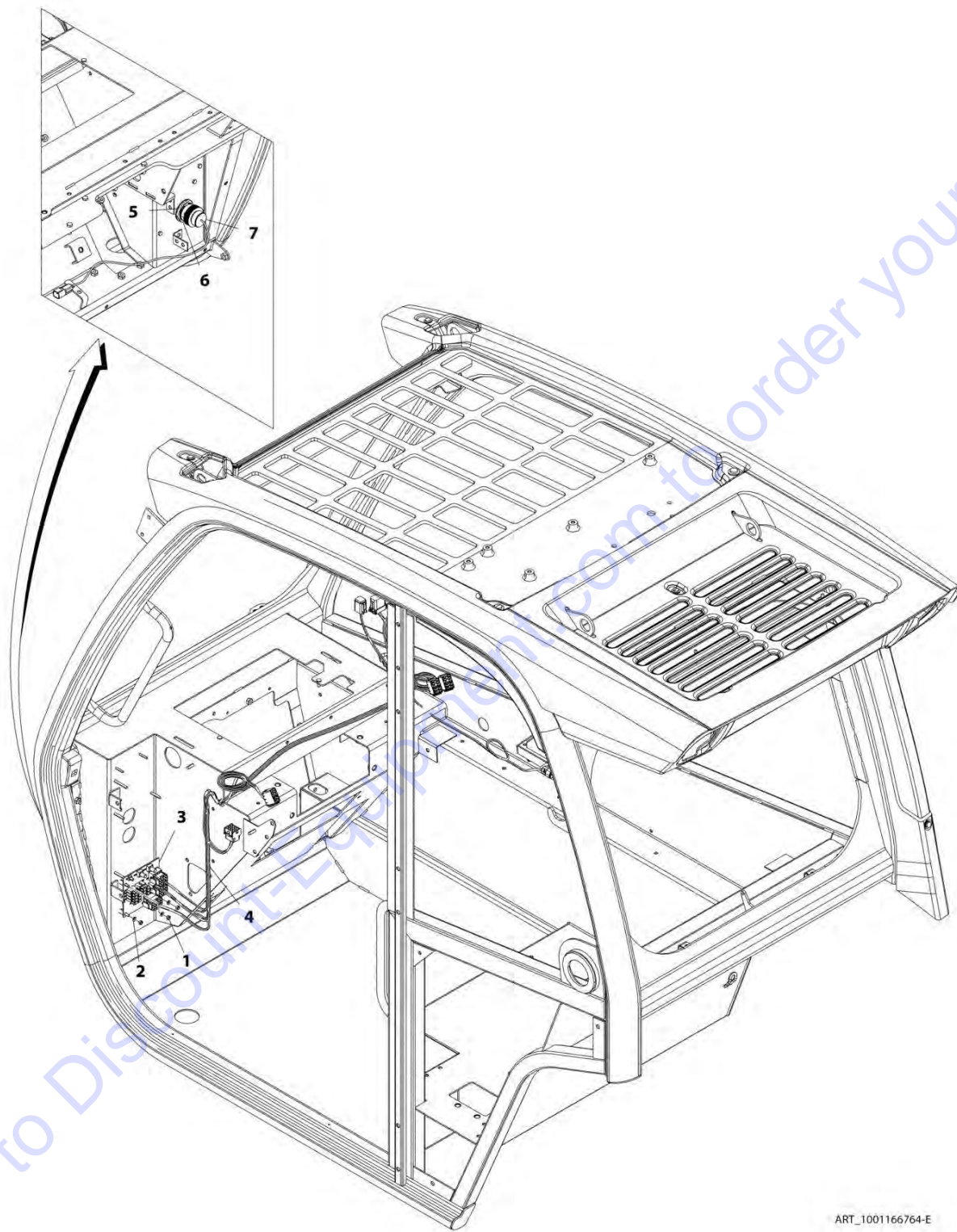
FIGURE 10-40. USB CHARGER INSTALLATION

ITEM	PART NUMBER	QTY	DESCRIPTION	REV
1	1001200152	Ref	USB Charger Installation	A
	1001174712	1	USB Charger Assembly	

Go to Discount-Equipment.com to order your parts

SECTION 10 - ELECTRICAL

FIGURE 10-41. OPEN CAB ELECTRICAL INSTALLATION WITH OPTIONS



ART_1001166764-E

SECTION 10 - ELECTRICAL

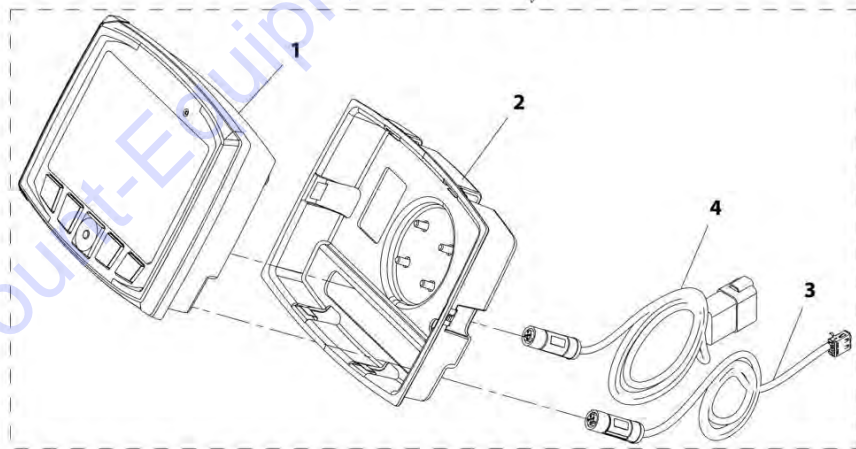
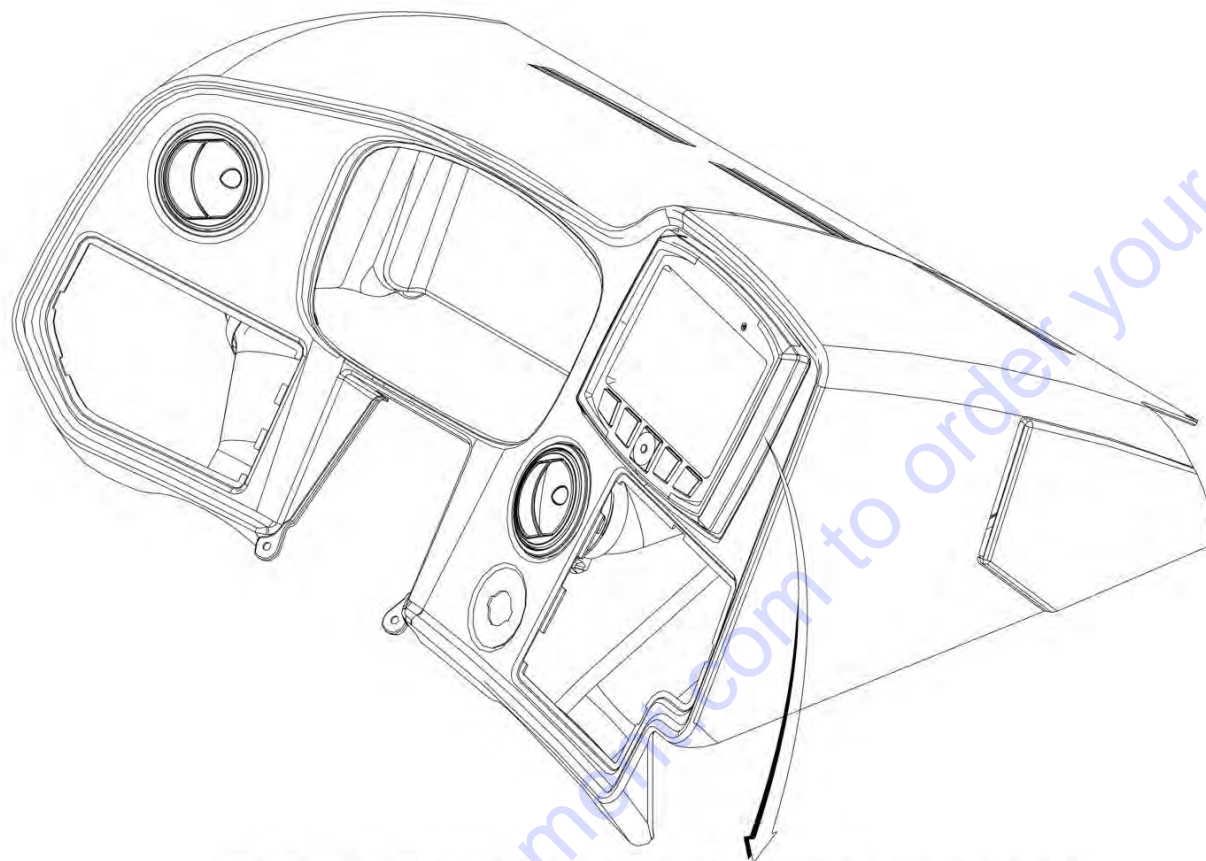
FIGURE 10-41. OPEN CAB ELECTRICAL INSTALLATION WITH OPTIONS

ITEM	PART NUMBER	QTY	DESCRIPTION	REV
	1001166764	Ref	Open Cab Electrical Installation with Options	E
1	3290501	3	Nut, M5X0.8	
2	120034	3	Washer, Plastic	
3	1001161771	1	Assembly, Option 2 Electrical Board (See OPTION 2 ELECTRICAL BOARD ASSEMBLY for Breakdown)	
4	1001163372	1	Harness, Option 2 Cab (See OPTION 2 CAB HARNESS for Breakdown)	
5	4460496	1	Washer, Terminal Lock	
6	4460497	1	Nut, Terminal	
7	1001181573	1	Harness, Cab Option (See CAB OPTION HARNESS for Breakdown)	

Go to Discount-Equipment.com to order your parts

SECTION 10 - ELECTRICAL

FIGURE 10-42. HIGH END DISPLAY INSTALLATION



ART_1001176338-B

SECTION 10 - ELECTRICAL

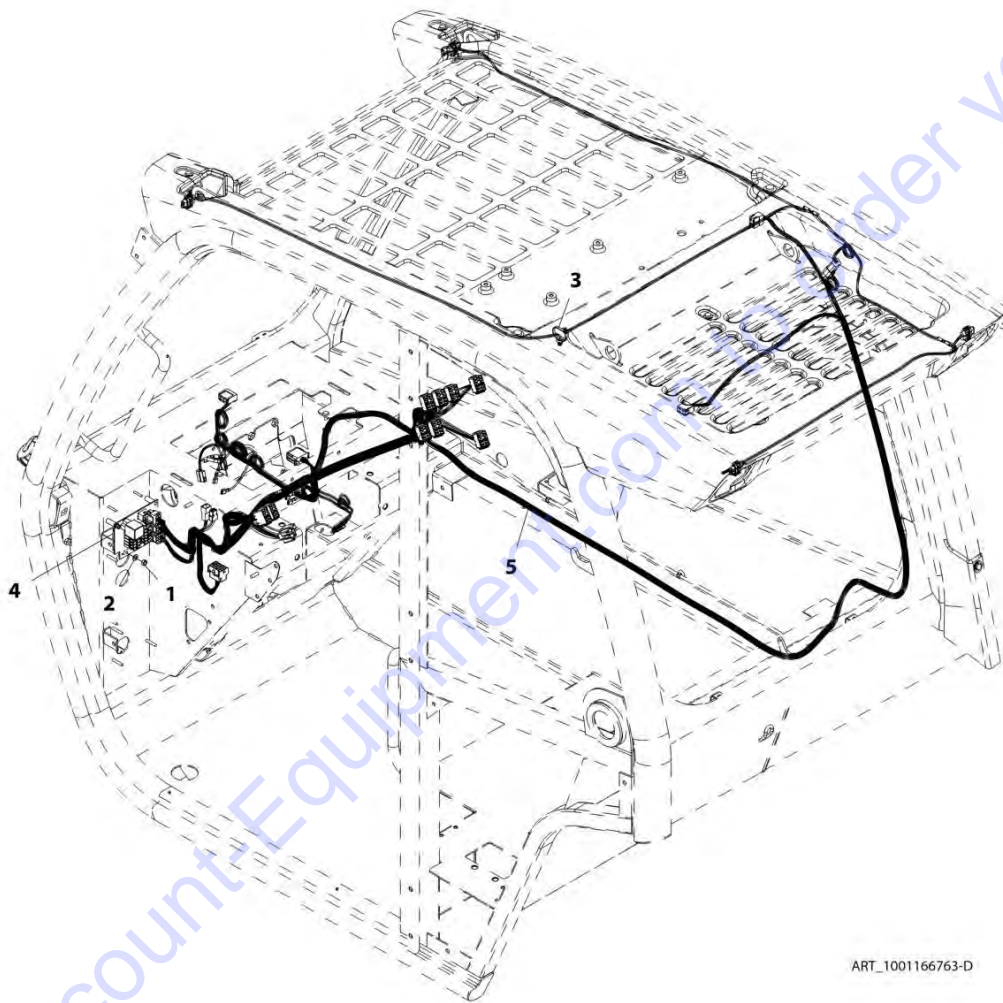
FIGURE 10-42. HIGH END DISPLAY INSTALLATION

ITEM	PART NUMBER	QTY	DESCRIPTION	REV
	1001176338	Ref	High End Display Installation	B
1	1001211357	1	Display	
2	1001178783	1	Bezel	
3	1001180682	1	Cable	
4	1001180683	1	Cable, Video	

Go to Discount-Equipment.com to order your parts

SECTION 10 - ELECTRICAL

FIGURE 10-43. ENCLOSED CAB ELECTRICAL INSTALLATION WITH OPTIONS



ART_1001166763-D

SECTION 10 - ELECTRICAL

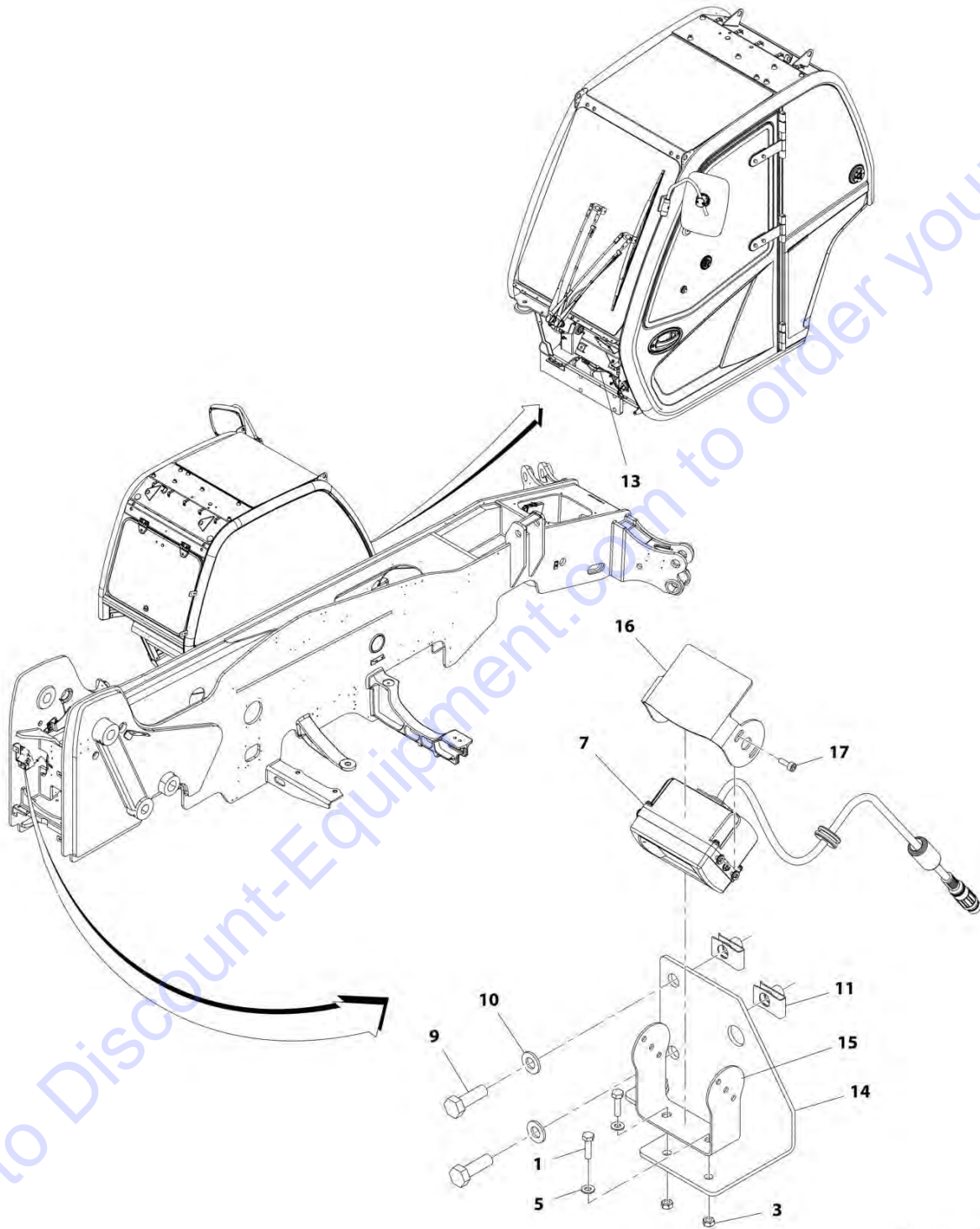
FIGURE 10-43. ENCLOSED CAB ELECTRICAL INSTALLATION WITH OPTIONS

ITEM	PART NUMBER	QTY	DESCRIPTION	REV
	1001166763	Ref	Enclosed Cab Electrical Installation with Options	D
1	3290501	1	Nut, M5X0.8	
2	120034	1	Washer, Plastic	
3	1001146588	1	Strap, Cable Tie	
4	1001161770	1	Assembly, Option 1 Electrical Board (See OPTION 1 ELECTRICAL BOARD ASSEMBLY for Breakdown)	
5	1001163371	1	Harness, Option 1 Cab (See OPTION 1 CAB HARNESS for Breakdown)	

Go to Discount-Equipment.com to order your parts

SECTION 10 - ELECTRICAL

FIGURE 10-44. REVERSE CAMERA INSTALLATION



ART_1001168031-E

SECTION 10 - ELECTRICAL

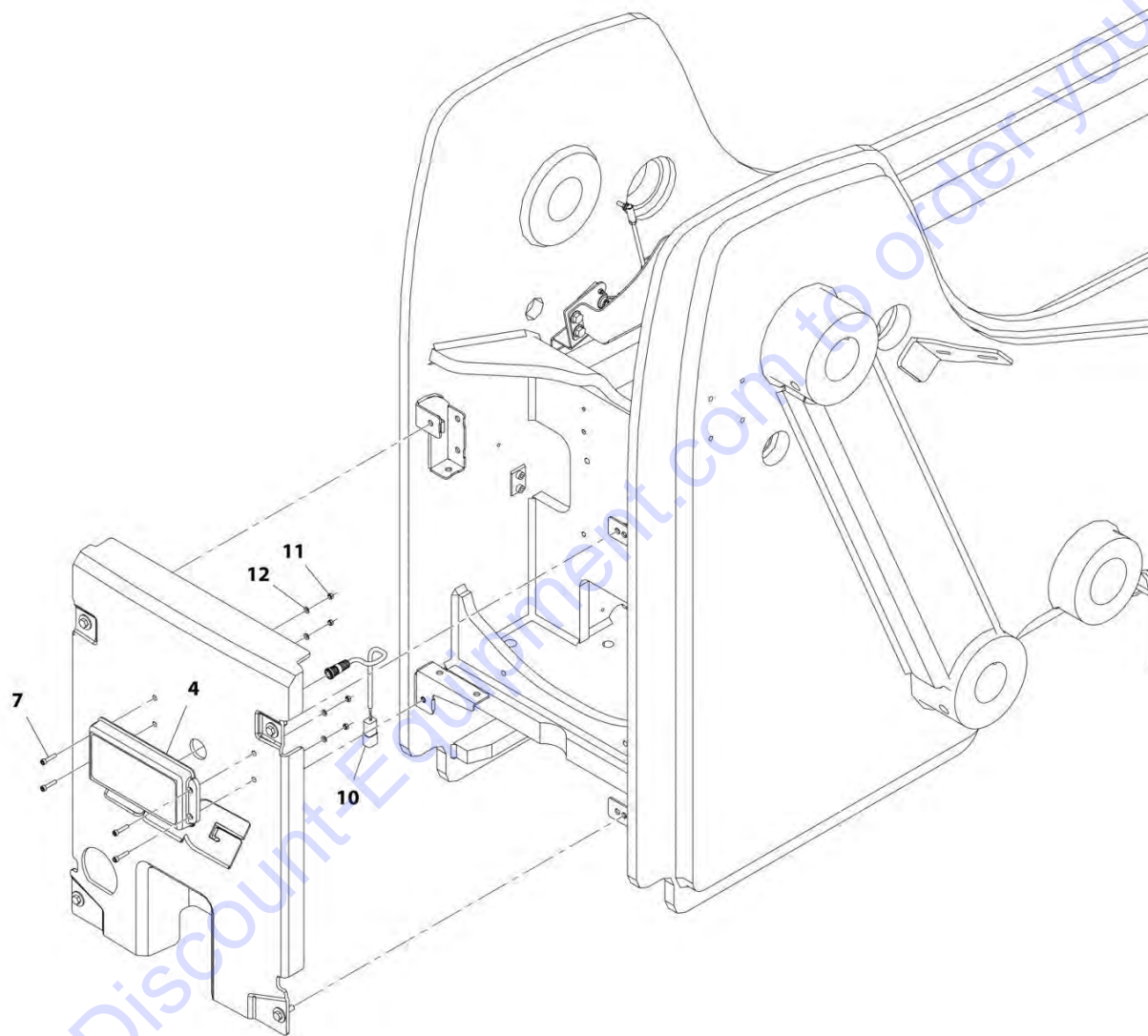
FIGURE 10-44. REVERSE CAMERA INSTALLATION

ITEM	PART NUMBER	QTY	DESCRIPTION	REV
	1001168031	Ref	Reverse Camera Installation	E
1	0700408	2	Bolt, M4X16	
3	3290401	2	Nut, M4X0.7	
5	4811400	2	Washer, M4	
7	1001167017	1	Camera	
9	0760812	3	Bolt, M8X25	
10	4811900	3	Washer, M8	
11	8310686	3	Nut, Retainer M8X12.5	
13	1001171962	1	Cable, Reverse Camera	
14	1001202620	1	Bracket, Reverse Camera Mount	
15	1001202621	1	Bracket, Reverse Camera Mount	
16	1001202622	1	Bracket, Reverse Sun Shield	
17	4031205	4	Bolt, M3X10	

Go to Discount-Equipment.com to order your parts

SECTION 10 - ELECTRICAL

FIGURE 10-45. REVERSE SENSOR INSTALLATION



ART_1001172536-H

SECTION 10 - ELECTRICAL

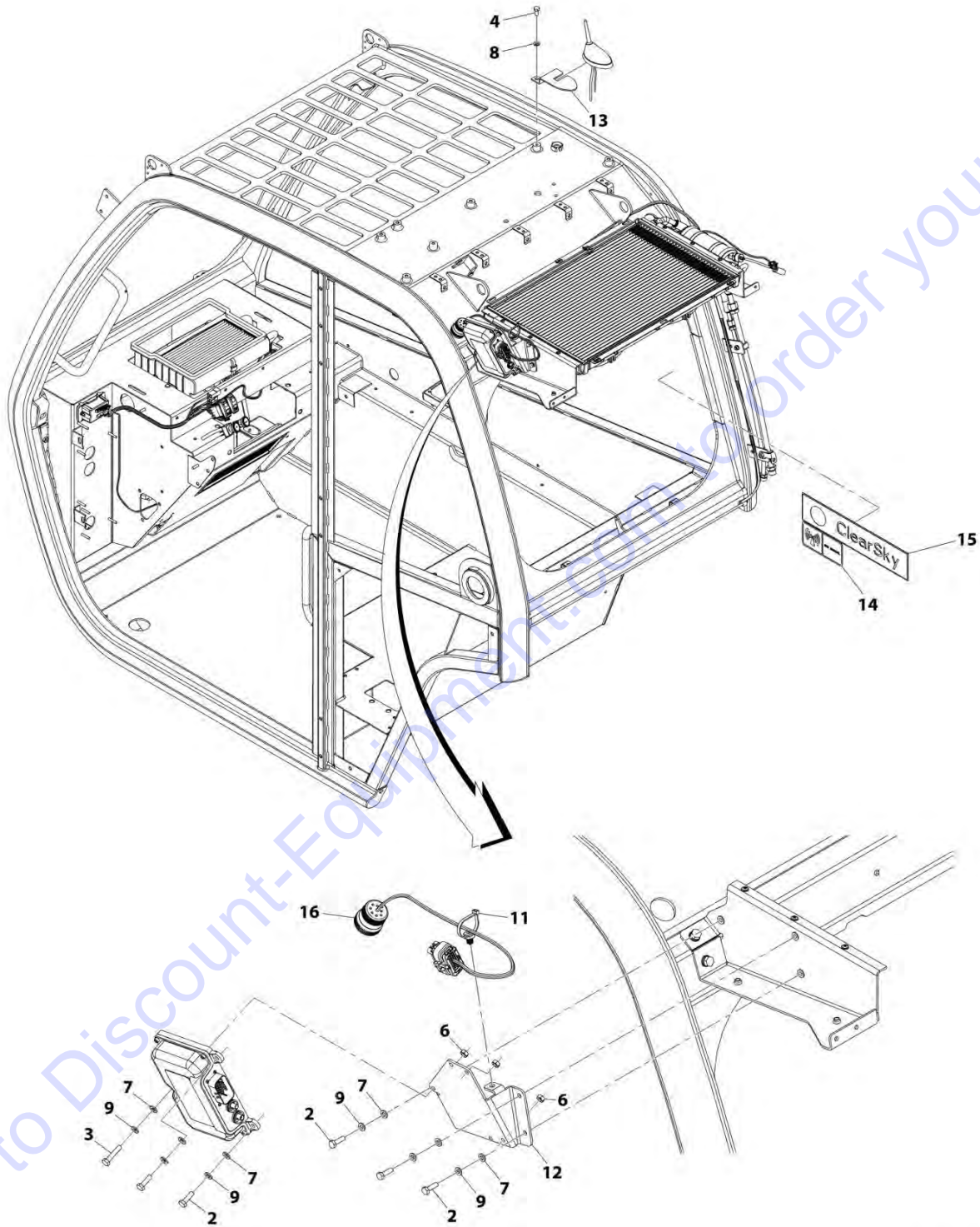
FIGURE 10-45. REVERSE SENSOR INSTALLATION

ITEM	PART NUMBER	QTY	DESCRIPTION	REV
	1001172536	Ref	Reverse Sensor Installation	H
4	1001189997	1	Sensor, Reverse	
7	5271609	4	Screw, M5X25	
10	1001175776	1	Harness, Reverse Sensor (See REVERSE SENSOR HARNESS for Breakdown)	
11	3290501	4	Nut, M5X0.8	
12	4811600	4	Washer, M5	

Go to Discount-Equipment.com to order your parts

SECTION 10 - ELECTRICAL

FIGURE 10-46. CLEARSKY INSTALLATION (LONG ROOF CAP) (Prior to SN 0160082365, Including 0160081891, 0160081892, 0160081893, 0160082021, 0160082022 and 0160082054)



ART_1001174368-G

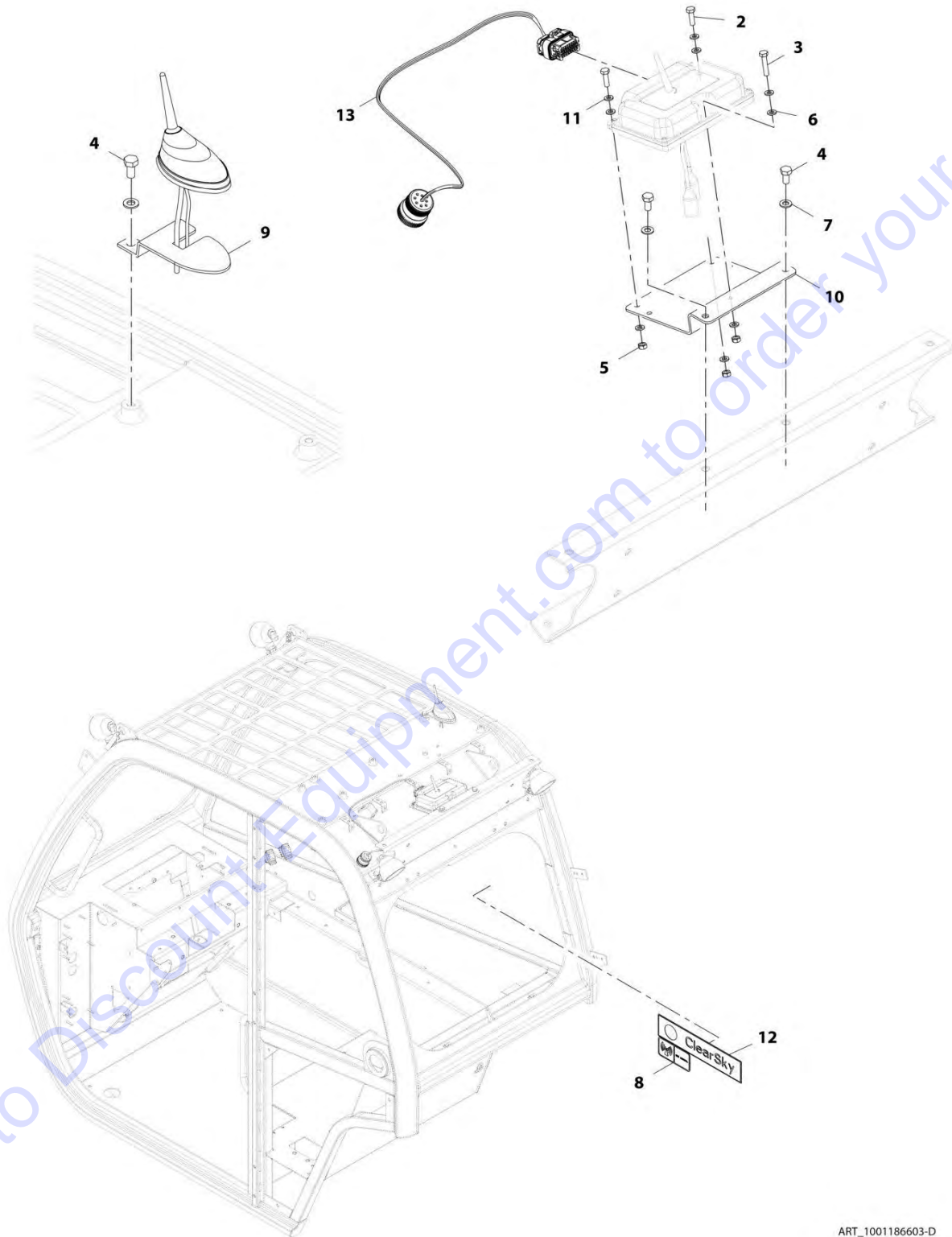
SECTION 10 - ELECTRICAL

FIGURE 10-46. CLEARSKY INSTALLATION (LONG ROOF CAP) (Prior to SN 0160082365, Including 0160081891, 0160081892, 0160081893, 0160082021, 0160082022 and 0160082054)

ITEM	PART NUMBER	QTY	DESCRIPTION	REV
	1001174368	Ref	Clearsky Installation (Long Roof Cap)	G
2	0700610	5	Bolt, M6X20	
3	0700614	1	Bolt, M6X30	
4	0760808	1	Bolt, M8X16	
6	3290601	3	Nut, M6X1	
7	4811700	6	Washer, M6	
8	4811900	1	Washer, M8	
9	4831700	6	Washer, Lock M6	
11	1001146588	1	Strap, Cable	
12	1001174359	NLA	Support Bracket, (no longer available, use 1001220947 for replacement)	
12	1001220947	1	Support Bracket	
13	1001174372	1	Clearsky Ant, Bracket	
14	1001120989	1	Decal, Radio Frequency	
15	1001116208	1	Decal, Clear Sky	
16	1001196452	1	Harness, Clearsky (See Separate Breakdown in this Section)	

SECTION 10 - ELECTRICAL

FIGURE 10-47. CLEARSKY INSTALLATION (SHORT ROOF CAP) (Prior to SN 0160082365, Including 0160081891, 0160081892, 0160081893, 0160082021, 0160082022 and 0160082054)



ART_1001186603-D

SECTION 10 - ELECTRICAL

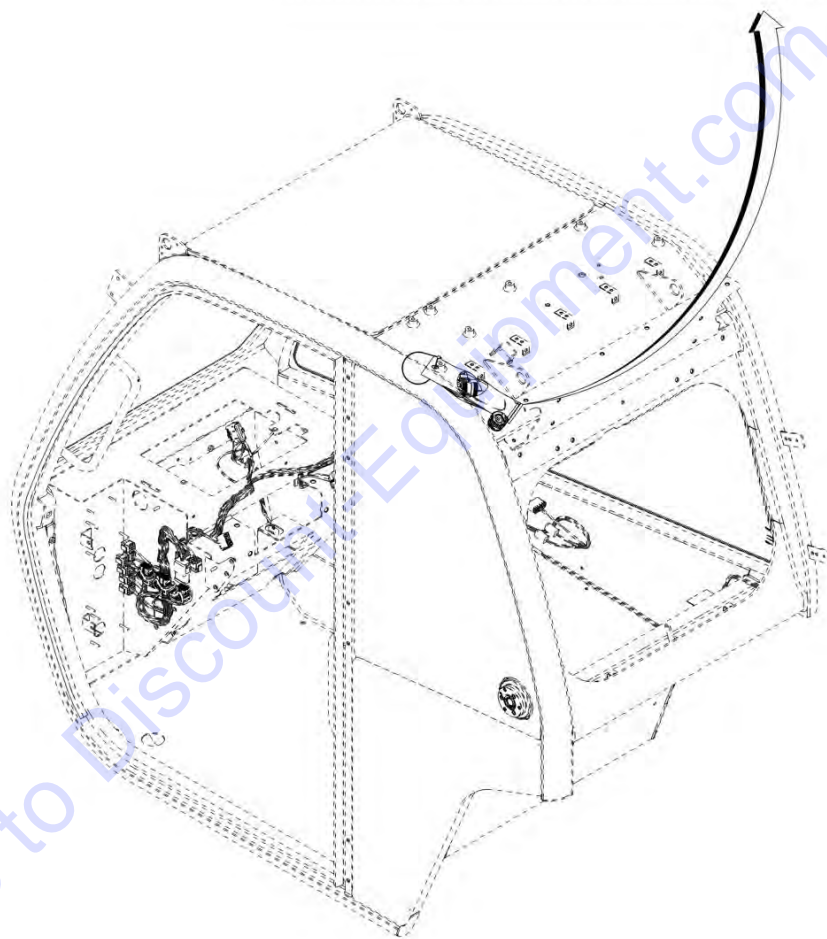
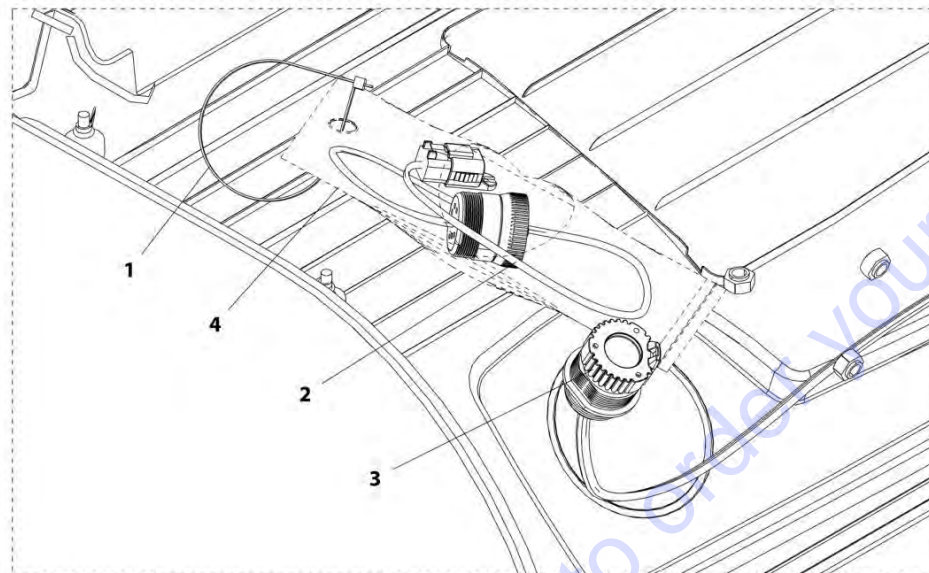
FIGURE 10-47. CLEARSKY INSTALLATION (SHORT ROOF CAP) (Prior to SN 0160082365, Including 0160081891, 0160081892, 0160081893, 0160082021, 0160082022 and 0160082054)

ITEM	PART NUMBER	QTY	DESCRIPTION	REV
	1001186603	Ref	Clearsky Installation (Short Roof Cap)	D
2	0700610	2	Bolt, M6X20	
3	0700614	1	Bolt, M6X30	
4	0760808	3	Bolt, M8X16	
5	3290601	3	Nut, M6X1 Grade 8	
6	4811700	6	Washer, M6	
7	4811900	3	Washer, M8	
8	1001120989	1	Radio Frequency Decal	
9	1001174372	1	Bracket	
10	1001185722	1	Bracket, Support	
11	4831700	3	Washer, Lock M6	
12	1001116208	1	Clearsky Decal	
13	1001196452	1	Harness, Clearsky (See CLEARSKY HARNESS for Breakdown)	

Go to Discount-Equipment.com to order your parts

SECTION 10 - ELECTRICAL

FIGURE 10-48. TELEMATICS READY INSTALLATION



ART_1001202519-A

SECTION 10 - ELECTRICAL

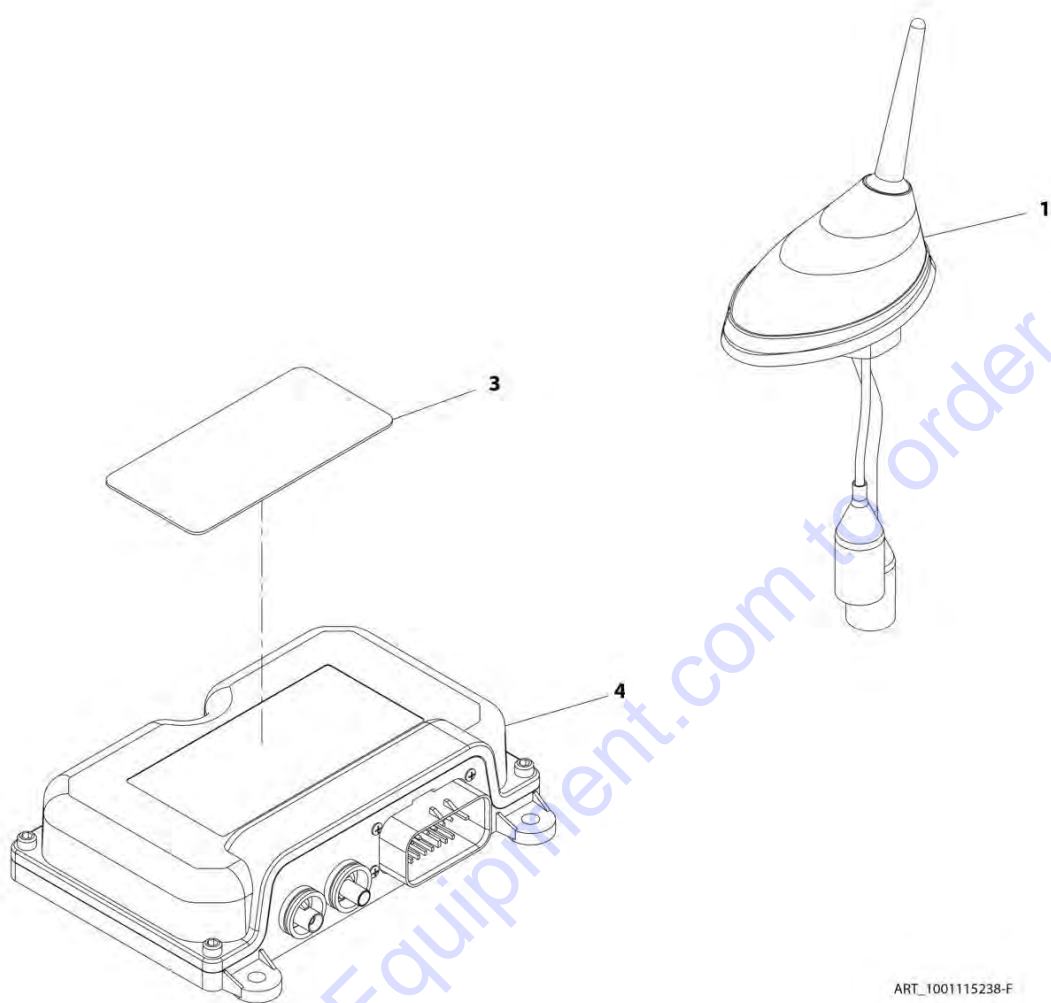
FIGURE 10-48. TELEMATICS READY INSTALLATION

ITEM	PART NUMBER	QTY	DESCRIPTION	REV
	1001202519	Ref	Telematics Ready Installation	A
1	8584003	1	Tie Strap	
2	1001196289	1	Harness, Telematics Ready (See TELEMATICS READY HARNESS for Breakdown)	
3	1001201162	1	Cap, Deutsch	
4	1001202617	1	Bag	

Go to Discount-Equipment.com to order your parts

SECTION 10 - ELECTRICAL

FIGURE 10-49. CLEARSKY CONTROLLER (Prior to SN 0160082365, Including 0160081891, 0160081892, 0160081893, 0160082021, 0160082022 and 0160082054)



ART_1001115238-F

SECTION 10 - ELECTRICAL

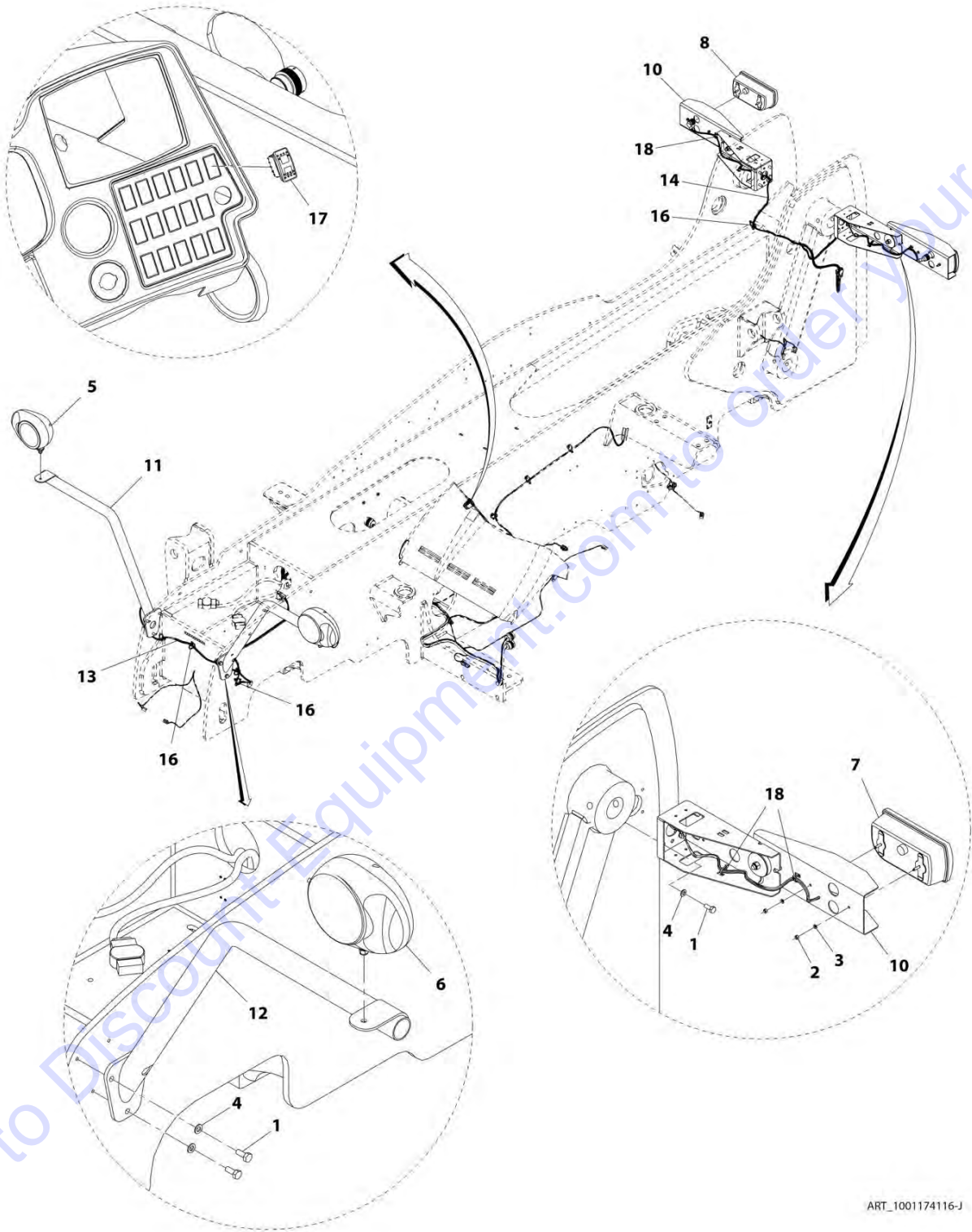
FIGURE 10-49. CLEARSKY CONTROLLER (Prior to SN 0160082365, Including 0160081891, 0160081892, 0160081893, 0160082021, 0160082022 and 0160082054)

ITEM	PART NUMBER	QTY	DESCRIPTION	REV
	1001115238	1	ClearSky Controller	F
1	1001100443	1	Antenna	
3	1001140322	1	Decal	
4	1001151032	1	Controller	

Go to Discount-Equipment.com to order your parts

SECTION 10 - ELECTRICAL

FIGURE 10-50. ROAD LIGHTS INSTALLATION (NO OUTRIGGERS) (Prior to SN 0160079247)



ART_1001174116-J

SECTION 10 - ELECTRICAL

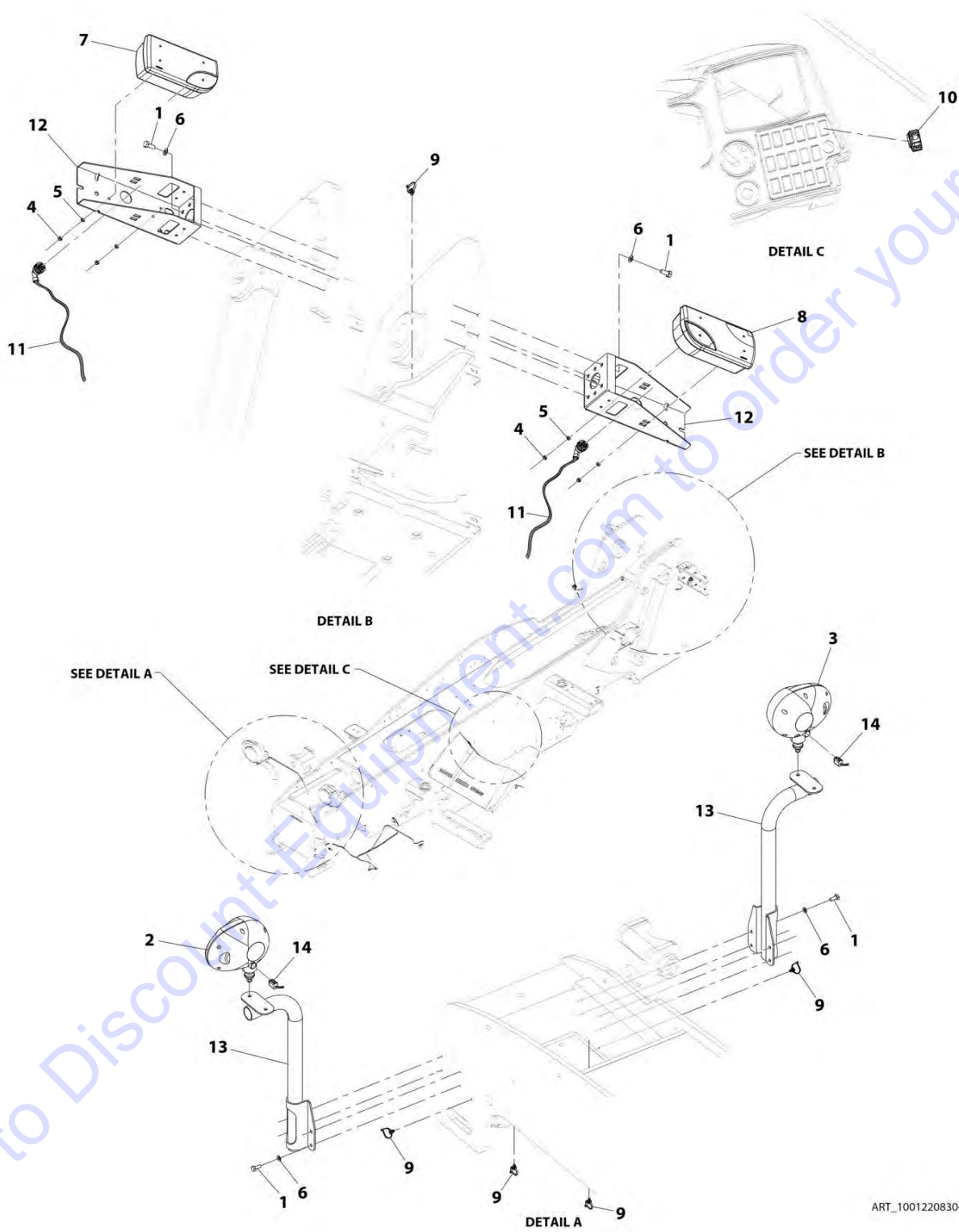
FIGURE 10-50. ROAD LIGHTS INSTALLATION (NO OUTRIGGERS) (Prior to SN 0160079247)

ITEM	PART NUMBER	QTY	DESCRIPTION	REV
	1001174116	Ref	Road Lights Installation (No Outriggers)	J
1	0761012	14	Bolt, M10X25	
2	3290607	4	Nut, M6X1	
3	4811700	4	Washer, M6	
4	4812000	14	Washer, M10	
5	2920208	1	Light, Driving RH	
6	2920207	1	Light, Driving LH	
7	1001091715	1	Lamp, Rear LH	
8	1001091716	1	Lamp, Rear RH	
10	1001183112	2	Bracket	
11	1001174120	1	Bracket	
12	1001174122	1	Bracket	
13	1001165360	1	Harness, Front Frame Headlight (See FRONT FRAME HEADLIGHT HARNESS for Breakdown)	
14	1001173092	1	Harness, HBP Tail Lights (See HBP TAIL LIGHTS HARNESS for Breakdown)	
16	1001146588	5	Strap, Cable	
17	1001159734	1	Switch, Hazard	
18	1001008559	4	Strap, Cable	

Go to Discount-Equipment.com to order your parts

SECTION 10 - ELECTRICAL

FIGURE 10-51. ROAD LIGHTS INSTALLATION (NO OUTRIGGERS) (SN 0160079247 to Present)



ART_1001220830-A

SECTION 10 - ELECTRICAL

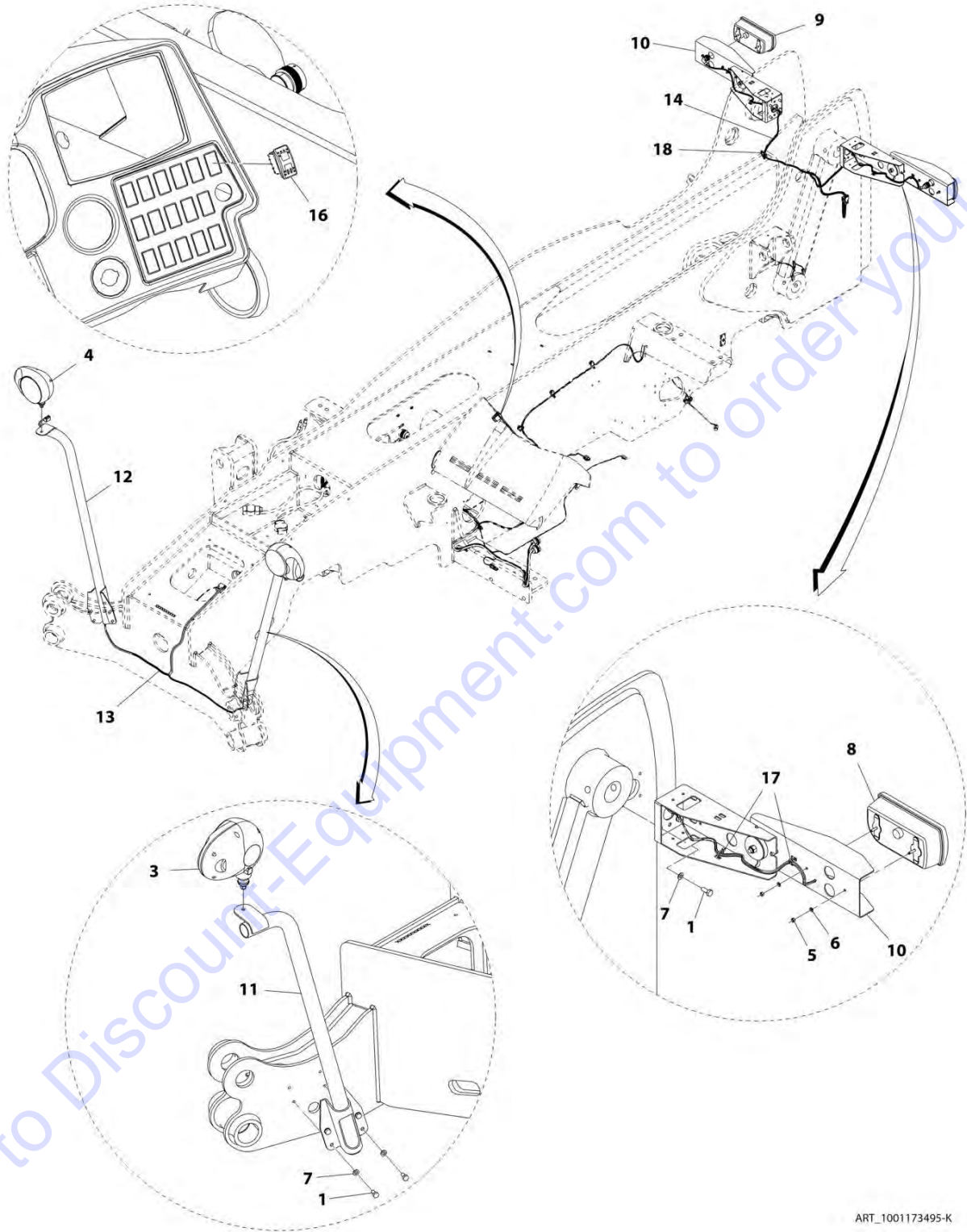
FIGURE 10-51. ROAD LIGHTS INSTALLATION (NO OUTRIGGERS) (SN 0160079247 to Present)

ITEM	PART NUMBER	QTY	DESCRIPTION	REV
	1001220830	Ref	Road Lights Installation (No Outriggers)	A
1	0761010	16	Bolt, M10X20	
2	2920207	1	Driving Light, LH	
3	2920208	1	Driving Light, RH	
4	3290607	4	Nut, M6X1	
5	4811700	4	Washer, M6	
6	4812000	16	Washer, M10	
7	1001091715	1	Lamp, Rear LH	
8	1001091716	1	Lamp, Rear RH	
9	1001146588	5	Strap, Cable	
10	1001159734	1	Switch, Hazard	
11	1001173092	1	Harness, HBP Tail Lights (See Separate Breakdown in this Section)	
12	1001196100	2	Bracket	
13	1001220817	2	Bracket	
14	1001165360	1	Harness, Front Frame Headlight (See Separate Breakdown in this Section)	

Go to Discount-Equipment.com to order your parts

SECTION 10 - ELECTRICAL

FIGURE 10-52. ROAD LIGHTS INSTALLATION (OUTRIGGERS) (Prior to SN 0160079247)



ART_1001173495-K

SECTION 10 - ELECTRICAL

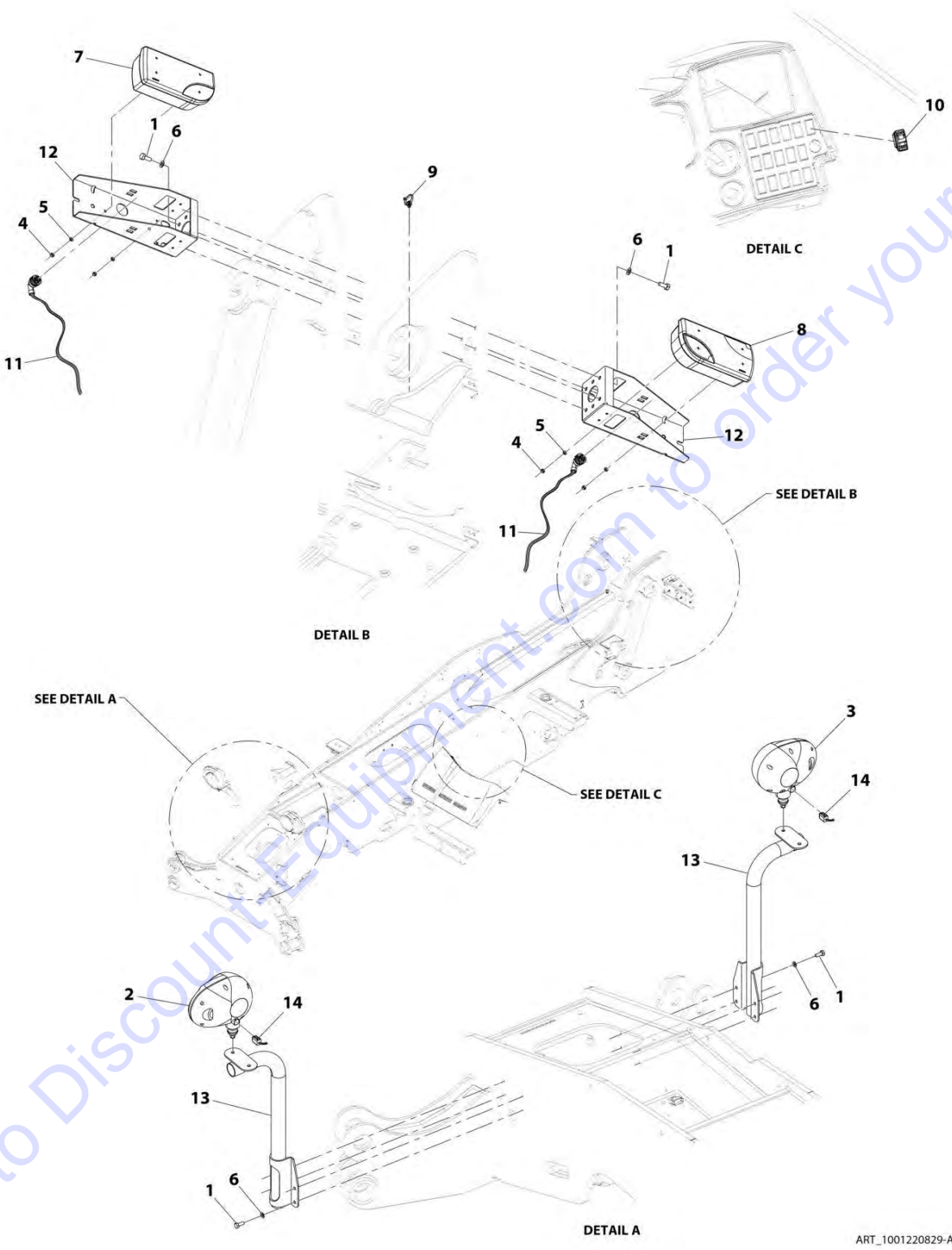
FIGURE 10-52. ROAD LIGHTS INSTALLATION (OUTRIGGERS) (Prior to SN 0160079247)

ITEM	PART NUMBER	QTY	DESCRIPTION	REV
	1001173495	Ref	Road Lights Installation (Outriggers)	K
1	0761010	16	Bolt, M10X20	
3	2920207	1	Driving Light, LH	
4	2920208	1	Driving Light, RH	
5	3290607	4	Nut, M6X1	
6	4811700	4	Washer, M6	
7	4812000	16	Washer, M10	
8	1001091715	1	Lamp, Rear LH	
9	1001091716	1	Lamp, Rear RH	
10	1001183112	2	Bracket	
11	1001188556	1	Bracket	
12	1001188555	1	Bracket	
13	1001165360	1	Harness, Front Frame Headlight (See FRONT FRAME HEADLIGHT HARNESS for Breakdown)	
14	1001173092	1	Harness, HBP Tail Lights (See HBP TAIL LIGHTS HARNESS for Breakdown)	
16	1001159734	1	Switch, Hazard	
17	1001008559	4	Strap, Cable	
18	1001146588	1	Strap, Cable	

Go to Discount-Equipment.com to order your parts

SECTION 10 - ELECTRICAL

FIGURE 10-53. ROAD LIGHTS INSTALLATION (OUTRIGGERS) (SN 0160079247 to Present)



ART_1001220829-A

SECTION 10 - ELECTRICAL

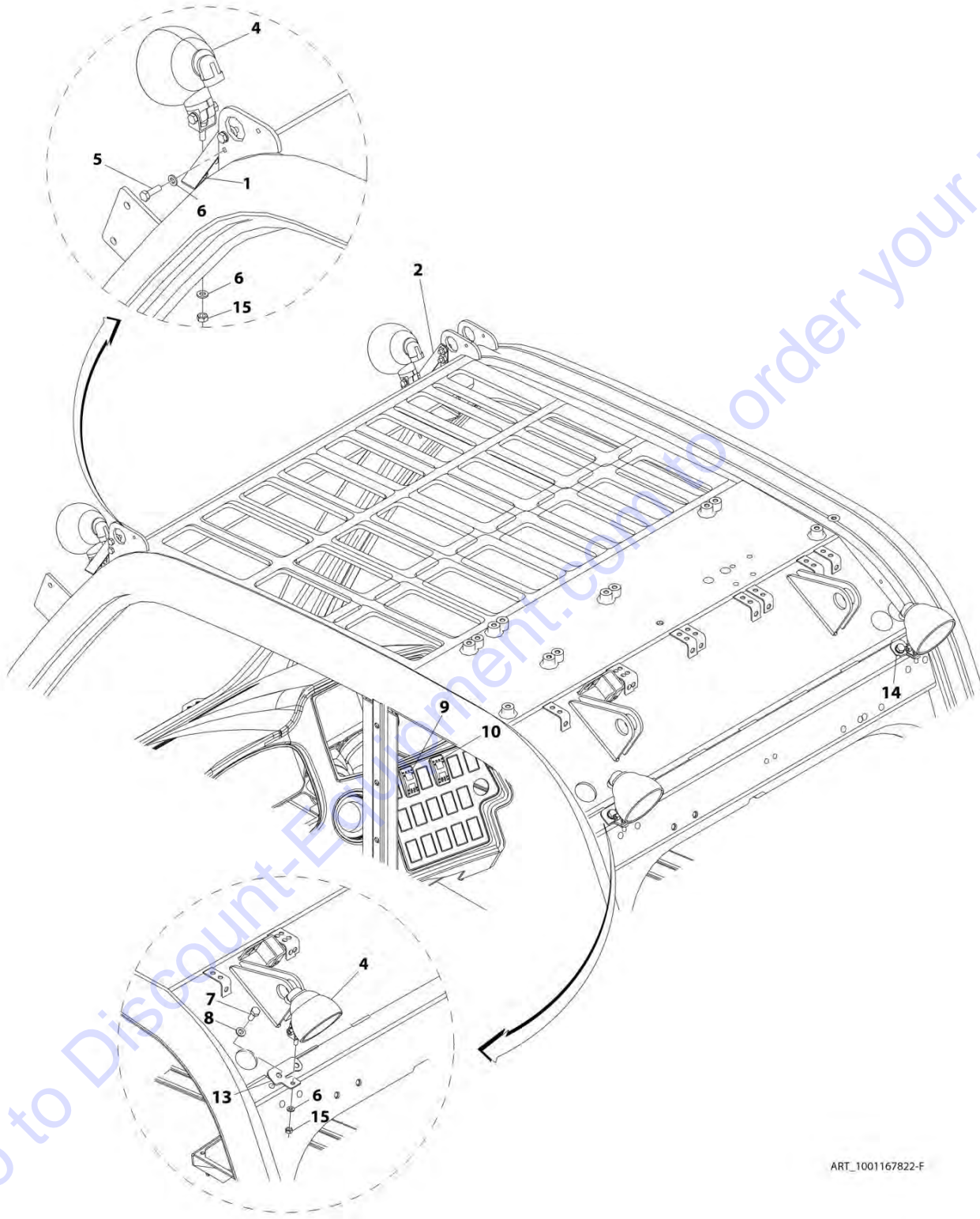
FIGURE 10-53. ROAD LIGHTS INSTALLATION (OUTRIGGERS) (SN 0160079247 to Present)

ITEM	PART NUMBER	QTY	DESCRIPTION	REV
	1001220829	Ref	Road Lights Installation (Outriggers)	A
1	0761010	16	Bolt, M10X20	
2	2920207	1	Driving Light, LH	
3	2920208	1	Driving Light, RH	
4	3290607	4	Nut, M6X1	
5	4811700	4	Washer, M6	
6	4812000	16	Washer, M10	
7	1001091715	1	Lamp, Rear LH	
8	1001091716	1	Lamp, Rear RH	
9	1001146588	1	Strap, Cable	
10	1001159734	1	Switch, Hazard	
11	1001173092	1	Harness, HBP Tail Lights (See Separate Breakdown in this Section)	
12	1001196100	2	Bracket	
13	1001220817	2	Bracket	
14	1001165360	1	Harness, Front Frame Headlight (See Separate Breakdown in this Section)	

Go to Discount-Equipment.com to order your parts

SECTION 10 - ELECTRICAL

FIGURE 10-54. CAB WORKLIGHTS INSTALLATION (NO A/C)



ART_1001167822-F

SECTION 10 - ELECTRICAL

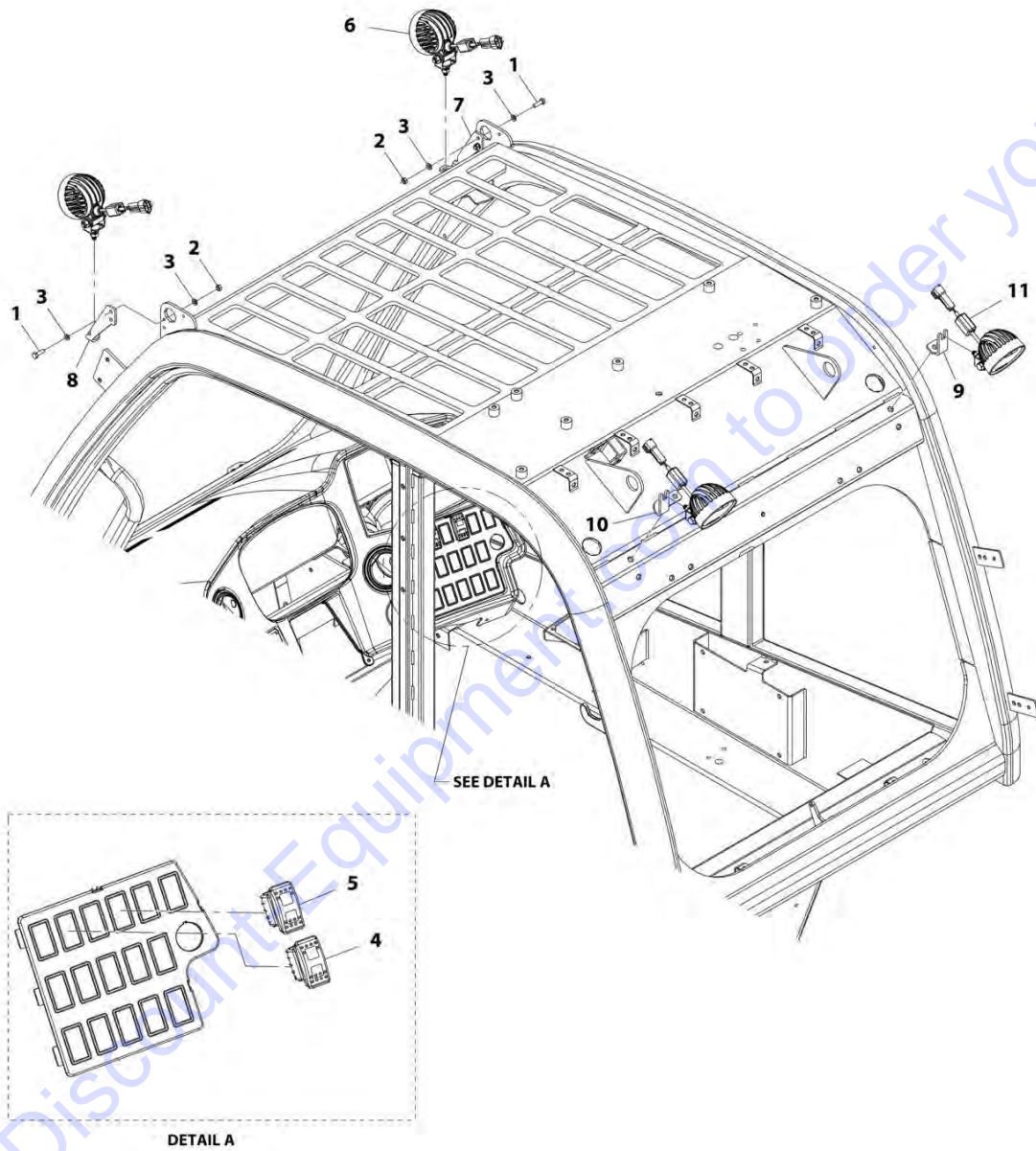
FIGURE 10-54. CAB WORKLIGHTS INSTALLATION (NO A/C)

ITEM	PART NUMBER	QTY	DESCRIPTION	REV
	1001167822	Ref	Cab Worklights Installation (No A/C)	F
1	1001186567	1	Bracket, Work Light LH	
2	1001186565	1	Bracket, Work Light RH	
4	2920206	4	Worklight	
	70020796	1	Bulb, 12V-50W	
5	0700610	4	Bolt, M6X20	
6	4811700	8	Washer, M6	
7	0760810	2	Bolt, M8X20	
8	4811900	2	Washer, M8	
9	1001159845	1	Switch, Front Worklights	
10	1001159846	1	Switch, Rear Worklights	
13	1001183888	1	Bracket, Work Light LH	
14	1001183890	1	Bracket, Work Light RH	
15	3290601	1	Nut, M6X1	

Go to Discount-Equipment.com to order your parts

SECTION 10 - ELECTRICAL

FIGURE 10-55. CAB LED WORK LIGHTS INSTALLATION (NO A/C)



ART_1001200538-C

SECTION 10 - ELECTRICAL

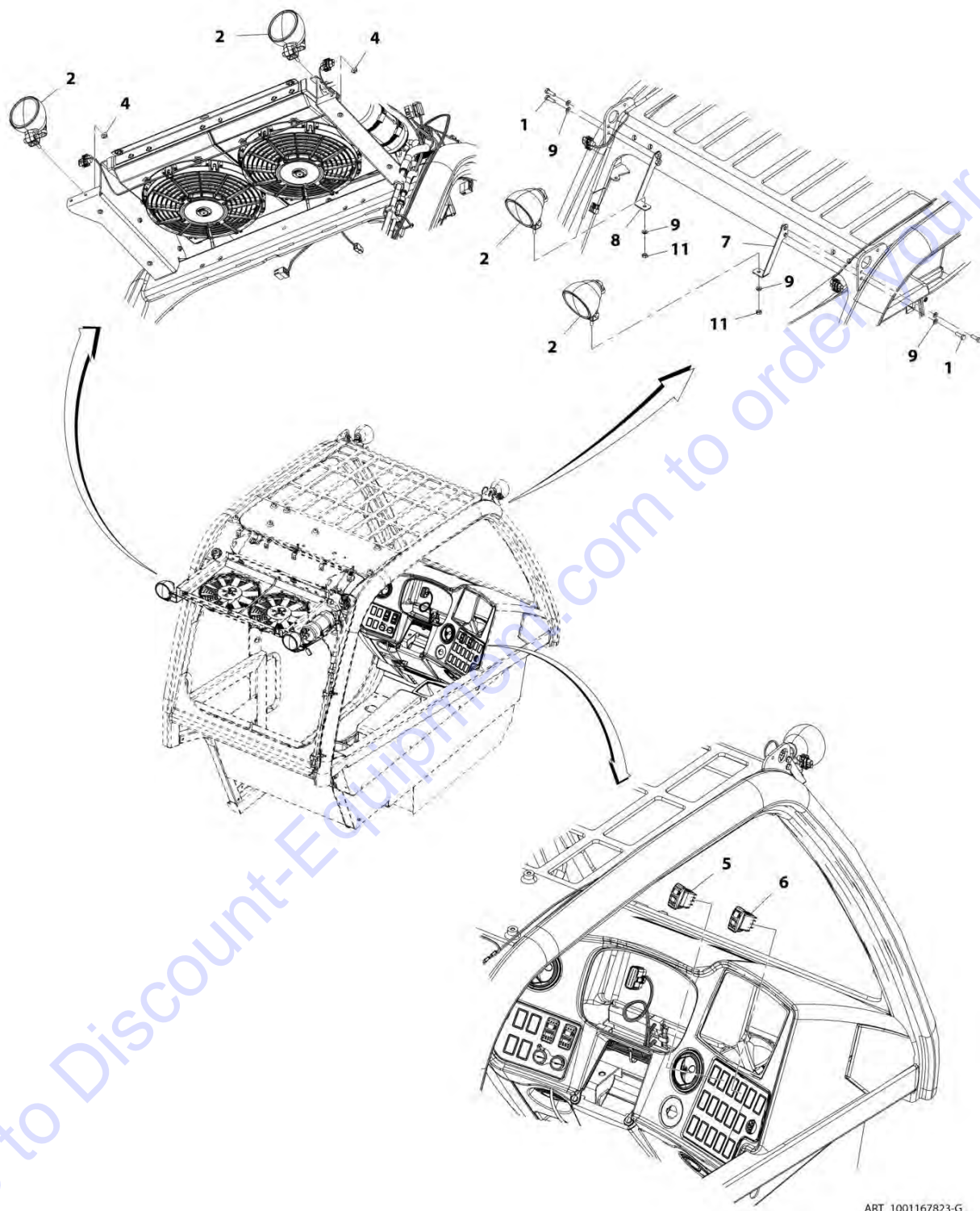
FIGURE 10-55. CAB LED WORK LIGHTS INSTALLATION (NO A/C)

ITEM	PART NUMBER	QTY	DESCRIPTION	REV
	1001200538	Ref	Cab LED Work Lights Installation (No A/C)	C
1	0700610	4	Bolt, M6X20	
2	3290601	4	Nut, M6X1	
3	4811700	8	Washer, M6	
4	1001159845	1	Switch, Front Work Lights	
5	1001159846	1	Switch, Rear Work Lights	
6	1001203640	4	Lamp, LED Work Light	
7	1001204444	1	Support, LED Work Light RH	
8	1001204445	1	Support, LED Work Light LH	
9	1001204528	1	Support, LED Work Light RH	
10	1001204530	1	Support, LED Work Light LH	
11	1001228989	4	Harness	

Go to Discount-Equipment.com to order your parts

SECTION 10 - ELECTRICAL

FIGURE 10-56. CAB WORKLIGHTS INSTALLATION (A/C)



ART_1001167823-G

SECTION 10 - ELECTRICAL

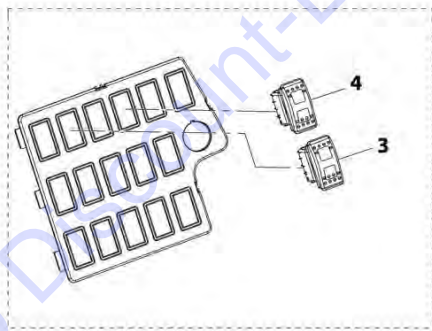
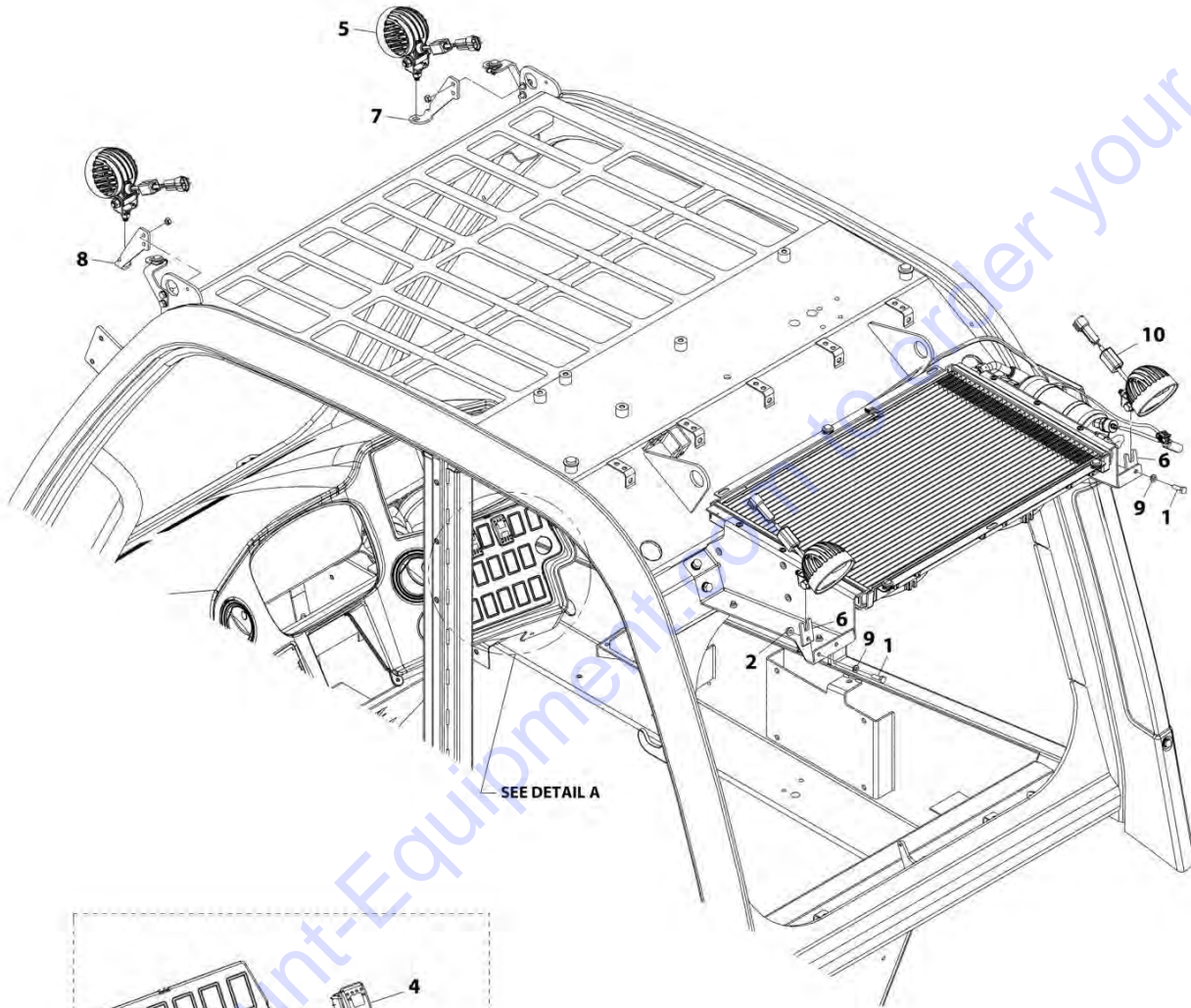
FIGURE 10-56. CAB WORKLIGHTS INSTALLATION (A/C)

ITEM	PART NUMBER	QTY	DESCRIPTION	REV
	1001167823	Ref	Cab Worklights Installation (A/C)	G
1	0700610	4	Bolt, M6X20	
2	2920206	4	Worklight	
	70020796	1	Bulb, 12V-50W	
4	5220600	2	Nut	
5	1001159845	1	Switch, Front Worklights	
6	1001159846	1	Switch, Rear Worklights	
7	1001186567	1	Bracket, Work Light LH	
8	1001186565	1	Bracket, Work Light RH	
9	4811700	6	Washer, M6	
11	3290601	2	Nut, M6X1	

Go to Discount-Equipment.com to order your parts

SECTION 10 - ELECTRICAL

FIGURE 10-57. CAB LED WORK LIGHTS INSTALLATION (A/C)



ART_1001200539-C

SECTION 10 - ELECTRICAL

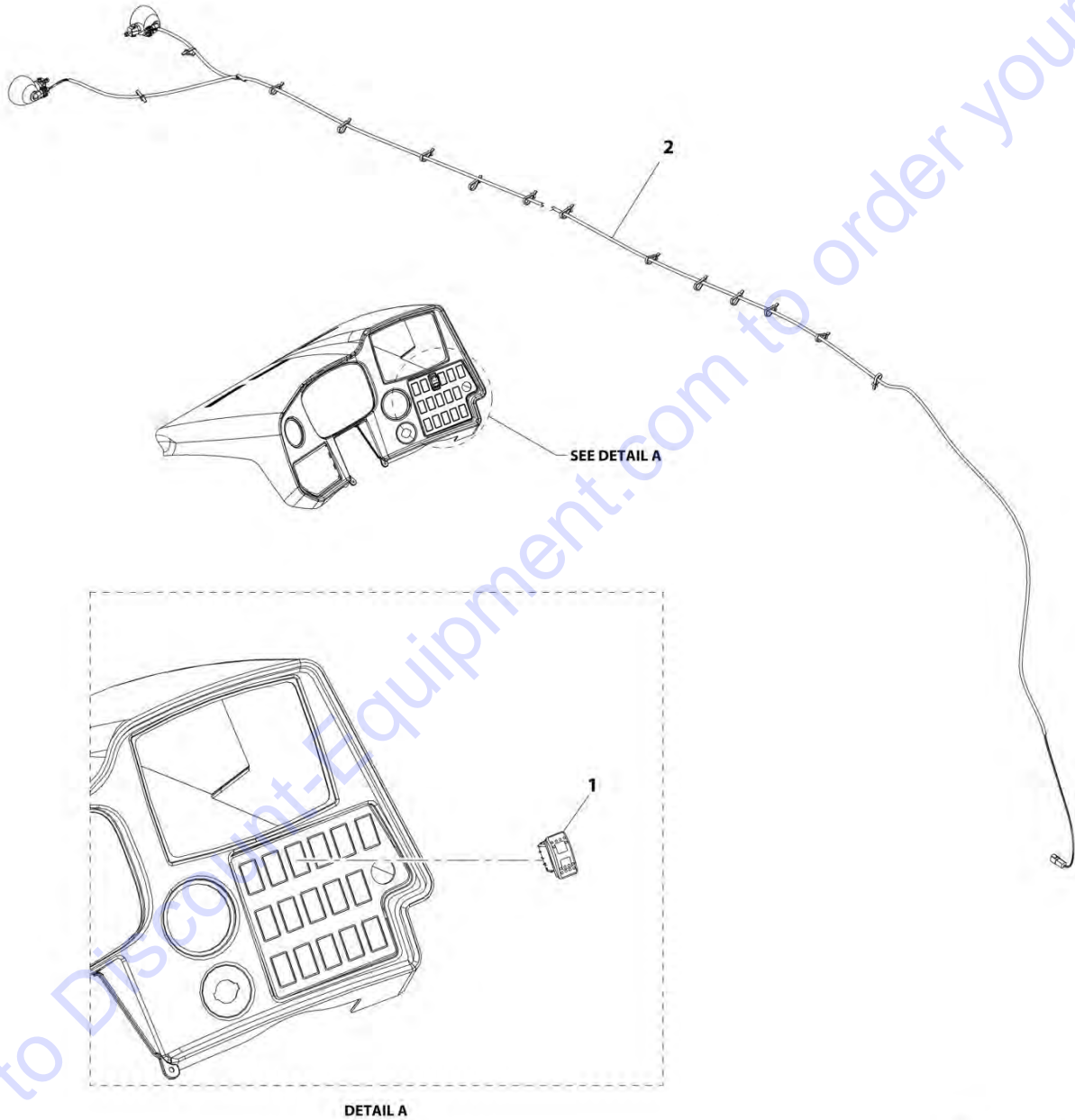
FIGURE 10-57. CAB LED WORK LIGHTS INSTALLATION (A/C)

ITEM	PART NUMBER	QTY	DESCRIPTION	REV
	1001200539	Ref	Cab LED Work Lights Installation (A/C)	C
1	0700610	2	Bolt, M6X20	
2	5220600	2	Nut	
3	1001159845	1	Switch, Front Work Lights	
4	1001159846	1	Switch, Rear Work Lights	
5	1001203640	4	Lamp, LED Work Light	
6	1001204060	2	Bracket, LED Work Light	
7	1001204444	1	Support, LED Work Light RH	
8	1001204445	1	Support, LED Work Light LH	
9	4811700	2	Washer, M6	
10	1001228989	4	Harness	

Go to Discount-Equipment.com to order your parts

SECTION 10 - ELECTRICAL

FIGURE 10-58. BOOM WORK LIGHTS INSTALLATION



ART_1001182083-C

SECTION 10 - ELECTRICAL

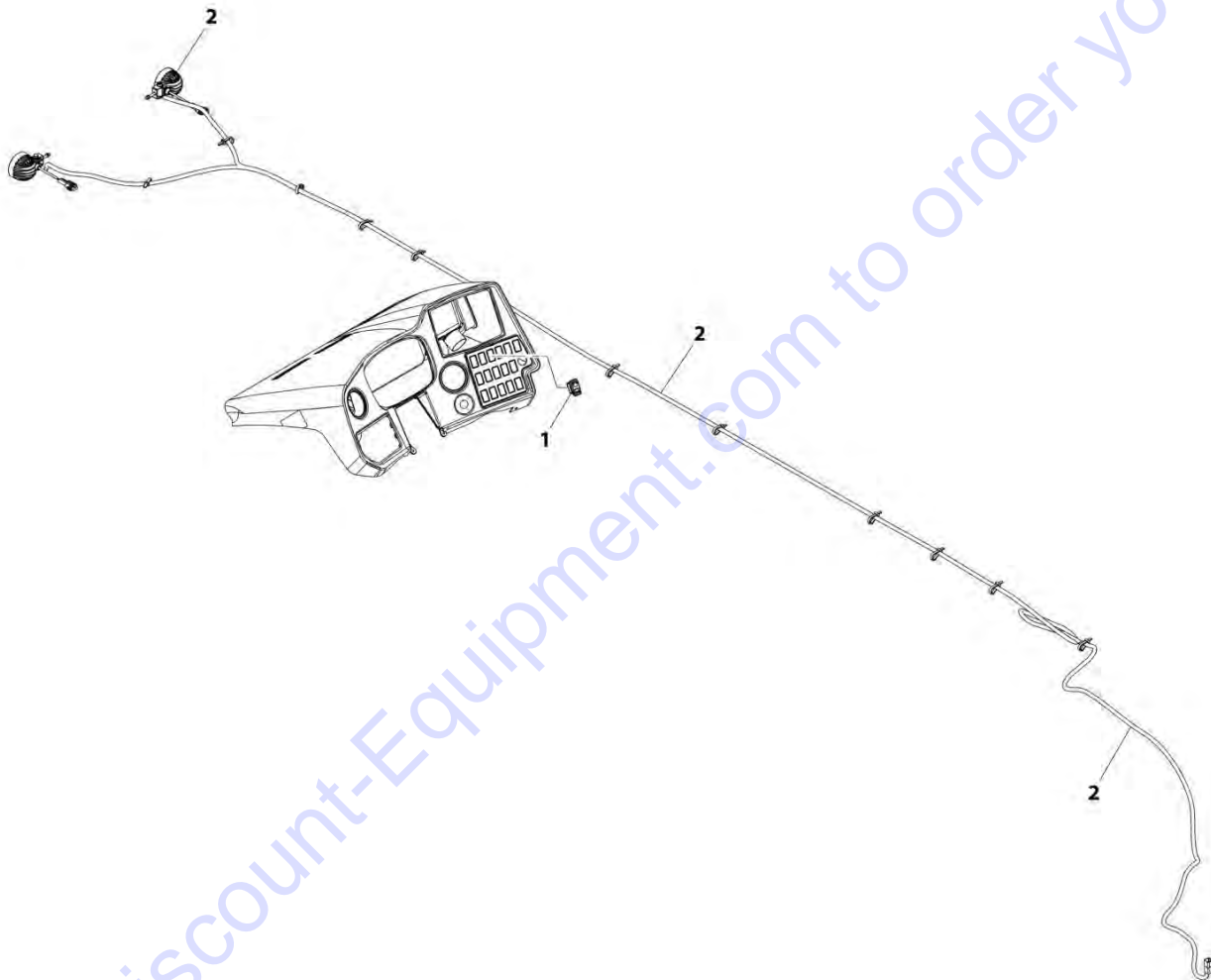
FIGURE 10-58. BOOM WORK LIGHTS INSTALLATION

ITEM	PART NUMBER	QTY	DESCRIPTION	REV
1	1001182083 1001163639	Ref 1	Boom Work Lights Installation Switch, Driving Lights (Prior to SN 0160076255, Excluding 0160076040, 0160076041 and 0160076042)	C
1	1001159739	1	Switch, Driving Lights (SN 0160076255 to Present, Including 0160076040, 0160076041 and 0160076042)	
2	1001174932	Ref	Installation, Boom Work Lights (See BOOM WORK LIGHTS INSTALLATION for Breakdown)	

Go to Discount-Equipment.com to order your parts

SECTION 10 - ELECTRICAL

FIGURE 10-59. BOOM WORK LIGHTS INSTALLATION (LED)



ART_1001230599-A

SECTION 10 - ELECTRICAL

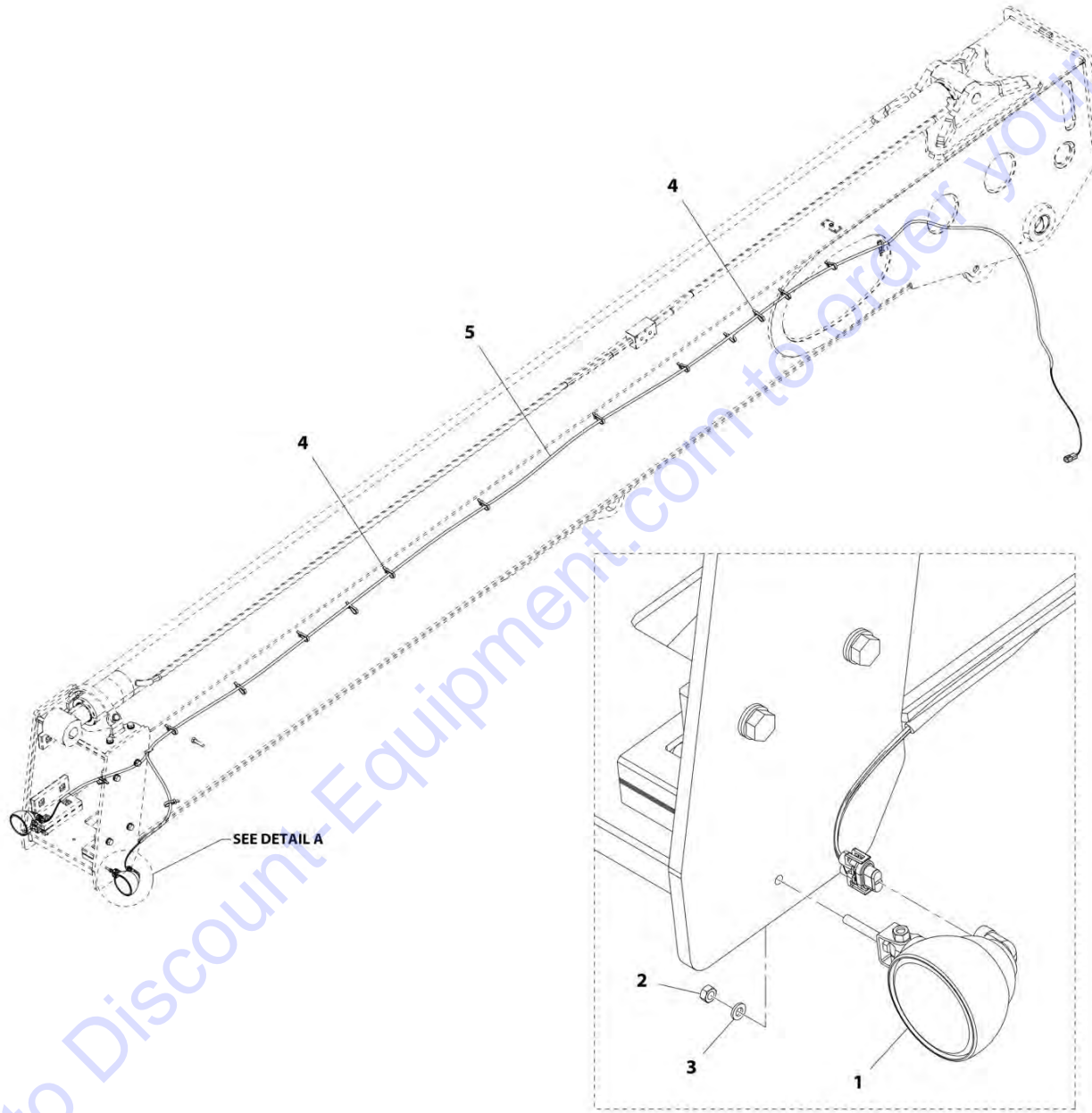
FIGURE 10-59. BOOM WORK LIGHTS INSTALLATION (LED)

ITEM	PART NUMBER	QTY	DESCRIPTION	REV
	1001230599	Ref	Boom Work Lights Installation	A
1	1001159739	1	Switch, Boom Work Lights	
2	1001230623	1	Installation, Boom LED Work Lights, (See Separate Breakdown in this Section)	

Go to Discount-Equipment.com to order your parts

SECTION 10 - ELECTRICAL

FIGURE 10-60. BOOM LIGHTS INSTALLATION



ART_1001174932-E

SECTION 10 - ELECTRICAL

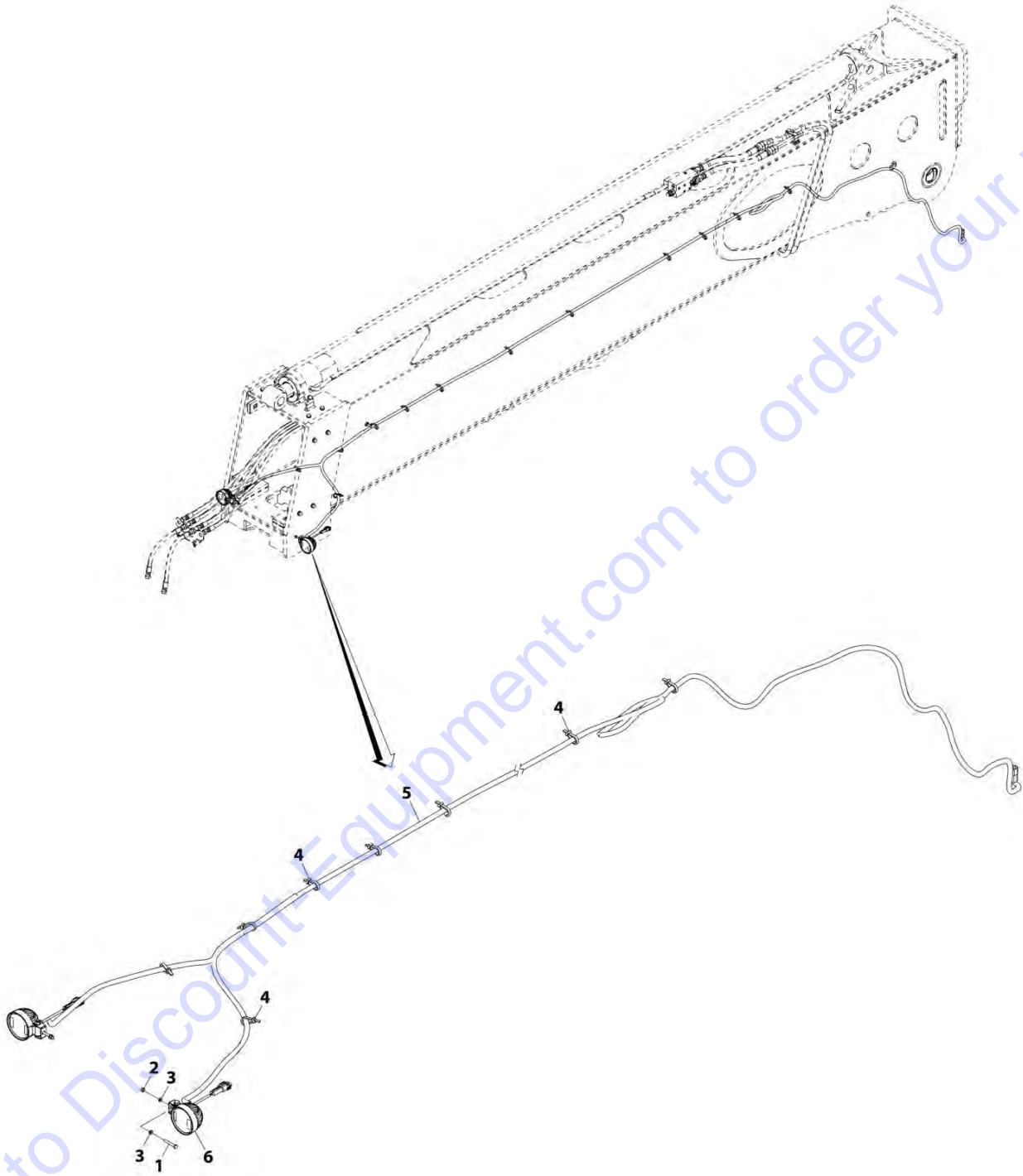
FIGURE 10-60. BOOM LIGHTS INSTALLATION

ITEM	PART NUMBER	QTY	DESCRIPTION	REV
	1001174932	Ref	Boom Lights Installation	E
1	1001207287	2	Worklight	
2	3290601	2	Nut, M6X1	
3	4811700	2	Washer, M6	
4	1001008923	AR	Strap, Cable	
5	1001173523	1	Harness, Boom Worklight (See Separate Breakdown in this Section) (Prior to SN 0160076255, Excluding 0160076040, 0160076041 and 0160076042)	
5	1001167608	1	Harness, Boom Worklight (See Separate Breakdown in this Section) (SN 0160076255 to Present, Including 0160076040, 0160076041 and 0160076042)	

Go to Discount-Equipment.com to order your parts

SECTION 10 - ELECTRICAL

FIGURE 10-61. BOOM LED LIGHTS INSTALLATION



ART_1001230623-A

SECTION 10 - ELECTRICAL

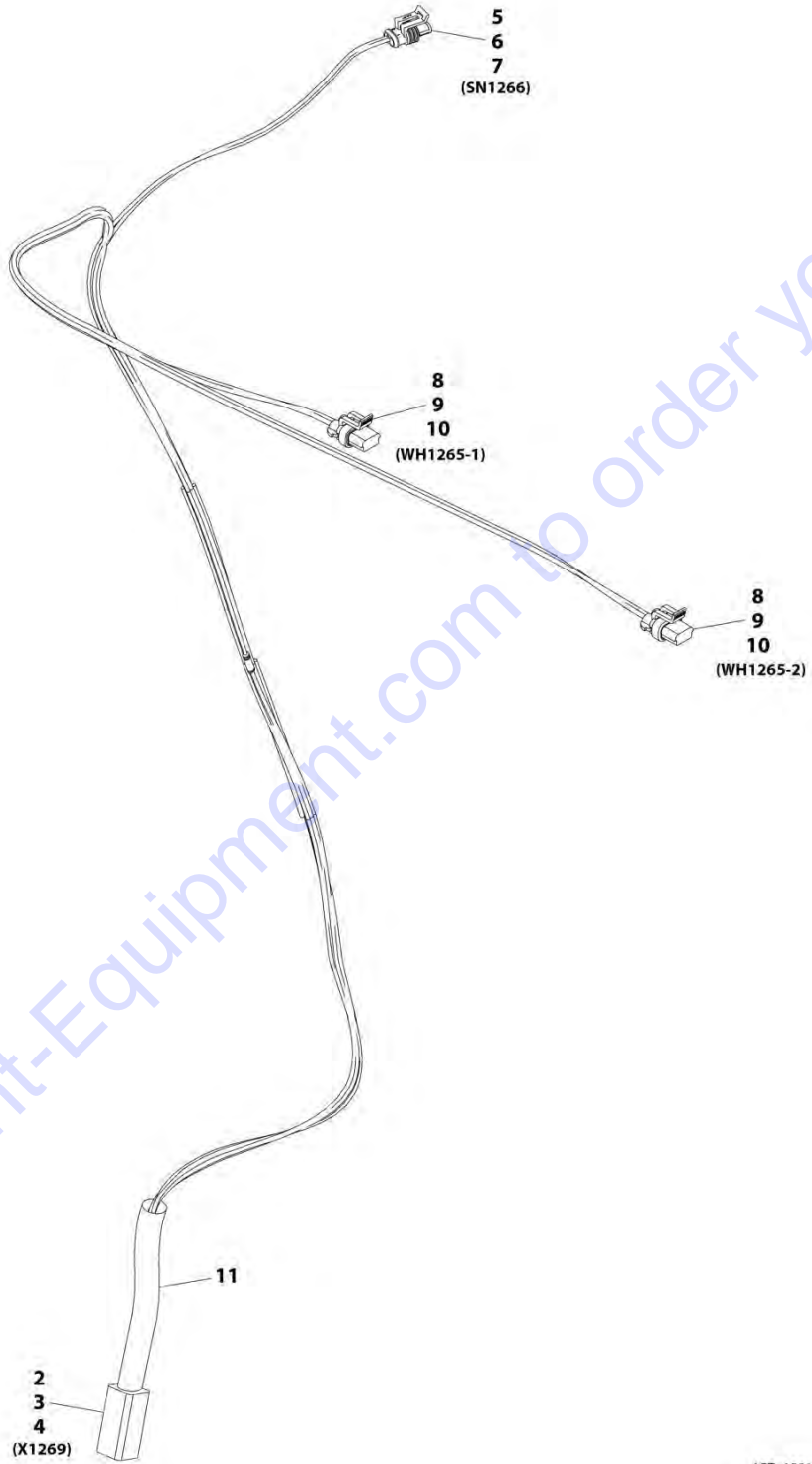
FIGURE 10-61. BOOM LED LIGHTS INSTALLATION

ITEM	PART NUMBER	QTY	DESCRIPTION	REV
	1001230623	Ref	Boom LED Lights Installation	A
1	0700616	2	Bolt, M6X40	
2	3290601	2	Nut, M6X1	
3	4811700	4	Washer, M6	
4	1001008923	AR	Strap, Cable	
5	1001167608	1	Harness, Boom Worklights (See Separate Breakdown in this Section)	
6	1001203640	2	Lamp, LED Work light	

Go to Discount-Equipment.com to order your parts

SECTION 10 - ELECTRICAL

FIGURE 10-62. A/C OPTION HARNESS



ART_1001169151-E

SECTION 10 - ELECTRICAL

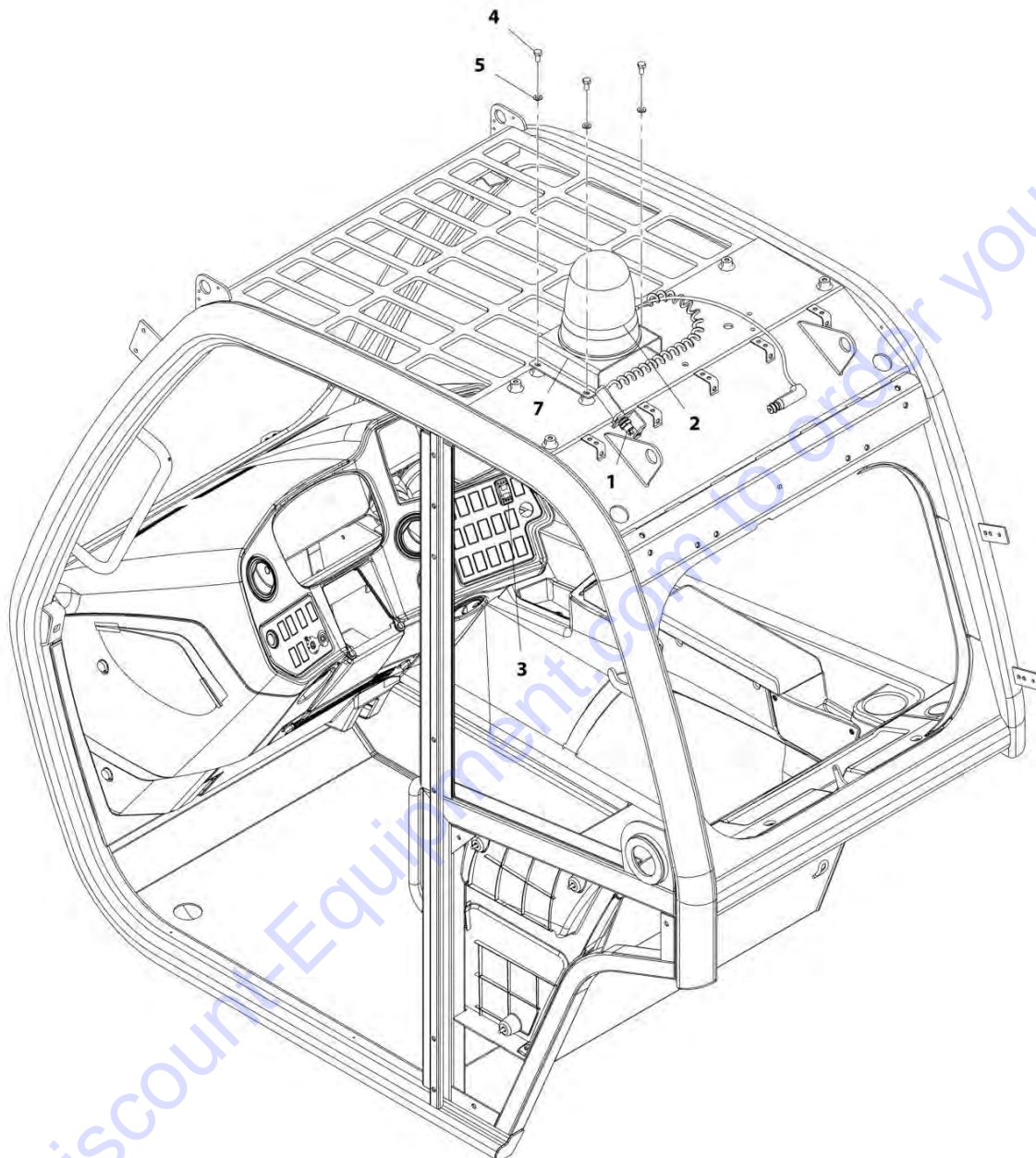
FIGURE 10-62. A/C OPTION HARNESS

ITEM	PART NUMBER	QTY	DESCRIPTION	REV
	1001169151	Ref	A/C Option Harness	E
2	4460899	1	Connector	
3	4460941	4	Terminal	
4	4460464	2	Terminal	
5	4461118	1	Connector	
6	1001107854	2	Terminal	
7	1001116763	2	Seal	
8	1001117021	2	Connector	
9	1001116747	4	Terminal	
10	4460789	4	Seal	
11	70028546	1	Backshell	

Go to Discount-Equipment.com to order your parts

SECTION 10 - ELECTRICAL

FIGURE 10-63. BEACON INSTALLATION



ART_1001171162-E

SECTION 10 - ELECTRICAL

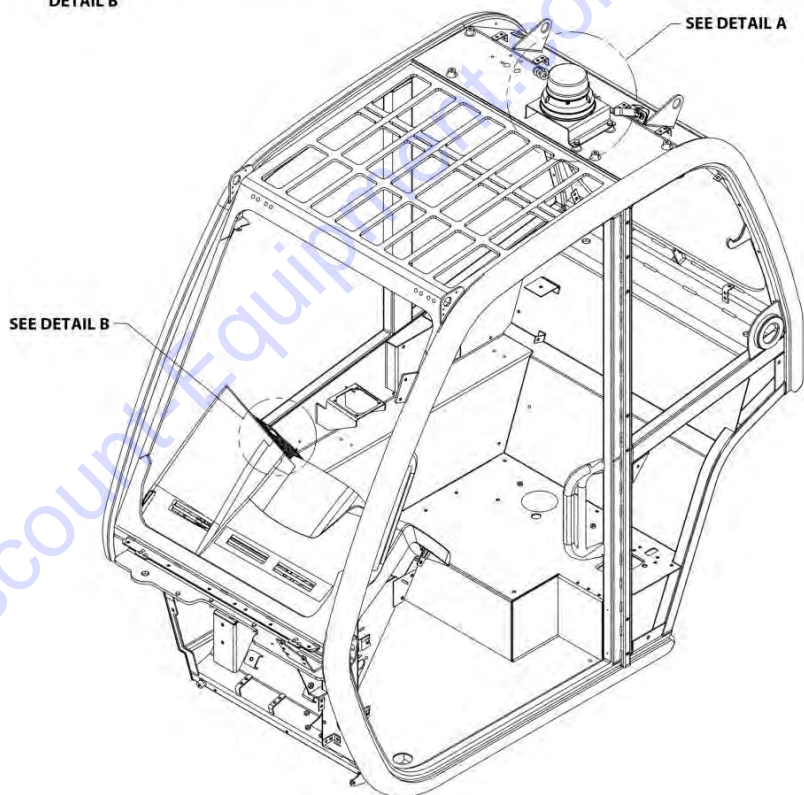
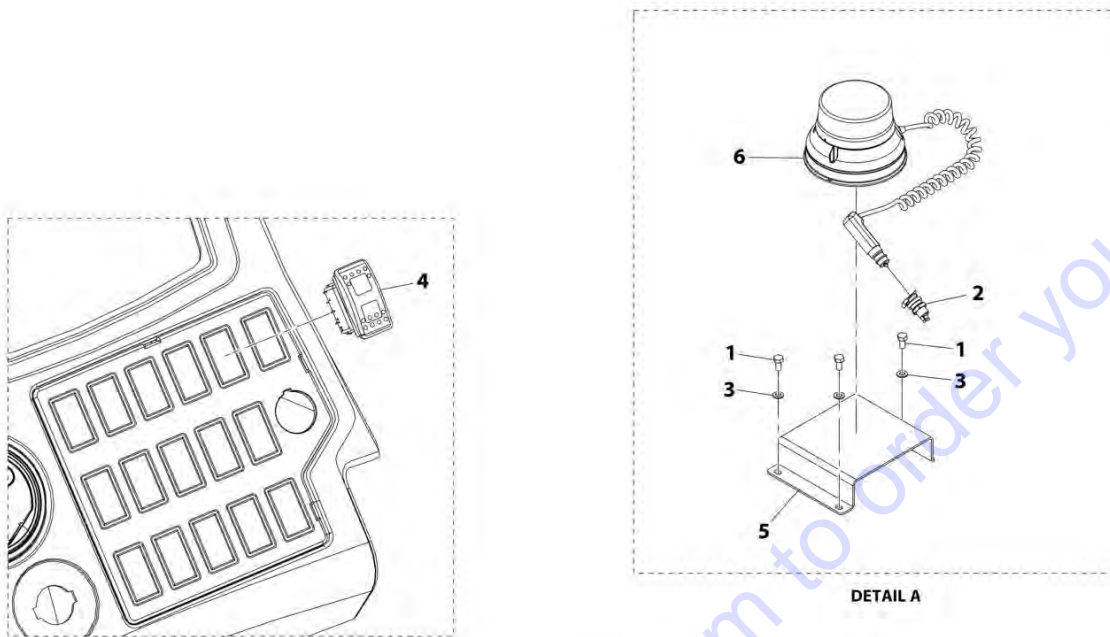
FIGURE 10-63. BEACON INSTALLATION

ITEM	PART NUMBER	QTY	DESCRIPTION	REV
	1001171162	Ref	Beacon Installation	E
1	4461174	1	Terminal, 12 Volt	
2	1001091573	NLA	Light, Warning, (no longer available, use 1001217623 for replacement)	
2	1001217623	1	Light, Warning	
3	1001159738	1	Switch, Beacon	
4	0760808	3	Bolt, M8X16	
5	4811900	3	Washer, M8	
7	1001174796	1	Bracket, Beacon	

Go to Discount-Equipment.com to order your parts

SECTION 10 - ELECTRICAL

FIGURE 10-64. LED BEACON INSTALLATION



ART_1001195883-A

SECTION 10 - ELECTRICAL

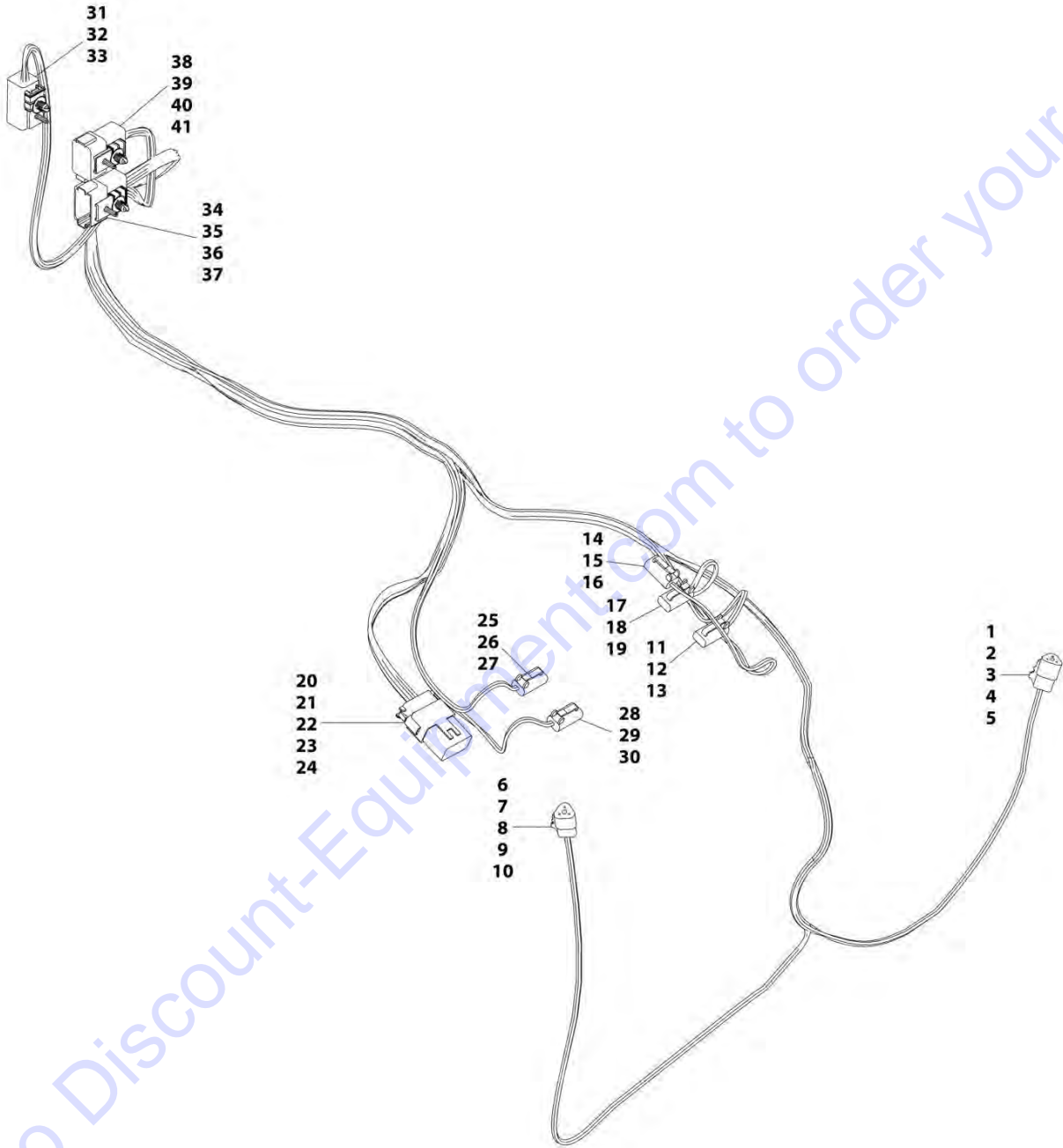
FIGURE 10-64. LED BEACON INSTALLATION

ITEM	PART NUMBER	QTY	DESCRIPTION	REV
	1001195883	Ref	LED Beacon Installation	A
1	0760808	3	Bolt, M8X16	
2	4461174	1	Terminal, 12 Volt	
3	4811900	3	Washer, M8	
4	1001159738	1	Switch, Beacon	
5	1001174796	1	Bracket, Beacon	
6	1001198893	1	Light, Warning	

Go to Discount-Equipment.com to order your parts

SECTION 10 - ELECTRICAL

FIGURE 10-65. OUTRIGGER HARNESS



ART_1001172822-E

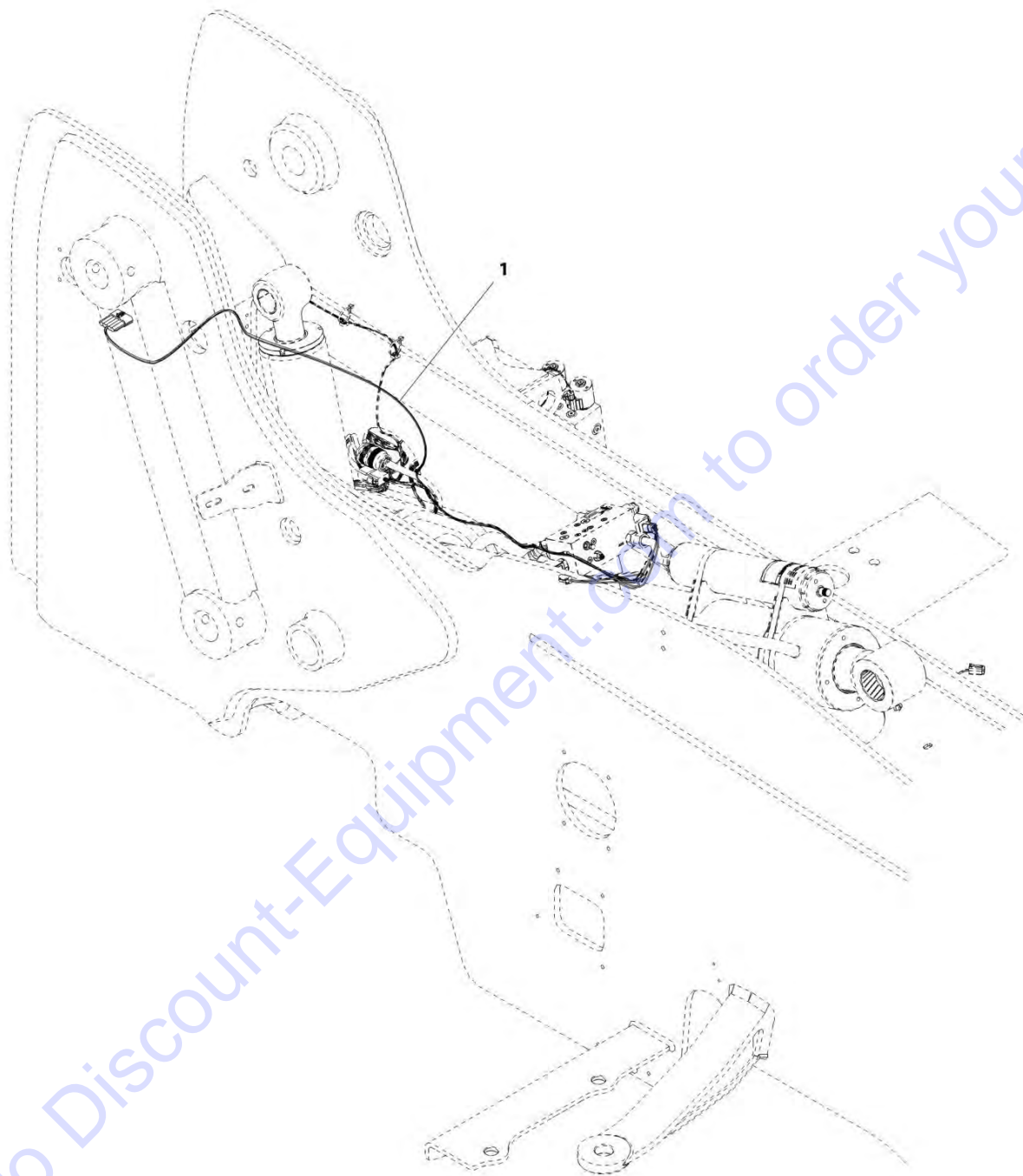
SECTION 10 - ELECTRICAL

FIGURE 10-65. OUTRIGGER HARNESS

ITEM	PART NUMBER	QTY	DESCRIPTION	REV
	1001172822	Ref	Outrigger Harness	E
1	4460539	1	Connector	
2	77363244	1	Lock, Secondary	
3	4460536	1	Terminal, 3 Pin Male	
4	4460465	3	Terminal	
5	4460466	1	Plug	
6	4460539	1	Connector	
7	77363244	1	Lock, Secondary	
8	4460536	1	Terminal, 3 Pin Male	
9	4460465	3	Terminal	
10	4460466	1	Plug	
11	4460891	1	Connector	
12	80604018	1	Lock, Secondary	
13	4460465	2	Terminal	
14	4460891	1	Connector	
15	80604018	1	Lock, Secondary	
16	4460465	2	Terminal	
17	4460891	1	Connector	
18	80604018	1	Lock, Secondary	
19	4460465	2	Terminal	
20	4460933	1	Connector	
21	80604016	1	Lock, Secondary	
22	4460970	1	Terminal, Receptacle	
23	4460942	10	Terminal	
24	4460466	2	Plug	
25	4460891	1	Connector	
26	80604018	1	Lock, Secondary	
27	4460465	2	Terminal	
28	4460891	1	Connector	
29	80604018	1	Lock, Secondary	
30	4460465	2	Terminal	
31	4460899	1	Connector	
32	80604022	1	Lock, Secondary	
33	4460464	6	Terminal	
34	4460970	1	Connector	
35	80363179	1	Lock, Secondary	
36	4460941	10	Terminal	
37	4460466	2	Plug	
38	4460950	1	Connector	
39	80363179	1	Lock, Secondary	
40	4460464	7	Terminal	
41	4460466	5	Plug	

SECTION 10 - ELECTRICAL

FIGURE 10-66. RIDE CONTROL CB VALVE HARNESS INSTALLATION (LIFT) (642, 742)



ART_1001175676-A

SECTION 10 - ELECTRICAL

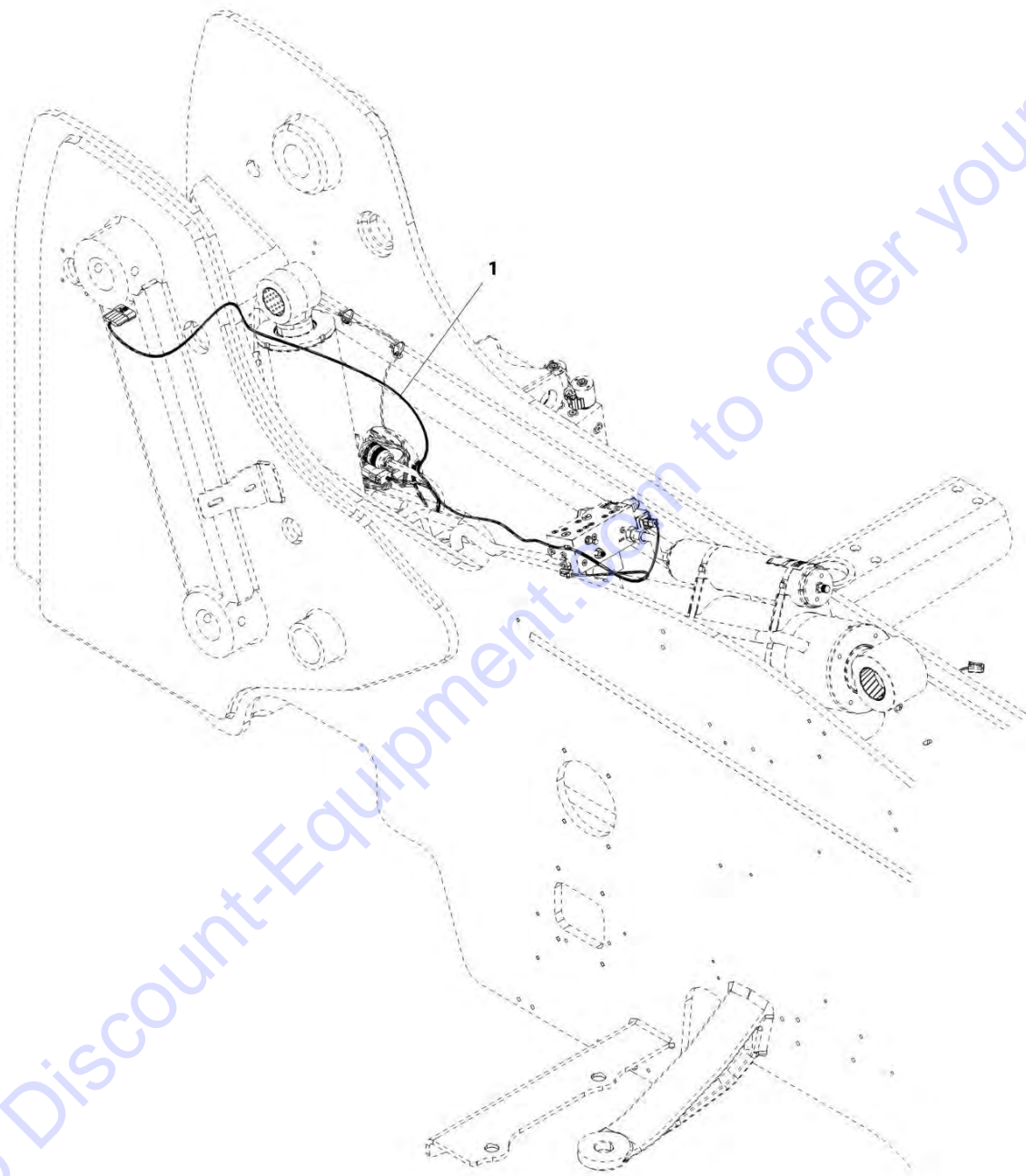
FIGURE 10-66. RIDE CONTROL CB VALVE HARNESS INSTALLATION (LIFT) (642, 742)

ITEM	PART NUMBER	QTY	DESCRIPTION	REV
1	1001175676 1001173527	Ref 1	Ride Control CB Valve Harness Installation (Lift) (642, 742) Harness, Ride Control CB Valve (Lift), (See RIDE CONTROL CB VALVE HARNESS (LIFT) for Breakdown)	A

Go to Discount-Equipment.com to order your parts

SECTION 10 - ELECTRICAL

FIGURE 10-67. RIDE CONTROL CB VALVE HARNESS INSTALLATION (LIFT) (943, 1043)



ART_1001175677-A

SECTION 10 - ELECTRICAL

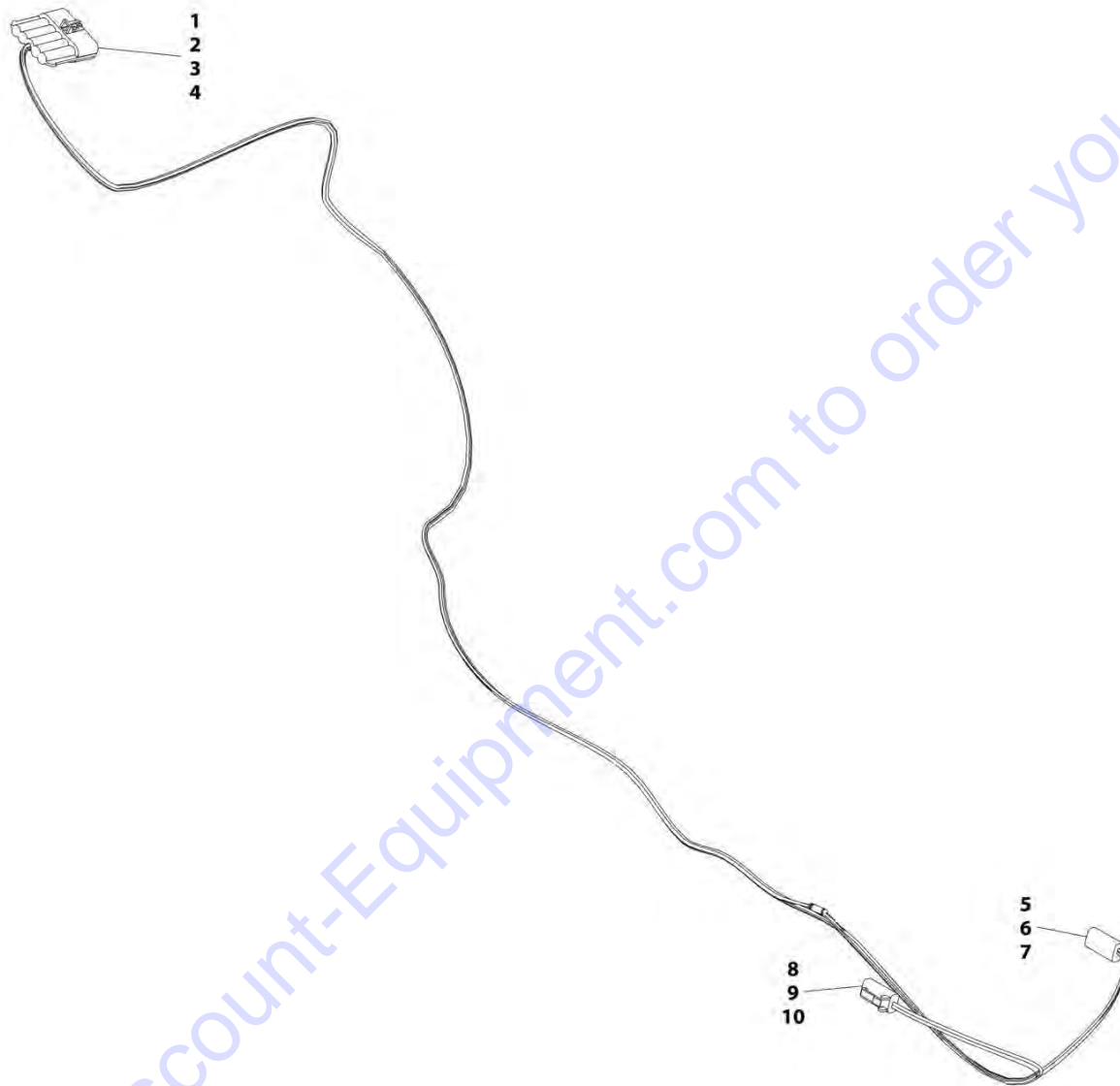
FIGURE 10-67. RIDE CONTROL CB VALVE HARNESS INSTALLATION (LIFT) (943, 1043)

ITEM	PART NUMBER	QTY	DESCRIPTION	REV
1	1001175677 1001173527	Ref 1	Ride Control CB Valve Harness Installation (943, 1043) Harness, Ride Control CB Valve (See RIDE CONTROL CB VALVE HARNESS for Breakdown)	A

Go to Discount-Equipment.com to order your parts

SECTION 10 - ELECTRICAL

FIGURE 10-68. RIDE CONTROL CB VALVE HARNESS (LIFT)



ART_1001173527-B

SECTION 10 - ELECTRICAL

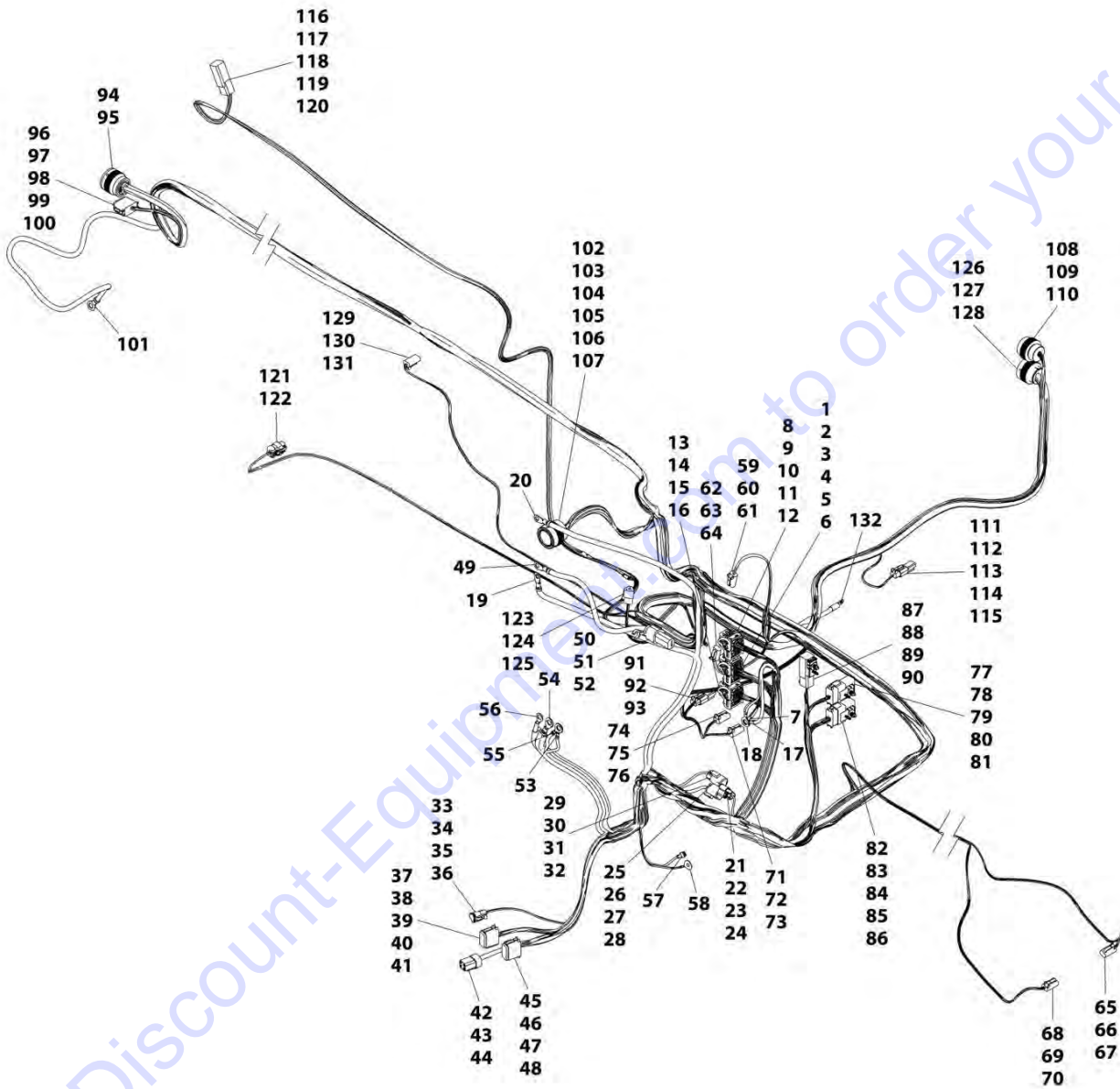
FIGURE 10-68. RIDE CONTROL CB VALVE HARNESS (LIFT)

ITEM	PART NUMBER	QTY	DESCRIPTION	REV
	1001173527	Ref	Ride Control CB Valve Harness	B
1	1001121727	1	Connector	
2	1001166727	2	Plug	
3	1001116745	2	Terminal	
4	1001116729	1	Terminal	
5	4460891	1	Connector	
6	4460465	2	Terminal	
7	80604018	1	Lock, Secondary	
8	4460891	1	Connector	
9	4460465	2	Terminal	
10	80604018	1	Lock, Secondary	

Go to Discount-Equipment.com to order your parts

SECTION 10 - ELECTRICAL

FIGURE 10-69. FRONT FRAME HARNESS (Prior to SN 0160080782)



ART_1001172484-K

SECTION 10 - ELECTRICAL

FIGURE 10-69. FRONT FRAME HARNESS (Prior to SN 0160080782)

ITEM	PART NUMBER	QTY	DESCRIPTION	REV
	1001172484	Ref	Front Frame Harness	K
1	1001161963	1	Connector	
2	1001161097	21	Terminal	
3	1001161100	19	Plug	
4	1001161099	5	Terminal	
5	1001161098	1	Terminal	
6	1001161101	2	Plug	
7	1001187079	1	Terminal, Ring	
8	1001160500	1	Connector	
9	1001161097	9	Terminal	
10	1001161100	15	Plug	
11	1001161099	7	Terminal	
12	1001161101	1	Plug	
13	1001161957	1	Connector	
14	1001161100	5	Plug	
15	1001161097	19	Terminal	
16	1001161101	8	Plug	
17	1001187080	1	Terminal, Ring	
18	1001187080	1	Terminal, Ring	
19	1001187075	1	Terminal, Ring	
20	1001187075	1	Terminal, Ring	
21	1001116812	2	Connector	
22	91554019	1	Lock, Secondary	
23	4460944	2	Terminal	
24	4460466	1	Plug	
25	4460539	1	Connector	
26	77363244	1	Lock, Secondary	
27	4460944	2	Terminal	
28	4460466	1	Plug	
29	1001116812	2	Connector	
30	91554019	1	Lock, Secondary	
31	4460944	2	Terminal	
32	4460466	1	Plug	
33	1001116812	2	Connector	
34	91554019	1	Lock, Secondary	
35	4460944	2	Terminal	
36	4460466	1	Plug	
37	4460836	1	Connector	
38	80604016	1	Lock, Secondary	
39	4460942	1	Terminal	
40	4460465	10	Terminal	
41	4460466	1	Plug	
42	1001116810	1	Connector	
43	4460509	3	Terminal	
44	1001150611	1	Plug	
45	4460933	1	Connector	
46	80604016	1	Lock, Secondary	
47	4460465	7	Terminal	
48	4460466	5	Plug	
49	1001187075	2	Terminal, Ring	

SECTION 10 - ELECTRICAL

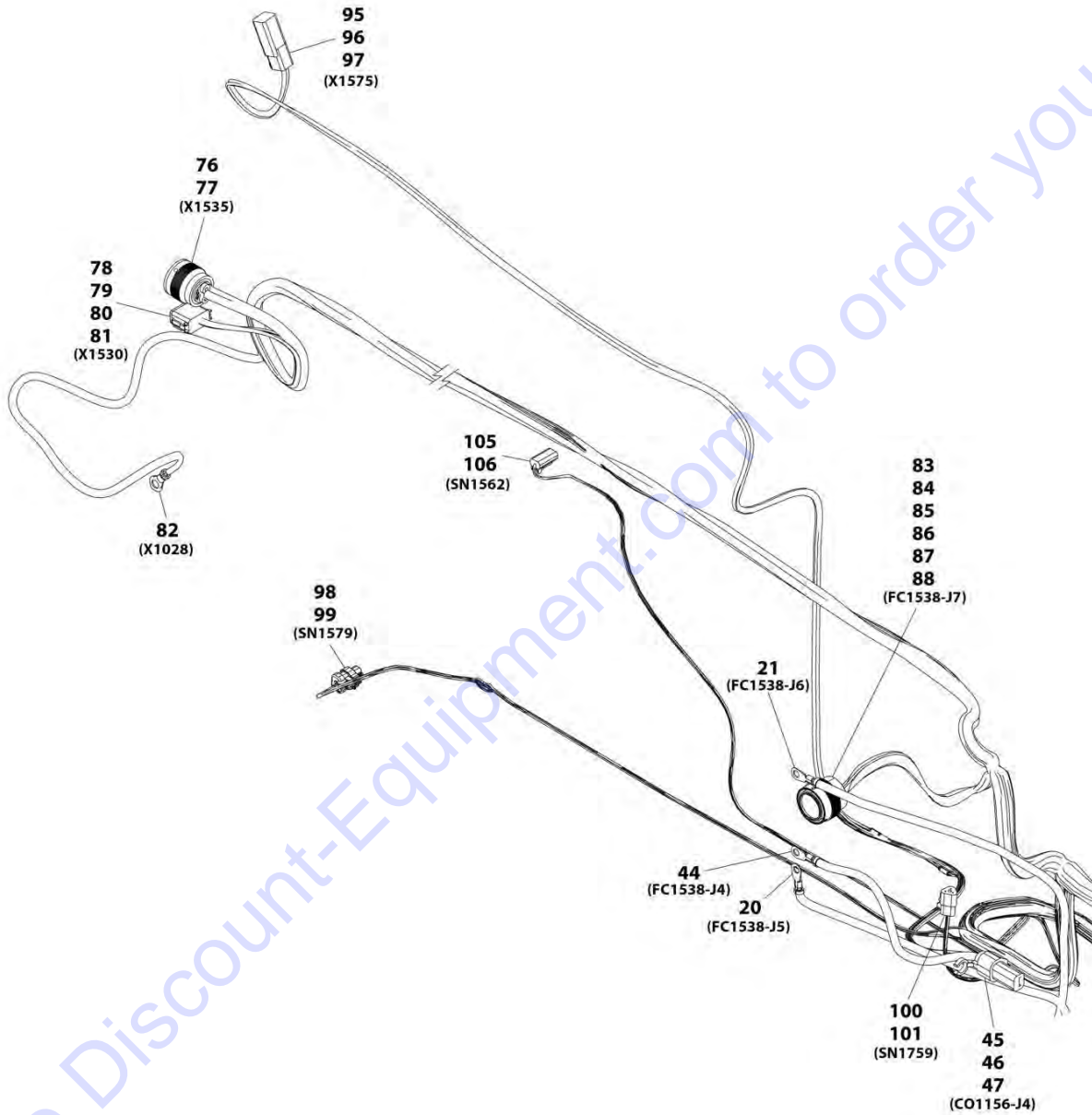
ITEM	PART NUMBER	QTY	DESCRIPTION	REV
50	1001160509	1	Connector	
51	1001160510	1	Terminal	
52	1001175267	1	Seal	
53	1001187080	1	Terminal, Ring	
54	1001128127	1	Terminal, Ring	
55	1001187079	1	Terminal, Ring	
56	1001128127	1	Terminal, Ring	
57	8220051	1	Terminal, Blade	
58	1001211775	1	Terminal, Ring	
59	4460891	1	Connector	
60	80604018	1	Lock, Secondary	
61	4460465	2	Terminal	
62	4460891	1	Connector	
63	80604018	1	Lock, Secondary	
64	4460465	2	Terminal	
65	4460891	1	Connector	
66	80604018	1	Lock, Secondary	
67	4460465	2	Terminal	
68	4460891	1	Connector	
69	80604018	1	Lock, Secondary	
70	4460465	2	Terminal	
71	4460891	1	Connector	
72	80604018	1	Lock, Secondary	
73	4460465	2	Terminal	
74	4460891	1	Connector	
75	80604018	1	Lock, Secondary	
76	4460465	2	Terminal	
77	4460836	1	Connector	
78	80604016	1	Lock, Secondary	
79	4460950	1	Housing, Connector	
80	4460466	5	Plug	
81	4460465	7	Terminal	
82	4460933	1	Connector	
83	80604016	1	Lock, Secondary	
84	4460970	1	Housing, Connector	
85	4460466	2	Plug	
86	4460942	10	Terminal	
87	4460894	1	Connector	
88	80604023	1	Lock, Secondary	
89	4460899	1	Housing, Connector	
90	4460465	6	Terminal	
91	4460891	1	Connector	
92	80604018	1	Lock, Secondary	
93	4460465	2	Terminal	
94	1001165310	1	Connector	
95	91013192	2	Terminal	
96	4460933	1	Connector	
97	80604016	1	Lock, Secondary	
98	4460465	3	Terminal	
99	4460942	2	Terminal	
100	4460466	7	Plug	

SECTION 10 - ELECTRICAL

ITEM	PART NUMBER	QTY	DESCRIPTION	REV
101	1001187076	1	Terminal, Ring	
102	1001165309	1	Connector	
103	4460465	7	Terminal	
104	4460942	3	Terminal	
105	4460509	3	Terminal	
106	1001150611	3	Terminal	
107	4460466	3	Plug	
108	4461015	1	Connector	
109	4460465	7	Terminal	
110	4460466	6	Plug	
111	4460891	1	Connector	
112	4460897	1	Housing, Connector	
113	80604018	1	Lock, Secondary	
114	4460942	1	Terminal	
115	4460466	1	Plug	
116	4460894	1	Connector	
117	80604023	1	Lock, Secondary	
118	4460899	1	Housing, Connector	
119	4460942	4	Terminal	
120	4460465	2	Terminal	
121	1001116950	1	Connector	
122	4460465	2	Terminal	
123	4460539	1	Connector	
124	77363244	1	Lock, Secondary	
125	4460465	3	Terminal	
126	1001118323	1	Connector	
127	4460942	4	Terminal	
128	91013192	2	Terminal	
129	4460891	1	Connector	
130	80604018	1	Lock, Secondary	
131	4460465	2	Terminal	
132	8220116	1	Terminal, Ring	

SECTION 10 - ELECTRICAL

FIGURE 10-70. FRONT FRAME HARNESS (742, 943, 1043) (SN 0160080782 to Present)



ART_1001221728_1-A

SECTION 10 - ELECTRICAL

FIGURE 10-70. FRONT FRAME HARNESS (742, 943, 1043) (SN 0160080782 to Present)

ITEM	PART NUMBER	QTY	DESCRIPTION	REV
	1001221728	Ref	Front Frame Harness	A
1	1001161963	1	Connector	
2	1001161097	21	Terminal	
3	1001161099	5	Terminal	
4	1001161098	1	Terminal	
5	1001161100	19	Plug	
6	1001161101	2	Plug	
7	1001187079	1	Terminal, Ring	
8	1001160500	1	Connector	
9	1001161097	9	Terminal	
10	1001161099	7	Terminal	
11	1001161100	15	Plug	
12	1001161101	1	Plug	
13	1001161957	1	Connector	
14	1001161097	21	Terminal	
15	1001161099	1	Terminal	
16	1001161100	3	Plug	
17	1001161101	7	Plug	
18	1001187080	1	Terminal, Ring	
19	1001187080	1	Terminal, Ring	
20	1001187075	1	Terminal, Ring	
21	1001187075	1	Terminal, Ring	
22	1001116812	1	Connector	
23	4460944	2	Terminal	
24	4460466	1	Plug	
25	4460539	1	Connector	
26	4460944	2	Terminal	
27	4460466	1	Plug	
28	1001116812	1	Connector	
29	4460944	2	Terminal	
30	4460466	1	Plug	
31	1001116812	1	Connector	
32	4460465	2	Terminal	
33	4460466	1	Plug	
34	4460836	1	Connector	
35	4460942	1	Terminal	
36	4460465	10	Terminal	
37	4460466	1	Plug	
38	1001116810	1	Connector	
39	1001150611	3	Terminal	
40	4460509	1	Terminal	
41	4460933	1	Connector	
42	4460465	8	Terminal	
43	4460466	4	Plug	
44	1001187075	1	Terminal, Ring	
45	1001160509	1	Connector	
46	1001160510	1	Terminal	
47	1001175267	1	Seal	
48	1001187080	1	Terminal, Ring	
49	1001128127	1	Terminal, Ring	

SECTION 10 - ELECTRICAL

ITEM	PART NUMBER	QTY	DESCRIPTION	REV
50	1001187079	1	Terminal, Ring	
51	1001128127	1	Terminal, Ring	
52	8220051	1	Terminal, Blade	
53	1001211775	1	Terminal, Ring	
54	4460891	1	Connector	
55	4460465	2	Terminal	
56	4460891	1	Connector	
57	4460465	2	Terminal	
58	4460891	1	Connector	
59	4460465	2	Terminal	
60	4460891	1	Connector	
61	4460465	2	Terminal	
62	4460891	1	Connector	
63	4460465	2	Terminal	
64	4460891	1	Connector	
65	4460465	2	Terminal	
66	4460836	1	Connector	
67	4460465	7	Terminal	
68	4460466	5	Plug	
69	4460933	1	Connector	
70	4460942	10	Terminal	
71	4460466	2	Plug	
72	4460894	1	Connector	
73	4460465	6	Terminal	
74	4460891	1	Connector	
75	4460465	2	Terminal	
76	1001165310	1	Connector	
77	91013192	2	Terminal	
78	4460933	1	Connector	
79	4460465	3	Terminal	
80	4460942	2	Terminal	
81	4460466	7	Plug	
82	1001187076	1	Terminal, Ring	
83	1001165309	1	Connector	
84	4460465	7	Terminal	
85	4460942	3	Terminal	
86	4460509	3	Terminal	
87	1001150611	3	Terminal	
88	4460466	3	Plug	
89	4461015	1	Connector	
90	4460465	7	Terminal	
91	4460466	7	Plug	
92	4460891	1	Connector	
93	4460942	1	Terminal	
94	4460466	1	Plug	
95	4460894	1	Connector	
96	4460942	4	Terminal	
97	4460465	2	Terminal	
98	1001116950	1	Connector	
99	4460465	2	Terminal	
100	4460539	1	Connector	

SECTION 10 - ELECTRICAL

ITEM	PART NUMBER	QTY	DESCRIPTION	REV
101	4460465	3	Terminal	
102	1001118323	1	Connector	
103	4460942	4	Terminal	
104	91013192	2	Terminal	
105	4460891	1	Connector	
106	4460465	2	Terminal	
107	8220116	1	Terminal, Ring	

Go to Discount-Equipment.com to order your parts

PARTS FINDER

**Search Website
by Part Number**



**Search Manual
Library For Parts
Manual & Lookup Part
Numbers – Purchase
or Request Quote**

**Can't Find Part or
Manual? Request Help
by Manufacturer,
Model & Description**

Discount-Equipment.com is your online resource for quality parts & equipment.

Florida: **561-964-4949** Outside Florida TOLL FREE: **877-690-3101**

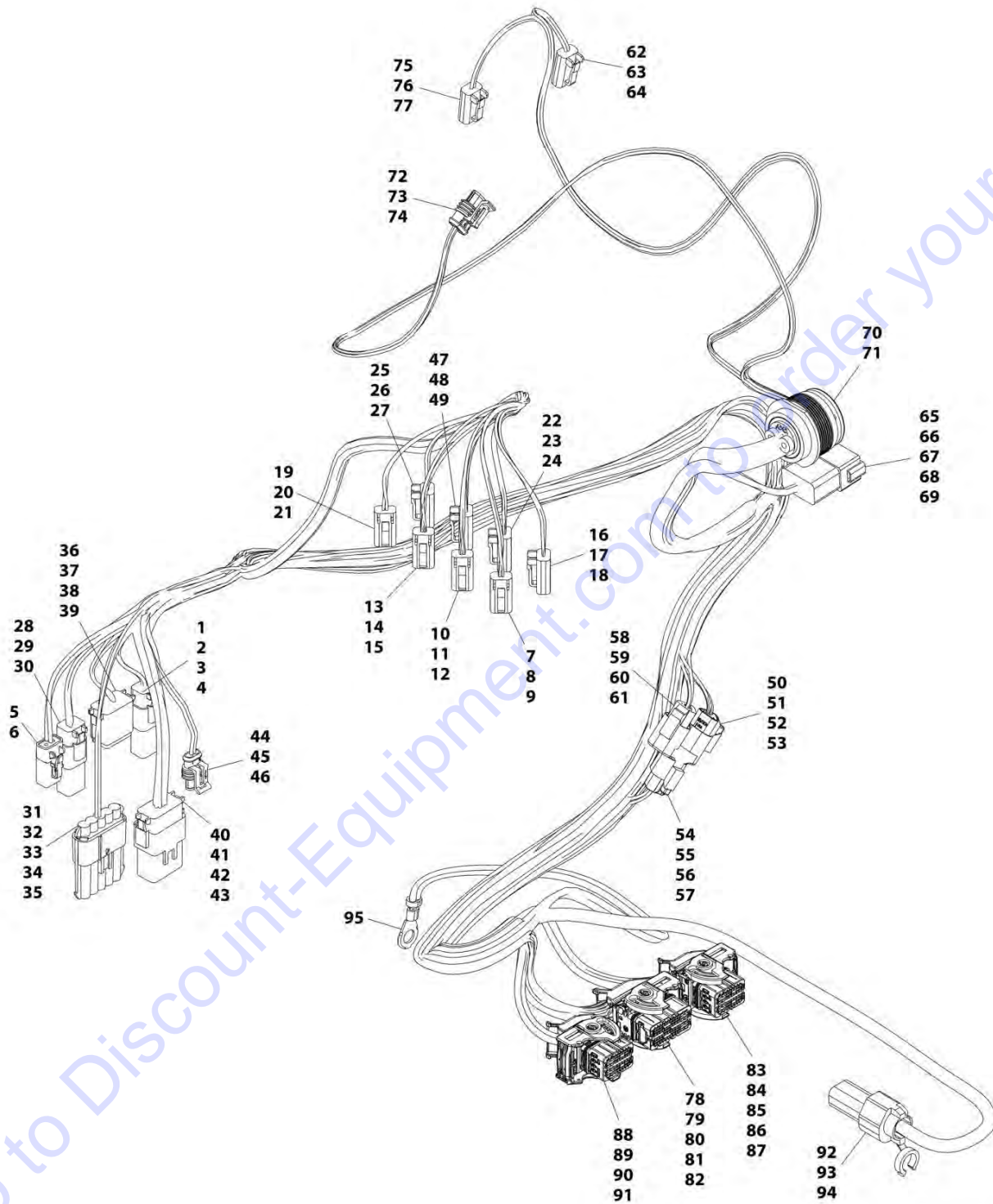
Need parts?

Click on this link: <http://www.discount-equipment.com/category/5443-parts/> and choose one of the options to help get the right parts and equipment you are looking for. Please have the machine model and serial number available in order to help us get you the correct parts. If you don't find the part on the website or on one of the online manuals, please fill out the request form and one of our experienced staff members will get back to you with a quote for the right part that your machine needs.

We sell worldwide for the brands: Genie, Terex, JLG, MultiQuip, Mikasa, Essick, Whiteman, Mayco, Toro Stone, Diamond Products, Generac Magnum, Airman, Haulotte, Barreto, Power Blanket, Nifty Lift, Atlas Copco, Chicago Pneumatic, Allmand, Miller Curber, Skyjack, Lull, Skytrak, Tsurumi, Husquvarna Target, Stow, Wacker, Sakai, Mi-T-M, Sullair, Basic, Dynapac, MBW, Weber, Bartell, Bennar Newman, Haulotte, Ditch Runner, Menegotti, Morrison, Contec, Buddy, Crown, Edco, Wyco, Bomag, Laymor, EZ Trench, Bil-Jax, F.S. Curtis, Gehl Pavers, Heli, Honda, ICS/PowerGrit, IHI, Partner, Imer, Clipper, MMD, Koshin, Rice, CH&E, General Equipment, Amida, Coleman, NAC, Gradall, Square Shooter, Kent, Stanley, Tamco, Toku, Hatz, Kohler, Robin, Wisconsin, Northrock, Oztec, Toker TK, Rol-Air, APT, Wylie, Ingersoll Rand / Doosan, Innovatech, Con X, Ammann, Mecalac, Makinex, Smith Surface Prep, Small Line, Wanco, Yanmar

SECTION 10 - ELECTRICAL

FIGURE 10-71. REAR FRAME HARNESS (642, 742)



ART_1001204351-A

SECTION 10 - ELECTRICAL

FIGURE 10-71. REAR FRAME HARNESS (642, 742)

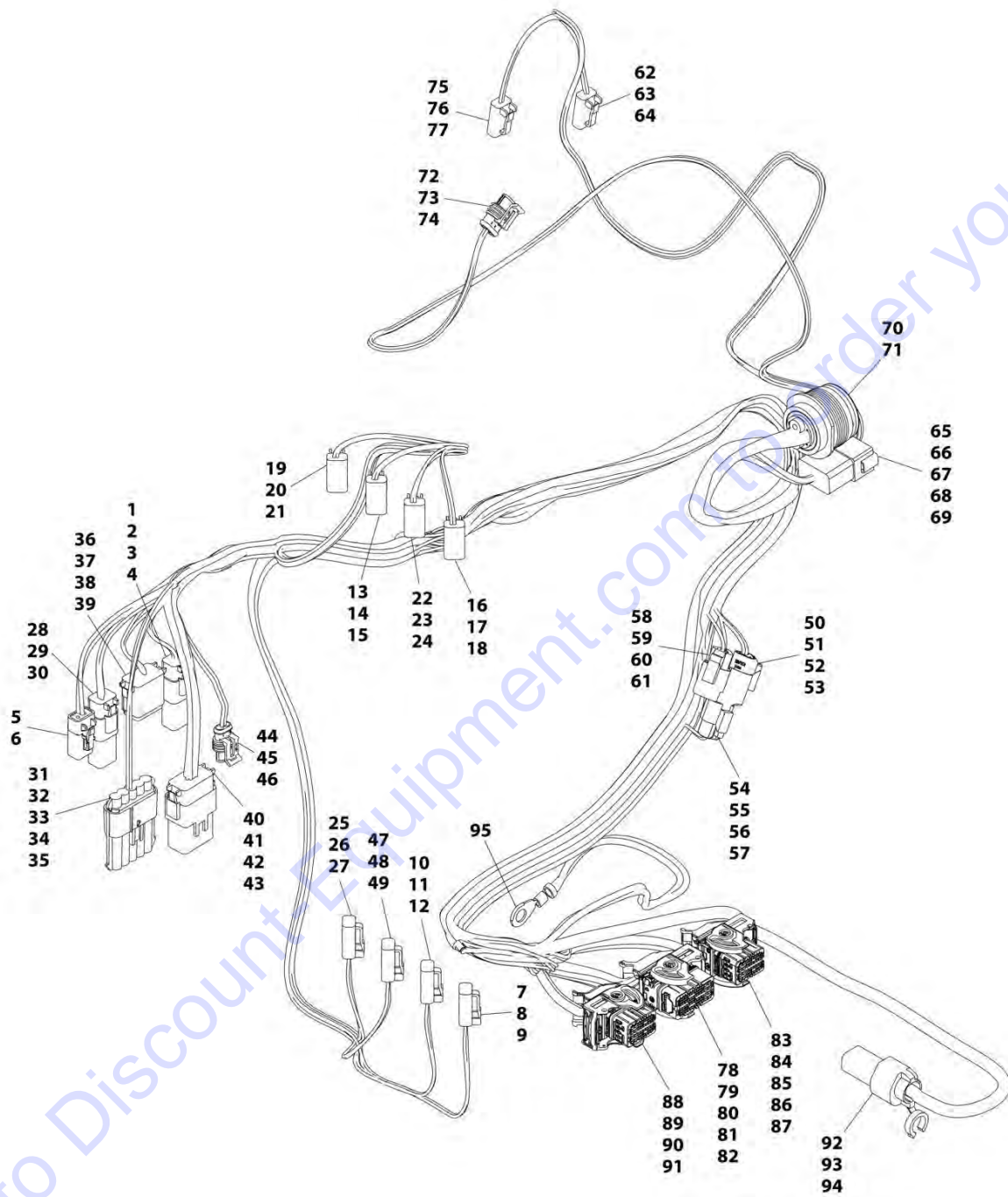
ITEM	PART NUMBER	QTY	DESCRIPTION	REV
	1001204351	Ref	Rear Frame Harness (642, 742)	A
1	4460884	1	Connector	
2	80604021	1	Lock, Connector	
2	4460465	2	Terminal	
3	4460466	2	Plug	
5	4461018	1	Connector	
6	4460509	2	Terminal	
7	4460891	1	Connector	
8	80604018	1	Lock, Connector	
9	4460465	2	Terminal	
10	4460891	1	Connector	
11	80604018	1	Connector	
12	4460465	2	Terminal	
13	4460891	1	Connector	
14	80604018	1	Lock, Connector	
15	4460465	2	Terminal	
16	4460891	1	Connector	
17	80604018	1	Lock, Connector	
18	4460465	2	Terminal	
19	4460891	1	Connector	
20	80604018	1	Lock, Connector	
21	4460465	2	Terminal	
22	4460891	1	Connector	
23	80604018	1	Lock, Connector	
24	4460465	2	Terminal	
25	4460891	1	Connector	
26	80604018	1	Lock, Connector	
27	4460465	2	Terminal	
28	4460884	1	Connector	
29	4460465	4	Terminal	
30	80604021	1	Lock, Connector	
31	1001121726	1	Connector	
32	1001116728	3	Terminal	
33	1001175265	2	Seal	
34	4460458	1	Seal	
35	1001116727	2	Plug	
36	4460930	1	Connector	
37	8220525	1	Lock, Connector	
38	4460465	2	Terminal	
39	4460466	6	Plug	
40	4460933	1	Connector	
41	80604016	1	Connector, Lock	
42	4460942	10	Terminal	
43	4460466	2	Plug	
44	4461118	1	Connector	
45	1001107854	2	Terminal	
46	1001116763	2	Seal	
47	4460891	1	Connector	
48	80604018	1	Lock, Connector	
49	4460465	2	Terminal	

SECTION 10 - ELECTRICAL

ITEM	PART NUMBER	QTY	DESCRIPTION	REV
50	1001116812	1	Connector	
51	91554019	1	Lock, Connector	
52	4460944	2	Terminal	
53	4460466	1	Plug	
54	1001116812	1	Connector	
55	91554019	1	Lock, Connector	
56	4460944	2	Terminal	
57	4460466	1	Plug	
58	4460539	1	Connector	
59	1001146021	1	Seal	
60	4460944	2	Terminal	
61	4460466	1	Plug	
62	4460891	1	Connector	
63	80604018	1	Lock, Connector	
64	4460465	2	Terminal	
65	4460970	1	Connector	
66	80363179	1	Lock, Connector	
67	4460464	4	Terminal	
68	4460941	1	Terminal	
69	4460466	7	Plug	
70	1001165311	1	Connector	
71	91013191	2	Terminal	
72	4461262	1	Connector	
73	1001107854	3	Terminal	
74	1001104498	3	Seal	
75	4460891	1	Connector	
76	80604018	1	Lock, Connector	
77	4460465	2	Terminal	
78	1001161963	1	Connector	
79	1001161097	21	Terminal	
80	1001161099	5	Terminal	
81	1001161100	19	Plug	
82	1001161101	3	Plug	
83	1001160500	1	Connector	
84	1001161097	2	Terminal	
85	1001161099	7	Terminal	
86	1001161100	22	Plug	
87	1001161101	1	Plug	
88	1001161957	1	Connector	
89	1001161097	7	Terminal	
90	1001161100	17	Plug	
91	1001161101	8	Plug	
92	1001160509	1	Connector	
93	1001160510	1	Terminal	
94	1001175267	1	Seal	
95	1001187076	1	Ring, Terminal	

SECTION 10 - ELECTRICAL

FIGURE 10-72. REAR FRAME HARNESS (742, 943, 1043)



ART_1001204352-A

SECTION 10 - ELECTRICAL

FIGURE 10-72. REAR FRAME HARNESS (742, 943, 1043)

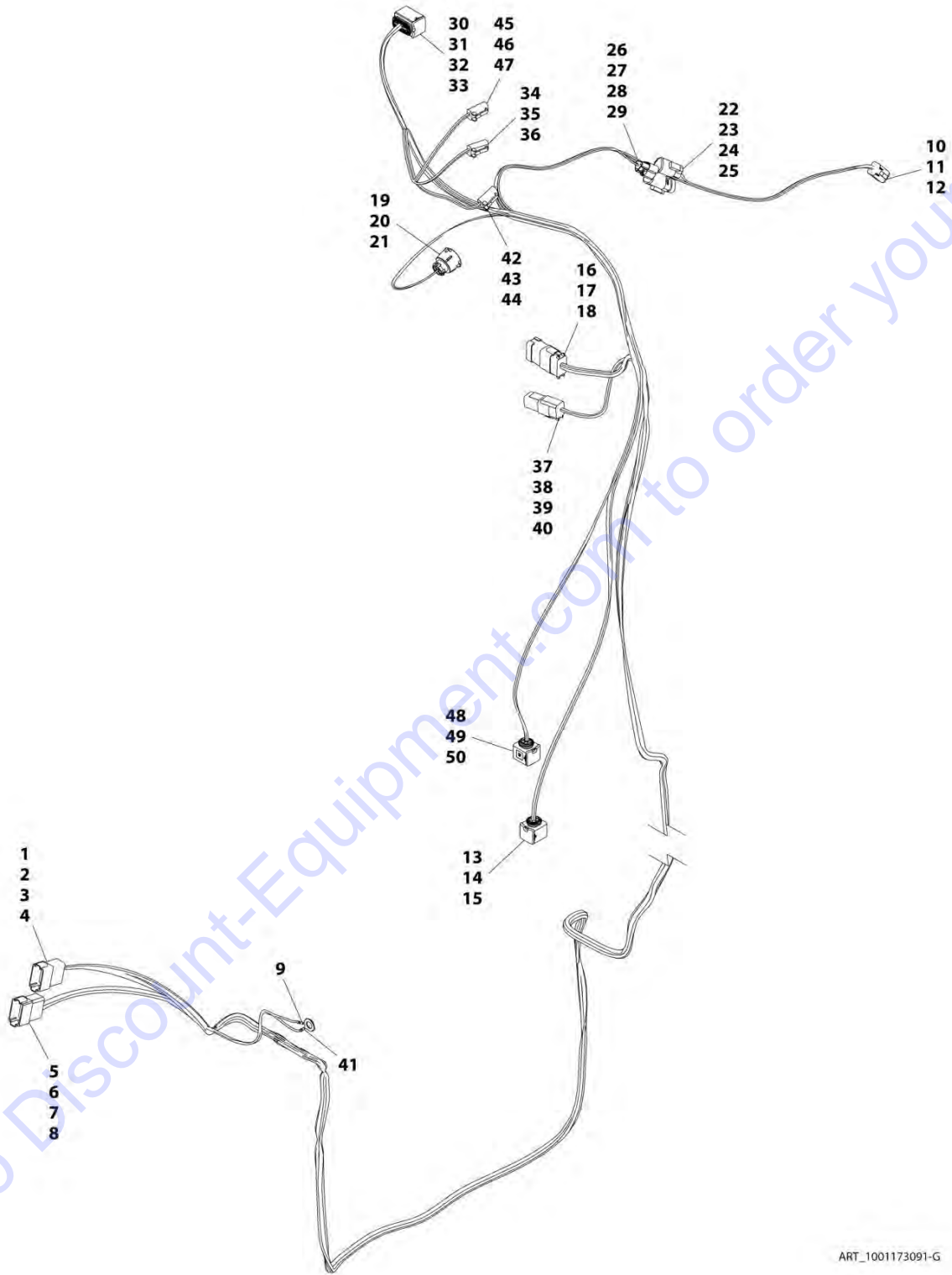
ITEM	PART NUMBER	QTY	DESCRIPTION	REV
	1001204352	Ref	Rear Frame Harness (742, 943, 1043)	A
1	4460884	1	Connector	
2	80604021	1	Lock, Connector	
2	4460465	2	Terminal	
3	4460466	2	Plug	
5	4461018	1	Connector	
6	4460509	2	Terminal	
7	4460891	1	Connector	
8	80604018	1	Lock, Connector	
9	4460465	2	Terminal	
10	4460891	1	Connector	
11	80604018	1	Connector	
12	4460465	2	Terminal	
13	4460891	1	Connector	
14	80604018	1	Lock, Connector	
15	4460465	2	Terminal	
16	4460891	1	Connector	
17	80604018	1	Lock, Connector	
18	4460465	2	Terminal	
19	4460891	1	Connector	
20	80604018	1	Lock, Connector	
21	4460465	2	Terminal	
22	4460891	1	Connector	
23	80604018	1	Lock, Connector	
24	4460465	2	Terminal	
25	4460891	1	Connector	
26	80604018	1	Lock, Connector	
27	4460465	2	Terminal	
28	4460884	1	Connector	
29	4460465	4	Terminal	
30	80604021	1	Lock, Connector	
31	1001121726	1	Connector	
32	1001116728	3	Terminal	
33	1001175265	2	Seal	
34	4460458	1	Seal	
35	1001116727	2	Plug	
36	4460930	1	Connector	
37	8220525	1	Lock, Connector	
38	4460465	2	Terminal	
39	4460466	6	Plug	
40	4460933	1	Connector	
41	80604016	1	Connector, Lock	
42	4460942	10	Terminal	
43	4460466	2	Plug	
44	4461118	1	Connector	
45	1001107854	2	Terminal	
46	1001116763	2	Seal	
47	4460891	1	Connector	
48	80604018	1	Lock, Connector	
49	4460465	2	Terminal	

SECTION 10 - ELECTRICAL

ITEM	PART NUMBER	QTY	DESCRIPTION	REV
50	1001116812	1	Connector	
51	91554019	1	Lock, Connector	
52	4460944	2	Terminal	
53	4460466	1	Plug	
54	1001116812	1	Connector	
55	91554019	1	Lock, Connector	
56	4460944	2	Terminal	
57	4460466	1	Plug	
58	4460539	1	Connector	
59	1001146021	1	Seal	
60	4460944	2	Terminal	
61	4460466	1	Plug	
62	4460891	1	Connector	
63	80604018	1	Lock, Connector	
64	4460465	2	Terminal	
65	4460970	1	Connector	
66	80363179	1	Lock, Connector	
67	4460464	4	Terminal	
68	4460941	1	Terminal	
69	4460466	7	Plug	
70	1001165311	1	Connector	
71	91013191	2	Terminal	
72	4461262	1	Connector	
73	1001107854	3	Terminal	
74	1001104498	3	Seal	
75	4460891	1	Connector	
76	80604018	1	Lock, Connector	
77	4460465	2	Terminal	
78	1001161963	1	Connector	
79	1001161097	21	Terminal	
80	1001161099	5	Terminal	
81	1001161100	19	Plug	
82	1001161101	3	Plug	
83	1001160500	1	Connector	
84	1001161097	2	Terminal	
85	1001161099	7	Terminal	
86	1001161100	22	Plug	
87	1001161101	1	Plug	
88	1001161957	1	Connector	
89	1001161097	7	Terminal	
90	1001161100	17	Plug	
91	1001161101	8	Plug	
92	1001160509	1	Connector	
93	1001160510	1	Terminal	
94	1001175267	1	Seal	
95	1001187076	1	Ring, Terminal	

SECTION 10 - ELECTRICAL

FIGURE 10-73. ENGINE CHASSIS HARNESS (ULS)



SECTION 10 - ELECTRICAL

FIGURE 10-73. ENGINE CHASSIS HARNESS (ULS)

ITEM	PART NUMBER	QTY	DESCRIPTION	REV
	1001173091	Ref	Engine Chassis Harness (ULS)	G
1	4460982	1	Connector	
2	80363179	1	Lock, Connector	
3	4460464	11	Terminal	
4	4460466	1	Plug	
5	1001152742	1	Connector	
6	80363179	1	Lock, Connector	
7	4460464	10	Terminal	
8	4460466	2	Plug	
9	1001187077	1	Terminal, Ring	
10	4460884	1	Connector	
11	80604021	1	Lock, Connector	
12	4460465	4	Terminal	
13	1001167528	1	Connector	
14	1001166704	4	Terminal	
15	1001137578	4	Seal, Terminal	
16	4460930	1	Connector	
17	80604025	1	Lock, Connector	
18	4460465	8	Terminal	
19	1001167620	1	Connector	
20	1001176004	2	Terminal	
21	1001167624	2	Plug	
22	4460539	1	Connector	
23	77363244	1	Lock, Connector	
24	4460944	2	Terminal	
25	4460466	1	Plug	
26	1001116812	1	Connector	
27	91554019	1	Lock, Connector	
28	4460944	2	Terminal	
29	4460466	1	Plug	
30	1001165194	1	Connector	
31	1001166703	10	Terminal	
32	1001126393	10	Seal, Terminal	
33	1001126391	2	Plug	
34	4460891	1	Connector	
35	80604018	1	Lock, Connector	
36	4460465	2	Terminal	
37	4460894	1	Connector	
38	91504107	1	Lock, Connector	
39	4460465	4	Terminal	
40	4460466	2	Plug	
41	1001187077	1	Terminal, Ring	
42	4460891	1	Connector	
43	80604018	1	Lock, Connector	
44	4460465	2	Terminal	
45	4460891	1	Connector	
46	80604018	1	Lock, Connector	
47	4460465	2	Terminal	
48	1001176935	1	Connector	
49	1001166704	4	Terminal	

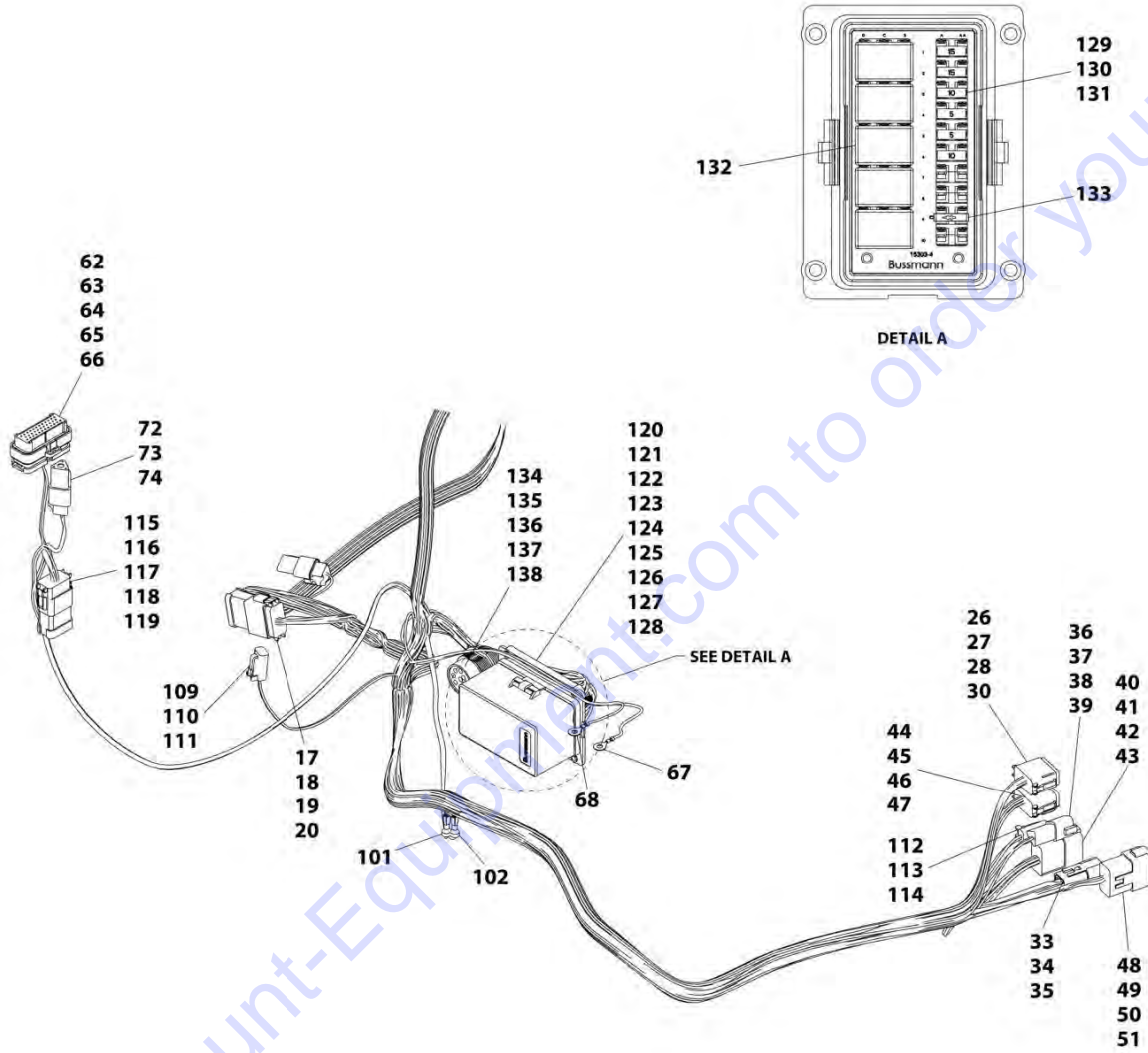
SECTION 10 - ELECTRICAL

ITEM	PART NUMBER	QTY	DESCRIPTION	REV
50	1001137578	4	Seal, Terminal	

Go to Discount-Equipment.com to order your parts

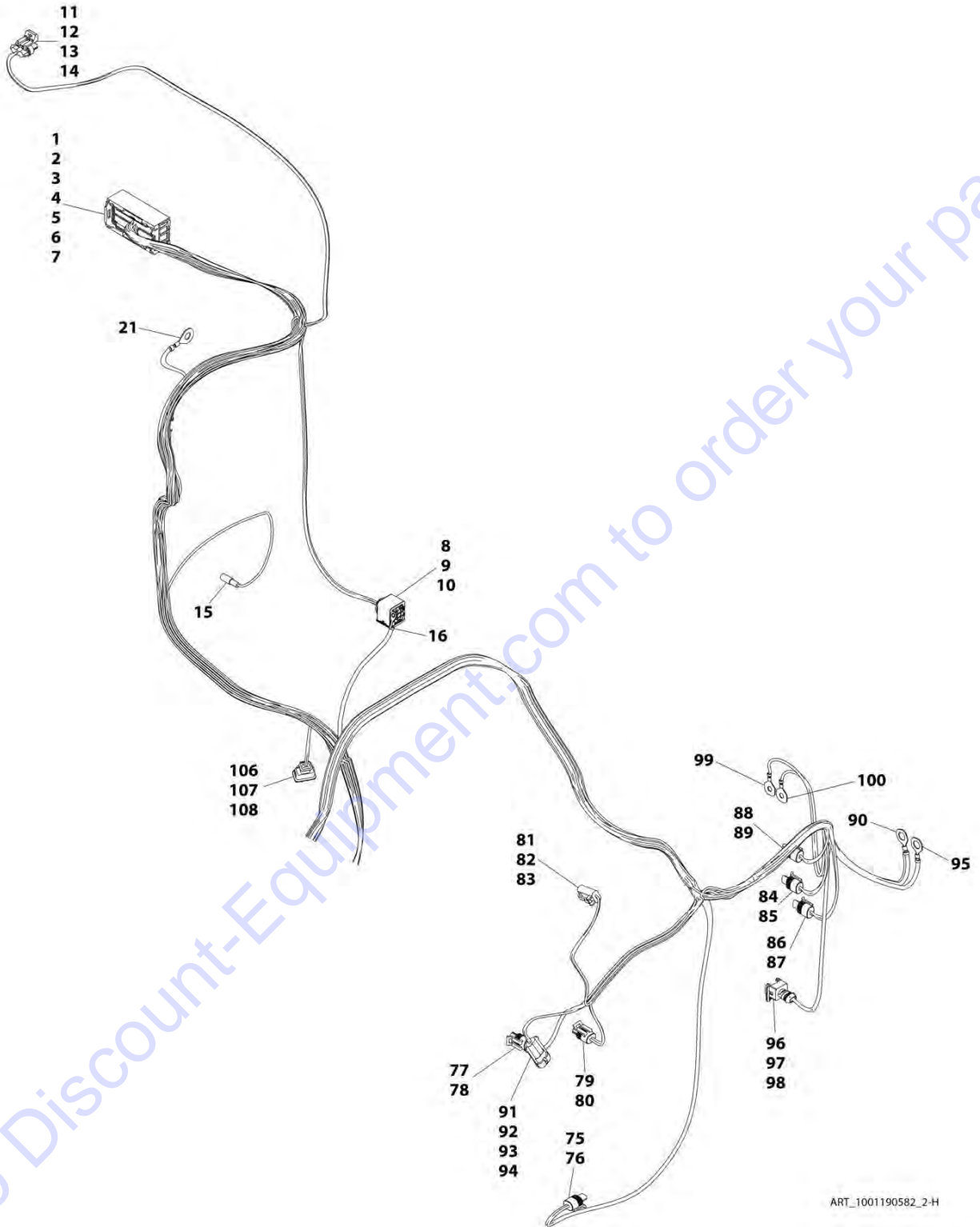
SECTION 10 - ELECTRICAL

FIGURE 10-74. ENGINE HARNESS (ULS) (Prior to SN 0160080782)



ART_1001190582_1-H

SECTION 10 - ELECTRICAL



ART_1001190582_2-H

SECTION 10 - ELECTRICAL

FIGURE 10-74. ENGINE HARNESS (ULS) (Prior to SN 0160080782)

ITEM	PART NUMBER	QTY	DESCRIPTION	REV
	1001190582	Ref	Engine Harness (ULS)	H
1	1001167641	1	Connector	
2	1001167648	9	Terminal	
3	1001167649	30	Terminal	
4	1001167650	59	Plug	
5	1001167643	1	Cover	
6	1001167644	1	Lock, Connector	
7	1001167647	1	Boot, Rubber Connector	
8	1001176935	1	Connector	
9	1001166704	4	Terminal	
10	4461006	4	Seal	
11	1001125027	1	Connector	
12	70026217	1	Lock, Connector	
13	8220124	3	Terminal	
14	4460608	3	Seal	
15	1001117125	1	Terminal, Snap Plug	
16	1001197407	1	Ring, Terminal	
17	4460933	1	Connector	
18	4460465	8	Terminal	
19	4460466	4	Plug	
20	80604016	1	Lock, Connector	
21	1001187070	1	Ring, Terminal	
26	4460934	1	Connector	
27	80604016	1	Lock, Connector	
28	4460465	10	Terminal	
30	4460466	2	Plug	
33	1001116811	1	Connector	
34	4460508	3	Terminal	
35	1001150610	1	Terminal	
36	1001144147	1	Connector	
37	91554022	1	Lock, Connector	
38	4460464	2	Terminal	
39	4460466	1	Plug	
40	4460950	1	Connector	
41	80363179	1	Lock, Connector	
42	4460464	9	Terminal	
43	4460466	3	Plug	
44	4460935	1	Connector	
45	80604016	1	Lock, Connector	
46	4460465	11	Terminal	
47	4460466	1	Plug	
48	4460970	1	Connector	
49	80604015	1	Lock, Connector	
50	4460464	7	Terminal	
51	4460466	5	Plug	
62	1001125083	1	Connector	
63	1001195782	7	Plug	
64	1001195781	15	Plug	
65	1001125085	1	Terminal	
66	1001125089	1	Terminal	

SECTION 10 - ELECTRICAL

ITEM	PART NUMBER	QTY	DESCRIPTION	REV
67	1001187070	1	Ring, Terminal	
68	1001187070	1	Ring, Terminal	
72	4461095	1	Connector	
73	4460944	2	Terminal	
74	4460466	1	Plug	
75	4460955	1	Connector	
76	1001116748	2	Terminal	
77	4460955	1	Connector	
78	1001116748	2	Terminal	
79	4460955	1	Connector	
80	1001116748	2	Terminal	
81	4460891	1	Connector	
82	80604018	1	Lock, Connector	
83	4460465	2	Terminal	
84	4460955	1	Connector	
85	1001116748	2	Terminal	
86	4460955	1	Connector	
87	1001116748	2	Terminal	
88	4460955	1	Connector	
89	1001116748	2	Terminal	
90	1001187080	1	Ring, Terminal	
91	1001117073	1	Connector	
92	70022741	1	Lock, Connector	
93	1001116749	2	Terminal	
94	4460608	2	Seal	
95	1001187079	1	Ring, Terminal	
96	1001190322	1	Connector	
97	4461005	2	Terminal	
98	4461054	2	Seal	
99	1001207171	1	Ring, Terminal	
100	1001207171	1	Ring, Terminal	
101	8220108	1	Connector, Female	
102	8220108	1	Connector, Female	
106	1001126487	1	Connector	
107	1001167656	2	Terminal	
108	1001167657	2	Seal	
109	4460891	1	Connector	
110	4460465	2	Terminal	
111	80604018	1	Lock, Connector	
112	4460891	1	Connector	
113	4460465	2	Terminal	
114	80604018	1	Lock, Connector	
115	4460930	1	Connector	
116	80604025	1	Lock, Connector	
117	4460465	6	Terminal	
118	4460466	2	Plug	
119	4460984	1	Bussbar	
120	1001167616	1	Connector	
121	1001190921	1	Seal, Foam Fuse Box	
122	8220098	3	Terminal	
123	4460789	9	Seal	

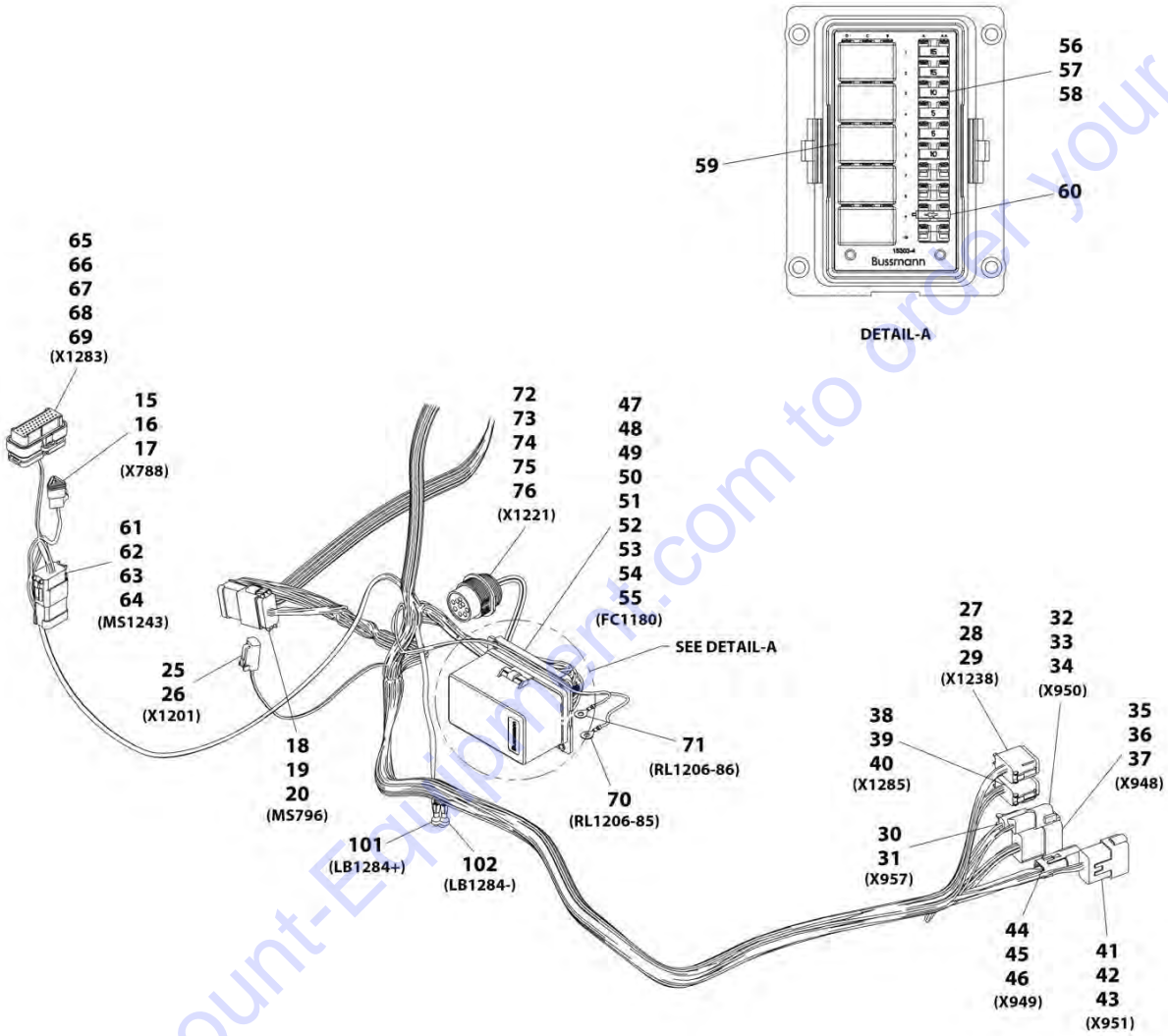
SECTION 10 - ELECTRICAL

ITEM	PART NUMBER	QTY	DESCRIPTION	REV
124	8220097	29	Terminal	
125	4460458	23	Seal	
126	4460748	11	Plug	
127	1001116725	2	Terminal	
128	80963067	2	Plug	
129	8229244	2	Fuse, 15amp	
130	80983191	2	Fuse, 10amp	
131	8229242	2	Fuse, 5amp	
132	1001205172	5	Relay, 35amp	
133	1001177597	1	Diode, 6amp	
134	1001112612	1	Connector	
135	4469464	4	Terminal	
136	4460466	5	Plug	
137	4460497	1	Nut	
138	4460496	1	Washer, Lock	

Go to Discount-Equipment.com to order your parts

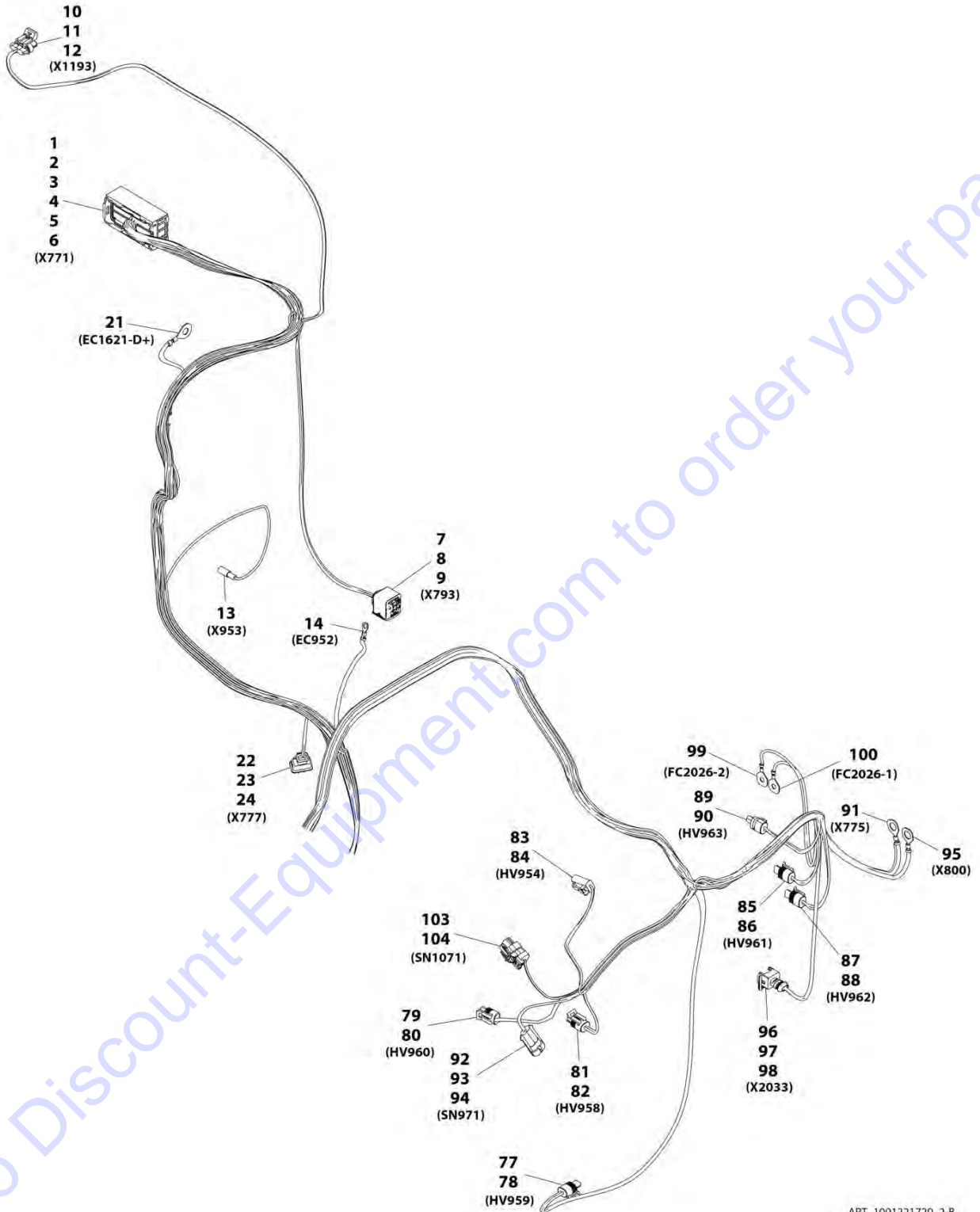
SECTION 10 - ELECTRICAL

FIGURE 10-75. ENGINE HARNESS (ULS) (SN 0160080782 to Present)



ART_1001221729_1-B

SECTION 10 - ELECTRICAL



ART_1001221729_2-B

SECTION 10 - ELECTRICAL

FIGURE 10-75. ENGINE HARNESS (ULS) (SN 0160080782 to Present)

ITEM	PART NUMBER	QTY	DESCRIPTION	REV
	1001221729	Ref	Engine Harness (if equipped for ULS)	B
1	1001167641	1	Connector	
2	1001167648	9	Terminal	
3	1001167649	30	Terminal	
4	1001167650	59	Plug	
5	1001167643	1	Cover	
6	1001167647	1	Boot, Rubber Connector	
7	1001176935	1	Connector	
8	1001166704	4	Terminal	
9	4461006	4	Seal	
10	1001125027	1	Connector	
11	8220124	3	Terminal	
12	4460608	3	Seal	
13	1001117125	1	Terminal, Snap Plug	
14	1001197407	1	Ring, Terminal	
15	4461095	1	Connector	
16	4460944	2	Terminal	
17	4460466	1	Plug	
18	4460933	1	Connector	
19	4460465	8	Terminal	
20	4460466	4	Plug	
21	1001187070	1	Ring, Terminal	
22	1001126487	1	Connector	
23	1001167656	2	Terminal	
24	1001167657	2	Seal	
25	4460891	1	Connector	
26	4460465	2	Terminal	
27	4460934	1	Connector	
28	4460465	10	Terminal	
29	4460466	2	Plug	
30	4460891	1	Connector	
31	4460465	2	Terminal	
32	1001144147	1	Connector	
33	4460464	2	Terminal	
34	4460466	1	Plug	
35	4460950	1	Connector	
36	4460464	9	Terminal	
37	4460466	3	Plug	
38	4460935	1	Connector	
39	4460465	11	Terminal	
40	4460466	1	Plug	
41	4460970	1	Connector	
42	4460464	8	Terminal	
43	4460466	4	Plug	
44	1001116811	1	Connector	
45	4460508	3	Terminal	
46	1001150610	1	Terminal	
47	4460466	1	Connector	
48	1001190921	1	Seal, Foam Fuse Box	
49	8220098	3	Terminal	

SECTION 10 - ELECTRICAL

ITEM	PART NUMBER	QTY	DESCRIPTION	REV
50	4460789	9	Seal	
51	8220097	29	Terminal	
52	4460458	23	Seal	
53	4460748	11	Plug	
54	1001116725	2	Terminal	
55	80963067	2	Plug	
56	8229244	2	Fuse, 15amp	
57	80983191	2	Fuse, 10amp	
58	8229242	2	Fuse, 5amp	
59	1001205172	5	Relay, 35amp	
60	1001177597	1	Diode, 6amp	
61	4460930	1	Connector	
62	4460465	6	Terminal	
63	4460466	2	Plug	
64	4460984	1	Bussbar	
65	1001125083	1	Connector	
66	1001195782	7	Plug	
67	1001195781	14	Plug	
68	1001125085	2	Terminal	
69	1001125089	1	Terminal	
70	1001187070	1	Ring, Terminal	
71	1001187070	1	Ring, Terminal	
72	1001112612	1	Connector	
73	4469464	4	Terminal	
74	4460466	5	Plug	
75	4460497	1	Nut	
76	4460496	1	Lockwasher	
77	4460955	1	Connector	
78	1001116748	2	Terminal	
79	4460955	1	Connector	
80	1001116748	2	Terminal	
81	4460955	1	Connector	
82	1001116748	2	Terminal	
83	4460891	1	Connector	
84	4460465	2	Terminal	
85	4460955	1	Connector	
86	1001116748	2	Terminal	
87	4460955	1	Connector	
88	1001116748	2	Terminal	
89	4460955	1	Connector	
90	1001116748	2	Terminal	
91	1001187080	1	Ring, Terminal	
92	1001117073	1	Connector	
93	1001116749	2	Terminal	
94	4460608	2	Seal	
95	1001187079	1	Ring, Terminal	
96	1001190322	1	Connector	
97	4461005	2	Terminal	
98	4461054	2	Seal	
99	1001207171	1	Ring, Terminal	
100	1001207171	1	Ring, Terminal	

SECTION 10 - ELECTRICAL

ITEM	PART NUMBER	QTY	DESCRIPTION	REV
101	8220108	1	Connector, Female	
102	8220108	1	Connector, Female	
103	1001116950	1	Connector	
104	4460465	2	Terminal	

Go to Discount-Equipment.com to order your parts

SECTION 10 - ELECTRICAL

FIGURE 10-76. ENGINE HARNESS, 74HP (ULS) (943)

ITEM	PART NUMBER	QTY	DESCRIPTION	REV
	1001225067	Ref	Engine Harness, 74HP (ULS) (943)	A
1	1001167641	1	Connector	
2	1001167648	9	Terminal	
3	1001167650	76	Plug	
4	1001167649	11	Terminal	
5	1001125027	1	Connector	
6	8220124	3	Terminal	
7	4460608	3	Seal	
8	1001117125	1	Terminal, Snap Plug	
9	1001197407	1	Ring, Terminal	
10	4460933	1	Connector	
11	1001125677	1	Terminal	
12	4460465	8	Terminal	
13	4460466	4	Plug	
14	1001187070	1	Ring, Terminal	
15	4461095	1	Connector	
16	4461070	1	Terminal	
17	4460944	2	Terminal	
18	4460466	1	Plug	
19	4460891	1	Connector	
20	4460465	2	Terminal	
21	4460891	1	Connector	
22	4460897	1	Terminal	
23	4460466	1	Plug	
24	4460465	2	Terminal	
25	1001144147	1	Connector	
26	4460464	2	Terminal	
27	4460466	1	Plug	
28	4460950	1	Connector	
29	4460464	9	Terminal	
30	4460466	3	Plug	
31	4460970	1	Connector	
32	4460464	8	Terminal	
33	4460466	4	Plug	
34	1001116811	1	Connector	
35	4460508	3	Terminal	
36	1001150610	1	Terminal	
37	80484081	1	Connector	
38	4460746	8	Terminal	
39	1001175265	8	Seal	
40	1001145707	1	Connector	
41	1001116732	4	Terminal	
42	1001187070	1	Ring, Terminal	
43	1001187070	1	Ring, Terminal	
44	1001112612	1	Connector	
45	4460464	4	Terminal	
46	4460466	5	Plug	
47	4460955	1	Connector	
48	1001116748	2	Terminal	
49	4460955	1	Connector	

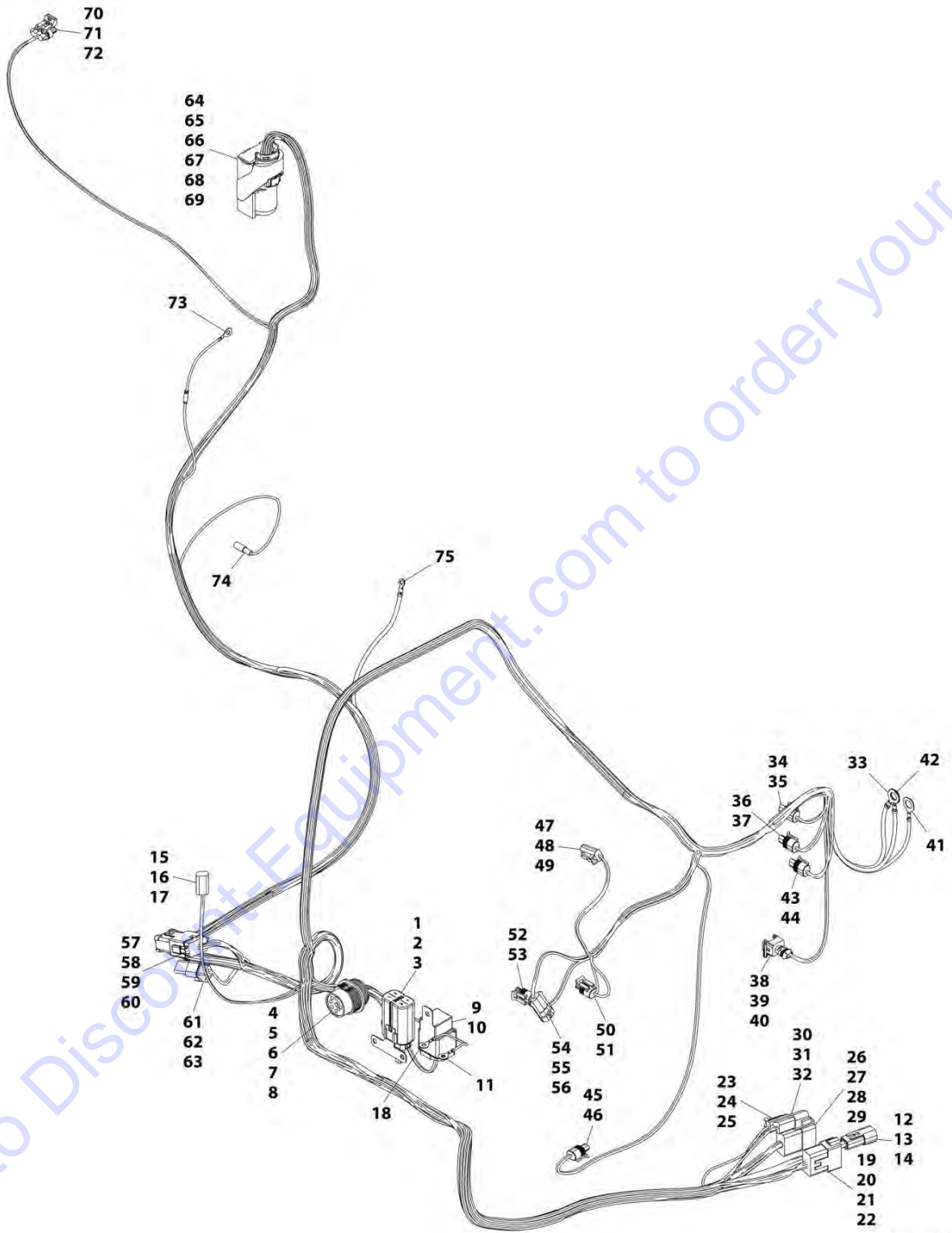
SECTION 10 - ELECTRICAL

ITEM	PART NUMBER	QTY	DESCRIPTION	REV
50	1001116748	2	Terminal	
51	4460955	1	Connector	
52	1001116748	2	Terminal	
53	4460891	1	Connector	
54	4460465	2	Terminal	
55	4460955	1	Connector	
56	1001116748	2	Terminal	
57	4460955	1	Connector	
58	1001116748	2	Terminal	
59	4460955	1	Connector	
60	1001116748	2	Terminal	
61	1001187080	1	Ring, Terminal	
62	1001117073	1	Connector	
63	1001116749	2	Terminal	
64	4460608	2	Seal	
65	1001187079	1	Ring, Terminal	
66	1001190322	1	Connector	
67	4461005	2	Terminal	
68	4461054	2	Seal	
69	1001116950	1	Connector	
70	4460465	2	Terminal	

Go to Discount-Equipment.com to order your parts

SECTION 10 - ELECTRICAL

FIGURE 10-77. ENGINE HARNESS (LS) (Prior to SN 0160080782)



ART_1001184414-I

SECTION 10 - ELECTRICAL

FIGURE 10-77. ENGINE HARNESS (LS) (Prior to SN 0160080782)

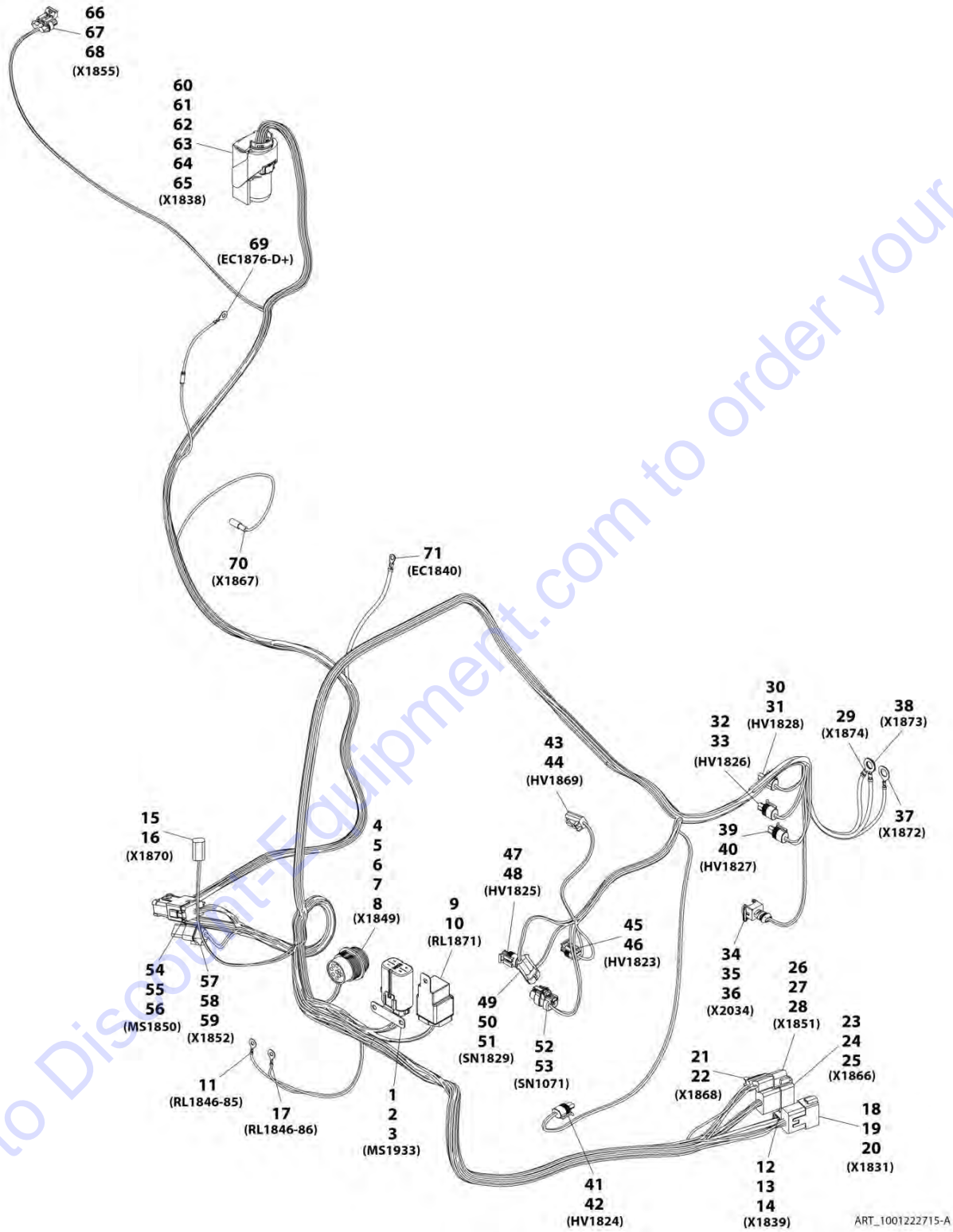
ITEM	PART NUMBER	QTY	DESCRIPTION	REV
	1001184414	Ref	Engine Harness (LS)	I
1	1001184551	1	Connector	
2	1001116728	8	Terminal	
3	1001175265	8	Seal	
4	1001112612	1	Connector	
5	4460466	4	Terminal	
6	4460466	5	Plug	
7	4460497	1	Nut	
8	4460496	1	Washer, Lock	
9	1001145707	1	Connector	
10	1001116732	4	Terminal	
11	1001187070	1	Ring, Terminal	
12	1001116811	1	Connector	
13	4460508	3	Terminal	
14	1001150610	1	Terminal	
15	4460891	1	Connector	
16	4460465	2	Terminal	
17	80604018	1	Lock, Connector	
18	1001187070	1	Ring, Terminal	
19	4460970	1	Connector	
20	4460464	7	Terminal	
21	4460466	5	Plug	
22	80604015	1	Lock, Connector	
23	4460891	1	Connector	
24	4460465	2	Terminal	
25	80604018	1	Lock, Connector	
26	4460950	1	Connector	
27	4460464	9	Terminal	
28	4460466	3	Plug	
29	80604015	1	Lock, Connector	
30	1001144147	1	Connector	
31	4460464	2	Terminal	
32	4460466	1	Plug	
33	1001187079	1	Ring, Terminal	
34	4460955	1	Connector	
35	1001116748	2	Terminal	
36	4460955	1	Connector	
37	1001116748	2	Terminal	
38	1001190322	1	Connector	
39	4461005	2	Terminal	
40	4461054	2	Seal	
41	1001187078	1	Ring, Terminal	
42	1001187079	1	Ring, Terminal	
43	4460955	1	Connector	
44	1001116748	2	Terminal	
45	4460955	1	Connector	
46	1001116748	2	Terminal	
47	4460891	1	Connector	
48	4460465	2	Terminal	
49	80604018	1	Lock, Connector	

SECTION 10 - ELECTRICAL

ITEM	PART NUMBER	QTY	DESCRIPTION	REV
50	4460955	1	Connector	
51	1001116748	2	Terminal	
52	4460955	1	Connector	
53	1001116748	2	Terminal	
54	1001117073	1	Connector	
55	1001116749	2	Terminal	
56	4460608	2	Seal	
57	4460933	1	Connector	
58	4460944	8	Terminal	
59	4460466	4	Plug	
60	80604016	1	Lock, Connector	
61	4461095	1	Connector	
62	4460943	2	Terminal	
63	4460466	1	Plug	
64	1001126349	1	Connector	
65	1001185824	6	Terminal	
66	1001185823	11	Terminal	
67	1001126353	6	Seal	
68	1001126357	4	Plug	
69	1001126356	73	Plug	
70	1001125027	1	Connector	
71	8220124	3	Terminal	
72	4460608	3	Seal	
73	1001187070	1	Ring, Terminal	
74	1001117125	1	Terminal, Snap Plug	
75	1001197407	1	Ring, Terminal	

SECTION 10 - ELECTRICAL

FIGURE 10-78. ENGINE HARNESS (LS) (SN 0160080782 to Present)



SECTION 10 - ELECTRICAL

FIGURE 10-78. ENGINE HARNESS (LS) (SN 0160080782 to Present)

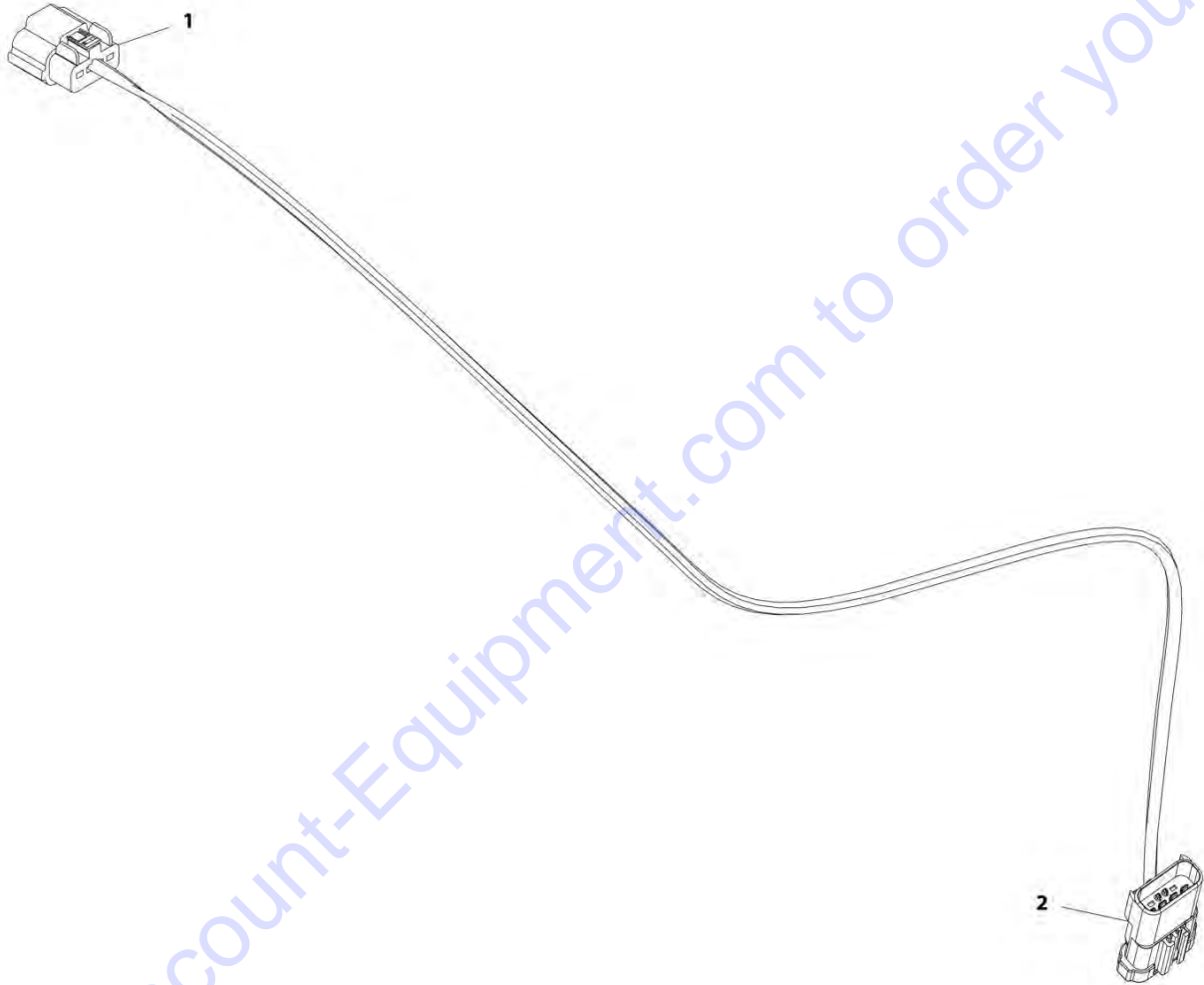
ITEM	PART NUMBER	QTY	DESCRIPTION	REV
	1001222715	Ref	Engine Harness (LS)	A
1	1001184551	1	Connector	
2	1001116728	8	Terminal	
3	1001175265	8	Seal	
4	1001112612	1	Connector	
5	4460464	4	Terminal	
6	4460466	5	Plug	
7	4460497	1	Nut	
8	4460496	1	Washer	
9	1001145707	1	Connector	
10	1001116732	4	Terminal	
11	1001187070	1	Ring, Terminal	
12	1001116811	1	Connector	
13	4460508	3	Terminal	
14	1001150610	1	Terminal	
15	4460891	1	Connector	
16	4460465	2	Terminal	
17	1001187070	1	Ring, Terminal	
18	4460970	1	Connector	
19	4460464	8	Terminal	
20	4460466	4	Plug	
21	4460891	1	Connector	
22	4460465	2	Terminal	
23	4460950	1	Connector	
24	4460464	9	Terminal	
25	4460466	3	Plug	
26	1001144147	1	Connector	
27	4460464	2	Terminal	
28	4460466	1	Plug	
29	1001187079	1	Ring, Terminal	
30	4460955	1	Connector	
31	1001116748	2	Terminal	
32	4460955	1	Connector	
33	1001116748	2	Terminal	
34	1001190322	1	Connector	
35	4461005	2	Terminal	
36	4461054	2	Seal	
37	1001187078	1	Ring, Terminal	
38	1001187079	1	Ring, Terminal	
39	4460955	1	Connector	
40	1001116748	2	Terminal	
41	4460955	1	Connector	
42	1001116748	2	Terminal	
43	4460891	1	Connector	
44	4460465	2	Terminal	
45	4460955	1	Connector	
46	1001116748	2	Terminal	
47	4460955	1	Connector	
48	1001116748	2	Terminal	
49	1001117073	1	Connector	

SECTION 10 - ELECTRICAL

ITEM	PART NUMBER	QTY	DESCRIPTION	REV
50	1001116749	2	Terminal	
51	4460608	2	Seal	
52	1001116950	1	Connector	
53	4460465	2	Terminal	
54	4460933	1	Connector	
55	4460465	8	Terminal	
56	4460466	4	Plug	
57	4461095	1	Connector	
58	4460943	2	Terminal	
59	4460466	1	Plug	
60	1001126349	1	Connector	
61	1001185824	6	Terminal	
62	1001185823	11	Terminal	
63	1001126353	6	Seal	
64	1001126357	4	Plug	
65	1001126356	73	Plug	
66	1001125027	1	Connector	
67	8220124	3	Terminal	
68	4460608	3	Seal	
69	1001187070	1	Ring, Terminal	
70	1001117125	1	Terminal, Snap Plug	
71	1001197407	1	Ring, Terminal	

SECTION 10 - ELECTRICAL

FIGURE 10-79. TBAP HARNESS



ART_1001184835-A

SECTION 10 - ELECTRICAL

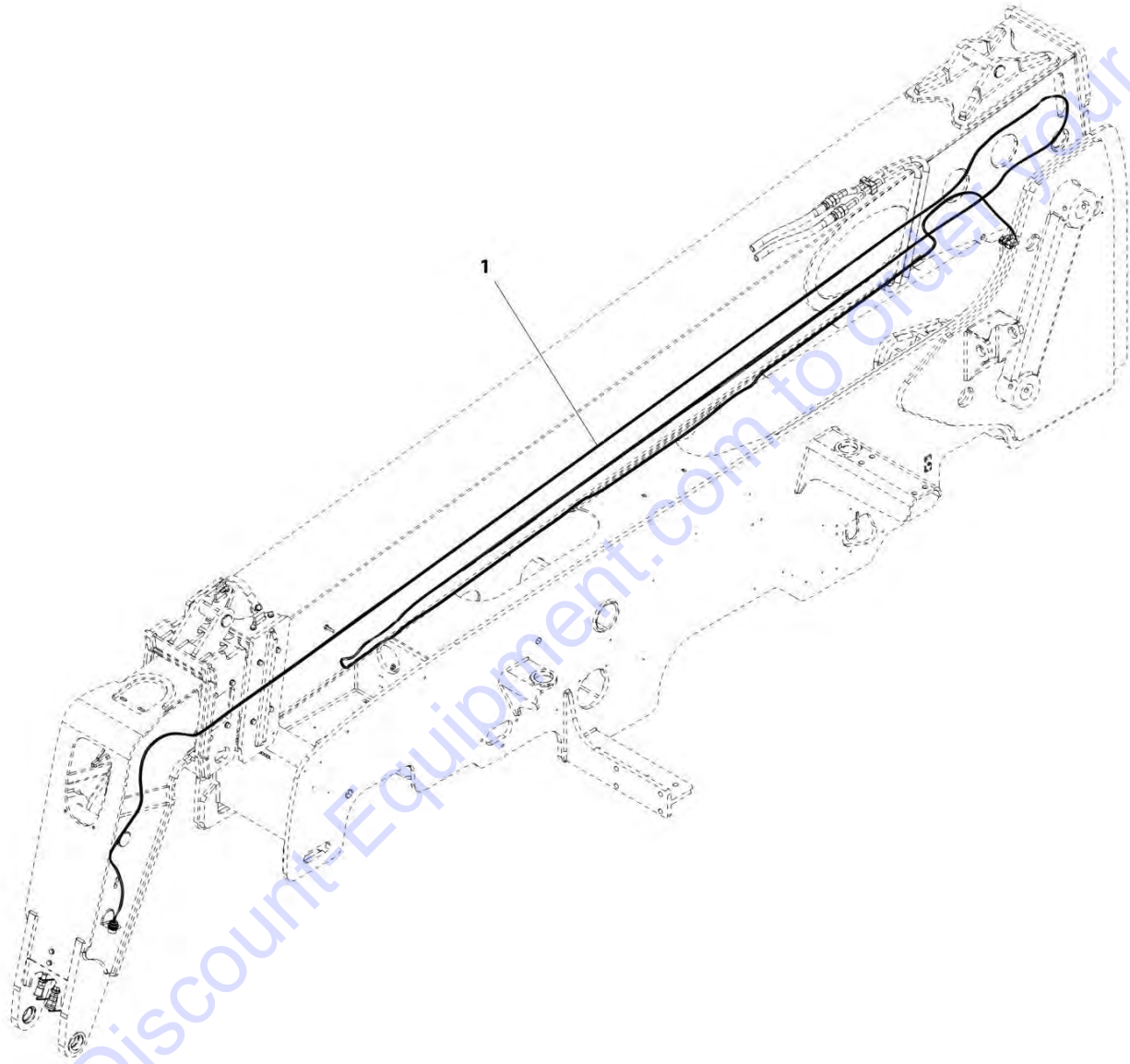
FIGURE 10-79. TBAP HARNESS

ITEM	PART NUMBER	QTY	DESCRIPTION	REV
1	1001184835	Ref	TBAP Harness	A
	10011184495	1	Connector	
	1001184494	4	Terminal	
	1001184496	4	Seal	
2	1001184491	1	Connector	
	1001184493	4	Terminal	

Go to Discount-Equipment.com to order your parts

SECTION 10 - ELECTRICAL

FIGURE 10-80. BOOM ELECTRICAL HARNESS INSTALLATION



ART_1001174426-E

SECTION 10 - ELECTRICAL

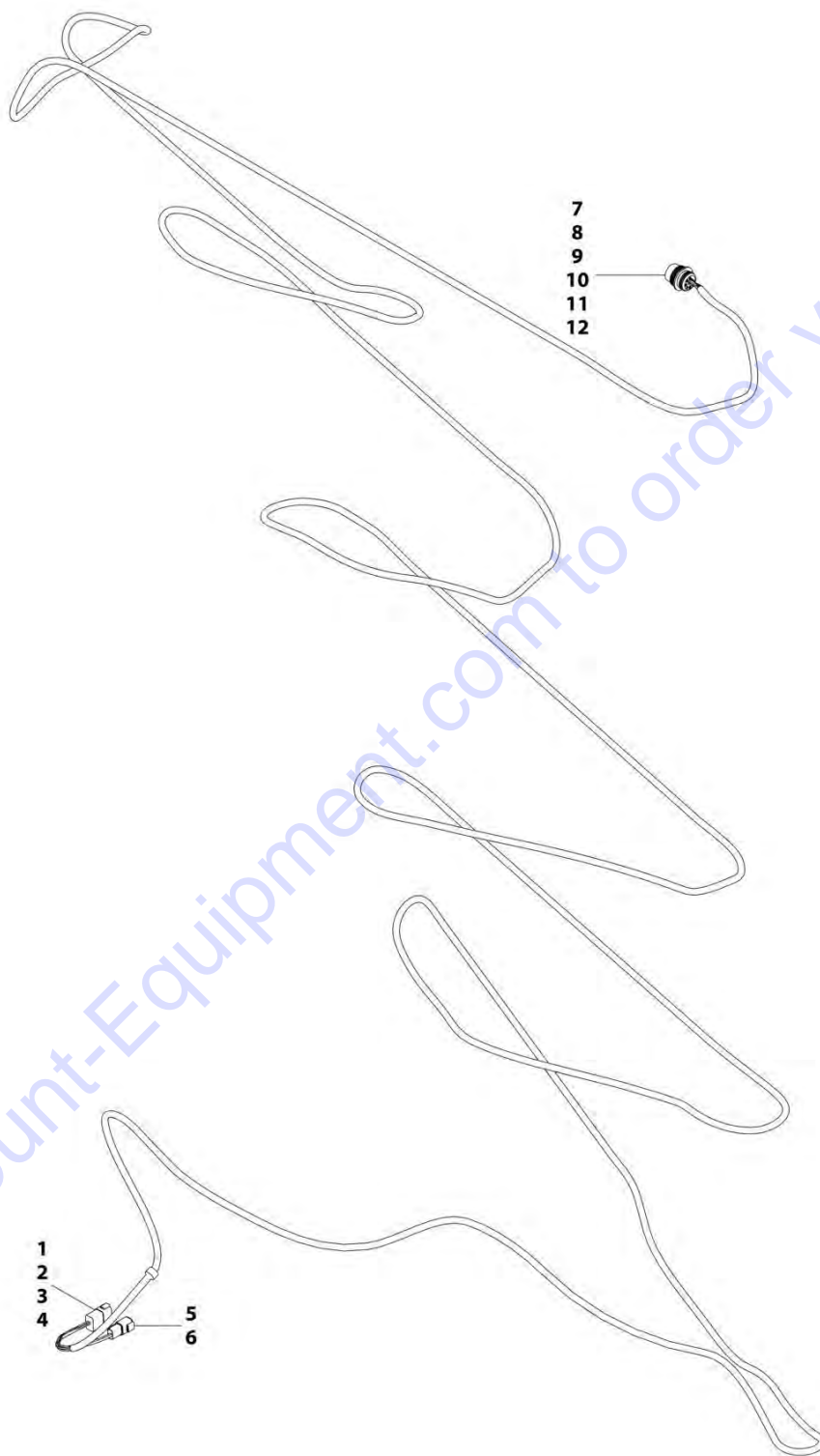
FIGURE 10-80. BOOM ELECTRICAL HARNESS INSTALLATION

ITEM	PART NUMBER	QTY	DESCRIPTION	REV
1	1001174426	Ref	Boom Electrical Harness Installation	E
	1001172728	1	Harness, Boom (See BOOM HARNESS for Breakdown)	

Go to Discount-Equipment.com to order your parts

SECTION 10 - ELECTRICAL

FIGURE 10-81. BOOM HARNESS



ART_1001172728-D

SECTION 10 - ELECTRICAL

FIGURE 10-81. BOOM HARNESS

ITEM	PART NUMBER	QTY	DESCRIPTION	REV
	1001172728	Ref	Boom Harness	D
1	4460931	1	Connector	
2	4460943	2	Terminal	
3	4460464	4	Terminal	
4	4460466	2	Plug	
5	4461017	1	Connector	
6	4460508	2	Terminal	
7	1001112612	1	Connector	
8	1001183221	1	Boot	
9	1001157891	1	Terminal	
10	4460464	4	Terminal	
11	4460943	2	Terminal	
12	4460466	1	Plug	

Go to Discount-Equipment.com to order your parts

SECTION 10 - ELECTRICAL

FIGURE 10-82. PLATFORM HARNESS



ART_1001167695-C

SECTION 10 - ELECTRICAL

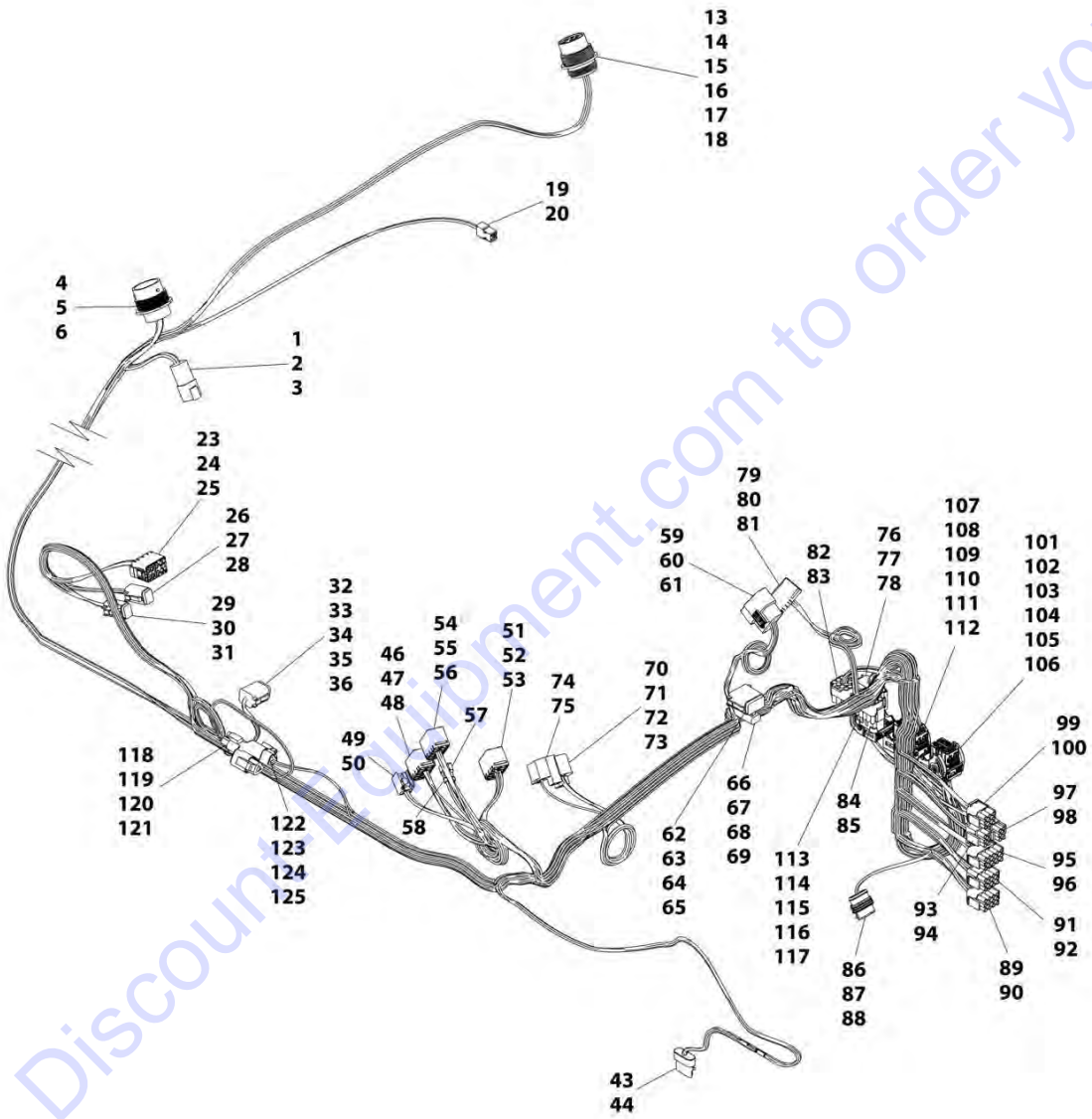
FIGURE 10-82. PLATFORM HARNESS

ITEM	PART NUMBER	QTY	DESCRIPTION	REV
	1001167695	Ref	Platform Harness	C
1	1001112796	1	Connector	
2	4460466	5	Terminal	
3	4460465	4	Terminal	
4	4460891	3	Connector, (includes rear seal)	
5	4460465	2	Terminal	
6	80604018	2	Lock, Connector	
7	1001155806	3	Cap, Dust	

Go to Discount-Equipment.com to order your parts

SECTION 10 - ELECTRICAL

FIGURE 10-83. CAB HARNESS



ART_1001196451-C

SECTION 10 - ELECTRICAL

FIGURE 10-83. CAB HARNESS

ITEM	PART NUMBER	QTY	DESCRIPTION	REV
	1001196451	Ref	Cab Harness	C
1	4460932	1	Connector	
2	80604020	1	Lock, Connector	
3	4460941	4	Terminal	
4	1001201081	1	Connector	
5	4460941	6	Terminal	
6	4460466	8	Plug	
13	1001112612	1	Connector	
14	4460497	1	Nut	
15	4460496	1	Washer, Lock	
16	4460464	3	Terminal	
17	4460943	2	Terminal	
18	4460466	4	Plug	
19	1001116991	1	Connector	
20	1001118384	2	Terminal	
23	1001117081	1	Connector	
24	1001118384	4	Terminal	
25	1001116723	2	Terminal	
26	4460884	1	Connector	
27	80604021	1	Lock, Connector	
28	4460465	4	Terminal	
29	4460884	1	Connector	
30	80604021	1	Lock, Connector	
31	4460465	4	Terminal	
32	4460894	1	Connector	
33	80604023	1	Lock, Connector	
34	4460465	3	Terminal	
35	4460944	2	Terminal	
36	4460466	1	Plug	
43	1001117064	1	Connector	
44	91554014	6	Terminal	
46	1001117081	1	Connector	
47	1001116723	6	Terminal	
48	1001118384	1	Terminal	
49	1001118684	1	Connector	
50	1001116754	2	Terminal	
51	1001117081	1	Connector	
52	1001118384	5	Terminal	
53	1001116723	6	Terminal	
54	1001117081	1	Connector	
55	1001118384	2	Terminal	
56	1001116723	4	Terminal	
57	8220051	1	Terminal, Female Blade	
58	8220051	1	Terminal, Female Blade	
59	1001162886	1	Connector	
60	1001162887	7	Terminal	
61	1001163340	13	Plug	
62	4460933	1	Connector	
63	80604016	1	Lock, Connector	
64	4460465	9	Terminal	

SECTION 10 - ELECTRICAL

ITEM	PART NUMBER	QTY	DESCRIPTION	REV
65	4460466	3	Plug	
66	4460897	1	Connector	
67	80604017	1	Lock, Connector	
68	4460464	1	Terminal	
69	4460466	1	Plug	
70	1001118685	1	Connector	
71	1001116723	2	Terminal	
72	1001118383	1	Terminal	
73	1001118384	1	Terminal	
74	1001117121	1	Connector	
75	1001184841	1	Terminal	
76	4460930	1	Connector	
77	80604025	1	Lock, Connector	
78	4460465	8	Terminal	
79	1001117081	1	Connector	
80	1001118384	2	Terminal	
81	1001116723	4	Terminal	
82	4460343	1	Connector	
83	4460268	8	Terminal	
84	4460434	1	Connector	
85	4460268	14	Terminal	
86	1001103012	1	Connector	
87	1001116697	2	Terminal	
88	1001116698	2	Plug	
89	4460343	1	Connector	
90	4460267	10	Terminal	
91	4460343	1	Connector	
92	4460268	9	Terminal	
93	4460225	1	Connector	
94	4460268	5	Terminal	
95	4460434	1	Connector	
96	4460268	10	Terminal	
97	4460225	1	Connector	
98	4460267	3	Terminal	
99	4460265	1	Connector	
100	4460268	5	Terminal	
101	1001160498	1	Connector	
102	1001161095	22	Terminal	
103	1001161098	5	Terminal	
104	1001161099	1	Terminal	
105	1001161100	2	Plug	
106	1001161101	2	Plug	
107	1001160502	1	Connector	
108	1001161095	17	Terminal	
109	1001161098	5	Terminal	
110	1001161099	1	Terminal	
111	1001161100	23	Plug	
112	1001161101	2	Plug	
113	1001161959	1	Connector	
114	1001161095	6	Terminal	
115	1001161098	1	Terminal	

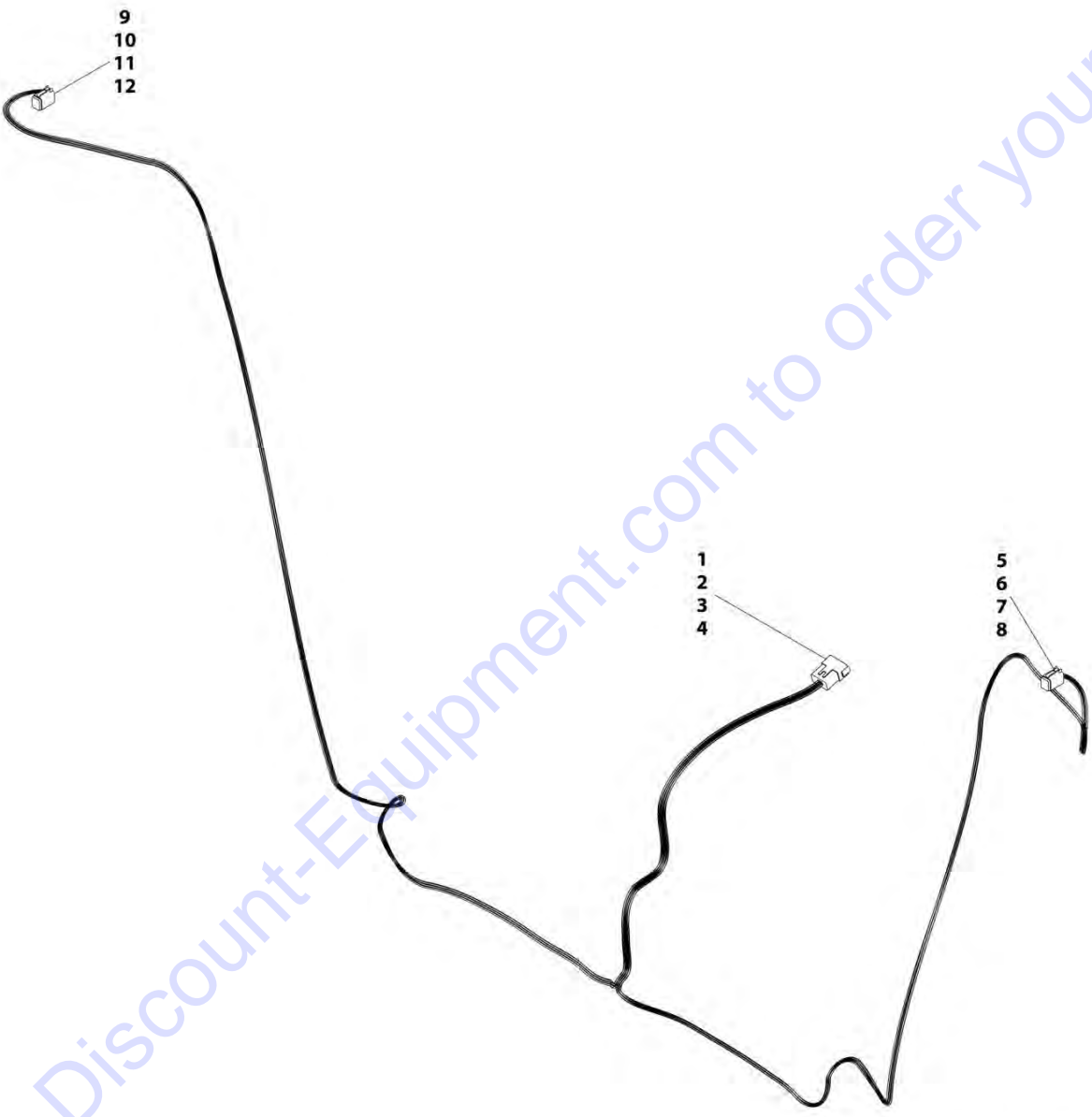
SECTION 10 - ELECTRICAL

ITEM	PART NUMBER	QTY	DESCRIPTION	REV
116	1001161100	18	Plug	
117	1001161101	7	Plug	
118	1001116812	1	Connector	
119	4460944	2	Terminal	
120	4460466	1	Plug	
121	91554019	1	Lock, Connector	
122	4460539	1	Connector	
123	4460944	2	Terminal	
124	4460466	1	Plug	
125	77363244	1	Lock, Connector	

Go to Discount-Equipment.com to order your parts

SECTION 10 - ELECTRICAL

FIGURE 10-84. FRONT FRAME HEADLIGHT HARNESS



ART_100116S360-D

SECTION 10 - ELECTRICAL

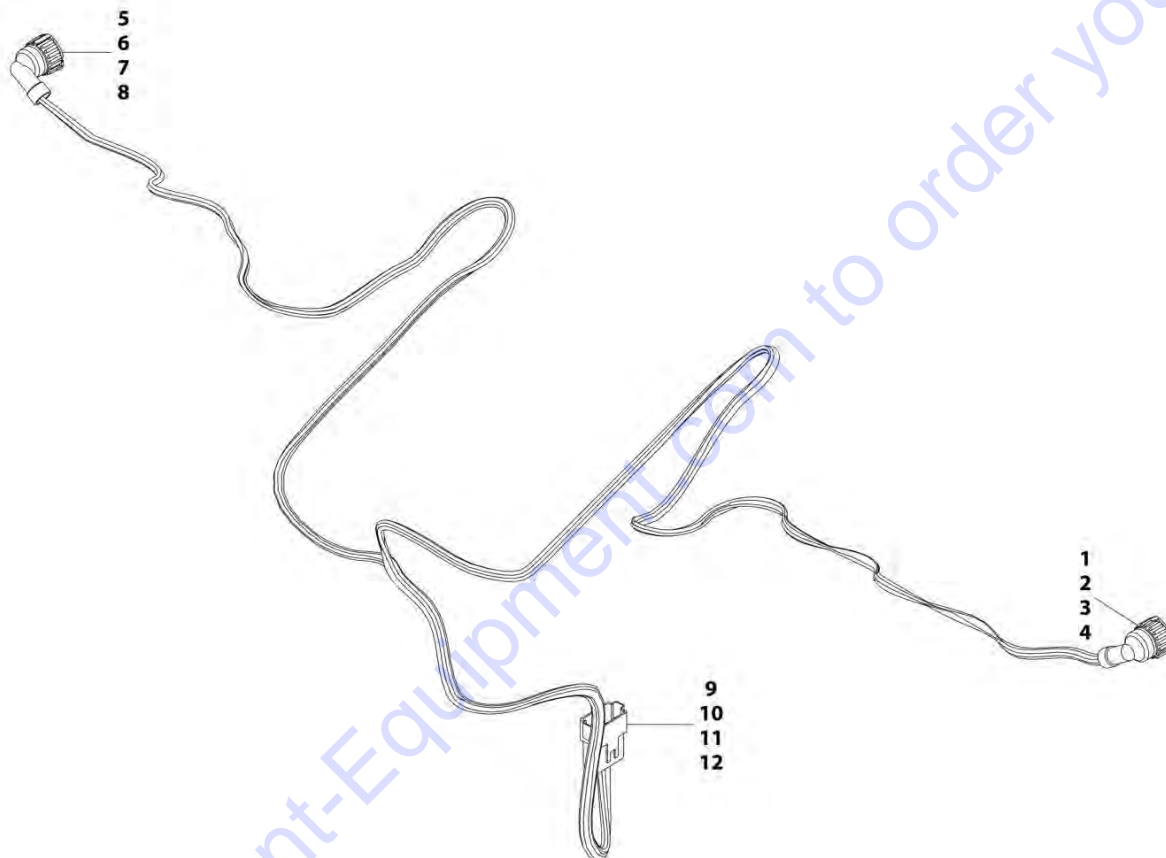
FIGURE 10-84. FRONT FRAME HEADLIGHT HARNESS

ITEM	PART NUMBER	QTY	DESCRIPTION	REV
	1001165360	Ref	Front Frame Headlight Harness	D
1	4460970	1	Connector	
2	80363179	1	Lock, Connector	
3	4460941	10	Terminal	
4	4460466	2	Plug	
5	4460894	1	Connector	
6	91504107	1	Lock, Connector	
7	4460942	5	Terminal	
8	4460466	1	Plug	
9	4460894	1	Connector	
10	91504107	1	Lock, Connector	
11	4460942	5	Terminal	
12	4460466	1	Plug	

Go to Discount-Equipment.com to order your parts

SECTION 10 - ELECTRICAL

FIGURE 10-85. HBP TAIL LIGHTS HARNESS



ART_1001173092-D

SECTION 10 - ELECTRICAL

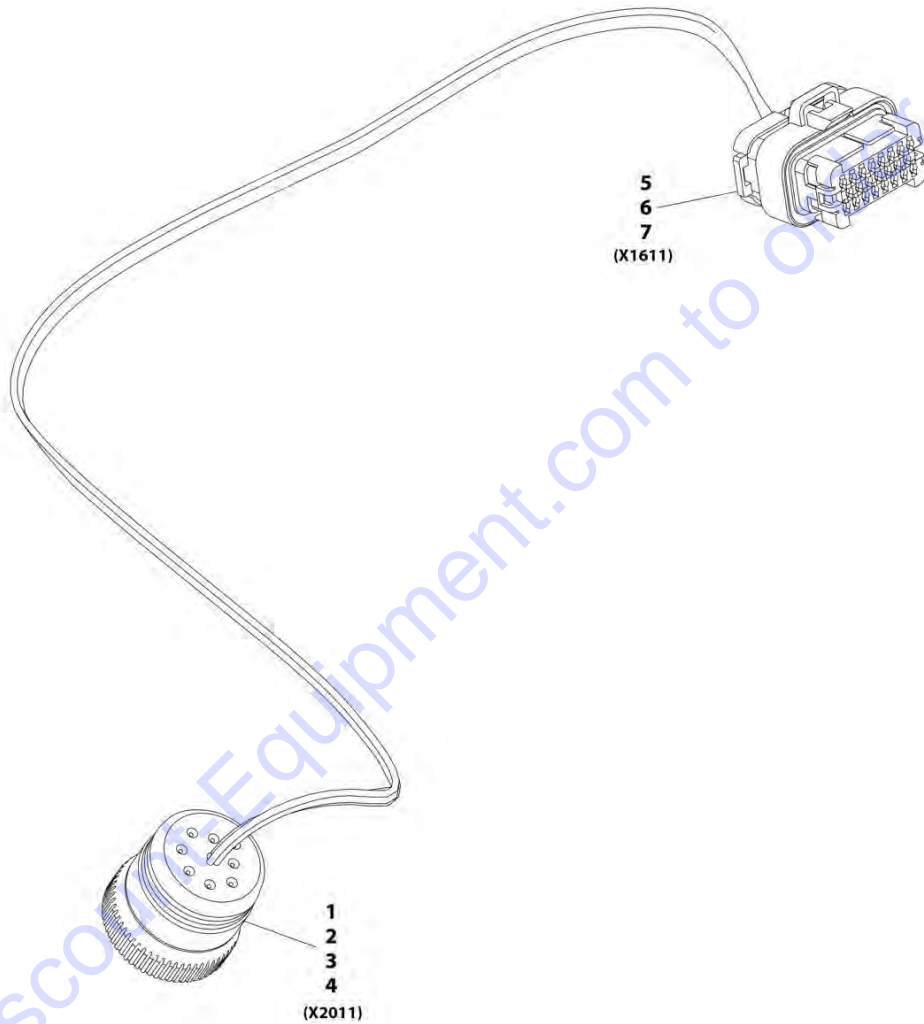
FIGURE 10-85. HBP TAIL LIGHTS HARNESS

ITEM	PART NUMBER	QTY	DESCRIPTION	REV
	1001173092	Ref	HBP Tail Lights Harness	D
1	1001116996	1	Connector	
2	1001118392	5	Terminal	
3	4461054	5	Seal	
4	1001116696	2	Plug	
5	1001116996	1	Connector	
6	1001118392	5	Terminal	
7	4461054	5	Seal	
8	1001116696	2	Plug	
9	4460970	1	Connector	
10	80363179	1	Lock, Connector	
11	4460941	10	Terminal	
12	4460466	2	Plug	

Go to Discount-Equipment.com to order your parts

SECTION 10 - ELECTRICAL

FIGURE 10-86. CLEARSKY HARNESS (Prior to SN 0160082365, Including 0160081891, 0160081892, 0160081893, 0160082021, 0160082022 and 0160082054)



ART_1001196452-A

SECTION 10 - ELECTRICAL

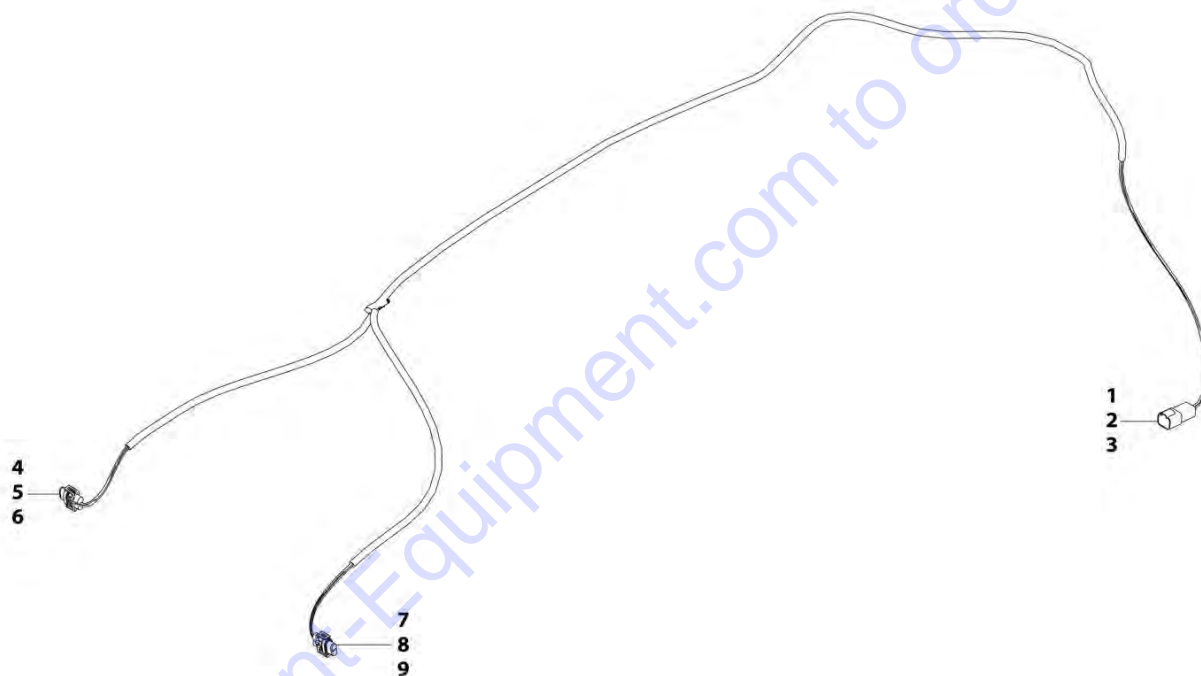
FIGURE 10-86. CLEARSKY HARNESS (Prior to SN 0160082365, Including 0160081891, 0160081892, 0160081893, 0160082021, 0160082022 and 0160082054)

ITEM	PART NUMBER	QTY	DESCRIPTION	REV
	1001196452	Ref	Clearsky Harness	A
1	1001112796	1	Connector	
2	4460465	3	Terminal	
3	4460944	2	Terminal	
4	4460466	4	Plug	
5	1001116994	1	Connector	
6	4460871	5	Terminal	
7	4460905	18	Plug	

Go to Discount-Equipment.com to order your parts

SECTION 10 - ELECTRICAL

FIGURE 10-87. BOOM WORKLIGHT HARNESS (Prior to SN 0160076255, Excluding 0160076040, 0160076041 and 0160076042)



ART_1001173523-B

SECTION 10 - ELECTRICAL

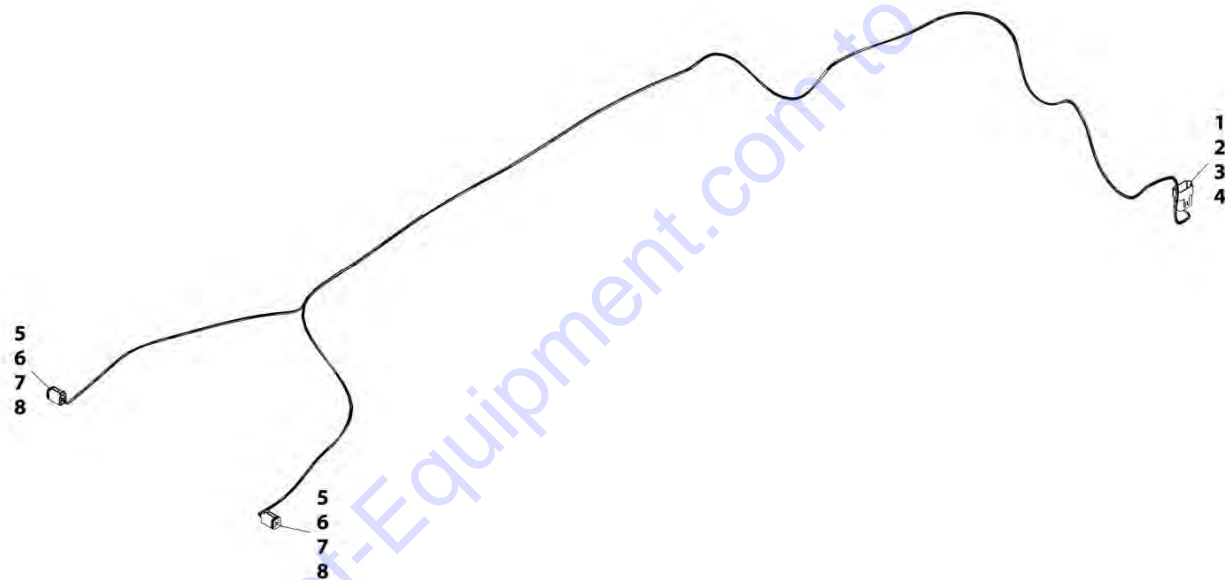
FIGURE 10-87. BOOM WORKLIGHT HARNESS (Prior to SN 0160076255, Excluding 0160076040, 0160076041 and 0160076042)

ITEM	PART NUMBER	QTY	DESCRIPTION	REV
	1001173523	Ref	Boom Worklight Harness	B
1	4460932	1	Connector	
2	4460464	2	Terminal	
3	4460466	2	Plug	
4	4461115	1	Connector	
5	1001116728	2	Terminal	
6	4460458	2	Seal, Terminal	
7	4461115	1	Connector	
8	1001116728	2	Terminal	
9	4460458	2	Seal, Terminal	

Go to Discount-Equipment.com to order your parts

SECTION 10 - ELECTRICAL

FIGURE 10-88. BOOM WORKLIGHTS HARNESS (SN 0160076255 to Present, Including 0160076040, 0160076041 and 0160076042)



ART_1001167608-E

SECTION 10 - ELECTRICAL

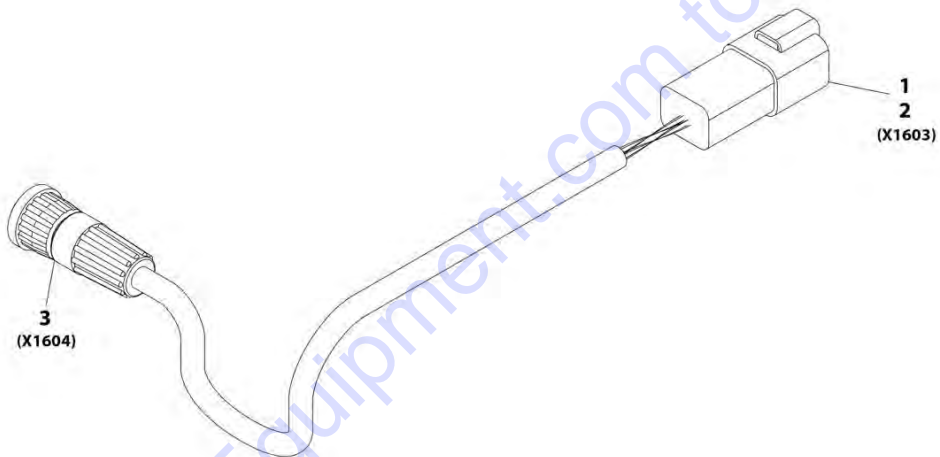
FIGURE 10-88. BOOM WORKLIGHTS HARNESS (SN 0160076255 to Present, Including 0160076040, 0160076041 and 0160076042)

ITEM	PART NUMBER	QTY	DESCRIPTION	REV
	1001167608	Ref	Boom Worklights Harness	E
1	4460932	1	Connector	
2	80604020	1	Lock, Connector	
3	4460464	2	Terminal	
4	4460466	2	Plug	
5	4461115	2	Connector	
6	1001116728	2	Terminal	
7	4460458	2	Seal	
8	1001103564	2	Lock, Terminal	

Go to Discount-Equipment.com to order your parts

SECTION 10 - ELECTRICAL

FIGURE 10-89. REVERSE SENSOR HARNESS



ART_1001175776-C

SECTION 10 - ELECTRICAL

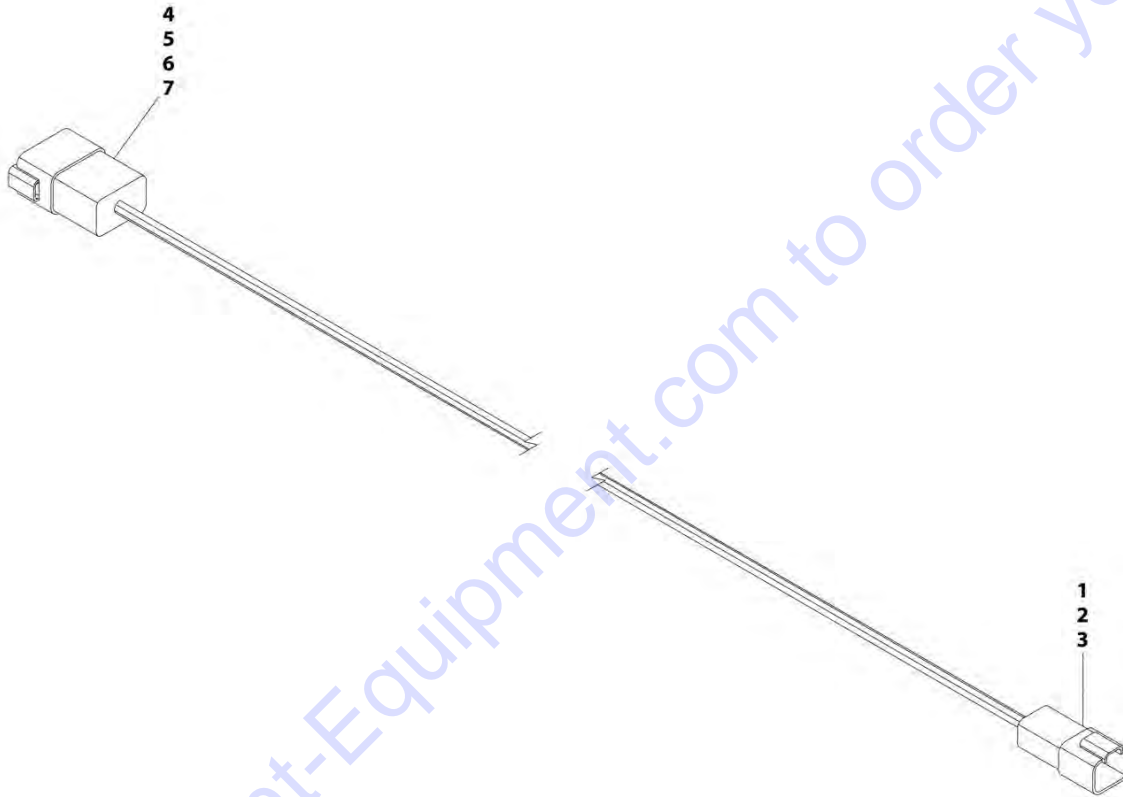
FIGURE 10-89. REVERSE SENSOR HARNESS

ITEM	PART NUMBER	QTY	DESCRIPTION	REV
	1001175776	Ref	Reverse Sensor Harness	C
1	4460932	1	Connector	
2	4460464	4	Terminal	
3	1001175733	1	Connector	

Go to Discount-Equipment.com to order your parts

SECTION 10 - ELECTRICAL

FIGURE 10-90. TELEMATICS INSTALLATION, UNITED RENTALS



ART_1001195424-A

SECTION 10 - ELECTRICAL

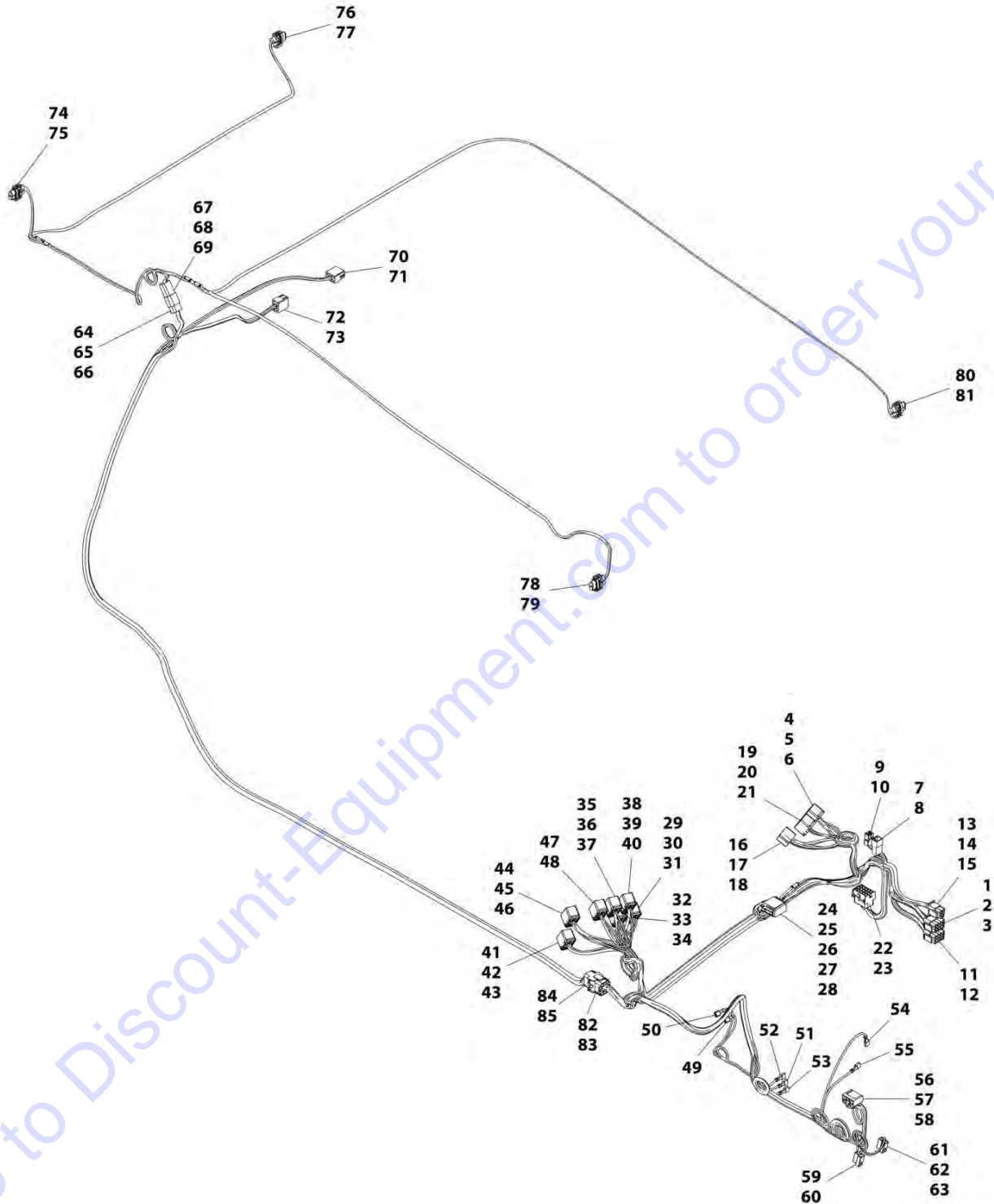
FIGURE 10-90. TELEMATICS INSTALLATION, UNITED RENTALS

ITEM	PART NUMBER	QTY	DESCRIPTION	REV
	1001195424	Ref	Telematics Installation, United Rentals	A
1	4460932	1	Connector	
2	80604020	1	Lock Connector	
3	4460464	4	Terminal	
4	4460931	1	Connector	
5	80604022	1	Lock Connector	
6	4460464	4	Terminal	
7	4460466	4	Plug	

Go to Discount-Equipment.com to order your parts

SECTION 10 - ELECTRICAL

FIGURE 10-91. OPTION 1 CAB HARNESS



ART_1001163371-F

SECTION 10 - ELECTRICAL

FIGURE 10-91. OPTION 1 CAB HARNESS

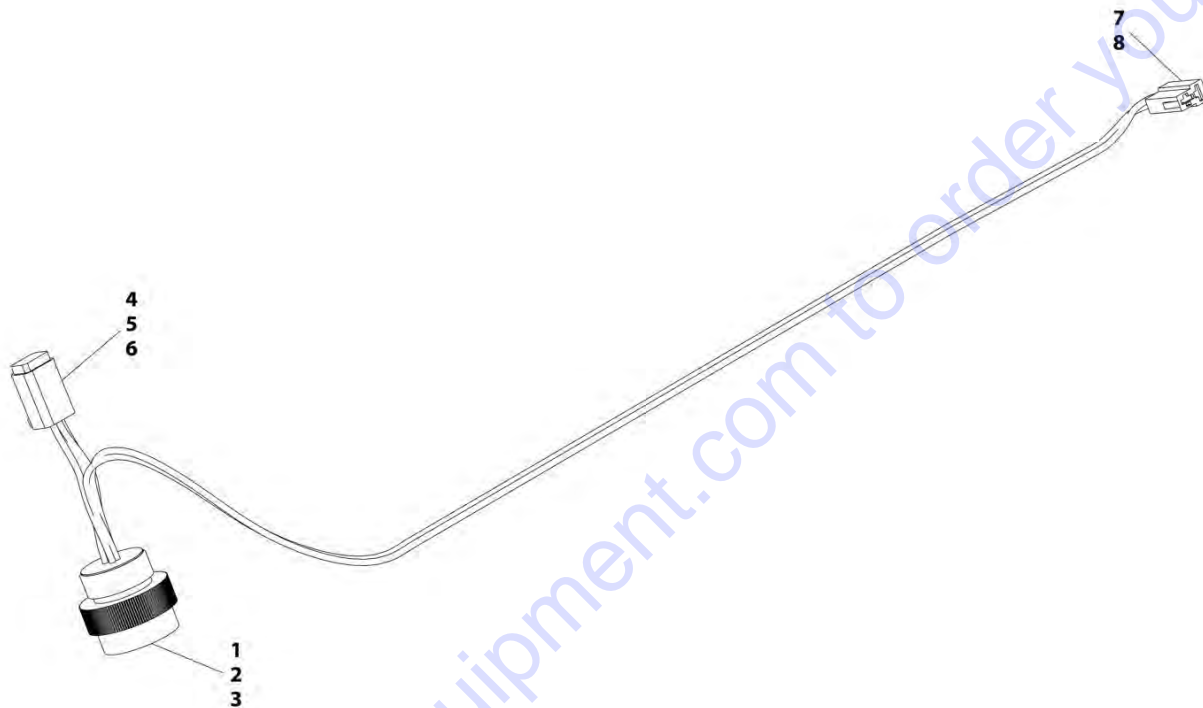
ITEM	PART NUMBER	QTY	DESCRIPTION	REV
	1001163371	Ref	Option 1 Cab Harness	F
1	4460343	1	Connector	
2	4460268	10	Terminal	
3	4460906	1	Terminal	
4	1001117081	1	Connector	
5	1001116723	6	Terminal	
6	1001118384	1	Terminal	
7	1001116999	1	Connector	
8	1001116700	4	Terminal	
9	1001116991	1	Connector	
10	1001118384	2	Terminal	
11	4460343	1	Connector	
12	4460267	6	Terminal	
13	4460225	1	Connector	
14	4460267	5	Terminal	
15	4460705	1	Terminal	
16	1001173411	1	Connector	
17	1001116716	4	Terminal	
18	1001104519	3	Terminal	
19	1001117081	1	Connector	
20	1001118384	2	Terminal	
21	1001116723	4	Terminal	
22	4460708	1	Connector	
23	4460267	14	Terminal	
24	4460836	1	Connector	
25	4460942	3	Terminal	
26	4460465	8	Terminal	
27	1001157890	1	Terminal	
28	80604016	1	Lock, Connector	
29	1001117081	1	Connector	
30	1001118384	4	Terminal	
31	1001116723	6	Terminal	
32	1001117081	1	Connector	
33	1001118384	3	Terminal	
34	1001116723	4	Terminal	
35	1001117081	1	Connector	
36	1001118384	2	Terminal	
37	1001116723	4	Terminal	
38	1001117081	1	Connector	
39	1001118384	2	Terminal	
40	1001116723	4	Terminal	
41	1001117081	1	Connector	
42	1001116723	8	Terminal	
43	1001118384	2	Terminal	
44	1001117079	1	Connector	
45	1001116723	6	Terminal	
46	1001118384	2	Terminal	
47	1001117081	1	Connector	
48	1001118384	4	Terminal	
49	8220051	1	Female Blade Coupler	

SECTION 10 - ELECTRICAL

ITEM	PART NUMBER	QTY	DESCRIPTION	REV
50	8220051	1	Female Blade Coupler	
51	8220051	1	Female Blade Coupler	
52	8220051	1	Female Blade Coupler	
53	8220051	1	Female Blade Coupler	
54	8220051	1	Female Blade Coupler	
55	8220051	1	Female Blade Coupler	
56	1001116997	1	Connector	
57	1001118384	4	Terminal	
58	1001116723	1	Terminal	
59	4460994	1	Connector	
60	1001118384	2	Terminal	
61	4460994	1	Connector	
62	1001118384	1	Terminal	
63	1001116723	2	Terminal	
64	4460884	1	Connector	
65	4460942	4	Terminal	
66	80604021	1	Lock, Connector	
67	4460932	1	Connector	
68	4460941	4	Terminal	
69	80604021	1	Lock, Connector	
70	1001116986	1	Connector	
71	1001118384	4	Terminal	
72	1001116986	1	Connector	
73	1001118384	4	Terminal	
74	4461115	1	Connector	
75	1001116747	2	Terminal	
76	4461115	1	Connector	
77	1001116747	2	Terminal	
78	4461115	1	Connector	
79	1001116747	2	Terminal	
80	4461115	1	Connector	
81	1001116747	2	Terminal	
82	4460343	1	Connector	
83	4460268	12	Terminal	
84	4460367	1	Connector	
85	4460267	12	Terminal	

SECTION 10 - ELECTRICAL

FIGURE 10-92. ROOF PIGTAIL HARNESS



ART_1001202132-A

SECTION 10 - ELECTRICAL

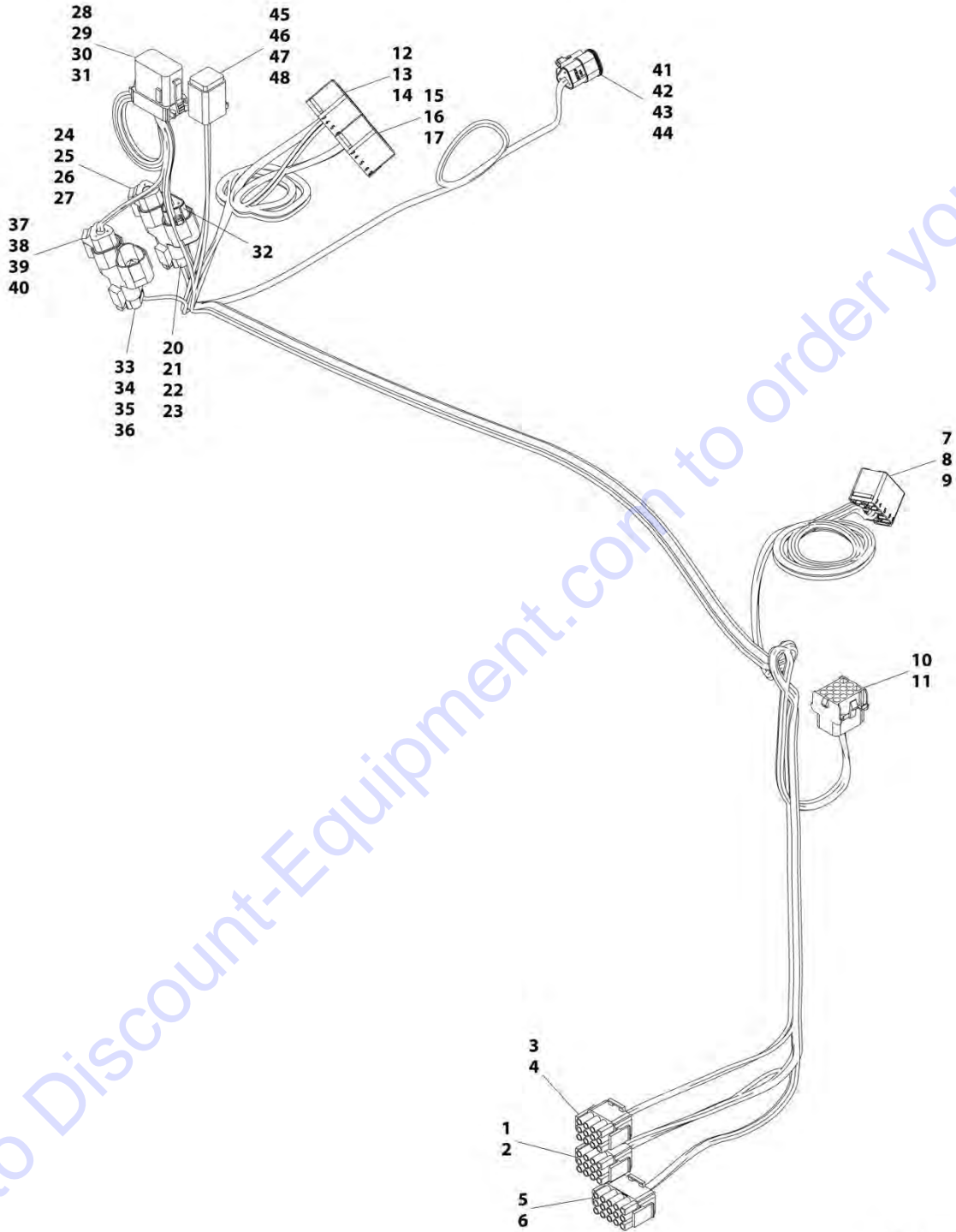
FIGURE 10-92. ROOF PIGTAIL HARNESS

ITEM	PART NUMBER	QTY	DESCRIPTION	REV
	1001202132	Ref	Roof Pigtail Harness	A
1	1001201080	1	Connector	
2	4460942	6	Terminal	
3	4460466	8	Plug	
4	4460884	1	Connector	
5	4460942	4	Terminal	
6	80604021	1	Wedge Lock	
7	4460994	1	Connector	
8	1001118384	1	Terminal	

Go to Discount-Equipment.com to order your parts

SECTION 10 - ELECTRICAL

FIGURE 10-93. OPTION 2 CAB HARNESS



ART_1001163372-E

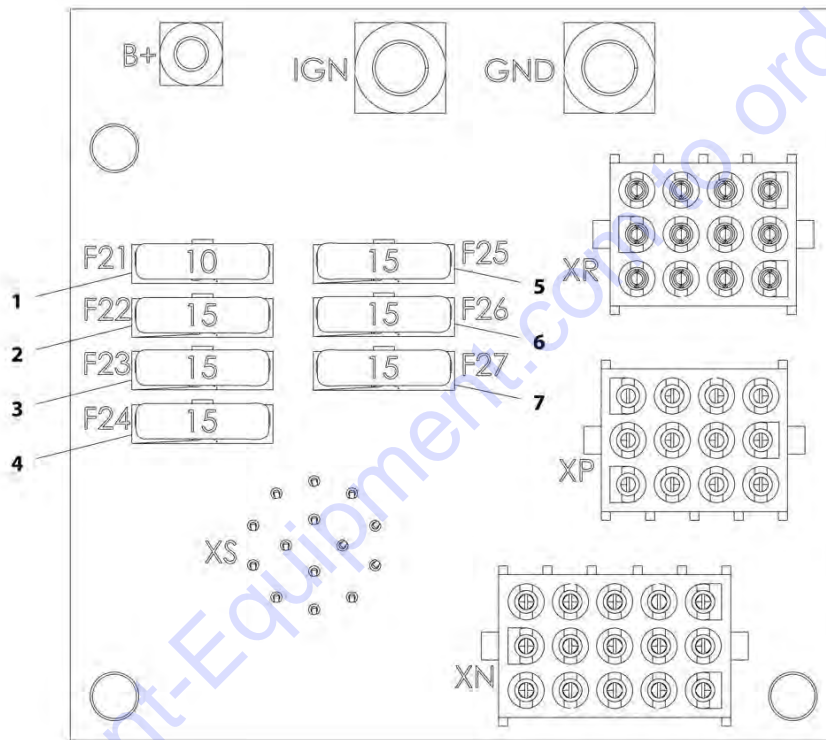
SECTION 10 - ELECTRICAL

FIGURE 10-93. OPTION 2 CAB HARNESS

ITEM	PART NUMBER	QTY	DESCRIPTION	REV
	1001163372	Ref	Option 2 Cab Harness	E
1	4460343	1	Connector	
2	4460268	5	Terminal	
3	4460343	1	Connector	
4	4460267	2	Terminal	
5	4460434	1	Connector	
6	4460268	4	Terminal	
7	1001117081	1	Connector	
8	1001116723	6	Terminal	
9	1001118384	1	Terminal	
10	4460367	1	Connector	
11	4460267	6	Terminal	
12	1001117081	1	Connector	
13	1001118384	2	Terminal	
14	1001116723	4	Terminal	
15	1001117081	1	Connector	
16	1001118384	3	Terminal	
17	1001116723	2	Terminal	
20	1001116812	1	Connector	
21	4460944	2	Terminal	
22	4460466	1	Plug	
23	91554019	1	Lock, Connector	
24	4460539	1	Connector	
25	77363244	1	Wedge Lock	
26	4460466	1	Plug	
27	4460944	2	Terminal	
28	1001176333	1	Connector	
29	4460944	4	Terminal	
30	4460466	11	Plug	
31	4460465	3	Terminal	
32	1001116815	1	Connector	
33	1001116812	1	Connector	
34	4460944	2	Terminal	
35	4460466	1	Plug	
36	91554019	1	Connector	
37	4460539	1	Connector	
38	77363244	1	Wedge Lock	
39	4460466	1	Plug	
40	4460944	2	Terminal	
41	1001116812	1	Connector	
42	4460944	2	Terminal	
43	4460466	1	Plug	
44	91554019	1	Lock, Connector	
45	4460930	1	Connector	
46	4460466	6	Plug	
47	4460465	2	Terminal	
48	80604025	1	Lock, Connector	

SECTION 10 - ELECTRICAL

FIGURE 10-94. OPTION 2 ELECTRICAL BOARD ASSEMBLY



ART_1001161771-B

SECTION 10 - ELECTRICAL

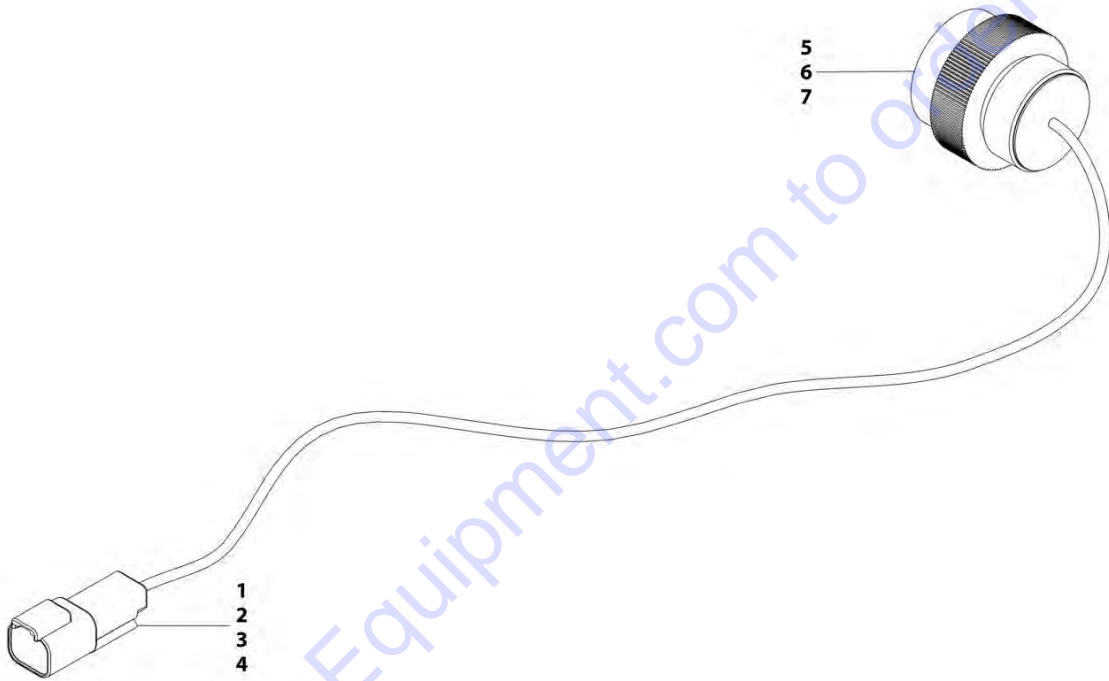
FIGURE 10-94. OPTION 2 ELECTRICAL BOARD ASSEMBLY

ITEM	PART NUMBER	QTY	DESCRIPTION	REV
	1001161771	Ref	Option 2 Electrical Board Assembly	B
1	80983191	1	Fuse, 10amp	
2	8229244	1	Fuse, 15amp	
3	8229244	1	Fuse, 15amp	
4	8229244	1	Fuse, 15amp	
5	8229244	1	Fuse, 15amp	
6	8229244	1	Fuse, 15amp	
7	8229244	1	Fuse, 15amp	

Go to Discount-Equipment.com to order your parts

SECTION 10 - ELECTRICAL

FIGURE 10-95. CAB OPTION HARNESS



ART_1001181573-B

SECTION 10 - ELECTRICAL

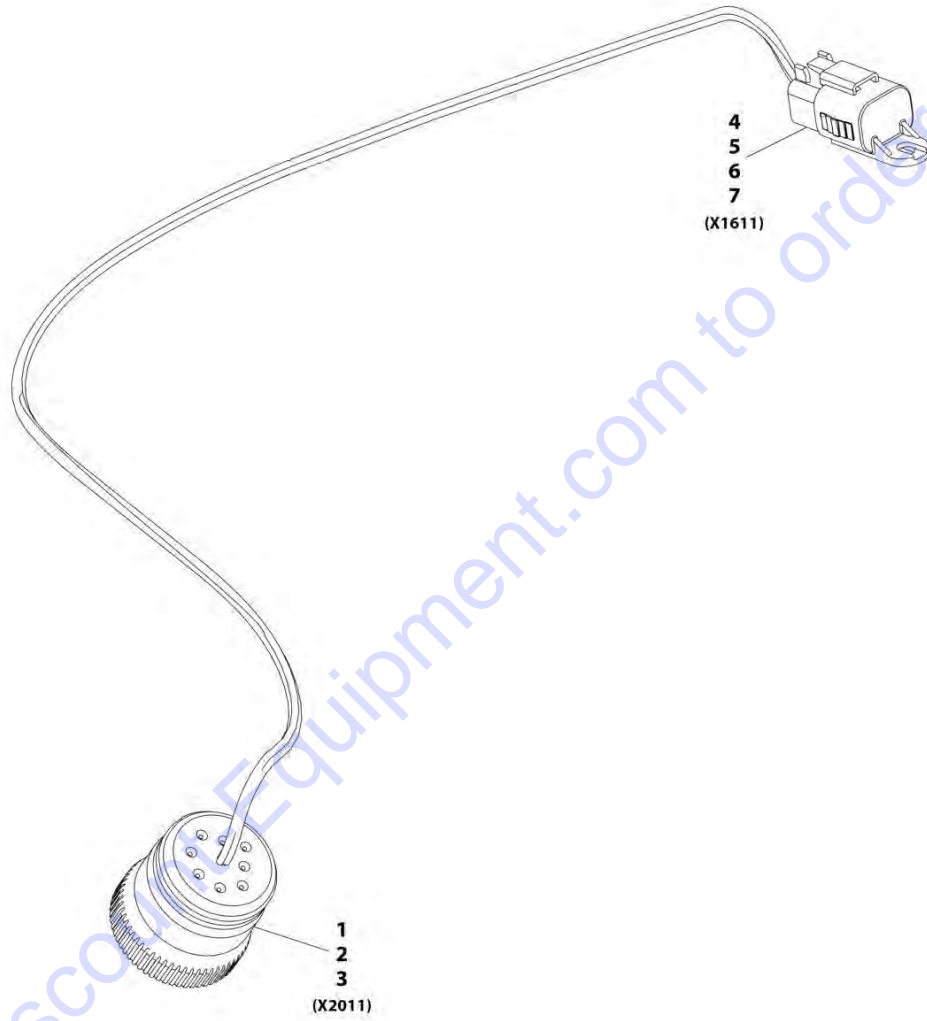
FIGURE 10-95. CAB OPTION HARNESS

ITEM	PART NUMBER	QTY	DESCRIPTION	REV
	1001181573	Ref	Cab Option Harness	B
1	4460897	1	Connector	
2	4460941	1	Terminal	
3	4460466	1	Seal	
4	80604017	1	Wedge Lock	
5	4461015	1	Connector	
6	4460466	13	Plug	
7	4460942	1	Terminal	

Go to Discount-Equipment.com to order your parts

SECTION 10 - ELECTRICAL

FIGURE 10-96. TELEMATICS READY HARNESS



ART_1001196289-A

SECTION 10 - ELECTRICAL

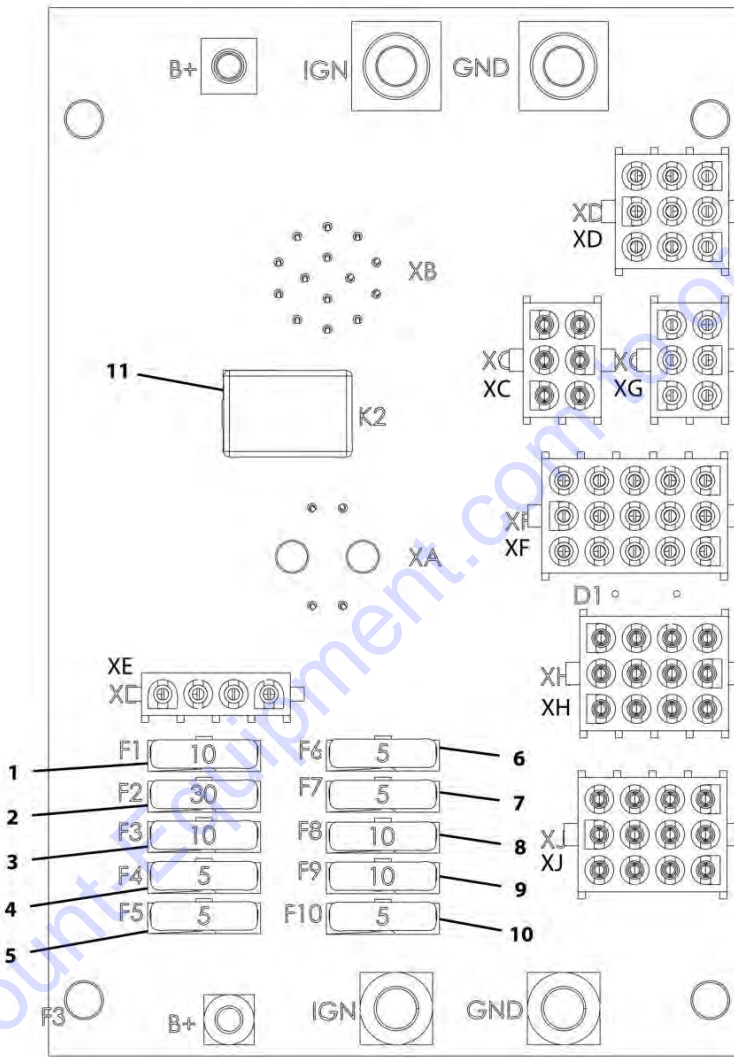
FIGURE 10-96. TELEMATICS READY HARNESS

ITEM	PART NUMBER	QTY	DESCRIPTION	REV
	1001196289	Ref	Telematics Ready Harness	A
1	1001112796	1	Connector	
2	4460465	3	Terminal	
3	4460466	6	Plug	
4	4460884	1	Connector	
5	4460465	3	Terminal	
6	4460466	1	Plug	
7	80604021	1	Lock, Connector	

Go to Discount-Equipment.com to order your parts

SECTION 10 - ELECTRICAL

FIGURE 10-97. STANDARD ELECTRICAL BOARD ASSEMBLY



ART_1001161769-C

SECTION 10 - ELECTRICAL

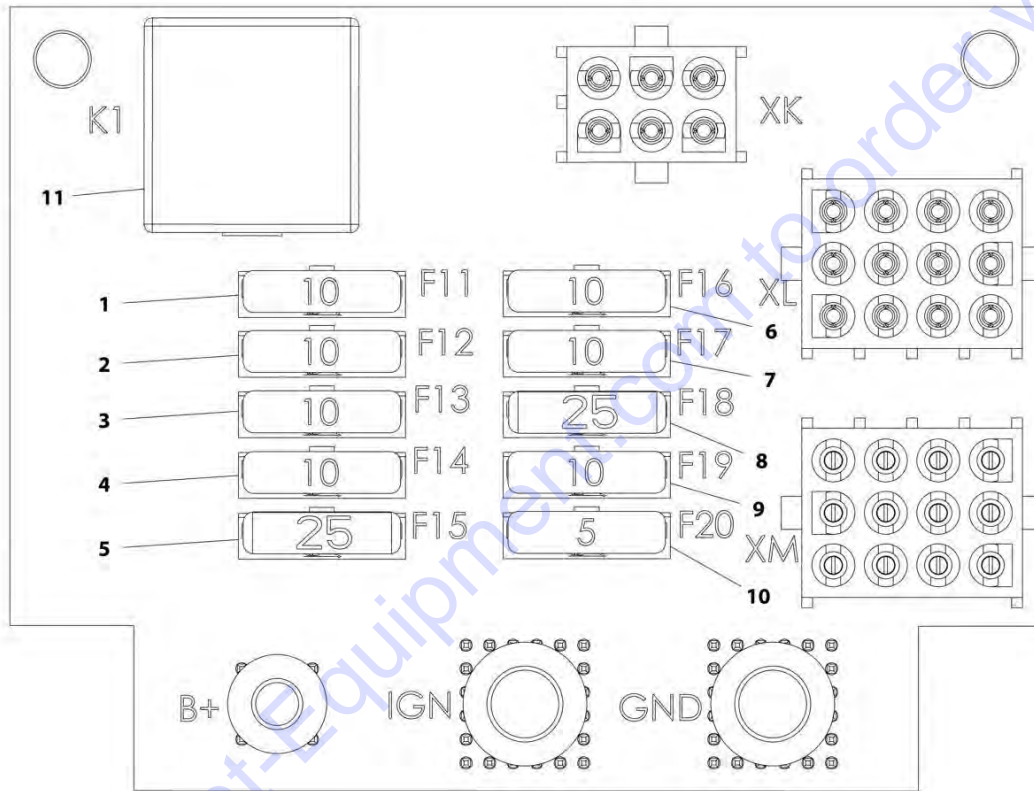
FIGURE 10-97. STANDARD ELECTRICAL BOARD ASSEMBLY

ITEM	PART NUMBER	QTY	DESCRIPTION	REV
	1001161769	Ref	Standard Electrical Board Assembly	C
1	80983191	1	Fuse, 10amp	
2	8229245	1	Fuse, 30amp	
3	80983191	1	FUSE, 10amp	
4	8229242	1	Fuse, 5amp	
5	8229242	1	Fuse, 5amp	
6	8229242	1	Fuse, 5amp	
7	8229242	1	Fuse, 5amp	
8	80983191	1	Fuse, 10amp	
9	80983191	1	Fuse, 10amp	
10	8229242	1	Fuse, 5amp	
11	70026292	1	Relay, Micro, 35amp	

Go to Discount-Equipment.com to order your parts

SECTION 10 - ELECTRICAL

FIGURE 10-98. OPTION 1 ELECTRICAL BOARD ASSEMBLY



ART_1001161770-C

SECTION 10 - ELECTRICAL

FIGURE 10-98. OPTION 1 ELECTRICAL BOARD ASSEMBLY

ITEM	PART NUMBER	QTY	DESCRIPTION	REV
	1001161770	Ref	Option 1 Electrical Board Assembly	C
1	80983191	1	Fuse, 10amp	
2	80983191	1	Fuse, 10amp	
3	80983191	1	Fuse, 10amp	
4	80983191	1	Fuse, 10amp	
5	8229247	1	Fuse, 25amp	
6	80983191	1	Fuse, 10amp	
7	80983191	1	Fuse, 10amp	
8	8229247	1	Fuse, 25amp	
9	80983191	1	Fuse, 10amp	
10	8229242	1	Fuse, 5amp	
11	70026293	1	Relay, Mini, 50amp	

Go to Discount-Equipment.com to order your parts

SECTION 10 - ELECTRICAL

FIGURE 10-99. CUMMUNICATION ANALYZER CABLE



ART_1001213988-A

SECTION 10 - ELECTRICAL

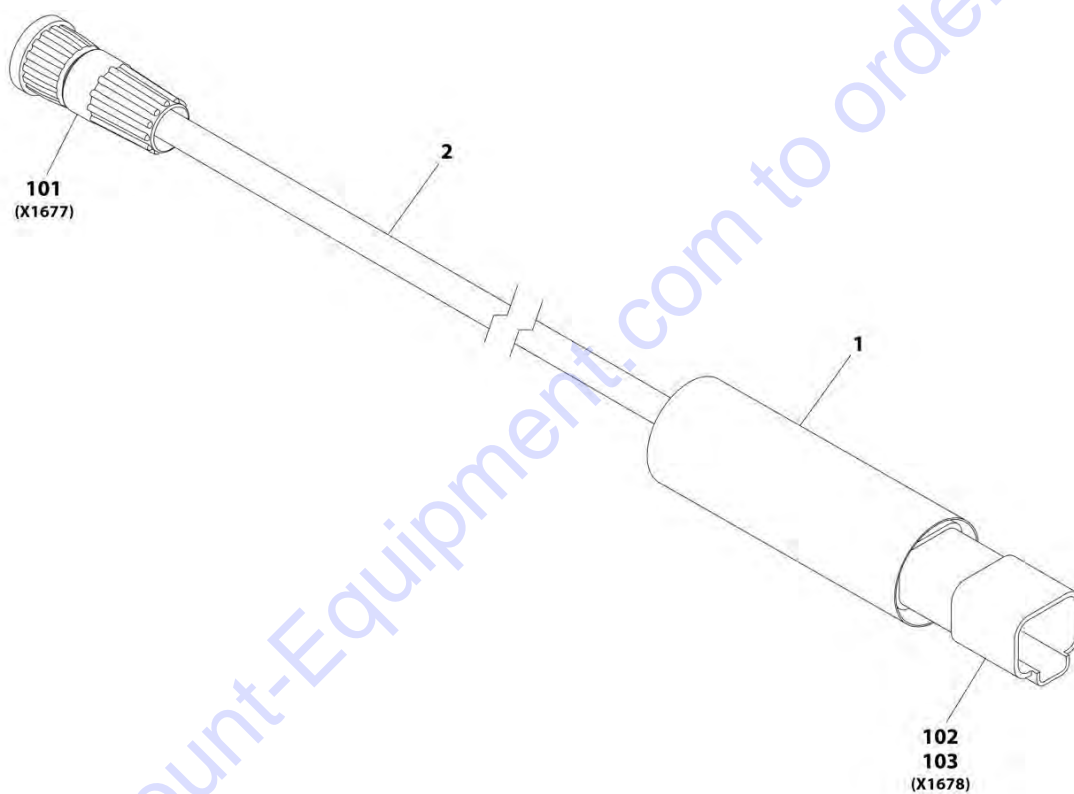
FIGURE 10-99. CUMMUNICATION ANALYZER CABLE

ITEM	PART NUMBER	QTY	DESCRIPTION	REV
	1001213988	Ref	Communication Analyzer Cable	A
1	4460321	1	Connector	
2	4460268	4	Terminal	
3	4460761	1	Connector	
4	4460267	4	Terminal	

Go to Discount-Equipment.com to order your parts

SECTION 10 - ELECTRICAL

FIGURE 10-100. TELEMATICS HARNESS



ART_1001227066-A

SECTION 10 - ELECTRICAL

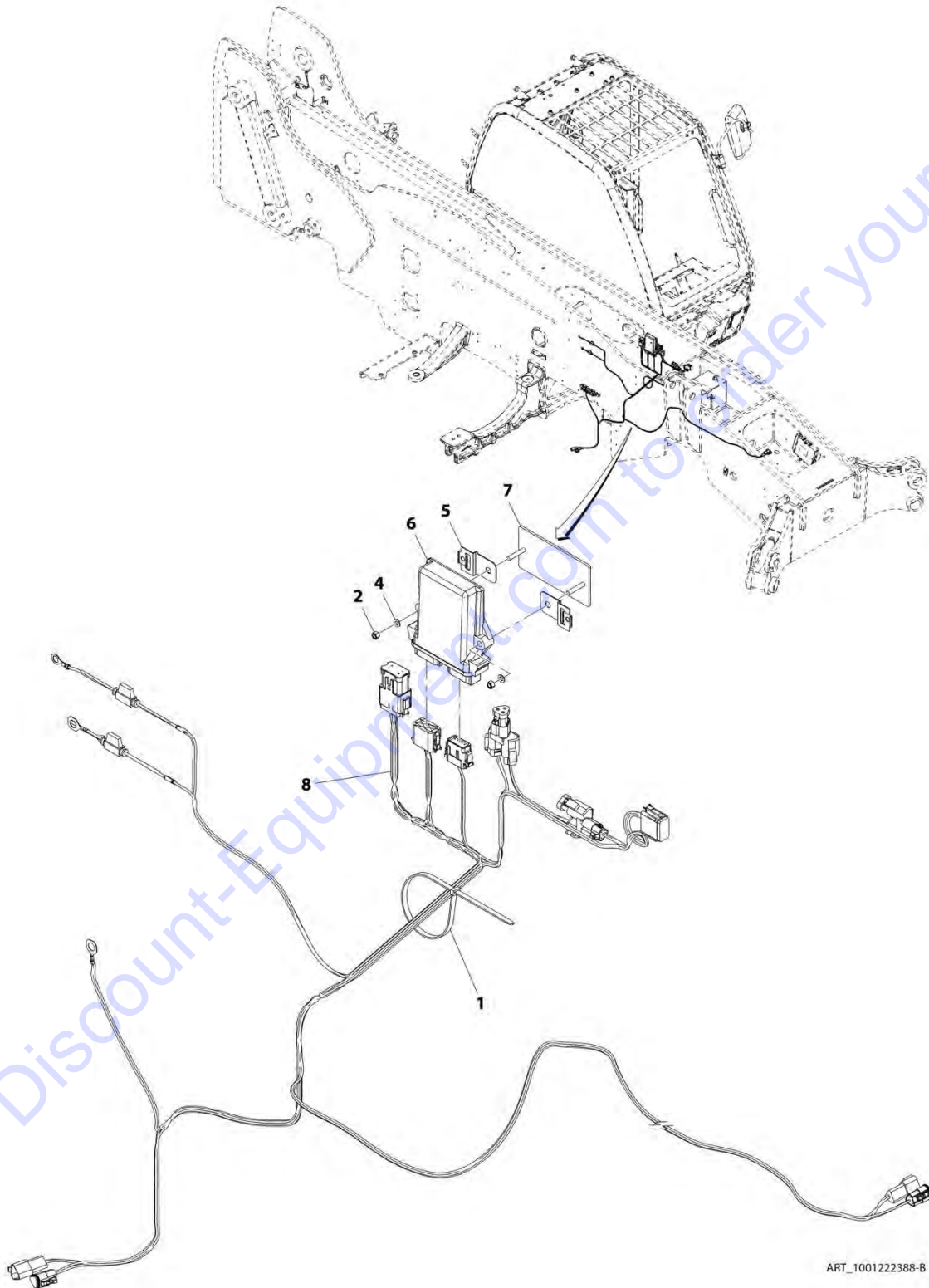
FIGURE 10-100. TELEMATICS HARNESS

ITEM	PART NUMBER	QTY	DESCRIPTION	REV
	1001227066	Ref	Telematics Harness	A
1	1001226400	0.33 ft	Insulate, Heat Shrink	
2	1001227068	3.3 ft	Cable	
101	1001227266	1	Connector	
102	1001129407	1	Connector	
103	4460464	4	Terminal	

Go to Discount-Equipment.com to order your parts

SECTION 10 - ELECTRICAL

FIGURE 10-101. CUSTOMER SUPPLIED TELEMATICS CANBUS (SN 0160082365 to Present, Excluding 0160081891, 0160081892, 0160081893, 0160082021, 0160082022 and 0160082054)



SECTION 10 - ELECTRICAL

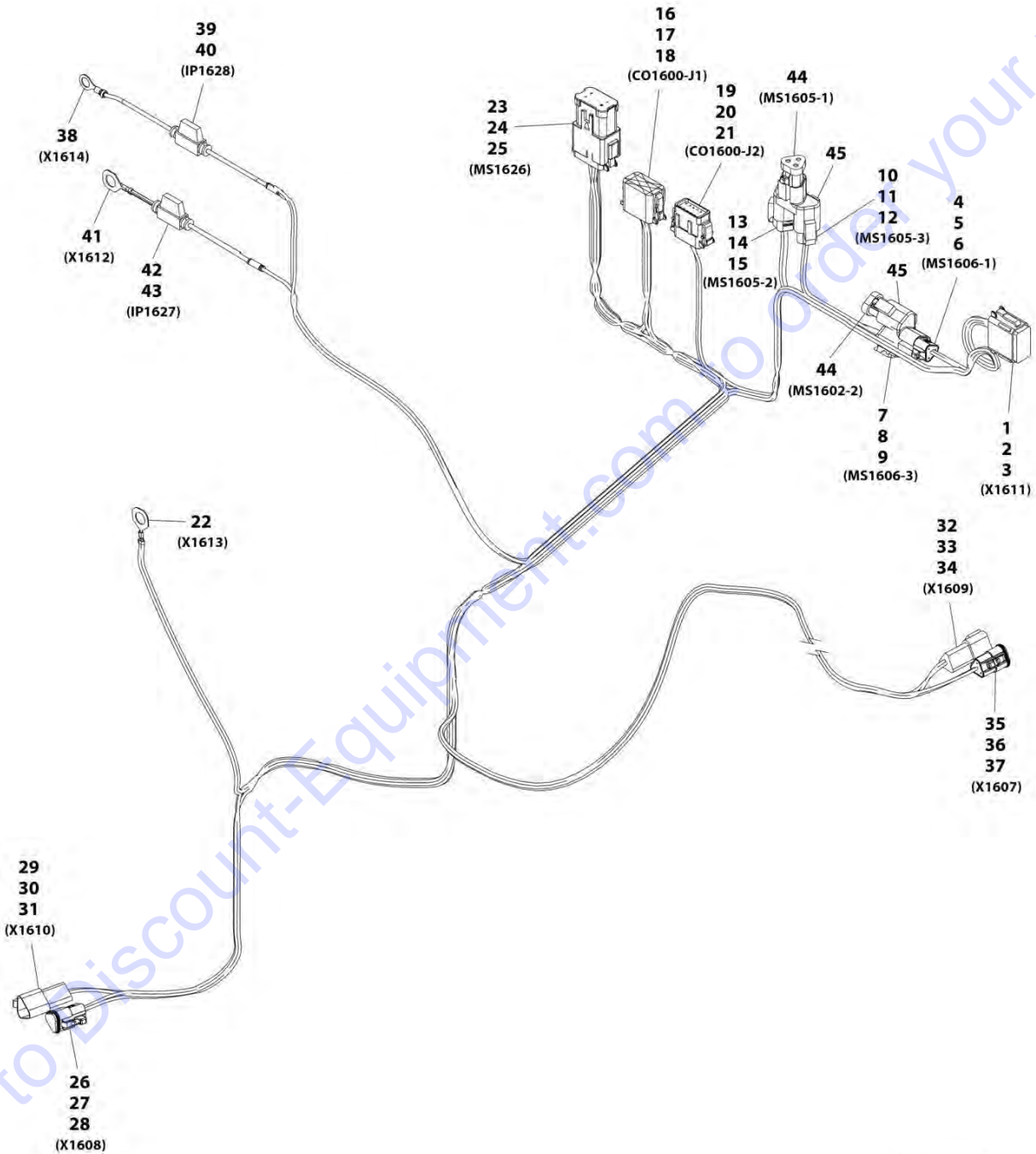
FIGURE 10-101. CUSTOMER SUPPLIED TELEMATICS CANBUS (SN 0160082365 to Present, Excluding 0160081891, 0160081892, 0160081893, 0160082021, 0160082022 and 0160082054)

ITEM	PART NUMBER	QTY	DESCRIPTION	REV
	1001222388	Ref	Customer Supplied Telematics Canbus	B
1	1062255	AR	Tie, Strap	
2	3290505	2	Nut, Lock M5X0.8	
4	4811600	2	Washer, M5	
5	1001153749	2	Clip, Deutch DT	
6	1001229458	1	Controller, Gateway (See Separate Breakdown in this section)	
7	1001219082	1	Bracket, Control Mount	
8	1001225259	1	Harness, 4ward Telematics (See Separate Breakdown in this section)	

Go to Discount-Equipment.com to order your parts

SECTION 10 - ELECTRICAL

FIGURE 10-102. TELEMATICS HARNESS (SN 0160082365 to Present, Excluding 0160081891, 0160081892, 0160081893, 0160082021, 0160082022 and 0160082054)



ART_1001225259-B

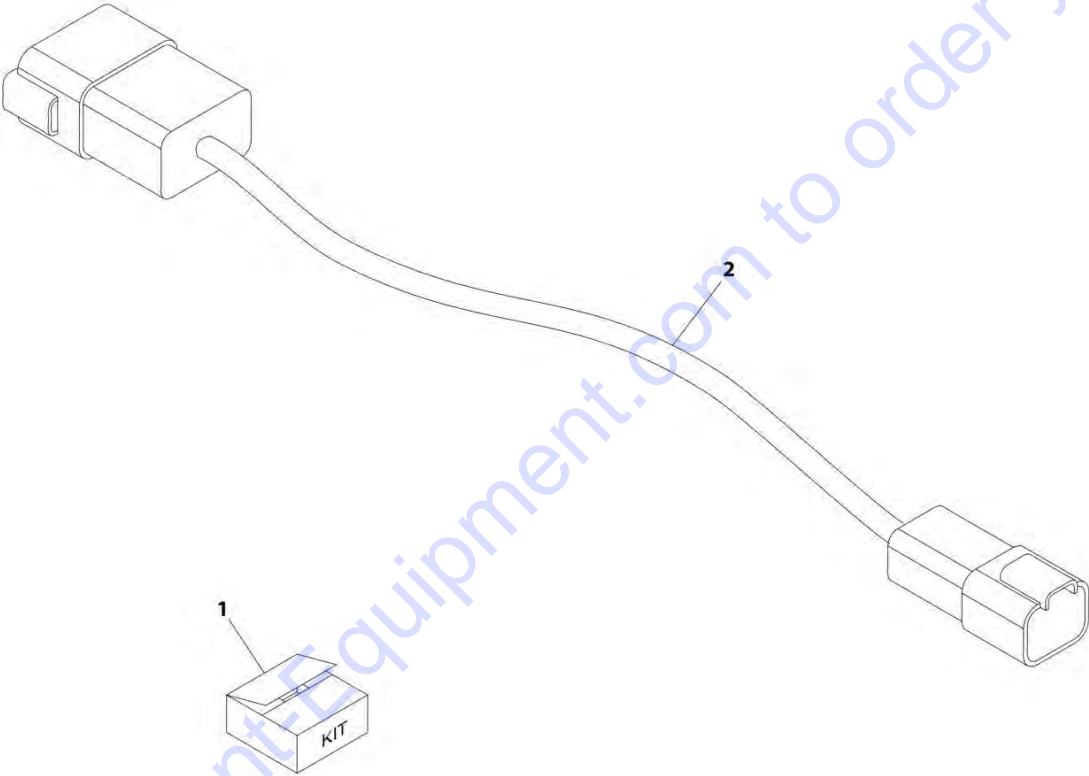
SECTION 10 - ELECTRICAL

FIGURE 10-102. TELEMATICS HARNESS (SN 0160082365 to Present, Excluding 0160081891, 0160081892, 0160081893, 0160082021, 0160082022 and 0160082054)

ITEM	PART NUMBER	QTY	DESCRIPTION	REV
	1001225259	Ref	Telematic Harness	B
1	4460933	1	Connector	
2	4460465	5	Terminal	
3	4460466	7	Plug	
4	1001116812	1	Connector	
5	4460465	2	Terminal	
6	4460466	1	Plug	
7	4460539	1	Connector	
8	4460465	2	Terminal	
9	4460466	1	Plug	
10	4460539	1	Connector	
11	4460465	2	Terminal	
12	4460466	1	Plug	
13	1001116812	1	Connector	
14	4460465	2	Terminal	
15	4460466	1	Plug	
16	1001116774	1	Connector	
17	4460518	6	Plug	
18	1001126008	6	Terminal	
19	1001116808	1	Connector	
20	4460518	10	Plug	
21	1001126008	2	Terminal	
22	1001187081	1	Connector	
23	4460933	1	Connector	
24	1001200206	1	Connector, DT 12 Pin 4X3 Buss	
25	4460465	13	Terminal	
26	1001116812	1	Connector	
27	4460465	2	Terminal	
28	4460466	1	Plug	
29	1001144147	1	Connector	
30	4460464	2	Terminal	
31	4460466	1	Plug	
32	1001144147	1	Connector	
33	4460464	2	Terminal	
34	4460466	1	Plug	
35	1001116812	1	Connector	
36	4460465	2	Terminal	
37	4460466	1	Plug	
38	4460670	1	Connector	
39	2400060	1	Connector	
40	8229242	1	Terminal	
41	1001187078	1	Connector	
42	2400060	1	Connector	
43	8229242	1	Terminal	
44	1001116815	2	Connector, 3 Pin	
45	4460945	2	Terminal, 3 Way "T" Receptacle	

SECTION 10 - ELECTRICAL

FIGURE 10-103. TELEMATICS INSTALLATION, UNITED RENTALS



ART_1001195610-A

SECTION 10 - ELECTRICAL

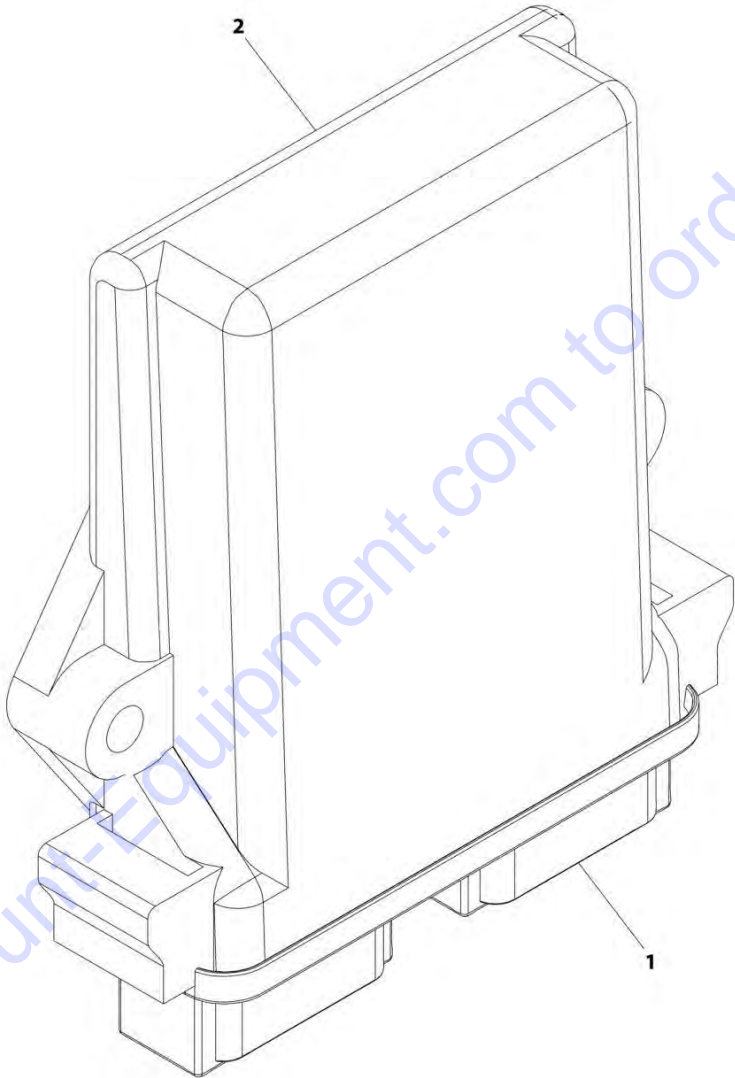
FIGURE 10-103. TELEMATICS INSTALLATION, UNITED RENTALS

ITEM	PART NUMBER	QTY	DESCRIPTION	REV
	1001195610	Ref	Telematics Installation, United Rentals	A
1	N.S.S.	1	Telematics Kit	
2	1001195423	1	Harness, Jumper	

Go to Discount-Equipment.com to order your parts

SECTION 10 - ELECTRICAL

FIGURE 10-104. GATEWAY CONTROLLER



ART_1001229458-B

SECTION 10 - ELECTRICAL

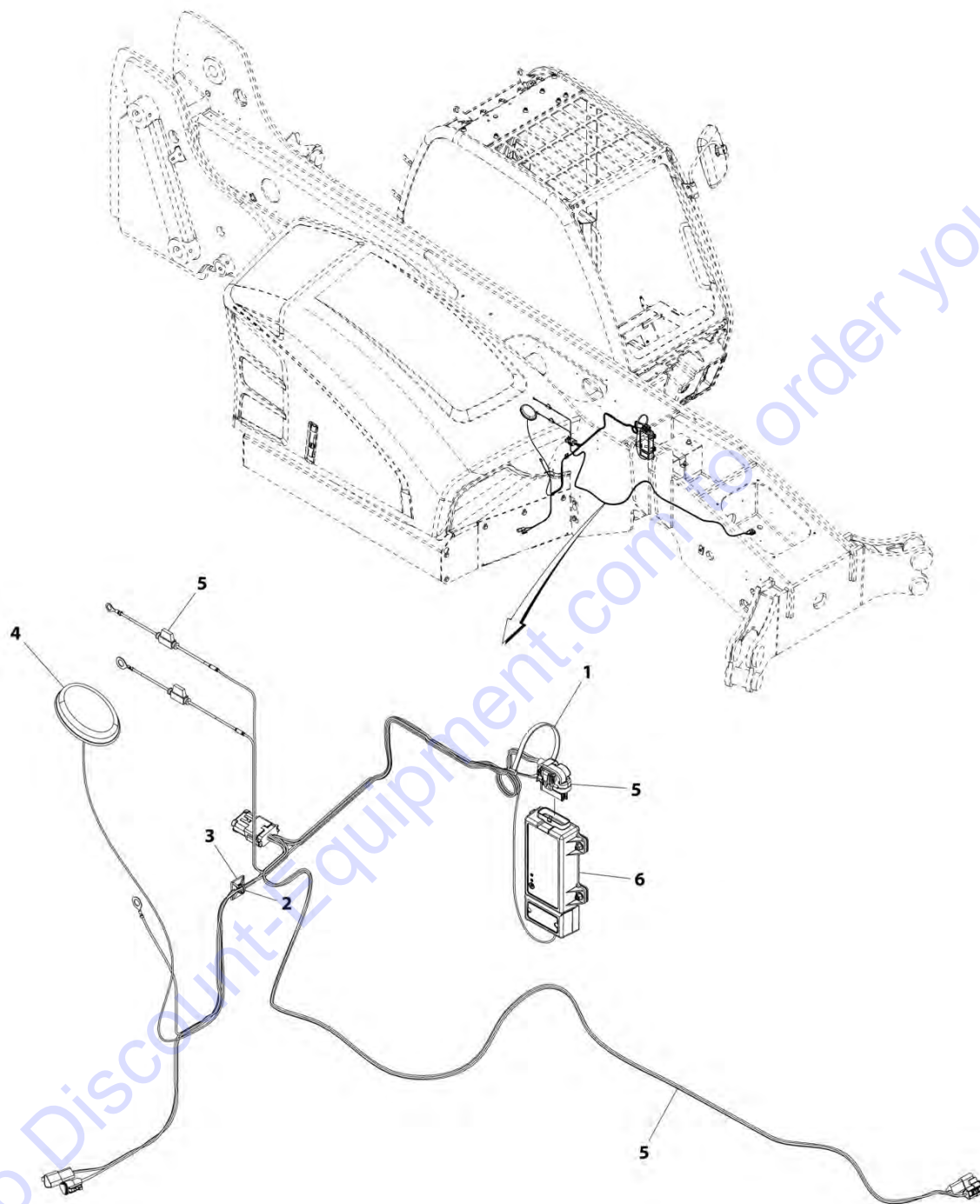
FIGURE 10-104. GATEWAY CONTROLLER

ITEM	PART NUMBER	QTY	DESCRIPTION	REV
	1001229458	Ref	Gateway Controller	B
1	1001100828	1	PC Board	
2	1001100829	1	Box, Circuit Card	
3	1001229457	1	Software, Gateway (not shown)	

Go to Discount-Equipment.com to order your parts

SECTION 10 - ELECTRICAL

FIGURE 10-105. TELEMATICS CANBUS INSTALLATION (CLEARSKY 2) (ANSI)



ART_1001221941-A

SECTION 10 - ELECTRICAL

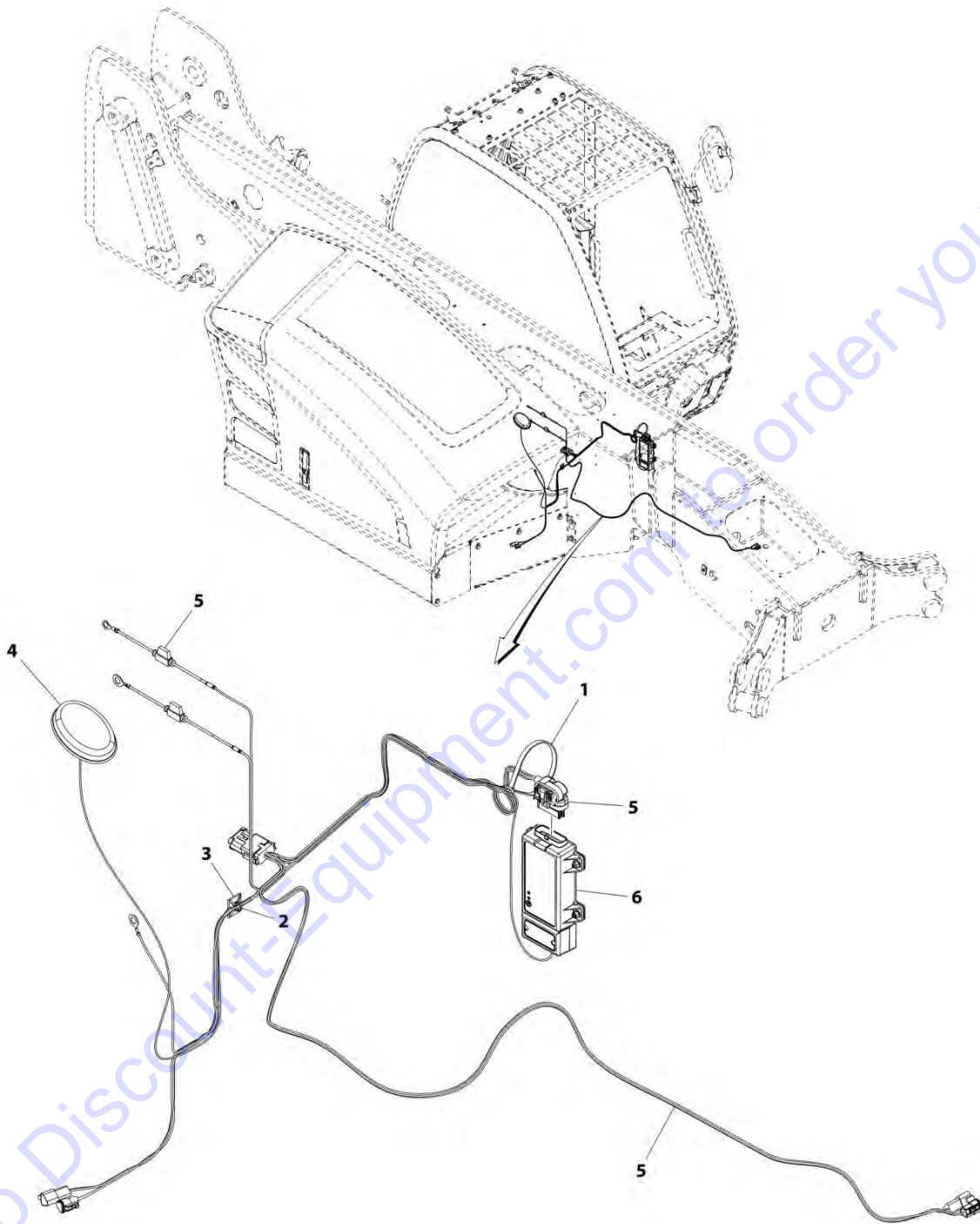
FIGURE 10-105. TELEMATICS CANBUS INSTALLATION (CLEARSKY 2) (ANSI)

ITEM	PART NUMBER	QTY	DESCRIPTION	REV
	1001221941	Ref	Telematics Canbus Installation (Clearsky 2) (ANSI)	A
1	1062255	AR	Tie, Strap	
2	4240032	AR	Tie, Strap	
3	4460234	AR	Cable, Tie Mount	
4	1001226799	1	Antenna	
5	1001227297	1	Harness, 4ward Telematics (Clearsky 2) (See Separate Breakdown in this section)	
6	1001229955	1	Module	

Go to Discount-Equipment.com to order your parts

SECTION 10 - ELECTRICAL

FIGURE 10-106. TELEMATICS CANBUS INSTALLATION (CLEARSKY 2) (CE)



ART_1001239249-A

SECTION 10 - ELECTRICAL

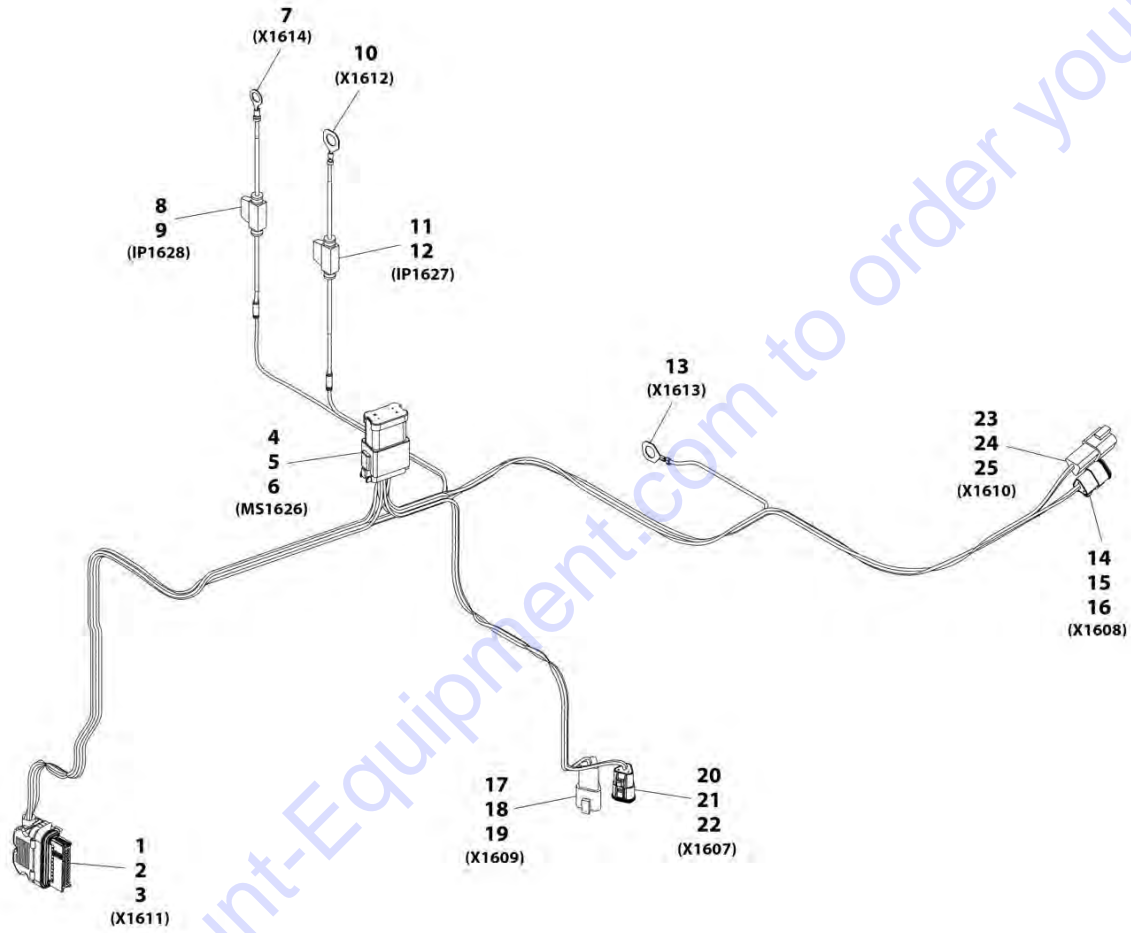
FIGURE 10-106. TELEMATICS CANBUS INSTALLATION (CLEARSKY 2) (CE)

ITEM	PART NUMBER	QTY	DESCRIPTION	REV
	1001239249	Ref	Telematics Canbus Installation (Clearsky 2) (CE)	A
1	1062255	AR	Tie, Strap	
2	4240032	AR	Tie, Strap	
3	4460234	AR	Cable, Tie Mount	
4	1001226799	1	Antenna	
5	1001227297	1	Harness, 4ward Telematics (Clearsky 2) (See Separate Breakdown in this section)	
6	1001239194	1	Module	

Go to Discount-Equipment.com to order your parts

SECTION 10 - ELECTRICAL

FIGURE 10-107. TELEMATICS HARNESS (CLEARSKY 2)



ART_1001227297-B

SECTION 10 - ELECTRICAL

FIGURE 10-107. TELEMATICS HARNESS (CLEARSKY 2)

ITEM	PART NUMBER	QTY	DESCRIPTION	REV
	1001227297	Ref	4ward Telematic, Harness (Clearsky 2)	B
1	1001226636	1	Connector	
2	1001226637	7	Terminal	
3	1001116731	17	Plug	
4	4460933	1	Connector	
5	4460465	12	Terminal	
6	1001200206	1	Connector, DT 12 Pin 4X3 Buss	
7	4460670	1	Connector	
8	2400060	1	Connector	
9	8229242	1	Fuse, 5amp	
10	1001187078	1	Connector	
11	2400060	1	Connector	
12	8229242	1	Fuse, 5amp	
13	1001187081	1	Connector	
14	1001116812	1	Connector	
15	4460465	2	Terminal	
16	4460466	1	Plug	
17	1001144147	1	Connector	
18	4460464	2	Terminal	
19	4460466	1	Plug	
20	1001116812	1	Connector	
21	4460465	2	Terminal	
22	4460466	1	Plug	
23	1001144147	1	Connector	
24	4460464	2	Terminal	
25	4460466	1	Plug	

PARTS FINDER

**Search Website
by Part Number**



**Search Manual
Library For Parts
Manual & Lookup Part
Numbers – Purchase
or Request Quote**

**Can't Find Part or
Manual? Request Help
by Manufacturer,
Model & Description**

Discount-Equipment.com is your online resource for quality parts & equipment.

Florida: **561-964-4949** Outside Florida TOLL FREE: **877-690-3101**

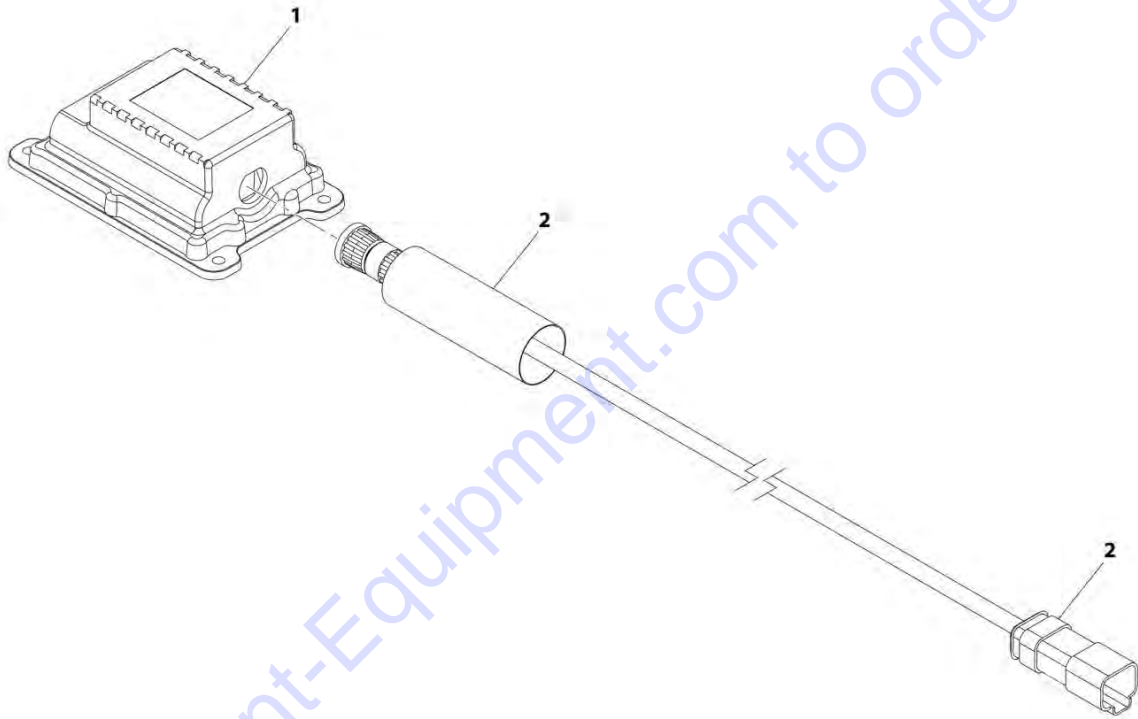
Need parts?

Click on this link: <http://www.discount-equipment.com/category/5443-parts/> and choose one of the options to help get the right parts and equipment you are looking for. Please have the machine model and serial number available in order to help us get you the correct parts. If you don't find the part on the website or on one of the online manuals, please fill out the request form and one of our experienced staff members will get back to you with a quote for the right part that your machine needs.

We sell worldwide for the brands: Genie, Terex, JLG, MultiQuip, Mikasa, Essick, Whiteman, Mayco, Toro Stone, Diamond Products, Generac Magnum, Airman, Haulotte, Barreto, Power Blanket, Nifty Lift, Atlas Copco, Chicago Pneumatic, Allmand, Miller Curber, Skyjack, Lull, Skytrak, Tsurumi, Husquvarna Target, Stow, Wacker, Sakai, Mi-T-M, Sullair, Basic, Dynapac, MBW, Weber, Bartell, Bennar Newman, Haulotte, Ditch Runner, Menegotti, Morrison, Contec, Buddy, Crown, Edco, Wyco, Bomag, Laymor, EZ Trench, Bil-Jax, F.S. Curtis, Gehl Pavers, Heli, Honda, ICS/PowerGrit, IHI, Partner, Imer, Clipper, MMD, Koshin, Rice, CH&E, General Equipment, Amida, Coleman, NAC, Gradall, Square Shooter, Kent, Stanley, Tamco, Toku, Hatz, Kohler, Robin, Wisconsin, Northrock, Oztec, Toker TK, Rol-Air, APT, Wylie, Ingersoll Rand / Doosan, Innovatech, Con X, Ammann, Mecalac, Makinex, Smith Surface Prep, Small Line, Wanco, Yanmar

SECTION 10 - ELECTRICAL

FIGURE 10-108. CLEARSKY INSTALLATION 3-WIRE (ANSI)



ART_1001229107-C

SECTION 10 - ELECTRICAL

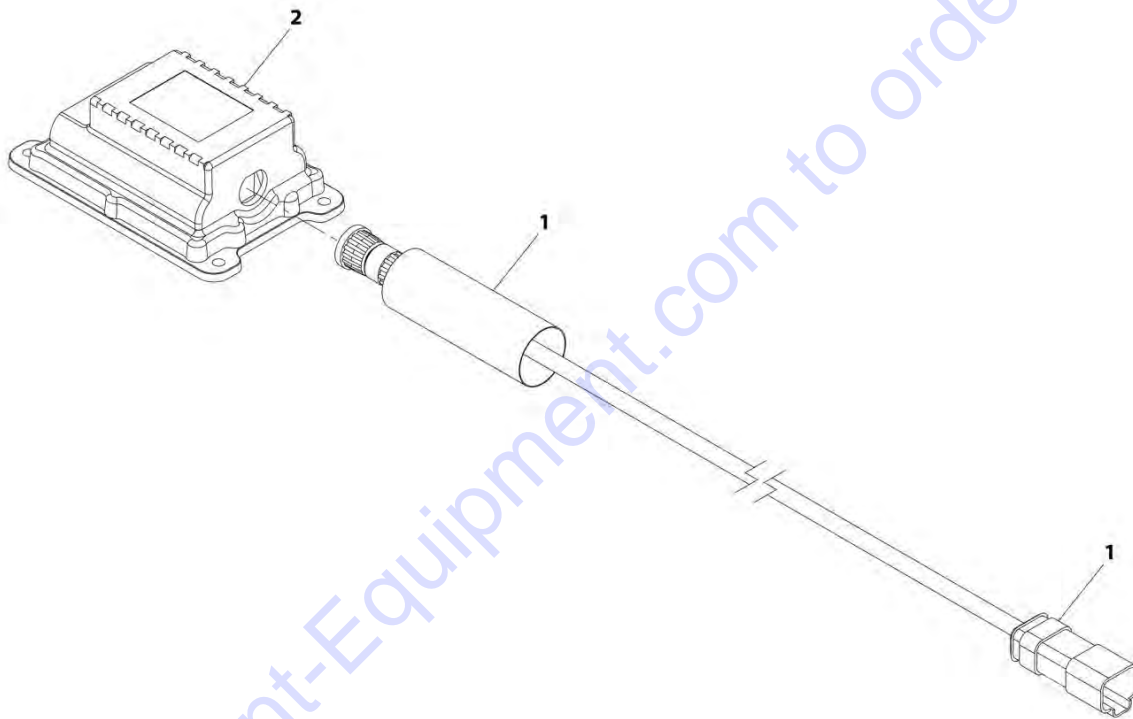
FIGURE 10-108. CLEARSKY INSTALLATION 3-WIRE (ANSI)

ITEM	PART NUMBER	QTY	DESCRIPTION	REV
1	1001229107	Ref	Clearsky Installation 3-Wire	B
	1001226328	1	Module, 3W TCU	
	1001227066	Ref	Telematics Harness (See Separate Breakdown in this Section)	

Go to Discount-Equipment.com to order your parts

SECTION 10 - ELECTRICAL

FIGURE 10-109. CLEARSKY INSTALLATION 3-WIRE (CE)



Go to Discount-Equipment.com to order your parts

ART_1001233237-C

SECTION 10 - ELECTRICAL

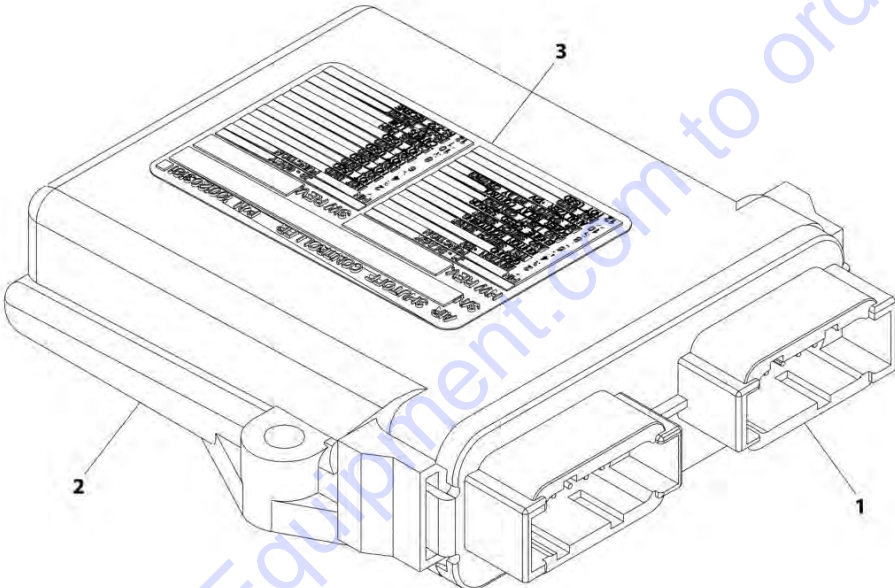
FIGURE 10-109. CLEARSKY INSTALLATION 3-WIRE (CE)

ITEM	PART NUMBER	QTY	DESCRIPTION	REV
	1001233237	Ref	Clearsky Installation 3-Wire (CE)	C
1	1001227066	1	Telematics Harness (See Separate Breakdown in this Section)	
2	1001233236	1	Module, 3W TCU	

Go to Discount-Equipment.com to order your parts

SECTION 10 - ELECTRICAL

FIGURE 10-110. CONTROL ACCESSORY



ART_1001203181-C

SECTION 10 - ELECTRICAL

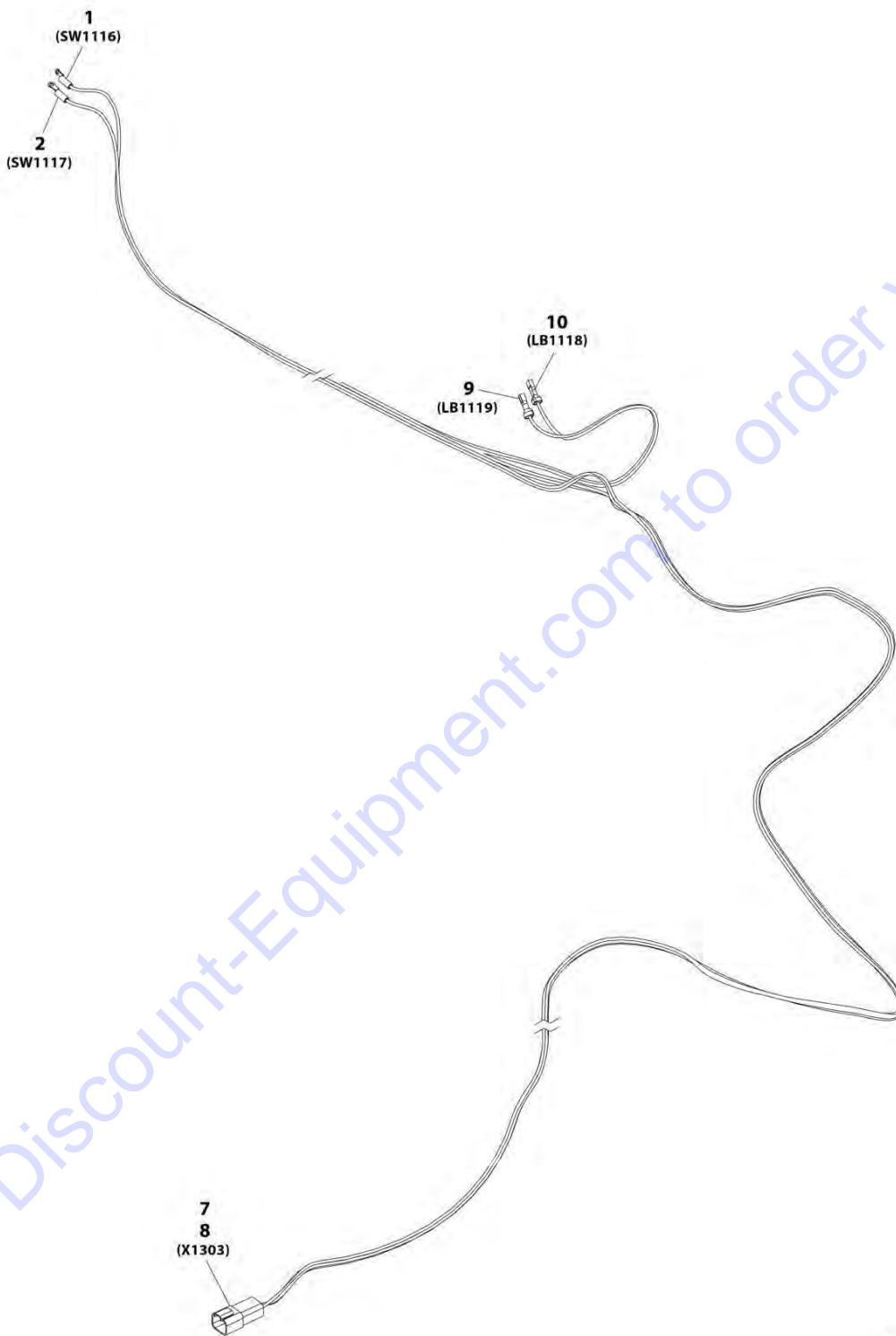
FIGURE 10-110. CONTROL ACCESSORY

ITEM	PART NUMBER	QTY	DESCRIPTION	REV
	1001203181	Ref	Control Accessory	C
1	1001215630	1	PC Board	
2	0861493	1	Box, Circuit Card	
3	1001215631	1	Decal	
4	1001215632	1	Software (not shown)	

Go to Discount-Equipment.com to order your parts

SECTION 10 - ELECTRICAL

FIGURE 10-111. CAB AIR SHUT OFF VALVE HARNESS



ART_1001231407-C

SECTION 10 - ELECTRICAL

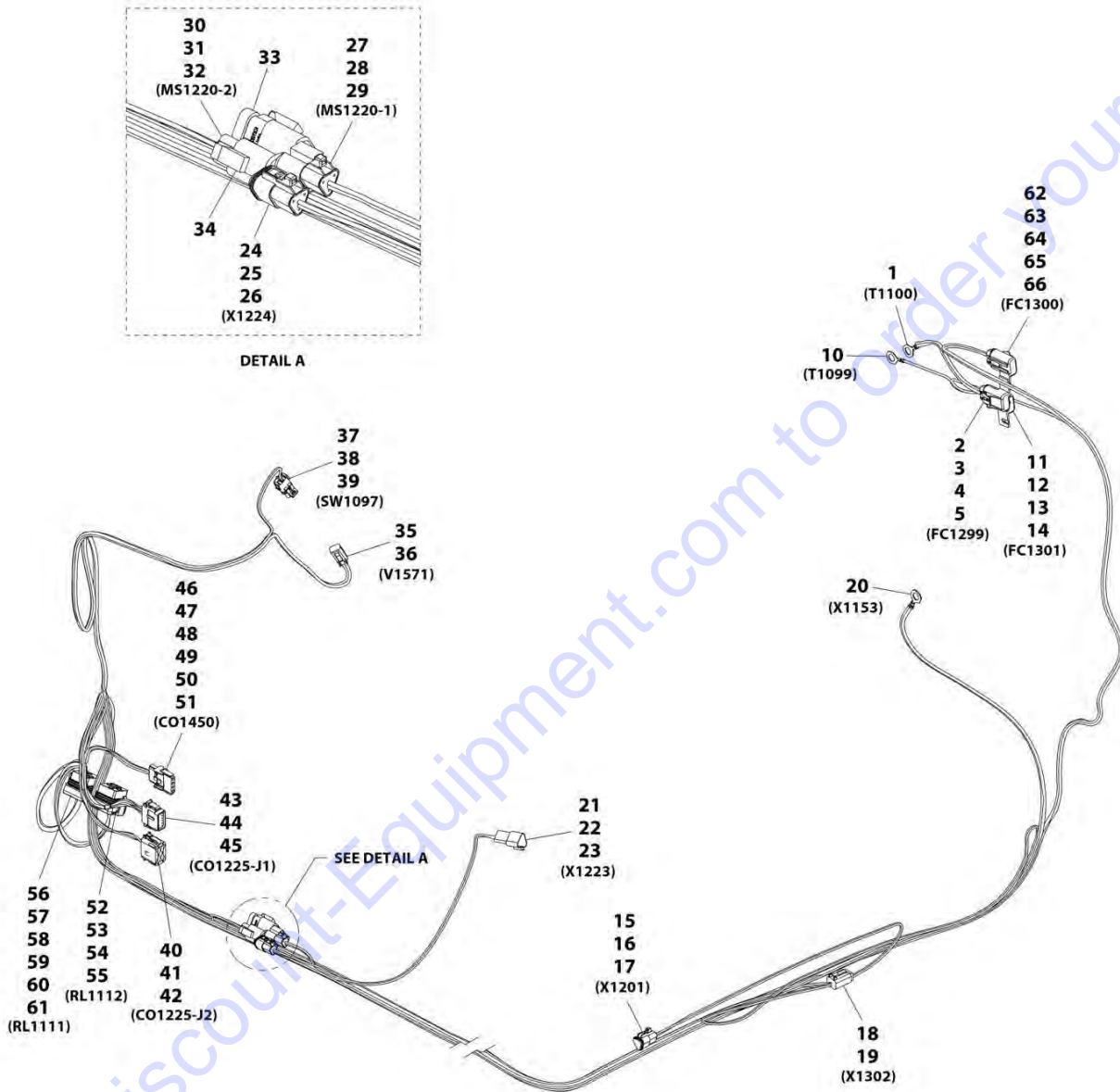
FIGURE 10-111. CAB AIR SHUT OFF VALVE HARNESS

ITEM	PART NUMBER	QTY	DESCRIPTION	REV
	1001231407	Ref	Cab Air Shut Off Valve Harness	C
1	8220035	1	Terminal, Ring	
2	8220035	1	Terminal, Ring	
7	4460932	1	Connector	
8	4460464	4	Terminal	
9	8220108	1	Connector, Female	
10	8220108	1	Connector, Female	

Go to Discount-Equipment.com to order your parts

SECTION 10 - ELECTRICAL

FIGURE 10-112. ENGINE AIR SHUT OFF VALVE HARNESS



ART_1001231483-C

SECTION 10 - ELECTRICAL

FIGURE 10-112. ENGINE AIR SHUT OFF VALVE HARNESS

ITEM	PART NUMBER	QTY	DESCRIPTION	REV
	1001231483	Ref	Engine Air Shut Off Valve Harness	C
1	1001187079	1	Terminal, Ring	
2	1001231397	1	Connector	
3	8229235	1	Fuse, 20amp	
4	1001231401	2	Terminal	
5	1001230402	2	Seal	
10	1001187078	1	Terminal, Ring	
11	1001231397	1	Connector	
12	8229261	1	Fuse, 20amp	
13	1001231400	2	Terminal	
14	1001230403	2	Seal	
15	1001116812	1	Connector	
16	4460465	2	Terminal	
17	4460466	1	Plug	
18	4460884	1	Connector	
19	4460465	4	Terminal	
20	1001187079	1	Terminal, Ring	
21	1001144147	1	Connector	
22	4460464	2	Terminal	
23	4460466	1	Plug	
24	1001116812	1	Connector	
25	4460465	2	Terminal	
26	4460466	1	Plug	
27	1001116812	1	Connector	
28	4460465	2	Terminal	
29	4460466	1	Plug	
30	4460539	1	Connector	
31	4460465	2	Terminal	
32	4460466	1	Plug	
33	1001116815	1	Connector, 3 Pin	
34	4460945	1	Terminal, 3 Way "T" Receptacle	
35	4460891	1	Connector	
36	1001157890	2	Terminal	
37	4460742	1	Connector	
38	4460475	2	Terminal	
39	4460458	2	Plug	
40	1001116774	1	Connector	
41	4460518	8	Plug	
42	1001126008	4	Terminal	
43	1001116808	1	Connector	
44	1001126008	9	Terminal	
45	4460518	3	Plug	
46	4460761	1	Connector	
47	4460321	1	Terminal	
48	1001118378	4	Terminal	
49	4460809	4	Plug	
50	1001143551	1	Seal	
51	1001218358	1	Lanyard Rope	
52	1001231398	1	Connector	
53	1001231400	4	Terminal	

SECTION 10 - ELECTRICAL

ITEM	PART NUMBER	QTY	DESCRIPTION	REV
54	1001231404	4	Seal	
55	1001231406	1	Plug	
56	1001231398	1	Connector	
57	1001231401	2	Terminal	
58	1001231402	2	Seal	
59	1001231400	2	Terminal	
60	1001231404	2	Seal	
61	1001231406	1	Plug	
62	1001231397	1	Connector	
63	8229234	1	Fuse, 20amp	
64	1001231400	2	Terminal	
65	1001230403	1	Seal	
66	1001230404	1	Seal	

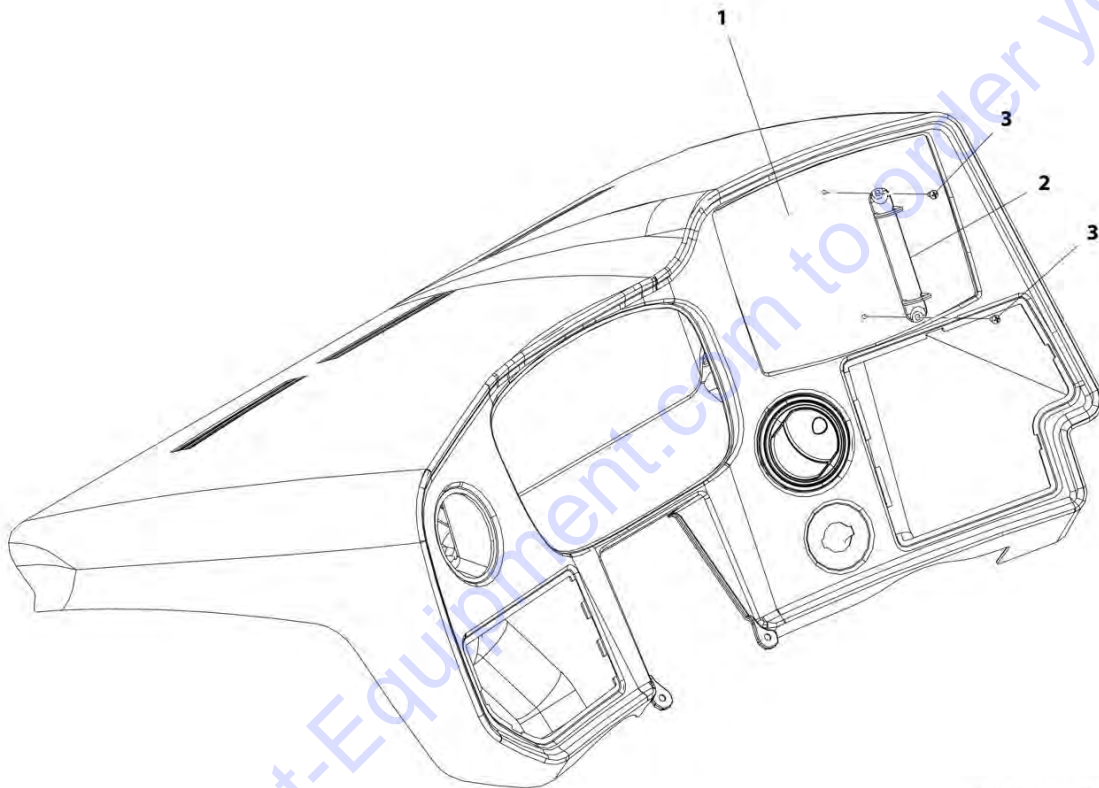
Go to Discount-Equipment.com to order your parts

SECTION 11 - DECALS

Go to Discount-Equipment.com to order your parts

SECTION 11 - DECALS

FIGURE 11-1. CAPACITY CHART HOLDER



ART_1001178706-A

SECTION 11 - DECALS

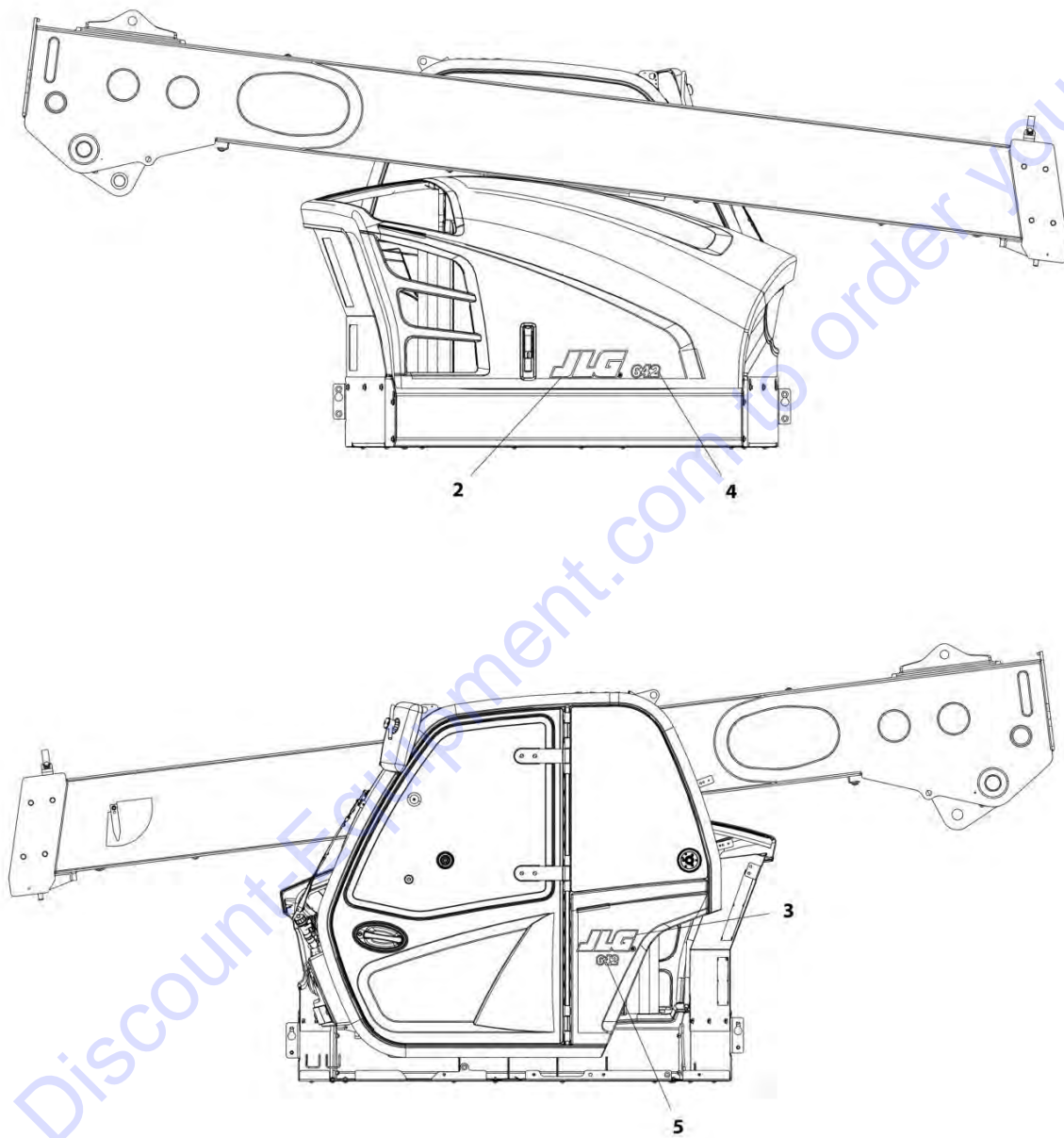
FIGURE 11-1. CAPACITY CHART HOLDER

ITEM	PART NUMBER	QTY	DESCRIPTION	REV
	1001178706	1	Capacity Chart Holder	A
1	1001179297	1	Load Chart, Bezel	
2	1001005960	1	Holder	
3	7029486	2	Screw	

Go to Discount-Equipment.com to order your parts

SECTION 11 - DECALS

FIGURE 11-2. BRAND AND MODEL DECAL INSTALLATION (642)



ART_1001172977-D

SECTION 11 - DECALS

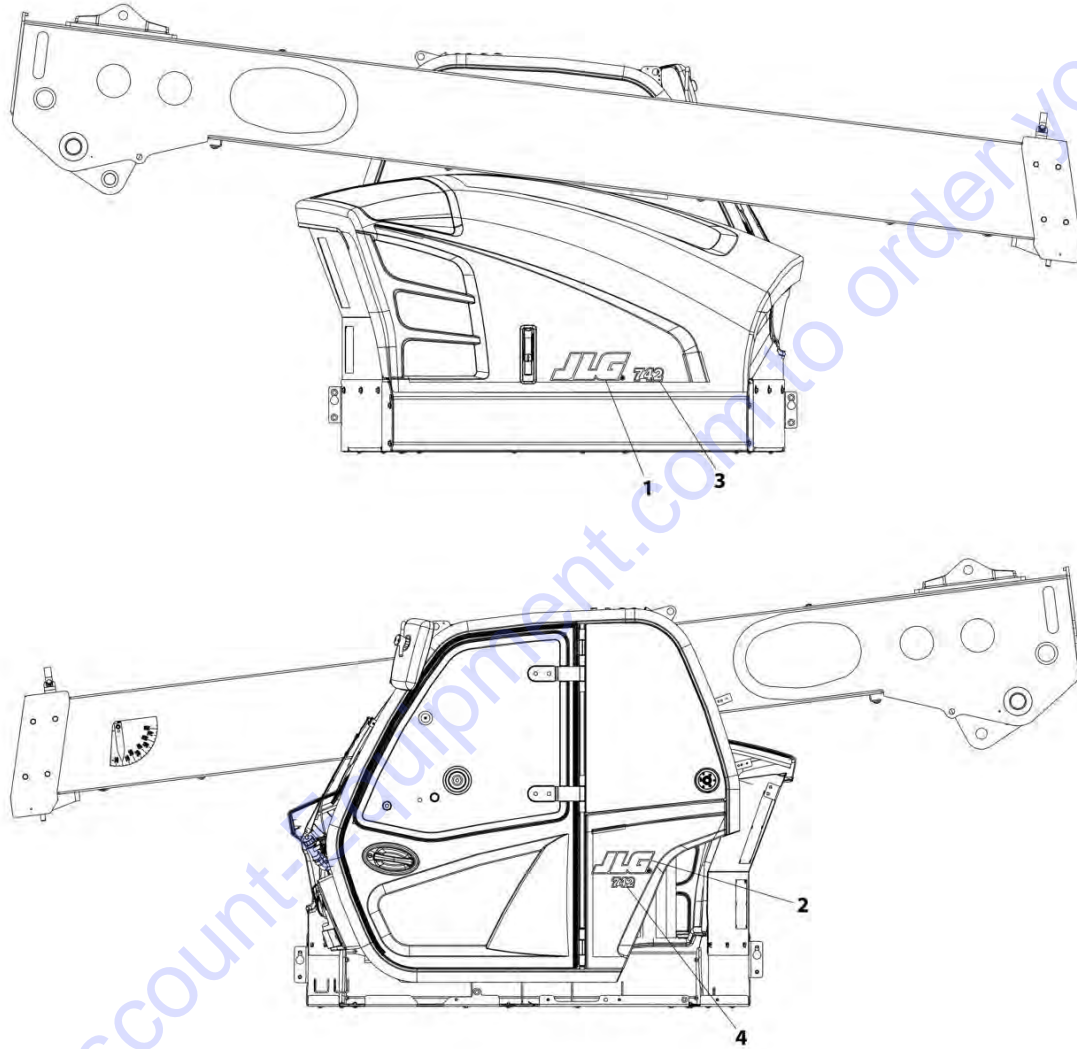
FIGURE 11-2. BRAND AND MODEL DECAL INSTALLATION (642)

ITEM	PART NUMBER	QTY	DESCRIPTION	REV
	1001172977	Ref	Brand and Model Decal Installation (642)	D
2	1001160775	1	Decal, JLG 5 Black	
3	1001169674	1	Decal, JLG M100X285	
4	1001172955	1	Decal, JLG 642	
5	1001172956	1	Decal, JLG 642 Cab	

Go to Discount-Equipment.com to order your parts

SECTION 11 - DECALS

FIGURE 11-3. BRAND AND MODEL DECAL INSTALLATION (742)



ART_1001226709-A

SECTION 11 - DECALS

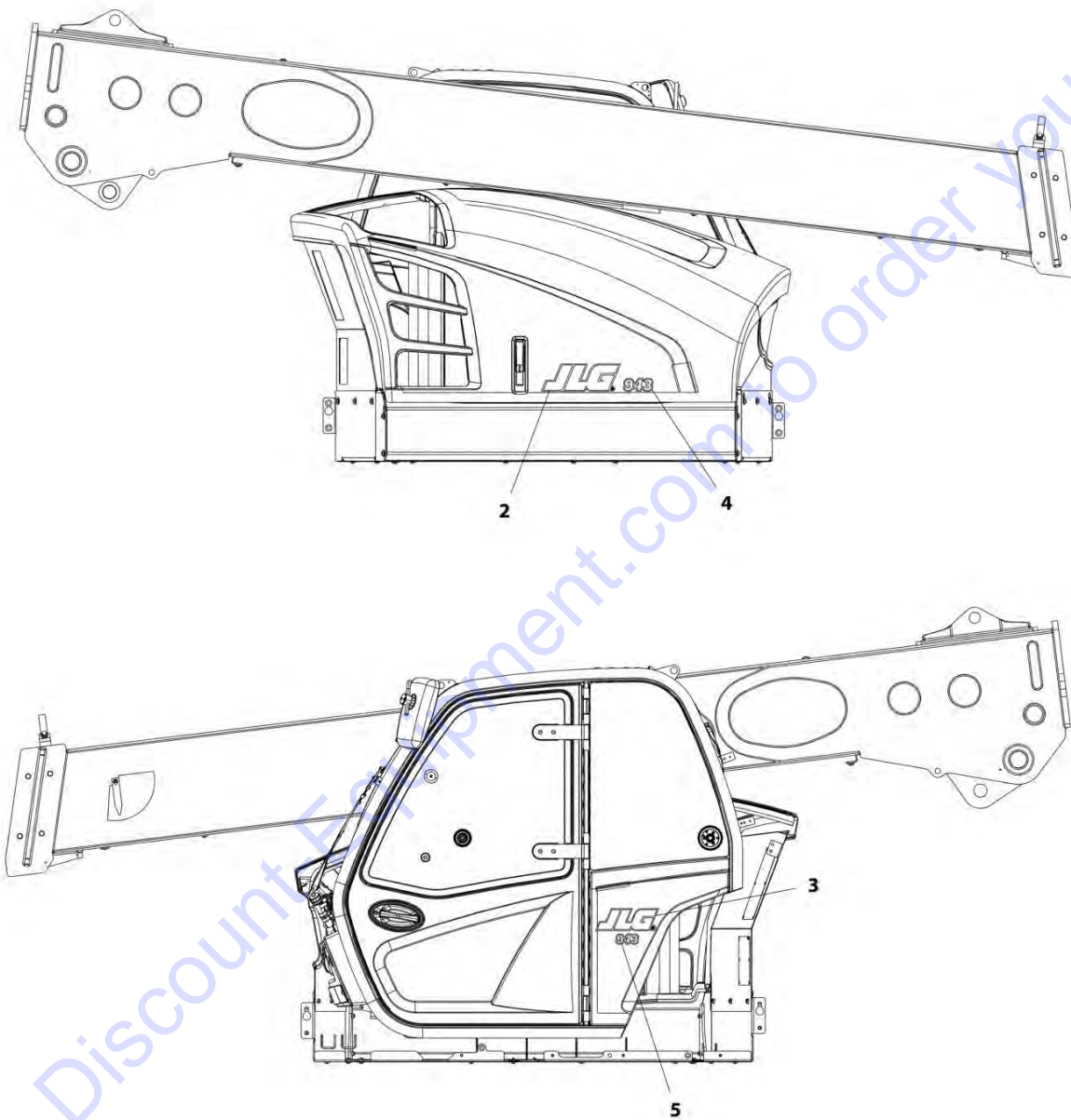
FIGURE 11-3. BRAND AND MODEL DECAL INSTALLATION (742)

ITEM	PART NUMBER	QTY	DESCRIPTION	REV
	1001226709	Ref	Brand and Model Decal Installation (742)	A
1	1001160775	1	Decal, JLG 5 Black	
2	1001169674	1	Decal, JLG	
3	1001226710	1	Decal, JLG 742	
4	1001226711	1	Decal, JLG 742 Cab	

Go to Discount-Equipment.com to order your parts

SECTION 11 - DECALS

FIGURE 11-4. BRAND AND MODEL DECAL INSTALLATION (943)



ART_1001172978-D

SECTION 11 - DECALS

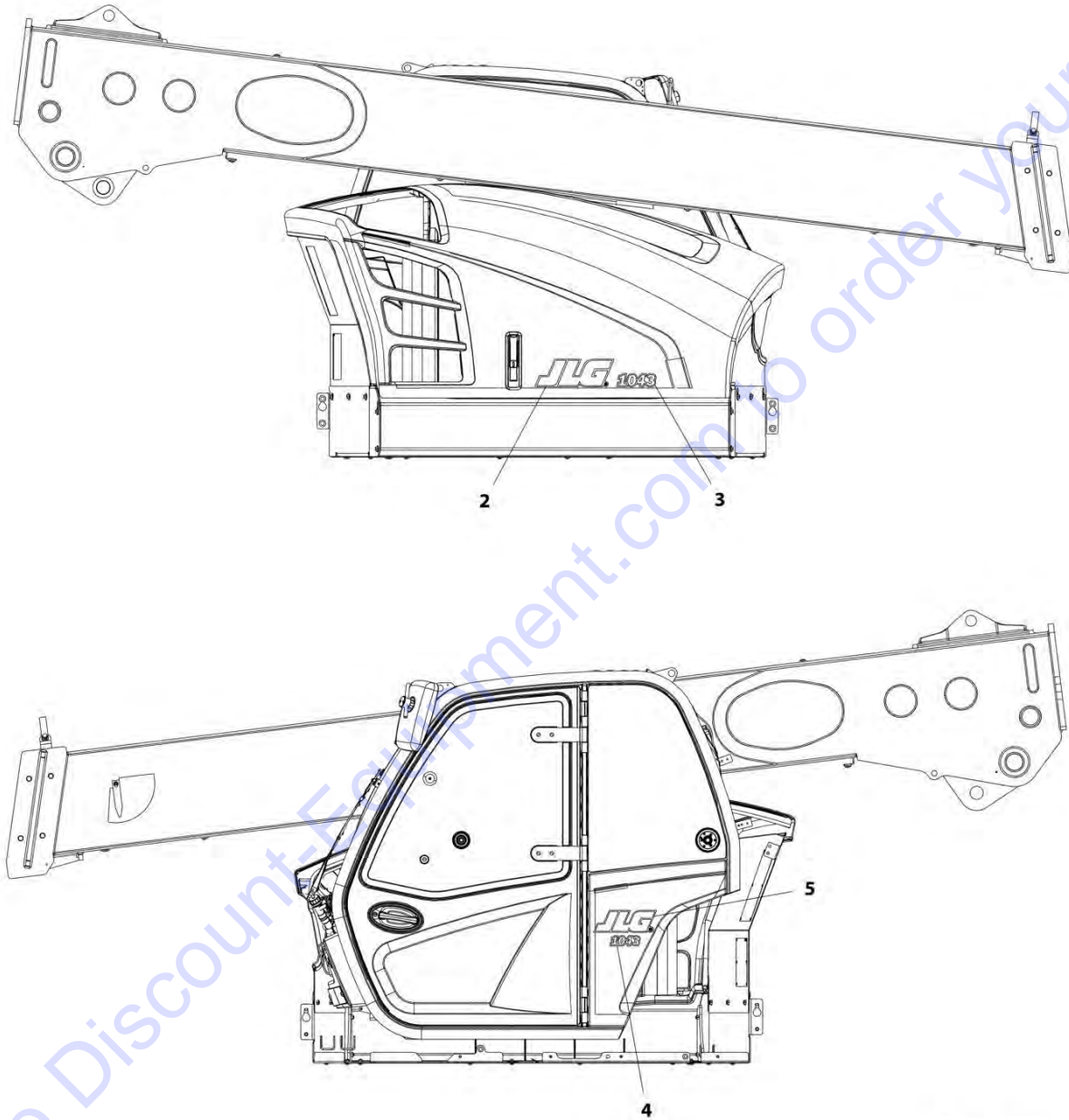
FIGURE 11-4. BRAND AND MODEL DECAL INSTALLATION (943)

ITEM	PART NUMBER	QTY	DESCRIPTION	REV
	1001172978	1	Brand and Model Decal Installation (943)	D
2	1001160775	1	Decal, JLG 5 Black	
3	1001169674	1	Decal, JLG M100X285	
4	1001172957	1	Decal, JLG 943	
5	1001172958	1	Decal, JLG 943 Cab	

Go to Discount-Equipment.com to order your parts

SECTION 11 - DECALS

FIGURE 11-5. BRAND AND MODEL DECAL INSTALLATION (1043)



ART_1001172979-D

SECTION 11 - DECALS

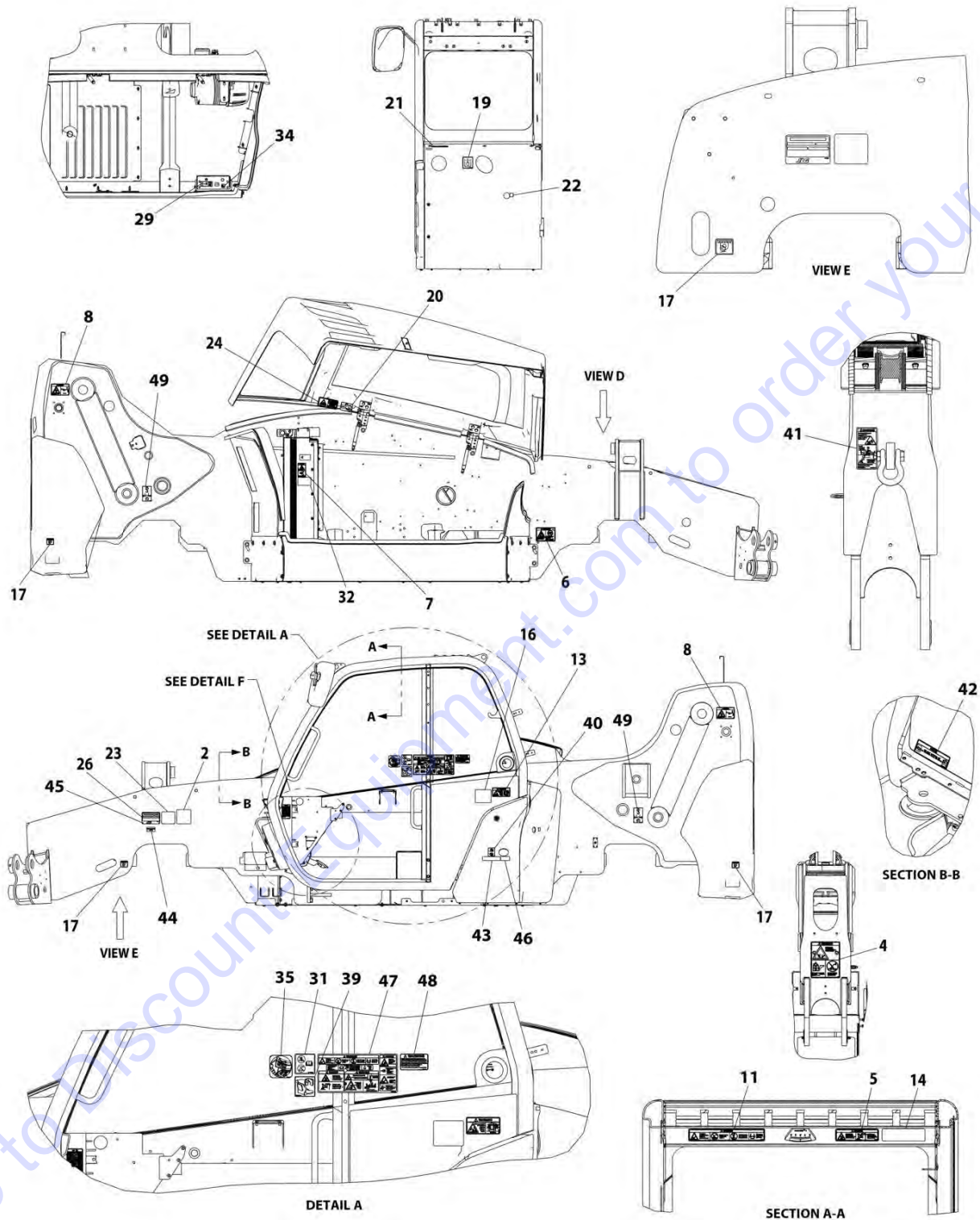
FIGURE 11-5. BRAND AND MODEL DECAL INSTALLATION (1043)

ITEM	PART NUMBER	QTY	DESCRIPTION	REV
	1001172979	Ref	Brand and Model Decal Installation (1043)	D
2	1001160775	1	Decal, JLG 5 Black	
3	1001172960	1	Decal, JLG 1043	
4	1001172961	1	Decal, JLG 1043 Cab	
5	1001169674	1	Decal, JLG	

Go to Discount-Equipment.com to order your parts

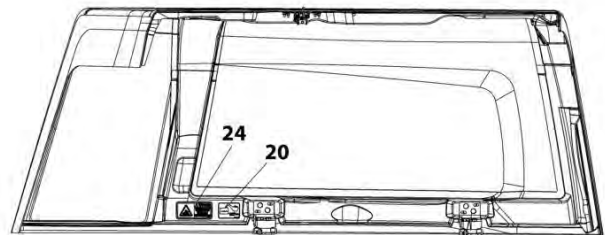
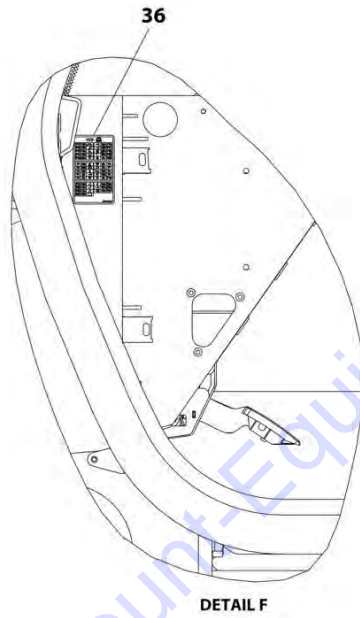
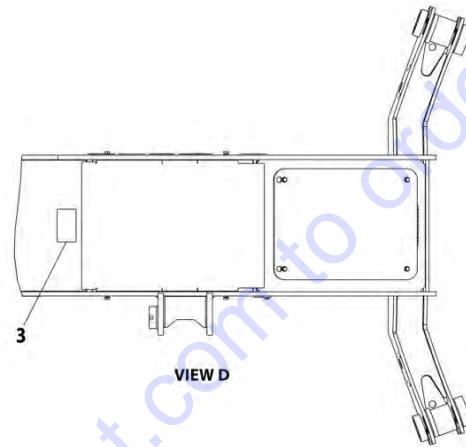
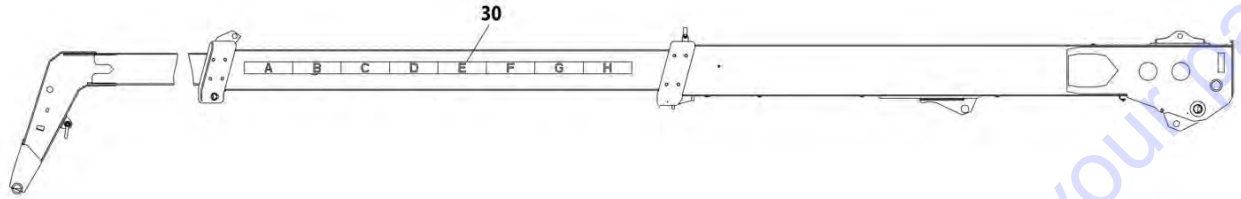
SECTION 11 - DECALS

FIGURE 11-6. DECAL INSTALLATION (ANSI)



ART_1001173429_1-O

SECTION 11 - DECALS



ART_1001173429_2-O

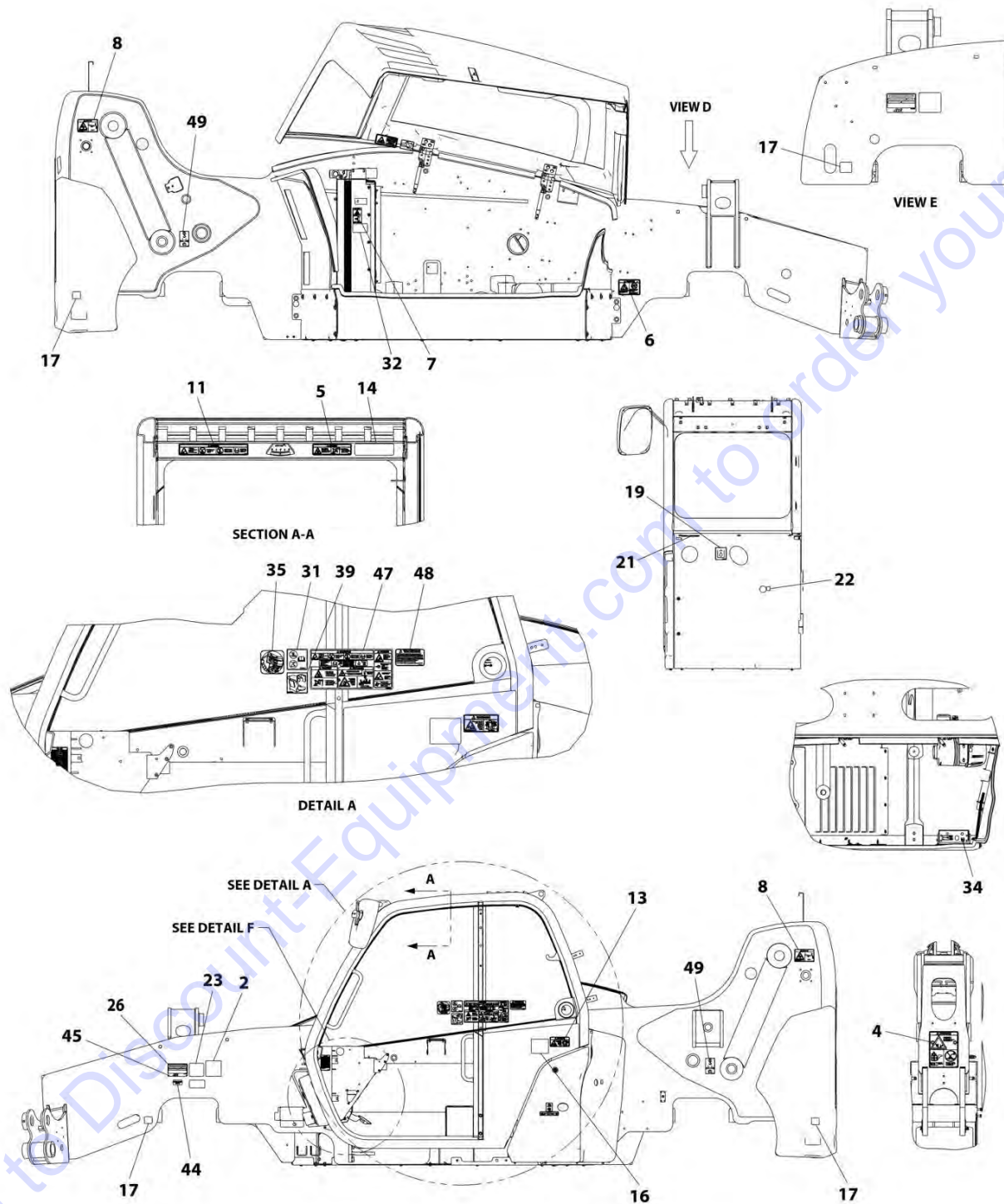
SECTION 11 - DECALS

FIGURE 11-6. DECAL INSTALLATION (ANSI)

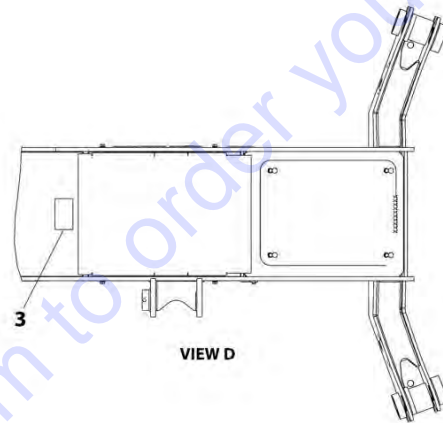
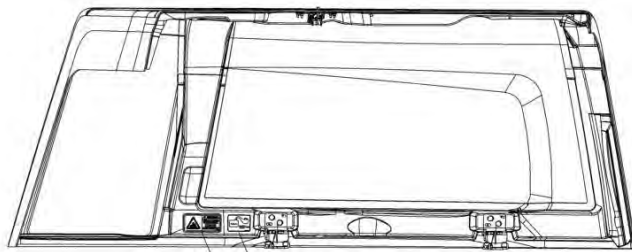
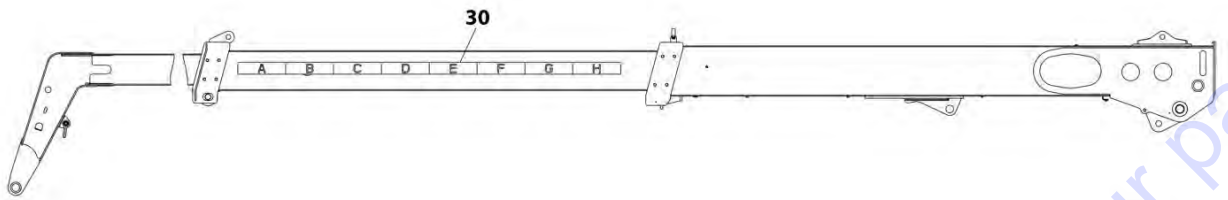
ITEM	PART NUMBER	QTY	DESCRIPTION	REV
	1001173429	1	Decal Installation (ANSI)	0
2	1702631	1	Decal, Bar Code	
3	1706296	1	Decal, Battery Warning	
4	1001195849	1	Decal, Carry Personnel	
5	1706299	1	Decal, Contacting Power Lines Warning	
6	1706300	1	Decal, Ether Warning	
7	1706301	1	Decal, Keep Clear of Rotating Parts Warning	
8	1706302	2	Decal, Pinch Point Boom Holes	
11	1706306	1	Decal, Tip Over Warning	
13	1706768	1	Decal, Vehicle Roll Away	
14	1706850	1	Decal, Crush Hazard Warning	
16	3251813	1	Decal, USA	
17	4109801	4	Decal, Tie Down Point	
19	1001094708	1	Decal, Hydraulic Oil	
20	1001109053	1	Decal, Coolant Fill	
21	1001218704	1	Decal, Ultra Low Sulfur Diesel	
22	1001130323	1	Decal, Oil Level	
23	1001131271	1	Decal, Patent	
24	1001139578	1	Decal, Hot Fluid Warning	
26	1001229575	1	Decal, Nameplate	
29	1001195855	1	Decal, Battery Disconnect	
30	1001171277	1	Decal, Boom Extend	
31	1001172035	1	Decal, No Weld or Drill	
32	1001173422	1	Decal, MCO 110HP	
34	1001184632	1	Decal, Battery Positive	
35	1001188372	1	Decal, Sway	
36	1001191229	1	Decal, Fuse Panel	
39	1001200101	1	Decal, Manual	
40	1001196806	1	Decal, Diesel Exhaust Fluid	
41	1001207217	1	Decal, Danger Swinging Loads (SN 0160075708 to Present)	
42	1001218659	1	Decal, Brake Fluid	
43	1001219212	1	Decal, DEF Fluid	
44	1001223453	1	Decal, ICES	
45	1001009178	4	Decal, Track Metal	
46	1001230310	1	Decal, JLG DEF Tank Service	
47	1707078	1	Decal, Warning/Danger Cab	
48	1001231801	1	Decal, Warning Prop 65 Diesel	
49	1001222650	2	Decal, Axle Lift	

SECTION 11 - DECALS

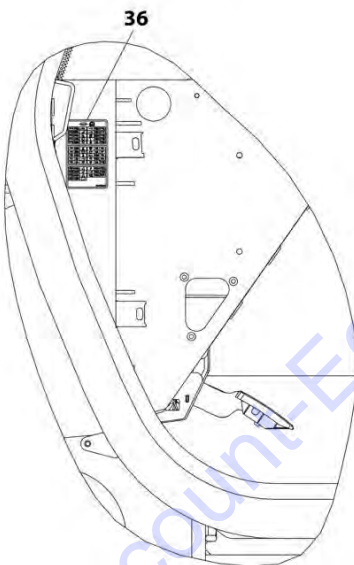
FIGURE 11-7. DECAL INSTALLATION (ANSI) (742, 943)



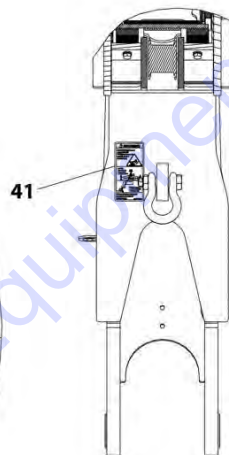
SECTION 11 - DECALS



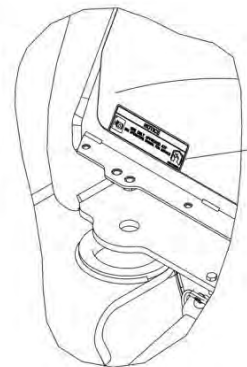
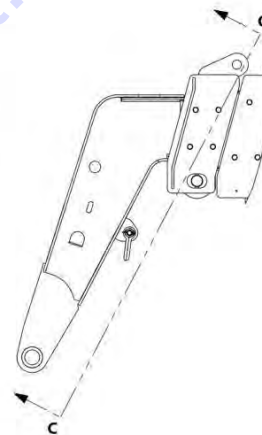
VIEW D



DETAIL F



SECTION C-C



ART_1001227339_2-G

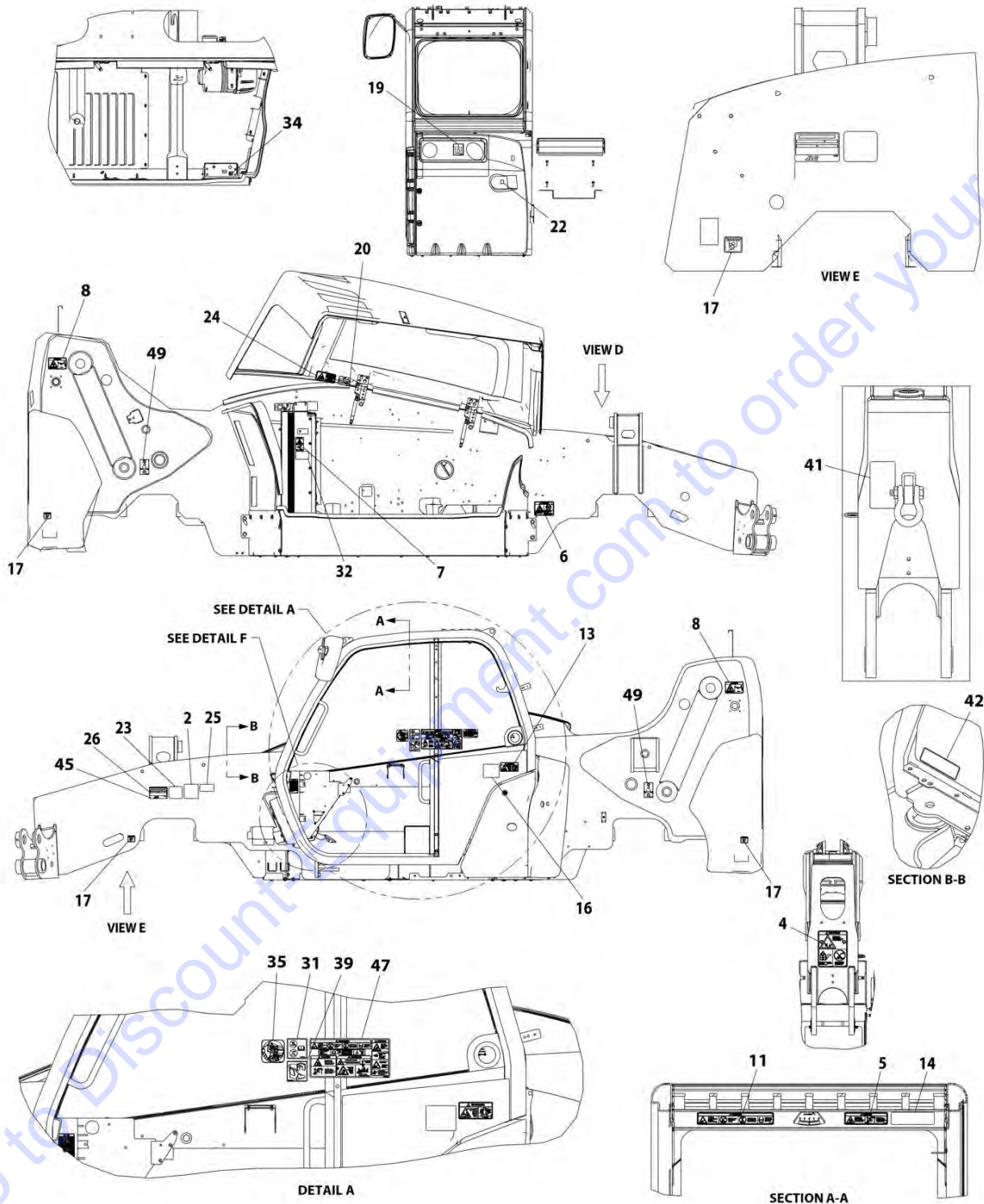
SECTION 11 - DECALS

FIGURE 11-7. DECAL INSTALLATION (ANSI) (742, 943)

ITEM	PART NUMBER	QTY	DESCRIPTION	REV
	1001227339	Ref	Decal Installation (ANSI) (742, 943)	G
2	1702631	1	Decal, Bar Code	
3	1706296	1	Decal, Battery Warning	
4	1001195849	1	Decal, Carry Personnel	
5	1706299	1	Decal, Contacting Power Lines Warning	
6	1706300	1	Decal, Ether Warning	
7	1706301	1	Decal, Keep Clear Of Rotating Parts Warning	
8	1706302	2	Decal, Pinch Point Boom Holes	
11	1706306	1	Decal, Tip Over Warning	
13	1706768	1	Decal, Vehicle Roll Away	
14	1706850	1	Decal, Crush Hazard Warning	
16	3251813	1	Decal, USA	
17	4109801	4	Decal, Tie Down Point	
19	1001094708	1	Decal, Hydraulic Oil	
20	1001109053	1	Decal, Coolant Fill	
21	1001218704	1	Decal, Ultra Low Sulfur Diesel	
22	1001130323	1	Decal, Oil Level	
23	1001131271	1	Decal, Patent	
24	1001139578	1	Decal, Hot Fluid Warning	
26	1001229575	1	Decal, Nameplate	
30	1001171277	1	Decal, Boom Extend	
31	1001172035	1	Decal, No Weld or Drill	
32	1001202626	1	Decal, 74HP	
34	1001184632	1	Decal, Battery Positive	
35	1001188372	1	Decal, Sway	
36	1001191229	1	Decal, Fuse Panel	
39	1001200101	1	Decal, Manual	
41	1001207217	1	Decal, Danger Swinging Loads	
42	1001218659	1	Decal, Brake Fluid	
44	1001223453	1	Decal, ICES	
45	1001009178	4	Decal, Track Metal	
47	1707078	1	Decal, Warning/Danger Cab	
48	1001231801	1	Decal, Warning Prop 65 Diesel	
49	1001222650	2	Decal, Axle Lift	

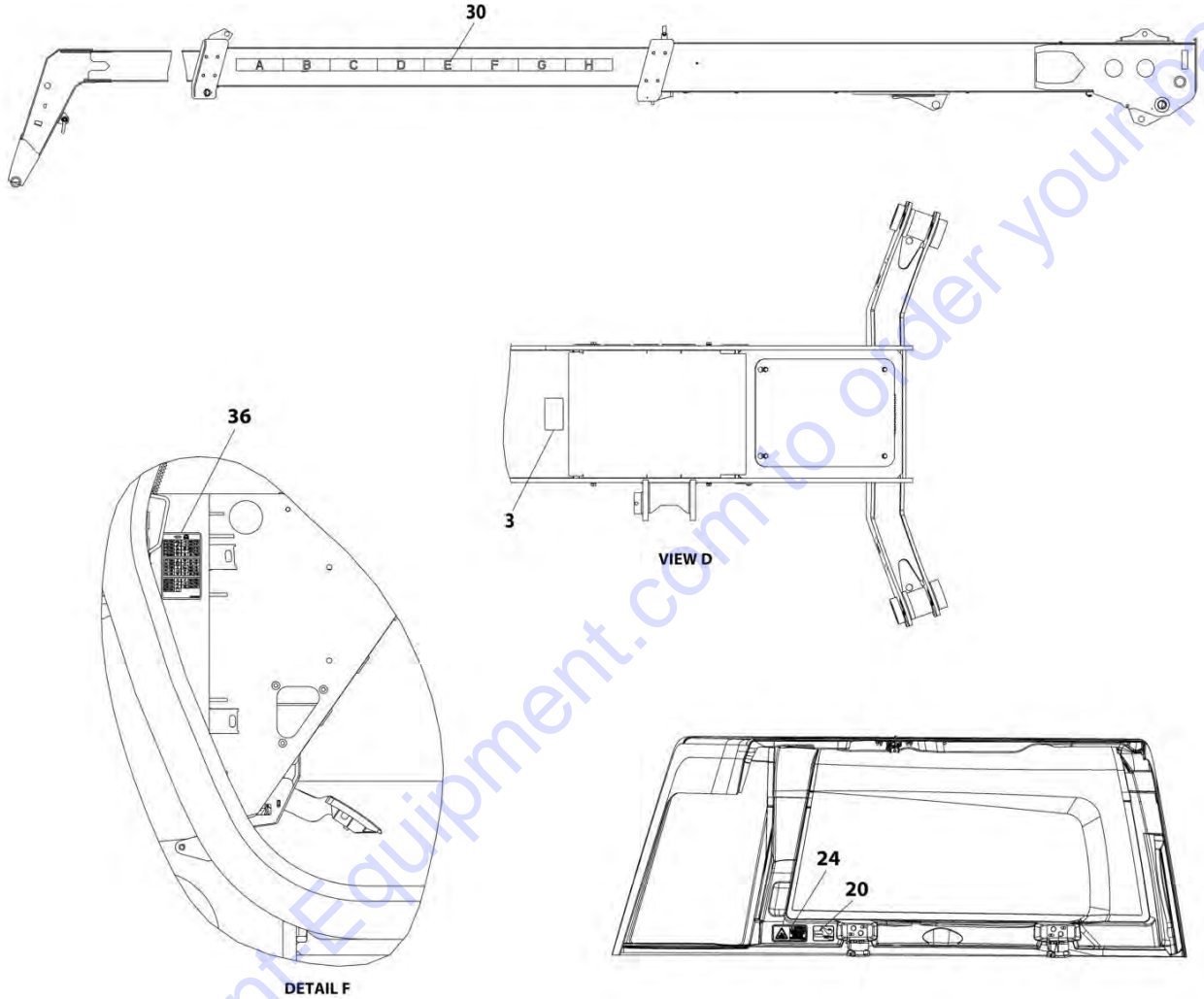
SECTION 11 - DECALS

FIGURE 11-8. DECAL INSTALLATION (ISO)



ART_1001173431_1-O

SECTION 11 - DECALS



ART_1001173431_2-O

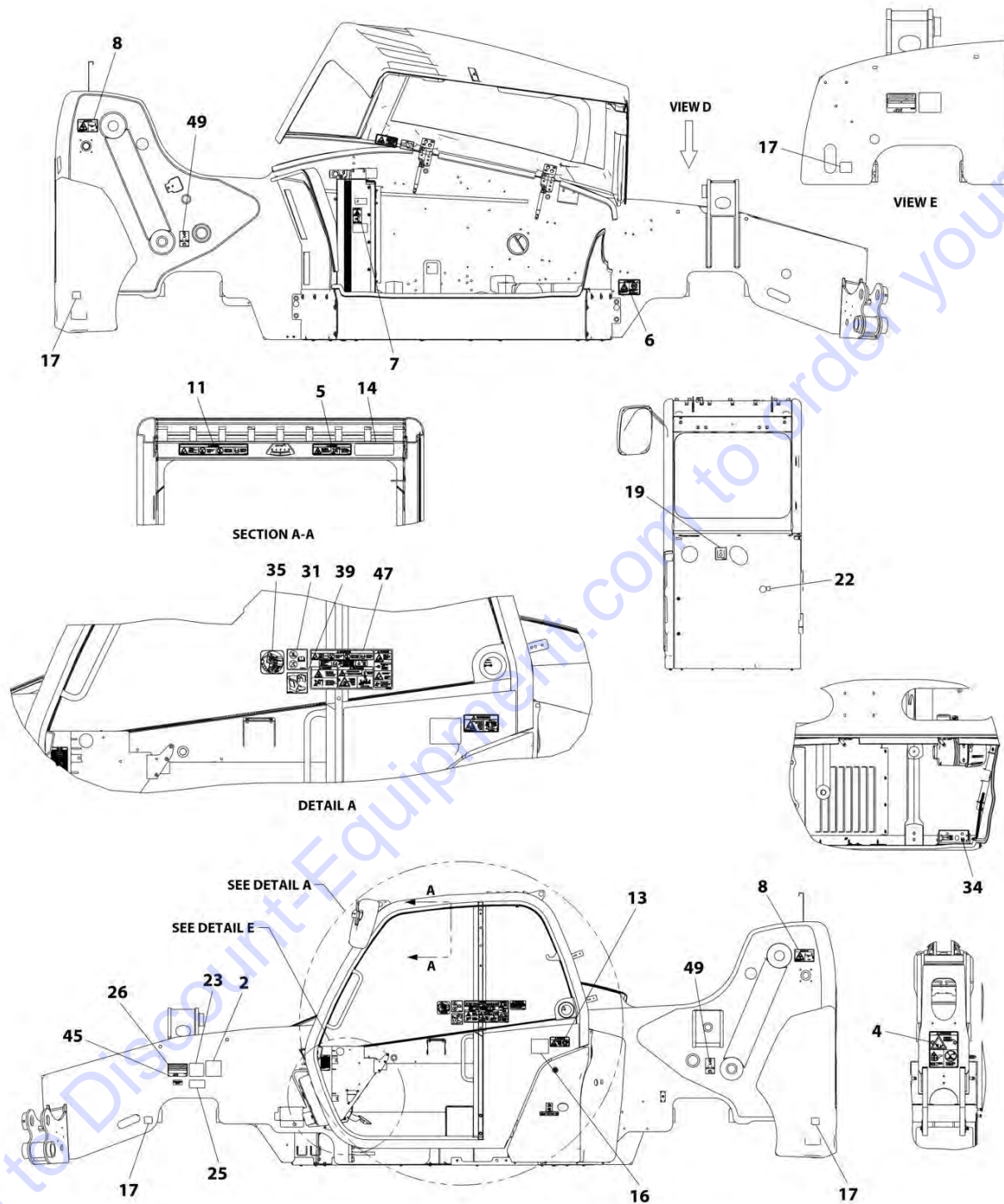
SECTION 11 - DECALS

FIGURE 11-8. DECAL INSTALLATION (ISO)

ITEM	PART NUMBER	QTY	DESCRIPTION	REV
	1001173431	1	Decal Installation (ISO)	0
2	1702631	1	Decal, Bar Code	
3	1706281	1	Decal, Battery Warning	
4	1706282	1	Decal, Carry Personnel	
5	1706284	1	Decal, Electrocutation Hazard	
6	1706098	1	Decal, Ether Warning	
7	1706285	1	Decal, Keep Clear of Rotating Parts Warning	
8	1706292	2	Decal, Pinch Point Boom Holes	
11	1706288	1	Decal, Tip Over Warning	
13	1001092878	1	Decal, No Riders	
14	1001092877	1	Decal, Crush Hazard Warning	
16	3251813	1	Decal, USA	
17	4109801	4	Decal, Tie Down Point	
19	1001094708	1	Decal, Hydraulic Oil	
20	1001109053	1	Decal, Coolant Fill	
22	1001130323	1	Decal, Oil Level	
23	1001131271	1	Decal, Patent	
24	1001139942	1	Decal, Hot Fluid Warning	
25	1001143852	1	Decal, EPA (LS)	
26	1001229575	1	Decal, Nameplate	
30	1001171277	1	Decal, Boom Extend	
31	1001172035	1	Decal, No Weld or Drill	
32	1001173422	1	Decal, MCO 110HP	
34	1001184632	1	Decal, Battery Positive	
35	1001188372	1	Decal, Sway	
36	1001191229	1	Decal, Fuse Panel	
39	1001200101	1	Decal, Manual	
41	1001207218	1	Decal, Danger Swinging Loads (SN 0160075708 to Present)	
42	1001219211	1	Decal, Brake Fluid	
45	1001009178	4	Decal, Track Metal	
47	1001101895	1	Decal, Warning	
49	1001222650	2	Decal, Axle Lift	

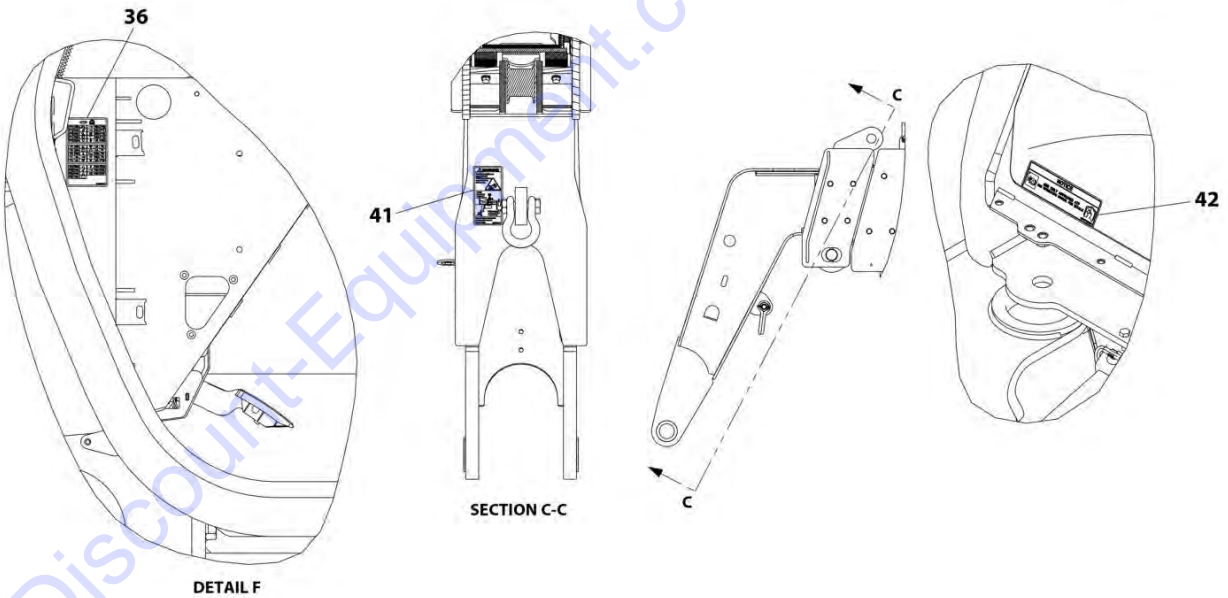
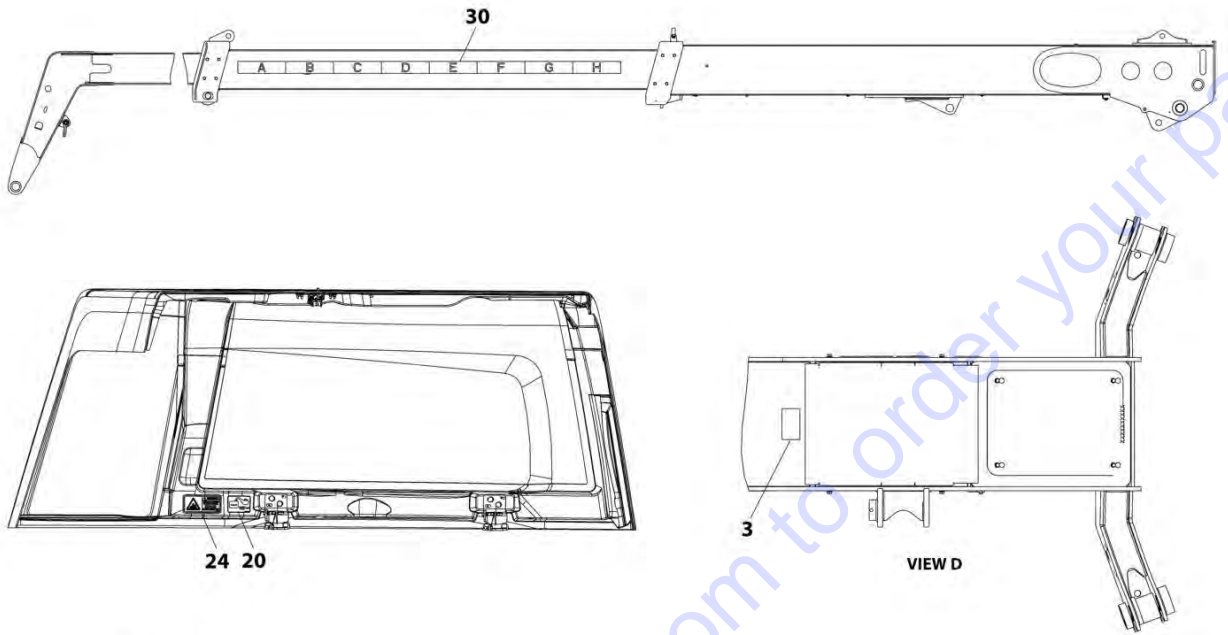
SECTION 11 - DECALS

FIGURE 11-9. DECAL INSTALLATION (ISO) (742, 943)



ART_1001227340_1-E

SECTION 11 - DECALS



ART_1001227340_2-E

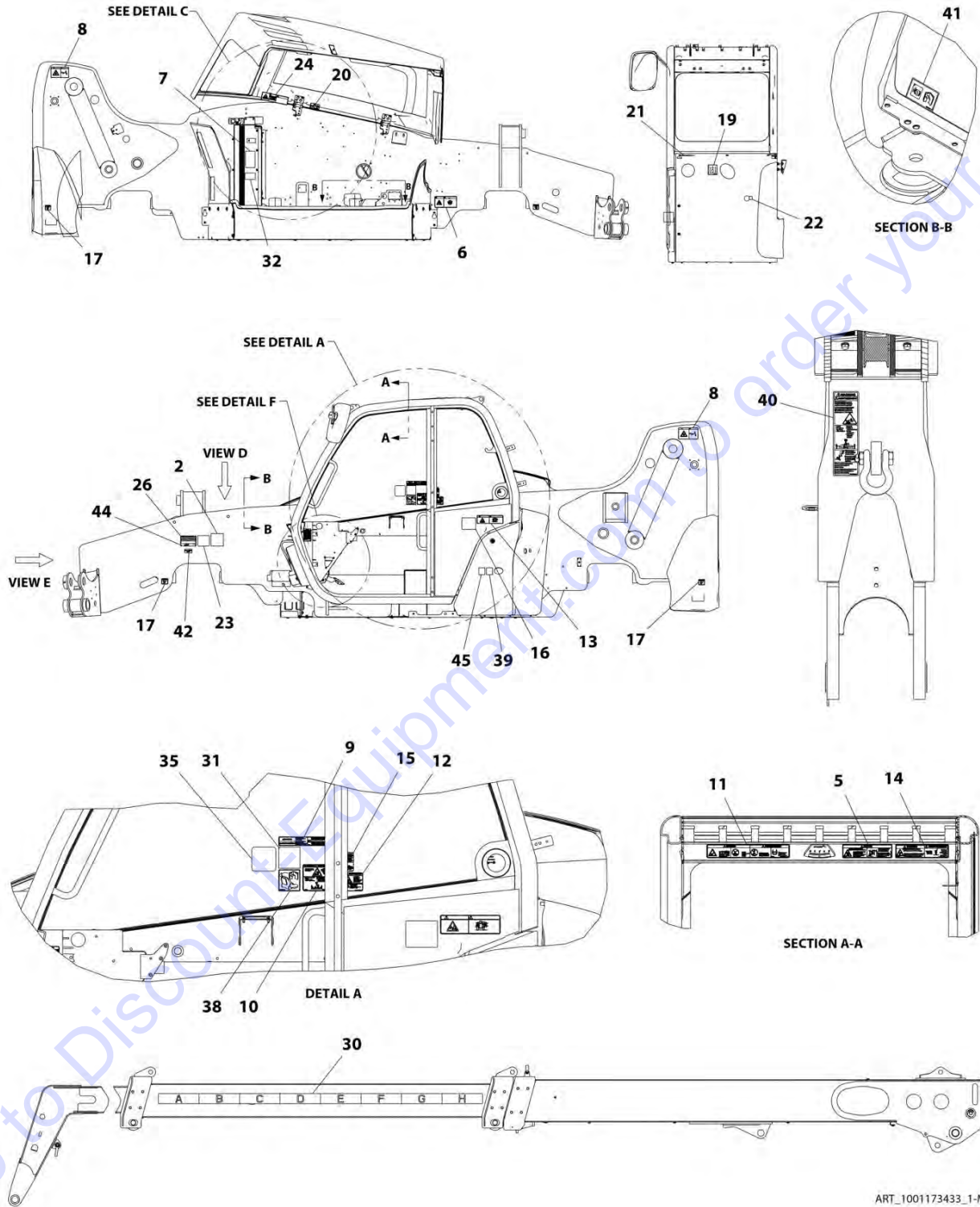
SECTION 11 - DECALS

FIGURE 11-9. DECAL INSTALLATION (ISO) (742, 943)

ITEM	PART NUMBER	QTY	DESCRIPTION	REV
	1001227340	Ref	Decal Installation (ISO) (742, 943)	E
2	1702631	1	Decal, Bar Code	
3	1706281	1	Decal, Battery Warning	
4	1706282	1	Decal, Carry Personnel	
5	1706284	1	Decal, Electrocutation Hazard	
6	1706098	1	Decal, Ether Warning	
7	1706285	1	Decal, Keep Clear of Rotating Parts Warning	
8	1706292	2	Decal, Pinch Point Boom Holes	
11	1706288	1	Decal, Tip Over Warning	
13	1001092878	1	Decal, No Riders	
14	1001092877	1	Decal, Crush Hazard Warning	
16	3251813	1	Decal, USA	
17	4109801	4	Decal, Tie Down Point	
19	1001094708	1	Decal, Hydraulic Oil	
20	1001109053	1	Decal, Coolant Fill	
22	1001130323	1	Decal, Oil Level	
23	1001131271	1	Decal, Patent	
24	1001139942	1	Decal, Hot Fluid Warning	
25	1001143852	1	Decal, EPA (LS)	
26	1001229575	1	Decal, Nameplate	
30	1001171277	1	Decal, Boom Extend	
31	1001172035	1	Decal, No Weld or Drill	
34	1001184632	1	Decal, Battery Positive	
35	1001188372	1	Decal, Sway	
36	1001191229	1	Decal, Fuse Panel	
39	1001200101	1	Decal, Manual	
41	1001207218	1	Decal, Danger Swinging Loads	
42	1001219211	1	Decal, Brake Fluid	
45	1001009178	4	Decal, Track Metal	
47	1001101895	1	Decal, Warning	
49	1001222650	2	Decal, Axle Lift	

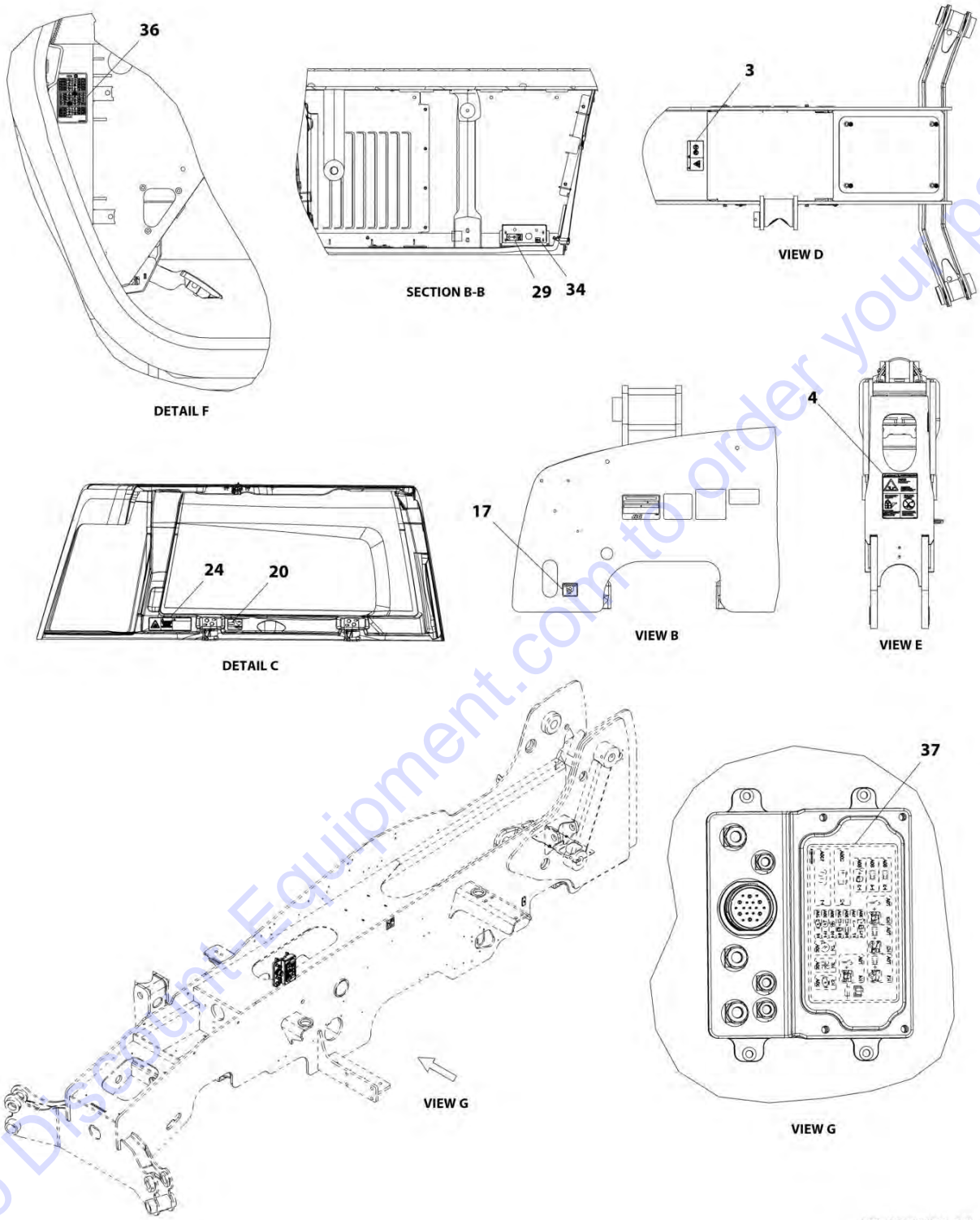
SECTION 11 - DECALS

FIGURE 11-10. DECAL INSTALLATION (CSA ENGLISH/FRENCH) (642, 742)



ART_1001173433_1-M

SECTION 11 - DECALS



ART_1001173433_2-M

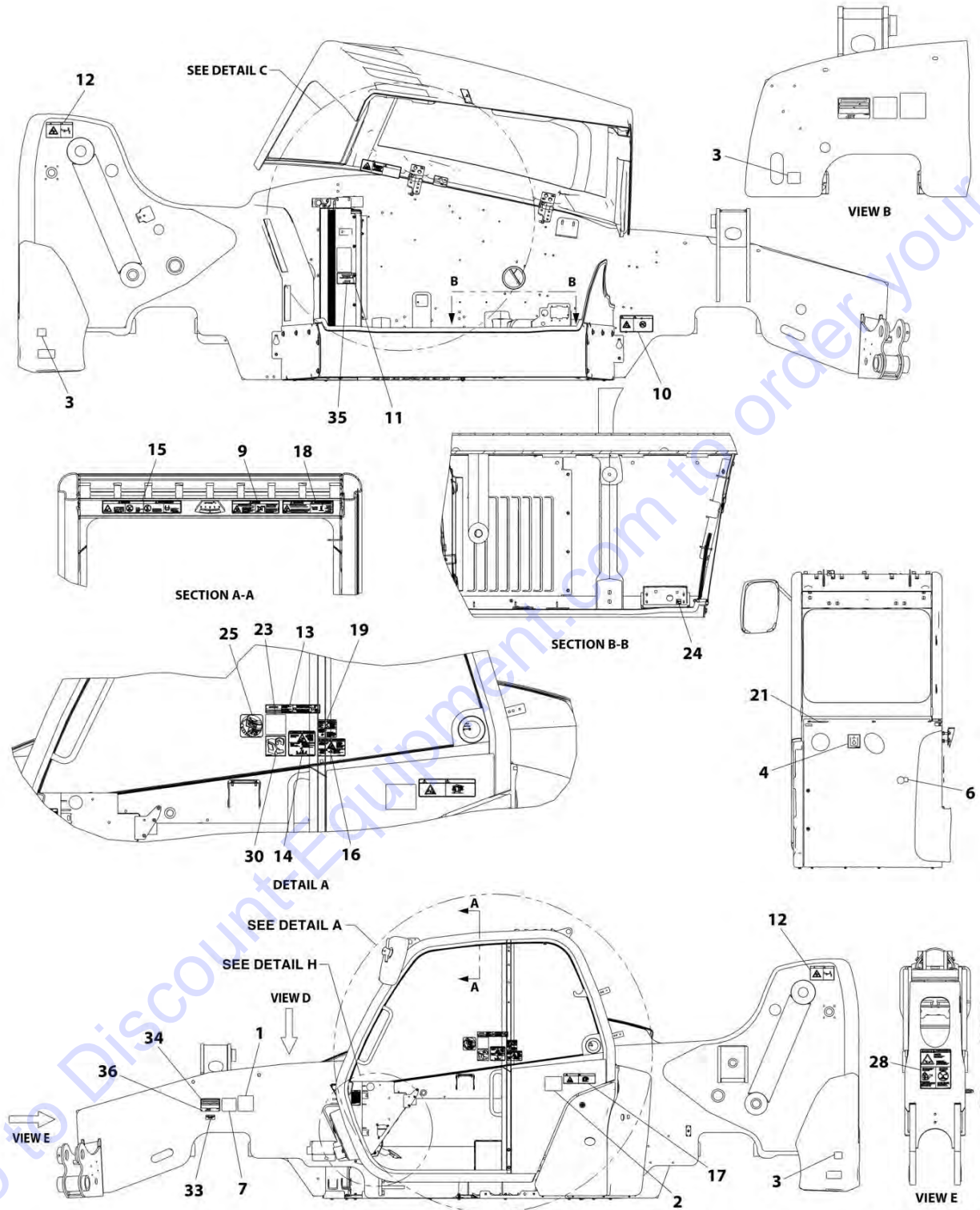
SECTION 11 - DECALS

FIGURE 11-10. DECAL INSTALLATION (CSA ENGLISH/FRENCH) (642, 742)

ITEM	PART NUMBER	QTY	DESCRIPTION	REV
	1001173433	Ref	Decal Installation (CSA English/French) (642, 742)	M
2	1702631	1	Decal Installation (CSA English/French)	
3	1001163174	1	Decal, Battery Warning	
4	1001195851	1	Decal, Carry Personnel	
5	1001163210	1	Decal, Electrocutation Hazard	
6	1001163212	1	Decal, Warning No Either	
7	1001163222	1	Decal, Moving Parts	
8	1001163223	2	Decal, Pinch Point	
9	1001163273	1	Decal, Read Manual	
10	1001163276	1	Decal, Warning Run Over Hazard	
11	1001163285	1	Decal, Warning Tip Over	
12	1001163291	1	Decal, Warning Machine Roll Away	
13	1001163300	1	Decal, No Riders	
14	1001163304	1	Decal, Warning Crushing Hazard	
15	1001163321	1	Decal, Warning Do Not Jump	
16	3251813	1	Decal, USA	
17	4109801	4	Decal, Tie Down Point	
19	1001094708	1	Decal, Hydraulic Oil	
20	1001109053	1	Decal, Coolant Fill	
21	1001163355	1	Decal, Ultra Low Sulfur Diesel	
22	1001130323	1	Decal, Oil Level	
23	1001131271	1	Decal, Patent	
24	1001163323	1	Decal, Warning Hot Fluid	
26	1001229575	1	Decal, Nameplate, Serial Number	
29	1001195855	1	Decal, Battery Disconnect	
30	1001171277	1	Decal, Boom Extend	
31	1001172035	1	Decal, No Weld or Drill	
32	1001173422	1	Decal, MCO, 130HP	
34	1001184632	1	Decal, Battery Positive	
35	1001188372	1	Decal, Sway	
36	1001191229	1	Decal, Fuse Panel	
37	1001191487	1	Decal, Fuse Panel	
38	1001200101	1	Decal, Manual	
39	1001196806	1	Decal, Diesel Exhaust Fluid	
40	1001209625	1	Decal, Danger Swinging Loads (SN 0160075708 to Present)	
41	1001219211	1	Decal, Brake Fluid	
42	1001223453	1	Decal, ICES	
44	2080057	4	Fasteners, AMTAK	
45	1001230311	1	Decal, JLG DEF Tank Service	

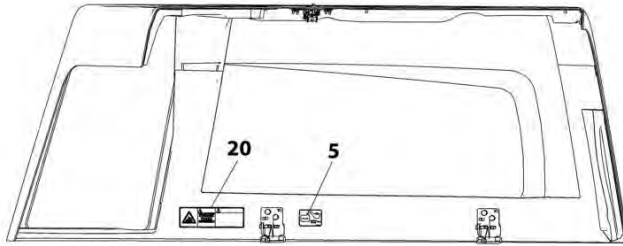
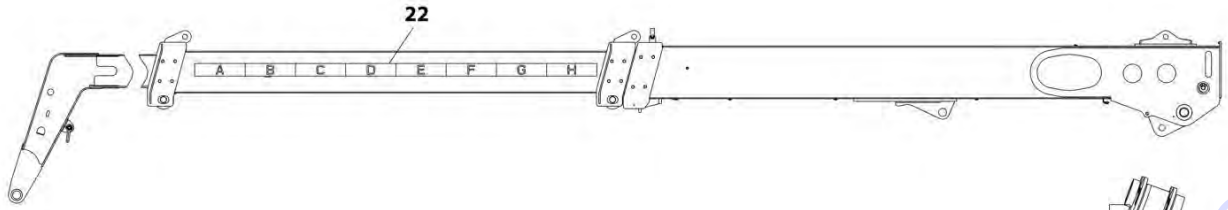
SECTION 11 - DECALS

FIGURE 11-11. DECAL INSTALLATION (CSA ENGLISH/FRENCH) (742, 943)

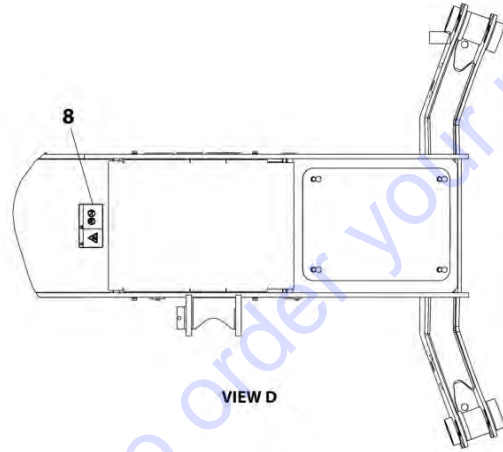


ART_1001227528_1-D

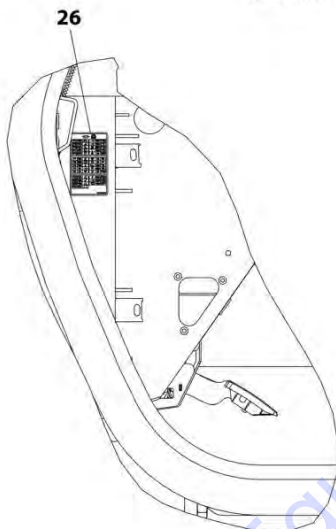
SECTION 11 - DECALS



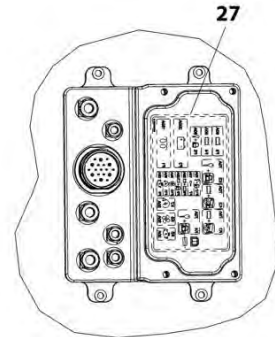
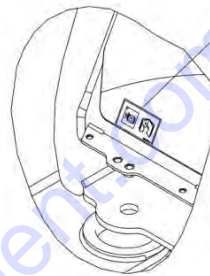
DETAIL C



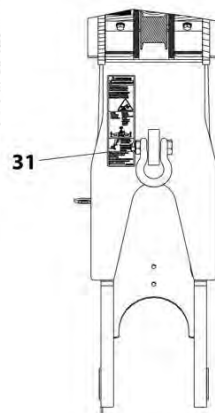
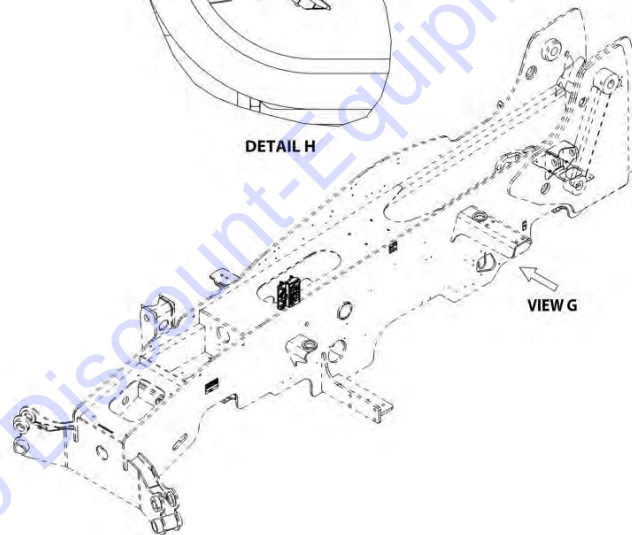
VIEW D



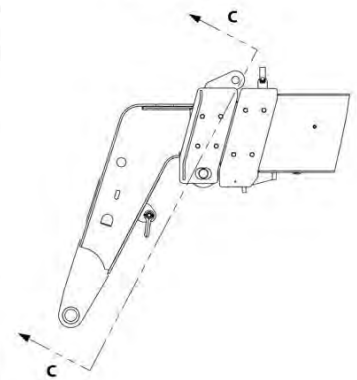
DETAIL H



VIEW G



SECTION C-C



ART_1001227528_2-D

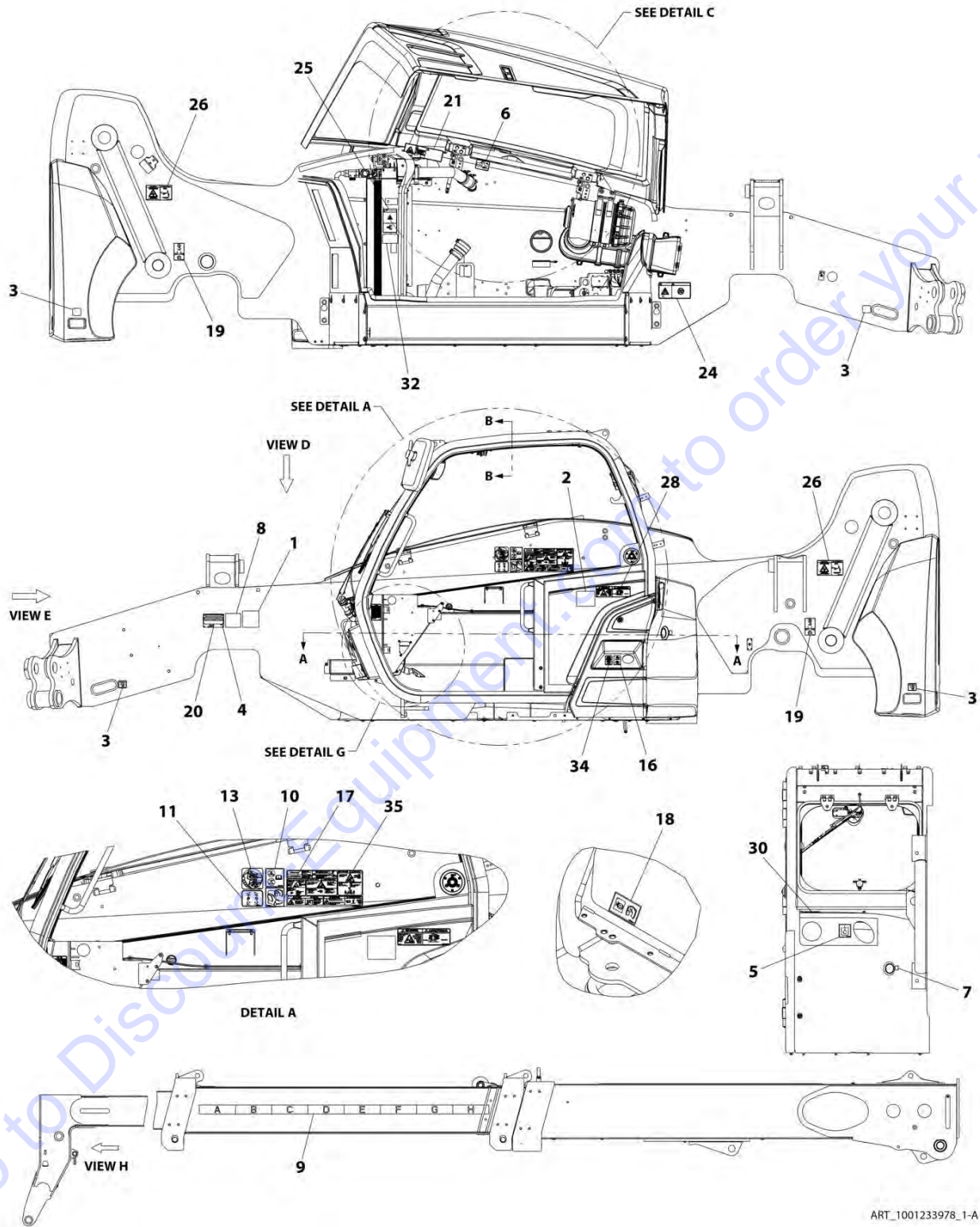
SECTION 11 - DECALS

FIGURE 11-11. DECAL INSTALLATION (CSA ENGLISH/FRENCH) (742, 943)

ITEM	PART NUMBER	QTY	DESCRIPTION	REV
	1001227528	Ref	Decal Installation (CSA English/French) (742, 943)	D
1	1702631	1	Decal, Bar Code	
2	3251813	1	Decal, USA	
3	4109801	4	Decal, Tie Down Point	
4	1001094708	1	Decal, Hydraulic Oil	
5	1001109053	1	Decal, Coolant Fill	
6	1001130323	1	Decal, Oil Level	
7	1001131271	1	Decal, Patent	
8	1001163174	1	Decal, Battery Warning	
9	1001163210	1	Decal, Electrocutation Hazard	
10	1001163212	1	Decal, Warning No Either	
11	1001163222	1	Decal, Moving Parts	
12	1001163223	2	Decal, Pinch Point	
13	1001163273	1	Decal, Read Manual	
14	1001163276	1	Decal, Warning Run Over Hazard	
15	1001163285	1	Decal, Warning Tip Over	
16	1001163291	1	Decal, Warning Machine Roll Away	
17	1001163300	1	Decal, No Riders	
18	1001163304	1	Decal, Warning Crushing Hazard	
19	1001163321	1	Decal, Warning Do Not Jump	
20	1001163323	1	Decal, Warning Hot Fluid	
21	1001163355	1	Decal, Ultra Low Sulfur Diesel	
22	1001171277	1	Decal, Boom Extend	
23	1001172035	1	Decal, No Weld or Drill	
24	1001184632	1	Decal, Battery Positive	
25	1001188372	1	Decal, Sway	
26	1001191229	1	Decal, Fuse Panel	
27	1001191487	1	Decal, Fuse Panel	
28	1001195851	1	Decal, Carry Personnel	
30	1001200101	1	Decal, Manual	
31	1001209625	1	Decal, Danger Swinging Loads	
32	1001219211	1	Decal, Brake Fluid	
33	1001223453	1	Decal, ICES	
34	N.S.S.	1	SN Plate	
35	1001202626	1	Decal, 74HP	
36	2080057	4	Fasteners, AMTAK	

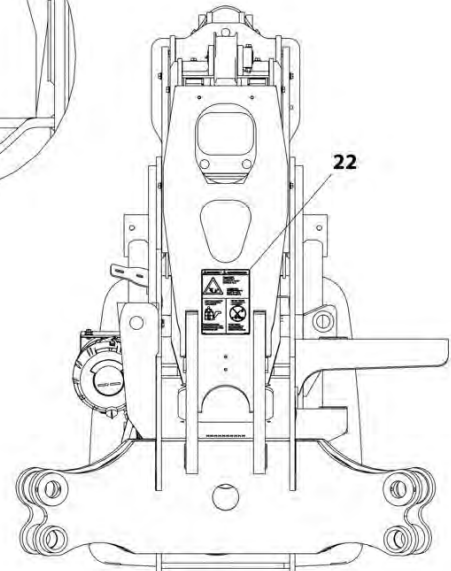
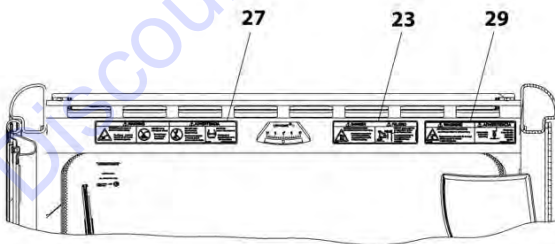
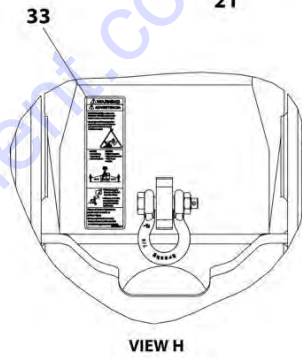
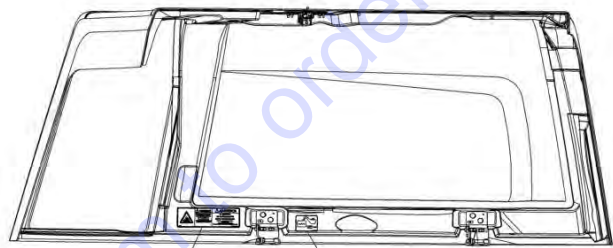
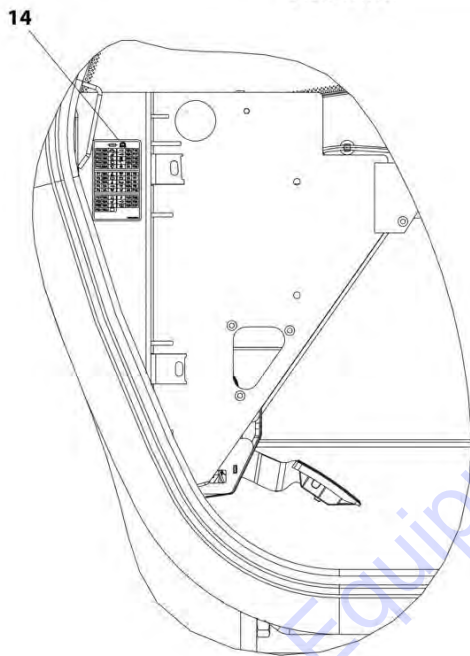
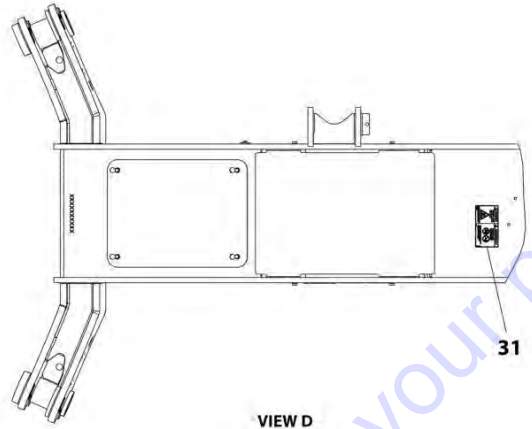
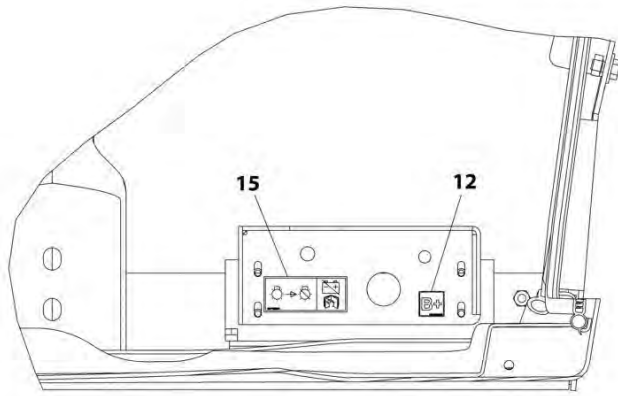
SECTION 11 - DECALS

FIGURE 11-12. DECAL INSTALLATION (ENGLISH/SPANISH)



ART_1001233978_1-A

SECTION 11 - DECALS



ART_1001233978_2-A

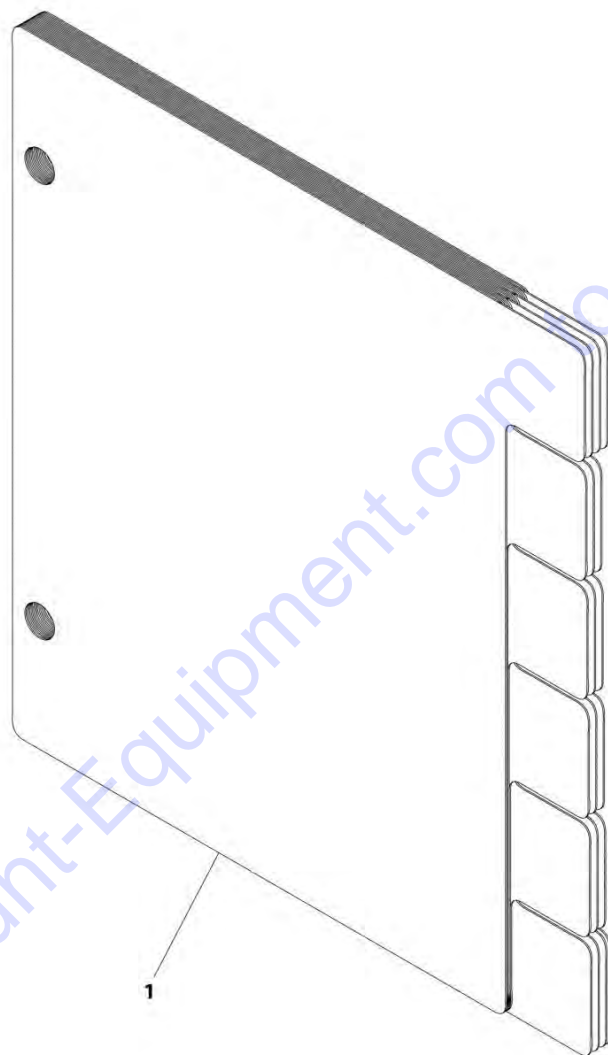
SECTION 11 - DECALS

FIGURE 11-12. DECAL INSTALLATION (ENGLISH/SPANISH)

ITEM	PART NUMBER	QTY	DESCRIPTION	REV
	1001233978	Ref	Decal Installation (English/Spanish)	A
1	1702631	1	Decal, Bar Code	
2	3251813	1	Decal, USA	
3	4109801	4	Decal, Tie Down Point	
4	1001009178	4	Decal, Track Metal	
5	1001094708	1	Decal, Hydraulic Oil	
6	1001109053	1	Decal, Coolant Fill	
7	1001130323	1	Decal, Oil Level	
8	1001131271	1	Decal, Patent, Telehandlers	
9	1001171277	1	Decal, Boom Extend	
10	1001172035	1	Decal, No Weld or Drill	
11	1001181537	1	Decal, Outrigger Switches	
12	1001184632	1	Decal, Battery Positive	
13	1001188372	1	Decal, Sway	
14	1001191229	1	Decal, Fuse Panel	
15	1001195855	1	Decal, Battery Disconnect	
16	1001196806	1	Decal, Diesel Exhaust Fluid	
17	1001200101	1	Decal, Manual	
18	1001219211	1	Decal, Brake Fluid Spec	
19	1001222650	1	Decal, Axle Lift	
20	1001229575	1	SN Plate	
21	1001235805	1	Decal, Warning Hot Fluid	
22	1001235796	1	Decal, Carry Personal	
23	1001235797	1	Decal, Electrocutation Hazard	
24	1001235798	1	Decal, Warning No Ether	
25	1001235799	1	Decal, Moving Parts	
26	1001235800	1	Decal, Pinch Point	
27	1001235801	1	Decal, Warning Tip Over	
28	1001235802	1	Decal, No Riding	
29	1001235803	1	Decal, Warning Crushing Hazard	
30	1001235804	1	Decal, Ultra Low Sulfur Diesel	
31	1001235794	1	Decal, Battery Warning	
32	1001235806	1	Decal, MCO 130HP	
33	1001235807	1	Decal, Danger Swinging Load	
34	1001235808	1	Decal, Spanish JLG DEF Tank Service	
35	1001235809	1	Decal, Warning Cab	

SECTION 11 - DECALS

FIGURE 11-13. CAPACITY CHART BOOKLET (ANSI) (NO OUTRIGGERS) (642) (Prior to SN 0160075708)



ART_1001211624-C

SECTION 11 - DECALS

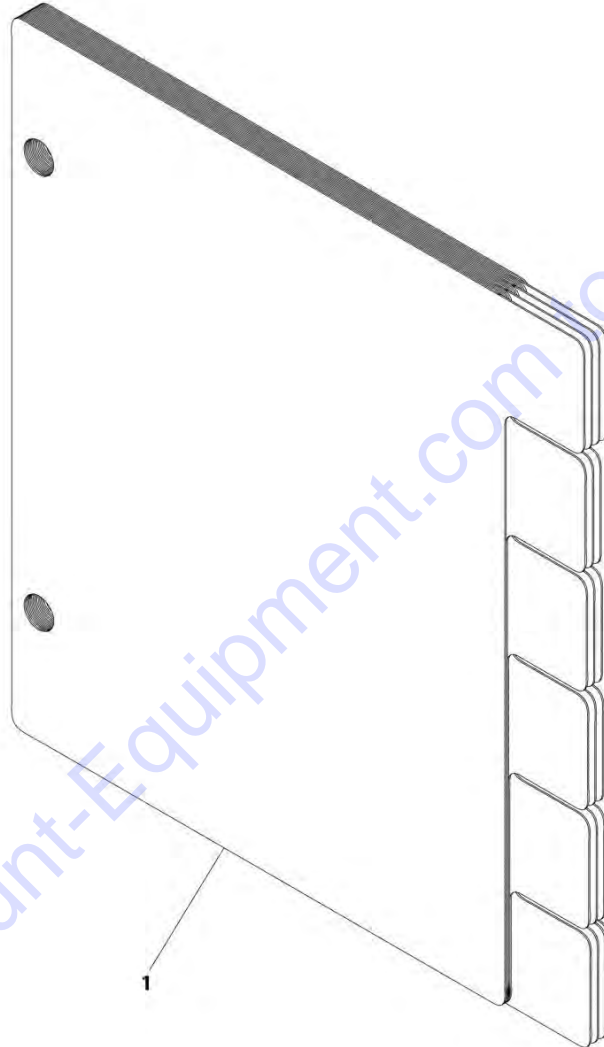
FIGURE 11-13. CAPACITY CHART BOOKLET (ANSI) (NO OUTRIGGERS) (642) (Prior to SN 0160075708)

ITEM	PART NUMBER	QTY	DESCRIPTION	REV
1	1001203056	NLA	Capacity Chart Booklet (ANSI) - 642 (no longer available, use 1001211624 for replacement)	B
1	1001211624	1	Capacity Chart Booklet (ANSI) - 642	C

Go to Discount-Equipment.com to order your parts

SECTION 11 - DECALS

FIGURE 11-14. CAPACITY CHART BOOKLET (ANSI) (NO OUTRIGGERS) (642) (SN 0160075708 to Present)



ART_1001212421-D

SECTION 11 - DECALS

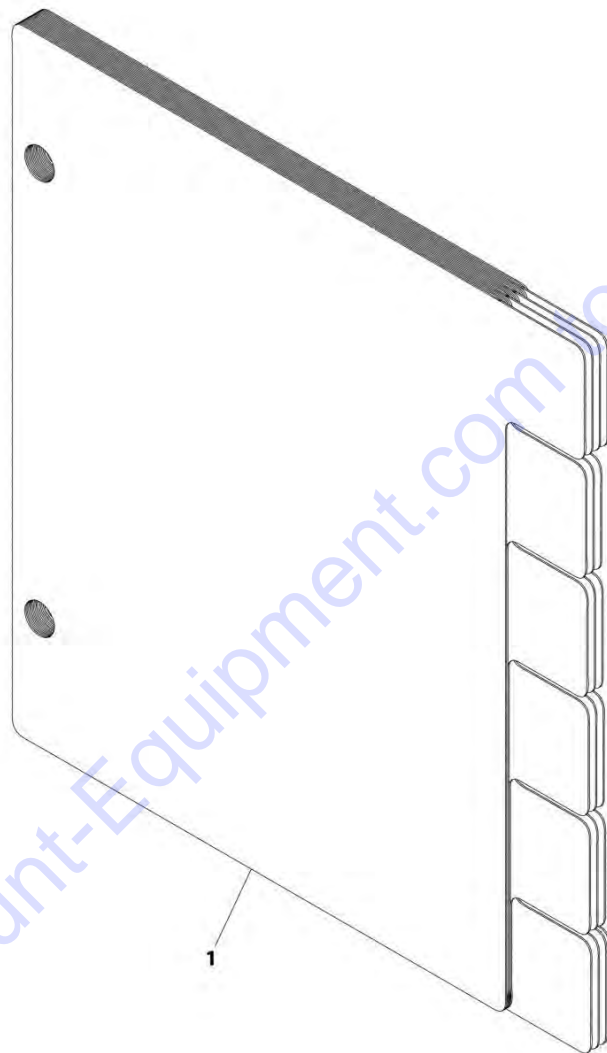
FIGURE 11-14. CAPACITY CHART BOOKLET (ANSI) (NO OUTRIGGERS) (642) (SN 0160075708 to Present)

ITEM	PART NUMBER	QTY	DESCRIPTION	REV
1	1001212421	1	Capacity Chart Booklet (ANSI) - 642	D

Go to Discount-Equipment.com to order your parts

SECTION 11 - DECALS

FIGURE 11-15. CAPACITY CHART BOOKLET (ANSI) (OUTRIGGERS) (642) (SN 0160075708 to Present)



ART_1001203057-E

SECTION 11 - DECALS

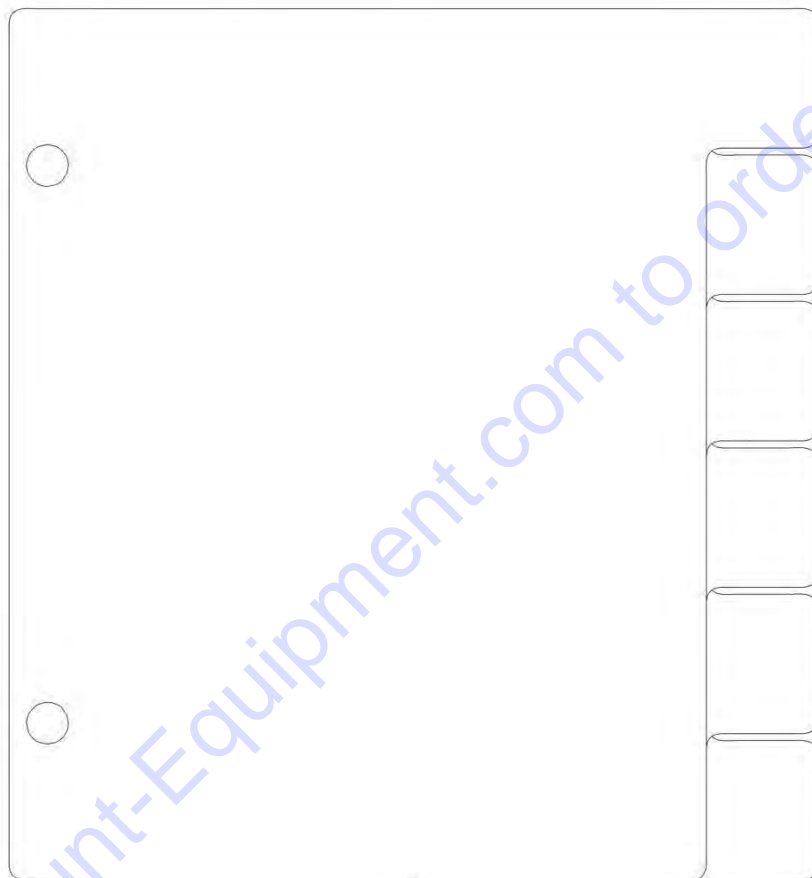
FIGURE 11-15. CAPACITY CHART BOOKLET (ANSI) (OUTRIGGERS) (642) (SN 0160075708 to Present)

ITEM	PART NUMBER	QTY	DESCRIPTION	REV
1	1001203057	1	Capacity Chart Booklet (ANSI), (Outriggers) - 642	E

Go to Discount-Equipment.com to order your parts

SECTION 11 - DECALS

FIGURE 11-16. CAPACITY CHART BOOKLET (ISO) (NO OUTRIGGERS) (642) (SN 0160075708 to Present)



ART_1001206368-C

SECTION 11 - DECALS

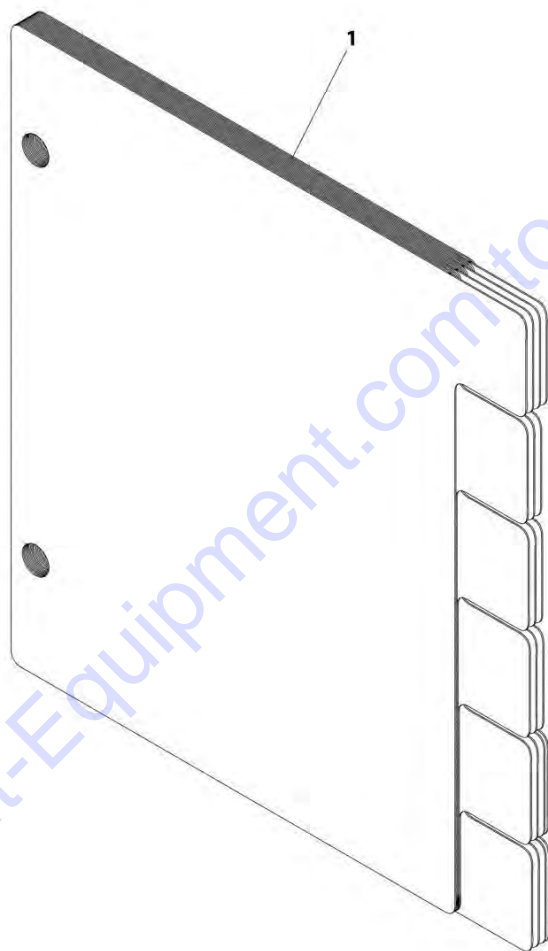
FIGURE 11-16. CAPACITY CHART BOOKLET (ISO) (NO OUTRIGGERS) (642) (SN 0160075708 to Present)

ITEM	PART NUMBER	QTY	DESCRIPTION	REV
1	1001206368	1	Capacity Chart Booklet (ISO) - 642	C

Go to Discount-Equipment.com to order your parts

SECTION 11 - DECALS

FIGURE 11-17. CAPACITY CHART BOOKLET (ISO) (OUTRIGGERS) (642) (SN 0160075708 to Present)



ART_1001206369-E

SECTION 11 - DECALS

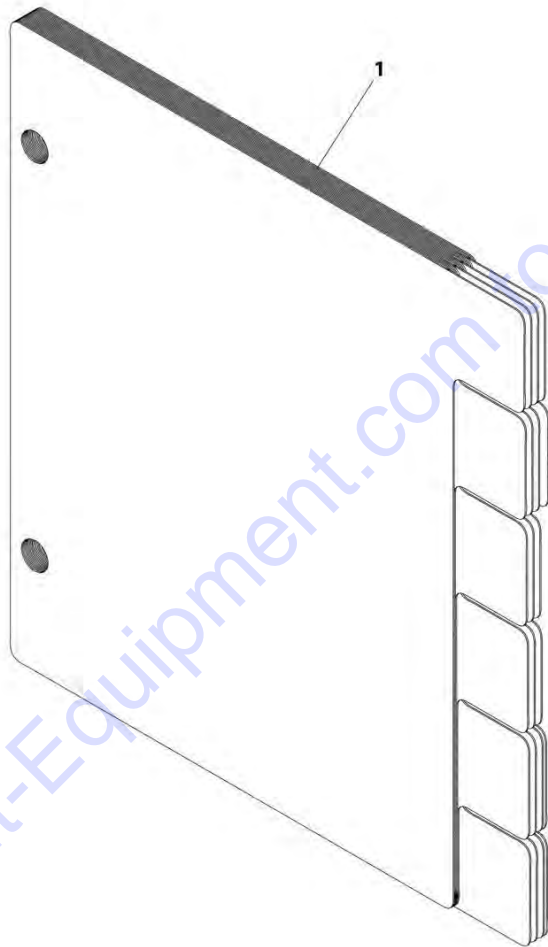
FIGURE 11-17. CAPACITY CHART BOOKLET (ISO) (OUTRIGGERS) (642) (SN 0160075708 to Present)

ITEM	PART NUMBER	QTY	DESCRIPTION	REV
1	1001206369	1	Capacity Chart Booklet (ISO), (Outriggers) - 642	E

Go to Discount-Equipment.com to order your parts

SECTION 11 - DECALS

FIGURE 11-18. CAPACITY CHART BOOKLET (ANSI) (742)



Go to Discount-Equipment.com to order your parts

ART_1001226012-D

SECTION 11 - DECALS

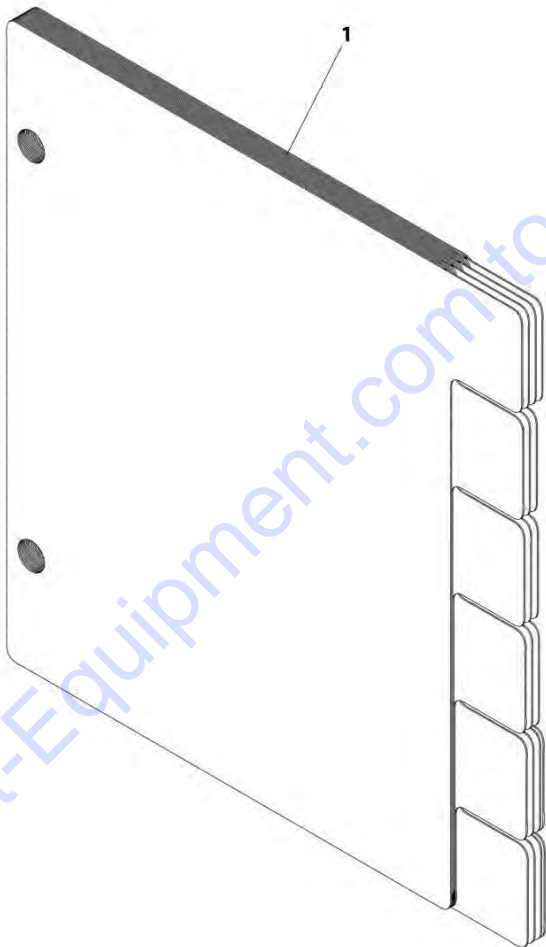
FIGURE 11-18. CAPACITY CHART BOOKLET (ANSI) (742)

ITEM	PART NUMBER	QTY	DESCRIPTION	REV
1	1001226012	1	Capacity Chart Booklet (ANSI) - 742	D

Go to Discount-Equipment.com to order your parts

SECTION 11 - DECALS

FIGURE 11-19. CAPACITY CHART BOOKLET (ISO) (742)



ART_1001226013-B

SECTION 11 - DECALS

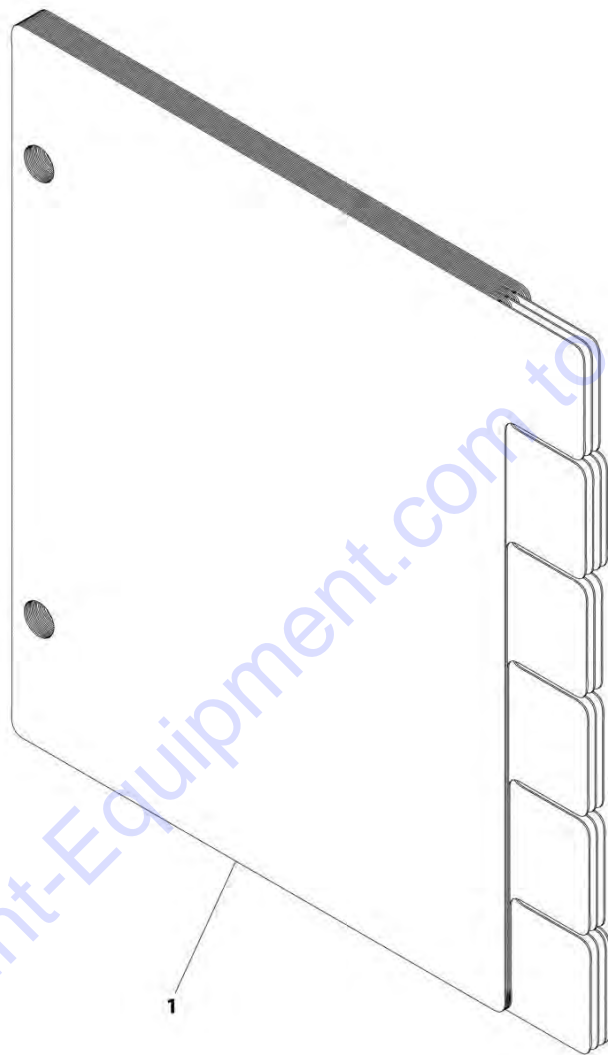
FIGURE 11-19. CAPACITY CHART BOOKLET (ISO) (742)

ITEM	PART NUMBER	QTY	DESCRIPTION	REV
1	1001226013	1	Capacity Chart Booklet (ISO) - 742	B

Go to Discount-Equipment.com to order your parts

SECTION 11 - DECALS

FIGURE 11-20. CAPACITY CHART BOOKLET (ANSI) (943) (Prior to SN 0160075708)



ART_1001211435-C

SECTION 11 - DECALS

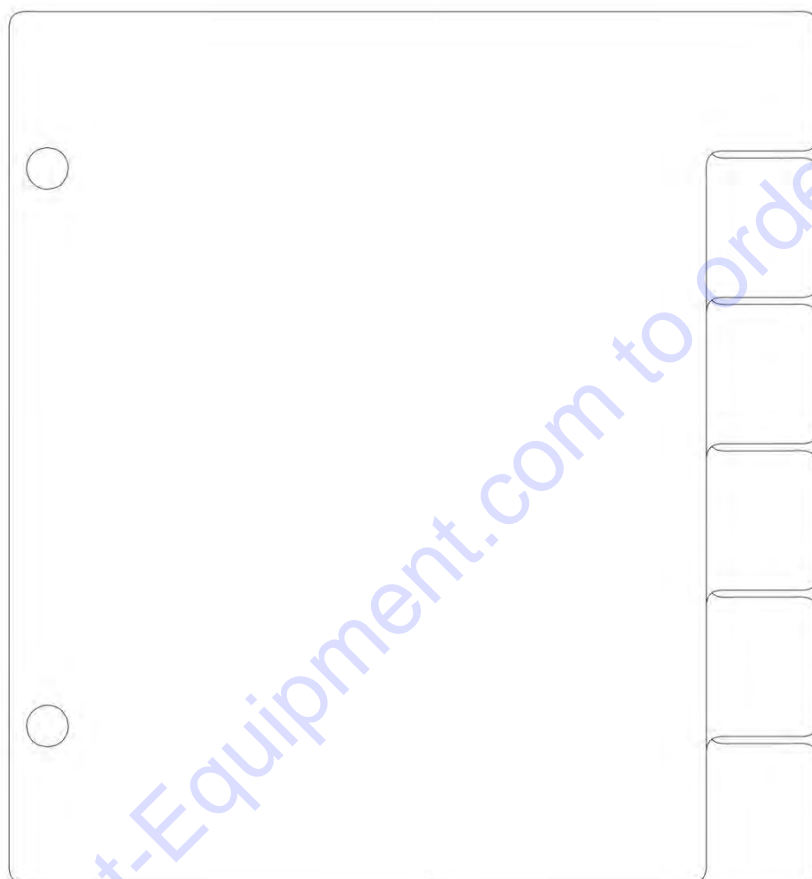
FIGURE 11-20. CAPACITY CHART BOOKLET (ANSI) (943) (Prior to SN 0160075708)

ITEM	PART NUMBER	QTY	DESCRIPTION	REV
1	1001203054	NLA	Capacity Chart Booklet (ANSI) - 943 (no longer available, use 1001211435 for replacement)	B
1	1001211435	1	Capacity Chart Booklet (ANSI) - 943	C

Go to Discount-Equipment.com to order your parts

SECTION 11 - DECALS

FIGURE 11-21. CAPACITY CHART BOOKLET (ANSI) (943) (SN 0160075708 through 0160081272)



ART_1001212420-D

SECTION 11 - DECALS

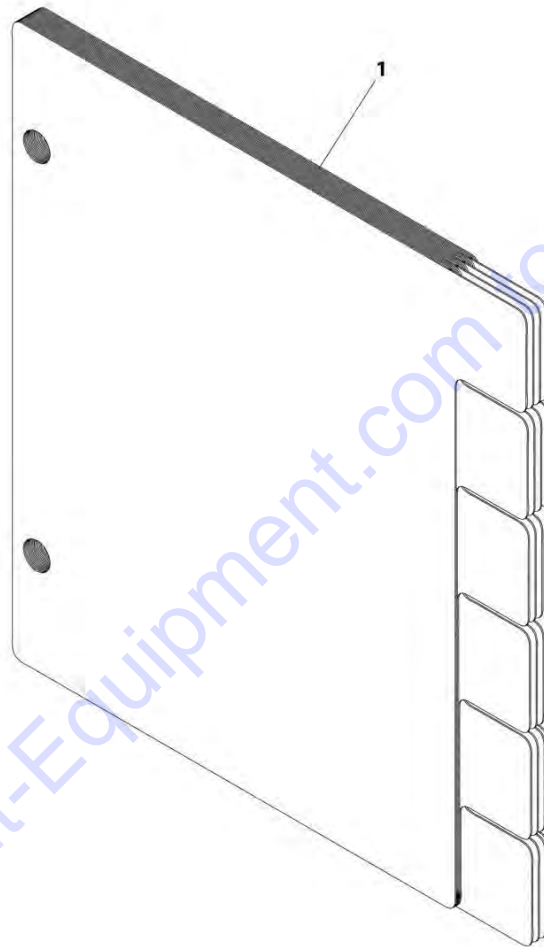
FIGURE 11-21. CAPACITY CHART BOOKLET (ANSI) (943) (SN 0160075708 through 0160081272)

ITEM	PART NUMBER	QTY	DESCRIPTION	REV
	1001212420	1	Capacity Chart Booklet (ANSI) - 943	D

Go to Discount-Equipment.com to order your parts

SECTION 11 - DECALS

FIGURE 11-22. CAPACITY CHART BOOKLET (ANSI) (943) (SN 0160081272 to Present)



ART_1001212420-G

SECTION 11 - DECALS

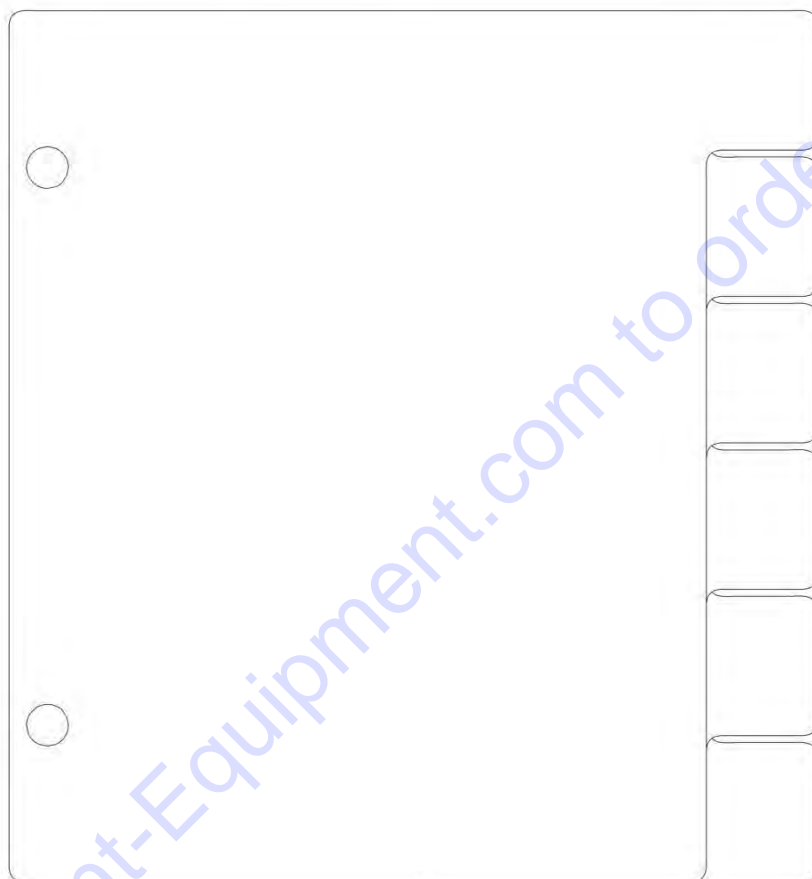
FIGURE 11-22. CAPACITY CHART BOOKLET (ANSI) (943) (SN 0160081272 to Present)

ITEM	PART NUMBER	QTY	DESCRIPTION	REV
1	1001212420	1	Capacity Chart Booklet (ANSI) - 943	G

Go to Discount-Equipment.com to order your parts

SECTION 11 - DECALS

FIGURE 11-23. CAPACITY CHART BOOKLET (ISO) (943) (SN 0160075708 through 0160081272)



ART_1001206370-D

SECTION 11 - DECALS

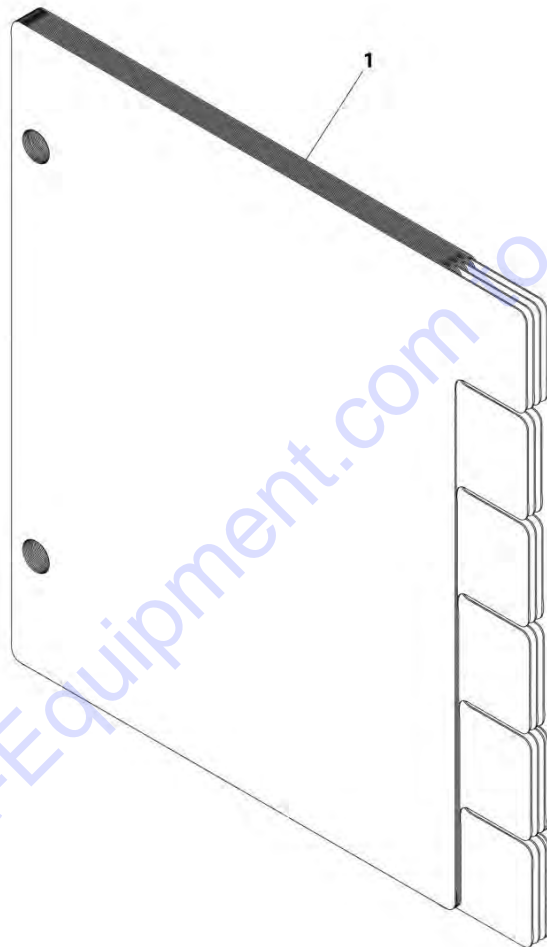
FIGURE 11-23. CAPACITY CHART BOOKLET (ISO) (943) (SN 0160075708 through 0160081272)

ITEM	PART NUMBER	QTY	DESCRIPTION	REV
1	1001206370	1	Capacity Chart Booklet (ISO) - 943	D

Go to Discount-Equipment.com to order your parts

SECTION 11 - DECALS

FIGURE 11-24. CAPACITY CHART BOOKLET (ISO) (943) (SN 0160081272 to Present)



ART_1001206370-F

SECTION 11 - DECALS

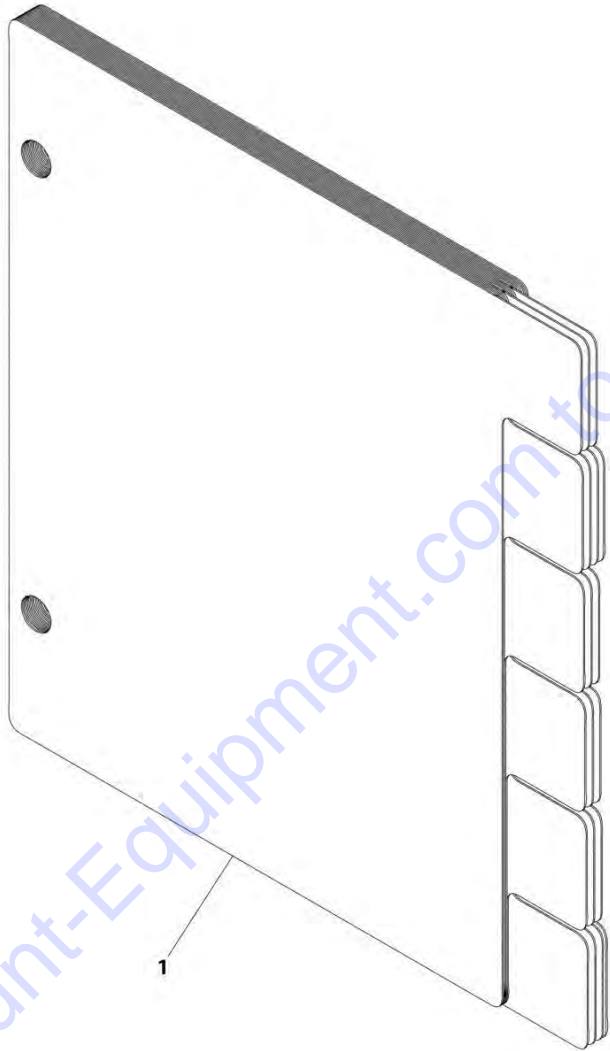
FIGURE 11-24. CAPACITY CHART BOOKLET (ISO) (943) (SN 0160081272 to Present)

ITEM	PART NUMBER	QTY	DESCRIPTION	REV
1	1001206370	1	Capacity Chart Booklet (ISO) - 943	F

Go to Discount-Equipment.com to order your parts

SECTION 11 - DECALS

FIGURE 11-25. CAPACITY CHART BOOKLET (ANSI) (OUTRIGGERS) (1043) (Prior to SN 0160075708)



ART_1001210971-C

SECTION 11 - DECALS

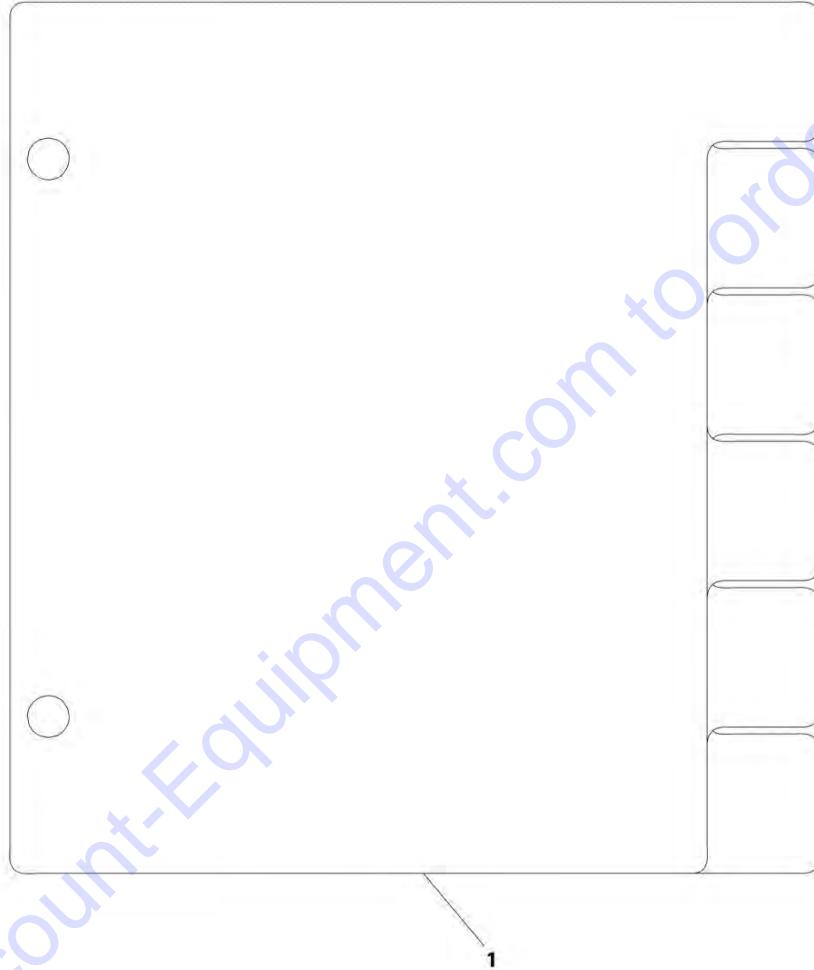
FIGURE 11-25. CAPACITY CHART BOOKLET (ANSI) (OUTRIGGERS) (1043) (Prior to SN 0160075708)

ITEM	PART NUMBER	QTY	DESCRIPTION	REV
1	1001203055	NLA	Capacity Chart Booklet (ANSI) (Outriggers) - 1043 (no longer available, use 1001210971 for replacement)	B
1	1001210971	1	Capacity Chart Booklet (ANSI) - 1043	C

Go to Discount-Equipment.com to order your parts

SECTION 11 - DECALS

FIGURE 11-26. CAPACITY CHART BOOKLET (ANSI) (OUTRIGGERS) (1043) (SN 0160075708 through 0160081272)



ART_1001212419-D

SECTION 11 - DECALS

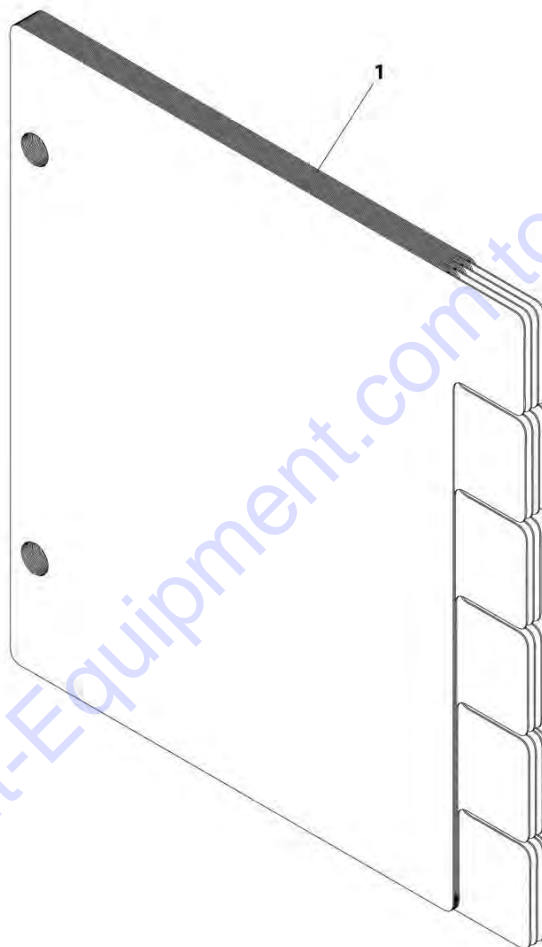
FIGURE 11-26. CAPACITY CHART BOOKLET (ANSI) (OUTRIGGERS) (1043) (SN 0160075708 through 0160081272)

ITEM	PART NUMBER	QTY	DESCRIPTION	REV
1	1001212419	1	Capacity Chart Booklet (ANSI), (Outriggers) - 1043	D

Go to Discount-Equipment.com to order your parts

SECTION 11 - DECALS

FIGURE 11-27. CAPACITY CHART BOOKLET (ANSI) (OUTRIGGERS) (1043) (SN 0160081272 to Present)



ART_1001212419-G

SECTION 11 - DECALS

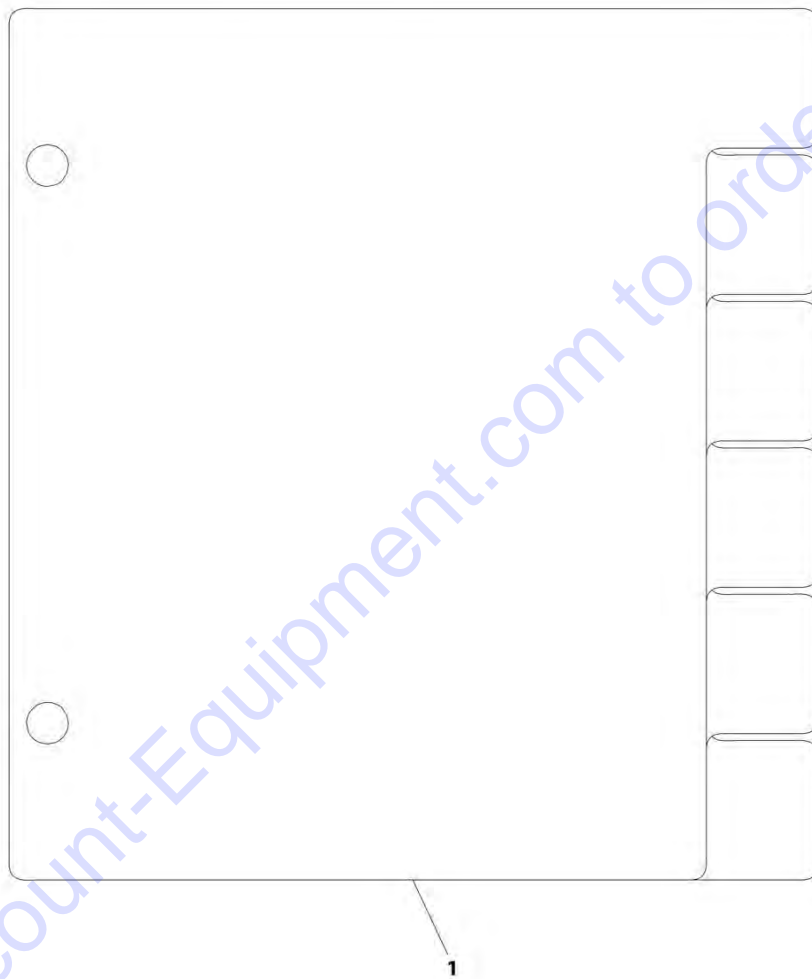
FIGURE 11-27. CAPACITY CHART BOOKLET (ANSI) (OUTRIGGERS) (1043) (SN 0160081272 to Present)

ITEM	PART NUMBER	QTY	DESCRIPTION	REV
1	1001212419	1	Capacity Chart Booklet (ANSI), (Outriggers) - 1043	G

Go to Discount-Equipment.com to order your parts

SECTION 11 - DECALS

FIGURE 11-28. CAPACITY CHART BOOKLET (ISO) (OUTRIGGERS) (1043) (SN 0160075708 through 0160081272)



ART_1001206371-D

SECTION 11 - DECALS

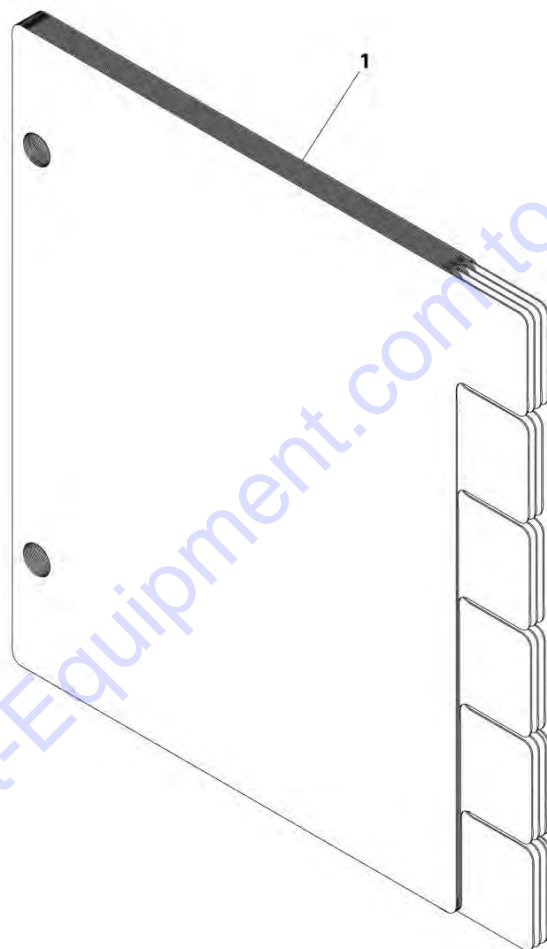
FIGURE 11-28. CAPACITY CHART BOOKLET (ISO) (OUTRIGGERS) (1043) (SN 0160075708 through 0160081272)

ITEM	PART NUMBER	QTY	DESCRIPTION	REV
1	1001206371	1	Capacity Chart Booklet (ISO), (Outriggers) - 1043	D

Go to Discount-Equipment.com to order your parts

SECTION 11 - DECALS

FIGURE 11-29. CAPACITY CHART BOOKLET (ISO) (OUTRIGGERS) (1043) (SN 0160081272 to Present)



ART_1001206371-F

SECTION 11 - DECALS

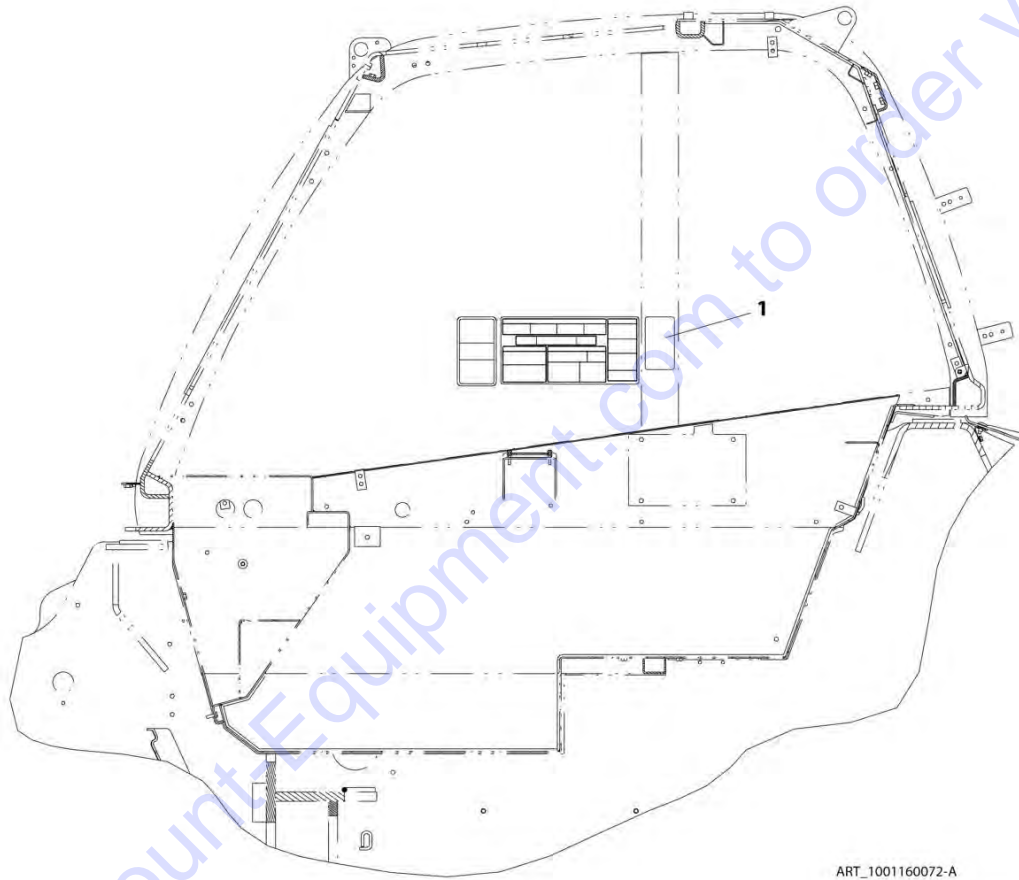
FIGURE 11-29. CAPACITY CHART BOOKLET (ISO) (OUTRIGGERS) (1043) (SN 0160081272 to Present)

ITEM	PART NUMBER	QTY	DESCRIPTION	REV
1	1001206371	1	Capacity Chart Booklet (ISO), (Outriggers) - 1043	F

Go to Discount-Equipment.com to order your parts

SECTION 11 - DECALS

FIGURE 11-30. REVERSE SENSOR SYSTEM DECAL (ENGLISH)



ART_1001160072-A

SECTION 11 - DECALS

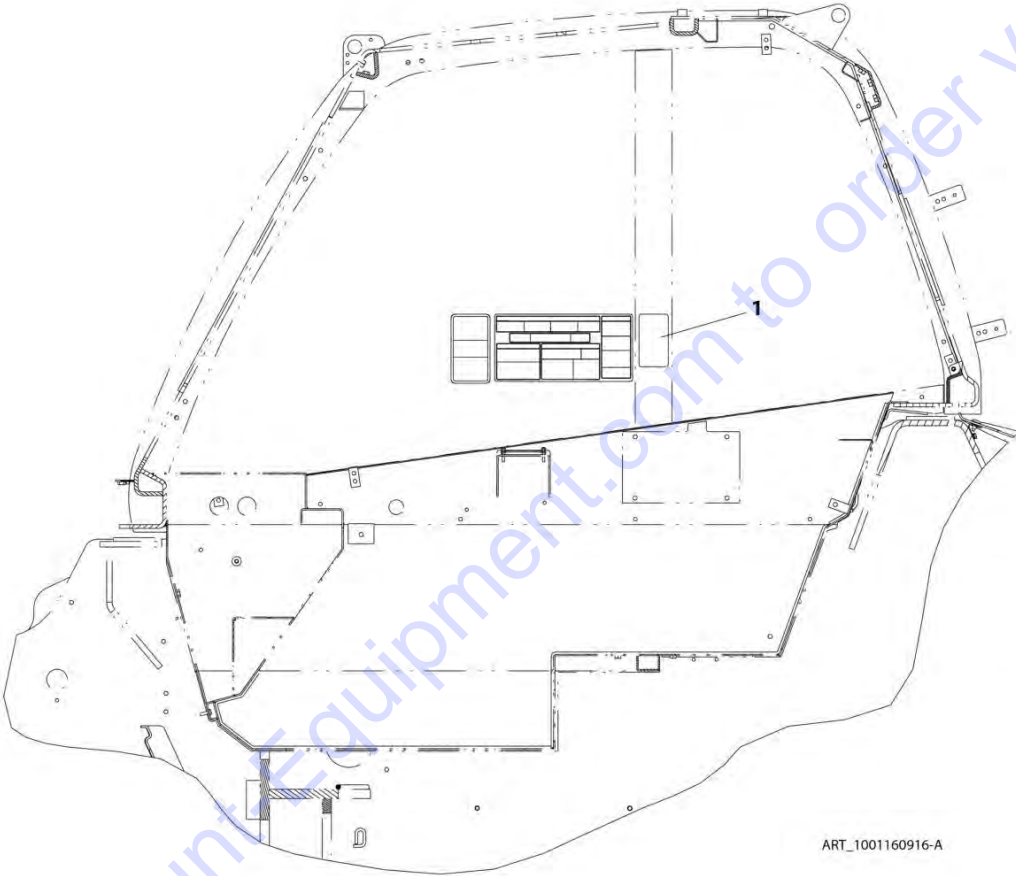
FIGURE 11-30. REVERSE SENSOR SYSTEM DECAL (ENGLISH)

ITEM	PART NUMBER	QTY	DESCRIPTION	REV
1	1001160072	1	Reverse Sensor System Decal (ENGLISH)	A

Go to Discount-Equipment.com to order your parts

SECTION 11 - DECALS

FIGURE 11-31. REVERSE SENSOR SYSTEM DECAL (ISO)



SECTION 11 - DECALS

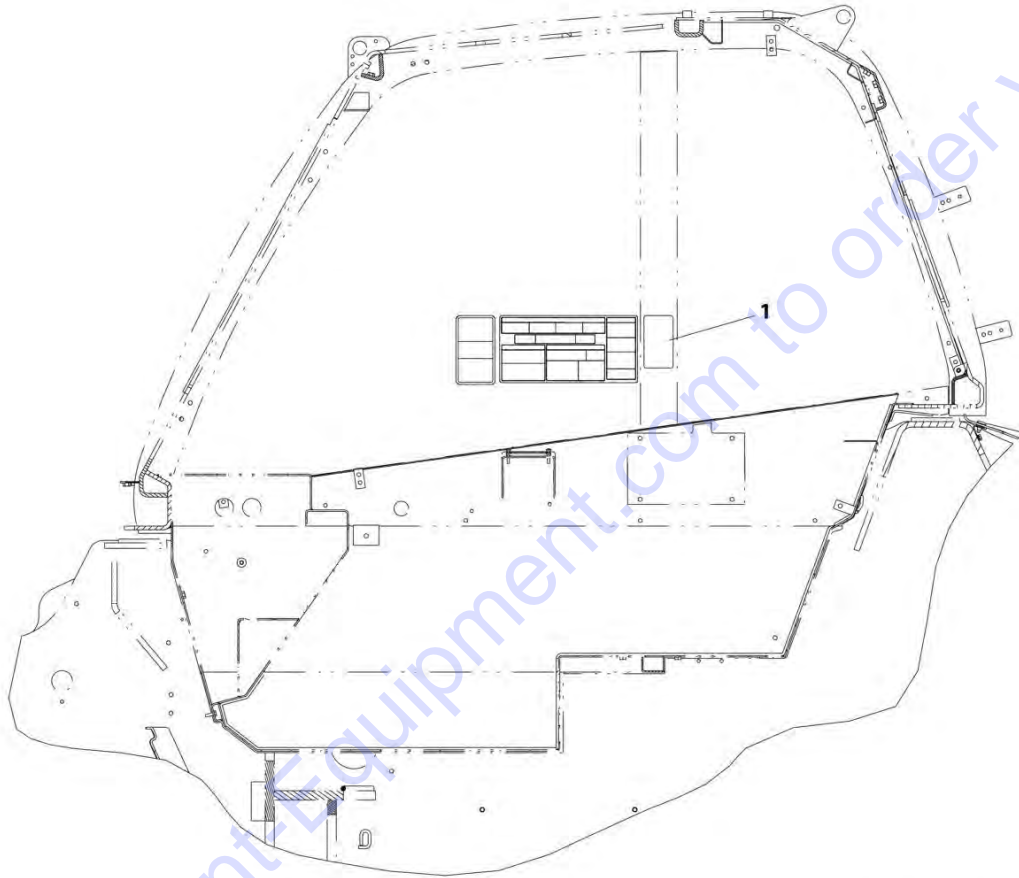
FIGURE 11-31. REVERSE SENSOR SYSTEM DECAL (ISO)

ITEM	PART NUMBER	QTY	DESCRIPTION	REV
1	1001160916	1	Reverse Sensor System Decal (ISO)	A

Go to Discount-Equipment.com to order your parts

SECTION 11 - DECALS

FIGURE 11-32. REVERSE SENSOR SYSTEM DECAL (ENGLISH/FRENCH)



ART_1001160945-A

SECTION 11 - DECALS

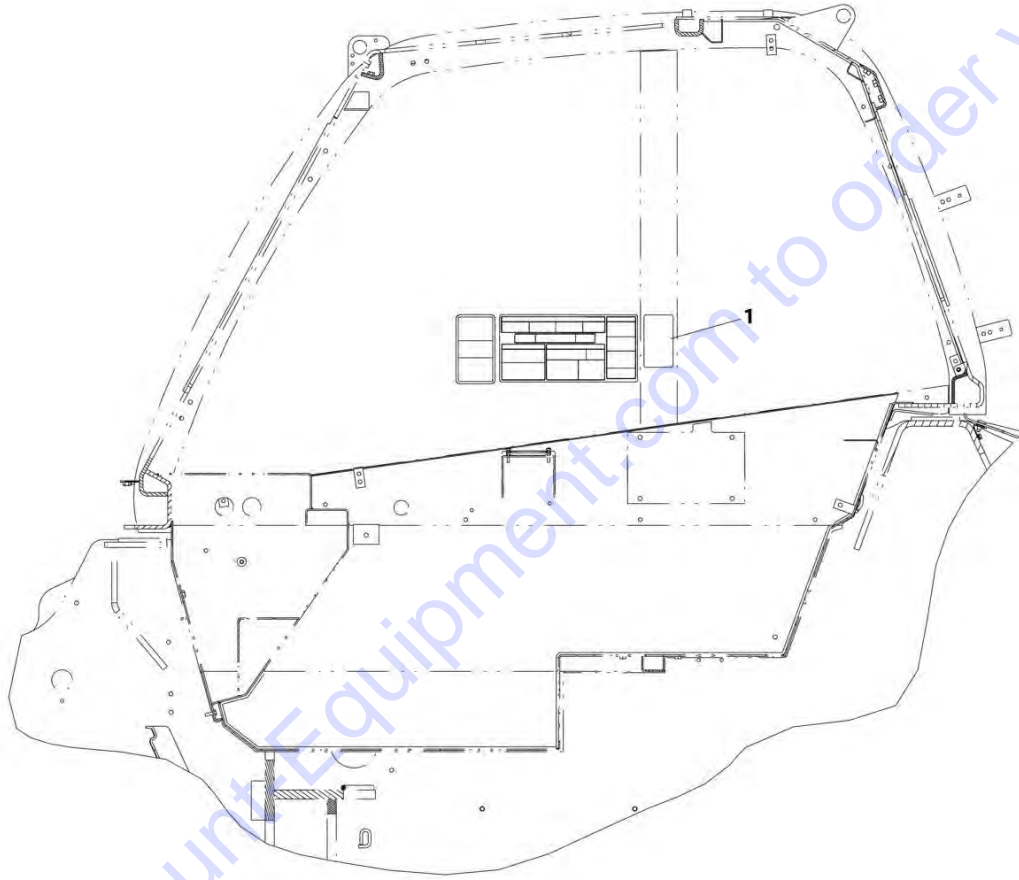
FIGURE 11-32. REVERSE SENSOR SYSTEM DECAL (ENGLISH/FRENCH)

ITEM	PART NUMBER	QTY	DESCRIPTION	REV
1	1001160945	1	Reverse Sensor System Decal (ENGLISH/FRENCH)	A

Go to Discount-Equipment.com to order your parts

SECTION 11 - DECALS

FIGURE 11-33. REVERSE SENSOR SYSTEM DECAL (ENGLISH/SPANISH)



ART_1001237846-A

SECTION 11 - DECALS

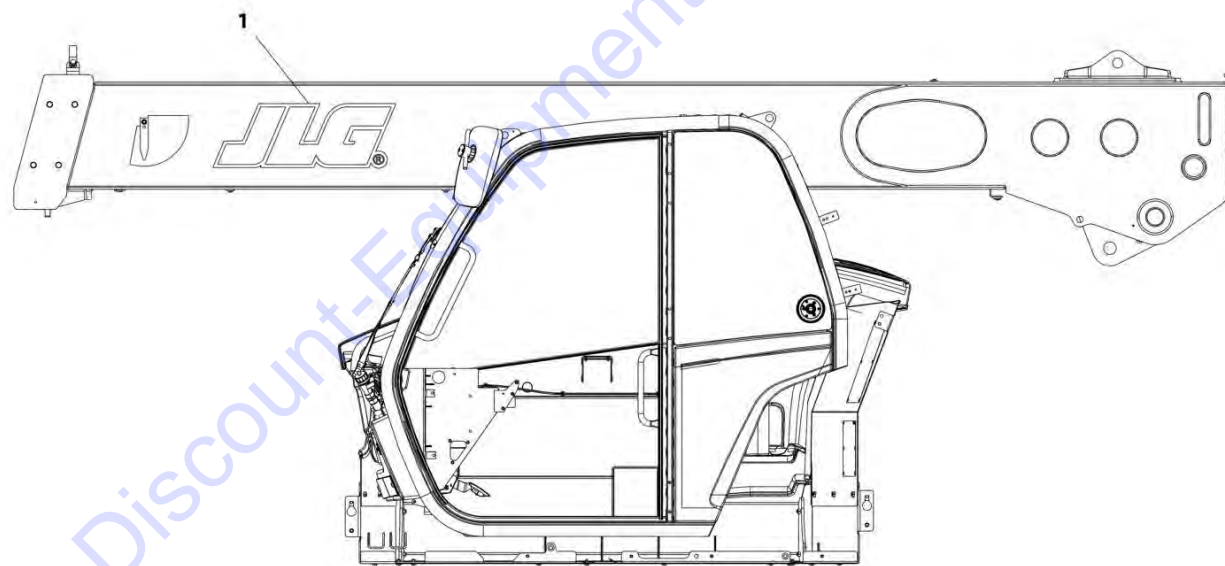
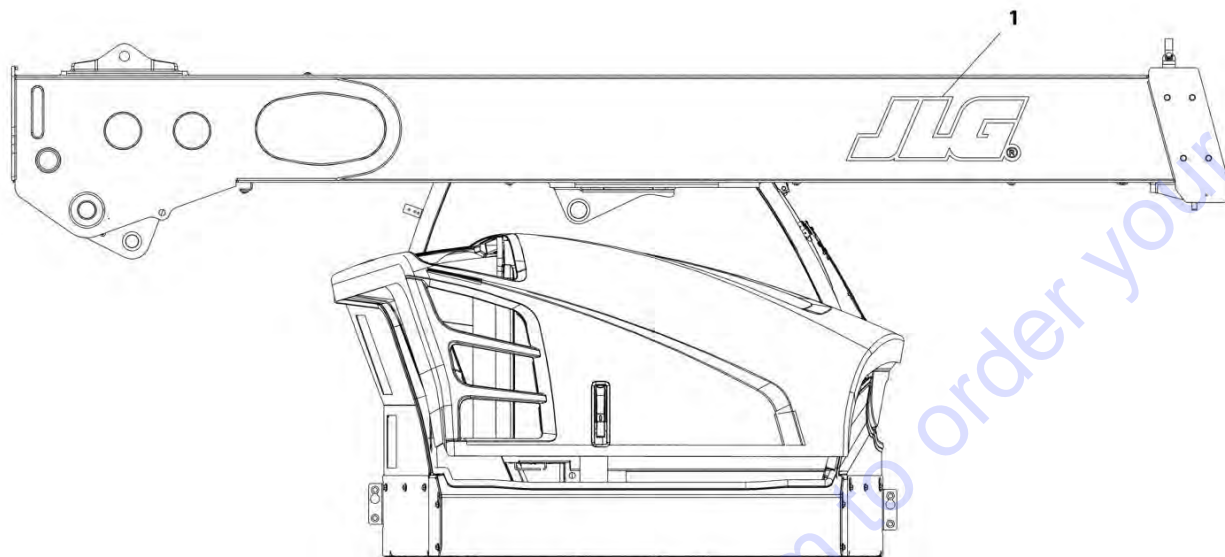
FIGURE 11-33. REVERSE SENSOR SYSTEM DECAL (ENGLISH/SPANISH)

ITEM	PART NUMBER	QTY	DESCRIPTION	REV
1	1001237846	Ref	Reverse Sensor System Decal (ENGLISH/SPANISH)	A

Go to Discount-Equipment.com to order your parts

SECTION 11 - DECALS

FIGURE 11-34. DECAL INSTALLATION (642)



ART_1001200722-A

SECTION 11 - DECALS

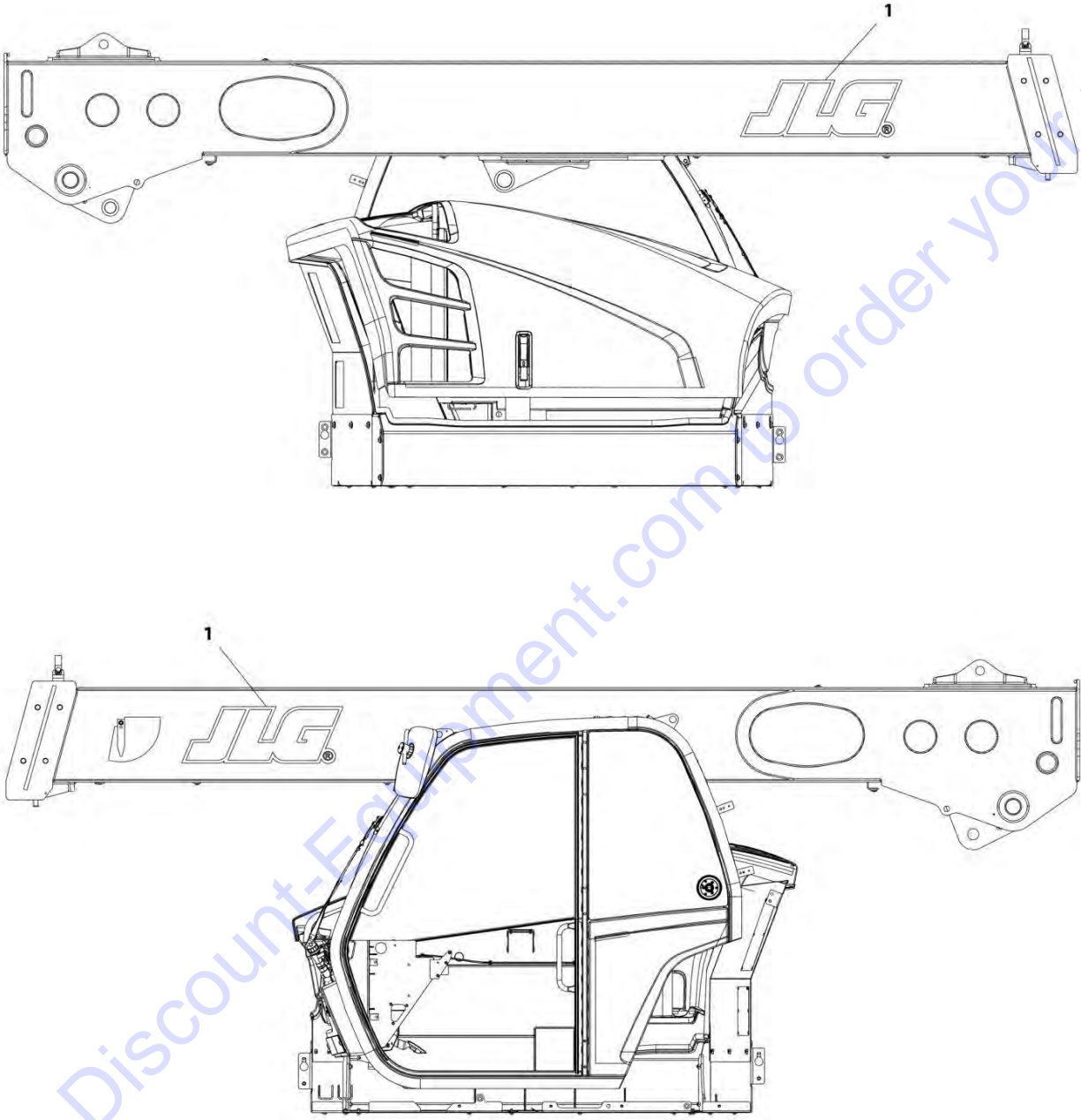
FIGURE 11-34. DECAL INSTALLATION (642)

ITEM	PART NUMBER	QTY	DESCRIPTION	REV
1	1001200722	1	Decal Installation (642)	A
	1001159728	2	Decal, JLG Logo	

Go to Discount-Equipment.com to order your parts

SECTION 11 - DECALS

FIGURE 11-35. DECAL INSTALLATION (943, 1043)



ART_1001200721-A

SECTION 11 - DECALS

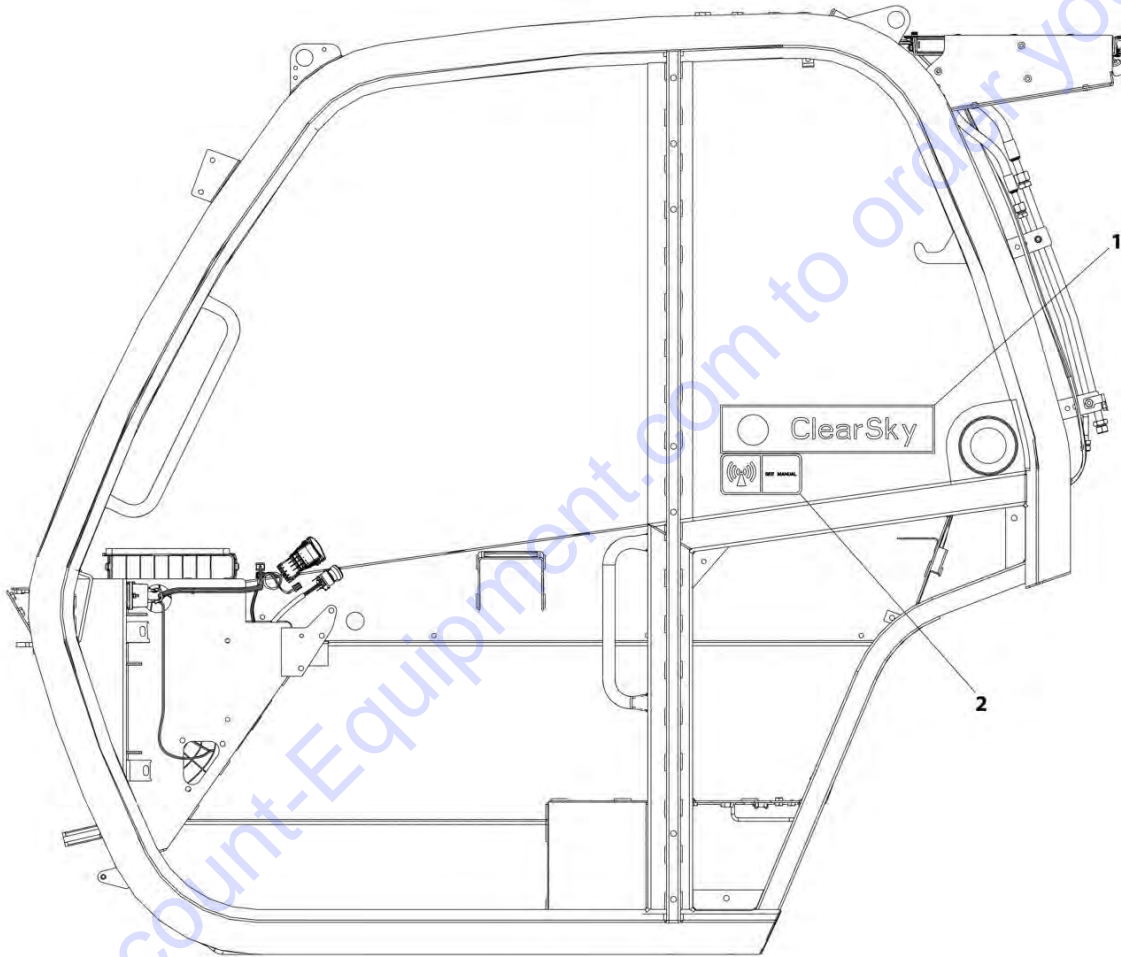
FIGURE 11-35. DECAL INSTALLATION (943, 1043)

ITEM	PART NUMBER	QTY	DESCRIPTION	REV
1	1001200721	Ref	Decal Installation (943, 1043)	A
	1001159728	2	Decal, JLG Logo	

Go to Discount-Equipment.com to order your parts

SECTION 11 - DECALS

FIGURE 11-36. CLEARSKY DECAL INSTALLATION



ART_1001229707-A

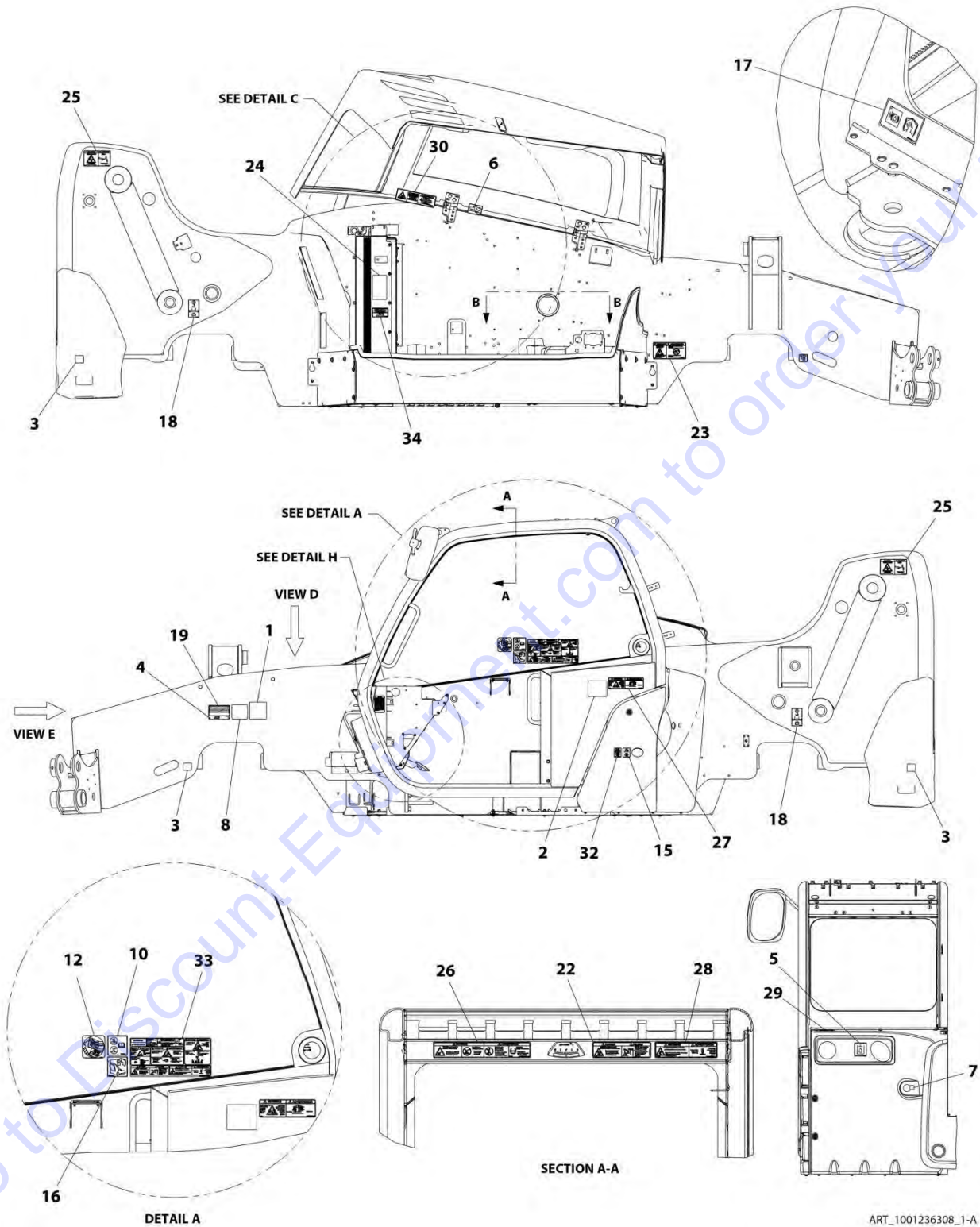
FIGURE 11-36. CLEARSKY DECAL INSTALLATION

ITEM	PART NUMBER	QTY	DESCRIPTION	REV
	1001229707	Ref	Clearsky Decal Installation	A
1	1001116208	1	Clearsky Decal	
2	1001120989	1	Radio Frequency Decal	

Go to Discount-Equipment.com to order your parts

SECTION 11 - DECALS

FIGURE 11-37. DECAL INSTALLATION (742, 943, 1043) (110 HP - ENGLISH/SPANISH)



PARTS FINDER

**Search Website
by Part Number**



**Search Manual
Library For Parts
Manual & Lookup Part
Numbers – Purchase
or Request Quote**

**Can't Find Part or
Manual? Request Help
by Manufacturer,
Model & Description**

Discount-Equipment.com is your online resource for quality parts & equipment.

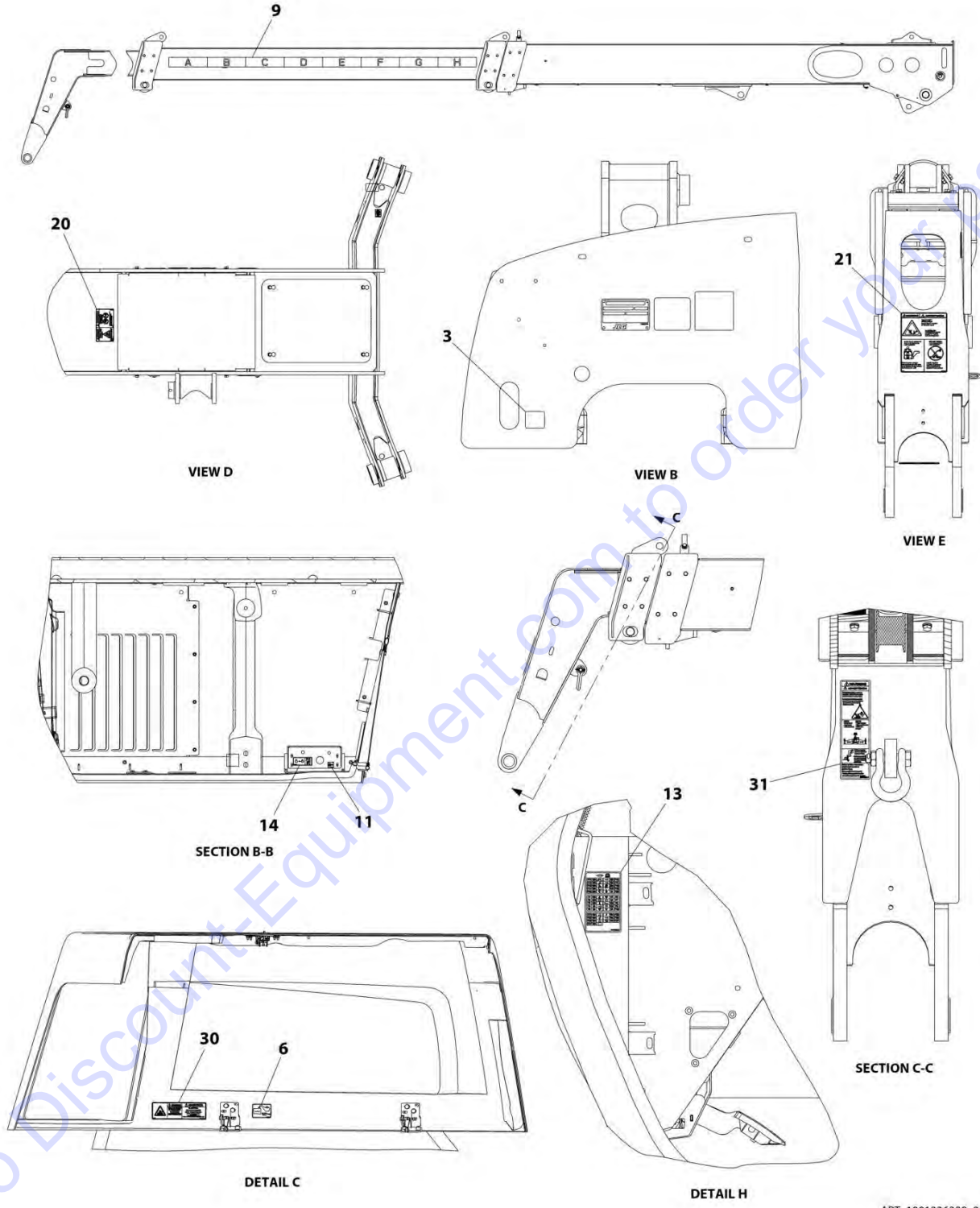
Florida: **561-964-4949** Outside Florida TOLL FREE: **877-690-3101**

Need parts?

Click on this link: <http://www.discount-equipment.com/category/5443-parts/> and choose one of the options to help get the right parts and equipment you are looking for. Please have the machine model and serial number available in order to help us get you the correct parts. If you don't find the part on the website or on one of the online manuals, please fill out the request form and one of our experienced staff members will get back to you with a quote for the right part that your machine needs.

We sell worldwide for the brands: Genie, Terex, JLG, MultiQuip, Mikasa, Essick, Whiteman, Mayco, Toro Stone, Diamond Products, Generac Magnum, Airman, Haulotte, Barreto, Power Blanket, Nifty Lift, Atlas Copco, Chicago Pneumatic, Allmand, Miller Curber, Skyjack, Lull, Skytrak, Tsurumi, Husquvarna Target, Stow, Wacker, Sakai, Mi-T-M, Sullair, Basic, Dynapac, MBW, Weber, Bartell, Bennar Newman, Haulotte, Ditch Runner, Menegotti, Morrison, Contec, Buddy, Crown, Edco, Wyco, Bomag, Laymor, EZ Trench, Bil-Jax, F.S. Curtis, Gehl Pavers, Heli, Honda, ICS/PowerGrit, IHI, Partner, Imer, Clipper, MMD, Koshin, Rice, CH&E, General Equipment, Amida, Coleman, NAC, Gradall, Square Shooter, Kent, Stanley, Tamco, Toku, Hatz, Kohler, Robin, Wisconsin, Northrock, Oztec, Toker TK, Rol-Air, APT, Wylie, Ingersoll Rand / Doosan, Innovatech, Con X, Ammann, Mecalac, Makinex, Smith Surface Prep, Small Line, Wanco, Yanmar

SECTION 11 - DECALS



ART_1001236308_2-A

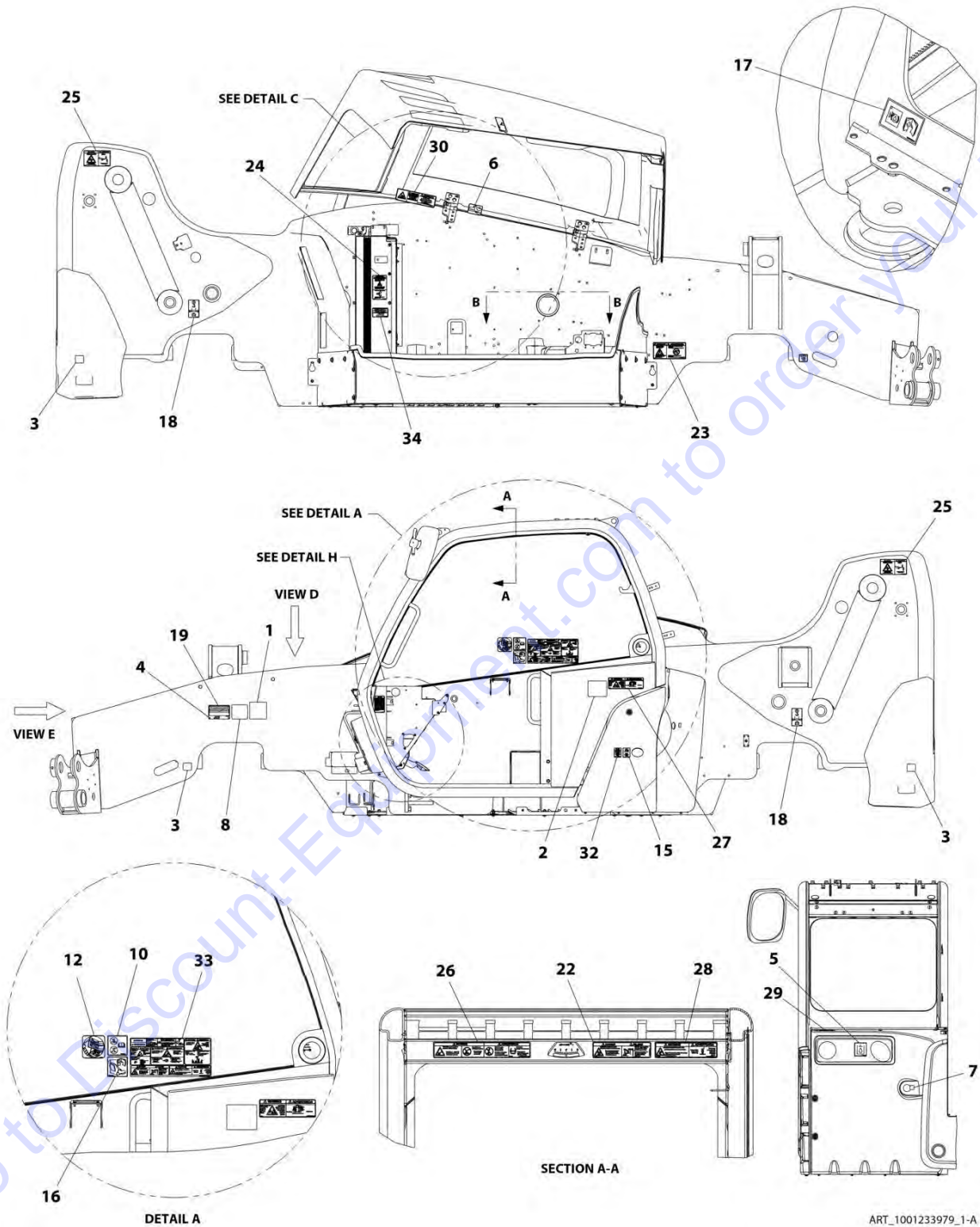
SECTION 11 - DECALS

FIGURE 11-37. DECAL INSTALLATION (742, 943, 1043) (110 HP - ENGLISH/SPANISH)

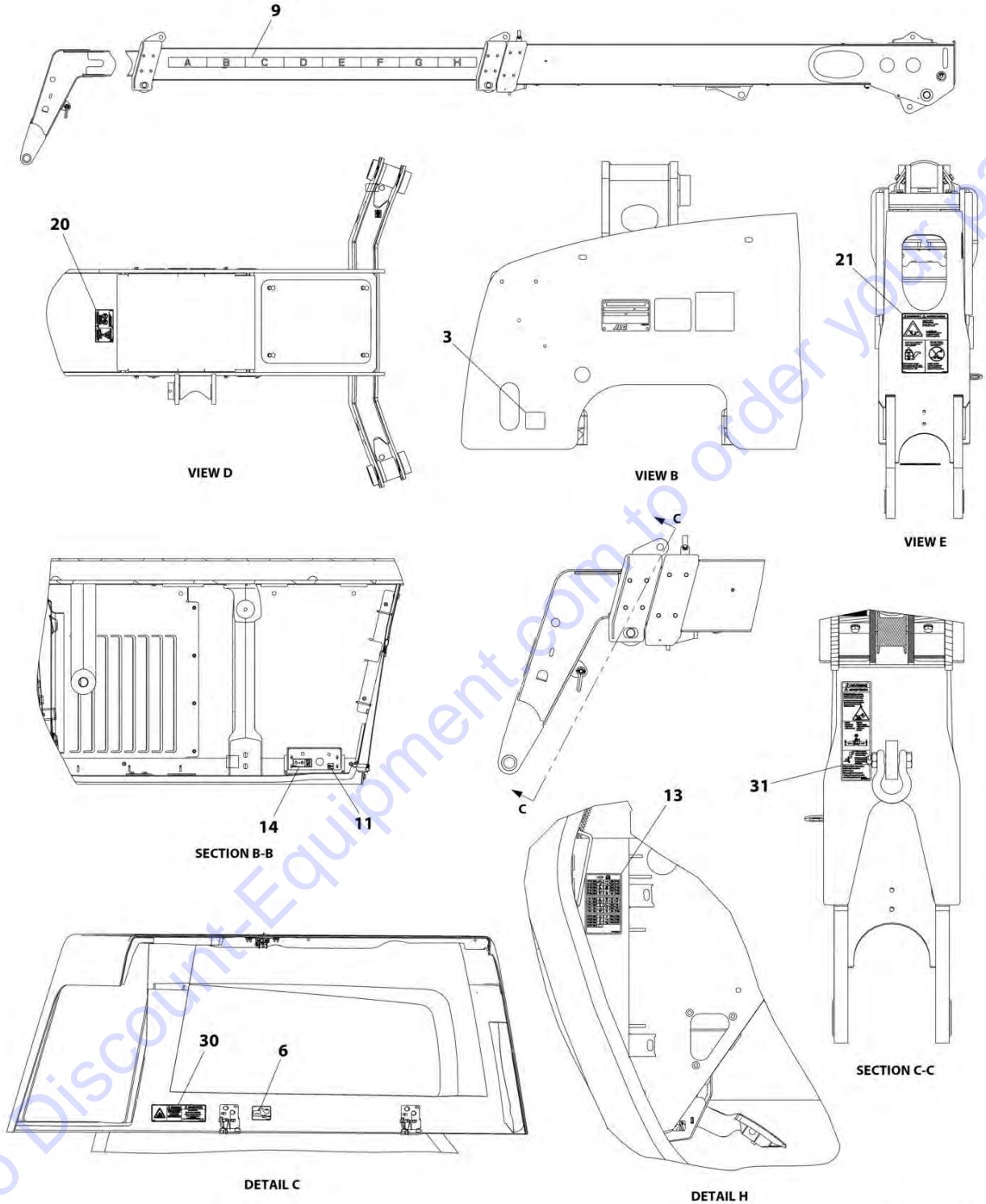
ITEM	PART NUMBER	QTY	DESCRIPTION	REV
	1001236308	Ref	Decal Installation (742, 943, 1043)	A
1	1702631	1	Decal, Bar Code	
2	3251813	1	Decal, USA	
3	4109801	4	Decal, Tie Down Point	
4	1001009178	4	Decal, Track Metal	
5	1001094708	1	Decal, Hydraulic Oil	
6	1001109053	1	Decal, Coolant Fill	
7	1001130323	1	Decal, Oil Level	
8	1001131271	1	Decal, Patent	
9	1001171277	1	Decal, Boom Extend	
10	1001172035	1	Decal, No Weld or Drill	
11	1001184632	1	Decal, Battery Positive	
12	1001188372	1	Decal, Sway	
13	1001191229	1	Decal, Fuse Panel	
14	1001195855	1	Decal, Battery Disconnect	
15	1001196806	1	Decal, Diesel Exhaust Fluid	
16	1001200101	1	Decal, Manual	
17	1001219211	1	Decal, Brake Fluid	
18	1001222650	2	Decal, Axle Lift	
19	1001229575	1	Decal, Nameplate	
20	1001235794	1	Decal, Battery Warning	
21	1001235796	1	Decal, Carry Personnel	
22	1001235797	1	Decal, Electrocution Hazard	
23	1001235798	1	Decal, Warning No Either	
24	1001235799	1	Decal, Moving Parts	
25	1001235800	2	Decal, Pinch Point	
26	1001235801	1	Decal, Warning Tip Over	
27	1001235802	1	Decal, No Riders	
28	1001235803	1	Decal, Warning Crushing Hazard	
29	1001235804	1	Decal, Ultra Low Sulfur Diesel	
30	1001235805	1	Decal, Warning Hot Fluid	
31	1001235807	1	Decal, Danger Swinging Loads	
32	1001235808	1	Decal, JLG DEF Tank Service	
33	1001235809	1	Decal, Warning/Danger Cab	
34	1001236313	1	Decal, MCO 130HP	

SECTION 11 - DECALS

FIGURE 11-38. DECAL INSTALLATION (742, 943) (74 HP - ENGLISH/SPANISH)



SECTION 11 - DECALS



ART_1001233979_2-A

SECTION 11 - DECALS

FIGURE 11-38. DECAL INSTALLATION (742, 943) (74 HP - ENGLISH/SPANISH)

ITEM	PART NUMBER	QTY	DESCRIPTION	REV
	1001233979	Ref	Decal Installation (742, 943)	A
1	1702631	1	Decal, Bar Code	
2	3251813	1	Decal, USA	
3	4109801	4	Decal, Tie Down Point	
4	1001009178	4	Decal, Track Metal	
5	1001094708	1	Decal, Hydraulic Oil	
6	1001109053	1	Decal, Coolant Fill	
7	1001130323	1	Decal, Oil Level	
8	1001131271	1	Decal, Patent	
9	1001171277	1	Decal, Boom Extend	
10	1001172035	1	Decal, No Weld or Drill	
11	1001184632	1	Decal, Battery Positive	
12	1001188372	1	Decal, Sway	
13	1001191229	1	Decal, Fuse Panel	
14	1001195855	1	Decal, Battery Disconnect	
15	1001196806	1	Decal, Diesel Exhaust Fluid	
16	1001200101	1	Decal, Manual	
17	1001219211	1	Decal, Brake Fluid	
18	1001222650	2	Decal, Axle Lift	
19	1001229575	1	Decal, Nameplate	
20	1001235794	1	Decal, Battery Warning	
21	1001235796	1	Decal, Carry Personnel	
22	1001235797	1	Decal, Electrocution Hazard	
23	1001235798	1	Decal, Warning No Either	
24	1001235799	1	Decal, Moving Parts	
25	1001235800	2	Decal, Pinch Point	
26	1001235801	1	Decal, Warning Tip Over	
27	1001235802	1	Decal, No Riders	
28	1001235803	1	Decal, Warning Crushing Hazard	
29	1001235804	1	Decal, Ultra Low Sulfur Diesel	
30	1001235805	1	Decal, Warning Hot Fluid	
31	1001235807	1	Decal, Danger Swinging Loads	
32	1001235808	1	Decal, JLG DEF Tank Service	
33	1001235809	1	Decal, Warning/Danger Cab	
34	1001236313	1	Decal, MCO 74HP	

SECTION 12 - RECOMMENDED SPARE PARTS

SECTION 12 - RECOMMENDED SPARE PARTS

Go to Discount-Equipment.com to order your parts

SECTION 12 - RECOMMENDED SPARE PARTS

FIGURE 12-1. RECOMMENDED SPARE PARTS

ITEM	PART NUMBER	QTY	DESCRIPTION	REV
		Ref	Frame and Attaching Parts	
	1001194978	1	Cap, Locking Fuel	
		Ref	Boom	
	1001163034	AR	Plate, Spacer	
	1001163038	AR	Plate, Spacer	
	1001165367	AR	Plate, Spacer	
	1001163112	AR	Plate, Spacer	
	1001163108	AR	Plate, Spacer	
	1001165171	AR	Pad, Wear	
	1001165172	AR	Pad, Wear	
	1001162469	AR	Pad, Wear	
	1001163029	AR	Pad, Wear	
	1001165173	AR	Pad, Wear	
	1001189793	AR	Shim	
		Ref	Engine and Attaching Parts	
	70026453	1	Cartridge, Fuel Filter (ULS)	
	70026233	1	Filter, Primary Fuel	
	70026234	1	Element, Fuel Filter	
	70026227	1	Starter	
	70026229	1	Fan Belt, V-Ribbed	
	70026242	1	Dipstick	
	70026237	1	Filter, Oil	
	70025852	1	Filter, Air Cylindrical Primary (ULS)	
	70025853	1	Filter, Air Cylindrical Secondary (ULS)	
	70025850	1	Filter, Cylindrical Air Primary (LS)	
	70025851	1	Filter, Cylindrical Air Secondary (LS)	
	70026584	1	Filter, DEF	
	1001208643	1	Kit, Filter, 250 Hour	
	70026237	1	Filter, Oil	
	70026234	1	Element, Fuel Filter	
	70026453	1	Cartridge, Fuel Filter	
	70025852	1	Filter, Cylindrical Air Primary	
	70025853	1	Filter, Cylindrical Air Secondary	
	1001208644	1	Kit, Filter, 1000 Hour	
	70026237	1	Filter, Oil	
	70026234	1	Element, Fuel Filter	
	70026453	1	Cartridge, Fuel Filter	
	70025852	1	Filter, Cylindrical Air Primary	
	70025853	1	Filter, Cylindrical Air Secondary	
	1001162663	1	Element, Filter	
	1001162662	1	Breather, Filter	
	1319726	1	Filter, Transmission	
		Ref	Drivetrain	
	1319726	1	Filter, Transmission Oil	
	1001163698	1	Switch, FNR 4 Speed	
		Ref	Cab	
	1001172546	NLA	Filter, HVAC Air (no longer available, use 1001218996 for replacement)	
	1001218996	1	Filter, HVAC Fresh Air	

SECTION 12 - RECOMMENDED SPARE PARTS

ITEM	PART NUMBER	QTY	DESCRIPTION	REV
	1001172553	1	Filter, HVAC Recirculation Air	
	1001141281	1	Blade, Front Wiper	
	4807718	1	Blade, Rear Wiper	
	1001141313	1	Blade, Roof Wiper	
		Ref	Hydraulic Components	
	1001197918	1	Kit, Seal, Lift Cylinder (642)	
	1001168661	1	Kit, Seal, Lift Cylinder (943, 1043)	
	1001197801	1	Kit, Seal, Tilt Cylinder (642)	
	1001168666	1	Kit, Seal, Tilt Cylinder (943, 1043)	
	70026639	1	Kit, Seal, Compensation Cylinder (642)	
	70026550	1	Kit, Seal, Compensation Cylinder (943, 1043)	
	70026253	1	Kit, Seal, Frame Level Cylinder	
	1001168668	1	Kit, Seal, Extend/Retract Cylinder (642)	
	70026462	1	Kit, Seal, Extend/Retract Cylinder (943, 1043)	
	70026253	1	Kit, Seal, Rear Axle Stability Cylinder	
	70026309	1	Kit, Seal, Outrigger Cylinder	
	70026062	1	Kit, Seal, Side Tilt Cylinder	
	1001194981	1	Cap, Hydraulic	
	1001162660	1	Filter, Hydraulic	
		Ref	Electrical	
	0400075	2	Battery, 12V (642)	
	0400075	1	Battery, 12V (943, 1043)	
	70022765	1	Key, Ignition	

PART NUMBER INDEX

Go to Discount-Equipment.com to order your parts

PART NUMBER INDEX

0100011....163, 165, 167, 169, 171, 173, 1127, 1133, 1141	0701215.....287	0760810 .39, 93, 95, 295, 795, 803, 814, 833, 859, 871, 873, 887, 889, 974, 978, 982, 986, 1049, 1349	1001005368.....765
0100035.....1145	0701216.. 275, 285, 1109	0760812 ... 339, 349, 363, 719, 739, 771, 997, 1005, 1007, 1329	1001005960.....1499
01043892.....371, 373	0701217145	076081537, 337, 769, 771, 986, 989, 991, 993, 995, 1081, 1083, 1249	1001006731.....799
0400075.....1291, 1293, 1593	0701220.....275	07608171055, 1057	1001007056...1103, 1105
0440296.....111	0701222.....143, 145	076082361, 355	1001008540...1269, 1271
0440321.....1101	0701226.....91, 891, 893	07610071259, 1261, 1263, 1265, 1267, 1275, 1277	100100855967, 308, 312, 1249, 1253, 1255, 1257, 1259, 1261, 1263, 1265, 1267, 1281, 1341, 1345
0498748.....767	070122789, 275	07610081107	1001008575.....63
0641404.....77	0701229.....67	0761010 .39, 41, 43, 297, 323, 325, 337, 339, 341, 603, 605, 727, 974, 978, 983, 986, 1249, 1259, 1261, 1263, 1265, 1267, 1269, 1271, 1275, 1343, 1345, 1347	1001008687.....727
0641405.....253	0701230.....67	0761012 ..295, 297, 315, 317, 365, 901, 903, 905, 907, 1089, 1091, 1341	1001008742.....869
0641407.....77	0711015603, 605	0761210 .315, 361, 1253, 1255, 1257	1001008857.....769, 771
0641510.....257	07110271039, 1041, 1055, 1057	07612121089, 1091	1001008923...1361, 1363
0641612....163, 165, 167, 169, 171, 173	071121485, 91, 93, 95	0761214 .63, 73, 75, 135, 139	1001008988.....767
0641812.....978, 982, 986	0711215 ..85, 87, 89, 143	076121561, 969, 971	1001008999.....39
0642032....151, 153, 155, 157, 159, 161, 163, 165, 167, 169, 171, 173	0711216...85, 87, 89, 91, 93, 95	0761218 ..315, 317, 1031	1001009163.....603, 605, 1223
0681810....163, 165, 167, 169, 171, 173	0711217 ...85, 87, 89, 91, 93, 95	0761218 ..315, 317, 1031	1001009178..1510, 1514, 1518, 1522, 1534, 1586, 1590
0700408.....1329	0711218...85, 89, 91, 93, 143	0761218 ..315, 317, 1031	1001010646.....799
0700610....45, 47, 49, 51, 81, 83, 308, 312, 345, 857, 1249, 1269, 1271, 1307, 1309, 1311, 1333, 1335, 1349, 1351, 1353, 1355	071121987, 93	0761218 ..315, 317, 1031	1001010647.....799
0700614...257, 814, 1333, 1335	0711220.....87, 145	0761218 ..315, 317, 1031	1001010648.....799
0700616....978, 982, 986, 1031, 1363	0711222.....89	0761218 ..315, 317, 1031	1001010649.....799
0700618.....1275, 1313	071122589, 91	0761218 ..315, 317, 1031	1001010650.....799
0700812.....725	071122689, 91	0761218 ..315, 317, 1031	1001025750.....361
0700814....45, 47, 49, 51, 335, 1017, 1223, 1269, 1271	0711227125	0761218 ..315, 317, 1031	1001028308.....991, 995
0700815....359, 974, 978, 983	0711228121, 123	0761218 ..315, 317, 1031	1001047062.....767
0700816.....69, 291, 293, 333, 974, 978, 982, 986, 1009, 1011, 1283	0711229127	0761218 ..315, 317, 1031	1001080375...1089, 1091
0700817.....1081, 1083	071122689, 91	0761218 ..315, 317, 1031	1001080996....135, 1089, 1091
0700818.....1059, 1155, 1249	0711227125	0761218 ..315, 317, 1031	1001090063.....163, 165, 167, 169, 171, 173
0700819997, 1007, 1283, 1285	0711228121, 123	0761218 ..315, 317, 1031	1001090064.....163, 165, 167, 169, 171, 173
0700820....871, 873, 875, 1005, 1249	0711229127	0761218 ..315, 317, 1031	1001090140.....163, 165, 167, 169, 171, 173
0700823.....1061, 1063	071122689, 91	0761218 ..315, 317, 1031	1001090336.....833
0700824....901, 903, 905, 907, 1017	0711227125	0761218 ..315, 317, 1031	1001090343.....835, 837, 869
0700826.....359	0711228121, 123	0761218 ..315, 317, 1031	1001091573.....1367
0700827.....347, 349	0711229127	0761218 ..315, 317, 1031	1001091715..1341, 1343, 1345, 1347
0701014...37, 39, 71, 337, 978, 983, 986	071122689, 91	0761218 ..315, 317, 1031	1001091716..1341, 1343, 1345, 1347
0701016....45, 47, 49, 51, 337, 339, 1019, 1021, 1085, 1087, 1089, 1091, 1253, 1269	0711227125	0761218 ..315, 317, 1031	1001091951.....129, 131
0701017.....341, 363	0711228121, 123	0761218 ..315, 317, 1031	1001092391.....199
0701018....295, 297, 315, 317, 339	0711229127	0761218 ..315, 317, 1031	1001092481.....247
0701020.....63, 315, 317	071122689, 91	0761218 ..315, 317, 1031	1001092482.....247
0701027.....283, 289	0711227125	0761218 ..315, 317, 1031	1001092877...1518, 1522
	0711228121, 123	0761218 ..315, 317, 1031	1001092878...1518, 1522
	0711229127	0761218 ..315, 317, 1031	1001093171.....229
	0711230.....67	0761218 ..315, 317, 1031	1001093564.....1303
	0711015603, 605	0761218 ..315, 317, 1031	1001094134.....205
	07110271039, 1041, 1055, 1057	0761218 ..315, 317, 1031	1001094136.....205
	071121485, 91, 93, 95	0761218 ..315, 317, 1031	1001094708..1510, 1514, 1518, 1522, 1526, 1530, 1534, 1586, 1590
	0711215 ..85, 87, 89, 143	0761218 ..315, 317, 1031	1001095336.....1251
	0711216...85, 87, 89, 91, 93, 95	0761218 ..315, 317, 1031	1001095396..1065, 1067, 1071, 1073, 1075
	0711217 ...85, 87, 89, 91, 93, 95	0761218 ..315, 317, 1031	1001095418.....175
	0711218...85, 89, 91, 93, 143	0761218 ..315, 317, 1031	1001095650....73, 75, 77, 757, 765
	071121987, 93	0761218 ..315, 317, 1031	
	0711220.....87, 145	0761218 ..315, 317, 1031	
	0711222.....89	0761218 ..315, 317, 1031	
	071122589, 91	0761218 ..315, 317, 1031	
	071122689, 91	0761218 ..315, 317, 1031	
	0711227125	0761218 ..315, 317, 1031	
	0711228121, 123	0761218 ..315, 317, 1031	
	0711229127	0761218 ..315, 317, 1031	
	071122689, 91	0761218 ..315, 317, 1031	
	0711227125	0761218 ..315, 317, 1031	
	0711228121, 123	0761218 ..315, 317, 1031	
	0711229127	0761218 ..315, 317, 1031	
	071122689, 91	0761218 ..315, 317, 1031	
	0711227125	0761218 ..315, 317, 1031	
	0711228121, 123	0761218 ..315, 317, 1031	
	0711229127	0761218 ..315, 317, 1031	
	071122689, 91	0761218 ..315, 317, 1031	
	0711227125	0761218 ..315, 317, 1031	
	0711228121, 123	0761218 ..315, 317, 1031	
	0711229127	0761218 ..315, 317, 1031	
	071122689, 91	0761218 ..315, 317, 1031	
	0711227125	0761218 ..315, 317, 1031	
	0711228121, 123	0761218 ..315, 317, 1031	
	0711229127	0761218 ..315, 317, 1031	
	071122689, 91	0761218 ..315, 317, 1031	
	0711227125	0761218 ..315, 317, 1031	
	0711228121, 123	0761218 ..315, 317, 1031	
	0711229127	0761218 ..315, 317, 1031	
	071122689, 91	0761218 ..315, 317, 1031	
	0711227125	0761218 ..315, 317, 1031	
	0711228121, 123	0761218 ..315, 317, 1031	
	0711229127	0761218 ..315, 317, 1031	
	071122689, 91	0761218 ..315, 317, 1031	
	0711227125	0761218 ..315, 317, 1031	
	0711228121, 123	0761218 ..315, 317, 1031	
	0711229127	0761218 ..315, 317, 1031	
	071122689, 91	0761218 ..315, 317, 1031	
	0711227125	0761218 ..315, 317, 1031	
	0711228121, 123	0761218 ..315, 317, 1031	
	0711229127	0761218 ..315, 317, 1031	
	071122689, 91	0761218 ..315, 317, 1031	
	0711227125	0761218 ..315, 317, 1031	
	0711228121, 123	0761218 ..315, 317, 1031	
	0711229127	0761218 ..315, 317, 1031	
	071122689, 91	0761218 ..315, 317, 1031	
	0711227125	0761218 ..315, 317, 1031	
	0711228121, 123	0761218 ..315, 317, 1031	
	0711229127	0761218 ..315, 317, 1031	
	071122689, 91	0761218 ..315, 317, 1031	
	0711227125	0761218 ..315, 317, 1031	
	0711228121, 123	0761218 ..315, 317, 1031	
	0711229127	0761218 ..315, 317, 1031	
	071122689, 91	0761218 ..315, 317, 1031	
	0711227125	0761218 ..315, 317, 1031	
	0711228121, 123	0761218 ..315, 317, 1031	
	0711229127	0761218 ..315, 317, 1031	
	071122689, 91	0761218 ..315, 317, 1031	
	0711227125	0761218 ..315, 317, 1031	
	0711228121, 123	0761218 ..315, 317, 1031	
	0711229127	0761218 ..315, 317, 1031	
	071122689, 91	0761218 ..315, 317, 1031	
	0711227125	0761218 ..315, 317, 1031	
	0711228121, 123	0761218 ..315, 317, 1031	
	0711229127	0761218 ..315, 317, 1031	
	071122689, 91	0761218 ..315, 317, 1031	
	0711227125	0761218 ..315, 317, 1031	
	0711228121, 123	0761218 ..315, 317, 1031	
	0711229127	0761218 ..315, 317, 1031	
	071122689, 91	0761218 ..315, 317, 1031	
	0711227125	0761218 ..315, 317, 1031	
	0711228121, 123	0761218 ..315, 317, 1031	
	0711229127	0761218 ..315, 317, 1031	
	071122689, 91	0761218 ..315, 317, 1031	
	0711227125	0761218 ..315, 317, 1031	
	0711228121, 123	0761218 ..315, 317, 1031	
	0711229127	0761218 ..315, 317, 1031	
	071122689, 91	0761218 ..315, 317, 1031	
	0711227125	0761218 ..315, 317, 1031	
	0711228121, 123	0761218 ..315, 317, 1031	
	0711229127	0761218 ..315, 317, 1031	
	071122689, 91	0761218 ..315, 317, 1031	
	0711227125	0761218 ..315, 317, 1031	
	0711228121, 123	0761218 ..315, 317, 1031	
	0711229127	0761218 ..315, 317, 1031	
	071122689, 91	0761218 ..315, 317, 1031	
	0711227125	0761218 ..315, 317, 1031	
	0711228121, 123	0761218 ..315, 317, 1031	
	0711229127	0761218 ..315, 317, 1031	
	071122689, 91	0761218 ..315, 317, 1031	
	0711227125	0761218 ..315, 317, 1031	
	0711228121, 123	0761218 ..315, 317, 1031	
	0711229127	0761218 ..315, 317, 1031	
	071122689, 91	0761218 ..315, 317, 1031	
	0711227125	0761218 ..315, 317, 1031	
	0711228121, 123	0761218 ..315, 317, 1031	
	0711229127	0761218 ..315, 317, 1031	
	071122689, 91	0761218 ..315, 317, 1031	
	0711227125	0761218 ..315, 317, 1031	
	0711228121, 123	0761218 ..315, 317, 1031	
	0711229		

PART NUMBER INDEX

1001095738 651	1001104654... 1315, 1317	1001116815..1457, 1475, 1495	1001126356 .. 1418, 1422
1001095744 651	1001104685.....345	1001116950..1381, 1385, 1410, 1414, 1422	1001126357 .. 1418, 1422
1001095804 .. 1315, 1317	1001105441..... 147	1001116986.....1452	1001126391 1397
1001095810 253	1001105886..... 1305	1001116991...1433, 1451	1001126393 1397
1001096019 251	1001107192..... 767	1001116994.....1441	1001126487 .. 1403, 1408
1001096020 251	1001107854.. 1365, 1389, 1390, 1393, 1394	1001116996.....1439	1001126837 1107
1001096021 249	1001108668.....234	1001116997.....1452	1001128127 . 1380, 1384, 1385
1001096023 249	1001108669.....238	1001116999.....1451	1001128144 333
1001096025 249	1001109053.. 1510, 1514, 1518, 1522, 1526, 1530, 1534, 1586, 1590	1001117021.....1365	1001128341 333
1001096162 247, 249, 251, 253	1001110490.....901	1001117064.....1433	1001128478 603, 605, 1223
1001096365 769, 771	1001110544.....921	1001117073..1403, 1409, 1414, 1418, 1421	1001128594 277, 279, 281
1001097053 603, 605	1001110704.....175	1001117079.....1451	1001128714 339
1001097110 195	1001111076.....881	1001117081..1433, 1434, 1451, 1457	1001128890 265
1001097202 737	1001111147.....881	1001117121.....1434	1001128901 339
1001097205 229	1001111190..... 175, 238	1001117125..1402, 1408, 1413, 1418, 1422	1001129407 1471
1001097540 ... 45, 47, 49, 51, 861, 863	1001111317.....749, 755, 769	1001117308...1269, 1271	1001130220 ... 45, 47, 49, 51, 1307
1001097586 757	1001112612.. 1404, 1409, 1413, 1417, 1421, 1429, 1433	1001118323... 1381, 1386	1001130323 . 1510, 1514, 1518, 1522, 1526, 1530, 1534, 1586, 1590
1001097587 411, 413, 423, 425	1001112796.. 1431, 1441, 1463	1001118378.....1495	1001131177 1275
1001097588 323, 325	1001112902.... 45, 47, 49, 51	1001118383.....1434	1001131271 . 1510, 1514, 1518, 1522, 1526, 1530, 1534, 1586, 1590
1001097810 417, 989, 991, 993, 995	1001114495.....327, 329	1001118384..1433, 1434, 1451, 1452, 1455, 1457	1001132168 41, 43
1001098762 1303	1001114803.....315, 317	1001118392.....1439	1001133072 163, 165, 167, 169, 171, 173
1001098769 141	1001115238.....1339	10011184495.....1425	1001133534 287
1001099113 163, 165, 167, 169, 171, 173	1001116208.. 1333, 1335, 1583	1001118684.....1433	1001134274 1107
1001099115 163, 165, 167, 169, 171, 173	1001116696.....1439	1001118685.....1434	1001136975 308, 312
1001099170 753	1001116697.....1434	1001120163..1103, 1105, 1227	1001137512 207
1001099351 227	1001116698.....1434	1001120178.....675, 715, 717	1001137578 .. 1397, 1398
1001099901 221	1001116700.....1451	1001120179.....675	1001138348 327, 329
1001099902 219	1001116716.....1451	1001120914.....163, 165, 167, 169, 171, 173	1001139375 415, 427
1001099976 669, 707, 709	1001116723.. 1433, 1434, 1451, 1452, 1457	1001120915.....163, 165, 167, 169, 171, 173	1001139551 837
1001100284 669	1001116725... 1404, 1409	1001120963.....667	1001139552 835
1001100323 667, 669	1001116727... 1389, 1393	1001120989..1333, 1335, 1583	1001139568 765
1001100443 1339	1001116728 . 1389, 1393, 1417, 1421, 1443, 1445	1001121101.....671	1001139578 .. 1510, 1514
1001100822 211	1001116729.....1377	1001121103.....673, 675	1001139942 .. 1518, 1522
1001100823 213	1001116731.....1485	1001121105.....677	1001140322 1339
1001100824 215	1001116732.. 1413, 1417, 1421	1001121109.....673	1001141246 769, 771
1001100828 1479	1001116745.....1377	1001121519.....671	1001141281 833, 1593
1001100829 1479	1001116747... 1365, 1452	1001121726... 1389, 1393	1001141311 837
1001100967 225	1001116748.. 1403, 1409, 1413, 1414, 1417, 1418, 1421	1001121727 1377	1001141312 835
1001101458 73, 75	1001116749.. 1403, 1409, 1414, 1418, 1422	1001121955.....333	1001141313 837, 1593
1001101808 1309	1001116754.....1433	1001122453... 1127, 1129	1001141400 308, 312
1001101867 89, 107	1001116763.. 1365, 1389, 1393	1001125027..1402, 1408, 1413, 1418, 1422	1001142790 177
1001101895 .. 1518, 1522	1001116774... 1475, 1495	1001125083... 1402, 1409	1001143200 751, 783
1001101956 167	1001116808... 1475, 1495	1001125085... 1402, 1409	1001143551 1495
1001102378 163, 165, 167, 169, 171, 173	1001116810... 1379, 1384	1001125089... 1402, 1409	1001143692 147
1001102502 .. 1315, 1317	1001116811.. 1402, 1408, 1413, 1417, 1421	1001125117....85, 87, 89, 91, 93, 95, 143, 145, 1089, 1091	1001143852 .. 1518, 1522
1001102509 429	1001116812.. 1379, 1384, 1390, 1394, 1397, 1435, 1457, 1475, 1485, 1495	1001125137..1127, 1131, 1133, 1141, 1143, 1145, 1167, 1169	1001143857 905, 907, 999, 1005
1001102813 253, 257		1001125410.....677	1001144147 . 1402, 1408, 1413, 1417, 1421, 1475, 1485, 1495
1001103012 1434		10011256771413	1001144629J 253
1001103156 1107		1001126008...1475, 1495	1001145539 814
1001103182 175, 1229		1001126349... 1418, 1422	1001145707 . 1413, 1417, 1421
1001103564 1445		1001126353... 1418, 1422	1001146021 .. 1390, 1394
1001103637 247			1001146084 151
1001103730 249			1001146086 155
1001103736 251			
1001104477 . 1097, 1099, 1221			
1001104498 .. 1390, 1394			
1001104519 1451			

PART NUMBER INDEX

1001146159.....151, 155, 159	1001158146..... 1315	1001161055 89	1001161963.. 1379, 1384, 1390, 1394
1001146160.....151, 155, 159, 265	1001158527 905, 1211	1001161069 839	1001161972.....978, 982, 986
1001146588.....308, 312, 879, 1255, 1259, 1261, 1263, 1265, 1267, 1283, 1285, 1313, 1327, 1333, 1341, 1343, 1345, 1347	1001158620.. 1175, 1177	1001161095 1434	1001161976.....978, 982, 986
1001147060.....1307	1001158909J 33	1001161097 . 1379, 1384, 1390, 1394	1001161978.....974, 978, 982, 986
1001147072.....603	1001159028 897, 899	1001161098 . 1379, 1384, 1434	1001162043...1123, 1131
1001147340.....997, 999, 1001, 1003, 1005, 1007	1001159347 315, 317, 319	1001161099 . 1379, 1384, 1390, 1394, 1434	1001162069.....989, 993
1001147449.....850, 854	1001159728.. 1579, 1581	1001161100 . 1379, 1384, 1390, 1394, 1434, 1435	1001162076..1119, 1121, 1123, 1125, 1155
1001148557.....842, 850	1001159734 . 1341, 1343, 1345, 1347	1001161101 . 1379, 1384, 1390, 1394, 1434, 1435	1001162212.....305
1001149160....45, 47, 49, 51	1001159735 835	1001161197 171	1001162239.....37, 39
1001149278.....850, 854	1001159736 837	1001161251 842, 846, 850, 854	1001162240J.....39
1001150610..1402, 1408, 1413, 1417, 1421	1001159738.. 1367, 1369	1001161304 .. 1051, 1053	1001162253.....1249
1001150611..1379, 1381, 1384, 1385	1001159739.. 1357, 1359	1001161308 . 1013, 1015, 1109	1001162256.....1249
1001151032.....1339	1001159745. 1065, 1067, 1071, 1073, 1075	1001161310 .. 1013, 1019	1001162281.....337, 339, 341
1001151097.....695	1001159746 1287	1001161321 .. 1019, 1025	1001162339...1081, 1083
1001151098.....695	1001159753.. 1315, 1317	1001161340 982, 986	1001162343.....1081
1001151101.....697	1001159760 959, 965, 967, 1043	1001161343 982, 986	1001162346...1081, 1083
1001151102.....697	1001159845 . 1349, 1351, 1353, 1355	1001161344 999, 1003	1001162365.....1083
1001151106.....695	1001159846. 1349, 1351, 1353, 1355	1001161346 ... 999, 1003, 1005, 1007	1001162366.....1083
1001151108.....697	1001159847.. 1043, 1045	1001161421 391, 393, 417	1001162469.87, 91, 1592
1001151561.....151, 155, 159	1001159849.. 1315, 1317	1001161424 399, 401, 429	1001162547.....1073
1001152729.....817	1001159881 337	1001161499 741, 743, 897	1001162548...1111, 1225
1001152742.....1397	1001159882 337	1001161527 ... 999, 1003, 1005, 1007	1001162597.....337
1001152908.....805, 807, 809	1001159925 803, 814	1001161528 997, 999, 1001, 1003, 1005, 1007	1001162600..1123, 1125, 1153
1001152915.....755	1001159982J 21	1001161535 978, 982, 986	1001162628.....351
1001152934.....755	1001160042 814	1001161538 749	1001162653J.....25
1001152947.....749, 755	1001160043 803	1001161564 67	1001162654J.....29
1001153748...1053, 1213	1001160072 1571	1001161664 269, 273, 603	1001162660...1223, 1593
1001153749.....1473	1001160116 275	1001161672 901, 903, 905, 907	1001162662...1223, 1592
1001154227367	1001160122 923	1001161733 901, 905	1001162663.....1592
1001154365.....747, 755	1001160253 37	1001161769 .. 1313, 1465	1001162670.....933, 935, 937, 939, 941, 943, 945, 951, 953, 955, 971
1001154419.....755	1001160255 71	1001161770 .. 1327, 1467	1001162674.....971, 1037
1001154511.....269, 277	1001160326 814	1001161771 .. 1323, 1459	1001162685..1163, 1165, 1173
1001154721.....745, 749	1001160396 273	1001161773 1191	1001162686..1159, 1161, 1167, 1171
1001154790.....273, 281	1001160397 315	1001161854 842, 846, 850, 854	1001162707.....901
1001154984.....741	1001160402 317	1001161855 842, 846, 850, 854	1001162765.....1223
1001155020.....850, 854	1001160420 335	1001161858 803, 805, 807	1001162789.....743, 869
1001155261337	1001160426 347	1001161865 817	1001162886.....1433
1001155307905	1001160496 873	1001161896 901, 903, 905, 907	1001162887.....1433
1001155446.....731, 733	1001160498 1434	1001161897 901, 903, 905, 907	1001162920.....887, 889
1001155447.....743, 833	1001160500. 1379, 1384, 1390, 1394	1001161898 901, 903, 905, 907	1001162922.....887, 889
1001155486.....837	1001160502 1434	1001161920 327, 329	1001162953.....814, 827
1001155540.....315, 317	1001160503 871, 873	1001161957 . 1379, 1384, 1390, 1394	1001162959...1047, 1217
1001155796.....857	1001160506 875	1001161959 1434	1001162979.....901, 905
1001155800.....857	1001160508 741, 743, 785		1001163029....89, 91, 93, 95, 1592
1001155806.....1431	1001160509. 1380, 1384, 1390, 1394		1001163034....85, 87, 89, 91, 93, 95, 1592
1001156265.....901, 903, 905, 907	1001160510. 1380, 1384, 1390, 1394		1001163035.....91
1001157481.....765	1001160599 901, 1209		1001163038.....85, 1592
1001157487.....765	1001160711 1293		1001163040.....69, 1179
1001157663.....347, 349	1001160735 59		1001163066.....61, 351
1001157890...1451, 1495	1001160775 . 1501, 1503, 1505, 1507		1001163067.....63, 1223
1001157891.....1429	1001160888 275		1001163072...1081, 1083
1001157919.....921	1001160916 1573		
1001157972...1045, 1219	1001160927 . 1291, 1293, 1303		
	1001160928 1303		
	1001160945 1575		

PART NUMBER INDEX

1001163073 .. 1081, 1083	1001164019..... 77	1001165832..... 425, 579	1001167641 . 1402, 1408, 1413
1001163082 315, 317, 321	1001164036.. 1119, 1121, 1123, 1125, 1175	1001165833..... 407, 437	1001167643 .. 1402, 1408
1001163108 89, 1592	1001164039..... 99	1001165834..... 419, 519	1001167644 1402
1001163112 87, 91, 1592	1001164183..... 77	1001166091..... 809, 811, 821, 823	1001167646 .. 1275, 1277
1001163127 1271	1001164402... 1249, 1251	1001166092..... 809, 811, 821, 823	1001167647 .. 1402, 1408
1001163133 343	1001164404..... 337	1001166163..... 97, 101	1001167648 . 1402, 1408, 1413
1001163134 345	1001164436..... 67	1001166223... 1109, 1111	1001167649 . 1402, 1408, 1413
1001163136 ... 85, 87, 89, 91	1001164498..... 795	1001166235..... 97, 101	1001167650 . 1402, 1408, 1413
1001163151 881	1001164567..... 147	1001166385..... 881	1001167656 .. 1403, 1408
1001163170 881	1001164615..... 795	1001166397 1249	1001167657 .. 1403, 1408
1001163174 .. 1526, 1530	1001164652... 1033, 1215	1001166416..... 327, 329	1001167695 .. 1289, 1431
1001163210 .. 1526, 1530	1001164655..... 785	1001166430..... 323, 325	1001167697 .. 1041, 1057
1001163212 .. 1526, 1530	1001164726..... 767	1001166449..... 291, 293	1001167727 1141
1001163222 .. 1526, 1530	1001164837..... 337	1001166450..... 291	1001167761 133, 135, 137
1001163223 .. 1526, 1530	1001164838..... 337	1001166451..... 293	1001167762 133, 135, 139
1001163227 269, 271, 273, 275	1001164860..... 1101	1001166565..... 297, 301	1001167785 .. 1131, 1133
1001163230 269, 273, 283	1001164870... 1089, 1091	1001166566..... 295, 299	1001167788 .. 1131, 1133
1001163231 269, 271, 308	1001164871..... 137	1001166634..... 769, 771, 777	1001167799 1289
1001163232 269, 305	1001164881..... 139	1001166698..... 41	1001167806 141
1001163233 269, 1275	1001164884..... 133, 135	1001166703..... 1397	1001167822 1349
1001163235 269, 271, 285	1001164885..... 133, 135	1001166704.. 1397, 1402, 1408	1001167823 1353
1001163238 273, 293	1001164948.. 1085, 1087, 1089, 1091	1001166716..... 297	1001167929 1145
1001163239 273, 297	1001164964..... 357	1001166727 1377	1001167931 1145
1001163241 273, 312	1001164966..... 355, 357	1001166754..... 733	1001167937 775
1001163242 273, 1281	1001164967..... 357	1001166755..... 733	1001167958 767, 775
1001163245 315, 323	1001164971... 1039, 1041	1001166763..... 1327	1001167971 361
1001163246 315, 327	1001164972.. 1039, 1041, 1055, 1057	1001166764..... 1323	1001168030 315, 317
1001163247 315, 317, 331	1001165022..... 779	1001166765... 1023, 1189	1001168031 1329
1001163248 317, 325	1001165022J..... 777	1001166925..... 327	1001168054 .. 1003, 1007
1001163249 317, 329	1001165066..... 842, 850	1001166975..... 131	1001168142 901, 903, 905, 907
1001163253 337, 361	1001165067..... 842, 850	1001166993..... 327	1001168151 901, 903, 905, 907
1001163254 347, 349, 365	1001165080..... 747, 767	1001167001..... 915	1001168178 721
1001163273 .. 1526, 1530	1001165171... 85, 87, 89, 91, 93, 95, 1592	1001167015..... 839	1001168182 723
1001163276 .. 1526, 1530	1001165172... 85, 87, 89, 91, 93, 95, 1592	1001167017..... 1329	1001168261 719, 721
1001163285 .. 1526, 1530	1001165173..... 89, 1592	1001167050..... 1241	1001168262 719, 723
1001163291 .. 1526, 1530	1001165186..... 769	1001167051.. 1239, 1241, 1243, 1245, 1247, 1249	1001168264 719, 721, 723, 739
1001163300 .. 1526, 1530	1001165187..... 769	1001167078..... 315, 317, 333	1001168272 355
1001163304 .. 1526, 1530	1001165194..... 1397	1001167167 337	1001168281 67
1001163321 .. 1526, 1530	1001165269..... 869	1001167168..... 337	1001168327 814
1001163323 .. 1526, 1530	1001165270..... 869	1001167186..... 335	1001168330 814
1001163340 1433	1001165275..... 769, 771	1001167266..... 827, 831	1001168331 814
1001163355 .. 1526, 1530	1001165276..... 777	1001167281 1223	1001168341 83, 87
1001163371 .. 1327, 1451	1001165309... 1381, 1385	1001167313..... 935	1001168342J 87
1001163372 .. 1323, 1457	1001165310... 1380, 1385	1001167314..... 943	1001168368 87
1001163414 163, 165, 167, 169, 171, 173, 1183	1001165311... 1390, 1394	1001167357 347, 349	1001168430 927
1001163546 337	1001165351..... 869	1001167437 1049	1001168454 931
1001163577 67, 69	1001165360.. 1341, 1343, 1345, 1347, 1437	1001167493..... 91	1001168456 814
1001163637 333	1001165367... 85, 87, 89, 91, 93, 95, 1592	1001167528..... 1397	1001168460 935, 939, 961
1001163639 .. 1319, 1357	1001165407..... 869	1001167549..... 1167	1001168462 943, 951, 965
1001163695 919	1001165416..... 869	1001167552..... 1167	1001168463 961, 965, 1013
1001163698 . 1315, 1317, 1592	1001165455..... 869	1001167555..... 1167	1001168464 959, 965, 967, 1029, 1049
1001163704 93, 95	1001165458..... 869	1001167557 1167	1001168465 957, 961, 963, 1029
1001163712 93, 95	1001165459..... 769	1001167576... 1167, 1169	
1001163723 321	1001165590..... 99	1001167608.. 1361, 1363, 1445	
1001163746 .. 1035, 1205	1001165637..... 833	1001167610... 1131, 1133	
1001163841 99	1001165699..... 1313	1001167613..... 1131	
	1001165739..... 99	1001167616..... 1403	
	1001165827..... 1311	1001167620..... 1397	
	1001165831..... 413, 495	1001167624..... 1397	

PART NUMBER INDEX

1001168467.....935, 939, 943, 951, 982	1001168964J..... 85	1001169881 767, 777	1001171162..... 1367
1001168468.....933, 935, 937, 939, 941, 955, 993	1001168987..... 85	1001169883 779	1001171179.....63
1001168469.....943, 945, 951, 953, 995	1001169009..... 269	1001169885 779	1001171182.....765
1001168482.....1107	1001169011..... 269, 271, 291	1001169910..... 927, 929, 947, 957	1001171183.....765
1001168486.....119	1001169012..... 269, 271, 295	1001169912..... 931, 949, 959	1001171208..... 927, 929, 931, 947, 949, 974
1001168529.....387, 407	1001169050. 1141, 1143, 1145	1001169915..... 927, 929, 931, 947, 949, 969	1001171209..... 927, 929, 947, 989
1001168530.....379, 387	1001169071..... 1145	1001169965..... 315, 317	1001171211..... 931, 949, 991
1001168536.....395, 419	1001169072..... 1145	1001170071..... 61	1001171242.....719
1001168537.....379, 395	1001169087.. 1029, 1047	1001170072..... 61	1001171277.. 1510, 1514, 1518, 1522, 1526, 1530, 1534, 1586, 1590
1001168538.....379	1001169146..... 1249	1001170100..... 933, 935, 937, 939, 941, 943, 945, 951, 953, 955, 1011	1001171318..... 47
1001168546.....83, 91	1001169151..... 814, 1365	1001170105..... 351	1001171363..... 337
1001168547.....91	1001169155..... 291, 293	1001170138..... 1129	1001171450.....83
1001168560.....337	1001169173..... 315, 317	1001170171..... 603, 605, 607	1001171451.....81
1001168561.....89, 91	1001169207..... 331	1001170215..... 1253	1001171634.....779
1001168567.....91, 111	1001169209..... 113, 115	1001170231..... 887, 889	1001171701..... 337
1001168574.....81, 89	1001169214..... 113, 115	1001170232. 1253, 1255, 1257	1001171756.....869
1001168575.....89	1001169265..... 39	1001170320. 1253, 1255, 1257	1001171764..... 133, 147
1001168587.....89, 91	1001169268..... 913	1001170323 ... 45, 47, 49, 51	1001171767.....789
1001168589.....93, 95	1001169278..... 81, 83, 97	1001170326..... 791	1001171772.... 45, 47, 49, 51
1001168597.....1059	1001169279..... 97, 101	1001170366..... 741, 743, 787	1001171808.....141
1001168598...1159, 1163	1001169281..... 83, 101	1001170374..... 751	1001171860.....387, 389, 415
1001168599.....1155	1001169326..... 81, 99	1001170495..... 745, 751	1001171863.....395, 397, 427
1001168602.....83, 95	1001169327..... 99	1001170500..... 747, 757	1001171874.....887, 889
1001168603.....95	1001169346..... 957, 959, 1017	1001170502..... 757, 765	1001171885.....37
1001168629...1041, 1057	1001169348..... 379, 381, 403	1001170504..... 846, 854	1001171889.....731
1001168630.....95, 115	1001169349.. 1017, 1023	1001170506..... 842, 846, 850, 854	1001171890.....731, 735
1001168632.....115	1001169350..... 383, 385, 405	1001170515..... 795	1001171898.....735
1001168634.....117	1001169351..... 403, 405, 435	1001170518..... 842, 846, 850, 854	1001171903.....735
1001168638.....337, 355	1001169354..... 909, 911	1001170549 .. 1081, 1083	1001171962..... 1329
1001168640.....1071	1001169355..... 911	1001170561 .. 1031, 1033	1001172035.. 1510, 1514, 1518, 1522, 1526, 1530, 1534, 1586, 1590
1001168641.....1073	1001169365. 1261, 1263, 1267	1001170566 . 1259, 1261, 1263, 1265, 1267	1001172075..... 1101
1001168644.....67	1001169367..... 911	1001170601J..... 767	1001172077..... 1101
1001168656.....81	1001169373..... 101	1001170603..... 747, 783	1001172078..... 1101
1001168658.....83	1001169375.. 1009, 1011	1001170606..... 435	1001172088..... 887, 889
1001168661.. 1131, 1133, 1135, 1593	1001169376.. 1009, 1011	1001170616..... 1261, 1263, 1267	1001172094..... 887, 889
1001168666...1145, 1593	1001169378.. 1009, 1011	1001170624 . 1261, 1263, 1267	1001172134..... 135, 1101
1001168668.. 1167, 1169, 1593	1001169379..... 101	1001170628..... 133	1001172146..... 63
1001168671...1167, 1169	1001169393..... 331	1001170631..... 135	1001172147..... 63
1001168735.....81, 93	1001169409..... 305	1001170645 ... 45, 47, 49, 51	1001172160.....45
1001168736.....93	1001169410..... 305	1001170665..... 47, 51	1001172178.....351, 353
1001168755.....93, 113	1001169454..... 61	1001170711..... 143	1001172193.....749, 755, 777
1001168757.....113	1001169461..... 63	1001170712..... 145	1001172344..... 119, 131
1001168760....45, 47, 49, 51	1001169602..... 61	1001170717..... 839	1001172345..... 119, 127
1001168761....45, 47, 49, 51	1001169603..... 842, 846, 850, 854	1001170740..... 1253	1001172346..... 119, 123
1001168763.....1039	1001169604..... 850, 854	1001170741..... 1253	1001172350..... 123
1001168764.....1041	1001169605..... 842, 846, 850, 854	1001170749..... 1253	1001172352..... 127
1001168771.....291	1001169674. 1501, 1503, 1505, 1507	1001170816. 1253, 1255, 1257	1001172353..... 127
1001168782.....401, 425	1001169751..... 909	1001170944..... 769, 771	1001172370.....957, 959, 1031
1001168783.....385, 401	1001169763..... 913	1001170993..... 789	1001172401.....741, 743, 793
1001168784.....393, 413	1001169825..... 1271	1001171037..... 779	1001172484..... 1379
1001168785.....385, 393	1001169830..... 974, 978, 982, 986, 997, 999, 1001, 1003, 1005, 1007	1001171097 ... 969, 1035	1001172495..... 1303
1001168786.....385	1001169850..... 341	1001171153..... 59, 61	1001172496..... 1303
1001168795.....275	1001169867..... 351, 353	1001171154..... 59, 63	1001172536..... 1331
1001168797.....275			1001172546..... 1592
1001168822.....305			
1001168831.....111			
1001168834.....37, 41			
1001168840.....1123			
1001168861.....1119			
1001168963.....81, 85			

PART NUMBER INDEX

1001172547 803, 805, 814, 817	1001173523... 1361, 1443	1001175471.....787, 789	1001176935 . 1397, 1402, 1408
1001172550 803, 805, 814, 817	1001173527.. 1373, 1375, 1377	1001175477.....767	1001176945 337
1001172551 805, 807, 817, 819, 825	1001173530... 1241, 1263	1001175485.....143	1001177248 974, 978
1001172552 805, 817	1001173531.. 1239, 1241, 1253	1001175486.....143	1001177256 997, 999, 1001, 1005
1001172553 803, 814, 1593	1001173538..... 105	1001175570.....991, 995	1001177273 974, 978
1001172587 351	1001173539..... 105	1001175676..1065, 1067, 1071, 1373	1001177597 .. 1404, 1409
1001172591 327, 329	1001173540..... 105	1001175677 ..1073, 1075, 1375	1001177653J 53, 55
1001172606 842, 846	1001173541..... 83, 105	1001175683.....145	1001177654J 57
1001172608 842, 846	1001173542..... 81, 103	1001175694.....978, 982, 986	1001177702 1045
1001172643 49	1001173543..... 103	1001175696.....978, 982, 986	1001177704 974, 978, 982, 986
1001172644 51	1001173544..... 103	1001175697.....978, 982, 986	1001178123 869
1001172728 .. 1427, 1429	1001173546..... 315, 317	1001175698.....982	1001178170 814
1001172755 308, 312	1001173571..... 805, 807, 817, 819	1001175699.....974, 978, 982, 986	1001178213 777
1001172774 871	1001173618... 1239, 1259	1001175703.....993	1001178670 907
1001172822 67, 1371	1001173622..... 1239	1001175704..... 989, 993	1001178706 1499
1001172836 403, 431	1001173626..... 337, 341	1001175705..... 995	1001178729 727
1001172953 323	1001173702... 1049, 1051	1001175706..... 995	1001178783 1325
1001172954 405, 433	1001173739..... 145	1001175707..... 995	1001178791 355
1001172955 1501	1001173765.. 1243, 1245, 1247, 1269	1001175713... 1003, 1007	1001178826 867
1001172956 1501	1001173849..... 1315	1001175718..... 1011	1001178933 1313
1001172957 1505	1001173956... 1081, 1083	1001175733..... 1447	1001179008 759, 761, 763, 867
1001172958 1505	1001173957... 1081, 1083	1001175740..1065, 1067, 1071	1001179009 759, 761, 763, 867
1001172960 1507	1001173965..... 842, 846, 850, 854	1001175741... 1073, 1075	1001179080 827
1001172961 1507	1001174116..... 1341	1001175744... 1073, 1077	1001179081 827
1001172977 1501	1001174120..... 1341	1001175745... 1077, 1079	1001179130 827, 829
1001172978 1505	1001174122..... 1341	1001175776... 1331, 1447	1001179206 337, 341
1001172979 1507	1001174271..... 337, 359	1001175789.....935, 937, 943, 945, 1003	1001179297 1499
1001172994 145	1001174295..... 767, 781	1001175814..... 991, 995	1001179369 .. 1155, 1157
1001172995 143, 145	1001174320..... 755	1001175843..... 1059	1001179376 329
1001172996 145	1001174321..... 769, 771	1001175903..... 850, 854	1001179601 1185
1001172997 143, 145	1001174338..... 974, 978, 982, 986	1001175904..... 842, 846	1001179853 861
1001172999 143	1001174356..... 315, 317	1001175933.....927, 929, 931, 1001	1001179968 341, 363
1001173091 . 1259, 1263, 1397	1001174359..... 1333	1001175997.....974	1001179972 341
1001173092 . 1341, 1343, 1345, 1347, 1439	1001174368..... 1333	1001176004..... 1397	1001179973 363
1001173111 117, 121	1001174372... 1333, 1335	1001176043..... 974	1001180076 273, 287
1001173113 121	1001174426.. 1287, 1427	1001176050..... 974	1001180078 287
1001173114 117, 125	1001174478..... 67, 921	1001176121 787, 791	1001180226 363
1001173115 125	1001174712..... 1321	1001176124 974	1001180227 363
1001173116 125	1001174726..... 103	1001176139..... 974	1001180242 ... 273, 1285
1001173117 117, 129	1001174741..... 857	1001176145..... 989	1001180263 871, 875
1001173118 129	1001174795..... 357	1001176150..... 989	1001180306 974, 978, 982, 986
1001173257 875	1001174796... 1367, 1369	1001176164..... 835	1001180542 323, 325
1001173298 767	1001174800..... 857	1001176165..... 991	1001180553 323, 325
1001173411 1451	1001174801..... 857	1001176167 991	1001180682 1325
1001173419 743	1001174832..... 329	1001176169 991	1001180683 1325
1001173422 . 1510, 1518, 1526	1001174932... 1357, 1361	1001176183..... 53	1001181128 .. 1269, 1271
1001173429 1510	1001175057..... 974	1001176228..... 273	1001181411 765
1001173431 1518	1001175201..... 355	1001176272..... 751, 783	1001181531 .. 1315, 1317
1001173433 1526	1001175226..... 755	1001176273..... 751, 783	1001181537 67, 1534
1001173446 974, 978, 982, 986	1001175227..... 777	1001176317 857	1001181543 915
1001173450 978, 982, 986	1001175262... 1123, 1163	1001176333..... 1457	1001181573 .. 1323, 1461
1001173451 974, 978, 982, 986	1001175263..... 1159	1001176338..... 1325	1001181625 323, 325
1001173452 315, 317	1001175265.. 1389, 1393, 1413, 1417, 1421	1001176515..... 223	1001181815 341
1001173457 315, 317	1001175267.. 1380, 1384, 1390, 1394	1001176529..... 1035	1001181920 751, 783
1001173470 81, 1081	1001175269..... 283	1001176548..... 974	1001181921 751, 783
1001173471 83, 1083	1001175347..... 974, 978, 982, 986	1001176626..... 751, 783	1001181961 .. 1291, 1293
1001173495 1345	1001175368..... 57		1001182011 323, 325
	1001175470..... 791		1001182012 323, 325

PART NUMBER INDEX

1001182139.....751, 783	1001184714 . 1119, 1121, 1137	1001188372 . 1510, 1514, 1518, 1522, 1526, 1530, 1534, 1586, 1590	1001189793....89, 91, 93, 95, 1592
1001182279...1037, 1207	1001184801 781	1001188438 1001	1001189876... 1315, 1317
1001182328.....859	1001184835 . 1275, 1277, 1425	1001188439 1001	1001189888.. 1141, 1143, 1145
1001182506.....978, 982, 986	1001184841 1434	1001188555 1345	1001189980..... 825
1001182545.....1039	1001184975 850, 854	1001188556 1345	1001189995..... 927, 929, 931, 947, 949, 1009
1001182671917	1001185179 842, 846, 850, 854	1001188577 809, 811, 821, 823	1001189997.....1331
1001182903.....1055	1001185278 295	1001188578 809, 811, 821, 823	1001190179..... 1295
1001182908...1039, 1055	1001185357 989	1001188590 803, 814	1001190187..... 89
1001182910.....1055	1001185470 991	1001188592 821, 823	1001190322.. 1403, 1409, 1414, 1417, 1421
10011829111057	1001185497 291	1001188594 809, 811, 821, 823	1001190347..... 842, 846
1001183112...1341, 1345	1001185498 293	1001188602 809, 811, 821, 823	1001190413..... 842, 850
1001183177295	1001185505 291	1001188603 809, 811, 821, 823	1001190582..... 1402
10011832211429	1001185633 859	1001188604 809, 811, 821, 823	1001190585..... 1253
10011832431109	1001185722 1335	1001188610 809, 811, 821, 823	1001190589..... 842, 846, 850, 854
1001183759337	1001185823.. 1418, 1422	1001188612 809, 811, 821, 823	1001190670.. 1295, 1297, 1299, 1303
1001183827303	1001185824.. 1418, 1422	1001188618 809, 811, 821, 823	1001190671.. 1295, 1297, 1299, 1305
1001183829.....303	1001185844 859	1001188619 821, 823	1001190881.. 1065, 1067, 1071, 1073, 1075
1001183830.....295	1001185846 859	1001188637 1011	1001190921... 1403, 1408
1001183831.....297	1001186225 603, 605	1001188720 809, 811, 821, 823	1001190980..... 312
1001183835.....295, 297, 303	1001186342 308, 312	1001188725 809, 811, 821, 823	1001191091..... 781
1001183836.....337	1001186418 978, 982, 986	1001188728 821, 823	1001191168..... 359
1001183888.....1349	1001186565.. 1349, 1353	1001188729 809, 811, 821, 823	1001191229.. 1510, 1514, 1518, 1522, 1526, 1530, 1534, 1586, 1590
1001183890.....1349	1001186567.. 1349, 1353	1001188733 809, 811, 821, 823	1001191348..... 341
1001184017365	1001186603 1335	1001188737 1107	1001191486..... 1275
1001184056.. 1055, 1057, 1107	1001186705 365	1001188778 821, 823	1001191487... 1526, 1530
1001184076.....39	1001186843 974, 979, 982, 987	1001188787 1107	1001191503..... 1101
1001184205.....69	1001186859 81, 83	1001188817 821, 823	1001191505..... 1101
1001184275.....809, 811, 821, 823	1001186898 295, 297	1001188818 821, 823	1001191603..... 71
1001184278.....809, 811, 821, 823	1001186912 997, 1001	1001188871 974, 979, 982, 987	1001191617..... 842, 846, 850, 854
1001184280.....821, 823	1001187070 . 1402, 1403, 1408, 1409, 1413, 1417, 1418, 1421, 1422	10011889023 821, 823	1001191635..... 71
1001184294.....809, 811, 821, 823	1001187075.. 1379, 1384	1001189024 821, 823	1001192042..... 989, 991, 993, 995
1001184295.....809, 811, 821, 823	1001187076 . 1381, 1385, 1390, 1394	1001189025 809, 811, 821, 823	1001192098..... 979, 982, 987
1001184296.....809, 811, 821, 823	1001187077 1397	1001189046 1275	1001192142... 1269, 1271
1001184297809, 811, 821, 823	1001187078 . 1417, 1421, 1475, 1485, 1495	1001189048 821, 823	1001192302..... 1245
1001184306..... 825	1001187079 . 1379, 1380, 1384, 1385, 1403, 1409, 1414, 1417, 1421, 1495	1001189054 821, 823	1001192303..... 1247
1001184307..... 825	1001187080 . 1379, 1380, 1384, 1403, 1409, 1414	1001189054 821, 823	1001192304... 1245, 1265
1001184309..... 825	1001187081 .. 1475, 1485	1001189217 .. 1085, 1089	1001192305... 1247, 1267
1001184310..... 825	1001187335 737	1001189224 .. 1087, 1091	1001192309..... 767
1001184403..... 829	1001187532 1287	1001189299 .. 1089, 1091	1001192341... 1055, 1057
1001184404..... 829	1001187623 1257	1001189308 .. 1089, 1091	1001192393..... 1309
1001184405..... 829	1001187624 1257	1001189310 1093	1001192394..... 1311
1001184406..... 829	1001187785 97, 101	1001189311 1095	1001192435.. 1065, 1067, 1071, 1073, 1075
10011844141417	1001187850 1001	1001189492 89, 91	1001192463..... 863
1001184418997, 1001	1001187872 974	1001189603 1085	1001192464..... 863
1001184427821, 823	1001188048 737	1001189604 1089	1001192468... 1283, 1285
1001184439..... 767	1001188244 87	1001189605 1087	1001192471... 1283, 1285
1001184484..... 1107	1001188246 85	1001189606 1091	1001192643..... 773
10011844911425	1001188275 817, 819, 821	1001189607 1093	1001192644..... 775
1001184493..... 1425	1001188281 989, 991	1001189609 1095	1001192646..... 767
1001184494..... 1425	1001188303 814, 817, 819	1001189658 861	1001192711..... 257
1001184496..... 1425		1001189663 .. 1091, 1099	1001192720..... 257
1001184551 ... 1417, 1421		1001189714 87	1001192755..... 773
1001184632.. 1510, 1514, 1518, 1522, 1526, 1530, 1534, 1586, 1590			1001192766..... 767, 773
1001184640.. 1123, 1125, 1139			

PART NUMBER INDEX

1001192836	727	1001196806..	1510, 1526, 1534, 1586, 1590	1001200722.....	1579	1001204066	771
1001192875	257	1001196929.....	143	1001200989.....	93, 95	1001204086	39
1001192876	257	1001196931.....	143	1001201080.....	1455	1001204090	993
1001192877	257	1001197027.....	795, 797	1001201081.....	1433	1001204095 .	1295, 1297, 1301
1001193026	347, 349	1001197137.....	887, 891	1001201162.....	1337	1001204115	771
1001193171 .	1245, 1247, 1257	1001197138.....	889, 893	1001201331.....	869	1001204120	771
1001193210	777	1001197139.....	887, 889, 895	1001201646....	45, 47, 49, 51	1001204144	337, 339
1001193525	257	1001197151...	1101, 1103	1001201755.....	1111	1001204152	997, 999, 1001, 1003, 1005, 1007
1001193540	257	1001197182...	1089, 1097	1001201904.....	721, 723	1001204154	999, 1003
1001193577	143, 145	1001197209.....	1141	1001201905.....	721, 723	1001204225	889
1001193578	145	1001197210.....	1141	1001202132....	879, 1455	1001204351 .	1259, 1265, 1389
1001193579	145	1001197217.....	865	1001202133.....	879	1001204352 .	1261, 1263, 1267, 1393
1001193729	257	1001197218.....	865	1001202134.....	877	1001204378	1133
1001193771 ..	1009, 1011	1001197219.....	865	1001202138.....	877	1001204379	1127
1001193794	159	1001197259.....	865	1001202247.....	375	1001204380 .	1123, 1125, 1133
1001193993 ..	1269, 1271	1001197282.....	1319	1001202454.....	1317	1001204381 .	1119, 1121, 1127
1001194282	903, 907	1001197299.....	308, 312	1001202487.....	375	1001204444 ..	1351, 1355
1001194286	269, 271, 1283	1001197339.....	37	1001202491.....	375	1001204445 ..	1351, 1355
1001194534	297	1001197407..	1402, 1408, 1413, 1418, 1422	1001202498.....	1301	1001204486	39
1001194785	145	10011974791...	1119, 1149	1001202512.....	719, 739	1001204488 ...	45, 47, 49, 51
1001194787	145	1001197574...	1137, 1141	1001202513.....	719	1001204528	1351
1001194789	145	1001197576.....	1141	1001202519.....	1337	1001204530	1351
1001194978	65, 1592	1001197600.....	1187	1001202526.....	305	1001204598	743
1001194981 ..	1223, 1593	1001197695.....	1127	1001202617.....	1337	1001204709	867
1001195082	257	1001197699.....	1127	1001202620.....	1329	1001205172 ..	1404, 1409
1001195089 ..	1283, 1285	1001197700.....	1127	1001202621.....	1329	1001205254 ..	1255, 1257
1001195217	1011	1001197709.....	687, 689	1001202622.....	1329	1001205255	1257
1001195342	831	1001197715.....	685, 687	1001202626...	1514, 1530	1001205335	123
1001195343	831	1001197716.....	685, 689	1001202786.....	719, 739	1001205336	121
1001195345	831	1001197801..	1141, 1143, 1593	1001202847	974, 979, 982, 987	1001205402	753
1001195346	831	1001197918..	1127, 1129, 1593	1001202904.....	255	1001205532	771
1001195385	831	1001198291.....	685	1001202959.....	1001	1001205756	997, 999, 1001, 1003, 1005, 1007
1001195386	831	1001198321...	1269, 1271	1001202962.....	997, 999, 1001, 1005	1001205786	887
1001195423	1477	1001198355.....	257	1001202986 67,	308, 312, 1259, 1261, 1263, 1265, 1267, 1281	1001206019	285
1001195424	1449	1001198893.....	1369	1001203052...	1259, 1265	1001206332	349
1001195437	831	1001199099...	1269, 1271	1001203053...	1259, 1265	1001206368	1543
1001195438	831	1001199183.....	1307	1001203054.....	1551	1001206369	1545
1001195518	275	1001199640.....	917	1001203055.....	1561	1001206370 ..	1557, 1559
1001195610	1477	1001199670.....	359	1001203056.....	1537	1001206371 ..	1567, 1569
1001195781 ..	1402, 1409	1001199750.....	974, 979, 982, 987	1001203057.....	1541	1001206448	349
1001195782 ..	1402, 1409	1001199807.....	681, 683	1001203067...	1003, 1007	1001206588	308, 312
1001195849 ..	1510, 1514	1001199808.....	679, 681	1001203067...	1003, 1007	1001206746	49, 51
1001195851 ..	1526, 1530	1001199810.....	679, 683	1001203181....	375, 1491	1001206980	375
1001195855 .	1510, 1526, 1534, 1586, 1590	1001199915.....	769	1001203225.....	1317	1001207171 ..	1403, 1409
1001195878	749, 755	1001200080.....	991, 995	1001203250.....	974, 979, 982, 987	1001207217 ..	1510, 1514
1001195883	1369	1001200082...	1259, 1261, 1263, 1265, 1267	1001203502.....	974, 979, 982, 987	1001207218 ..	1518, 1522
1001195970	209	1001200101..	1510, 1514, 1518, 1522, 1526, 1530, 1534, 1586, 1590	1001203503.....	257	1001207282	351, 353
1001195972	737	1001200102..	1253, 1255, 1257	1001203557.....	1291	1001207283 ..	1067, 1071
1001196076	795	1001200151.....	679	1001203558.....	1291	1001207286	1071
1001196100 ..	1343, 1347	1001200152.....	1321	1001203640..	1351, 1355, 1363	1001207287	1361
1001196289 ..	1337, 1463	1001200206...	1475, 1485	1001203769.....	1291	1001207291J	67
1001196354	361	1001200239.....	287	1001203932.....	37	1001207292	67
1001196404	39	1001200538.....	1351	1001203933.....	37	1001207295	1067
1001196421	361	1001200539.....	1355	1001203934.....	37	1001207296	993
1001196422	39	1001200555.....	345	1001203954.....	1009	1001207343 ...	45, 47, 49, 51
1001196426J	39	1001200713.....	769	1001203963.....	1009	1001207557	351, 353
1001196440	312, 361	1001200721.....	1581	1001203967.....	1009	1001207606	231
1001196451 ..	1313, 1433			1001204032....	375, 1235	1001207688 ..	1071, 1079
1001196452 .	1333, 1335, 1441			1001204045.....	93, 95		
1001196491	365			1001204047.....	93, 95		
1001196608	1111			1001204060.....	1355		
1001196665	271, 279						

PART NUMBER INDEX

1001207758.....1033	1001214468..... 991, 995	1001221729..... 1408	1001226013..... 1549
1001208106.....735	1001214480..... 901, 903, 905, 907	1001221741 .. 1005, 1007	1001226035...1061, 1063
1001208186.....341	1001214481..... 901, 903, 905, 907	1001221742 .. 1005, 1007	1001226271.....947, 949, 997
1001208192.....883	1001214535..... 859	1001221744 .. 1005, 1007	1001226272..... 947
1001208308.....842, 846, 850, 854	1001214653..... 1181	1001221749..... 907	1001226273..... 949
1001208338..... 719	1001214654..... 1181	1001221941..... 1481	1001226328..... 1487
1001208643.....1592	1001215476..... 375	1001221994..... 903	1001226400.....1471
1001208644.....1592	1001215531..... 771	1001222088..... 997, 999, 1001, 1005	1001226575.....939, 941, 951, 953, 1007
1001208881.....974, 979, 983, 987	1001215630..... 1491	1001222090..... 997	1001226576..... 939
1001209387.....41, 43	1001215631..... 1491	1001222132..... 997	1001226577..... 951
1001209388.....39	1001215632..... 1491	1001222158..... 997	1001226636..... 1485
1001209463..... 881	1001215632..... 1491	1001222388..... 1473	1001226637..... 1485
1001209625...1526, 1530	1001215778..... 801	1001222609..... 923	1001226670...1121, 1151
1001209710.....997, 1001	1001215941..... 375	1001222650 . 1510, 1514, 1518, 1522, 1534, 1586, 1590	1001226709..... 1503
1001209899..... 751, 783	1001216522..... 1161	1001222715..... 1421	1001226710..... 1503
1001210340.....1091	1001217467..... 285	1001222741..... 771	1001226711..... 1503
1001210348.....1089	1001217623..... 1367	1001223265..... 846, 854	1001226793..... 1121
1001210390...1101, 1105	1001218255..... 244	1001223453 . 1510, 1514, 1526, 1530	1001226799...1481, 1483
1001210450.....1249	1001218341..... 55	1001224030..... 339	1001226812..... 1203
1001210450.....1249	1001218358..... 1495	1001224031..... 339	1001226849...1121, 1171
1001210707.....63	1001218487..... 55	1001225067 .. 1277, 1413	1001226876...1165, 1171
1001210775..1085, 1087, 1089, 1091	1001218524..... 1113	1001225126..... 339	1001226919..... 955
1001210782..... 735	1001218529..... 803, 814	1001225198..... 933	1001226920..... 955, 1005
1001210971.....1561	1001218542..... 803, 814	1001225200..... 933, 955, 978	1001227056.. 1065, 1069, 1075
1001211041.....883	1001218577..... 1161	1001225202..... 933, 999	1001227066.. 1471, 1487, 1489
1001211059.....1107	1001218659.. 1510, 1514	1001225230..... 271	1001227068..... 1471
1001211357.....1325	1001218704.. 1510, 1514	1001225231..... 271, 289	1001227077..... 375
1001211357.....1325	1001218781..... 1033	1001225232 ... 271, 1277	1001227137.. 1065, 1067, 1075
1001211428.....353	1001218996..... 803, 814, 1592	1001225259 .. 1473, 1475	1001227186..... 755
1001211429.....353	1001219076..... 846, 854	1001225271..... 399, 423	1001227187..... 777
1001211432.....61, 353	1001219082.... 375, 1473	1001225272..... 383, 399	1001227188..... 777
1001211435.....1551	1001219191... 997, 1005, 1007, 1113	1001225273..... 391, 411	1001227234..... 339
1001211516..... 161	1001219211 . 1518, 1522, 1526, 1530, 1534, 1586, 1590	1001225274..... 383, 391	1001227266..... 1471
1001211624.....1537	1001219212..... 1510	1001225275..... 383	1001227286..... 605
1001211693.....1313	1001219220..... 751, 783	1001225281..... 397, 421	1001227297.. 1481, 1483, 1485
1001211747.....353	1001219396..... 903	1001225282..... 381, 397	1001227339..... 1514
1001211775...1380, 1385	1001219864..... 846, 854	1001225283..... 389, 409	1001227340..... 1522
1001211907.....842, 846, 850, 854	1001219865..... 846, 854	1001225284..... 381, 389	1001227379..... 193
1001211913.....53, 55, 57	1001220540..... 733	1001225285..... 381	1001227385..... 937
1001211944.....1299	1001220553J..... 23	1001225313..... 339	1001227386..... 945
1001212011..... 781	1001220554J..... 27	1001225402..... 339	1001227387..... 941
1001212047.....759	1001220556J..... 31	1001225462 . 1061, 1065, 1075	1001227388..... 953
1001212048.....761	1001220557J..... 35	1001225464 . 1061, 1065, 1075	1001227497.....937, 941, 945, 953, 986
1001212049.....759	1001220760..... 603, 605	1001225467..... 979, 987	1001227528..... 1530
1001212050.....761	1001220817 .. 1343, 1347	1001225681..... 1061	1001227676..... 1125
1001212369.....833	1001220829..... 1347	1001225682..... 1075	1001227677...1125, 1165
1001212419...1563, 1565	1001220830..... 1343	1001225683..... 1065	1001227802..... 767
1001212420...1553, 1555	1001220947..... 1333	1001225748..... 933, 937, 941, 955, 963	1001227962..... 271, 605
1001212421.....1539	1001221052..... 807, 811	1001225749..... 945, 953, 967	1001227963..... 1255
1001212470...1315, 1317	1001221054..... 819, 823	1001225750..... 963, 967, 1015	1001227964..... 375
1001213065..... 67, 1181	1001221056..... 807, 819	1001225751 .. 1015, 1021	1001228073... 1139, 1147
1001213126J..... 39	1001221057..... 811, 823	1001225752 .. 1021, 1027	1001228074.. 1161, 1169, 1171
1001213199J.....699	1001221058..... 811, 823	1001225982..... 289	1001228089... 1137, 1143
1001213200J.....701	1001221059..... 803, 814	1001225986..... 1243	1001228095.. 1123, 1125, 1135
1001213210.....369	1001221295..... 803, 814	1001225987 .. 1243, 1261	1001228096.. 1119, 1121, 1129
1001213331.....771	1001221503..... 699	1001225995..... 1031	1001228118..... 1255
1001213791.....767	1001221504..... 701	1001226012..... 1547	1001228119..... 1255
1001213988...1313, 1469	1001221520... 997, 1005, 1007		
1001214092.....833	1001221527... 997, 1005, 1007		
1001214156.....857	1001221728.. 1261, 1384		
1001214220.....887, 889			
1001214326.....741, 743, 753			
1001214331.....741, 745			
1001214332.....743, 747			

PART NUMBER INDEX

1001228132 811, 823	1001233237..... 1489	1060626..... 1303, 1305	1319628 621, 623
1001228140 811, 823	1001233383..... 165	1062255.... 269, 271, 349,	1319629 621, 623
1001228141 811, 823	1001233384..... 169	1275, 1277, 1281,	1319630 621, 623
1001228147 811, 823	1001233385..... 173	1473, 1481, 1483	1319631 621, 623
1001228273 375	1001233978..... 1534	10700681..... 205	1319632 621, 623
1001228490 1255	1001233979..... 1590	10705034..... 181, 183	1319635 631
1001228516 339	1001234139..... 75	10713707..... 1249	1319636 621, 623, 631
1001228643 375	1001234253..... 75	10719267..... 293	1319638 621, 623
1001228872 305	1001234455..... 43	10725554.. 483, 501, 567,	1319647 665
1001228989 .. 1351, 1355	1001235100..... 353	585	1319648 665
1001229107 1487	1001235794.. 1534, 1586,	10731709... 617, 639, 643	1319683 639
1001229235 725	1590	10731744..... 619	1319684 639
1001229457 1479	1001235796.. 1534, 1586,	10731845... 625, 627, 631	1319685 639
1001229458 .. 1473, 1479	1590	10731959..... 665	1319686 639
1001229540 861	1001235797.. 1534, 1586,	10732071..... 639	1319687 639
1001229541 863	1590	10732072..... 639	1319688 639
1001229550 861	1001235798.. 1534, 1586,	10732095..... 637	1319689 639
1001229551 863	1590	10837923..... 1189	1319694 639
1001229575 .. 1510, 1514,	1001235799.. 1534, 1586,	10837928..... 1193, 1203	1319719 643
1518, 1522, 1526,	1590	10837929..... 1189, 1195,	1319726 647, 1592
1534, 1586, 1590	1001235800.. 1534, 1586,	1197, 1199, 1201, 1203	1320748 661, 663
1001229685 .. 1067, 1115	1590	10837937..... 1189, 1195,	1320754 661, 663
1001229707 1583	1001235801.. 1534, 1586,	1197, 1199, 1201, 1203	1321094 277, 279, 281
1001229955 1481	1590	1170021..... 153	1321329 1081, 1083
1001230163 781	1001235802.. 1534, 1586,	1170024..... 157	1321752 ... 989, 991, 993,
1001230239 265	1590	1170051..... 171	995
1001230241 265	1001235803.. 1534, 1586,	1170054..... 163	1322039 277, 279, 281
1001230310 1510	1590	1170057..... 171	1322040 277, 279, 281
1001230311 1526	1001235804.. 1534, 1586,	120034. 1313, 1323, 1327	1670836 989, 993
1001230402 1495	1590	1250808..... 427	1701509 253
1001230403 .. 1495, 1496	1001235805.. 1534, 1586,	1319229..... 611	1702631 1510, 1514,
1001230404 1496	1590	1319436..... 659	1518, 1522, 1526,
1001230599 1359	1001235806..... 1534	1319558..... 615	1530, 1534, 1586, 1590
1001230623 .. 1359, 1363	1001235807.. 1534, 1586,	1319563..... 615	1702773 247, 249, 251
1001230713J 725, 727	1590	1319571.... 617, 619, 635,	1704277 253
1001231065 1161	1001235808.. 1534, 1586,	649, 659	1704885 247, 249, 251
1001231244 727	1590	1319576..... 635	1706098 1518, 1522
1001231397 .. 1495, 1496	1001235809.. 1534, 1586,	1319590..... 617	1706281 1518, 1522
1001231398 .. 1495, 1496	1590	1319593.... 621, 623, 625,	1706282 1518, 1522
1001231400 .. 1495, 1496	1001235963..... 37, 43	627, 629, 631	1706284 1518, 1522
1001231401 .. 1495, 1496	1001236308..... 1586	1319594.... 621, 623, 625,	1706285 1518, 1522
1001231402 1496	1001236313.. 1586, 1590	627, 629, 631	1706288 1518, 1522
1001231404 1496	1001236542..... 739	1319595.... 621, 623, 625,	1706292 1518, 1522
1001231406 1496	1001237171..... 373	627, 631	1706296 1510, 1514
1001231407 375, 1493	1001237208..... 373, 1297	1319596.... 625, 627, 631	1706299 1510, 1514
1001231483 375, 1495	1001237209..... 1297	1319600.... 621, 623, 625,	1706300 1510, 1514
1001231692 265	1001237845..... 763	627, 629, 631	1706301 1510, 1514
1001231801 .. 1510, 1514	1001237846..... 1577	1319601.... 621, 623, 625,	1706302. 257, 1510, 1514
1001231874 974	1001237852..... 763	627, 629, 631	1706306 1510, 1514
1001232147 73	1001239194..... 1483	1319602.... 621, 623, 625,	1706768 1510, 1514
1001232290 929	1001239249..... 1483	627, 629, 631	1706850 1510, 1514
1001232294 .. 1063, 1067	1001239539..... 375	1319605.... 625, 627, 631	1706892 247
1001232295 .. 1063, 1067	1001241837..... 715, 717	1319607..... 625	1707078 1510, 1514
1001232296 1063	1001241838..... 707, 709	1319608..... 625, 635	2080040 253
1001232297 1067	1001241839..... 703, 707	1319614..... 627	2080057 1526, 1530
1001232299 73, 75	1001241840..... 705, 709	1319615.... 621, 623, 627,	2080078 765
1001232336 73, 75, 77	1001241841..... 711, 715	631	2080086 749, 755
1001232338 73	1001241842..... 713, 717	1319617 621, 623	2080087 749, 755
1001232355 201	1001241846..... 703	1319618 621, 623	2080092 787
1001232439 371, 373	1001241847..... 705	1319620 621, 623	2110404 1047, 1061
1001232440 371, 373	1001241848..... 711	1319621 621, 623	2110406 1025, 1027,
1001232500 265	1001241849..... 713	1319622 621, 623	1111
1001232556 371	1005182600..... 409, 463	1319623 621, 623	2110408 1023, 1045,
1001232588 77	1005183200..... 421, 547	1319624 621, 623	1047
1001232624 371, 373	1005198900..... 411, 479	1319625 621, 623	2110604 1063
1001232751 371, 1295	1005207700..... 423, 563	1319626 621, 623	
1001233236 1489	1060379 253	1319627 621, 623	

PART NUMBER INDEX

2110606.....163, 165, 167, 169, 171, 173, 185, 1027, 1033, 1045, 1111	2170306..... 1027, 1033, 1055, 1057	2940074 253	3423275.... 151, 153, 163, 165
2110610..... 1097, 1099	2170308..... 1009, 1011, 1113	3020043 1127, 1131, 1133, 1141, 1145, 1167	3423276.... 159, 161, 171, 173, 175
2110806..... 1025	2170316 321	31200160 247	3423307.... 163, 165, 167, 169, 171, 173
2110808.....67, 163, 165, 167, 169, 171, 173, 415, 417, 1035, 1045, 1053, 1113	2170706 991	31200386 251	3440620.....265
2110810..... 1067, 1071, 1097, 1099, 1111, 1139	2170708 1023, 1035	31200387 249	3520072.....253
2111008..... 1047, 1065, 1067, 1075, 1077, 1079	2170710 989, 991	31200388 249	3520186..... 71
2111010..... 1023, 1025, 1027, 1045, 1065, 1067, 1075, 1077, 1079, 1111	2170712 1035	3251813 1510, 1514, 1518, 1522, 1526, 1530, 1534, 1586, 1590	3575947.....283
2111210..... 1023	2170806... 415, 417, 427, 429	3290401 . 803, 814, 1277, 1281, 1329	3740080..... 375
2111212..... 1159, 1161, 1163, 1165, 1171	2170906 961, 963	3290405 773, 1107	3760170.....253
2111612..... 1023	2171210 1093, 1095	3290501 . 371, 373, 1313, 1323, 1327, 1331	3760348..... 887, 889
2111616..... 1025, 1027, 1223	2171308 1085, 1087, 1089, 1091, 1093, 1095	3290505 ... 143, 145, 375, 1473	3760463..... 105
2130404....901, 903, 905, 907, 1023, 1035, 1065, 1075	2171820 1035	3290601 ... 143, 145, 257, 308, 312, 345, 371, 373, 814, 857, 887, 889, 1043, 1107, 1259, 1261, 1263, 1265, 1267, 1269, 1271, 1277, 1281, 1313, 1333, 1335, 1349, 1351, 1353, 1361, 1363	3760491..... 103
2130406..... 1039, 1041, 1045	2172104 ... 974, 989, 997, 1001, 1023	3290605 41, 43, 113, 115, 842, 846, 850, 854, 1253, 1255, 1257	3760493... 103, 105, 1055, 1057
2130604..... 1061, 1063, 1065, 1067, 1075	2172106 ... 163, 165, 167, 169, 171, 173, 1027	3290607 1341, 1343, 1345, 1347	3790151..... 375
2130606....181, 183, 185, 1025, 1027, 1055, 1057	2172108 1023, 1085, 1087, 1093, 1095, 1097, 1099	3290801 ... 291, 293, 337, 349, 359, 767, 897, 997, 1005, 1007, 1249	3790152..... 375
2130608..... 181, 183	2172110 989, 991	3290805 895, 1017, 1051	3790228..... 978, 982, 986
2130806..... 1055, 1057, 1067	2172310 1093, 1095	3290806 765	3820020..... 253
2130808....901, 903, 905, 907, 1111	2180467 333	3291001 ... 295, 297, 315, 317, 337, 339, 341, 1253, 1269	3841203.... 163, 165, 167, 169, 171, 173
2130810.321, 1097, 1099	2200223 317, 343	3291005 141, 1039, 1041, 1055, 1057, 1085, 1087, 1089, 1091, 1253, 1257, 1259, 1261, 1263, 1265, 1267	3900379....45, 47, 49, 51, 861, 863
2131010..... 321	2200224 323, 325	3291201 73, 75, 85, 87	3968141.... 441, 467, 523, 551
2131210..603, 605, 1025, 1027	2220218 287	3291205 67, 121, 123, 125, 127, 891, 893, 1031	3984312..... 525
2131212..... 331, 1035	2220237 315, 317	3291605 ... 121, 123, 125, 127, 129, 131, 137	4000015..... 1107
2131616..... 321, 1111	2220239 1223	3292001 735	4010508002..... 846, 854
2144605.... 415, 417, 427, 429	2220240 1223	3300240 ... 151, 153, 155, 157, 159, 161, 163, 165, 167, 169, 171, 173	4010510..... 915
2150404..... 1037, 1097, 1099, 1103, 1105	2220242 321	3311405 77, 253	4010510002..... 842, 850
2150808 429, 1053, 1079, 1113	2220415 175	3311502 257	4010608002..... 767, 795, 842, 846, 850, 854, 857, 881
2150810..... 1137	2220473 175	3311505 795	4010610002..... 839, 842, 846, 850, 854, 857, 1107
2151210..... 1059, 1061, 1063, 1065, 1067, 1075	2220478 978, 982, 986	3311508 1303	4010612002..... 777
2151212..... 1059, 1061, 1063, 1065, 1067, 1075, 1077, 1079	2220609 175	3331615 275	4031205..... 1329
2160016....67, 85, 87, 89, 91, 121, 123, 125, 127, 137, 1039, 1041, 1055, 1057, 1141, 1143, 1145	2220628 175	3332011 81, 83, 733	4031607..... 1223, 1315, 1317
2170108..... 1045, 1047	2220810 287	3332411 81	4031608.... 371, 373, 842, 850, 1275
2170110..... 1023, 1025, 1027	2220883 1181, 1187	3340829 77	4031608001..... 846, 854
2170208....901, 903, 905, 907	2220885 1055, 1057	3391410 257	4031910..... 871, 875
2170212..... 331	2220886 1181, 1185	3421453 253	4031912..... 1051
2170216..... 321	2220887 1141, 1143, 1145	3423242 ... 155, 157, 167, 169	4031917..... 1159, 1161, 1163, 1165, 1171
	2221225 974		4031918..... 1089, 1091
	2221229 1023		4031920..... 1071, 1073, 1175
	2221231 1009, 1097		4031921..... 1065, 1067, 1075
	2221233 1023		4060918..... 974
	2340037 203		4060919.... 978, 982, 986, 997, 999, 1001, 1003, 1005, 1007
	2340038 189		4105262..... 141
	2340039 197		4109801..... 1510, 1514, 1518, 1522, 1526, 1530, 1534, 1586, 1590
	2340045 187		4110422.... 219, 221, 225, 227, 265
	2400060 1475, 1485		4110473..... 181, 183
	24921332.. 337, 339, 341		4240032..... 1481, 1483
	2600281 253		4240033..... 879
	2716143 239, 244		
	2717160 181, 183		
	2717161 181, 183		
	2717162 181, 183		
	2717283 181, 183		
	2717287 175		
	2915023 1229		
	2920206 1349, 1353		
	2920207 1341, 1343, 1345, 1347		
	2920208 1341, 1343, 1345, 1347		

PART NUMBER INDEX

4240099 . 997, 999, 1001, 1003, 1005, 1007, 1071, 1089, 1091, 1301, 1305	1390, 1394, 1397, 1435, 1457, 1475, 1495	4460950..... 1371, 1380, 1402, 1408, 1413, 1417, 1421	1351, 1353, 1355, 1361, 1363
4460225 1434, 1451	4460608 1402, 1403, 1408, 1409, 1413, 1414, 1418, 1422	4460955..... 1403, 1409, 1413, 1414, 1417, 1418, 1421	4811700001 846, 854
4460234 1481, 1483	4460670 1475, 1485	4460970..... 1371, 1380, 1390, 1394, 1402, 1408, 1413, 1417, 1421, 1437, 1439	4811702... 303, 345, 737, 787, 842, 850, 857, 887, 889, 901, 903, 905, 907, 1307, 1309, 1311
4460265 1434	4460705 1451	4460982..... 1397	4811702001 767, 777, 846, 854, 915
4460267 1434, 1451, 1452, 1457, 1469	4460742 1495	4460984..... 1403, 1409	4811900... 61, 69, 89, 91, 93, 95, 333, 337, 339, 345, 347, 349, 355, 359, 363, 725, 767, 769, 771, 785, 795, 814, 833, 859, 871, 873, 875, 887, 889, 897, 901, 903, 905, 907, 974, 978, 982, 986, 997, 1005, 1007, 1009, 1011, 1017, 1049, 1051, 1059, 1061, 1063, 1155, 1223, 1249, 1269, 1271, 1275, 1277, 1281, 1283, 1329, 1333, 1335, 1349, 1367, 1369
4460268 1434, 1451, 1452, 1457, 1469	4460746 1413	4460994..... 1452, 1455	4811902... 37, 39, 45, 47, 49, 51, 291, 293, 295, 335, 803, 814, 857, 859, 974, 978, 983, 986
4460321 1469, 1495	4460748 1404, 1409	4461005..... 1403, 1409, 1414, 1417, 1421	4812000... 37, 41, 43, 45, 47, 49, 51, 63, 71, 141, 283, 295, 297, 315, 317, 323, 325, 337, 339, 341, 363, 365, 603, 605, 727, 901, 903, 905, 907, 974, 978, 983, 986, 1019, 1021, 1039, 1041, 1055, 1057, 1085, 1087, 1089, 1091, 1107, 1249, 1253, 1259, 1261, 1263, 1265, 1267, 1269, 1271, 1275, 1277, 1341, 1343, 1345, 1347
4460343 1434, 1451, 1452, 1457	4460761 1469, 1495	4461006..... 1402, 1408	481200237, 39, 289, 295, 297, 315, 317
4460367 1452, 1457	4460789 1365, 1403, 1409	4461015..... 1381, 1385, 1461	4812100... 61, 63, 67, 85, 87, 121, 123, 125, 127, 135, 275, 285, 287, 891, 893, 1031, 1109, 1253, 1255, 1257
4460434 1434, 1457	4460809 1495	4461017..... 1429	4812102..... 61, 315, 317, 719, 739
4460458 1389, 1393, 1404, 1409, 1443, 1445, 1495	4460836 1379, 1380, 1384, 1385, 1451	4461018..... 1389, 1393	4812300... 121, 123, 125, 127, 129, 131, 275
4460464 1365, 1371, 1390, 1394, 1397, 1402, 1408, 1413, 1417, 1421, 1429, 1433, 1434, 1443, 1445, 1447, 1449, 1471, 1475, 1485, 1493, 1495	4460871 1441	4461054..... 1403, 1409, 1414, 1417, 1421, 1439	4812500.81, 83, 733, 735
4460465 1371, 1377, 1379, 1380, 1381, 1384, 1385, 1386, 1389, 1390, 1393, 1394, 1397, 1402, 1403, 1408, 1409, 1410, 1413, 1414, 1417, 1421, 1422, 1431, 1433, 1434, 1441, 1451, 1457, 1463, 1475, 1485, 1495	4460884 1389, 1393, 1397, 1433, 1452, 1455, 1463, 1495	4461070..... 1413	4812700 81
4460466 1371, 1379, 1380, 1381, 1384, 1385, 1389, 1390, 1393, 1394, 1397, 1402, 1403, 1404, 1408, 1409, 1413, 1417, 1418, 1421, 1422, 1429, 1431, 1433, 1434, 1435, 1437, 1439, 1441, 1443, 1445, 1449, 1455, 1457, 1461, 1463, 1475, 1485, 1495	4460891 1371, 1377, 1380, 1381, 1385, 1386, 1389, 1390, 1393, 1394, 1397, 1403, 1408, 1409, 1413, 1414, 1417, 1421, 1431, 1495	4461095..... 1403, 1408, 1413, 1418, 1422	4831400 803, 814
4460475 1495	4460894 1380, 1381, 1385, 1397, 1433, 1437	4461115..... 1443, 1445, 1452	4831600 . 371, 373, 1223, 1275
4460496 1313, 1323, 1404, 1409, 1417, 1421, 1433	4460897 1381, 1413, 1434, 1461	4461118..... 1365, 1389, 1393	4831700... 312, 361, 857, 1333, 1335
4460497 1313, 1323, 1404, 1409, 1417, 1421, 1433	4460899 1365, 1371, 1380, 1381	4461174..... 1367, 1369	
4460508 1402, 1408, 1413, 1417, 1421, 1429	4460905 1441	4461262..... 1390, 1394	
4460509 1379, 1381, 1384, 1385, 1389, 1393	4460906 1451	4469464..... 1404, 1409	
4460518 1475, 1495	4460930 1389, 1393, 1397, 1403, 1409, 1434, 1457	4520370..... 691	
4460536 1371	4460931 1429, 1449	4520482..... 693	
4460539 1371, 1379, 1381, 1384, 1385,	4460932 1433, 1443, 1445, 1447, 1449, 1452, 1493	4641501..... 185	
	4460933 1371, 1379, 1380, 1384, 1385, 1389, 1393, 1402, 1408, 1413, 1418, 1422, 1433, 1475, 1485	4641502..... 181, 183, 185	
	4460934 1402, 1408	4679000268..... 77	
	4460935 1402, 1408	4711400..... 253	
	4460941 1365, 1371, 1390, 1394, 1433, 1437, 1439, 1452, 1461	471678..... 869	
	4460942 1371, 1379, 1380, 1381, 1384, 1385, 1386, 1389, 1393, 1437, 1451, 1452, 1455, 1461	4740003..... 139	
	4460943 1418, 1422, 1429, 1433	4740274..... 315, 317	
	4460944 1379, 1384, 1390, 1394, 1397, 1403, 1408, 1413, 1418, 1433, 1435, 1441, 1457	4740532..... 969, 971	
	4460945 1475, 1495	4751400..... 77	
		4761800..... 978, 982, 986	
		4807718..... 835, 1593	
		4811400... 803, 814, 1277, 1281, 1329	
		4811600.... 143, 145, 371, 373, 375, 842, 846, 850, 854, 1275, 1331, 1473	
		4811602001..... 846, 854	
		4811700.... 41, 43, 45, 47, 49, 51, 81, 83, 113, 115, 143, 145, 257, 308, 312, 345, 359, 371, 373, 737, 749, 755, 767, 795, 814, 839, 842, 850, 857, 869, 881, 887, 889, 1029, 1031, 1043, 1249, 1253, 1255, 1257, 1269, 1271, 1275, 1277, 1281, 1285, 1313, 1333, 1335, 1341, 1343, 1345, 1347, 1349,	

PART NUMBER INDEX

4831900.....335, 803, 814, 887, 889	70021399..... 217	70022932 .. 234, 238, 244, 259	70023002.....239
4832000.....315, 317, 978, 983, 986	70021415..... 225, 227	70022933 238, 244	70023003... 234, 238, 245
4832100.....315, 317	70021440..... 223, 1231	70022934 .. 234, 239, 244	70023004... 234, 238, 261
4891800..... 163, 165, 167, 169, 171, 173	70021444..... 1231	70022935 .. 235, 239, 244	70023005... 235, 240, 261
4892600.....411, 413, 423, 425	70021446..... 1231	70022936 .. 234, 239, 244	70023006... 235, 240, 261
5220600..... 1353, 1355	70021447 1231	70022937 .. 235, 239, 244	70023007... 235, 240, 261
5220800..... 1291, 1293, 1303	70021448 1231	70022938 239, 244	70023008.. 234, 238, 245, 261
5241600.....1101	70021451 1231	70022939 .. 235, 239, 244	70023009... 234, 238, 245
5242400 257, 1039, 1041, 1055, 1057	70021452 1231	70022940 239, 244	70023010... 234, 238, 259
5250608.....831	70021464 1231	70022941 239, 244	70023011.....240
5250814.....47, 51	70021465 1231	70022942 .. 235, 239, 244	70023013.....240
5271609.....1331	70021466 1231	70022943 239, 244	70023014... 234, 238, 245
5272011..... 1131, 1133, 1135	70021526 635	70022944 239, 244	70023015.....235, 240
6604662..... 175	70021531 1221	70022945 239, 244	70023016.. 234, 238, 239, 244, 245
70000656.....639	70021606..... 573, 581	70022946 .. 235, 239, 244	70023086.....1173
70002219.....1183	70021607 581	70022947 239, 244	70023327.....1219
70002224.....1183	70021609 581	70022948 239, 244	70023369..... 1153, 1179, 1181
70002386..... 1185, 1215	70021610 581	70022949 .. 235, 239, 244	70023370.....1153
70002963.....1225	70021611 581	70022950 .. 235, 239, 244	70023372.....1153
70002975.....1225	70021612 581	70022951 239, 244	70023379..... 1153, 1179, 1181
70002976.....1225	70021613 .. 527, 557, 573, 581	70022952 235	70023404..... 617, 659
70003788..... 1185, 1187	70021614 505, 589	70022957 .. 234, 238, 245	70023469.. 483, 501, 567, 585
70003849.....1183	70021867 1207	70022958 239	70023474.....657
70004654.....1219	70021920 619	70022959 240	70023475.....659
70005075.....1185	70021921 225, 227	70022960 .. 234, 238, 245	70023476.....659
70020428.....1229	70021935 225, 227	70022961 240	70023489.....567, 593
70020438..... 1149, 1151, 1157, 1177	70021977 225, 227	70022962 239	70023490.. 483, 509, 567, 593
70020476.....1177	70021978 225, 227	70022963 240	70023491.....509, 593
70020555.....229, 231	70021979 225, 227	70022964 240	70023493.....567, 593
70020562.....217	70021980 217	70022965 239	70023494..... 483, 567
70020764.....1221	70021981 217	70022966 239, 244	70023496.....509
70020796..... 1349, 1353	70021982 217	70022967 239	70023502.....655
70020867..... 1213, 1219	70022008 1203	70022968 240	70023736... 277, 279, 281
70020868.....1219	70022010 1197, 1199, 1203	70022969 .. 234, 238, 245	70023800.....659
70021140...523, 533, 551	70022012 1193, 1195, 1197, 1199, 1201, 1203	70022970 .. 234, 238, 245	70023801.....659
70021177..499, 503, 583, 587	70022013 1195, 1197, 1199, 1201, 1203	70022971 239, 244	70023885..... 619, 651
70021208..... 1217, 1219	70022014 1189, 1195, 1197, 1199, 1201, 1203	70022972 239, 244	70023900.. 443, 459, 525, 537, 541
70021209..... 1217, 1219	70022028 225, 227	70022973 239, 244	70023925.. 235, 240, 245, 263
70021213.....1219	70022044 1229	70022974 239, 244	70023933.....277, 279
70021227.....629	70022045 1229	70022975 239, 244	70024004..... 483, 509
70021228.....629	70022046 1229	70022976 239, 244	70024005..... 501, 509
70021268.....629	70022075 .. 621, 623, 625, 627, 629, 631	70022977 239, 244	70024016... 277, 279, 281
70021269.....629	70022140 .. 483, 501, 567, 585	70022978 239, 244	70024020..... 1183
70021342..... 217, 227	70022147 1219	70022979 239, 244	70024059.....225, 227
70021349..... 225, 227	70022527 .. 217, 225, 227	70022980 .. 235, 239, 244	70024060.....227
70021358.....217	70022528 225, 227	70022981 240	70024061.....227
70021359.....217	70022529 225, 227	70022982 239, 244	70024062.....223
70021360.....217	70022564 1153, 1179, 1181	70022983 240	70024123.....177
70021361.....217	70022634 .. 277, 279, 281	70022984 .. 234, 238, 245	70024146.. 486, 503, 513, 569, 587, 601
70021362.....217	70022741 1403	70022985 .. 234, 238, 245	70024147.. 485, 511, 513, 569, 595, 601
70021364.....217	70022765 1315, 1317, 1593	70022986 240	70024186.....1207
70021365.....217	70022773 491, 575	70022987 .. 234, 238, 245	70024188.....1207
70021366.....217	70022797 .. 441, 467, 523, 551	70022988 239, 244	70024189.....1207
70021367.....217	70022798 525, 553	70022989 240	70024202.....1203
70021387.....217, 225	70022799 525, 553	70022990 .. 235, 239, 244	70024210.. 445, 473, 489, 497, 527, 557, 573, 581
70021391.....217	70022814 569, 587	70022991 239	
70021392.....217	70022931 .. 234, 238, 259	70022992 .. 234, 238, 245	
70021393.....217, 1231		70022993 .. 234, 238, 245	
		70022994 .. 234, 238, 245	
		70022995 .. 234, 238, 245	
		70022996 240	
		70022997 177, 239	
		70022998 .. 235, 239, 244	
		70022999 239, 244	
		70023000 .. 239, 240, 244	
		70023001 239, 244	

PART NUMBER INDEX

70024213 . 445, 473, 489, 497	70025821 543, 557	70026239..485, 503, 569, 587	70026372..... 1193
70024215 489, 497	70025822 543, 557	70026240..486, 503, 569, 587	70026373..... 1193, 1195, 1197, 1199, 1201, 1203
70024216 573, 581	70025823 .. 445, 473, 557	70026241...277, 279, 281	70026374..... 1193, 1203
70024262 1183	70025841 527, 543	70026242.....1592	70026375..... 1191, 1203
70024306 207	70025844 923	70026244.....367, 369	70026376..... 1193, 1203
70024307 207	70025850 301, 1592	70026245.....367, 369	70026377 1195, 1197, 1199, 1201, 1203
70024407 1207	70025851 301, 1592	70026246.....367	70026378 1195, 1197, 1199, 1201, 1203
70024408 1207	70025852 299, 1592	70026247.....367, 369	70026379..... 1193
70024414 1207	70025853 299, 1592	70026248.....367, 369	70026380 1195, 1197, 1199, 1201, 1203
70024415 1207	70025855 . 485, 503, 569, 587	70026249.....1157, 1177	70026381 1195, 1197, 1199, 1201, 1203
70024416 1207	70025856 483, 509	70026250.....1177	70026382 1193
70024519 521, 549	70025859 891, 893	70026251.....1157	70026383 1195, 1197, 1199, 1201, 1203
70024522 . 441, 467, 523, 551	70025860 891, 893	70026252.....1177	70026384 1191, 1193
70024535 177	70025884 . 461, 493, 545, 561, 577	70026253.....1157, 1177, 1593	70026385 1191, 1195
70024536 177	70025887 . 483, 501, 567, 585	70026257.....923	70026386 1191, 1197
70024537 177	70025897 1207	70026258.....923	70026387 1191, 1199, 1203
70024538 177	70025959 1183	70026261.....1177	70026388 1191, 1201
70024539 177, 1233	70025970 489, 497	70026262...445, 473, 489	70026389 1191, 1203
70024540 177	70025972 . 503, 511, 587, 595	70026263.....489	70026393..... 299
70024541 177	70025980 569, 587	70026264.....489	70026394..... 299
70024542 177	70025981 473	70026266 . 493, 507, 517, 577, 591, 599	70026395 301
70024543 177	70025982 1201	70026269.....1465	70026396 301
70024544 177	70025982 1201	70026293.....1467	70026401 1209, 1211
70024545 177	70026002 485, 569	70026294.....1251	70026432 893
70024546 177	70026003 585, 593	70026295.....1251	70026433 891, 893
70024547 1233	70026031 441, 523	70026296.....1251	70026435 1157
70024548 1233	70026056 1183	70026297.....1251	70026436 1149, 1157
70024549 1233	70026057 1183	70026299.....1179	70026438 501, 585
70024550 177	70026058 1183	70026300.....1179, 1181	70026439 501, 585
70024551 177	70026059 1183	70026301.....1179, 1181	70026440 1185, 1187
70024552 177	70026060 1183	70026302.....1153, 1179, 1181	70026441 1185
70024553 177	70026061 1183	70026303.....1153, 1179, 1181	70026442 1185, 1187
70024554 177	70026062 1183, 1593	70026304.....1179, 1181	70026443 1185, 1187
70024555 177	70026082 319	70026305.....1179, 1181	70026444 1185, 1187
70024848 489, 497	70026211 1227	70026306.....1179	70026445 1185, 1187
70024849 489, 497	70026212 1227	70026307.....1179	70026446 1185, 1187
70024850 485, 503	70026213 1227	70026308.....1179, 1181	70026447 1185
70024851 485, 503	70026214 1227	70026309.....1179, 1181, 1593	70026453 277, 279, 1592
70024872 439, 465	70026215 1227	70026310.....1225	70026456 1173
70024881 . 469, 477, 485, 493, 553, 561, 569, 577	70026217 1402	70026311.....1225	70026457 1173
70024895 645	70026220 277, 279	70026312.....1225	70026458 1173
70025011 443, 469	70026221 279	70026313.....1225	70026459 1173
70025012 443, 469	70026222 279, 281	70026314.....1225	70026460 1173
70025014 443, 469	70026223 277	70026315.....1185, 1225	70026461 1173
70025335 . 481, 499, 565, 583	70026224 .. 277, 279, 281	70026333.....1225	70026462 1173, 1593
70025337 567, 593	70026225 .. 277, 279, 281	70026334.....1225	70026493 1205
70025338 567, 593	70026226 .. 277, 279, 281	70026336.....1153	70026507 1205
70025339 . 483, 509, 567, 593	70026227 1592	70026353.....319	70026508 1205
70025353 244	70026228 .. 277, 279, 281	70026354.....319	70026509 1205
70025555 467, 551	70026229 . 277, 279, 281, 1592	70026355.....319	70026511 1205
70025556 467, 551	70026230 .. 277, 279, 281	70026356.....319	70026512 1205
70025561 . 469, 485, 503, 553, 569, 587	70026231 .. 277, 279, 281	70026357.....319	70026513 1205
70025562 . 443, 469, 483, 485, 525, 551, 553, 567, 569	70026232 .. 277, 279, 281	70026358.....319	70026515 615
70025569 533, 551	70026233 . 277, 279, 281, 1592	70026359.....319	70026516 . 615, 617, 619, 651
70025570 533, 551	70026234 279, 281, 1592	70026360.....319	70026517 .. 617, 639, 643
70025606 1183	70026235 .. 277, 279, 281	70026368.....1193	70026518 617
70025614 1173	70026236 277	70026369.....1195, 1197, 1199, 1201, 1203	70026519 619
70025816 899	70026237 . 277, 279, 281, 1592	70026370.....1193, 1203	70026520 619
70025817 899	70026238 . 443, 469, 485, 503, 525, 553, 569, 587	70026371 1193	70026521 619

PART NUMBER INDEX

70026527..621, 623, 625, 627, 629, 631	70026644 1189	70027105 483, 567	70029039..... 1169
70026528..621, 623, 625, 627, 629, 631	70026645 1189	70027114 470, 554	70029040..... 1169
70026529..621, 623, 625, 627, 629, 631	70026646 1189	70027130 1203	70029041..... 1169
70026530..... 625	70026647 1189	70027281 279, 281	70029042..... 1143
70026531..... 627	70026648 1189	70027315 469, 553	70029043..... 1143
70026532..... 629	70026649 1189	70027317 . 473, 489, 557, 573	70029044..... 1143
70026535..... 631	70026650 1189	70027705 369	70041616... 277, 279, 281
70026536... 633, 657, 659	70026651 1189	70027706 369	70041619... 277, 279, 281
70026537..... 891	70026652 1189	70027758 1181	70041620... 277, 279, 281
70026538..... 637	70026653 1189	70027772 557	70050472..... 1193, 1203
70026539..... 637	70026654 1189	70027796 489	70050481..... 1191, 1203
70026540..... 1153	70026655 1189	70027951 245	70050504..... 1203
70026541..... 1153	70026656 1189	70028281 1069, 1115	70050507..... 1193, 1195, 1197, 1199, 1201, 1203
70026542..... 1153	70026657 1189	70028387 . 465, 469, 485, 549, 553, 569	70050508..... 1193, 1195, 1197, 1199, 1201, 1203
70026543..... 1153	70026658 1189	70028388 . 481, 485, 565, 569	7010543..... 1215, 1225
70026544..... 637, 639	70026659 1189	70028389 . 481, 485, 565, 569	7012510..... 1185, 1187
70026545..... 1153	70026660 1189	70028390 483	7012941..... 1215, 1225
70026546..... 639	70026661 1189	70028391 483	7012953..... 1225
70026547..... 639	70026662 1189	70028392 . 469, 486, 553, 570	7012967..... 1215
70026548..... 639	70026663 1189	70028398 567	7017406..... 1185, 1225
70026549..... 639	70026664 1189	70028399 567	7017410..... 1215, 1225
70026550..... 1153, 1593	70026665 1189	70028450 277, 279	7021653..... 1225
70026554..... 639	70026666 1189	70028451 1187	7022390..... 1069, 1115
70026555..... 639	70026667 1189	70028453 1069, 1115	7022399..... 1185, 1187
70026556..... 639	70026668 1189	70028464 481, 565	7024574..... 1229
70026559..... 653	70026669 1189	70028465 491, 575	7024808..... 1185, 1187
70026561..... 639	70026670 1189	70028466 491, 575	7024844..... 1185
70026566..... 1205	70026671 1189	70028467 491, 575	7024939..... 1207
70026567..... 1205	70026672 1189	70028468 . 475, 491, 559, 575	7024943..... 1207
70026568..... 1219	70026673 1189	70028469 . 465, 469, 549, 553	7024944..... 1207
70026569..... 1219	70026674 1189	70028470 551	7024953..... 1207
70026570..... 1219	70026675 1189	70028471 467, 551	7024954..... 1207
70026571..... 1219	70026676 1189	70028472 551	7026490.... 491, 505, 575, 589
70026572..... 1207	70026677 1189	70028473 469, 553	7026577..... 659
70026582..... 1213	70026678 1189	70028474 469, 553	7026578..... 659
70026583..... 1207	70026679 1189	70028475 475, 559	7026731.... 485, 511, 515, 569, 595, 597
70026584..... 357, 1592	70026680 281	70028476 475, 559	7026744..... 611
70026622.. 443, 469, 525, 553	70026681 281	70028477 475, 559	7026745..... 611
70026623..... 445, 473	70026682 223	70028478 1203	7026746..... 613
70026624.. 443, 469, 525, 553	70026683 223	70028479 1203	7026747..... 615
70026625.. 443, 457, 470, 525, 539, 553	70026684 223	70028480 1203	7026748..... 615
70026626.. 443, 470, 525, 553	70026685 1217	70028481 1203	7026749..... 615
70026627.. 443, 470, 525, 553	70026686 1217	70028482 1203	7026750..... 617
70026630.. 449, 461, 477, 531, 545, 561	70026687 225	70028483 1203	7026751..... 617
70026631.. 441, 467, 523, 551	70026688 223	70028484 1203	7026752..... 617
70026632..... 585	70026689 223	70028514 1235	7026753..... 619
70026633..... 501	70027009 225	70028515 1235	7026754..... 619
70026634..... 523	70027022 489, 573	70028516 1235	7026755..... 619
70026636..... 1149	70027024 797	70028517 1235	7026756..... 619
70026637..... 1149, 1151	70027025 797	70028546 1365	7026757..... 621
70026638..... 1149, 1151	70027026 797	70028643 1151	7026758.... 621, 623, 625, 627, 629, 631
70026639..... 1149, 1151, 1593	70027028 797	70028644 1151	7026759.... 621, 623, 625, 627, 629, 631
70026640..... 1189	70027030 797	70028645 1151	7026760.... 621, 623, 625, 627, 629, 631
70026641..... 1189	70027032 797	70028646 1151	7026761.... 621, 623, 625, 627, 629, 631
70026642..... 1189	70027033 797	70028776 1135	7026762..... 623
70026643..... 1189	70027034 797	70028777 1135	7026765..... 629
	70027035 797	70028778 1135	7026766..... 629
	70027092 489	70028990 1129	
	70027098 1203	70028991 1129	
		70028992 1129	

PART NUMBER INDEX

7026769 ... 629, 635, 661, 663	7029692 217, 227	80204048..483, 501, 567, 585	80604023..... 1380, 1381, 1433
7026771 635	7029714 217	80204060..445, 473, 489, 497	80604025..... 1397, 1403, 1434, 1457
7026772 635	7029733 ... 485, 503, 515, 569, 587, 597	80204065..443, 469, 485, 503, 525, 553, 569, 587	806253 725
7026773 635	7029734 ... 489, 497, 573, 581	80204071..443, 469, 485, 503, 553, 569, 587	806264 725
7026774 635	7029735 ... 489, 497, 573, 581	80204076..485, 503, 569, 587	80634004 1207
7026775 635	7029737 ... 443, 469, 525, 553	80204108..445, 473, 489, 497	8065062 175
7026776 637	7029785 573	80204117.. 443, 445, 461, 469, 473, 477, 489,	80933113 969, 971
7026780 637	7029786 527, 557	80204177.. 443, 445, 461, 493, 497, 517, 525,	80933367 291, 293
7026781 637	7029787 489	80204143..491, 505, 575, 589	80963067 1404, 1409
7026782 641	7029788 445, 473	80204144.. 491, 505, 575, 589	80983191 1404, 1409, 1459, 1465, 1467
7026783 641	7029789 497	80204281..445, 473, 489, 497, 527, 557, 573, 581	82033995 305, 345
7026784 641	7029849 ... 621, 623, 625, 627, 629, 631	80233218 997, 999, 1001, 1003, 1005, 1007	8205655 1229
7026787 639	7029850 ... 621, 623, 625, 627, 629, 631	80304227 629	8220035 1493
7026788 639	7029852 ... 621, 623, 625, 627, 629, 631	80304394...619, 635, 643	8220051 1380, 1385, 1433, 1451, 1452
7026789 639	7029972 619	80304405 615	8220097 1404, 1409
7026791 643	7029973 617	80334277 1207	8220098 1403, 1408
7026792 619, 643	7062922 175	8033786 1229	8220108 1403, 1410, 1493
7026793 643	7110702 175	8034697 1193, 1195, 1197, 1199, 1201, 1203	8220116 1381, 1386
7026794 619, 643	7110712 175	8035346 1189	8220124 1402, 1408, 1413, 1418, 1422
7026798 797	7110722 175	8035348 1189	8220525 1389, 1393
7027254 649	7114032 107	8035373 1189	8229234 1496
7027255 649	7117502 107	8035382 1189, 1203	8229235 1495
7027267 629	7138978 109	8035536 1229	8229242 1404, 1409, 1465, 1467, 1475, 1485
7027269 661	7138979 109	8035831 240	8229244 1251, 1404, 1409, 1459
7027270 661	7138986 89, 91, 109	8035862 1229	8229245 1251, 1465
7027271 663	7139918 181, 183	8035863 1229	8229247 1251, 1467
7027272 663	7150580 433	8036190 625, 627	8229261 1495
7027273 665	7300435 275	80363179.....1371, 1390, 1394, 1397, 1402, 1437, 1439	8275212 337, 341
7028710 441, 451, 467	7301295 179, 181	80363195.....785	8278020 315, 317
7028714 ... 443, 469, 485, 503, 525, 553, 569, 587	7301408 179, 191	8036528 637, 639	8303634 175, 181, 183
7028715 ... 443, 469, 485, 503, 525, 553, 569, 587	7301568 179, 183	8036529 637	8303658 181, 183
7028716 ... 443, 469, 485, 503, 525, 553, 569, 587	77133137 1055, 1057, 1081, 1083	8036847 617, 619	8303715 175
7028721 ... 443, 469, 525, 553	77133139 1081, 1083	8037088 1189	8305624 181, 183
7028733 ... 443, 470, 486, 503, 525, 553, 569, 587	77133140 1081, 1083	8037130 1191	8305643 175, 181, 183
7028734 445, 473	77133168 .989, 991, 993, 995	8037140 1227	8305919 ... 303, 787, 842, 846, 850, 854, 857, 1309, 1311
7028735 445, 473	77363244 1371, 1379, 1381, 1397, 1435, 1457	80484081 1413	8310160 175
7029127 ... 491, 505, 575, 589	8000759 765	80604015 1402, 1417	8310161 175
7029129 451, 467	8000803 767	80604016 1371, 1379, 1380, 1389, 1393, 1402, 1418, 1433, 1451	8310302 181, 183
7029131 ... 451, 467, 533, 551	8004398 765	80604017 1434, 1461	8310435 181, 183
7029267 637, 639	8007749 441	80604018 1371, 1377, 1380, 1381, 1389, 1390, 1393, 1394, 1397, 1403, 1417, 1431	8310559 781
7029286 ... 455, 469, 537, 553	8007751 451, 467	80604020 1433, 1445, 1449	8310620 .53, 55, 57, 407, 409, 419, 421
7029288 ... 481, 499, 565, 583	8007755 451, 467	80604021 1389, 1393, 1397, 1433, 1452, 1455, 1463	8310686 ... 974, 978, 982, 986, 1329
7029290 ... 493, 517, 577, 599	8008175 499, 583	80604022 1371, 1449	8380008 225
7029298 497	80204002 .481, 499, 565, 583		8405006 ... 974, 978, 982, 986, 997, 999, 1001, 1003, 1005, 1007
7029300 503, 587	80204005 .439, 453, 465, 469, 481, 485, 499, 503, 521, 535, 549, 553, 565, 569, 583, 587		8405007 ... 323, 603, 605, 974, 978, 982, 986
7029307 499, 583	80204012 .443, 470, 486, 503, 554, 569		8405009 ... 323, 325, 355, 887, 889
7029309 485, 503	80204033 .483, 501, 567, 585		8405101 323, 325
7029431 ... 443, 455, 469, 525, 537, 553	80204035 .483, 501, 567, 585		8405201 ... 323, 325, 850, 854
7029486 839, 1499	80204043 .483, 501, 567, 585		
7029520 229			
7029521 229			
7029528 ... 447, 475, 529, 559			
7029529 ... 447, 475, 529, 559			

PART NUMBER INDEX

8405202.....323, 325	8881802..... 361	91474533 . 441, 467, 523, 551	91514101.. 481, 499, 565, 583
8405209.....974, 978, 982, 986	8887145..... 1141, 1143, 1145	91474539 . 441, 467, 523, 551	91514111.. 443, 469, 485, 525, 553, 569, 587
8405212..... 327, 329, 375	90200003 . 151, 153, 155, 157, 159, 161, 163, 165, 167, 169, 171, 173, 175, 181, 183	91474547 .. 441, 467, 523	91514112.. 443, 469, 485, 503, 525, 553, 569, 587
8405305..... 327, 329, 375	90206195..... 337	91474549 451, 467	91514113..... 443, 525
8405402.....297	90451058..... 181, 183	91474550 . 451, 467, 533, 551	91514114..... 443, 525
8406102.....365	90554016 . 217, 223, 225, 227, 231	91474551 . 451, 467, 533, 551	91514115..... 443, 525
8406105.....1253	90554017 217	91474553 . 451, 467, 533, 551	91514117.. 443, 469, 485, 503, 553, 569, 587
8406112.....308, 312	90554018 217	91474559 445, 473	91514118..... 719, 739
8406201345, 1259, 1261, 1263, 1265, 1267, 1275, 1277, 1281	90554020 225, 227	91474560 445, 473	91514123.. 441, 467, 501, 503, 523, 585, 587
8410007291	90554033 223	91474561 445, 473	91514130.. 483, 501, 567, 585
8410009.....305, 345, 803, 814, 978, 982, 986, 997, 1001	90554034 223	91474564 445, 473	91514131.. 483, 501, 567, 585
8410011.....291, 293	90554042 225, 227	91474565 445, 473	91514133.. 483, 501, 567, 585
8410013.....305, 323, 325	90554045 1231	91474568 . 445, 473, 527, 557	91514134.. 441, 467, 483, 501, 523, 551, 567, 585
8410019.....323	90554054 225, 227	91474569 527	91514143..... 483, 509
8420053.... 163, 165, 167, 169, 171, 173, 175, 177, 181, 183, 225, 244, 1093, 1095	90554062 217, 227	91474570 445, 473	91514146.. 453, 469, 485, 503, 525, 535, 553, 569, 587
8420055.... 163, 165, 167, 169, 171, 173, 175, 177, 181, 183, 225, 244	90554065 217	91474571 445	91514147.. 453, 469, 485, 503, 535, 553, 569, 587
84242171037	90554076 217, 227	91474572 445	91514148.. 453, 469, 485, 503, 535, 553, 569, 587
8424233.....978, 982, 986	90554080 229	91474573 445	91514149.. 443, 453, 469, 485, 553, 569, 587
8430032..... 1023, 1035, 1055, 1057, 1111	91013191 1390, 1394	91474576 . 443, 469, 525, 553	91514151..... 489, 497
8430033..... 1035, 1111	91013192..... 1380, 1381, 1385, 1386	91474579 . 457, 469, 539, 553	91514152..... 497
8430034.....287	91043125235, 239, 1085, 1087, 1089, 1091	91474580 . 457, 469, 539, 553	91514153..... 497
8430082.....1023	91043126235, 239, 1085, 1087, 1089, 1091	91474583 443, 525	91514154.. 445, 473, 489, 497, 527, 557, 573, 581
8466306.....793	91053419 375	91474584 . 443, 469, 525, 553	91514156..... 497
8526203.....709, 717	91083106 .. 978, 983, 986	91474585 . 455, 469, 537, 553	91514157..... 497
8530030.....978, 982, 986	91355037 693	91474586 .. 455, 459, 541	91514158..... 497
8546407.....978, 982, 986	91355038 693	91474587 . 455, 459, 537, 541	91514159.. 445, 473, 489, 497, 527, 557, 573, 581
8580315.....175	91403193 . 379, 381, 383, 385	91474591 . 441, 467, 523, 551	91514161..... 497, 581
8584001.....175	91403413 . 163, 165, 167, 169, 171, 173, 175, 177, 181, 183, 225, 235, 239, 244, 1085, 1087, 1089, 1091	91474592 467	91514165.. 445, 497, 543, 581
8584003.....1337	91403414 . 163, 165, 167, 169, 171, 173, 175, 177, 181, 183, 225, 235, 239, 244, 1085, 1087, 1089, 1091	91474593 533, 551	91514167..... 497
8630003..... 181, 183	91403448 265	91474595 533, 551	91514174.. 485, 503, 569, 587
8630005.....993	91413025 291, 293	91475054 691	91514175.. 485, 511, 513, 569, 595, 601
8642207.....175	91473151 431	91475055 691	91514177.. 485, 511, 513, 569, 595, 601
86683122.....371, 373	91473206 . 681, 683, 687, 689	91504107 1397, 1437	91514178.. 485, 503, 569, 595
86683211.....337, 339	91474507 . 439, 443, 465, 469, 521, 549	91513266 719, 739	91514179.. 485, 503, 569, 587
86883127.....337	91474512 . 439, 465, 499, 521, 549, 583	91514081 . 443, 469, 485, 503, 525, 553, 569, 587	91514180.. 485, 503, 569, 587
8750016..... 1055, 1057	91474513 . 439, 443, 521, 525	91514082 . 443, 469, 485, 503, 525, 553, 569, 587	91514181.. 443, 469, 485, 503, 525, 553, 569, 587
8750029.....978, 982, 986	91474515 . 461, 477, 545, 561	91514083 . 443, 469, 485, 503	91514183.. 443, 469, 485, 503, 525, 553, 569, 587
8750030.....974, 978, 982, 986	91474516 . 461, 477, 545, 561	91514084 . 443, 469, 485, 503	91514184.. 485, 511, 515, 569, 595, 597
8769132.....175	91474522 . 447, 475, 529, 559	91514087 . 499, 503, 583, 587	91514185.. 485, 511, 515, 569, 595, 597
8769146.....974, 978, 982, 986	91474524 . 443, 503, 525, 587	91514089 . 481, 485, 489, 497, 499, 503, 565, 583	
8769153.....978, 982, 986	91474529 . 441, 467, 523, 551	91514090 . 493, 517, 577, 599	
8770016.....175		91514095 . 443, 469, 485, 503, 525, 553, 569, 587	
8770120..997, 999, 1001, 1003, 1005, 1007		91514098 . 439, 465, 481, 499, 521, 549, 565, 583	
8770215..... 1127, 1129, 1133		91514099 . 443, 461, 503, 517, 525, 545, 587, 599	
8786514....669, 675, 681, 683, 687, 689, 707, 709, 715, 717			
8841322.....651			
88671001..163, 165, 167, 169, 171, 173			
8880218-OM....431, 433, 435			

PART NUMBER INDEX

91514186 . 485, 511, 515,
569, 595, 597
91514188 . 439, 443, 503,
521, 525, 587

91514189 . 443, 469, 485,
503, 525, 553, 569, 587
91554014 1433
91554019 1379, 1390,
1394, 1397, 1435, 1457

91554022.....1402
91561240.....1101
H000071 1225
N.S.S.179, 181, 209, 469,
477, 485, 493, 553,

557, 561, 569, 577,
1151

Go to Discount-Equipment.com to order your parts

PARTS FINDER

**Search Website
by Part Number**



**Search Manual
Library For Parts
Manual & Lookup Part
Numbers – Purchase
or Request Quote**

**Can't Find Part or
Manual? Request Help
by Manufacturer,
Model & Description**

Discount-Equipment.com is your online resource for quality parts & equipment.

Florida: **561-964-4949** Outside Florida TOLL FREE: **877-690-3101**

Need parts?

Click on this link: <http://www.discount-equipment.com/category/5443-parts/> and choose one of the options to help get the right parts and equipment you are looking for. Please have the machine model and serial number available in order to help us get you the correct parts. If you don't find the part on the website or on one of the online manuals, please fill out the request form and one of our experienced staff members will get back to you with a quote for the right part that your machine needs.

We sell worldwide for the brands: Genie, Terex, JLG, MultiQuip, Mikasa, Essick, Whiteman, Mayco, Toro Stone, Diamond Products, Generac Magnum, Airman, Haulotte, Barreto, Power Blanket, Nifty Lift, Atlas Copco, Chicago Pneumatic, Allmand, Miller Curber, Skyjack, Lull, Skytrak, Tsurumi, Husquvarna Target, Stow, Wacker, Sakai, Mi-T-M, Sullair, Basic, Dynapac, MBW, Weber, Bartell, Bennar Newman, Haulotte, Ditch Runner, Menegotti, Morrison, Contec, Buddy, Crown, Edco, Wyco, Bomag, Laymor, EZ Trench, Bil-Jax, F.S. Curtis, Gehl Pavers, Heli, Honda, ICS/PowerGrit, IHI, Partner, Imer, Clipper, MMD, Koshin, Rice, CH&E, General Equipment, Amida, Coleman, NAC, Gradall, Square Shooter, Kent, Stanley, Tamco, Toku, Hatz, Kohler, Robin, Wisconsin, Northrock, Oztec, Toker TK, Rol-Air, APT, Wylie, Ingersoll Rand / Doosan, Innovatech, Con X, Ammann, Mecalac, Makinex, Smith Surface Prep, Small Line, Wanco, Yanmar