



Illustrated Parts Manual

**Model
H800AJ**

**P/N
3121771**

January 30, 2019 - Rev F

ANSI

CE



AS/NZS



An Oshkosh Corporation Company

PARTS FINDER

**Search Website
by Part Number**



**Search Manual
Library For Parts
Manual & Lookup Part
Numbers – Purchase
or Request Quote**

**Can't Find Part or
Manual? Request Help
by Manufacturer,
Model & Description**

Discount-Equipment.com is your online resource for quality parts & equipment.

Florida: **561-964-4949** Outside Florida TOLL FREE: **877-690-3101**

Need parts?

Click on this link: <http://www.discount-equipment.com/category/5443-parts/> and choose one of the options to help get the right parts and equipment you are looking for. Please have the machine model and serial number available in order to help us get you the correct parts. If you don't find the part on the website or on one of the online manuals, please fill out the request form and one of our experienced staff members will get back to you with a quote for the right part that your machine needs.

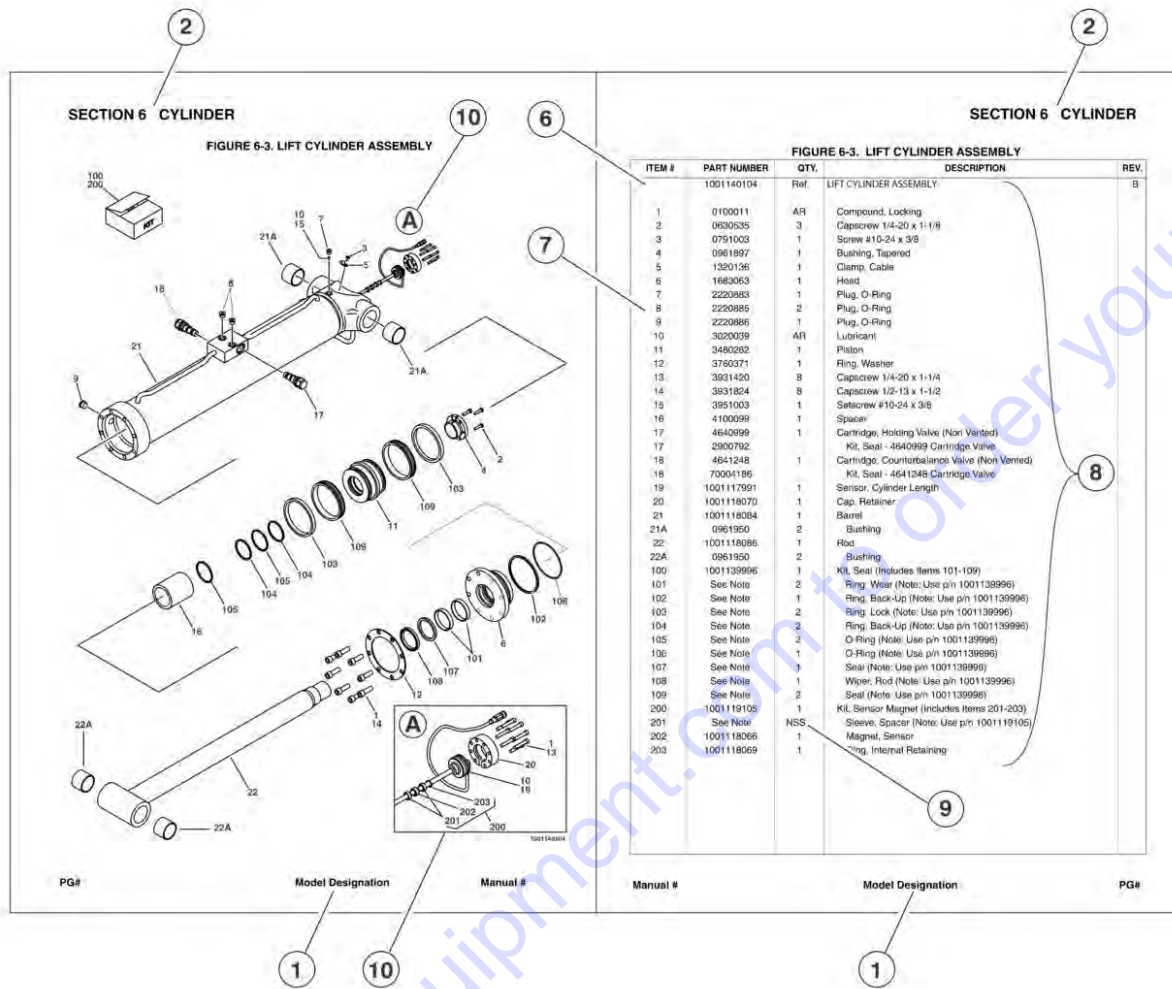
We sell worldwide for the brands: Genie, Terex, JLG, MultiQuip, Mikasa, Essick, Whiteman, Mayco, Toro Stone, Diamond Products, Generac Magnum, Airman, Haulotte, Barreto, Power Blanket, Nifty Lift, Atlas Copco, Chicago Pneumatic, Allmand, Miller Curber, Skyjack, Lull, Skytrak, Tsurumi, Husquvarna Target, Stow, Wacker, Sakai, Mi-T-M, Sullair, Basic, Dynapac, MBW, Weber, Bartell, Bennar Newman, Haulotte, Ditch Runner, Menegotti, Morrison, Contec, Buddy, Crown, Edco, Wyco, Bomag, Laymor, EZ Trench, Bil-Jax, F.S. Curtis, Gehl Pavers, Heli, Honda, ICS/PowerGrit, IHI, Partner, Imer, Clipper, MMD, Koshin, Rice, CH&E, General Equipment, Amida, Coleman, NAC, Gradall, Square Shooter, Kent, Stanley, Tamco, Toku, Hatz, Kohler, Robin, Wisconsin, Northrock, Oztec, Toker TK, Rol-Air, APT, Wylie, Ingersoll Rand / Doosan, Innovatech, Con X, Ammann, Mecalac, Makinex, Smith Surface Prep, Small Line, Wanco, Yanmar

REVISION LOG

January 15, 2018 - A - Original Issue Of Manual (Manual edited to 1001221047 Revision C)
March 1, 2018 - B - Revised Manual (Manual edited to 1001221047 Revision C)
May 21, 2018 - C - Revised Manual (Manual Edited to 1001221047 Revision F)
August 24, 2018 - D - Revised Manual (Manual Edited to 1001221047 Revision F)
October 1, 2018 - E - Revised Manual (Manual Edited to 1001221047 Revision F) (Revision 1)
January 30, 2019 - F - Revised Manual (Manual Edited to 1001221047 Revision G) (Revision 1)

Go to Discount-Equipment.com to order your parts

GENERAL INFORMATION



1) MACHINE IDENTIFICATION

Machines are identified by model and in some cases a combination of models, serial number (SN) or regional standard (i.e. ANSI, CE, CSA). Components may also be identified by SN or manufacturer. Common components that may be identified by these characteristics are engines and hydraulic components.

2) PARTS MANUAL ORGANIZATION

Product information in this manual is organized under section titles. Frame, Cylinder, Hydraulic and Electrical are a few examples. Each section is organized by figure and page number. The information within the Figure is then organized by item number, part number, description and corresponding illustration(s).

3) TABLE OF CONTENTS

A table of contents is found toward the beginning of the manual. Figure number, description and page number are provided for quick reference to the page containing the related information.

4) RECOMMENDED SPARE PARTS

The Recommended Spare Parts, located near the end of the manual, reference most frequently used maintenance parts.

5) PART NUMBER INDEX

A numerical index listing all part numbers and the corresponding page number(s) appears at the back of the manual.

GENERAL INFORMATION

6) NON-SERVICED PARTS

In some instances, it is necessary to display non-serviced parts, assemblies or installations. In the case of assemblies and installations there will be a Ref in the Qty column. In case of parts that are not available for service within assemblies or components, there will be a NSS (Not Sold Separately) or NLA (No Longer Available) listed in the Qty. column of the manual.

7) PARTS LIST ITEM NUMBERS

Numbers shown in the item# column correspond to numbers used in the associated illustration (s). Item numbers which are missing from the sequence in the parts list are not used on that page

8) INDENTED PARTS DESCRIPTION

An indented part description is included in the item under which it is indented.

9) ABBREVIATION AND SYMBOLS

AC..... Alternating Current
ADE..... Advanced Design Electronics
ANSI..... American National Standards Institute
AR..... As Required
ASSY..... Assembly
AUX..... Auxiliary
AWG..... American Wire Gauge
B/M..... Bill of Material
CE..... European Conformity
CCW..... Counter Clockwise
cm..... Centimeter
CW..... Clockwise
CSA..... Canadian Standards Association
CYL..... Cylinder
DIA..... Diameter
DC..... Direct Current
EMS..... Emergency Stop
ENG..... Engine
FT(ft)..... Feet
GA(Ga)..... Gauge
HYD..... Hydraulic
HZ..... Hertz
ID..... Inside Diameter
in..... inches
ISO..... International Organization for Standards
JIC..... Joint Industry Council
KG..... Kilogram
L..... Liter
LB..... Pounds

LCD..... Liquid Crystal Display
LED..... Light Emitting Diodes
LH..... Left Hand
LSS..... Load Sensing System
M(m)..... Metric/Meter
MM (mm)..... Milimeter
mA..... Milliamps
NLA..... No Longer Available
NPT..... National Pipe Threads
NSS..... Not Sold Separately
OD..... Outside Diameter
ORB..... O-Ring Boss
ORFS..... O-Ring Face Seal
OZ (oz)..... Ounces
PG..... Page
P/N..... Part Number
qt..... Quarts
QTY..... Quantity
REF..... Reference
REV..... Revision Level
RH..... Right Hand
SAE..... Society of Automotive Engineers
SN..... Serial Number
SPEC(S)..... Specifications
T/T..... Turntable
UGM..... Universal Ground Module
V..... Volts
W..... Watts
#..... Number

10) ILLUSTRATION REFERENCE LETTERS

When necessary, illustrations may contain reference letters that are intended to track information (i.e. hoses, harnesses) from one point to another or to track visual enlargement of components to show details that may be located in another area on the illustration.

Note: Due to continuous product improvements, JLG Industries, Inc. reserves the right to make specification changes without prior notification.

TABLE OF CONTENTS

SECTION 1 - FRAME.....	11
FIGURE 1-1. AXLE INSTALLATION - WITHOUT TOW PACKAGE.....	12
FIGURE 1-2. AXLE INSTALLATION - WITH TOW PACKAGE.....	14
FIGURE 1-3. STEER INSTALLATION - WITHOUT TOW PACKAGE.....	16
FIGURE 1-4. STEER INSTALLATION - WITH TOW PACKAGE.....	18
FIGURE 1-5. WHEEL DRIVE AND FRAME VALVES INSTALLATION.....	20
FIGURE 1-6. DRIVE HUB/BRAKE ASSEMBLY (Prior to SN 0300247156).....	22
FIGURE 1-7. DRIVE HUB/BRAKE ASSEMBLY (SN 0300247156 to Present).....	26
FIGURE 1-8. DRIVE MOTOR ASSEMBLY.....	28
FIGURE 1-9. TIRE & WHEEL INSTALLATION - 15-625 NHS FOAM-FILLED.....	30
FIGURE 1-10. TIRE AND WHEEL INSTALLATION - 18-625 NHS FOAM-FILLED.....	32
FIGURE 1-11. TIRE AND WHEEL INSTALLATION - 18-625 NHS FOAM-FILLED NON-MARKING (Prior to SN 0300247156) ...	34
FIGURE 1-12. TIRE AND WHEEL INSTALLATION - 18-625 NHS FOAM-FILLED NON-MARKING (SN 0300247156 to Present).....	36
FIGURE 1-13. FRAME SHIELDS INSTALLATION.....	38
FIGURE 1-14. TOW PACKAGE INSTALLATION (OPTIONAL) (ANSI, ANSI EXPORT AND CHINA SPECS).....	40
SECTION 2 - TURNTABLE.....	43
FIGURE 2-1. VALVES INSTALLATION - WITHOUT LSS.....	44
FIGURE 2-2. VALVES INSTALLATION - WITH LSS.....	46
FIGURE 2-3. MAIN VALVE ASSEMBLY (Prior to SN 0300247156).....	48
FIGURE 2-4. MAIN VALVE ASSEMBLY (SN 0300247156 to Present).....	52
FIGURE 2-5. BRAKE/2 SPEED VALVE ASSEMBLY.....	56
FIGURE 2-6. SWING DRIVE INSTALLATION.....	58
FIGURE 2-7. SWING MOTOR/HUB ASSEMBLY.....	60
FIGURE 2-8. TURNTABLE BEARING AND LUBE INSTALLATION.....	64
FIGURE 2-9. TURNTABLE LOCK INSTALLATION.....	66
FIGURE 2-10. ROTARY COUPLING INSTALLATION.....	68
FIGURE 2-11. TANKS INSTALLATION.....	70
FIGURE 2-12. HYDRAULIC TANK ASSEMBLY.....	72
FIGURE 2-13. FUEL TANK ASSEMBLY.....	74
FIGURE 2-14. COOLER INSTALLATION.....	76
FIGURE 2-15. BATTERY BOXES INSTALLATION.....	78
FIGURE 2-16. BATTERY CHARGERS INSTALLATION (FACTORY SUPPLIED 220V PLUG).....	82
FIGURE 2-17. BATTERY CHARGERS INSTALLATION (CUSTOMER SUPPLIED PLUG).....	84
FIGURE 2-18. ELECTRICAL SYSTEM INSTALLATION.....	86
FIGURE 2-19. IMG CONTROL BOX ASSEMBLY.....	88
FIGURE 2-20. ELECTRICAL ASSEMBLY - 12V FUSE BOX.....	92
FIGURE 2-21. GROUND CONTROL BOX ASSEMBLY.....	94
FIGURE 2-22. GROUND CONTROL PANEL DECAL INSTALLATION (WITHOUT MSSO).....	96
FIGURE 2-23. GROUND CONTROL PANEL DECAL INSTALLATION (WITH MSSO).....	98
FIGURE 2-24. ALARM INSTALLATION.....	100
FIGURE 2-25. STROBE LIGHT INSTALLATION - AMBER (OPTIONAL).....	102
FIGURE 2-26. STROBE LIGHT INSTALLATION - BLUE (OPTIONAL) (Prior to SN 0300259698).....	104
FIGURE 2-27. STROBE LIGHT INSTALLATION - BLUE (OPTIONAL) (SN 0300259698 to Present).....	106
FIGURE 2-28. STROBE LIGHT INSTALLATION - RED (OPTIONAL) (Prior to SN 0300259698).....	108
FIGURE 2-29. STROBE LIGHT INSTALLATION - RED (OPTIONAL) (SN 0300259698 to Present).....	110
FIGURE 2-30. HEAT SHIELD AND ACCESS PANELS INSTALLATION.....	112
FIGURE 2-31. HOODS INSTALLATION.....	114
FIGURE 2-32. HOOD ASSEMBLY - TANK SIDE.....	118
FIGURE 2-33. HOOD ASSEMBLY - ENGINE SIDE.....	120
SECTION 3 - ENGINE.....	123
FIGURE 3-1. ENGINE INSTALLATION.....	124
FIGURE 3-2. ENGINE AND PUMPS SUB-ASSEMBLY.....	128
FIGURE 3-3. ENGINE AND TRAY ASSEMBLY.....	130
FIGURE 3-4. ENGINE AND GENERATOR ASSEMBLY.....	134
FIGURE 3-5. ENGINE AND CLUTCH ASSEMBLY.....	136
FIGURE 3-6. ENGINE FAN MOUNTING ASSEMBLY.....	138
FIGURE 3-7. KUBOTA ENGINE COMPONENTS (Prior to SN 0300259344).....	140
FIGURE 3-8. KUBOTA ENGINE COMPONENTS (SN 0300259344 to Present).....	144
FIGURE 3-9. GENERATOR ASSEMBLY.....	146
FIGURE 3-10. VARIABLE PUMP ASSEMBLY.....	148

TABLE OF CONTENTS

FIGURE 3-11. HYDROSTATIC PUMP ASSEMBLY	152
FIGURE 3-12. FUEL/WATER SEPARATOR ASSEMBLY	154
FIGURE 3-13. ENGINE HOOD Baffles INSTALLATION	156
FIGURE 3-14. TRAY JACK INSTALLATION	158
FIGURE 3-15. 4000W GENERATOR INSTALLATION - 220V/50HZ (OPTIONAL)	160
FIGURE 3-16. 7500W SKYPOWER GENERATOR INSTALLATION - 220V/50HZ (OPTIONAL)	164
FIGURE 3-17. 7500W SKYPOWER GENERATOR INSTALLATION - 110V/60HZ (OPTIONAL)	168
 SECTION 4 - BOOM.....	 173
FIGURE 4-1. BOOM AND CYLINDER INSTALLATION	174
FIGURE 4-2. MAIN BOOM ASSEMBLY	178
FIGURE 4-3. TOWER BOOM ASSEMBLY	180
FIGURE 4-4. ROTATOR ASSEMBLY	182
FIGURE 4-5. POWER TRACK INSTALLATION - MAIN BOOM	184
FIGURE 4-6. POWER TRACK INSTALLATION - TOWER BOOM	186
FIGURE 4-7. BOOM VALVES INSTALLATION - WITHOUT LSS.....	188
FIGURE 4-8. BOOM VALVES INSTALLATION - WITH LSS	190
FIGURE 4-9. BOOM VALVE ASSEMBLY	192
FIGURE 4-10. BOOM VALVE AND LIMIT SWITCHES INSTALLATION	194
FIGURE 4-11. TILT SENSOR INSTALLATION.....	196
FIGURE 4-12. TRANSPORT POSITION SWITCH INSTALLATION (CE SPECS).....	198
FIGURE 4-13. PLATFORM SUPPORT INSTALLATION - WITHOUT LSS.....	200
FIGURE 4-14. PLATFORM SUPPORT INSTALLATION - WITH LSS	202
 SECTION 5 - PLATFORM	 205
FIGURE 5-1. PLATFORM ASSEMBLY - 30IN X 4FT (76CM X 1.22M) WITH SWING GATE	206
FIGURE 5-2. PLATFORM ASSEMBLY - 30IN X 4FT (76CM X 1.22M) WITH DROP BAR	208
FIGURE 5-3. PLATFORM ASSEMBLY - 30IN X 6FT (76CM X 1.83M) WITH SWING GATE	210
FIGURE 5-4. PLATFORM ASSEMBLY - 30IN X 6FT (76CM X 1.83M) WITH DROP BAR	212
FIGURE 5-5. PLATFORM ASSEMBLY - 36IN X 6FT (91.5CM X 1.83M) WITH SWING GATE	214
FIGURE 5-6. PLATFORM ASSEMBLY - 36IN X 6FT (91.5CM X 1.83M) WITH DROP BAR	216
FIGURE 5-7. PLATFORM ASSEMBLY - 36IN X 6FT (91.5CM X 1.83M) WITH FALL ARREST (ANSI, ANSI EXPORT, CHINA & CSA SPECS)	218
FIGURE 5-8. PLATFORM ASSEMBLY - 36IN X 8FT (91.5CM X 2.44M) WITH SWING GATE	220
FIGURE 5-9. PLATFORM ASSEMBLY - 36IN X 8FT (91.5CM X 2.44M) WITH DROP BAR	222
FIGURE 5-10. PLATFORM ASSEMBLY - 36IN X 8FT (91.5CM X 2.44M) WITH FALL ARREST	224
FIGURE 5-11. TRAY ASSEMBLY	226
FIGURE 5-12. PLATFORM CONSOLE AND FOOTSWITCH INSTALLATION (Prior to SN 0300259698)	228
FIGURE 5-13. PLATFORM CONSOLE AND FOOTSWITCH INSTALLATION (SN 0300259698 to Present)	230
FIGURE 5-14. CONSOLE BOX ASSEMBLY (Prior to SN 0300259698).....	232
FIGURE 5-15. CONSOLE BOX ASSEMBLY (SN 0300259698 to Present).....	236
FIGURE 5-16. LIGHT PANEL INSTALLATION	240
FIGURE 5-17. JIB SWITCH INSTALLATION	242
FIGURE 5-18. CONTROLLER ASSEMBLY (DRIVE AND STEER)	244
FIGURE 5-19. CONTROLLER ASSEMBLY (LIFT AND SWING)	246
FIGURE 5-20. FOOTSWITCH ASSEMBLY	250
FIGURE 5-21. SOFT TOUCH INSTALLATION - 6FT (1.83M) PLATFORM (OPTIONAL)	252
FIGURE 5-22. SOFT TOUCH INSTALLATION - 6FT (1.83M) FALL ARREST PLATFORM (OPTIONAL)	254
FIGURE 5-23. SOFT TOUCH INSTALLATION - 8FT (2.4M) PLATFORM (OPTIONAL)	256
FIGURE 5-24. SOFT TOUCH INSTALLATION - 8FT (2.4M) FALL ARREST PLATFORM (OPTIONAL)	258
FIGURE 5-25. SKYEYE INSTALLATION.....	260
FIGURE 5-26. SKYGUARD INSTALLATION (Prior to SN 0300259698)	262
FIGURE 5-27. SKYGUARD BAR INSTALLATION (SN 0300259698 to Present)	264
FIGURE 5-28. SKYGLAZIER INSTALLATION (ANSI, ANSI EXPORT, AUSTRALIAN & CSA SPECS).....	266
FIGURE 5-29. SKYLINE INSTALLATION.....	268
FIGURE 5-30. SKYWELDER INSTALLATION (50HZ).....	270
FIGURE 5-31. SKYWELDER INSTALLATION (60HZ).....	272
FIGURE 5-32. SKYWELDER PREP PACKAGE (60HZ)	274
FIGURE 5-33. WELDER ASSEMBLY	276
FIGURE 5-34. PIPE RACK INSTALLATION (ANSI AND CSA SPECS ONLY).....	278
FIGURE 5-35. FALL ARREST INSTALLATION (BOLT-ON EXTERNAL) (6FT/1.82M PLATFORM).....	280
FIGURE 5-36. FALL ARREST INSTALLATION (BOLT-ON EXTERNAL) (6FT/1.82M TRI-ENTRY PLATFORM).....	282
FIGURE 5-37. FALL ARREST INSTALLATION (BOLT-ON EXTERNAL) (8FT/2.4M PLATFORM).....	284
 SECTION 6 - CYLINDER.....	 287

TABLE OF CONTENTS

FIGURE 6-1. AXLE LOCKOUT CYLINDER ASSEMBLY.....	288
FIGURE 6-2. LEVEL (SLAVE) CYLINDER ASSEMBLY - JIB (Prior to SN 0300247156).....	290
FIGURE 6-3. LEVEL (SLAVE) CYLINDER ASSEMBLY - JIB (SN 0300247156 to Present).....	292
FIGURE 6-4. LEVEL (SLAVE) CYLINDER ASSEMBLY - UPRIGHT (Prior to SN 0300247156).....	294
FIGURE 6-5. LEVEL (SLAVE) CYLINDER ASSEMBLY - UPRIGHT (SN 0300247156 to Present).....	296
FIGURE 6-6. LIFT CYLINDER ASSEMBLY - JIB (Prior to SN 0300247156).....	298
FIGURE 6-7. LIFT CYLINDER ASSEMBLY - JIB (SN 0300247156 to Present).....	300
FIGURE 6-8. LIFT CYLINDER ASSEMBLY - MAIN BOOM (Prior to SN 0300247156).....	302
FIGURE 6-9. LIFT CYLINDER ASSEMBLY - MAIN BOOM (SN 0300247156 to Present).....	304
FIGURE 6-10. LIFT CYLINDER ASSEMBLY - TOWER BOOM (Prior to SN 0300247156).....	306
FIGURE 6-11. LIFT CYLINDER ASSEMBLY - TOWER BOOM (SN 0300247156 to Present).....	308
FIGURE 6-12. MASTER CYLINDER ASSEMBLY (Prior to SN 0300247156).....	310
FIGURE 6-13. MASTER CYLINDER ASSEMBLY (SN 0300247156 to Present).....	312
FIGURE 6-14. STEER CYLINDER ASSEMBLY.....	314
FIGURE 6-15. TELESCOPE CYLINDER ASSEMBLY - MAIN BOOM (Prior to SN 0300247156).....	316
FIGURE 6-16. TELESCOPE CYLINDER ASSEMBLY - MAIN BOOM (SN 0300247156 to Present).....	318
FIGURE 6-17. TELESCOPE CYLINDER ASSEMBLY - TOWER BOOM (Prior to SN 0300247156).....	320
FIGURE 6-18. TELESCOPE CYLINDER ASSEMBLY - TOWER BOOM (SN 0300247156 to Present).....	322
SECTION 7 - HYDRAULIC	325
FIGURE 7-1. AXLE LOCKOUT HYDRAULIC DIAGRAM.....	326
FIGURE 7-2. DRIVE HYDRAULIC DIAGRAM.....	328
FIGURE 7-3. STANDARD HYDRAULIC DIAGRAM.....	334
FIGURE 7-4. TOW HYDRAULIC DIAGRAM.....	338
FIGURE 7-5. HYDRAULIC DIAGRAM LIST.....	340
SECTION 8 - ELECTRICAL	341
FIGURE 8-1. ELECTRICAL DIAGRAM LIST.....	342
FIGURE 8-2. AC BOX AT PLATFORM INSTALLATION - 110V GFI RECEPTACLE (ALL SPECS EXCEPT AUSTRALIAN & CE SPECS).....	344
FIGURE 8-3. AC BOX AT PLATFORM INSTALLATION - 110V IEC YELLOW (CE SPECS) (MACHINES WITHOUT 4000W GENERATOR).....	346
FIGURE 8-4. AC BOX AT PLATFORM INSTALLATION - 110V IEC YELLOW (CE SPECS) (MACHINES WITH 4000W GENERATOR).....	348
FIGURE 8-5. AC BOX AT PLATFORM INSTALLATION - 220V (ANSI, CSA & JAPANESE SPECS).....	350
FIGURE 8-6. AC BOX AT PLATFORM INSTALLATION - 220V IEC BLUE (CE SPECS) (MACHINES WITHOUT 4000W GENERATOR).....	352
FIGURE 8-7. AC BOX AT PLATFORM INSTALLATION - 220V IEC BLUE (CE SPECS) (MACHINES WITH 4000W GENERATOR).....	354
FIGURE 8-8. AC BOX AT PLATFORM INSTALLATION - 220V CEE7 2X4 POST GROUND (CE SPECS) (MACHINES WITHOUT 4000W GENERATOR).....	356
FIGURE 8-9. AC BOX AT PLATFORM INSTALLATION - 220V CEE7 2X4 POST GROUND (CE SPECS) (MACHINES WITH 4000W GENERATOR).....	358
FIGURE 8-10. AC BOX AT PLATFORM INSTALLATION - 220V CEE7 2X4 SIDE GROUND (CE SPECS) (MACHINES WITHOUT 4000W GENERATOR).....	360
FIGURE 8-11. AC BOX AT PLATFORM INSTALLATION - 220V CEE7 2X4 SIDE GROUND (CE SPECS) (MACHINES WITH 4000W GENERATOR).....	362
FIGURE 8-12. AC BOX AT PLATFORM INSTALLATION - 220V AFSINT 107 (CE SPECS) (MACHINES WITHOUT 4000W GENERATOR).....	364
FIGURE 8-13. AC BOX AT PLATFORM INSTALLATION - 220V AFSINT 107 (CE SPECS) (MACHINES WITH 4000W GENERATOR).....	366
FIGURE 8-14. AC BOX AT PLATFORM INSTALLATION - BOX WITH COVER (ANSI EXPORT, AUSTRALIAN, CHINA & JAPANESE SPECS).....	368
FIGURE 8-15. AC BOX AT PLATFORM INSTALLATION - 240V RECEPTACLE (WITH 4000W GENERATOR) (ALL SPECS EXCEPT ANSI & CSA SPECS).....	370
FIGURE 8-16. AC BOX AT PLATFORM INSTALLATION - 240V RECEPTACLE (WITH 7500W SKYPOWER GENERATOR) (ANSI & CSA SPECS).....	372
FIGURE 8-17. AC BOX AT PLATFORM MID-BOOM PLUG INSTALLATION (WITHOUT 7500W SKYPOWER GENERATOR) (ALL SPECS EXCEPT ANSI & CSA SPECS).....	374
FIGURE 8-18. AC BOX AT PLATFORM MID-BOOM PLUG INSTALLATION (WITH 7500W SKYPOWER GENERATOR).....	376
FIGURE 8-19. AC BREAKER BOX INSTALLATION - WITH 2 BREAKERS (CE SPECS WITHOUT 4000W GENERATOR) (Prior to SN 0300247156).....	378
FIGURE 8-20. AC BREAKER BOX INSTALLATION - WITH 2 BREAKERS (CE SPECS WITH 4000W GENERATOR) (SN 0300247156 to Present).....	380
FIGURE 8-21. AC BREAKER BOX INSTALLATION - WITH 2 BREAKERS (BRAZIL SPECS).....	382

TABLE OF CONTENTS

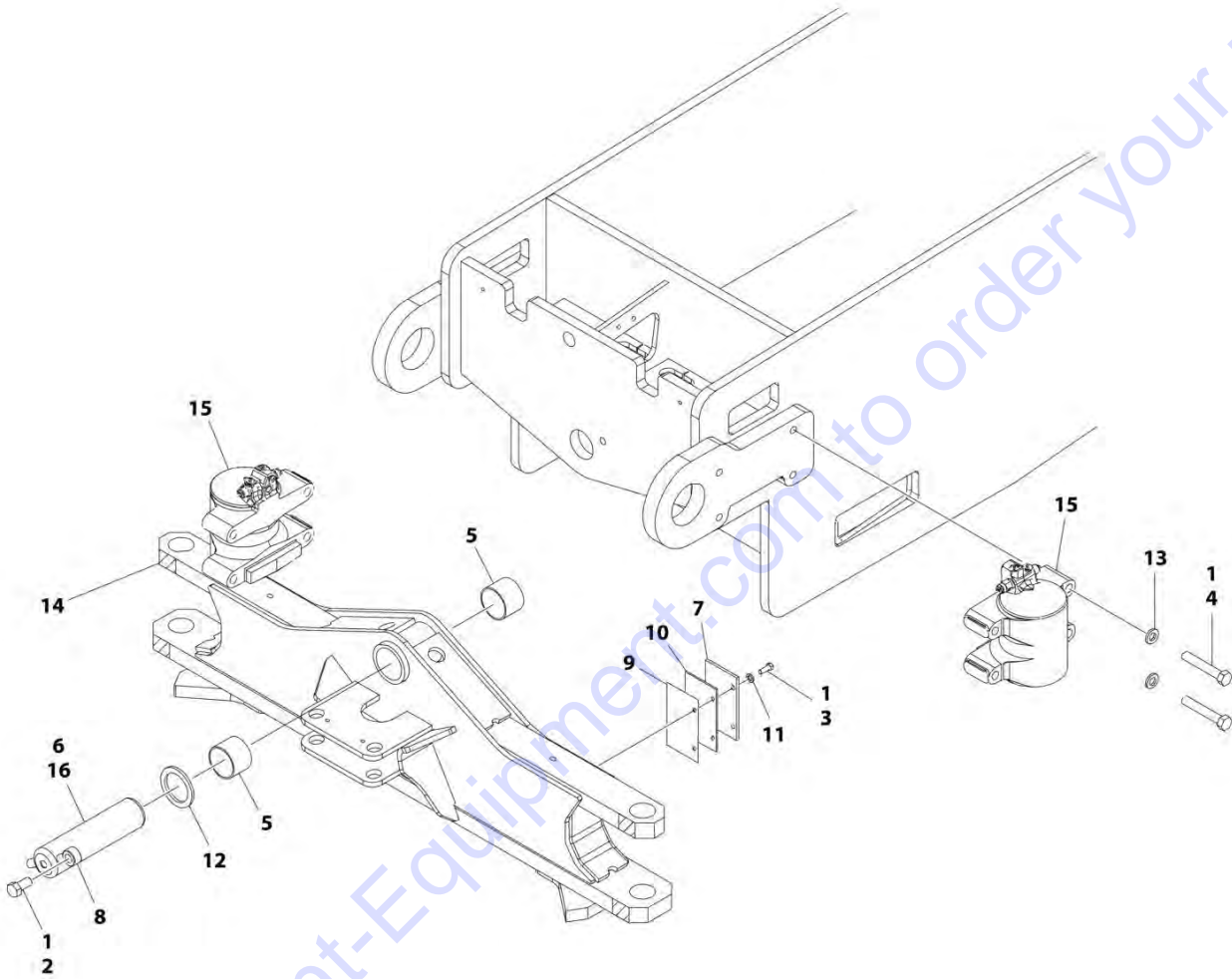
FIGURE 8-22. AC BREAKER BOX INSTALLATION - WITH 3 BREAKERS (CE SPECS WITH 4000W GENERATOR)	384
FIGURE 8-23. BATTERY CABLES INSTALLATION	386
FIGURE 8-24. BATTERY STACK HARNESS (LH)	388
FIGURE 8-25. BATTERY STACK HARNESS (RH)	390
FIGURE 8-26. BOOM VALVE HARNESS	392
FIGURE 8-27. BOOM CABLES INSTALLATION (MACHINES WITHOUT GENERATOR)	394
FIGURE 8-28. BOOM CABLES INSTALLATION (AUSTRALIAN SPECS WITH 4000W GENERATOR)	396
FIGURE 8-29. BOOM CABLES INSTALLATION (CE SPECS WITH 4000W GENERATOR)	398
FIGURE 8-30. BOOM CABLES INSTALLATION (ANSI, ANSI EXPORT, CHINA, CSA & JAPANESE SPECS WITH 7500W GENERATOR)	400
FIGURE 8-31. BOOM CABLES INSTALLATION (AUSTRALIAN & CE SPECS WITH 7500W GENERATOR)	402
FIGURE 8-32. BOOM CABLE - MAIN BOOM	404
FIGURE 8-33. BOOM CABLE - TOWER BOOM	406
FIGURE 8-34. BREAKER BOX KIT - WITH 2 BREAKERS (CE SPECS WITHOUT 4000W GENERATOR & BRAZIL SPECS)	408
FIGURE 8-35. BREAKER BOX KIT - WITH 2 BREAKERS (CE SPECS WITH 4000W GENERATOR)	410
FIGURE 8-36. BREAKER BOX KIT - WITH 3 BREAKERS (CE SPECS WITH 4000W GENERATOR)	412
FIGURE 8-37. CHARGER HARNESS	414
FIGURE 8-38. CONTROL HARNESS	416
FIGURE 8-39. ELECTRICAL SYSTEM INSTALLATION	418
FIGURE 8-40. ENGINE HARNESS - KUBOTA	420
FIGURE 8-41. ENGINE TRAY HARNESS	422
FIGURE 8-42. GENERATOR HARNESS - 4000W	424
FIGURE 8-43. GENERATOR HARNESS - 7500W SKYPOWER	426
FIGURE 8-44. GENERATOR HARNESS - 4000W AND 7500W SKYPOWER	428
FIGURE 8-45. GROUND CONTROL BOX HARNESS	430
FIGURE 8-46. H-BRIDGE/CLUTCH HARNESS	432
FIGURE 8-47. HYBRID 84V HARNESS	434
FIGURE 8-48. MAIN VALVE HARNESS	436
FIGURE 8-49. PLATFORM CONSOLE BOX HARNESS	438
FIGURE 8-50. RECEPTACLE BOX KIT - 110V IEC YELLOW (CE SPEC)	442
FIGURE 8-51. RECEPTACLE BOX KIT - 220V IEC BLUE (CE SPEC)	444
FIGURE 8-52. RECEPTACLE BOX KIT - 220V CEE7 POST GROUND 2X4 BOX (CE SPEC)	446
FIGURE 8-53. RECEPTACLE BOX KIT - 220V CEE7 SIDE GROUND (CE SPEC)	448
FIGURE 8-54. RECEPTACLE BOX KIT - 220V AFSINT 107 (CE SPEC)	450
FIGURE 8-55. RESOLVER/CONVERTER/INVERTER HARNESS	452
FIGURE 8-56. SKYEYE INTERMEDIATE HARNESS	454
FIGURE 8-57. SKYEYE RECEIVER HARNESS	456
FIGURE 8-58. SKYEYE EMITTER HARNESS	458
FIGURE 8-59. SKYLINE HARNESS	460
FIGURE 8-60. STROBE LIGHT CONTROL HARNESS (BLUE & RED LIGHTS)	462
FIGURE 8-61. TURNTABLE HARNESS	464
FIGURE 8-62. TURNTABLE/FUSE PANEL HARNESS	466
FIGURE 8-63. PLATFORM INTERFACE HARNESS	468
SECTION 9 - DECALS	471
FIGURE 9-1. DECAL INSTALLATION - ANSI SPECS (ENGLISH LANGUAGE)	472
FIGURE 9-2. DECAL INSTALLATION - AUSTRALIAN SPECS (ENGLISH LANGUAGE)	474
FIGURE 9-3. DECAL INSTALLATION - BRAZIL SPECS (ENGLISH/PORTUGUESE LANGUAGES)	476
FIGURE 9-4. DECAL INSTALLATION - CE SPECS (ENGLISH LANGUAGE)	478
FIGURE 9-5. DECAL INSTALLATION - CHINA SPECS (ENGLISH/CHINESE LANGUAGES)	480
FIGURE 9-6. DECAL INSTALLATION - CSA SPECS (ENGLISH/FRENCH LANGUAGES)	482
FIGURE 9-7. DECAL INSTALLATION - JAPANESE SPECS (ENGLISH/JAPANESE LANGUAGES)	484
FIGURE 9-8. DECAL INSTALLATION - KOREAN SPECS (ENGLISH/KOREAN LANGUAGES)	486
FIGURE 9-9. DECAL INSTALLATION - LATIN AMERICAN SPECS (ENGLISH/SPANISH LANGUAGES)	488
FIGURE 9-10. DECALS INSTALLATION - OPTIONS	490
SECTION 10 - RECOMMENDED SERVICE PARTS STOCK	493
FIGURE 10-1. RECOMMENDED SERVICE PARTS STOCK	494
SECTION 11 - SPECIAL OPTIONS	497
FIGURE 11-1. SPECIAL OPTIONS	498
PART NUMBER INDEX	501

SECTION 1 - FRAME

Go to Discount-Equipment.com to order your parts

SECTION 1 - FRAME

FIGURE 1-1. AXLE INSTALLATION - WITHOUT TOW PACKAGE



ART_1001154584

SECTION 1 - FRAME

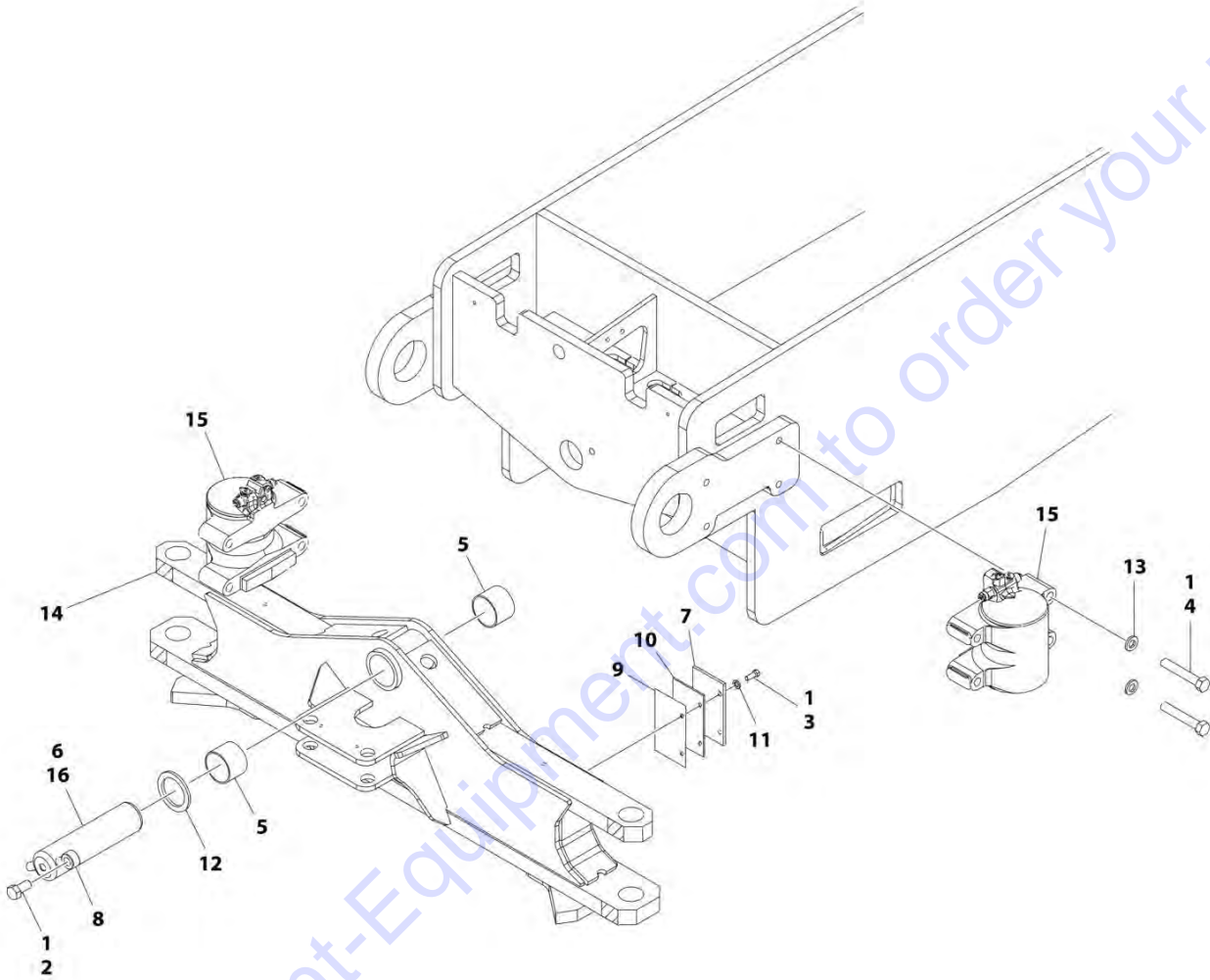
FIGURE 1-1. AXLE INSTALLATION - WITHOUT TOW PACKAGE

ITEM	PART NUMBER	QTY	DESCRIPTION	REV
	1001154584	Ref	AXLE INSTALLATION	D
1	0100011	AR	Compound, Locking	
2	0642212	1	Bolt 3/4 x 1-1/2	
3	0681608	4	Bolt 3/8 x 1 Grade 8	
4	0682236	8	Bolt 3/4 x 4-1/2 Grade 8	
5	0962102	2	Bushing	
6	3020039	AR	Lubricant	
7	3538047	2	Shim .25	
8	3841287	1	Keeper, Pin	
9	4070878	AR	Shim 16 Gauge	
10	4070879	AR	Shim 11 Gauge	
11	4711600	4	Washer 3/8	
12	4740472	1	Washer	
13	4892200	8	Washer 3/4	
14	1001152719	1	Axle	
15	1001204560	2	Axle Lockout Cylinder Assembly (See Separate Breakdown in CYLINDER SECTION)	
16	1001156710	1	Pin	

Go to Discount-Equipment.com to order your parts

SECTION 1 - FRAME

FIGURE 1-2. AXLE INSTALLATION - WITH TOW PACKAGE



ART_1001155194

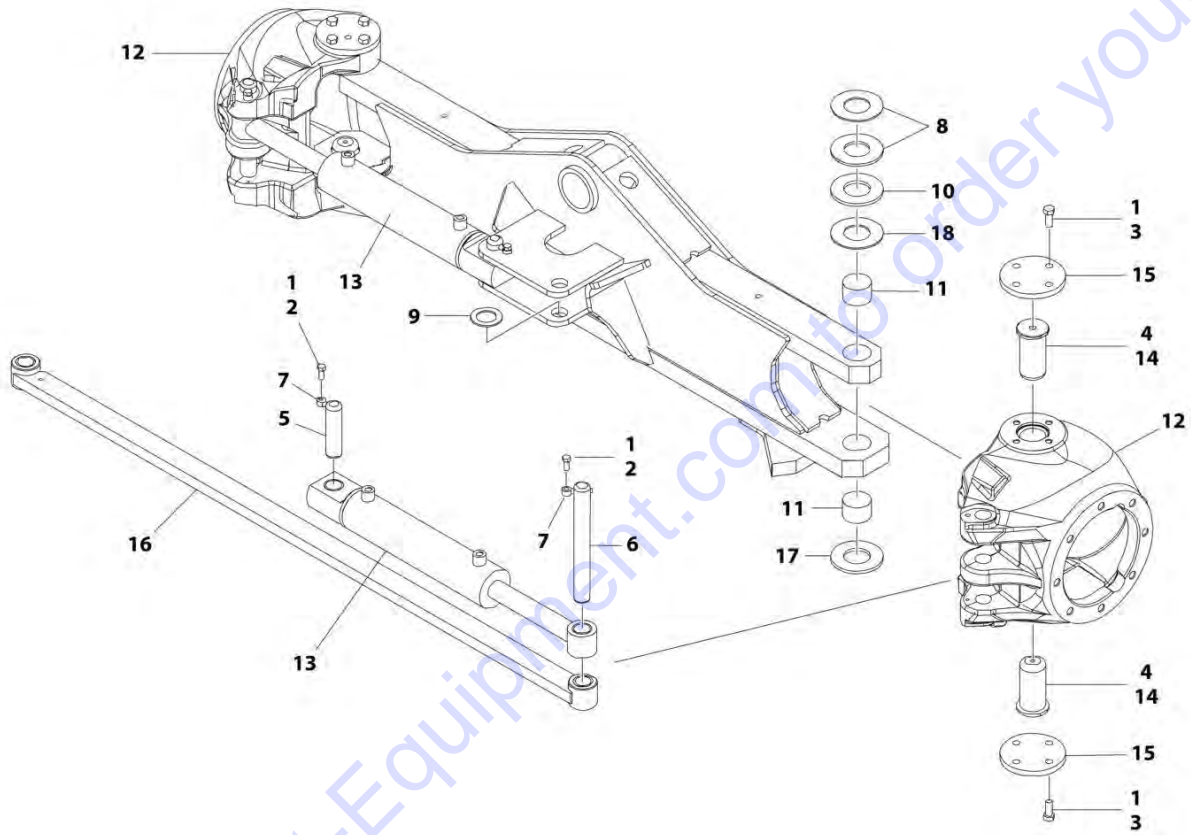
SECTION 1 - FRAME

FIGURE 1-2. AXLE INSTALLATION - WITH TOW PACKAGE

ITEM	PART NUMBER	QTY	DESCRIPTION	REV
	1001155194	Ref	AXLE INSTALLATION	D
1	0100011	AR	Compound, Locking	
2	0642212	1	Bolt 3/4 x 1-1/2	
3	0681608	4	Bolt 3/8 x 1 Grade 8	
4	0682236	8	Bolt 3/4 x 4-1/2 Grade 8	
5	0962102	2	Bushing	
6	3020039	AR	Lubricant	
7	3538047	2	Shim .25	
8	3841287	1	Keeper, Pin	
9	4070878	AR	Shim 16 Gauge	
10	4070879	AR	Shim 11 Gauge	
11	4711600	4	Washer 3/8	
12	4740472	1	Washer	
13	4892200	8	Washer 3/4	
14	1001154875	1	Axle	
15	1001204560	2	Axle Lockout Cylinder Assembly (See Separate Breakdown in CYLINDER SECTION)	
16	1001156710	1	Pin	

SECTION 1 - FRAME

FIGURE 1-3. STEER INSTALLATION - WITHOUT TOW PACKAGE



ART_1001151034

SECTION 1 - FRAME

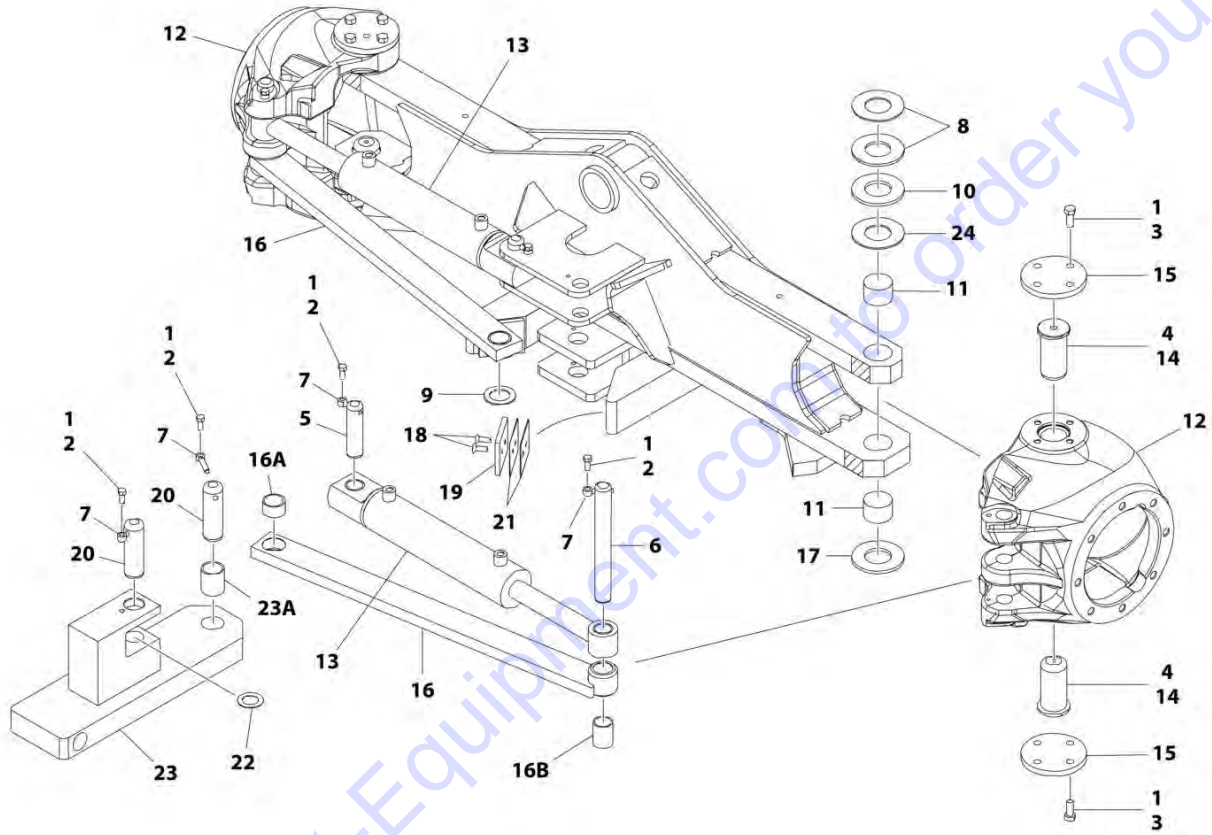
FIGURE 1-3. STEER INSTALLATION - WITHOUT TOW PACKAGE

ITEM	PART NUMBER	QTY	DESCRIPTION	REV
	1001151034	Ref	STEER INSTALLATION	F
1	0100011	AR	Compound, Locking	
2	0641607	4	Bolt 3/8 x 7/8	
3	0641810	16	Bolt 1/2 x 1-1/4	
4	3020029	AR	Lubricant	
5	3422417	2	Pin	
6	3422790	2	Pin	
7	3841520	4	Keeper, Pin	
8	4740256	AR	Washer, Thrust	
9	4740473	2	Washer	
10	1001103810	AR	Washer, Thrust	
11	1001165657	4	Bearing	
12	1001150372	2	Spindle	
13	1001150539	2	Steer Cylinder Assembly (See Separate Breakdown in CYLINDER SECTION)	
14	1001161355	4	Kingpin	
15	1001150937	4	Plate	
16	1001151980	1	Tie-Rod	
17	1001161399	2	Washer,Thrust	
18	4740463	AR	Washer, Thrust	

Go to Discount-Equipment.com to order your parts

SECTION 1 - FRAME

FIGURE 1-4. STEER INSTALLATION - WITH TOW PACKAGE



ART_1001155192

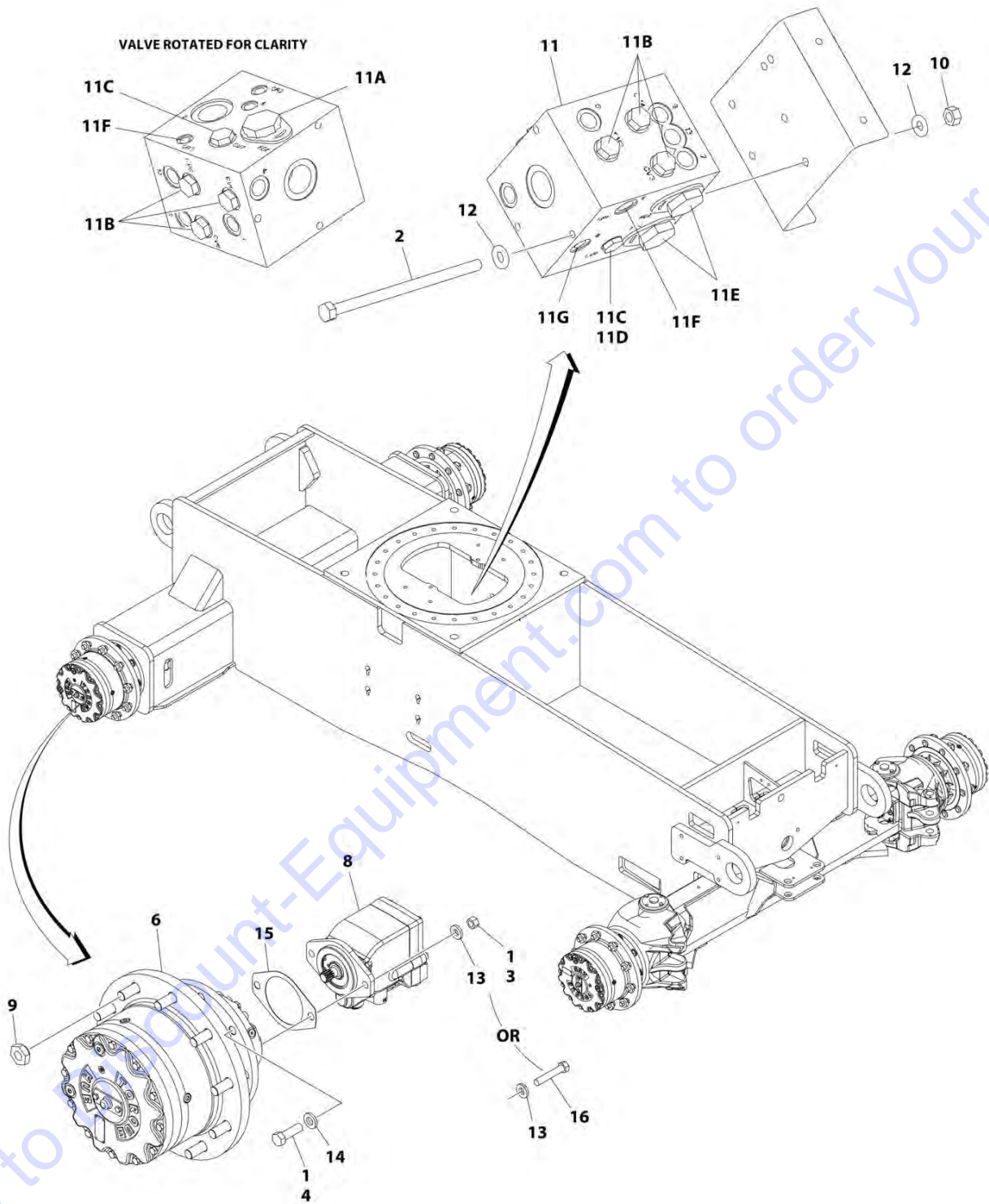
SECTION 1 - FRAME

FIGURE 1-4. STEER INSTALLATION - WITH TOW PACKAGE

ITEM	PART NUMBER	QTY	DESCRIPTION	REV
	1001155192	Ref	STEER INSTALLATION	D
1	0100011	AR	Compound, Locking	
2	0641607	6	Bolt 3/8 x 7/8	
3	0641810	16	Bolt 1/2 x 1-1/4	
4	3020029	AR	Lubricant	
5	3422417	2	Pin	
6	3422790	2	Pin	
7	3841520	6	Keeper, Pin	
8	4740256	AR	Washer, Thrust	
9	4740473	2	Washer	
10	1001103810	AR	Washer, Thrust	
11	1001165657	4	Bearing	
12	1001150372	2	Spindle	
13	1001150539	2	Steer Cylinder Assembly (See Separate Breakdown in CYLINDER SECTION)	
14	1001161355	4	Kingpin	
15	1001150937	4	Plate	
16	1001154931	2	Tie-Rod	
16A	0962181	1	Bushing	
16B	0962152	1	Bushing	
17	1001161399	2	Washer, Thrust	
18	0741609	4	Screw 3/8 x 1-1/8	
19	3340966	2	Pad, Stop	
20	3422848	2	Pin, Hitch	
21	4071059	AR	Shim 16 Gauge	
22	4740155	3	Washer, Thrust	
23	1001155035	1	Link	
23A	0962348	1	Bushing	
24	4740463	AR	Washer, Thrust	

SECTION 1 - FRAME

FIGURE 1-5. WHEEL DRIVE AND FRAME VALVES INSTALLATION



ART_1001157016

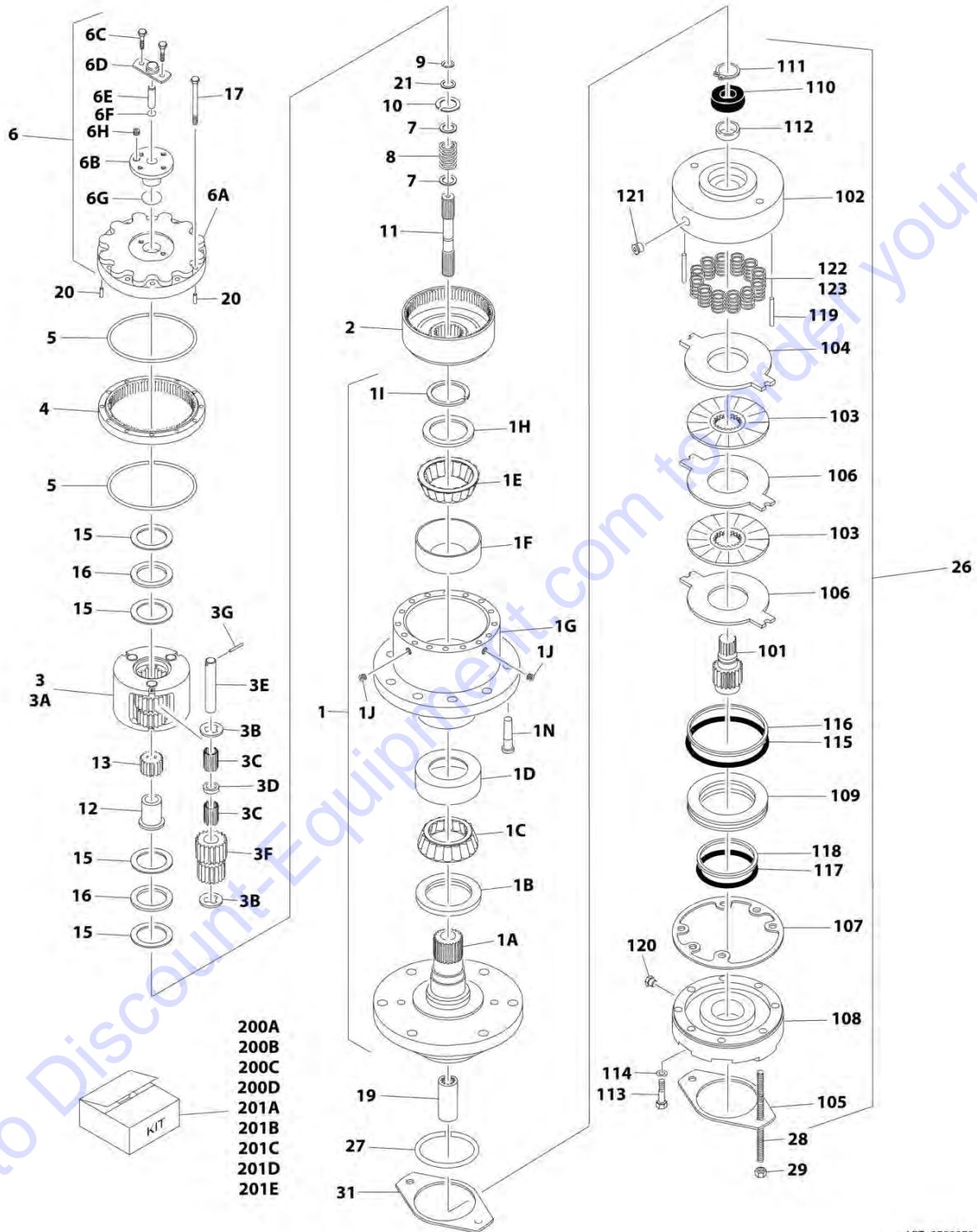
SECTION 1 - FRAME

FIGURE 1-5. WHEEL DRIVE AND FRAME VALVES INSTALLATION

ITEM	PART NUMBER	QTY	DESCRIPTION	REV
	1001157016	Ref	WHEEL DRIVE AND FRAME VALVES INSTALLATION	C
1	0100011	AR	Compound, Locking	
2	0641560	3	Bolt 5/16 x 7-1/2	
3	3311801	8	Nut 1/2	
4	0682016	32	Bolt 5/8 x 2 Grade 8	
5	2300016	AR	Fluid, Hydraulic (Not Shown)	
6	2780272	NLA	Drive Hub Assembly (Use p/n 1001228544) (See Separate Breakdown in this Section)	
6	1001219219	4	Drive Hub Assembly (See Separate Breakdown in this Section)	
7	3020008	AR	Lubricant (Not Shown)	
8	3160348	4	Drive Motor Assembly (See Separate Breakdown in this Section)	
9	3300007	40	Nut, Wheel	
10	3311505	3	Nut 5/16	
11	4641303	1	Flow Divider Valve Assembly	
11A	7023933	1	Cartridge, Flow Divider	
11A	7021625	1	Seal Kit - 7023933 Cartridge	
11B	7022397	6	Cartridge, Check	
11B	7022399	6	Seal Kit - 7022397 Cartridge	
11C	7021639	2	Cartridge, Check Valves	
11C	2900756	2	Seal Kit - 7021639 Cartridge	
11D	7024881	1	Piston, Pilot	
11E	7023917	2	Cartridge, Flow Divider	
11E	7021625	2	Seal Kit - 7023917 Cartridge	
11F	70003935	2	Orifice	
11G	70003936	1	Orifice	
12	4711500	6	Washer 5/16	
13	4891800	8	Washer 1/2	
14	4892000	32	Washer 5/8	
15	3960526	2	Gasket	
16	0681822	4	Bolt 1/2 x 2-3/4	

SECTION 1 - FRAME

FIGURE 1-6. DRIVE HUB/BRAKE ASSEMBLY (Prior to SN 0300247156)



SECTION 1 - FRAME

FIGURE 1-6. DRIVE HUB/BRAKE ASSEMBLY (Prior to SN 0300247156)

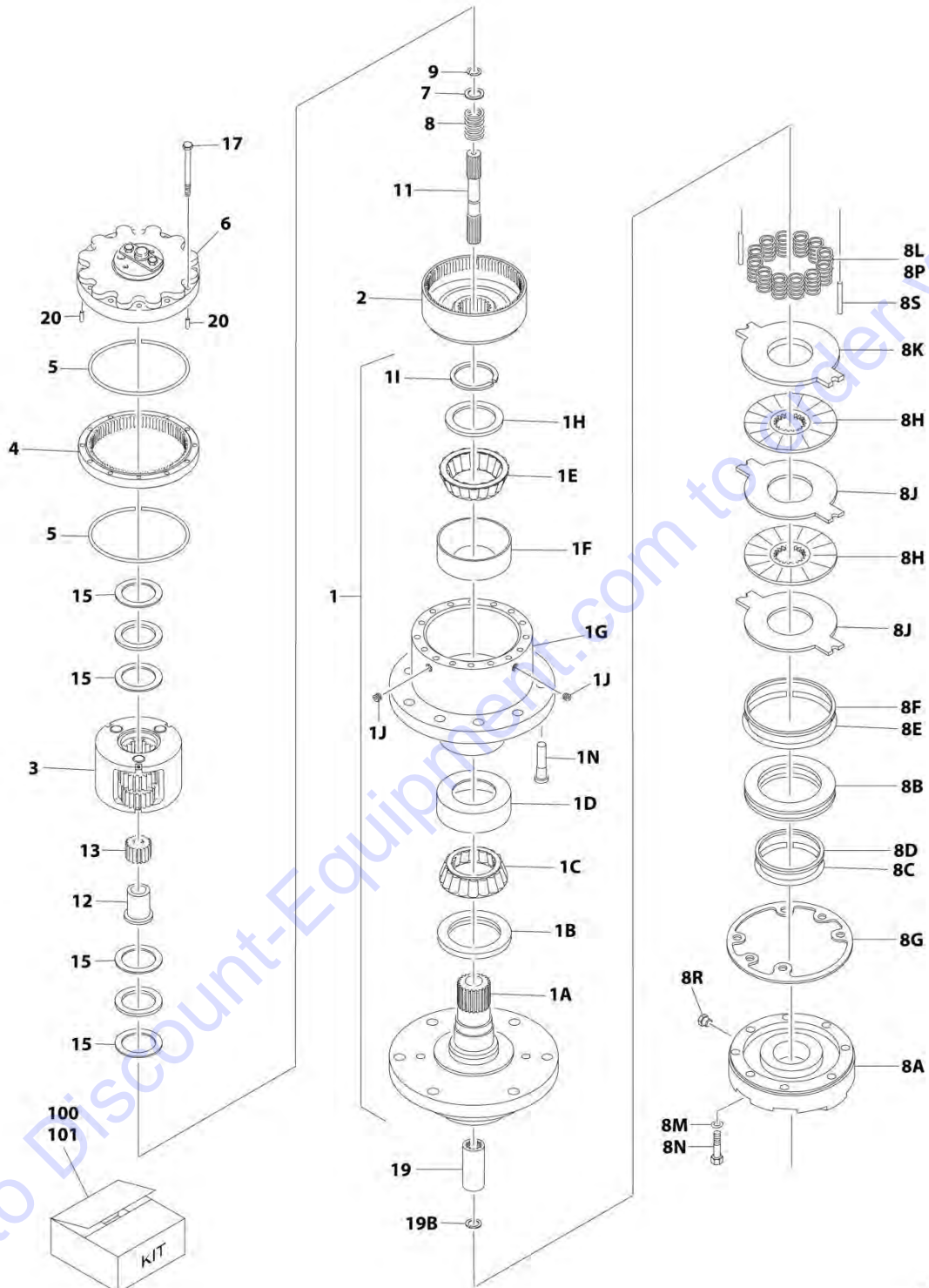
ITEM	PART NUMBER	QTY	DESCRIPTION	REV
	2780272	Ref	DRIVE HUB/BRAKE ASSEMBLY	E
	2780227	Ref	Hub Assembly	B
1	See Note	1	Spindle/Housing Assembly (Note: Not Available - Purchase Individual Components)	
1A	7010464	1	Spindle	
1B	7000236	1	Seal	
1C	7000273	1	Cone, Bearing	
1D	7000272	1	Cup, Bearing	
1E	7000275	1	Cone, Bearing	
1F	7000274	1	Cup, Bearing	
1G	7017033	1	Housing	
1H	7000239	1	Washer, Thrust	
1I	7000240	1	Ring, Retaining	
1J	7001928	1	Plug, Pipe	
1N	7000265	10	Stud, Wheel	
2	7024782	1	Gear, Ring	
3	See Note	1	Carrier Assembly (Note: Not Available - Purchase Individual Components)	
3A	7024147	1	Carrier	
3B	7001901	6	Washer, Thrust, Tanged	
3C	7001902	96	Bearing, Needle	
3D	7001903	3	Spacer, Thrust	
3E	7024146	3	Shaft, Planet	
3F	7024148	3	Gear, Cluster	
3G	7001906	3	Roll Pin	
4	7024151	1	Gear, Internal	
5	7000224	1	O-Ring	
6	See Note	1	Cover Assembly (Note: Not Available - Purchase Individual Components)	
6A	7024155	1	Cover	
6B	7024783	1	Cap	
6C	7000220	4	Bolt 1/4 x 3/4	
6D	7000231	1	Cap, Disengage	
6E	7000235	1	Rod, Disengage	
6F	7000213	1	O-Ring	
6G	7000238	1	O-Ring	
6H	7017048	1	Plug, Pipe	
7	7000282	2	Washer, Thrust	
8	7000283	1	Spring	
9	7000284	1	Ring, Retaining	
10	7017027	1	Ring, Retaining	
11	7024781	1	Shaft, Input	
12	7024154	1	Spacer, Input	
13	7024149	1	Gear, Sun	
15	7000287	4	Washer, Thrust	
16	7000288	2	Washer, Thrust	
17	7000289	12	Bolt 3/8 x 2-1/2 Grade 8	
19	7000290	1	Coupling	
20	7017047	2	Pin, Dowel	
21	7017050	1	Washer, Thrust	

SECTION 1 - FRAME

ITEM	PART NUMBER	QTY	DESCRIPTION	REV
26	7024182	1	Brake Assembly (Includes Items 101-123)	
27	7024763	2	O-Ring	
28	7024717	2	Stud 1/2 x 4-5/8	
29	7024718	2	Nut 1/2	
31	70005483	1	Gasket	
	7024182	Ref	BRAKE ASSEMBLY	
101	7024189	1	Shaft	
102	See Note	NSS	Housing (Note: Not Available - Purchase Complete Assembly)	
103	See Note	NSS	Plate, Friction (Note: Use Item 201C)	
104	See Note	NSS	Plate, Pressure (Note: Use Item 201C)	
105	7000731	1	Gasket	
106	See Note	NSS	Plate, Outer (Note: Use Item 201C)	
107	See Note	NSS	Gasket (Note: Use Item 200B, 201C or 201D)	
108	7024191	1	Cylinder	
109	7024192	1	Piston	
110	See Note	NSS	Bearing, Ball (Note: Use Item 201D)	
111	See Note	NSS	Ring, Retaining (Note: Use Item 201D)	
112	See Note	NSS	Seal, Shaft (Note: Use Item 201D)	
113	See Note	NSS	Capscrew (Note: Not Available for Purchase)	
114	See Note	NSS	Washer, Lock (Note: Not Available for Purchase)	
115	See Note	NSS	O-Ring (Note: Use Item 200B)	
116	See Note	NSS	Ring, Back-up (Note: Use Item 200B)	
117	See Note	NSS	O-Ring (Note: Use Item 200B)	
118	See Note	NSS	Ring, Back-up (Note: Use Item 200B)	
119	7024190	2	Pin, Dowel	
120	See Note	NSS	Plug (Note: Not Available for Purchase)	
121	See Note	NSS	Plug (Note: Not Available for Purchase)	
122	See Note	NSS	Spring Kit (Natural) (Note: Use Item 201B)	
123	See Note	NSS	Spring Kit (Blue) (Note: Use Item 201B)	
		Ref	KIT OPTIONS:	
200A	7017068	1	Seal Kit - Hub (Includes Items 1B, 1I, 5, 6F, 6G, 15 & 16)	
200B	7024194	1	Seal Kit - 7024182 Brake (Includes Items 105, 107 & 115-118)	
200C	70006431	1	Seal Kit - Hub (Includes Items 1B, 1I, 5, 6F & 17)	
200D	70006430	1	Seal & Bearing Kit - Hub (Includes Items 1B, 1C, 1D, 1E, 1F 1I, 5, 6F & 17)	
201A	7024195	NLA	Spring Kit - 7024182 Brake (Includes 12 Natural Colored Springs) (Note: Use p/n 7024196)	
201B	7024196	1	Spring Kit - 7024182 Brake (Includes 12 Natural & 2 Blue Colored Springs)	
201C	7024193	1	Friction Disc Kit - 7024182 Brake (Includes Items 103, 104, 106 & 107)	
201D	7024197	1	Bearing Kit - 7024182 Brake (Includes Items 107 & 110-112)	
201E	70003798	1	Bearing Kit - Hub (Includes Items 1C, 1D, 1E & 1F)	

SECTION 1 - FRAME

FIGURE 1-7. DRIVE HUB/BRAKE ASSEMBLY (SN 0300247156 to Present)



ART_1001219219

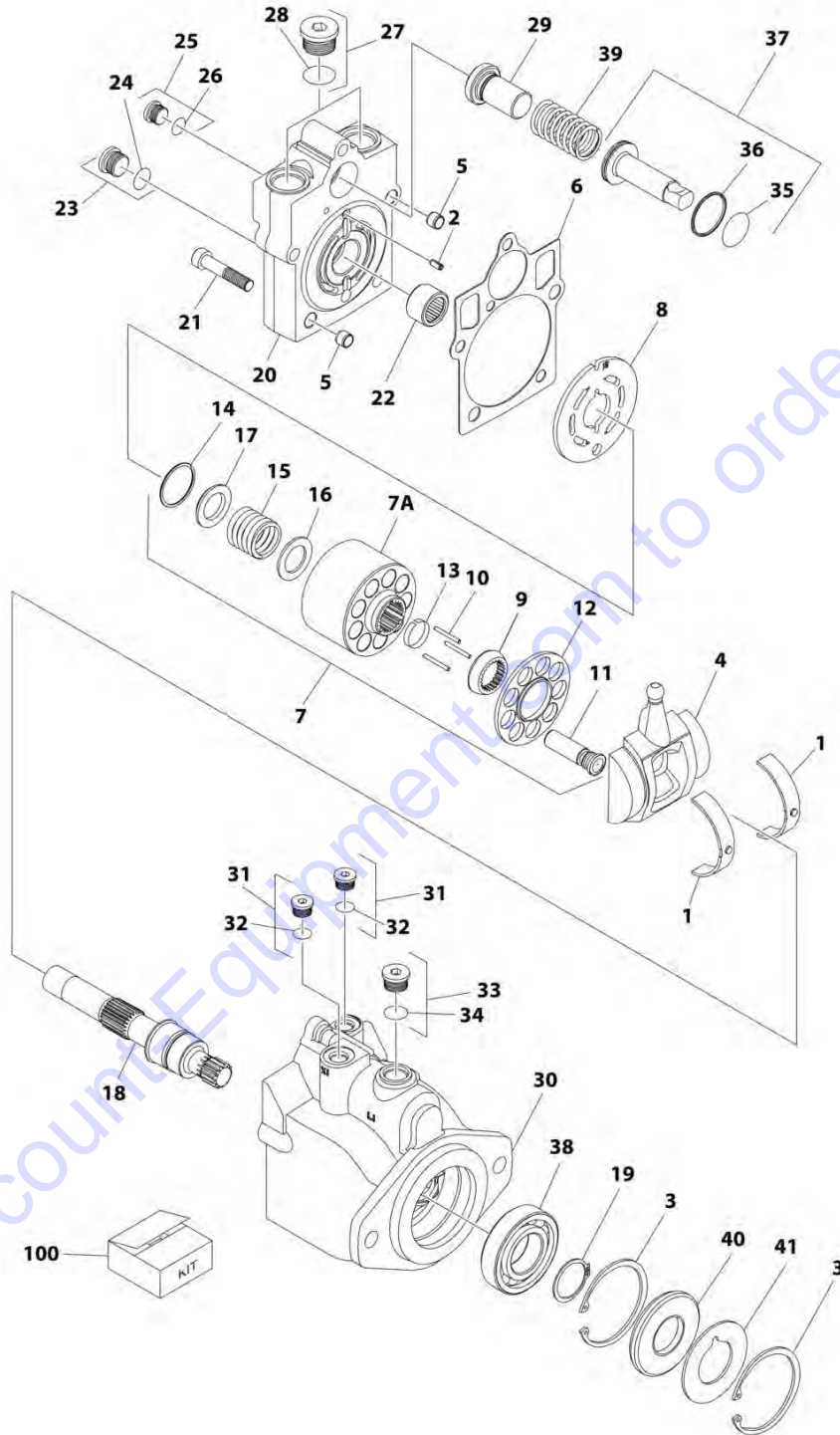
SECTION 1 - FRAME

FIGURE 1-7. DRIVE HUB/BRAKE ASSEMBLY (SN 0300247156 to Present)

ITEM	PART NUMBER	QTY	DESCRIPTION	REV
	1001219219	Ref	DRIVE HUB/BRAKE ASSEMBLY (SN 0300244580 to Present)	C
1	See Note	NSS	Spindle/Housing Assembly (Note: Not Available - Purchase Individual Components)	
1A	70006677	1	Spindle	
1B	70006678	1	Seal	
1C	1001091460	1	Cone, Bearing	
1D	1001091460	1	Cup, Bearing	
1E	1001091461	1	Cone, Bearing	
1F	1001091461	1	Cup, Bearing	
1G	See Note	NSS	Housing (Note: Not Available - Not Available for Purchase)	
1H	7000239	1	Thrustwasher	
1I	7000240	1	Ring, Retaining	
1J	7001928	1	Plug, Pipe	
1N	See Note	NSS	Stud, Wheel (Note: Not Available - Not Available for Purchase)	
2	7024782	1	Gear, Ring	
3	70006673	1	Carrier Assembly	
4	7024151	1	Gear, Internal	
5	7000224	2	O-Ring	
6	70006674	NSS	Cover Assembly (Note: Not Available - Not Available for Purchase)	
7	70006691	1	Thrustwasher	
8	7000283	1	Spring	
8A	7024191	1	Housing, Piston	
8B	70006684	1	Piston	
8C	See Note	NSS	O-Ring (Note: Use Item 101)	
8D	See Note	NSS	Ring, Back-up (Note: Use Item 101)	
8E	See Note	NSS	O-Ring (Note: Use Item 101)	
8F	See Note	NSS	Ring, Back-up (Note: Use Item 101)	
8G	See Note	NSS	Gasket (Note: Use Items 100 & 101)	
8H	See Note	NSS	Brake, Stator (Note: Use Item 100)	
8J	See Note	NSS	Brake, Rotor (Note: Use Item 100)	
8K	See Note	NSS	Plate, Pressure (Note: Use Item 100)	
8L	80344004	10	Spring	
8M	70006685	6	Capscrew	
8N	70006690	6	Lockwasher	
8P	70006680	2	Spring	
8R	7017082	2	Plug	
8S	7024190	2	Pin, Dowel	
9	7000284	1	Ring, Retaining	
11	70006675	1	Shaft, Input	
12	7024154	1	Spacer, Input	
13	7024149	1	Gear, Sun	
15	70006692	2	Thrustwasher	
17	7000289	12	Bolt 3/8 x 2-1/2in (Grade 8)	
19	70006676	1	Coupling	
19B	7017028	1	Ring, Retaining	
20	7017047	2	Pin, Dowel	
100	70006832	1	Friction Disc Kit (Includes Items 8G, 8H, 8J & 8K)	
101	70006833	1	Seal Kit (Includes Items - 8C-8G)	

SECTION 1 - FRAME

FIGURE 1-8. DRIVE MOTOR ASSEMBLY



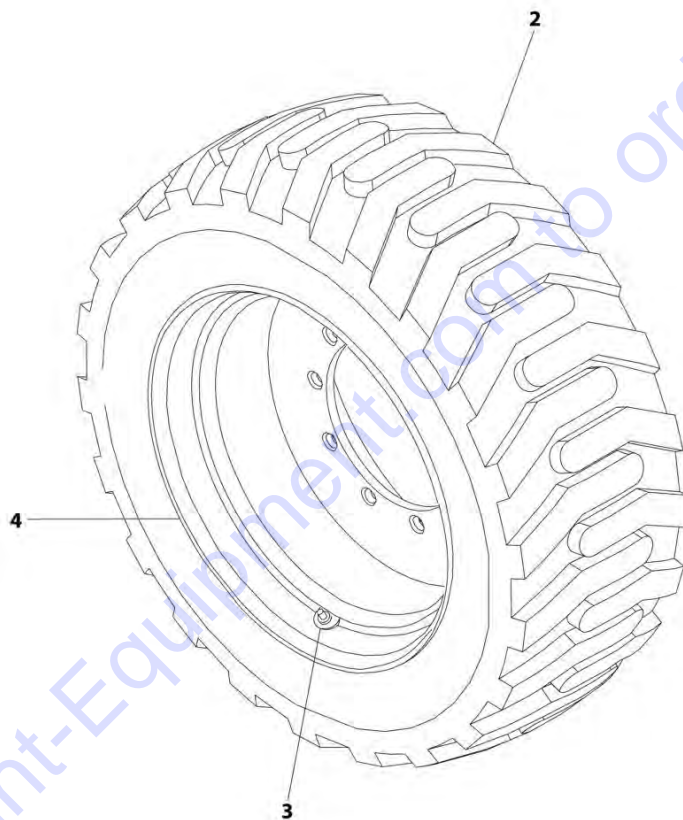
ART_3160348

FIGURE 1-8. DRIVE MOTOR ASSEMBLY

ITEM	PART NUMBER	QTY	DESCRIPTION	REV
	3160348	Ref	DRIVE MOTOR ASSEMBLY	D
1	7022302	2	Bearing, Journal	
2	7007446	1	Pin	
3	7007438	2	Ring, Retaining	
4	7022305	1	Swash Plate	
5	See Note	2	Pin (Note: Not Available for Purchase)	
6	See Note	NSS	Gasket (Note: Use Item 100)	
7	7023907	1	Cylinder Block Kit (Includes Items 7A & 9-17)	
7A	See Note	NSS	Block, Cylinder (Note: Use Item 7)	
8	7023908	1	Plate, Valve	
9	7021277	1	Guide, Slipper Retainer	
10	7021275	3	Pin, Slipper Hold Down	
11	See Note	NSS	Piston Assembly (Note: Use Item 7)	
12	7022310	1	Retainer, Slipper	
13	7021276	1	Retainer, Hold Down Pin	
14	7022311	1	Ring, Retaining	
15	7022312	1	Spring	
16	7024868	1	Washer	
17	7022314	1	Retainer, Spring	
18	7023910	1	Shaft	
19	7007439	1	Ring, Retaining	
20	70000797	1	Cap, End - Axial	
21	7022368	5	Screw	
22	7021249	1	Bearing, Needle	
23	2220886	1	Plug (Includes Item 24)	
24	See Note	1	O-Ring (Note: Use Item 23 or 100)	
25	2220883	1	Plug (Includes Item 26)	
26	See Note	NSS	O-Ring (Note: Use Item 25 or 100)	
27	2220888	2	Plug (Includes Item 28)	
28	See Note	NSS	O-Ring (Note: Use Item 27 or 100)	
29	7022372	1	Seat, Spring	
30	See Note	NSS	Housing (Note: Not Available - Purchase Complete Assembly)	
31	2220883	2	Plug (Includes Item 32)	
32	See Note	NSS	O-Ring (Note: Use Item 31 or 100)	
33	2220886	1	Plug (Includes Item 34)	
34	See Note	NSS	O-Ring (Note: Use Item 33 or 100)	
35	See Note	NSS	O-Ring (Note: Use Item 100)	
36	See Note	NSS	Ring, Seal (Note: Use Item 100)	
37	7024854	1	Piston, Servo (Includes Items 35 & 36)	
38	7007437	1	Bearing	
39	7022326	1	Spring	
40	See Note	1	Seal, Lip (Note: Use Item 100)	
41	7022371	1	Washer, Support	
		Ref	KIT OPTIONS:	
100	7022328	1	Seal Kit (Includes Items 6, 24, 26, 28, 32, 34, 35, 36 & 40)	

SECTION 1 - FRAME

FIGURE 1-9. TIRE & WHEEL INSTALLATION - 15-625 NHS FOAM-FILLED



ART_0270886

SECTION 1 - FRAME

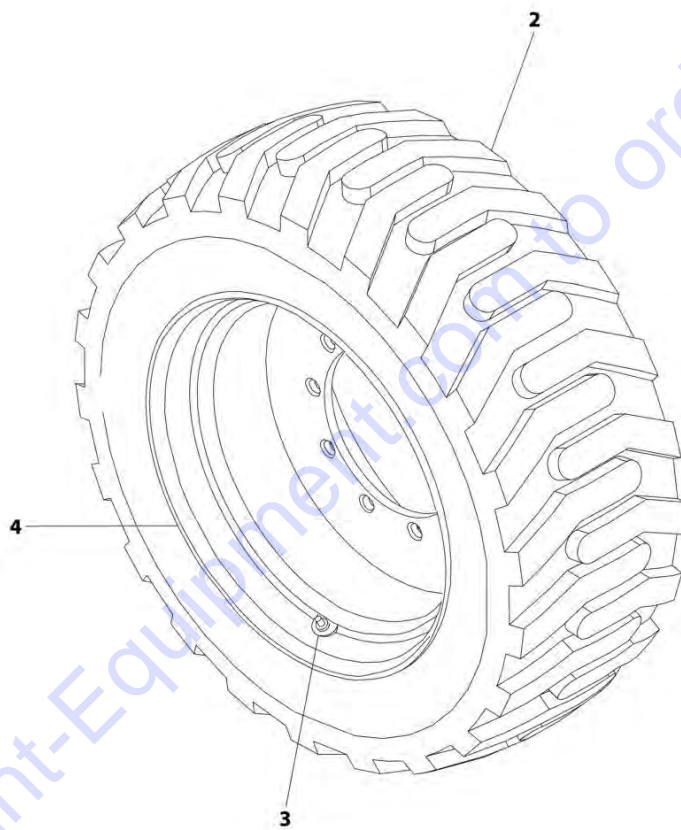
FIGURE 1-9. TIRE & WHEEL INSTALLATION - 15-625 NHS FOAM-FILLED

ITEM	PART NUMBER	QTY	DESCRIPTION	REV
	0270886	Ref	TIRE AND WHEEL INSTALLATION	D
	0271085	2	Tire and Wheel Assembly - 15-625 NHS Foam-Filled LH Side	H
	0271086	2	Tire and Wheel Assembly - 15-625 NHS Foam-Filled RH Side	H
		Ref	Note: Assemblies may require ballast/foam filling to manufacturer's specifications prior to installing on a machine. Refer to Operation and Safety or Service and Maintenance Manuals.	
		Ref	Purchase individual tire and/or rim only if able to foam fill tire and wheel assembly, otherwise, purchase complete assembly.	
2	4520252	1	Tire 15-625	
3	4641122	1	Valve, Air	
4	4860224	1	Rim, Wheel - 13 x 24.5 Rim	

Go to Discount-Equipment.com to order your parts

SECTION 1 - FRAME

FIGURE 1-10. TIRE AND WHEEL INSTALLATION - 18-625 NHS FOAM-FILLED



ART_0270888

SECTION 1 - FRAME

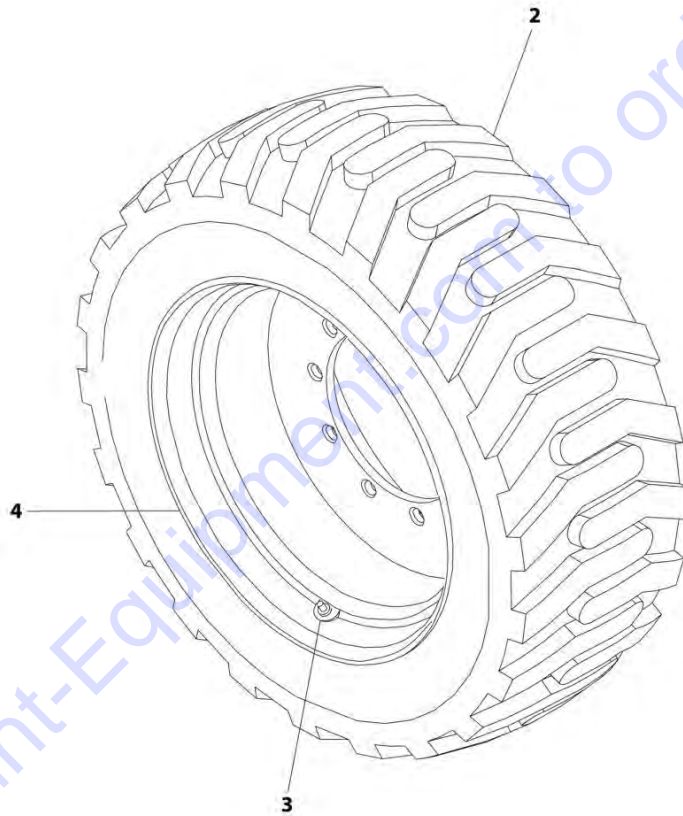
FIGURE 1-10. TIRE AND WHEEL INSTALLATION - 18-625 NHS FOAM-FILLED

ITEM	PART NUMBER	QTY	DESCRIPTION	REV
	0270888	Ref	TIRE AND WHEEL INSTALLATION	C
	0271090	2	Tire and Wheel Assembly - 18-625 NHS Foam-Filled LH Side	F
	0271091	2	Tire and Wheel Assembly - 18-625 NHS Foam-Filled RH Side	F
		Ref	Note: Assemblies may require ballast/foam filling to manufacturer's specifications prior to installing on a machine. Refer to Operation and Safety or Service and Maintenance Manuals.	
		Ref	Purchase individual tire and/or rim only if able to foam fill tire and wheel assembly, otherwise, purchase complete assembly.	
2	4520253	1	Tire 18-625	
3	4641122	1	Valve, Air	
4	4860225	1	Rim, Wheel - 15 x 24.5 Rim	

Go to Discount-Equipment.com to order your parts

SECTION 1 - FRAME

FIGURE 1-11. TIRE AND WHEEL INSTALLATION - 18-625 NHS FOAM-FILLED NON-MARKING (Prior to SN 0300247156)



ART_1001169757

SECTION 1 - FRAME

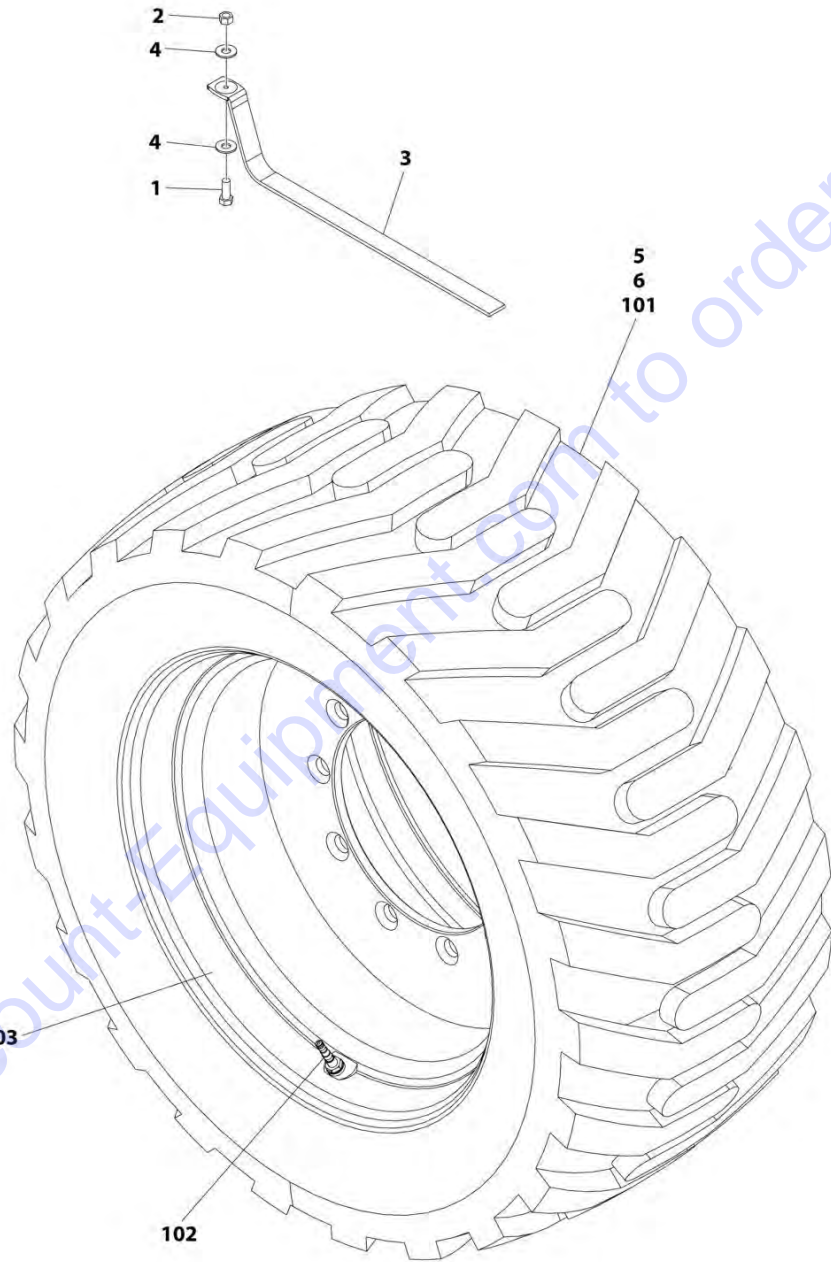
FIGURE 1-11. TIRE AND WHEEL INSTALLATION - 18-625 NHS FOAM-FILLED NON-MARKING (Prior to SN 0300247156)

ITEM	PART NUMBER	QTY	DESCRIPTION	REV
	1001169757	Ref	TIRE AND WHEEL INSTALLATION	A
	1001169755	2	Tire and Wheel Assembly - 18-625 NHS Foam-Filled Non-Marking LH Side	C
	1001169756	2	Tire and Wheel Assembly - 18-625 NHS Foam-Filled Non-Marking RH Side	C
		Ref	Note: Assemblies may require ballast/foam filling to manufacturer's specifications prior to installing on a machine. Refer to Operation and Safety or Service and Maintenance Manuals.	
		Ref	Purchase individual tire and/or rim only if able to foam fill tire and wheel assembly, otherwise, purchase complete assembly.	
2	1001169754	1	Tire 18-625 Non-Marking	
3	4641122	1	Valve, Air	
4	4860225	1	Rim, Wheel - 15 x 24.5 Rim	

Go to Discount-Equipment.com to order your parts

SECTION 1 - FRAME

FIGURE 1-12. TIRE AND WHEEL INSTALLATION - 18-625 NHS FOAM-FILLED NON-MARKING (SN 0300247156 to Present)



ART_1001236435

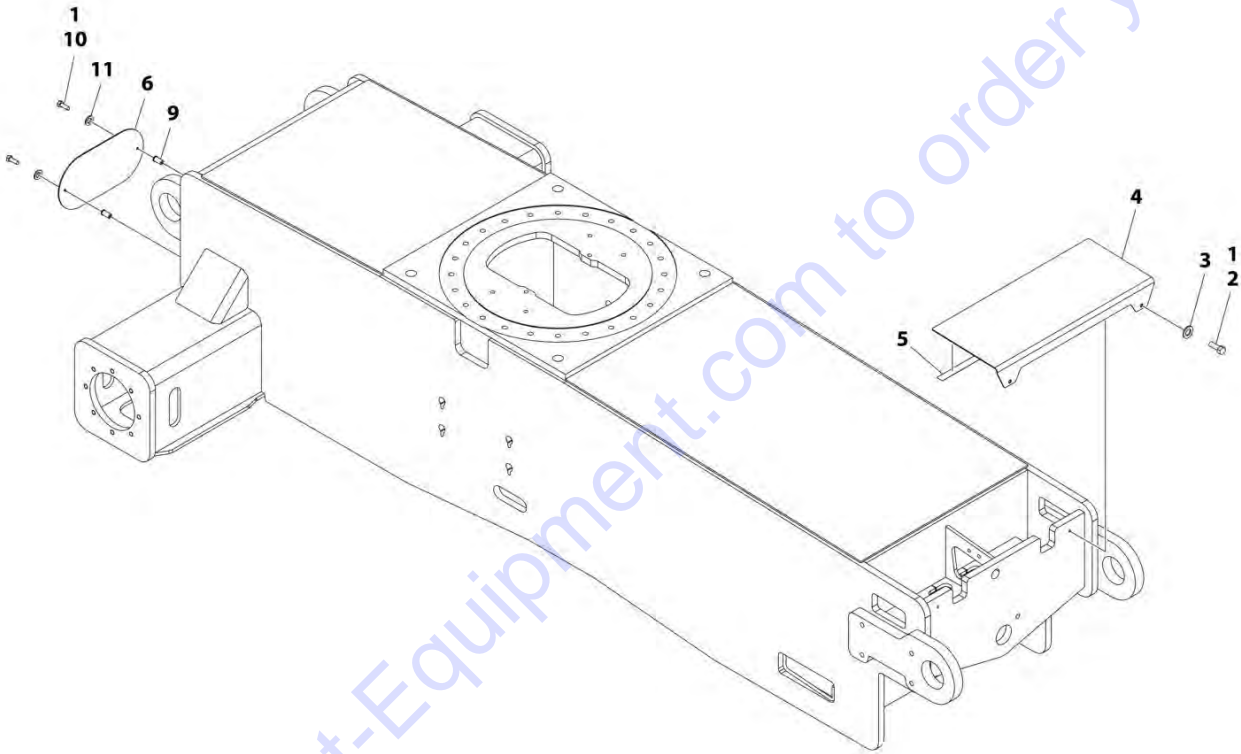
SECTION 1 - FRAME

FIGURE 1-12. TIRE AND WHEEL INSTALLATION - 18-625 NHS FOAM-FILLED NON-MARKING (SN 0300247156 to Present)

ITEM	PART NUMBER	QTY	DESCRIPTION	REV
	1001236435	Ref	TIRE AND WHEEL INSTALLATION	A
1	0641608	1	Bolt 3/8 x 1	
2	3311605	1	Nut 3/8	
3	4240084	1	Strap, Anti-Static	
4	4751600	2	Washer 3/8	
5	1001169755	2	Tire and Wheel Assembly - 18-625 NHS Foam-Filled Non-Marking LH Side	C
6	1001169756	2	Tire and Wheel Assembly - 18-625 NHS Foam-Filled Non-Marking RH Side	C
		Ref	Note: Assemblies may require ballast/foam filling to manufacturer's specifications prior to installing on a machine. Refer to Operation and Safety or Service and Maintenance Manuals.	
		Ref	Purchase individual tire and/or rim only if able to foam fill tire and wheel assembly, otherwise, purchase complete assembly.	
101	1001169754	1	Tire 18-625 Non-Marking	
102	4641122	1	Valve, Air	
103	4860225	1	Rim, Wheel - 15 x 24.5 Rim	

SECTION 1 - FRAME

FIGURE 1-13. FRAME SHIELDS INSTALLATION



ART_1001158203

SECTION 1 - FRAME

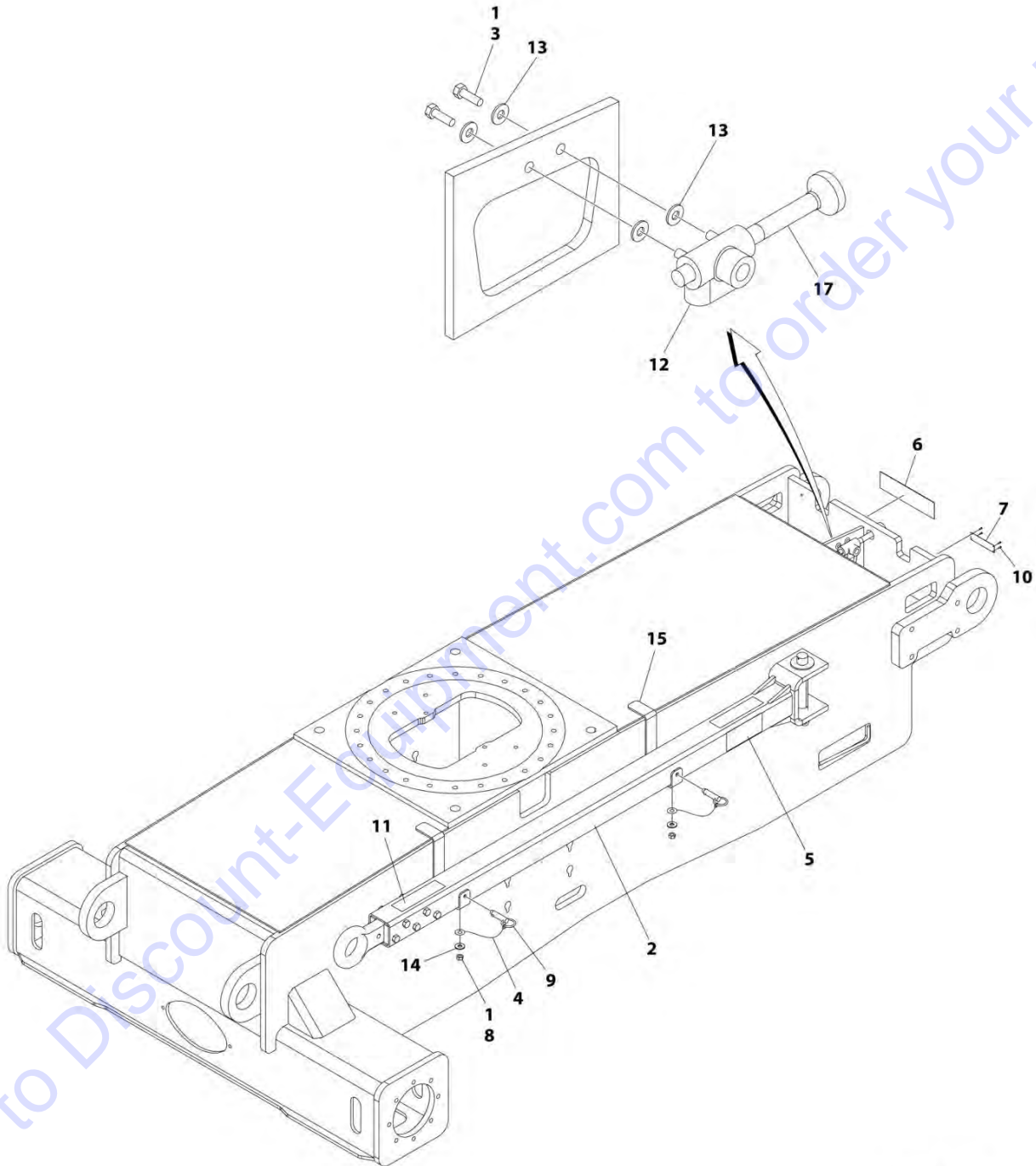
FIGURE 1-13. FRAME SHIELDS INSTALLATION

ITEM	PART NUMBER	QTY	DESCRIPTION	REV
	1001158203	Ref	FRAME SHIELDS INSTALLATION	D
1	0100011	AR	Compound, Locking	
2	0641606	2	Bolt 3/8 x 3/4	
3	4751600	2	Washer 3/8	
4	1001158187	1	Cover	
5	4280296	27 in/ 68cm	Trim	
6	1001158188	1	Cover	
9	8580420	2	Nut, Well	
10	0641410	2	Bolt 1/4 x 1-1/4	
11	4751400	2	Washer 1/4	

Go to Discount-Equipment.com to order your parts

SECTION 1 - FRAME

FIGURE 1-14. TOW PACKAGE INSTALLATION (OPTIONAL) (ANSI, ANSI EXPORT AND CHINA SPECS)



ART_1001158258

SECTION 1 - FRAME

FIGURE 1-14. TOW PACKAGE INSTALLATION (OPTIONAL) (ANSI, ANSI EXPORT AND CHINA SPECS)

ITEM	PART NUMBER	QTY	DESCRIPTION	REV
	1001158258	Ref	TOW PACKAGE INSTALLATION	B
1	0100011	AR	Compound, Locking	
2	0232121	1	Tow Bar Assembly (See Separate Breakdown in this Section)	
3	0641508	2	Bolt 5/16 x 1	
4	1260017	2 ft/0.3m	Chain	
5	1704578	2	Decal - Crushing	
6	1705090	1	Decal - Towing Instructions	
7	3250872	1	Nameplate - Steer/Tow Valve	
8	3311401	2	Nut 1/4	
9	3420292	2	Pin	
10	3820001	4	Rivet, Pop	
11	4420051	2 ft/0.3m	Tape	
12	4640261	1	Valve, Float Position	
13	4751500	4	Washer 5/16	
14	4751400	2	Washer 1/4	
15	1001158522	2	Bracket	
17	1001160780	1	Rod, Extension	

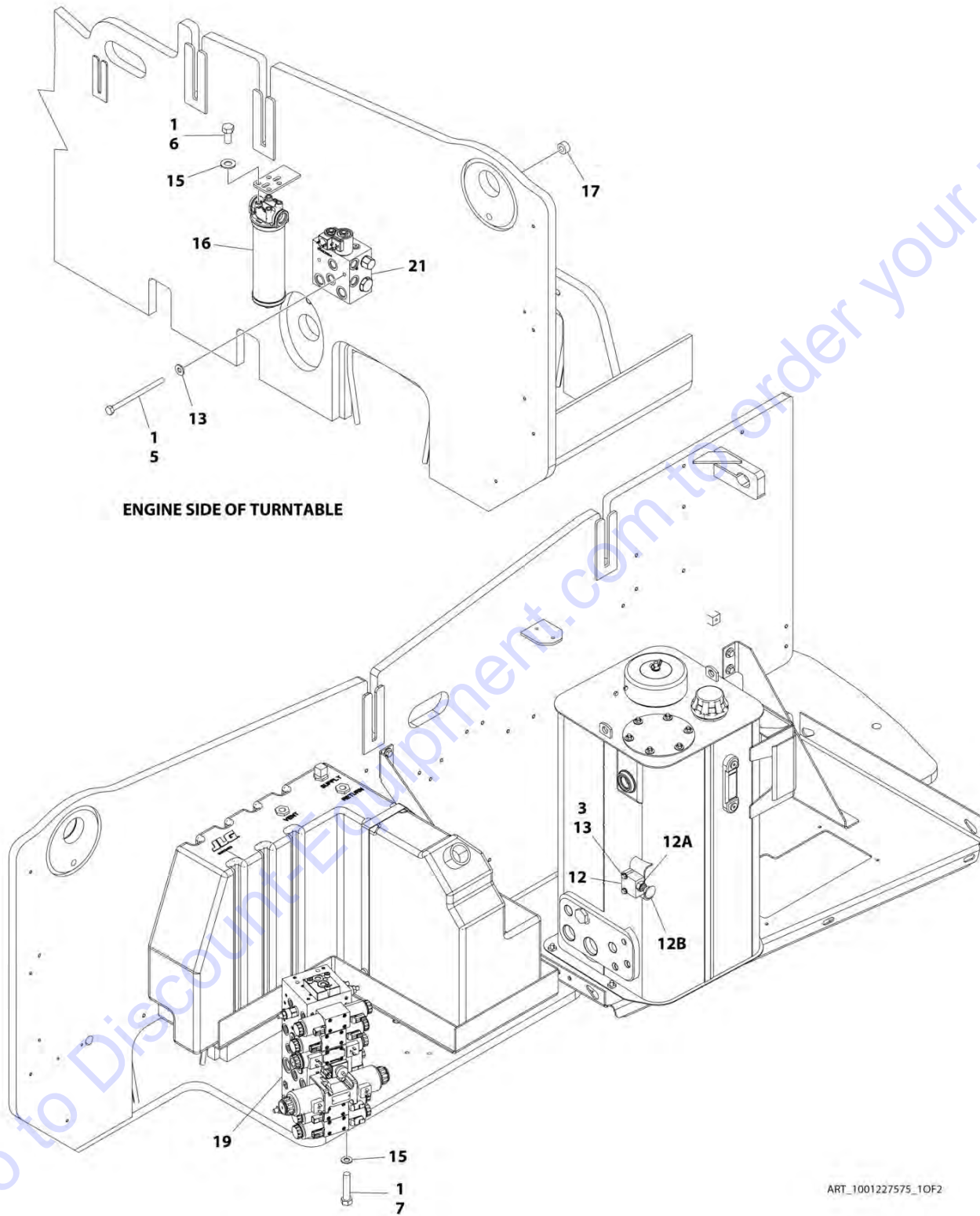
Go to Discount-Equipment.com to order your parts

SECTION 2 - TURNTABLE

Go to Discount-Equipment.com to order your parts

SECTION 2 - TURNTABLE

FIGURE 2-1. VALVES INSTALLATION - WITHOUT LSS



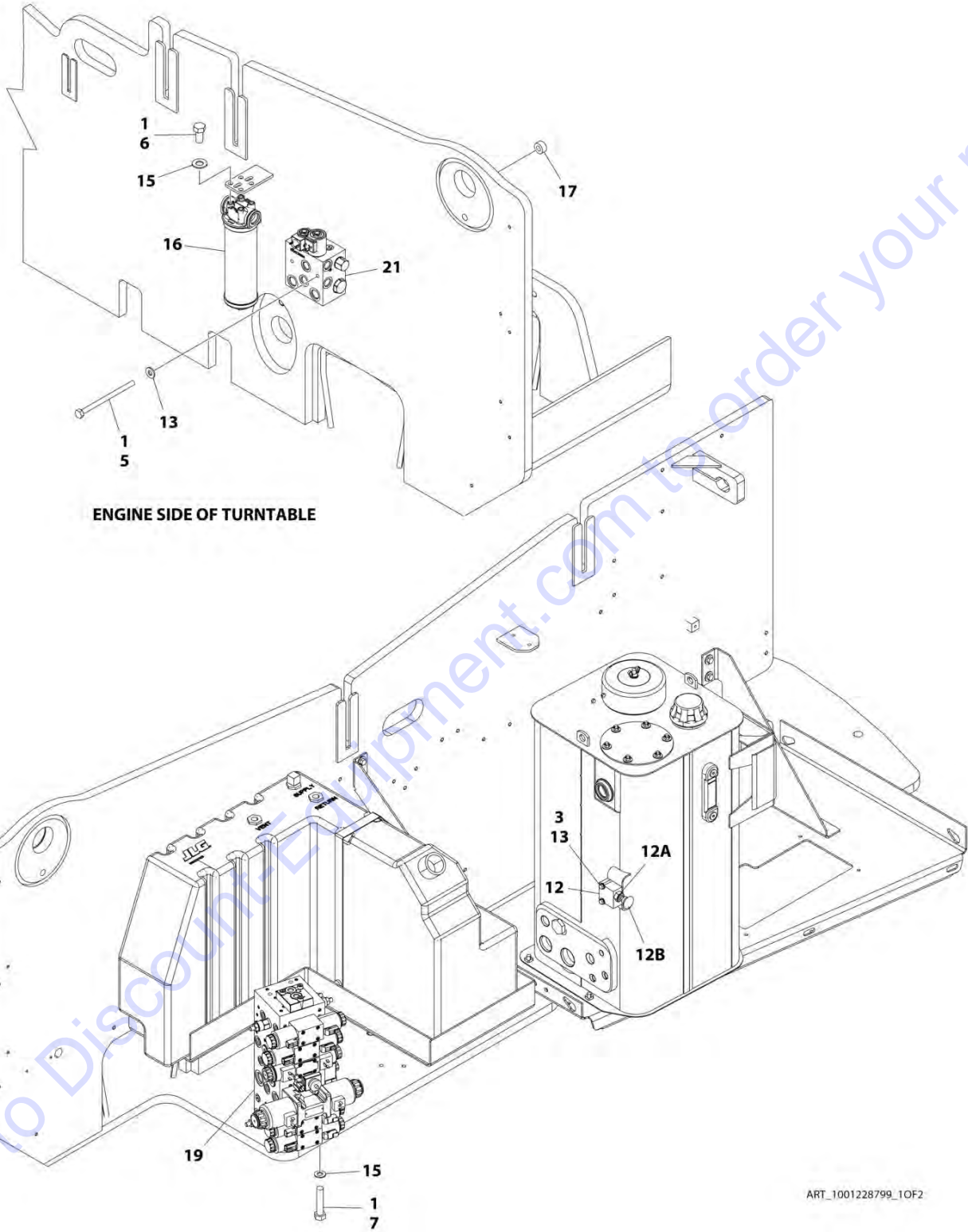
SECTION 2 - TURNTABLE

FIGURE 2-1. VALVES INSTALLATION - WITHOUT LSS

ITEM	PART NUMBER	QTY	DESCRIPTION	REV
	1001227575	Ref	VALVES INSTALLATION	B
1	0100011	AR	Compound, Locking	
3	0641414	2	Bolt 1/4 x 1-3/4	
5	0641432	2	Bolt 1/4 x 4	
6	0641606	4	Bolt 3/8 x 3/4	
7	0641614	3	Bolt 3/8 x 1-3/4	
12	4640866	1	Level Valve Assembly	
12A	7017466	1	Cartridge	
12A	2900708	1	Seal Kit	
12B	7012959	1	Knob	
13	4711400	8	Washer 1/4	
15	4711600	9	Washer 3/8	
16	1001108617	1	Pressure Filter Assembly	
16	70002231	1	Element, Filter	
17	1001110425	2	Spacer	
19	1001172218	NLA	Main Valve Assembly (Use p/n 1001228170) (See Separate Breakdown in this Section) (Prior to SN 0300247156)	
19	1001228170	1	Main Valve Assembly (See Separate Breakdown in this Section) (SN 0300247156 to Present)	
21	1001226814	1	Brake/2 Speed Valve Assembly (See Separate Breakdown in this Section)	

SECTION 2 - TURNTABLE

FIGURE 2-2. VALVES INSTALLATION - WITH LSS



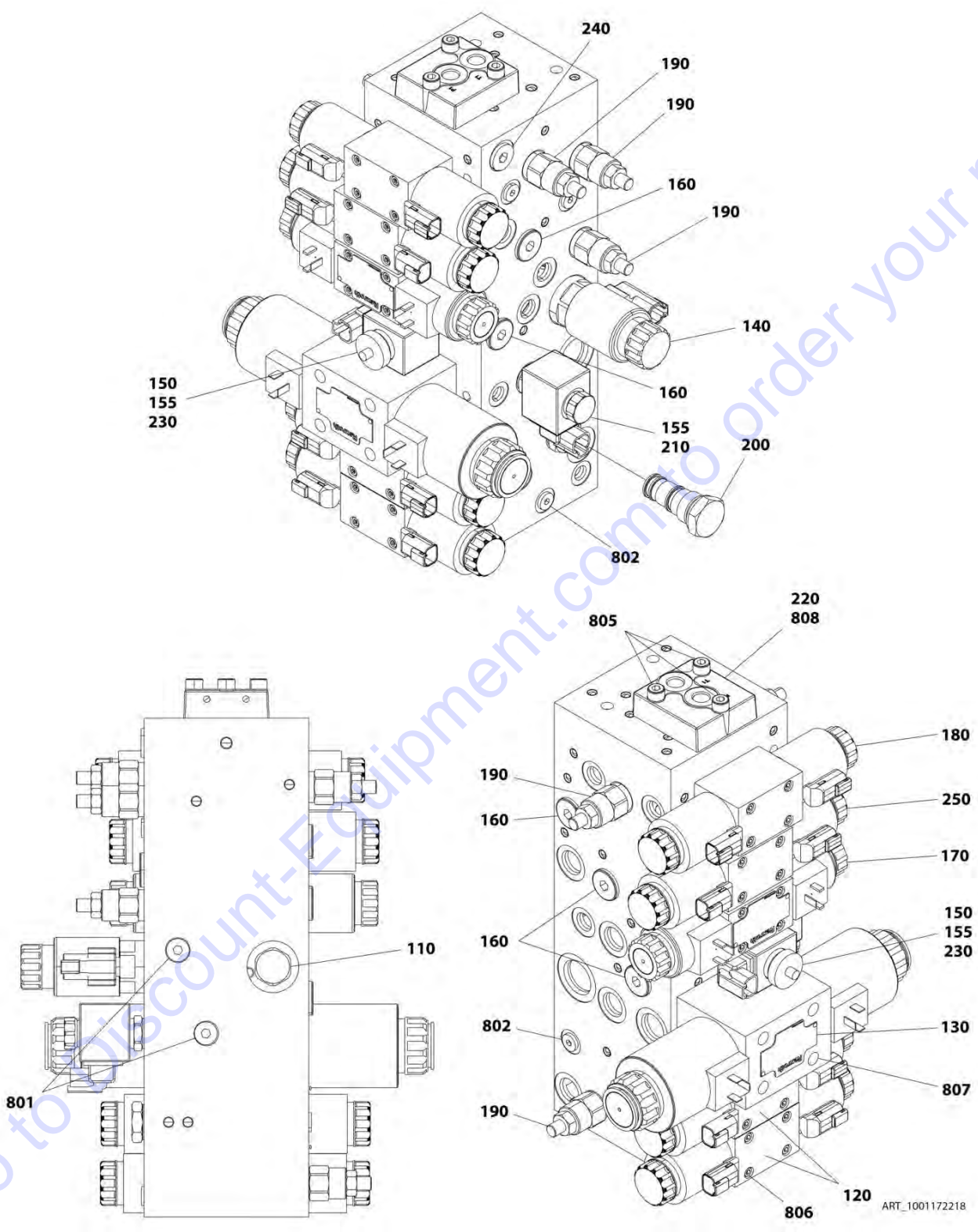
SECTION 2 - TURNTABLE

FIGURE 2-2. VALVES INSTALLATION - WITH LSS

ITEM	PART NUMBER	QTY	DESCRIPTION	REV
	1001228799	Ref	VALVES INSTALLATION	B
1	0100011	AR	Compound, Locking	
3	0641414	2	Bolt 1/4 x 1-3/4	
5	0641432	2	Bolt 1/4 x 4	
6	0641606	4	Bolt 3/8 x 3/4	
7	0641614	3	Bolt 3/8 x 1-3/4	
12	4640866	1	Level Valve Assembly	
12A	7017466	1	Cartridge	
12A	2900708	1	Seal Kit	
12B	7012959	1	Knob	
13	4711400	8	Washer 1/4	
15	4711600	9	Washer 3/8	
16	1001108617	1	Pressure Filter Assembly	
16	70002231	1	Element, Filter	
17	1001110425	2	Spacer	
19	1001172218	NLA	Main Valve Assembly (Use p/n 1001228170) (See Separate Breakdown in this Section) (Prior to SN 0300247156)	
19	1001228170	1	Main Valve Assembly (See Separate Breakdown in this Section) (SN 0300247156 to Present)	
21	1001226814	1	Brake/2 Speed Valve Assembly (See Separate Breakdown in this Section)	

SECTION 2 - TURNTABLE

FIGURE 2-3. MAIN VALVE ASSEMBLY (Prior to SN 0300247156)



SECTION 2 - TURNTABLE

FIGURE 2-3. MAIN VALVE ASSEMBLY (Prior to SN 0300247156)

ITEM	PART NUMBER	QTY	DESCRIPTION	REV
	1001172218	Ref	MAIN VALVE ASSEMBLY	C
110	70005194	1	Valve, Check Cartridge	
110	70004584	1	Seal Kit - 70005194 Valve	
120	70004459	2	Valve Assembly (Tower Tele and Tower Lift)	
120	7012773	2	Seal Kit - 70004459 Valve	
120	70004460	4	Coil	
120	7021375	4	Nut, Coil	
120	70004461	4	O-Ring, Pole Tube	
130	70000579	1	Valve Assembly (Upper Tele)	
130	70000583	1	Seal Kit - 70000579 Valve	
130	70000582	2	Coil	
130	70000580	2	Nut, Coil	
130	7021363	2	O-Ring, Pole Tube	
140	70004657	1	Valve, Cartridge (Flow Control)	
140	70004594	1	Seal Kit - 70004657 Valve	
140	70004595	1	Coil	
140	70004596	1	O-Ring, Pole Tube	
140	70004597	1	Nut, Coil	
150	70004598	1	Valve, Cartridge Less Coil (Steer Dump)	
150	70004055	1	Seal Kit - 70004598 Valve	
155	70004653	2	Coil	
155	70004051	2	Nut, Coil	
160	70023859	5	Valve, Shuffle Cartridge	
160	70023860	5	Seal Kit - 70023859 Valve	
170	7018992	1	Valve Assembly (Upper Lift)	
170	7012773	1	Seal Kit - 7018992 Valve	
170	7018991	2	Coil	
170	7021375	2	Nut, Coil	
170	70004461	2	O-Ring, Pole Tube	
180	70005195	1	Valve Assembly (Front Steer)	
180	7012773	1	Seal Kit - 70005195 Valve	
180	70004463	2	Coil	
180	7021375	2	Nut, Coil	
180	70004461	2	O-Ring, Pole Tube	
190	70003019	5	Valve, Relief Cartridge	
190	70004052	5	Seal Kit - 70003019 Valve	
200	70004665	1	Valve, Check - Cartridge	
200	70023862	1	Seal Kit - 70004665 Valve	
210	70004457	1	Valve, Cartridge Less Coil (Main Dump)	
210	70004050	1	Seal Kit - 70004665 Valve	
220	70004667	1	Cover	
230	70005196	1	Orifice .118	
240	70005197	1	Plug (2WS)	
240	70004052	1	Seal Kit - 70005197 Plug	
250	70005198	1	Valve Assembly (Swing)	
250	7012773	1	Seal Kit - 70005198 Valve	
250	70004463	2	Coil	
250	7021375	2	Nut, Coil	
250	70004461	2	O-Ring, Pole Tube	
801	70005199	2	Plug	

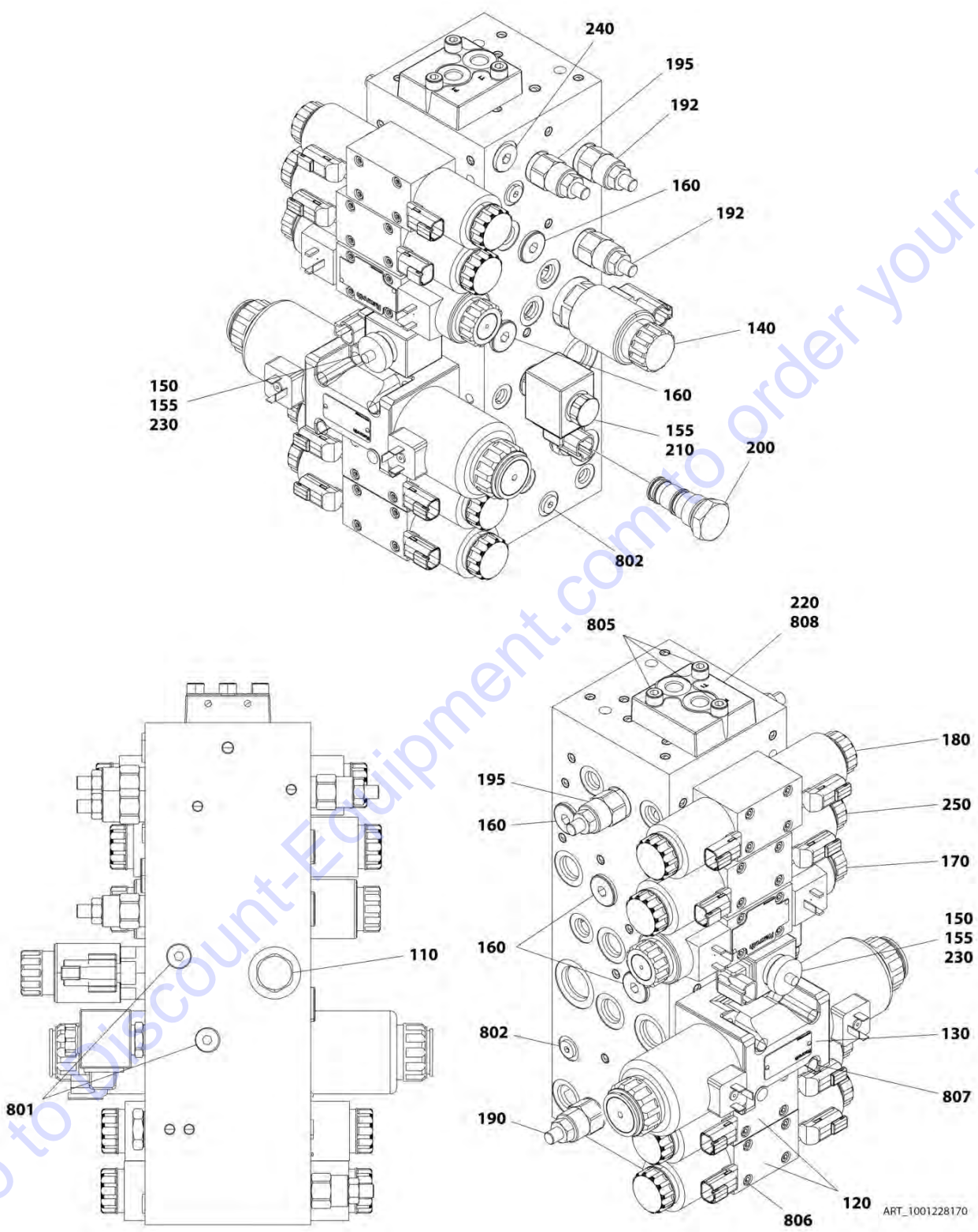
SECTION 2 - TURNTABLE

ITEM	PART NUMBER	QTY	DESCRIPTION	REV
802	70005200	4	Plug	
805	70005201	3	Capscrew	
806	7018942	20	Capscrew	
807	7018951	4	Capscrew	
808	70005202	2	O-Ring	

Go to Discount-Equipment.com to order your parts

SECTION 2 - TURNTABLE

FIGURE 2-4. MAIN VALVE ASSEMBLY (SN 0300247156 to Present)



SECTION 2 - TURNTABLE

FIGURE 2-4. MAIN VALVE ASSEMBLY (SN 0300247156 to Present)

ITEM	PART NUMBER	QTY	DESCRIPTION	REV
	1001228170	Ref	MAIN VALVE ASSEMBLY	A
110	70005194	1	Valve, Check Cartridge	
110	70004584	1	Seal Kit - 70005194 Valve	
120	70004459	2	Valve Assembly (Tower Tele and Tower Lift)	
120	7012773	2	Seal Kit - 70004459 Valve	
120	70004460	4	Coil	
120	7021375	4	Nut, Coil	
120	70004461	4	O-Ring, Pole Tube	
130	70006955	1	Valve Assembly (Upper Tele)	
130	70006957	1	Seal Kit - 70006955 Valve	
130	70006956	2	Coil	
140	70004657	1	Valve, Cartridge (Flow Control)	
140	70004594	1	Seal Kit - 70004657 Valve	
140	70004595	1	Coil	
140	70004596	1	O-Ring, Pole Tube	
140	70004597	1	Nut, Coil	
150	70004598	1	Valve, Cartridge Less Coil (Steer Dump)	
150	70004055	1	Seal Kit - 70004598 Valve	
155	70004653	2	Coil	
155	70004051	2	Nut, Coil	
160	70023859	5	Valve, Shuffle Cartridge	
160	70023860	5	Seal Kit - 70023859 Valve	
170	7018992	1	Valve Assembly (Upper Lift)	
170	7024021	1	Seal Kit - 7018992 Valve	
170	7018991	2	Coil	
170	7021375	2	Nut, Coil	
170	70004461	2	O-Ring, Pole Tube	
180	70005195	1	Valve Assembly (Front Steer)	
180	7012773	1	Seal Kit - 70005195 Valve	
180	70004463	2	Coil	
180	7021375	2	Nut, Coil	
180	70004461	2	O-Ring, Pole Tube	
190	70006959	1	Valve, Relief Cartridge	
190	See Note	NSS	Seal Kit - 70006959 Valve (Note: Not Available for Purchase)	
192	70006960	2	Valve, Relief Cartridge	
192	See Note	NSS	Seal Kit - 70006960 Valve (Note: Not Available for Purchase)	
195	70006958	2	Valve, Relief Cartridge	
195	See Note	NSS	Seal Kit - 70006958 Valve (Note: Not Available for Purchase)	
200	70004665	1	Valve, Check - Cartridge	
200	70023862	1	Seal Kit - 70004665 Valve	
210	70004457	1	Valve, Cartridge Less Coil (Main Dump)	
210	70004050	1	Seal Kit - 70004665 Valve	
210	70004653	1	Coil	
220	70004667	1	Cover	
230	70005196	1	Orifice .118	
240	70005197	1	Plug (2WS)	
240	70004052	1	Seal Kit - 70005197 Plug	
250	70005198	1	Valve Assembly (Swing)	
250	70006961	1	Seal Kit - 70005198 Valve	
250	70004463	2	Coil	

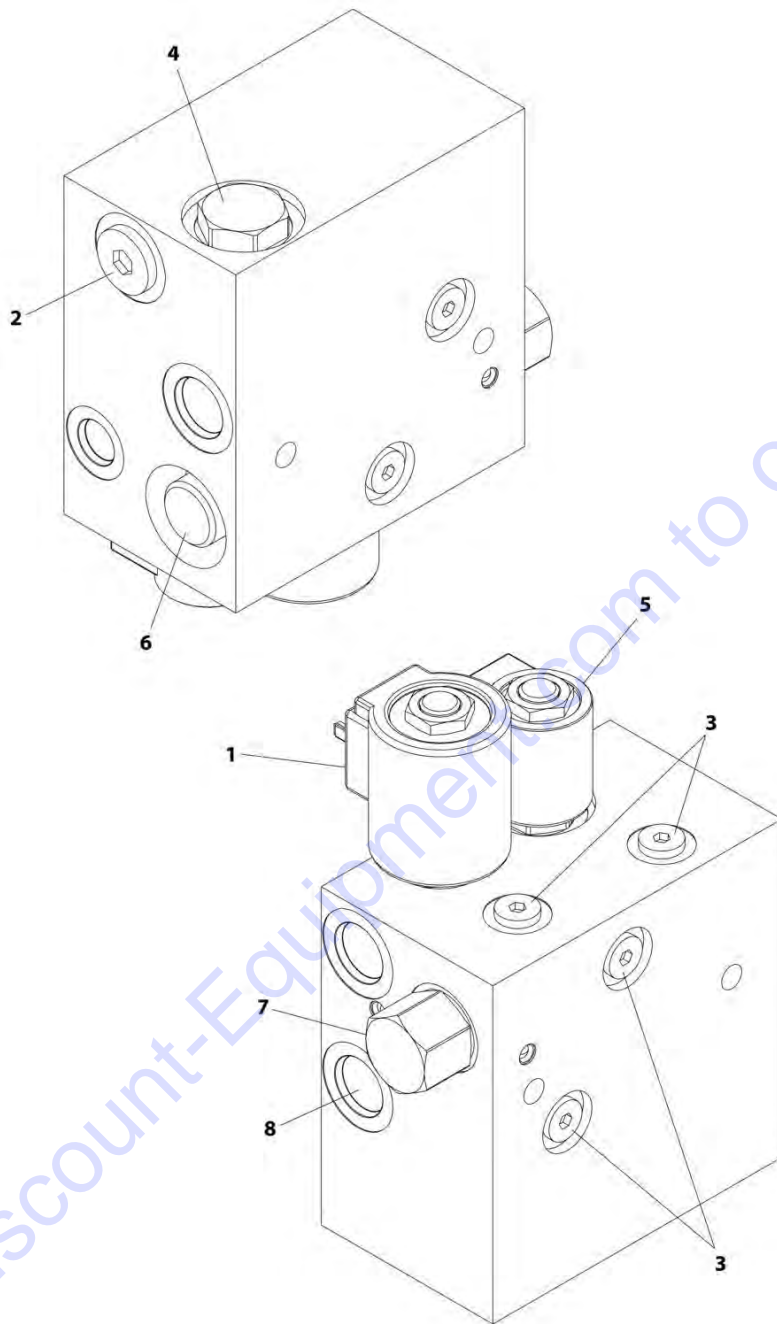
SECTION 2 - TURNTABLE

ITEM	PART NUMBER	QTY	DESCRIPTION	REV
250	7021375	2	Nut, Coil	
250	70004461	2	O-Ring, Pole Tube	
801	70005199	2	Plug	
802	70005200	4	Plug	
805	70005201	3	Capscrew	
806	7018942	20	Capscrew	
807	7018951	4	Capscrew	
808	70005202	2	O-Ring	

Go to Discount-Equipment.com to order your parts

SECTION 2 - TURNTABLE

FIGURE 2-5. BRAKE/2 SPEED VALVE ASSEMBLY



ART_1001226814

SECTION 2 - TURNTABLE

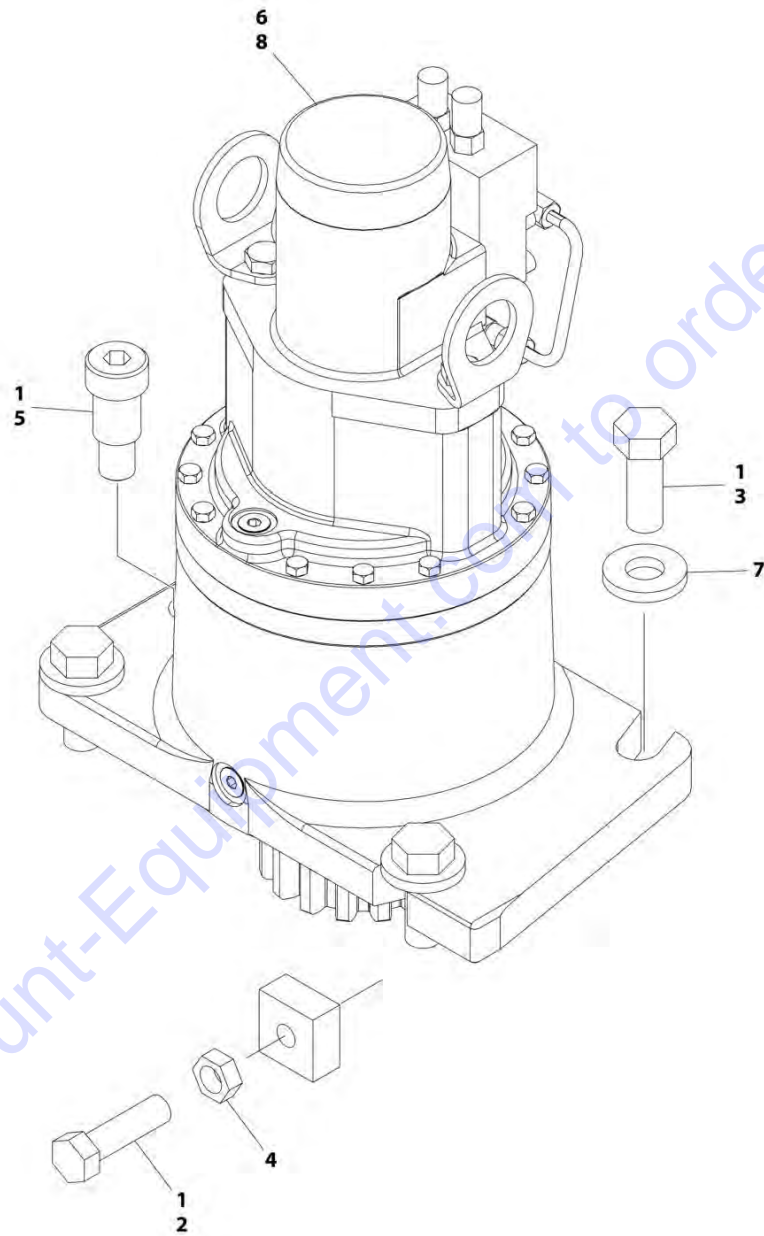
FIGURE 2-5. BRAKE/2 SPEED VALVE ASSEMBLY

ITEM	PART NUMBER	QTY	DESCRIPTION	REV
	1001226814	Ref	BRAKE/2 SPEED VALVE ASSEMBLY	E
1	7012995	1	Valve, Cartridge	
1	7012518	1	Seal Kit - 7012995 Valve	
1	7012943	1	Nut, Coil	
2	2220886	1	Plug, O-Ring	
3	2220883	1	Plug, O-Ring	
4	4641192	1	Valve, Cartridge	
4	7017496	1	Seal Kit - 4641192 Valve	
5	7012941	1	Valve, Cartridge	
5	7010543	1	Seal Kit - 7012941 Valve	
5	7012944	1	Nut, Coil	
6	7012989	1	Valve, Cartridge	
6	7012953	1	Seal Kit - 7012989 Valve	
7	7012928	1	Valve, Cartridge	
7	70003649	1	Seal Kit - 7012928 Valve	
8	70003975	1	Plug, Orifice	

Go to Discount-Equipment.com to order your parts

SECTION 2 - TURNTABLE

FIGURE 2-6. SWING DRIVE INSTALLATION



ART_1001156136

SECTION 2 - TURNTABLE

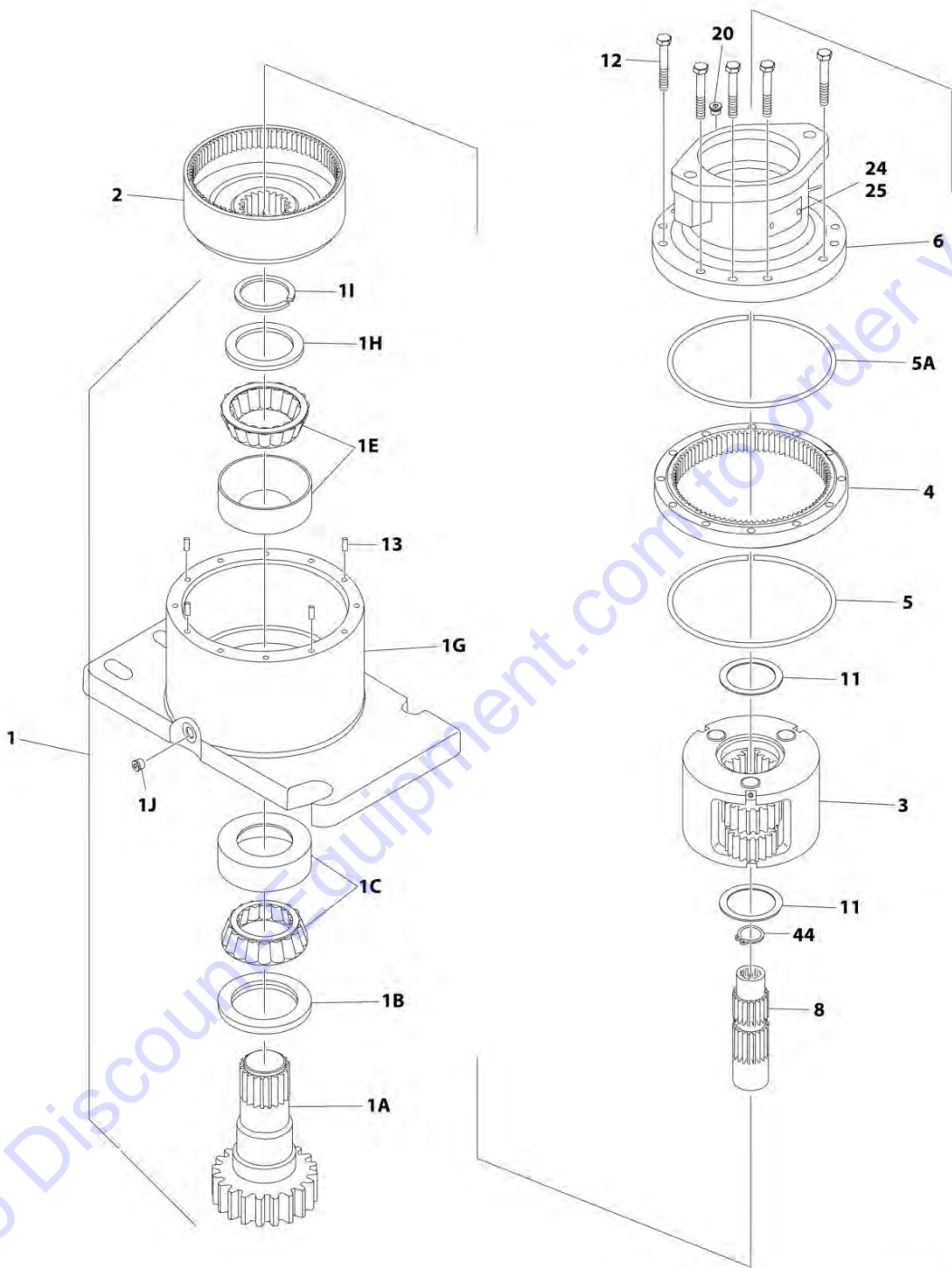
FIGURE 2-6. SWING DRIVE INSTALLATION

ITEM	PART NUMBER	QTY	DESCRIPTION	REV
	1001156136	Ref	SWING DRIVE INSTALLATION	A
1	0100019	AR	Compound, Locking	
2	0642016	1	Bolt 5/8 x 2-1/4	
3	0682216	4	Bolt 3/4 x 2 Grade 8	
4	3312002	1	Nut 5/8	
5	3900293	1	Screw 1 x 1-1/4	
6	4071009	1	Shim	
7	4740057	4	Washer	
8	1001101060	1	Swing Motor/Hub Assembly (See Separate Breakdown in this Section)	

Go to Discount-Equipment.com to order your parts

SECTION 2 - TURNTABLE

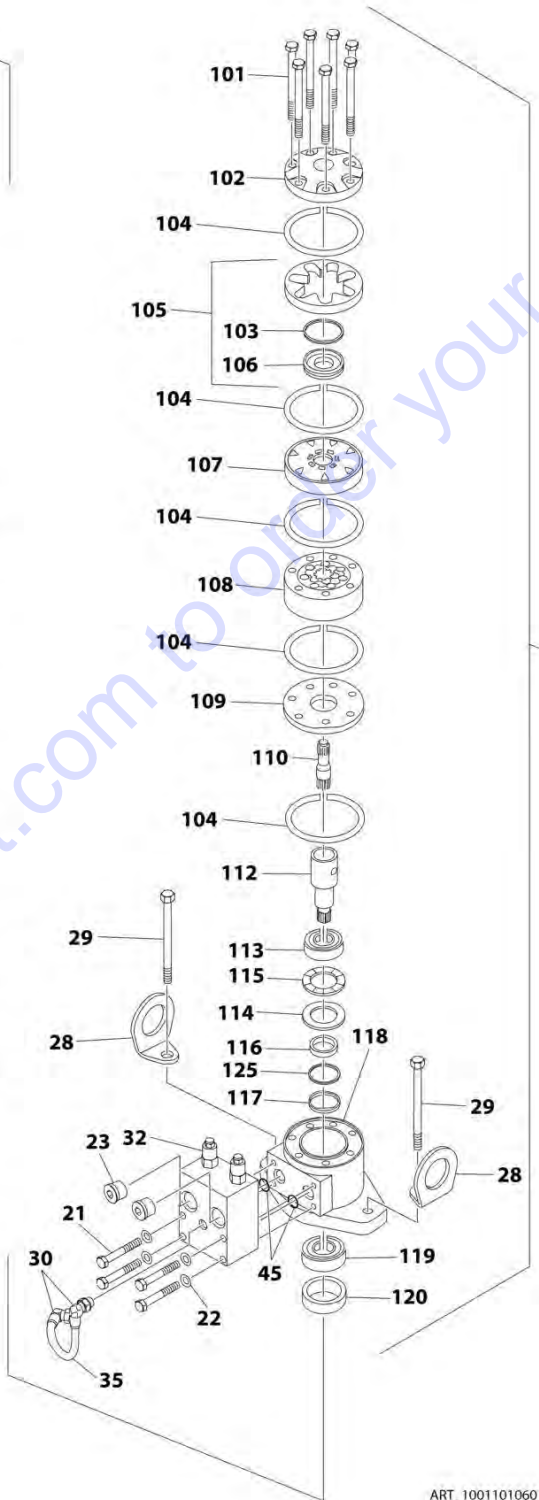
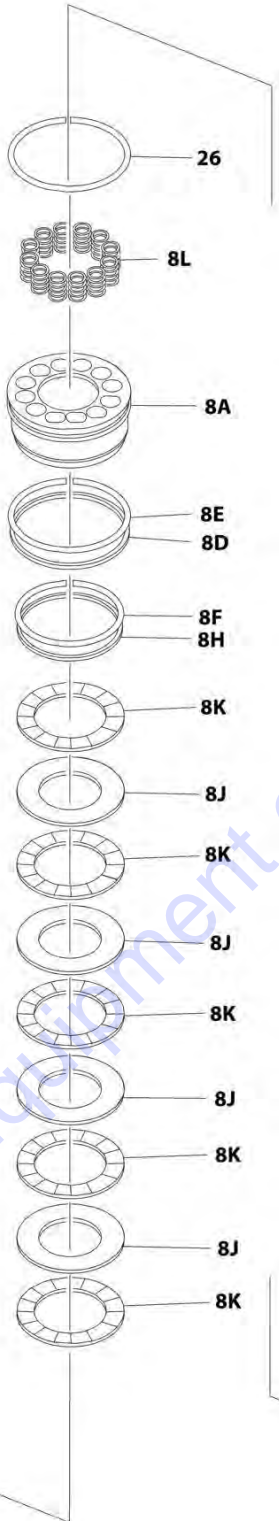
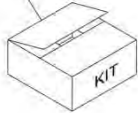
FIGURE 2-7. SWING MOTOR/HUB ASSEMBLY



ART_1001101060_10F2

SECTION 2 - TURNTABLE

- 200A
- 200B
- 200C
- 200D
- 200E
- 201



31

ART_1001101060_20F2

Go to Discount-Equipment.com to order your parts

SECTION 2 - TURNTABLE

FIGURE 2-7. SWING MOTOR/HUB ASSEMBLY

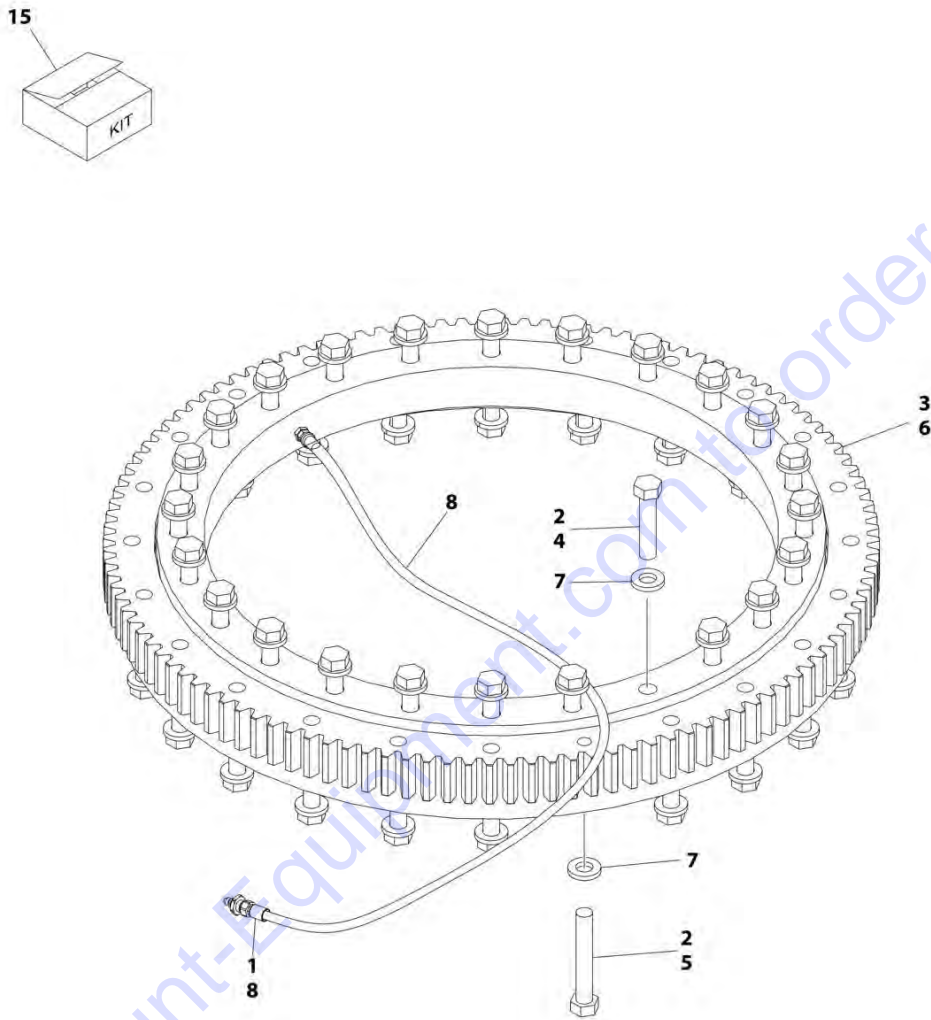
ITEM	PART NUMBER	QTY	DESCRIPTION	REV
	1001101060	Ref	SWING MOTOR/HUB ASSEMBLY	A
1	See Note	1	Housing/Shaft Assembly (Note: Not Available - Purchase Individual Components)	
1A	7010492	1	Shaft, Output	
1B	7000228	1	Seal, Lip	
1C	7000255	1	Bearing Kit (Includes Cup and Cone)	
1E	7000257	1	Bearing Kit (Includes Cup and Cone)	
1G	7024762	1	Housing	
1H	7007633	1	Washer, Thrust	
1I	7000229	1	Ring, Retaining	
1J	7017072	1	Plug, Pipe	
2	7000246	1	Gear, Internal	
3	80424002	1	Carrier Assembly	
4	7000248	1	Gear, Ring	
5	7000230	1	O-Ring	
5A	7017070	1	O-Ring	
6	See Note	1	Housing, Brake (Note: Not Available - Purchase Complete Assembly)	
8	70002065	1	Gear, Sun	
8A	70000782	1	Piston	
8D	70002070	1	O-Ring	
8E	70002071	1	Ring, Back-up	
8F	70002073	1	O-Ring	
8H	70002072	1	Ring, Back-up	
8J	70002067	4	Disc, Rotor	
8K	70002068	5	Disc, Stator	
8L	70002066	14	Spring	
11	7000253	2	Washer, Thrust	
12	7000217	12	Bolt 3/8 x 2-1/4 Grade 8	
13	7017080	4	Pin, Dowel	
20	7017072	1	Plug, Pipe	
21	7024704	4	Bolt 5/16 x 2 Grade 8	
22	See Note	4	Lockwasher (Note: Not Available for Purchase)	
23	7017023	2	Plug, Pipe	
24	See Note	1	Plate, ID (Note: Not Available for Purchase)	
25	7000281	2	Screw, Drive	
26	7024763	1	O-Ring	
28	See Note	2	Lug, Lifting (Note: Not Available for Purchase)	
29	70002069	2	Bolt 1/2 x 2 Grade 8	
30	7017085	2	Elbow	
31	70002075	1	Motor Assembly (See Items 101-125 for Breakdown)	
32	7024784	1	Valve Assembly - Complete (No Serviceable Parts)	
35	70002074	1	Tube	
44	7017028	1	Ring, Internal Retaining	
45	7000213	2	O-Ring	
	70002075	Ref	MOTOR ASSEMBLY	
101	7024454	5	Bolt	
102	7004035	1	Cover, End	
103	7023318	1	Seal, Commutator	
104	7004036	5	Seal, Ring	

SECTION 2 - TURNTABLE

ITEM	PART NUMBER	QTY	DESCRIPTION	REV
105	7024453	1	Commutator and Ring Assembly	
106	See Note	1	Ring (Note: Use p/n 7024453)	
107	7024379	1	Manifold	
108	7024455	1	Rotor Set	
109	7024380	1	Plate, Wear	
110	7024456	1	Link, Drive	
112	7024458	1	Shaft, Coupling	
113	7024381	1	Bearing, Inner	
114	7004043	1	Washer, Thrust	
115	7004044	1	Bearing, Thrust	
116	7004049	1	Seal, Inner	
117	7004045	1	Washer, Back-up	
118	7024457	1	Housing	
119	7024390	1	Bearing, Outer	
120	7004047	1	Seal	
125	80424043	1	Washer, Back-up	
		Ref	KIT OPTIONS:	
200A	7024100	1	Seal Kit - Swing Hub (Includes Items 1B, 1I, 5, 5A & 11)	
200B	70002086	1	Seal Kit - Swing Brake (Includes Items 8D, 8E, 8F, 8H & 26)	
200C	7024396	1	Seal Kit - Swing Motor (Includes Items 103, 104, 116, 117, 120 & 125)	
200D	70006436	1	Seal Kit - Hub (Includes Items 1B, 1I, 5, 5A, 12 & 26)	
200E	70006437	1	Seal & Bearing Kit - Hub (Includes Items 1B, 1C, 1E, 1I, 5, 5A, 12 & 26)	
201	70002085	1	Disc Kit - Swing Brake (Includes Items 8J & 8K)	

SECTION 2 - TURNTABLE

FIGURE 2-8. TURNTABLE BEARING AND LUBE INSTALLATION



ART_1001157049

SECTION 2 - TURNTABLE

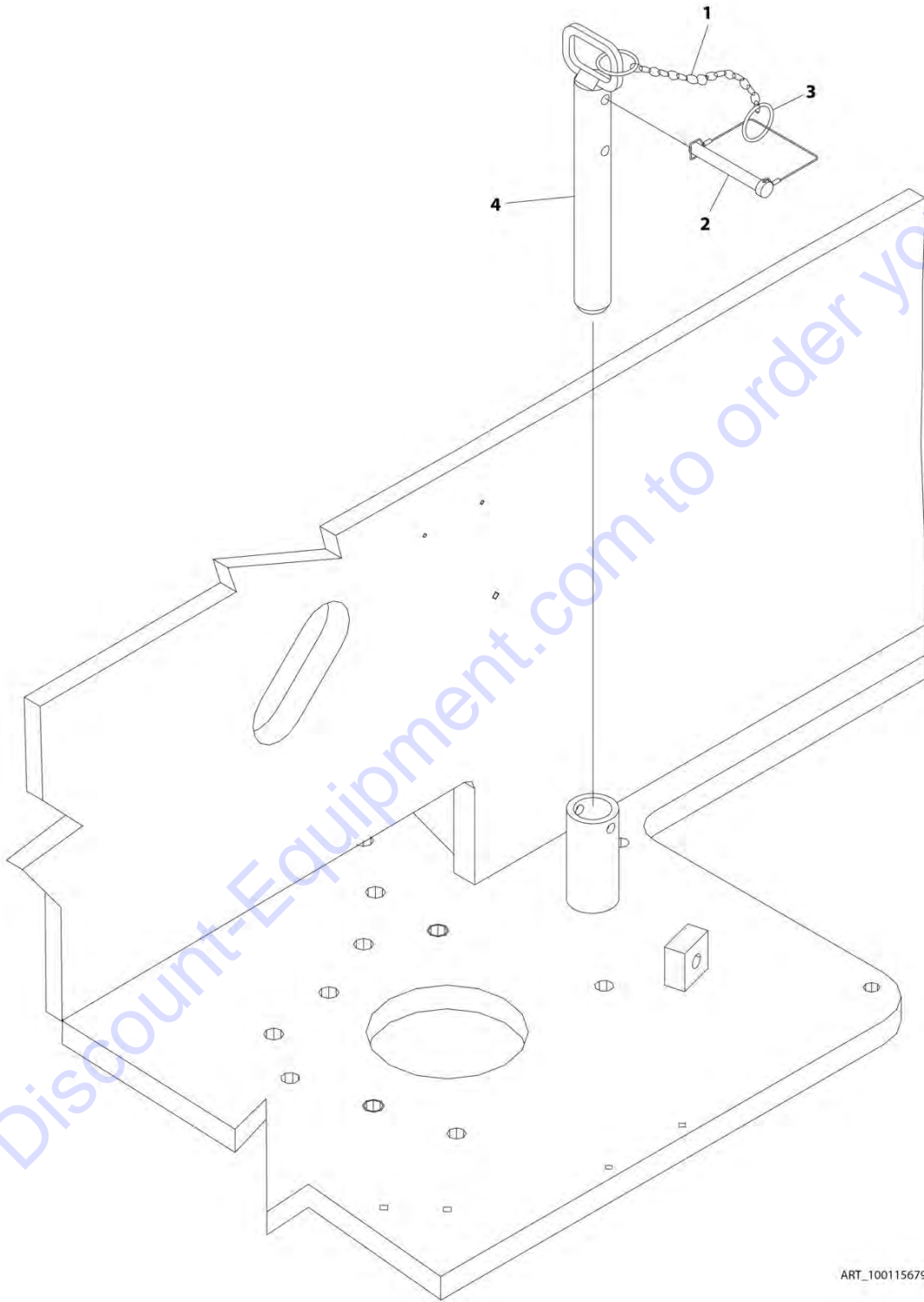
FIGURE 2-8. TURNTABLE BEARING AND LUBE INSTALLATION

ITEM	PART NUMBER	QTY	DESCRIPTION	REV
	1001157049	Ref	TURNTABLE BEARING AND LUBE INSTALLATION	A
1	0100011	AR	Compound, Locking	
2	0100019	AR	Compound, Locking	
3	0440244	1	Bearing, Turntable	
4	0682023	24	Bolt 5/8 x 2-7/8 Grade 8	
5	0682032	24	Bolt 5/8 x 4 Grade 8	
6	3020029	AR	Lubricant	
7	4892000	48	Washer 5/8	
8	1001157058	1	Hose	
15	2915094	1	Turntable Bearing Kit	

Go to Discount-Equipment.com to order your parts

SECTION 2 - TURNTABLE

FIGURE 2-9. TURNTABLE LOCK INSTALLATION



ART_1001156798

SECTION 2 - TURNTABLE

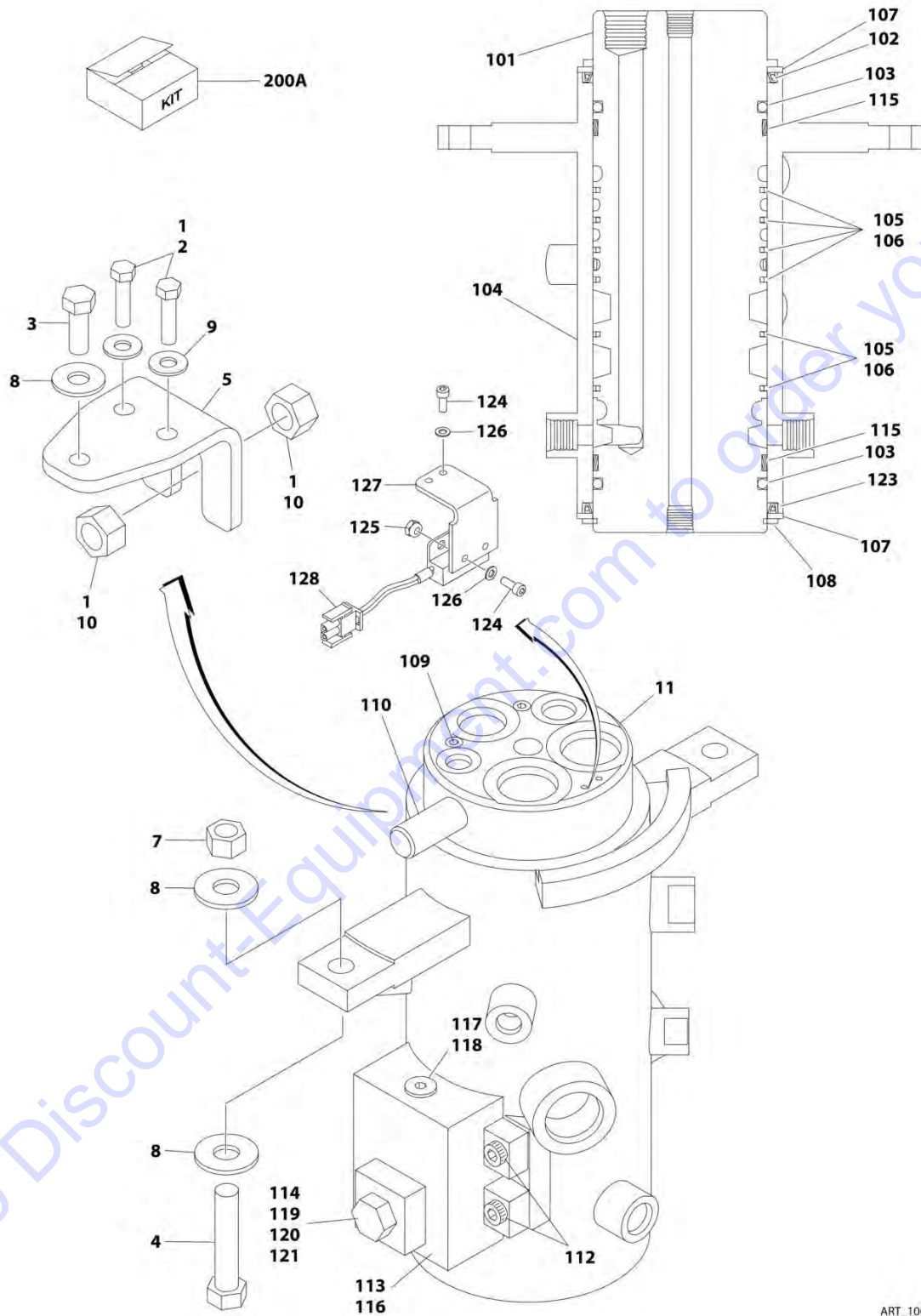
FIGURE 2-9. TURNTABLE LOCK INSTALLATION

ITEM	PART NUMBER	QTY	DESCRIPTION	REV
	1001156798	Ref	TURNTABLE LOCK INSTALLATION	A
1	1260017	9 in/23cm	Chain	
2	3421565	1	Pin, Snap	
3	3760170	2	Ring, Quick Release	
4	4844958	1	Pin	

Go to Discount-Equipment.com to order your parts

SECTION 2 - TURNTABLE

FIGURE 2-10. ROTARY COUPLING INSTALLATION



ART_1001107529

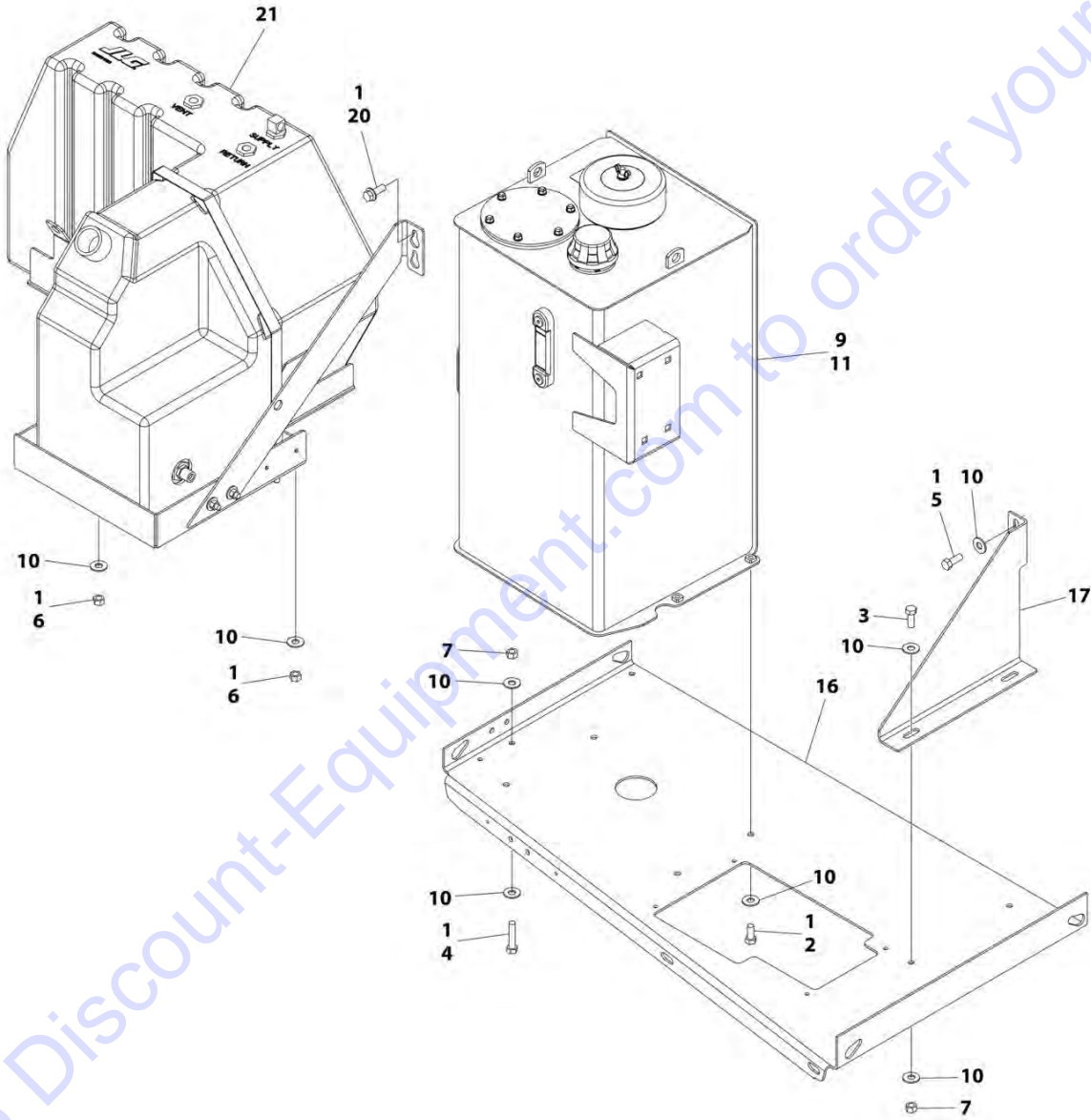
SECTION 2 - TURNTABLE

FIGURE 2-10. ROTARY COUPLING INSTALLATION

ITEM	PART NUMBER	QTY	DESCRIPTION	REV
	1001107529	Ref	ROTARY COUPLING INSTALLATION	B
1	0100011	AR	Compound, Locking	
2	0641611	2	Bolt 3/8 x 1-3/8	
3	0641812	1	Bolt 1/2 x 1-1/2	
4	0641820	2	Bolt 1/2 x 2-1/2	
5	0903242	1	Bracket	
7	3271805	2	Nut 1/2	
8	4751800	5	Washer 1/2	
9	4891600	2	Washer 3/8	
10	3322201	2	Nut 3/4	
11	1001106974	1	Coupling, Rotary Assembly (See Items 101-128 for Breakdown)	
	1001106974	Ref	ROTARY COUPLING ASSEMBLY	B
101	See Note	NSS	Body (Note: Not Available - Purchase Complete Assembly)	
102	See Note	NSS	Seal (Note: Use Item 200A)	
103	See Note	NSS	O-Ring (Note: Use Item 200A)	
104	See Note	NSS	Housing (Note: Not Available - Purchase Complete Assembly)	
105	See Note	NSS	Seal, Cap (Note: Use Item 200A)	
106	See Note	NSS	O-Ring (Note: Use Item 200A)	
107	7026503	2	Ring	
108	7026504	1	Ring, Retaining	
109	80934561	AR	Plug	
110	See Note	NSS	Lug, Torque (Note: Not Available for Purchase)	
112	7026197	4	Bolt 5/16 x 1-1/4	
113	See Note	NSS	O-Ring (Note: Use Item 200A)	
114	See Note	NSS	O-Ring (Note: Use Item 200A)	
115	See Note	NSS	Bearing (Note: Use Item 200A)	
116	7024404	1	Block Valve Assembly	
117	7026505	1	Plug	
118	7026506	1	Valve, Check	
119	7026507	1	Plug	
120	See Note	NSS	Plunger, Valve (Note: Use p/n 7024404)	
121	7026509	1	Spring, Compression	
123	See Note	NSS	Seal (Note: Use Item 200A)	
124	See Note	NSS	Capscrew #10 x 1/2 (Note: Not Available for Purchase)	
125	See Note	NSS	Nut #10 (Note: Not Available for Purchase)	
126	See Note	NSS	Flatwasher #10 (Note: Not Available for Purchase)	
127	70003454	1	Bracket, Switch Mounting	
128	4360517	1	Switch, Proximity	
200A	70001248	1	Seal Kit (Includes Items 102, 103, 105, 106, 113, 114, 115 & 123)	

SECTION 2 - TURNTABLE

FIGURE 2-11. TANKS INSTALLATION



ART_1001223977

SECTION 2 - TURNTABLE

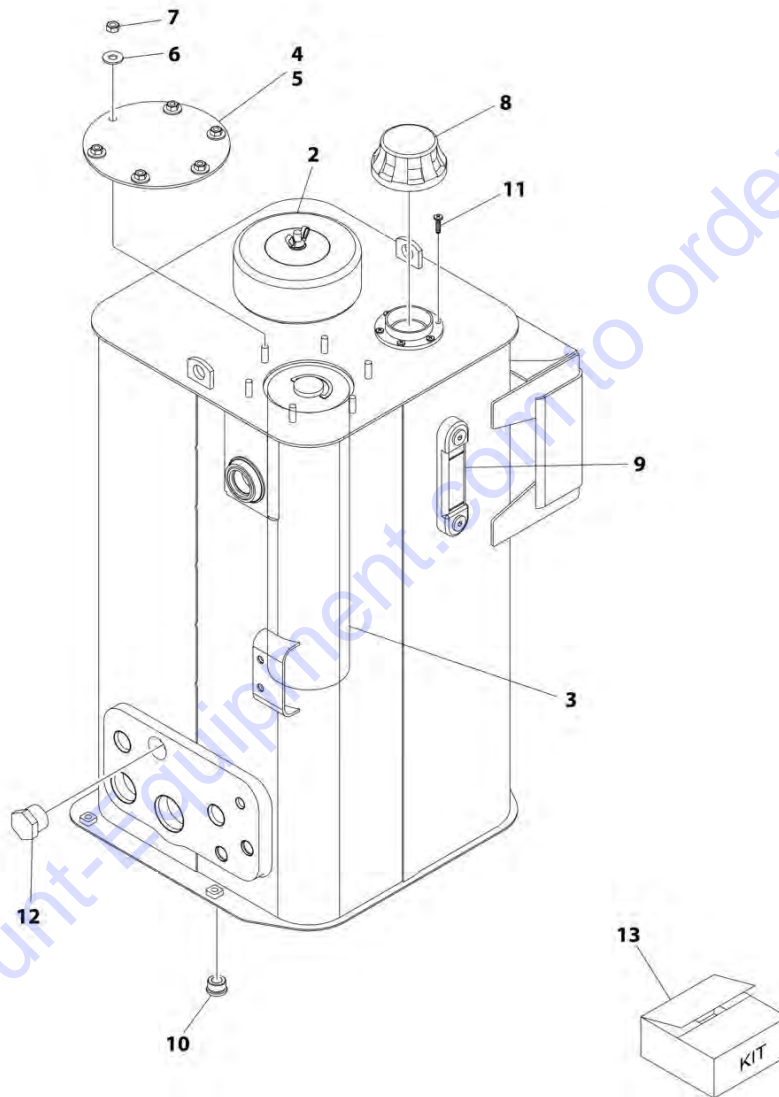
FIGURE 2-11. TANKS INSTALLATION

ITEM	PART NUMBER	QTY	DESCRIPTION	REV
	1001223977	Ref	TANKS INSTALLATION	C
1	0100011	AR	Compound, Locking	
2	0641607	4	Bolt 3/8 x 7/8	
3	0641608	2	Bolt 3/8 x 1	
4	0641614	2	Bolt 3/8 x 1-3/4	
5	0681608	2	Bolt 3/8 x 1	
6	3311601	2	Nut 3/8	
7	3311605	4	Nut 3/8	
9	4420038	26 in/ 0.66m	Tape	
10	4751600	16	Washer 3/8	
11	1001178057	1	Hydraulic Tank Assembly (See Separate Breakdown in this Section)	
16	1001227338	1	Tray	
17	1001227383	1	Bracket	
20	0811608	2	Screw 3/8 x 1	
21	1001233641	1	Fuel Tank Assembly (See Separate Breakdown in this Section)	

Go to Discount-Equipment.com to order your parts

SECTION 2 - TURNTABLE

FIGURE 2-12. HYDRAULIC TANK ASSEMBLY



ART_1001178057

SECTION 2 - TURNTABLE

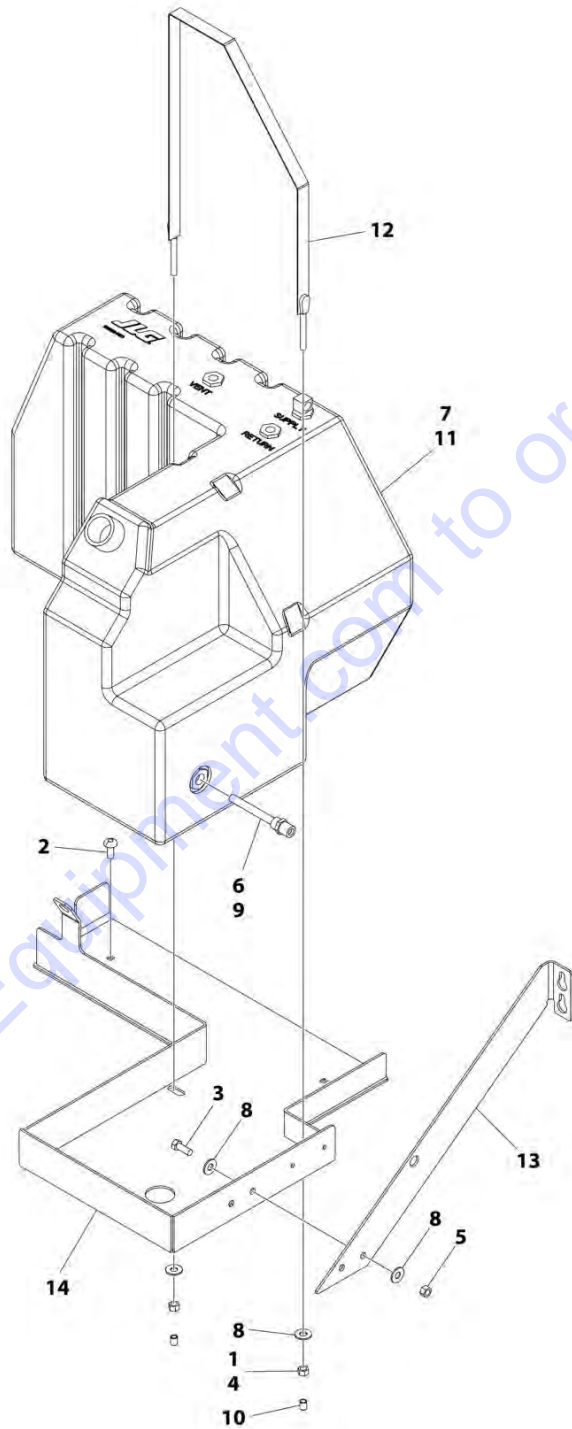
FIGURE 2-12. HYDRAULIC TANK ASSEMBLY

ITEM	PART NUMBER	QTY	DESCRIPTION	REV
	1001178057	Ref	HYDRAULIC TANK ASSEMBLY	D
2	70005708	1	Breather Assembly (Includes Breather, Element and Wingnut)	
2	See Note	NSS	Element, Breather (Note: Use p/n 70005708 or Item 13)	
3	See Note	NSS	Element, Hydraulic (Note: Use Item 13)	
4	70002839	1	Gasket	
5	See Note	NSS	Cover (Note: Not Available for Purchase)	
6	83304173	6	Washer 5/16	
7	70004199	6	Nut 5/16	
8	70002838	1	Cap, Fill	
9	7024441	1	Gauge, Level	
10	70002112	1	Plug	
11	70004795	6	Screw #10 x 3/4	
12	See Note	NSS	Plug (Note: Not Available - Purchase Locally)	
13	70002814	1	Hydraulic Tank Service Kit (Includes Items 2-4)	

Go to Discount-Equipment.com to order your parts

SECTION 2 - TURNTABLE

FIGURE 2-13. FUEL TANK ASSEMBLY



ART_1001233641

SECTION 2 - TURNTABLE

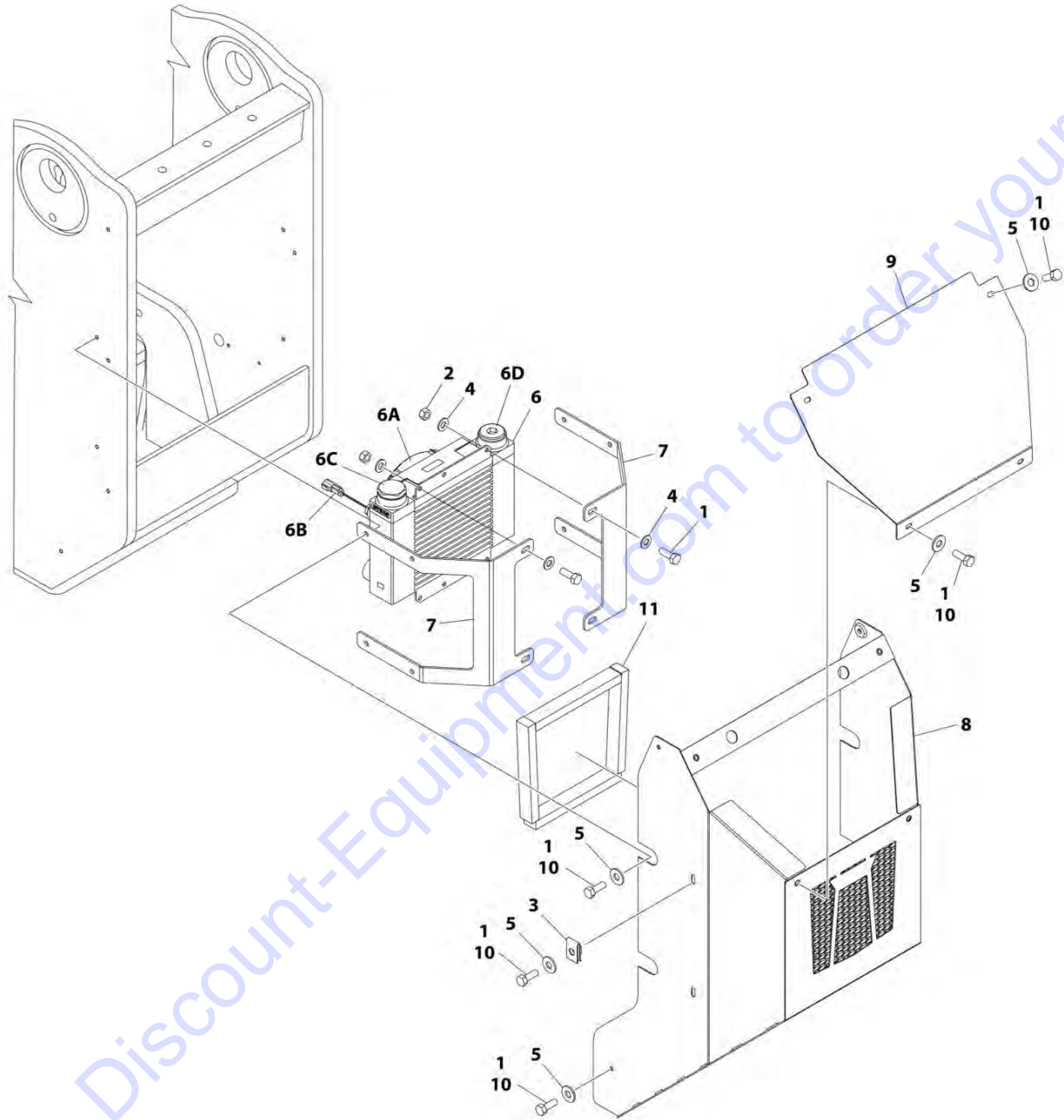
FIGURE 2-13. FUEL TANK ASSEMBLY

ITEM	PART NUMBER	QTY	DESCRIPTION	REV
	1001233641	Ref	FUEL TANK ASSEMBLY	A
1	0100011	AR	Compound, Locking	
2	0630446	2	Bolt 3/8 x 1	
3	0641608	2	Bolt 3/8 x 1	
4	3311601	2	Nut 3/8	
5	3311605	2	Nut 3/8	
6	4360436	1	Switch, Fuel Level	
7	4420038	37 in/ 0.94m	Tape	
8	4751600	6	Washer 3/8	
9	1001182997	AR	Adhesive	
10	1001218572	2	Cap	
11	1001224123	1	Tank, Fuel	
11	See Note	NSS	Cap (Note: Not Available at time of Printing)	
11	See Note	NSS	Tube, Pick-up (Note: Not Available at time of Printing)	
12	1001224384	1	Strap	
13	1001233635	1	Bracket	
14	1001233640	1	Tray	

Go to Discount-Equipment.com to order your parts

SECTION 2 - TURNTABLE

FIGURE 2-14. COOLER INSTALLATION



ART_1001223981

SECTION 2 - TURNTABLE

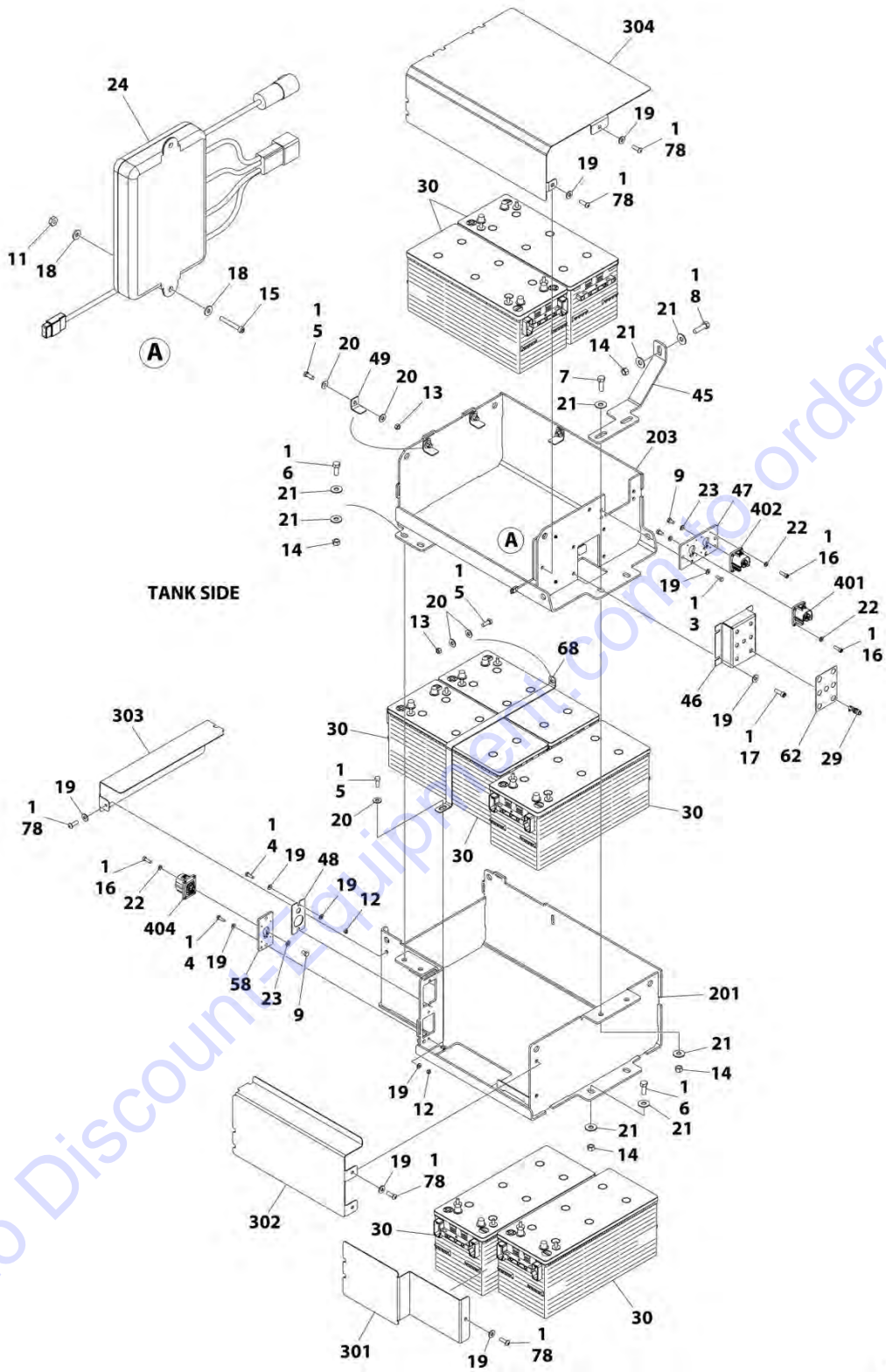
FIGURE 2-14. COOLER INSTALLATION

ITEM	PART NUMBER	QTY	DESCRIPTION	REV
	1001223981	Ref	COOLER INSTALLATION	C
1	0641507	20	Bolt 5/16 x 7/8	
2	3271505	4	Nut 5/16	
3	3300364	1	Nut, Tinnerman 5/16	
4	4711500	8	Washer 5/16	
5	4751500	16	Washer 5/16	
6	1001225804	1	Cooler Assembly	
6A	70006577	1	Fan/Motor Assembly	
6A	4460994	1	Plug, Male - 2 Position (Fan/Motor)	
6A	4460993	2	Terminal (Fan/Motor)	
6B	70006576	1	Thermostat	
6B	4460891	1	Plug, Male - 2 Position (Thermostat)	
6B	4460465	2	Socket, Female (Thermostat)	
6C	70006578	1	Valve, By-Pass	
6D	70006579	1	Plug	
7	1001227198	2	Bracket	
8	1001227869	1	Cover, Vented	
9	1001227870	1	Cover	
10	0100011	AR	Compound, Locking	
11	1001233249	4	Seal	

Go to Discount-Equipment.com to order your parts

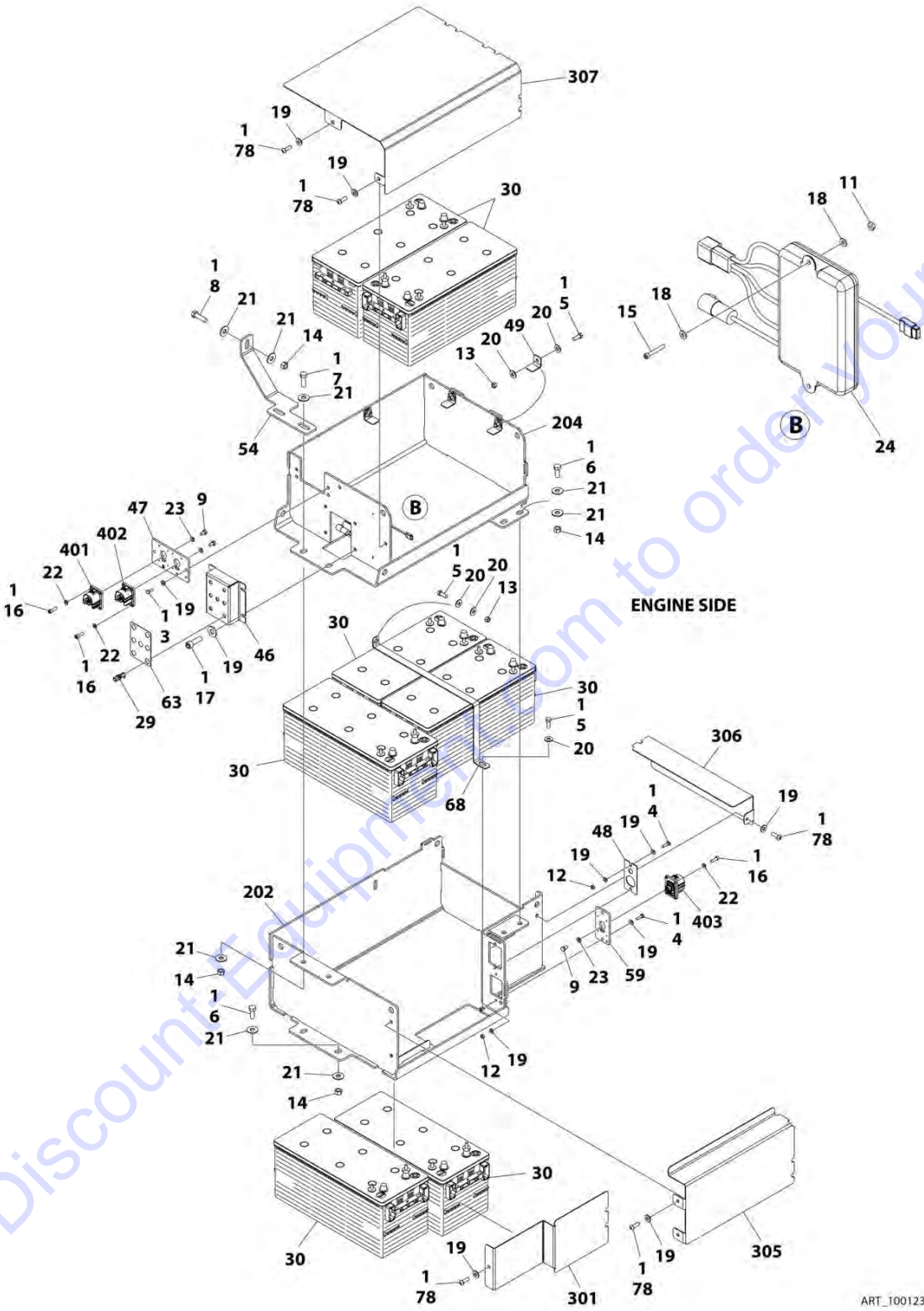
SECTION 2 - TURNTABLE

FIGURE 2-15. BATTERY BOXES INSTALLATION



ART_1001231700_10F3

SECTION 2 - TURNTABLE



ART_1001231700_20F3

SECTION 2 - TURNTABLE

FIGURE 2-15. BATTERY BOXES INSTALLATION

ITEM	PART NUMBER	QTY	DESCRIPTION	REV
	1001231700	Ref	BATTERY BOXES INSTALLATION	G
1	0100011	AR	Compound, Locking	
3	0641406	4	Bolt 1/4 x 3/4	
4	0641407	8	Bolt 1/4 x 7/8	
5	0641608	16	Bolt 3/8 x 1	
6	0641810	12	Bolt 1/2 x 1-1/4	
7	0641812	4	Bolt 1/2 x 1-1/2	
8	0641814	2	Bolt 1/2 x 1-3/4	
9	0760807	6	Bolt M8 x 14	
11	3310605	4	Nut #6	
12	3311401	8	Nut 1/4	
13	3311601	14	Nut 3/8	
14	3311801	18	Nut 1/2	
15	3930616	4	Capscrew #6 x 1	
16	3931010	24	Capscrew #10 x 5/8	
17	3931412	8	Capscrew 1/4 x 3/4	
18	4710600	8	Washer #6	
19	4711400	40	Washer 1/4	
20	4751600	30	Washer 3/8	
21	4751800	36	Washer 1/2	
22	4811600	24	Washer M5	
23	4811900	6	Washer M8	
24	1001222358	2	Regulator	
29	1001226935	14	Fuseholder	
30	1001231249	14	Battery	
45	1001231596	1	Plate	
46	1001231597	2	Mount	
47	1001231598	2	Mount	
48	1001231599	2	Cover	
49	1001231600	12	Plate	
54	1001231655	1	Plate	
58	1001231839	1	Mount	
59	1001231840	1	Mount	
62	1001230711	1	Decal - Tank Battery Stack Fuses	
63	1001230712	1	Decal - Engine Battery Stack Fuses	
68	1001233737	2	Plate	
73	4240099	2	Tie-Strap (Not Shown)	
78	0641405	12	Bolt 1/4 x 5/8	
200	1001233443	1	Battery Box Kit (Not Shown)	
201	1001231569	1	Box, Battery	
202	1001231570	1	Box, Battery	
203	1001231581	1	Box, Battery (Tank Side)	
204	1001231582	1	Box, Battery (Engine Side)	
300	1001233444	1	Battery Covers Kit (Not Shown)	
301	1001231601	2	Cover, Battery Box	
302	1001231606	1	Cover, Battery Box	
303	1001231607	1	Cover, Battery Box	
304	1001231608	1	Cover, Battery Box	
305	1001231656	1	Cover, Battery Box	
306	1001231657	1	Cover, Battery Box	

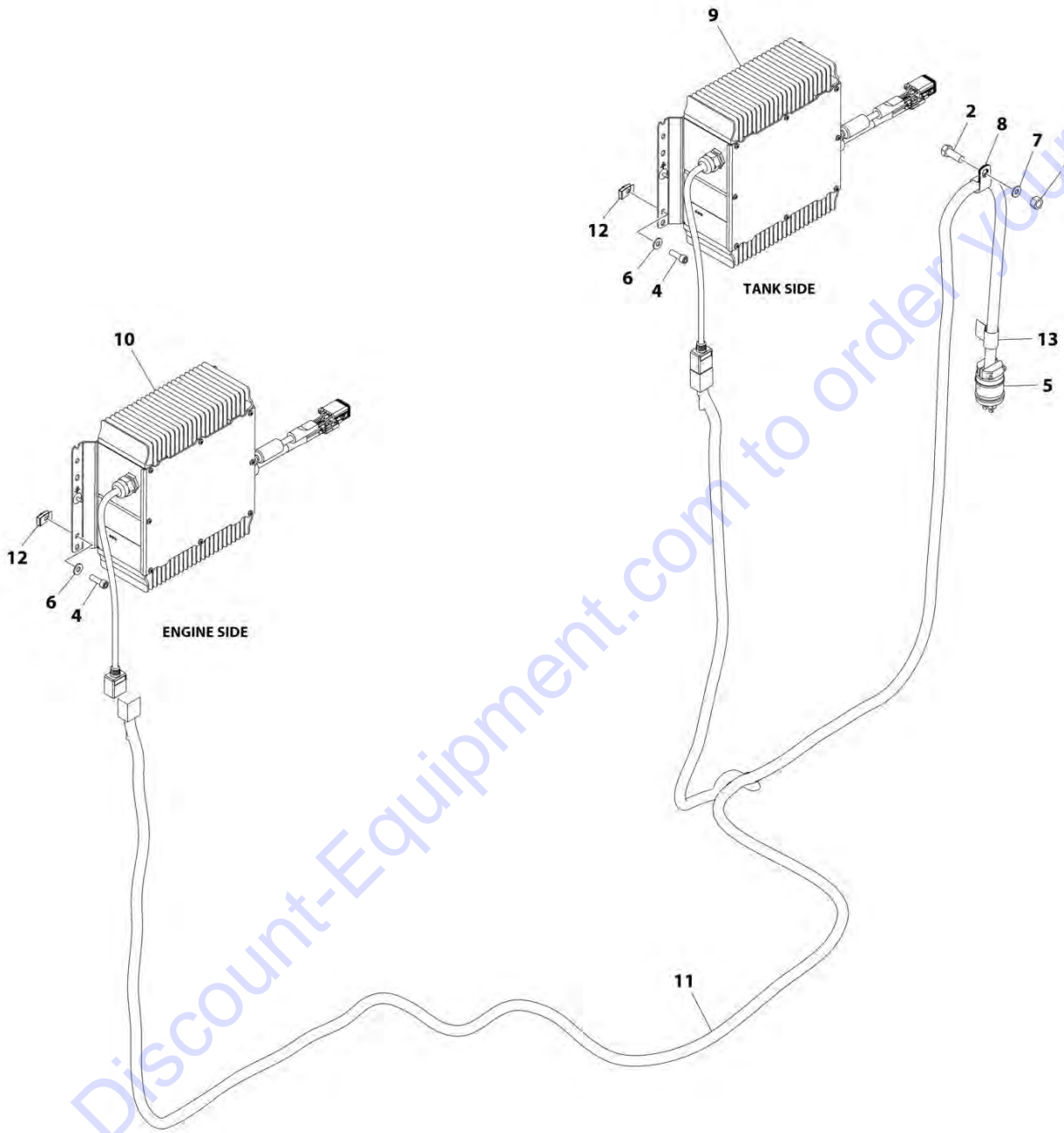
SECTION 2 - TURNTABLE

ITEM	PART NUMBER	QTY	DESCRIPTION	REV
307	1001231658	1	Cover, Battery Box	
400	1001233446	1	Connector Kit (Not Shown)	
401	1001223195	2	Connector	
402	1001223196	2	Connector	
403	1001223198	1	Connector	
404	1001223200	1	Connector	

Go to Discount-Equipment.com to order your parts

SECTION 2 - TURNTABLE

FIGURE 2-16. BATTERY CHARGERS INSTALLATION (FACTORY SUPPLIED 220V PLUG)



ART_1001223124

SECTION 2 - TURNTABLE

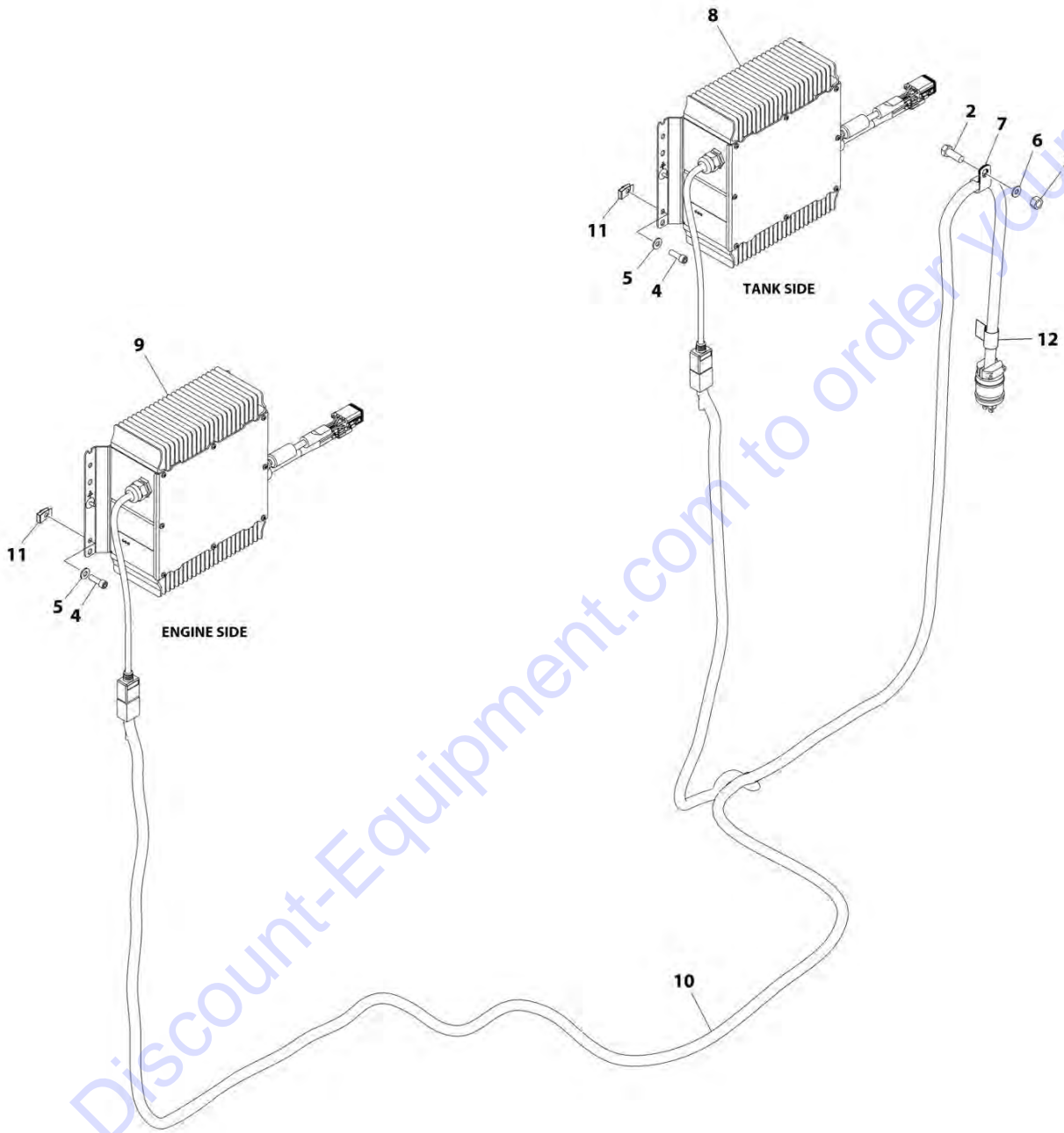
FIGURE 2-16. BATTERY CHARGERS INSTALLATION (FACTORY SUPPLIED 220V PLUG)

ITEM	PART NUMBER	QTY	DESCRIPTION	REV
	1001223124	Ref	BATTERY CHARGERS INSTALLATION	F
2	0641608	1	Bolt 3/8 x 1	
3	3311605	1	Nut 3/8	
4	3931412	8	Capscrew 1/4 x 3/4	
5	4460233	1	Plug	
6	4711400	8	Washer 1/4	
7	4711600	2	Washer 3/8	
8	1320061	1	Clamp	
9	1001222359	1	Charger, Battery (Primary)	
10	1001222360	1	Charger, Battery (Secondary)	
11	1001226031	1	Cable, AC	
12	3300454	8	Nut, Tinnerman 1/4	
13	1001238309	1	Decal - 240V Heater Cord	

Go to Discount-Equipment.com to order your parts

SECTION 2 - TURNTABLE

FIGURE 2-17. BATTERY CHARGERS INSTALLATION (CUSTOMER SUPPLIED PLUG)



ART_1001227901

SECTION 2 - TURNTABLE

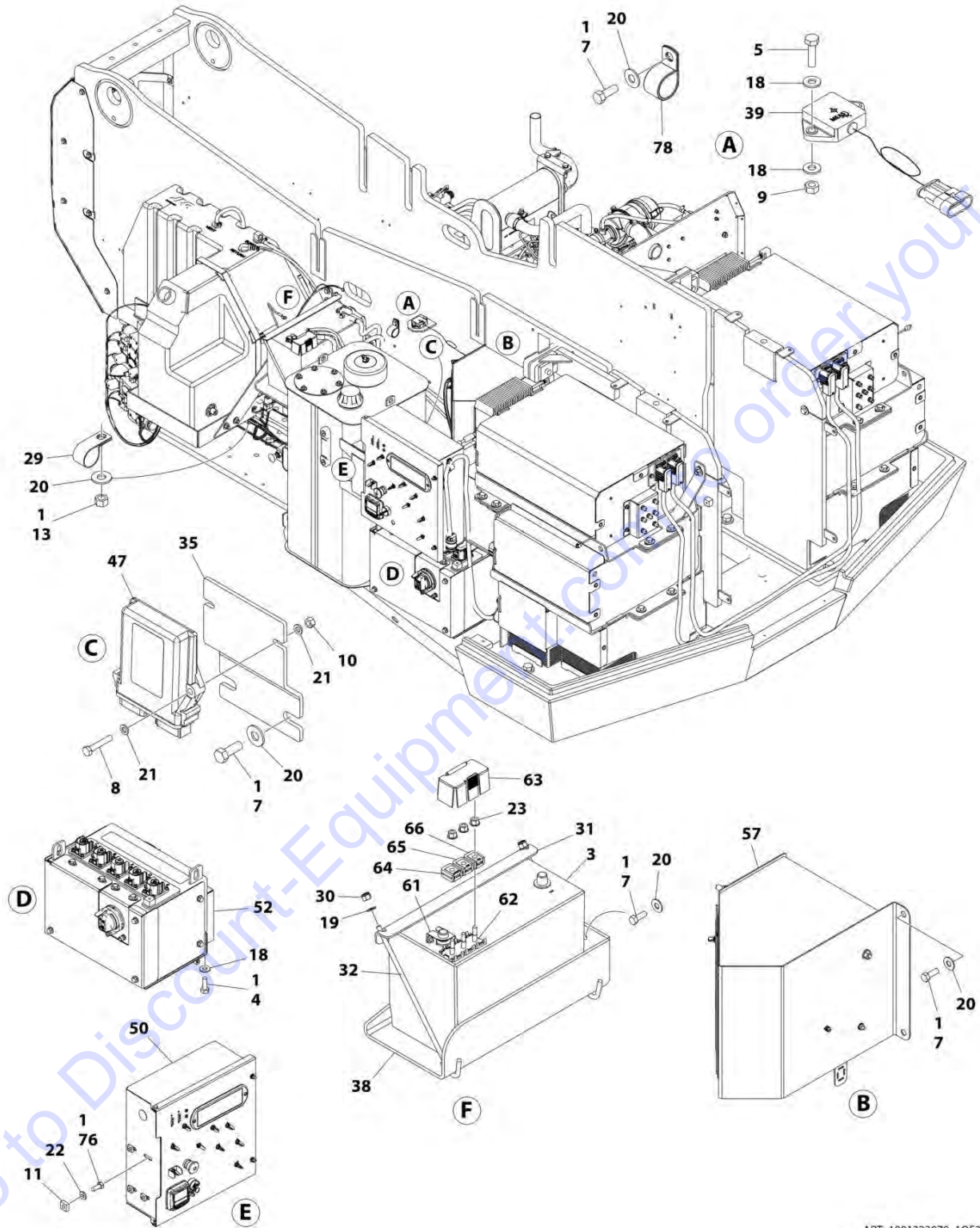
FIGURE 2-17. BATTERY CHARGERS INSTALLATION (CUSTOMER SUPPLIED PLUG)

ITEM	PART NUMBER	QTY	DESCRIPTION	REV
	1001227901	Ref	BATTERY CHARGERS INSTALLATION	E
2	0641608	1	Bolt 3/8 x 1	
3	3311605	1	Nut 3/8	
4	3931412	8	Capscrew 1/4 x 3/4	
5	4711400	8	Washer 1/4	
6	4711600	2	Washer 3/8	
7	1320061	1	Clamp	
8	1001222359	1	Charger, Battery (Primary)	
9	1001222360	1	Charger, Battery (Secondary)	
10	1001226031	1	Cable, AC	
11	3300454	8	Nut, Tinnerman 1/4	
12	1001238309	1	Decal - 240V Heater Cord	

Go to Discount-Equipment.com to order your parts

SECTION 2 - TURNTABLE

FIGURE 2-18. ELECTRICAL SYSTEM INSTALLATION



ART_1001223978_10F2

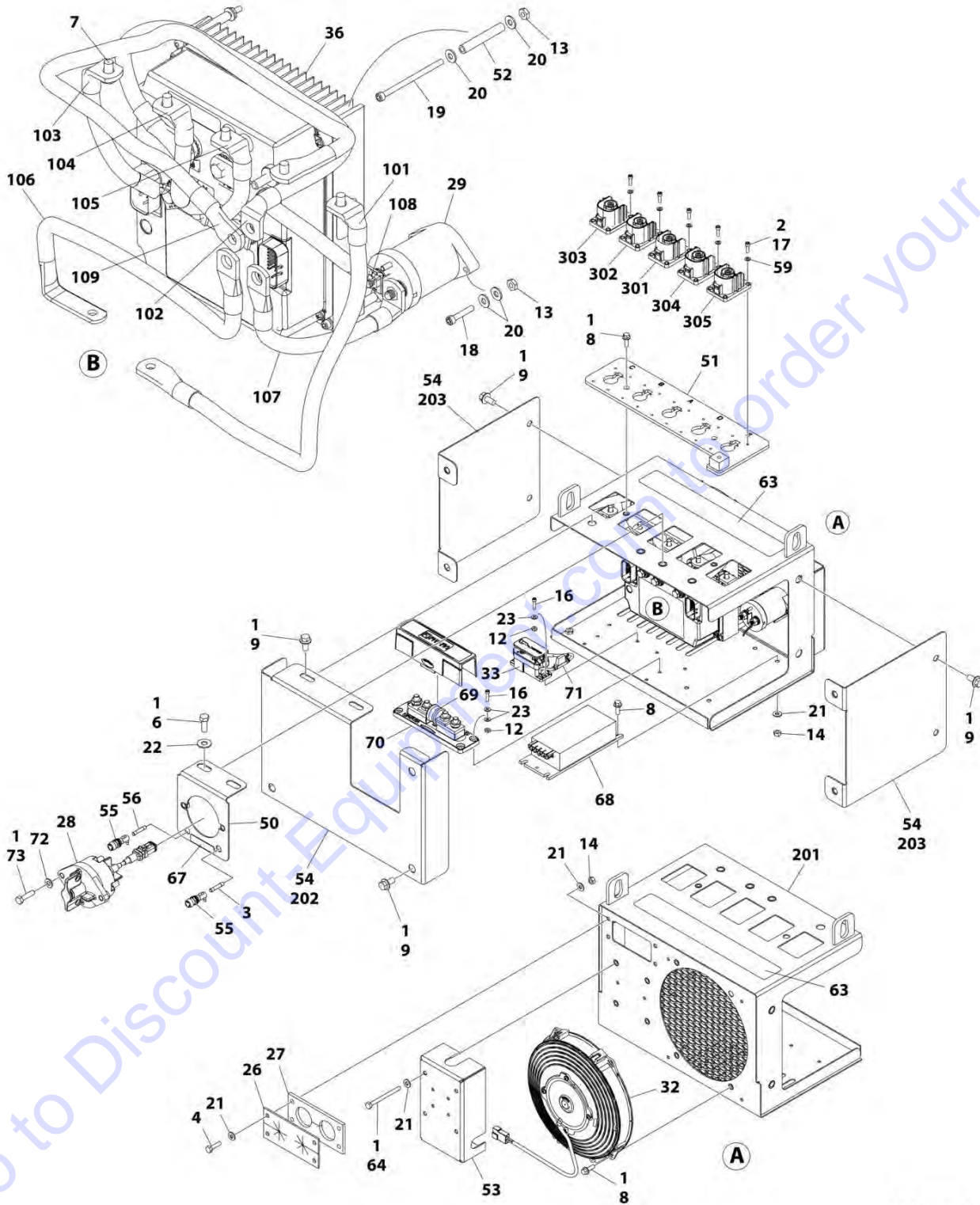
SECTION 2 - TURNTABLE

FIGURE 2-18. ELECTRICAL SYSTEM INSTALLATION

ITEM	PART NUMBER	QTY	DESCRIPTION	REV
	1001223978	Ref	ELECTRICAL SYSTEM INSTALLATION	I
1	0100011	AR	Compound, Locking	
3	0400075	1	Battery	
4	0641406	4	Bolt 1/4 x 3/4	
5	0641408	2	Bolt 1/4 x 1	
7	0681608	10	Bolt 3/8 x 1	
8	0700615	2	Bolt M6 x 35	
9	3271405	2	Nut 1/4	
10	3290607	2	Nut M6	
11	3300205	4	Nut, Retainer	
13	3311605	2	Nut 3/8	
13	3311601	2	Nut 3/8	
18	4711400	8	Washer 1/4	
19	4711500	2	Washer 5/16	
20	4751600	12	Washer 3/8	
21	4811700	4	Washer M6	
22	4891500	4	Washer 5/16	
23	5260818	3	Nut M8	
29	8406201	2	Clip	
30	88521205	2	Nut 5/16	
31	91401281	1	Bracket	
32	1001093382	2	J-Bolt	
35	1001142722	1	Bracket	
38	1001162497	1	Tray, Battery	
39	1001219601	1	Sensor, Tilt	
47	1001223583	1	Module, Control (Note: Recalibration Required when Replaced)	
50	1001225976	1	Ground Control Box Assembly (See Separate Breakdown in this Section)	
52	1001226120	1	IMG Control Box Assembly (See Separate Breakdown in this Section)	
57	1001232494	1	Fuse Box Assembly (See Separate Breakdown in this Section)	
61	1001226929	1	Terminal	
62	1001226930	1	Stud Assembly	
63	1001226931	1	Boot, Red	
64	1001226932	1	Fuse 40Amp	
65	1001226933	1	Fuse 80Amp	
66	1001226934	1	Shunt	
76	0641506	4	Bolt 5/16 x 3/4	
77	0760812	1	Bolt M8 x 25 (Not Shown)	
78	1320060	1	Clamp	
79	1320263	1	Clamp (Not Shown)	
80	3290805	1	Nut M8 (Not Shown)	
82	4811900	2	Washer M8 (Not Shown)	
86	4240099	1	Tie-Strap (Not Shown)	
88	4061032	1	Shield (Not Shown - Located over Hydraulic Pump)	

SECTION 2 - TURNTABLE

FIGURE 2-19. IMG CONTROL BOX ASSEMBLY



ART_1001226120

SECTION 2 - TURNTABLE

FIGURE 2-19. IMG CONTROL BOX ASSEMBLY

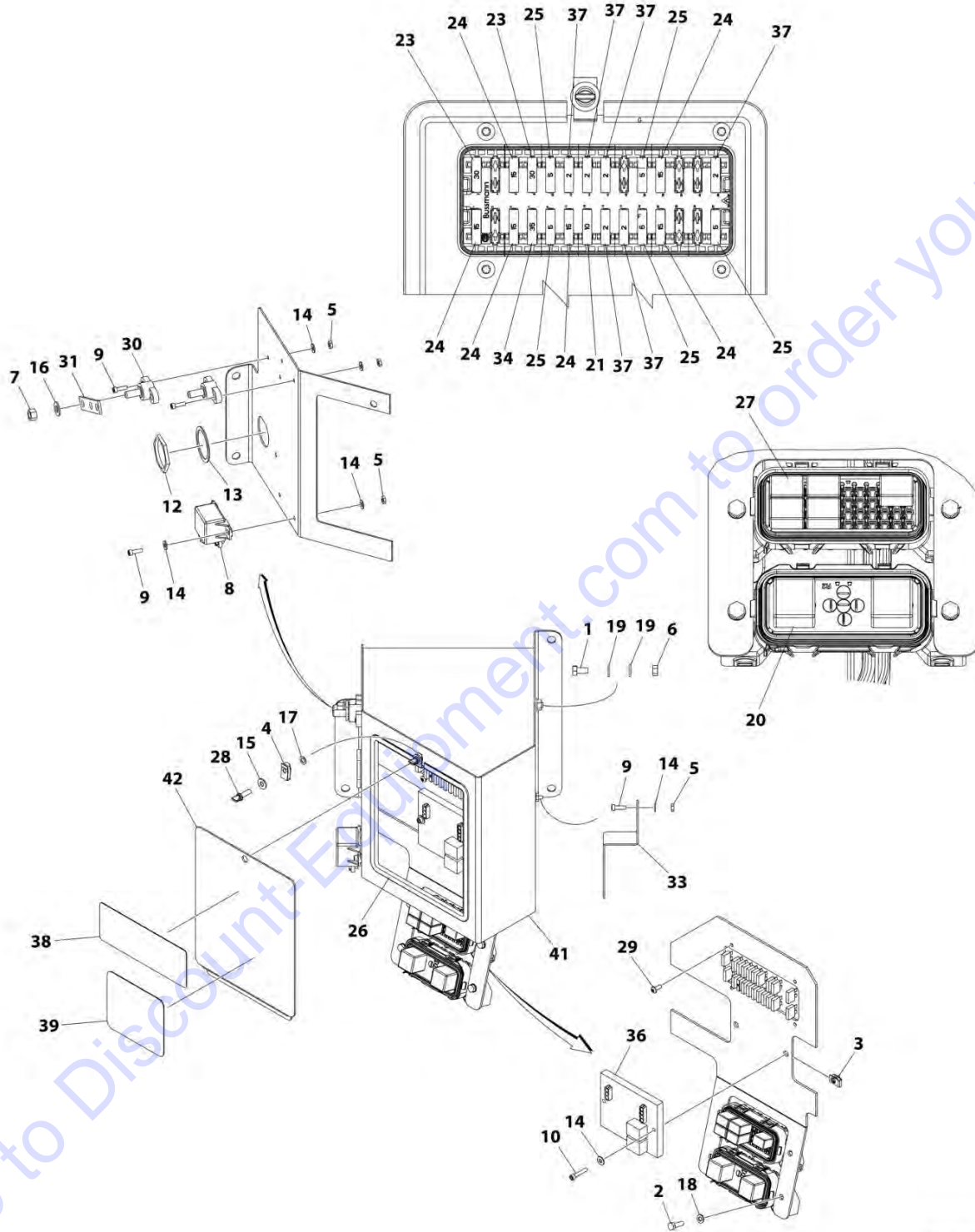
ITEM	PART NUMBER	QTY	DESCRIPTION	REV
	1001226120	Ref	IMG CONTROL BOX ASSEMBLY	J
1	0100011	AR	Compound, Locking	
2	0100035	AR	Compound, Locking	
3	1001234314	1	Fuse 10Amp	
4	0641408	4	Bolt 1/4 x 1	
6	0641608	2	Bolt 3/8 x 1	
7	0760807	5	Bolt M8 x 14	
8	0811406	10	Screw 1/4 x 3/4	
9	0811606	9	Screw 3/8 x 3/4	
12	3310805	8	Nut #8	
13	3311005	6	Nut #10	
14	3311405	8	Nut 1/4	
16	3930812	8	Capscrew #8 x 3/4	
17	3931010	20	Capscrew #10 x 5/8	
18	3931016	2	Capscrew #10 x 1	
19	3931048	4	Capscrew #10 x 3	
20	4711000	12	Washer #10	
21	4711400	16	Washer 1/4	
22	4751600	2	Washer 3/8	
23	4750800	12	Washer #8	
26	1001168243	1	Shield	
27	1001168244	1	Shield	
28	1001236759	1	Switch, STDP Interlock	
29	1001222340	1	Relay, Main Contactor	
32	1001222363	1	Fan, Cooling	
33	1001222365	2	Relay	
36	1001222879	1	Controller, IMG (Note: Recalibration Required when Replaced)	
50	1001236967	1	Plate, IMG Disconnect Switch	
51	1001226146	1	Mount, IMG Connector	
52	1001226190	4	Sleeve	
53	1001226492	1	Cover Assembly	
53	1001224943	1	Converter	
53	1001226489	1	Cover	
54	1001113047	95 in/ 2.4m	Seal	
55	1001226935	2	Holder, Fuse	
56	1001228440	1	Fuse 15Amp	
59	4811600	20	Washer M5	
63	1001227763	1	Decal - Header Label IMG Box	
64	0641424	4	Bolt 1/4 x 3	
67	1001230714	1	Decal - IMG Fuse	
68	1001233188	1	Converter	
69	1001233198	1	Fuse 200Amp - 400Amp	
70	1001233203	1	Holder, Fuse	
71	1001234488	2	Electrical Assembly - Flyback Diode	
72	4711500	2	Washer 5/16	
73	0641510	2	Bolt 5/16 x 1-1/4	
100	1001233442	1	IMG Box Cable Kit	B
101	1001222375	1	Cable - Battery to Fuse	
102	1001222378	1	Cable - Negative to IMG	

SECTION 2 - TURNTABLE

ITEM	PART NUMBER	QTY	DESCRIPTION	REV
103	1001223916	1	Cable - IMG (U) to Box	
104	1001223917	1	Cable - IMG (V) to Box	
105	1001223918	1	Cable - IMG (W) to Box	
106	1001223951	1	Cable - Fuse to Rotary Disc	
107	1001223952	1	Cable - Rotary Disc to Main Controller	
108	1001223953	1	Cable - Main Controller to IMG	
109	1001230507	1	Cable (Negative to Bulkhead)	
200	1001233445	1	IMG Box Plate Kit	B
201	1001226121	1	Box	
202	1001226124	1	Cover, Front	
203	1001230154	2	Panel	
300	1001233447	1	IMG Cable Connector Kit	A
301	1001222915	1	Connector	
302	1001223195	1	Connector	
303	1001223196	1	Connector	
304	1001223198	1	Connector	
305	1001223200	1	Connector	

SECTION 2 - TURNTABLE

FIGURE 2-20. ELECTRICAL ASSEMBLY - 12V FUSE BOX



ART_1001232494

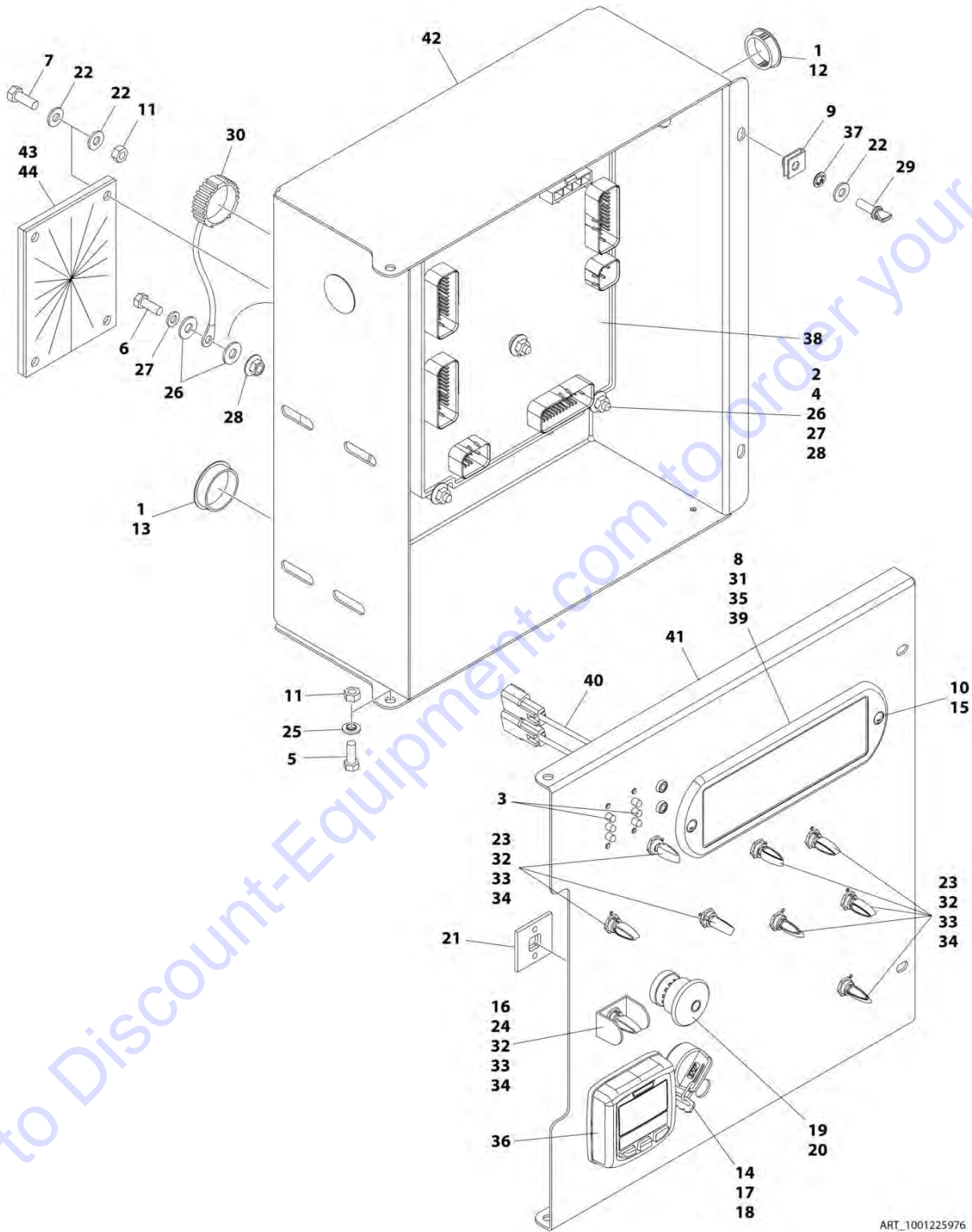
SECTION 2 - TURNTABLE

FIGURE 2-20. ELECTRICAL ASSEMBLY - 12V FUSE BOX

ITEM	PART NUMBER	QTY	DESCRIPTION	REV
	1001232494	Ref	ELECTRICAL ASSEMBLY - 12V FUSE BOX	E
1	0641505	1	Bolt 5/16 x 5/8	
2	0760610	4	Bolt M6 x 20	
3	3300365	2	Nut, Retainer	
4	3300454	1	Nut, Tinnerman 1/4	
5	3311005	7	Nut #10	
6	3311505	1	Nut 5/16	
7	3311605	1	Nut 3/8	
8	3740112	1	Relay	
9	3931010	7	Capscrew #10 x 5/8	
10	3931016	2	Capscrew #10 x 1	
11	4240099	1	Tie-Strap (Not Shown)	
12	4460470	1	Nut	
13	4460471	1	Washer	
14	4711000	11	Washer #10	
15	4711400	1	Washer 1/4	
16	4711600	1	Washer 3/8	
17	4771400	1	Washer 1/4	
17	4771200	1	Washer #12	
18	4811700	4	Washer M6	
19	4891500	2	Washer 5/16	
20	8225117	2	Relay	
21	8229234	1	Fuse - 10 Amp	
23	8229236	2	Fuse - 30 Amp	
24	8229237	6	Fuse - 15 Amp	
25	8229261	5	Fuse - 5 Amp	
26	1001113047	2.7 ft/ 0.82m	Trim	
27	1001095704	5	Relay	
28	1001103308	1	Screw 1/4 x 3/4	
29	1001108134	1	Screw #10 x 1/2	
30	1001120750	2	Stud	
31	1001128241	1	Bussbar	
32	1001146588	2	Tie-Strap (Not Shown)	
33	1001159162	1	Bracket	
34	1001172066	1	Fuse - 35 Amp (Prior to SN 0300254183)	
34	1001247362	1	Fuse - 40 Amp (SN 0300254183 to Present)	
35	1001222050	1	Engine Harness (Not Shown) (See Separate Breakdown in ELECTRICAL SECTION)	
36	1001223581	1	Control, H-Bridge	
37	1001227788	6	Fuse - 2 Amp	
38	1001229790	1	Decal - Fuse Box	
39	1001229791	1	Decal - Relays	
40	1001230522	1	Turntable-Fuse Panel Harness (Not Shown) (See Separate Breakdown in ELECTRICAL SECTION)	
41	1001232495	1	Box, Fuse	
42	1001232499	1	Cover	
43	1001226404	1	Harness - H-Bridge/Clutch (Not Shown) (See Separate Breakdown in ELECTRICAL SECTION)	

SECTION 2 - TURNTABLE

FIGURE 2-21. GROUND CONTROL BOX ASSEMBLY



ART_1001225976

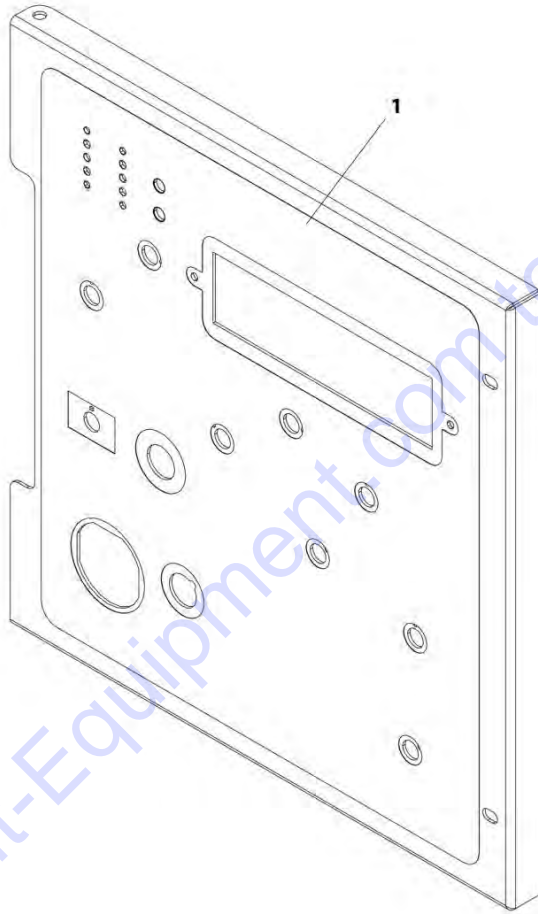
SECTION 2 - TURNTABLE

FIGURE 2-21. GROUND CONTROL BOX ASSEMBLY

ITEM	PART NUMBER	QTY	DESCRIPTION	REV
	1001225976	Ref	GROUND CONTROL BOX ASSEMBLY	D
1	0100009	AR	Sealant	
2	0100011	AR	Compound, Locking	
3	0610131	2	LED P/C Board	
4	0630548	5	Bolt 2-1/2	
5	0641405	2	Bolt 1/4 x 5/8	
6	0641407	1	Bolt 1/4 x 7/8	
7	0641408	4	Bolt 1/4 x 1	
8	1670829	1	Bezel	
9	3300353	2	Nut, Tinnerman	
10	3300408	2	Nut	
11	3311405	6	Nut 1/4	
12	3520031	2	Plug (Prior to SN 0300254183)	
13	3520035	1	Plug	
14	3910804	6	Screw #8 x 1/4	
15	3911018	2	Screw #10 x 1-1/8	
16	4060906	1	Guard, Switch	
17	4070991	1	Shim .125	
18	4360469	1	Switch, Key	
18	2860030	1 Set	Key, Replacement	
19	4360475	1	Switch, Emergency Stop	
19	7020175	1	Cap, Mushroom	
19	7020176	1	Block, Contact	
20	4360476	1	Switch, Contact Block	
21	4460488	6	Mount, Tie-Strap	
22	4711400	10	Washer 1/4	
23	4740397	8	Washer	
24	4740444	1	Washer	
25	4740518	2	Washer	
26	4751400	12	Washer 1/4	
27	4761400	6	Washer 1/4	
28	77143013	11	Nut 1/4	
29	1001103308	2	Screw 1/4 x 3/4	
30	1001106736	1	Cap, Dust	
31	1001146220	1	Fixture, Light	
32	1001155043	9	Washer	
33	1001155044	9	Nut 15/32	
34	1001155045	9	Switch, Toggle	
35	1001170838	1	Panel, LED	
36	1001171482	1	Gauge, Display	
37	1001188874	2	Nut	
38	1001222338	1	Module, Ground Control (Note: Recalibration Required when Replaced)	
39	1001223570	1	Decal - Display	
40	1001225120	2	Lamp	
41	1001225968	1	Lid	
42	1001225969	1	Box	
43	1001229017	1	Shield, Cable	
44	1001229018	1	Trim, Shield	

SECTION 2 - TURNTABLE

FIGURE 2-22. GROUND CONTROL PANEL DECAL INSTALLATION (WITHOUT MSSO)



ART_1001223565

SECTION 2 - TURNTABLE

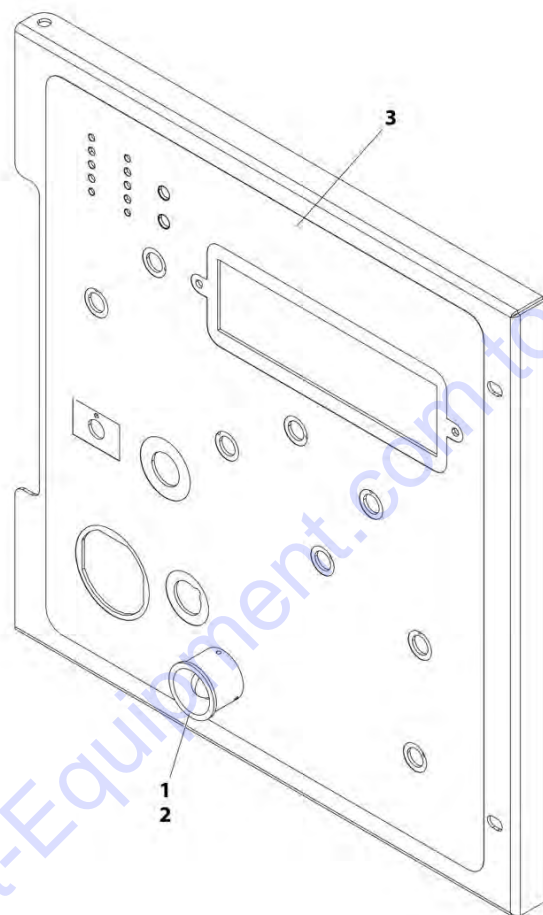
FIGURE 2-22. GROUND CONTROL PANEL DECAL INSTALLATION (WITHOUT MSSO)

ITEM	PART NUMBER	QTY	DESCRIPTION	REV
1	1001223565	Ref	GROUND CONTROL PANEL DECAL INSTALLATION	B
	1001234218	1	Decal - Ground Control Box	

Go to Discount-Equipment.com to order your parts

SECTION 2 - TURNTABLE

FIGURE 2-23. GROUND CONTROL PANEL DECAL INSTALLATION (WITH MSSO)



ART_1001223569

SECTION 2 - TURNTABLE

FIGURE 2-23. GROUND CONTROL PANEL DECAL INSTALLATION (WITH MSSO)

ITEM	PART NUMBER	QTY	DESCRIPTION	REV
	1001223569	Ref	GROUND CONTROL PANEL DECAL INSTALLATION	B
1	4360387	1	Switch, Push Button	
2	1001176469	1	Shroud, Switch	
3	1001234219	1	Decal - Ground Control Box	

Go to Discount-Equipment.com to order your parts

PARTS FINDER

**Search Website
by Part Number**



**Search Manual
Library For Parts
Manual & Lookup Part
Numbers – Purchase
or Request Quote**

A screenshot of the "Search Manuals" form. It includes fields for "Find" (with a dropdown menu), "Serial Number", "Part Number", "Year", "Make", "Model", "Part Number", "Part Name", "Part Description", and "Part Category". There is a "Search" button at the bottom.

**Can't Find Part or
Manual? Request Help
by Manufacturer,
Model & Description**

A screenshot of the "Parts Order Form". It includes fields for "Manufacturer", "Model", "Description", "Part Number", "Part Name", "Part Description", "Part Category", "Part Quantity", "Part Price", "Part Location", "Part Status", "Part Notes", and "Part Comments". There is a "Submit" button at the bottom.

Discount-Equipment.com is your online resource for quality parts & equipment.

Florida: **561-964-4949** Outside Florida TOLL FREE: **877-690-3101**

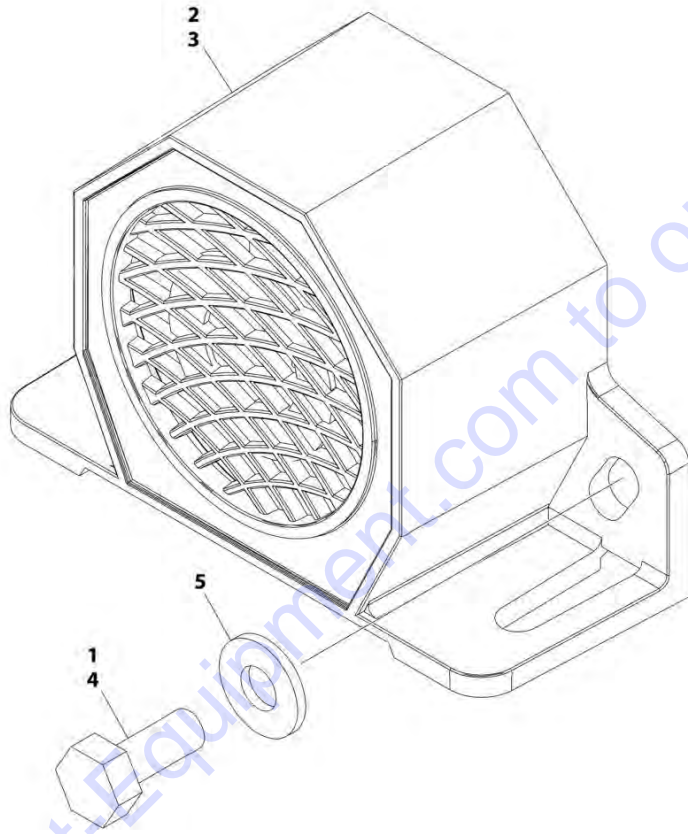
Need parts?

Click on this link: <http://www.discount-equipment.com/category/5443-parts/> and choose one of the options to help get the right parts and equipment you are looking for. Please have the machine model and serial number available in order to help us get you the correct parts. If you don't find the part on the website or on one of the online manuals, please fill out the request form and one of our experienced staff members will get back to you with a quote for the right part that your machine needs.

We sell worldwide for the brands: Genie, Terex, JLG, MultiQuip, Mikasa, Essick, Whiteman, Mayco, Toro Stone, Diamond Products, Generac Magnum, Airman, Haulotte, Barreto, Power Blanket, Nifty Lift, Atlas Copco, Chicago Pneumatic, Allmand, Miller Curber, Skyjack, Lull, Skytrak, Tsurumi, Husquvarna Target, Stow, Wacker, Sakai, Mi-T-M, Sullair, Basic, Dynapac, MBW, Weber, Bartell, Bennar Newman, Haulotte, Ditch Runner, Menegotti, Morrison, Contec, Buddy, Crown, Edco, Wyco, Bomag, Laymor, EZ Trench, Bil-Jax, F.S. Curtis, Gehl Pavers, Heli, Honda, ICS/PowerGrit, IHI, Partner, Imer, Clipper, MMD, Koshin, Rice, CH&E, General Equipment, Amida, Coleman, NAC, Gradall, Square Shooter, Kent, Stanley, Tamco, Toku, Hatz, Kohler, Robin, Wisconsin, Northrock, Oztec, Toker TK, Rol-Air, APT, Wylie, Ingersoll Rand / Doosan, Innovatech, Con X, Ammann, Mecalac, Makinex, Smith Surface Prep, Small Line, Wanco, Yanmar

SECTION 2 - TURNTABLE

FIGURE 2-24. ALARM INSTALLATION



ART_1001158364

SECTION 2 - TURNTABLE

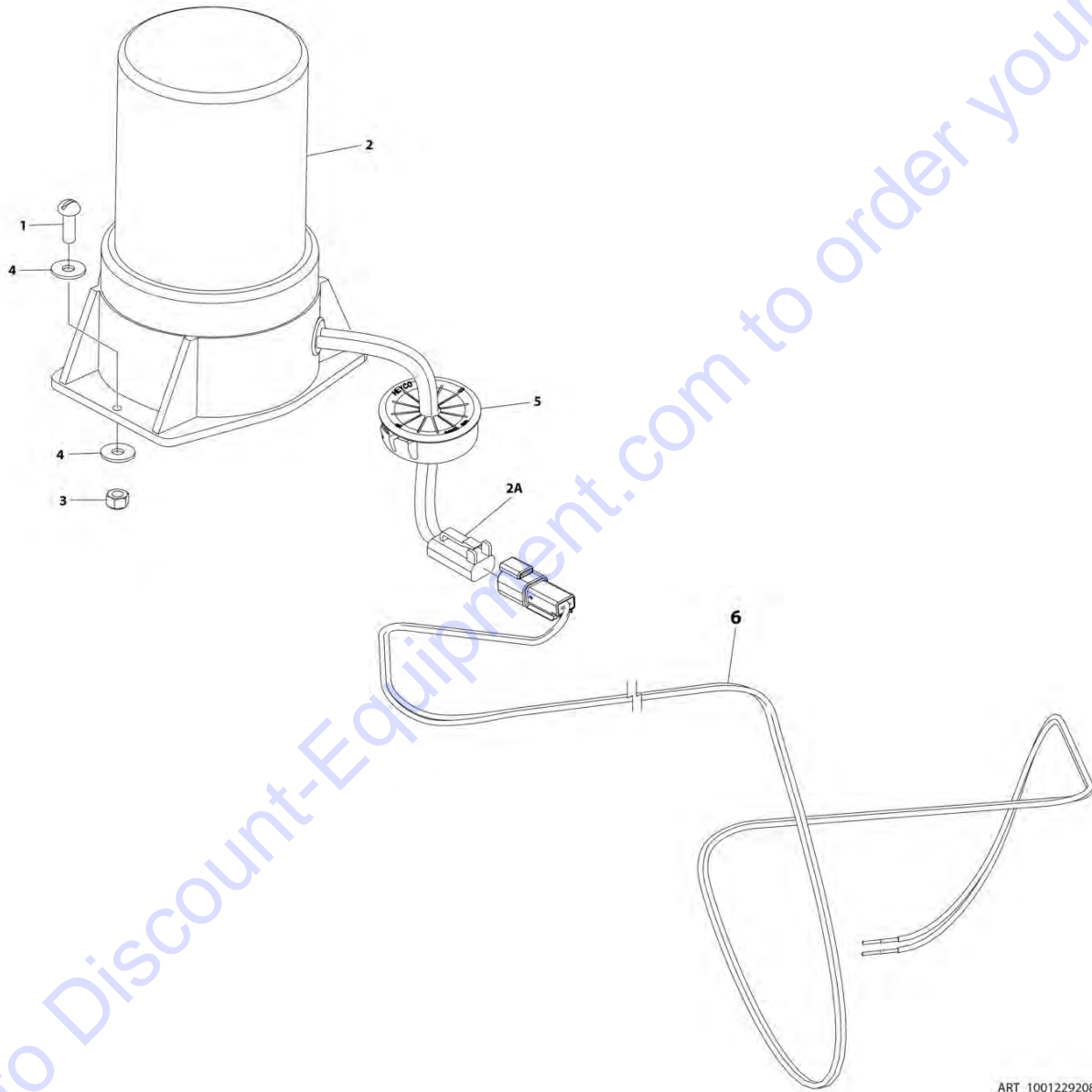
FIGURE 2-24. ALARM INSTALLATION

ITEM	PART NUMBER	QTY	DESCRIPTION	REV
	1001158364	Ref	ALARM INSTALLATION	A
1	0100011	AR	Compound, Locking	
2	0100048	AR	Grease, Dielectric	
3	0140044	1	Alarm	
4	0641405	2	Bolt 1/4 x 5/8	
5	4711400	2	Washer 1/4	

Go to Discount-Equipment.com to order your parts

SECTION 2 - TURNTABLE

FIGURE 2-25. STROBE LIGHT INSTALLATION - AMBER (OPTIONAL)



SECTION 2 - TURNTABLE

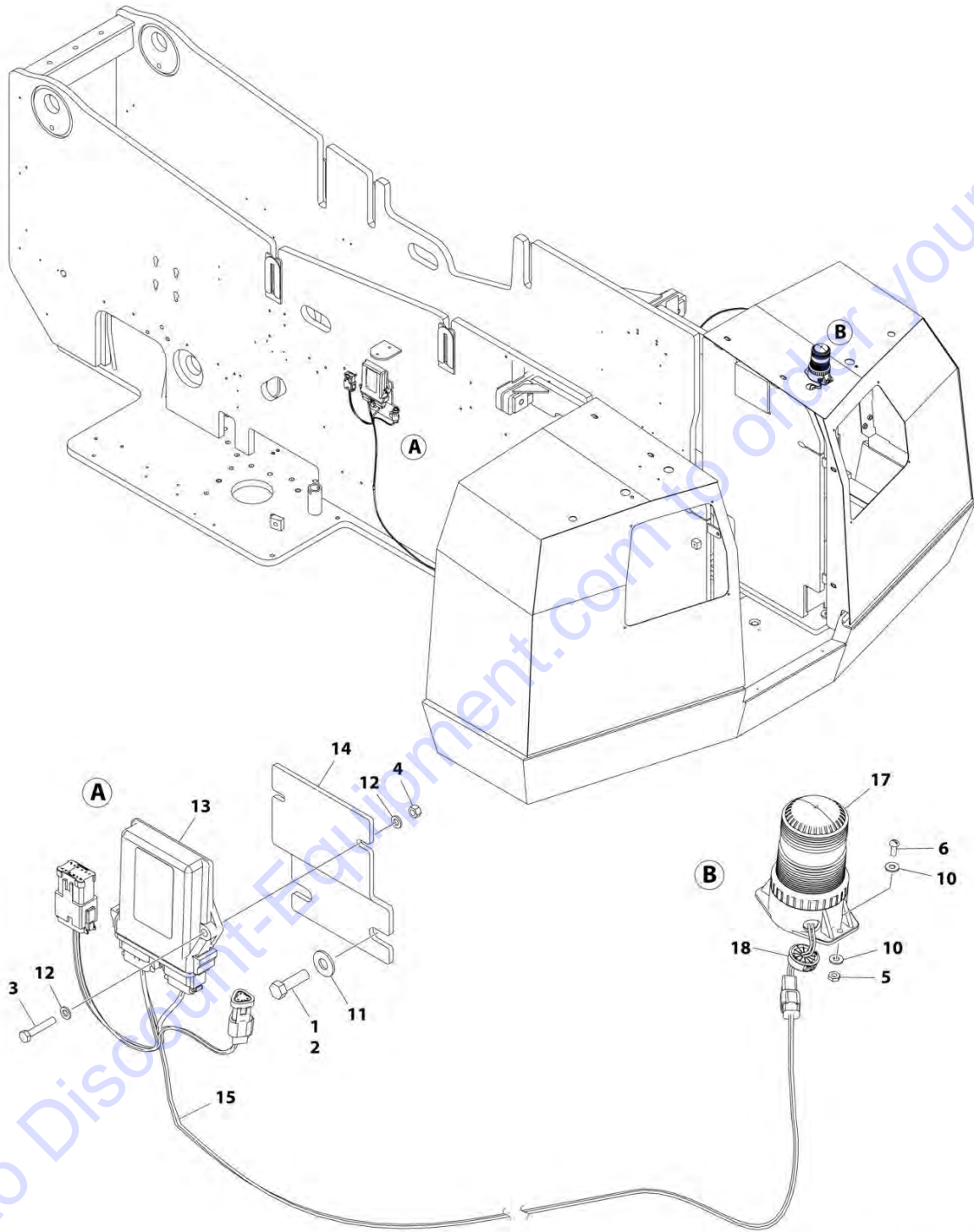
FIGURE 2-25. STROBE LIGHT INSTALLATION - AMBER (OPTIONAL)

ITEM	PART NUMBER	QTY	DESCRIPTION	REV
	1001229208	Ref	STROBE LIGHT INSTLLATION	D
1	3911010	2	Screw #10 x 5/8	
2	2920161	1	Lamp, Strobe Beacon	
2	7016319	1	Bulb	
2	7016372	1	Lens	
2A	4460891	1	Plug, Male - 2 Position	
2A	4460465	2	Socket, Female	
3	3311005	2	Nut #10	
4	4751000	4	Washer #10	
5	1001169085	1	Grommet	
6	1001231263	1	Cable, Strobe	
6	4460897	1	Receptacle, Female	
6	4460464	2	Pin, Male	
6	4460226	2	Socket, Female	

Go to Discount-Equipment.com to order your parts

SECTION 2 - TURNTABLE

FIGURE 2-26. STROBE LIGHT INSTALLATION - BLUE (OPTIONAL) (Prior to SN 0300259698)



ART_1001228658

SECTION 2 - TURNTABLE

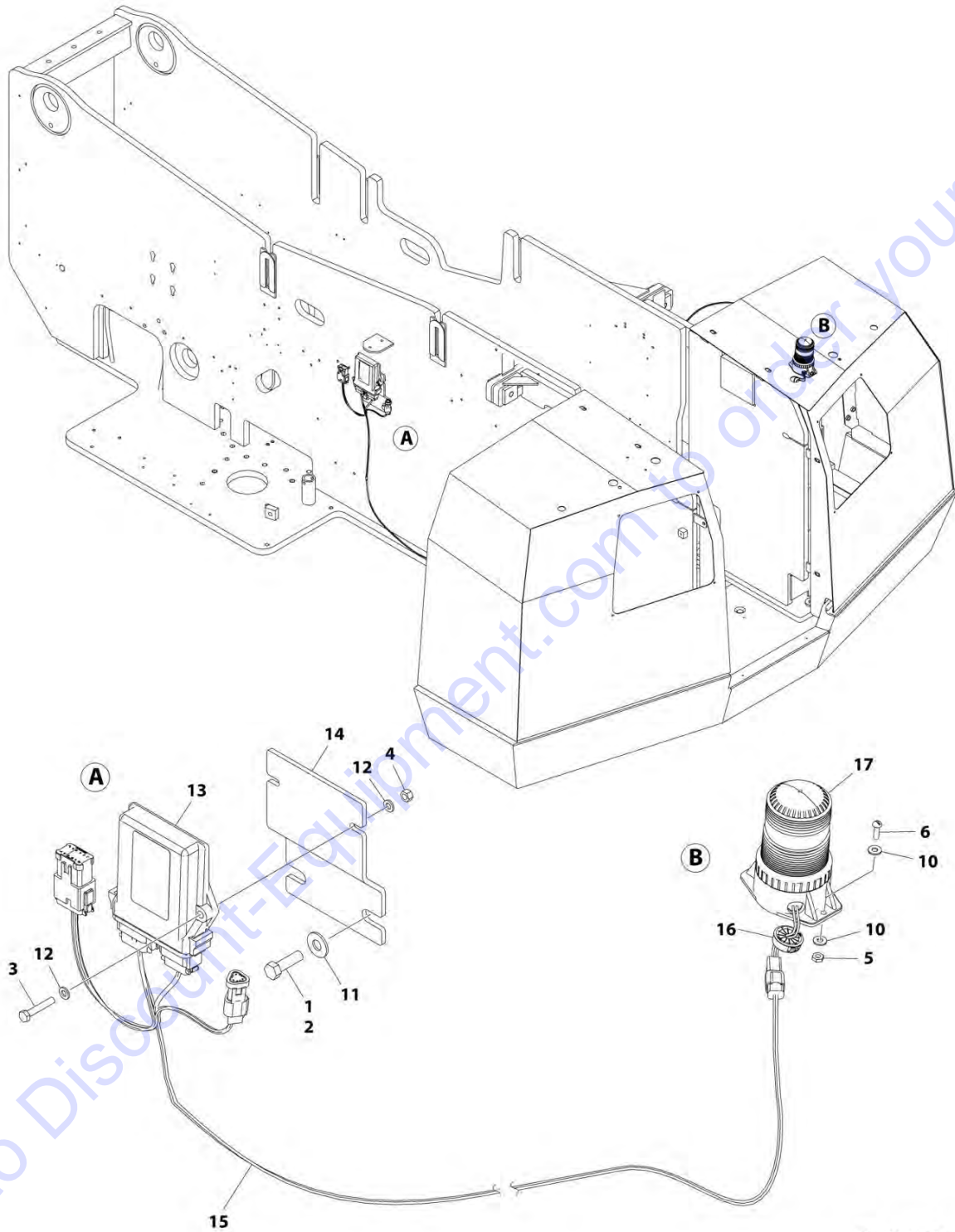
FIGURE 2-26. STROBE LIGHT INSTALLATION - BLUE (OPTIONAL) (Prior to SN 0300259698)

ITEM	PART NUMBER	QTY	DESCRIPTION	REV
	1001228658	Ref	STROBE LIGHT INSTLLATION	C
1	0100011	AR	Compound, Locking	
2	0641610	2	Bolt 3/8 x 1-1/4	
3	0700615	2	Bolt M6 x 35	
4	3290607	2	Nut M6	
5	3311005	2	Nut #10	
6	3911008	2	Screw #10 x 1/2	
7	4240032	AR	Tie-Strap (Not Shown)	
8	4240033	AR	Tie-Strap (Not Shown)	
9	4460488	AR	Mount, Tie-Strap (Not Shown)	
10	4751000	4	Washer #10	
11	4751600	2	Washer 3/8	
12	4811700	4	Washer M6	
13	1001142683	1	Module, Beacon Light	
14	1001142722	1	Bracket	
15	1001142736	1	Beacon Control Harness (See Separate Breakdown in ELECTRICAL SECTION)	
17	1001200910	1	Light, Strobe (Blue)	
18	1001169085	1	Grommet	

Go to Discount-Equipment.com to order your parts

SECTION 2 - TURNTABLE

FIGURE 2-27. STROBE LIGHT INSTALLATION - BLUE (OPTIONAL) (SN 0300259698 to Present)



ART_1001244474

SECTION 2 - TURNTABLE

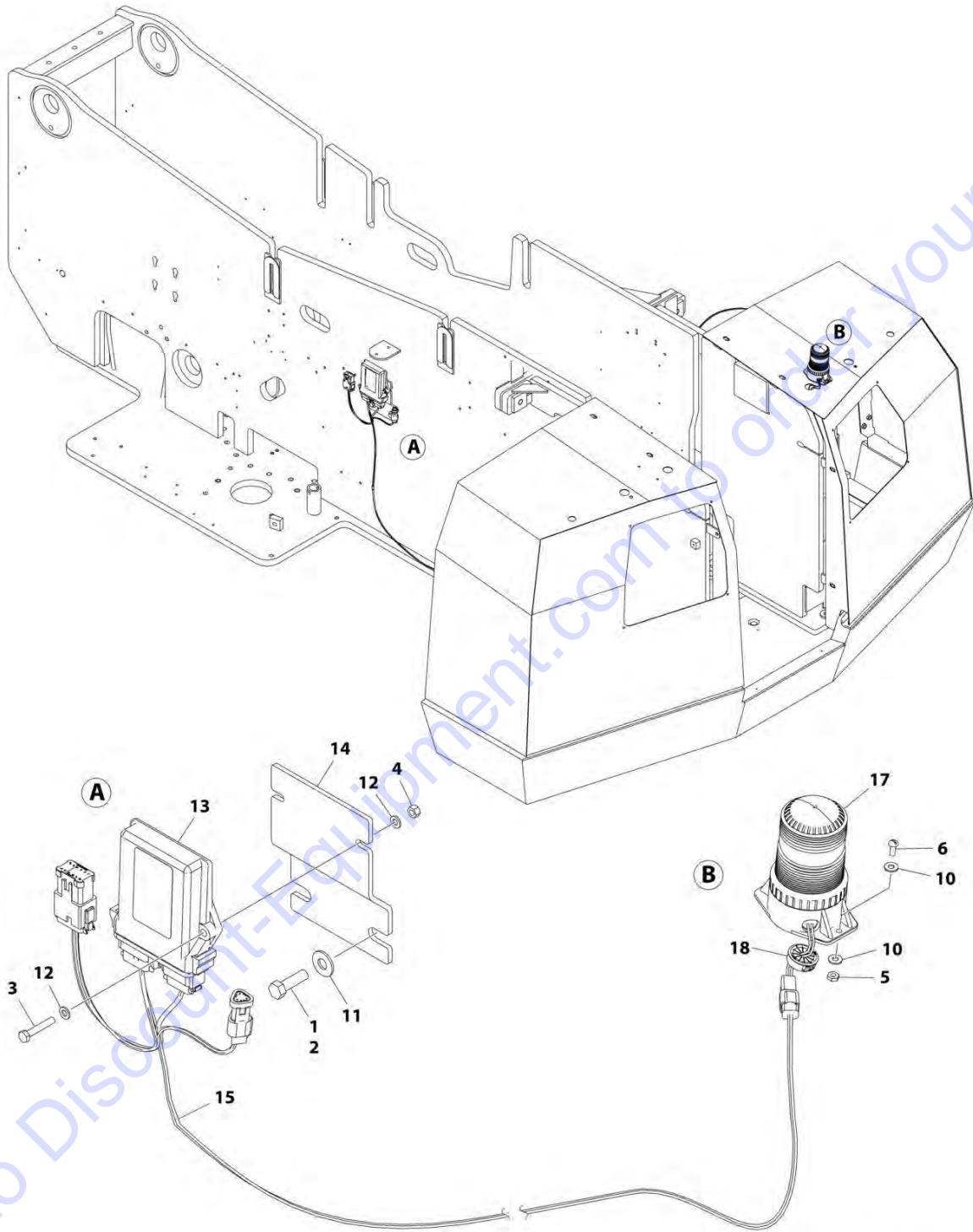
FIGURE 2-27. STROBE LIGHT INSTALLATION - BLUE (OPTIONAL) (SN 0300259698 to Present)

ITEM	PART NUMBER	QTY	DESCRIPTION	REV
	1001244474	Ref	STROBE LIGHT INSTALLATION	B
1	0100011	AR	Compound, Locking	
2	0641610	2	Bolt 3/8 x 1-1/4	
3	0700615	2	Bolt M6 x 35	
4	3290607	2	Nut M6	
5	3311005	2	Nut #10	
6	3911010	2	Screw #10 x 5/8	
7	4240032	AR	Tie-Strap (Not Shown)	
8	4240033	AR	Tie-Strap (Not Shown)	
9	4460488	AR	Mount, Tie-Strap (Not Shown)	
10	4751000	4	Washer #10	
11	4751600	2	Washer 3/8	
12	4811700	4	Washer M6	
13	1001142683	1	Module, Beacon Light	
14	1001142722	1	Bracket	
15	1001142736	1	Beacon Control Harness (See Separate Breakdown in ELECTRICAL SECTION)	
16	1001169085	1	Grommet	
17	1001200910	1	Light, Strobe (Blue)	

Go to Discount-Equipment.com to order your parts

SECTION 2 - TURNTABLE

FIGURE 2-28. STROBE LIGHT INSTALLATION - RED (OPTIONAL) (Prior to SN 0300259698)



ART_1001228657

SECTION 2 - TURNTABLE

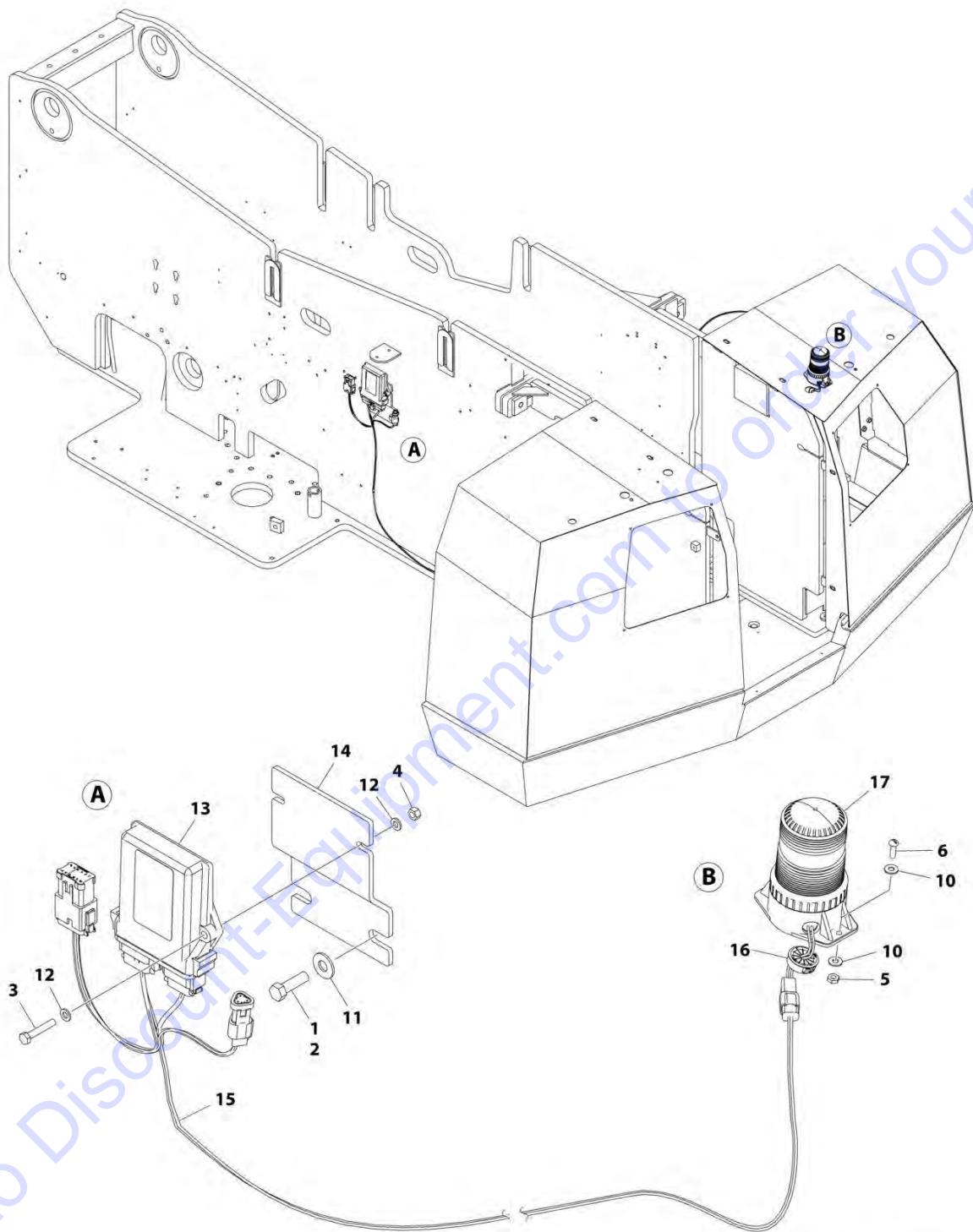
FIGURE 2-28. STROBE LIGHT INSTALLATION - RED (OPTIONAL) (Prior to SN 0300259698)

ITEM	PART NUMBER	QTY	DESCRIPTION	REV
	1001228657	Ref	STROBE LIGHT INSTLLATION	C
1	0100011	AR	Compound, Locking	
2	0641610	2	Bolt 3/8 x 1-1/4	
3	0700615	2	Bolt M6 x 35	
4	3290607	2	Nut M6	
5	3311005	2	Nut #10	
6	3911008	2	Screw #10 x 1/2	
7	4240032	AR	Tie-Strap (Not Shown)	
8	4240033	AR	Tie-Strap (Not Shown)	
9	4460488	AR	Mount, Tie-Strap (Not Shown)	
10	4751000	4	Washer #10	
11	4751600	2	Washer 3/8	
12	4811700	4	Washer M6	
13	1001142683	1	Module, Beacon Light	
14	1001142722	1	Bracket	
15	1001142736	1	Beacon Control Harness (See Separate Breakdown in ELECTRICAL SECTION)	
17	1001207004	1	Light, Strobe (Red)	
18	1001169085	1	Grommet	

Go to Discount-Equipment.com to order your parts

SECTION 2 - TURNTABLE

FIGURE 2-29. STROBE LIGHT INSTALLATION - RED (OPTIONAL) (SN 0300259698 to Present)



ART_1001244475

SECTION 2 - TURNTABLE

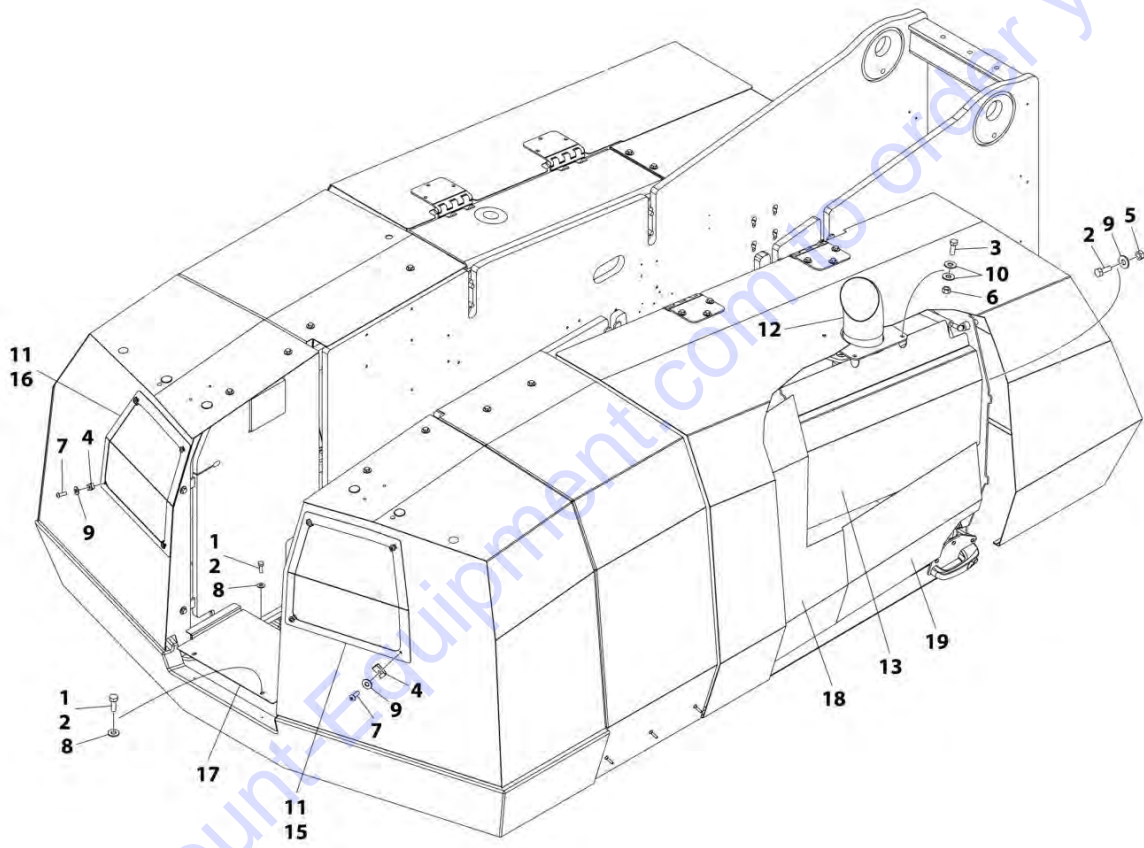
FIGURE 2-29. STROBE LIGHT INSTALLATION - RED (OPTIONAL) (SN 0300259698 to Present)

ITEM	PART NUMBER	QTY	DESCRIPTION	REV
	1001244475	Ref	STROBE LIGHT INSTALLATION	A
1	0100011	AR	Compound, Locking	
2	0641610	2	Bolt 3/8 x 1-1/4	
3	0700615	2	Bolt M6 x 35	
4	3290607	2	Nut M6	
5	3311005	2	Nut #10	
6	3911010	2	Screw #10 x 5/8	
7	4240032	AR	Tie-Strap (Not Shown)	
8	4240033	AR	Tie-Strap (Not Shown)	
9	4460488	AR	Mount, Tie-Strap (Not Shown)	
10	4751000	4	Washer #10	
11	4751600	2	Washer 3/8	
12	4811700	4	Washer M6	
13	1001142683	1	Module, Beacon Light	
14	1001142722	1	Bracket	
15	1001142736	1	Beacon Control Harness (See Separate Breakdown in ELECTRICAL SECTION)	
16	1001169085	1	Grommet	
17	1001207004	1	Light, Strobe (Red)	

Go to Discount-Equipment.com to order your parts

SECTION 2 - TURNTABLE

FIGURE 2-30. HEAT SHIELD AND ACCESS PANELS INSTALLATION



ART_1001227307

SECTION 2 - TURNTABLE

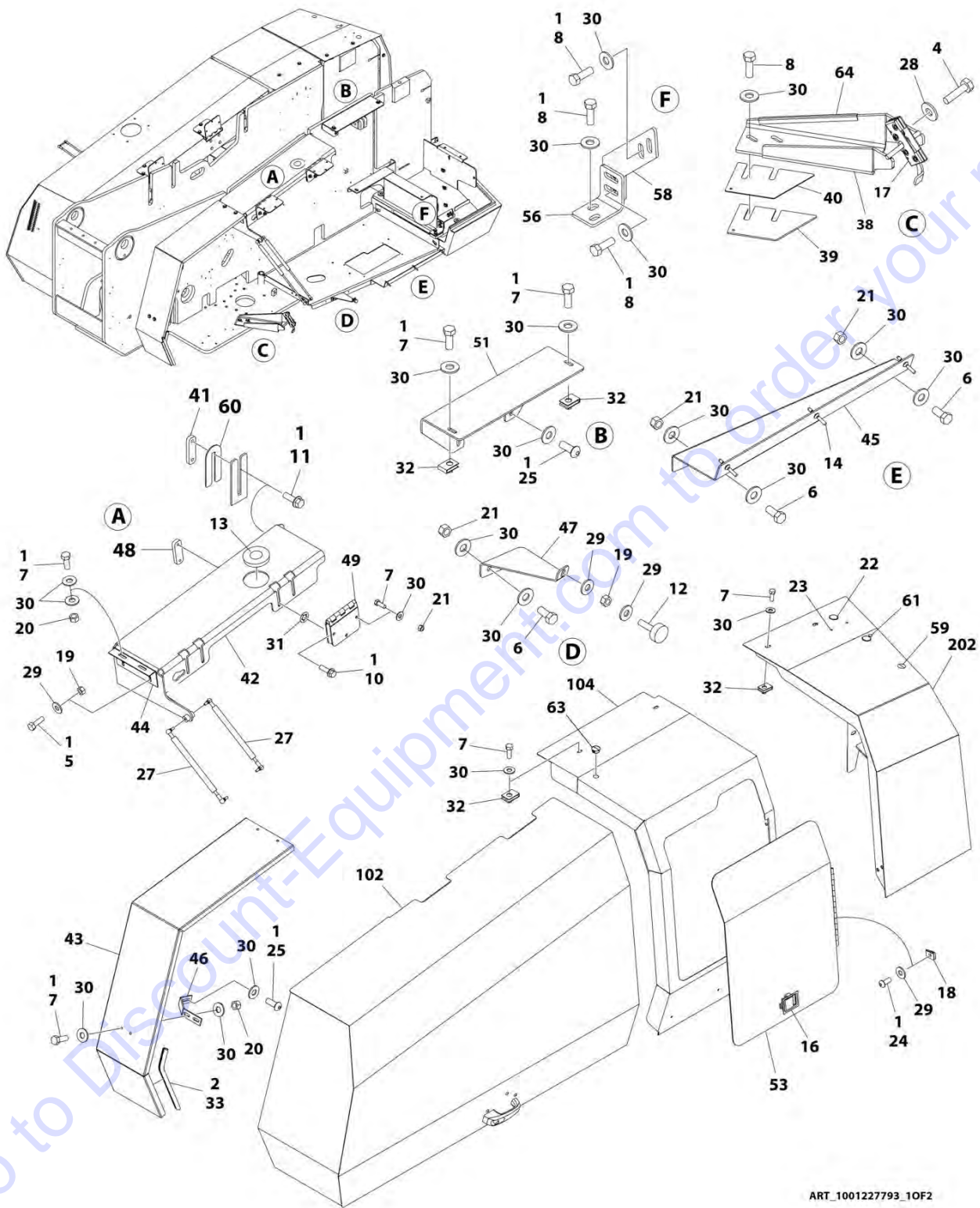
FIGURE 2-30. HEAT SHIELD AND ACCESS PANELS INSTALLATION

ITEM	PART NUMBER	QTY	DESCRIPTION	REV
	1001227307	Ref	HEAT SHIELD AND ACCESS PANELS INSTALLATION	E
1	0100011	AR	Compound, Locking	
2	0641406	7	Bolt 1/4 x 3/4	
3	0641608	4	Bolt 3/8 x 1	
4	3300454	8	Nut, Tinnerman 1/4	
5	3311405	3	Nut 1/4	
6	3311605	4	Nut 3/8	
7	3900258	8	Screw 1/4 x 3/4	
8	4711400	4	Washer 1/4	
9	4751400	11	Washer 1/4	
10	4751600	8	Washer 3/8	
11	1001113047	11 ft/ 3.3m	Seal	
12	1001144527	1	Pipe, Exhaust	
13	1001163101	1	Heat Shield	
15	1001228113	1	Panel, Access	
16	1001228475	1	Panel, Access	
17	1001229098	1	Cover	
18	1001235839	1	Insulate	
19	1001236370	1	Insulate	

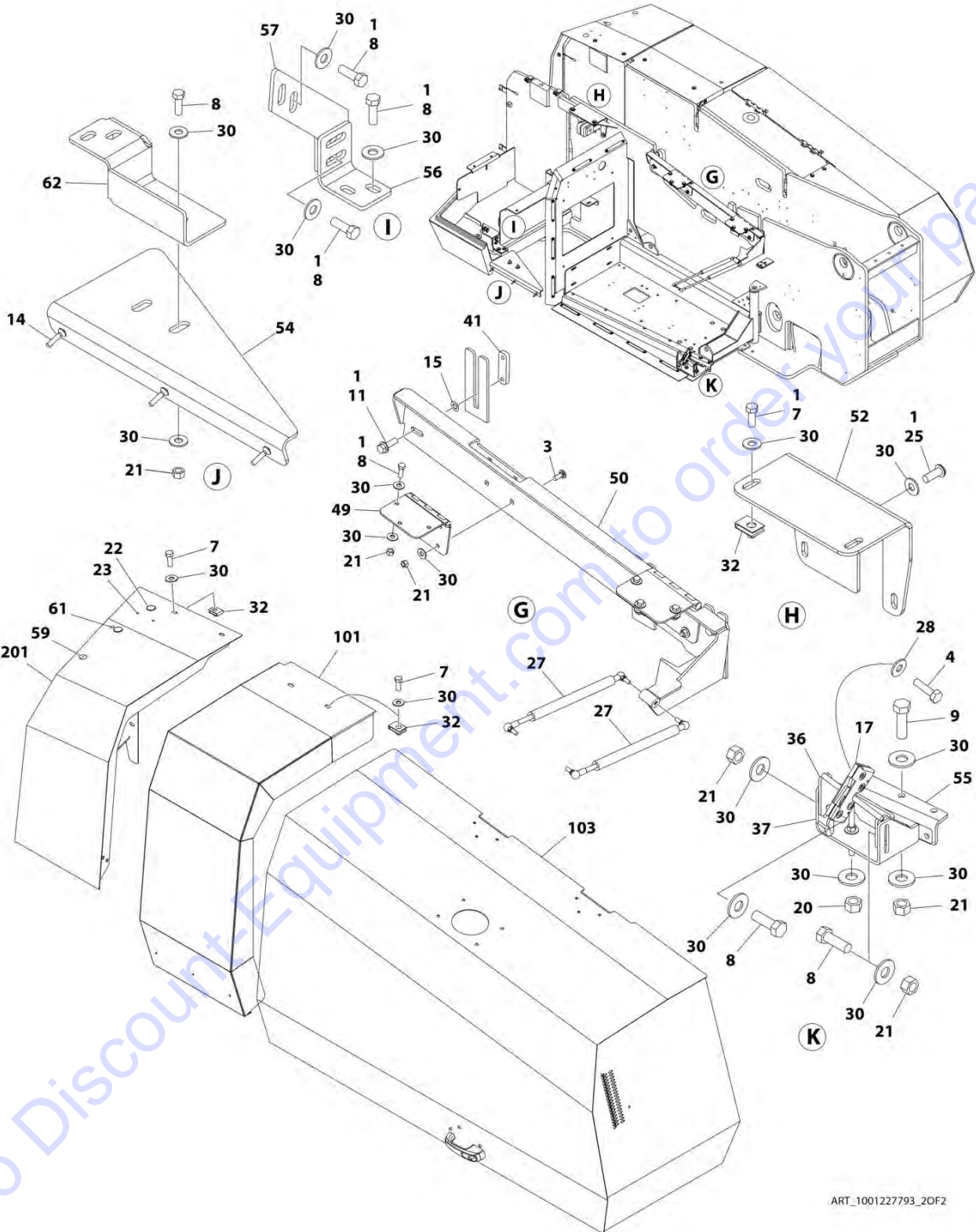
Go to Discount-Equipment.com to order your parts

SECTION 2 - TURNTABLE

FIGURE 2-31. HOODS INSTALLATION



SECTION 2 - TURNTABLE



ART_1001227793_20F2

SECTION 2 - TURNTABLE

FIGURE 2-31. HOODS INSTALLATION

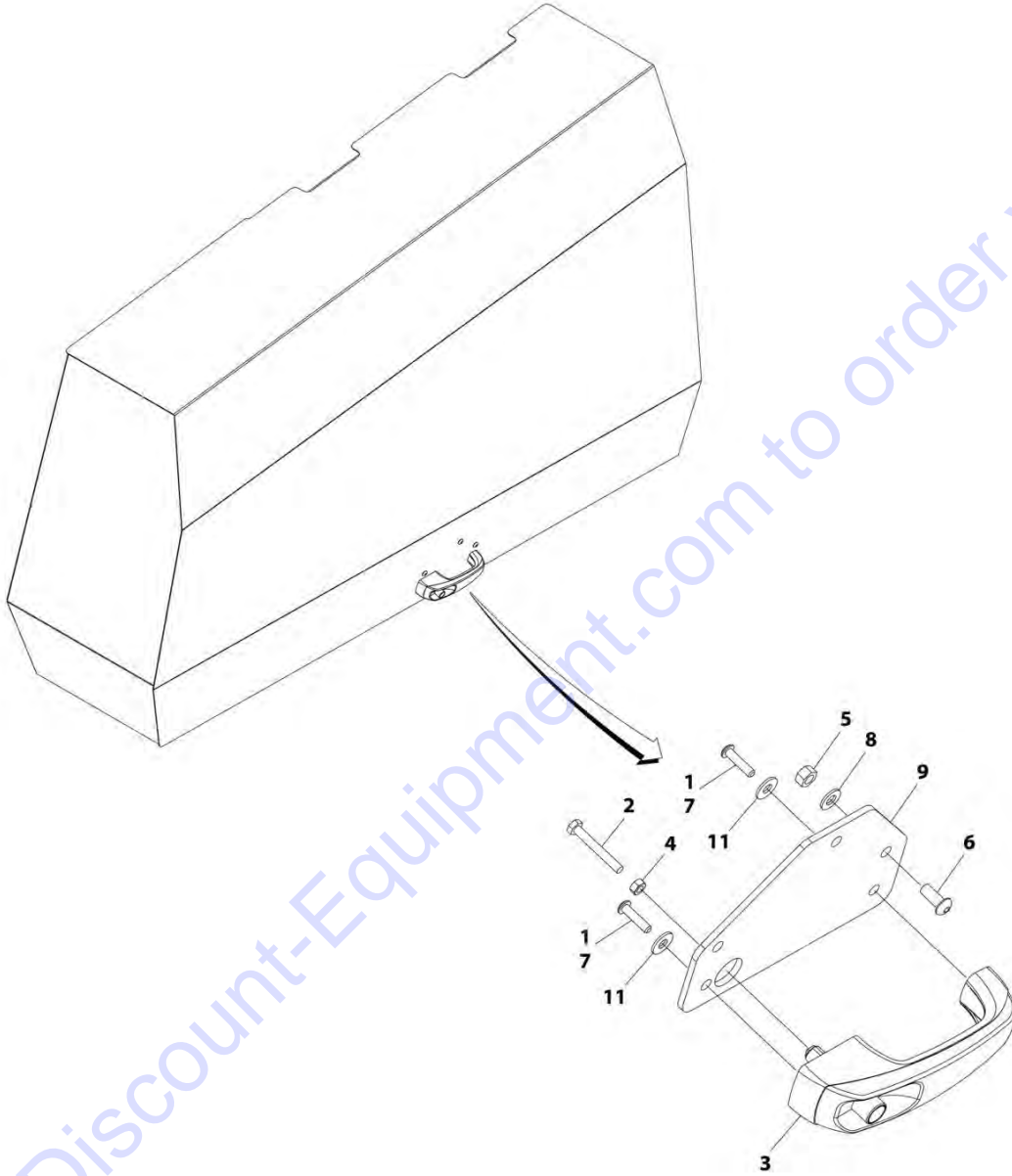
ITEM	PART NUMBER	QTY	DESCRIPTION	REV
	1001227793	Ref	HOODS INSTALLATION	F
1	0100011	AR	Compound, Locking	
2	0100081	AR	Adhesive	
3	0630485	8	Bolt	
4	0641408	8	Bolt 1/4 x 1	
5	0641508	2	Bolt 5/16 x 1	
6	0641607	4	Bolt 3/8 x 7/8	
7	0641608	22	Bolt 3/8 x 1	
8	0641609	26	Bolt 3/8 x 1-1/8	
9	0641610	2	Bolt 3/8 x 1-1/4	
10	0811610	8	Screw 3/8 x 1-1/4	
11	0811812	8	Screw 1/2 x 1-1/2	
12	0940049	1	Stopper	
13	1120601	1	Plug	
14	2080040	6	Fastener	
15	2080072	4	Fastener	
16	2940045	1	Latch	
17	2940173	2	Latch	
18	3300364	3	Nut, Tinnerman 5/16	
19	3311501	4	Nut 5/16	
20	3311601	6	Nut 3/8	
21	3311605	32	Nut 3/8	
22	3520032	4	Plug	
23	3520173	4	Plug	
24	3900210	3	Screw 5/16 x 3/4	
25	3900316	7	Screw 3/8 x 1	
27	4160194	4	Spring, Gas	
28	4751400	8	Washer 1/4	
29	4751500	7	Washer 5/16	
30	4751600	AR	Washer 3/8	
31	8310070	8	Pushnut 3/8	
32	88662523	12	Nut, Tinnerman	
33	1001110166	4.9 ft/ 1.5m	Seal	
34	1001113047	6.4 ft/ 2m	Seal	
36	1001235944	NLA	Bracket (Use p/n 1001246822) (Prior to SN 0300253862)	
36	1001246822	1	Bracket (SN 0300253862 to Present)	
37	1001235943	NLA	Bracket (Use p/n 1001246820) (Prior to SN 0300253862)	
37	1001246820	1	Bracket (SN 0300253862 to Present)	
38	1001117568	1	Bracket	
39	1001121122	AR	Shim 3mm	
40	1001121123	AR	Shim 1.5mm	
41	1001150260	4	Plate	
42	1001155895	1	Mount	
43	1001155899	1	Spacer	
44	1001157612	1	Bracket	
45	1001230008	1	Bracket	
46	1001230014	1	Bracket	
47	1001161089	1	Bracket	
48	1001186251	1	Plate	

SECTION 2 - TURNTABLE

ITEM	PART NUMBER	QTY	DESCRIPTION	REV
49	1001186254	1	Hinge	
50	1001196768	1	Mount	
51	1001226452	1	Bracket	
52	1001226453	1	Bracket	
53	1001227731	1	Door	
54	1001227735	1	Bracket	
55	1001227798	1	Mount	
56	1001228359	2	Bracket	
57	1001228403	1	Bracket	
58	1001228517	1	Bracket	
59	1001131130	2	Plug	
60	1001230010	AR	Shim	
61	1001226421	2	Plug	
62	1001235518	1	Bracket	
63	3520030	1	Plug	
64	4060805	9 in/ 0.23m	Flex-Trim	
100	1001227794	Ref	Hood Kit	
101	1001117219	1	Hood, Engine Side (Fixed)	
102	1001157209	1	Hood Assembly - Tank Side (See Separate Breakdown in this Section)	
103	1001232084	1	Hood Assembly - Engine Side (Note: Heat Shield must be Installed Before Being put back into Service) (See Separate Breakdown in this Section)	
104	1001227734	1	Hood, Tank Side (Fixed)	
200	1001229556	Ref	Battery Cover Kit	
201	1001228882	1	Cover, Engine Side (Rear)	
202	1001228945	1	Cover, Tank Side (Rear)	

SECTION 2 - TURNTABLE

FIGURE 2-32. HOOD ASSEMBLY - TANK SIDE



Go to Discount-Equipment.com to order your parts

ART_1001157209

SECTION 2 - TURNTABLE

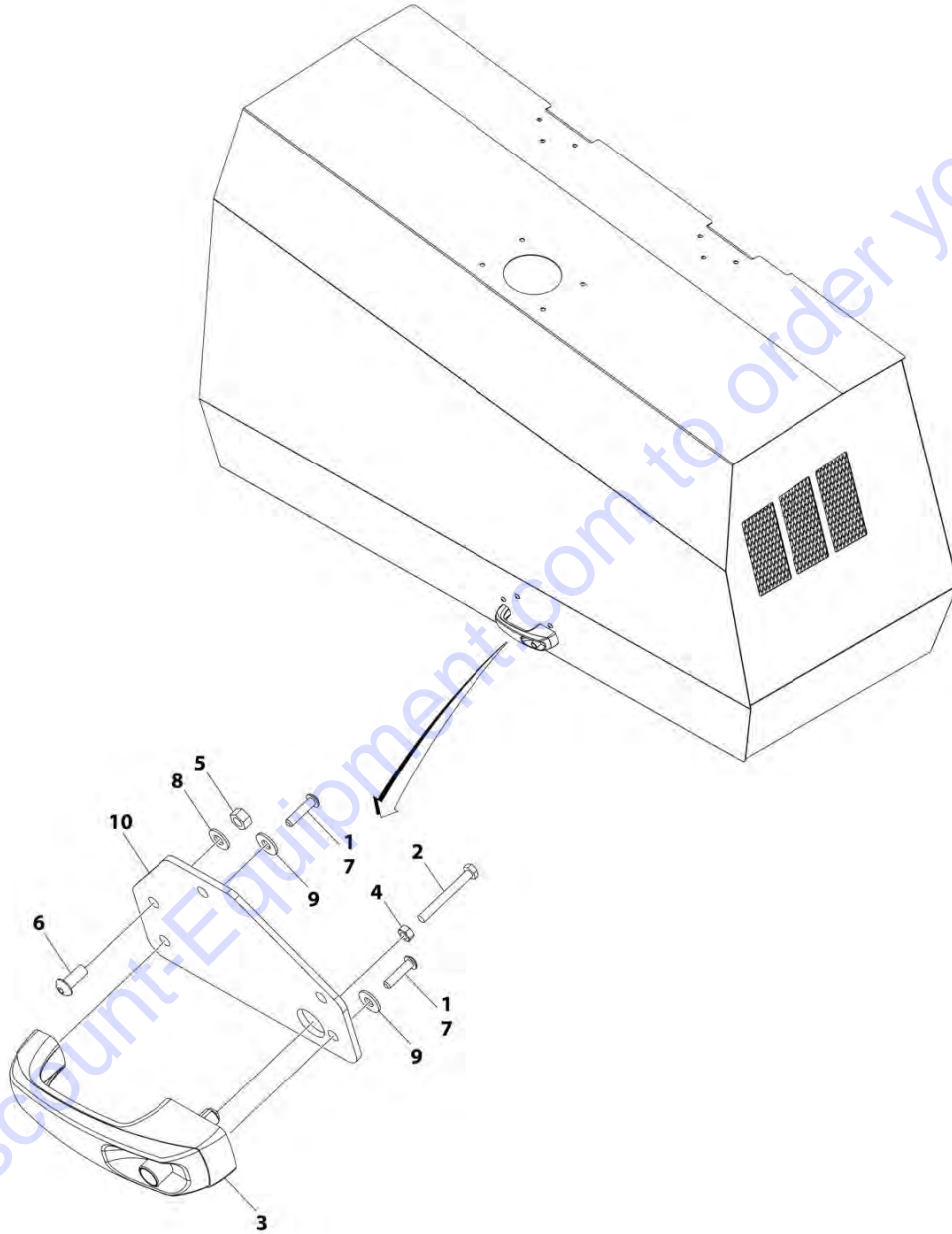
FIGURE 2-32. HOOD ASSEMBLY - TANK SIDE

ITEM	PART NUMBER	QTY	DESCRIPTION	REV
	1001157209	Ref	HOOD ASSEMBLY	B
1	0100011	AR	Compound, Locking	
2	0700617	1	Bolt M6 x 45	
3	2560187	1	Handle, Push Button	
4	3290601	1	Nut M6	
5	3311505	3	Nut 5/16	
6	3900210	3	Screw 5/16 x 3/4	
7	3900363	2	Screw M6 x 25	
8	4711500	3	Washer 5/16	
9	1001116290	1	Plate, Latch Mounting	
11	4751400	2	Washer 1/4	

Go to Discount-Equipment.com to order your parts

SECTION 2 - TURNTABLE

FIGURE 2-33. HOOD ASSEMBLY - ENGINE SIDE



ART_1001232084

SECTION 2 - TURNTABLE

FIGURE 2-33. HOOD ASSEMBLY - ENGINE SIDE

ITEM	PART NUMBER	QTY	DESCRIPTION	REV
	1001232084	Ref	HOOD ASSEMBLY	B
1	0100011	AR	Compound, Locking	
2	0700618	1	Bolt M6 x 50	
3	2560187	1	Handle, Push Button	
4	3290601	1	Nut M6	
5	3311505	3	Nut 5/16	
6	3900210	3	Screw 5/16 x 3/4	
7	3900363	2	Screw M6 x 25	
8	4711500	3	Washer 5/16	
9	4751400	2	Washer 1/4	
10	1001116290	1	Plate, Latch Mounting	

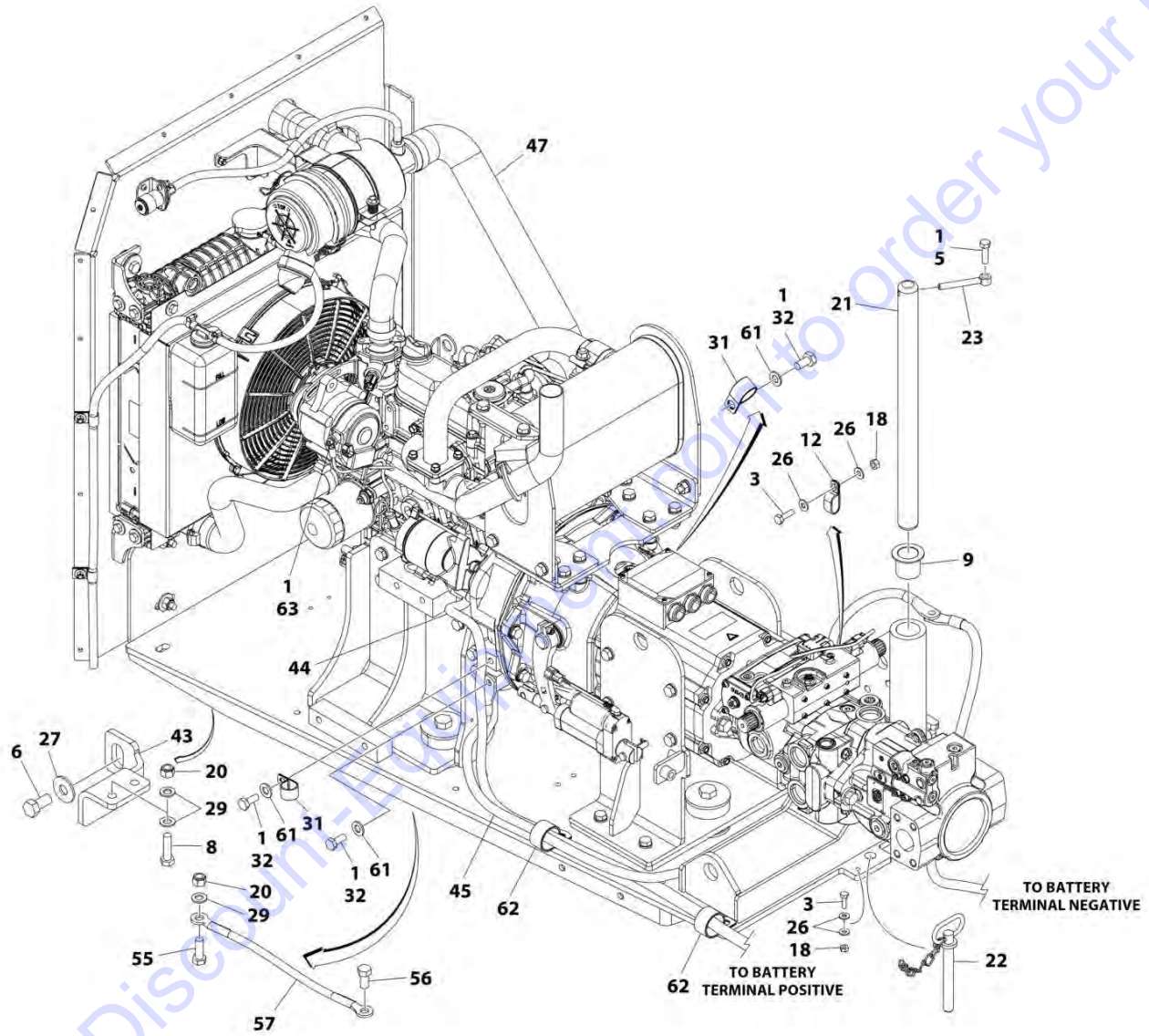
Go to Discount-Equipment.com to order your parts

SECTION 3 - ENGINE

Go to Discount-Equipment.com to order your parts

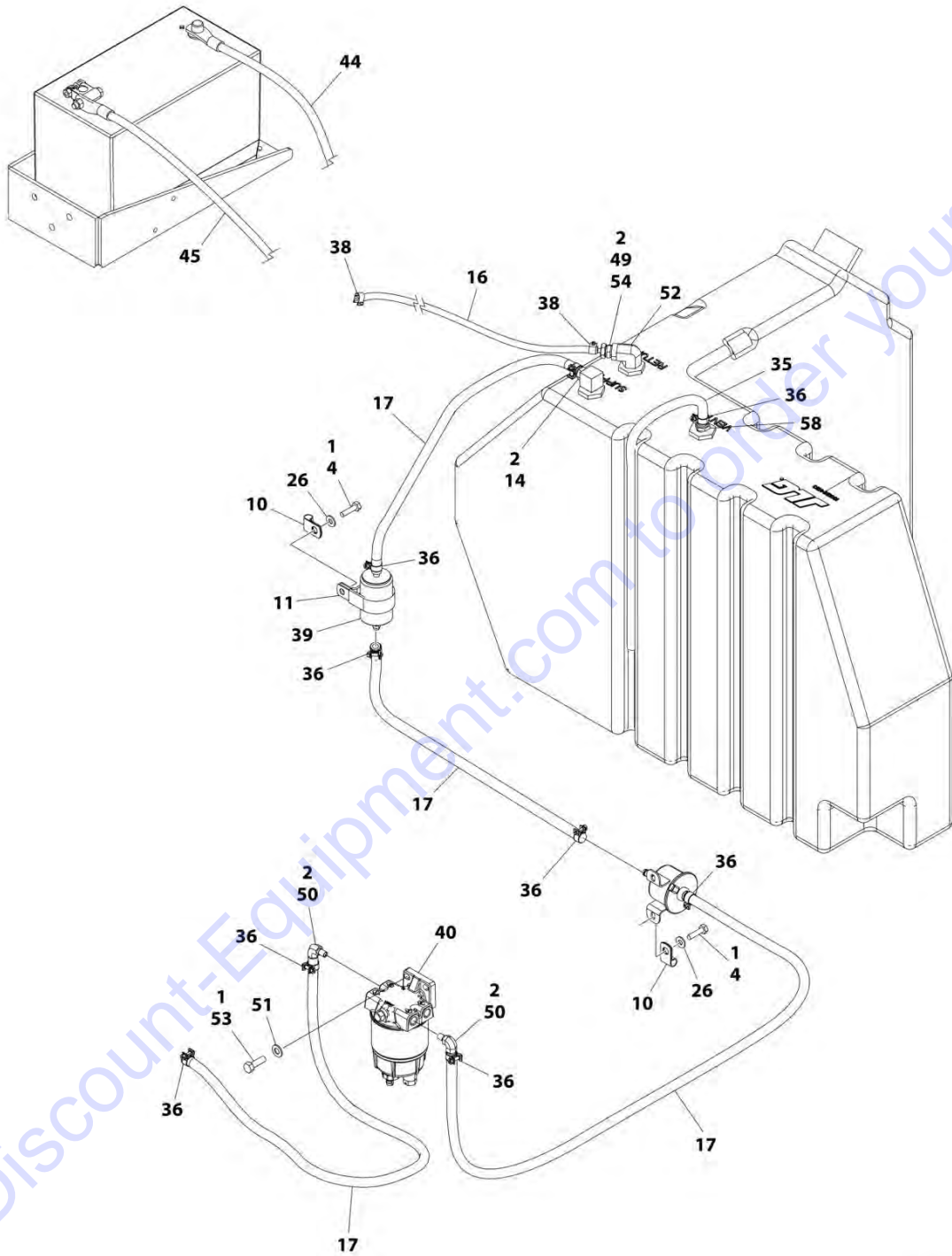
SECTION 3 - ENGINE

FIGURE 3-1. ENGINE INSTALLATION



ART_1001226669_10F2

SECTION 3 - ENGINE



ART_1001226669_2OF2

SECTION 3 - ENGINE

FIGURE 3-1. ENGINE INSTALLATION

ITEM	PART NUMBER	QTY	DESCRIPTION	REV
	1001226669	Ref	ENGINE INSTALLATION	G
1	0100011	AR	Compound, Locking	
2	0100020	AR	Sealant	
3	0641407	2	Bolt 1/4 x 7/8	
4	0641408	3	Bolt 1/4 x 1	
5	0641610	1	Bolt 3/8 x 1-1/4	
6	0642016	1	Bolt 5/8 x 2	
8	0701217	2	Bolt M12 x 45	
9	0961986	2	Bearing	
10	1320263	2	Clamp	
11	1320265	1	Clamp	
12	1321385	1	Clamp	
14	2180348	1	Fitting, NPT/Barbed	
15	2300004	AR	Coolant (Not Shown)	
16	2720271	13 ft/ 3.97m	Hose	
17	2720058	12.5 ft/ 3.8m	Hose	
18	3271405	2	Nut 1/4	
20	3291205	3	Nut M12	
21	3422446	1	Pin	
22	3422533	1	Pin	
23	3841143	1	Keeper, Pin	
25	4240099	3	Tie-Strap (Not Shown)	
26	4711400	7	Washer 1/4	
27	4752000	1	Washer 5/8	
29	4812100	5	Washer M12	
31	80683013	2	Clamp	
32	1001118746	3	Bolt M10 x 25	
34	1001159301	AR	Oil, Engine (Not Shown)	
35	1001165035	50 in/ 127cm	Hose	
36	1001174486	9	Clamp	
38	1001185585	2	Clamp	
39	1001190545	1	Filter, Fuel	
40	1001190609	1	Fuel/Water Separator Assembly (See Separate Breakdown in this Section)	
42	1001230605	1	Engine Harness (Not Shown) (See Separate Breakdown in ELECTRICAL SECTION)	
43	1001236341	1	Plate	
44	1001225731	1	Cable, Battery (Positive)	
45	1001225733	1	Cable, Battery (Negative)	
46	1001225985	1	Cable, Alternator (Not Shown)	
47	1001226549	1	Engine and Pumps Sub-Assembly (See Separate Breakdown in this Section)	
49	2220250	1	Fitting NPT/NPT	
50	2221046	2	Fitting, 90	
51	4711500	2	Washer 5/16	
52	8540205	1	Fitting, 90 FNPTF/NPTF	
53	0641508	2	Bolt 5/16 x 1	
54	2180666	1	Fitting, NPT/Barbed	

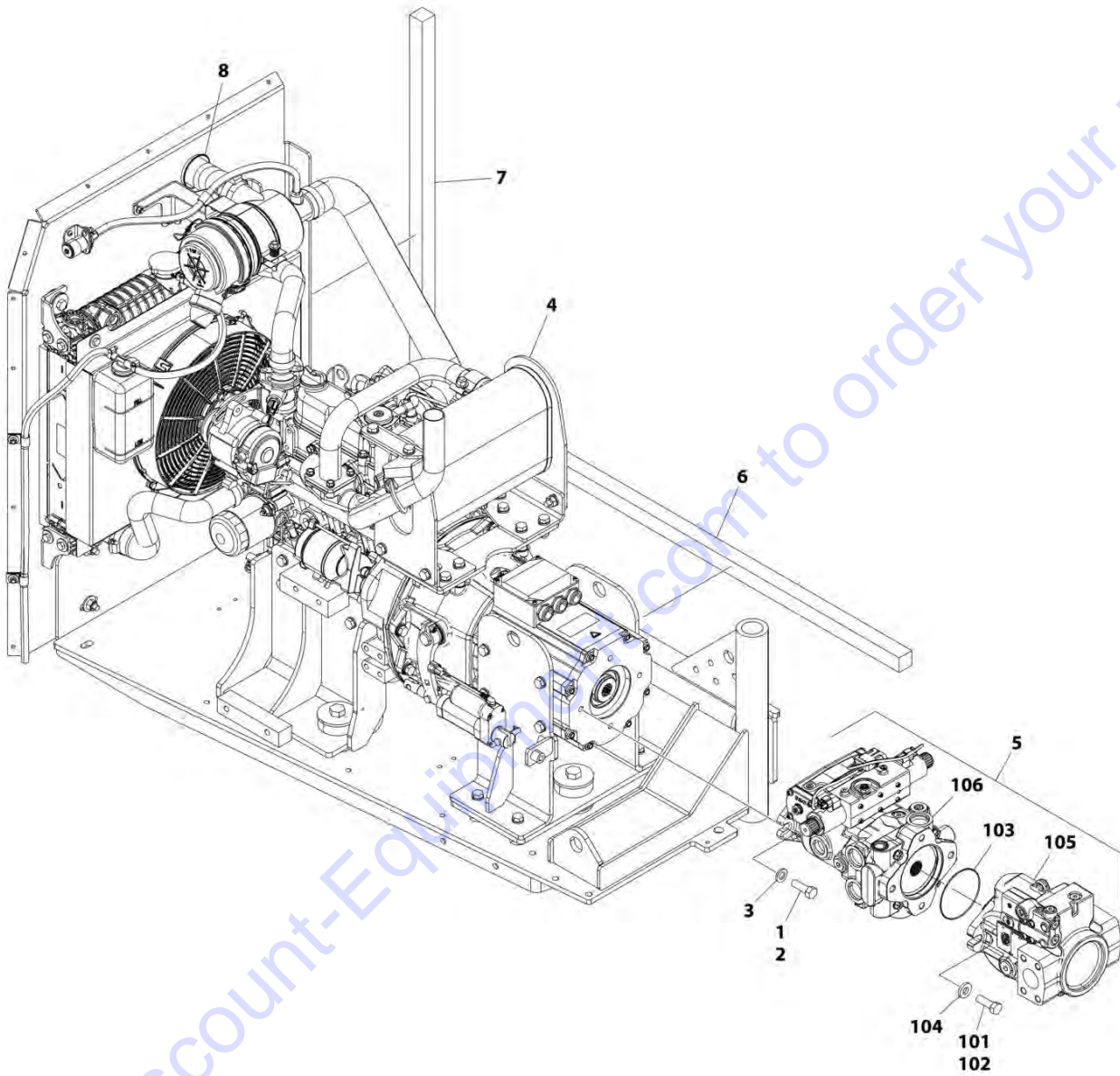
SECTION 3 - ENGINE

ITEM	PART NUMBER	QTY	DESCRIPTION	REV
55	0761215	1	Bolt M12 x 35	
56	0641808	1	Bolt 1/2 x 1	
57	1060637	1	Lanyard	
58	2180876	1	Fitting, NPT/Barbed	
59	1001232528	1	Seal (Not Shown)	
61	4812000	3	Washer M10	
62	85841150	2	Clamp	
63	3290601	1	Nut M6	
100	1001237291	1	Battery Cable Kit (Includes Items 44 & 45) (Not Shown) (SN 0300250734 to Present)	

Go to Discount-Equipment.com to order your parts

SECTION 3 - ENGINE

FIGURE 3-2. ENGINE AND PUMPS SUB-ASSEMBLY



ART_1001226549

SECTION 3 - ENGINE

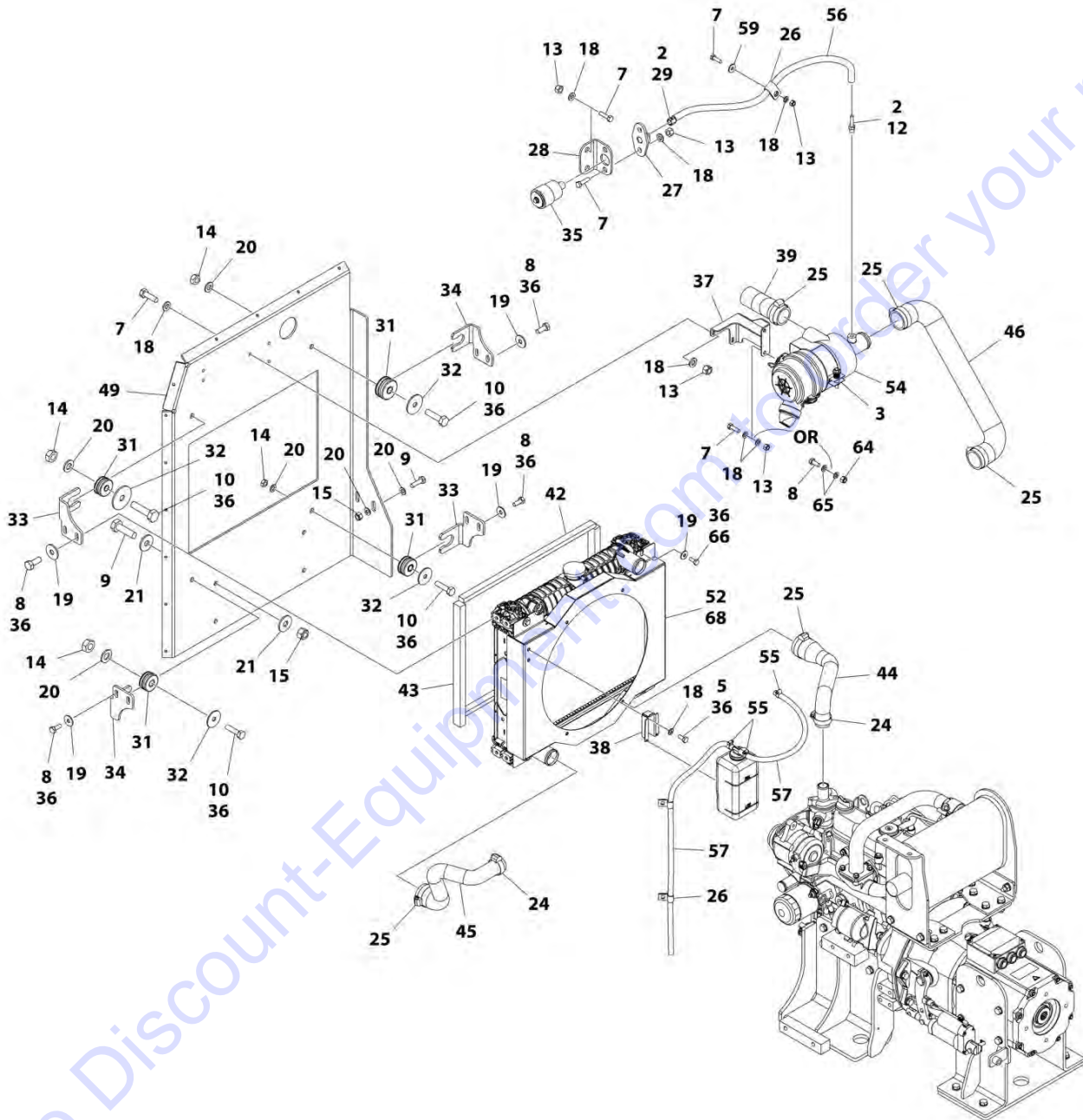
FIGURE 3-2. ENGINE AND PUMPS SUB-ASSEMBLY

ITEM	PART NUMBER	QTY	DESCRIPTION	REV
	1001226549	Ref	ENGINE AND PUMPS SUB-ASSEMBLY	C
1	0100011	AR	Compound, Locking	
2	0641812	2	Bolt 1/2 x 1-1/2	
3	5241200	2	Washer M12	
4	1001223754	1	Engine Assembly (See Separate Breakdown in this Section)	
5	1001226551	1	Pump Sub-Assembly (Includes Items 101-106)	
6	3960468	1	Seal	
7	3960469	1	Seal	
8	1001232529	1	Seal	
101	0100011	AR	Compound, Locking	
102	0641812	2	Bolt 1/2 x 1-1/2	
103	3790044	1	O-Ring	
104	4891800	2	Washer 1/2	
105	1001094595	1	Variable Pump Assembly (See Separate Breakdown in this Section)	
106	1001225745	1	Hydrostatic Pump Assembly (See Separate Breakdown in this Section)	

Go to Discount-Equipment.com to order your parts

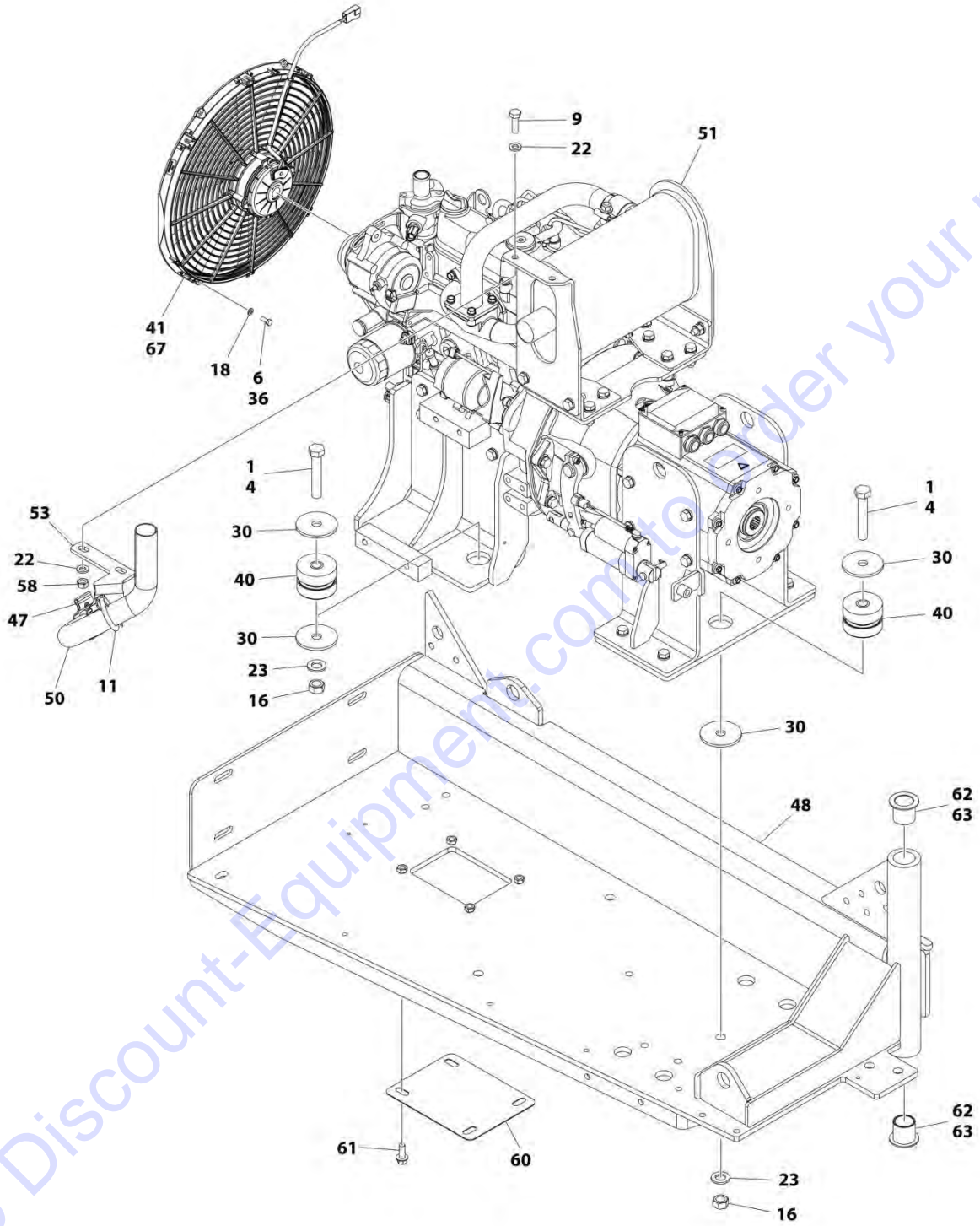
SECTION 3 - ENGINE

FIGURE 3-3. ENGINE AND TRAY ASSEMBLY



ART_1001223754_10F2

SECTION 3 - ENGINE



ART_1001223754_20F2

SECTION 3 - ENGINE

FIGURE 3-3. ENGINE AND TRAY ASSEMBLY

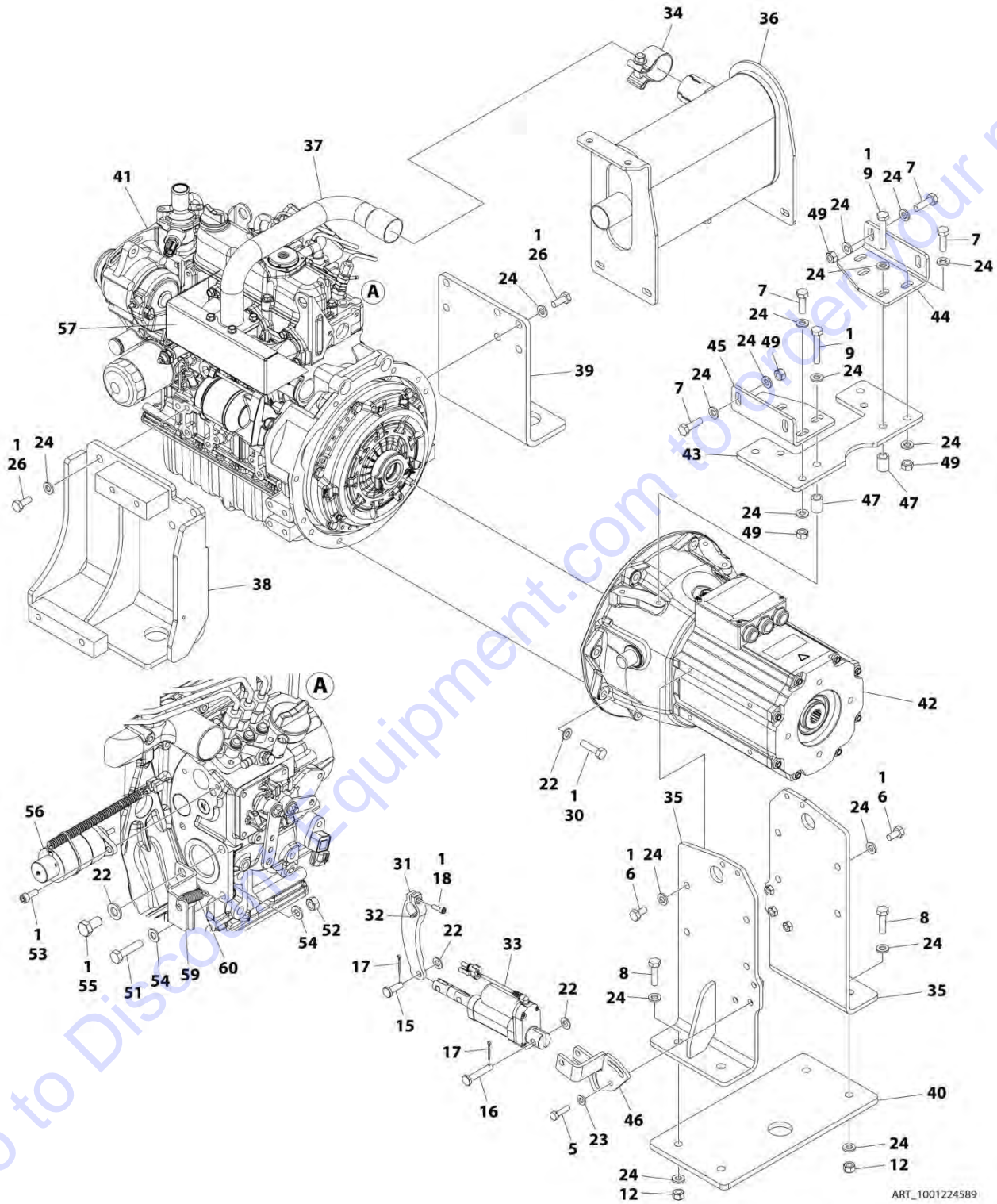
ITEM	PART NUMBER	QTY	DESCRIPTION	REV
	1001223754	Ref	ENGINE AND TRAY ASSEMBLY	I
1	0100011	AR	Compound, Locking	
2	0100020	AR	Sealant	
3	0340045	1	Band	
4	0711626	3	Bolt M16 x 90 Grade 10.9	
5	0760607	2	Bolt M6 x 14	
6	0760608	AR	Bolt M6 x 16	
7	0760610	AR	Bolt M6 x 20	
8	0760810	AR	Bolt M8 x 20	
9	0761015	8	Bolt M10 x 35	
10	0761016	4	Bolt M10 x 40	
11	1320274	1	Clamp	
12	2220315	1	Fitting, Straight Barbed	
13	3290605	AR	Nut M6	
14	3291001	4	Nut M10	
15	3291005	6	Nut M10	
16	3331611	3	Nut M16	
17	3900364	4	Screw M6 x 20	
18	4811700	AR	Washer M6	
19	4811902	AR	Washer M8	
20	4812000	8	Washer M10	
21	4812002	8	Washer M10	
22	5241000	4	Washer M10	
23	5241600	3	Washer M16	
24	8405102	2	Clamp	
25	8405104	5	Clamp	
26	8406110	3	Clip	
27	1001138173	1	Support	
28	1001138175	1	Bracket	
29	1001141995	1	Fitting, NPT/Barbed	
30	1001146219	6	Washer	
31	1001169054	4	Isolator	
32	1001169138	4	Pad	
33	1001169967	2	Bracket	
34	1001170035	2	Bracket	
35	1001170981	1	Indicator, Air Intake Restriction	
36	1001180620	AR	Adhesive	
37	1001182980	1	Bracket	
38	1001182982	1	Mount	
39	1001182983	1	Tube	
40	1001190164	3	Mount, Motor	
41	1001222465	1	Fan (Prior to SN 0300253862)	
42	1001217183	2	Seal	
43	1001217185	2	Seal	
44	1001222882	1	Tube, Coolant Inlet	
45	1001222883	1	Tube, Coolant Outlet	
46	1001222884	1	Tube	
47	1001223302	1	Clamp	
48	1001223405	1	Tray	
49	1001223787	1	Plate, Radiator	

SECTION 3 - ENGINE

ITEM	PART NUMBER	QTY	DESCRIPTION	REV
50	1001223987	1	Pipe, Exhaust	
51	1001224589	1	Engine and Generator Assembly (See Separate Breakdown in this Section)	
52	1001232267	1	Radiator (Prior to SN 0300253862)	
53	1001229561	1	Support	
54	1001118280	1	Air Filter Assembly	
54	7015004	1	Element, Filter	
54	7015005	1	Cover, Fliter	
54	7015006	1	Valve, Vacuator	
55	1320022	3	Clamp	
56	1001138248	18 in/ 44cm	Tube	
57	1001172533	50 in/ 1.3m	Hose	
58	3291007	2	Nut M10	
59	4811702	1	Washer M6	
60	0811608	4	Screw 3/8 x 1	
61	1001232375	1	Panel	
62	0100062	AR	Adhesive	
63	0961986	2	Bearing	
64	3290805	2	Nut M8	
65	4811900	4	Washer M8	
66	0760808	4	Bolt M8 x 16	
67	1001247415	1	Fan Mounting Assembly (See Separate Breakdown in this Section) (SN 0300253862 to Present)	
68	1001214690	1	Radiator (SN 0300253862 to Present)	

SECTION 3 - ENGINE

FIGURE 3-4. ENGINE AND GENERATOR ASSEMBLY



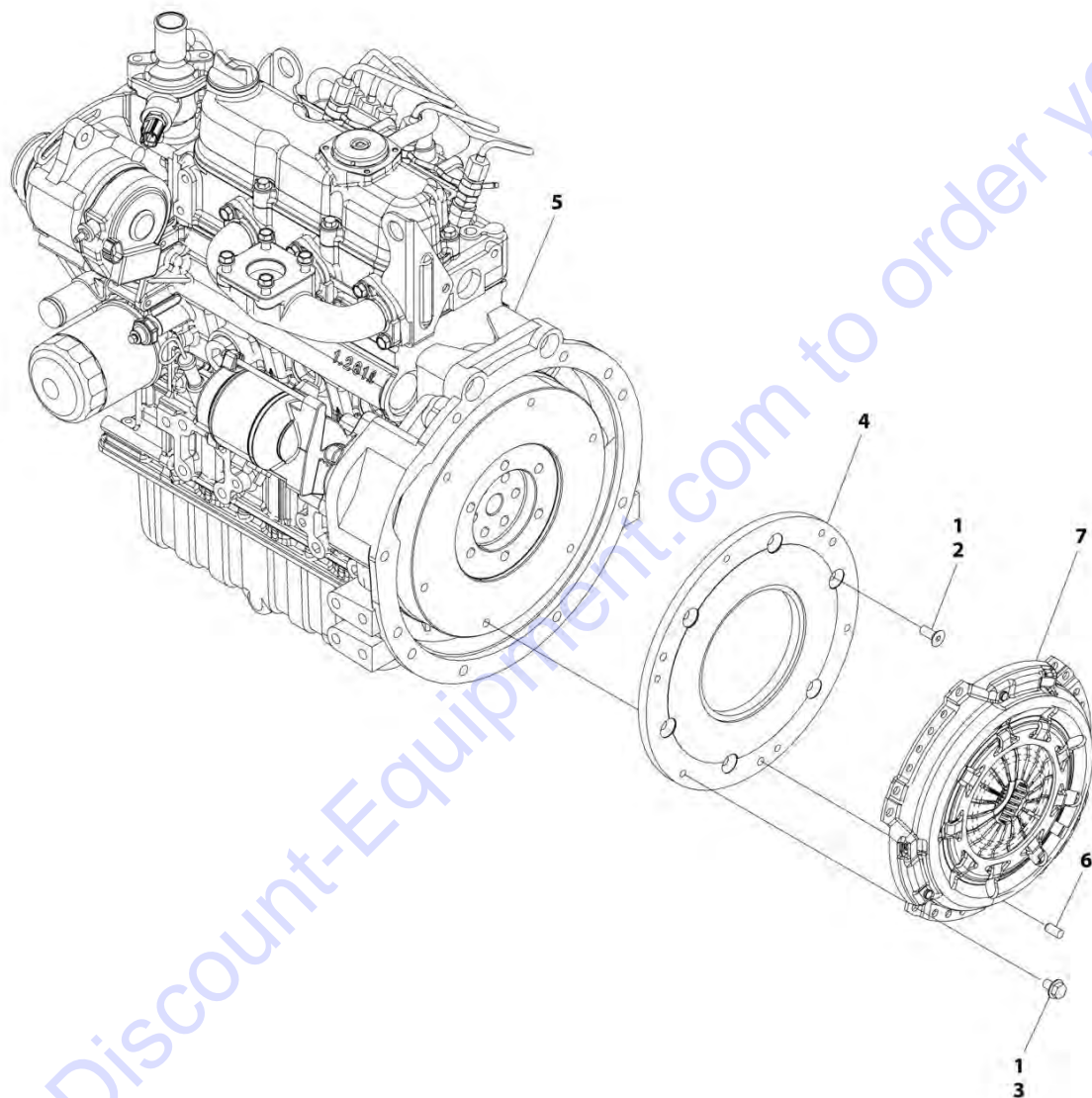
SECTION 3 - ENGINE

FIGURE 3-4. ENGINE AND GENERATOR ASSEMBLY

ITEM	PART NUMBER	QTY	DESCRIPTION	REV
	1001224589	Ref	ENGINE AND GENERATOR ASSEMBLY	E
1	0100011	AR	Compound, Locking	
5	0760814	3	Bolt M8 x 30	
6	0761010	8	Bolt M10 x 20	
7	0761015	8	Bolt M10 x 35	
8	0761016	4	Bolt M10 x 40	
9	0761020	4	Bolt M10 x 60	
15	1001235452	1	Pin	
16	1001235453	1	Pin	
17	3450304	2	Pin, Cotter 3/32 x 1	
18	4031708	1	Capscrew M6 x 20	
22	4812000	11	Washer M10	
23	5240800	3	Washer M8	
24	5241000	48	Washer M10	
26	1001118746	12	Bolt M10 x 25	
30	1001186919	8	Bolt M10 x 40	
31	1001222784	1	Lever	
32	1001228723	1	Key	
33	1001223088	1	Actuator	
33	4460742	1	Plug, Male - 2 Position	
33	4460743	2	Socket, Female	
33	8220079	2	Seal	
34	1001223302	1	Clamp	
35	1001223721	2	Support	
36	1001223744	1	Muffler	
37	1001223842	1	Pipe, Exhaust	
38	1001223997	1	Mount, Engine	
39	1001224000	1	Mount, Engine	
40	1001224009	1	Plate	
41	1001224584	1	Engine and Clutch Assembly (See Separate Breakdown in this Section)	
42	1001224585	1	Generator Assembly (See Separate Breakdown in this Section)	
43	1001225093	1	Plate	
44	1001225094	1	Plate	
45	1001225095	1	Plate	
46	1001225104	1	Mount	
47	1001225429	4	Spacer	
49	3291007	8	Nut M10	
51	0700815	1	Bolt M8 x 35	
52	3290807	1	Nut M8	
53	4031707	2	Bolt M6 x 16	
54	4811900	2	Washer M8	
55	8303511	1	Bolt M10 x 20	
56	1001118579	1	Actuator	
57	1001236206	1	Shield	
59	1001231323	1	Plate	
60	1001232181	1	Spring	

SECTION 3 - ENGINE

FIGURE 3-5. ENGINE AND CLUTCH ASSEMBLY



ART_1001224584

SECTION 3 - ENGINE

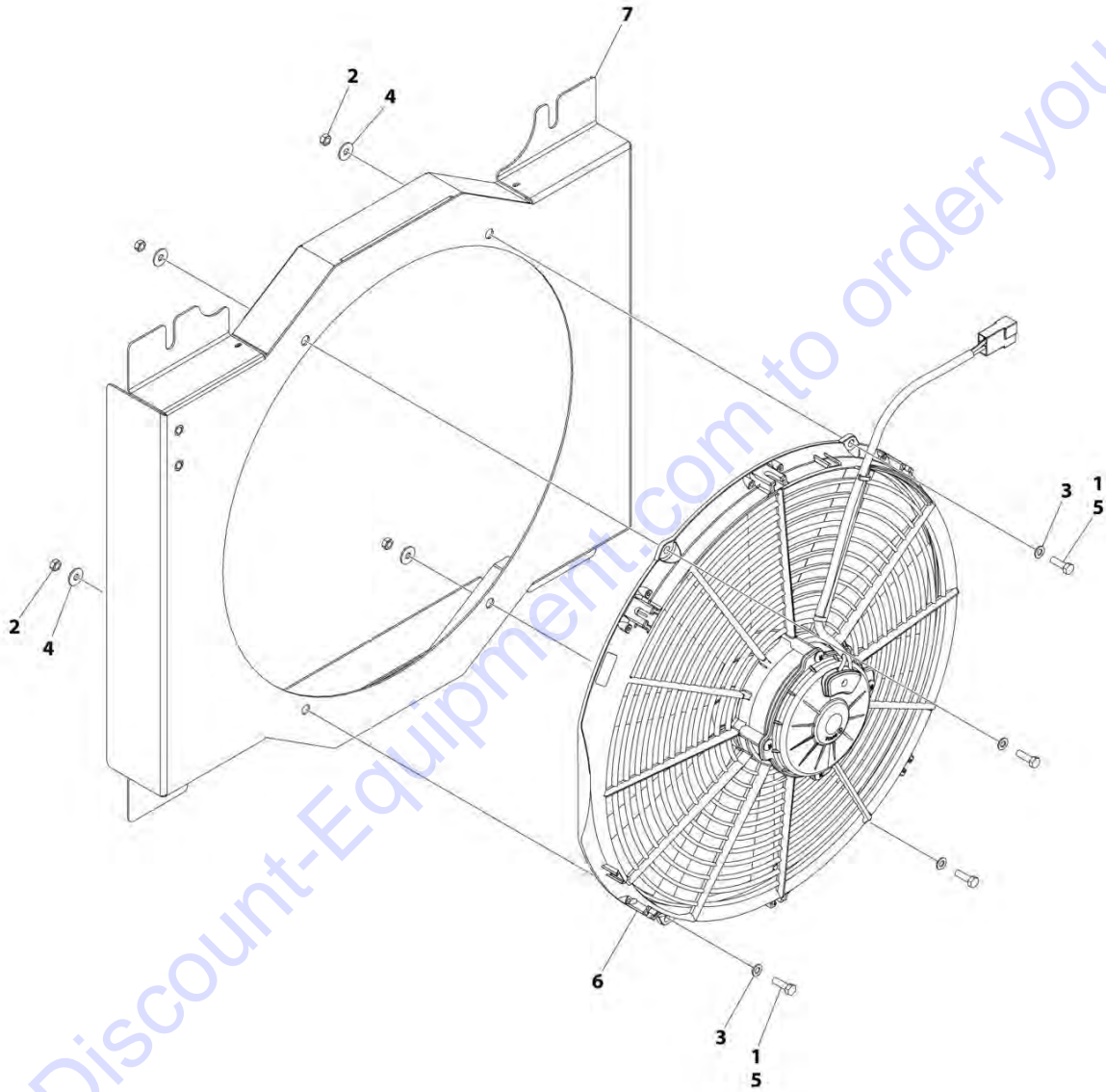
FIGURE 3-5. ENGINE AND CLUTCH ASSEMBLY

ITEM	PART NUMBER	QTY	DESCRIPTION	REV
	1001224584	Ref	ENGINE AND CLUTCH ASSEMBLY	B
1	0100011	AR	Compound, Locking	
2	3900382	6	Screw	
3	5250806	6	Bolt M8 x 12	
4	1001222783	1	Adapter	
5	1001222896	1	Kubota Engine Components (See Separate Breakdown in this Section)	
6	1001223061	3	Pin	
7	1001223148	1	Clutch	

Go to Discount-Equipment.com to order your parts

SECTION 3 - ENGINE

FIGURE 3-6. ENGINE FAN MOUNTING ASSEMBLY



ART_1001247415

SECTION 3 - ENGINE

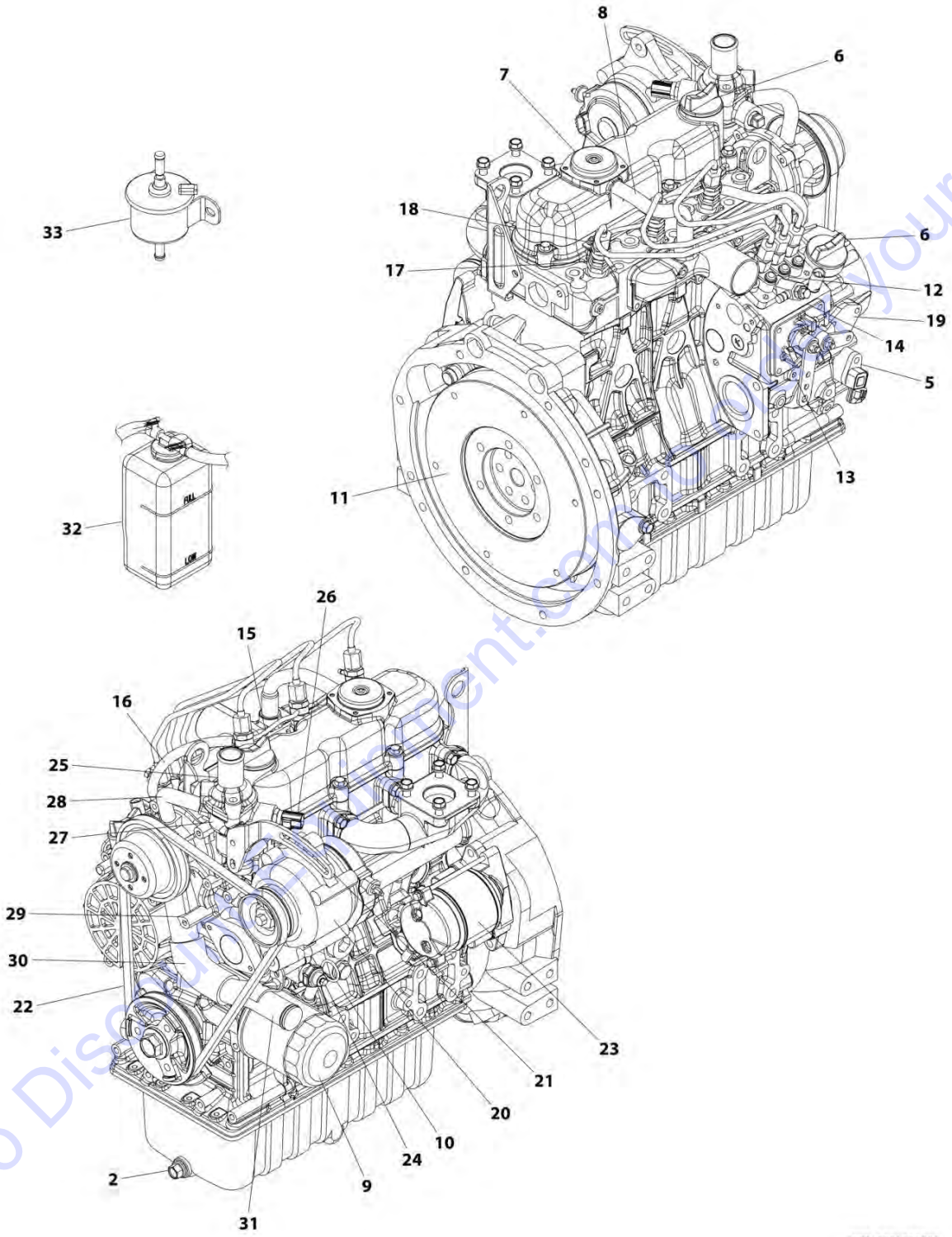
FIGURE 3-6. ENGINE FAN MOUNTING ASSEMBLY

ITEM	PART NUMBER	QTY	DESCRIPTION	REV
	1001247415	Ref	ENGINE FAN MOUNTING ASSEMBLY	A
1	0760508	4	Bolt M5 x 16	
2	3290501	4	Nut M5	
3	4811600	4	Washer M5	
4	4811602	4	Washer M5	
5	1001180620	AR	Compound, Locking	
6	1001222465	1	Fan	
7	1001225072	1	Shroud	

Go to Discount-Equipment.com to order your parts

SECTION 3 - ENGINE

FIGURE 3-7. KUBOTA ENGINE COMPONENTS (Prior to SN 0300259344)



ART_1001222896

SECTION 3 - ENGINE

FIGURE 3-7. KUBOTA ENGINE COMPONENTS (Prior to SN 0300259344)

ITEM	PART NUMBER	QTY	DESCRIPTION	REV
	1001222896	Ref	KUBOTA ENGINE COMPONENTS	F
1	7023154	1	Plug, Drain (Not Shown - Located on bottom of Oil Pan)	
1	70002315	1	Seal	
2	70004525	1	Plug, Drain	
2	70004526	1	Seal	
3	70005220	1	Gasket, Head (Not Shown)	
3	70005221	1	Gasket, Valve Cover (Not Shown)	
3	7023149	1	Gasket, Intake Manifold (Not Shown)	
3	7023148	1	Gasket, Exhaust Manifold (Not Shown)	
3	7023124	1	Gasket, Muffler (Not Shown)	
3	70005226	1	Gasket, Upper Kit (Not Shown)	
3	70005227	1	Gasket, Lower Kit (Not Shown)	
4	7023157	1	Seal, Oil (Not Shown - Crankshaft Seal)	
5	70006666	1	Sensor	
6	70002318	2	Cap, Filler	
6	70004311	2	O-Ring	
7	70003060	1	Valve, Breather	
7	70003061	1	Cover, Beather	
7	7017934	4	Screw	
8	70002316	1	Pipe, Water Return	
8	70002317	1	Tube, Breather	
8	70004530	1	Clamp	
8	70004531	1	Clamp	
9	70004395	1	Filter, Oil	
9	7017913	1	Washer	
9	7017914	1	Pipe, Joint	
10	70006667	1	Dipstick	
11	70005224	1	Gear, Rim	
12	7023164	1	Pump, Injector	
12	70002319	1	Shim (0.175mm)	
12	70002320	1	Shim (0.200mm)	
12	70002321	1	Shim (0.250mm)	
12	70002322	1	Shim (0.300mm)	
12	70002323	1	Shim (0.350mm)	
12	70004842	2	Stud	
13	7023165	1	Gasket	
14	70004397	1	Gasket	
15	70004536	1	Over Flow Pipe Assembly (To injectors)	
16	70004539	1	Over Flow Pipe Assembly (To Injector Pump)	
16	70004537	1	Screw, Breather	
16	70004538	1	Seal	
17	70004399	3	Injector	
17	70004540	3	Nut	
17	7023167	3	Seal	
17	7023168	3	Seal, Heat	
18	70004398	3	Plug, Glow	
18	70004544	1	Cord, Glow Plug	
19	70004400	1	Gasket, Fuel Pump	
20	70006661	1	Alternator	
21	70006664	1	Adjustment Arm	

SECTION 3 - ENGINE

ITEM	PART NUMBER	QTY	DESCRIPTION	REV
22	70006665	1	Belt	
23	7023144	1	Starter	
24	7017901	1	Oil Pressure Switch	
25	7023170	1	Thermostat	
25	70002326	1	Gasket	
26	70003064	1	Sensor, Water Temperature	
26	70003063	1	Seal	
27	7023145	1	Gasket, Thermostat Housing	
28	7017958	1	Pipe, Water Return	
29	70002327	1	Pump, Water	
29	70002328	1	Gasket	
30	7017963	1	Pipe, Water	
31	70002330	1	Pipe, Water	
32	7023126	1	Tank, Reserve	
33	70005228	1	Pump, Fuel	

Go to Discount-Equipment.com to order your parts

SECTION 3 - ENGINE

FIGURE 3-8. KUBOTA ENGINE COMPONENTS (SN 0300259344 to Present)

NOTE: BREAKDOWN NOT AVAILABLE AT THE TIME OF PRINTING.

SECTION 3 - ENGINE

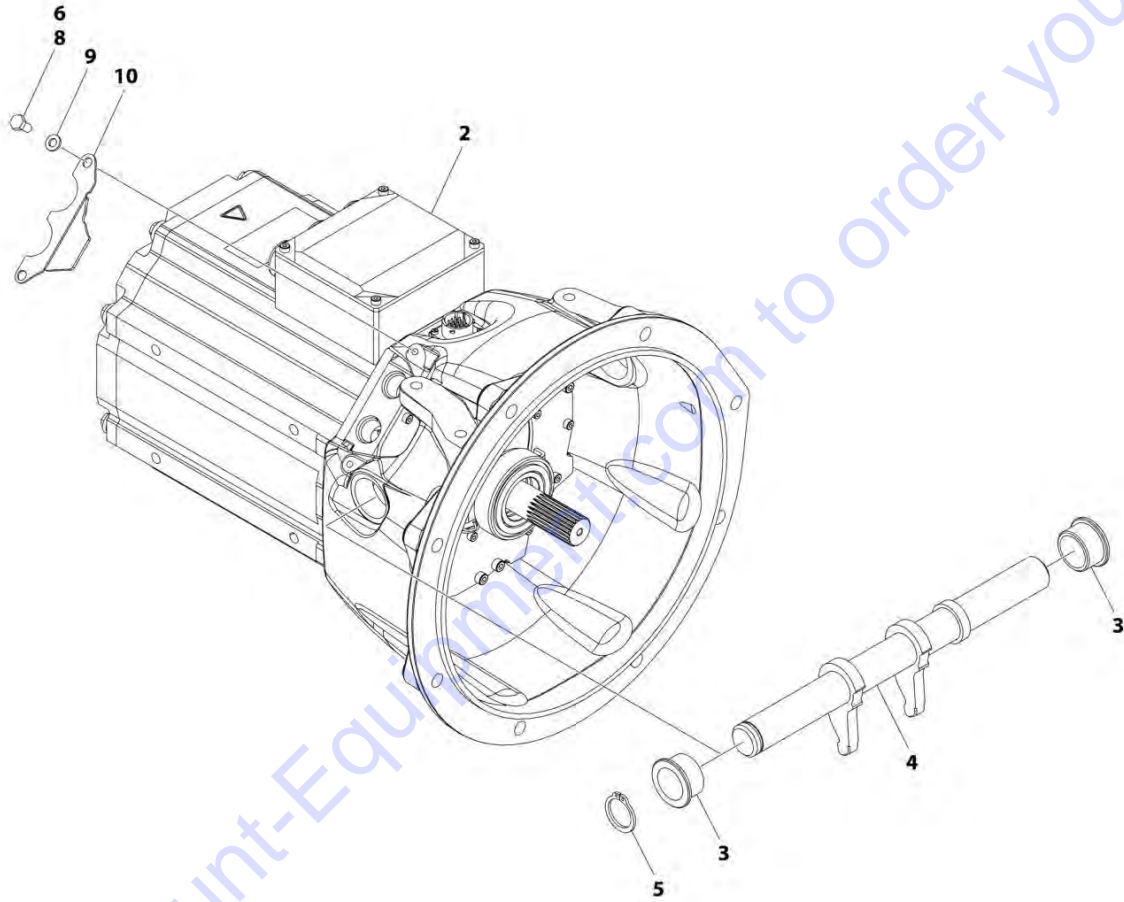
FIGURE 3-8. KUBOTA ENGINE COMPONENTS (SN 0300259344 to Present)

ITEM	PART NUMBER	QTY	DESCRIPTION	REV
	1001237918 See Note	Ref Ref	KUBOTA ENGINE COMPONENTS Kubota Engine Components (SN 0300259344 to Present) (Note: Breakdown not available at time of printing)	A

Go to Discount-Equipment.com to order your parts

SECTION 3 - ENGINE

FIGURE 3-9. GENERATOR ASSEMBLY



ART_1001224585

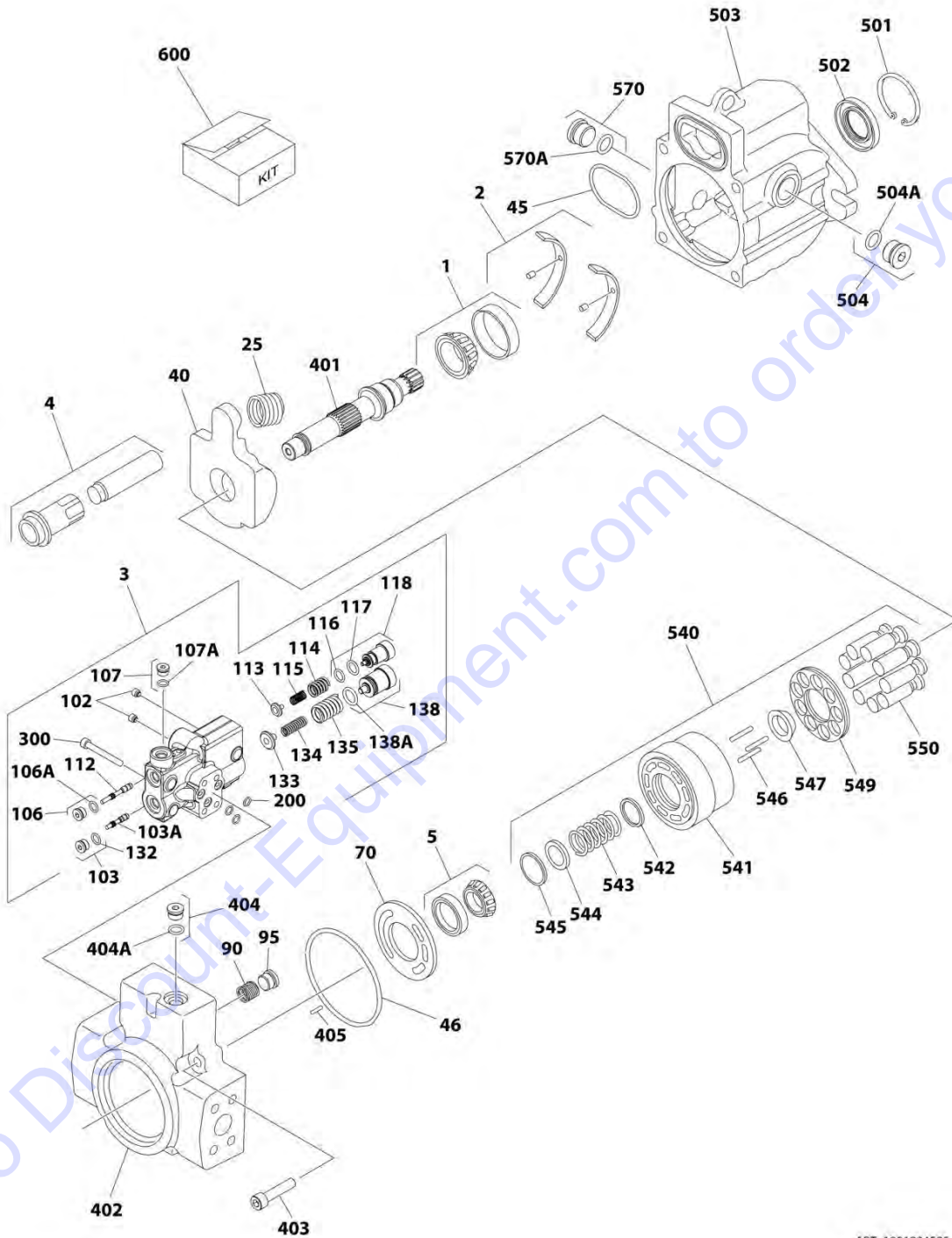
FIGURE 3-9. GENERATOR ASSEMBLY

ITEM	PART NUMBER	QTY	DESCRIPTION	REV
	1001224585	Ref	GENERATOR ASSEMBLY	C
2	1001221813	1	Generator Components (Note: No Serviceable Components)	
3	1001222731	2	Bearing	
4	1001222797	1	Release Shaft Assembly	
5	1001223059	1	Ring, Snap	
6	0100011	AR	Compound, Locking	
8	0760606	2	Bolt M6 x 12	
9	4811700	2	Washer M6	
10	1001227909	1	Cover	

Go to Discount-Equipment.com to order your parts

SECTION 3 - ENGINE

FIGURE 3-10. VARIABLE PUMP ASSEMBLY



ART_1001094595

SECTION 3 - ENGINE

FIGURE 3-10. VARIABLE PUMP ASSEMBLY

ITEM	PART NUMBER	QTY	DESCRIPTION	REV
	1001094595	Ref	VARIABLE PUMP ASSEMBLY	A
1	7023947	1	Bearing, Front (Includes Cup and Cone)	
2	7023948	1	Bearings, Swash Plate (Includes Both Sides and Pins)	
3	7023956	1	Control Valve Assembly (Includes Items 102-300)	
4	7023949	1	Servo Piston Assembly	
5	7023950	1	Bearing, Rear (Includes Cup and Cone)	
25	7023951	1	Spring	
40	7023952	1	Swash Plate	
45	See Note	NSS	O-Ring (Note: Use Item 600)	
46	See Note	NSS	O-Ring (Note: Use Item 600)	
70	70001954	1	Plate, Valve	
90	70001955	1	Spring, Check Valve	
95	70001956	1	Poppet, Check Valve	
102	See Note	NSS	Setscrew (Note: Use Item 3)	
103	See Note	NSS	Plug (Note: Use Item 3)	
103A	See Note	NSS	O-Ring (Note: Use Item 600)	
106	See Note	NSS	Plug (Note: Use Item 3)	
106A	See Note	NSS	O-Ring (Note: Use Item 600)	
107	See Note	NSS	Plug (Note: Use Item 3)	
107A	See Note	NSS	O-Ring (Note: Use Item 600)	
112	See Note	NSS	Spool, Control (Note: Use Item 3)	
113	See Note	NSS	Guide, Spring (Note: Use Item 3)	
114	See Note	NSS	Spring (Note: Use Item 3)	
115	See Note	NSS	Spring (Note: Use Item 3)	
116	See Note	NSS	O-Ring (Note: Use Item 600)	
117	See Note	NSS	Ring, Back-up (Note: Use Item 600)	
118	See Note	NSS	Plug, Adjusting (Note: Use Item 3)	
132	See Note	NSS	Spool, Control (Note: Use Item 3)	
133	See Note	NSS	Guide, Spring (Note: Use Item 3)	
134	See Note	NSS	Spring (Note: Use Item 3)	
135	See Note	NSS	Spring (Note: Use Item 3)	
138	See Note	NSS	Plug, PC Adjusting (Note: Use Item 3)	
138A	See Note	NSS	O-Ring (Note: Use Item 600)	
200	See Note	NSS	Ring, Seal (Note: Use Item 600)	
300	7023957	4	Screw	
401	7023958	1	Shaft	
402	70001957	1	Cap, End	
403	7023960	4	Screw	
404	7022318	1	Plug	
404A	See Note	NSS	O-Ring (Note: Use Item 600)	
405	7023961	1	Pin	
501	7023962	1	Ring, Retaining	
502	See Note	NSS	Seal, Lip (Note: Use Item 600)	
503	See Note	NSS	Housing (Note: Not Available - Purchase Assembly)	
504	7023964	1	Plug	
504A	7007415	1	O-Ring	
540	7023965	1	Cylinder Block Assembly	
541	See Note	NSS	Block, Cylinder (Note: Use Item 540)	
542	7024868	1	Washer	
543	7024867	1	Spring	

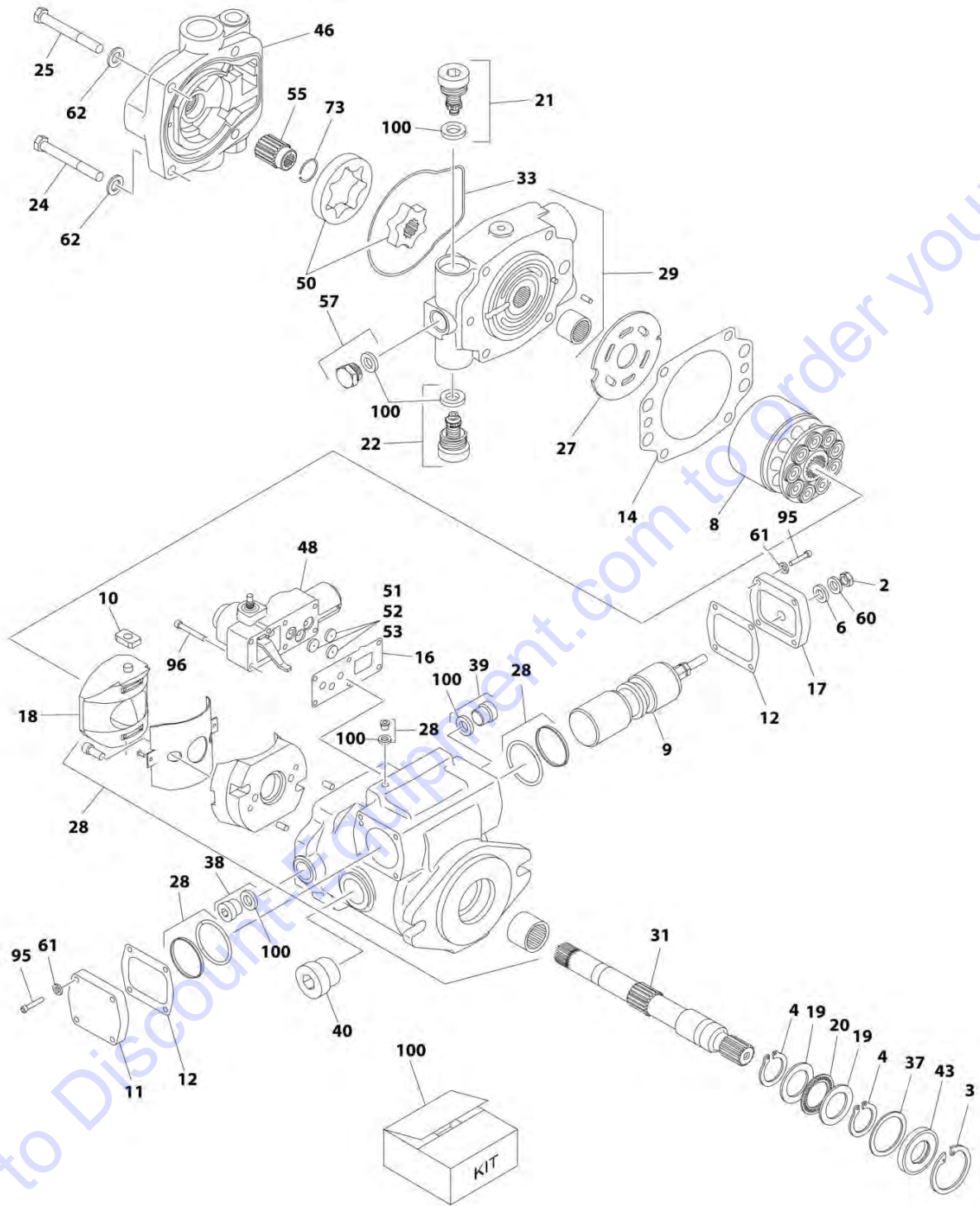
SECTION 3 - ENGINE

ITEM	PART NUMBER	QTY	DESCRIPTION	REV
544	7022314	1	Retainer, Spring	
545	7022311	1	Ring, Retaining	
546	7021275	3	Pin, Slipper	
547	7024864	1	Guide, Slipper	
549	7024866	1	Retainer, Slipper	
550	7023966	9	Piston Assembly	
570	7023964	1	Plug	
570A	7007415	1	O-Ring	
600	7023967	1	Seal Kit - Complete (Includes Items 45 , 46, 103A, 106A, 107A, 118, 138A, 200, 444A & 502)	

Go to Discount-Equipment.com to order your parts

SECTION 3 - ENGINE

FIGURE 3-11. HYDROSTATIC PUMP ASSEMBLY



ART_1001225745

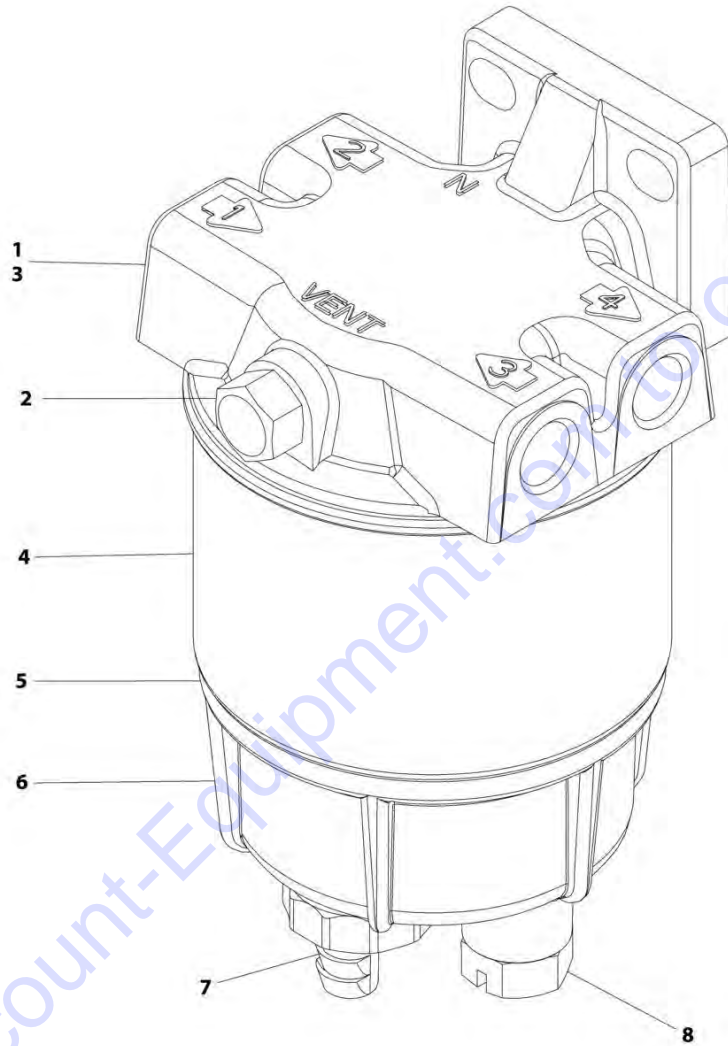
SECTION 3 - ENGINE

FIGURE 3-11. HYDROSTATIC PUMP ASSEMBLY

ITEM	PART NUMBER	QTY	DESCRIPTION	REV
	1001225745	Ref	HYDROSTATIC PUMP ASSEMBLY	A
2	70004329	1	Nut	
3	See Note	NSS	Ring, Retaining (Note: Use Item 100)	
4	See Note	NSS	Ring, Retaining (Note: Use Item 100)	
6	See Note	NSS	Washer, Seal (Note: Use Item 100)	
8	70004331	1	Cylinder Block Assembly	
9	70004332	1	Servo Piston Assembly	
10	70004333	1	Follower, Servo Piston	
11	70005458	1	Cover	
12	See Note	NSS	Gasket, Cover (Note: Use Item 100)	
14	See Note	NSS	Gasket, Housing (Note: Use Item 100)	
16	See Note	NSS	Gasket, Control Housing (Note: Use Item 100)	
17	70005459	1	Cover	
18	70004336	1	Camplate Assembly	
19	7004907	2	Race, Thrust	
20	7004908	1	Bearing, Thrust	
21	70004337	1	Relief Valve Assembly	
22	70004337	1	Relief Valve Assembly	
24	70004338	2	Capscrew	
25	70004338	2	Capscrew	
27	70004340	1	Plate, Valve	
28	See Note	NSS	Housing (Note: Not Available - Purchase Assembly)	
29	70005460	1	End Cover Assembly	
31	70004342	1	Shaft, Drive	
33	See Note	NSS	O-Ring (Note: Use Item 100)	
37	7004906	1	Washer	
38	70005461	1	Plug	
39	70005461	1	Plug	
40	70005462	1	Plug	
43	See Note	NSS	Seal, Shaft (Note: Use Item 100)	
46	70004343	1	Adapter, Charge Pump	
48	70004344	1	Servo Control Assembly	
50	70004345	1	Gerotor	
51	70004346	1	Orifice	
52	70004346	1	Orifice	
53	70004346	1	Orifice	
55	70004347	1	Coupler	
57	70005463	1	Plug	
60	70004348	1	Washer	
61	70004349	8	Washer	
62	70004350	4	Washer	
73	70004351	1	Ring, Retaining	
95	70005464	8	Capscrew	
96	70005465	6	Capscrew	
100	70004352	1	Seal Kit - Pump (Includes Items 3, 4, 6, 12, 14, 16, 33 & 43 and Valve and Plug O-Rings and Seals)	

SECTION 3 - ENGINE

FIGURE 3-12. FUEL/WATER SEPARATOR ASSEMBLY



ART_1001190609

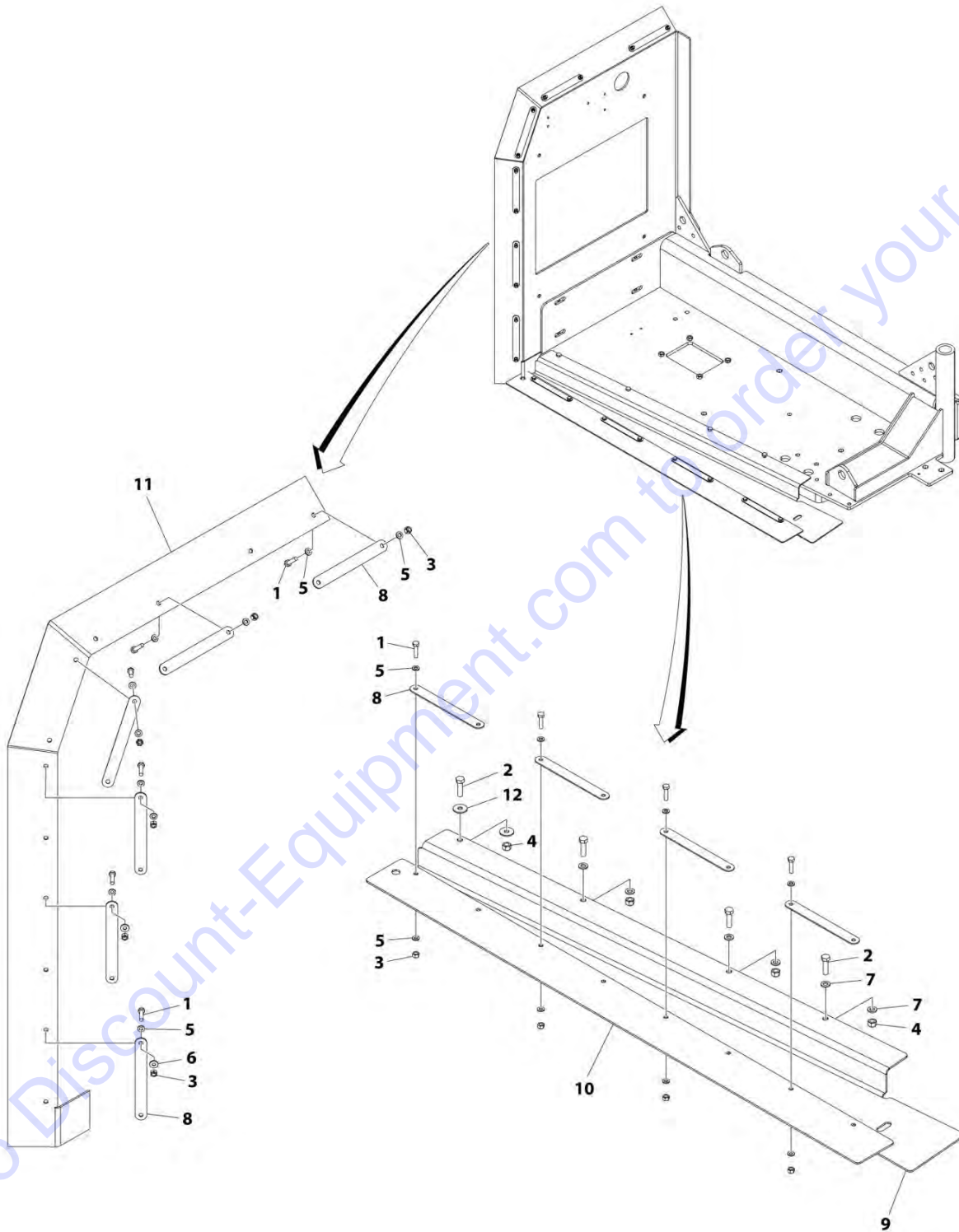
FIGURE 3-12. FUEL/WATER SEPARATOR ASSEMBLY

ITEM	PART NUMBER	QTY	DESCRIPTION	REV
	1001190609	Ref	FUEL/WATER SEPARATOR ASSEMBLY - DIESEL ENGINES	A
1	70005293	1	Head, Mounting	
2	70005294	1	Plug	
3	70005295	1	Gasket, Head	
4	70005296	1	Element	
5	70005297	1	O-Ring	
6	70002901	1	Bowl	
7	70004070	1	Drain, Self Venting	
8	70004069	1	Plug	

Go to Discount-Equipment.com to order your parts

SECTION 3 - ENGINE

FIGURE 3-13. ENGINE HOOD Baffles INSTALLATION



ART_100122743

SECTION 3 - ENGINE

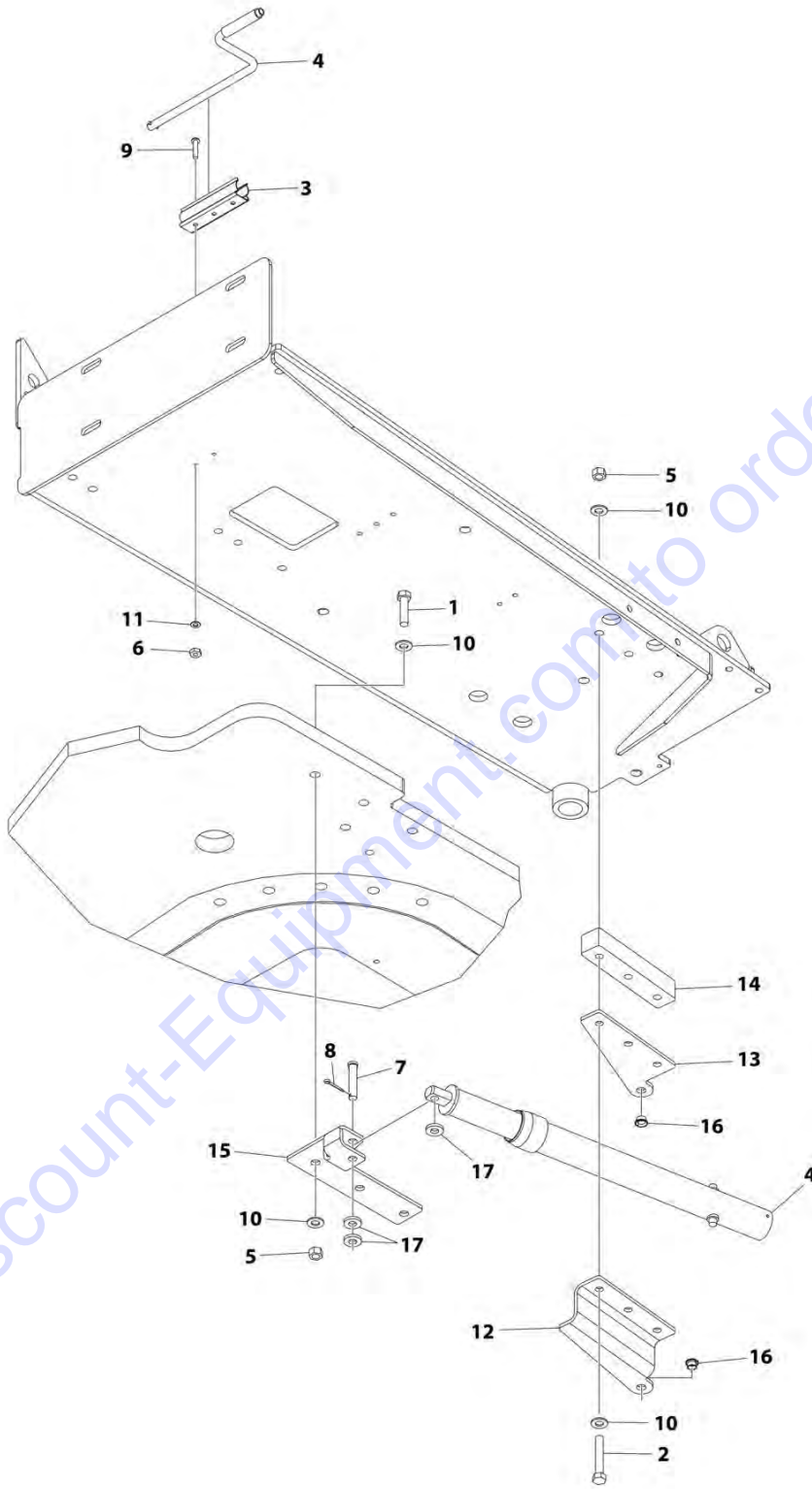
FIGURE 3-13. ENGINE HOOD BAFFLES INSTALLATION

ITEM	PART NUMBER	QTY	DESCRIPTION	REV
	1001227743	Ref	ENGINE HOOD BAFFLES INSTALLATION	C
1	0760612	20	Bolt M6 x 25	
2	0760814	4	Bolt M8 x 30	
3	3290605	20	Nut M6	
4	3290805	4	Nut M8	
5	4811700	38	Washer M6	
6	4811702	2	Washer M6	
7	4811900	6	Washer M8	
8	1001167164	10	Support	
9	1001227740	1	Plate	
10	1001227741	1	Seal	
11	1001227742	1	Seal	
12	4811902	2	Washer M8	

Go to Discount-Equipment.com to order your parts

SECTION 3 - ENGINE

FIGURE 3-14. TRAY JACK INSTALLATION



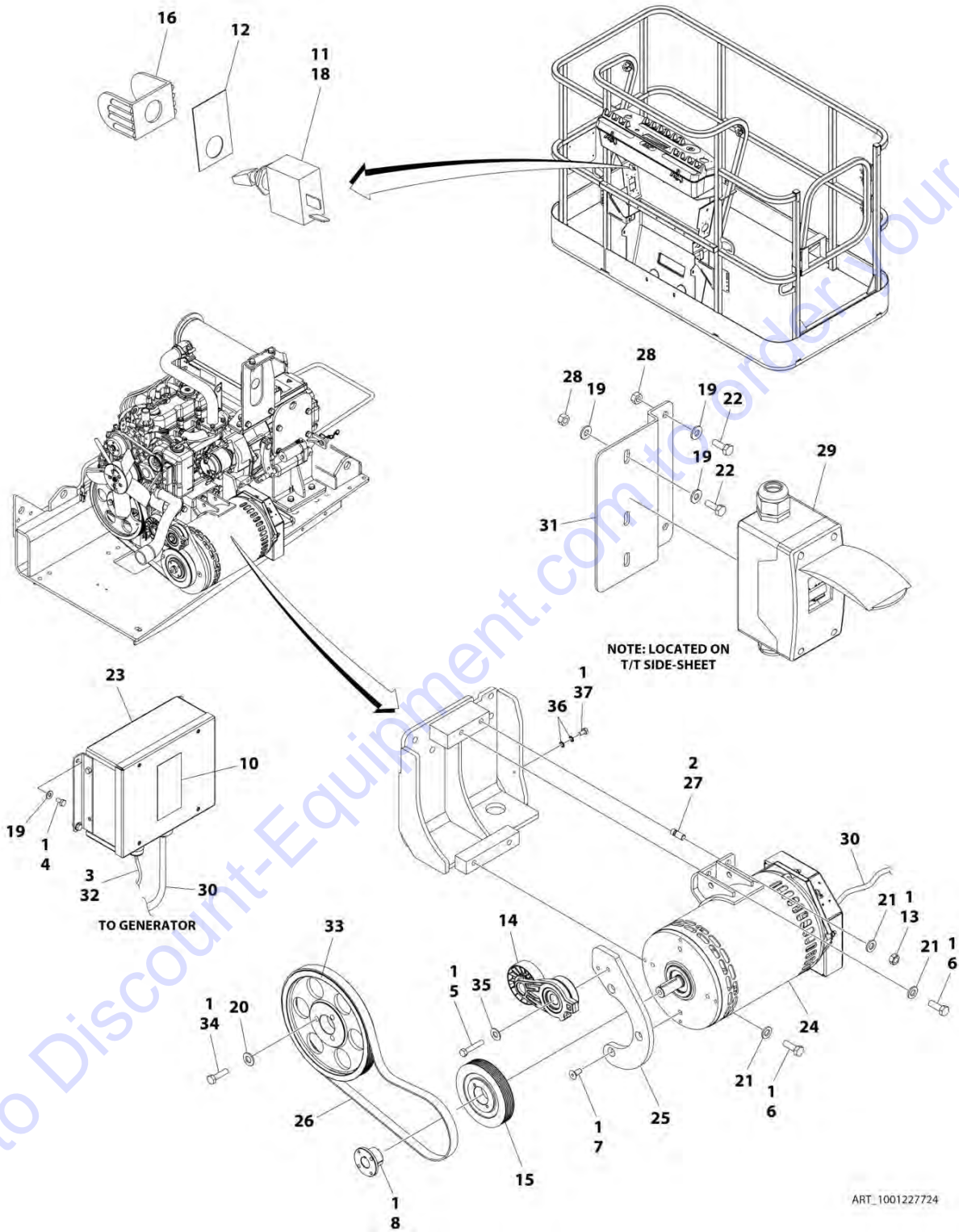
ART_1001229066

FIGURE 3-14. TRAY JACK INSTALLATION

ITEM	PART NUMBER	QTY	DESCRIPTION	REV
	1001229066	Ref	TRAY JACK INSTALLATION	C
1	0641816	3	Bolt 1/2 x 2	
2	0641824	3	Bolt 1/2 x 3	
3	1380147	1	Clip	
4	2840016	1	Jack and Handle Assembly (Prior to SN 0300254183)	
4	7024598	1	Handle	
4	2840018	1	Jack and Handle Assembly (SN 0300254183 to Present)	
4	7024599	1	Handle	
5	3271805	6	Nut 1/2 Grade 8	
6	3310601	2	Nut #6	
7	3430820	1	Pin	
8	3450404	1	Pin, Cotter 1/8 x 1	
9	3910610	2	Screw #6 x 5/8	
10	4711800	11	Washer 1/2	
11	4770600	2	Washer #6	
12	1001175073	1	Support	
13	1001175074	1	Support	
14	1001175075	1	Shim	
15	1001229067	1	Bracket	
16	0962051	2	Bearing (SN 0300254183 to Present)	
17	4891800	3	Washer 1/2	

SECTION 3 - ENGINE

FIGURE 3-15. 4000W GENERATOR INSTALLATION - 220V/50HZ (OPTIONAL)



SECTION 3 - ENGINE

FIGURE 3-15. 4000W GENERATOR INSTALLATION - 220V/50HZ (OPTIONAL)

ITEM	PART NUMBER	QTY	DESCRIPTION	REV
	1001227724	Ref	4000W GENERATOR INSTALLATION	D
1	0100011	AR	Compound, Locking	
2	0100019	AR	Compound, Locking	
3	0100048	AR	Grease, Dielectric	
4	0641404	4	Bolt 1/4 x 1/2	
5	0641616	1	Bolt 3/8 x 2	
6	0761215	3	Bolt M12 x 35	
7	0741607	3	Screw 3/8 x 7/8	
8	0962520	1	Bushing, Split	
10	1705489	2	Decal - Hazardous Voltage	
11	2820031	AR	Heatshrink	
12	3251102	1	Nameplate - Generator	
13	3291201	1	Nut M12	
14	3580317	1	Tensioner, Belt	
15	3580319	1	Pulley	
16	4060802	1	Guard, Switch	
17	4240018	1	Tie-Strap (Not Shown)	
18	4360336	1	Switch, Toggle	
19	4711400	4	Washer 1/4	
20	4812000	3	Washer M10	
21	5241200	4	Washer M12	
22	0641406	4	Bolt 1/4 x 3/4	
23	1001138566	1	Box, Control	
24	1001206119	1	Generator Assembly	
24	70003709	1	Ring, Retaining (External)	
24	70003708	1	Ring, Retaining (Internal)	
24	70001966	1	Bearing	
24	70004092	1	Endbell (Shaft End)	
24	70004171	1	Key	
24	70004676	1	Rotor	
24	70005624	1	Stator	
24	70004678	1	Endbell (Rear)	
24	70004679	1	Cover, Endbell (Rear)	
24	70004680	1	Enclosure, Wiring	
24	70004681	1	Cover, Enclosure	
24	70005624	1	Switch, Reset (Located on Enclosure Cover)	
24	70004098	1	Connector, Strain Relief (Located on Enclosure Cover)	
24	70004683	1	Bushing, Connector (Use p/n 70004098)	
24	70001973	1	Decal - Warning Pinch Point	
25	1001227526	1	Plate, Tensioner	
26	1001235296	1	V-Belt	
27	1001196382	1	Stud	
28	3311405	4	Nut 1/4	
29	1001165368	1	Breaker Box Kit (See Separate Breakdown in ELECTRICAL SECTION)	
30	1001152532	1	Generator Harness (Generator Control Box to Generator) (See Separate Breakdown in ELECTRICAL SECTION)	
31	1001229080	1	Bracket	
32	1001231225	1	Harness, Generator Enable (Generator Control Box to Engine Harness) (See Separate Breakdown in ELECTRICAL SECTION)	

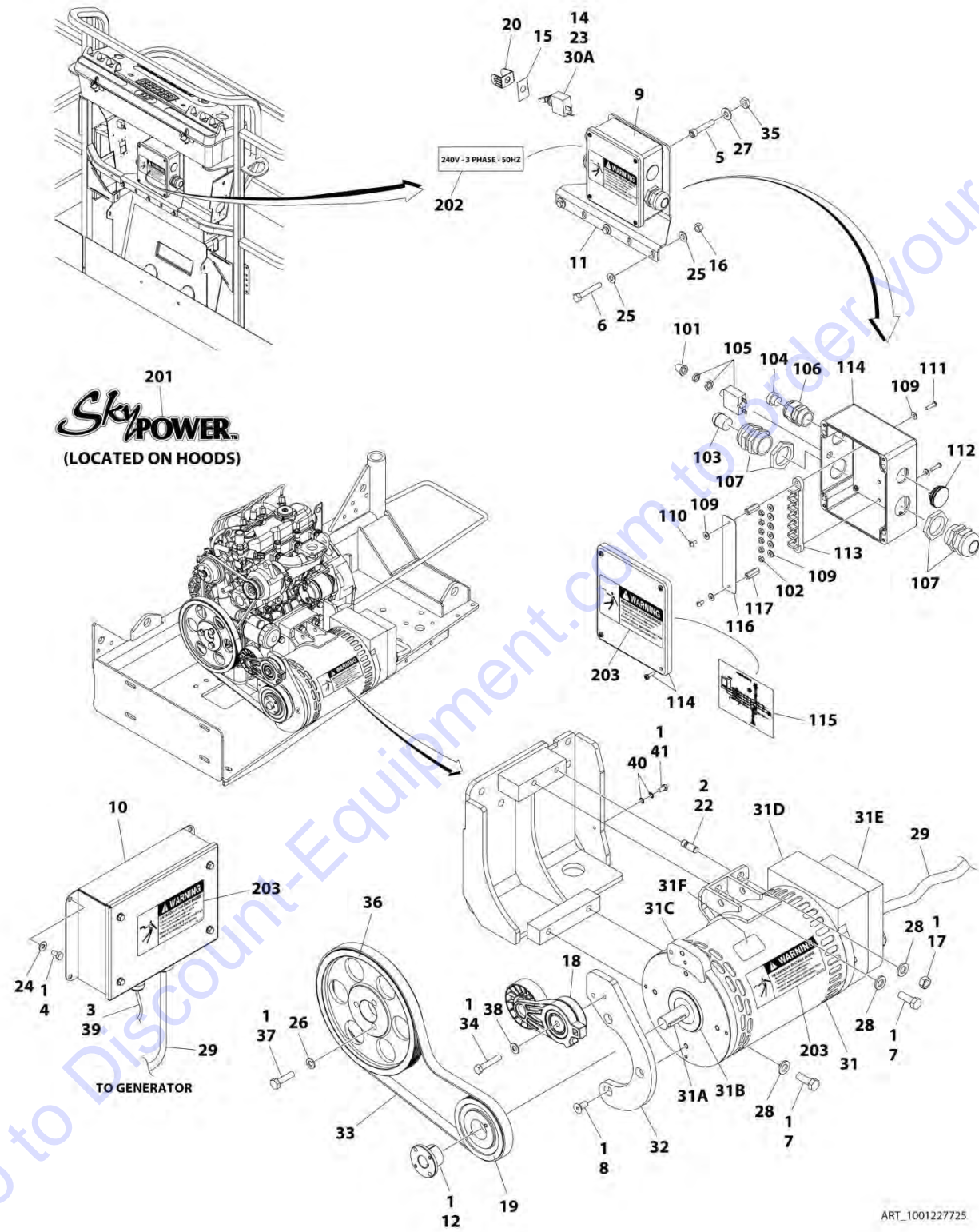
SECTION 3 - ENGINE

ITEM	PART NUMBER	QTY	DESCRIPTION	REV
32	4460967	1	Plug, Male - 2 Position	
32	4460465	1	Socket, Female	
33	1001183726	1	Pulley	
34	1001186919	3	Bolt M10 x 40	
35	4711600	1	Washer 3/8	
36	4871700	2	Washer M6	
37	0760606	1	Bolt M6 x 12	

Go to Discount-Equipment.com to order your parts

SECTION 3 - ENGINE

FIGURE 3-16. 7500W SKYPOWER GENERATOR INSTALLATION - 220V/50HZ (OPTIONAL)



SECTION 3 - ENGINE

FIGURE 3-16. 7500W SKYPOWER GENERATOR INSTALLATION - 220V/50HZ (OPTIONAL)

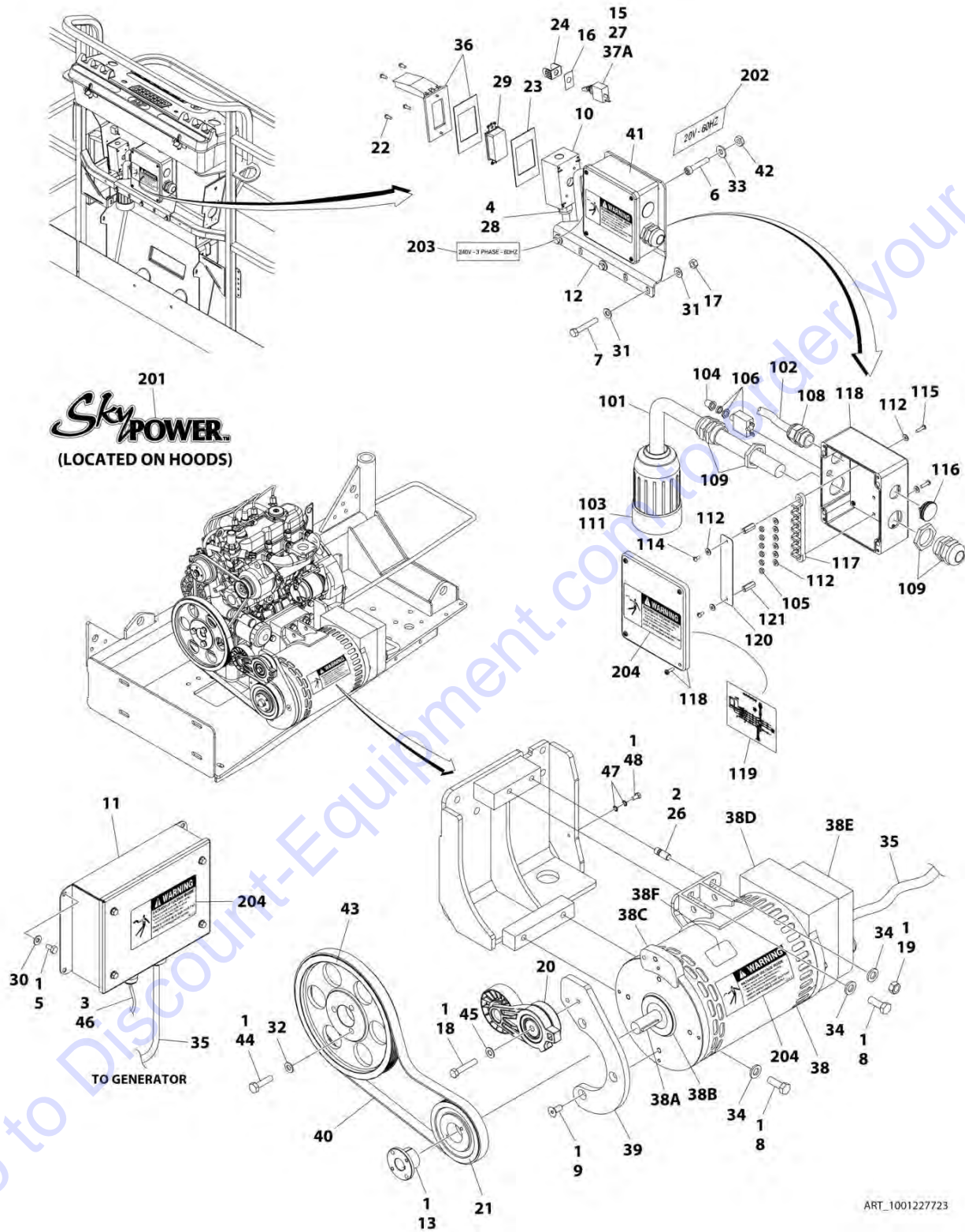
ITEM	PART NUMBER	QTY	DESCRIPTION	REV
	1001227725	Ref	7500W SKYPOWER GENERATOR INSTALLATION	D
1	0100011	AR	Compound, Locking	
2	0100019	AR	Compound, Locking	
3	0100048	AR	Grease, Dielectric	
4	0641404	4	Bolt 1/4 x 1/2	
5	3931016	4	Capscrew #10 x 1	
6	0641516	3	Bolt 5/16 x 2	
7	0761215	3	Bolt M12 x 35	
8	0741607	3	Screw 3/8 x 7/8	
9	1001157525	1	Junction Box Assembly (See Items 101-117 for Breakdown)	
10	0861572	1	Box, Control	
10	7024488	1	Card, Circuit - Generator Power (Not Shown)	
10	See Note	1	Fuse (Note: Not Available - Purchase Locally)	
10	7024489	1	Card, Circuit - Control (Not Shown)	
10		Ref	Note: When replacing card, rocker switch on card must be set for required application.	
10	70000619	1	Circuit Card Harness	
10	77363232	1	Connector - 6 Position	
10	See Note	NSS	Connector - 3 Position (Note: Not Available for Purchase)	
11	0902888	1	Bracket	
12	0962520	1	Bushing	
14	2820031	AR	Heatshrink	
15	3252764	1	Nameplate - AC & Weld	
16	3311505	3	Nut 5/16	
17	3291201	1	Nut M12	
18	3580317	1	Tensioner, Belt	
19	3580319	1	Pulley	
20	4060802	1	Guard, Switch	
21	4240018	1	Tie-Strap (Not Shown)	
22	1001196382	1	Stud	
23	4360336	1	Switch, Toggle	
24	4711400	4	Washer 1/4	
25	4711500	6	Washer 5/16	
26	4812000	3	Washer M10	
27	4751000	4	Washer #10	
28	5241200	4	Washer M12	
29	4922925	1	Generator Harness	
29	4460225	1	Plug, Male - 6 Position (Plugs into Generator)	
29	4460268	6	Socket, Female	
29	4460807	1	Seal, Plug	
29	4460808	1	Seal, Interface	
30	1001231260	1	Generator Wiring Diagram (See Separate Breakdown in ELECTRICAL SECTION)	
30A	4922641	1	Switch Harness	
31	1001155348	1	Generator Assembly	
31	70001100	1	Rotor (Includes p/n 70001384 & 70000863) (Not Shown)	
31	70001384	1	Bearing, Shaft (Rear) (Not Shown)	
31	70000863	1	Fan, Generator (Not Shown)	
31	70004093	1	Stator (Not Shown)	
31	70002297	2	Stud 1/4 x 12-7/8 (Not Shown)	

SECTION 3 - ENGINE

ITEM	PART NUMBER	QTY	DESCRIPTION	REV
31	70003631	1	Brushholder Assembly (Not Shown)	
31A	70004099	1	Key	
31B	70001966	1	Bearing, Ball Radial (Located in Belt Tensioner Endbell)	
31B	70003709	1	Ring, Retaining (Small)	
31B	70003708	1	Ring, Retaining (Large)	
31C	70004092	1	Endbell, Belt Tensioner	
31D	70004094	1	Endbell, Brush Block	
31E	70004096	1	Shroud Assembly	
31E	7027799	1	Block, Connector - 6 Position (Not Shown)	
31E	70002460	6	Nut, Brass (Attaches p/n 7027799 to Cover) (Not Shown)	
31E	7024485	1	Breaker, Circuit 30Amp (Not Shown)	
31E	70001696	1	Boot, Breaker (Not Shown)	
31E	7026597	1	Connector with Leads (Not Shown)	
31E	7026626	1	Connector with Pins (Not Shown)	
31E	70004098	1	Clamp, Cable (Not Shown)	
31E	70004095	1	Plate, End Panel (Not Shown)	
31E	70004097	1	Insulator, End Panel (Not Shown)	
31E	70001974	1	Decal - Terminal Connections (Not Shown)	
31F	70001973	1	Decal - Warning Moving Parts	
32	1001227526	1	Plate, Tensioner	
33	1001235296	1	V-Belt	
34	0641616	1	Bolt 3/8 x 2	
35	3311005	4	Nut #10	
36	1001183726	1	Pulley	
37	1001186919	3	Bolt M10 x 40	
38	4711600	1	Washer 3/8	
39	1001231225	1	Harness, Generator Enable (See Separate Breakdown in ELECTRICAL SECTION)	
40	4871700	2	Washer M6	
41	0760606	1	Bolt M6 x 12	
	1001157525	Ref	JUNCTION BOX ASSEMBLY	B
101	3300396	1	Cover, Fuse	
102	3311001	6	Nut #10	
103	3520189	1	Plug (50Hz Spec Only)	
104	3520192	1	Plug	
105	4360070	1	Circuit Breaker - 15Amp	
106	4460425	1	Strain Relief, Terminal	
107	4460426	2	Connector, Strain Relief	
109	4711000	11	Washer #10	
110	10702077	2	Screw #10 x 3/8	
111	10702082	2	Screw #10 x 3/4	
112	1001152525	1	Plug	
113	1001157520	1	Block, Terminal	
114	1001157521	1	Box, Junction	
115	1001157528	1	Decal - Wiring Schematic	
116	1001158007	1	Cover, PVC	
117	1001158008	2	Stand-Off	
	0272589	Ref	DECAL INSTALLATION	A
201	1705460	2	Decal - SkyPower	
202	1705461	1	Decal - 240V - 3 Phase	
203	1705489	3	Decal - Hazardous Voltage	

SECTION 3 - ENGINE

FIGURE 3-17. 7500W SKYPOWER GENERATOR INSTALLATION - 110V/60HZ (OPTIONAL)



SECTION 3 - ENGINE

FIGURE 3-17. 7500W SKYPOWER GENERATOR INSTALLATION - 110V/60HZ (OPTIONAL)

ITEM	PART NUMBER	QTY	DESCRIPTION	REV
	1001227723	Ref	7500W SKYPOWER GENERATOR INSTALLATION	D
1	0100011	AR	Compound, Locking	
2	0100019	AR	Compound, Locking	
3	0100048	AR	Grease, Dielectric	
4	0100079	AR	Sealant	
5	0641404	4	Bolt 1/4 x 1/2	
6	3931016	4	Capscrew #10 x 1	
7	0641516	3	Bolt 5/16 x 2	
8	0761215	3	Bolt M12 x 35	
9	0741607	3	Screw 3/8 x 7/8	
10	0860038	1	Box, Switch	
11	0861538	1	Control Box Assembly	
11	7024488	1	Card, Circuit - Generator Power	
11	See Note	NSS	Fuse (Note: Not Available - Purchase Locally)	
11	7024489	1	Card, Circuit - Control	
11	70000619	1	Harness, Control Box (Internal)	
12	0902888	1	Bracket	
13	0962520	1	Bushing	
15	2820031	AR	Heatshrink	
16	3252764	1	Nameplate - AC & Weld	
17	3311505	3	Nut 5/16	
18	0641616	1	Bolt 3/8 x 2	
19	3291201	1	Nut M12	
20	3580317	1	Pulley	
21	3580318	1	Pulley	
22	3910606	4	Screw #6 x 3/8	
23	3960422	1	Gasket	
24	4060802	1	Guard, Switch	
25	4240018	1	Tie-Strap (Not Shown)	
26	1001196382	1	Stud	
27	4360336	1	Switch, Toggle	
28	4460071	1	Connector, Strain Relief	
29	4460346	1	Receptacle	
30	4711400	4	Washer 1/4	
31	4711500	6	Washer 5/16	
32	4812000	3	Washer M10	
33	4751000	4	Washer #10	
34	5241200	4	Washer M12	
35	4922925	1	Generator Harness	
35	4460225	1	Plug, Male -6 Position (Plugs into Generator)	
35	4460268	6	Socket, Female	
35	4460807	1	Seal, Plug	
35	4460808	1	Seal, Interface	
36	1001110873	1	Cover	
37	1001231260	1	Generator Wiring Diagram (See Separate Breakdown in ELECTRICAL SECTION)	
37A	4922641	1	Switch Harness	
38	1001155348	1	Generator Assembly	
38	70004093	1	Stator (Not Shown)	
38	70002297	2	Stud 1/4 x 12-7/8 (Not Shown)	

SECTION 3 - ENGINE

ITEM	PART NUMBER	QTY	DESCRIPTION	REV
38	70003631	1	Brushholder Assembly (Not Shown)	
38A	70004099	1	Key	
38B	70001966	1	Bearing, Ball Radial (Located in Belt Tensioner Endbell)	
38B	70003709	1	Ring, Retaining (Small)	
38B	70003708	1	Ring, Retaining (Large)	
38C	70004092	1	Endbell, Belt Tensioner	
38D	70004094	1	Endbell, Brush Block	
38E	70004096	1	Shroud Assembly	
38E	7027799	1	Block, Connector - 6 Position (Not Shown)	
38E	70002460	6	Nut Brass (Attaches p/n 7027799 to Cover) (Not Shown)	
38E	7024485	1	Breaker, Circuit 30Amp (Not Shown)	
38E	70001696	1	Boot, Breaker (Not Shown)	
38E	7026597	1	Connector with Leads (Not Shown)	
38E	7026626	1	Connector with Pins (Not Shown)	
38E	70004098	1	Clamp, Cable (Not Shown)	
38E	70004095	1	Plate, End Panel (Not Shown)	
38E	70004097	1	Insulator, End Panel (Not Shown)	
38E	70001974	1	Decal - Terminal Connections (Not Shown)	
38F	70001973	1	Decal - Warning Moving Parts	
39	1001227526	1	Plate, Tensioner	
40	1001235519	1	V-Belt	
41	1001157592	1	Junction Box Assembly (See Items 101-121 for Breakdown)	
42	3311005	4	Nut #10	
43	1001183726	1	Pulley	
44	1001186919	3	Bolt M10 x 40	
45	4711600	1	Washer 3/8	
46	1001231225	1	Harness, Generator Enable (See Separate Breakdown in ELECTRICAL SECTION)	
47	4871700	2	Washer M6	
48	0760606	1	Bolt M6 x 12	
	1001157592	Ref	JUNCTION BOX ASSEMBLY	C
101	1060343	1.5 ft/ 0.5m	Cable, Electrical 10/4	
102	1001179154	2.5 ft/ 0.8m	Cable, Electrical 12/3	
103	1671092	1	Cover	
104	3300396	1	Cover, Fuse	
105	3311001	6	Nut #10	
106	4360070	1	Circuit Breaker - 15Amp	
108	4460425	1	Strain Relief, Terminal	
109	4460426	2	Connector, Strain Relief	
111	4460963	1	Connector	
112	4711000	10	Washer #10	
114	10702077	2	Screw #10 x 3/8	
115	10702082	2	Screw #10 x 3/4	
116	1001152525	1	Plug	
117	1001157520	1	Block, Terminal	
118	1001157521	1	Box, Junction	
119	1001157528	1	Decal - Wiring Schematic	
120	1001158007	1	Cover, PVC	
121	1001158008	2	Stand-Off	
	0272435	Ref	DECAL INSTALLATION	D

SECTION 3 - ENGINE

ITEM	PART NUMBER	QTY	DESCRIPTION	REV
201	1705460	2	Decal - SkyPower	
202	3251243	1	Decal - 120V/60Hz	
203	1705375	1	Decal - 240V/3Phase	
204	1705387	3	Decal - Hazardous Voltage	

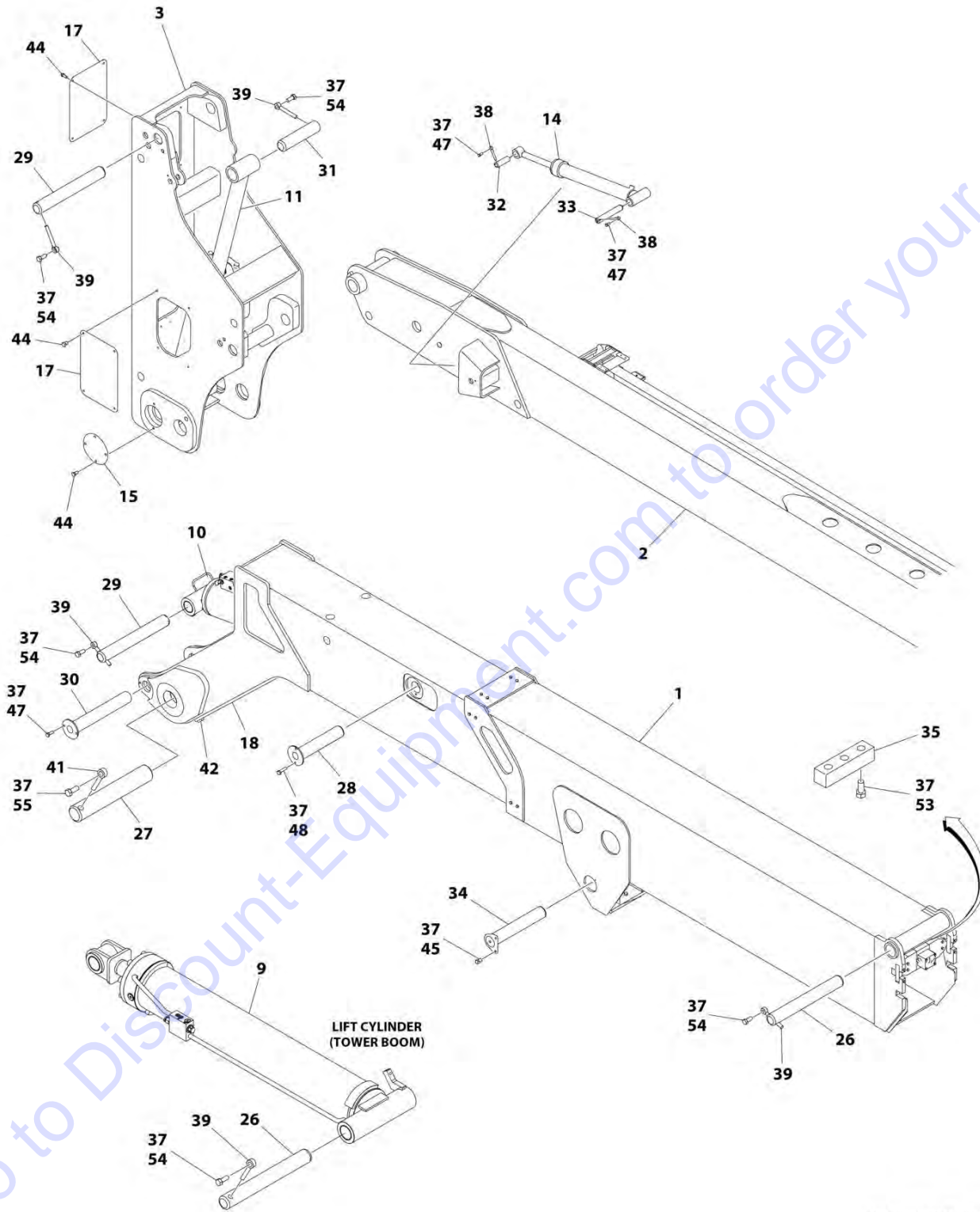
Go to Discount-Equipment.com to order your parts

SECTION 4 - BOOM

Go to Discount-Equipment.com to order your parts

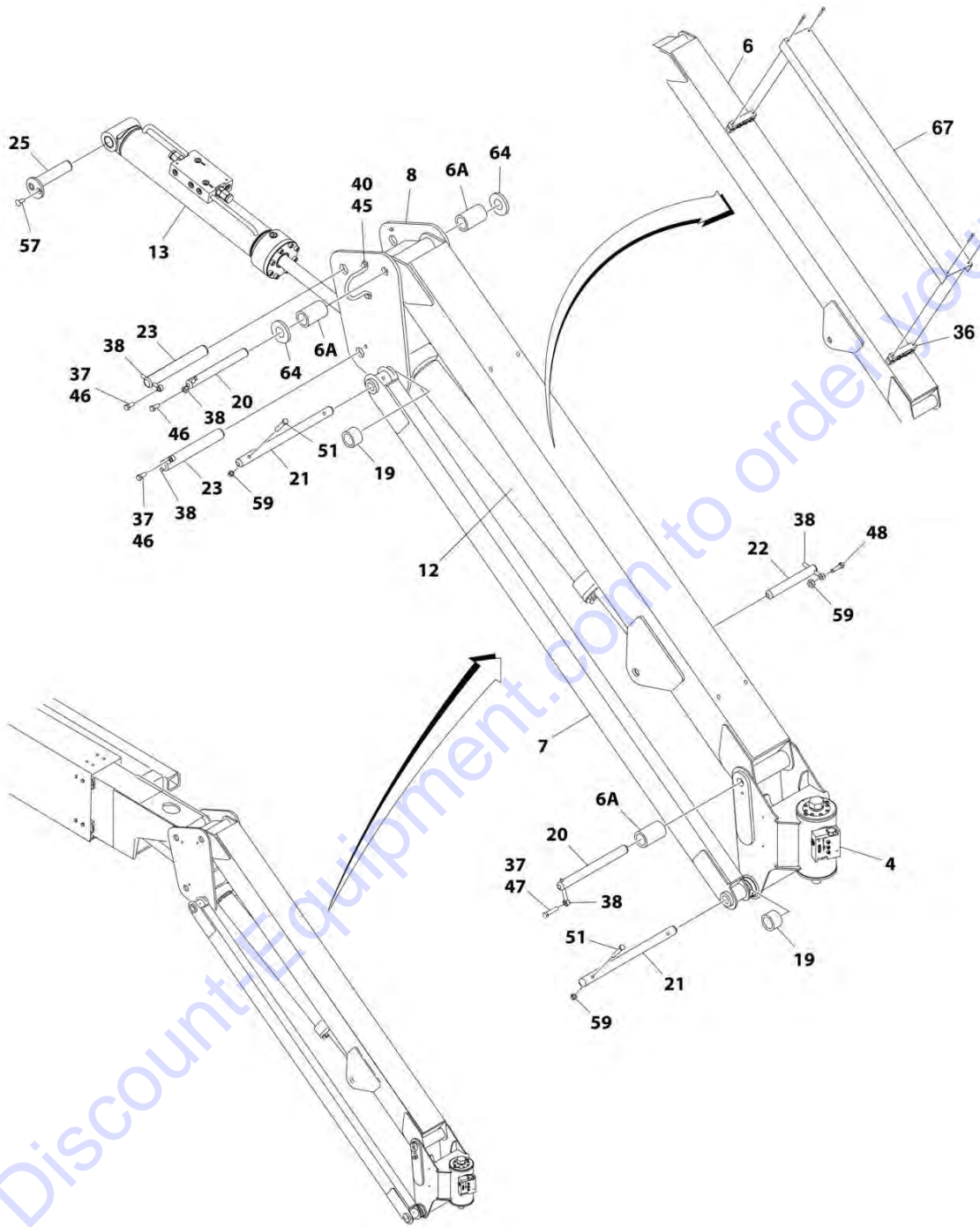
SECTION 4 - BOOM

FIGURE 4-1. BOOM AND CYLINDER INSTALLATION



ART_1001170448_10F2

SECTION 4 - BOOM



ART_1001170448_20F2

SECTION 4 - BOOM

FIGURE 4-1. BOOM AND CYLINDER INSTALLATION

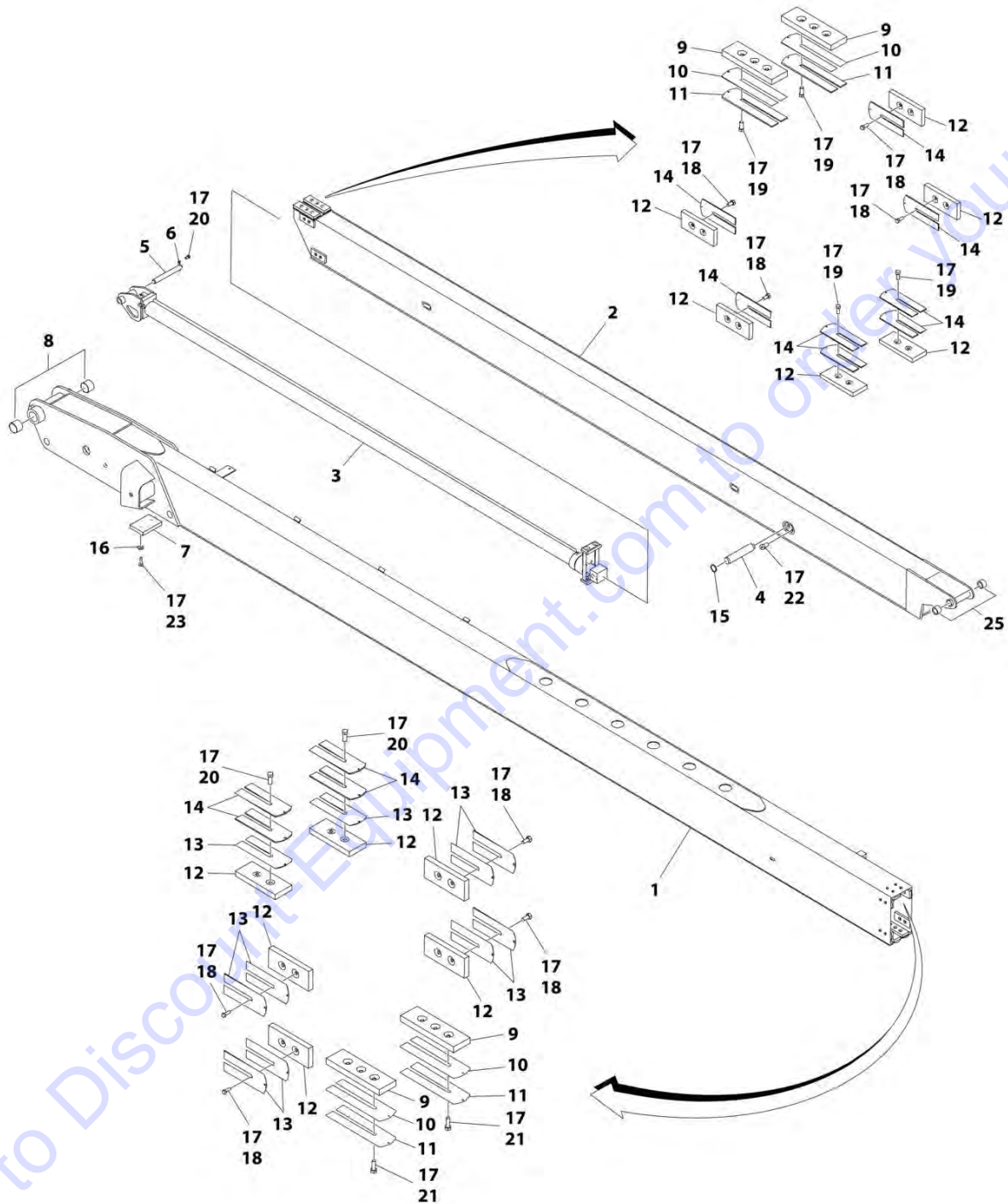
ITEM	PART NUMBER	QTY	DESCRIPTION	REV
	1001170448	Ref	BOOM AND CYLINDER INSTALLATION	L
1	0801132	1	Boom Assembly - Tower (See Separate Breakdown in this Section)	
2	1001149286	1	Boom Assembly - Main (See Separate Breakdown in this Section)	
3	4845593	1	Upright	
4	1001217780	1	Rotator Actuator Assembly (See Separate Breakdown in this Section)	
6	4844816	1	Tube, Jib (Top)	
6A	0962335	4	Bearing	
7	4844817	2	Tube, Jib (Bottom)	
8	1001170548	1	Pivot	
9	1683537	NLA	Tower Boom Lift Cylinder Assembly (Use p/n 1001228009) (See Separate Breakdown in CYLINDER SECTION) (Prior to SN 0300247156)	
9	1001228009	1	Tower Boom Lift Cylinder Assembly (See Separate Breakdown in CYLINDER SECTION) (SN 0300247156 to Present)	
10	1684497	NLA	Upright Level (Slave) Cylinder Assembly (Use p/n 1001228041) (See Separate Breakdown in CYLINDER SECTION) (Prior to SN 0300247156)	
10	1001228041	1	Upright Level (Slave) Cylinder Assembly (See Separate Breakdown in CYLINDER SECTION) (SN 0300247156 to Present)	
11	1683547	NLA	Main Boom Lift Cylinder Assembly (See Separate Breakdown in CYLINDER SECTION) (Use p/n 1001228010) (Prior to SN 0300247156)	
11	1001228010	1	Main Boom Lift Cylinder Assembly (See Separate Breakdown in CYLINDER SECTION) (SN 0300247156 to Present)	
12	1683609	NLA	Jib Lift Cylinder Assembly (Use p/n 1001248012) (See Separate Breakdown in CYLINDER SECTION) (Prior to SN 0300247156)	
12	1001248012	1	Jib Lift Cylinder Assembly (See Separate Breakdown in CYLINDER SECTION) (SN 0300247156 to Present)	
13	1684228	NLA	Jib Level (Slave) Cylinder Assembly (Use p/n 1001228030) (See Separate Breakdown in CYLINDER SECTION) (Prior to SN 0300247156)	
13	1001228030	1	Jib Level (Slave) Cylinder Assembly (See Separate Breakdown in CYLINDER SECTION) (SN 0300247156 to Present)	
14	1683682	NLA	Master Cylinder Assembly (Use p/n 1001228050) (See Separate Breakdown in CYLINDER SECTION) (Prior to SN 0300247156)	
14	1001228050	1	Master Cylinder Assembly (See Separate Breakdown in CYLINDER SECTION) (SN 0300247156 to Present)	
15	1120510	2	Cover, Upright	
17	1670844	4	Cover, Upright	
18	1670850	1	Cover, Tower Fly	
19	0961947	6	Bearing	
20	3422860	2	Pin	
21	3422861	2	Pin	
22	3422867	1	Pin	
23	3422561	2	Pin	
25	3422583	1	Pin	
26	3422681	2	Pin	
27	3422683	1	Pin	
28	3422684	1	Pin	
29	3422685	2	Pin	
30	3422686	1	Pin	

SECTION 4 - BOOM

ITEM	PART NUMBER	QTY	DESCRIPTION	REV
31	3422687	1	Pin	
32	3422688	1	Pin	
33	3422689	1	Pin	
34	3422729	1	Pin	
35	3340835	1	Pad, Rest	
36	1001165350	2	Clamp, Block	
37	0100011	AR	Compound, Locking	
38	3841143	7	Keeper, Pin	
39	3841287	5	Keeper, Pin	
40	3841340	1	Rod, Hose Loop	
41	3841356	1	Keeper, Pin	
42	0641404	4	Bolt 1/4 x 1/2	
44	0641604	24	Bolt 3/8 x 1/2	
45	0641606	4	Bolt 3/8 x 3/4	
46	0641607	3	Bolt 3/8 x 7/8	
47	0641608	5	Bolt 3/8 x 1	
48	0641611	3	Bolt 3/8 x 1-3/8	
51	0641618	4	Bolt 3/8 x 2-1/4	
53	0641820	3	Bolt 1/2 x 2-1/2	
53	0641840	3	Bolt 1/2 x 5	
54	0642214	5	Bolt 3/4 x 1-3/4	
55	0642620	1	Bolt 1 x 2-1/2	
57	0741607	1	Screw 3/8 x 7/8	
59	3311605	5	Nut 3/8	
64	4740439	2	Washer, Thrust	
66	0641424	4	Bolt 1/4 x 3	
67	1671034	1	Cover, Jib	
68	1001213705	1	Plug (Not Shown - Located on T/T near item 26 Pin)	

SECTION 4 - BOOM

FIGURE 4-2. MAIN BOOM ASSEMBLY



ART_1001149286

SECTION 4 - BOOM

FIGURE 4-2. MAIN BOOM ASSEMBLY

ITEM	PART NUMBER	QTY	DESCRIPTION	REV
	1001149286	Ref	MAIN BOOM ASSEMBLY	C
1	0801591	1	Base, Boom	
2	0801573	1	Fly, Boom	
3	1001149284	NLA	Telescope Cylinder Assembly (Use p/n 1001228087) (See Separate Breakdown in CYLINDER SECTION) (Prior to SN 0300247156)	
3	1001228087	1	Jib Lift Cylinder Assembly (See Separate Breakdown in CYLINDER SECTION) (SN 0300247156 to Present)	
4	3422457	1	Pin	
5	3422690	1	Pin	
6	3841143	1	Keeper, Pin	
7	0561295	1	Block, Boom Rest	
8	0962102	2	Bushing	
9	3340871	4	Pad, Wear	
10	4070863	4	Shim 1/8	
11	4070864	4	Shim .05	
12	1001148652	12	Pad, Wear	
13	4070897	10	Shim .05	
14	4070898	12	Shim 1/8	
15	3760133	2	Ring, Retaining	
16	4711600	2	Washer 3/8	
17	0100011	AR	Compound, Locking	
18	0641606	16	Bolt 3/8 x 3/4	
19	0641607	10	Bolt 3/8 x 7/8	
20	0641608	5	Bolt 3/8 x 1	
21	0641609	6	Bolt 3/8 x 1-1/8	
22	3900259	4	Bolt, Shoulder	
23	0641612	2	Bolt 3/8 x 1-1/2	
25	0961951	2	Bushing	

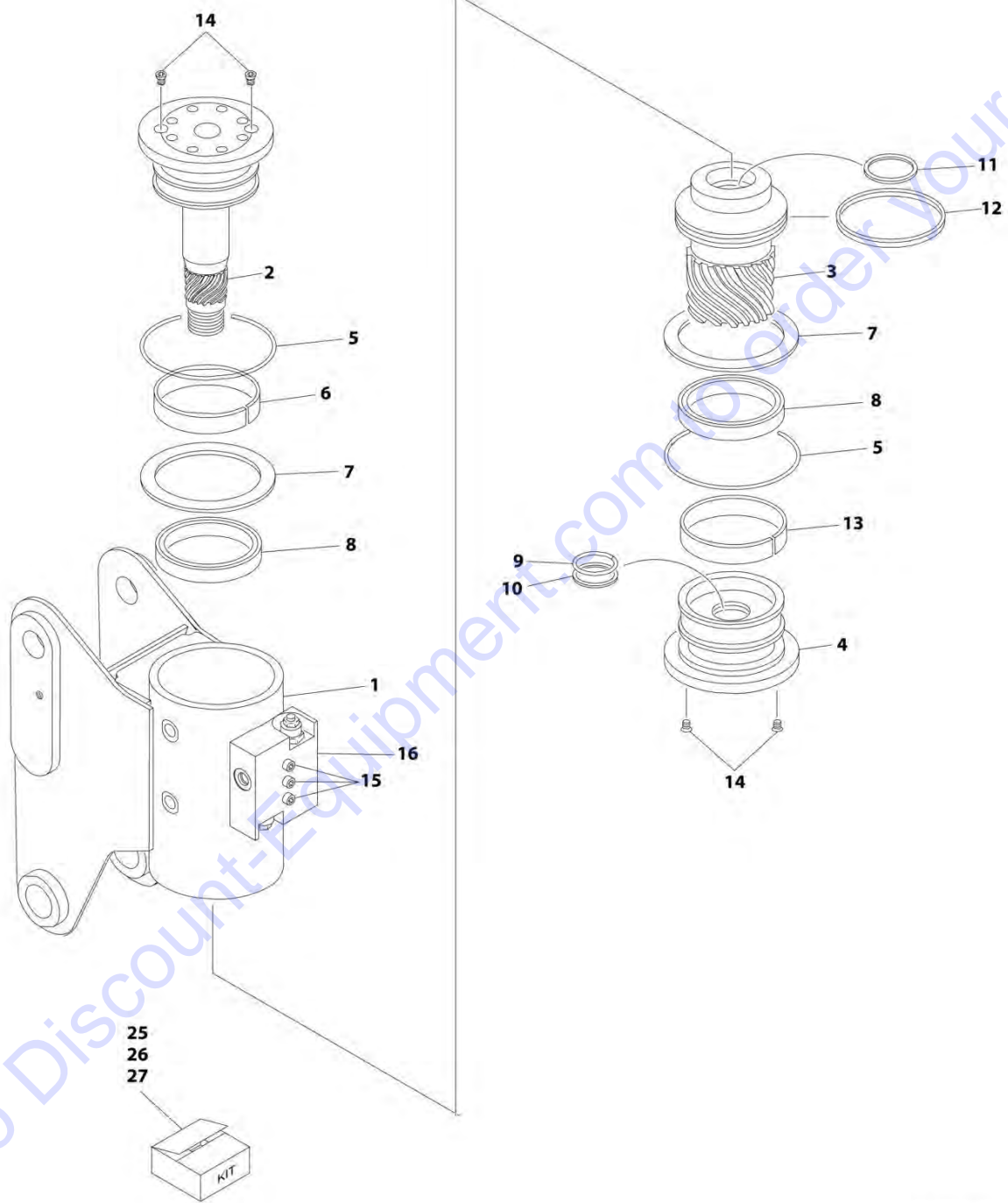
SECTION 4 - BOOM

FIGURE 4-3. TOWER BOOM ASSEMBLY

ITEM	PART NUMBER	QTY	DESCRIPTION	REV
	0801132	Ref	TOWER BOOM ASSEMBLY	H
1	0801594	1	Base, Boom	
2	0801496	1	Fly, Boom	
3	1001188840	NLA	Tower Telescope Cylinder Assembly (Use p/n 1001228086) (See Separate Breakdown in CYLINDER ASSEMBLY) (Prior to SN 0300247156)	
3	1001228086	1	Tower Telescope Cylinder Assembly (See Separate Breakdown in CYLINDER ASSEMBLY) (SN 0300247156 to Present)	
4	4340706	1	Support	
5	0561185	4	Block, Attach	
6	4070929	8	Shim 1/16	
7	0962102	2	Bushing	
8	0962122	2	Bushing	
9	3340881	12	Pad, Wear	
10	4070897	8	Shim .05	
11	4070898	8	Shim .12	
12	3340828	2	Pad, Wear	
13	4070967	2	Shim .05	
14	4070968	2	Shim .12	
15	0641607	10	Bolt 3/8 x 7/8	
16	0641608	4	Bolt 3/8 x 1	
17	0641609	4	Bolt 3/8 x 1-1/8	
18	0641610	12	Bolt 3/8 x 1-1/4	
19	0641615	8	Bolt 3/8 x 1-7/8	
20	0641616	8	Bolt 3/8 x 2	
21	4711600	6	Washer 3/8	
22	0100011	AR	Compound, Locking	
23	0100038	AR	Primer, Locking	
24	3340835	1	Pad, Boom Rest	
25	0641806	3	Bolt 1/2 x 3/4	
26	4071007	4	Shim 20Ga	

SECTION 4 - BOOM

FIGURE 4-4. ROTATOR ASSEMBLY



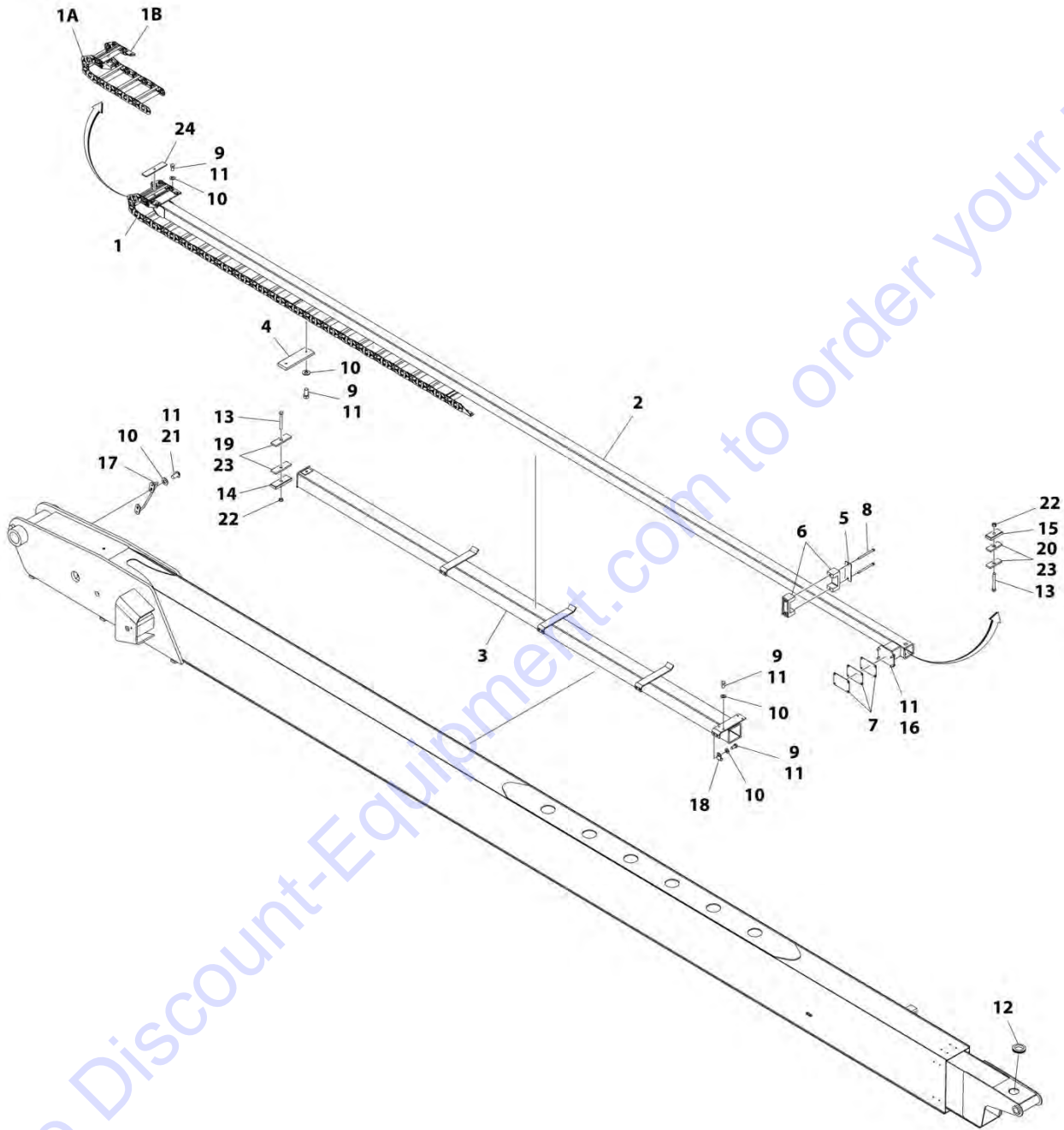
ART_1001217780

FIGURE 4-4. ROTATOR ASSEMBLY

ITEM	PART NUMBER	QTY	DESCRIPTION	REV
	1001217780	Ref	ROTATOR ASSEMBLY	A
1	See Note	NSS	Housing/Ring Gear Assembly (Note: Not Available - Purchase Complete Assembly)	
2	7017162	1	Shaft	
2	7017195	2	Bushing, Shaft	
3	7017163	1	Piston/Sleeve Assembly	
4	7017164	1	Cap, End	
5	See Note	NSS	O-Ring (Note: Use Item 25)	
6	See Note	NSS	Bearing, Shaft (Note: Use Item 26)	
7	See Note	NSS	Washer, Thrust (Note: Use Item 26)	
8	See Note	NSS	Packing, Bearing (Note: Use Item 25)	
9	See Note	NSS	Seal, Cap (Note: Use Item 25)	
10	See Note	NSS	Ring, Back-up Cap (Note: Use Item 25)	
11	See Note	NSS	Seal, Rod (Note: Use Item 25)	
12	See Note	NSS	Seal, Piston (Note: Use Item 25)	
13	See Note	NSS	Bearing, Cap (Note: Use Item 26)	
14	70001697	6	Capscrew 1/4 x 3/8 Grade 8	
15	See Note	3	Bolt 1/4 x 1-1/2 Grade 8 (Note: Not Available - Purchase Locally)	
16	7017172	1	Valve Assembly	
16	7017192	2	Cartridge, Valve	
16	See Note	NSS	Seal Kit - 7017192 Valve (Note: Not Available - Purchase Cartridge)	
16	See Note	NSS	Cartridge, Valve (Not Shown - Located on Side of Block) (Note: Not Available - Purchase Complete Valve)	
16	See Note	NSS	Seal Kit - Valve Located on Side of Block (Note: Not Available - Purchase Cartridge)	
25	70000342	1	Seal Kit (Includes Items 5, 8-12 & 27)	
26	7017159	1	Bearing Kit (Includes Items 6, 7 & 13)	
27	7017142	1	Hardware Kit (Includes Dowel Pins, Plugs and Item 14)	

SECTION 4 - BOOM

FIGURE 4-5. POWER TRACK INSTALLATION - MAIN BOOM



ART_0258077

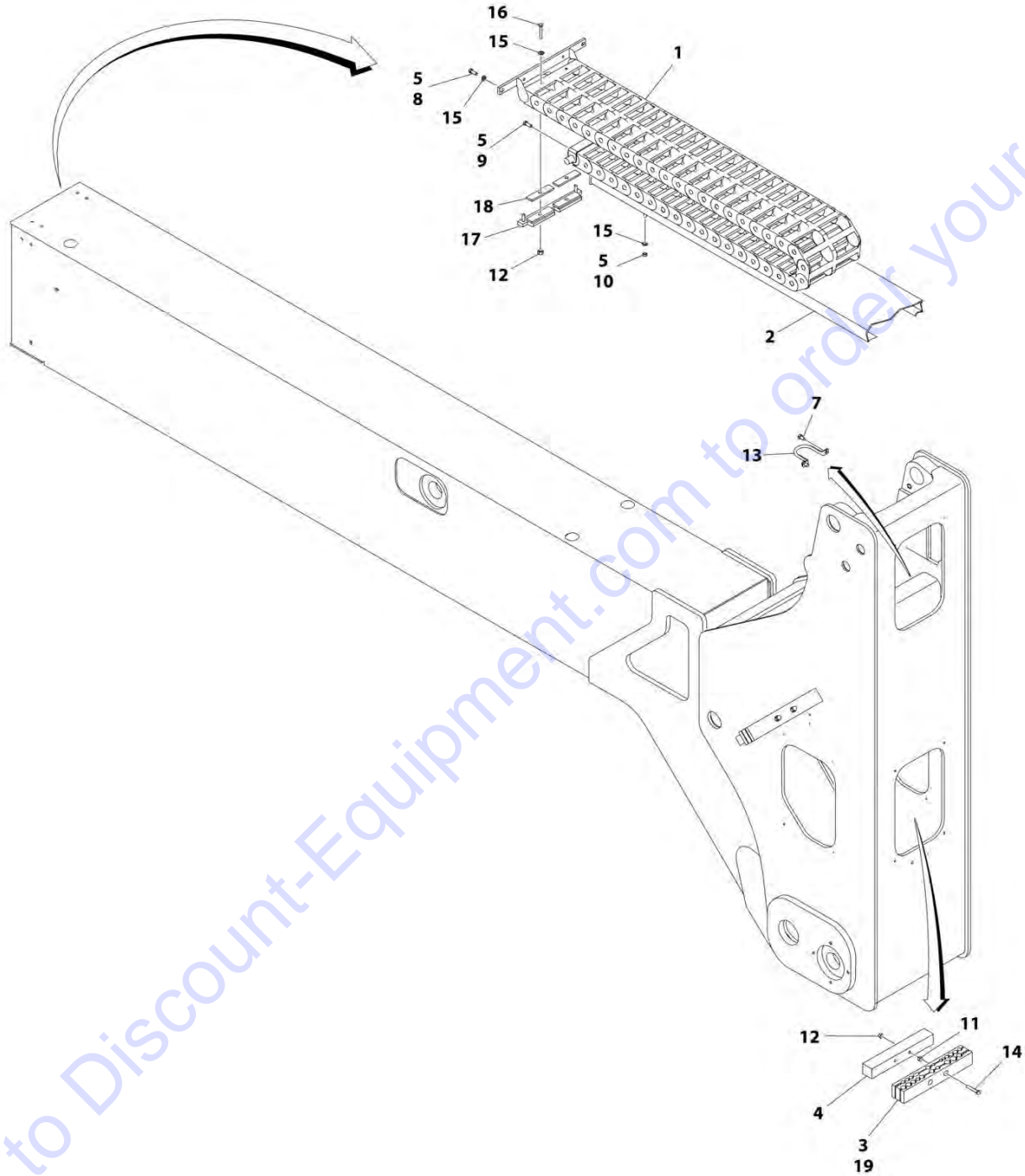
SECTION 4 - BOOM

FIGURE 4-5. POWER TRACK INSTALLATION - MAIN BOOM

ITEM	PART NUMBER	QTY	DESCRIPTION	REV
	0258077	Ref	POWER TRACK INSTALLATION	K
1	1001099837	1	Track, Power	
1A	70002013	AR	Carrier Repair Section (Includes 1 Pin Assembly for each end)	
1B	70002014	1	Mounting Foot Kit (Includes Both Pair of Feet)	
2	1001170527	1	Tube, Push	
3	4845730	1	Support	
4	3340840	1	Pad	
5	1001136400	1	Plate, Backing	
6	3340764	2	Pad	
7	4070969	3	Shim 16 Gauge	
8	0641640	2	Bolt 3/8 x 5	
9	0641606	AR	Bolt 3/8 x 3/4	
10	4711600	22	Washer 3/8	
11	0100011	AR	Compound, Locking	
12	1320263	1	Clamp, Loop	
13	0641607	4	Bolt 3/8 x 7/8	
14	0641624	2	Bolt 3/8 x 3	
15	1320289	1	Clamp	
16	1320288	1	Clamp	
17	3841406	1	Loop, Hose	
18	91203039	2	Pad	
19	3340941	2	Pad	
20	3900283	2	Screw 3/8 x 3/4	
21	0100081	AR	Adhesive	
22	3311605	2	Nut 3/8	
23	4071052	2	Shim 1/4	
24	4060805	8 in/ 20cm	Flex-Trim	

SECTION 4 - BOOM

FIGURE 4-6. POWER TRACK INSTALLATION - TOWER BOOM



ART_1001171203

SECTION 4 - BOOM

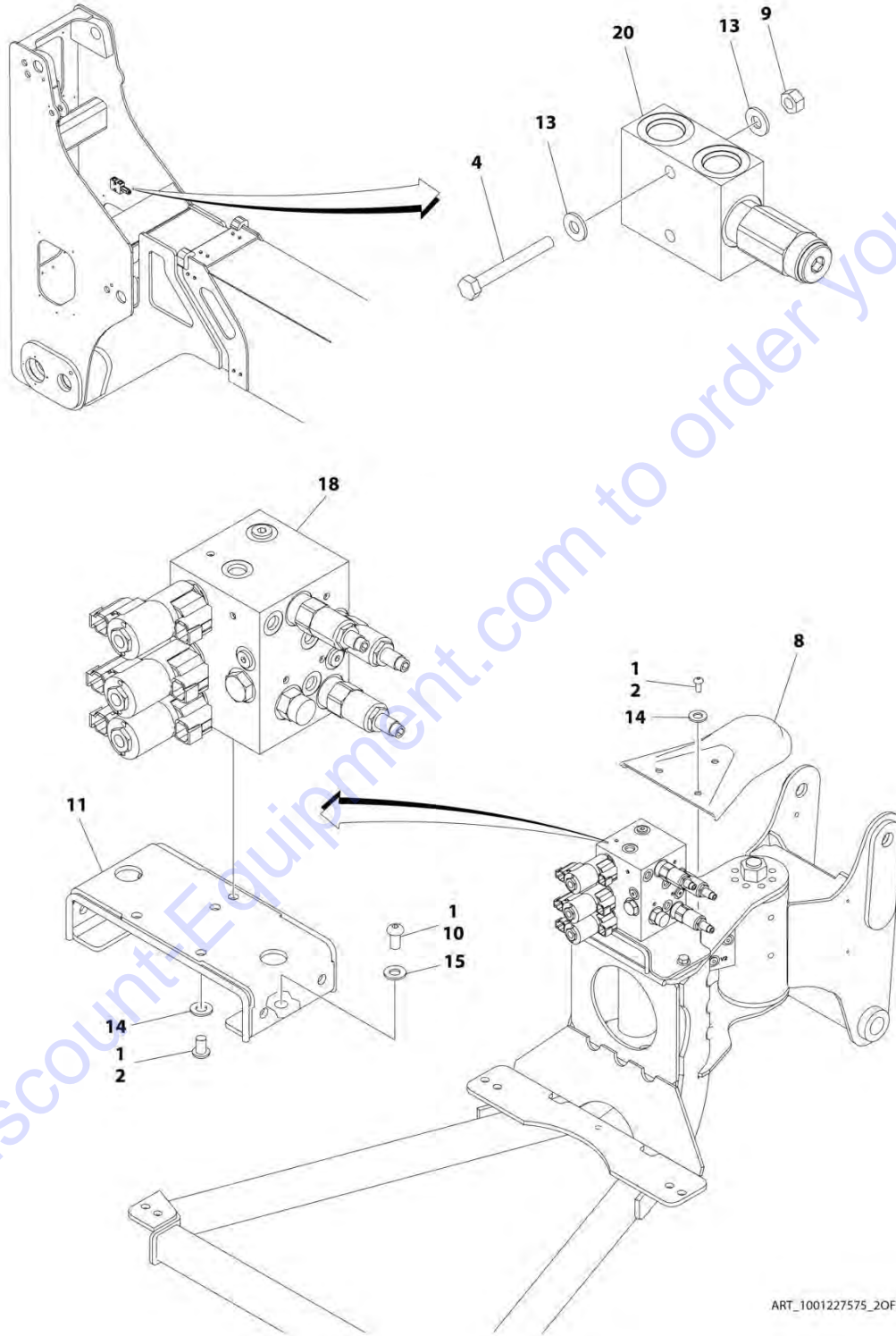
FIGURE 4-6. POWER TRACK INSTALLATION - TOWER BOOM

ITEM	PART NUMBER	QTY	DESCRIPTION	REV
	1001171203	Ref	POWER TRACK INSTALLATION	D
1	1180346	1	Track, Power	
1	7020064	1	Bracket, End (Moving)	
1	7020065	1	Bracket, End (Fixed)	
1	7020066	1	Section, Repair	
1	7020067	1	Link, Repair	
2	4845680	1	Tube, Hose	
3	0100038	AR	Primer, Locking	
4	1320250	2	Bar	
5	0100011	AR	Compound, Locking	
7	0641605	2	Bolt 3/8 x 5/8	
8	0641606	2	Bolt 3/8 x 3/4	
9	0641622	2	Bolt 3/8 x 2-3/4	
10	3311601	4	Nut 3/8	
11	3311602	4	Nut 3/8	
12	3311605	6	Nut 3/8	
13	3841340	1	Rod, Hose Loop	
14	3900262	4	Bolt 3/8 x 4-3/4	
15	4711600	AR	Washer 3/8	
16	0641624	2	Bolt 3/8 x 3	
17	0259420	1	Clamp	
17	3340859	2	Pad	
18	3340859	2	Pad	
19	1001172179	2	Clamp, Block	

Go to Discount-Equipment.com to order your parts

SECTION 4 - BOOM

FIGURE 4-7. BOOM VALVES INSTALLATION - WITHOUT LSS



ART_1001227575_20F2

SECTION 4 - BOOM

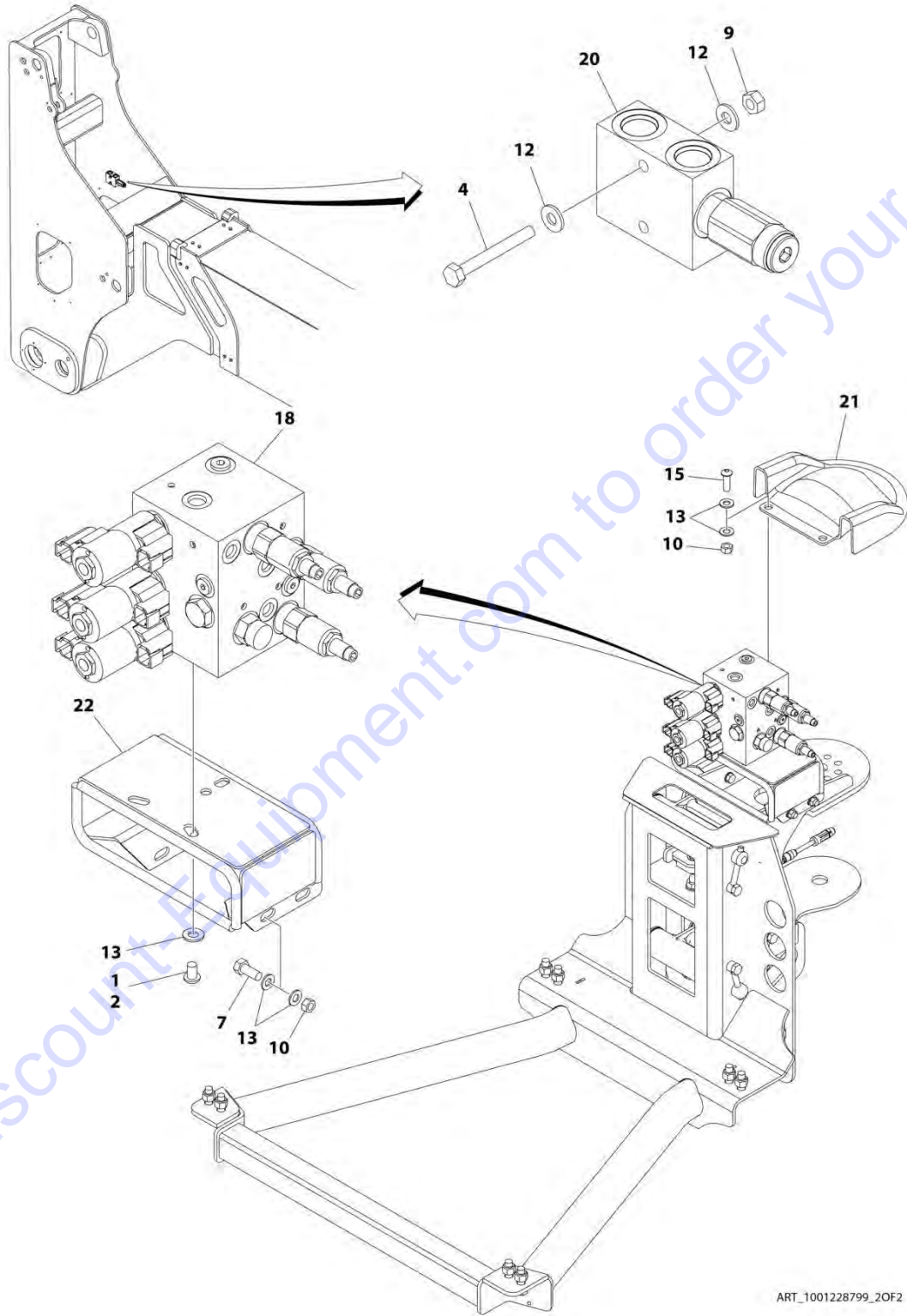
FIGURE 4-7. BOOM VALVES INSTALLATION - WITHOUT LSS

ITEM	PART NUMBER	QTY	DESCRIPTION	REV
	1001227575	Ref	BOOM VALVES INSTALLATION	B
1	0100011	AR	Compound, Locking	
2	0630467	6	Screw 5/16 x 1/2	
4	0641418	2	Bolt 1/4 x 2-1/4	
8	1670964	1	Cover	
9	3311405	2	Nut 1/4	
10	3900283	2	Screw 3/8 x 3/4	
11	4341264	1	Bracket, Mounting	
13	4711400	4	Washer 1/4	
14	4711500	6	Washer 5/16	
15	4711600	5	Washer 3/8	
18	1001152565	1	Boom Valve Assembly (See Separate Breakdown in this Section)	
20	1001200054	1	Valve Assembly (Relief)	
20	7012970	1	Cartridge, Valve	
20	7012953	1	Seal Kit - 7012970 Cartridge	

Go to Discount-Equipment.com to order your parts

SECTION 4 - BOOM

FIGURE 4-8. BOOM VALVES INSTALLATION - WITH LSS



ART_1001228799_20F2

SECTION 4 - BOOM

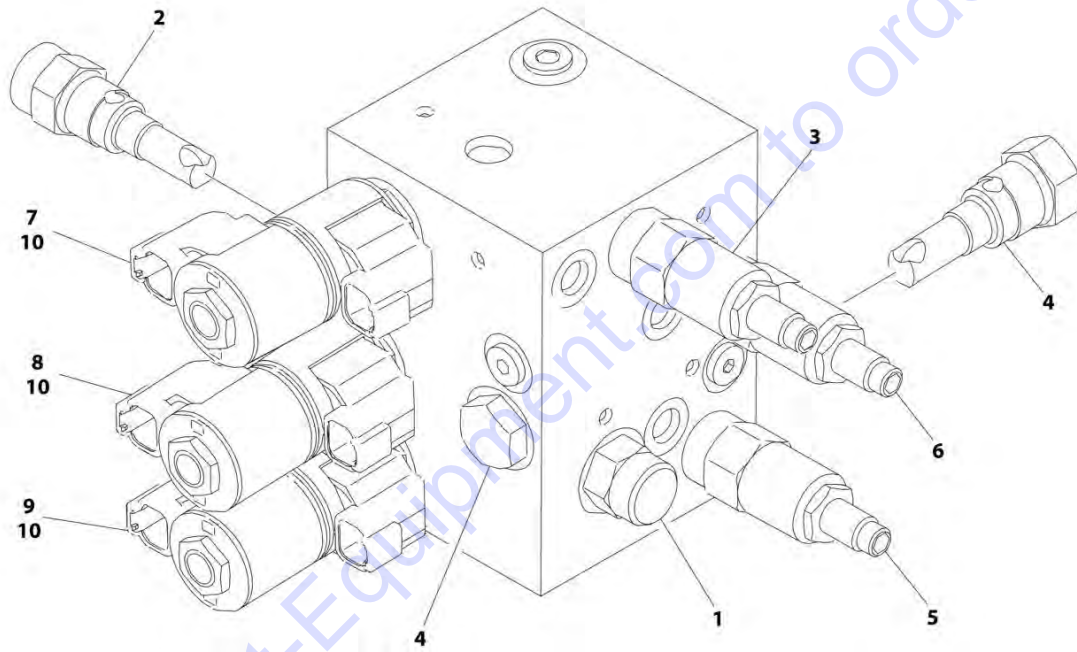
FIGURE 4-8. BOOM VALVES INSTALLATION - WITH LSS

ITEM	PART NUMBER	QTY	DESCRIPTION	REV
	1001228799	Ref	BOOM VALVES INSTALLATION	B
1	0100011	AR	Compound, Locking	
2	0630467	3	Screw 5/16 x 1/2	
4	0641418	2	Bolt 1/4 x 2-1/4	
7	0641607	4	Bolt 3/8 x 7/8	
9	3311405	2	Nut 1/4	
10	3311505	6	Nut 5/16	
12	4711400	8	Washer 1/4	
13	4711500	15	Washer 5/16	
15	88261024	2	Capscrew 5/16 x 1	
18	1001152565	1	Boom Valve Assembly (See Separate Breakdown in this Section)	
20	1001200054	1	Valve Assembly (Relief)	
20	7012970	1	Cartridge, Valve	
20	7012953	1	Seal Kit - 7012970 Valve	
21	1001207969	1	Cover	
22	1001208994	1	Mount	

Go to Discount-Equipment.com to order your parts

SECTION 4 - BOOM

FIGURE 4-9. BOOM VALVE ASSEMBLY



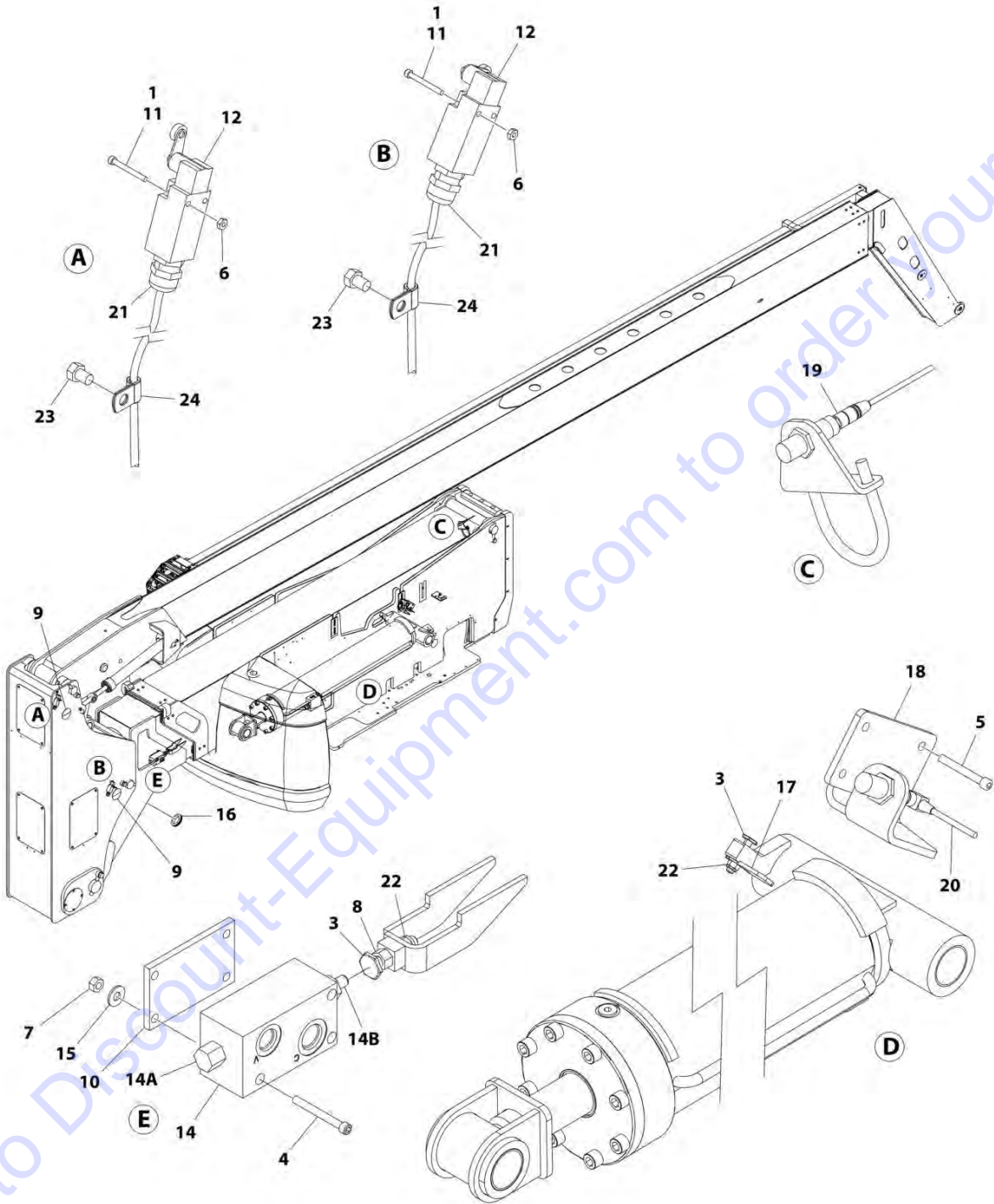
ART_1001152565

FIGURE 4-9. BOOM VALVE ASSEMBLY

ITEM	PART NUMBER	QTY	DESCRIPTION	REV
	1001152565	Ref	BOOM VALVE ASSEMBLY	C
1	7012989	1	Valve, Flow	
1	7012953	1	Seal Kit - 7012989 Valve	
2	7012965	1	Valve, Flow	
2	7012953	1	Seal Kit - 7012965 Valve	
3	70003790	1	Valve, Relief	
3	7021653	1	Seal Kit - 70003790 Valve	
4	7012914	2	Valve, Cartridge	
4	7012918	2	Seal Kit - 7012914 Valve	
5	7023911	1	Valve, Relief	
5	7012967	1	Seal Kit - 7023911 Valve	
6	7023912	1	Valve, Relief	
6	7012967	1	Seal Kit - 7023912 Valve	
7	7017452	1	Valve, Solenoid (Jib)	
7	7017402	2	Seal Kit - 7017452 Valve	
8	7017452	1	Valve, Solenoid (Platform Level)	
8	7017402	1	Seal Kit - 7017452 Valve	
9	7017452	1	Valve, Solenoid (Rotator)	
9	7017402	2	Seal Kit - 7017452 Valve	
10	70002386	6	Coil	
11	70002064	2	Plug, Orifice (Not Shown)	
12	7017406	2	Plug (Not Shown)	

SECTION 4 - BOOM

FIGURE 4-10. BOOM VALVE AND LIMIT SWITCHES INSTALLATION



ART_0258217

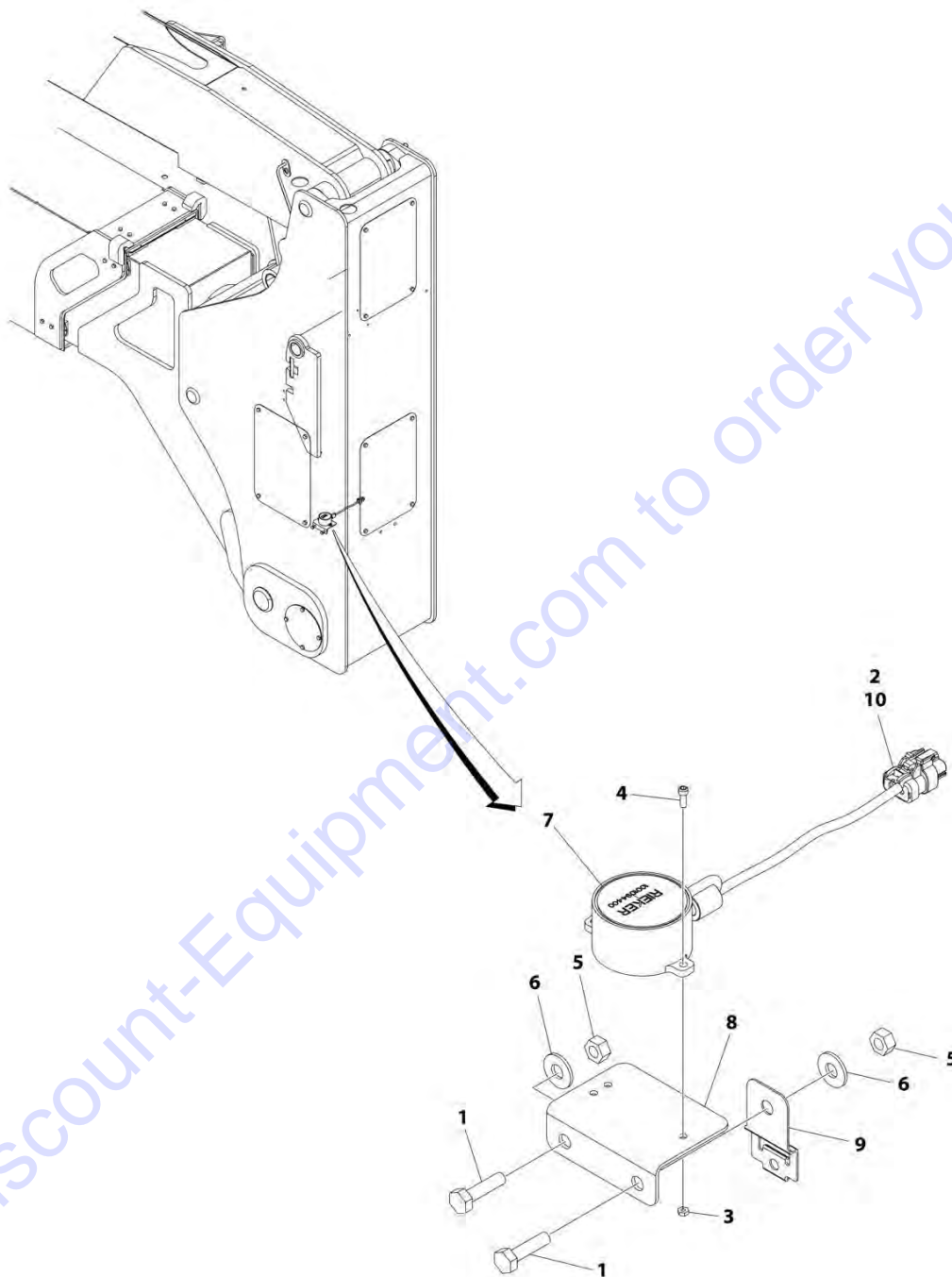
SECTION 4 - BOOM

FIGURE 4-10. BOOM VALVE AND LIMIT SWITCHES INSTALLATION

ITEM	PART NUMBER	QTY	DESCRIPTION	REV
	0258217	Ref	BOOM VALVE AND LIMIT SWITCHES INSTALLATION	S
1	0100011	AR	Compound, Locking	
3	0630427	2	Bolt	
4	3931436	3	Capscrew 1/4 x 2-1/4	
5	3931464	3	Capscrew 1/4 x 4	
5	3931432	3	Capscrew 1/4 x 2	
6	3310801	4	Nut #8	
7	3311405	AR	Nut 1/4	
8	3311801	1	Nut 1/2	
9	3520035	2	Plug	
10	3570928	2	Plate, Spacer	
11	3930824	2	Capscrew #8 x 1-1/2	
12	4360578	2	Switch, Limit	
14	4641435	2	Valve, Switch	
14A	7011342	2	Valve, Check (1 Per Assembly)	
14A	7011333	2	Seal Kit - Check Valve (1 Per Assembly)	
14B	See Note	NSS	Valve, Plunger (1 Per Assembly) (Note: Not Available - Purchase Complete Valve Assembly)	
14B	See Note	NSS	Seal Kit (1 Per Assembly) (Note: Not Available for Purchase)	
15	4751400	AR	Washer 1/4	
16	4060805	7 in/25cm	Trim	
17	3572606	1	Plate, Switch Target	
18	3572607	1	Plate, Switch Mount	
19	4360498	1	Switch, Proximity	
20	4360499	1	Switch, Proximity	
21	4460968	2	Connector, Strain Relief	
22	88521008	2	Nut 1/2	
23	0641604	2	Bolt 3/8 x 1/2	
24	91203039	2	Clamp	

SECTION 4 - BOOM

FIGURE 4-11. TILT SENSOR INSTALLATION



ART_0275733

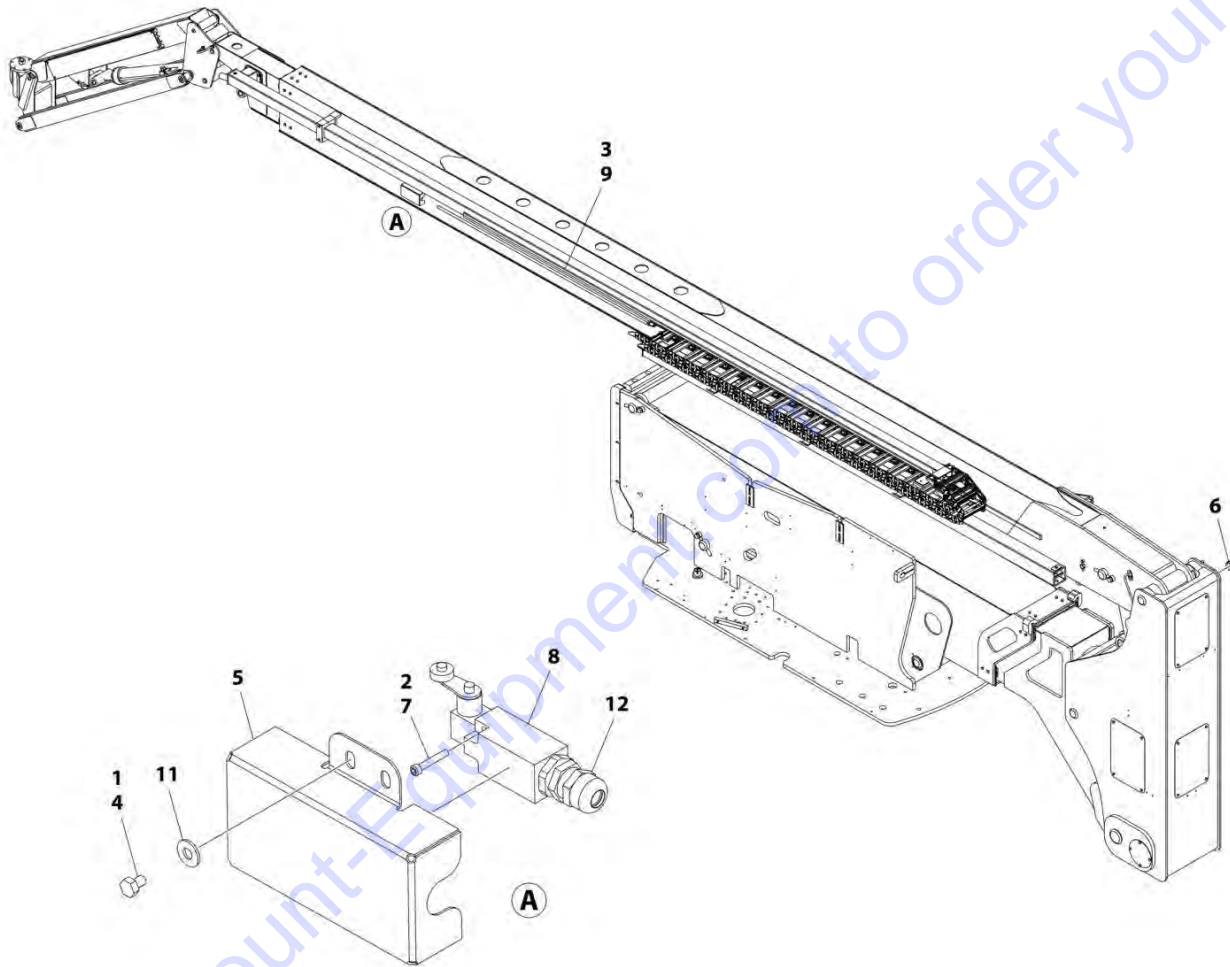
FIGURE 4-11. TILT SENSOR INSTALLATION

ITEM	PART NUMBER	QTY	DESCRIPTION	REV
	0275733	Ref	TILT SENSOR INSTALLATION	B
1	0641408	2	Bolt 1/4 x 1	
2	0100048	AR	Grease, Dielectric	
3	3310605	3	Nut #6	
4	3930606	3	Screw #6 x 3/4	
5	3311405	2	Nut 1/4	
6	4751400	2	Washer 1/4	
7	1001094400	1	Sensor, Dual Axis	
8	1001096736	1	Bracket, Tilt Sensor	
9	1001153749	1	Clip	
10	1001200497	1	Connector - 3 Position	

Go to Discount-Equipment.com to order your parts

SECTION 4 - BOOM

FIGURE 4-12. TRANSPORT POSITION SWITCH INSTALLATION (CE SPECS)



ART_0258567

PARTS FINDER

**Search Website
by Part Number**



**Search Manual
Library For Parts
Manual & Lookup Part
Numbers – Purchase
or Request Quote**

A screenshot of the "Search Manuals" form. The form is titled "Search Manuals" and includes a search bar, a "Search" button, and a "Manuals" section with a list of search results. The form is designed to help users find manuals for their equipment.

**Can't Find Part or
Manual? Request Help
by Manufacturer,
Model & Description**

A screenshot of the "Parts Order Form". The form is titled "Parts Order Form" and includes a "Manufacturer" field, a "Model" field, and a "Description" field. The form is designed to help users request help finding parts or manuals for their equipment.

Discount-Equipment.com is your online resource for quality parts & equipment.

Florida: **561-964-4949** Outside Florida TOLL FREE: **877-690-3101**

Need parts?

Click on this link: <http://www.discount-equipment.com/category/5443-parts/> and choose one of the options to help get the right parts and equipment you are looking for. Please have the machine model and serial number available in order to help us get you the correct parts. If you don't find the part on the website or on one of the online manuals, please fill out the request form and one of our experienced staff members will get back to you with a quote for the right part that your machine needs.

We sell worldwide for the brands: Genie, Terex, JLG, MultiQuip, Mikasa, Essick, Whiteman, Mayco, Toro Stone, Diamond Products, Generac Magnum, Airman, Haulotte, Barreto, Power Blanket, Nifty Lift, Atlas Copco, Chicago Pneumatic, Allmand, Miller Curber, Skyjack, Lull, Skytrak, Tsurumi, Husquvarna Target, Stow, Wacker, Sakai, Mi-T-M, Sullair, Basic, Dynapac, MBW, Weber, Bartell, Bennar Newman, Haulotte, Ditch Runner, Menegotti, Morrison, Contec, Buddy, Crown, Edco, Wyco, Bomag, Laymor, EZ Trench, Bil-Jax, F.S. Curtis, Gehl Pavers, Heli, Honda, ICS/PowerGrit, IHI, Partner, Imer, Clipper, MMD, Koshin, Rice, CH&E, General Equipment, Amida, Coleman, NAC, Gradall, Square Shooter, Kent, Stanley, Tamco, Toku, Hatz, Kohler, Robin, Wisconsin, Northrock, Oztec, Toker TK, Rol-Air, APT, Wylie, Ingersoll Rand / Doosan, Innovatech, Con X, Ammann, Mecalac, Makinex, Smith Surface Prep, Small Line, Wanco, Yanmar

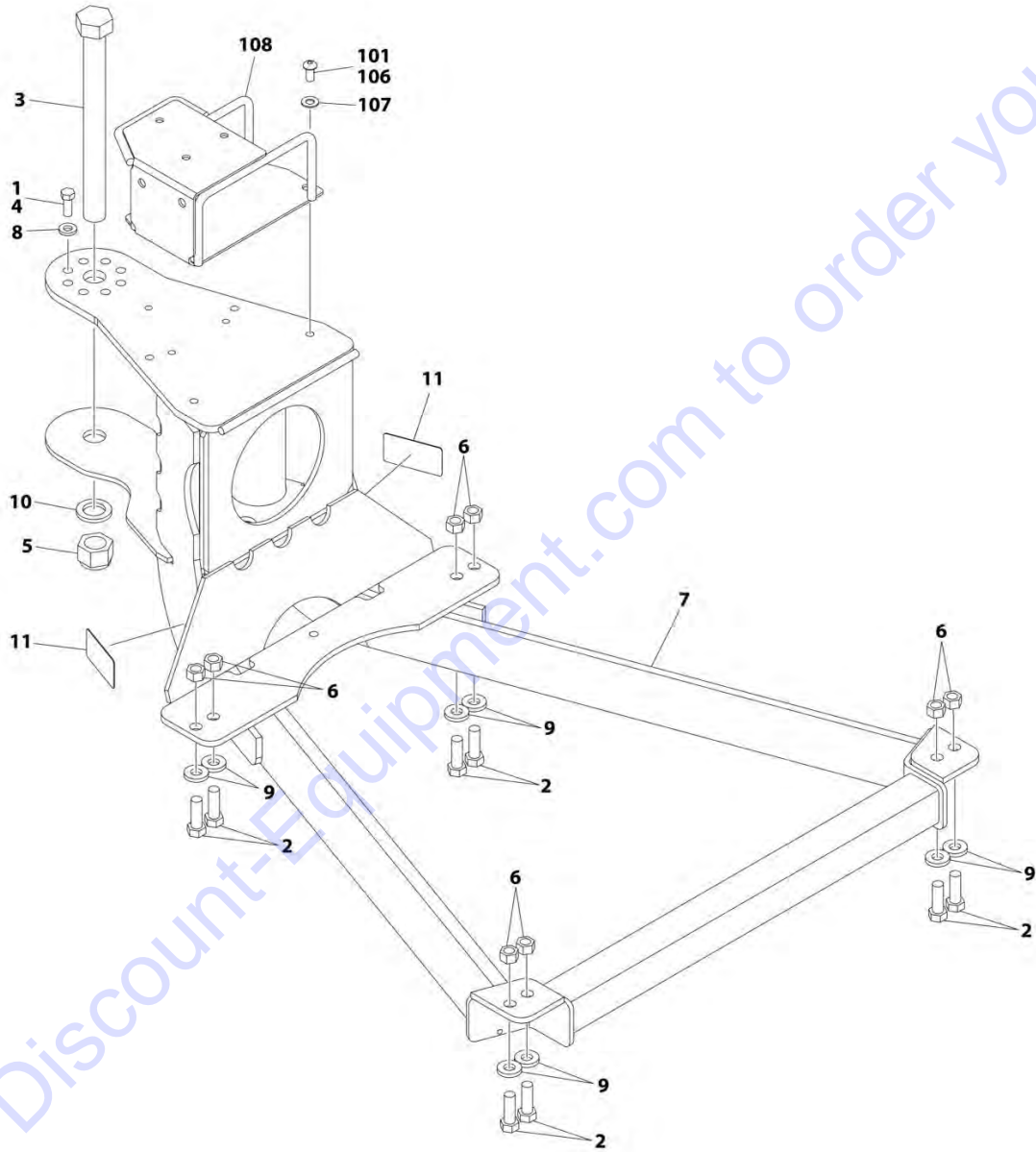
FIGURE 4-12. TRANSPORT POSITION SWITCH INSTALLATION (CE SPECS)

ITEM	PART NUMBER	QTY	DESCRIPTION	REV
	0258567	Ref	TRANSPORT POSITION SWITCH INSTALLATION	F
1	0100011	AR	Compound, Locking	
2	0100035	AR	Compound, Locking	
3	1001106481	1	Bar, Fiberglass	
4	0641403	4	Bolt 1/4 x 3/8	
5	3380535	1	Cover, Switch	
6	3520035	1	Plug, Cap	
7	3930816	2	Capscrew #8 x 1	
8	4360578	1	Switch, Limit	
9	4420060	AR	Tape	
11	4751400	4	Washer 1/4	
12	4460968	1	Connector, Strain Relief	

Go to Discount-Equipment.com to order your parts

SECTION 4 - BOOM

FIGURE 4-13. PLATFORM SUPPORT INSTALLATION - WITHOUT LSS



ART_0272070

SECTION 4 - BOOM

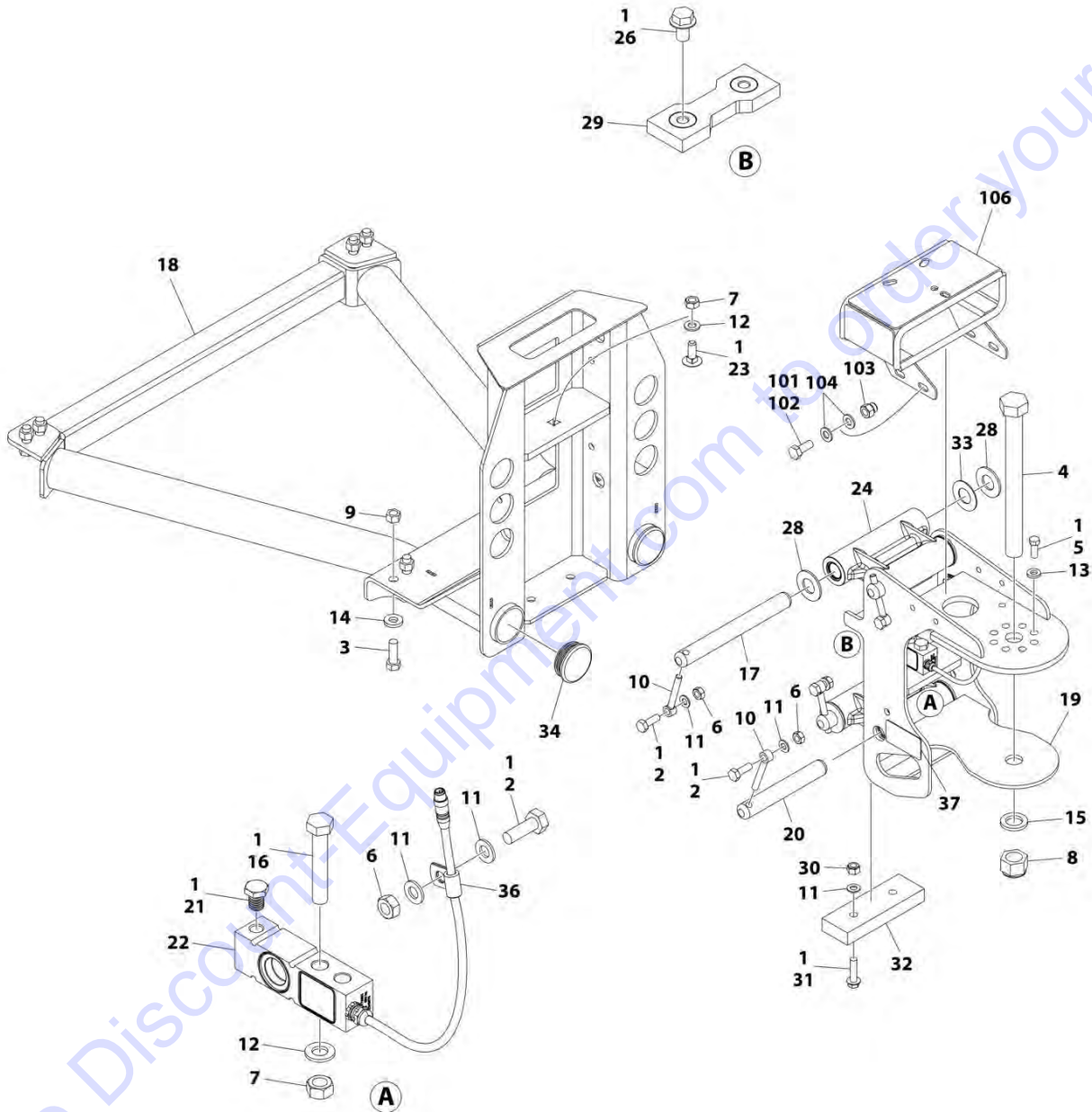
FIGURE 4-13. PLATFORM SUPPORT INSTALLATION - WITHOUT LSS

ITEM	PART NUMBER	QTY	DESCRIPTION	REV
	0272070	Ref	PLATFORM SUPPORT INSTALLATION	H
1	0100011	AR	Compound, Locking	
2	0641812	8	Bolt 1/2 x 1-1/2	
3	0642684	1	Bolt 1 x 10-1/2	
4	0681608	8	Bolt 3/8 x 1	
5	3300243	1	Nut 1	
6	3311805	8	Nut 1/2	
7	4846573	1	Support	
8	4891600	8	Washer 3/8	
9	4891800	8	Washer 1/2	
10	4892600	1	Washer 1	
11	1001216630	2	Decal - Tie Down/No Lift	
	1001202688	Ref	VALVE MOUNT INSTALLATION	C
101	0100011	AR	Compound, Locking	
106	3900283	4	Screw 3/8 x 3/4	
107	4711600	4	Washer 3/8	
108	1001206920	1	Mount, Valve	

Go to Discount-Equipment.com to order your parts

SECTION 4 - BOOM

FIGURE 4-14. PLATFORM SUPPORT INSTALLATION - WITH LSS



ART_1001167596

SECTION 4 - BOOM

FIGURE 4-14. PLATFORM SUPPORT INSTALLATION - WITH LSS

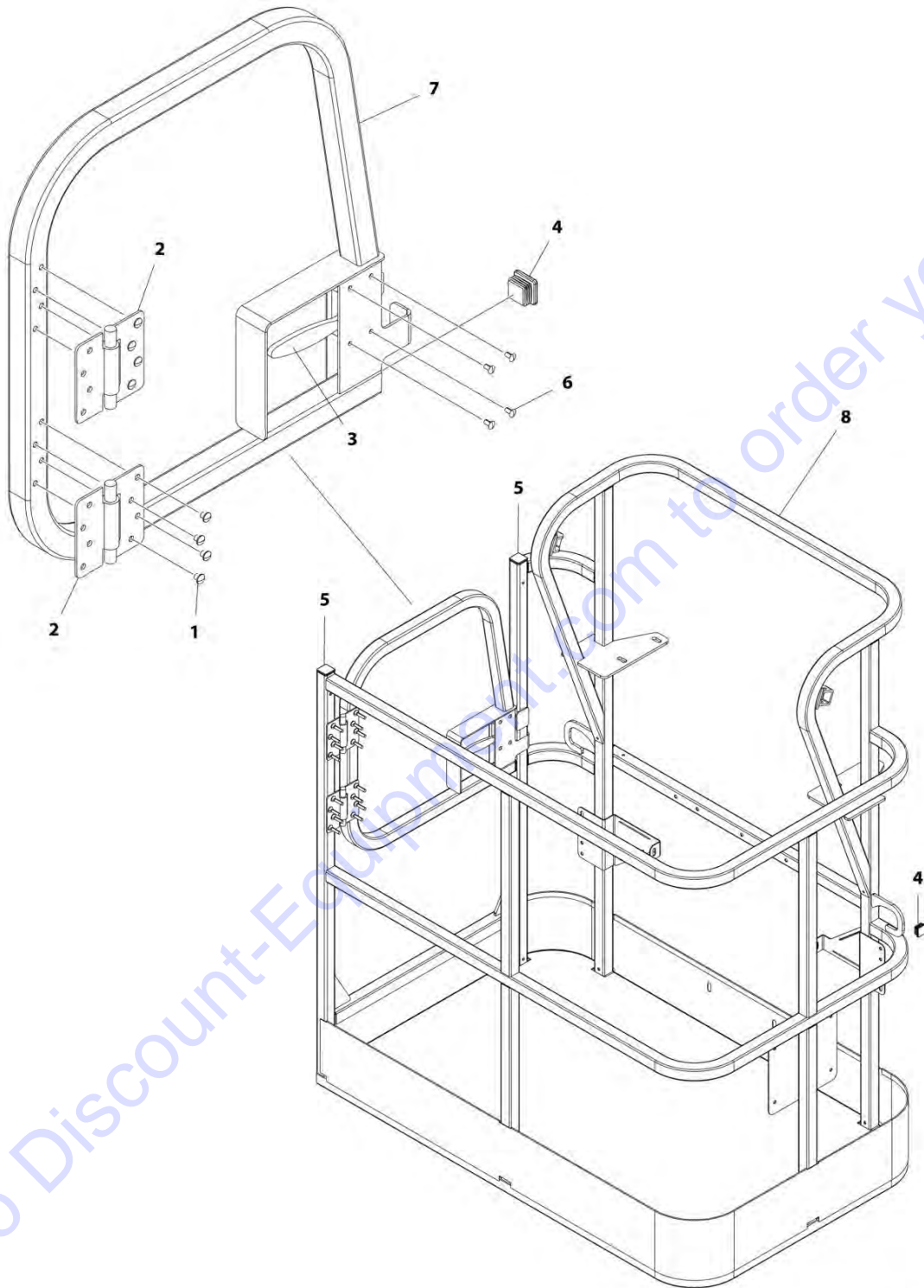
ITEM	PART NUMBER	QTY	DESCRIPTION	REV
	1001167596	Ref	PLATFORM SUPPORT INSTALLATION	K
1	0100011	AR	Compound, Locking	
2	0761014	5	Bolt M10 x 30	
3	0641812	8	Bolt 1/2 x 1-1/2	
3	0761216	8	Bolt M12 x 40	
4	0642684	1	Bolt 1 x 10-1/2	
5	0681608	8	Bolt 3/8 x 1	
6	3291001	5	Nut M10	
7	3291201	3	Nut M12	
8	3300243	1	Nut 1	
9	3311805	8	Nut 1/2	
9	3291205	8	Nut M12	
10	3841143	4	Keeper, Pin	
11	4812000	8	Washer M10	
12	4812100	3	Washer M12	
13	4891600	8	Washer 3/8	
14	4891800	8	Washer 1/2	
14	5241200	8	Washer M12	
15	4892600	1	Washer 1	
16	1001098828	2	Bolt M12 x 70 Grade 10.9	
17	1001167565	2	Pin	
18	1001200494	1	Support, Platform	
19	1001167567	1	Support, Rotator	
20	1001168402	2	Pin	
21	1001188622	1	Screw	
22	1001172663	1	Gauge, Load Sensing	
23	1001188844	1	Bolt M12 x 35	
24	1001201351	2	Link	
26	5251008	2	Bolt M10 x 16	
28	1001189002	8	Bearing	
29	1001190985	1	Pad, Wear	
30	3291005	2	Nut M10	
31	5251016	2	Bolt M10 x 40	
32	1001200491	1	Pad, Wear	
33	1001189001	4	Bearing	
34	1001204725	2	Plug	
36	91203039	1	Clamp	
37	1001216630	2	Decal - Tie Down/No Lift	
38	1001238421	Ref	Kit, Platform Leveling (Not Shown)	
	1001202687	Ref	VALVE MOUNT INSTALLATION	B
101	0100011	AR	Compound, Locking	
102	0760810	4	Bolt M8 x 20	
103	3290806	4	Nut M8	
104	4811900	8	Washer M8	
106	1001208994	1	Mount, Valve	

SECTION 5 - PLATFORM

Go to Discount-Equipment.com to order your parts

SECTION 5 - PLATFORM

FIGURE 5-1. PLATFORM ASSEMBLY - 30IN X 4FT (76CM X 1.22M) WITH SWING GATE



ART_1001186387

SECTION 5 - PLATFORM

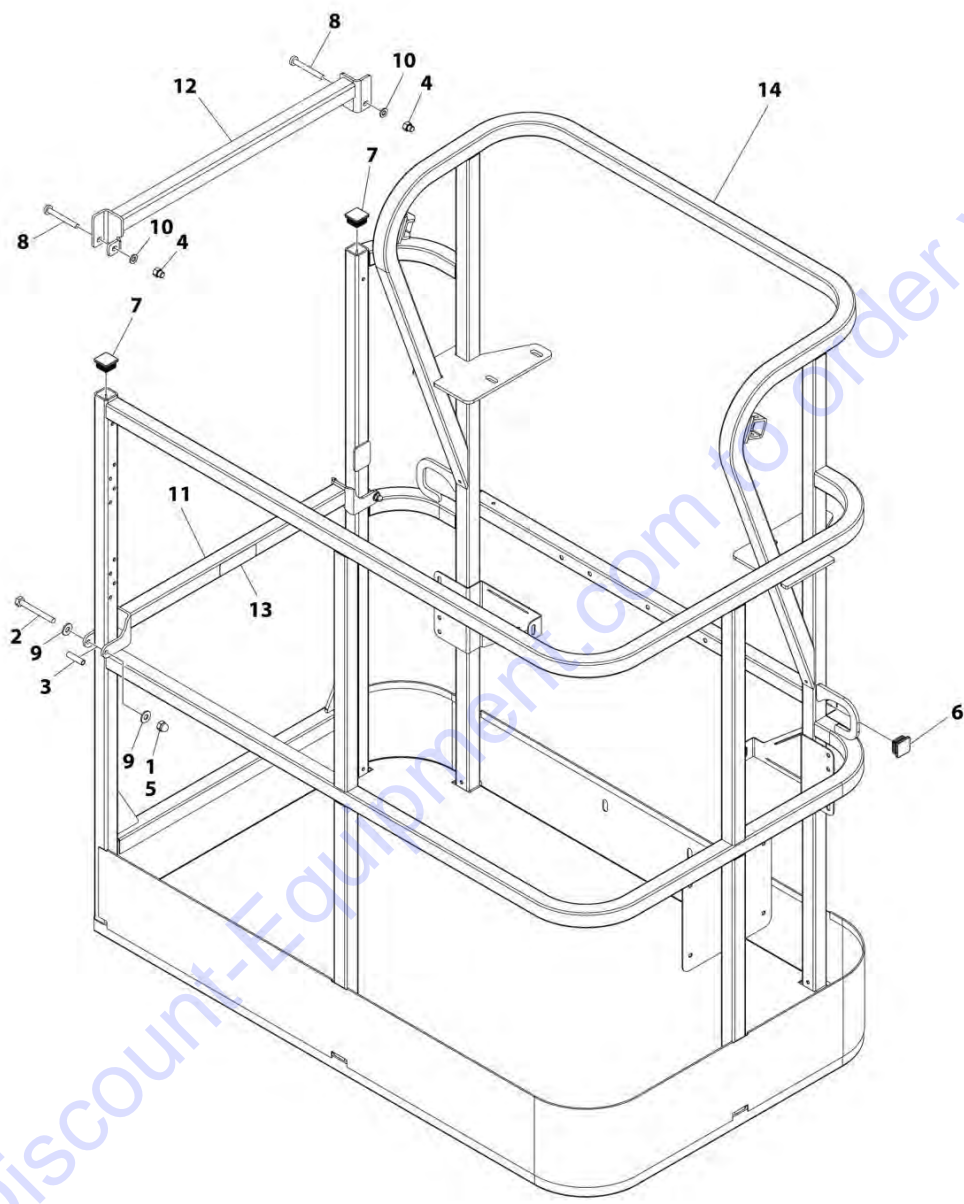
FIGURE 5-1. PLATFORM ASSEMBLY - 30IN X 4FT (76CM X 1.22M) WITH SWING GATE

ITEM	PART NUMBER	QTY	DESCRIPTION	REV
	1001186387	Ref	PLATFORM ASSEMBLY	B
		Ref	Note: Platform and Mesh must be ordered separately for Platforms with Mesh. See SPECIAL OPTIONS SECTION for Mesh Installations.	
		Ref	Note: Replacement Decals Must be Ordered Separately - See DECALS SECTION.	
1	2080040	16	Fastener, Huck	
2	2600281	2	Hinge	
3	2940074	1	Latch	
4	3520072	3	Plug	
5	3520198	2	Plug	
6	3820020	4	Rivet	
7	1001144629	1	Gate	
8	See Note	1	Platform (Note: Not Available - Purchase Platform Assembly)	

Go to Discount-Equipment.com to order your parts

SECTION 5 - PLATFORM

FIGURE 5-2. PLATFORM ASSEMBLY - 30IN X 4FT (76CM X 1.22M) WITH DROP BAR



ART_1001186375

SECTION 5 - PLATFORM

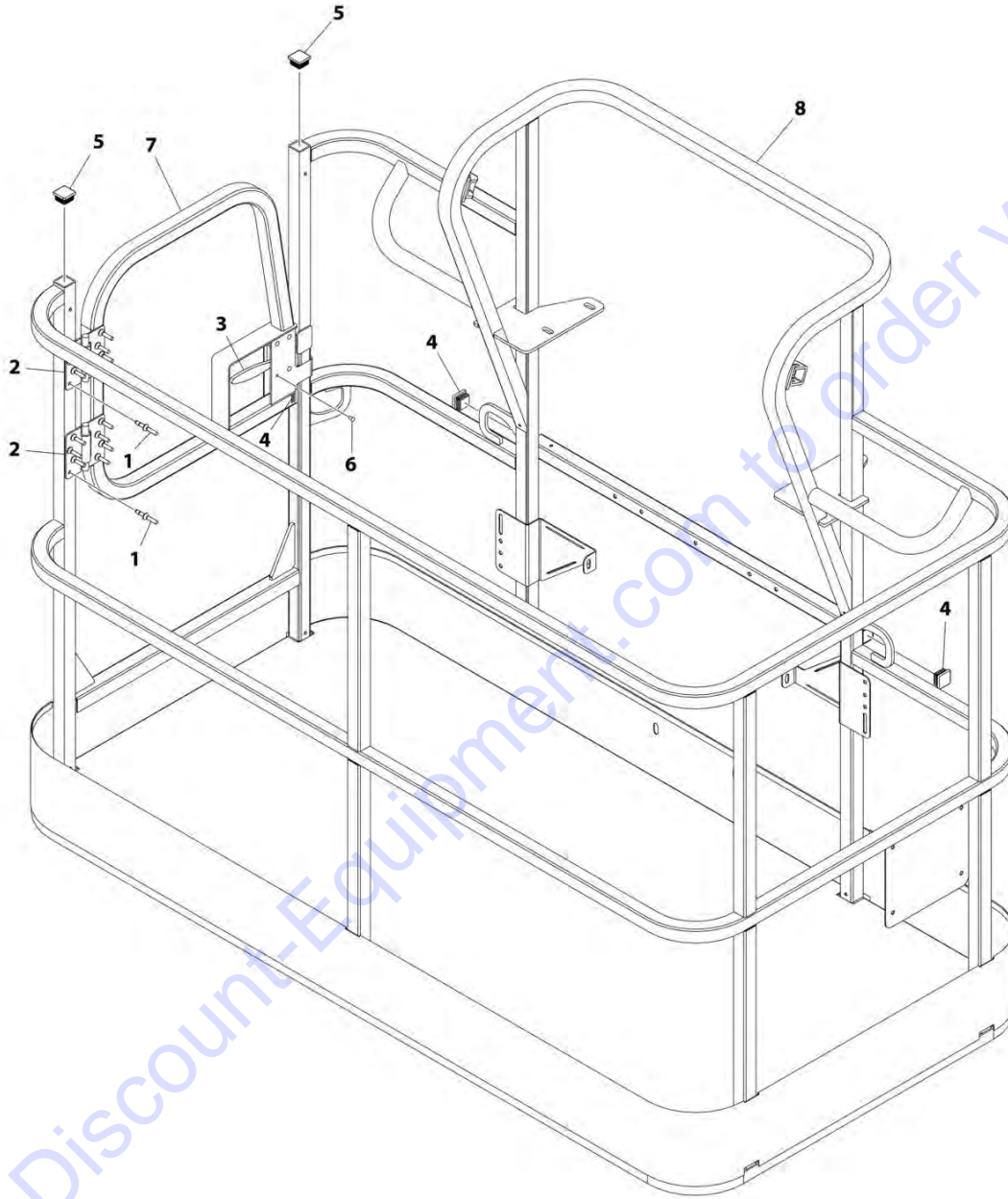
FIGURE 5-2. PLATFORM ASSEMBLY - 30IN X 4FT (76CM X 1.22M) WITH DROP BAR

ITEM	PART NUMBER	QTY	DESCRIPTION	REV
	1001186375	Ref	PLATFORM ASSEMBLY	B
		Ref	Note: Replacement Decals Must be Ordered Separately - See DECALS SECTION.	
1	0100011	AR	Compound, Locking	
2	0641418	2	Bolt 1/4 x 2-1/4	
3	0961845	2	Bushing	
4	3290606	2	Nut M6	
5	3300151	2	Nut 1/4	
6	3520072	2	Plug	
7	3520198	2	Plug	
8	4010618	2	Screw M6 x 50	
9	4711400	4	Washer 1/4	
10	4811700	2	Washer M6	
11	1001138494	1	Bar, Drop	
12	1001138514	1	Rail - Top	
13	1001140429	1	Decal - Drop Bar	
14	See Note	1	Platform (Note: Not Available - Purchase Platform Assembly)	

Go to Discount-Equipment.com to order your parts

SECTION 5 - PLATFORM

FIGURE 5-3. PLATFORM ASSEMBLY - 30IN X 6FT (76CM X 1.83M) WITH SWING GATE



Go to Discount-Equipment.com to order your parts

ART_1001186385

SECTION 5 - PLATFORM

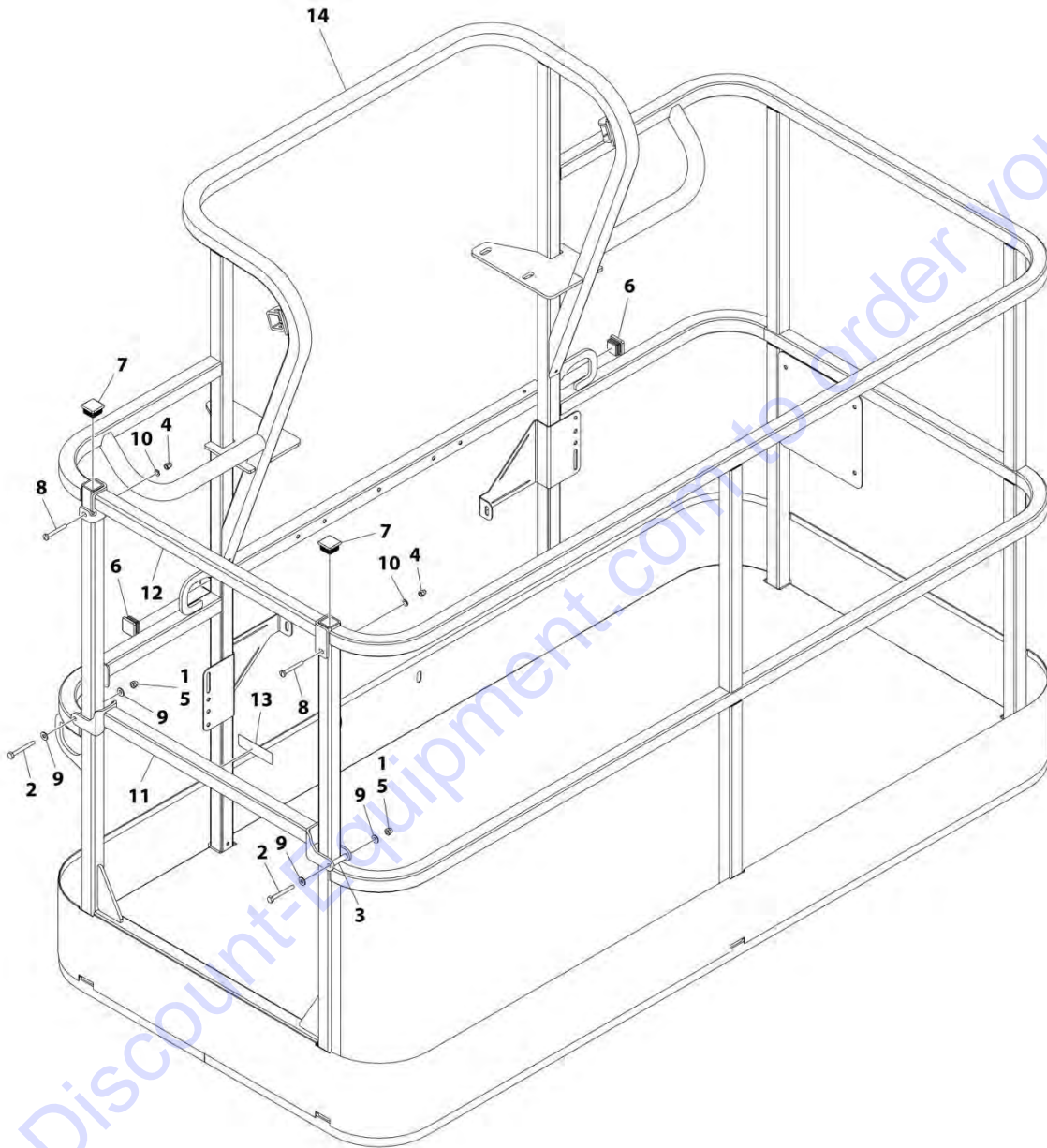
FIGURE 5-3. PLATFORM ASSEMBLY - 30IN X 6FT (76CM X 1.83M) WITH SWING GATE

ITEM	PART NUMBER	QTY	DESCRIPTION	REV
	1001186385	Ref	PLATFORM ASSEMBLY	D
		Ref	Note: Platform and Mesh must be ordered separately for Platforms with Mesh. See SPECIAL OPTIONS SECTION for Mesh Installations.	
		Ref	Note: Replacement Decals Must be Ordered Separately - See DECALS SECTION.	
1	2080040	16	Fastener, Huck	
2	2600281	2	Hinge	
3	2940074	1	Latch	
4	3520072	3	Plug	
5	3520198	2	Plug	
6	3820020	4	Rivet	
7	1001144629	1	Gate	
8	See Note	1	Platform (Note: Not Available - Purchase Platform Assembly)	

Go to Discount-Equipment.com to order your parts

SECTION 5 - PLATFORM

FIGURE 5-4. PLATFORM ASSEMBLY - 30IN X 6FT (76CM X 1.83M) WITH DROP BAR



ART_1001186378

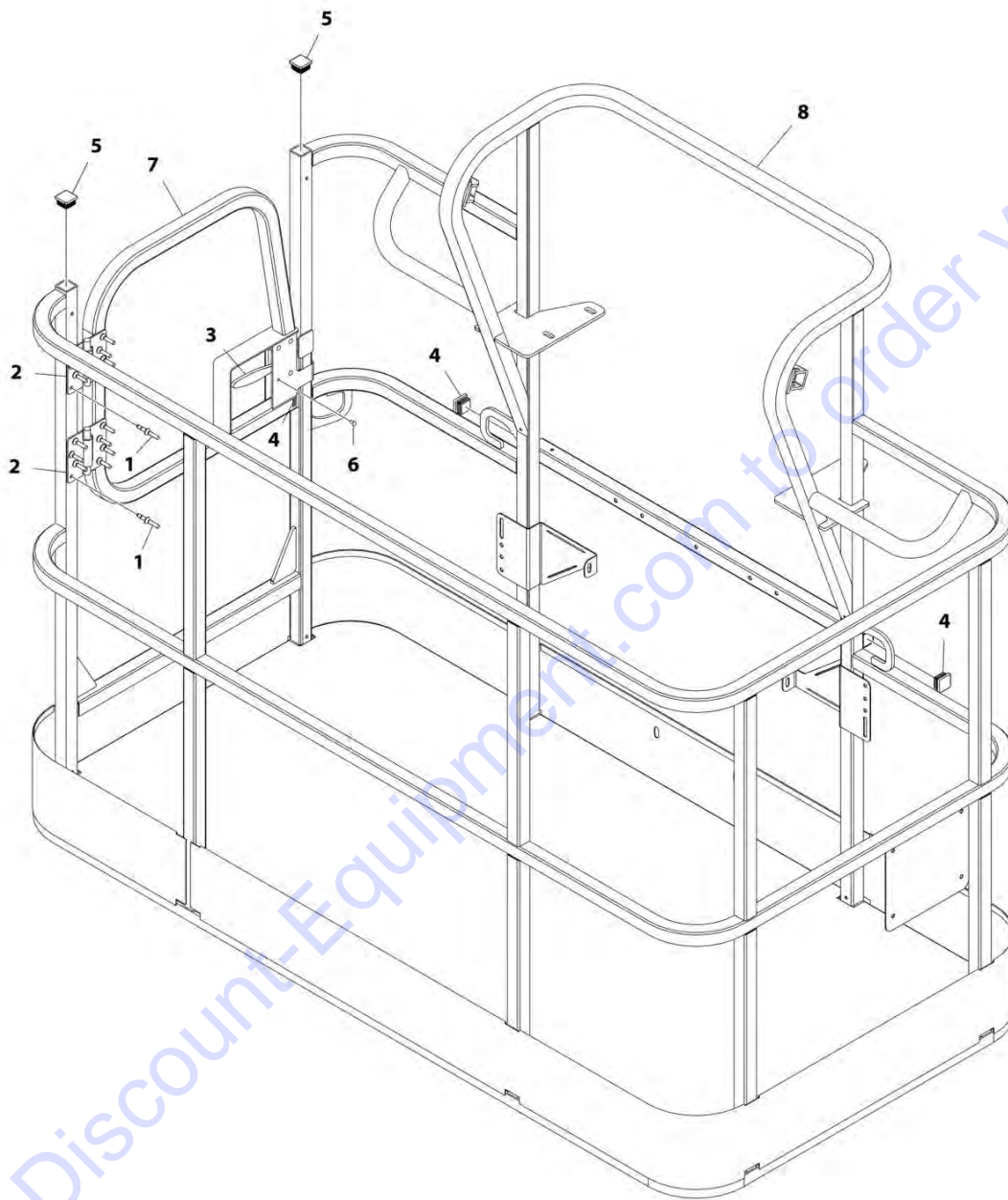
SECTION 5 - PLATFORM

FIGURE 5-4. PLATFORM ASSEMBLY - 30IN X 6FT (76CM X 1.83M) WITH DROP BAR

ITEM	PART NUMBER	QTY	DESCRIPTION	REV
	1001186378	Ref	PLATFORM ASSEMBLY	C
		Ref	Note: Platform and Mesh must be ordered separately for Platforms with Mesh. See SPECIAL OPTIONS SECTION for Mesh Installations.	
		Ref	Note: Replacement Decals Must be Ordered Separately - See DECALS SECTION.	
1	0100011	AR	Compound, Locking	
2	0641418	2	Bolt 1/4 x 2-1/4	
3	0961845	2	Bushing	
4	3290606	2	Nut M6	
5	3300151	2	Nut 1/4	
6	3520072	2	Plug	
7	3520198	2	Plug	
8	4010618	2	Screw M6 x 50	
9	4711400	4	Washer 1/4	
10	4811700	2	Washer M6	
11	1001138494	1	Bar, Drop	
12	1001138514	1	Rail (Top)	
13	1001140429	1	Decal - Drop Bar	
14	See Note	1	Platform (Note: Not Available - Purchase Platform Assembly)	

SECTION 5 - PLATFORM

FIGURE 5-5. PLATFORM ASSEMBLY - 36IN X 6FT (91.5CM X 1.83M) WITH SWING GATE



ART_1001186384

SECTION 5 - PLATFORM

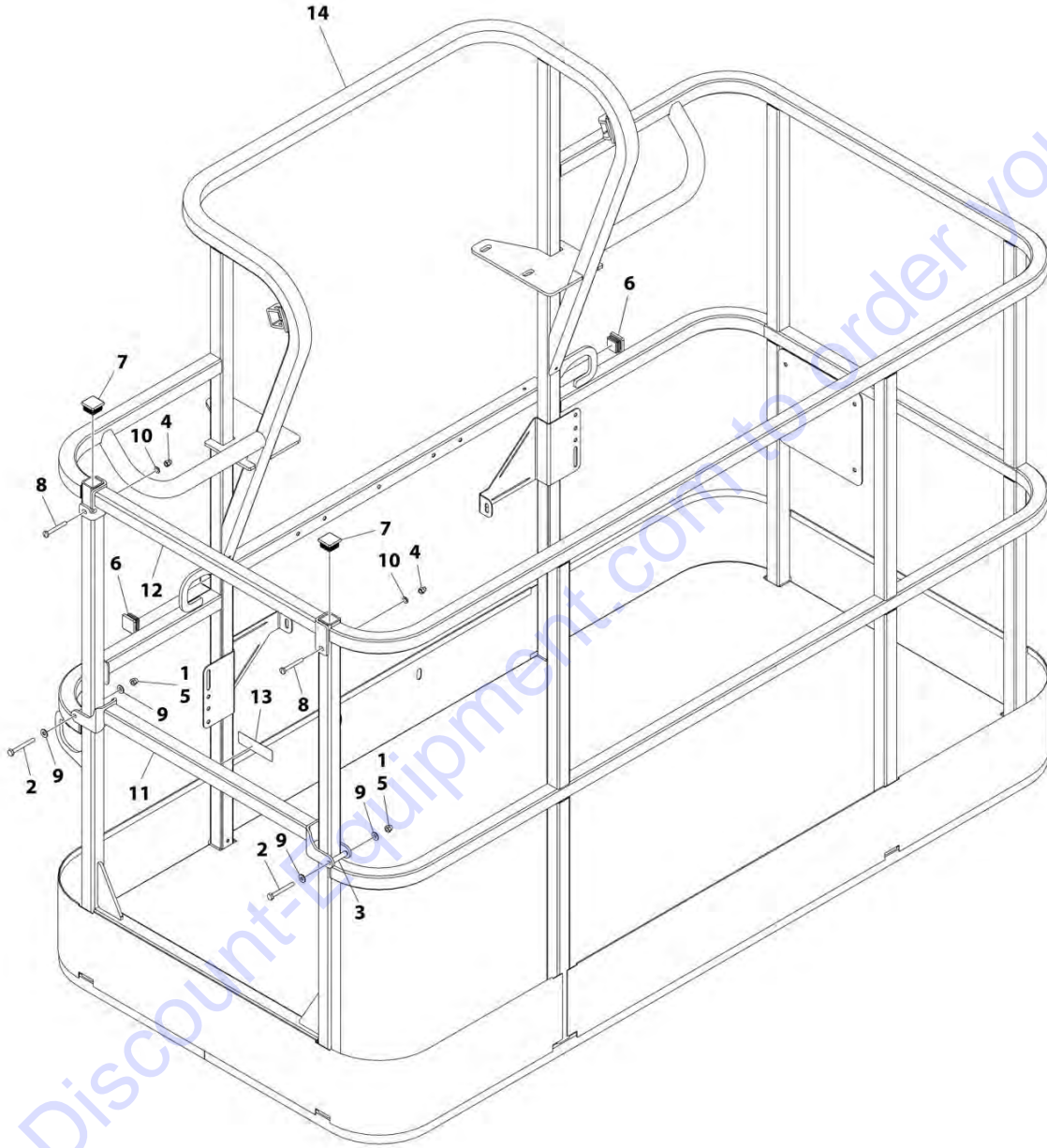
FIGURE 5-5. PLATFORM ASSEMBLY - 36IN X 6FT (91.5CM X 1.83M) WITH SWING GATE

ITEM	PART NUMBER	QTY	DESCRIPTION	REV
	1001186384	Ref	PLATFORM ASSEMBLY - 36IN X 6FT (91.5CM X 1.83M) WITH SWING GATE	C
	See Note	Ref	Note: Platform and Mesh must be ordered separately for Platforms with Mesh. See SPECIAL OPTIONS SECTION for Mesh Installations.	
	See Note	Ref	Note: Replacement Decals Must be Ordered Separately - See DECALS SECTION.	
1	2080040	16	Fastener, Huck	
2	2600281	2	Hinge	
3	2940074	1	Latch	
4	3520072	3	Plug	
5	3520198	2	Plug	
6	3820020	4	Rivet	
7	1001144629	1	Gate	
8	See Note	1	Platform (Note: Not Available - Purchase Platform Assembly)	

Go to Discount-Equipment.com to order your parts

SECTION 5 - PLATFORM

FIGURE 5-6. PLATFORM ASSEMBLY - 36IN X 6FT (91.5CM X 1.83M) WITH DROP BAR



ART_1001186379

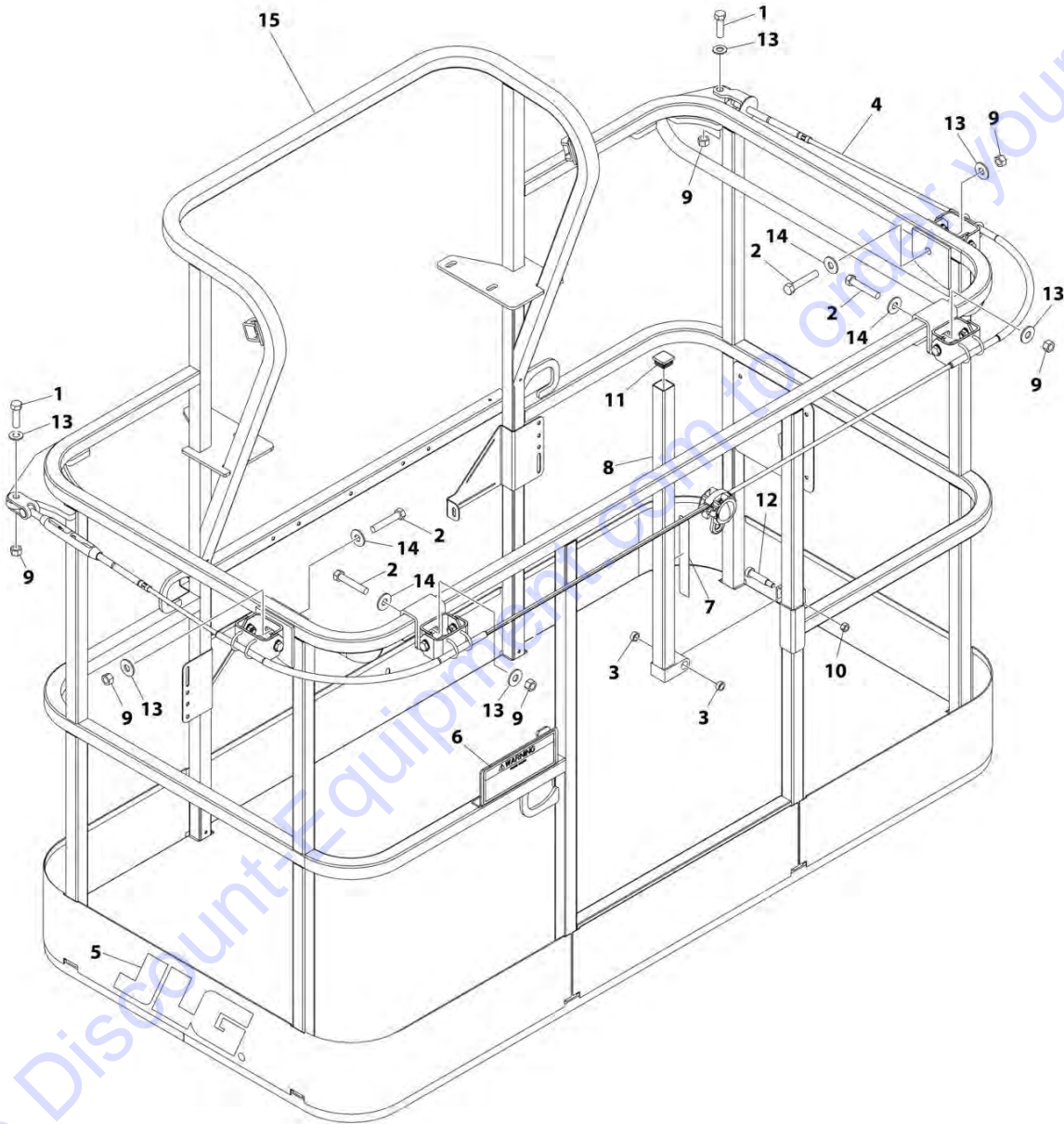
SECTION 5 - PLATFORM

FIGURE 5-6. PLATFORM ASSEMBLY - 36IN X 6FT (91.5CM X 1.83M) WITH DROP BAR

ITEM	PART NUMBER	QTY	DESCRIPTION	REV
	1001186379	Ref	PLATFORM ASSEMBLY - 36IN X 6FT (91.5CM X 1.83M) WITH DROP BAR	B
		Ref	Note: Platform and Mesh must be ordered separately for Platforms with Mesh. See SPECIAL OPTIONS SECTION for Mesh Installations.	
		Ref	Note: Replacement Decals Must be Ordered Separately - See DECALS SECTION.	
1	0100011	AR	Compound, Locking	
2	0641418	2	Bolt 1/4 x 2-1/4	
3	0961845	2	Bushing	
4	3290606	2	Nut M6	
5	3300151	2	Nut 1/4	
6	3520072	2	Plug	
7	3520198	2	Plug	
8	4010618	2	Screw M6 x 50	
9	4711400	4	Washer 1/4	
10	4811700	2	Washer M6	
11	1001138494	1	Bar, Drop	
12	1001138514	1	Rail (Top)	
13	1001140429	1	Decal - Drop Bar	
14	See Note	NSS	Platform (Note: Not Available - Purchase Platform Assembly)	

SECTION 5 - PLATFORM

FIGURE 5-7. PLATFORM ASSEMBLY - 36IN X 6FT (91.5CM X 1.83M) WITH FALL ARREST (ANSI, ANSI EXPORT, CHINA & CSA SPECS)



ART_1001186333

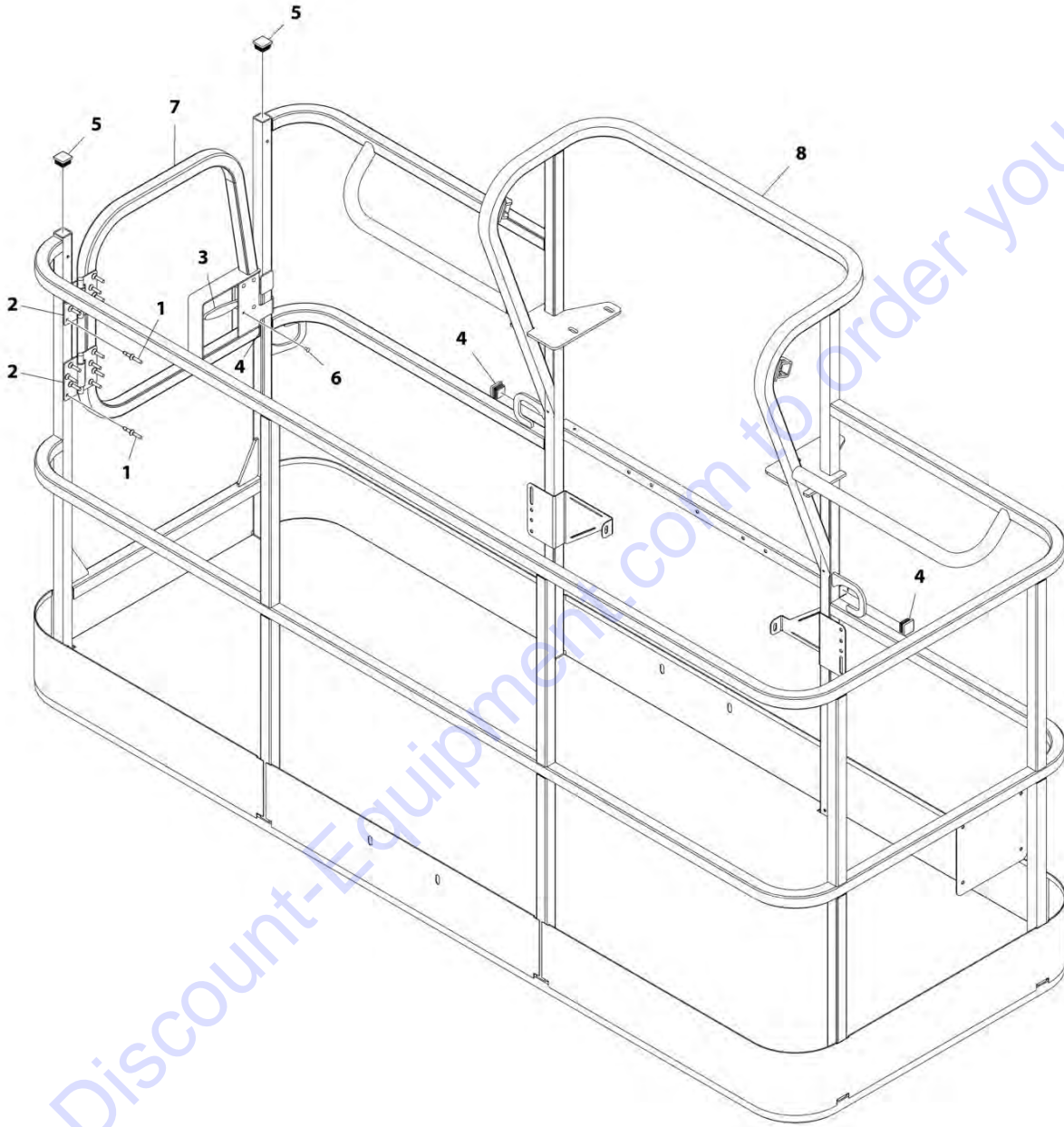
SECTION 5 - PLATFORM

FIGURE 5-7. PLATFORM ASSEMBLY - 36IN X 6FT (91.5CM X 1.83M) WITH FALL ARREST (ANSI, ANSI EXPORT, CHINA & CSA SPECS)

ITEM	PART NUMBER	QTY	DESCRIPTION	REV
	1001186333	Ref	PLATFORM ASSEMBLY - 36IN X 6FT (91.5CM X 1.83M) WITH FALL ARREST	C
		Ref	Note: Fall Arrest Not Available on Australian and CE Specs.	
		Ref	Note: Replacement Decals Must be Ordered Separately - See DECALS SECTION.	
1	0681814	2	Bolt 1/2 x 1-3/4 Grade 8	
2	0681822	4	Bolt 1/2 x 2-3/4 Grade 8	
3	0962270	2	Bearing	
4	1001203655	1	Cable	
5	1702773	1	Decal - JLG	
6	1705014	1	Decal - Safety	
7	1706385	1	Decal - Drop Bar	
8	2410014	1	Bar, Drop	
9	3271805	6	Nut 1/2 Grade 8	
10	3311605	1	Nut 3/8	
11	3520072	1	Plug	
12	3900054	1	Bolt 1/2 x 1-3/4	
13	4711800	8	Washer 1/2	
14	4751800	4	Washer 1/2	
15	See Note	NSS	Platform (Note: Not Available - Purchase Platform Assembly)	

SECTION 5 - PLATFORM

FIGURE 5-8. PLATFORM ASSEMBLY - 36IN X 8FT (91.5CM X 2.44M) WITH SWING GATE



ART_1001186383

SECTION 5 - PLATFORM

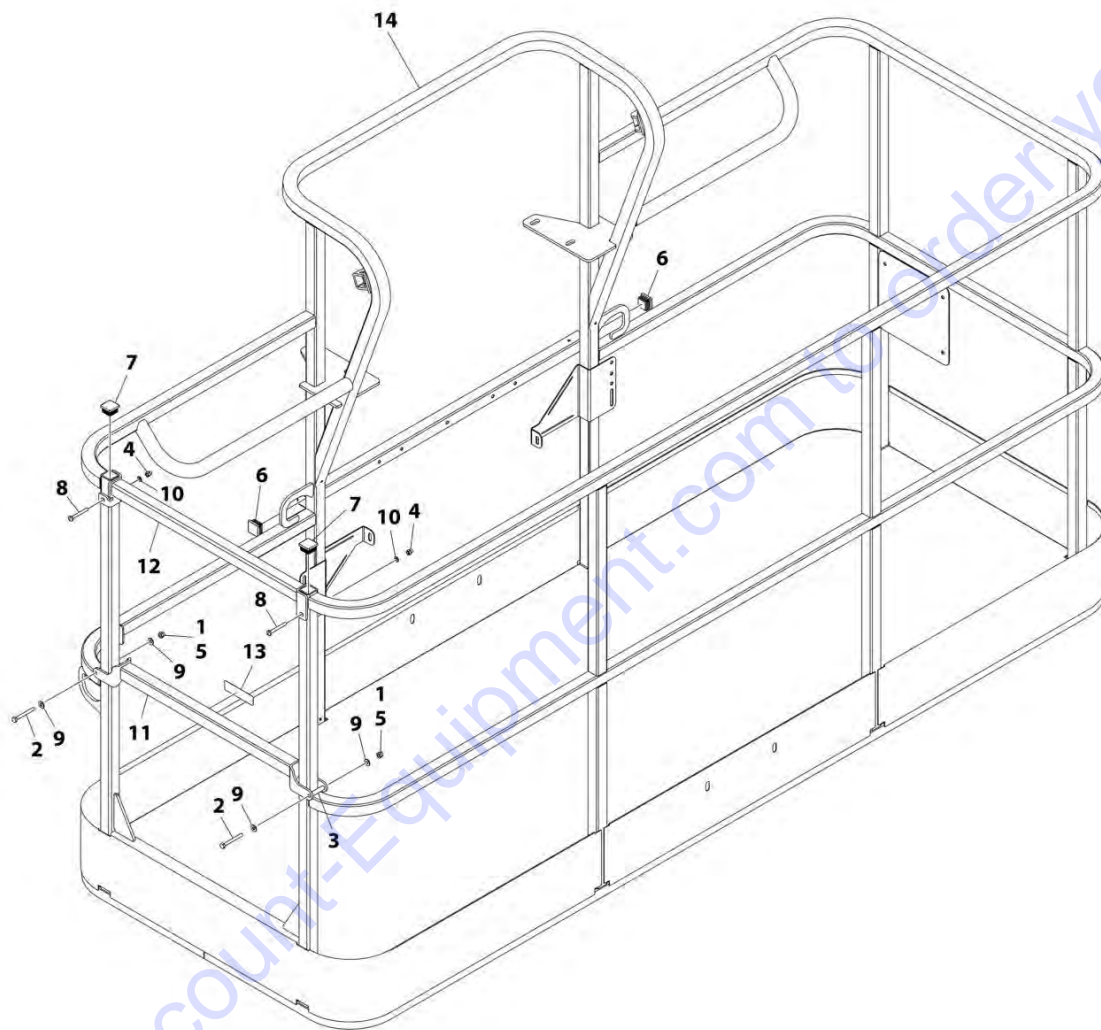
FIGURE 5-8. PLATFORM ASSEMBLY - 36IN X 8FT (91.5CM X 2.44M) WITH SWING GATE

ITEM	PART NUMBER	QTY	DESCRIPTION	REV
	1001186383	Ref	PLATFORM ASSEMBLY - 36IN X 8FT (91.5CM X 2.44M) WITH SWING GATE	D
		Ref	Note: Platform and Mesh must be ordered separately for Platforms with Mesh. See SPECIAL OPTIONS SECTION for Mesh Installations.	
		Ref	Note: Replacement Decals Must be Ordered Separately - See DECALS SECTION.	
1	2080040	16	Fastener, Huck	
2	2600281	2	Hinge	
3	2940074	1	Latch	
4	3520072	3	Plug	
5	3520198	2	Plug	
6	3820020	4	Rivet	
7	1001144629	1	Gate	
8	See Note	NSS	Platform (Note: Not Available - Purchase Platform Assembly)	

Go to Discount-Equipment.com to order your parts

SECTION 5 - PLATFORM

FIGURE 5-9. PLATFORM ASSEMBLY - 36IN X 8FT (91.5CM X 2.44M) WITH DROP BAR



ART_1001186382

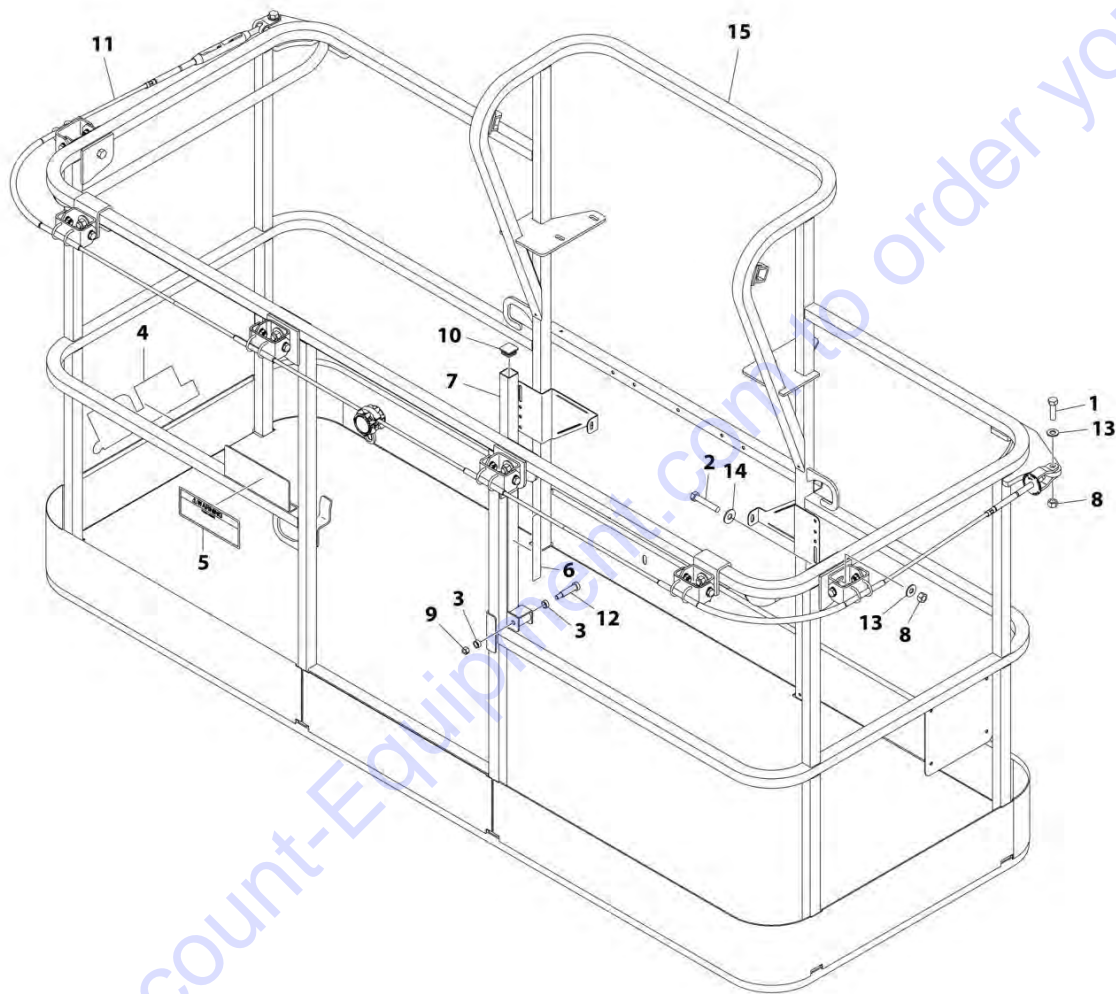
SECTION 5 - PLATFORM

FIGURE 5-9. PLATFORM ASSEMBLY - 36IN X 8FT (91.5CM X 2.44M) WITH DROP BAR

ITEM	PART NUMBER	QTY	DESCRIPTION	REV
	1001186382	Ref	PLATFORM ASSEMBLY - 36IN X 8FT (91.5CM X 2.44M) WITH DROP BAR	C
		Ref	Note: Platform and Mesh must be ordered separately for Platforms with Mesh. See SPECIAL OPTIONS SECTION for Mesh Installations.	
		Ref	Note: Replacement Decals Must be Ordered Separately - See DECALS SECTION.	
1	0100011	AR	Compound, Locking	
2	0641418	2	Bolt 1/4 x 2-1/4	
3	0961845	2	Bushing	
4	3290606	2	Nut M6	
5	3300151	2	Nut 1/4	
6	3520072	2	Plug	
7	3520198	2	Plug	
8	4010618	2	Screw M6 x 50	
9	4711400	4	Washer 1/4	
10	4811700	2	Washer M6	
11	1001138494	1	Bar, Drop	
12	1001138514	1	Rail (Top)	
13	1001140429	1	Decal - Drop Bar	
14	See Note	NSS	Platform (Note: Not Available - Purchase Platform Assembly)	

SECTION 5 - PLATFORM

FIGURE 5-10. PLATFORM ASSEMBLY - 36IN X 8FT (91.5CM X 2.44M) WITH FALL ARREST



ART_1001186334

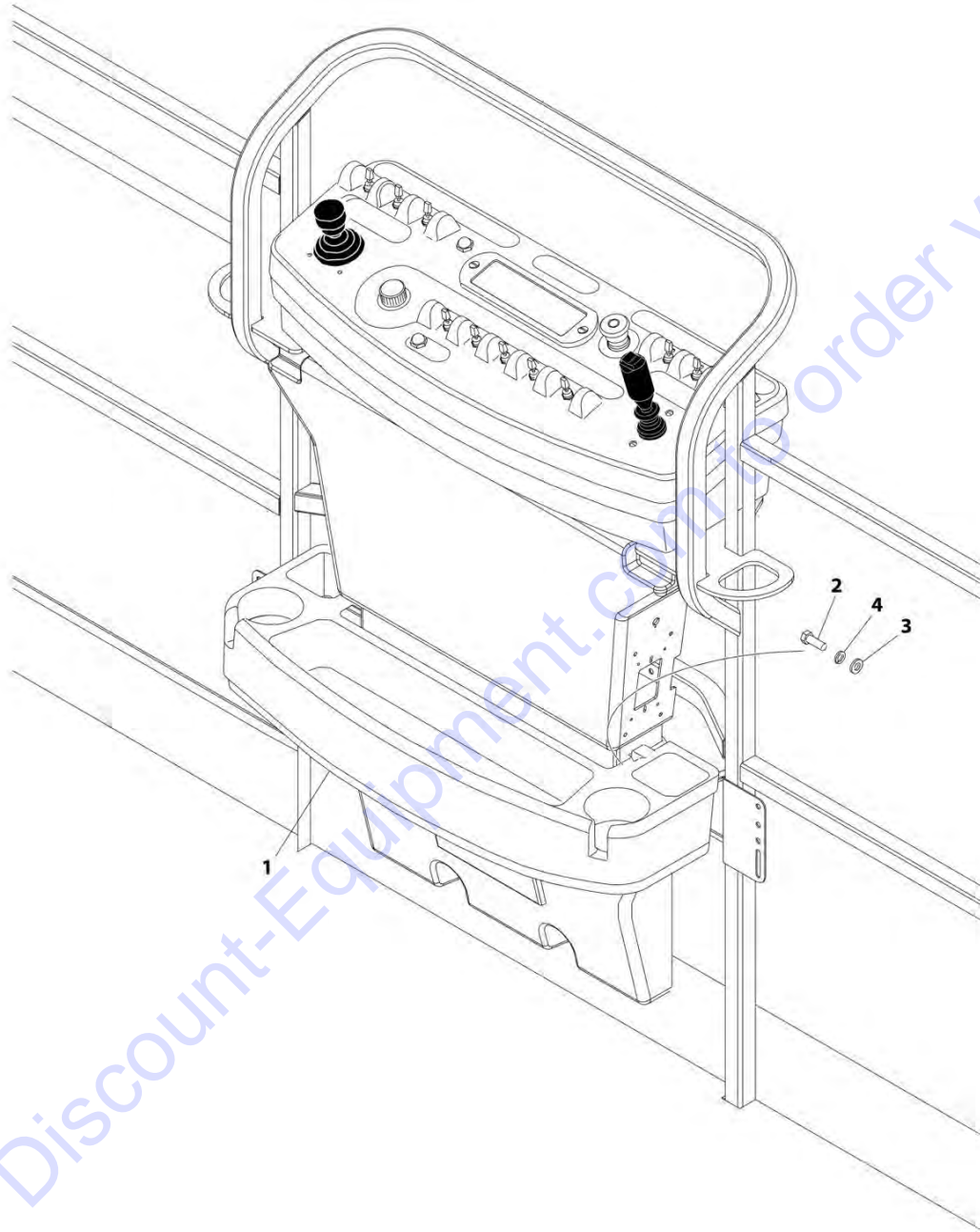
SECTION 5 - PLATFORM

FIGURE 5-10. PLATFORM ASSEMBLY - 36IN X 8FT (91.5CM X 2.44M) WITH FALL ARREST

ITEM	PART NUMBER	QTY	DESCRIPTION	REV
	1001186334	Ref	PLATFORM ASSEMBLY	D
		Ref	Note: Replacement Decals Must be Ordered Separately - See DECALS SECTION.	
		Ref	Note: Fall Arrest Not Available on Australian and CE Specs.	
1	0681814	2	Bolt 1/2 x 1-3/4 Grade 8	
2	0681822	6	Bolt 1/2 x 2-3/4 Grade 8	
3	0962270	2	Bearing	
4	1702773	1	Decal - JLG	
5	1705014	1	Decal - Safety	
6	1706385	1	Decal - Drop Bar	
7	2410014	1	Bar, Drop	
8	3271805	8	Nut 1/2 Grade 8	
9	3311605	1	Nut 3/8	
10	3520072	1	Plug	
11	1001203656	1	Cable	
12	3900054	1	Bolt 1/2 x 1-3/4	
13	4711800	2	Washer 1/2	
14	4751800	6	Washer 1/2	
15	See Note	NSS	Platform (Note: Purchase Platform Assembly)	

SECTION 5 - PLATFORM

FIGURE 5-11. TRAY ASSEMBLY



ART_1580012

SECTION 5 - PLATFORM

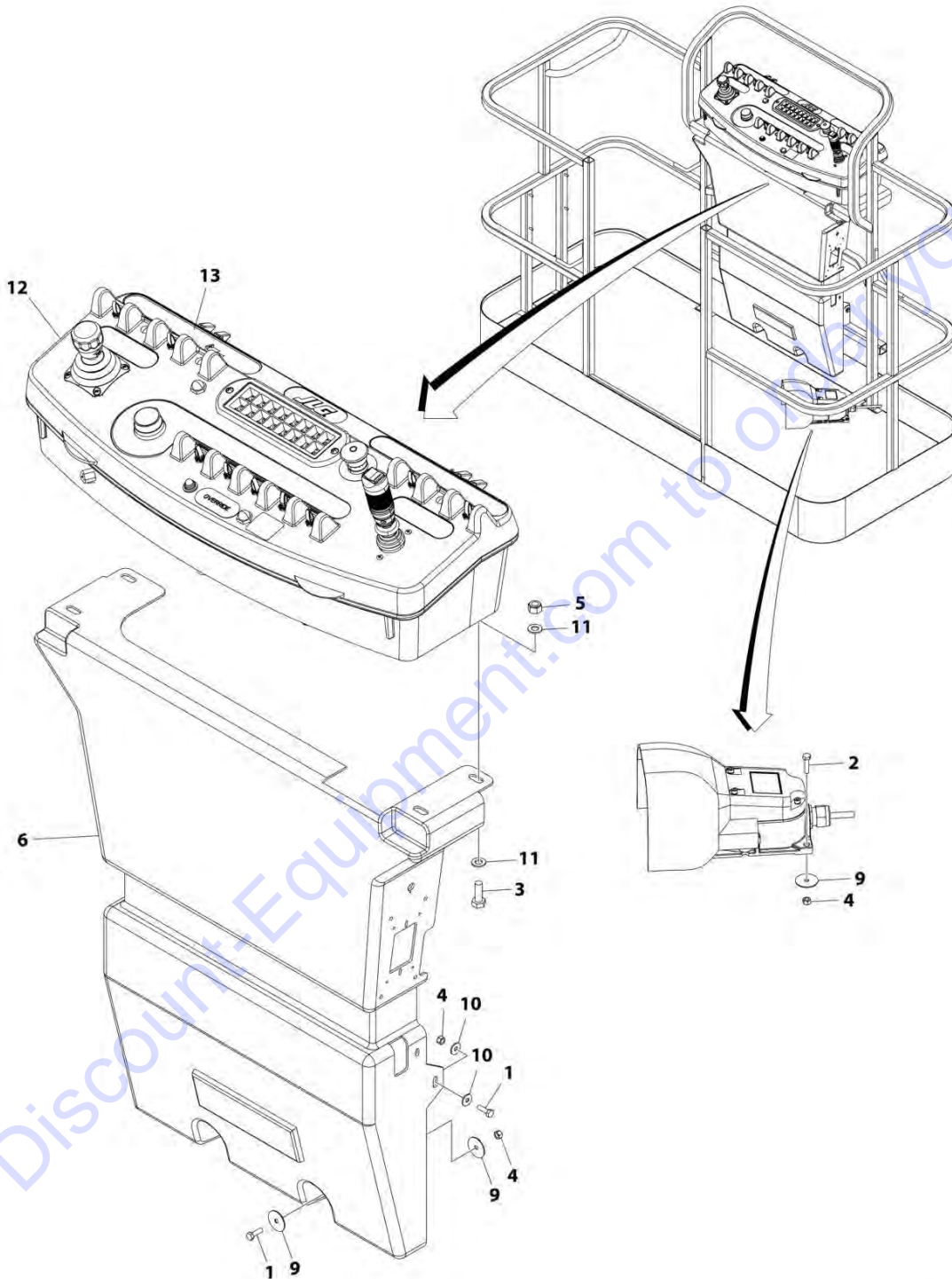
FIGURE 5-11. TRAY ASSEMBLY

ITEM	PART NUMBER	QTY	DESCRIPTION	REV
	1580012	Ref	TRAY ASSEMBLY	C
1	See Note	1	Tray, Storage (Center) (Note: Purchase p/n 1580012)	
2	0641406	2	Bolt 1/4 x 3/4	
3	4751400	2	Washer 1/4	
4	4761400	2	Washer 1/4	

Go to Discount-Equipment.com to order your parts

SECTION 5 - PLATFORM

FIGURE 5-12. PLATFORM CONSOLE AND FOOTSWITCH INSTALLATION (Prior to SN 0300259698)



ART_1001222706

SECTION 5 - PLATFORM

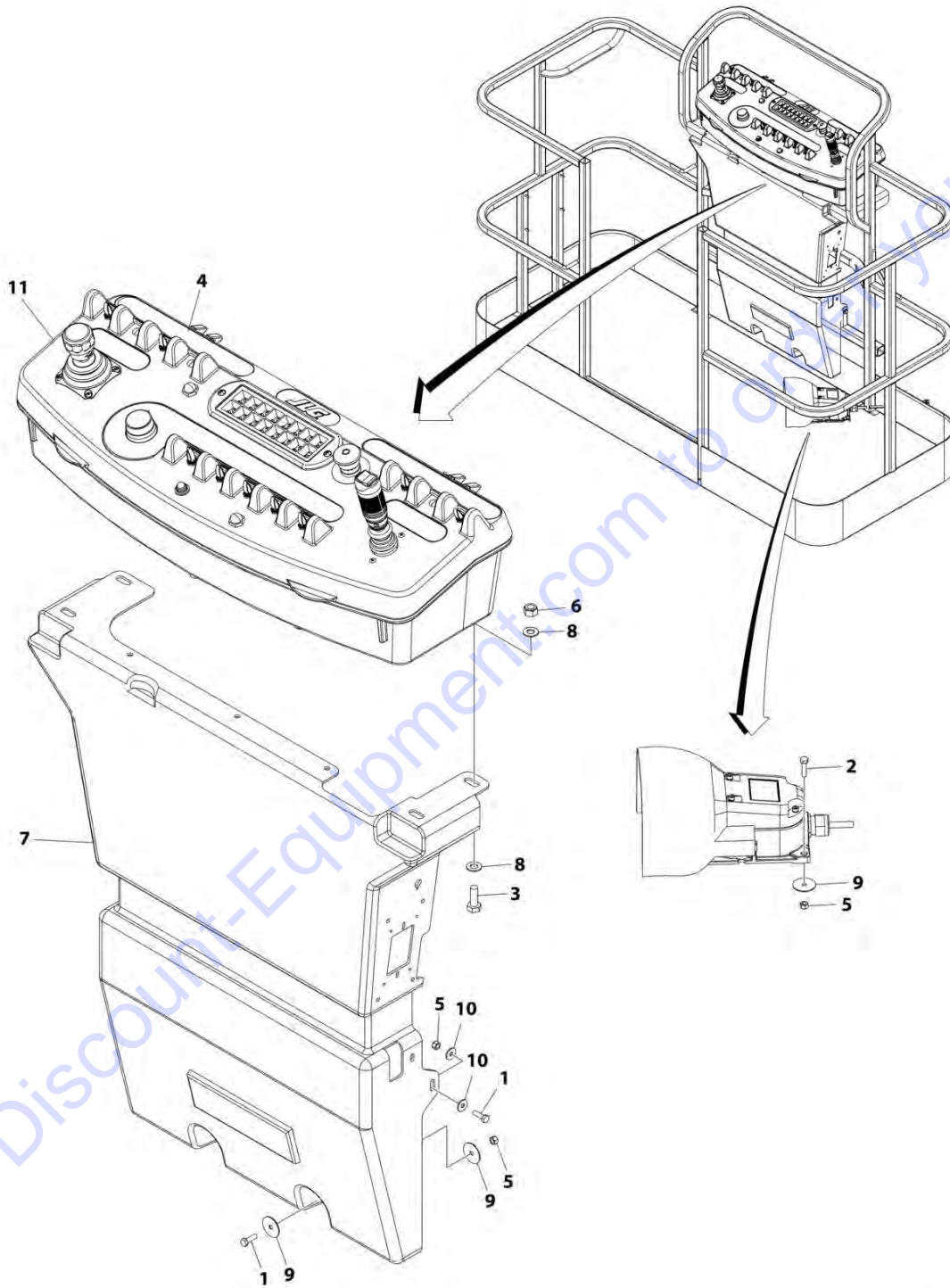
FIGURE 5-12. PLATFORM CONSOLE AND FOOTSWITCH INSTALLATION (Prior to SN 0300259698)

ITEM	PART NUMBER	QTY	DESCRIPTION	REV
	1001222706	Ref	PLATFORM CONSOLE AND FOOTSWITCH INSTALLATION	C
1	0641406	4	Bolt 1/4 x 3/4	
2	0641408	3	Bolt 1/4 x 1	
3	0641610	4	Bolt 3/8 x 1-1/4	
4	3311405	7	Nut 1/4	
5	3311605	4	Nut 3/8	
6	3380434	1	Panel	
9	4740362	7	Washer	
10	4751400	4	Washer 1/4	
11	4761600	8	Washer 3/8	
12	1001222707	1	Platform Console Assembly (See Separate Breakdown in this Section)	
13	1702676	1	Decal - Horn	

Go to Discount-Equipment.com to order your parts

SECTION 5 - PLATFORM

FIGURE 5-13. PLATFORM CONSOLE AND FOOTSWITCH INSTALLATION (SN 0300259698 to Present)



ART_1001244472

SECTION 5 - PLATFORM

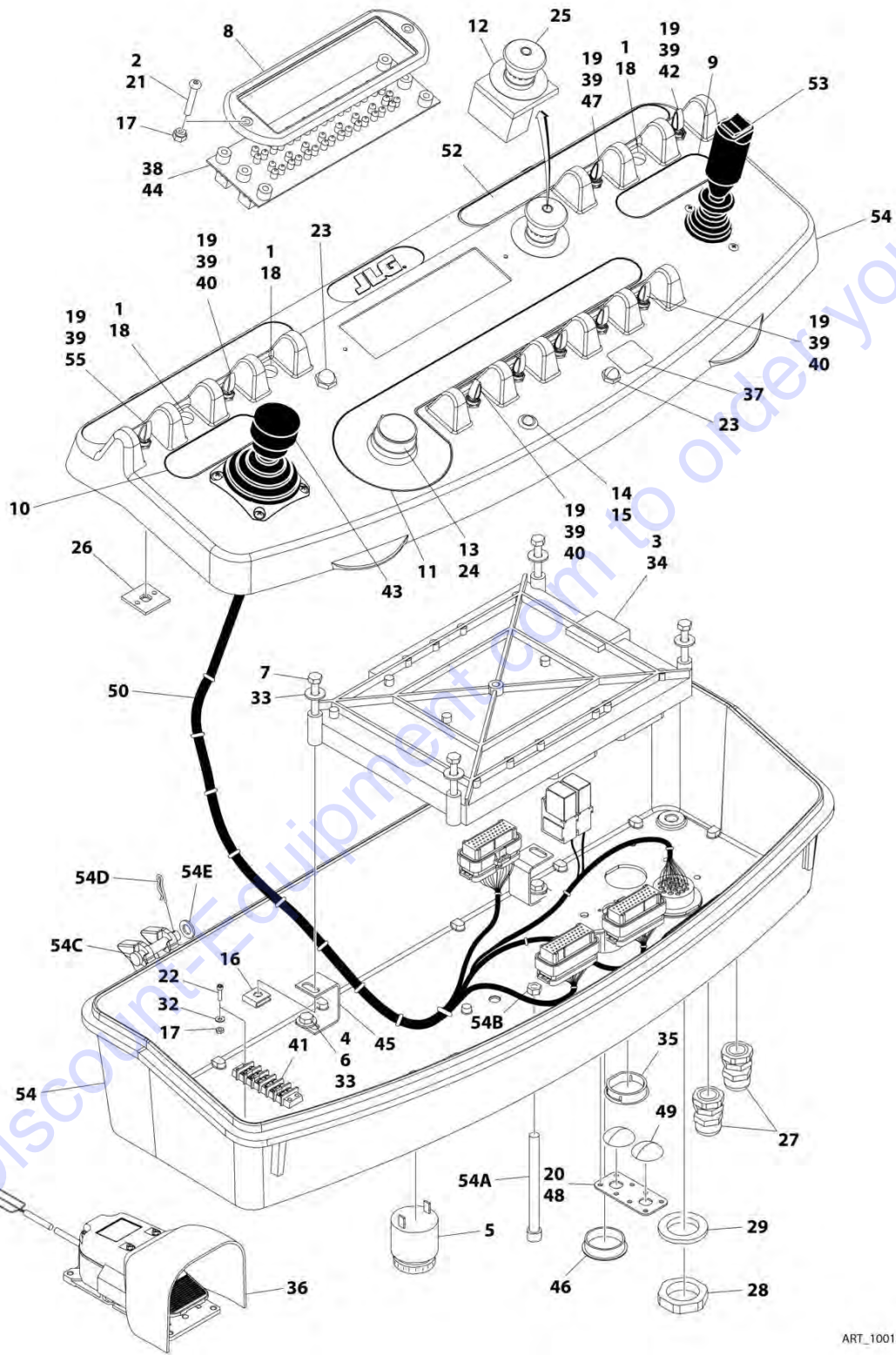
FIGURE 5-13. PLATFORM CONSOLE AND FOOTSWITCH INSTALLATION (SN 0300259698 to Present)

ITEM	PART NUMBER	QTY	DESCRIPTION	REV
	1001244472	Ref	PLATFORM CONSOLE AND FOOTSWITCH INSTALLATION	A
1	0641406	4	Bolt 1/4 x 3/4	
2	0641408	3	Bolt 1/4 x 1	
3	0641610	4	Bolt 3/8 x 1-1/4	
4	1702676	1	Decal - Horn	
5	3311405	7	Nut 1/4	
6	3311605	4	Nut 3/8	
7	3380434	1	Panel	
8	4711600	8	Washer 3/8	
9	4740362	7	Washer	
10	4751400	4	Washer 1/4	
11	1001244473	1	Platform Console Assembly (See Separate Breakdown in this Section)	

Go to Discount-Equipment.com to order your parts

SECTION 5 - PLATFORM

FIGURE 5-14. CONSOLE BOX ASSEMBLY (Prior to SN 0300259698)



ART_1001222707

SECTION 5 - PLATFORM

FIGURE 5-14. CONSOLE BOX ASSEMBLY (Prior to SN 0300259698)

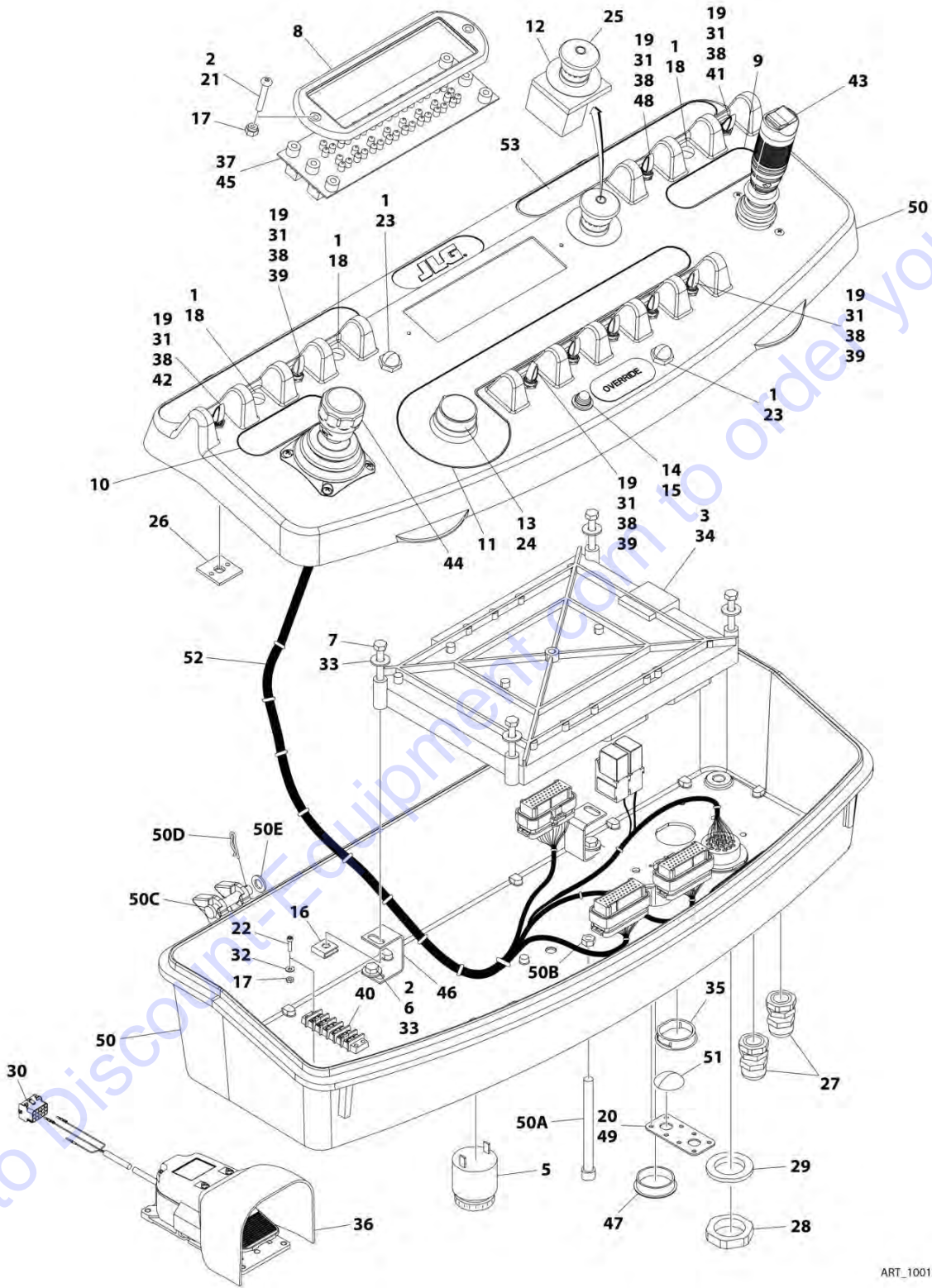
ITEM	PART NUMBER	QTY	DESCRIPTION	REV
	1001222707	Ref	CONSOLE BOX ASSEMBLY	G
1	0100009	AR	Sealant	
2	0100035	AR	Compound, Locking	
3	0100048	AR	Grease, Dielectric	
4	0100081	AR	Adhesive	
5	0140011	1	Alarm	
6	0641404	4	Bolt 1/4 x 1/2	
7	0641414	4	Bolt 1/4 x 1-3/4	
8	1670829	1	Bezel	
9	1702565	1	Decal - Drive and Steer	
10	1702566	1	Decal - Lift and Swing	
11	1702567	1	Decal - Function Speed	
12	1704260	1	Decal - Emergency Stop	
13	2560136	1	Handle, Knob	
14	2920028	1	Light, Indicator	
15	2920029	1	Bulb, Light	
16	3300353	4	Nut, Tinnerman	
17	3311005	4	Nut #10	
18	3520054	3	Plug	
19	3790012	9	O-Ring	
20	3900349	8	Capscrew M2.5 x 8	
21	3911018	2	Screw #10 x 1-1/8	
22	3931012	2	Capscrew #10 x 3/4	
22	3931016	2	Capscrew #10 x 1	
23	4360387	2	Switch, Push Button	
24	4360407	1	Controller, Speed	
24	4460224	1	Receptacle, Female - 6 Position	
24	4460226	6	Socket, Female	
24	See Note	1	Gasket "Top Hat" (Included with Switch) (Note: Not Available - Purchase Complete Controller)	
24	70003784	1	Seal	
25	4360475	1	Switch, Emergency Stop	
25	7020175	1	Cap, Red	
25	7020176	1	Block, Contact	
26	4460234	3	Mount, Tie-Strap	
27	4460428	2	Connector, Strain Relief	
28	4460470	1	Nut, Terminal	
29	4460471	1	Washer, Terminal	
30	4460708	1	Connector - 15 Position (Not Shown)	
32	4751000	2	Washer #10	
33	4751400	8	Washer 1/4	
34	1001106938	1	Module, Platform (Note: Re-calibration Required when Replaced)	
35	1001110434	1	Plug	
36	1001117174	1	Footswitch Assembly (See Separate Breakdown in this Section)	
37	1001144433	1	Decal - No Weight SkyGuard	
38	1001146220	1	Fixture, Light	
39	1001155044	9	Nut 15/32	
40	1001155045	6	Switch, Toggle	
41	1001157292	1	Bussbar	
42	1001159256	1	Switch, Toggle	

SECTION 5 - PLATFORM

ITEM	PART NUMBER	QTY	DESCRIPTION	REV
43	1001166539	NLA	Controller Assembly (Lift and Swing) (Use p/n 10012129555) (See Separate Breakdown in this Section)	
44	1001170838	1	Gauge, LED	
45	1001172760	4	Bracket	
46	1001185281	1	Plug	
47	1001211363	1	Switch, Toggle	
48	1001213882	1	Mount	
49	1001220486	1	Plug	
50	1001222042	1	Platform Console Harness (See Separate Breakdown in ELECTRICAL SECTION)	
52	1001222709	1	Decal - Stop	
53	1001166538	NLA	Controller Assembly (Drive and Steer) (Use p/n 1001212415) (See Separate Breakdown in this Section)	
54	1001215228	1	Console Box Assembly	
54A	0630568	1	Capscrew 3/8 x 4-1/2	
54B	3311601	1	Nut 3/8	
54C	3430616	2	Pin	
54D	3470003	2	Hairpin	
54E	4711600	2	Washer 3/8	
55	1001161709	1	Switch, Toggle	

SECTION 5 - PLATFORM

FIGURE 5-15. CONSOLE BOX ASSEMBLY (SN 0300259698 to Present)



ART_1001244473

SECTION 5 - PLATFORM

FIGURE 5-15. CONSOLE BOX ASSEMBLY (SN 0300259698 to Present)

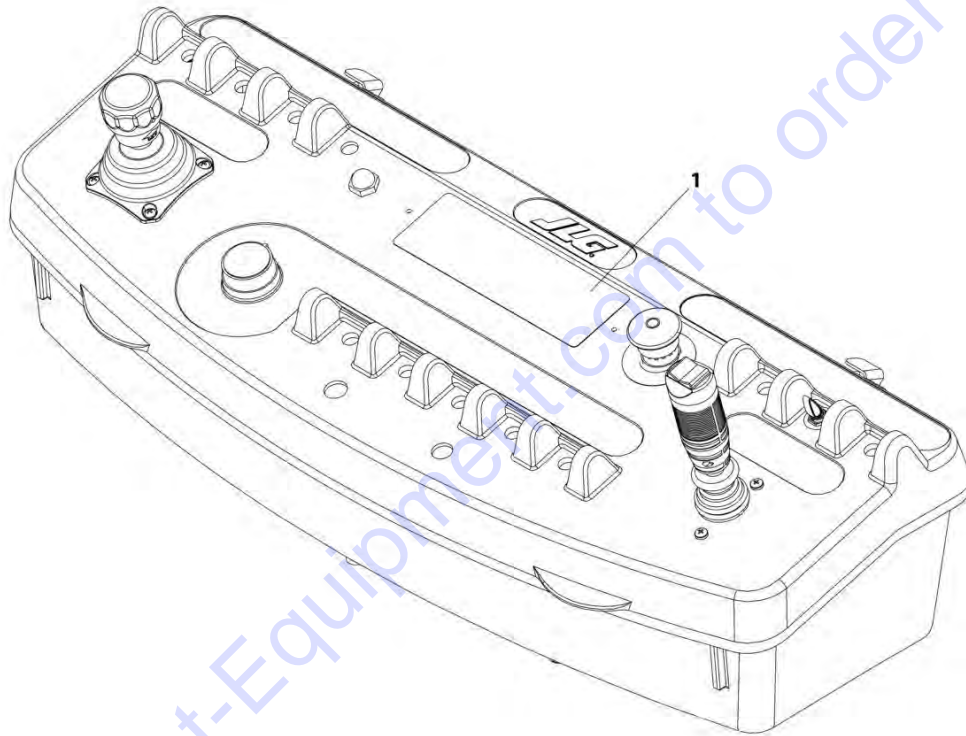
ITEM	PART NUMBER	QTY	DESCRIPTION	REV
	1001244473	Ref	CONSOLE BOX ASSEMBLY	A
1	0100009	AR	Sealant	
2	0100035	AR	Compound, Locking	
3	0100048	AR	Grease, Dielectric	
5	0140011	1	Alarm	
6	0641404	4	Bolt 1/4 x 1/2	
7	0641414	4	Bolt 1/4 x 1-3/4	
8	1670829	1	Bezel	
9	1702565	1	Decal - Drive and Steer	
10	1702566	1	Decal - Lift and Swing	
11	1702567	1	Decal - Function Speed	
12	1704260	1	Decal - Emergency Stop	
13	2560136	1	Handle, Knob	
14	2920028	1	Light, Indicator	
15	2920029	1	Bulb, Light	
16	3300353	4	Nut, Tinnerman	
17	3311005	4	Nut #10	
18	3520054	3	Plug	
19	3790012	9	O-Ring	
20	3900349	8	Capscrew M2.5 x 8	
21	3911018	2	Screw #10 x 1-1/8	
22	3931016	2	Capscrew #10 x 1	
23	4360387	2	Switch, Push Button	
24	4360407	1	Controller, Speed	
24	4460224	1	Receptacle, Female - 6 Position	
24	4460226	6	Socket, Female	
24	See Note	1	Gasket "Top Hat" (Included with Switch) (Note: Not Available - Purchase Complete Controller)	
24	70003784	1	Seal	
25	4360475	1	Switch, Emergency Stop	
25	7020175	1	Cap, Red	
25	7020176	1	Block, Contact	
26	4460234	3	Mount, Tie-Strap	
27	4460428	2	Connector, Strain Relief	
28	4460470	1	Nut, Terminal	
29	4460471	1	Washer, Terminal	
30	4460708	1	Connector - 15 Position (Not Shown)	
31	4740397	9	Spacer	
32	4751000	2	Washer #10	
33	4751400	8	Washer 1/4	
34	1001106938	1	Module, Platform (Note: Re-calibration Required when Replaced)	
35	1001110434	1	Plug	
36	1001117174	1	Footswitch Assembly (See Separate Breakdown in this Section)	
37	1001146220	1	Fixture, Light	
38	1001155044	9	Nut 15/32	
39	1001155045	6	Switch, Toggle	
40	1001157292	1	Bussbar	
41	1001159256	1	Switch, Toggle	
42	1001161709	1	Switch, Toggle	
43	1001166538	NLA	Control Drive/Steer	

SECTION 5 - PLATFORM

ITEM	PART NUMBER	QTY	DESCRIPTION	REV
44	1001166539	1	Control Lift/Swing	
45	1001170838	1	Gauge, LED	
46	1001172760	4	Bracket	
47	1001185281	1	Plug	
48	1001211363	1	Switch, Toggle	
49	1001213882	1	Mount	
50	1001215228	1	Console Box Assembly	
50A	0630568	1	Capscrew 3/8 x 4-1/2	
50B	3311601	1	Nut 3/8	
50C	3430616	2	Pin	
50D	3470003	2	Hairpin	
50E	4711600	2	Washer 3/8	
51	1001220486	1	Plug	
52	1001222042	1	Platform Console Harness (See Separate Breakdown in ELECTRICAL SECTION)	
53	1001222709	1	Decal - Stop	

SECTION 5 - PLATFORM

FIGURE 5-16. LIGHT PANEL INSTALLATION



ART_1001222710

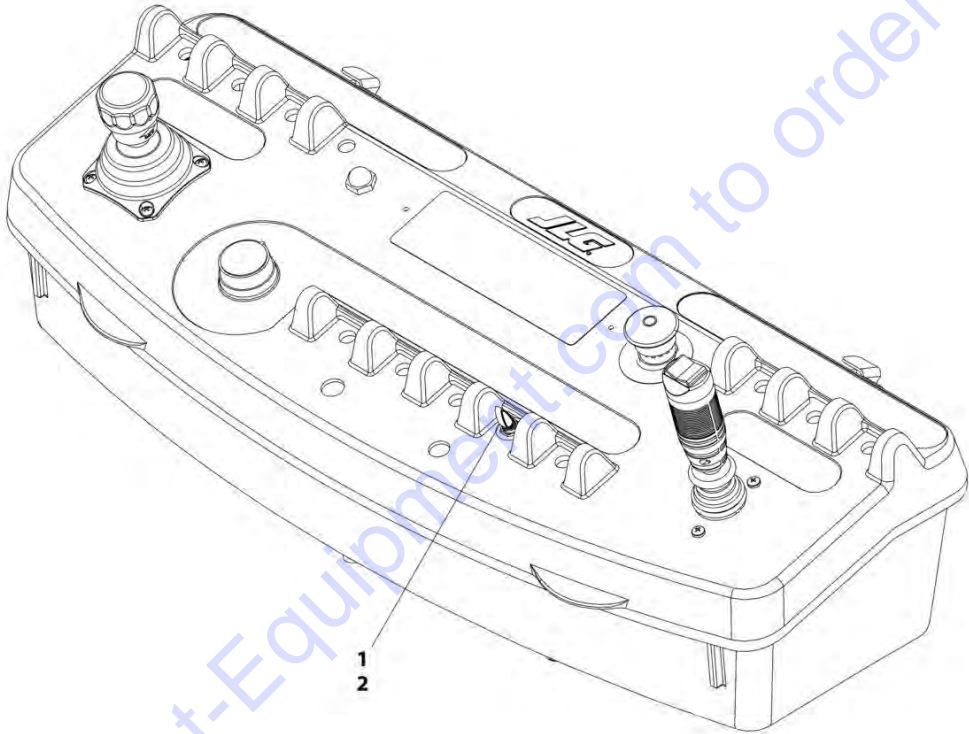
FIGURE 5-16. LIGHT PANEL INSTALLATION

ITEM	PART NUMBER	QTY	DESCRIPTION	REV
1	1001222710	Ref	LIGHT PANEL INSTALLATION	A
	1001222713	1	Decal - Display	

Go to Discount-Equipment.com to order your parts

SECTION 5 - PLATFORM

FIGURE 5-17. JIB SWITCH INSTALLATION



ART_0271340

SECTION 5 - PLATFORM

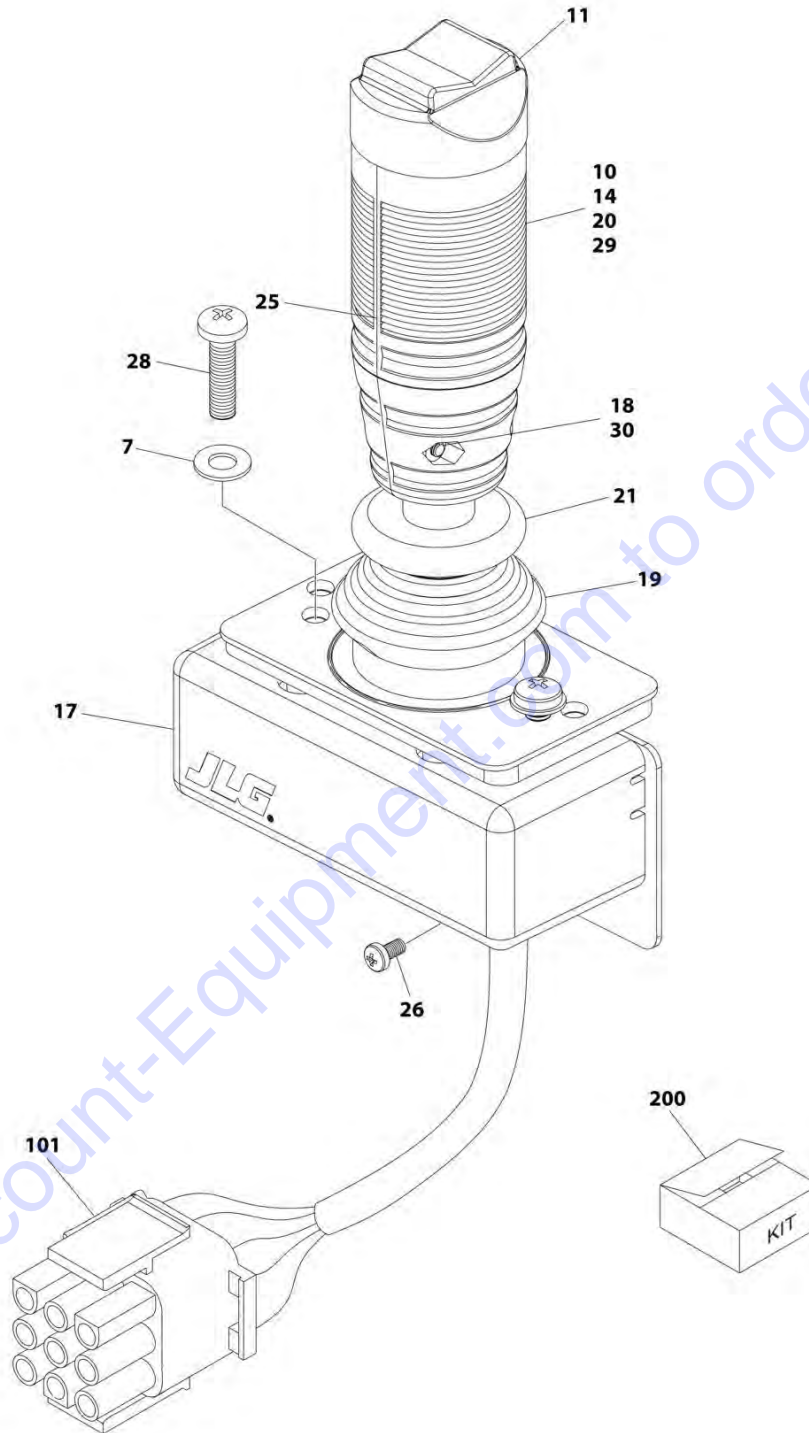
FIGURE 5-17. JIB SWITCH INSTALLATION

ITEM	PART NUMBER	QTY	DESCRIPTION	REV
	0271340	Ref	JIB SWITCH INSTALLATION	1/A
1	4360328	1	Switch, Toggle	
2	3790012	1	O-Ring	

Go to Discount-Equipment.com to order your parts

SECTION 5 - PLATFORM

FIGURE 5-18. CONTROLLER ASSEMBLY (DRIVE AND STEER)



ART_1001166538

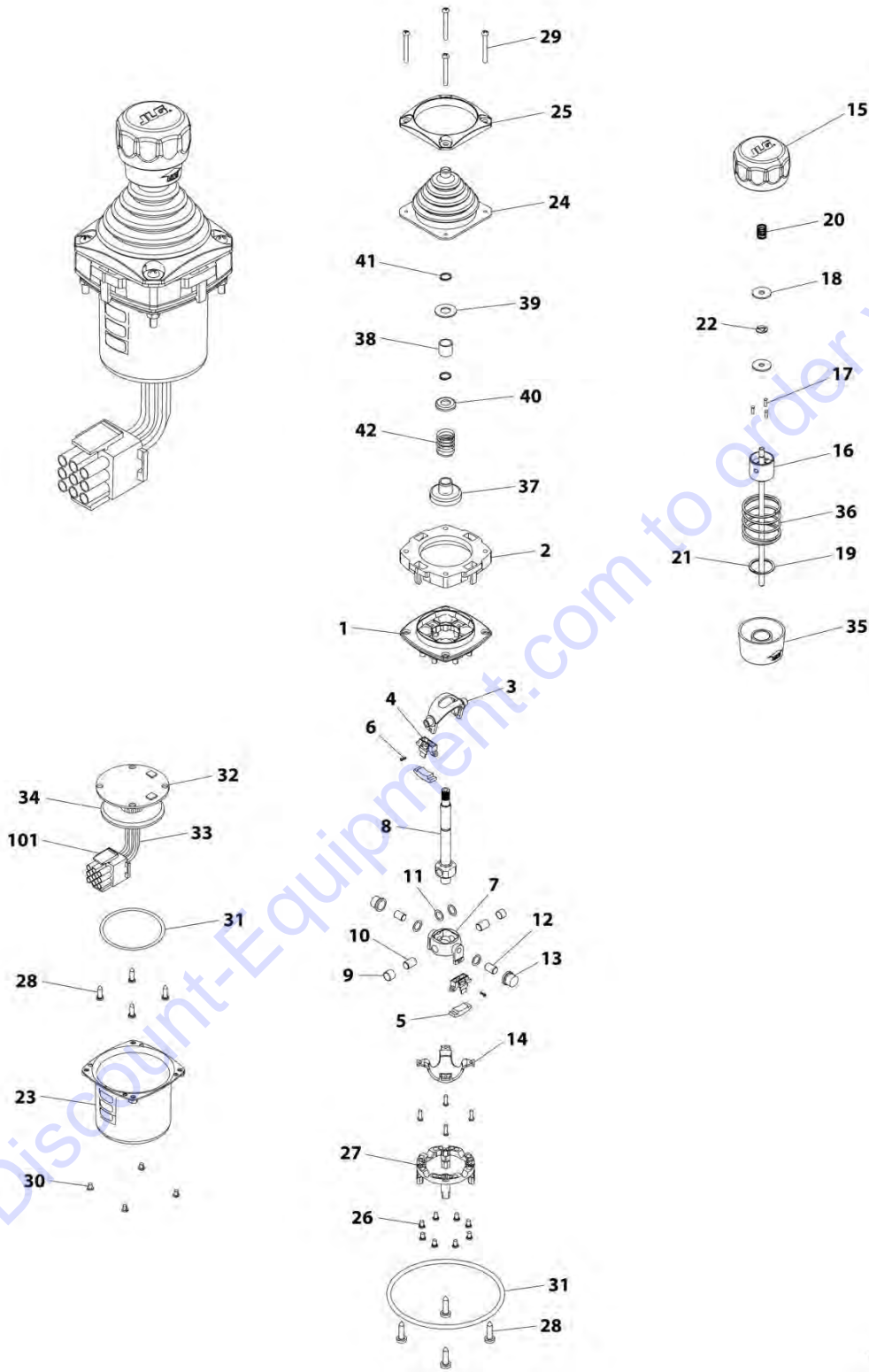
SECTION 5 - PLATFORM

FIGURE 5-18. CONTROLLER ASSEMBLY (DRIVE AND STEER)

ITEM	PART NUMBER	QTY	DESCRIPTION	REV
	1001166538	Ref	CONTROLLER ASSEMBLY	G
		Ref	Note : Use p/n 1001212415 Kit as Replacement.	
7	70004738	2	Washer	
10	70004739	1	Roller	
11	70004740	1	Boot, Switch	
14	70004741	2	Half, Handle	
17	70004742	1	Enclosure	
18	70004743	4	Nut	
19	70004744	NLA	Boot, Controller (Note: Use Item 200)	
20	70004745	NLA	Tube, Locking (Note: Use Item 200)	
21	70004746	NLA	Disc, Locking (Note: Use Item 200)	
25	70004747	2	Seal, Rope	
26	70004748	1	Screw M3 x 6	
28	70004749	2	Screw M5 x 20	
29	70004750	1	Pin, Dowel	
30	70004751	4	Screw M3 x 16	
101	4460265	1	Connector - 9 Position	
101	4460226	7	Socket, Female	
200	70005230	1	Boot Kit (Includes Items 19-21)	

SECTION 5 - PLATFORM

FIGURE 5-19. CONTROLLER ASSEMBLY (LIFT AND SWING)



ART_1001166539

SECTION 5 - PLATFORM

FIGURE 5-19. CONTROLLER ASSEMBLY (LIFT AND SWING)

ITEM	PART NUMBER	QTY	DESCRIPTION	REV
	1001166539	Ref	CONTROLLER ASSEMBLY	D
		Ref	Note: Use p/n 1001129555 as Replacement.	
1	See Note	NSS	Main Cast Body (Note: Not Available - Purchase Complete Assembly)	
2	70004752	1	Adapter	
3	See Note	NSS	Pivot Arm, Plastic (Note: Not Available - Purchase Complete Assembly)	
4	See Note	NSS	Holder, Magnet (Note: Not Available - Purchase Complete Assembly)	
5	See Note	NSS	Arc, Magnet (Note: Not Available - Purchase Complete Assembly)	
6	See Note	NSS	Screw (Note: Not Available for Purchase)	
7	See Note	NSS	Pivot Arm, Cast (Note: Not Available - Purchase Complete Assembly)	
8	See Note	NSS	Shaft, Main (Note: Not Available - Purchase Complete Assembly)	
9	See Note	NSS	Bearing (Note: Not Available - Purchase Complete Assembly)	
10	See Note	NSS	Pin (Note: Not Available - Purchase Complete Assembly)	
11	See Note	NSS	Shim (Note: Not Available - Purchase Complete Assembly)	
12	See Note	NSS	Pin (Note: Not Available - Purchase Complete Assembly)	
13	See Note	NSS	Bearing (Note: Not Available - Purchase Complete Assembly)	
14	See Note	NSS	Dome, Centering (Note: Not Available - Purchase Complete Assembly)	
15	70004753	1	Cap	
16	70004754	1	Insert, Cap	
17	70004755	3	Pin	
18	70004756	2	Washer	
19	70004757	1	Pin, Centering	
20	70004758	1	Spring	
21	70004759	1	Ring, Retaining	
22	70004760	1	E-Ring	
23	70004761	1	Can, Enclosure	
24	70004762	1	Boot	
25	70004763	1	Bezel	
26	See Note	NSS	Screw (Note: Not Available for Purchase)	
27	See Note	NSS	Base Mounting (Note: Not Available - Purchase Complete Assembly)	
28	See Note	NSS	Screw (Note: Not Available for Purchase)	
29	70004764	4	Screw	
30	70004765	4	Screw	
31	70004766	1	O-Ring	
32	See Note	NSS	Plate (Note: Not Available - Purchase Complete Assembly)	
33	See Note	NSS	Harness (Note: Not Available - Purchase Complete Assembly)	
34	70004767	1	Grommet, Rubber	
35	70004768	1	Housing	
36	70004769	1	Spring	
37	70004770	1	Stopper	
38	70004771	1	Spacer	
39	70004772	1	Washer	
40	70004773	1	Disc	
41	70004774	2	Ring, Retaining	
42	70004775	1	Spring	

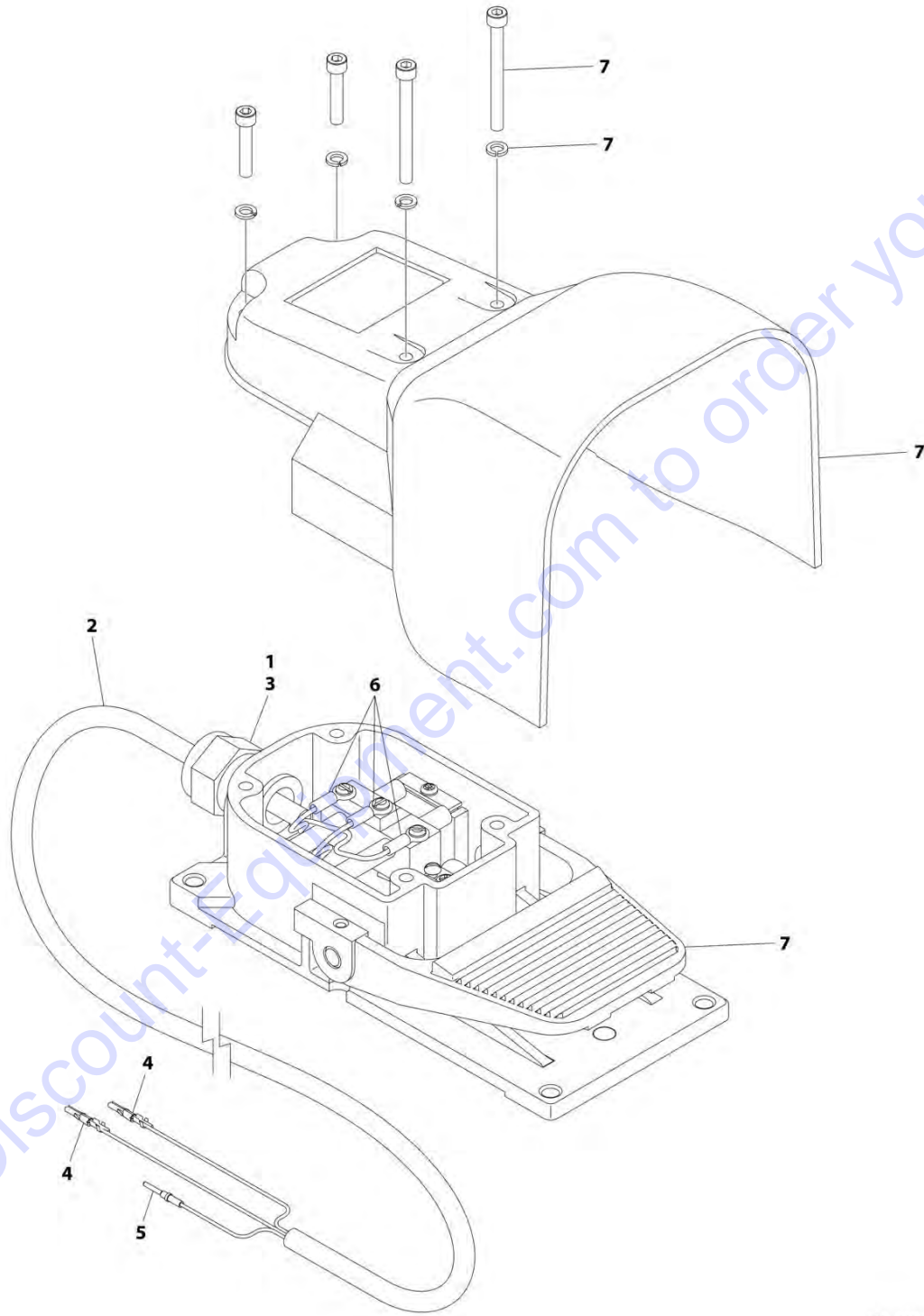
SECTION 5 - PLATFORM

ITEM	PART NUMBER	QTY	DESCRIPTION	REV
101	4460265	1	Connector - 9 Position	
101	4460226	6	Socket, Female	

Go to Discount-Equipment.com to order your parts

SECTION 5 - PLATFORM

FIGURE 5-20. FOOTSWITCH ASSEMBLY



ART_100117174

SECTION 5 - PLATFORM

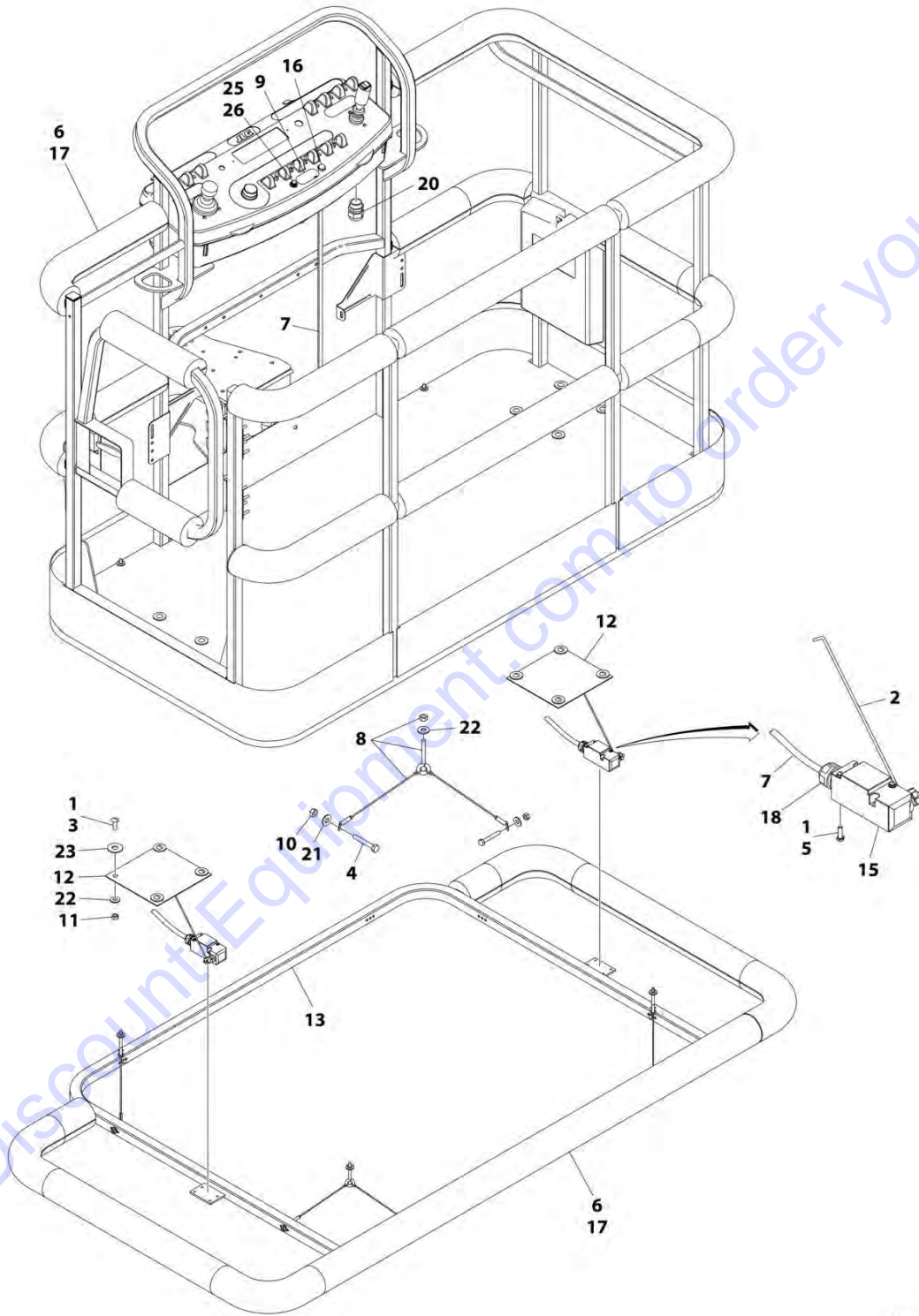
FIGURE 5-20. FOOTSWITCH ASSEMBLY

ITEM	PART NUMBER	QTY	DESCRIPTION	REV
	1001117174	Ref	FOOTSWITCH ASSEMBLY	B
1	0100020	AR	Sealant	
2	1060918	7.5 ft/ 2.3m	Cable, Electrical - 18/3	
3	4460071	1	Connector, Strain Relief	
4	4460226	2	Socket, Female	
5	4460464	1	Pin, Male	
6	1001098122	3	Terminal	
7	1001117172	1	Footswitch	
7	70002902	1	Switch, 20Amp	
7	70002903	1	Gasket	
7	70002905	1	Cover	
7	70002904	1	Kit, Replacement Bolt	

Go to Discount-Equipment.com to order your parts

SECTION 5 - PLATFORM

FIGURE 5-21. SOFT TOUCH INSTALLATION - 6FT (1.83M) PLATFORM (OPTIONAL)



ART_0273824

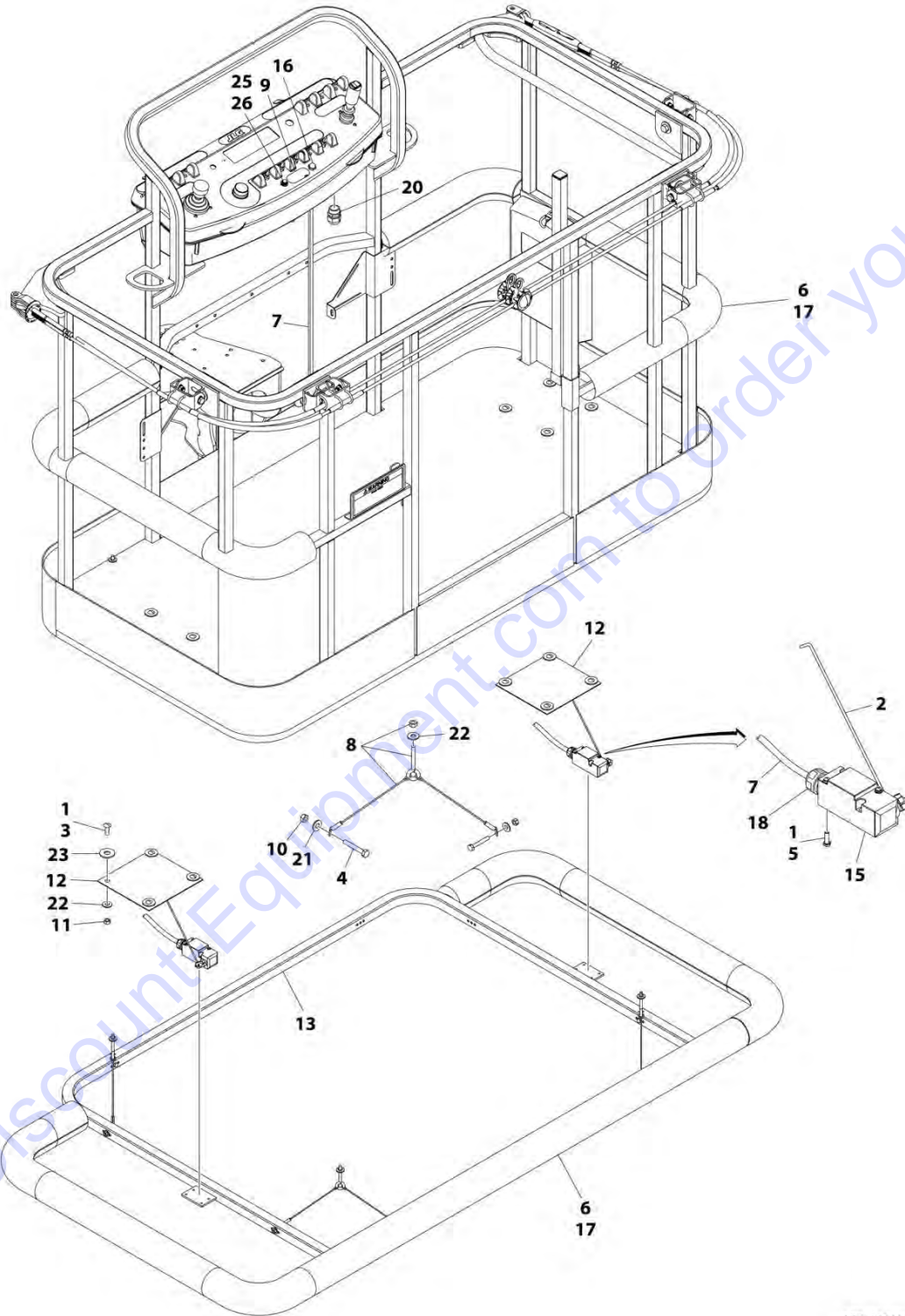
SECTION 5 - PLATFORM

FIGURE 5-21. SOFT TOUCH INSTALLATION - 6FT (1.83M) PLATFORM (OPTIONAL)

ITEM	PART NUMBER	QTY	DESCRIPTION	REV
	0273824	Ref	SOFT TOUCH INSTALLATION	D
1	0100011	AR	Compound, Locking	
2	0200048	2	Arm, Switch	
3	0630462	8	Bolt	
4	0641414	8	Bolt 1/4 x 1-3/4	
5	0721005	4	Bolt #10 x 5/8	
6	0940103	1	Bumper Kit (Includes Corners and Enough Straight Material for One Platform)	
6	0940092	12	Bumper (Corner)	
6	0940094	AR	Bumper (12ft Length)	
7	1060341	23 ft/7m	Cable, Electrical - 16/2	
8	1060903	4	Wire Rope and Eyebolt Assembly	
9	1702938	1	Decal - Soft Touch Override	
10	3311401	8	Nut 1/4	
11	3311501	8	Nut 5/16	
12	3575359	2	Plate, Switch Strike	
13	3641569	1	Rail, Soft Touch	
14	4240099	7	Tie-Strap (Not Shown)	
15	4360057	2	Switch, Limit	
16	4360387	1	Switch, Push Button	
17	4420068	AR	Tape, Adhesive	
17	1001197017	AR	Tie-Strap	
18	4460049	2	Connector, Strain Relief	
19	4460234	7	Tie-Strap (Not Shown)	
20	4460425	1	Connector, Strain Relief	
21	4751400	8	Washer 1/4	
22	4751500	12	Washer 5/16	
23	4751800	8	Washer 1/2	
25	2920028	1	Light, Indicator	
26	2920029	1	Bulb, Light	

SECTION 5 - PLATFORM

FIGURE 5-22. SOFT TOUCH INSTALLATION - 6FT (1.83M) FALL ARREST PLATFORM (OPTIONAL)



ART_1001108256

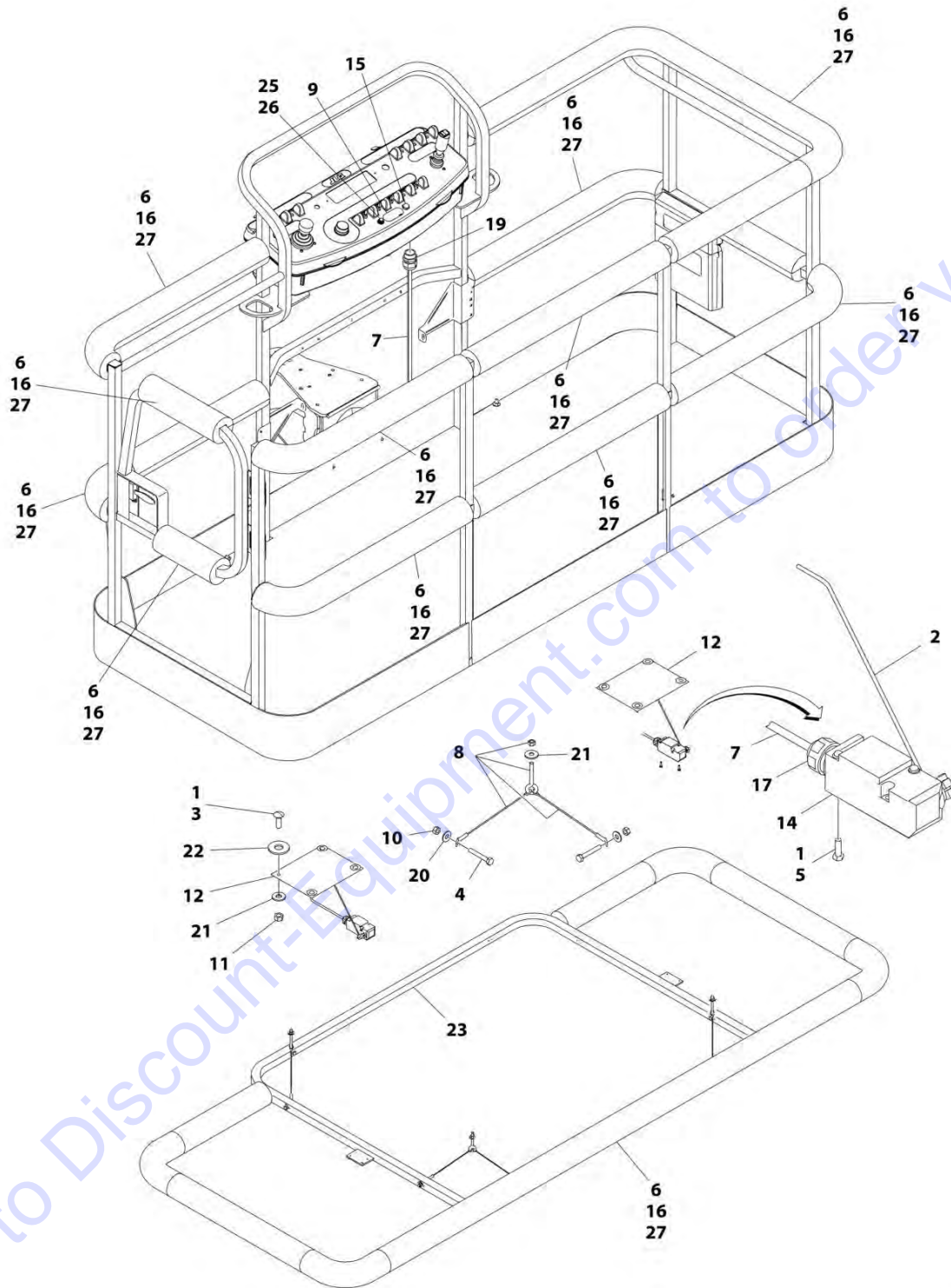
SECTION 5 - PLATFORM

FIGURE 5-22. SOFT TOUCH INSTALLATION - 6FT (1.83M) FALL ARREST PLATFORM (OPTIONAL)

ITEM	PART NUMBER	QTY	DESCRIPTION	REV
	1001108256	Ref	SOFT TOUCH INSTALLATION	C
1	0100011	AR	Compound, Locking	
2	0200048	2	Arm, Switch	
3	0630462	8	Bolt	
4	0641414	8	Bolt 1/4 x 1-3/4	
5	0721005	4	Bolt #10 x 5/8	
6	0940177	1	Bumper Kit (Includes Corners and Enough Straight Material for One Platform)	
6	0940092	8	Bumper (Corner)	
6	0940094	AR	Bumper (12ft Length)	
7	1060341	23 ft/7m	Cable, Electrical - 16/2	
8	1060903	4	Wire Rope and Eyebolt Assembly	
9	1702938	1	Decal - Soft Touch Override	
10	3311401	8	Nut 1/4	
11	3311501	8	Nut 5/16	
12	3575359	2	Plate, Switch Strike	
13	3641569	1	Rail, Soft Touch	
14	4240099	7	Tie-Strap (Not Shown)	
15	4360057	2	Switch, Limit	
16	4360387	1	Switch, Push Button	
17	4420068	AR	Tape, Adhesive	
17	1001197017	AR	Tie-Strap	
18	4420069	2	Connector, Strain Relief	
19	4460234	7	Tie-Strap (Not Shown)	
20	4460425	1	Connector, Strain Relief	
21	4751400	8	Washer 1/4	
22	4751500	9	Washer 5/16	
23	4751800	8	Washer 1/2	
25	2920028	1	Light, Indicator	
26	2920029	1	Bulb, Light	

SECTION 5 - PLATFORM

FIGURE 5-23. SOFT TOUCH INSTALLATION - 8FT (2.4M) PLATFORM (OPTIONAL)



ART_0272427

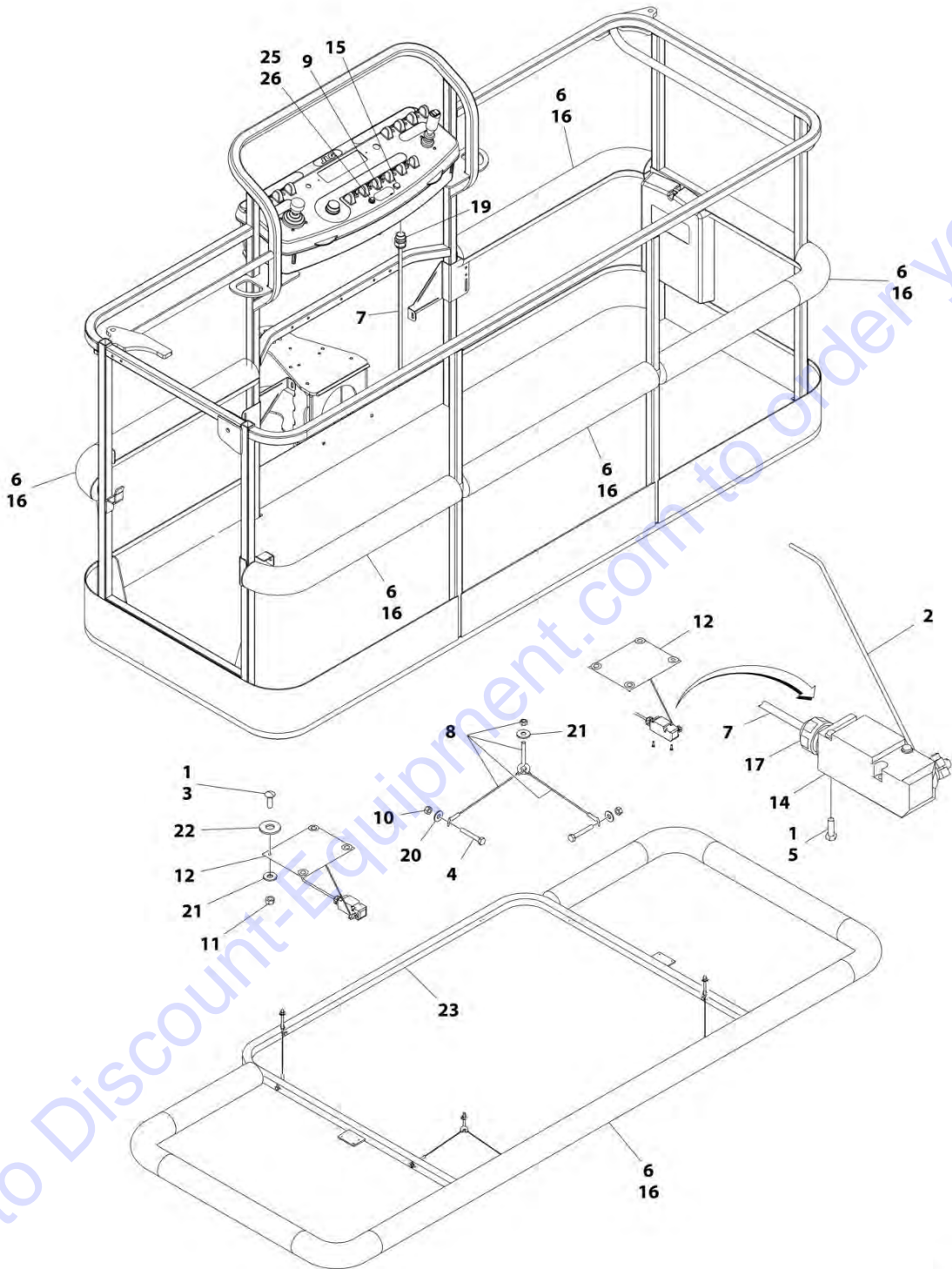
SECTION 5 - PLATFORM

FIGURE 5-23. SOFT TOUCH INSTALLATION - 8FT (2.4M) PLATFORM (OPTIONAL)

ITEM	PART NUMBER	QTY	DESCRIPTION	REV
	0272427	Ref	SOFT TOUCH INSTALLATION - 36IN X 8FT (91.5CM X 2.44M) PLATFORM (OPTIONAL)	G
1	0100011	AR	Compound, Locking	
2	0200048	2	Arm, Switch	
3	0630462	8	Bolt	
4	0641414	8	Bolt 1/4 x 1-3/4	
5	0721005	4	Bolt #10 x 5/8	
6	0940103	1	Bumper Kit (Includes Corners and Enough Straight Material for One Platform)	
6	0940092	12	Bumper (Corner)	
6	0940094	AR	Bumper (12ft Length)	
7	1060341	23 ft/7m	Cable, Electrical - 16/2	
8	1060903	4	Wire Rope and Eyebolt Assembly	
9	1702938	1	Decal - Soft Touch Override	
10	3311401	8	Nut 1/4	
11	3311501	8	Nut 5/16	
12	3574091	2	Plate, Switch Strike	
13	4240099	7	Tie-Strap (Not Shown)	
14	4360057	2	Switch, Limit	
15	4360387	1	Switch, Push Button	
16	4420068	AR	Tape, Adhesive	
16	1001197017	AR	Tie-Strap	
17	4460049	2	Connector, Strain Relief	
18	4460234	7	Tie-Strap (Not Shown)	
19	4460425	1	Connector, Strain Relief	
20	4751400	8	Washer 1/4	
21	4751500	12	Washer 5/16	
22	4751800	8	Washer 1/2	
23	4846673	1	Rail, Soft Touch	
24	4933218	1	Soft Touch Wiring Diagram (Not Shown - See Separate Breakdown in ELECTRICAL SECTION)	
25	2920028	1	Light, Indicator	
26	2920029	1	Bulb, Light	

SECTION 5 - PLATFORM

FIGURE 5-24. SOFT TOUCH INSTALLATION - 8FT (2.4M) FALL ARREST PLATFORM (OPTIONAL)



ART_0273706

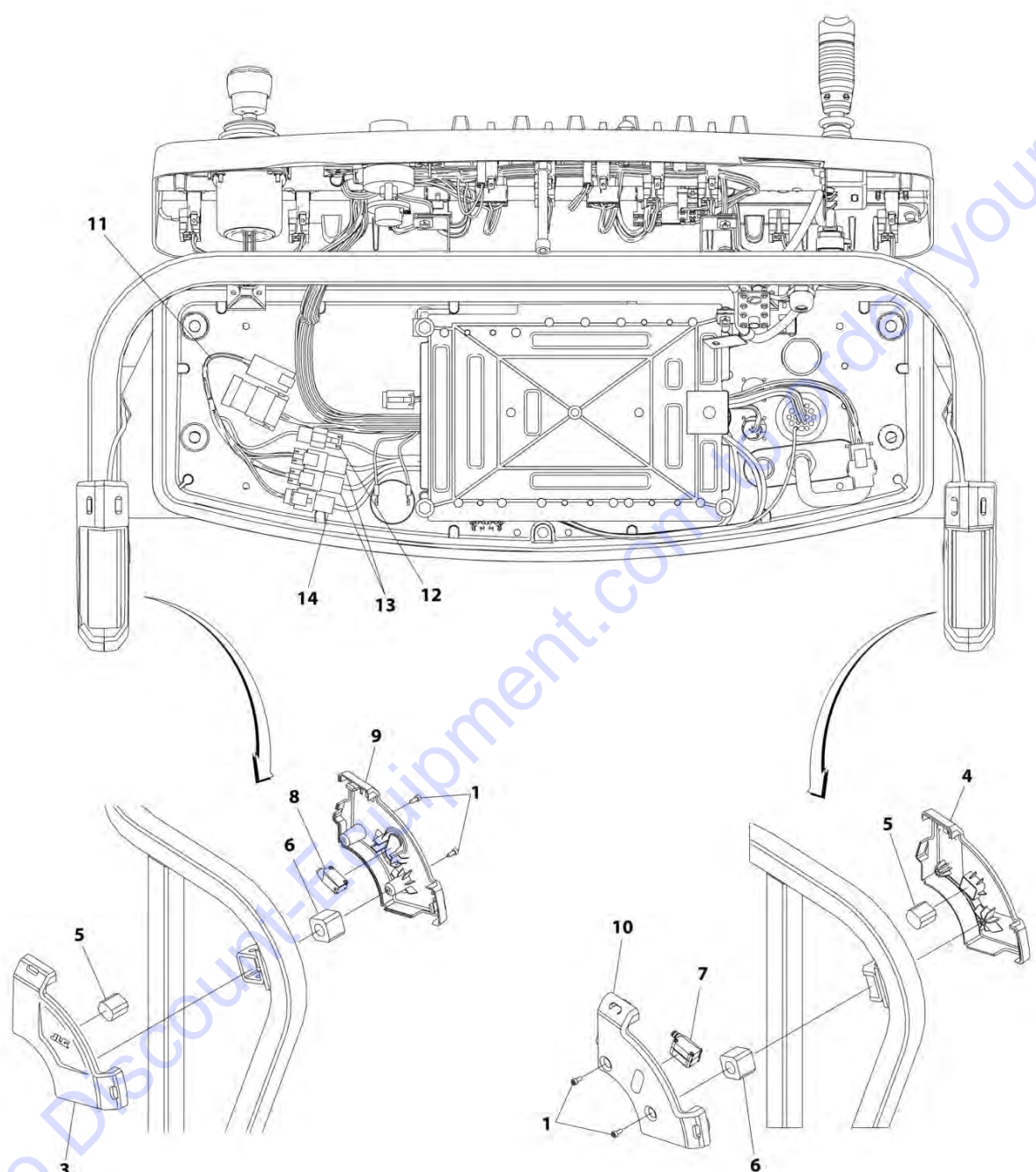
SECTION 5 - PLATFORM

FIGURE 5-24. SOFT TOUCH INSTALLATION - 8FT (2.4M) FALL ARREST PLATFORM (OPTIONAL)

ITEM	PART NUMBER	QTY	DESCRIPTION	REV
	0273706	Ref	SOFT TOUCH INSTALLATION	D
1	0100011	AR	Compound, Locking	
2	0200048	2	Arm, Switch	
3	0630462	8	Bolt	
4	0641414	8	Bolt 1/4 x 1-3/4	
5	0721005	4	Bolt #10 x 5/8	
6	0940133	1	Bumper Kit (Includes Corners and Enough Straight Material for One Platform)	
6	0940092	8	Bumper (Corner)	
6	0940094	AR	Bumper (12ft Length)	
7	1060341	23 ft/7m	Cable, Electrical - 16/2	
8	1060903	4	Wire Rope and Eyebolt Assembly	
9	1702938	1	Decal - Soft Touch Override	
10	3311401	8	Nut 1/4	
11	3311501	8	Nut 5/16	
12	3574091	2	Plate, Switch Strike	
13	4240099	7	Tie-Strap (Not Shown)	
14	4360057	2	Switch, Limit	
15	4360387	1	Switch, Push Button	
16	4420068	AR	Tape, Adhesive	
16	1001197017	AR	Tie-Strap	
17	4460049	2	Connector, Strain Relief	
18	4460234	7	Tie-Strap (Not Shown)	
19	4460425	1	Connector, Strain Relief	
20	4751400	8	Washer 1/4	
21	4751500	12	Washer 5/16	
22	4751800	8	Washer 1/2	
23	4846673	1	Rail, Soft Touch	
25	2920028	1	Light, Indicator	
26	2920029	1	Bulb, Light	

SECTION 5 - PLATFORM

FIGURE 5-25. SKYEYE INSTALLATION



ART_1001229341

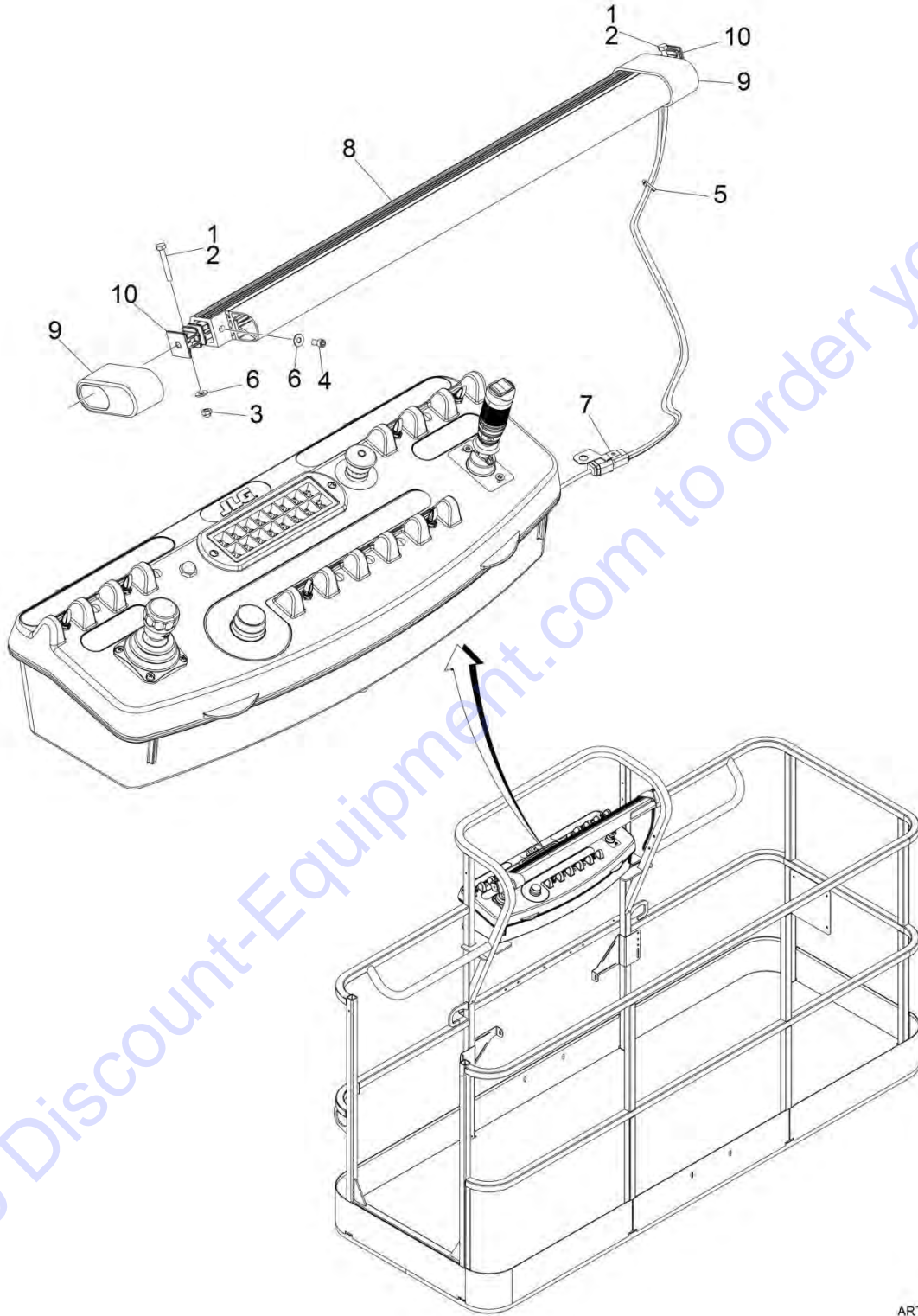
SECTION 5 - PLATFORM

FIGURE 5-25. SKYEYE INSTALLATION

ITEM	PART NUMBER	QTY	DESCRIPTION	REV
	1001229341	Ref	SKYEYE INSTALLATION	A
1	4031505	4	Bolt M4 x 10	
2	4240033	AR	Tie-Strap (Not Shown)	
3	1001227633	1	Housing, LH Outer	
4	1001227634	1	Housing, RH Outer	
5	1001227985	2	Shim	
6	1001227987	2	Shim	
7	1001228224	2	Sensor, Receiver	
8	1001228225	1	Sensor, Emitter	
9	1001232164	1	Housing, LH Inner	
10	1001232165	1	Housing, RH Inner	
11	1001237865	1	Harness, Skyeye Intermediate (See Separate Breakdown in ELECTRICAL SECTION)	
12	1001238319	1	Harness, Skyeye Drain Jumper	
12	1001187674	1	Plug, Male - 2 Position	
12	4460942	1	Terminal	
12	4460466	1	Plug, Terminal	
12	4460508	1	Pin, Male	
13	1001237863	2	Harness, Skyeye Receiver (See Separate Breakdown in ELECTRICAL SECTION)	
14	1001237864	1	Harness, Skyeye Emitter (See Separate Breakdown in ELECTRICAL SECTION)	

SECTION 5 - PLATFORM

FIGURE 5-26. SKYGUARD INSTALLATION (Prior to SN 0300259698)



Go to Discount-Equipment.com to order your parts

ART_1001187508

SECTION 5 - PLATFORM

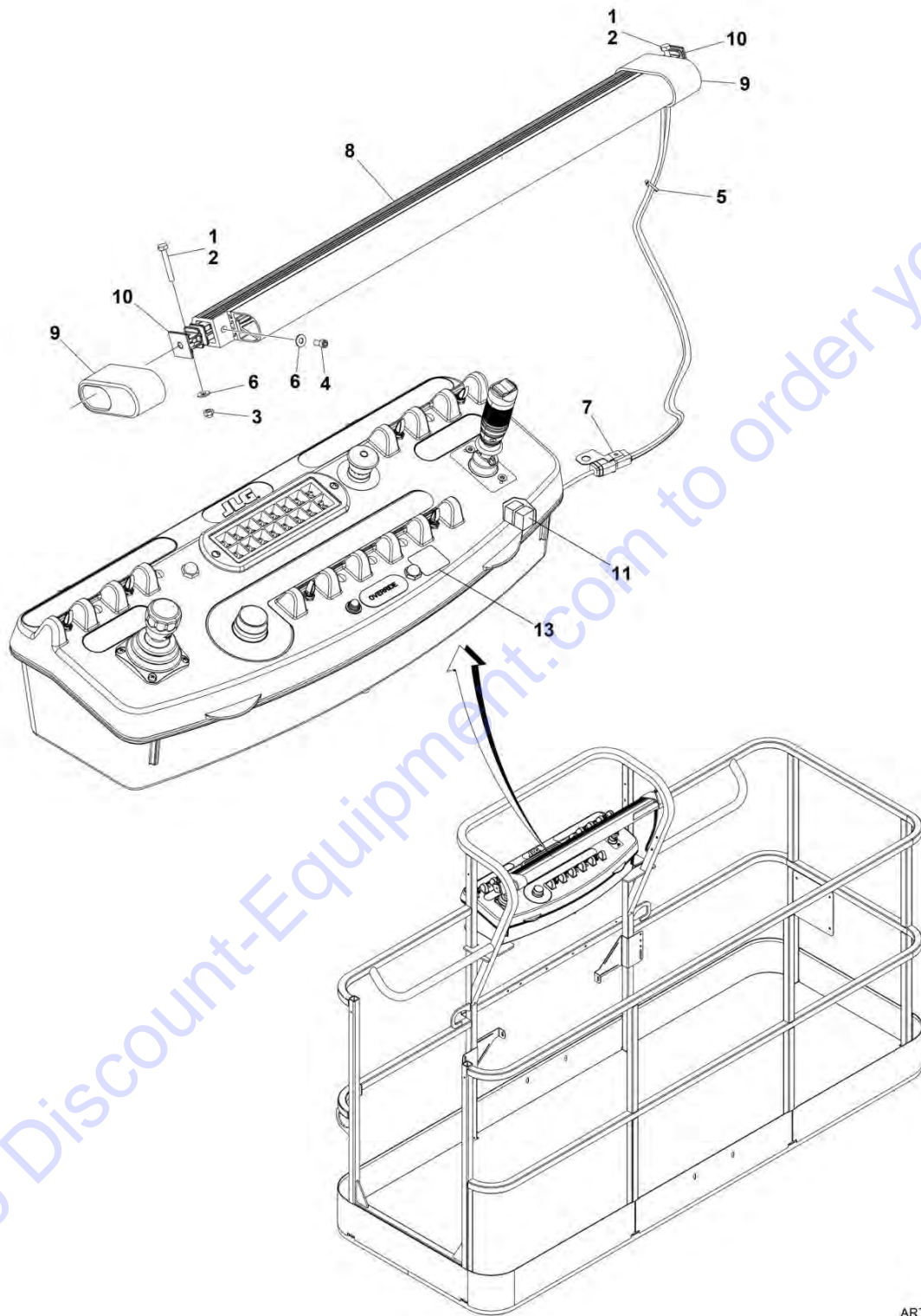
FIGURE 5-26. SKYGUARD INSTALLATION (Prior to SN 0300259698)

ITEM	PART NUMBER	QTY	DESCRIPTION	REV
	1001187508	Ref	SKYGUARD INSTALLATION	D
1	0100011	AR	Compound, Locking	
2	0641414	2	Bolt 1/4 x 1-3/4	
3	3300430	2	Nut 1/4	
4	3931424	2	Capscrew 1/4 x 1-1/2	
4	3931408	2	Capscrew 1/4 x 1/2	
5	4240033	AR	Tie-Strap	
6	4711400	AR	Washer 1/4	
7	1001120328	1	Mount	
8	1001137673	1	SkyGuard Switch Assembly	
9	1001186517	2	Cover, Platform Sensor	
10	1001188889	2	Support, Block (Prior to SN 0300247156)	
10	1001209664	2	Support, Block (SN 0300247156 to Present)	

Go to Discount-Equipment.com to order your parts

SECTION 5 - PLATFORM

FIGURE 5-27. SKYGUARD BAR INSTALLATION (SN 0300259698 to Present)



ART_1001238495

SECTION 5 - PLATFORM

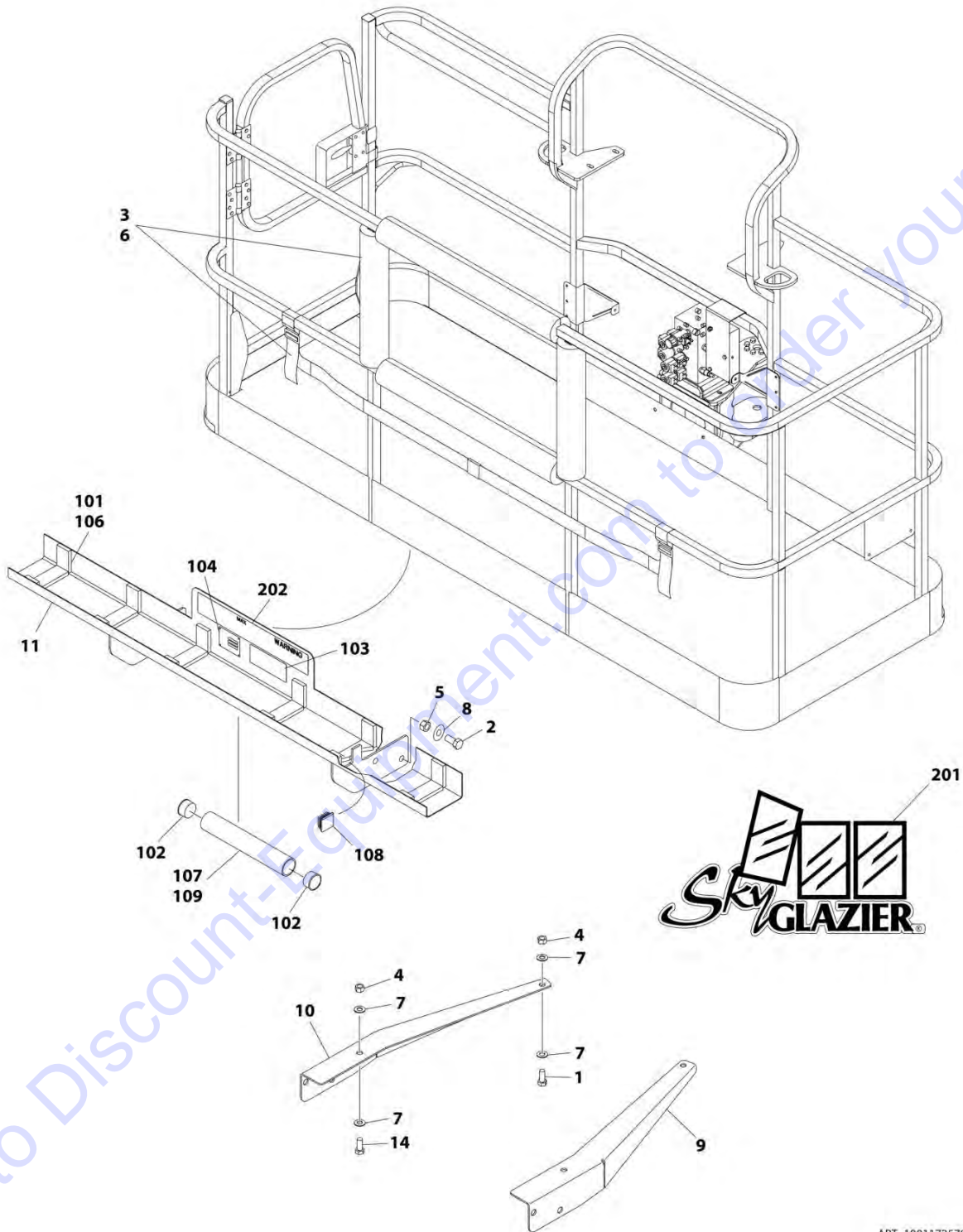
FIGURE 5-27. SKYGUARD BAR INSTALLATION (SN 0300259698 to Present)

ITEM	PART NUMBER	QTY	DESCRIPTION	REV
	1001238495	Ref	SKYGUARD BAR INSTALLATION	A
1	0100011	AR	Compound, Locking	
2	0641414	2	Bolt 1/4 x 1-3/4	
3	3300430	2	Nut 1/4	
4	3931408	2	Capscrew 1/4 x 1/2	
5	4240033	8	Tie-Strap	
6	4711400	6	Washer 1/4	
7	1001120328	1	Mount	
8	1001137673	1	SkyGuard Switch Assembly	
9	1001186517	2	Cover, Platform Sensor	
10	1001209664	2	Support, Block	
11	1001186431	2	Relay	
12	1001225580	1	Interface Harness Assembly (Not Shown - Located Inside Console Box) (See ELECTRICAL SECTION for Breakdown)	
13	1001144433	1	Decal - No Weight SkyGuard	

Go to Discount-Equipment.com to order your parts

SECTION 5 - PLATFORM

FIGURE 5-28. SKYGLAZIER INSTALLATION (ANSI, ANSI EXPORT, AUSTRALIAN & CSA SPECS)



ART_1001172578

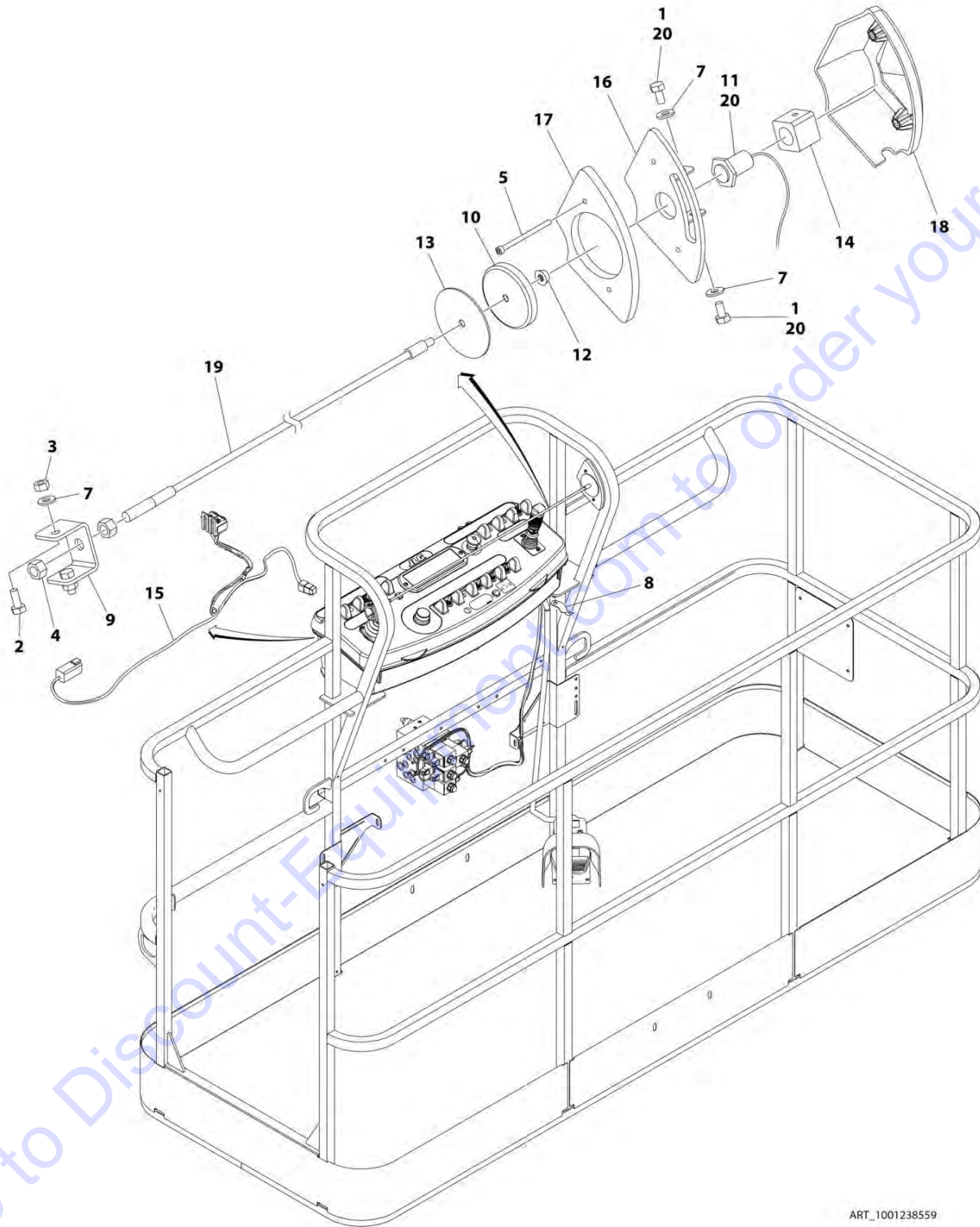
SECTION 5 - PLATFORM

FIGURE 5-28. SKYGLAZIER INSTALLATION (ANSI, ANSI EXPORT, AUSTRALIAN & CSA SPECS)

ITEM	PART NUMBER	QTY	DESCRIPTION	REV
	1001172578	Ref	SKYGLAZIER INSTALLATION	C
1	0642012	2	Bolt 5/8 x 1-1/2	
2	0642212	4	Bolt 3/4 x 1-1/2	
3	2902212	1	Bumpers and Strap Kit	
3	0940102	1	Bumper Only	
3	4240149	1	Strap Only	
4	3312005	1	Nut 5/8	
5	3312205	4	Nut 3/4	
6	4420014	AR	Tape	
7	4712000	6	Washer 5/8	
8	4712200	8	Washer 3/4	
9	1001099366	1	Support	
10	1001099367	1	Support	
13	1001172577	1	Tray Assembly (See Items 101-111 for Breakdown)	
14	8310129	2	Bolt 3/4 x 2-1/2	
	1001172577	Ref	TRAY ASSEMBLY	B
101	0100081	AR	Adhesive	
102	1120555	2	Cap, Tube	
103	1701509	1	Decal - Manual	
104	See Note	NSS	Nameplate - Serial Number (Note: Not Available for Purchase)	
106	3340956	1	Pad Kit	
107	3460334	1	Tube	
108	3520071	2	Plug	
109	4420066	AR	Tape, Double Sided	
	1001172570	Ref	SKYGLAZIER DECAL INSTALLATION (ANSI Specs)	C
	1001172620	Ref	SKYGLAZIER DECAL INSTALLATION (Australian Specs)	C
	1001234945	Ref	SKYGLAZIER DECAL INSTALLATION (Brazil Specs)	A
	1001234944	Ref	SKYGLAZIER DECAL INSTALLATION (Latin American Specs)	A
201	1705358	2	Decal - SkyGlazier	
202	1001199035	2	Decal - SkyGlazier Capacity (ANSI Specs)	
202	1001199036	2	Decal - SkyGlazier Capacity (Australian Specs)	
202	1001234946	2	Decal - SkyGlazier Capacity (Brazil Specs)	
202	1001234947	2	Decal - SkyGlazier Capacity (Latin American Specs)	

SECTION 5 - PLATFORM

FIGURE 5-29. SKYLINE INSTALLATION



ART_1001238559

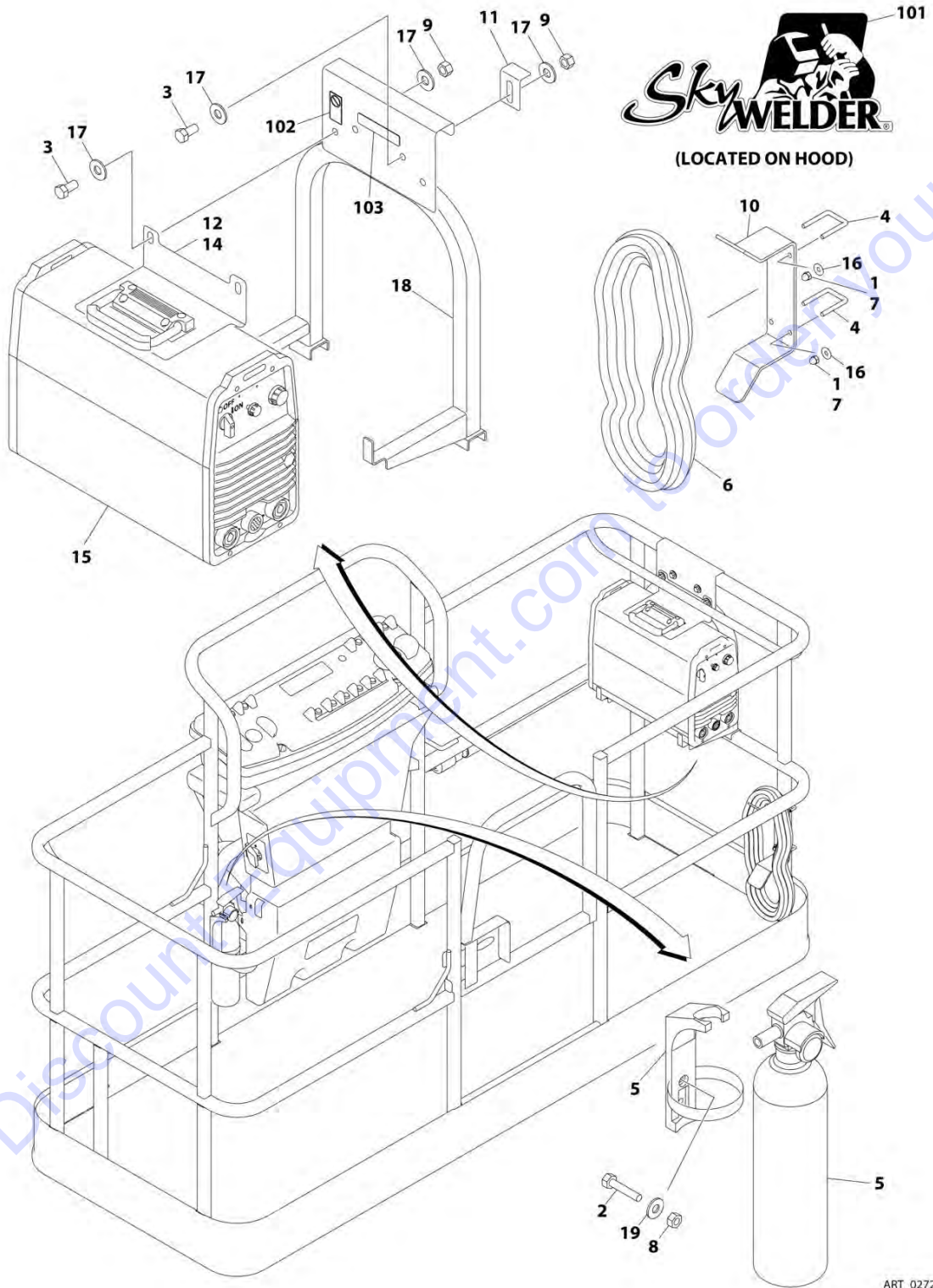
SECTION 5 - PLATFORM

FIGURE 5-29. SKYLINE INSTALLATION

ITEM	PART NUMBER	QTY	DESCRIPTION	REV
	1001238559	Ref	SKYLINE INSTALLATION	B
1	0641404	2	Bolt 1/4 x 1/2	
2	0641405	2	Bolt 1/4 x 5/8	
3	3311405	2	Nut 1/4	
4	3311601	2	Nut 3/8	
5	4031516	2	Capscrew M4 x 60	
6	4240033	AR	Tie-Strap (Not Shown)	
7	4711400	4	Washer 1/4	
8	1001120328	1	Mount	
9	1001232642	1	Bracket	
10	1001232650	1	Magnet	
11	1001232667	1	Sensor, Proximity	
12	1001235011	1	Nut	
13	1001235013	1	Washer	
14	1001236552	1	Block	
15	1001238418	1	Harness, Skyline (See Separate Breakdown in ELECTRICAL SECTION)	
16	1001238472	1	Mount	
17	1001238477	1	Housing, LH	
18	1001241965	1	Housing, RH	
19	1001238824	1	Rope	
20	0100011	AR	Compound, Locking	

SECTION 5 - PLATFORM

FIGURE 5-30. SKYWELDER INSTALLATION (50HZ)



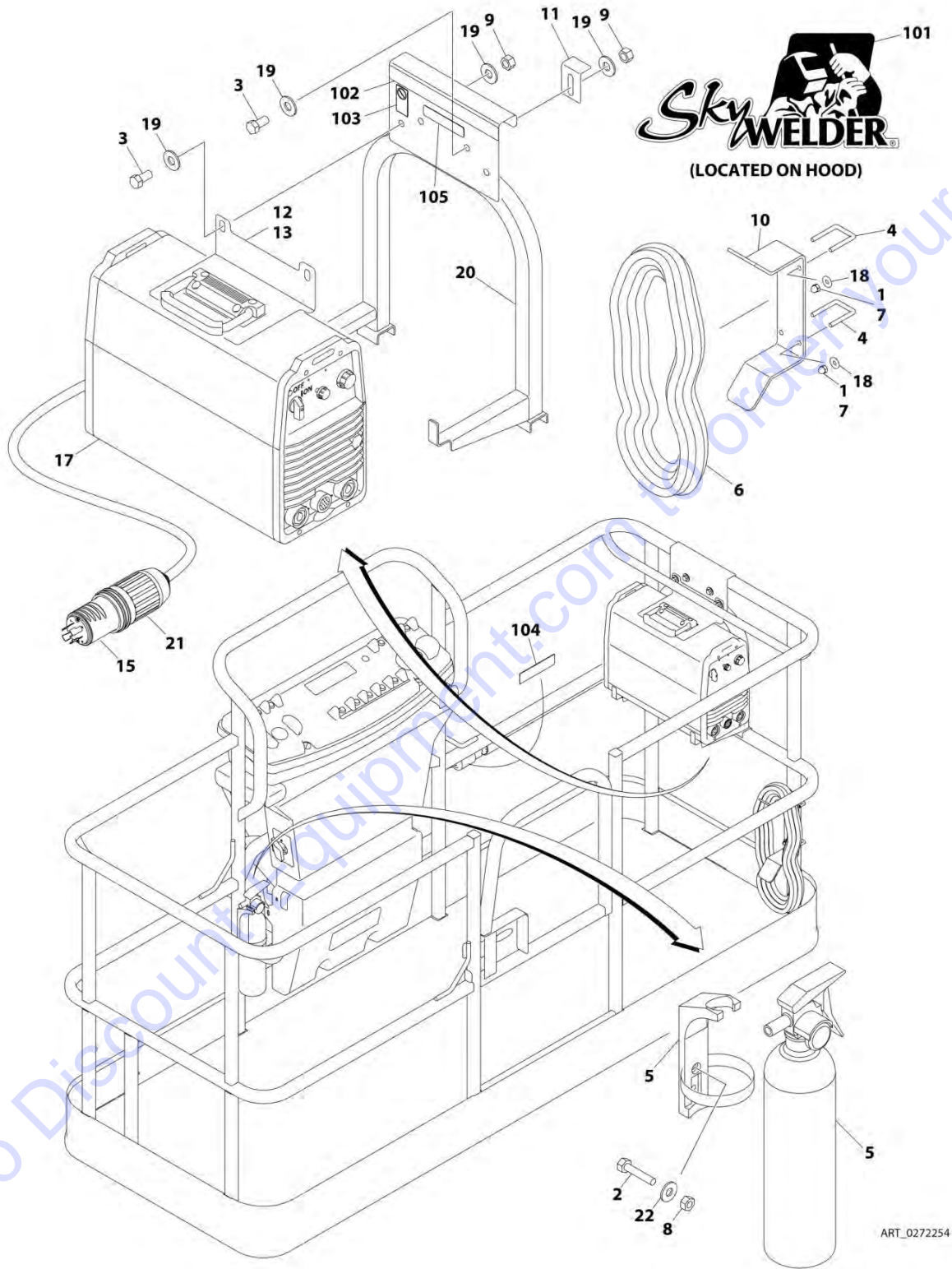
SECTION 5 - PLATFORM

FIGURE 5-30. SKYWELDER INSTALLATION (50HZ)

ITEM	PART NUMBER	QTY	DESCRIPTION	REV
	0272521	Ref	SKYWELDER INSTALLATION	F
1	0100011	AR	Compound, Locking	
2	0630518	2	Screw #10 x 3/4	
3	0641606	4	Bolt 3/8 x 3/4	
4	1320302	2	U-Clamp	
5	2030010	1	Extinguisher, Fire	
6	2902217	1	Weld Leads Kit	
7	3300151	4	Nut 1/4	
8	3311005	2	Nut #10	
9	3311605	4	Nut 3/8	
10	3573400	1	Bracket	
11	3577121	2	Angle	
12	3573642	1	Plate	
13	4240099	AR	Tie-Strap (Not Shown)	
14	4420037	AR	Tape	
15	4530028	1	Welder Assembly (See Separate Breakdown in this Section)	
16	4751400	4	Washer 1/4	
17	4751600	8	Washer 3/8	
18	4846627	1	Support	
19	4751000	2	Washer #10	
	0272588	Ref	SKYWELDER DECAL INSTALLATION	B
101	1705355	1	Decal - SkyWelder	
102	1705305	1	Decal - Weld Lead	
103	1001228988	1	Decal - Weight	

SECTION 5 - PLATFORM

FIGURE 5-31. SKYWELDER INSTALLATION (60HZ)



ART_0272254

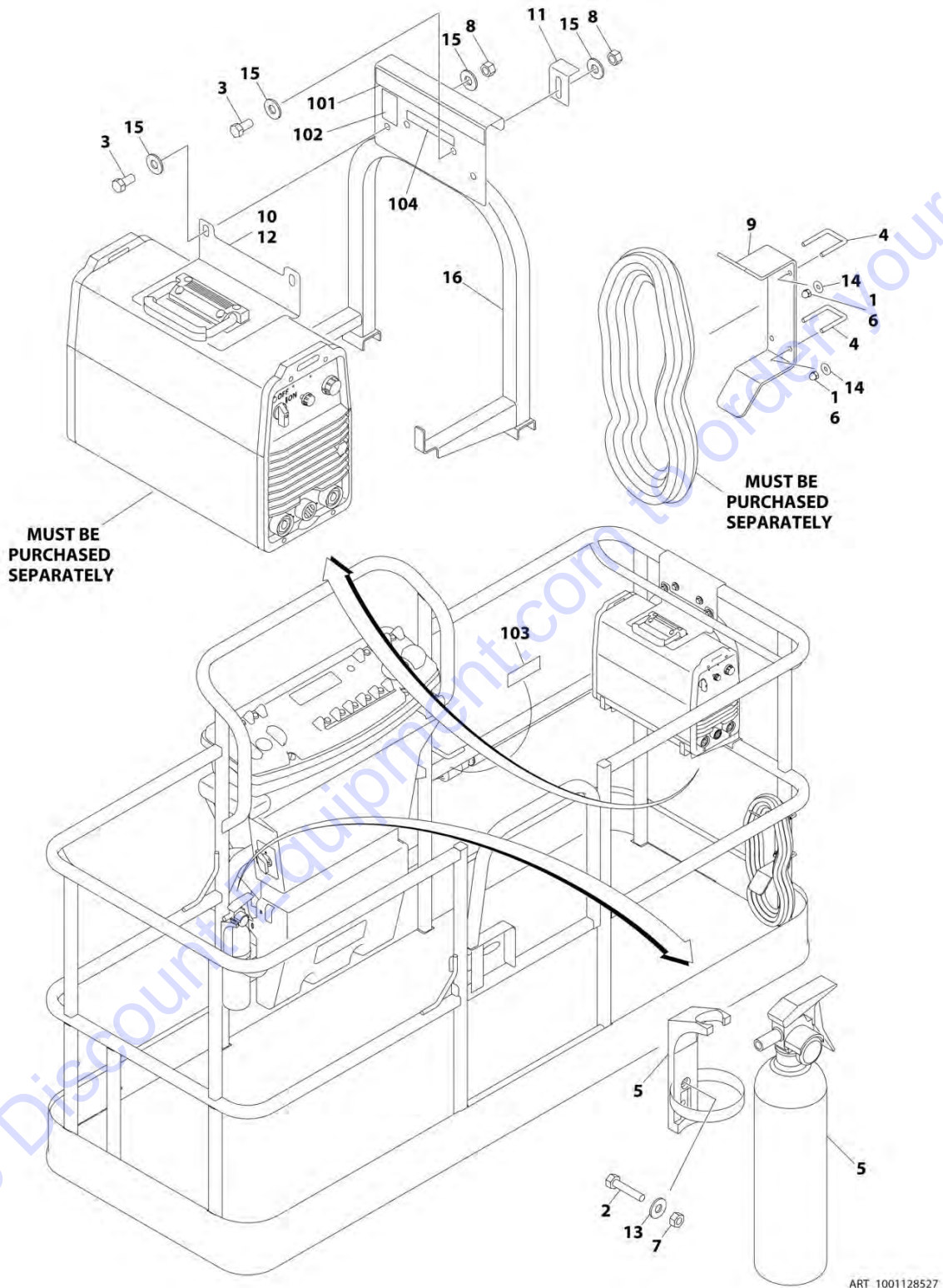
SECTION 5 - PLATFORM

FIGURE 5-31. SKYWELDER INSTALLATION (60HZ)

ITEM	PART NUMBER	QTY	DESCRIPTION	REV
	0272254	Ref	SKYWELDER INSTALLATION	I
1	0100011	AR	Compound, Locking	
2	0630518	2	Screw #10 x 3/4	
3	0641606	4	Bolt 3/8 x 3/4	
4	1320302	2	U-Clamp	
5	2030010	1	Extinguisher, Fire	
6	2902217	1	Weld Leads Kit	
7	3300151	4	Nut 1/4	
8	3311005	2	Nut #10	
9	3311605	4	Nut 3/8	
10	3573400	1	Bracket	
11	3577121	2	Angle	
12	3573642	1	Plate	
13	4420037	AR	Tape	
14	4240099	AR	Tie-Strap (Not Shown)	
15	4460962	1	Plug, Male Twistlock	
17	4530028	1	Welder Assembly (See Separate Breakdown in this Section)	
18	4751400	4	Washer 1/4	
19	4751600	8	Washer 3/8	
20	4846627	1	Support	
21	1671093	1	Cover, Plug	
22	4751000	2	Washer #10	
	0272448	Ref	SKYWELDER DECAL INSTALLATION	B
101	1705355	2	Decal - SkyWelder	
102	1702868	1	Decal - No Hands	
103	1705305	1	Decal - Weld Lead	
104	1705375	1	Decal - 240V - 3 Phase - 60Hz	
105	1001228988	1	Decal - Weight	

SECTION 5 - PLATFORM

FIGURE 5-32. SKYWELDER PREP PACKAGE (60HZ)



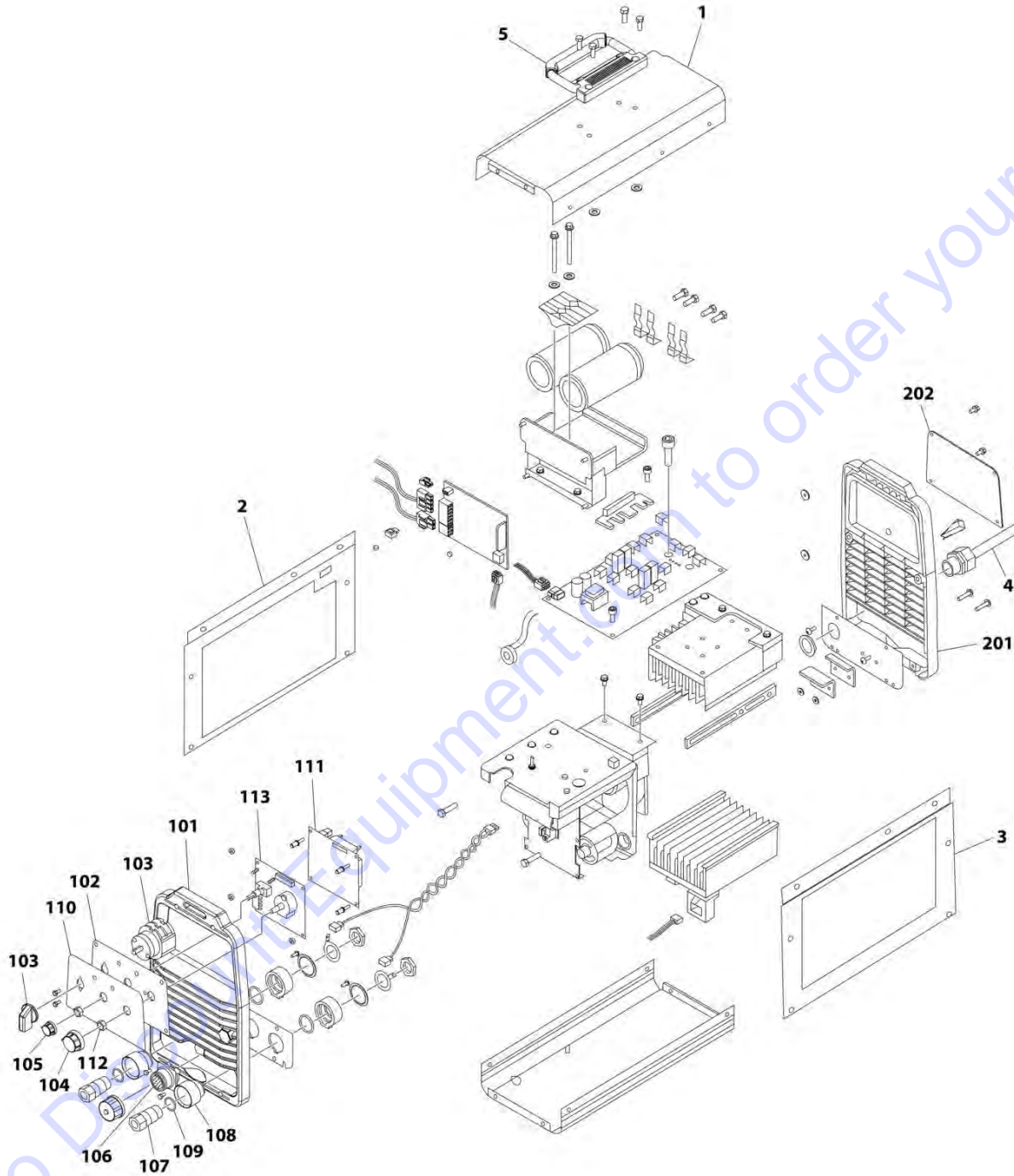
SECTION 5 - PLATFORM

FIGURE 5-32. SKYWELDER PREP PACKAGE (60HZ)

ITEM	PART NUMBER	QTY	DESCRIPTION	REV
	1001128527	Ref	SKYWELDER PREP PACKAGE	B
1	0100011	AR	Compound, Locking	
2	0630518	2	Screw #10 x 3/4	
3	0641606	4	Bolt 3/8 x 3/4	
4	1320302	2	U-Clamp	
5	2030010	1	Extinguisher, Fire	
6	3300151	4	Nut 1/4	
7	3311005	2	Nut #10	
8	3311605	4	Nut 3/8	
9	3573400	1	Bracket	
10	3573642	1	Plate	
11	3577121	2	Angle	
12	4420037	AR	Tape	
13	4751000	2	Washer #10	
14	4751400	4	Washer 1/4	
15	4751600	8	Washer 3/8	
16	4846627	1	Support	
	1001128556	Ref	SKYWELDER DECAL INSTALLATION	B
101	1702868	1	Decal - No Hands	
102	1705305	1	Decal - Weld Lead	
103	1705375	1	Decal - 240V - 3 Phase - 60Hz	
104	1001228988	1	Decal - Weight	

SECTION 5 - PLATFORM

FIGURE 5-33. WELDER ASSEMBLY



ART_4530028

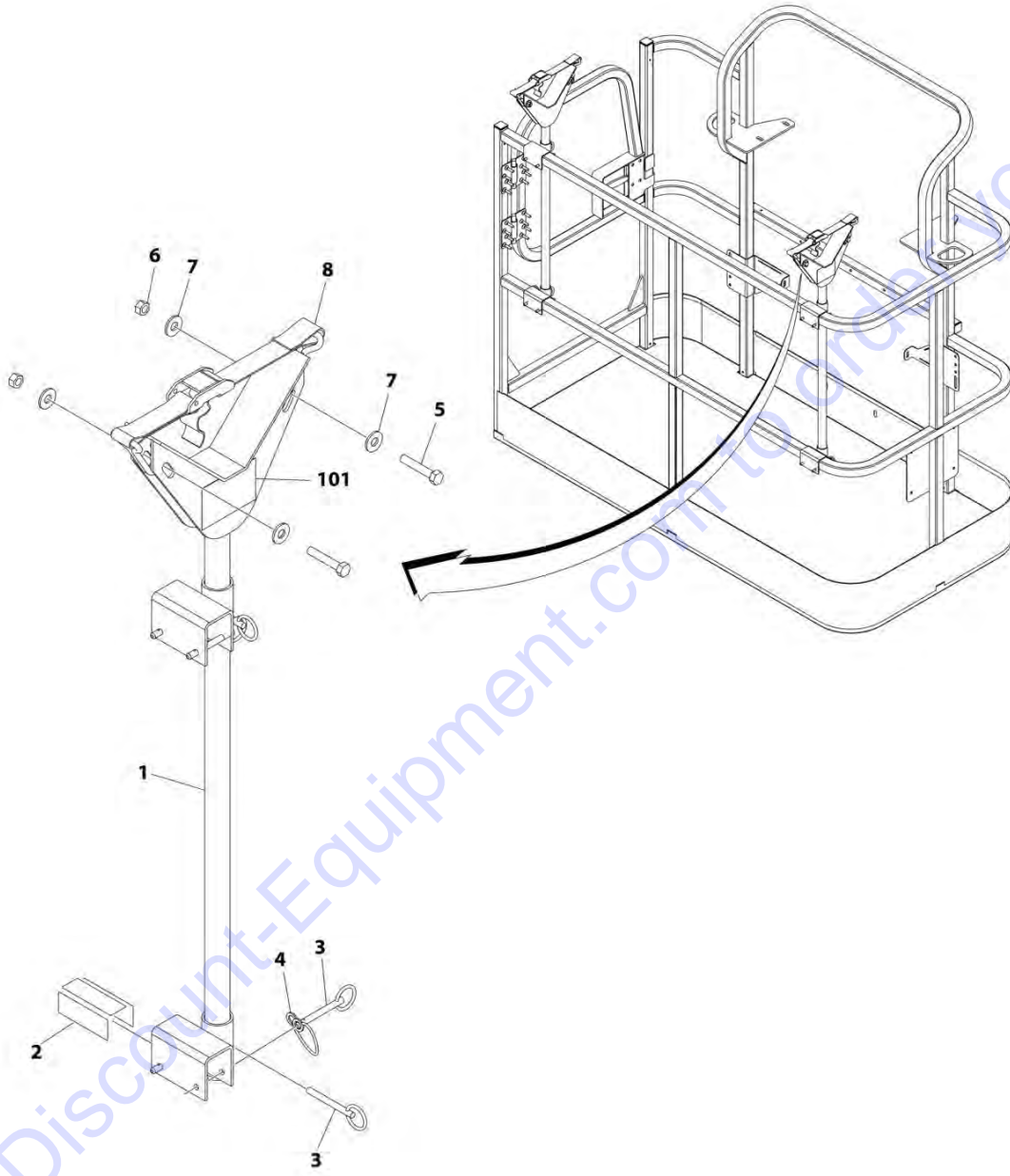
SECTION 5 - PLATFORM

FIGURE 5-33. WELDER ASSEMBLY

ITEM	PART NUMBER	QTY	DESCRIPTION	REV
	4530028	Ref	WELDER ASSEMBLY	B
		Ref	Note: For Other Components, contact your Miller Welder Dealer.	
1	7027773	1	Cover, Top	
1	7027774	1	Decal - Static Precautionary Warning	
2	See Note	NSS	Panel, LH Side (Note: Part of Item 1. Purchase Item 1)	
3	See Note	NSS	Panel, RH Side (Note: Part of Item 1. Purchase Item 1)	
4	7024467	1	Cable, Power	
4	7027775	1	Decal - Electrical Shock Warning (Not Shown)	
5	7027776	1	Handle, Carrying	
101	7024462	1	Panel, Front	
102	7024463	1	Panel, Console	
103	7024469	1	Switch with Lead	
104	7024470	1	Knob	
105	7024471	1	Knob	
106	7024472	1	Receptacle with Leads and Plugs	
107	7024473	2	Receptacle, Twistlock Female	
108	7024474	2	Insulator	
109	7024475	2	O-Ring	
110	7027777	1	Nameplate	
111	7027779	1	Circuit Card Assembly (Process Control)	
112	7024478	2	Nut	
113	7027778	1	Circuit Card Assembly (Operator Interface)	
201	7024462	1	Panel, Rear	
202	7027780	1	Panel, Cover	

SECTION 5 - PLATFORM

FIGURE 5-34. PIPE RACK INSTALLATION (ANSI AND CSA SPECS ONLY)



ART_1001213852

SECTION 5 - PLATFORM

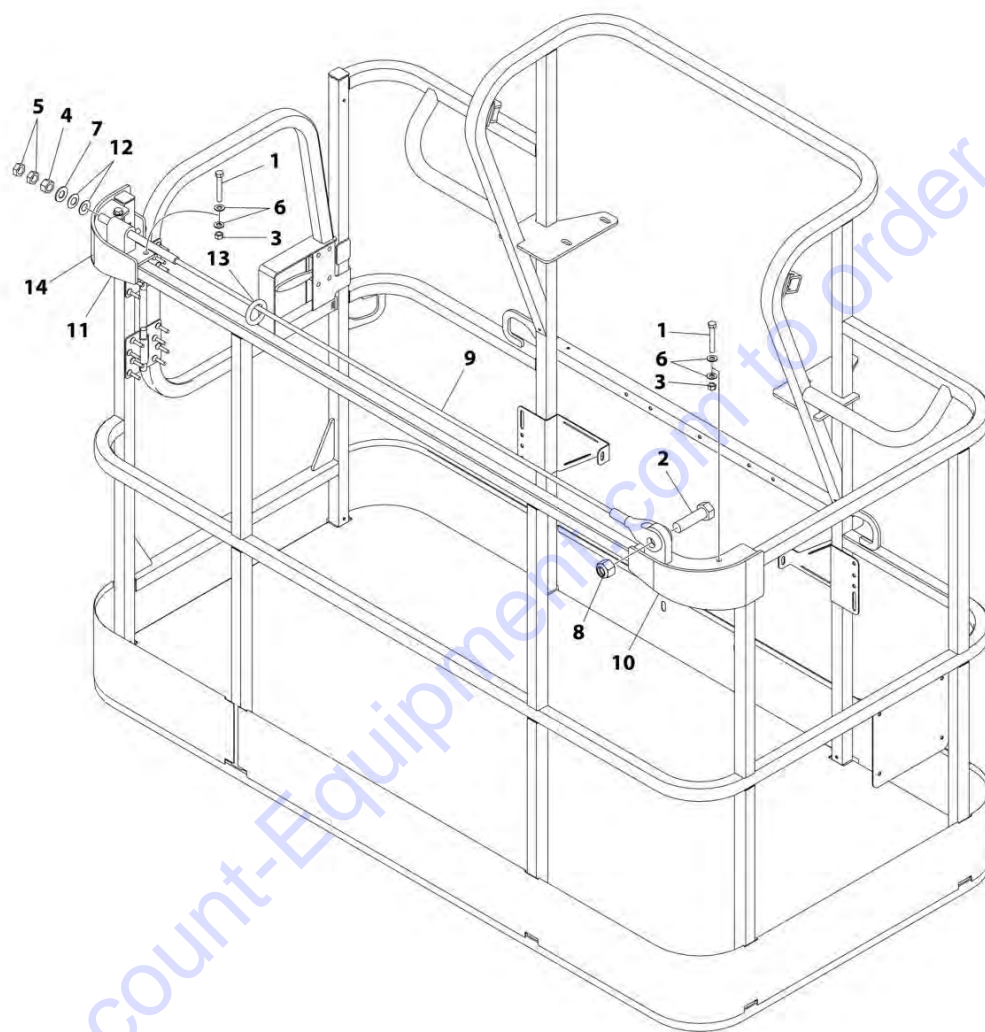
FIGURE 5-34. PIPE RACK INSTALLATION (ANSI AND CSA SPECS ONLY)

ITEM	PART NUMBER	QTY	DESCRIPTION	REV
	1001213852	Ref	PIPE RACK INSTALLATION	A
1	4845582	2	Rack, Pipe	
2	4420062	AR	Tape	
3	3422661	10	Pin	
4	1060379	4	Lanyard	
5	0641514	4	Bolt 5/16 x 1-3/4	
6	3311505	4	Nut 5/16	
7	4751500	8	Washer 5/16	
8	0480100	2	Tie-Down	
		Ref	PIPE RACK DECAL INSTALLATION	
101	1703683	2	Decal - Pipe Rack (ANSI Specs)	
101	1001219415	2	Decal - Pipe Rack (Australian Specs)	
101	1001106450	2	Decal - Pipe Rack (Latin American Specs)	
101	1001107469	2	Panel, Mounting (Latin American Specs Only)	

Go to Discount-Equipment.com to order your parts

SECTION 5 - PLATFORM

FIGURE 5-35. FALL ARREST INSTALLATION (BOLT-ON EXTERNAL) (6FT/1.82M PLATFORM)



ART_1001236747

SECTION 5 - PLATFORM

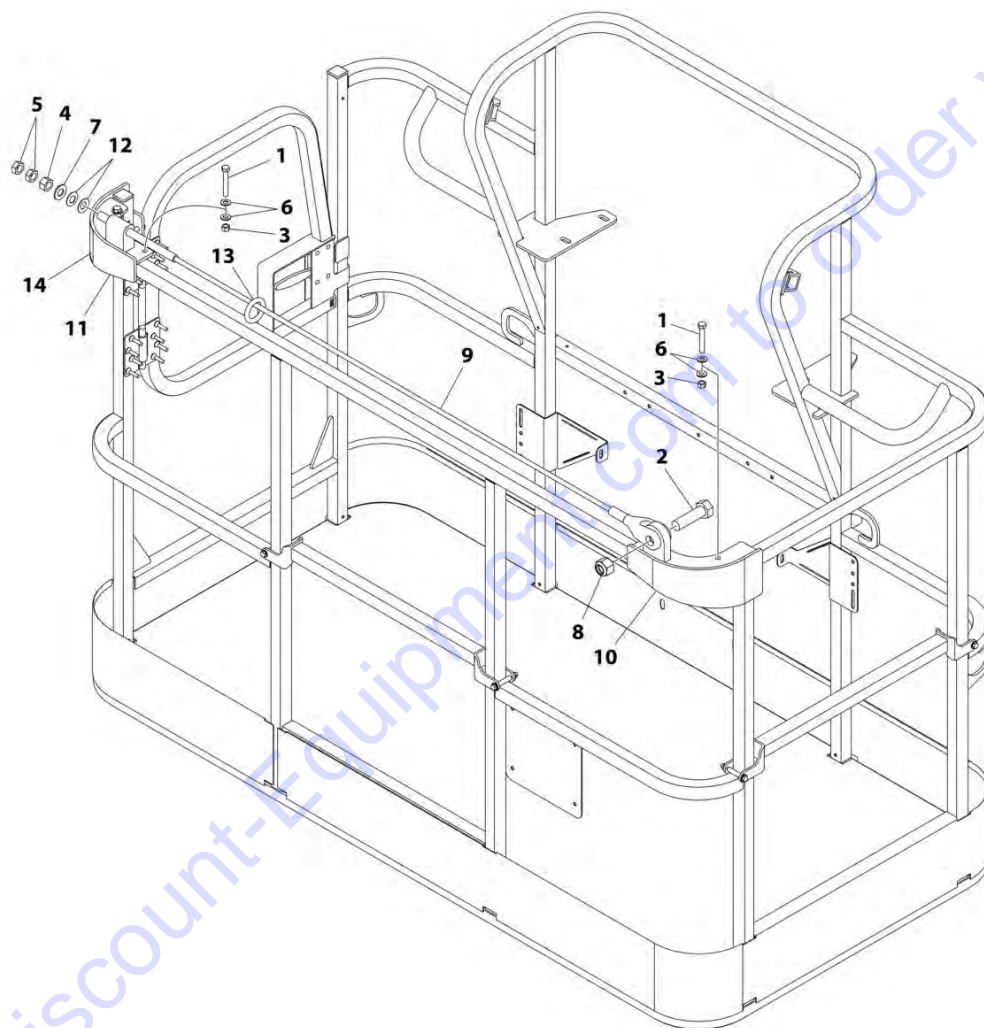
FIGURE 5-35. FALL ARREST INSTALLATION (BOLT-ON EXTERNAL) (6FT/1.82M PLATFORM)

ITEM	PART NUMBER	QTY	DESCRIPTION	REV
	1001236747	Ref	FALL ARREST INSTALLATION (BOLT - ON) 6FT/1.82M PLATFORM	A
1	0681620	6	Bolt 3/8 x 2-1/2	
2	0682424	1	Bolt 7/8 x 3	
3	3271605	6	Nut 3/8	
4	3272001	1	Nut 5/8	
5	3312002	2	Nut 5/8	
6	4711600	12	Washer 3/8	
7	4712000	1	Washer 5/8	
8	88521214	1	Nut 7/8	
9	1001231950	1	Rope	
10	1001232010	1	Bracket (RH)	
11	1001232011	1	Bracket (LH)	
12	1001236891	2	Washer	
13	1001236895	1	Ring	
14	1001238263	1	Decal - Warning Falling Hazard	

Go to Discount-Equipment.com to order your parts

SECTION 5 - PLATFORM

FIGURE 5-36. FALL ARREST INSTALLATION (BOLT-ON EXTERNAL) (6FT/1.82M TRI-ENTRY PLATFORM)



ART_1001238463

SECTION 5 - PLATFORM

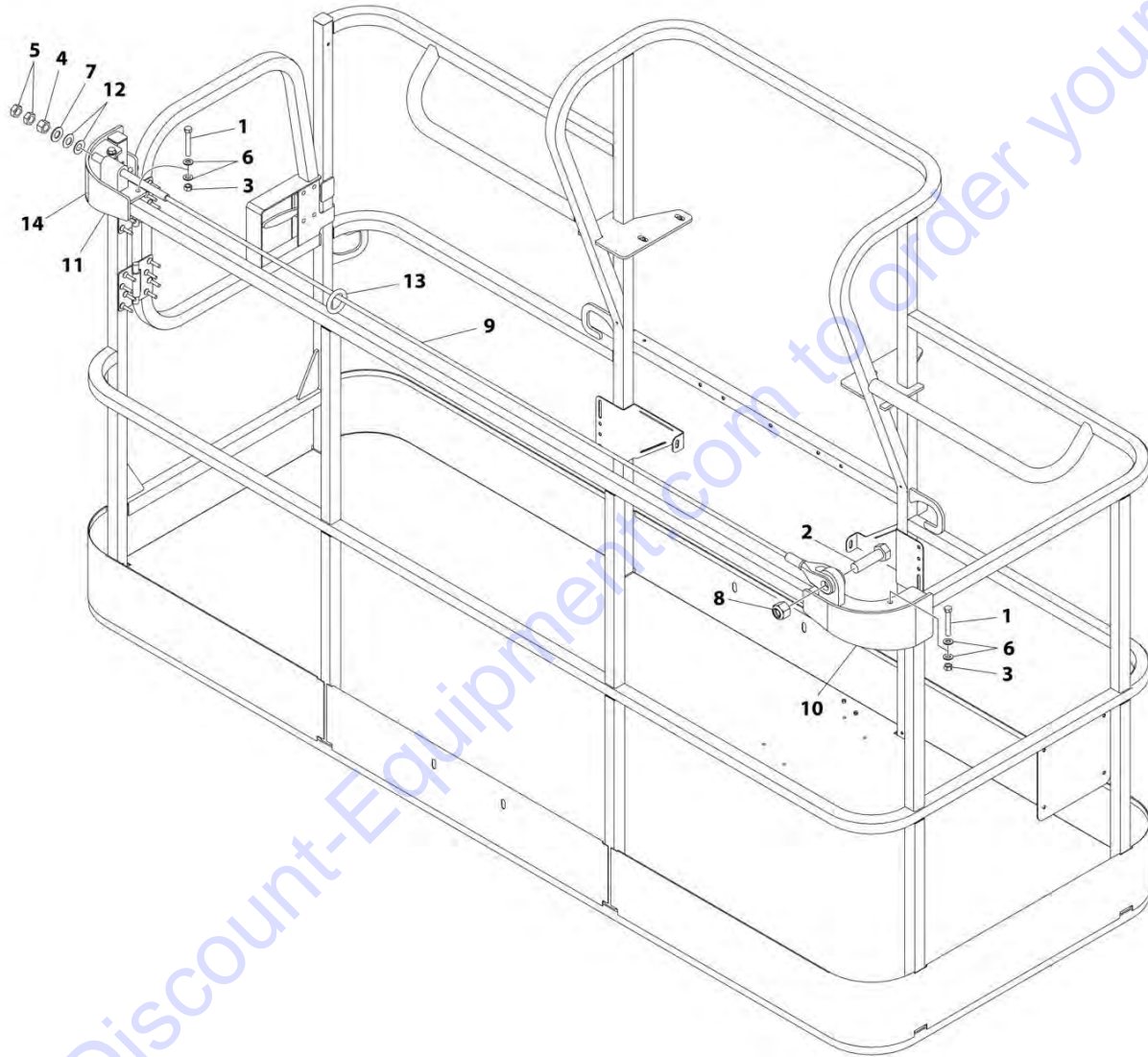
FIGURE 5-36. FALL ARREST INSTALLATION (BOLT-ON EXTERNAL) (6FT/1.82M TRI-ENTRY PLATFORM)

ITEM	PART NUMBER	QTY	DESCRIPTION	REV
	1001238463	Ref	FALL ARREST INSTALLATION (BOLT - ON) 6FT/1.82M PLATFORM	B
1	0681620	6	Bolt 3/8 x 2-1/2	
2	0682424	1	Bolt 7/8 x 3	
3	3271605	6	Nut 3/8	
4	3272001	1	Nut 5/8	
5	3312002	2	Nut 5/8	
6	4711600	12	Washer 3/8	
7	4712000	1	Washer 5/8	
8	88521214	1	Nut 7/8	
9	1001231950	1	Rope	
10	1001232010	1	Bracket (RH)	
11	1001232011	1	Bracket (LH)	
12	1001236891	2	Washer	
13	1001236895	1	Ring	
14	1001238263	1	Decal - Warning Falling Hazard	

Go to Discount-Equipment.com to order your parts

SECTION 5 - PLATFORM

FIGURE 5-37. FALL ARREST INSTALLATION (BOLT-ON EXTERNAL) (8FT/2.4M PLATFORM)



ART_1001236746

SECTION 5 - PLATFORM

FIGURE 5-37. FALL ARREST INSTALLATION (BOLT-ON EXTERNAL) (8FT/2.4M PLATFORM)

ITEM	PART NUMBER	QTY	DESCRIPTION	REV
	1001236746	Ref	FALL ARREST INSTALLATION (BOLT - ON) 8FT/2.4M PLATFORM	A
1	0681620	6	Bolt 3/8 x 2-1/2	
2	0682424	1	Bolt 7/8 x 3	
3	3271605	6	Nut 3/8	
4	3272001	1	Nut 5/8	
5	3312002	2	Nut 5/8	
6	4711600	12	Washer 3/8	
7	4712000	1	Washer 5/8	
8	88521214	1	Nut 7/8	
9	1001231949	1	Rope	
10	1001232010	1	Bracket (RH)	
11	1001232011	1	Bracket (LH)	
12	1001236891	2	Washer	
13	1001236895	1	Ring	
14	1001238263	1	Decal - Warning Falling Hazard	

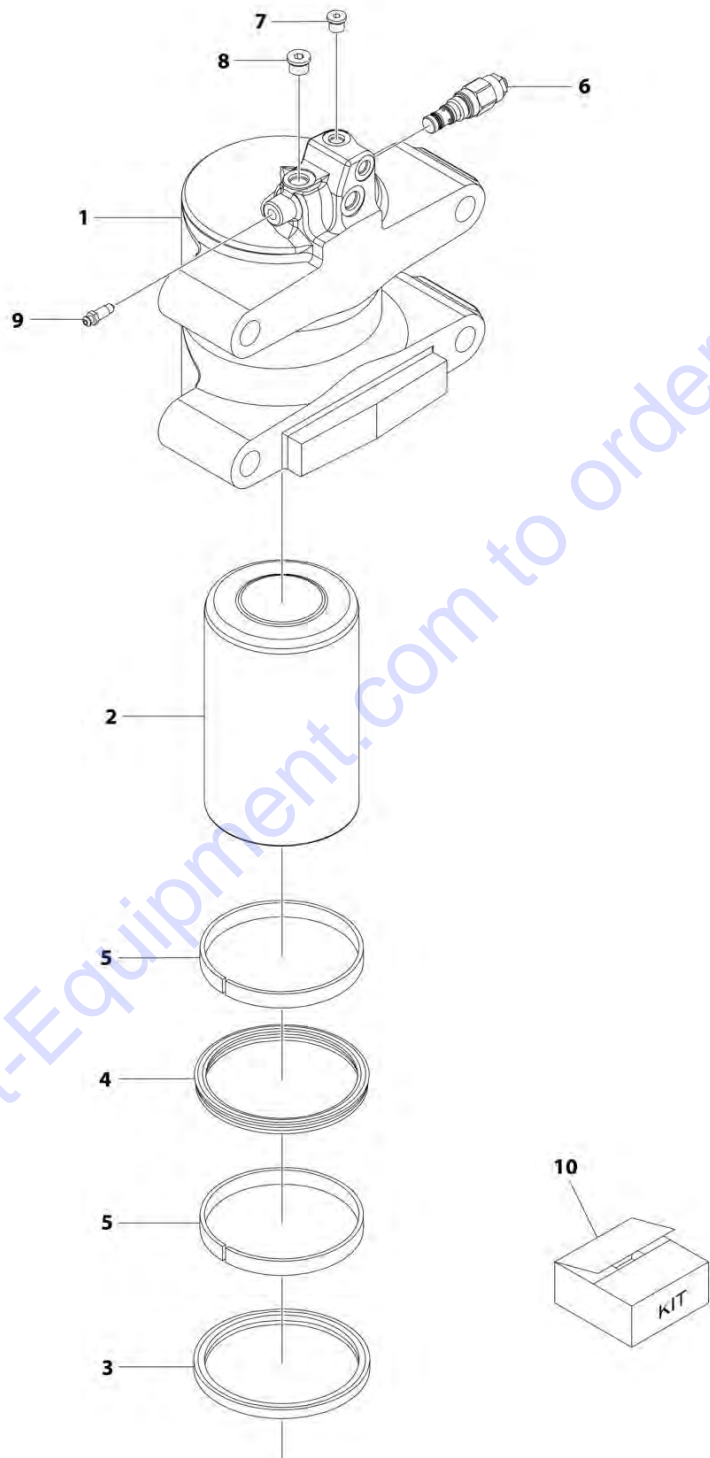
Go to Discount-Equipment.com to order your parts

SECTION 6 - CYLINDER

Go to Discount-Equipment.com to order your parts

SECTION 6 - CYLINDER

FIGURE 6-1. AXLE LOCKOUT CYLINDER ASSEMBLY



ART_1001204560

SECTION 6 - CYLINDER

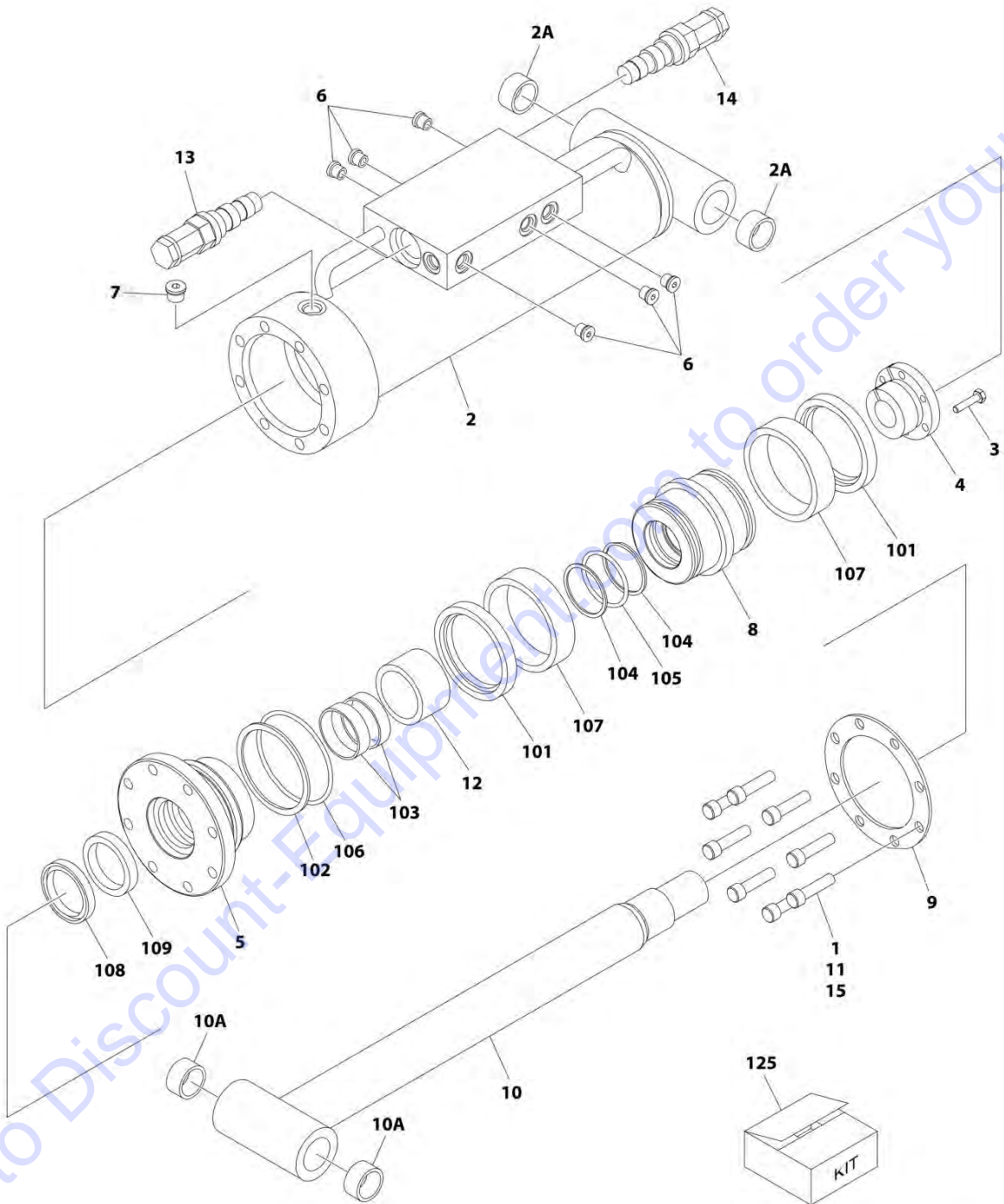
FIGURE 6-1. AXLE LOCKOUT CYLINDER ASSMBLY

ITEM	PART NUMBER	QTY	DESCRIPTION	REV
	1001204560	Ref	AXLE LOCKOUT CYLINDER ASSEMBLY	A
1	1001154126	1	Barrel	
2	1001154687	1	Rod	
3	See Note	NSS	Wiper (Note: Use Item 10)	
4	See Note	NSS	Seal, Rod (Note: Use Item 10)	
5	See Note	NSS	Ring, Wear (Note: Use Item 10)	
6	1001117372	1	Cartridge, Valve (Counterbalance)	
6	70002842	1	Seal Kit - 1001117372 Valve (1 Per Assembly)	
7	2220883	1	Plug, O-Ring	
8	2220885	1	Plug, O-Ring	
9	4640858	1	Valve, Bleeder	
10	1001098167	1	Seal Kit (Includes Items 3-5)	

Go to Discount-Equipment.com to order your parts

SECTION 6 - CYLINDER

FIGURE 6-2. LEVEL (SLAVE) CYLINDER ASSEMBLY - JIB (Prior to SN 0300247156)



ART_1684228

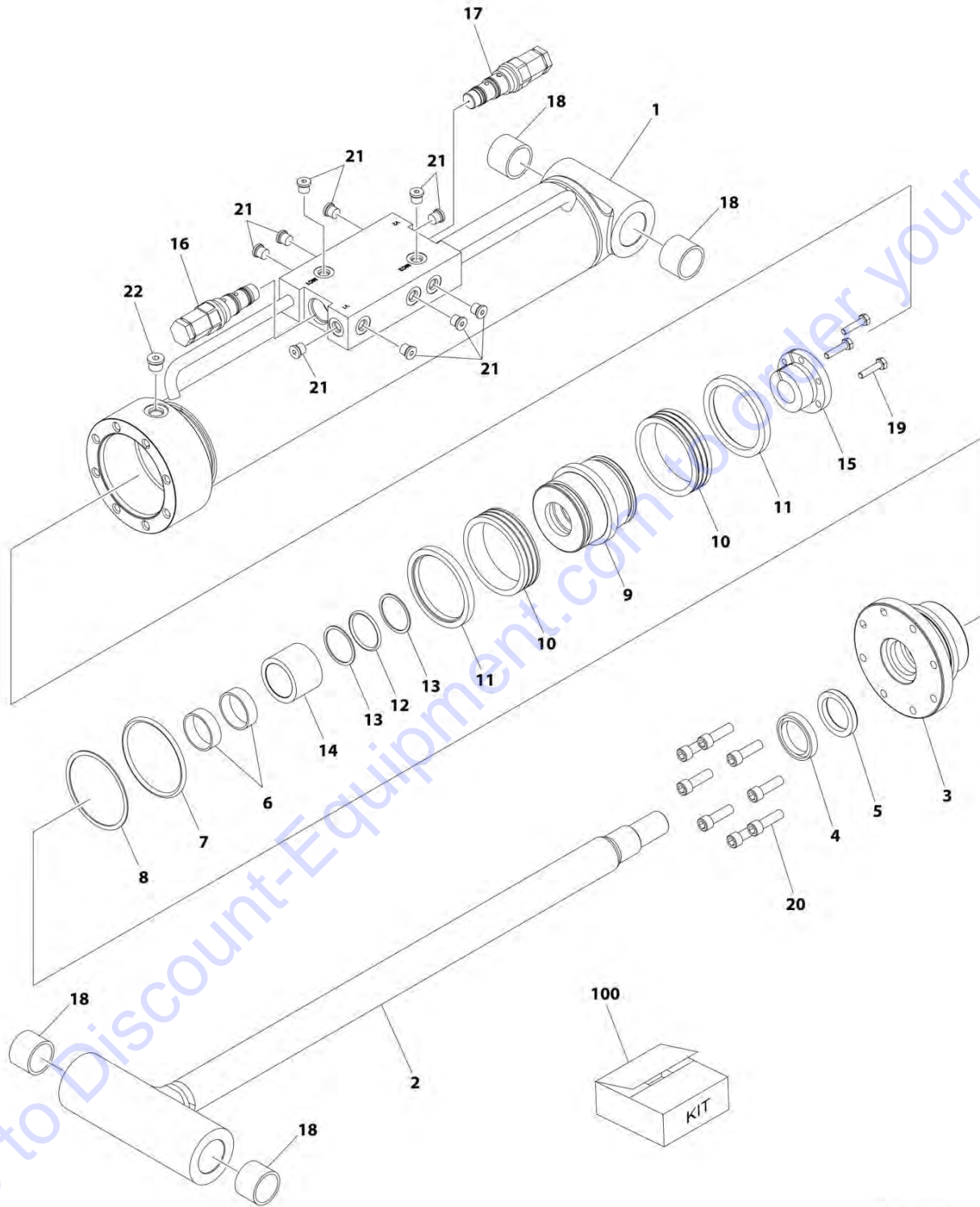
SECTION 6 - CYLINDER

FIGURE 6-2. LEVEL (SLAVE) CYLINDER ASSEMBLY - JIB (Prior to SN 0300247156)

ITEM	PART NUMBER	QTY	DESCRIPTION	REV
	1684228	Ref	LEVEL (SLAVE) CYLINDER ASSEMBLY	F
		Ref	Note: Original Cylinder May Have Been Replaced with Service Replacement. Identify PN Stamped on Cylinder Before Ordering Parts.	
1	0100011	AR	Compound, Locking	
2	1684230	1	Barrel (Note: Includes Item 2A)	
2A	0961951	4	Bushing	
3	0630535	3	Capscrew 1/4 x 1	
4	0961894	1	Bushing, Tapered	
5	1683055	1	Head	
6	2220883	6	Plug	
7	2220885	1	Plug	
8	3480188	1	Piston	
9	3760369	1	Ring, Washer	
10	1684232	1	Rod (Note: Includes Item 10A)	
10A	0961951	4	Bushing	
11	3931620	8	Capscrew 3/8 x 1-1/4	
12	4566468	1	Spacer, Tube	
13	4640605	1	Valve, Cartridge	
13	2900792	1	Seal Kit - 4640605 Valve	
14	4640932	1	Valve, Cartridge	
14	7011112	1	Seal Kit - 4640932 Valve	
15	0100038	AR	Primer, Locking	
101	See Note	NSS	Ring, Lock (Note: Use Item 125)	
102	See Note	NSS	Ring, Back-up (Note: Use Item 125)	
103	See Note	NSS	Ring, Wear (Note: Use Item 125)	
104	See Note	NSS	Ring, Back-up (Note: Use Item 125)	
105	See Note	NSS	O-Ring (Note: Use Item 125)	
106	See Note	NSS	O-Ring (Note: Use Item 125)	
107	See Note	NSS	Seal (Note: Use Item 125)	
108	See Note	NSS	Wiper (Note: Use Item 125)	
109	See Note	NSS	Seal (Note: Use Item 125)	
125	2901301	1	Seal Kit (Includes Items 101-109)	

SECTION 6 - CYLINDER

FIGURE 6-3. LEVEL (SLAVE) CYLINDER ASSEMBLY - JIB (SN 0300247156 to Present)



ART_1001228030

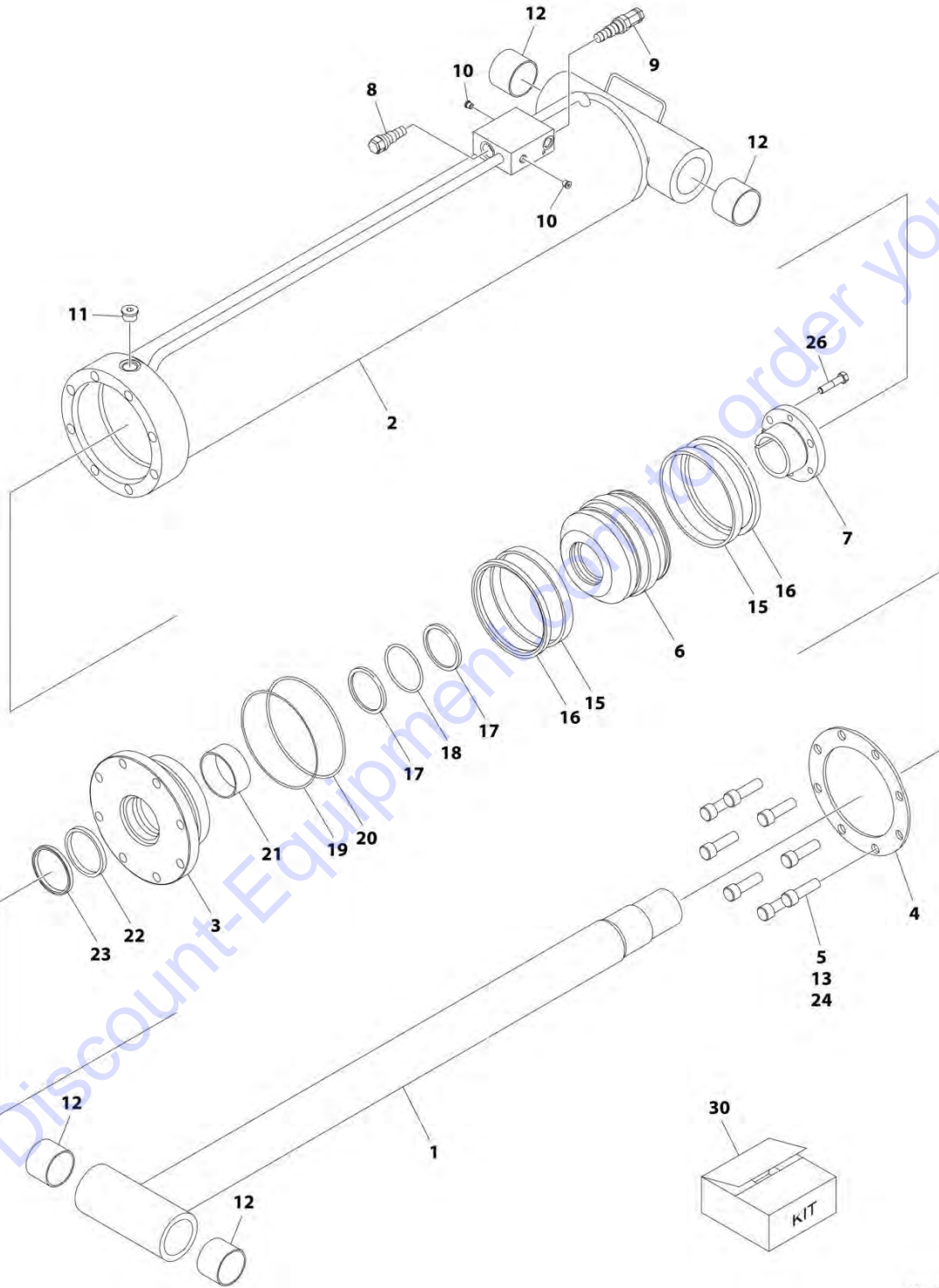
SECTION 6 - CYLINDER

FIGURE 6-3. LEVEL (SLAVE) CYLINDER ASSEMBLY - JIB (SN 0300247156 to Present)

ITEM	PART NUMBER	QTY	DESCRIPTION	REV
	1001228030	Ref	LEVEL (SLAVE) CYLINDER ASSEMBLY	C
		Ref	Note: Original Cylinder may have been replaced with Service Replacement. Identify PN Stamped on Cylinder Before Ordering Parts.	
1	See Note	NSS	Barrel (Note: Not Available for Purchase)	
2	70006642	1	Rod	
3	70006643	1	Head	
4	See Note	NSS	Wiper (Note: Use Item 100)	
5	See Note	NSS	Seal (Note: Use Item 100)	
6	See Note	NSS	Ring, Wear (Note: Use Item 100)	
7	See Note	NSS	O-Ring (Note: Use Item 100)	
8	See Note	NSS	Ring, Back-up (Note: Use Item 100)	
9	70006644	1	Piston	
10	See Note	NSS	Seal (Note: Use Item 100)	
11	See Note	NSS	Ring, Lock (Note: Use Item 100)	
12	See Note	NSS	O-Ring (Note: Use Item 100)	
13	See Note	NSS	Ring, Back-up (Note: Use Item 100)	
14	70006645	1	Spacer, Tube	
15	0961894	1	Bushing, Tapered	
16	4640932	1	Valve, Cartridge	
16	7011112	1	Seal Kit - 4640932 Valve	
17	4640605	1	Valve, Cartridge	
17	2900792	1	Seal Kit - 4640605 Valve	
18	0961951	4	Bushing	
19	0630535	3	Bolt	
20	3931620	8	Capscrew 3/8-16 x 1-1/4	
21	2220883	10	Plug, O-Ring	
22	2220885	1	Plug, O-Ring (Prior to SN 0300253862)	
100	1001138796	1	Seal Kit (Includes Items 4-8 & 10-13)	

SECTION 6 - CYLINDER

FIGURE 6-4. LEVEL (SLAVE) CYLINDER ASSEMBLY - UPRIGHT (Prior to SN 0300247156)



ART_1684497

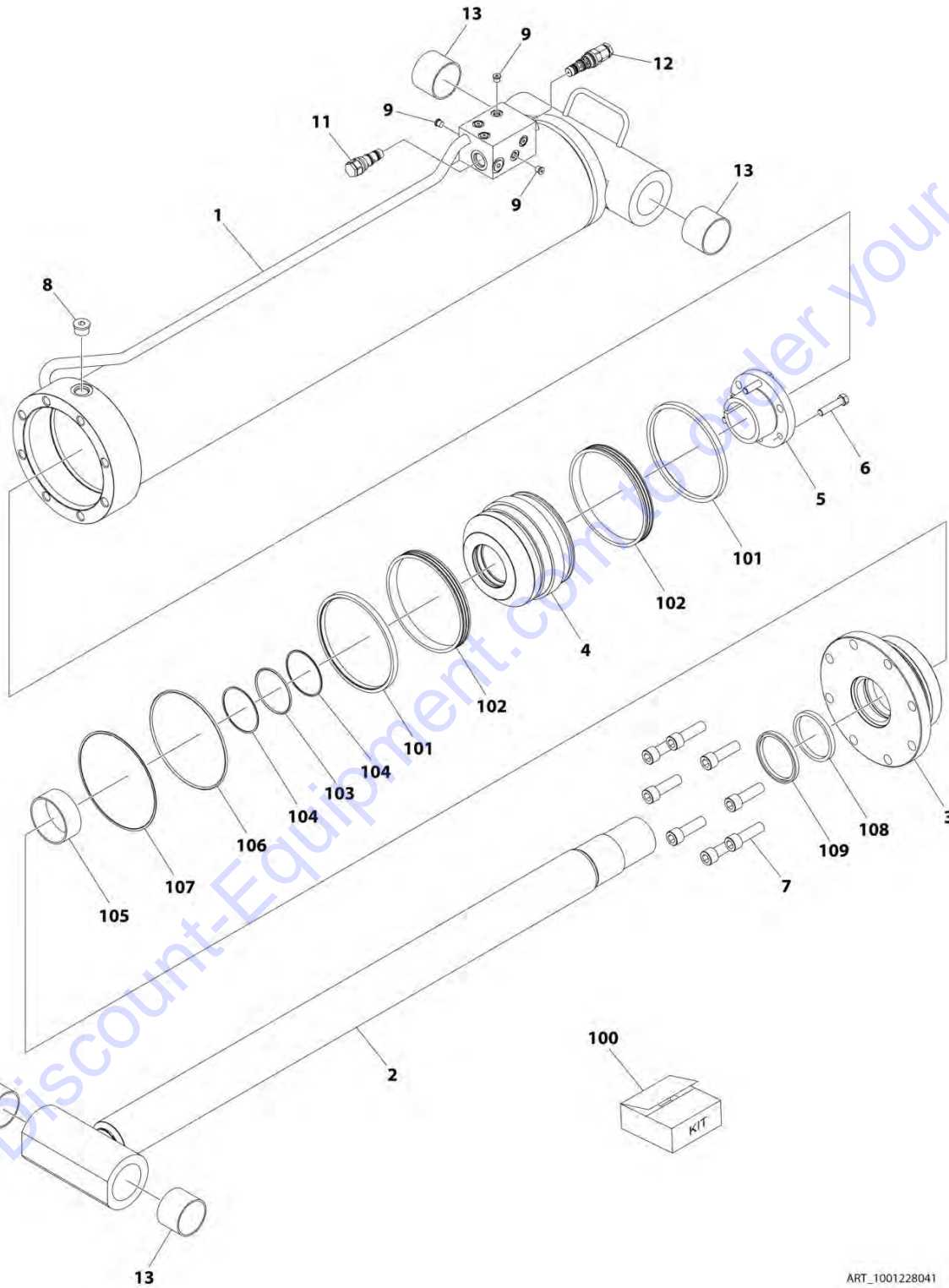
SECTION 6 - CYLINDER

FIGURE 6-4. LEVEL (SLAVE) CYLINDER ASSEMBLY - UPRIGHT (Prior to SN 0300247156)

ITEM	PART NUMBER	QTY	DESCRIPTION	REV
	1684497	Ref	LEVEL (SLAVE) CYLINDER ASSEMBLY	D
		Ref	Note: Original Cylinder May Have Been Replaced with Service Replacement. Identify PN Stamped on Cylinder Before Ordering Parts.	
1	1683544	1	Rod	
2	0370034	1	Barrel	
3	1683071	1	Head	
4	3760374	1	Ring, Washer	
5	3932240	8	Capscrew 3/4 x 2-1/2	
6	3480237	1	Piston	
7	0961901	1	Bushing, Tapered	
8	4640509	1	Cartridge, Valve	
8	2900792	1	Seal Kit - 4640509 Valve	
9	4640605	1	Cartridge, Valve	
9	2900792	1	Seal Kit - 4640605 Valve	
10	2220883	2	Plug, O-Ring	
11	2220888	1	Plug, O-Ring	
12	0962102	4	Bushing	
13	0100011	AR	Compound, Locking	
15	See Note	NSS	Seal (Note: Use Item 30)	
16	See Note	NSS	Ring, Lock (Note: Use Item 30)	
17	See Note	NSS	Ring, Back-up (Note: Use Item 30)	
18	See Note	NSS	Ring, Washer (Note: Use Item 30)	
19	See Note	NSS	Ring, Back-up (Note: Use Item 30)	
20	See Note	NSS	O-Ring (Note: Use Item 30)	
21	See Note	NSS	Ring, Wear (Note: Use Item 30)	
22	See Note	NSS	Seal, Rod (Note: Use Item 30)	
23	See Note	NSS	Wiper (Note: Use Item 30)	
24	0100038	AR	Primer, Locking	
26	0630537	3	Bolt	
30	2901526	1	Seal Kit (Includes Items 15-23)	

SECTION 6 - CYLINDER

FIGURE 6-5. LEVEL (SLAVE) CYLINDER ASSEMBLY - UPRIGHT (SN 0300247156 to Present)



ART_1001228041

SECTION 6 - CYLINDER

FIGURE 6-5. LEVEL (SLAVE) CYLINDER ASSEMBLY - UPRIGHT (SN 0300247156 to Present)

ITEM	PART NUMBER	QTY	DESCRIPTION	REV
	1001228041	Ref	LEVEL CYLINDER ASSEMBLY	B
		Ref	Note: Original Cylinder may have been replaced with Service Replacement. Identify PN Stamped on Cylinder Before Ordering Parts.	
1	See Note	NSS	Barrel (Note: Not Available for Purchase)	
2	70006391	1	Rod	
3	70006390	1	Head	
4	70006389	1	Piston	
5	70006385	1	Bushing, Tapered	
6	0630537	3	Bolt	
7	3932240	8	Capscrew 3/4 x 2-1/2	
8	2220888	1	Plug, O-Ring	
9	2220883	6	Plug, O-Ring	
11	4640509	1	Cartridge, Valve	
11	2900792	1	Seal Kit - 4640509 Valve	
12	4640605	1	Cartridge, Valve	
12	2900792	1	Seal Kit - 4640605 Valve	
13	0962102	4	Bushing	
100	2901526	1	Seal Kit (Includes Items 101-109)	
101	See Note	NSS	Ring, Lock (Note: Use Item 100)	
102	See Note	NSS	Seal (Note: Use Item 100)	
103	See Note	NSS	Ring, Washer (Note: Use Item 100)	
104	See Note	NSS	Ring, Back-up (Note: Use Item 100)	
105	See Note	NSS	Ring, Wear (Note: Use Item 100)	
106	See Note	NSS	O-Ring (Note: Use Item 100)	
107	See Note	NSS	Ring, Back-up (Note: Use Item 100)	
108	See Note	NSS	Seal, Rod (Note: Use Item 100)	
109	See Note	NSS	Wiper (Note: Use Item 100)	

PARTS FINDER

**Search Website
by Part Number**



**Search Manual
Library For Parts
Manual & Lookup Part
Numbers – Purchase
or Request Quote**

**Can't Find Part or
Manual? Request Help
by Manufacturer,
Model & Description**

Discount-Equipment.com is your online resource for quality parts & equipment.

Florida: **561-964-4949** Outside Florida TOLL FREE: **877-690-3101**

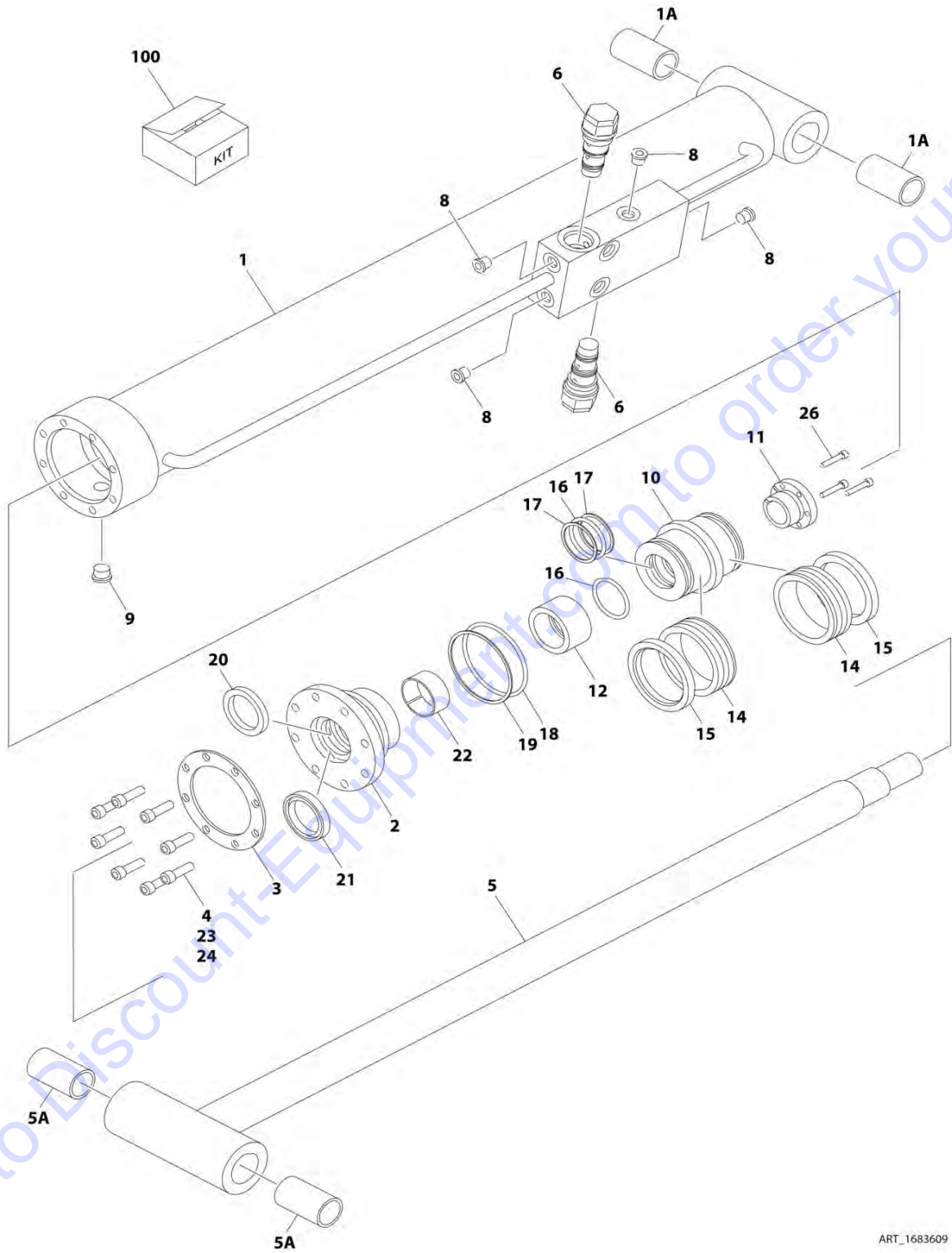
Need parts?

Click on this link: <http://www.discount-equipment.com/category/5443-parts/> and choose one of the options to help get the right parts and equipment you are looking for. Please have the machine model and serial number available in order to help us get you the correct parts. If you don't find the part on the website or on one of the online manuals, please fill out the request form and one of our experienced staff members will get back to you with a quote for the right part that your machine needs.

We sell worldwide for the brands: Genie, Terex, JLG, MultiQuip, Mikasa, Essick, Whiteman, Mayco, Toro Stone, Diamond Products, Generac Magnum, Airman, Haulotte, Barreto, Power Blanket, Nifty Lift, Atlas Copco, Chicago Pneumatic, Allmand, Miller Curber, Skyjack, Lull, Skytrak, Tsurumi, Husquvarna Target, Stow, Wacker, Sakai, Mi-T-M, Sullair, Basic, Dynapac, MBW, Weber, Bartell, Bennar Newman, Haulotte, Ditch Runner, Menegotti, Morrison, Contec, Buddy, Crown, Edco, Wyco, Bomag, Laymor, EZ Trench, Bil-Jax, F.S. Curtis, Gehl Pavers, Heli, Honda, ICS/PowerGrit, IHI, Partner, Imer, Clipper, MMD, Koshin, Rice, CH&E, General Equipment, Amida, Coleman, NAC, Gradall, Square Shooter, Kent, Stanley, Tamco, Toku, Hatz, Kohler, Robin, Wisconsin, Northrock, Oztec, Toker TK, Rol-Air, APT, Wylie, Ingersoll Rand / Doosan, Innovatech, Con X, Ammann, Mecalac, Makinex, Smith Surface Prep, Small Line, Wanco, Yanmar

SECTION 6 - CYLINDER

FIGURE 6-6. LIFT CYLINDER ASSEMBLY - JIB (Prior to SN 0300247156)



ART_1683609

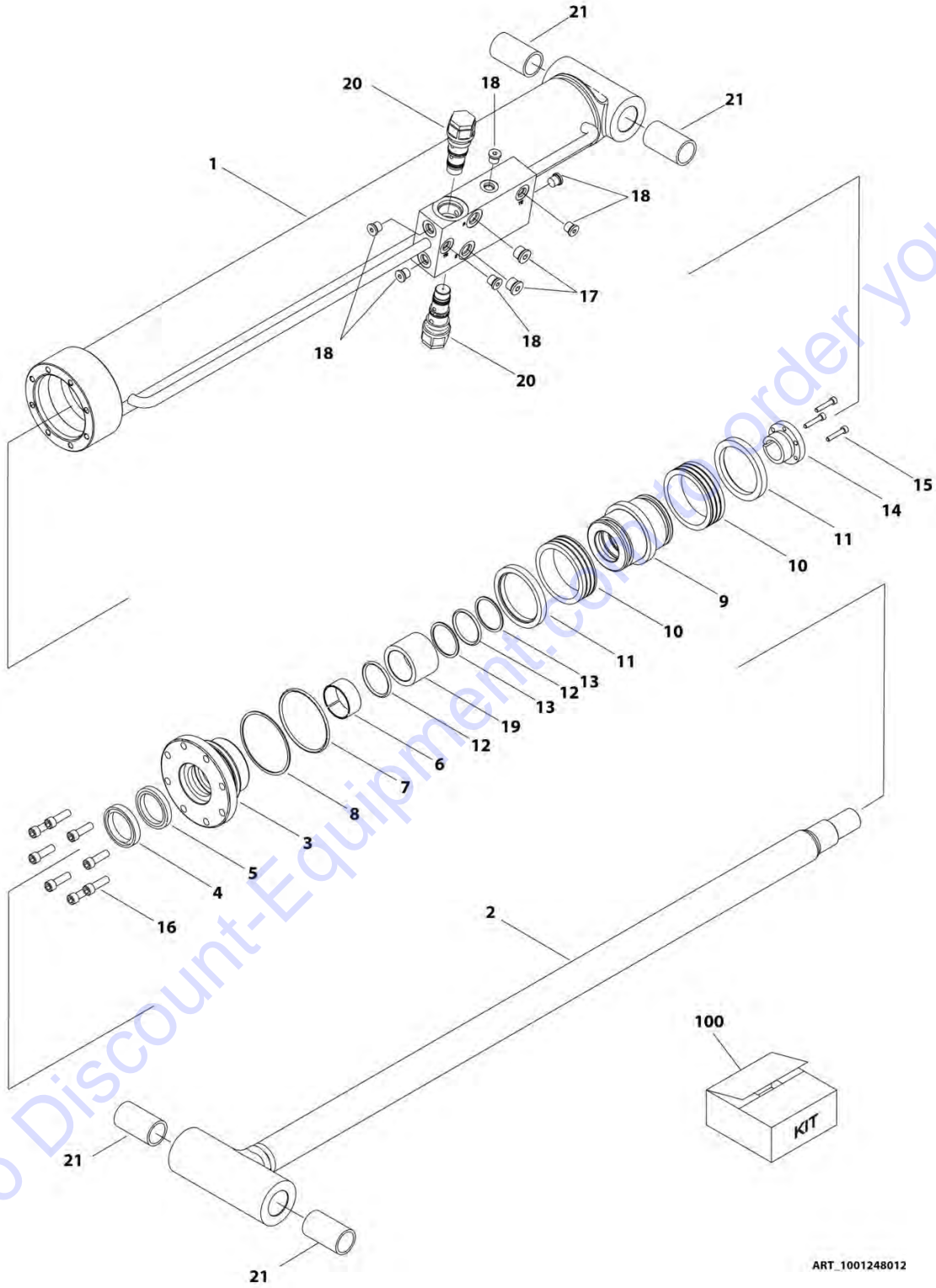
SECTION 6 - CYLINDER

FIGURE 6-6. LIFT CYLINDER ASSEMBLY - JIB (Prior to SN 0300247156)

ITEM	PART NUMBER	QTY	DESCRIPTION	REV
	1683609	Ref	LIFT CYLINDER ASSEMBLY	L
		Ref	Note: Original Cylinder may have been replaced with Service Replacement. Identify PN Stamped on Cylinder Before Ordering Parts.	
1	1684089	1	Barrel	
1A	0962336	2	Bushing	
2	1683053	1	Head	
3	3760368	1	Ring, Washer	
4	3931516	8	Capscrew 5/16in-18NC x 1in	
5	1684090	1	Rod	
5A	0962336	2	Bushing	
6	4640509	2	Cartridge, Valve	
6	2900792	2	Seal Kit - 4640509 Valve	
8	2220883	2	Plug #4	
9	2220885	1	Plug #6	
10	3480210	1	Piston	
11	0961893	1	Bushing, Tapered	
12	4100100	1	Spacer, Tube	
14	See Note	NSS	Seal (Note: Use Item 100)	
15	See Note	NSS	Ring, Lock (Note: Use Item 100)	
16	See Note	NSS	O-Ring (Note: Use Item 100)	
17	See Note	NSS	Ring, Back-up (Note: Use Item 100)	
18	See Note	NSS	O-Ring (Note: Use Item 100)	
19	See Note	NSS	Ring, Back-up (Note: Use Item 100)	
20	See Note	NSS	Seal, Rod (Note: Use Item 100)	
21	See Note	NSS	Wiper (Note: Use Item 100)	
22	See Note	NSS	Ring, Wear (Note: Use Item 100)	
23	0100011	AR	Compound, Locking	
24	0100038	AR	Primer, Locking	
26	0630534	3	Bolt #10-24NC x 1in	
100	2901303	1	Seal Kit (Includes Items 14-22)	

SECTION 6 - CYLINDER

FIGURE 6-7. LIFT CYLINDER ASSEMBLY - JIB (SN 0300247156 to Present)



ART_1001248012

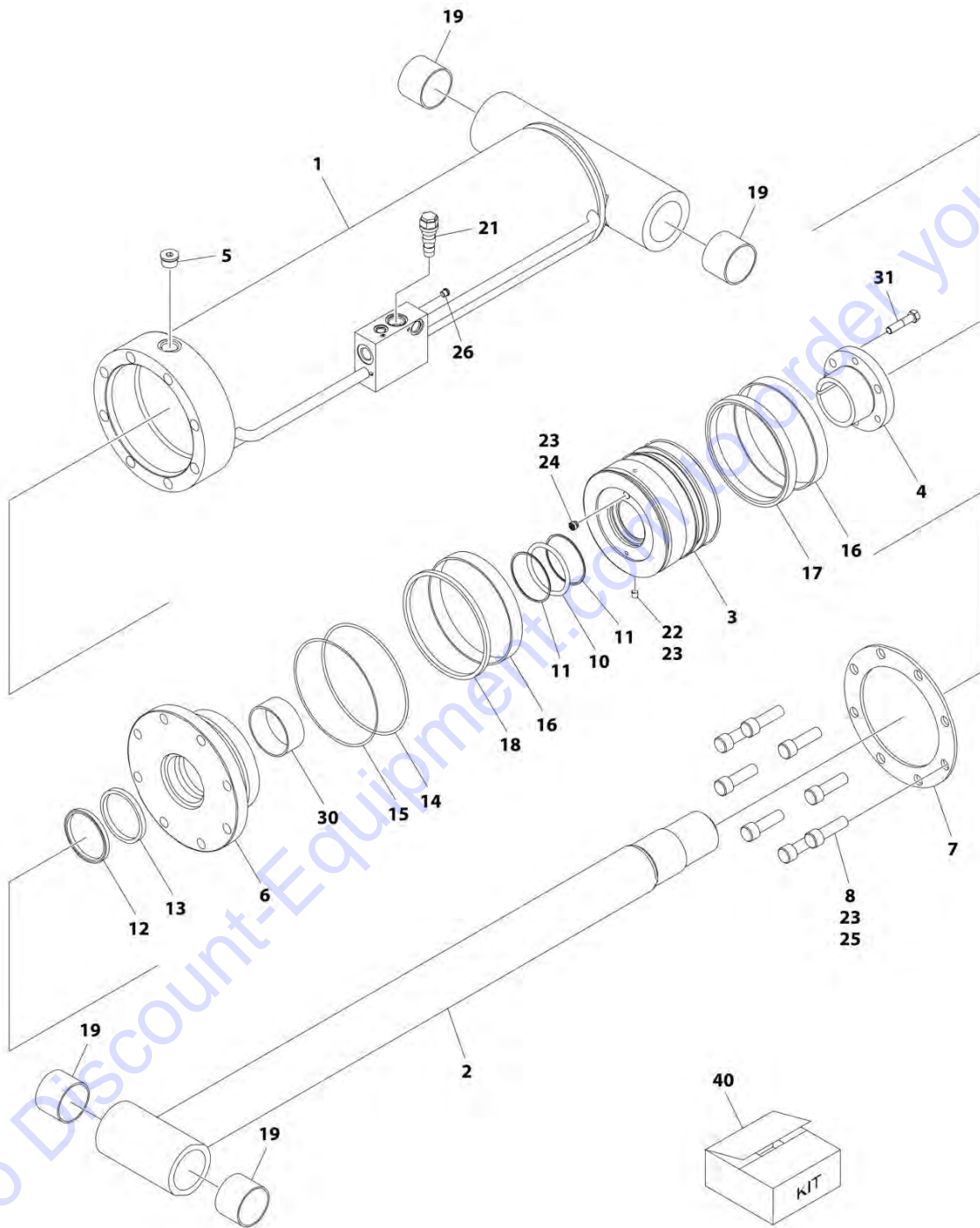
SECTION 6 - CYLINDER

FIGURE 6-7. LIFT CYLINDER ASSEMBLY - JIB (SN 0300247156 to Present)

ITEM	PART NUMBER	QTY	DESCRIPTION	REV
	1001248012	Ref	LIFT CYLINDER ASSEMBLY - JIB	B
		Ref	Note: Original Cylinder May Have Been Replaced with Service Replacement. Identify PN Stamped on Cylinder Before Ordering Parts.	
1	See Note	NSS	Barrel (Note: Not Available for Purchase)	
2	70006734	1	Rod	
3	70006649	1	Head	
4	See Note	NSS	Wiper (Note: Use Item 100)	
5	See Note	NSS	Seal, Rod (Note: Use Item 100)	
6	See Note	NSS	Ring, Wear (Note: Use Item 100)	
7	See Note	NSS	O-Ring (Note: Use Item 100)	
8	See Note	NSS	Ring, Back-up (Note: Use Item 100)	
9	70006650	1	Piston	
10	See Note	NSS	Seal (Note: Use Item 100)	
11	See Note	NSS	Ring, Lock (Note: Use Item 100)	
12	See Note	NSS	O-Ring (Note: Use Item 100)	
13	See Note	NSS	Ring, Back-up (Note: Use Item 100)	
14	0961893	1	Bushing, Tapered	
15	0630534	3	Capscrew, Socket Head #10 x 1	
16	70006735	8	Capscrew 5/16	
17	2220885	2	Plug, O-Ring	
18	2220883	6	Plug, O-Ring	
19	70006736	1	Spacer	
20	4640509	2	Cartridge, Valve	
20	2900792	2	Seal Kit - 4640509 Valve	
21	0962336	4	Bushing	
100	1001138795	1	Seal Kit (Includes Items 4-8 & 10-13)	

SECTION 6 - CYLINDER

FIGURE 6-8. LIFT CYLINDER ASSEMBLY - MAIN BOOM (Prior to SN 0300247156)



ART_1683547

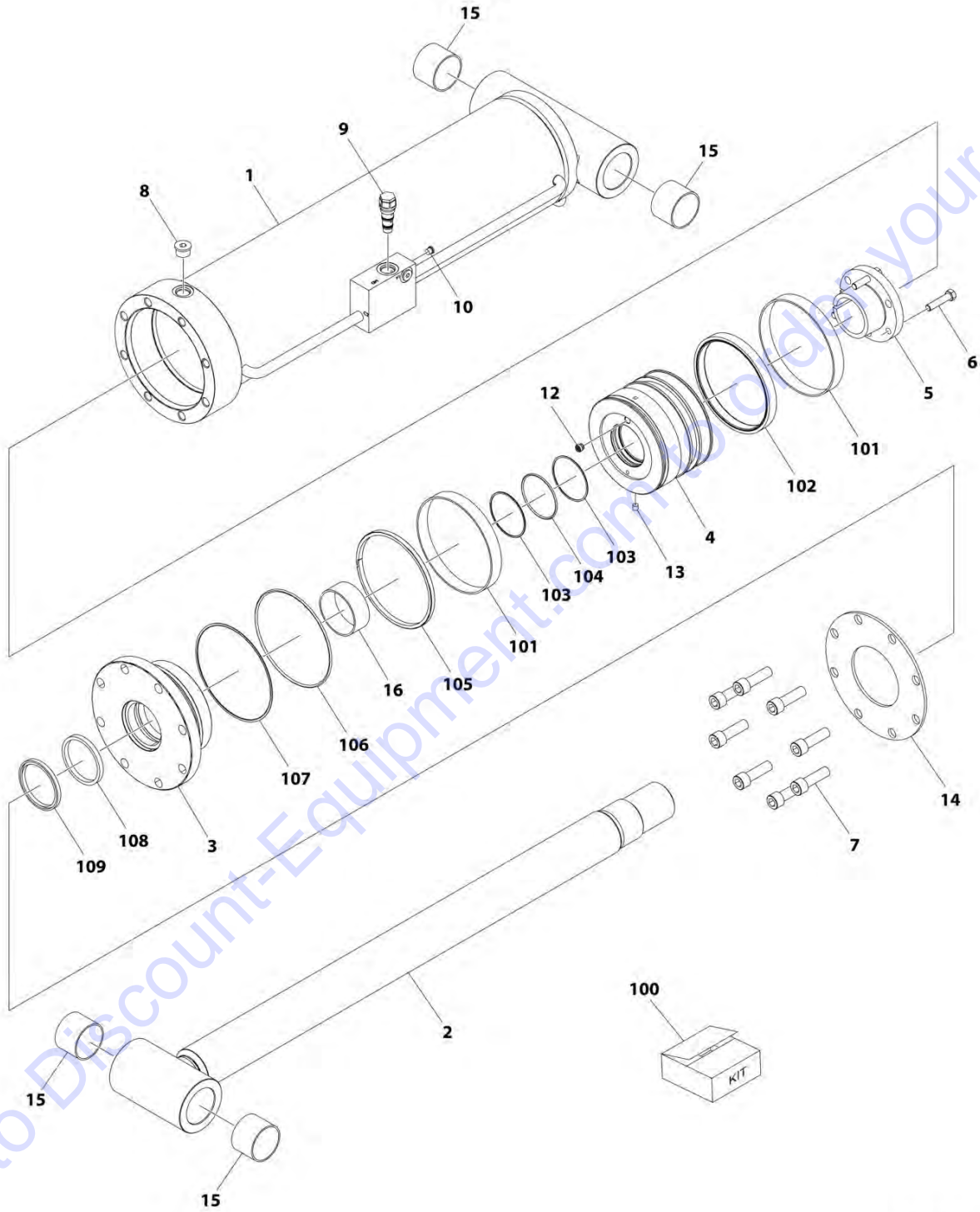
SECTION 6 - CYLINDER

FIGURE 6-8. LIFT CYLINDER ASSEMBLY - MAIN BOOM (Prior to SN 0300247156)

ITEM	PART NUMBER	QTY	DESCRIPTION	REV
	1683547	Ref	LIFT CYLINDER ASSEMBLY	M
		Ref	Note: Original Cylinder May Have Been Replaced with Service Replacement. Identify PN Stamped on Cylinder Before Ordering Parts.	
1	1683821	1	Barrel	
2	1683549	1	Rod	
3	3480238	1	Piston	
4	0961901	1	Bushing, Tapered	
5	2220888	1	Plug, O-Ring	
6	1683071	1	Head	
7	3760374	1	Washer, Ring	
8	3932240	1	Capscrew 3/4 x 2-1/2	
10	See Note	NSS	O-Ring (Note: Use Item 40)	
11	See Note	NSS	Ring, Back-up (Note: Use Item 40)	
12	See Note	NSS	Wiper (Note: Use Item 40)	
13	See Note	NSS	Seal, Rod (Note: Use Item 40)	
14	See Note	NSS	O-Ring (Note: Use Item 40)	
15	See Note	NSS	Ring, Back-up (Note: Use Item 40)	
16	See Note	NSS	Ring, Wear (Note: Use Item 40)	
17	See Note	NSS	T-Seal (Note: Use Item 40)	
18	See Note	NSS	Seal (Note: Use Item 40)	
19	0962102	4	Bushing	
21	4640509	1	Cartridge, Valve	
21	2900792	1	Seal Kit - 4640509 Valve	
22	2180615	1	Orifice	
23	0100011	AR	Compound, Locking	
24	4641027	1	Plug, Check Valve	
25	0100038	AR	Primer, Locking	
26	2220883	1	Plug	
30	See Note	NSS	Ring, Wear (Note: Use Item 40)	
31	0630537	3	Bolt	
40	2901514	1	Seal Kit (Includes Items 10-18 & 30)	

SECTION 6 - CYLINDER

FIGURE 6-9. LIFT CYLINDER ASSEMBLY - MAIN BOOM (SN 0300247156 to Present)



ART_1001228010

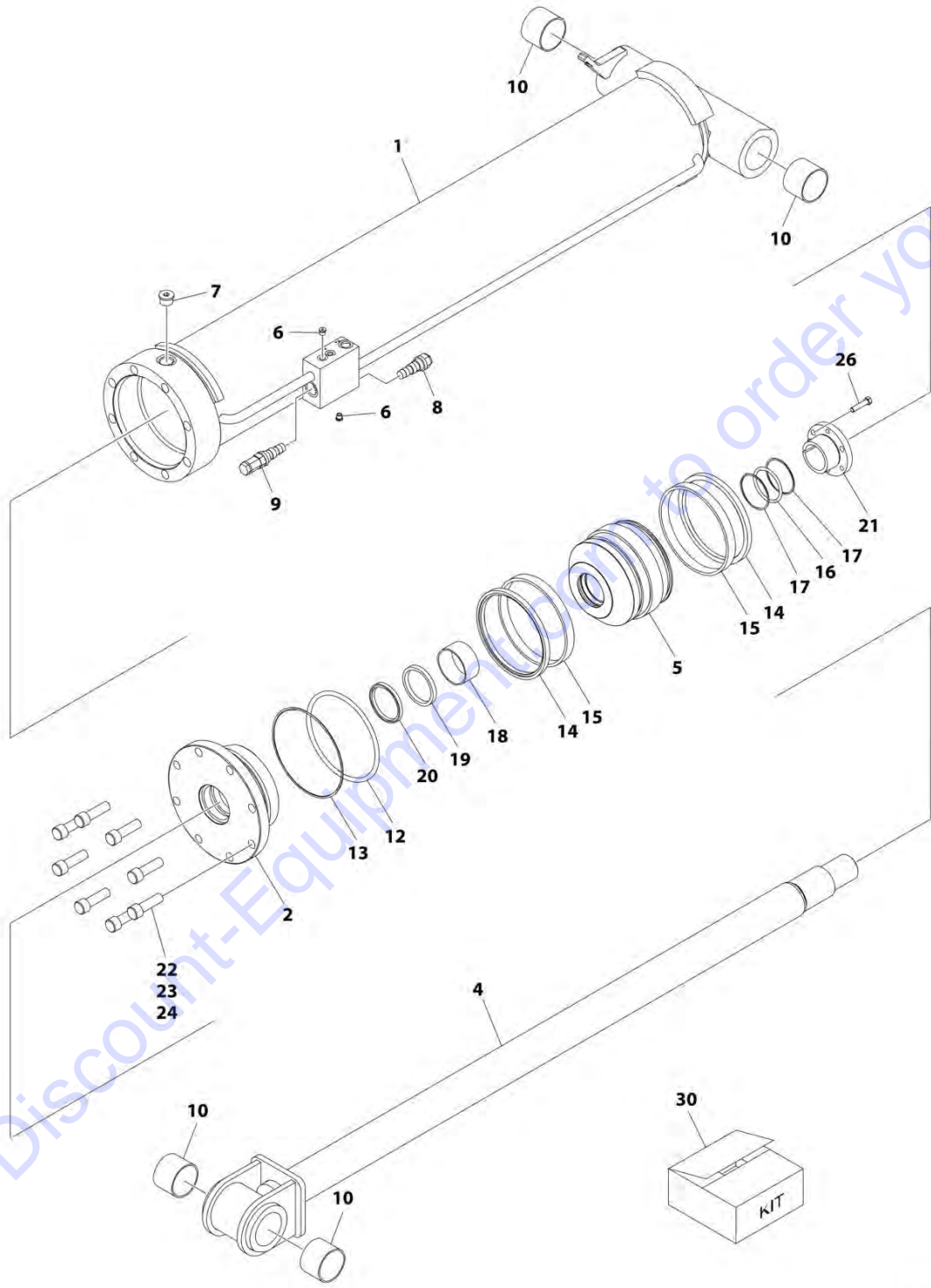
SECTION 6 - CYLINDER

FIGURE 6-9. LIFT CYLINDER ASSEMBLY - MAIN BOOM (SN 0300247156 to Present)

ITEM	PART NUMBER	QTY	DESCRIPTION	REV
	1001228010	Ref	LIFT CYLINDER ASSEMBLY	B
		Ref	Note: Original Cylinder may have been replaced with Service Replacement. Identify PN Stamped on Cylinder Before Ordering Parts.	
1	See Note	NSS	Barrel (Note: Not Available for Purchase)	
2	70006388	1	Rod	
3	70006387	1	Head	
4	70006386	1	Piston	
5	70006385	1	Bushing, Tapered	
6	0630537	3	Bolt	
7	3932240	8	Capscrew 3/4 x 2-1/2	
7	See Note	AR	Compound, Locking (Note: Use Loctite 263)	
8	2220888	1	Plug	
9	4640509	1	Cartridge, Valve	
9	2900792	1	Seal Kit - 4640509 Valve	
10	2220883	1	Plug	
12	4641027	1	Plug, Check Valve	
13	2180615	1	Orifice	
14	70006384	1	Washer, Ring	
15	0962102	4	Bushing	
16	See Note	NSS	Ring, Wear (Note: Use Item 100)	
100	2901514	1	Seal Kit (Includes Items 16 and 101-109)	
101	See Note	NSS	Ring, Wear (Note: Use Item 100)	
102	See Note	NSS	T-Seal (Note: Use Item 100)	
103	See Note	NSS	Ring, Back-up (Note: Use Item 100)	
104	See Note	NSS	O-Ring (Note: Use Item 100)	
105	See Note	NSS	Seal (Note: Use Item 100)	
106	See Note	NSS	O-Ring (Note: Use Item 100)	
107	See Note	NSS	Ring Back-up (Note: Use Item 100)	
108	See Note	NSS	Seal, Rod (Note: Use Item 100)	
109	See Note	NSS	Wiper (Note: Use Item 100)	

SECTION 6 - CYLINDER

FIGURE 6-10. LIFT CYLINDER ASSEMBLY - TOWER BOOM (Prior to SN 0300247156)



ART_1683537

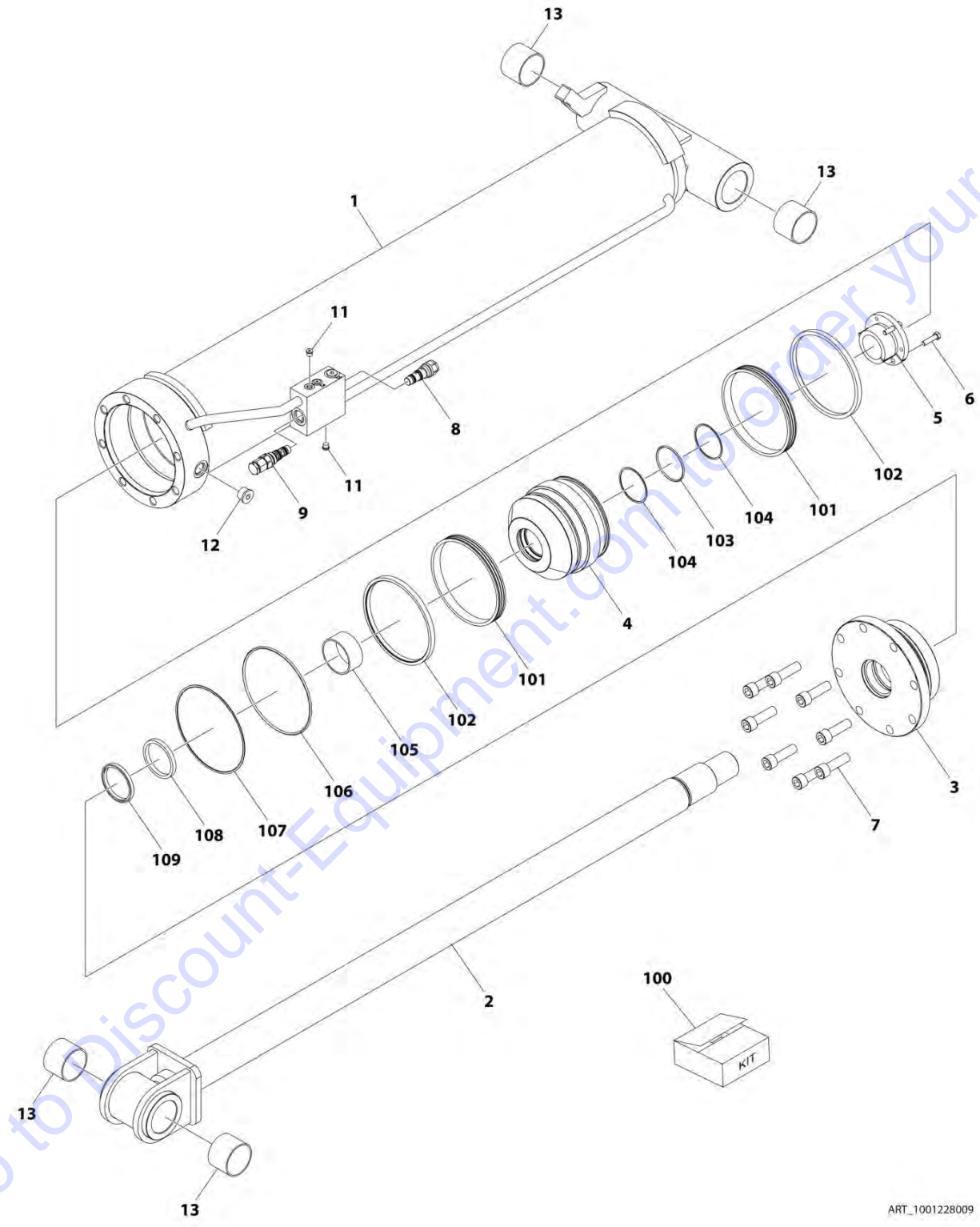
SECTION 6 - CYLINDER

FIGURE 6-10. LIFT CYLINDER ASSEMBLY - TOWER BOOM (Prior to SN 0300247156)

ITEM	PART NUMBER	QTY	DESCRIPTION	REV
	1683537	Ref	LIFT CYLINDER ASSEMBLY	J
		Ref	Note: Original Cylinder May Have Been Replaced with Service Replacement. Identify PN Stamped on Cylinder Before Ordering Parts.	
1	1683823	1	Barrel	
2	1683818	1	Head	
4	1683539	1	Rod	
5	3480236	1	Piston	
6	2220883	2	Plug, O-Ring	
7	2220888	1	Plug, O-Ring	
8	4640509	1	Cartridge, Valve	
8	2900792	1	Seal Kit - 4640999 Valve	
9	4640605	1	Cartridge, Valve	
9	2900792	1	Seal Kit - 4640605 Valve	
10	0962102	4	Bushing	
12	See Note	NSS	O-Ring (Note: Use Item 30)	
13	See Note	NSS	Ring, Back-up (Note: Use Item 30)	
14	See Note	NSS	Ring, Lock (Note: Use Item 30)	
15	See Note	NSS	Seal (Note: Use Item 30)	
16	See Note	NSS	O-Ring (Note: Use Item 30)	
17	See Note	NSS	Ring, Back-up (Note: Use Item 30)	
18	See Note	NSS	Ring, Wear (Note: Use Item 30)	
19	See Note	NSS	Seal (Note: Use Item 30)	
20	See Note	NSS	Wiper (Note: Use Item 30)	
21	0961903	1	Bushing, Tapered	
22	3932240	8	Capscrew 3/4 x 2-1/2	
23	0100011	AR	Compound, Locking	
24	0100038	AR	Primer, Locking	
26	0630536	3	Bolt	
30	2901537	1	Seal Kit (Includes Items 12-20)	

SECTION 6 - CYLINDER

FIGURE 6-11. LIFT CYLINDER ASSEMBLY - TOWER BOOM (SN 0300247156 to Present)



ART_1001228009

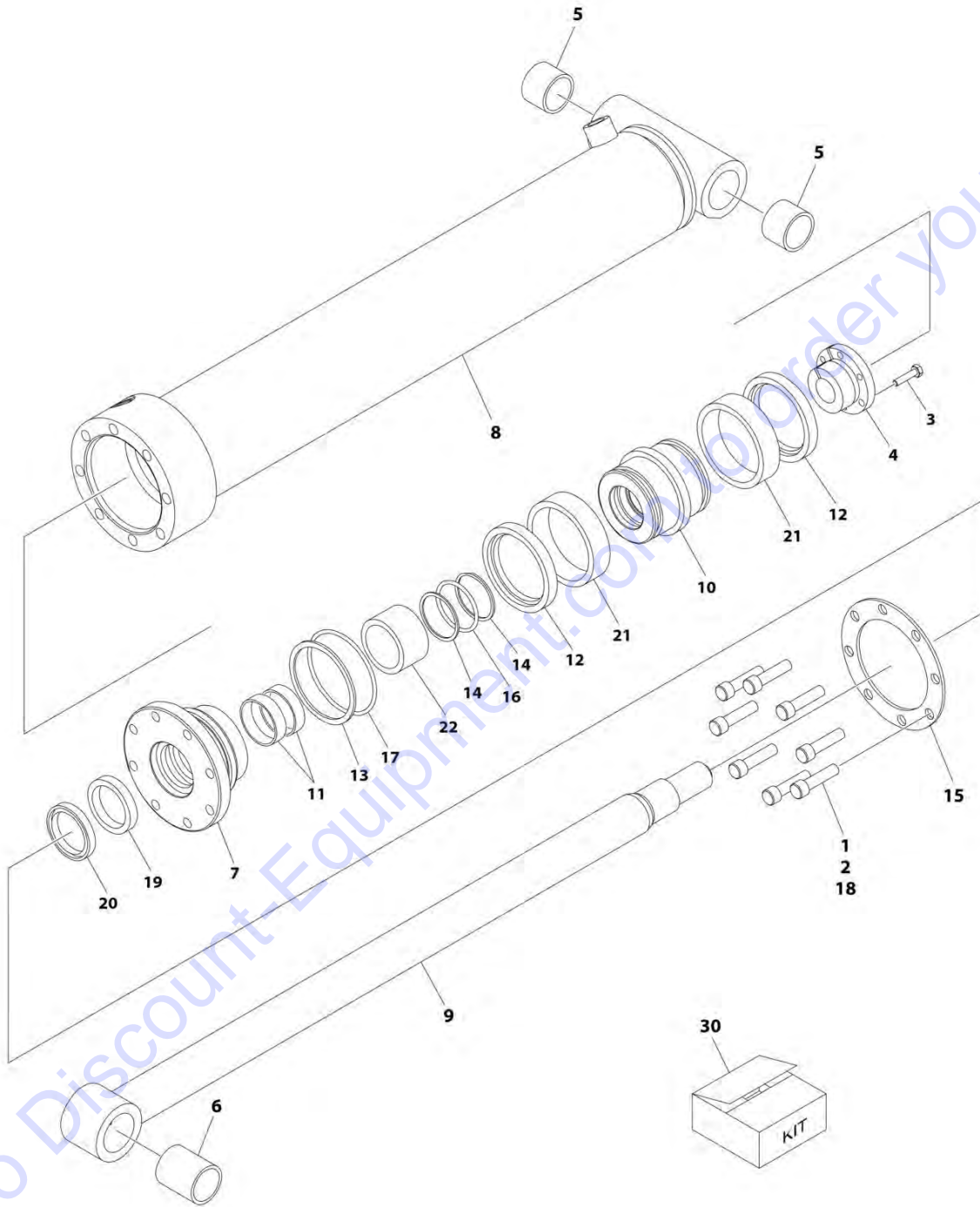
SECTION 6 - CYLINDER

FIGURE 6-11. LIFT CYLINDER ASSEMBLY - TOWER BOOM (SN 0300247156 to Present)

ITEM	PART NUMBER	QTY	DESCRIPTION	REV
	1001228009	Ref	LIFT CYLINDER ASSEMBLY	B
		Ref	Note: Original Cylinder may have been replaced with Service Replacement. Identify PN Stamped on Cylinder Before Ordering Parts.	
1	See Note	NSS	Barrel (Note: Not Available for Purchase)	
2	70006378	1	Rod	
3	70006377	1	Head	
4	70006376	1	Piston	
5	70006375	1	Bushing, Tapered	
6	0630536	3	Bolt	
7	3932240	8	Capscrew 3/4 x 2-1/2	
8	4640509	1	Cartridge, Valve	
8	2900792	1	Seal Kit - 4640999 Valve	
9	4640605	1	Cartridge, Valve	
9	2900792	1	Seal Kit - 4640605 Valve	
11	2220883	4	Plug, O-Ring	
12	2220888	1	Plug, O-Ring	
13	0962102	4	Bushing	
100	2901537	1	Seal Kit (Includes Items 101-109)	
101	See Note	NSS	Seal (Note: Use Item 100)	
102	See Note	NSS	Ring, Lock (Note: Use Item 100)	
103	See Note	NSS	O-Ring (Note: Use Item 100)	
104	See Note	NSS	Ring, Back-up (Note: Use Item 100)	
105	See Note	NSS	Ring, Wear (Note: Use Item 100)	
106	See Note	NSS	O-Ring (Note: Use Item 100)	
107	See Note	NSS	Ring, Back-up (Note: Use Item 100)	
108	See Note	NSS	Seal (Note: Use Item 100)	
109	See Note	NSS	Wiper (Note: Use Item 100)	

SECTION 6 - CYLINDER

FIGURE 6-12. MASTER CYLINDER ASSEMBLY (Prior to SN 0300247156)



ART_1683682

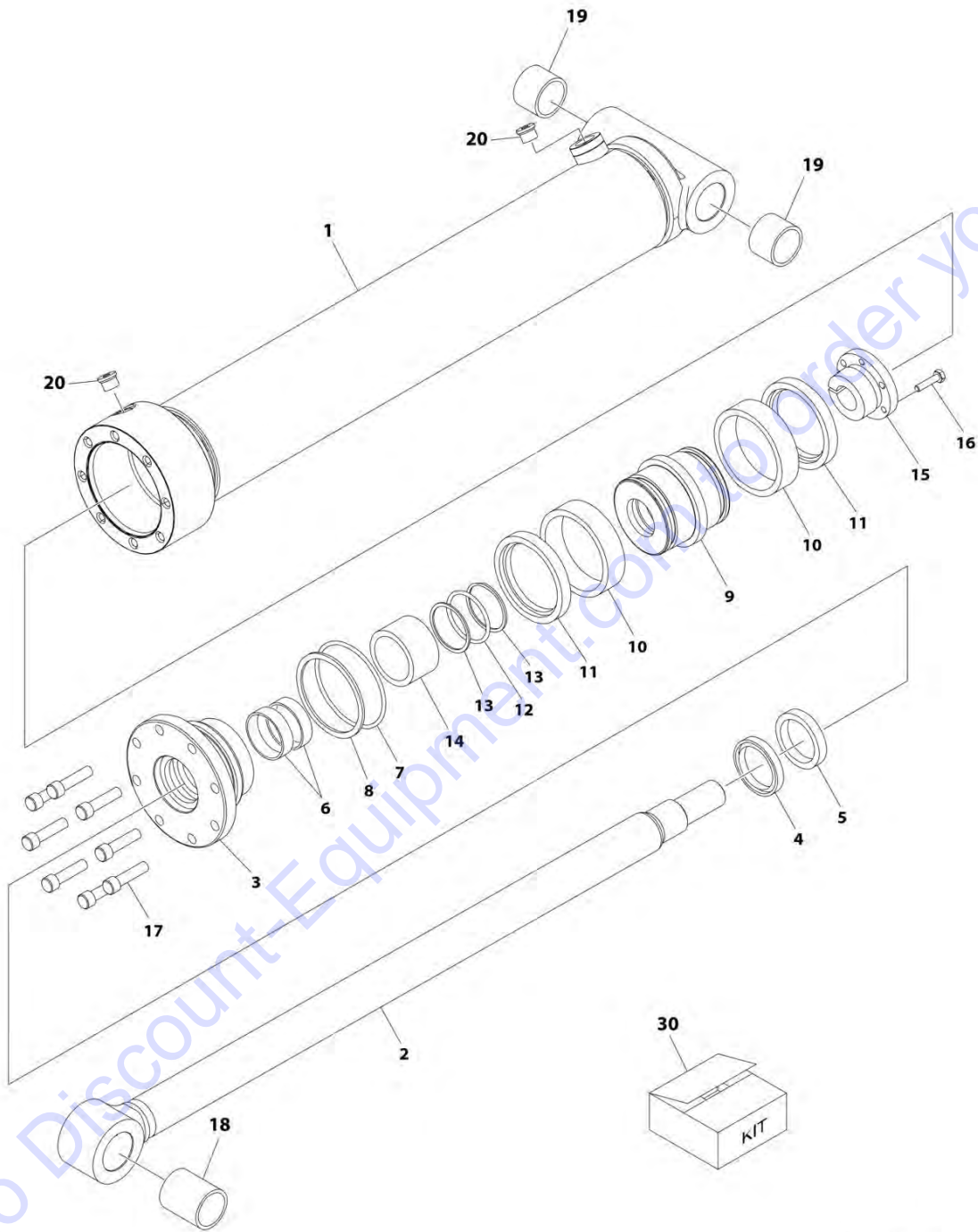
SECTION 6 - CYLINDER

FIGURE 6-12. MASTER CYLINDER ASSEMBLY (Prior to SN 0300247156)

ITEM	PART NUMBER	QTY	DESCRIPTION	REV
	1683682	Ref	MASTER CYLINDER ASSEMBLY	H
		Ref	Note: Original Cylinder May Have Been Replaced with Service Replacement. Identify PN Stamped on Cylinder Before Ordering Parts.	
1	0100011	AR	Compound, Locking	
2	0100038	AR	Primer, Locking	
3	0630535	3	Capscrew 1/4 x 1-1/8	
4	0961894	1	Bushing, Tapered	
5	0961951	2	Bushing	
6	0962155	1	Bushing	
7	1683055	1	Head	
8	1684125	1	Barrel	
9	1684126	1	Rod	
10	3480188	1	Piston	
11	See Note	NSS	Ring, Wear (Note: Use Item 30)	
12	See Note	NSS	Ring, Lock (Note: Use Item 30)	
13	See Note	NSS	Ring, Back-up (Note: Use Item 30)	
14	See Note	NSS	Ring, Back-up (Note: Use Item 30)	
15	3760369	1	Ring, Washer	
16	See Note	NSS	O-Ring (Note: Use Item 30)	
17	See Note	NSS	O-Ring (Note: Use Item 30)	
18	3931620	8	Capscrew 3/8 x 1-1/4	
19	See Note	NSS	Seal, Rod (Note: Use Item 30)	
20	See Note	NSS	Wiper (Note: Use Item 30)	
21	See Note	NSS	Seal (Note: Use Item 30)	
22	4566468	1	Spacer, Tube	
30	2901301	1	Seal Kit (Includes Items 11-14, 16, 17 & 19-21)	

SECTION 6 - CYLINDER

FIGURE 6-13. MASTER CYLINDER ASSEMBLY (SN 0300247156 to Present)



ART_1001228050

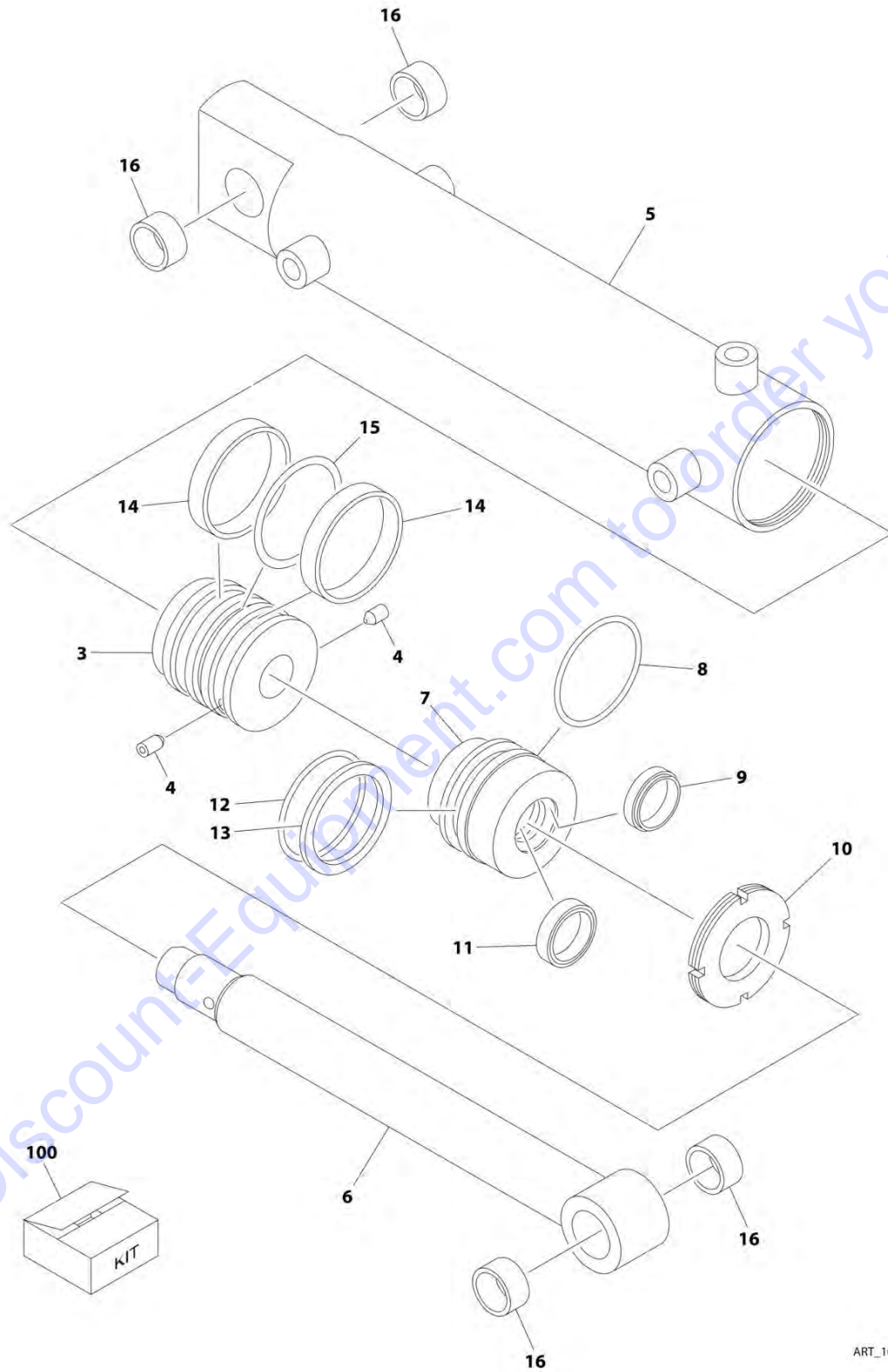
SECTION 6 - CYLINDER

FIGURE 6-13. MASTER CYLINDER ASSEMBLY (SN 0300247156 to Present)

ITEM	PART NUMBER	QTY	DESCRIPTION	REV
	1001228050	Ref	MASTER CYLINDER ASSEMBLY	A
		Ref	Note: Original Cylinder may have been replaced with Service Replacement. Identify PN Stamped on Cylinder Before Ordering Parts.	
1	See Note	NSS	Barrel (Note: Not Available for Purchase)	
2	70006668	1	Rod	
3	70006643	1	Head	
4	See Note	NSS	Wiper (Note: Use Item 30)	
5	See Note	NSS	Seal, Rod (Note: Use Item 30)	
6	See Note	NSS	Ring, Wear (Note: Use Item 30)	
7	See Note	NSS	O-Ring (Note: Use Item 30)	
8	See Note	NSS	Ring, Back-up (Note: Use Item 30)	
9	70006644	1	Piston	
10	See Note	NSS	Ring, Wear (Note: Use Item 30)	
11	See Note	NSS	Ring, Lock (Note: Use Item 30)	
12	See Note	NSS	O-Ring (Note: Use Item 30)	
13	See Note	NSS	Ring, Back-up (Note: Use Item 30)	
14	70006651	1	Spacer, Tube	
15	0961894	1	Bushing, Tapered	
16	0630535	3	Capscrew 1/4 x 1-1/8	
17	3931620	8	Capscrew 3/8 x 1-1/4	
18	0962155	1	Bushing	
19	0961951	2	Bushing	
20	2220885	2	Plug, O-Ring	
30	1001138796	1	Seal Kit (Machines with Arctic Package) (Includes Items 4-8 & 10-13)	

SECTION 6 - CYLINDER

FIGURE 6-14. STEER CYLINDER ASSEMBLY



ART_1001150539

SECTION 6 - CYLINDER

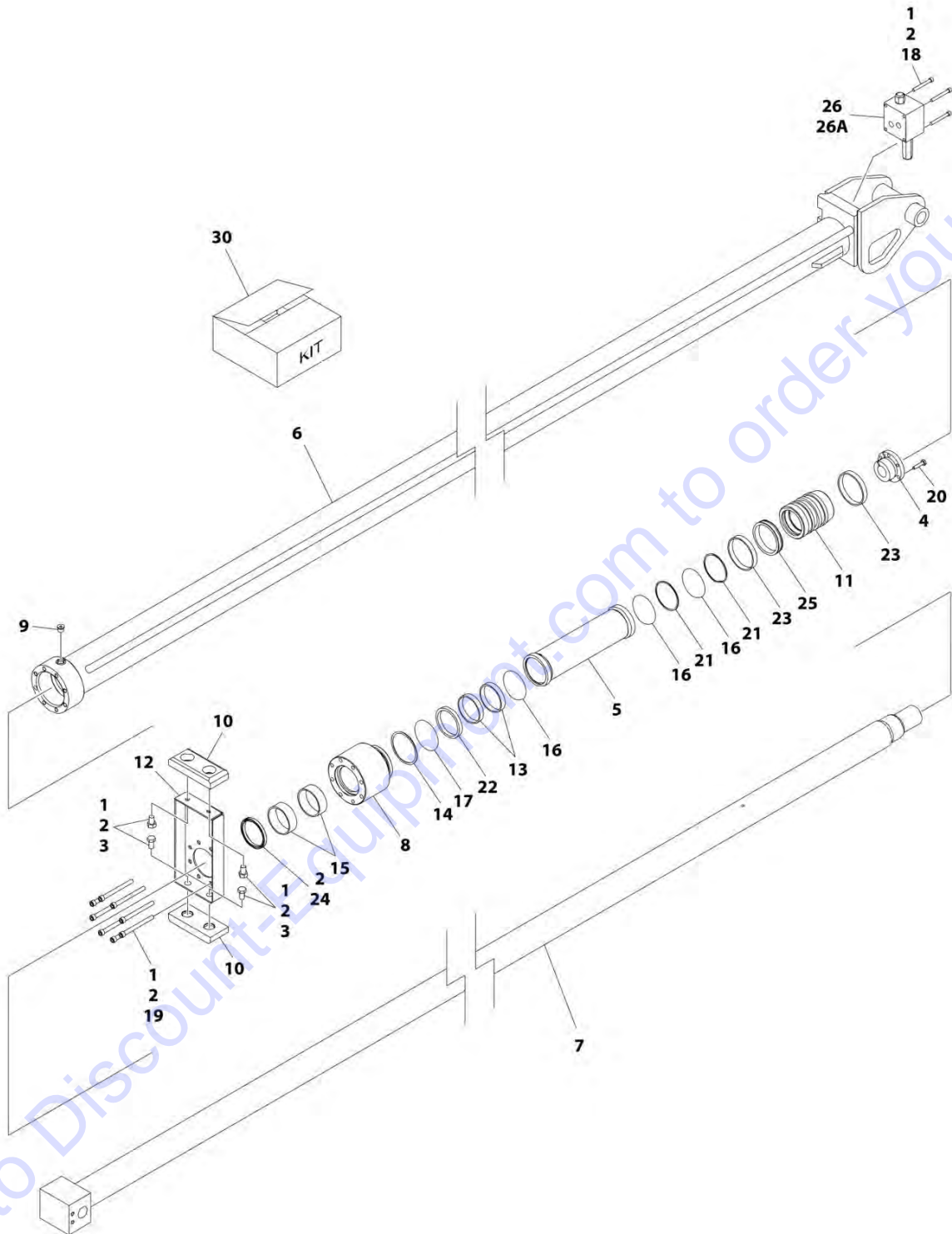
FIGURE 6-14. STEER CYLINDER ASSEMBLY

ITEM	PART NUMBER	QTY	DESCRIPTION	REV
	1001150539	Ref	STEER CYLINDER ASSEMBLY	F
3	70002744	1	Piston	
4	70002745	2	Setscrew M6 x 10	
5	70004381	1	Barrel	
6	70004382	1	Rod	
7	70002748	1	Head	
8	See Note	NSS	Ring (Note: Use Item 100)	
9	See Note	NSS	Wiper (Note: Use Item 100)	
10	70002749	1	Nut, Spanner	
11	See Note	NSS	Seal (Note: Use Item 100)	
12	See Note	NSS	O-Ring (Note: Use Item 100)	
13	See Note	NSS	Ring, Back-up (Note: Use Item 100)	
14	See Note	NSS	Ring, Wear (Note: Use Item 100)	
15	See Note	NSS	Seal (Note: Use Item 100)	
16	0962152	4	Bushings	
100	70002751	1	Seal Kit (Includes Items 8, 9 & 11-15)	

Go to Discount-Equipment.com to order your parts

SECTION 6 - CYLINDER

FIGURE 6-15. TELESCOPE CYLINDER ASSEMBLY - MAIN BOOM (Prior to SN 0300247156)



ART_1001149284

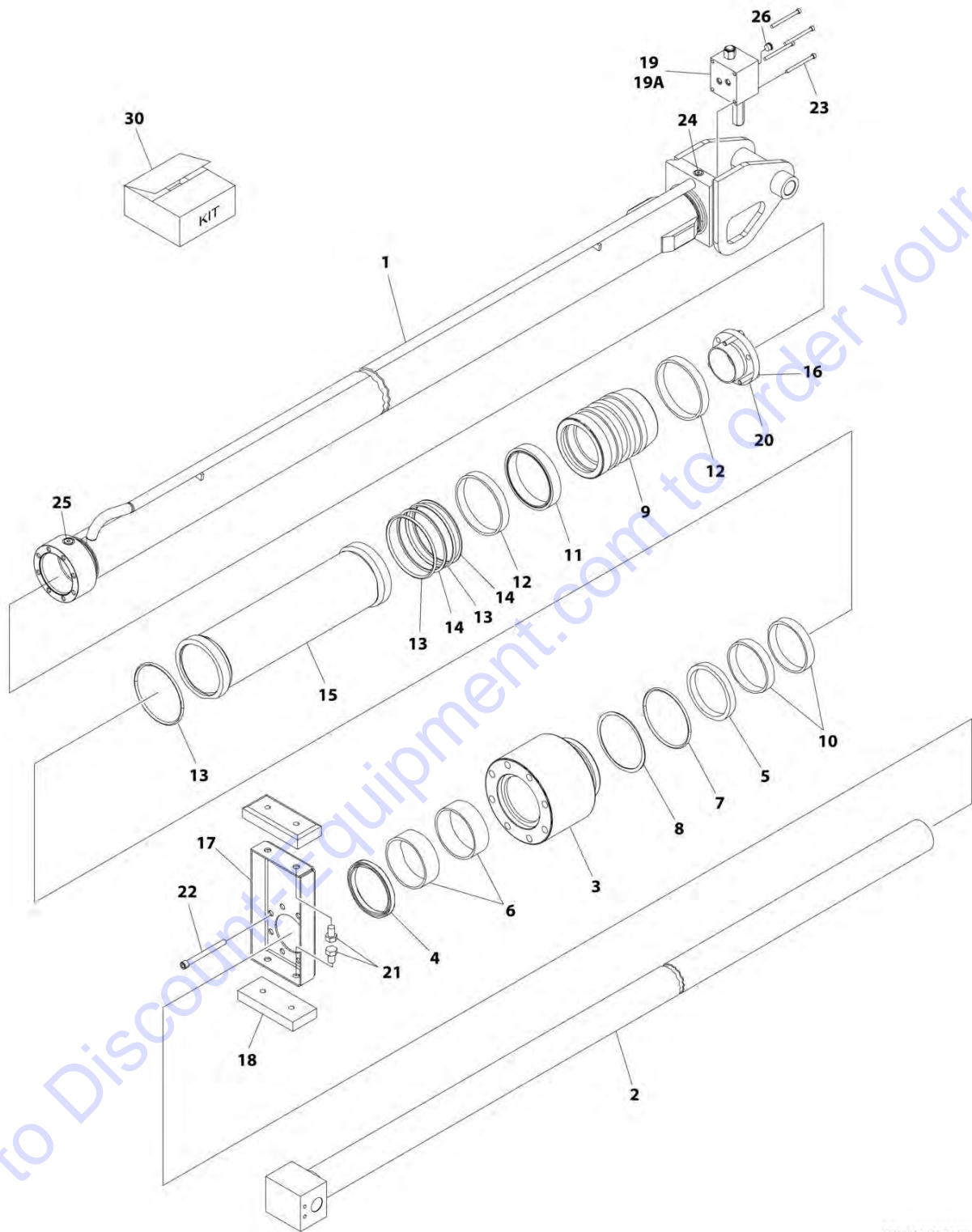
SECTION 6 - CYLINDER

FIGURE 6-15. TELESCOPE CYLINDER ASSEMBLY - MAIN BOOM (Prior to SN 0300247156)

ITEM	PART NUMBER	QTY	DESCRIPTION	REV
	1001149284	Ref	TELESCOPE CYLINDER ASSEMBLY	B
		Ref	Note: Original Cylinder may have been replaced with Service Replacement. Identify PN Stamped on Cylinder Before Ordering Parts.	
1	0100011	AR	Compound, Locking	
2	0100038	AR	Primer, Locking	
3	0641806	4	Bolt 1/2 x 3/4	
4	0961897	1	Bushing, Tapered	
5	0962524	1	Spacer, Tube	
6	1683673	1	Barrel	
7	1683675	1	Rod	
8	1683663	1	Head	
9	2220885	1	Plug, O-Ring	
10	3340838	2	Pad, Wear	
11	3480234	1	Piston	
12	3570775	1	Plate	
13	See Note	NSS	Ring, Wear (Note: Use Item 30)	
14	See Note	NSS	Ring, Back-up (Note: Use Item 30)	
15	See Note	NSS	Ring, Wear (Note: Use Item 30)	
16	See Note	NSS	O-Ring (Note: Use Item 30)	
17	See Note	NSS	O-Ring (Note: Use Item 30)	
18	3931448	4	Capscrew 1/4 x 3	
19	3931664	8	Capscrew 3/8 x 4	
20	0630535	3	Bolt 1/4 x 1-1/8	
21	See Note	NSS	Ring, Back-up (Note: Use Item 30)	
22	See Note	NSS	Seal, Rod (Note: Use Item 30)	
23	See Note	NSS	Ring, Wear (Note: Use Item 30)	
24	See Note	NSS	Wiper (Note: Use Item 30)	
25	See Note	NSS	T-Seal (Note: Use Item 30)	
26	4641033	1	Valve Assembly (No serviceable parts - sold as assembly only)	
26	7024508	2	O-Ring (Between Valve and Cylinder Barrel)	
30	1001149391	1	Seal Kit (Includes Items 13-17 & 21-25)	

SECTION 6 - CYLINDER

FIGURE 6-16. TELESCOPE CYLINDER ASSEMBLY - MAIN BOOM (SN 0300247156 to Present)



ART_1001228087

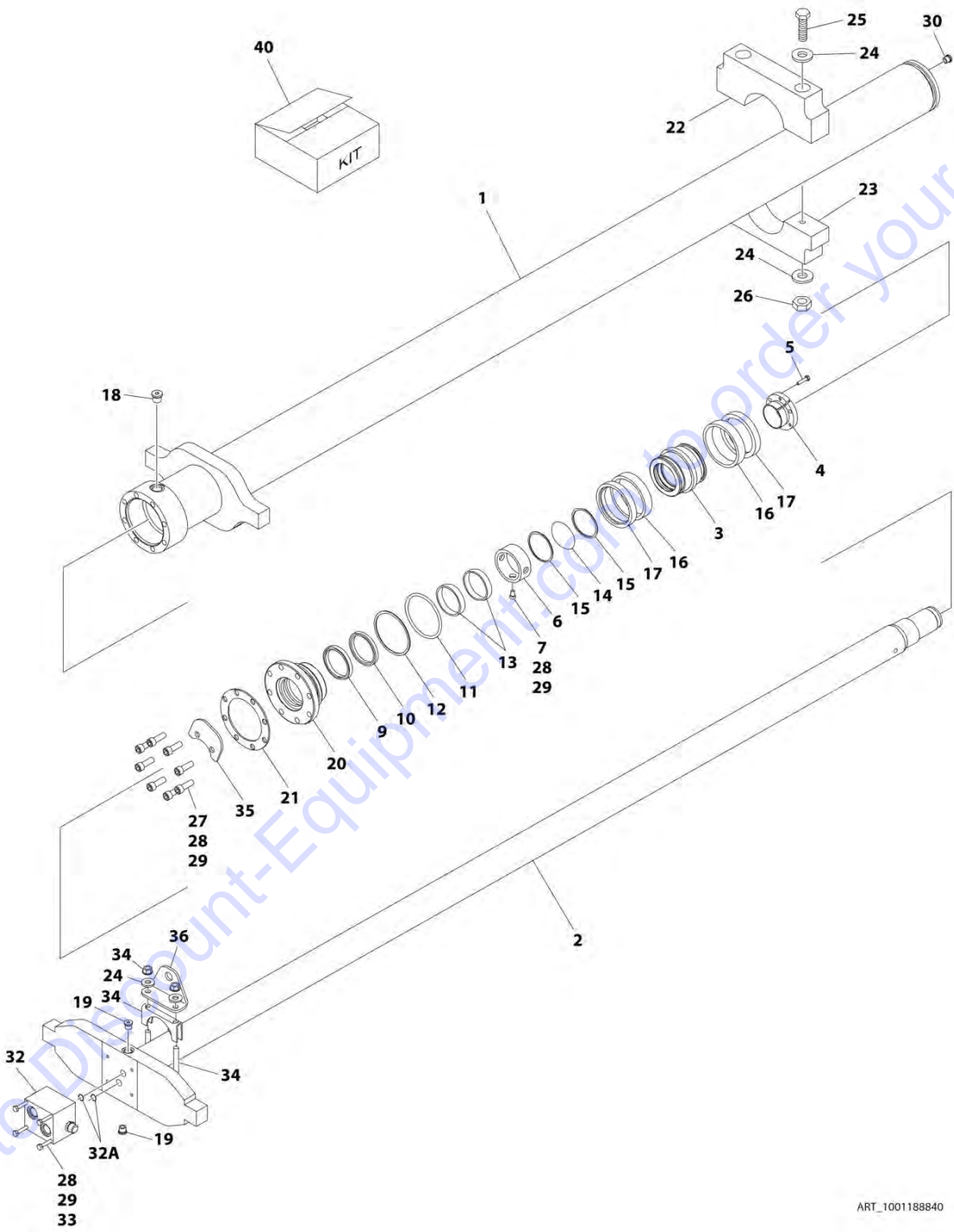
SECTION 6 - CYLINDER

FIGURE 6-16. TELESCOPE CYLINDER ASSEMBLY - MAIN BOOM (SN 0300247156 to Present)

ITEM	PART NUMBER	QTY	DESCRIPTION	REV
	1001228087	Ref	TELESCOPE CYLINDER ASSEMBLY	A
		Ref	Note: Original Cylinder may have been replaced with Service Replacement. Identify PN Stamped on Cylinder Before Ordering Parts.	
1	See Note	NSS	Barrel (Note: Not Available for Purchase)	
2	70006669	1	Rod	
3	70006670	1	Head	
4	See Note	NSS	Wiper (Note: Use Item 30)	
5	See Note	NSS	Seal, Rod (Note: Use Item 30)	
6	See Note	NSS	Ring, Wear (Note: Use Item 30)	
7	See Note	NSS	O-Ring (Note: Use Item 30)	
8	See Note	NSS	Ring, Back-up (Note: Use Item 30)	
9	70006671	1	Piston	
10	See Note	NSS	Ring, Wear (Note: Use Item 30)	
11	See Note	NSS	Seal, Piston (Note: Use Item 30)	
12	See Note	NSS	Ring, Wear (Note: Use Item 30)	
13	See Note	NSS	O-Ring (Note: Use Item 30)	
14	See Note	NSS	Ring, Back-up (Note: Use Item 30)	
15	70006672	1	Spacer	
16	0961897	1	Bushing, Tapered	
17	3570775	1	Plate	
18	3340838	2	Pad, Wear	
19	4641033	1	Valve Assembly (No serviceable parts - sold as assembly only)	
19A	7024508	2	O-Ring (Between Valve and Cylinder Barrel)	
20	0630535	3	Bolt 1/4 x 1-1/8	
21	0641806	4	Bolt 1/2 x 3/4	
22	3931664	8	Capscrew 3/8 x 4	
23	3931448	4	Capscrew 1/4 x 3	
24	2220883	1	Plug, O-Ring	
25	2220885	1	Plug, O-Ring	
26	2220886	1	Plug, O-Ring	
30	1001149391	1	Seal Kit (Includes Items 4-8 & 10-14)	

SECTION 6 - CYLINDER

FIGURE 6-17. TELESCOPE CYLINDER ASSEMBLY - TOWER BOOM (Prior to SN 0300247156)



ART_1001188840

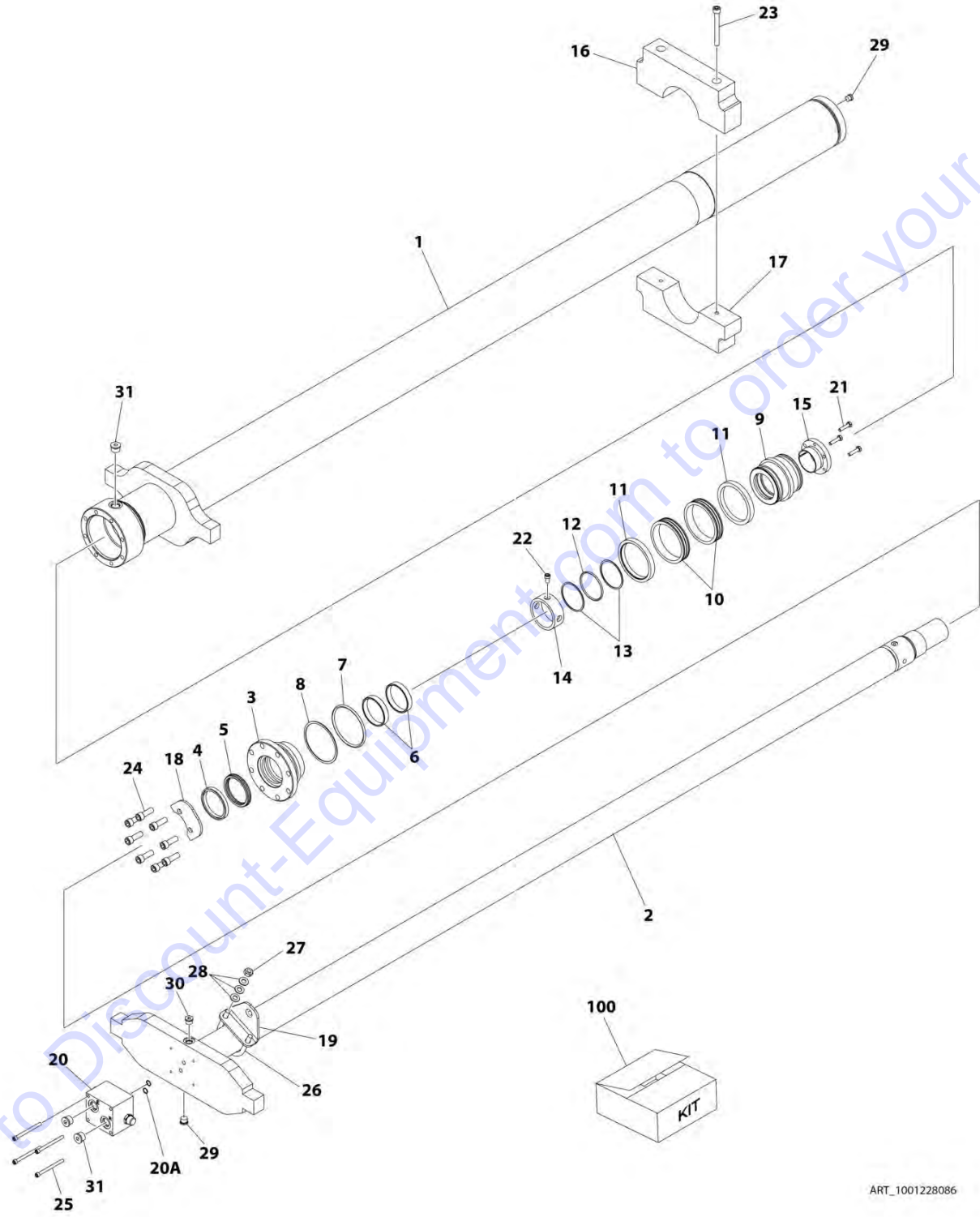
SECTION 6 - CYLINDER

FIGURE 6-17. TELESCOPE CYLINDER ASSEMBLY - TOWER BOOM (Prior to SN 0300247156)

ITEM	PART NUMBER	QTY	DESCRIPTION	REV
	1001188840	Ref	TELESCOPE CYLINDER ASSEMBLY	C
1	1683632	1	Barrel	
2	1683629	1	Rod	
3	3480211	1	Piston	
4	0961897	1	Bushing, Tapered	
5	0630535	3	Bolt 1/4 x 1-1/8	
6	4567413	1	Spacer, Tube	
7	3931508	1	Capscrew 5/16 x 1/2	
9	See Note	1	Wiper (Note: Use Item 40)	
10	See Note	1	Seal (Note: Use Item 40)	
11	See Note	1	O-Ring (Note: Use Item 40)	
12	See Note	1	Ring, Back-up (Note: Use Item 40)	
13	See Note	1	Ring, Wear (Note: Use Item 40)	
14	See Note	1	O-Ring (Note: Use Item 40)	
15	See Note	1	Ring, Back-up (Note: Use Item 40)	
16	See Note	1	Seal (Note: Use Item 40)	
17	See Note	1	Ring, Lock (Note: use Item 40)	
18	2220886	1	Plug, O-Ring	
19	2220885	2	Plug, O-Ring	
20	1683061	1	Head	
21	3760370	1	Ring, Washer	
22	3340834	1	Pad, Support	
23	3340833	1	Pad, Support	
24	4711600	10	Washer 3/8	
25	0641652	3	Bolt 3/8 x 6-1/2	
26	3271605	2	Nut 3/8	
27	3931720	2	Capscrew 7/16 x 1-1/4	
28	0100038	AR	Primer, Locking	
29	0100011	AR	Compound, Locking	
30	2220883	1	Plug, O-Ring	
32	4641032	1	Valve Assembly (No serviceable parts - sold as assembly only)	
32A	7024397	2	O-Ring (Between Valve and Cylinder Barrel)	
33	3931448	4	Capscrew 1/4 x 3	
34	1320011	1	Clamp	
34	1001228506	1	Clamp	
35	3572604	1	Plate, Proximity Switch Target	
36	3572605	1	Plate, Proximity Switch Mount	
40	2901273	1	Seal Kit (Includes Items 9-17)	

SECTION 6 - CYLINDER

FIGURE 6-18. TELESCOPE CYLINDER ASSEMBLY - TOWER BOOM (SN 0300247156 to Present)



ART_1001228086

SECTION 6 - CYLINDER

FIGURE 6-18. TELESCOPE CYLINDER ASSEMBLY - TOWER BOOM (SN 0300247156 to Present)

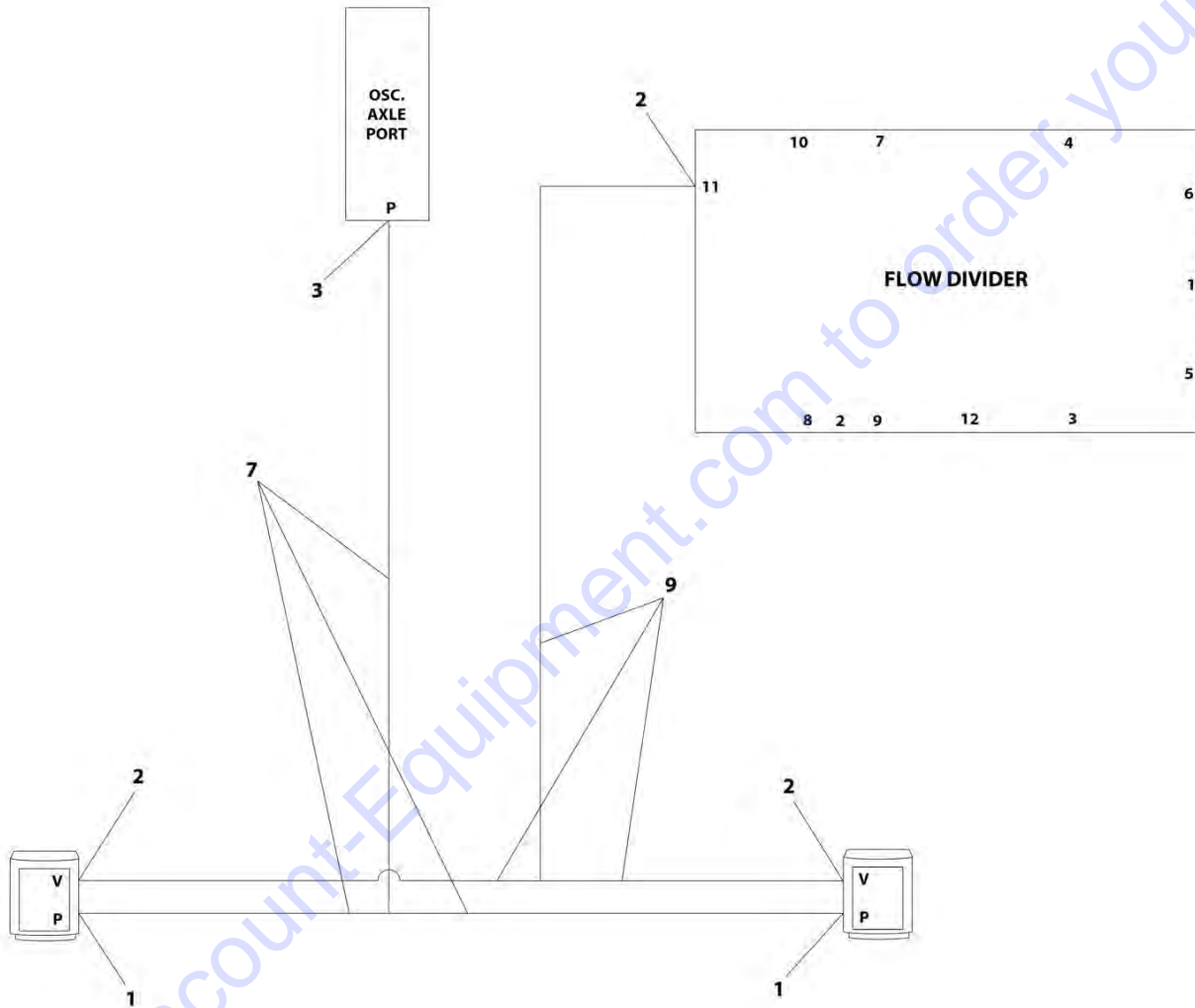
ITEM	PART NUMBER	QTY	DESCRIPTION	REV
	1001228086	Ref	TELESCOPE CYLINDER ASSEMBLY	B
		Ref	Note: Original Cylinder may have been replaced with Service Replacement. Identify PN Stamped on Cylinder Before Ordering Parts.	
1	See Note	NSS	Barrel (Note: Not Available for Purchase)	
2	70006921	1	Rod	
3	70006480	1	Head	
4	See Note	NSS	Wiper (Note: Use Item 100)	
5	See Note	NSS	Seal, Rod (Note: Use Item 100)	
6	See Note	NSS	Ring, Wear (Note: Use Item 100)	
7	See Note	NSS	O-Ring (Note: Use Item 100)	
8	See Note	NSS	Ring, Back-up (Note: Use Item 100)	
9	70006479	1	Piston	
10	See Note	NSS	Seal, Piston (Note: Use Item 100)	
11	See Note	NSS	Ring, Lock (Note: use Item 100)	
12	See Note	NSS	O-Ring (Note: Use Item 100)	
13	See Note	NSS	Ring, Back-up (Note: Use Item 100)	
14	70006922	1	Spacer	
15	0961897	1	Bushing, Tapered	
16	70006923	1	Pad, Wear	
17	70006924	1	Pad, Wear	
18	70006925	1	Plate	
19	70006926	1	Plate	
20	4641032	1	Valve Assembly (No serviceable parts - sold as assembly only)	
20A	7024397	2	O-Ring (Between Valve and Cylinder Barrel)	
21	0630535	3	Bolt 1/4 x 1-1/8	
22	70006731	1	Bolt	
23	70006927	2	Bolt M10	
24	70006728	8	Bolt 7/16	
25	70006733	4	Bolt M8	
26	70006928	1	U-Bolt M10	
27	70005594	2	Nut M10	
28	70006344	6	Washer M10	
29	2220883	2	Plug, O-Ring	
30	2220885	1	Plug, O-Ring	
31	2220886	3	Plug, O-Ring	
100	1001188842	1	Seal Kit - 1001228086 Cylinder (Includes Items 4-8 & 10-13)	

SECTION 7 - HYDRAULIC

Go to Discount-Equipment.com to order your parts

SECTION 7 - HYDRAULIC

FIGURE 7-1. AXLE LOCKOUT HYDRAULIC DIAGRAM



ART_1001157400

SECTION 7 - HYDRAULIC

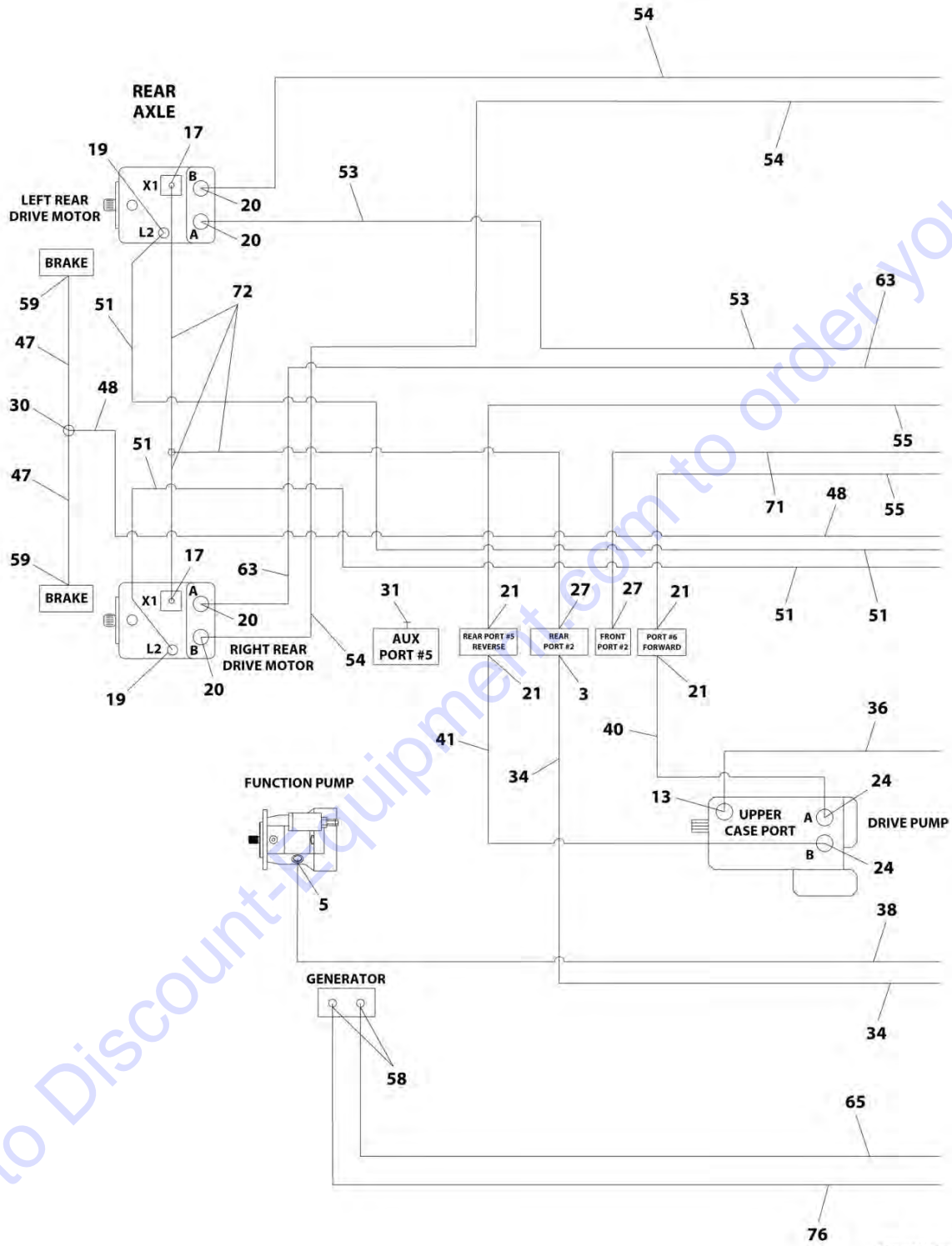
FIGURE 7-1. AXLE LOCKOUT HYDRAULIC DIAGRAM

ITEM	PART NUMBER	QTY	DESCRIPTION	REV
	1001157400	Ref	AXLE LOCKOUT HYDRAULIC DIAGRAM	F
1	2110404	2	Fitting, Straight ORFS/ORB	
2	2110606	3	Fitting, Straight ORFS/ORB	
3	2110408	1	Fitting, Straight ORFS/ORB	
7	1001198339	1	Hose with Crimped Tee	
9	1001198336	1	Hose with Crimped Tee	

Go to Discount-Equipment.com to order your parts

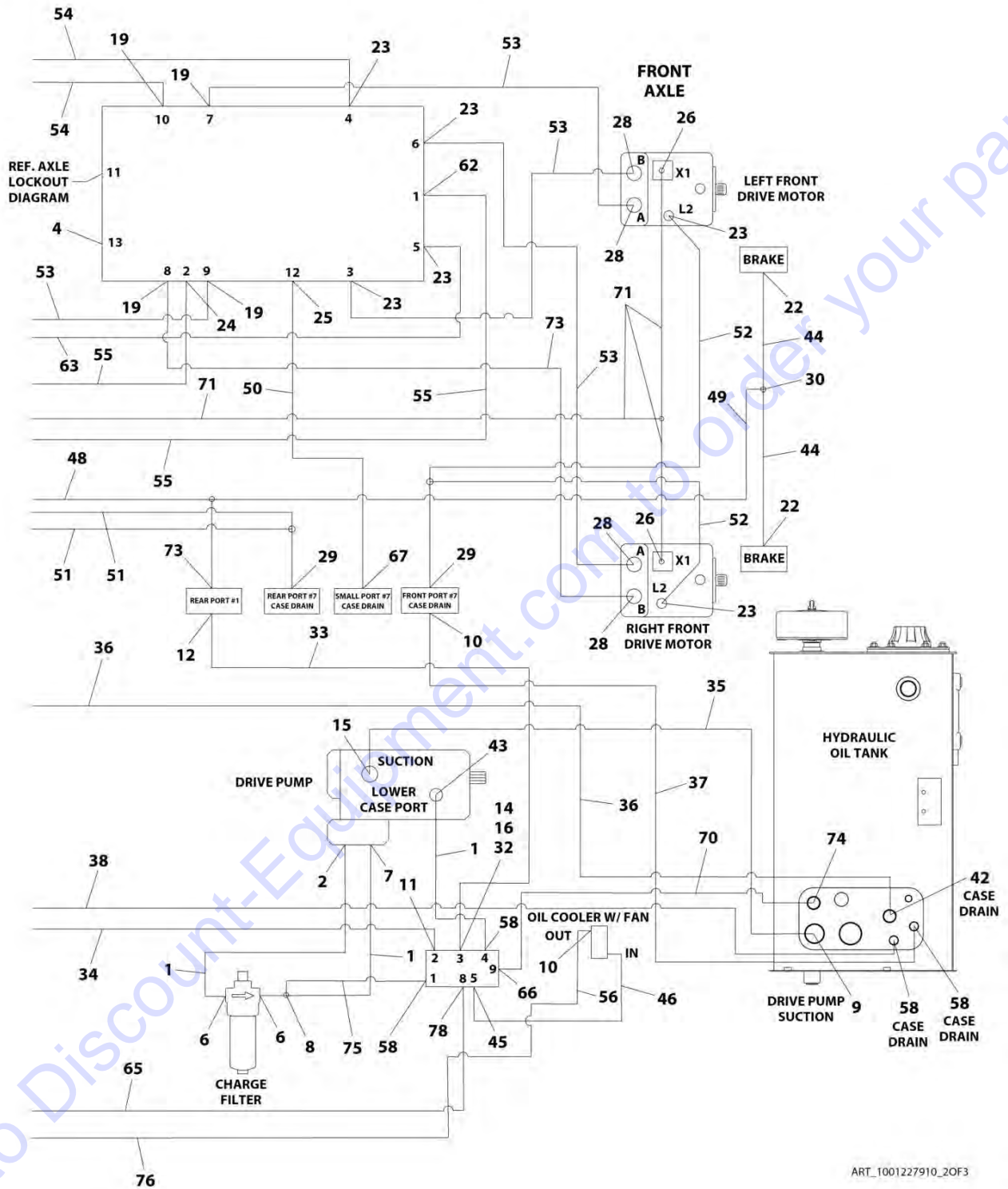
SECTION 7 - HYDRAULIC

FIGURE 7-2. DRIVE HYDRAULIC DIAGRAM

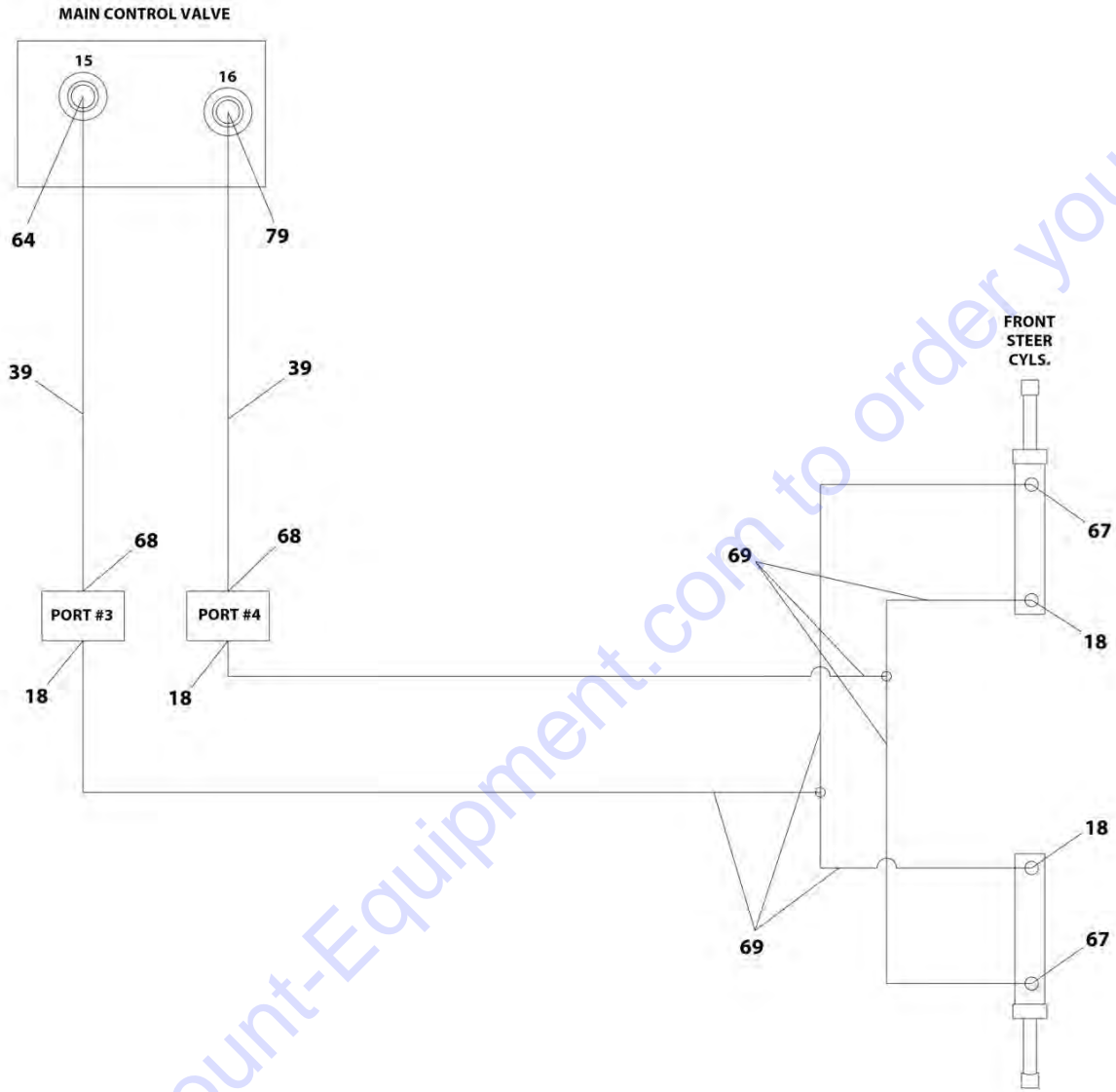


ART_1001227910_10F3

SECTION 7 - HYDRAULIC



SECTION 7 - HYDRAULIC



ART_1001227910_30F3

SECTION 7 - HYDRAULIC

FIGURE 7-2. DRIVE HYDRAULIC DIAGRAM

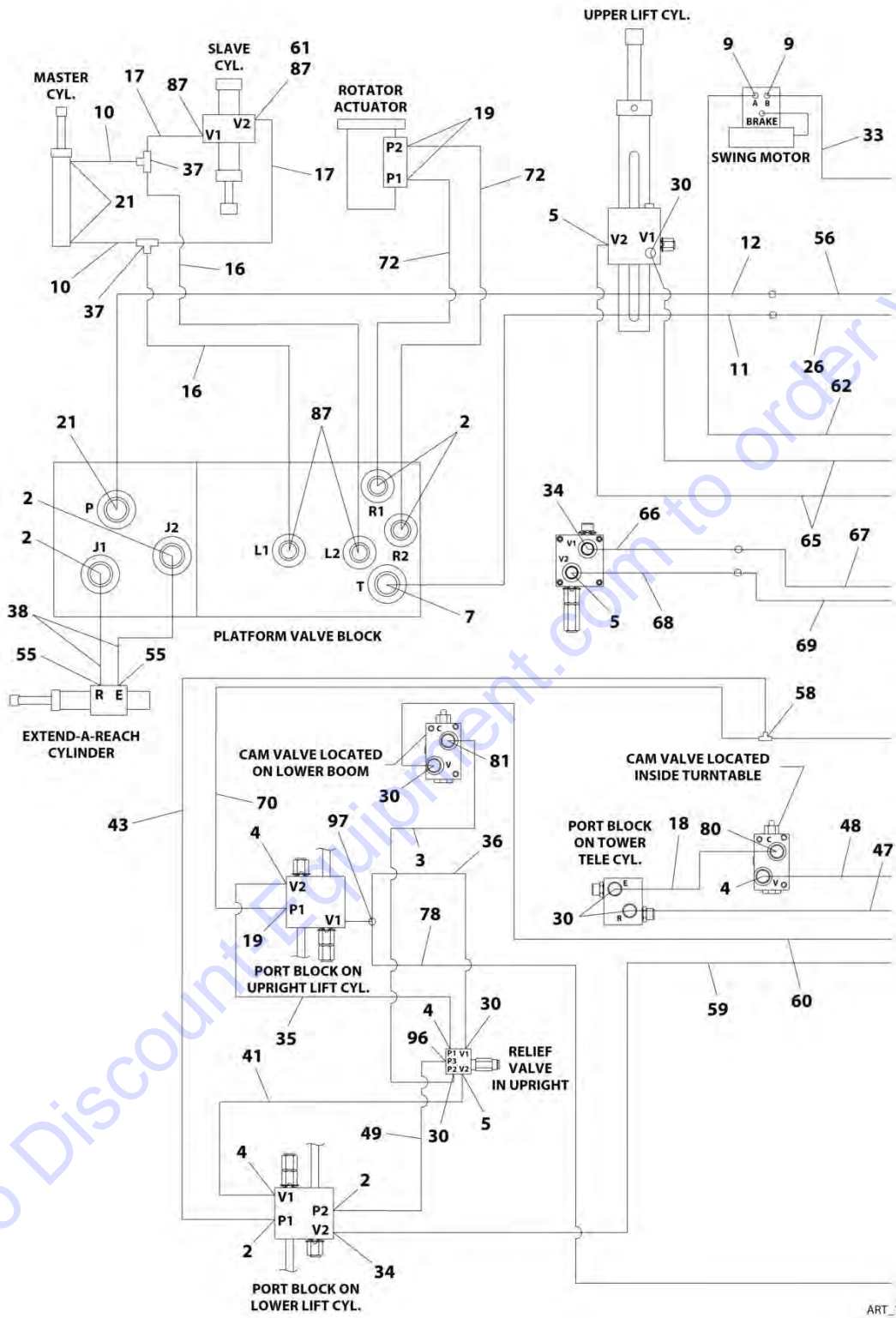
ITEM	PART NUMBER	QTY	DESCRIPTION	REV
	1001227910	Ref	DRIVE HYDRAULIC DIAGRAM	E
1	2752494	3	Hose	
2	2220800	1	Fitting, Straight ORB/FL	
3	2220582	1	Fitting, Straight ORB/FL	
4	2220238	1	Fitting, Plug ORB	
5	2220671	1	Fitting, 90 JIC/ORB	
6	2220366	2	Fitting, 90 ORB	
7	2220374	1	Fitting, Straight JIC/ORB	
8	2220385	1	Fitting, Tee JIC	
9	2220380	1	Fitting, Straight ORB/FL	
10	2220375	3	Fitting, Straight ORB/FL	
11	2221040	1	Fitting, 45 JIC/ORB	
12	2220468	1	Fitting, Straight ORB/FL	
13	2220578	1	Fitting, 90 JIC/ORB	
14	1001228696	1	Fitting, Straight FORB/ORB	
15	8770050	1	Fitting, 90 JIC/ORB	
16	4641284	1	Valve, Check	
17	2110406	2	Fitting, Straight ORFS/ORB	
18	2110606	4	Fitting, Straight ORFS/ORB	
19	2110808	6	Fitting, Straight ORFS/ORB	
20	2110812	4	Fitting, Straight ORFS/ORB	
21	2111616	4	Fitting, Straight ORFS/ORB	
22	2110404	2	Fitting, Straight ORFS/ORB	
23	2130808	6	Fitting, 90 ORFS/ORB	
24	2131616	3	Fitting, 90 ORFS/ORB	
25	2130604	1	Fitting, 90 ORFS/ORB	
26	2130406	2	Fitting, 90 ORFS/ORB	
27	2150406	2	Fitting, 45 ORFS/ORB	
28	2110812	4	Fitting, 45 ORFS/ORB	
29	2170408	2	Fitting, Tee ORFS/ORFS/ORB	
30	2170504	2	Fitting, Tee ORFS	
31	2220237	1	Fitting, Plug ORB	
32	2220654	1	Fitting, 90 JIC/FSJIC	
33	2752997	1	Hose	
34	2751399	1	Hose	
35	2752754	1	Hose	
36	1001188135	1	Hose	
37	2751500	1	Hose	
38	2752938	1	Hose	
39	2752489	2	Hose	
40	1001156332	1	Hose	
41	1001156333	1	Hose	
42	2220451	1	Fitting, Straight JIC/ORB	
43	2221077	1	Fitting, 45	
44	2754512	2	Hose	
45	2220500	1	Fitting, 45 JIC/ORB	
46	1001196297	1	Hose	
47	2754337	2	Hose	
48	2753622	1	Hose	
49	2753542	1	Hose	

SECTION 7 - HYDRAULIC

ITEM	PART NUMBER	QTY	DESCRIPTION	REV
50	2753626	1	Hose	
51	2753686	2	Hose	
52	2753628	2	Hose	
53	2753970	4	Hose	
54	2753971	2	Hose	
55	2753634	2	Hose	
56	1001228678	1	Hose	
58	2220373	6	Fitting, Straight JIC/ORB	
59	2110404	2	Fitting, Straight ORFS/ORB	
62	2151616	1	Fitting, 90 ORFS/ORB	
63	2754338	1	Hose	
64	2220371	1	Fitting, Straight JIC/ORB	
65	1001228679	1	Hose	
66	2221050	1	Fitting, 45 JIC/ORB	
67	2130606	3	Fitting, 90 ORFS/ORB	
68	2220473	2	Fitting, 90 ORB/FL	
69	1001198333	2	Hose with Crimped Tee	
70	2752765	1	Hose	
71	1001198341	1	Hose with Crimped Tee	
72	1001198340	1	Hose with Crimped Tee	
73	1001198338	1	Fitting, Tee ORFS/ORB	
74	2220906	1	Fitting, 90 JIC/ORB (Prior to SN 0300253862)	
74	2220865	1	Adapter, Straight/JIC (SN 0300253862 to Present)	
75	2752493	1	Hose	
76	2220683	1	Fitting, 45 JIC/FSJIC	
77	1001233573	1	Hose	
78	2220499	1	Fitting, 45 JIC/ORB	
79	2220371	1	Fitting, Straight JIC/ORB (Prior to SN 0300253862)	
79	2220998	1	Adapter, Straight/JIC (SN 0300253862 to Present)	

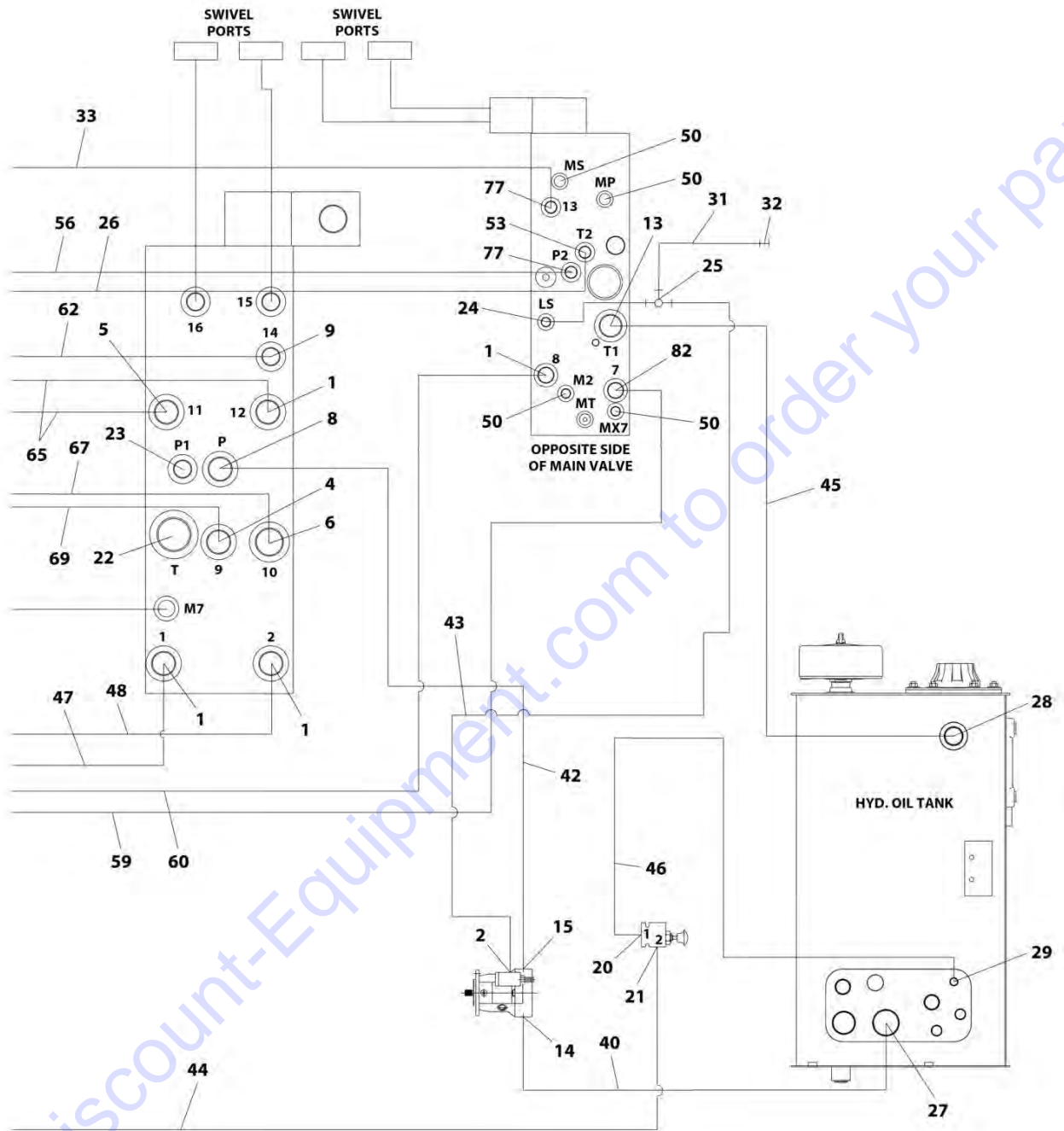
SECTION 7 - HYDRAULIC

FIGURE 7-3. STANDARD HYDRAULIC DIAGRAM



ART_1001227892_10F2

SECTION 7 - HYDRAULIC



ART_1001227892_20F2

SECTION 7 - HYDRAULIC

FIGURE 7-3. STANDARD HYDRAULIC DIAGRAM

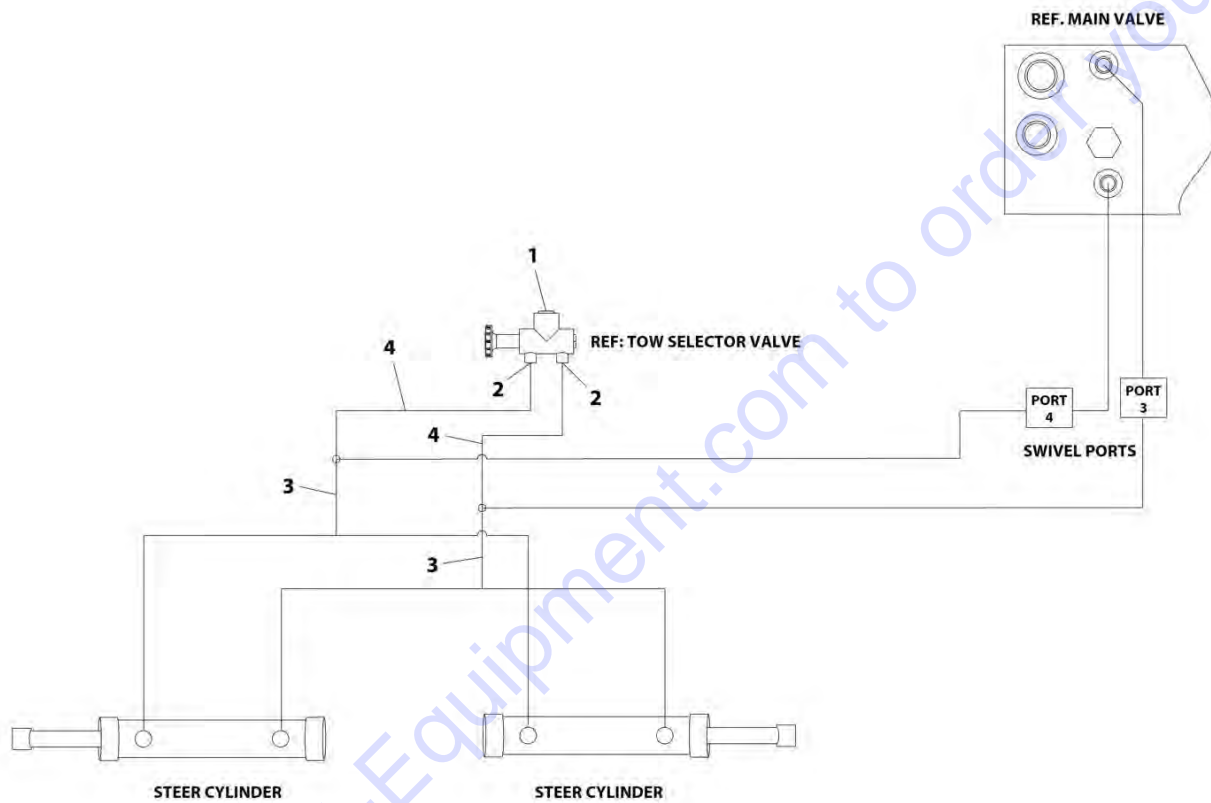
ITEM	PART NUMBER	QTY	DESCRIPTION	REV
	1001227892	Ref	STANDARD HYDRAULIC DIAGRAM	D
1	2220381	AR	Fitting, Straight ORB/JIC	
2	2220415	AR	Fitting, Straight ORB/JIC	
3	2753199	1	Hose	
4	2220373	AR	Fitting, Straight ORB/JIC	
5	2220500	3	Fitting, 45 ORB/JIC	
6	2220947	1	Fitting, Straight ORB/JIC (Prior to SN 0300253862)	
6	88662037	1	Adapter, Straight/JIC (SN 0300253862 to Present)	
7	2220600	1	Adapter, Straight/JIC	
8	2220593	1	Fitting, Straight ORB/JIC	
9	2220371	3	Fitting, Straight ORB/JIC	
10	2753126	2	Hose	
11	1001179546	1	Hose	
12	1001179545	1	Hose	
13	1001179329	1	Hose	
14	2220737	1	Split Flange	
15	2220478	1	Split Flange	
16	1001155673	2	Hose	
17	1001119602	2	Hose	
18	2753200	1	Hose	
19	2220466	2	Fitting, 90 ORB/JIC	
20	2220582	1	Fitting, Straight ORB/JIC	
21	2220473	4	Fitting, 90 ORB/JIC	
22	2220240	1	Fitting, Plug ORB	
23	2220237	1	Fitting, Plug ORB	
24	2220923	1	Fitting, Straight ORB/JIC (SN 0300247156 to Present)	
25	2220605	1	Fitting, Tee JIC/FSJIC/JIC (SN 0300247156 to Present)	
26	1001182162	1	Hose	
27	2220765	1	Fitting, Straight ORB/FL	
28	2220377	1	Fitting, Straight JIC/ORB	
29	2220582	1	Fitting, Straight JIC/ORB	
30	2220596	6	Fitting, 90 ORB/FL	
31	2752995	1	Hose (SN 0300247156 to Present)	
32	91143177	1	Fitting, Test (SN 0300247156 to Present)	
33	2752461	1	Hose	
34	2220852	2	Fitting, Straight ORB/FL	
35	2753197	1	Hose	
36	2753196	1	Hose	
37	2220490	2	Fitting, Tee FL/FL	
38	2753442	2	Hose	
40	1001179079	1	Hose	
41	2753195	1	Hose	
42	2753231	1	Hose	
43	2753010	2	Hose	
44	2752468	1	Hose	
45	2752723	1	Hose	
46	2753274	1	Hose	
47	2753192	1	Hose	
48	2752494	1	Hose	
49	2753008	1	Hose	

SECTION 7 - HYDRAULIC

ITEM	PART NUMBER	QTY	DESCRIPTION	REV
50	2221086	4	Fitting, Test	
53	1001136881	1	Fitting, 45 ORB/FG	
55	2220472	2	Fitting, 90 ORB/FL	
56	2753123	1	Hose	
58	2221034	1	Fitting, Tee FL/FL/ORB	
59	2752768	1	Hose	
60	2752930	1	Hose	
61	4567139	1	Tube	
62	2752484	1	Hose	
65	2753189	2	Hose	
66	2752767	1	Hose	
67	2752766	1	Hose	
68	2753190	1	Hose	
69	2753191	1	Hose	
70	2752978	1	Hose	
72	1001159707	2	Hose	
77	2220501	2	Fitting, 45 ORB/FL	
78	4567757	1	Tube	
79	4100062	4	Protection, Hose (Not Shown - Located at Tower Boom Power Track)	
80	2220947	1	Fitting, O-Ring FL	
81	2221036	1	Fitting, 90 ORB/FL	
82	2220950	1	Fitting, 45 ORB/FL	
87	2220603	4	Fitting, Straight ORB/FL	
96	2220468	1	Fitting, Straight JIC/ORB	
97	1001215289	1	Fitting, Tee JIC/ORB/JIC	

SECTION 7 - HYDRAULIC

FIGURE 7-4. TOW HYDRAULIC DIAGRAM



ART_1001157401

SECTION 7 - HYDRAULIC

FIGURE 7-4. TOW HYDRAULIC DIAGRAM

ITEM	PART NUMBER	QTY	DESCRIPTION	REV
	1001157401	Ref	TOW HYDRAULIC DIAGRAM	B
1	2220238	1	Fitting, Plug ORB	
2	2110608	2	Fitting, Straight ORFS/ORB	
3	2170706	2	Fitting, Tee ORFS/ORFS/ORFS	
4	2753879	2	Hose	

Go to Discount-Equipment.com to order your parts

SECTION 7 - HYDRAULIC

FIGURE 7-5. HYDRAULIC DIAGRAM LIST

ITEM	PART NUMBER	QTY	DESCRIPTION	REV
		Ref	HYDRAULIC DIAGRAM LIST	
		Ref	Note: Diagrams that are not shown are available from Discount-equipment.com. See Service and Maintenance Manual for Schematics.	
	1001157400	Ref	Axle Lockout Hydraulic Diagram (Machines with Oscillating Axle)	
	1001227910	Ref	Drive Hydraulic Diagram	
	1001227892	Ref	Standard Hydraulic Diagram	
	1001227160	Ref	Standard Hydraulic Schematic	
	1001157401	Ref	Tow Package Hydraulic Diagram	

Go to Discount-Equipment.com to order your parts

SECTION 8 - ELECTRICAL

Go to Discount-Equipment.com to order your parts

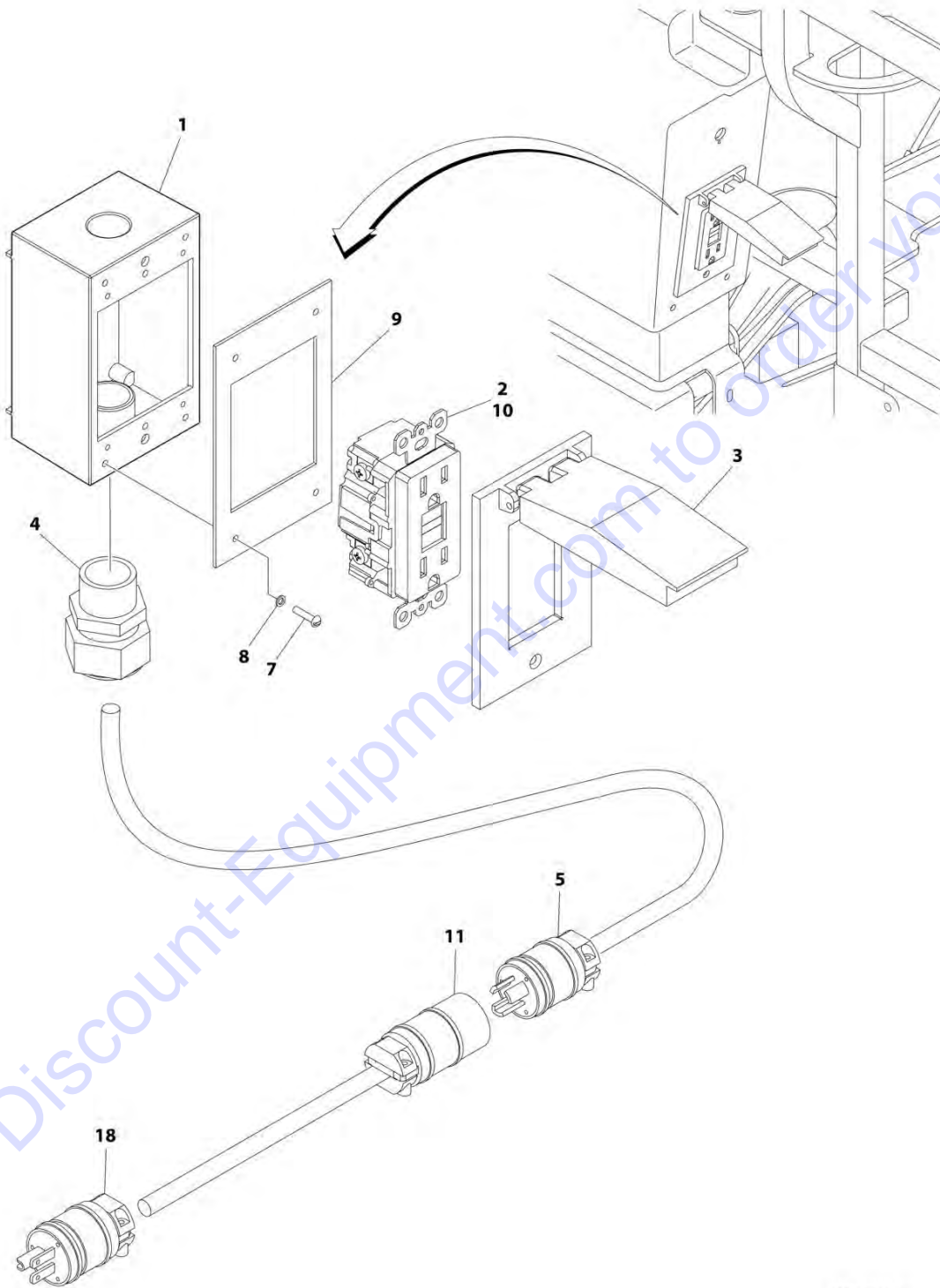
SECTION 8 - ELECTRICAL

FIGURE 8-1. ELECTRICAL DIAGRAM LIST

ITEM	PART NUMBER	QTY	DESCRIPTION	REV
		Ref	Note: Information on Diagrams Not Shown is Available from Discount-equipment.com. Schematics Shown in the Service and Maintenance Manual.	
	1001194437	Ref	Generator (4000W/50Hz) Electrical Diagram (ANSI Export, China and Japanese Specs)	
	1001159648	Ref	Generator (4000W/50Hz) Electrical Diagram (Australian Specs)	
	1001153025	Ref	Generator (4000W/50Hz) Electrical Diagram - 110V (CE Specs)	
	1001160271	Ref	Generator (4000W/50Hz) Electrical Diagram - 220V (CE Specs)	
	1001231260	Ref	Generator (7500W) Electrical Diagram	
	4933218	Ref	Soft Touch Electrical Diagram	
	1001221692	Ref	Standard Electrical Schematic Diagram	

SECTION 8 - ELECTRICAL

FIGURE 8-2. AC BOX AT PLATFORM INSTALLATION - 110V GFI RECEPTACLE (ALL SPECS EXCEPT AUSTRALIAN & CE SPECS)



ART_0272259

SECTION 8 - ELECTRICAL

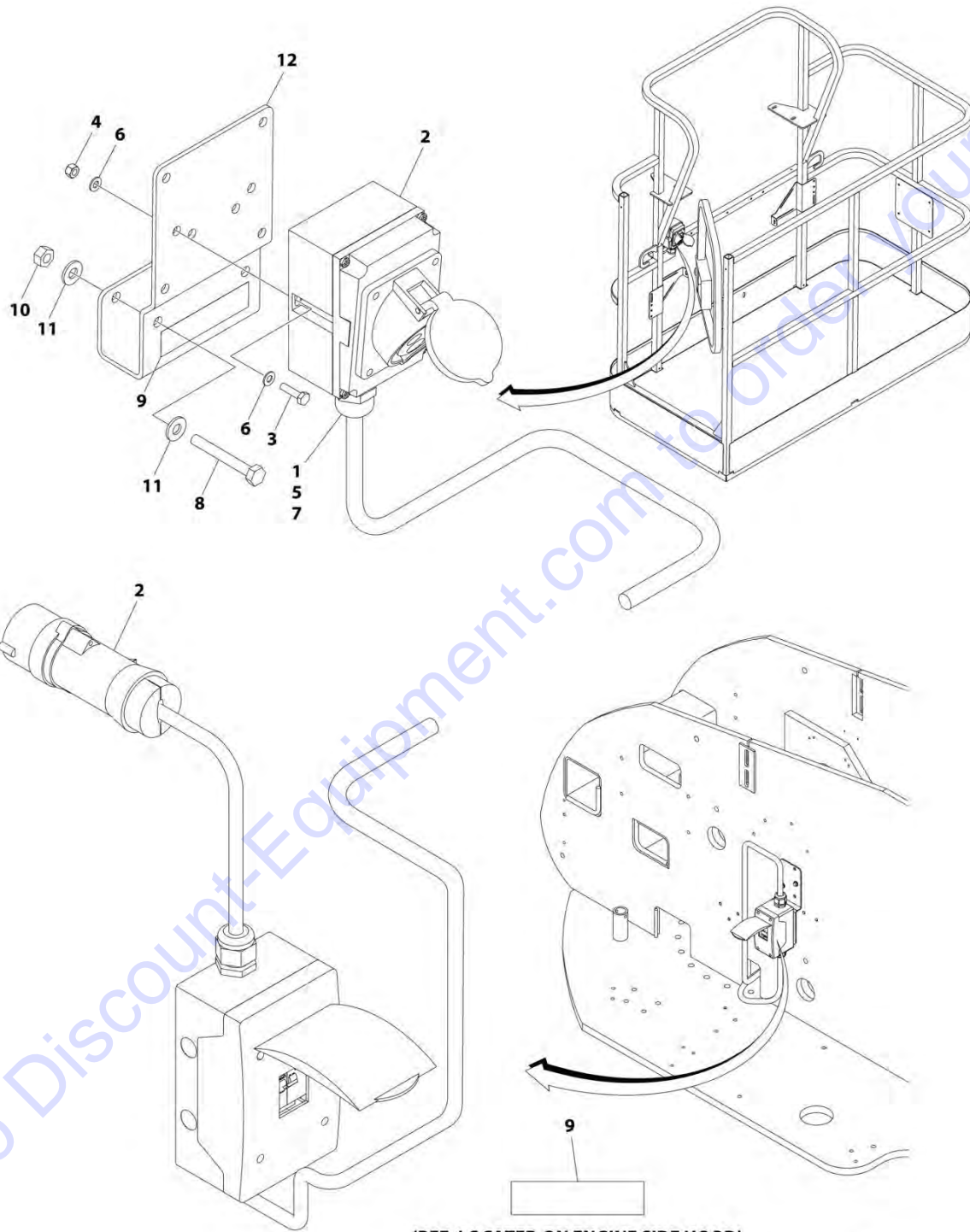
FIGURE 8-2. AC BOX AT PLATFORM INSTALLATION - 110V GFI RECEPTACLE (ALL SPECS EXCEPT AUSTRALIAN & CE SPECS)

ITEM	PART NUMBER	QTY	DESCRIPTION	REV
	0272259	Ref	AC BOX AT PLATFORM INSTALLATION - 110V GFI RECEPTACLE	C
1	0860038	1	Box, Switch	
2	4460346	1	Receptacle	
3	1001110873	1	Shield, Cover	
4	4460051	1	Connector, Strain Relief	
5	1001213584	1	Plug, Male	
7	3910610	4	Screw #6 x 5/8	
8	4760600	4	Washer #6	
9	3960422	1	Gasket	
10	4460315	3	Terminal, Spade	
11	1001213585	1	Receptacle, Female	
18	4460205	1	Plug, Male	

Go to Discount-Equipment.com to order your parts

SECTION 8 - ELECTRICAL

FIGURE 8-3. AC BOX AT PLATFORM INSTALLATION - 110V IEC YELLOW (CE SPECS) (MACHINES WITHOUT 4000W GENERATOR)



ART_1001091969

SECTION 8 - ELECTRICAL

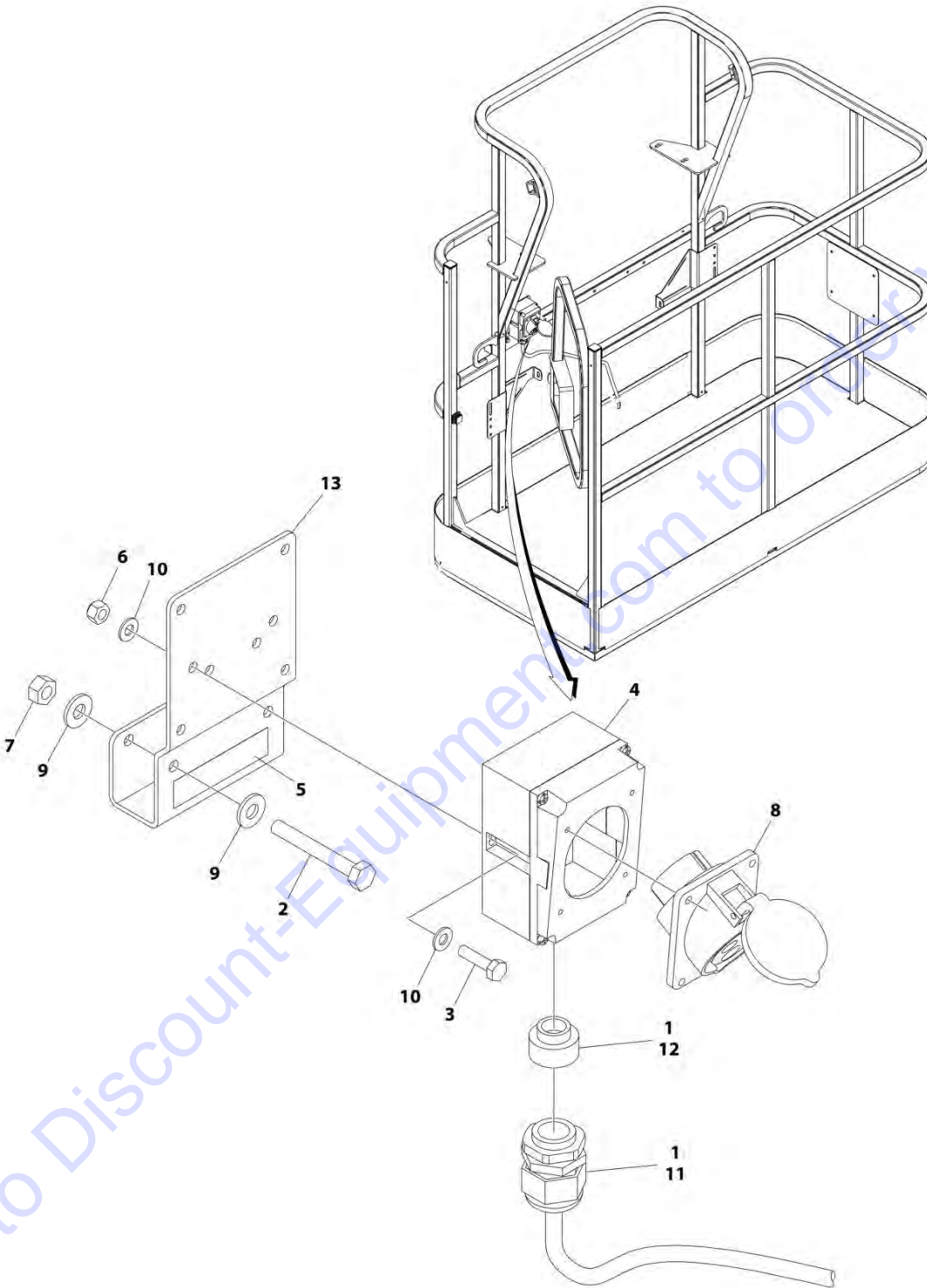
FIGURE 8-3. AC BOX AT PLATFORM INSTALLATION - 110V IEC YELLOW (CE SPECS) (MACHINES WITHOUT 4000W GENERATOR)

ITEM	PART NUMBER	QTY	DESCRIPTION	REV
	1001091969	Ref	AC BOX AT PLATFORM INSTALLATION - 110V IEC YELLOW	D
1	0100020	AR	Sealant, Pipe	
2	0275216	1	Receptacle Box Kit (See Separate Breakdown in this Section)	
3	0700408	2	Bolt M4 x 16	
4	3290405	2	Nut M4	
5	1001101196	1	Adapter	
6	4811400	4	Washer M4	
7	1001101191	1	Connector, Strain Relief	
8	0641416	2	Bolt 1/4 x 2	
9	1705325	AR	Decal - 110V	
10	3311405	2	Nut 1/4	
11	4711400	4	Washer 1/4	
12	1001193018	1	Bracket	

Go to Discount-Equipment.com to order your parts

SECTION 8 - ELECTRICAL

FIGURE 8-4. AC BOX AT PLATFORM INSTALLATION - 110V IEC YELLOW (CE SPECS) (MACHINES WITH 4000W GENERATOR)



ART_1001206253

SECTION 8 - ELECTRICAL

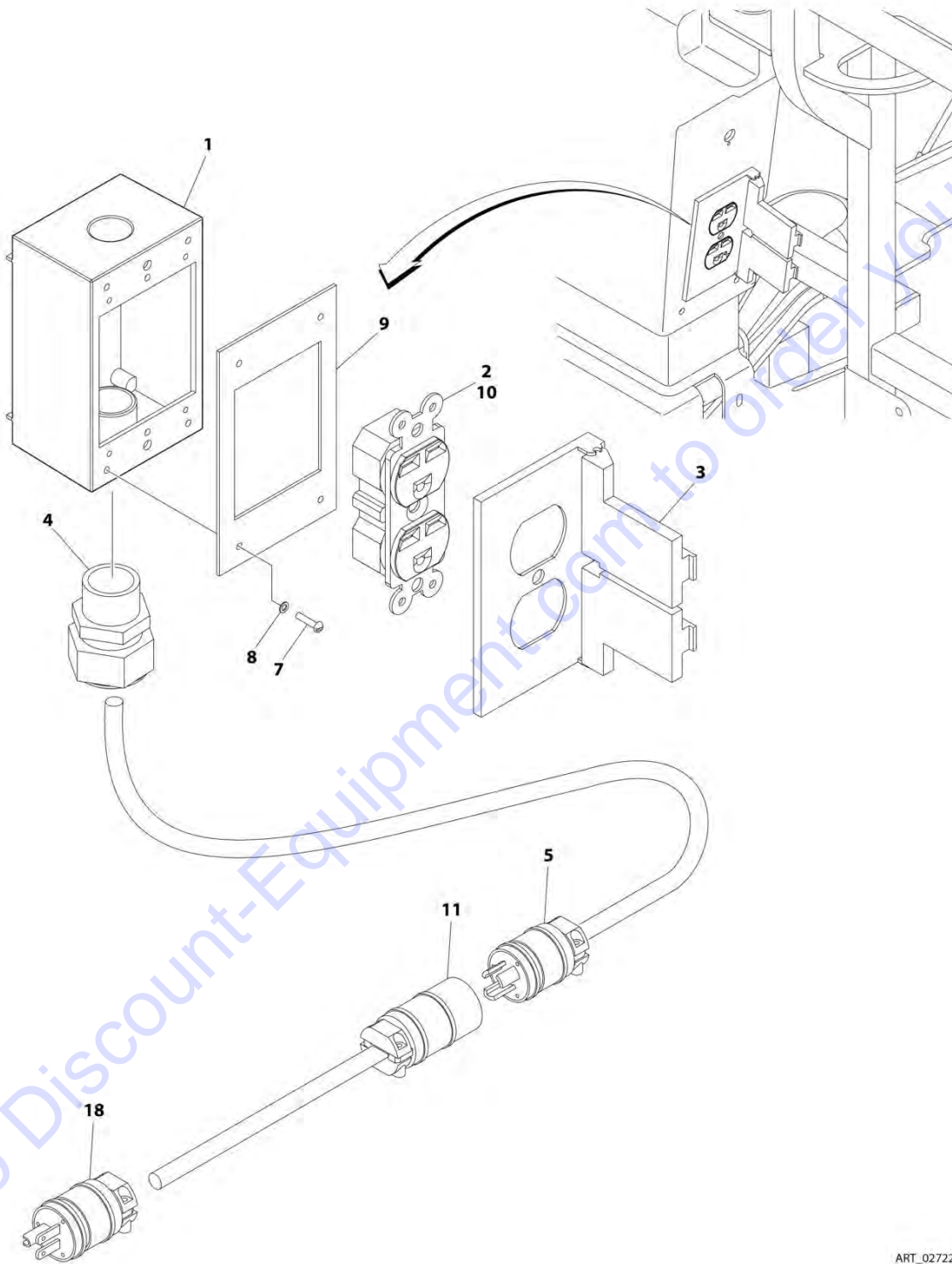
FIGURE 8-4. AC BOX AT PLATFORM INSTALLATION - 110V IEC YELLOW (CE SPECS) (MACHINES WITH 4000W GENERATOR)

ITEM	PART NUMBER	QTY	DESCRIPTION	REV
	1001206253	1	AC BOX AT PLATFORM INSTALLATION - 110V IEC 60309 YELLOW WITHOUT 4000W GENERATOR (CE SPECS)	A
1	0100020	AR	Sealant, Pipe	
2	0641416	2	Bolt 1/4 x 2	
3	0700408	2	Bolt M4 x 16	
4	0861781	1	Box, Switch	
5	1705325	1	Decal - 110V	
6	3290405	2	Nut M4	
7	3311405	2	Nut 1/4	
8	4461198	1	Receptacle	
9	4711400	4	Washer 1/4	
10	4811400	4	Washer M4	
11	1001101191	1	Connector, Strain Relief	
12	1001101196	1	Adapter	
13	1001193018	1	Bracket, AC Receptacle	

Go to Discount-Equipment.com to order your parts

SECTION 8 - ELECTRICAL

FIGURE 8-5. AC BOX AT PLATFORM INSTALLATION - 220V (ANSI, CSA & JAPANESE SPECS)



ART_0272260

SECTION 8 - ELECTRICAL

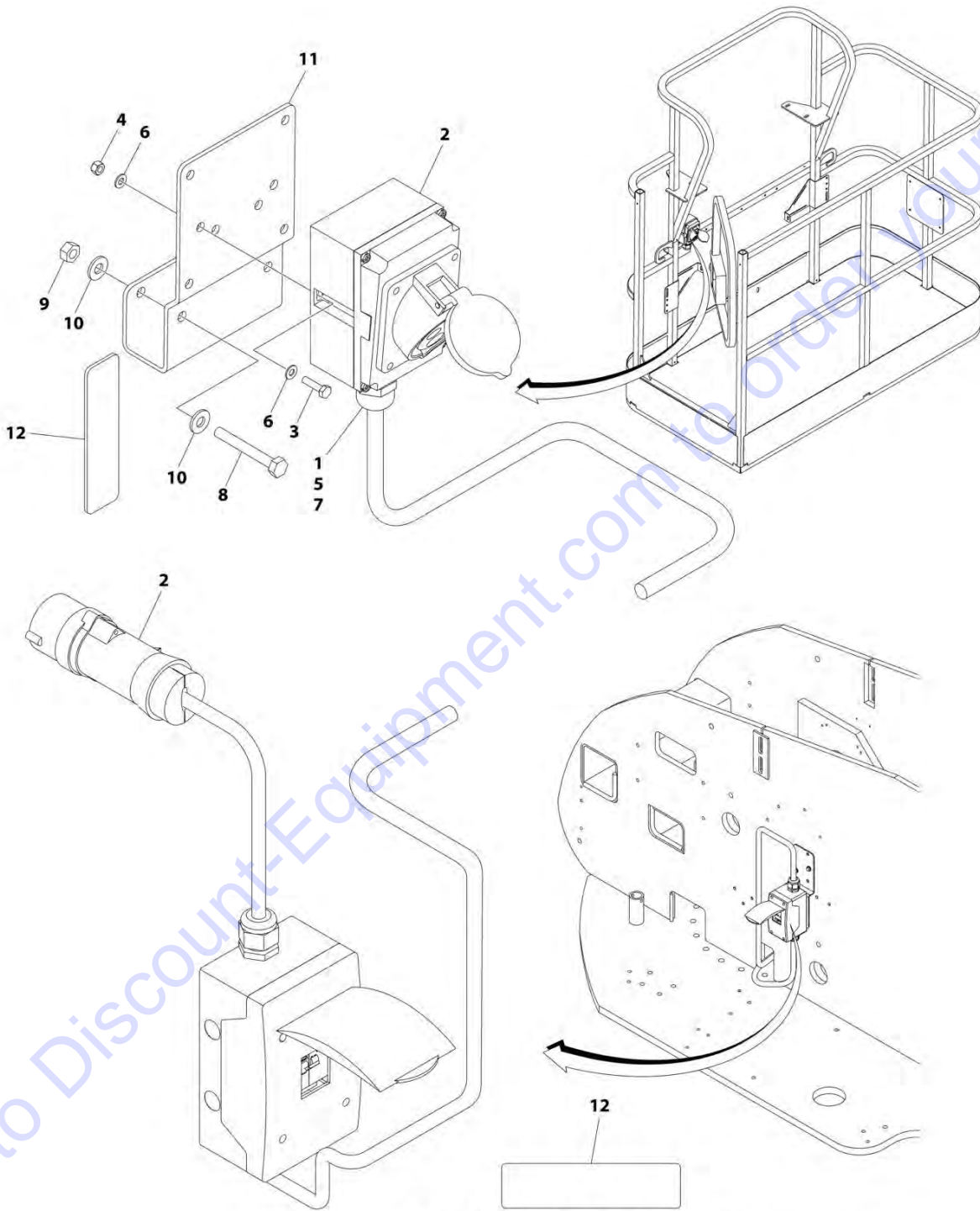
FIGURE 8-5. AC BOX AT PLATFORM INSTALLATION - 220V (ANSI, CSA & JAPANESE SPECS)

ITEM	PART NUMBER	QTY	DESCRIPTION	REV
	0272260	Ref	AC BOX AT PLATFORM INSTALLATION - 220V	C
1	0860038	1	Box, Switch	
2	4460125	1	Receptacle	
3	4060092	1	Shield	
4	4460051	1	Connector, Strain Relief	
5	1001213584	2	Plug, Male	
7	3910610	4	Screw #6 x 5/8	
8	4760600	4	Washer #6	
9	3960422	1	Gasket	
10	4460315	1	Terminal, Spade	
11	1001213585	1	Receptacle, Female	
18	4460233	1	Plug, Male	

Go to Discount-Equipment.com to order your parts

SECTION 8 - ELECTRICAL

FIGURE 8-6. AC BOX AT PLATFORM INSTALLATION - 220V IEC BLUE (CE SPECS) (MACHINES WITHOUT 4000W GENERATOR)



(REF. LOCATED ON ENGINE SIDE HOOD)

ART_1001091970

SECTION 8 - ELECTRICAL

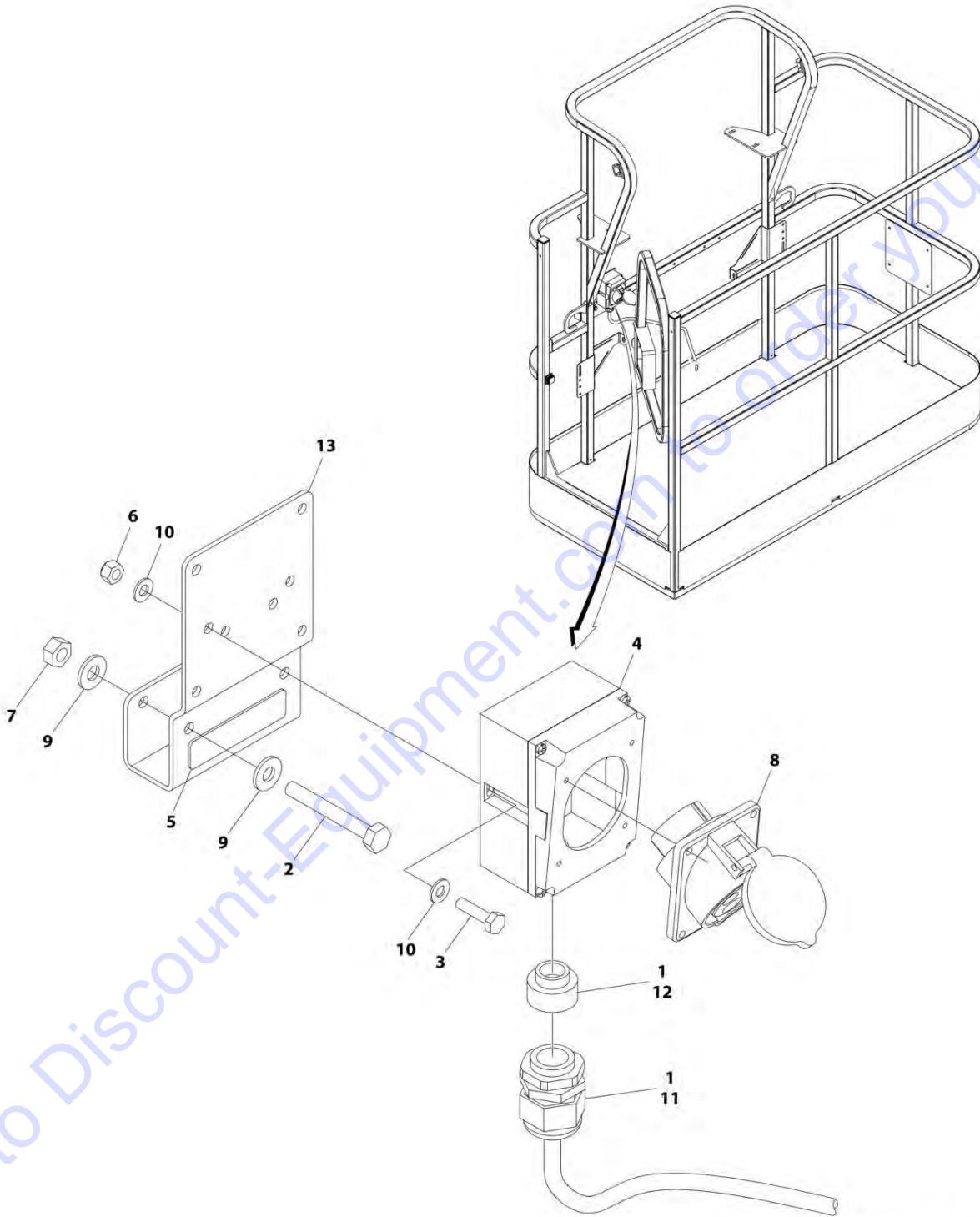
FIGURE 8-6. AC BOX AT PLATFORM INSTALLATION - 220V IEC BLUE (CE SPECS) (MACHINES WITHOUT 4000W GENERATOR)

ITEM	PART NUMBER	QTY	DESCRIPTION	REV
	1001091970	Ref	AC BOX AT PLATFORM INSTALLATION - 220V IEC BLUE	D
1	0100020	AR	Sealant, Pipe	
2	0275217	1	Receptacle Box Kit (See Separate Breakdown in this Section)	
3	0700408	2	Bolt M4 x 16	
4	3290405	2	Nut M4	
5	1001101196	1	Adapter	
6	4811400	4	Washer M4	
7	1001101191	1	Connector, Strain Relief	
8	0641416	2	Bolt 1/4 x 2	
9	3311405	2	Nut 1/4	
10	4711400	4	Washer 1/4	
11	1001193018	1	Bracket	
12	3251242	2	Decal - 240V/50Hz	

Go to Discount-Equipment.com to order your parts

SECTION 8 - ELECTRICAL

FIGURE 8-7. AC BOX AT PLATFORM INSTALLATION - 220V IEC BLUE (CE SPECS) (MACHINES WITH 4000W GENERATOR)



ART_1001206254

SECTION 8 - ELECTRICAL

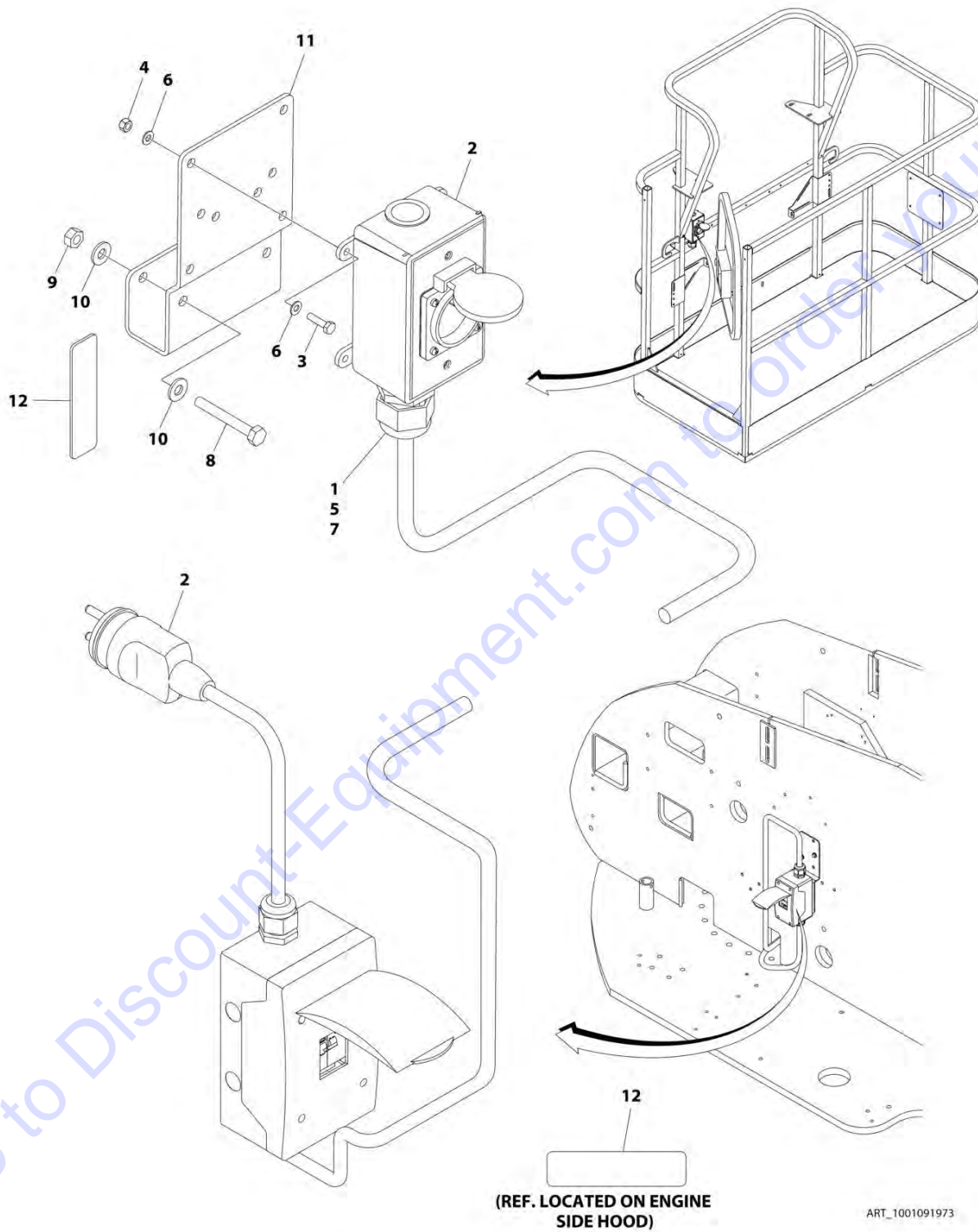
FIGURE 8-7. AC BOX AT PLATFORM INSTALLATION - 220V IEC BLUE (CE SPECS) (MACHINES WITH 4000W GENERATOR)

ITEM	PART NUMBER	QTY	DESCRIPTION	REV
	1001206254	Ref	AC BOX AT PLATFORM INSTALLATION - 220V IEC BLUE (CE SPECS)	A
1	0100020	AR	Sealant, Pipe	
2	0641416	2	Bolt 1/4 x 2	
3	0700408	2	Bolt M4 x 16	
4	0861781	1	Box, Switch	
5	3251242	1	Decal - 240V/50Hz	
6	3290405	2	Nut M4	
7	3311405	2	Nut 1/4	
8	4461201	1	Receptacle	
9	4711400	4	Washer 1/4	
10	4811400	4	Washer M4	
11	1001101191	1	Connector, Strain Relief	
12	1001101196	1	Adapter	
13	1001193018	1	Bracket, AC Receptacle	

Go to Discount-Equipment.com to order your parts

SECTION 8 - ELECTRICAL

FIGURE 8-8. AC BOX AT PLATFORM INSTALLATION - 220V CEE7 2X4 POST GROUND (CE SPECS)
(MACHINES WITHOUT 4000W GENERATOR)



SECTION 8 - ELECTRICAL

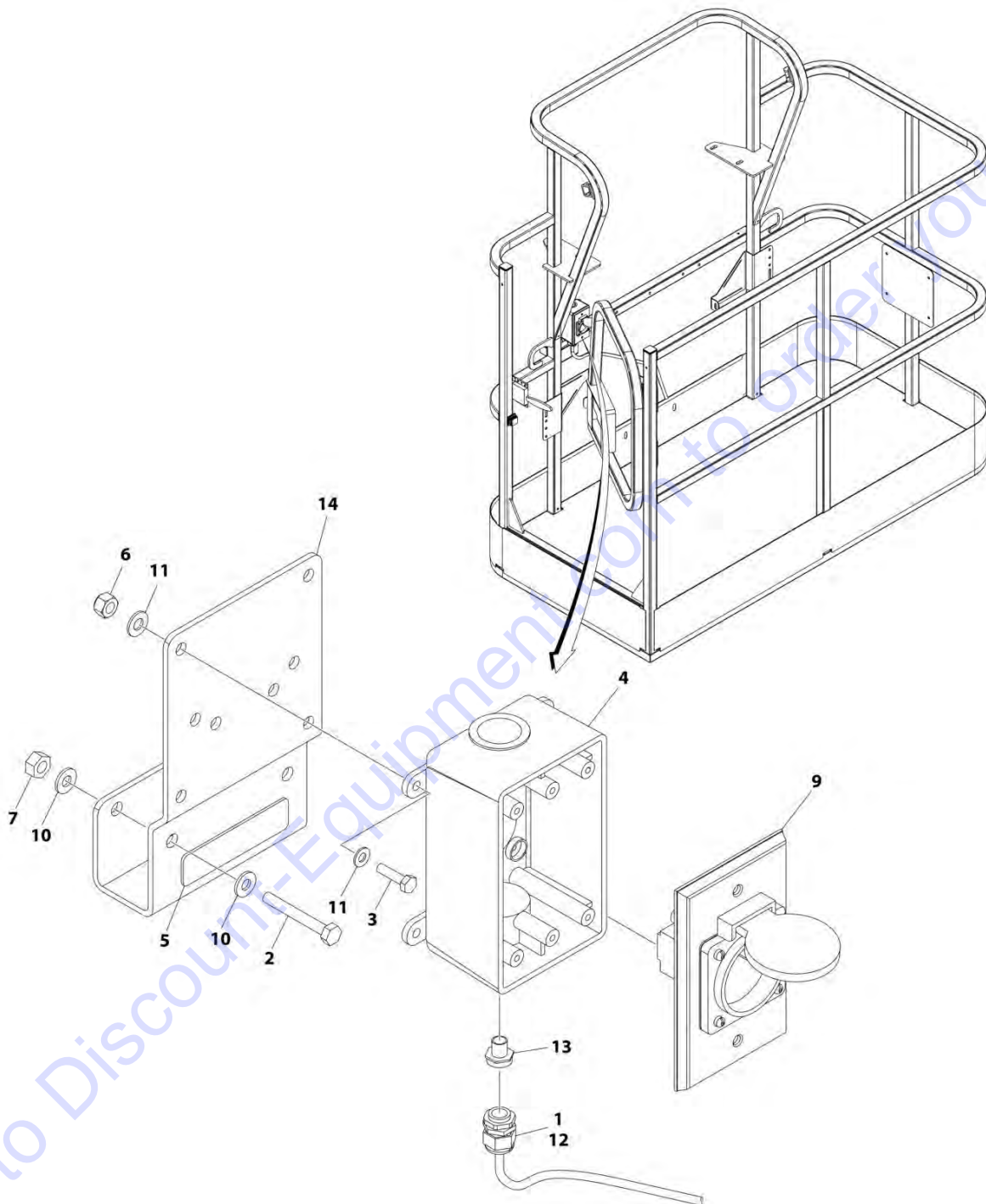
**FIGURE 8-8. AC BOX AT PLATFORM INSTALLATION - 220V CEE7 2X4 POST GROUND (CE SPECS)
(MACHINES WITHOUT 4000W GENERATOR)**

ITEM	PART NUMBER	QTY	DESCRIPTION	REV
	1001091973	Ref	AC BOX AT PLATFORM INSTALLATION - 220V CEE7 2X4 BOX POST GROUND	F
1	0100020	AR	Sealant, Pipe	
2	0275452	1	Receptacle Box Kit (See Separate Breakdown in this Section)	
3	0700408	4	Bolt M4 x 16	
4	3290405	4	Nut M4	
5	1001101197	1	Adapter	
6	4811400	8	Washer M4	
7	1001101191	1	Connector, Strain Relief	
8	0641416	2	Bolt 1/4 x 2	
9	3311405	2	Nut 1/4	
10	4711400	4	Washer 1/4	
11	1001193018	1	Bracket	
12	3251242	2	Decal - 240V/50Hz	
13	4460806	2	Terminal, Fork (Not Shown)	
14	1001205958	1	Terminal (Not Shown)	

Go to Discount-Equipment.com to order your parts

SECTION 8 - ELECTRICAL

FIGURE 8-9. AC BOX AT PLATFORM INSTALLATION - 220V CEE7 2X4 POST GROUND (CE SPECS)
(MACHINES WITH 4000W GENERATOR)



ART_1001206250

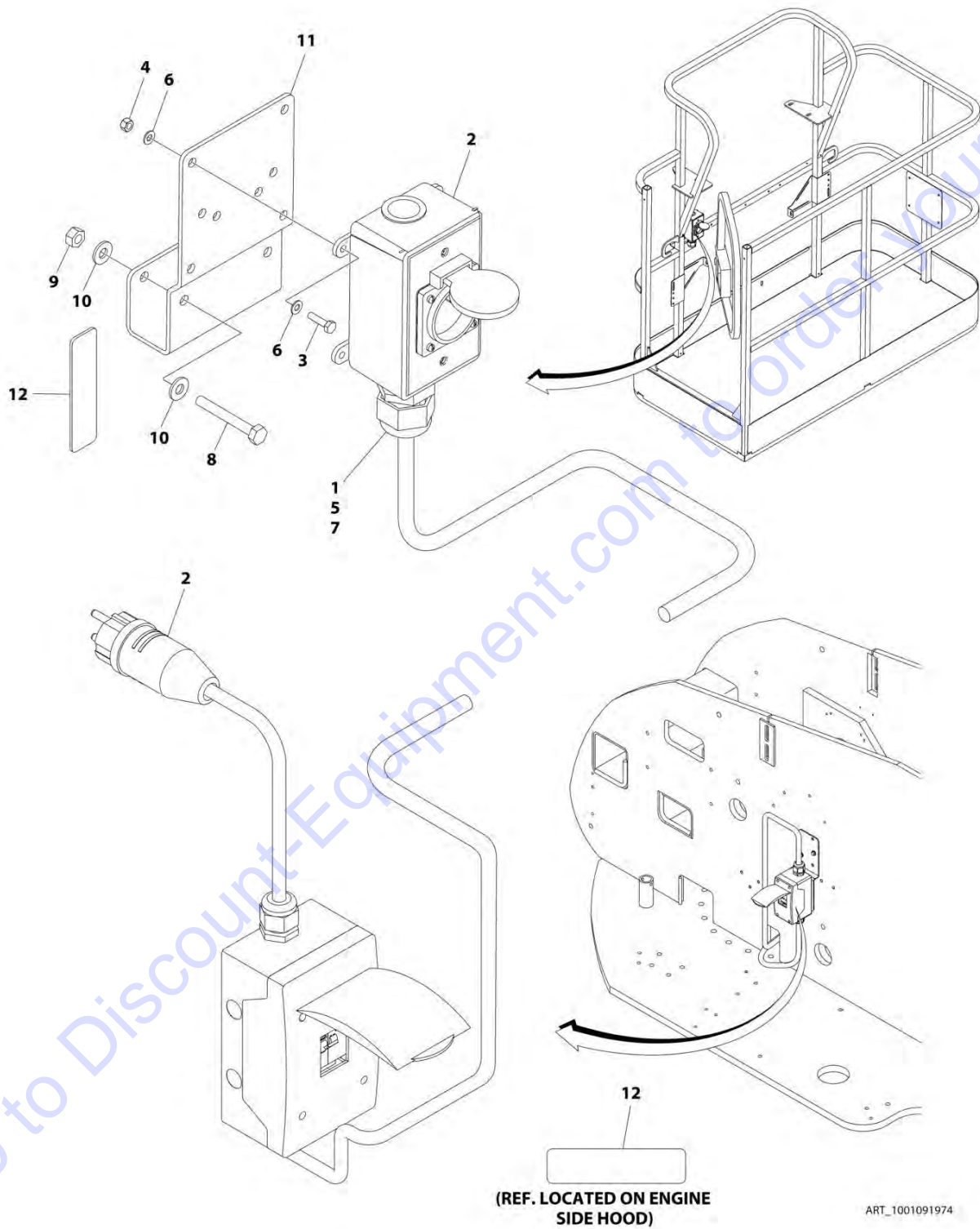
SECTION 8 - ELECTRICAL

**FIGURE 8-9. AC BOX AT PLATFORM INSTALLATION - 220V CEE7 2X4 POST GROUND (CE SPECS)
(MACHINES WITH 4000W GENERATOR)**

ITEM	PART NUMBER	QTY	DESCRIPTION	REV
	1001206250	Ref	AC BOX AT PLATFORM INSTALLATION - 220V CEE7 2X4 BOX POST GROUND (CE SPECS)	A
1	0100020	AR	Sealant, Pipe	
2	0641416	2	Bolt 1/4 x 2	
3	0700408	4	Bolt M4 x 16	
4	0861731	1	Box, Switch	
5	3251242	1	Decal - 240V/50Hz	
6	3290405	4	Nut M4	
7	3311405	2	Nut 1/4	
8	4460806	2	Terminal, Fork (Not Shown)	
9	4461244	1	Receptacle	
10	4711400	4	Washer 1/4	
11	4811400	8	Washer M4	
12	1001101191	1	Connector, Strain Relief	
13	1001101197	1	Adapter	
14	1001193018	1	Bracket, AC Receptacle	
15	1001205958	1	Terminal (Not Shown)	

SECTION 8 - ELECTRICAL

FIGURE 8-10. AC BOX AT PLATFORM INSTALLATION - 220V CEE7 2X4 SIDE GROUND (CE SPECS)
(MACHINES WITHOUT 4000W GENERATOR)



SECTION 8 - ELECTRICAL

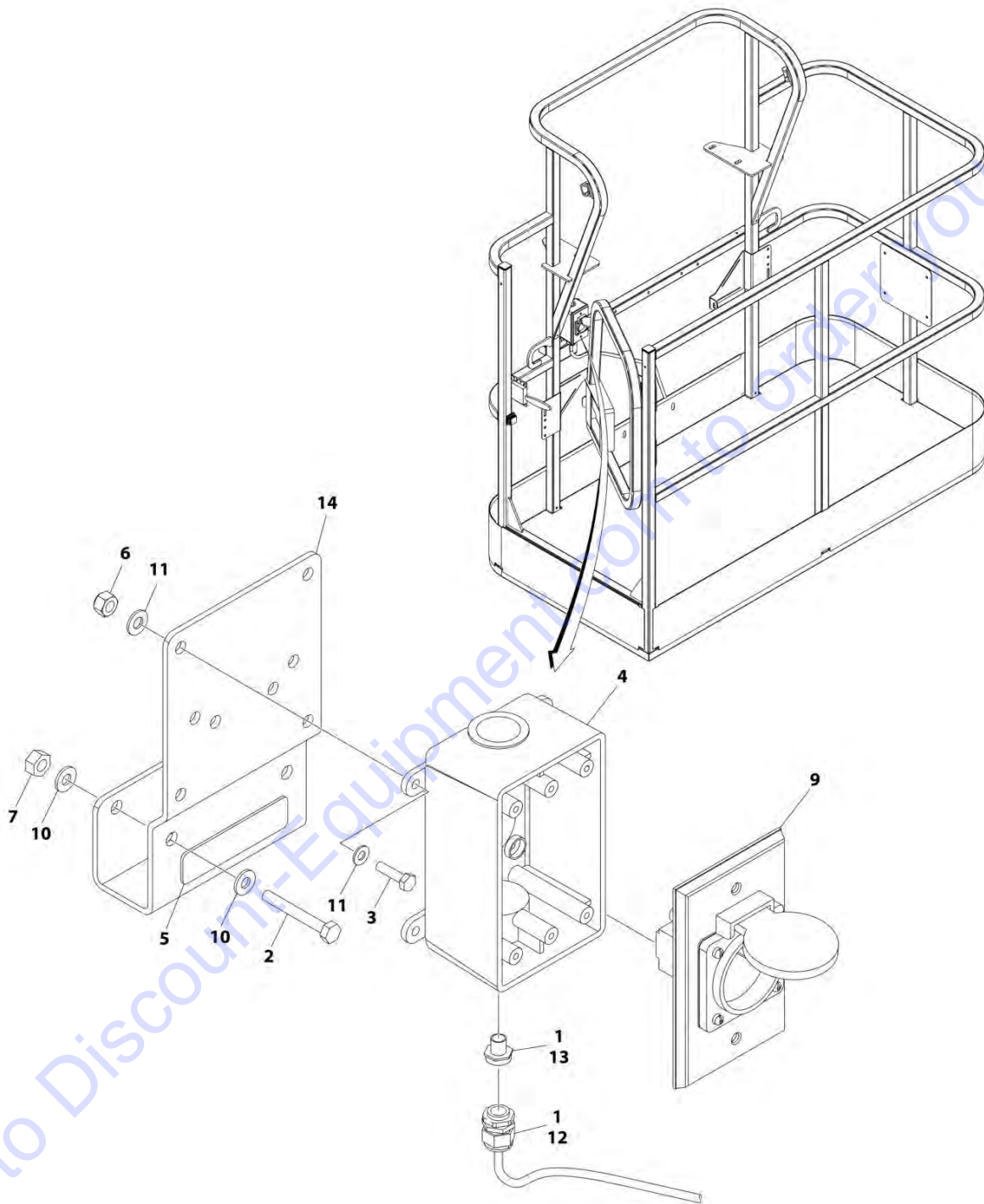
**FIGURE 8-10. AC BOX AT PLATFORM INSTALLATION - 220V CEE7 2X4 SIDE GROUND (CE SPECS)
(MACHINES WITHOUT 4000W GENERATOR)**

ITEM	PART NUMBER	QTY	DESCRIPTION	REV
	1001091974	Ref	AC BOX AT PLATFORM INSTALLATION - 220V CEE7 2X4 BOX SIDE GROUND	F
1	0100020	AR	Sealant, Pipe	
2	0275453	1	Receptacle Box Kit (See Separate Breakdown in this Section)	
3	0700408	4	Bolt M4 x 16	
4	3290405	4	Nut M4	
5	1001101197	1	Adapter	
6	4811400	8	Washer M4	
7	1001101191	1	Connector, Strain Relief	
8	0641416	2	Bolt 1/4 x 2	
9	3311405	2	Nut 1/4	
10	4711400	4	Washer 1/4	
11	1001193018	1	Bracket	
12	3251242	2	Decal - 240V/50Hz	
13	4460806	2	Terminal, Fork (Not Shown)	
14	1001205958	1	Terminal (Not Shown)	

Go to Discount-Equipment.com to order your parts

SECTION 8 - ELECTRICAL

FIGURE 8-11. AC BOX AT PLATFORM INSTALLATION - 220V CEE7 2X4 SIDE GROUND (CE SPECS)
(MACHINES WITH 4000W GENERATOR)



ART_1001206251

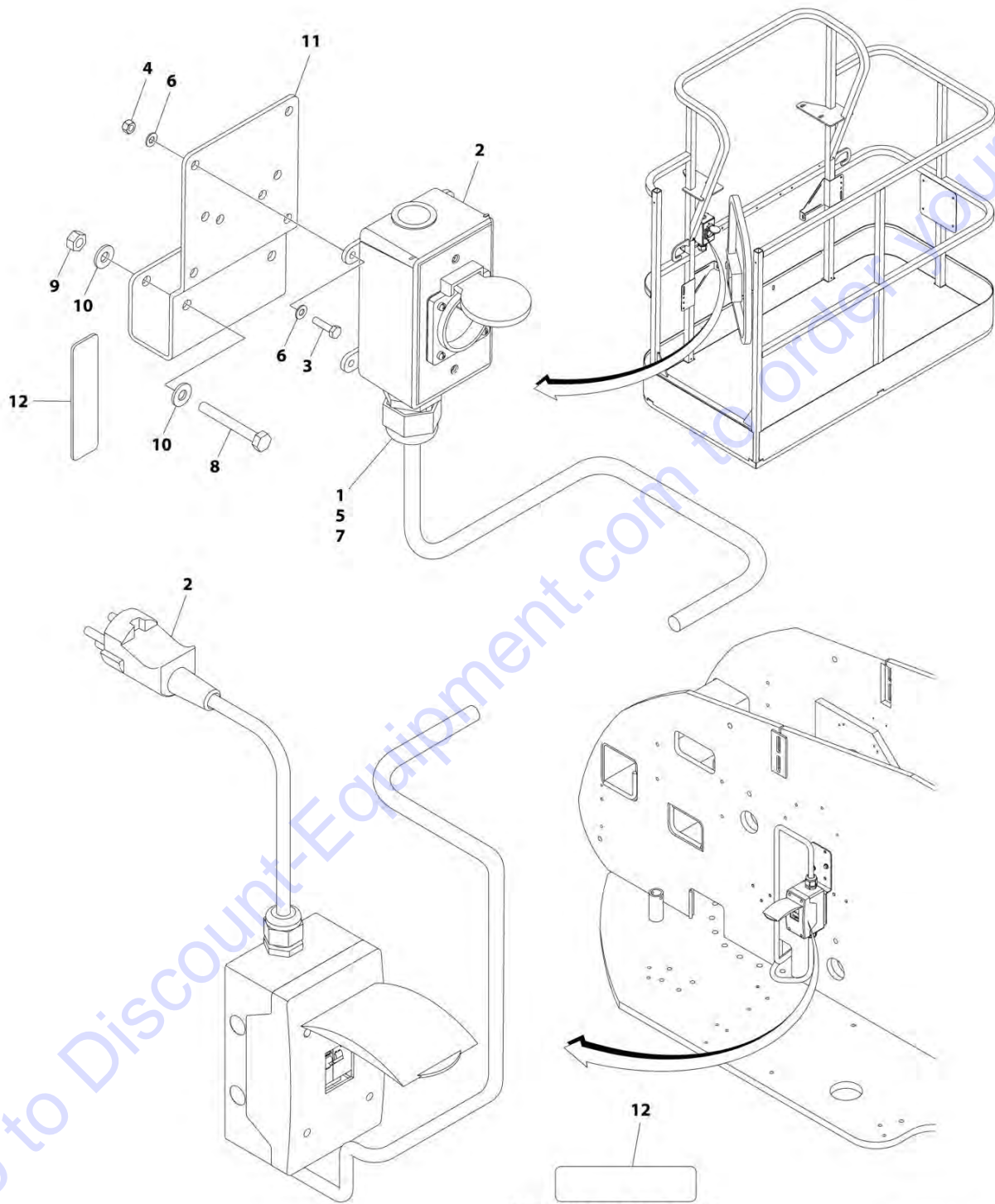
SECTION 8 - ELECTRICAL

**FIGURE 8-11. AC BOX AT PLATFORM INSTALLATION - 220V CEE7 2X4 SIDE GROUND (CE SPECS)
(MACHINES WITH 4000W GENERATOR)**

ITEM	PART NUMBER	QTY	DESCRIPTION	REV
	1001206251	Ref	AC BOX AT PLATFORM INSTALLATION - 220V CEE7 2X4 BOX SIDE GROUND (CE SPECS)	A
1	0100020	AR	Sealant, Pipe	
2	0641416	2	Bolt 1/4 x 2	
3	0700408	4	Bolt M4 x 16	
4	0861731	1	Box, Switch	
5	3251242	1	Decal - 240V/50Hz	
6	3290405	4	Nut M4	
7	3311405	2	Nut 1/4	
8	4460806	2	Terminal, Fork (Not Shown)	
9	4461245	1	Receptacle	
10	4711400	4	Washer 1/4	
11	4811400	8	Washer M4	
12	1001101191	1	Connector, Strain Relief	
13	1001101197	1	Adapter	
14	1001193018	1	Bracket, AC Receptacle	
15	1001205958	1	Terminal (Not Shown)	

SECTION 8 - ELECTRICAL

FIGURE 8-12. AC BOX AT PLATFORM INSTALLATION - 220V AFSINT 107 (CE SPECS) (MACHINES WITHOUT 4000W GENERATOR)



(REF. LOCATED ON ENGINE
SIDE HOOD)

ART_1001091975

SECTION 8 - ELECTRICAL

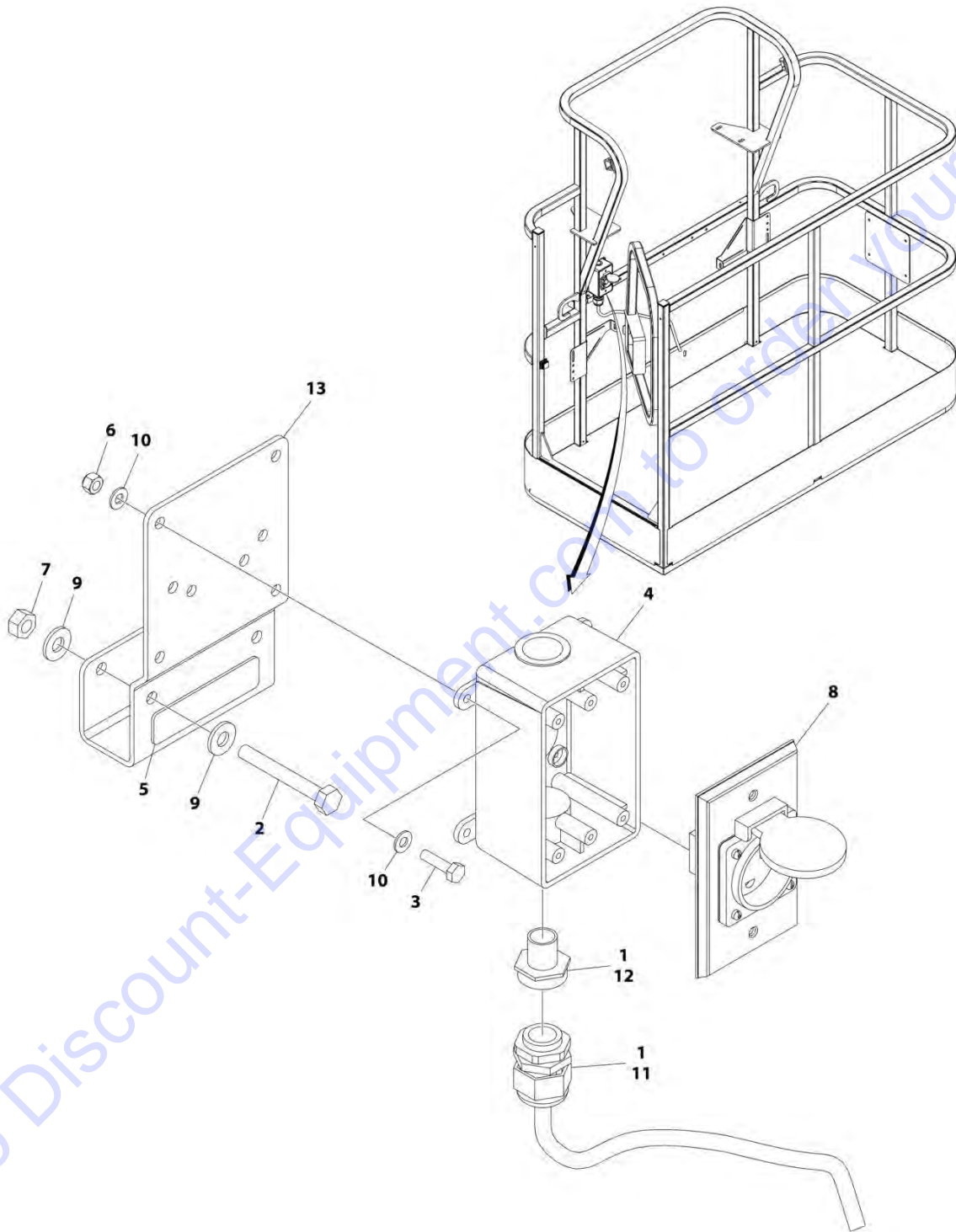
FIGURE 8-12. AC BOX AT PLATFORM INSTALLATION - 220V AFSINT 107 (CE SPECS) (MACHINES WITHOUT 4000W GENERATOR)

ITEM	PART NUMBER	QTY	DESCRIPTION	REV
	1001091975	Ref	AC BOX AT PLATFORM INSTALLATION - 220V AFSINT 107	F
1	0100020	AR	Sealant, Pipe	
2	0275454	1	Receptacle Box Kit (See Separate Breakdown in this Section)	
3	0700408	4	Bolt M4 x 16	
4	3290405	4	Nut M4	
5	1001101197	1	Adapter	
6	4811400	8	Washer M4	
7	1001101191	1	Connector, Strain Relief	
8	0641416	2	Bolt 1/4 x 2	
9	3311405	2	Nut 1/4	
10	4711400	4	Washer 1/4	
11	1001193018	1	Bracket	
12	3251242	2	Decal - 240V/50Hz	
13	1001205958	3	Terminal (Not Shown)	

Go to Discount-Equipment.com to order your parts

SECTION 8 - ELECTRICAL

FIGURE 8-13. AC BOX AT PLATFORM INSTALLATION - 220V AFSINT 107 (CE SPECS) (MACHINES WITH 4000W GENERATOR)



ART_1001206252

SECTION 8 - ELECTRICAL

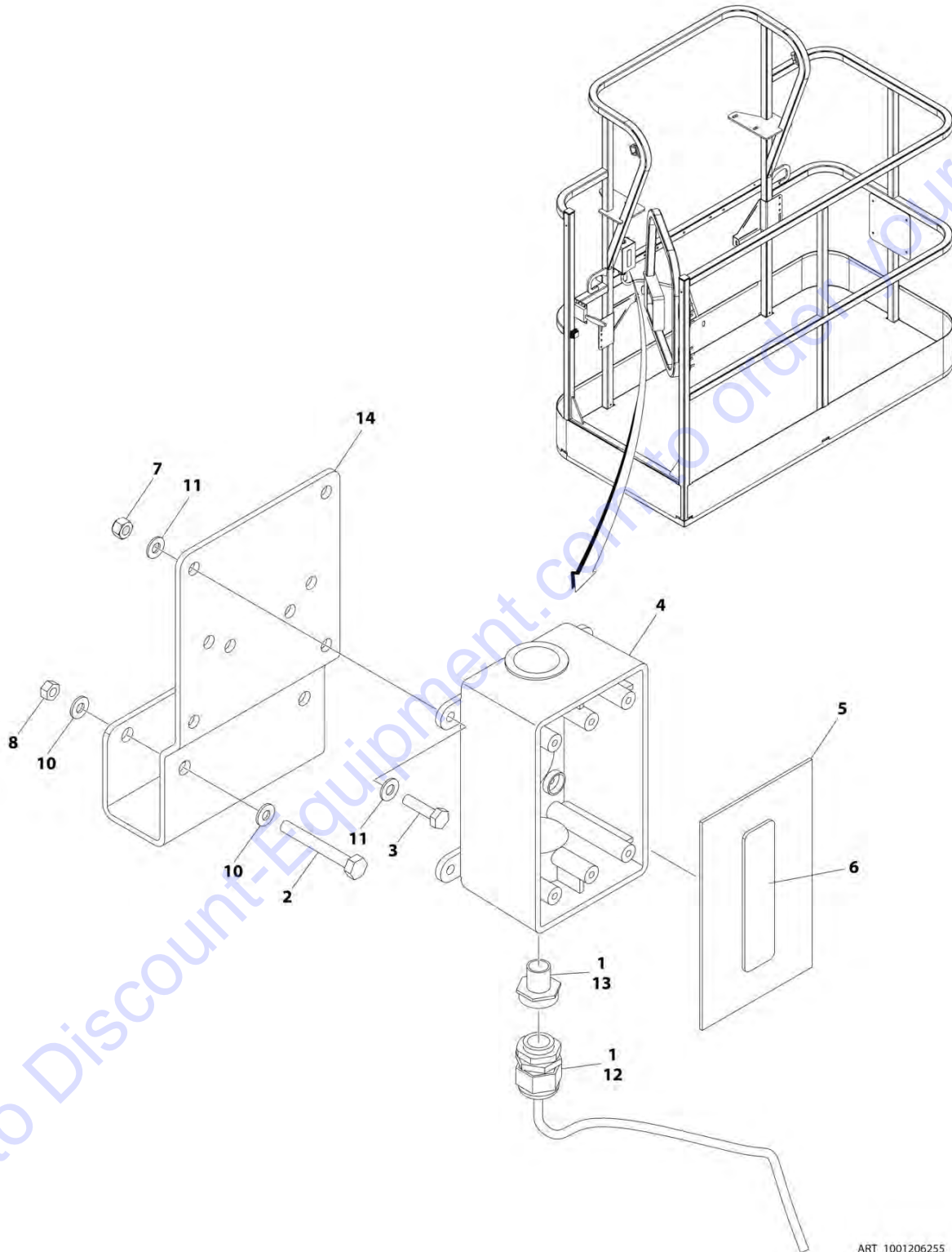
FIGURE 8-13. AC BOX AT PLATFORM INSTALLATION - 220V AFSINT 107 (CE SPECS) (MACHINES WITH 4000W GENERATOR)

ITEM	PART NUMBER	QTY	DESCRIPTION	REV
	1001206252	Ref	AC BOX AT PLATFORM INSTALLATION - 220V AFSINT 107 (CE SPECS)	A
1	0100020	AR	Sealant, Pipe	
2	0641416	2	Bolt 1/4 x 2	
3	0700408	4	Bolt M4 x 16	
4	0861731	1	Box, Switch	
5	3251242	1	Decal - 240V/50Hz	
6	3290405	4	Nut M4	
7	3311405	2	Nut 1/4	
8	4461246	1	Receptacle	
9	4711400	4	Washer 1/4	
10	4811400	8	Washer M4	
11	1001101191	1	Connector, Strain Relief	
12	1001101197	1	Adapter	
13	1001193018	1	Bracket, AC Receptacle	
14	1001205958	3	Terminal (Not Shown)	

Go to Discount-Equipment.com to order your parts

SECTION 8 - ELECTRICAL

FIGURE 8-14. AC BOX AT PLATFORM INSTALLATION - BOX WITH COVER (ANSI EXPORT, AUSTRALIAN, CHINA & JAPANESE SPECS)



ART_1001206255

SECTION 8 - ELECTRICAL

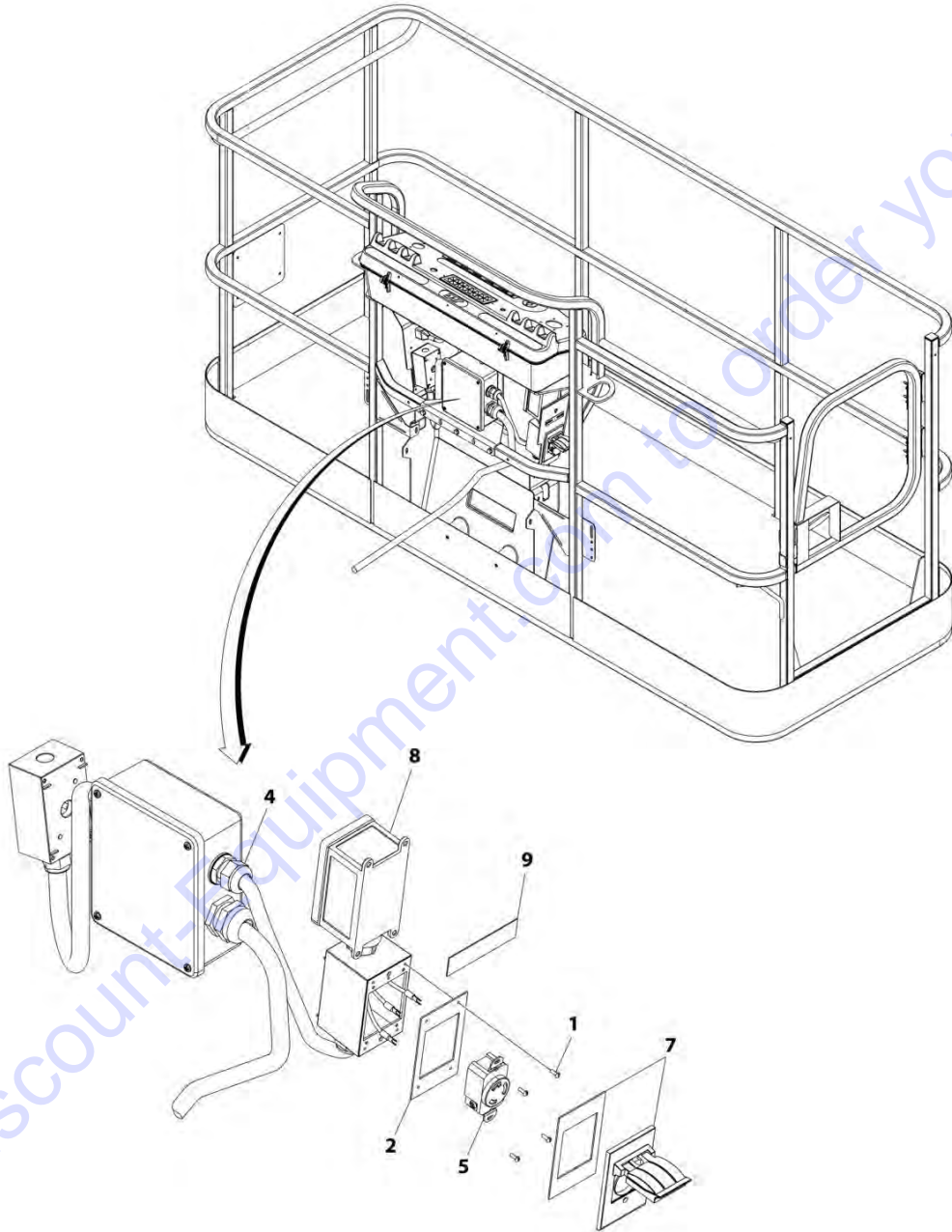
FIGURE 8-14. AC BOX AT PLATFORM INSTALLATION - BOX WITH COVER (ANSI EXPORT, AUSTRALIAN, CHINA & JAPANESE SPECS)

ITEM	PART NUMBER	QTY	DESCRIPTION	REV
	1001206255	Ref	AC BOX AT PLATFORM INSTALLATION - BOX WITH COVER	A
1	0100020	AR	Sealant, Pipe	
2	0641416	2	Bolt 1/4 x 2	
3	0700408	4	Bolt M4 x 16	
4	0861731	1	Box, Switch	
5	1670603	1	Cover	
6	3251242	1	Decal - 240V-50Hz	
7	3290405	4	Nut M4	
8	3311405	2	Nut 1/4	
10	4711400	4	Washer 1/4	
11	4811400	8	Washer M4	
12	1001101191	1	Connector, Strain Relief	
13	1001101197	1	Adapter	
14	1001193018	1	Bracket, AC Receptacle	

Go to Discount-Equipment.com to order your parts

SECTION 8 - ELECTRICAL

FIGURE 8-15. AC BOX AT PLATFORM INSTALLATION - 240V RECEPTACLE (WITH 4000W GENERATOR) (ALL SPECS EXCEPT ANSI & CSA SPECS)



ART_1001171131

SECTION 8 - ELECTRICAL

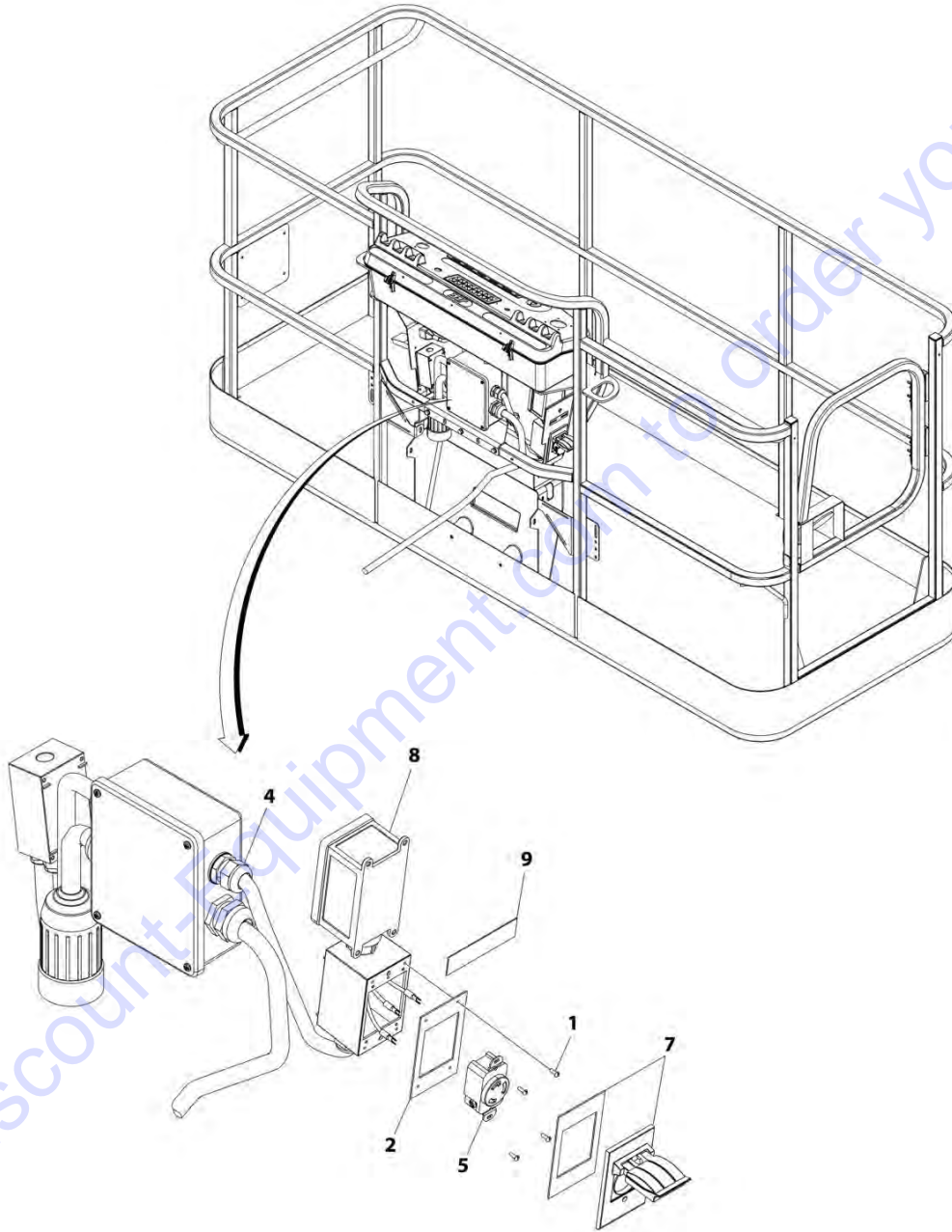
FIGURE 8-15. AC BOX AT PLATFORM INSTALLATION - 240V RECEPTACLE (WITH 4000W GENERATOR) (ALL SPECS EXCEPT ANSI & CSA SPECS)

ITEM	PART NUMBER	QTY	DESCRIPTION	REV
	1001171131	Ref	AC BOX AT PLATFORM INSTALLATION - 240V RECEPTACLE	B
1	3910606	4	Screw #6 x 3/8	
2	3960422	1	Gasket	
3	4240018	AR	Tie-Strap (Not Shown)	
4	4460425	1	Connector, Strain Relief	
5	1001176862	1	Receptacle	
7	1001110872	1	Cover, Receptacle	
8	1001159120	1	Receptacle/Breaker Box Assembly	
8	1001148675	1	Box, Receptacle	
8	1001159118	1	Breaker Box Assembly	
8	4460612	1	Connector, Strain Relief	
8	1001159119	1	Connector (Between Boxes)	
9	1705374	1	Decal - 240V/60Hz	

Go to Discount-Equipment.com to order your parts

SECTION 8 - ELECTRICAL

FIGURE 8-16. AC BOX AT PLATFORM INSTALLATION - 240V RECEPTACLE (WITH 7500W SKYPOWER GENERATOR) (ANSI & CSA SPECS)



ART_1001159121

SECTION 8 - ELECTRICAL

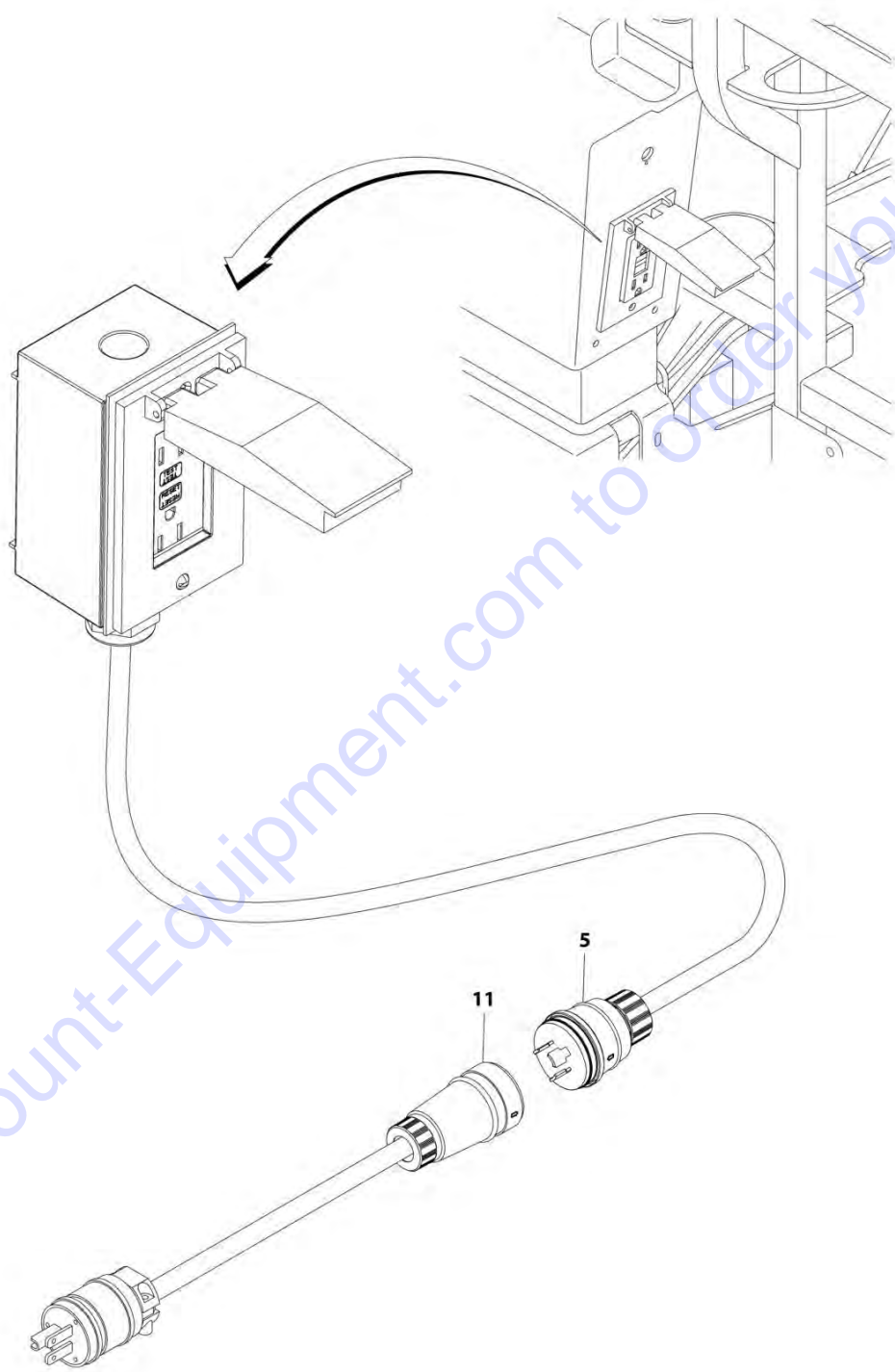
FIGURE 8-16. AC BOX AT PLATFORM INSTALLATION - 240V RECEPTACLE (WITH 7500W SKYPOWER GENERATOR) (ANSI & CSA SPECS)

ITEM	PART NUMBER	QTY	DESCRIPTION	REV
	1001159121	Ref	AC BOX AT PLATFORM INSTALLATION - 240V RECEPTACLE	B
1	3910606	4	Screw #6 x 3/8	
2	3960422	1	Gasket	
3	4240018	AR	Tie-Strap (Not Shown)	
4	4460425	1	Connector, Strain Relief	
5	4460958	1	Receptacle	
7	1001110872	1	Cover, Receptacle	
8	1001159120	1	Receptacle/Breaker Box Assembly	
8	1001148675	1	Box, Receptacle	
8	1001159118	1	Breaker Box Assembly - 30A	
8	4460612	1	Connector, Strain Relief	
8	1001159119	1	Connector (Between Boxes)	
9	1705374	1	Decal - 240V/60Hz	

Go to Discount-Equipment.com to order your parts

SECTION 8 - ELECTRICAL

FIGURE 8-17. AC BOX AT PLATFORM MID-BOOM PLUG INSTALLATION (WITHOUT 7500W SKYPOWER GENERATOR) (ALL SPECS EXCEPT ANSI & CSA SPECS)



ART_0256202

SECTION 8 - ELECTRICAL

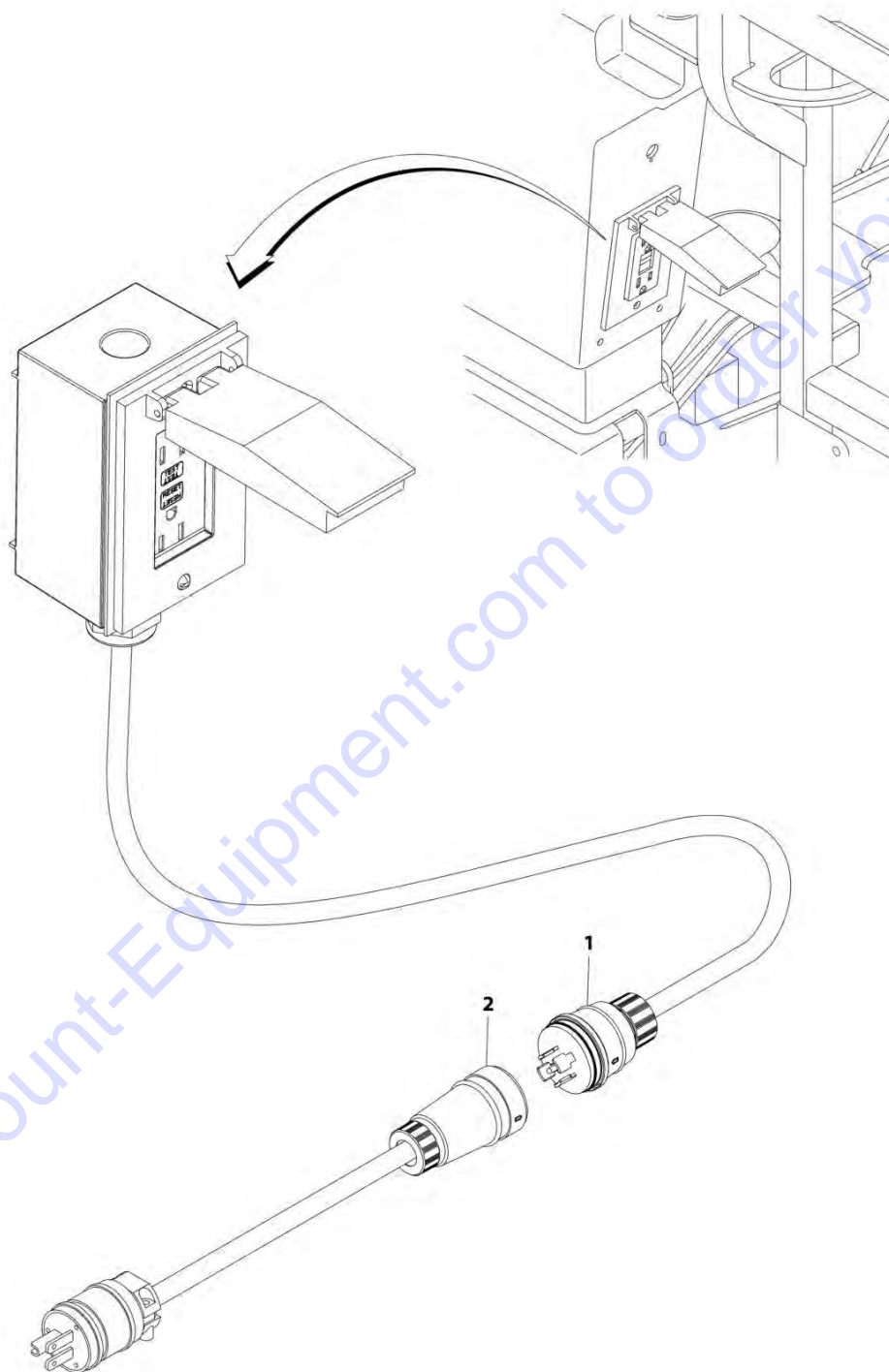
FIGURE 8-17. AC BOX AT PLATFORM MID-BOOM PLUG INSTALLATION (WITHOUT 7500W SKYPOWER GENERATOR) (ALL SPECS EXCEPT ANSI & CSA SPECS)

ITEM	PART NUMBER	QTY	DESCRIPTION	REV
	0256202	Ref	AC BOX AT PLATFORM MID-BOOM PLUG INSTALLATION	D
5	1001213584	1	Plug	
11	1001213585	1	Receptacle	

Go to Discount-Equipment.com to order your parts

SECTION 8 - ELECTRICAL

FIGURE 8-18. AC BOX AT PLATFORM MID-BOOM PLUG INSTALLATION (WITH 7500W SKYPOWER GENERATOR)



ART_0272433

SECTION 8 - ELECTRICAL

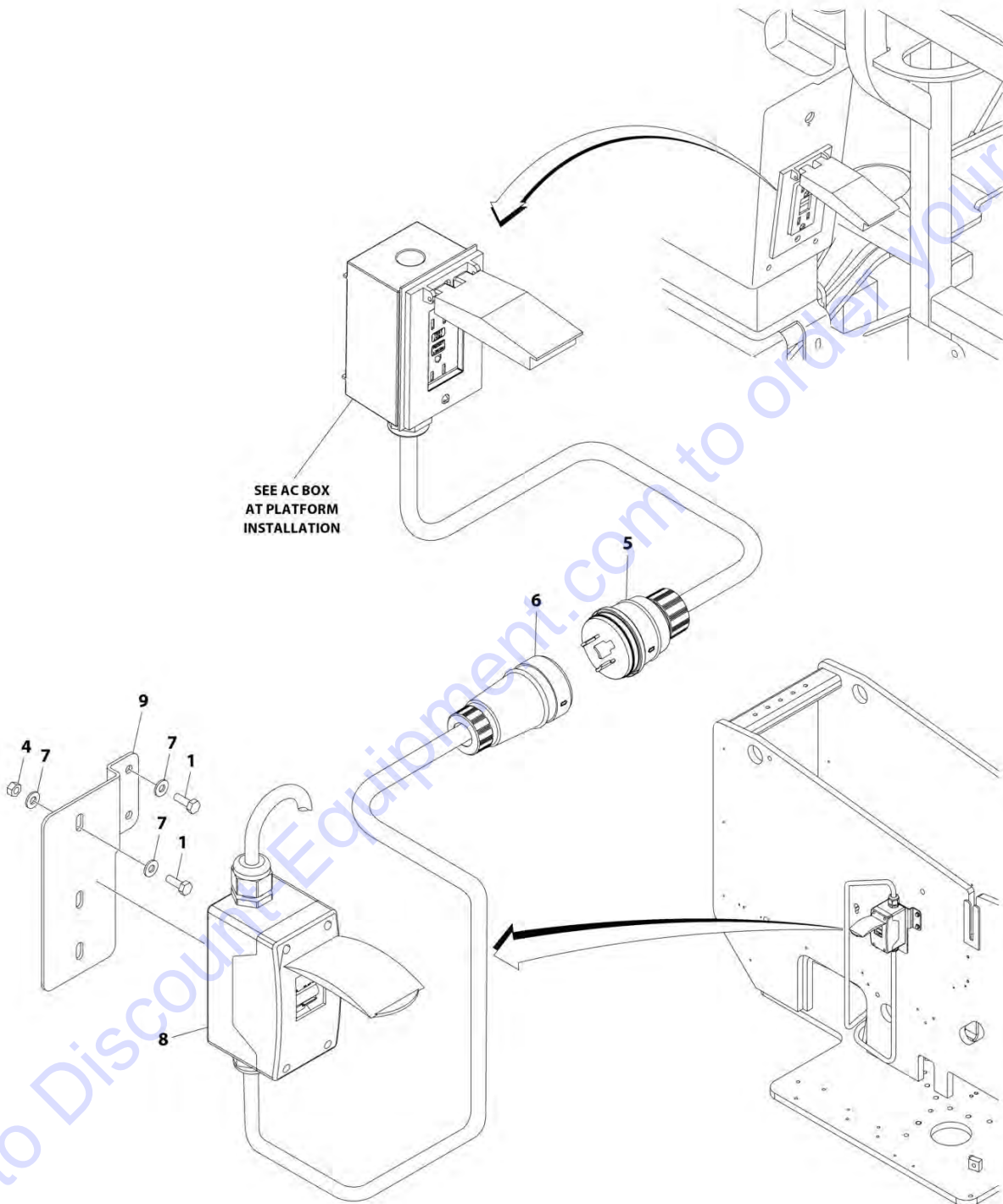
FIGURE 8-18. AC BOX AT PLATFORM MID-BOOM PLUG INSTALLATION (WITH 7500W SKYPOWER GENERATOR)

ITEM	PART NUMBER	QTY	DESCRIPTION	REV
	0272433	Ref	AC BOX AT PLATFORM MID-BOOM PLUG INSTALLATION	D
1	1001218622	1	Plug	
2	1001218623	1	Receptacle	

Go to Discount-Equipment.com to order your parts

SECTION 8 - ELECTRICAL

FIGURE 8-19. AC BREAKER BOX INSTALLATION - WITH 2 BREAKERS (CE SPECS WITHOUT 4000W GENERATOR) (Prior to SN 0300247156)



ART_1001177710

SECTION 8 - ELECTRICAL

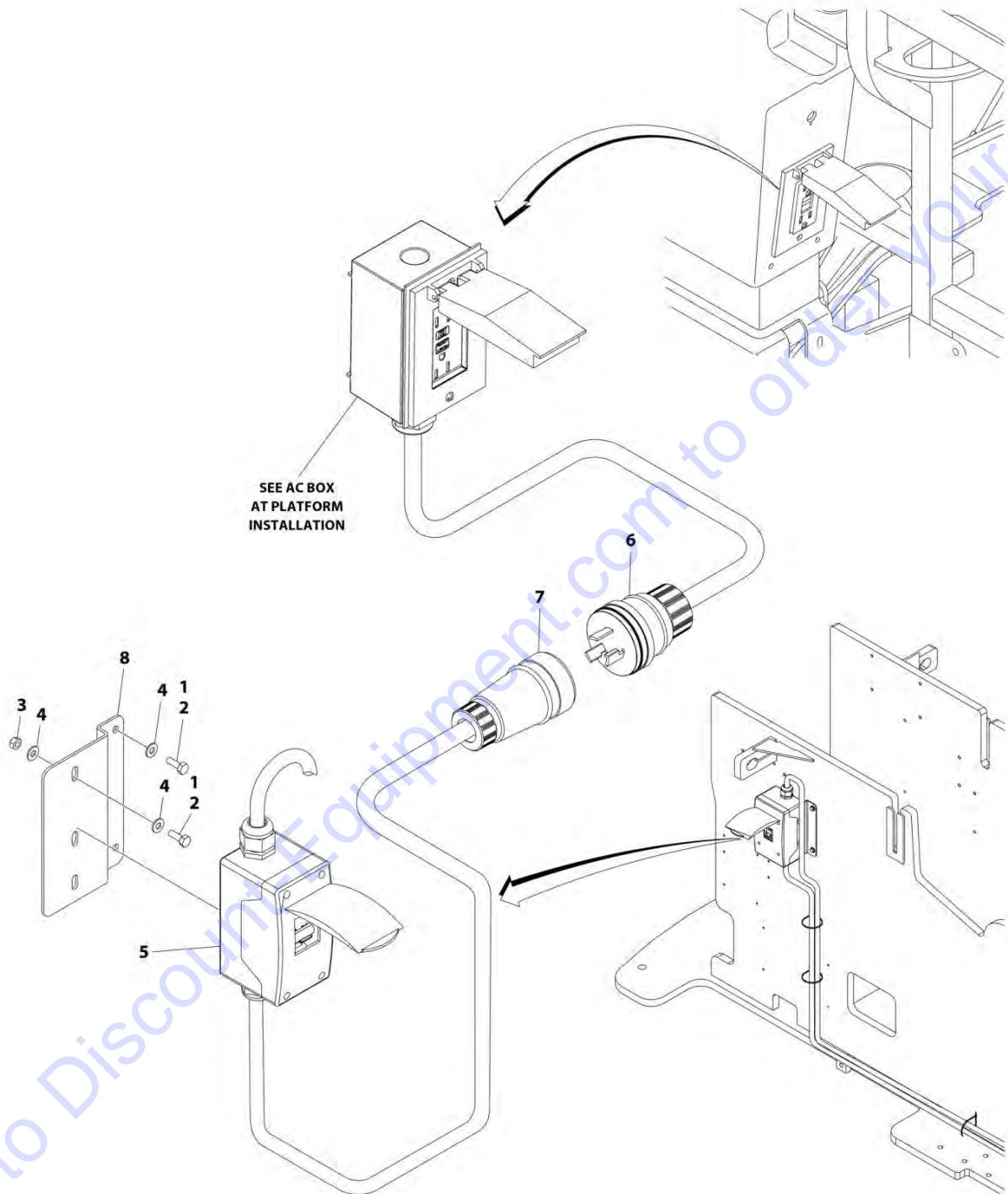
FIGURE 8-19. AC BREAKER BOX INSTALLATION - WITH 2 BREAKERS (CE SPECS WITHOUT 4000W GENERATOR) (Prior to SN 0300247156)

ITEM	PART NUMBER	QTY	DESCRIPTION	REV
	1001177710	Ref	AC BREAKER BOX INSTALLATION	C
1	0641406	4	Bolt 1/4 x 3/4	
4	3311405	2	Nut 1/4	
5	1001213584	1	Plug, Male	
6	1001213585	1	Receptacle, Female	
7	4711400	6	Washer 1/4	
8	1001109654	1	Breaker Box Kit - With 2 Breakers (See Separate Breakdown in this Section)	
9	1001177035	1	Bracket	

Go to Discount-Equipment.com to order your parts

SECTION 8 - ELECTRICAL

FIGURE 8-20. AC BREAKER BOX INSTALLATION - WITH 2 BREAKERS (CE SPECS WITH 4000W GENERATOR) (SN 0300247156 to Present)



ART_1001236962

SECTION 8 - ELECTRICAL

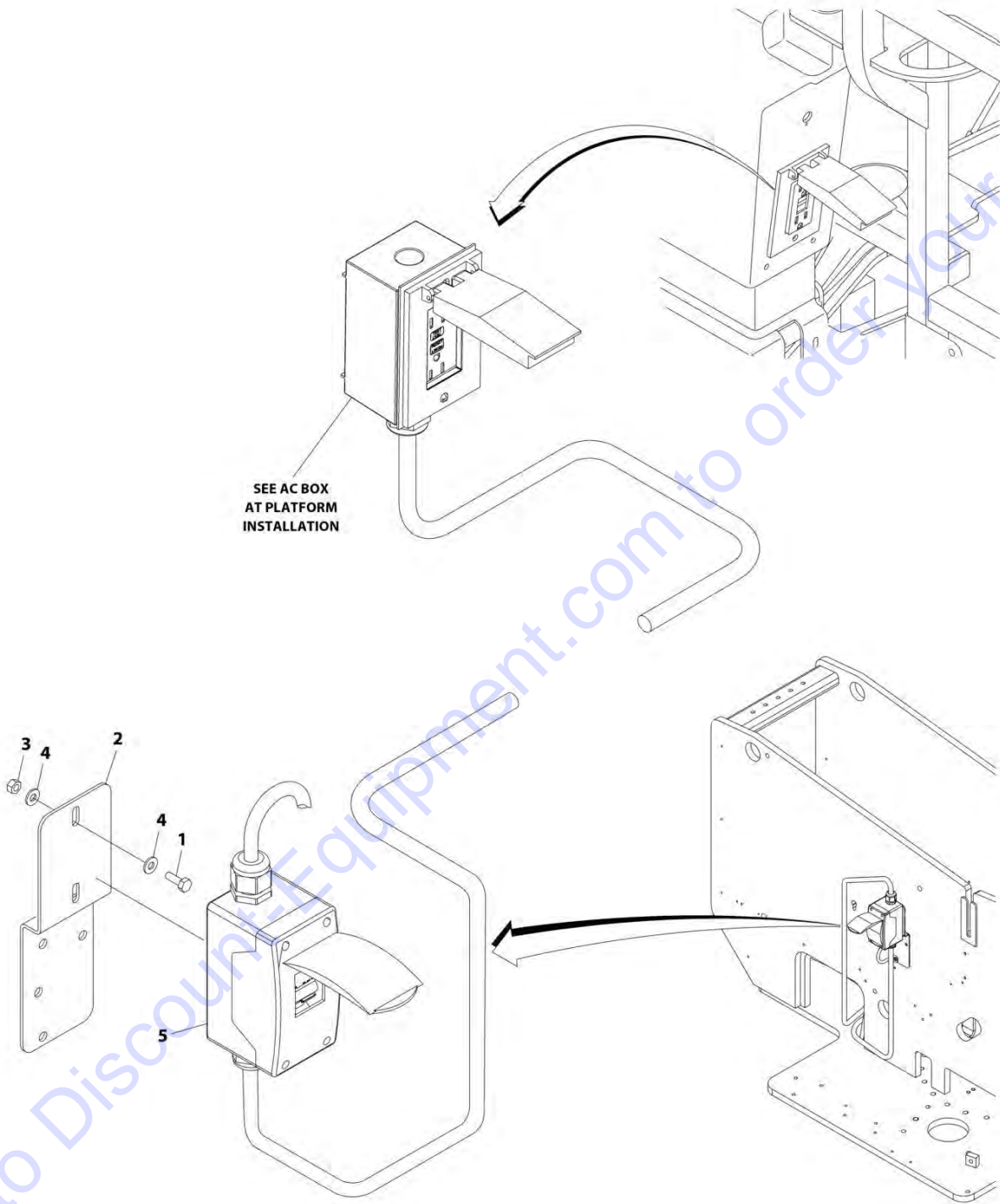
FIGURE 8-20. AC BREAKER BOX INSTALLATION - WITH 2 BREAKERS (CE SPECS WITH 4000W GENERATOR) (SN 0300247156 to Present)

ITEM	PART NUMBER	QTY	DESCRIPTION	REV
	1001236962	Ref	AC BREAKER BOX INSTALLATION	A
1	0100011	AR	Compound, Locking	
2	0641406	4	Bolt 1/4 x 3/4	
3	3311405	2	Nut 1/4	
4	4711400	6	Washer 1/4	
5	1001165368	1	Breaker Box Kit - With 2 Breakers (See Separate Breakdown in this Section)	
6	1001213584	1	Plug, Male	
7	1001213585	1	Receptacle, Female	
8	1001229080	1	Bracket	
9	4240099	AR	Tie-Strap (Not Shown)	

Go to Discount-Equipment.com to order your parts

SECTION 8 - ELECTRICAL

FIGURE 8-21. AC BREAKER BOX INSTALLATION - WITH 2 BREAKERS (BRAZIL SPECS)



ART_1001171016

SECTION 8 - ELECTRICAL

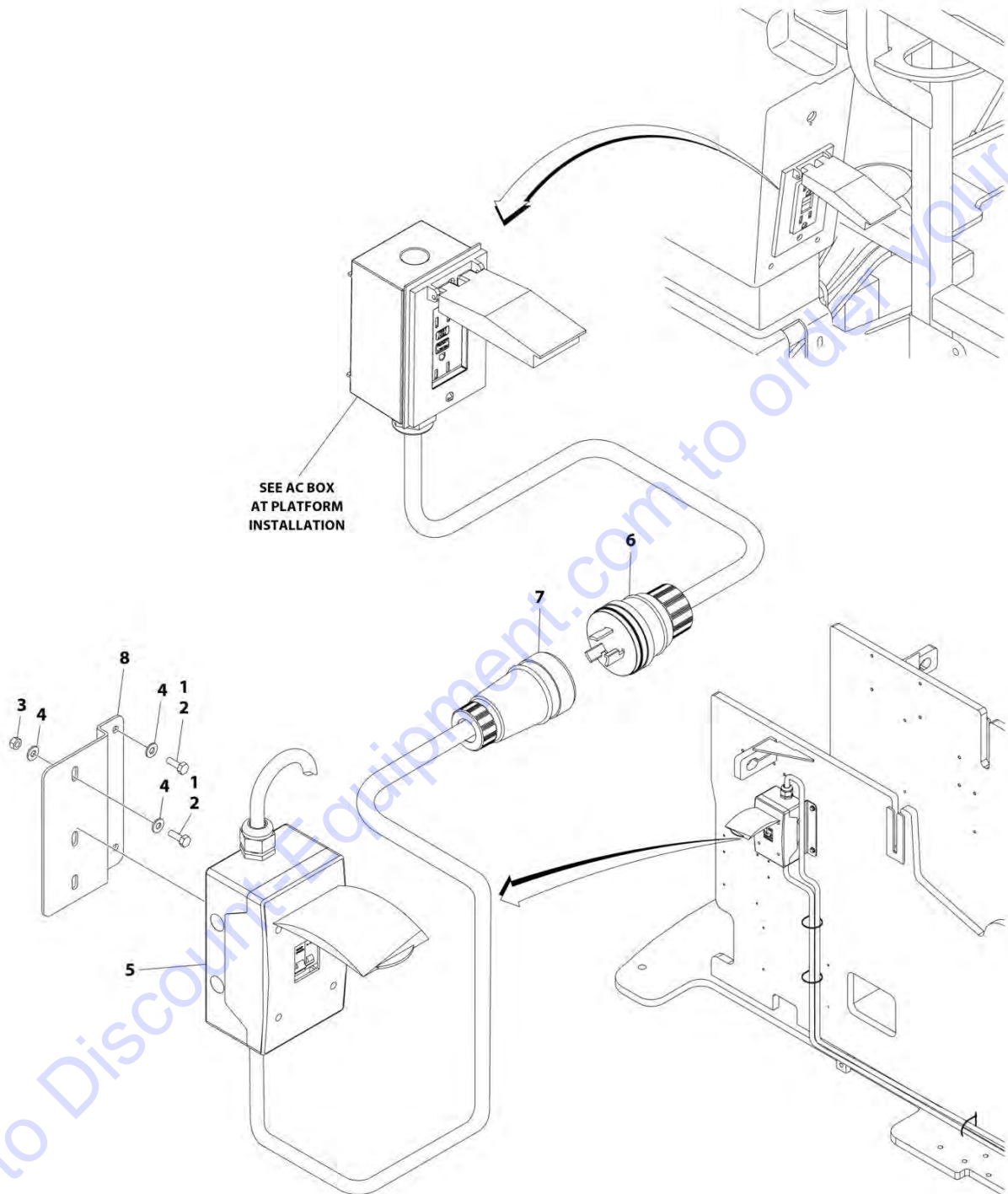
FIGURE 8-21. AC BREAKER BOX INSTALLATION - WITH 2 BREAKERS (BRAZIL SPECS)

ITEM	PART NUMBER	QTY	DESCRIPTION	REV
	1001171016	Ref	AC BREAKER BOX INSTALLATION	A
1	0641406	2	Bolt 1/4 x 3/4	
2	0903697	1	Bracket	
3	3311405	2	Nut 1/4	
4	4711400	4	Washer 1/4	
5	1001109654	1	Breaker Box Kit - With 2 Breakers (See Separate Breakdown in this Section)	

Go to Discount-Equipment.com to order your parts

SECTION 8 - ELECTRICAL

FIGURE 8-22. AC BREAKER BOX INSTALLATION - WITH 3 BREAKERS (CE SPECS WITH 4000W GENERATOR)



ART_1001234588

SECTION 8 - ELECTRICAL

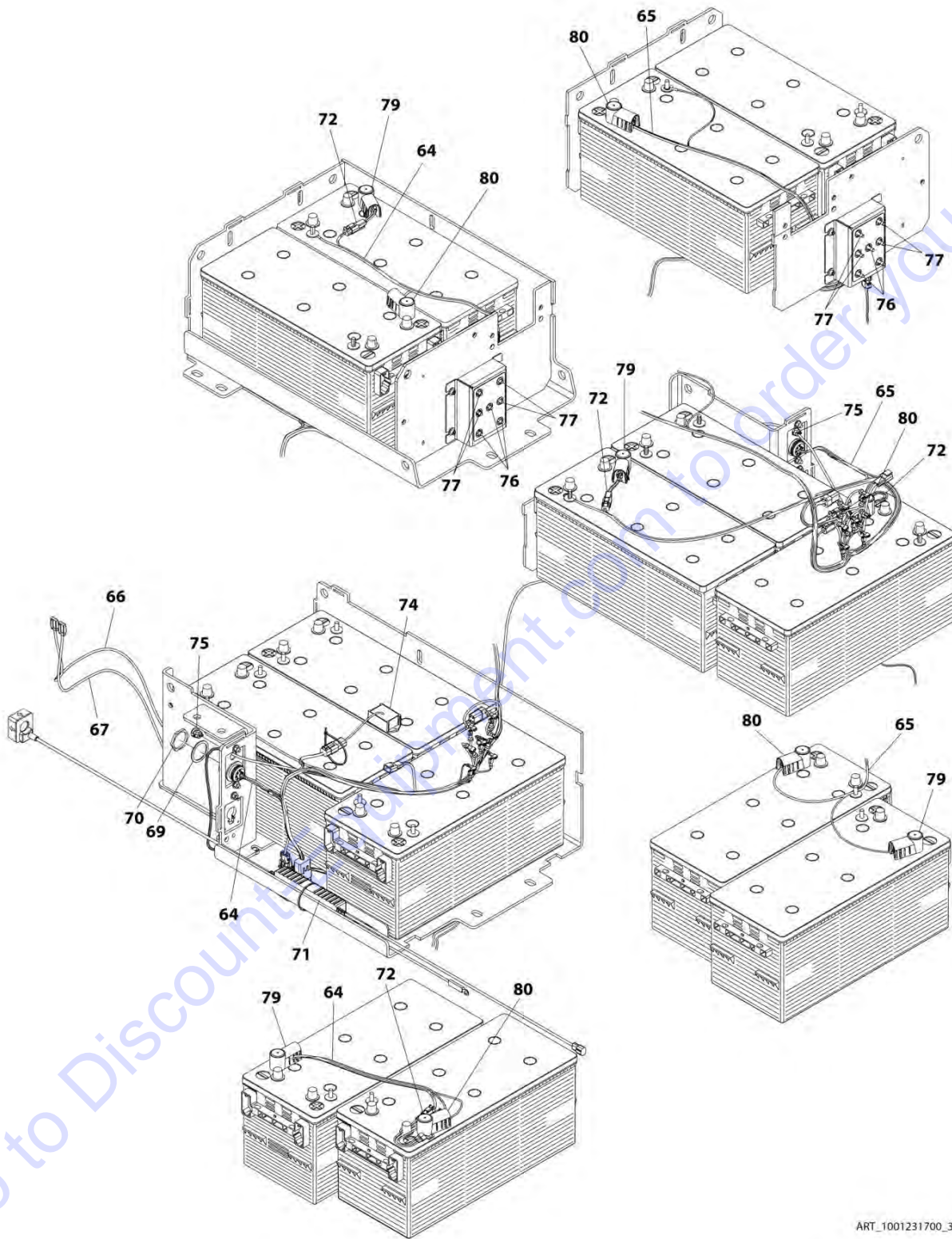
FIGURE 8-22. AC BREAKER BOX INSTALLATION - WITH 3 BREAKERS (CE SPECS WITH 4000W GENERATOR)

ITEM	PART NUMBER	QTY	DESCRIPTION	REV
	1001234588	Ref	AC BREAKER BOX INSTALLATION	A
1	0100011	AR	Compound, Locking	
2	0641406	4	Bolt 1/4 x 3/4	
3	3311405	2	Nut 1/4	
4	4711400	6	Washer 1/4	
5	1001205690	1	Breaker Box Kit - With 3 Breakers (See Separate Breakdown in this Section)	
6	1001213584	1	Plug, Male	
7	1001213585	1	Receptacle, Female	
8	1001229080	1	Bracket	
9	4240099	AR	Tie-Strap (Not Shown)	

Go to Discount-Equipment.com to order your parts

SECTION 8 - ELECTRICAL

FIGURE 8-23. BATTERY CABLES INSTALLATION



ART_1001231700_30F3

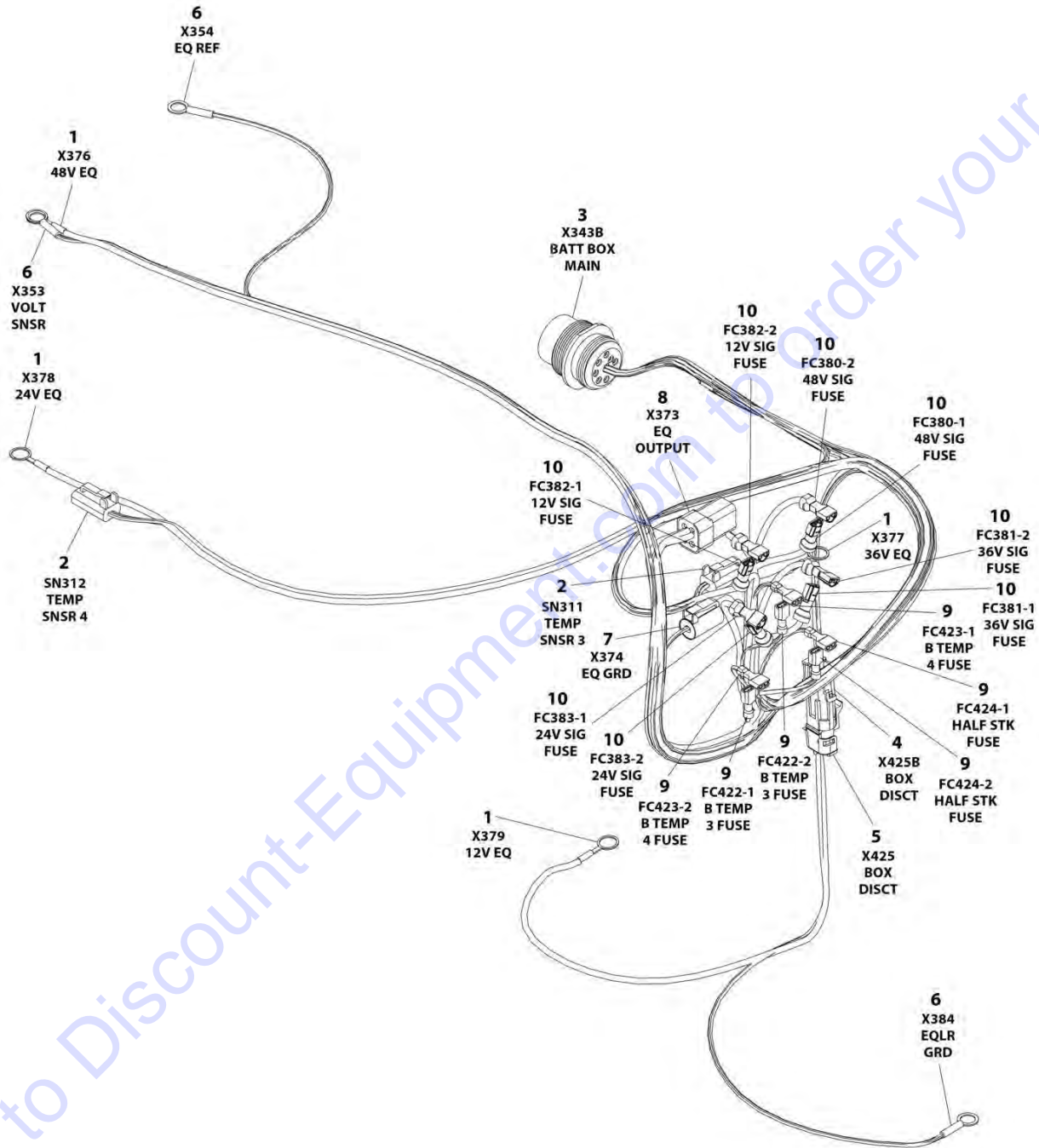
SECTION 8 - ELECTRICAL

FIGURE 8-23. BATTERY CABLES INSTALLATION

ITEM	PART NUMBER	QTY	DESCRIPTION	REV
	1001231700	Ref	BATTERY CABLES INSTALLATION	G
64	1001231685	1	Battery Stack Harness (RH) (See Separate Breakdown in this Section)	
65	1001231686	1	Battery Stack Harness (LH) (See Separate Breakdown in this Section)	
66	1001232840	1	Cable Equalizer LED (LH)	
66	4460910	1	Receptacle, Female - 3 Position	
66	1001126011	3	Terminal	
66	4460911	1	Plug, Male - 3 Position	
66	1001126008	3	Terminal	
67	1001232841	1	Cable Equalizer LED (RH)	
67	4460910	1	Receptacle, Female - 3 Position	
67	1001126011	3	Terminal	
67	4460911	1	Plug, Male - 3 Position	
67	1001126008	3	Terminal	
69	4460496	2	Washer	
70	4460497	2	Nut	
71	1001222336	1	Control, Monitor and Harness	
72	1001225131	5	Temperature Sensor Harness	
74	1001227080	1	Terminator, Electrical	
75	1001233825	2	Connector, Strain Relief	
76	2400080	6	Fuse - 1 Amp	
77	1001234313	8	Fuse - 7.5 Amp	
79	1001225557	4	Boot (Black) (SN 0300247156 to Present)	
80	1001225558	5	Boot (Red) (SN 0300247156 to Present)	
81	4240032	AR	Tie-Strap (Not Shown) (SN 0300247156 to Present)	
100	1001233440	1	Battery Connect Cable Kit (Not Shown)	
101	1001222379	1	Cable, Battery Jumper (+)	
102	1001222380	1	Cable, Battery Jumper (-)	
500	1001233448	2	Battery Box Cable Kit (Not Shown)	
501	1001231425	2	Cable, Battery Jumper (+) (1 Per Kit)	
502	1001231426	2	Cable, Battery Jumper (-) (1 Per Kit)	
503	1001231481	2	Cable, Battery Bulkhead (+) (1 Per Kit)	
504	1001231482	2	Cable, Battery Bulkhead (-) (1 Per Kit)	
505	1001231514	2	Cable, Battery Jumper (+) (1 Per Kit)	
506	1001231515	2	Cable, Battery Jumper (-) (1 Per Kit)	
507	1001231519	2	Cable, 84V Short (1 Per Kit)	
508	1001231520	2	Cable, 84V MID (1 Per Kit)	
509	1001231521	2	Cable, 84V Long (1 Per Kit)	
510	1001231522	2	Cable, 84V Bulkhead (1 Per Kit)	

SECTION 8 - ELECTRICAL

FIGURE 8-24. BATTERY STACK HARNESS (LH)



ART_1001231686

SECTION 8 - ELECTRICAL

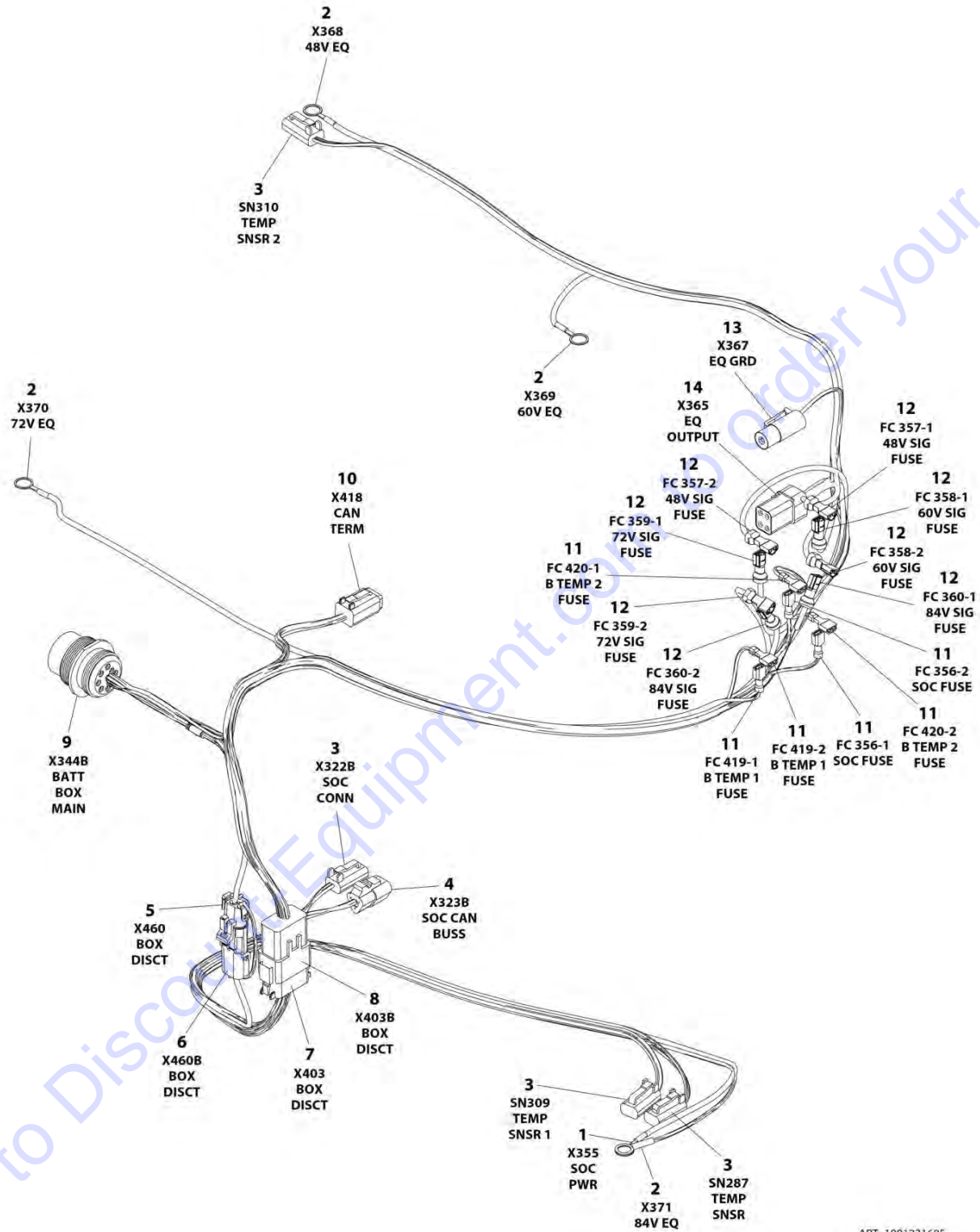
FIGURE 8-24. BATTERY STACK HARNESS (LH)

ITEM	PART NUMBER	QTY	DESCRIPTION	REV
	1001231686	Ref	BATTERY STACK HARNESS	B
1	4460019	4	Terminal, Ring	
2	4460891	2	Plug, Male - 2 Position	
2	4460465	4	Socket, Female	
3	1001112612	1	Connector - 9 Position	
3	4460464	5	Pin, Male	
3	4460466	4	Plug, Terminal	
4	4461157	1	Receptacle, Female - 2 Position	
4	4460850	2	Terminal	
5	4460742	1	Plug, Male - 2 Position	
5	4460790	2	Terminal	
6	4460256	3	Terminal, Ring	
7	4461261	1	Plug, Male - 1 Position	
7	4460509	1	Socket, Female	
8	1001116810	1	Plug, Male - 4 Position	
8	4460509	8	Socket, Female	
9	8220051	6	Terminal	
10	8220043	8	Terminal	

Go to Discount-Equipment.com to order your parts

SECTION 8 - ELECTRICAL

FIGURE 8-25. BATTERY STACK HARNESS (RH)



ART_1001231685

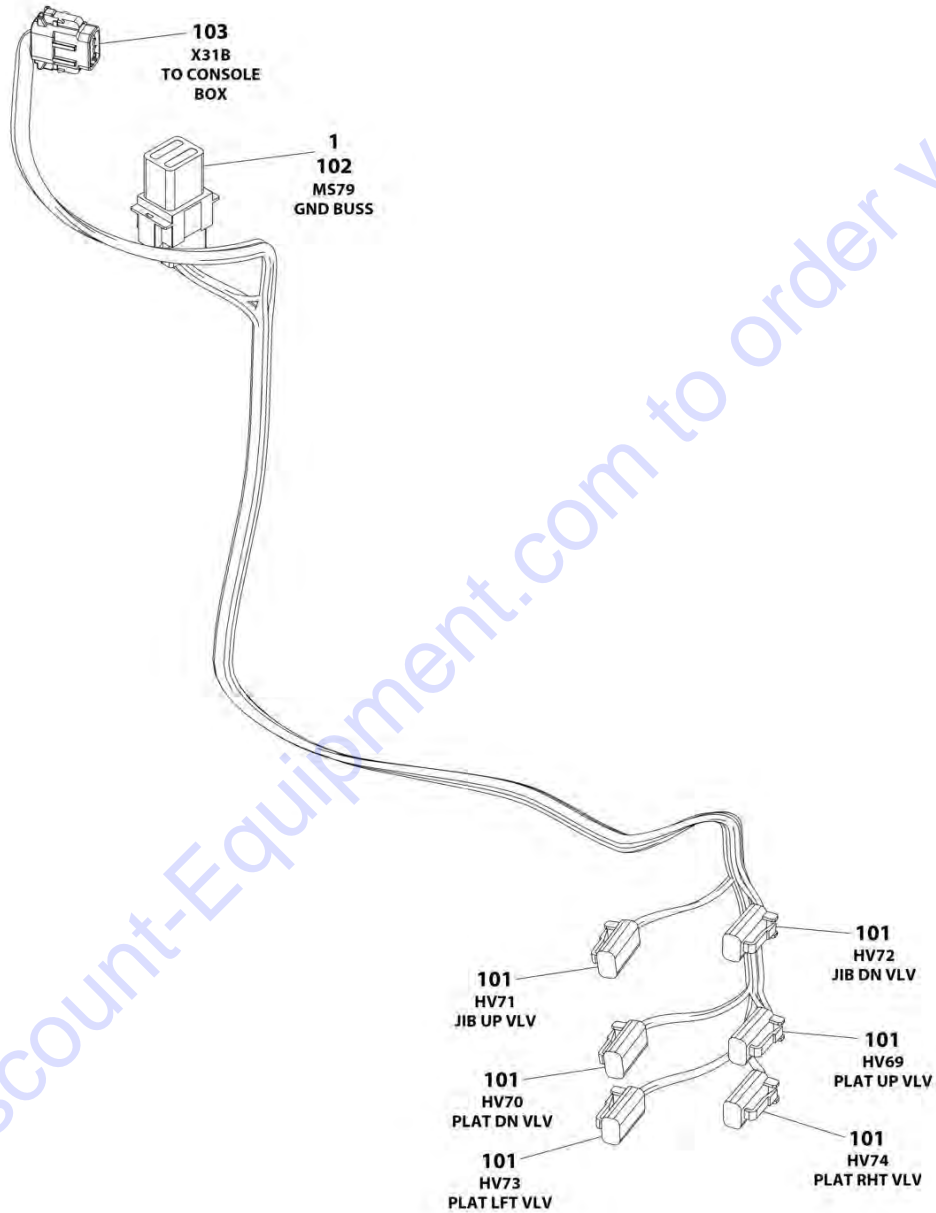
SECTION 8 - ELECTRICAL

FIGURE 8-25. BATTERY STACK HARNESS (RH)

ITEM	PART NUMBER	QTY	DESCRIPTION	REV
	1001231685	Ref	BATTERY STACK HARNESS	A
1	4460256	3	Terminal , Ring	
2	4460019	4	Terminal , Ring	
3	4460891	2	Plug, Male - 2 Position	
3	4460465	4	Socket, Female	
4	4460539	1	Plug, Male - 3 Position	
4	4460465	3	Socket, Female	
5	4461157	1	Receptacle, Female - 2 Position	
5	4460850	2	Terminal	
6	4460742	1	Plug, Male - 2 Position	
6	4460790	2	Terminal	
7	4460836	1	Plug, Male - 12 Position	
7	4460465	9	Socket, Female	
7	4460466	3	Plug, Terminal	
8	4460950	1	Receptacle, Female - 12 Position	
8	4460464	9	Pin, Male	
8	4460466	3	Plug, Terminal	
9	1001112612	1	Connector - 9 Position	
9	4460464	5	Pin, Male	
10	4460884	1	Plug, Male - 4 Position	
10	4460465	4	Socket, Female	
11	8220051	6	Terminal	
12	8220043	8	Terminal	
13	4461261	1	Plug, Male - 1 Position	
13	4460509	1	Socket, Female	
14	1001116810	1	Plug, Male - 4 Position	
14	4460509	8	Socket, Female	

SECTION 8 - ELECTRICAL

FIGURE 8-26. BOOM VALVE HARNESS



ART_1001222047

SECTION 8 - ELECTRICAL

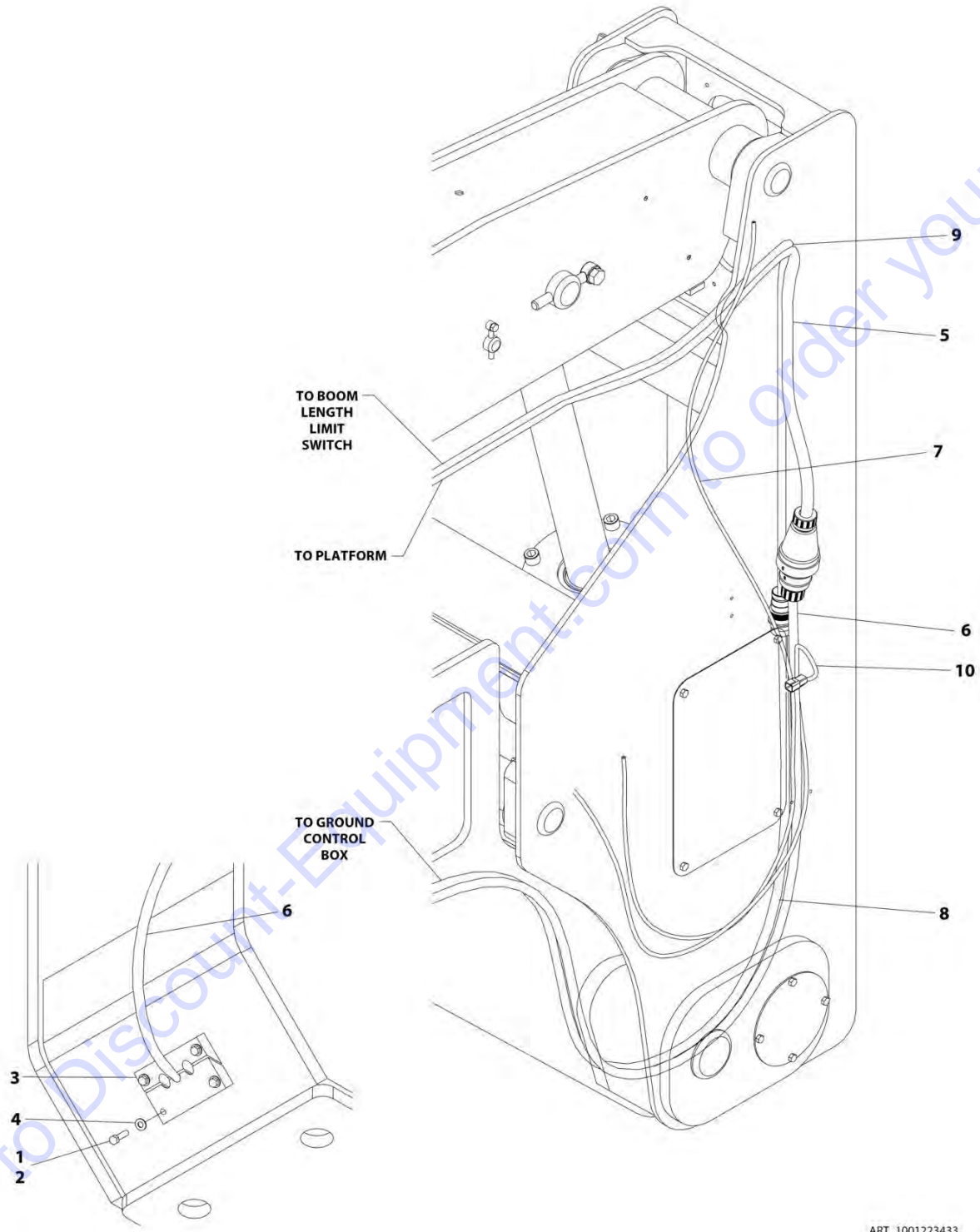
FIGURE 8-26. BOOM VALVE HARNESS

ITEM	PART NUMBER	QTY	DESCRIPTION	REV
	1001222047	Ref	BOOM VALVE HARNESS	B
1	4460852	1	Connector, Buss - 8 Position	
101	4460891	6	Plug, Male - 2 Position	
101	4460465	12	Socket, Female	
102	4460851	1	Plug, Male - 8 Position	
102	4460465	8	Socket, Female	
103	1001190577	1	Plug, Male - 8 Position	
103	1001126008	7	Socket, Female	
103	4460518	1	Plug, Terminal	

Go to Discount-Equipment.com to order your parts

SECTION 8 - ELECTRICAL

FIGURE 8-27. BOOM CABLES INSTALLATION (MACHINES WITHOUT GENERATOR)



ART_1001223433

SECTION 8 - ELECTRICAL

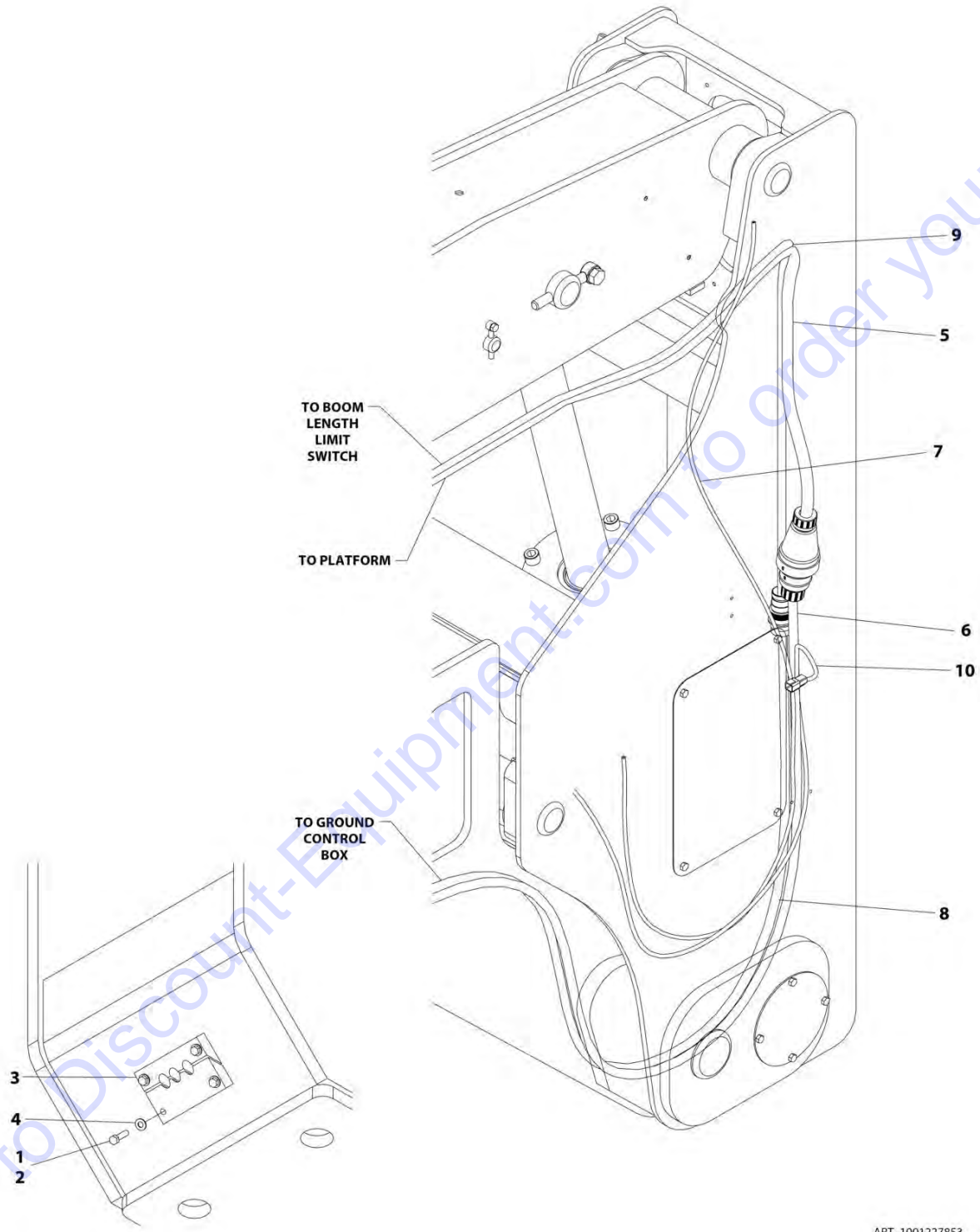
FIGURE 8-27. BOOM CABLES INSTALLATION (MACHINES WITHOUT GENERATOR)

ITEM	PART NUMBER	QTY	DESCRIPTION	REV
	1001223433	Ref	BOOM CABLES INSTALLATION	D
1	0100011	AR	Compound, Locking	
2	0641612	4	Bolt 3/8 x 1-1/2	
3	1320256	1	Clamp, Block	
4	4711600	4	Washer 3/8	
5	4922216	1	AC Cable, 10/3 (Main Boom)	
6	4922217	1	AC Cable, 10/3 (Tower Boom)	
7	4922578	2	Cable, Main Boom Elevation Limit Switch	
8	1001222055	1	Boom Cable - Tower Boom (See Separate Breakdown in this Section)	
9	1001227356	1	Boom Cable - Main Boom (See Separate Breakdown in this Section)	
10	1001227359	1	Tilt Sensor Harness	
10	1001097051	1	Connector - 4 Position	
10	1001097082	3	Terminal	

Go to Discount-Equipment.com to order your parts

SECTION 8 - ELECTRICAL

FIGURE 8-28. BOOM CABLES INSTALLATION (AUSTRALIAN SPECS WITH 4000W GENERATOR)



ART_1001227853

PARTS FINDER

**Search Website
by Part Number**



**Search Manual
Library For Parts
Manual & Lookup Part
Numbers – Purchase
or Request Quote**

**Can't Find Part or
Manual? Request Help
by Manufacturer,
Model & Description**

Discount-Equipment.com is your online resource for quality parts & equipment.

Florida: **561-964-4949** Outside Florida TOLL FREE: **877-690-3101**

Need parts?

Click on this link: <http://www.discount-equipment.com/category/5443-parts/> and choose one of the options to help get the right parts and equipment you are looking for. Please have the machine model and serial number available in order to help us get you the correct parts. If you don't find the part on the website or on one of the online manuals, please fill out the request form and one of our experienced staff members will get back to you with a quote for the right part that your machine needs.

We sell worldwide for the brands: Genie, Terex, JLG, MultiQuip, Mikasa, Essick, Whiteman, Mayco, Toro Stone, Diamond Products, Generac Magnum, Airman, Haulotte, Barreto, Power Blanket, Nifty Lift, Atlas Copco, Chicago Pneumatic, Allmand, Miller Curber, Skyjack, Lull, Skytrak, Tsurumi, Husquvarna Target, Stow, Wacker, Sakai, Mi-T-M, Sullair, Basic, Dynapac, MBW, Weber, Bartell, Bennar Newman, Haulotte, Ditch Runner, Menegotti, Morrison, Contec, Buddy, Crown, Edco, Wyco, Bomag, Laymor, EZ Trench, Bil-Jax, F.S. Curtis, Gehl Pavers, Heli, Honda, ICS/PowerGrit, IHI, Partner, Imer, Clipper, MMD, Koshin, Rice, CH&E, General Equipment, Amida, Coleman, NAC, Gradall, Square Shooter, Kent, Stanley, Tamco, Toku, Hatz, Kohler, Robin, Wisconsin, Northrock, Oztec, Toker TK, Rol-Air, APT, Wylie, Ingersoll Rand / Doosan, Innovatech, Con X, Ammann, Mecalac, Makinex, Smith Surface Prep, Small Line, Wanco, Yanmar

SECTION 8 - ELECTRICAL

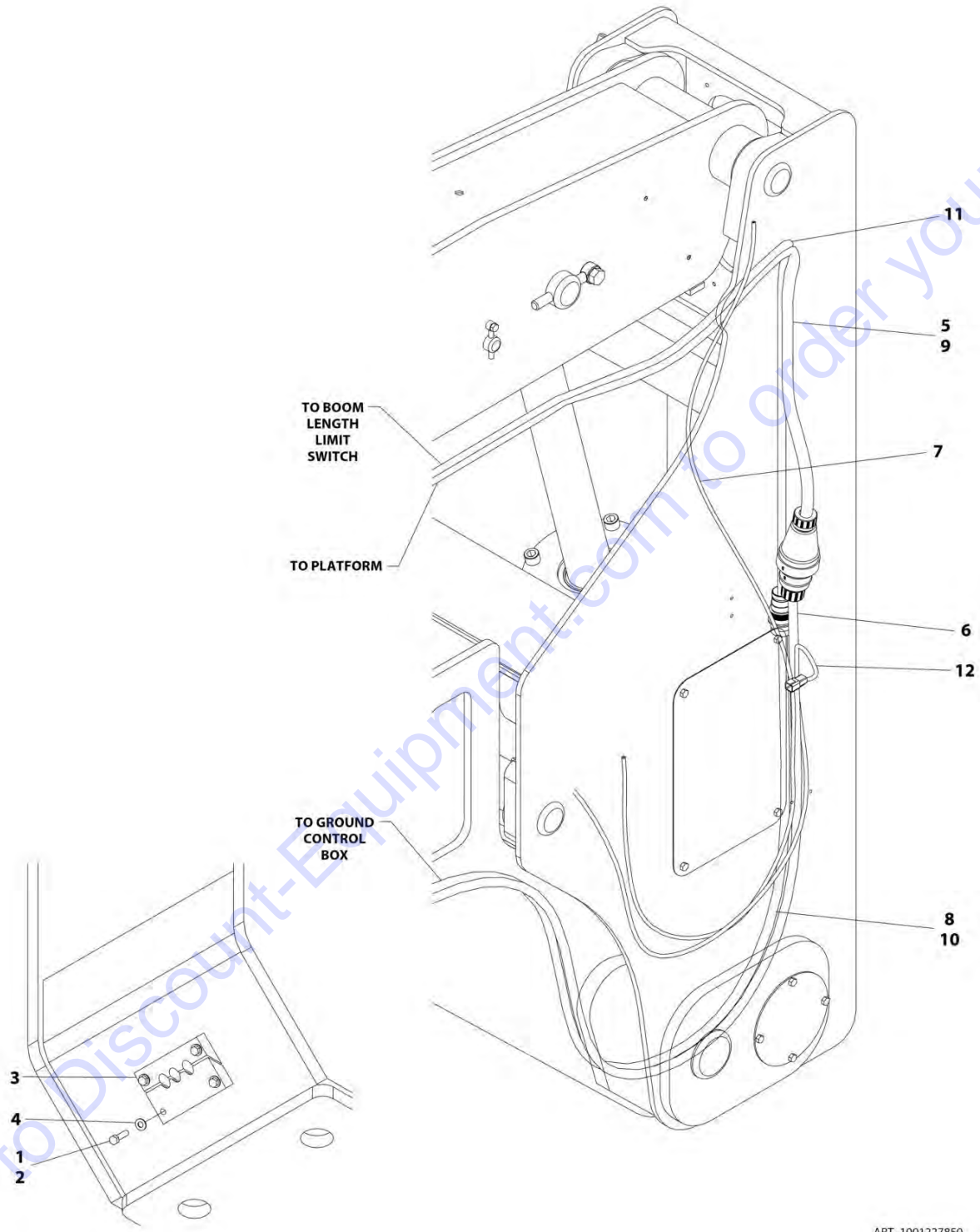
FIGURE 8-28. BOOM CABLES INSTALLATION (AUSTRALIAN SPECS WITH 4000W GENERATOR)

ITEM	PART NUMBER	QTY	DESCRIPTION	REV
	1001227853	Ref	BOOM CABLES INSTALLATION	D
1	0100011	AR	Compound, Locking	
2	0641612	4	Bolt 3/8 x 1-1/2	
3	1320256	1	Clamp, Block	
4	4711600	4	Washer 3/8	
5	4922219	1	AC Cable - 10/3 (Main Boom)	
6	4922220	1	AC Cable - 10/3 (Tower Boom)	
7	4922578	2	Cable, Main Boom Elevation Limit Switch	
8	1001222055	1	Boom Cable - Tower Boom (See Separate Breakdown in this Section)	
9	1001227356	1	Boom Cable - Main Boom (See Separate Breakdown in this Section)	
10	1001227359	1	Tilt Sensor Harness	
10	1001097051	1	Connector - 4 Position	
10	1001097082	3	Terminal	
11	4240099	AR	Tie-Strap (Not Shown)	

Go to Discount-Equipment.com to order your parts

SECTION 8 - ELECTRICAL

FIGURE 8-29. BOOM CABLES INSTALLATION (CE SPECS WITH 4000W GENERATOR)



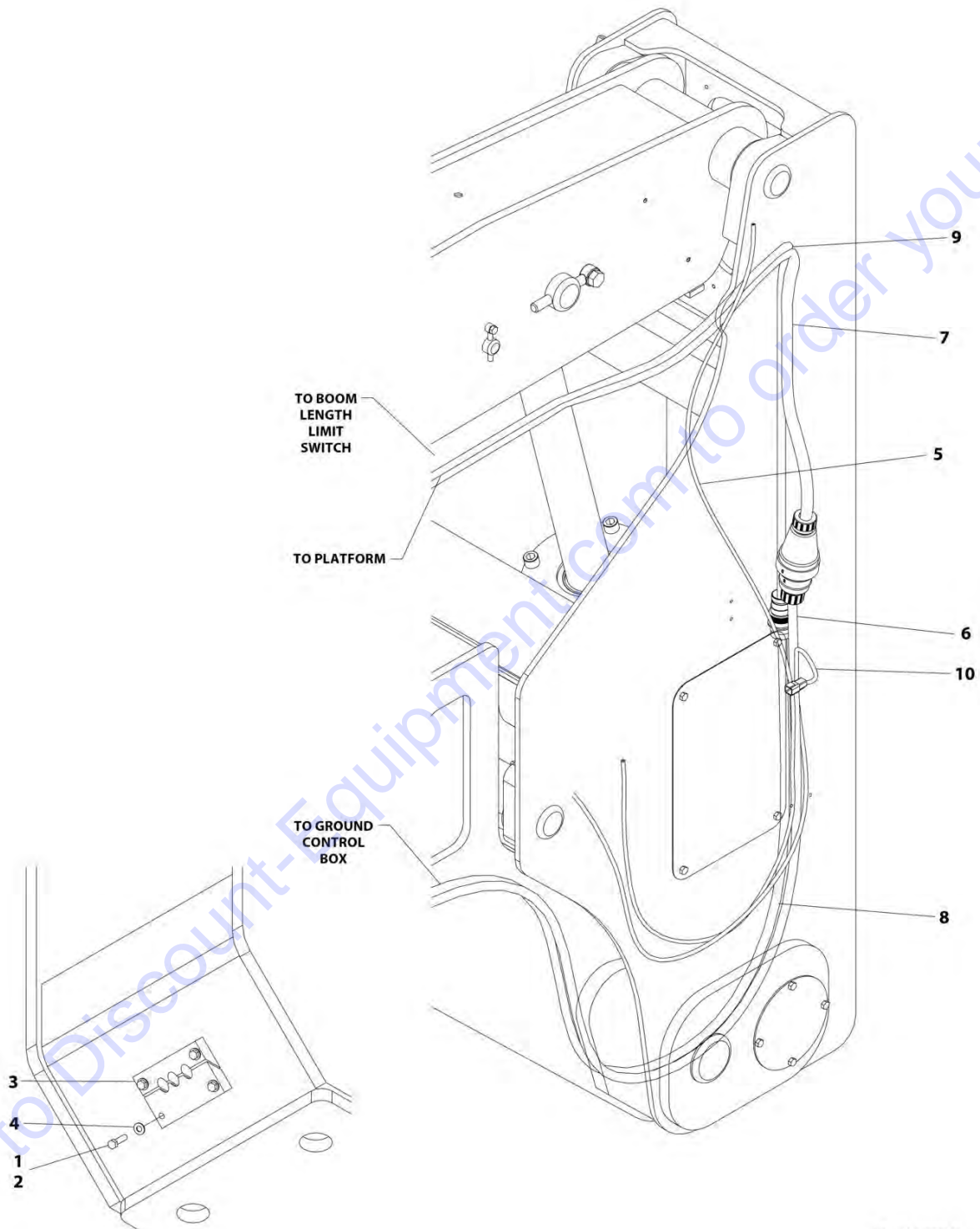
SECTION 8 - ELECTRICAL

FIGURE 8-29. BOOM CABLES INSTALLATION (CE SPECS WITH 4000W GENERATOR)

ITEM	PART NUMBER	QTY	DESCRIPTION	REV
	1001227850	Ref	BOOM CABLES INSTALLATION	D
1	0100011	AR	Compound, Locking	
2	0641612	4	Bolt 3/8 x 1-1/2	
3	1320256	1	Clamp, Block	
4	4711600	4	Washer 3/8	
5	4922219	1	AC Cable - 10/3 (Main Boom)	
6	4922220	1	AC Cable - 10/3 (Tower Boom)	
7	4922578	2	Cable, Main Boom Elevation Limit Switch	
8	4922579	1	Boom Length Harness (Tower Boom)	
8	4460891	1	Plug, Male - 2 Position	
8	4460465	2	Socket, Female	
9	4922580	1	Boom Length Harness (Main Boom)	
9	4460897	1	Receptacle, Female	
9	4460464	2	Pin, Male	
10	1001222055	1	Boom Cable - Tower Boom (See Separate Breakdown in this Section)	
11	1001227356	1	Boom Cable - Main Boom (See Separate Breakdown in this Section)	
12	1001227359	1	Tilt Sensor Harness	
12	1001097051	1	Connector - 4 Position	
12	1001097082	3	Terminal	
13	4240099	AR	Tie-Strap (Not Shown)	

SECTION 8 - ELECTRICAL

FIGURE 8-30. BOOM CABLES INSTALLATION (ANSI, ANSI EXPORT, CHINA, CSA & JAPANESE SPECS WITH 7500W GENERATOR)



ART_1001227851

SECTION 8 - ELECTRICAL

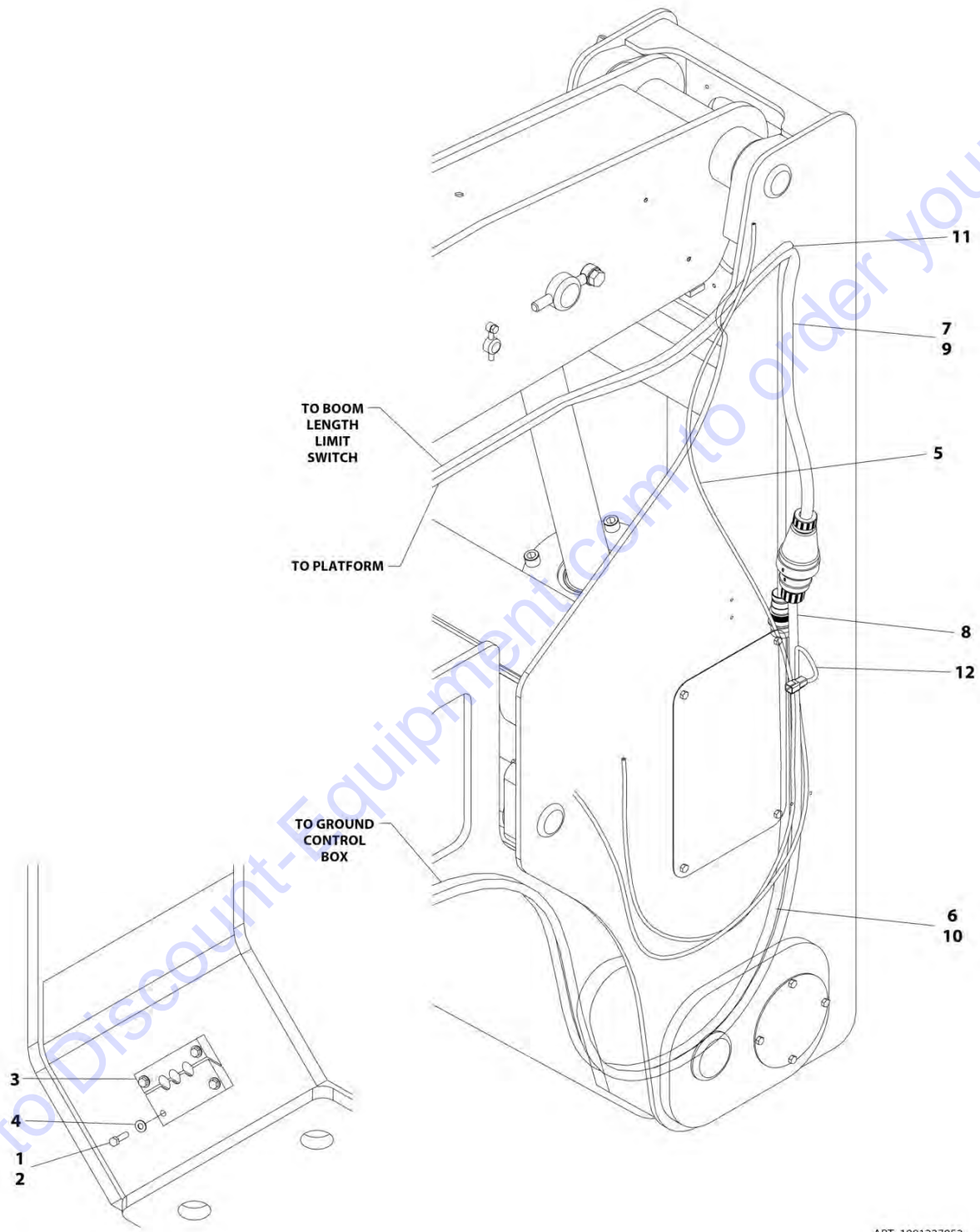
FIGURE 8-30. BOOM CABLES INSTALLATION (ANSI, ANSI EXPORT, CHINA, CSA & JAPANESE SPECS WITH 7500W GENERATOR)

ITEM	PART NUMBER	QTY	DESCRIPTION	REV
	1001227851	Ref	BOOM CABLES INSTALLATION	D
1	0100011	AR	Compound, Locking	
2	0641612	4	Bolt 3/8 x 1-1/2	
3	1320256	1	Clamp, Block	
4	4711600	4	Washer 3/8	
5	4922578	2	Cable, Main Boom Elevation Limit Switch	
6	1001125125	1	AC Cable 8/5 (Tower Boom)	
7	1001125126	1	AC Cable 8/5 (Main Boom)	
8	1001222055	1	Boom Cable - Tower Boom (See Separate Breakdown in this Section)	
9	1001227356	1	Boom Cable - Main Boom (See Separate Breakdown in this Section)	
10	1001227359	1	Tilt Sensor Harness	
10	1001097051	1	Connector - 4 Position	
10	1001097082	3	Terminal	
13	4240099	AR	Tie-Strap (Not Shown)	

Go to Discount-Equipment.com to order your parts

SECTION 8 - ELECTRICAL

FIGURE 8-31. BOOM CABLES INSTALLATION (AUSTRALIAN & CE SPECS WITH 7500W GENERATOR)



ART_1001227852

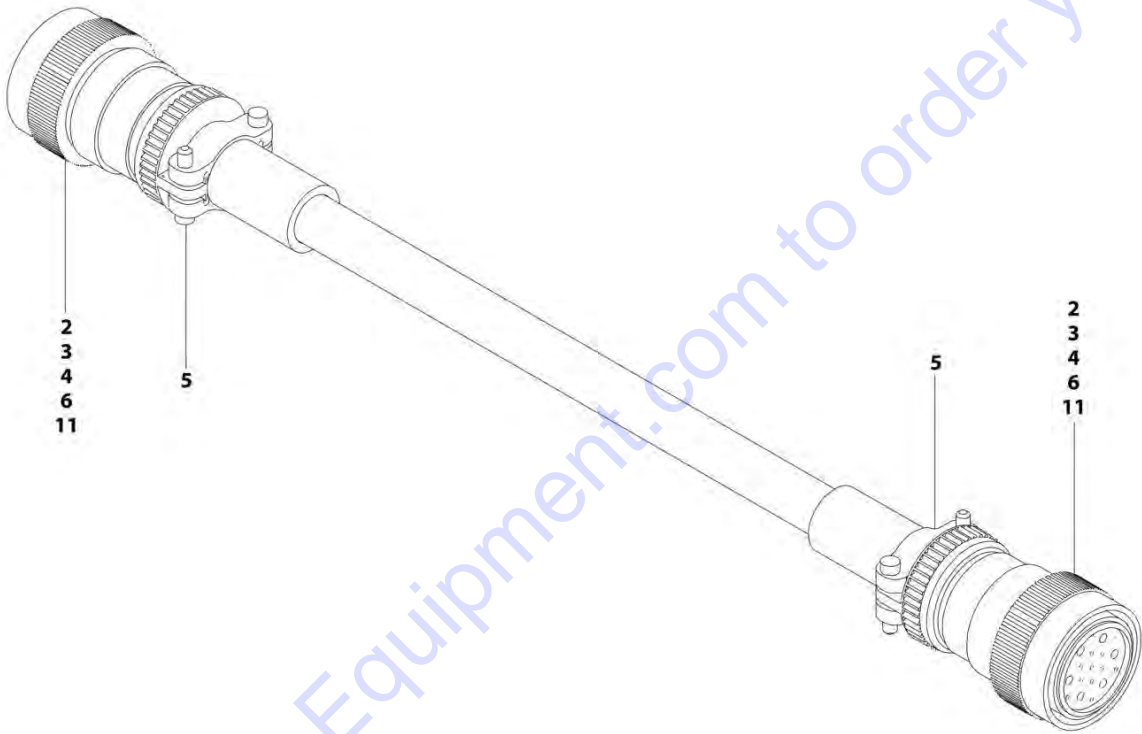
SECTION 8 - ELECTRICAL

FIGURE 8-31. BOOM CABLES INSTALLATION (AUSTRALIAN & CE SPECS WITH 7500W GENERATOR)

ITEM	PART NUMBER	QTY	DESCRIPTION	REV
	1001227852	Ref	BOOM CABLES INSTALLATION	D
1	0100011	AR	Compound, Locking	
2	0641612	4	Bolt 3/8 x 1-1/2	
3	1320256	1	Clamp, Block	
4	4711600	4	Washer 3/8	
5	4922578	2	Cable, Main Boom Elevation Limit Switch	
6	4922579	1	Boom Length Harness (Tower Boom)	
6	4460891	1	Plug, Male - 2 Position	
6	4460465	2	Socket, Female	
7	4922580	1	Boom Length Harness (Main Boom)	
7	4460897	1	Receptacle, Female	
7	4460464	2	Pin, Male	
8	1001125125	1	AC Cable 8/5 (Tower Boom)	
9	1001125126	1	AC Cable 8/5 (Tower Boom)	
10	1001222055	1	Boom Cable - Tower Boom (See Separate Breakdown in this Section)	
11	1001227356	1	Boom Cable - Main Boom (See Separate Breakdown in this Section)	
12	1001227359	1	Tilt Sensor Harness	
12	1001097051	1	Connector - 4 Position	
12	1001097082	3	Terminal	
15	4240099	AR	Tie-Strap (Not Shown)	

SECTION 8 - ELECTRICAL

FIGURE 8-32. BOOM CABLE - MAIN BOOM



ART_1001222055

SECTION 8 - ELECTRICAL

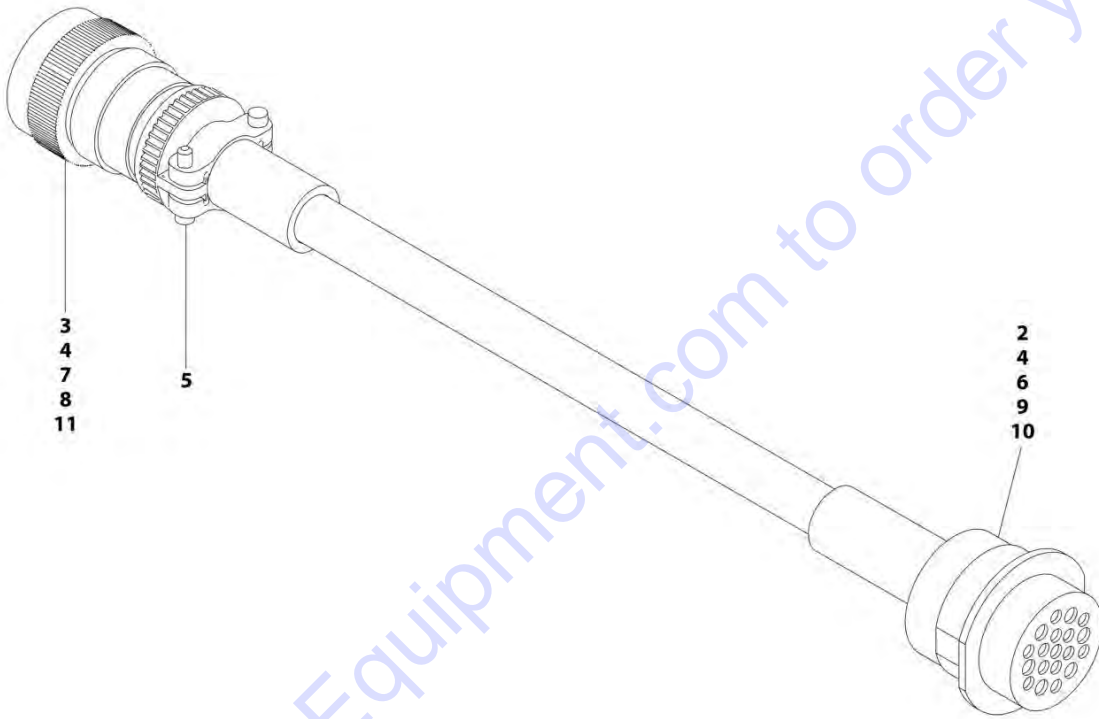
FIGURE 8-32. BOOM CABLE - MAIN BOOM

ITEM	PART NUMBER	QTY	DESCRIPTION	REV
	1001222055	Ref	BOOM CABLE - MAIN BOOM	C
2	4460465	10	Socket, Female	
3	4460865	2	Connector - 19 Position	
4	4460509	8	Socket, Female	
5	4460473	2	Clamp	
6	4460466	10	Plug, Terminal	
11	4460944	10	Socket, Female	

Go to Discount-Equipment.com to order your parts

SECTION 8 - ELECTRICAL

FIGURE 8-33. BOOM CABLE - TOWER BOOM



AI

SECTION 8 - ELECTRICAL

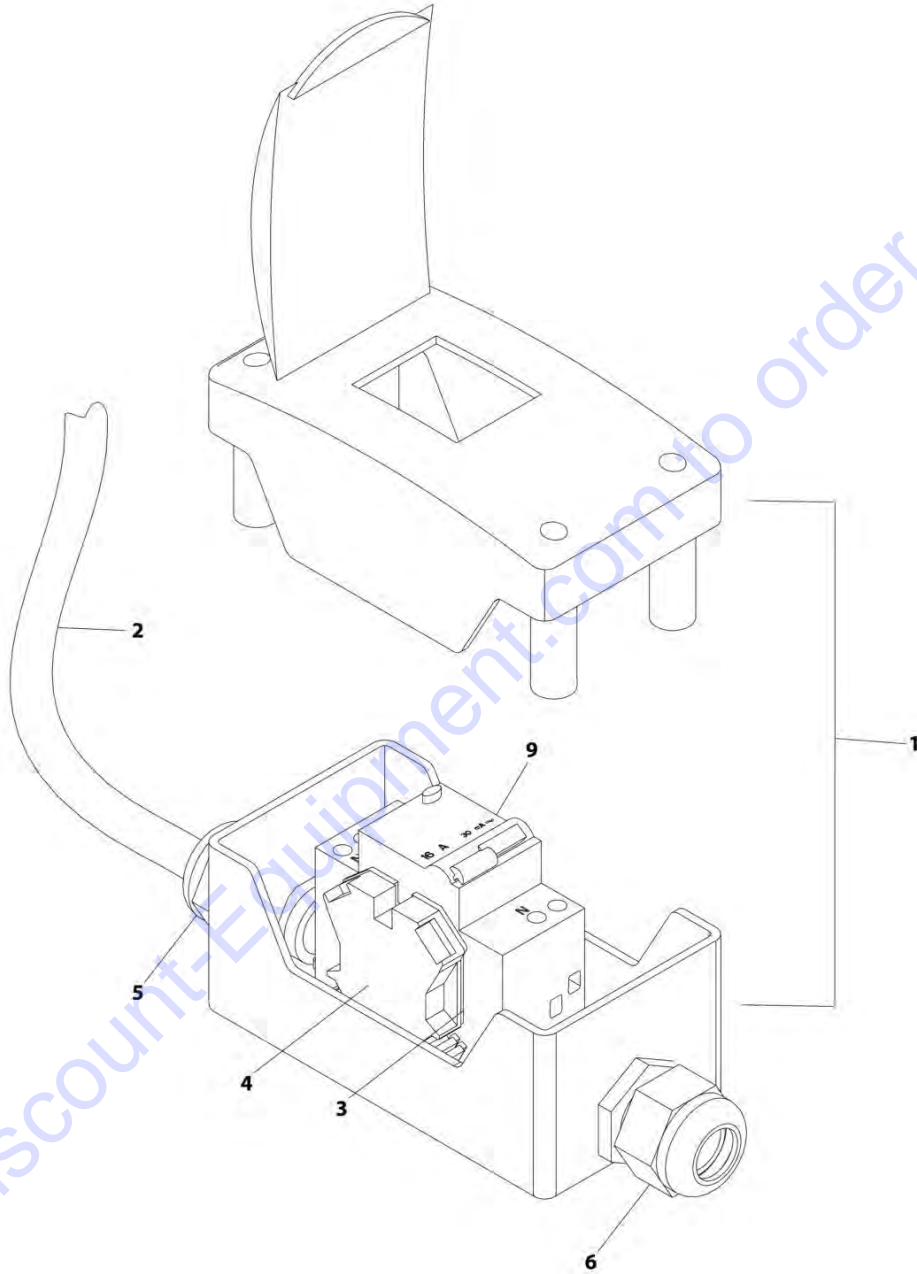
FIGURE 8-33. BOOM CABLE - TOWER BOOM

ITEM	PART NUMBER	QTY	DESCRIPTION	REV
	1001227356	Ref	BOOM CABLE - TOWER BOOM	A
2	4460464	8	Pin, Male	
3	4460465	8	Socket, Female	
4	4460466	10	Plug, Terminal	
5	4460473	1	Clamp	
6	4460508	4	Pin, Male	
7	4460509	4	Socket, Female	
8	4460865	1	Connector - 19 Position	
9	4460866	1	Connector - 19 Position	
10	4460943	2	Pin, Male	
11	4460944	2	Socket, Female	

Go to Discount-Equipment.com to order your parts

SECTION 8 - ELECTRICAL

FIGURE 8-34. BREAKER BOX KIT - WITH 2 BREAKERS (CE SPECS WITHOUT 4000W GENERATOR & BRAZIL SPECS)



ART_1001109654

SECTION 8 - ELECTRICAL

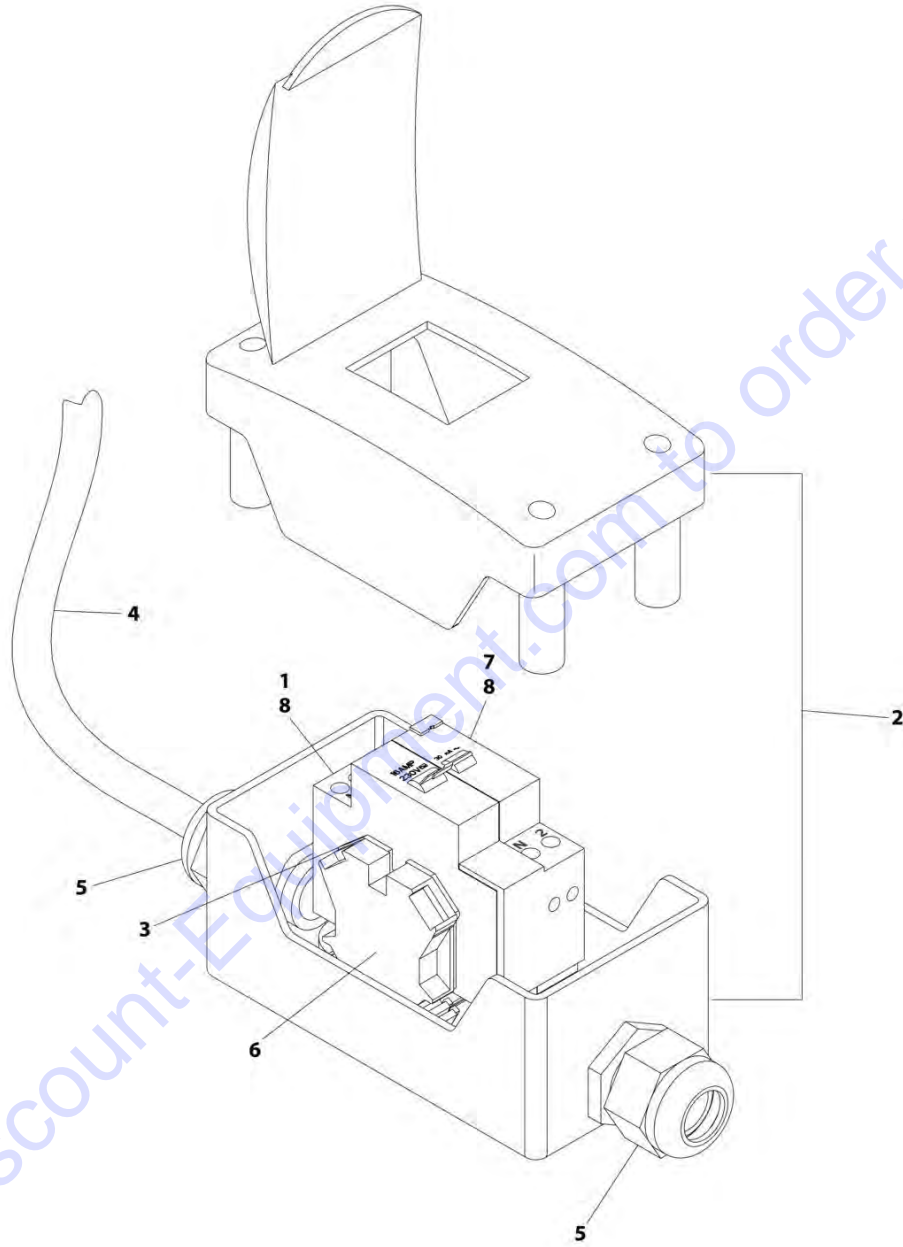
FIGURE 8-34. BREAKER BOX KIT - WITH 2 BREAKERS (CE SPECS WITHOUT 4000W GENERATOR & BRAZIL SPECS)

ITEM	PART NUMBER	QTY	DESCRIPTION	REV
	1001109654	Ref	BREAKER BOX KIT	B
1	0861880	1	Box, Breaker	
2	1060908	12 ft/ 3.6m	Cable 12/3	
3	4460956	1	Barrier, Terminal Block End	
4	4460957	1	Block, Terminal	
5	1001097150	1	Connector, Strain Relief	
6	1001101191	1	Connector, Strain Relief	
9	1001181045	1	Breaker - 30mA/16Amp	

Go to Discount-Equipment.com to order your parts

SECTION 8 - ELECTRICAL

FIGURE 8-35. BREAKER BOX KIT - WITH 2 BREAKERS (CE SPECS WITH 4000W GENERATOR)



ART_1001165368

SECTION 8 - ELECTRICAL

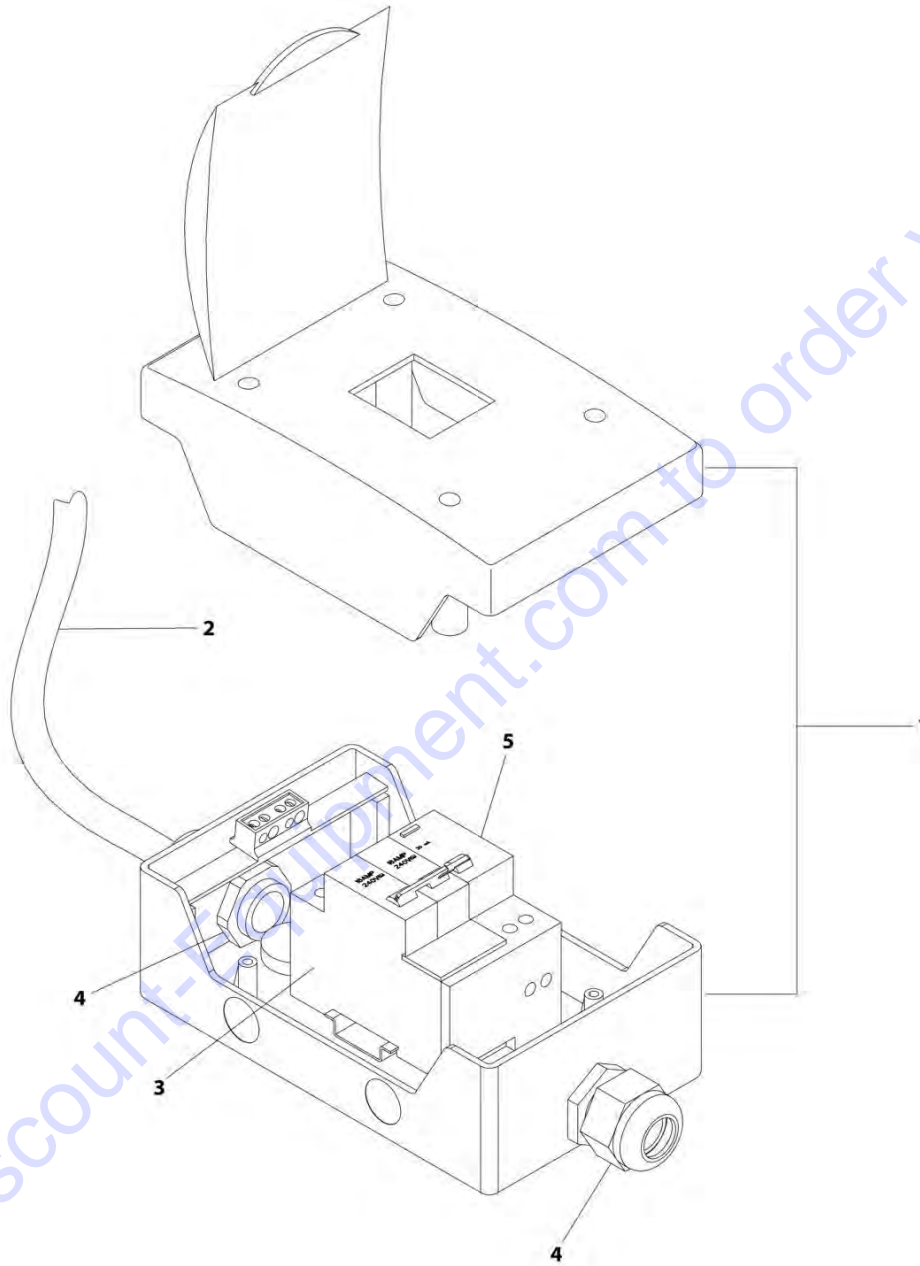
FIGURE 8-35. BREAKER BOX KIT - WITH 2 BREAKERS (CE SPECS WITH 4000W GENERATOR)

ITEM	PART NUMBER	QTY	DESCRIPTION	REV
	1001165368	Ref	BREAKER BOX KIT	B
1	See Note	NR	Breaker (Note: Not Required for this Model)	
2	0861880	1	Box, Circuit Breaker	
3	4460956	1	Barrier, Terminal Block End	
4	1060545	12 ft/ 3.6m	Cable, Electrical 10/3	
5	1001101191	2	Connector, Strain Relief	
6	4460957	1	Block, Terminal	
7	See Note	NR	Breaker (Note: Not Required for this Model)	
8	1001181045	1	Breaker 30mA/16Amp	

Go to Discount-Equipment.com to order your parts

SECTION 8 - ELECTRICAL

FIGURE 8-36. BREAKER BOX KIT - WITH 3 BREAKERS (CE SPECS WITH 4000W GENERATOR)



ART_1001205690

SECTION 8 - ELECTRICAL

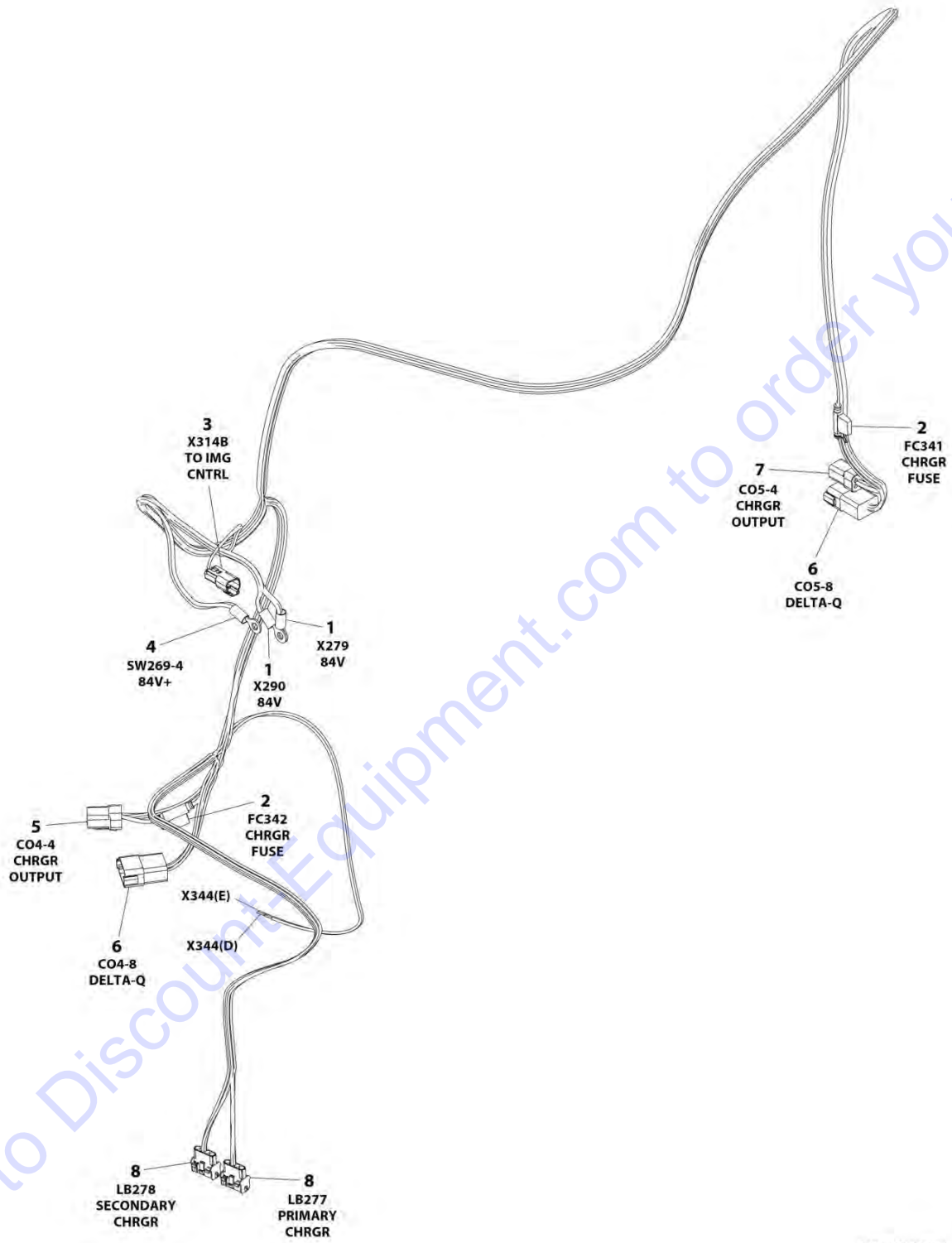
FIGURE 8-36. BREAKER BOX KIT - WITH 3 BREAKERS (CE SPECS WITH 4000W GENERATOR)

ITEM	PART NUMBER	QTY	DESCRIPTION	REV
	1001205690	Ref	BREAKER BOX KIT	A
1	1001152483	1	Box, Breaker	
2	1060545	12 ft / 3.6m	Cable, Electrical 10/3	
3	1001189172	1	Breaker 16Amp Double	
4	1001101191	2	Connector, Strain Relief	
5	1001189171	1	Breaker 30mA	

Go to Discount-Equipment.com to order your parts

SECTION 8 - ELECTRICAL

FIGURE 8-37. CHARGER HARNESS



ART_1001222052

SECTION 8 - ELECTRICAL

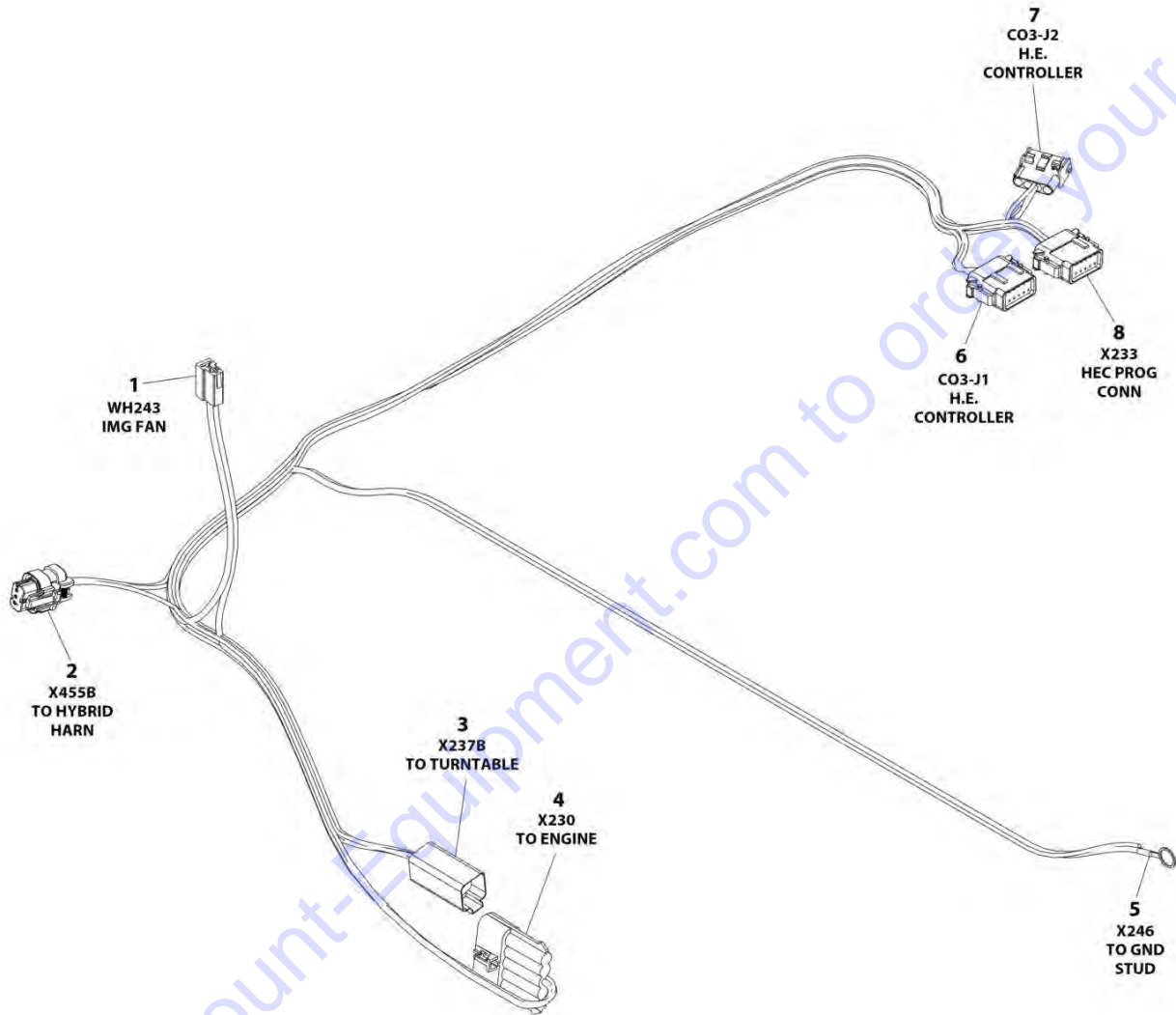
FIGURE 8-37. CHARGER HARNESS

ITEM	PART NUMBER	QTY	DESCRIPTION	REV
	1001222052	Ref	CHARGER HARNESS	D
1	8220045	2	Terminal, Ring	
2	2400081	2	Fuseholder with Cover	
2	See Note	2	Fuse - 15 Amp (Note: Purchase Locally)	
3	4460897	1	Receptacle, Female - 2 Position	
3	4460464	2	Pin, Male	
4	1001117107	1	Terminal, Ring (Prior to SN 0300247156)	
4	1001130900	1	Terminal, Ring (SN 0300247156 to Present)	
5	1001225476	1	Connector - 4 Position	
5	1001225591	4	Terminal	
6	4460931	2	Receptacle, Female - 8 Position	
6	4460464	17	Pin, Male	
6	4460466	2	Plug, Terminal	
7	1001225477	1	Connector - 4 Position	
7	1001225591	2	Terminal	
8	4460761	2	Receptacle, Female - 4 Position	
8	4460226	8	Socket, Female	

Go to Discount-Equipment.com to order your parts

SECTION 8 - ELECTRICAL

FIGURE 8-38. CONTROL HARNESS



ART_1001228985

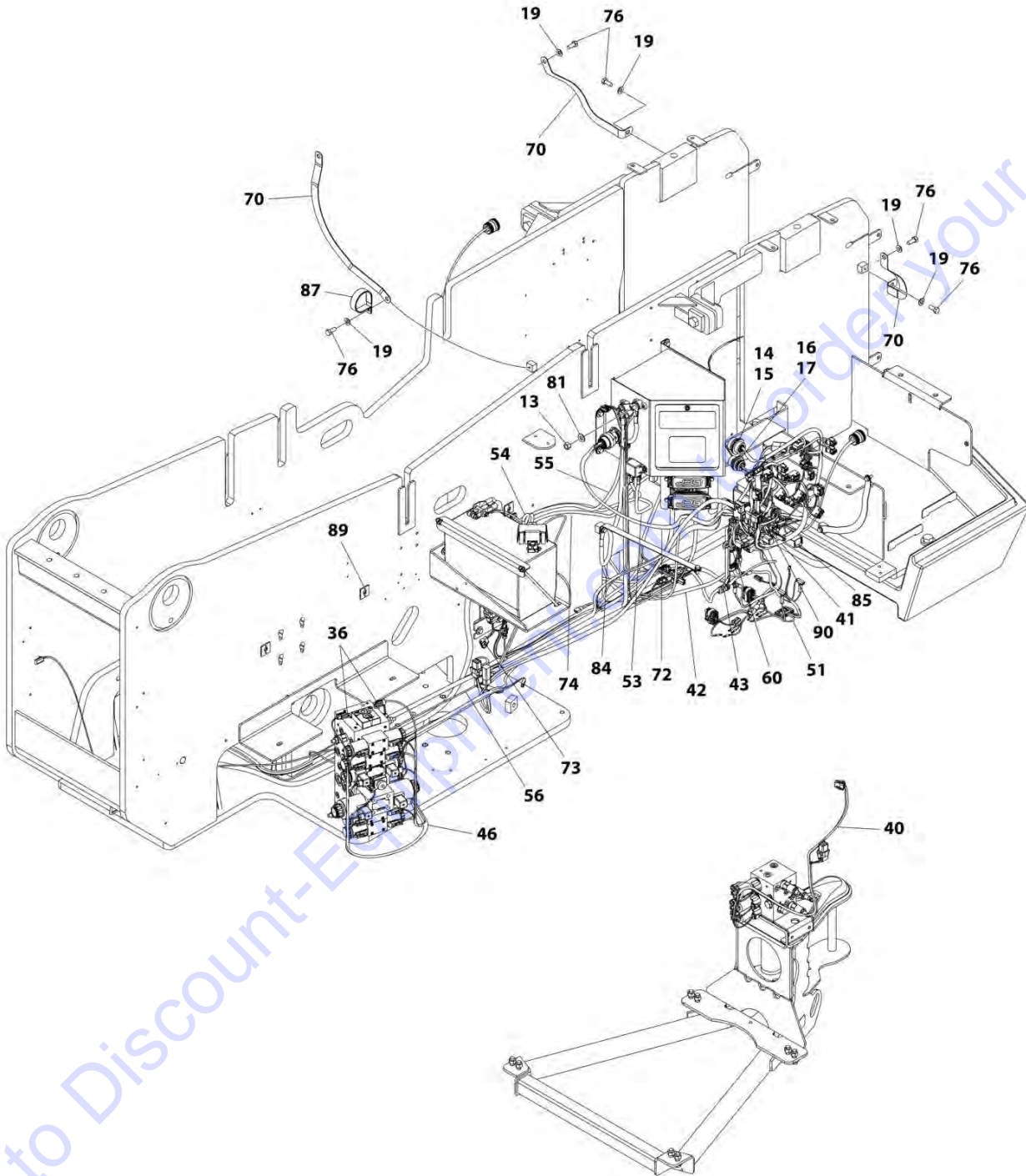
SECTION 8 - ELECTRICAL

FIGURE 8-38. CONTROL HARNESS

ITEM	PART NUMBER	QTY	DESCRIPTION	REV
	1001228985	Ref	CONTROL HARNESS	D
1	4460994	1	Housing, Terminal	
1	1001116723	2	Terminal	
2	1001200497	1	Plug, Male - 3 Position	
2	4460465	3	Socket, Female	
3	4460899	1	Receptacle, Female - 6 Position	
3	4460943	2	Pin, Male	
3	4460464	3	Pin, Male	
3	4460466	1	Plug, Terminal	
4	1001121727	1	Plug, Male - 5 Position	
4	1001116745	2	Socket, Female	
4	8220162	1	Socket, Female	
4	4460508	2	Seal	
4	80963067	1	Seal	
4	1001116727	2	Plug, Terminal	
5	8220019	1	Terminal, Ring	
6	1001116808	1	Plug, Male - 12 Position	
6	1001116694	5	Socket, Female	
6	4460518	7	Plug, Terminal	
7	1001116774	1	Plug, Male - 12 Position	
7	1001119619	2	Socket, Female	
7	1001116694	2	Socket, Female	
7	4460518	8	Plug, Terminal	
8	4460761	1	Receptacle, Female - 4 Position	
8	4460226	4	Socket, Female	

SECTION 8 - ELECTRICAL

FIGURE 8-39. ELECTRICAL SYSTEM INSTALLATION



ART_1001223978_20F2

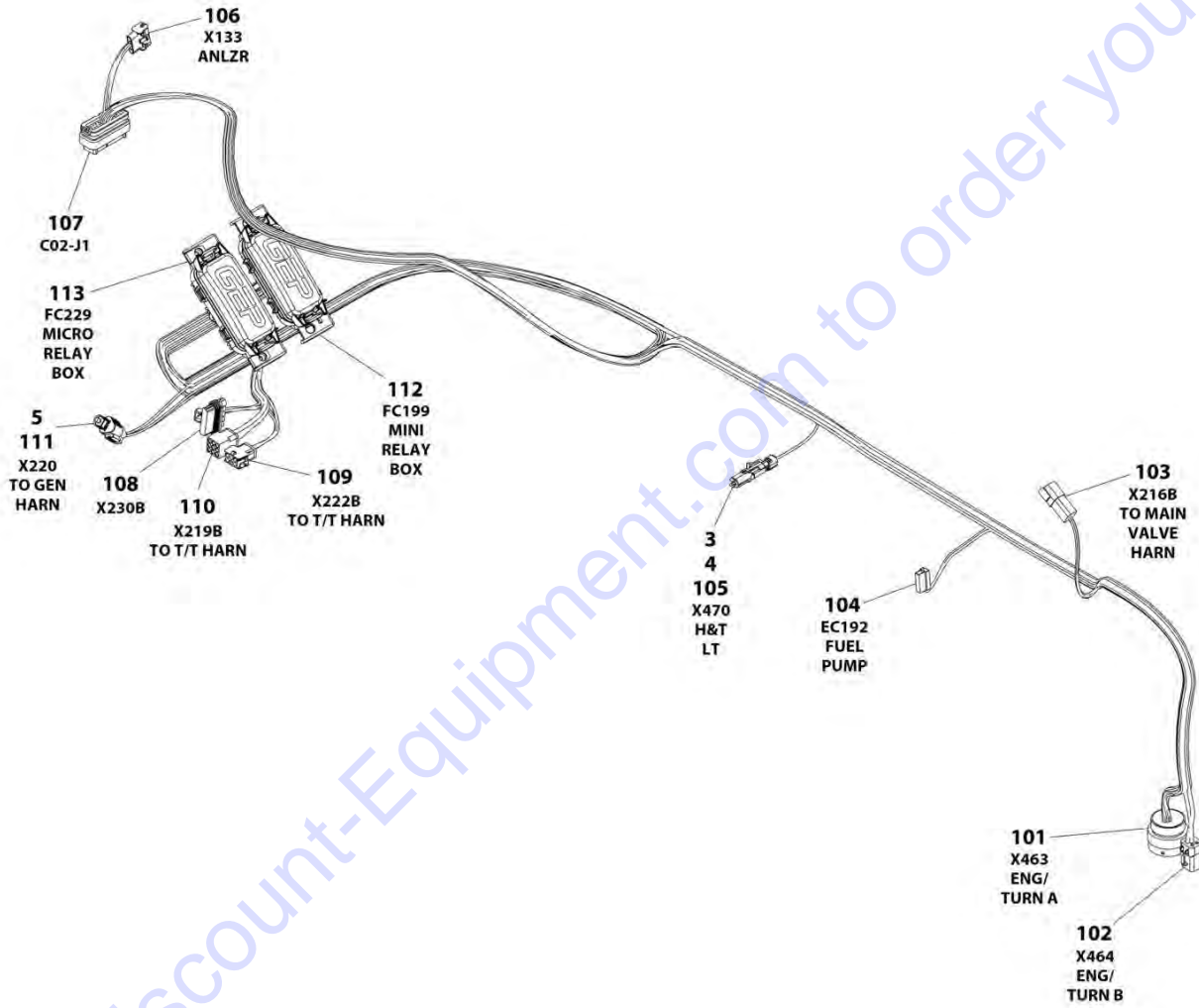
SECTION 8 - ELECTRICAL

FIGURE 8-39. ELECTRICAL SYSTEM INSTALLATION

ITEM	PART NUMBER	QTY	DESCRIPTION	REV
	1001223978	Ref	ELECTRICAL SYSTEM INSTALLATION - ELECTRICAL SECTION	I
2	0100048	AR	Grease, Dielectric (Not Shown)	
13	3311605	1	Nut 3/8	
13	3311601	1	Nut 3/8	
14	4460470	1	Nut	
15	4460471	1	Washer	
16	4460496	1	Washer	
17	4460497	1	Nut	
19	4711500	10	Washer 5/16	
36	1001144295	2	Cap	
37	1001146588	2	Tie-Strap (Not Shown)	
40	1001222047	1	Boom Valve Harness (See Separate Breakdown in this Section)	
41	1001222048	1	Ground Control Harness (See Separate Breakdown in this Section)	
42	1001222052	1	Charger Harness (See Separate Breakdown in this Section)	
43	1001222369	1	Resolver/Converter/Inverter Harness (See Separate Breakdown in this Section)	
46	1001223260	1	Main Valve Harness (See Separate Breakdown in this Section)	
51	1001225994	1	Hybrid 84V Harness (See Separate Breakdown in this Section)	
53	1001226267	1	Cable, Ignition Relay to Fusebox	
54	1001226268	1	Cable, Battery to Ignition Relay	
55	1001226270	1	Cable, Negative to Stud	
56	1001226404	1	H-Bridge/Clutch Harness (See Separate Breakdown in this Section)	
60	1001226522	1	Cable, Resolver/Converter to Ignition Control	
70	1001227925	5	Cable, Ground Strap	
72	1001228984	1	Turntable Harness (See Separate Breakdown in this Section)	
73	1001228985	1	Controller Harness (See Separate Breakdown in this Section)	
74	1001226269	1	Cable, B+ to Fuse	
76	0641506	10	Bolt 5/16 x 3/4	
81	4711600	1	Washer	
83	1001181923	1	Panel, Hose Shield (Not Shown) (Prior to SN 0300254183)	
84	1001233420	1	Cable, Chassis Ground	
85	1001227080	1	Electrical Assembly, Terminator (Connect to Item 72)	
86	4240099	4	Tie-Strap (Not Shown)	
87	8410001	1	Clamp	
89	4460488	3	Terminal, Mount	
90	4460708	2	Connector - 15 Position (SN 0300254183 to Present)	
100	1001233441	1	Cable, Battery to Ignition Kit (Not Shown)	
101	1001222370	1	Cable, System B+	
102	1001222371	1	Cable, System B- Ignition	
103	1001222372	1	Cable, 3 Phase Motor (U)	
104	1001223949	1	Cable, 3 Phase Motor (V)	
105	1001223950	1	Cable, 3 Phase Motor (W)	

SECTION 8 - ELECTRICAL

FIGURE 8-40. ENGINE HARNESS - KUBOTA



ART_1001222050

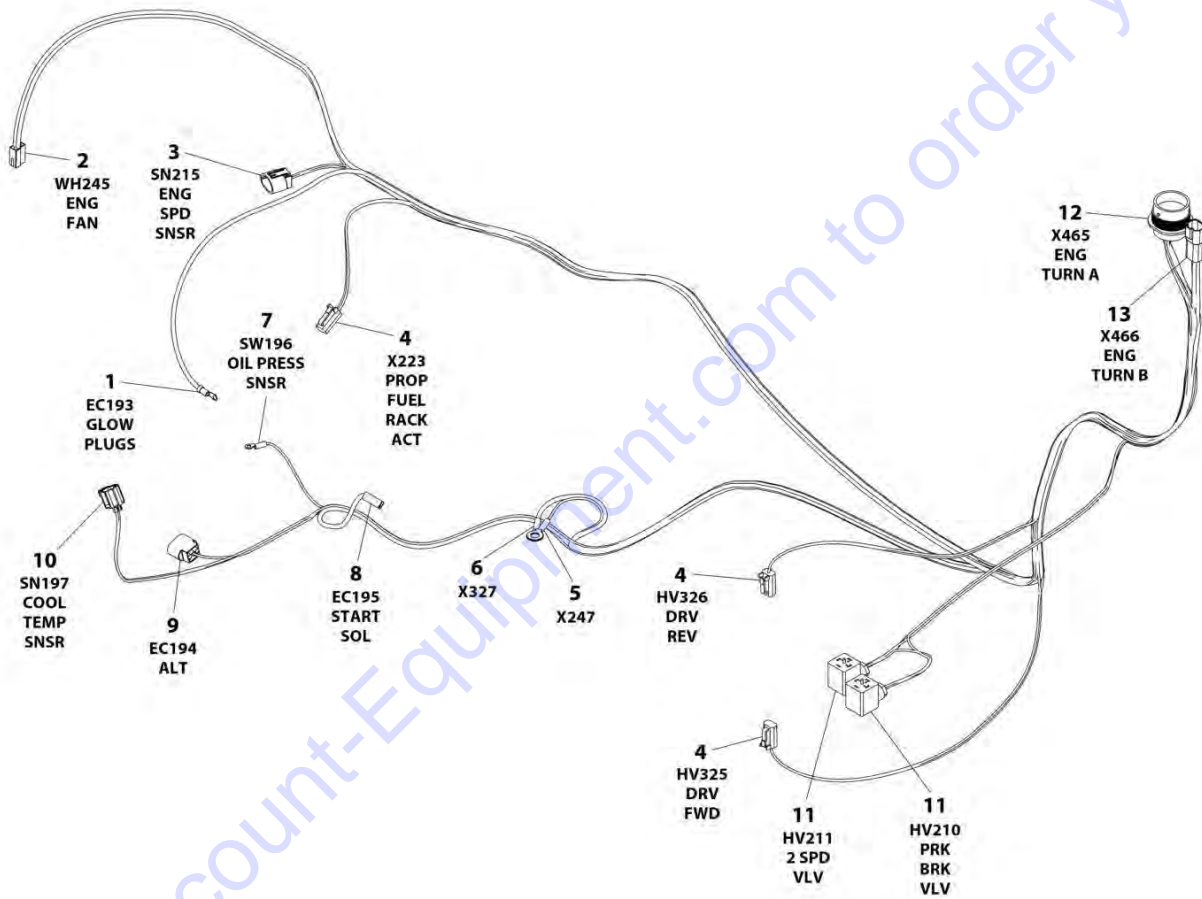
SECTION 8 - ELECTRICAL

FIGURE 8-40. ENGINE HARNESS - KUBOTA

ITEM	PART NUMBER	QTY	DESCRIPTION	REV
	1001222050	Ref	ENGINE HARNESS - KUBOTA	F
3	80963056	1	Connector - 1 Position	
4	1001116727	1	Plug	
5	1001144296	1	Cap	
101	1001147923	1	Connector - 24 Position	
101	4460465	17	Socket - Female	
101	4460466	7	Plug, Terminal	
102	1001200497	1	Plug, Male - 4 Position	
102	1001150611	3	Socket, Female	
102	4460466	1	Plug, Terminal	
103	4460932	1	Receptacle, Female - 4 Position	
103	4460464	4	Pin, Male	
104	1001118744	1	Housing, Terminal	
104	1001118745	2	Terminal	
105	80963055	1	Plug, Male - 1 Position	
105	4460457	1	Terminal	
105	4460458	1	Seal	
106	4460761	1	Receptacle, Female - 4 Position	
106	4460226	4	Socket - Female	
107	4460874	1	Connector - 35 Position	
107	4460871	25	Socket, Female	
107	4460905	10	Plug, Terminal	
108	1001121726	1	Receptacle, Female - 5 Position	
108	4460746	2	Terminal	
108	8220125	2	Terminal	
108	4460458	2	Seal	
108	80963067	2	Seal	
108	4460748	2	Plug, Terminal	
109	4460224	1	Receptacle, Female - 6 Position	
109	4460267	4	Pin, Male	
110	4460266	1	Receptacle, Female - 9 Position	
110	4460705	7	Pin, Male	
111	4460539	1	Plug, Male - 3 Position	
111	4460465	3	Socket, Female	
112	1001223460	1	Holder, Relay	
112	1001233761	5	Terminal	
112	8220099	3	Terminal	
112	1001234288	5	Seal	
112	1001234289	3	Seal	
112	1001234287	6	Plug, Terminal	
113	1001185964	1	Holder, Relay	
113	4460746	13	Terminal	
113	8220125	5	Terminal	
113	1001116747	1	Terminal	
113	4460458	13	Seal	
113	80963067	6	Seal	
113	4460789	1	Seal	

SECTION 8 - ELECTRICAL

FIGURE 8-41. ENGINE TRAY HARNESS



ART_1001230605

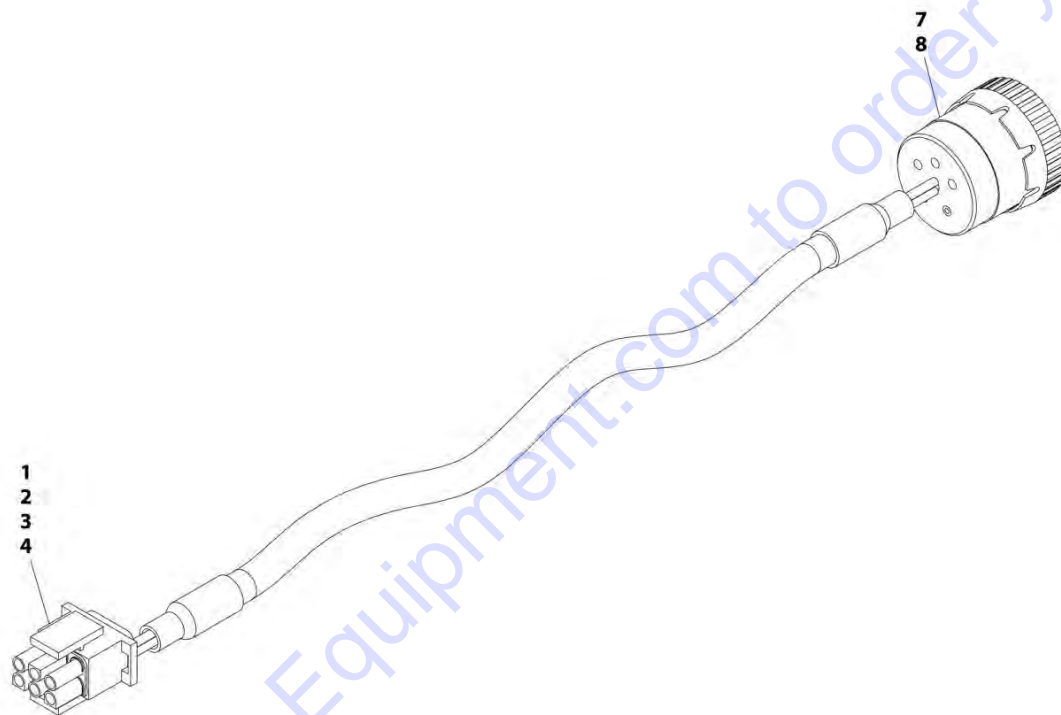
SECTION 8 - ELECTRICAL

FIGURE 8-41. ENGINE TRAY HARNESS

ITEM	PART NUMBER	QTY	DESCRIPTION	REV
	1001230605	Ref	ENGINE TRAY HARNESS	D
1	4460142	1	Terminal, Ring	
2	4460994	1	Housing, Terminal	
2	1001236489	2	Terminal	
3	1001223431	1	Connector - 3 Position	
3	1001223794	3	Socket, Female	
3	1001223797	3	Seal	
4	4460891	3	Plug, Male - 2 Position	
4	4460465	6	Socket, Female	
5	4460019	1	Terminal, Ring	
6	4460256	1	Terminal, Ring	
7	8220007	1	Terminal, Ring	
8	1001116995	1	Housing, Terminal	
8	1001236490	1	Terminal	
9	1001125748	1	Receptacle, Female - 3 Position	
9	1001129773	2	Pin, Male	
9	1001125773	1	Pin, Male	
9	1001129772	1	Seal	
10	1001118657	1	Plug, Male - 2 Position	
10	1001188387	2	Terminal	
10	1001118659	2	Seal	
11	4460880	2	Connector, DIN	
12	1001148106	1	Connector - 23 Position	
12	4460464	16	Pin, Male	
12	4460466	7	Plug, Terminal	
13	1001116811	1	Receptacle, Female - 4 Position	
13	1001150610	3	Pin, Male	
13	4460508	1	Pin, Male	

SECTION 8 - ELECTRICAL

FIGURE 8-42. GENERATOR HARNESS - 4000W



ART_1001152532

SECTION 8 - ELECTRICAL

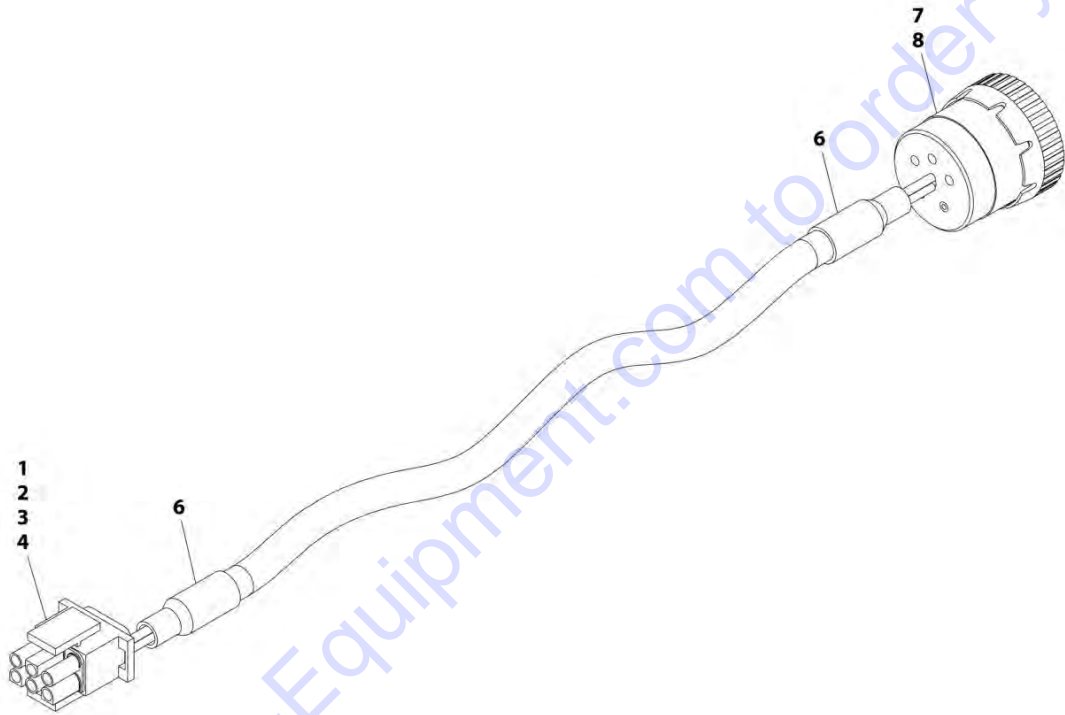
FIGURE 8-42. GENERATOR HARNESS - 4000W

ITEM	PART NUMBER	QTY	DESCRIPTION	REV
	1001152532	Ref	GENERATOR HARNESS	A
1	4460225	1	Plug, Male - 2 Position	
2	4460268	2	Socket, Female	
3	4460807	1	Seal	
4	4460808	1	Seal	
7	4460465	2	Socket, Female	
8	77363233	1	Connector - 6 Position	

Go to Discount-Equipment.com to order your parts

SECTION 8 - ELECTRICAL

FIGURE 8-43. GENERATOR HARNESS - 7500W SKYPOWER



ART_4922925

SECTION 8 - ELECTRICAL

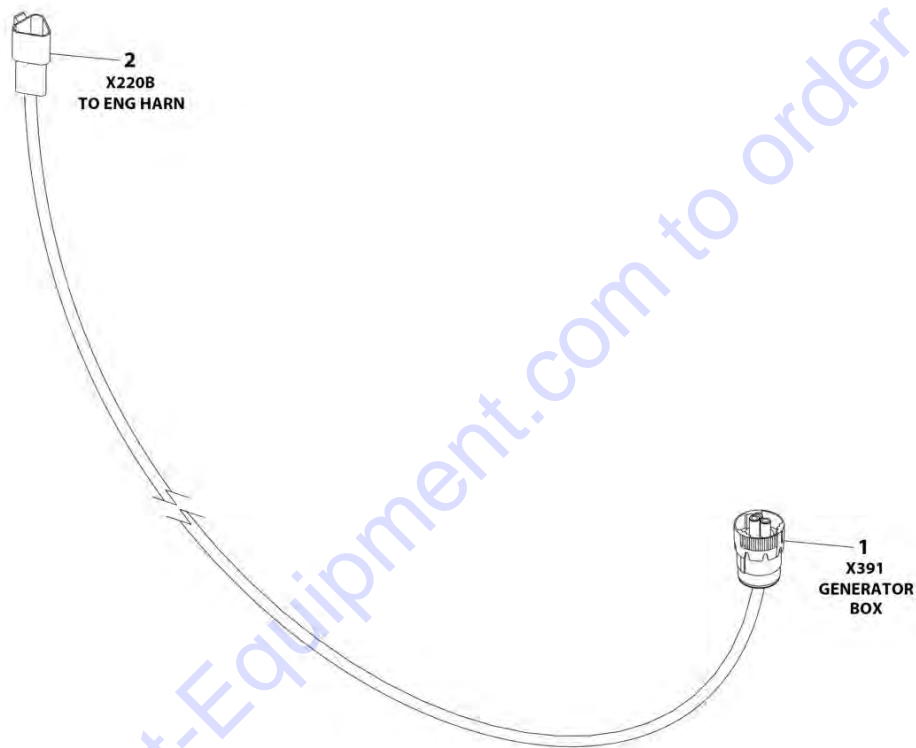
FIGURE 8-43. GENERATOR HARNESS - 7500W SKYPOWER

ITEM	PART NUMBER	QTY	DESCRIPTION	REV
	4922925	Ref	GENERATOR HARNESS - 7500W SKYPOWER	C
1	4460225	1	Plug, Male - 2 Position	
2	4460268	6	Socket, Female	
3	4460807	1	Seal	
4	4460808	1	Seal	
6	2820019	AR	Heat Shrink	
7	4460465	6	Socket, Female	
8	77363233	1	Connector - 6 Position	

Go to Discount-Equipment.com to order your parts

SECTION 8 - ELECTRICAL

FIGURE 8-44. GENERATOR HARNESS - 4000W AND 7500W SKYPOWER



ART_1001231225

SECTION 8 - ELECTRICAL

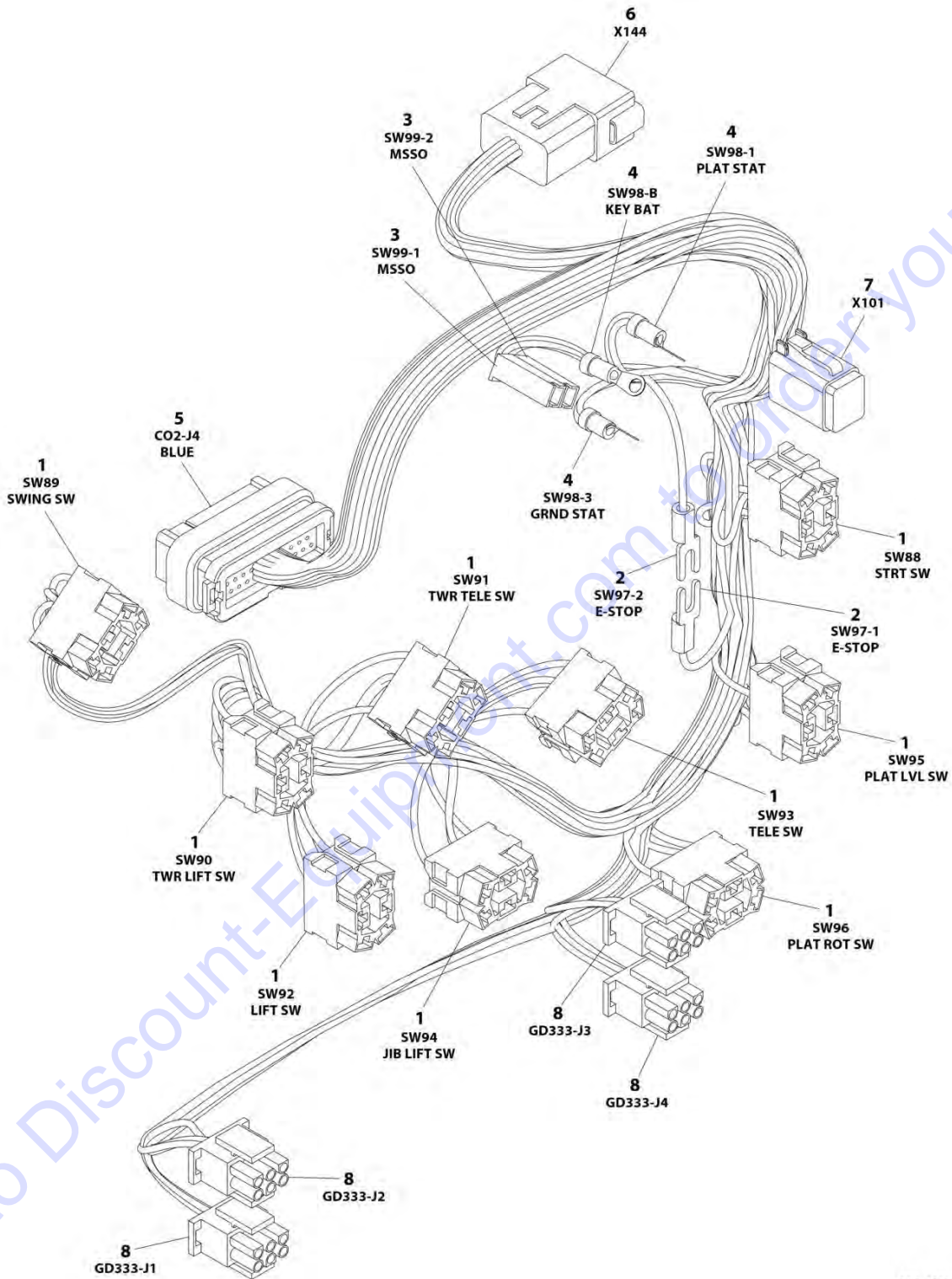
FIGURE 8-44. GENERATOR HARNESS - 4000W AND 7500W SKYPOWER

ITEM	PART NUMBER	QTY	DESCRIPTION	REV
	1001231225	Ref	GENERATOR ENABLE HARNESS	A
1	4460967	1	Plug, Male - 3 Position	
1	4460465	3	Socket, Female	
2	4460536	1	Receptacle, Female - 3 Position	
2	4460464	3	Pin, Male	

Go to Discount-Equipment.com to order your parts

SECTION 8 - ELECTRICAL

FIGURE 8-45. GROUND CONTROL BOX HARNESS



ART_1001222048

SECTION 8 - ELECTRICAL

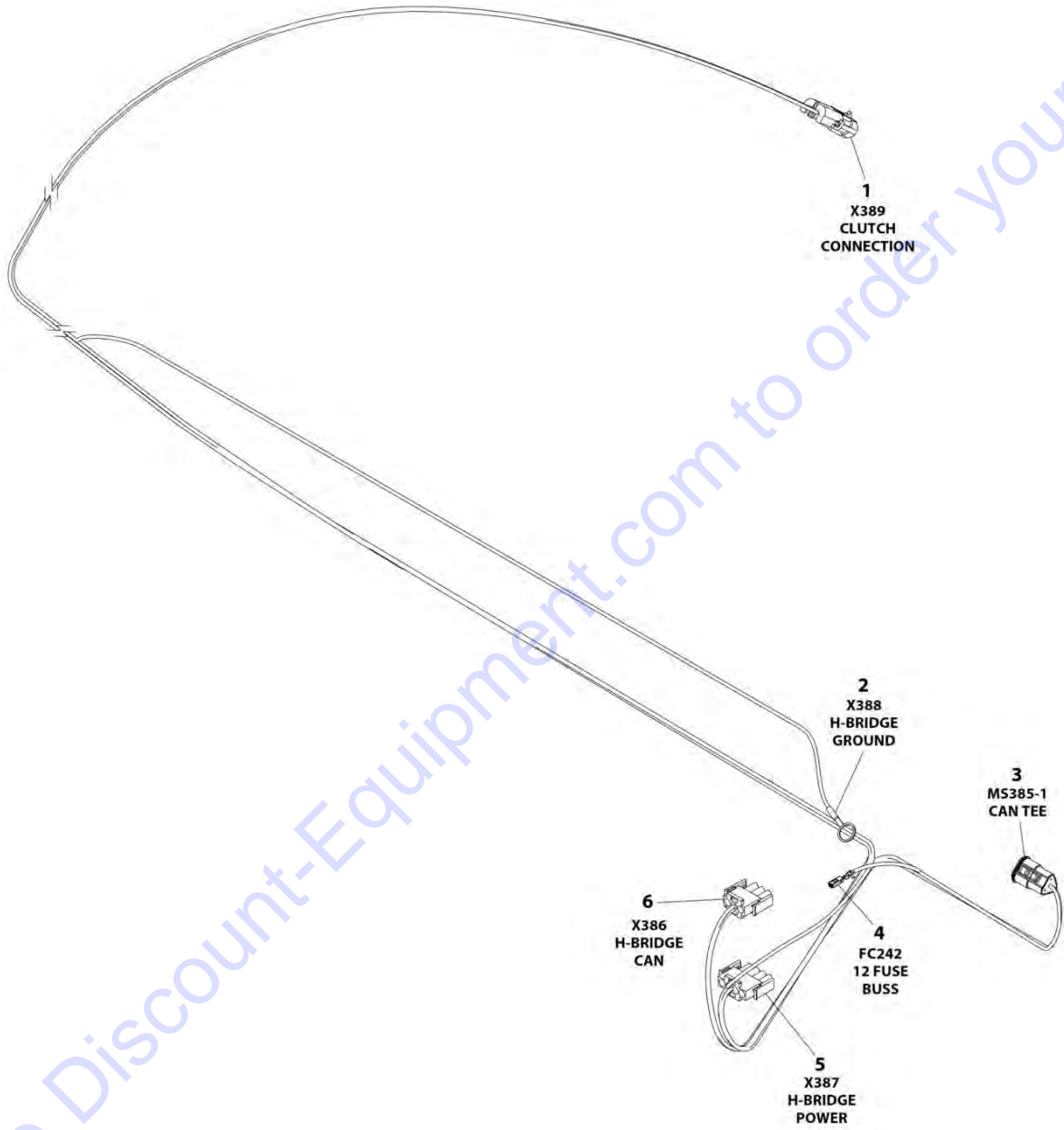
FIGURE 8-45. GROUND CONTROL BOX HARNESS

ITEM	PART NUMBER	QTY	DESCRIPTION	REV
	1001222048	Ref	GROUND CONTROL BOX HARNESS	D
1	4460418	9	Connector, Switch	
1	1001159186	19	Terminal	
1	4460419	16	Terminal	
2	4460144	2	Terminal, Ring	
3	4460260	1	Housing, Terminal	
3	4460259	2	Terminal	
4	4460042	3	Terminal, Ring	
5	4460876	1	Connector - 35 Position	
5	4460871	27	Socket, Female	
5	4460905	8	Plug, Terminal	
6	4460970	1	Receptacle, Female - 12 Position	
6	4460464	8	Pin, Male	
6	4460943	2	Pin, Male	
6	4460466	2	Plug, Terminal	
7	4460894	1	Plug, Male - 6 Position	
7	4460465	4	Socket, Female	
7	4460466	2	Plug, Terminal	
8	4460225	4	Plug, Male - 2 Position	
8	4460226	10	Socket, Female	
8	4460268	4	Socket, Female	

Go to Discount-Equipment.com to order your parts

SECTION 8 - ELECTRICAL

FIGURE 8-46. H-BRIDGE/CLUTCH HARNESS



ART_1001226404

SECTION 8 - ELECTRICAL

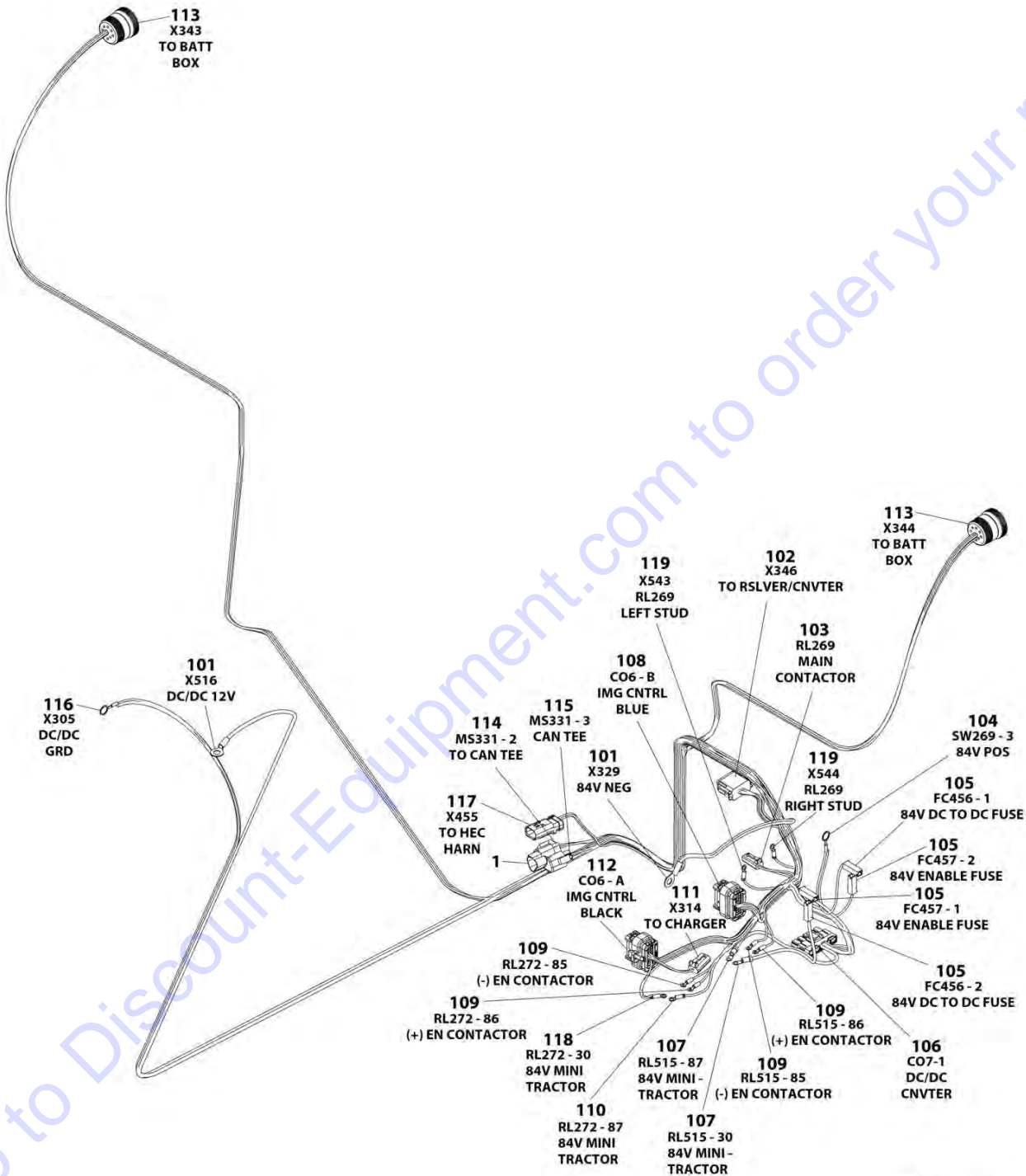
FIGURE 8-46. H-BRIDGE/CLUTCH HARNESS

ITEM	PART NUMBER	QTY	DESCRIPTION	REV
	1001226404	Ref	H-BRIDGE/CLUTCH HARNESS	C
1	4461157	1	Receptacle, Female - 2 Position	
1	4460979	2	Socket, Female	
2	4460722	1	Terminal, Ring	
3	1001116812	1	Plug, Male - 3 Position	
3	4460944	2	Socket, Female	
3	4460466	1	Plug, Terminal	
4	1001189750	1	Terminal	
5	1001119031	1	Plug, Male - 4 Position	
5	4460268	4	Socket, Female	
6	4460326	1	Plug, Male - 3 Position	
6	4460268	3	Socket, Female	

Go to Discount-Equipment.com to order your parts

SECTION 8 - ELECTRICAL

FIGURE 8-47. HYBRID 84V HARNESS



ART_1001225994

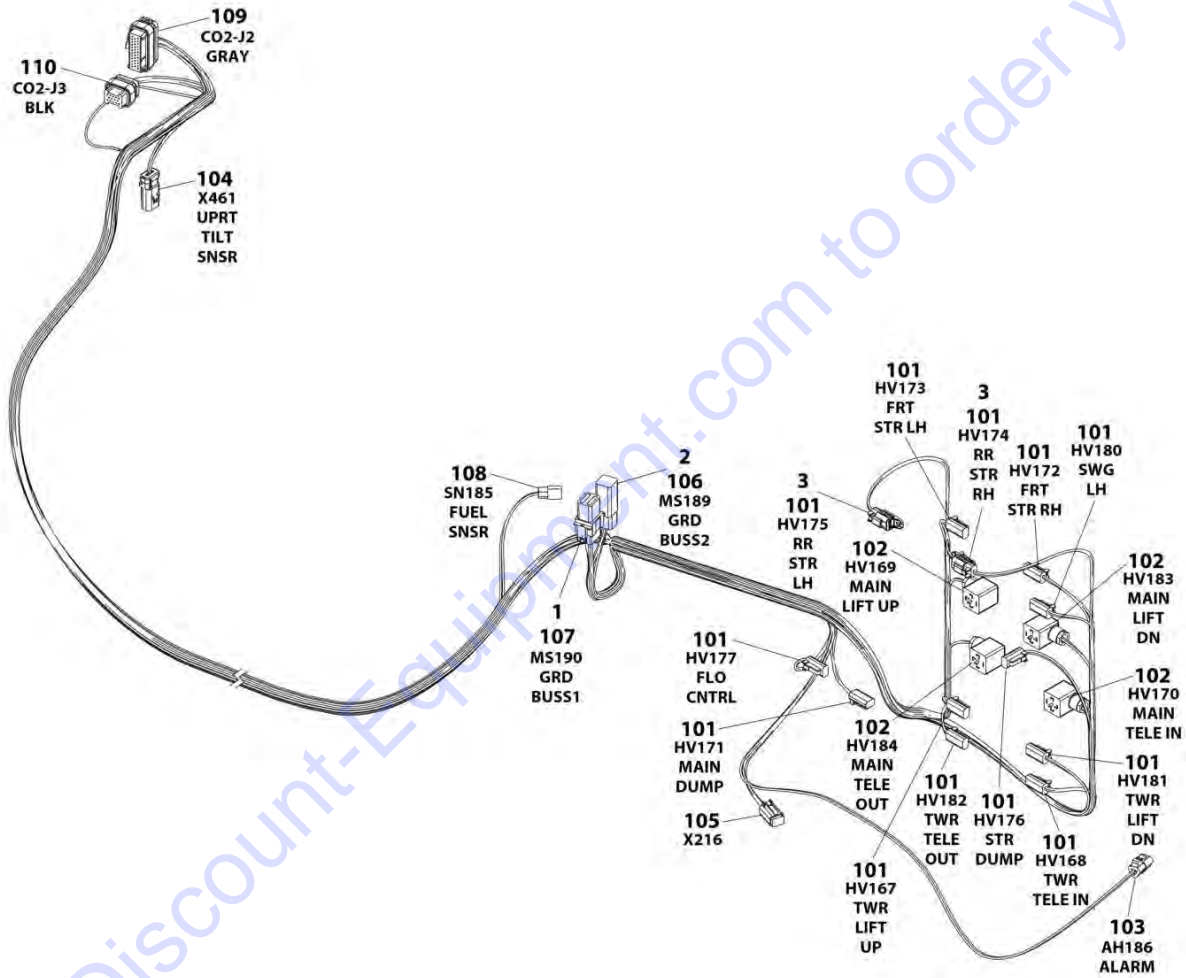
SECTION 8 - ELECTRICAL

FIGURE 8-47. HYBRID 84V HARNESS

ITEM	PART NUMBER	QTY	DESCRIPTION	REV
	1001225994	Ref	HYBRID 84V HARNESS	F
1	4460945	1	Receptacle, 3 Way	
101	8220045	2	Terminal, Ring	
102	4460836	1	Plug, Male - 12 Position	
102	4460465	9	Socket, Female	
102	4460466	3	Plug, Terminal	
103	4461290	1	Plug, Male - 2 Position (Prior to SN 0300247156)	
103	4460918	2	Terminal (Prior to SN 0300247156)	
104	8220029	1	Terminal, Ring	
105	4460260	4	Housing, Terminal	
105	4460259	4	Terminal	
106	1001117012	1	Receptacle, Female - 5 Position	
106	4460887	4	Terminal	
106	4461271	1	Plug, Terminal	
107	4460142	2	Terminal, Ring	
108	1001096138	1	Connector - 23 Position	
108	4460871	10	Socket, Female	
108	4460905	13	Plug, Terminal	
109	1001098122	4	Terminal, Ring	
110	4460247	1	Terminal, Ring	
111	4460891	1	Plug, Male - 2 Position	
111	4460465	2	Socket, Female	
112	1001116994	1	Connector - 23 Position	
112	4460871	12	Socket, Female	
112	4460905	11	Plug, Terminal	
113	1001112796	2	Connector - 9 Position	
113	4460465	13	Socket, Female	
113	4460466	4	Plug, Terminal	
114	4460539	1	Plug, Male - 3 Position	
114	4460944	2	Socket, Female	
114	4460466	1	Plug, Terminal	
115	1001116812	1	Plug, Male - 3 Position	
115	4460944	2	Socket, Female	
115	4460465	1	Socket, Female	
116	8220164	1	Terminal, Ring	
117	1001229530	1	Receptacle, Female - 3 Position	
117	4460464	2	Pin, Male	
117	4460466	1	Plug, Terminal	
118	4460042	1	Terminal, Ring	
119	4460427	2	Terminal, Ring (SN 0300247156 to Present)	

SECTION 8 - ELECTRICAL

FIGURE 8-48. MAIN VALVE HARNESS



ART_1001223260

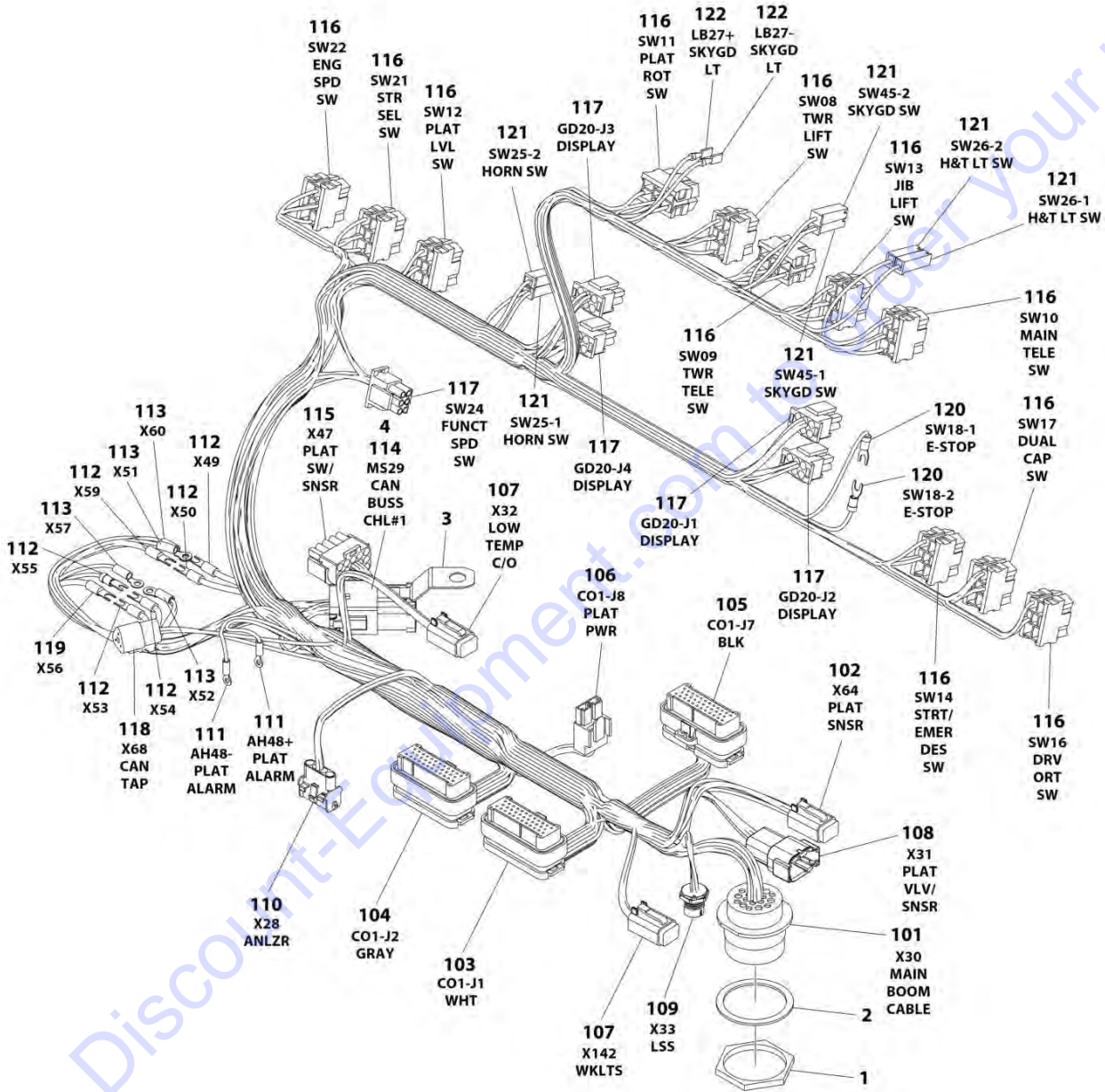
SECTION 8 - ELECTRICAL

FIGURE 8-48. MAIN VALVE HARNESS

ITEM	PART NUMBER	QTY	DESCRIPTION	REV
	1001223260	Ref	MAIN VALVE HARNESS	F
1	4460852	1	Connector - 8 Position	
2	4460892	1	Bussbar - 6 Position	
3	1001144295	1	Cap	
101	4460891	13	Plug, Male - 2 Position	
101	4460465	26	Socket, Female	
102	4460880	4	Connector, DIN	
103	4460539	1	Plug, Male - 3 Position	
103	4460465	2	Socket, Female	
103	4460466	1	Plug, Terminal	
104	1001229530	1	Receptacle, Female - 3 Position	
104	4460943	3	Pin, Male	
105	4460884	1	Plug, Male - 4 Position	
105	4460465	4	Socket, Female	
106	4460894	1	Plug, Male - 6 Position	
106	4460465	6	Socket, Female	
107	4460851	1	Plug, Male - 8 Position	
107	4460465	8	Socket, Female	
108	4460424	1	Plug, Male - 2 Position	
108	4460268	2	Socket, Female	
109	4460875	1	Connector - 35 Position	
109	4460871	25	Socket, Female	
109	4460905	10	Plug, Terminal	
110	4460872	1	Connector - 14 Position	
110	4460871	10	Socket, Female	
110	4460905	4	Plug, Terminal	

SECTION 8 - ELECTRICAL

FIGURE 8-49. PLATFORM CONSOLE BOX HARNESS



ART_1001222042

SECTION 8 - ELECTRICAL

FIGURE 8-49. PLATFORM CONSOLE BOX HARNESS

ITEM	PART NUMBER	QTY	DESCRIPTION	REV
	1001222042	Ref	PLATFORM CONSOLE BOX HARNESS	F
1	4460470	1	Nut	
2	4460471	1	Washer	
3	1001120328	1	Mount, Connector	
4	1001125677	1	Bussbar - 12 Position	
101	4460866	1	Connector - 19 Position	
101	4460943	2	Pin, Male	
101	4460464	3	Pin, Male	
101	4460508	4	Pin, Male	
101	4460466	9	Plug, Terminal	
102	4460894	1	Plug, Male - 6 Position	
102	4460465	6	Socket, Female	
103	4460874	1	Connector - 35 Position	
103	4460871	30	Socket, Female	
103	4460905	5	Plug, Terminal	
104	4460875	1	Connector - 35 Position	
104	4460871	24	Socket, Female	
104	4460905	11	Plug, Terminal	
105	4460873	1	Connector - 35 Position	
105	4460871	22	Socket, Female	
105	4460905	13	Plug, Terminal	
106	4460879	1	Receptacle, Female - 2 Position	
106	4460887	2	Terminal	
107	4460884	2	Plug, Male - 4 Position	
107	4460465	8	Socket, Female	
108	1001190578	1	Receptacle, Female - 8 Position	
108	1001126011	7	Terminal	
108	4460518	1	Plug, Terminal	
109	1001213447	1	Receptacle, Female - 5 Position	
110	4460761	1	Receptacle, Female - 4 Position	
110	4460227	4	Pin, Male	
111	1001098122	2	Terminal, Ring	
112	4460315	6	Terminal, Fork	
113	8220007	4	Terminal, Ring	
114	4460933	1	Plug, Male - 12 Position	
114	4460944	10	Socket, Female	
114	4460466	2	Plug, Terminal	
115	4460343	1	Plug, Male - 15 Position	
115	4460227	10	Pin, Male	
115	4460267	2	Pin, Male	
116	4460418	11	Connector, Switch	
116	4460419	22	Terminal	
116	1001159186	20	Terminal	
117	4460225	5	Plug, Male - 6 Position	
117	4460227	4	Pin, Male	
117	4460267	2	Pin, Male	
117	4460226	20	Socket, Female	
118	4460539	1	Plug, Male - 3 Position	
118	4460944	2	Socket, Female	
118	4460466	1	Plug, Terminal	

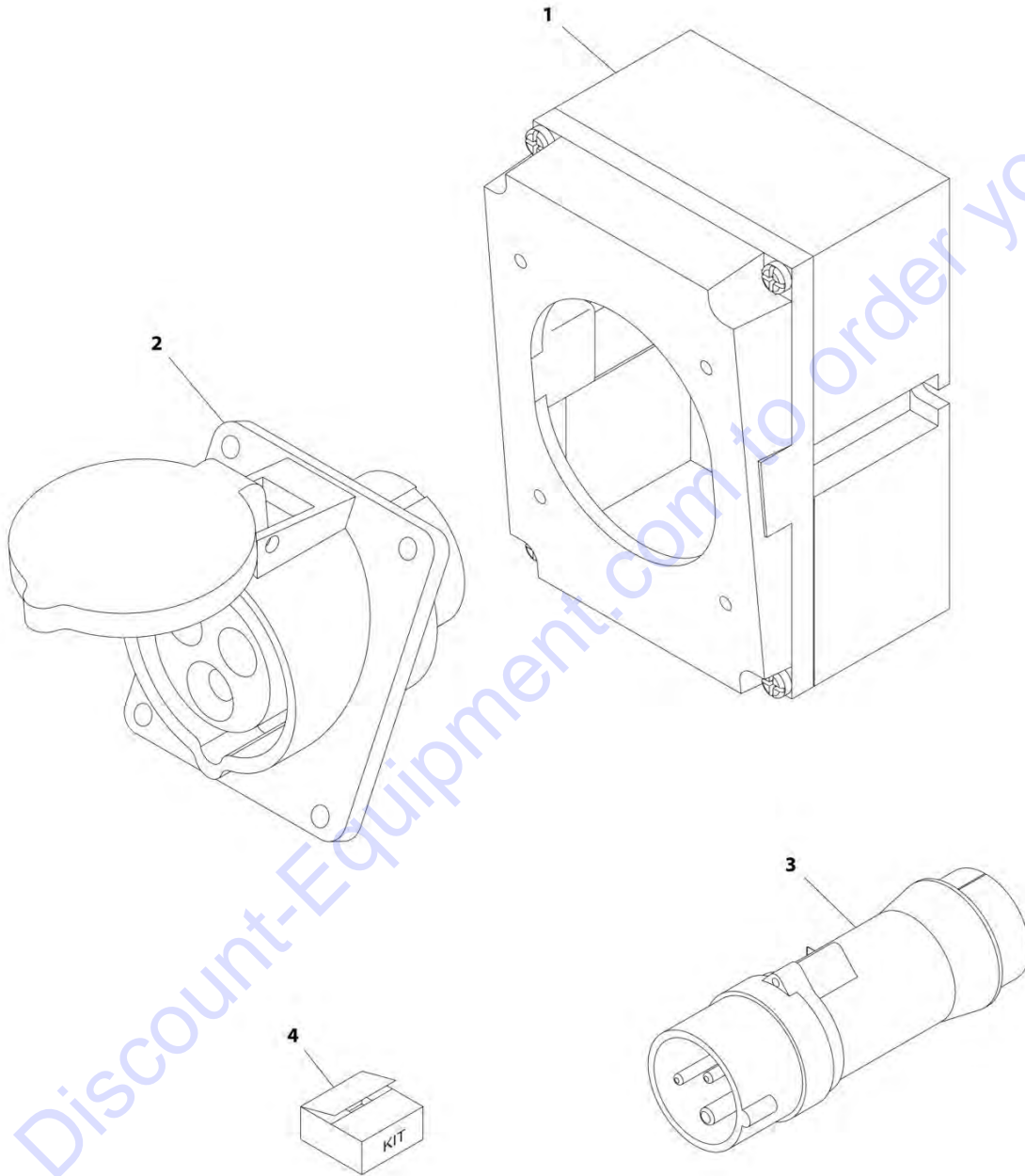
SECTION 8 - ELECTRICAL

ITEM	PART NUMBER	QTY	DESCRIPTION	REV
119	4460314	1	Terminal, Fork	
120	4460183	2	Terminal, Fork	
121	4460260	6	Housing, Terminal	
121	4460259	6	Terminal	
122	4460016	2	Terminal	

Go to Discount-Equipment.com to order your parts

SECTION 8 - ELECTRICAL

FIGURE 8-50. RECEPTACLE BOX KIT - 110V IEC YELLOW (CE SPEC)



ART_0275216

SECTION 8 - ELECTRICAL

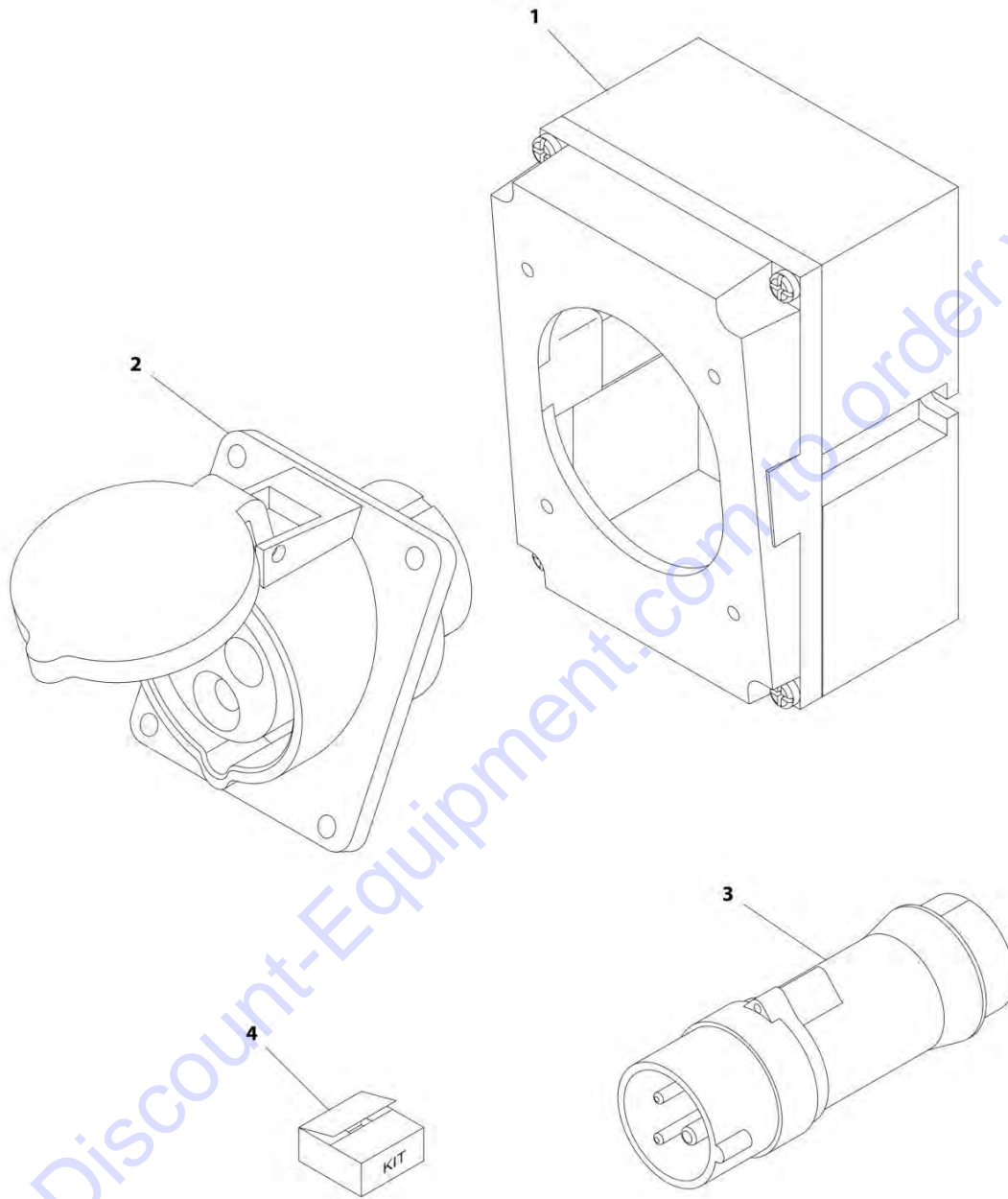
FIGURE 8-50. RECEPTACLE BOX KIT - 110V IEC YELLOW (CE SPEC)

ITEM	PART NUMBER	QTY	DESCRIPTION	REV
	0275216	Ref	RECEPTACLE BOX KIT - 110V IEC YELLOW	B
1	0861781	1	Box, Switch	
2	4461198	1	Receptacle	
3	4461196	1	Plug, Male	
4	1001100341	1	Plug and Socket Kit (Includes Items 1-3 and Female Plug p/n 4461197)	

Go to Discount-Equipment.com to order your parts

SECTION 8 - ELECTRICAL

FIGURE 8-51. RECEPTACLE BOX KIT - 220V IEC BLUE (CE SPEC)



Go to Discount-Equipment.com to order your parts

ART_0275217

SECTION 8 - ELECTRICAL

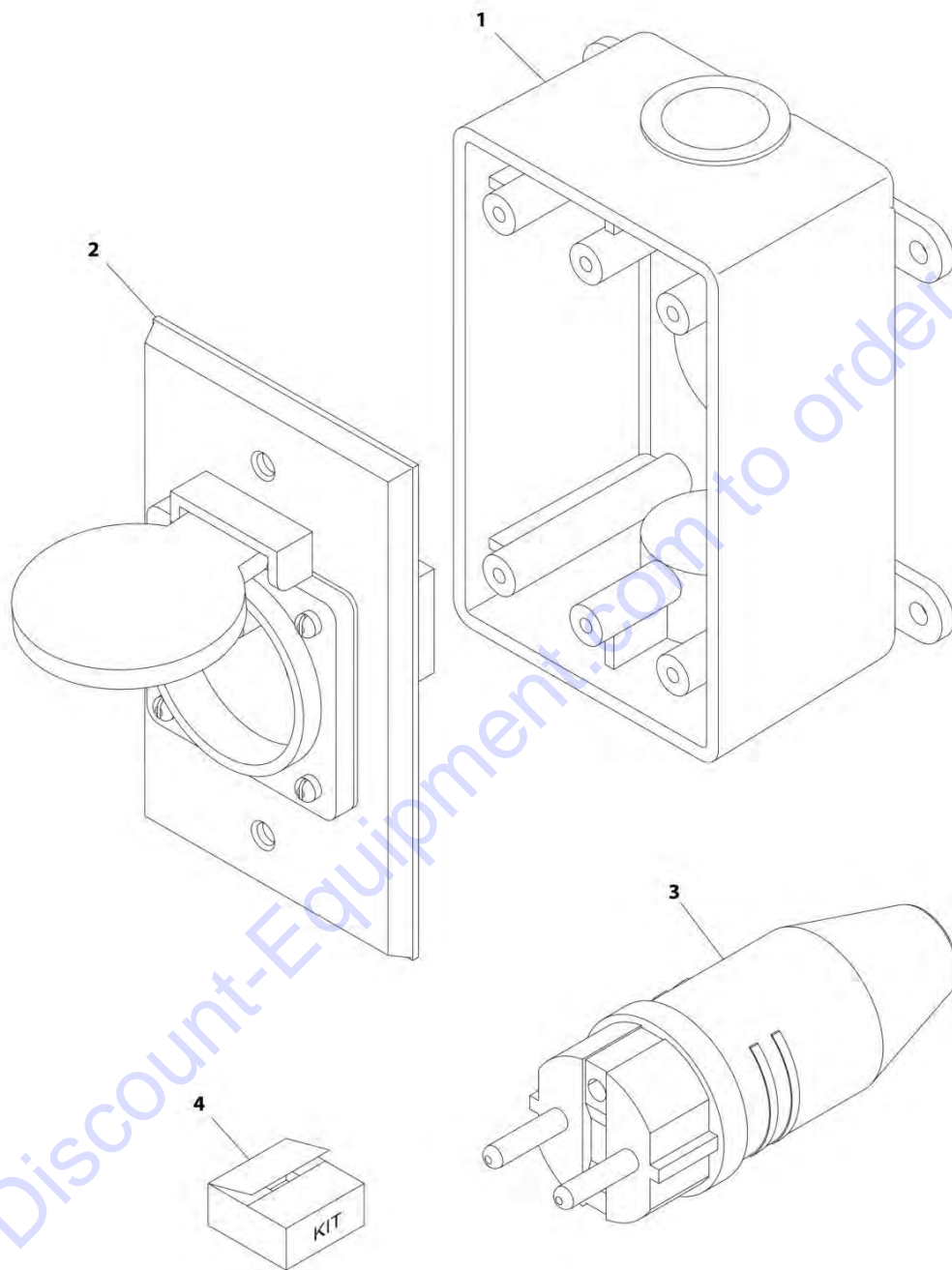
FIGURE 8-51. RECEPTACLE BOX KIT - 220V IEC BLUE (CE SPEC)

ITEM	PART NUMBER	QTY	DESCRIPTION	REV
	0275217	Ref	RECEPTACLE BOX KIT - 220V IEC BLUE	B
1	0861781	1	Box, Switch	
2	4461201	1	Receptacle	
3	4461199	1	Plug, Male	
4	1001100342	1	Plug and Socket Kit (Includes Items 1-3 and Female Plug p/n 4461200)	

Go to Discount-Equipment.com to order your parts

SECTION 8 - ELECTRICAL

FIGURE 8-52. RECEPTACLE BOX KIT - 220V CEE7 POST GROUND 2X4 BOX (CE SPEC)



ART_0275452-C

SECTION 8 - ELECTRICAL

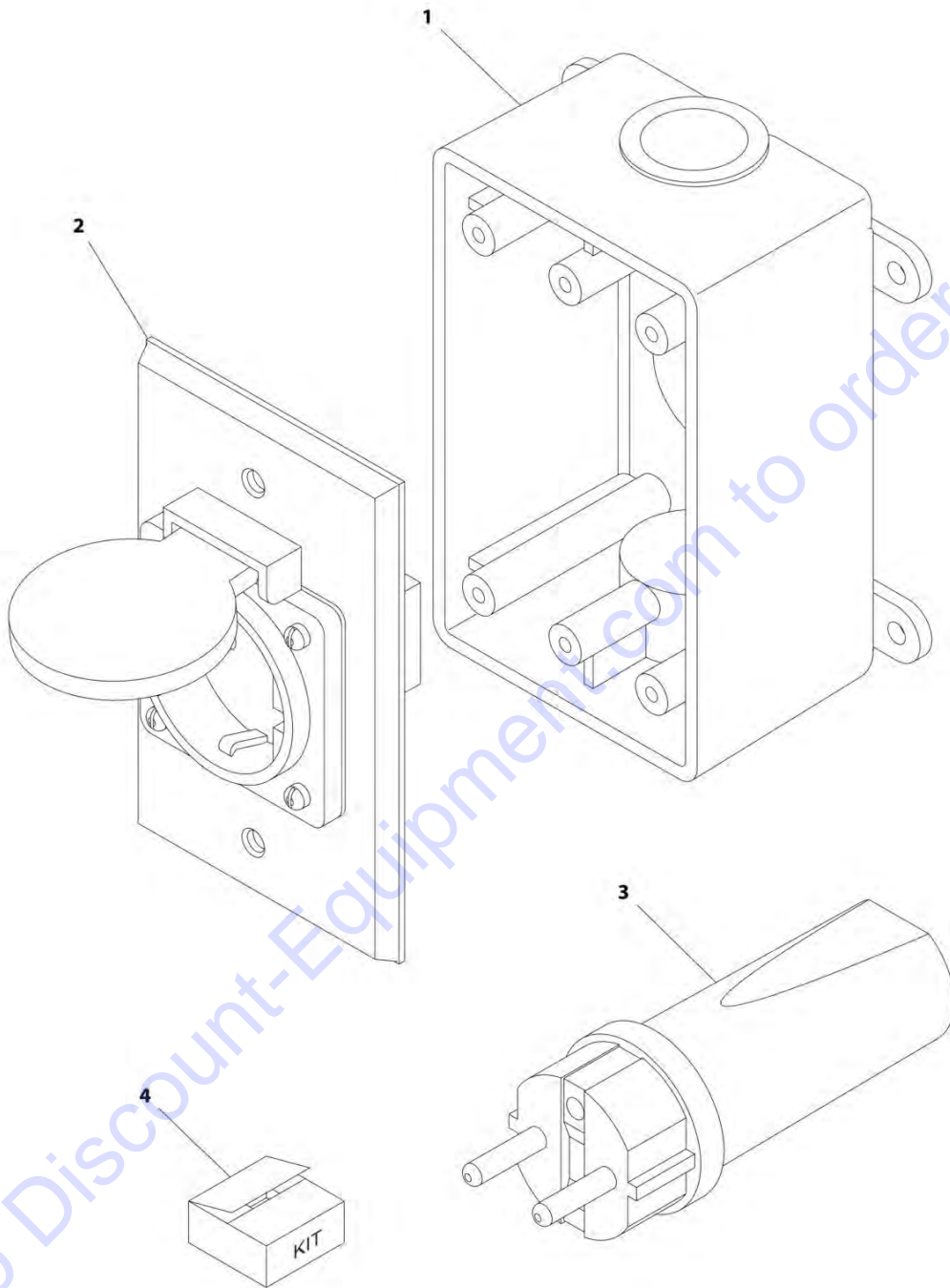
FIGURE 8-52. RECEPTACLE BOX KIT - 220V CEE7 POST GROUND 2X4 BOX (CE SPEC)

ITEM	PART NUMBER	QTY	DESCRIPTION	REV
	0275452	Ref	RECEPTACLE BOX KIT - 220V CEE7 POST GROUND	C
1	0861731	1	Box, Switch	
2	4461244	1	Receptacle	
3	4461205	1	Plug, Male	
4	1001100345	1	Plug and Socket Kit (Includes Items 1-3 and Female Plug p/n 4461206)	

Go to Discount-Equipment.com to order your parts

SECTION 8 - ELECTRICAL

FIGURE 8-53. RECEPTACLE BOX KIT - 220V CEE7 SIDE GROUND (CE SPEC)



ART_0275453

SECTION 8 - ELECTRICAL

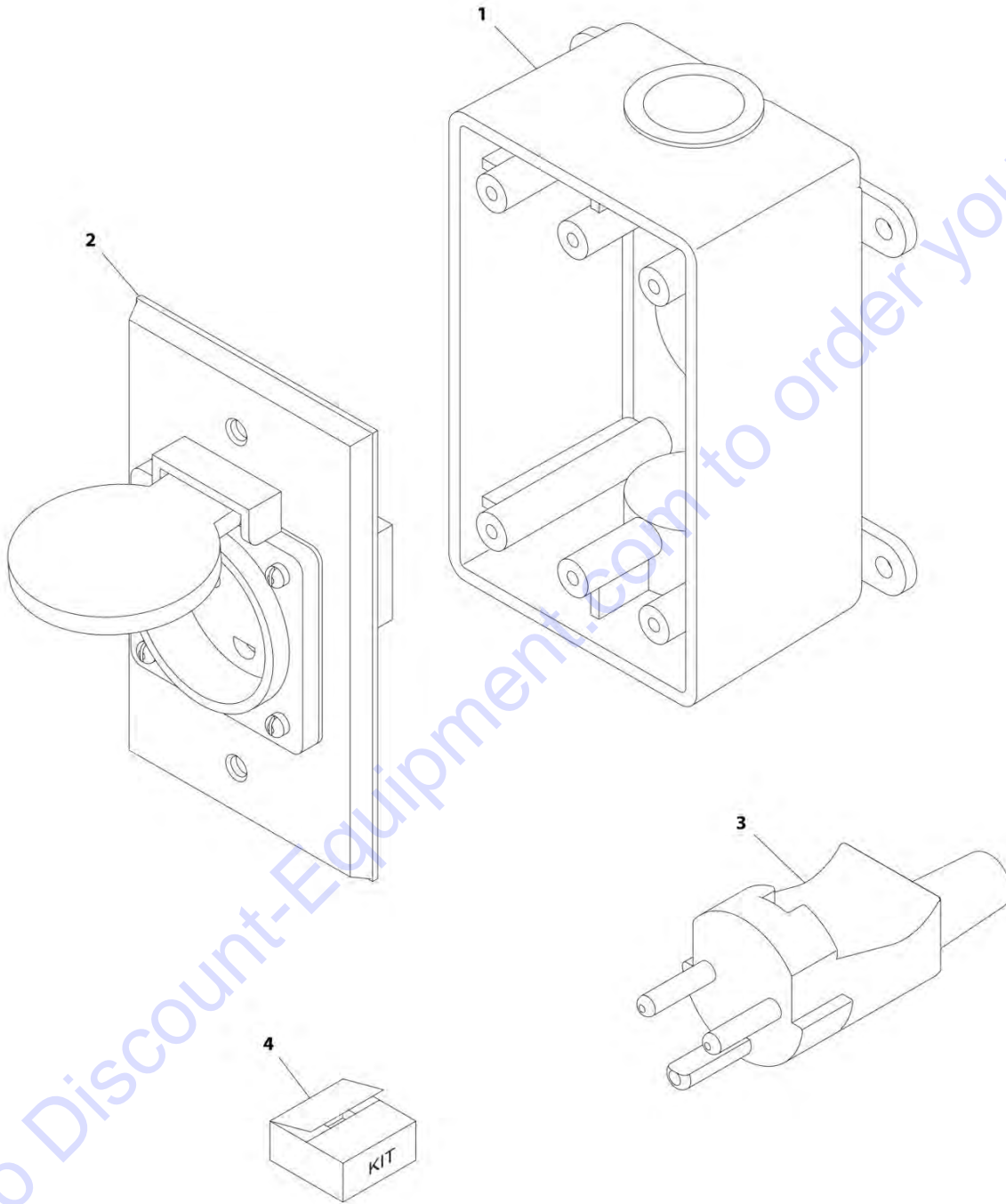
FIGURE 8-53. RECEPTACLE BOX KIT - 220V CEE7 SIDE GROUND (CE SPEC)

ITEM	PART NUMBER	QTY	DESCRIPTION	REV
	0275453	Ref	RECEPTACLE BOX KIT - 220V CEE7 SIDE GROUND	B
1	0861731	1	Box, Switch	
2	4461245	1	Receptacle	
3	4461205	1	Plug, Male	
4	1001100347	1	Plug and Socket Kit (Includes Items 1-3 and Female Plug p/n 4461206)	

Go to Discount-Equipment.com to order your parts

SECTION 8 - ELECTRICAL

FIGURE 8-54. RECEPTACLE BOX KIT - 220V AFSINT 107 (CE SPEC)



ART_0275454

SECTION 8 - ELECTRICAL

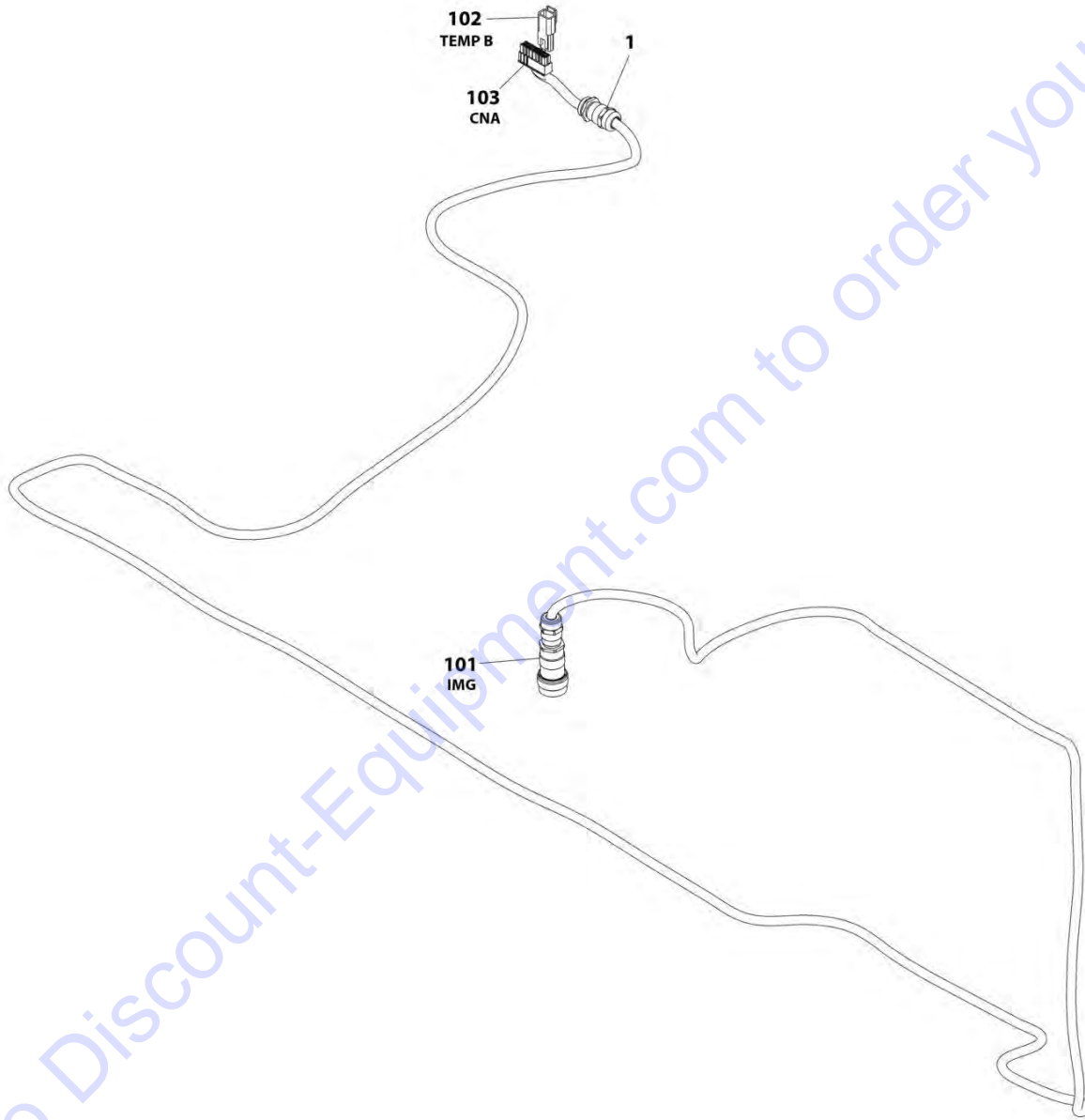
FIGURE 8-54. RECEPTACLE BOX KIT - 220V AFSINT 107 (CE SPEC)

ITEM	PART NUMBER	QTY	DESCRIPTION	REV
	0275454	Ref	RECEPTACLE BOX KIT - 220V AFSINT 107	B
1	0861731	1	Box, Switch	
2	4461246	1	Receptacle	
3	4461249	1	Plug, Male	
4	1001100346	1	Plug and Socket Kit (Includes Items 1-3 and Female Plug p/n 4461250)	

Go to Discount-Equipment.com to order your parts

SECTION 8 - ELECTRICAL

FIGURE 8-55. RESOLVER/CONVERTER/INVERTER HARNESS



ART_1001222369

SECTION 8 - ELECTRICAL

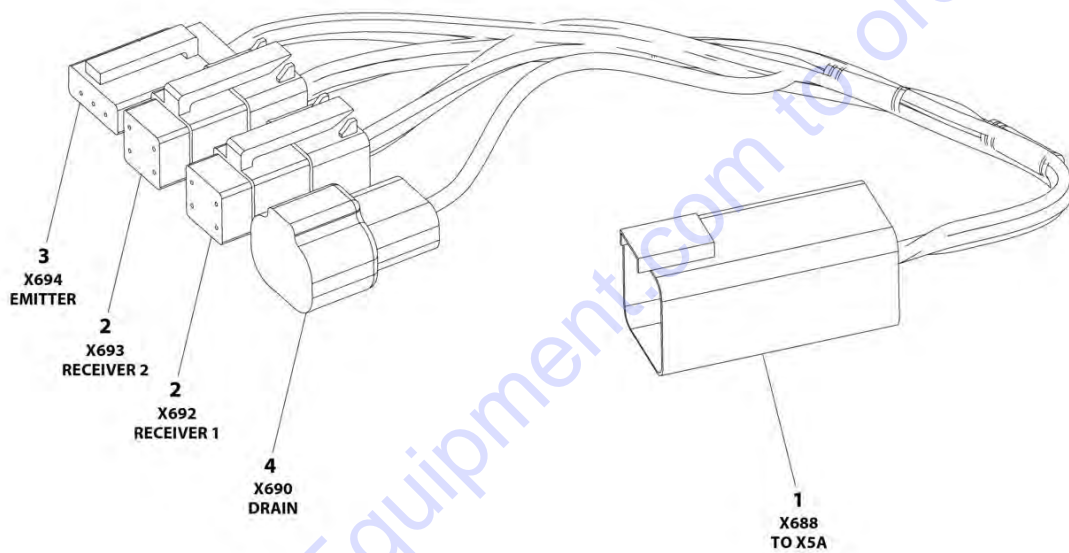
FIGURE 8-55. RESOLVER/CONVERTER/INVERTER HARNESS

ITEM	PART NUMBER	QTY	DESCRIPTION	REV
	1001222369	Ref	RESOLVER/CONVERTER/INVERTER HARNESS	B
1	1001226468	1	Connector, Strain Relief	
101	1001226506	1	Connector - 19 Position	
102	1001153612	1	Receptacle, Female - 2 Position	
102	1001126010	2	Terminal	
103	1001225362	1	Connector - 16 Position	
103	4460877	6	Socket, Female	
103	1001228628	10	Plug, Terminal	
103	1001228629	1	Seal	

Go to Discount-Equipment.com to order your parts

SECTION 8 - ELECTRICAL

FIGURE 8-56. SKYEYE INTERMEDIATE HARNESS



ART_1001237865

SECTION 8 - ELECTRICAL

FIGURE 8-56. SKYEYE INTERMEDIATE HARNESS

ITEM	PART NUMBER	QTY	DESCRIPTION	REV
	1001237865	Ref	SKYEYE INTERMEDIATE HARNESS	A
1	4460899	1	Connector - 6 Position	
1	4460943	4	Pin, Male	
1	4460466	2	Plug, Terminal	
2	4461077	2	Connector - 4 Position	
2	1001119619	8	Socket, Female	
3	4460911	1	Connector - 3 Position	
3	1001119619	3	Socket, Female	
4	1001187681	1	Connector - 2 Position	
4	4460941	1	Pin, Male	
4	4460466	1	Plug, Terminal	

Go to Discount-Equipment.com to order your parts

PARTS FINDER

**Search Website
by Part Number**



**Search Manual
Library For Parts
Manual & Lookup Part
Numbers – Purchase
or Request Quote**

A screenshot of the "Search Manuals" form. The form is titled "Search Manuals" and includes a search bar, a "Search" button, and a "Clear" button. Below the search bar, there are several input fields for "Find", "Serial Number", "Year", "Make", "Model", "Part Number", "Part Name", "Part Description", and "Part Category". A "Submit" button is located at the bottom of the form.

**Can't Find Part or
Manual? Request Help
by Manufacturer,
Model & Description**

A screenshot of the "Parts Order Form". The form is titled "Parts Order Form" and includes a "Submit" button. Below the button, there are several input fields for "Manufacturer", "Model", "Description", "Part Number", "Part Name", "Part Description", and "Part Category". A "Submit" button is located at the bottom of the form.

Discount-Equipment.com is your online resource for quality parts & equipment.

Florida: **561-964-4949** Outside Florida TOLL FREE: **877-690-3101**

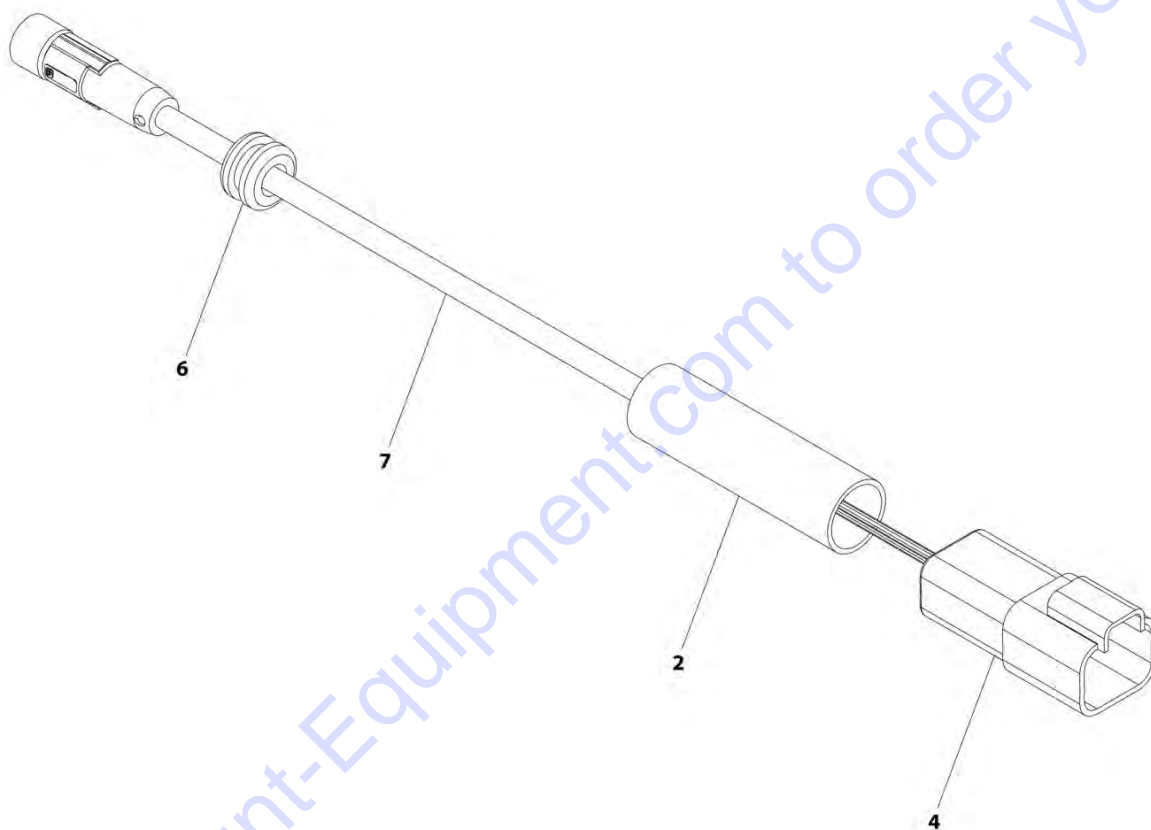
Need parts?

Click on this link: <http://www.discount-equipment.com/category/5443-parts/> and choose one of the options to help get the right parts and equipment you are looking for. Please have the machine model and serial number available in order to help us get you the correct parts. If you don't find the part on the website or on one of the online manuals, please fill out the request form and one of our experienced staff members will get back to you with a quote for the right part that your machine needs.

We sell worldwide for the brands: Genie, Terex, JLG, MultiQuip, Mikasa, Essick, Whiteman, Mayco, Toro Stone, Diamond Products, Generac Magnum, Airman, Haulotte, Barreto, Power Blanket, Nifty Lift, Atlas Copco, Chicago Pneumatic, Allmand, Miller Curber, Skyjack, Lull, Skytrak, Tsurumi, Husquvarna Target, Stow, Wacker, Sakai, Mi-T-M, Sullair, Basic, Dynapac, MBW, Weber, Bartell, Bennar Newman, Haulotte, Ditch Runner, Menegotti, Morrison, Contec, Buddy, Crown, Edco, Wyco, Bomag, Laymor, EZ Trench, Bil-Jax, F.S. Curtis, Gehl Pavers, Heli, Honda, ICS/PowerGrit, IHI, Partner, Imer, Clipper, MMD, Koshin, Rice, CH&E, General Equipment, Amida, Coleman, NAC, Gradall, Square Shooter, Kent, Stanley, Tamco, Toku, Hatz, Kohler, Robin, Wisconsin, Northrock, Oztec, Toker TK, Rol-Air, APT, Wylie, Ingersoll Rand / Doosan, Innovatech, Con X, Ammann, Mecalac, Makinex, Smith Surface Prep, Small Line, Wanco, Yanmar

SECTION 8 - ELECTRICAL

FIGURE 8-57. SKYEYE RECEIVER HARNESS



ART_1001237863

SECTION 8 - ELECTRICAL

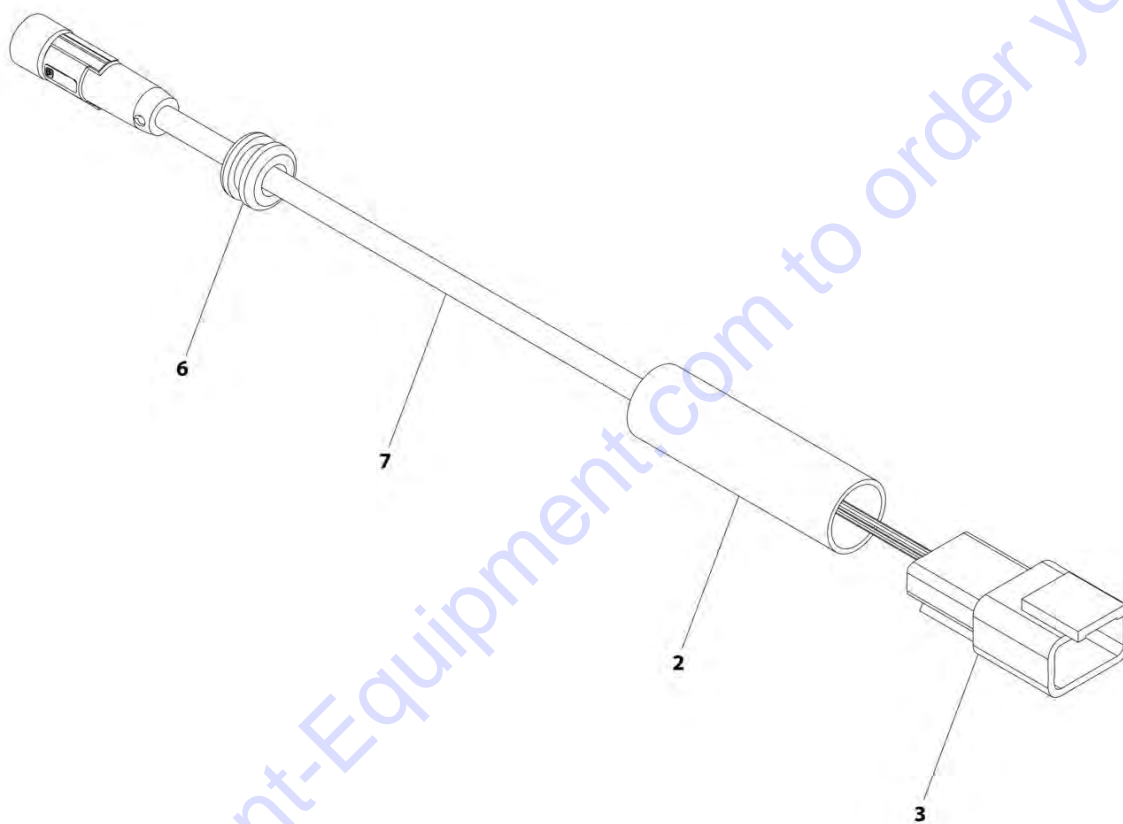
FIGURE 8-57. SKYEYE RECEIVER HARNESS

ITEM	PART NUMBER	QTY	DESCRIPTION	REV
	1001237863	Ref	SKYEYE RECEIVER HARNESS	A
2	2820247	AR	Tubing, Heat Shrink	
4	1001097051	1	Connector - 4 Position	
4	1001119620	4	Pin, Male	
6	1001227996	1	Grommet	
7	1001237862	1	Cable, M8 Female Cordset	

Go to Discount-Equipment.com to order your parts

SECTION 8 - ELECTRICAL

FIGURE 8-58. SKYEYE EMITTER HARNESS



ART_1001237864

SECTION 8 - ELECTRICAL

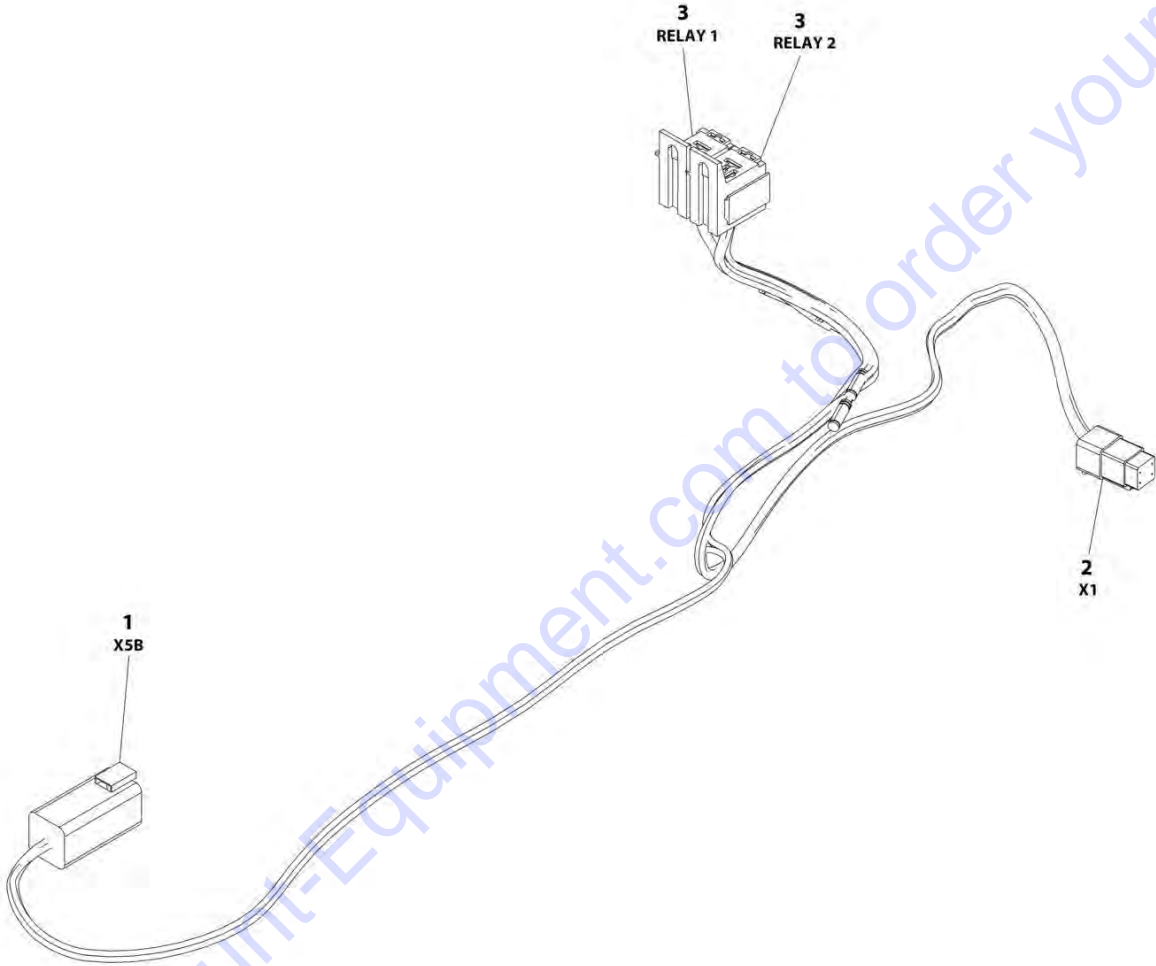
FIGURE 8-58. SKYEYE EMITTER HARNESS

ITEM	PART NUMBER	QTY	DESCRIPTION	REV
	1001237864	Ref	SKYEYE EMITTER HARNESS	A
2	2820247	AR	Tubing, Heat Shrink	
3	4460910	1	Connector - 3 Position	
3	1001119620	3	Pin, Male	
6	1001227996	1	Grommet	
7	1001237862	1	Cable, M8 Female Cordset	

Go to Discount-Equipment.com to order your parts

SECTION 8 - ELECTRICAL

FIGURE 8-59. SKYLINE HARNESS



ART_1001238418

SECTION 8 - ELECTRICAL

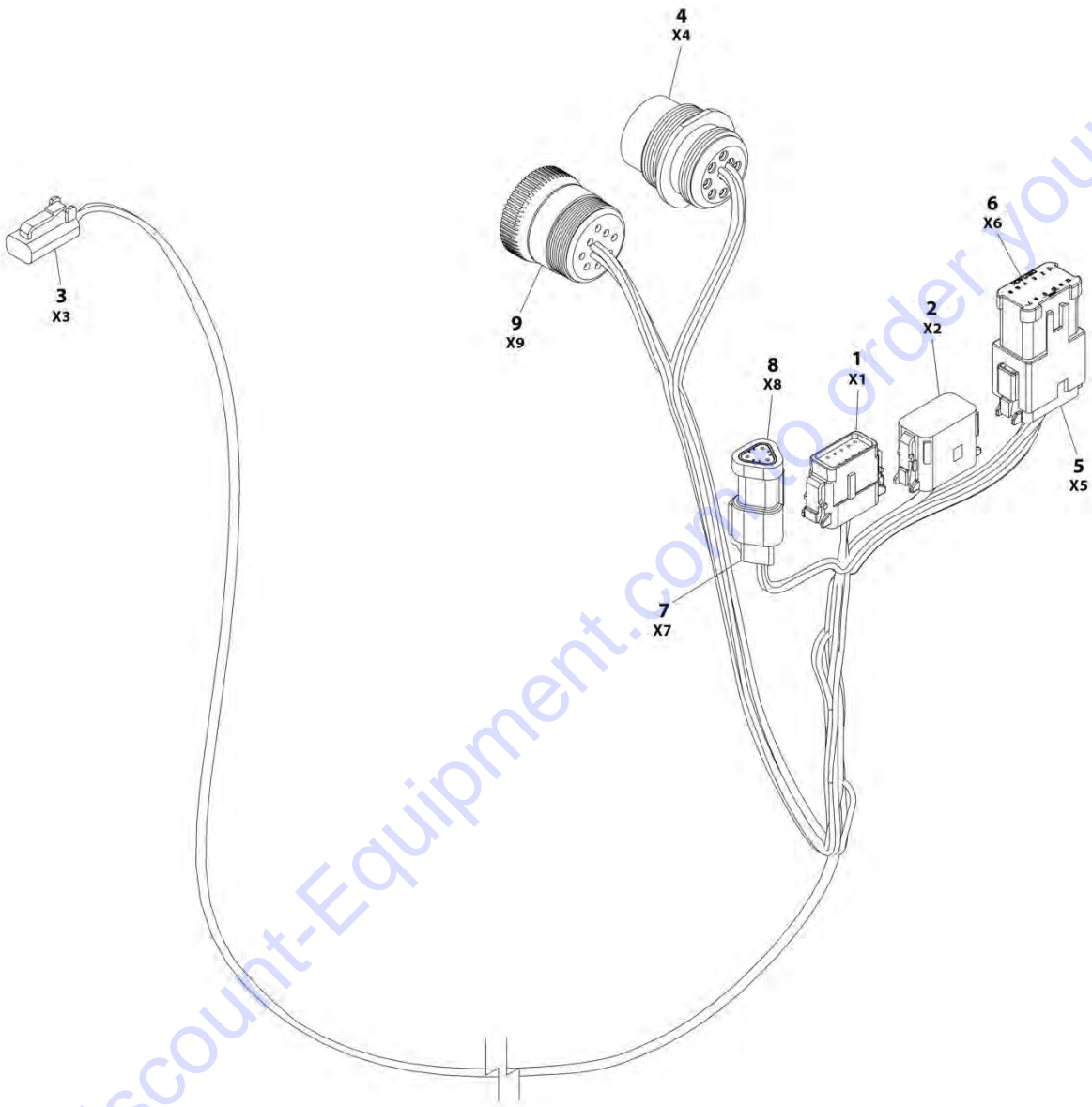
FIGURE 8-59. SKYLINE HARNESS

ITEM	PART NUMBER	QTY	DESCRIPTION	REV
	1001238418	Ref	SKYLINE HARNESS	A
1	4460899	1	Connector - 6 Position	
1	4460464	4	Pin, Male	
1	4460466	2	Plug, Terminal	
2	4461077	1	Connector - 4 Position	
2	1001126009	4	Socket, Female	
3	1001186432	2	Plug, Relay	
3	1001118388	5	Terminal	
3	1001118384	3	Terminal	
3	3740086	2	Relay	
3	3990013	2	Diode	

Go to Discount-Equipment.com to order your parts

SECTION 8 - ELECTRICAL

FIGURE 8-60. STROBE LIGHT CONTROL HARNESS (BLUE & RED LIGHTS)



ART_1001142736

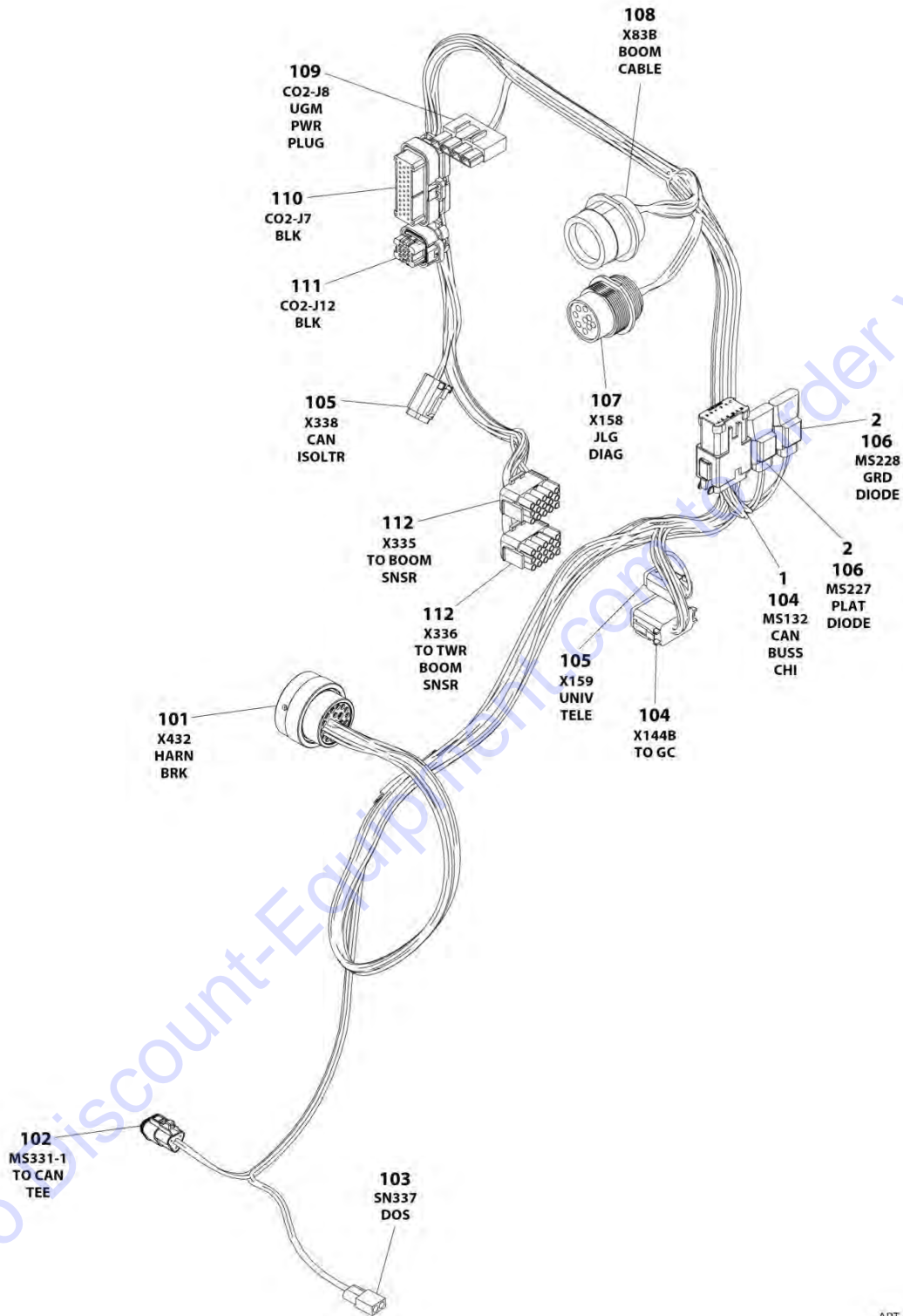
SECTION 8 - ELECTRICAL

FIGURE 8-60. STROBE LIGHT CONTROL HARNESS (BLUE & RED LIGHTS)

ITEM	PART NUMBER	QTY	DESCRIPTION	REV
	1001142736	Ref	BEACON HARNESS	F
1	1001116808	1	Plug, Male - 12 Position	
1	4460928	3	Socket, Female	
1	4460518	9	Plug, Terminal	
2	1001116774	1	Plug, Male - 12 Position	
2	4460928	3	Socket, Female	
2	4460518	9	Plug, Terminal	
3	4460891	1	Plug, Male - 2 Position	
3	4460465	2	Socket, Female	
4	1001112612	1	Connector - 9 Position	
4	4460464	6	Pin, Male	
4	4460466	3	Plug, Terminal	
5	4460933	1	Plug, Male - 12 Position	
5	4460465	12	Socket, Female	
6	1001119020	1	Bussbar - 12 Position	
7	4461095	1	Plug, Male - 3 Position	
7	4460465	3	Socket, Female	
8	4461070	1	Bussbar - 3 Position	
9	1001112796	1	Connector - 9 Position	
9	4460465	6	Socket, Female	
9	4460466	3	Plug, Terminal	

SECTION 8 - ELECTRICAL

FIGURE 8-61. TURNTABLE HARNESS



ART_1001228984

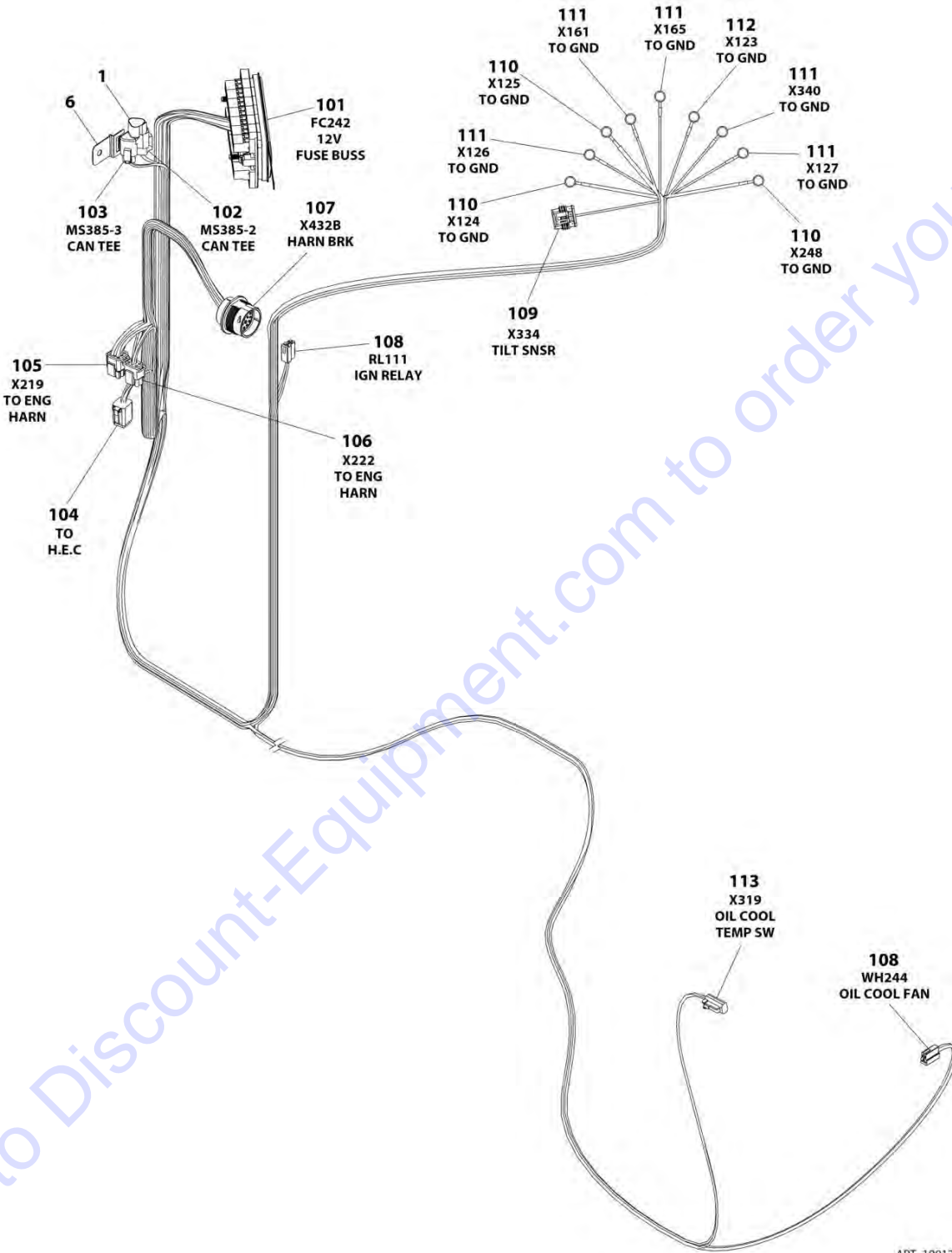
SECTION 8 - ELECTRICAL

FIGURE 8-61. TURNTABLE HARNESS

ITEM	PART NUMBER	QTY	DESCRIPTION	REV
	1001228984	Ref	TURNTABLE HARNESS	D
1	1001125677	1	Bussbar - 12 Position	
2	1001116816	2	Connector - 2 Position	
101	1001229233	1	Connector - 21 Position	
101	4460465	18	Socket, Female	
101	4460466	3	Plug, Terminal	
102	1001116812	1	Plug, Male - 3 Position	
102	4460944	2	Socket, Female	
102	4460465	1	Socket, Female	
103	4460424	1	Plug, Male - 2 Position	
103	4460226	2	Socket, Female	
104	4460933	2	Plug, Male - 12 Position	
104	4460944	14	Socket, Female	
104	4460465	8	Socket, Female	
104	4460466	2	Plug, Terminal	
105	4460884	2	Plug, Male - 4 Position	
105	4460465	4	Socket, Female	
105	4460944	4	Socket, Female	
106	4460891	2	Plug, Male - 2 Position	
106	4460465	4	Socket, Female	
107	1001112612	1	Connector - 9 Position	
107	4460464	3	Pin, Male	
107	4460943	2	Pin, Male	
107	4460466	4	Plug, Terminal	
108	4460866	1	Connector - 19 Position	
108	4460464	5	Pin, Male	
108	4460943	2	Pin, Male	
108	4460508	4	Pin, Male	
108	4460466	8	Plug, Terminal	
109	4460878	1	Receptacle, Female - 4 Position	
109	4460887	2	Terminal	
110	4460873	1	Connector - 35 Position	
110	4460871	23	Socket, Female	
110	4460905	12	Plug, Terminal	
111	1001113961	1	Plug, Male - 8 Position	
111	4460871	4	Socket, Female	
111	4460905	4	Plug, Terminal	
112	4460434	2	Plug, Male - 15 Position	
112	4460227	18	Pin, Male	
112	4460267	1	Pin, Male	

SECTION 8 - ELECTRICAL

FIGURE 8-62. TURNTABLE/FUSE PANEL HARNESS



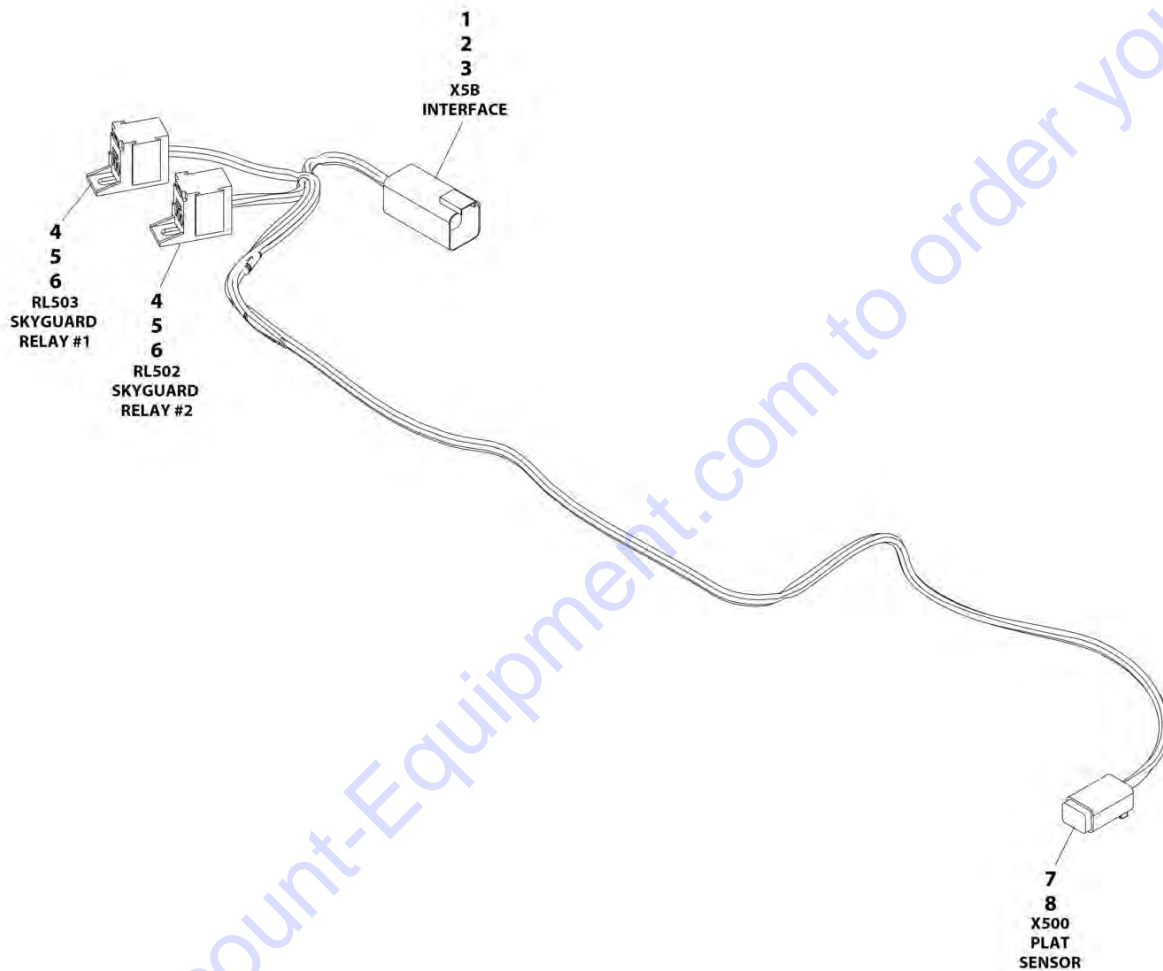
SECTION 8 - ELECTRICAL

FIGURE 8-62. TURNTABLE/FUSE PANEL HARNESS

ITEM	PART NUMBER	QTY	DESCRIPTION	REV
	1001230522	Ref	TURNTABLE/FUSE PANEL HARNESS	C
1	4460945	1	Receptacle, 3 Way	
6	1001153749	1	Mount, Connector	
101	1001225219	1	Connector - 28 Position	
101	1001189572	9	Terminal	
101	1001189571	3	Terminal	
101	1001189570	10	Terminal	
102	4460539	1	Plug, Male - 3 Position	
102	4460944	2	Socket, Female	
102	4460466	1	Plug, Terminal	
103	1001116812	1	Plug, Male - 3 Position	
103	4460944	2	Socket, Female	
103	4460466	1	Plug, Terminal	
104	4460894	1	Plug, Male - 6 Position	
104	4460465	5	Socket, Female	
104	4460466	1	Plug, Terminal	
105	4460265	1	Plug, Male - 9 Position	
105	4460906	8	Socket, Female	
106	4460225	1	Plug, Male - 6 Position	
106	4460268	4	Socket, Female	
107	1001229232	1	Connector - 21 Position	
107	4460464	14	Pin, Male	
107	4460508	4	Pin, Male	
107	4460466	3	Plug, Terminal	
108	4460994	2	Housing, Terminal	
108	1001116720	2	Terminal	
108	1001116716	2	Terminal	
109	1001103012	1	Plug, Male - 4 Position	
109	1001107854	4	Terminal	
109	1001104498	4	Seal	
110	4460019	3	Terminal, Ring	
111	4460722	5	Terminal, Ring	
112	1001225219	1	Terminal, Ring	
113	4460891	1	Plug, Male - 2 Position	
113	4460465	2	Socket, Female	

SECTION 8 - ELECTRICAL

FIGURE 8-63. PLATFORM INTERFACE HARNESS



ART_1001225580

SECTION 8 - ELECTRICAL

FIGURE 8-63. PLATFORM INTERFACE HARNESS

ITEM	PART NUMBER	QTY	DESCRIPTION	REV
	1001225580	Ref	INTERFACE HARNESS - WITH 1 CELL LSS	D
1	4460899	1	Connector	
2	4460464	4	Terminal	
3	4460466	2	Plug	
4	1001186432	2	Connector	
5	1001116720	4	Terminal	
6	1001118388	4	Terminal	
7	4460844	1	Connector	
8	4460465	4	Terminal	

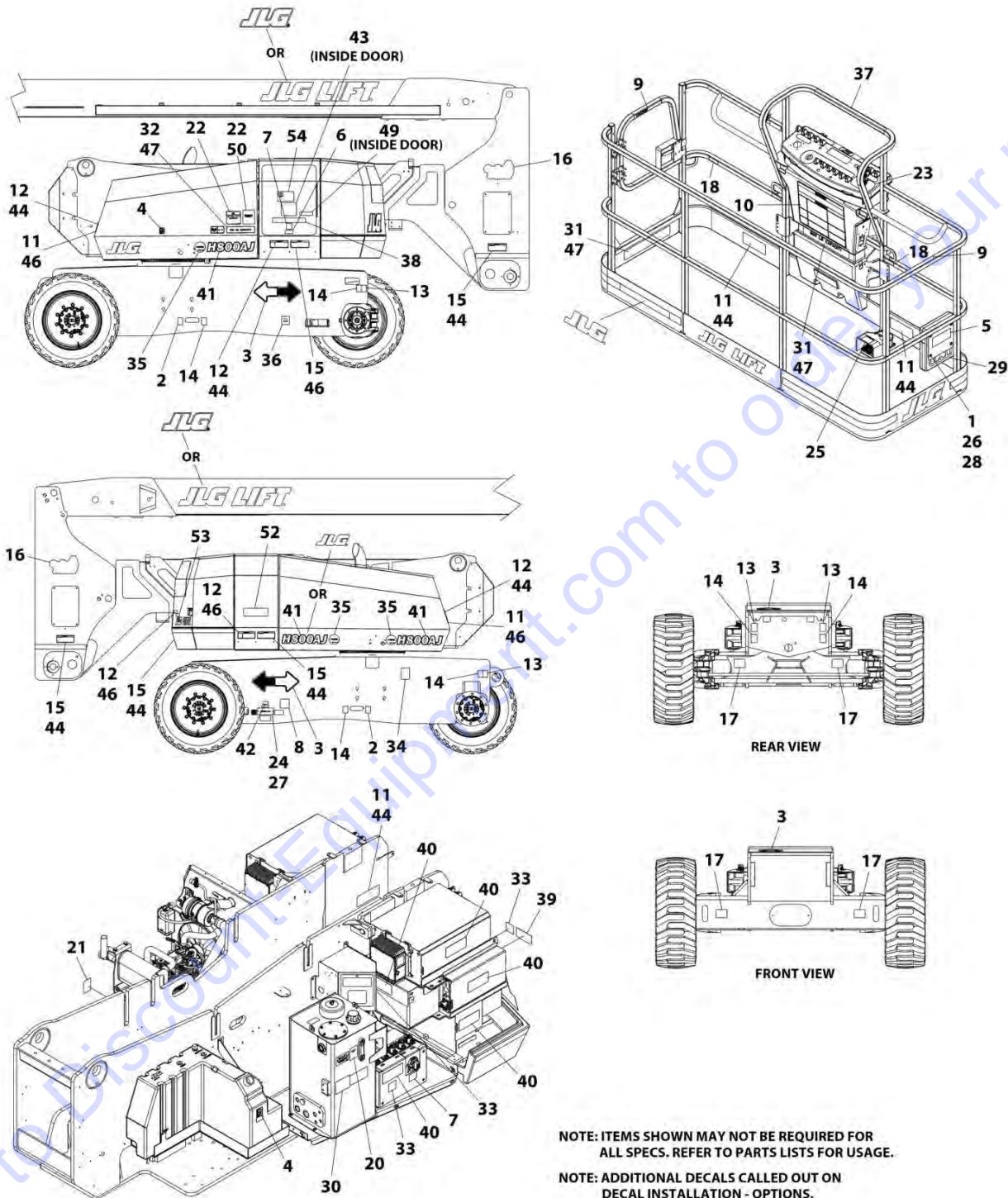
Go to Discount-Equipment.com to order your parts

SECTION 9 - DECALS

Go to Discount-Equipment.com to order your parts

SECTION 9 - DECALS

FIGURE 9-1. DECAL INSTALLATION - ANSI SPECS (ENGLISH LANGUAGE)



NOTE: ITEMS SHOWN MAY NOT BE REQUIRED FOR ALL SPECS. REFER TO PARTS LISTS FOR USAGE.

NOTE: ADDITIONAL DECALS CALLED OUT ON DECAL INSTALLATION - OPTIONS.

ART_1001223542

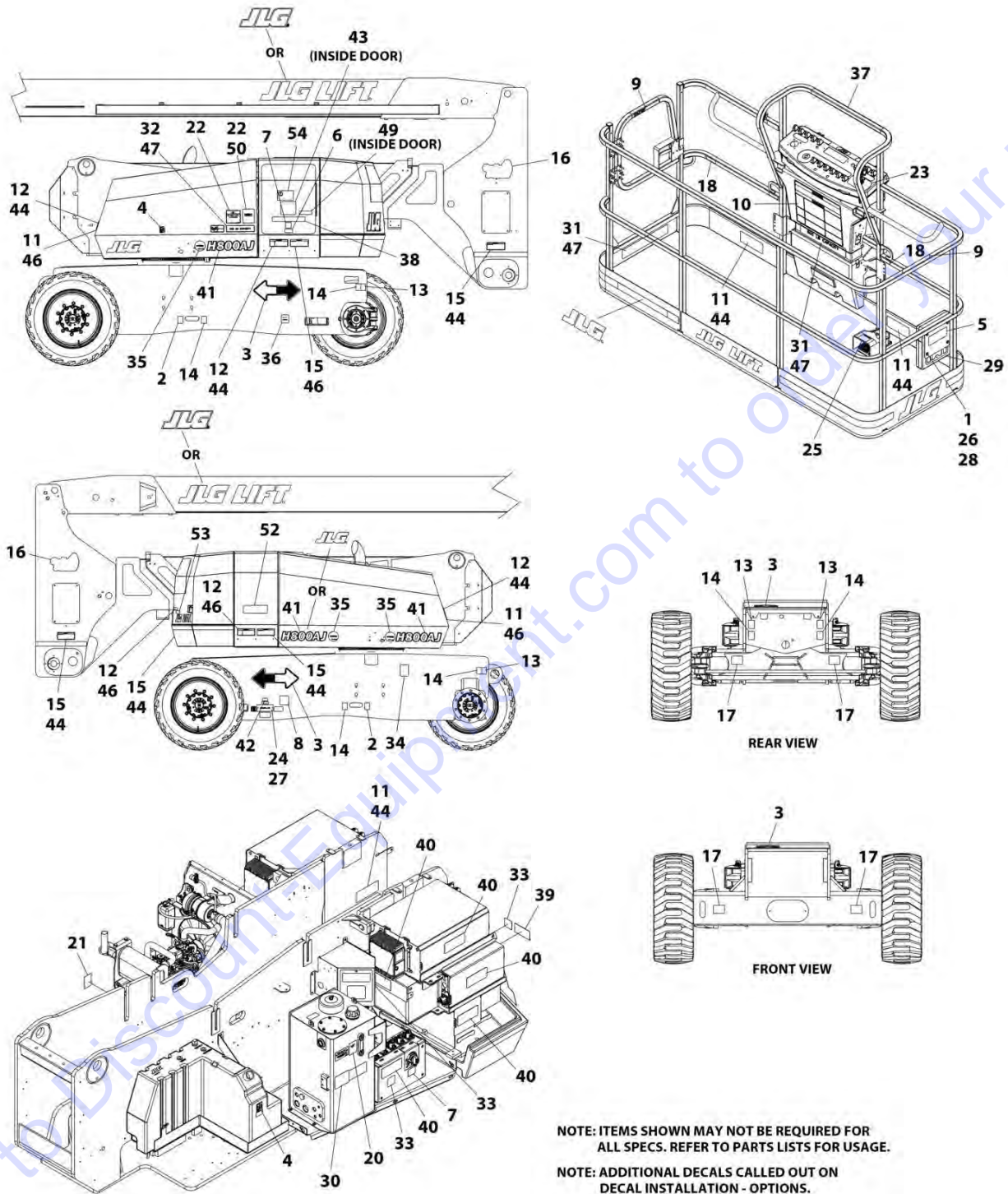
SECTION 9 - DECALS

FIGURE 9-1. DECAL INSTALLATION - ANSI SPECS (ENGLISH LANGUAGE)

ITEM	PART NUMBER	QTY	DESCRIPTION	REV
	1001223542	Ref	DECAL INSTALLATION - ANSI	E
1	0641406	4	Bolt, 1/4 x 3/4	
2	1701499	2	Decal - No Tie Down/Lift	
3	1701501	4	Decal - Arrow	
4	1701505	2	Decal - Diesel Fuel	
5	1701509	1	Decal - Manual	
6	1001233785	1	Decal - Charger Plug	
7	1702155	2	Decal - Battery Disconnect	
8	See Note	NSS	Decal - Bar Code (Note: Not Available for Purchase)	
9	1702868	2	Decal - No Hands	
10	1703797	1	Decal - Danger/Warning	
11	1703804	6	Decal - Warning/Crushing	
12	1703805	5	Decal - Electrocuting	
13	1703811	4	Decal - Lifting Lug	
14	1703814	6	Decal - Tie Down	
15	1703953	5	Decal - Warning/Crushing	
16	1703959	2	Decal - Quik Stik	
17	1703960	4	Decal - Maximum Tire Load	
18	1704277	3	Decal - Lanyard Attach	
20	1704412	1	Decal - Hydraulic Oil	
21	1704972	1	Decal - Glow Plugs	
22	1705336	1	Decal - Danger/Warning	
23	1705351	1	Decal - Drive/Steer Instructions	
24	See Note	NSS	Nameplate - Manufacturers (Note: Not Available for Purchase)	
25	3252347	1	Nameplate - Footswitch	
26	3311405	4	Nut 1/4	
27	3820001	2	Rivet	
28	4751400	8	Washer 1/4	
29	91403230	1	Box, Manual Storage	
30	1001096141	1	Decal - Upright Level Over Ride	
31	1001121801	2	Decal - Warning Maximum Capacity	
32	1001121814	1	Decal - Warning Maximum Capacity	
33	1001125483	6	Decal - Pressure Wash	
34	1001131269	1	Decal - Patent	
35	1001174449	2	Decal - Hybrid	
36	1001223055	1	Decal - Yearly Inspection	
37	1001223552	1	Decal - Legend	
38	1001223553	1	Decal - Legend	
39	1001223554	2	Decal - Warning Tip Over Hazard	
40	1001223556	9	Decal - Electric Shock Hazard	
41	1001223558	2	Decal - H800AJ	
42	1001228370	1	Decal - ICES	
43	1001228411	1	Decal - LED Indicator	
52	1001233452	1	Decal - Lifting Diagram	
54	1001117307	1	Decal - Emergency Stop	

SECTION 9 - DECALS

FIGURE 9-2. DECAL INSTALLATION - AUSTRALIAN SPECS (ENGLISH LANGUAGE)



NOTE: ITEMS SHOWN MAY NOT BE REQUIRED FOR ALL SPECS. REFER TO PARTS LISTS FOR USAGE.

NOTE: ADDITIONAL DECALS CALLED OUT ON DECAL INSTALLATION - OPTIONS.

ART_1001223543

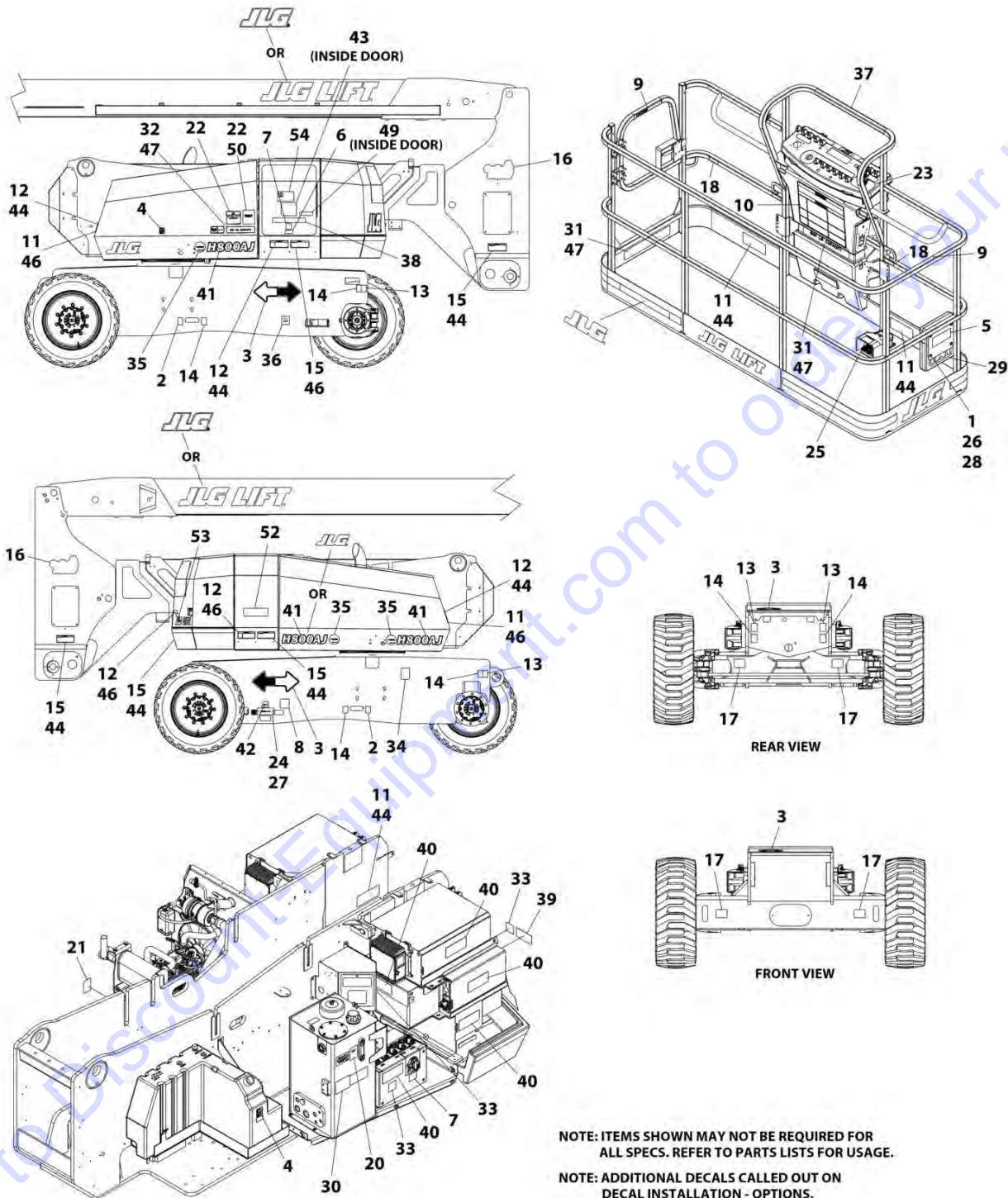
SECTION 9 - DECALS

FIGURE 9-2. DECAL INSTALLATION - AUSTRALIAN SPECS (ENGLISH LANGUAGE)

ITEM	PART NUMBER	QTY	DESCRIPTION	REV
	1001223543	Ref	DECAL INSTALLATION - AUSTRALIAN	E
1	0641406	4	Bolt, 1/4 x 3/4	
2	1701499	2	Decal - No Tie Down/Lift	
3	1701501	4	Decal - Arrow	
4	1701505	2	Decal - Diesel Fuel	
5	1701509	1	Decal - Manual	
6	1001233785	1	Decal - Charger Plug	
7	1702155	2	Decal - Battery Disconnect	
8	See Note	NSS	Decal - Bar Code (Note: Not Available for Purchase)	
10	1705921	1	Decal - Tipping/Electrocution	
13	1703811	4	Decal - Lifting Lug	
14	1703814	6	Decal - Tie Down	
16	1703959	2	Decal - Quik Stik	
17	1703960	4	Decal - Maximum Tire Load	
18	1704277	3	Decal - Lanyard Attach	
20	1704412	1	Decal - Hydraulic Oil	
21	1706098	1	Decal - Warning Ether Start	
22	1705822	1	Decal - Electrical/Safety Manual	
24	See Note	NSS	Nameplate - Manufacturers (Note: Not Available for Purchase)	
25	1705828	1	Nameplate - Footswitch	
26	3311405	4	Nut 1/4	
27	3820001	2	Rivet	
28	4751400	8	Washer 1/4	
29	91403230	1	Box, Manual Storage	
30	1705977	1	Decal - Upright Level Over Ride	
33	1001125483	6	Decal - Pressure Wash	
35	1001174449	2	Decal - Hybrid	
39	1001223560	2	Decal - Tip Over Hazard	
40	1001223561	9	Decal - Shock Hazard	
41	1001223558	2	Decal - H800AJ	
43	1001228411	1	Decal - LED Indicator	
44	1701518	11	Decal - Crushing	
46	1705961	5	Decal - Electrocution	
47	1705978	3	Decal - 230KG Capacity	
50	1001112551	1	Decal - Emergency Controls	
51	1001232893	1	Decal - Wheel Assembly Mass	
52	1001233452	1	Decal - Lifting Diagram	
53	1001204510	1	Decal - Sound Power Level (Prior to SN 0300247156)	
53	1001237844	1	Decal - Sound Power Level (SN 0300247156 to Present)	
54	1001117307	1	Decal - Emergency Stop	

SECTION 9 - DECALS

FIGURE 9-3. DECAL INSTALLATION - BRAZIL SPECS (ENGLISH/PORTUGUESE LANGUAGES)



NOTE: ITEMS SHOWN MAY NOT BE REQUIRED FOR ALL SPECS. REFER TO PARTS LISTS FOR USAGE.
 NOTE: ADDITIONAL DECALS CALLED OUT ON DECAL INSTALLATION - OPTIONS.

ART_1001223550

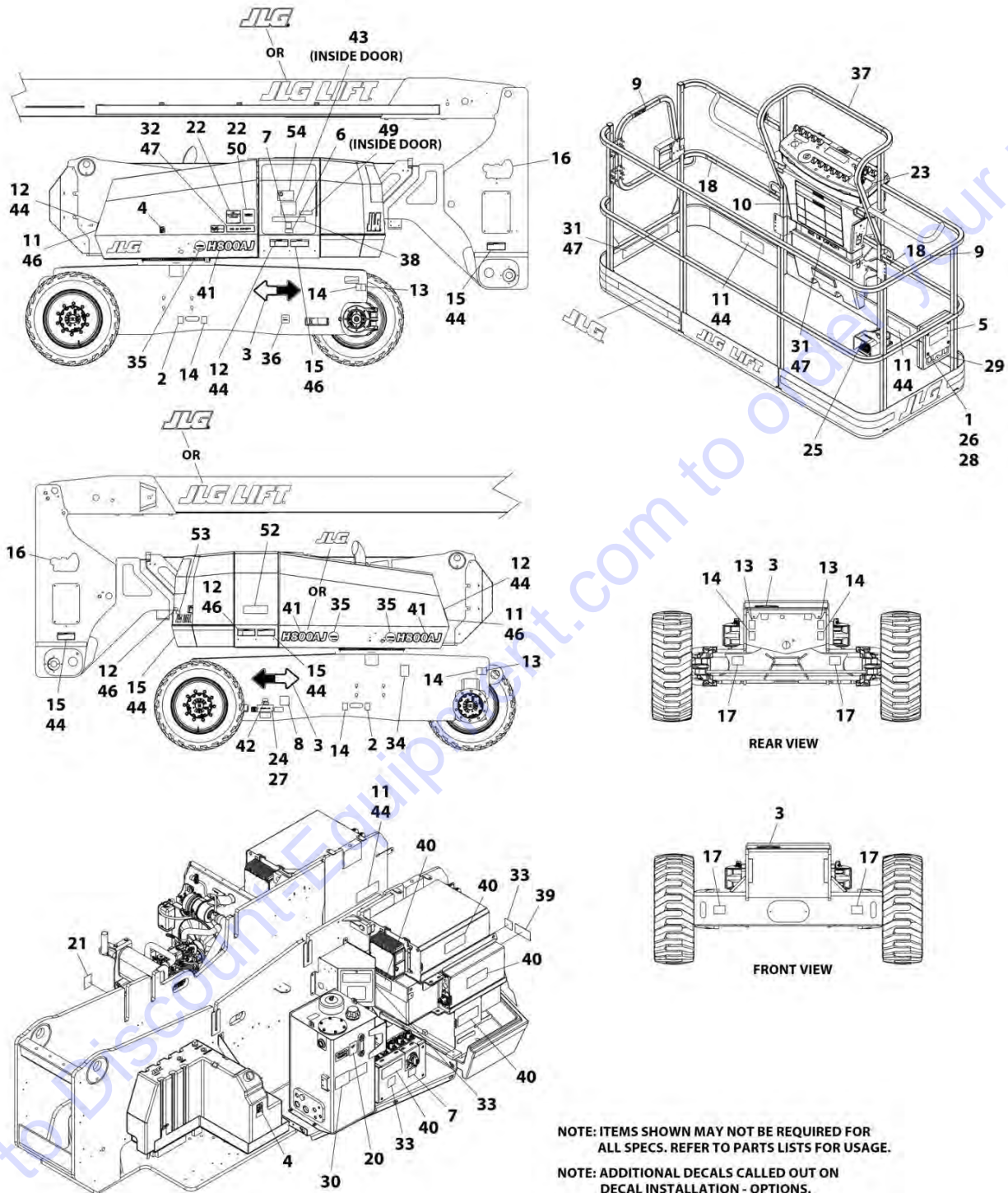
SECTION 9 - DECALS

FIGURE 9-3. DECAL INSTALLATION - BRAZIL SPECS (ENGLISH/PORTUGUESE LANGUAGES)

ITEM	PART NUMBER	QTY	DESCRIPTION	REV
	1001223550	1	DECAL INSTALLATION - BRAZIL	C
1	0641406	4	Bolt 1/4 X 3/4	
2	1701499	2	Decal - No Tie Down/Lift	
3	1701501	4	Decal - Arrow	
4	1701505	2	Decal - Diesel Fuel	
5	1701509	1	Decal - Manual	
6	1001233785	1	Decal - Charger Plug	
7	1702155	2	Decal - Battery Disconnect	
8	See Note	NSS	Decal - Bar Code (Note: Not Available For Purchase)	
9	1705967	2	Decal - No Hands	
10	1705895	1	Decal - Danger/Warning	
11	1705898	6	Decal - Crushing	
12	1705897	5	Decal - Danger Electrocution	
13	1703811	4	Decal - Lifting Lug	
14	1703814	6	Decal - Tie Down	
15	1705903	5	Decal - Warning/Crushing	
16	1703959	2	Decal - Quik Stik	
17	1703960	4	Decal - Maximum Tire Load	
18	1704277	3	Decal - Lanyard Attach	
20	1704412	1	Decal - Hydraulic Oil	
21	1706059	1	Decal - Warning Explosion	
22	1705896	1	Decal - Warning Inspection	
23	1705905	1	Decal - Drive/Steer Instructions	
24	See Note	NSS	Nameplate - Manufacturers (Note: Not Available for Purchase)	
25	1705902	1	Decal - Footswitch	
26	3311405	4	Nut 1/4	
27	3820001	2	Rivet	
28	4751400	8	Washer 1/4	
29	91403230	1	Box, Manual Storage	
30	1705977	1	Decal - Upright Level Over Ride	
31	1001121656	2	Decal - Warning Dual Capacity	
32	1001121655	1	Decal - Warning Dual Capacity	
33	1001125483	6	Decal - Pressure Wash	
35	1001174449	2	Decal - Hybrid	
36	1001224052	1	Decal - Yearly Inspection	
37	1001223552	1	Decal - Legend	
38	1001223553	1	Decal - Legend	
39	1001233066	2	Decal - Tipping Hazard	
40	1001233011	9	Decal - Electrical Shock Hazard	
41	1001223558	2	Decal - H800AJ	
43	1001228411	1	Decal - LED Indicator	
52	1001233452	1	Decal - Lifting Diagram	
54	1001117307	1	Decal - Emergency Stop	

SECTION 9 - DECALS

FIGURE 9-4. DECAL INSTALLATION - CE SPECS (ENGLISH LANGUAGE)



NOTE: ITEMS SHOWN MAY NOT BE REQUIRED FOR ALL SPECS. REFER TO PARTS LISTS FOR USAGE.

NOTE: ADDITIONAL DECALS CALLED OUT ON DECAL INSTALLATION - OPTIONS.

ART_1001223544

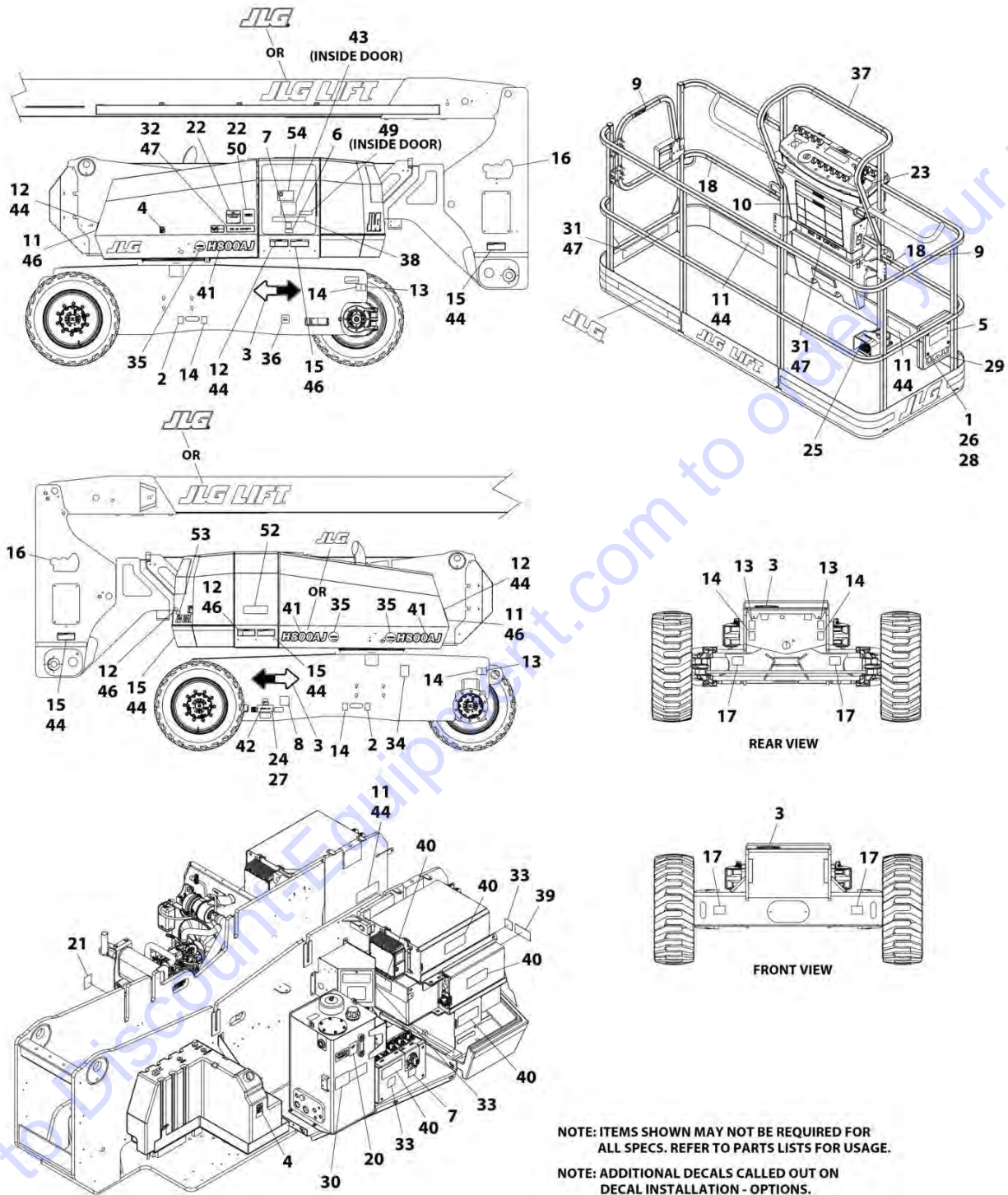
SECTION 9 - DECALS

FIGURE 9-4. DECAL INSTALLATION - CE SPECS (ENGLISH LANGUAGE)

ITEM	PART NUMBER	QTY	DESCRIPTION	REV
	1001223544	1	DECAL INSTALLATION - CE	F
1	0641406	4	Bolt, 1/4 x 3/4	
2	1701499	2	Decal - No Tie Down/Lift	
3	1701501	4	Decal - Arrow	
4	1701505	2	Decal - Diesel Fuel	
5	1701509	1	Decal - Manual	
6	1001233785	1	Decal - Charger Plug	
7	1702155	2	Decal - Battery Disconnect	
8	See Note	NSS	Decal - Bar Code (Note: Not Available for Purchase)	
10	1705921	1	Decal - Tipping/Electrocution	
13	1703811	4	Decal - Lifting Lug	
14	1703814	6	Decal - Tie Down	
16	1703959	2	Decal - Quik Stik	
17	1703960	4	Decal - Maximum Tire Load	
18	1704277	3	Decal - Lanyard Attach	
20	1704412	1	Decal - Hydraulic Oil	
21	1706098	1	Decal - Warning Ether Start	
22	1705822	1	Decal - Electrical/Safety Manual	
24	See Note	NSS	Decal - Manufacturers (Note: Not Available for Purchase)	
25	1705828	1	Nameplate - Footswitch	
26	3311405	4	Nut 1/4	
27	3820001	2	Rivet	
28	4751400	8	Washer 1/4	
29	91403230	1	Box, Manual Storage	
30	1705977	1	Decal - Upright Level Over Ride	
33	1001125483	6	Decal - Pressure Wash	
35	1001174449	2	Decal - Hybrid	
39	1001223560	2	Decal - Tip Over Hazard	
40	1001223561	9	Decal - Shock Hazard	
41	1001223558	2	Decal - H800AJ	
43	1001228411	1	Decal - LED Indicator	
44	1701518	11	Decal - Crushing	
46	1705961	5	Decal - Electrocution	
47	1705978	2	Decal - 230KG Capacity	
49	1001189882	1	Decal - MSSO Operation	
52	1001233452	1	Decal - Lifting Diagram	
53	1001204510	1	Decal - Sound Power Level (Prior to SN 0300247156)	
53	1001237844	1	Decal - Sound Power Level (SN 0300247156 to Present)	
54	1001117307	1	Decal - Emergency Stop	

SECTION 9 - DECALS

FIGURE 9-5. DECAL INSTALLATION - CHINA SPECS (ENGLISH/CHINESE LANGUAGES)



ART_1001223548

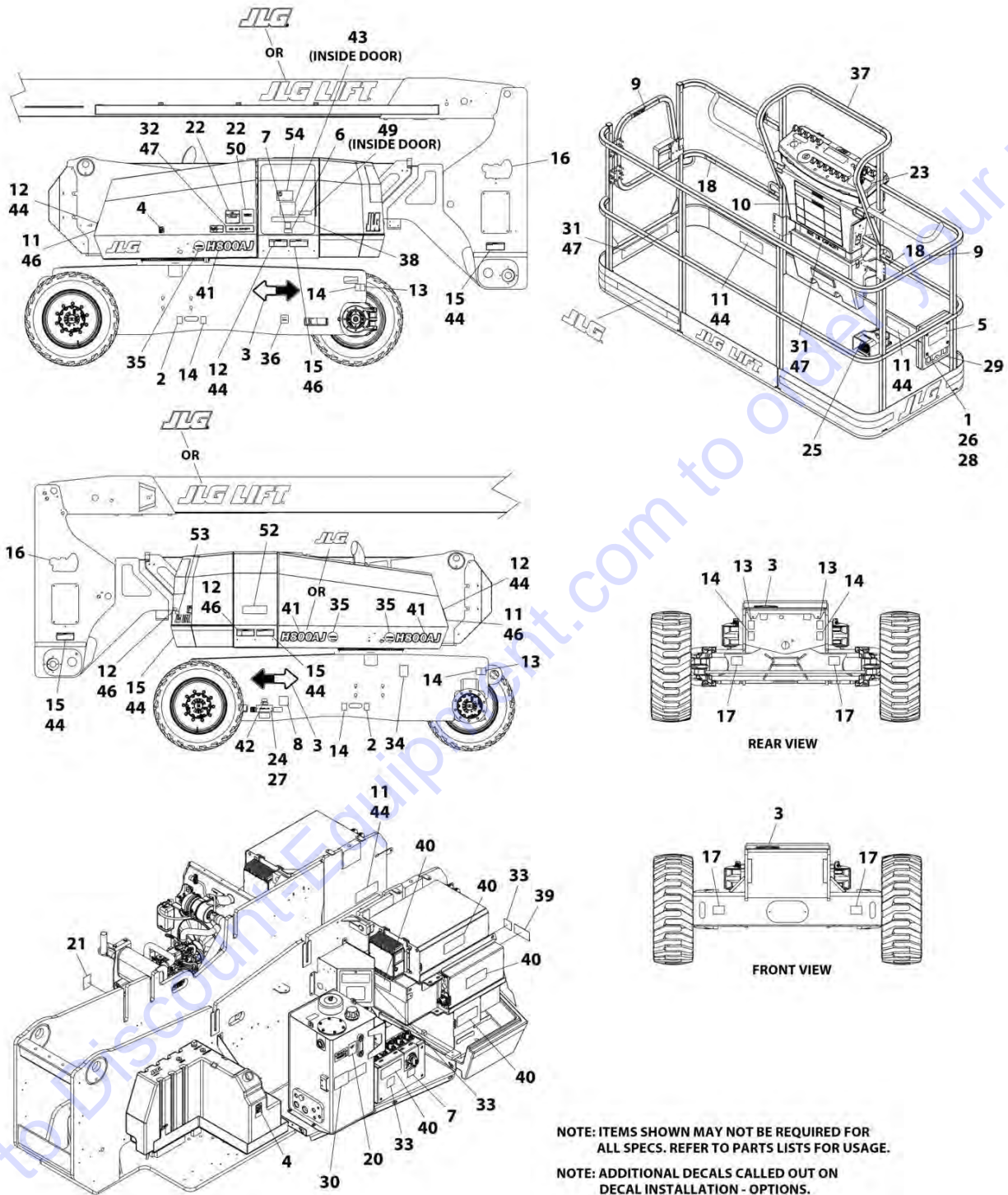
SECTION 9 - DECALS

FIGURE 9-5. DECAL INSTALLATION - CHINA SPECS (ENGLISH/CHINESE LANGUAGES)

ITEM	PART NUMBER	QTY	DESCRIPTION	REV
	1001223548	1	DECAL INSTALLATION - CHINA	C
1	0641406	4	Bolt 1/4 X 3/4	
2	1701499	2	Decal - No Tie Down/Lift	
3	1701501	4	Decal - Arrow	
4	1701505	2	Decal - Diesel Fuel	
5	1701509	1	Decal - Manual	
6	1001233785	1	Decal - Charger Plug	
7	1702155	2	Decal - Battery Disconnect	
8	See Note	NSS	Decal - Bar Code (Note: Not Available For Purchase)	
9	1001116846	2	Decal - Caution No Hands	
10	1703925	1	Decal - Warning/Danger	
11	1703949	6	Decal - Crushing	
12	1001116851	5	Decal - Electrocution	
13	1703811	4	Decal - Lifting Lug	
14	1703814	6	Decal - Tie Down	
15	1703943	5	Decal - Warning/Crushing	
16	1703959	2	Decal - Quik Stik	
17	1703960	4	Decal - Maximum Tire Load	
18	1704277	3	Decal - Lanyard Attach	
20	1704412	1	Decal - Hydraulic Oil	
21	1706060	1	Decal - Warning Fire Hazard	
22	1001116849	1	Decal - Warning Inspection	
23	1705430	1	Decal - Drive Steer Instructions	
24	See Note	NSS	Nameplate - Manufacturers (Note: Not Available for Purchase)	
25	1703982	1	Decal - Footswitch	
26	3311405	4	Nut 1/4	
27	3820001	2	Rivet	
28	4751400	8	Washer 1/4	
29	91403230	1	Box, Manual Storage	
30	1705977	1	Decal - Upright Level Over Ride	
31	1001121810	2	Decal - Warning Maximum Capacity	
32	1001121823	1	Decal - Warning Maximum Capacity	
33	1001125483	6	Decal - Pressure Wash	
35	1001174449	2	Decal - Hybrid	
36	1001224050	1	Decal - Yearly Inspection	
37	1001223552	1	Decal - Legend	
38	1001223553	1	Decal - Legend	
39	1001233065	2	Decal - Tipping Hazard	
40	1001233010	9	Decal - Electrical Shock Hazard	
41	1001223558	2	Decal - H800AJ	
43	1001228411	1	Decal - LED Indicator	
52	1001233452	1	Decal - Lifting Diagram	
54	1001117307	1	Decal - Emergency Stop	

SECTION 9 - DECALS

FIGURE 9-6. DECAL INSTALLATION - CSA SPECS (ENGLISH/FRENCH LANGUAGES)



NOTE: ITEMS SHOWN MAY NOT BE REQUIRED FOR ALL SPECS. REFER TO PARTS LISTS FOR USAGE.

NOTE: ADDITIONAL DECALS CALLED OUT ON DECAL INSTALLATION - OPTIONS.

ART_1001223547

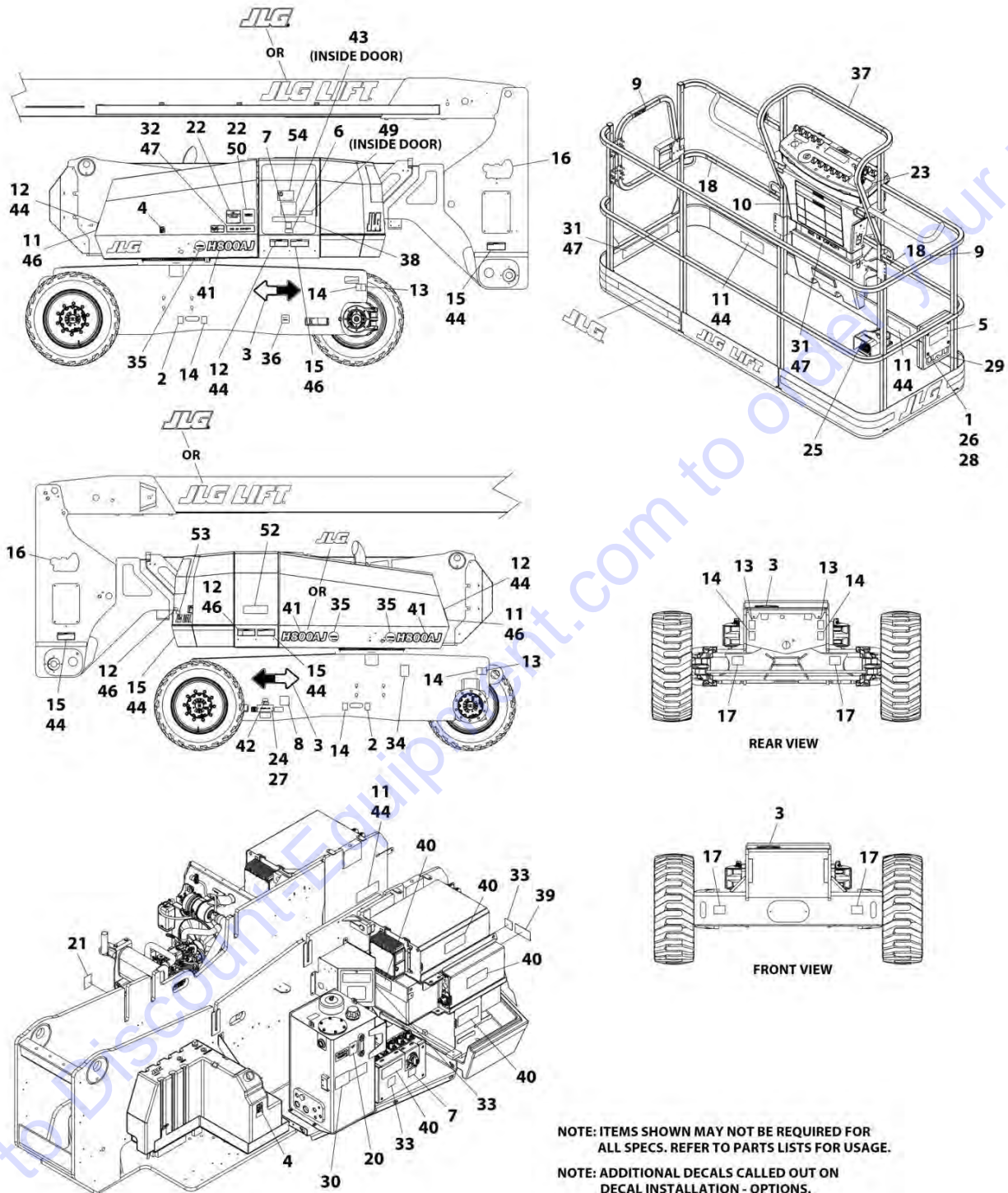
SECTION 9 - DECALS

FIGURE 9-6. DECAL INSTALLATION - CSA SPECS (ENGLISH/FRENCH LANGUAGES)

ITEM	PART NUMBER	QTY	DESCRIPTION	REV
	1001223547	1	DECAL INSTALLATION - CSA	C
1	0641406	4	Bolt, 1/4 x 3/4	
2	1701499	2	Decal - No Tie Down/Lift	
3	1701501	4	Decal - Arrow	
4	1701505	2	Decal - Diesel Fuel	
5	1701509	1	Decal - Manual	
6	1001233785	1	Decal - Charger Plug	
7	1702155	2	Decal - Battery Disconnect	
8	See Note	NSS	Decal - Bar Code (Note: Not Available for Purchase)	
9	1704000	2	Decal - No Hands	
10	1703924	1	Decal - Warning/Danger	
11	1703948	6	Decal - Warning/Crushing	
12	1703936	5	Decal - Electrocution	
13	1703811	4	Decal - Lifting Lug	
14	1703814	6	Decal - Tie Down	
15	1703942	5	Decal - Crushing	
16	1703959	2	Decal - Quik Stik	
17	1703960	4	Decal - Maximum Tire Load	
18	1704277	3	Decal - Lanyard Attach	
20	1704412	1	Decal - Hydraulic Oil	
21	1706064	1	Decal - Warning Fire Hazard	
22	1705347	1	Decal - Warning Inspection	
23	1705429	1	Decal - Drive/Steer Instructions	
24	See Note	NSS	Nameplate - Manufacturers (Note: Not Available for Purchase)	
25	1703984	1	Decal - Footswitch	
26	3311405	4	Nut 1/4	
27	3820001	2	Rivet	
28	4751400	8	Washer 1/4	
29	91403230	1	Box, Manual Storage	
30	1705977	1	Decal - Upright Level Over Ride	
31	1001121803	2	Decal - Warning Maximum Capacity	
32	1001121816	1	Decal - Warning Maximum Capacity	
33	1001125483	6	Decal - Pressure Wash	
34	1001131269	1	Decal - Patent	
35	1001174449	2	Decal - Hybrid	
36	1001223971	1	Decal - Yearly Inspection	
37	1001223552	1	Decal - Legend	
38	1001223553	1	Decal - Legend	
39	1001233063	2	Decal - Tipping Hazard	
40	1001233008	9	Decal - Electrical Shock Hazard	
41	1001223558	2	Decal - H800AJ	
42	1001228370	1	Decal - ICES	
43	1001228411	1	Decal - LED Indicator	
52	1001233452	1	Decal - Lifting Diagram	
54	1001117307	1	Decal - Emergency Stop	

SECTION 9 - DECALS

FIGURE 9-7. DECAL INSTALLATION - JAPANESE SPECS (ENGLISH/JAPANESE LANGUAGES)



NOTE: ITEMS SHOWN MAY NOT BE REQUIRED FOR ALL SPECS. REFER TO PARTS LISTS FOR USAGE.

NOTE: ADDITIONAL DECALS CALLED OUT ON DECAL INSTALLATION - OPTIONS.

ART_1001223545

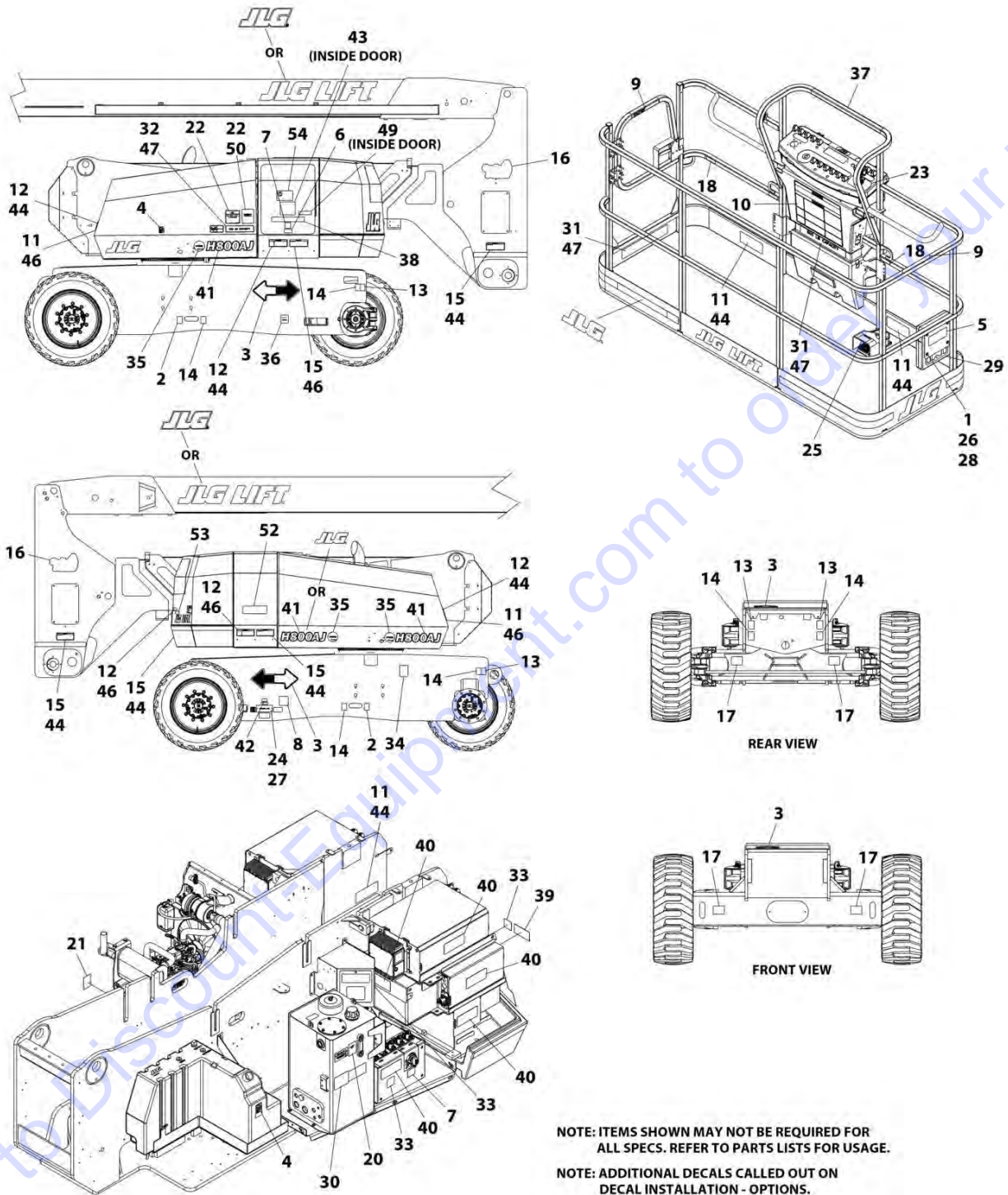
SECTION 9 - DECALS

FIGURE 9-7. DECAL INSTALLATION - JAPANESE SPECS (ENGLISH/JAPANESE LANGUAGES)

ITEM	PART NUMBER	QTY	DESCRIPTION	REV
	1001223545	1	DECAL INSTALLATION - JAPANESE	C
1	0641406	4	Bolt, 1/4 x 3/4	
2	1701499	2	Decal - No Tie Down/Left	
3	1701501	4	Decal - Arrow	
4	1701505	2	Decal - Diesel Fuel	
5	1701509	1	Decal - Manual	
6	1001233785	1	Decal - Charger Plug	
7	1702155	2	Decal - Battery Disconnect	
8	See Note	NSS	Decal - Bar Code (Note: Not Available for Purchase)	
10	1703926	1	Decal - Danger/Warning	
11	1703950	6	Decal - Crushing	
12	1703938	5	Decal - Electrocution	
13	1703811	4	Decal - Lifting Lug	
14	1703814	6	Decal - Tie Down	
15	1703944	5	Decal - Warning/Crushing	
16	1703959	2	Decal - Quik Stik	
17	1703960	4	Decal - Maximum Tire Load	
18	1704277	3	Decal - Lanyard Attach	
20	1704412	1	Decal - Hydraulic Oil	
21	1706062	1	Decal - Warning Explosion/Fire	
22	1705344	1	Decal - Warning Inspection	
23	1705426	1	Decal - Drive/Steer Instructions	
24	See Note	NSS	Nameplate - Manufacturers (Note: Not Available for Purchase)	
25	1703980	1	Decal - Footswitch	
26	3311405	4	Nut 1/4	
27	3820001	2	Rivet	
28	4751400	8	Washer 1/4	
29	91403230	1	Box, Manual Storage	
30	1705977	1	Decal - Upright Level Over Ride	
31	1001121808	2	Decal - Warning Maximum Capacity	
32	1001121821	1	Decal - Warning Maximum Capacity	
33	1001125483	6	Decal - Pressure Wash	
35	1001174449	2	Decal - Hybrid	
36	1001224053	1	Decal - Yearly Inspection	
37	1001223552	1	Decal - Legend	
38	1001223553	1	Decal - Legend	
39	1001233068	2	Decal - Tipping Hazard	
40	1001233013	9	Decal - Electrical Shock Hazard	
41	1001223558	2	Decal - H800AJ	
43	1001228411	1	Decal - LED Indicator	
52	1001233452	1	Decal - Lifting Diagram	
54	1001117307	1	Decal - Emergency Stop	

SECTION 9 - DECALS

FIGURE 9-8. DECAL INSTALLATION - KOREAN SPECS (ENGLISH/KOREAN LANGUAGES)



NOTE: ITEMS SHOWN MAY NOT BE REQUIRED FOR ALL SPECS. REFER TO PARTS LISTS FOR USAGE.

NOTE: ADDITIONAL DECALS CALLED OUT ON DECAL INSTALLATION - OPTIONS.

ART_1001223546

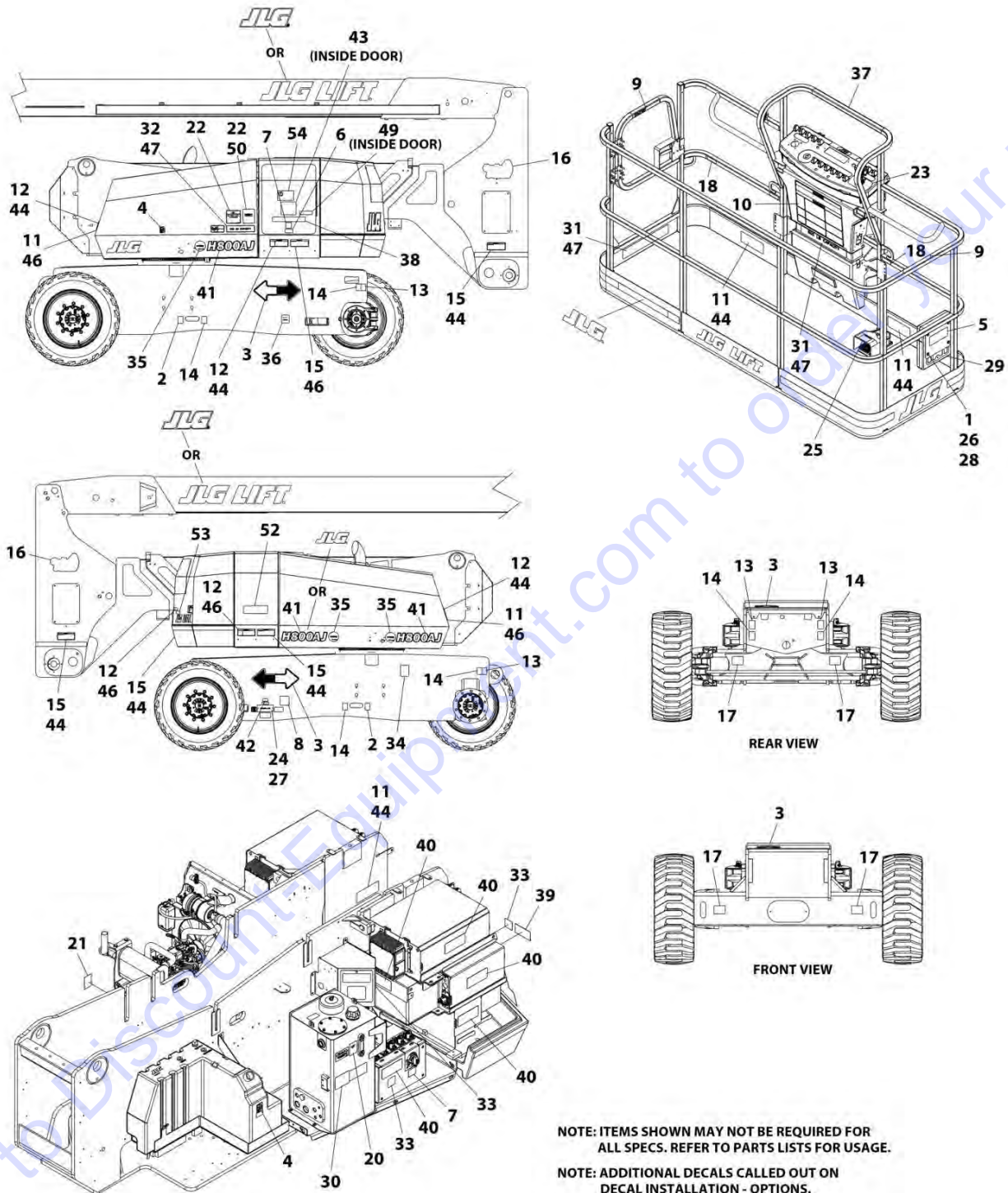
SECTION 9 - DECALS

FIGURE 9-8. DECAL INSTALLATION - KOREAN SPECS (ENGLISH/KOREAN LANGUAGES)

ITEM	PART NUMBER	QTY	DESCRIPTION	REV
	1001223546	1	DECAL INSTALLATION - KOREAN	C
1	0641406	4	Bolt, 1/4 x 3/4	
2	1701499	2	Decal - No Tie Down/Lift	
3	1701501	4	Decal - Arrow	
4	1701505	2	Decal - Diesel Fuel	
5	1701509	1	Decal - Manual	
6	1001233785	1	Decal - Charger Plug	
7	1702155	2	Decal - Battery Disconnect	
8	See Note	NSS	Decal - Bar Code (Note: Not Available for Purchase)	
9	1705969	2	Decal - No Hands	
10	1703927	1	Decal - Warning/Danger	
11	1703951	6	Decal - Warning/Crushing	
12	1703939	5	Decal - Danger Electrocutation	
13	1703811	4	Decal - Lifting Lug	
14	1703814	6	Decal - Tie Down	
15	1703945	5	Decal - Warning/Crushing	
16	1703959	2	Decal - Quik Stik	
17	1703960	4	Decal - Maximum Tire Load	
18	1704277	3	Decal - Lanyard Attach	
20	1704412	1	Decal - Hydraulic Oil	
21	1706061	1	Decal - Warning Fire Hazard	
22	1705345	1	Decal - Warning Inspection	
23	1705427	1	Decal - Drive/Steer Instructions	
24	See Note	NSS	Nameplate - Manufacturers (Note: Not Available for Purchase)	
25	1703981	1	Decal - Footswitch	
26	3311405	4	Nut 1/4	
27	3820001	2	Rivet	
28	4751400	8	Washer 1/4	
29	91403230	1	Box, Manual Storage	
30	1705977	1	Decal - Upright Level Over Ride	
31	1001121918	2	Decal - Warning Maximum Capacity	
32	1001121921	1	Decal - Warning Maximum Capacity	
33	1001125483	6	Decal - Pressure Wash	
35	1001174449	2	Decal - Hybrid	
36	1001224048	1	Decal - Yearly Inspection	
37	1001223552	1	Decal - Legend	
38	1001223553	1	Decal - Legend	
39	1001233064	2	Decal - Tipping Hazard	
40	1001233009	9	Decal - Electrical Shock Hazard	
41	1001223558	2	Decal - H800AJ	
43	1001228411	1	Decal - LED Indicator	
52	1001233452	1	Decal - Lifting Diagram	
54	1001117307	1	Decal - Emergency Stop	

SECTION 9 - DECALS

FIGURE 9-9. DECAL INSTALLATION - LATIN AMERICAN SPECS (ENGLISH/SPANISH LANGUAGES)



NOTE: ITEMS SHOWN MAY NOT BE REQUIRED FOR ALL SPECS. REFER TO PARTS LISTS FOR USAGE.

NOTE: ADDITIONAL DECALS CALLED OUT ON DECAL INSTALLATION - OPTIONS.

ART_1001223549

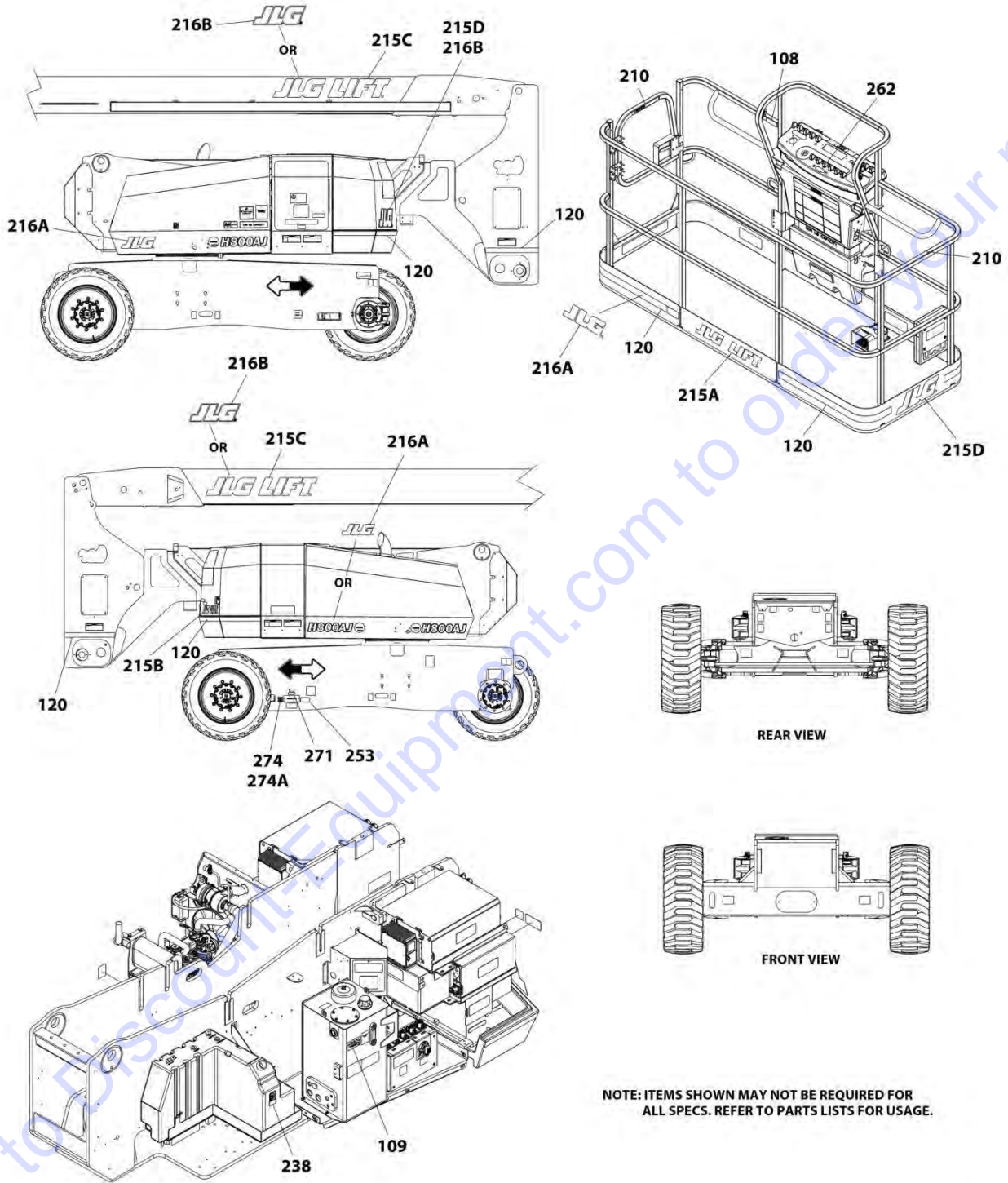
SECTION 9 - DECALS

FIGURE 9-9. DECAL INSTALLATION - LATIN AMERICAN SPECS (ENGLISH/SPANISH LANGUAGES)

ITEM	PART NUMBER	QTY	DESCRIPTION	REV
	1001223549	Ref	DECAL INSTALLATION - LATIN AMERICAN	C
1	0641406	4	Bolt, 1/4 x 3/4	
2	1701499	2	Decal - No Tie Down/Lift	
3	1701501	4	Decal - Arrow	
4	1701505	2	Decal - Diesel Fuel	
5	1701509	1	Decal - Manual	
6	1001233785	1	Decal - Charger Plug	
7	1702155	2	Decal - Battery Disconnect	
8	See Note	NSS	Decal - Bar Code (Note: Not Available for Purchase)	
9	1704001	2	Decal - No Hands	
10	1703923	1	Decal - Warning/Danger	
11	1703947	6	Decal - Warning/Crushing	
12	1703935	5	Decal - Electrocution	
13	1703811	4	Decal - Lifting Lug	
14	1703814	6	Decal - Tie Down	
15	1703941	5	Decal - Warning/Crushing	
16	1703959	2	Decal - Quik Stik	
17	1703960	4	Decal - Maximum Tire Load	
18	1704277	3	Decal - Lanyard Attach	
20	1704412	1	Decal - Hydraulic Oil	
21	1706063	1	Decal - Warning Fire Hazard	
22	1705917	1	Decal - Warning Inspection	
23	1705910	1	Decal - Drive/Steer Instuctions	
23	See Note	NSS	Nameplate - Manufacturers (Note: Not Available for Purchase)	
25	1703983	1	Decal - Footswitch	
26	3311405	4	Nut 1/4	
27	3820001	2	Rivet	
28	4751400	8	Washer 1/4	
29	91403230	1	Box, Manual Storage	
30	1705977	1	Decal - Upright Level Over Ride	
31	1001121805	2	Decal - Warning Maximum Capacity	
32	1001121818	1	Decal - Warning Maximum Capacity	
33	1001125483	6	Decal - Pressure Wash	
35	1001174449	2	Decal - Hybrid	
36	1001224049	1	Decal - Yearly Inspection	
37	1001223552	1	Decal - Legend	
38	1001223553	1	Decal - Legend	
39	1001233067	2	Decal - Tipping Hazard	
40	1001233012	9	Decal - Electrical Shock Hazard	
41	1001223558	2	Decal - H800AJ	
43	1001228411	1	Decal - LED Indicator	
52	1001233452	1	Decal - Lifting Diagram	
54	1001117307	1	Decal - Emergency Stop	

SECTION 9 - DECALS

FIGURE 9-10. DECALS INSTALLATION - OPTIONS



ART_DECAL_OPTIONS

SECTION 9 - DECALS

FIGURE 9-10. DECALS INSTALLATION - OPTIONS

ITEM	PART NUMBER	QTY	DESCRIPTION	REV
	1001223519	Ref	DECAL INSTALLATION - REFERENCE CHART	B
	1001221047	Ref	DECAL INSTALLATION - OPTIONS	C
108	1702962	1	Decal - Proposition 65	
109	1702788	1	Decal - Biodegradeable Hydraulic Fluid (All Specs except German Spec)	
109	1703479	1	Decal - Biodegradeable Hydraulic Fluid (German Spec)	
120	4420051	23 ft /7m	Decal - Warning Stripes	
		Ref	Decal - No Hands Options	
210	1702868	2	Decal - No Hands (ANSI/ANSI Export/Australian/CE Specs) (English Language)	
210	1705967	1	Decal - No Hands (Brazil Specs) (Portuguese & Spanish Languages)	
210	1001116846	2	Decal - No Hands (China Specs) (English & Chinese Languages)	
210	1704000	2	Decal - No Hands (CSA Specs) (English & French Languages)	
210	1705969	2	Decal - No Hands (Korean Specs) (English & Korean Languages)	
210	1704001	2	Decal - No Hands (Latin American Specs) (English & Spanish Languages)	
215	1001232986	Ref	Decal Installation - JLG Logo (All Specs Except CE Specs) (Not Shown)	B
215A	1702773	1	Decal - JLG	
215B	1702774	2	Decal - JLG Lift	
215C	1702861	2	Decal - JLG Lift	
215D	1001159323	1	Decal - JLG	
216	1001235097	Ref	Decal Installation - JLG Logo (CE Specs Only) (Not Shown)	A
216A	1702773	3	Decal - JLG	
216B	1001159323	3	Decal - JLG (CE Specs Only)	
238	1001125387	1	Decal - Ultra Low Sulfur Fuel (ANSI & CSA Specs)	
238	1001139654	1	Decal - Ultra Low Sulfur Fuel (CE Specs)	
253	1001143852	1	Decal - Emission Compliance (ANSI Export, Australian and China Specs)	
262	1001141300	1	Decal - SkyGuard Override (Without Soft-Touch)	
262	1001141302	1	Decal - SkyGuard Override (With Soft-Touch)	
271	1705514	1	Decal - CSA (CSA Specs)	
274	1001214030	1	Decal - EAC Installation (CIS and Russia Specs)	
274A	1001173703	1	Decal - EAC	

SECTION 10 - RECOMMENDED SERVICE PARTS STOCK

SECTION 10 - RECOMMENDED SERVICE PARTS STOCK

Go to Discount-Equipment.com to order your parts

SECTION 10 - RECOMMENDED SERVICE PARTS STOCK

FIGURE 10-1. RECOMMENDED SERVICE PARTS STOCK

ITEM	PART NUMBER	QTY	DESCRIPTION	REV
		Ref	Note: The following list will service one machine (built to current production per date on the front cover) with emergency repair parts which can be installed in the field. Parts from the list should be replaced when inventory is depleted to keep service parts stock supplied. For further information, go to Discount-equipment.com .	
		Ref	STANDARD PARTS	
	70002231	12	Element, Filter	
	70004460	1	Coil	
	70000582	1	Coil	
	70004595	1	Coil	
	70004653	1	Coil	
	7018991	1	Coil	
	70004463	1	Coil	
	70002814	12	Hydraulic Tank Service Kit	
	1001226932	2	Fuse 40Amp	
	1001226933	2	Fuse 80Amp	
	1001231544	1	Switch, STDP Interlock	
	1001222340	1	Relay, Main Contactor	
	1001222357	2	Fuse 500Amp	
	1001222365	1	Relay	
	1001228440	2	Fuse 15Amp	
	2400068	1	Fuse	
	3740112	1	Relay	
	8225117	1	Relay	
	8229234	2	Fuse 10Amp	
	8229236	2	Fuse 30Amp	
	8229237	2	Fuse 15Amp	
	8229261	2	Fuse 5Amp	
	1001095704	1	Relay	
	1001172066	2	Fuse 35Amp	
	1001227788	2	Fuse 2Amp	
	4360469	1	Switch, Key	
	2860030	1	Key, Replacement	
	4360475	1	Switch, Emergency Stop	
	4360476	1	Switch, Contact Block	
	1001155045	1	Switch, Toggle	
	1001190545	12	Strainer, Fuel	
	7015004	12	Element, Air Filter	
	70005296	12	Element, Fuel/Water Separator Filter	
	70002013	1	Repair Section - Power Track (Main Boom)	
	7020066	1	Repair Section - Power Track (Tower Boom)	
	70002386	1	Coil	
	4360331	1	Switch, Toggle	
	4360387	1	Switch, Push Button	
	4360407	1	Switch, Potentiometer	
	1001159256	1	Switch, Toggle	
	1001129555	1	Controller Assembly (Lift and Swing)	
	1001212415	1	Controller Assembly (Drive and Steer)	

SECTION 10 - RECOMMENDED SERVICE PARTS STOCK

ITEM	PART NUMBER	QTY	DESCRIPTION	REV
	4360328	1	Switch, Toggle	
	1001137673	1	Switch, SkyGuard Assembly	
	2400080	2	Fuse 1Amp	
	1001234313	2	Fuse 7.5Amp	
		Ref	VARIABLE PARTS	
	4360517	1	Switch, Proximity	
	70002838	1	Fill Cap Assembly (Includes Cap, Chain & Fill Basket)	
	1001222358	1	Regulator, Battery	
	1001219601	1	Sensor, Tilt	
	1001222361	1	Regulator	
	1001222879	1	Controller, IMG	
	1001223581	1	Control, H-Bridge	
	1001222338	1	Module, Ground Control	
	4360336	1	Switch, Toggle (With Generator)	
	4360578	1	Switch, Limit	
	4360498	1	Switch, Proximity	
	4360499	1	Switch, Proximity	
	1001094400	1	Sensor, Tilt Sensor	
	2940074	1	Latch (Machines with Gate)	
	1001106938	1	Module, Platform Control	
	4360057	1	Switch, Limit Machines with Soft Touch)	
	1001181045	1	Breaker, 30mA/16Amp (CE Spec)	

SECTION 11 - SPECIAL OPTIONS

Go to Discount-Equipment.com to order your parts

SECTION 11 - SPECIAL OPTIONS

FIGURE 11-1. SPECIAL OPTIONS

ITEM	PART NUMBER	QTY	DESCRIPTION	REV
	Note	Ref	Note: This list is to accommodate machines ordered with special equipment. Options may not be applicable to all models. For more specific parts information go to Discount-equipment.com.	
		Ref	MISCELLANEOUS SPECIAL OPTIONS	
	1001152965	Ref	Beacon/Strobe Light (Amber) (Platform Mounted) Installation	
	1001228656	Ref	Beacon/Strobe Light (Amber) (Dual Ground & Platform Mounted) Installation	
	1001158259	Ref	Bellows Installation - Chassis	
	2910887	Ref	Boom Wear Pad Kit	
	0258654	Ref	Boom Wipers Installation	
	1001172045	Ref	Cable/Ladder Carrier Installation (800AJ Only)	
		Ref	ClearSky Telematics Installation (Dealer Installed)	
	1001230187	Ref	ClearSky Telematics Installation - Canbus Connection (Dealer Installed) (ANSI & CSA Specs)	
	1001234099	Ref	ClearSky Telematics Installation - Canbus Connection (Dealer Installed) (CE Specs)	
	1001230504	Ref	ClearSky Telematics Installation - 3 Wire Connection (Dealer Installed) (ANSI & CSA Specs)	
	1001234102	Ref	ClearSky Telematics Installation - 3 Wire Connection (Dealer Installed) (CE Specs)	
		Ref	ClearSky Telematics Installation (Factory Installed)	
	1001227448	Ref	ClearSky Telematics Installation - Canbus Connection (Factory Installed) (ANSI & CSA Specs)	
	1001246473	Ref	ClearSky Telematics Installation - Canbus Connection (Factory Installed) (Australian Specs)	
	1001228949	Ref	ClearSky Telematics Installation - Canbus Connection (Factory Installed) (ANSI Export & CE Specs)	
	1001246474	Ref	ClearSky Telematics Installation - Canbus Connection (Factory Installed) (China Specs)	
	1001229107	Ref	ClearSky Telematics Installation - 3 Wire Connection (Factory Installed) (ANSI & CSA Specs)	
	1001233237	Ref	ClearSky Telematics Installation - 3 Wire Connection (Factory Installed) (ANSI Export & CE Specs)	
	1001242192	Ref	ClearSky Access Control Add-on Kit	
	1001243183	Ref	ClearSky Telematics Access Control Add-on Kit - Canbus (ANSI & CSA Specs)	
	1001243184	Ref	ClearSky Telematics Access Control Add-on Kit - Canbus (ANSI Export & CE Specs)	
	1001235269	Ref	Clutch Actuator Installation Kit	
	1001227904	Ref	Cold Weather Package Installation - 120V (All Specs except CE Specs)	
	1001232214	Ref	Cold Weather Package Installation - 240V (CE Specs Only)	
	1001115918	Ref	Cribbing Installation	
		Ref	Decal Installation Options:	
	1001127094	Ref	Decal - ClearSky (ANSI, ANSI Export, CSA and CE Spec) (Steel Hoods)	
	0274528	Ref	Decal - Head and Engquist Equipment L.L.C. (HANDE)	
		Ref	Decal Kit Options:	
	1001220864	Ref	Boom Transport Decal Kit	
	1001108721	Ref	Platform Decal Kit	
	2902396	Ref	Drive/Steer Cutout Kit	
	1001238307	Ref	Dual Plug Charging Kit – 120V	

SECTION 11 - SPECIAL OPTIONS

ITEM	PART NUMBER	QTY	DESCRIPTION	REV
	1001148902	Ref	Electrical Connector Kits - Amp	
	1001148903	Ref	Electrical Connector Kits - Deutsch DT	
	1001148904	Ref	Electrical Connector Kits - Deutsch HD	
	1001148905	Ref	Electrical Connector Kits - Packard	
	1001148906	Ref	Electrical Connector Kits - Various	
	1001246867	Ref	Enhanced Detection System (EDS) Level 1 (2-Bar) Installation Kit	
	1001246860	Ref	Enhanced Detection System (EDS) Level 2 (3-Bar) Installation Kit	
	1001108962	Ref	Exhaust Rain Cap Installation (Australian and CE Specs)	
	1001139099	Ref	Fire Extinguisher Installation (20lb)	
	2300004	Ref	Fluids - Coolant, Standard (Deutz TD2.9L4/GM Engines without Arctic Package)	
	1001159301	Ref	Fluids - Engine Oil, (10W-30)	
	2300014	Ref	Fluids - Hydraulic Fluids - Mobil 424	
	2300016	Ref	Fluids - Hydraulic Fluids - Mobil DTE 10 Excel 32	
	2300042	Ref	Fluids - Hydraulic Fluids - Biodegradeable	
	2300029	Ref	Fluids - Hydraulic Fluids - Biodegradeable Synthetic	
	2300019	Ref	Fluids - Hydraulic Fluids - Quintolubric Fire Resistant	
	3020039	Ref	Fluids - Lubricant (Axle Pivot)	
	3020029	Ref	Fluids - Lubricant (Kingpin)	
	1001117294	Ref	Footswitch Shield (Note: Move Decal to Shield)	
	1001202749	Ref	Fuel Cap Cover Installation (Black) (Note: Lock p/n 1001102157 must be Purchased Separately)	
	1001191395	Ref	Fuel Cap Cover Installation (Green) (Diesel Machines) (Note: Lock p/n 1001102157 must be Purchased Separately)	
	1001094475	Ref	Generator Hourmeter Installation	
	1001227816	Ref	Headlights and Taillights Installation	
	1001183225	Ref	Hose Kit - Main Boom	
	1001183226	Ref	Hose Kit - Tower Boom	
	1001148971	Ref	Lanyard (Bolt-On) Kit Installation	
	1001195304	Ref	Platform Console Cover Installation (Factory Installed)	
	1001110974	Ref	Platform Console Cover Installation (Factory Installed)	
	1580013	Ref	Platform Corner Tray Installation	
	1001142504	Ref	Platform Entry Kit - Drop Bar (To Replace Swing Gate with Drop Bar)	
	1001142505	Ref	Platform Entry Kit - Swing Gate (To Replace Drop Bar with Swing Gate)	
	1001120467	Ref	Platform Floodlights Installation	
	0273147	Ref	Platform Mesh to Top Rail Installation - 2.5ft x 4ft Platforms (ANSI/ANSI Export and CSA Specs)	
	0273149	Ref	Platform Mesh to Top Rail Installation - 3ft x 6ft Platforms (ANSI/ANSI Export and CSA Specs)	
	0273145	Ref	Platform Mesh to Top Rail Installation - 3ft x 8ft Platforms (ANSI/ANSI Export and CSA Specs)	
		Ref	Platform Mesh to Top Rail Add-on Kits:	
	1001214552	Ref	30in x 4ft (76cm x 1.22m) with Gate	
	1001214561	Ref	36in x 6ft (91.5cm x 1.83m) with Gate	
	1001214562	Ref	36in x 8ft (91.5cm x 2.44m) with Gate	
		Ref	Platform Mesh to Mid Rail Add-On Kits: (ANSI Specs)	
	1001214478	Ref	30in x 4ft (76cm x 1.22m) with Gate	
	1001214524	Ref	30in x 6ft (76cm x 1.83m) with Gate	
	1001214540	Ref	36in x 6ft (91.5cm x 1.83m) with Gate	
	1001214548	Ref	36in x 8ft (91.5cm x 2.44m) with Gate	
	0272733	Ref	Platform, Top Rail Extension Installation - 3ft x 6ft Platforms	

SECTION 11 - SPECIAL OPTIONS

ITEM	PART NUMBER	QTY	DESCRIPTION	REV
	0272725	Ref	Platform, Top Rail Extension Installation - 3ft x 8ft Platforms	
	1001120466	Ref	Platform Worklights Installation	
	1001209059	Ref	Platform Work Surface Installation	
	1001247073	Ref	SkyEye Retrofit Kit	
	1001205492	Ref	SkyGlazier Tray Kit (ANSI Specs)	
	1001197016	Ref	SkyGuard Platform Sensor Kit	
	1001232643	Ref	SkyLine Kit	
	1001157013	Ref	Soft-Touch Counterweight Installation	
		Ref	Tools for Service	
	1600244	1	Analyzer, Machine System	
	7002840	1	Antirotaion Pin Removal Tool	
	1001227898	1	Clutch Shaft Alignment Tool (Production)	
	1001234306	1	Clutch Shaft Alignment Tool (Service)	
	8896941	1	Wire Stripper	
	7002821	1	Wire Crimper (To install wire ends to wires)	
	7002823	1	Pin/Socket Extractor - Universal (To Remove Pins/Sockets from Connectors)	
	4460467	1	Extractor - 16-18 Gauge (For Removal of Pin/Sockets from Deutsch Connectors)	
	4460510	1	Extractor - 12-14 Gauge (For Removal of Pin/Sockets from Deutsch Connectors)	
	7002822	1	Screwdriver, Potentiometer (To Adjust Drive Controllers)	
	7016654	1	Screwdriver, Magnetic	
	7004275	1	Seal Installation Tool - 1in	
	7004276	1	Seal Installation Tool - 1-1/2in	
	7002826	1	Seal Installation Tool - 2in	
	7016655	1	Wire Rope Sheave Gauge	
	7016652	1	Huck Bolt Fastener (For Small Huck Bolts Only)	
	70000017	1	ADE Software CD	
	1001137005	1	Software Cable Kit	
	70005663	1	Tool, Port Plate for Pump p/n 1001142522	
	0256196	Ref	Wheel Covers Installation	

PART NUMBER INDEX

Go to Discount-Equipment.com to order your parts

PART NUMBER INDEX

0100009.....95, 233, 237	0272725.....500	0641516.....165, 169	0721005....253, 255, 257, 259
0100011....13, 15, 17, 19, 21, 39, 41, 45, 47, 65, 69, 71, 75, 77, 80, 87, 89, 95, 101, 105, 107, 109, 111, 113, 116, 119, 121, 126, 129, 132, 135, 137, 147, 161, 165, 169, 177, 179, 181, 185, 187, 189, 191, 195, 199, 201, 203, 209, 213, 217, 223, 253, 255, 257, 259, 263, 265, 269, 271, 273, 275, 291, 295, 299, 303, 307, 311, 317, 321, 381, 385, 395, 397, 399, 401, 403	0272733.....499	0641560.....21	0741607....161, 165, 169, 177
010001959, 65, 161, 165, 169	0273145.....499	0641604.....177, 195	0741609.....19
0100020....126, 132, 251, 347, 349, 353, 355, 357, 359, 361, 363, 365, 367, 369	0273147.....499	0641605.....187	0760508.....139
0100035.....89, 199, 233, 237	0273149.....499	0641606 .39, 45, 47, 177, 179, 185, 187, 271, 273, 275	0760606....147, 162, 166, 170
0100038....181, 187, 291, 295, 299, 303, 307, 311, 317, 321	0273706.....259	0641607 .17, 19, 71, 116, 177, 179, 181, 185, 191	0760607.....132
0100048....101, 161, 165, 169, 197, 233, 237, 419	0273824.....253	0641608 ... 37, 71, 75, 80, 83, 85, 89, 113, 116, 177, 179, 181	0760608.....132
0100062.....133	0274528.....498	0641609 116, 179, 181	0760610.....93, 132
0100079.....169	0275216.....347, 443	0641610 ... 105, 107, 109, 111, 116, 126, 181, 229, 231	0760612.....157
0100081....116, 185, 233, 267	0275217.....353, 445	064161169, 177	0760807.....80, 89
0140011.....233, 237	0275452.....357, 447	0641612 ... 179, 395, 397, 399, 401, 403	0760808.....133
0140044.....101	0275453.....361, 449	064161445, 47, 71	0760810.....132, 203
0200048....253, 255, 257, 259	0275454.....365, 451	0641615181	0760812.....87
0232121.....41	0275733.....197	0641616 ... 161, 166, 169, 181	0760814.....135, 157
0256196.....500	0340045.....132	0641618177	0761010.....135
0256202.....375	0370034.....295	0641622.....187	0761014.....203
0258077.....185	0400075.....87	0641624185, 187	0761015.....132, 135
0258217.....195	0440244.....65	0641640185	0761016.....132, 135
0258567.....199	0480100.....279	0641652321	0761020.....135
0258654.....498	0561185.....181	0641806 181, 317, 319	0761215....127, 161, 165, 169
0259420.....187	0561295.....179	0641808127	0761216.....203
0270886.....31	0610131.....95	064181017, 19, 80	0801132.....176, 181
0270888.....33	0630427.....195	0641812 69, 80, 129, 201, 203	0801496.....181
0271085.....31	0630446.....75	064181480	0801573.....179
0271086.....31	0630462 ... 253, 255, 257, 259	0641816159	0801591.....179
0271090.....33	0630467189, 191	064182069, 177	0811406.....89
0271091.....33	0630485116	0641824159	0811606.....89
0271340.....243	0630518 ... 271, 273, 275	0641840177	0811608.....71, 133
0272070.....201	0630534299, 301	0642012267	0811610.....116
0272254.....273	0630535 ... 291, 293, 311, 313, 317, 319, 321, 323	064201659, 126	0811812.....116
0272259.....345	0630536307, 309	064221213, 15, 267	0860038....169, 345, 351
0272260.....351	0630537 ... 295, 297, 303, 305	0642214177	0861538.....169
0272427.....257	063054895	0642620177	0861572.....165
0272433.....377	0630568234, 238	0642684201, 203	0861731....359, 363, 367, 369, 447, 449, 451
0272435.....170	0641403199	0681608 ... 13, 15, 71, 87, 201, 203	0861781....349, 355, 443, 445
0272448.....273	0641404 ... 161, 165, 169, 177, 233, 237, 269	0681620 281, 283, 285	0861880.....409, 411
0272521.....271	0641405 .80, 95, 101, 269	0681814219, 225	0902888.....165, 169
0272588.....271	0641406 80, 87, 113, 161, 227, 229, 231, 379, 381, 383, 385, 473, 475, 477, 479, 481, 483, 485, 487, 489	068182221, 219, 225	0903242.....69
0272589.....166	064140780, 95, 126	068201621	0903697.....383
	0641408 .87, 89, 95, 116, 126, 197, 229, 231	068202365	0940049.....116
	064141039	068203265	0940092....253, 255, 257, 259
	0641414 45, 47, 233, 237, 253, 255, 257, 259, 263, 265	068221659	0940094....253, 255, 257, 259
	0641416 ... 347, 349, 353, 355, 357, 359, 361, 363, 365, 367, 369	068223613, 15	0940102.....267
	0641418 ... 189, 191, 209, 213, 217, 223	0682424 281, 283, 285	0940103.....253, 257
	064142489, 177	0700408 ... 347, 349, 353, 355, 357, 359, 361, 363, 365, 367, 369	0940133.....259
	064143245, 47	0700615 87, 105, 107, 109, 111	0940177.....255
	064150593	0700617119	0961845....209, 213, 217, 223
	064150687, 419	0700618121	0961893.....299, 301
	064150777	0700815135	0961894....291, 293, 311, 313
	064150841, 116, 126	0701217126	0961897....317, 319, 321, 323
	064151089	0711626132	0961901.....295, 303
	0641514279		0961903.....307
			0961947.....176

PART NUMBER INDEX

0961951 ... 179, 291, 293, 311, 313	1001106974..... 69	1001119031..... 433	1001140429 209, 213, 217, 223
0961986 126, 133	1001107469..... 279	1001119602..... 336	1001141300 491
0962051 159	1001107529..... 69	1001119619..... 417, 455	1001141302 491
0962102 13, 15, 179, 181, 295, 297, 303, 305, 307, 309	1001107854..... 467	1001119620..... 457, 459	1001141995 132
0962122 181	1001108134..... 93	1001120328..... 263, 265, 269, 439	1001142504 499
0962152 19, 315	1001108256..... 255	1001120466..... 500	1001142505 499
0962155 311, 313	1001108617..... 45, 47	1001120467..... 499	1001142683 105, 107, 109, 111
0962181 19	1001108721..... 498	1001120750..... 93	1001142722 87, 105, 107, 109, 111
0962270 219, 225	1001108962..... 499	1001121122..... 116	1001142736 105, 107, 109, 111, 463
0962335 176	1001109654..... 379, 383, 409	1001121123..... 116	1001143852 491
0962336 299, 301	1001110166..... 116	1001121655..... 477	1001144295 419, 437
0962348 19	1001110425..... 45, 47	1001121656..... 477	1001144296 421
0962520 ... 161, 165, 169	1001110434..... 233, 237	1001121726..... 421	1001144433 233, 265
0962524 317	1001110872..... 371, 373	1001121727..... 417	1001144527 113
1001091460 27	1001110873..... 169, 345	1001121801..... 473	1001144629 207, 211, 215, 221
1001091461 27	1001110974..... 499	1001121803..... 483	1001146219 132
1001091969 347	1001112551..... 475	1001121805..... 489	1001146220 95, 233, 237
1001091970 353	1001112612..... 389, 391, 463, 465	1001121808..... 485	1001146588 93, 419
1001091973 357	1001112796..... 435, 463	1001121810..... 481	1001147923 421
1001091974 361	1001113047.. 89, 93, 113, 116	1001121814..... 473	1001148106 423
1001091975 365	1001113961..... 465	1001121816..... 483	1001148652 179
1001093382 87	1001115918..... 498	1001121818..... 489	1001148675 371, 373
1001094400 197, 495	1001116290..... 119, 121	1001121821..... 485	1001148902 499
1001094475 499	1001116694..... 417	1001121823..... 481	1001148903 499
1001094595 129, 149	1001116716..... 467	1001121918..... 487	1001148904 499
1001095704 93, 494	1001116720..... 467, 469	1001121921..... 487	1001148905 499
1001096138 435	1001116723..... 417	1001125125..... 401, 403	1001148906 499
1001096141 473	1001116727..... 417, 421	1001125126..... 401, 403	1001148971 499
1001096736 197	1001116745..... 417	1001125387..... 491	1001149284 179, 317
1001097051 395, 397, 399, 401, 403, 457	1001116747..... 421	1001125483..... 473, 475, 477, 479, 481, 483, 485, 487, 489	1001149286 176, 179
1001097082 395, 397, 399, 401, 403	1001116774..... 417, 463	1001125677 439, 465	1001149391 317, 319
1001097150 409	1001116808..... 417, 463	1001125748 423	1001150260 116
1001098122 251, 435, 439	1001116810..... 389, 391	1001125773 423	1001150372 17, 19
1001098167 289	1001116811..... 423	1001126008..... 387, 393	1001150539 .. 17, 19, 315
1001098828 203	1001116812..... 433, 435, 465, 467	1001126009..... 461	1001150610 423
1001099366 267	1001116816..... 465	1001126010..... 453	1001150611 421
1001099367 267	1001116846..... 481, 491	1001126011..... 387, 439	1001150937 17, 19
1001099837 185	1001116849..... 481	1001127094..... 498	1001151034 17
1001100341 443	1001116851..... 481	1001128241..... 93	1001151980 17
1001100342 445	1001116855..... 481	1001128527..... 275	1001152483 413
1001100345 447	1001116994..... 435	1001128556..... 275	1001152525 166, 170
1001100346 451	1001116995..... 423	1001129555..... 494	1001152532 161, 425
1001100347 449	1001117012..... 435	1001129772..... 423	1001152565 189, 191, 193
1001101060 59, 62	1001117107..... 415	1001129773..... 423	1001152719 13
1001101191 347, 349, 353, 355, 357, 359, 361, 363, 365, 367, 369, 409, 411, 413	1001117172..... 251	1001130900..... 415	1001152965 498
1001101196 347, 349, 353, 355	1001117174..... 233, 237, 251	1001131130..... 117	1001153025 342
1001101197 357, 359, 361, 363, 365, 367, 369	1001117219..... 117	1001131269..... 473, 483	1001153612 453
1001103012 467	1001117294..... 499	1001131300..... 117	1001153749 197, 467
1001103308 93, 95	1001117307..... 473, 475, 477, 479, 481, 483, 485, 487, 489	1001131269..... 473, 483	1001154126 289
1001103810 17, 19	1001117372..... 289	1001136400..... 185	1001154584 13
1001104498 467	1001117568..... 116	1001136881..... 337	1001154687 289
1001106450 279	1001118280..... 133	1001137005..... 500	1001154875 15
1001106481 199	1001118384..... 461	1001137673..... 263, 265, 495	1001154931 19
1001106736 95	1001118388..... 461, 469	1001138173..... 132	1001155035 19
1001106938 233, 237, 495	1001118579..... 135	1001138175..... 132	1001155043 95
	1001118657..... 423	1001138248..... 133	1001155044 95, 233, 237
	1001118659..... 423	1001138494 209, 213, 217, 223	1001155045 95, 233, 237, 494
	1001118744..... 421	1001138514 209, 213, 217, 223	1001155192 19
	1001118745..... 421	1001138566..... 161	1001155194 15
	1001118746..... 126, 135	1001138795..... 301	1001155348 165, 169
	1001119020..... 463	1001138796..... 293, 313	
		1001139099..... 499	
		1001139654..... 491	

PART NUMBER INDEX

1001155673.....	336	1001169054.....	132	1001186334.....	225	1001201351.....	203
1001155895.....	116	1001169085.....	103, 105, 107, 109, 111	1001186375.....	209	1001202687.....	203
1001155899.....	116	1001169138.....	132	1001186378.....	213	1001202688.....	201
1001156136.....	59	1001169754.....	35, 37	1001186379.....	217	1001202749.....	499
1001156332.....	331	1001169755.....	35, 37	1001186382.....	223	1001203655.....	219
1001156333.....	331	1001169756.....	35, 37	1001186383.....	221	1001203656.....	225
1001156710.....	13, 15	1001169757.....	35	1001186384.....	215	1001204510.....	475, 479
1001156798.....	67	1001169967.....	132	1001186385.....	211	1001204560.....	13, 15, 289
1001157013.....	500	1001170035.....	132	1001186387.....	207	1001204725.....	203
1001157016.....	21	1001170448.....	176	1001186431.....	265	1001205492.....	500
1001157049.....	65	1001170527.....	185	1001186432.....	461, 469	1001205690.....	385, 413
1001157058.....	65	1001170548.....	176	1001186517.....	263, 265	1001205958.....	357, 359, 361, 363, 365, 367
1001157209.....	117, 119	1001170838.....	95, 234, 238	1001186919.....	135, 162, 166, 170	1001206119.....	161
1001157292.....	233, 237	1001170981.....	132	1001187508.....	263	1001206250.....	359
1001157400.....	327, 340	1001171016.....	383	1001187674.....	261	1001206251.....	363
1001157401.....	339, 340	1001171131.....	371	1001187681.....	455	1001206252.....	367
1001157520.....	166, 170	1001171203.....	187	1001188135.....	331	1001206253.....	349
1001157521.....	166, 170	1001171482.....	95	1001188387.....	423	1001206254.....	355
1001157525.....	165, 166	1001172045.....	498	1001188622.....	203	1001206255.....	369
1001157528.....	166, 170	1001172066.....	93, 494	1001188840.....	181, 321	1001206920.....	201
1001157592.....	170	1001172179.....	187	1001188842.....	323	1001207004.....	109, 111
1001157612.....	116	1001172218.....	45, 47, 49	1001188844.....	203	1001207969.....	191
1001158007.....	166, 170	1001172533.....	133	1001188874.....	95	1001208994.....	191, 203
1001158008.....	166, 170	1001172570.....	267	1001188889.....	263	1001209059.....	500
1001158187.....	39	1001172577.....	267	1001189001.....	203	1001209664.....	263, 265
1001158188.....	39	1001172578.....	267	1001189002.....	203	1001211363.....	234, 238
1001158203.....	39	1001172620.....	267	1001189171.....	413	1001212415.....	494
1001158258.....	41	1001172663.....	203	1001189172.....	413	1001213447.....	439
1001158259.....	498	1001172760.....	234, 238	1001189570.....	467	1001213584.....	345, 351, 375, 379, 381, 385
1001158364.....	101	1001173703.....	491	1001189571.....	467	1001213585.....	345, 351, 375, 379, 381, 385
1001158522.....	41	1001174449.....	473, 475, 477, 479, 481, 483, 485, 487, 489	1001189572.....	467	1001213705.....	177
1001159118.....	371, 373	1001174486.....	126	1001189750.....	433	1001213852.....	279
1001159119.....	371, 373	1001175073.....	159	1001189882.....	479	1001213882.....	234, 238
1001159120.....	371, 373	1001175074.....	159	1001190164.....	132	1001213888.....	234, 238
1001159121.....	373	1001175075.....	159	1001190545.....	126, 494	1001214030.....	491
1001159162.....	93	1001176469.....	99	1001190577.....	393	1001214478.....	499
1001159186.....	431, 439	1001176862.....	371	1001190578.....	439	1001214524.....	499
1001159256.....	233, 237, 494	1001177035.....	379	1001190609.....	126, 155	1001214540.....	499
1001159301.....	126, 499	1001177710.....	379	1001190985.....	203	1001214548.....	499
1001159323.....	491	1001178057.....	71, 73	1001191395.....	499	1001214548.....	499
1001159648.....	342	1001179079.....	336	1001193018.....	347, 349, 353, 355, 357, 359, 361, 363, 365, 367, 369	1001214552.....	499
1001159707.....	337	1001179154.....	170	1001196768.....	117	1001214561.....	499
1001160271.....	342	1001179329.....	336	1001197016.....	500	1001214562.....	499
1001160780.....	41	1001179545.....	336	1001197017.....	253, 255, 257, 259	1001214690.....	133
1001161089.....	116	1001179546.....	336	1001198333.....	332	1001215228.....	234, 238
1001161355.....	17, 19	1001180620.....	132, 139	1001198336.....	327	1001215289.....	337
1001161399.....	17, 19	1001181045.....	409, 411, 495	1001198338.....	332	1001216630.....	201, 203
1001161709.....	234, 237	1001181923.....	419	1001198339.....	327	1001217183.....	132
1001162497.....	87	1001182162.....	336	1001198340.....	332	1001217185.....	132
1001163101.....	113	1001182980.....	132	1001198341.....	332	1001217780.....	176, 183
1001163101.....	113	1001182982.....	132	1001199035.....	267	1001218572.....	75
1001165035.....	126	1001182983.....	132	1001199036.....	267	1001218622.....	377
1001165350.....	177	1001182988.....	132	1001200054.....	189, 191	1001218623.....	377
1001165368.....	161, 381, 411	1001182997.....	75	1001200491.....	203	1001219219.....	21, 27
1001165657.....	17, 19	1001183225.....	499	1001200494.....	203	1001219415.....	279
1001166538.....	234, 237, 245	1001183226.....	499	1001200497.....	197, 417, 421	1001219601.....	87, 495
1001166539.....	234, 238, 247	1001183726.....	162, 166, 170	1001200910.....	105, 107	1001220486.....	234, 238
1001167164.....	157	1001185281.....	234, 238			1001220864.....	498
1001167565.....	203	1001185585.....	126			1001221047.....	491
1001167567.....	203	1001185964.....	421			1001221692.....	342
1001167596.....	203	1001186251.....	116			1001221813.....	147
1001168243.....	89	1001186254.....	117			1001222042.....	234, 238, 439
1001168244.....	89	1001186333.....	219			1001222047.....	393, 419
1001168402.....	203					1001222048.....	419, 431
						1001222050.....	93, 421

PART NUMBER INDEX

1001222052 415, 419	1001223554 473	1001225969 95	1001227851 401
1001222055 395, 397, 399, 401, 403, 405	1001223556 473	1001225976 87, 95	1001227852 403
1001222336 387	1001223558 473, 475, 477, 479, 481, 483, 485, 487, 489	1001225985 126	1001227853 397
1001222338 95, 495	1001223560 475, 479	1001225994 419, 435	1001227869 77
1001222340 89, 494	1001223561 475, 479	1001226031 83, 85	1001227870 77
1001222357 494	1001223565 97	1001226120 87, 89	1001227892 336, 340
1001222358 80, 495	1001223569 99	1001226121 90	1001227898 500
1001222359 83, 85	1001223570 95	1001226124 90	1001227901 85
1001222360 83, 85	1001223581 93, 495	1001226146 89	1001227904 498
1001222361 495	1001223583 87	1001226190 89	1001227909 147
1001222363 89	1001223721 135	1001226267 419	1001227910 331, 340
1001222365 89, 494	1001223744 135	1001226268 419	1001227925 419
1001222369 419, 453	1001223754 129, 132	1001226269 419	1001227985 261
1001222370 419	1001223787 132	1001226270 419	1001227987 261
1001222371 419	1001223794 423	1001226404 93, 419, 433	1001227996 457, 459
1001222372 419	1001223797 423	1001226421 117	1001228009 176, 309
1001222375 89	1001223842 135	1001226452 117	1001228010 176, 305
1001222378 89	1001223916 90	1001226453 117	1001228030 176, 293
1001222379 387	1001223917 90	1001226468 453	1001228041 176, 297
1001222380 387	1001223918 90	1001226489 89	1001228050 176, 313
1001222465 132, 139	1001223949 419	1001226492 89	1001228086 181, 323
1001222706 229	1001223950 419	1001226506 453	1001228087 179, 319
1001222707 229, 233	1001223951 90	1001226522 419	1001228113 113
1001222709 234, 238	1001223952 90	1001226549 126, 129	1001228170 45, 47, 53
1001222710 241	1001223953 90	1001226551 129	1001228224 261
1001222713 241	1001223971 483	1001226669 126	1001228225 261
1001222731 147	1001223977 71	1001226814 45, 47, 57	1001228359 117
1001222783 137	1001223978 87, 419	1001226929 87	1001228370 473, 483
1001222784 135	1001223981 77	1001226930 87	1001228403 117
1001222797 147	1001223987 133	1001226931 87	1001228411 473, 475, 477, 479, 481, 483, 485, 487, 489
1001222879 89, 495	1001223997 135	1001226932 87, 494	1001228440 89, 494
1001222882 132	1001224000 135	1001226933 87, 494	1001228475 113
1001222883 132	1001224009 135	1001226934 87	1001228506 321
1001222884 132	1001224048 487	1001226935 80, 89	1001228517 117
1001222896 137, 141	1001224049 489	1001227080 387, 419	1001228628 453
1001222915 90	1001224050 481	1001227160 340	1001228629 453
1001223055 473	1001224052 477	1001227198 77	1001228656 498
1001223059 147	1001224053 485	1001227307 113	1001228657 109
1001223061 137	1001224123 75	1001227338 71	1001228658 105
1001223088 135	1001224384 75	1001227356 395, 397, 399, 401, 403, 407	1001228678 332
1001223124 83	1001224584 135, 137	1001227359 395, 397, 399, 401, 403	1001228679 332
1001223148 137	1001224585 135, 147	1001227383 71	1001228696 331
1001223195 81, 90	1001224589 133, 135	1001227448 498	1001228723 135
1001223196 81, 90	1001224943 89	1001227526 161, 166, 170	1001228799 47, 191
1001223198 81, 90	1001225072 139	1001227575 45, 189	1001228882 117
1001223200 81, 90	1001225093 135	1001227633 261	1001228945 117
1001223260 419, 437	1001225094 135	1001227634 261	1001228949 498
1001223302 132, 135	1001225095 135	1001227723 169	1001228984 419, 465
1001223405 132	1001225104 135	1001227724 161	1001228985 417, 419
1001223431 423	1001225120 95	1001227725 165	1001228988 271, 273, 275
1001223433 395	1001225131 387	1001227731 117	1001229017 95
1001223460 421	1001225219 467	1001227734 117	1001229018 95
1001223519 491	1001225362 453	1001227735 117	1001229066 159
1001223542 473	1001225429 135	1001227740 157	1001229067 159
1001223543 475	1001225476 415	1001227741 157	1001229080 161, 381, 385
1001223544 479	1001225477 415	1001227742 157	1001229098 113
1001223545 485	1001225557 387	1001227743 157	1001229107 498
1001223546 487	1001225558 387	1001227763 89	1001229208 103
1001223547 483	1001225580 265, 469	1001227788 93, 494	1001229232 467
1001223548 481	1001225591 415	1001227793 116	1001229233 465
1001223549 489	1001225731 126	1001227794 117	1001229341 261
1001223550 477	1001225733 126	1001227798 117	1001229530 435, 437
1001223552 473, 477, 481, 483, 485, 487, 489	1001225745 129, 153	1001227816 499	1001229556 117
1001223553 473, 477, 481, 483, 485, 487, 489	1001225804 77	1001227850 399	
	1001225968 95		

PART NUMBER INDEX

1001229561..... 133	1001232375..... 133	1001234945..... 267	1001247415..... 133, 139
1001229790..... 93	1001232494..... 87, 93	1001234946..... 267	1001248012..... 176, 301
1001229791..... 93	1001232495..... 93	1001234947..... 267	1060341..... 253, 255, 257, 259
1001230008..... 116	1001232499..... 93	1001235011..... 269	1060343..... 170
1001230010..... 117	1001232528..... 127	1001235013..... 269	1060379..... 279
1001230014..... 116	1001232529..... 129	1001235097..... 491	1060545..... 411, 413
1001230154..... 90	1001232642..... 269	1001235269..... 498	1060637..... 127
1001230187..... 498	1001232643..... 500	1001235296..... 161, 166	1060903..... 253, 255, 257, 259
1001230504..... 498	1001232650..... 269	1001235452..... 135	1060908..... 409
1001230507..... 90	1001232667..... 269	1001235453..... 135	1060918..... 251
1001230522..... 93, 467	1001232840..... 387	1001235518..... 117	10702077..... 166, 170
1001230605..... 126, 423	1001232841..... 387	1001235519..... 170	10702082..... 166, 170
1001230711..... 80	1001232893..... 475	1001235839..... 113	1120510..... 176
1001230712..... 80	1001232986..... 491	1001235943..... 116	1120555..... 267
1001230714..... 89	1001233008..... 483	1001235944..... 116	1120601..... 116
1001231225..... 161, 166, 170, 429	1001233009..... 487	1001236206..... 135	1180346..... 187
1001231249..... 80	1001233010..... 481	1001236341..... 126	1260017..... 41, 67
1001231260..... 165, 169, 342	1001233011..... 477	1001236370..... 113	1320011..... 321
1001231263..... 103	1001233012..... 489	1001236435..... 37	1320022..... 133
1001231323..... 135	1001233013..... 485	1001236489..... 423	1320060..... 87
1001231425..... 387	1001233063..... 483	1001236490..... 423	1320061..... 83, 85
1001231426..... 387	1001233064..... 487	1001236552..... 269	1320250..... 187
1001231481..... 387	1001233065..... 481	1001236746..... 285	1320256..... 395, 397, 399, 401, 403
1001231482..... 387	1001233066..... 477	1001236747..... 281	1320263..... 87, 126, 185
1001231514..... 387	1001233067..... 489	1001236759..... 89	1320265..... 126
1001231515..... 387	1001233068..... 485	1001236891..... 281, 283, 285	1320274..... 132
1001231519..... 387	1001233188..... 89	1001236895..... 281, 283, 285	1320288..... 185
1001231520..... 387	1001233198..... 89	1001236962..... 381	1320289..... 185
1001231521..... 387	1001233203..... 89	1001236967..... 89	1320302..... 271, 273, 275
1001231522..... 387	1001233237..... 498	1001237291..... 127	1321385..... 126
1001231544..... 494	1001233249..... 77	1001237844..... 475, 479	1380147..... 159
1001231569..... 80	1001233420..... 419	1001237862..... 457, 459	1580012..... 227
1001231570..... 80	1001233440..... 387	1001237863..... 261, 457	1580013..... 499
1001231581..... 80	1001233441..... 419	1001237864..... 261, 459	1600244..... 500
1001231582..... 80	1001233442..... 89	1001237865..... 261, 455	1670603..... 369
1001231582..... 80	1001233443..... 80	1001237866..... 261, 455	1670829..... 95, 233, 237
1001231596..... 80	1001233444..... 80	1001237918..... 145	1670844..... 176
1001231597..... 80	1001233445..... 90	1001238263..... 281, 283, 285	1670850..... 176
1001231598..... 80	1001233446..... 81	1001238307..... 498	1670964..... 189
1001231599..... 80	1001233447..... 90	1001238309..... 83, 85	1671034..... 177
1001231600..... 80	1001233448..... 387	1001238319..... 261	1671092..... 170
1001231601..... 80	1001233452..... 473, 475, 477, 479, 481, 483, 485, 487, 489	1001238418..... 269, 461	1671093..... 273
1001231606..... 80	1001233573..... 332	1001238421..... 203	1683053..... 299
1001231607..... 80	1001233635..... 75	1001238463..... 283	1683055..... 291, 311
1001231608..... 80	1001233640..... 75	1001238472..... 269	1683061..... 321
1001231655..... 80	1001233641..... 71, 75	1001238477..... 269	1683071..... 295, 303
1001231656..... 80	1001233642..... 80	1001238495..... 265	1683537..... 176, 307
1001231657..... 80	1001233737..... 80	1001238559..... 269	1683539..... 307
1001231658..... 81	1001233761..... 421	1001238824..... 269	1683544..... 295
1001231685..... 387, 391	1001233785..... 473, 475, 477, 479, 481, 483, 485, 487, 489	1001241965..... 269	1683547..... 176, 303
1001231686..... 387, 389	1001233825..... 387	1001242192..... 498	1683549..... 303
1001231700..... 80, 387	1001234099..... 498	1001243183..... 498	1683609..... 176, 299
1001231839..... 80	1001234102..... 498	1001243184..... 498	1683629..... 321
1001231840..... 80	1001234218..... 97	1001244472..... 231	1683632..... 321
1001231949..... 285	1001234219..... 99	1001244473..... 231, 237	1683663..... 317
1001231950..... 281, 283	1001234287..... 421	1001244474..... 107	1683673..... 317
1001232010..... 281, 283, 285	1001234288..... 421	1001244475..... 111	1683675..... 317
1001232011..... 281, 283, 285	1001234289..... 421	1001246473..... 498	1683682..... 176, 311
1001232084..... 117, 121	1001234306..... 500	1001246474..... 498	1683818..... 307
1001232164..... 261	1001234306..... 500	1001246820..... 116	1683821..... 303
1001232165..... 261	1001234313..... 387, 495	1001246822..... 116	1683823..... 307
1001232181..... 135	1001234314..... 89	1001246860..... 499	1684089..... 299
1001232214..... 498	1001234488..... 89	1001246867..... 499	1684090..... 299
1001232267..... 133	1001234588..... 385	1001247073..... 500	1684125..... 311
	1001234944..... 267	1001247362..... 93	

PART NUMBER INDEX

1684126 311	1703959 ... 473, 475, 477, 479, 481, 483, 485, 487, 489	1706064 483	2220852 336
1684228 176, 291	1703960 ... 473, 475, 477, 479, 481, 483, 485, 487, 489	1706098 475, 479	2220865 332
1684230 291	1703980 485	1706385 219, 225	2220883 29, 57, 289, 291, 293, 295, 297, 299, 301, 303, 305, 307, 309, 319, 321, 323
1684232 291	1703981 487	2030010 271, 273, 275	2220885 ... 289, 291, 293, 299, 301, 313, 317, 319, 321, 323
1684497 176, 295	1703982 481	2080040 116, 207, 211, 215, 221	2220886 29, 57, 319, 321, 323
1701499 ... 473, 475, 477, 479, 481, 483, 485, 487, 489	1703983 489	2080072 116	2220888 29, 295, 297, 303, 305, 307, 309
1701501 ... 473, 475, 477, 479, 481, 483, 485, 487, 489	1703984 483	2110404 327, 331, 332	2220906 332
1701505 ... 473, 475, 477, 479, 481, 483, 485, 487, 489	1704000 483, 491	2110406 331	2220923 336
1701509 ... 267, 473, 475, 477, 479, 481, 483, 485, 487, 489	1704001 489, 491	2110408 327	2220947 336, 337
1701518 475, 479	1704260 233, 237	2110606 327, 331	2220950 337
1702155 ... 473, 475, 477, 479, 481, 483, 485, 487, 489	1704277 ... 473, 475, 477, 479, 481, 483, 485, 487, 489	2110608 339	2220998 332
1702565 233, 237	1704412 ... 473, 475, 477, 479, 481, 483, 485, 487, 489	2110808 331	2221034 337
1702566 233, 237	1704578 41	2110812 331	2221036 337
1702567 233, 237	1704972 473	2111616 331	2221040 331
1702676 229, 231	1705014 219, 225	2130406 331	2221046 126
1702773 219, 225, 491	1705090 41	2130604 331	2221050 332
1702774 491	1705305 ... 271, 273, 275	2130606 332	2221077 331
1702788 491	1705325 347, 349	2130808 331	2221086 337
1702861 491	1705336 473	2131616 331	2300004 126, 499
1702868 ... 273, 275, 473, 491	1705344 485	2150406 331	2300014 499
1702938 ... 253, 255, 257, 259	1705345 487	2151616 332	2300016 21, 499
1702962 491	1705347 483	2170408 331	2300019 499
1703479 491	1705351 473	2170504 331	2300042 499
1703683 279	1705355 271, 273	2170706 339	2400068 494
1703797 473	1705358 267	2180348 126	2400080 387, 495
1703804 473	1705374 371, 373	2180615 303, 305	2400081 415
1703805 473	1705375 ... 171, 273, 275	2180666 126	2410014 219, 225
1703811 ... 473, 475, 477, 479, 481, 483, 485, 487, 489	1705387 171	2180876 127	2560136 233, 237
1703814 ... 473, 475, 477, 479, 481, 483, 485, 487, 489	1705426 485	2220237 331, 336	2560187 119, 121
1703923 489	1705427 487	2220238 331, 339	2600281 ... 207, 211, 215, 221
1703924 483	1705429 483	2220240 336	2720058 126
1703925 481	1705430 481	2220250 126	2720271 126
1703926 485	1705460 166, 171	2220315 132	2751399 331
1703927 487	1705461 166	2220366 331	2751500 331
1703935 489	1705489 161, 166	2220371 332, 336	2752461 336
1703936 483	1705514 491	2220373 332, 336	2752468 336
1703938 485	1705822 475, 479	2220374 331	2752484 337
1703939 487	1705828 475, 479	2220375 331	2752489 331
1703941 489	1705895 477	2220377 336	2752493 332
1703942 483	1705896 477	2220380 331	2752494 331, 336
1703943 481	1705897 477	2220381 336	2752723 336
1703944 485	1705898 477	2220385 331	2752754 331
1703945 487	1705902 477	2220415 336	2752765 332
1703947 489	1705903 477	2220451 331	2752766 337
1703948 483	1705905 477	2220466 336	2752767 337
1703949 481	1705910 489	2220468 331, 337	2752768 337
1703950 485	1705917 489	2220472 337	2752930 337
1703951 487	1705921 475, 479	2220473 332, 336	2752938 331
1703953 473	1705922 475, 479	2220478 336	2752978 337
	1705961 475, 479	2220490 336	2752995 336
	1705967 477, 491	2220499 332	2752997 331
	1705969 487, 491	2220500 331, 336	2753008 336
	1705977 ... 475, 477, 479, 481, 483, 485, 487, 489	2220501 337	2753010 336
	1705978 475, 479	2220578 331	2753123 337
	1706059 477	2220582 331, 336	2753126 336
	1706060 481	2220593 336	2753189 337
	1706061 487	2220596 336	2753190 337
	1706062 485	2220600 336	2753191 337
	1706063 489	2220603 337	
		2220605 336	
		2220654 331	
		2220671 331	
		2220683 332	
		2220737 336	
		2220765 336	
		2220800 331	

PART NUMBER INDEX

2753192.....	336	3271505.....	77	177, 185, 187, 219,	3520054.....	233, 237
2753195.....	336	3271605 ...	281, 283, 285,	225, 229, 231, 271,	3520071.....	267
2753196.....	336	321		273, 275, 419	3520072... ..	207, 209, 211,
2753197.....	336	3271805	69, 159, 219,	3311801 21, 80, 195	213, 215, 217, 219,	
2753199.....	336	225		3311805 201, 203	221, 223, 225	
2753200.....	336	3272001 ...	281, 283, 285	3312002 59, 281, 283,	3520173.....	116
2753231.....	336	3290405 ...	347, 349, 353,	285	3520189.....	166
2753274.....	336	355, 357, 359, 361,		3312005 267	3520192.....	166
2753442.....	336	363, 365, 367, 369		3312205 267	3520198... ..	207, 209, 211,
2753542.....	331	3290501	139	3322201	213, 215, 217, 221, 223	
2753622.....	331	3290601 ...	119, 121, 127	3331611	3538047.....	13, 15
2753626.....	332	3290605	132, 157	3340764	3570775.....	317, 319
2753628.....	332	3290606 ...	209, 213, 217,	3340828	3570928.....	195
2753634.....	332	223		3340833	3572604.....	321
2753686.....	332	3290607	87, 105, 107,	3340834	3572605.....	321
2753879.....	339	109, 111		3340835 177, 181	3572606.....	195
2753970.....	332	3290805	87, 133, 157	3340838 317, 319	3572607.....	195
2753971.....	332	3290806	203	3340840	3573400... ..	271, 273, 275
2754337.....	331	3290807	135	3340859	3573642... ..	271, 273, 275
2754338.....	332	3291001	132, 203	3340871	3574091.....	257, 259
2754512.....	331	3291005	132, 203	3340881	3575359.....	253, 255
2780227.....	23	3291007	133, 135	3340891	3577121... ..	271, 273, 275
2780272.....	21, 23	3291201 ...	161, 165, 169,	3340956	3580317... ..	161, 165, 169
2820019.....	427	203		3340966	3580318.....	169
2820031	161, 165, 169	3291205	126, 203	3380434	3580319.....	161, 165
2820247.....	457, 459	3300007	21	3380535 199	3641569.....	253, 255
2840016.....	159	3300151 ...	209, 213, 217,	3420292 41	3740086.....	461
2840018.....	159	223, 271, 273, 275		3421565 67	3740112.....	93, 494
2860030.....	95, 494	3300205	87	3422417 17, 19	3760133.....	179
2900708.....	45, 47	3300243	201, 203	3422446 126	3760170.....	67
2900756.....	21	3300353	95, 233, 237	3422457 179	3760368.....	299
2900792	291, 293, 295,	3300364	77, 116	3422533	3760369.....	291, 311
297, 299, 301, 303,		3300365	93	3422561	3760370.....	321
305, 307, 309		3300396	166, 170	3422583	3760374.....	295, 303
2901273.....	321	3300408	95	3422661 279	3790012... ..	233, 237, 243
2901301.....	291, 311	3300430	263, 265	3422681 176	3790044.....	129
2901303.....	299	3300454 ...	83, 85, 93, 113	3422683 176	3820001... ..	41, 473, 475,
2901514.....	303, 305	3310601	159	3422684 176	477, 479, 481, 483,	
2901526.....	295, 297	3310605	80, 197	3422685 176	485, 487, 489	
2901537.....	307, 309	3310801	195	3422686 176	3820020... ..	207, 211, 215,
2902212.....	267	3310805	89	3422687 177	221	
2902217.....	271, 273	3311001	166, 170	3422688 177	3841143... ..	126, 177, 179,
2902396.....	498	3311005 89, 93, 103, 105,		3422689 177	203	
2910887.....	498	107, 109, 111, 166,		3422690 179	3841287.....	13, 15, 177
2915094.....	65	170, 233, 237, 271,		3422729 177	3841340.....	177, 187
2920028... ..	233, 237, 253,	273, 275		3422790 17, 19	3841356.....	177
255, 257, 259		3311401 41, 80, 253, 255,		3422848 19	3841406.....	185
2920029... ..	233, 237, 253,	257, 259		3422860 176	3841520.....	17, 19
255, 257, 259		3311405 89, 95, 113, 161,		3422861 176	3900054.....	219, 225
2920161.....	103	189, 191, 195, 197,		3422867 176	3900210... ..	116, 119, 121
2940045.....	116	229, 231, 269, 347,		3430616 234, 238	3900258.....	113
2940074... ..	207, 211, 215,	349, 353, 355, 357,		3430820 159	3900259.....	179
221, 495		359, 361, 363, 365,		3450304 135	3900262.....	187
2940173.....	116	367, 369, 379, 381,		3450404 159	3900283... ..	185, 189, 201
3020008.....	21	383, 385, 473, 475,		3460334 267	3900293.....	59
3020029... ..	17, 19, 65, 499	477, 479, 481, 483,		3470003 234, 238	3900316.....	116
3020039.....	13, 15, 499	485, 487, 489		3480188 291, 311	3900349.....	233, 237
3160348.....	21, 29	3311501 ...	116, 253, 255,	3480210 299	3900363.....	119, 121
3250872.....	41	257, 259		3480211 321	3900364.....	132
3251102.....	161	3311505 21, 93, 119, 121,		3480234 317	3900382.....	137
3251242... ..	353, 355, 357,	165, 169, 191, 279		3480236 307	3910606... ..	169, 371, 373
359, 361, 363, 365,		3311601 ...	71, 75, 80, 87,	3480237 295	3910610... ..	159, 345, 351
367, 369		116, 187, 234, 238,		3480238 303	3910804.....	95
3251243.....	171	269, 419		3520030 117	3911008.....	105, 109
3252347.....	473	3311602	187	3520031 95	3911010... ..	103, 107, 111
3252764.....	165, 169	3311605 ...	37, 71, 75, 83,	3520032 116	3911018... ..	95, 233, 237
3271405.....	87, 126	85, 87, 93, 113, 116,		3520035 95, 195, 199	3930606.....	197

PART NUMBER INDEX

3930616 80	4240099 . 80, 87, 93, 126, 253, 255, 257, 259, 271, 273, 381, 385, 397, 399, 401, 403, 419	4460268.... 165, 169, 425, 427, 431, 433, 437, 467	4460806 ... 357, 359, 361, 363
3930812 89	4240149 267	4460314.....440	4460807 ... 165, 169, 425, 427
3930816 199	4280296 39	4460315.....345, 351, 439	4460808 ... 165, 169, 425, 427
3930824 195	4340706 181	4460326.....433	4460836 391, 435
3931010 80, 89, 93	4341264 189	4460343.....439	4460844 469
3931012 233	4360057 ... 253, 255, 257, 259, 495	4460346..... 169, 345	4460850 389, 391
393101689, 93, 165, 169, 233, 237	4360070 166, 170	4460418..... 431, 439	4460851 393, 437
3931048 89	4360328 243, 495	4460419..... 431, 439	4460852 393, 437
3931408 263, 265	4360331 494	4460424..... 437, 465	4460865 405, 407
3931412 80, 83, 85	4360336 ... 161, 165, 169, 495	4460425.... 166, 170, 253, 255, 257, 259, 371, 373	4460866 ... 407, 439, 465
3931424 263	4360387 99, 233, 237, 253, 255, 257, 259, 494	4460426..... 166, 170	4460871 ... 421, 431, 435, 437, 439, 465
3931432 195	4360407 ... 233, 237, 494	4460427.....435	4460872 437
3931436 195	4360436 75	4460428..... 233, 237	4460873 439, 465
3931448 ... 317, 319, 321	4360469 95, 494	4460434..... 465	4460874 421, 439
3931464 195	4360475 95, 233, 237, 494	4460457.....421	4460875 437, 439
3931508 321	4360476 95, 494	4460458.....421	4460876 431
3931516 299	4360498 195, 495	4460464 ... 103, 251, 389, 391, 399, 403, 407, 415, 417, 421, 423, 429, 431, 435, 439, 461, 463, 465, 467, 469	4460877 453
3931620 ... 291, 293, 311, 313	4360499 195, 495	4460465.....77, 103, 162, 389, 391, 393, 399, 403, 405, 407, 417, 421, 423, 425, 427, 429, 431, 435, 437, 439, 463, 465, 467, 469	4460878 465
3931664 317, 319	4360517 69, 495	4460466....261, 389, 391, 405, 407, 415, 417, 421, 423, 431, 433, 435, 437, 439, 455, 461, 463, 465, 467, 469	4460879 439
3931720 321	4360578 ... 195, 199, 495	4460467.....500	4460880 423, 437
3932240 ... 295, 297, 303, 305, 307, 309	4420014 267	4460470.....93, 233, 237, 419, 439	4460884 ... 391, 437, 439, 465
3960422 ... 169, 345, 351, 371, 373	4420037 ... 271, 273, 275	4460471.....93, 233, 237, 419, 439	4460887 ... 435, 439, 465
3960468 129	4420038 71, 75	4460473.....405, 407	4460891 77, 103, 389, 391, 393, 399, 403, 423, 435, 437, 463, 465, 467
3960469 129	4420051 41, 491	4460488.....95, 105, 107, 109, 111, 419	4460892 437
3960526 21	4420060 199	4460496..... 387, 419	4460894 ... 431, 437, 439, 467
3990013 461	4420062 279	4460497..... 387, 419	4460897 ... 103, 399, 403, 415
4010618 ... 209, 213, 217, 223	4420066 267	4460508....261, 407, 417, 423, 439, 465, 467	4460899 ... 417, 455, 461, 469
4031505 261	4420068 ... 253, 255, 257, 259	4460509....389, 391, 405, 407	4460905 ... 421, 431, 435, 437, 439, 465
4031516 269	4420069 255	4460510.....500	4460906 467
4031707 135	4460016 440	4460518....393, 417, 439, 463	4460910 387, 459
4031708 135	4460019 ... 389, 391, 423, 467	4460536.....429	4460911 387, 455
4060092 351	4460042 431, 435	4460539....391, 421, 435, 437, 439, 467	4460918 435
4060802 ... 161, 165, 169	4460049 ... 253, 257, 259	4460612..... 371, 373	4460928 463
4060805 ... 117, 185, 195	4460051 345, 351	4460705.....421	4460931 415
4060906 95	4460071 169, 251	4460708....233, 237, 419	4460932 421
4061032 87	4460125 351	4460722.....433, 467	4460933 ... 439, 463, 465
4070863 179	4460142 423, 435	4460742.... 135, 389, 391	4460941 455
4070864 179	4460144 431	4460743..... 135	4460942 261
4070878 13, 15	4460183 440	4460746.....421	4460943 ... 407, 417, 431, 437, 439, 455, 465
4070879 13, 15	4460205 345	4460748.....421	4460945 435, 467
4070897 179, 181	4460224 ... 233, 237, 421	4460761....415, 417, 421, 439	4460950 391
4070898 179, 181	4460225 ... 165, 169, 425, 427, 431, 439, 467	4460779.....421	4460956 409, 411
4070929 181	4460226 ... 103, 233, 237, 245, 248, 251, 415, 417, 421, 431, 439, 465	4460789.....421	4460957 409, 411
4070967 181	4460227 439, 465	4460790..... 389, 391	4460958 373
4070968 181	4460233 83, 351		4460962 273
4070969 185	4460234 ... 233, 237, 253, 255, 257, 259		4460963 170
4070991 95	4460247 435		4460967 162, 429
4071007 181	4460256 ... 389, 391, 423		4460968 195, 199
4071009 59	4460259 ... 431, 435, 440		4460970 431
4071052 185	4460260 ... 431, 435, 440		4460979 433
4071059 19	4460265 ... 245, 248, 467		4460993 77
4100062 337	4460266 421		
4100100 299	4460267 ... 421, 439, 465		
4160194 116			
4240018 ... 161, 165, 169, 371, 373			
4240032 ... 105, 107, 109, 111, 387			
4240033 ... 105, 107, 109, 111, 261, 263, 265, 269			
4240084 37			

PART NUMBER INDEX

4460994.....77, 417, 423, 467	4740155..... 19	4891600..... 69, 201, 203	7000220.....23
4461070.....463	4740256..... 17, 19	4891800..... 21, 129, 159, 201, 203	70002231..... 45, 47, 494
4461077.....455, 461	4740362..... 229, 231	4892000..... 21, 65	7000224..... 23, 27
4461095.....463	4740397..... 95, 237	4892200..... 13, 15	7000228.....62
4461157.....389, 391, 433	4740439..... 177	4892600..... 201, 203	7000229.....62
4461196.....443	4740444..... 95	4922216..... 395	70002297..... 165, 169
4461198.....349, 443	4740463..... 17, 19	4922217..... 395	7000230.....62
4461199.....445	4740472..... 13, 15	4922219..... 397, 399	7000231.....23
4461201.....355, 445	4740518..... 95	4922220..... 397, 399	70002315.....141
4461205.....447, 449	4750800..... 89	4922578... 395, 397, 399, 401, 403	70002316.....141
4461244.....359, 447	4751000... 103, 105, 107, 109, 111, 165, 169, 233, 237, 271, 273, 275	4922579..... 399, 403	70002317.....141
4461245.....363, 449	4751400... 39, 41, 95, 113, 116, 119, 121, 195, 197, 199, 227, 229, 231, 233, 237, 253, 255, 257, 259, 271, 273, 275, 473, 475, 477, 479, 481, 483, 485, 487, 489	4922580..... 399, 403	70002318.....141
4461246.....367, 451	475150041, 77, 116, 253, 255, 257, 259, 279	4922641..... 165, 169	70002319.....141
4461249.....451	4751600... 37, 39, 71, 75, 80, 87, 89, 105, 107, 109, 111, 113, 116, 271, 273, 275	4922925... 165, 169, 427	70002320.....141
4461261.....389, 391	475180069, 80, 219, 225, 253, 255, 257, 259	4933218..... 257, 342	70002321.....141
4461271.....435	4752000..... 126	5240800..... 135	70002322.....141
4461290.....435	4760600..... 345, 351	5241000..... 132, 135	70002323.....141
4520252.....31	4761400..... 95, 227	5241200... 129, 161, 165, 169, 203	70002326.....142
4520253.....33	4761600..... 229	5241600..... 132	70002327.....142
4530028.....271, 273, 277	4770600..... 159	5250806..... 137	70002328.....142
4566468.....291, 311	4771200..... 93	5251008..... 203	70002330.....142
4567139.....337	4771400..... 93	5251016..... 203	7000235.....23
4567413.....321	4811400... 347, 349, 353, 355, 357, 359, 361, 363, 365, 367, 369	5260818..... 87	7000236.....23
4567757.....337	4811600..... 80, 89, 139	70000017..... 500	7000238.....23
4640261.....41	4811602..... 139	70000342..... 183	70002386..... 193, 494
4640509.....295, 297, 299, 301, 303, 305, 307, 309	481170087, 93, 105, 107, 109, 111, 132, 147, 157, 209, 213, 217, 223	70000579..... 49	7000239..... 23, 27
4640605.....291, 293, 295, 297, 307, 309	4811702..... 133, 157	70000580..... 49	7000240..... 23, 27
4640858.....289	481190080, 87, 133, 135, 157, 203	70000582..... 49, 494	7000246.....62
4640866.....45, 47	4811902..... 132, 157	70000583..... 49	7000248.....62
4640932.....291, 293	4812000... 127, 132, 135, 161, 165, 169, 203	70000619..... 165, 169	7000253.....62
4641027.....303, 305	4812002..... 132	70000782..... 62	7000255.....62
4641032.....321, 323	4812100..... 126, 203	70000797..... 29	7000257.....62
4641033.....317, 319	4844816..... 176	70000863..... 165	7000265.....23
4641122.....31, 33, 35, 37	4844817..... 176	70001100..... 165	7000272.....23
4641192.....57	4844958..... 67	70001248..... 69	7000273.....23
4641284.....331	4845582..... 279	70001384..... 165	7000274.....23
4641303.....21	4845593..... 176	70001696..... 166, 170	70002744..... 315
4641435.....195	4845680..... 187	70001697..... 183	70002745.....315
4710600.....80	4845730..... 185	70001954..... 149	70002748.....315
4711000.89, 93, 166, 170	4846573..... 201	70001955..... 149	70002749.....315
4711400...45, 47, 80, 83, 85, 87, 89, 93, 95, 101, 113, 126, 161, 165, 169, 189, 191, 209, 213, 217, 223, 263, 265, 269, 347, 349, 353, 355, 357, 359, 361, 363, 365, 367, 369, 379, 381, 383, 385	4846627... 271, 273, 275	70001956..... 149	7000275.....23
4711500...21, 77, 87, 89, 119, 121, 126, 165, 169, 189, 191, 419	4846673..... 257, 259	70001957..... 149	70002751.....315
4711600...13, 15, 45, 47, 83, 85, 93, 162, 166, 170, 179, 181, 185, 187, 189, 201, 231, 234, 238, 281, 283, 285, 321, 395, 397, 399, 401, 403, 419	4860224..... 31	70001966.. 161, 166, 170	7000281.....62
4711800.....159, 219, 225	4860225..... 33, 35, 37	70001973.. 161, 166, 170	70002814..... 73, 494
4712000...267, 281, 283, 285	4871700... 162, 166, 170	70001974..... 166, 170	7000282.....23
4712200.....267	4891500..... 87, 93	70002013..... 185, 494	7000283..... 23, 27
4740057.....59		70002014..... 185	70002838..... 73, 495
		70002064..... 193	70002839..... 73
		70002065..... 62	7000284..... 23, 27
		70002066..... 62	70002842.....289
		70002067..... 62	7000287.....23
		70002068..... 62	7000288.....23
		70002069..... 62	7000289..... 23, 27
		70002070..... 62	7000290.....23
		70002071..... 62	70002901.....155
		70002072..... 62	70002902.....251
		70002073..... 62	70002903.....251
		70002074..... 62	70002904.....251
		70002075..... 62	70002905.....251
		70002085..... 63	70003019.....49
		70002086..... 63	70003060.....141
		70002112..... 73	70003061.....141
		7000213..... 23, 62	70003063.....142
		7000217..... 62	70003064.....142
			70003454..... 69
			70003631..... 166, 170

PART NUMBER INDEX

70003649	57	70004584	49, 53	70005224	141	70006677	27
70003708 .. 161, 166, 170		70004594	49, 53	70005226	141	70006678	27
70003709 .. 161, 166, 170		70004595	49, 53, 494	70005227	141	70006680	27
70003784	233, 237	70004596	49, 53	70005228	142	70006684	27
70003790	193	70004597	49, 53	70005230	245	70006685	27
70003798	24	70004598	49, 53	70005293	155	70006690	27
70003935	21	70004653	49, 53, 494	70005294	155	70006691	27
70003936	21	70004657	49, 53	70005295	155	70006692	27
70003975	57	70004665	49, 53	70005296	155, 494	70006728	323
70004050	49, 53	70004667	49, 53	70005297	155	70006731	323
70004051	49, 53	70004676	161	70005458	153	70006733	323
70004052	49, 53	70004678	161	70005459	153	70006734	301
70004055	49, 53	70004679	161	70005460	153	70006735	301
70004069	155	70004680	161	70005461	153	70006736	301
70004070	155	70004681	161	70005462	153	70006832	27
70004092 .. 161, 166, 170		70004683	161	70005463	153	70006833	27
70004093	165, 169	70004738	245	70005464	153	70006921	323
70004094	166, 170	70004739	245	70005465	153	70006922	323
70004095	166, 170	70004740	245	70005483	24	70006923	323
70004096	166, 170	70004741	245	70005594	323	70006924	323
70004097	166, 170	70004742	245	70005624	161	70006925	323
70004098 .. 161, 166, 170		70004743	245	70005663	500	70006926	323
70004099	166, 170	70004744	245	70005708	73	70006927	323
70004171	161	70004745	245	70006344	323	70006928	323
70004199	73	70004746	245	70006375	309	70006955	53
70004311	141	70004747	245	70006376	309	70006956	53
70004329	153	70004748	245	70006377	309	70006957	53
70004331	153	70004749	245	70006378	309	70006958	53
70004332	153	70004750	245	70006384	305	70006959	53
70004333	153	70004751	245	70006385	297, 305	70006960	53
70004336	153	70004752	247	70006386	305	70006961	53
70004337	153	70004753	247	70006387	305	7000731	24
70004338	153	70004754	247	70006388	305	7001901	23
70004340	153	70004755	247	70006389	297	7001902	23
70004342	153	70004756	247	70006390	297	7001903	23
70004343	153	70004757	247	70006391	297	7001906	23
70004344	153	70004758	247	70006430	24	7001928	23, 27
70004345	153	70004759	247	70006431	24	70023859	49, 53
70004346	153	70004760	247	70006436	63	70023860	49, 53
70004347	153	70004761	247	70006437	63	70023862	49, 53
70004348	153	70004762	247	70006479	323	7002821	500
70004349	153	70004763	247	70006480	323	7002822	500
70004350	153	70004764	247	70006576	77	7002823	500
70004351	153	70004765	247	70006577	77	7002826	500
70004352	153	70004766	247	70006578	77	7002840	500
70004381	315	70004767	247	70006579	77	7004035	62
70004382	315	70004768	247	70006642	293	7004036	62
70004395	141	70004769	247	70006643	293, 313	7004043	63
70004397	141	70004770	247	70006644	293, 313	7004044	63
70004398	141	70004771	247	70006645	293	7004045	63
70004399	141	70004772	247	70006649	301	7004047	63
70004400	141	70004773	247	70006650	301	7004049	63
70004457	49, 53	70004774	247	70006651	313	7004275	500
70004459	49, 53	70004775	247	70006661	141	7004276	500
70004460	49, 53, 494	70004795	73	70006664	141	7004906	153
70004461	49, 53, 54	70004842	141	70006665	142	7004907	153
70004463	49, 53, 494	70005194	49, 53	70006666	141	7004908	153
70004525	141	70005195	49, 53	70006667	141	7007415	149, 150
70004526	141	70005196	49, 53	70006668	313	7007437	29
70004530	141	70005197	49, 53	70006669	319	7007438	29
70004531	141	70005198	49, 53	70006670	319	7007439	29
70004536	141	70005199	49, 54	70006671	319	7007446	29
70004537	141	70005200	50, 54	70006672	319	7007633	62
70004538	141	70005201	50, 54	70006673	27	7010464	23
70004539	141	70005202	50, 54	70006674	27	7010492	62
70004540	141	70005220	141	70006675	27	7010543	57
70004544	141	70005221	141	70006676	27	7011112	291, 293

PART NUMBER INDEX

7011333.....	195	7020175.....	95, 233, 237	7024148.....	23	7026507.....	69
7011342.....	195	7020176.....	95, 233, 237	7024149.....	23, 27	7026509.....	69
7012518.....	57	7021249.....	29	7024151.....	23, 27	7026597.....	166, 170
7012773.....	49, 53	7021275.....	29, 150	7024154.....	23, 27	7026626.....	166, 170
7012914.....	193	7021276.....	29	7024155.....	23	7027773.....	277
7012918.....	193	7021277.....	29	7024182.....	24	7027774.....	277
7012928.....	57	7021363.....	49	7024189.....	24	7027775.....	277
7012941.....	57	7021375.....	49, 53, 54	7024190.....	24, 27	7027776.....	277
7012943.....	57	7021625.....	21	7024191.....	24, 27	7027777.....	277
7012944.....	57	7021639.....	21	7024192.....	24	7027778.....	277
7012953.....	57, 189, 191, 193	7021653.....	193	7024193.....	24	7027779.....	277
7012959.....	45, 47	7022302.....	29	7024194.....	24	7027780.....	277
7012965.....	193	7022305.....	29	7024195.....	24	7027799.....	166, 170
7012967.....	193	7022310.....	29	7024196.....	24	77143013.....	95
7012970.....	189, 191	7022311.....	29, 150	7024197.....	24	77363232.....	165
7012989.....	57, 193	7022312.....	29	7024379.....	63	77363233.....	425, 427
7012995.....	57	7022314.....	29, 150	7024380.....	63	80344004.....	27
7015004.....	133, 494	7022318.....	149	7024381.....	63	80424002.....	62
7015005.....	133	7022326.....	29	7024390.....	63	80424043.....	63
7015006.....	133	7022328.....	29	7024396.....	63	80683013.....	126
7016319.....	103	7022368.....	29	7024397.....	321, 323	80934561.....	69
7016372.....	103	7022371.....	29	7024404.....	69	80963055.....	421
7016652.....	500	7022372.....	29	7024441.....	73	80963056.....	421
7016654.....	500	7022397.....	21	7024453.....	63	80963067.....	417, 421
7016655.....	500	7022399.....	21	7024454.....	62	8220007.....	423, 439
7017023.....	62	7023124.....	141	7024455.....	63	8220019.....	417
7017027.....	23	7023126.....	142	7024456.....	63	8220029.....	435
7017028.....	27, 62	7023144.....	142	7024457.....	63	8220043.....	389, 391
7017033.....	23	7023145.....	142	7024458.....	63	8220045.....	415, 435
7017047.....	23, 27	7023148.....	141	7024462.....	277	8220051.....	389, 391
7017048.....	23	7023149.....	141	7024463.....	277	8220079.....	135
7017050.....	23	7023154.....	141	7024467.....	277	8220099.....	421
7017068.....	24	7023157.....	141	7024469.....	277	8220125.....	421
7017070.....	62	7023164.....	141	7024470.....	277	8220162.....	417
7017072.....	62	7023165.....	141	7024471.....	277	8220164.....	435
7017080.....	62	7023167.....	141	7024472.....	277	8225117.....	93, 494
7017082.....	27	7023168.....	141	7024473.....	277	8229234.....	93, 494
7017085.....	62	7023170.....	142	7024474.....	277	8229236.....	93, 494
7017142.....	183	7023318.....	62	7024475.....	277	8229237.....	93, 494
7017159.....	183	7023907.....	29	7024478.....	277	8229261.....	93, 494
7017162.....	183	7023908.....	29	7024485.....	166, 170	8303511.....	135
7017163.....	183	7023908.....	29	7024488.....	165, 169	8310070.....	116
7017164.....	183	7023910.....	29	7024489.....	165, 169	8310129.....	267
7017172.....	183	7023911.....	193	7024489.....	165, 169	83304173.....	73
7017192.....	183	7023912.....	193	7024508.....	317, 319	8405102.....	132
7017195.....	183	7023917.....	21	7024598.....	159	8405104.....	132
7017402.....	193	7023933.....	21	7024599.....	159	8406110.....	132
7017406.....	193	7023947.....	149	7024704.....	62	8406201.....	87
7017452.....	193	7023948.....	149	7024717.....	24	8410001.....	419
7017466.....	45, 47	7023949.....	149	7024718.....	24	8540205.....	126
7017496.....	57	7023950.....	149	7024762.....	62	8580420.....	39
7017901.....	142	7023951.....	149	7024763.....	24, 62	85841150.....	127
7017913.....	141	7023952.....	149	7024781.....	23	8770050.....	331
7017914.....	141	7023956.....	149	7024782.....	23, 27	88261024.....	191
7017934.....	141	7023957.....	149	7024783.....	23	88521008.....	195
7017958.....	142	7023958.....	149	7024784.....	62	88521205.....	87
7017963.....	142	7023958.....	149	7024784.....	62	88521214.....	281, 283, 285
7018942.....	50, 54	7023960.....	149	7024854.....	29	8862037.....	336
7018951.....	50, 54	7023961.....	149	7024864.....	150	88662523.....	116
7018991.....	49, 53, 494	7023962.....	149	7024866.....	150	8896941.....	500
7018992.....	49, 53	7023964.....	149, 150	7024867.....	149	91143177.....	336
7020064.....	187	7023965.....	149	7024868.....	29, 149	91203039.....	185, 195, 203
7020065.....	187	7023966.....	150	7024881.....	21	91401281.....	87
7020066.....	187, 494	7023967.....	150	7026197.....	69	91403230.....	473, 475, 477, 479, 481, 483, 485, 487, 489
7020067.....	187	7024021.....	53	7026503.....	69		
		7024100.....	63	7026504.....	69		
		7024146.....	23	7026505.....	69		
		7024147.....	23	7026506.....	69		

PARTS FINDER

**Search Website
by Part Number**



**Search Manual
Library For Parts
Manual & Lookup Part
Numbers – Purchase
or Request Quote**

**Can't Find Part or
Manual? Request Help
by Manufacturer,
Model & Description**

Discount-Equipment.com is your online resource for quality parts & equipment.

Florida: **561-964-4949** Outside Florida TOLL FREE: **877-690-3101**

Need parts?

Click on this link: <http://www.discount-equipment.com/category/5443-parts/> and choose one of the options to help get the right parts and equipment you are looking for. Please have the machine model and serial number available in order to help us get you the correct parts. If you don't find the part on the website or on one of the online manuals, please fill out the request form and one of our experienced staff members will get back to you with a quote for the right part that your machine needs.

We sell worldwide for the brands: Genie, Terex, JLG, MultiQuip, Mikasa, Essick, Whiteman, Mayco, Toro Stone, Diamond Products, Generac Magnum, Airman, Haulotte, Barreto, Power Blanket, Nifty Lift, Atlas Copco, Chicago Pneumatic, Allmand, Miller Curber, Skyjack, Lull, Skytrak, Tsurumi, Husquvarna Target, Stow, Wacker, Sakai, Mi-T-M, Sullair, Basic, Dynapac, MBW, Weber, Bartell, Bennar Newman, Haulotte, Ditch Runner, Menegotti, Morrison, Contec, Buddy, Crown, Edco, Wyco, Bomag, Laymor, EZ Trench, Bil-Jax, F.S. Curtis, Gehl Pavers, Heli, Honda, ICS/PowerGrit, IHI, Partner, Imer, Clipper, MMD, Koshin, Rice, CH&E, General Equipment, Amida, Coleman, NAC, Gradall, Square Shooter, Kent, Stanley, Tamco, Toku, Hatz, Kohler, Robin, Wisconsin, Northrock, Oztec, Toker TK, Rol-Air, APT, Wylie, Ingersoll Rand / Doosan, Innovatech, Con X, Ammann, Mecalac, Makinex, Smith Surface Prep, Small Line, Wanco, Yanmar