



Illustrated Parts Manual

Model

H340AJ

**P/N
3121635**

January 15, 2019 - Rev L

ANSI



AS/NZS



An Oshkosh Corporation Company

PARTS FINDER

**Search Website
by Part Number**



**Search Manual
Library For Parts
Manual & Lookup Part
Numbers – Purchase
or Request Quote**

A screenshot of the "Search Manuals" form. The form is titled "Search Manuals" and contains several input fields for "Find", "Serial Number", "Year", "Make", "Model", "Part Number", and "Category". There is a "Search" button at the bottom of the form.

**Can't Find Part or
Manual? Request Help
by Manufacturer,
Model & Description**

A screenshot of the "Parts Order Form". The form is titled "Parts Order Form" and contains several input fields for "Manufacturer", "Model", "Description", "Part Number", "Quantity", "Price", and "Notes". There is a "Submit" button at the bottom of the form.

Discount-Equipment.com is your online resource for quality parts & equipment.

Florida: **561-964-4949** Outside Florida TOLL FREE: **877-690-3101**

Need parts?

Click on this link: <http://www.discount-equipment.com/category/5443-parts/> and choose one of the options to help get the right parts and equipment you are looking for. Please have the machine model and serial number available in order to help us get you the correct parts. If you don't find the part on the website or on one of the online manuals, please fill out the request form and one of our experienced staff members will get back to you with a quote for the right part that your machine needs.

We sell worldwide for the brands: Genie, Terex, JLG, MultiQuip, Mikasa, Essick, Whiteman, Mayco, Toro Stone, Diamond Products, Generac Magnum, Airman, Haulotte, Barreto, Power Blanket, Nifty Lift, Atlas Copco, Chicago Pneumatic, Allmand, Miller Curber, Skyjack, Lull, Skytrak, Tsurumi, Husquvarna Target, Stow, Wacker, Sakai, Mi-T-M, Sullair, Basic, Dynapac, MBW, Weber, Bartell, Bennar Newman, Haulotte, Ditch Runner, Menegotti, Morrison, Contec, Buddy, Crown, Edco, Wyco, Bomag, Laymor, EZ Trench, Bil-Jax, F.S. Curtis, Gehl Pavers, Heli, Honda, ICS/PowerGrit, IHI, Partner, Imer, Clipper, MMD, Koshin, Rice, CH&E, General Equipment, Amida, Coleman, NAC, Gradall, Square Shooter, Kent, Stanley, Tamco, Toku, Hatz, Kohler, Robin, Wisconsin, Northrock, Oztec, Toker TK, Rol-Air, APT, Wylie, Ingersoll Rand / Doosan, Innovatech, Con X, Ammann, Mecalac, Makinex, Smith Surface Prep, Small Line, Wanco, Yanmar

REVISION LOG

June 1, 2015 - A - Original Issue Of Manual (Edited to B/M 1001160593 Revision J)
July 25, 2016 - B - Revised Manual (Edited to B/M 1001160593 Revision S)
September 12, 2016 - C - Revised Manual (Edited to B/M 1001160593 Revision S)
December 31, 2016 - D - Revised Manual (Edited to B/M 1001160593 Revision T)
March 16, 2017 - E - Revised Manual (Edited to B/M 1001160593 Revision X)
June 26, 2017 - F - Revised Manual (Edited to B/M 1001160593 Revision X)
September 22, 2017 - G - Revised Manual (Edited to B/M 1001160593 Revision AA)
December 15, 2017 - H - Revised Manual (Edited to B/M 1001160593 Revision AB)
March 15, 2018 - I - Revised Manual (Edited to B/M 1001160593 Revision AC)
June 15, 2018 - J - Revised Manual (Edited to B/M 1001160593 Revision AD)
September 5, 2018 - K - Revised Manual (Edited to B/M 1001160593 Revision AF)
January 15, 2019 - L - Revised Manual (Edited to B/M 1001160593 Revision AG) (Revision 1)

GENERAL INFORMATION

FIGURE 6-3. LIFT CYLINDER ASSEMBLY

ITEM #	PART NUMBER	QTY.	DESCRIPTION	REV.
	1001140104	Ref.	LIFT CYLINDER ASSEMBLY	B
1	0100011	AR	Compound, Locking	
2	0630535	3	Cap screw 1/4-20 x 1-1/8	
3	0791003	1	Screw #10-24 x 3/8	
4	0961897	1	Bushing, Tapered	
5	1320136	1	Clamp, Cable	
6	1683063	1	Head	
7	2220883	1	Plug, O-Ring	
8	2220985	2	Plug, O-Ring	
9	2220886	1	Plug, O-Ring	
10	3020039	AR	Lubricant	
11	3480282	1	Piston	
12	3760371	1	Ring, Washer	
13	3931420	8	Cap screw 1/4-20 x 1-1/4	
14	3931824	8	Cap screw 1/2-13 x 1-1/2	
15	3951003	1	Screw #10-24 x 3/8	
16	4100099	1	Spacer	
17	4640699	1	Cartridge, Holding Valve (Non Vented)	
17	2900792		Kit, Seal - 4640699 Cartridge Valve	
18	4641248	1	Cartridge, Counterbalance Valve (Non Vented)	
18	7004156		Kit, Seal - 4641248 Cartridge Valve	
19	100111792	1	Sensor, Cylinder Length	
20	1001118070	1	Cap, Retainer	
21	1001118084	1	Barrel	
21A	0961850	2	Bushing	
22	1001118086	1	Rod	
22A	0961850	2	Bushing	
100	1001139995	1	Kit, Seal (Includes Items 101-109)	
101	See Note	2	Ring, Wear (Note: Use pin 1001139996)	
102	See Note	1	Ring, Back-Up (Note: Use pin 1001139996)	
103	See Note	2	Ring, Lock (Note: Use pin 1001139996)	
104	See Note	2	Ring, Back-Up (Note: Use pin 1001139996)	
105	See Note	2	O-Ring (Note: Use pin 1001139996)	
106	See Note	1	O-Ring (Note: Use pin 1001139996)	
107	See Note	1	Seal (Note: Use pin 1001139996)	
108	See Note	1	Wiper, Rod (Note: Use pin 1001139996)	
109	See Note	2	Seal (Note: Use pin 1001139996)	
200	1001119103	1	Kit, Sensor Magnet (Includes Items 201-203)	
201	See Note	NSS	Sieve, Spacer (Note: Use pin 1001119105)	
202	1001118066	1	Magnet, Sensor	
203	1001118069	1	Ring, Internal Retaining	

1) MACHINE IDENTIFICATION

Machines are identified by model and in some cases a combination of models, serial number (SN) or regional standard (i.e. ANSI, CE, CSA). Components may also be identified by SN or manufacturer. Common components that may be identified by these characteristics are engines and hydraulic components.

2) PARTS MANUAL ORGANIZATION

Product information in this manual is organized under section titles. Frame, Cylinder, Hydraulic and Electrical are a few examples. Each section is organized by figure and page number. The information within the figure is then organized by item number, part number, description and corresponding illustration(s).

3) TABLE OF CONTENTS

A table of contents is found toward the beginning of the manual. Figure number, description and page number are provided for quick reference to the page containing the related information.

4) RECOMMENDED SPARE PARTS

The Recommended Spare Parts, located near the end of the manual, reference most frequently used maintenance parts.

5) PART NUMBER INDEX

A numerical index listing all part numbers and the corresponding page number(s) appears at the back of the manual.

GENERAL INFORMATION

6) NON-SERVICE PARTS

In some instances, it is necessary to display non-serviced parts, assemblies or installations. In the case of assemblies & installations there will be a Ref in the Qty column. In the case of parts that are not available for service within assemblies or components, there will be a NSS (Not Sold Separately) or NLA (No Longer Available) listed in the Qty column of the manual.

7) PARTS LIST ITEM NUMBERS

Numbers shown in the Item# column correspond to numbers used in the associated illustration(s). Item numbers which are missing from the sequence in the parts list are not used on that page.

8) INDENTED PART DESCRIPTION

An indented part description is included in the item under which it is indented.

9) ABBREVIATIONS & SYMBOLS

AC..... Alternating Current
 ADE..... Advanced Design Electronics
 ANSI..... American National Standards Institute
 AR..... As Required
 ASSY..... Assembly
 AUX..... Auxiliary
 AWG..... American Wire Gauge
 B/M..... Bill of Material
 CE..... European Conformity
 CCW..... Counter Clockwise
 cm..... Centimeter
 CW..... Clockwise
 CSA..... Canadian Standards Association
 CYL..... Cylinder
 DIA..... Diameter
 DC..... Direct Current
 EMS..... Emergency Stop
 ENG..... Engine
 FT(ft)..... Feet
 GA(Ga)..... Gauge
 HYD..... Hydraulic
 Hz..... Hertz
 ID..... Inside Diameter
 in..... inches
 ISO..... International Organization for Standards
 JIC..... Joint Industry Council
 KG..... Kilogram
 L..... Liter
 LB..... Pounds

LCD..... Liquid Crystal Display
 LED..... Light Emitting Diodes
 LH..... Left Hand
 LSS..... Load Sensing System
 M(m)..... Metric/Meter
 MM (mm)..... Millimeter
 mA..... Milliamps
 NLA..... No Longer Available
 NPT..... National Pipe Threads
 NSS..... Not Sold Separately
 OD..... Outside Diameter
 ORB..... O-Ring Boss
 ORFS..... O-Ring Face Seal
 OZ (oz)..... Ounces
 PG..... Page
 P/N..... Part Number
 qt..... Quarts
 QTY..... Quantity
 REF..... Reference
 REV..... Revision Level
 RH..... Right Hand
 SAE..... Society of Automotive Engineers
 SN..... Serial Number
 SPEC(S)..... Specifications
 T/T..... Turntable
 UGM..... Universal Ground Module
 V..... Volts
 W..... Watts
 #..... Number

10) ILLUSTRATION REFERENCE LETTERS

When necessary, illustrations may contain reference letters that are intended to track information (i.e. hoses, harnesses) from one point to another or to track visual enlargement of components to show details that may be located in another area on the illustration.

Note: Due to continuous product improvements, JLG Industries, Inc. reserves the right to make specification changes without prior notification.

TABLE OF CONTENTS

SECTION 1 - FRAME.....	11
FIGURE 1-1. STEERING INSTALLATION	12
FIGURE 1-2. OSCILLATING AXLE INSTALLATION	14
FIGURE 1-3. CONTROL VALVES INSTALLATION - FRAME	16
FIGURE 1-4. OSCILLATING AXLE VALVE ASSEMBLY	18
FIGURE 1-5. DRIVE INSTALLATION.....	20
FIGURE 1-6. DRIVE MOTOR ASSEMBLY	22
FIGURE 1-7. DRIVE HUB ASSEMBLY	24
FIGURE 1-8. TIRE AND WHEEL INSTALLATION - 7X18 SOLID	26
FIGURE 1-9. TIRE AND WHEEL INSTALLATION - 7X18 SOLID NON-MARKING	28
FIGURE 1-10. TIRE AND WHEEL INSTALLATION - 9X20 FOAM-FILLED	30
FIGURE 1-11. TIRE AND WHEEL INSTALLATION - 9X20 FOAM-FILLED NON-MARKING	32
FIGURE 1-12. TIRE AND WHEEL INSTALLATION - 9X20 PNEUMATIC.....	34
FIGURE 1-13. TIRE AND WHEEL INSTALLATION - 9X20 PNEUMATIC WITH TIRE SEALANT	36
FIGURE 1-14. TIRE AND WHEEL INSTALLATION - 9X20 PNEUMATIC NON-MARKING	38
FIGURE 1-15. TIRE AND WHEELS INSTALLATION - 9X20 PNEUMATIC NON-MARKING WITH TIRE SEALANT	40
FIGURE 1-16. BATTERIES INSTALLATION.....	42
FIGURE 1-17. ELECTRICAL PLATE ASSEMBLY	44
FIGURE 1-18. FRAME SHIELDS INSTALLATION.....	46
SECTION 2 - TURNTABLE	49
FIGURE 2-1. CONTROL VALVE INSTALLATION - TURNTABLE	50
FIGURE 2-2. MAIN CONTROL VALVE ASSEMBLY	52
FIGURE 2-3. SWING DRIVE INSTALLATION	54
FIGURE 2-4. SWING MOTOR ASSEMBLY	56
FIGURE 2-5. SWING BEARING ASSEMBLY	58
FIGURE 2-6. TANKS AND PUMP ASSEMBLY	60
FIGURE 2-7. HYDRAULIC PUMP MOTOR ASSEMBLY	62
FIGURE 2-8. GROUND CONTROLS INSTALLATION - ALL SPECS EXCEPT CE SPECS	64
FIGURE 2-9. GROUND CONTROLS ASSEMBLY - ALL SPECS EXCEPT CE SPECS	66
FIGURE 2-10. GROUND CONTROL INSTALLATION - CE SPEC	68
FIGURE 2-11. GROUND CONTROL ASSEMBLY - CE SPEC	70
FIGURE 2-12. BATTERY CHARGER INSTALLATION - 110V PLUG	72
FIGURE 2-13. BATTERY CHARGER INSTALLATION - LOCALLY SUPPLIED PLUG.....	74
FIGURE 2-14. BATTERY CHARGER ASSEMBLY (Prior to SN 0300209405).....	76
FIGURE 2-15. BATTERY CHARGER ASSEMBLY (SN 0300209405 to Present).....	78
FIGURE 2-16. ELECTRICAL COMPONENTS INSTALLATION	80
FIGURE 2-17. BEACON LIGHT INSTALLATION - AMBER (OPTIONAL).....	84
FIGURE 2-18. BEACON LIGHT INSTALLATION - BLUE (Prior to SN 0300257126).....	86
FIGURE 2-19. BEACON LIGHT INSTALLATION - BLUE (SN 0300257126 to Present).....	88
FIGURE 2-20. BEACON LIGHT INSTALLATION - RED (Prior to SN 0300257126).....	90
FIGURE 2-21. BEACON LIGHT INSTALLATION - RED (SN 0300257126 to Present).....	92
FIGURE 2-22. HOODS INSTALLATION	94
FIGURE 2-23. HOOD ASSEMBLY - TANK SIDE	98
FIGURE 2-24. HOOD ASSEMBLY - ENGINE SIDE.....	100
SECTION 3 - ENGINE	103
FIGURE 3-1. KUBOTA ENGINE INSTALLATION	104
FIGURE 3-2. KUBOTA ENGINE AND GENERATOR SUB-ASSEMBLY (Prior to SN 0300255947).....	108
FIGURE 3-3. KUBOTA ENGINE AND GENERATOR SUB-ASSEMBLY (SN 0300255947 to Present)	110
FIGURE 3-4. KUBOTA ENGINE ASSEMBLY (Prior to SN 0300255947).....	112
FIGURE 3-5. KUBOTA ENGINE ASSEMBLY (SN 0300255947 to Present).....	116
FIGURE 3-6. KUBOTA ENGINE COMPONENTS (Prior to SN 0300255947)	120
FIGURE 3-7. KUBOTA ENGINE COMPONENTS (SN 0300255947 to Present)	124
FIGURE 3-8. ENGINE COUPLING ASSEMBLY	126
FIGURE 3-9. GENERATOR ASSEMBLY	128
FIGURE 3-10. CATALYTIC MUFFLER INSTALLATION - OPTIONAL.....	130
SECTION 4 - BOOM	133
FIGURE 4-1. BOOM AND CYLINDERS INSTALLATION - WITHOUT ARCTIC PACKAGE (Prior to SN 0300209405).....	134
FIGURE 4-2. BOOM AND CYLINDERS INSTALLATION - WITHOUT ARCTIC PACKAGE (SN 0300209405 to Present).....	136
FIGURE 4-3. BOOM AND CYLINDERS INSTALLATION - WITH ARCTIC PACKAGE	138

TABLE OF CONTENTS

FIGURE 4-4. TOWER BOOM ASSEMBLY	140
FIGURE 4-5. MAIN BOOM ASSEMBLY	142
FIGURE 4-6. MAIN BOOM ASSEMBLY	144
FIGURE 4-7. JIB ASSEMBLY - WITHOUT ARCTIC PACKAGE (Prior to SN 0300209405)	146
FIGURE 4-8. JIB ASSEMBLY - WITHOUT ARCTIC PACKAGE (SN 0300209405 to Present)	148
FIGURE 4-9. JIB ASSEMBLY - WITH ARCTIC PACKAGE	150
FIGURE 4-10. PLATFORM ROTATOR ASSEMBLY - WITHOUT ARCTIC PACKAGE	152
FIGURE 4-11. PLATFORM ROTATOR ASSEMBLY - WITH ARCTIC PACKAGE	154
FIGURE 4-12. PLATFORM SUPPORT INSTALLATION - WITHOUT LSS	156
FIGURE 4-13. PLATFORM SUPPORT INSTALLATION - WITH 4 CELL LSS	158
FIGURE 4-14. PLATFORM SUPPORT INSTALLATION - WITH 1 CELL LSS	160
FIGURE 4-15. POWER TRACK INSTALLATION	162
FIGURE 4-16. CONTROL VALVES INSTALLATION - BOOM	164
FIGURE 4-17. FLY BOOM VALVE ASSEMBLY	166
FIGURE 4-18. BOOM UPRIGHT VALVE ASSEMBLY	168
SECTION 5 - PLATFORM	171
FIGURE 5-1. PLATFORM ASSEMBLY - 30IN X 4FT (76CM X 1.22M) - GATE ENTRY	172
FIGURE 5-2. PLATFORM ASSEMBLY - 30IN X 5FT (76CM X 1.52M) - GATE ENTRY	174
FIGURE 5-3. PLATFORM ASSEMBLY - 30IN X 4FT (76CM X 1.22M) - DROP BAR ENTRY	176
FIGURE 5-4. PLATFORM ASSEMBLY - 30IN X 5FT (76CM X 1.52M) - DROP BAR ENTRY	178
FIGURE 5-5. PLATFORM ASSEMBLY - 30IN X 3FT (76CM X 91.5CM) - WITH DROP BAR	180
FIGURE 5-6. TRAY INSTALLATION	182
FIGURE 5-7. CONSOLE AND FOOTSWITCH INSTALLATION WITHOUT LSS OR WITH 4 CELL LSS - WITHOUT SKYGUARD	184
FIGURE 5-8. CONSOLE AND FOOTSWITCH INSTALLATION WITHOUT LSS OR WITH 4 CELL LSS - WITH SKYGUARD	186
FIGURE 5-9. CONSOLE AND FOOTSWITCH INSTALLATION WITH 1 CELL LSS - WITH SKYGUARD (Prior to SN 0300257126)	188
FIGURE 5-10. CONSOLE AND FOOTSWITCH INSTALLATION WITH 1 CELL LSS - WITH SKYGUARD (SN 0300257126 to Present)	190
FIGURE 5-11. CONSOLE ASSEMBLY WITHOUT LSS OR WITH 4 CELL LSS - WITHOUT SKYGUARD (Prior to SN 0300222893)	192
FIGURE 5-12. CONSOLE ASSEMBLY WITHOUT LSS OR WITH 4 CELL LSS - WITHOUT SKYGUARD (SN 0300222893 to Present)	196
FIGURE 5-13. CONSOLE ASSEMBLY WITHOUT LSS OR WITH 4 CELL LSS - WITH SKYGUARD (Prior to SN 0300222893)	200
FIGURE 5-14. CONSOLE ASSEMBLY WITHOUT LSS OR WITH 4 CELL LSS - WITH SKYGUARD (SN 0300222893 to Present)	204
FIGURE 5-15. CONSOLE AND FOOTSWITCH ASSEMBLY WITH 1 CELL LSS - WITH SKYGUARD (Prior to SN 0300257126)	208
FIGURE 5-16. CONSOLE AND FOOTSWITCH ASSEMBLY WITH 1 CELL LSS - WITH SKYGUARD (SN 0300257126 to Present)	212
FIGURE 5-17. DRIVE/STEER CONTROLLER ASSEMBLY	216
FIGURE 5-18. LIFT/SWING CONTROLLER ASSEMBLY	218
FIGURE 5-19. SKYGUARD SYSTEM INSTALLATION (Prior to SN 0300257126)	222
FIGURE 5-20. SKYGUARD SYSTEM INSTALLATION (SN 0300257126 to Present)	224
FIGURE 5-21. CROSS RAIL INSTALLATION	226
FIGURE 5-22. SKYEYE INSTALLATION	228
FIGURE 5-23. SKYLINE INSTALLATION	230
FIGURE 5-24. SKYLINE HARNESS	232
FIGURE 5-25. SKYEYE INTERMEDIATE HARNESS	234
FIGURE 5-26. SKYEYE RECEIVER HARNESS	236
FIGURE 5-27. SKYEYE EMITTER HARNESS	238
SECTION 6 - CYLINDER	241
FIGURE 6-1. AXLE LOCKOUT CYLINDER ASSEMBLY	242
FIGURE 6-2. LEVEL (PLATFORM SLAVE) CYLINDER ASSEMBLY (Prior to SN 0300240098)	244
FIGURE 6-3. LEVEL (PLATFORM SLAVE) CYLINDER ASSEMBLY (SN 0300238046 to Present)	246
FIGURE 6-4. LIFT (JIB) CYLINDER ASSEMBLY	248
FIGURE 6-5. LIFT (MAIN BOOM) CYLINDER ASSEMBLY	250
FIGURE 6-6. LIFT (TOWER BOOM) CYLINDER ASSEMBLY	252
FIGURE 6-7. MASTER CYLINDER ASSEMBLY	254
FIGURE 6-8. STEER CYLINDER ASSEMBLY	256
FIGURE 6-9. TELESCOPE CYLINDER ASSEMBLY	258
SECTION 7 - HYDRAULIC	261

TABLE OF CONTENTS

FIGURE 7-1. HYDRAULIC SYSTEM INSTALLATION - WITHOUT ARCTIC PACKAGE.....	262
FIGURE 7-2. HYDRAULIC DIAGRAM LIST	268
SECTION 8 - ELECTRICAL	269
FIGURE 8-1. ELECTRICAL DIAGRAM LIST	270
FIGURE 8-2. AC BOX AT PLATFORM INSTALLATION - LOCALLY SUPPLIED COMPONENTS (ANSI EXPORT AND AUSTRALIAN SPECS).....	272
FIGURE 8-3. AC BOX AT PLATFORM INSTALLATION - LOCALLY SUPPLIED (CE SPEC).....	274
FIGURE 8-4. AC BOX AT PLATFORM INSTALLATION - 110V (ANSI, ANSI EXPORT, CSA AND JAPANESE SPECS).....	276
FIGURE 8-5. AC BOX AT PLATFORM INSTALLATION - 110V IEC YELLOW (CE SPEC).....	278
FIGURE 8-6. AC BOX AT PLATFORM INSTALLATION - 220V (CSA SPEC).....	280
FIGURE 8-7. AC BOX AT PLATFORM INSTALLATION - 220V IEC BLUE (CE SPEC).....	282
FIGURE 8-8. AC BOX AT PLATFORM INSTALLATION - 220V CEE7 POST GROUND WITH 70MM X 70MM BOX (CE SPEC).....	284
FIGURE 8-9. AC BOX AT PLATFORM INSTALLATION - 220V CEE7 SIDE GROUND WITH 70MM X 70MM BOX (CE SPEC).....	286
FIGURE 8-10. AC BOX AT PLATFORM INSTALLATION - 220V CEE7 POST GROUND WITH 2IN X 4IN BOX (CE SPEC)	288
FIGURE 8-11. AC BOX AT PLATFORM INSTALLATION - 220V CEE7 SIDE GROUND WITH 2IN X 4IN BOX (CE SPEC).....	290
FIGURE 8-12. AC BOX AT PLATFORM INSTALLATION - 220V AFSINT 107 KEYED GROUND WITH 2IN X 4IN BOX (CE SPEC).....	292
FIGURE 8-13. AC POWER TO PLATFORM CABLE - MAIN BOOM (WITHOUT ARCTIC PACKAGE)	294
FIGURE 8-14. AC POWER TO PLATFORM CABLE - MAIN BOOM (WITH ARCTIC PACKAGE)	296
FIGURE 8-15. AC POWER TO PLATFORM CABLE - TOWER BOOM (WITHOUT ARCTIC PACKAGE).....	298
FIGURE 8-16. AC POWER TO PLATFORM CABLE - TOWER BOOM (WITH ARCTIC PACKAGE).....	300
FIGURE 8-17. BOOM CABLES, HARNESSES AND CLAMPS INSTALLATION - WITHOUT ARCTIC PACKAGE	302
FIGURE 8-18. BOOM CABLES, HARNESSES AND CLAMPS INSTALLATION - WITH ARCTIC PACKAGE	306
FIGURE 8-19. BOOM HARNESS - MAIN.....	310
FIGURE 8-20. BOOM HARNESS - TOWER.....	312
FIGURE 8-21. BREAKER BOX KIT (CE SPEC).....	314
FIGURE 8-22. CHARGER HARNESS.....	316
FIGURE 8-23. DRIVE CABLES INSTALLATION.....	318
FIGURE 8-24. DRIVE HARNESS - REAR RIGHT.....	320
FIGURE 8-25. DRIVE HARNESS - REAR LEFT.....	322
FIGURE 8-26. DRIVE HARNESS - FRONT WITH STEER.....	324
FIGURE 8-27. DRIVE HARNESS - FRONT WITHOUT STEER.....	326
FIGURE 8-28. ENGINE CABLES INSTALLATION.....	328
FIGURE 8-29. ENGINE HARNESS.....	330
FIGURE 8-30. GENERATOR HARNESS.....	332
FIGURE 8-31. GROUND CONTROL HARNESS.....	334
FIGURE 8-32. GROUND TO PLATFORM CABLE - MAIN BOOM (WITHOUT ARCTIC PACKAGE).....	336
FIGURE 8-33. GROUND TO PLATFORM CABLE - MAIN BOOM (WITH ARCTIC PACKAGE).....	338
FIGURE 8-34. GROUND TO PLATFORM CABLE - TOWER BOOM (WITHOUT ARCTIC PACKAGE).....	340
FIGURE 8-35. GROUND TO PLATFORM CABLE - TOWER BOOM (WITH ARCTIC PACKAGE).....	342
FIGURE 8-36. LSS HARNESS.....	344
FIGURE 8-37. PLATFORM CONSOLE HARNESS - WITHOUT SKYGUARD.....	346
FIGURE 8-38. PLATFORM CONSOLE HARNESS - WITH SKYGUARD.....	348
FIGURE 8-39. GENERATOR TO PLATFORM HARNESS - WITH SKYGUARD.....	350
FIGURE 8-40. PLATFORM TO BOOM VALVE HARNESS.....	352
FIGURE 8-41. RECEPTACLE BOX KIT - 110V IEC YELLOW (CE SPEC).....	354
FIGURE 8-42. RECEPTACLE BOX KIT - 220V IEC BLUE (CE SPEC).....	356
FIGURE 8-43. RECEPTACLE BOX KIT - 220V CEE7 POST GROUND 70MMX70MM BOX (CE SPEC).....	358
FIGURE 8-44. RECEPTACLE BOX KIT - 220V CEE7 SIDE GROUND 70MMX70MM BOX (CE SPEC).....	360
FIGURE 8-45. RECEPTACLE BOX KIT - 220V CEE7 POST GROUND 2IN X 4IN BOX (CE SPEC).....	362
FIGURE 8-46. RECEPTACLE BOX KIT - 220V CEE7 SIDE GROUND 2IN X 4IN BOX (CE SPEC).....	364
FIGURE 8-47. RECEPTACLE BOX KIT - 220V AFSINT 107 (CE SPEC).....	366
FIGURE 8-48. STROBE LIGHT HARNESS (BLUE AND RED LIGHTS).....	368
FIGURE 8-49. STROBE EXTENSION HARNESS (BLUE AND RED LIGHTS).....	370
FIGURE 8-50. TRACTION HARNESS.....	372
FIGURE 8-51. TURNTABLE HARNESS.....	374
FIGURE 8-52. VALVE HARNESS.....	378
SECTION 9 - DECALS.....	381
FIGURE 9-1. DECALS INSTALLATION - ANSI AND ANSI EXPORT SPECS (ENGLISH).....	382
FIGURE 9-2. DECALS INSTALLATION - AUSTRALIAN SPEC (ENGLISH).....	384
FIGURE 9-3. DECALS INSTALLATION - BRAZIL SPEC (PORTUGUESE/SPANISH).....	386
FIGURE 9-4. DECALS INSTALLATION - CE SPECS (ENGLISH).....	388

TABLE OF CONTENTS

FIGURE 9-5. DECALS INSTALLATION - CSA SPEC (FRENCH/ENGLISH).....	390
FIGURE 9-6. DECALS INSTALLATION - CHINESE SPEC (CHINESE/ENGLISH).....	392
FIGURE 9-7. DECALS INSTALLATION - JAPANESE SPEC (JAPANESE/ENGLISH).....	394
FIGURE 9-8. DECALS INSTALLATION - KOREAN SPEC (KOREAN/ENGLISH).....	396
FIGURE 9-9. DECALS INSTALLATION - LATIN AMERICA SPEC (SPANISH/ENGLISH).....	398
FIGURE 9-10. OPTIONAL DECALS INSTALLATION.....	400
SECTION 10 - RECOMMENDED SERVICE PARTS STOCK.....	403
FIGURE 10-1. RECOMMENDED SERVICE PARTS STOCK.....	404
SECTION 11 - SPECIAL OPTIONS.....	407
FIGURE 11-1. SPECIAL OPTIONS.....	408
PART NUMBER INDEX.....	411

Go to Discount-Equipment.com to order your parts

SECTION 1 - FRAME

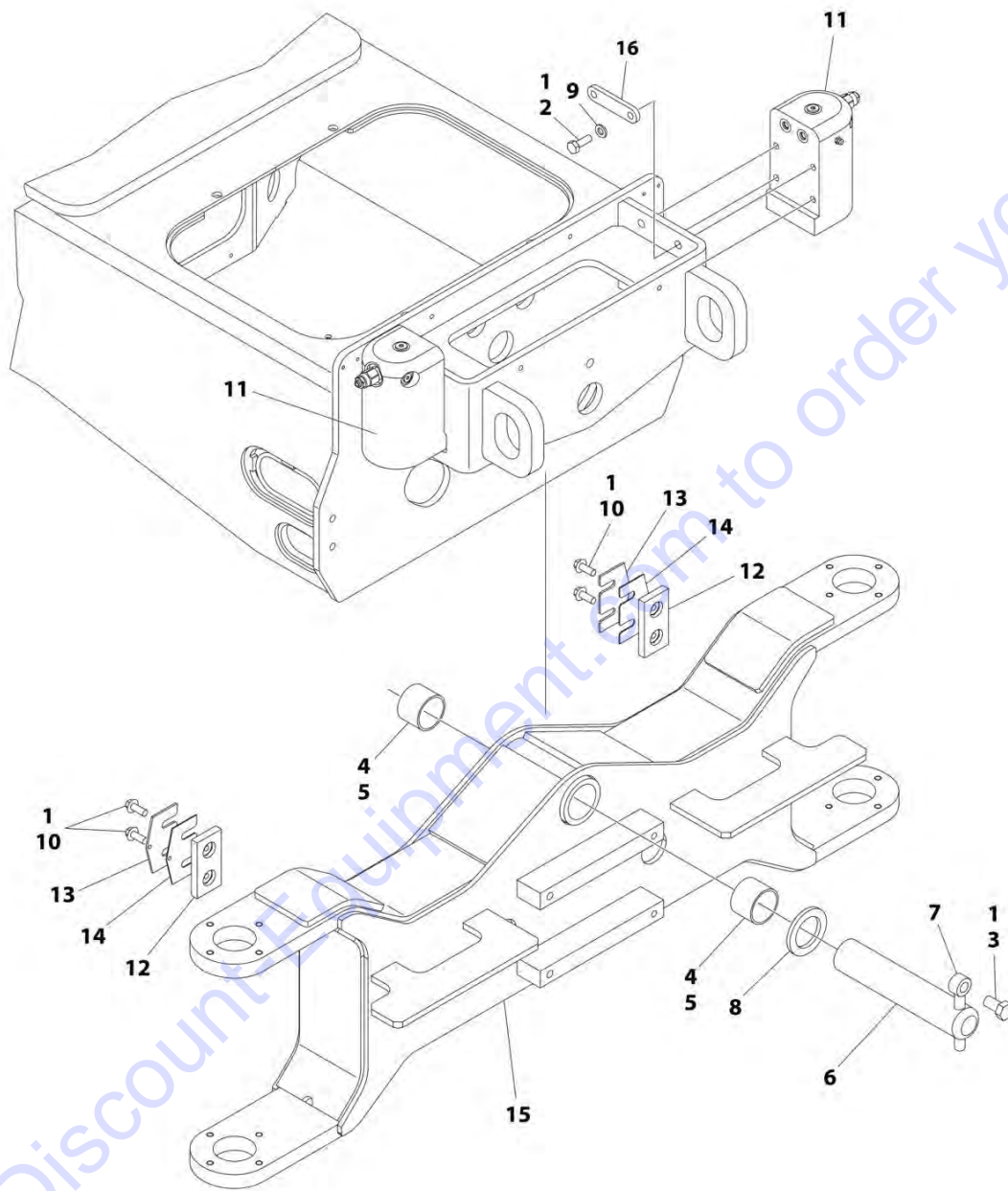
Go to Discount-Equipment.com to order your parts

FIGURE 1-1. STEERING INSTALLATION

ITEM	PART NUMBER	QTY	DESCRIPTION	REV
	1001161115	Ref	STEERING INSTALLATION	I
1	0100011	AR	Compound, Locking	
2	0701012	16	Bolt M10 X 25	
3	0701217	4	Bolt M12 X 45	
5	0760810	1	Bolt M8 X 20	
6	0761010	3	Bolt M10 X 20	
7	0761018	1	Bolt M10 X 50	
8	0962140	6	Bearing	
9	3020029	2	Lubricant	
10	3841520	4	Keeper, Pin	
11	4740086	5	Washer, Thrust	
12	4812100	4	Washer M12	
13	1001116788	1	Steer Cylinder Assembly (See CYLINDER SECTION for Breakdown)	
14	4740505	2	Washer, Thrust	
15	1001161110	1	Pin, Sensor	
16	1001161113	1	Bracket, Sensor Pin	
17	1001161114	1	Spacer	
18	1001161117	1	Switch, Rotary Angle Sensor	
18	4460536	1	Receptacle, Female - 3 Position	
18	4460464	1	Pin, Male	
19	1001168669	3	Pin	
20	1001169015	2	Spindle	
21	1001169028	2	Link, Tie Rod	
23	1001169030	4	Kingpin	
24	1001169129	4	Bearing	
25	1001188866	1	Bracket, Sensor	
26	0760818	1	Bolt M8 x 50	
27	4811900	2	Washer M8	
28	1001149160	1	Nut, Tinnerman M8	
29	1001155967	1	Holder, Connector	
30	1001208285	2	Washer	
31	4240018	2	Tie-Strap (Not Shown) (SN 0300236472 to Present)	
32	1001164885	AR	Washer, Shim	

SECTION 1 - FRAME

FIGURE 1-2. OSCILLATING AXLE INSTALLATION



ART_1001169213

SECTION 1 - FRAME

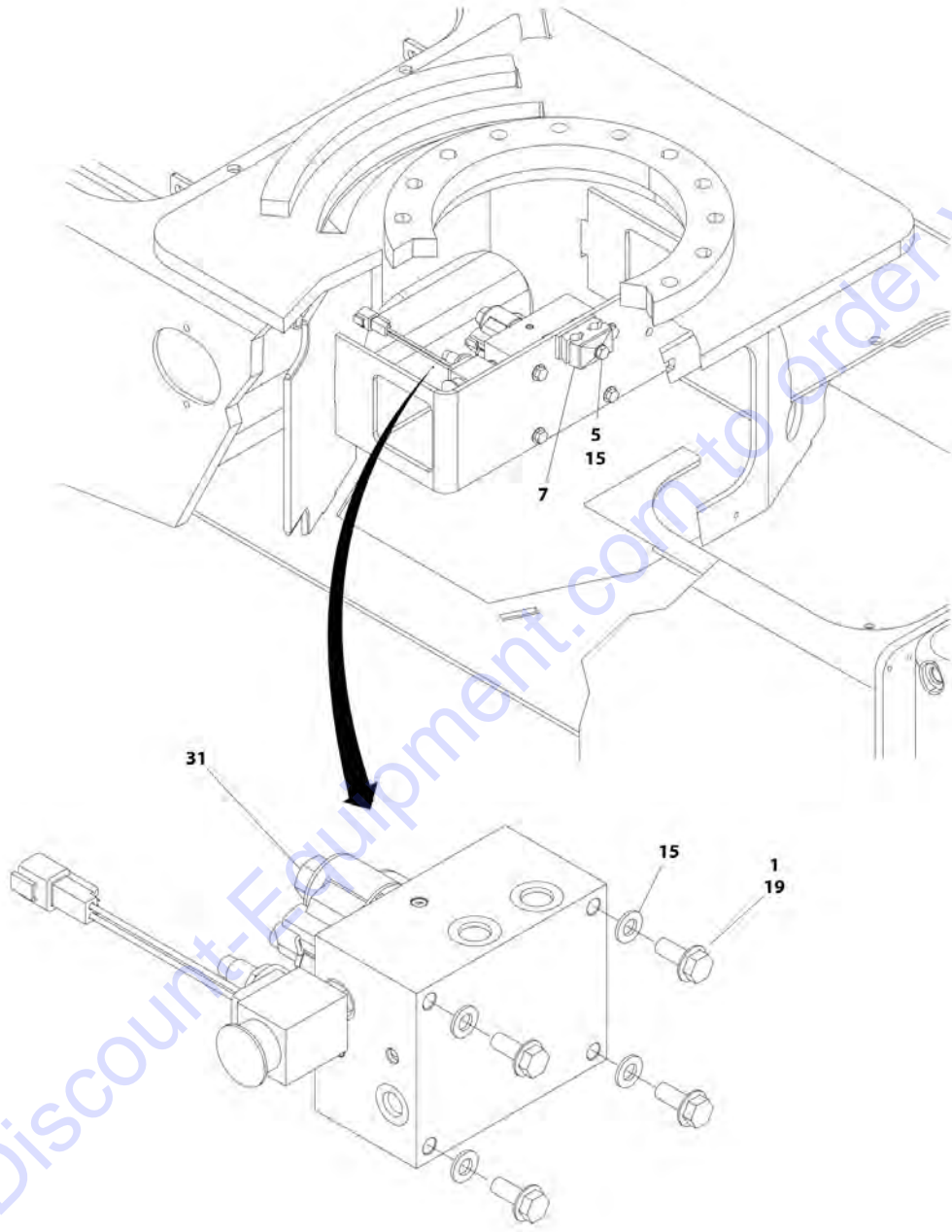
FIGURE 1-2. OSCILLATING AXLE INSTALLATION

ITEM	PART NUMBER	QTY	DESCRIPTION	REV
	1001169213	Ref	OSCILLATING AXLE INSTALLATION	C
1	0100011	AR	Compound, Locking	
2	0761015	1	Bolt M10 x 35	
3	0761614	1	Bolt M16 x 30	
4	0961950	2	Bushing	
5	3020029	AR	Lubricant	
6	3422592	1	Pin, Axle Pivot	
7	3841258	1	Keeper, Pin	
8	4740158	1	Thrustwasher	
9	5241000	8	Washer M10	
10	5251012	4	Bolt M10 x 25	
11	1001116361	2	Lockout Cylinder Assembly (See CYLINDER SECTION for Breakdown)	
12	1001118511	2	Pad, Wear	
13	1001118518	2	Shim 11Ga	
14	1001118519	4	Shim 16Ga	
15	1001169027	1	Axle	
16	1001210981	4	Shim	

Go to Discount-Equipment.com to order your parts

SECTION 1 - FRAME

FIGURE 1-3. CONTROL VALVES INSTALLATION - FRAME



ART_1001167238_10F3

SECTION 1 - FRAME

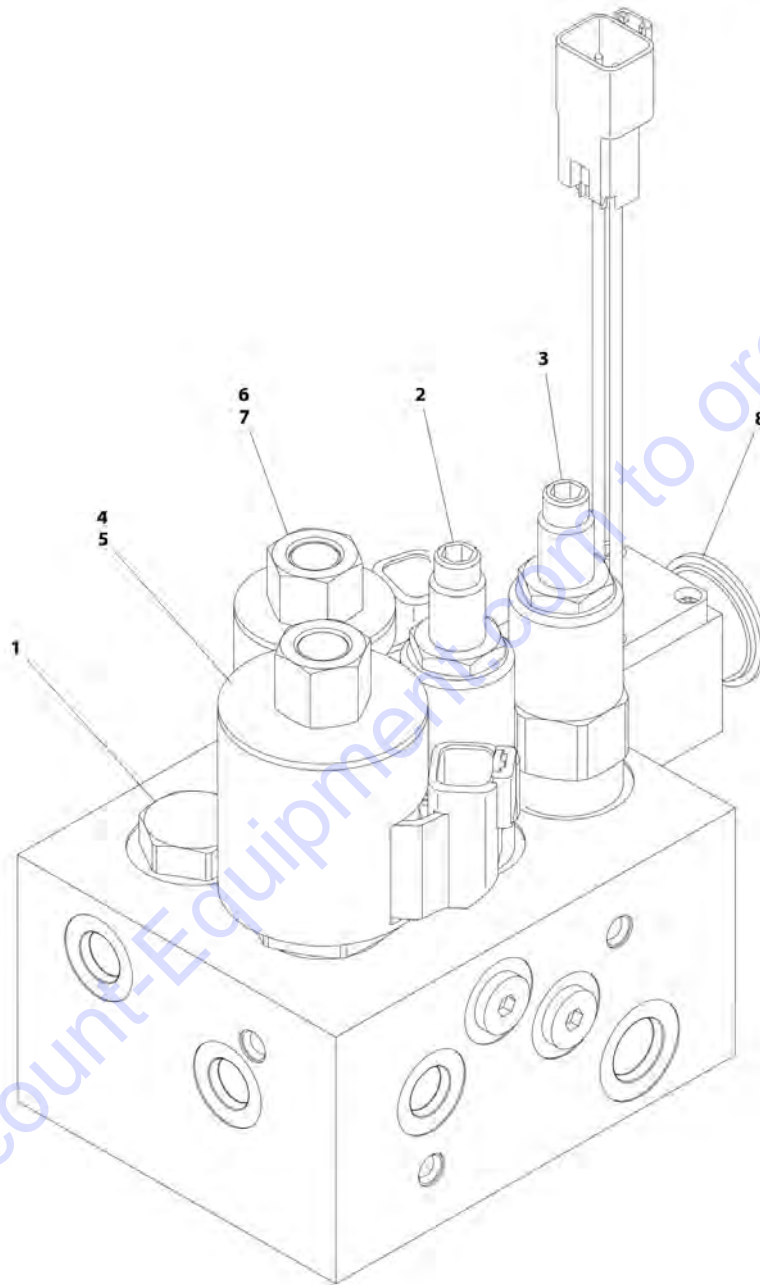
FIGURE 1-3. CONTROL VALVES INSTALLATION - FRAME

ITEM	PART NUMBER	QTY	DESCRIPTION	REV
	1001167238	Ref	CONTROL VALVES INSTALLATION - FRAME	I
1	0100011	AR	Compound, Locking	
5	0700815	1	Bolt M8 x 35	
7	1320159	1	Clamp	
15	4811900	5	Washer M8	
19	5250810	14	Bolt M8 X 20	
31	1001165144	1	Oscillating Axle Valve Assembly (See OSCILLATING AXLE VALVE ASSEMBLY for Breakdown)	

Go to Discount-Equipment.com to order your parts

SECTION 1 - FRAME

FIGURE 1-4. OSCILLATING AXLE VALVE ASSEMBLY



ART_1001165144

SECTION 1 - FRAME

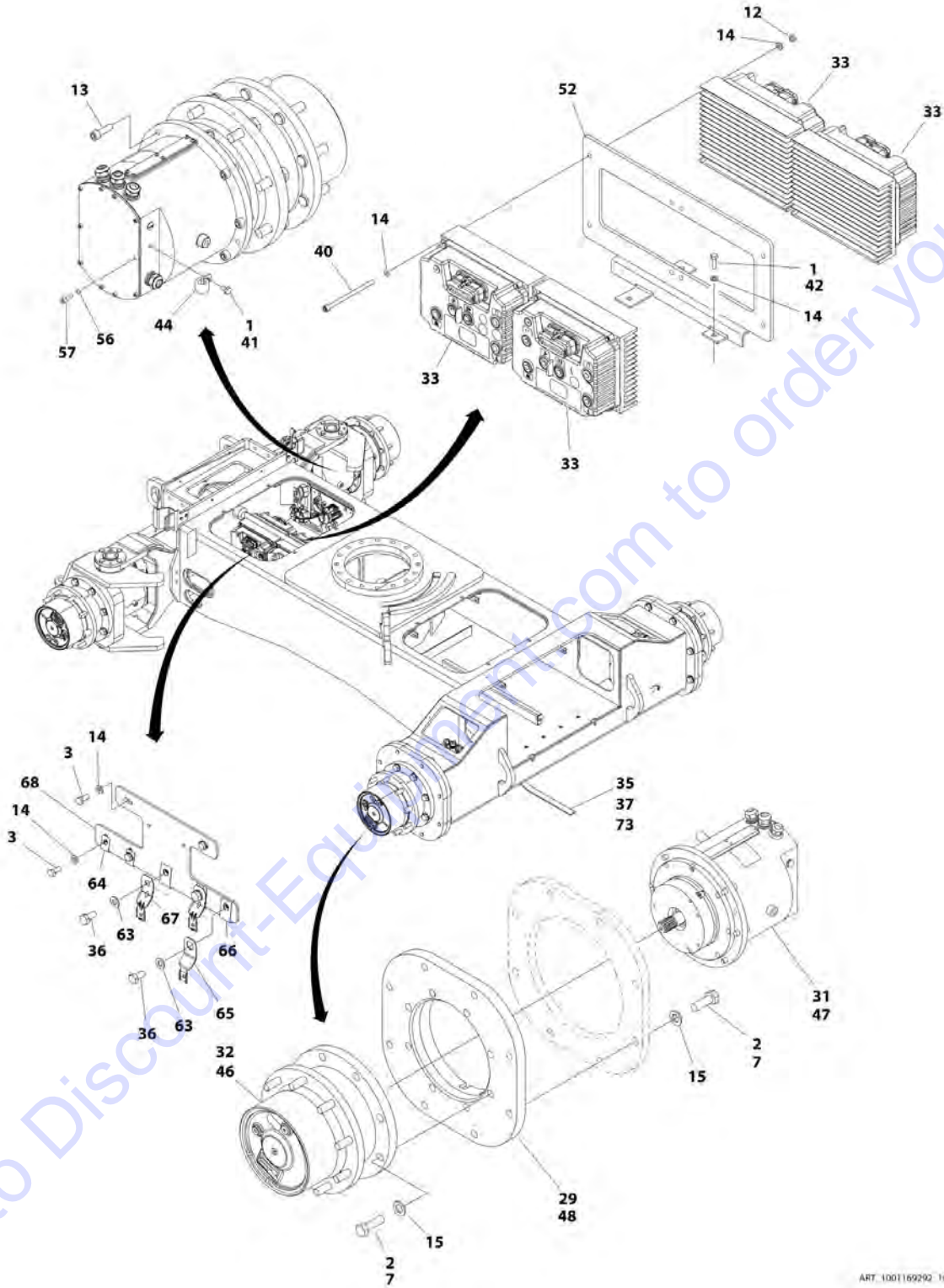
FIGURE 1-4. OSCILLATING AXLE VALVE ASSEMBLY

ITEM	PART NUMBER	QTY	DESCRIPTION	REV
	1001165144	Ref	OSCILLATING AXLE VALVE ASSEMBLY	D
1	4641129	1	Cartridge, Check Valve	
1	7012540	1	Seal Kit - 4641129 Valve	
2	70004787	1	Cartridge, Valve	
2	7021653	1	Seal Kit - 70004787 Valve	
3	70004788	1	Cartridge, Relief Valve	
3	7012998	1	Seal Kit - 70004788 Valve	
4	7017455	1	Cartridge, Valve Less Coil (Primary Axle Release)	
4	7017463	1	Seal Kit - 7017455 Valve	
5	70050516	1	Coil	
6	7017408	1	Cartridge, Valve Less Coil (Secondary Axle Release)	
6	7012907	1	Seal Kit - 7017408 Valve	
7	70002963	1	Coil	
8	70004789	1	Switch, Pressure	

Go to Discount-Equipment.com to order your parts

SECTION 1 - FRAME

FIGURE 1-5. DRIVE INSTALLATION



ART. 100169292 1 OF 2

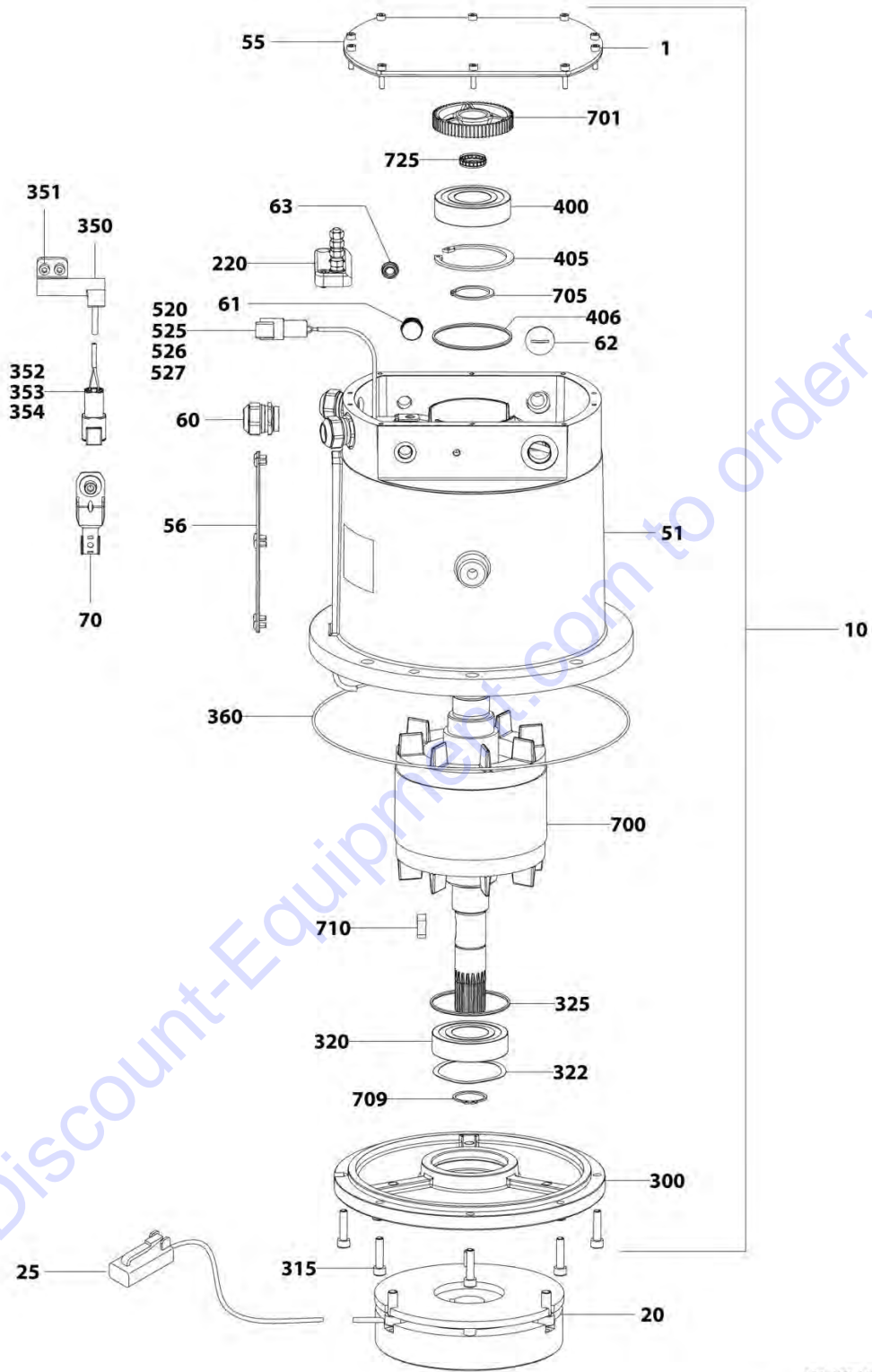
SECTION 1 - FRAME

FIGURE 1-5. DRIVE INSTALLATION

ITEM	PART NUMBER	QTY	DESCRIPTION	REV
	1001169292	Ref	DRIVE INSTALLATION	P
1	0100011	AR	Compound, Locking	
2	0100019	AR	Compound, Locking	
3	0760607	2	Bolt M6 x 14	
3	0760610	2	Bolt M6 x 20	
7	0771618	48	Bolt M16 x 50	
12	3290601	8	Nut M6	
13	4032009	24	Capscrew M10 x 25	
14	4811700	30	Washer M6	
15	5241600	48	Washer M16	
29	1001168400	2	Flange	
31	1001169683	4	Drive Motor Assembly (See DRIVE MOTOR ASSEMBLY for Breakdown)	
32	1001200348	4	Drive Hub Assembly (See DRIVE HUB ASSEMBLY for Breakdown)	
33	1001170140	4	Module, Drive	
35	4240084	1	Strap, Anti-Static	
36	0760808	AR	Bolt M8 x 16	
37	4811902	1	Washer M8	
40	5271723	8	Capscrew M6 x 100	
41	0760605	4	Bolt M6 X 10	
42	0760610	4	Bolt M6 x 20	
44	1320041	2	Clamp	
46	3020008	AR	Lubricant 80W-90	
47	3020037	AR	Lubricant	
48	3020039	AR	Lubricant	
52	1001179948	1	Plate, Mounting	
56	4811400	1	Washer M4	
57	4031507	1	Capscrew M4 x 16	
63	4811900	5	Washer M8	
64	1001130220	6	Nut, Tinnerman M6	
65	1001141581	1	Mount, Connector	
66	1001149160	3	Nut, Tinnerman M8	
67	1001155743	2	Holder	
68	1001197294	1	Plate	
73	4191707	1	Screw M6 x 16	

SECTION 1 - FRAME

FIGURE 1-6. DRIVE MOTOR ASSEMBLY



ART_1001169683

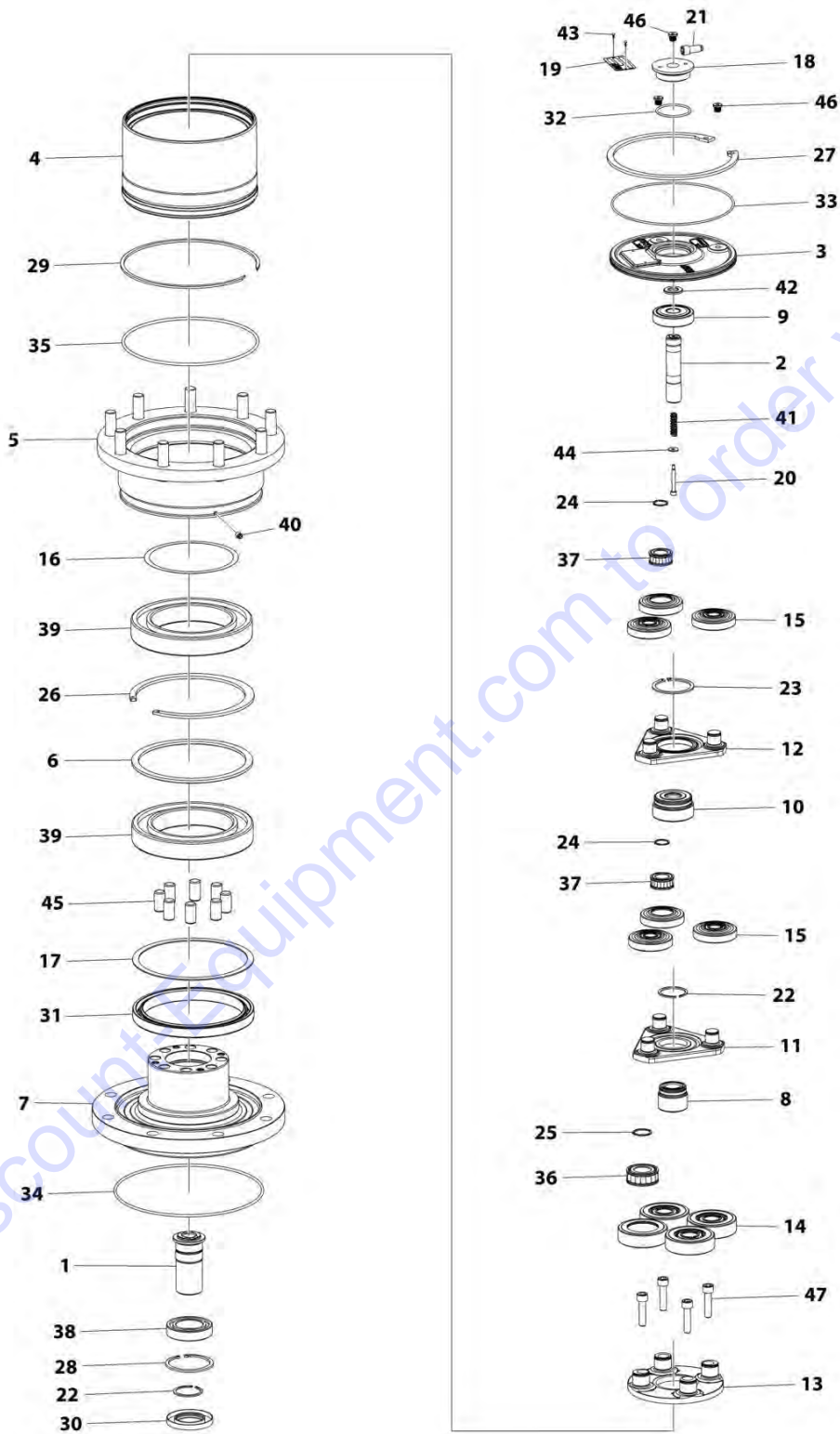
SECTION 1 - FRAME

FIGURE 1-6. DRIVE MOTOR ASSEMBLY

ITEM	PART NUMBER	QTY	DESCRIPTION	REV
	1001169683	Ref	DRIVE MOTOR ASSEMBLY	H
1	4031507	10	Capscrew M4 x 16	
10	70004797	1	Motor, Replacement without Brake (Includes Items 51-63, 220-325 & 360-725)	
20	70004798	1	Brake Assembly	
25	4461290	1	Plug, Male - 2 Position	
25	4460516	1	Pin, Male	
51	See Note	1	Stator (Note: Not Available - Use p/n 70004797)	
55	70004799	1	Cover, End	
56	70004800	1	Cover, Access	
60	70004801	4	Connector, Strain Relief	
61	70004802	1	Plug, Pressure	
62	70004803	1	Plug	
63	70004804	1	Plug	
70	70004805	3	Clip, Mounting	
220	70004806	1	Board, Terminal	
300	70004807	1	Cap, End	
315	70004808	6	Capscrew M6 x 25	
320	70004809	1	Bearing, Ball	
322	70004810	1	Washer, Wavy	
325	70004811	1	O-Ring	
350	70004812	1	Sensor, Speed	
351	70004813	2	Capscrew M5 x 16	
352	4460516	4	Pin, Male	
353	See Note	1	Lock, Wedge (Note: Include in Item 354 - Use p/n 4461076)	
354	4461076	1	Receptacle, Female - 4 Position	
360	70004814	1	O-Ring	
400	70004809	1	Bearing, Ball	
405	70004815	1	Circle-Clip	
406	70004811	1	O-Ring	
520	70004816	1	Sensor, Temperature	
525	4460516	1	Pin, Male	
526	See Note	1	Lock, Wedge (Note: Included with Item 527 - Use p/n 70004827)	
527	70004827	1	Receptacle, Female - 2 Position	
700	70004817	1	Armature	
701	70004818	1	Wheel, Sensor	
705	70004819	1	Circle-Clip	
709	70004820	1	Circle-Clip	
710	70004821	1	Key	
725	70004822	1	Ring, Tolerance	

SECTION 1 - FRAME

FIGURE 1-7. DRIVE HUB ASSEMBLY



ART_1001200348

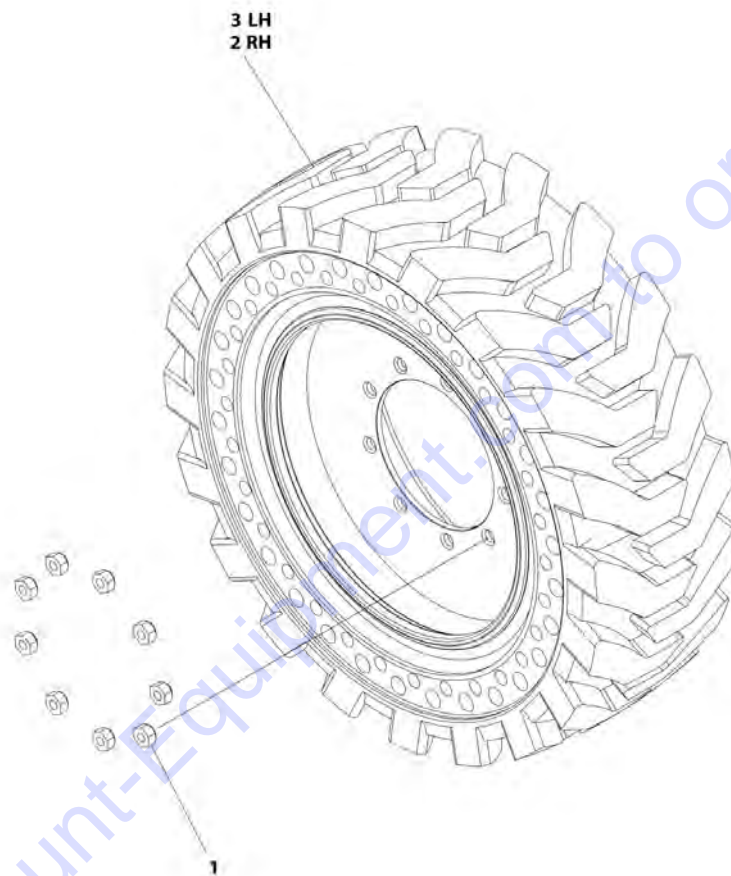
SECTION 1 - FRAME

FIGURE 1-7. DRIVE HUB ASSEMBLY

ITEM	PART NUMBER	QTY	DESCRIPTION	REV
	1001200348	Ref	DRIVE HUB ASSEMBLY	D
1	70005063	1	Shaft, Input	
2	70005062	1	Shaft, Internal	
3	70005060	1	Cover	
4	70005059	1	Gear, Ring	
5	70006133	1	Housing W/Studs	
6	70005058	1	Spacer	
7	70006132	1	Spindle	
8	70005055	1	Gear, Sun (Power)	
9	70005054	1	Gear, Sun (Fast)	
10	70005053	1	Gear, Sun (Intermediate)	
11	70005051	1	Carrier, Planet (Intermediate)	
12	70005050	1	Carrier, Planet (Fast)	
13	70005561	1	Carrier, Power Stage Planetary	
14	70005049	4	Gear, Planet (Power)	
15	70005048	6	Gear, Planet (Fast)	
16	70005047	1	Shim	
17	70006131	1	Spacer	
18	70005046	1	Cap, Disengage	
19	See Note	NSS	Nameplate (Note: Not Available for Purchase)	
20	70005045	1	Screw	
21	70005044	1	Screw M10 x 1 (Disengage)	
22	70005043	2	Ring, Snap	
23	70005042	1	Ring, Snap	
24	70005041	6	Ring, Snap	
25	70005040	4	Ring, Snap	
26	70005039	1	Ring, Snap	
27	70005038	1	Ring, Snap	
28	70005037	1	Ring, Snap	
29	70005036	1	Ring, Snap	
30	70005035	1	Ring, Sealing	
31	70006130	1	Ring, Sealing	
32	70005033	1	O-Ring	
33	70005032	1	O-Ring	
34	70005031	1	O-Ring	
35	70005030	1	O-Ring	
36	70005029	4	Bearing, Roller	
37	70005028	1	Bearing, Roller	
38	70005027	1	Bearing, Ball	
39	70005026	2	Bearing, Ball	
40	70006129	2	Screw	
41	70005025	1	Spring	
42	70005024	1	Washer	
43	70005023	2	Rivet, Brass	
44	70005022	1	Washer	
45	70005560	8	Pin, Dowel	
46	70005020	3	Plug W/Washer	
47	70005019	4	Screw	

SECTION 1 - FRAME

FIGURE 1-8. TIRE AND WHEEL INSTALLATION - 7X18 SOLID



ART_100118641

SECTION 1 - FRAME

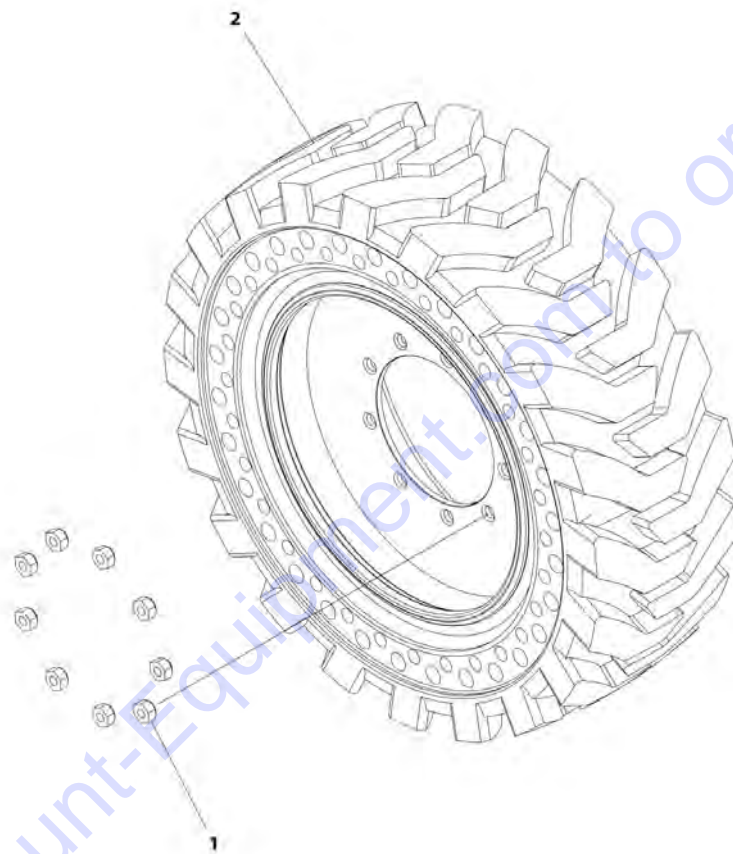
FIGURE 1-8. TIRE AND WHEEL INSTALLATION - 7X18 SOLID

ITEM	PART NUMBER	QTY	DESCRIPTION	REV
	1001118641	Ref	TIRE AND WHEEL INSTALLATION - 7x18 SOLID (AVAILABLE ON ALL SPECS)	C
		Ref	Note: Due to critical stability weights, only replace tire & wheel assemblies with like components.	
1	3300106	36	Lugnut (9 per Wheel)	
2	1001118649	2	Tire & Wheel Assembly - 7 x 18 Solid Right Side (Note: No Serviceable Parts - Replace Complete Sets per Axle)	
3	1001121678	2	Tire & Wheel Assembly - 7 x 18 Solid Left Side (Note: No Serviceable Parts - Replace Complete Sets per Axle)	

Go to Discount-Equipment.com to order your parts

SECTION 1 - FRAME

FIGURE 1-9. TIRE AND WHEEL INSTALLATION - 7X18 SOLID NON-MARKING



ART_100118644

SECTION 1 - FRAME

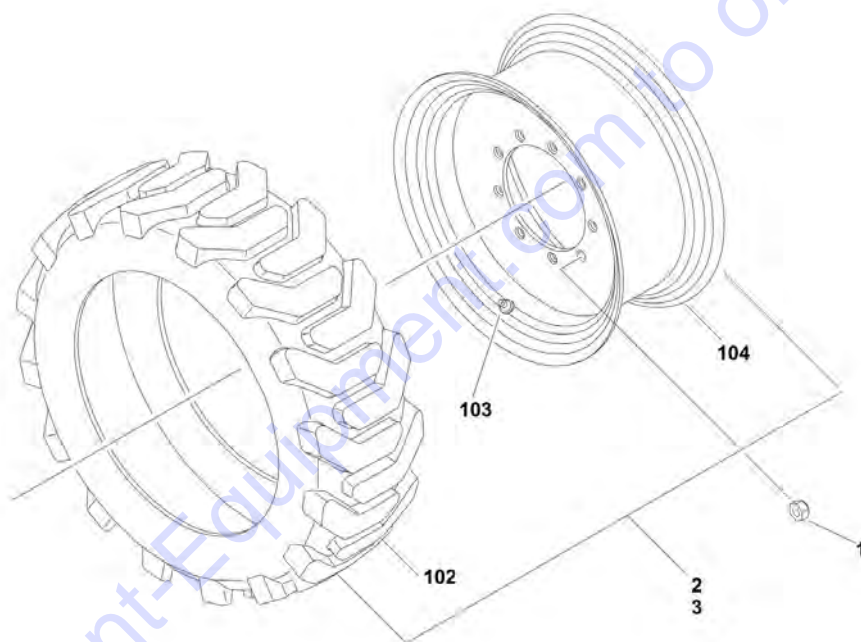
FIGURE 1-9. TIRE AND WHEEL INSTALLATION - 7X18 SOLID NON-MARKING

ITEM	PART NUMBER	QTY	DESCRIPTION	REV
	1001118644	Ref	TIRE AND WHEEL INSTALLATION - 7x18 SOLID NON-MARKING (AVAILABLE ON ALL SPECS)	B
		Ref	Note: Due to critical stability weights, only replace tire & wheel assemblies with like components.	
1	3300106	36	Lugnut (9 per Wheel)	
2	1001118654	4	Tire & Wheel Assembly - 7 x 18 Solid (Note: No Serviceable Parts - Replace Complete Sets per Axle)	

Go to Discount-Equipment.com to order your parts

SECTION 1 - FRAME

FIGURE 1-10. TIRE AND WHEEL INSTALLATION - 9X20 FOAM-FILLED



ART.100115773

SECTION 1 - FRAME

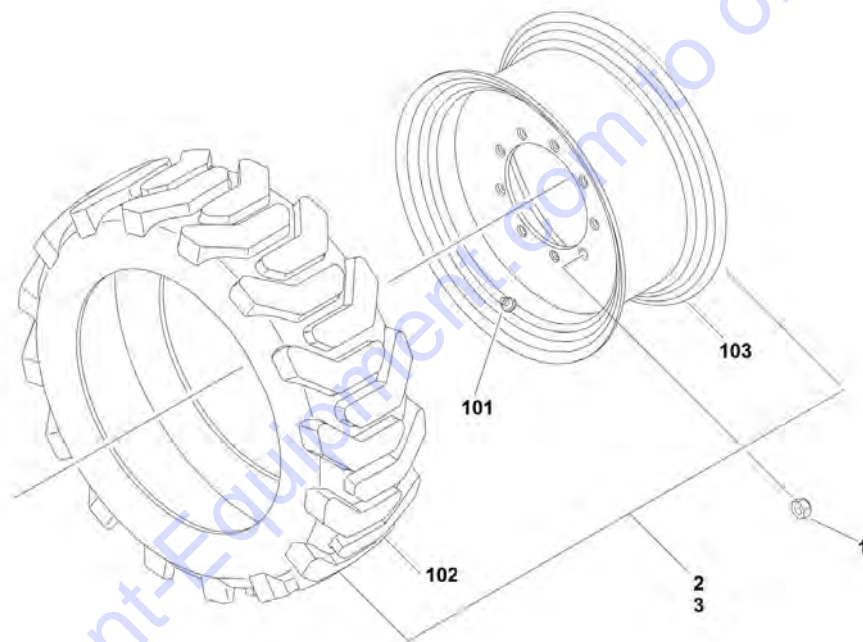
FIGURE 1-10. TIRE AND WHEEL INSTALLATION - 9X20 FOAM-FILLED

ITEM	PART NUMBER	QTY	DESCRIPTION	REV
	1001115773	Ref	TIRE AND WHEEL INSTALLATION - 9 x 20 FOAMED-FILLED (AVAILABLE ON ALL SPECS)	B
		Ref	Note: Due to critical stability weights, only replace tire & wheel assemblies with like components.	
1	3300106	36	Lugnut (9 per Wheel)	
2	1001117131	2	Tire & Wheel Assembly - 9 x 20 Foam-Filled Left Side	D
3	1001117132	2	Tire & Wheel Assembly - 9 x 20 Foam-Filled Right Side	D
		Ref	Note: Assemblies may require ballast/foam filling to manufacture's specifications prior to installing on a machine. Refer to Operation and Safety or Service and Maintenance Manuals. Purchase individual tire and/or rim only if able to foam fill tire and wheel assembly, otherwise, purchase complete assembly.	
102	4520605	4	Tire - IN265/50D20	
103	4640113	4	Valve, Air	
104	1001117129	4	Rim for 9X20 (Use with IN265/50D20 Tires)	

Go to Discount-Equipment.com to order your parts

SECTION 1 - FRAME

FIGURE 1-11. TIRE AND WHEEL INSTALLATION - 9X20 FOAM-FILLED NON-MARKING



ART 100118642

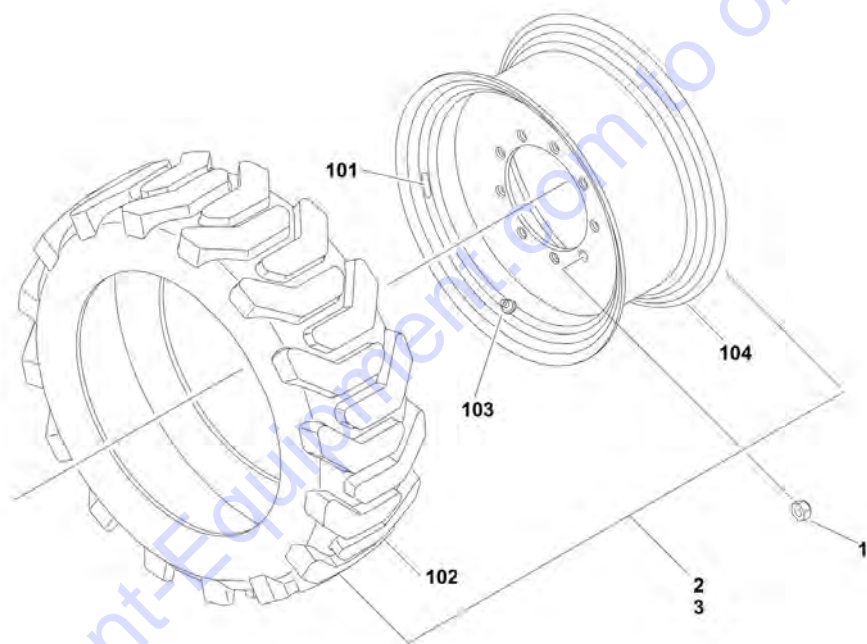
SECTION 1 - FRAME

FIGURE 1-11. TIRE AND WHEEL INSTALLATION - 9X20 FOAM-FILLED NON-MARKING

ITEM	PART NUMBER	QTY	DESCRIPTION	REV
	1001118642	Ref	TIRE AND WHEEL INSTALLATION - 9 x 20 FOAM-FILLED NON-MARKING (AVAILABLE ON ALL SPECS)	B
		Ref	Note: Due to critical stability weights, only replace tire & wheel assemblies with like components.	
1	3300106	36	Lugnut (9 per Wheel)	
2	1001118650	2	Tire and Wheel Assembly - 9 x 20 Foam-Filled Non-Marking Right Side	C
3	1001118651	2	Tire and Wheel Assembly - 9 x 20 Foam-Filled Non-Marking Left Side	C
		Ref	Note: Assemblies may require ballast/foam filling to manufacturer's specifications prior to installing on a machine. Refer to Operation and Safety or Service and Maintenance Manuals. Purchase individual tire and/or rim only if able to foam fill tire and wheel assembly, otherwise, purchase complete assembly.	
101	4640113	4	Valve, Air	
102	1001118660	4	Tire - IN265/50D20 Non-Marking	
103	1001117129	4	Rim for 20 x 9 (Use with IN265/50D20 Tires)	

SECTION 1 - FRAME

FIGURE 1-12. TIRE AND WHEEL INSTALLATION - 9X20 PNEUMATIC



ART 100118640

SECTION 1 - FRAME

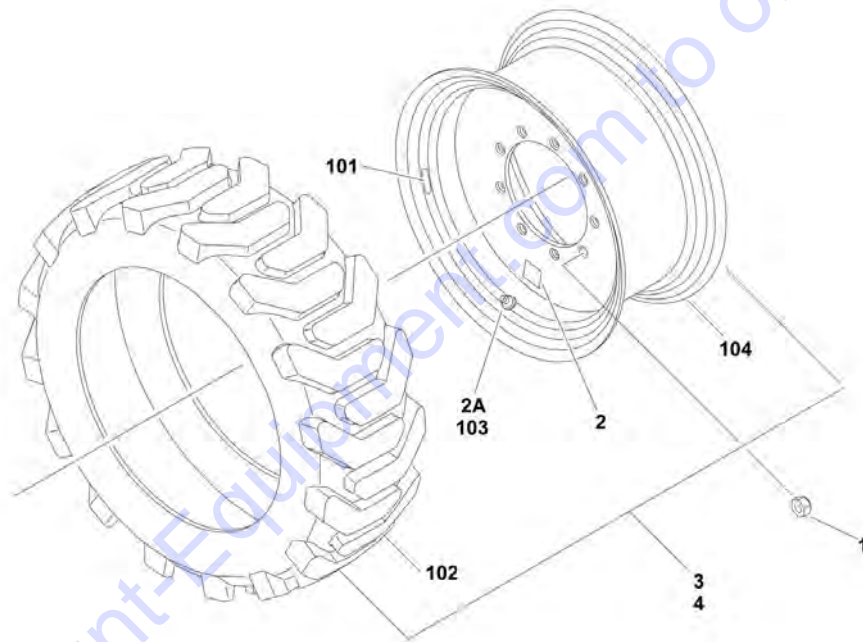
FIGURE 1-12. TIRE AND WHEEL INSTALLATION - 9X20 PNEUMATIC

ITEM	PART NUMBER	QTY	DESCRIPTION	REV
	1001118640	Ref	TIRE AND WHEEL INSTALLATION -9 x 20 PNEUMATIC (ALL SPECS EXCEPT AUSTRALIAN & CE SPECS)	B
		Ref	Note: Due to critical stability weights, only replace tire & wheel assemblies with like components.	
1	3300106	36	Lugnut (9 per Wheel)	
2	1001118647	2	Tire and Wheel Assembly - 9 x 20 Pneumatic Right Side	B
3	1001118648	2	Tire and Wheel Assembly - 9 x 20 Pneumatic Left Side	B
101	1706846	4	Decal - 75PSI	
102	4520605	4	Tire - IN265/50D20	
103	4640113	4	Valve, Air	
104	1001117129	4	Rim for 20 x 9 (Use with IN265/50D20 Tires)	

Go to Discount-Equipment.com to order your parts

SECTION 1 - FRAME

FIGURE 1-13. TIRE AND WHEEL INSTALLATION - 9X20 PNEUMATIC WITH TIRE SEALANT



ART 1001120027

SECTION 1 - FRAME

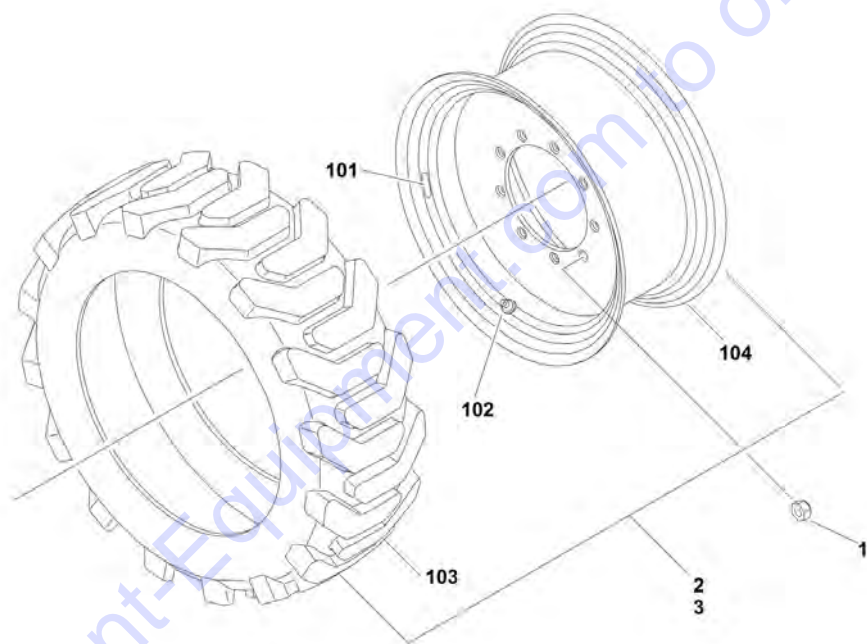
FIGURE 1-13. TIRE AND WHEEL INSTALLATION - 9X20 PNEUMATIC WITH TIRE SEALANT

ITEM	PART NUMBER	QTY	DESCRIPTION	REV
	1001120027	Ref	TIRE AND WHEEL INSTALLATION - 9X20 PNEUMATIC WITH TIRE SEALANT (AVAILABLE ON ANSI SPEC ONLY)	B
		Ref	Note: Due to critical stability weights, only replace tire & wheel assemblies with like components.	
1	3300106	36	Lugnut (9 per Wheel)	
2	2902203	1	Decal Kit - Required on Tires with Sealant (Includes qty 5 Decals and qty 4 Green Valve Stem Caps)	
2A	1120552	1	Cap, Valve Stem (Green) (Tires with Sealant Only)	
3	1001118647	2	Tire & Wheel Assembly - 9 x 20 Pneumatic Right Side	B
4	1001118648	2	Tire & Wheel Assembly - 9 x 20 Pneumatic Left Side	B
101	1706846	4	Decal - 75PSI	
102	4520605	4	Tire - IN265/50D20	
103	4640113	4	Valve, Air	
104	1001117129	4	Rim for 20 x 9 (Use with IN265/50D20 Tires)	

Go to Discount-Equipment.com to order your parts

SECTION 1 - FRAME

FIGURE 1-14. TIRE AND WHEEL INSTALLATION - 9X20 PNEUMATIC NON-MARKING



ART 100118643

SECTION 1 - FRAME

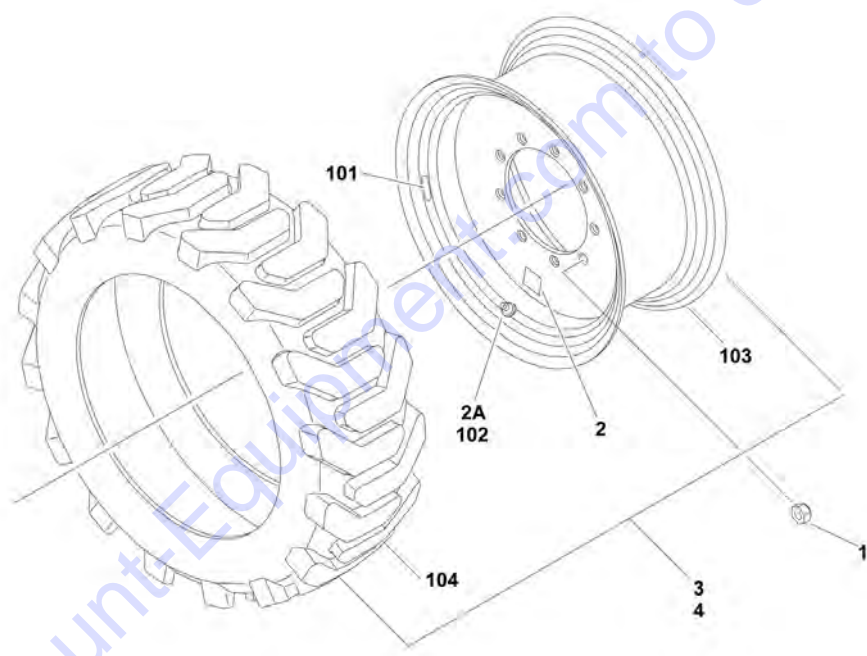
FIGURE 1-14. TIRE AND WHEEL INSTALLATION - 9X20 PNEUMATIC NON-MARKING

ITEM	PART NUMBER	QTY	DESCRIPTION	REV
	1001118643	Ref	TIRE AND WHEEL INSTALLATION - 9 x 20 PNEUMATIC NON-MARKING (AVAILABLE ON ALL SPECS EXCEPT AUSTRALIN & CE SPECS)	B
		Ref	Note: Due to critical stability weights, only replace tire & wheel assemblies with like components.	
1	3300106	36	Lugnut (9 per Wheel)	
2	1001118652	2	Tire & Wheel Assembly - 9 x 20 Pneumatic Non-Marking Right Side	B
3	1001118653	2	Tire & Wheel Assembly - 9 x 20 Pneumatic Non-Marking Left Side	B
101	1706846	4	Decal - 75PSI	
102	4640113	4	Valve, Air	
103	1001117129	4	Rim for 20 x 9 (Use with IN265/50D20 Tires)	
104	1001118660	4	Tire - IN265/50D20 Non-Marking	

Go to Discount-Equipment.com to order your parts

SECTION 1 - FRAME

FIGURE 1-15. TIRE AND WHEELS INSTALLATION - 9X20 PNEUMATIC NON-MARKING WITH TIRE SEALANT



ART 1001120036

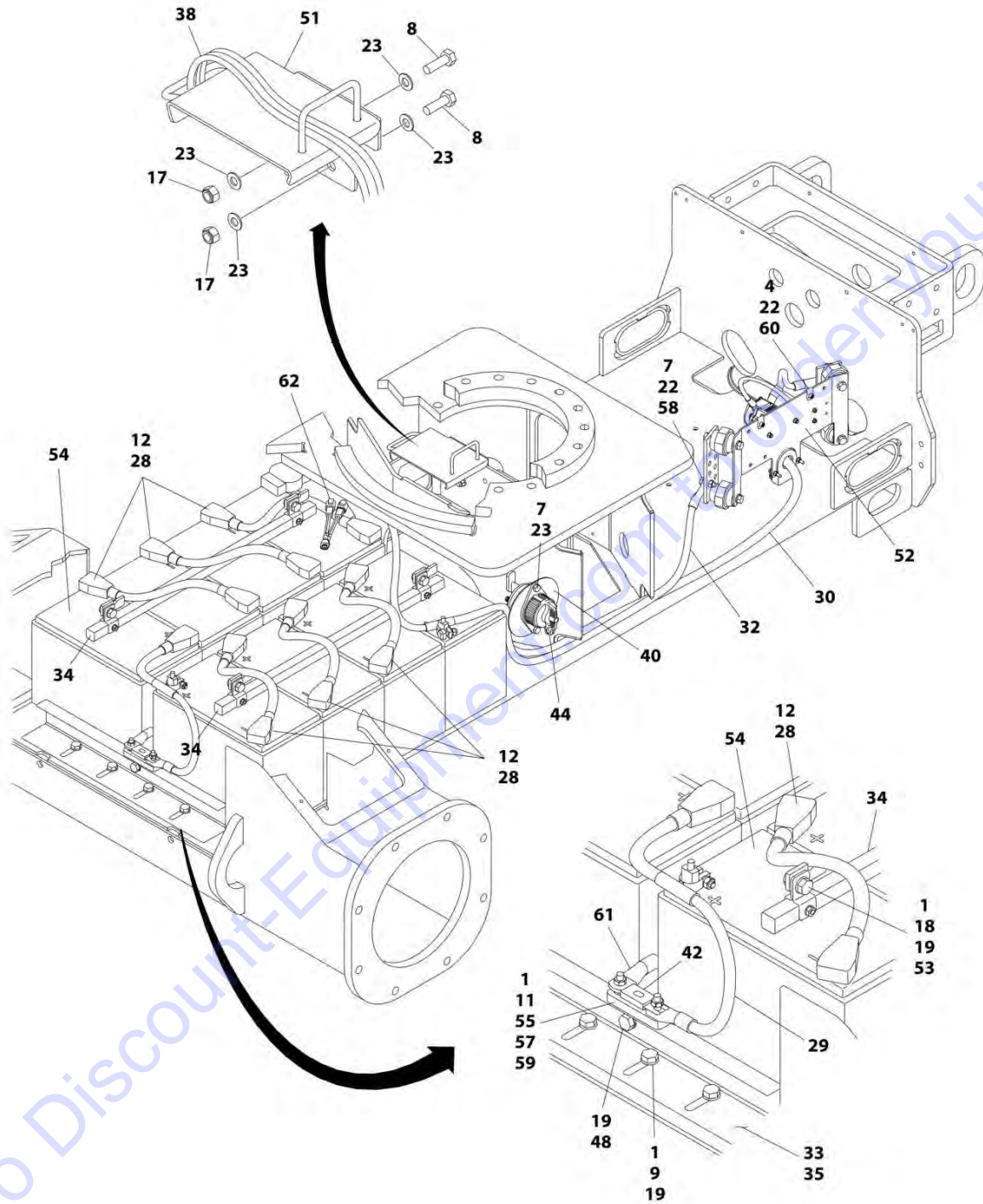
SECTION 1 - FRAME

FIGURE 1-15. TIRE AND WHEELS INSTALLATION - 9X20 PNEUMATIC NON-MARKING WITH TIRE SEALANT

ITEM	PART NUMBER	QTY	DESCRIPTION	REV
	1001120036	Ref	TIRE AND WHEEL INSTALLATION - 9 x 20 PNEUMATIC NON-MARKING WITH TIRE SEALANT (AVAILABLE ON ANSI SPEC ONLY)	B
		Ref	Note: Due to critical stability weights, only replace tire & wheel assemblies with like components.	
1	3300106	36	Lugnut (9 per Wheel)	
2	2902203	1	Decal Kit - Required on Tires with Sealant (Includes qty 5 Decals and qty 4 Green Valve Stem Caps)	
2A	1120552	1	Cap, Valve Stem (Green) (Tires with Sealant Only)	
3	1001118652	2	Tire & Wheel Assembly - 9 x 20 Pneumatic Non-Marking Right Side	A
4	1001118653	2	Tire & Wheel Assembly - 9 x 20 Pneumatic Non-Marking Left Side	A
101	1706846	4	Decal - 75PSI	
102	4640113	4	Valve, Air	
103	1001117129	4	Rim for 20 x 9 (Use with IN265/50D20 Tires)	
104	1001118660	4	Tire - IN265/50D20 Non-Marking	

SECTION 1 - FRAME

FIGURE 1-16. BATTERIES INSTALLATION



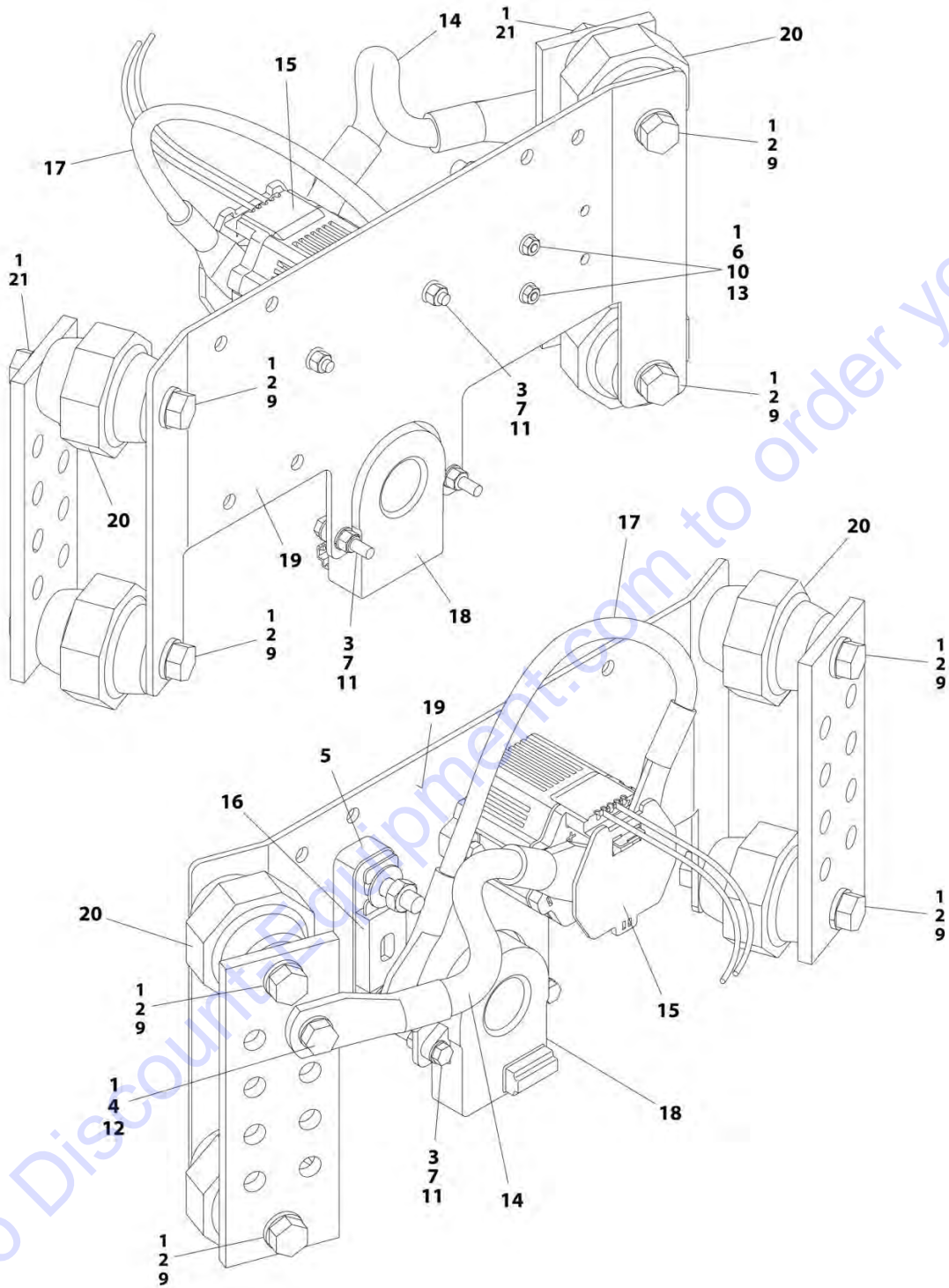
ART_1001162045

FIGURE 1-16. BATTERIES INSTALLATION

ITEM	PART NUMBER	QTY	DESCRIPTION	REV
	1001162045	Ref	BATTERIES INSTALLATION	I
1	0100011	AR	Compound, Locking	
4	0700610	2	Bolt M6 X 20	
7	0760808	4	Bolt M8 X 16	
8	0760812	2	Bolt M8 X 25	
9	0761010	4	Bolt M10 X 20	
11	2400044	1	Block, Fuse Mounting	
12	0100051	AR	Grease, Terminal	
17	3290805	2	Nut M8	
18	3291001	4	Nut M10	
19	4812000	13	Washer M10	
22	4811700	2	Washer M6	
23	4811900	6	Washer M8	
28	1001161935	6	Cable, Battery (Battery – to Battery +)	
29	1001161936	1	Cable, Battery (Battery + to Fuse)	
30	1001161937	1	Cable, Battery (Fuse to Contactor)	
32	1001161947	1	Cable, Battery (Battery – to Bussbar)	
33	1001162046	1	Support, Stop	
34	1001162047	2	Holddown Assembly - Battery	
34	1001162048	2	Rod, Holddown (1 per Assembly)	
34	1001162049	4	Bracket, Holddown (2 per Assembly)	
35	1001162050	2	Liner, Tray	
38	1001167538	1	Harness, Battery Charger (See ELECTRICAL SECTION for Breakdown)	
40	1001170102	1	Plate, Disconnect Cover	
42	1001170365	1	Fuse, 400 Amp	
44	1001170483	1	Switch, Battery Disconnect	
48	0761020	1	Bolt M10 X 60	
51	1001171777	1	Mount, Cable Routing	
52	1001184133	1	Electrical Plate Assembly (See ELECTRICAL PLATE ASSEMBLY for Breakdown)	
53	0761012	4	Bolt M10 X 25	
54	0400209	8	Battery	
55	3290401	2	Nut M4	
57	4811400	2	Washer M4	
58	4831900	1	Washer M8	
59	8310612	2	Screw M4 X 20	
60	1001130220	2	Nut, Tinnerman M6	
61	1001184022	1	Cable, Battery (Fuse to Disconnect)	
62	1001225131	2	Harness, Temp Sensor (SN 0300236472 to Present)	
62	1001102771	1	Sensor, Temperature	
62	4460897	1	Connector - 2 Position	
62	4460464	2	Pin, Male	

SECTION 1 - FRAME

FIGURE 1-17. ELECTRICAL PLATE ASSEMBLY



ART_1001184133

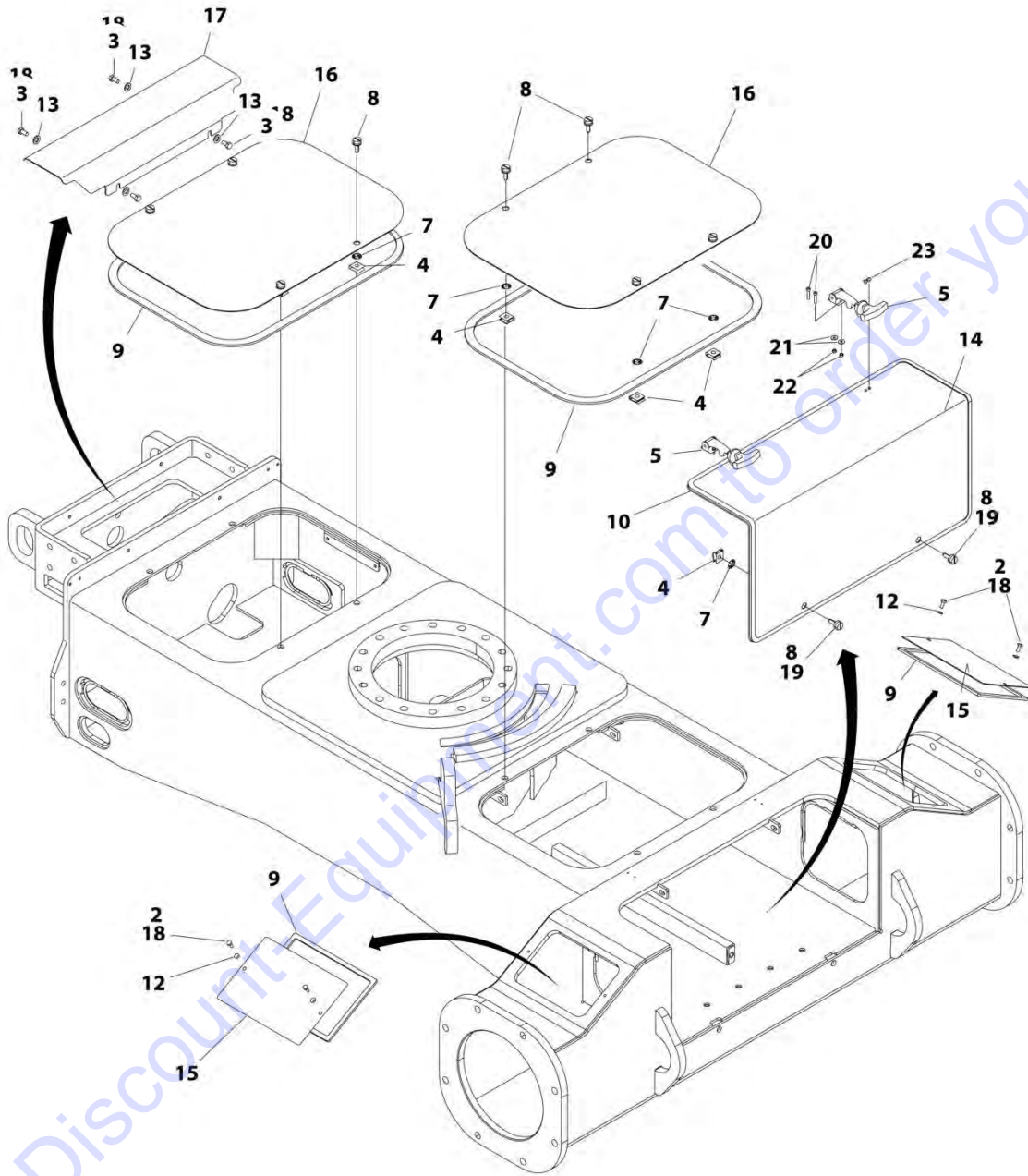
SECTION 1 - FRAME

FIGURE 1-17. ELECTRICAL PLATE ASSEMBLY

ITEM	PART NUMBER	QTY	DESCRIPTION	REV
	1001184133	Ref	ELECTRICAL PLATE ASSEMBLY	F
1	0100011	AR	Compound, Locking	
2	0641606	8	Bolt 3/8-16 x 3/4	
3	0760512	4	Bolt M5 x 25	
4	0760808	1	Bolt M8 x 16	
5	2400044	1	Block, Fuse Mounting	
6	3290401	2	Nut M4	
7	3290505	4	Nut M5	
9	4761600	8	Washer 3/8	
10	4811400	2	Washer M4	
11	4811600	6	Washer M5	
12	4831900	1	Washer M8	
13	8310612	2	Screw M4 x 20	
14	1001161938	1	Cable, Battery (Fuse to Bussbar)	
15	1001170367	1	Contactor	
16	1001170484	1	Fuse 125 Amp	
17	1001170861	1	Cable, Battery (Contactor to Fuse)	
18	1001183548	1	Sensor, Current	
19	1001184135	1	Plate	
20	1001184137	2	Bussbar Assembly	
21	0641608	4	Bolt 3/8-16 x 1	

SECTION 1 - FRAME

FIGURE 1-18. FRAME SHIELDS INSTALLATION



ART_1001161872

SECTION 1 - FRAME

FIGURE 1-18. FRAME SHIELDS INSTALLATION

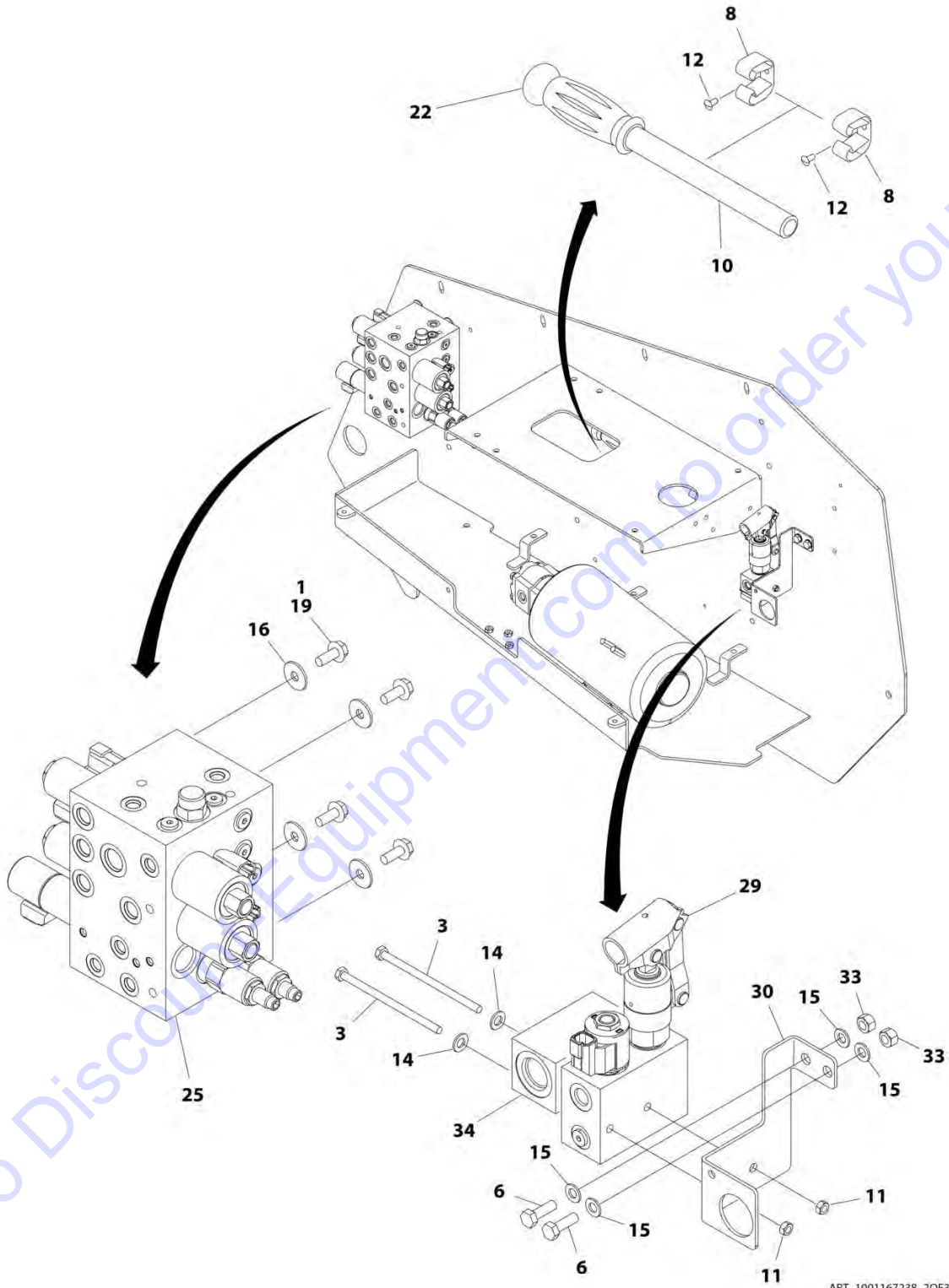
ITEM	PART NUMBER	QTY	DESCRIPTION	REV
	1001161872	Ref	FRAME SHIELDS INSTALLATION	E
2	0760607	4	Bolt M6 X 14	
3	0760808	4	Bolt M8 X 16	
4	1380138	10	Clip	
5	2940095	2	Latch, Rubber Tee	
7	3760308	10	Retainer	
8	3900174	10	Screw, Thumb	
9	3960417	18.7 ft /5.7m	Seal (Prior to SN 0300222893)	
9	1001113047	18.7 ft /5.7m	Seal (SN 0300222893 to Present)	
10	3960447	7.8 ft /2.4m	Seal	
12	4811700	4	Washer M6	
13	4812000	4	Washer M10	
14	1001161873	1	Cover, Rear Axle	
15	1001161874	2	Cover, Rear Motor	
16	1001161876	2	Cover, Battery	
17	1001161878	1	Cover, Front Frame	
18	0100011	AR	Compound, Locking	
19	1001112496	2	Screw, Thumb (Prior to SN 0300222893)	
20	5271609	4	Capscrew M5 x 25	
21	4811602	4	Washer M5	
22	3290505	4	Nut M5	
23	3820019	4	Rivet	

SECTION 2 - TURNTABLE

Go to Discount-Equipment.com to order your parts

SECTION 2 - TURNTABLE

FIGURE 2-1. CONTROL VALVE INSTALLATION - TURNTABLE



ART_1001167238_20F3

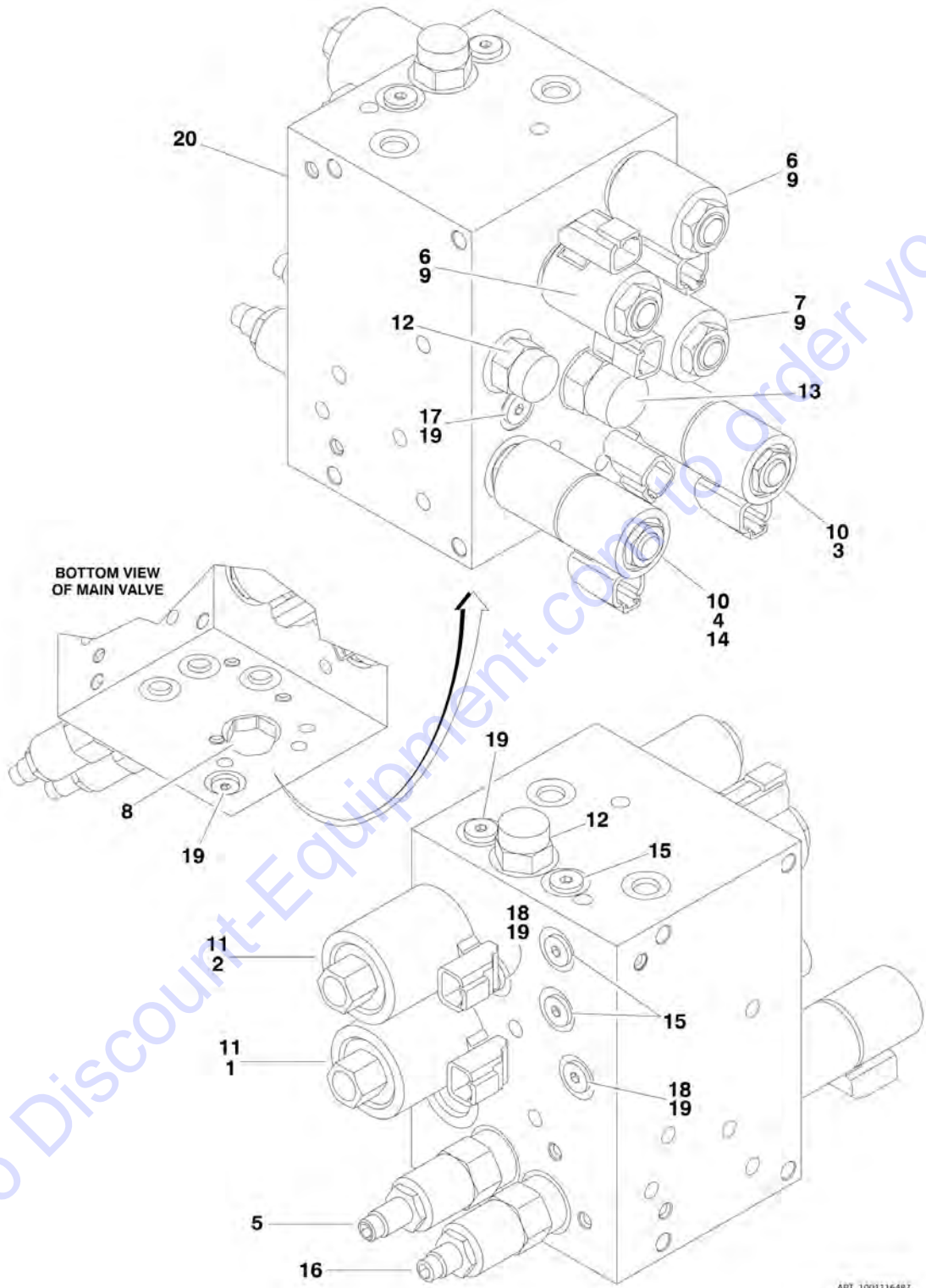
SECTION 2 - TURNTABLE

FIGURE 2-1. CONTROL VALVE INSTALLATION - TURNTABLE

ITEM	PART NUMBER	QTY	DESCRIPTION	REV
	1001167238	Ref	CONTROL VALVES INSTALLATION - TURNTABLE	I
1	0100011	AR	Compound, Locking	
3	0700628	2	Bolt M6 X 110	
6	0760812	2	Bolt M8 X 25	
8	1380136	2	Clip, Gripper	
10	2560122	1	Handle, Pump	
11	3290601	2	Nut M6	
12	3820020	2	Rivet	
14	4811700	2	Washer M6	
15	4811900	5	Washer M8	
16	4811902	4	Washer M8	
19	5250810	14	Bolt M8 X 20	
22	1001114761	1	Grip, Handle	
25	1001116487	1	Main Control Valve Assembly (See MAIN CONTROL VALVE ASSEMBLY for Breakdown)	
29	1001210829	1	Manual Pump Assembly	
29	70005722	1	Cartridge, Hand Pump	
29	7017496	1	Seal Kit - Hand Pump	
29	7017467	1	Cartridge, Solenoid Valve Less Coil	
29	7012967	1	Seal Kit - Cartridge	
29	70002386	1	Coil	
30	1001162614	1	Bracket	
33	3290805	2	Nut M8	
34	1001183406	1	Valve, Junction	

SECTION 2 - TURNTABLE

FIGURE 2-2. MAIN CONTROL VALVE ASSEMBLY



ART_100116487

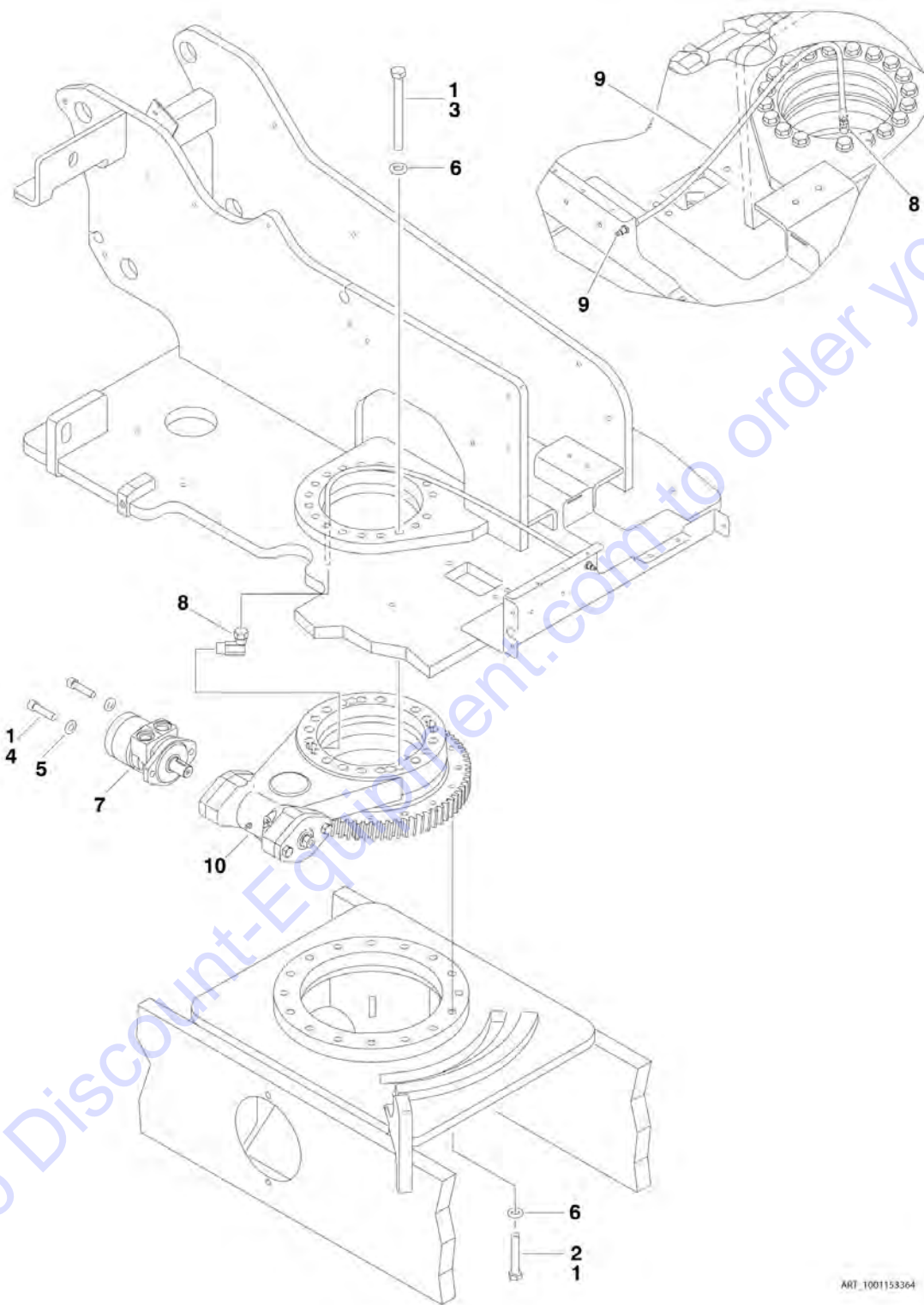
SECTION 2 - TURNTABLE

FIGURE 2-2. MAIN CONTROL VALVE ASSEMBLY

ITEM	PART NUMBER	QTY	DESCRIPTION	REV
	1001116487	Ref	MAIN VALVE ASSEMBLY	I
1	70002964	1	Cartridge, Solenoid Valve with Relief (without Coil)	
1	7017496	1	Seal Kit - 7002964 Cartridge	
2	70002965	1	Cartridge, Solenoid Valve with Relief (without Coil)	
2	7017496	1	Seal Kit - 70002965 Cartridge	
3	70002966	1	Cartridge, Solenoid Valve (without Coil) (Swing)	
3	70002967	1	Seal Kit - 70002966 Cartridge	
4	70002966	1	Cartridge, Solenoid Valve (without Coil) (Steer)	
4	70002967	1	Seal Kit - 70002966 Cartridge	
5	70002968	1	Cartridge, Relief Valve	
5	7012998	1	Seal Kit - 70002968 Cartridge	
6	70002969	2	Cartridge, Solenoid Valve (without Coil) (Upper and Lower Lift)	
6	7010543	2	Seal Kit - Cartridge	
7	70002970	1	Cartridge, Solenoid Valve (without Coil) (Flow Control)	
7	7010543	1	Seal Kit - 70002970 Cartridge	
8	10837580	1	Cartridge, Shuttle Valve	
8	7010543	1	Seal Kit - 108377580 Cartridge	
9	70002971	3	Coil	
10	70002386	4	Coil	
11	70003788	2	Coil	
12	70002972	2	Cartridge, Pressure Compensator Valve	
12	7010543	2	Seal Kit - 70002972 Cartridge	
13	70002973	1	Cartridge, Pressure Compensator Valve	
13	7010543	1	Seal Kit - 70002973 Cartridge	
14	70002974	1	Disc, Check Valve	
15	70003757	3	Cartridge, Check Valve	
15	70002976	3	Seal Kit - 70003757 Cartridges	
16	70002977	1	Cartridge, Crossover Relief	
16	7021653	1	Seal Kit - 70002977 Cartridge	
17	See Note	1	Orifice .060 (Note: Not Available for Purchase)	
18	See Note	2	Orifice .100 (Note: Not Available for Purchase)	
19	7017406	5	Plug	
20	See Note	1	Block (Note: Not Available for Purchase)	

SECTION 2 - TURNTABLE

FIGURE 2-3. SWING DRIVE INSTALLATION



ART_1001153364

SECTION 2 - TURNTABLE

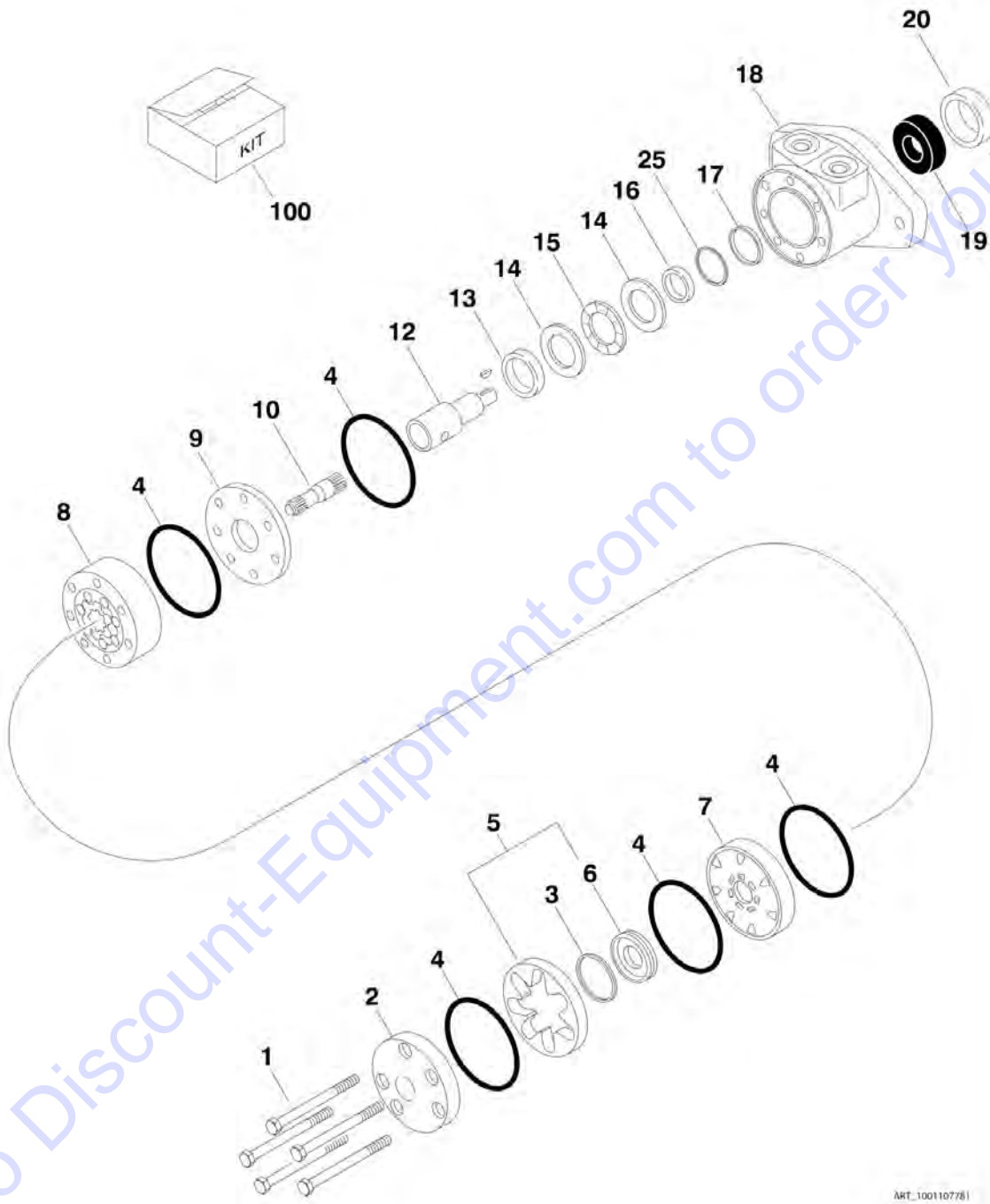
FIGURE 2-3. SWING DRIVE INSTALLATION

ITEM	PART NUMBER	QTY	DESCRIPTION	REV
	1001153364	Ref	SWING DRIVE INSTALLATION	C
1	0100019	AR	Compound, Locking	
2	0711426	16	Bolt M14 x 90 Grade 10.9	
3	0711432	19	Bolt M14 x 150 Grade 10.9	
4	3931832	2	Capscrew 1/2-13 x 2	
5	4740171	2	Washer 1/2	
6	5241400	2	Washer M14	
7	1001107781	1	Swing Motor Assembly (See SWING MOTOR ASSEMBLY for Breakdown)	
8	2220124	1	Fitting, Adapter NPT	
9	1001118961	1	Hose, Remote Grease Line (Includes Grease Fitting)	
10	1001153015	1	Swing Bearing and Rotation Box Assembly (See SWING BEARING ASSEMBLY for Breakdown)	

Go to Discount-Equipment.com to order your parts

SECTION 2 - TURNTABLE

FIGURE 2-4. SWING MOTOR ASSEMBLY



ART_100110781

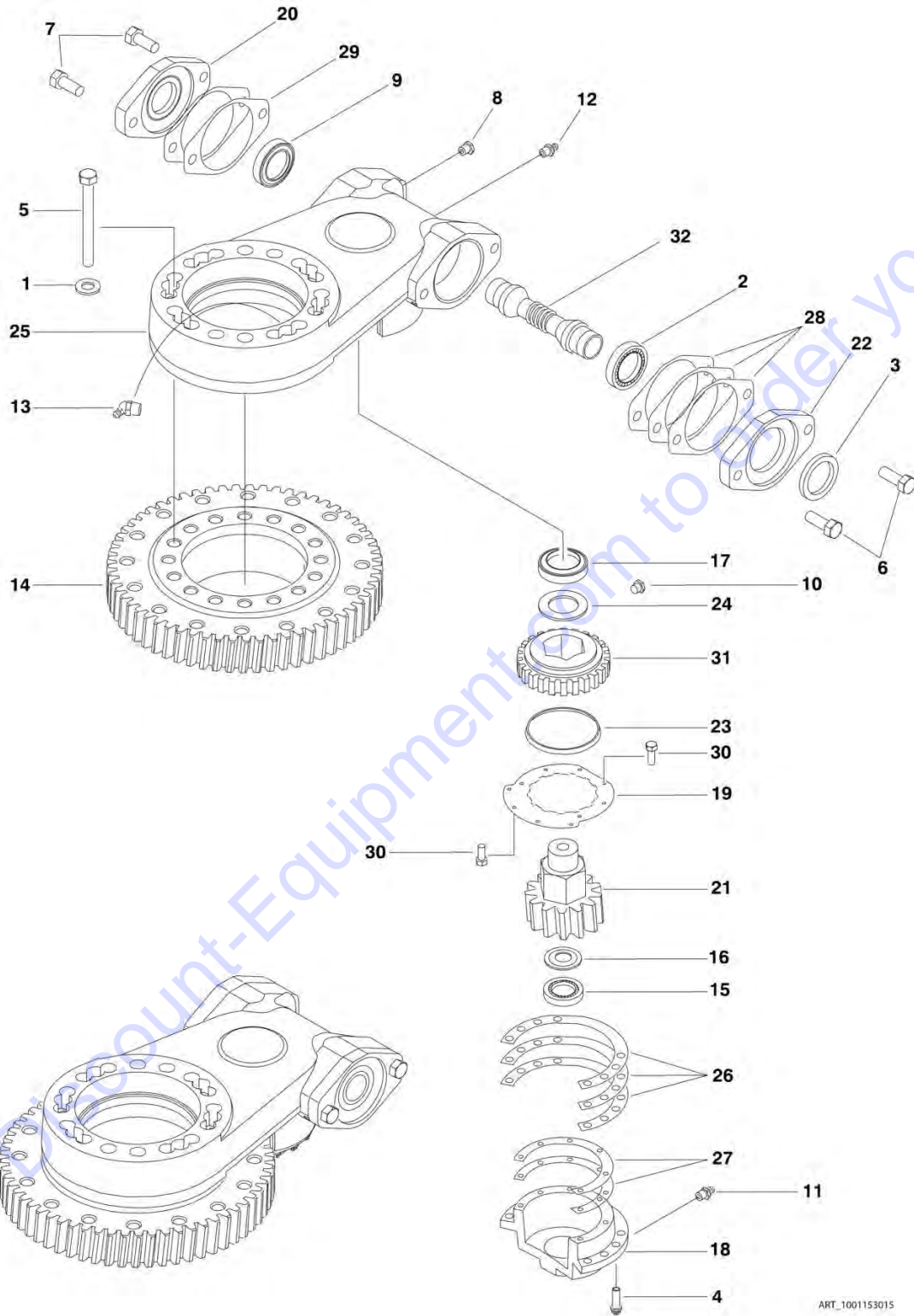
SECTION 2 - TURNTABLE

FIGURE 2-4. SWING MOTOR ASSEMBLY

ITEM	PART NUMBER	QTY	DESCRIPTION	REV
	1001107781	Ref	SWING MOTOR ASSEMBLY	A
1	70002311	5	Bolt	
2	7004035	1	Cover, End	
3	See Note	1	Seal, Commutator (Note: Use p/n 7024389)	
4	See Note	5	Seal, Ring (Note: Use p/n 7024389)	
5	7024453	1	Commutator and Ring Assembly	
6	See Note	1	Ring (Note: Use p/n 7024453)	
7	7024379	1	Manifold	
8	70002312	1	Rotor Set	
9	7024380	1	Plate, Wear	
10	70002313	1	Link, Drive	
12	70000088	1	Shaft, Coupling	
12	70000089	1	Key, Woodruff	
13	7024381	1	Bushing, Bronze	
14	7004043	2	Washer, Thrust	
15	7004044	1	Bearing, Thrust	
16	See Note	1	Seal, Inner (Note: Use p/n 7024389)	
17	See Note	1	Washer, Back-up (Note: Use p/n 7024389)	
18	See Note	1	Housing (Note: Not Available - Purchase Complete Assembly)	
19	7024390	1	Bearing	
20	See Note	1	Seal (Note: Use p/n 7024389)	
25	See Note	1	Washer, Back-up (Note: Use p/n 7024389)	
100	7024389	1	Seal Kit (Includes Items 3, 4, 16, 17, 20 & 25)	

SECTION 2 - TURNTABLE

FIGURE 2-5. SWING BEARING ASSEMBLY



ART_1001153015

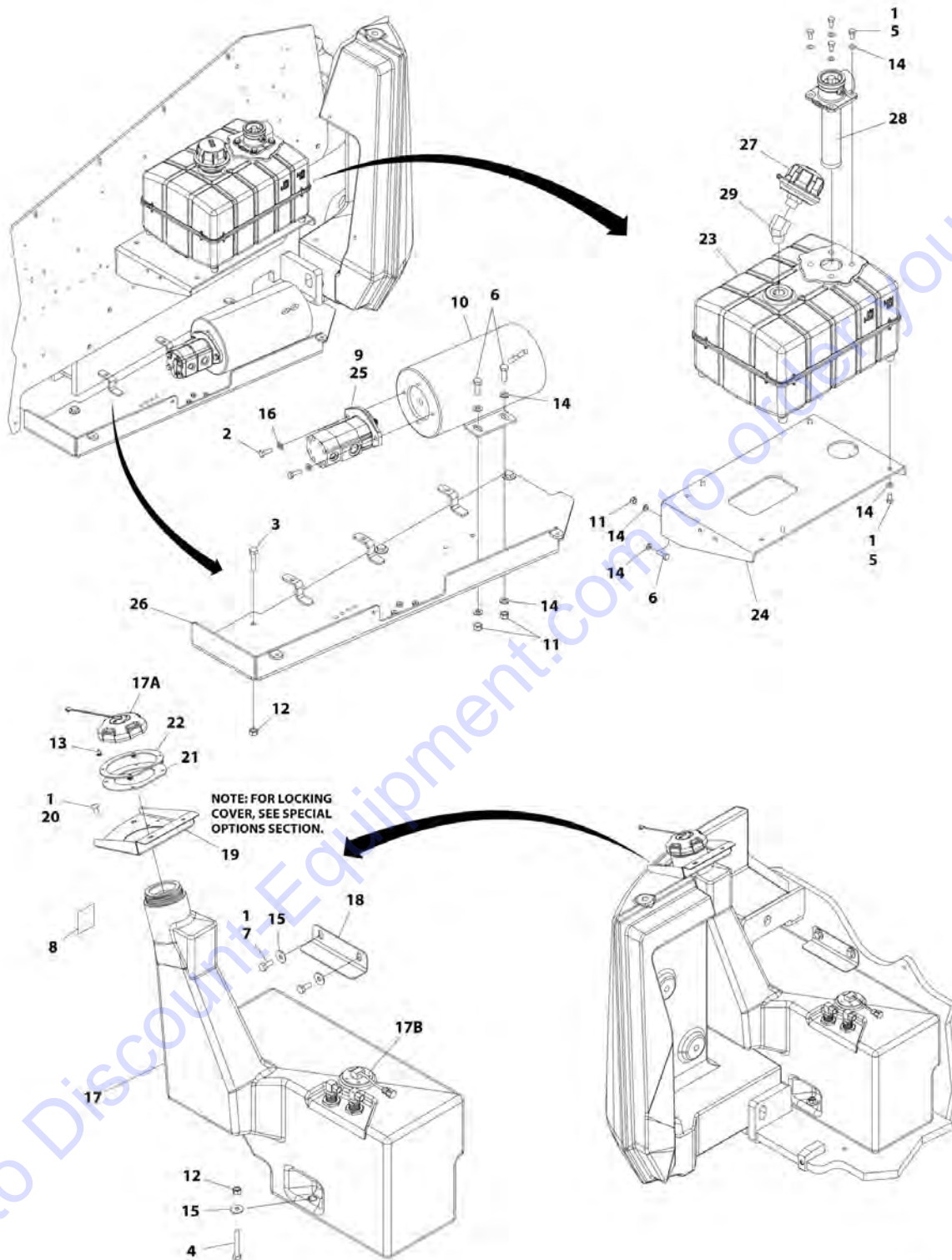
SECTION 2 - TURNTABLE

FIGURE 2-5. SWING BEARING ASSEMBLY

ITEM	PART NUMBER	QTY	DESCRIPTION	REV
	1001153015	Ref	SWING BEARING ASSEMBLY	B
1	7026041	2	Washer 5/16	
2	70002643	2	Cup, Bearing	
2	70002644	2	Cone, Bearing	
3	70002645	1	Seal	
4	70002646	8	Bolt 5/16-18 x 7/8	
5	70003138	2	Bolt 5/16-18 x 2-1/2	
6	70002647	2	Bolt 1/2-13 x 1	
7	70002648	2	Bolt 1/2-13 x 1-1/4	
8	70002649	1	Vent, Pressure	
9	70002650	1	Seal	
10	70003139	1	Plug 1/4	
11	70002651	1	Fitting, Grease 1/4	
12	70002652	1	Fitting, Grease 1/8 Straight	
13	7027359	1	Fitting, Grease 1/8 90	
14	1001160531	1	Turntable Bearing Kit (Includes Bearing and Hardware (was p/n 1001143932 & 70003140)	
15	70002656	1	Cup, Bearing	
15	70002657	1	Cone, Bearing	
16	70002658	1	Ring, Grease	
17	7026048	1	Cup, Bearing	
17	7026049	1	Cone, Bearing	
18	70002659	1	Cap, Gear	
19	70003141	1	Plate, Cover	
20	70002661	1	Cap, Worm	
21	70003142	1	Pinion, Output	
22	70002663	1	Adapter, Motor	
23	70002664	1	Seal, Face	
24	7026052	1	Spacer, Washer	
25	See Note	1	Housing (Note: Not Available - Purchase Complete Assembly)	
26	70002665	1	Shim .0075 Natural	
26	70002666	1	Shim .005 Blue	
26	70002667	1	Shim .003 Green	
27	70002668	1	Shim .005 Blue	
27	70002669	1	Shim .020 Yellow	
28	7027352	1	Gasket .010 Brown	
28	7027351	1	Gasket .0075 Clear	
28	7027350	1	Gasket .005 Blue	
29	7027353	1	Gasket .020 Yellow	
30	70000681	10	Bolt, Flange #6-32 x 3/8	
31	70002670	1	Gear, Worm	
32	70002671	1	Shaft, Worm	

SECTION 2 - TURNTABLE

FIGURE 2-6. TANKS AND PUMP ASSEMBLY



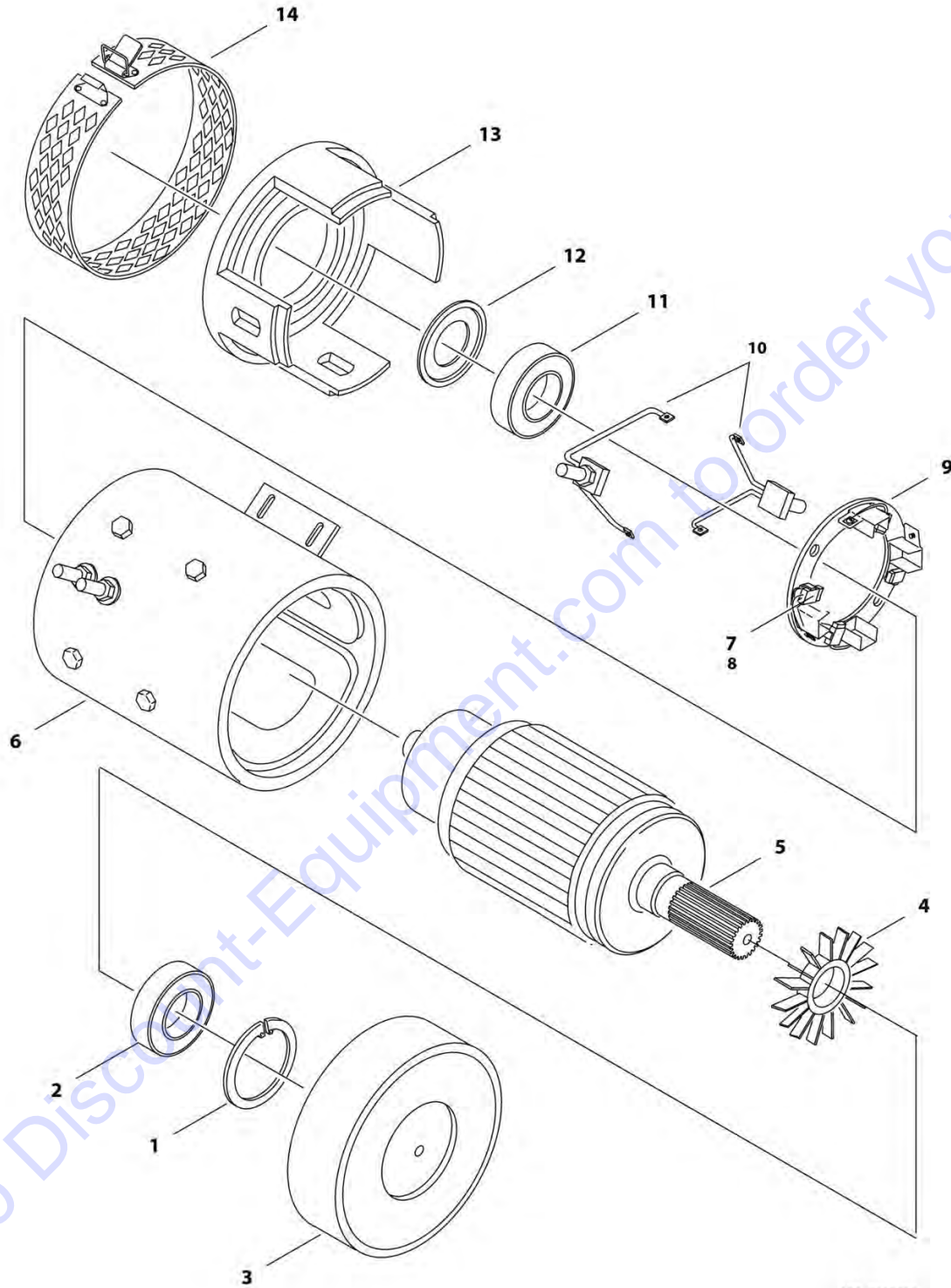
SECTION 2 - TURNTABLE

FIGURE 2-6. TANKS AND PUMP ASSEMBLY

ITEM	PART NUMBER	QTY	DESCRIPTION	REV
	1001169196	Ref	TANKS AND PUMP INSTALLATION	H
1	0100011	AR	Compound, Locking	
2	0700812	2	Bolt M8 X 25	
3	0701018	3	Bolt M10 X 50	
4	0701022	1	Bolt M10 X 70	
5	0760808	8	Bolt M8 X 16	
6	0760812	8	Bolt M8 X 25	
7	0761012	2	Bolt M10 X 25	
8	1701505	1	Decal - Diesel Fuel	
9	3020037	AR	Lubricant, Coupling	
10	3160252	1	Hydraulic Pump Motor Assembly (See HYDRAULIC PUMP MOTOR ASSEMBLY for Breakdown)	
11	3290805	8	Nut M8	
12	3291005	4	Nut M10	
13	3820032	4	Rivet	
14	4811900	24	Washer M8	
15	4812002	9	Washer M10	
16	4891500	2	Washer 5/16	
17	1001117897	1	Fuel Tank Assembly (Note: Parts listed below are the only service parts available. For any other parts, source locally or purchase complete tank p/n 1001117897)	
17A	1001128798	1	Cap, Fill	
17B	1001118262	1	Sender (Includes Seal - Seal Not Sold Separately)	
17B	0721004	5	Screw #10-24 x 1/2	
18	1001118509	1	Support, Tank	
19	1001118510	1	Shield, Tank Neck	
20	1001119527	2	Screw M10 X 12	
21	1001128781	1	Seal, Tank Neck	
22	1001128782	1	Ring, Tank Neck	
23	1001162117	1	Tank, Hydraulic	
24	1001162748	1	Bracket, Tank	
25	1001205844	1	Hydraulic Pump Assembly (Note: Seal Kit is only replacement part. For all other components, replace complete assembly)	
25	70005818	1	Seal Kit - 1001205844 Pump	
26	1001169195	1	Shield	
27	1001178594	1	Filler/Air Breather Filter	
28	1001178731	1	Filter, Oil Return	
28	1001178595	1	Element, Filter	
29	1001205158	1	Fitting, 45 NPT	

SECTION 2 - TURNTABLE

FIGURE 2-7. HYDRAULIC PUMP MOTOR ASSEMBLY



ART_3160252

SECTION 2 - TURNTABLE

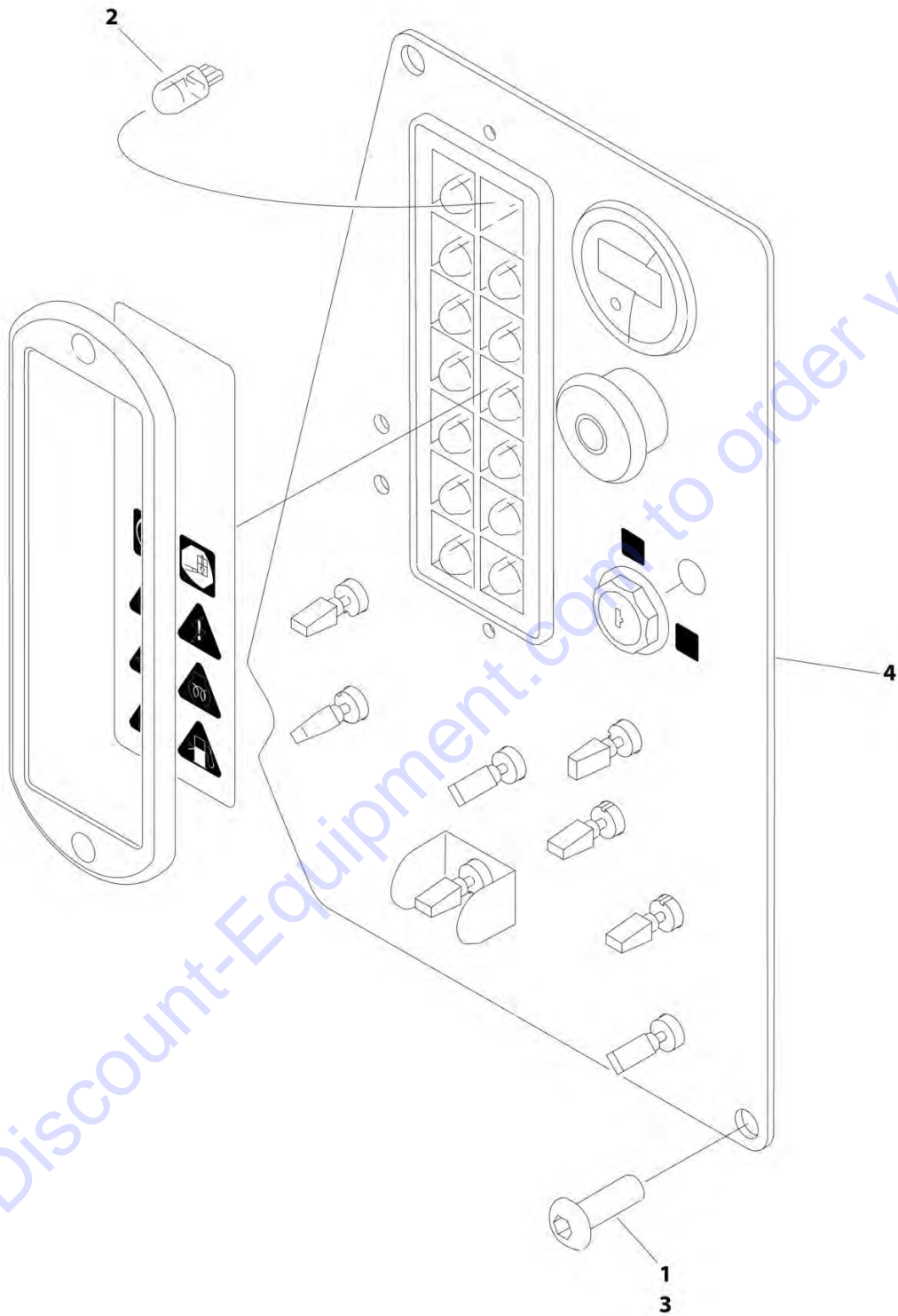
FIGURE 2-7. HYDRAULIC PUMP MOTOR ASSEMBLY

ITEM	PART NUMBER	QTY	DESCRIPTION	REV
	3160252	Ref	HYDRAULIC PUMP MOTOR ASSEMBLY	C
1	7020291	1	Ring, Retaining	
2	7020292	1	Bearing (Shaft End)	
3	7020293	1	Endhead, Shaft	
4	7020294	1	Fan	
5	7020295	1	Armature Assembly	
6	7020296	1	Field Coil/Case Kit	
7	7012548	8	Spring, Brush	
8	7020297	8	Brush	
9	7020298	1	Box Assembly - Brush	
10	7020299	1	Lead Kit, Brush Wire	
11	7012545	1	Bearing (Commutator End)	
12	7012549	1	Washer	
13	7023200	1	Endhead, Commutator	
14	7023272	1	Headband Assembly	

Go to Discount-Equipment.com to order your parts

SECTION 2 - TURNTABLE

FIGURE 2-8. GROUND CONTROLS INSTALLATION - ALL SPECS EXCEPT CE SPECS



ART_1001182731

SECTION 2 - TURNTABLE

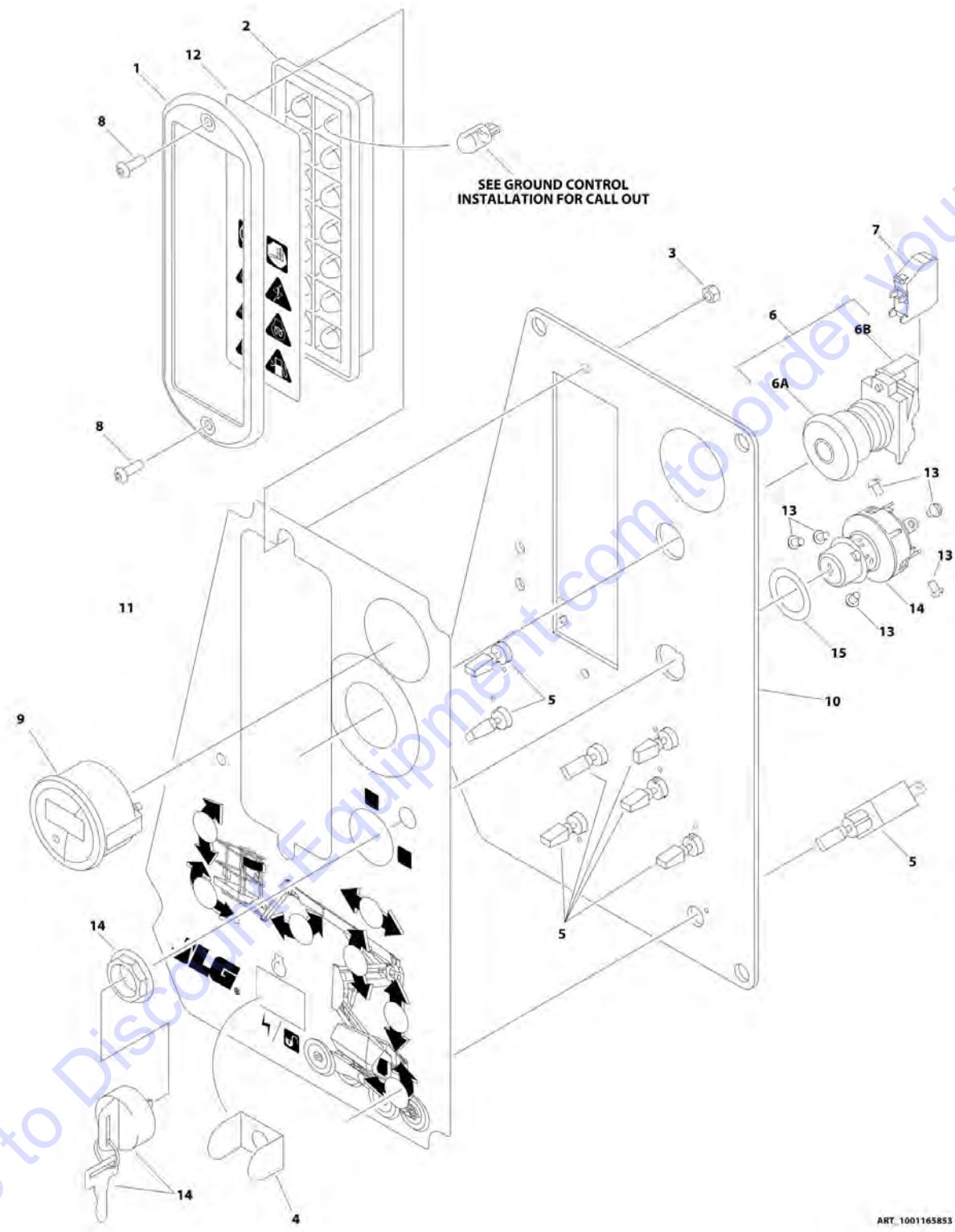
FIGURE 2-8. GROUND CONTROLS INSTALLATION - ALL SPECS EXCEPT CE SPECS

ITEM	PART NUMBER	QTY	DESCRIPTION	REV
	1001182731	Ref	GROUND CONTROLS INSTALLATION - ALL SPECS EXCEPT CE SPECS	A
1	0100011	AR	Compound, Locking	
2	2920129	8	Bulb, Light	
3	1001119527	4	Screw M10 x 16	
4	1001165853	1	Ground Control Assembly - All Specs except CE Spec (See GROUND CONTROL ASSEMBLY - ALL SPECS EXCEPT CE SPEC for Breakdown)	

Go to Discount-Equipment.com to order your parts

SECTION 2 - TURNTABLE

FIGURE 2-9. GROUND CONTROLS ASSEMBLY - ALL SPECS EXCEPT CE SPECS



SECTION 2 - TURNTABLE

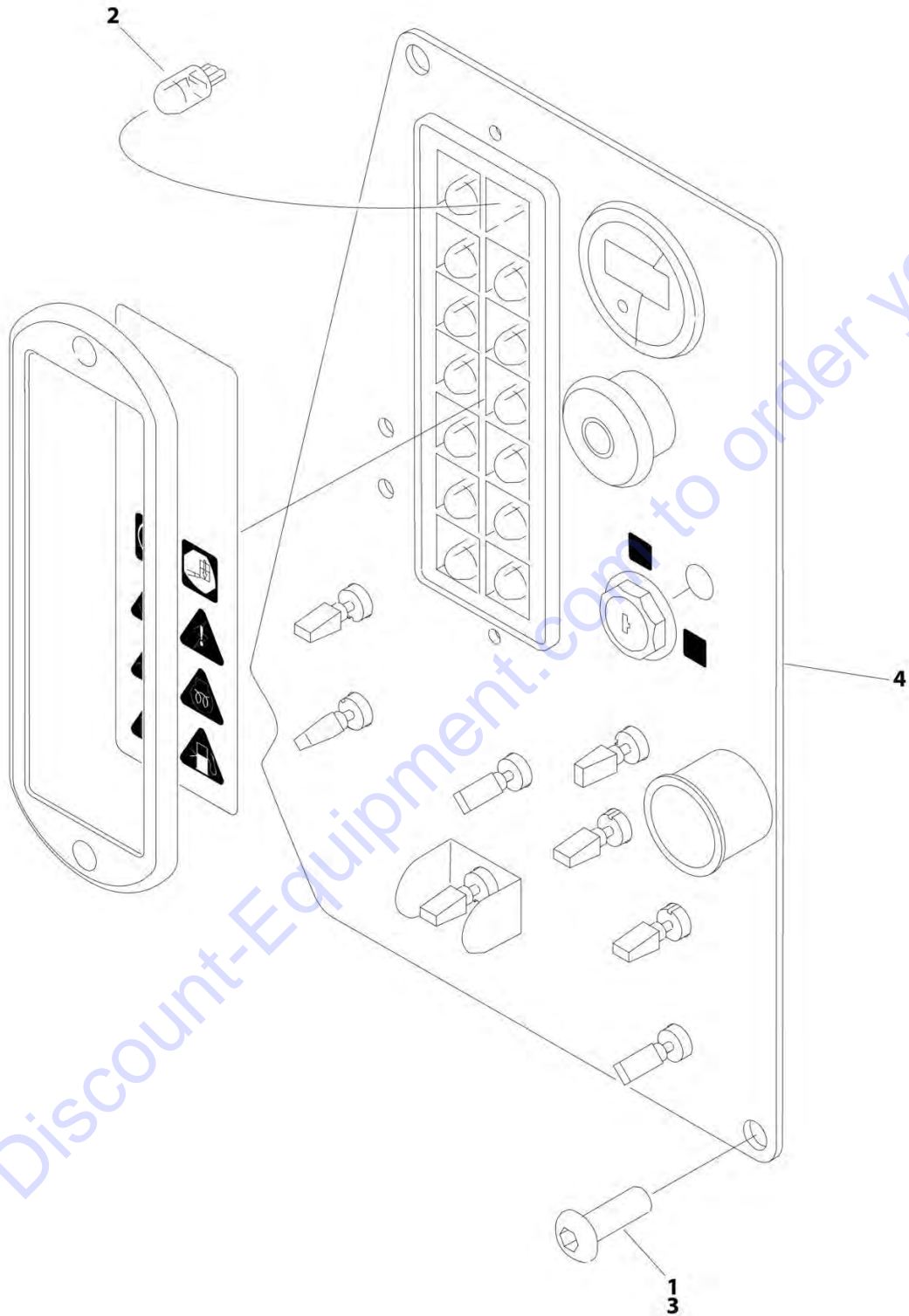
FIGURE 2-9. GROUND CONTROLS ASSEMBLY - ALL SPECS EXCEPT CE SPECS

ITEM	PART NUMBER	QTY	DESCRIPTION	REV
	1001165853	Ref	GROUND CONTROL ASSEMBLY - ALL SPECS EXCEPT CE SPEC	D
1	1670829	1	Bezel	
2	2760105	1	Housing, Display Light	
3	3290505	2	Nut M5	
4	4060906	1	Guard, Switch	
5	4360328	8	Switch, Toggle	
6	4360475	1	Switch, Emergency Stop	
6A	7020175	1	Cap	
6B	7020176	1	Block, Switch Contact	
7	4360476	1	Block, Switch Contact	
8	1001099125	2	Screw M5 X 16 Grade 10.9	
9	1001109503	1	Gauge	
10	1001165851	1	Panel	
11	1001165852	1	Decal - Ground Control	
12	1001169089	1	Decal - Ground Control	
13	3910804	6	Screw #8-32 X 1/4	
14	4360469	1	Switch, Key	
14	2860030	1	Key, Replacement	
15	1001151393	1	Shim	

Go to Discount-Equipment.com to order your parts

SECTION 2 - TURNTABLE

FIGURE 2-10. GROUND CONTROL INSTALLATION - CE SPEC



ART_1001182732

SECTION 2 - TURNTABLE

FIGURE 2-10. GROUND CONTROL INSTALLATION - CE SPEC

ITEM	PART NUMBER	QTY	DESCRIPTION	REV
	1001182732	Ref	GROUND CONTROLS INSTALLATION - CE SPEC	A
1	0100011	AR	Compound, Locking	
2	2920129	8	Bulb, Light	
3	1001119527	4	Screw M10 x 16	
4	1001181549	1	Ground Control Assembly - CE Spec (See GROUND CONTROL ASSEMBLY - CE SPEC for Breakdown)	

Go to Discount-Equipment.com to order your parts

PARTS FINDER

**Search Website
by Part Number**



**Search Manual
Library For Parts
Manual & Lookup Part
Numbers – Purchase
or Request Quote**

**Can't Find Part or
Manual? Request Help
by Manufacturer,
Model & Description**

Discount-Equipment.com is your online resource for quality parts & equipment.

Florida: **561-964-4949** Outside Florida TOLL FREE: **877-690-3101**

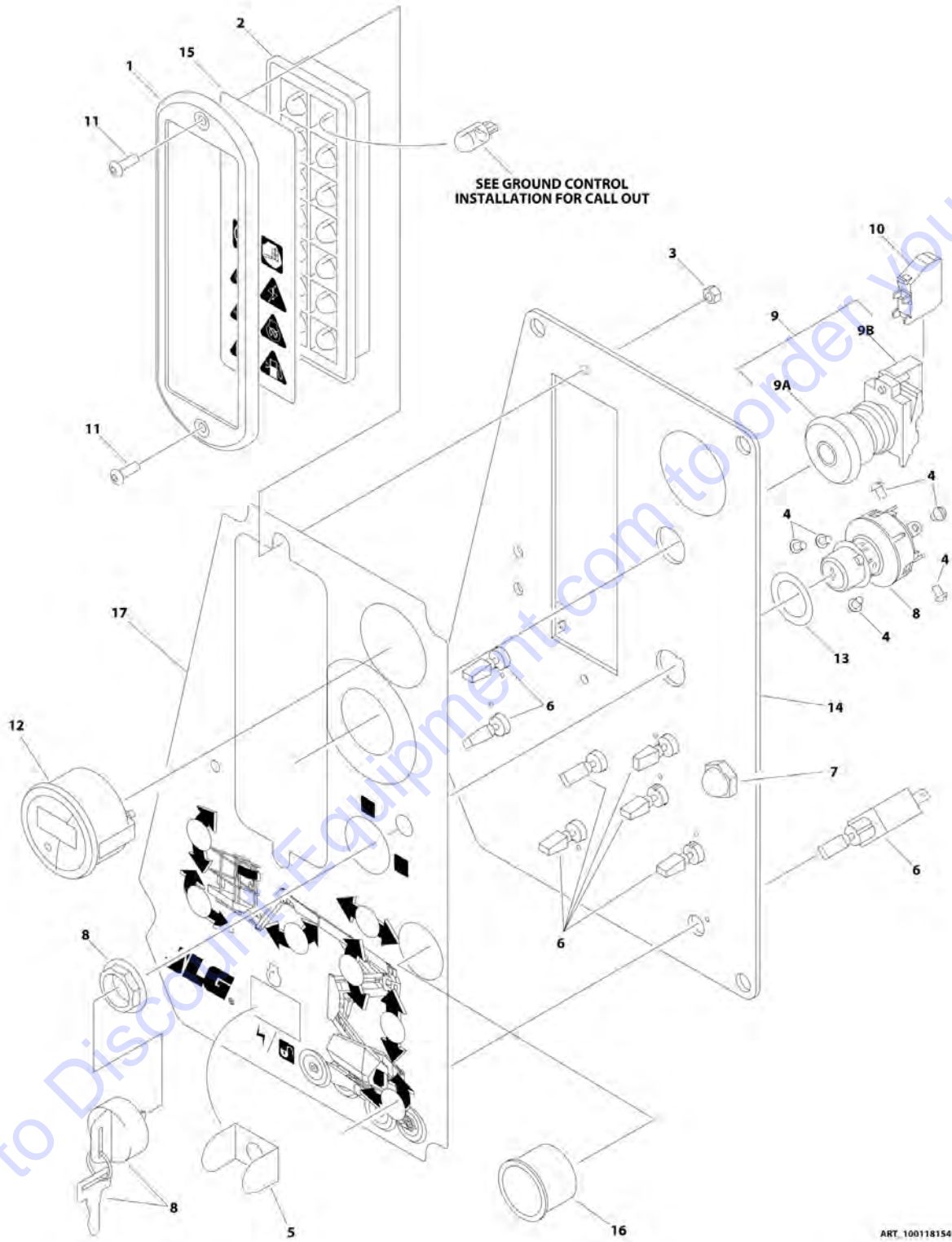
Need parts?

Click on this link: <http://www.discount-equipment.com/category/5443-parts/> and choose one of the options to help get the right parts and equipment you are looking for. Please have the machine model and serial number available in order to help us get you the correct parts. If you don't find the part on the website or on one of the online manuals, please fill out the request form and one of our experienced staff members will get back to you with a quote for the right part that your machine needs.

We sell worldwide for the brands: Genie, Terex, JLG, MultiQuip, Mikasa, Essick, Whiteman, Mayco, Toro Stone, Diamond Products, Generac Magnum, Airman, Haulotte, Barreto, Power Blanket, Nifty Lift, Atlas Copco, Chicago Pneumatic, Allmand, Miller Curber, Skyjack, Lull, Skytrak, Tsurumi, Husquvarna Target, Stow, Wacker, Sakai, Mi-T-M, Sullair, Basic, Dynapac, MBW, Weber, Bartell, Bennar Newman, Haulotte, Ditch Runner, Menegotti, Morrison, Contec, Buddy, Crown, Edco, Wyco, Bomag, Laymor, EZ Trench, Bil-Jax, F.S. Curtis, Gehl Pavers, Heli, Honda, ICS/PowerGrit, IHI, Partner, Imer, Clipper, MMD, Koshin, Rice, CH&E, General Equipment, Amida, Coleman, NAC, Gradall, Square Shooter, Kent, Stanley, Tamco, Toku, Hatz, Kohler, Robin, Wisconsin, Northrock, Oztec, Toker TK, Rol-Air, APT, Wylie, Ingersoll Rand / Doosan, Innovatech, Con X, Ammann, Mecalac, Makinex, Smith Surface Prep, Small Line, Wanco, Yanmar

SECTION 2 - TURNTABLE

FIGURE 2-11. GROUND CONTROL ASSEMBLY - CE SPEC



SECTION 2 - TURNTABLE

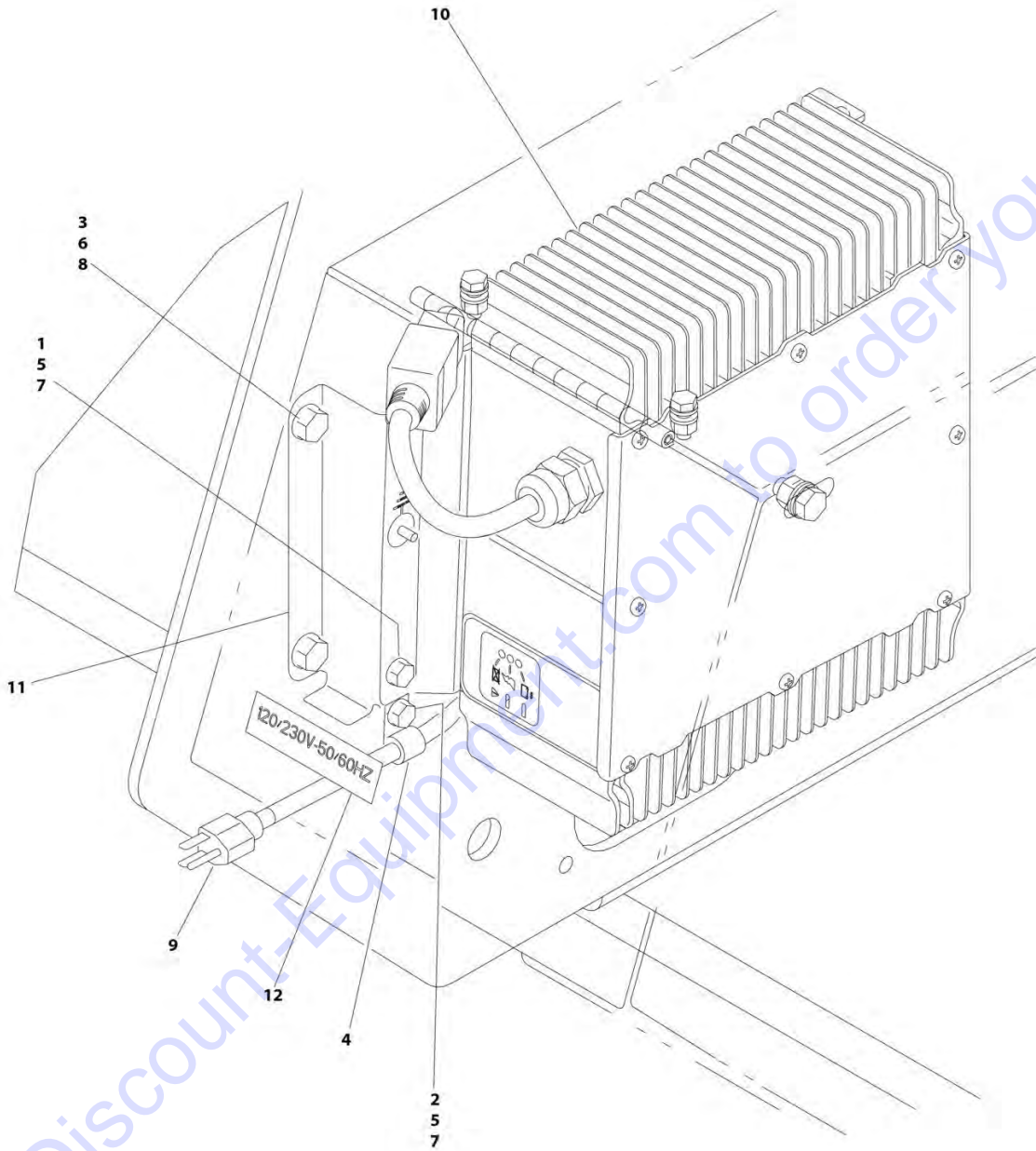
FIGURE 2-11. GROUND CONTROL ASSEMBLY - CE SPEC

ITEM	PART NUMBER	QTY	DESCRIPTION	REV
	1001181549	Ref	GROUND CONTROL ASSEMBLY - CE SPEC,	B
1	1670829	1	Bezel	
2	2760105	1	Housing, Display Light	
3	3290505	2	Nut M5	
4	3910804	6	Screw #8-32 X 1/4	
5	4060906	1	Guard, Switch	
6	4360328	8	Switch, Toggle	
7	4360387	1	Switch, Push Button	
8	4360469	1	Switch, Key	
8	2860030	1	Key, Replacement	
9	4360475	1	Switch, Emergency Stop	
9A	7020175	1	Cap	
9B	7020176	1	Block, Switch Contact	
10	4360476	1	Block, Switch Contact	
11	1001099125	2	Screw M5 X 16 Grade 10.9	
12	1001109503	1	Gauge	
13	1001151393	1	Shim	
14	1001165851	1	Panel	
15	1001169089	1	Decal - Ground Control	
16	1001176469	1	Shroud, Switch	
17	1001181548	1	Decal - MSSO	

Go to Discount-Equipment.com to order your parts

SECTION 2 - TURNTABLE

FIGURE 2-12. BATTERY CHARGER INSTALLATION - 110V PLUG



ART_1001174019

SECTION 2 - TURNTABLE

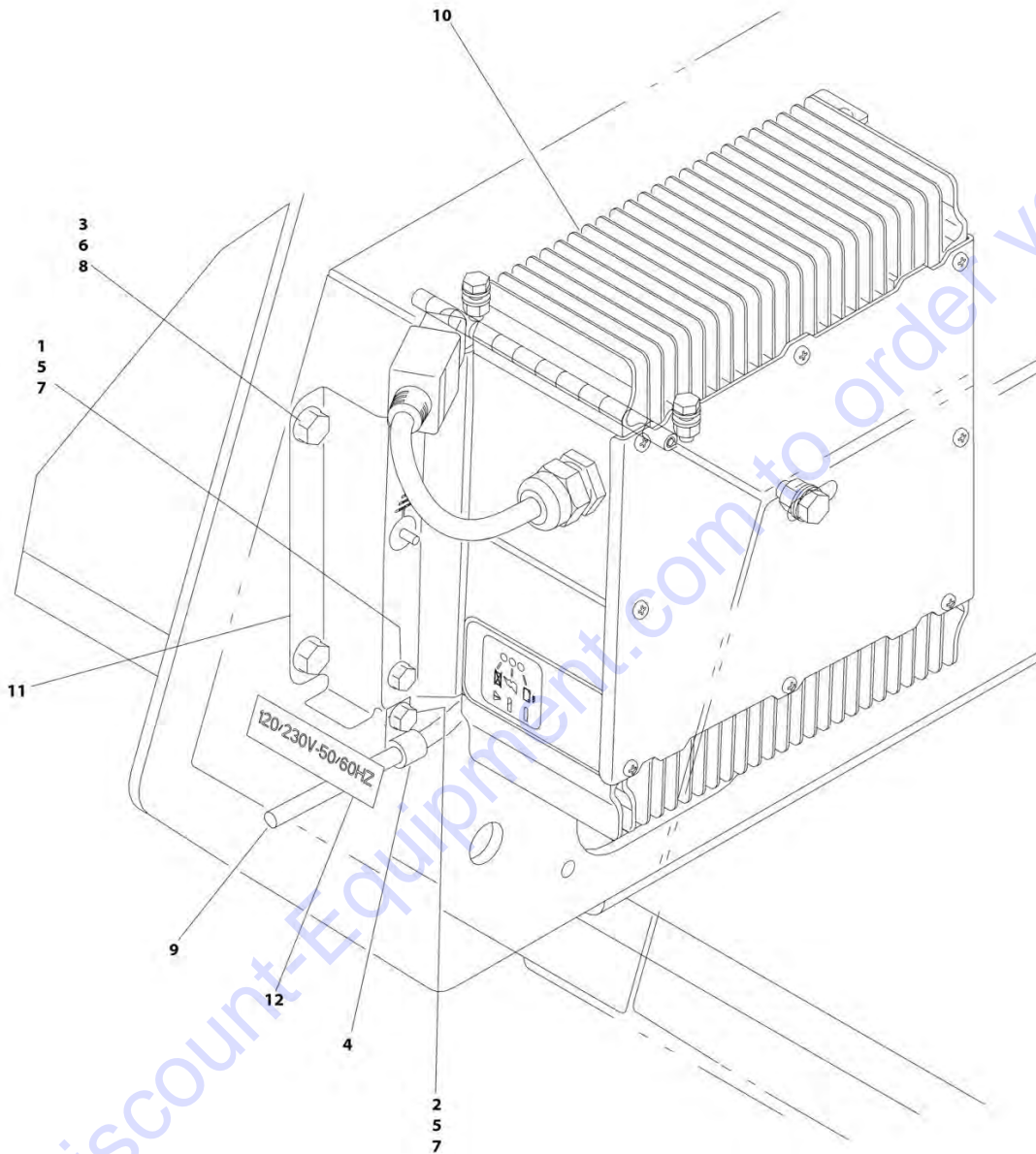
FIGURE 2-12. BATTERY CHARGER INSTALLATION - 110V PLUG

ITEM	PART NUMBER	QTY	DESCRIPTION	REV
	1001174019	Ref	BATTERY CHARGER INSTALLATION - 110V PLUG	C
1	0760608	4	Bolt M6 x 16	
2	0760610	1	Bolt M6 x 20	
3	0760812	4	Bolt M8 x 25	
4	1321293	1	Clamp	
5	3290605	5	Nut M6	
6	3290805	4	Nut M8	
7	4811700	10	Washer M6	
8	4811900	8	Washer M8	
9	1001103257	1	Cable, AC Battery Charger Input	
10	1001152650	1	Battery Charger Assembly (See BATTERY CHARGER ASSEMBLY for Breakdown) (Prior to SN 0300209405)	
10	1001197707	1	Battery Charger Assembly (See BATTERY CHARGER ASSEMBLY for Breakdown) (SN 0300209405 to Present)	
11	1001169420	2	Plate	
12	1001186845	1	Decal - 120/230V - 50/60Hz	

Go to Discount-Equipment.com to order your parts

SECTION 2 - TURNTABLE

FIGURE 2-13. BATTERY CHARGER INSTALLATION - LOCALLY SUPPLIED PLUG



ART_1001174020

SECTION 2 - TURNTABLE

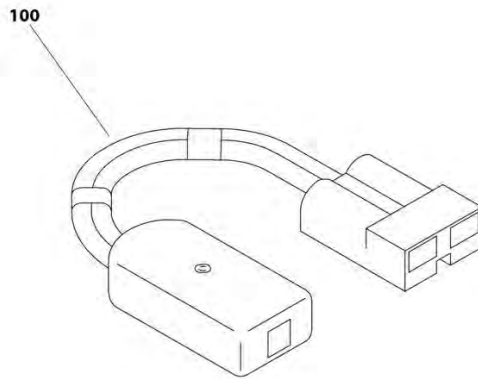
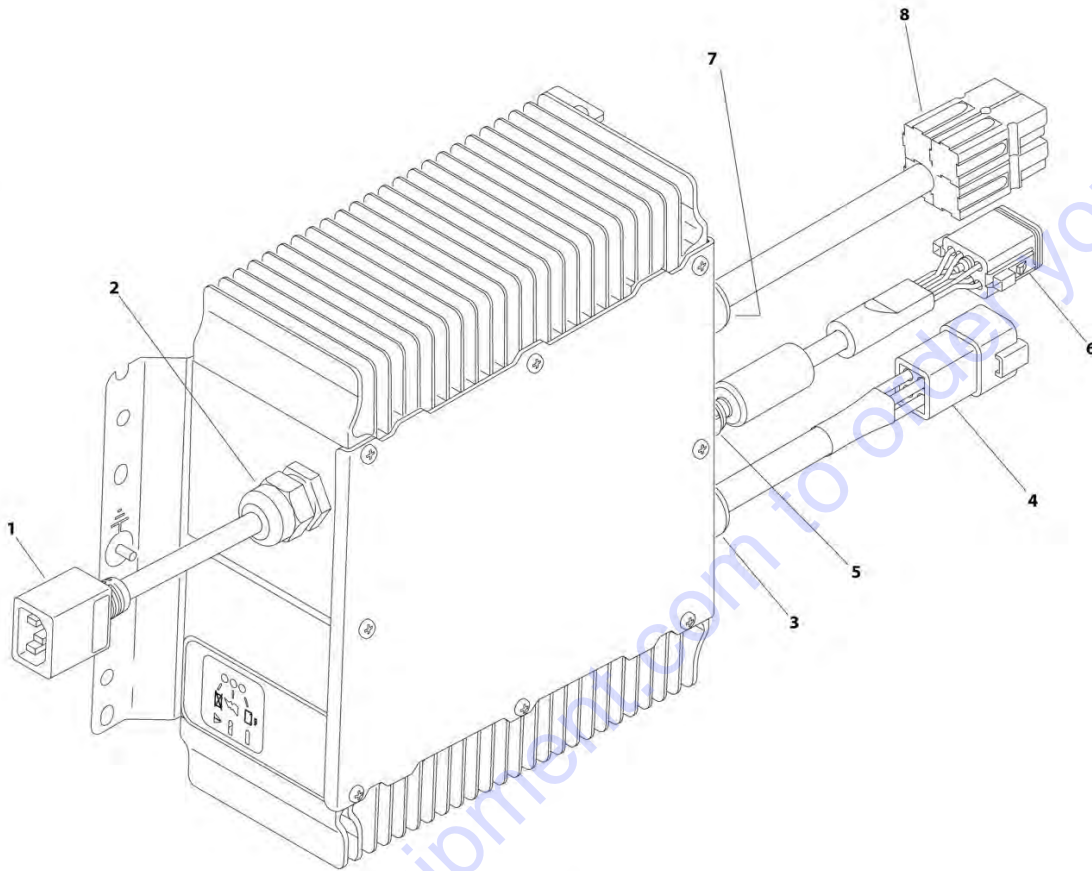
FIGURE 2-13. BATTERY CHARGER INSTALLATION - LOCALLY SUPPLIED PLUG

ITEM	PART NUMBER	QTY	DESCRIPTION	REV
	1001174020	Ref	BATTERY CHARGER INSTALLATION - LOCALLY SUPPLIED PLUG	C
1	0760608	4	Bolt M6 x 16	
2	0760610	1	Bolt M6 x 20	
3	0760812	4	Bolt M8 x 25	
4	1321293	1	Clamp	
5	3290605	5	Nut M6	
6	3290805	4	Nut M8	
7	4811700	10	Washer M6	
8	4811900	8	Washer M8	
9	1001103258	1	Cable, AC Input Charger	
10	1001152650	1	Battery Charger Assembly (See BATTERY CHARGER ASSEMBLY for Breakdown) (Prior to SN 0300209405)	
10	1001197707	1	Battery Charger Assembly (See BATTERY CHARGER ASSEMBLY for Breakdown) (SN 0300209405 to Present)	
11	1001169420	2	Plate	
12	1001186845	1	Decal - 120/230V - 50/60Hz	

Go to Discount-Equipment.com to order your parts

SECTION 2 - TURNTABLE

FIGURE 2-14. BATTERY CHARGER ASSEMBLY (Prior to SN 0300209405)



ART_1001152650

SECTION 2 - TURNTABLE

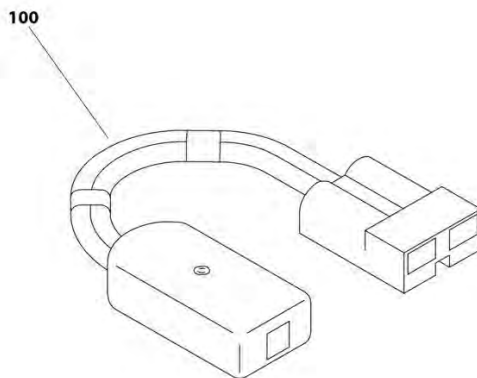
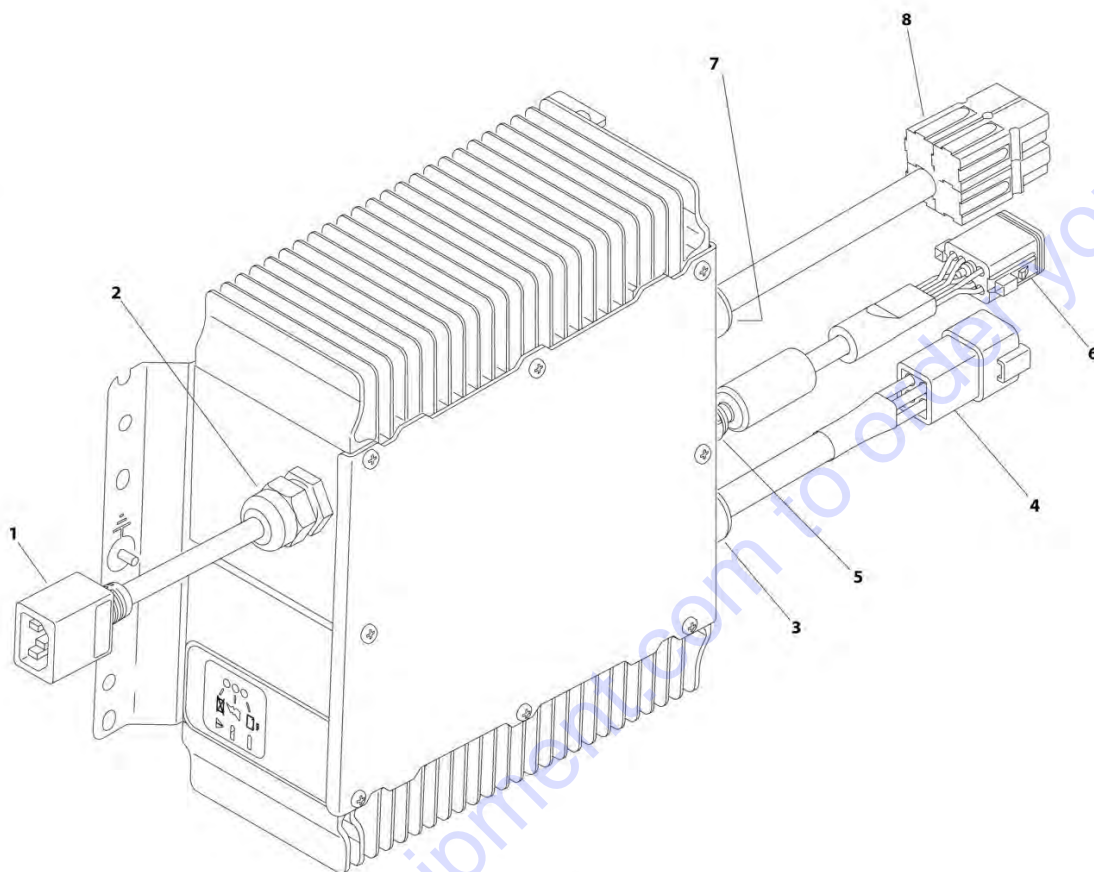
FIGURE 2-14. BATTERY CHARGER ASSEMBLY (Prior to SN 0300209405)

ITEM	PART NUMBER	QTY	DESCRIPTION	REV
	1001152650	Ref	BATTERY CHARGER ASSEMBLY (Prior to SN 0300209405)	F
1	See Note	1	Harness with Connector (Note: Not Available for Purchase)	
2	See Note	1	Connector, Strain Relief (Note: Not Available for Purchase)	
3	See Note	1	Connector, Strain Relief (Note: Not Available for Purchase)	
4	1001116811	1	Receptacle, Female - 4 Position	
5	See Note	1	Connector, Strain Relief (Note: Not Available for Purchase)	
6	4460930	1	Plug, Male - 8 Position	
7	See Note	1	Connector, Strain Relief (Note: Not Available for Purchase)	
8	See Note	1	Connector - 4 Position	
100	2915230	1	BATTERY CHARGER REPROGRAM CONTROLLER KIT (Includes Controller, Software and Instructions)	

Go to Discount-Equipment.com to order your parts

SECTION 2 - TURNTABLE

FIGURE 2-15. BATTERY CHARGER ASSEMBLY (SN 0300209405 to Present)



ART_1001197707

SECTION 2 - TURNTABLE

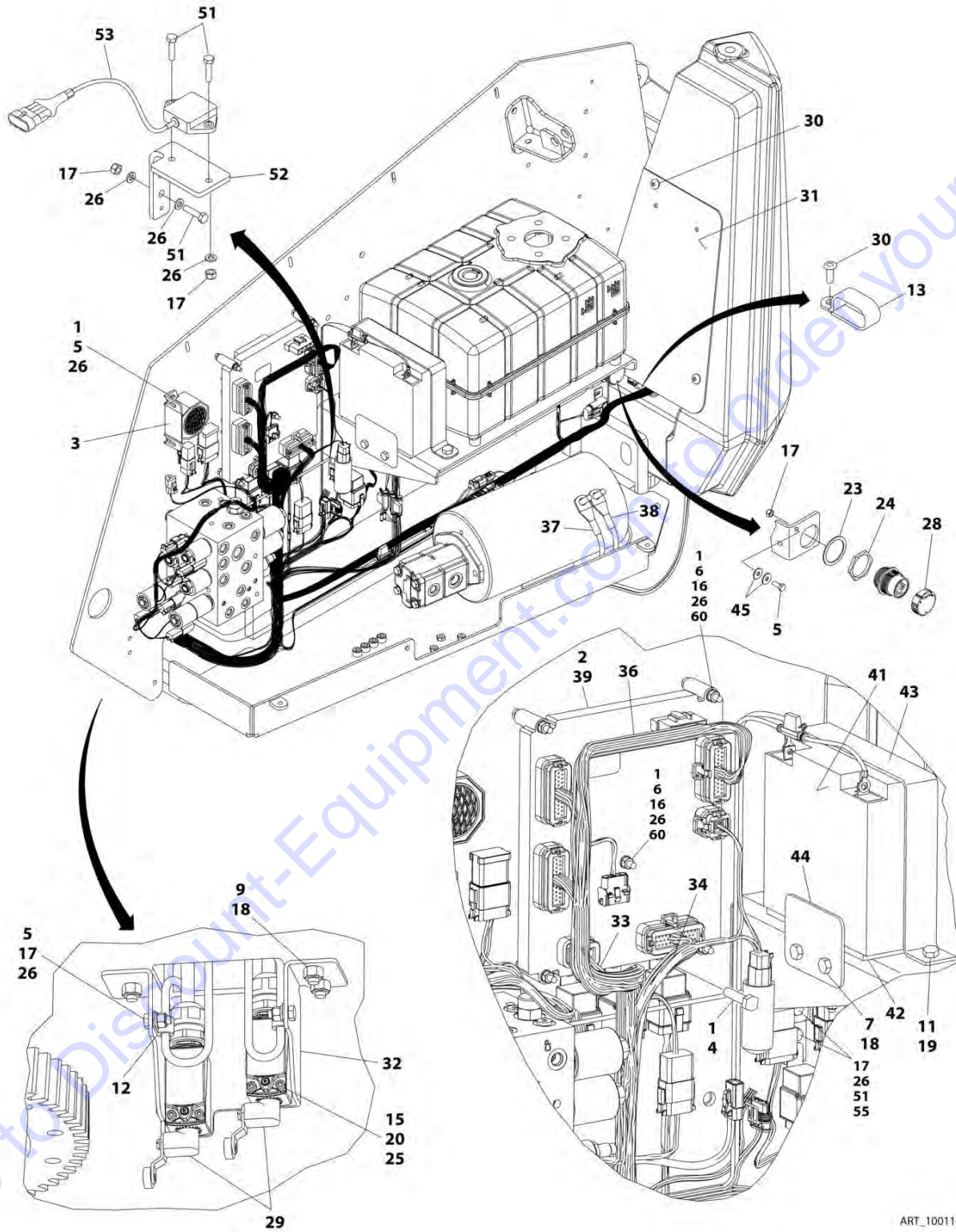
FIGURE 2-15. BATTERY CHARGER ASSEMBLY (SN 0300209405 to Present)

ITEM	PART NUMBER	QTY	DESCRIPTION	REV
	1001197707	Ref	BATTERY CHARGER ASSEMBLY (SN 0300209405 to Present)	C
1	See Note	1	Harness with Connector (Note: Not Available for Purchase)	
2	See Note	1	Connector, Strain Relief (Note: Not Available for Purchase)	
3	See Note	1	Connector, Strain Relief (Note: Not Available for Purchase)	
4	1001116811	1	Receptacle, Female - 4 Position	
5	See Note	1	Connector, Strain Relief (Note: Not Available for Purchase)	
6	4460930	1	Plug, Male - 8 Position	
7	See Note	1	Connector, Strain Relief (Note: Not Available for Purchase)	
8	See Note	1	Connector - 4 Position	
100	2915230	1	BATTERY CHARGER REPROGRAM CONTROLLER KIT (Includes Controller, Software and Instructions)	

Go to Discount-Equipment.com to order your parts

SECTION 2 - TURNTABLE

FIGURE 2-16. ELECTRICAL COMPONENTS INSTALLATION



ART_1001168033

SECTION 2 - TURNTABLE

FIGURE 2-16. ELECTRICAL COMPONENTS INSTALLATION

ITEM	PART NUMBER	QTY	DESCRIPTION	REV
	1001168033	Ref	ELECTRICAL COMPONENTS INSTALLATION	J
1	0100011	AR	Compound, Locking	
2	0100048	AR	Grease, Terminal	
3	0140043	1	Alarm	
4	0760505	3	Bolt M5 X 10	
5	0760608	6	Bolt M6 X 16	
6	0760621	5	Bolt M6 X 65	
7	0760810	2	Bolt M8 X 20	
9	0760816	3	Bolt M8 X 40	
11	0761014	2	Bolt M10 X 30	
12	1321293	2	Clamp	
13	1321716	1	Clamp	
15	3290405	4	Nut M4	
16	3290601	10	Nut M6 (Prior to SN 0300236472)	
17	3290605	8	Nut M6	
18	3290805	5	Nut M8	
19	3291005	2	Nut M10	
20	4031512	4	Capscrew M4 X 40	
21	4240032	4	Tie-Strap (Not Shown)	
22	4460234	2	Mount, Tie-Strap (Not Shown)	
23	4460496	1	Washer	
24	4460497	1	Nut	
25	4811400	4	Washer M4	
26	4811700	AR	Washer M6	
28	1001106736	1	Cap, Dust	
29	1001119176	2	Switch, Limit	
29	1001129407	1	Receptacle, Female - 4 Position	
29	4460464	4	Pin, Male	
30	1001119527	3	Screw M10 X 12	
31	1001125291	1	Shield	
32	1001141710	1	Plate	
33	1001165795	1	Valve Harness Assembly (See ELECTRICAL SECTION for Breakdown)	
34	1001165848	1	Ground Control Harness (See ELECTRICAL SECTION for Breakdown)	
36	1001165923	1	Turntable Harness Assembly (See ELECTRICAL SECTION for Breakdown)	
37	1001168662	1	Cable, Pump Motor (+)	
38	1001168663	1	Cable, Pump Motor (-)	
39	1001183213	1	Module, UGM	
41	1001172394	1	Battery	
42	1001172395	1	Insulation	
43	1001172396	1	Strap, Battery	
44	1001172541	1	Bracket	
45	4811702	AR	Washer M6	
51	0760612	4	Bolt M6 X 25	
52	1001180464	1	Plate, Mounting	
53	1001181325	1	Sensor (Prior to SN 0300236472)	
53	1001219601	1	Sensor (SN 0300236472 to Present)	
54	1001197941	2	Ferrite (Not Shown - Located on Items 37 & 38) (Prior to SN	

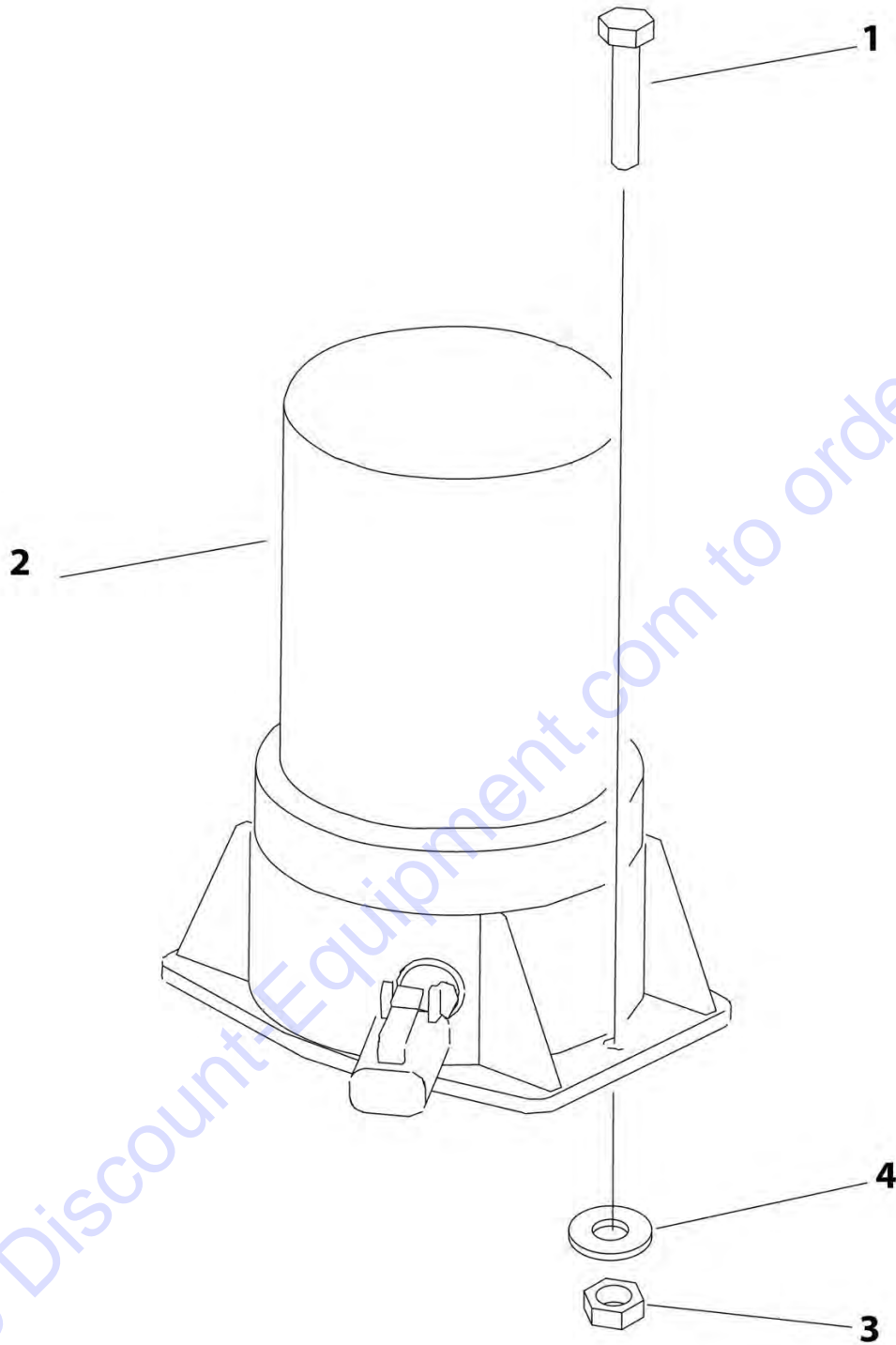
SECTION 2 - TURNTABLE

ITEM	PART NUMBER	QTY	DESCRIPTION	REV
55	1001201939	1	0300222893) Bracket	
56	1001197941	1	Ferrite (Not Shown - Located on Pump Cables B+ and B-) (SN 0300236472 to Present)	
57	4240018	AR	Tie-Strap (Not Shown) (SN 0300236472 to Present)	
58	1001197942	1	Ferrite (Not Shown - Located on Item 34) (SN 0300236472 to Present)	
59	1001197943	1	Ferrite (Not Shown - Located on Item 36) (SN 0300236472 to Present)	
60	1001203719	5	Nut M6 (SN 0300236472 to Present)	

Go to Discount-Equipment.com to order your parts

SECTION 2 - TURNTABLE

FIGURE 2-17. BEACON LIGHT INSTALLATION - AMBER (OPTIONAL)



ART_1001172773

SECTION 2 - TURNTABLE

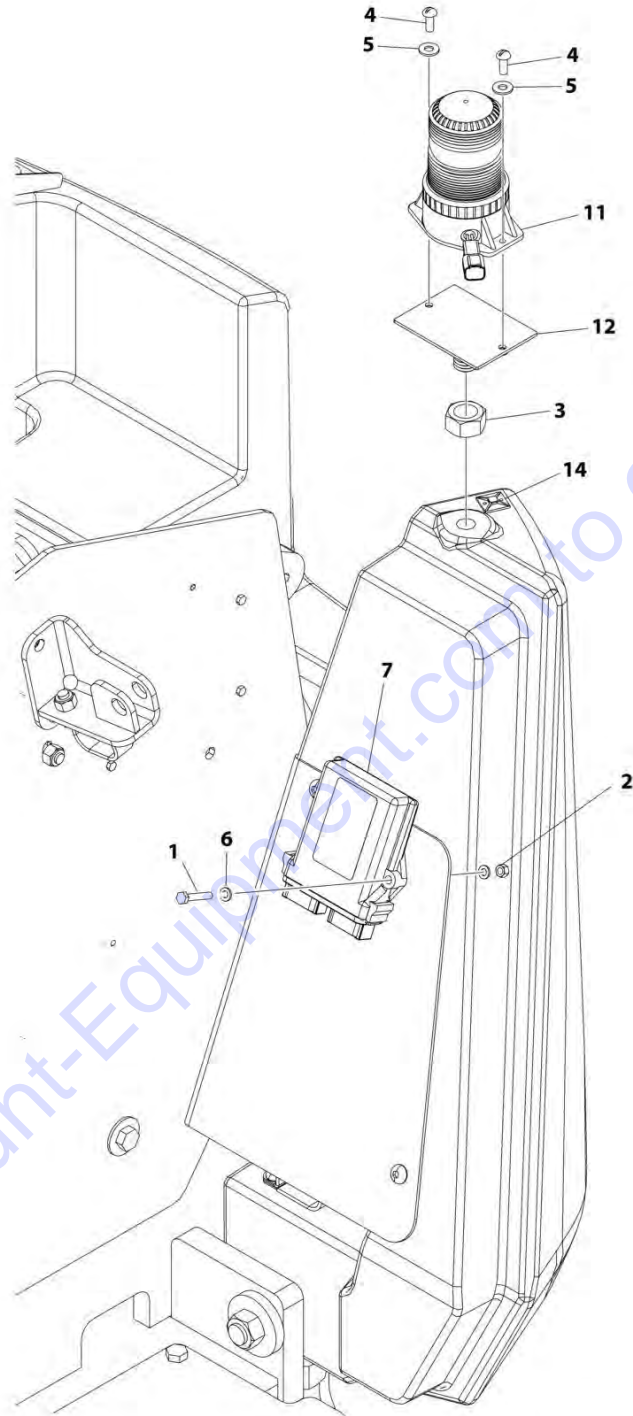
FIGURE 2-17. BEACON LIGHT INSTALLATION - AMBER (OPTIONAL)

ITEM	PART NUMBER	QTY	DESCRIPTION	REV
	1001172773	Ref	STROBE LIGHT INSTALLATION - AMBER (OPTIONAL)	A
1	0760410	2	Bolt M4 X 20	
2	2920161	1	Strobe Light Assembly	
2	7016319	1	Bulb	
2	7016372	1	Lens	
2	4460891	1	Plug, Male - 2 Position	
2	4460465	1	Socket, Female	
3	3290405	2	Nut M4	
4	1001091102	4	Washer M4	

Go to Discount-Equipment.com to order your parts

SECTION 2 - TURNTABLE

FIGURE 2-18. BEACON LIGHT INSTALLATION - BLUE (Prior to SN 0300257126)



ART_1001207139

SECTION 2 - TURNTABLE

FIGURE 2-18. BEACON LIGHT INSTALLATION - BLUE (Prior to SN 0300257126)

ITEM	PART NUMBER	QTY	DESCRIPTION	REV
	1001207139	Ref	BEACON LIGHT INSTALLATION - BLUE	F
1	0700615	2	Bolt M6 X 35	
2	3290607	2	Nut M6	
3	3292001	1	Nut M20	
4	3900085	2	Screw #10 x 1/2	
5	4751000	2	Washer #10	
6	4811700	4	Washer M6	
7	1001142683	1	Module, Beacon Light	
8	1001142736	1	Beacon Control Light Harness (Not Shown - See ELECTRICAL SECTION for Breakdown)	
9	1001159027	1	Beacon Light Extension Harness (Not Shown - See ELECTRICAL SECTION for Breakdown) (Prior to SN 0300234421)	
11	1001200910	1	Light, Beacon	
11	4460897	1	Receptacle, Female - 2 Position	
11	4460943	2	Pin, Male	
12	1001207227	1	Mount	
13	4240032	3	Tie-Strap (Not Shown) (SN 0300234421 to Present)	
14	4460488	3	Base, Mounting (SN 0300234421 to Present)	

SECTION 2 - TURNTABLE

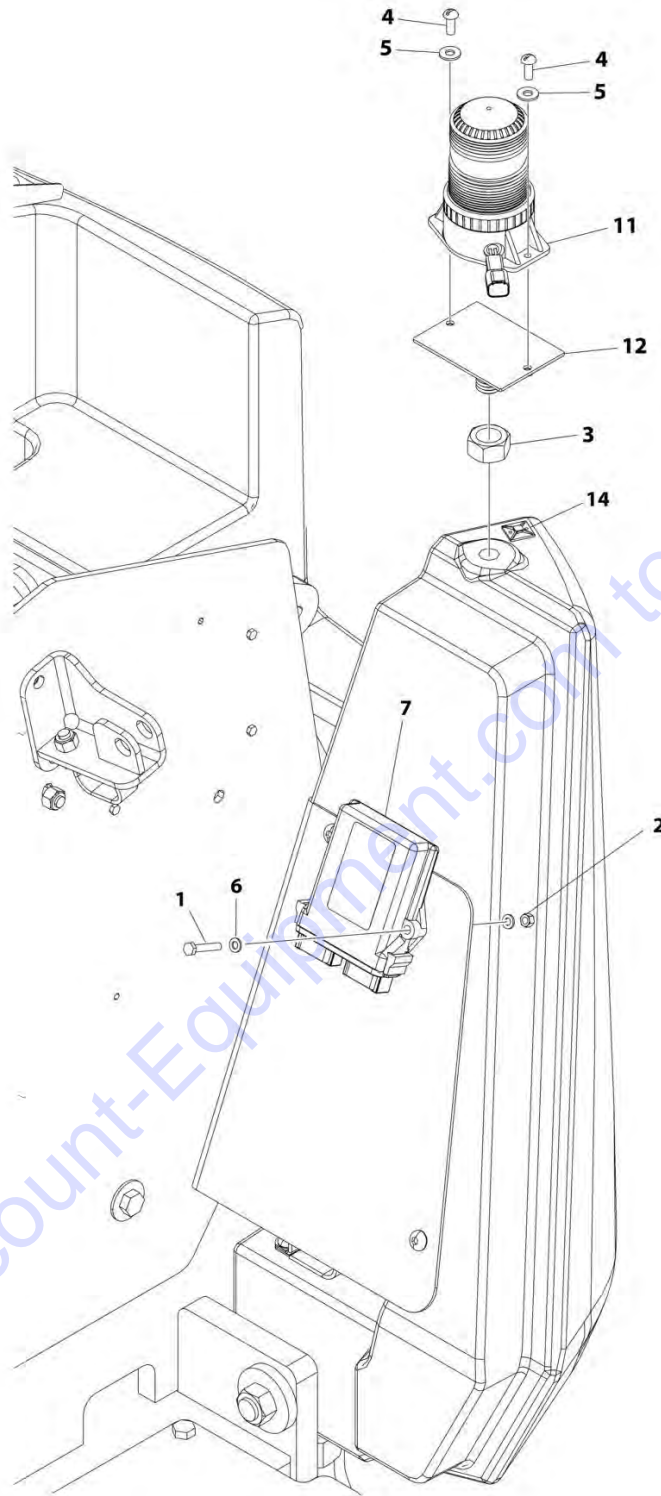
FIGURE 2-19. BEACON LIGHT INSTALLATION - BLUE (SN 0300257126 to Present)

ITEM	PART NUMBER	QTY	DESCRIPTION	REV
	1001242849	Ref	BEACON LIGHT INSTALLATION - BLUE	B
2	0700615	2	Bolt M6 x 35	
7	3290607	2	Nut M6	
8	3292001	1	Nut M20	
9	3900085	2	Screw #10 x 1/2	
10	4240032	3	Tie-Strap	
12	4460488	3	Base, Mounting	
15	4751000	2	Washer #10	
16	4811700	4	Washer M6	
24	1001142683	1	Module, Beacon Control	
26	1001200910	1	Light, Strobe	
26	7028909	1	Connector - 2 Position	
26	4460943	2	Pin, Male	
27	1001207227	1	Mount	
28	1001142736	1	Strobe Light Control Harness (Not Shown - See ELECTRICAL SECTION for Breakdown)	

Go to Discount-Equipment.com to order your parts

SECTION 2 - TURNTABLE

FIGURE 2-20. BEACON LIGHT INSTALLATION - RED (Prior to SN 0300257126)



ART_1001209878

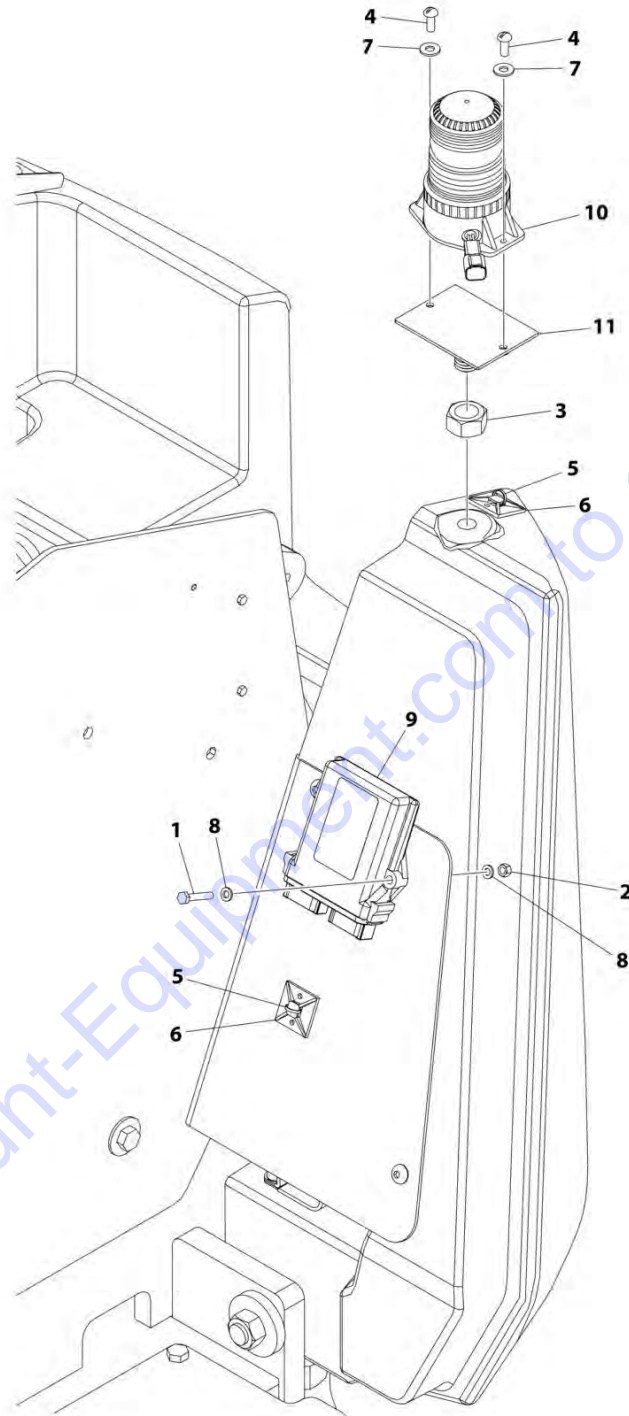
SECTION 2 - TURNTABLE

FIGURE 2-20. BEACON LIGHT INSTALLATION - RED (Prior to SN 0300257126)

ITEM	PART NUMBER	QTY	DESCRIPTION	REV
	1001209878	Ref	BEACON LIGHT INSTALLATION - RED	F
1	0700615	2	Bolt M6 X 35	
2	3290607	2	Nut M6	
3	3292001	1	Nut M20	
4	3900085	2	Screw #10 x 1/2	
5	4751000	2	Washer #10	
6	4811700	4	Washer M6	
7	1001142683	1	Module, Beacon Light	
8	1001142736	1	Beacon Control Light Harness (Not Shown - See ELECTRICAL SECTION for Breakdown)	
9	1001159027	1	Beacon Light Extension Harness (Not Shown - See ELECTRICAL SECTION for Breakdown) (Prior to SN 0300234421)	
11	1001207004	1	Light, Beacon	
11	4460897	1	Receptacle, Female - 2 Position	
11	4460943	2	Pin, Male	
12	1001207227	1	Mount	
13	4240032	3	Tie-Strap (Not Shown) (SN 0300234421 to Present)	
14	4460488	3	Base, Mounting (SN 0300234421 to Present)	

SECTION 2 - TURNTABLE

FIGURE 2-21. BEACON LIGHT INSTALLATION - RED (SN 0300257126 to Present)



ART_1001242850

SECTION 2 - TURNTABLE

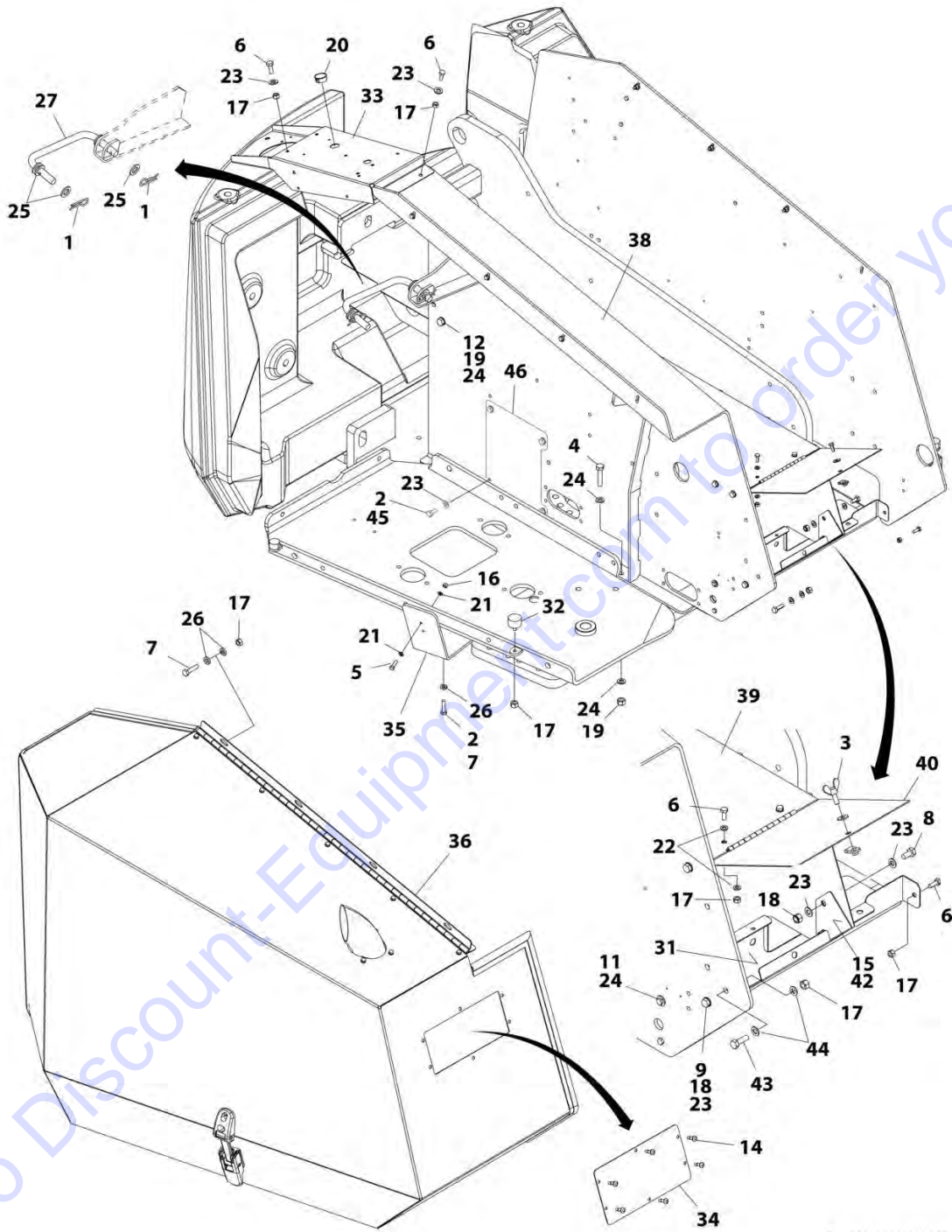
FIGURE 2-21. BEACON LIGHT INSTALLATION - RED (SN 0300257126 to Present)

ITEM	PART NUMBER	QTY	DESCRIPTION	REV
	1001242850	Ref	BEACON LIGHT INSTALLATION - RED	A
1	0700615	2	Bolt M6 x 35	
2	3290607	2	Nut M6	
3	3292001	1	Nut M20	
4	3900085	2	Screw #10 x 1/2	
5	4240032	3	Tie-Strap	
6	4460488	3	Base, Mounting	
7	4751000	2	Washer #10	
8	4811700	4	Washer M6	
9	1001142683	1	Module, Beacon Control	
10	1001207004	1	Light, Strobe	
10	7028909	1	Connector - 2 Position	
10	4460943	2	Pin, Male	
11	1001207227	1	Mount	
12	1001142736	1	Strobe Light Control Harness (Not Shown - See ELECTRICAL SECTION for Breakdown)	

Go to Discount-Equipment.com to order your parts

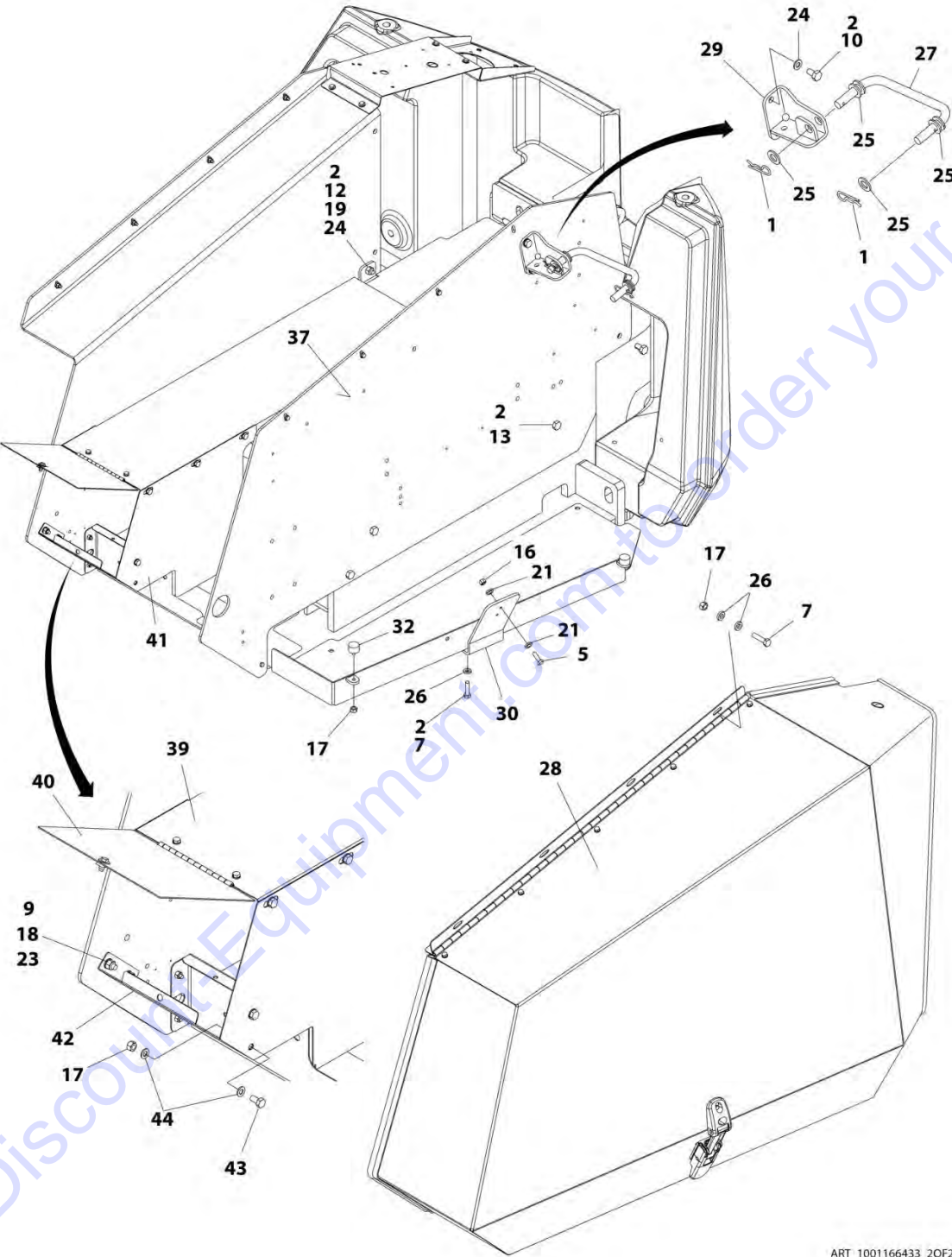
SECTION 2 - TURNTABLE

FIGURE 2-22. HOODS INSTALLATION



ART_1001166433_10F2

SECTION 2 - TURNTABLE



ART_1001166433_20F2

SECTION 2 - TURNTABLE

FIGURE 2-22. HOODS INSTALLATION

ITEM	PART NUMBER	QTY	DESCRIPTION	REV
	1001166433	Ref	HOODS INSTALLATION	H
1	80325	4	Hairpin	
2	0100011	AR	Compound, Locking	
3	0641506	1	Bolt 5/16-18 X 3/4	
3	0700608	1	Bolt M6 x 16	
3	1001204948	1	Wing-Bolt M6	
4	0701019	2	Bolt M10 x 55	
5	0760508	4	Bolt M5 X 16	
6	0760608	8	Bolt M6 X 16	
7	0760612	14	Bolt M6 X 25	
8	0760808	5	Bolt M8 X 16	
9	0760812	4	Bolt M8 X 25	
10	0761009	2	Bolt M10 x 18	
11	0761011	3	Bolt M10 X 22	
12	0761014	1	Bolt M10 X 30	
13	0761210	4	Bolt M12 X 20	
14	2080040	6	Huck, Fastener	
15	2080050	1	Rivnut	
15	1001130220	1	Nut, Tinnerman	
16	3290505	4	Nut M5	
17	3290605	21	Nut M6	
18	3290805	9	Nut M8	
19	3291005	3	Nut M10	
20	3520030	1	Plug	
21	4811600	8	Washer M5	
22	4811700	4	Washer M6	
23	4811900	26	Washer M8	
24	4812000	10	Washer M10	
25	4812300	8	Washer M16	
26	5240600	22	Washer M6	
27	1001117282	2	Rod, Prop	
28	1001118361	1	Hood Assembly - Tank Side (See HOOD ASSEMBLY - TANK SIDE for Breakdown)	
29	1001119080	1	Bracket	
30	1001119083	1	Mount, Latch	
31	1001119085	1	Tray	
32	1001119092	4	Bumper	
33	1001119103	1	Panel, Filler	
34	1001137451	1	Panel	
35	1001146824	1	Mount, Latch	
36	1001147441	1	Hood Assembly - Engine Side (See HOOD ASSEMBLY - ENGINE SIDE for Breakdown)	
37	1001161537	1	Plate, Hood	
38	1001168234	1	Mount	
39	1001169415	1	Plate, Cover	
40	1001169417	1	Plate, Cover	
41	1001169418	1	Plate, Cover	
42	1001169419	1	Plate, Cover	
43	0760610	1	Bolt M6 X 20	
44	4811702	2	Washer M6	

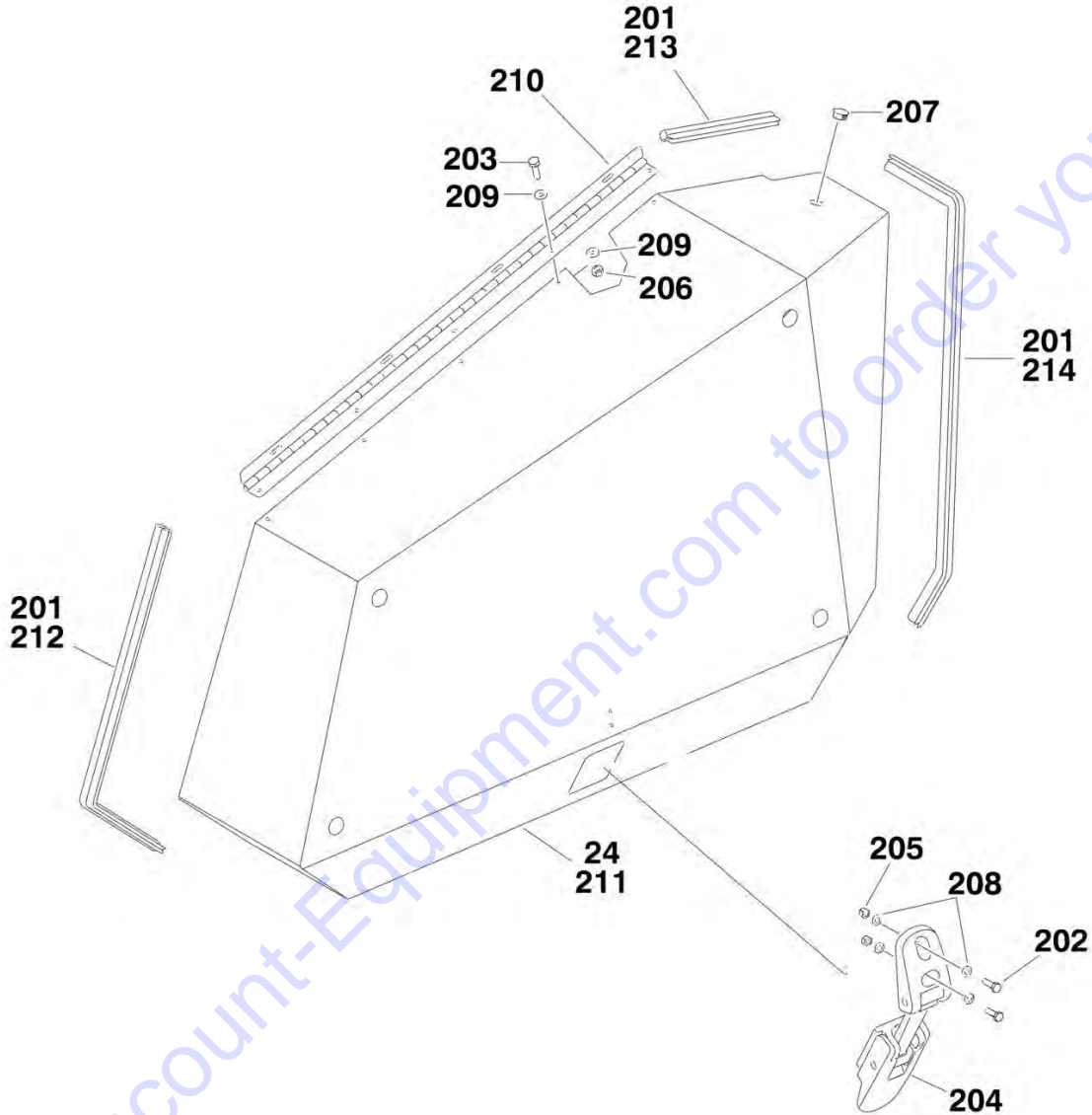
SECTION 2 - TURNTABLE

ITEM	PART NUMBER	QTY	DESCRIPTION	REV
45	0700808	4	Bolt M8 x 16	
46	1001207961	1	Plate	

Go to Discount-Equipment.com to order your parts

SECTION 2 - TURNTABLE

FIGURE 2-23. HOOD ASSEMBLY - TANK SIDE



NOTE: REPLACEMENT DECALS MUST BE ORDERED SEPERATELY - SEE DECALS SECTION FOR BREAKDOWN

ART_100118361

SECTION 2 - TURNTABLE

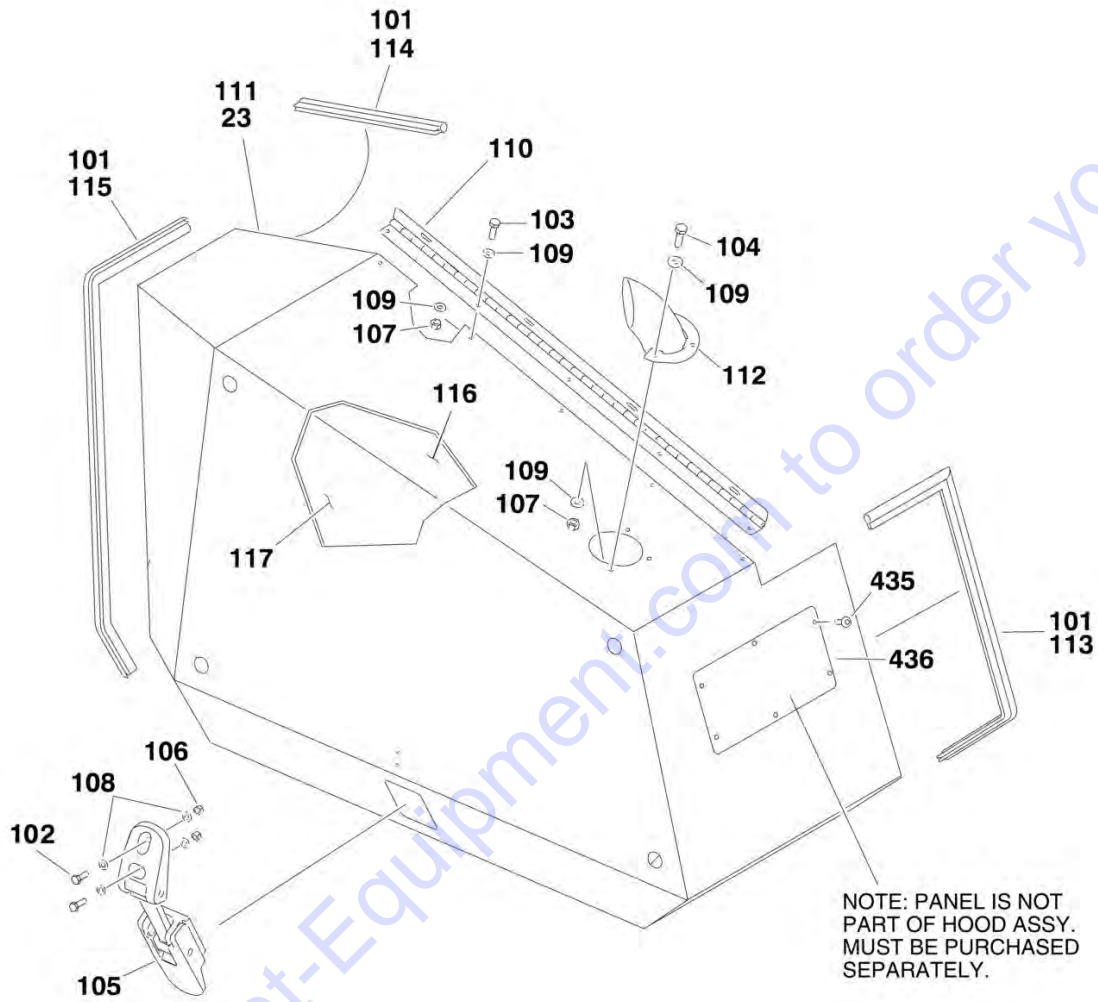
FIGURE 2-23. HOOD ASSEMBLY - TANK SIDE

ITEM	PART NUMBER	QTY	DESCRIPTION	REV
	1001118361	Ref	HOOD ASSEMBLY - TANK SIDE	B
201	0100081	AR	Adhesive	
202	0760508	2	Bolt M5 x 16	
203	0760608	5	Bolt M6 x 16	
204	2940109	1	Latch	
205	8290505	2	Nut M5	
206	8290605	5	Nut M6	
207	3520030	1	Plug, Hole	
208	4811600	4	Washer M5	
209	4811700	10	Washer M6	
210	1001117281	1	Hinge	
211	See Note	NSS	Hood, Replacement (Note: Use p/n 1001118361)	
212	1001119089	1	Seal	
213	1001119090	1	Seal	
214	1001119091	1	Seal	

Go to Discount-Equipment.com to order your parts

SECTION 2 - TURNTABLE

FIGURE 2-24. HOOD ASSEMBLY - ENGINE SIDE



ART_1001147441

SECTION 2 - TURNTABLE

FIGURE 2-24. HOOD ASSEMBLY - ENGINE SIDE

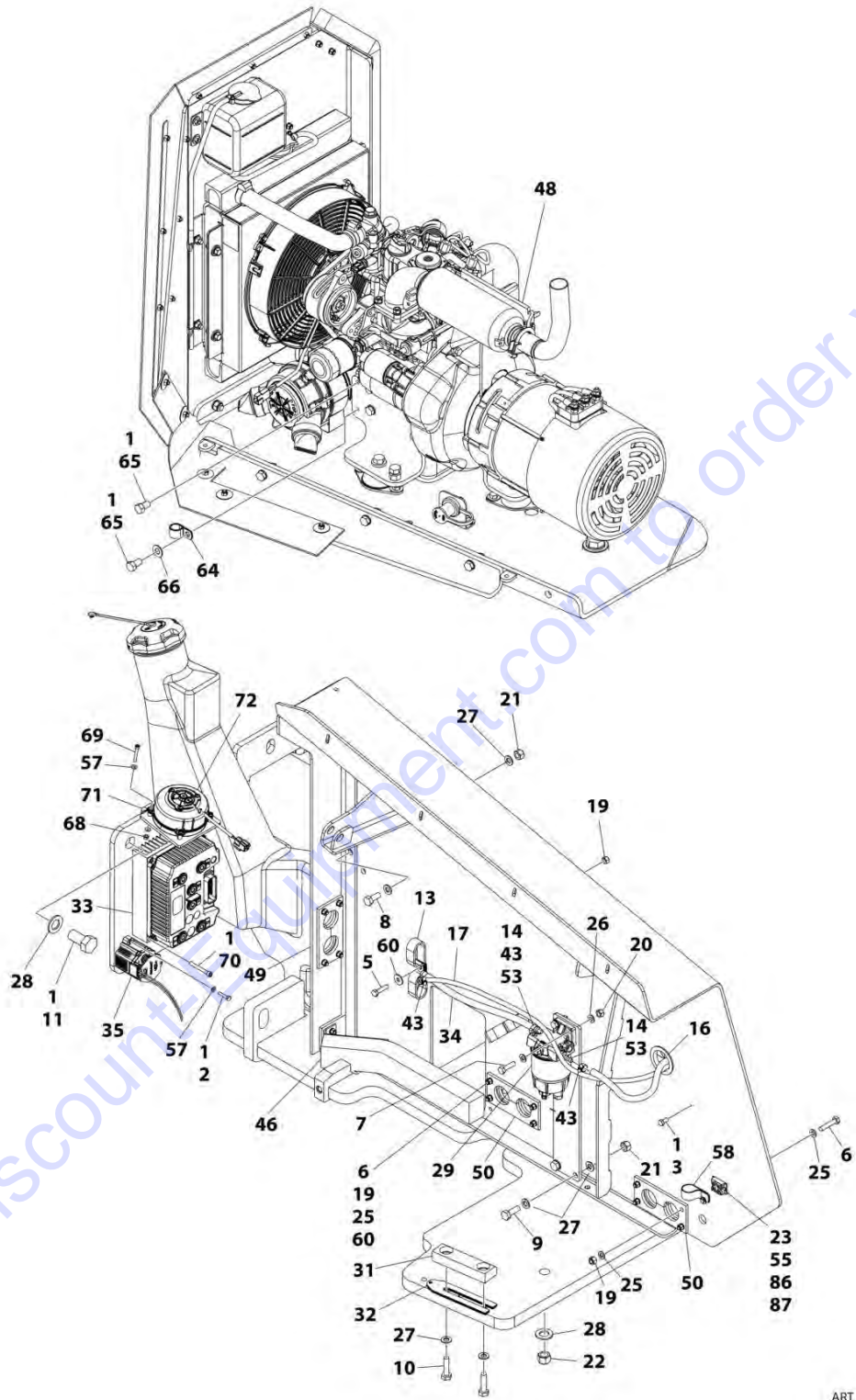
ITEM	PART NUMBER	QTY	DESCRIPTION	REV
	1001147441	Ref	HOOD ASSEMBLY - ENGINE SIDE	A
101	0100081	AR	Adhesive	
102	0760508	2	Bolt M5 x 16	
103	0760608	5	Bolt M6 x 16	
104	0760610	3	Bolt M6 x 20	
105	2940109	1	Latch	
106	8290505	2	Nut M5	
107	8290605	8	Nut M6	
108	4811600	4	Washer M5	
109	4811700	16	Washer M6	
110	1001117281	1	Hinge	
111	See Note	NSS	Hood, Replacement (Note: Use p/n 1001147441)	
112	1001119077	1	Pipe, Exhaust	
113	1001119086	1	Seal	
114	1001119087	1	Seal	
115	1001119088	1	Seal	
116	1001147440	1	Insulate, Heat Shield	
117	1001120749	1	Insulate, Heat Shield	
435	2080040	10	Fastener, Huck	
436	1001137451	1	Panel (Note: Not Part of Hood Assembly. Must be Purchased separately.)	

SECTION 3 - ENGINE

Go to Discount-Equipment.com to order your parts

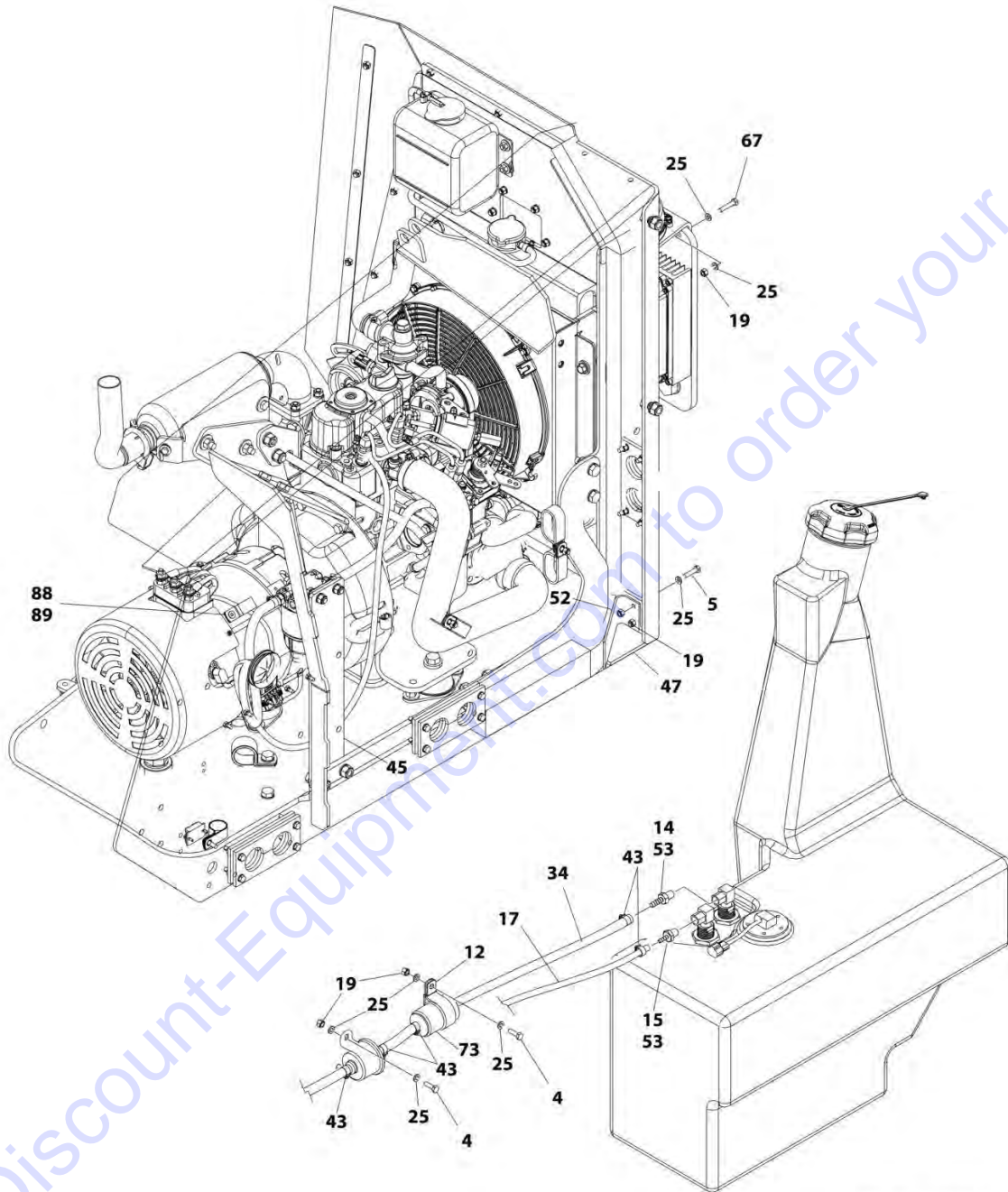
SECTION 3 - ENGINE

FIGURE 3-1. KUBOTA ENGINE INSTALLATION



ART_1001168098_10F3

SECTION 3 - ENGINE



ART_1001168098_20F3

SECTION 3 - ENGINE

FIGURE 3-1. KUBOTA ENGINE INSTALLATION

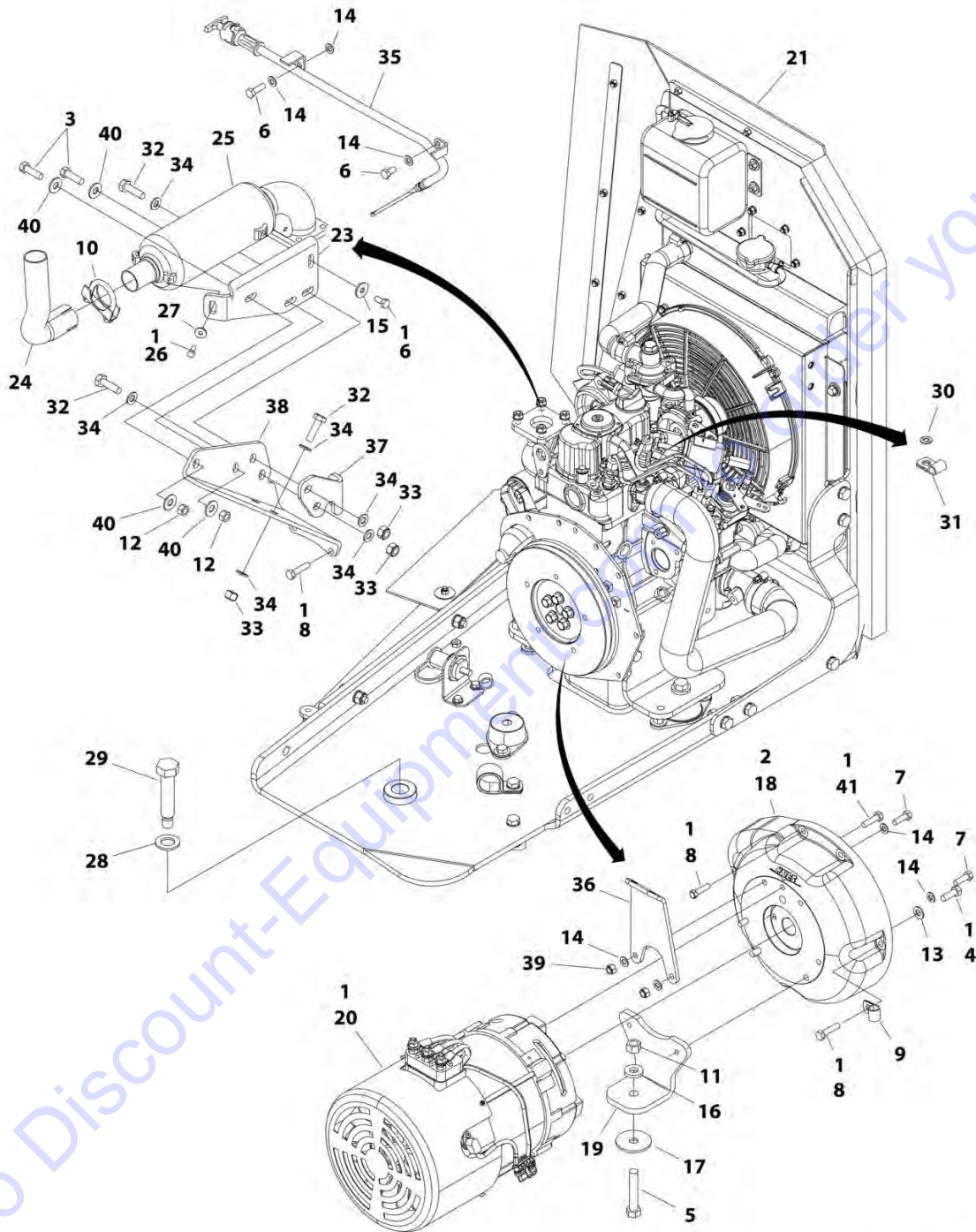
ITEM	PART NUMBER	QTY	DESCRIPTION	REV
	1001168098	Ref	KUBOTA ENGINE INSTALLATION	K
1	0100011	AR	Compound, Locking	
2	0760410	2	Bolt M4 X 20	
3	0760505	5	Bolt M5 X 10	
4	0760610	3	Bolt M6 X 20	
5	0760612	4	Bolt M6 X 25	
6	0760614	12	Bolt M6 X 30	
7	0760814	2	Bolt M8 X 30	
8	0761012	2	Bolt M10 X 25	
9	0761014	2	Bolt M10 X 30	
10	0761016	2	Bolt M10 X 40	
11	0762016	2	Bolt M20 x 40mm	
12	1320265	1	Clamp	
13	1321716	4	Clamp, Double	
14	2180348	3	Fitting NPT X BARB	
15	2180666	1	Fitting NPT X BARB	
16	2540045	1	Grommet	
17	2720271	70 in/1.6m	Hose	
19	3290605	21	Nut M6	
20	3290805	2	Nut M8	
21	3291005	4	Nut M10	
22	3291605	1	Nut M16	
23	0760306	2	Capscrew M3 X 12	
25	4811700	38	Washer M6	
26	4811900	4	Washer M8	
27	4812000	AR	Washer M10	
28	4812500	3	Washer M20	
29	1001190609	1	Fuel Filter/Water Separator Assembly	
29	70005293	1	Head, Mounting	
29	70005294	1	Plug, Vent	
29	70005296	1	Element & Gasket Kit (Includes Element, Head Gasket & Bowl O-Ring)	
29	70005295	1	Gasket, Head	
29	70005297	1	O-Ring, Bowl	
29	70002901	1	Bowl Kit - Water Separator (Includes Bowl, Drain & Plug)	
29	70004070	1	Drain, Self-Vented	
29	70004069	1	Plug, Drain	
31	1001120087	1	Pad, Wear	
32	1001120090	AR	Shim M1.5	
33	1001155934	1	Controller, Generator	
34	2720058	45 in/ 1.2m	Hose	
35	1001159665	1	Relay, Contactor	
42	1001168237	1	Plate, Mounting	
43	1320022	10	Clamp	
45	1001168236	1	Plate, Mounting	
46	1001168242	1	Seal, Foam	
47	1001168240	1	Shield, Rubber	
48	1001168216	1	Engine and Generator Assembly (See ENGINE AND GENERATOR ASSEMBLY for Breakdown) (Prior to SN	

SECTION 3 - ENGINE

ITEM	PART NUMBER	QTY	DESCRIPTION	REV
48	1001238241	1	0300255947) Engine and Generator Assembly (See ENGINE AND GENERATOR ASSEMBLY for Breakdown) (SN 0300255947 to Present)	
49	1001168239	1	Bracket, Mounting	
50	1001168244	6	Shield, Cable	
52	1001168241	1	Bracket, Mounting	
53	0100020	AR	Sealant	
54	4240018	AR	Tie-Strap (Not Shown)	
55	1001159754	1	Module, Diode	
57	4811400	10	Washer M4	
58	1320130	1	Clamp	
60	4811702	2	Washer M6	
61	0100083	1	Grease, Terminal	
64	91043147	1	Support	
65	0641605	2	Bolt 3/8-16 X 5/8	
66	4711600	1	Washer 3/8	
67	0700614	2	Bolt M6 X 30	
68	3290405	4	Nut M4	
69	4031510	4	Capscrew M4 X 30	
70	4031714	4	Capscrew M6 X 50	
71	1001189105	1	Bracket	
72	1001189108	1	Fan, Controller Cooling	
73	1001190545	1	Strainer, Fuel	
86	3290301	2	Nut M3	
87	1001110544	2	Washer M3	
88	8406201	1	Clip	
89	1001091102	1	Washer M4	

SECTION 3 - ENGINE

FIGURE 3-2. KUBOTA ENGINE AND GENERATOR SUB-ASSEMBLY (Prior to SN 0300255947)



ART_1001168216

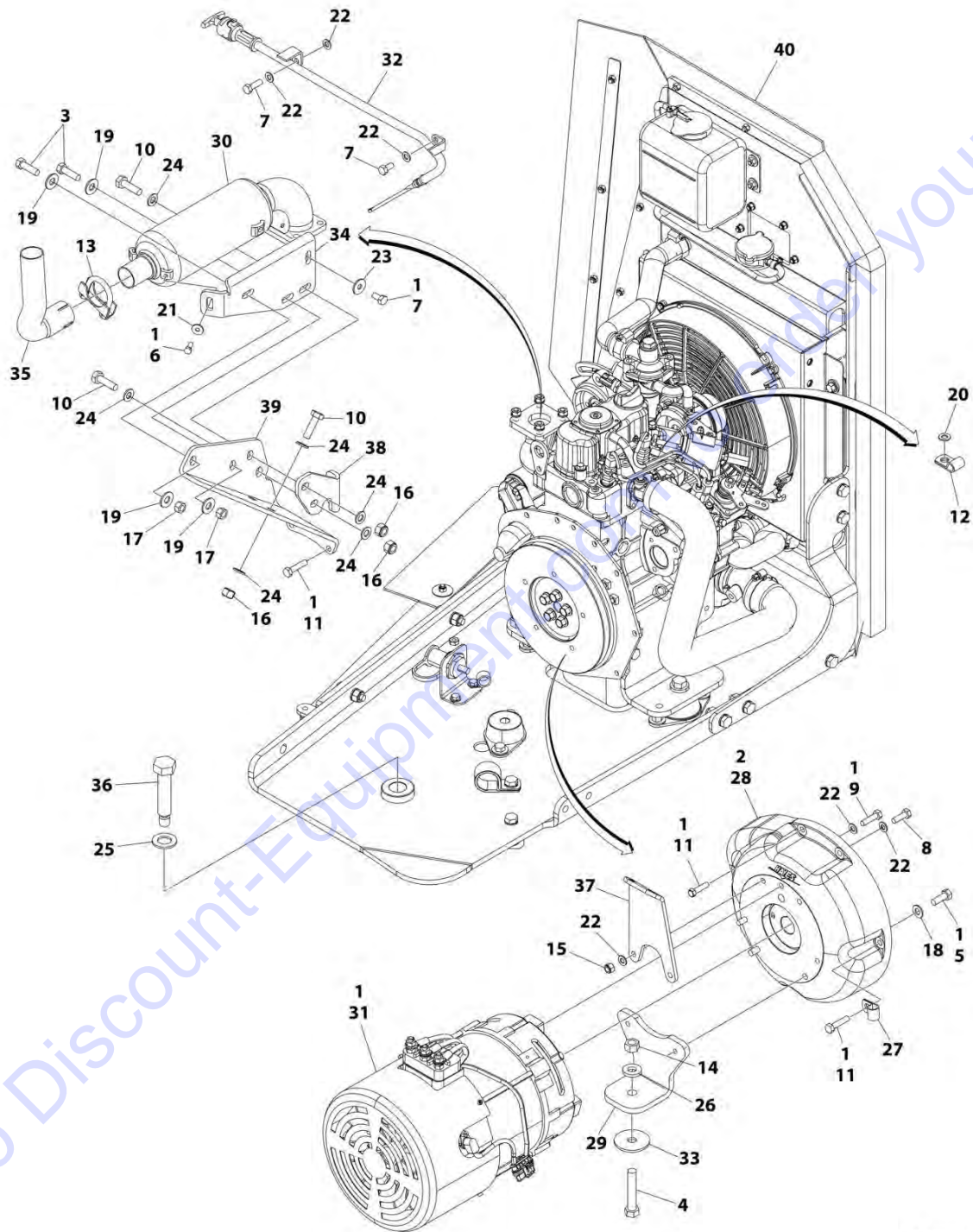
SECTION 3 - ENGINE

FIGURE 3-2. KUBOTA ENGINE AND GENERATOR SUB-ASSEMBLY (Prior to SN 0300255947)

ITEM	PART NUMBER	QTY	DESCRIPTION	REV
	1001168216	Ref	ENGINE AND GENERATOR SUB-ASSEMBLY	L
1	0100011	AR	Compound, Locking	
2	0100019	AR	Compound, Locking (Not Shown)	
3	0641610	2	Bolt 3/8-16 X 1-1/4	
4	0681608	2	Bolt 3/8-16 X 1 (Grade 8)	
5	0641822	1	Bolt 1/2-13 X 2-3/4	
6	0760808	2	Bolt M8 X 16	
7	0760812	4	Bolt M8 X 25	
8	0770815	3	Bolt M8 X 35 Grade 10.5	
9	85941016	1	Clamp	
10	1320274	1	Clamp	
11	3271801	1	Nut 1/2-13	
12	3311605	2	Nut 3/8-16	
13	4711600	2	Washer 3/8	
14	4811900	10	Washer M8	
15	4811902	1	Washer M8	
16	4891800	1	Washer 1/2	
17	1001168018	1	Washer	
18	1001157406	1	Engine Coupling Assembly (See ENGINE COUPLING ASSEMBLY for Breakdown)	
19	1001157903	1	Mount, Rear Engine	
20	1001165751	1	Generator Assembly (See GENERATOR ASSEMBLY for breakdown)	
21	1001168221	1	Engine Assembly without Generator (See ENGINE ASSEMBLY WITHOUT GENERATOR for Breakdown)	
23	1001168232	1	Bracket	
24	1001168233	1	Pipe, Exhaust	
25	1001162823	1	Muffler, Standard (Note: See separate figure for Optional Catalytic Muffler)	
26	0760608	1	Bolt M6 X 16	
27	4811702	1	Washer M6	
28	4812500	1	Washer M20	
29	1001176304	1	Bolt 2 x 80	
30	4811600	1	Washer M5	
31	1320136	1	Clamp	
32	0761015	4	Bolt M10 x 35	
33	3291005	4	Nut M10	
34	4812000	8	Washer M10	
35	1001167516	1	Dipstick	
36	1001189794	1	Bracket	
37	1001189795	1	Bracket	
38	1001189868	1	Bracket	
39	3290805	2	Nut M8	
40	4751600	4	Washer 3/8	
41	0760814	2	Bolt M8 x 30	

SECTION 3 - ENGINE

FIGURE 3-3. KUBOTA ENGINE AND GENERATOR SUB-ASSEMBLY (SN 0300255947 to Present)



ART_1001238241

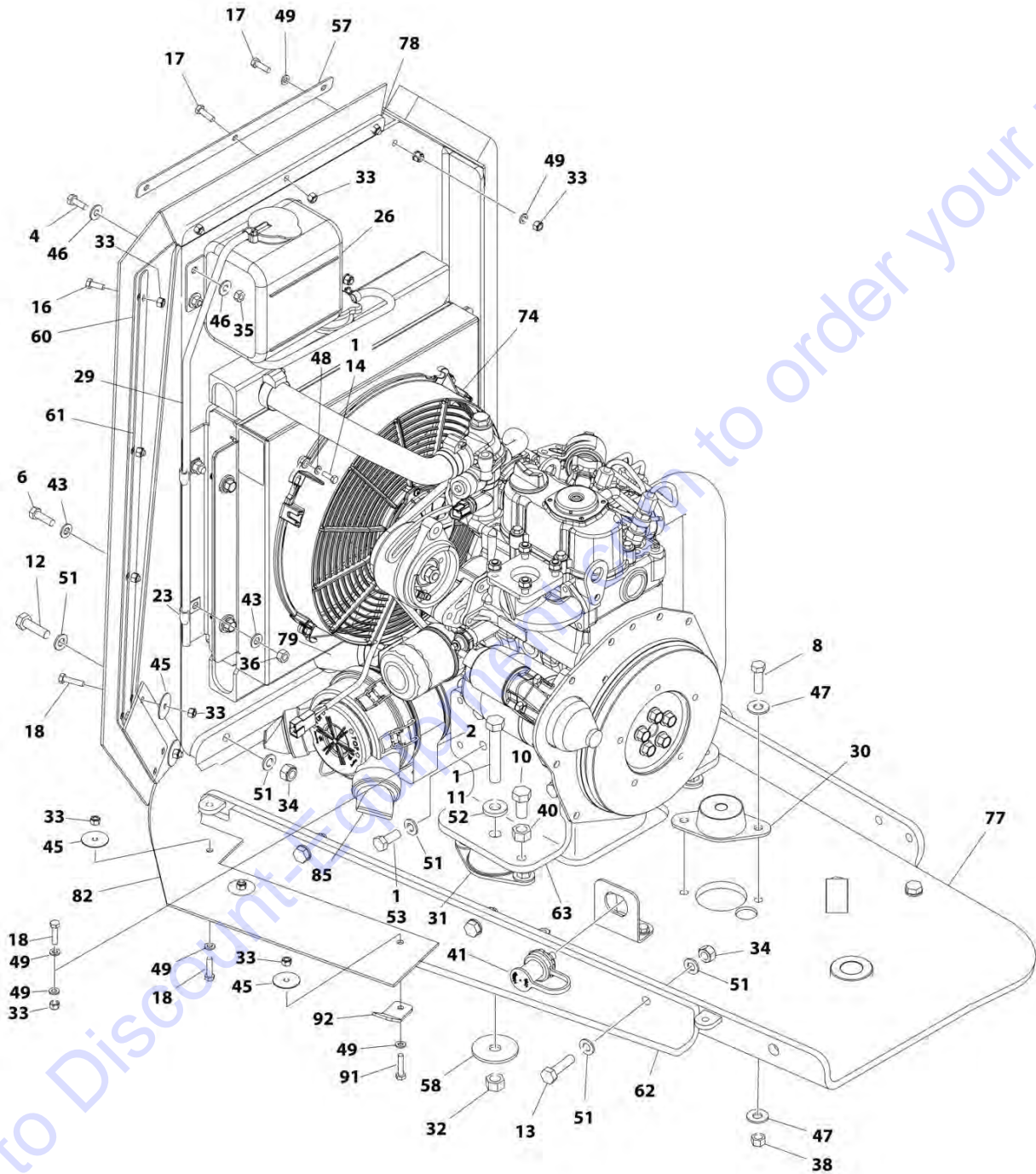
SECTION 3 - ENGINE

FIGURE 3-3. KUBOTA ENGINE AND GENERATOR SUB-ASSEMBLY (SN 0300255947 to Present)

ITEM	PART NUMBER	QTY	DESCRIPTION	REV
	1001238241	Ref	KUBOTA ENGINE AND GENERATOR SUB-ASSEMBLY	A
1	0100011	AR	Compound, Locking	
2	0100019	AR	Compound, Locking (Not Shown)	
3	0641610	2	Bolt 3/8-16 X 1-1/4	
4	0641822	1	Bolt 1/2-13 X 2-3/4	
5	0681608	2	Bolt 3/8-16 X 1 (Grade 8)	
6	0760608	1	Bolt M6 X 16	
7	0760808	2	Bolt M8 X 16	
8	0760812	4	Bolt M8 X 25	
9	0760814	2	Bolt M8 x 30	
10	0761015	4	Bolt M10 x 35	
11	0770815	3	Bolt M8 X 35 Grade 10.5	
12	1320136	1	Clamp	
13	1320274	1	Clamp	
14	3271801	1	Nut 1/2-13	
15	3290805	2	Nut M8	
16	3291005	4	Nut M10	
17	3311605	2	Nut 3/8-16	
18	4711600	2	Washer 3/8	
19	4751600	4	Washer 3/8	
20	4811600	1	Washer M5	
21	4811702	1	Washer M6	
22	4811900	10	Washer M8	
23	4811902	1	Washer M8	
24	4812000	8	Washer M10	
25	4812500	1	Washer M20	
26	4891800	1	Washer 1/2	
27	85941016	1	Clamp	
28	1001157406	1	Engine Coupling Assembly (See ENGINE COUPLING ASSEMBLY for Breakdown)	
29	1001157903	1	Mount, Rear Engine	
30	1001162823	1	Muffler, Standard	
31	1001165751	1	Generator Assembly (See GENERATOR ASSEMBLY for breakdown)	
32	1001167516	1	Dipstick	
33	1001168018	1	Washer	
34	1001168232	1	Bracket	
35	1001168233	1	Pipe, Exhaust	
36	1001176304	1	Bolt 2 x 80	
37	1001189794	1	Bracket	
38	1001189795	1	Bracket	
39	1001189868	1	Bracket	
40	1001238239	1	Engine Assembly without Generator (See ENGINE ASSEMBLY WITHOUT GENERATOR for Breakdown)	

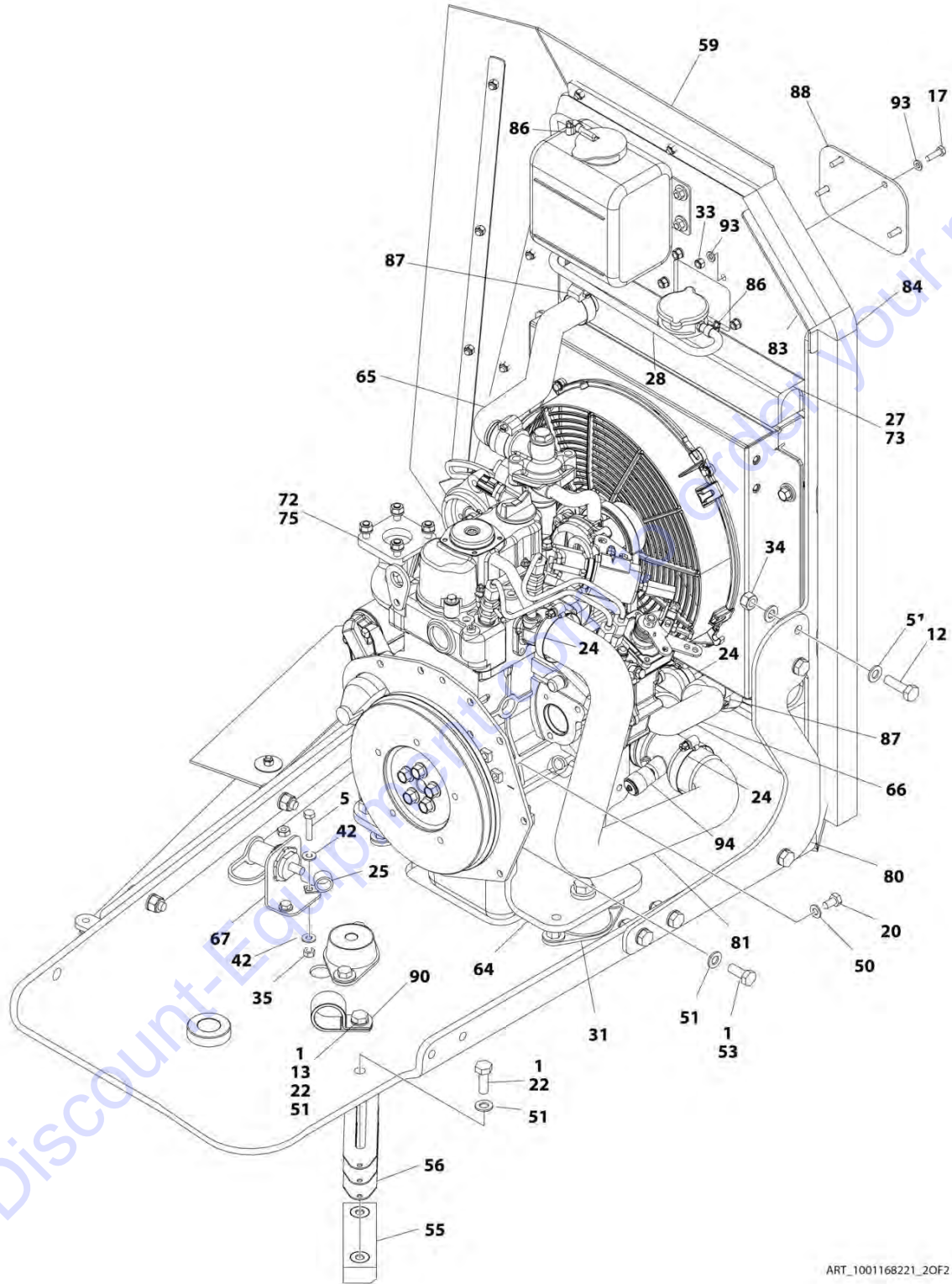
SECTION 3 - ENGINE

FIGURE 3-4. KUBOTA ENGINE ASSEMBLY (Prior to SN 0300255947)



ART_1001168221_10F2

SECTION 3 - ENGINE



ART_1001168221_20F2

SECTION 3 - ENGINE

FIGURE 3-4. KUBOTA ENGINE ASSEMBLY (Prior to SN 0300255947)

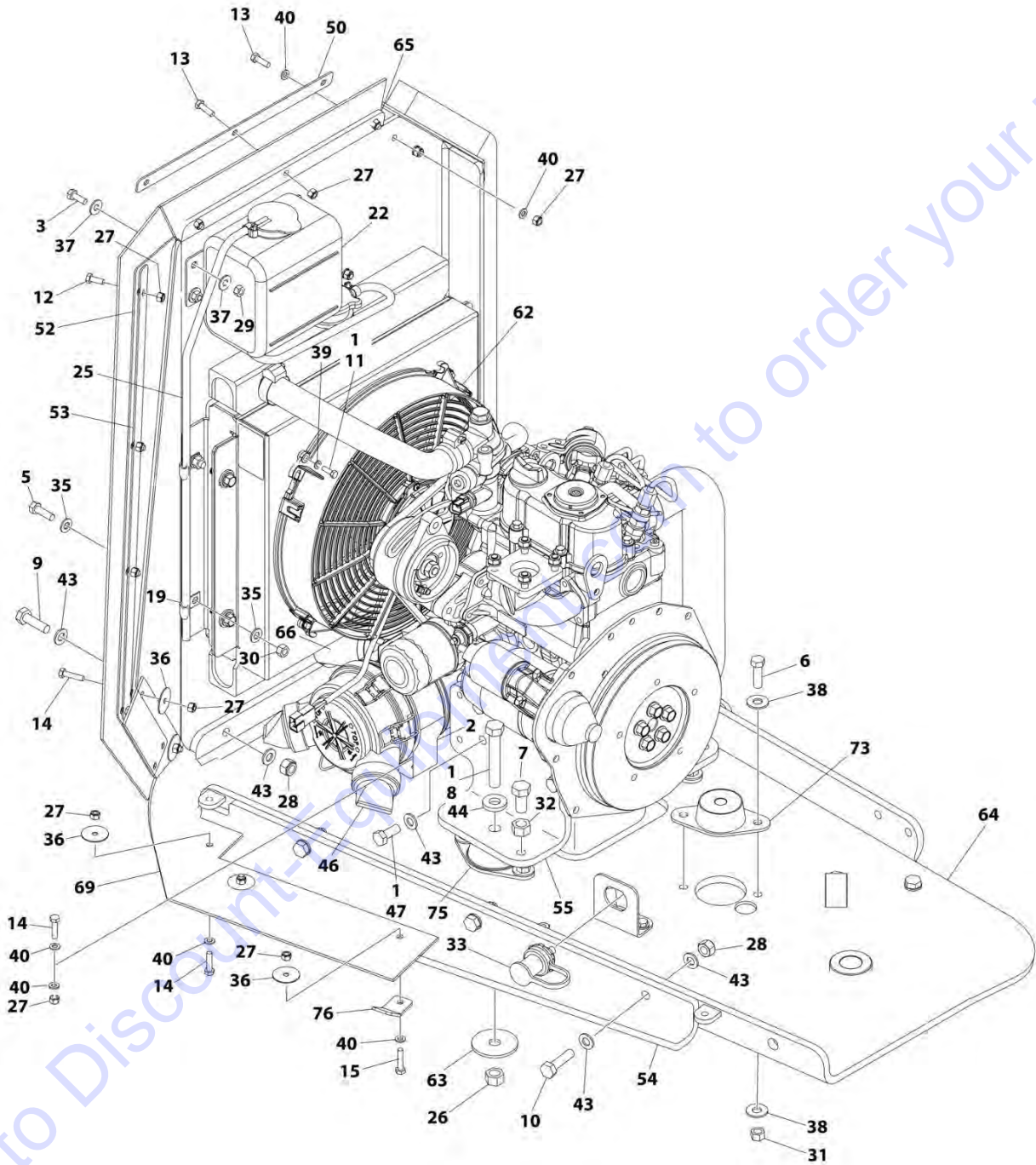
ITEM	PART NUMBER	QTY	DESCRIPTION	REV
	1001168221	Ref	KUBOTA ENGINE ASSEMBLY	L
1	0100011	AR	Compound, Locking	
2	0340045	1	Band, Mounting	
4	0641406	4	Bolt 1/4-20 X 3/4	
5	0641410	2	Bolt 1/4-20 X 1-1/4	
6	0641508	4	Bolt 5/16-18 X 1	
7	0641520	1	Bolt 5/16-18 X 2-1/2	
8	0641610	6	Bolt 3/8-16 X 1-1/4	
10	0641808	1	Bolt 1/2-13 X 1	
11	0641824	2	Bolt 1/2-13 X 3	
12	0701015	5	Bolt M10 X 35	
13	0701016	4	Bolt M10 X 40	
14	0760508	4	Bolt M5 X 16	
16	0760608	5	Bolt M6 X 16	
17	0760610	12	Bolt M6 X 20	
18	0760612	5	Bolt M6 X 25	
20	0760807	2	Bolt M8 X 14	
22	0761014	1	Bolt M10 X 30	
23	1320222	2	Clamp	
24	1321682	3	Clamp	
25	1320224	1	Clamp	
26	1580011	1	Tank, Overflow	
27	2300004	AR	Coolant	
28	2720058	20 in/ 51cm	Hose	
29	2720271	29 in/ 74cm	Hose	
30	1001170571	1	Mount, Motor	
31	1001187235	2	Mount, Motor	
32	3271801	2	Nut 1/2-13	
33	3290605	24	Nut M6	
34	3291005	10	Nut M10	
35	3311405	6	Nut 1/4-20	
36	3311501	4	Nut 5/16-18	
37	3311505	2	Nut 5/16-18	
38	3311605	6	Nut 3/8-16	
40	3311801	1	Nut 1/2-13	
41	4460611	1	Terminal, Battery	
42	4711400	4	Washer 1/4	
43	4711500	8	Washer 5/16	
45	4740362	5	Washer 1/4	
46	4751400	8	Washer 1/4	
47	4751600	12	Washer 3/8	
48	4811600	4	Washer M5	
49	4811700	11	Washer M6	
50	4811900	2	Washer M8	
51	4812000	30	Washer M10	
52	4891800	2	Washer 1/2	
53	1001118746	8	Bolt M10 X 25	
55	1001120087	1	Pad, Wear	

SECTION 3 - ENGINE

ITEM	PART NUMBER	QTY	DESCRIPTION	REV
56	1001120090	3	Shim M1.5	
57	1001123018	1	Plate, Support	
58	1001168018	2	Washer	
59	1001147365	1	Seal	
60	1001147642	1	Plate, Support	
61	1001147643	1	Plate, Support	
62	1001148975	1	Plate	
63	1001156603	1	Bracket, Engine Mounting (LH)	
64	1001156604	1	Bracket, Engine Mounting (RH)	
65	1001158075	1	Hose, Radiator (Top)	
66	1001158076	1	Hose, Radiator (Bottom)	
67	1001158314	1	Mount, Battery Post	
72	1001159301	AR	Oil, Engine	
73	1001159664	1	Radiator	
73	70004796	1	Cap, Radiator	
74	1001163363	1	Fan	
75	1001166467	1	Engine, Kubota (See KUBOTA ENGINE COMPONENTS for Breakdown)	
77	1001168222	1	Tray	
78	1001168224	1	Mount, Radiator	
79	1001168225	1	Hose	
80	1001168226	1	Gusset	
81	1001168227	1	Hose	
82	1001168228	1	Shield, Rubber	
83	1001168229	1	Bracket	
84	1001168230	1	Seal	
85	1001118280	1	Air Filter Assembly	
85	7015004	1	Element, Air Filter	
85	1340069	1	Valve, Vacuum	
85	7015005	1	Cover	
86	1320022	3	Clamp	
87	8405102	4	Clamp	
88	1001168238	1	Plate	
90	85031405	1	Clamp (Prior to SN 0300222893)	
91	0760613	2	Bolt M6 X 28	
92	1001202223	2	Bracket	
93	4811702	8	Washer M8	
94	1001170981	1	Indicator, Air Intake Restriction (SN 0300236472 to Present)	

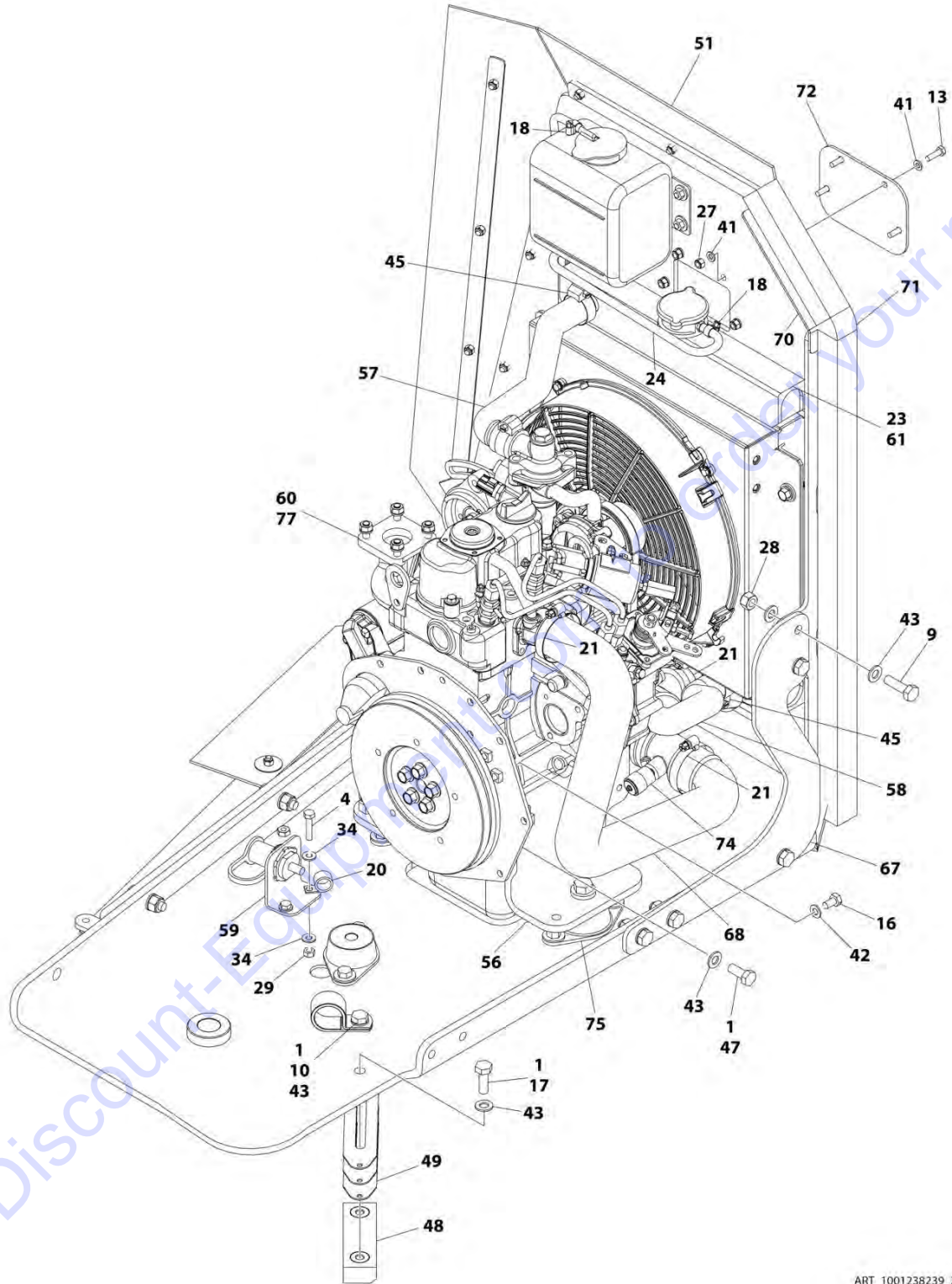
SECTION 3 - ENGINE

FIGURE 3-5. KUBOTA ENGINE ASSEMBLY (SN 0300255947 to Present)



ART_1001238239_10F2

SECTION 3 - ENGINE



ART_1001238239_20F2

SECTION 3 - ENGINE

FIGURE 3-5. KUBOTA ENGINE ASSEMBLY (SN 0300255947 to Present)

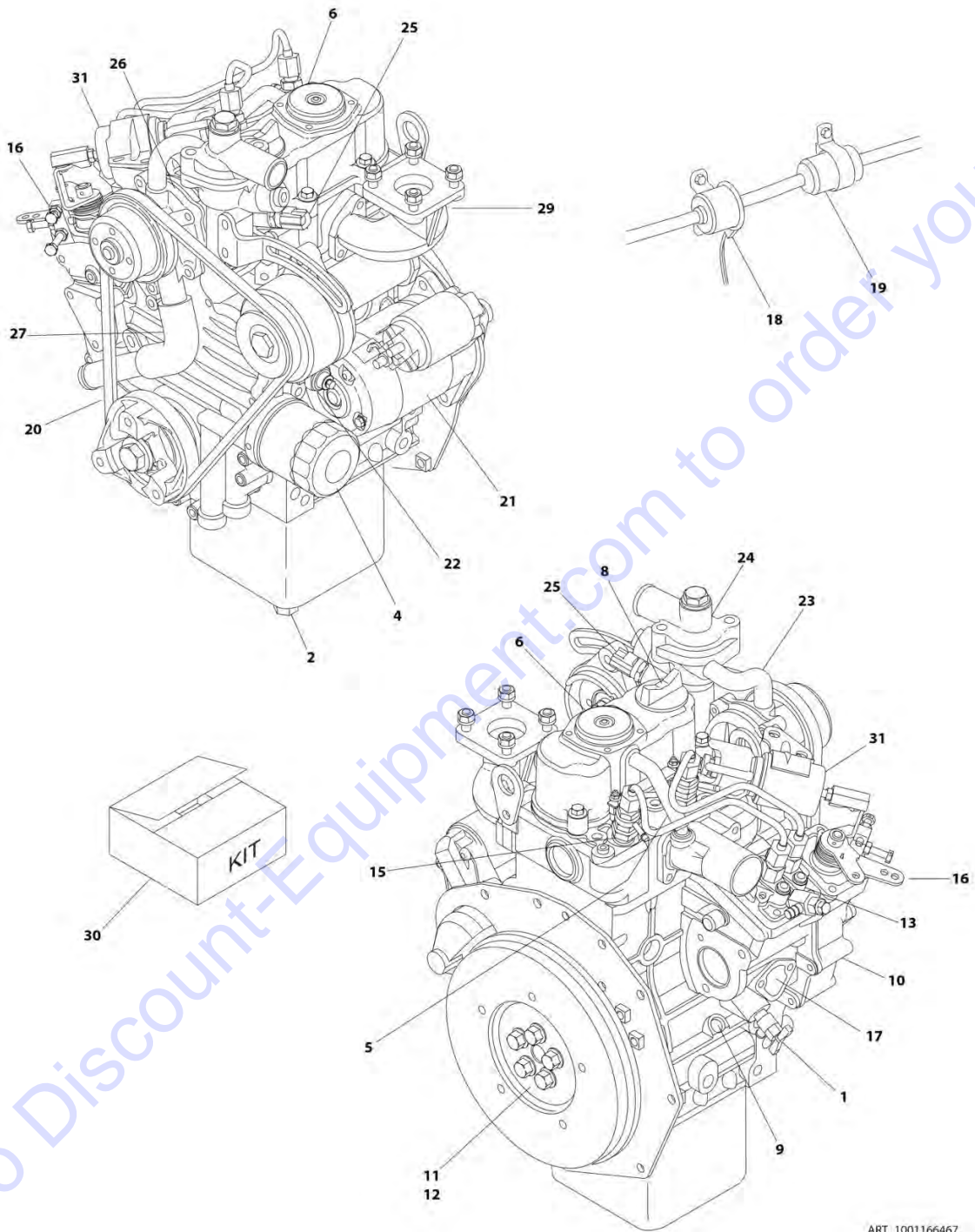
ITEM	PART NUMBER	QTY	DESCRIPTION	REV
	1001238239	Ref	KUBOTA ENGINE ASSEMBLY	A
1	0100011	AR	Compound, Locking	
2	0340045	1	Band, Mounting	
3	0641406	4	Bolt 1/4-20 X 3/4	
4	0641410	2	Bolt 1/4-20 X 1-1/4	
5	0641508	4	Bolt 5/16-18 X 1	
6	0641610	6	Bolt 3/8-16 X 1-1/4	
7	0641808	1	Bolt 1/2-13 X 1	
8	0641824	2	Bolt 1/2-13 X 3	
9	0701015	5	Bolt M10 X 35	
10	0701016	4	Bolt M10 X 40	
11	0760508	4	Bolt M5 X 16	
12	0760608	5	Bolt M6 X 16	
13	0760610	12	Bolt M6 X 20	
14	0760612	5	Bolt M6 X 25	
15	0760613	2	Bolt M6 X 28	
16	0760807	2	Bolt M8 X 14	
17	0761014	1	Bolt M10 X 30	
18	1320022	3	Clamp	
19	1320222	2	Clamp	
20	1320224	1	Clamp	
21	1321682	3	Clamp	
22	1580011	1	Tank, Overflow	
23	2300004	AR	Coolant	
24	2720058	20 in/ 51cm	Hose	
25	2720271	29 in/ 74cm	Hose	
26	3271801	2	Nut 1/2-13	
27	3290605	24	Nut M6	
28	3291005	10	Nut M10	
29	3311405	6	Nut 1/4-20	
30	3311501	4	Nut 5/16-18	
31	3311605	6	Nut 3/8-16	
32	3311801	1	Nut 1/2-13	
33	4460611	1	Terminal, Battery	
34	4711400	4	Washer 1/4	
35	4711500	8	Washer 5/16	
36	4740362	5	Washer 1/4	
37	4751400	8	Washer 1/4	
38	4751600	12	Washer 3/8	
39	4811600	4	Washer M5	
40	4811700	11	Washer M6	
41	4811702	8	Washer M8	
42	4811900	2	Washer M8	
43	4812000	30	Washer M10	
44	4891800	2	Washer 1/2	
45	8405102	4	Clamp	
46	1001118280	1	Air Filter Assembly	
46	7015004	1	Element, Air Filter	

SECTION 3 - ENGINE

ITEM	PART NUMBER	QTY	DESCRIPTION	REV
46	1340069	1	Valve, Vacuum	
46	7015005	1	Cover	
47	1001118746	8	Bolt M10 X 25	
48	1001120087	1	Pad, Wear	
49	1001120090	3	Shim M1.5	
50	1001123018	1	Plate, Support	
51	1001147365	1	Seal	
52	1001147642	1	Plate, Support	
53	1001147643	1	Plate, Support	
54	1001148975	1	Plate	
55	1001156603	1	Bracket, Engine Mounting (LH)	
56	1001156604	1	Bracket, Engine Mounting (RH)	
57	1001158075	1	Hose, Radiator (Top)	
58	1001158076	1	Hose, Radiator (Bottom)	
59	1001158314	1	Mount, Battery Post	
60	1001159301	AR	Oil, Engine	
61	1001159664	1	Radiator	
61	70004796	1	Cap, Radiator	
62	1001163363	1	Fan	
63	1001168018	2	Washer	
64	1001168222	1	Tray	
65	1001168224	1	Mount, Radiator	
66	1001168225	1	Hose	
67	1001168226	1	Gusset	
68	1001168227	1	Hose	
69	1001168228	1	Shield, Rubber	
70	1001168229	1	Bracket	
71	1001168230	1	Seal	
72	1001168238	1	Plate	
73	1001170571	1	Mount, Motor	
74	1001170981	1	Indicator, Air Intake Restriction	
75	1001187235	2	Mount, Motor	
76	1001202223	2	Bracket	
77	1001238238	1	Engine, Kubota (See KUBOTA ENGINE COMPONENTS for Breakdown)	

SECTION 3 - ENGINE

FIGURE 3-6. KUBOTA ENGINE COMPONENTS (Prior to SN 0300255947)



SECTION 3 - ENGINE

FIGURE 3-6. KUBOTA ENGINE COMPONENTS (Prior to SN 0300255947)

ITEM	PART NUMBER	QTY	DESCRIPTION	REV
	1001166467	Ref	KUBOTA ENGINE COMPONENTS	E
1	70004524	1	Valve, Drain	
2	7023154	1	Plug, Drain	
2	70002315	1	Gasket, Oil Pan Drain	
3	70004828	1	Gasket, Cylinder Head (Not Shown)	
4	7017980	1	Filter, Oil	
4	7017914	1	Fitting, Oil Filter	
5	70004829	1	Pipe (Inserts into Valve Cover)	
5	70004832	1	Tube, Breather	
5	70004855	1	Pipe (Inserts into Inlet Manifold)	
6	70003060	1	Valve, Breather Compensation	
6	70003061	1	Cover, Breather	
6	7017934	4	Screw	
7	70004830	1	Gasket, Cylinder Head (Not Shown)	
8	70002318	1	Cap, Oil Fill	
8	70004311	1	O-Ring, Oil Filler Cap	
9	1001167516	1	Dipstick	
10	70004294	1	Pump, Oil	
10	70004295	1	Gasket, Oil Pump	
10	70004296	1	Key, Oil Pump Shaft	
11	7017982	1	Gasket, Rear Bearing Case	
11	7017983	1	Seal, Rear Main	
11	7017984	1	Gasket, Rear Case	
12	70004833	1	Flywheel Assembly (Includes Ring Gear)	
12	70004297	1	Ring Gear	
12	70004834	5	Bolt, Flywheel	
13	70004836	1	Injection Pump Assembly	
13	70004837	AR	Shim .175mm	
13	70004838	AR	Shim .200mm	
13	70004839	AR	Shim .250mm	
13	70004840	AR	Shim .300mm	
13	70004841	AR	Shim .350mm	
14	7017988	1	Gasket, Speed Control Plate (Not Shown)	
15	70004540	2	Nut	
15	7023167	2	Gasket, Nozzle	
15	7023168	2	Seal, Nozzle Heat	
15	70004539	1	Pipe, Overflow (Includes Clips)	
15	70004537	1	Screw, Air Bleeder	
15	70004538	1	Gasket, Bleeder Screw	
15	70004398	2	Glow Plug	
16	70004843	1	Spring, Start	
16	70004844	1	Spring	
16	70004846	1	Spring, Governer	
16	70004847	1	Fork Assembly	
17	70004849	1	Pump, Fuel	
17	7017995	1	Gasket, Fuel Pump	
17	70004848	2	Bolt, Fuel Pump	
18	70005228	1	Pump, Electric Fuel	
19	7017992	1	Filter, Inline Fuel	
20	7023107	1	V-Belt	

SECTION 3 - ENGINE

ITEM	PART NUMBER	QTY	DESCRIPTION	REV
21	70006008	1	Starter	
21	70004305	1	Switch, Starter	
22	7017901	1	Switch, Oil	
23	70004829	1	Pipe, Water Return (Short)	
23	70004851	1	Pipe, Water Return (Long)	
24	70004852	1	Cover, Thermostat/Water Outlet	
24	7023170	1	Thermostat	
24	7023114	1	Gasket, Thermostat	
24	70004306	1	Gasket, Water Flange to Cylinder Head	
25	70003064	1	Sensor, Water Temperature	
25	70003063	1	Seal, Water Temperature Sensor	
26	70004853	1	Pump, Water	
26	70004854	1	Gasket, Water Pump to Block	
27	70004912	1	Hose	
27	70004913	2	Clamp, Band	
28	70004856	1	Gasket, Inlet Manifold (Not Shown)	
29	7023124	1	Gasket, Exhaust Manifold to Muffler	
29	70004859	4	Stud (Manifold to Muffler)	
29	70004857	1	Gasket, Exhaust (Manifold to Cylinder Head)	
29	70004858	4	Stud (Manifold to Cylinder Head)	
30	70004860	1	Gasket Kit - Upper	
30	70004861	1	Gasket Kit - Lower	
31	70006007	1	Solenoid, Stop	

SECTION 3 - ENGINE

FIGURE 3-7. KUBOTA ENGINE COMPONENTS (SN 0300255947 to Present)

Note: No Service Parts Breakdown Available at time of Printing.

ART_1001238238

SECTION 3 - ENGINE

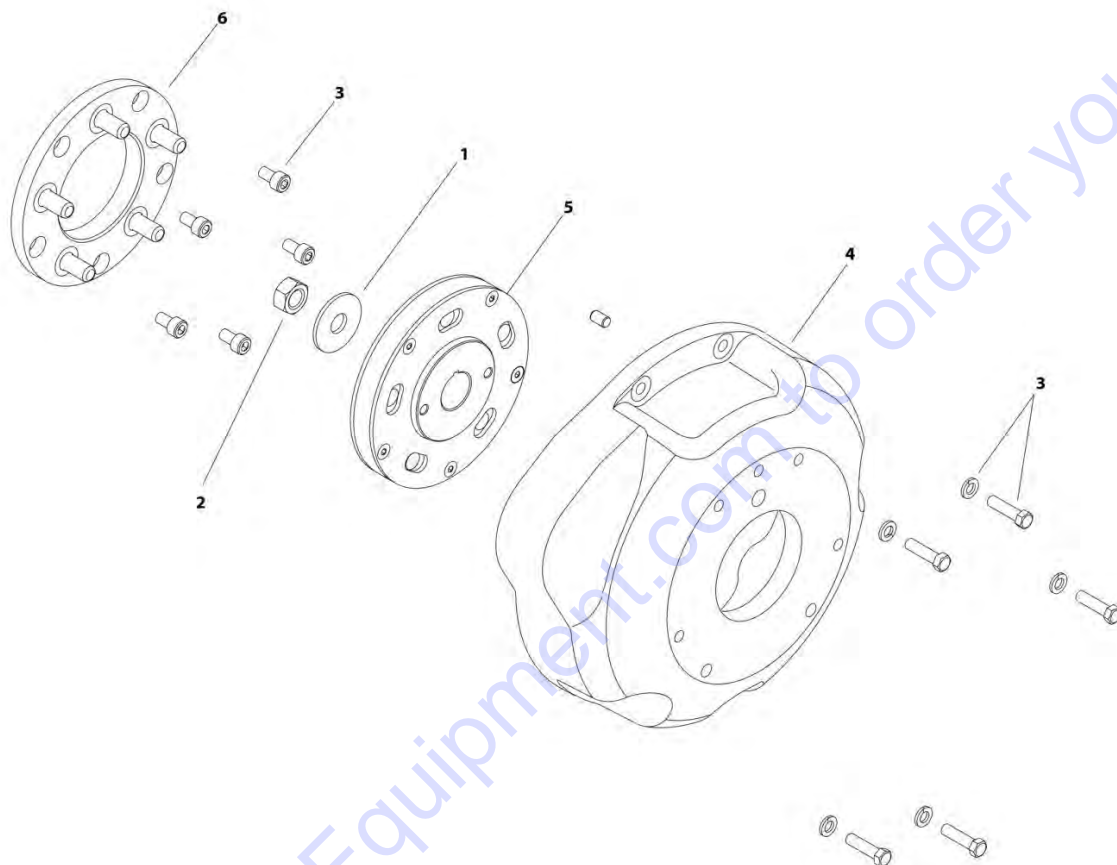
FIGURE 3-7. KUBOTA ENGINE COMPONENTS (SN 0300255947 to Present)

ITEM	PART NUMBER	QTY	DESCRIPTION	REV
	1001238238	Ref Ref	KUBOTA ENGINE COMPONENTS Note: Not Available at time of printing.	A

Go to Discount-Equipment.com to order your parts

SECTION 3 - ENGINE

FIGURE 3-8. ENGINE COUPLING ASSEMBLY



ART_1001157406

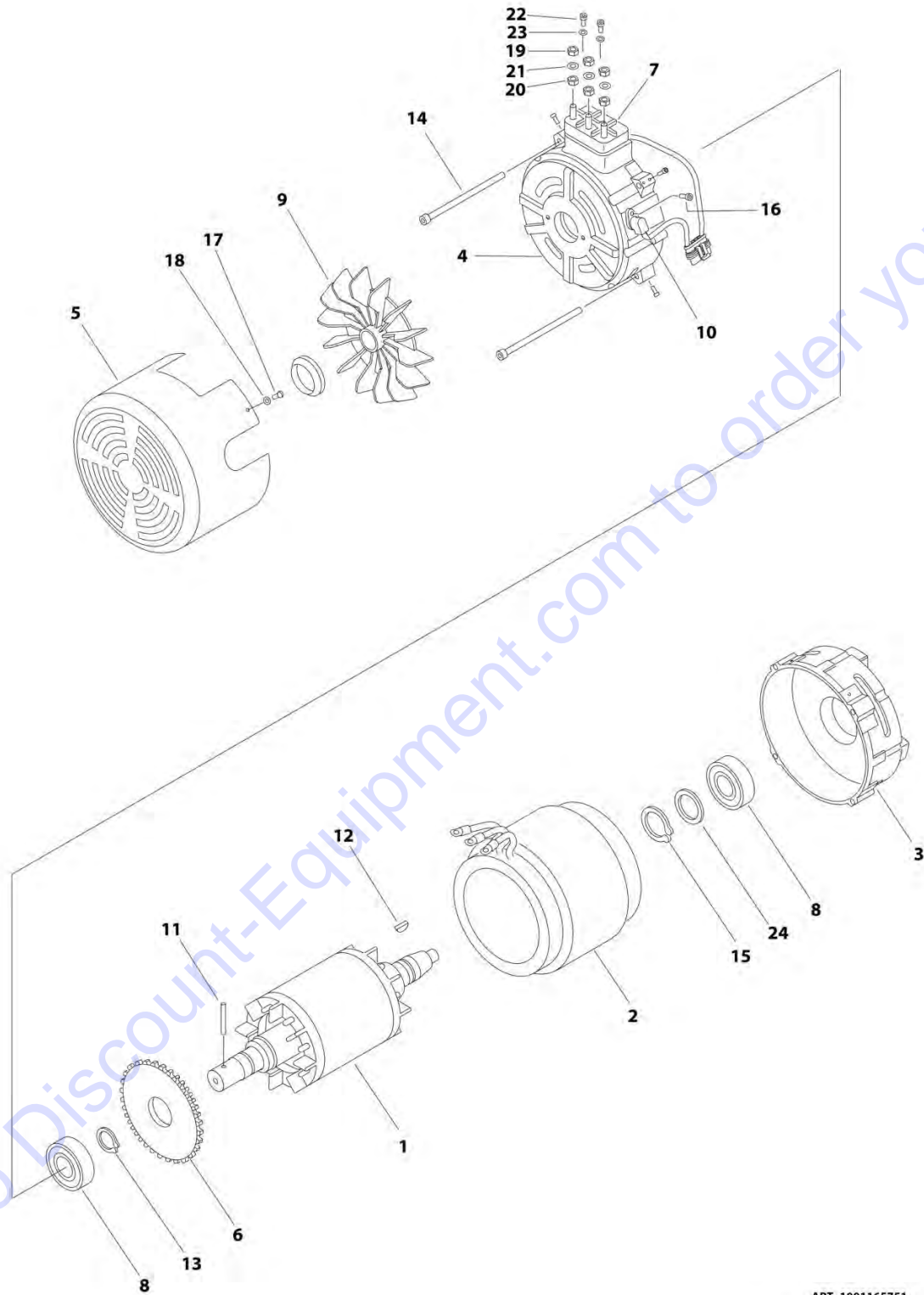
FIGURE 3-8. ENGINE COUPLING ASSEMBLY

ITEM	PART NUMBER	QTY	DESCRIPTION	REV
	1001157406	Ref	ENGINE COUPLING ASSEMBLY	B
1	See Note	1	Washer M14 (Note: Not Available - Purchase Locally)	
2	See Note	1	Nut M14 (Note: Not Available - Purchase Locally)	
3	70004790	1	Bolt Kit (Includes qty 5 each of M8 Lockwashers, 16mm Length Capscrews & 30mm Length Capscrews)	
4	70004791	1	Cover, Coupling	
5	70004792	1	Hub Coupling Assembly	
6	70004793	1	Plate, Mounting	

Go to Discount-Equipment.com to order your parts

SECTION 3 - ENGINE

FIGURE 3-9. GENERATOR ASSEMBLY



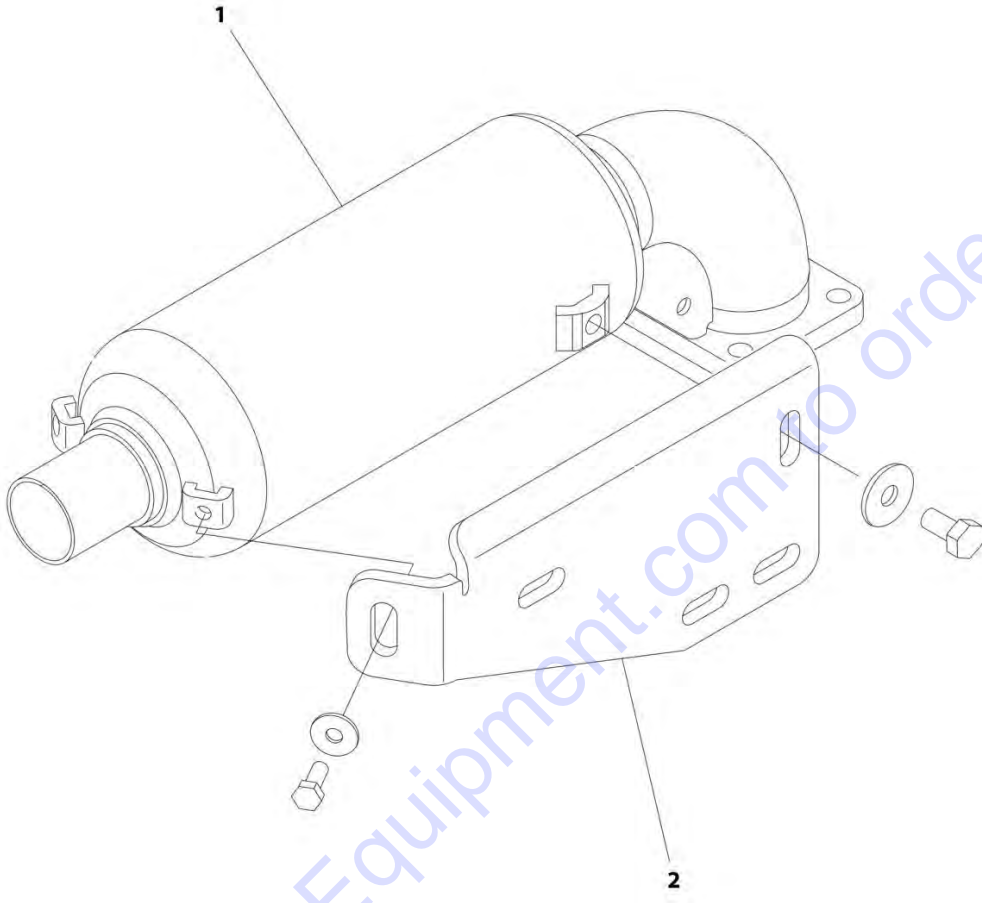
ART_1001165751

FIGURE 3-9. GENERATOR ASSEMBLY

ITEM	PART NUMBER	QTY	DESCRIPTION	REV
	1001165751	Ref	GENERATOR ASSEMBLY	C
1	70004984	1	Rotor	
2	70004985	1	Stator	
3	70004986	1	Flange	
4	70004987	1	Flange	
5	70004988	1	Cover, Fan	
6	70004989	1	Wheel, Impulse	
7	70004990	1	Block, Terminal	
8	70004991	1	Bearing	
9	70004992	1	Fan with Lock Ring	
10	70004993	1	Sensor	
11	70004994	1	Rollpin	
12	70004995	1	Key	
13	70004996	1	Ring, Retaining	
14	70004997	4	Screw M8 x 150	
15	70004998	1	Ring, Retaining	
16	70004999	1	Screw M6 x 16	
17	70005000	4	Screw M5 x 8	
18	70005001	4	Washer M5	
19	70005002	3	Nut M8	
20	70005003	3	Nut M8	
21	70005004	3	Spacer	
22	70005005	2	Screw M8 x 16	
23	70005006	2	Washer	
24	70005007	1	Ring	

SECTION 3 - ENGINE

FIGURE 3-10. CATALYTIC MUFFLER INSTALLATION - OPTIONAL



ART_1001169719

FIGURE 3-10. CATALYTIC MUFFLER INSTALLATION - OPTIONAL

ITEM	PART NUMBER	QTY	DESCRIPTION	REV
	1001169719	Ref	CATALYTIC MUFFLER INSTALLATION - OPTIONAL	B
1	1001171823	1	Muffler, Spark Arresting/Catalytic	
2	1001171914	1	Bracket	

Go to Discount-Equipment.com to order your parts

SECTION 4 - BOOM

Go to Discount-Equipment.com to order your parts

SECTION 4 - BOOM

FIGURE 4-1. BOOM AND CYLINDERS INSTALLATION - WITHOUT ARCTIC PACKAGE (Prior to SN 0300209405)

ITEM	PART NUMBER	QTY	DESCRIPTION	REV
	1001199456	Ref	BOOM AND CYLINDERS INSTALLATION - WITHOUT ARCTIC PACKAGE (Prior to SN 0300209405)	A
1	0100011	AR	Compound, Locking	
2	0761011	1	Bolt M10 x 22	
3	0761012	1	Bolt M10 x 25	
4	0761014	2	Bolt M10 x 30	
5	0761015	2	Bolt M10 x 35	
6	0761212	2	Bolt M12 x 25	
7	0761215	2	Bolt M12 x 35	
8	3291005	3	Nut M10	
9	3291205	1	Nut M12	
10	3422576	2	Pin	
11	3422582	1	Pin	
12	3422709	1	Pin	
13	3422790	1	Pin	
14	3422792	1	Pin	
15	3422814	1	Pin	
16	3841143	4	Keeper, Pin	
17	3841203	4	Keeper, Pin	
18	4812000	4	Washer M10	
19	5251010	3	Bolt M10 x 20	
20	1001120976	1	Master Cylinder Assembly (See CYLINDER SECTION for Breakdown)	
21	1001125235	1	Rest, Boom	
22	1001109528	1	Pin	
23	1001112607	2	Pad, Boom Rest	
24	1001115672	1	Tower Boom Assembly (See TOWER BOOM ASSEMBLY for Breakdown)	
25	1001117375	1	Level Cylinder Assembly - Platform (Slave) (See CYLINDER SECTION for Breakdown) (Prior to SN 0300240098)	
25	1001225990	1	Level Cylinder Assembly - Platform (Slave) (See CYLINDER SECTION for Breakdown) (SN 0300240098 to Present)	
26	1001117640	1	Lift Cylinder Assembly - Main Boom (See CYLINDER SECTION for Breakdown)	
27	1001199412	1	Jib Assembly (See JIB ASSEMBLY - WITHOUT ARCTIC PACKAGE for Breakdown)	
28	1001199413	1	Main Boom Assembly (See MAIN BOOM ASSEMBLY for Breakdown)	

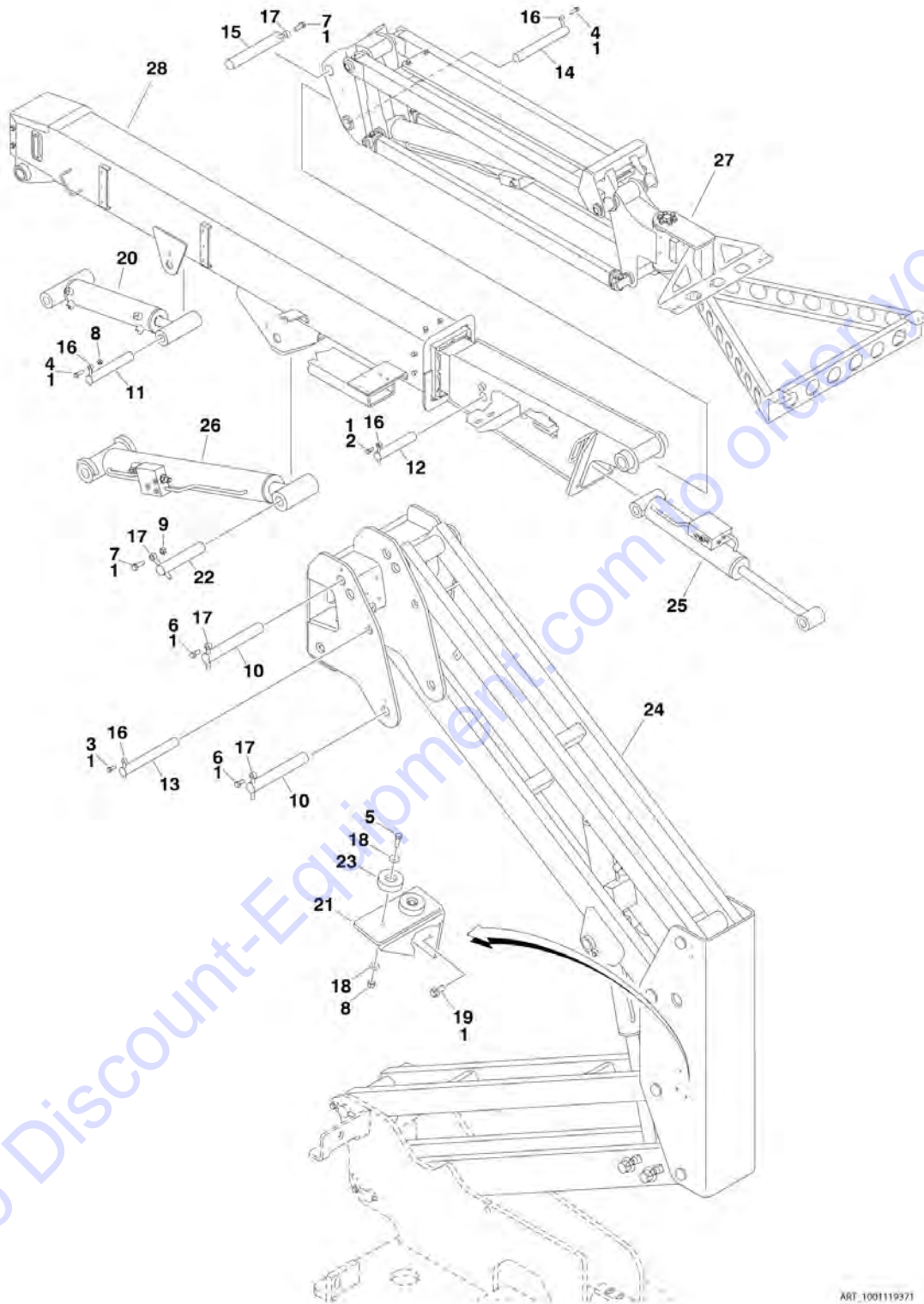
SECTION 4 - BOOM

FIGURE 4-2. BOOM AND CYLINDERS INSTALLATION - WITHOUT ARCTIC PACKAGE (SN 0300209405 to Present)

ITEM	PART NUMBER	QTY	DESCRIPTION	REV
	1001115766	Ref	BOOM AND CYLINDERS INSTALLATION - WITHOUT ARCTIC PACKAGE (SN 0300209405 to Present)	D
1	0100011	AR	Compound, Locking	
2	0761011	1	Bolt M10 x 22	
3	0761012	1	Bolt M10 x 25	
4	0761014	2	Bolt M10 x 30	
5	0761015	2	Bolt M10 x 35	
6	0761212	2	Bolt M12 x 25	
7	0761215	2	Bolt M12 x 35	
8	3291005	3	Nut M10	
9	3291205	1	Nut M12	
10	3422576	2	Pin	
11	3422582	1	Pin	
12	3422709	1	Pin	
13	3422790	1	Pin	
14	3422792	1	Pin	
15	3422814	1	Pin	
16	3841143	4	Keeper, Pin	
17	3841203	4	Keeper, Pin	
18	4812000	4	Washer M10	
19	5251010	3	Bolt M10 x 20	
20	1001120976	1	Master Cylinder Assembly (See CYLINDER SECTION for Breakdown)	
21	1001125235	1	Rest, Boom	
22	1001109528	1	Pin	
23	1001112607	2	Pad, Boom Rest	
24	1001115672	1	Tower Boom Assembly (See TOWER BOOM ASSEMBLY for Breakdown)	
25	1001117375	1	Level Cylinder Assembly - Platform (Slave) (See CYLINDER SECTION for Breakdown) (Prior to SN 0300240098)	
25	1001225990	1	Level Cylinder Assembly - Platform (Slave) (See CYLINDER SECTION for Breakdown) (SN 0300240098 to Present)	
26	1001117640	1	Lift Cylinder Assembly - Main Boom (See CYLINDER SECTION for Breakdown)	
27	1001117884	1	Jib Assembly (See JIB ASSEMBLY - WITHOUT ARCTIC PACKAGE for Breakdown)	
28	1001117885	1	Main Boom Assembly (See MAIN BOOM ASSEMBLY for Breakdown)	

SECTION 4 - BOOM

FIGURE 4-3. BOOM AND CYLINDERS INSTALLATION - WITH ARCTIC PACKAGE



ART_100119371

PARTS FINDER

**Search Website
by Part Number**



**Search Manual
Library For Parts
Manual & Lookup Part
Numbers – Purchase
or Request Quote**

**Can't Find Part or
Manual? Request Help
by Manufacturer,
Model & Description**

Discount-Equipment.com is your online resource for quality parts & equipment.

Florida: **561-964-4949** Outside Florida TOLL FREE: **877-690-3101**

Need parts?

Click on this link: <http://www.discount-equipment.com/category/5443-parts/> and choose one of the options to help get the right parts and equipment you are looking for. Please have the machine model and serial number available in order to help us get you the correct parts. If you don't find the part on the website or on one of the online manuals, please fill out the request form and one of our experienced staff members will get back to you with a quote for the right part that your machine needs.

We sell worldwide for the brands: Genie, Terex, JLG, MultiQuip, Mikasa, Essick, Whiteman, Mayco, Toro Stone, Diamond Products, Generac Magnum, Airman, Haulotte, Barreto, Power Blanket, Nifty Lift, Atlas Copco, Chicago Pneumatic, Allmand, Miller Curber, Skyjack, Lull, Skytrak, Tsurumi, Husquvarna Target, Stow, Wacker, Sakai, Mi-T-M, Sullair, Basic, Dynapac, MBW, Weber, Bartell, Bennar Newman, Haulotte, Ditch Runner, Menegotti, Morrison, Contec, Buddy, Crown, Edco, Wyco, Bomag, Laymor, EZ Trench, Bil-Jax, F.S. Curtis, Gehl Pavers, Heli, Honda, ICS/PowerGrit, IHI, Partner, Imer, Clipper, MMD, Koshin, Rice, CH&E, General Equipment, Amida, Coleman, NAC, Gradall, Square Shooter, Kent, Stanley, Tamco, Toku, Hatz, Kohler, Robin, Wisconsin, Northrock, Oztec, Toker TK, Rol-Air, APT, Wylie, Ingersoll Rand / Doosan, Innovatech, Con X, Ammann, Mecalac, Makinex, Smith Surface Prep, Small Line, Wanco, Yanmar

SECTION 4 - BOOM

FIGURE 4-3. BOOM AND CYLINDERS INSTALLATION - WITH ARCTIC PACKAGE

ITEM	PART NUMBER	QTY	DESCRIPTION	REV
	1001119371	Ref	BOOM AND CYLINDERS INSTALLATION - WITH ARCTIC PACKAGE	D
1	0100011	AR	Compound, Locking	
2	0761011	1	Bolt M10 x 22	
3	0761012	1	Bolt M10 x 25	
4	0761014	2	Bolt M10 x 30	
5	0761015	2	Bolt M10 x 35	
6	0761212	2	Bolt M12 x 25	
7	0761215	2	Bolt M12 x 35	
8	3291005	3	Nut M10	
9	3291205	1	Nut M12	
10	3422576	2	Pin	
11	3422582	1	Pin	
12	3422709	1	Pin	
13	3422790	1	Pin	
14	3422792	1	Pin	
15	3422814	1	Pin	
16	3841143	4	Keeper, Pin	
17	3841203	4	Keeper, Pin	
18	4812000	4	Washer M10	
19	5251010	3	Bolt M10 x 20	
20	1001120976	1	Master Cylinder Assembly (See CYLINDER SECTION for Breakdown)	
21	1001125235	1	Rest, Boom	
22	1001109528	1	Pin	
23	1001112607	2	Pad, Boom Rest	
24	1001115672	1	Tower Boom Assembly (See TOWER BOOM ASSEMBLY for Breakdown)	
25	1001117375	1	Level Cylinder Assembly - Platform (Slave) (See CYLINDER SECTION for Breakdown) (Prior to SN 0300240098)	
25	1001225990	1	Level Cylinder Assembly - Platform (Slave) (See CYLINDER SECTION for Breakdown) (SN 0300240098 to Present)	
26	1001117640	1	Lift Cylinder Assembly - Main Boom (See CYLINDER SECTION for Breakdown)	
27	1001119370	1	Jib Assembly (See JIB ASSEMBLY - WITH ARCTIC PACKAGE for Breakdown)	
28	1001199413	1	Main Boom Assembly (See MAIN BOOM ASSEMBLY for Breakdown)	

SECTION 4 - BOOM

FIGURE 4-4. TOWER BOOM ASSEMBLY

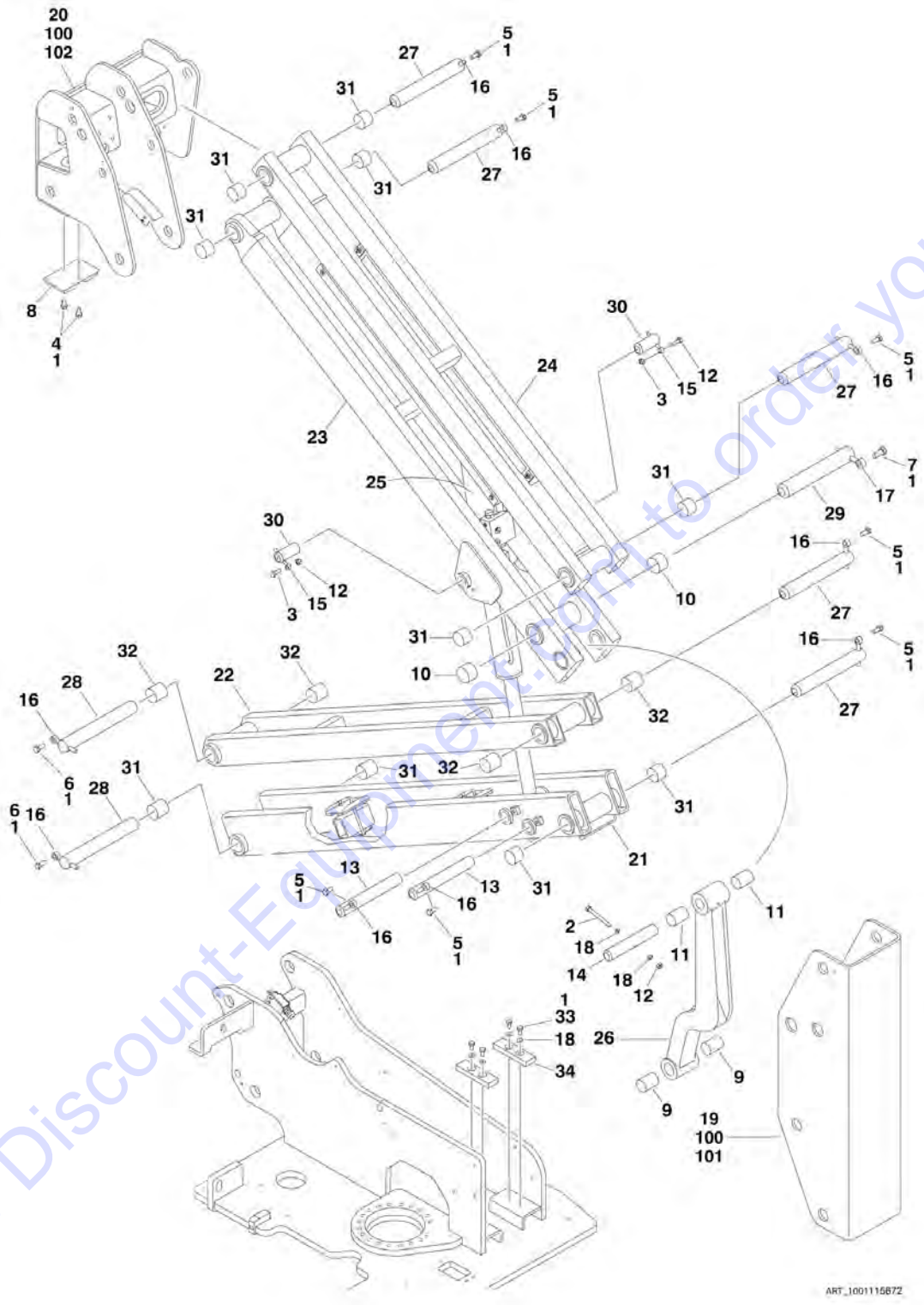


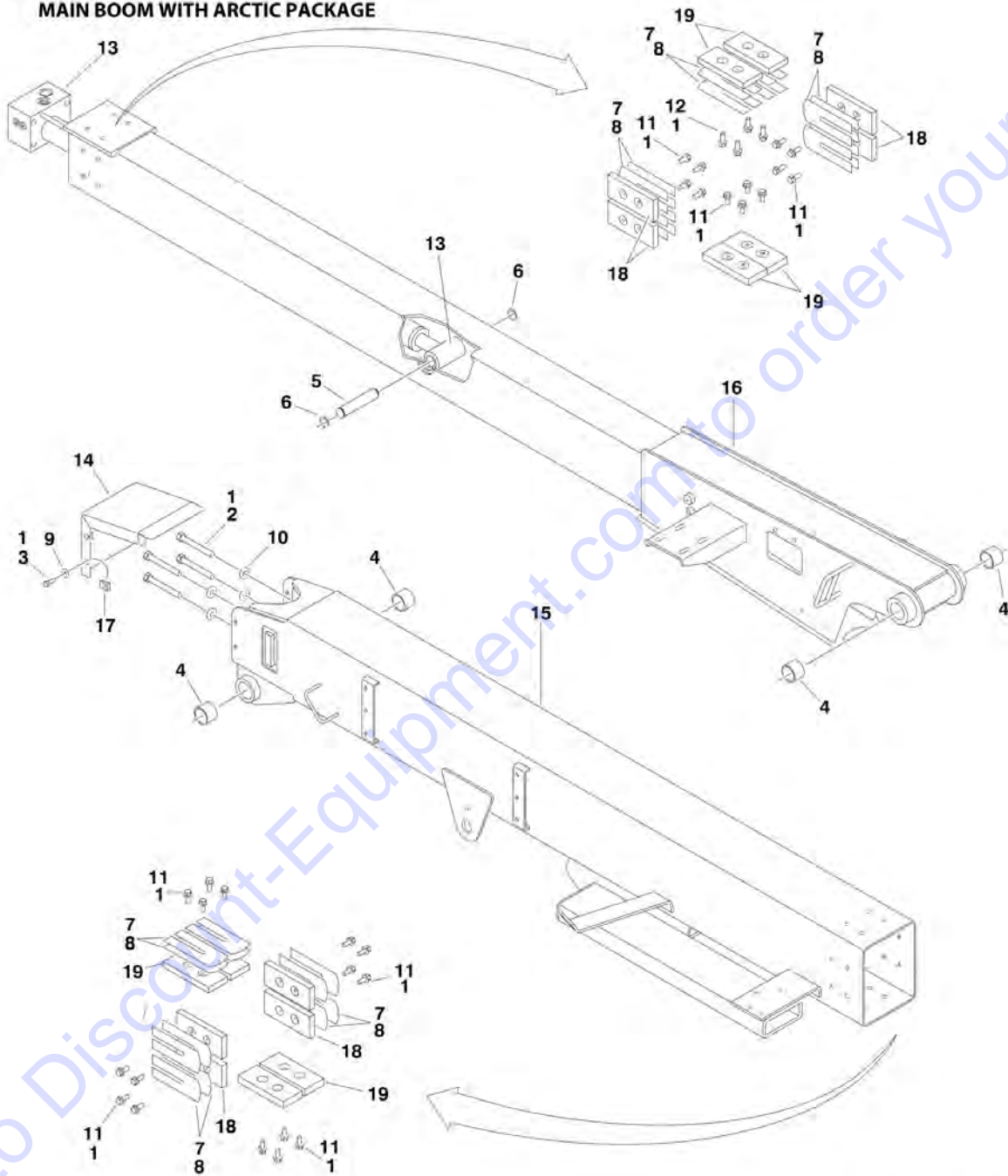
FIGURE 4-4. TOWER BOOM ASSEMBLY

ITEM	PART NUMBER	QTY	DESCRIPTION	REV
	1001115672	Ref	TOWER BOOM ASSEMBLY	D
1	0100011	AR	Compound, Locking	
2	0701027	1	Bolt M10 x 100	
3	0761015	2	Bolt M10 x 35	
4	0761210	2	Bolt M12 x 20	
5	0761212	7	Bolt M12 x 25	
6	0761214	2	Bolt M12 x 30	
7	0761615	2	Bolt M16 x 35	
8	0940048	1	Bumper	
9	0961948	2	Bearing	
10	0962224	2	Bearing	
11	0962259	2	Bearing	
12	3291005	3	Nut M10	
13	3422787	2	Pin	
14	3422788	1	Pin	
15	3841143	2	Keeper, Pin	
16	3841203	9	Keeper, Pin	
17	3841258	1	Keeper, Pin	
18	4812000	6	Washer M10	
19	1001115649	1	Upright (Bottom) (Prior to SN 0300234421)	
20	1001115650	1	Upright (Top) (Prior to SN 0300234421)	
21	1001115657	1	Link, Lower Boom (Bottom)	
22	1001115661	1	Link, Lower Boom (Top)	
23	1001115663	1	Link, Mid Boom (Bottom)	
24	1001115669	1	Link, Mid Boom (Top)	
25	1001122527	1	Lift Cylinder Assembly - Tower Boom (See CYLINDER SECTION for Breakdown)	
26	1001115870	1	Link, Timing	
27	1001116546	5	Pin	
28	1001116547	2	Pin	
29	1001116548	1	Pin	
30	1001116549	2	Pin	
31	1001118665	10	Bearing	
32	1001118666	4	Bearing	
33	0761010	4	Bolt M10 x 20	
34	3340758	2	Pad, Wear	
100	1001231153	1	Lower Upright Boom Kit (SN 0300234421 to Present)	
101	1001115649	1	Upright, Lower	
102	1001115650	1	Upright, Upper	

SECTION 4 - BOOM

FIGURE 4-5. MAIN BOOM ASSEMBLY

USAGE CHART:
MAIN BOOM WITHOUT ARCTIC PACKAGE
(PRIOR TO SN 0300209405)
MAIN BOOM WITH ARCTIC PACKAGE



ART_1001199413

FIGURE 4-5. MAIN BOOM ASSEMBLY

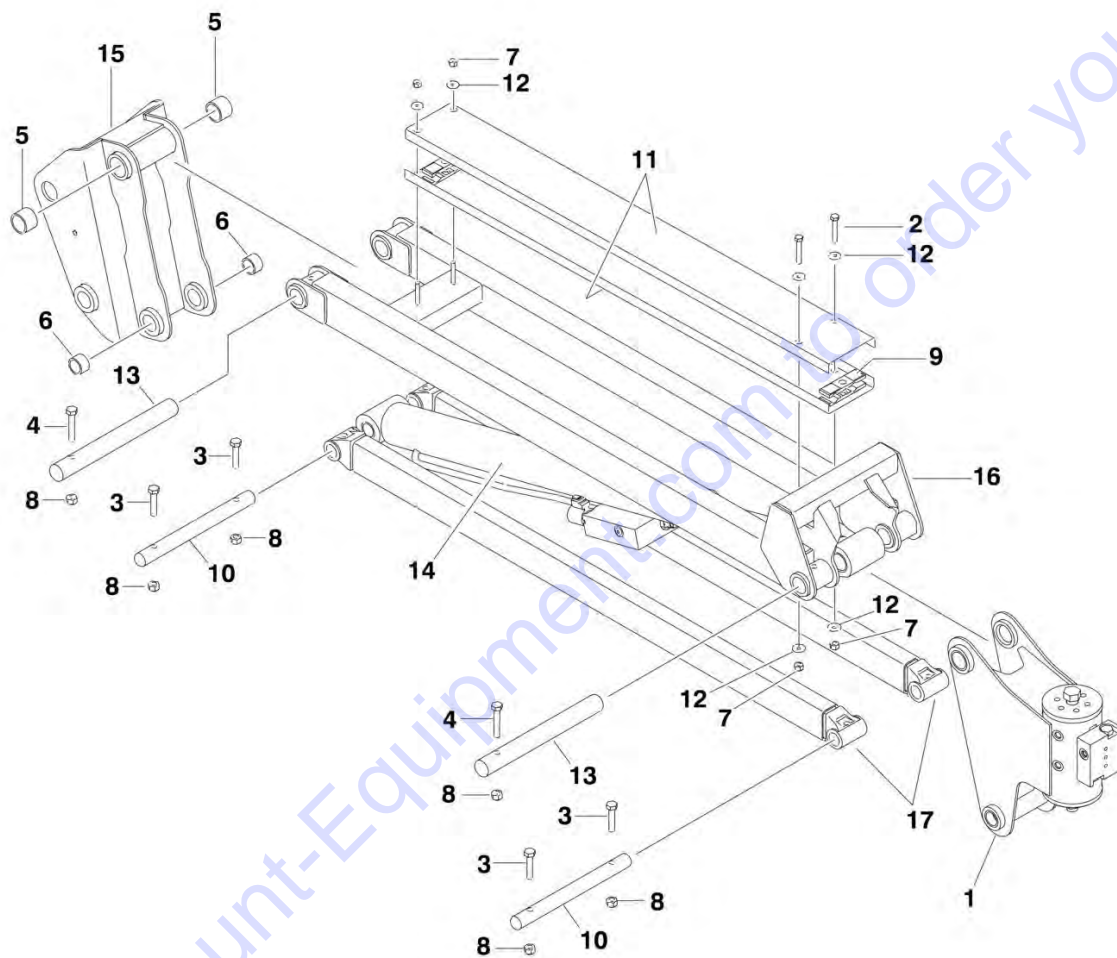
ITEM	PART NUMBER	QTY	DESCRIPTION	REV
		Ref	Usage Chart:	
		Ref	Main Boom without Arctic Package (Prior to SN 0300209405)	
		Ref	Main Boom with Arctic Package	
	1001199413	Ref	MAIN BOOM ASSEMBLY	A
1	0100011	AR	Compound, Locking	
2	0711227	4	Bolt M12 x 100 Grade 10.9	
3	0760812	4	Bolt M8 x 25	
4	0961948	4	Bushing	
5	3422745	1	Pin	
6	3760115	2	Ring, Retaining	
7	4070897	16	Shim 18Ga	
8	4070898	12	Shim 11Ga	
9	4811902	4	Washer M8	
10	5241200	4	Washer M12	
11	5251010	28	Bolt M10 x 20	
12	5251012	4	Bolt M10 x 25	
13	1001199461	1	Telescope Cylinder Assembly (See CYLINDER SECTION for Breakdown)	
14	1001108290	1	Cover, Boom End	
15	1001116876	1	Boom, Base	
16	1001116877	1	Boom, Fly	
17	1001118274	4	Retainer M8	
18	1001118287	8	Pad, Wear	
19	1001118288	8	Pad, Wear	

FIGURE 4-6. MAIN BOOM ASSEMBLY

ITEM	PART NUMBER	QTY	DESCRIPTION	REV
		Ref	Usage Chart:	
		Ref	Main Boom without Arctic Package (SN 0300209405 to Present)	
	1001117885	Ref	MAIN BOOM ASSEMBLY	C
1	0100011	AR	Compound, Locking	
2	0711227	4	Bolt M12 x 100 Grade 10.9	
3	0760812	4	Bolt M8 x 25	
4	0961948	4	Bushing	
5	3422745	1	Pin	
6	3760115	2	Ring, Retaining	
7	4070897	16	Shim 18Ga	
8	4070898	12	Shim 11Ga	
9	4811902	4	Washer M8	
10	5241200	4	Washer M12	
11	5251010	28	Bolt M10 x 20	
12	5251012	4	Bolt M10 x 25	
13	1001120974	1	Telescope Cylinder Assembly (See CYLINDER SECTION for Breakdown)	
14	1001108290	1	Cover, Boom End	
15	1001116876	1	Boom, Base	
16	1001116877	1	Boom, Fly	
17	1001118274	4	Nut, Retainer M8	
18	1001118287	8	Pad, Wear	
19	1001118288	8	Pad, Wear	

SECTION 4 - BOOM

FIGURE 4-7. JIB ASSEMBLY - WITHOUT ARCTIC PACKAGE (Prior to SN 0300209405)



ART_1001199412

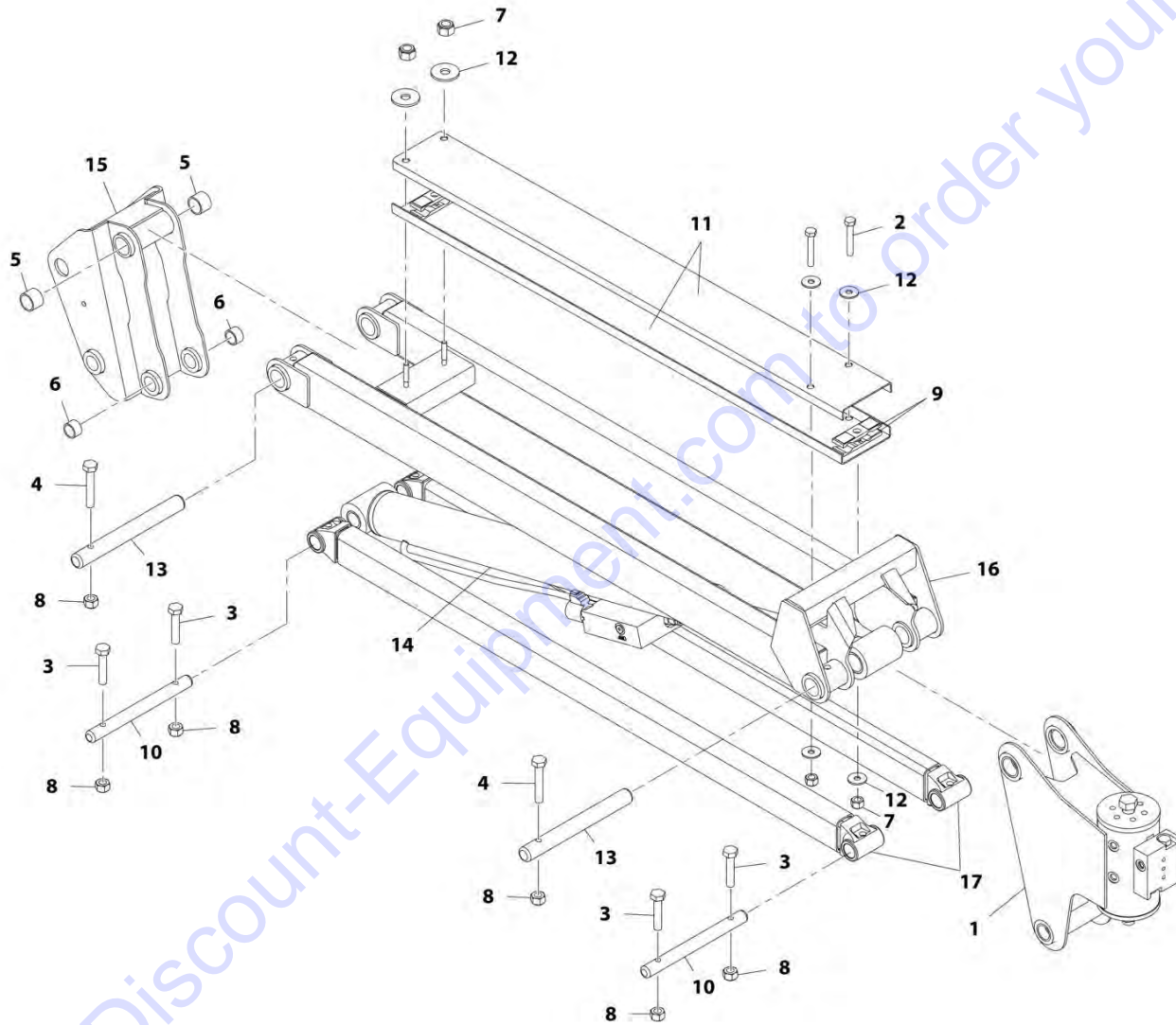
SECTION 4 - BOOM

FIGURE 4-7. JIB ASSEMBLY - WITHOUT ARCTIC PACKAGE (Prior to SN 0300209405)

ITEM	PART NUMBER	QTY	DESCRIPTION	REV
	1001199412	Ref	JIB ASSEMBLY - WITHOUT ARCTIC PACKAGE (Prior to SN 0300209405)	B
1	0060044	1	Platform Rotator Assembly (See PLATFORM ROTATOR ASSEMBLY WITHOUT ARCTIC PACKAGE for Breakdown)	
2	0700818	2	Bolt M8 x 50	
3	0701018	4	Bolt M10 x 50	
4	0701020	2	Bolt M10 x 60	
5	0961951	2	Bushing	
6	0962292	2	Bushing	
7	3290805	4	Nut M8	
8	3291005	6	Nut M10	
9	3340860	4	Pad, Rubber	
10	3422791	2	Pin	
11	3572551	2	Channel, Hose Carrier	
12	4811902	6	Washer M8	
13	1001116550	2	Pin	
14	1001199460	1	Lift Cylinder Assembly - Jib (See CYLINDER SECTION for Breakdown)	
15	1001118394	1	Pivot, Jib	
16	1001118482	1	Link, Jib (Top)	
17	1001118516	NLA	Link, Jib (Bottom) (Use p/n 1001094670)	

SECTION 4 - BOOM

FIGURE 4-8. JIB ASSEMBLY - WITHOUT ARCTIC PACKAGE (SN 0300209405 to Present)



ART_1001117884

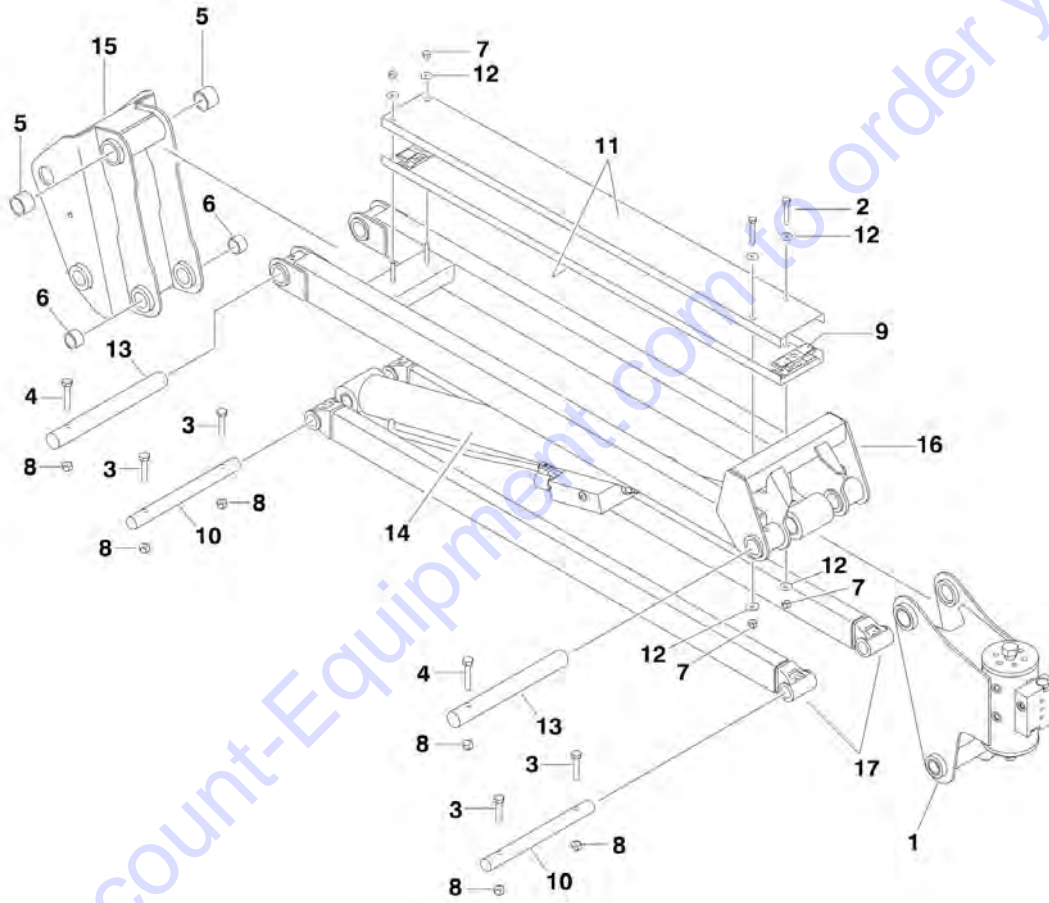
SECTION 4 - BOOM

FIGURE 4-8. JIB ASSEMBLY - WITHOUT ARCTIC PACKAGE (SN 0300209405 to Present)

ITEM	PART NUMBER	QTY	DESCRIPTION	REV
	1001117884	Ref	JIB ASSEMBLY - WITHOUT ARCTIC PACKAGE (SN 0300209405 to Present)	C
1	0060044	1	Platform Rotator Assembly (See PLATFORM ROTATOR ASSEMBLY WITHOUT ARCTIC PACKAGE for Breakdown)	
2	0700818	2	Bolt M8 x 50	
3	0701018	4	Bolt M10 x 50	
4	0701020	2	Bolt M10 x 60	
5	0961951	2	Bushing	
6	0962292	2	Bushing	
7	3290805	4	Nut M8	
8	3291005	6	Nut M10	
9	3340860	4	Pad, Rubber	
10	3422791	2	Pin	
11	3572551	2	Channel, Hose Carrier	
12	4811902	6	Washer M8	
13	1001116550	2	Pin	
14	1001123004	1	Lift Cylinder Assembly - Jib (See CYLINDER SECTION for Breakdown)	
15	1001118394	1	Pivot, Jib	
16	1001118482	1	Link, Jib (Top)	
17	1001118516	NLA	Link, Jib (Bottom) (Use p/n 1001094670) (SN 0300209405 through 0300222892)	
17	1001094670	2	Link, Jib (Bottom) (SN 0300222893 to Present)	

SECTION 4 - BOOM

FIGURE 4-9. JIB ASSEMBLY - WITH ARCTIC PACKAGE



ART_1001119370

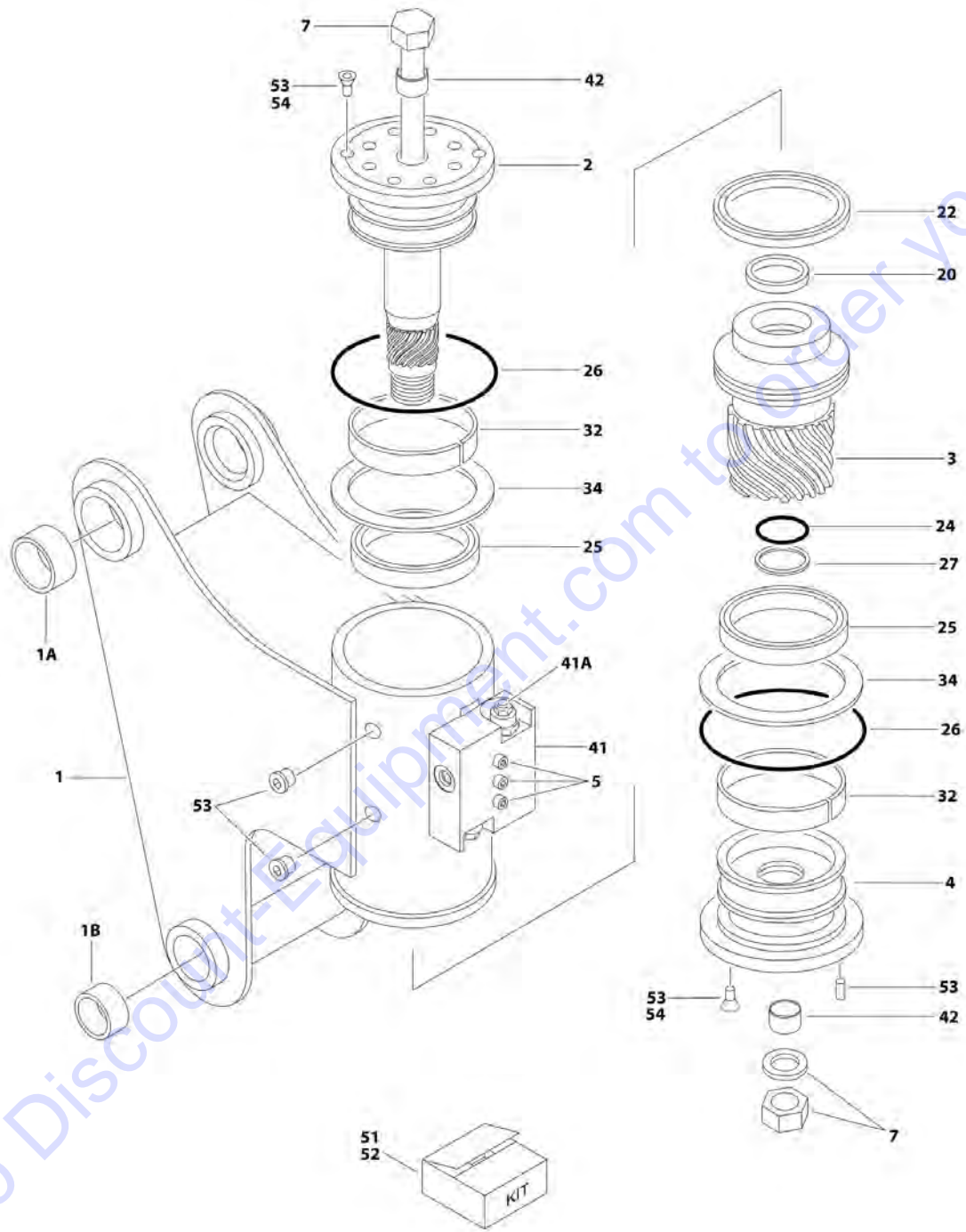
SECTION 4 - BOOM

FIGURE 4-9. JIB ASSEMBLY - WITH ARCTIC PACKAGE

ITEM	PART NUMBER	QTY	DESCRIPTION	REV
	1001119370	Ref	JIB ASSEMBLY - WITH ARCTIC PACKAGE	C
1	1001119369	1	Platform Rotator Assembly (See PLATFORM ROTATOR ASSEMBLY WITH ARCTIC PACKAGE for Breakdown)	
2	0700818	2	Bolt M8 x 50	
3	0701018	4	Bolt M10 x 50	
4	0701020	2	Bolt M10 x 60	
5	0961951	2	Bushing	
6	0962292	2	Bushing	
7	3290805	4	Nut M8	
8	3291005	6	Nut M10	
9	3340860	4	Pad, Rubber	
10	3422791	2	Pin	
11	3572551	2	Channel, Hose Carrier	
12	4811902	6	Washer M8	
13	1001116550	2	Pin	
14	1001123004	1	Lift Cylinder Assembly - Jib (See CYLINDER SECTION for Breakdown)	
15	1001118394	1	Pivot, Jib	
16	1001118482	1	Link, Jib (Top)	
17	1001118516	NLA	Link, Jib (Bottom) (Use p/n 1001094670) (Prior to SN 0300222893)	
17	1001094670	2	Link, Jib (Bottom) (SN 0300222893 to Present)	

SECTION 4 - BOOM

FIGURE 4-10. PLATFORM ROTATOR ASSEMBLY - WITHOUT ARCTIC PACKAGE



ART 0060044

SECTION 4 - BOOM

FIGURE 4-10. PLATFORM ROTATOR ASSEMBLY - WITHOUT ARCTIC PACKAGE

ITEM	PART NUMBER	QTY	DESCRIPTION	REV
	0060044	Ref	PLATFORM ROTATOR ASSEMBLY - WITHOUT ARCTIC PACKAGE	D
1	See Note	1	Case/Bracket Weldment (Note: Not Available - Purchase Complete Assembly)	
1A	0962257	2	Bushing	
1B	0961947	2	Bushing	
2	7017120	1	Shaft (Rotator with Helac Control #25928)	
2	7017196	1	Shaft (Rotator with Helac Control #26962)	
3	7017121	1	Piston Sleeve (Rotator with Helac Control #25928)	
3	7027900	1	Piston Sleeve (Rotator with Helac Control #26962)	
4	See Note	1	Cap, End (Rotator with Helac Control #25928) (Note: Use p/n 0060044)	
4	7027901	1	Cap, End (Rotator with Helac Control #26962)	
5	See Note	3	Capscrew, 1/4 x 1-1/2, Grade 8 (Note: Not Available - Purchase Locally)	
7	7017126	1	Tie Rod Assembly	
20	See Note	1	Seal, Rod (Note: Use Item 52)	
22	See Note	1	Seal, Piston (Note: Use Item 52)	
24	See Note	1	Seal, Cap (Note: Use Item 52)	
25	See Note	1	Packing, Bearing (Note: Use Item 52)	
26	See Note	2	Seal (Note: Use Item 52)	
27	See Note	1	Ring, Back-Up Cap (Note: Use Item 52)	
32	See Note	2	Bearing, Shaft (Note: Use Item 51)	
34	See Note	2	Washer, Thrust (Note: Use Item 51)	
41	7017172	1	Counterbalance Valve Assembly (Helac p/n 24327, 26553 or 26554 Stamped Beside Mounting Screws)	
41A	7011323	2	Valve, Cartridge (Helac p/n 24327 Valve)	
41A	2900770	2	Seal Kit - 7011323 Cartridge (1 Per Assembly)	
41A	7017192	2	Valve Cartridge (Helac p/n 26553 or 26554) (No Seal Kit Available)	
42	70004323	2	Bushing, Shaft	
51	7017122	1	Bearing Kit (Includes Items 32-34)	
52	7017127	1	Seal Kit - Standard (Includes Items 20, 22, 24, 25, 26 & 27)	
52	70000341	1	Seal Kit - Low Temperature (Includes Items 20, 22, 24, 25, 26 & 27)	
53	7017123	1	Hardware Kit	
54	70001697	4	Screw 1/4-20 x 3/8 Grade 8	

SECTION 4 - BOOM

FIGURE 4-11. PLATFORM ROTATOR ASSEMBLY - WITH ARCTIC PACKAGE

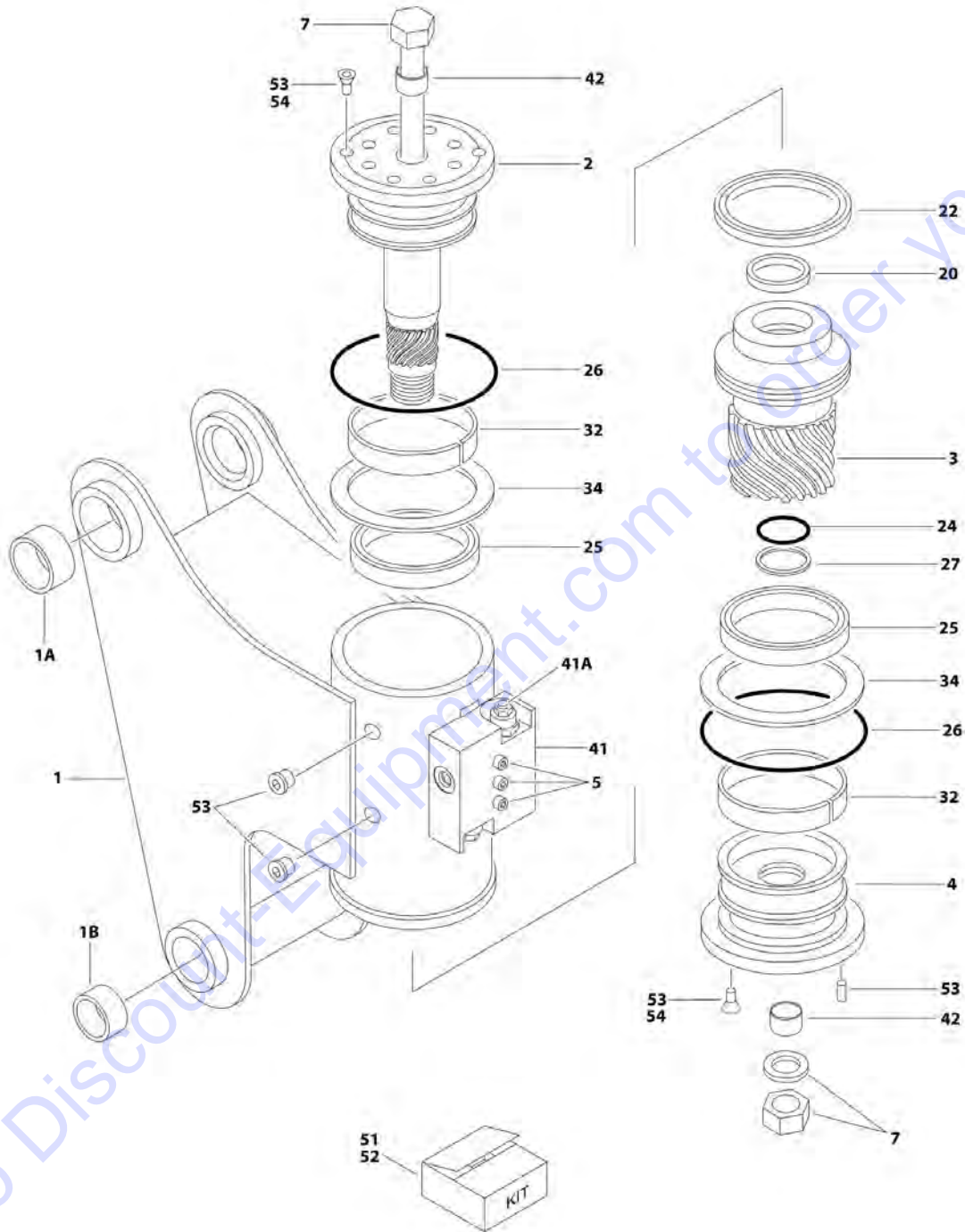
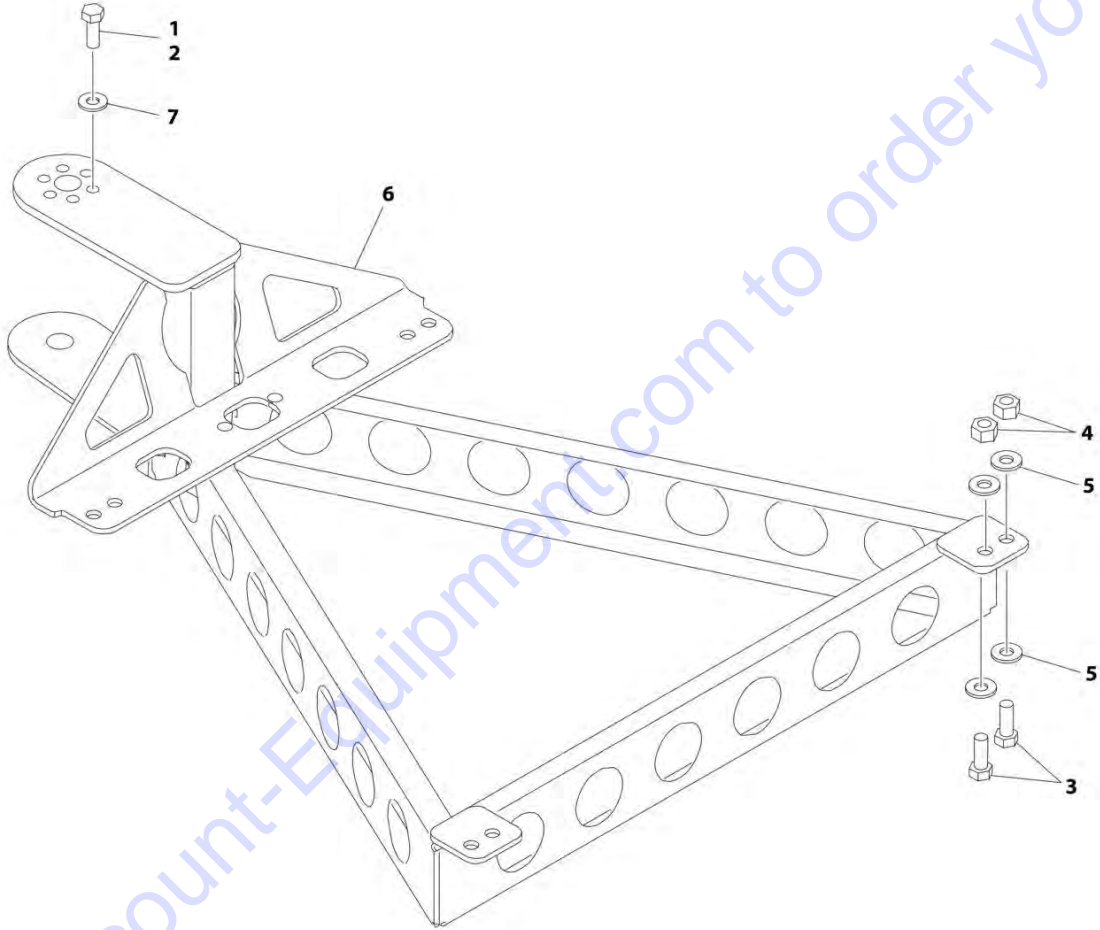


FIGURE 4-11. PLATFORM ROTATOR ASSEMBLY - WITH ARCTIC PACKAGE

ITEM	PART NUMBER	QTY	DESCRIPTION	REV
	1001119369	Ref	PLATFORM ROTATOR ASSEMBLY - WITH ARCTIC PACKAGE	B
1	See Note	1	Case/Bracket Weldment (Note: Not Available - Purchase Complete Assembly)	
1A	0962257	2	Bushing	
1B	0961947	2	Bushing	
2	7017196	1	Shaft	
3	7027900	1	Piston Sleeve	
4	7027901	1	Cap, End	
5	See Note	3	Capscrew, 1/4 x 1-1/2, Grade 8 (Note: Not Available - Purchase Locally)	
7	7017126	1	Tie Rod Assembly	
20	See Note	1	Seal, Rod (Note: Use Item 52)	
22	See Note	1	Seal, Piston (Note: Use Item 52)	
24	See Note	1	Seal, Cap (Note: Use Item 52)	
25	See Note	1	Packing, Bearing (Note: Use Item 52)	
26	See Note	2	Seal (Note: Use Item 52)	
27	See Note	1	Ring, Back-Up Cap (Note: Use Item 52)	
32	See Note	2	Bearing, Shaft (Note: Use Item 51)	
34	See Note	2	Washer, Thrust (Note: Use Item 51)	
41	7017172	1	Counterbalance Valve Assembly	
41A	7017192	2	Valve Cartridge (No Seal Kit Available)	
42	70004323	2	Bushing, Shaft	
51	7017122	1	Bearing Kit (Includes Items 32-34)	
52	70004322	1	Seal Kit (Includes Items 20, 22, 24, 25, 26 & 27)	
53	7017123	1	Hardware Kit	
54	70001697	4	Screw 1/4-20 x 3/8 Grade 8	

SECTION 4 - BOOM

FIGURE 4-12. PLATFORM SUPPORT INSTALLATION - WITHOUT LSS



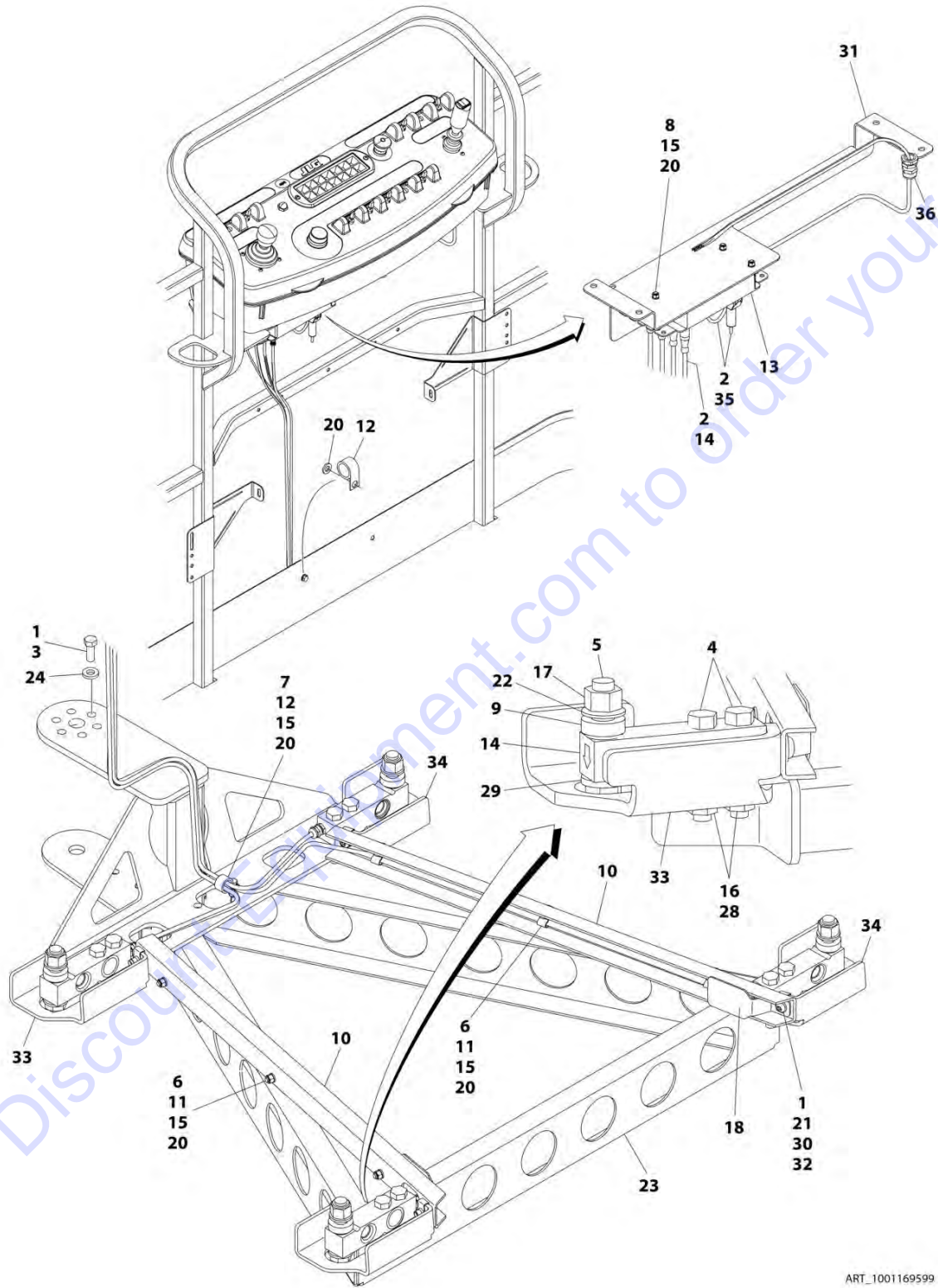
ART_1001115834

FIGURE 4-12. PLATFORM SUPPORT INSTALLATION - WITHOUT LSS

ITEM	PART NUMBER	QTY	DESCRIPTION	REV
	1001115834	Ref	PLATFORM SUPPORT INSTALLATION - WITHOUT LSS	B
1	0100011	AR	Compound, Locking	
2	0681608	6	Bolt 3/8-16 x 1 Grade 8	
3	0761015	8	Bolt M10 x 35 (Prior to SN 0300240098)	
3	0761215	8	Bolt M12 x 35 (SN 0300240098 to Present)	
4	3291005	8	Nut M10 (Prior to SN 0300240098)	
4	3291205	8	Nut M12 (SN 0300240098 to Present)	
5	4812000	16	Washer M10 (Prior to SN 0300240098)	
5	5241200	16	Washer M12 (SN 0300240098 to Present)	
6	4846608	1	Support, Platform	
7	4891600	6	Washer 3/8	

SECTION 4 - BOOM

FIGURE 4-13. PLATFORM SUPPORT INSTALLATION - WITH 4 CELL LSS



ART_1001169599

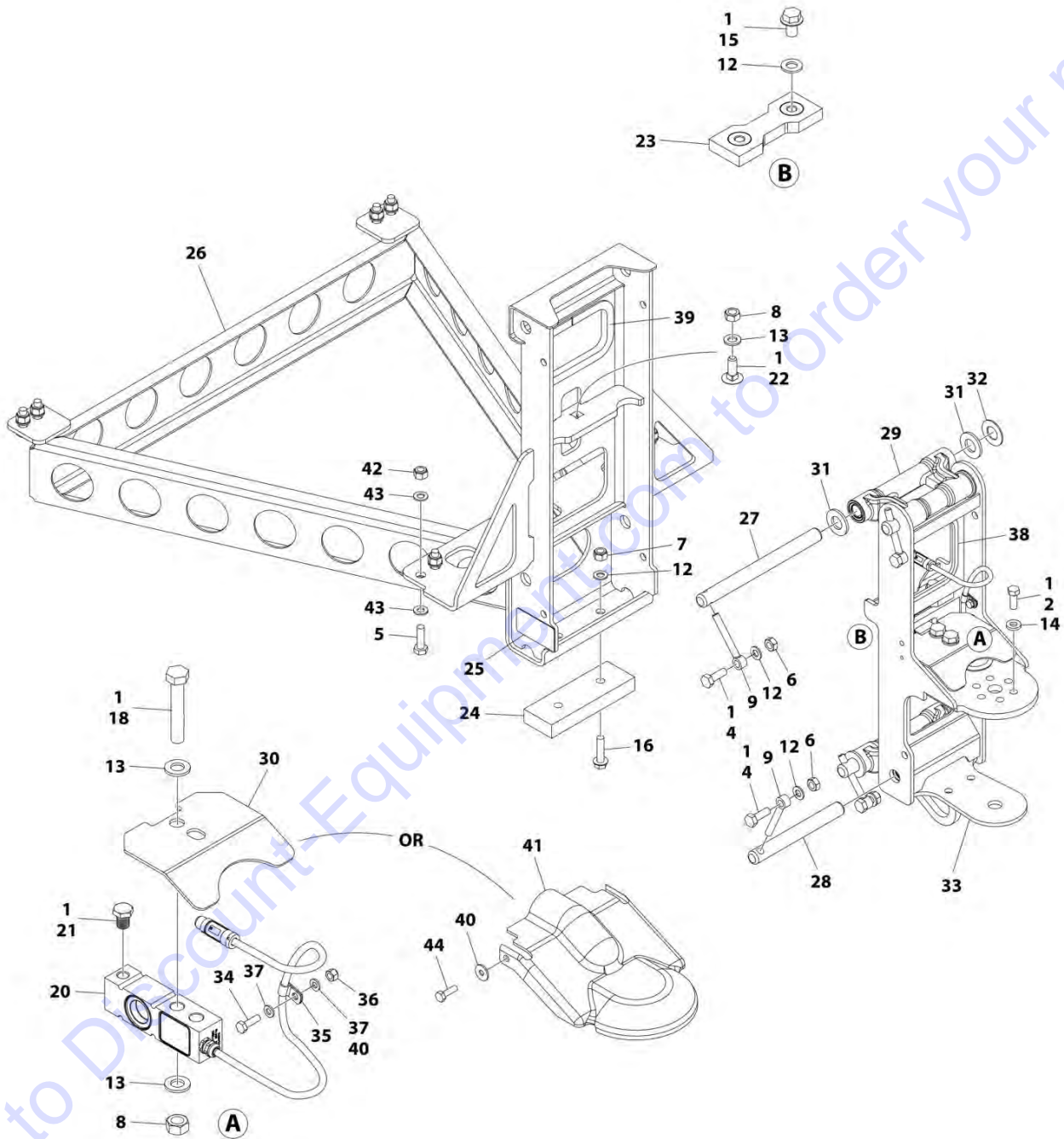
SECTION 4 - BOOM

FIGURE 4-13. PLATFORM SUPPORT INSTALLATION - WITH 4 CELL LSS

ITEM	PART NUMBER	QTY	DESCRIPTION	REV
	1001169599	Ref	PLATFORM SUPPORT INSTALLATION - WITH 4 CELL LSS	B
1	0100011	AR	Compound, Locking	
2	0100048	AR	Grease, Terminal	
3	0681608	6	Bolt 3/8 x 1	
4	0701222	8	Bolt M12 x 70	
5	0701624	4	Bolt M16 x 80	
6	0760608	6	Bolt M6 x 16	
7	0760610	1	Bolt M6 x 20	
8	0760618	3	Bolt M6 x 50	
9	0962450	4	Spacer	
10	1271538	2	Channel	
11	1320136	6	Clamp	
12	1320224	2	Clamp	
13	1600387	1	Module, Controller - LSS (Note: Re-calibration Required when Replaced)	
14	2420202	4	Cell, Load	
15	3290605	10	Nut M6	
16	3291205	8	Nut M12	
17	3291605	4	Nut M16	
18	4061054	2	Shield	
19	4240033	AR	Tie-Strap (Not Shown)	
20	4811700	15	Washer M6	
21	4811900	4	Washer M8	
22	4812300	4	Washer M16	
23	4846608	1	Support, Platform	
24	4891600	6	Washer 3/8	
28	5241200	8	Washer M12	
29	5241600	4	Washer M16	
30	8310643	4	Screw M8 x 25 Grade 10.9	
31	1001113483	1	Bracket	
32	1001118274	4	Nut, Tinnerman M8	
33	1001118909	2	Guard	
34	1001118910	2	Guard	
35	1001169598	1	LSS Harness (See ELECTRICAL SECTION for Breakdown)	
36	4460428	1	Connector, Strain Relief	

SECTION 4 - BOOM

FIGURE 4-14. PLATFORM SUPPORT INSTALLATION - WITH 1 CELL LSS



ART_1001217227

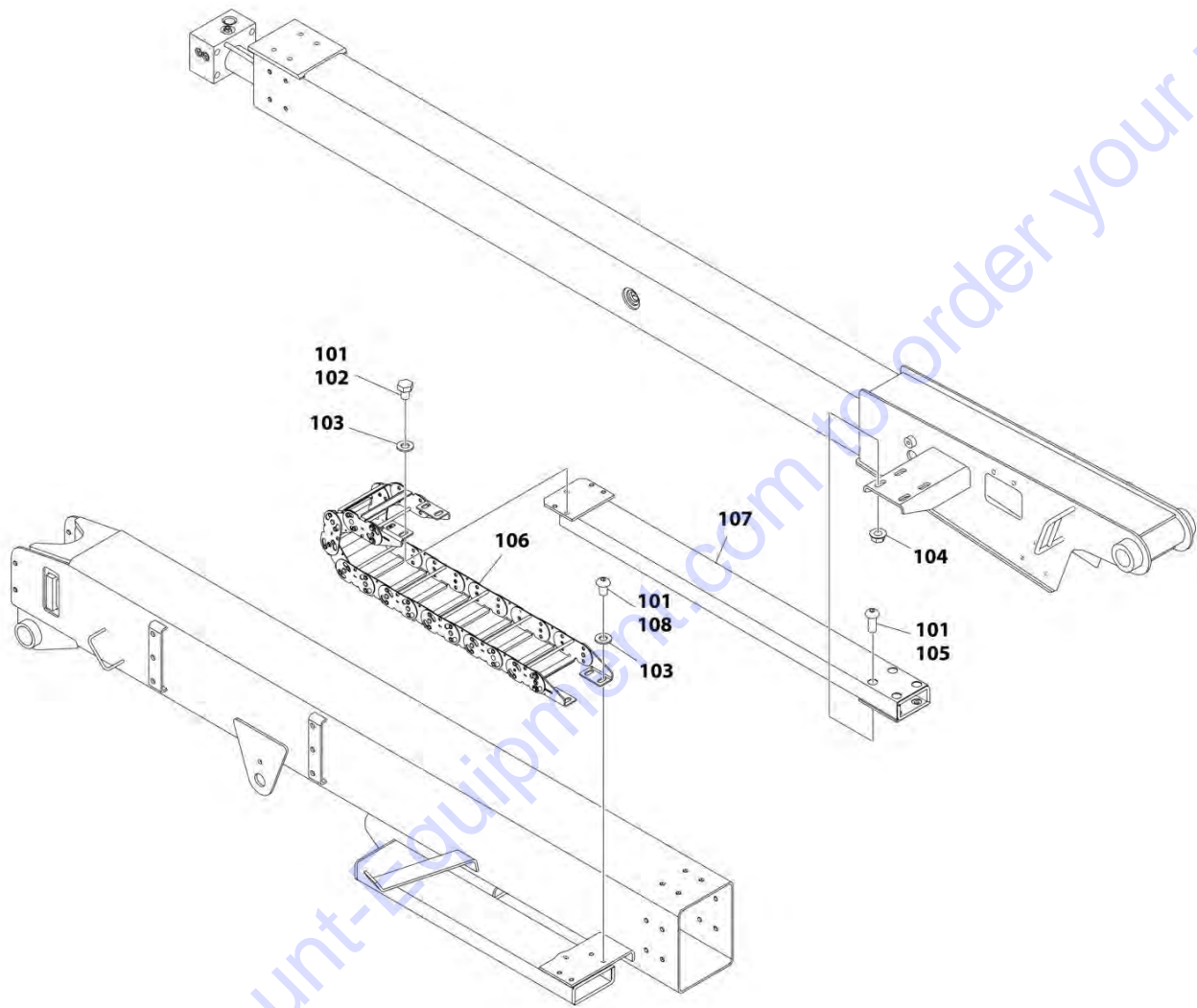
SECTION 4 - BOOM

FIGURE 4-14. PLATFORM SUPPORT INSTALLATION - WITH 1 CELL LSS

ITEM	PART NUMBER	QTY	DESCRIPTION	REV
	1001217227	Ref	PLATFORM SUPPORT INSTALLATION - WITH 1 CELL LSS	E
1	0100011	AR	Compound, Locking	
2	0681608	6	Bolt 3/8 x 1	
4	0761014	4	Bolt M10 x 30	
5	0761015	8	Bolt M10 x 35 (Prior to SN 0300240098)	
5	0761215	8	Bolt M12 x 35 (SN 0300240098 to Present)	
6	3291001	4	Nut M10	
7	3291005	AR	Nut M10	
8	3291201	3	Nut M12	
9	3841143	4	Keeper, Pin	
12	4812000	AR	Washer M10	
13	4812100	5	Washer M12	
14	4891600	6	Washer 3/8	
15	5251008	2	Bolt M10 x 16	
16	5251016	2	Bolt M10 x 40	
18	1001098828	2	Bolt M12 x 70 Grade 10.9	
20	1001172663	1	Gauge, Load Sensing	
21	1001188622	1	Screw	
22	1001188844	1	Bolt M12 x 35	
23	1001190985	1	Pad, Wear	
24	1001200491	1	Pad, Wear	
25	1001216630	2	Decal - Tie Down/No Lift	
26	1001217228	1	Platform Support	
27	1001217242	2	Pin	
28	1001217243	2	Pin	
29	1001217244	2	Link	
30	1001217250	1	Plate (Prior to SN 0300236472)	
31	1001217253	8	Bearing, Thrust	
32	1001217254	4	Bearing, Thrust	
33	1001217267	1	Support	
34	0760610	AR	Bolt M6 x 20	
35	1320136	1	Clamp	
36	3290605	1	Nut M6	
37	4811700	2	Washer M6 (Prior to SN 0300236472)	
38	4060804	14.4 in/ 36.5cm	Shield	
39	4060805	15.9 in/ 40.5cm	Shield	
40	4811702	3	Washer M6 (SN 0300236472 to Present)	
41	1001228627	1	Cover (SN 0300236472 to Present)	
42	3291205	AR	Nut M12 (SN 0300240098 to Present)	
43	5241200	AR	Washer M12 (SN 0300240098 to Present)	
44	0760606	AR	Bolt M6 x 12 (SN 0300240098 to Present)	

SECTION 4 - BOOM

FIGURE 4-15. POWER TRACK INSTALLATION



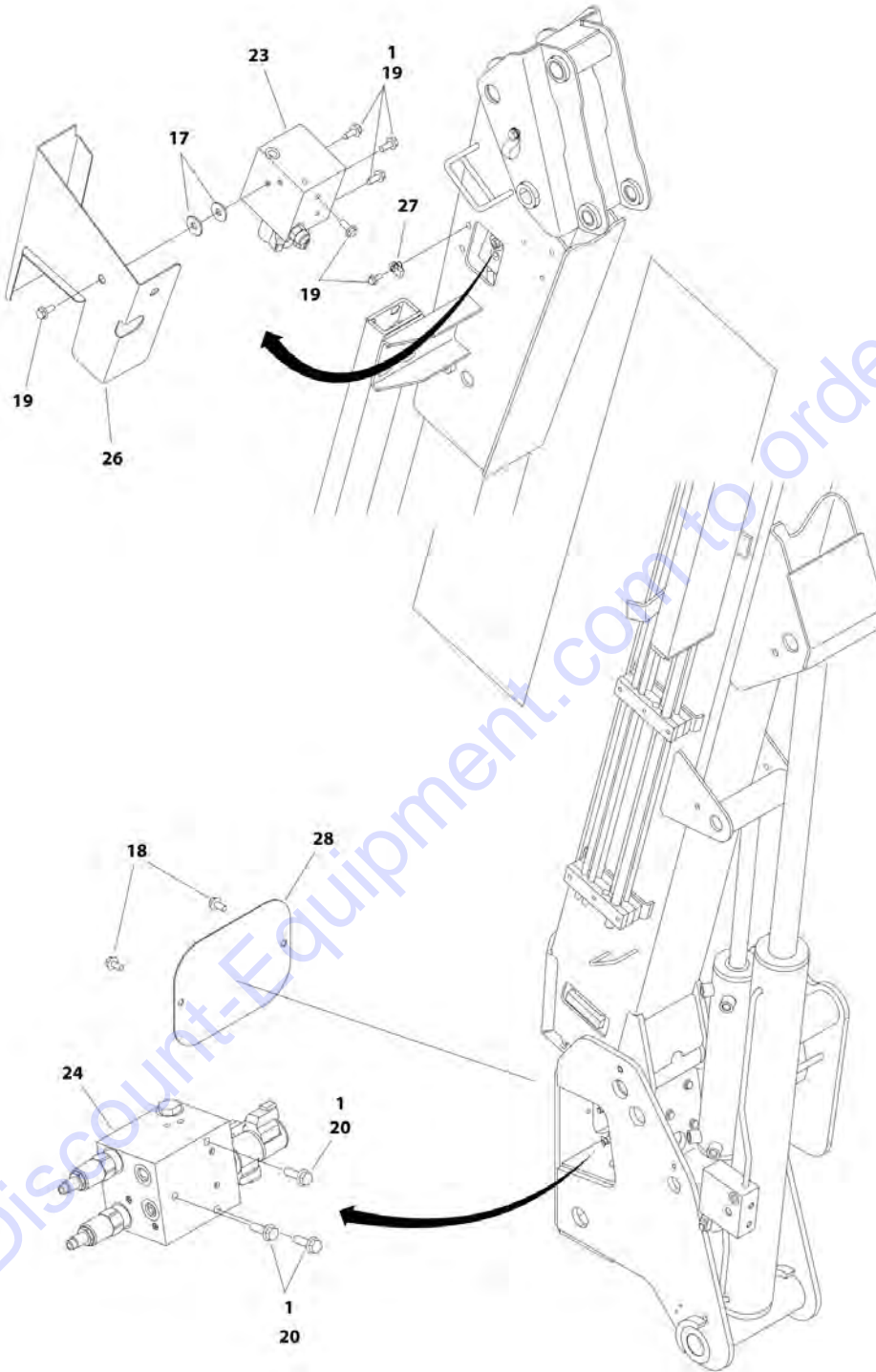
ART_1001119504

FIGURE 4-15. POWER TRACK INSTALLATION

ITEM	PART NUMBER	QTY	DESCRIPTION	REV
	1001119504	Ref	POWER TRACK INSTALLATION	C
101	0100011	AR	Compound, Locking	
102	0761007	4	Bolt M10 x 14	
103	4812000	8	Washer M10	
104	5221000	4	Nut M10 Grade 10.9	
105	8310668	4	Screw M10 x 25 Grade 10.9	
106	1001099834	1	Carrier, Power Track (Prior to SN 0300230169)	
106	70001996	1	Repair Kit (Includes 4 Link Section of Track)	
106	70001998	1	Bracket Kit (Includes 4 Mounting Feet and Hardware to Attach to Track)	
106	1001224891	1	Carrier, Power Track (SN 0300230169 to Present)	
106	70006269	1	Repair Kit (Includes 10 Link Section of Track)	
106	70006280	1	Bracket Kit (Includes 4 Mounting Feet and Hardware to Attach to Track)	
107	1001119513	1	Tube, Support	
108	1001119527	4	Screw M10 x 16	

SECTION 4 - BOOM

FIGURE 4-16. CONTROL VALVES INSTALLATION - BOOM



ART_1001167238_30F3

SECTION 4 - BOOM

FIGURE 4-16. CONTROL VALVES INSTALLATION - BOOM

ITEM	PART NUMBER	QTY	DESCRIPTION	REV
	1001167238	Ref	CONTROL VALVES INSTALLATION - BOOM	I
1	0100011	AR	Compound, Locking	
17	4812002	2	Washer M10	
18	5250808	2	Bolt M8 X 16	
19	5250810	14	Bolt M8 X 20	
20	5250812	3	Bolt M8 X 25	
23	1001116228	1	Fly Boom Valve Assembly (See FLY BOOM VALVE ASSEMBLY for Breakdown)	
24	1001136244	1	Boom Upright Valve Assembly (See BOOM UPRIGHT VALVE ASSEMBLY for Breakdown)	
26	1001116835	1	Shield	
27	1001118274	1	Nut M8	
28	1001118595	1	Cover	

Go to Discount-Equipment.com to order your parts

SECTION 4 - BOOM

FIGURE 4-17. FLY BOOM VALVE ASSEMBLY

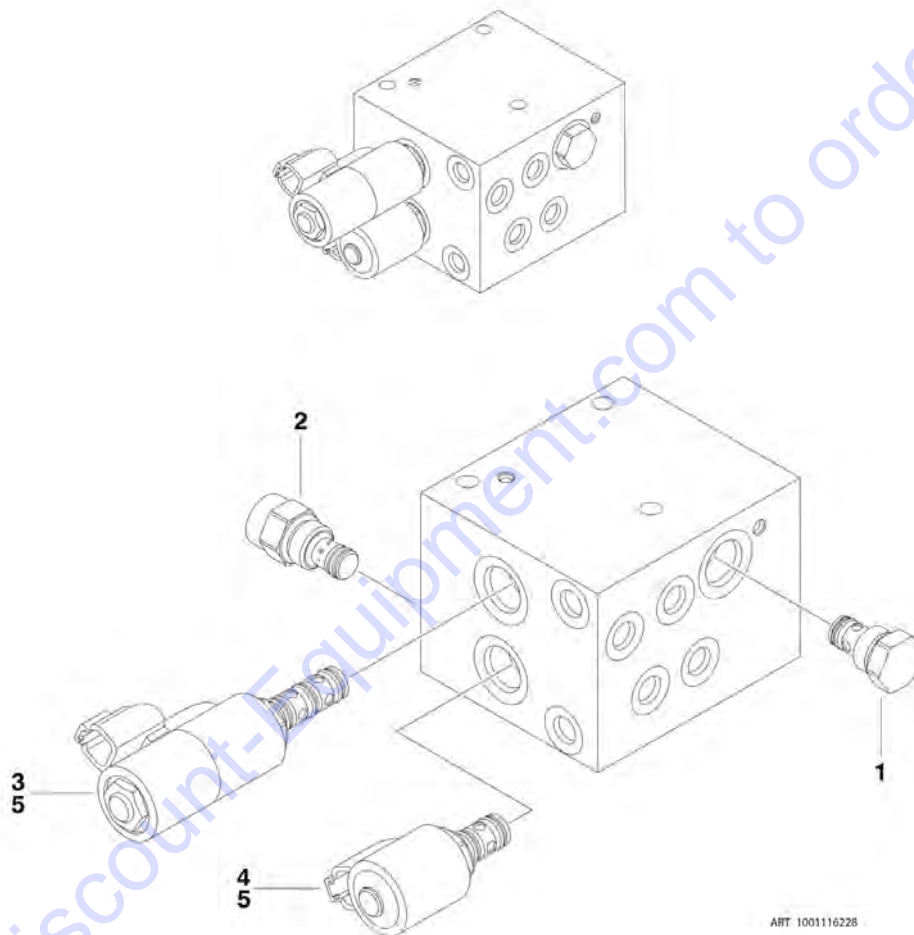


FIGURE 4-17. FLY BOOM VALVE ASSEMBLY

ITEM	PART NUMBER	QTY	DESCRIPTION	REV
	1001116228	Ref	FLY BOOM VALVE ASSEMBLY	D
1	7012955	1	Cartridge, Check Valve	
1	7012967	1	Seal Kit - 7012955 Cartridge	
2	7023970	1	Cartridge, Flow Regulator	
2	7012953	1	Seal Kit - 7023970 Cartridge	
3	7017452	1	Cartridge, Solenoid Valve (without Coil) (Rotate)	
3	7017402	1	Seal Kit - 7017452 Cartridge	
4	7012941	1	Cartridge, Solenoid Valve (without Coil) (Jib)	
4	7010543	1	Seal Kit - 7012941 Cartridge	
5	70002386	3	Coil	

Go to Discount-Equipment.com to order your parts

SECTION 4 - BOOM

FIGURE 4-18. BOOM UPRIGHT VALVE ASSEMBLY

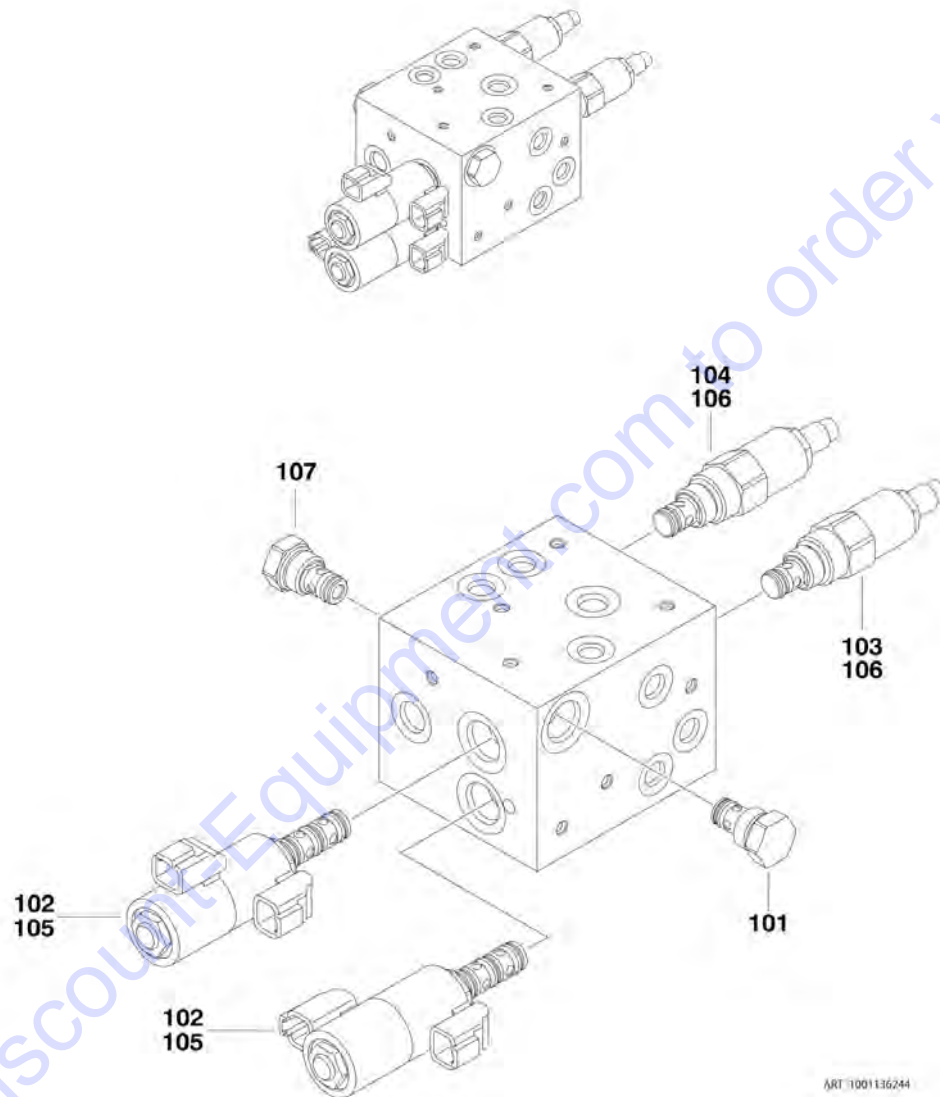


FIGURE 4-18. BOOM UPRIGHT VALVE ASSEMBLY

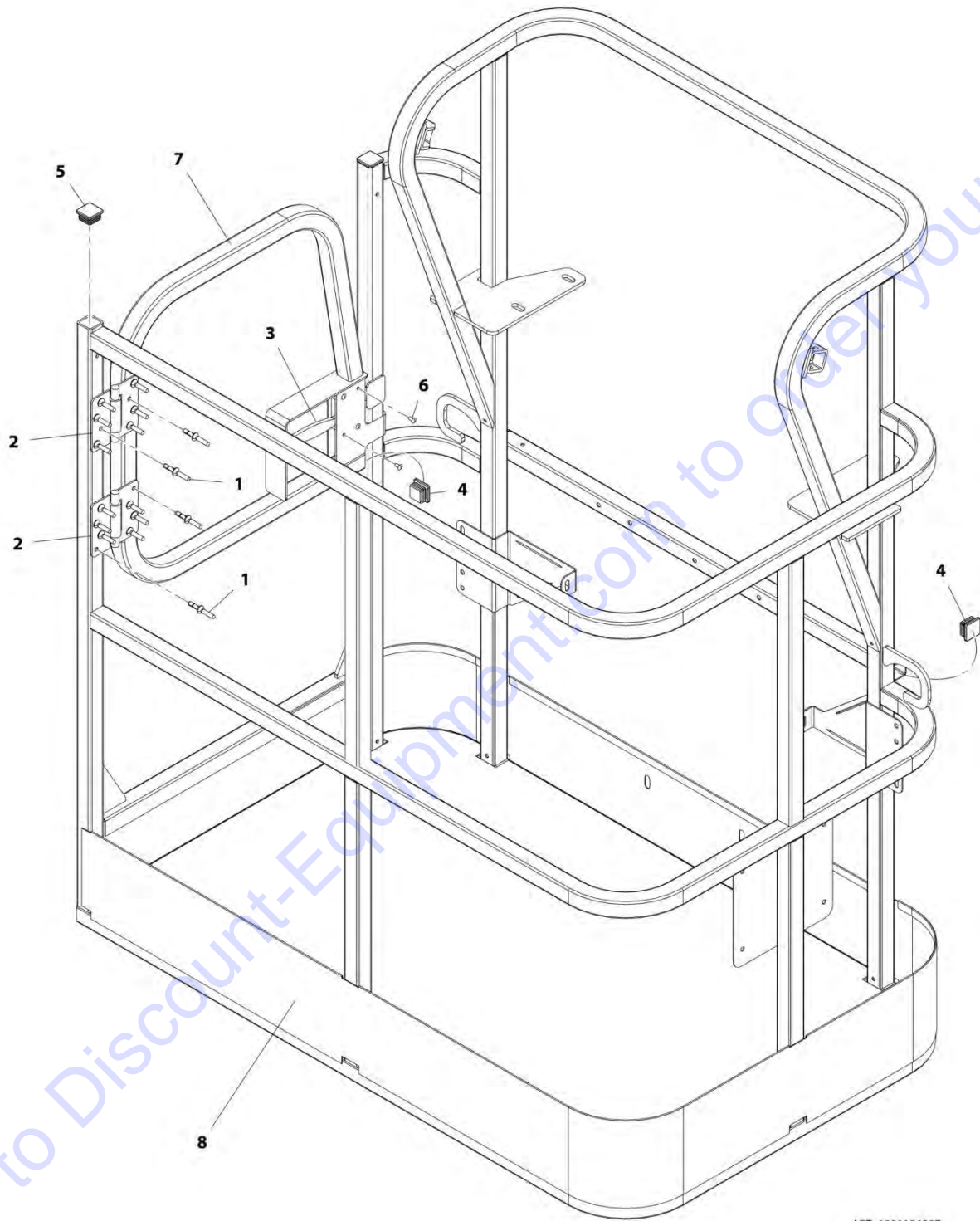
ITEM	PART NUMBER	QTY	DESCRIPTION	REV
	1001136244	Ref	BOOM UPRIGHT VALVE ASSEMBLY	C
101	7012955	2	Cartridge, Check Valve	
101	7012967	2	Seal Kit - 7012955 Cartridge	
102	7017452	2	Cartridge, Solenoid Valve (without Coil) (Telescope / Platform Level)	
102	7017402	2	Seal Kit - 7017452 Cartridge	
103	7017427	1	Cartridge, Relief	
103	7012998	1	Seal Kit - 7017427 Cartridge	
104	70002954	1	Cartridge, Relief	
104	7012998	1	Seal Kit - 70002954 Cartridge	
105	70002386	4	Coil	
106	70004982	2	Orifice	
107	7017498	1	Piston, Pilot	

SECTION 5 - PLATFORM

Go to Discount-Equipment.com to order your parts

SECTION 5 - PLATFORM

FIGURE 5-1. PLATFORM ASSEMBLY - 30IN X 4FT (76CM X 1.22M) - GATE ENTRY



ART_1001186387

SECTION 5 - PLATFORM

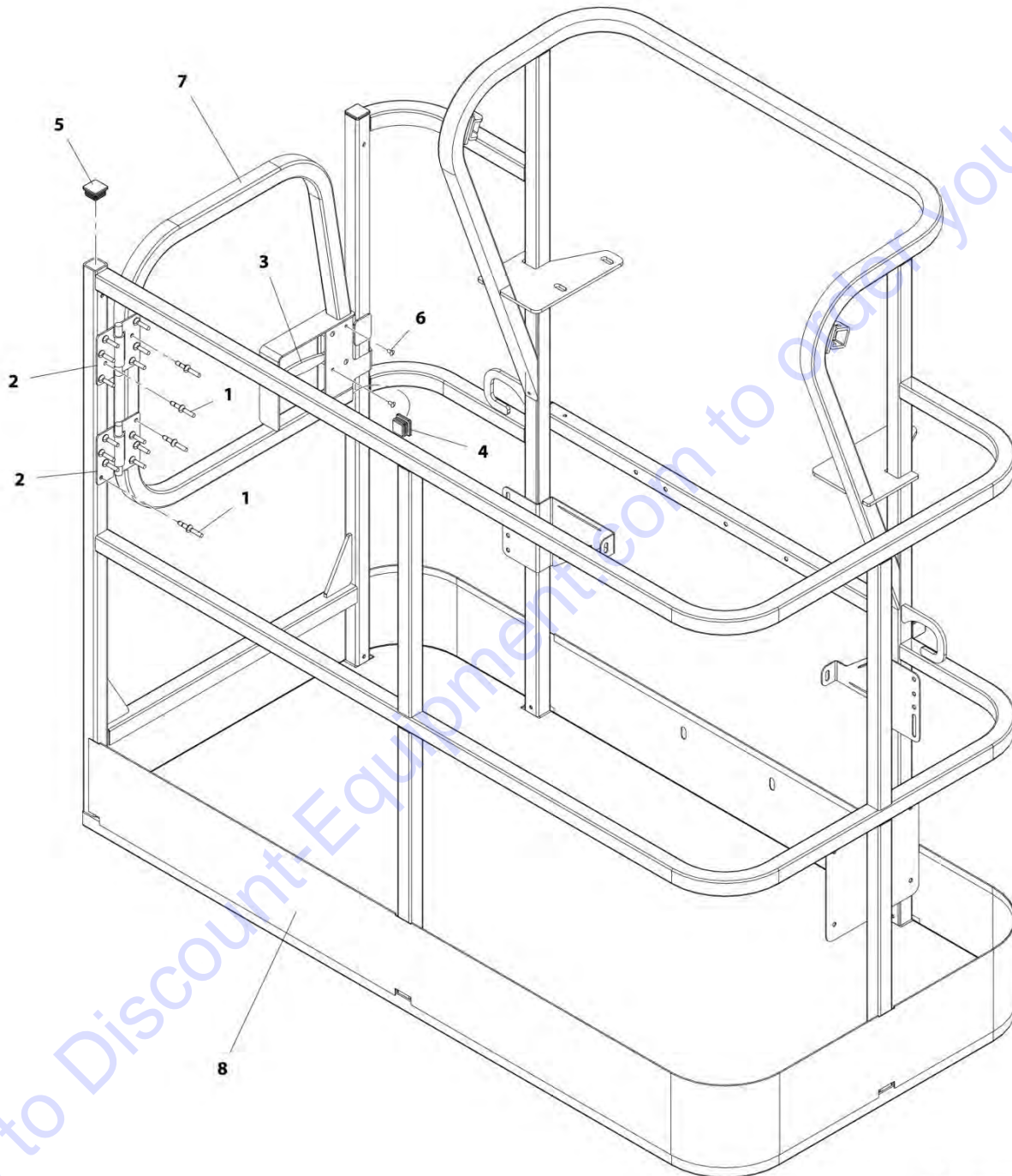
FIGURE 5-1. PLATFORM ASSEMBLY - 30IN X 4FT (76CM X 1.22M) - GATE ENTRY

ITEM	PART NUMBER	QTY	DESCRIPTION	REV
	1001186387	Ref	PLATFORM ASSEMBLY - 30IN x 4FT (76CM X 1.22M) - SIDE GATE ENTRY	B
		Ref	Note: Platform and Mesh must be ordered separately for Platforms with Mesh. See SPECIAL OPTIONS SECTION for Mesh Installations.	
		Ref	Note: Replacement Decals Must be Ordered Separately - See DECALS SECTION.	
1	2080040	16	Fastener, Huck	
2	2600281	2	Hinge, Self-Closing	
3	2940074	1	Latch	
4	3520072	3	Cap, Plug	
5	3520198	2	Cap, Plug	
6	3820020	4	Rivet	
7	1001144629	1	Gate	
8	See Note	1	Platform (Note: Not Available - Purchase Platform Assembly)	

Go to Discount-Equipment.com to order your parts

SECTION 5 - PLATFORM

FIGURE 5-2. PLATFORM ASSEMBLY - 30IN X 5FT (76CM X 1.52M) - GATE ENTRY



ART_1001186386

SECTION 5 - PLATFORM

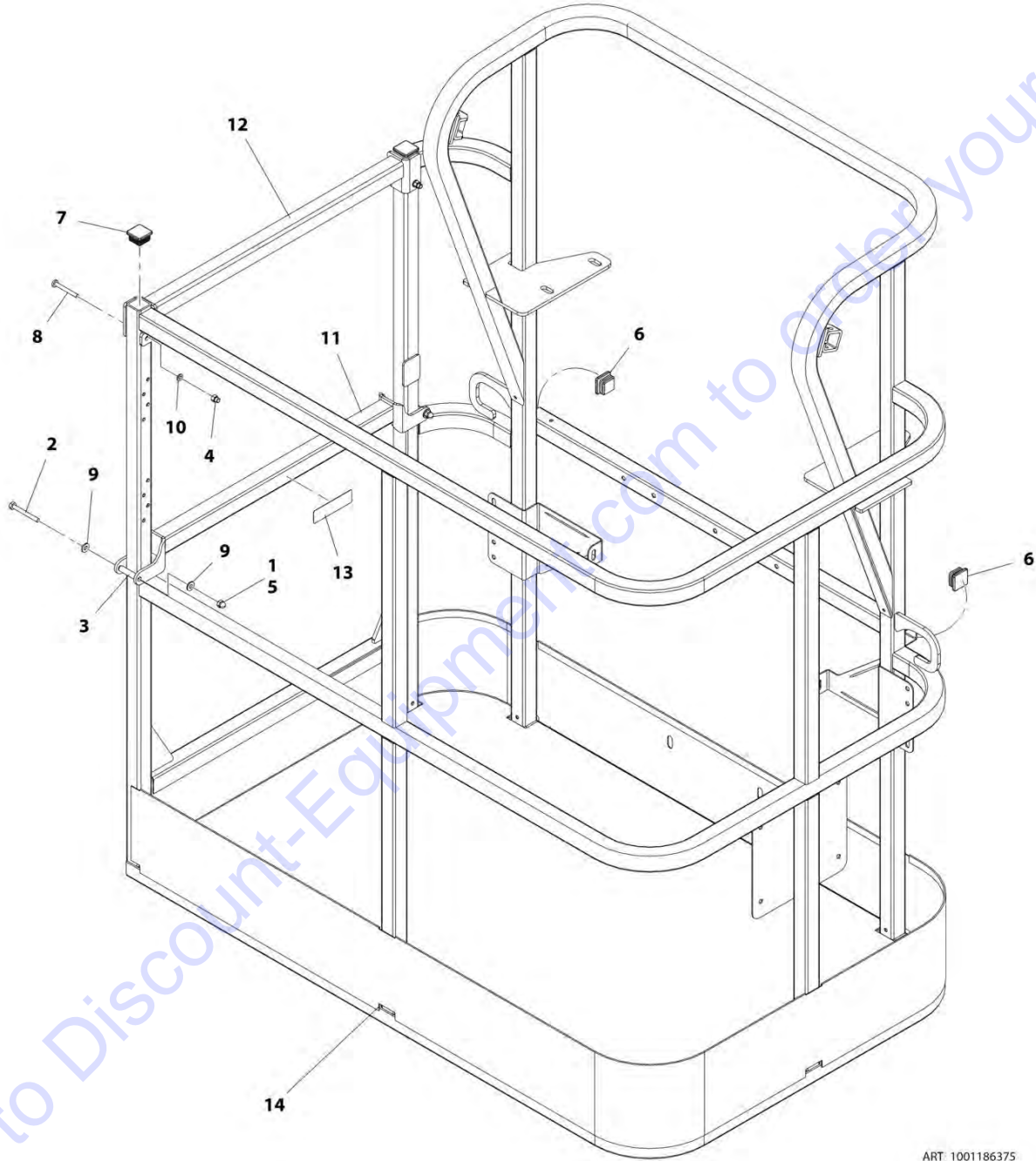
FIGURE 5-2. PLATFORM ASSEMBLY - 30IN X 5FT (76CM X 1.52M) - GATE ENTRY

ITEM	PART NUMBER	QTY	DESCRIPTION	REV
	1001186386	Ref	PLATFORM ASSEMBLY - 30IN x 5FT (76CM X 1.52M) - SIDE GATE ENTRY	B
		Ref	Note: Platform and Mesh must be ordered separately for Platforms with Mesh. See SPECIAL OPTIONS SECTION for Mesh Installations.	
		Ref	Note: Replacement Decals Must be Ordered Separately - See DECALS SECTION.	
1	2080040	16	Fastener, Huck	
2	2600281	2	Hinge, Self-Closing	
3	2940074	1	Latch	
4	3520072	3	Cap, Plug	
5	3520198	2	Cap, Plug	
6	3820020	4	Rivet	
7	1001144629	1	Gate	
8	See Note	1	Platform (Note: Not Available - Purchase Platform Assembly)	

Go to Discount-Equipment.com to order your parts

SECTION 5 - PLATFORM

FIGURE 5-3. PLATFORM ASSEMBLY - 30IN X 4FT (76CM X 1.22M) - DROP BAR ENTRY



ART_1001186375

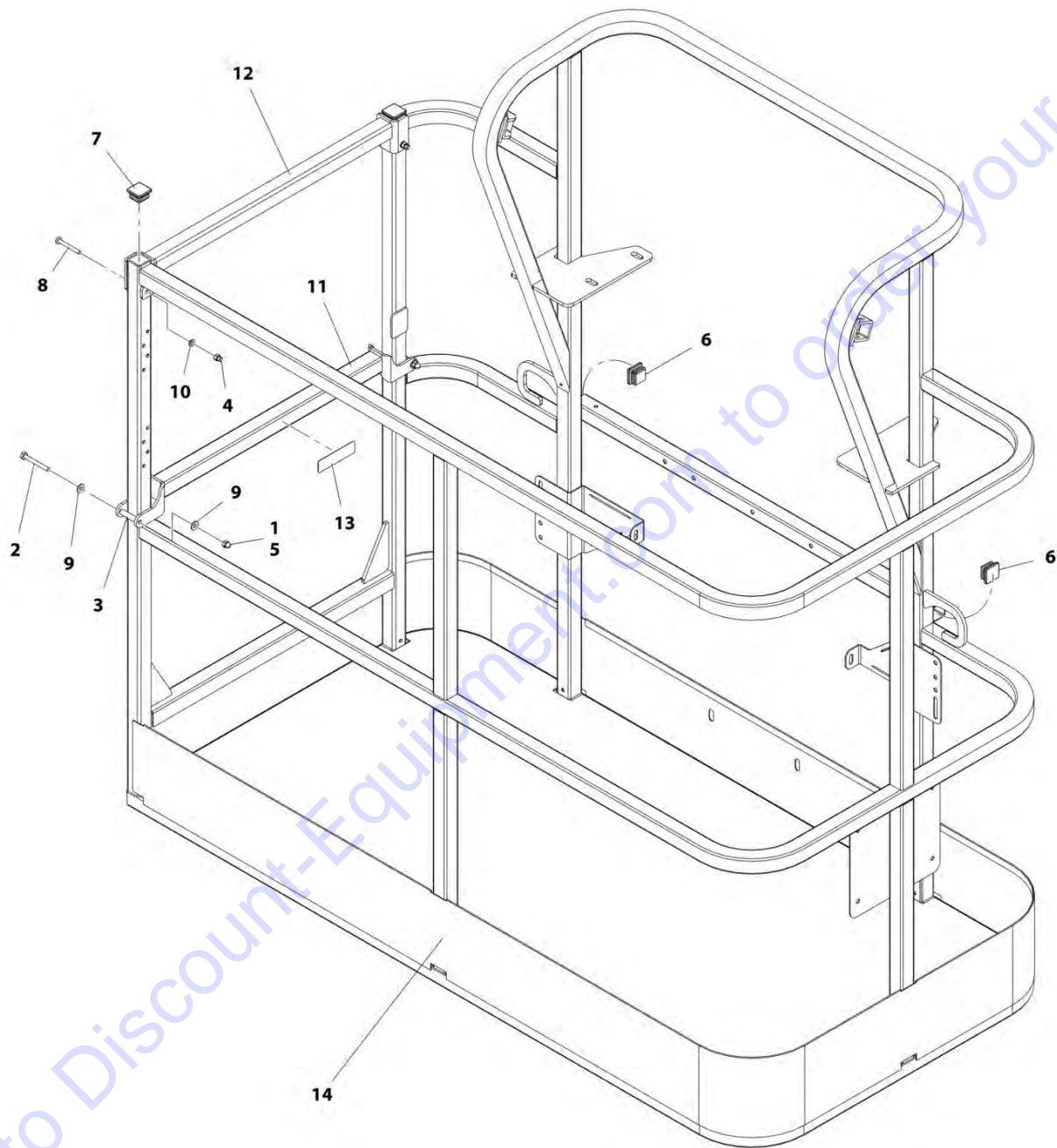
SECTION 5 - PLATFORM

FIGURE 5-3. PLATFORM ASSEMBLY - 30IN X 4FT (76CM X 1.22M) - DROP BAR ENTRY

ITEM	PART NUMBER	QTY	DESCRIPTION	REV
	1001186375	Ref	PLATFORM ASSEMBLY - 30IN x 4FT (76CM X 1.22M) - WITH DROP BAR	B
		Ref	Note: Platform and Mesh must be ordered separately for Platforms with Mesh. See SPECIAL OPTIONS SECTION for Mesh Installations.	
		Ref	Note: Replacement Decals Must be Ordered Separately - See DECALS SECTION.	
1	0100011	AR	Compound, Locking	
2	0641418	2	Bolt, 1/4-20 X 2-1/4	
3	0961845	2	Bushing	
4	3290606	2	Nut, M6 X 1	
5	3300151	2	Nut, Acorn 1/4-20	
6	3520072	2	Cap, Plug	
7	3520198	2	Cap, Plug	
8	4010618	2	Screw, M6 X 50mm	
9	4711400	4	Washer, 1/4	
10	4811700	2	Washer, M6	
11	1001138494	1	Bar, Drop	
12	1001138514	1	Rail (Top)	
13	1001140429	1	Decal - Drop Bar	
14	See Note	1	Platform (Note: Not Available - Purchase Platform Assembly)	

SECTION 5 - PLATFORM

FIGURE 5-4. PLATFORM ASSEMBLY - 30IN X 5FT (76CM X 1.52M) - DROP BAR ENTRY



ART_1001186377

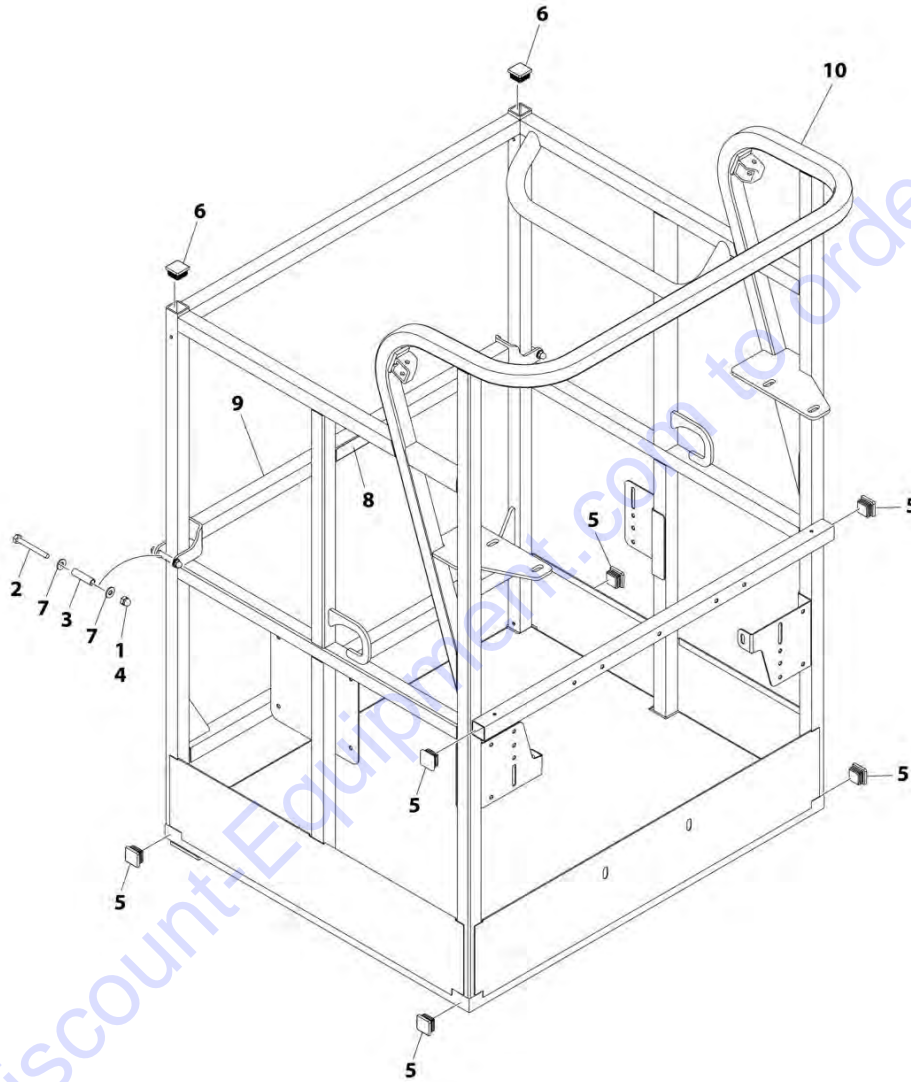
SECTION 5 - PLATFORM

FIGURE 5-4. PLATFORM ASSEMBLY - 30IN X 5FT (76CM X 1.52M) - DROP BAR ENTRY

ITEM	PART NUMBER	QTY	DESCRIPTION	REV
	1001186377	Ref	PLATFORM ASSEMBLY - 30IN x 5FT (76CM X 1.52M) - WITH DROP BAR	C
		Ref	Note: Platform and Mesh must be ordered separately for Platforms with Mesh. See SPECIAL OPTIONS SECTION for Mesh Installations.	
		Ref	Note: Replacement Decals Must be Ordered Separately - See DECALS SECTION.	
1	0100011	AR	Compound, Locking	
2	0641418	2	Bolt, 1/4-20 X 2-1/4	
2	0641420	2	Bolt, 1/4-20 X 2-1/2	
3	0961845	2	Bushing	
4	3290606	2	Nut, M6 X 1	
5	3300151	2	Nut, Acorn 1/4-20	
6	3520072	2	Cap, Plug	
7	3520198	2	Cap, Plug	
8	4010618	2	Screw, M6 X 50mm	
9	4711400	4	Washer, 1/4	
10	4811700	2	Washer, M6	
11	1001138494	1	Bar, Drop	
12	1001138514	1	Rail (Top)	
13	1001140429	1	Decal - Drop Bar	
14	See Note	1	Platform (Note: Not Available - Purchase Platform Assembly)	

SECTION 5 - PLATFORM

FIGURE 5-5. PLATFORM ASSEMBLY - 30IN X 3FT (76CM X 91.5CM) - WITH DROP BAR



ART_1001228215

SECTION 5 - PLATFORM

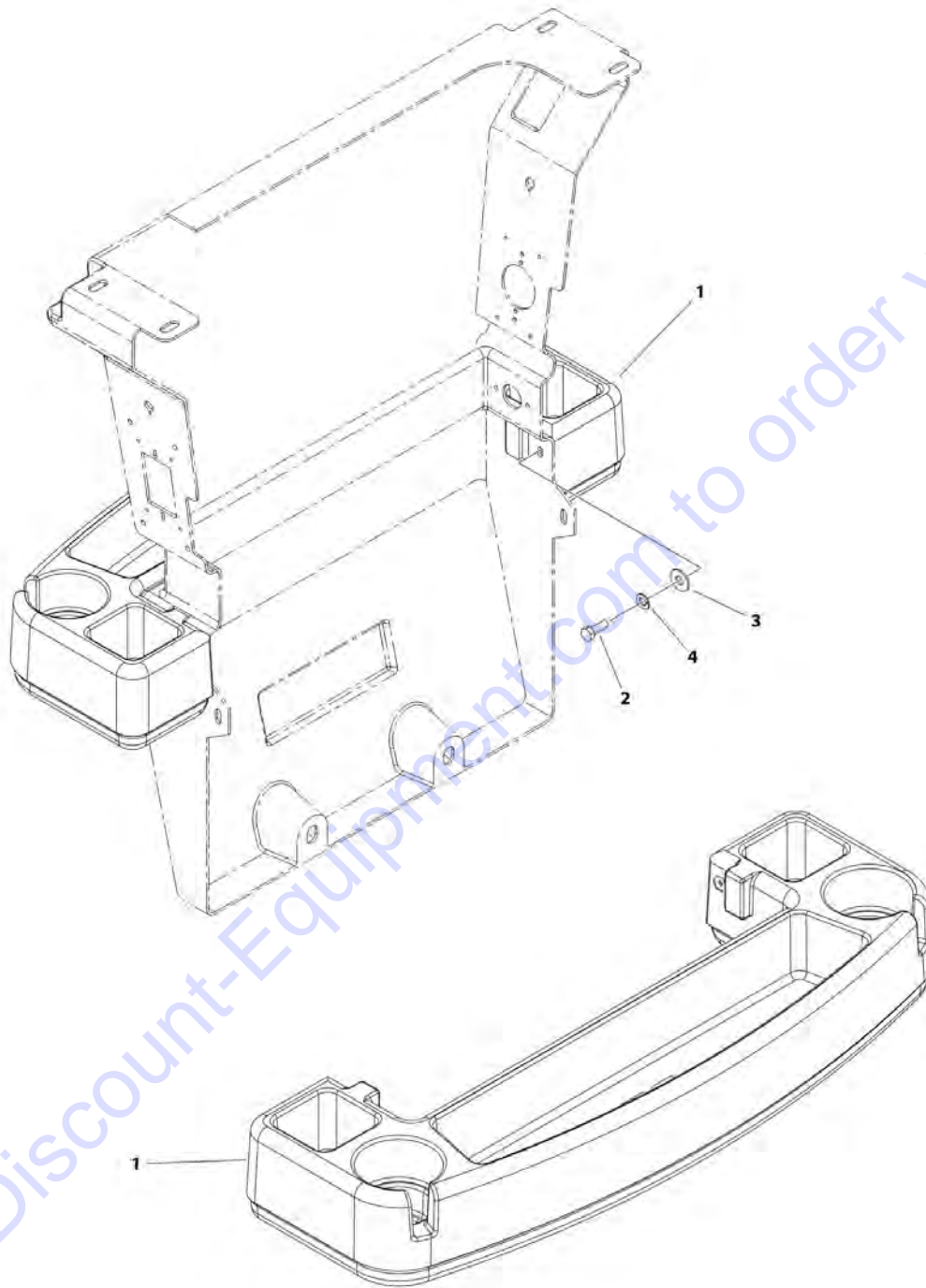
FIGURE 5-5. PLATFORM ASSEMBLY - 30IN X 3FT (76CM X 91.5CM) - WITH DROP BAR

ITEM	PART NUMBER	QTY	DESCRIPTION	REV
	1001228215	Ref	PLATFORM ASSEMBLY - 30IN X 3FT (76CM X .91M) - DROP BAR ENTRY	A
	See Note	Ref	Note: Platform and Mesh must be ordered separately for Platforms with Mesh. See SPECIAL OPTIONS SECTION for Mesh Installations.	
	See Note	Ref	Note: Replacement Decals Must be Ordered Separately - See DECAL SECTION.	
1	0100011	AR	Compound, Locking	
2	0641418	2	Bolt 1/4 x 2-1/4	
3	0961845	2	Bushing	
4	3300151	2	Nut 1/4	
5	3520072	6	Cap, Plug	
6	3520198	2	Cap, Plug	
7	4711400	4	Washer 1/4	
8	1001140429	1	Decal - Drop Bar	
9	1001226872	1	Bar, Drop	
10	See Note	NSS	Platform, Weldment (Note: Not Available - Purchase Platform Assembly)	

Go to Discount-Equipment.com to order your parts

SECTION 5 - PLATFORM

FIGURE 5-6. TRAY INSTALLATION



ART_1580012

SECTION 5 - PLATFORM

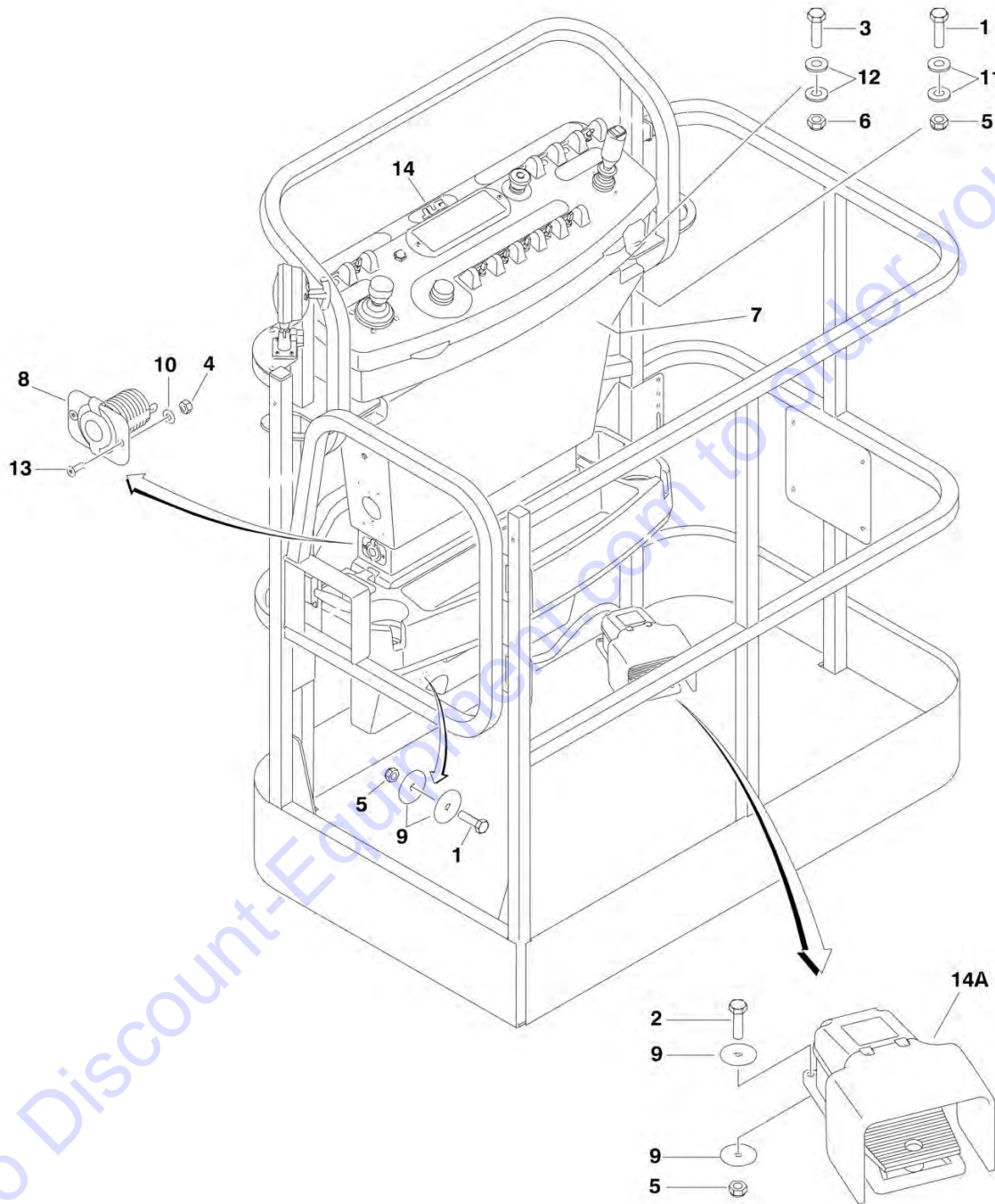
FIGURE 5-6. TRAY INSTALLATION

ITEM	PART NUMBER	QTY	DESCRIPTION	REV
	1580012	Ref	TRAY INSTALLATION	C
1	See Note	NSS	Tray, Storage - Center (Note: Purchase p/n 1580012)	
2	0641406	2	Bolt 1/4-20 x 3/4	
3	4751400	2	Washer 1/4	
4	4761400	2	Washer 1/4	

Go to Discount-Equipment.com to order your parts

SECTION 5 - PLATFORM

FIGURE 5-7. CONSOLE AND FOOTSWITCH INSTALLATION WITHOUT LSS OR WITH 4 CELL LSS - WITHOUT SKYGUARD



ART_1001169090

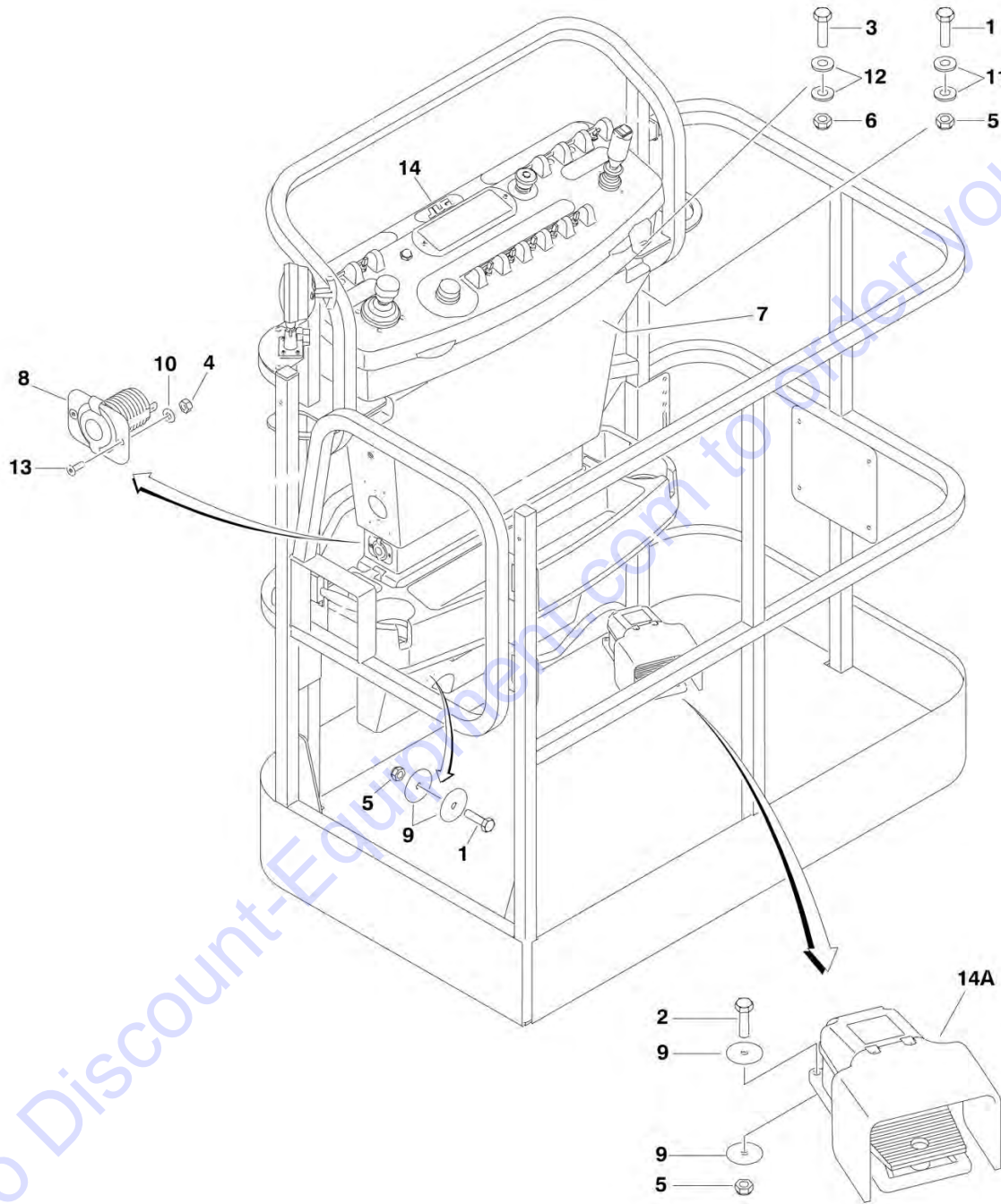
SECTION 5 - PLATFORM

FIGURE 5-7. CONSOLE AND FOOTSWITCH INSTALLATION WITHOUT LSS OR WITH 4 CELL LSS - WITHOUT SKYGUARD

ITEM	PART NUMBER	QTY	DESCRIPTION	REV
	1001169090	Ref	CONSOLE AND FOOTSWITCH INSTALLATION WITHOUT LSS OR WITH 4 CELL LSS - WITHOUT SKYGUARD	B
1	0760608	4	Bolt M6 x 16	
2	0760614	4	Bolt M6 x 30	
3	0761015	4	Bolt M10 x 35	
4	3290405	2	Nut M4	
5	3290605	8	Nut M6	
6	3291005	4	Nut M10	
7	3380434	1	Panel, Pedestal	
8	4461012	1	Receptacle, 12V	
9	4740362	8	Washer 1/4	
10	4811400	2	Washer M4	
11	4811702	4	Washer M6	
12	4812002	8	Washer M10	
13	1001097244	2	Capscrew M4 x 12	
14	1001169091	1	Console Assembly without LSS or with 4 CELL LSS (See CONSOLE ASSEMBLY WITHOUT LSS OR WITH 4 CELL LSS - WITH SKYGUARD for Breakdown) (Prior to SN 0300222893)	
14	1001208965	1	Console Assembly without LSS or with 4 CELL LSS (See CONSOLE ASSEMBLY WITHOUT LSS OR WITH 4 CELL LSS - WITH SKYGUARD for Breakdown) (SN 0300222893 to Present)	
14A	1001117174	1	Footswitch Assembly	B
14A	1001117172	1	Footswitch Less Cable	
14A	70002902	1	Block, Contact	
14A	70002903	1	Gasket	
14A	70002905	1	Cover	
14A	70002904	1	Bolt Replacement Kit	
14A	1060918	7.5 ft/ 2.3m	Cable, Electrical - 18/3	
14A	4460071	1	Connector, Strain Relief	
14A	4460226	2	Socket, Female	
14A	4460464	1	Pin, Male	

SECTION 5 - PLATFORM

FIGURE 5-8. CONSOLE AND FOOTSWITCH INSTALLATION WITHOUT LSS OR WITH 4 CELL LSS - WITH SKYGUARD



ART_1001186889

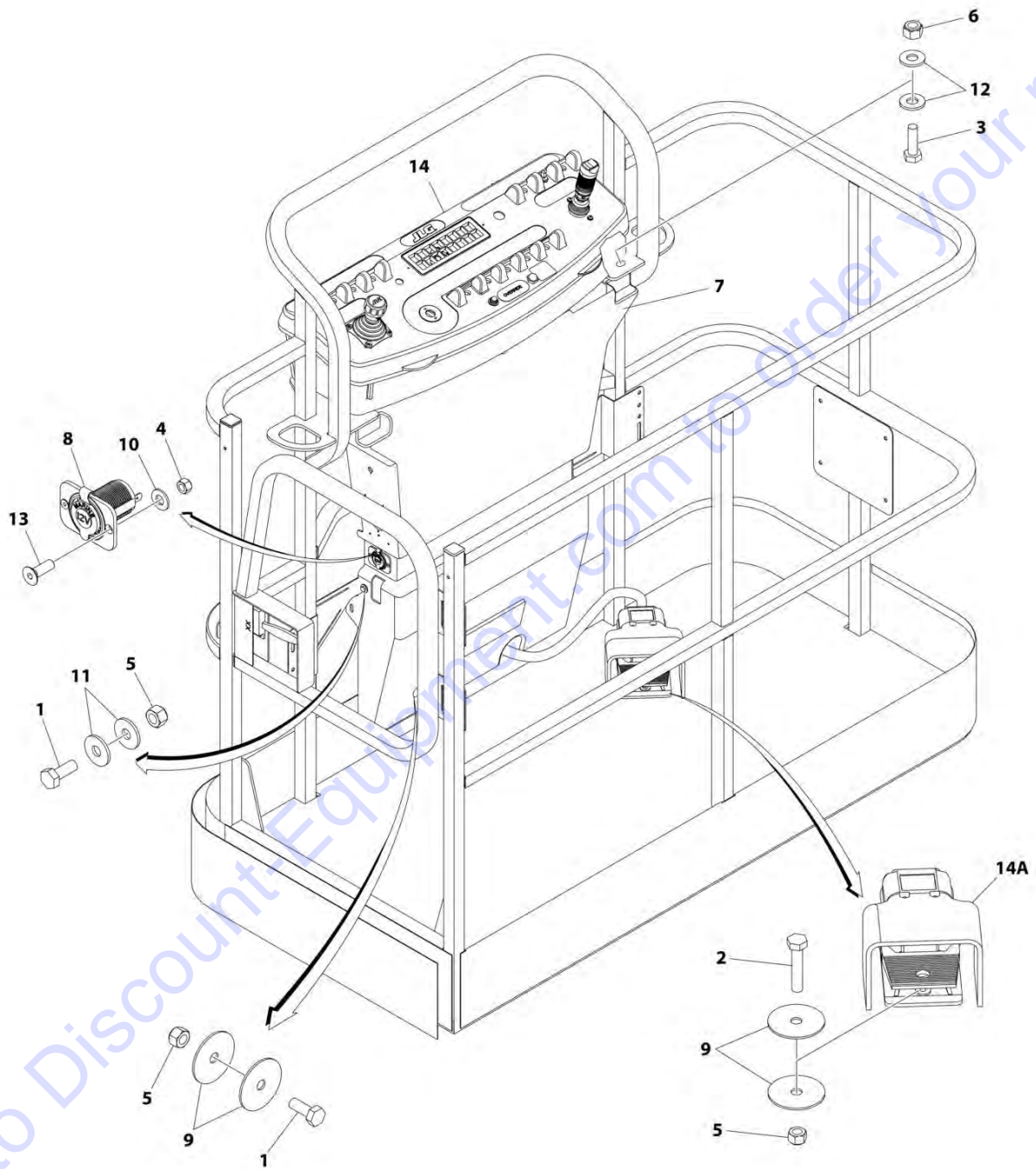
SECTION 5 - PLATFORM

FIGURE 5-8. CONSOLE AND FOOTSWITCH INSTALLATION WITHOUT LSS OR WITH 4 CELL LSS - WITH SKYGUARD

ITEM	PART NUMBER	QTY	DESCRIPTION	REV
	1001186889	Ref	CONSOLE AND FOOTSWITCH INSTALLATION WITHOUT LSS OR WITH 4 CELL LSS - WITH SKYGUARD	C
1	0760608	4	Bolt M6 x 16	
2	0760614	4	Bolt M6 x 30	
3	0761015	4	Bolt M10 x 35	
4	3290405	2	Nut M4	
5	3290605	8	Nut M6	
6	3291005	4	Nut M10	
7	3380434	1	Panel, Pedestal	
8	4461012	1	Receptacle, 12V	
9	4740362	8	Washer 1/4	
10	4811400	2	Washer M4	
11	4811702	4	Washer M6	
12	4812002	8	Washer M10	
13	1001097244	2	Capscrew M4 x 12	
14	1001186894	1	Console Assembly without LSS or with 4 CELL LSS (See CONSOLE ASSEMBLY WITHOUT LSS OR WITH 4 CELL LSS - WITH SKYGUARD for Breakdown) (Prior to SN 0300222893)	
14	1001208966	1	Console Assembly without LSS or with 4 CELL LSS (See CONSOLE ASSEMBLY WITHOUT LSS OR WITH 4 CELL LSS - WITH SKYGUARD for Breakdown) (SN 0300222893 to Present)	
14A	1001117174	1	Footswitch Assembly	B
14A	1001117172	1	Footswitch Less Cable	
14A	70002902	1	Block, Contact	
14A	70002903	1	Gasket	
14A	70002905	1	Cover	
14A	70002904	1	Bolt Replacement Kit	
14A	1060918	7.5 ft/ 2.3m	Cable, Electrical - 18/3	
14A	4460071	1	Connector, Strain Relief	
14A	4460226	2	Socket, Female	
14A	4460464	1	Pin, Male	

SECTION 5 - PLATFORM

FIGURE 5-9. CONSOLE AND FOOTSWITCH INSTALLATION WITH 1 CELL LSS - WITH SKYGUARD
(Prior to SN 0300257126)



ART_1001220656

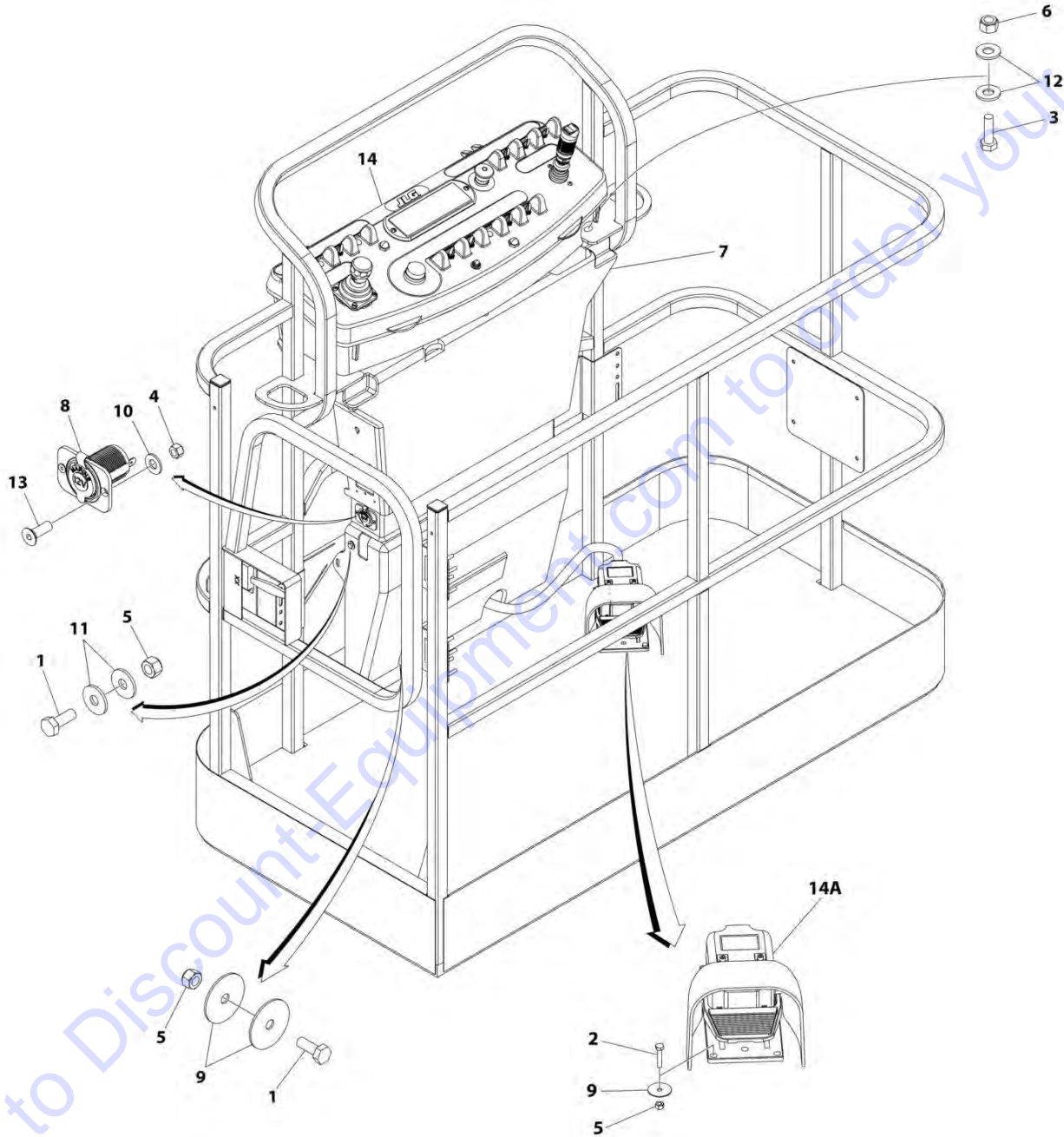
SECTION 5 - PLATFORM

**FIGURE 5-9. CONSOLE AND FOOTSWITCH INSTALLATION WITH 1 CELL LSS - WITH SKYGUARD
(Prior to SN 0300257126)**

ITEM	PART NUMBER	QTY	DESCRIPTION	REV
	1001220656	Ref	CONSOLE AND FOOTSWITCH INSTALLATION WITH 1 CELL LSS - WITH SKYGUARD	B
1	0760608	4	Bolt M6 x 16	
2	0760614	4	Bolt M6 x 30	
3	0761015	4	Bolt M10 x 35	
4	3290405	2	Nut M4	
5	3290605	8	Nut M6	
6	3291005	4	Nut M10	
7	3380434	1	Panel, Pedestal	
8	4461012	1	Receptacle, 12V	
9	4740362	8	Washer 1/4	
10	4811400	2	Washer M4	
11	4811702	4	Washer M6	
12	4812002	8	Washer M10	
13	1001097244	2	Capscrew M4 x 12	
14	1001219788	1	Console and Footswitch Assembly with 1 CELL LSS (See CONSOLE ASSEMBLY with 1 CELL LSS - WITH SKYGUARD for Breakdown)	
14A	1001117174	1	Footswitch Assembly	B
14A	1001117172	1	Footswitch Less Cable	
14A	70002902	1	Block, Contact	
14A	70002903	1	Gasket	
14A	70002905	1	Cover	
14A	70002904	1	Bolt Replacement Kit	
14A	1060918	7.5 ft/ 2.3m	Cable, Electrical - 18/3	
14A	4460071	1	Connector, Strain Relief	
14A	4460226	2	Socket, Female	
14A	4460464	1	Pin, Male	

SECTION 5 - PLATFORM

FIGURE 5-10. CONSOLE AND FOOTSWITCH INSTALLATION WITH 1 CELL LSS - WITH SKYGUARD
(SN 0300257126 to Present)



ART_1001243452

SECTION 5 - PLATFORM

**FIGURE 5-10. CONSOLE AND FOOTSWITCH INSTALLATION WITH 1 CELL LSS - WITH SKYGUARD
(SN 0300257126 to Present)**

ITEM	PART NUMBER	QTY	DESCRIPTION	REV
	1001243452	Ref	CONSOLE AND FOOTSWITCH INSTALLATION WITH 1 CELL LSS - WITH SKYGUARD	A
1	0700610	4	Bolt M6 x 16	
2	0760614	4	Bolt M6 x 30	
3	0761015	4	Bolt M10 x 35	
4	3290405	2	Nut M4	
5	3290605	8	Nut M6	
6	3291005	4	Nut M10	
7	3380434	1	Panel, Pedestal	
8	4461012	1	Receptacle, 12V	
9	4740362	8	Washer 1/4	
10	4811400	2	Washer M4	
11	4811702	4	Washer M6	
12	4812002	8	Washer M10	
13	1001097244	2	Capscrew M4 x 12	
14	1001243453	1	Console and Footswitch Assembly with 1 CELL LSS (See CONSOLE ASSEMBLY with 1 CELL LSS - WITH SKYGUARD for Breakdown)	
14A	1001117174	1	Footswitch Assembly	B
14A	1001117172	1	Footswitch Less Cable	
14A	70002902	1	Block, Contact	
14A	70002903	1	Gasket	
14A	70002905	1	Cover	
14A	70002904	1	Bolt Replacement Kit	
14A	1060918	7.5 ft/ 2.3m	Cable, Electrical - 18/3	
14A	4460071	1	Connector, Strain Relief	
14A	4460226	2	Socket, Female	
14A	4460464	1	Pin, Male	

SECTION 5 - PLATFORM

**FIGURE 5-11. CONSOLE ASSEMBLY WITHOUT LSS OR WITH 4 CELL LSS - WITHOUT SKYGUARD
(Prior to SN 0300222893)**

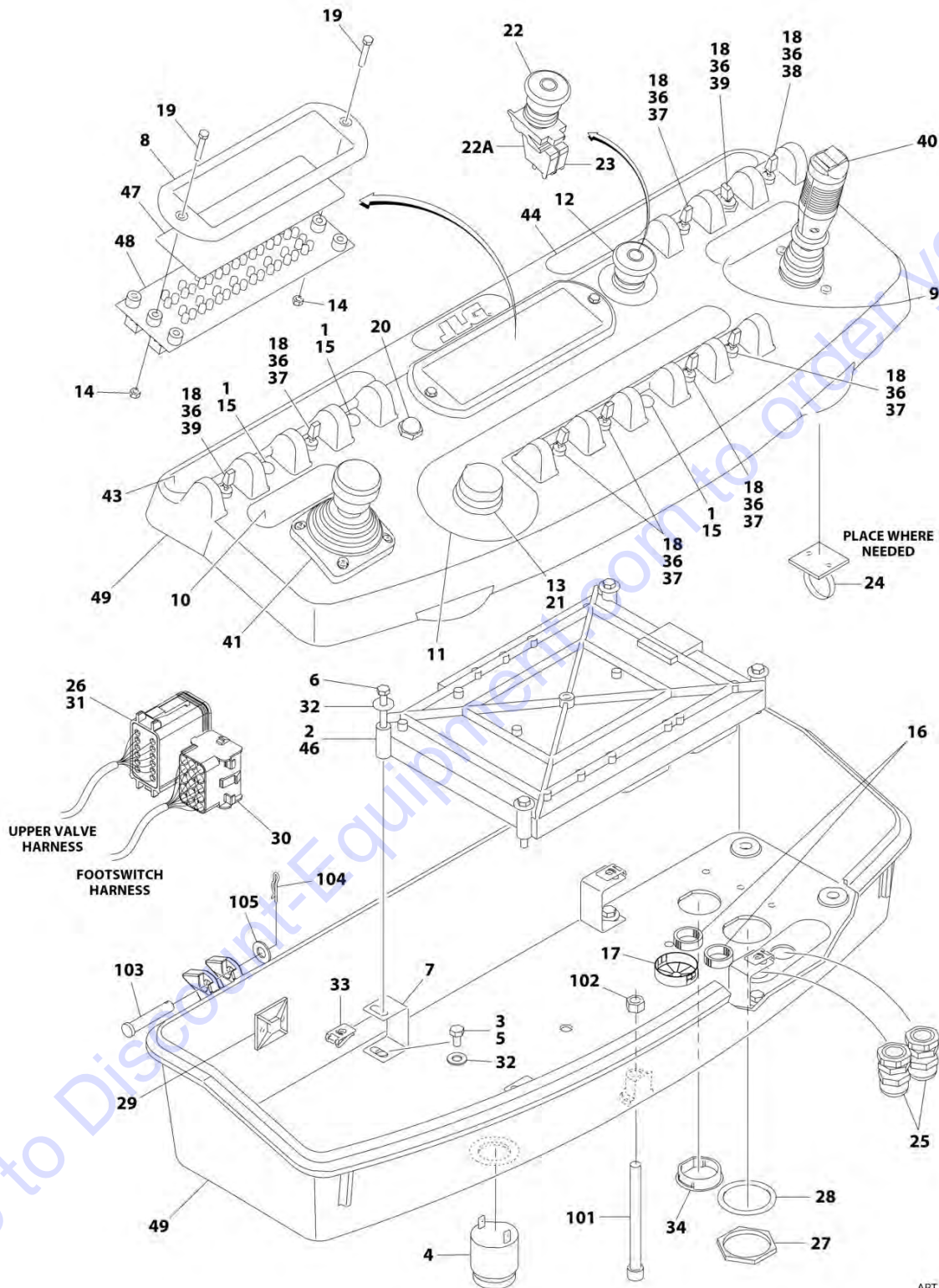
ITEM	PART NUMBER	QTY	DESCRIPTION	REV
	1001169091	Ref	CONSOLE ASSEMBLY WITHOUT LSS OR WITH 4 CELL LSS - WITHOUT SKYGUARD (Prior to SN 0300222893)	E
1	0100009	AR	Sealant	
2	0100048	AR	Grease, Dielectric	
3	0100081	AR	Adhesive	
4	0140011	1	Alarm	
5	0641404	4	Bolt 1/4 x 1/2	
6	0700617	4	Bolt M6 x 45	
7	0861441	1	Box, Console (See Items 103-106 for Breakdown)	
8	0902751	4	Bracket, Support	
9	1671176	1	Bezel	
10	1702565	1	Decal (Drive and Steer)	
11	1702566	1	Decal (Lift and Swing)	
12	1702567	1	Decal (Function Speed)	
13	1001169092	1	Decal (Horn)	
14	1704260	1	Decal (EMS)	
15	2560136	1	Handle, Knob	
16	1001170838	1	Panel, LED	
17	3311005	2	Nut #10-24	
18	3520028	3	Plug, Hole	
19	3790012	9	O-Ring	
20	3911018	2	Bolt #10 x 1-1/8	
21	4360387	1	Switch, Pushbutton	
22	4360407	1	Controller, Speed	
22	4460224	1	Receptacle, Female - 6 Position	
22	4460226	6	Socket, Female	
22	See Note	NSS	Gasket "Top Hat" (Included with Switch) (Note: Not Available - Purchase Complete Controller.)	
22	70003784	1	Seal	
23	4360475	1	Switch, Emergency Stop	
23	7020175	1	Cap, Red	
23A	7020176	1	Contact Block	
24	4360476	1	Block, Contact	
25	4460234	3	Base, Mounting	
26	4460428	2	Connector, Strain Relief	
27	4460466	7	Seal, Plug	
28	4460470	1	Nut	
29	4460471	1	Washer	
30	4460488	1	Base, Mounting	
31	4460708	1	Receptacle, Female 15 Position	
32	4460933	1	Plug, Male 12 Position	
33	4751400	8	Washer 1/4	
34	8305919	4	Retainer M6	
35	1001170083	1	Decal (Display)	
36	1001110434	1	Plug, Hole	
37	1001117174	1	Footswitch Assembly (Not Shown - See CONSOLE INSTALLATION for Breakdown)	
38	1001169594	1	Module, Platform (Note: Re-calibration Required when Replaced)	
39	1001161710	2	Switch, Toggle	

SECTION 5 - PLATFORM

ITEM	PART NUMBER	QTY	DESCRIPTION	REV
40	1001169093	1	Decal (Stop)	
41	1001168701	1	Platform Console Harness Assembly (Not Shown - See ELECTRICAL SECTION for Breakdown)	
42	1001155044	9	Nut 15/32	
43	1001155045	6	Switch, Toggle	
44	1001159256	1	Switch, Toggle	
45	1001169422	1	Platform to Boom Valves Harness Assembly (Not Shown - See ELECTRICAL SECTION for Breakdown)	
46	1001166538	NLA	Drive/Steer Controller Assembly (Use p/n 1001129555) (See DRIVE/STEER ASSEMBLY for Breakdown)	
47	1001166539	NLA	Lift/Swing Controller Assembly (Use p/n 1001212415) (See LIFT/SWING ASSEMBLY for Breakdown)	
	0861441	Ref	CONSOLE BOX ASSEMBLY	H
103	3311601	1	Nut 3/8	
104	3470003	2	Pin, Cotter	
105	0630568	1	Capscrew 3/8 x 4-1/2	
106	4711500	2	Washer 5/16	
107	1001200575	2	Bracket, Stop	

SECTION 5 - PLATFORM

FIGURE 5-12. CONSOLE ASSEMBLY WITHOUT LSS OR WITH 4 CELL LSS - WITHOUT SKYGUARD (SN 0300222893 to Present)



ART_1001208965

SECTION 5 - PLATFORM

**FIGURE 5-12. CONSOLE ASSEMBLY WITHOUT LSS OR WITH 4 CELL LSS - WITHOUT SKYGUARD
(SN 030022893 to Present)**

ITEM	PART NUMBER	QTY	DESCRIPTION	REV
	1001208965	Ref	CONSOLE ASSEMBLY WITHOUT LSS OR WITH 4 CELL LSS - WITHOUT SKYGUARD (SN 030022893 to Present)	A
1	0100009	AR	Sealant	
2	0100048	AR	Grease, Dielectric	
3	0100081	AR	Adhesive	
4	0140011	1	Alarm	
5	0641404	4	Bolt 1/4 x 1/2	
6	0700617	4	Bolt M6 x 45	
7	0902751	4	Bracket, Support	
8	1671176	1	Bezel	
9	1702565	1	Decal (Drive and Steer)	
10	1702566	1	Decal (Lift and Swing)	
11	1702567	1	Decal (Function Speed)	
12	1704260	1	Decal (EMS)	
13	2560136	1	Handle, Knob	
14	3311005	2	Nut #10-24	
15	3520028	3	Plug, Hole	
16	3520033	2	Plug, Hole	
17	3520035	1	Plug, Hole	
18	3790012	9	O-Ring	
19	3911018	2	Bolt #10 x 1-1/8	
20	4360387	1	Switch, Pushbutton	
21	4360407	1	Controller, Speed	
21	4460224	1	Receptacle, Female - 6 Position	
21	4460226	6	Socket, Female	
21	See Note	NSS	Gasket "Top Hat"(Included with Switch) (Note: Not Available - Purchase Complete Controller.)	
21	70003784	1	Seal	
22	4360475	1	Switch, Emergency Stop	
22	7020175	1	Cap, Red	
22A	7020176	1	Contact Block	
23	4360476	1	Block, Contact	
24	4460234	3	Base, Mounting	
25	4460428	2	Connector, Strain Relief	
26	4460466	7	Seal, Plug	
27	4460470	1	Nut	
28	4460471	1	Washer	
29	4460488	1	Base, Mounting	
30	4460708	1	Receptacle, Female 15 Position	
31	4460933	1	Plug, Male 12 Position	
32	4751400	8	Washer 1/4	
33	8305919	4	Retainer M6	
34	1001110434	1	Plug, Hole	
35	1001117174	1	Footswitch Assembly (Not Shown - See CONSOLE INSTALLATION for Breakdown)	
36	1001155044	9	Nut 15/32	
37	1001155045	6	Switch, Toggle	
38	1001159256	1	Switch, Toggle	
39	1001161710	2	Switch, Toggle	

PARTS FINDER

**Search Website
by Part Number**



**Search Manual
Library For Parts
Manual & Lookup Part
Numbers – Purchase
or Request Quote**

**Can't Find Part or
Manual? Request Help
by Manufacturer,
Model & Description**

Discount-Equipment.com is your online resource for quality parts & equipment.

Florida: **561-964-4949** Outside Florida TOLL FREE: **877-690-3101**

Need parts?

Click on this link: <http://www.discount-equipment.com/category/5443-parts/> and choose one of the options to help get the right parts and equipment you are looking for. Please have the machine model and serial number available in order to help us get you the correct parts. If you don't find the part on the website or on one of the online manuals, please fill out the request form and one of our experienced staff members will get back to you with a quote for the right part that your machine needs.

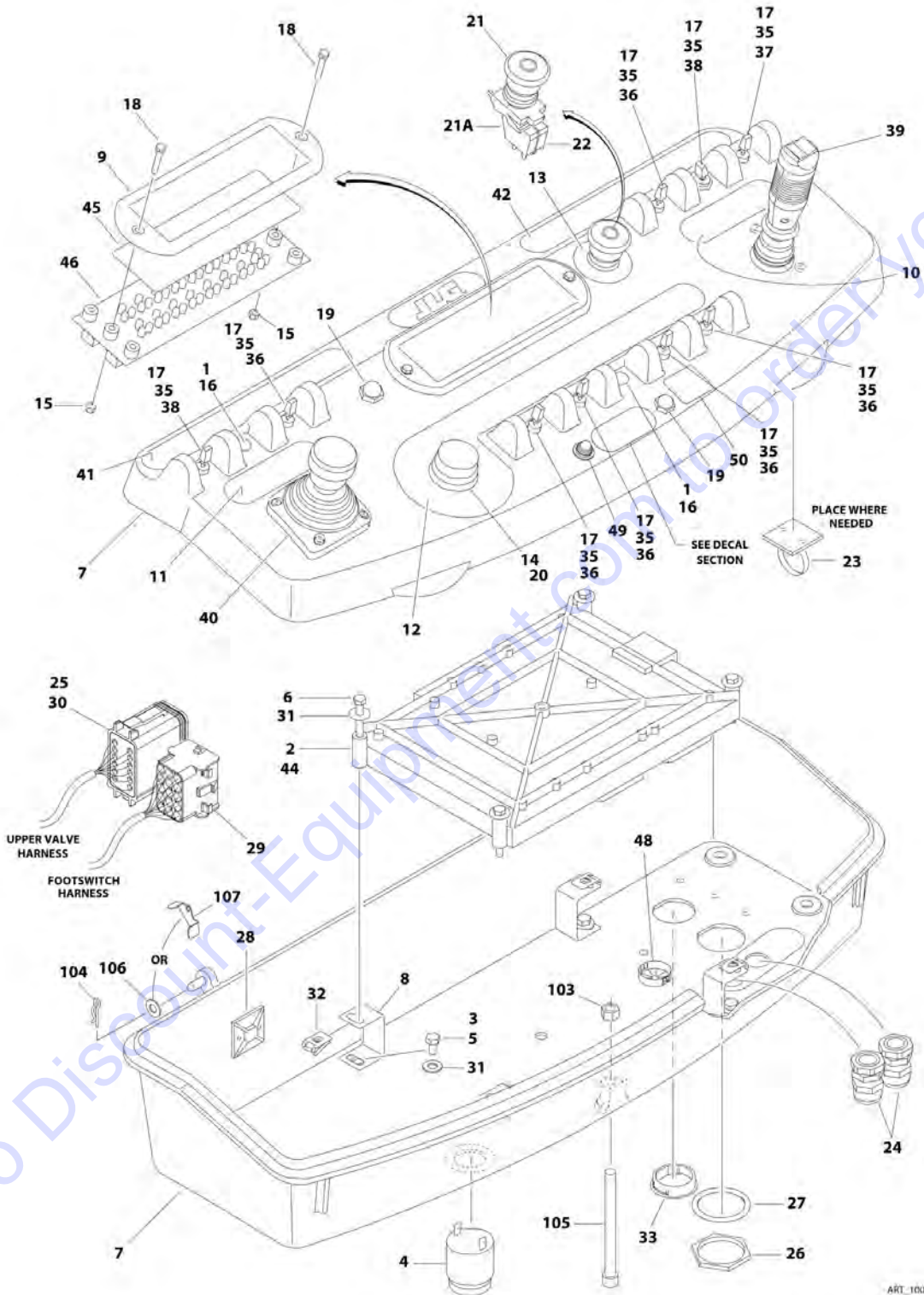
We sell worldwide for the brands: Genie, Terex, JLG, MultiQuip, Mikasa, Essick, Whiteman, Mayco, Toro Stone, Diamond Products, Generac Magnum, Airman, Haulotte, Barreto, Power Blanket, Nifty Lift, Atlas Copco, Chicago Pneumatic, Allmand, Miller Curber, Skyjack, Lull, Skytrak, Tsurumi, Husquvarna Target, Stow, Wacker, Sakai, Mi-T-M, Sullair, Basic, Dynapac, MBW, Weber, Bartell, Bennar Newman, Haulotte, Ditch Runner, Menegotti, Morrison, Contec, Buddy, Crown, Edco, Wyco, Bomag, Laymor, EZ Trench, Bil-Jax, F.S. Curtis, Gehl Pavers, Heli, Honda, ICS/PowerGrit, IHI, Partner, Imer, Clipper, MMD, Koshin, Rice, CH&E, General Equipment, Amida, Coleman, NAC, Gradall, Square Shooter, Kent, Stanley, Tamco, Toku, Hatz, Kohler, Robin, Wisconsin, Northrock, Oztec, Toker TK, Rol-Air, APT, Wylie, Ingersoll Rand / Doosan, Innovatech, Con X, Ammann, Mecalac, Makinex, Smith Surface Prep, Small Line, Wanco, Yanmar

SECTION 5 - PLATFORM

ITEM	PART NUMBER	QTY	DESCRIPTION	REV
40	1001166538	NLA	Drive/Steer Controller Assembly (Use p/n 1001129555) (See DRIVE/STEER ASSEMBLY for Breakdown)	
41	1001166539	NLA	Lift/Swing Controller Assembly (Use p/n 1001212415) (See LIFT/SWING ASSEMBLY for Breakdown)	
42	1001168701	1	Platform Console Harness Assembly (Not Shown - See ELECTRICAL SECTION for Breakdown)	
43	1001169092	1	Decal (Horn)	
44	1001169093	1	Decal (Stop)	
45	1001169422	1	Platform to Boom Valves Harness Assembly (Not Shown - See ELECTRICAL SECTION for Breakdown)	
46	1001169594	1	Module, Platform (Note: Re-calibration Required when Replaced)	
47	1001170083	1	Decal (Display)	
48	1001170838	1	Panel, LED	
49	1001201886	1	Box, Console (See Items 101-105 for Breakdown)	
	1001201886	Ref	CONSOLE BOX ASSEMBLY	B
101	0630568	1	Capscrew 3/8 x 4-1/2	
102	3311601	1	Nut 3/8	
103	3430616	2	Pin	
104	3470003	2	Pin, Cotter	
105	4711600	2	Washer 3/8	

SECTION 5 - PLATFORM

FIGURE 5-13. CONSOLE ASSEMBLY WITHOUT LSS OR WITH 4 CELL LSS - WITH SKYGUARD (Prior to SN 030022893)



ART_1001106894

SECTION 5 - PLATFORM

FIGURE 5-13. CONSOLE ASSEMBLY WITHOUT LSS OR WITH 4 CELL LSS - WITH SKYGUARD (Prior to SN 0300222893)

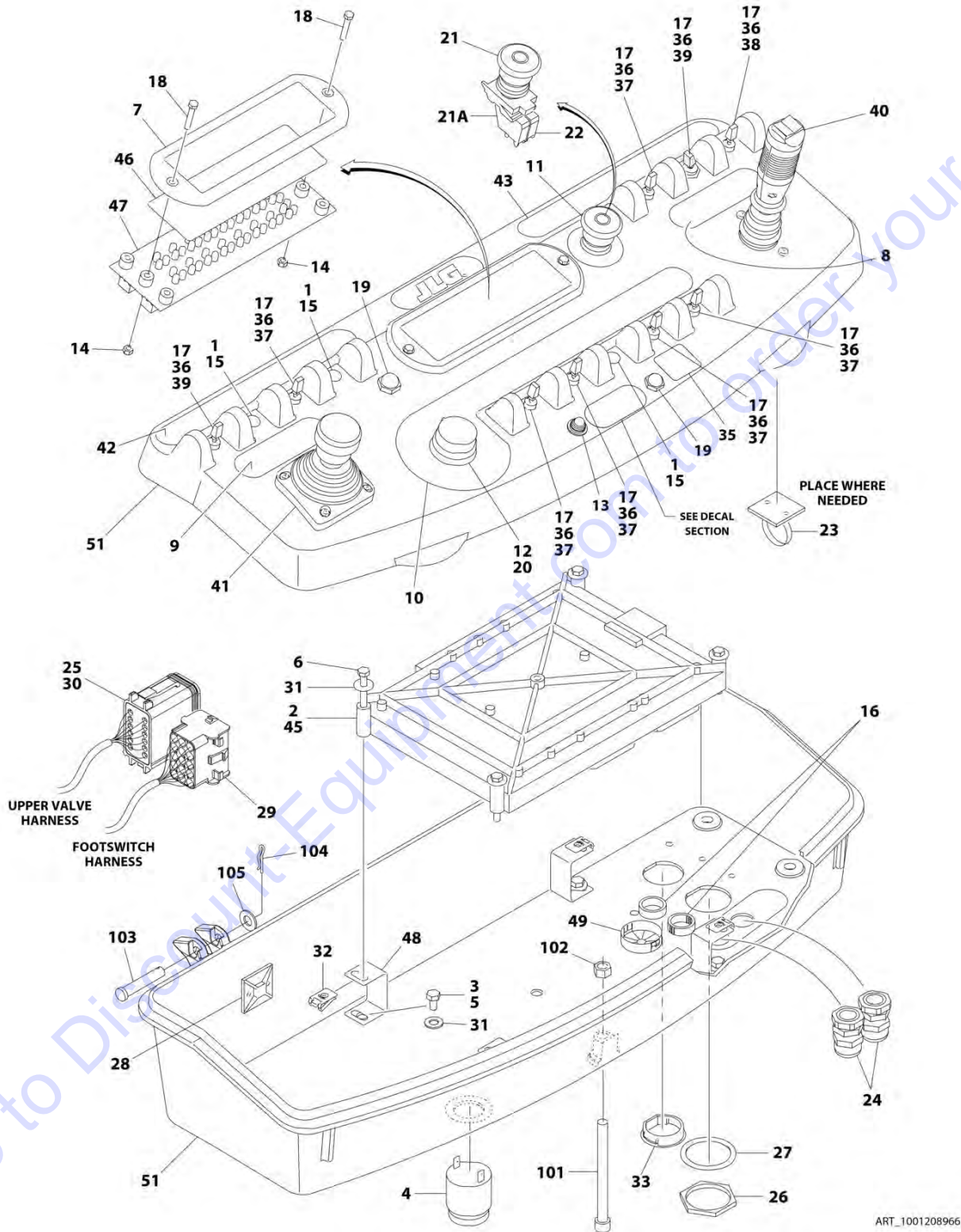
ITEM	PART NUMBER	QTY	DESCRIPTION	REV
	1001186894	Ref	CONSOLE ASSEMBLY WITHOUT LSS OR WITH 4 CELL LSS - WITH SKYGUARD (Prior to SN 0300222893)	D
1	0100009	AR	Sealant	
2	0100048	AR	Grease, Dielectric	
3	0100081	AR	Adhesive	
4	0140011	1	Alarm	
5	0641404	4	Bolt 1/4-2C x 1/2	
6	0700617	4	Bolt M6 x 45	
7	1001190017	1	Box, Console (See Items 103-106 for Breakdown)	
8	1001172760	4	Bracket	
9	1671176	1	Bezel	
10	1702565	1	Decal (Drive and Steer)	
11	1702566	1	Decal (Lift and Swing)	
12	1702567	1	Decal (Function Speed)	
13	1704260	1	Decal (EMS)	
14	2560136	1	Handle, Knob	
15	3311005	2	Nut #10-24	
16	3520028	3	Plug, Hole	
17	3790012	9	O-Ring	
18	3911018	2	Bolt #10-24 x 1-1/8	
19	4360387	2	Switch, Pushbutton	
20	4360407	1	Controller, Speed	
20	4460224	1	Receptacle, Female - 6 Position	
20	4460226	1	Socket, Female	
20	See Note	NSS	Gasket "Top Hat" (Included with Switch) (Note: Not Available - Purchase Complete Controller.)	
20	70003784	1	Seal	
21	4360475	1	Switch, Emergency Stop	
21	7020175	1	Cap, Red	
21A	7020176	1	Contact Block	
22	4360476	1	Block, Contact	
23	4460234	3	Base, Mounting	
24	4460428	2	Connector, Strain Relief	
25	4460466	7	Seal, Plug	
26	4460470	1	Nut	
27	4460471	1	Washer	
28	4460488	1	Base, Mounting	
29	4460708	1	Receptacle, Female 15 Position	
30	4460933	1	Plug, Male 12 Position	
31	4751400	8	Washer 1/4	
32	8305919	4	Retainer M6	
33	1001110434	1	Plug, Hole	
34	1001117174	1	Footswitch Assembly (Not Shown - See CONSOLE INSTALLATION for Breakdown)	
35	1001155044	9	Nut 15/32-32	
36	1001155045	6	Switch, Toggle	
37	1001159256	1	Switch, Toggle	
38	1001161710	2	Switch, Toggle	
39	1001166538	NLA	Drive/Steer Controller Assembly (Use p/n 1001212415) (See DRIVE/STEER ASSEMBLY for Breakdown)	

SECTION 5 - PLATFORM

ITEM	PART NUMBER	QTY	DESCRIPTION	REV
40	1001166539	NLA	Lift/Swing Controller Assembly (Use p/n 1001129555) (See LIFT/SWING ASSEMBLY for Breakdown)	
41	1001169092	1	Decal (Horn)	
42	1001169093	1	Decal (Stop)	
43	1001169422	1	Platform to Boom Valves Harness Assembly (Not Shown - See ELECTRICAL SECTION for Breakdown)	
44	1001169594	1	Module, Platform (Note: Re-calibration Required when Replaced)	
45	1001170083	1	Decal (Display)	
46	1001170838	1	Panel, LED	
47	1001186228	1	Platform Console Harness Assembly (Not Shown - See ELECTRICAL SECTION for Breakdown)	
48	1001185281	1	Plug	
49	2920028	1	Lamp, Indicator	
50	1001144433	1	Decal (No Weight)	
	1001190017	Ref	CONSOLE BOX ASSEMBLY	D
103	3311601	1	Nut 3/8-16	
104	3470003	2	Pin, Cotter	
105	0630568	1	Capscrew 3/8-16 x 4-1/2	
106	4711500	2	Washer 5/16	
107	1001200575	2	Bracket, Stop	

SECTION 5 - PLATFORM

FIGURE 5-14. CONSOLE ASSEMBLY WITHOUT LSS OR WITH 4 CELL LSS - WITH SKYGUARD (SN 0300222893 to Present)



SECTION 5 - PLATFORM

FIGURE 5-14. CONSOLE ASSEMBLY WITHOUT LSS OR WITH 4 CELL LSS - WITH SKYGUARD (SN 0300222893 to Present)

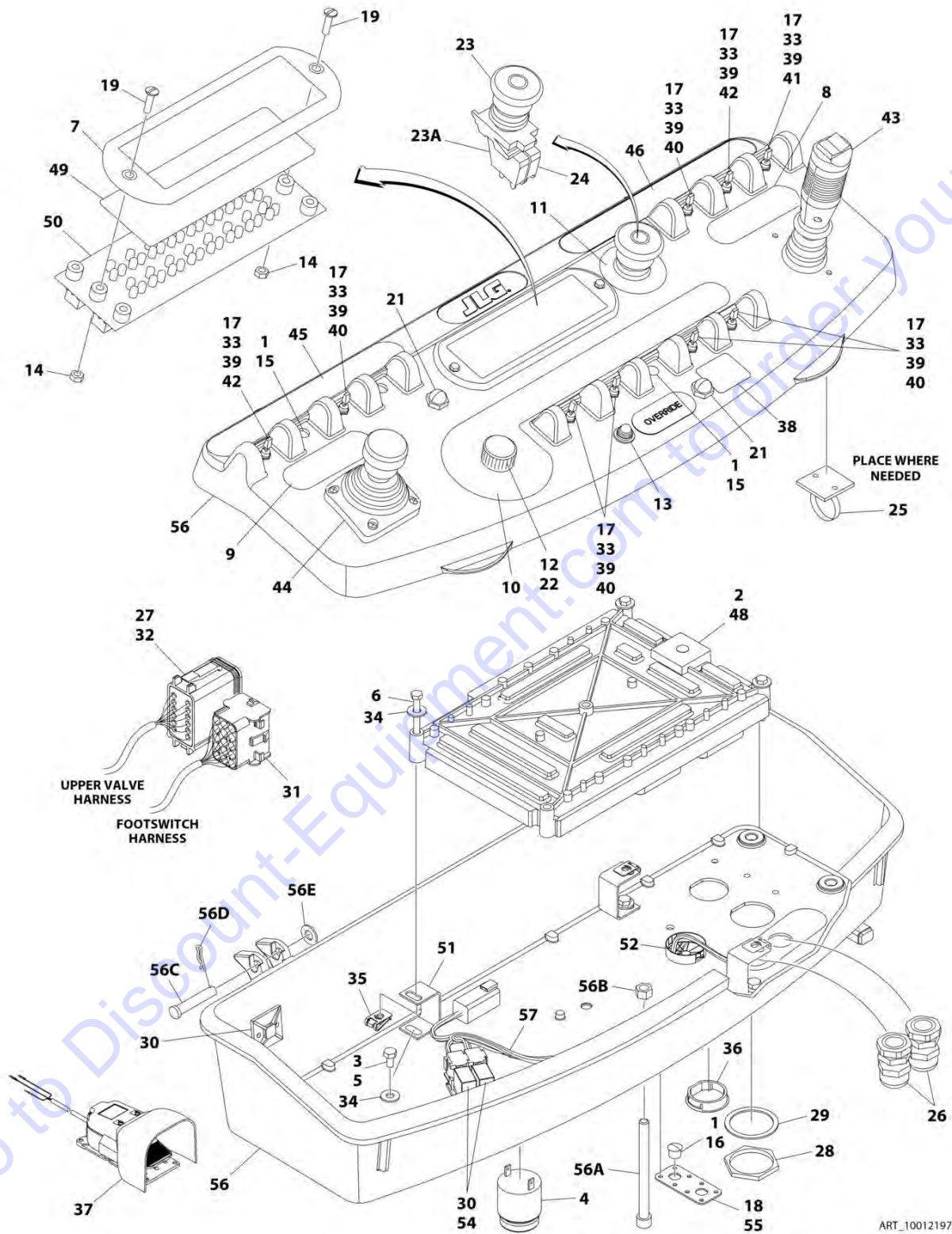
ITEM	PART NUMBER	QTY	DESCRIPTION	REV
	1001208966	Ref	CONSOLE ASSEMBLY WITHOUT LSS OR WITH 4 CELL LSS - WITH SKYGUARD (SN 0300222893 to Present)	A
1	0100009	AR	Sealant	
2	0100048	AR	Grease, Dielectric	
3	0100081	AR	Adhesive	
4	0140011	1	Alarm	
5	0641404	4	Bolt 1/4 x 1/2	
6	0700617	4	Bolt M6 x 45	
7	1671176	1	Bezel	
8	1702565	1	Decal (Drive and Steer)	
9	1702566	1	Decal (Lift and Swing)	
10	1702567	1	Decal (Function Speed)	
11	1704260	1	Decal (EMS)	
12	2560136	1	Handle, Knob	
13	2920028	1	Lamp, Indicator	
14	3311005	2	Nut #10-24	
15	3520028	3	Plug, Hole	
16	3520033	2	Plug, Hole	
17	3790012	9	O-Ring	
18	3911018	2	Bolt #10 x 1-1/8	
19	4360387	2	Switch, Pushbutton	
20	4360407	1	Controller, Speed	
20	4460224	1	Receptacle, Female - 6 Position	
20	4460226	6	Socket, Female	
20	See Note	NSS	Gasket "Top Hat" (Included with Switch) (Note: Not Available - Purchase Complete Controller.)	
20	70003784	1	Seal	
21	4360475	1	Switch, Emergency Stop	
21	7020175	1	Cap, Red	
21A	7020176	1	Contact Block	
22	4360476	1	Block, Contact	
23	4460234	3	Base, Mounting	
24	4460428	2	Connector, Strain Relief	
25	4460466	7	Seal, Plug	
26	4460470	1	Nut	
27	4460471	1	Washer	
28	4460488	1	Base, Mounting	
29	4460708	1	Receptacle, Female 15 Position	
30	4460933	1	Plug, Male 12 Position	
31	4751400	8	Washer 1/4	
32	8305919	4	Retainer M6	
33	1001110434	1	Plug, Hole	
34	1001117174	1	Footswitch Assembly (Not Shown - See CONSOLE INSTALLATION for Breakdown)	
35	1001144433	1	Decal (No Weight)	
36	1001155044	9	Nut 15/32	
37	1001155045	6	Switch, Toggle	
38	1001159256	1	Switch, Toggle	
39	1001161710	2	Switch, Toggle	

SECTION 5 - PLATFORM

ITEM	PART NUMBER	QTY	DESCRIPTION	REV
40	1001166538	NLA	Drive/Steer Controller Assembly (Use p/n 1001129555) (See DRIVE/STEER ASSEMBLY for Breakdown)	
41	1001166539	NLA	Lift/Swing Controller Assembly (Use p/n 1001212415) (See LIFT/SWING ASSEMBLY for Breakdown)	
42	1001169092	1	Decal (Horn)	
43	1001169093	1	Decal (Stop)	
44	1001169422	1	Platform to Boom Valves Harness Assembly (Not Shown - See ELECTRICAL SECTION for Breakdown)	
45	1001169594	1	Module, Platform (Note: Re-calibration Required when Replaced)	
46	1001170083	1	Decal (Display)	
47	1001170838	1	Panel, LED	
48	1001172760	4	Bracket, Support	
49	1001185281	1	Plug, Hole	
50	1001186228	1	Platform Console Harness Assembly (Not Shown - See ELECTRICAL SECTION for Breakdown)	
51	1001201887	1	Box, Console (See Items 101-105 for Breakdown)	
	1001201887	Ref	CONSOLE BOX ASSEMBLY	B
101	0630568	1	Capscrew 3/8 x 4-1/2	
102	3311601	1	Nut 3/8	
103	3430616	2	Pin	
104	3470003	2	Pin, Cotter	
105	4711600	2	Washer 3/8	

SECTION 5 - PLATFORM

**FIGURE 5-15. CONSOLE AND FOOTSWITCH ASSEMBLY WITH 1 CELL LSS - WITH SKYGUARD
(Prior to SN 0300257126)**



SECTION 5 - PLATFORM

**FIGURE 5-15. CONSOLE AND FOOTSWITCH ASSEMBLY WITH 1 CELL LSS - WITH SKYGUARD
(Prior to SN 0300257126)**

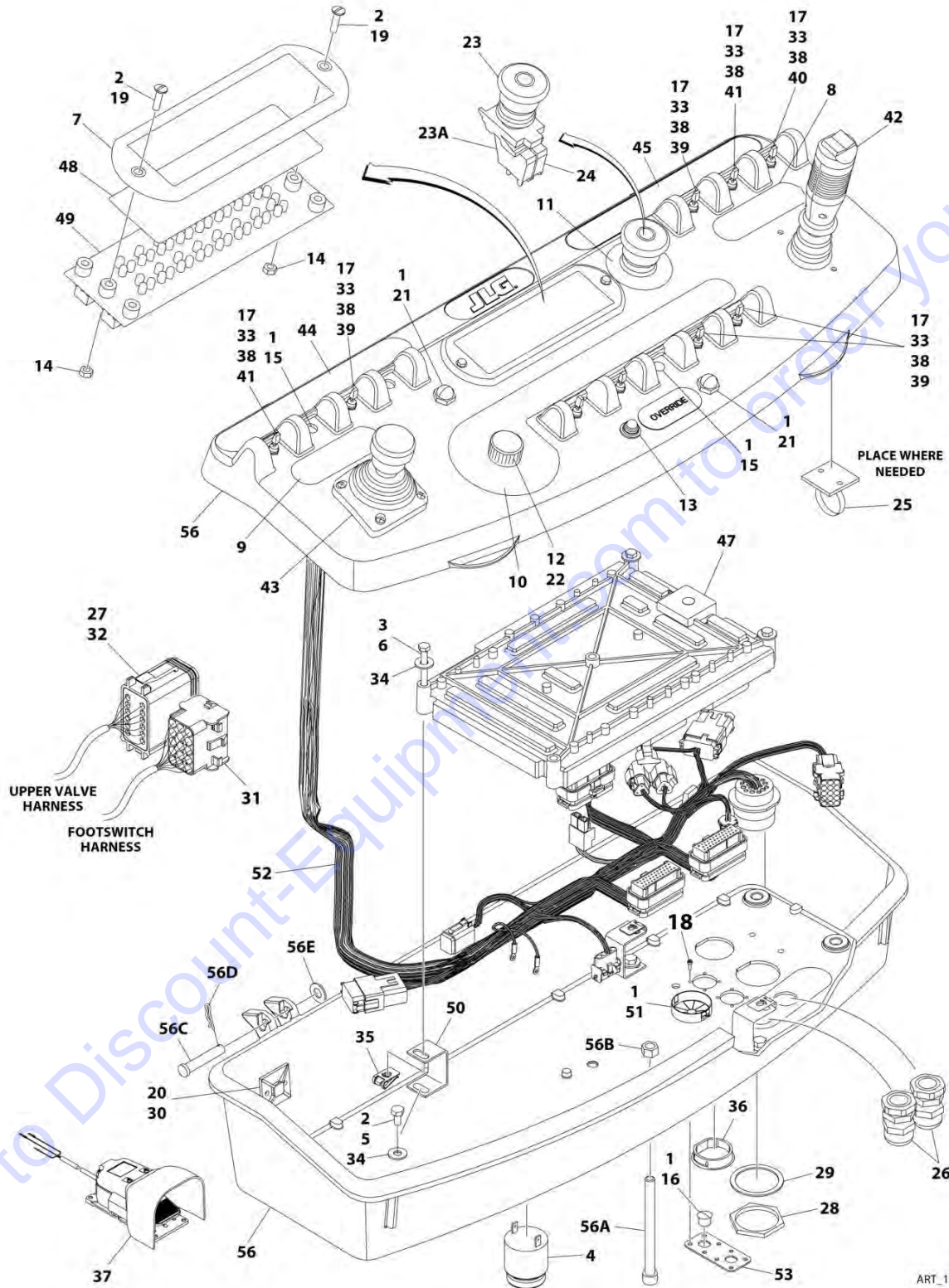
ITEM	PART NUMBER	QTY	DESCRIPTION	REV
	1001219788	Ref	CONSOLE AND FOOTSWITCH ASSEMBLY WITH 1 CELL LSS - WITH SKYGUARD	D
1	0100009	AR	Sealant	
2	0100048	AR	Grease, Dielectric	
3	0100035	1	Compound, Locking	
4	0140011	1	Alarm	
5	0641404	4	Bolt 1/4 x 1/2	
6	0700617	4	Bolt M6 x 45	
7	1671176	1	Bezel	
8	1702565	1	Decal (Drive and Steer)	
9	1702566	1	Decal (Lift and Swing)	
10	1702567	1	Decal (Function Speed)	
11	1704260	1	Decal (EMS)	
12	2560136	1	Handle, Knob	
13	2920028	1	Lamp, Indicator	
14	3311005	2	Nut #10-24	
15	3520028	3	Plug, Hole	
16	3520054	1	Plug, Hole	
17	3790012	9	O-Ring	
18	3900349	8	Capscrew M2.5	
19	3911018	2	Bolt #10 x 1-1/8	
20	4240032	AR	Tie-Strap (Not Shown)	
21	4360387	2	Switch, Pushbutton	
22	4360407	1	Controller, Speed	
22	4460224	1	Receptacle, Female - 6 Position	
22	4460226	6	Socket, Female	
22	See Note	NSS	Gasket "Top Hat" (Included with Switch) (Note: Not Available - Purchase Complete Controller.)	
22	70003784	1	Seal	
23	4360475	1	Switch, Emergency Stop	
23	7020175	1	Cap, Red	
23A	7020176	1	Contact Block	
24	4360476	1	Block, Contact	
25	4460234	3	Base, Mounting	
26	4460428	2	Connector, Strain Relief	
27	4460466	7	Seal, Plug	
28	4460470	1	Nut	
29	4460471	1	Washer	
30	4460488	2	Base, Mounting	
31	4460708	1	Receptacle, Female 15 Position	
32	4460933	1	Plug, Male - 12 Position	
33	4740397	9	Spacer	
34	4751400	8	Washer 1/4	
35	8305919	4	Retainer M6	
36	1001110434	1	Plug, Hole	
37	1001117174	1	Footswitch Assembly (Not Shown - See CONSOLE INSTALLATION for Breakdown)	
38	1001144433	1	Decal (No Weight)	
39	1001155044	9	Nut 15/32	

SECTION 5 - PLATFORM

ITEM	PART NUMBER	QTY	DESCRIPTION	REV
40	1001155045	6	Switch, Toggle	
41	1001159256	1	Switch, Toggle	
42	1001161710	2	Switch, Toggle	
43	1001166538	NLA	Drive/Steer Controller Assembly (Use p/n 1001212415) (See DRIVE/STEER ASSEMBLY for Breakdown)	
44	1001166539	NLA	Lift/Swing Controller Assembly (Use p/n 1001129555) (See LIFT/SWING ASSEMBLY for Breakdown)	
45	1001169092	1	Decal (Horn)	
46	1001169093	1	Decal (Stop)	
47	1001169422	1	Platform to Boom Valves Harness Assembly (Not Shown - See Separate Breakdown in ELECTRICAL SECTION)	
48	1001169594	1	Module, Platform (Note: Re-calibration Required when Replaced)	
49	1001170083	1	Decal (Display)	
50	1001170838	1	Panel, LED	
51	1001172760	4	Bracket, Support	
52	1001185281	1	Plug, Hole	
53	1001186228	1	Platform Console Harness Assembly (Not Shown - See Separate Breakdown in ELECTRICAL SECTION)	
54	1001186431	2	Relay	
55	1001213882	1	Mount	
56	1001218068	1	Box, Console	
56A	0630568	1	Capscrew 3/8 x 4-1/2	
56B	3311601	1	Nut 3/8	
56C	3430616	2	Pin	
56D	3470003	2	Pin, Cotter	
56E	4711600	2	Washer 3/8	
57	1001225580	1	Generator to Platform Harness (Not Shown - See Separate Breakdown in ELECTRICAL SECTION)	

SECTION 5 - PLATFORM

FIGURE 5-16. CONSOLE AND FOOTSWITCH ASSEMBLY WITH 1 CELL LSS - WITH SKYGUARD (SN 0300257126 to Present)



ART_1001243453

SECTION 5 - PLATFORM

FIGURE 5-16. CONSOLE AND FOOTSWITCH ASSEMBLY WITH 1 CELL LSS - WITH SKYGUARD (SN 0300257126 to Present)

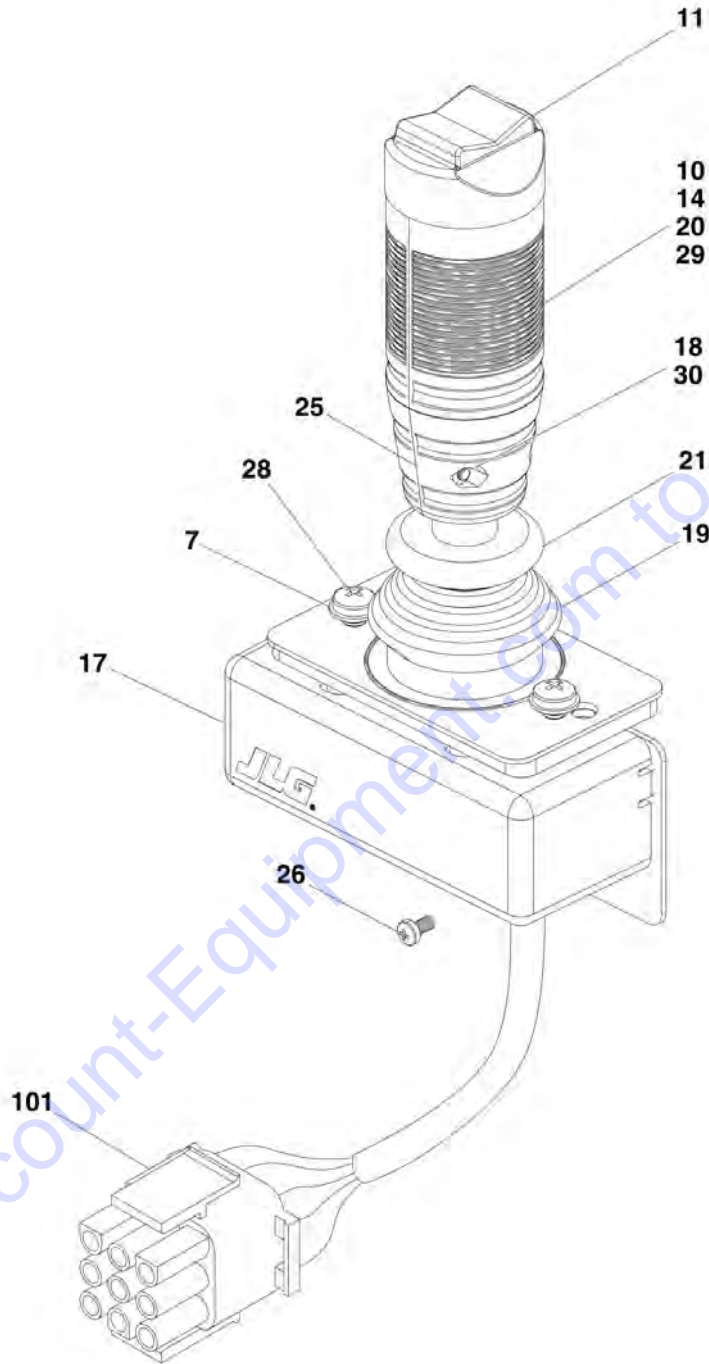
ITEM	PART NUMBER	QTY	DESCRIPTION	REV
	1001243453	Ref	CONSOLE AND FOOTSWITCH ASSEMBLY WITH 1 CELL LSS - WITH SKYGUARD	A
1	0100009	AR	Sealant	
2	0100048	AR	Grease, Dielectric	
3	0100035	1	Compound, Locking	
4	0140011	1	Alarm	
5	0641404	4	Bolt 1/4 x 1/2	
6	0700617	4	Bolt M6 x 45	
7	1671176	1	Bezel	
8	1702565	1	Decal (Drive and Steer)	
9	1702566	1	Decal (Lift and Swing)	
10	1702567	1	Decal (Function Speed)	
11	1704260	1	Decal (EMS)	
12	2560136	1	Handle, Knob	
13	2920028	1	Lamp, Indicator	
14	3311005	2	Nut #10-24	
15	3520028	3	Plug, Hole	
16	3520054	1	Plug, Hole	
17	3790012	9	O-Ring	
18	3900349	8	Capscrew M2.5	
19	3911018	2	Bolt #10 x 1-1/8	
20	4240032	AR	Tie-Strap (Not Shown)	
21	4360387	2	Switch, Pushbutton	
22	4360407	1	Controller, Speed	
22	4460224	1	Receptacle, Female - 6 Position	
22	4460226	6	Socket, Female	
22	See Note	NSS	Gasket "Top Hat" (Included with Switch) (Note: Not Available - Purchase Complete Controller.)	
22	70003784	1	Seal	
23	4360475	1	Switch, Emergency Stop	
23	7020175	1	Cap, Red	
23A	7020176	1	Contact Block	
24	4360476	1	Block, Contact	
25	4460234	3	Base, Mounting	
26	4460428	2	Connector, Strain Relief	
27	4460466	7	Seal, Plug	
28	4460470	1	Nut	
29	4460471	1	Washer	
30	4460488	2	Base, Mounting	
31	4460708	1	Receptacle, Female 15 Position	
32	4460933	1	Plug, Male - 12 Position	
33	4740397	9	Spacer	
34	4751400	8	Washer 1/4	
35	8305919	4	Retainer M6	
36	1001110434	1	Plug, Hole	
37	1001117174	1	Footswitch Assembly (Not Shown - See CONSOLE INSTALLATION for Breakdown)	
38	1001155044	9	Nut 15/32	
39	1001155045	6	Switch, Toggle	

SECTION 5 - PLATFORM

ITEM	PART NUMBER	QTY	DESCRIPTION	REV
40	1001159256	1	Switch, Toggle	
41	1001161710	2	Switch, Toggle	
42	1001166538	NLA	Drive/Steer Controller Assembly (Use p/n 1001212415) (See DRIVE/STEER ASSEMBLY for Breakdown)	
43	1001166539	NLA	Lift/Swing Controller Assembly (Use p/n 1001129555) (See LIFT/SWING ASSEMBLY for Breakdown)	
44	1001169092	1	Decal (Horn)	
45	1001169093	1	Decal (Stop)	
46	1001169422	1	Platform to Boom Valves Harness Assembly (Not Shown - See Separate Breakdown in ELECTRICAL SECTION)	
47	1001169594	1	Module, Platform (Note: Re-calibration Required when Replaced)	
48	1001170083	1	Decal (Display)	
49	1001170838	1	Panel, LED	
50	1001172760	4	Bracket, Support	
51	1001185281	1	Plug, Hole	
52	1001186228	1	Platform Console Harness Assembly (Not Shown - See Separate Breakdown in ELECTRICAL SECTION)	
53	1001213882	1	Mount	
56	1001218068	1	Box, Console	
56A	0630568	1	Capscrew 3/8 x 4-1/2	
56B	3311601	1	Nut 3/8	
56C	3430616	2	Pin	
56D	3470003	2	Pin, Cotter	
56E	4711600	2	Washer 3/8	

SECTION 5 - PLATFORM

FIGURE 5-17. DRIVE/STEER CONTROLLER ASSEMBLY



ART_1001166538

SECTION 5 - PLATFORM

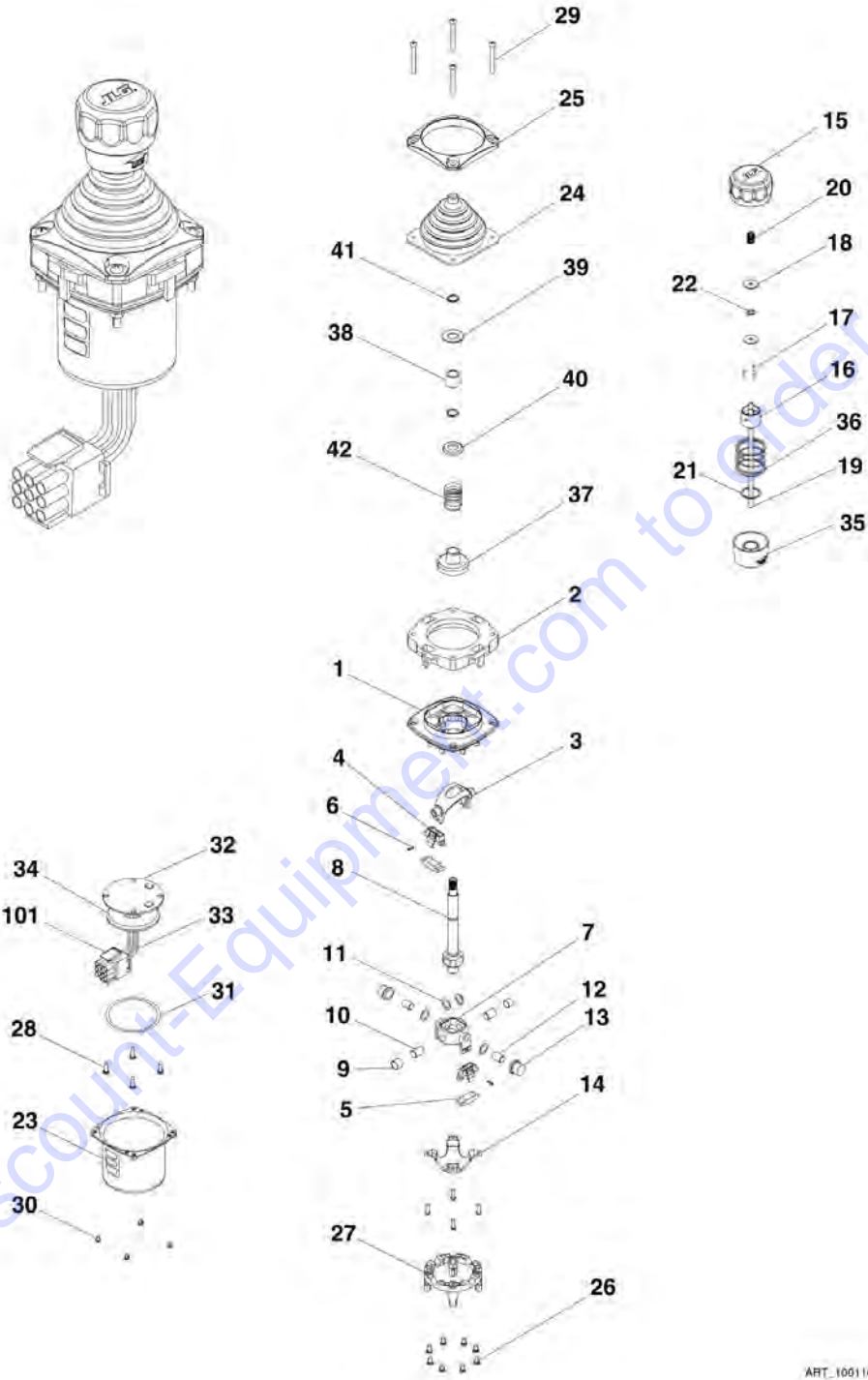
FIGURE 5-17. DRIVE/STEER CONTROLLER ASSEMBLY

ITEM	PART NUMBER	QTY	DESCRIPTION	REV
	1001166538	Ref	CONTROLLER ASSEMBLY - DRIVE AND STEER	G
		Ref	Note: For Replacement, Use p/n 1001212415.	
7	70004738	2	Washer	
10	70004739	1	Roller	
11	70004740	1	Boot, Switch	
14	70004741	2	Half, Handle	
17	70004742	1	Enclosure	
18	70004743	4	Nut	
19	70004744	NLA	Boot, Controller (Use p/n 70005230 Boot/Base Assembly)	
20	70004745	NLA	Tube, Locking (Use p/n 70005230 Boot/Base Assembly)	
21	70004746	NLA	Disc, Locking (Use p/n 70005230 Boot/Base Assembly)	
25	70004747	2	Seal, Rope	
26	70004748	1	Screw, M3 x 6mm	
28	70004749	2	Screw, M5 x 20mm	
29	70004750	1	Pin, Dowel	
30	70004751	4	Screw, M3 x 16mm	
100	4460265	1	Connector - 9 Position	
101	4460226	7	Socket, Female	

Go to Discount-Equipment.com to order your parts

SECTION 5 - PLATFORM

FIGURE 5-18. LIFT/SWING CONTROLLER ASSEMBLY



SECTION 5 - PLATFORM

FIGURE 5-18. LIFT/SWING CONTROLLER ASSEMBLY

ITEM	PART NUMBER	QTY	DESCRIPTION	REV
	1001166539	Ref	CONTROLLER ASSEMBLY - LIFT AND SWING	D
		Ref	Note: For Replacement, Use p/n 1001129555.	
1	See Note	1	Main Cast Body (Note: Not Available - Purchase Complete Assembly)	
2	70004752	1	Adapter	
3	See Note	1	Pivot Arm, Plastic (Note: Not Available - Purchase Complete Assembly)	
4	See Note	2	Holder, Magnet (Note: Not Available - Purchase Complete Assembly)	
5	See Note	2	Arc, Magnet (Note: Not Available - Purchase Complete Assembly)	
6	See Note	2	Screw (Note: Not Available for Purchase)	
7	See Note	1	Pivot Arm, Cast (Note: Not Available - Purchase Complete Assembly)	
8	See Note	1	Shaft, Main (Note: Not Available - Purchase Complete Assembly)	
9	See Note	2	Bearing (Note: Not Available - Purchase Complete Assembly)	
10	See Note	2	Pin (Note: Not Available - Purchase Complete Assembly)	
11	See Note	4	Shim (Note: Not Available - Purchase Complete Assembly)	
12	See Note	2	Pin (Note: Not Available - Purchase Complete Assembly)	
13	See Note	2	Bearing (Note: Not Available - Purchase Complete Assembly)	
14	See Note	1	Dome, Centering (Note: Not Available - Purchase Complete Assembly)	
15	70004753	1	Cap	
16	70004754	1	Insert, Cap	
17	70004755	3	Pin	
18	70004756	2	Washer	
19	70004757	1	Pin, Centering	
20	70004758	1	Spring	
21	70004759	1	Ring, Retaining	
22	70004760	1	E-Ring	
23	70004761	1	Can, Enclosure	
24	70004762	1	Boot	
25	70004763	1	Bezel	
26	See Note	8	Screw (Note: Not Available for Purchase)	
27	See Note	1	Base Mounting (Note: Not Available - Purchase Complete Assembly)	
28	See Note	4	Screw (Note: Not Available for Purchase)	
29	70004764	4	Screw	
30	70004765	4	Screw	
31	70004766	1	O-Ring	
32	See Note	1	Plate (Note: Not Available - Purchase Complete Assembly)	
33	See Note	1	Harness (Note: Not Available - Purchase Complete Assembly)	
34	70004767	1	Grommet, Rubber	
35	70004768	1	Housing	
36	70004769	1	Spring	
37	70004770	1	Stopper	
38	70004771	1	Spacer	
9	70004772	1	Washer	
40	70004773	1	Disc	
41	70004774	2	Ring, Retaining	
42	70004775	1	Spring	

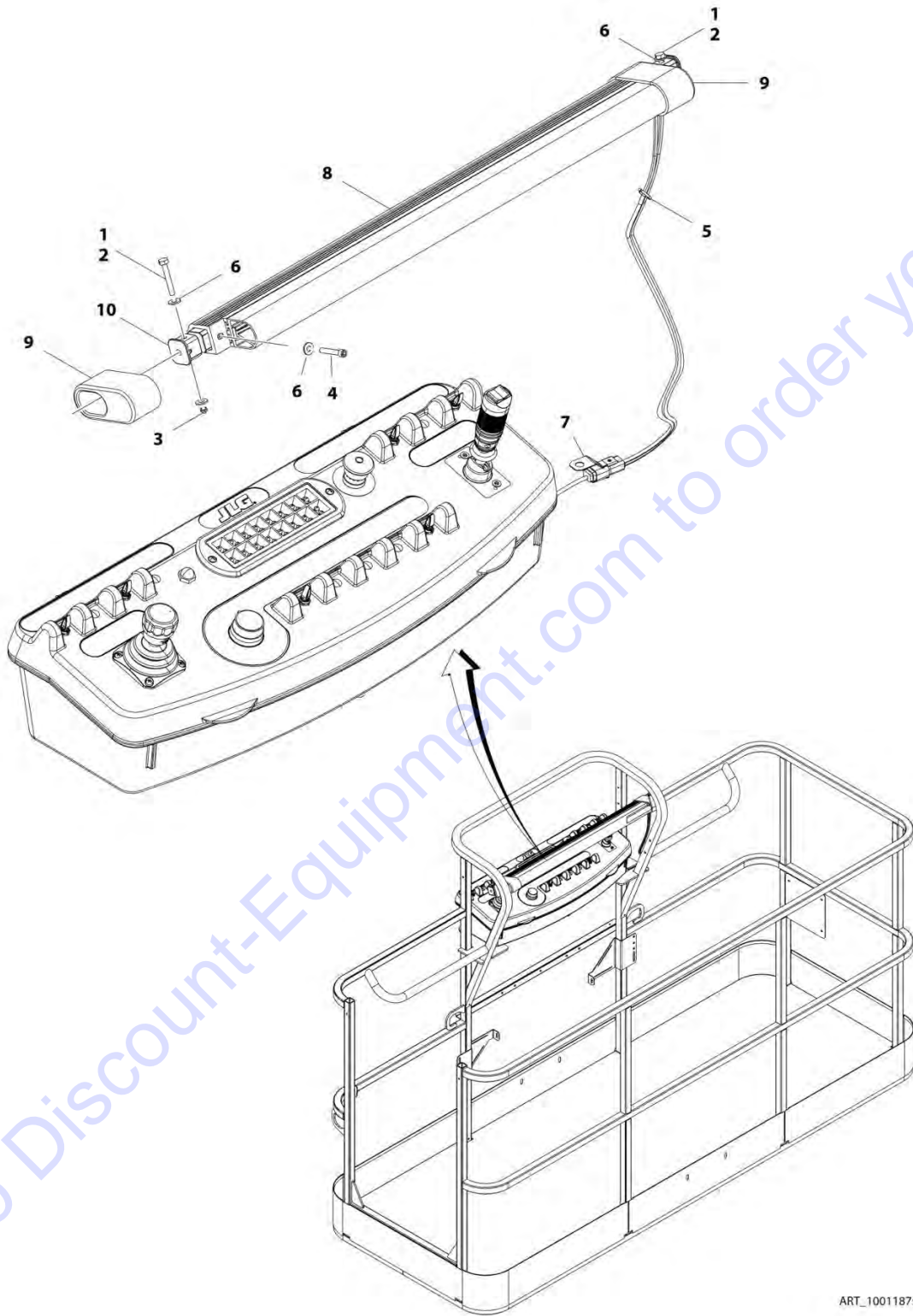
SECTION 5 - PLATFORM

ITEM	PART NUMBER	QTY	DESCRIPTION	REV
100	4460265	1	Connector - 9 Position	
101	4460226	6	Socket, Female	

Go to Discount-Equipment.com to order your parts

SECTION 5 - PLATFORM

FIGURE 5-19. SKYGUARD SYSTEM INSTALLATION (Prior to SN 0300257126)



SECTION 5 - PLATFORM

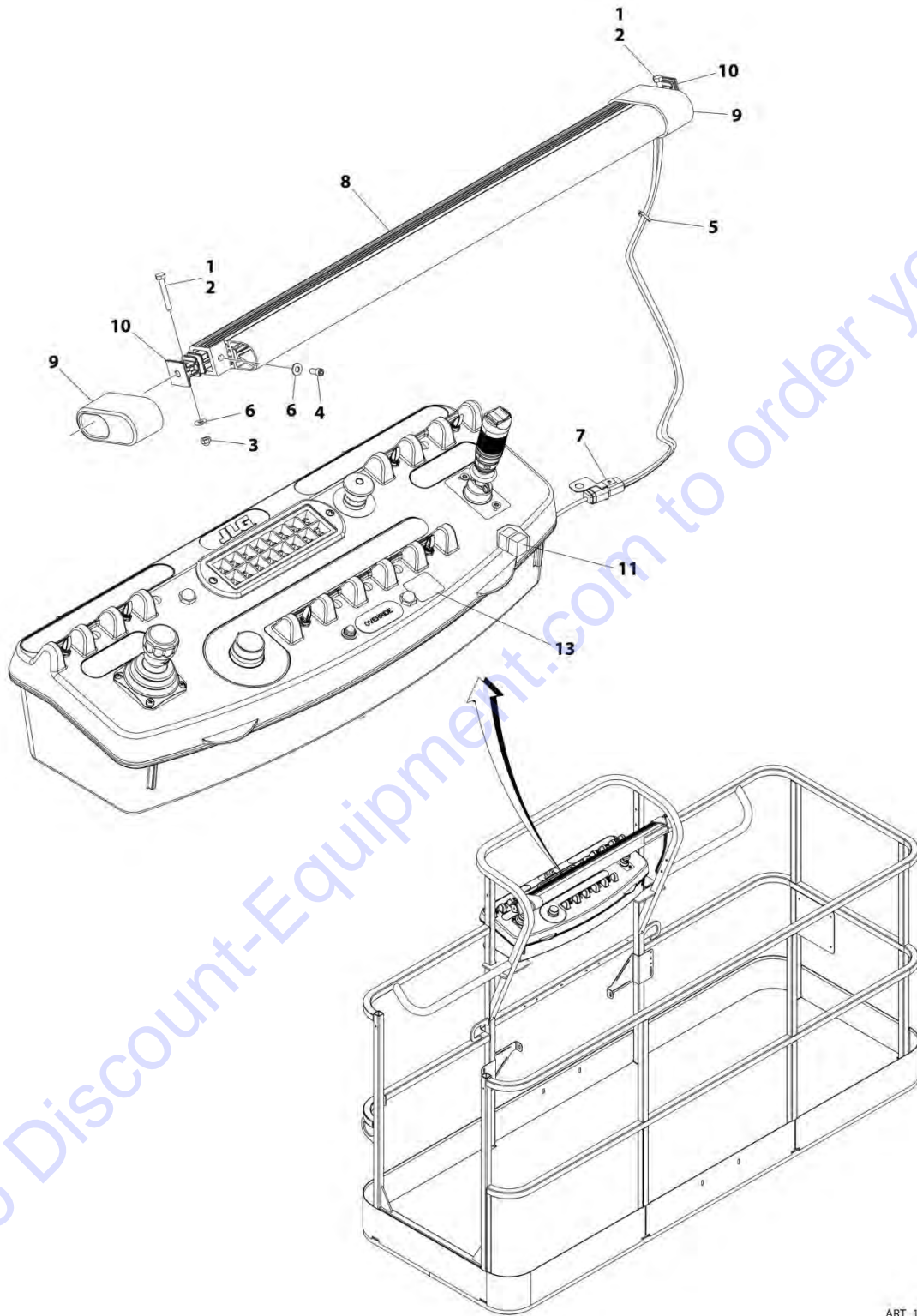
FIGURE 5-19. SKYGUARD SYSTEM INSTALLATION (Prior to SN 0300257126)

ITEM	PART NUMBER	QTY	DESCRIPTION	REV
	1001187508	Ref	SKYGUARD SYSTEM INSTALLATION	B
1	0100011	AR	Compound, Locking	
2	0641414	2	Bolt 1/4 X 1-3/4	
3	3300430	2	Nut 1/4	
4	3931424	2	Capscrew 1/4 X 1-1/2 (Prior to SN 0300246422)	
4	3931408	2	Capscrew 1/4 x 1/2 (SN 0300246422 to Present)	
5	4240033	AR	Tie-Strap	
6	4711400	AR	Washer 1/4	
7	1001120328	1	Mount	
8	1001137673	1	Switch, SkyGuard Assembly	
9	1001186517	2	Cover, Platform Sensor	
10	1001188889	2	Support, Block (Prior to SN 0300246422)	
10	1001209664	2	Support, Block (SN 0300246422 to Present)	

Go to Discount-Equipment.com to order your parts

SECTION 5 - PLATFORM

FIGURE 5-20. SKYGUARD SYSTEM INSTALLATION (SN 0300257126 to Present)



ART_1001238495

SECTION 5 - PLATFORM

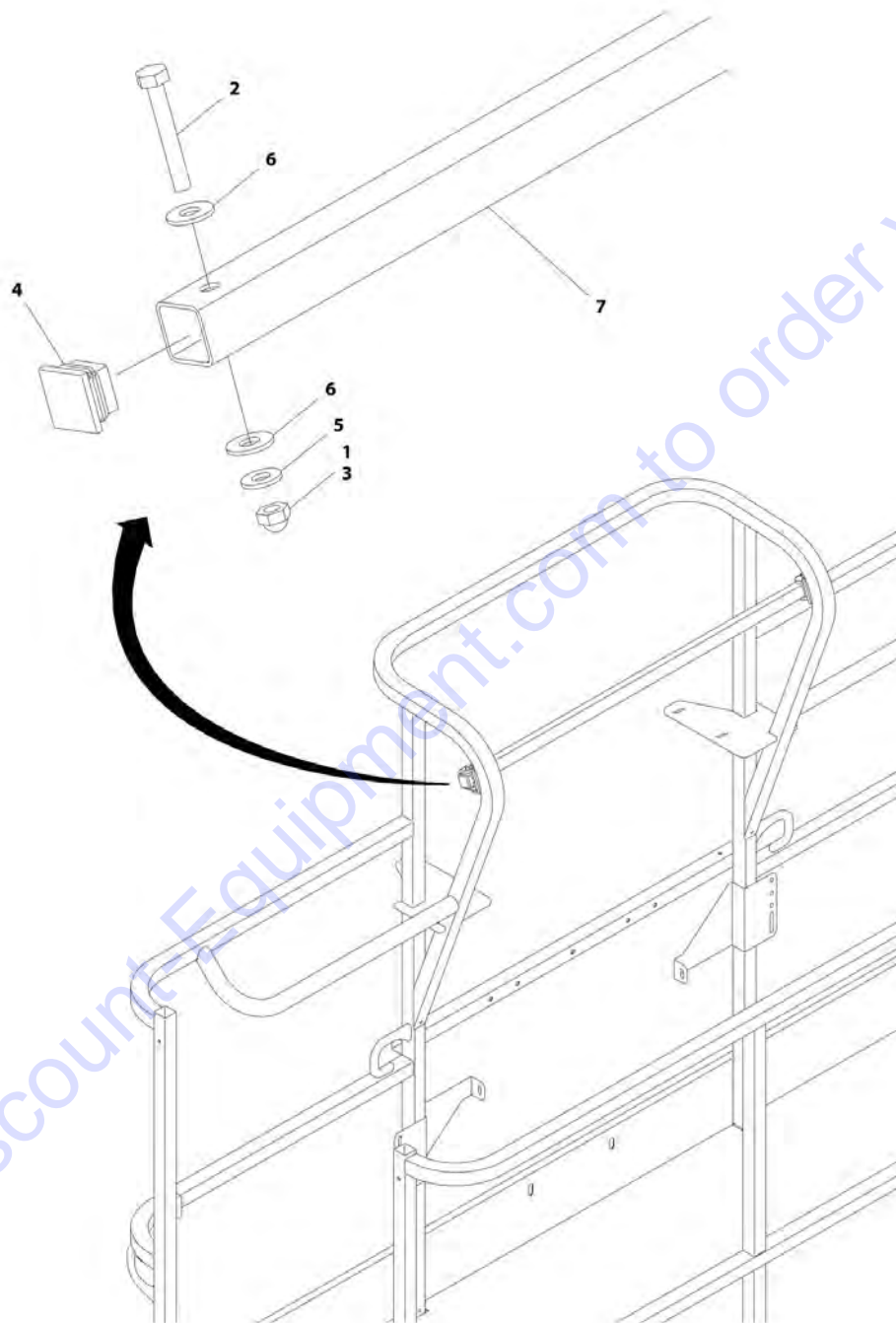
FIGURE 5-20. SKYGUARD SYSTEM INSTALLATION (SN 0300257126 to Present)

ITEM	PART NUMBER	QTY	DESCRIPTION	REV
	1001238495	Ref	SKYGUARD BAR INSTALLATION	A
1	0100011	AR	Compound, Locking	
2	0641414	2	Bolt 1/4 x 1-3/4	
3	3300430	2	Nut 1/4	
4	3931408	2	Capscrew 1/4 x 1/2	
5	4240033	8	Tie-Strap	
6	4711400	6	Washer 1/4	
7	1001120328	1	Mount	
8	1001137673	1	SkyGuard Switch Assembly	
9	1001186517	2	Cover, Platform Sensor	
10	1001209664	2	Support, Block	
11	1001186431	2	Relay	
12	1001225580	1	Interface Harness Assembly (Not Shown - Located Inside Console Box) (See Separate Breakdown in ELECTRICAL SECTION)	
13	1001144433	1	Decal - No Weight SkyGuard	

Go to Discount-Equipment.com to order your parts

SECTION 5 - PLATFORM

FIGURE 5-21. CROSS RAIL INSTALLATION



Go to DiscountEquipment.com to order your parts

ART_1001182138

SECTION 5 - PLATFORM

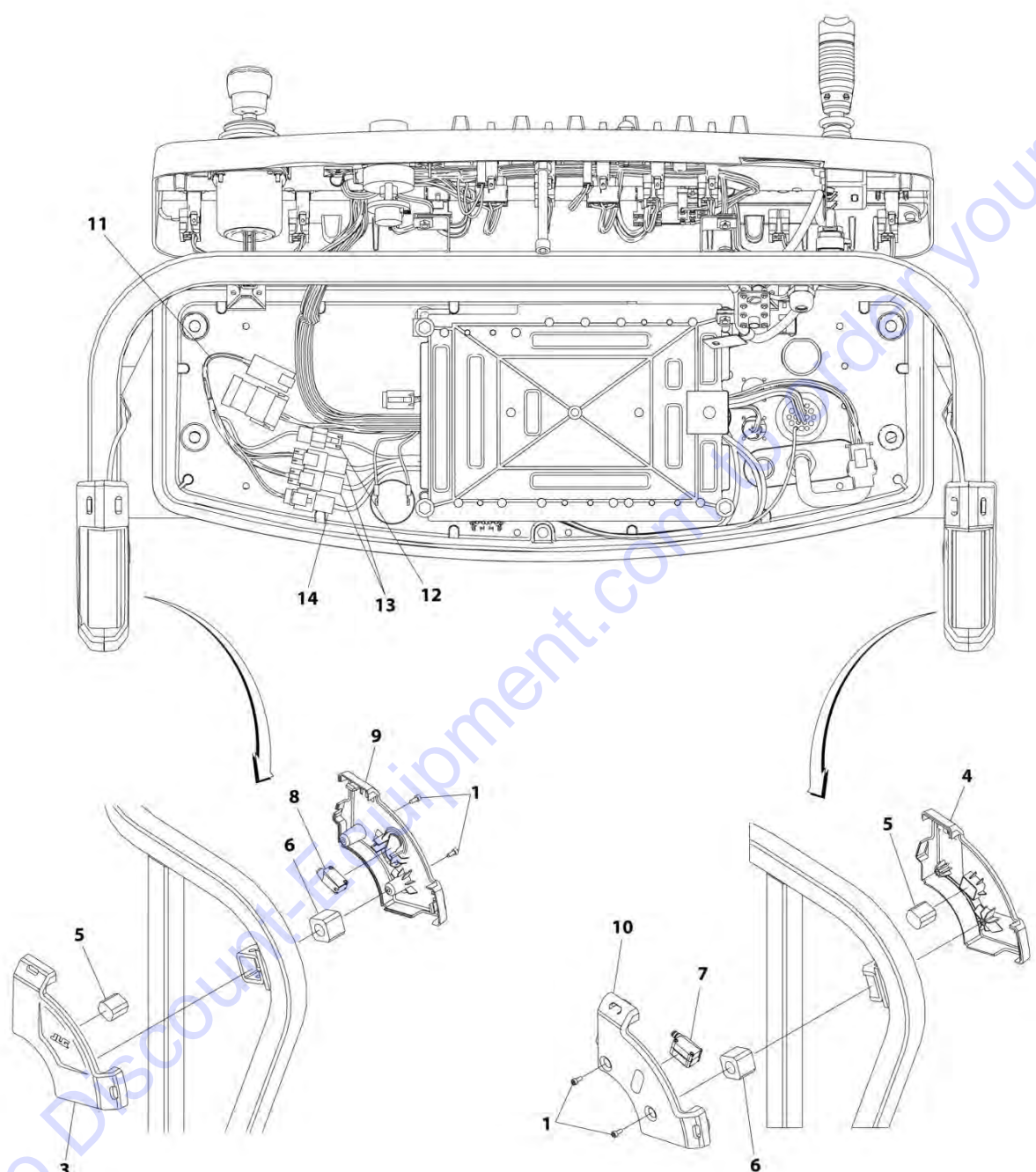
FIGURE 5-21. CROSS RAIL INSTALLATION

ITEM	PART NUMBER	QTY	DESCRIPTION	REV
	1001182138	Ref	CROSS RAIL INSTALLATION	A
1	0100071	AR	Compound, Locking	
2	0641414	2	Bolt 1/4 X 1-3/4	
3	3300430	2	Nut 1/4	
4	3520182	2	Plug	
5	4711400	2	Washer 1/4	
6	4751400	4	Washer 1/4	
7	1001191708	1	Bar	

Go to Discount-Equipment.com to order your parts

SECTION 5 - PLATFORM

FIGURE 5-22. SKYEYE INSTALLATION



ART_1001229341

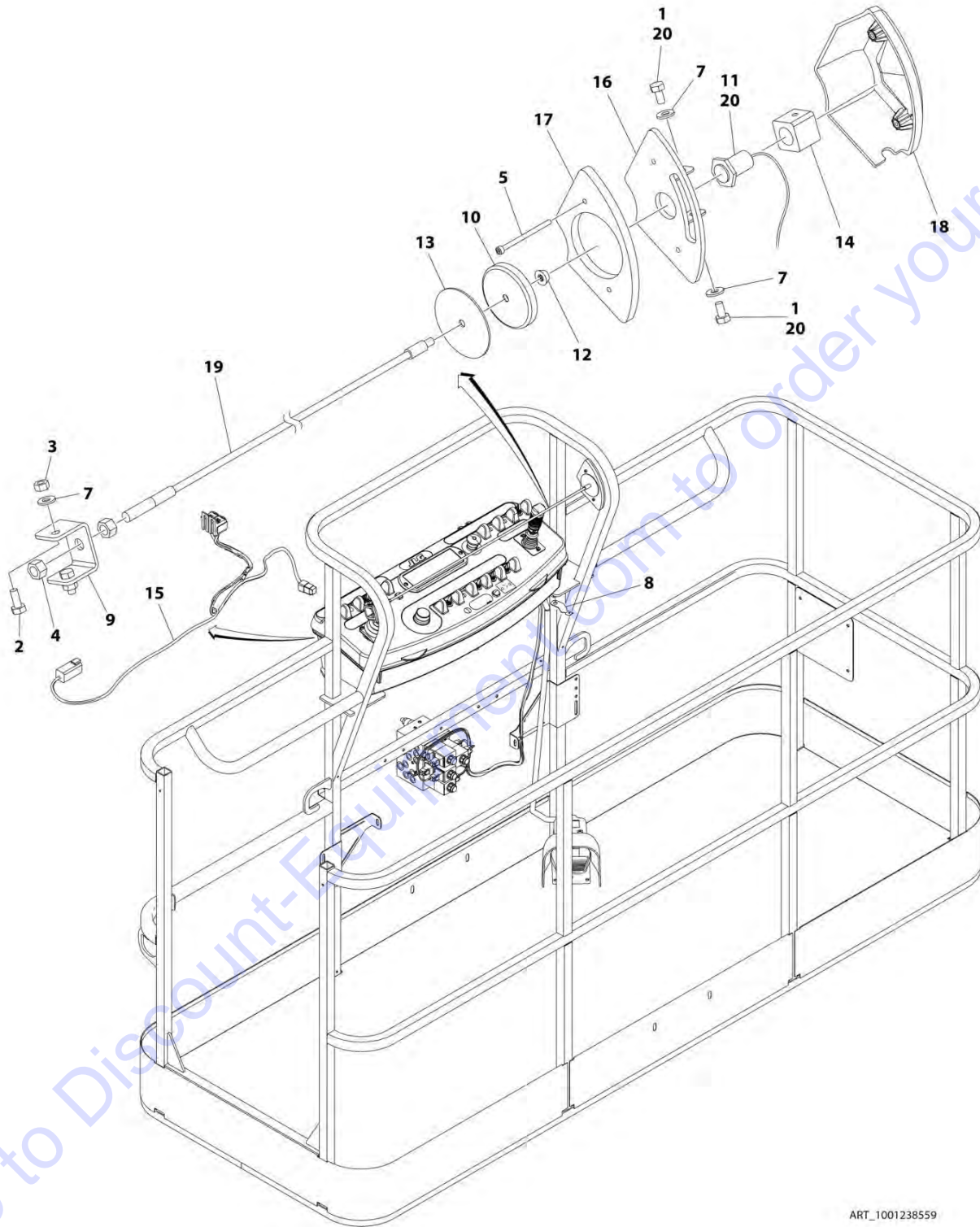
SECTION 5 - PLATFORM

FIGURE 5-22. SKYEYE INSTALLATION

ITEM	PART NUMBER	QTY	DESCRIPTION	REV
	1001229341	Ref	SKYEYE INSTALLATION	A
1	4031505	4	Bolt M4 x 10	
2	4240033	AR	Tie-Strap (Not Shown)	
3	1001227633	1	Housing, LH Outer	
4	1001227634	1	Housing, RH Outer	
5	1001227985	2	Shim	
6	1001227987	2	Shim	
7	1001228224	2	Sensor, Receiver	
8	1001228225	1	Sensor, Emitter	
9	1001232164	1	Housing, LH Inner	
10	1001232165	1	Housing, RH Inner	
11	1001237865	1	Harness, Skyeye Intermediate (See Separate Breakdown in ELECTRICAL SECTION)	
12	1001238319	1	Harness, Skyeye Drain Jumper	
12	1001187674	1	Plug, Male - 2 Position	
12	4460942	1	Terminal	
12	4460466	1	Plug, Terminal	
12	4460508	1	Pin, Male	
13	1001237863	2	Harness, Skyeye Receiver (See Separate Breakdown in ELECTRICAL SECTION)	
14	1001237864	1	Harness, Skyeye Emitter (See Separate Breakdown in ELECTRICAL SECTION)	

SECTION 5 - PLATFORM

FIGURE 5-23. SKYLINE INSTALLATION



ART_1001238559

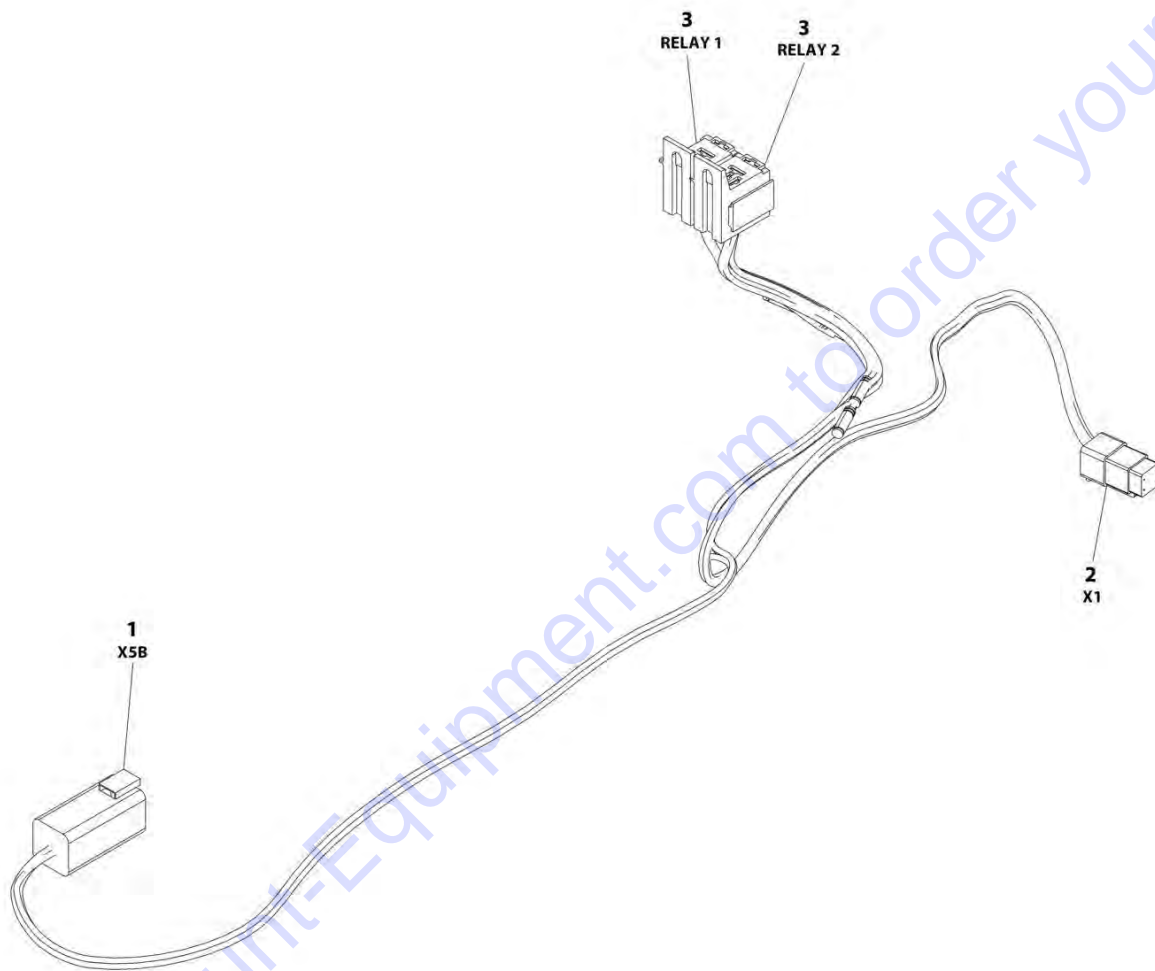
SECTION 5 - PLATFORM

FIGURE 5-23. SKYLINE INSTALLATION

ITEM	PART NUMBER	QTY	DESCRIPTION	REV
	1001238559	Ref	SKYLINE INSTALLATION	B
1	0641404	2	Bolt 1/4 x 1/2	
2	0641405	2	Bolt 1/4 x 5/8	
3	3311405	2	Nut 1/4	
4	3311601	2	Nut 3/8	
5	4031516	2	Capscrew M4 x 60	
6	4240033	AR	Tie-Strap (Not Shown)	
7	4711400	4	Washer 1/4	
8	1001120328	1	Mount	
9	1001232642	1	Bracket	
10	1001232650	1	Magnet	
11	1001232667	1	Sensor, Proximity	
12	1001235011	1	Nut	
13	1001235013	1	Washer	
14	1001236552	1	Block	
15	1001238418	1	Harness, Skyline (See Separate Breakdown in ELECTRICAL SECTION)	
16	1001238472	1	Mount	
17	1001238477	1	Housing, LH	
18	1001241965	1	Housing, RH	
19	1001238824	1	Rope	
20	0100011	AR	Compound, Locking	

SECTION 5 - PLATFORM

FIGURE 5-24. SKYLINE HARNESS



ART_1001238418

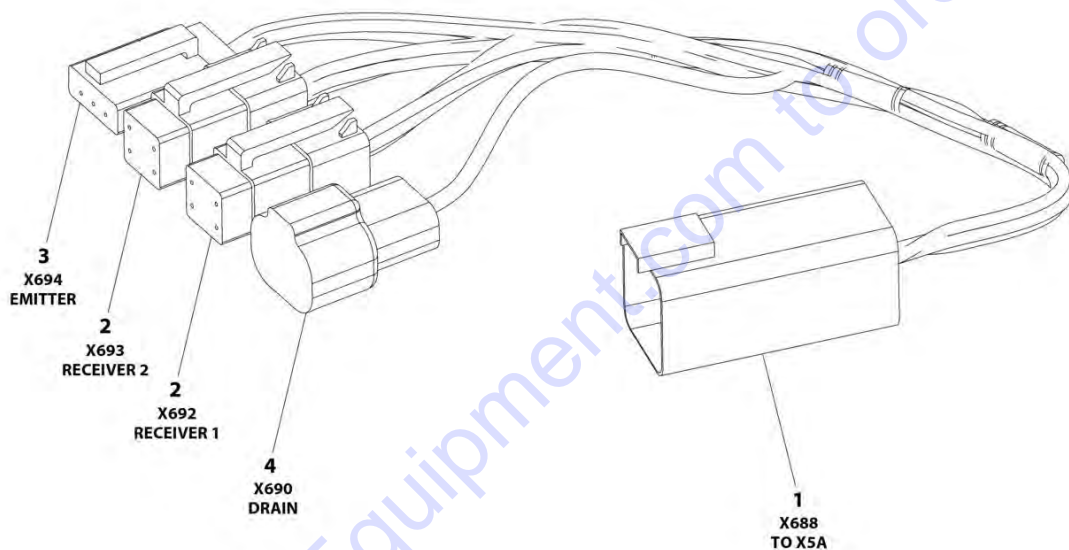
FIGURE 5-24. SKYLINE HARNESS

ITEM	PART NUMBER	QTY	DESCRIPTION	REV
	1001238418	Ref	SKYLINE HARNESS	A
1	4460899	1	Connector - 6 Position	
1	4460464	4	Pin, Male	
1	4460466	2	Plug, Terminal	
2	4461077	1	Connector - 4 Position	
2	1001126009	4	Socket, Female	
3	1001186432	2	Plug, Relay	
3	1001118388	5	Terminal	
3	1001118384	3	Terminal	
3	3740086	2	Relay	
3	3990013	2	Diode	

Go to Discount-Equipment.com to order your parts

SECTION 5 - PLATFORM

FIGURE 5-25. SKYEYE INTERMEDIATE HARNESS



ART_1001237865

SECTION 5 - PLATFORM

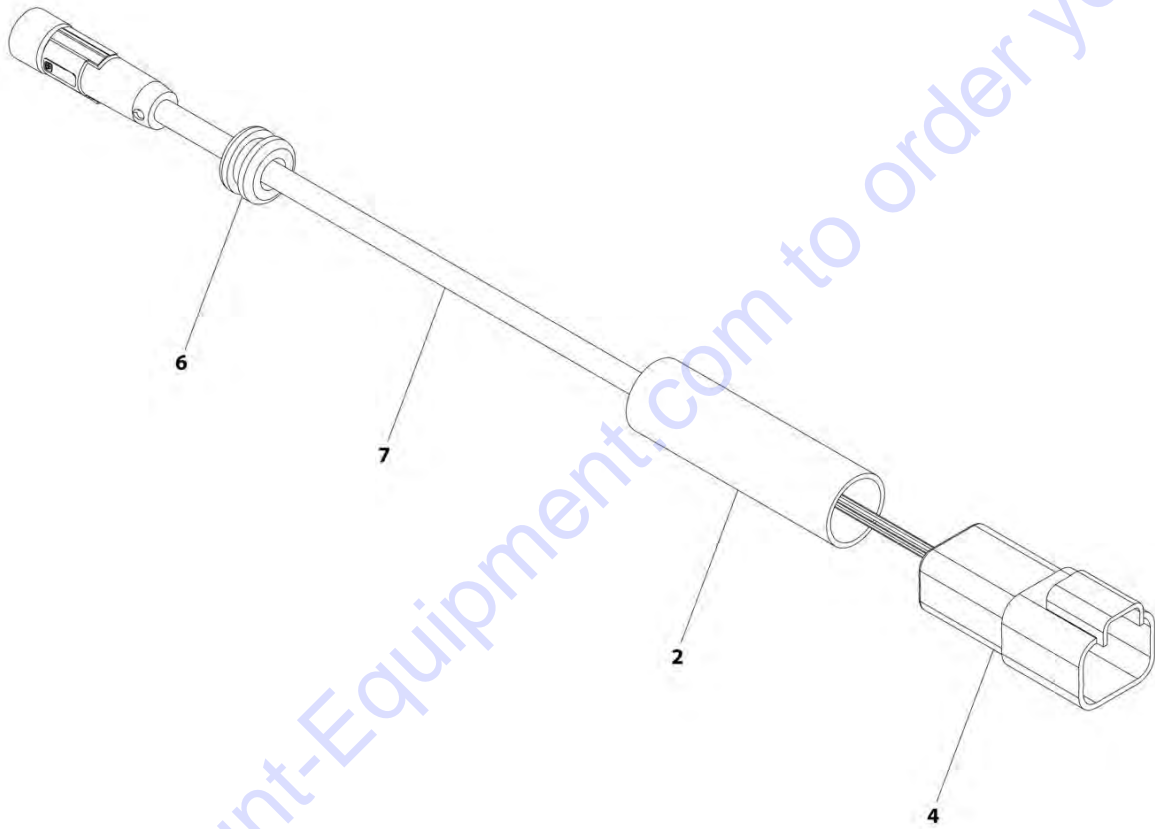
FIGURE 5-25. SKYEYE INTERMEDIATE HARNESS

ITEM	PART NUMBER	QTY	DESCRIPTION	REV
	1001237865	Ref	SKYEYE INTERMEDIATE HARNESS	A
1	4460899	1	Connector - 6 Position	
1	4460943	4	Pin, Male	
1	4460466	2	Plug, Terminal	
2	4461077	2	Connector - 4 Position	
2	1001119619	8	Socket, Female	
3	4460911	1	Connector - 3 Position	
3	1001119619	3	Socket, Female	
4	1001187681	1	Connector - 2 Position	
4	4460941	1	Pin, Male	
4	4460466	1	Plug, Terminal	

Go to Discount-Equipment.com to order your parts

SECTION 5 - PLATFORM

FIGURE 5-26. SKYEYE RECEIVER HARNESS



ART_1001237863

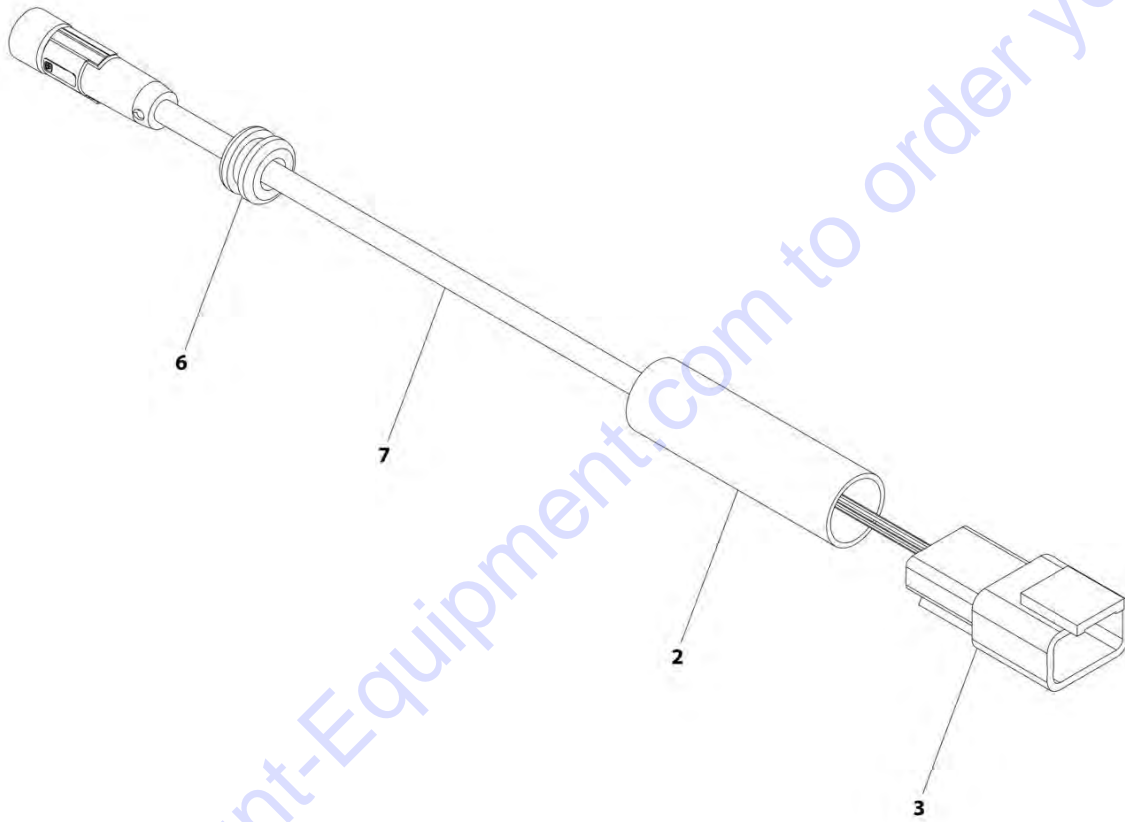
FIGURE 5-26. SKYEYE RECEIVER HARNESS

ITEM	PART NUMBER	QTY	DESCRIPTION	REV
	1001237863	Ref	SKYEYE RECEIVER HARNESS	A
2	2820247	AR	Tubing, Heat Shrink	
4	1001097051	1	Connector - 4 Position	
4	1001119620	4	Pin, Male	
6	1001227996	1	Grommet	
7	1001237862	1	Cable, M8 Female Cordset	

Go to Discount-Equipment.com to order your parts

SECTION 5 - PLATFORM

FIGURE 5-27. SKYEYE EMITTER HARNESS



ART_1001237864

FIGURE 5-27. SKYEYE EMITTER HARNESS

ITEM	PART NUMBER	QTY	DESCRIPTION	REV
	1001237864	Ref	SKYEYE EMITTER HARNESS	A
2	2820247	AR	Tubing, Heat Shrink	
3	4460910	1	Connector - 3 Position	
3	1001119620	3	Pin, Male	
6	1001227996	1	Grommet	
7	1001237862	1	Cable, M8 Female Cordset	

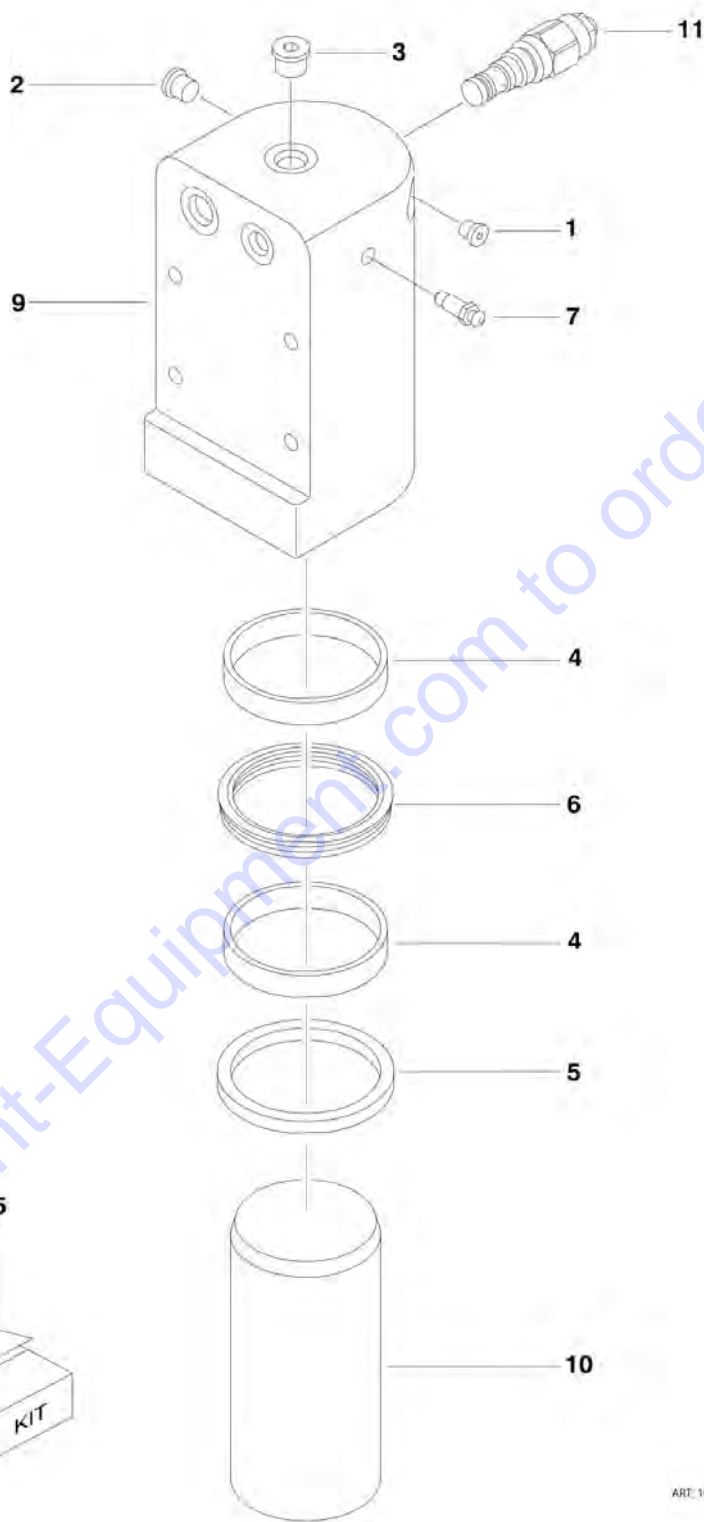
Go to Discount-Equipment.com to order your parts

SECTION 6 - CYLINDER

Go to Discount-Equipment.com to order your parts

SECTION 6 - CYLINDER

FIGURE 6-1. AXLE LOCKOUT CYLINDER ASSEMBLY



ART: 1001116361

SECTION 6 - CYLINDER

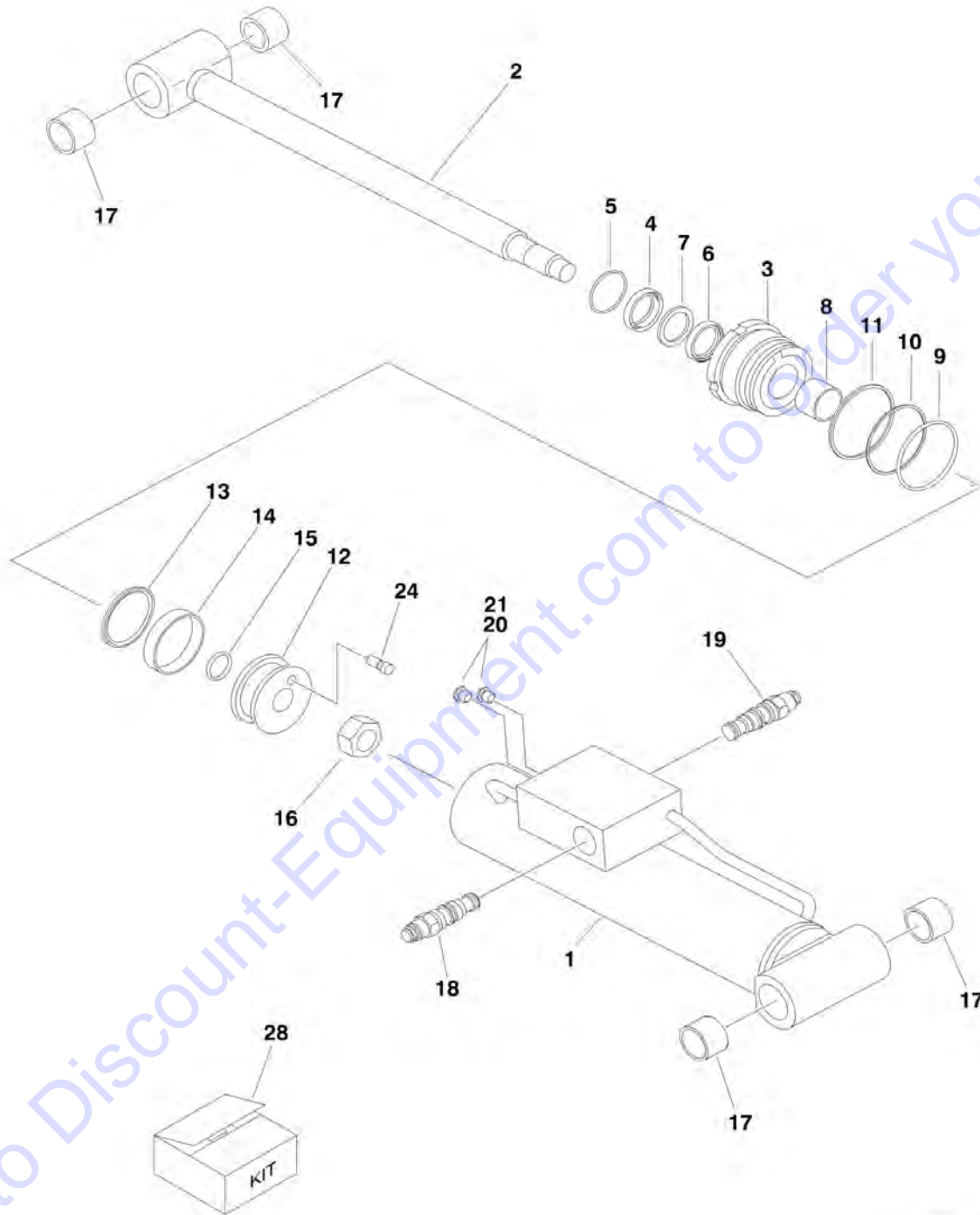
FIGURE 6-1. AXLE LOCKOUT CYLINDER ASSEMBLY

ITEM	PART NUMBER	QTY	DESCRIPTION	REV
	1001116361	Ref	AXLE LOCKOUT CYLINDER ASSEMBLY	D
1	2220881	1	Plug, O-Ring	
2	2220883	1	Plug, O-Ring	
3	2220885	1	Plug, O-Ring	
4	See Note	NSS	Ring, Wear (Note: Use Item 25)	
5	See Note	NSS	Wiper (Note: Use Item 25)	
6	See Note	NSS	Seal, Rod (Note: Use Item 25)	
7	4640858	1	Bleeder	
9	1001117365	1	Barrel	
10	1001117366	1	Rod	
11	1001117372	1	Cartridge, Valve	
11	70002842	1	Seal Kit - 1001117372 Valve	
25	1001116378	1	Seal Kit (Includes Items 4-6)	

Go to Discount-Equipment.com to order your parts

SECTION 6 - CYLINDER

FIGURE 6-2. LEVEL (PLATFORM SLAVE) CYLINDER ASSEMBLY (Prior to SN 0300240098)



ART_1001117375

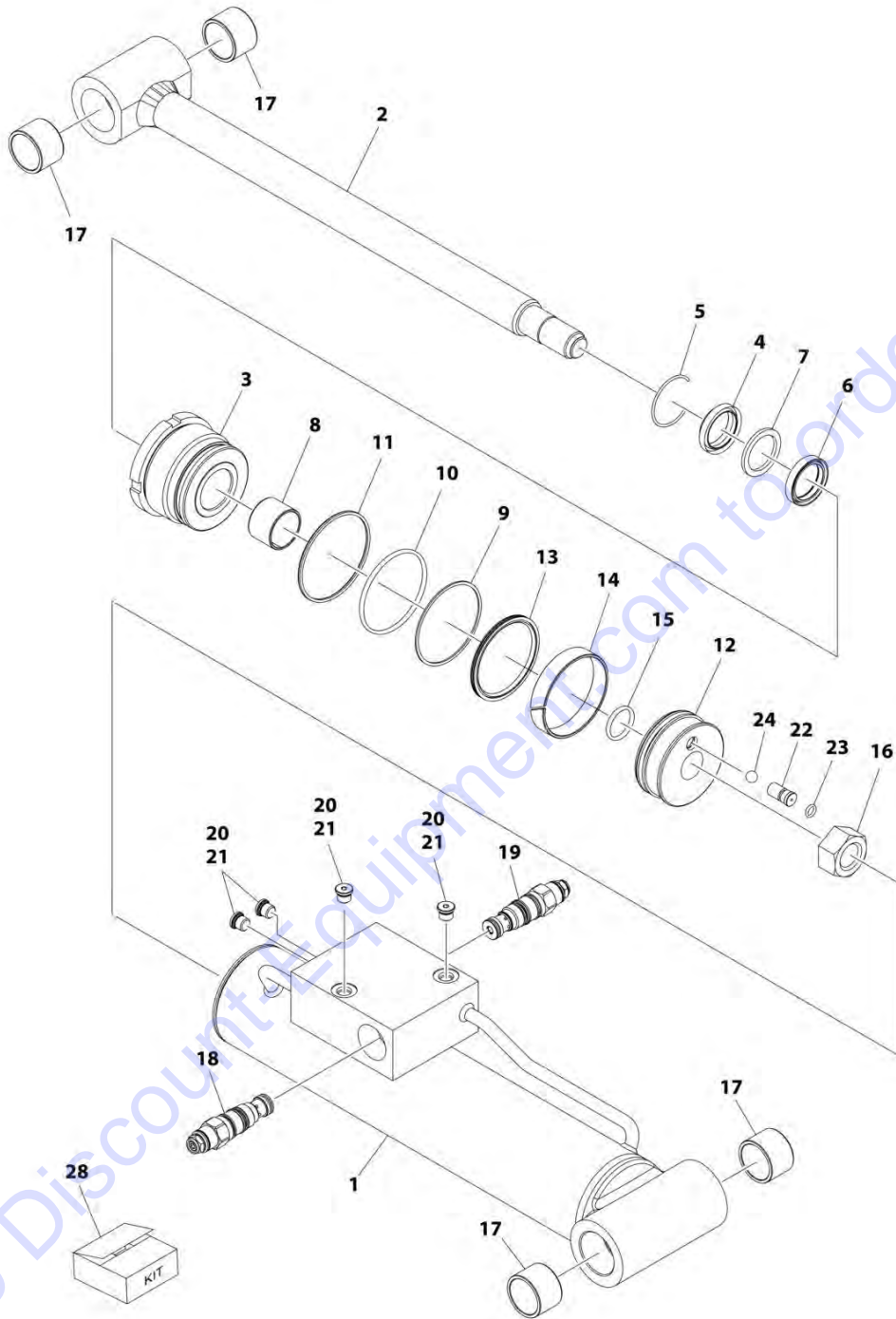
SECTION 6 - CYLINDER

FIGURE 6-2. LEVEL (PLATFORM SLAVE) CYLINDER ASSEMBLY (Prior to SN 0300240098)

ITEM	PART NUMBER	QTY	DESCRIPTION	REV
	1001117375	Ref	LEVEL (PLATFORM SLAVE) CYLINDER ASSEMBLY (Prior to SN 0300240098)	E
1	70003131	1	Barrel	
2	70003132	1	Rod	
3	70003085	1	Head	
4	See Note	NSS	Wiper (Note: Use Item 28)	
5	70002366	1	Ring, Retaining	
6	See Note	NSS	Seal, Rod (Note: Use Item 28)	
7	See Note	NSS	Ring, Back-up (Note: Use Item 28)	
8	70002352	1	Bearing	
9	See Note	NSS	O-Ring (Note: Use Item 28)	
10	See Note	NSS	Ring, Back-up (Note: Use Item 28)	
11	See Note	NSS	O-Ring (Note: Use Item 28)	
12	70003133	1	Piston	
13	See Note	NSS	Seal, Piston (Note: Use Item 28)	
14	See Note	NSS	Ring, Wear (Note: Use Item 28)	
15	See Note	NSS	O-Ring (Note: Use Item 28)	
16	70002335	1	Nut	
17	0961951	4	Bushing, Garmax (was p/n 70003087)	
18	70002413	1	Cartridge, Valve	
18	2900770	1	Seal Kit - 70002413 Valve	
19	70002388	1	Cartridge, Valve	
19	2900770	1	Seal Kit - 70002388 Valve	
20	70023370	2	Plug	
21	See Note	2	O-Ring (Note: Not Available - Purchase Locally)	
24	70002357	1	Valve, Phase	
28	70003134	1	Seal Kit (Includes Items 4, 6, 7, 9, 10, 11, 13, 14 & 15)	
100		Ref	REPAIR TOOLS (NOT SHOWN)	
100	70003089	1	Press, Wiper	
100	70003090	1	Press, Bushing (Use with Rod Bearing)	
100	70003091	1	Tool, Bushing Removal (Use with Rod Bearing)	
100	70003092	1	Tool, Head Seal Protection	
100	70003081	1	Tool, Piston Seal Protection	
100	70003093	1	Press, Bushing (Use with Pin Mounting Bushings)	
100	70003094	1	Tool, Bushing Removal (Use with Pin Mounting Bushings)	

SECTION 6 - CYLINDER

FIGURE 6-3. LEVEL (PLATFORM SLAVE) CYLINDER ASSEMBLY (SN 0300238046 to Present)



ART_1001225990

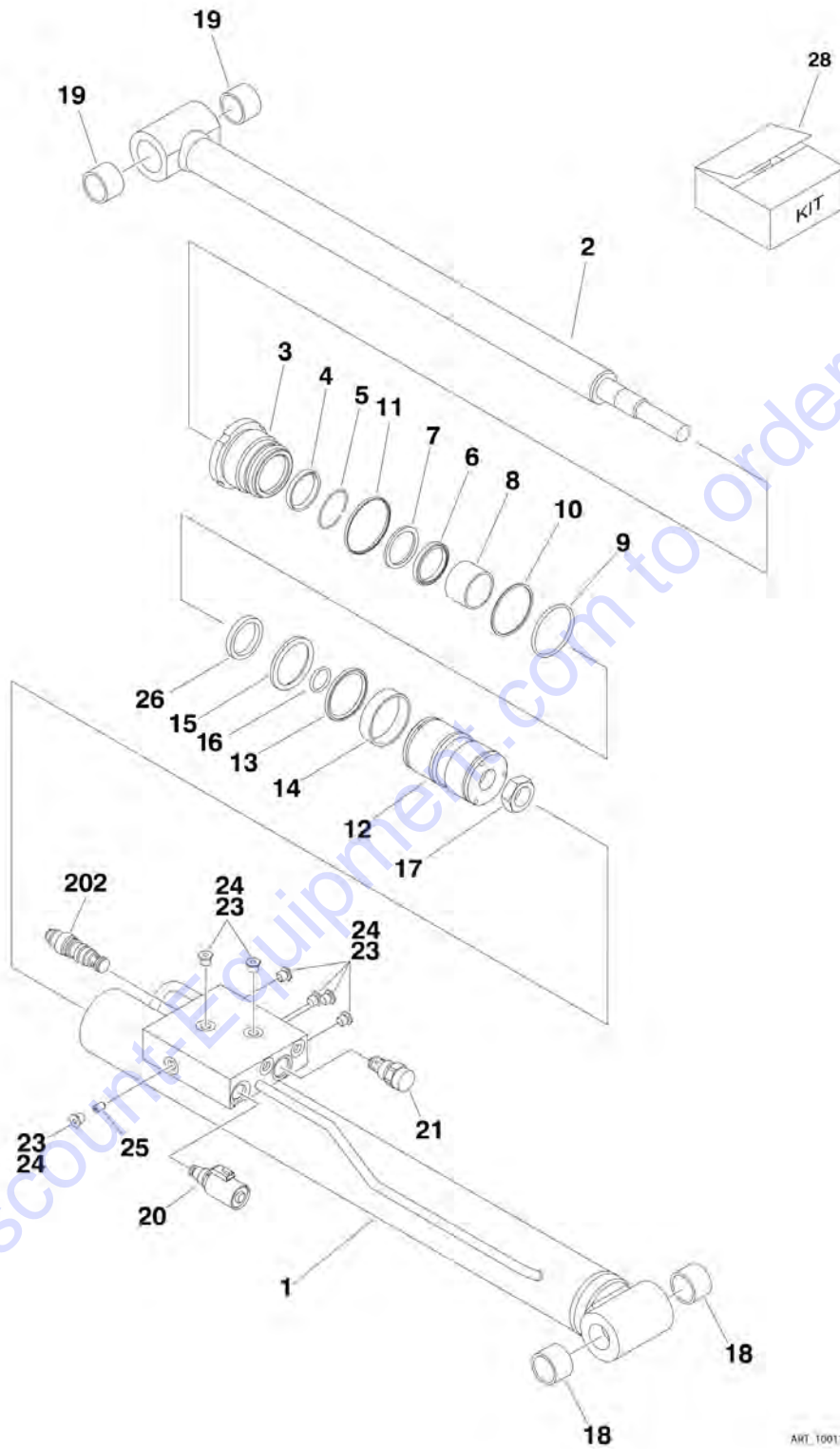
SECTION 6 - CYLINDER

FIGURE 6-3. LEVEL (PLATFORM SLAVE) CYLINDER ASSEMBLY (SN 0300238046 to Present)

ITEM	PART NUMBER	QTY	DESCRIPTION	REV
	1001225990	Ref	LEVEL (PLATFORM SLAVE) CYLINDER ASSEMBLY (SN 0300238046 to Present)	A
1	70003131	1	Barrel	
2	70003132	1	Rod	
3	70003085	1	Head	
4	See Note	NSS	Wiper (Note: Use Item 28)	
5	70002366	1	Ring, Retaining	
6	See Note	NSS	Seal, Rod (Note: Use Item 28)	
7	See Note	NSS	Ring, Back-up (Note: Use Item 28)	
8	70005695	1	Bearing	
9	See Note	NSS	O-Ring (Note: Use Item 28)	
10	See Note	NSS	Ring, Back-up (Note: Use Item 28)	
11	See Note	NSS	O-Ring (Note: Use Item 28)	
12	70003133	1	Piston	
13	See Note	NSS	Seal, Piston (Note: Use Item 28)	
14	See Note	NSS	Ring, Wear (Note: Use Item 28)	
15	See Note	NSS	O-Ring (Note: Use Item 28)	
16	70002335	1	Nut	
17	0961951	4	Bushing, Garmax	
18	70002413	1	Cartridge, Valve	
18	2900770	1	Seal Kit - 70002413 Valve	
19	1001168210	1	Cartridge, Valve	
19	2900770	1	Seal Kit - 1001168210 Valve	
20	2220883	4	Plug	
21	See Note	NSS	O-Ring (Note: Not Available - Purchase Locally)	
22	70005973	1	Valve Seat	
23	70005974	1	O-Ring	
24	70006353	1	Steel Ball	
28	70003134	1	Seal Kit (Includes Items 4, 6, 7, 9, 10, 11, 13, 14 & 15)	
100		Ref	REPAIR TOOLS (NOT SHOWN)	
100	70003089	1	Press, Wiper	
100	70003090	1	Press, Bushing (Use with Rod Bearing)	
100	70003091	1	Tool, Bushing Removal (Use with Rod Bearing)	
100	70003092	1	Tool, Head Seal Protection	
100	70003081	1	Tool, Piston Seal Protection	
100	70003093	1	Press, Bushing (Use with Pin Mounting Bushings)	
100	70003094	1	Tool, Bushing Removal (Use with Pin Mounting Bushings)	

SECTION 6 - CYLINDER

FIGURE 6-4. LIFT (JIB) CYLINDER ASSEMBLY



ART. 1001123004

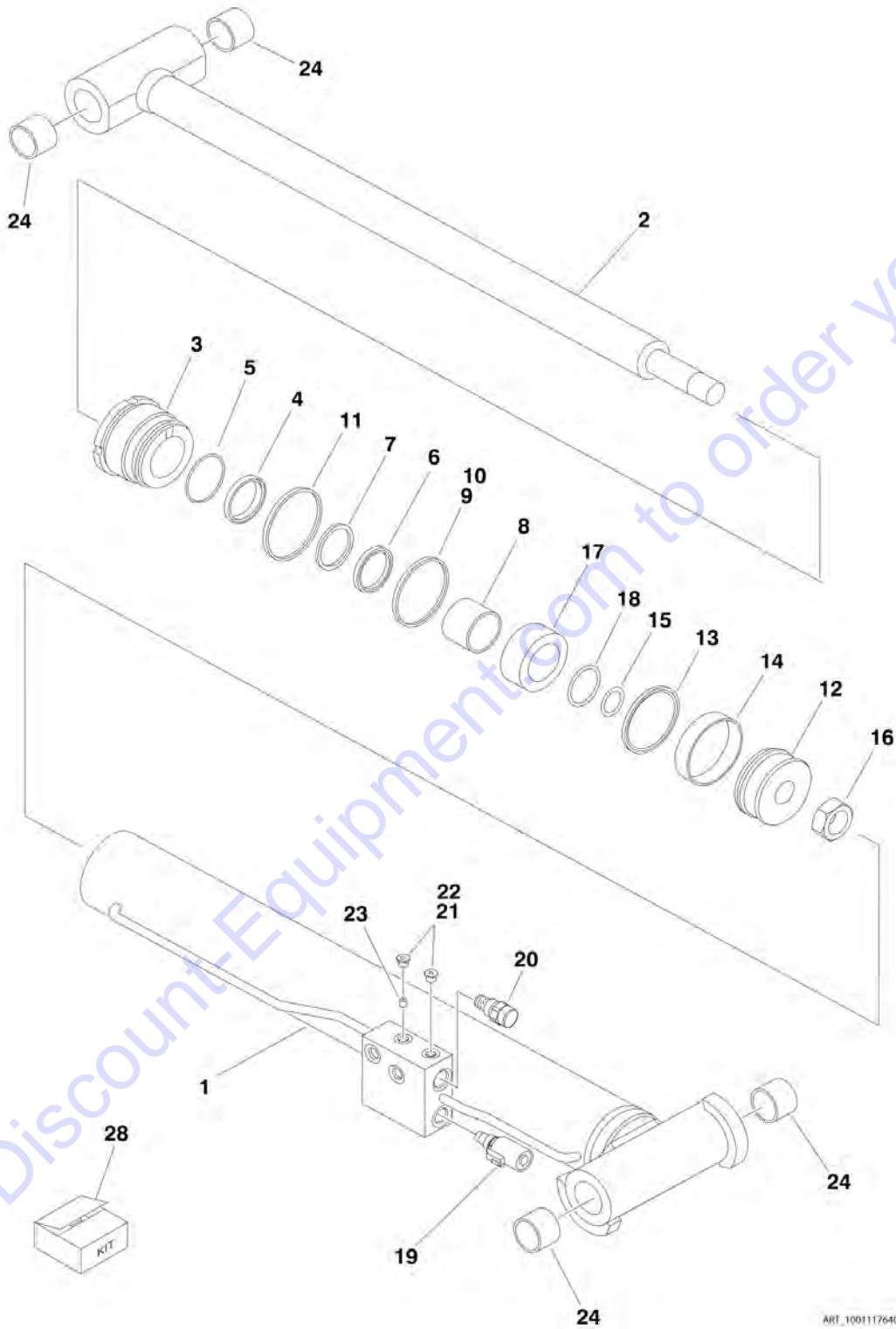
SECTION 6 - CYLINDER

FIGURE 6-4. LIFT (JIB) CYLINDER ASSEMBLY

ITEM	PART NUMBER	QTY	DESCRIPTION	REV
	1001123004	Ref	JIB LIFT CYLINDER ASSEMBLY	D
1	70003122	1	Barrel	
2	70002375	1	Rod	
3	70003123	1	Head	
4	See Note	NSS	Wiper (Note: Use Item 28)	
5	70002373	1	Ring, Retaining	
6	See Note	NSS	Seal, Rod (Note: Use Item 28)	
7	See Note	NSS	Ring, Back-up (Note: Use Item 28)	
8	70002372	1	Bearing	
9	See Note	NSS	O-Ring (Note: Use Item 28)	
10	See Note	NSS	Ring, Back-up (Note: Use Item 28)	
11	See Note	NSS	O-Ring (Note: Use Item 28)	
12	70003124	1	Piston	
13	70003125	1	Seal, Piston	
14	See Note	NSS	Ring, Wear (Note: Use Item 28)	
15	See Note	NSS	O-Ring (Note: Use Item 28)	
16	See Note	NSS	Ring, Piston (Note: Use Item 28)	
17	70002335	1	Nut	
18	70003118	2	Bushing	
19	0961951	2	Bushing, Garmax (was p/n 70003087)	
20	7024884	1	Cartridge, Solenoid Valve	
20	7012967	1	Seal Kit - 7024884 Valve	
20	70002386	1	Coil	
21	70003076	1	Cartridge, Check Valve	
21	7017496	1	Seal Kit - 70003076 Valve	
23	70023370	7	Plug	
24	See Note	7	O-Ring (Note: Not Available - Purchase Locally)	
25	70002334	1	Orifice	
26	70003453	1	Spacer	
28	70003125	1	Seal Kit (Includes Items 4, 6, 7, 9, 10, 11, 13, 14, 15 & 16)	
100		Ref	REPAIR TOOLS (NOT SHOWN)	
100	70003126	1	Press, Wiper	
100	70003127	1	Press, Bushing (Use with Rod Bearing)	
100	70003128	1	Tool, Bushing Removal (Use with Rod Bearing)	
100	70003129	1	Tool, Head Seal Protection	
100	70003130	1	Tool, Piston Seal Protection	
100	70003093	1	Press, Bushing (Use with Pin Mounting Bushings)	
100	70003094	1	Tool, Bushing Removal (Use with Pin Mounting Bushings)	
	1001199460	Ref	JIB LIFT CYLINDER ASSEMBLY	A
202	1001199306	1	Cartridge, Counter Balance Valve	
202	2900770	1	Seal Kit - 1001199306 Valve	

SECTION 6 - CYLINDER

FIGURE 6-5. LIFT (MAIN BOOM) CYLINDER ASSEMBLY



ART_100117640

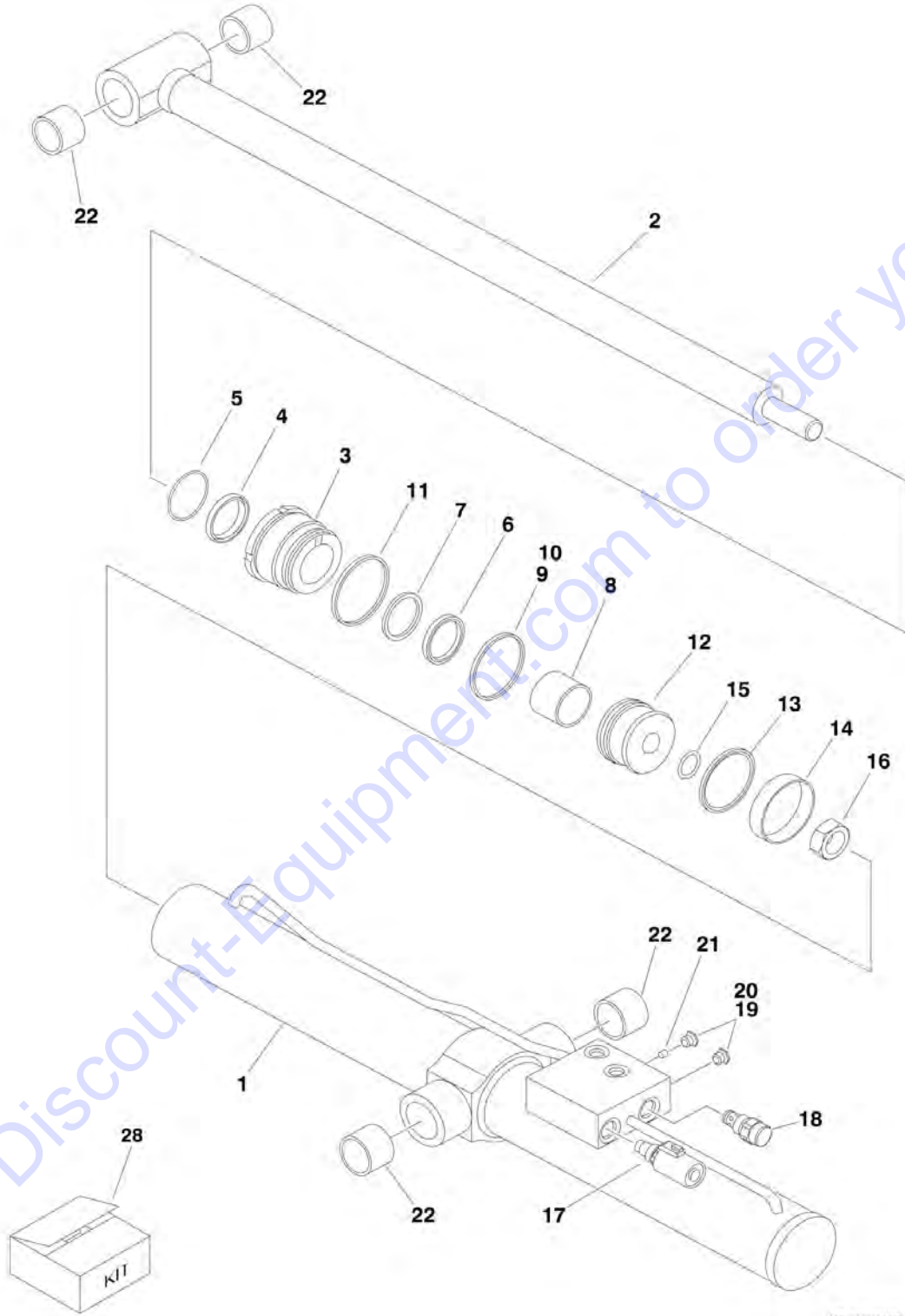
SECTION 6 - CYLINDER

FIGURE 6-5. LIFT (MAIN BOOM) CYLINDER ASSEMBLY

ITEM	PART NUMBER	QTY	DESCRIPTION	REV
	1001117640	Ref	MAIN BOOM LIFT CYLINDER ASSEMBLY	H
1	70003103	1	Barrel	
2	70003104	1	Rod	
3	70003105	1	Head	
4	See Note	NSS	Wiper (Note: Use Item 28)	
5	70002412	1	Ring, Retaining	
6	See Note	NSS	Seal, Rod (Note: Use Item 28)	
7	See Note	NSS	Ring, Back-up (Note: Use Item 28)	
8	70022565	1	Bearing	
9	See Note	NSS	O-Ring (Note: Use Item 28)	
10	See Note	NSS	Ring, Back-up (Note: Use Item 28)	
11	See Note	NSS	O-Ring (Note: Use Item 28)	
12	70003106	1	Piston	
13	See Note	NSS	Seal, Piston (Note: Use Item 28)	
14	See Note	NSS	Ring, Wear (Note: Use Item 28)	
15	See Note	NSS	O-Ring (Note: Use Item 28)	
16	70002335	1	Nut	
17	70002344	1	Spacer	
18	See Note	NSS	O-Ring (Note: Use Item 28)	
19	7024884	1	Cartridge, Solenoid Valve	
19	7012967	1	Seal Kit - 7024884 Valve	
19	70002386	1	Coil	
20	70003076	1	Cartridge, Check Valve	
20	7017496	1	Seal Kit - 70003076 Valve	
21	70023370	7	Plug	
22	See Note	7	O-Ring (Note: Not Available - Purchase Locally)	
23	70002334	1	Orifice	
24	0961948	2	Bushing, Garmax (was p/n 70003107)	
28	70003108	1	Seal Kit (Includes Items 4, 6, 7, 9, 10, 11, 13, 14, 15 & 18)	
100		Ref	REPAIR TOOLS (NOT SHOWN)	
100	70003109	1	Press, Wiper	
100	70003110	1	Press, Bushing (Use with Rod Bearing)	
100	70003111	1	Tool, Bushing Removal (Use with Rod Bearing)	
100	70003112	1	Tool, Head Seal Protection	
100	70003113	1	Tool, Piston Seal Protection	
100	70003082	1	Press, Bushing (Use with Pin Mounting Bushings)	
100	70003083	1	Tool, Bushing Removal (Use with Pin Mounting Bushings)	

SECTION 6 - CYLINDER

FIGURE 6-6. LIFT (TOWER BOOM) CYLINDER ASSEMBLY



ART_1001122527

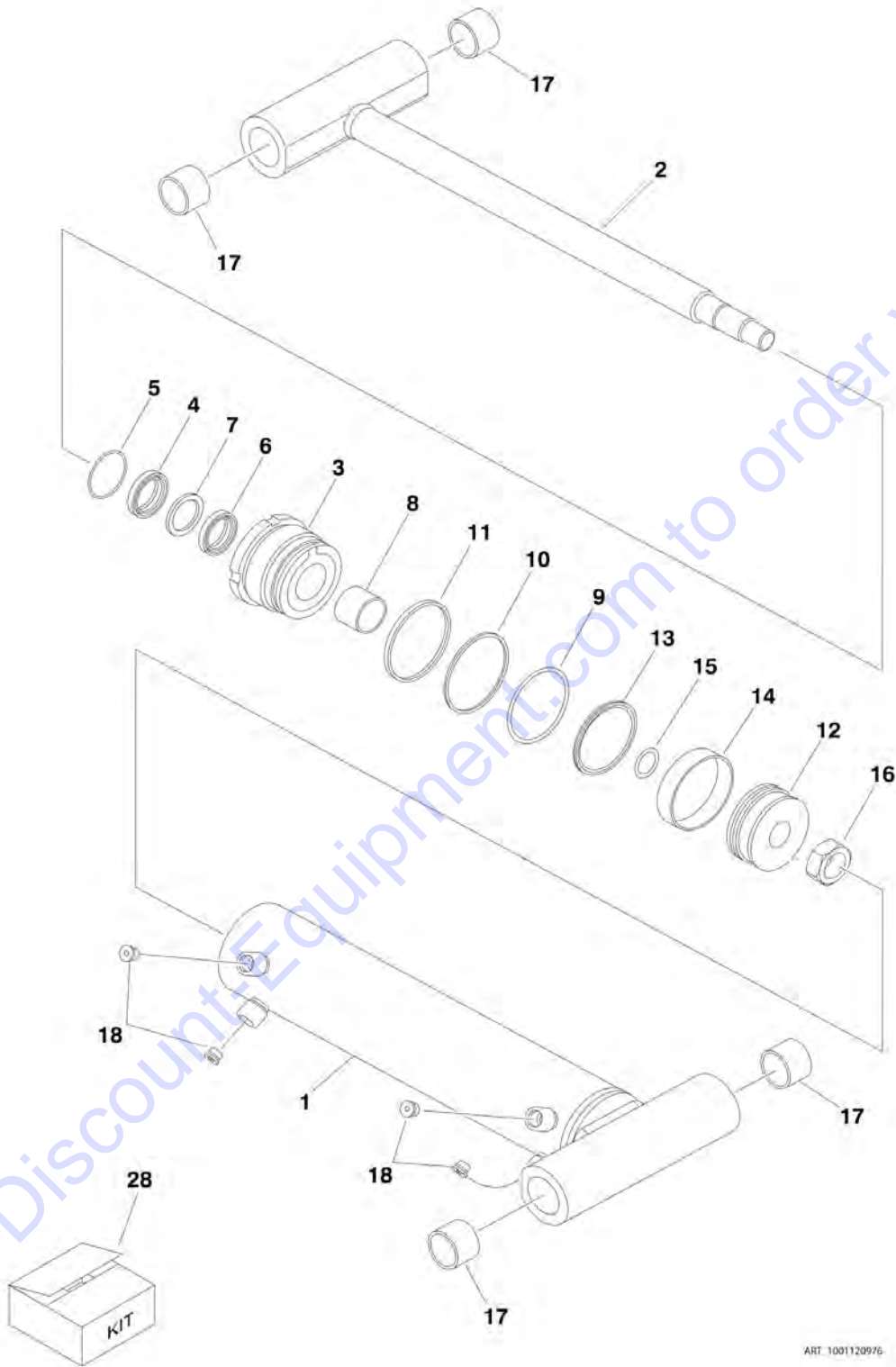
SECTION 6 - CYLINDER

FIGURE 6-6. LIFT (TOWER BOOM) CYLINDER ASSEMBLY

ITEM	PART NUMBER	QTY	DESCRIPTION	REV
	1001122527	Ref	TOWER BOOM LIFT CYLINDER ASSEMBLY	D
1	70003071	1	Barrel	
2	70003072	1	Rod	
3	70003073	1	Head	
4	See Note	NSS	Wiper (Note: Use Item 28)	
5	70002410	1	Ring, Retaining	
6	See Note	NSS	Seal, Rod (Note: Use Item 28)	
7	See Note	NSS	Ring, Back-up (Note: Use Item 28)	
8	70002337	1	Bearing	
9	See Note	NSS	O-Ring (Note: Use Item 28)	
10	See Note	NSS	Ring, Back-up (Note: Use Item 28)	
11	See Note	NSS	O-Ring (Note: Use Item 28)	
12	70003074	1	Piston	
13	See Note	NSS	Seal, Piston (Note: Use Item 28)	
14	See Note	NSS	Ring, Wear (Note: Use Item 28)	
15	See Note	NSS	O-Ring (Note: Use Item 28)	
16	70002335	1	Nut	
17	7024884	1	Cartridge, Solenoid Valve	
17	7012967	1	Seal Kit - 7024884 Valve	
17	70002386	1	Coil	
18	70003076	1	Cartridge, Check Valve	
18	7017496	1	Seal Kit - 70003076 Valve	
19	70023370	2	Plug	
20	See Note	2	O-Ring (Note: Not Available - Purchase Locally)	
21	70002334	1	Orifice	
22	0961948	4	Bushing, Garmax (was p/n 70003107)	
28	70003075	1	Seal Kit (Includes Items 4, 6, 7, 9, 10, 11, 13, 14 & 15)	
100		Ref	REPAIR TOOLS (NOT SHOWN)	
100	70003077	1	Press, Wiper	
100	70003078	1	Press, Bushing (Use with Rod Bearing)	
100	70003079	1	Tool, Bushing Removal (Use with Rod Bearing)	
100	70003080	1	Tool, Head Seal Protection	
100	70003081	1	Tool, Piston Seal Protection	
100	70003082	1	Press, Bushing (Use with Pin Mounting Bushings)	
100	70003083	1	Tool, Bushing Removal (Use with Pin Mounting Bushings)	

SECTION 6 - CYLINDER

FIGURE 6-7. MASTER CYLINDER ASSEMBLY



ART 1001120976

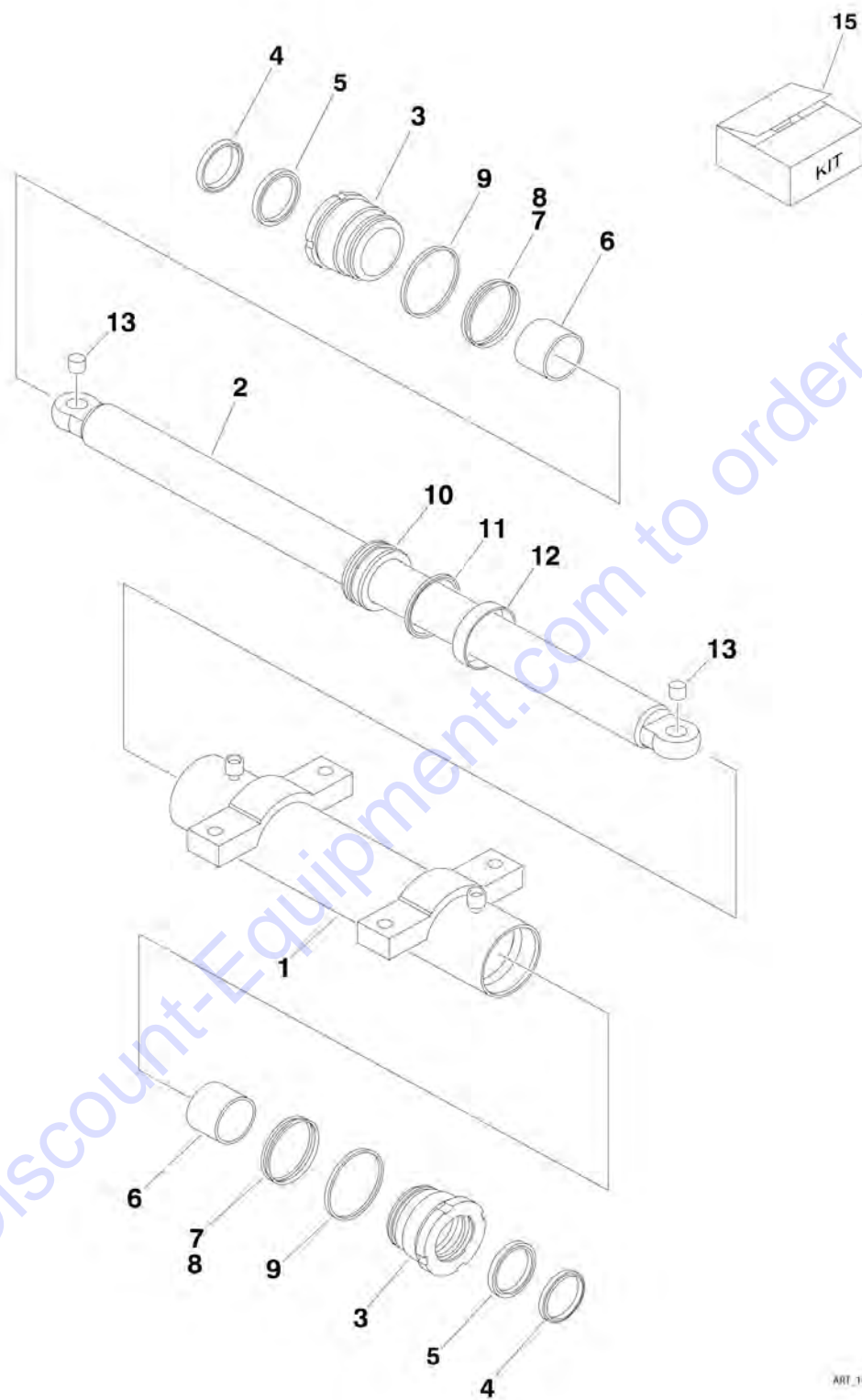
SECTION 6 - CYLINDER

FIGURE 6-7. MASTER CYLINDER ASSEMBLY

ITEM	PART NUMBER	QTY	DESCRIPTION	REV
	1001120976	Ref	MASTER CYLINDER ASSEMBLY	B
1	70003084	1	Barrel	
2	70002354	1	Rod	
3	70003085	1	Head	
4	See Note	NSS	Wiper (Note: Use Item 28)	
5	70002366	1	Ring, Retaining	
6	See Note	NSS	Seal, Rod (Note: Use Item 28)	
7	See Note	NSS	Ring, Back-up (Note: Use Item 28)	
8	70002352	1	Bearing	
9	See Note	NSS	O-Ring (Note: Use Item 28)	
10	See Note	NSS	Ring, Back-up (Note: Use Item 28)	
11	See Note	NSS	O-Ring (Note: Use Item 28)	
12	70003086	1	Piston	
13	See Note	NSS	Seal, Piston (Note: Use Item 28)	
14	See Note	NSS	Ring, Wear (Note: Use Item 28)	
15	See Note	NSS	O-Ring (Note: Use Item 28)	
16	70002335	1	Nut	
17	0961951	4	Bushing, Garmax (was p/n 70003087)	
18	70023371	4	Plug	
28	70003088	1	Seal Kit (Includes Items 4, 6, 7, 9, 10, 11, 13, 14 & 15)	
100		Ref	REPAIR TOOLS (NOT SHOWN)	
100	70003089	1	Press, Wiper	
100	70003090	1	Press, Bushing (Use with Rod Bearing)	
100	70003091	1	Tool, Bushing Removal (Use with Rod Bearing)	
100	70003092	1	Tool, Head Seal Protection	
100	70003081	1	Tool, Piston Seal Protection	
100	70003093	1	Press, Bushing (Use with Pin Mounting Bushings)	
100	70003094	1	Tool, Bushing Removal (Use with Pin Mounting Bushings)	

SECTION 6 - CYLINDER

FIGURE 6-8. STEER CYLINDER ASSEMBLY



ART 1001116/88

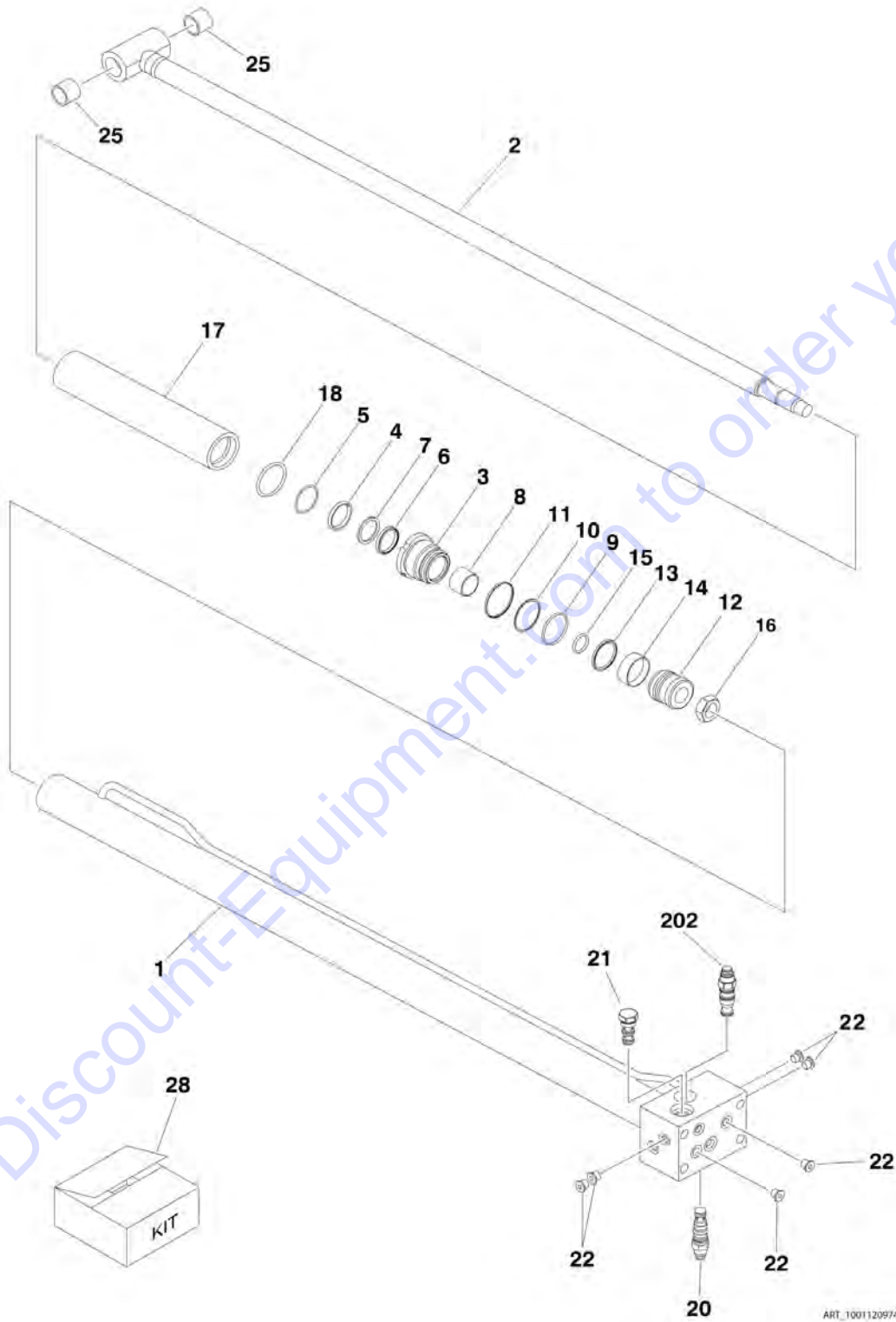
SECTION 6 - CYLINDER

FIGURE 6-8. STEER CYLINDER ASSEMBLY

ITEM	PART NUMBER	QTY	DESCRIPTION	REV
	1001116788	Ref	STEER CYLINDER ASSEMBLY	C
1	70003095	1	Barrel	
2	70003096	1	Rod	
3	70003098	2	Head	
4	See Note	NSS	Wiper (Note: Use Item 15)	
5	See Note	NSS	Seal, Rod (Note: Use Item 15)	
6	70002337	2	Bearing	
7	See Note	NSS	O-Ring (Note: Use Item 15)	
8	See Note	NSS	Ring, Back-up (Note: Use Item 15)	
9	See Note	NSS	O-Ring (Note: Use Item 15)	
10	70003097	1	Piston	
11	See Note	NSS	Seal, Piston (Note: Use Item 15)	
12	See Note	NSS	Ring, Wear (Note: Use Item 15)	
13	70002380	4	Bushing, Garmax	
15	70003099	1	Seal Kit (Includes Items 4, 5, 7, 8, 9, 11 & 12)	
100		Ref	REPAIR TOOLS (NOT SHOWN)	
100	70003077	1	Press, Wiper	
100	70003078	1	Press, Bushing (Use with Rod Bearing)	
100	70003079	1	Tool, Bushing Removal (Use with Rod Bearing)	
100	70003080	1	Tool, Head Seal Protection	
100	70003100	1	Tool, Piston Seal Protection	
100	70003101	1	Press, Bushing (Use with Pin Mounting Bushings)	
100	70003102	1	Tool, Bushing Removal (Use with Pin Mounting Bushings)	

SECTION 6 - CYLINDER

FIGURE 6-9. TELESCOPE CYLINDER ASSEMBLY



ART_1001120974

SECTION 6 - CYLINDER

FIGURE 6-9. TELESCOPE CYLINDER ASSEMBLY

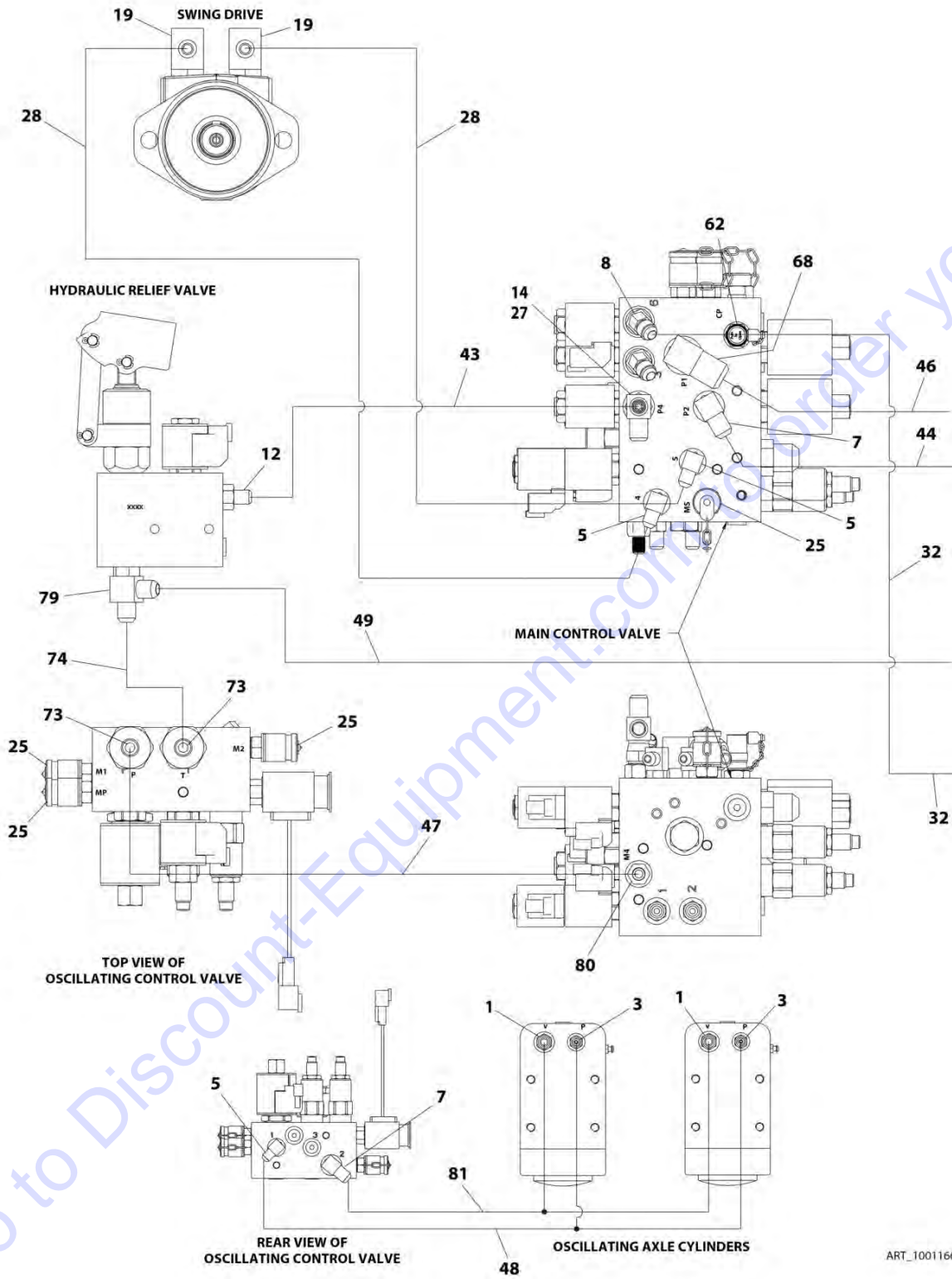
ITEM	PART NUMBER	QTY	DESCRIPTION	REV
	1001120974	Ref	TELESCOPE CYLINDER ASSEMBLY	C
1	70003114	1	Barrel	
2	70003115	1	Rod	
3	70003116	1	Head	
4	See Note	NSS	Wiper (Note: Use Item 28)	
5	70002366	1	Ring, Retaining	
6	See Note	NSS	Seal, Rod (Note: Use Item 28)	
7	See Note	NSS	Ring, Back-up (Note: Use Item 28)	
8	70002352	1	Bearing	
9	See Note	NSS	O-Ring (Note: Use Item 28)	
10	See Note	NSS	Ring, Back-up (Note: Use Item 28)	
11	See Note	NSS	O-Ring (Note: Use Item 28)	
12	70003117	1	Piston	
13	See Note	NSS	Seal, Piston (Note: Use Item 28)	
14	See Note	NSS	Ring, Wear (Note: Use Item 28)	
15	See Note	NSS	O-Ring (Note: Use Item 28)	
16	70002335	1	Nut	
17	70002364	1	Spacer	
18	See Note	NSS	O-Ring (Note: Use Item 28)	
20	70002389	1	Cartridge, Counterbalance Valve	
20	2900770	1	Seal Kit - 70002389 Valve	
21	10837580	1	Cartridge, Load Shuttle Valve	
21	7010543	1	Seal Kit - 10837580 Valve	
22	70023370	6	Plug	
25	70003118	2	Bushing	
28	70003119	1	Seal Kit (Includes Items 4, 6, 7, 9, 10, 11, 13, 14, 15 & 18)	
100		Ref	REPAIR TOOLS (NOT SHOWN)	
100	70003089	1	Press, Wiper	
100	70003090	1	Press, Bushing (Use with Rod Bearing)	
100	70003091	1	Tool, Bushing Removal (Use with Rod Bearing)	
100	70003092	1	Tool, Head Seal Protection	
100	70003120	1	Press, Bushing (Use with Pin Mounting Bushings)	
100	70003121	1	Tool, Bushing Removal (Use with Pin Mounting Bushings)	
	1001199461	Ref	TELESCOPE CYLINDER ASSEMBLY	A
202	1001199306	1	Cartridge, Counter Balance Valve	
202	2900770	1	Seal Kit - 1001199306 Valve	

SECTION 7 - HYDRAULIC

Go to Discount-Equipment.com to order your parts

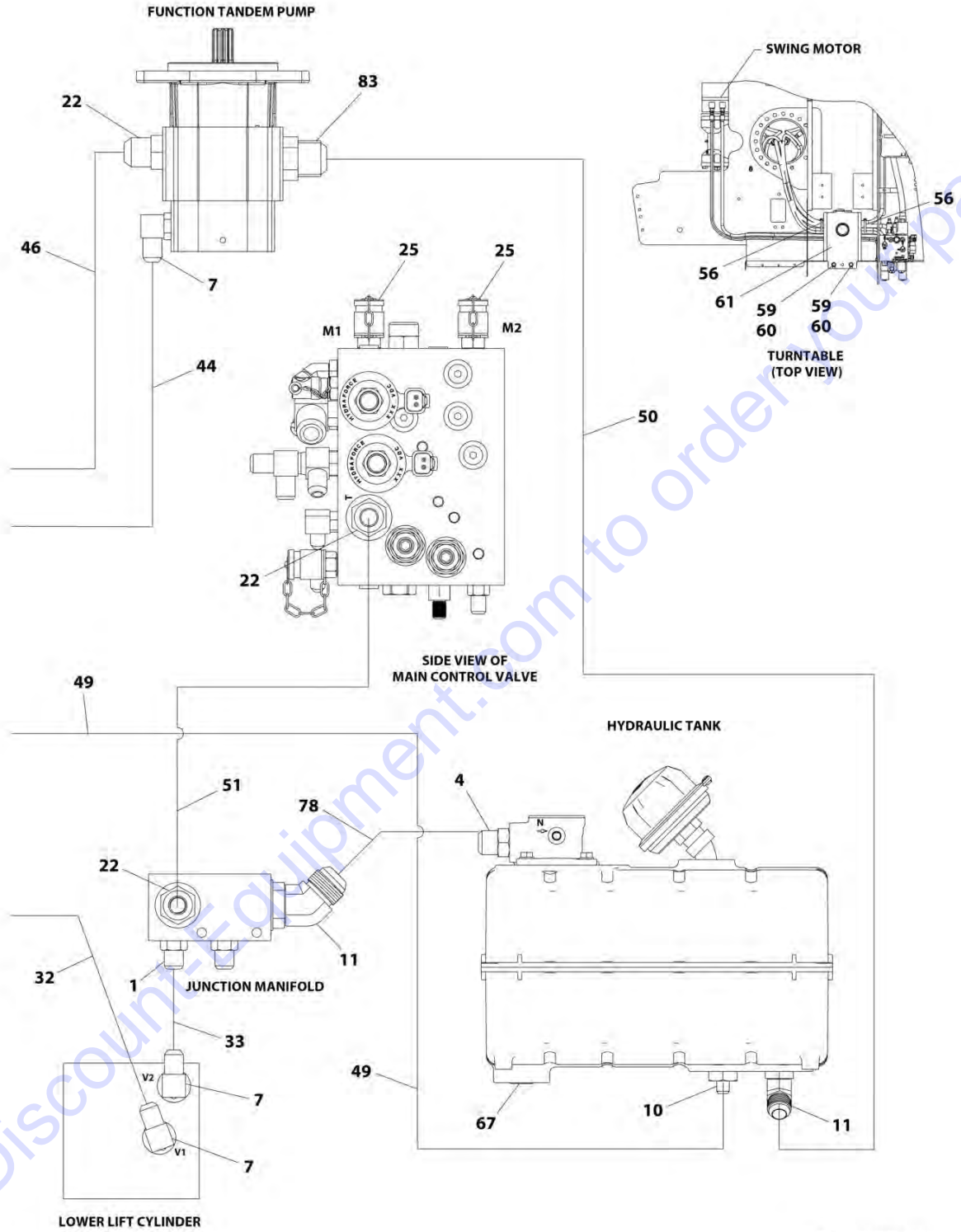
SECTION 7 - HYDRAULIC

FIGURE 7-1. HYDRAULIC SYSTEM INSTALLATION - WITHOUT ARCTIC PACKAGE



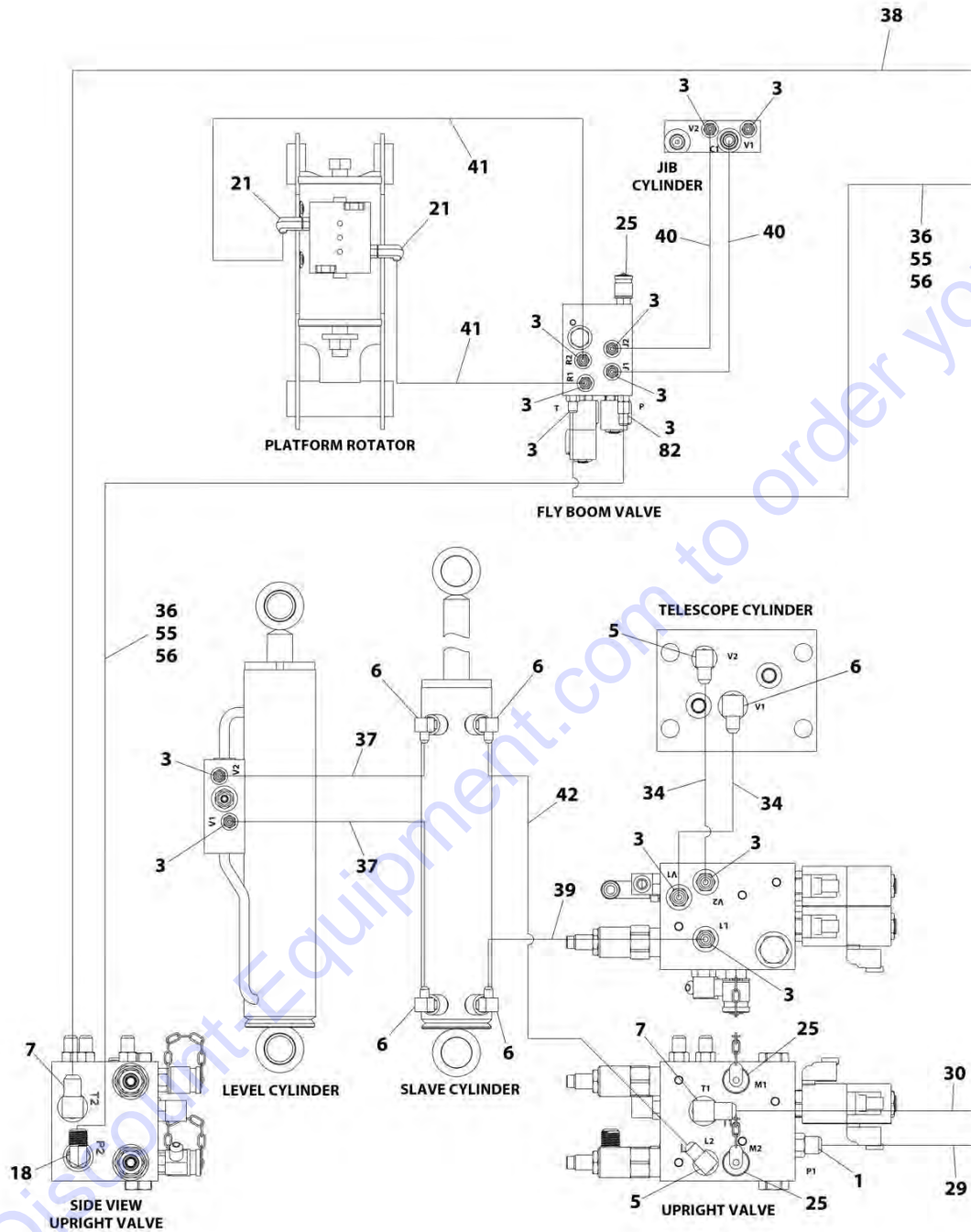
ART_1001166848_10F4

SECTION 7 - HYDRAULIC



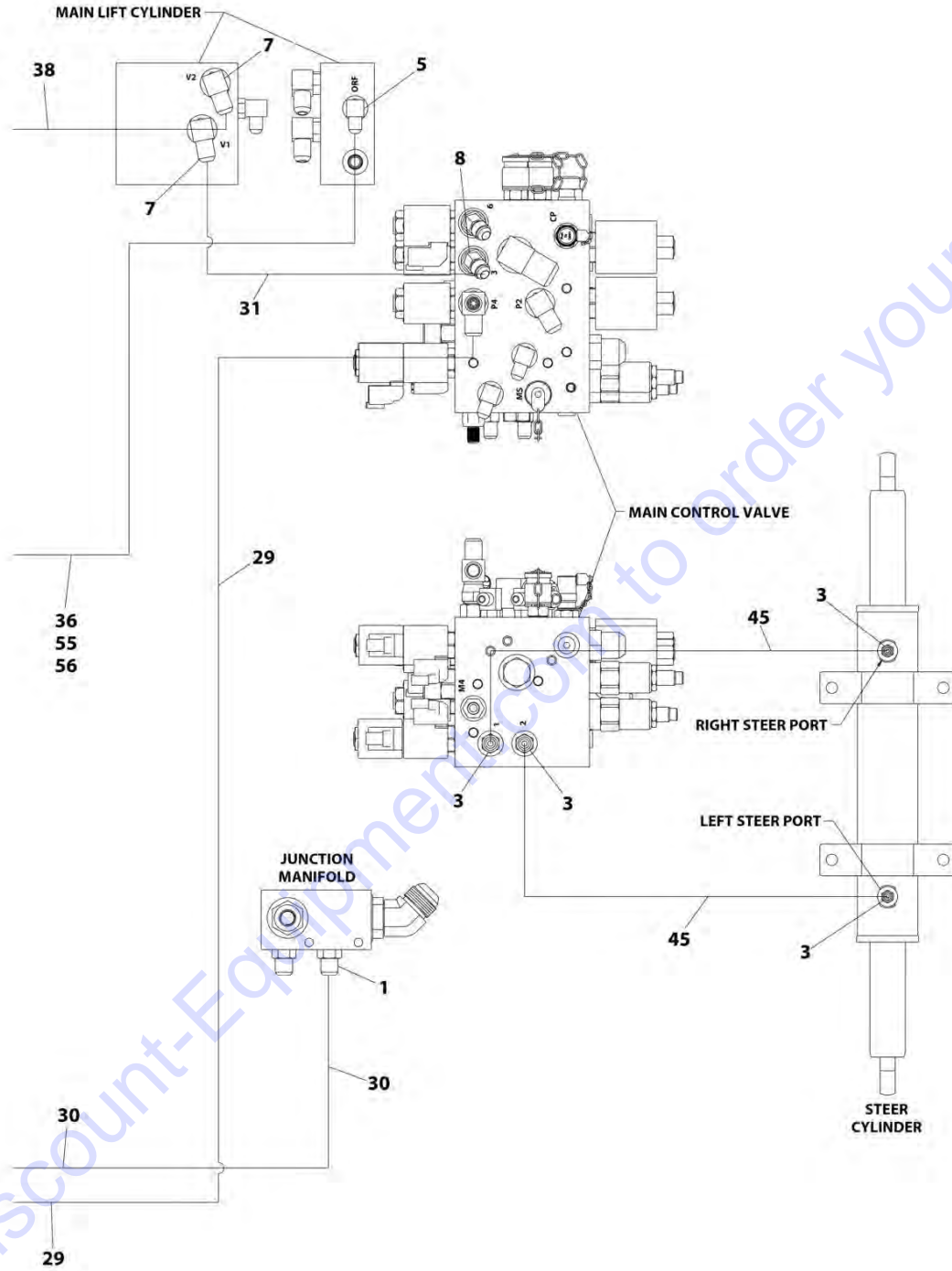
ART_1001166848_20F4

SECTION 7 - HYDRAULIC



ART_1001166848_3OF4

SECTION 7 - HYDRAULIC



ART_1001166848_40F4

SECTION 7 - HYDRAULIC

FIGURE 7-1. HYDRAULIC SYSTEM INSTALLATION - WITHOUT ARCTIC PACKAGE

ITEM	PART NUMBER	QTY	DESCRIPTION	REV
	1001166848	Ref	HYDRAULIC SYSTEM INSTALLATION - WITHOUT ARCTIC PACKAGE	M
1	2220371	5	Fitting, Straight JIC/ORB	
3	2220415	19	Fitting, Straight JIC/ORB	
4	2220451	1	Fitting, Straight JIC/ORB	
5	2220466	6	Fitting, 90 JIC/ORB	
6	2220472	5	Fitting, 90 JIC/ORB	
7	2220473	9	Fitting, 90 JIC/ORB	
8	2220501	2	Fitting, 45 JIC/ORB	
10	2220577	1	Fitting, Straight JIC/ORB	
11	2220498	2	Fitting, 45 JIC/ORB	
12	2220582	1	Fitting, Straight JIC/ORB	
14	2220635	1	Fitting, Tee JIC/FSJIC/JIC	
18	2220819	1	Fitting, 90 JIC/ORB	
19	2220828	2	Fitting, 90 JIC/ORB	
21	2220940	2	Fitting, 90 JIC/ORB	
22	2220947	3	Fitting, Straight JIC/ORB	
25	2221086	9	Fitting, Test Port	
27	80233041	1	Fitting, Check	
28	1001119525	2	Hose	
29	1001119572	1	Hose	
30	1001119577	1	Hose	
31	1001119593	1	Hose	
32	1001119594	1	Hose	
33	1001119595	1	Hose	
34	1001119596	2	Hose	
35	1001119597	1	Hose	
36	1001119598	1	Hose	
37	1001119600	2	Hose	
38	1001119602	1	Hose	
39	1001119603	1	Hose	
40	1001119604	2	Hose	
41	1001119605	2	Hose	
42	1001121966	1	Hose	
43	1001127705	1	Hose	
44	1001167206	1	Hose	
45	1001167207	2	Hose	
46	1001167208	1	Hose	
47	1001167210	1	Hose	
48	1001168702	1	Hose	
49	1001172556	1	Hose	
50	1001172557	1	Hose	
51	1001172558	1	Hose	
55	4100066	1	Sleeve, Hose Wrap	
56	4240018	AR	Tie-Strap	
59	5250810	2	Bolt M8 X 20	
60	8310686	2	Retainer M8	
61	1001121221	1	Cover, Tray	
62	1001119455	1	Valve, Oil Sampling	
67	2220887	1	Plug ORB	

PARTS FINDER

**Search Website
by Part Number**



**Search Manual
Library For Parts
Manual & Lookup Part
Numbers – Purchase
or Request Quote**

**Can't Find Part or
Manual? Request Help
by Manufacturer,
Model & Description**

Discount-Equipment.com is your online resource for quality parts & equipment.

Florida: **561-964-4949** Outside Florida TOLL FREE: **877-690-3101**

Need parts?

Click on this link: <http://www.discount-equipment.com/category/5443-parts/> and choose one of the options to help get the right parts and equipment you are looking for. Please have the machine model and serial number available in order to help us get you the correct parts. If you don't find the part on the website or on one of the online manuals, please fill out the request form and one of our experienced staff members will get back to you with a quote for the right part that your machine needs.

We sell worldwide for the brands: Genie, Terex, JLG, MultiQuip, Mikasa, Essick, Whiteman, Mayco, Toro Stone, Diamond Products, Generac Magnum, Airman, Haulotte, Barreto, Power Blanket, Nifty Lift, Atlas Copco, Chicago Pneumatic, Allmand, Miller Curber, Skyjack, Lull, Skytrak, Tsurumi, Husquvarna Target, Stow, Wacker, Sakai, Mi-T-M, Sullair, Basic, Dynapac, MBW, Weber, Bartell, Bennar Newman, Haulotte, Ditch Runner, Menegotti, Morrison, Contec, Buddy, Crown, Edco, Wyco, Bomag, Laymor, EZ Trench, Bil-Jax, F.S. Curtis, Gehl Pavers, Heli, Honda, ICS/PowerGrit, IHI, Partner, Imer, Clipper, MMD, Koshin, Rice, CH&E, General Equipment, Amida, Coleman, NAC, Gradall, Square Shooter, Kent, Stanley, Tamco, Toku, Hatz, Kohler, Robin, Wisconsin, Northrock, Oztec, Toker TK, Rol-Air, APT, Wylie, Ingersoll Rand / Doosan, Innovatech, Con X, Ammann, Mecalac, Makinex, Smith Surface Prep, Small Line, Wanco, Yanmar

SECTION 7 - HYDRAULIC

ITEM	PART NUMBER	QTY	DESCRIPTION	REV
68	2221042	1	Fitting, 90 JIC/ORB	
73	1001152155	2	Fitting, Straight JIC/ORB	
74	1001178795	1	Hose	
78	1001183675	1	Hose	
79	2220606	1	Fitting, Tee JIC/ORB/JIC	
80	1001189611	1	Valve, Check	
81	1001197509	1	Hose	
82	2220914	1	Orifice	
83	2220408	1	Fitting, Straight JIC/ORB	

Go to Discount-Equipment.com to order your parts

SECTION 7 - HYDRAULIC

FIGURE 7-2. HYDRAULIC DIAGRAM LIST

ITEM	PART NUMBER	QTY	DESCRIPTION	REV
		Ref	Note: Diagrams not shown are available from Discount-equipment.com. Schematics are shown in the Service and Maintenance Manual.	
		Ref	HYDRAULIC DIAGRAM LIST	
		Ref	Hydraulic Diagram Installation	
	1001166848	Ref	Hydraulic System Installation - Without Arctic Package	
	1001169718	Ref	Hydraulic System Installation - With Arctic Package	
	1001169204	Ref	Hydraulic Schematic	

SECTION 8 - ELECTRICAL

Go to Discount-Equipment.com to order your parts

SECTION 8 - ELECTRICAL

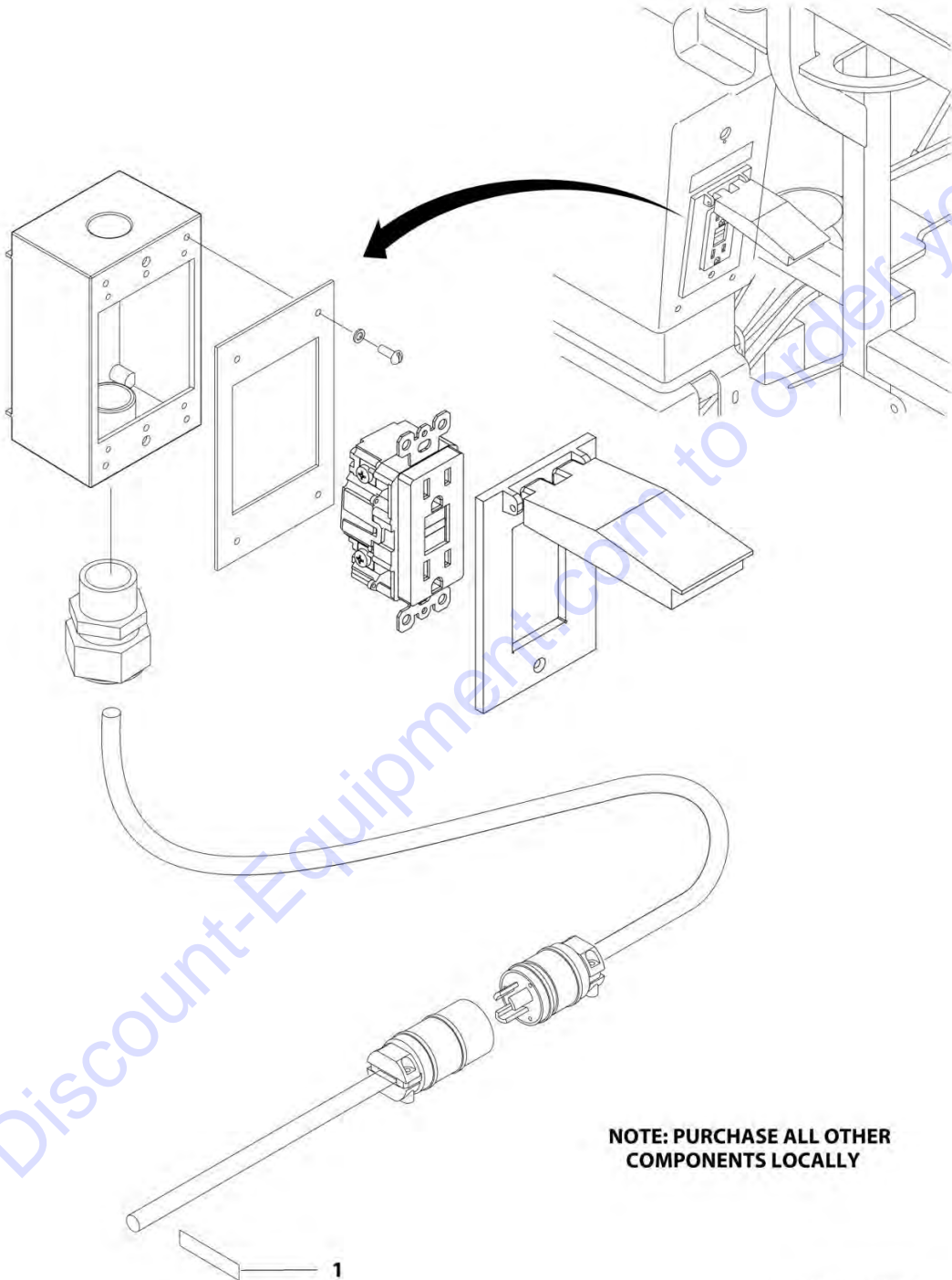
FIGURE 8-1. ELECTRICAL DIAGRAM LIST

ITEM	PART NUMBER	QTY	DESCRIPTION	REV
		Ref	Note: Diagrams not shown are available from Discount-equipment.com. Schematics shown in the Service and Maintenance Manual.	
	1001156395	Ref	ELECTRICAL DIAGRAM LIST	
		Ref	Electrical Schematic	

Go to Discount-Equipment.com to order your parts

SECTION 8 - ELECTRICAL

FIGURE 8-2. AC BOX AT PLATFORM INSTALLATION - LOCALLY SUPPLIED COMPONENTS (ANSI EXPORT AND AUSTRALIAN SPECS)



NOTE: PURCHASE ALL OTHER COMPONENTS LOCALLY

ART_1001119870

SECTION 8 - ELECTRICAL

FIGURE 8-2. AC BOX AT PLATFORM INSTALLATION - LOCALLY SUPPLIED COMPONENTS (ANSI EXPORT AND AUSTRALIAN SPECS)

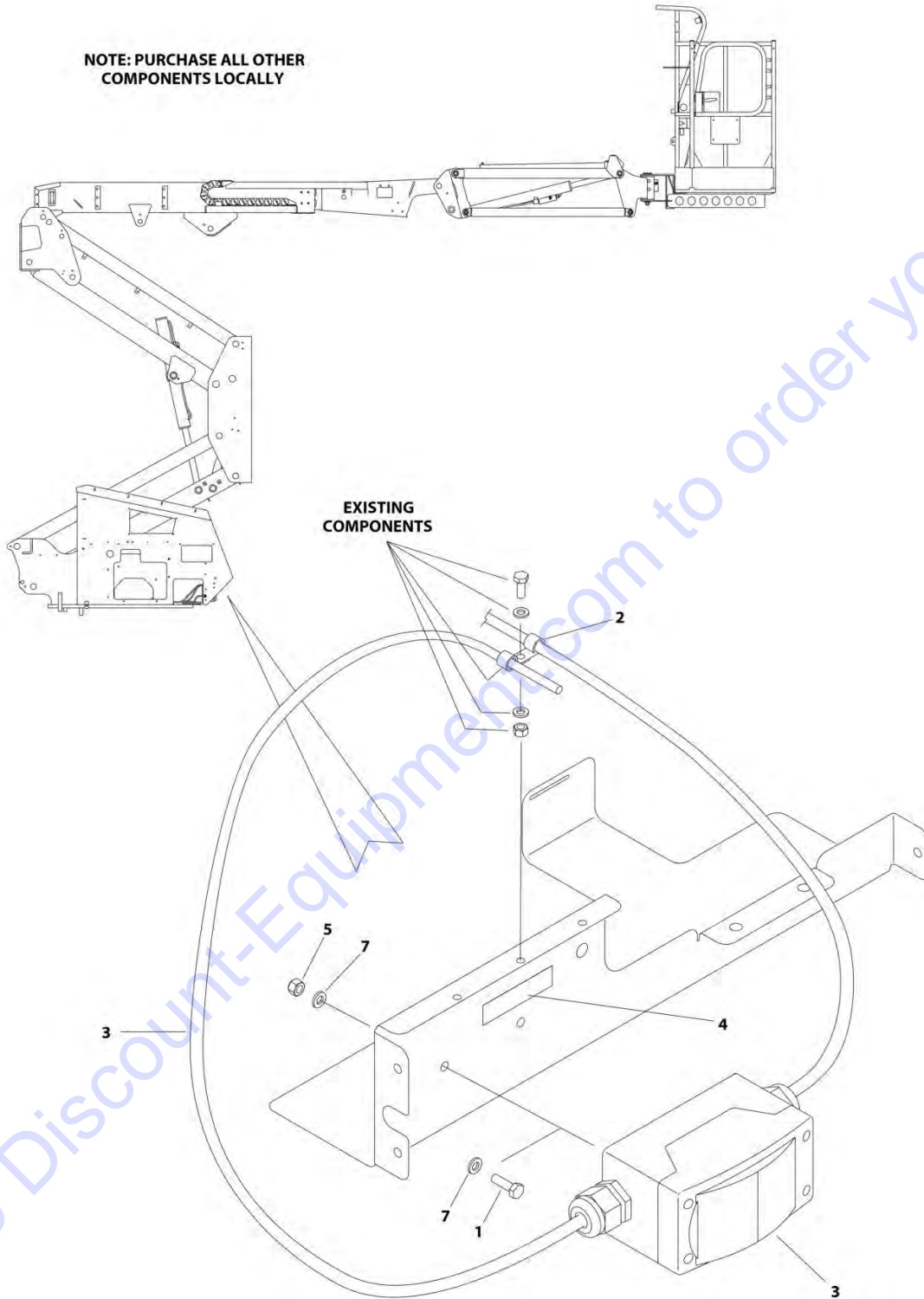
ITEM	PART NUMBER	QTY	DESCRIPTION	REV
	1001119870	Ref	AC BOX AT PLATFORM INSTALLATION - LOCALLY SUPPLIED COMPONENTS (ANSI EXPORT AND AUSTRALIAN SPECS)	A
1	3251243	1	Decal - 120V-60Hz	

Go to Discount-Equipment.com to order your parts

SECTION 8 - ELECTRICAL

FIGURE 8-3. AC BOX AT PLATFORM INSTALLATION - LOCALLY SUPPLIED (CE SPEC)

NOTE: PURCHASE ALL OTHER COMPONENTS LOCALLY



ART_1001130588

SECTION 8 - ELECTRICAL

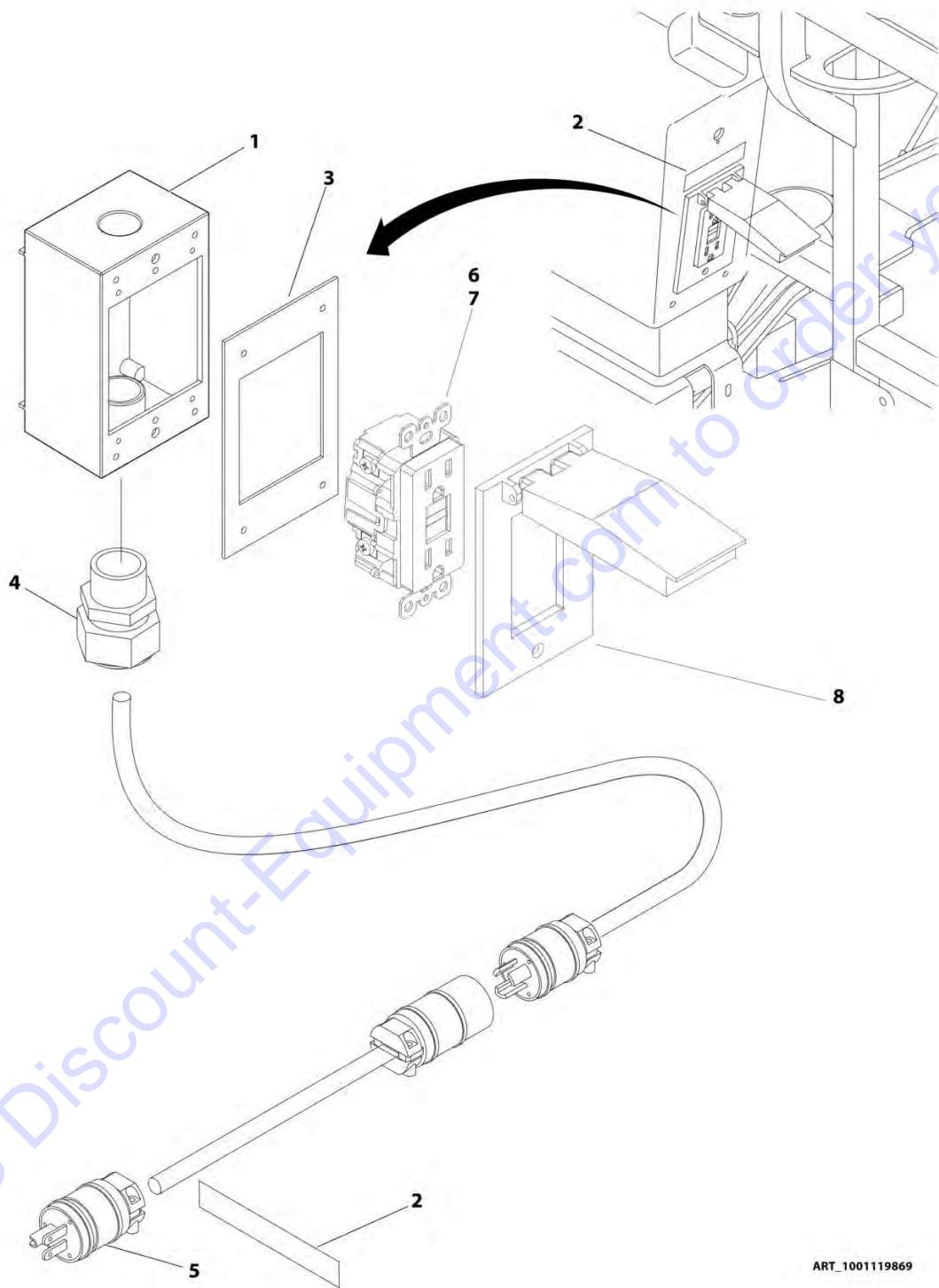
FIGURE 8-3. AC BOX AT PLATFORM INSTALLATION - LOCALLY SUPPLIED (CE SPEC)

ITEM	PART NUMBER	QTY	DESCRIPTION	REV
	1001130588	Ref	AC BOX AT PLATFORM INSTALLATION - LOCALLY SUPPLIED COMPONENTS (CE SPEC)	A
1	0760610	2	Bolt M6 x 20	
2	1320043	1	Clamp	
3	2902549	1	Breaker Box Kit (See BREAKER BOX KIT for Breakdown)	
4	3252507	1	Decal - 220V - 50/60Hz	
5	3290605	2	Nut M6	
6	4460121	3	Cap, Wire (Not Shown - Located inside Receptacle Box)	
7	4811700	4	Washer M6	

Go to Discount-Equipment.com to order your parts

SECTION 8 - ELECTRICAL

FIGURE 8-4. AC BOX AT PLATFORM INSTALLATION - 110V (ANSI, ANSI EXPORT, CSA AND JAPANESE SPECS)



ART_1001119869

SECTION 8 - ELECTRICAL

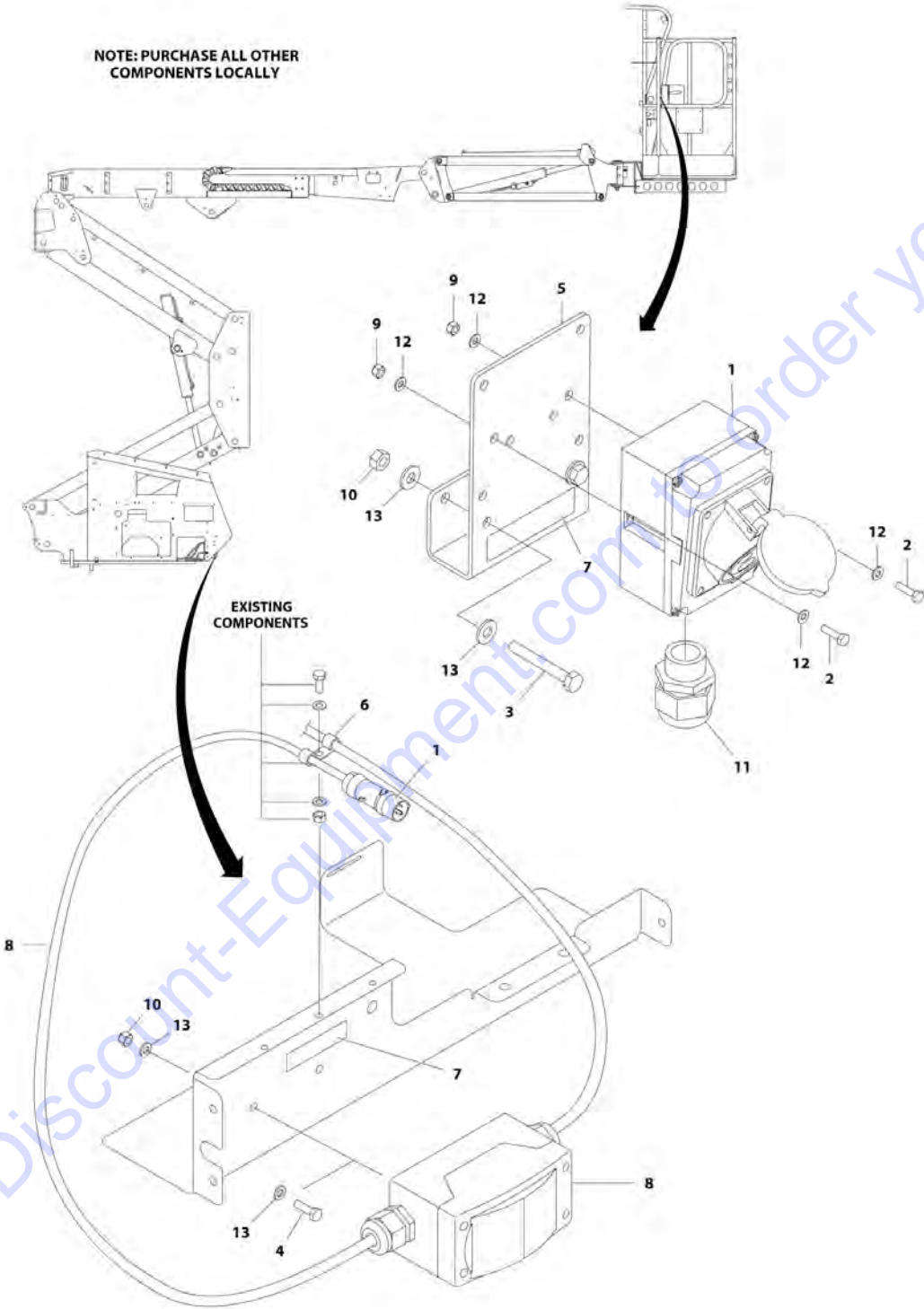
FIGURE 8-4. AC BOX AT PLATFORM INSTALLATION - 110V (ANSI, ANSI EXPORT, CSA AND JAPANESE SPECS)

ITEM	PART NUMBER	QTY	DESCRIPTION	REV
	1001119869	Ref	AC BOX AT PLATFORM INSTALLATION - 110V (ANSI, ANSI EXPORT, CSA AND JAPANESE SPECS)	A
1	0860038	1	Box, Switch	
2	3251243	2	Decal - 120V - 60Hz	
3	3960422	1	Gasket	
4	4460071	1	Connector, Strain Relief	
5	4460205	1	Plug, Male	
6	4460315	3	Terminal, Spade	
7	4460346	1	Receptacle	
8	1001110873	1	Shield, Cover	

Go to Discount-Equipment.com to order your parts

SECTION 8 - ELECTRICAL

FIGURE 8-5. AC BOX AT PLATFORM INSTALLATION - 110V IEC YELLOW (CE SPEC)



ART_100119875

SECTION 8 - ELECTRICAL

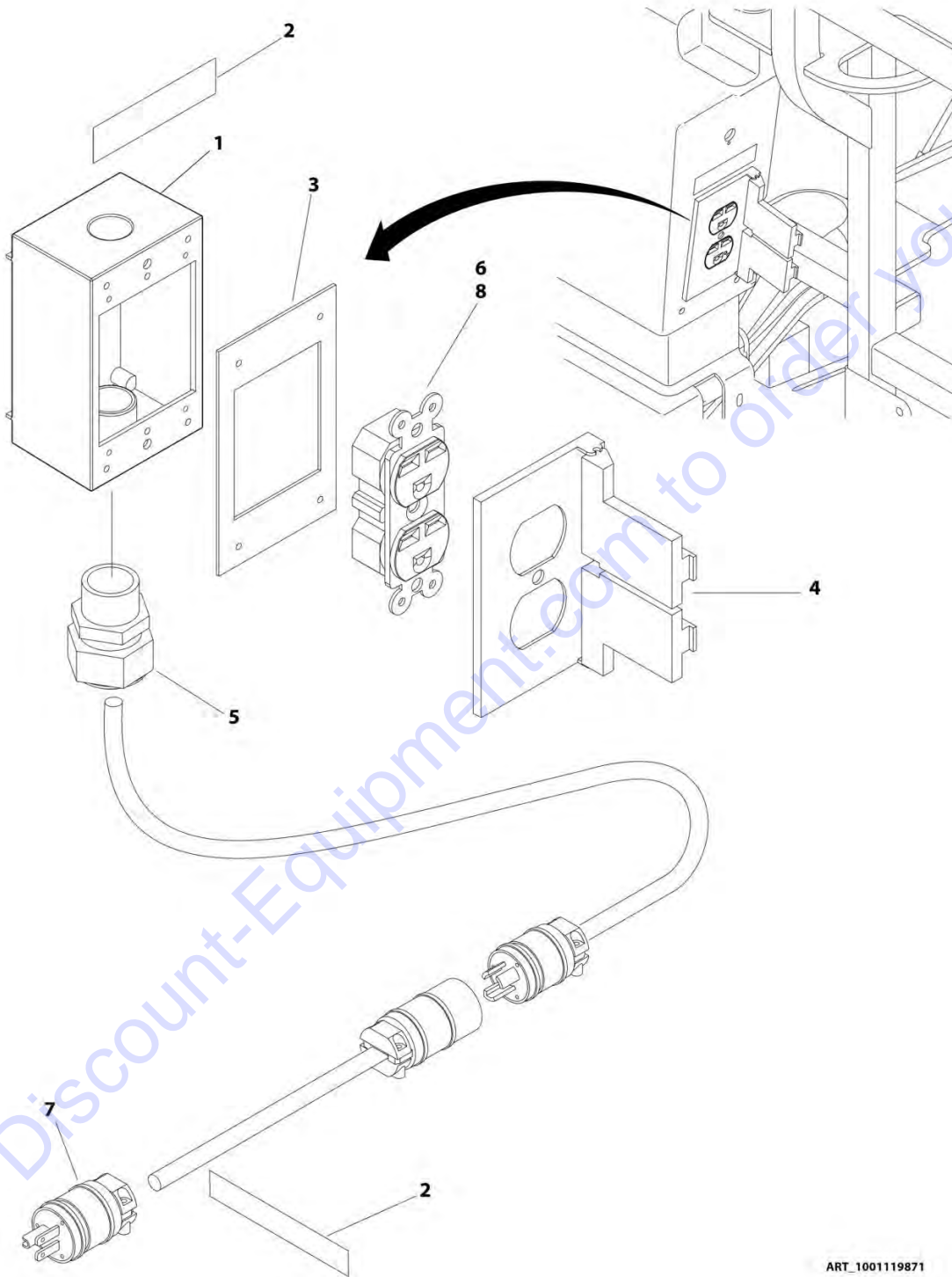
FIGURE 8-5. AC BOX AT PLATFORM INSTALLATION - 110V IEC YELLOW (CE SPEC)

ITEM	PART NUMBER	QTY	DESCRIPTION	REV
	1001119875	Ref	AC BOX AT PLATFORM INSTALLATION - 110V IEC YELLOW (CE SPEC)	B
1	0275216	1	Receptacle Box Kit (See RECEPTACLE BOX KIT - 110V IEC YELLOW (CE PSEC) for Breakdown)	
2	0700408	2	Bolt, M4 x 16	
3	0700618	2	Bolt M6 x 50	
4	0760610	2	Bolt M6 x 20	
5	1001193018	1	Bracket	
6	1320043	1	Clamp	
7	1705325	2	Decal - 120V - 50Hz	
8	2902549	1	Breaker Box Kit (See BREAKER BOX KIT - CE SPEC for Breakdown)	
9	3290405	2	Nut M4	
10	3290605	4	Nut M6	
11	4460968	1	Connector, Strain Relief	
12	4811400	4	Washer, 4mm	
13	4811700	8	Washer M6	

Go to Discount-Equipment.com to order your parts

SECTION 8 - ELECTRICAL

FIGURE 8-6. AC BOX AT PLATFORM INSTALLATION - 220V (CSA SPEC)



ART_100119871

SECTION 8 - ELECTRICAL

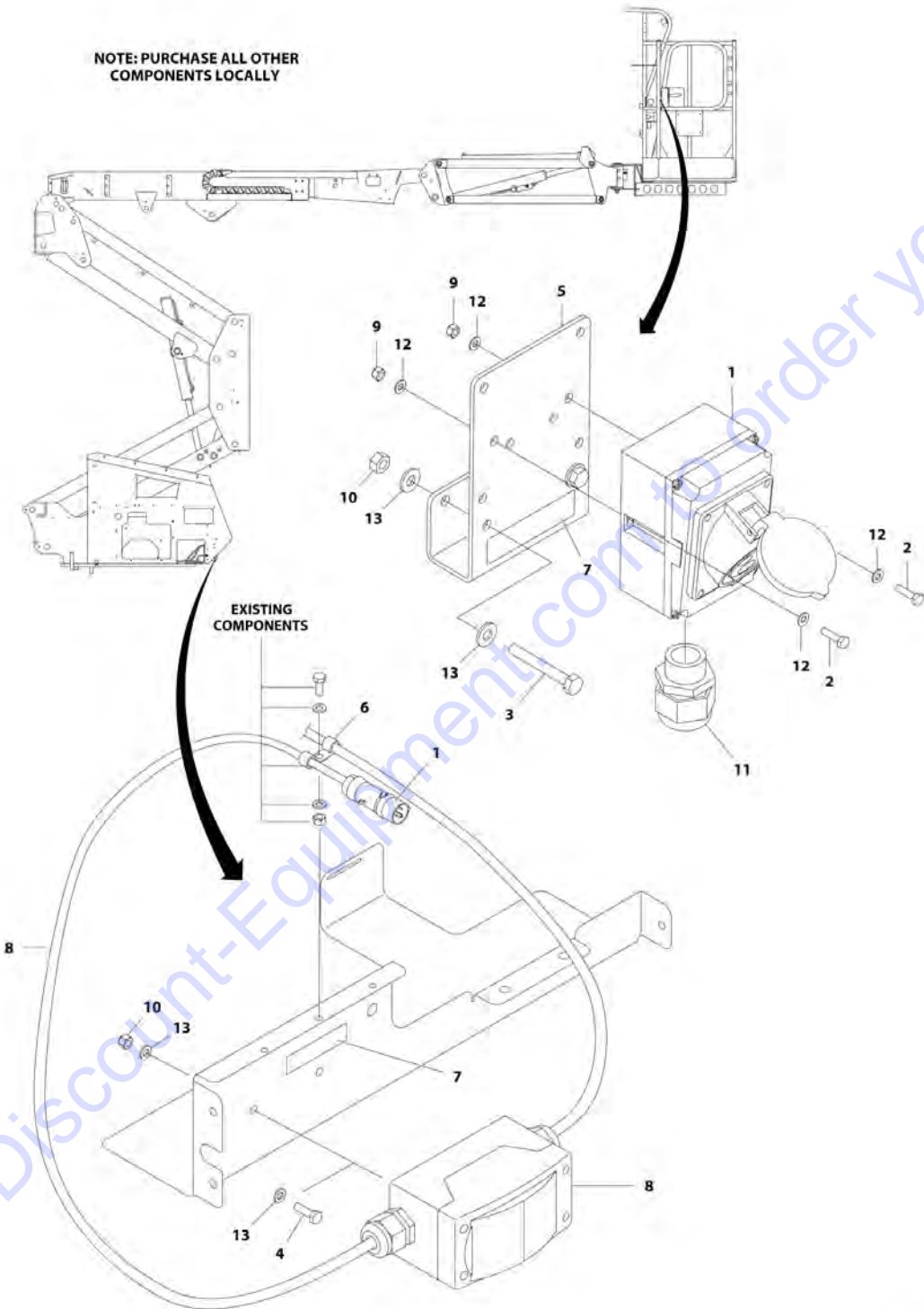
FIGURE 8-6. AC BOX AT PLATFORM INSTALLATION - 220V (CSA SPEC)

ITEM	PART NUMBER	QTY	DESCRIPTION	REV
	1001119871	Ref	AC BOX AT PLATFORM INSTALLATION - 220V (CSA SPECS)	A
1	0860038	1	Box, Switch	
2	3252507	2	Decal - 220V - 50/60Hz	
3	3960422	1	Gasket	
4	4060092	1	Shield, Weather	
5	4460071	1	Connector, Strain Relief	
6	4460125	1	Receptacle	
7	4460233	1	Plug, Male	
8	4460315	3	Terminal, Spade	

Go to Discount-Equipment.com to order your parts

SECTION 8 - ELECTRICAL

FIGURE 8-7. AC BOX AT PLATFORM INSTALLATION - 220V IEC BLUE (CE SPEC)



SECTION 8 - ELECTRICAL

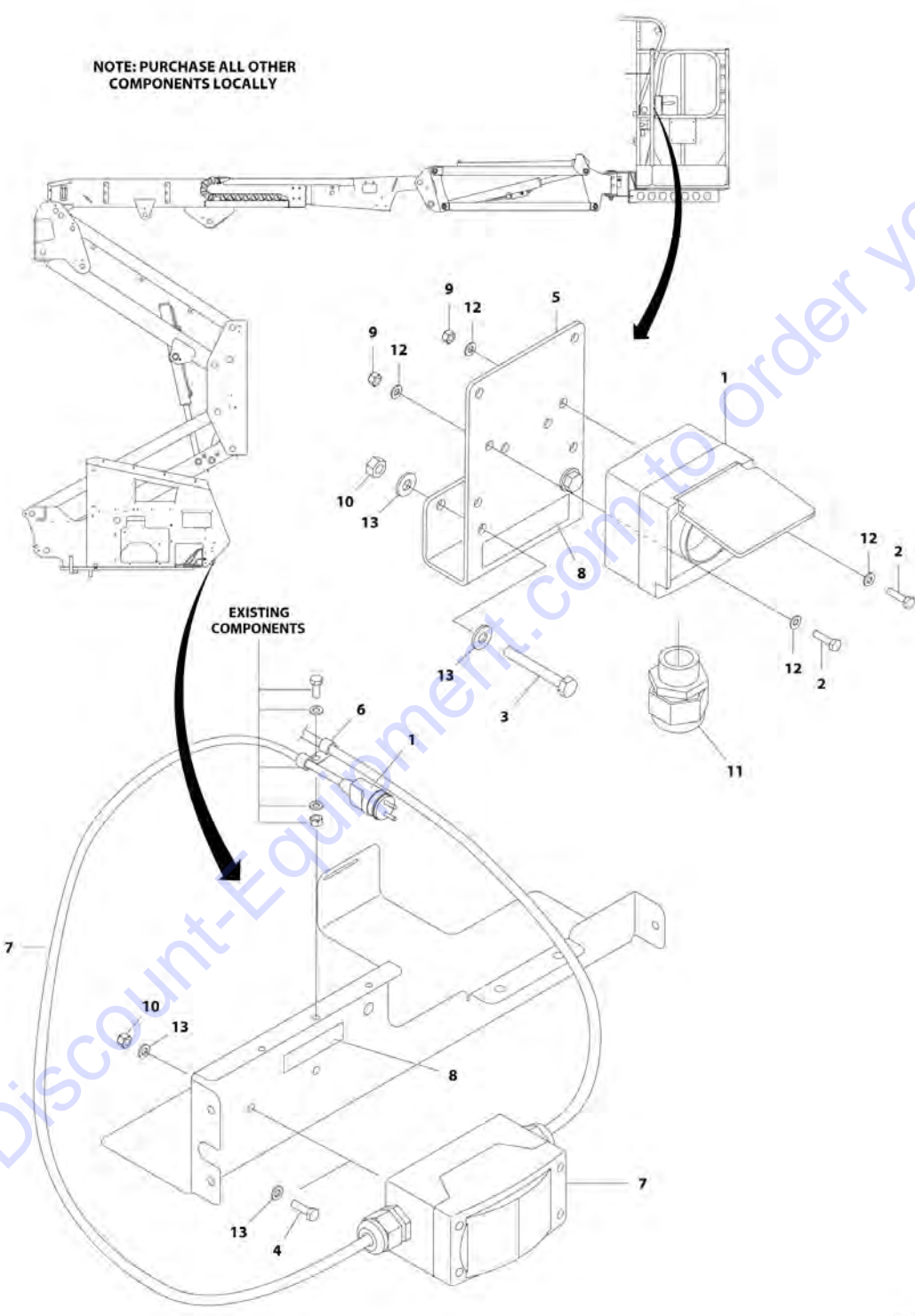
FIGURE 8-7. AC BOX AT PLATFORM INSTALLATION - 220V IEC BLUE (CE SPEC)

ITEM	PART NUMBER	QTY	DESCRIPTION	REV
	1001119876	Ref	AC BOX AT PLATFORM INSTALLATION - 220V IEC BLUE (CE SPEC)	B
1	0275217	1	Receptacle Box Kit (See RECEPTACLE BOX KIT - 220V IEC BLUE (CE PSEC) for Breakdown)	
2	0700408	2	Bolt, M4 x 16	
3	0700618	2	Bolt M6 x 50	
4	0760610	2	Bolt M6 x 20	
5	1001193018	1	Bracket	
6	1320043	1	Clamp	
7	3252507	2	Decal - 220V - 50/60Hz	
8	2902549	1	Breaker Box Kit (See BREAKER BOX KIT - CE SPEC for Breakdown)	
9	3290405	2	Nut M4	
10	3290605	4	Nut M6	
11	4460968	1	Connector, Strain Relief	
12	4811400	4	Washer, 4mm	
13	4811700	8	Washer M6	

Go to Discount-Equipment.com to order your parts

SECTION 8 - ELECTRICAL

FIGURE 8-8. AC BOX AT PLATFORM INSTALLATION - 220V CEE7 POST GROUND WITH 70MM X 70MM BOX (CE SPEC)



ART_1001115788

SECTION 8 - ELECTRICAL

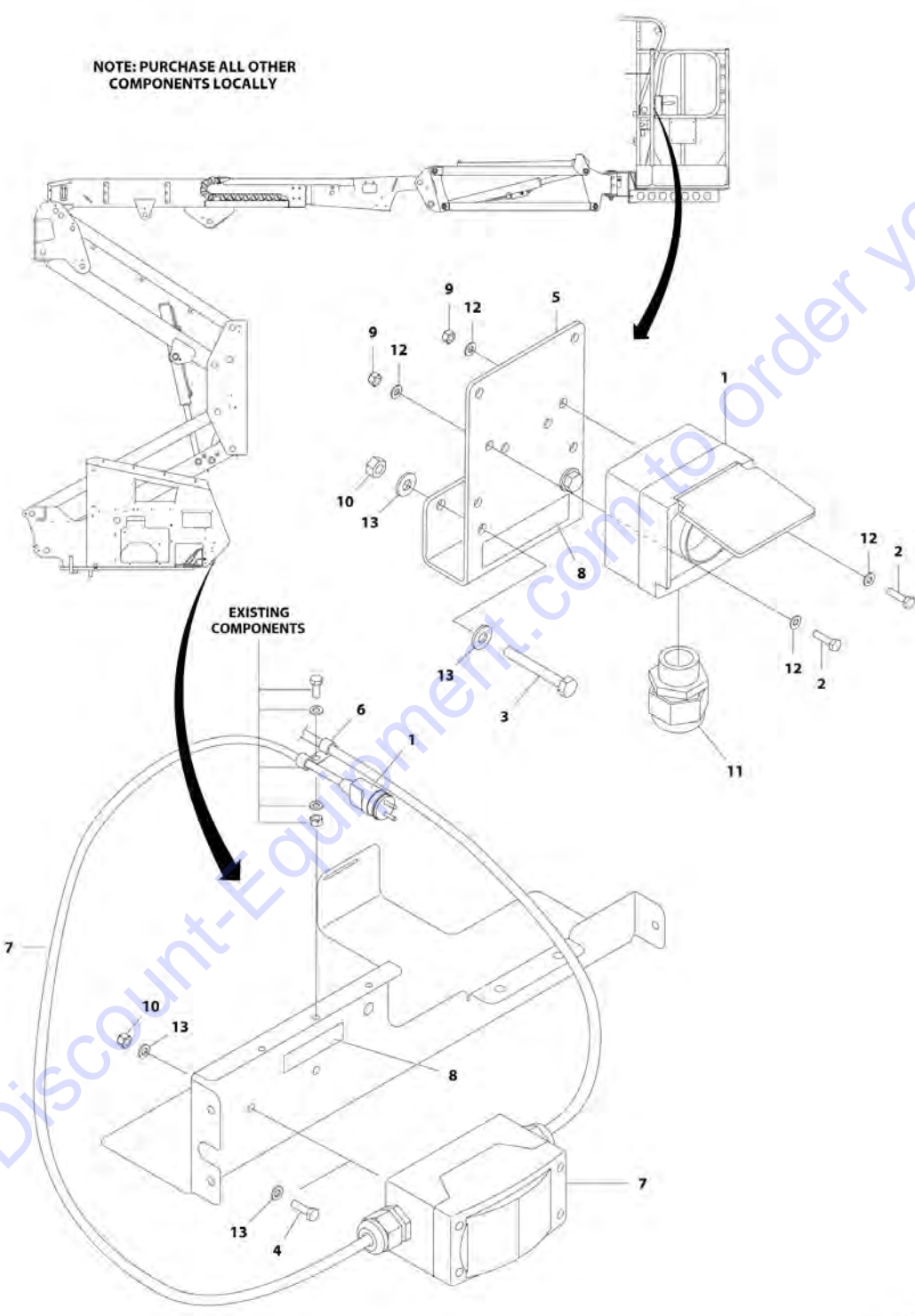
FIGURE 8-8. AC BOX AT PLATFORM INSTALLATION - 220V CEE7 POST GROUND WITH 70MM X 70MM BOX (CE SPEC)

ITEM	PART NUMBER	QTY	DESCRIPTION	REV
	1001115788	Ref	AC BOX AT PLATFORM INSTALLATION - 220V CEE7 POST GROUND WITH 70MM X 70MM BOX (CE SPEC)	B
1	0275218	1	Receptacle Box Kit (See RECEPTACLE BOX KIT- 220V CEE7 POST GROUND WITH 70MM X 70MM BOX (CE SPEC) for Breakdown)	
2	0700408	2	Bolt, M4 x 16	
3	0700618	2	Bolt M6 x 50	
4	0760610	2	Bolt M6 x 20	
5	1001193018	1	Bracket	
6	1320043	1	Clamp	
7	2902549	1	Breaker Box Kit (See BREAKER BOX KIT - CE SPEC for Breakdown)	
8	3252507	2	Decal - 220V - 50/60Hz	
9	3290405	2	Nut M4	
10	3290605	4	Nut M6	
11	4460968	1	Connector, Strain Relief	
12	4811400	4	Washer, 4mm	
13	4811700	8	Washer M6	

Go to Discount-Equipment.com to order your parts

SECTION 8 - ELECTRICAL

FIGURE 8-9. AC BOX AT PLATFORM INSTALLATION - 220V CEE7 SIDE GROUND WITH 70MM X 70MM BOX (CE SPEC)



ART_100119877

SECTION 8 - ELECTRICAL

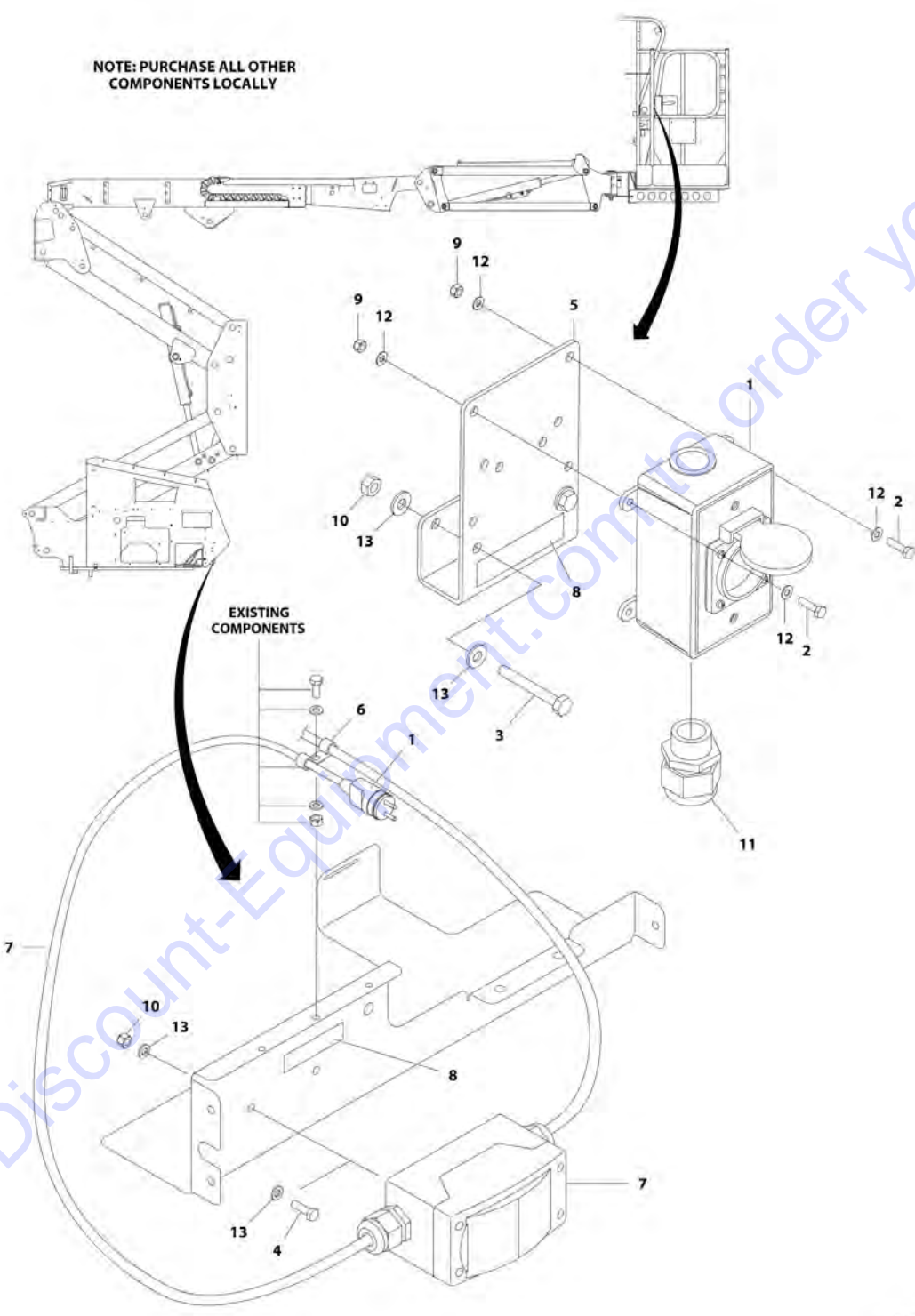
FIGURE 8-9. AC BOX AT PLATFORM INSTALLATION - 220V CEE7 SIDE GROUND WITH 70MM X 70MM BOX (CE SPEC)

ITEM	PART NUMBER	QTY	DESCRIPTION	REV
	1001119877	Ref	AC BOX AT PLATFORM INSTALLATION - 220V CEE7 SIDE GROUND WITH 70MM X 70MM BOX (CE SPEC)	B
1	0275219	1	Receptacle Box Kit (See RECEPTACLE BOX KIT- 220V CEE7 SIDE GROUND WITH 70MM X 70MM BOX (CE SPEC) for Breakdown)	
2	0700408	2	Bolt, M4 x 16	
3	0700618	2	Bolt M6 x 50	
4	0760610	2	Bolt M6 x 20	
5	1001193018	1	Bracket	
6	1320043	1	Clamp	
7	2902549	1	Breaker Box Kit (See BREAKER BOX KIT - CE SPEC for Breakdown)	
8	3252507	2	Decal - 220V - 50/60Hz	
9	3290405	2	Nut M4	
10	3290605	4	Nut M6	
11	4460968	1	Connector, Strain Relief	
12	4811400	4	Washer, 4mm	
13	4811700	8	Washer M6	

Go to Discount-Equipment.com to order your parts

SECTION 8 - ELECTRICAL

FIGURE 8-10. AC BOX AT PLATFORM INSTALLATION - 220V CEE7 POST GROUND WITH 2IN X 4IN BOX (CE SPEC)



ART_100119872

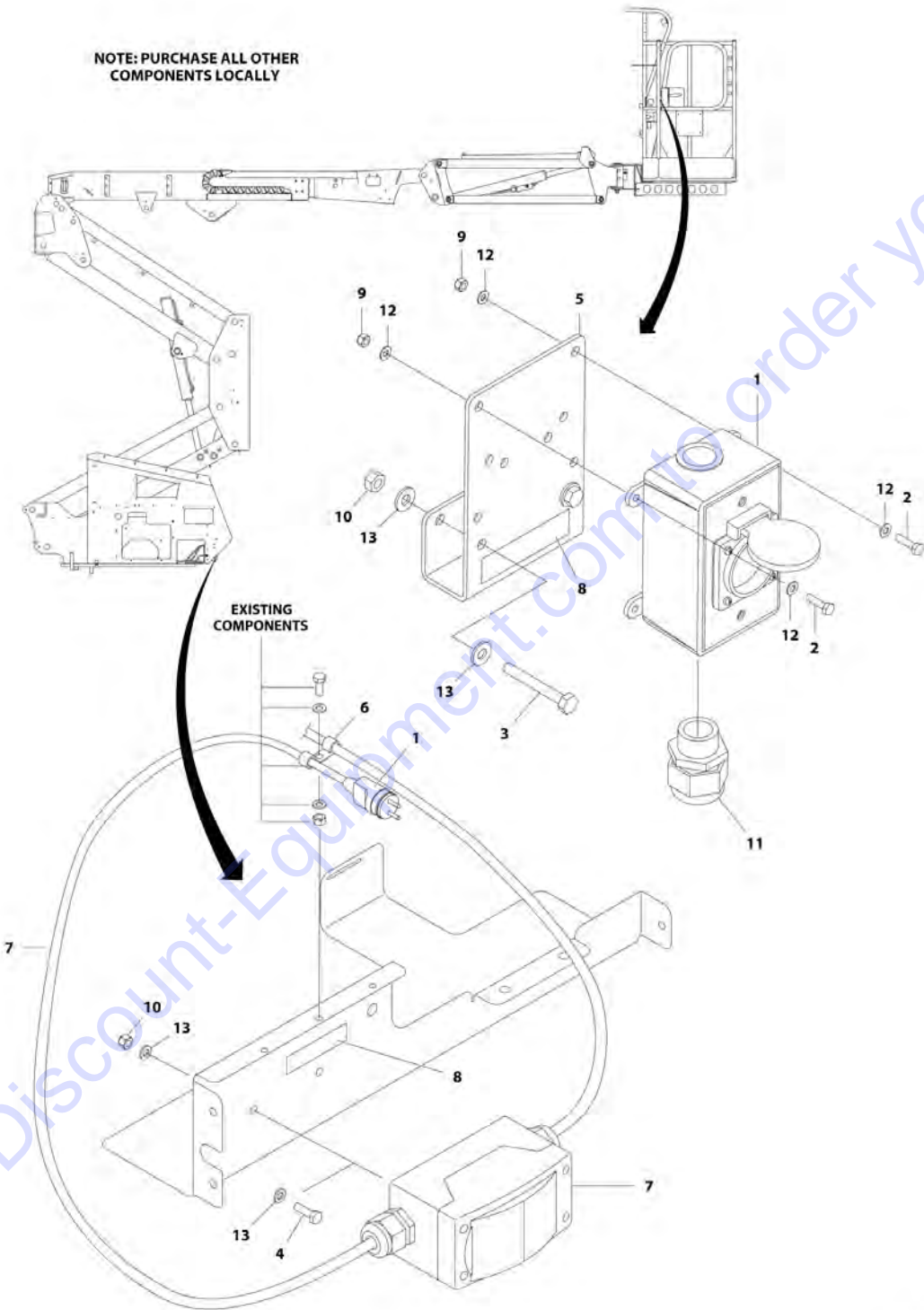
SECTION 8 - ELECTRICAL

FIGURE 8-10. AC BOX AT PLATFORM INSTALLATION - 220V CEE7 POST GROUND WITH 2IN X 4IN BOX (CE SPEC)

ITEM	PART NUMBER	QTY	DESCRIPTION	REV
	1001119872	Ref	AC BOX AT PLATFORM INSTALLATION - 220V CEE7 POST GROUND WITH 2IN X 4IN BOX (CE SPEC)	C
1	0275452	1	Receptacle Box Kit (See RECEPTACLE BOX KIT- 220V CEE7 POST GROUND WITH 2INX 4IN BOX (CE SPEC) for Breakdown)	
2	0700408	4	Bolt, M4 x 16	
3	0700618	2	Bolt M6 x 50	
4	0760610	2	Bolt M6 x 20	
5	1001193018	1	Bracket	
6	1320043	1	Clamp	
7	2902549	1	Breaker Box Kit (See BREAKER BOX KIT - CE SPEC for Breakdown)	
8	3252507	2	Decal - 220V - 50/60Hz	
9	3290405	4	Nut M4	
10	3290605	4	Nut M6	
11	4460968	1	Connector, Strain Relief (Prior to SN 0300222893)	
11	4460662	1	Connector, Strain Relief (SN 0300222893 to Present)	
12	4811400	8	Washer, 4mm	
13	4811700	8	Washer M6	

SECTION 8 - ELECTRICAL

FIGURE 8-11. AC BOX AT PLATFORM INSTALLATION - 220V CEE7 SIDE GROUND WITH 2IN X 4IN BOX (CE SPEC)



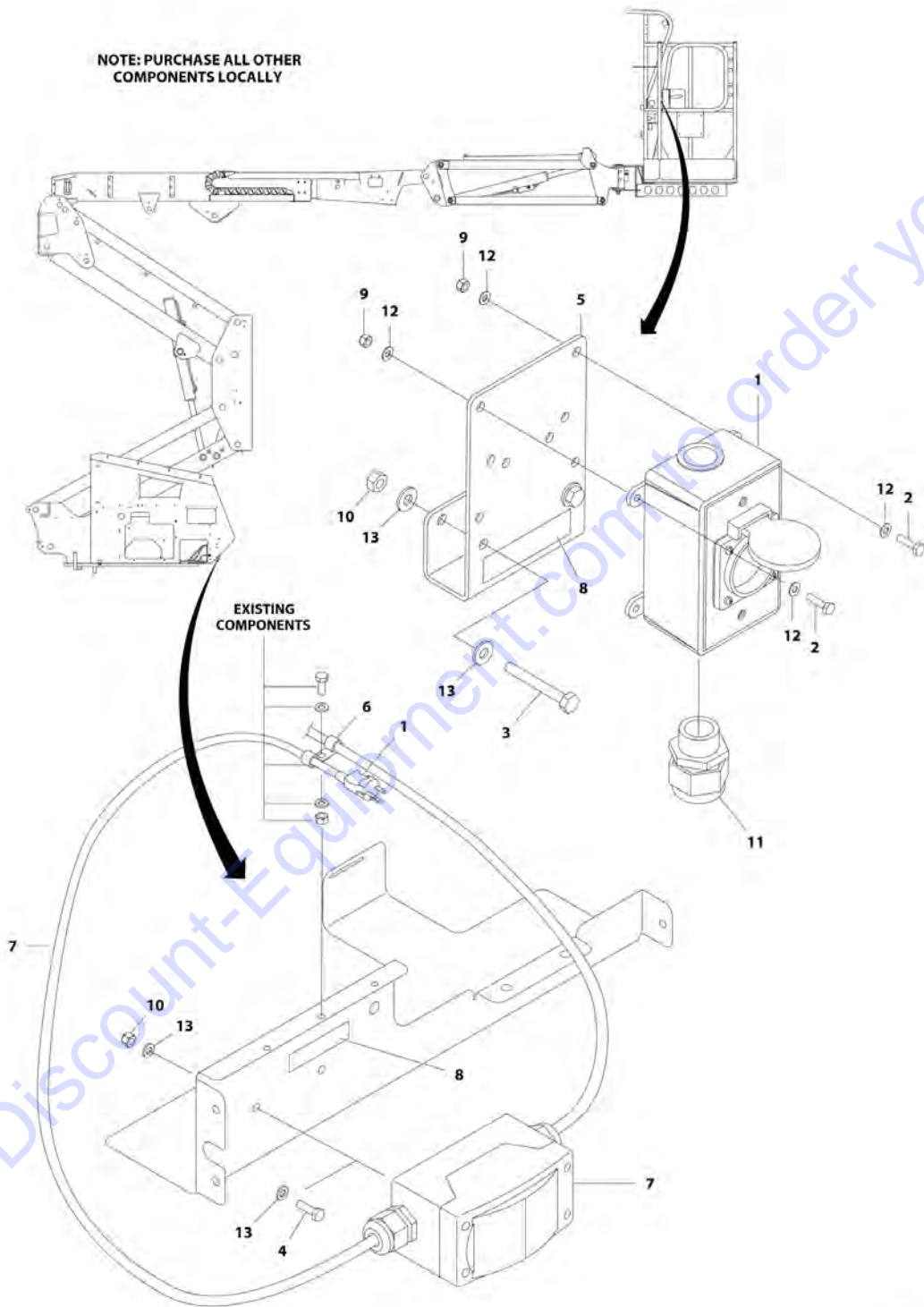
SECTION 8 - ELECTRICAL

FIGURE 8-11. AC BOX AT PLATFORM INSTALLATION - 220V CEE7 SIDE GROUND WITH 2IN X 4IN BOX (CE SPEC)

ITEM	PART NUMBER	QTY	DESCRIPTION	REV
	1001119873	Ref	AC BOX AT PLATFORM INSTALLATION - 220V CEE7 SIDE GROUND WITH 2IN X 4IN BOX (CE SPEC)	B
1	0275453	1	Receptacle Box Kit (See RECEPTACLE BOX KIT- 220V CEE7 SIDE GROUND WITH 2IN X 4IN BOX (CE SPEC) for Breakdown)	
2	0700408	4	Bolt, M4 x 16	
3	0700618	2	Bolt M6 x 50	
4	0760610	2	Bolt M6 x 20	
5	1001193018	1	Bracket	
6	1320043	1	Clamp	
7	2902549	1	Breaker Box Kit (See BREAKER BOX KIT - CE SPEC for Breakdown)	
8	3252507	2	Decal - 220V - 50/60Hz	
9	3290405	4	Nut M4	
10	3290605	4	Nut M6	
11	4460968	1	Connector, Strain Relief	
12	4811400	8	Washer, 4mm	
13	4811700	8	Washer M6	

SECTION 8 - ELECTRICAL

FIGURE 8-12. AC BOX AT PLATFORM INSTALLATION - 220V AFSINT 107 KEYED GROUND WITH 2IN X 4IN BOX (CE SPEC)



ART_100119874

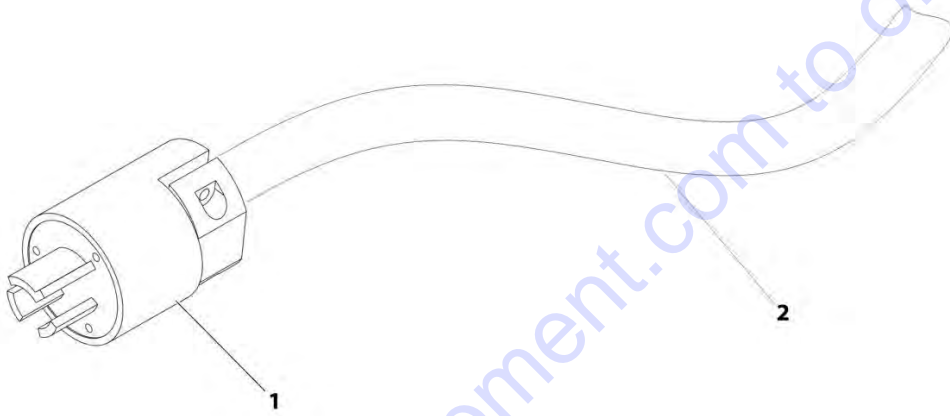
SECTION 8 - ELECTRICAL

FIGURE 8-12. AC BOX AT PLATFORM INSTALLATION - 220V AFSINT 107 KEYED GROUND WITH 2IN X 4IN BOX (CE SPEC)

ITEM	PART NUMBER	QTY	DESCRIPTION	REV
	1001119874	Ref	AC BOX AT PLATFORM INSTALLATION - 220V AFSINT 107 KEYED GROUND WITH 2IN X 4IN BOX (CE SPEC)	C
1	0275454	1	Receptacle Box Kit (See RECEPTACLE BOX KIT- 220V AFSINT 107 KEYED GROUND WITH 2IN X 4IN BOX (CE SPEC) for Breakdown)	
2	0700408	4	Bolt, M4 x 16	
3	0700618	2	Bolt M6 x 50	
4	0760610	2	Bolt M6 x 20	
5	1001193018	1	Bracket	
6	1320043	1	Clamp	
7	2902549	1	Breaker Box Kit (See BREAKER BOX KIT - CE SPEC for Breakdown)	
8	3252507	2	Decal - 220V - 50/60Hz	
9	3290405	4	Nut M4	
10	3290605	4	Nut M6	
11	4460968	1	Connector, Strain Relief (Prior to SN 0300222893)	
11	4460662	1	Connector, Strain Relief (SN 0300222893 to Present)	
12	4811400	8	Washer, 4mm	
13	4811700	8	Washer M6	

SECTION 8 - ELECTRICAL

FIGURE 8-13. AC POWER TO PLATFORM CABLE - MAIN BOOM (WITHOUT ARTIC PACKAGE)



ART_1001119140

SECTION 8 - ELECTRICAL

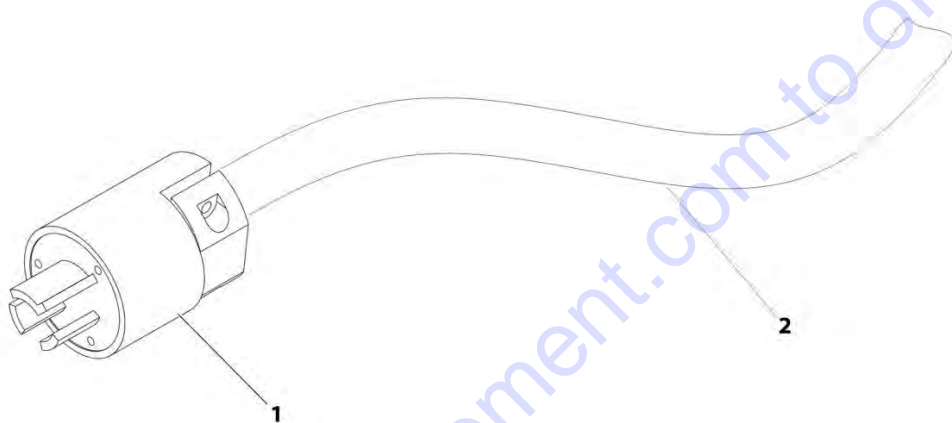
FIGURE 8-13. AC POWER TO PLATFORM CABLE - MAIN BOOM (WITHOUT ARTIC PACKAGE)

ITEM	PART NUMBER	QTY	DESCRIPTION	REV
	1001119140	Ref	AC POWER TO PLATFORM CABLE - MAIN BOOM (WITHOUT ARCTIC PACKAGE)	C
1	1001120204	1	Plug, Male	
2	4923505	1	Cable 14/3	

Go to Discount-Equipment.com to order your parts

SECTION 8 - ELECTRICAL

FIGURE 8-14. AC POWER TO PLATFORM CABLE - MAIN BOOM (WITH ARCTIC PACKAGE)



ART_1001119955

SECTION 8 - ELECTRICAL

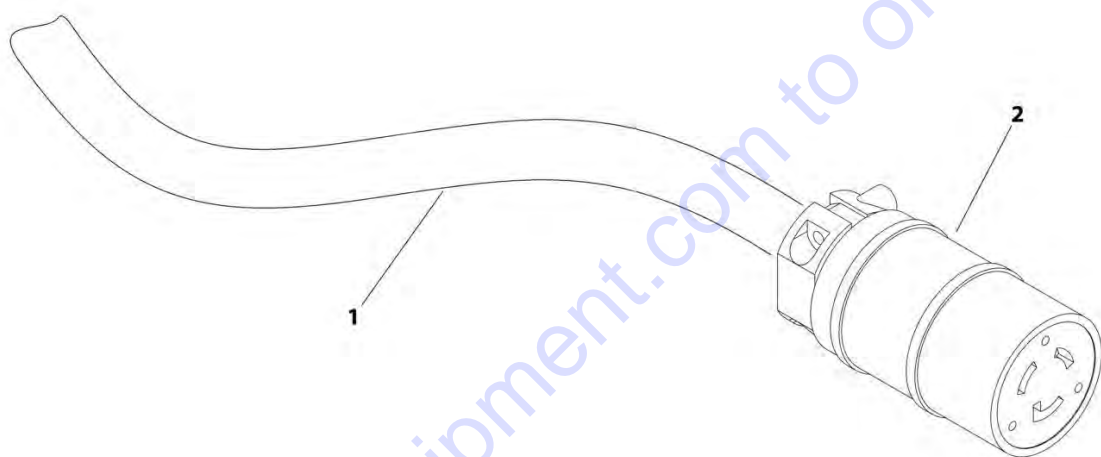
FIGURE 8-14. AC POWER TO PLATFORM CABLE - MAIN BOOM (WITH ARCTIC PACKAGE)

ITEM	PART NUMBER	QTY	DESCRIPTION	REV
	1001119955	Ref	AC POWER TO PLATFORM CABLE - MAIN BOOM (WITH ARCTIC PACKAGE)	B
1	1001120204	1	Plug, Male	
2	4923463	1	Cable 12/3	

Go to Discount-Equipment.com to order your parts

SECTION 8 - ELECTRICAL

FIGURE 8-15. AC POWER TO PLATFORM CABLE - TOWER BOOM (WITHOUT ARTIC PACKAGE)



ART_1001119139

SECTION 8 - ELECTRICAL

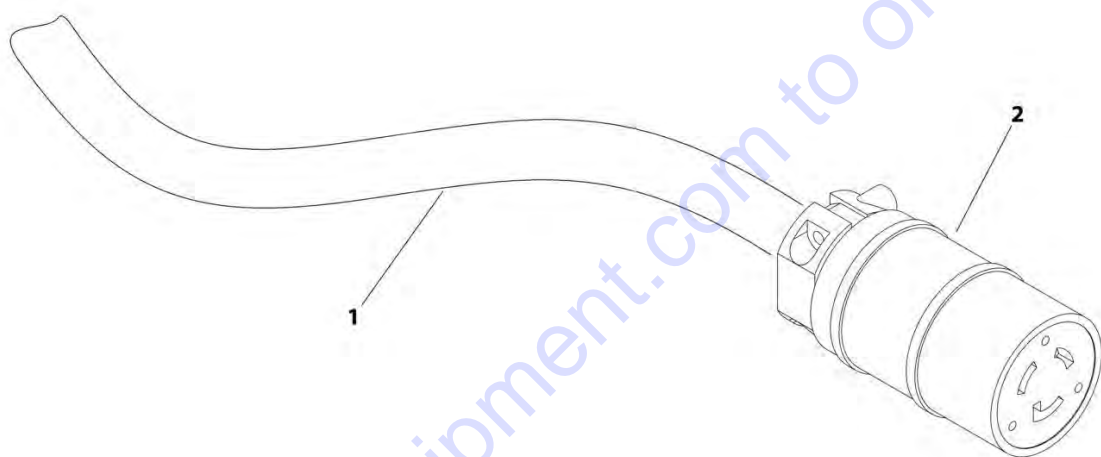
FIGURE 8-15. AC POWER TO PLATFORM CABLE - TOWER BOOM (WITHOUT ARTIC PACKAGE)

ITEM	PART NUMBER	QTY	DESCRIPTION	REV
	1001119139	Ref	AC POWER TO PLATFORM CABLE - TOWER BOOM (WITHOUT ARTIC PACKAGE)	B
1	1001120205	1	Connector, Female	
2	4923505	1	Cable 14/3	

Go to Discount-Equipment.com to order your parts

SECTION 8 - ELECTRICAL

FIGURE 8-16. AC POWER TO PLATFORM CABLE - TOWER BOOM (WITH ARTIC PACKAGE)



ART_1001119956

SECTION 8 - ELECTRICAL

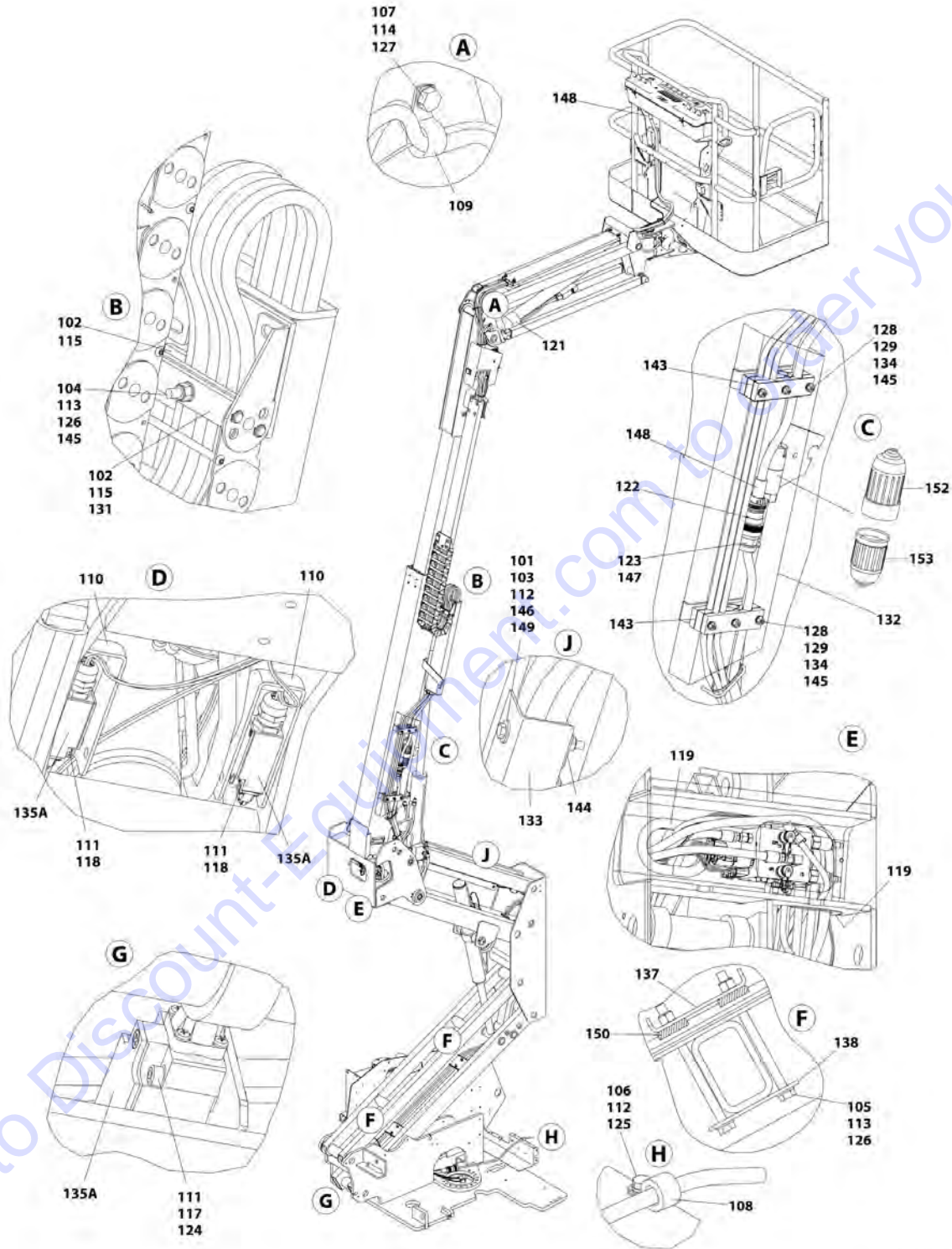
FIGURE 8-16. AC POWER TO PLATFORM CABLE - TOWER BOOM (WITH ARTIC PACKAGE)

ITEM	PART NUMBER	QTY	DESCRIPTION	REV
	1001119956	Ref	AC POWER TO PLATFORM CABLE - TOWER BOOM (WITH ARTIC PACKAGE)	A
1	1001120205	1	Connector, Female	
2	4923463	1	Cable 12/3	

Go to Discount-Equipment.com to order your parts

SECTION 8 - ELECTRICAL

FIGURE 8-17. BOOM CABLES, HARNESSES AND CLAMPS INSTALLATION - WITHOUT ARCTIC PACKAGE



ART_1001115784

SECTION 8 - ELECTRICAL

FIGURE 8-17. BOOM CABLES, HARNESSES AND CLAMPS INSTALLATION - WITHOUT ARCTIC PACKAGE

ITEM	PART NUMBER	QTY	DESCRIPTION	REV
	1001115784	Ref	LIMIT SWITCHES, CABLES AND CLAMPS INSTALLATION - WITHOUT ARCTIC PACKAGE	G
101	0100011	AR	Compound, Locking	
102	0100081	1	Adhesive	
103	0760621	4	Bolt M6 x 65	
104	0700820	2	Bolt M8 x 60	
105	0700829	4	Bolt M8 x 120	
106	0760608	1	Bolt M6 x 16 (Not Shown - Use with Item 8)	
107	0761012	1	Bolt M10 x 25	
108	1320043	1	Clamp (Not Shown - Located at Rear of T/T)	
109	1320130	1	Clamp	
110	1670899	2	Cover, Switch	
111	3290405	6	Nut M4	
112	3290605	5	Nut M6	
113	3290805	6	Nut M8	
114	3291005	1	Nut M10	
115	3340939	4	Pad, Rubber	
117	4031510	2	Capscrew M4 x 30	
118	4031512	4	Capscrew M4 x 40	
119	4060808	1.8 ft /55cm	Flex-Trim	
120	4240018	AR	Tie-Strap (Not Shown)	
121	4240156	1	Strap, Cinch	
122	4460865	1	Connector - 19 Position	
123	4460866	1	Connector - 19 Position	
124	4811400	2	Washer M4	
125	4811700	2	Washer M6 (Not Shown - Use with Item 8)	
126	4811900	8	Washer M8	
127	4812000	2	Washer M10	
128	5260800	6	Nut M8	
129	5281920	6	Screw M8 x 80	
131	1001106757	2	Plate	
132	1001107152	1	Plate	
133	1001116433	2	Guard, Hose	
134	1001118274	6	Nut M8	
135	1001118292	1	Tower Boom Harness Assembly (Not Shown - See BOOM HARNESS ASSEMBLY - TOWER for Breakdown)	
135A	4360548	3	Switch, Limit	
137	1001118592	2	Plate, Hose Clamp	
138	1001118593	2	Plate, Hose Clamp	
139	1001119018	1	Ground to Platform Cable - Main (Not Shown - See GROUND TO PLATFORM CABLE - MAIN for Breakdown)	
140	1001119019	1	Ground to Platform Cable - Tower (Not Shown - See GROUND TO PLATFORM CABLE - TOWER for Breakdown)	
141	1001119139	1	AC Power to Platform Cable - Tower Boom (Not Shown - See AC POWER TO PLATFORM CABLE - TOWER BOOM for Breakdown)	
142	1001119140	1	AC Power to Platform Cable - Main Boom (Not Shown - See AC POWER TO PLATFORM CABLE - MAIN BOOM for Breakdown)	
143	1001119194	2	Clamp	

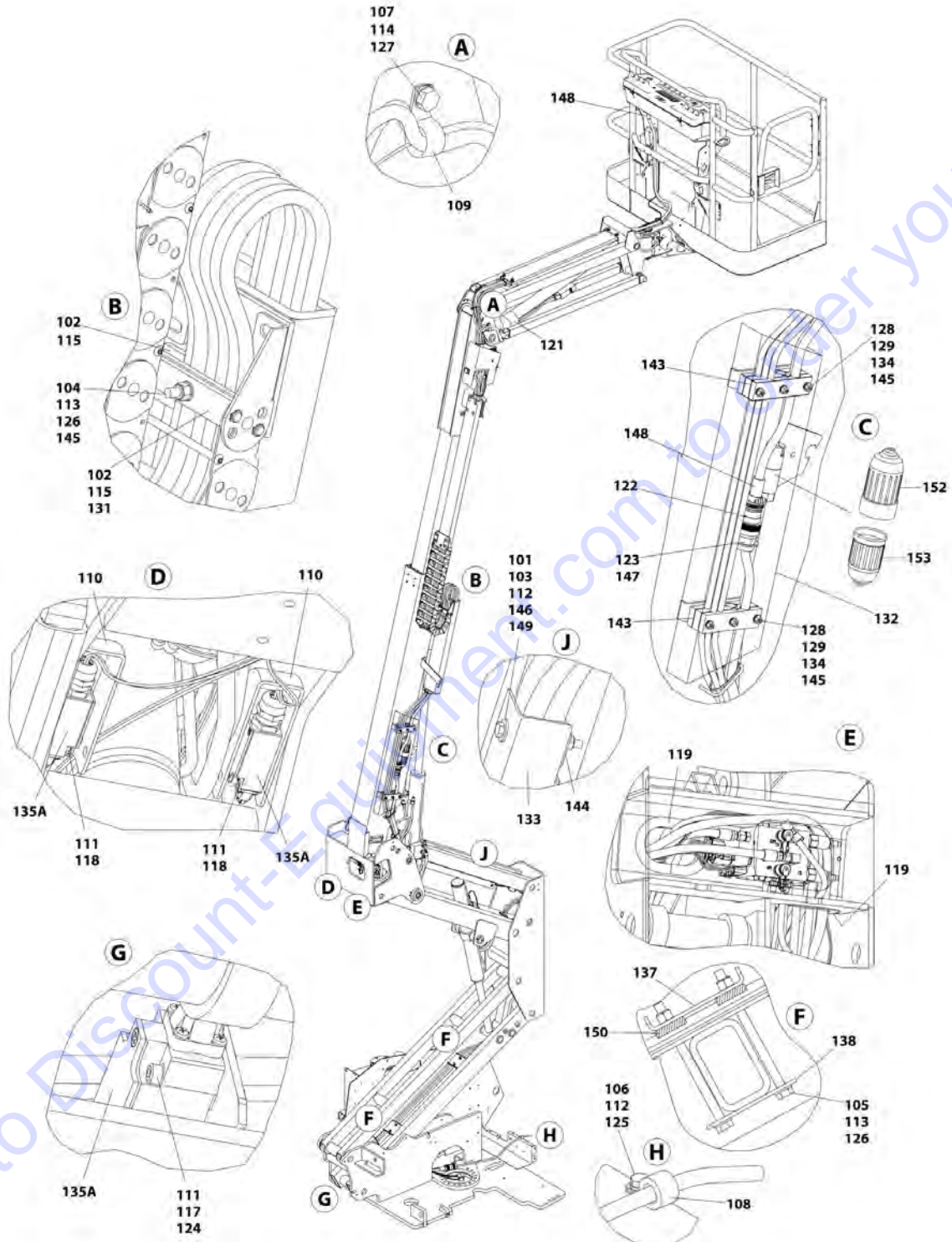
SECTION 8 - ELECTRICAL

ITEM	PART NUMBER	QTY	DESCRIPTION	REV
144	1001119197	4	Clamp	
145	1001119228	8	Nut M8	
146	0760605	2	Bolt M6 x 10	
147	2820031	AR	Heat Shrink	
148	4460473	1	Clamp, Cable	
149	4811702	10	Washer M6	
150	3340901	4	Pad, Rubber	
151	1001140524	1	Main Boom Harness Assembly (Not Shown - See BOOM HARNESS ASSEMBLY - MAIN for Breakdown)	
152	1671092	1	Cover, Connection	
153	1671093	1	Cover, Plug	

Go to Discount-Equipment.com to order your parts

SECTION 8 - ELECTRICAL

FIGURE 8-18. BOOM CABLES, HARNESSES AND CLAMPS INSTALLATION - WITH ARCTIC PACKAGE



ART_1001119937

SECTION 8 - ELECTRICAL

FIGURE 8-18. BOOM CABLES, HARNESSES AND CLAMPS INSTALLATION - WITH ARCTIC PACKAGE

ITEM	PART NUMBER	QTY	DESCRIPTION	REV
	1001119937	Ref	LIMIT SWITCHES, CABLES AND CLAMPS INSTALLATION - WITH ARCTIC PACKAGE	F
101	0100011	AR	Compound, Locking	
102	0100081	1	Adhesive	
103	0760621	4	Bolt M6 x 65	
104	0700820	2	Bolt M8 x 60	
105	0700829	4	Bolt M8 x 120	
106	0760608	1	Bolt M6 x 16 (Not Shown - Use with Item 8)	
107	0761012	1	Bolt M10 x 25	
108	1320041	1	Clamp	
109	1320130	1	Clamp	
110	1670899	2	Cover, Switch	
111	3290405	6	Nut M4	
112	3290605	5	Nut M6	
113	3290805	6	Nut M8	
114	3291005	1	Nut M10	
115	3340939	4	Pad, Rubber	
117	4031510	2	Capscrew M4 x 30	
118	4031512	4	Capscrew M4 x 40	
119	4060808	1.8 ft /55cm	Flex-Trim	
120	4240018	AR	Tie-Strap (Not Shown)	
121	4240156	1	Strap, Cinch	
122	4460865	1	Connector - 19 Position	
123	4460866	1	Connector - 19 Position	
124	4811400	2	Washer M4	
125	4811700	2	Washer M6 (Not Shown - Use with Item 8)	
126	4811900	8	Washer M8	
127	4812000	2	Washer M10	
128	5260800	6	Nut M8	
129	5281920	6	Screw M8 x 80	
131	1001106757	2	Plate	
132	1001107152	1	Plate	
133	1001116433	2	Guard, Hose	
134	1001118274	6	Nut M8	
135	1001118292	1	Tower Boom Harness Assembly (Not Shown - See BOOM HARNESS ASSEMBLY - TOWER for Breakdown)	
135A	4360548	3	Switch, Limit	
137	1001118592	2	Plate, Hose Clamp	
138	1001118593	2	Plate, Hose Clamp	
139	1001119953	1	Ground to Platform Cable - Main (Not Shown - See GROUND TO PLATFORM CABLE - MAIN for Breakdown)	
140	1001119954	1	Ground to Platform Cable - Tower (Not Shown - See GROUND TO PLATFORM CABLE - TOWER for Breakdown)	
141	1001119955	1	AC Power to Platform Cable - Main Boom (Not Shown - See AC POWER TO PLATFORM CABLE - MAIN BOOM for Breakdown)	
142	1001119956	1	AC Power to Platform Cable - Tower Boom (Not Shown - See AC POWER TO PLATFORM CABLE - TOWER BOOM for Breakdown)	
143	1001119195	2	Clamp	

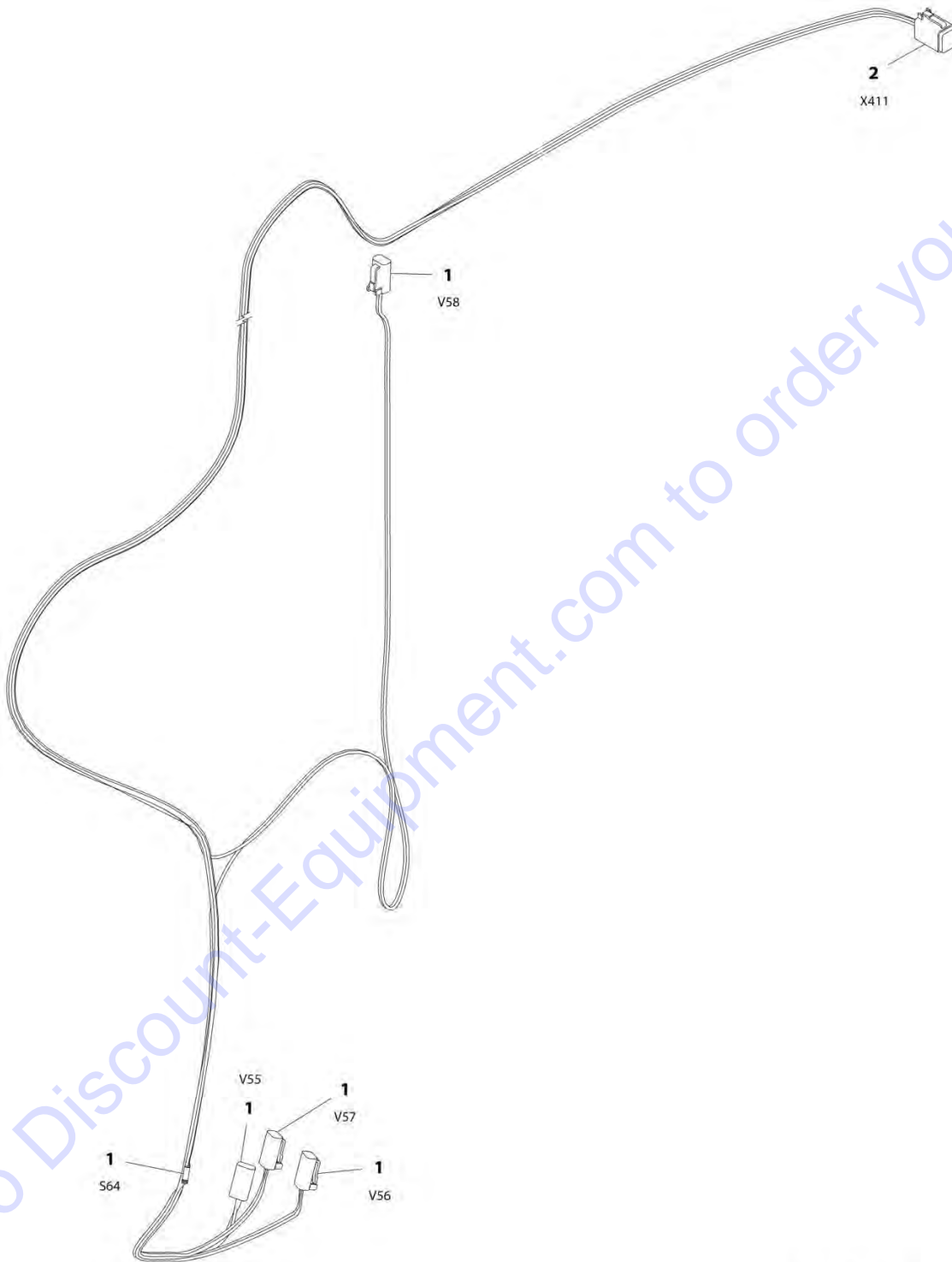
SECTION 8 - ELECTRICAL

ITEM	PART NUMBER	QTY	DESCRIPTION	REV
144	1001119197	4	Clamp	
145	1001119228	8	Nut M8	
146	0760605	2	Bolt M6 x 10	
147	2820031	AR	Heat Shrink	
148	4460473	1	Clamp, Cable	
149	4811702	10	Washer M6	
150	3340901	4	Pad, Rubber	
151	1001140524	1	Main Boom Harness Assembly (Not Shown - See BOOM HARNESS ASSEMBLY - MAIN for Breakdown)	
152	1671092	1	Cover, Connection	
153	1671093	1	Cover, Plug	

Go to Discount-Equipment.com to order your parts

SECTION 8 - ELECTRICAL

FIGURE 8-19. BOOM HARNESS - MAIN



ART_1001140524

SECTION 8 - ELECTRICAL

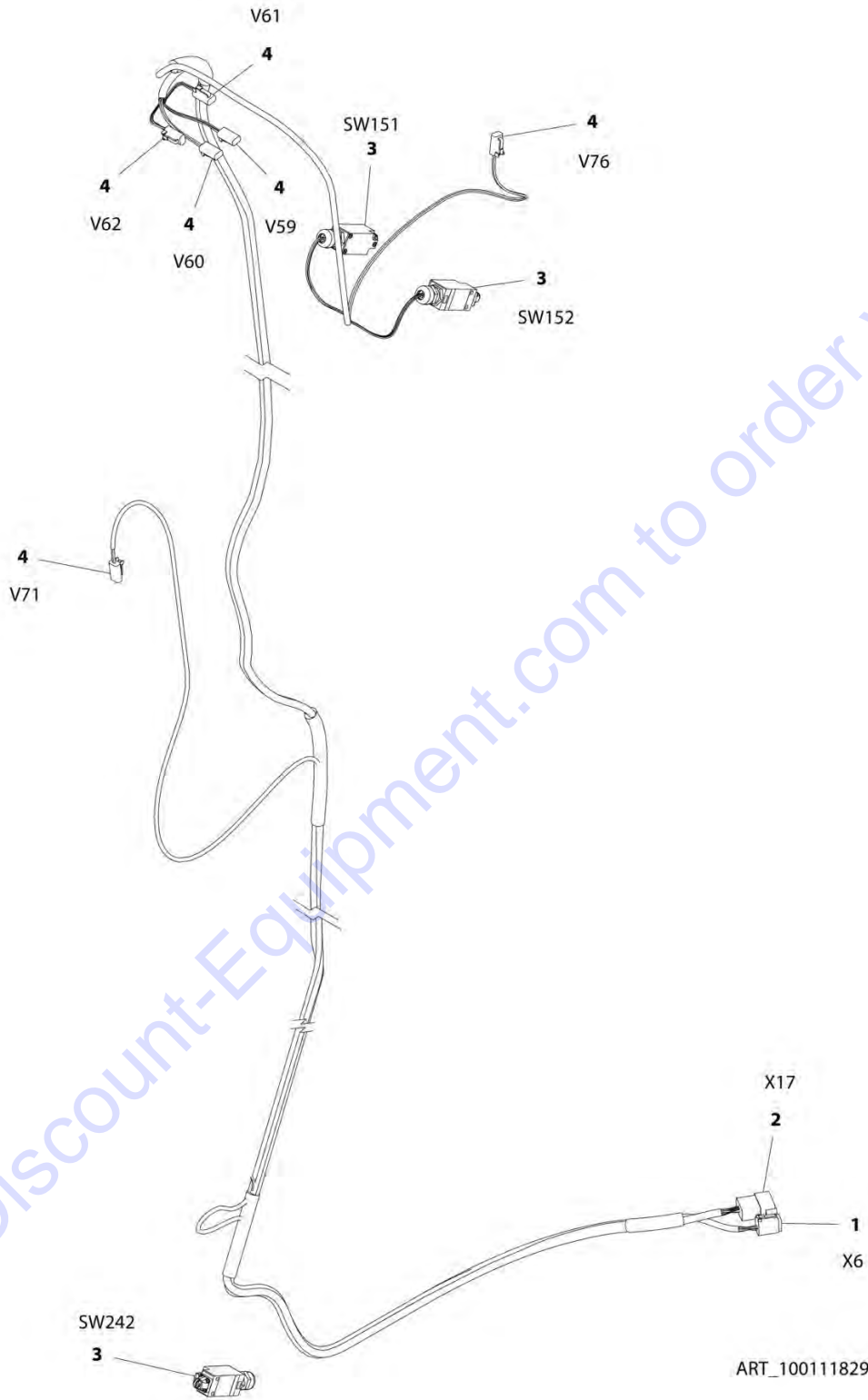
FIGURE 8-19. BOOM HARNESS - MAIN

ITEM	PART NUMBER	QTY	DESCRIPTION	REV
	1001140524	Ref	BOOM HARNESS - MAIN	A
1	4460891	4	Plug, Male - 2 Position	
1	4460465	8	Socket, Female	
2	4460894	1	Plug, Male - 6 Position	
2	4460465	5	Socket, Female	
2	4460466	1	Plug, Terminal	

Go to Discount-Equipment.com to order your parts

SECTION 8 - ELECTRICAL

FIGURE 8-20. BOOM HARNESS - TOWER



SECTION 8 - ELECTRICAL

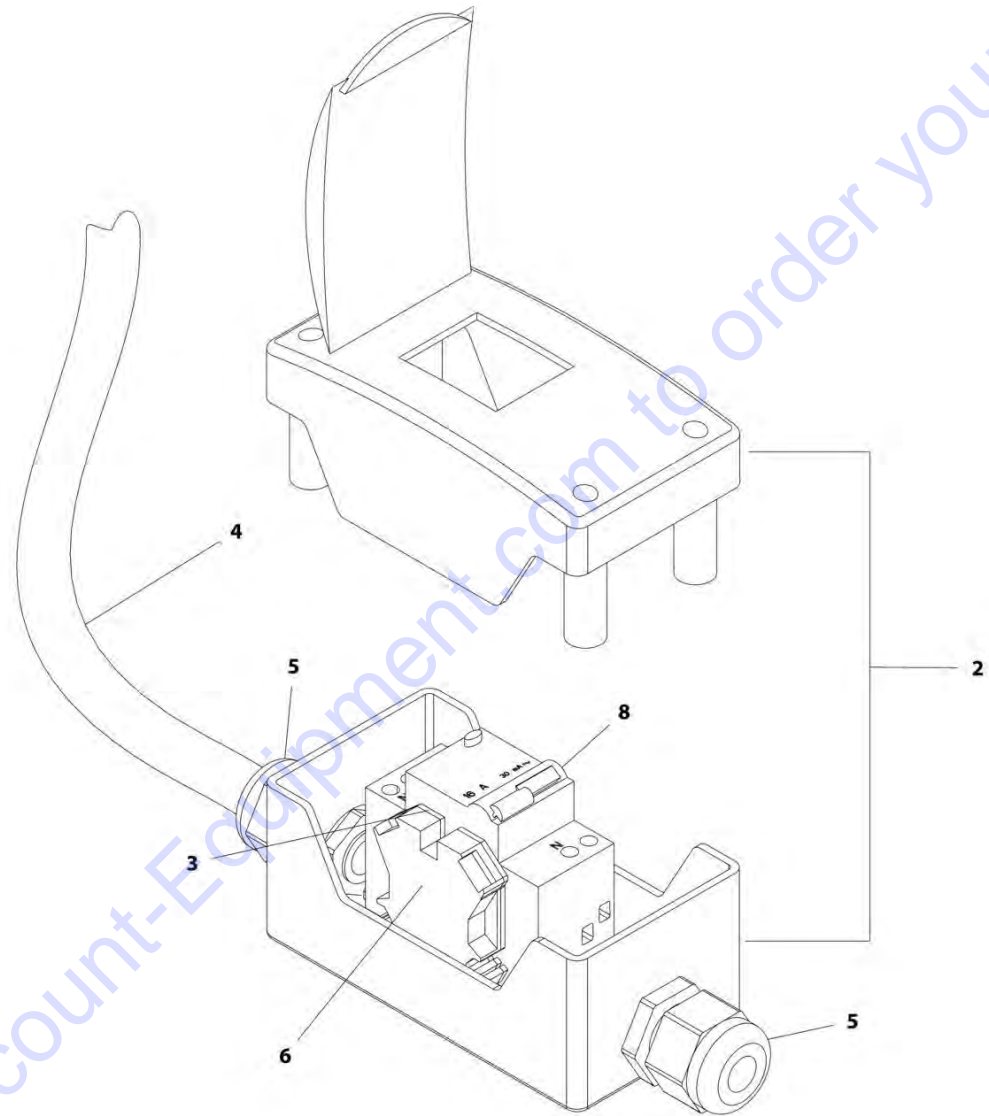
FIGURE 8-20. BOOM HARNESS - TOWER

ITEM	PART NUMBER	QTY	DESCRIPTION	REV
	1001118292	Ref	BOOM HARNESS - TOWER	D
1	4460894	1	Plug, Male - 6 Position	
1	4460465	6	Socket, Female	
2	4460970	1	Receptacle, Female - 12 Position	
2	4460464	9	Pin, Male	
2	4460466	3	Plug, Terminal	
3	4360548	3	Switch, Limit	
3	4460968	3	Connector, Strain Relief	
3	0962449	3	Bushing	
4	4460891	6	Plug, Male - 2 Position	
4	4460465	12	Socket, Female	

Go to Discount-Equipment.com to order your parts

SECTION 8 - ELECTRICAL

FIGURE 8-21. BREAKER BOX KIT (CE SPEC)



ART_2902549

SECTION 8 - ELECTRICAL

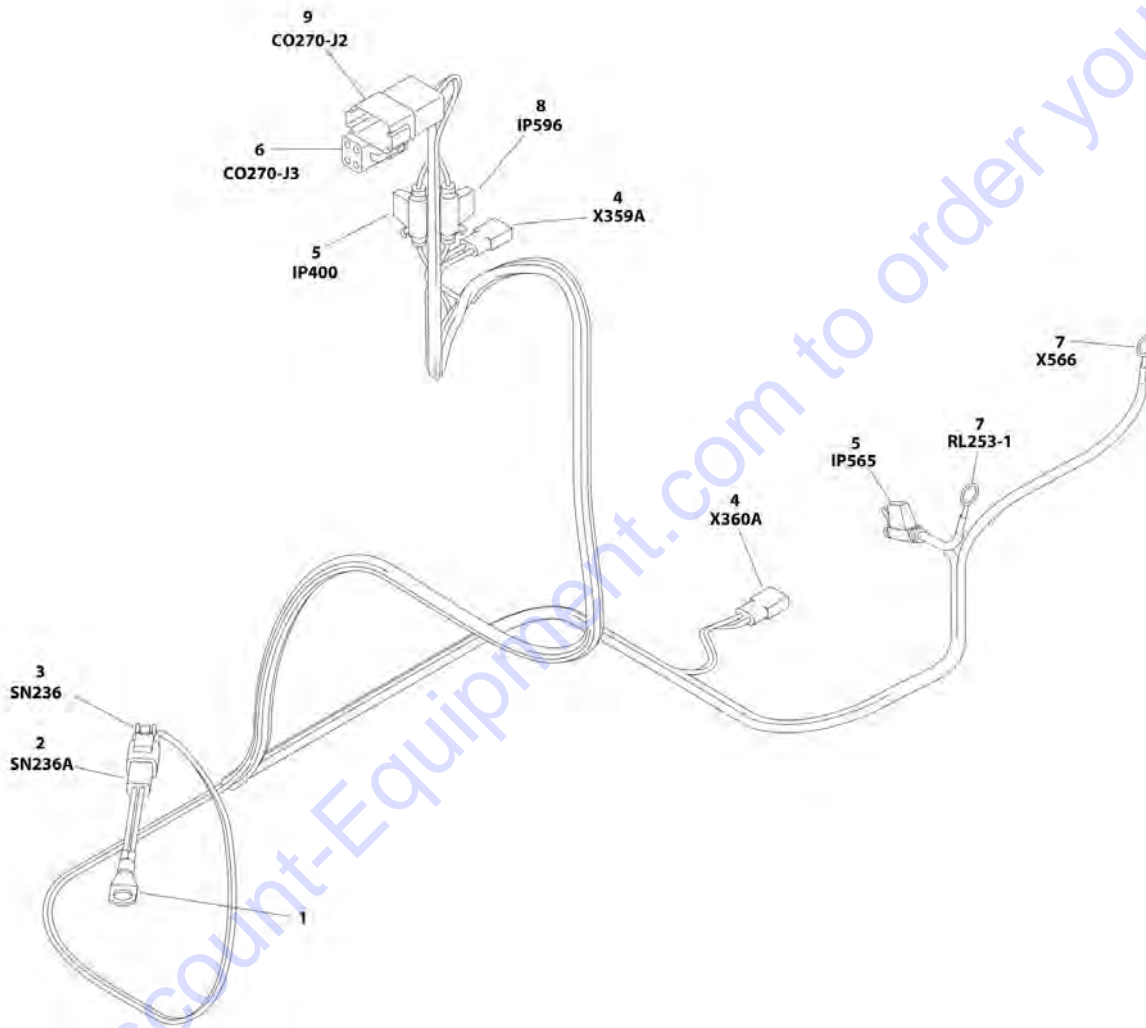
FIGURE 8-21. BREAKER BOX KIT (CE SPEC)

ITEM	PART NUMBER	QTY	DESCRIPTION	REV
	2902549	Ref	BOX AND BREAKER KIT	F
2	0861880	1	Box	
3	4460956	1	Barrier, Terminal	
4	1060908	6 ft/1.8m	Cable, 12/3	
5	1001097150	2	Connector, Strain Relief	
6	4460957	1	Block, Terminal	
8	1001109475	NLA	Breaker 16Amp (Use p/n 1001181045) (Prior to SN 0300209405)	
8	1001109482	NLA	Breaker 30mAmp (Use p/n 1001181045) (Prior to SN 0300209405)	
8	1001181045	1	Breaker, Combination 16Amp/30mAmp (SN 0300209405 to Present)	

Go to Discount-Equipment.com to order your parts

SECTION 8 - ELECTRICAL

FIGURE 8-22. CHARGER HARNESS



ART 1001167538

SECTION 8 - ELECTRICAL

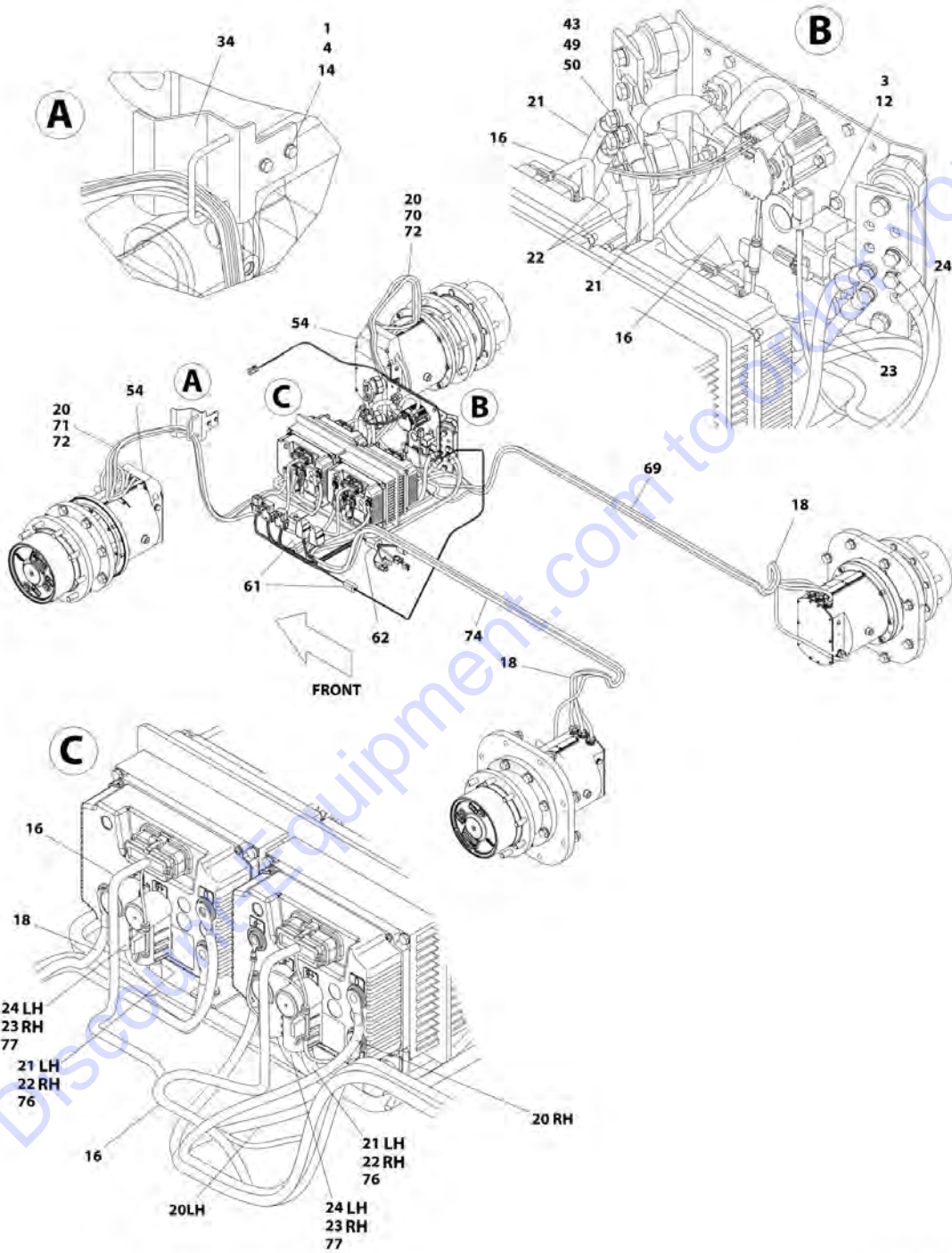
FIGURE 8-22. CHARGER HARNESS

ITEM	PART NUMBER	QTY	DESCRIPTION	REV
	1001167538	Ref	CHARGER HARNESS	F
1	1001102771	1	Sensor, Temperature (Prior to SN 0300236742)	
2	4460897	1	Connector - 2 Position (Prior to SN 0300236742)	
2	4460464	2	Pin, Male (Prior to SN 0300236742)	
3	4460891	1	Connector - 2 Position	
3	4460465	2	Socket, Female	
4	4460424	2	Connector - 2 Position	
4	4460268	4	Socket, Female	
5	1001170763	2	Fuseholder Less Fuse	
5	1001170762	2	Fuse 30Amp	
6	1001116810	1	Connector - 4 Position	
6	4460509	4	Terminal	
7	4460019	2	Ring, Terminal	
8	2400060	1	Fuseholder Less Fuse	
8	1001186489	1	Fuse 2Amp	
9	4460931	1	Connector - 8 Position	
9	4460464	2	Pin, Male	
9	4460466	6	Plug, Terminal	

Go to Discount-Equipment.com to order your parts

SECTION 8 - ELECTRICAL

FIGURE 8-23. DRIVE CABLES INSTALLATION



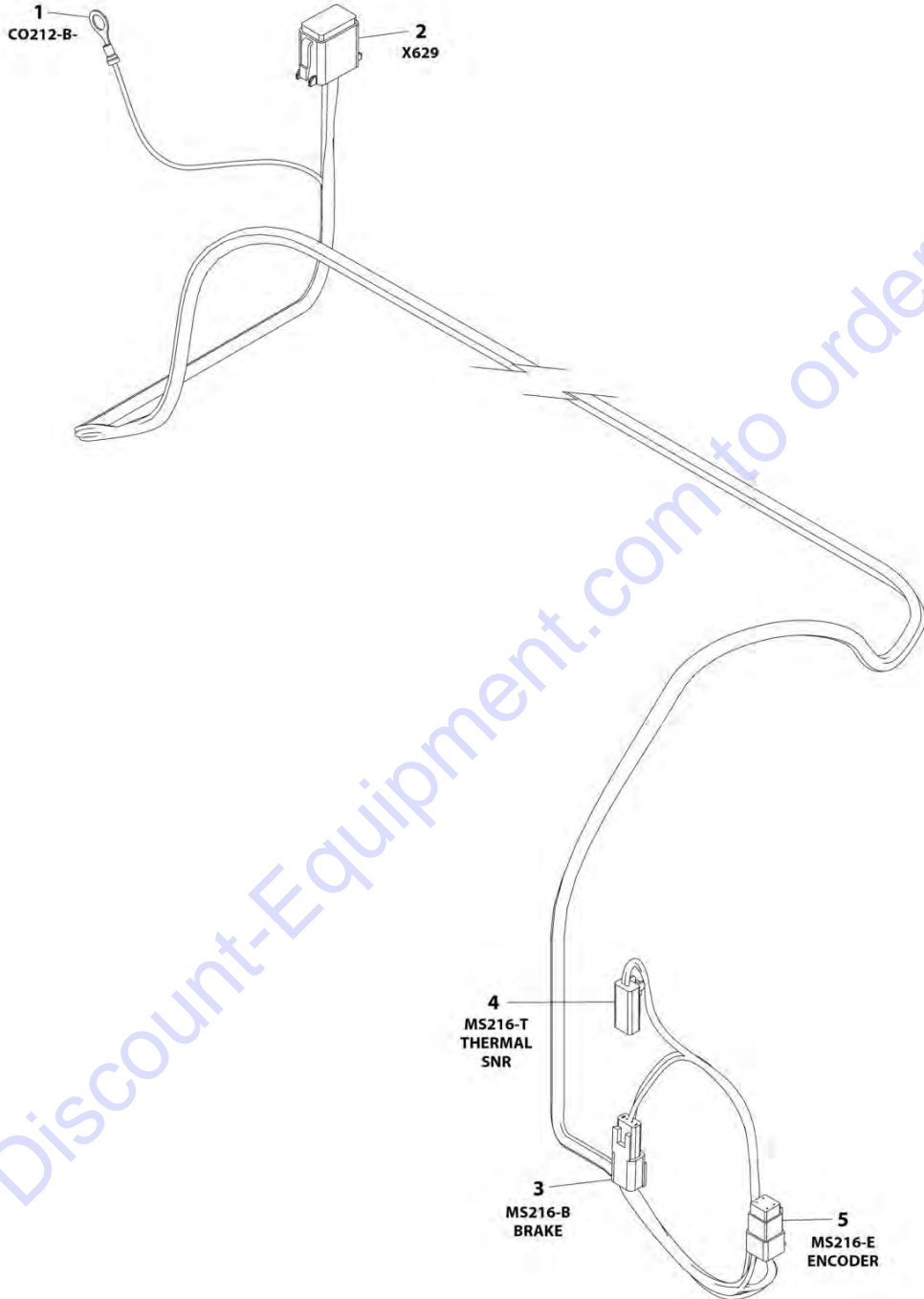
SECTION 8 - ELECTRICAL

FIGURE 8-23. DRIVE CABLES INSTALLATION

ITEM	PART NUMBER	QTY	DESCRIPTION	REV
	1001169292	Ref	DRIVE CABLES INSTALLATION	P
1	0100011	AR	Compound, Locking	
3	0760607	2	Bolt M6 x 14	
4	0760608	4	Bolt M6 x 16	
12	3290601	10	Nut M6	
14	4811700	4	Washer M6	
16	1001161871	1	Harness, Traction (See TRACTION HARNESS for Breakdown)	
18	1001161891	2	Cable, Rear Drive	
20	1001161924	2	Cable, Front Drive	
21	1001161943	1	Cable, Bussbar to Controller B+ (Operators LH Side)	
22	1001161944	2	Cable, Bussbar to Controller B+ (Operators RH Side)	
23	1001161948	2	Cable, Bussbar B- to Controller B- (Operators RH Side)	
24	1001161949	1	Cable, Bussbar B- to Controller B- (Operators LH Side)	
34	1001171301	2	Bracket	
36	0760808	AR	Bolt M8 x 16	
50	4831900	8	Washer M8	
54	1001184793	2	Bracket	
58	1001193549	1	Cable, Bussbar to Controller B+ (Operators LH Side)	
59	1001193550	1	Cable, Bussbar to Controller B+ (Operators LH Side)	
61	1001197942	AR	Ferrite	
62	1001197943	1	Ferrite (Prior to SN 0300236472)	
69	1001190529	1	Harness, Rear Right Drive (See DRIVE HARNESS - REAR RIGHT for Breakdown) (SN 0300209405 to Present)	
70	1001190530	1	Harness, Front Drive with Steer (See DRIVE HARNESS - FRONT WITH STEER for Breakdown) (SN 0300209405 to Present)	
71	1001190531	1	Harness, Front Drive without Steer (See DRIVE HARNESS - FRONT WITHOUT STEER for Breakdown) (SN 0300209405 to Present)	
72	4240018	AR	Tie-Strap	
74	1001211947	1	Harness, Rear Left Drive (See DRIVE HARNESS - REAR LEFT for Breakdown) (SN 0300209405 to Present)	
76	1001225558	4	Boot, Red (SN 0300236472 to Present)	
77	1001225557	4	Boot, Black (SN 0300236472 to Present)	

SECTION 8 - ELECTRICAL

FIGURE 8-24. DRIVE HARNESS - REAR RIGHT



ART_1001190529

SECTION 8 - ELECTRICAL

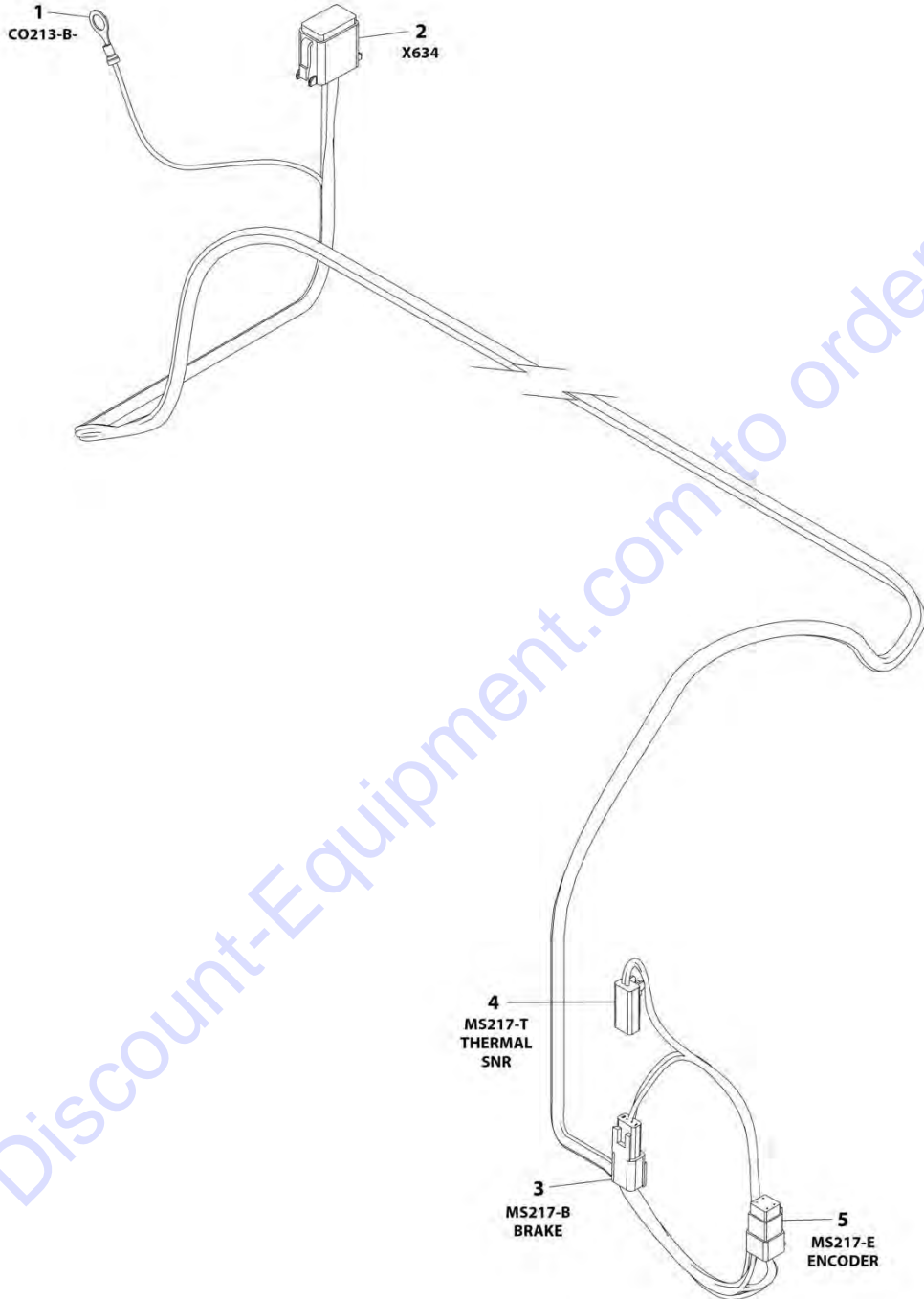
FIGURE 8-24. DRIVE HARNESS - REAR RIGHT

ITEM	PART NUMBER	QTY	DESCRIPTION	REV
	1001190529	Ref	DRIVE HARNESS - REAR RIGHT	F
1	4460702	1	Terminal, Ring	
2	4460930	1	Plug, Male - 8 Position	
2	4460465	8	Socket, Female	
3	1001153612	1	Receptacle, Female - 2 Position	
3	4460929	2	Pin, Male	
4	4461290	1	Plug, Male - 2 Position	
4	4460928	2	Socket, Female	
5	4461077	1	Plug, Male - 4 Position	
5	4460928	4	Socket, Female	

Go to Discount-Equipment.com to order your parts

SECTION 8 - ELECTRICAL

FIGURE 8-25. DRIVE HARNESS - REAR LEFT



ART_1001211947

SECTION 8 - ELECTRICAL

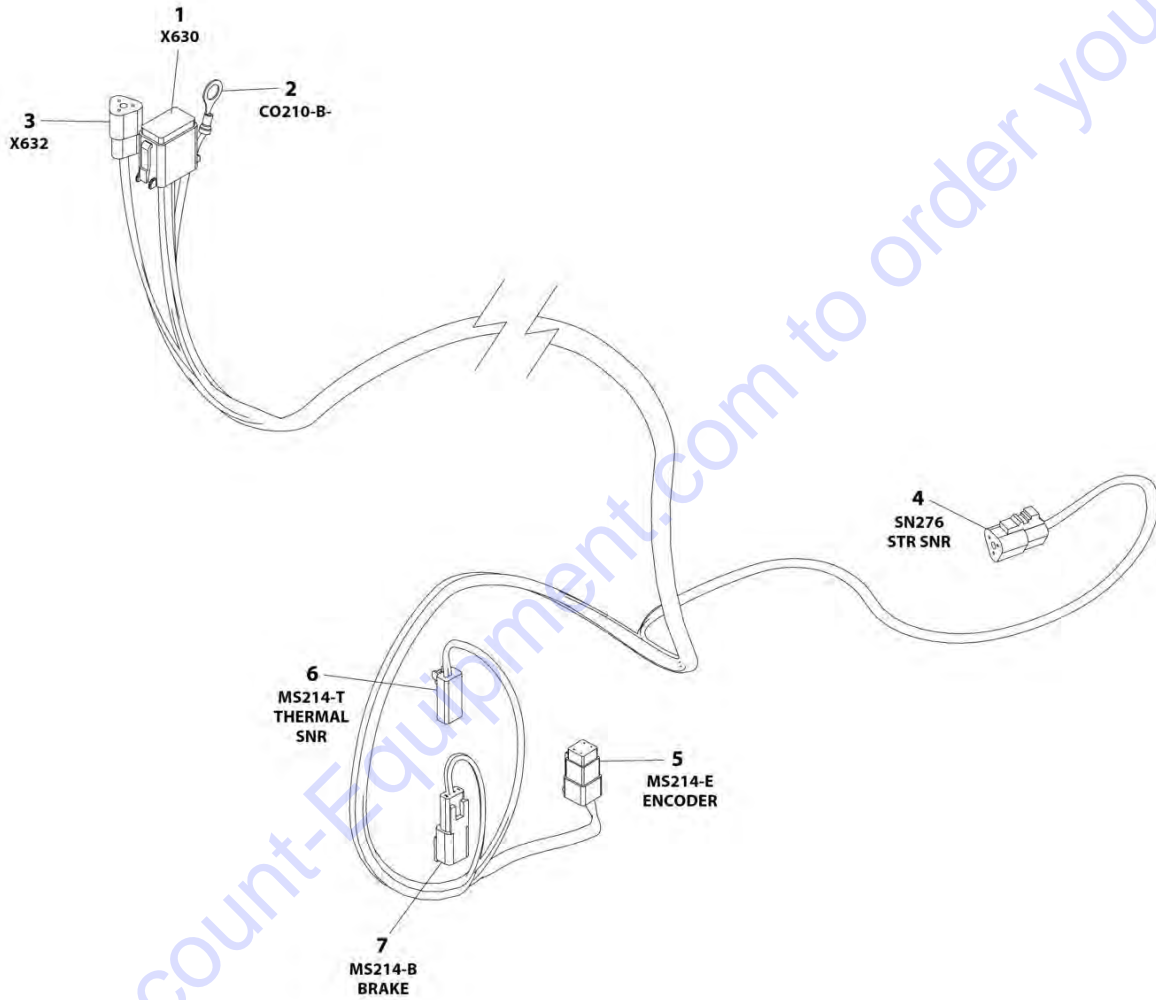
FIGURE 8-25. DRIVE HARNESS - REAR LEFT

ITEM	PART NUMBER	QTY	DESCRIPTION	REV
	1001211947	Ref	DRIVE HARNESS - REAR LEFT	B
1	4460702	1	Terminal, Ring	
2	4460930	1	Plug, Male - 8 Position	
2	4460465	8	Socket, Female	
3	1001153612	1	Receptacle, Female - 2 Position	
3	4460929	2	Pin, Male	
4	4461290	1	Plug, Male - 2 Position	
4	4460928	2	Socket, Female	
5	4461077	1	Plug, Male - 4 Position	
5	4460928	4	Socket, Female	

Go to Discount-Equipment.com to order your parts

SECTION 8 - ELECTRICAL

FIGURE 8-26. DRIVE HARNESS - FRONT WITH STEER



ART_1001190530

SECTION 8 - ELECTRICAL

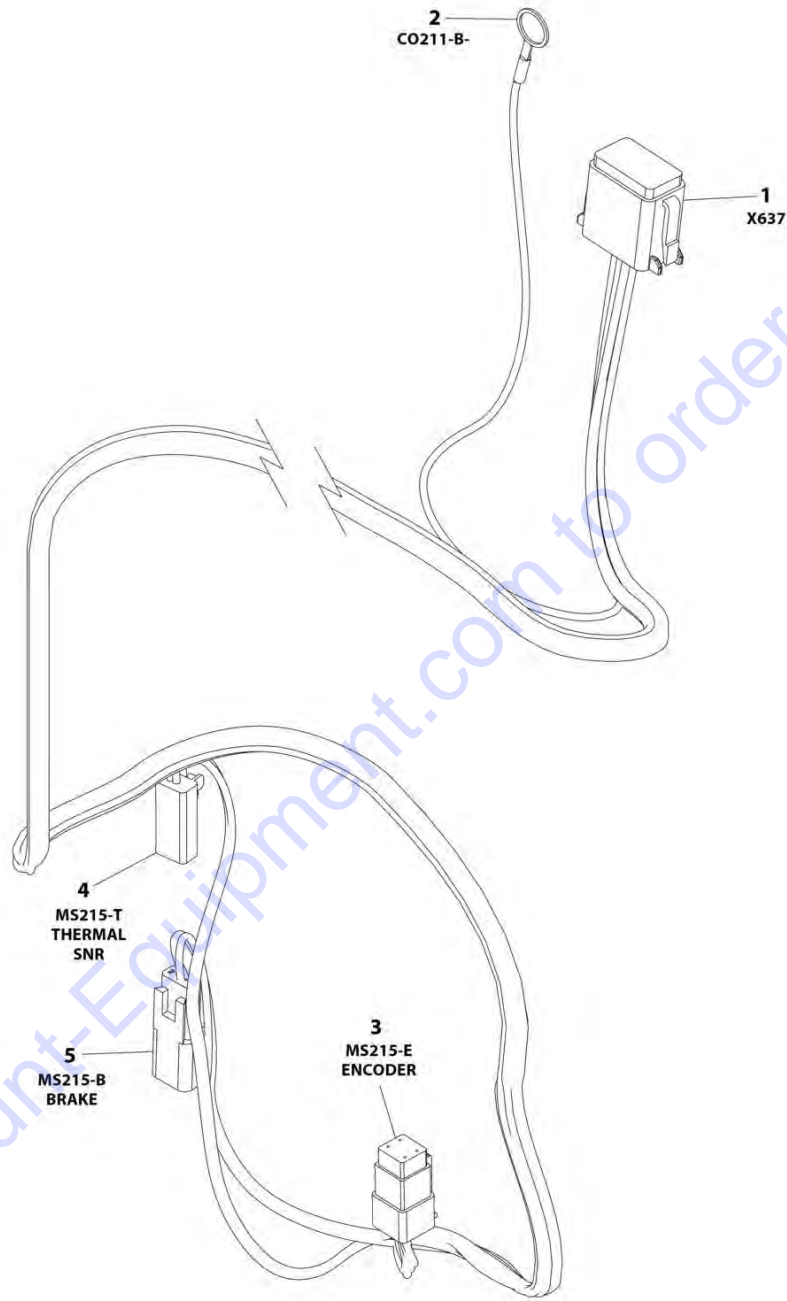
FIGURE 8-26. DRIVE HARNESS - FRONT WITH STEER

ITEM	PART NUMBER	QTY	DESCRIPTION	REV
	1001190530	Ref	DRIVE HARNESS - FRONT WITH STEER	E
1	4460930	1	Plug, Male - 8 Position	
1	4460465	8	Socket, Female	
2	4460702	1	Terminal, Ring	
3	4460539	2	Plug, Male - 3 Position	
3	4460465	4	Socket, Female	
4	4460539	2	Plug, Male - 3 Position	
4	4460944	4	Socket, Female	
5	4461077	1	Plug, Male - 4 Position	
5	4460928	4	Socket, Female	
6	4461290	1	Plug, Male - 2 Position	
6	4460928	2	Socket, Female	
7	1001153612	1	Receptacle, Female - 2 Position	
7	4460929	2	Pin, Male	

Go to Discount-Equipment.com to order your parts

SECTION 8 - ELECTRICAL

FIGURE 8-27. DRIVE HARNESS - FRONT WITHOUT STEER



ART_1001190531

SECTION 8 - ELECTRICAL

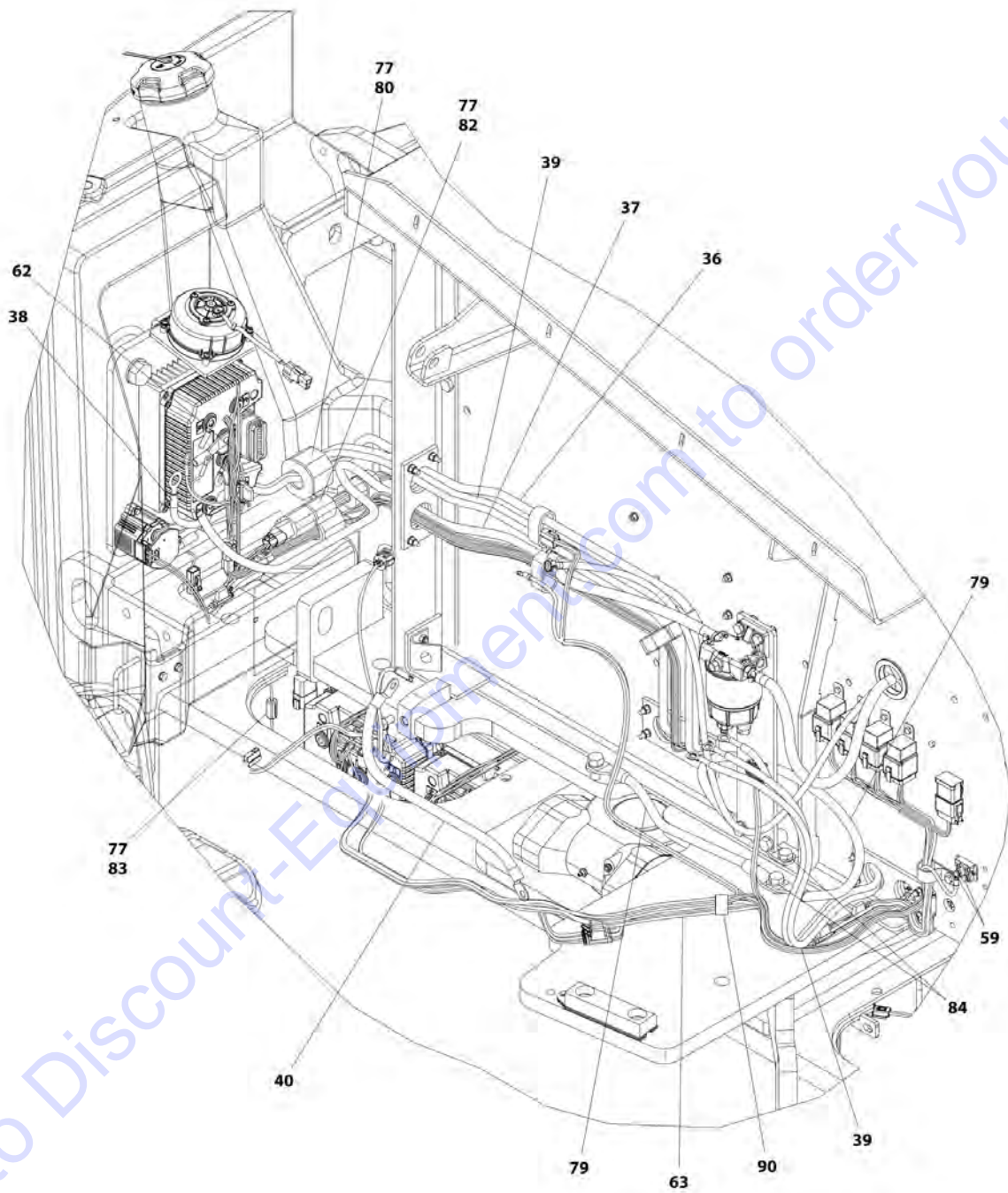
FIGURE 8-27. DRIVE HARNESS - FRONT WITHOUT STEER

ITEM	PART NUMBER	QTY	DESCRIPTION	REV
	1001190531	Ref	DRIVE HARNESS - FRONT WITHOUT STEER	F
1	4460930	1	Plug, Male - 8 Position	
1	4460465	8	Socket, Female	
2	4460702	1	Terminal, Ring	
3	4461077	1	Plug, Male - 4 Position	
3	4460928	4	Socket, Female	
4	4461290	1	Plug, Male - 2 Position	
4	4460928	2	Socket, Female	
5	1001153612	1	Receptacle, Female - 2 Position	
5	4460929	2	Pin, Male	

Go to Discount-Equipment.com to order your parts

SECTION 8 - ELECTRICAL

FIGURE 8-28. ENGINE CABLES INSTALLATION



ARF_1001168098_30F3

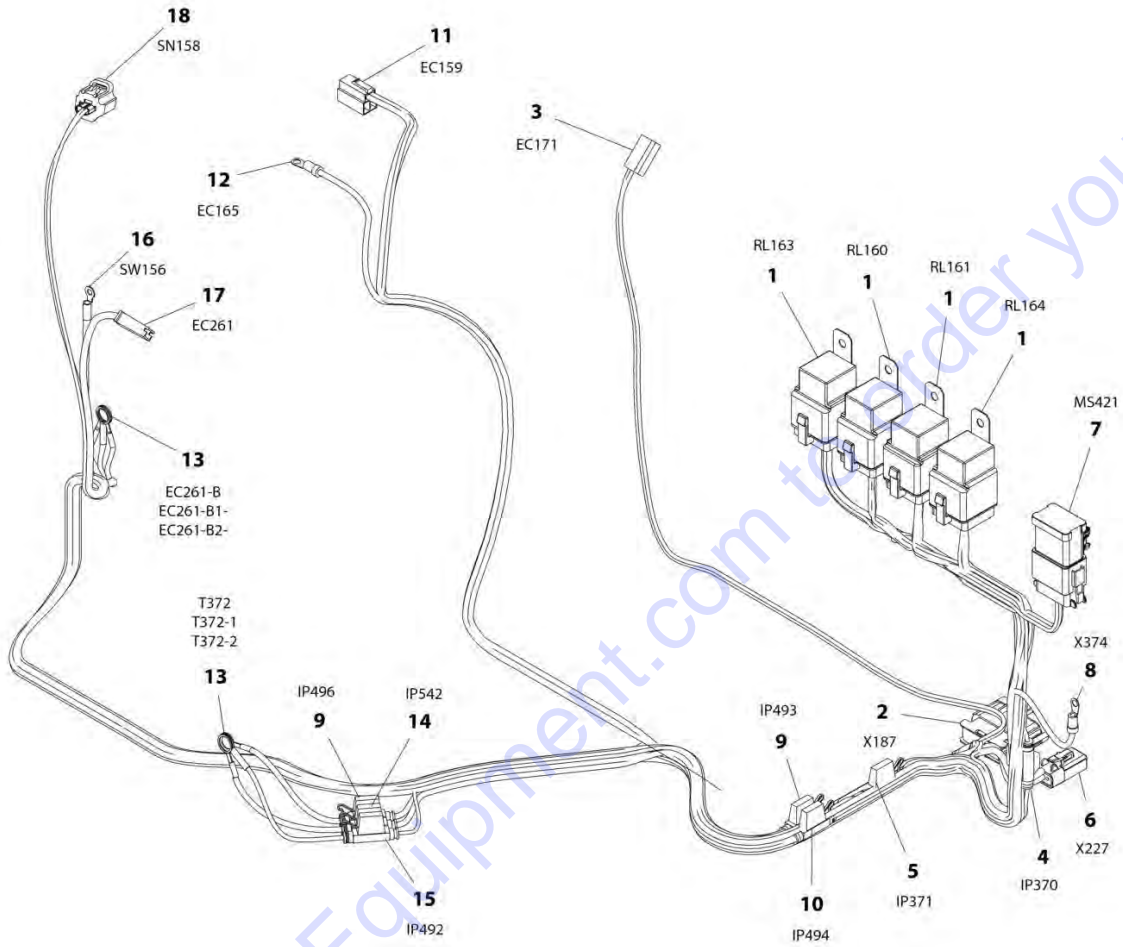
SECTION 8 - ELECTRICAL

FIGURE 8-28. ENGINE CABLES INSTALLATION

ITEM	PART NUMBER	QTY	DESCRIPTION	REV
	1001168098	Ref	ENGINE CABLES INSTALLATION	1
1	0100011	AR	Compound, Locking	
36	1001164412	1	Cable, Drive Controller Positive to Zapi Controller	
37	1001164418	1	Cable, Drive Controller Negative to Zapi Controller	
38	1001164494	1	Cable, Controller to Zapi Controller	
39	1001164495	1	Cable, Generator	
40	1001164654	1	Cable, Positive Jumper	
59	4010403	2	Screw M4 X 6	
61	0100083	1	Grease, Terminal (Not Shown)	
62	1001177378	1	Generator Harness Assembly (See GENERATOR HARNESS ASSEMBLY for Breakdown)	
63	1001177433	1	Engine Harness Assembly (See ENGINE HARNESS ASSEMBLY for Breakdown)	
74	0760808	2	Bolt M8 x 16 (Not Shown - Attaches Item 37 at Frame Module and Item 79 to Engine)	
75	4831900	2	Washer M8 (Not Shown - Attaches Item 37 at Frame Module and Item 79 to Engine)	
76	0641808	1	Bolt 1/2 x 1	
77	4240033	AR	Tie-Strap (Not Shown)	
78	4761600	1	Washer 3/8	
79	1001197652	1	Strap, Ground	
80	1001197941	1	Ferrite	
83	1001197944	1	Ferrite	
84	4872000	2	Washer M10	
85	4792000	1	Washer 5/8 (Not Shown - Use with Item 74)	
90	85031405	1	Support	

SECTION 8 - ELECTRICAL

FIGURE 8-29. ENGINE HARNESS



ART_1001177433

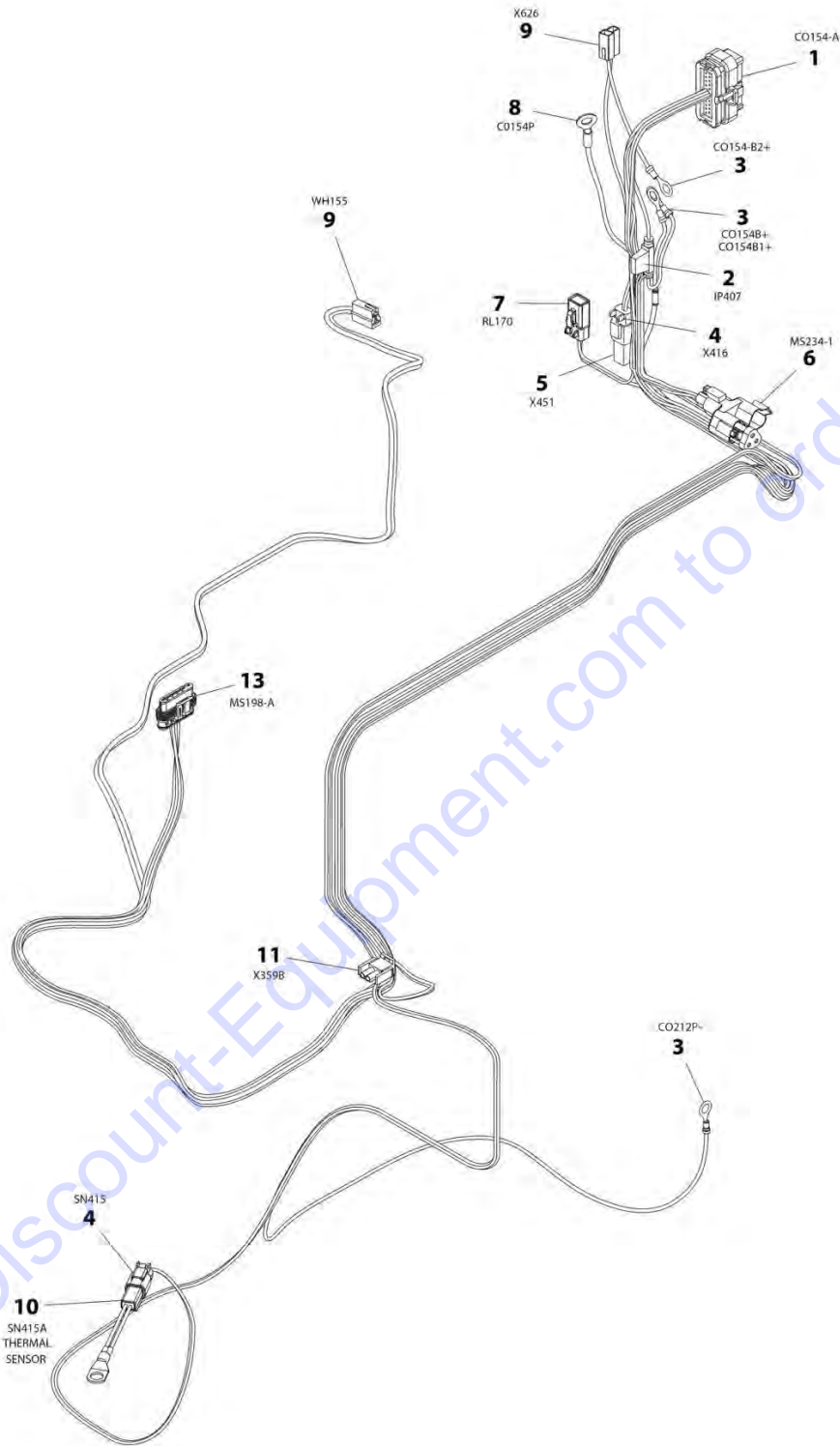
SECTION 8 - ELECTRICAL

FIGURE 8-29. ENGINE HARNESS

ITEM	PART NUMBER	QTY	DESCRIPTION	REV
	1001177433	Ref	ENGINE HARNESS	F
1	1001118282	5	Plug, Male - 5 Position	
1	1001116734	6	Terminal, Female	
1	1001116733	2	Terminal, Female	
1	1001116732	8	Terminal, Female	
2	4461109	1	Plug, Male - 16 Position	
2	4461111	9	Pin, Male	
2	4461222	7	Plug, Terminal	
3	1001118744	1	Receptacle, Female - 2 Position	
3	1001116720	2	Terminal	
4	2400060	1	Fuseholder with Cover	
4	See Note	1	Fuse - 10Amp (Note: Not Available Purchase Locally)	
5	2400060	1	Fuseholder with Cover	
5	See Note	1	Fuse - 3Amp (Note: Not Available Purchase Locally)	
6	4461018	2	Connector - 2 Position	
6	4460509	1	Socket, Female	
7	4460836	5	Connector - 12 Position	
7	4460465	7	Socket, Female	
7	4460466	1	Plug, Terminal	
7	4460837	1	Connector, Bussbar	
7	1001121172	1	Bracket, Mounting	
8	4460142	1	Terminal, Ring	
9	2400066	2	Fuseholder with Cover	
9	8229245	2	Fuse 30Amp	
10	2400066	1	Fuseholder with Cover	
10	8229247	1	Fuse 25Amp	
11	1001172074	1	Connector - 3 Position	
11	1001125033	2	Terminal	
11	1001118745	1	Terminal	
12	4460142	1	Terminal, Ring	
13	4460019	6	Terminal, Ring	
14	2400066	1	Fuseholder with Cover	
14	8229246	1	Fuse - 20Amp	
15	2400066	1	Fuseholder with Cover	
15	See Note	1	Fuse - 2Amp	
16	8220007	1	Terminal, Ring	
17	4460260	1	Housing, Terminal	
17	4460259	1	Terminal	
18	1001118657	1	Connector - 2 Position	
18	1001118658	2	Terminal	

SECTION 8 - ELECTRICAL

FIGURE 8-30. GENERATOR HARNESS



ART_1001177378

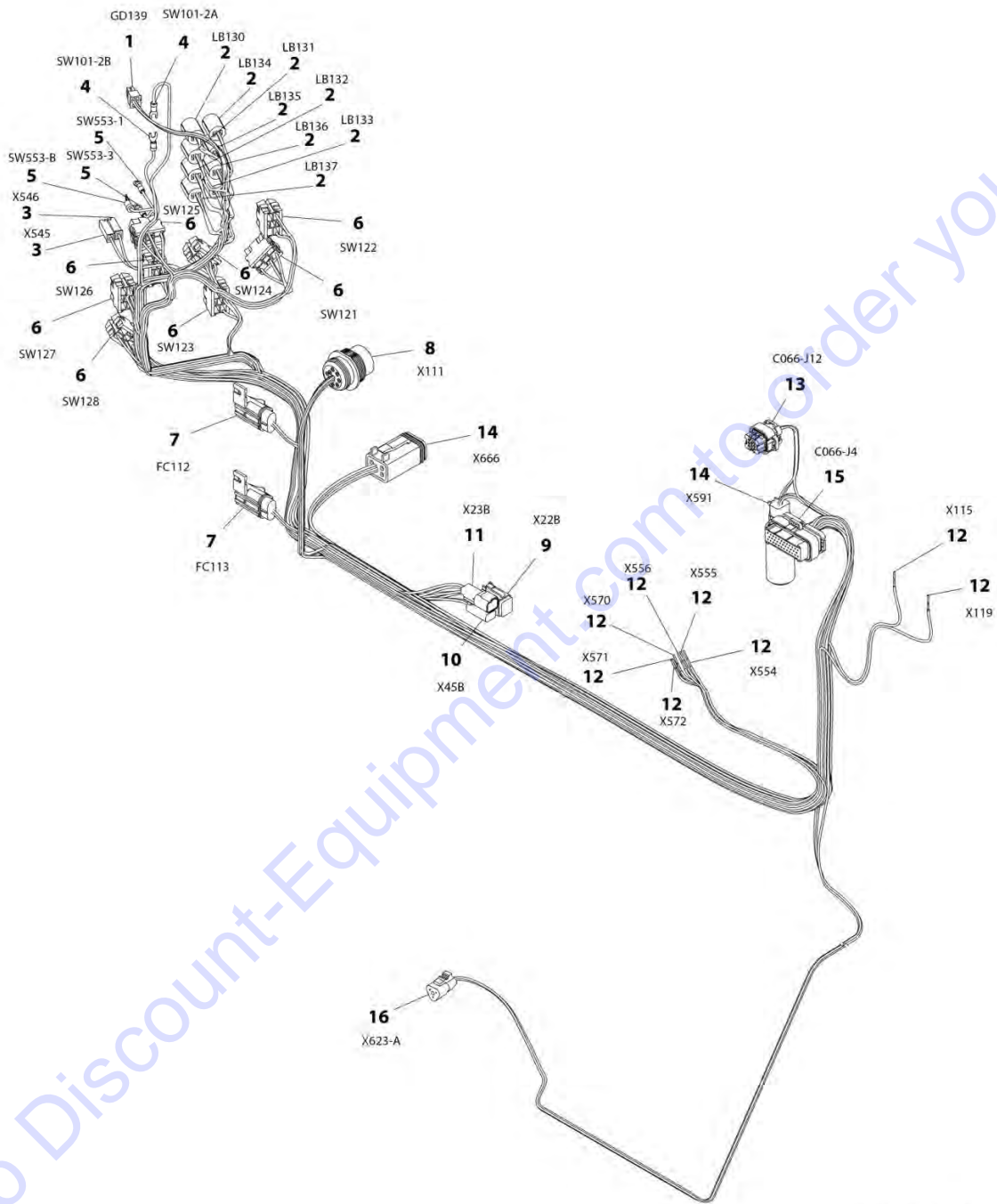
SECTION 8 - ELECTRICAL

FIGURE 8-30. GENERATOR HARNESS

ITEM	PART NUMBER	QTY	DESCRIPTION	REV
	1001177378	Ref	GENERATOR HARNESS	H
1	4460873	1	Connector - 35 Position	
1	4460871	12	Socket, Female	
1	4460905	23	Plug, Terminal	
2	2400060	1	Fuseholder	
2	1001170760	1	Fuse 10Amp	
3	4460670	5	Terminal, Ring	
4	4460891	2	Plug, Male - 2 Position	
4	4460465	4	Socket, Female	
5	4460897	1	Receptacle, Female	
5	See Note	1	Resistor 10K Ohm 1/4Watt (Note: Not Available - Purchase Locally)	
5	1001135350	1	Cap, Heat Shrink	
6	1001116812	1	Plug, Male - 3 Position	
6	4460944	3	Socket, Female	
6	4460945	1	Receptacle, 3 Way (Prior to SN 0300226326)	
6	1001220644	1	Harness, Jumper (SN 0300226326 to Present)	
6	1001116815	1	Plug, Bussbar - 3 Position (Prior to SN 0300226326)	
6	1001186231	1	Connector, Fuse/Resistor (SN 0300226326 to Present)	
7	4461290	1	Plug, Male - 2 Position	
7	1001126008	2	Terminal	
8	8220045	1	Terminal, Ring	
9	4460994	2	Receptacle, Female - 2 Position	
9	1001116723	4	Terminal, Female	
10	4460897	1	Receptacle, Female - 2 Position (Prior to SN 0300236472)	
10	4460464	2	Pin, Male (Prior to SN 0300236472)	
10	1001102771	1	Sensor, Thermal Less Receptacle & Pins (Prior to SN 0300236472)	
11	4460320	1	Plug, Male - 2 Position	
11	4460267	2	Pin, Male	
13	4461117	1	Connector - 6 Position	
13	1001107854	6	Socket, Female	

SECTION 8 - ELECTRICAL

FIGURE 8-31. GROUND CONTROL HARNESS



ART_1001165848

SECTION 8 - ELECTRICAL

FIGURE 8-31. GROUND CONTROL HARNESS

ITEM	PART NUMBER	QTY	DESCRIPTION	REV
	1001165848	Ref	GROUND CONTROL HARNESS	H
1	4460868	1	Connector - 6 Position	
1	4460877	4	Terminal	
2	4120035	8	Socket, Light	
2	4460634	9	Terminal - 16Ga	
2	4460635	14	Terminal - 12Ga	
3	4460260	2	Housing, Terminal	
3	4460259	2	Terminal	
4	4460115	2	Terminal, Fork	
5	4460313	2	Terminal, Ring	
5	4460042	1	Terminal, Ring	
6	4460418	8	Connector - 3 Position	
6	4460419	31	Terminal	
7	1001117078	2	Fuse Assembly (Includes Fuse, Holder, Cover)	
7	See Note	2	Fuse - 5Amp ATO (Note: Not Available - Purchase p/n 1001117078)	
7	4460419	4	Terminal	
8	1001112612	1	Connector - 9 Position	
8	4460464	3	Pin, Male	
8	4460943	3	Pin, Male	
8	4460466	1	Plug, Terminal	
8	4460497	1	Nut	
8	4460496	1	Washer	
9	4460894	1	Connector - 6 Position	
9	4460465	3	Socket, Female	
9	4460466	3	Plug, Terminal	
10	4460891	1	Connector - 2 Position	
10	4460465	2	Socket, Female	
11	4460897	1	Connector - 2 Position	
11	4460464	2	Pin, Male	
12	4460465	8	Socket, Female	
13	1001113961	1	Connector - 8 Position	
13	4460905	5	Plug, Terminal	
13	4460871	3	Socket, Female	
14	4460884	2	Connector - 4 Position	
14	4460465	4	Socket, Female	
14	4460944	4	Socket, Female	
15	4460876	1	Connector - 35 Position	
15	4460871	26	Socket, Female	
15	4460905	9	Plug, Terminal	
16	4460539	1	Connector - 3 Position	
16	4460944	3	Socket, Female	

PARTS FINDER

**Search Website
by Part Number**



**Search Manual
Library For Parts
Manual & Lookup Part
Numbers – Purchase
or Request Quote**

**Can't Find Part or
Manual? Request Help
by Manufacturer,
Model & Description**

Discount-Equipment.com is your online resource for quality parts & equipment.

Florida: **561-964-4949** Outside Florida TOLL FREE: **877-690-3101**

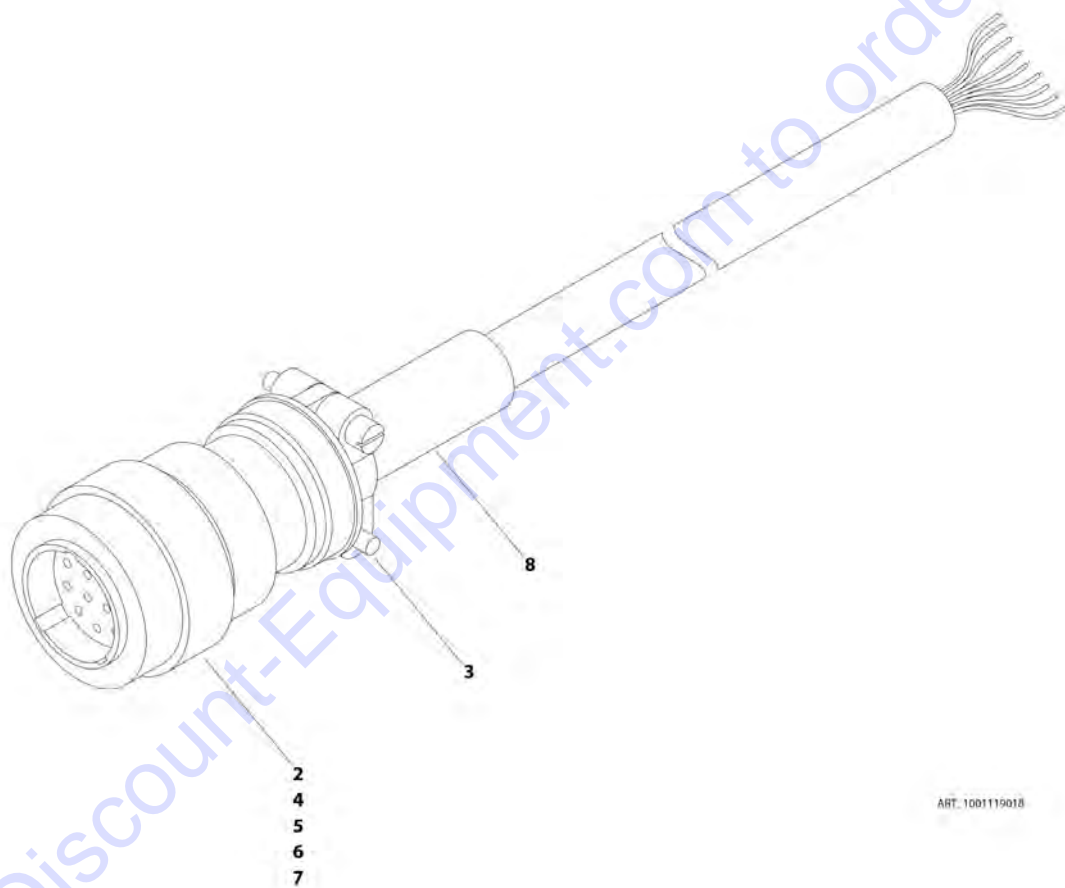
Need parts?

Click on this link: <http://www.discount-equipment.com/category/5443-parts/> and choose one of the options to help get the right parts and equipment you are looking for. Please have the machine model and serial number available in order to help us get you the correct parts. If you don't find the part on the website or on one of the online manuals, please fill out the request form and one of our experienced staff members will get back to you with a quote for the right part that your machine needs.

We sell worldwide for the brands: Genie, Terex, JLG, MultiQuip, Mikasa, Essick, Whiteman, Mayco, Toro Stone, Diamond Products, Generac Magnum, Airman, Haulotte, Barreto, Power Blanket, Nifty Lift, Atlas Copco, Chicago Pneumatic, Allmand, Miller Curber, Skyjack, Lull, Skytrak, Tsurumi, Husquvarna Target, Stow, Wacker, Sakai, Mi-T-M, Sullair, Basic, Dynapac, MBW, Weber, Bartell, Bennar Newman, Haulotte, Ditch Runner, Menegotti, Morrison, Contec, Buddy, Crown, Edco, Wyco, Bomag, Laymor, EZ Trench, Bil-Jax, F.S. Curtis, Gehl Pavers, Heli, Honda, ICS/PowerGrit, IHI, Partner, Imer, Clipper, MMD, Koshin, Rice, CH&E, General Equipment, Amida, Coleman, NAC, Gradall, Square Shooter, Kent, Stanley, Tamco, Toku, Hatz, Kohler, Robin, Wisconsin, Northrock, Oztec, Toker TK, Rol-Air, APT, Wylie, Ingersoll Rand / Doosan, Innovatech, Con X, Ammann, Mecalac, Makinex, Smith Surface Prep, Small Line, Wanco, Yanmar

SECTION 8 - ELECTRICAL

FIGURE 8-32. GROUND TO PLATFORM CABLE - MAIN BOOM (WITHOUT ARCTIC PACKAGE)



SECTION 8 - ELECTRICAL

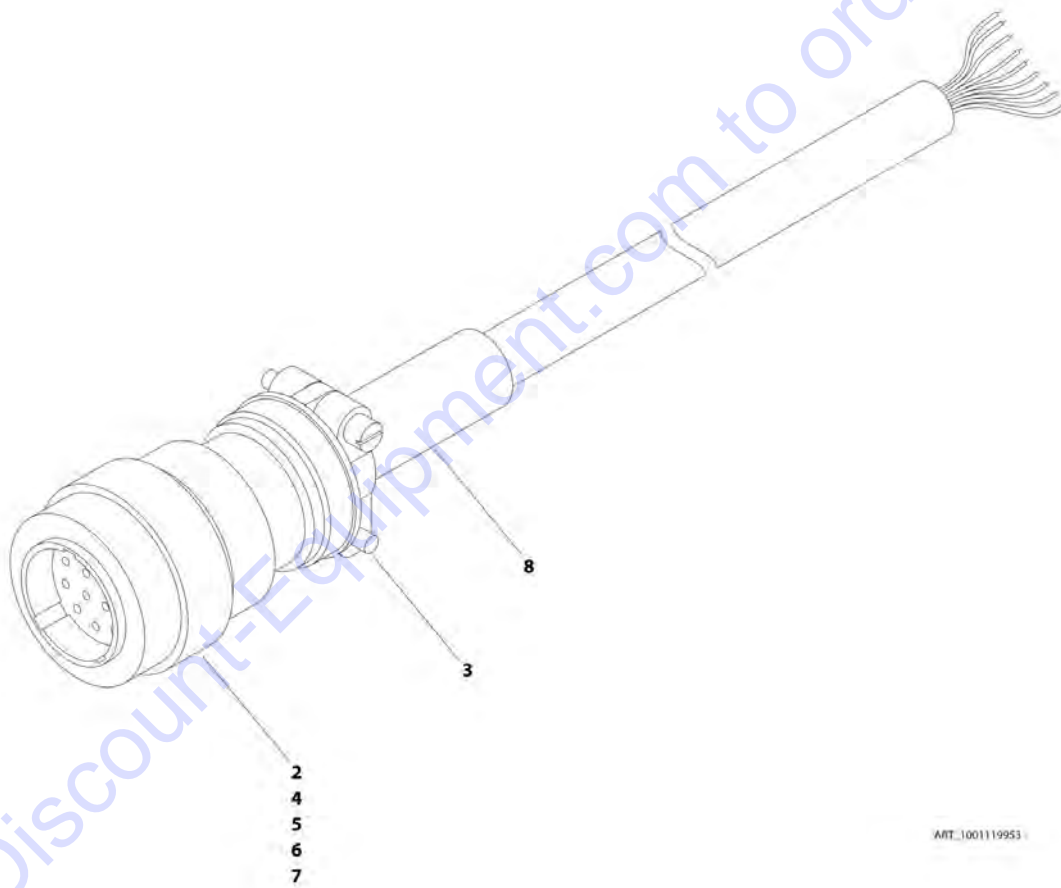
FIGURE 8-32. GROUND TO PLATFORM CABLE - MAIN BOOM (WITHOUT ARCTIC PACKAGE)

ITEM	PART NUMBER	QTY	DESCRIPTION	REV
	1001119018	Ref	GROUND TO PLATFORM CABLE - MAIN BOOM (WITHOUT ARCTIC PACKAGE)	C
2	4460865	1	Connector - 19 Position	
3	4460473	1	Clamp, Cable	
4	4460465	22	Socket, Female	
5	4460509	8	Socket, Female	
6	4460466	4	Plug, Terminal	
7	2820118	AR	Heat Shrink	
8	1001226400	1	Heat Shrink	

Go to Discount-Equipment.com to order your parts

SECTION 8 - ELECTRICAL

FIGURE 8-33. GROUND TO PLATFORM CABLE - MAIN BOOM (WITH ARCTIC PACKAGE)



SECTION 8 - ELECTRICAL

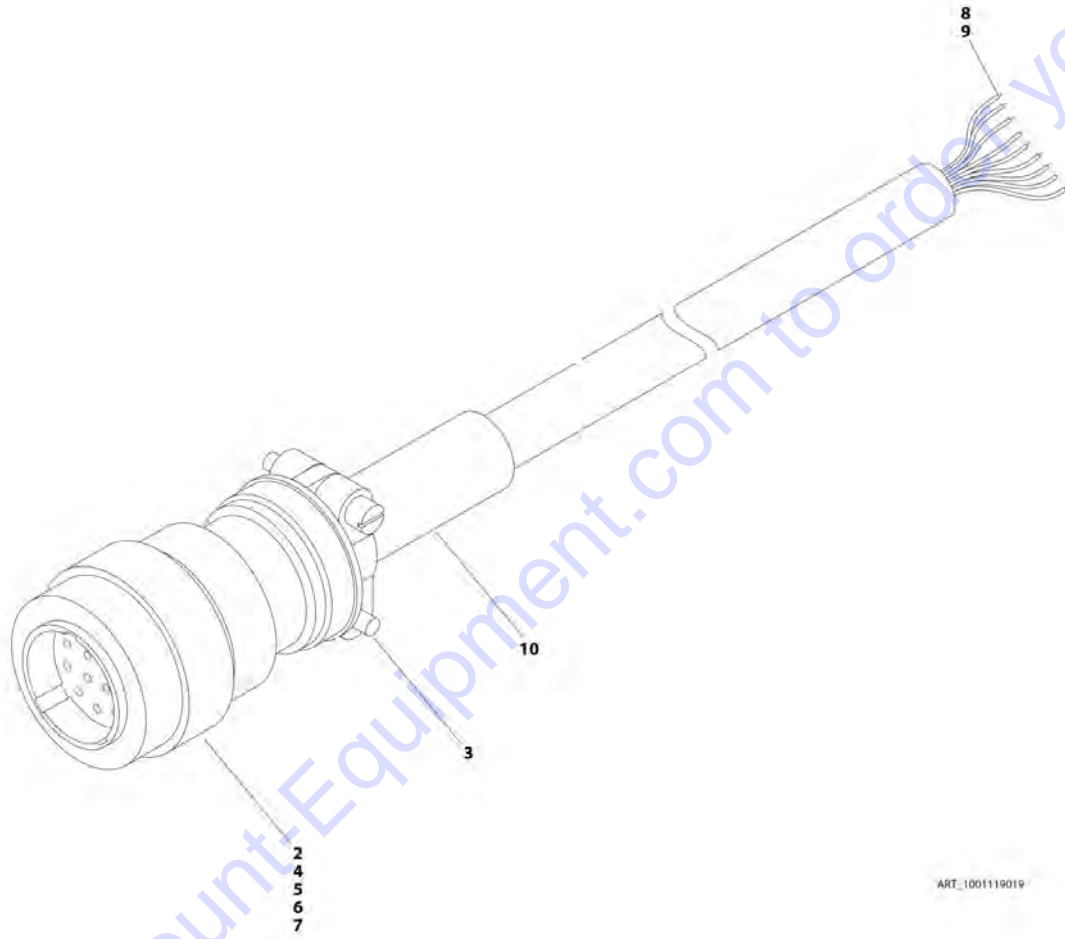
FIGURE 8-33. GROUND TO PLATFORM CABLE - MAIN BOOM (WITH ARCTIC PACKAGE)

ITEM	PART NUMBER	QTY	DESCRIPTION	REV
	1001119953	Ref	GROUND TO PLATFORM CABLE - MAIN BOOM (WITH ARCTIC PACKAGE)	D
2	4460865	1	Connector - 19 Position	
3	4460473	1	Clamp, Cable	
4	4460465	22	Socket, Female	
5	4460509	8	Socket, Female	
6	4460466	4	Plug, Terminal	
7	2820118	AR	Heat Shrink	
8	1001226400	1	Heat Shrink	

Go to Discount-Equipment.com to order your parts

SECTION 8 - ELECTRICAL

FIGURE 8-34. GROUND TO PLATFORM CABLE - TOWER BOOM (WITHOUT ARCTIC PACKAGE)



SECTION 8 - ELECTRICAL

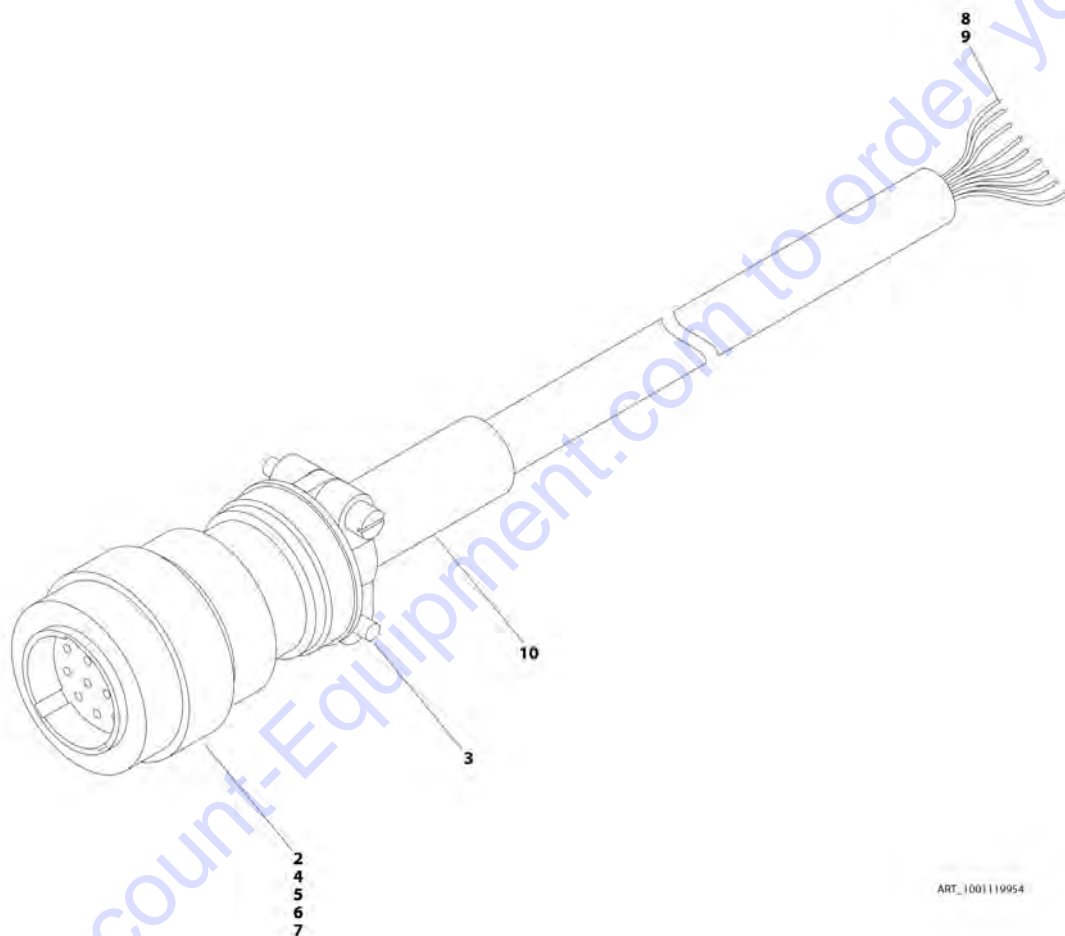
FIGURE 8-34. GROUND TO PLATFORM CABLE - TOWER BOOM (WITHOUT ARCTIC PACKAGE)

ITEM	PART NUMBER	QTY	DESCRIPTION	REV
	1001119019	Ref	GROUND TO PLATFORM CABLE - TOWER BOOM (WITHOUT ARCTIC PACKAGE)	B
2	4460865	1	Connector - 19 Position	
3	4460473	1	Clamp, Cable	
4	4460465	11	Socket, Female	
5	4460509	4	Socket, Female	
6	4460466	4	Plug, Terminal	
7	2820118	AR	Heat Shrink	
8	4460464	11	Pin, Male	
9	4460508	4	Pin, Male	
10	1001226400	1	Heat Shrink	

Go to Discount-Equipment.com to order your parts

SECTION 8 - ELECTRICAL

FIGURE 8-35. GROUND TO PLATFORM CABLE - TOWER BOOM (WITH ARCTIC PACKAGE)



ART_100119954

SECTION 8 - ELECTRICAL

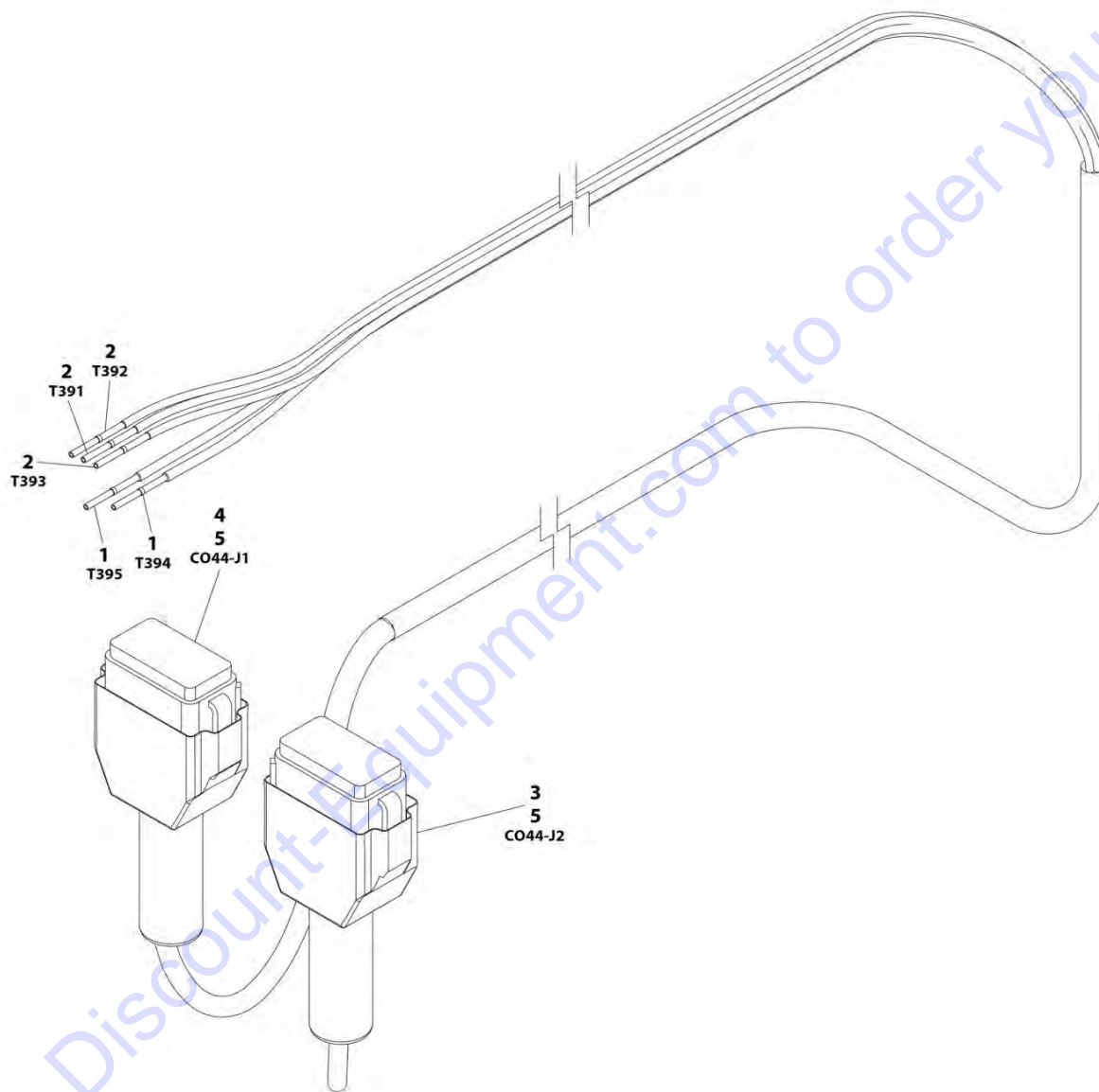
FIGURE 8-35. GROUND TO PLATFORM CABLE - TOWER BOOM (WITH ARCTIC PACKAGE)

ITEM	PART NUMBER	QTY	DESCRIPTION	REV
	1001119954	Ref	GROUND TO PLATFORM CABLE - TOWER BOOM (WITH ARCTIC PACKAGE)	C
2	4460865	1	Connector - 19 Position	
3	4460473	1	Clamp, Cable	
4	4460465	11	Socket, Female	
5	4460509	4	Socket, Female	
6	4460466	4	Plug, Terminal	
7	2820118	AR	Heat Shrink	
8	4460464	11	Pin, Male	
9	4460508	4	Pin, Male	
10	1001226400	1	Heat Shrink	

Go to Discount-Equipment.com to order your parts

SECTION 8 - ELECTRICAL

FIGURE 8-36. LSS HARNESS



ART_1001169598

SECTION 8 - ELECTRICAL

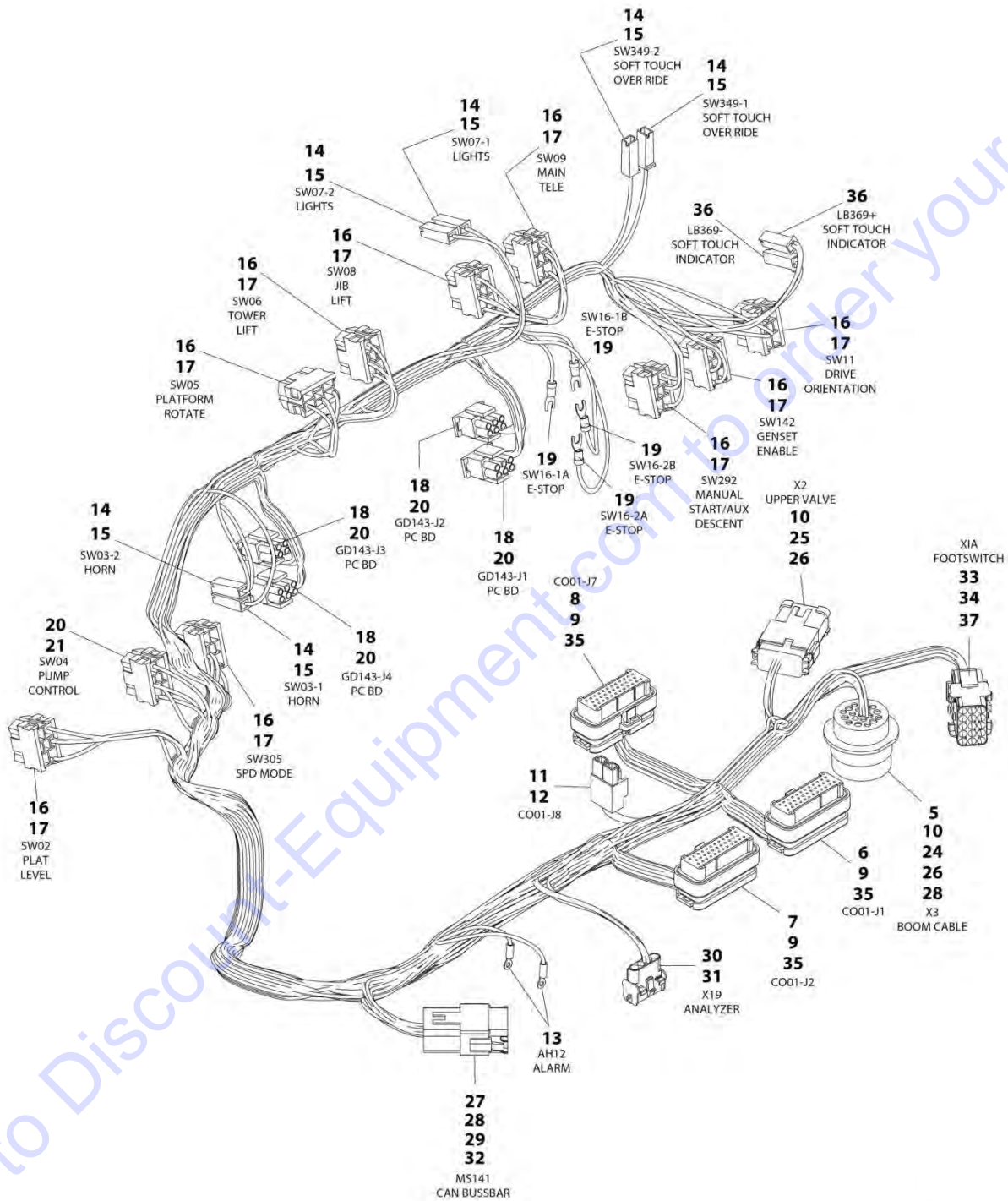
FIGURE 8-36. LSS HARNESS

ITEM	PART NUMBER	QTY	DESCRIPTION	REV
	1001169598	Ref	LSS HARNESS	C
1	4460465	2	Socket, Female	
2	4460944	3	Socket, Female	
3	4460836	1	Connector - 12 Position	
3	4460944	3	Socket, Female	
3	4460466	9	Plug, Terminal	
3	1001174455	1	Boot	
4	4460933	1	Connector - 12 Position	
4	4460465	2	Socket, Female	
4	4460466	10	Plug, Terminal	
4	1001174455	1	Boot	
5	2820030	AR	Heat Shrink	

Go to Discount-Equipment.com to order your parts

SECTION 8 - ELECTRICAL

FIGURE 8-37. PLATFORM CONSOLE HARNESS - WITHOUT SKYGUARD



ART_1001168701

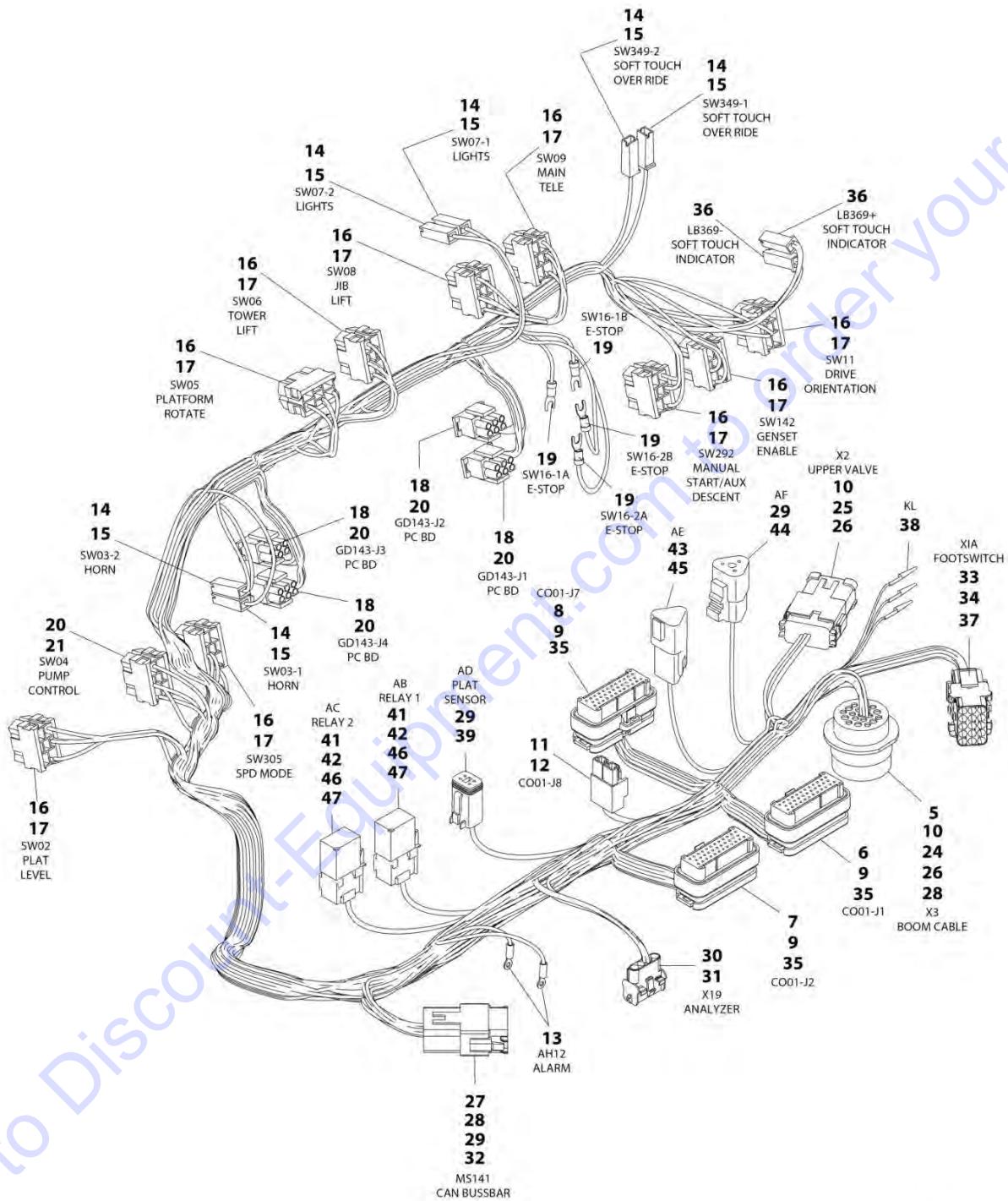
SECTION 8 - ELECTRICAL

FIGURE 8-37. PLATFORM CONSOLE HARNESS - WITHOUT SKYGUARD

ITEM	PART NUMBER	QTY	DESCRIPTION	REV
	1001168701	Ref	PLATFORM CONSOLE HARNESS - WITHOUT SKYGUARD	D
5	4460866	1	Connector - 19 Position	
6	4460874	1	Connector - 35 Position (Natural)	
7	4460875	1	Connector - 35 Position (Gray)	
8	4460876	1	Connector - 35 Position (Blue)	
9	4460871	71	Socket, Female	
10	4460464	14	Pin, Male	
11	4460879	1	Connector - 2 Position	
12	4460887	2	Terminal	
13	1001098122	2	Terminal, Ring	
14	4460260	6	Connector - 1 Position	
15	4460259	6	Terminal	
16	4460418	9	Connector - 6 Position	
17	4460419	24	Terminal	
18	4460226	16	Socket, Female	
19	4460888	4	Terminal, Fork	
20	4460225	5	Connector - 6 Position	
21	4460227	5	Pin, Male	
22	2820118	AR	Heat Shrink	
23	2820019	AR	Heat Shrink	
24	4460508	2	Pin, Male	
25	4460970	1	Connector - 12 Position	
26	4460943	6	Pin, Male	
27	4460933	1	Connector - 12 Position	
28	4460466	12	Plug, Terminal	
29	4460944	9	Socket, Female	
30	4460761	1	Connector - 4 Position	
31	4460227	4	Pin, Male	
32	1001119020	1	Connector - 12 Position Bussbar	
33	4460434	1	Connector - 15 Position	
34	4460227	10	Pin, Male	
35	4460905	35	Plug, Terminal	
36	4460016	2	Terminal	

SECTION 8 - ELECTRICAL

FIGURE 8-38. PLATFORM CONSOLE HARNESS - WITH SKYGUARD



ART_1001186228

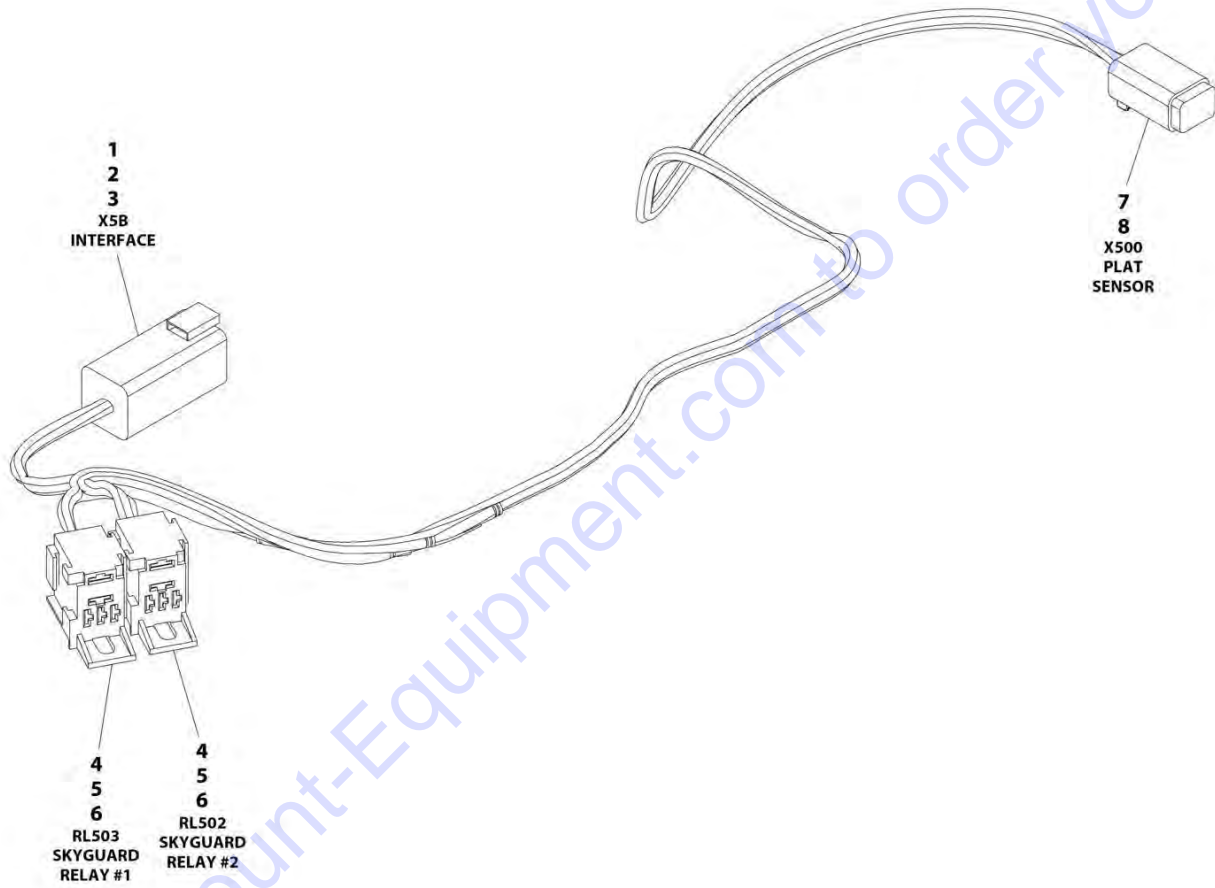
SECTION 8 - ELECTRICAL

FIGURE 8-38. PLATFORM CONSOLE HARNESS - WITH SKYGUARD

ITEM	PART NUMBER	QTY	DESCRIPTION	REV
	1001186228	Ref	PLATFORM CONSOLE HARNESS - WITH SKYGUARD	B
5	4460866	1	Connector - 19 Position	
6	4460874	1	Connector - 35 Position (Natural)	
7	4460875	1	Connector - 35 Position (Gray)	
8	4460876	1	Connector - 35 Position (Blue)	
9	4460871	71	Socket, Female	
10	4460464	14	Pin, Male	
11	4460879	1	Connector - 2 Position	
12	4460887	2	Terminal	
13	1001098122	2	Terminal, Ring	
14	4460260	6	Connector - 1 Position	
15	4460259	6	Terminal	
16	4460418	9	Connector - 6 Position	
17	4460419	24	Terminal	
18	4460226	16	Socket, Female	
19	4460888	4	Terminal, Fork	
20	4460225	5	Connector - 6 Position	
21	4460227	5	Pin, Male	
22	2820118	AR	Heat Shrink	
23	2820019	AR	Heat Shrink	
24	4460508	2	Pin, Male	
25	4460970	1	Connector - 12 Position	
26	4460943	6	Pin, Male	
27	4460933	1	Connector - 12 Position	
28	4460466	12	Plug, Terminal	
29	4460944	9	Socket, Female	
30	4460761	1	Connector - 4 Position	
31	4460227	4	Pin, Male	
32	1001119020	1	Connector - 12 Position Bussbar	
33	4460434	1	Connector - 15 Position	
34	4460227	10	Pin, Male	
35	4460905	35	Plug, Terminal	
36	4460016	2	Terminal	
37	4460267	1	Pin, Male	
38	4460226	3	Socket, Female	
39	4460884	1	Connector - 4 Position	
41	1001116720	4	Terminal	
42	1001118388	4	Terminal	
43	4460536	1	Connector - 3 Position	
44	4460539	1	Connector - 3 Position	
45	4460943	3	Pin, Male	
46	1001186431	2	Relay	
47	1001186432	2	Holder, Relay	

SECTION 8 - ELECTRICAL

FIGURE 8-39. GENERATOR TO PLATFORM HARNESS - WITH SKYGUARD



ART_1001225580

SECTION 8 - ELECTRICAL

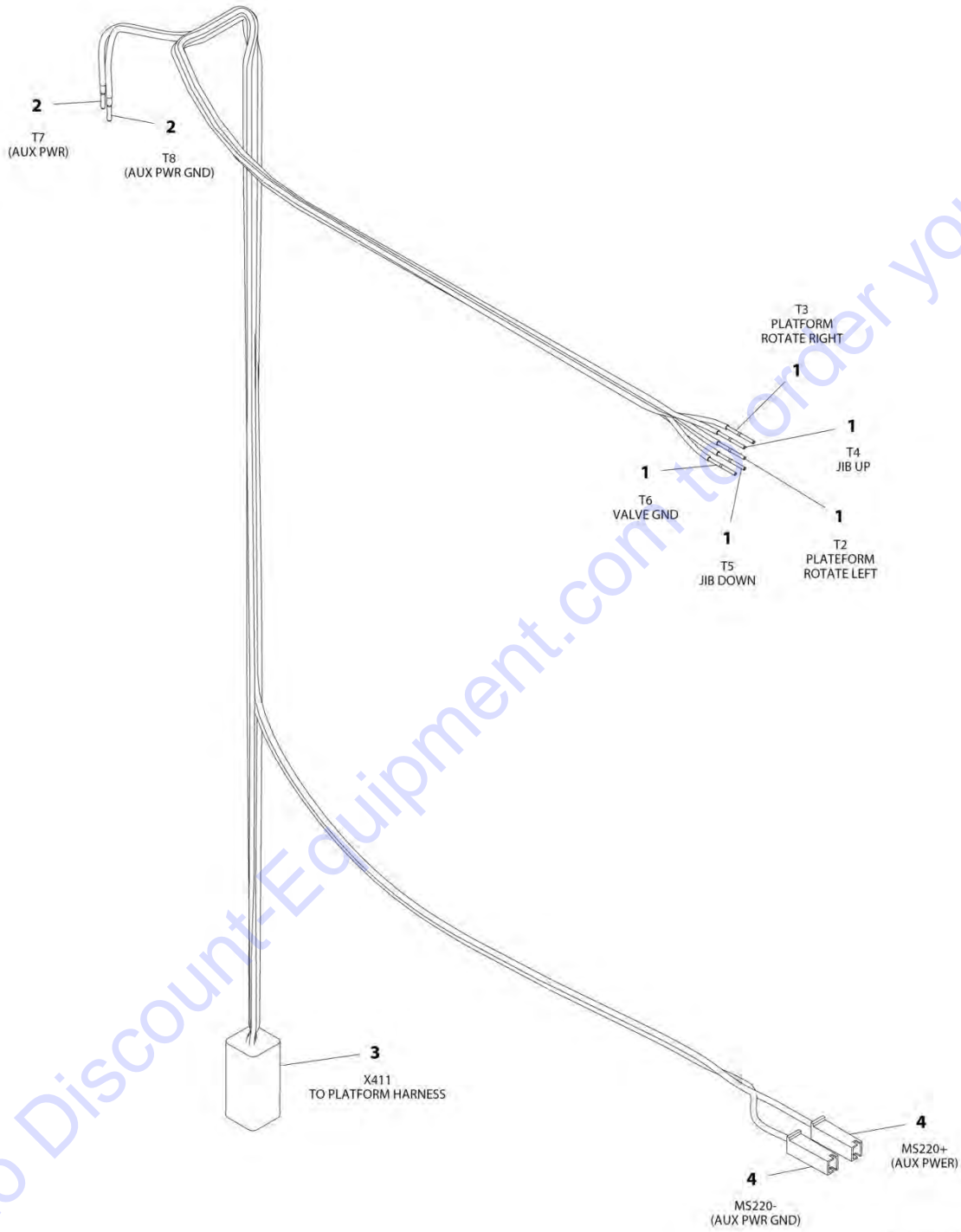
FIGURE 8-39. GENERATOR TO PLATFORM HARNESS - WITH SKYGUARD

ITEM	PART NUMBER	QTY	DESCRIPTION	REV
	1001225580	Ref	GENERATOR TO PLATFORM HARNESS - WITH SKYGUARD	C
1	4460899	1	Connector	
2	4460464	4	Terminal	
3	4460466	2	Plug	
4	1001186432	2	Connector	
5	1001116720	4	Terminal	
6	1001118388	4	Terminal	
7	4460844	1	Connector	
8	4460465	4	Terminal	

Go to Discount-Equipment.com to order your parts

SECTION 8 - ELECTRICAL

FIGURE 8-40. PLATFORM TO BOOM VALVE HARNESS



SECTION 8 - ELECTRICAL

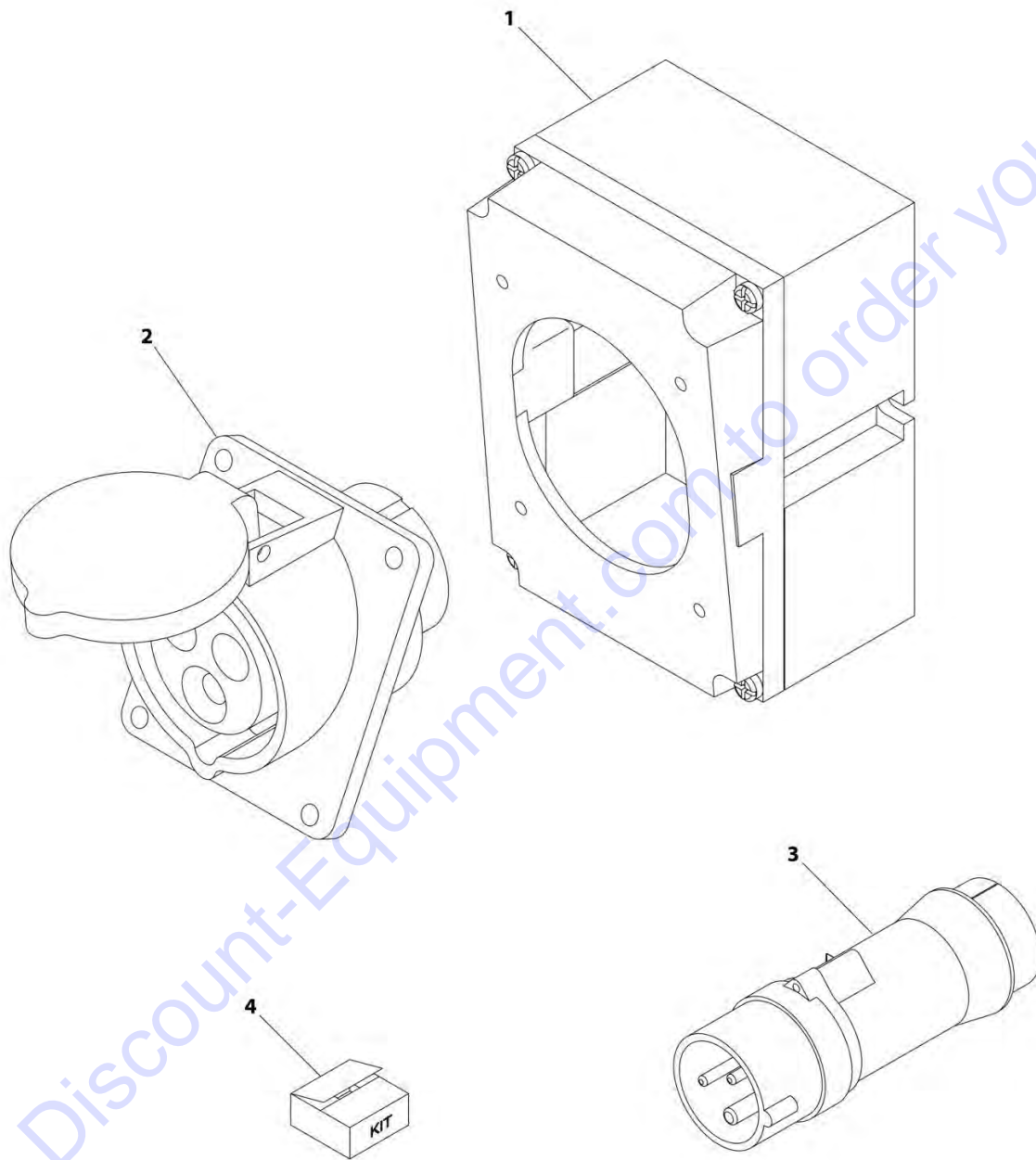
FIGURE 8-40. PLATFORM TO BOOM VALVE HARNESS

ITEM	PART NUMBER	QTY	DESCRIPTION	REV
	1001169422	Ref	PLATFORM TO BOOM VALVE HARNESS	A
1	4460465	5	Socket, Female	
2	4460508	2	Pin, Male	
3	4460899	1	Connector - 6 Position	
3	4460464	5	Pin, Male	
3	4460466	1	Plug, Terminal	
4	4460260	2	Connector - 1 Position	
4	4460259	2	Terminal	

Go to Discount-Equipment.com to order your parts

SECTION 8 - ELECTRICAL

FIGURE 8-41. RECEPTACLE BOX KIT - 110V IEC YELLOW (CE SPEC)



ART_0275216

SECTION 8 - ELECTRICAL

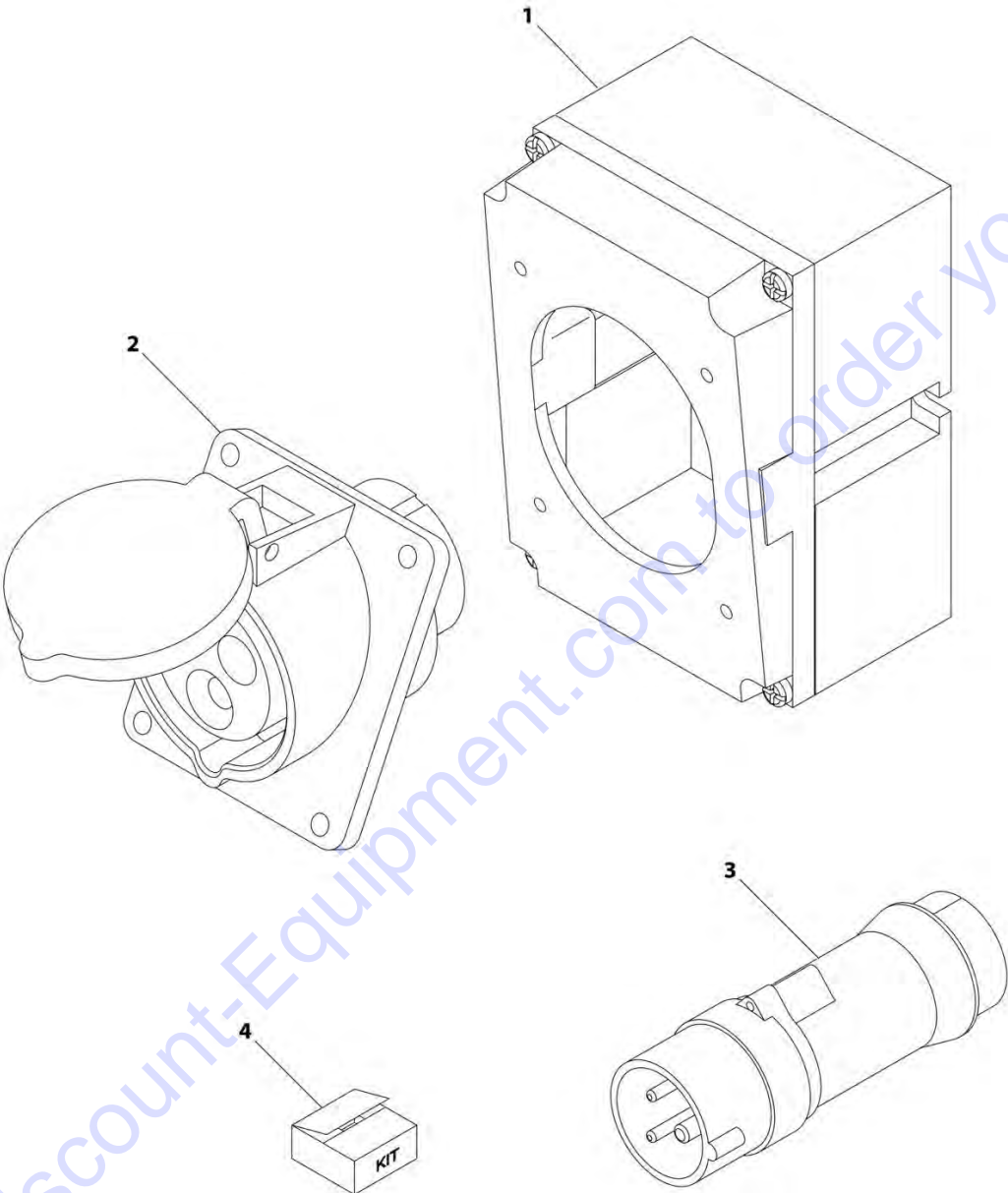
FIGURE 8-41. RECEPTACLE BOX KIT - 110V IEC YELLOW (CE SPEC)

ITEM	PART NUMBER	QTY	DESCRIPTION	REV
	0275216	Ref	RECEPTACLE BOX KIT - 110V IEC YELLOW (CE SPEC)	B
1	0861781	1	Box, Switch	
2	4461198	1	Receptacle	
3	4461196	1	Plug, Male	
4	1001100341	1	Plug and Socket Kit (Includes Items 1-3 and Female Plug p/n 4461197)	

Go to Discount-Equipment.com to order your parts

SECTION 8 - ELECTRICAL

FIGURE 8-42. RECEPTACLE BOX KIT - 220V IEC BLUE (CE SPEC)



ART_0275217

SECTION 8 - ELECTRICAL

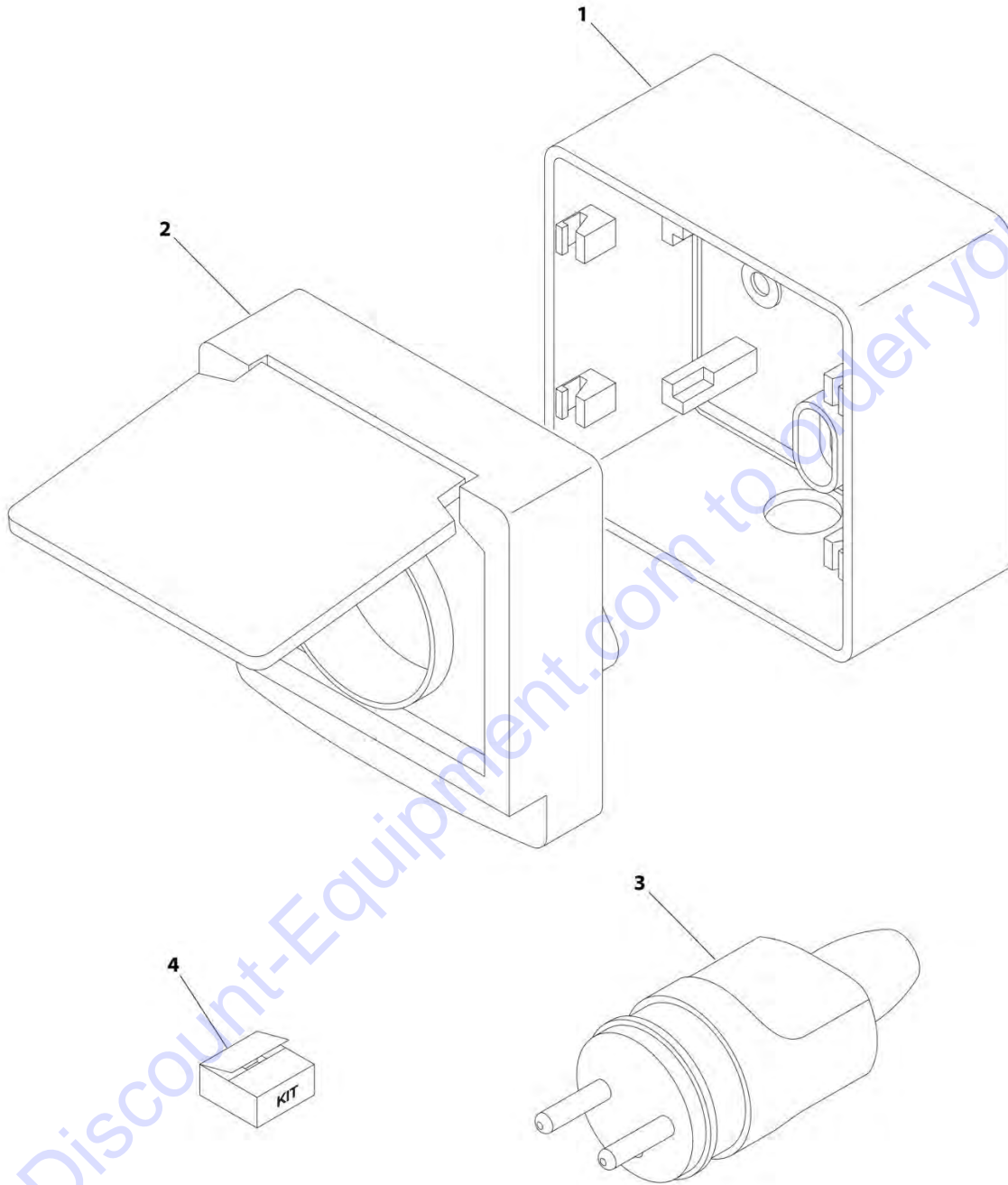
FIGURE 8-42. RECEPTACLE BOX KIT - 220V IEC BLUE (CE SPEC)

ITEM	PART NUMBER	QTY	DESCRIPTION	REV
	0275217	Ref	RECEPTACLE BOX KIT - 220V IEC BLUE (CE SPEC)	B
1	0861781	1	Box, Switch	
2	4461201	1	Receptacle	
3	4461199	1	Plug, Male	
4	1001100342	1	Plug and Socket Kit (Includes Items 1-3 and Female Plug p/n 4461200)	

Go to Discount-Equipment.com to order your parts

SECTION 8 - ELECTRICAL

FIGURE 8-43. RECEPTACLE BOX KIT - 220V CEE7 POST GROUND 70MMX70MM BOX (CE SPEC)



ART_0275218

SECTION 8 - ELECTRICAL

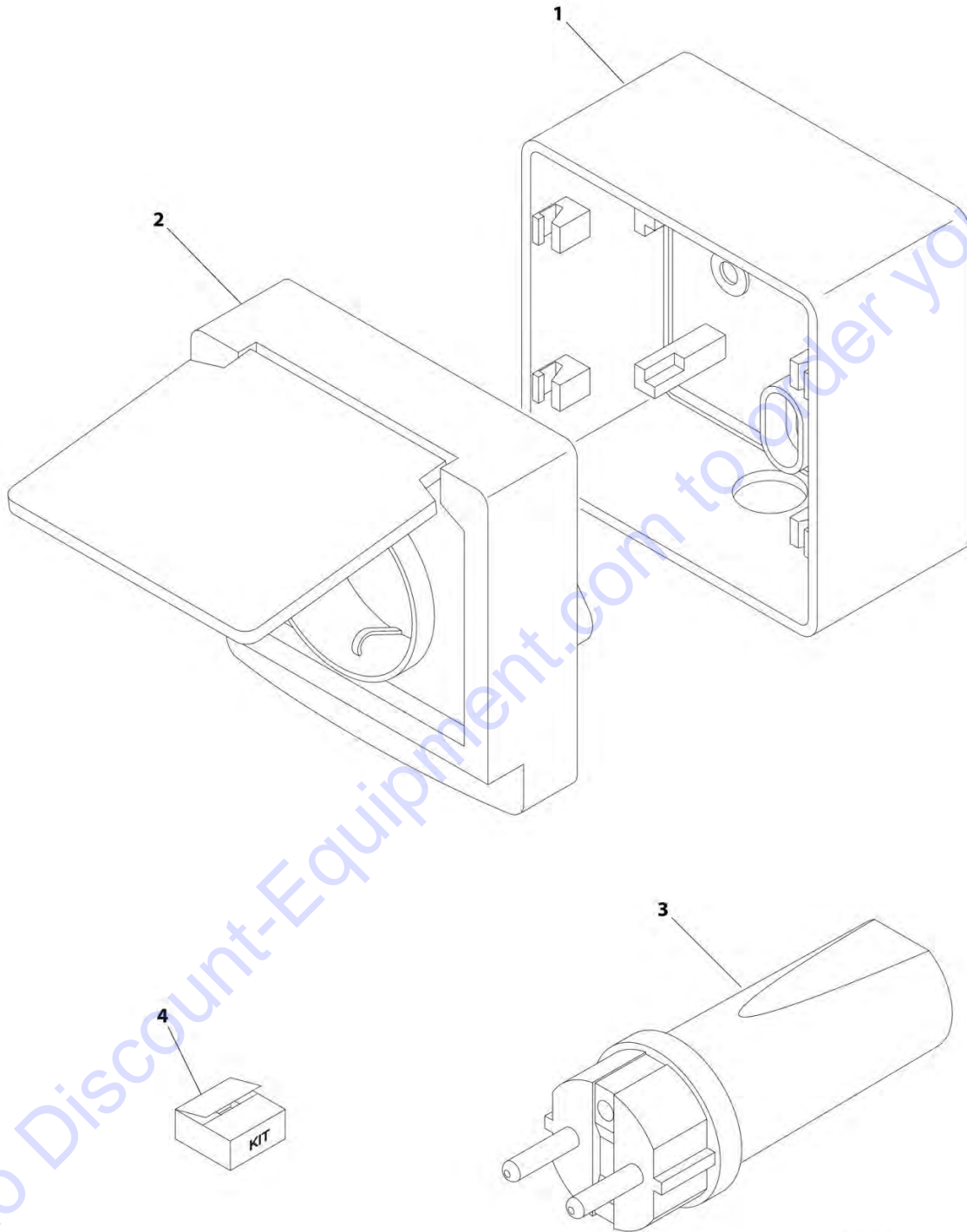
FIGURE 8-43. RECEPTACLE BOX KIT - 220V CEE7 POST GROUND 70MMX70MM BOX (CE SPEC)

ITEM	PART NUMBER	QTY	DESCRIPTION	REV
	0275218	Ref	RECEPTACLE BOX KIT - 220V CEE7 POST GROUND 70MM X 70MM BOX (CE SPEC)	C
1	1001141967	1	Box, Switch	
2	1001141968	1	Receptacle	
3	4461205	1	Plug, Male	
4	1001141971	1	Plug and Socket Kit (Includes Items 1-3 and Female Plug p/n 4461206)	

Go to Discount-Equipment.com to order your parts

SECTION 8 - ELECTRICAL

FIGURE 8-44. RECEPTACLE BOX KIT - 220V CEE7 SIDE GROUND 70MMX70MM BOX (CE SPEC)



ART_0275219

SECTION 8 - ELECTRICAL

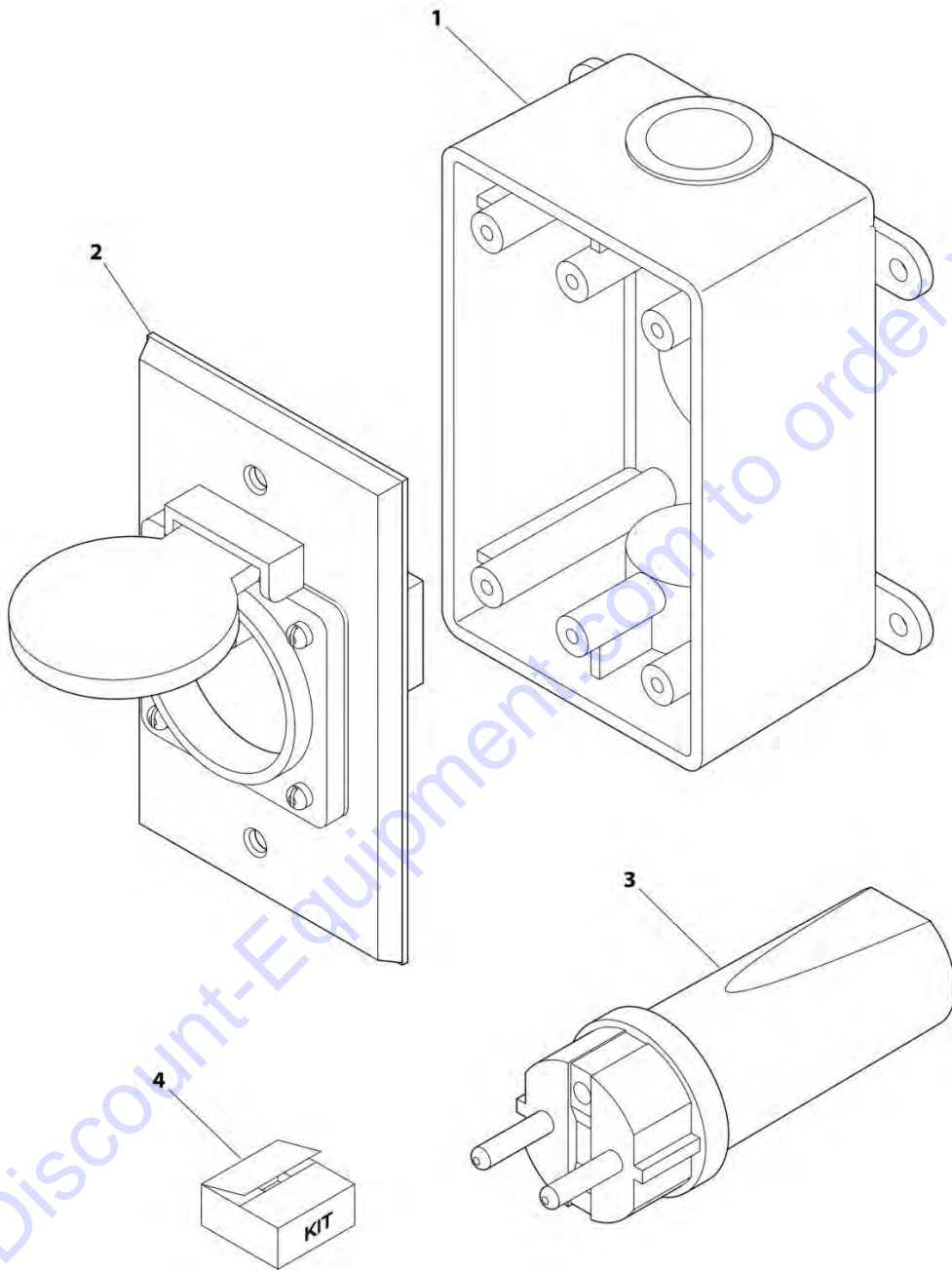
FIGURE 8-44. RECEPTACLE BOX KIT - 220V CEE7 SIDE GROUND 70MMX70MM BOX (CE SPEC)

ITEM	PART NUMBER	QTY	DESCRIPTION	REV
	0275219	Ref	RECEPTACLE BOX KIT - 220V CEE7 SIDE GROUND 70MM X 70MM BOX (CE SPEC)	B
1	1001141967	1	Box, Switch	
2	1001141969	1	Receptacle	
3	4461205	1	Plug, Male	
4	1001141970	1	Plug and Socket Kit (Includes Items 1-3 and Female Plug p/n 4461206)	

Go to Discount-Equipment.com to order your parts

SECTION 8 - ELECTRICAL

FIGURE 8-45. RECEPTACLE BOX KIT - 220V CEE7 POST GROUND 2IN X 4IN BOX (CE SPEC)



ART_0275452

SECTION 8 - ELECTRICAL

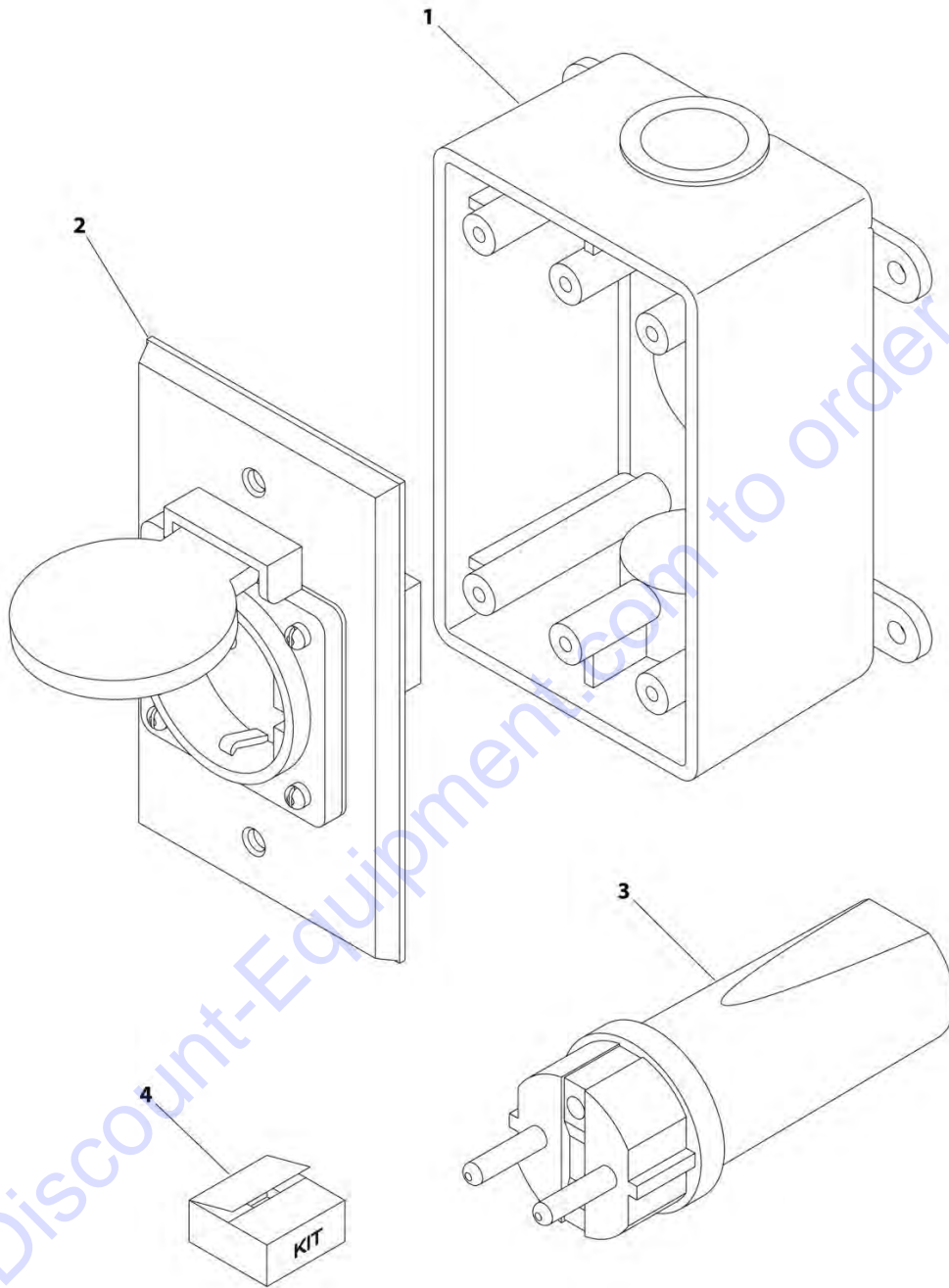
FIGURE 8-45. RECEPTACLE BOX KIT - 220V CEE7 POST GROUND 2IN X 4IN BOX (CE SPEC)

ITEM	PART NUMBER	QTY	DESCRIPTION	REV
	0275452	Ref	RECEPTACLE BOX KIT - 220V CEE7 POST GROUND 2IN X 4IN BOX (CE SPEC)	C
1	0861731	1	Box, Switch	
2	4461244	1	Receptacle	
3	4461205	1	Plug, Male	
4	1001100345	1	Plug and Socket Kit (Includes Items 1-3 and Female Plug p/n 4461206)	

Go to Discount-Equipment.com to order your parts

SECTION 8 - ELECTRICAL

FIGURE 8-46. RECEPTACLE BOX KIT - 220V CEE7 SIDE GROUND 2IN X 4IN BOX (CE SPEC)



ART_0275453

SECTION 8 - ELECTRICAL

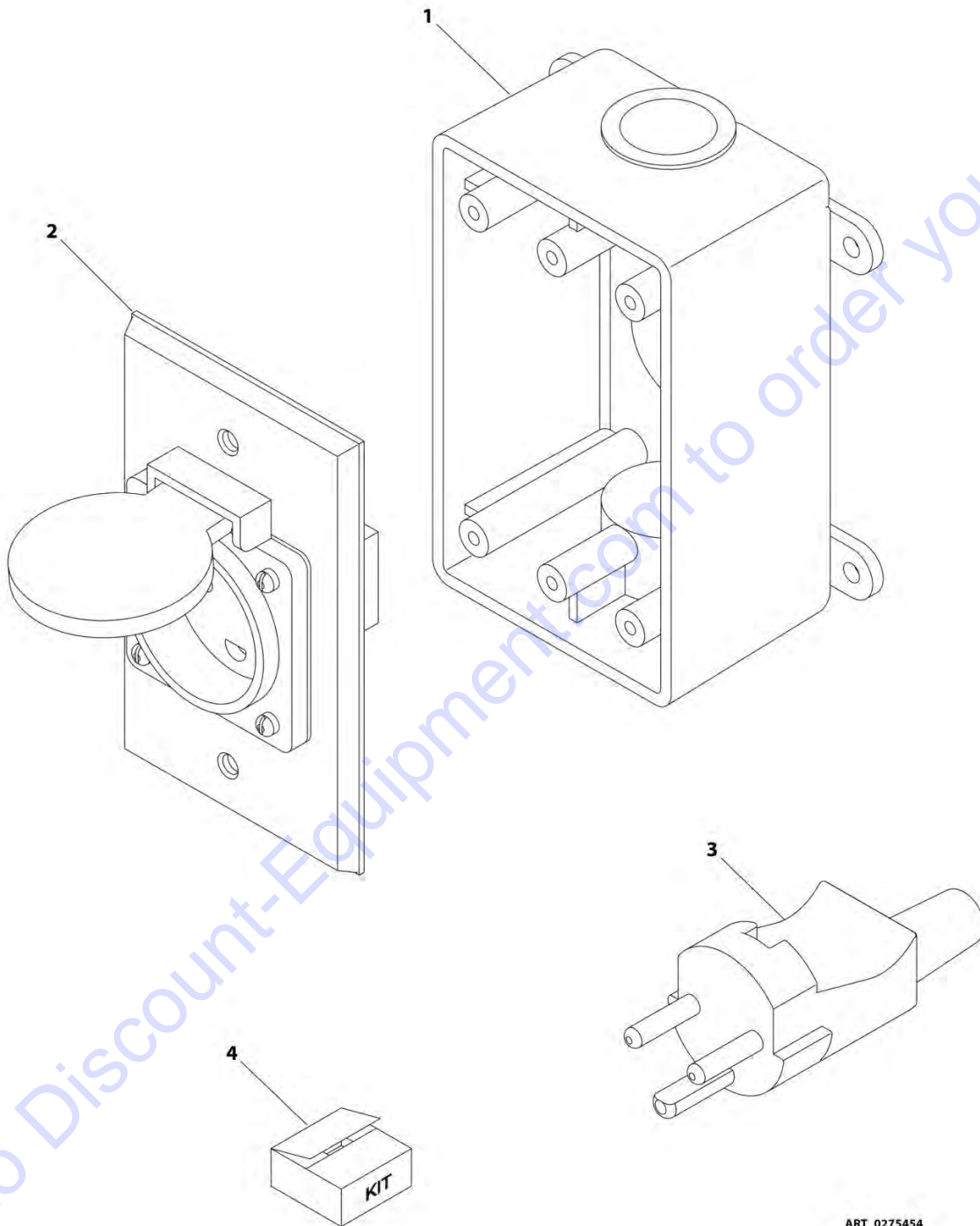
FIGURE 8-46. RECEPTACLE BOX KIT - 220V CEE7 SIDE GROUND 2IN X 4IN BOX (CE SPEC)

ITEM	PART NUMBER	QTY	DESCRIPTION	REV
	0275453	Ref	RECEPTACLE BOX KIT - 220V CEE7 SIDE GROUND 2IN X 4IN BOX (CE SPEC)	B
1	0861731	1	Box, Switch	
2	4461245	1	Receptacle	
3	4461205	1	Plug, Male	
4	1001100347	1	Plug and Socket Kit (Includes Items 1-3 and Female Plug p/n 4461206)	

Go to Discount-Equipment.com to order your parts

SECTION 8 - ELECTRICAL

FIGURE 8-47. RECEPTACLE BOX KIT - 220V AFSINT 107 (CE SPEC)



ART_0275454

SECTION 8 - ELECTRICAL

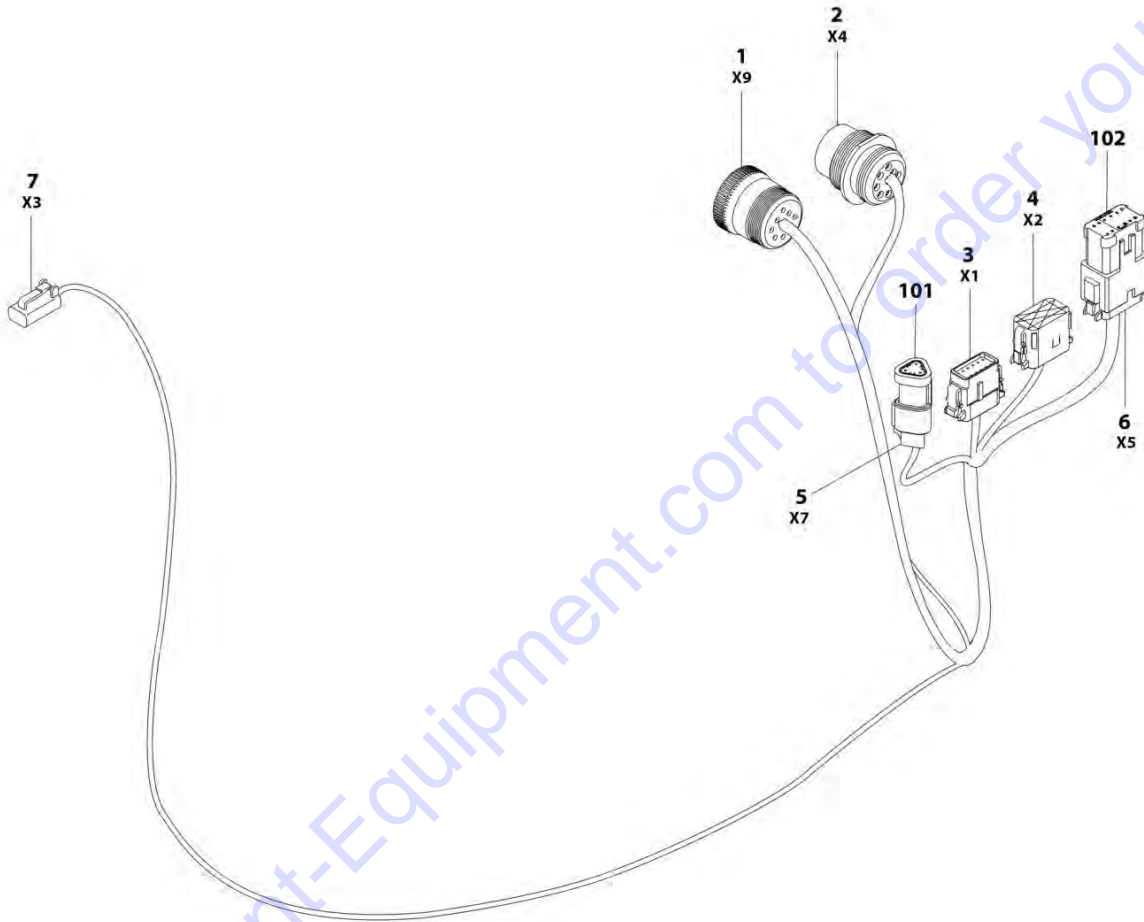
FIGURE 8-47. RECEPTACLE BOX KIT - 220V AFSINT 107 (CE SPEC)

ITEM	PART NUMBER	QTY	DESCRIPTION	REV
	0275454	Ref	RECEPTACLE BOX KIT - 220V AFSINT 107 (CE SPEC)	B
1	0861731	1	Box, Switch	
2	4461246	1	Receptacle	
3	4461249	1	Plug, Male	
4	1001100346	1	Plug and Socket Kit (Includes Items 1-3 and Female Plug p/n 4461250)	

Go to Discount-Equipment.com to order your parts

SECTION 8 - ELECTRICAL

FIGURE 8-48. STROBE LIGHT HARNESS (BLUE AND RED LIGHTS)



ART_1001142736

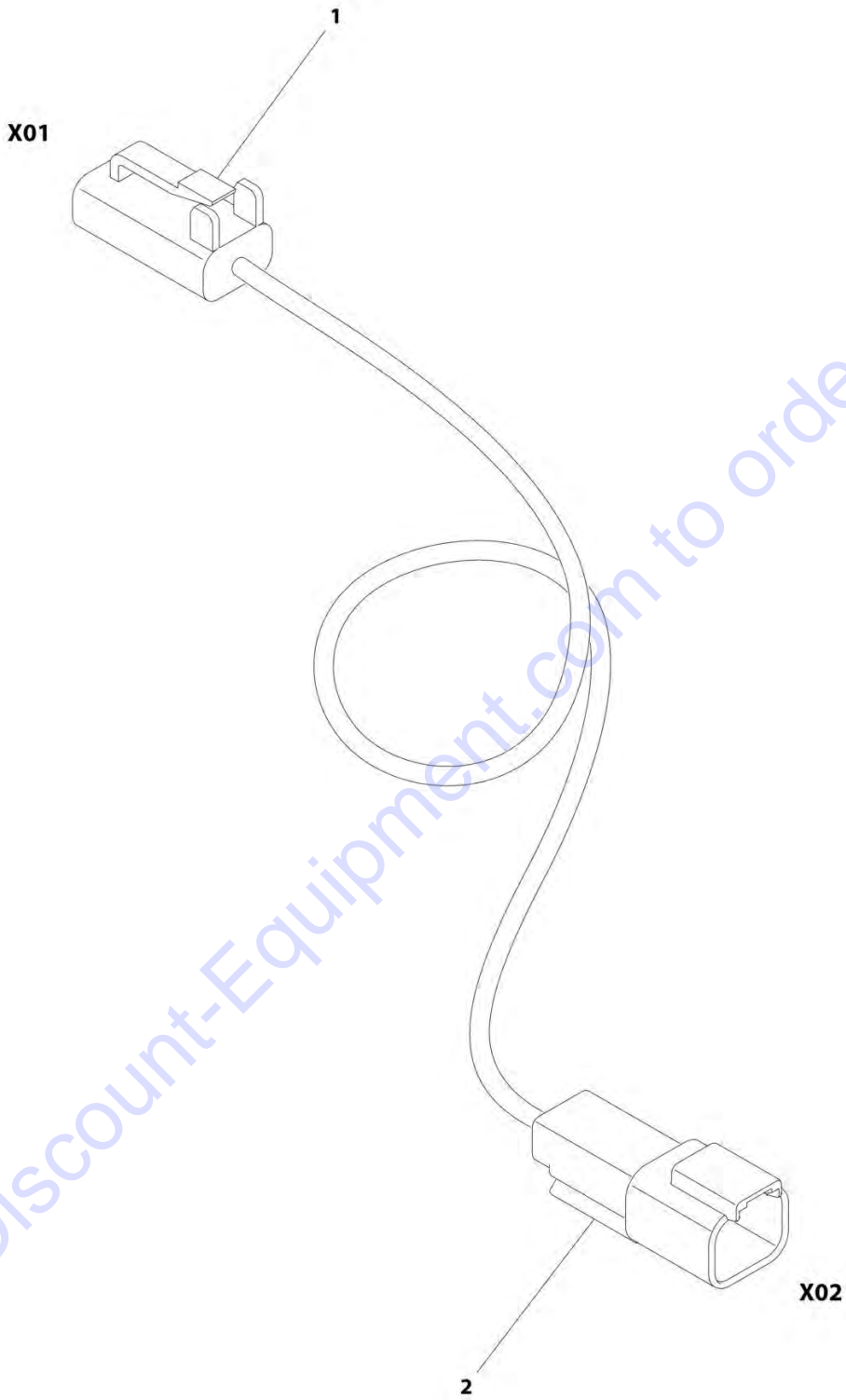
SECTION 8 - ELECTRICAL

FIGURE 8-48. STROBE LIGHT HARNESS (BLUE AND RED LIGHTS)

ITEM	PART NUMBER	QTY	DESCRIPTION	REV
	1001142736	Ref	STROBE LIGHT HARNESS (BLUE AND RED LIGHTS)	F
1	1001112796	1	Connector - 9 Position	
1	4460465	6	Socket, Female	
1	4460466	3	Plug, Socket	
2	1001112612	1	Connector - 9 Position	
2	4460464	6	Pin, Male	
2	4460466	3	Plug, Socket	
3	1001116808	1	Connector - 12 Position	
3	4460928	3	Socket, Female	
3	4460518	9	Plug, Socket	
4	1001116774	1	Connector - 12 Position	
4	4460928	3	Socket, Female	
4	4460518	9	Plug, Socket	
5	4461095	1	Connector - 3 Position	
5	4460465	3	Socket, Female	
6	4460933	1	Connector - 12 Position	
6	4460465	12	Socket, Female	
7	4460891	1	Connector - 2 Position	
7	4460465	2	Socket, Female	
101	4461070	1	Connector - 3 Position	
102	1001119020	1	Connector, Female Bussbar - 12 Position	

SECTION 8 - ELECTRICAL

FIGURE 8-49. STROBE EXTENSION HARNESS (BLUE AND RED LIGHTS)



ART_1001159027

SECTION 8 - ELECTRICAL

FIGURE 8-49. STROBE EXTENSION HARNESS (BLUE AND RED LIGHTS)

ITEM	PART NUMBER	QTY	DESCRIPTION	REV
	1001159027	Ref	STROBE EXTENSION HARNESS (BLUE AND RED LIGHTS)	B
1	4460891	1	Plug, Male -2 Position	
1	4460465	2	Socket, Female	
2	4460897	1	Receptacle, Female	
2	4460464	2	Pin, Male	

Go to Discount-Equipment.com to order your parts

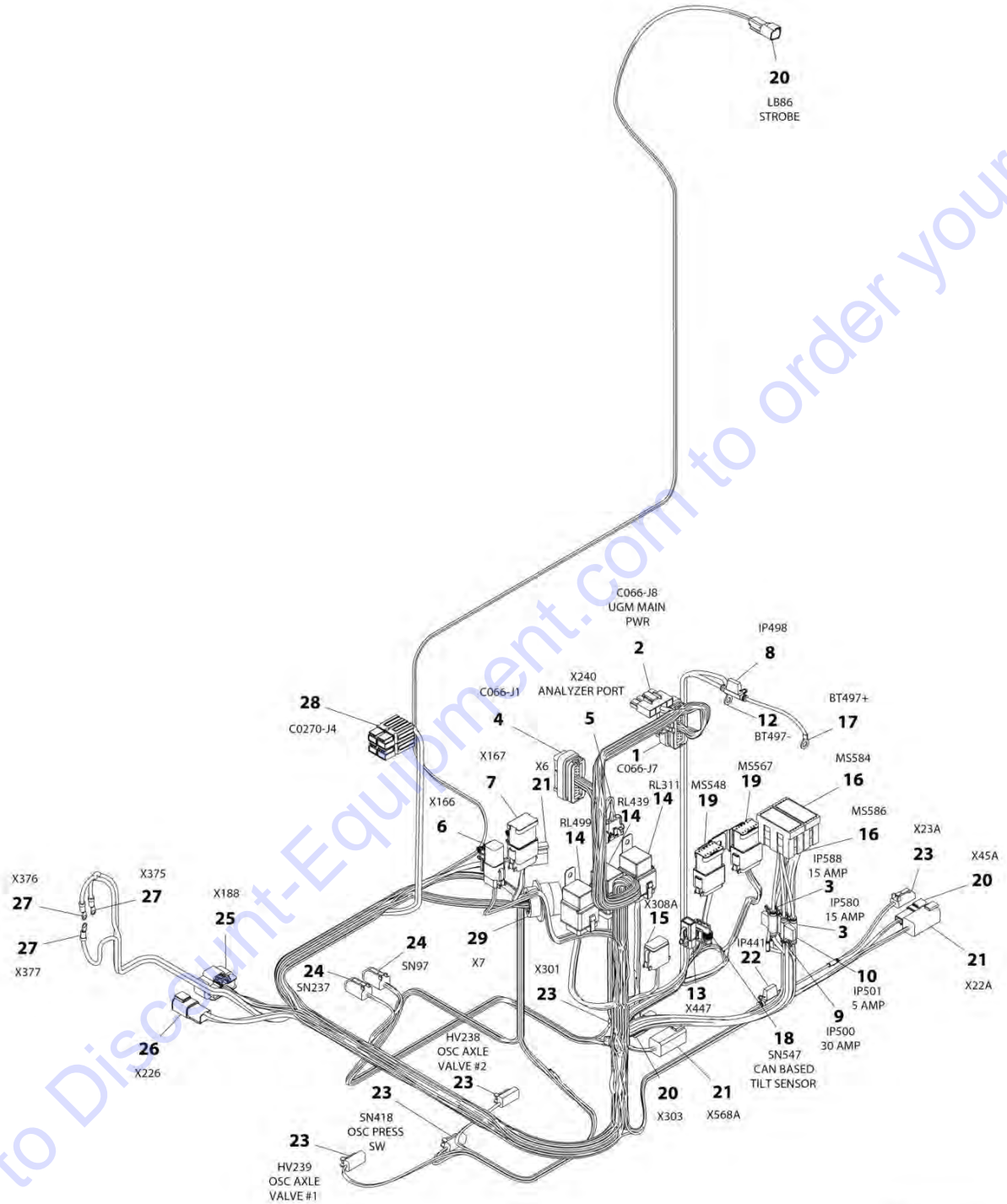
SECTION 8 - ELECTRICAL

FIGURE 8-50. TRACTION HARNESS

ITEM	PART NUMBER	QTY	DESCRIPTION	REV
	1001161871	Ref	TRACTION HARNESS	J
1	4460873	4	Connector - 35 Position	
1	4460871	60	Socket, Female	
1	4460905	80	Plug, Terminal	
2	4460703	5	Terminal, Ring	
3	4460670	5	Terminal, Ring	
4	2400060	9	Fuseholder with Cover	
4	1001170760	9	Fuse 10Amp	
6	4460931	4	Receptacle, Female - 8 Position	
6	4460464	32	Pin, Male	
7	4460536	2	Receptacle, Female - 3 Position	
7	4460464	6	Pin, Male	
8	4460994	1	Receptacle, Female - 2 Position	
8	1001116723	2	Terminal	
9	1001171295	2	Relay	
9	4460374	2	Plug, Relay	
9	4460375	8	Terminal	
10	4460894	1	Plug, Male - 6 Position	
10	4460465	5	Socket, Female	
10	4460466	1	Plug, Terminal	
11	4460933	2	Plug, Male - 12 Position	
11	4460944	24	Socket, Female	
11	1001119020	2	Bussbar - 12 Position	
12	4460897	1	Receptacle, Female - 2 Position	
12	4460464	2	Pin, Male	
13	4460891	1	Plug, Male - 2 Position	
13	4460465	1	Socket, Female	
13	4460466	1	Plug, Terminal	
14	1001126245	1	Receptacle, Female - 2 Position	
14	1001126008	2	Terminal	
15	1001183402	1	Connector - 4 Position	
15	1001183405	4	Terminal	
16	4460851	1	Plug, Male - 12 Position	
16	4460465	6	Socket, Female	
16	4460942	1	Socket, Female	
16	4460466	1	Plug, Terminal	
16	4460852	1	Bussbar - 12 Position	
17	4460320	1	Plug, Male - 2 Position	
17	4460267	2	Terminal	
18	4460539	1	Plug, Male - 3 Position	
18	4460944	3	Socket, Female	

SECTION 8 - ELECTRICAL

FIGURE 8-51. TURNTABLE HARNESS



ART_1001165923

SECTION 8 - ELECTRICAL

FIGURE 8-51. TURNTABLE HARNESS

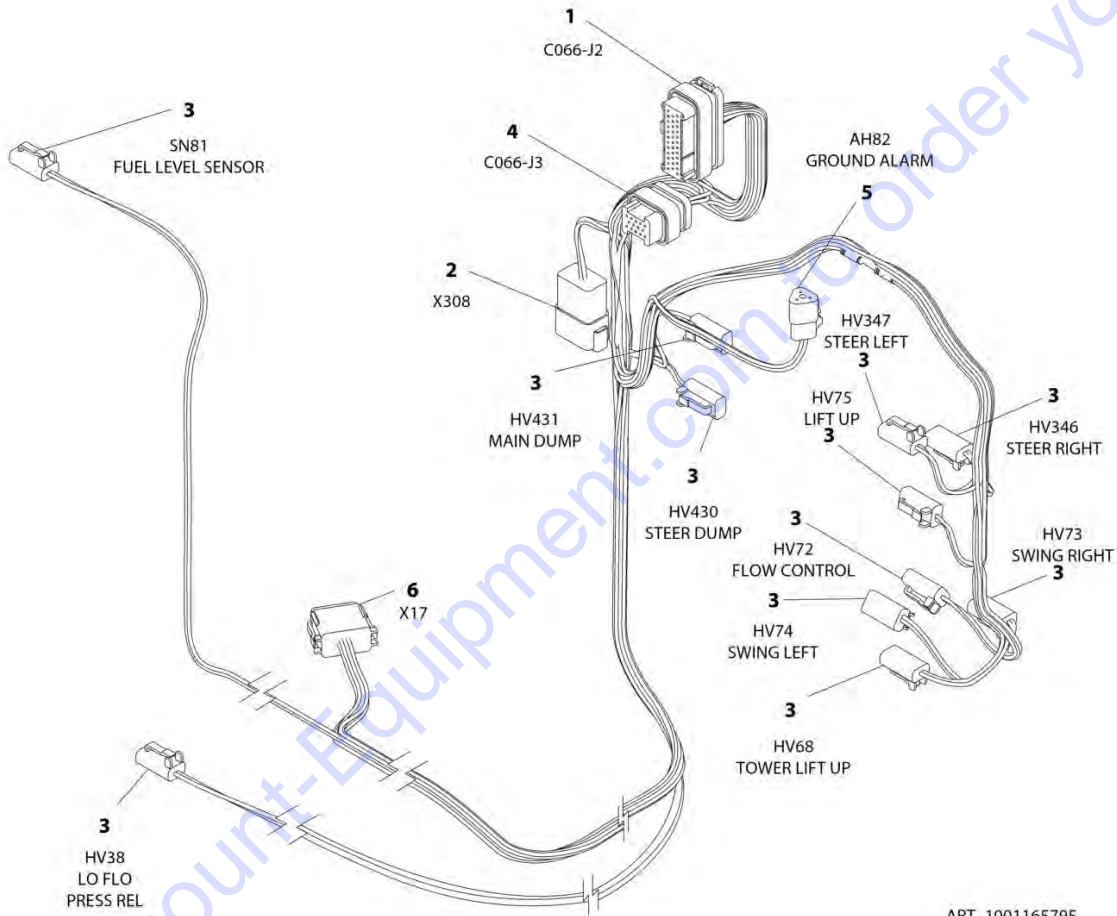
ITEM	PART NUMBER	QTY	DESCRIPTION	REV
	1001165923	Ref	TURNTABLE HARNESS	H
1	4460873	1	Connector - 35 Position (Black)	
1	4460871	24	Socket, Female	
1	4460905	11	Plug, Terminal	
2	4460878	1	Connector - 4 Position	
2	4460887	4	Terminal	
3	2400066	2	Fuseholder Less Fuse	
3	8229244	2	Fuse 15Amp	
4	4460874	1	Connector - 35 Position (Natural)	
4	4460871	20	Socket, Female	
4	4460905	15	Plug, Terminal	
5	4460761	1	Connector - 4 Position	
5	4460227	4	Pin, Male	
6	4460894	1	Connector - 6 Position	
6	4460465	4	Socket, Female	
6	4460466	2	Plug, Terminal	
6	4460892	1	Connector - 6 Position Bussbar	
6	1001121172	1	Mount, Terminal	
7	4460836	1	Connector - 12 Position	
7	4460465	5	Socket, Female	
7	4460466	7	Plug, Terminal	
7	4460837	1	Connector - 12 Position Bussbar	
7	1001121172	1	Mount, Terminal	
8	1001172064	1	Fuseholder Less Fuse	
8	1001172227	1	Fuse 40Amp ATO	
9	2400066	1	Fuseholder Less Fuse	
9	2400065	1	Fuse 30 Amp	
10	2400066	1	Fuseholder Less Fuse	
10	2400064	1	Fuse 5Amp	
11	3990010	2	Diode 6Amp	
12	4460312	1	Ring, Terminal	
12	1001176230	1	Boot, Battery	
13	4461018	1	Connector - 2 Position	
13	4460509	2	Socket, Female	
14	1001117025	3	Connector - 5 Position Relay	
14	1001116734	4	Terminal, Female	
14	1001116732	6	Terminal, Female	
14	1001116733	2	Terminal, Female	
15	4460930	1	Connector - 8 Position	
15	4460465	3	Socket, Female	
15	4460466	3	Plug, Terminal	
16	1001184846	2	Connector - 10 Position Bussbar	
16	4460509	15	Socket, Female	
16	4460466	5	Plug, Terminal	
17	4460312	1	Ring, Terminal	
17	1001176229	1	Boot, Battery	
18	1001103012	1	Connector - 4 Position	
18	1001107854	1	Socket, Female	
19	4460933	2	Connector - 12 Position	
19	4460465	14	Socket, Female	

SECTION 8 - ELECTRICAL

ITEM	PART NUMBER	QTY	DESCRIPTION	REV
19	4460466	10	Plug, Terminal	
19	1001119020	2	Connector, Bussbar	
19	1001155967	2	Bracket, Mounting	
20	4460897	3	Connector - 2 Position	
20	4460464	6	Pin, Male	
21	4460899	3	Connector - 6 Position	
21	4460464	14	Pin, Male	
21	4460466	4	Plug, Terminal	
22	2400060	1	Fuseholder Less Fuse	
22	See Note	1	Fuse 10Amp (Note: Not Available - Purchase Locally)	
23	4460891	5	Connector - 2 Position	
23	4460465	10	Socket, Female	
24	4460884	2	Connector - 4 Position	
24	4460465	7	Socket, Female	
24	4460466	1	Plug, Terminal	
25	4461110	1	Connector - 16 Position	
25	4461112	9	Terminal, Female	
25	4461222	7	Plug, Terminal	
26	4461017	1	Connector - 2 Position	
26	4460508	2	Pin, Male	
27	4460142	3	Ring, Terminal	
28	1001151788	1	Connector - 4 Position	
28	1001151824	2	Terminal	
29	4460866	1	Connector - 19 Position	
29	4460943	3	Pin, Male	
29	4460508	4	Pin, Male	
29	4460464	4	Pin, Male	
29	4460466	8	Plug, Terminal	

SECTION 8 - ELECTRICAL

FIGURE 8-52. VALVE HARNESS



ART_1001165795

SECTION 8 - ELECTRICAL

FIGURE 8-52. VALVE HARNESS

ITEM	PART NUMBER	QTY	DESCRIPTION	REV
	1001165795	Ref	VALVE HARNESS	E
1	4460875	1	Connector - 35 Position	
1	4460871	24	Socket, Female	
1	4460905	11	Plug, Terminal	
2	4460931	1	Connector - 8 Position	
2	4460464	3	Pin, Male	
2	4460466	5	Plug, Terminal	
3	4460891	11	Connector - 2 Position	
3	4460465	22	Socket, Female	
4	4460872	1	Connector - 14 Position	
4	4460871	7	Socket, Female	
4	4460905	7	Plug, Terminal	
5	4460539	1	Connector - 3 Position	
5	4460465	3	Socket, Female	
6	4460933	1	Connector - 12 Position	
6	4460465	9	Socket, Female	
6	4460466	3	Plug, Terminal	

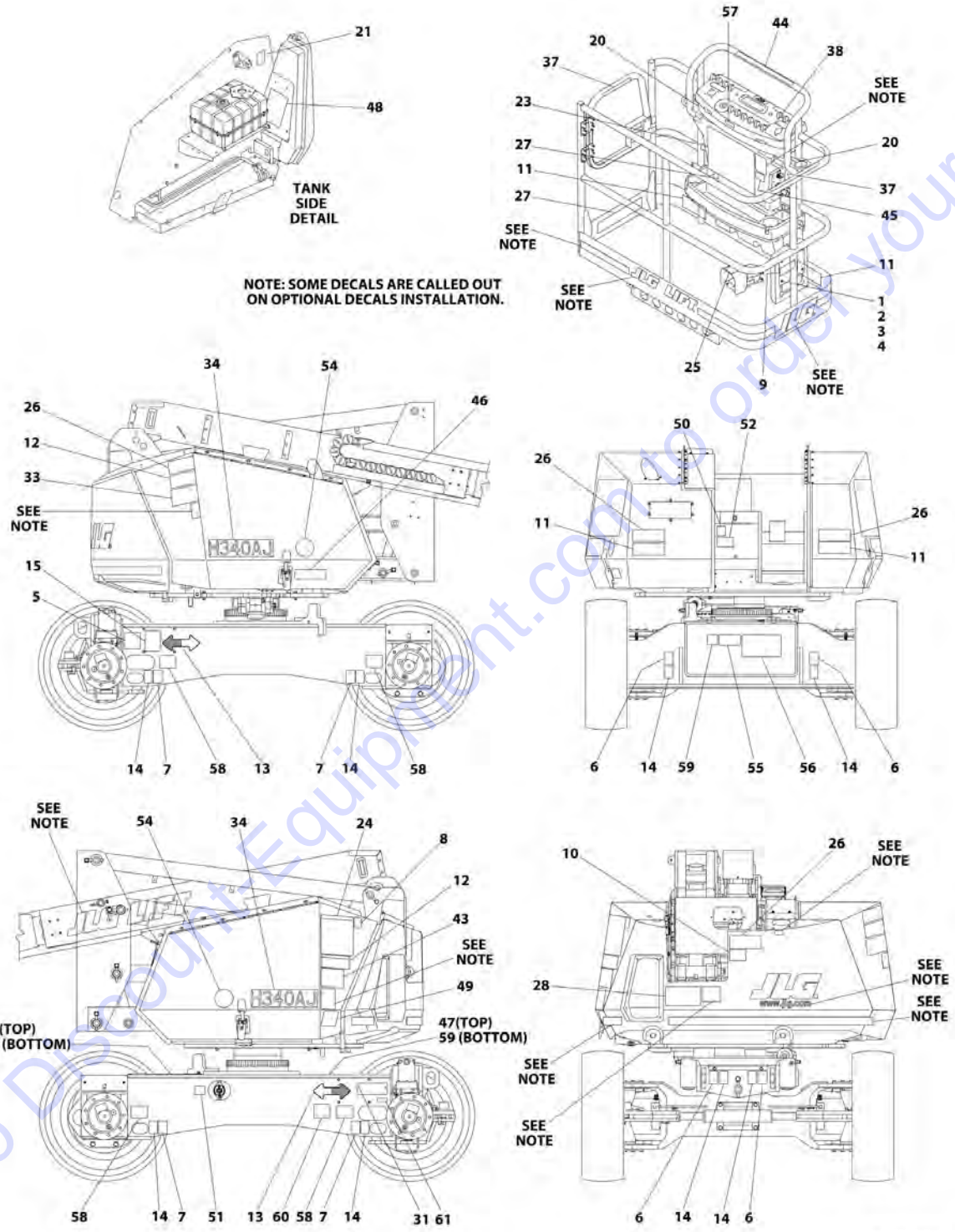
Go to Discount-Equipment.com to order your parts

SECTION 9 - DECALS

Go to Discount-Equipment.com to order your parts

SECTION 9 - DECALS

FIGURE 9-1. DECALS INSTALLATION - ANSI AND ANSI EXPORT SPECS (ENGLISH)



ART 1001199310

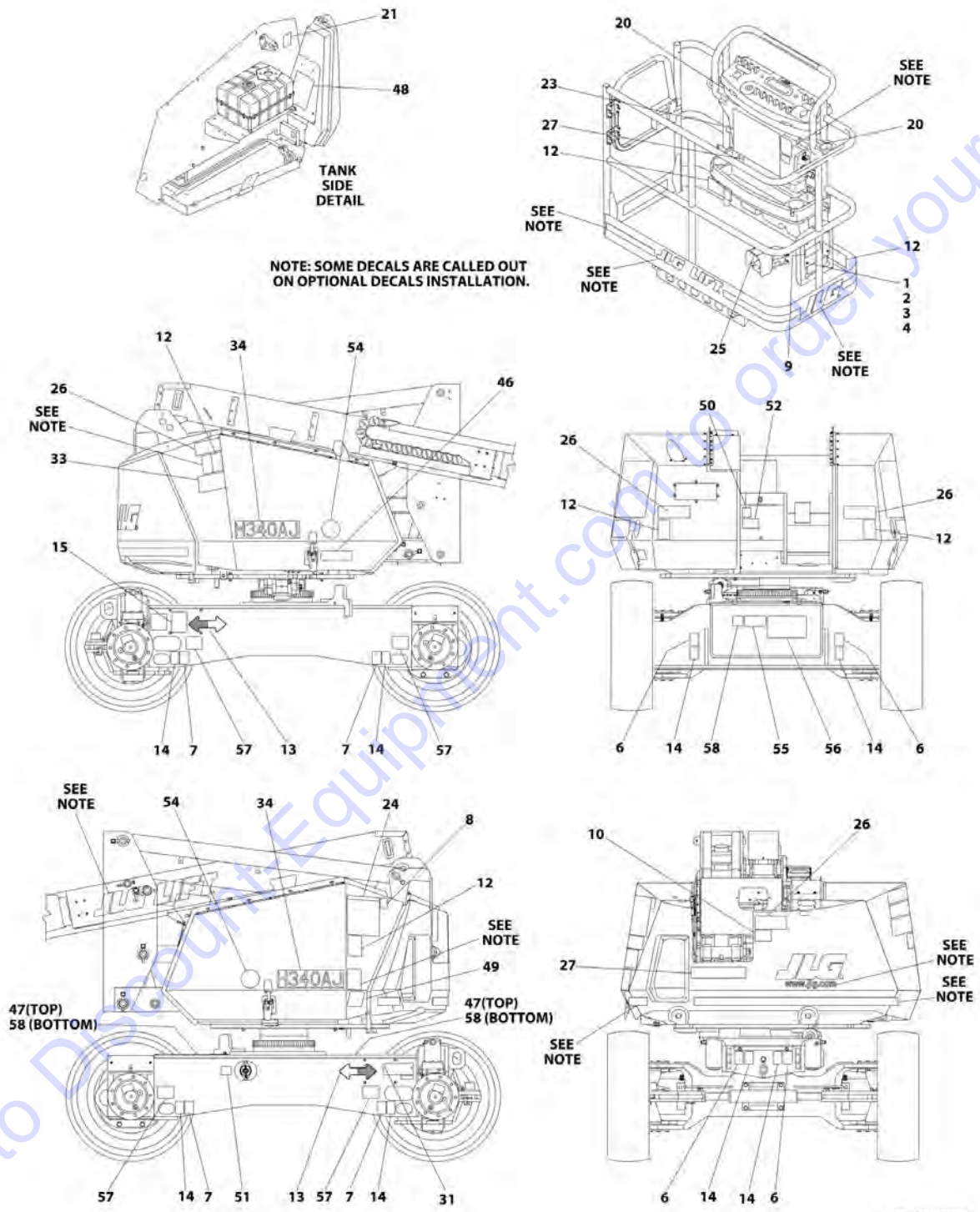
SECTION 9 - DECALS

FIGURE 9-1. DECALS INSTALLATION - ANSI AND ANSI EXPORT SPECS (ENGLISH)

ITEM	PART NUMBER	QTY	DESCRIPTION	REV
	1001169310	Ref	DECALS INSTALLATION - ANSI AND ANSI EXPORT SPECS (ENGLISH)	H
1	0760610	4	Bolt M6 x 20	
2	4811700	8	Washer M6	
3	3290605	4	Nut M6	
4	0860520	1	Box, Manual Storage	
5	1001131269	1	Decal - Patent	
6	1701500	4	Decal - Lift	
7	1701499	4	Decal - No Tie-Down/No Lift	
8	1701504	1	Decal - Hydraulic Oil	
9	1701509	1	Decal - Manual	
10	1702391	1	Decal - Crushing	
11	1703804	4	Decal - Warning Crushing	
12	1703953	2	Decal - Warning Crushing	
13	1701642	2	Decal - Arrow	
14	1702300	8	Decal - Tie-Down	
15	See Note	1	Decal - Bar Code (Note: Not Available for Purchase)	
20	1704277	2	Decal - Lanyard Attach	
21	1704412	1	Decal - Hydraulic Oil	
23	1703797	1	Decal - Danger/Warning	
24	1703798	1	Decal - Danger/Warning	
25	3252347	1	Nameplate - Footswitch	
26	1703805	4	Decal - Electrocution	
27	1001121801	2	Decal - Maximum Capacity 500LBS/227KG	
28	1001121814	1	Decal - Warning Maximum Capacity 500LBS/227KG	
31	2080057	2	Fastener	
33	1001119576	1	Decal - Lift Diagram	
34	1001170058	2	Decal - H340AJ	
37	1702868	2	Decal - No Hands	
38	1705351	1	Decal - Drive/Steer Instructions	
43	1001170056	1	Decal - Legend	
44	1001170057	1	Decal - Legend	
45	1001120002	1	Decal - No Pipe Racks	
46	1001119981	1	Decal - Manual Turntable Rotate	
47	1701529	2	Decal - Arrow	
48	1001127549	1	Decal - Manual Descent	
49	1001127588	1	Decal - Manual Descent	
50	1701644	1	Decal - Battery Charger	
51	1702155	1	Decal - Battery Disconnect	
52	1705929	1	Decal - Charger	
54	1001174449	2	Decal - Hybrid	
55	1001170676	1	Decal - Tip Over	
56	1001170061	1	Decal - Cable Routing	
57	1705514	1	Decal - CSA	
58	1001182809	4	Decal - Tire Load	
59	1001125483	3	Decal - Pressure Wash	
60	1001223055	1	Decal - Yearly Inspection (SN 0300234421 to Present)	
61	1001228370	1	Decal - CSA Ices (SN 0300234421 to Present)	

SECTION 9 - DECALS

FIGURE 9-2. DECALS INSTALLATION - AUSTRALIAN SPEC (ENGLISH)



ART_1001169311

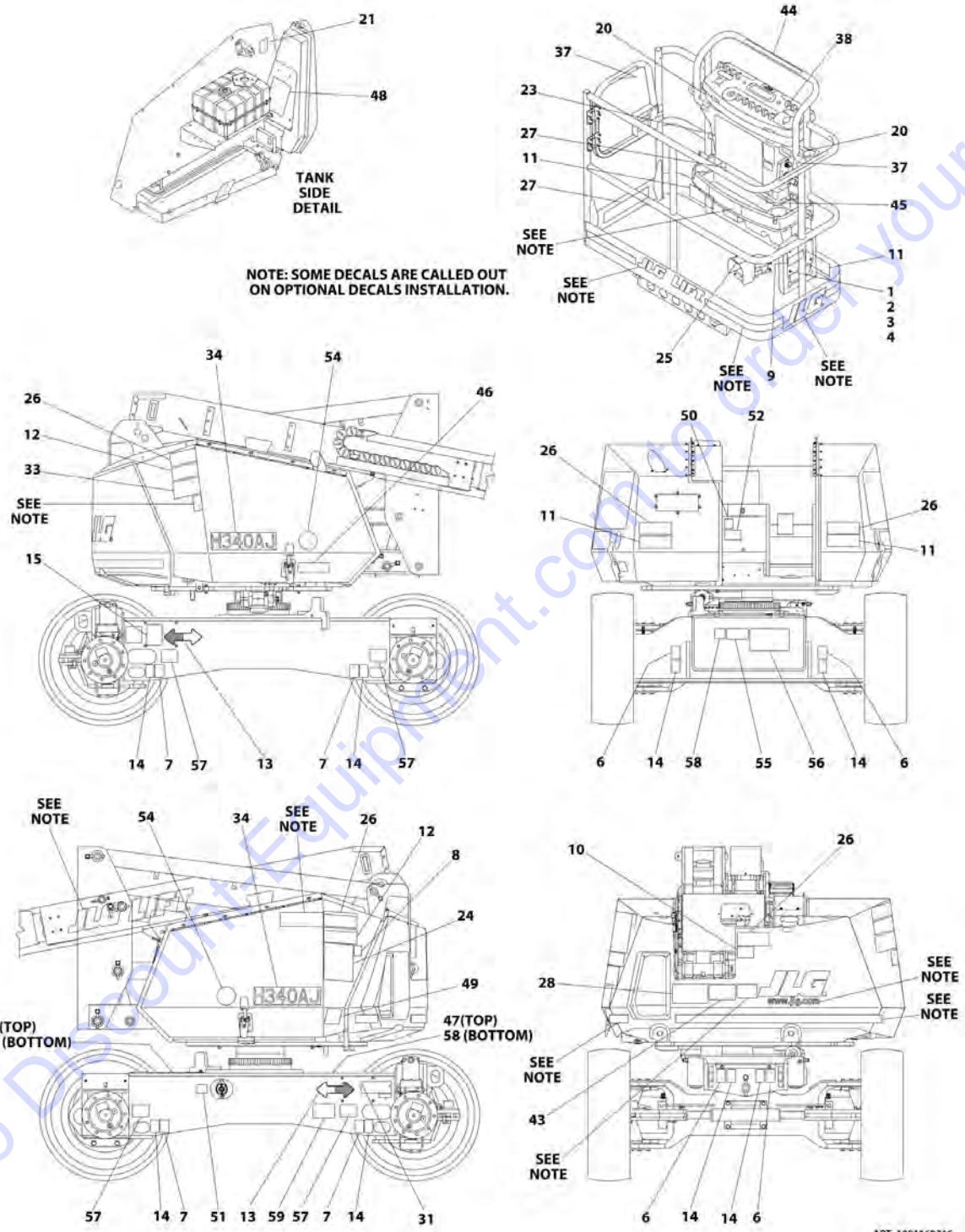
SECTION 9 - DECALS

FIGURE 9-2. DECALS INSTALLATION - AUSTRALIAN SPEC (ENGLISH)

ITEM	PART NUMBER	QTY	DESCRIPTION	REV
	1001169311	Ref	DECALS INSTALLATION - AUSTRALIAN SPEC (ENGLISH)	F
1	0760610	4	Bolt M6 x 20	
2	4811700	8	Washer M6	
3	3290605	4	Nut M6	
4	0860520	1	Box, Manual Storage	
6	1701500	4	Decal - Lift	
7	1701499	4	Decal - No Tie-Down/No Lift	
8	1701504	1	Decal - Hydraulic Oil	
9	1701509	1	Decal - Manual	
10	1701517	1	Decal - Crushing	
12	1701518	6	Decal - Crushing	
13	1701642	2	Decal - Arrow	
14	1702300	8	Decal - Tie-Down	
15	See Note	1	Decal - Bar Code (Note: Not Available for Purchase)	
20	1704277	2	Decal - Lanyard Attach	
21	1704412	1	Decal - Hydraulic Oil	
23	1705921	1	Decal - Tipping/Electrocution	
24	1705822	1	Decal - Electrocution/Safety Manual	
25	1705828	1	Decal - Footswitch	
26	1705961	4	Decal - Electrocution	
27	1705978	2	Decal - Capacity 230KG	
31	2080057	2	Fastener	
33	1001119576	1	Decal - Lift Diagram	
34	1001170058	2	Decal - H340AJ	
46	1001119981	1	Decal - Manual Turntable Rotate	
47	1701529	2	Decal - Arrow	
48	1001127549	1	Decal - Manual Descent	
49	1001127588	1	Decal - Manual Descent	
50	1701644	1	Decal - Battery Charger	
51	1702155	1	Decal - Battery Disconnect	
52	1706077	1	Decal - Battery Charger	
54	1001174449	2	Decal - Hybrid	
55	1001170060	1	Decal - Tip Over	
56	1001170061	1	Decal - Cable Routing	
57	1001182809	4	Decal - Tire Load	
58	1001125483	3	Decal - Pressure Wash	

SECTION 9 - DECALS

FIGURE 9-3. DECALS INSTALLATION - BRAZIL SPEC (PORTUGUESE/SPANISH)



ART_1001169316

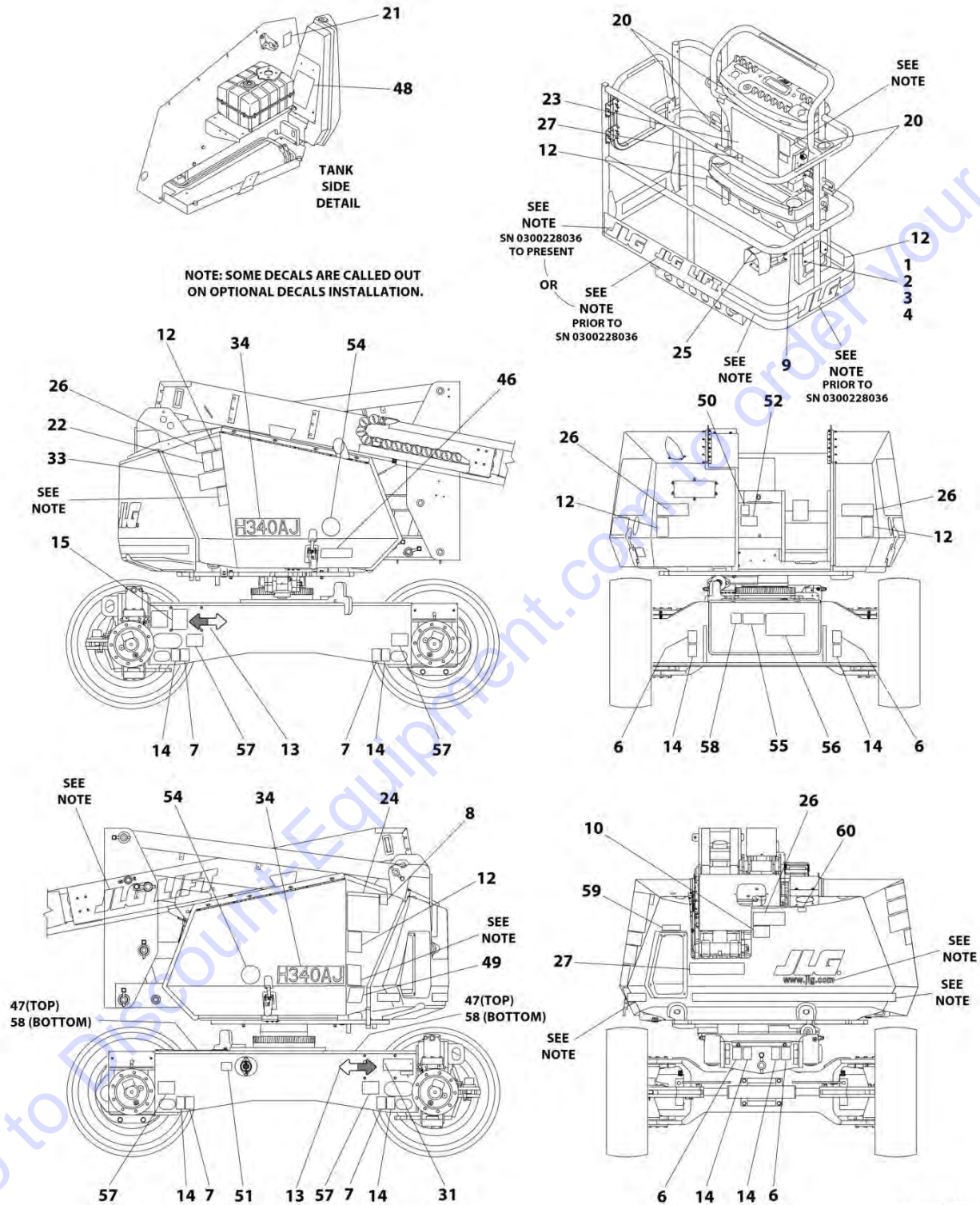
SECTION 9 - DECALS

FIGURE 9-3. DECALS INSTALLATION - BRAZIL SPEC (PORTUGUESE/SPANISH)

ITEM	PART NUMBER	QTY	DESCRIPTION	REV
	1001169316	Ref	DECALS INSTALLATION - BRAZIL SPEC (PORTUGUESE/SPANISH)	G
1	0760610	4	Bolt M6 x 20	
2	4811700	8	Washer M6	
3	3290605	4	Nut M6	
4	0860520	1	Box, Manual Storage	
6	1701500	4	Decal - Lift	
7	1701499	4	Decal - No Tie-Down/No Lift	
8	1701504	1	Decal - Hydraulic Oil	
9	1701509	1	Decal - Manual	
10	1001113170	1	Decal - Crushing	
11	1703952	1	Decal - Crushing	
12	1703946	2	Decal - Crushing	
13	1701642	2	Decal - Arrow	
14	1702300	8	Decal - Tie-Down	
15	See Note	1	Decal - Bar Code (Note: Not Available for Purchase)	
20	1704277	2	Decal - Lanyard Attach	
21	1704412	1	Decal - Hydraulic Oil	
23	1703928	1	Decal - Warning	
24	1705349	1	Decal - Warning Inspection	
25	1703985	1	Decal - Footswitch	
26	1703940	5	Decal - Electrocution	
27	1001121920	2	Decal - Warning Maximum Capacity	
28	1001121923	1	Decal - Warning Maximum Capacity	
31	2080057	2	Fastener	
33	1001119576	1	Decal - Lift Diagram	
34	1001170058	2	Decal - H340AJ	
37	1704002	2	Decal - No Hands	
38	1001113680	1	Decal - Drive/Steer Instructions	
43	1001170056	1	Decal - Legend	
44	1001170057	1	Decal - Legend	
45	1001120282	1	Decal - No Pipe Racks	
46	1001119981	1	Decal - Manual Turntable Rotate	
47	1701529	2	Decal - Arrow	
48	1001127549	1	Decal - Manual Descent	
49	1001127588	1	Decal - Manual Descent	
50	1701644	1	Decal - Battery Charger	
51	1702155	1	Decal - Battery Disconnect	
52	1706089	1	Decal - Battery Charging Instructions	
54	1001174449	2	Decal - Hybrid	
55	1001170670	1	Decal - Warning Tip Over	
56	1001170061	1	Decal - Cable Routing	
57	1001182809	4	Decal - Tire Load	
58	1001125483	3	Decal - Pressure Wash	
59	1001224052	1	Decal - Yearly Inspection (SN 0300234421 to Present)	

SECTION 9 - DECALS

FIGURE 9-4. DECALS INSTALLATION - CE SPECS (ENGLISH)



ART_1001169317

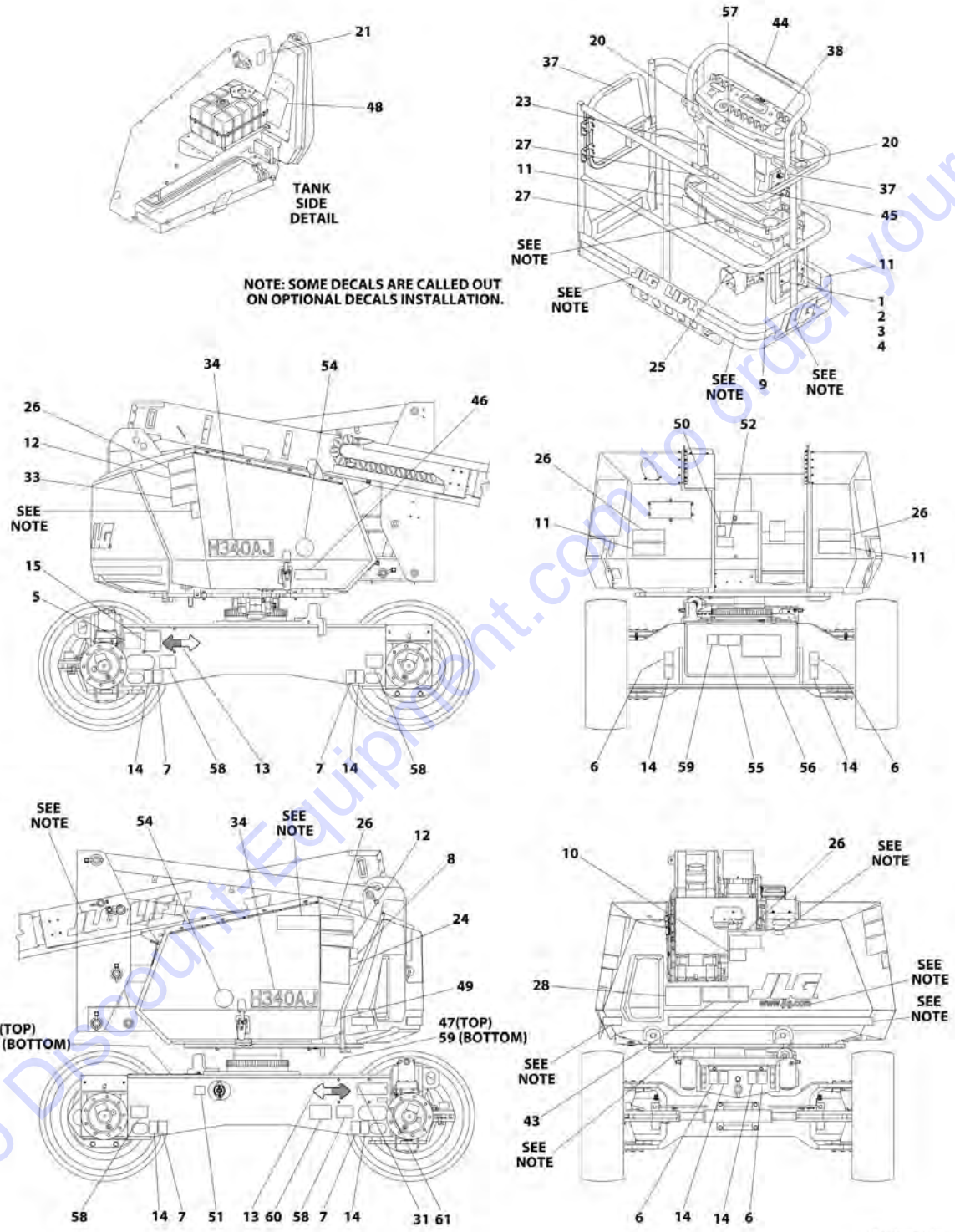
SECTION 9 - DECALS

FIGURE 9-4. DECALS INSTALLATION - CE SPECS (ENGLISH)

ITEM	PART NUMBER	QTY	DESCRIPTION	REV
	1001169317	Ref	DECALS INSTALLATION - CE SPEC (ENGLISH)	H
1	0760610	4	Bolt M6 x 20	
2	4811700	8	Washer M6	
3	3290605	4	Nut M6	
4	0860520	1	Box, Manual Storage	
6	1701500	4	Decal - Lift	
7	1701499	4	Decal - No Tie-Down/No Lift	
8	1701504	1	Decal - Hydraulic Oil	
9	1701509	1	Decal - Manual	
10	1701517	1	Decal - Crushing	
12	1701518	6	Decal - Crushing	
13	1701642	2	Decal - Arrow	
14	1702300	8	Decal - Tie-Down	
15	See Note	1	Decal - Bar Code (Note: Not Available for Purchase)	
20	1704277	2	Decal - Lanyard Attach	
21	1704412	1	Decal - Hydraulic Oil	
22	1001170059	1	Decal - Sound Power	
23	1705921	1	Decal - Tipping/Electrocution	
24	1705822	1	Decal - Electrocution/Safety Manual	
25	1705828	1	Decal - Footswitch	
26	1705961	4	Decal - Electrocution	
27	1705978	2	Decal - Capacity 230KG	
31	2080057	2	Fastener	
33	1001119576	1	Decal - Lift Diagram	
34	1001170058	2	Decal - H340AJ	
46	1001119981	1	Decal - Manual Turntable Rotate	
47	1701529	2	Decal - Arrow	
48	1001127549	1	Decal - Manual Descent	
49	1001127588	1	Decal - Manual Descent	
50	1701644	1	Decal - Battery Charger	
51	1702155	1	Decal - Battery Disconnect	
52	1706077	1	Decal - Battery Charger	
54	1001174449	2	Decal - Hybrid	
55	1001170060	1	Decal - Tip Over	
56	1001170061	1	Decal - Cable Routing	
57	1001182809	4	Decal - Tire Load	
58	1001125483	3	Decal - Pressure Wash	
59	1001189882	1	Decal - MSSO	
60	1001139654	1	Decal - Ultra Low Sulphur Diesel Fuel	

SECTION 9 - DECALS

FIGURE 9-5. DECALS INSTALLATION - CSA SPEC (FRENCH/ENGLISH)



SECTION 9 - DECALS

FIGURE 9-5. DECALS INSTALLATION - CSA SPEC (FRENCH/ENGLISH)

ITEM	PART NUMBER	QTY	DESCRIPTION	REV
	1001169314	Ref	DECALS INSTALLATION - CSA SPEC (FRENCH/ENGLISH)	H
1	0760610	4	Bolt M6 x 20	
2	4811700	8	Washer M6	
3	3290605	4	Nut M6	
4	0860520	1	Box, Manual Storage	
5	1001131269	1	Decal - Patent	
6	1701500	4	Decal - Lift	
7	1701499	4	Decal - No Tie-Down/No Lift	
8	1701504	1	Decal - Hydraulic Oil	
9	1701509	1	Decal - Manual	
10	1001113169	1	Decal - Crushing	
11	1703948	4	Decal - Warning Crushing	
12	1703942	2	Decal - Crushing	
13	1701642	2	Decal - Arrow	
14	1702300	8	Decal - Tie-Down	
15	See Note	1	Decal - Bar Code (Note: Not Available for Purchase)	
20	1704277	2	Decal - Lanyard Attach	
21	1704412	1	Decal - Hydraulic Oil	
23	1703924	1	Decal - Warning/Danger	
24	1705347	1	Decal - Warning Inspection	
25	1703984	1	Decal - Footswitch	
26	1703936	5	Decal - Electrocution	
27	1001121803	2	Decal - Warning Maximum Capacity	
28	1001121816	1	Decal - Warning Maximum Capacity	
31	2080057	2	Fastener	
33	1001119576	1	Decal - Lift Diagram	
34	1001170058	2	Decal - H340AJ	
37	1704000	2	Decal - No Hands	
38	1705429	1	Decal - Drive/Steer Instructions	
43	1001170056	1	Decal - Legend	
44	1001170057	1	Decal - Legend	
45	1001120004	1	Decal - No Pipe Racks	
46	1001119981	1	Decal - Manual Turntable Rotate	
47	1701529	2	Decal - Arrow	
48	1001127549	1	Decal - Manual Descent	
49	1001127588	1	Decal - Manual Descent	
50	1701644	1	Decal - Battery Charger	
51	1702155	1	Decal - Battery Disconnect	
52	1706097	1	Decal - Battery Charging Instructions	
54	1001174449	2	Decal - Hybrid	
55	1001170672	1	Decal - Warning Tip Over	
56	1001170061	1	Decal - Cable Routing	
57	1705514	1	CSA Spec Decals (English/French)	
58	1001182809	4	Decal - Tire Load	
59	1001125483	3	Decal - Pressure Wash	
60	1001223971	1	Decal - Yearly Inspection (SN 0300234421 to Present)	
61	1001228370	1	Decal - CSA Ices (SN 0300234421 to Present)	

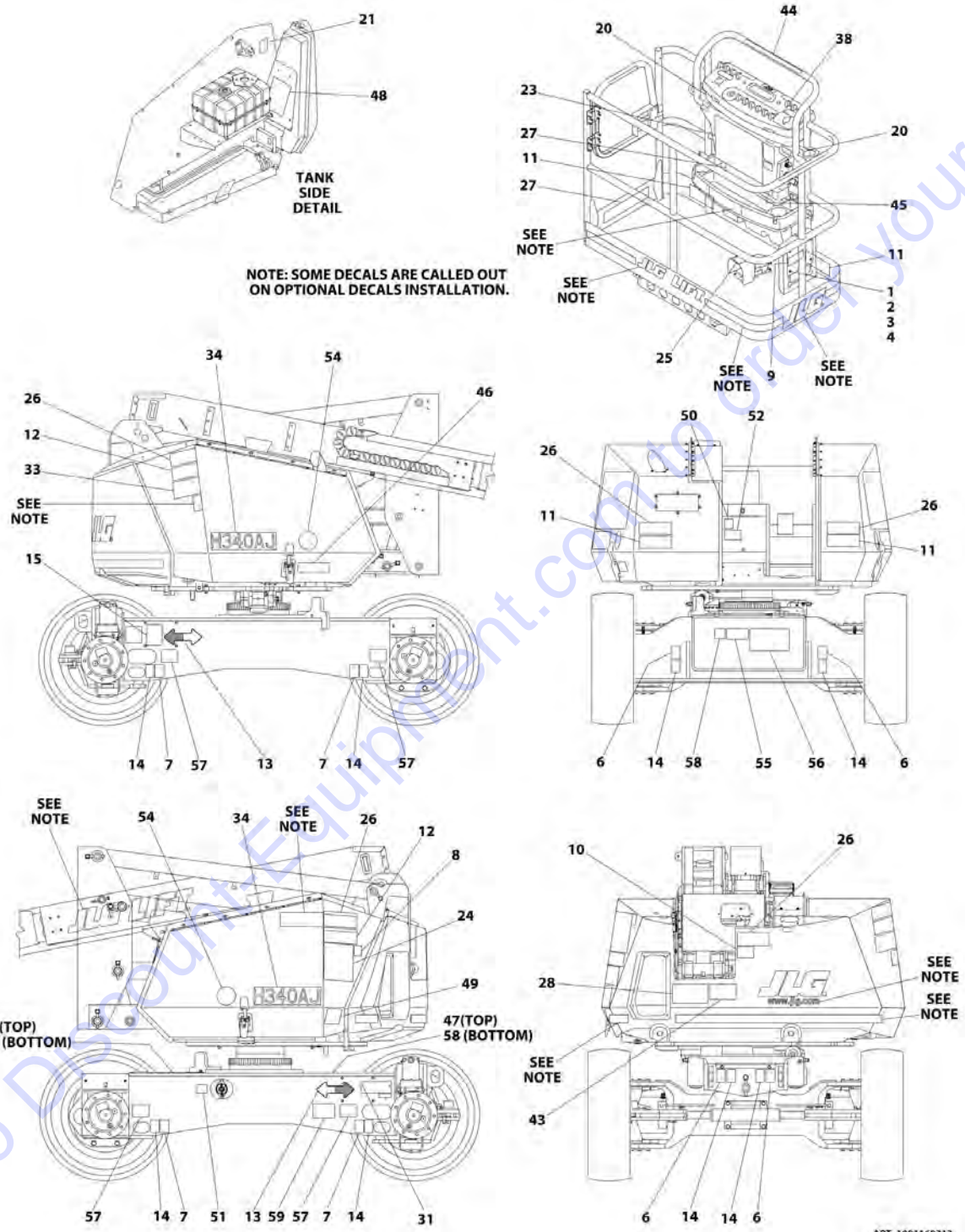
SECTION 9 - DECALS

FIGURE 9-6. DECALS INSTALLATION - CHINESE SPEC (CHINESE/ENGLISH)

ITEM	PART NUMBER	QTY	DESCRIPTION	REV
	1001169315	Ref	DECALS INSTALLATION - CHINESE SPEC (CHINESE/ENGLISH)	F
1	0760610	4	Bolt M6 x 20	
2	4811700	8	Washer M6	
3	3290605	4	Nut M6	
4	0860520	1	Box, Manual Storage	
6	1701500	4	Decal - Lift	
7	1701499	4	Decal - No Tie-Down/No Lift	
8	1701504	1	Decal - Hydraulic Oil	
9	1701509	1	Decal - Manual	
10	1001113168	1	Decal - Crushing	
11	1703949	4	Decal - Crushing	
12	1703943	2	Decal - Crushing	
13	1701642	2	Decal - Arrow	
14	1702300	8	Decal - Tie-Down	
15	See Note	1	Decal - Bar Code (Note: Not Available for Purchase)	
20	1704277	2	Decal - Lanyard Attach	
21	1704412	1	Decal - Hydraulic Oil	
23	1703925	1	Decal - Warning	
24	1705348	1	Decal - Warning Inspection	
25	1703982	1	Decal - Footswitch	
26	1703937	5	Decal - Electrocution	
27	1001121810	2	Decal - Warning Maximum Capacity	
28	1001121823	1	Decal - Warning Maximum Capacity	
31	2080057	2	Fastener	
33	1001119576	1	Decal - Lift Diagram	
34	1001170058	2	Decal - H340AJ	
37	1705968	1	Decal - No Hands	
38	1705430	1	Decal - Drive/Steer Instructions	
43	1001170056	1	Decal - Legend	
44	1001170057	1	Decal - Legend	
45	1001120281	1	Decal - No Pipe Racks	
46	1001119981	1	Decal - Manual Turntable Rotate	
47	1701529	2	Decal - Arrow	
48	1001127549	1	Decal - Manual Descent	
49	1001127588	1	Decal - Manual Descent	
50	1701644	1	Decal - Battery Charger	
51	1702155	1	Decal - Battery Disconnect	
52	1706093	1	Decal - Battery Charging Instructions	
54	1001174449	2	Decal - Hybrid	
55	1001170671	1	Decal - Warning Tip Over	
56	1001170061	1	Decal - Cable Routing	
57	1001182809	4	Decal - Tire Load	
58	1001125483	3	Decal - Pressure Wash	
59	1001224050	1	Decal - Yearly Inspection (SN 0300234421 to Present)	

SECTION 9 - DECALS

FIGURE 9-7. DECALS INSTALLATION - JAPANESE SPEC (JAPANESE/ENGLISH)



PARTS FINDER

**Search Website
by Part Number**



**Search Manual
Library For Parts
Manual & Lookup Part
Numbers – Purchase
or Request Quote**

**Can't Find Part or
Manual? Request Help
by Manufacturer,
Model & Description**

Discount-Equipment.com is your online resource for quality parts & equipment.

Florida: **561-964-4949** Outside Florida TOLL FREE: **877-690-3101**

Need parts?

Click on this link: <http://www.discount-equipment.com/category/5443-parts/> and choose one of the options to help get the right parts and equipment you are looking for. Please have the machine model and serial number available in order to help us get you the correct parts. If you don't find the part on the website or on one of the online manuals, please fill out the request form and one of our experienced staff members will get back to you with a quote for the right part that your machine needs.

We sell worldwide for the brands: Genie, Terex, JLG, MultiQuip, Mikasa, Essick, Whiteman, Mayco, Toro Stone, Diamond Products, Generac Magnum, Airman, Haulotte, Barreto, Power Blanket, Nifty Lift, Atlas Copco, Chicago Pneumatic, Allmand, Miller Curber, Skyjack, Lull, Skytrak, Tsurumi, Husquvarna Target, Stow, Wacker, Sakai, Mi-T-M, Sullair, Basic, Dynapac, MBW, Weber, Bartell, Bennar Newman, Haulotte, Ditch Runner, Menegotti, Morrison, Contec, Buddy, Crown, Edco, Wyco, Bomag, Laymor, EZ Trench, Bil-Jax, F.S. Curtis, Gehl Pavers, Heli, Honda, ICS/PowerGrit, IHI, Partner, Imer, Clipper, MMD, Koshin, Rice, CH&E, General Equipment, Amida, Coleman, NAC, Gradall, Square Shooter, Kent, Stanley, Tamco, Toku, Hatz, Kohler, Robin, Wisconsin, Northrock, Oztec, Toker TK, Rol-Air, APT, Wylie, Ingersoll Rand / Doosan, Innovatech, Con X, Ammann, Mecalac, Makinex, Smith Surface Prep, Small Line, Wanco, Yanmar

SECTION 9 - DECALS

FIGURE 9-7. DECALS INSTALLATION - JAPANESE SPEC (JAPANESE/ENGLISH)

ITEM	PART NUMBER	QTY	DESCRIPTION	REV
	1001169312	Ref	DECALS INSTALLATION - JAPANESE SPEC (JAPANESE/ENGLISH)	F
1	0760610	4	Bolt M6 x 20	
2	4811700	8	Washer M6	
3	3290605	4	Nut M6	
4	0860520	1	Box, Manual Storage	
6	1701500	4	Decal - Lift	
7	1701499	4	Decal - No Tie-Down/No Lift	
8	1701504	1	Decal - Hydraulic Oil	
9	1701509	1	Decal - Manual	
10	1001113166	1	Decal - Crushing	
11	1703950	4	Decal - Crushing	
12	1703944	2	Decal - Warning Crushing	
13	1701642	2	Decal - Arrow	
14	1702300	8	Decal - Tie-Down	
15	See Note	1	Decal - Bar Code (Note: Not Available for Purchase)	
20	1704277	2	Decal - Lanyard Attach	
21	1704412	1	Decal - Hydraulic Oil	
23	1703926	1	Decal - Danger/Warning	
24	1705344	1	Decal - Warning Inspection	
25	1703980	1	Decal - Footswitch	
26	1703938	5	Decal - Electrocution	
27	1001121808	2	Decal - Warning Maximum Capacity	
28	1001121821	1	Decal - Warning Maximum Capacity	
31	2080057	2	Fastener	
33	1001119576	1	Decal - Lift Diagram	
34	1001170058	2	Decal - H340AJ	
38	1705426	1	Decal - Drive/Steer Instruction	
43	1001170056	1	Decal - Legend	
44	1001170057	1	Decal - Legend	
45	1001120279	1	Decal - No Pipe Racks	
46	1001119981	1	Decal - Manual Turntable Rotate	
47	1701529	2	Decal - Arrow	
48	1001127549	1	Decal - Manual Descent	
49	1001127588	1	Decal - Manual Descent	
50	1701644	1	Decal - Battery Charger	
51	1702155	1	Decal - Battery Disconnect	
52	1706077	1	Decal - Battery Charger	
54	1001174449	2	Decal - Hybrid	
55	1001170674	1	Decal - Tip Over	
56	1001170061	1	Decal - Cable Routing	
57	1001182809	4	Decal - Tire Load	
58	1001125483	3	Decal - Pressure Wash	
59	1001224053	1	Decal - Yearly Inspection (SN 0300234421 to Present)	

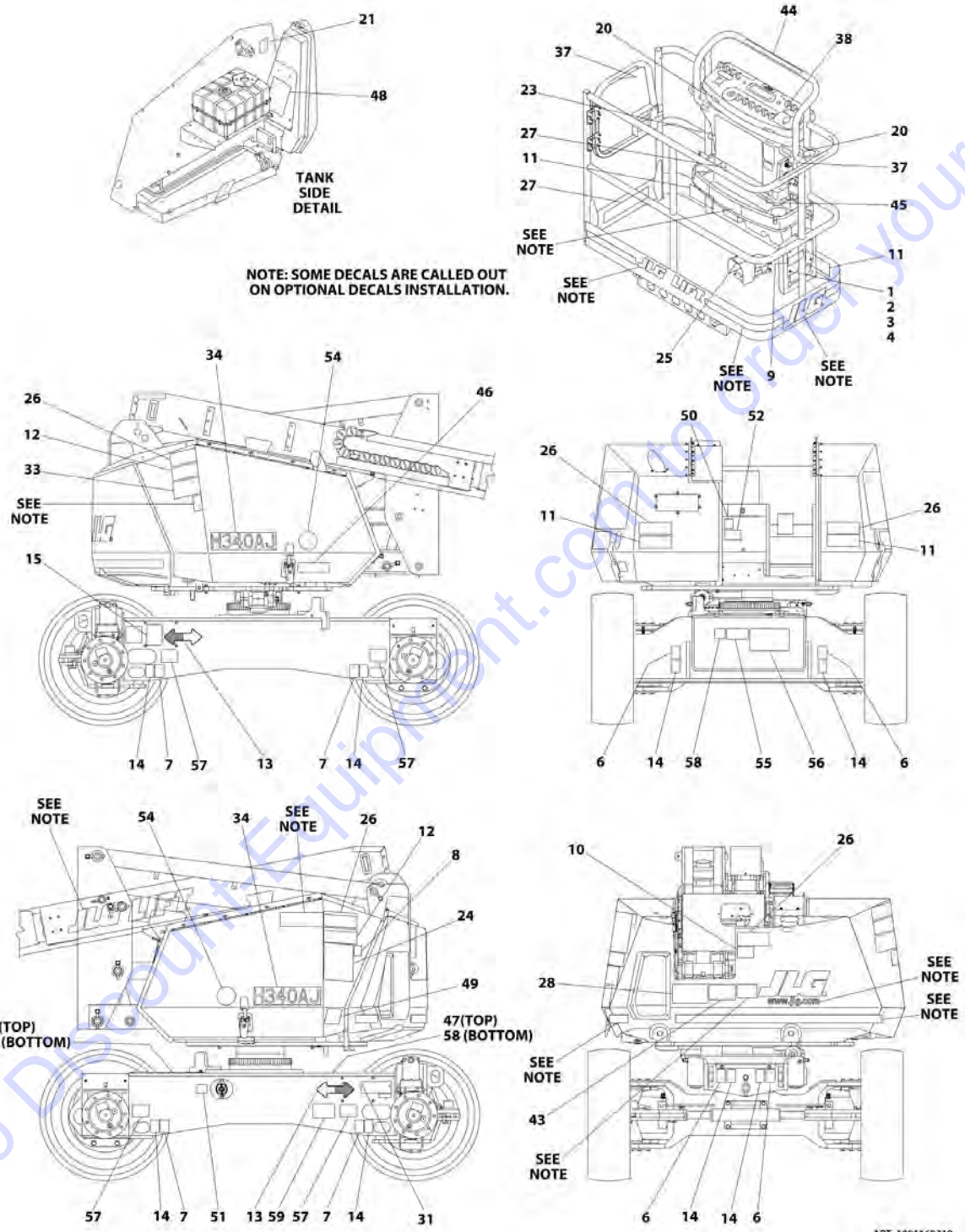
SECTION 9 - DECALS

FIGURE 9-8. DECALS INSTALLATION - KOREAN SPEC (KOREAN/ENGLISH)

ITEM	PART NUMBER	QTY	DESCRIPTION	REV
	1001169313	Ref	DECALS INSTALLATION - KOREAN SPEC (KOREAN/ENGLISH)	F
1	0760610	4	Bolt M6 x 20	
2	4811700	8	Washer M6	
3	3290605	4	Nut M6	
4	0860520	1	Box, Manual Storage	
6	1701500	4	Decal - Lift	
7	1701499	4	Decal - No Tie-Down/No Lift	
8	1701504	1	Decal - Hydraulic Oil	
9	1701509	1	Decal - Manual	
10	1001113509	1	Decal - Crushing	
11	1703951	4	Decal - Crushing	
12	1703945	2	Decal - Crushing	
13	1701642	2	Decal - Arrow	
14	1702300	8	Decal - Tie-Down	
15	See Note	1	Decal - Bar Code (Note: Not Available for Purchase)	
20	1704277	2	Decal - Lanyard Attach	
21	1704412	1	Decal - Hydraulic Oil	
23	1703927	1	Decal - Warning/Danger	
24	1705345	1	Decal - Warning Inspection	
25	1703981	1	Decal - Footswitch	
26	1703939	5	Decal - Danger Electrocution	
27	1001121918	2	Decal - Warning Maximum Capacity	
28	1001121921	1	Decal - Warning Maximum Capacity	
31	2080057	2	Fastener	
33	1001119576	1	Decal - Lift Diagram	
34	1001170058	2	Decal - H340AJ	
37	1705969	2	Decal - No Hands	
38	1705427	1	Decal - Drive/Steer Instructions	
43	1001170056	1	Decal - Legend	
44	1001170057	1	Decal - Legend	
45	1001120280	1	Decal - No Pipe Racks	
46	1001119981	1	Decal - Manual Turntable Rotate	
47	1701529	2	Decal - Arrow	
48	1001127549	1	Decal - Manual Descent	
49	1001127588	1	Decal - Manual Descent	
50	1701644	1	Decal - Battery Charger	
51	1702155	1	Decal - Battery Disconnect	
52	1001171296	1	Decal - Charger	
54	1001174449	2	Decal - Hybrid	
55	1001170673	1	Decal - Warning Tip Over	
56	1001170061	1	Decal - Cable Routing	
57	1001182809	4	Decal - Tire Load	
58	1001125483	3	Decal - Pressure Wash	
59	1001224048	1	Decal - Yearly Inspection (SN 0300234421 to Present)	

SECTION 9 - DECALS

FIGURE 9-9. DECALS INSTALLATION - LATIN AMERICA SPEC (SPANISH/ENGLISH)



ART_1001169318

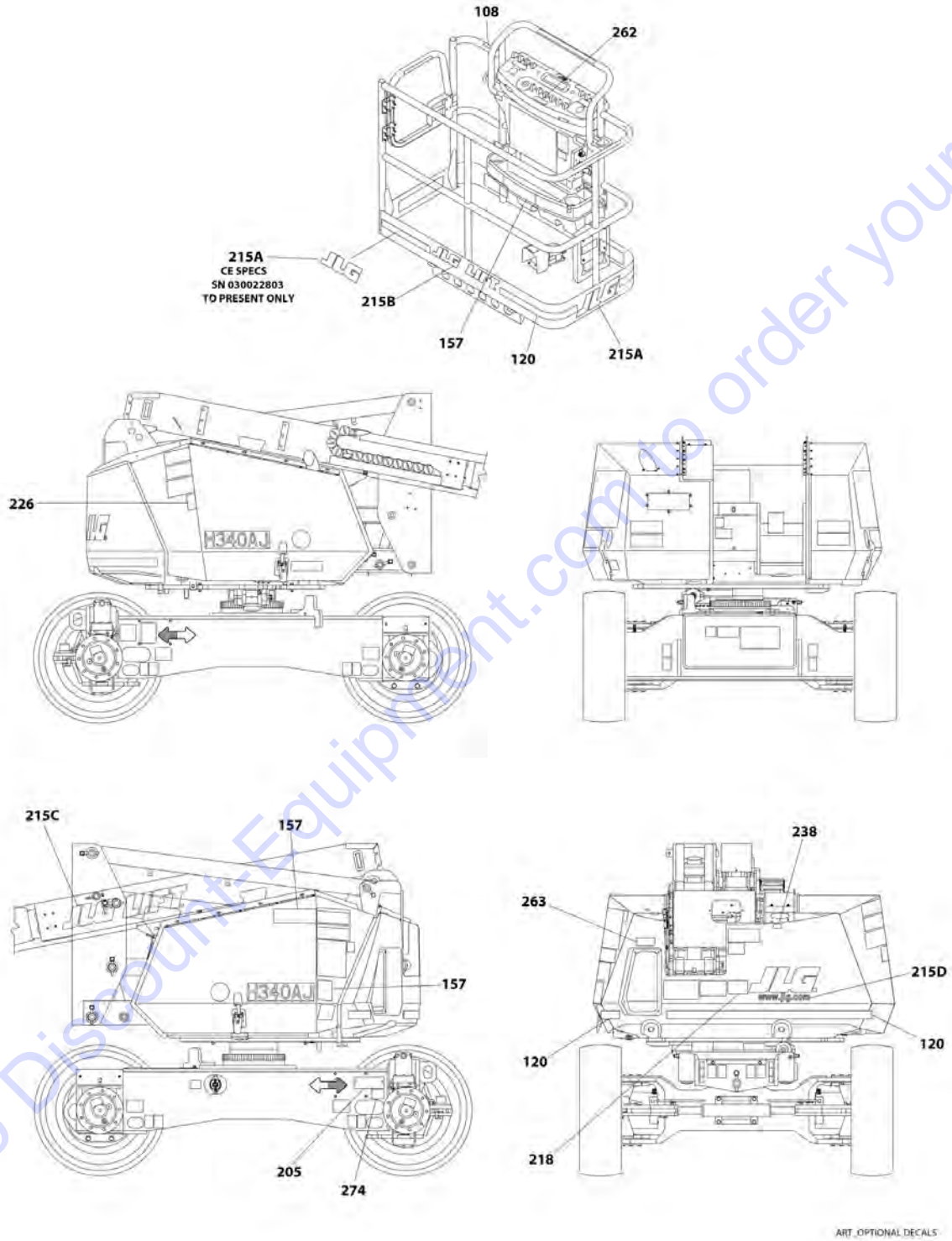
SECTION 9 - DECALS

FIGURE 9-9. DECALS INSTALLATION - LATIN AMERICA SPEC (SPANISH/ENGLISH)

ITEM	PART NUMBER	QTY	DESCRIPTION	REV
	1001169318	Ref	DECALS INSTALLATION - LATIN AMERICA SPEC (SPANISH/ENGLISH)	F
1	0760610	4	Bolt M6 x 20	
2	4811700	8	Washer M6	
3	3290605	4	Nut M6	
4	0860520	1	Box, Manual Storage	
6	1701500	4	Decal - Lift	
7	1701499	4	Decal - No Tie-Down/No Lift	
8	1701504	1	Decal - Hydraulic Oil	
9	1701509	1	Decal - Manual	
10	1001113171	1	Decal - Crushing	
11	1703947	4	Decal - Crushing	
12	1703941	2	Decal - Crushing	
13	1701642	2	Decal - Arrow	
14	1702300	8	Decal - Tie-Down	
15	See Note	1	Decal - Bar Code (Note: Not Available for Purchase)	
20	1704277	2	Decal - Lanyard Attach	
21	1704412	1	Decal - Hydraulic Oil	
23	1703923	1	Decal - Warning/Danger	
24	1705917	1	Decal - Warning Inspection	
25	1703983	1	Decal - Footswitch	
26	1703935	5	Decal - Electrocution	
27	1001121805	2	Decal - Warning Maximum Capacity	
28	1001121818	1	Decal - Warning Maximum Capacity	
31	2080057	2	Fastener	
33	1001119576	1	Decal - Lift Diagram	
34	1001170058	2	Decal - H340AJ	
37	1704001	2	Decal - No Hands	
38	1705910	1	Decal - Drive/Steer Instructions	
43	1001170056	1	Decal - Legend	
44	1001170057	1	Decal - Legend	
45	1001120283	1	Decal - No Pipe Racks	
46	1001119981	1	Decal - Manual Turntable Rotate	
47	1701529	2	Decal - Arrow	
48	1001127549	1	Decal - Manual Descent	
49	1001127588	1	Decal - Manual Descent	
50	1701644	1	Decal - Battery Charger	
51	1702155	1	Decal - Battery Disconnect	
52	1706085	1	Decal - Battery Charging Instructions	
54	1001174449	2	Decal - Hybrid	
55	1001170669	1	Decal - Warning Tip Over	
56	1001170061	1	Decal - Cable Routing	
57	1001182809	4	Decal - Tire Load	
58	1001125483	3	Decal - Pressure Wash	
59	1001224049	1	Decal - Yearly Inspection (SN 0300234421 to Present)	

SECTION 9 - DECALS

FIGURE 9-10. OPTIONAL DECALS INSTALLATION



SECTION 9 - DECALS

FIGURE 9-10. OPTIONAL DECALS INSTALLATION

ITEM	PART NUMBER	QTY	DESCRIPTION	REV
		Ref	OPTIONAL DECALS INSTALLATION	
108	1702962	1	Decal - Warning Proposition 65 (ANSI Spec Diesel Machines Only)	
120	4420051	AR	Tape, Safety	
157	1704286	2	Decal - Generator Warning (ANSI & ANSI Export Specs)	
157	1001093687	2	Decal - Generator Warning (Australian & CE Specs)	
157	1704373	2	Decal - Generator Warning (Brazil Specs)	
157	1704368	2	Decal - Generator Warning (CSA Specs)	
157	1704372	2	Decal - Generator Warning (Chinese Specs)	
157	1704369	2	Decal - Generator Warning (Japanese Specs)	
157	1704370	2	Decal - Generator Warning (Korean Specs)	
157	1704371	2	Decal - Generator Warning (Latin America Specs)	
205	See Note	1	Nameplate - Manufacturers Serial Number (Note: Not Available for Purchase)	
215	1001110613	Ref	JLG Logo Installation	B
215A	1702773	1	Decal - JLG	
215B	1702774	1	Decal - JLG Lift (3in) (All Specs except CE Specs)	
215B	1702774	1	Decal - JLG Lift (3in) (CE Specs) (SN 0300228036 to Present)	
215C	1702860	1	Decal - JLG Lift (5in)	
215D	1704885	1	Decal - Website	
218	3251813	1	Decal - USA (ANSI, ANSI Export & CSA Specs)	
226	1704972	1	Decal - Warning Explosion/Fire (ANSI Spec)	
226	1706098	1	Decal - Warning Explosion/Fire (Australian & CE Spec)	
226	1706059	1	Decal - Warning Explosion/Fire (Brazil Spec)	
226	1706064	1	Decal - Warning Explosion/Fire (CSA Spec)	
226	1706060	1	Decal - Warning Explosion/Fire (Chinese Spec)	
226	1706062	1	Decal - Warning Explosion/Fire (Japanese Spec)	
226	1706061	1	Decal - Warning Explosion/Fire (Korean Spec)	
226	1706063	1	Decal - Warning Explosion/Fire (Latin America Spec)	
238	1001108923	1	Decal - Low Sulfur Fuel Spec (ANSI & CSA Specs Only)	
262	1001141300	1	Decal - SkyGuard Override	
263	1001189882	1	Decal - MSSO	
274	1001214029	Ref	EAC Decal Installation (Russia/CIS Specs)	
274	1001173703	1	Decal - EAC	

SECTION 10 - RECOMMENDED SERVICE PARTS STOCK

SECTION 10 - RECOMMENDED SERVICE PARTS STOCK

Go to Discount-Equipment.com to order your parts

SECTION 10 - RECOMMENDED SERVICE PARTS STOCK

FIGURE 10-1. RECOMMENDED SERVICE PARTS STOCK

ITEM	PART NUMBER	QTY	DESCRIPTION	REV
		Ref	Note: The following list will service one machine (built to current production per date on the front cover) with emergency repair parts which can be installed in the field. Parts from the list should be replaced when inventory is depleted to keep service parts stock supplied. For further information, go to Discount-equipment.com.	
		Ref	STANDARD PARTS	
	70050516	1	Coil	
	70002963	1	Coil	
	1001170365	2	Fuse 400Amp	
	1001170484	2	Fuse 125Amp	
	1001170367	1	Contactor	
	70002971	1	Coil	
	70002386	1	Coil	
	70003788	1	Coil	
	1001178594	1	Filler/Air Breather Filter	
	1001178595	4	Element, Filter	
	4360328	1	Switch, Toggle	
	4360475	1	Switch, Emergency Stop	
	4360469	1	Switch, Key	
	2860030	1	Key, Replacement	
	1001219601	1	Sensor	
	1001159665	1	Relay, Contactor	
	1001190545	4	Strainer, Fuel	
	7015004	12	Element, Air Filter	
	7017980	12	Filter, Oil	
	7017992	12	Filter, Inline	
	4360407	1	Switch, Potentiometer	
	1001161710	1	Switch, Toggle	
	1001155045	1	Switch, Toggle	
	1001159256	1	Switch, Toggle	
	1001212415	1	Controller Assembly (Drive and Steer)	
	1001129555	1	Controller Assembly (Lift and Swing)	
	4360387	1	Switch, Toggle (Soft Touch Option)	
	1001170762	2	Fuse 30Amp	
	1001186489	2	Fuse 2Amp	
	1001170760	2	Fuse 10Amp	
	1001186431	1	Relay	
	1001171295	1	Relay	
	1001170760	2	Fuse 10Amp	
	1001170761	2	Fuse 20Amp	
	8229244	2	Fuse 15Amp	
	1001172227	2	Fuse 40Amp	
	2400065	2	Fuse 30Amp	
	2400064	2	Fuse 5Amp	
	3990010	2	Diode 6Amp	
		Ref	VARIABLE PARTS	
	1001170140	1	Module, Drive	
	1001119176	1	Switch, Limit	

SECTION 10 - RECOMMENDED SERVICE PARTS STOCK

ITEM	PART NUMBER	QTY	DESCRIPTION	REV
	1001183213	1	Module, UGM	
	1001142683	1	Module, Beacon Light (With SkyGuard)	
	1001155934	1	Module, Engine Controller	
	1001159754	1	Module, Diode	
	2940074	1	Latch (Machines with Gate)	
	1001169594	1	Module, Platform	
	1001137673	1	Switch, SkyGuard	
	1001109475	1	Breaker, 16Amp (CE Spec Only)	
	1001109482	1	Breaker, 30mA (CE Spec Only)	
	4360548	1	Switch, Limit	

Go to Discount-Equipment.com to order your parts

SECTION 11 - SPECIAL OPTIONS

Go to Discount-Equipment.com to order your parts

SECTION 11 - SPECIAL OPTIONS

FIGURE 11-1. SPECIAL OPTIONS

ITEM	PART NUMBER	QTY	DESCRIPTION	REV
		Ref	Note: This list is to accommodate machines ordered with special equipment. Options may not be applicable to all models. For more specific parts information go to Discount-equipment.com.	
		Ref	MISCELLANEOUS SPECIAL OPTIONS	
	1001119028	Ref	Airline Installation (Machines without Arctic Package)	
	1001119378	Ref	Airline Installation (Machines with Arctic Package)	
	1001212041	Ref	Alarm (White Noise) Installation	
	1001119803	Ref	Bellows Installation (Boom & Chassis)	
	1001119962	Ref	Boom Wipers Installation	
	1001116419	Ref	Cable Carrier Tray Installation (Prior to SN 0300226326)	
	1001172045	Ref	Cable Carrier Tray Installation (SN 0300226326 to Present)	
		Ref	ClearSky Telematics (Factory Installed)	
	1001169727	Ref	ClearSky (Telematics) Installation (Factory Installed) (ANSI Specs) Note: Refer to Manual Supplement p/n 3128499 for available replacement parts. (Prior to SN 0300234421)	
	1001169731	Ref	ClearSky (Telematics) Installation (Factory Installed) (Australian Specs) Note: Refer to Manual Supplement p/n 3128499 for available replacement parts. (Prior to SN 0300234421)	
	1001169729	Ref	ClearSky (Telematics) Installation (Factory Installed) (Brazil & New Zealand Specs) Note: Refer to Manual Supplement p/n 3128499 for available replacement parts. (Prior to SN 0300234421)	
	1001169728	Ref	ClearSky (Telematics) Installation (Factory Installed) (CSA Specs) Note: Refer to Manual Supplement p/n 3128499 for available replacement parts. (Prior to SN 0300234421)	
	1001227454	Ref	Canbus Connection (ANSI and CSA Specs) (SN 0300243877 to Present)	
	1001228956	Ref	Canbus Connection (ANSI Export and CE Specs) (SN 0300243877 to Present)	
	1001246486	Ref	ClearSky (Telematics) Installation (Factory Installed) - Canbus Connection (Australian Specs)	
	1001246487	Ref	ClearSky (Telematics) Installation (Factory Installed) - Canbus Connection (China Specs)	
	1001229107	Ref	3 Wire Connection (ANSI and CSA Specs) (SN 0300234421 to Present)	
	1001233237	Ref	3 Wire Connection (ANSI Export and CE Specs) (SN 0300240098 to Present)	
	1001169720	Ref	Cold Weather Package without Arctic Package	
	1001169721	Ref	Cold Weather Package with Arctic Package	
	1001169732	Ref	Cribbing Switch Installation (ANSI and CSA Specs)	
	1001196702	Ref	Decals - Blueline Rentals	
	1001154500	Ref	Decals - Boels Rentals	
	1001119459	Ref	Decals - ClearSky (Australian and China Specs)	
	1001214029	Ref	Decals - EAC (Russia/CIS Specs)	
	1001120224	Ref	Decals - Head & Engquist (H&E) Equipment	
	1001231541	1	Decal - Herc Rentals	
	1001120221	Ref	Decals - Hertz Rentals	
	1001231540	1	Decals - Hertz Rentals (Canada)	
	1001140650	Ref	Decals - Leavitt	
	1001120222	Ref	Decals - National Equipment Services (NES)	
	1001120223	Ref	Decals - RSC Equipment Rental	
	1001197845	Ref	Decals - Sunbelt Rentals	

SECTION 11 - SPECIAL OPTIONS

ITEM	PART NUMBER	QTY	DESCRIPTION	REV
	1001120219	Ref	Decals - United Rentals	
	1001148902	Ref	Electrical Connector Kit - Amp/Tyco Electrical Connectors	
	1001148903	Ref	Electrical Connector Kit - Deutsch DT Electrical Connectors	
	1001148904	Ref	Electrical Connector Kit - Deutsch HD Electrical Connectors	
	1001148905	Ref	Electrical Connector Kit - Packard Electrical Connectors	
	1001148906	Ref	Electrical Connector Kit - Various Electrical Connectors	
	1001117294	Ref	Footswitch Shield Installation	
		Ref	Fluids:	
	2300004	Ref	Coolant, Engine	
	2300028	Ref	Hydraulic Fluid - Mobil DTE 10 (Excel 15)	
	2300016	Ref	Hydraulic Fluid - Mobil DTE 10 (Excel 32)	
	2300029	Ref	Hydraulic Fluid - Mobil EAL Envirosyn H46 Bio	
	2300019	Ref	Hydraulic Fluid - Qunintolubric 888-46 (Fire Resistant)	
	2300039	Ref	Hydraulic Fluid - Exxon Univis HVI 26 (Use with Arctic Package)	
	3020029	Ref	Lubricant (Axle Pivot Pin and Kingpins)	
	3020037	Ref	Lubricant (Drive Motor Shaft and Engine Pump Coupling)	
	3020008	Ref	Lubricant, Gear 80W-90 (Drive Hub)	
	3020039	Ref	Lubricant (Spindle Surface)	
	1001159301	Ref	Oil, Engine 10-30	
	1001173467	Ref	Fuel Cap Cover (Lockable) Installation (Prior to SN 0300224589)	
	1001209659	Ref	Fuel Cap Cover (Lockable) (Black)	
	1001209658	Ref	Fuel Cap Cover (Lockable) (Green)	
	1001120103	Ref	Ground Control Cover Installation	
	1001173326	Ref	Hot Weather Package	
	1001173325	Ref	Fan and Filter Installation	
	1001173331	Ref	Filter, Air	
	1001173140	Ref	Inverter Installation - 110V-50Hz (ANSI Export and Australian Spec)	
	1001169725	Ref	Inverter Installation - 120V-50/60Hz (ANSI, ANSI Export, CSA and Japanese Spec)	
	1001173139	Ref	Inverter Installation - 230V-50Hz (CE Spec)	
	1001169724	Ref	Inverter Installation - 240V-50Hz (ANSI Export and CSA Spec)	
	1001169723	Ref	Lights Installation - Chassis Worklights	
	1001170104	Ref	Lights Installation - Headlights and Taillights	
	1001120466	Ref	Lights Installation - Platform Worklights	
	1001183407	Ref	Low Temperature Cutout Installation (Russian Specs)	
	0274661	Ref	Pipe Rack Installation (Australian Specs)	
	1001195304	Ref	Platform Console Cover Installation	
	1580013	Ref	Platform Corner Storage Tray	
	1001142504	Ref	Platform Entry Kit - Drop Bar (Replaces Swing Gate with Drop Bar)	
	1001142505	Ref	Platform Entry Kit - Swing Gate (Replaces Drop Bar with Swing Gate)	
	1001140318	Ref	Platform Mesh to Midrail Installation - 30in x 48in Platforms	
	1001214478	Ref	Platform Mesh to Midrail Add-on Kit - 30in x 48in Platforms	
	1001140315	Ref	Platform Mesh to Midrail Installation - 30in x 60in Platforms	
	1001214515	Ref	Platform Mesh to Midrail Add-on Kit - 30in x 60in Platforms	
	0273147	Ref	Platform Mesh to Toprail Installation - 30in x 48in Platforms	
	0273146	Ref	Platform Mesh to Toprail Installation - 30in x 60in Platforms	
	1001103558	Ref	Platform Rail Extension Installation (30in x 60in Platforms)	
	1001209059	Ref	Platform Work Surface	
	1001169726	Ref	Security Lock (Programmable) Installation	
	1001209565	Ref	Service Kit - Upper Power Track Hose	

SECTION 11 - SPECIAL OPTIONS

ITEM	PART NUMBER	QTY	DESCRIPTION	REV
		Ref	SkyGuard Component Options:	
	1001203510	Ref	SkyGuard Complete Add-on Kit (Without Strobe Light)	
	1001207138	Ref	SkyGuard Complete Add-on Kit (Blue Strobe Light)	
	1001210035	Ref	SkyGuard Complete Add-on Kit (Red Strobe Light)	
	1001149565	Ref	SkyGuard Platform Sensor Kit	
	1001137440	1	SkyGuard Sensor Harness	
	1001186431	2	Relay	
	1001207140	Ref	SkyGuard Strobe Light Kit (Blue)	
	1001210034	Ref	SkyGuard Strobe Light Kit (Red)	
	1001200291	Ref	Telematics (Customer Supplies)	
	1001210089	Ref	Telematics (Caterpillar)	
	1001228363	Ref	Telematics (Herc)	
	1001209282	Ref	Telematics (Loxam)	
	1001210090	Ref	Telematics (Riwal)	
	1001195610	Ref	Telematics (United Rentals)	
	1001228589	Ref	Telematics Canbus Installation (Customer Supplies)	
	2901443	Ref	Tools - Analyzer Kit	
	1001137005	Ref	Tools - Cable Kit, Software	
	7002821	Ref	Tools - Crimper, Wire	
	4460510	Ref	Tools - Pin Extractor - 12-14 Gauge (For Removal of Pin/Sockets from Deutsch Connectors)	
	4460467	Ref	Tools - Pin Extractor - 16-18 Gauge (For Removal of Pin/Sockets from Deutsch Connectors)	
	7002823	Ref	Tools - Pin Extractor - Universal (For Electrical Connectors with Pins and Sockets)	
	7002822	Ref	Tools - Screwdriver, Potentiometer	
	7016654	Ref	Tools - Screwdriver, Magnetic	
	7004275	Ref	Tools - Seal Tool 1in (For Cylinders)	
	7004276	Ref	Tools - Seal Tool 1-1/2in (For Cylinders)	
	7002828	Ref	Tools - Stripper, Wire	

PART NUMBER INDEX

Go to Discount-Equipment.com to order your parts

PART NUMBER INDEX

0060044.....147, 149, 153	0700617 ... 193, 197, 201, 205, 209, 213	076100996	1001102771.43, 317, 333
0100009....193, 197, 201, 205, 209, 213	0700618 ... 279, 283, 285, 287, 289, 291, 293	0761010 13, 43, 141	1001103012.....375
0100011....13, 15, 17, 21, 43, 45, 47, 51, 61, 65, 69, 81, 96, 106, 109, 111, 114, 118, 135, 137, 139, 141, 143, 145, 157, 159, 161, 163, 165, 177, 179, 181, 223, 225, 231, 303, 307, 319, 329	0700628 51	0761011 96, 135, 137, 139	1001103257..... 73
0100019.21, 55, 109, 111	0700808 97	076101243, 61, 106, 135, 137, 139, 303, 307	1001103258..... 75
0100020.....107	0700812 61	076101481, 96, 106, 114, 118, 135, 137, 139, 161	1001103558.....409
0100035.....209, 213	0700815 17	0761015 15, 109, 111, 135, 137, 139, 141, 157, 161, 185, 187, 189, 191	1001106736.....81
0100048.....81, 159, 193, 197, 201, 205, 209, 213	0700818 147, 149, 151	0761016 106	1001106757.....303, 307
0100051.....43	0700820 303, 307	0761018 13	1001107152.....303, 307
0100071.....227	0700829 303, 307	0761020 43	1001107781.....55, 57
0100081.....99, 101, 193, 197, 201, 205, 303, 307	0701012 13	0761210 96, 141	1001107854.....333, 375
0100083.....107, 329	0701015 114, 118	0761212 ... 135, 137, 139, 141	1001108290.....143, 145
0140011....193, 197, 201, 205, 209, 213	0701016 114, 118	0761214 141	1001108923.....401
0140043.....81	0701018 61, 147, 149, 151	0761215 ... 135, 137, 139, 157, 161	1001109475.....315, 405
0273146.....409	0701019 96	0761614 15	1001109482.....315, 405
0273147.....409	0701020 ... 147, 149, 151	0761615 141	1001109503.....67, 71
0274661.....409	0701022 61	0762016 106	1001109528.....135, 137, 139
0275216.....279, 355	0701027 141	0770815 109, 111	1001110434.....193, 197, 201, 205, 209, 213
0275217.....283, 357	0701027 141	0771618 21	1001110544.....107
0275218.....285, 359	0701217 13	0860038 277, 281	1001110613.....401
0275219.....287, 361	0701222 159	0860520 ... 383, 385, 387, 389, 391, 393, 395, 397, 399	1001110873.....277
0275452.....289, 363	0701624 159	0861441 193, 194	10011112496.....47
0275453.....291, 365	0711227 143, 145	0861731 363, 365, 367	1001112607.....135, 137, 139
0275454.....293, 367	0711426 55	0861781 355, 357	1001112612.....335, 369
0340045.....114, 118	0711432 55	0861880 315	1001112796.....369
0400209.....43	0721004 61	0902751 193, 197	1001113047.....47
0630568....194, 198, 202, 206, 210, 214	0760306 106	0940048 141	1001113166.....395
0641404....193, 197, 201, 205, 209, 213, 231	0760410 85, 106	0961845 177, 179, 181	1001113168.....393
0641405.....231	0760505 81, 106	0961947 153, 155	1001113169.....391
0641406....114, 118, 183	076050896, 99, 101, 114, 118	0961948 ... 141, 143, 145, 251, 253	1001113170.....387
0641410.....114, 118	0760512 45	0961950 15	1001113171.....399
0641414....223, 225, 227	0760605 21, 304, 308	0961951 ... 147, 149, 151, 245, 247, 249, 255	1001113483.....159
0641418....177, 179, 181	0760606 161	0962140 13	1001113509.....397
0641420.....179	0760607 21, 47, 319	0962224 141	1001113680.....387
0641506.....96	0760608 ... 73, 75, 81, 96, 99, 101, 109, 111, 114, 118, 159, 185, 187, 189, 303, 307, 319	0962257 153, 155	1001113961.....335
0641508.....114, 118	0760610 ... 21, 73, 75, 96, 101, 106, 114, 118, 159, 161, 275, 279, 283, 285, 287, 289, 291, 293, 383, 385, 387, 389, 391, 393, 395, 397, 399	0962259 141	1001114761.....51
0641520.....114	076061281, 96, 106, 114, 118	0962292 ... 147, 149, 151	1001115649.....141
0641605.....107	0760613 115, 118	0962449 313	1001115650.....141
0641606.....45	0760614 ... 106, 185, 187, 189, 191	0962450 159	1001115657.....141
0641608.....45	0760618 159	1001091102 85, 107	1001115661.....141
0641610....109, 111, 114, 118	0760621 81, 303, 307	1001093687 401	1001115663.....141
0641808....114, 118, 329	0760807 114, 118	1001094670 149, 151	1001115669.....141
0641822.....109, 111	0760808 ... 21, 43, 45, 47, 61, 96, 109, 111, 319, 329	1001097051 237	1001115672.....135, 137, 139, 141
0641824.....114, 118	0760810 13, 81	1001097150 315	1001115766.....137
0681608....109, 111, 157, 159, 161	0760812 ... 43, 51, 61, 73, 75, 96, 109, 111, 143, 145	1001097244 185, 187, 189, 191	1001115773.....31
0700408....279, 283, 285, 287, 289, 291, 293	0760814 106, 109, 111	1001098122 347, 349	1001115784.....303
0700608.....96	0760816 81	1001098828 161	1001115788.....285
0700610.....43, 191	0760818 13	1001099125 67, 71	1001115834.....157
0700614.....107	0761007 163	1001099834 163	1001115870.....141
0700615....87, 89, 91, 93		1001100341 355	1001116228.....165, 167
		1001100342 357	1001116361.....15, 243
		1001100345 363	1001116378.....243
		1001100346 367	1001116419.....408
		1001100347 365	1001116433.....303, 307
			1001116487.....51, 53
			1001116546.....141
			1001116547.....141
			1001116548.....141
			1001116549.....141
			1001116550.....147, 149, 151
			1001116720.....331, 349, 351

PART NUMBER INDEX

1001116723 333, 373	1001118642..... 33	1001119598..... 266	1001121823 393
1001116732 331, 375	1001118643..... 39	1001119600..... 266	1001121918 397
1001116733 331, 375	1001118644..... 29	1001119602..... 266	1001121920 387
1001116734 331, 375	1001118647..... 35, 37	1001119603..... 266	1001121921 397
1001116774 369	1001118648..... 35, 37	1001119604..... 266	1001121923 387
1001116788 13, 257	1001118649..... 27	1001119605..... 266	1001121966 266
1001116808 369	1001118650..... 33	1001119619..... 235	1001122527 141, 253
1001116810 317	1001118651..... 33	1001119620..... 237, 239	1001123004 149, 151, 249
1001116811 77, 79	1001118652..... 39, 41	1001119803..... 408	1001123018 115, 119
1001116812 333	1001118653..... 39, 41	1001119869..... 277	1001125033 331
1001116815 333	1001118654..... 29	1001119870..... 273	1001125235 135, 137, 139
1001116835 165	1001118657..... 331	1001119871..... 281	1001125291 81
1001116876 143, 145	1001118658..... 331	1001119872..... 289	1001125483 383, 385, 387, 389, 391, 393, 395, 397, 399
1001116877 143, 145	1001118660..... 33, 39, 41	1001119873..... 291	1001126008 333, 373
1001117025 375	1001118665..... 141	1001119874..... 293	1001126009 233
1001117078 335	1001118666..... 141	1001119875..... 279	1001126245 373
1001117129 ... 31, 33, 35, 37, 39, 41	1001118744..... 331	1001119876..... 283	1001127549 383, 385, 387, 389, 391, 393, 395, 397, 399
1001117131 31	1001118745..... 331	1001119877..... 287	1001127588 383, 385, 387, 389, 391, 393, 395, 397, 399
1001117132 31	1001118746..... 114, 119	1001119937..... 307	1001127705 266
1001117172 185, 187, 189, 191	1001118909..... 159	1001119953..... 307, 339	1001128781 61
1001117174 185, 187, 189, 191, 193, 197, 201, 205, 209, 213	1001118910..... 159	1001119954..... 307, 343	1001128782 61
1001117281 99, 101	1001118961..... 55	1001119955..... 297, 307	1001128798 61
1001117282 96	1001119018..... 303, 337	1001119956..... 301, 307	1001129407 81
1001117294 409	1001119019..... 303, 341	1001119962..... 408	1001129555 404
1001117365 243	1001119020..... 347, 349, 369, 373, 376	1001119981 383, 385, 387, 389, 391, 393, 395, 397, 399	1001130220 ... 21, 43, 96
1001117366 243	1001119028..... 408	1001120002..... 383	1001130588 275
1001117372 243	1001119077..... 101	1001120004..... 391	1001131269 383, 391
1001117375 135, 137, 139, 245	1001119080..... 96	1001120027..... 37	1001135350 333
1001117640 135, 137, 139, 251	1001119083..... 96	1001120036..... 41	1001136244 165, 169
1001117884 137, 149	1001119085..... 96	1001120087..... 106, 114, 119	1001137005 410
1001117885 137, 145	1001119086..... 101	1001120090..... 106, 115, 119	1001137440 410
1001117897 61	1001119087..... 101	1001120103..... 409	1001137451 96, 101
1001118262 61	1001119088..... 101	1001120204..... 295, 297	1001137673 223, 225, 405
1001118274 143, 145, 159, 165, 303, 307	1001119089..... 99	1001120205..... 299, 301	1001138494 177, 179
1001118280 115, 118	1001119090..... 99	1001120219..... 409	1001138514 177, 179
1001118282 331	1001119091..... 99	1001120221..... 408	1001139654 389
1001118287 143, 145	1001119092..... 96	1001120222..... 408	1001140315 409
1001118288 143, 145	1001119103..... 96	1001120223..... 408	1001140318 409
1001118292 303, 307, 313	1001119139..... 299, 303	1001120224..... 408	1001140429 177, 179, 181
1001118361 96, 99	1001119140..... 295, 303	1001120279..... 395	1001140524 304, 308, 311
1001118384 233	1001119176..... 81, 404	1001120280..... 397	1001140650 408
1001118388 233, 349, 351	1001119194..... 303	1001120281..... 393	1001141300 401
1001118394 147, 149, 151	1001119195..... 307	1001120282..... 387	1001141581 21
1001118482 147, 149, 151	1001119197..... 304, 308	1001120283..... 399	1001141710 81
1001118509 61	1001119228..... 304, 308	1001120328..... 223, 225, 231	1001141967 359, 361
1001118510 61	1001119369..... 151, 155	1001120466..... 409	1001141968 359
1001118511 15	1001119370..... 139, 151	1001120749..... 101	1001141969 361
1001118516 147, 149, 151	1001119371..... 139	1001120974..... 145, 259	1001141970 361
1001118518 15	1001119378..... 408	1001120976..... 135, 137, 139, 255	1001141971 359
1001118519 15	1001119455..... 266	1001121172..... 331, 375	1001142504 409
1001118592 303, 307	1001119459..... 408	1001121221..... 266	1001142505 409
1001118593 303, 307	1001119504..... 163	1001121678..... 27	1001142683 ... 87, 89, 91, 93, 405
1001118595 165	1001119513..... 163	1001121801..... 383	1001142736 ... 87, 89, 91, 93, 369
1001118640 35	1001119525..... 266	1001121803..... 391	
1001118641 27	1001119527..... 61, 65, 69, 81, 163	1001121805..... 399	
	1001119572..... 266	1001121808..... 395	
	1001119576..... 383, 385, 387, 389, 391, 393, 395, 397, 399	1001121810..... 393	
	1001119577..... 266	1001121814..... 383	
	1001119593..... 266	1001121816..... 391	
	1001119594..... 266	1001121818..... 399	
	1001119595..... 266	1001121821..... 395	
	1001119596..... 266		
	1001119597..... 266		

PART NUMBER INDEX

1001144433.....202, 205, 209, 225	1001161924..... 319	1001168233 109, 111	1001169732..... 408
1001144629..... 173, 175	1001161935..... 43	1001168234..... 96	1001170056..... 383, 387, 391, 393, 395, 397, 399
1001146824..... 96	1001161936..... 43	1001168236..... 106	1001170057..... 383, 387, 391, 393, 395, 397, 399
1001147365..... 115, 119	1001161937..... 43	1001168237..... 106	1001170058..... 383, 385, 387, 389, 391, 393, 395, 397, 399
1001147440..... 101	1001161938..... 45	1001168238..... 115, 119	1001170059..... 389
1001147441..... 96, 101	1001161943..... 319	1001168239..... 107	1001170060..... 385, 389
1001147642..... 115, 119	1001161944..... 319	1001168240..... 106	1001170061..... 383, 385, 387, 389, 391, 393, 395, 397, 399
1001147643..... 115, 119	1001161947..... 43	1001168241..... 107	1001170062..... 385, 389
1001148902..... 409	1001161948..... 319	1001168242..... 106	1001170063..... 383, 385, 387, 389, 391, 393, 395, 397, 399
1001148903..... 409	1001161949..... 319	1001168244..... 107	1001170064..... 193, 198, 202, 206, 210, 214
1001148904..... 409	1001162045..... 43	1001168400..... 21	1001170102..... 43
1001148905..... 409	1001162046..... 43	1001168662..... 81	1001170104..... 409
1001148906..... 409	1001162047..... 43	1001168663..... 81	1001170140..... 21, 404
1001148975..... 115, 119	1001162048..... 43	1001168669..... 13	1001170365..... 43, 404
1001149160..... 13, 21	1001162049..... 43	1001168701..... 194, 198, 347	1001170367..... 45, 404
1001149565..... 410	1001162050..... 43	1001168702..... 266	1001170483..... 43
1001151393..... 67, 71	1001162117..... 61	1001169015..... 13	1001170484..... 45, 404
1001151788..... 376	1001162614..... 51	1001169027..... 15	1001170571..... 114, 119
1001151824..... 376	1001162748..... 61	1001169028..... 13	1001170669..... 399
1001152155..... 267	1001162823..... 109, 111	1001169030..... 13	1001170670..... 387
1001152650..... 73, 75, 77	1001163363..... 115, 119	1001169089..... 67, 71	1001170671..... 393
1001153015..... 55, 59	1001164412..... 329	1001169090..... 185	1001170672..... 391
1001153364..... 55	1001164494..... 329	1001169091..... 185, 193	1001170673..... 397
1001153612..... 321, 323, 325, 327	1001164495..... 329	1001169092..... 193, 198, 202, 206, 210, 214	1001170674..... 395
1001154500..... 408	1001164654..... 329	1001169093..... 194, 198, 202, 206, 210, 214	1001170676..... 383
1001155044..... 194, 197, 201, 205, 209, 213	1001164885..... 13	1001169129..... 13	1001170760..... 333, 373, 404
1001155045..... 194, 197, 201, 205, 210, 213, 404	1001165144..... 17, 19	1001169195..... 61	1001170761..... 404
1001155743..... 21	1001165751..... 109, 111, 129	1001169196..... 61	1001170762..... 317, 404
1001155934..... 106, 405	1001165795..... 81, 379	1001169204..... 268	1001170763..... 317
1001155967..... 13, 376	1001165848..... 81, 335	1001169213..... 15	1001170838..... 193, 198, 202, 206, 210, 214
1001156395..... 270	1001165851..... 67, 71	1001169292..... 21, 319	1001170861..... 45
1001156603..... 115, 119	1001165852..... 67	1001169310..... 383	1001170981..... 115, 119
1001156604..... 115, 119	1001165853..... 65, 67	1001169311..... 385	1001171295..... 373, 404
1001157406..... 109, 111, 127	1001165923..... 81, 375	1001169312..... 395	1001171296..... 397
1001157903..... 109, 111	1001166433..... 96	1001169313..... 397	1001171301..... 319
1001158075..... 115, 119	1001166467..... 115, 121	1001169314..... 391	1001171777..... 43
1001158076..... 115, 119	1001166538..... 194, 198, 201, 206, 210, 214, 217	1001169315..... 393	1001171823..... 131
1001158314..... 115, 119	1001166539..... 194, 198, 202, 206, 210, 214, 219	1001169316..... 387	1001171914..... 131
1001159027..... 87, 91, 371	1001166848..... 266, 268	1001169317..... 389	1001172045..... 408
1001159256..... 194, 197, 201, 205, 210, 214, 404	1001167206..... 266	1001169318..... 399	1001172064..... 375
1001159301..... 115, 119, 409	1001167207..... 266	1001169415..... 96	1001172074..... 331
1001159664..... 115, 119	1001167208..... 266	1001169417..... 96	1001172227..... 375, 404
1001159665..... 106, 404	1001167210..... 266	1001169418..... 96	1001172394..... 81
1001159754..... 107, 405	1001167238..... 17, 51, 165	1001169419..... 96	1001172395..... 81
1001160531..... 59	1001167516..... 109, 111, 121	1001169420..... 73, 75	1001172396..... 81
1001161110..... 13	1001167516..... 109, 111, 121	1001169422..... 194, 198, 202, 206, 210, 214, 353	1001172541..... 81
1001161113..... 13	1001167538..... 43, 317	1001169594..... 193, 198, 202, 206, 210, 214, 405	1001172556..... 266
1001161114..... 13	1001168018..... 109, 111, 115, 119	1001169598..... 159, 345	1001172557..... 266
1001161115..... 13	1001168033..... 81	1001169599..... 159	1001172558..... 266
1001161117..... 13	1001168098..... 106, 329	1001169683..... 21, 23	1001172663..... 161
1001161537..... 96	1001168210..... 247	1001169718..... 268	1001172760..... 201, 206, 210, 214
1001161710..... 193, 197, 201, 205, 210, 214, 404	1001168216..... 106, 109	1001169719..... 131	1001173139..... 409
1001161871..... 319, 373	1001168221..... 109, 114	1001169720..... 408	1001173140..... 409
1001161872..... 47	1001168222..... 115, 119	1001169721..... 408	1001173325..... 409
1001161873..... 47	1001168224..... 115, 119	1001169723..... 409	1001173326..... 409
1001161874..... 47	1001168225..... 115, 119	1001169724..... 409	1001173331..... 409
1001161876..... 47	1001168226..... 115, 119	1001169725..... 409	1001173467..... 409
1001161878..... 47	1001168227..... 115, 119	1001169726..... 409	1001173703..... 401
1001161891..... 319	1001168228..... 115, 119	1001169727..... 408	
	1001168229..... 115, 119	1001169728..... 408	
	1001168230..... 115, 119	1001169729..... 408	
	1001168232..... 109, 111	1001169731..... 408	

PART NUMBER INDEX

1001174019..... 73	1001189105..... 107	1001209664..... 223, 225	1001232164..... 229
1001174020..... 75	1001189108..... 107	1001209878..... 91	1001232165..... 229
1001174449..... 383, 385, 387, 389, 391, 393, 395, 397, 399	1001189611..... 267	1001210034..... 410	1001232642..... 231
1001174455..... 345	1001189794..... 109, 111	1001210035..... 410	1001232650..... 231
1001176229..... 375	1001189795..... 109, 111	1001210089..... 410	1001232667..... 231
1001176230..... 375	1001189868..... 109, 111	1001210090..... 410	1001233237..... 408
1001176304..... 109, 111	1001189882..... 389, 401	1001210829..... 51	1001235011..... 231
1001176469..... 71	1001190017..... 201, 202	1001210981..... 15	1001235013..... 231
1001177378..... 329, 333	1001190529..... 319, 321	1001211947..... 319, 323	1001236552..... 231
1001177433..... 329, 331	1001190530..... 319, 325	1001212041..... 408	1001237862..... 237, 239
1001178594..... 61, 404	1001190531..... 319, 327	1001212415..... 404	1001237863..... 229, 237
1001178595..... 61, 404	1001190545..... 107, 404	1001213882..... 210, 214	1001237864..... 229, 239
1001178731..... 61	1001190609..... 106	1001214029..... 401, 408	1001237865..... 229, 235
1001178795..... 267	1001190985..... 161	1001214478..... 409	1001238238..... 119, 125
1001179948..... 21	1001191708..... 227	1001214515..... 409	1001238239..... 111, 118
1001180464..... 81	1001193018..... 279, 283, 285, 287, 289, 291, 293	1001216630..... 161	1001238241..... 107, 111
1001181045..... 315	1001193549..... 319	1001217227..... 161	1001238319..... 229
1001181325..... 81	1001193550..... 319	1001217228..... 161	1001238418..... 231, 233
1001181548..... 71	1001195304..... 409	1001217242..... 161	1001238472..... 231
1001181549..... 69, 71	1001195610..... 410	1001217243..... 161	1001238477..... 231
1001182138..... 227	1001196702..... 408	1001217244..... 161	1001238495..... 225
1001182731..... 65	1001197294..... 21	1001217250..... 161	1001238559..... 231
1001182732..... 69	1001197509..... 267	1001217253..... 161	1001238824..... 231
1001182809..... 383, 385, 387, 389, 391, 393, 395, 397, 399	1001197652..... 329	1001217254..... 161	1001241965..... 231
1001183213..... 81, 405	1001197707..... 73, 75, 79	1001217267..... 161	1001242849..... 89
1001183402..... 373	1001197845..... 408	1001218068..... 210, 214	1001242850..... 93
1001183405..... 373	1001197941..... 81, 82, 329	1001219601..... 81, 404	1001243452..... 191
1001183406..... 51	1001197942..... 82, 319	1001219788..... 189, 209	1001243453..... 191, 213
1001183407..... 409	1001197943..... 82, 319	1001220644..... 333	1001246486..... 408
1001183548..... 45	1001197944..... 329	1001220656..... 189	1001246487..... 408
1001183675..... 267	1001199306..... 249, 259	1001223055..... 383	1060908..... 315
1001184022..... 43	1001199412..... 135, 147	1001223971..... 391	1060918..... 185, 187, 189, 191
1001184133..... 43, 45	1001199413..... 135, 139, 143	1001224048..... 397	10837580..... 53, 259
1001184135..... 45	1001199456..... 135	1001224049..... 399	1120552..... 37, 41
1001184137..... 45	1001199460..... 147, 249	1001224050..... 393	1271538..... 159
1001184793..... 319	1001199461..... 143, 259	1001224052..... 387	1320022..... 106, 115, 118
1001184846..... 375	1001200291..... 410	1001224053..... 395	1320041..... 21, 307
1001185281..... 202, 206, 210, 214	1001200348..... 21, 25	1001224891..... 163	1320043..... 275, 279, 283, 285, 287, 289, 291, 293, 303
1001186228..... 202, 206, 210, 214, 349	1001200491..... 161	1001225131..... 43	1320130..... 107, 303, 307
1001186231..... 333	1001200575..... 194, 202	1001225557..... 319	1320136..... 109, 111, 159, 161
1001186375..... 177	1001200910..... 87, 89	1001225558..... 319	1320159..... 17
1001186377..... 179	1001201886..... 198	1001225580..... 210, 225, 351	1320222..... 114, 118
1001186386..... 175	1001201887..... 206	1001225990..... 135, 137, 139, 247	1320224..... 114, 118, 159
1001186387..... 173	1001201939..... 82	1001226400..... 337, 339, 341, 343	1320265..... 106
1001186431..... 210, 225, 349, 404, 410	1001202223..... 115, 119	1001226872..... 181	1320274..... 109, 111
1001186432..... 233, 349, 351	1001203510..... 410	1001227454..... 408	1321293..... 73, 75, 81
1001186489..... 317, 404	1001203719..... 82	1001227633..... 229	1321682..... 114, 118
1001186517..... 223, 225	1001204948..... 96	1001227634..... 229	1321716..... 81, 106
1001186845..... 73, 75	1001205158..... 61	1001227985..... 229	1340069..... 115, 119
1001186889..... 187	1001205844..... 61	1001227987..... 229	1380136..... 51
1001186894..... 187, 201	1001207004..... 91, 93	1001227996..... 237, 239	1380138..... 47
1001187235..... 114, 119	1001207138..... 410	1001228215..... 181	1580011..... 114, 118
1001187508..... 223	1001207139..... 87	1001228224..... 229	1580012..... 183
1001187674..... 229	1001207140..... 410	1001228225..... 229	1580013..... 409
1001187681..... 235	1001207227..... 87, 89, 91, 93	1001228363..... 410	1600387..... 159
1001188622..... 161	1001207961..... 97	1001228370..... 383, 391	1670829..... 67, 71
1001188844..... 161	1001208285..... 13	1001228589..... 410	1670899..... 303, 307
1001188866..... 13	1001208965..... 185, 197	1001228627..... 161	1671092..... 304, 308
1001188889..... 223	1001208966..... 187, 205	1001228956..... 408	1671093..... 304, 308
	1001209059..... 409	1001229107..... 408	1671176..... 193, 197, 201, 205, 209, 213
	1001209282..... 410	1001229341..... 229	
	1001209565..... 409	1001231153..... 141	
	1001209658..... 409	1001231540..... 408	
	1001209659..... 409	1001231541..... 408	

PART NUMBER INDEX

1701499.....383, 385, 387, 389, 391, 393, 395, 397, 399	1703950..... 395	2080050..... 96	2920028.....202, 205, 209, 213
1701500.....383, 385, 387, 389, 391, 393, 395, 397, 399	1703951..... 397	2080057 ... 383, 385, 387, 389, 391, 393, 395, 397, 399	2920129.....65, 69
1701504.....383, 385, 387, 389, 391, 393, 395, 397, 399	1703952..... 387	2180348..... 106	2920161..... 85
1701505.....61	1703953..... 383	2180666..... 106	2940074..... 173, 175, 405
1701509.....383, 385, 387, 389, 391, 393, 395, 397, 399	1703980..... 395	2220124..... 55	2940095.....47
1701517.....385, 389	1703981..... 397	2220371..... 266	2940109..... 99, 101
1701518.....385, 389	1703982..... 393	2220408..... 267	3020008.....21, 409
1701529.....383, 385, 387, 389, 391, 393, 395, 397, 399	1703983..... 399	2220415..... 266	3020029..... 13, 15, 409
1701642.....383, 385, 387, 389, 391, 393, 395, 397, 399	1703984..... 391	2220451..... 266	3020037.....21, 61, 409
1701644.....383, 385, 387, 389, 391, 393, 395, 397, 399	1703985..... 387	2220466..... 266	3020039.....21, 409
1702155.....383, 385, 387, 389, 391, 393, 395, 397, 399	1704000..... 391	2220472..... 266	3160252..... 61, 63
1702300.....383, 385, 387, 389, 391, 393, 395, 397, 399	1704001..... 399	2220473..... 266	3251243.....273, 277
1702391.....383	1704002..... 387	2220498..... 266	3251813..... 401
1702565.....193, 197, 201, 205, 209, 213	1704260 ... 193, 197, 201, 205, 209, 213	2220501..... 266	3252347.....383
1702566.....193, 197, 201, 205, 209, 213	1704277 ... 383, 385, 387, 389, 391, 393, 395, 397, 399	2220577..... 266	3252507.....275, 281, 283, 285, 287, 289, 291, 293
1702567.....193, 197, 201, 205, 209, 213	1704286..... 401	2220582..... 266	3271801....109, 111, 114, 118
1702773.....401	1704368..... 401	2220606..... 267	3290301.....107
1702774.....401	1704369..... 401	2220635..... 266	3290401.....43, 45
1702860.....401	1704370..... 401	2220819..... 266	329040581, 85, 107, 185, 187, 189, 191, 279, 283, 285, 287, 289, 291, 293, 303, 307
1702868.....383	1704371..... 401	2220828..... 266	3290505....45, 47, 67, 71, 96
1702962.....401	1704372..... 401	2220881..... 243	3290601...21, 51, 81, 319
1703797.....383	1704373..... 401	2220883..... 243, 247	3290605....73, 75, 81, 96, 106, 114, 118, 159, 161, 185, 187, 189, 191, 275, 279, 283, 285, 287, 289, 291, 293, 303, 307, 383, 385, 387, 389, 391, 393, 395, 397, 399
1703798.....383	1704412 ... 383, 385, 387, 389, 391, 393, 395, 397, 399	2220885..... 243	3290606..... 177, 179
1703804.....383	1704885..... 401	2220887..... 266	3290607..... 87, 89, 91, 93
1703805.....383	1704972..... 401	2220914..... 267	3290805....43, 51, 61, 73, 75, 81, 96, 106, 109, 111, 147, 149, 151, 303, 307
1703923.....399	1705325..... 279	2220940..... 266	3291001.....43, 161
1703924.....391	1705344..... 395	2220947..... 266	3291005...61, 81, 96, 106, 109, 111, 114, 118, 135, 137, 139, 141, 147, 149, 151, 157, 161, 185, 187, 189, 191, 303, 307
1703925.....393	1705345..... 397	2221042..... 267	3291201..... 161
1703926.....395	1705347..... 391	2221086..... 266	3291205....135, 137, 139, 157, 159, 161
1703927.....397	1705348..... 393	2300004 ... 114, 118, 409	3291605.....106, 159
1703928.....387	1705349..... 387	2300016..... 409	3292001....87, 89, 91, 93
1703935.....399	1705351..... 383	2300019..... 409	3300106....27, 29, 31, 33, 35, 37, 39, 41
1703936.....391	1705426..... 395	2300028..... 409	3300151....177, 179, 181
1703937.....393	1705427..... 397	2300029..... 409	3300430....223, 225, 227
1703938.....395	1705429..... 391	2300039..... 409	3311005....193, 197, 201, 205, 209, 213
1703939.....397	1705430..... 393	2400044..... 43, 45	3311405....114, 118, 231
1703940.....387	1705514..... 383, 391	2400060 ... 317, 331, 333, 373, 376	3311501..... 114, 118
1703941.....399	1705822..... 385, 389	2400064..... 375, 404	3311505.....114
1703942.....391	1705828..... 385, 389	2400065..... 375, 404	3311601....194, 198, 202, 206, 210, 214, 231
1703943.....393	1705910..... 399	2400066..... 331, 375	3311605....109, 111, 114, 118
1703944.....395	1705917..... 399	2420202..... 159	
1703945.....397	1705921..... 385, 389	2540045..... 106	
1703946.....387	1705929..... 383	2560122..... 51	
1703947.....399	1705961..... 385, 389	2560136 ... 193, 197, 201, 205, 209, 213	
1703948.....391	1705968..... 393	2600281..... 173, 175	
1703949.....393	1705969..... 397	2720058 ... 106, 114, 118	
	1705978..... 385, 389	2720271 ... 106, 114, 118	
	1706059..... 401	2760105..... 67, 71	
	1706060..... 401	2820019..... 347, 349	
	1706061..... 401	2820030..... 345	
	1706062..... 401	2820031..... 304, 308	
	1706063..... 401	2820118 ... 337, 339, 341, 343, 347, 349	
	1706064..... 401	2820247..... 237, 239	
	1706077 ... 385, 389, 395	2860030..... 67, 71, 404	
	1706085..... 399	2900770 ... 153, 245, 247, 249, 259	
	1706089..... 387	2901443..... 410	
	1706093..... 393	2902203..... 37, 41	
	1706097..... 391	2902549 ... 275, 279, 283, 285, 287, 289, 291, 293, 315	
	1706098..... 401	2915230..... 77, 79	
	1706846 ... 35, 37, 39, 41		
	2080040..... 96, 101, 173, 175		

PART NUMBER INDEX

3311801	114, 118	4031512	81, 303, 307	4460320.....	333, 373	4460865 ...	303, 307, 337,
3340758	141	4031516	231	4460346.....	277	339, 341, 343	
3340860	147, 149, 151	4031714	107	4460374.....	373	4460866 ...	303, 307, 347,
3340901	304, 308	4032009	21	4460375.....	373	349, 376	
3340939	303, 307	4060092	281	4460418.....	335, 347, 349	4460868	335
3380434 ...	185, 187, 189,	4060804	161	4460419.....	335, 347, 349	4460871 ...	333, 335, 347,
191		4060805	161	4460424.....	317	349, 373, 375, 379	
3422576	135, 137, 139	4060808	303, 307	4460428.....	159, 193, 197,	4460872	379
3422582	135, 137, 139	4060906	67, 71	201, 205, 209, 213		4460873 ...	333, 373, 375
3422592	15	4061054	159	4460434.....	347, 349	4460874	347, 349, 375
3422709	135, 137, 139	4070897	143, 145	4460464..	13, 43, 81, 185,	4460875	347, 349, 379
3422745	143, 145	4070898	143, 145	187, 189, 191, 233,		4460876	335, 347, 349
3422787	141	4100066	266	313, 317, 333, 335,		4460877	335
3422788	141	4120035	335	341, 343, 347, 349,		4460878	375
3422790	135, 137, 139	4191707	21	351, 353, 369, 371,		4460879	347, 349
3422791	147, 149, 151	4240018	13, 82, 107, 266,	373, 376, 379		4460884	335, 349, 376
3422792	135, 137, 139	303, 307, 319		4460465.....	85, 311, 313,	4460887	347, 349, 375
3422814	135, 137, 139	4240032 ...	81, 87, 89, 91,	317, 321, 323, 325,		4460888	347, 349
3430616 ...	198, 206, 210,	93, 209, 213		327, 331, 333, 335,		4460891	85, 311, 313,
214		4240033 ...	159, 223, 225,	337, 339, 341, 343,		317, 333, 335, 369,	
3470003 ...	194, 198, 202,	229, 231, 329		345, 351, 353, 369,		371, 373, 376, 379	
206, 210, 214		4240084	21	371, 373, 375, 376, 379		4460892	375
3520028 ...	193, 197, 201,	4240156	303, 307	4460466.....	193, 197, 201,	4460894 ...	311, 313, 335,
205, 209, 213		4360328	67, 71, 404	205, 209, 213, 229,		373, 375	
3520030	96, 99	4360387	71, 193, 197,	233, 235, 311, 313,		4460897 .	43, 87, 91, 317,
3520033	197, 205	201, 205, 209, 213, 404		317, 331, 335, 337,		333, 335, 371, 373, 376	
3520035	197	4360407 ...	193, 197, 201,	339, 341, 343, 345,		4460899 ...	233, 235, 351,
3520054	209, 213	205, 209, 213, 404		347, 349, 351, 353,		353, 376	
3520072 ...	173, 175, 177,	4360469	67, 71, 404	369, 373, 375, 376, 379		4460905 ...	333, 335, 347,
179, 181		4360475	67, 71, 193, 197,	4460467.....	410	349, 373, 375, 379	
3520182	227	201, 205, 209, 213, 404		4460470....	193, 197, 201,	4460910	239
3520198 ...	173, 175, 177,	4360476	67, 71, 193, 197,	205, 209, 213		4460911	235
179, 181		201, 205, 209, 213		4460471....	193, 197, 201,	4460928 ...	321, 323, 325,
3572551	147, 149, 151	4360548 ...	303, 307, 313,	205, 209, 213		327, 369	
3740086	233	405		4460473....	304, 308, 337,	4460929 ...	321, 323, 325,
3760115	143, 145	4420051	401	339, 341, 343		327	
3760308	47	4460016	347, 349	4460488....	87, 89, 91, 93,	4460930	77, 79, 321, 323,
3790012 ...	193, 197, 201,	4460019	317, 331	193, 197, 201, 205,		325, 327, 375	
205, 209, 213		4460042	335	209, 213		4460931	317, 373, 379
3820019	47	4460071 ...	185, 187, 189,	4460496.....	81, 335	4460933 ...	193, 197, 201,
3820020	51, 173, 175	191, 277, 281		4460497.....	81, 335	205, 209, 213, 345,	
3820032	61	4460115	335	4460508....	229, 341, 343,	347, 349, 369, 373,	
3841143 ...	135, 137, 139,	4460121	275	347, 349, 353, 376		375, 379	
141, 161		4460125	281	4460509....	317, 331, 337,	4460941	235
3841203 ...	135, 137, 139,	4460142	331, 376	339, 341, 343, 375		4460942	229, 373
141		4460205	277	4460510.....	410	4460943 ...	87, 89, 91, 93,
3841258	15, 141	4460224 ...	193, 197, 201,	4460516.....	23	235, 335, 347, 349, 376	
3841520	13	205, 209, 213		4460518.....	369	4460944 ...	325, 333, 335,
3900085	87, 89, 91, 93	4460225	347, 349	4460536.....	13, 349, 373	345, 347, 349, 373	
3900174	47	4460226 ...	185, 187, 189,	4460539....	325, 335, 349,	4460945	333
3900349	209, 213	191, 193, 197, 201,		373, 379		4460956	315
3910804	67, 71	205, 209, 213, 217,		4460611.....	114, 118	4460957	315
3911018 ...	193, 197, 201,	220, 347, 349		4460634.....	335	4460968 ...	279, 283, 285,
205, 209, 213		4460227	347, 349, 375	4460635.....	335	287, 289, 291, 293, 313	
3931408	223, 225	4460233	281	4460662.....	289, 293	4460970	313, 347, 349
3931424	223	4460234	81, 193, 197,	4460670.....	333, 373	4460994	333, 373
3931832	55	201, 205, 209, 213		4460702....	321, 323, 325,	4461012 ...	185, 187, 189,
3960417	47	4460259 ...	331, 335, 347,	327		191	
3960422	277, 281	349, 353		4460703.....	373	4461017	376
3960447	47	4460260 ...	331, 335, 347,	4460708....	193, 197, 201,	4461018	331, 375
3990010	375, 404	349, 353		205, 209, 213		4461070	369
3990013	233	4460265	217, 220	4460761....	347, 349, 375	4461076	23
4010403	329	4460267 ...	333, 349, 373	4460836....	331, 345, 375	4461077 ...	233, 235, 321,
4010618	177, 179	4460268	317	4460837.....	331, 375	323, 325, 327	
4031505	229	4460312	375	4460844.....	351	4461095	369
4031507	21, 23	4460313	335	4460851.....	373	4461109	331
4031510	107, 303, 307	4460315	277, 281	4460852.....	373	4461110	376

PART NUMBER INDEX

4461111.....	331	4811900 ...	13, 17, 21, 43,	70002373	249	70003075.....	253
4461112.....	376	51, 61, 73, 75, 96, 106,		70002375	249	70003076...249, 251, 253	
4461117.....	333	109, 111, 114, 118,		70002380	257	70003077.....	253, 257
4461196.....	355	159, 303, 307		70002386	51, 53, 167,	70003078.....	253, 257
4461198.....	355	481190221, 51, 109, 111,		169, 249, 251, 253, 404		70003079.....	253, 257
4461199.....	357	143, 145, 147, 149, 151		70002388	245	70003080.....	253, 257
4461201.....	357	4812000 .43, 47, 96, 106,		70002389	259	70003081..245, 247, 253,	
4461205....359, 361, 363,		109, 111, 114, 118,		70002410	253	255	
365		135, 137, 139, 141,		70002412	251	70003082.....	251, 253
4461222.....	331, 376	157, 161, 163, 303, 307		70002413	245, 247	70003083.....	251, 253
4461244.....	363	4812002	61, 165, 185,	70002643	59	70003084.....	255
4461245.....	365	187, 189, 191		70002644	59	70003085...245, 247, 255	
4461246.....	367	4812100	13, 161	70002645	59	70003086.....	255
4461249.....	367	4812300	96, 159	70002646	59	70003088.....	255
4461290.....23, 321, 323,		4812500 ...	106, 109, 111	70002647	59	70003089..245, 247, 255,	
325, 327, 333		4831900 .43, 45, 319, 329		70002648	59	259	
4520605.....	31, 35, 37	4846608	157, 159	70002649	59	70003090..245, 247, 255,	
4640113....31, 33, 35, 37,		4872000	329	70002650	59	259	
39, 41		4891500	61	70002651	59	70003091..245, 247, 255,	
4640858.....	243	4891600	157, 159, 161	70002652	59	259	
4641129.....	19	4891800 ...	109, 111, 114,	70002656	59	70003092..245, 247, 255,	
4711400....114, 118, 177,		118		70002657	59	259	
179, 181, 223, 225,		4923463	297, 301	70002658	59	70003093..245, 247, 249,	
227, 231		4923505	295, 299	70002659	59	255	
4711500....114, 118, 194,		5221000	163	70002661	59	70003094..245, 247, 249,	
202		5240600	96	70002663	59	255	
4711600....107, 109, 111,		5241000	15	70002664	59	70003095.....	257
198, 206, 210, 214		5241200 ...	143, 145, 157,	70002665	59	70003096.....	257
4740086.....	13	159, 161		70002666	59	70003097.....	257
4740158.....	15	5241400	55	70002667	59	70003098.....	257
4740171.....	55	5241600	21, 159	70002668	59	70003099.....	257
4740362....114, 118, 185,		5250808	165	70002669	59	70003100.....	257
187, 189, 191		5250810 .17, 51, 165, 266		70002670	59	70003101.....	257
4740397.....	209, 213	5250812	165	70002671	59	70003102.....	257
4740505.....	13	5251008	161	70002842	243	70003103.....	251
4751000....87, 89, 91, 93		5251010 ...	135, 137, 139,	70002901	106	70003104.....	251
4751400....114, 118, 183,		143, 145		70002902 .	185, 187, 189,	70003105.....	251
193, 197, 201, 205,		5251012	15, 143, 145	191		70003106.....	251
209, 213, 227		5251016	161	70002903 .	185, 187, 189,	70003108.....	251
4751600....109, 111, 114,		5260800	303, 307	191		70003109.....	251
118		5271609	47	70002904 .	185, 187, 189,	70003110.....	251
4761400.....	183	5271723	21	191		70003111.....	251
4761600.....	45, 329	5281920	303, 307	70002905 .	185, 187, 189,	70003112.....	251
4792000.....	329	70000088	57	191		70003113.....	251
4811400....21, 43, 45, 81,		70000089	57	70002954	169	70003114.....	259
107, 185, 187, 189,		70000341	153	70002963	19, 404	70003115.....	259
191, 279, 283, 285,		70000681	59	70002964	53	70003116.....	259
287, 289, 291, 293,		70001697	153, 155	70002965	53	70003117.....	259
303, 307		70001996	163	70002966	53	70003118.....	249, 259
4811600..45, 96, 99, 101,		70001998	163	70002967	53	70003119.....	259
109, 111, 114, 118		70002311	57	70002968	53	70003120.....	259
4811602.....	47	70002312	57	70002969	53	70003121.....	259
4811700....21, 43, 47, 51,		70002313	57	70002970	53	70003122.....	249
73, 75, 81, 87, 89, 91,		70002315	121	70002971	53, 404	70003123.....	249
93, 96, 99, 101, 106,		70002318	121	70002972	53	70003124.....	249
114, 118, 159, 161,		70002334 ..	249, 251, 253	70002973	53	70003125.....	249
177, 179, 275, 279,		70002335 .245, 247, 249,		70002974	53	70003126.....	249
283, 285, 287, 289,		251, 253, 255, 259		70002976	53	70003127.....	249
291, 293, 303, 307,		70002337	253, 257	70002977	53	70003128.....	249
319, 383, 385, 387,		70002344	251	70003060	121	70003129.....	249
389, 391, 393, 395,		70002352 ..	245, 255, 259	70003061	121	70003130.....	249
397, 399		70002354	255	70003063	122	70003131.....	245, 247
481170281, 96, 107, 109,		70002357	245	70003064	122	70003132.....	245, 247
111, 115, 118, 161,		70002364	259	70003071	253	70003133.....	245, 247
185, 187, 189, 191,		70002366 .245, 247, 255,		70003072	253	70003134.....	245, 247
304, 308		259		70003073	253	70003138.....	59
		70002372	249	70003074	253	70003139.....	59

PART NUMBER INDEX

70003141	59	70004792	127	70004989	129	70005722	51
70003142	59	70004793	127	70004990	129	70005818	61
70003453	249	70004796	115, 119	70004991	129	70005973	247
70003757	53	70004797	23	70004992	129	70005974	247
70003784	193, 197, 201, 205, 209, 213	70004798	23	70004993	129	70006007	122
70003788	53, 404	70004799	23	70004994	129	70006008	122
70004069	106	70004800	23	70004995	129	70006129	25
70004070	106	70004801	23	70004996	129	70006130	25
70004294	121	70004802	23	70004997	129	70006131	25
70004295	121	70004803	23	70004998	129	70006132	25
70004296	121	70004804	23	70004999	129	70006133	25
70004297	121	70004805	23	70005000	129	70006269	163
70004305	122	70004806	23	70005001	129	70006280	163
70004306	122	70004807	23	70005002	129	70006353	247
70004311	121	70004808	23	70005003	129	70022565	251
70004322	155	70004809	23	70005004	129	70023370	245, 249, 251, 253, 259
70004323	153, 155	70004810	23	70005005	129	70023371	255
70004398	121	70004811	23	70005006	129	7002821	410
70004524	121	70004812	23	70005007	129	7002822	410
70004537	121	70004813	23	70005019	25	7002823	410
70004538	121	70004814	23	70005020	25	7002828	410
70004539	121	70004815	23	70005022	25	7004035	57
70004540	121	70004816	23	70005023	25	7004043	57
70004738	217	70004817	23	70005024	25	7004044	57
70004739	217	70004818	23	70005025	25	7004275	410
70004740	217	70004819	23	70005026	25	7004276	410
70004741	217	70004820	23	70005027	25	70050516	19, 404
70004742	217	70004821	23	70005028	25	7010543	53, 167, 259
70004743	217	70004822	23	70005029	25	7011323	153
70004744	217	70004827	23	70005030	25	7012540	19
70004745	217	70004828	121	70005031	25	7012545	63
70004746	217	70004829	121, 122	70005032	25	7012548	63
70004747	217	70004830	121	70005033	25	7012549	63
70004748	217	70004832	121	70005035	25	7012907	19
70004749	217	70004833	121	70005036	25	7012941	167
70004750	217	70004834	121	70005037	25	7012953	167
70004751	217	70004836	121	70005038	25	7012955	167, 169
70004752	219	70004837	121	70005039	25	7012967	51, 167, 169, 249, 251, 253
70004753	219	70004838	121	70005040	25	7012998	19, 53, 169
70004754	219	70004839	121	70005041	25	7015004	115, 118, 404
70004755	219	70004840	121	70005042	25	7015005	115, 119
70004756	219	70004841	121	70005043	25	7016319	85
70004757	219	70004843	121	70005044	25	7016372	85
70004758	219	70004844	121	70005045	25	7016654	410
70004759	219	70004846	121	70005046	25	7017120	153
70004760	219	70004847	121	70005047	25	7017121	153
70004761	219	70004848	121	70005048	25	7017122	153, 155
70004762	219	70004849	121	70005049	25	7017123	153, 155
70004763	219	70004849	121	70005050	25	7017126	153, 155
70004764	219	70004851	122	70005051	25	7017127	153
70004765	219	70004852	122	70005052	25	7017172	153, 155
70004766	219	70004853	122	70005053	25	7017192	153, 155
70004767	219	70004854	122	70005054	25	7017196	153, 155
70004768	219	70004855	121	70005055	25	7017402	167, 169
70004769	219	70004856	122	70005058	25	7017406	53
70004770	219	70004857	122	70005059	25	7017408	19
70004771	219	70004858	122	70005060	25	7017427	169
70004772	219	70004859	122	70005062	25	7017452	167, 169
70004773	219	70004860	122	70005063	25	7017455	19
70004774	219	70004861	122	70005066	25	7017463	19
70004775	219	70004912	122	70005067	25	7017467	51
70004777	219	70004913	122	70005068	25	7017496	51, 53, 249, 251, 253
70004787	19	70004982	169	70005069	25	7017498	169
70004788	19	70004984	129	70005072	25	7017901	122
70004789	19	70004985	129	70005073	25		
70004790	127	70004986	129	70005074	25		
70004791	127	70004987	129	70005075	247		

PART NUMBER INDEX

7017914.....	121	7020297.....	63	7024453.....	57	8229245.....	331
7017934.....	121	7020298.....	63	7024884....	249, 251, 253	8229246.....	331
7017980.....	121, 404	7020299.....	63	7026041.....	59	8229247.....	331
7017982.....	121	7021653.....	19, 53	7026048.....	59	8290505.....	99, 101
7017983.....	121	7023107.....	121	7026049.....	59	8290605.....	99, 101
7017984.....	121	7023114.....	122	7026052.....	59	8305919....	193, 197, 201, 205, 209, 213
7017988.....	121	7023124.....	122	7027350.....	59	8310612.....	43, 45
7017992.....	121, 404	7023154.....	121	7027351.....	59	8310643.....	159
7017995.....	121	7023167.....	121	7027352.....	59	8310668.....	163
7020175 67, 71, 193, 197, 201, 205, 209, 213		7023168.....	121	7027353.....	59	8310686.....	266
7020176 67, 71, 193, 197, 201, 205, 209, 213		7023170.....	122	7027359.....	59	8405102.....	115, 118
7020291.....	63	7023200.....	63	7027900.....	153, 155	8406201.....	107
7020292.....	63	7023272.....	63	7027901.....	153, 155	85031405.....	115, 329
7020293.....	63	7023970.....	167	7028909.....	89, 93	85941016.....	109, 111
7020294.....	63	7024379.....	57	80233041.....	266	91043147.....	107
7020295.....	63	7024380.....	57	80325.....	96		
7020296.....	63	7024381.....	57	8220007.....	331		
		7024389.....	57	8220045.....	333		
		7024390.....	57	8229244.....	375, 404		

PARTS FINDER

**Search Website
by Part Number**



**Search Manual
Library For Parts
Manual & Lookup Part
Numbers – Purchase
or Request Quote**

**Can't Find Part or
Manual? Request Help
by Manufacturer,
Model & Description**

Discount-Equipment.com is your online resource for quality parts & equipment.

Florida: **561-964-4949** Outside Florida TOLL FREE: **877-690-3101**

Need parts?

Click on this link: <http://www.discount-equipment.com/category/5443-parts/> and choose one of the options to help get the right parts and equipment you are looking for. Please have the machine model and serial number available in order to help us get you the correct parts. If you don't find the part on the website or on one of the online manuals, please fill out the request form and one of our experienced staff members will get back to you with a quote for the right part that your machine needs.

We sell worldwide for the brands: Genie, Terex, JLG, MultiQuip, Mikasa, Essick, Whiteman, Mayco, Toro Stone, Diamond Products, Generac Magnum, Airman, Haulotte, Barreto, Power Blanket, Nifty Lift, Atlas Copco, Chicago Pneumatic, Allmand, Miller Curber, Skyjack, Lull, Skytrak, Tsurumi, Husquvarna Target, Stow, Wacker, Sakai, Mi-T-M, Sullair, Basic, Dynapac, MBW, Weber, Bartell, Bennar Newman, Haulotte, Ditch Runner, Menegotti, Morrison, Contec, Buddy, Crown, Edco, Wyco, Bomag, Laymor, EZ Trench, Bil-Jax, F.S. Curtis, Gehl Pavers, Heli, Honda, ICS/PowerGrit, IHI, Partner, Imer, Clipper, MMD, Koshin, Rice, CH&E, General Equipment, Amida, Coleman, NAC, Gradall, Square Shooter, Kent, Stanley, Tamco, Toku, Hatz, Kohler, Robin, Wisconsin, Northrock, Oztec, Toker TK, Rol-Air, APT, Wylie, Ingersoll Rand / Doosan, Innovatech, Con X, Ammann, Mecalac, Makinex, Smith Surface Prep, Small Line, Wanco, Yanmar