



Illustrated Parts Manual

Models
E600/E600J
E600JP
M600/M600J
M600JP

SN 0300219271 to Present
Including SN 0300218866
through 0300218868

P/N
3121712

January 31, 2019 - Rev L

ANSI

CE



AS/NZS



An Oshkosh Corporation Company

PARTS FINDER

**Search Website
by Part Number**



**Search Manual
Library For Parts
Manual & Lookup Part
Numbers – Purchase
or Request Quote**

**Can't Find Part or
Manual? Request Help
by Manufacturer,
Model & Description**

Discount-Equipment.com is your online resource for quality parts & equipment.

Florida: **561-964-4949** Outside Florida TOLL FREE: **877-690-3101**

Need parts?

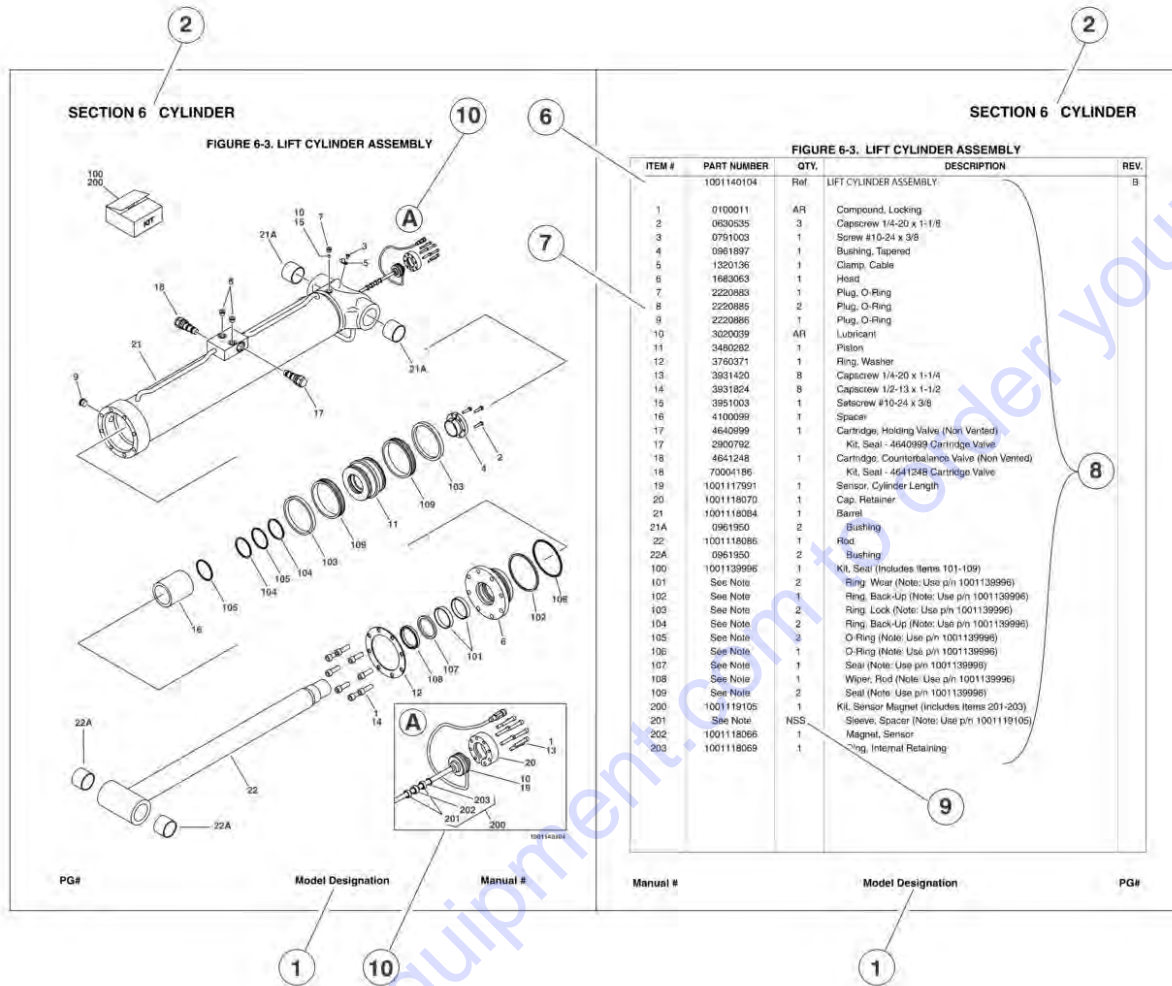
Click on this link: <http://www.discount-equipment.com/category/5443-parts/> and choose one of the options to help get the right parts and equipment you are looking for. Please have the machine model and serial number available in order to help us get you the correct parts. If you don't find the part on the website or on one of the online manuals, please fill out the request form and one of our experienced staff members will get back to you with a quote for the right part that your machine needs.

We sell worldwide for the brands: Genie, Terex, JLG, MultiQuip, Mikasa, Essick, Whiteman, Mayco, Toro Stone, Diamond Products, Generac Magnum, Airman, Haulotte, Barreto, Power Blanket, Nifty Lift, Atlas Copco, Chicago Pneumatic, Allmand, Miller Curber, Skyjack, Lull, Skytrak, Tsurumi, Husquvarna Target, Stow, Wacker, Sakai, Mi-T-M, Sullair, Basic, Dynapac, MBW, Weber, Bartell, Bennar Newman, Haulotte, Ditch Runner, Menegotti, Morrison, Contec, Buddy, Crown, Edco, Wyco, Bomag, Laymor, EZ Trench, Bil-Jax, F.S. Curtis, Gehl Pavers, Heli, Honda, ICS/PowerGrit, IHI, Partner, Imer, Clipper, MMD, Koshin, Rice, CH&E, General Equipment, Amida, Coleman, NAC, Gradall, Square Shooter, Kent, Stanley, Tamco, Toku, Hatz, Kohler, Robin, Wisconsin, Northrock, Oztec, Toker TK, Rol-Air, APT, Wylie, Ingersoll Rand / Doosan, Innovatech, Con X, Ammann, Mecalac, Makinex, Smith Surface Prep, Small Line, Wanco, Yanmar

REVISION LOG

- May 12, 2016 - A - Original Issue Of Manual (Revised to B/M 0010564 Revision AN)**
- August 12, 2016 - B - Revised Manual (Edited to B/M 0010564 Revision AR)**
- October 21, 2016 - C - Revised Manual (Edited to B/M 0010564 Revision AR)**
- January 31, 2017 - D - Revised Manual (Edited to B/M 0010564 Revision AV)**
- April 28, 2017 - E - Revised Manual (Edited to B/M 0010564 Revision AY)**
- July 31, 2017 - F - Revised Manual (Edited to B/M 0010564 Revision BB)**
- November 10, 2017 - G - Revised Manual (Edited to B/M 0010564 Revision BB)**
- January 10, 2018 - H - Revised Manual (Edited to B/M 0010564 Revision BC)**
- April 20, 2018 - I - Revised Manual (Edited to B/M 0010564 Revision BH)**
- July 31, 2018 - J - Revised Manual (Edited to B/M 0010564 Revision BI)**
- January 31, 2019 - L - Revised Manual (Edited to B/M 0010564 Revision BS) (Revision 1)**

GENERAL INFORMATION



1) MACHINE IDENTIFICATION

Machines are identified by model and in some cases a combination of models, serial number (SN) or regional standard (i.e. ANSI, CE, CSA). Components may also be identified by SN or manufacturer. Common components that may be identified by these characteristics are engines and hydraulic components.

2) PARTS MANUAL ORGANIZATION

Product information in this manual is organized under section titles. Frame, Cylinder, Hydraulic and Electrical are a few examples. Each section is organized by figure and page number. The information within the Figure is then organized by item number, part number, description and corresponding illustration(s).

3) TABLE OF CONTENTS

A table of contents is found toward the beginning of the manual. Figure number, description and page number are provided for quick reference to the page containing the related information.

4) RECOMMENDED SPARE PARTS

The Recommended Spare Parts, located near the end of the manual, reference most frequently used maintenance parts.

5) PART NUMBER INDEX

A numerical index listing all part numbers and the corresponding page number(s) appears at the back of the manual.

GENERAL INFORMATION

6) NON-SERVICED PARTS

In some instances, it is necessary to display non-serviced parts, assemblies or installations. In the case of assemblies and installations there will be a Ref in the Qty column. In case of parts that are not available for service within assemblies or components, there will be a NSS (Not Sold Separately) or NLA (No Longer Available) listed in the Qty. column of the manual.

7) PARTS LIST ITEM NUMBERS

Numbers shown in the item# column correspond to numbers used in the associated illustration (s). Item numbers which are missing from the sequence in the parts list are not used on that page

8) INDENTED PARTS DESCRIPTION

An indented part description is included in the item under which it is indented.

9) ABB REVIATION AND SYMBOLS

AC.....	Alternating Current	LCD.....	Liquid Crystal Display
ADE.....	Advanced Design Electronics	LED.....	Light Emitting Diodes
ANSI.....	American National Standards Institute	LH.....	Left Hand
AR.....	As Required	LSS.....	Load Sensing System
ASSY.....	Assembly	M(m).....	Metric/Meter
AUX.....	Auxiliary	MM (mm).....	Milimeter
AWG.....	American WireGauge	mA.....	Miliamps
B/M.....	Bill of Material	NLA.....	No Longer Available
CE.....	European Conformity	NPT.....	National Pipe Threads
CCW.....	Counter Clockwise	NSS.....	Not So Id Separately
cm.....	Centimeter	OD.....	Outside Diameter
CW.....	Clockwise	ORB.....	O-Ring Boss
CSA.....	Canadian Standards Association	ORFS.....	O-Ring Face Seal
CYL.....	Cylinder	OZ (oz).....	Ounces
DIA.....	Diameter	PG.....	Page
DC.....	Direct Current	P/N.....	Part Number
EMS.....	Emergency Stop	qt.....	Quarts
ENG.....	Engine	QTY.....	Quantity
FT (ft).....	Feet	REF.....	Reference
GA (Ga).....	Gauge	REV.....	Revision Level
HYD.....	Hydraulic	RH.....	Right Hand
Hz.....	Hertz	SAE.....	Society of Automotive Engineers
ID.....	Inside Diameter	SN.....	Serial Number
in.....	inches	SPEC(S).....	Specifications
ISO.....	International Organization for Standards	T/T.....	Turntable
JIC.....	Joint Industry Council	UGM.....	Universal Ground Module
KG.....	Kilogram	V.....	Volts
L.....	Liter	W.....	Watts
LB.....	Pounds	#.....	Number

10) ILLUSTRATION REFERENCE LETTERS

When necessary, illustrations may contain reference letters that are intended to track information (i. e. hoses, harnesses) from one point to another or to track visual enlargement of components to show details that may be located in another area on the illustration.

Note: Due to continuous product improvements, JLG Industries, Inc. reserves the right to make specification changes without prior notification.

TABLE OF CONTENTS

SECTION 1 - FRAME.....	13
FIGURE 1-1. AXLE INSTALLATION - FIXED (2WD)	14
FIGURE 1-2. AXLE INSTALLATION - FIXED (4WD)	16
FIGURE 1-3. AXLE INSTALLATION - OSCILLATING WITHOUT TOW PACKAGE (2WD)	18
FIGURE 1-4. AXLE INSTALLATION - OSCILLATING WITHOUT TOW PACKAGE (2WD) (CE SPECS).....	20
FIGURE 1-5. AXLE INSTALLATION - OSCILLATING WITH TOW PACKAGE (2WD).....	22
FIGURE 1-6. AXLE INSTALLATION - OSCILLATING WITH TOW PACKAGE (2WD) (CE SPECS)	24
FIGURE 1-7. AXLE INSTALLATION - OSCILLATING (4WD)	26
FIGURE 1-8. AXLE INSTALLATION - OSCILLATING (4WD) (CE SPECS).....	28
FIGURE 1-9. STEER INSTALLATION - WITHOUT TOW PACKAGE (2WD/2WS).....	30
FIGURE 1-10. STEER INSTALLATION - WITH TOW PACKAGE (2WD/2WS).....	32
FIGURE 1-11. STEER INSTALLATION - (4WD/2WS)	34
FIGURE 1-12. STEER INSTALLATION - (4WD/2WS) (E600JP/M600JP)	38
FIGURE 1-13. HUB ASSEMBLY - RH.....	42
FIGURE 1-14. HUB ASSEMBLY - LH	44
FIGURE 1-15. AXLE LOCKOUT VALVE ASSEMBLY	46
FIGURE 1-16. DRIVE VALVE ASSEMBLY (4WD ONLY)	48
FIGURE 1-17. WHEEL DRIVE INSTALLATION (NON UL SPECS).....	50
FIGURE 1-18. WHEEL DRIVE INSTALLATION (UL SPECS).....	52
FIGURE 1-19. TIRE AND WHEEL INSTALLATION - 36/14LL X 22.5 PNEUMATIC NON-MARKING	56
FIGURE 1-20. TIRE AND WHEEL INSTALLATION - 36/14LL X 22.5 FOAM-FILLED NON-MARKING	58
FIGURE 1-21. DRIVE MOTOR ASSEMBLY	60
FIGURE 1-22. DRIVE HUB ASSEMBLY (REAR).....	62
FIGURE 1-23. DRIVE MOTOR ASSEMBLY (4WD FRONT) (SN 0300218866 through 0300257363).....	66
FIGURE 1-24. DRIVE MOTOR ASSEMBLY (4WD FRONT) (SN 0300257364 to Present)	68
FIGURE 1-25. AC DRIVE ELECTRICAL PLATE ASSEMBLY (NON UL SPECS)	70
FIGURE 1-26. AC DRIVE ELECTRICAL PLATE ASSEMBLY (UL SPECS)	72
FIGURE 1-27. DRIVE MODULE PLATE ASSEMBLY	74
FIGURE 1-28. FRAME SHIELDS INSTALLATION.....	76
FIGURE 1-29. TOW PACKAGE INSTALLATION WITHOUT NATO EYE	78
FIGURE 1-30. TOW PACKAGE INSTALLATION WITH NATO EYE.....	80
SECTION 2 - TURNTABLE	83
FIGURE 2-1. VALVE INSTALLATION - WITHOUT LSS OR WITH 4 CELL LSS (E600/E600J/M600/M600J).....	84
FIGURE 2-2. VALVE INSTALLATION - WITH 1 CELL LSS (E600/E600J/M600/M600J).....	86
FIGURE 2-3. VALVE INSTALLATION - WITHOUT LSS OR WITH 4 CELL LSS (E600JP/M600JP)	88
FIGURE 2-4. VALVE INSTALLATION - WITH 1 CELL LSS (E600JP/M600JP).....	90
FIGURE 2-5. MAIN CONTROL VALVE ASSEMBLY	92
FIGURE 2-6. SWING DRIVE INSTALLATION	96
FIGURE 2-7. SWING MOTOR ASSEMBLY	98
FIGURE 2-8. TURNTABLE BEARING, STOP AND LUBE INSTALLATION	102
FIGURE 2-9. TURNTABLE LOCK INSTALLATION.....	104
FIGURE 2-10. DRIVE ORIENTATION INSTALLATION	106
FIGURE 2-11. HYDRAULIC TANK AND PUMP/MOTOR INSTALLATION	108
FIGURE 2-12. HYDRAULIC TANK AND PUMP/MOTOR INSTALLATION (UL SPECS)	110
FIGURE 2-13. FUEL TANK AND MODULE INSTALLATION (M600/M600J/M600JP ONLY)	112
FIGURE 2-14. FUEL TANK AND MODULE INSTALLATION - WITH AGM BATTERY (M600/M600J/M600JP ONLY)	114
FIGURE 2-15. PUMP ASSEMBLY	116
FIGURE 2-16. ELECTRICITY MOTOR ASSEMBLY	118
FIGURE 2-17. DELTA-Q BATTERY CHARGER INSTALLATION - 110V/60HZ (ANSI SPECS).....	120
FIGURE 2-18. DELTA-Q BATTERY CHARGER INSTALLATION - 120-240V/50-60HZ (ANSI AND ANSI EXPORT SPECS)....	122
FIGURE 2-19. DELTA-Q BATTERY CHARGER INSTALLATION - 250V/50HZ (ANSI EXPORT AND AUSTRALIAN SPECS) ..	124
FIGURE 2-20. DELTA-Q BATTERY CHARGER INSTALLATION - 120-240V/50-60HZ (CE SPECS).....	126
FIGURE 2-21. DELTA-Q BATTERY CHARGER INSTALLATION - 100V/50-60HZ (JAPANESE SPECS)	128
FIGURE 2-22. DELTA-Q BATTERY CHARGER INSTALLATION - 120-230V/45-65HZ (48 VOLT) (ALL SPECS).....	130
FIGURE 2-23. BATTERY BOX INSTALLATION - STANDARD BATTERIES	132
FIGURE 2-24. BATTERY BOX INSTALLATION - AGM BATTERIES	134
FIGURE 2-25. BATTERY BOX INSTALLATION (UL SPECS)	136
FIGURE 2-26. GROUND CONTROL PANEL INSTALLATION (E600/M600).....	138
FIGURE 2-27. GROUND CONTROL PANEL INSTALLATION (E600J/M600J)	140
FIGURE 2-28. GROUND CONTROL PANEL INSTALLATION (E600JP/M600JP).....	142
FIGURE 2-29. GROUND CONTROL PANEL INSTALLATION (E600/M600) (CE SPECS)	144
FIGURE 2-30. GROUND CONTROL PANEL INSTALLATION (E600J/M600J) (CE SPECS).....	146
FIGURE 2-31. GROUND CONTROL PANEL INSTALLATION (E600JP/M600JP) (CE SPECS).....	148

TABLE OF CONTENTS

FIGURE 2-32. GROUND CONTROL ELECTRICAL SYSTEM INSTALLATION	150
FIGURE 2-33. MOTOR CONTROLS INSTALLATION - STANDARD BATTERIES (M600/M600J/M600JP)	152
FIGURE 2-34. MOTOR CONTROLS INSTALLATION - AGM BATTERIES (M600/M600J/M600JP)	154
FIGURE 2-35. LIMIT SWITCH INSTALLATION	156
FIGURE 2-36. ALARM INSTALLATION	158
FIGURE 2-37. STROBE LIGHT INSTALLATION (AMBER) (OPTIONAL)	160
FIGURE 2-38. INVERTER INSTALLATION - 110V (OPTIONAL)	162
FIGURE 2-39. BEACON LIGHT INSTALLATION - BLUE (SN 0300219271 through 0300256397)	164
FIGURE 2-40. BEACON LIGHT INSTALLATION - BLUE (SN 0300256398 to Present)	166
FIGURE 2-41. BEACON LIGHT INSTALLATION - RED (SN 0300219271 through 0300256397)	168
FIGURE 2-42. BEACON LIGHT INSTALLATION - RED (SN 0300256398 to Present)	170
FIGURE 2-43. HOODS INSTALLATION	172
FIGURE 2-44. NOISE REDUCTION INSTALLATION - WITH STANDARD BATTERIES (M600/M600J/M600JP ONLY)	174
FIGURE 2-45. NOISE REDUCTION INSTALLATION - WITH AGM BATTERIES (M600/M600J/M600JP ONLY)	176
 SECTION 3 - ENGINE	 179
FIGURE 3-1. MOTOR AND GENERATOR INSTALLATION - WITH STANDARD BATTERIES (M600/M600J/M600JP ONLY) ..	180
FIGURE 3-2. MOTOR AND GENERATOR INSTALLATION - WITH AGM BATTERIES (M600/M600J/M600JP ONLY)	184
FIGURE 3-3. KUBOTA ENGINE ASSEMBLY (M600/M600J/M600JP ONLY) (SN 0300219271 through 0300256397)	186
FIGURE 3-4. KUBOTA ENGINE ASSEMBLY (M600/M600J/M600JP ONLY) (SN 0300256398 to Present)	188
FIGURE 3-5. KUBOTA ENGINE COMPONENTS (M600/M600J/M600JP ONLY) (SN 0300219271 through 0300256397)	190
FIGURE 3-6. KUBOTA ENGINE COMPONENTS (M600/M600J/M600JP ONLY) (SN 0300256398 to Present)	194
 SECTION 4 - BOOM	 197
FIGURE 4-1. BOOM INSTALLATION (E600/M600)	198
FIGURE 4-2. BOOM INSTALLATION (E600J/M600J)	202
FIGURE 4-3. BOOM INSTALLATION (E600JP/M600JP)	206
FIGURE 4-4. MAIN BOOM ASSEMBLY (E600/M600)	210
FIGURE 4-5. MAIN BOOM ASSEMBLY (E600J/M600J)	212
FIGURE 4-6. MAIN BOOM ASSEMBLY (E600JP/M600JP)	214
FIGURE 4-7. POWER TRACK ASSEMBLY (E600/M600)	216
FIGURE 4-8. POWER TRACK ASSEMBLY (E600J/E600JP/M600J/M600JP)	218
FIGURE 4-9. ROTATOR ASSEMBLY (E600/M600)	220
FIGURE 4-10. ROTATOR ASSEMBLY (E600J/M600J) (SN 0300219271 through 0300221080)	222
FIGURE 4-11. ROTATOR ASSEMBLY (E600J/M600J) (SN 0300221081 through 0300232627)	224
FIGURE 4-12. ROTATOR ASSEMBLY (E600J/M600J) (SN 0300232628 to Present)	226
FIGURE 4-13. ROTATOR ASSEMBLY - PLATFORM ROTATE (E600JP/M600JP)	228
FIGURE 4-14. ROTATOR ASSEMBLY - SIDE SWING ROTATE (E600JP/M600JP)	230
FIGURE 4-15. PLATFORM SUPPORT INSTALLATION - WITHOUT LSS	232
FIGURE 4-16. PLATFORM SUPPORT INSTALLATION - WITH 4 CELL LSS	234
FIGURE 4-17. PLATFORM SUPPORT INSTALLATION - WITH 1 CELL LSS	236
FIGURE 4-18. ROTATOR VALVE INSTALLATION - WITHOUT LSS OR WITH 4 CELL LSS (E600/E600J/M600/M600J)	238
FIGURE 4-19. ROTATOR VALVE INSTALLATION - WITH 1 CELL LSS (E600/E600J/M600/M600J)	240
FIGURE 4-20. ROTATOR VALVE INSTALLATION - WITHOUT LSS OR WITH 4 CELL LSS (E600JP/M600JP)	242
FIGURE 4-21. ROTATOR VALVE INSTALLATION - WITH 1 CELL LSS (E600JP/M600JP)	244
FIGURE 4-22. ROTATOR VALVE ASSEMBLY (E600/E600J/M600/M600J)	246
FIGURE 4-23. ROTATOR VALVE ASSEMBLY (E600JP/M600JP)	248
FIGURE 4-24. BOOM LIMIT SWITCH INSTALLATION (E600/M600) (CE SPEC ONLY)	250
FIGURE 4-25. BOOM LIMIT SWITCH INSTALLATION (E600J/E600JP/M600J/M600JP) (CE SPEC ONLY)	252
 SECTION 5 - PLATFORM	 255
FIGURE 5-1. PLATFORM ASSEMBLY - 30IN X 4FT (76CM X 1.22M) - SIDE GATE ENTRY	256
FIGURE 5-2. PLATFORM ASSEMBLY - 30IN X 6FT (76CM X 1.83M) - SIDE GATE ENTRY	258
FIGURE 5-3. PLATFORM ASSEMBLY - 36IN X 6FT (91.5CM X 1.83M) WITH SWING GATE	260
FIGURE 5-4. PLATFORM ASSEMBLY - 36IN X 8FT (91.5CM X 2.44M) WITH SWING GATE	262
FIGURE 5-5. PLATFORM ASSEMBLY - 30IN X 4FT (76CM X 1.22M) - WITH DROP BAR	264
FIGURE 5-6. PLATFORM ASSEMBLY - 30IN X 6FT (76CM X 1.83M) - WITH DROP BAR	266
FIGURE 5-7. PLATFORM ASSEMBLY - 30IN X 3FT (76CM X 91.5CM) - WITH DROP BAR (SN 0300247115 to Present)	268
FIGURE 5-8. PLATFORM ASSEMBLY - 3F X 6FT (91.5CM X 1.83M) - TRI-ENTRY - SWING GATE (SN 0300243800 to Present)	270
FIGURE 5-9. PLATFORM ASSEMBLY - 3F X 6FT (91.5CM X 1.83M) - TRI-ENTRY - DROP BAR (SN 0300243800 to Present)	272
FIGURE 5-10. PLATFORM COMPONENTS INSTALLATION - 30IN X 6FT (0.9M X 1.83M) (FALL ARREST PLATFORM)	274
FIGURE 5-11. PLATFORM COMPONENTS INSTALLATION - 30IN X 8FT (0.9M X 2.44M) (FALL ARREST PLATFORM)	276

TABLE OF CONTENTS

FIGURE 5-12. 2WD PLATFORM CONSOLE BOX INSTALLATION - WITHOUT LSS OR WITH 4 CELL LSS - WITHOUT SKYGUARD (E600/M600).....	278
FIGURE 5-13. 2WD PLATFORM CONSOLE BOX INSTALLATION - WITHOUT LSS OR WITH 4 CELL LSS - WITHOUT SKYGUARD (UL SPECS) (E600).....	280
FIGURE 5-14. 2WD PLATFORM CONSOLE BOX INSTALLATION - WITHOUT LSS OR WITH 4 CELL LSS - WITH SKYGUARD (UL SPECS) (E600J/E600JP) (SN 0300219271 through 0300256397).....	282
FIGURE 5-15. 2WD PLATFORM CONSOLE BOX INSTALLATION - WITHOUT LSS OR WITH 1 CELL LSS (UL SPECS) (E600J/E600JP) (SN 0300256398 to Present).....	284
FIGURE 5-16. 4WD PLATFORM CONSOLE BOX INSTALLATION - WITHOUT LSS OR WITH 4 CELL LSS - WITHOUT SKYGUARD (NON UL SPECS) (E600/M600).....	286
FIGURE 5-17. 4WD PLATFORM CONSOLE BOX INSTALLATION - WITHOUT LSS OR WITH 4 CELL LSS - WITHOUT SKYGUARD (UL SPECS) (E600).....	288
FIGURE 5-18. 4WD PLATFORM CONSOLE BOX INSTALLATION - WITHOUT LSS OR WITH 4 CELL LSS - WITH SKYGUARD (UL SPECS) (E600J/E600JP) (SN 0300219271 through 0300256397).....	290
FIGURE 5-19. 4WD PLATFORM CONSOLE BOX INSTALLATION - WITHOUT LSS OR WITH 1 CELL LSS (UL SPECS) (E600J/E600JP) (SN 0300256398 to Present).....	292
FIGURE 5-20. 2WD PLATFORM CONSOLE BOX INSTALLATION - WITHOUT LSS OR WITH 4 CELL LSS - WITHOUT SKYGUARD (NON UL SPECS) (E600J/E600JP/M600J/M600JP).....	294
FIGURE 5-21. 4WD PLATFORM CONSOLE BOX INSTALLATION - WITHOUT LSS OR WITH 4 CELL LSS - WITHOUT SKYGUARD (NON UL SPECS) (E600J/E600JP/M600J/M600JP).....	296
FIGURE 5-22. 2WD PLATFORM CONSOLE BOX INSTALLATION - WITHOUT LSS OR WITH 4 CELL LSS - WITH SKYGUARD (NON UL SPECS) (E600/M600).....	298
FIGURE 5-23. 4WD PLATFORM CONSOLE BOX INSTALLATION - WITHOUT LSS OR WITH 4 CELL LSS - WITH SKYGUARD (NON UL SPECS) (E600/M600).....	300
FIGURE 5-24. 2WD PLATFORM CONSOLE BOX INSTALLATION - WITHOUT LSS OR WITH 4 CELL LSS - WITH SKYGUARD (NON UL SPECS) (E600J/E600JP/M600J/M600JP).....	302
FIGURE 5-25. 2WD PLATFORM CONSOLE BOX INSTALLATION - WITH 1 CELL LSS - WITH SKYGUARD (NON UL SPECS) (E600J/E600JP/M600J/M600JP) (SN 0300219271 through 0300256397).....	304
FIGURE 5-26. 2WD PLATFORM CONSOLE BOX INSTALLATION - WITH 1 CELL LSS - WITH SKYGUARD (NON UL SPECS) (E600J/E600JP/M600J/M600JP) (SN 0300256398 to Present).....	306
FIGURE 5-27. 4WD PLATFORM CONSOLE BOX INSTALLATION - WITHOUT LSS OR WITH 4 CELL LSS - WITH SKYGUARD (NON UL SPECS) (E600J/E600JP/M600J/M600JP).....	308
FIGURE 5-28. 4WD PLATFORM CONSOLE BOX INSTALLATION - WITH 1 CELL LSS - WITH SKYGUARD (NON UL SPECS) (E600J/E600JP/M600J/M600JP) (SN 0300219271 through 0300256397).....	310
FIGURE 5-29. 4WD PLATFORM CONSOLE BOX INSTALLATION - WITH 1 CELL LSS - WITH SKYGUARD (NON UL SPECS) (E600J/E600JP/M600J/M600JP) (SN 0300256398 to Present).....	312
FIGURE 5-30. 2WD PLATFORM CONSOLE BOX ASSEMBLY - WITHOUT LSS OR WITH 4 CELL LSS - WITHOUT SKYGUARD (NON UL SPECS) (E600/M600).....	314
FIGURE 5-31. 2WD PLATFORM CONSOLE BOX ASSEMBLY - WITHOUT LSS OR WITH 4 CELL LSS - WITHOUT SKYGUARD (UL SPECS) (E600).....	318
FIGURE 5-32. 2WD PLATFORM CONSOLE BOX ASSEMBLY - WITHOUT LSS OR WITH 4 CELL LSS - WITH SKYGUARD (UL SPECS) (E600J/E600JP) (SN 0300219271 through 0300256397).....	322
FIGURE 5-33. 2WD PLATFORM CONSOLE BOX ASSEMBLY - WITHOUT LSS OR WITH 1 CELL LSS (UL SPECS) (E600J/E600JP) (SN 0300256398 to Present).....	326
FIGURE 5-34. 4WD PLATFORM CONSOLE BOX ASSEMBLY - WITHOUT LSS OR WITH 4 CELL LSS - WITHOUT SKYGUARD (NON UL SPECS) (E600/M600).....	330
FIGURE 5-35. 4WD PLATFORM CONSOLE BOX ASSEMBLY - WITHOUT LSS OR WITH 4 CELL LSS - WITHOUT SKYGUARD (UL SPECS) (E600).....	334
FIGURE 5-36. 4WD PLATFORM CONSOLE BOX ASSEMBLY - WITHOUT LSS OR WITH 4 CELL LSS - WITH SKYGUARD (UL SPECS) (E600J/E600JP) (SN 0300219271 through 0300256397).....	338
FIGURE 5-37. 4WD PLATFORM CONSOLE BOX ASSEMBLY - WITHOUT LSS OR WITH 1 CELL LSS (UL SPECS) (E600J/E600JP) (SN 0300256398 to Present).....	342
FIGURE 5-38. 2WD PLATFORM CONSOLE BOX ASSEMBLY - WITHOUT LSS OR WITH 4 CELL LSS - WITHOUT SKYGUARD (NON UL SPECS) (E600J/E600JP/M600J/M600JP).....	346
FIGURE 5-39. 4WD PLATFORM CONSOLE BOX ASSEMBLY - WITHOUT LSS OR WITH 4 CELL LSS - WITHOUT SKYGUARD (NON UL SPECS) (E600J/E600JP/M600J/M600JP).....	350
FIGURE 5-40. 2WD PLATFORM CONSOLE BOX ASSEMBLY - WITHOUT LSS OR WITH 4 CELL LSS - WITH SKYGUARD (NON UL SPECS) (E600/M600).....	354
FIGURE 5-41. 4WD PLATFORM CONSOLE BOX ASSEMBLY - WITHOUT LSS OR WITH 4 CELL LSS - WITH SKYGUARD (NON UL SPECS) (E600/M600).....	358
FIGURE 5-42. 2WD PLATFORM CONSOLE BOX ASSEMBLY - WITHOUT LSS OR WITH 4 CELL LSS - WITH SKYGUARD (NON UL SPECS) (E600J/E600JP/M600J/M600JP).....	362
FIGURE 5-43. 2WD PLATFORM CONSOLE BOX ASSEMBLY - WITH 1 CELL LSS - WITH SKYGUARD (NON UL SPECS) (E600J/E600JP/M600J/M600JP) (SN 0300219271 through 0300256397).....	366
FIGURE 5-44. 2WD PLATFORM CONSOLE BOX ASSEMBLY - WITH 1 CELL LSS - WITH SKYGUARD (NON UL SPECS) (E600J/E600JP/M600J/M600JP) (SN 0300256398 to Present).....	370

TABLE OF CONTENTS

FIGURE 5-45. 4WD PLATFORM CONSOLE BOX ASSEMBLY - WITHOUT LSS OR WITH 4 CELL LSS - WITH SKYGUARD (NON UL SPECS) (E600J/E600JP/M600J/M600JP)	374
FIGURE 5-46. 4WD PLATFORM CONSOLE BOX ASSEMBLY - WITH 1 CELL LSS - WITH SKYGUARD (NON UL SPECS) (E600J/E600JP/M600J/M600JP) (SN 0300219271 through 0300256397)	378
FIGURE 5-47. 4WD PLATFORM CONSOLE BOX ASSEMBLY - WITH 1 CELL LSS (NON UL SPECS) (E600J/E600JP/M600J/M600JP) (SN 0300256398 to Present)	382
FIGURE 5-48. CONTROLLER ASSEMBLY - DRIVE AND STEER	386
FIGURE 5-49. CONTROLLER ASSEMBLY - LIFT AND SWING	388
FIGURE 5-50. FOOTSWITCH ASSEMBLY	392
FIGURE 5-51. MOTOR CONTROLS INSTALLATION - STANDARD BATTERIES (M600/M600J/M600JP)	394
FIGURE 5-52. MOTOR CONTROLS INSTALLATION - AGM BATTERIES (M600/M600J/M600JP)	396
FIGURE 5-53. JIB ROTATE SWITCH (E600JP/M600JP)	398
FIGURE 5-54. TRAY ASSEMBLY	400
FIGURE 5-55. SOFT TOUCH INSTALLATION (SIDE ENTRY PLATFORM) (OPTIONAL)	402
FIGURE 5-56. SOFT TOUCH INSTALLATION - WITH FALL ARREST (SIDE ENTRY PLATFORM) (OPTIONAL)	404
FIGURE 5-57. SKYEYE INSTALLATION	406
FIGURE 5-58. SKYGUARD SYSTEM INSTALLATION (SN 0300219271 through 0300256397)	408
FIGURE 5-59. SKYGUARD BAR INSTALLATION (SN 0300256398 to Present)	410
FIGURE 5-60. CROSS RAIL INSTALLATION	412
FIGURE 5-61. SKYGLAZIER INSTALLATION (ANSI AND CSA SPECS)	414
FIGURE 5-62. SKYGLAZIER INSTALLATION (ANSI EXPORT SPECS) (SPANISH/PORTUGUESE)	416
FIGURE 5-63. SKYGLAZIER INSTALLATION (ANSI EXPORT SPECS) (ENGLISH/SPANISH)	418
FIGURE 5-64. SKYLINE INSTALLATION	420
FIGURE 5-65. FALL ARREST INSTALLATION (BOLT-ON EXTERNAL) (6FT/1.82M PLATFORM)	422
FIGURE 5-66. FALL ARREST INSTALLATION (BOLT-ON EXTERNAL) (6FT/1.82M TRI-ENTRY PLATFORM)	424
FIGURE 5-67. FALL ARREST INSTALLATION (BOLT-ON EXTERNAL) (8FT/2.4M PLATFORM)	426
SECTION 6 - CYLINDERS	429
FIGURE 6-1. AXLE LOCKOUT CYLINDER ASSEMBLY	430
FIGURE 6-2. LEVEL (PLATFORM SLAVE) CYLINDER ASSEMBLY (E600/M600)	432
FIGURE 6-3. LEVEL (PLATFORM SLAVE) CYLINDER ASSEMBLY (E600J/E600JP/M600J/M600JP)	434
FIGURE 6-4. LIFT CYLINDER ASSEMBLY - JIB (E600J/E600JP/M600J/M600JP)	436
FIGURE 6-5. LIFT CYLINDER ASSEMBLY - MAIN (Prior to SN 0300239696)	438
FIGURE 6-6. LIFT CYLINDER ASSEMBLY - MAIN (SN 0300239696 to Present)	440
FIGURE 6-7. MASTER CYLINDER ASSEMBLY (E600/M600)	442
FIGURE 6-8. MASTER CYLINDER ASSEMBLY (E600J/E600JP/M600J/M600JP)	444
FIGURE 6-9. STEER CYLINDER ASSEMBLY	446
FIGURE 6-10. TELESCOPE CYLINDER ASSEMBLY (E600/M600)	448
FIGURE 6-11. TELESCOPE CYLINDER ASSEMBLY (E600J/E600JP/M600J/M600JP) (Prior to SN 0300244725)	450
FIGURE 6-12. TELESCOPE CYLINDER ASSEMBLY (E600J/E600JP/M600J/M600JP) (SN 0300244725 to Present)	452
SECTION 7 - HYDRAULIC	455
FIGURE 7-1. 4WD HYDRAULIC DIAGRAM	456
FIGURE 7-2. OSCILLATING AXLE HYDRAULIC DIAGRAM (ALL SPECS EXCEPT CE SPECS)	458
FIGURE 7-3. OSCILLATING AXLE HYDRAULIC DIAGRAM (CE SPECS)	460
FIGURE 7-4. STANDARD HYDRAULIC DIAGRAM (E600/M600)	462
FIGURE 7-5. STANDARD HYDRAULIC DIAGRAM (E600J/M600J)	466
FIGURE 7-6. STANDARD HYDRAULIC DIAGRAM (E600JP/M600JP)	470
FIGURE 7-7. HYDRAULIC DIAGRAM LIST	474
SECTION 8 - ELECTRICAL	475
FIGURE 8-1. ELECTRICAL DIAGRAM LIST	476
FIGURE 8-2. AC BOX AT PLATFORM - LOCALLY SUPPLIED COMPONENTS	478
FIGURE 8-3. AC BOX AT PLATFORM INSTALLATION - 110V - ANSI, ANSI EXPORT AND CSA SPECS	480
FIGURE 8-4. AC BOX AT PLATFORM INSTALLATION - 220V - ANSI, ANSI EXPORT AND CSA SPECS	482
FIGURE 8-5. AC BOX AT PLATFORM INSTALLATION - 220V CEE7 POST GROUND WITH 2IN X 4IN BOX (CE SPEC) (SN 0300219271 through 0300223838)	484
FIGURE 8-6. AC BOX AT PLATFORM INSTALLATION - 220V CEE7 POST GROUND WITH 2IN X 4IN BOX (CE SPEC) (SN 0300223839 to Present)	486
FIGURE 8-7. AC BOX AT PLATFORM INSTALLATION - 220V CEE7 SIDE GROUND WITH 2IN X 4IN BOX (CE SPEC) (SN 0300219271 through 0300223838)	488
FIGURE 8-8. AC BOX AT PLATFORM INSTALLATION - 220V CEE7 SIDE GROUND WITH 2IN X 4IN BOX (CE SPEC) (SN 0300223839 to Present)	490

TABLE OF CONTENTS

FIGURE 8-9. AC BOX AT PLATFORM INSTALLATION - 220V AFSINT 107 KEYED GROUND WITH 2IN X 4IN BOX (CE SPEC) (SN 0300219271 through 0300223838)	492
FIGURE 8-10. AC BOX AT PLATFORM INSTALLATION - 220V AFSINT 107 KEYED GROUND WITH 2IN X 4IN BOX (SN 0300223839 to Present)	494
FIGURE 8-11. AC BOX AT PLATFORM INSTALLATION - 110V IEC YELLOW (CE SPEC) (SN 0300219271 through 0300223838)	496
FIGURE 8-12. AC BOX AT PLATFORM INSTALLATION - 110V IEC YELLOW (CE SPEC) (SN 0300223839 to Present)	498
FIGURE 8-13. AC BOX AT PLATFORM INSTALLATION - 220V IEC BLUE (CE SPEC) (SN 0300219271 through 0300223838)	500
FIGURE 8-14. AC BOX AT PLATFORM INSTALLATION - 220V IEC BLUE (CE SPEC) (SN 0300223839 to Present)	502
FIGURE 8-15. BATTERY BOX CABLE ASSEMBLY (RH SIDE BOX) (STANDARD BATTERIES)	504
FIGURE 8-16. BATTERY BOX CABLE ASSEMBLY (LH SIDE BOX) (STANDARD BATTERIES)	506
FIGURE 8-17. BATTERY BOX CABLE ASSEMBLY (AGM BATTERIES)	508
FIGURE 8-18. BATTERY CHARGER ASSEMBLY	510
FIGURE 8-19. BEACON LIGHT HARNESS (AMBER BEACON ONLY)	512
FIGURE 8-20. BEACON LIGHT HARNESS (BLUE BEACON ONLY)	514
FIGURE 8-21. BOOM TRANSPORT HARNESS (CE SPECS ONLY)	516
FIGURE 8-22. BREAKER BOX KIT WITH ONE BREAKER - CE SPEC	518
FIGURE 8-23. BREAKER BOX KIT WITH TWO BREAKERS - CE SPEC	520
FIGURE 8-24. CABLES AND CLAMPS INSTALLATION (E600/M600) (ALL SPECS EXCEPT AUSTRALIAN AND CE SPECS)	522
FIGURE 8-25. CABLES AND CLAMPS INSTALLATION (E600J/M600J) (ALL SPECS EXCEPT AUSTRALIAN AND CE SPECS)	524
FIGURE 8-26. CABLES AND CLAMPS INSTALLATION (E600JP/M600JP) (ALL SPECS EXCEPT AUSTRALIAN AND CE SPECS)	526
FIGURE 8-27. CABLES AND CLAMPS INSTALLATION (E600/M600) (AUSTRALIAN SPECS AND CE SPECS)	528
FIGURE 8-28. CABLES AND CLAMPS INSTALLATION (E600J/M600J) (AUSTRALIAN SPECS AND CE SPECS)	530
FIGURE 8-29. CABLES AND CLAMPS INSTALLATION (E600JP/M600JP) (AUSTRALIAN SPECS AND CE SPECS)	532
FIGURE 8-30. CABLES AND CLAMPS INSTALLATION (E600JP/M600JP) (AUSTRALIAN SPECS AND CE SPECS)	534
FIGURE 8-31. CHARGER CONNECT HARNESS	536
FIGURE 8-32. CHARGER CORD PLUG INSTALLATION - 110V - IEC 60309 - YELLOW (CE SPEC)	538
FIGURE 8-33. CHARGER CORD PLUG INSTALLATION - 220V - AFSINT 107 KEYED GROUND (CE SPEC)	540
FIGURE 8-34. CHARGER CORD PLUG INSTALLATION - 220V - CEE7 POST GROUND (CE SPEC)	542
FIGURE 8-35. CHARGER CORD PLUG INSTALLATION - 220V - CEE7 SIDE GROUND (CE SPEC)	544
FIGURE 8-36. CHARGER CORD PLUG INSTALLATION - 220V - IEC 60309 - BLUE (CE SPEC)	546
FIGURE 8-37. DRIVE CABLE KIT (NON UL SPECS)	548
FIGURE 8-38. DRIVE CABLE KIT (UL SPECS)	550
FIGURE 8-39. GENERATOR HARNESS	552
FIGURE 8-40. GROUND CONTROL HARNESS	554
FIGURE 8-41. INTERFACE HARNESS - WITH 1 CELL LSS	556
FIGURE 8-42. INVERTER HARNESS	558
FIGURE 8-43. INVERTER IGNITION HARNESS	560
FIGURE 8-44. LED REMOTE HARNESS	562
FIGURE 8-45. LIMIT SWITCH CABLE	564
FIGURE 8-46. LOWER BOOM CABLE	566
FIGURE 8-47. LOWER VALVE HARNESS	568
FIGURE 8-48. PLATFORM CONSOLE HARNESS - WITHOUT LSS OR WITH 4 CELL LSS	570
FIGURE 8-49. PLATFORM CONSOLE HARNESS - WITH 1 CELL LSS	572
FIGURE 8-50. RECEPTACLE BOX KIT - 220V CEE7 POST GROUND 2IN X 4IN BOX (CE SPEC)	574
FIGURE 8-51. RECEPTACLE BOX KIT - 220V CEE7 SIDE GROUND 2IN X 4IN BOX (CE SPEC)	576
FIGURE 8-52. RECEPTACLE BOX KIT - 220V AFSINT 107 (CE SPEC)	578
FIGURE 8-53. RECEPTACLE BOX KIT - 110V IEC YELLOW (CE SPEC)	580
FIGURE 8-54. RECEPTACLE BOX KIT - 220V IEC BLUE (CE SPEC)	582
FIGURE 8-55. SKYEYE INTERMEDIATE HARNESS	584
FIGURE 8-56. SKYEYE EMITTER HARNESS	586
FIGURE 8-57. SKYEYE RECEIVER HARNESS	588
FIGURE 8-58. SKYGUARD HARNESS - WITHOUT LSS OR WITH 4 CELL LSS	590
FIGURE 8-59. SKYGUARD HARNESS - WITH 1 CELL LSS	592
FIGURE 8-60. SKYLINE HARNESS	594
FIGURE 8-61. STEERING SENSOR HARNESS	596
FIGURE 8-62. TRACTION HARNESS	598
FIGURE 8-63. TRACTION TO TURNTABLE HARNESS	602
FIGURE 8-64. TURNTABLE HARNESS	604
FIGURE 8-65. UPPER BOOM CABLE (E600/M600)	608
FIGURE 8-66. UPPER BOOM CABLE (E600J/M600J)	610
FIGURE 8-67. UPPER BOOM CABLE (E600JP/M600JP)	612
FIGURE 8-68. UPPER VALVE HARNESS	614

TABLE OF CONTENTS

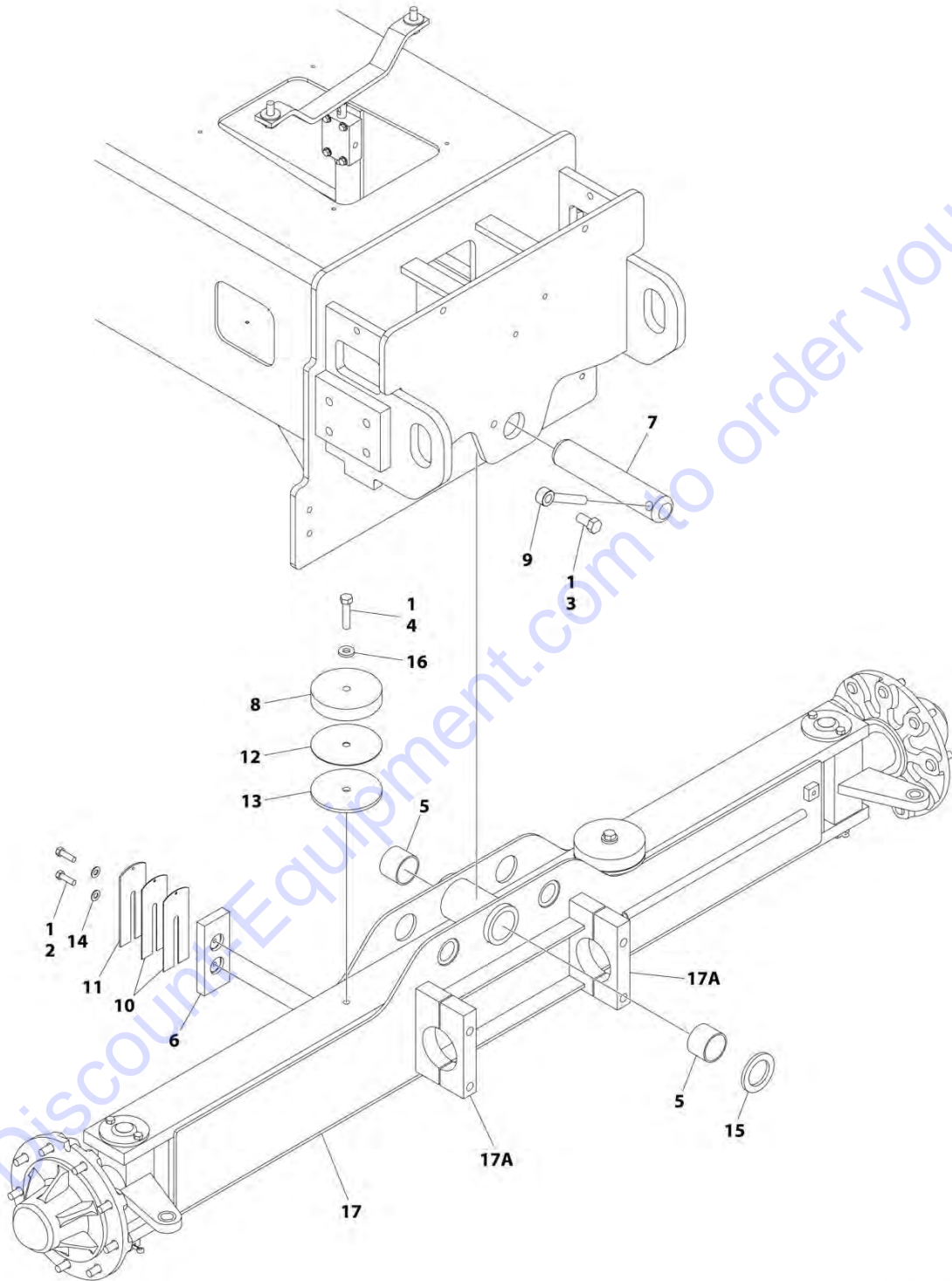
SECTION 9 - DECALS	617
FIGURE 9-1. DECAL INSTALLATION - ANSI AND ANSI EXPORT SPECS	618
FIGURE 9-2. DECAL INSTALLATION - AUSTRALIAN AND CE SPECS	622
FIGURE 9-3. DECAL INSTALLATION - CHINESE/ENGLISH SPECS	624
FIGURE 9-4. DECAL INSTALLATION - FRENCH/ENGLISH SPECS	626
FIGURE 9-5. DECAL INSTALLATION - JAPANESE SPECS	630
FIGURE 9-6. DECAL INSTALLATION - KOREAN SPECS	632
FIGURE 9-7. DECAL INSTALLATION - SPANISH/ENGLISH SPECS	634
FIGURE 9-8. DECAL INSTALLATION - SPANISH/PORTUGUESE SPECS	636
FIGURE 9-9. DECAL INSTALLATION - OPTIONS	638
FIGURE 9-10. TOW BAR DECAL INSTALLATION (ANSI SPECS)	642
FIGURE 9-11. TOW BAR DECAL INSTALLATION (SPANISH/ENGLISH SPECS)	644
FIGURE 9-12. TOW BAR DECAL INSTALLATION (SPANISH/ENGLISH SPECS)	646
SECTION 10 - RECOMMENDED SERVICE PARTS STOCK	649
FIGURE 10-1. RECOMMENDED SERVICE PARTS STOCK	650
SECTION 11 - SPECIAL OPTIONS	653
FIGURE 11-1. SPECIAL OPTIONS LIST	654
PART NUMBER INDEX	659

SECTION 1 - FRAME

Go to Discount-Equipment.com to order your parts

SECTION 1 - FRAME

FIGURE 1-1. AXLE INSTALLATION - FIXED (2WD)



ART_1001174522

SECTION 1 - FRAME

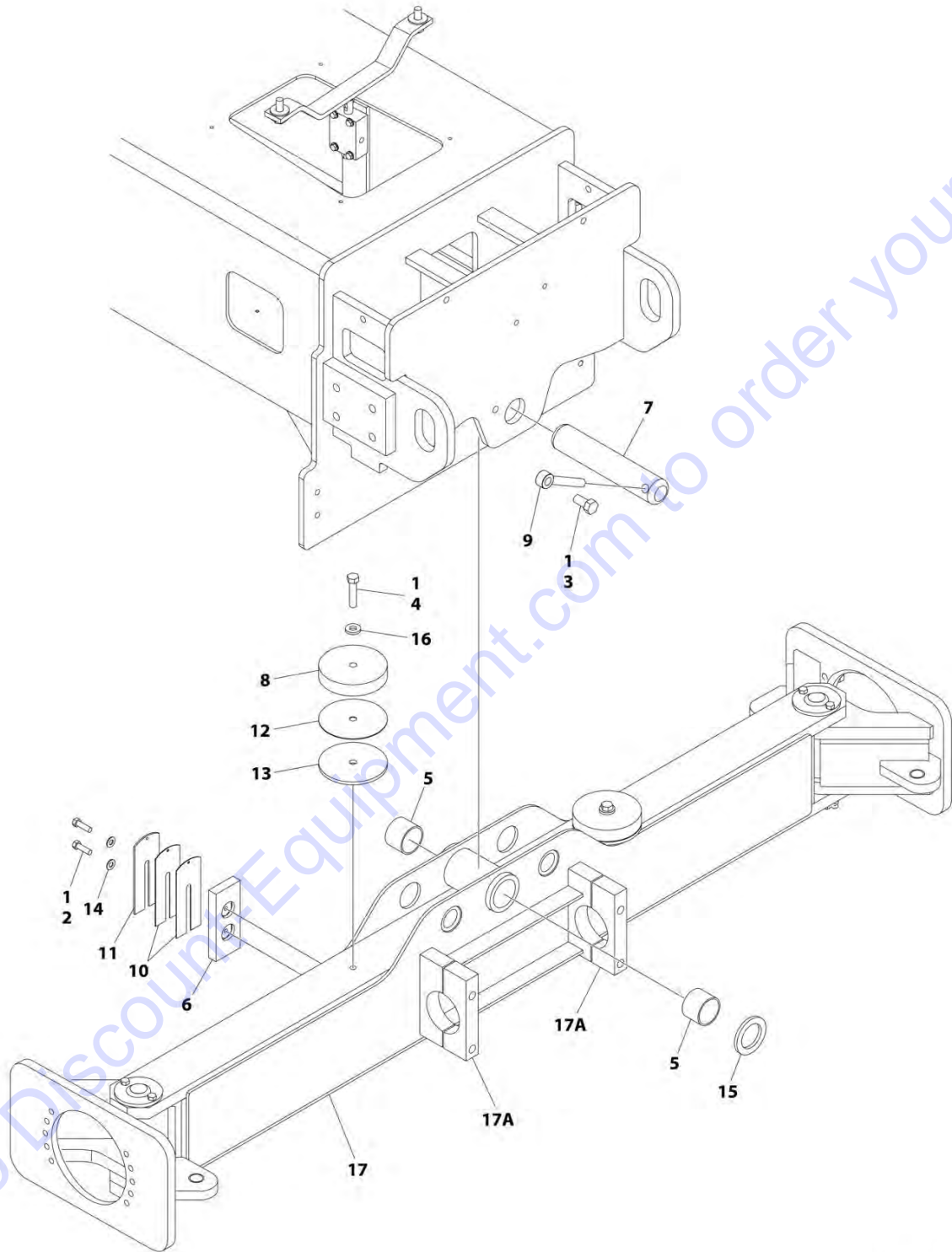
FIGURE 1-1. AXLE INSTALLATION - FIXED (2WD)

ITEM	PART NUMBER	QTY	DESCRIPTION	REV
	1001174522	Ref	AXLE INSTALLATION - FIXED (2WD)	C
1	0100011	AR	Compound, Locking	
2	0641610	4	Bolt 3/8 x 1-1/4	
3	0642010	1	Bolt 5/8 x 1-1/4	
4	0681818	2	Bolt 1/2 x 2-1/4 Grade 8	
4	0641818	2	Bolt 1/2 x 2-1/4	
5	0961950	2	Bushing	
6	3340837	2	Pad, Wear	
7	3422592	1	Pin, Axle Pivot	
8	3539877	2	Plate, Stop	
9	3841258	1	Keeper, Pin	
10	4070897	2	Shim #18Ga	
11	4070898	2	Shim #11Ga	
12	4070944	2	Shim #16Ga	
13	4070945	2	Shim 1/4	
14	4711600	4	Washer 3/8	
15	4740158	1	Thrustwasher	
16	4891800	2	Washer 1/2	
17	1001174461	1	Axle Weldment	
17A	1001175158	2	Steer Cylinder Mounting Block Assembly	

Go to Discount-Equipment.com to order your parts

SECTION 1 - FRAME

FIGURE 1-2. AXLE INSTALLATION - FIXED (4WD)



ART_1001174523

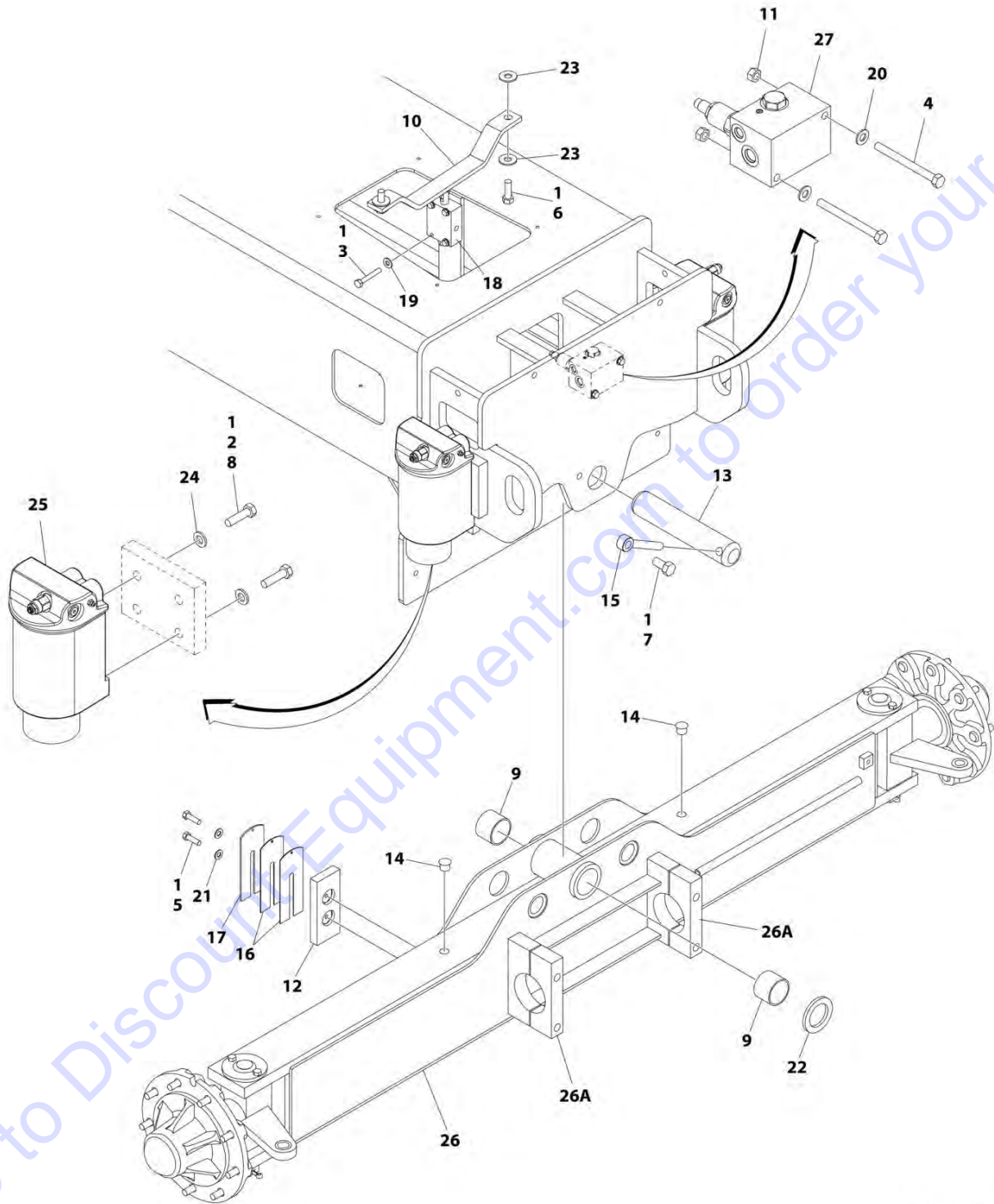
SECTION 1 - FRAME

FIGURE 1-2. AXLE INSTALLATION - FIXED (4WD)

ITEM	PART NUMBER	QTY	DESCRIPTION	REV
	1001174523	Ref	AXLE INSTALLATION - FIXED (4WD)	C
1	0100011	AR	Compound, Locking	
2	0641610	4	Bolt 3/8 x 1-1/4	
3	0642010	1	Bolt 5/8 x 1-1/4	
4	0681818	2	Bolt 1/2 x 2-1/4 Grade 8	
4	0641818	2	Bolt 1/2 x 2-1/4	
5	0961950	2	Bushing	
6	3340837	2	Pad, Wear	
7	3422592	1	Pin, Axle Pivot	
8	3539877	2	Plate, Stop	
9	3841258	1	Keeper, Pin	
10	4070897	2	Shim #18Ga	
11	4070898	2	Shim #11Ga	
12	4070944	2	Shim #16Ga	
13	4070945	2	Shim 1/4	
14	4711600	4	Washer 3/8	
15	4740158	1	Thrustwasher	
16	4891800	2	Washer 1/2	
17	1001174792	1	Axle Weldment	
17A	1001175158	2	Steer Cylinder Mounting Block Assembly	

SECTION 1 - FRAME

FIGURE 1-3. AXLE INSTALLATION - OSCILLATING WITHOUT TOW PACKAGE (2WD)



ART_1001173384

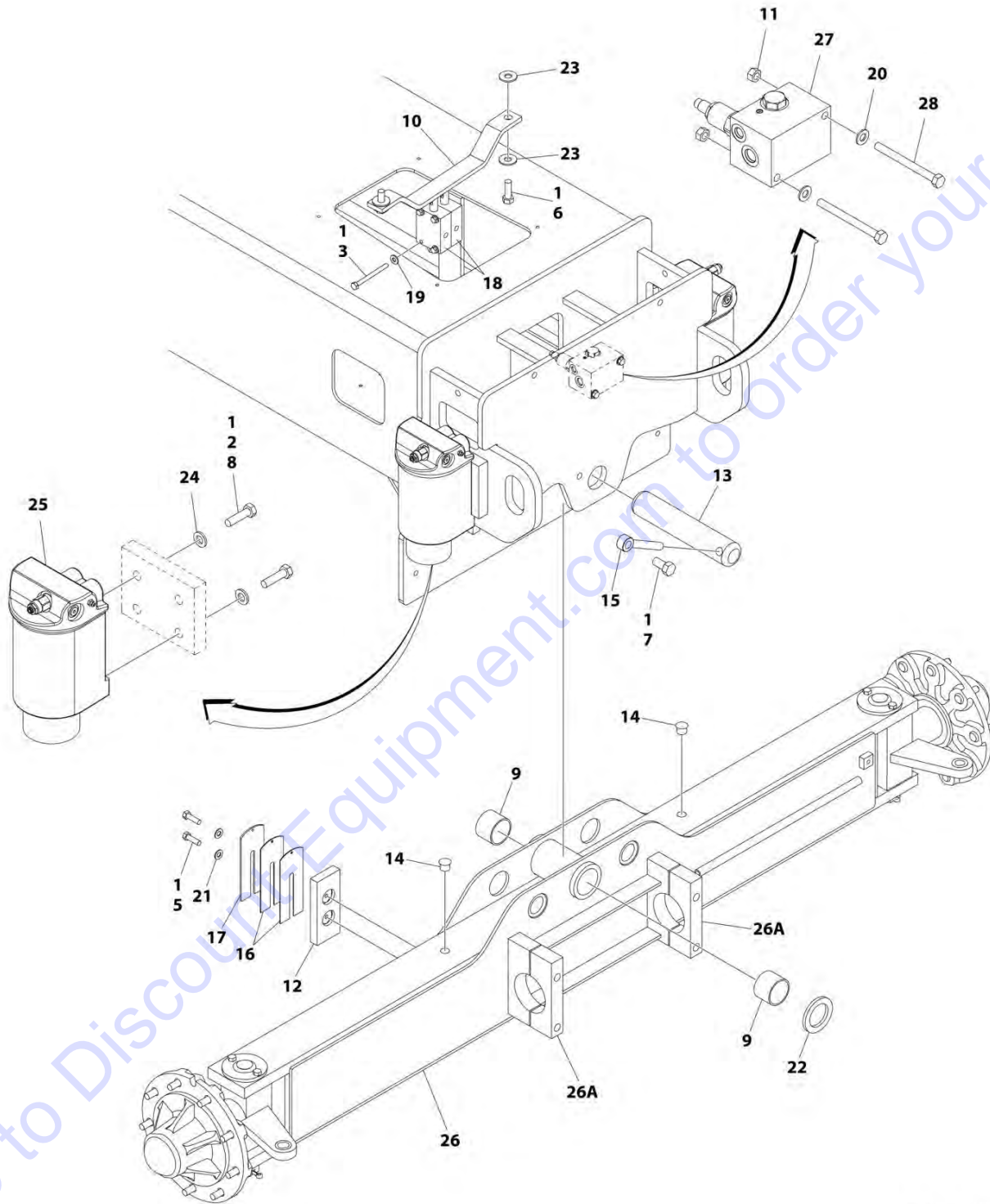
SECTION 1 - FRAME

FIGURE 1-3. AXLE INSTALLATION - OSCILLATING WITHOUT TOW PACKAGE (2WD)

ITEM	PART NUMBER	QTY	DESCRIPTION	REV
	1001173384	Ref	AXLE INSTALLATION - OSCILLATING WITHOUT TOW PACKAGE (2WD)	D
1	0100011	AR	Compound, Locking	
2	0100038	AR	Primer, Locking	
3	0641414	4	Bolt 1/4 x 1-3/4	
4	0641528	2	Bolt 5/16 x 3-1/2	
5	0641610	4	Bolt 3/8 x 1-1/4	
6	0641812	2	Bolt 1/2 x 1-1/2	
7	0642010	1	Bolt 5/8 x 1-1/4	
8	0701217	8	Bolt M12 x 45	
9	0961950	2	Bushing	
10	1100120	1	Cam, Lockout	
11	3311501	2	Nut 5/16	
12	3340837	2	Pad, Wear	
13	3422592	1	Pin, Axle Pivot	
14	3520054	2	Plug, Hole	
15	3841258	1	Keeper, Pin	
16	4070897	4	Shim #18Ga	
17	4070898	2	Shim #11Ga	
18	4640871	1	Lockout Valve Assembly	
19	4711400	4	Washer 1/4	
20	4711500	2	Washer 5/16	
21	4711600	4	Washer 3/8	
22	4740158	1	Thrustwasher	
23	4751800	4	Washer 1/2	
24	5241200	8	Washer M12	
25	1001163580	2	Lockout Cylinder Assembly (See CYLINDER SECTION for Breakdown)	
26	1001174461	1	Axle Weldment	
26A	1001175158	2	Steer Cylinder Mounting Block Assembly	
27	1001182136	1	Valve, Axle Lockout (See AXLE LOCKOUT VALVE ASSEMBLY for Breakdown)	

SECTION 1 - FRAME

FIGURE 1-4. AXLE INSTALLATION - OSCILLATING WITHOUT TOW PACKAGE (2WD) (CE SPECS)



ART_1001174525

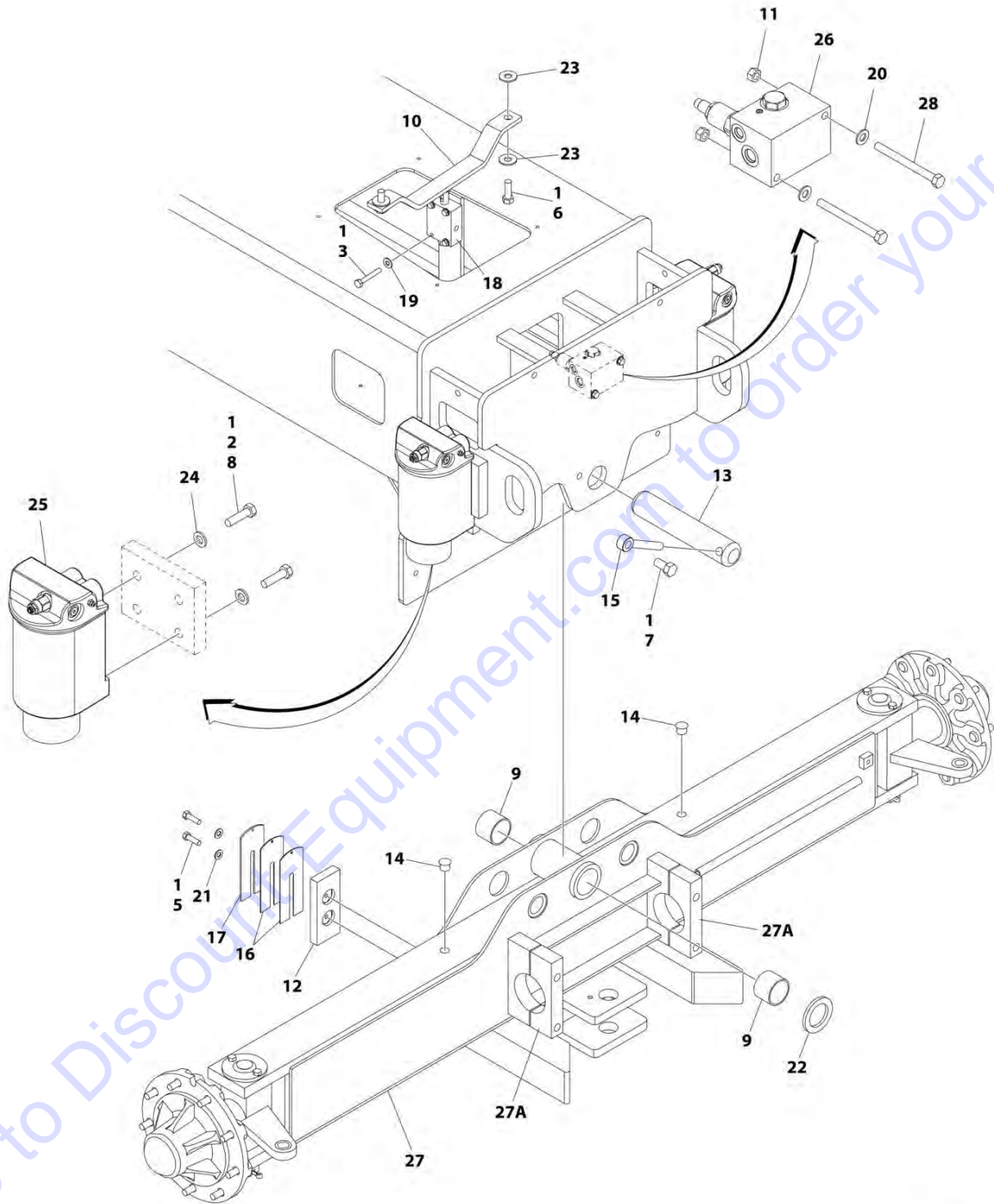
SECTION 1 - FRAME

FIGURE 1-4. AXLE INSTALLATION - OSCILLATING WITHOUT TOW PACKAGE (2WD) (CE SPECS)

ITEM	PART NUMBER	QTY	DESCRIPTION	REV
	1001174525	Ref	AXLE INSTALLATION - OSCILLATING WITHOUT TOW PACKAGE (2WD) (CE SPECS)	C
1	0100011	AR	Compound, Locking	
2	0100038	AR	Primer, Locking	
3	0641424	4	Bolt 1/4 x 3	
5	0641610	4	Bolt 3/8 x 1-1/4	
6	0641812	2	Bolt 1/2 x 1-1/2	
7	0642010	1	Bolt 5/8 x 1-1/4	
8	0701217	8	Bolt M12 x 45	
9	0961950	2	Bushing	
10	1100124	1	Cam, Lockout	
11	3311501	2	Nut 5/16	
12	3340837	2	Pad, Wear	
13	3422592	1	Pin, Axle Pivot	
14	3520054	2	Plug, Hole	
15	3841258	1	Keeper, Pin	
16	4070897	4	Shim #18Ga	
17	4070898	2	Shim #11Ga	
18	4640871	2	Lockout Valve Assembly	
19	4711400	4	Washer 1/4	
20	4711500	2	Washer 5/16	
21	4711600	4	Washer 3/8	
22	4740158	1	Thrustwasher	
23	4751800	4	Washer 1/2	
24	5241200	8	Washer M12	
25	1001163580	2	Lockout Cylinder Assembly (See CYLINDER SECTION for Breakdown)	
26	1001174461	1	Axle Weldment	
26A	1001175158	2	Steer Cylinder Mounting Block Assembly	
27	1001182136	1	Valve, Axle Lockout (See AXLE LOCKOUT VALVE ASSEMBLY for Breakdown)	
28	0641528	2	Bolt 5/16 x 3-1/2	

SECTION 1 - FRAME

FIGURE 1-5. AXLE INSTALLATION - OSCILLATING WITH TOW PACKAGE (2WD)



ART_1001174524

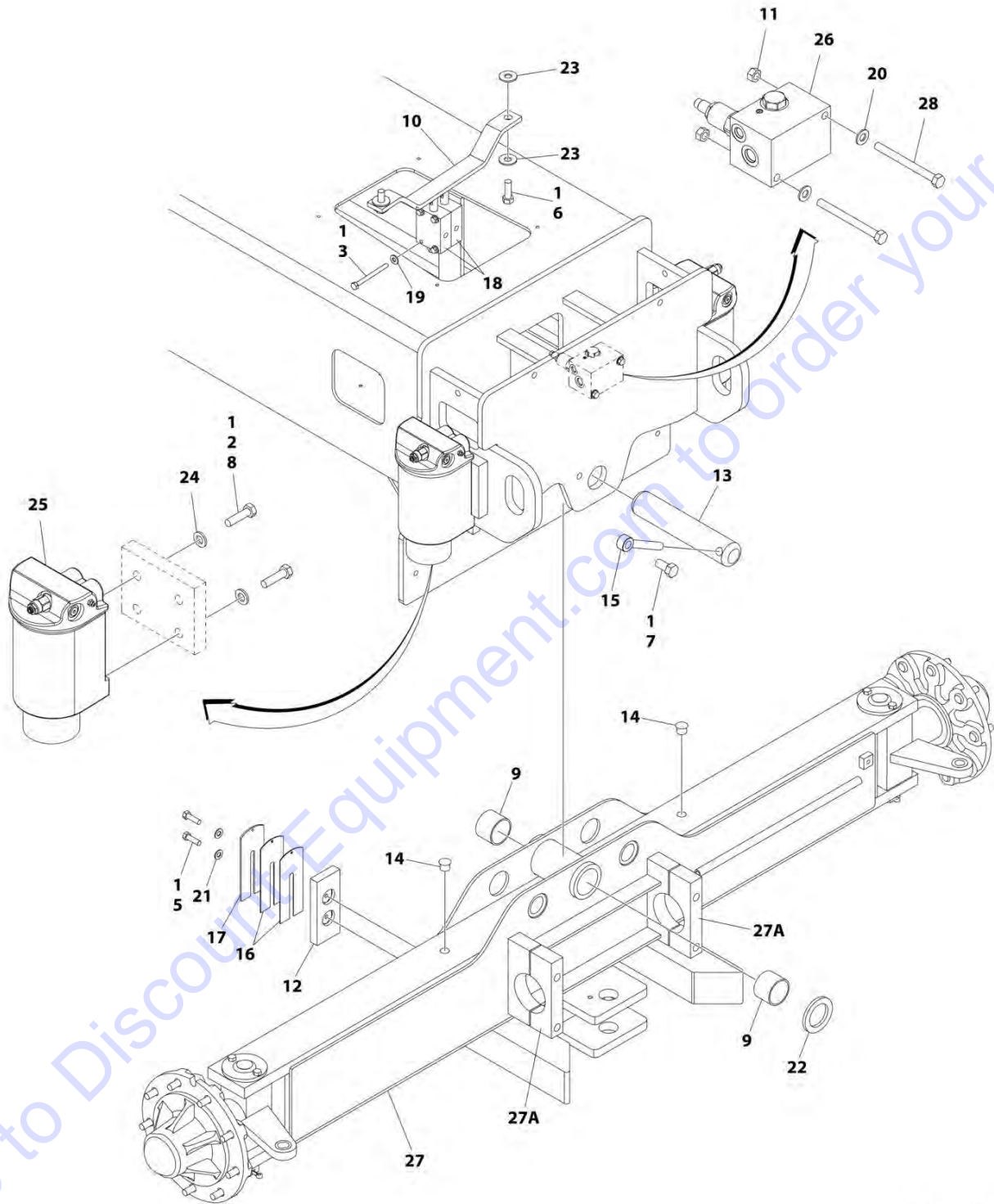
SECTION 1 - FRAME

FIGURE 1-5. AXLE INSTALLATION - OSCILLATING WITH TOW PACKAGE (2WD)

ITEM	PART NUMBER	QTY	DESCRIPTION	REV
	1001174524	Ref	AXLE INSTALLATION - OSCILLATING WITH TOW PACKAGE (2WD)	C
1	0100011	AR	Compound, Locking	
2	0100038	AR	Primer, Locking	
3	0641414	4	Bolt 1/4 x 1-3/4	
5	0641610	4	Bolt 3/8 x 1-1/4	
6	0641812	2	Bolt 1/2 x 1-1/2	
7	0642010	1	Bolt 5/8 x 1-1/4	
8	0701217	8	Bolt M12 x 45	
9	0961950	2	Bushing	
10	1100120	1	Cam, Lockout	
11	3311501	2	Nut 5/16	
12	3340837	2	Pad, Wear	
13	3422592	1	Pin, Axle Pivot	
14	3520054	2	Plug, Hole	
15	3841258	1	Keeper, Pin	
16	4070897	4	Shim #18Ga	
17	4070898	2	Shim #11Ga	
18	4640871	1	Lockout Valve Assembly	
19	4711400	4	Washer 1/4	
20	4711500	2	Washer 5/16	
21	4711600	4	Washer 3/8	
22	4740158	1	Thrustwasher	
23	4751800	4	Washer 1/2	
24	5241200	8	Washer M12	
25	1001163580	2	Lockout Cylinder Assembly (See CYLINDER SECTION for Breakdown)	
26	1001182136	1	Valve, Axle Lockout (See AXLE LOCKOUT VALVE ASSEMBLY for Breakdown)	
27	1001182707	1	Axle Weldment	
27A	1001175158	2	Steer Cylinder Mounting Block Assembly	
28	0641528	2	Bolt 5/16 x 3-1/2	

SECTION 1 - FRAME

FIGURE 1-6. AXLE INSTALLATION - OSCILLATING WITH TOW PACKAGE (2WD) (CE SPECS)



ART_1001174528

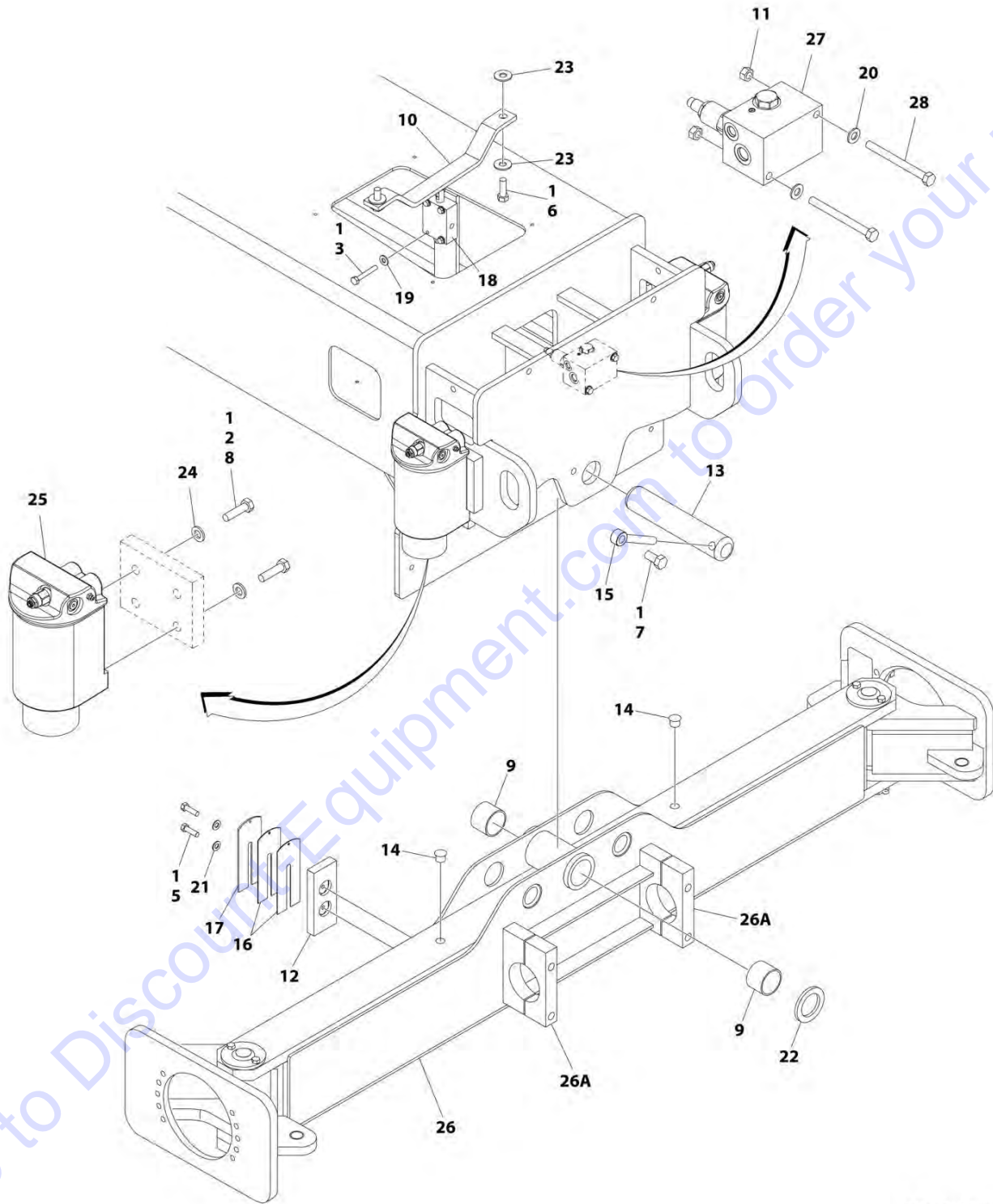
SECTION 1 - FRAME

FIGURE 1-6. AXLE INSTALLATION - OSCILLATING WITH TOW PACKAGE (2WD) (CE SPECS)

ITEM	PART NUMBER	QTY	DESCRIPTION	REV
	1001174528	Ref	AXLE INSTALLATION - OSCILLATING WITH TOW PACKAGE (2WD) (CE SPECS)	C
1	0100011	AR	Compound, Locking	
2	0100038	AR	Primer, Locking	
3	0641424	4	Bolt 1/4 x 3	
5	0641610	4	Bolt 3/8 x 1-1/4	
6	0641812	2	Bolt 1/2 x 1-1/2	
7	0642010	1	Bolt 5/8 x 1-1/4	
8	0701217	8	Bolt M12 x 45	
9	0961950	2	Bushing	
10	1100124	1	Cam, Lockout	
11	3311501	2	Nut 5/16	
12	3340837	2	Pad, Wear	
13	3422592	1	Pin, Axle Pivot	
14	3520054	2	Plug, Hole	
15	3841258	1	Keeper, Pin	
16	4070897	4	Shim #18Ga	
17	4070898	2	Shim #11Ga	
18	4640871	2	Lockout Valve Assembly	
19	4711400	4	Washer 1/4	
20	4711500	2	Washer 5/16	
21	4711600	4	Washer 3/8	
22	4740158	1	Thrustwasher	
23	4751800	4	Washer 1/2	
24	5241200	8	Washer M12	
25	1001163580	2	Lockout Cylinder Assembly (See CYLINDER SECTION for Breakdown)	
26	1001182136	1	Valve, Axle Lockout (See AXLE LOCKOUT VALVE ASSEMBLY for Breakdown)	
27	1001182707	1	Axle Weldment	
27A	1001175158	2	Steer Cylinder Mounting Block Assembly	
28	0641528	2	Bolt 5/16 x 3-1/2	

SECTION 1 - FRAME

FIGURE 1-7. AXLE INSTALLATION - OSCILLATING (4WD)



ART_1001174492

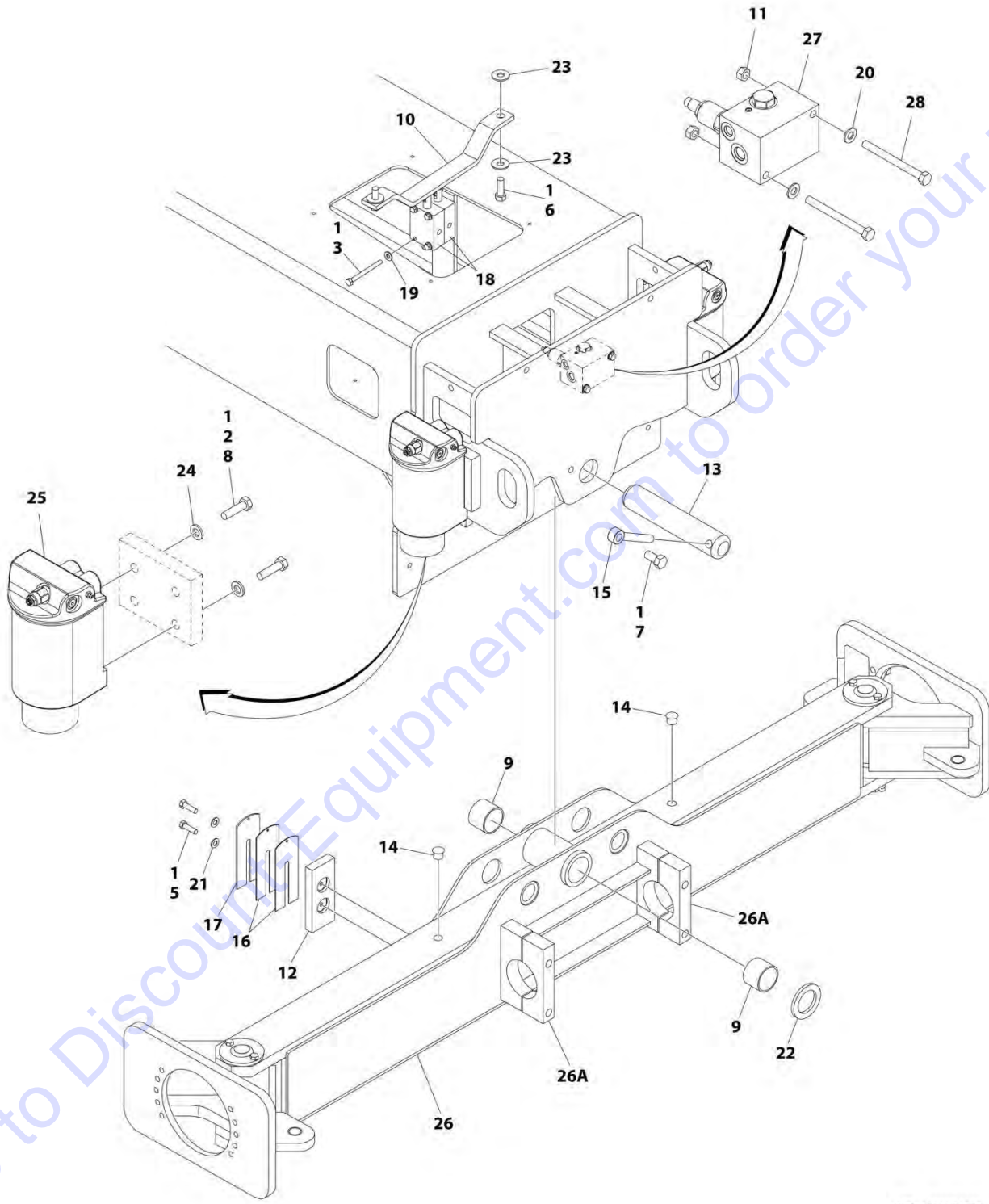
SECTION 1 - FRAME

FIGURE 1-7. AXLE INSTALLATION - OSCILLATING (4WD)

ITEM	PART NUMBER	QTY	DESCRIPTION	REV
	1001174492	Ref	AXLE INSTALLATION - OSCILLATING (4WD)	C
1	0100011	AR	Compound, Locking	
2	0100038	AR	Primer, Locking	
3	0641414	4	Bolt 1/4 x 1-3/4	
5	0641610	4	Bolt 3/8 x 1-1/4	
6	0641812	2	Bolt 1/2 x 1-1/2	
7	0642010	1	Bolt 5/8 x 1-1/4	
8	0701217	8	Bolt M12 x 45	
9	0961950	2	Bushing	
10	1100120	1	Cam, Lockout	
11	3311501	2	Nut 5/16	
12	3340837	2	Pad, Wear	
13	3422592	1	Pin, Axle Pivot	
14	3520054	2	Plug, Hole	
15	3841258	1	Keeper, Pin	
16	4070897	4	Shim #18Ga	
17	4070898	2	Shim #11Ga	
18	4640871	1	Lockout Valve Assembly	
19	4711400	4	Washer 1/4	
20	4711500	2	Washer 5/16	
21	4711600	4	Washer 3/8	
22	4740158	1	Thrustwasher	
23	4751800	4	Washer 1/2	
24	5241200	8	Washer M12	
25	1001163580	2	Lockout Cylinder Assembly (See CYLINDER SECTION for Breakdown)	
26	1001174792	1	Axle Weldment	
26A	1001175158	2	Steer Cylinder Mounting Block Assembly	
27	1001182136	1	Valve, Axle Lockout (See AXLE LOCKOUT VALVE ASSEMBLY for Breakdown)	
28	0641528	2	Bolt 5/16 x 3-1/2	

SECTION 1 - FRAME

FIGURE 1-8. AXLE INSTALLATION - OSCILLATING (4WD) (CE SPECS)



ART_1001174527

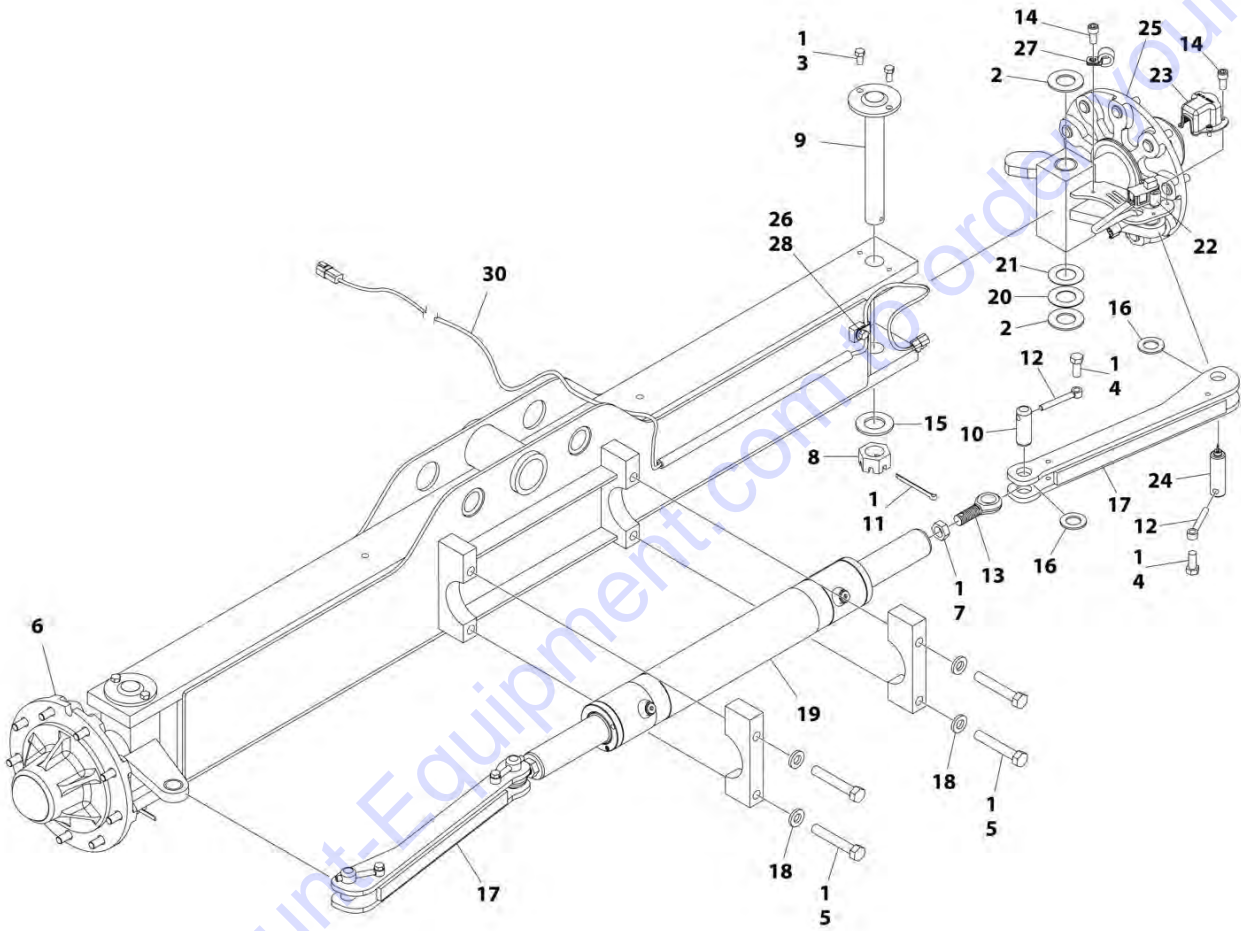
SECTION 1 - FRAME

FIGURE 1-8. AXLE INSTALLATION - OSCILLATING (4WD) (CE SPECS)

ITEM	PART NUMBER	QTY	DESCRIPTION	REV
	1001174527	Ref	AXLE INSTALLATION - OSCILLATING (4WD) (CE SPECS)	C
1	0100011	AR	Compound, Locking	
2	0100038	AR	Primer, Locking	
3	0641424	4	Bolt 1/4 x 3	
5	0641610	4	Bolt 3/8 x 1-1/4	
6	0641812	2	Bolt 1/2 x 1-1/2	
7	0642010	1	Bolt 5/8 x 1-1/4	
8	0701217	8	Bolt M12 x 45	
9	0961950	2	Bushing	
10	1100124	1	Cam, Lockout	
11	3311501	2	Nut 5/16	
12	3340837	2	Pad, Wear	
13	3422592	1	Pin, Axle Pivot	
14	3520054	2	Plug, Hole	
15	3841258	1	Keeper, Pin	
16	4070897	4	Shim #18Ga	
17	4070898	2	Shim #11Ga	
18	4640871	2	Lockout Valve Assembly	
19	4711400	4	Washer 1/4	
20	4711500	2	Washer 5/16	
21	4711600	4	Washer 3/8	
22	4740158	1	Thrustwasher	
23	4751800	4	Washer 1/2	
24	5241200	8	Washer M12	
25	1001163580	2	Lockout Cylinder Assembly (See CYLINDER SECTION for Breakdown)	
26	1001174792	1	Axle Weldment	
26A	1001175158	2	Steer Cylinder Mounting Block Assembly	
27	1001182136	1	Valve, Axle Lockout (See AXLE LOCKOUT VALVE ASSEMBLY for Breakdown)	
28	0641528	2	Bolt 5/16 x 3-1/2	

SECTION 1 - FRAME

FIGURE 1-9. STEER INSTALLATION - WITHOUT TOW PACKAGE (2WD/2WS)



ART_1001180934

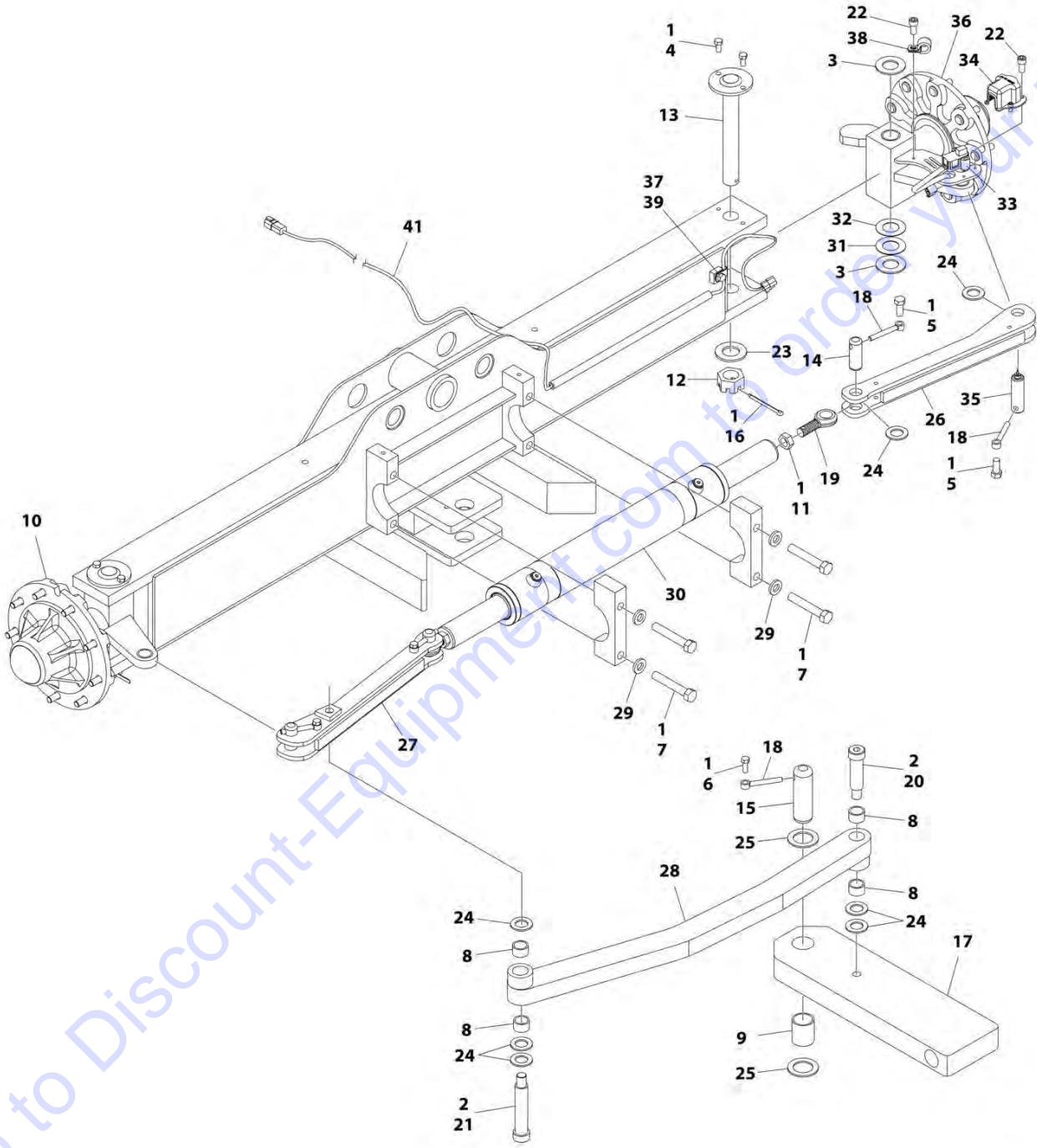
SECTION 1 - FRAME

FIGURE 1-9. STEER INSTALLATION - WITHOUT TOW PACKAGE (2WD/2WS)

ITEM	PART NUMBER	QTY	DESCRIPTION	REV
	1001180934	Ref	STEER INSTALLATION - WITHOUT TOW PACKAGE (2WD/2WS)	C
1	0100011	AR	Compound, Locking	
2	0440162	4	Thrustwasher	
3	0641606	4	Bolt 3/8 x 3/4	
4	0641607	4	Bolt 3/8 x 7/8	
5	0642030	4	Bolt 5/8 x 3-3/4	
6	2780245	1	Hub/Spindle Assembly (RH) (See HUB ASSEMBLY - RH for Breakdown)	
7	3322202	2	Nut 3/4	
8	3323003	2	Nut 1-1/4	
9	3422692	2	Kingpin	
10	3422817	3	Pin	
11	3450812	2	Pin, Cotter 1/4 x 3	
12	3841143	4	Keeper, Pin	
13	3841443	2	Rod-End	
14	3931408	4	Capscrew 1/4 x 1/2	
15	4713000	2	Washer 1-1/4	
16	4740111	4	Thrustwasher	
17	4846076	2	Tie-Rod	
18	4892000	4	Washer 5/8	
19	1001140281	1	Steer Cylinder Assembly (See CYLINDER SECTION for Breakdown)	
20	1001151395	AR	Shim .048	
21	1001151428	AR	Shim .036	
22	1001161117	1	Switch, Rotary Angle Sensor	
23	1001169423	1	Cover	
24	1001180908	1	Pin	
25	1001180912	1	Hub/Spindle Assembly (LH) (See HUB ASSEMBLY - LH for Breakdown)	
26	0641604	1	Bolt 3/8 x 1/2	
27	1320041	1	Clamp (SN 0300219271 through 0300224945)	
27	1320043	1	Clamp (SN 0300224946 to Present)	
28	1320263	1	Clamp	
29	4240032	2	Tie-Strap (Not Shown)	
30	1001195835	1	Harness, Steering (See ELECTRICAL SECTION for Breakdown)	

SECTION 1 - FRAME

FIGURE 1-10. STEER INSTALLATION - WITH TOW PACKAGE (2WD/2WS)



ART_1001180936

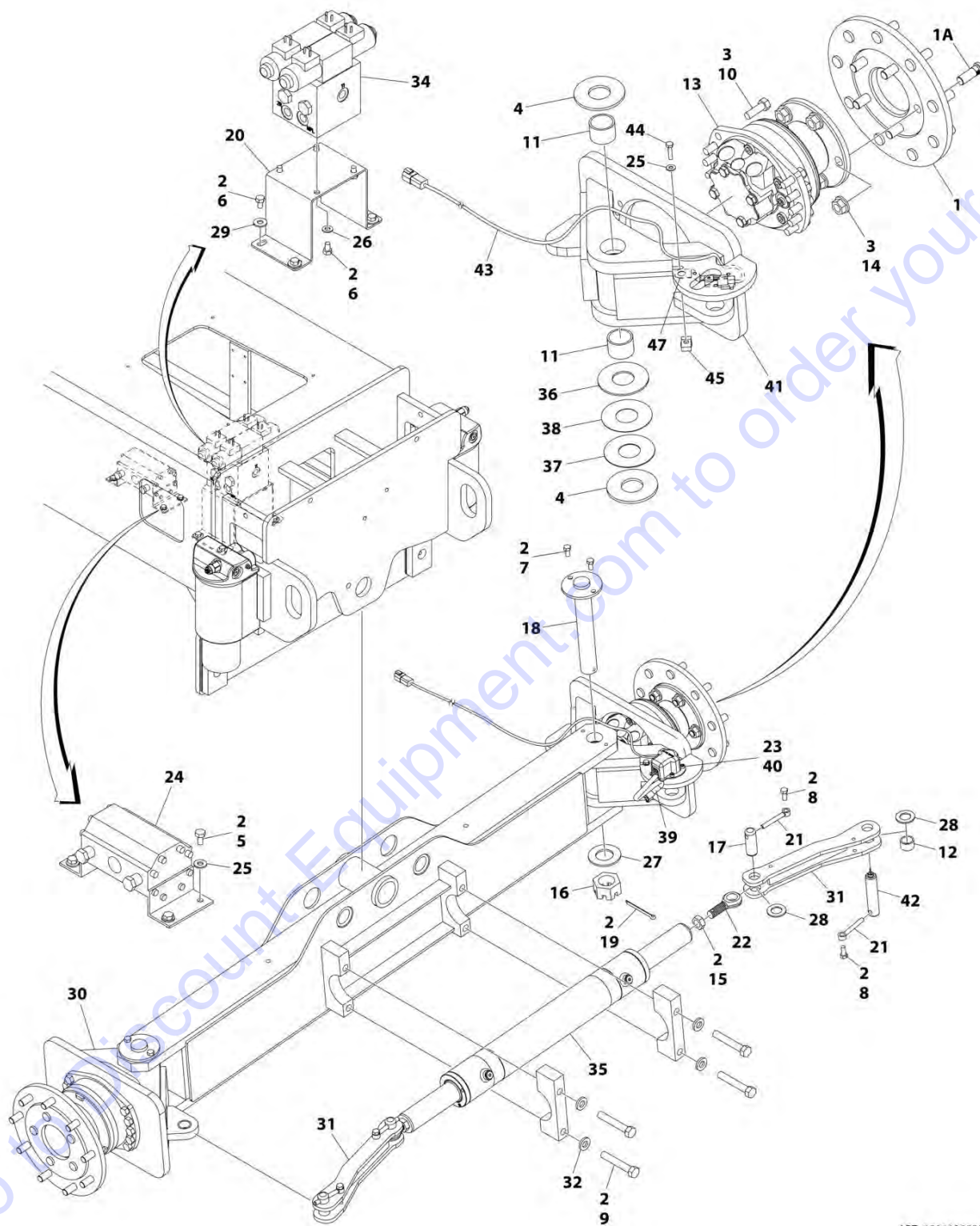
SECTION 1 - FRAME

FIGURE 1-10. STEER INSTALLATION - WITH TOW PACKAGE (2WD/2WS)

ITEM	PART NUMBER	QTY	DESCRIPTION	REV
	1001180936	Ref	STEER INSTALLATION - WITH TOW PACKAGE (2WD/2WS)	C
1	0100011	AR	Compound, Locking	
2	0100019	AR	Compound, Locking	
3	0440162	4	Thrustwasher	
4	0641606	4	Bolt 3/8 x 3/4	
5	0641607	4	Bolt 3/8 x 7/8	
6	0641608	1	Bolt 3/8 x 1	
7	0642030	4	Bolt 5/8 x 3-3/4	
8	0962292	4	Bearing	
9	0962348	1	Bearing	
10	2780245	1	Hub/Spindle Assembly (RH) (See HUB ASSEMBLY - RH for Breakdown)	
11	3322202	2	Nut 3/4	
12	3323003	2	Nut 1-1/4	
13	3422692	2	Kingpin	
14	3422817	3	Pin	
15	3422848	1	Pin, Hitch	
16	3450812	2	Pin, Cotter 1/4 x 3	
17	3572490	1	Plate, Tow Bar Pivot	
18	3841143	5	Keeper, Pin	
19	3841443	2	Rod-End	
20	3900295	1	Bolt 1 x 3	
21	3900296	1	Bolt 1 x 4-1/2	
22	3931408	4	Capscrew 1/4 x 1/2	
23	4713000	2	Washer 1-1/4	
24	4740111	9	Thrustwasher	
25	4740155	2	Thrustwasher	
26	4846076	1	Tie-Rod (Left Side)	
27	4846292	1	Tie-Rod (Right Side)	
28	4846294	1	Link, Tow Bar	
29	4892000	4	Washer 5/8	
30	1001140281	1	Steer Cylinder Assembly (See CYLINDER SECTION for Breakdown)	
31	1001151395	AR	Shim .048	
32	1001151428	AR	Shim .036	
33	1001161117	1	Switch, Rotary Angle Sensor	
34	1001169423	1	Cover	
35	1001180908	1	Pin	
36	1001180912	1	Hub/Spindle Assembly (LH) (See HUB ASSEMBLY - LH for Breakdown)	
37	0641604	1	Bolt 3/8 x 1/2	
38	1320041	1	Clamp (SN 0300219271 through 0300224945)	
38	1320043	1	Clamp (SN 0300224946 to Present)	
39	1320263	1	Clamp	
40	4240032	2	Tie-Strap (Not Shown)	
41	1001195835	1	Harness, Steering (See ELECTRICAL SECTION for Breakdown)	

SECTION 1 - FRAME

FIGURE 1-11. STEER INSTALLATION - (4WD/2WS)



ART_1001180935

SECTION 1 - FRAME

FIGURE 1-11. STEER INSTALLATION - (4WD/2WS)

ITEM	PART NUMBER	QTY	DESCRIPTION	REV
	1001180935	Ref	STEER INSTALLATION - (4WD/2WS)	D
1	0080233	2	Drive Adapter Assembly	
1A	4300145	28	Stud, Wheel (14 Per Assembly)	
2	0100011	AR	Compound, Locking	
3	0100019	AR	Compound, Locking	
4	0440161	4	Thrustwasher	
5	0641404	4	Bolt 1/4 x 1/2	
6	0641504	8	Bolt 5/16 x 1/2	
7	0641606	4	Bolt 3/8 x 3/4	
8	0641607	4	Bolt 3/8 x 7/8	
9	0642030	4	Bolt 5/8 x 3-3/4	
10	0681812	20	Bolt 1/2 x 3-1/4 Grade 8	
11	0961948	4	Bushing	
12	0962292	2	Bearing	
13	3160251	NLA	Drive Motor Assembly (Use p/n 1001228232) (See DRIVE MOTOR ASSEMBLY (4WD FRONT) for Breakdown) (SN 0300218866 through 0300257363)	
13	1001228232	2	Drive Motor Assembly (See DRIVE MOTOR ASSEMBLY (4WD FRONT) for Breakdown) (SN 0300257364 to Present)	
14	3300426	10	Nut 5/8	
15	3322202	2	Nut 3/4	
16	3323403	2	Nut, Slotted Castle 1-1/2-12	
17	3422817	3	Pin	
18	3422819	2	Kingpin	
19	3450812	2	Pin, Cotter 1/4 x 3	
20	3572328	1	Plate, Mounting	
21	3841143	4	Keeper, Pin	
22	3841443	2	Rod-End	
23	3931408	3	Capscrew 1/4 x 1/2	
24	4641148	1	Flow Divider Assembly	
24	See Note	NSS	Seal Kit - 4641148 Valve (Note: Not Available for Purchase)	
25	4711400	5	Washer 1/4	
26	4711500	4	Washer 5/16	
27	4713400	2	Washer 1-1/2	
28	4740111	4	Thrustwasher	
29	4751500	4	Washer 5/16	
30	4846135	1	Spindle	
31	4846141	2	Tie-Rod	
32	4892000	4	Washer 5/8	
34	1001092586	1	Valve Assembly - Drive (See DRIVE VALVE ASSEMBLY for Breakdown)	
35	1001140281	1	Steer Cylinder Assembly (See CYLINDER SECTION for Breakdown)	
36	1001156428	AR	Shim .120	
37	1001156429	AR	Shim .060	
38	1001156430	AR	Shim .030	
39	1001161117	1	Switch, Rotary Angle Sensor	
40	1001169423	1	Cover	
41	1001180902	1	Spindle	
42	1001180904	1	Pin, Steer Sensor	
43	1001195835	1	Harness, Steering (See ELECTRICAL SECTION for Breakdown)	

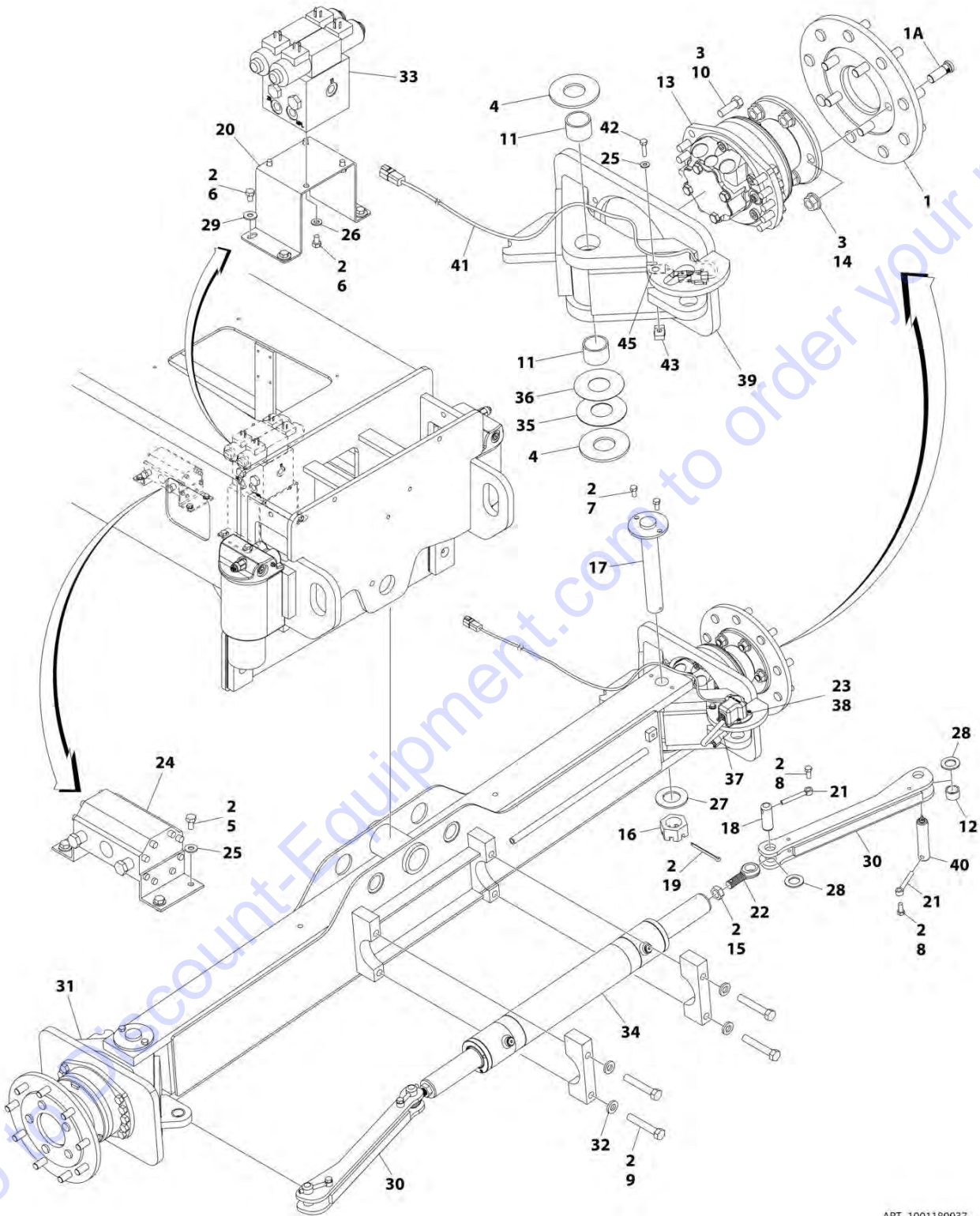
SECTION 1 - FRAME

ITEM	PART NUMBER	QTY	DESCRIPTION	REV
44	0641409	1	Bolt 1/4 x 1-1/8	
45	3300454	1	Nut 1/4	
46	4240033	AR	Tie-Strap (Not Shown)	
47	1001141581	1	Mount	

Go to Discount-Equipment.com to order your parts

SECTION 1 - FRAME

FIGURE 1-12. STEER INSTALLATION - (4WD/2WS) (E600JP/M600JP)



ART_1001180937

SECTION 1 - FRAME

FIGURE 1-12. STEER INSTALLATION - (4WD/2WS) (E600JP/M600JP)

ITEM	PART NUMBER	QTY	DESCRIPTION	REV
	1001180937	Ref	STEER INSTALLATION - (4WD/2WS) (E600JP/M600JP)	D
1	0080233	2	Drive Adapter Assembly	
1A	4300145	28	Stud, Wheel (14 Per Assembly)	
2	0100011	AR	Compound, Locking	
3	0100019	AR	Compound, Locking	
4	0440161	4	Thrustwasher	
5	0641404	4	Bolt 1/4 x 1/2	
6	0641504	8	Bolt 5/16 x 1/2	
7	0641606	4	Bolt 3/8 x 3/4	
8	0641607	4	Bolt 3/8 x 7/8	
9	0642030	4	Bolt 5/8 x 3-3/4	
10	0681812	20	Bolt 1/2 x 3-1/4 Grade 8	
11	0961948	4	Bushing	
12	0962292	2	Bearing	
13	3160251	NLA	Drive Motor Assembly (Use p/n 1001228232) (See DRIVE MOTOR ASSEMBLY (4WD FRONT) for Breakdown) (SN 0300218866 through 0300257363)	
13	1001228232	2	Drive Motor Assembly (See DRIVE MOTOR ASSEMBLY (4WD FRONT) for Breakdown) (SN 0300257364 to Present)	
14	3300426	10	Nut 5/8	
15	3322202	2	Nut 3/4	
16	3323403	2	Nut, Slotted Castle 1-1/4 - 12	
17	3422819	2	Kingpin	
18	3422817	3	Pin	
19	3450812	2	Pin, Cotter 1/4 x 3	
20	3572328	1	Plate, Mounting	
21	3841143	4	Keeper, Pin	
22	3841443	2	Rod-End	
23	3931408	3	Capscrew 1/4 x 1/2	
24	4641148	1	Flow Divider Assembly	
24	See Note	NSS	Seal Kit - 4641148 Valve (Note: Not Available for Purchase)	
25	4711400	5	Washer 1/4	
26	4711500	4	Washer 5/16	
27	4713000	2	Washer 1-1/4	
28	4740111	4	Thrustwasher	
29	4751500	4	Washer 5/16	
30	4846141	2	Tie-Rod	
31	4846350	1	Spindle (Right Side)	
32	4892000	4	Washer 5/8	
33	1001092586	1	Valve Assembly - Drive (See DRIVE VALVE ASSEMBLY for Breakdown)	
34	1001140281	1	Steer Cylinder Assembly (See CYLINDER SECTION for Breakdown)	
35	1001156429	AR	Shim .060	
36	1001156430	AR	Shim .030	
37	1001161117	1	Switch, Rotary Angle Sensor	
38	1001169423	1	Cover	
39	1001183584	1	Spindle (Left Side)	
40	1001180904	1	Pin, Steer Sensor	
41	1001195835	1	Harness, Steering (See ELECTRICAL SECTION for Breakdown)	
42	0641409	1	Bolt 1/4 x 1-1/8	

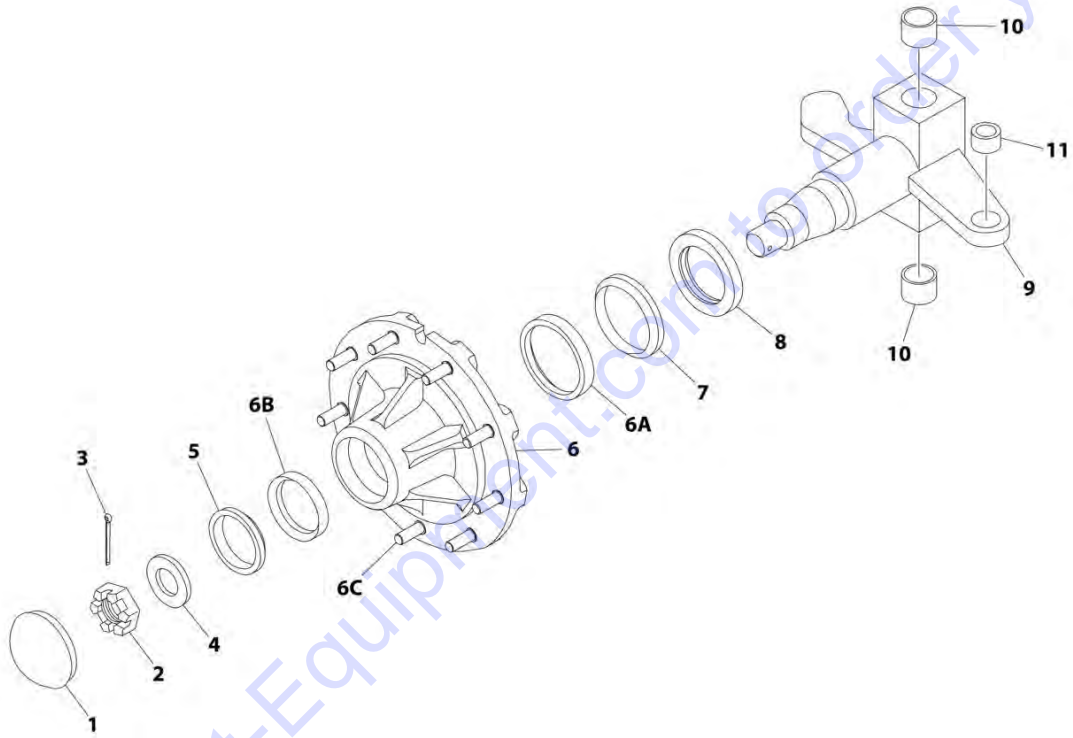
SECTION 1 - FRAME

ITEM	PART NUMBER	QTY	DESCRIPTION	REV
43	3300454	1	Nut 1/4	
44	4240033	AR	Tie-Strap (Not Shown)	
45	1001141581	1	Mount	

Go to Discount-Equipment.com to order your parts

SECTION 1 - FRAME

FIGURE 1-13. HUB ASSEMBLY - RH



ART_2780245

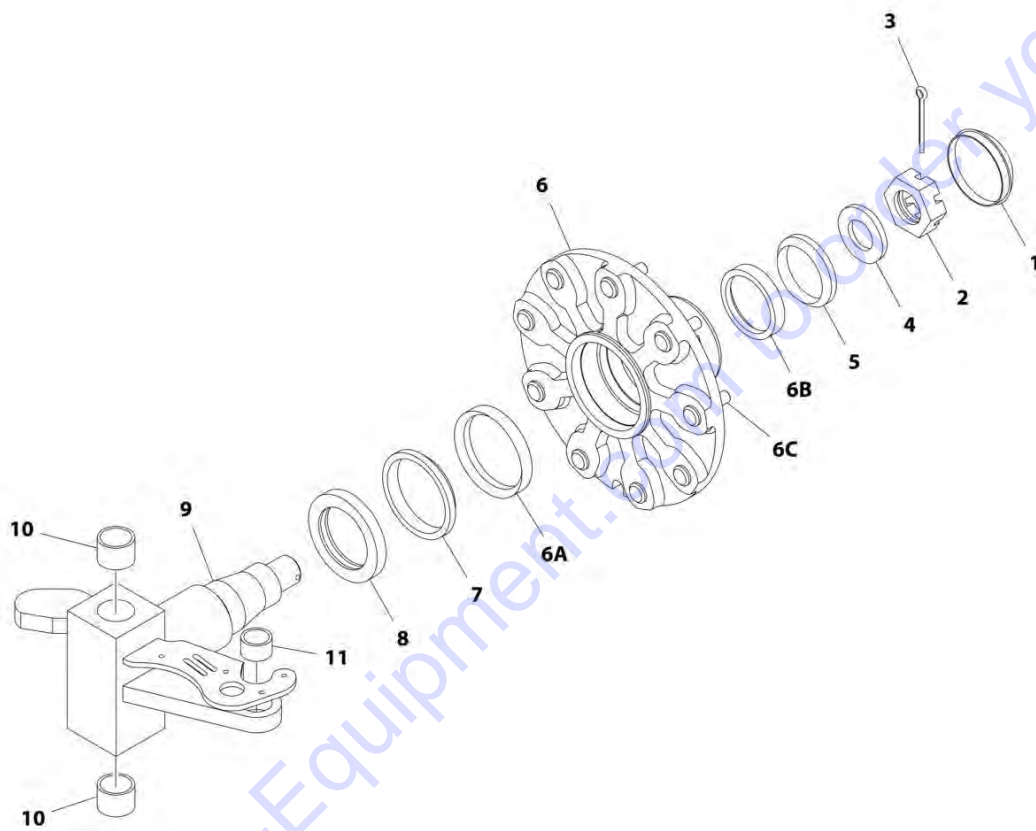
FIGURE 1-13. HUB ASSEMBLY - RH

ITEM	PART NUMBER	QTY	DESCRIPTION	REV
	2780245	Ref	HUB ASSEMBLY - RH	C
1	7020137	1	Cap, Dust	
2	7020054	1	Nut, Castle	
3	7020140	1	Pin, Cotter	
4	7020055	1	Washer, Spindle	
5	7020039	1	Cone, Bearing - Outer	
6	7020035	1	Hub	
6A	7020036	1	Cup, Bearing - Inner	
6B	7020038	1	Cup, Bearing - Outer	
6C	7020041	9	Stud, Wheel	
7	7020037	1	Cone, Bearing - Inner	
8	7020040	1	Seal	
9	7020251	1	Spindle Assembly	
10	0961951	2	Bushing	
11	0962292	1	Bearing	

Go to Discount-Equipment.com to order your parts

SECTION 1 - FRAME

FIGURE 1-14. HUB ASSEMBLY - LH



ART_1001180912

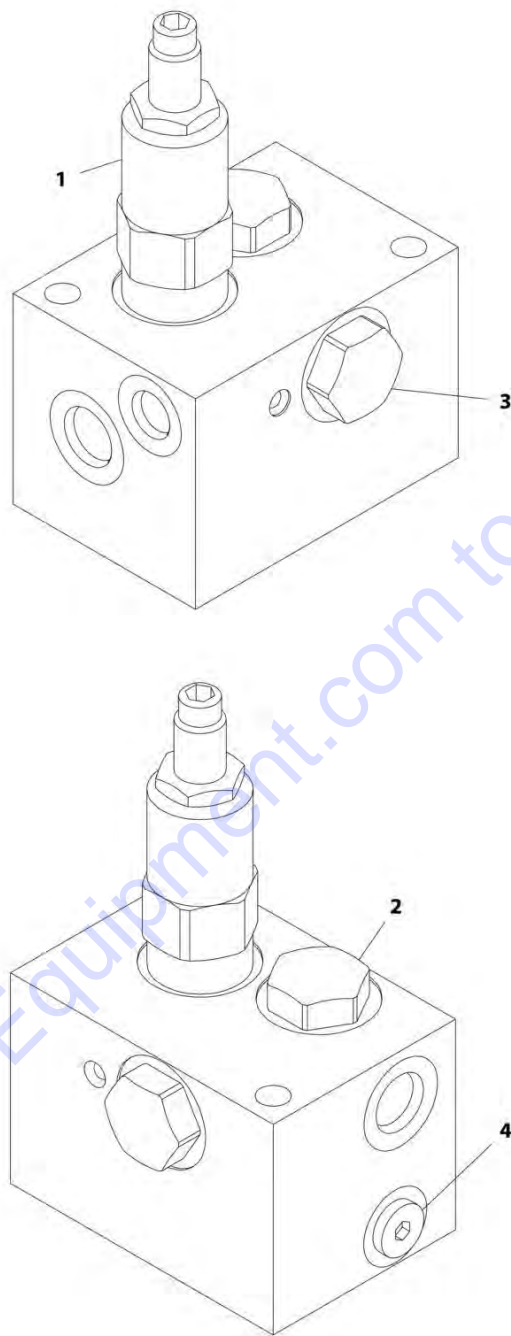
FIGURE 1-14. HUB ASSEMBLY - LH

ITEM	PART NUMBER	QTY	DESCRIPTION	REV
	1001180912	Ref	HUB ASSEMBLY - LH	B
1	7020137	1	Cap, Dust	
2	7020054	1	Nut, Castle	
3	3450406	1	Pin, Cotter	
4	7020055	1	Washer, Spindle	
5	7020039	1	Cone, Bearing - Outer	
6	70002434	1	Hub	
6A	7020036	2	Cup, Bearing - Inner	
6B	7020038	2	Cup, Bearing - Outer	
6C	7020041	9	Stud, Wheel	
7	7020037	1	Cone, Bearing - Inner	
8	7020040	1	Seal	
9	70005649	1	Spindle Assembly	
10	0961951	2	Bushing	
11	0962292	1	Bearing	

Go to Discount-Equipment.com to order your parts

SECTION 1 - FRAME

FIGURE 1-15. AXLE LOCKOUT VALVE ASSEMBLY



ART_1001182136

FIGURE 1-15. AXLE LOCKOUT VALVE ASSEMBLY

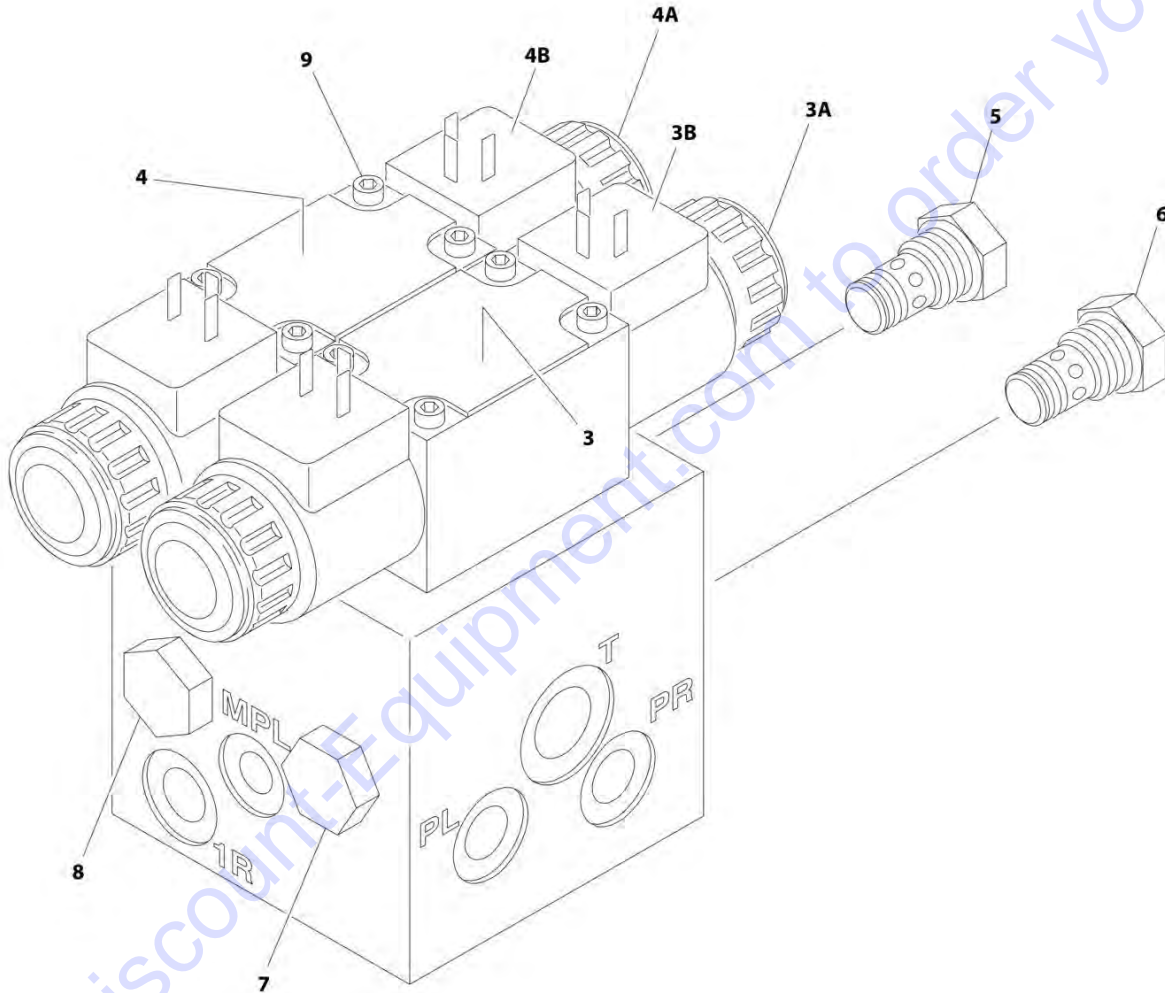
ITEM	PART NUMBER	QTY	DESCRIPTION	REV
	1001182136	Ref	AXLE LOCKOUT VALVE ASSEMBLY	C
1	70004388	1	Cartridge	
1	7021653	1	Seal Kit - 70004388 Cartridge	
2	7012955	1	Cartridge	
2	7012967	1	Seal Kit - 7012955 Cartridge	
3	7023976	1	Cartridge	
3	7012967	1	Seal Kit - 7023976 Cartridge	
4	2220883	1	Plug	

Go to Discount-Equipment.com to order your parts

SECTION 1 - FRAME

FIGURE 1-16. DRIVE VALVE ASSEMBLY (4WD ONLY)

**NOTE: TORQUE ITEM #9
TO 60 IN/LBS.**



ART_1001092586

SECTION 1 - FRAME

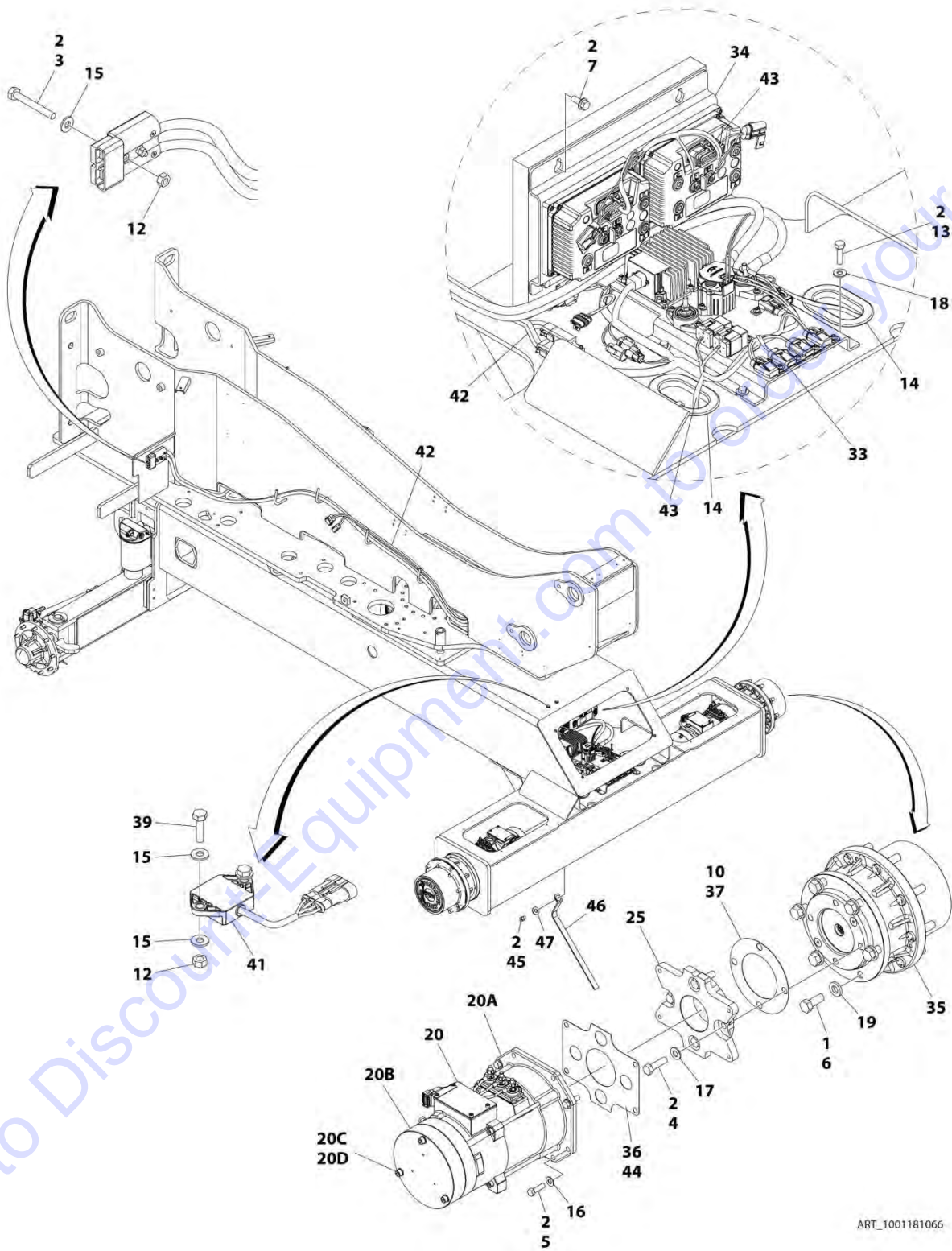
FIGURE 1-16. DRIVE VALVE ASSEMBLY (4WD ONLY)

ITEM	PART NUMBER	QTY	DESCRIPTION	REV
	1001092586	Ref	DRIVE VALVE ASSEMBLY (4WD ONLY)	A
3	70001422	1	Control Valve Assembly	
3	7012773	1	Seal Kit - 70001422 Valve	
3A	7021375	2	Nut	
3B	70002947	2	Coil	
4	70001422	1	Control Valve Assembly	
4	7012773	1	Seal Kit - 70001422 Valve	
4A	7021375	2	Nut	
4B	70002947	2	Coil	
5	7012969	1	Cartridge, Check	
5	7012540	1	Seal Kit - 7012969 Valve	
6	7012969	1	Cartridge, Check	
6	7012540	1	Seal Kit - 7012969 Valve	
7	7012969	1	Cartridge, Check	
7	7012540	1	Seal Kit - 7012969 Valve	
8	7012969	1	Cartridge, Check	
8	7012540	1	Seal Kit - 7012969 Valve	
9	7018942	8	Capscrew #10 x 2	

Go to Discount-Equipment.com to order your parts

SECTION 1 - FRAME

FIGURE 1-17. WHEEL DRIVE INSTALLATION (NON UL SPECS)



ART_1001181066

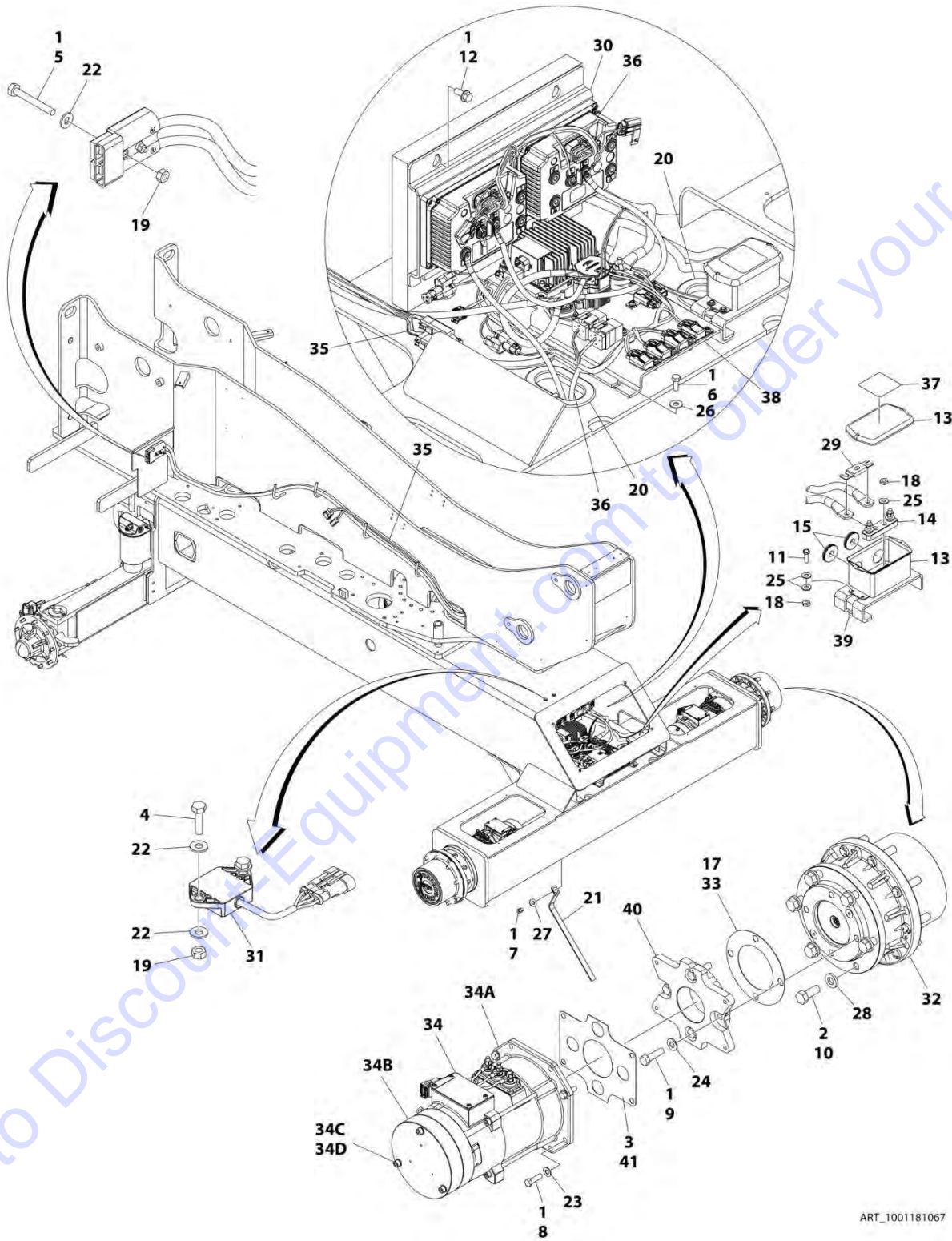
SECTION 1 - FRAME

FIGURE 1-17. WHEEL DRIVE INSTALLATION (NON UL SPECS)

ITEM	PART NUMBER	QTY	DESCRIPTION	REV
	1001181066	Ref	WHEEL DRIVE INSTALLATION (NON UL SPECS)	I
1	0100019	AR	Compound, Locking	
2	0100011	AR	Compound, Locking	
3	0641416	4	Bolt 1/4 x 2	
4	0641814	8	Bolt 1/2 x 1-3/4	
5	0641610	8	Bolt 3/8 x 1-1/4	
6	0682012	12	Bolt 5/8 x 1-1/2 Grade 8	
7	0791506	4	Screw 5/16 x 3/4	
9	3020008	AR	Lubricant, Mobilube HD 80W-90 (Not Shown)	
10	3020037	AR	Lube, Coupling Grease	
12	3311401	6	Nut 1/4	
13	0641506	4	Bolt 5/16 x 3/4	
14	4060808	20.5 in /52cm	Flex-Trim	
15	4711400	8	Washer 1/4	
16	4751600	8	Washer 3/8	
17	4711800	8	Washer 1/2	
18	4751500	4	Washer 5/16	
19	4892000	12	Washer 5/8	
20	1001184855	2	Drive Motor/Brake Assembly (See DRIVE MOTOR ASSEMBLY for Breakdown)	
20A	1001184206	2	Drive Motor Assembly (See DRIVE MOTOR ASSEMBLY for Breakdown)	
20B	1001184853	2	Drive Brake Assembly	
20C	4031920	3	Capscrew M8 x 80	
20D	4811900	3	Washer M8	
25	1001178921	2	Plate, Motor Adapter (SN 0300219271 through 0300226266)	
25	1001219722	2	Plate, Motor Adapter (SN 0300226267 to Present)	
33	1001180654	1	AC Drive Electrical Plate Assembly (See AC DRIVE ELECTRICAL PLATE ASSEMBLY (NON UL SPECS) for Breakdown)	
34	1001180780	1	Drive Module Plate Assembly (See DRIVE MODULE PLATE ASSEMBLY for Breakdown)	
35	1001182494	2	Drive Hub Assembly (See DRIVE HUB ASSEMBLY for Breakdown)	
36	1001182959	2	Seal, Motor (SN 0300219271 through 0300226266)	
36	1001220271	2	Seal, Motor (SN 0300226267 to Present)	
37	1001182960	2	Seal, Hub	
39	0641408	2	Bolt 1/4 x 1	
41	1001181325	1	Sensor, Dual Axle (Prior to SN 0300243585)	
41	1001219601	1	Sensor, Dual Axle (SN 0300243585 to Present)	
42	1001195836	1	Harness, Traction to Turntable (See ELECTRICAL SECTION for Breakdown)	
43	1001195867	1	Harness, Traction (See ELECTRICAL SECTION for Breakdown)	
44	0100020	AR	Sealant, Pipe (SN 0300226267 to Present)	
45	0641604	1	Bolt 3/8 x 1/2 (SN 0300226267 to Present)	
46	4240084	1	Strap, Anti-Static (SN 0300226267 to Present)	
47	4751600	1	Washer 3/8 (SN 0300226267 to Present)	
100	1001196485	1	Drive Cable Kit (Not Shown - See ELECTRICAL SECTION for Breakdown)	

SECTION 1 - FRAME

FIGURE 1-18. WHEEL DRIVE INSTALLATION (UL SPECS)



ART_1001181067

SECTION 1 - FRAME

FIGURE 1-18. WHEEL DRIVE INSTALLATION (UL SPECS)

ITEM	PART NUMBER	QTY	DESCRIPTION	REV
	1001181067	Ref	WHEEL DRIVE INSTALLATION (UL SPECS)	C
1	0100011	AR	Compound, Locking	
2	0100019	AR	Compound, Locking	
3	0100020	AR	Sealant, Pipe	
4	0641408	2	Bolt 1/4 x 1	
5	0641416	4	Bolt 1/4 x 2	
6	0641507	4	Bolt 5/16 x 7/8	
7	0641604	1	Bolt 3/8 x 1/2	
8	0641610	8	Bolt 3/8 x 1-1/4	
9	0641814	8	Bolt 1/2 x 1-3/4	
10	0682012	12	Bolt 5/8 x 1-1/2 Grade 8	
11	0721005	4	Screw #10 x 5/8	
12	0791506	4	Screw 5/16 x 3/4	
13	0861375	1	Box	
14	2400044	1	Fuse, Mounting Block	
15	2540037	2	Grommet	
16	3020008	AR	Lubricant, Mobilube HD 80W-90 (Not Shown)	
17	3020037	AR	Lube, Coupling Grease	
18	3311001	6	Nut #10	
19	3311401	6	Nut 1/4	
20	4060808	20.5 in/ 52cm	Flex-Trim	
21	4240084	1	Strap, Anti-Static	
22	4711400	8	Washer 1/4	
23	4751600	8	Washer 3/8	
24	4711800	8	Washer 1/2	
25	4751000	10	Washer #10	
26	4751500	4	Washer 5/16	
27	4751600	1	Washer 3/8	
28	4892000	12	Washer 5/8	
29	1001170365	1	Fuse, 400 Amp	
30	1001180780	1	Drive Module Plate Assembly (See DRIVE MODULE PLATE ASSEMBLY for Breakdown)	
31	1001181325	1	Sensor, Dual Axle (Prior to SN 0300241366)	
31	1001219601	1	Sensor, Dual Axle (SN 0300241366 to Present)	
32	1001182494	2	Drive Hub Assembly (See DRIVE HUB ASSEMBLY for Breakdown)	
33	1001182960	2	Seal, Hub	
34	1001184855	2	Drive Motor/Brake Assembly (See DRIVE MOTOR ASSEMBLY for Breakdown)	
34A	1001184206	2	Drive Motor Assembly (See DRIVE MOTOR ASSEMBLY for Breakdown)	
34B	1001184853	2	Drive Brake Assembly	
34C	4031920	3	Capscrew M8 x 80	
34D	4811900	3	Washer M8	
35	1001195836	1	Harness, Traction to Turntable (See ELECTRICAL SECTION for Breakdown)	
36	1001195867	1	Harness, Traction (See ELECTRICAL SECTION for Breakdown)	
37	1001213626	1	Decal - Fuse, 400 Amp	
38	1001214669	1	AC Drive Electrical Plate Assembly (See AC DRIVE ELECTRICAL PLATE ASSEMBLY (UL SPECS) for Breakdown)	

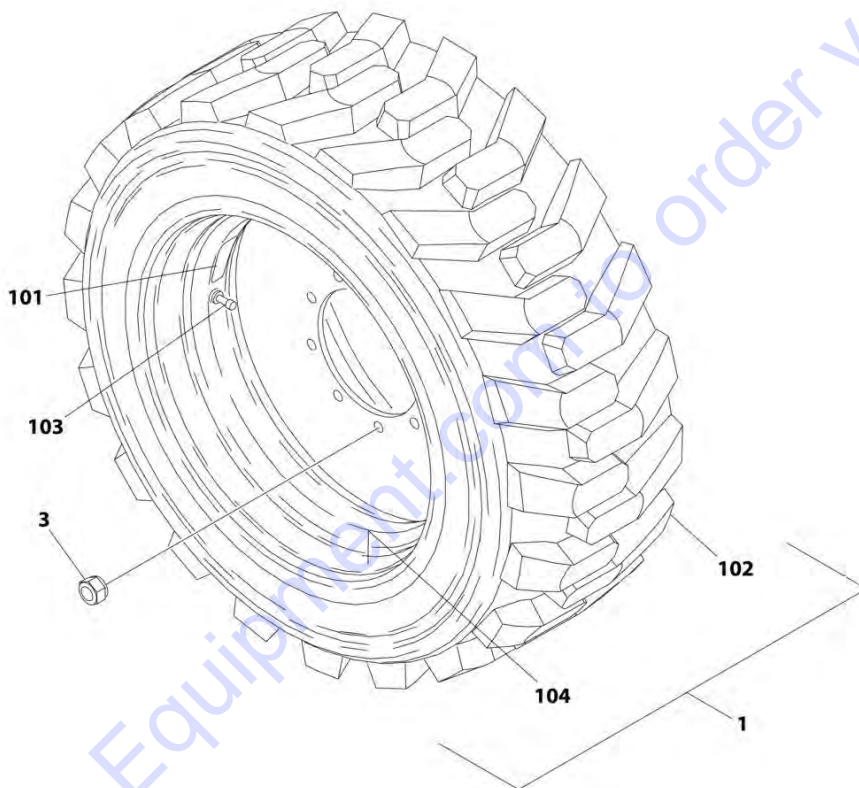
SECTION 1 - FRAME

ITEM	PART NUMBER	QTY	DESCRIPTION	REV
39	1001214804	1	Bracket	
40	1001219722	2	Plate, Motor Adapter	
41	1001220271	2	Seal, Motor	
100	1001214800	1	Drive Cable Kit (Not Shown - See ELECTRICAL SECTION for Breakdown)	

Go to Discount-Equipment.com to order your parts

SECTION 1 - FRAME

FIGURE 1-19. TIRE AND WHEEL INSTALLATION - 36/14LL X 22.5 PNEUMATIC NON-MARKING



ART_0272695

SECTION 1 - FRAME

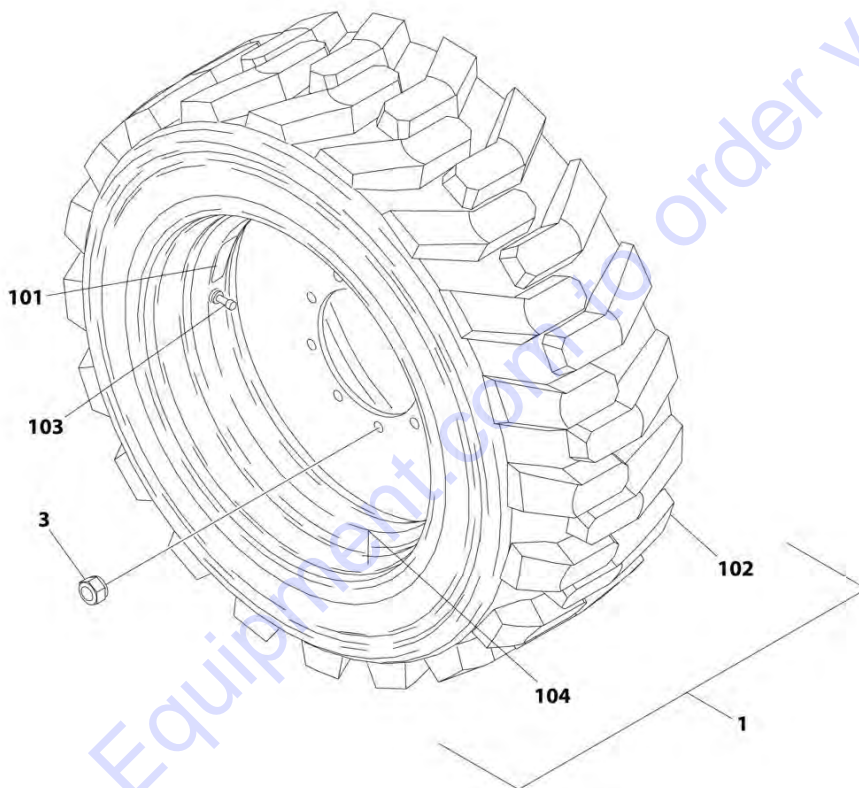
FIGURE 1-19. TIRE AND WHEEL INSTALLATION - 36/14LL X 22.5 PNEUMATIC NON-MARKING

ITEM	PART NUMBER	QTY	DESCRIPTION	REV
	0272695	Ref	TIRE AND WHEEL INSTALLATION - 36/14LL X 22.5 PNEUMATIC NON-MARKING	B
1	0272690	2	Tire and Wheel Assembly - 36/14LL x 22.5 Pneumatic Non-Marking (Right Side)	C
1	0272691	2	Tire and Wheel Assembly - 36/14LL x 22.5 Pneumatic Non-Marking (Left Side)	C
3	3300426	36	Nut 5/8	
101	1702698	1	Decal - 55PSI/4BAR	
102	4520264	1	Tire, Replacement (36/14LL x 22.5)	
103	4640113	1	Valve, Air	
104	4860212	1	Rim, Wheel	

Go to Discount-Equipment.com to order your parts

SECTION 1 - FRAME

FIGURE 1-20. TIRE AND WHEEL INSTALLATION - 36/14LL X 22.5 FOAM-FILLED NON-MARKING



ART_0272694

SECTION 1 - FRAME

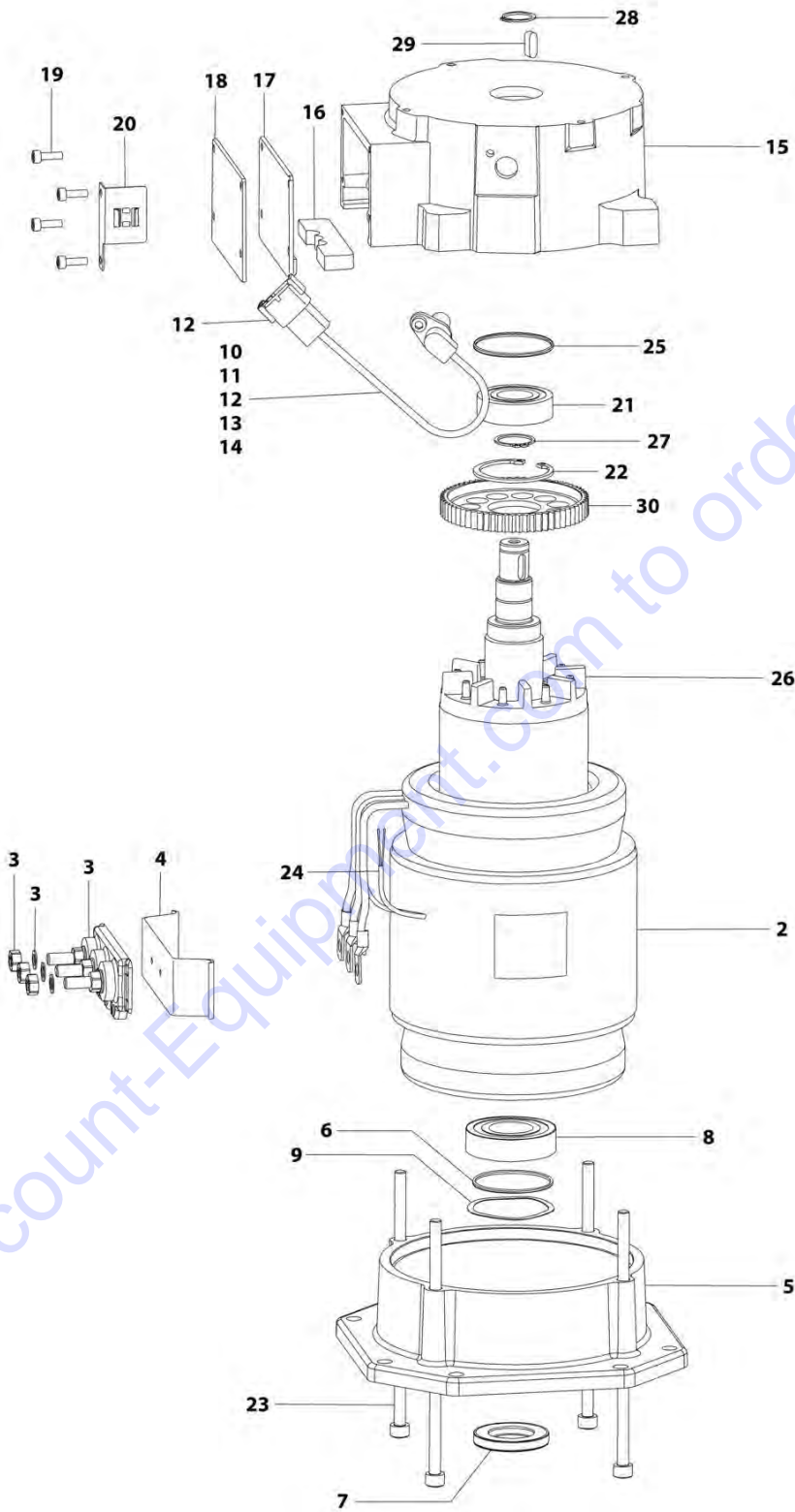
FIGURE 1-20. TIRE AND WHEEL INSTALLATION - 36/14LL X 22.5 FOAM-FILLED NON-MARKING

ITEM	PART NUMBER	QTY	DESCRIPTION	REV
	0272694	Ref	TIRE AND WHEEL INSTALLATION - 36/14LL X 22.5 FOAM-FILLED NON-MARKING	B
		Ref	Note: Assemblies may require ballast/foam filling to manufacturer's specifications prior to installing on a machine. Refer to Operation and Safety or Service and Maintenance Manuals. Purchase individual tire and/or rim only if able to foam fill tire and wheel assembly, otherwise, purchase complete assembly.	
1	0272692	2	36/14LL x 22.5 Foam-Filled Non-Marking (Right Side)	E
1	0272693	2	36/14LL x 22.5 Foam-Filled Non-Marking (Left Side)	E
3	3300426	36	Nut 5/8	
101	1702698	1	Decal - 55PSI/4BAR (Pneumatic Only)	
102	4520264	1	Tire, Replacement (36/14LL x 22.5)	
103	4641122	1	Valve, Air	
104	4860212	1	Rim, Wheel	

Go to Discount-Equipment.com to order your parts

SECTION 1 - FRAME

FIGURE 1-21. DRIVE MOTOR ASSEMBLY



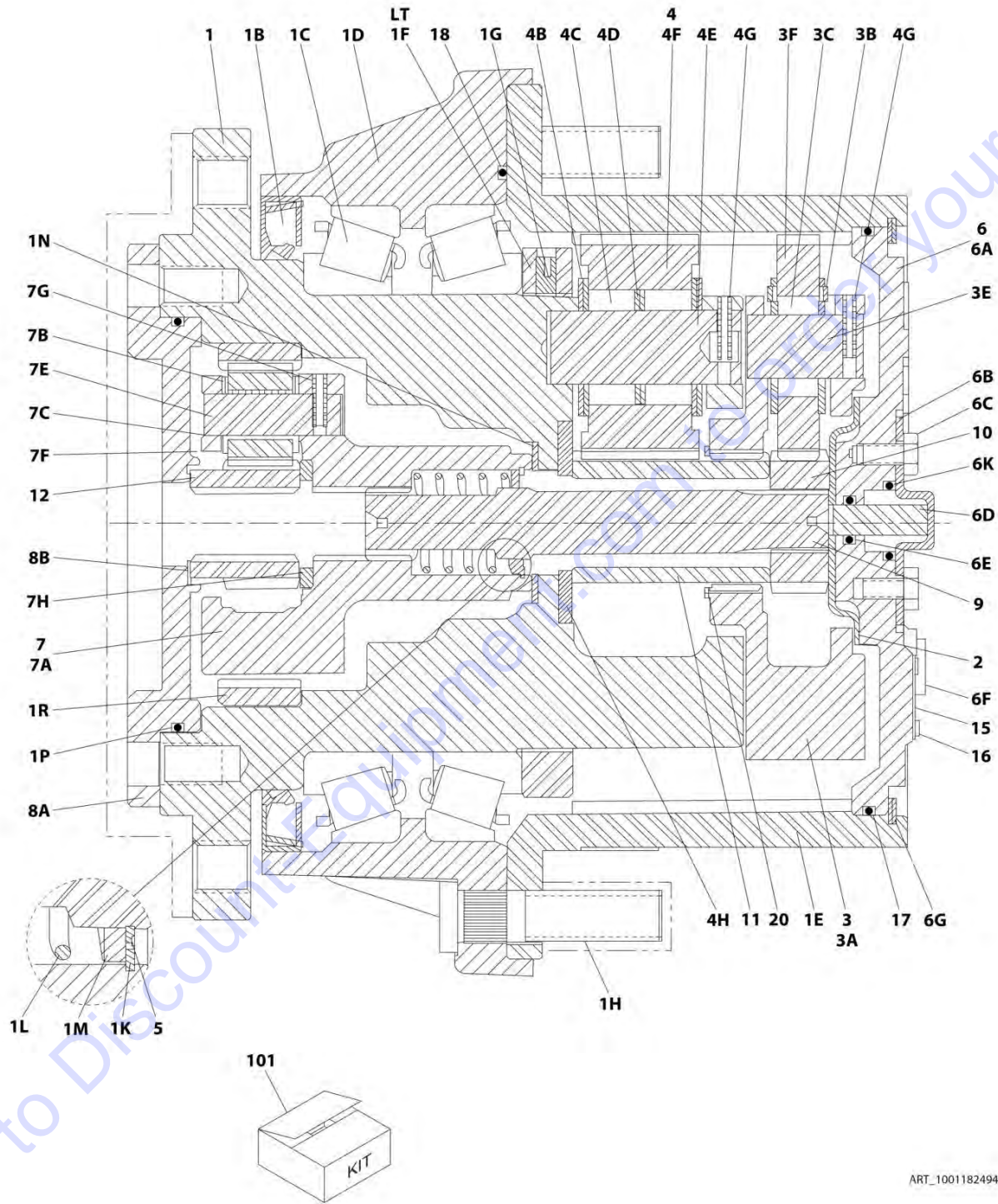
ART_1001184206

FIGURE 1-21. DRIVE MOTOR ASSEMBLY

ITEM	PART NUMBER	QTY	DESCRIPTION	REV
	1001184206	Ref	DRIVE MOTOR ASSEMBLY	F
2	70005385	1	Stator	
3	70005685	1	Board, Terminal	
3	70005387	3	Nut M8	
3	70005388	3	Washer M8	
3	70005390	2	Screw M5 x 14	
4	70005389	1	Base, Terminal	
5	70005391	1	Plate, Drive End	
6	70004811	1	O-Ring	
7	70005392	1	Seal, Shaft	
8	70004809	1	Bearing	
9	70005393	1	Washer, Wavy	
10	70005394	1	Sensor (Includes Items 11-14)	
11	70005395	1	Screw M8 x 16	
12	70005397	1	Connector	
13	70005396	1	Wedge	
14	4460516	4	Pin, Male	
15	70005686	1	Shield, End	
16	70005687	1	Seal	
17	70005400	1	Seal	
18	70005401	1	Cover	
19	70005402	4	Screw M5 x 16	
20	70005403	1	Plate, Retaining	
21	70005404	1	Bearing	
22	70005405	1	Clip, Retainer	
23	70005406	4	Screw M8 x 180	
24	70005407	1	Temperature, Sensor	
25	70005408	1	O-Ring	
26	70005688	1	Rotor	
27	70004820	1	Clip, Retainer	
28	70005410	1	Clip, Retainer	
29	70005689	1	Key	
30	70005412	1	Gear	

SECTION 1 - FRAME

FIGURE 1-22. DRIVE HUB ASSEMBLY (REAR)



ART_1001182494

FIGURE 1-22. DRIVE HUB ASSEMBLY (REAR)

ITEM	PART NUMBER	QTY	DESCRIPTION	REV
	1001182494	Ref	DRIVE HUB ASSEMBLY (REAR)	E
1	70005610	1	Spindle, Sub Assembly	
1B	70001119	1	Seal, Lip	
1C	7024735	2	Bearing, Tapered	
1D	See Note	NSS	Housing (Note: Not Available for Purchase)	
1E	7024730	1	Gear, Ring	
1F	70003000	1	Nut, Bearing	
1G	70002996	2	Screw	
1H	7007640	9	Stud	
1K	70005613	1	Ring, Retaining (Internal)	
1L	7024124	1	Spring	
1M	7024129	1	Thrustwasher	
1N	7001922	1	Thrustwasher	
1P	70005614	1	O-Ring	
1R	See Note	NSS	Gear, Ring Blank (Note: Not Available for Purchase)	
2	7024741	1	Spacer, Thrust	
3	70005604	1	Carrier, Sub Assembly	
3A	See Note	NSS	Carrier (Note: Not Available for Purchase)	
3B	7024127	6	Thrustwasher	
3C	7024733	42	Bearing, Needle	
3E	7024724	3	Shaft, Planet	
3F	See Note	NSS	Gear, Planet (Note: Not Available for Purchase)	
4	70002983	1	Planet Gear Sub Assembly	
4B	7024740	12	Thrustwasher	
4C	7024734	84	Bearing, Needle	
4D	7024736	3	Spacer, Thrust	
4E	7024726	3	Shaft, Planet	
4F	70002983	1	Gear, Planet	
4G	7001913	3	Pin, Roll	
4H	7024742	1	Thrustwasher	
4F	See Note	NSS	Gear, Planet (Note: Not Available for Purchase)	
5	7017027	1	Ring, Retaining (External)	
6	70001368	1	Cover Gear Sub Assembly	
6A	See Note	NSS	Flange, Plate/Cover (Note: Use Item 6)	
6B	7017093	1	Cap, Disengage	
6C	7000216	2	Bolt 1/4 x 1/2	
6D	7024739	1	Pin, Dowel	
6E	7017095	1	O-Ring	
6F	7017072	2	Plug	
6G	7024738	1	Ring, Retaining (Internal)	
6K	See Note	NSS	O-Ring (Note: Not Available for Purchase)	
7	70005605	1	Carrier, Sub Assembly	
7A	See Note	NSS	Carrier (Note: Not Available for Purchase)	
7B	See Note	NSS	Thrustwasher	
7C	See Note	NSS	Bushing (Note: Not Available for Purchase)	
7E	See Note	NSS	Shaft, Planet (Note: Not Available for Purchase)	
7F	See Note	NSS	Gear, Planet (Note: Not Available for Purchase)	
7G	7010474	3	Pin, Roll	
7H	7017020	1	Thrustwasher	
8A	70005611	1	Adapter, Mounting	

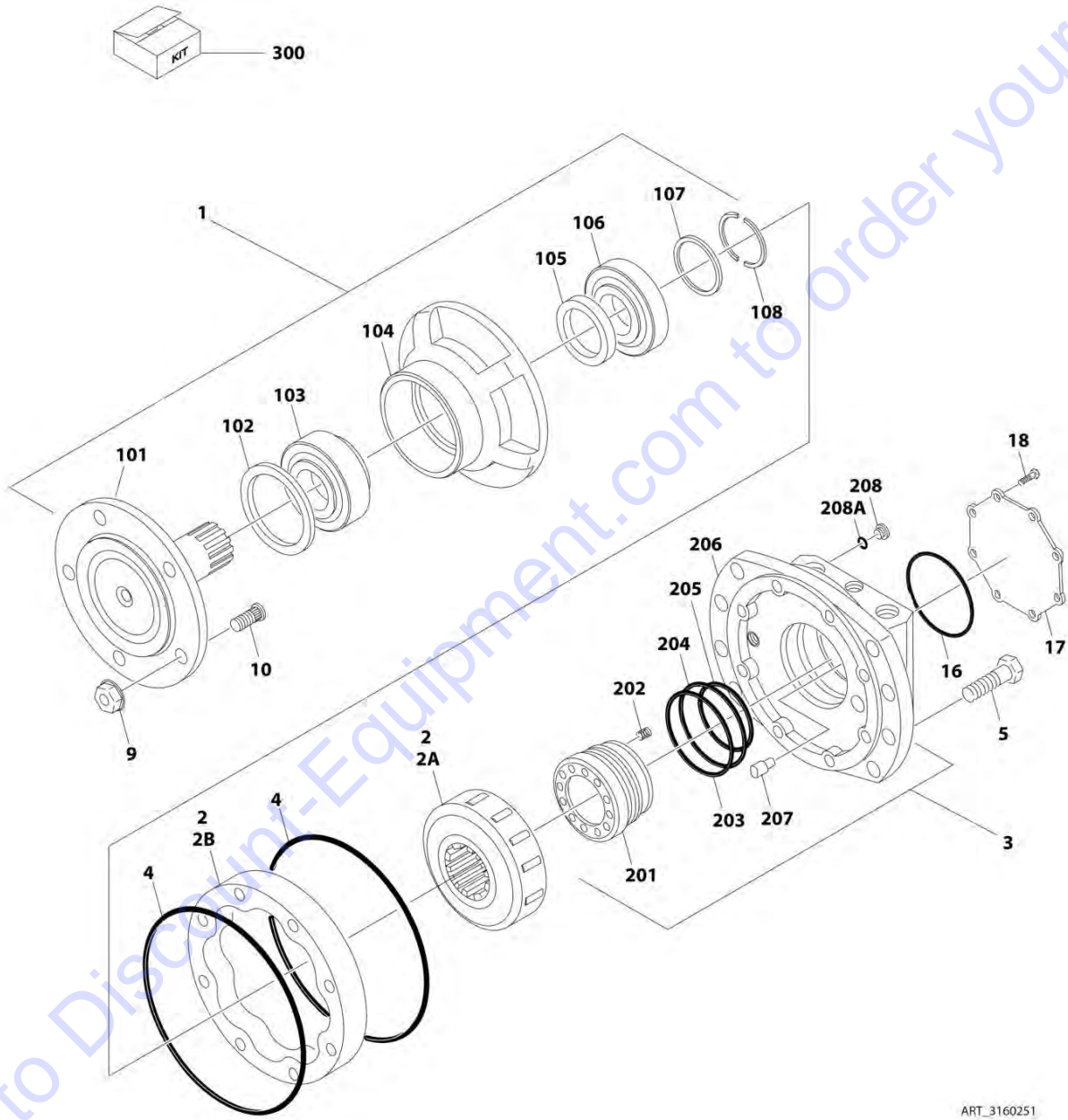
SECTION 1 - FRAME

ITEM	PART NUMBER	QTY	DESCRIPTION	REV
8B	7007642	1	Thrustwasher	
9	70005606	1	Shaft, Input	
10	70005607	1	Gear, Sun	
11	70005609	1	Gear, Sun	
12	70005608	1	Gear, Sun	
15	See Note	NSS	Plate, ID (Note: Not Available for Purchase)	
16	See Note	NSS	Rivet (Note: Not Available for Purchase)	
17	7024134	1	O-Ring	
18	70002997	1	O-Ring	
19	7017022	5	Bolt (Not Shown)	
20	70005612	1	Ring, Retaining (External)	
101	7024744	1	Seal Kit (Includes Items 1B, 1F, 1G, 17, 18 & 19)	

Go to Discount-Equipment.com to order your parts

SECTION 1 - FRAME

FIGURE 1-23. DRIVE MOTOR ASSEMBLY (4WD FRONT) (SN 0300218866 through 0300257363)



ART_3160251

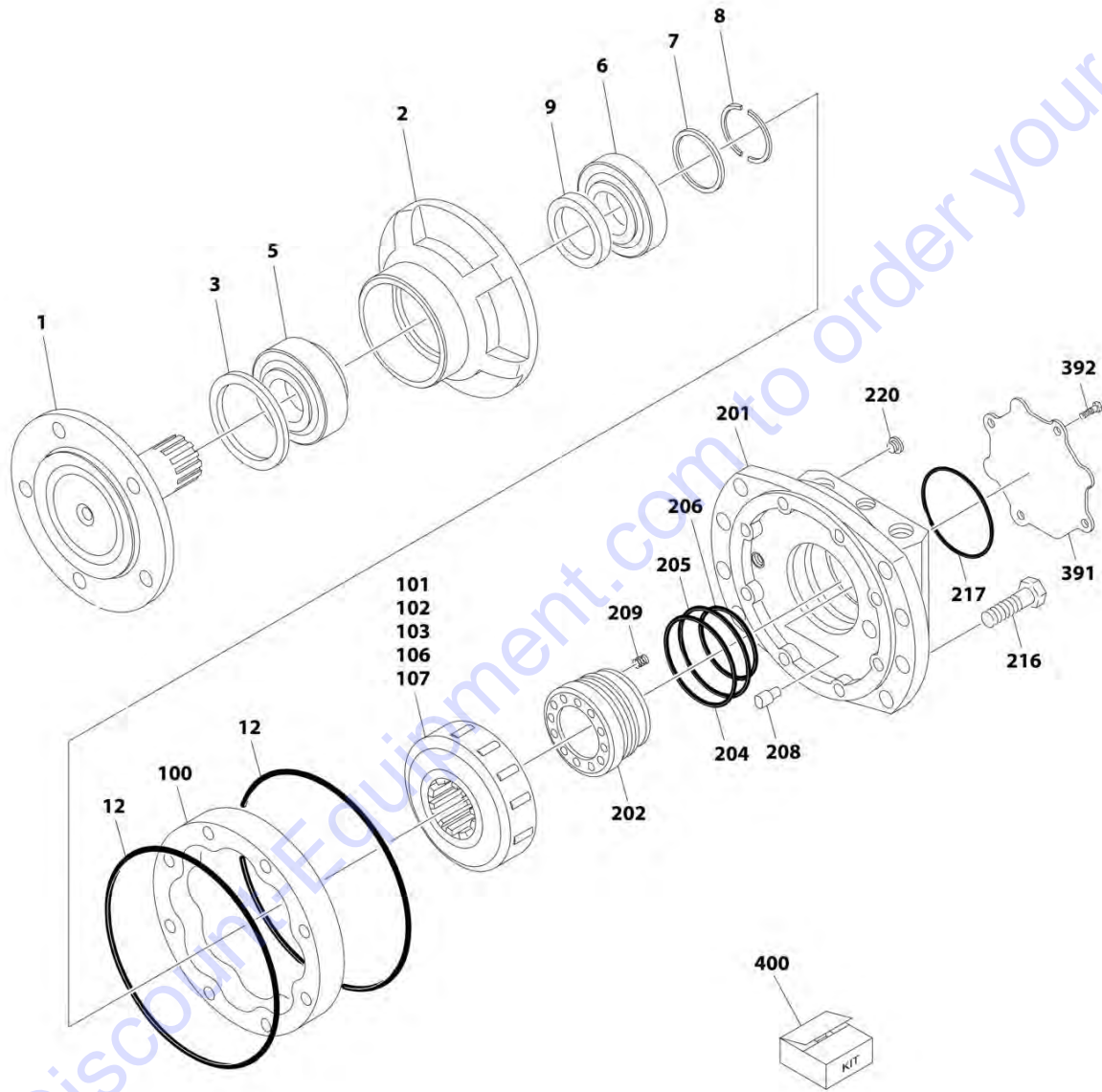
SECTION 1 - FRAME

FIGURE 1-23. DRIVE MOTOR ASSEMBLY (4WD FRONT) (SN 0300218866 through 0300257363)

ITEM	PART NUMBER	QTY	DESCRIPTION	REV
	3160251	Ref	DRIVE MOTOR ASSEMBLY (4WD FRONT)	C
1	See Note	NSS	Housing Assembly (Front) (Note: Not Available - Use p/n 3160251 for complete replacement. See 101-108 for available components)	
2	7023866	1	Rotary Group Assembly	
2A	7023869	1	Rotary Group HD without Cam	
2B	7023870	1	Cam	
3	See Note	NSS	Housing Assembly (Rear) (Note: Not Available - Use p/n 3160251 for complete replacement. See 201-208A for available components)	
4	See Note	NSS	Seal, Square (Note: Use Item 300)	
5	7023876	6	Screw, Cap	
9	7023806	5	Lugnut	
10	7023807	5	Stud	
16	See Note	NSS	Seal, Square (Note: Use Item 300)	
17	7024007	1	Plate, Rear Cover	
18	7023868	8	Screw, Cap	
		Ref	HOUSING ASSEMBLY (FRONT)	
101	7022586	1	Shaft	
102	See Note	NSS	Seal, Face (Note: Use Item 300)	
103	7022587	1	Bearing, Front	
104	See Note	NSS	Casting, Front (Note: Use p/n 3160251)	
105	See Note	NSS	Seal, Shaft (Note: Use Item 300)	
106	7022588	1	Bearing, Rear	
107		Ref	Washer Options:	
107	See Note	NSS	Washer (1.50mm) (Note: Not Available for Purchase)	
107	See Note	NSS	Washer (1.65mm) (Note: Not Available for Purchase)	
107	See Note	NSS	Washer (1.85mm) (Note: Not Available for Purchase)	
107	See Note	NSS	Washer (2.00mm) (Note: Not Available for Purchase)	
107	See Note	NSS	Washer (2.15mm) (Note: Not Available for Purchase)	
107	See Note	NSS	Washer (2.35mm) (Note: Not Available for Purchase)	
108	7022589	1	Ring, Split	
		Ref	HOUSING ASSEMBLY (REAR)	
201	7023871	1	Ring, Distributor	
202	7023872	9	Spring	
203	See Note	NSS	Seal (Note: Use Item 300)	
204	See Note	NSS	Seal (Note: Use Item 300)	
205	See Note	NSS	Seal (Note: Use Item 300)	
206	See Note	NSS	Housing, Rear (Note: Use p/n 3160251)	
207	See Note	NSS	Pin, Stop (Note: Not Available for Purchase)	
208	7022591	1	Plug	
208A	See Note	NSS	O-Ring (Note: Not Available - Purchase Locally)	
		Ref	KIT OPTIONS:	
300	7023801	1	Seal Kit (Includes Items 4, 16, 102, 105 & 203-205)	

SECTION 1 - FRAME

FIGURE 1-24. DRIVE MOTOR ASSEMBLY (4WD FRONT) (SN 0300257364 to Present)



ART_1001228232

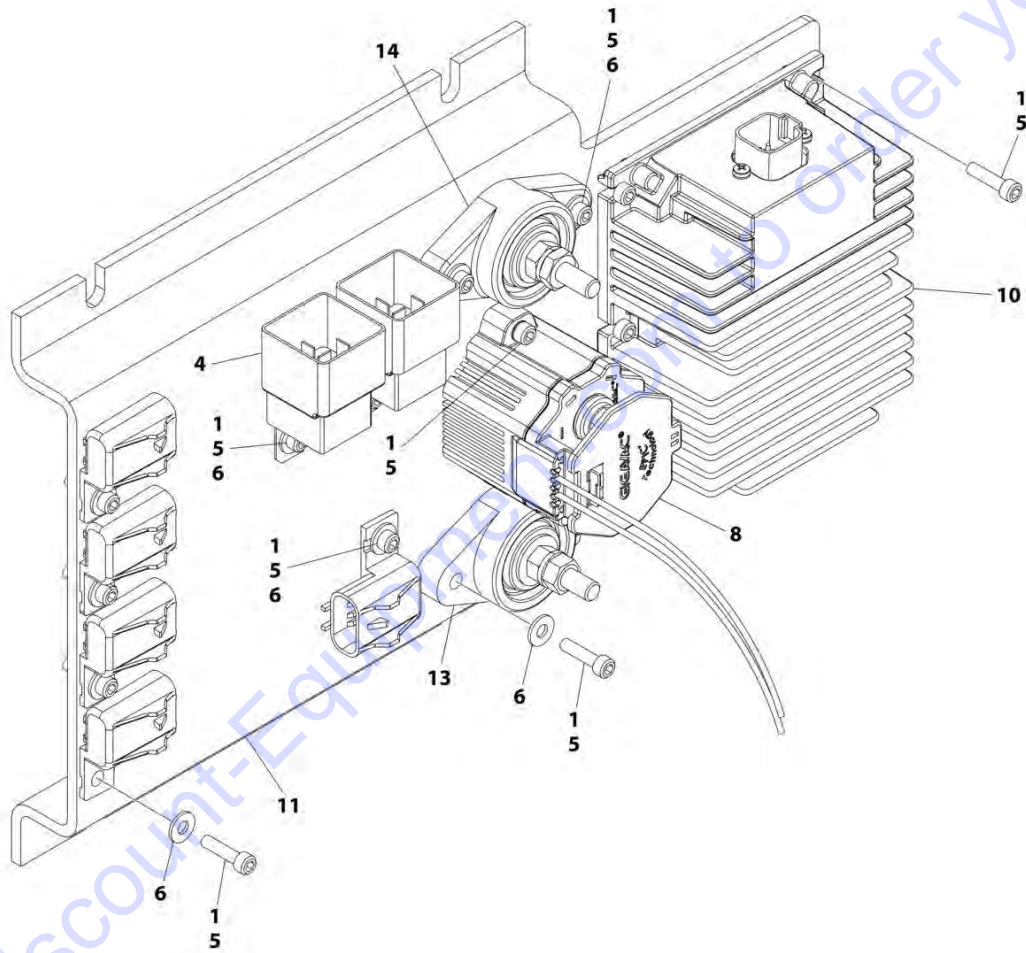
SECTION 1 - FRAME

FIGURE 1-24. DRIVE MOTOR ASSEMBLY (4WD FRONT) (SN 0300257364 to Present)

ITEM	PART NUMBER	QTY	DESCRIPTION	REV
	1001228232	Ref	DRIVE MOTOR ASSEMBLY (4WD FRONT)	A
1	7022586	1	Shaft	
2	See Note	NSS	Casting, Front (Note: Use p/n 1001228232)	
3	See Note	NSS	Seal, Face (Note: Use Item 400)	
5	7022587	1	Bearing, Front	
6	7022588	1	Bearing, Rear	
7	70006747	1	Washer	
8	7022589	1	Ring, Split	
9	See Note	NSS	Seal, Shaft (Note: Use Item 400)	
12	See Note	NSS	Seal, Square (Note: Use Item 400)	
100	7023870	1	Cam	
101	70006763	1	Block, Cylinder	
102	70006752	1	Piston	
103	70006753	8	Roller	
106	70006756	2	Clip	
107	70006757	2	Ring, Retaining	
201	See Note	NSS	Housing, Rear (Note: Use p/n 1001228232)	
202	7023871	1	Ring, Distributor	
204	See Note	NSS	Seal (Note: Use Item 400)	
205	See Note	NSS	Seal (Note: Use Item 400)	
206	See Note	NSS	Seal (Note: Use Item 400)	
208	70006759	1	Pin, Dowel	
209	7023872	9	Spring	
216	70001091	6	Screw, Cap	
217	See Note	NSS	Seal, Square (Note: Use Item 400)	
220	7022591	1	Plug	
391	See Note	NSS	Plate, Rear Cover (Note: Use p/n 1001228232)	
392	70002264	4	Screw, Cap	
400	70006762	1	Seal Kit (Includes Items 3, 9, 12, 204-206 & 217)	

SECTION 1 - FRAME

FIGURE 1-25. AC DRIVE ELECTRICAL PLATE ASSEMBLY (NON UL SPECS)



ART_1001180654

SECTION 1 - FRAME

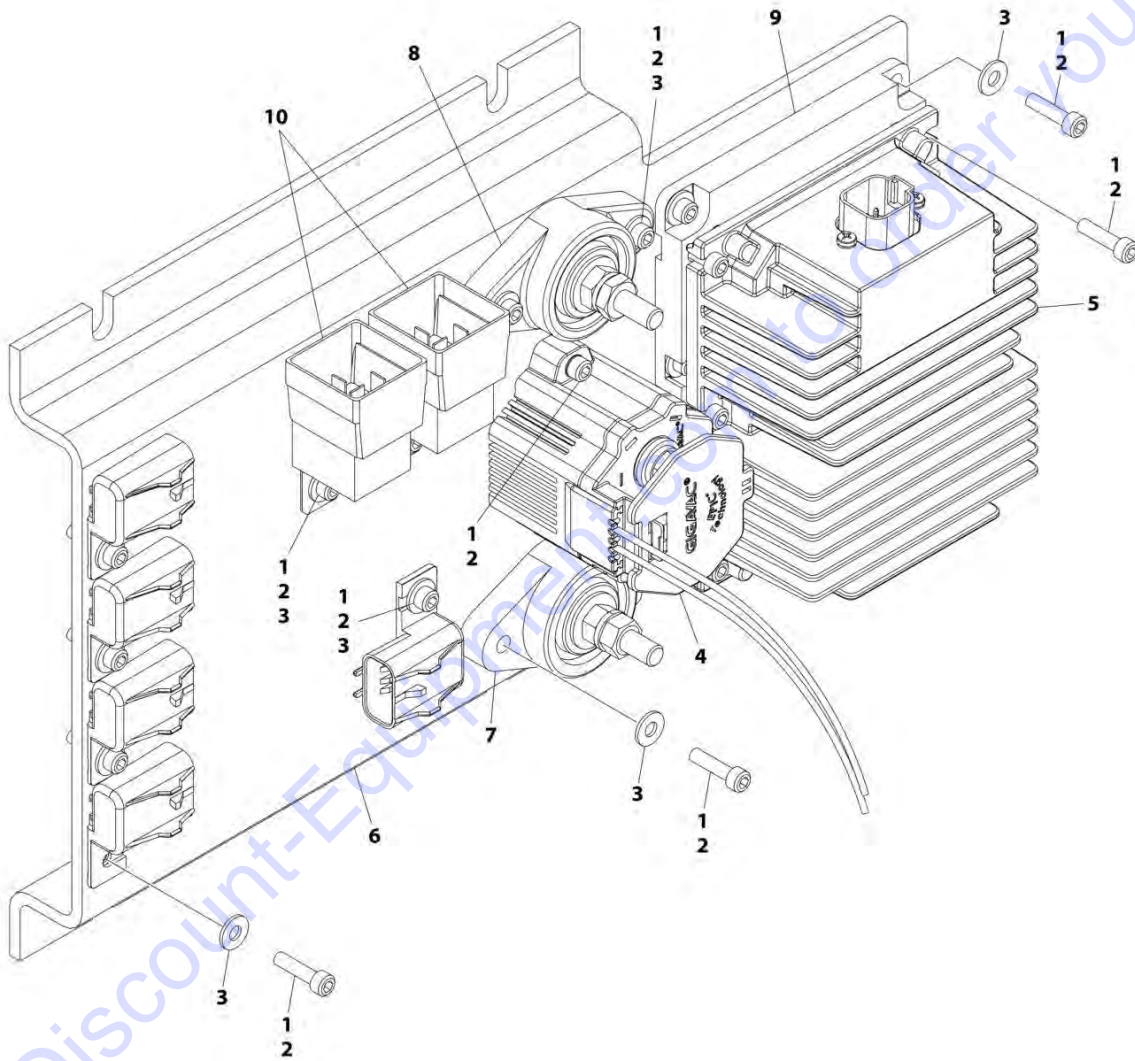
FIGURE 1-25. AC DRIVE ELECTRICAL PLATE ASSEMBLY (NON UL SPECS)

ITEM	PART NUMBER	QTY	DESCRIPTION	REV
	1001180654	Ref	AC DRIVE ELECTRICAL PLATE ASSEMBLY (NON UL SPECS)	C
1	0100035	AR	Compound, Locking	
4	3740080	2	Relay	
5	3931012	19	Capscrew #10 x 3/4	
6	4711000	11	Washer #10	
8	1001170367	1	Relay	
10	1001174447	1	Converter	
11	1001180653	1	Plate, Mounting	
13	1001186860	1	Stud, Power Distribution	
14	1001212359	1	Stud, Power Distribution (Red)	

Go to Discount-Equipment.com to order your parts

SECTION 1 - FRAME

FIGURE 1-26. AC DRIVE ELECTRICAL PLATE ASSEMBLY (UL SPECS)



ART_1001214669

SECTION 1 - FRAME

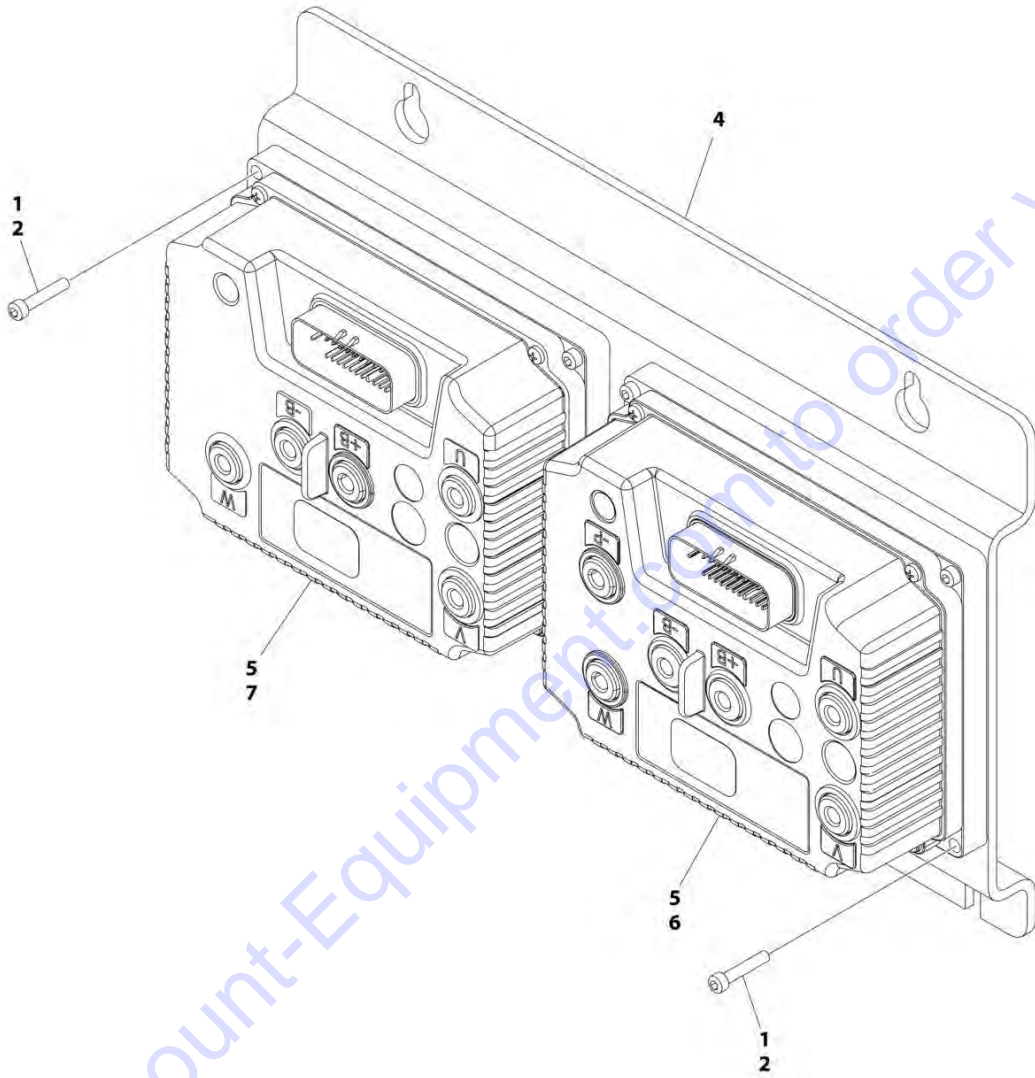
FIGURE 1-26. AC DRIVE ELECTRICAL PLATE ASSEMBLY (UL SPECS)

ITEM	PART NUMBER	QTY	DESCRIPTION	REV
	1001214669	Ref	AC DRIVE ELECTRICAL PLATE ASSEMBLY (UL SPECS)	A
1	0100035	AR	Compound, Locking	
2	3931012	25	Capscrew #10 x 3/4	
3	4711000	17	Washer #10	
4	1001170367	1	Relay	
5	1001174447	1	Converter	
6	1001180653	1	Plate, Mounting	
7	1001186860	1	Stud, Power Distribution	
8	1001212359	1	Stud, Power Distribution (Red)	
9	1001212450	1	Insulate, Converter	
10	1001214667	2	Relay	

Go to Discount-Equipment.com to order your parts

SECTION 1 - FRAME

FIGURE 1-27. DRIVE MODULE PLATE ASSEMBLY



ART_1001180780

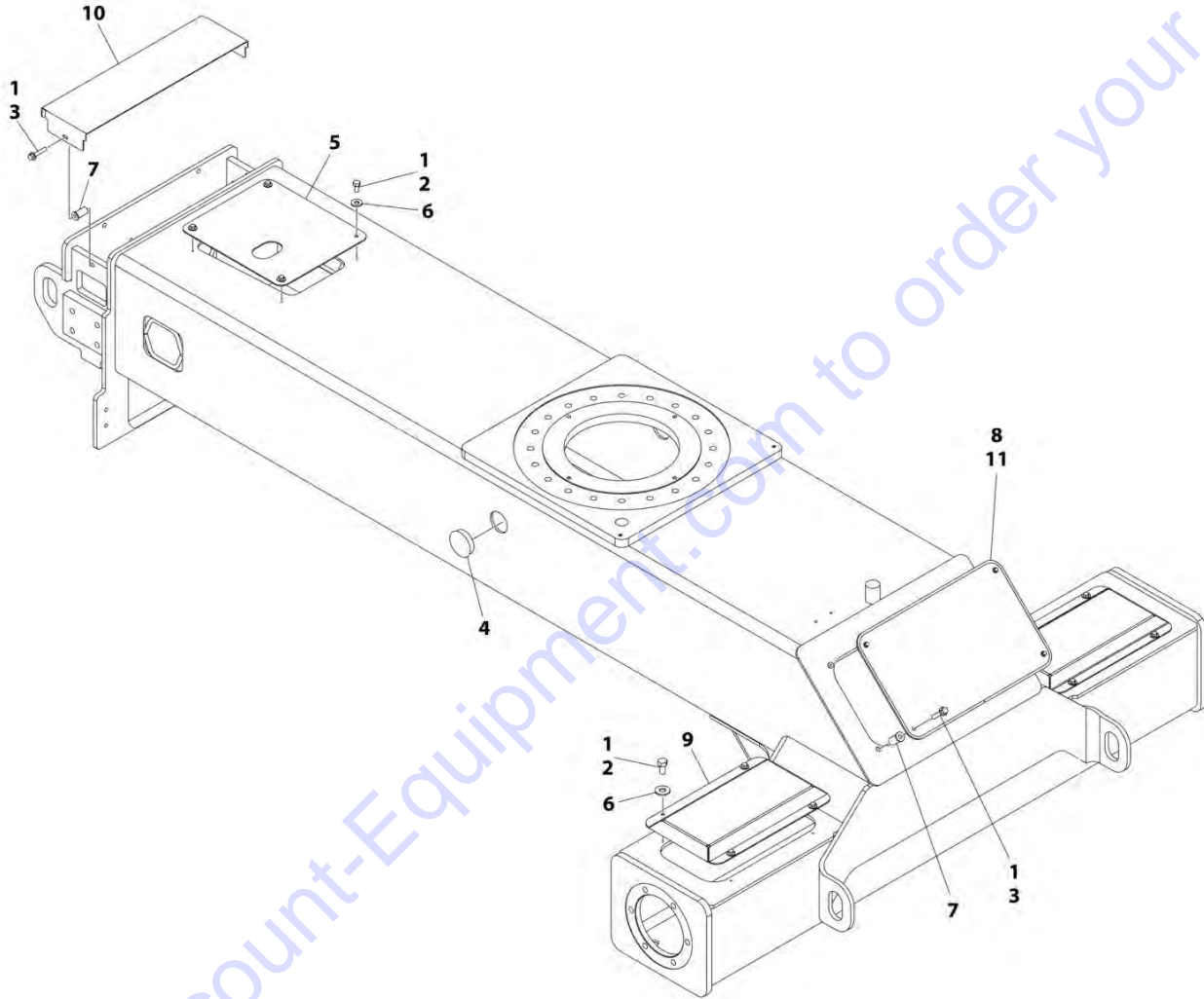
FIGURE 1-27. DRIVE MODULE PLATE ASSEMBLY

ITEM	PART NUMBER	QTY	DESCRIPTION	REV
	1001180780	Ref	DRIVE MODULE PLATE ASSEMBLY	C
1	0100035	AR	Compound, Locking	
2	3931016	8	Capscrew #10 x 1	
4	1001180779	1	Plate, Mounting	
5	0100083	AR	Grease	
6	1001178339	1	Module, Drive	
7	1001192212	1	Module, Drive	

Go to Discount-Equipment.com to order your parts

SECTION 1 - FRAME

FIGURE 1-28. FRAME SHIELDS INSTALLATION



ART_1001181065

SECTION 1 - FRAME

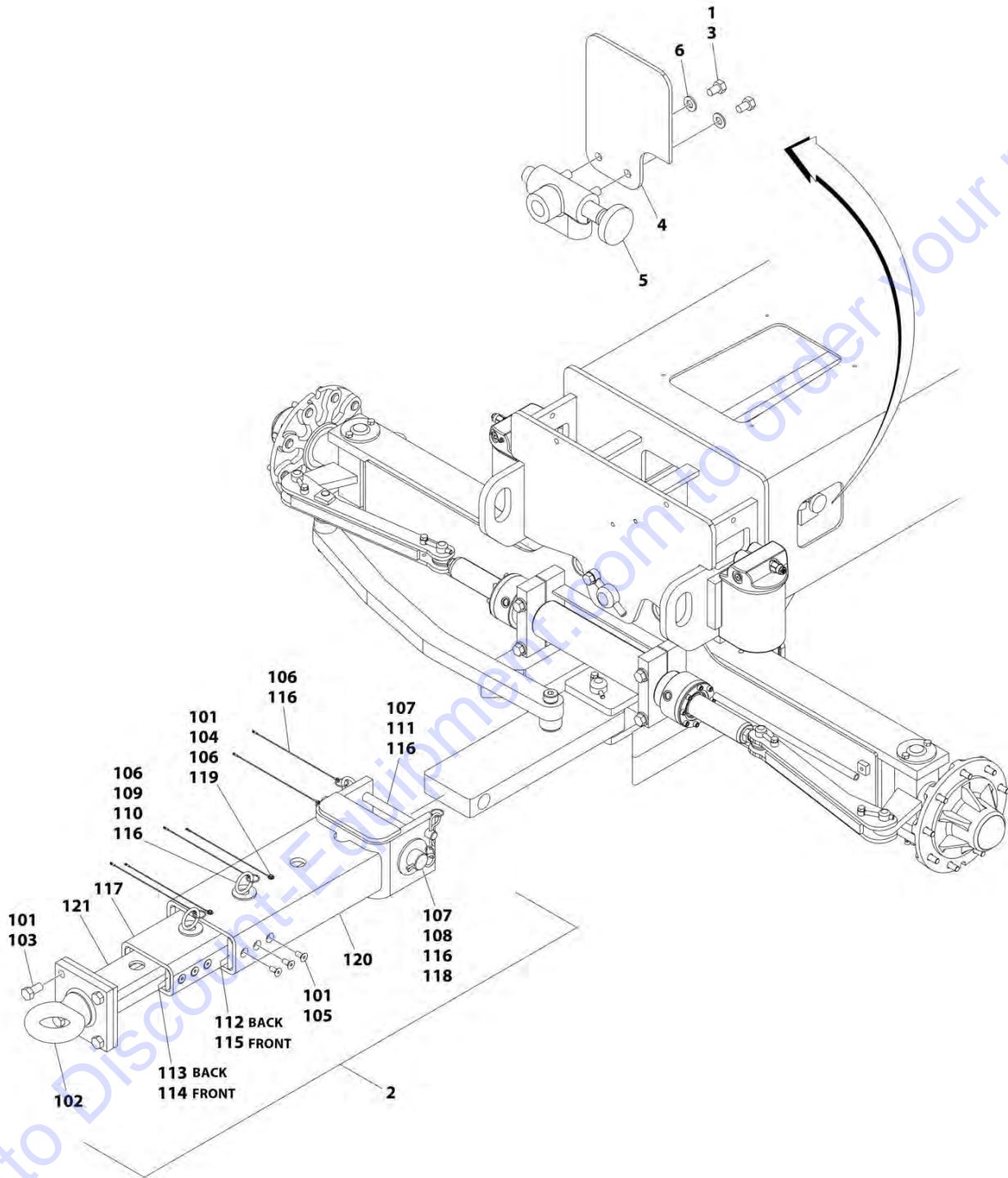
FIGURE 1-28. FRAME SHIELDS INSTALLATION

ITEM	PART NUMBER	QTY	DESCRIPTION	REV
	1001181065	Ref	FRAME SHIELDS INSTALLATION	C
1	0100011	AR	Compound, Locking	
2	0641505	12	Bolt 5/16 x 5/8	
3	0791410	8	Screw 1/4 x 1-1/4	
4	3520064	2	Plug	
5	1001194312	1	Cover, Front Frame	
6	4751500	12	Washer 5/16	
7	8580420	8	Nut, Well	
8	1001172293	1	Cover, Rear Frame	
9	1001180652	2	Cover, Axle	
10	1001181924	1	Cover, Front Frame	
11	4060804	5.5 ft/ 1.7m	Flex-Trim (SN 0300224946 to Present)	

Go to Discount-Equipment.com to order your parts

SECTION 1 - FRAME

FIGURE 1-29. TOW PACKAGE INSTALLATION WITHOUT NATO EYE



ART_0270527

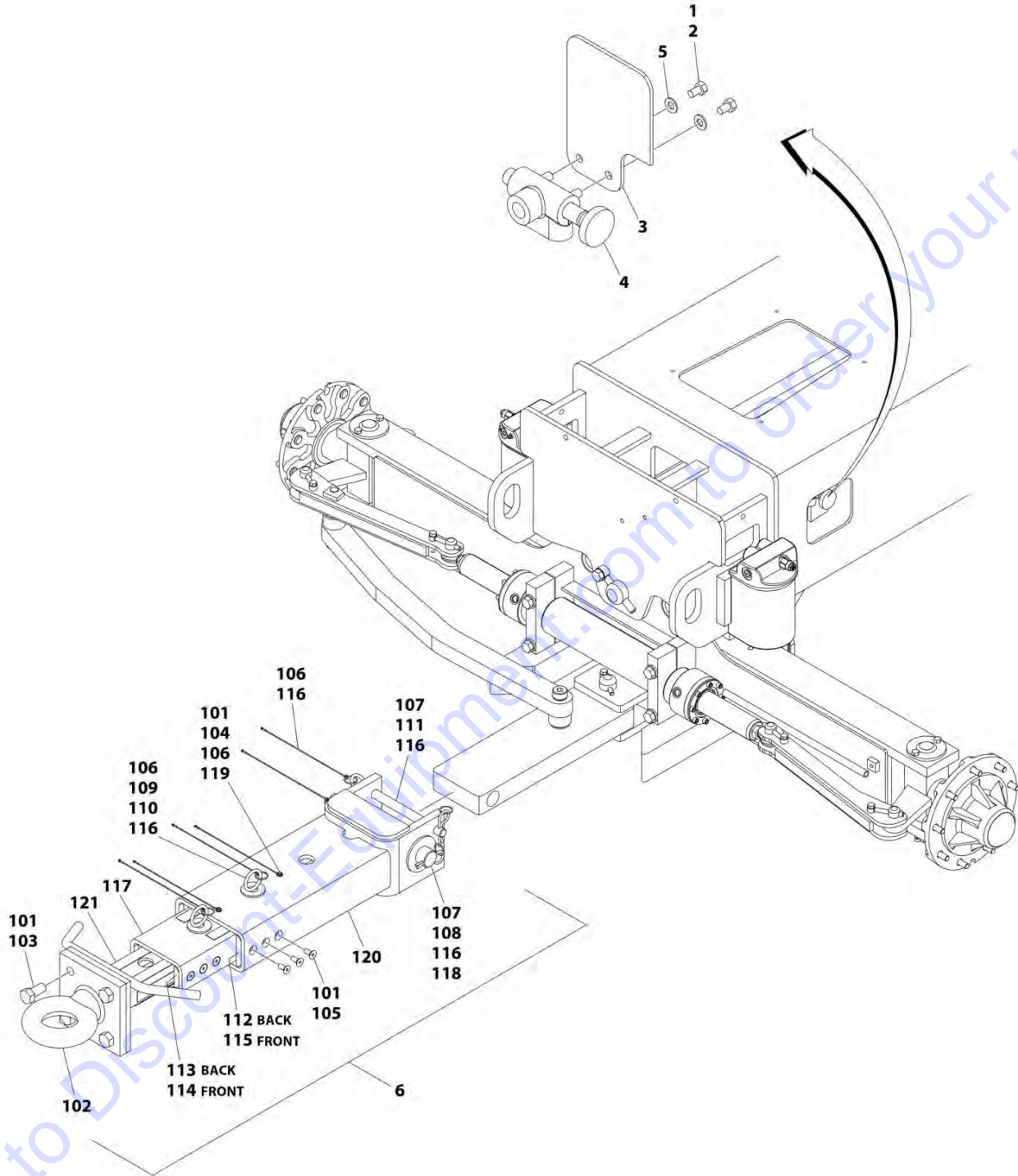
SECTION 1 - FRAME

FIGURE 1-29. TOW PACKAGE INSTALLATION WITHOUT NATO EYE

ITEM	PART NUMBER	QTY	DESCRIPTION	REV
	0270527	Ref	TOW PACKAGE INSTALLATION WITHOUT NATO EYE	C
1	0100011	AR	Compound, Locking	
2	0270528	1	Tow Bar Assembly (See Items 101-121 for Breakdown)	
3	0641504	2	Bolt 5/16 x 1/2	
4	3572506	1	Plate, Valve Mounting	
5	4640261	1	Valve, Tow	
6	4711500	2	Washer 5/16	
	0270528	Ref	TOW BAR ASSEMBLY	A
101	0100011	AR	Compound, Locking	
102	0362910	1	Pintle, Draw Eye	
103	0642010	4	Bolt 5/8 x 1-1/4	
104	0721004	2	Screw, Hex Machine	
105	0741607	24	Screw 3/8 x 7/8	
106	1060584	6	Cable, Lanyard	
107	3420372	2	Pin, Cotter	
108	3420447	1	Pin, Towing	
109	3421565	2	Pin, Snap	
110	3422841	2	Pin	
111	3422847	1	Pin	
112	3572009	2	Plate, Slide Stop	
113	3572010	2	Plate, Slide Stop	
114	3572011	2	Plate, Slide Stop	
115	3572012	2	Plate, Slide Stop	
116	3760170	8	Ring, Split	
117	4568133	1	Tube, Tow Bar	
118	4740036	1	Washer	
119	4751000	2	Washer #10	
120	4846295	1	Tow Bar Attach Weldment	
121	4846296	1	Pintle Attach Weldment	

SECTION 1 - FRAME

FIGURE 1-30. TOW PACKAGE INSTALLATION WITH NATO EYE



ART_1001191471

SECTION 1 - FRAME

FIGURE 1-30. TOW PACKAGE INSTALLATION WITH NATO EYE

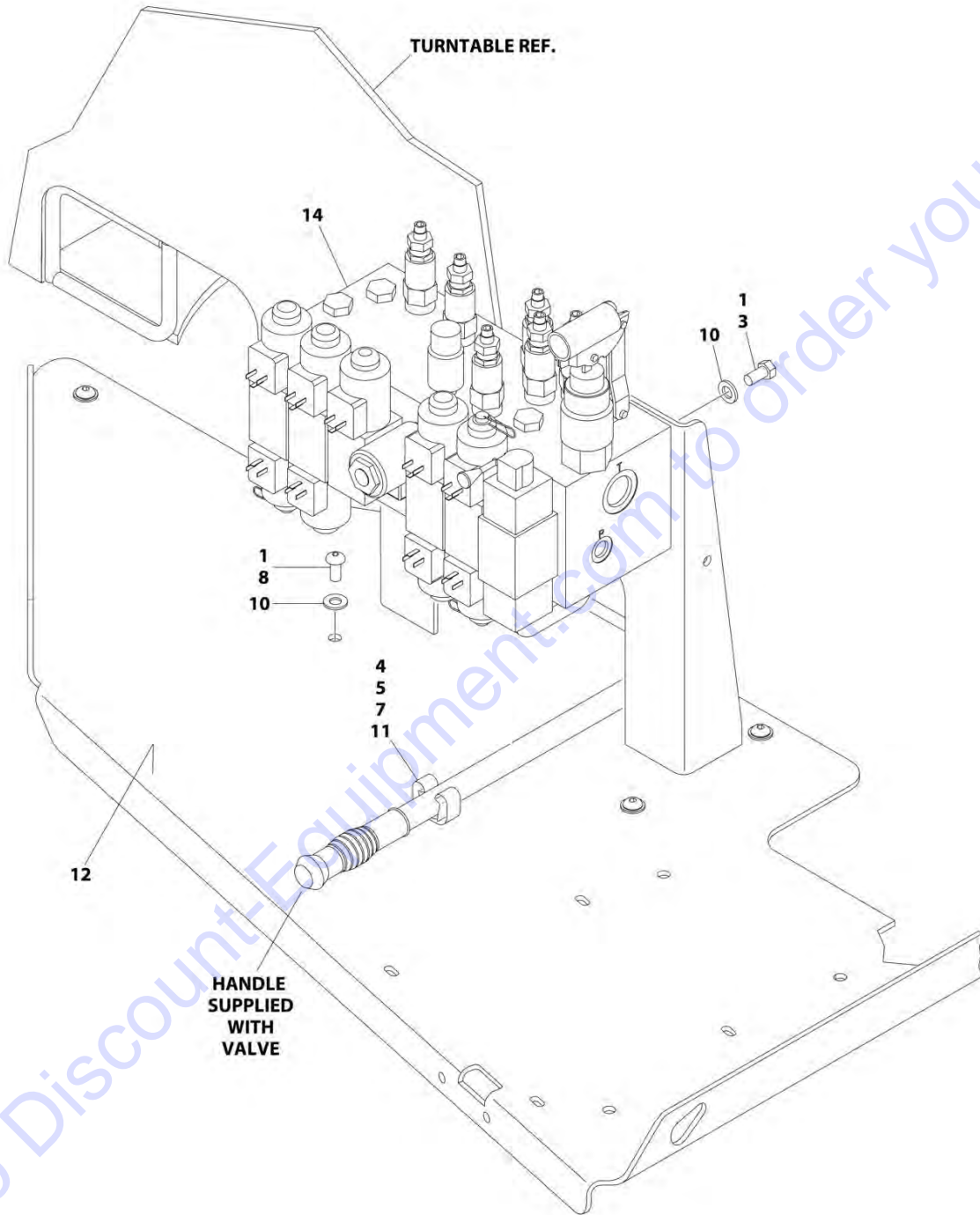
ITEM	PART NUMBER	QTY	DESCRIPTION	REV
	1001191471	Ref	TOW PACKAGE INSTALLATION WITH NATO EYE	B
1	0100011	AR	Compound, Locking	
2	0641504	2	Bolt 5/16 x 1/2	
3	3572506	1	Plate, Valve Mounting	
4	4640261	1	Valve, Tow	
5	4711500	2	Washer 5/16	
6	1001191469	1	Tow Bar Assembly (See Items 101-121 for Breakdown)	
	1001191469	Ref	TOW BAR ASSEMBLY	A
101	0100011	AR	Compound, Locking	
102	1001191463	1	Pintle, Nato Eye	
103	0682212	4	Bolt 3/4 x 1-1/2	
104	0721004	2	Screw, Hex Machine	
105	0741607	24	Screw 3/8 x 7/8	
106	1060584	6	Cable, Lanyard	
107	3420372	2	Pin, Cotter	
108	3420447	1	Pin, Towing	
109	3421565	2	Pin, Snap	
110	3422841	2	Pin	
111	3422847	1	Pin	
112	3572009	2	Plate, Slide Stop	
113	3572010	2	Plate, Slide Stop	
114	3572011	2	Plate, Slide Stop	
115	3572012	2	Plate, Slide Stop	
116	3760170	8	Ring, Split	
117	4568133	1	Tube, Tow Bar	
118	4740036	1	Washer	
119	4751000	2	Washer #10	
120	1001191489	1	Tow Bar Attach Weldment	
121	1001191493	1	Pintle Attach Weldment	

SECTION 2 - TURNTABLE

Go to Discount-Equipment.com to order your parts

SECTION 2 - TURNTABLE

FIGURE 2-1. VALVE INSTALLATION - WITHOUT LSS OR WITH 4 CELL LSS
(E600/E600J/M600/M600J)



ART_1001177858_10F2

SECTION 2 - TURNTABLE

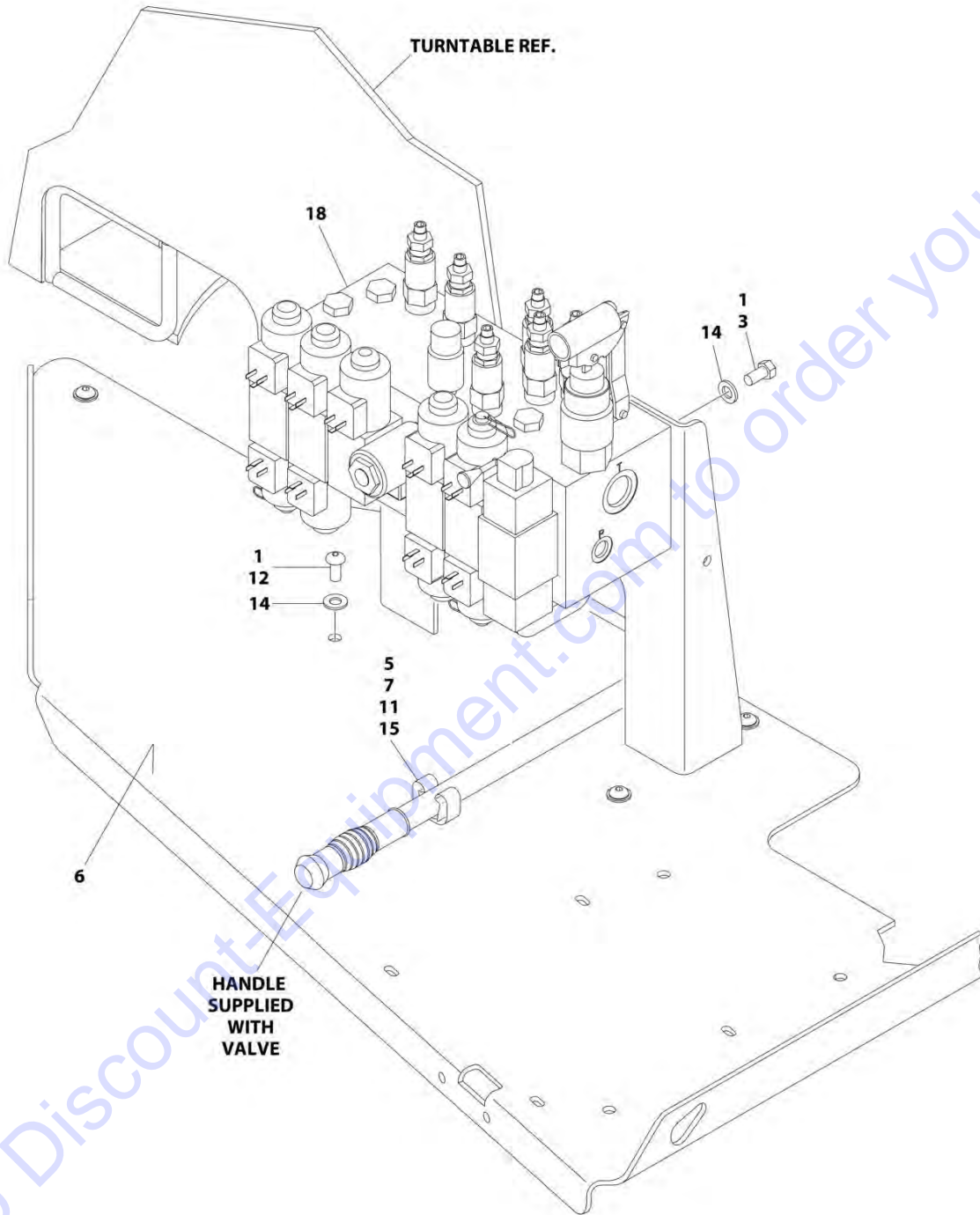
**FIGURE 2-1. VALVE INSTALLATION - WITHOUT LSS OR WITH 4 CELL LSS
(E600/E600J/M600/M600J)**

ITEM	PART NUMBER	QTY	DESCRIPTION	REV
	1001177858	Ref	VALVE INSTALLATION - WITHOUT LSS OR WITH 4 CELL LSS (E600/E600J/M600/M600J)	A
1	0100011	AR	Compound, Locking	
3	0641606	4	Bolt 3/8 x 3/4	
4	0741005	2	Bolt #10 x 5/8	
5	1380136	2	Clip	
7	3311005	2	Nut #10	
8	3900283	7	Screw, Button Head	
10	4711600	11	Washer 3/8	
11	4751000	4	Washer #10	
12	4846183	1	Tray Weldment	
14	1001092566	1	Main Control Valve Assembly (See MAIN CONTROL VALVE ASSEMBLY for Breakdown)	

Go to Discount-Equipment.com to order your parts

SECTION 2 - TURNTABLE

FIGURE 2-2. VALVE INSTALLATION - WITH 1 CELL LSS (E600/E600J/M600/M600J)



ART_1001219640_10F2

SECTION 2 - TURNTABLE

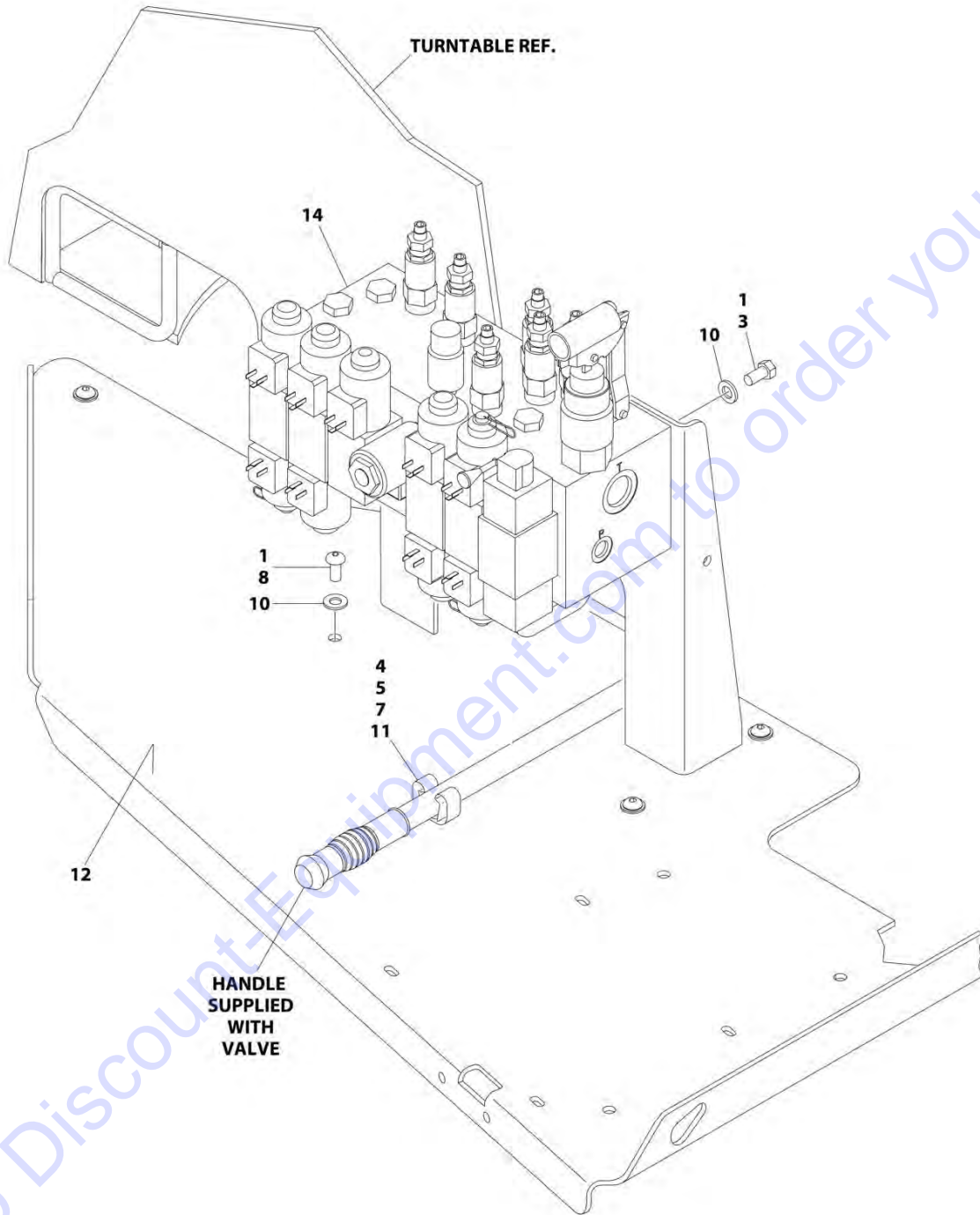
FIGURE 2-2. VALVE INSTALLATION - WITH 1 CELL LSS (E600/E600J/M600/M600J)

ITEM	PART NUMBER	QTY	DESCRIPTION	REV
	1001219640	Ref	VALVE INSTALLATION - WITH 1 CELL LSS (E600/E600J/M600/M600J)	C
1	0100011	AR	Compound, Locking	
3	0641606	4	Bolt 3/8 x 3/4	
5	0741005	2	Bolt #10 x 5/8	
6	4846183	1	Tray Weldment	
7	1380136	2	Clip	
11	3311005	2	Nut #10	
12	3900283	7	Screw, Button Head	
14	4711600	11	Washer 3/8	
15	4751000	4	Washer #10	
18	1001092566	1	Main Control Valve Assembly (See MAIN CONTROL VALVE ASSEMBLY for Breakdown)	

Go to Discount-Equipment.com to order your parts

SECTION 2 - TURNTABLE

FIGURE 2-3. VALVE INSTALLATION - WITHOUT LSS OR WITH 4 CELL LSS (E600JP/M600JP)



ART_1001177860_10F2

SECTION 2 - TURNTABLE

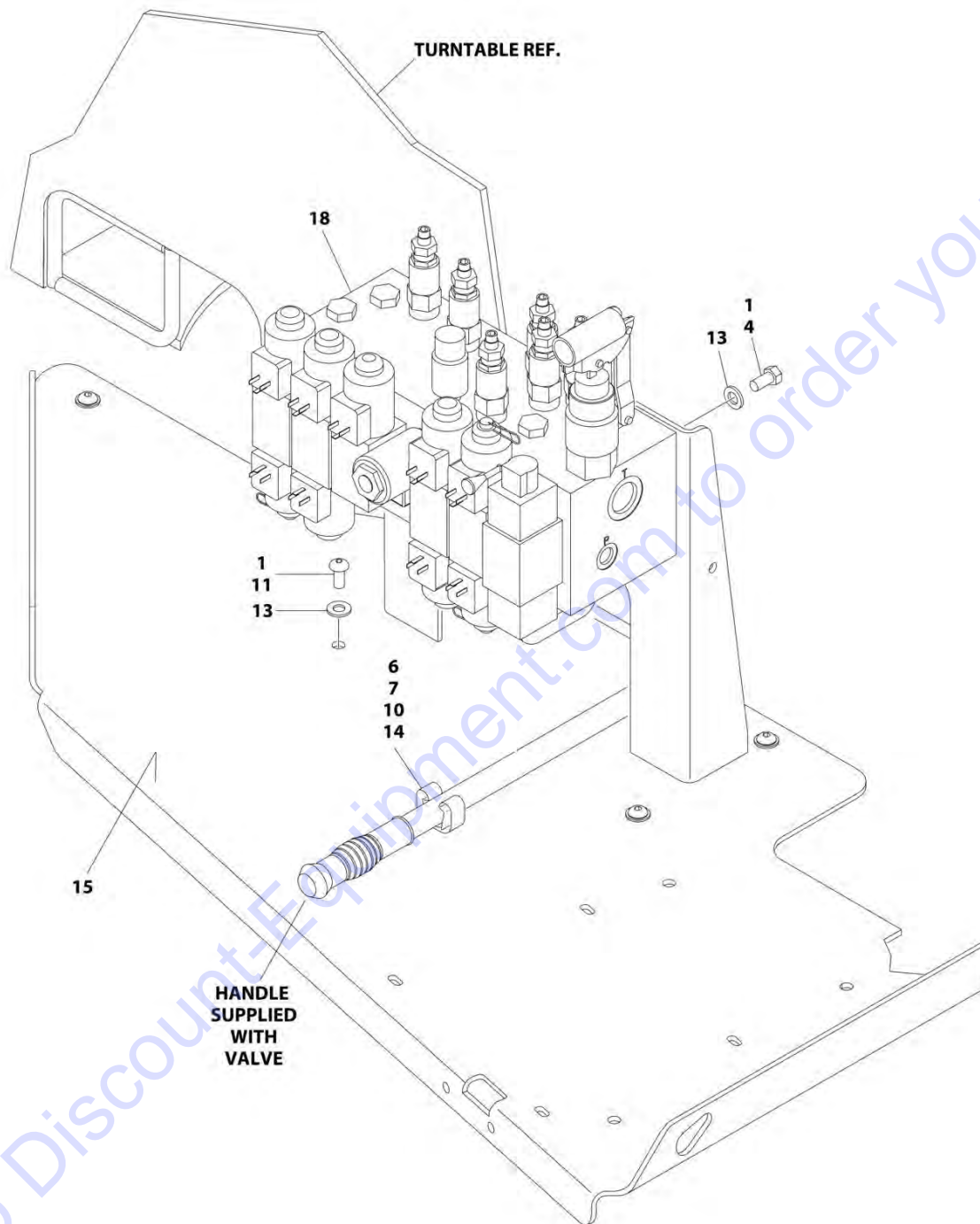
FIGURE 2-3. VALVE INSTALLATION - WITHOUT LSS OR WITH 4 CELL LSS (E600JP/M600JP)

ITEM	PART NUMBER	QTY	DESCRIPTION	REV
	1001177860	Ref	VALVE INSTALLATION - WITHOUT LSS OR WITH 4 CELL LSS (E600JP/M600JP)	A
1	0100011	AR	Compound, Locking	
3	0641606	4	Bolt 3/8 x 3/4	
4	0741005	2	Bolt #10 x 5/8	
5	1380136	2	Clip	
7	3311005	2	Nut #10	
8	3900283	7	Screw, Button Head	
10	4711600	11	Washer 3/8	
11	4751000	4	Washer #10	
12	4846183	1	Tray Weldment	
14	1001092566	1	Main Control Valve Assembly (See MAIN CONTROL VALVE ASSEMBLY for Breakdown)	

Go to Discount-Equipment.com to order your parts

SECTION 2 - TURNTABLE

FIGURE 2-4. VALVE INSTALLATION - WITH 1 CELL LSS (E600JP/M600JP)



ART_1001219641_10F2

SECTION 2 - TURNTABLE

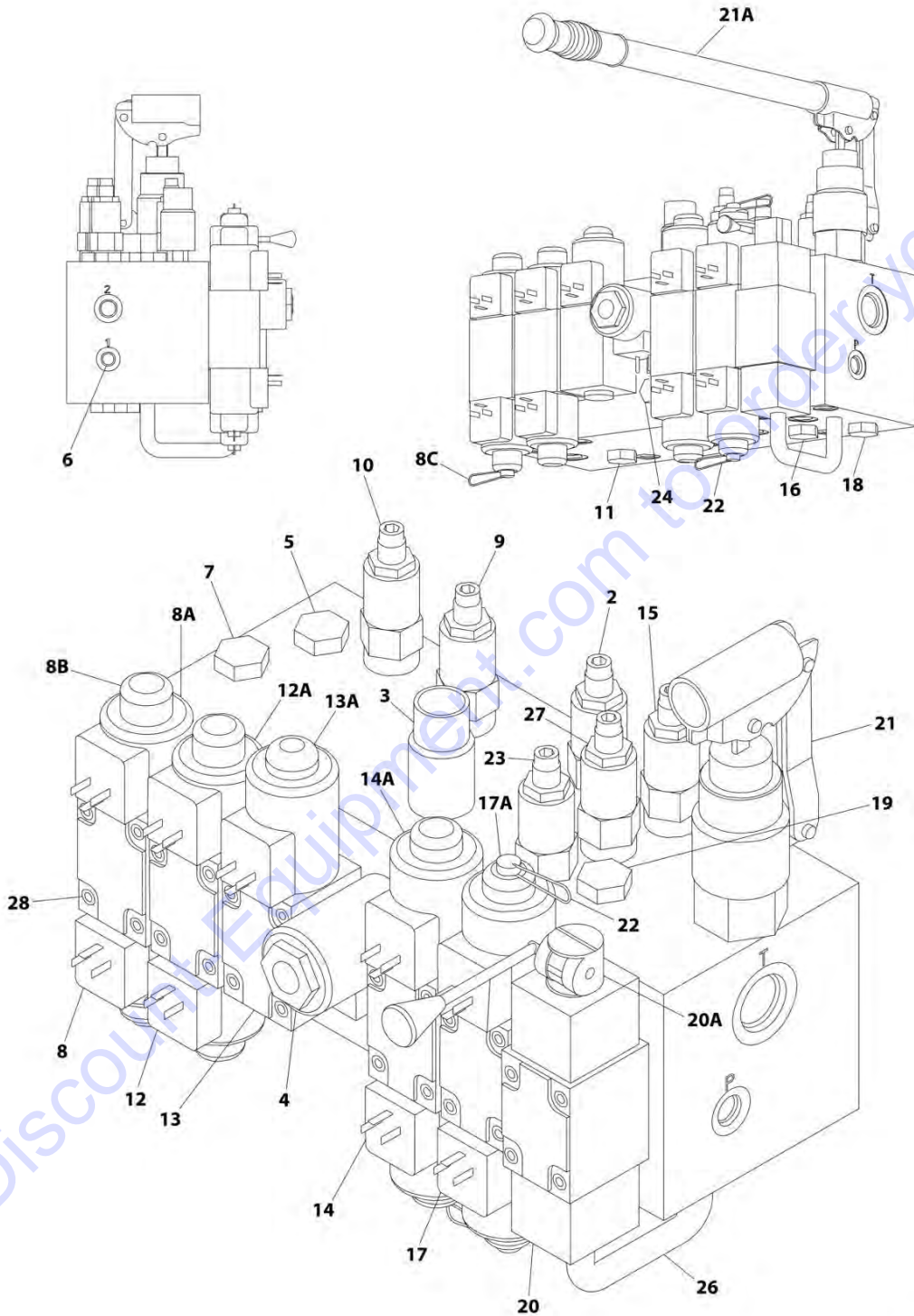
FIGURE 2-4. VALVE INSTALLATION - WITH 1 CELL LSS (E600JP/M600JP)

ITEM	PART NUMBER	QTY	DESCRIPTION	REV
	1001219641	Ref	VALVE INSTALLATION - WITH 1 CELL LSS (E600JP/M600JP)	C
1	0100011	AR	Compound, Locking	
4	0641606	4	Bolt 3/8 x 3/4	
6	0741005	2	Bolt #10 x 5/8	
7	1380136	2	Clip	
10	3311005	2	Nut #10	
11	3900283	7	Screw, Button Head	
13	4711600	11	Washer 3/8	
14	4751000	4	Washer #10	
15	4846183	1	Tray Weldment	
18	1001092566	1	Main Control Valve Assembly (See MAIN CONTROL VALVE ASSEMBLY for Breakdown)	

Go to Discount-Equipment.com to order your parts

SECTION 2 - TURNTABLE

FIGURE 2-5. MAIN CONTROL VALVE ASSEMBLY



ART_1001092566

SECTION 2 - TURNTABLE

FIGURE 2-5. MAIN CONTROL VALVE ASSEMBLY

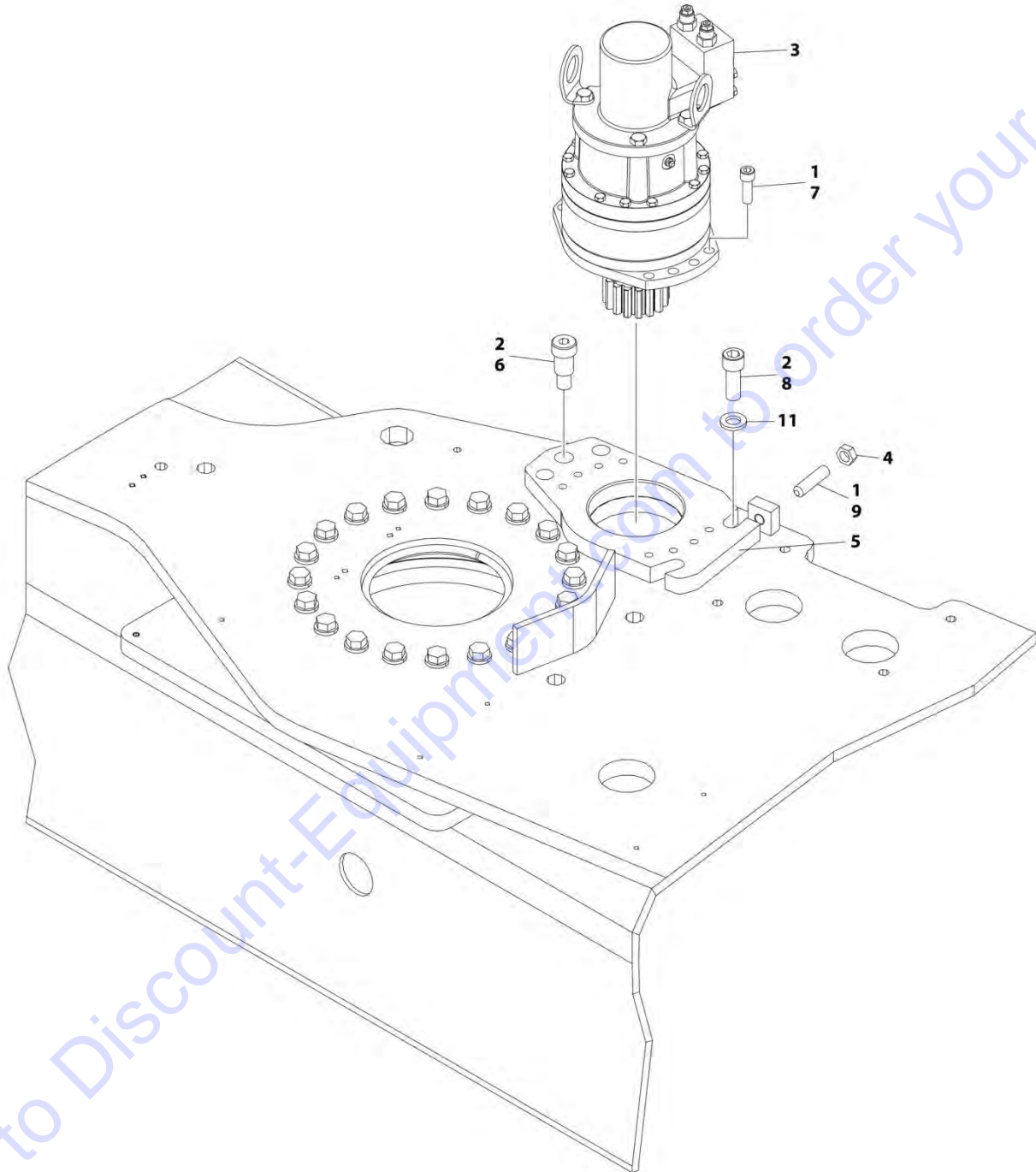
ITEM	PART NUMBER	QTY	DESCRIPTION	REV
	1001092566	Ref	MAIN CONTROL VALVE ASSEMBLY	G
2	7012912	1	Cartridge, Relief (Main)	
2	7012998	1	Seal Kit - 7012912 Cartridge	
3	7021619	1	Cartridge, Pressure Switch (Brake)	
4	70005337	1	Cartridge without Coil (Brake)	
4	7010543	1	Seal Kit - 70005337 Cartridge	
4	7012944	1	Coil	
5	7012975	1	Cartridge, Check (Telescope Out)	
5	7012967	1	Seal Kit - 7012975 Cartridge	
6	7018900	1	Orifice	
7	7022391	1	Cartridge, Check (Telescope In)	
7	7012967	1	Seal Kit - 7022391 Cartridge	
8	70001440	1	Control Valve Assembly (Telescope)	
8	7012773	1	Seal Kit	
8A	70002947	2	Coil	
8B	7021375	1	Nut	
8B	70003525	1	Nut	
8C	70003526	1	Lanyard	
9	7012912	1	Cartridge, Relief (Flow Control)	
9	7012998	1	Seal Kit - 7012912 Cartridge	
10	7012912	1	Cartridge, Relief (Steer)	
10	7012998	1	Seal Kit - 7012912 Cartridge	
11	10837580	1	Cartridge, Load Shuttle (Steer)	
11	7010543	1	Seal Kit - 10837580 Cartridge	
12	70001342	1	Control Valve Assembly (Steer)	
12	7012773	1	Seal Kit	
12A	70002947	1	Coil	
12A	7021375	2	Nut	
13	7022521	1	Control Valve Assembly (Flow Control)	
13	7012773	1	Seal Kit	
13A	7018991	1	Coil	
13A	7021375	1	Nut	
14	7024991	1	Control Valve Assembly (Lift)	
14	7012773	1	Seal Kit	
14A	7018991	2	Coil	
14A	7021375	2	Nut	
15	7012912	1	Cartridge, Relief (Swing)	
15	7012998	1	Seal Kit - 7012912 Cartridge	
16	10837580	1	Cartridge, Load Shuttle (Swing)	
16	7010543	1	Seal Kit - 10837580 Cartridge	
17	70005374	1	Control Valve Assembly (Swing)	
17		Ref	Seal Kit Options:	
17	70004461	2	Seal Kit	
17	7018945	4	Seal Kit	
17A	7018991	2	Coil	
17A	70003525	2	Nut	
17A	70003526	2	Lanyard	
18	4641129	1	Cartridge, Check (Swing)	
18	7012967	1	Seal Kit - 4641129 Cartridge	
19	4641129	1	Cartridge, Check (Swing)	

SECTION 2 - TURNTABLE

ITEM	PART NUMBER	QTY	DESCRIPTION	REV
19	7012967	1	Seal Kit - 4641129 Cartridge	
20	7024022	Ref	Control Valve Assembly (Manual Descent)	
20	7024024	1	Seal Kit	
20A	7024023	1	Handle	
21	7023208	1	Pump Assembly	
21	7023209	1	Seal Kit	
21A	7023210	1	Handle, Pump with Grip	
22	7012799	3	Lanyard	
23	7012912	1	Cartridge, Relief (Lift Down)	
23	7012998	1	Seal Kit - 7012912 Cartridge	
24	4641129	1	Cartridge, Check (Brake)	
24	7012967	1	Seal Kit - 4641129 Cartridge	
26	70000435	Ref	Hose	
26	7018904	1	Fitting, Elbow	
27	7012912	1	Cartridge, Relief (Lift Up)	
27	7012998	1	Seal Kit - 7012912 Cartridge	
28	7018942	24	Capscrew #10 x 2	

SECTION 2 - TURNTABLE

FIGURE 2-6. SWING DRIVE INSTALLATION



ART_0270752

SECTION 2 - TURNTABLE

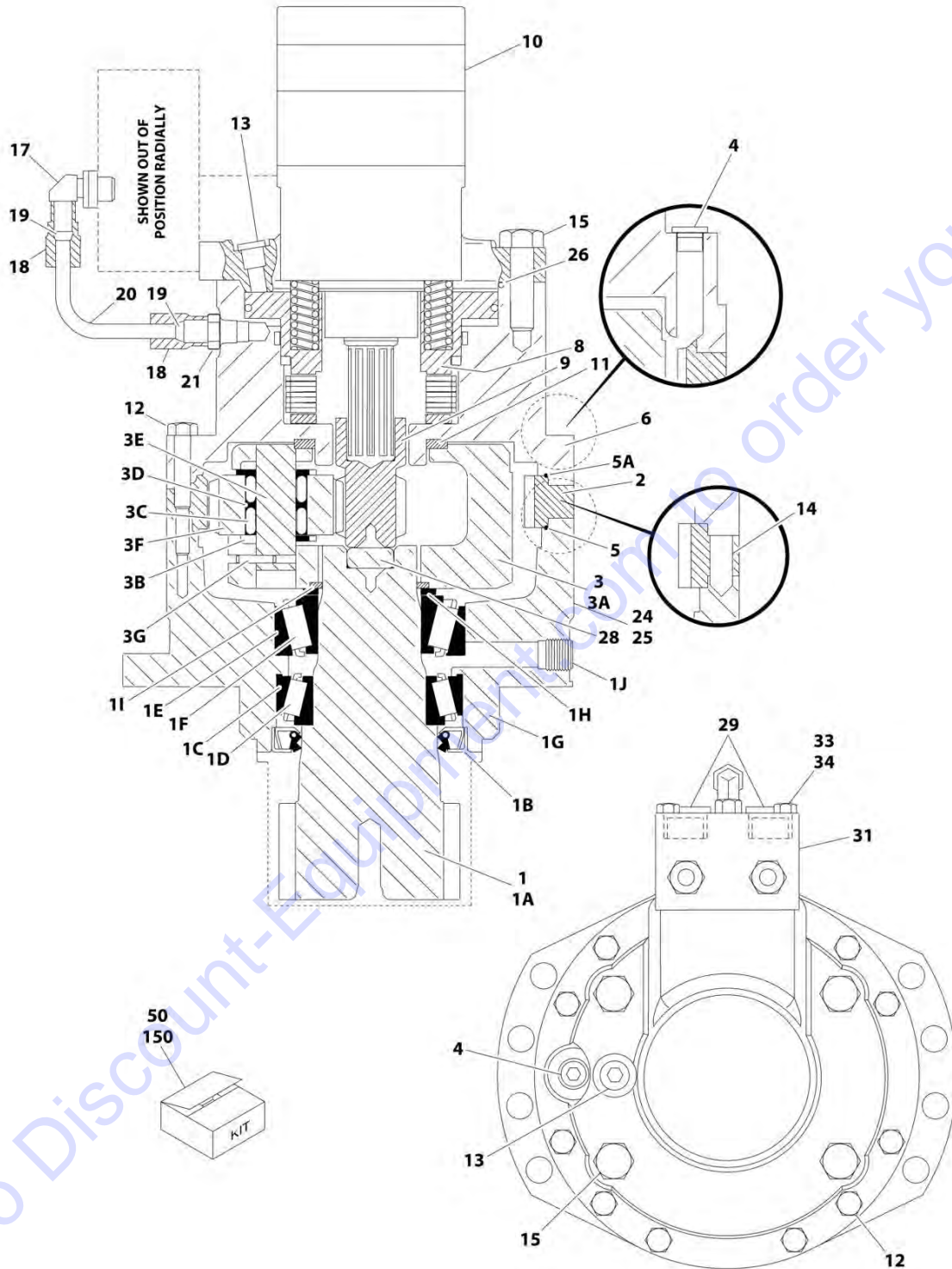
FIGURE 2-6. SWING DRIVE INSTALLATION

ITEM	PART NUMBER	QTY	DESCRIPTION	REV
	0270752	Ref	SWING DRIVE INSTALLATION	C
1	0100011	AR	Compound, Locking	
2	0100019	AR	Compound, Locking	
3	3160257	1	Swing Motor Assembly (See SWING MOTOR ASSEMBLY for Breakdown)	
4	3312002	1	Nut 5/8	
5	3572628	1	Plate, Mounting	
6	3900293	1	Screw, Shoulder	
7	3931824	8	Capscrew 1/2 x 1-1/2 Grade 8	
8	3932232	4	Bolt 3/4 x 2 Grade 8	
9	3952020	1	Setscrew 5/8 x 2-1/2	
10	4071009	1	Shim (Not Shown - Used on setting gear backlash)	
11	4892200	4	Washer 3/4	

Go to Discount-Equipment.com to order your parts

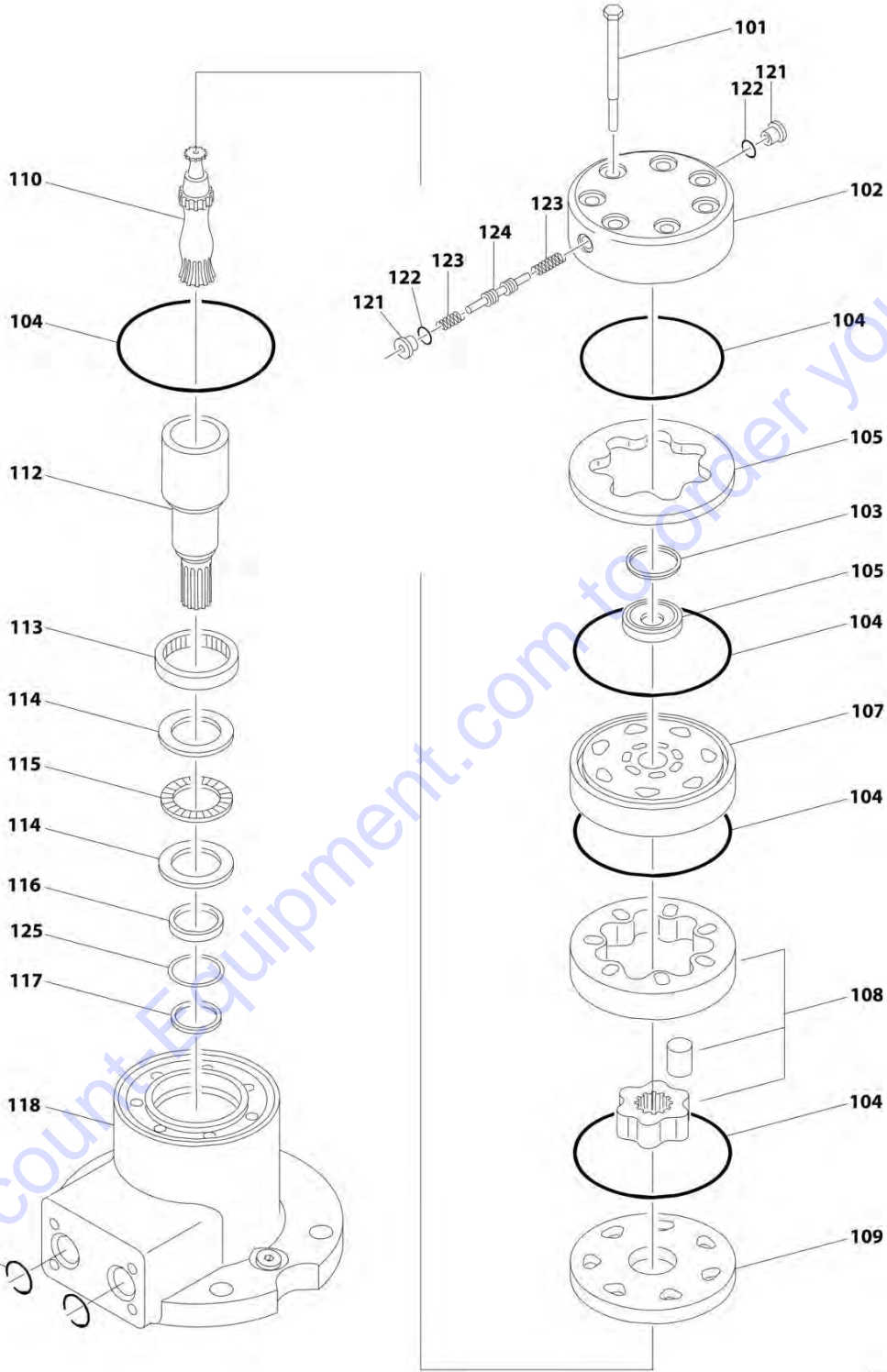
SECTION 2 - TURNTABLE

FIGURE 2-7. SWING MOTOR ASSEMBLY



ART_3160257_10F2

SECTION 2 - TURNTABLE



ART_3160257_20F2

PARTS FINDER

**Search Website
by Part Number**



**Search Manual
Library For Parts
Manual & Lookup Part
Numbers – Purchase
or Request Quote**

**Can't Find Part or
Manual? Request Help
by Manufacturer,
Model & Description**

Discount-Equipment.com is your online resource for quality parts & equipment.

Florida: **561-964-4949** Outside Florida TOLL FREE: **877-690-3101**

Need parts?

Click on this link: <http://www.discount-equipment.com/category/5443-parts/> and choose one of the options to help get the right parts and equipment you are looking for. Please have the machine model and serial number available in order to help us get you the correct parts. If you don't find the part on the website or on one of the online manuals, please fill out the request form and one of our experienced staff members will get back to you with a quote for the right part that your machine needs.

We sell worldwide for the brands: Genie, Terex, JLG, MultiQuip, Mikasa, Essick, Whiteman, Mayco, Toro Stone, Diamond Products, Generac Magnum, Airman, Haulotte, Barreto, Power Blanket, Nifty Lift, Atlas Copco, Chicago Pneumatic, Allmand, Miller Curber, Skyjack, Lull, Skytrak, Tsurumi, Husquvarna Target, Stow, Wacker, Sakai, Mi-T-M, Sullair, Basic, Dynapac, MBW, Weber, Bartell, Bennar Newman, Haulotte, Ditch Runner, Menegotti, Morrison, Contec, Buddy, Crown, Edco, Wyco, Bomag, Laymor, EZ Trench, Bil-Jax, F.S. Curtis, Gehl Pavers, Heli, Honda, ICS/PowerGrit, IHI, Partner, Imer, Clipper, MMD, Koshin, Rice, CH&E, General Equipment, Amida, Coleman, NAC, Gradall, Square Shooter, Kent, Stanley, Tamco, Toku, Hatz, Kohler, Robin, Wisconsin, Northrock, Oztec, Toker TK, Rol-Air, APT, Wylie, Ingersoll Rand / Doosan, Innovatech, Con X, Ammann, Mecalac, Makinex, Smith Surface Prep, Small Line, Wanco, Yanmar

SECTION 2 - TURNTABLE

FIGURE 2-7. SWING MOTOR ASSEMBLY

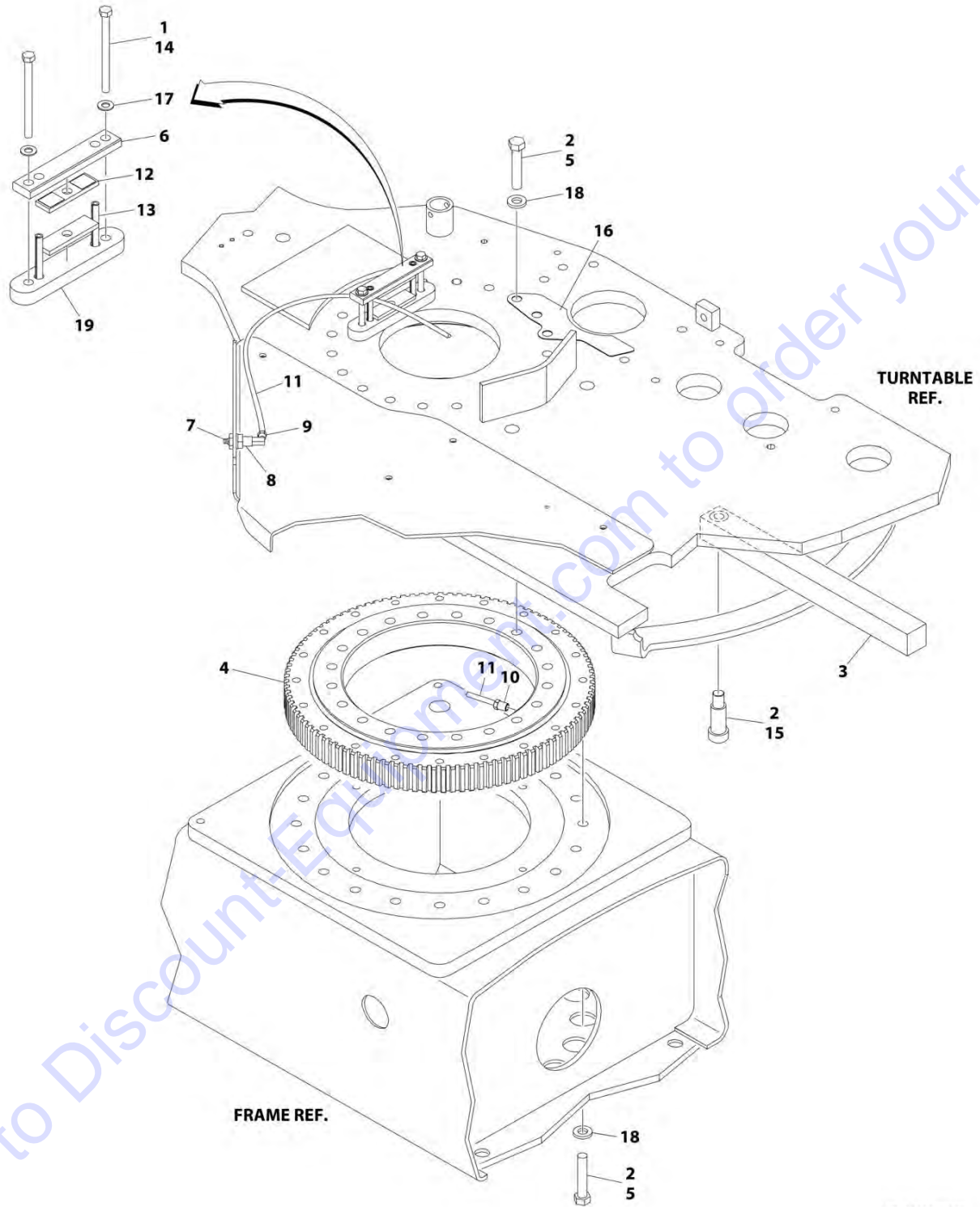
ITEM	PART NUMBER	QTY	DESCRIPTION	REV
	3160257	Ref	SWING MOTOR ASSEMBLY	C
1	See Note	NSS	Housing Assembly (Note: Use p/n 3160257)	
1A	7017069	1	Shaft, Output	
1B	See Note	NSS	Seal, Lip (Note: Use Item 50)	
1C	7000255	1	Bearing, Tapered-Cup	
1D	7000256	1	Bearing, Tapered-Cone	
1E	7000257	1	Bearing, Tapered-Cup	
1F	7000258	1	Bearing, Tapered-Cone	
1G	7017071	1	Housing	
1H	7007633	1	Thrustwasher	
1I	See Note	NSS	Ring, Retaining (Note: Use Item 50)	
1J	7017072	1	Plug, Pipe (With O-Ring)	
2	7000203	1	Gear, Ring	
3	See Note	NSS	Carrier Assembly (Note: Not Available - Purchase Individual Components)	
3A	7017074	1	Carrier	
3B	7001908	6	Thrustwasher, Tanged	
3C	7007637	96	Bearing, Needle	
3D	7000263	3	Spacer, Thrust	
3E	7017073	3	Shaft, Planet	
3F	7017075	3	Gear, Planet	
3G	7001913	3	Pin, Roll	
4	7017023	1	Plug, Pipe (With O-Ring)	
5	See Note	NSS	O-Ring (Special) (Note: Use Item 50)	
5A	See Note	NSS	O-Ring (White) (Note: Use Item 50)	
6	7017077	1	Hub, Brake	
8	7017079	1	Brake, Input	
8	7024199	1	Friction Disc Kit	
8	7024700	1	Spring Kit	
8	7024701	1	Brake Seal Kit	
9	7017076	1	Gear, Sun	
10	7017088	1	Motor, Hydraulic (See Items 101-150 for Breakdown)	
11	See Note	NSS	Thrustwasher (Note: Use Item 50)	
12	See Note	NSS	Bolt (Note: Use Item 50)	
13	7017082	1	Plug, Pipe (With O-Ring)	
14	7017080	4	Pin, Dowel	
15	7024136	4	Bolt	
17	7017085	1	Elbow	
18	7017083	2	Nut, Tube	
19	7017084	2	Tube, Female	
20	7017087	1	Tubing	
21	7017086	1	Connector, Straight	
24	See Note	NSS	Plate, ID (Note: Not Available for Purchase)	
25	7000281	2	Screw, Drive	
26	See Note	NSS	O-Ring (Note: Use Item 50)	
28	7017078	1	Spacer, Input	
29	7001926	2	Plug, Pipe (With O-Ring)	
31	4640741	1	Valve, Motor Control	
33	See Note	NSS	Washer, Flat (Note: Use Item 50)	
34	7024135	4	Bolt	

SECTION 2 - TURNTABLE

ITEM	PART NUMBER	QTY	DESCRIPTION	REV
50	7024136	1	Seal Kit (Includes Items 1B, 11, 5, 5A, 11, 12, 15, 26 & 33)	B
	7017088	Ref	HYDRAULIC MOTOR ASSEMBLY	
101	7024382	7	Bolt	
102	7004035	1	Cover, End	
103	See Note	NSS	Seal, Commutator (Note: Use Item 150)	
104	See Note	NSS	Seal, Ring (Note: Use Item 150)	
105	7024378	1	Commutator and Ring Assembly	
107	7024379	1	Manifold	
108	7024383	1	Rotor Set	
108	See Note	NSS	Rotor (Note: Use p/n 7024383)	
108	See Note	NSS	Stator (Note: Use p/n 7024383)	
108	See Note	NSS	Vane (Note: Use p/n 7024383)	
109	7024380	1	Plate, Wear	
110	7024384	1	Link, Drive	
112	7024386	1	Shaft, Coupling	
113	7024381	1	Bushing, Bronze	
114	7004043	2	Thrustwasher	
115	7004044	1	Bearing, Thrust	
116	See Note	NSS	Seal, Inner (Note: Use Item 150)	
117	See Note	NSS	Washer, Back-up (Note: Use Item 150)	
118	7024385	1	Housing	
118A	See Note	NSS	O-Ring (Note: Use Item 150)	
121	7010795	2	Plug	
122	7024387	2	O-Ring	
123	7024388	2	Spring	
124	7017088	1	Valve (Note: Not Available for Purchase)	
125	See Note	NSS	Washer, Back-up (Note: Use Item 150)	
150	7024389	1	Seal Kit (Includes Items 103, 104, 116, 117, 118A & 125)	

SECTION 2 - TURNTABLE

FIGURE 2-8. TURNTABLE BEARING, STOP AND LUBE INSTALLATION



ART_1001175087

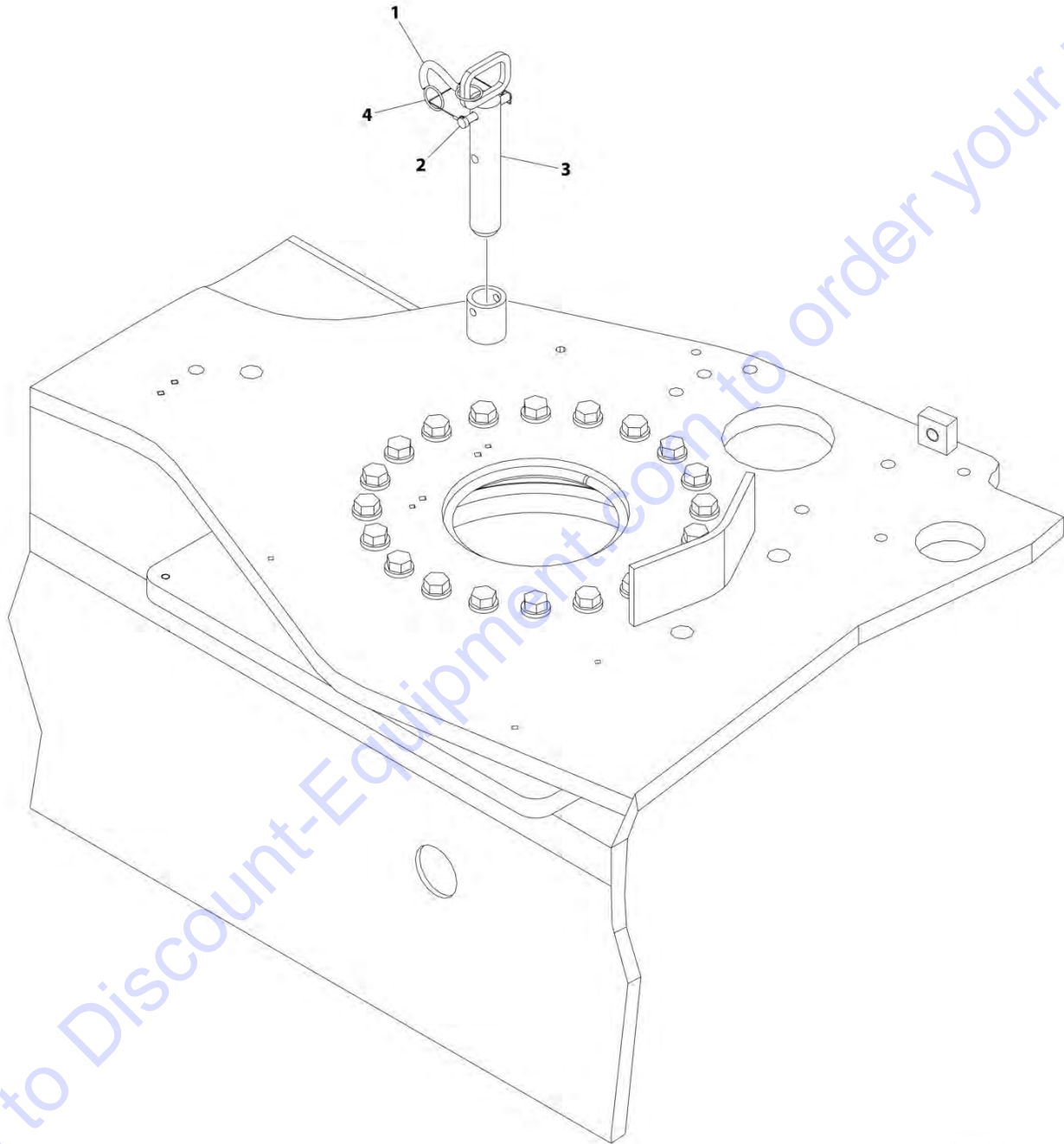
SECTION 2 - TURNTABLE

FIGURE 2-8. TURNTABLE BEARING, STOP AND LUBE INSTALLATION

ITEM	PART NUMBER	QTY	DESCRIPTION	REV
	1001175087	Ref	TURNTABLE BEARING, STOP AND LUBE INSTALLATION	B
1	0100011	AR	Compound, Locking	
2	0100019	AR	Compound, Locking	
3	0259849	1	Stop, Turntable	
4	0440240	1	Bearing, Turntable	
5	0682026	40	Bolt 5/8 x 3-1/4 Grade 8	
6	1320271	1	Bar, Clamp	
7	2160002	1	Fitting, Grease	
8	2180344	1	Fitting, Bulkhead	
9	2220063	1	Fitting, Adapter	
10	2220273	1	Fitting, Reducer	
11	2751095	1	Hose	
12	3340860	2	Pad, Rubber	
13	3441260	2	Rollpin	
14	3900262	2	Capscrew 3/8 x 4-3/4	
15	3900284	1	Screw, Shoulder	
16	4071010	1	Shim	
17	4711600	2	Washer 3/8	
18	4892000	40	Washer 5/8	
19	1001175088	1	Clamp, Hose Protector	

SECTION 2 - TURNTABLE

FIGURE 2-9. TURNTABLE LOCK INSTALLATION



ART_0239585

SECTION 2 - TURNTABLE

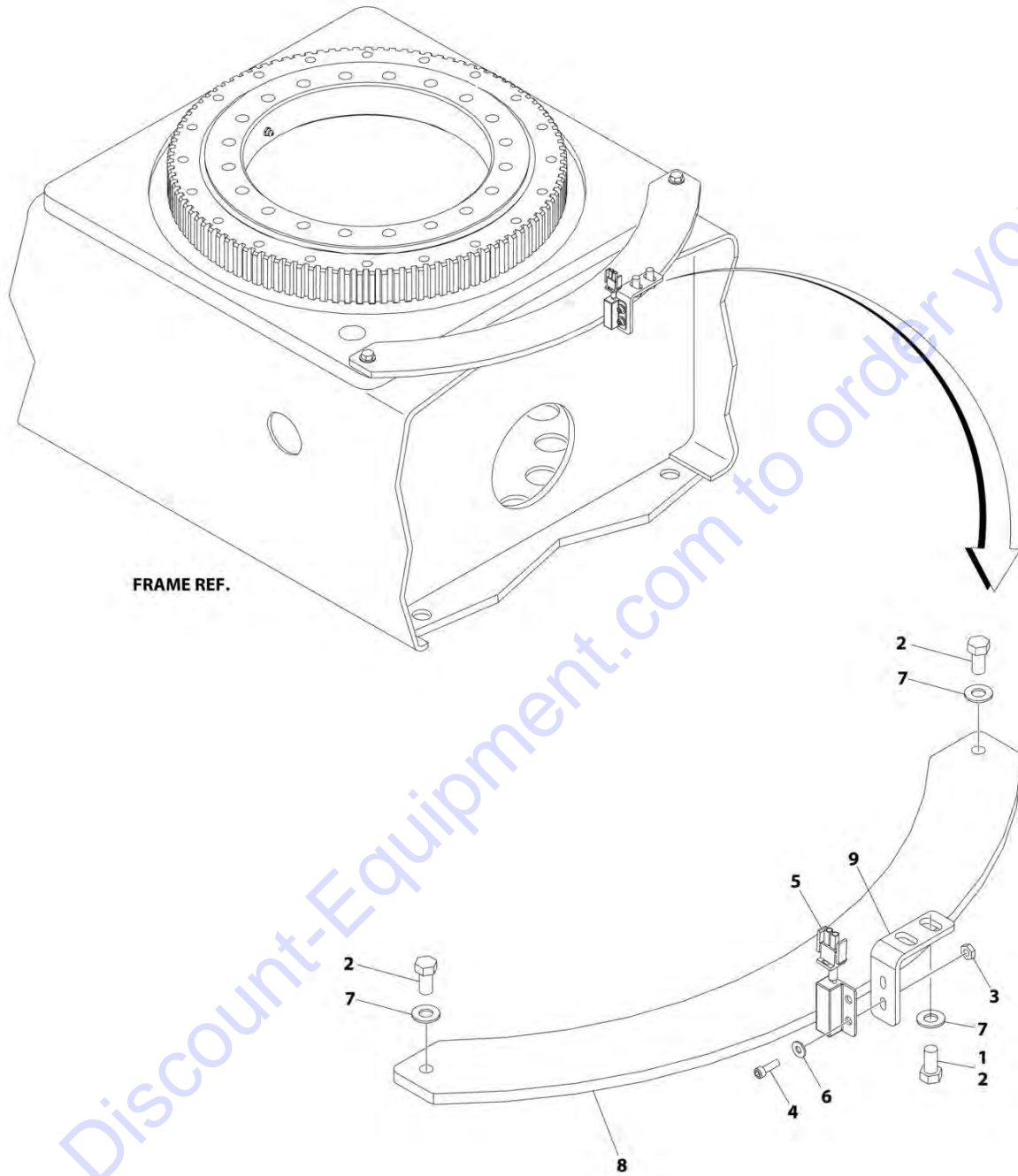
FIGURE 2-9. TURNTABLE LOCK INSTALLATION

ITEM	PART NUMBER	QTY	DESCRIPTION	REV
	0239585	Ref	TURNTABLE LOCK INSTALLATION	D
1	1260017	9 in/23cm	Chain	
2	3421565	1	Pin, Snap	
3	3421627	1	Pin Weldment (SN 0300219271 through 0300255856)	
3	1001169582	1	Pin Weldment (SN 0300255857 to Present)	
4	3760170	2	Ring, Quick Release	

Go to Discount-Equipment.com to order your parts

SECTION 2 - TURNTABLE

FIGURE 2-10. DRIVE ORIENTATION INSTALLATION



ART_1001200255

SECTION 2 - TURNTABLE

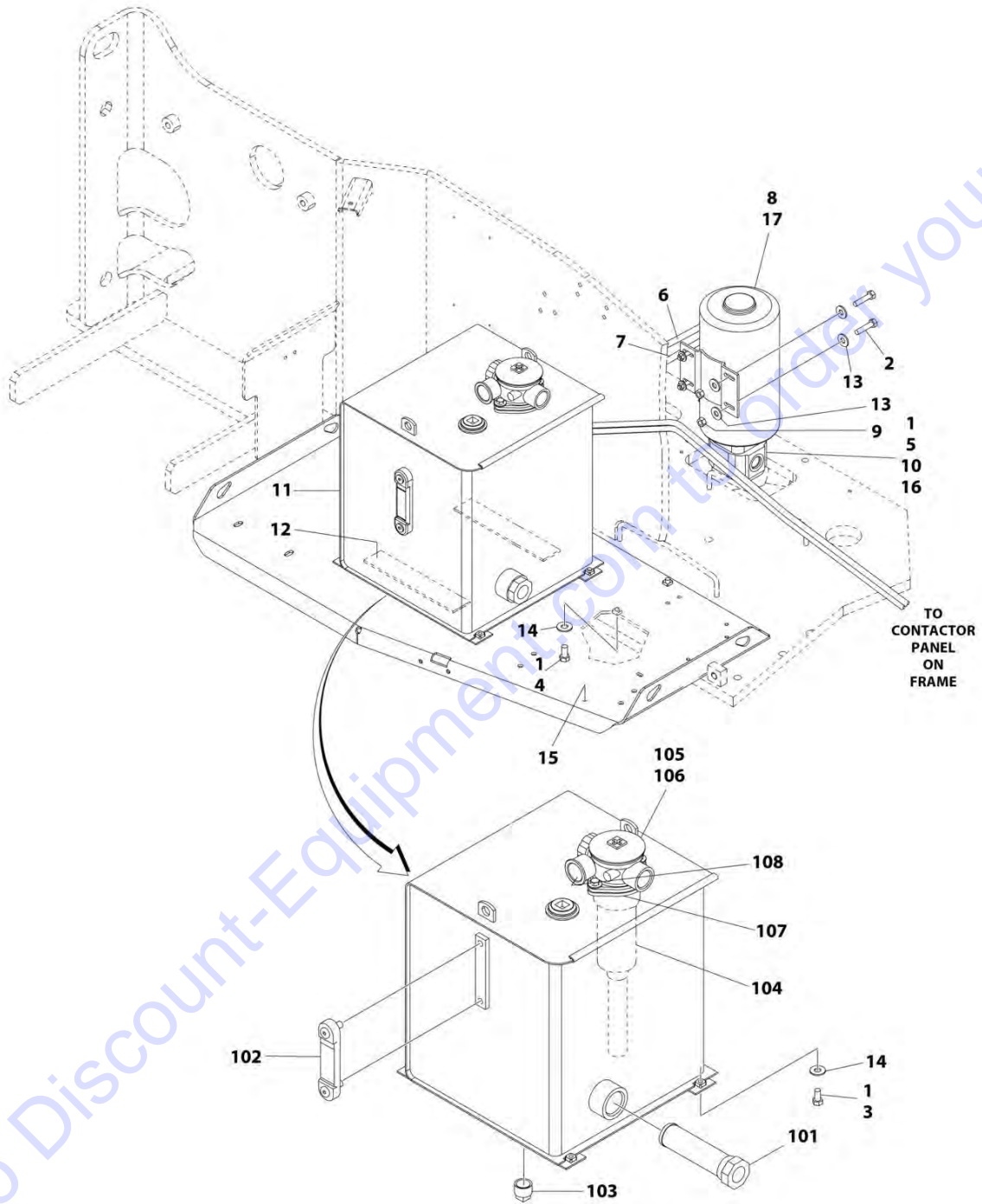
FIGURE 2-10. DRIVE ORIENTATION INSTALLATION

ITEM	PART NUMBER	QTY	DESCRIPTION	REV
	1001200255	Ref	DRIVE ORIENTATION INSTALLATION	A
1	0100011	AR	Compound, Locking	
2	0641606	4	Bolt 3/8 x 3/4	
3	3311005	2	Nut #10	
4	3931010	2	Capscrew #10 x 5/8	
5	4360517	1	Switch, Proximity	
6	4711000	2	Washer #10	
7	4711600	4	Washer 3/8	
8	1001116031	1	Cam	
9	1001116106	1	Bracket, Switch Mounting	

Go to Discount-Equipment.com to order your parts

SECTION 2 - TURNTABLE

FIGURE 2-11. HYDRAULIC TANK AND PUMP/MOTOR INSTALLATION



ART_1001174891

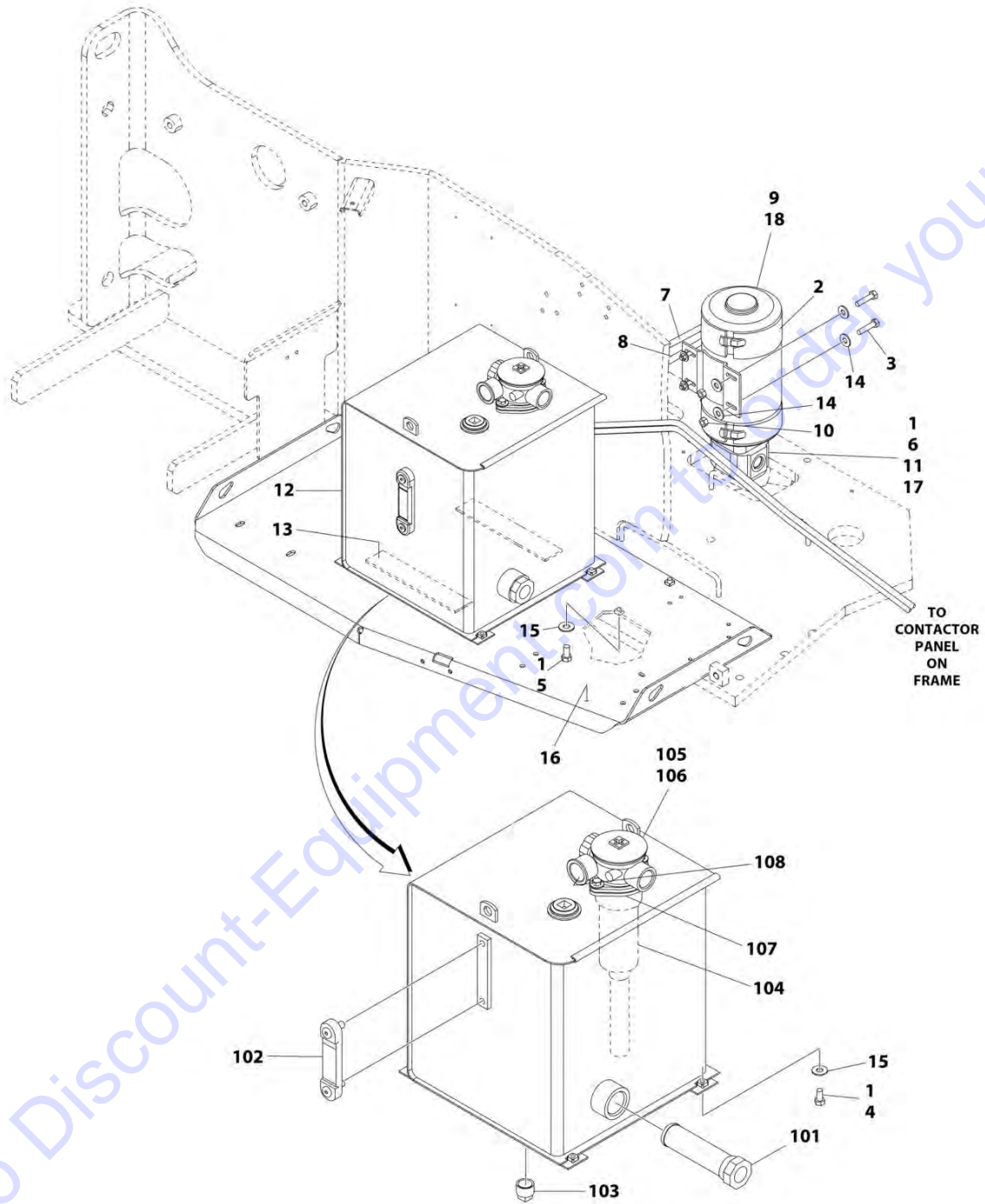
SECTION 2 - TURNTABLE

FIGURE 2-11. HYDRAULIC TANK AND PUMP/MOTOR INSTALLATION

ITEM	PART NUMBER	QTY	DESCRIPTION	REV
	1001174891	Ref	HYDRAULIC TANK AND PUMP/MOTOR INSTALLATION	E
1	0100011	AR	Compound, Locking	
2	0641511	4	Bolt 5/16 x 1-3/8	
3	0641606	4	Bolt 3/8 x 3/4	
4	0641614	7	Bolt 3/8 x 1-3/4	
5	0700812	2	Bolt M8 x 25	
6	1060794	1	Cable, Electrical (SN 0300219271 through 0300224945)	
7	1060795	1	Cable, Electrical (SN 0300219271 through 0300224945)	
8	3160252	1	Electricity Motor Assembly (See ELECTRICITY MOTOR ASSEMBLY for Breakdown)	A
9	3311505	4	Nut 5/16	
10	3600310	1	Pump Assembly (See PUMP ASSEMBLY for Breakdown)	
11	4400455	1	Tank Assembly - Hydraulic (See Items 101-108 for Breakdown)	
12	4420038	30 in /76cm	Tape, Rubber	
13	4751500	8	Washer 5/16	
14	4751600	11	Washer 3/8	
15	4846178	1	Tray Weldment	
16	4891500	2	Washer 5/16	
17	3020037	AR	Grease, Coupling	
	4400455	Ref	HYDRAULIC TANK ASSEMBLY	E
101	7026121	1	Strainer, Suction	
102	7024441	1	Gauge, Level Indicator	
103	7024446	1	Plug, Magnetic	
104	7023268	1	Filter with Pressure Switch	
104	7023224	1	Element, Filter	
105	7023268	1	Breather with Pressure Switch	
105	7023269	1	Element, Breather	
106	7023306	1	Seal, Cover Plate	
107	7023347	1	Gasket	
108	7023270	1	Gauge, Indicator	

SECTION 2 - TURNTABLE

FIGURE 2-12. HYDRAULIC TANK AND PUMP/MOTOR INSTALLATION (UL SPECS)



ART_1001175539

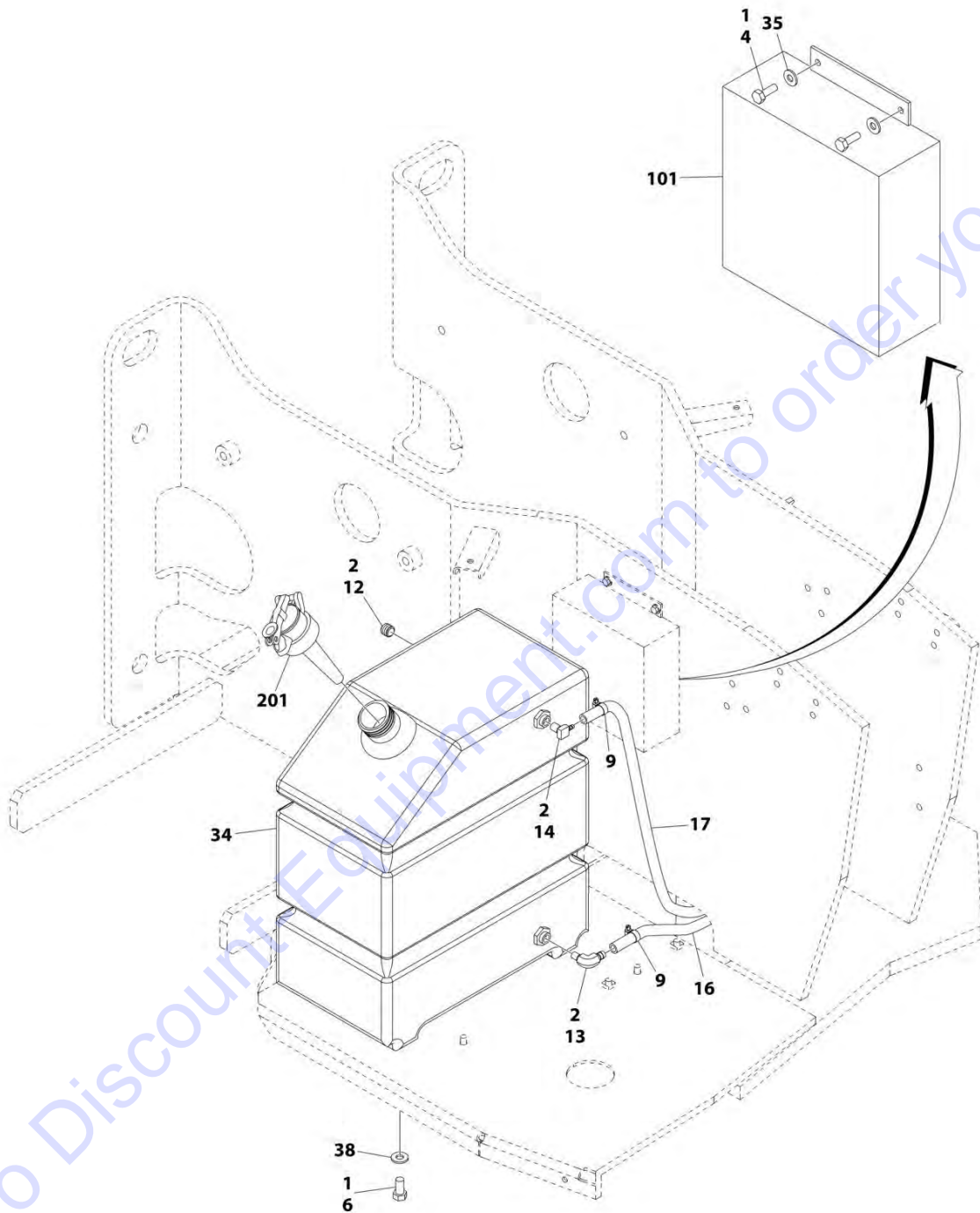
SECTION 2 - TURNTABLE

FIGURE 2-12. HYDRAULIC TANK AND PUMP/MOTOR INSTALLATION (UL SPECS)

ITEM	PART NUMBER	QTY	DESCRIPTION	REV
	1001175539	Ref	HYDRAULIC TANK AND PUMP/MOTOR INSTALLATION (UL SPECS)	E
1	0100011	AR	Compound, Locking	
2	0340049	1	Pump Motor Band Kit	
3	0641511	4	Bolt 5/16 x 1-3/8	
4	0641606	4	Bolt 3/8 x 3/4	
5	0641614	7	Bolt 3/8 x 1-3/4	
6	0700812	2	Bolt M8 x 25	
7	1060794	1	Cable, Electrical (SN 0300219271 through 0300224945)	
8	1060795	1	Cable, Electrical (SN 0300219271 through 0300224945)	
9	3160252	1	Electricity Motor Assembly (See ELECTRICITY MOTOR ASSEMBLY for Breakdown)	A
10	3311505	4	Nut 5/16	
11	3600310	1	Pump Assembly (See PUMP ASSEMBLY for Breakdown)	
12	4400455	1	Tank Assembly - Hydraulic (See Items 101-108 for Breakdown)	
13	4420038	30 in /76cm	Tape, Rubber	
14	4751500	8	Washer 5/16	
15	4751600	11	Washer 3/8	
16	4846178	1	Tray Weldment	
17	4891500	2	Washer 5/16	
18	3020037	AR	Grease, Coupling	
	4400455	Ref	HYDRAULIC TANK ASSEMBLY	E
101	7026121	1	Strainer, Suction	
102	7024441	1	Gauge, Level Indicator	
103	7024446	1	Plug, Magnetic	
104	7023268	1	Filter with Pressure Switch	
104	7023224	1	Element, Filter	
105	7023268	1	Breather with Pressure Switch	
105	7023269	1	Element, Breather	
106	7023306	1	Seal, Cover Plate	
107	7023347	1	Gasket	
108	7023270	1	Gauge, Indicator	

SECTION 2 - TURNTABLE

FIGURE 2-13. FUEL TANK AND MODULE INSTALLATION (M600/M600J/M600JP ONLY)



ART_1001199313_1OF5

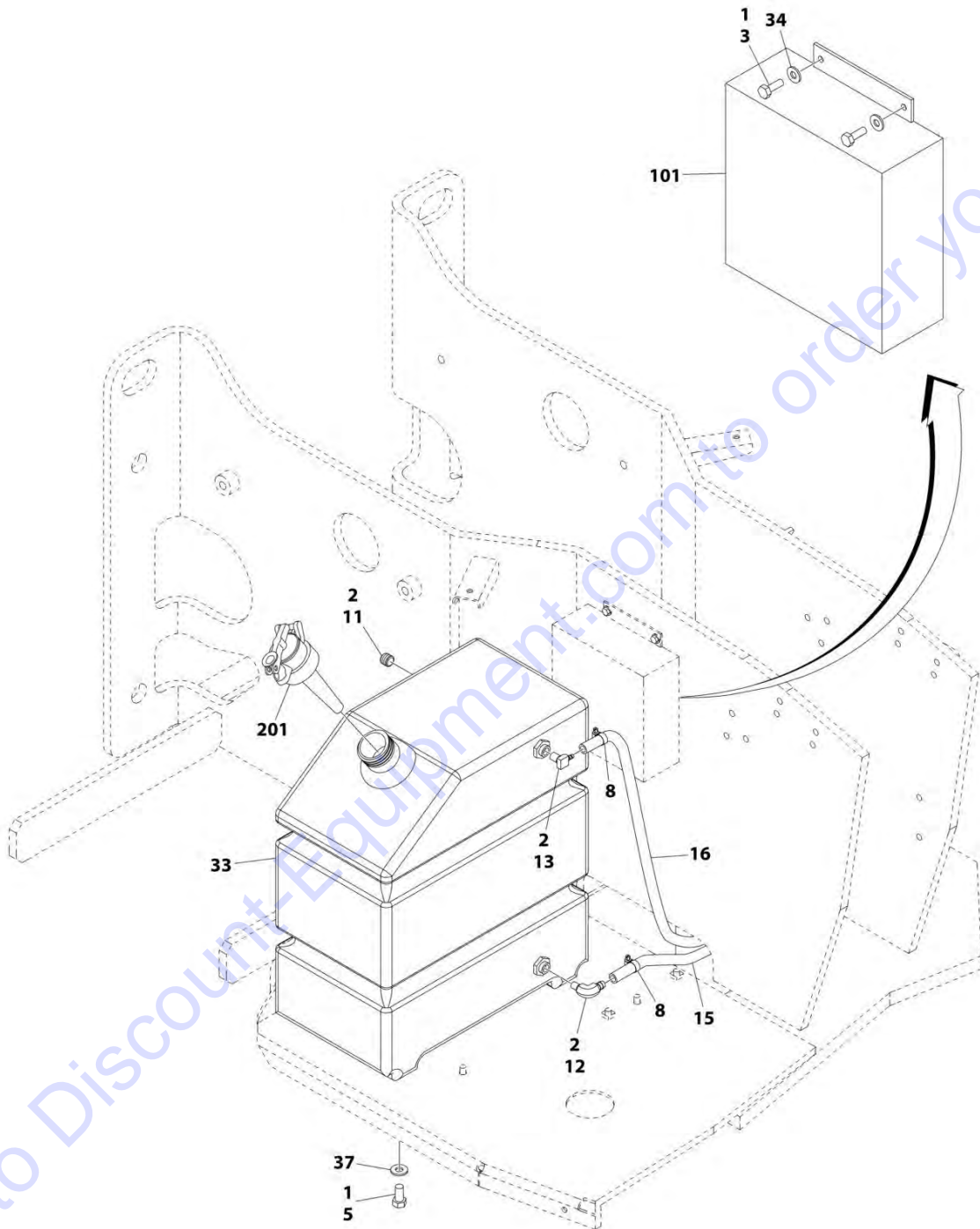
SECTION 2 - TURNTABLE

FIGURE 2-13. FUEL TANK AND MODULE INSTALLATION (M600/M600J/M600JP ONLY)

ITEM	PART NUMBER	QTY	DESCRIPTION	REV
	1001199313	Ref	FUEL TANK AND MODULE INSTALLATION (M600/M600J/M600JP ONLY)	F
1	0100011	AR	Compound, Locking	
2	0100020	AR	Sealant, Pipe	
4	0641406	4	Bolt 1/4 x 3/4	
6	0641606	4	Bolt 3/8 x 3/4	
9	1320022	2	Clamp, Hose	
12	2200222	2	Plug, Pipe	
13	2221046	1	Fitting, Elbow Barbed	
14	2221047	1	Fitting, Elbow Barbed	
16	2720058	AR	Hose, Fuel Line	
17	2720271	AR	Hose, Fuel Line	
34	4400430	1	Tank, Molded (Includes Non-Locking Cap - See Item 201)	
35	4711400	4	Washer 1/4	
38	4751600	4	Washer 3/8	
101	70000326	1	Module, Contactor (Kubota Engine)	
101	70000328	1	Harness, Module (Not Shown)	
		Ref	FUEL TANK CAP OPTIONS: (M600/M600J/M600JP ONLY)	
201		Ref	Cap Options:	
201	7020257	1	Non-Locking Cap (Supplied with Tank)	
201	7016649	1	Seal, Cap	
201	1120484	1	Locking Cap - Gas Machines (SN 0300219271 through 0300221081)	
201	1120487	1	Locking Cap - Diesel Machines (SN 0300219271 through 0300221081)	

SECTION 2 - TURNTABLE

FIGURE 2-14. FUEL TANK AND MODULE INSTALLATION - WITH AGM BATTERY
(M600/M600J/M600JP ONLY)



ART_1001207674_10F5

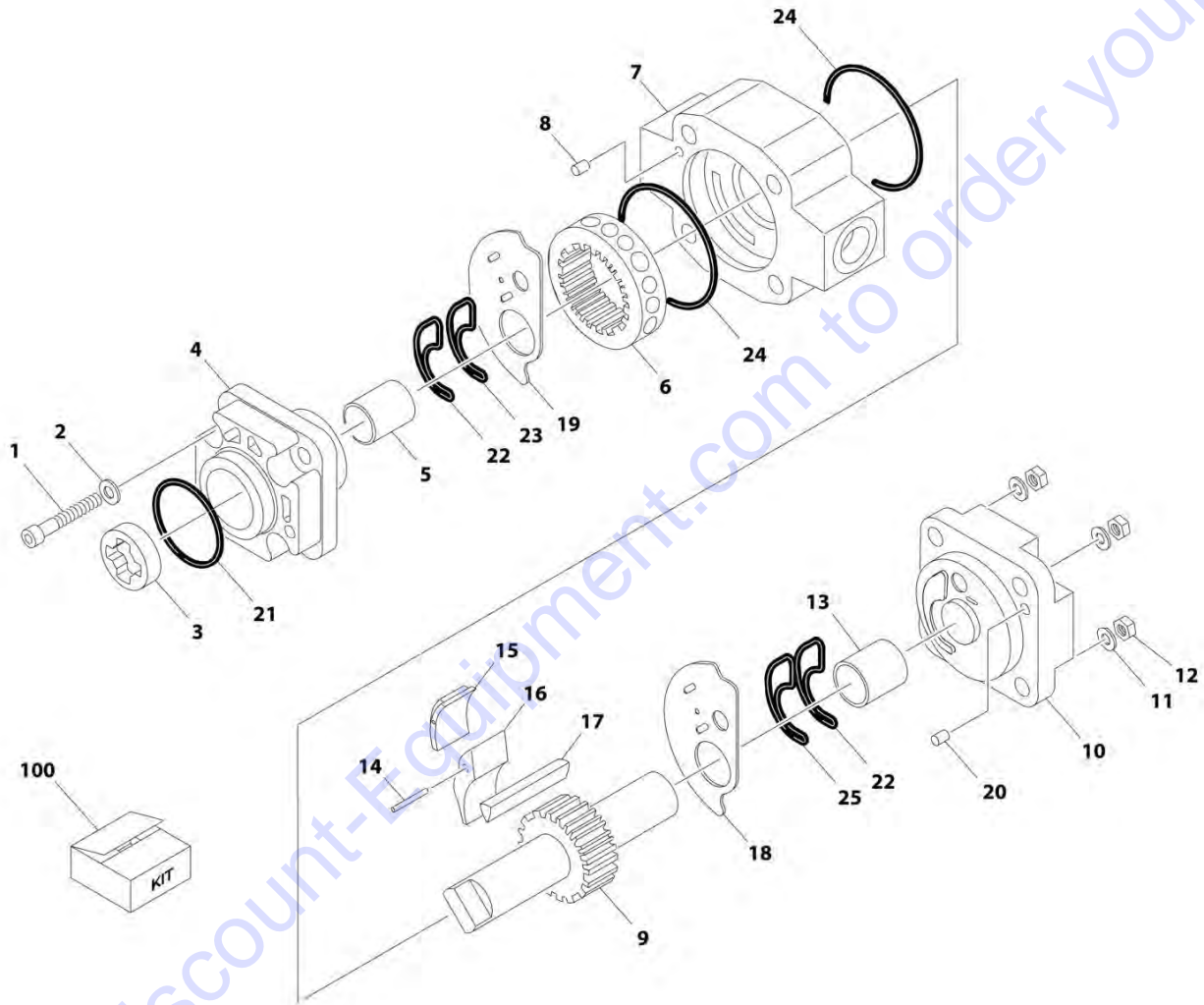
SECTION 2 - TURNTABLE

**FIGURE 2-14. FUEL TANK AND MODULE INSTALLATION - WITH AGM BATTERY
(M600/M600J/M600JP ONLY)**

ITEM	PART NUMBER	QTY	DESCRIPTION	REV
	1001207674	Ref	FUEL TANK AND MODULE INSTALLATION - WITH AGM BATTERY (M600/M600J/M600JP ONLY)	E
1	0100011	AR	Compound, Locking	
2	0100020	AR	Sealant, Pipe	
3	0641406	4	Bolt 1/4 x 3/4	
5	0641606	4	Bolt 3/8 x 3/4	
8	1320022	2	Clamp, Hose	
11	2200222	2	Plug, Pipe	
12	2221046	1	Fitting, Elbow Barbed	
13	2221047	1	Fitting, Elbow Barbed	
15	2720058	AR	Hose, Fuel Line	
16	2720271	AR	Hose, Fuel Line	
33	4400430	1	Tank, Molded (Includes Non-Locking Cap - See Item 201)	
34	4711400	4	Washer 1/4	
37	4751600	4	Washer 3/8	
101	70000326	1	Module, Contactor (Kubota Engine)	
101	70000328	1	Harness, Module (Not Shown)	
		Ref	FUEL TANK CAP OPTIONS: (M600/M600J/M600JP ONLY)	
201		Ref	Cap Options:	
201	7020257	1	Non-Locking Cap (Supplied with Tank)	
201	7016649	1	Seal, Cap	
201	1120484	1	Locking Cap - Gas Machines (SN 0300219271 through 0300221081)	
201	1120487	1	Locking Cap - Diesel Machines (SN 0300219271 through 0300221081)	

SECTION 2 - TURNTABLE

FIGURE 2-15. PUMP ASSEMBLY



ART_3600310

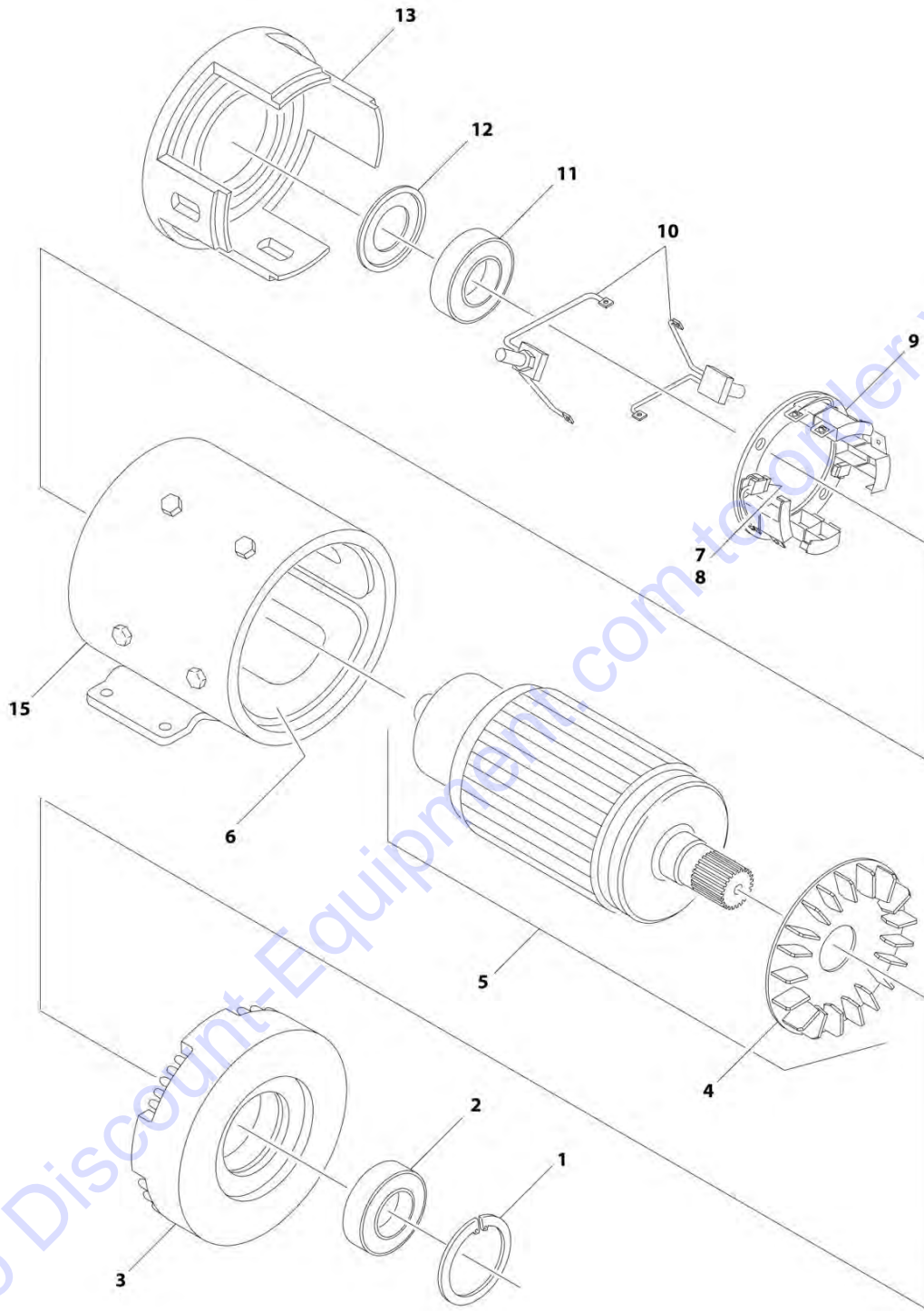
SECTION 2 - TURNTABLE

FIGURE 2-15. PUMP ASSEMBLY

ITEM	PART NUMBER	QTY	DESCRIPTION	REV
	3600310	Ref	PUMP ASSEMBLY	A
1	See Note	NSS	Bolt (Note: Use p/n 3600310)	
2	See Note	NSS	Washer (Note: Use p/n 3600310)	
3	See Note	NSS	Coupling (Note: Use p/n 3600310)	
4	See Note	NSS	Cap, End (Note: Use p/n 3600310)	
5	See Note	NSS	Spacer (Note: Use p/n 3600310)	
6	See Note	NSS	Gear (Note: Use p/n 3600310)	
7	See Note	NSS	Housing (Note: Use p/n 3600310)	
8	See Note	NSS	Pin, Dowel (Note: Use p/n 3600310)	
9	See Note	NSS	Shaft (Note: Use p/n 3600310)	
10	See Note	NSS	Head (Note: Use p/n 3600310)	
11	See Note	NSS	Washer (Note: Use p/n 3600310)	
12	See Note	NSS	Nut (Note: Use p/n 3600310)	
13	See Note	NSS	Spacer (Note: Use p/n 3600310)	
14	See Note	NSS	Pin (Note: Use p/n 3600310)	
15	See Note	NSS	Pad, Wear (Note: Use p/n 3600310)	
16	See Note	NSS	Cam (Note: Use p/n 3600310)	
17	See Note	NSS	Bar (Note: Use p/n 3600310)	
18	See Note	NSS	Plate (Note: Use p/n 3600310)	
19	See Note	NSS	Plate (Note: Use p/n 3600310)	
20	See Note	NSS	Pin, Dowel (Note: Use p/n 3600310)	
21	See Note	NSS	O-Ring (Note: Use Item 100)	
22	See Note	NSS	Ring, Thrust (Note: Use Item 100)	
23	See Note	NSS	Seal (Note: Use Item 100)	
24	See Note	NSS	O-Ring (Note: Use Item 100)	
25	See Note	NSS	Seal (Note: Use Item 100)	
100	7024056	1	Seal Kit (Includes Items 21-25)	

SECTION 2 - TURNTABLE

FIGURE 2-16. ELECTRICITY MOTOR ASSEMBLY



ART_3160252

SECTION 2 - TURNTABLE

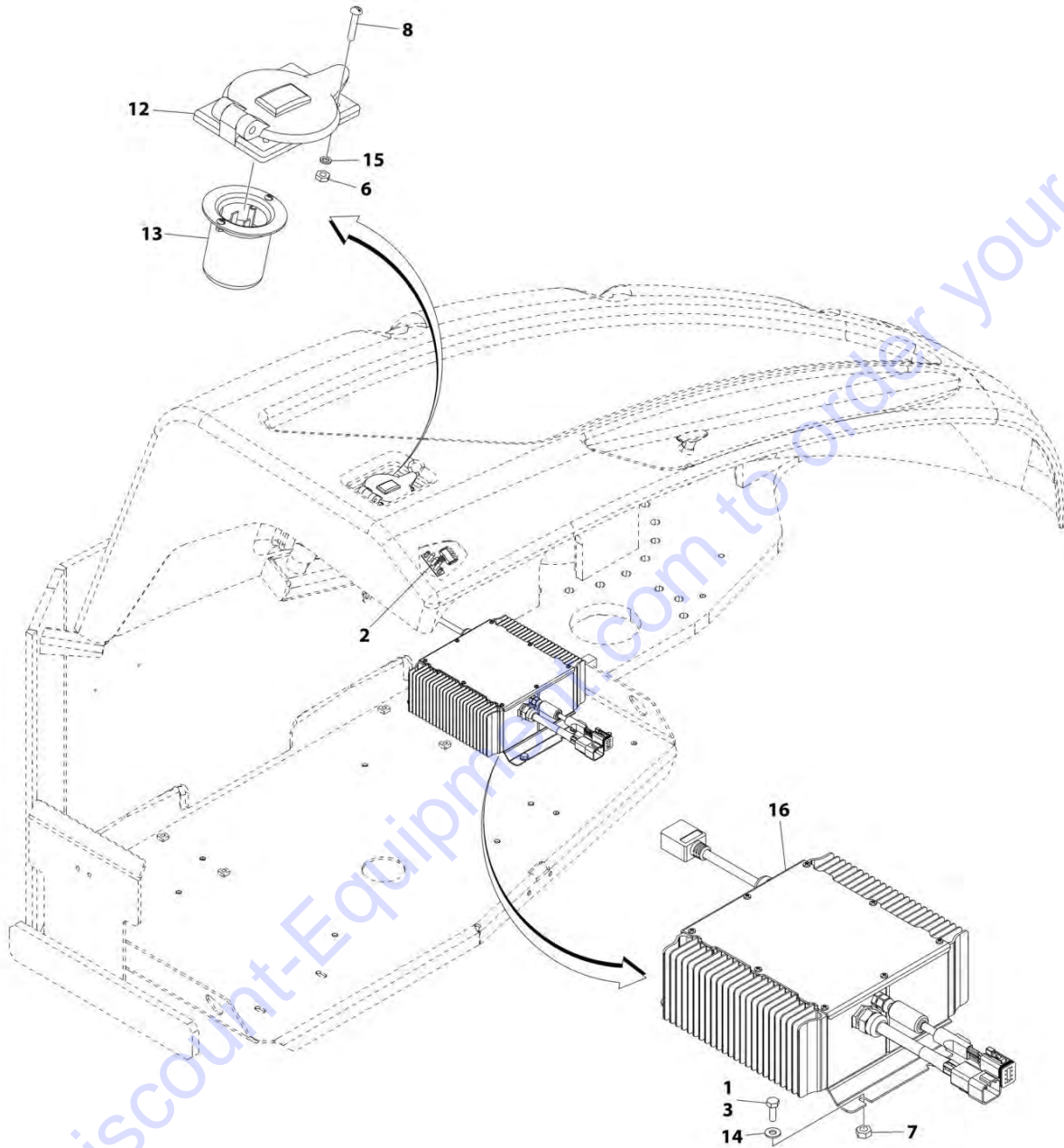
FIGURE 2-16. ELECTRICITY MOTOR ASSEMBLY

ITEM	PART NUMBER	QTY	DESCRIPTION	REV
	3160252	Ref	ELECTRICITY MOTOR ASSEMBLY	A
1	7020291	1	Ring, Retaining	
2	7020292	1	Bearing (Front Endhead)	
3	7020293	1	Endhead, Front	
4	7020294	1	Fan (Part of Item 5)	
5	7020295	1	Armature and Fan Assembly (Includes Item 4)	
6	7020296	1	Field Coil Kit	
7	7012548	4	Spring, Brush	
8	7020297	4	Brush	
9	7020298	1	Holder, Brush	
10	7020299	1	Brush Lead Kit	
11	7012545	1	Bearing (Rear Endhead)	
12	7012549	1	Washer, Wavy	
13	7023200	1	Endhead, Rear	
15	See Note	NSS	Housing (Note: Use p/n 3160252)	

Go to Discount-Equipment.com to order your parts

SECTION 2 - TURNTABLE

FIGURE 2-17. DELTA-Q BATTERY CHARGER INSTALLATION - 110V/60HZ (ANSI SPECS)



ART_1001125780

SECTION 2 - TURNTABLE

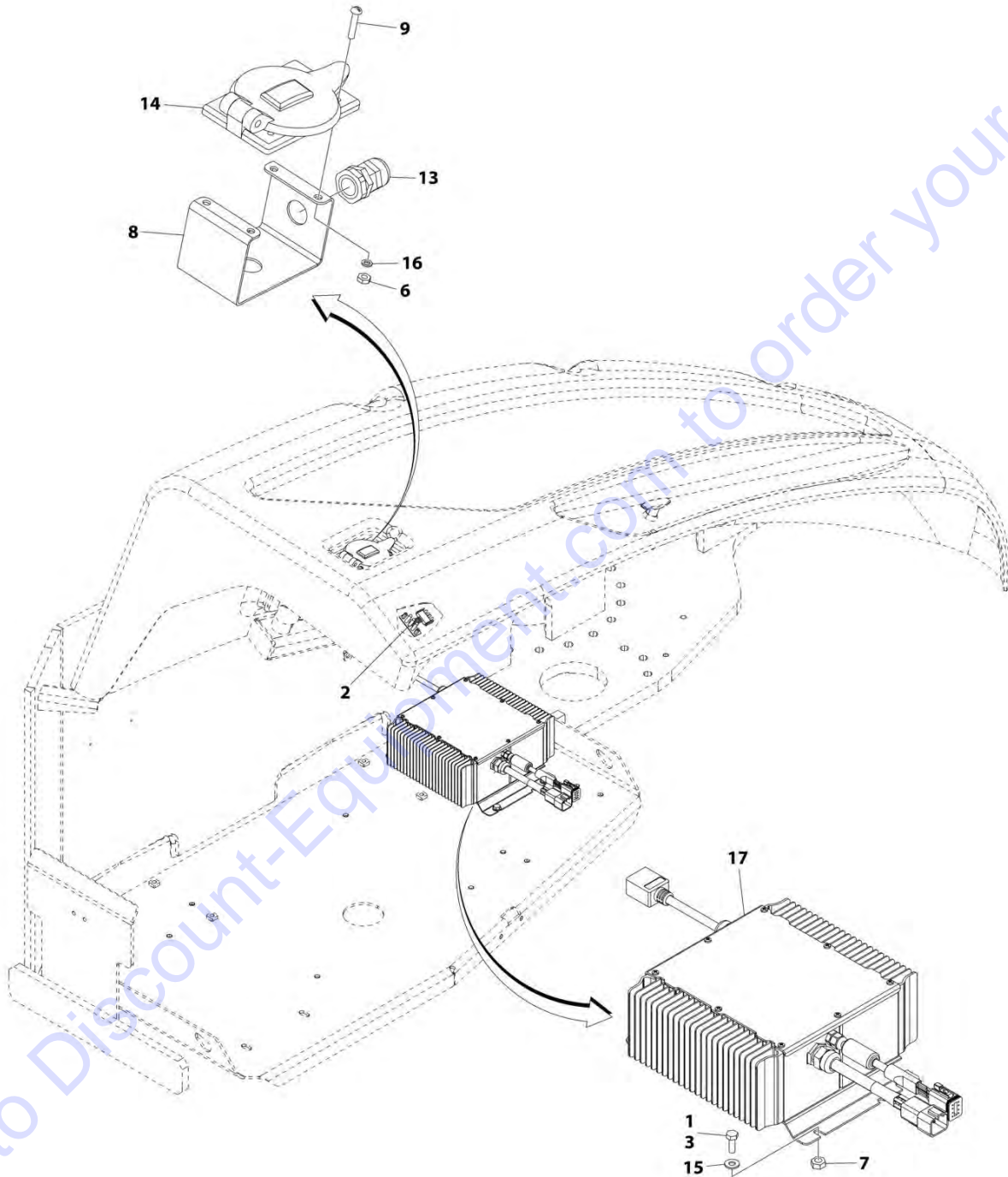
FIGURE 2-17. DELTA-Q BATTERY CHARGER INSTALLATION - 110V/60HZ (ANSI SPECS)

ITEM	PART NUMBER	QTY	DESCRIPTION	REV
	1001125780	Ref	DELTA-Q BATTERY CHARGER INSTALLATION - 110V/60HZ (ANSI SPECS)	F
1	0100011	AR	Compound, Locking	
2	0610131	1	Charger LED Assembly	
3	0641406	4	Bolt 1/4 x 3/4	
5	1060813	1	Cable, LED (Not Shown - See ELECTRICAL SECTION for Breakdown)	
6	3311001	4	Nut #10	
7	3311408	4	Nut 1/4	
8	3911016	4	Screw #10 x 1	
9	4240032	2	Tie-Strap (Not Shown)	
10	4240033	AR	Tie-Strap (Not Shown)	
11	4460234	2	Mount, Tie-Strap (Not Shown)	
12	4460802	1	Cover, Terminal	
13	4460803	1	Terminal, Plug	
14	4711400	4	Washer 1/4	
15	4761000	4	Washer #10	
16	1001103105	1	Battery Charger Assembly (See ELECTRICAL SECTION for Breakdown)	
17	1001113045	1	Battery Charger Harness (Not Shown - See ELECTRICAL SECTION for Breakdown) (SN 0300219271 through 0300224945)	
19	1001126185	1	AC Cord Cable (Not Shown)	

Go to Discount-Equipment.com to order your parts

SECTION 2 - TURNTABLE

FIGURE 2-18. DELTA-Q BATTERY CHARGER INSTALLATION - 120-240V/50-60HZ (ANSI AND ANSI EXPORT SPECS)



ART_1001125779

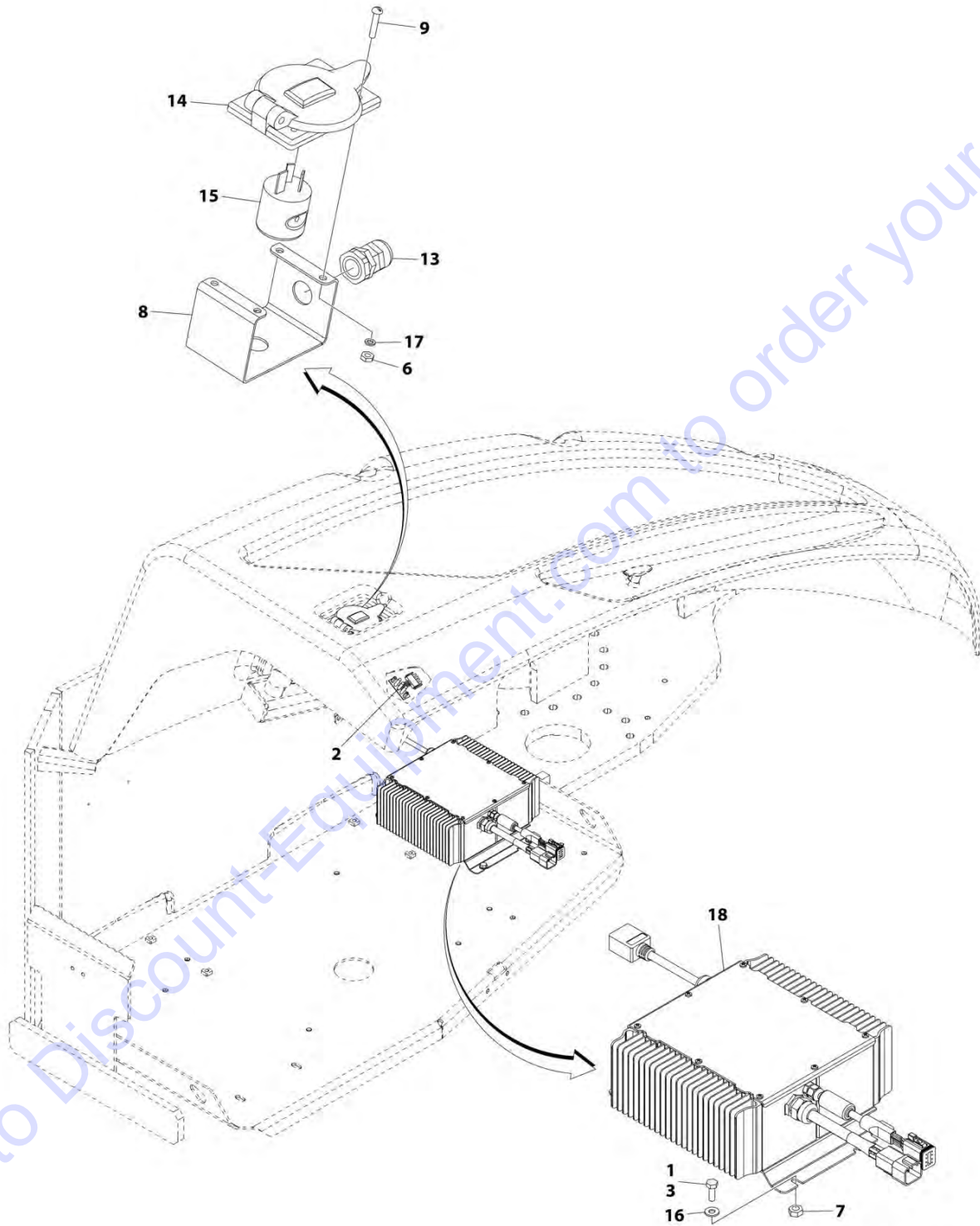
SECTION 2 - TURNTABLE

FIGURE 2-18. DELTA-Q BATTERY CHARGER INSTALLATION - 120-240V/50-60HZ (ANSI AND ANSI EXPORT SPECS)

ITEM	PART NUMBER	QTY	DESCRIPTION	REV
	1001125779	Ref	DELTA-Q BATTERY CHARGER INSTALLATION - 120-240V/50-60HZ (ANSI AND ANSI EXPORT SPECS)	F
1	0100011	AR	Compound, Locking	
2	0610131	1	Charger LED Assembly	
3	0641406	4	Bolt 1/4 x 3/4	
5	1060813	1	Cable, LED (Not Shown - See ELECTRICAL SECTION for Breakdown)	
6	3311001	4	Nut #10	
7	3311408	4	Nut 1/4	
8	3571584	1	Plate, Mounting	
9	3911016	4	Screw #10 x 1	
10	4240032	2	Tie-Strap (Not Shown)	
11	4240033	AR	Tie-Strap (Not Shown)	
12	4460234	2	Mount, Tie-Strap (Not Shown)	
13	4460428	1	Connector, Strain Relief	
14	4460802	1	Cover, Terminal	
15	4711400	4	Washer 1/4	
16	4761000	4	Washer #10	
17	1001103105	1	Battery Charger Assembly (See ELECTRICAL SECTION for Breakdown)	
18	1001113045	1	Battery Charger Harness (Not Shown - See ELECTRICAL SECTION for Breakdown) (SN 0300219271 through 0300224945)	
20	1001126185	1	AC Cord Cable (Not Shown)	

SECTION 2 - TURNTABLE

FIGURE 2-19. DELTA-Q BATTERY CHARGER INSTALLATION - 250V/50HZ (ANSI EXPORT AND AUSTRALIAN SPECS)



ART_1001125781

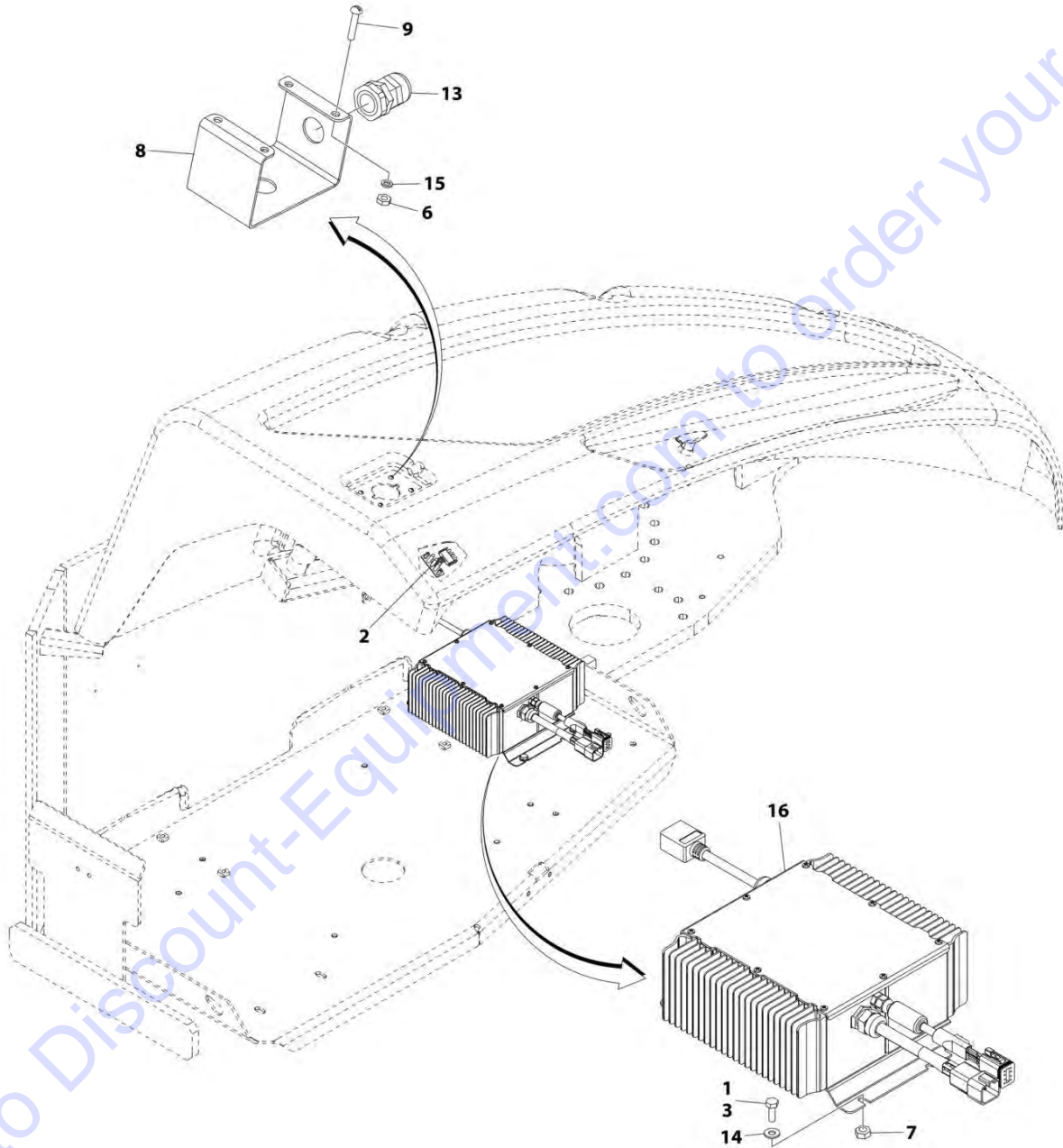
SECTION 2 - TURNTABLE

FIGURE 2-19. DELTA-Q BATTERY CHARGER INSTALLATION - 250V/50HZ (ANSI EXPORT AND AUSTRALIAN SPECS)

ITEM	PART NUMBER	QTY	DESCRIPTION	REV
	1001125781	Ref	DELTA-Q BATTERY CHARGER INSTALLATION - 250V/50HZ (ANSI EXPORT AND AUSTRALIAN SPECS)	F
1	0100011	AR	Compound, Locking	
2	0610131	1	Charger LED Assembly	
3	0641406	4	Bolt 1/4 x 3/4	
5	1060813	1	Cable, LED (Not Shown - See ELECTRICAL SECTION for Breakdown)	
6	3311001	4	Nut #10	
7	3311408	4	Nut 1/4	
8	3571584	1	Plate, Mounting	
9	3911016	4	Screw #10 x 1	
10	4240032	2	Tie-Strap (Not Shown)	
11	4240033	AR	Tie-Strap (Not Shown)	
12	4460234	2	Mount, Tie-Strap (Not Shown)	
13	4460428	1	Connector, Strain Relief	
14	4460802	1	Cover, Terminal	
15	4460805	1	Terminal, Plug	
16	4711400	4	Washer 1/4	
17	4761000	4	Washer #10	
18	1001103105	1	Battery Charger Assembly (See ELECTRICAL SECTION for Breakdown)	
19	1001113045	1	Battery Charger Harness (Not Shown - See ELECTRICAL SECTION for Breakdown) (SN 0300219271 through 0300224945)	
21	1001126185	1	AC Cord Cable (Not Shown)	

SECTION 2 - TURNTABLE

FIGURE 2-20. DELTA-Q BATTERY CHARGER INSTALLATION - 120-240V/50-60HZ (CE SPECS)



ART_1001125778

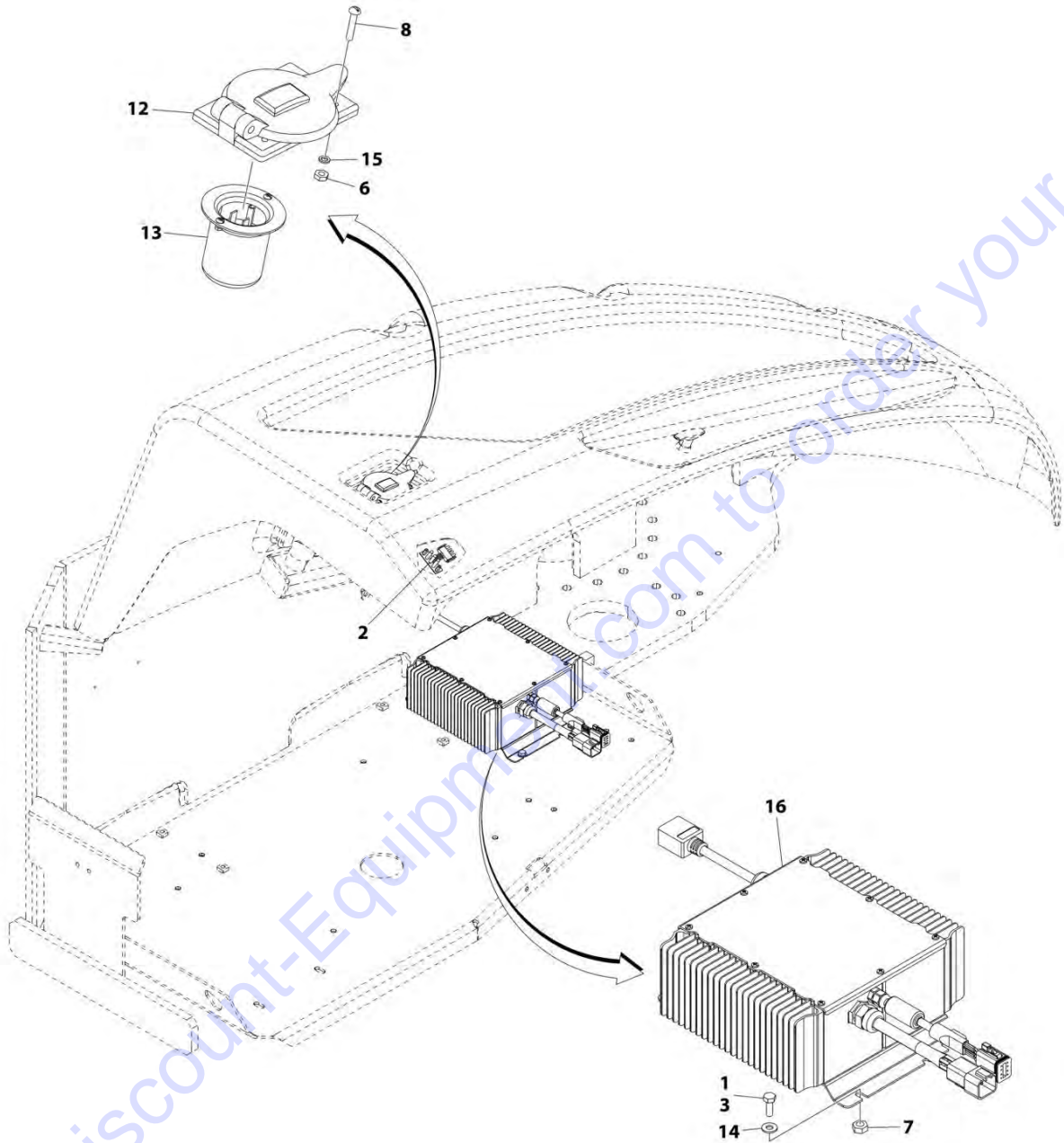
SECTION 2 - TURNTABLE

FIGURE 2-20. DELTA-Q BATTERY CHARGER INSTALLATION - 120-240V/50-60HZ (CE SPECS)

ITEM	PART NUMBER	QTY	DESCRIPTION	REV
	1001125778	Ref	DELTA-Q BATTERY CHARGER INSTALLATION - 120-240V/50-60HZ (CE SPECS)	F
1	0100011	AR	Compound, Locking	
2	0610131	1	Charger LED Assembly	
3	0641406	4	Bolt 1/4 x 3/4	
5	1060813	1	Cable, LED (Not Shown - See ELECTRICAL SECTION for Breakdown)	
6	3311001	4	Nut #10	
7	3311408	4	Nut 1/4	
8	3571584	1	Plate, Mounting	
9	3911016	4	Screw #10 x 1	
10	4240032	2	Tie-Strap (Not Shown)	
11	4240033	AR	Tie-Strap (Not Shown)	
12	4460234	2	Mount, Tie-Strap (Not Shown)	
13	4460428	1	Connector, Strain Relief	
14	4711400	4	Washer 1/4	
15	4761000	4	Washer #10	
16	1001103105	1	Battery Charger Assembly (See ELECTRICAL SECTION for Breakdown)	
17	1001113045	1	Battery Charger Harness (Not Shown - See ELECTRICAL SECTION for Breakdown) (SN 0300219271 through 0300224945)	
19	1001126185	1	AC Cord Cable (Not Shown)	

SECTION 2 - TURNTABLE

FIGURE 2-21. DELTA-Q BATTERY CHARGER INSTALLATION - 100V/50-60HZ (JAPANESE SPECS)



ART_1001125780

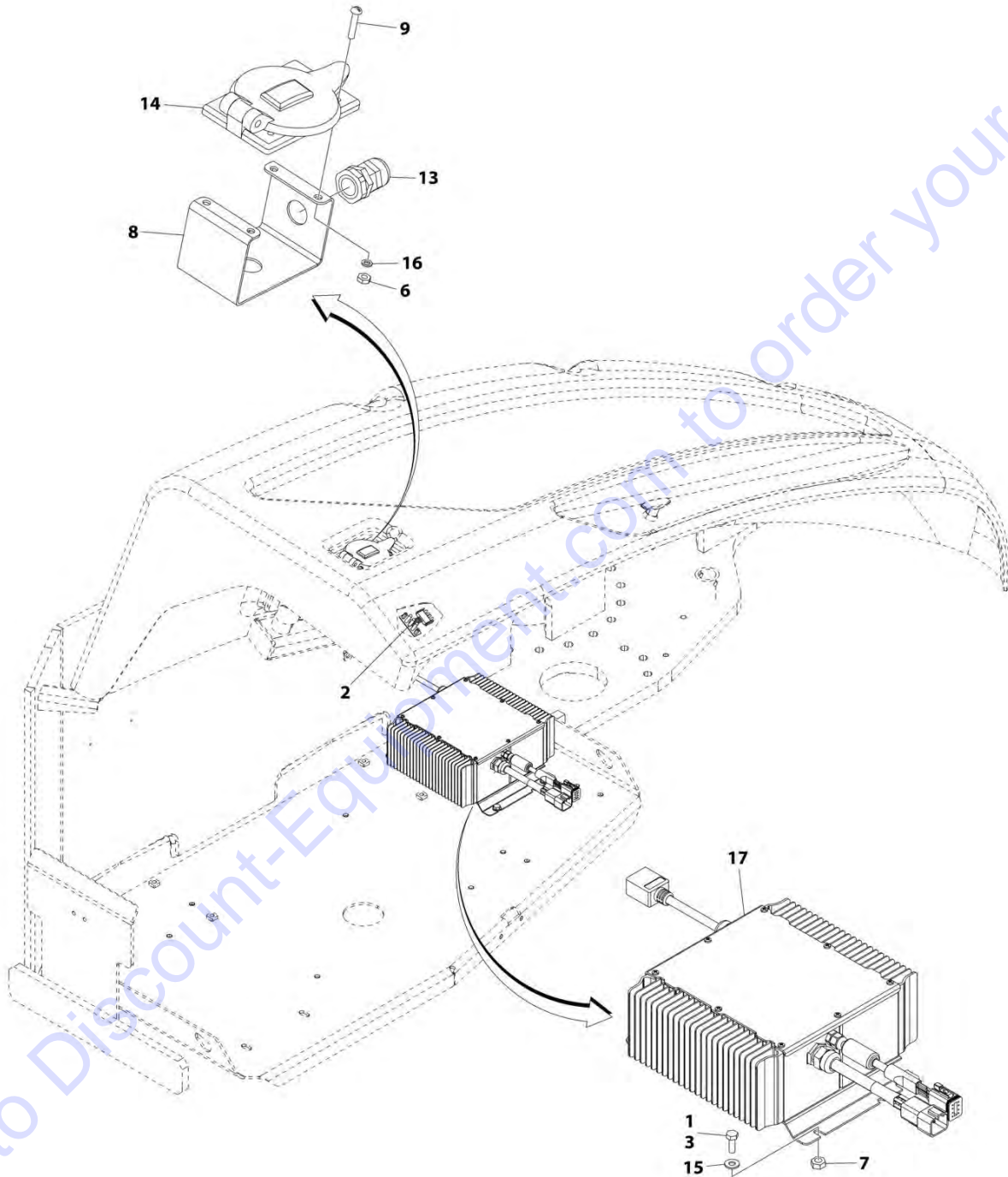
SECTION 2 - TURNTABLE

FIGURE 2-21. DELTA-Q BATTERY CHARGER INSTALLATION - 100V/50-60HZ (JAPANESE SPECS)

ITEM	PART NUMBER	QTY	DESCRIPTION	REV
	1001125780	Ref	DELTA-Q BATTERY CHARGER INSTALLATION - 100V/50-60HZ (JAPANESE SPECS)	F
1	0100011	AR	Compound, Locking	
2	0610131	1	Charger LED Assembly	
3	0641406	4	Bolt 1/4 x 3/4	
5	1060813	1	Cable, LED (Not Shown - See ELECTRICAL SECTION for Breakdown)	
6	3311001	4	Nut #10	
7	3311408	4	Nut 1/4	
8	3911016	4	Screw #10 x 1	
9	4240032	2	Tie-Strap (Not Shown)	
10	4240033	AR	Tie-Strap (Not Shown)	
11	4460234	2	Mount, Tie-Strap (Not Shown)	
12	4460802	1	Cover, Terminal	
13	4460803	1	Terminal, Plug	
14	4711400	4	Washer 1/4	
15	4761000	4	Washer #10	
16	1001103105	1	Battery Charger Assembly (See ELECTRICAL SECTION for Breakdown)	
17	1001113045	1	Battery Charger Harness (Not Shown - See ELECTRICAL SECTION for Breakdown) (SN 0300219271 through 0300224945)	
19	1001126185	1	AC Cord Cable (Not Shown)	

SECTION 2 - TURNTABLE

FIGURE 2-22. DELTA-Q BATTERY CHARGER INSTALLATION - 120-230V/45-65HZ (48 VOLT) (ALL SPECS)



ART_1001162843

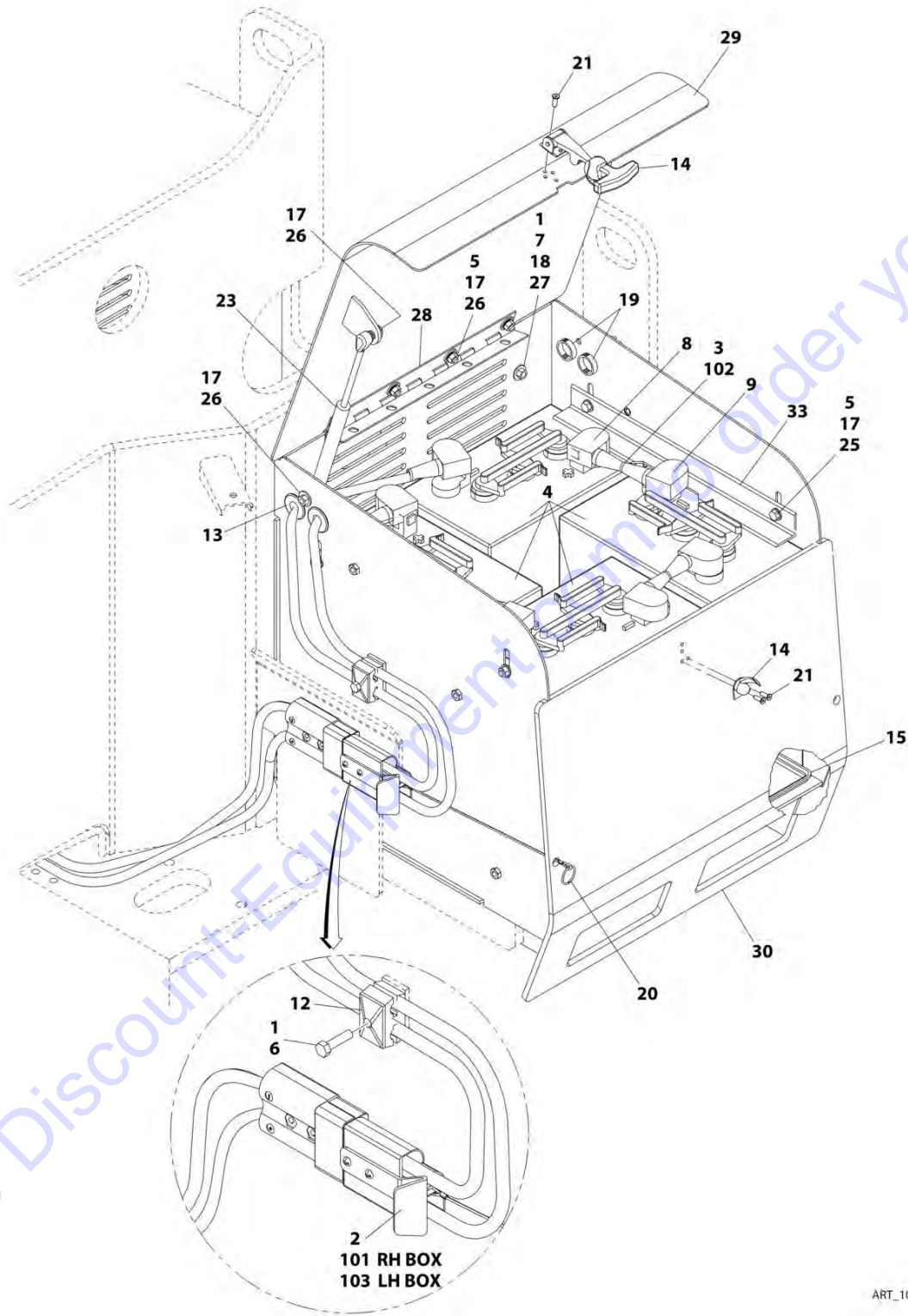
SECTION 2 - TURNTABLE

FIGURE 2-22. DELTA-Q BATTERY CHARGER INSTALLATION - 120-230V/45-65HZ (48 VOLT) (ALL SPECS)

ITEM	PART NUMBER	QTY	DESCRIPTION	REV
	1001162843	Ref	DELTA-Q BATTERY CHARGER INSTALLATION - 120-230V/45-65HZ (48 VOLT) (ALL SPECS)	F
1	0100011	AR	Compound, Locking	
2	0610131	1	Charger LED Assembly	
3	0641406	4	Bolt 1/4 x 3/4	
5	1060813	1	Cable, LED (Not Shown - See ELECTRICAL SECTION for Breakdown)	
6	3311001	4	Nut #10	
7	3311408	4	Nut 1/4	
8	3571584	1	Plate, Mounting	
9	3911016	4	Screw #10 x 1	
10	4240032	2	Tie-Strap (Not Shown)	
11	4240033	AR	Tie-Strap (Not Shown)	
12	4460234	2	Mount, Tie-Strap (Not Shown)	
13	4460428	1	Connector, Strain Relief	
14	4460802	1	Cover, Terminal	
15	4711400	4	Washer 1/4	
16	4761000	4	Washer #10	
17	1001103105	1	Battery Charger Assembly (See ELECTRICAL SECTION for Breakdown)	
18	1001113045	1	Battery Charger Harness (Not Shown - See ELECTRICAL SECTION for Breakdown) (SN 0300219271 through 0300224945)	
20	1001126185	1	AC Cord Cable (Not Shown)	

SECTION 2 - TURNTABLE

FIGURE 2-23. BATTERY BOX INSTALLATION - STANDARD BATTERIES



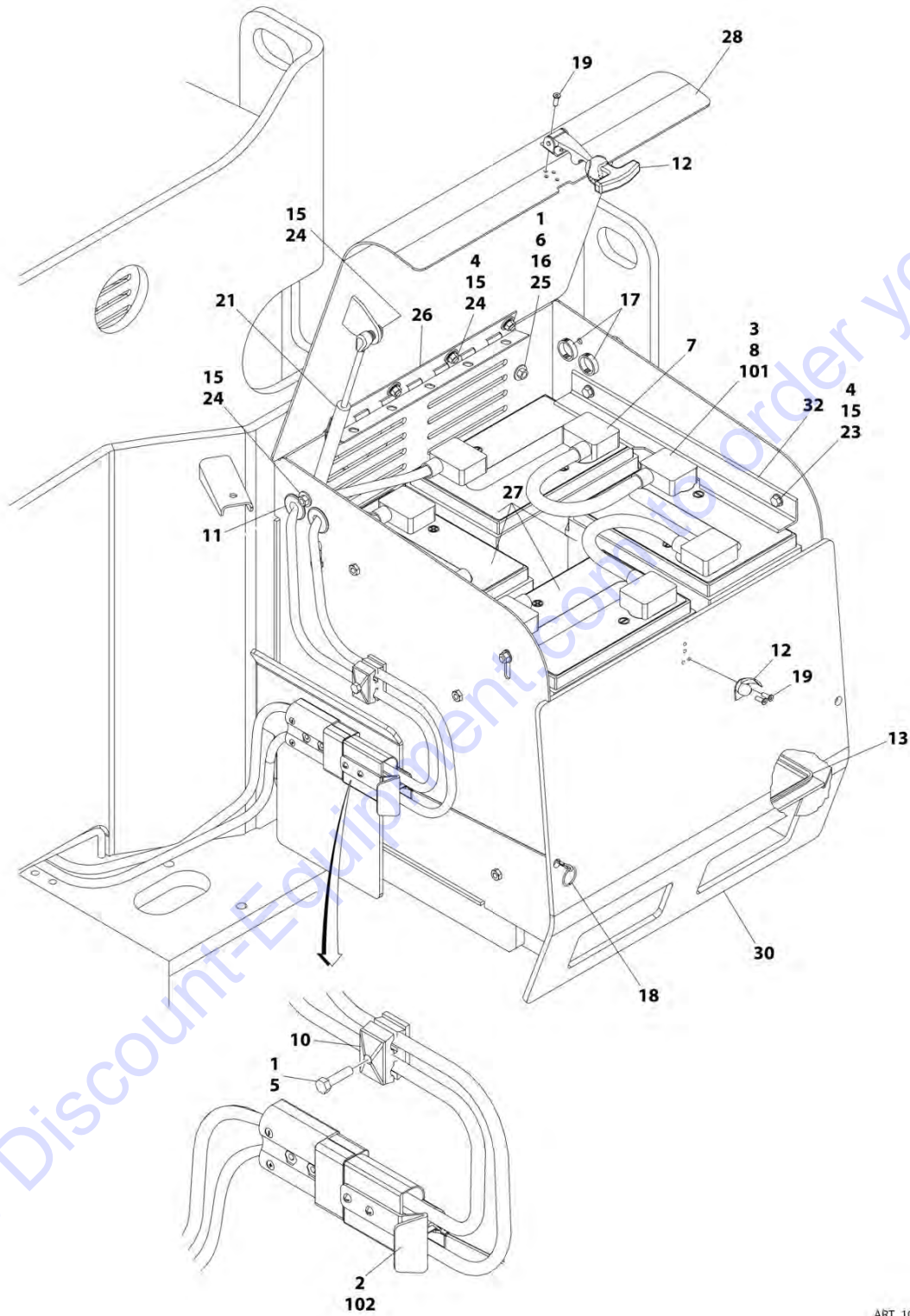
SECTION 2 - TURNTABLE

FIGURE 2-23. BATTERY BOX INSTALLATION - STANDARD BATTERIES

ITEM	PART NUMBER	QTY	DESCRIPTION	REV
	1001183373	Ref	BATTERY BOX INSTALLATION - STANDARD BATTERIES	C
1	0100011	AR	Compound, Locking	
2	0100048	AR	Grease, Dielectric	
3	0100051	AR	Grease, Battery Terminal	
4	0400202	8	Battery	
5	0641506	26	Bolt 5/16 x 3/4	
6	0641510	2	Bolt 5/16 x 1-1/4	
7	0641820	4	Bolt 1/2 x 2-1/2	
8	0840031	8	Boot, Terminal (d Shaped)	
9	0840032	8	Boot, Terminal (b Shaped)	
12	1320159	2	Clamp	
13	2540020	4	Grommet	
14	2940095	2	Latch	
15	3000014	2	Liner, Battery Box	
17	3311505	30	Nut 5/16	
18	3311801	4	Nut 1/2	
19	3520031	4	Plug, Hole	
20	3760170	2	Ring, Split	
21	3820017	8	Rivet	
23	4160185	2	Spring, Gas (Prior to SN 0200244725)	
23	1001233560	2	Spring, Gas (SN 0200244725 to Present)	
25	4711500	16	Washer 5/16	
26	4751500	40	Washer 5/16	
27	4751800	8	Washer 1/2	
28	1001096148	2	Hinge	
29	1001172260	2	Lid, Battery Box	
30	1001172876	2	Box, Battery	
31	1001176711	1	Sensor, Temperature (Not Shown - Located in LH Side Battery Box)	
33	1001179842	4	Angle, Hold-Down	
100	1001205056	1	Battery Cable Kit (Includes Items 101-103)	
101	1060803	1	Cable Assembly - Battery Box Internal (RH Side) (See ELECTRICAL SECTION for Breakdown)	
102	1060848	6	Cable, Battery (Terminal to Terminal)	
103	1001194037	1	Cable Assembly - Battery Box Internal (LH Side) (See ELECTRICAL SECTION for Breakdown)	

SECTION 2 - TURNTABLE

FIGURE 2-24. BATTERY BOX INSTALLATION - AGM BATTERIES



ART_1001183375

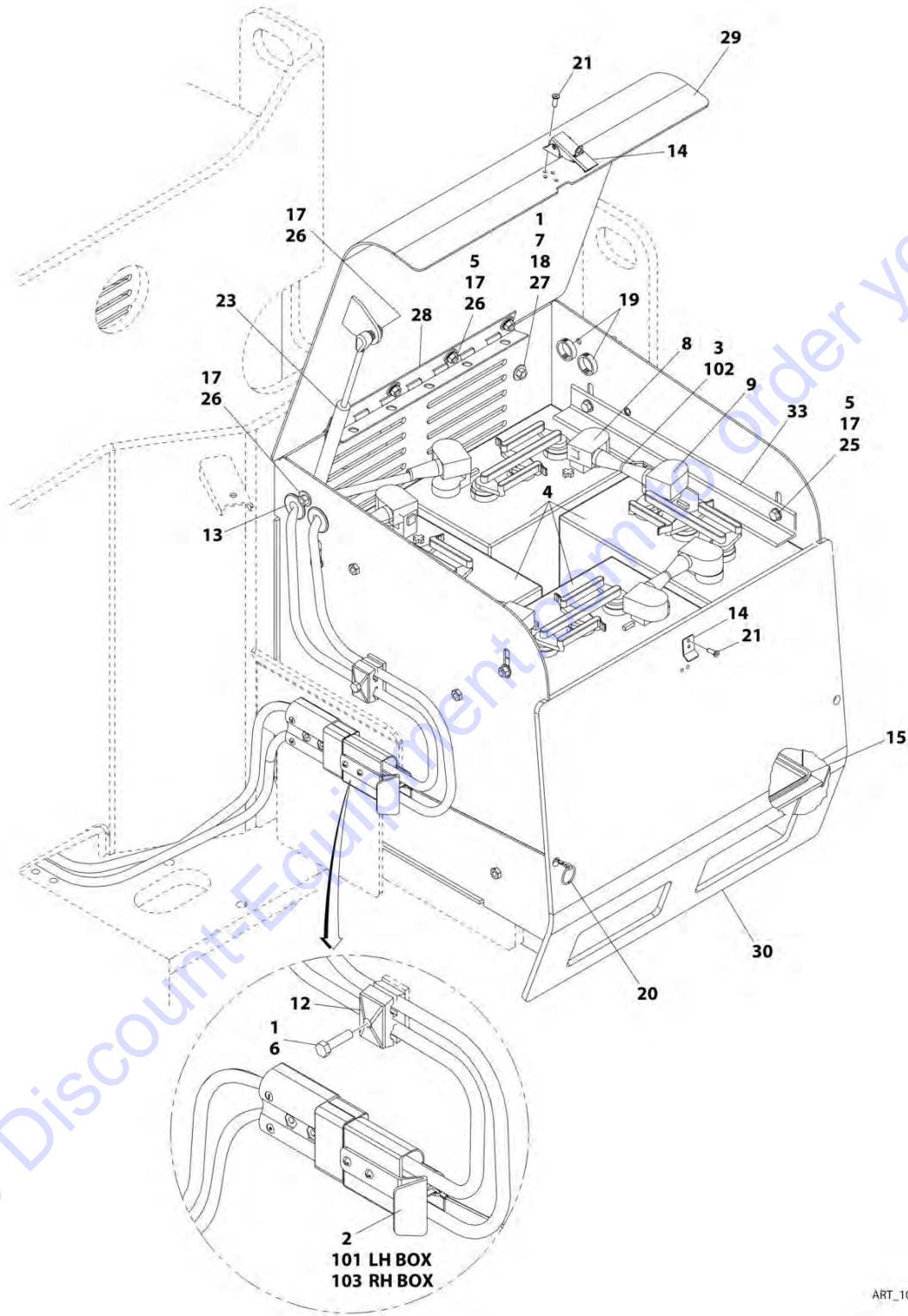
SECTION 2 - TURNTABLE

FIGURE 2-24. BATTERY BOX INSTALLATION - AGM BATTERIES

ITEM	PART NUMBER	QTY	DESCRIPTION	REV
	1001183375	Ref	BATTERY BOX INSTALLATION - AGM BATTERIES	D
1	0100011	AR	Compound, Locking	
2	0100048	AR	Grease, Dielectric	
3	0100051	AR	Grease, Battery Terminal	
4	0641506	26	Bolt 5/16 x 3/4	
5	0641510	2	Bolt 5/16 x 1-1/4	
6	0641820	4	Bolt 1/2 x 2-1/2	
7	0840048	8	Boot, Terminal (d Shaped)	
8	0840049	8	Boot, Terminal (b Shaped)	
10	1320159	2	Clamp	
11	2540020	4	Grommet	
12	2940095	2	Latch	
13	3000014	2	Liner, Battery Box	
15	3311505	30	Nut 5/16	
16	3311801	4	Nut 1/2	
17	3520031	4	Plug, Hole	
18	3760170	2	Ring, Split	
19	3820017	8	Rivet	
21	4160185	2	Spring, Gas (Prior to SN 0200244725)	
21	1001233560	2	Spring, Gas (SN 0200244725 to Present)	
23	4711500	16	Washer 5/16	
24	4751500	40	Washer 5/16	
25	4751800	8	Washer 1/2	
26	1001096148	2	Hinge	
27	1001102534	8	Battery (Prior to SN 0300239198)	
27	1001228392	8	Battery (SN 0300239198 to Present)	
28	1001172260	2	Lid, Battery Box	
30	1001172876	2	Box, Battery	
31	1001176711	1	Sensor, Temperature (Not Shown - Located in LH Side Battery Box)	
32	1001179842	4	Angle, Hold-Down	
100	1001205067	1	Battery Cable Kit (Includes Items 101-102) (Prior to SN 0300239198)	
100	1001228858	1	Battery Cable Kit (Includes Items 101-102) (SN 0300239198 to Present)	
101	1060884	6	Cable, Battery (Terminal to Terminal) (Prior to SN 0300239198)	
101	1001228395	6	Cable, Battery (Terminal to Terminal) (SN 0300239198 to Present)	
102	1001194212	2	Cable Assembly - Battery Box Internal (See ELECTRICAL SECTION for Breakdown) (Prior to SN 0300239198)	
102	1001228857	2	Cable Assembly - Battery Box Internal (See ELECTRICAL SECTION for Breakdown) (SN 0300239198 to Present)	

SECTION 2 - TURNTABLE

FIGURE 2-25. BATTERY BOX INSTALLATION (UL SPECS)



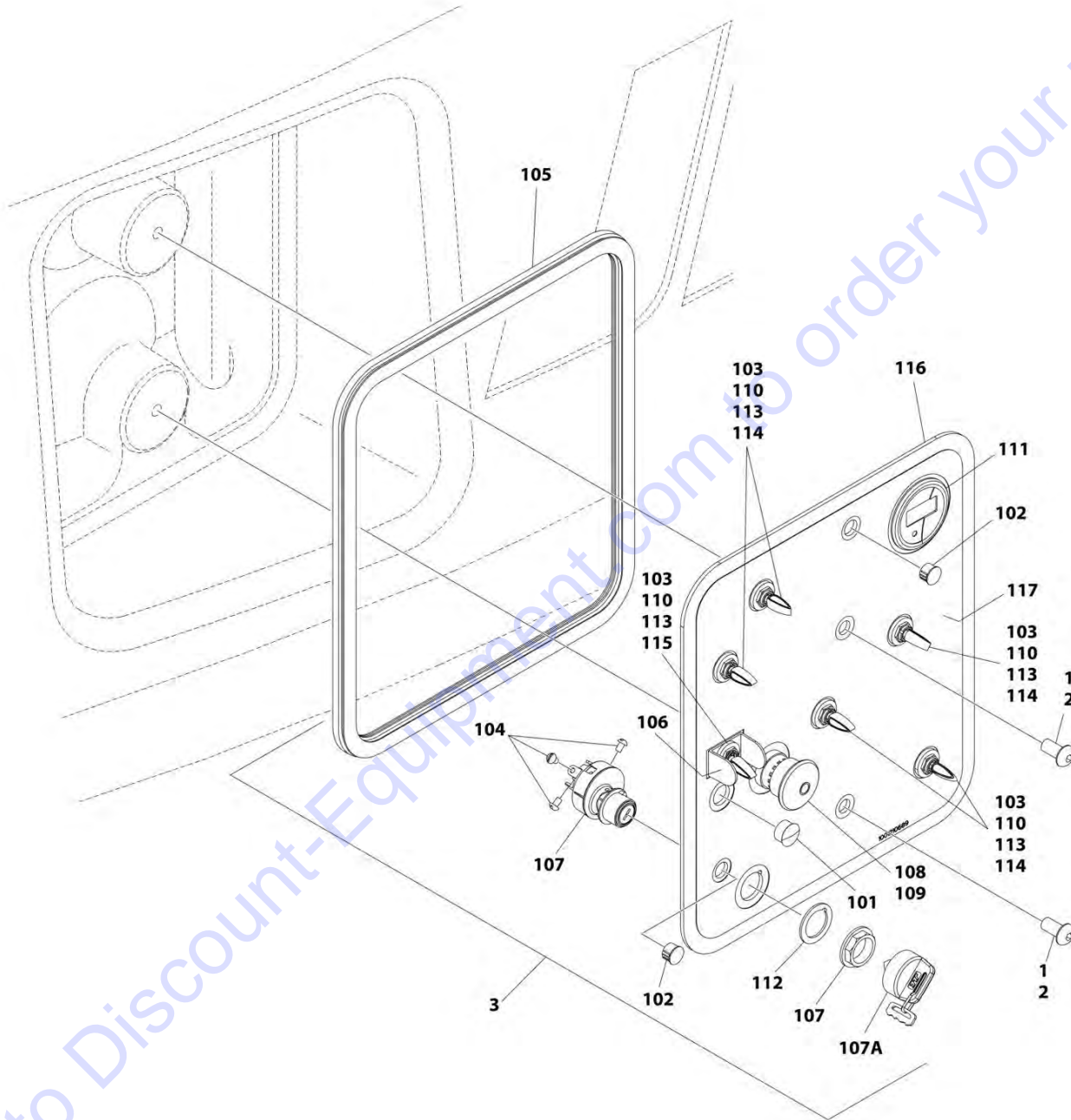
SECTION 2 - TURNTABLE

FIGURE 2-25. BATTERY BOX INSTALLATION (UL SPECS)

ITEM	PART NUMBER	QTY	DESCRIPTION	REV
	1001183374	Ref	BATTERY BOX INSTALLATION (UL SPECS)	C
1	0100011	AR	Compound, Locking	
2	0100048	AR	Grease, Dielectric	
3	0100051	AR	Grease, Battery Terminal	
4	0400202	8	Battery	
5	0641506	26	Bolt 5/16 x 3/4	
6	0641510	2	Bolt 5/16 x 1-1/4	
7	0641820	4	Bolt 1/2 x 2-1/2	
8	0840031	8	Boot, Terminal (d Shaped)	
9	0840032	8	Boot, Terminal (b Shaped)	
12	1320159	2	Clamp	
13	2540020	4	Grommet	
14	2940130	2	Latch (Lockable)	
15	3000014	2	Liner, Battery Box	
17	3311505	30	Nut 5/16	
18	3311801	4	Nut 1/2	
19	3520031	4	Plug, Hole	
20	3760170	2	Ring, Split	
21	3820017	8	Rivet	
23	4160185	2	Spring, Gas (Prior to SN 0200744725)	
23	1001233560	2	Spring, Gas (SN 0200744725 to Present)	
25	4711500	16	Washer 5/16	
26	4751500	40	Washer 5/16	
27	4751800	8	Washer 1/2	
28	1001096148	2	Hinge	
29	1001172260	2	Lid, Battery Box	
30	1001172876	2	Box, Battery	
31	1001176711	1	Sensor, Temperature (Not Shown - Located in LH Side Battery Box)	
33	1001179842	4	Angle, Hold-Down	
100	1001205056	1	Battery Cable Kit (Includes Items 101-103)	
101	1060803	1	Cable Assembly - Battery Box Internal (LH Side) (See ELECTRICAL SECTION for Breakdown)	
102	1060848	6	Cable, Battery (Terminal to Terminal)	
103	1001194037	1	Cable Assembly - Battery Box Internal (RH Side) (See ELECTRICAL SECTION for Breakdown)	

SECTION 2 - TURNTABLE

FIGURE 2-26. GROUND CONTROL PANEL INSTALLATION (E600/M600)



ART_1001203817

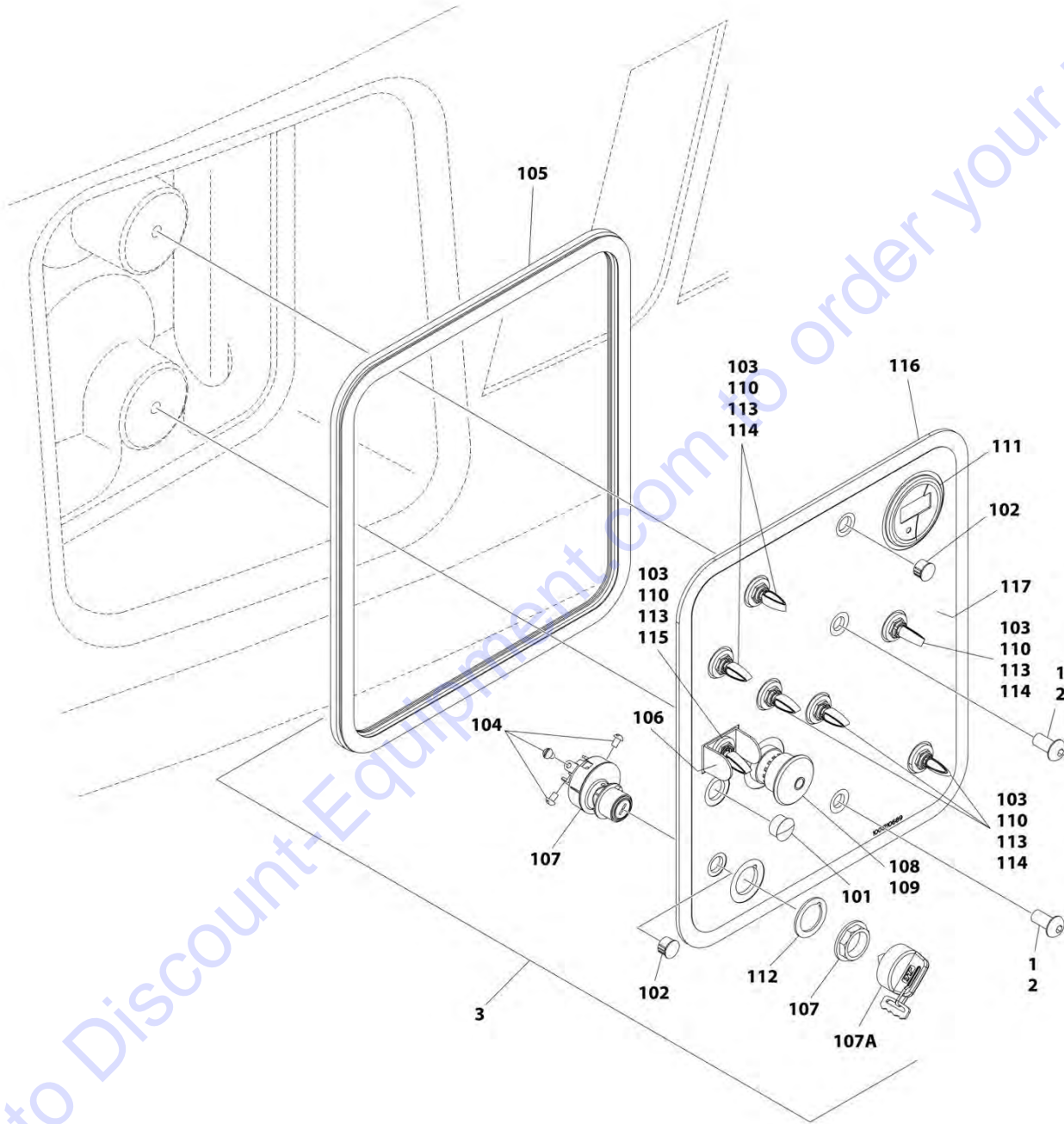
SECTION 2 - TURNTABLE

FIGURE 2-26. GROUND CONTROL PANEL INSTALLATION (E600/M600)

ITEM	PART NUMBER	QTY	DESCRIPTION	REV
	1001203817	Ref	GROUND CONTROL PANEL INSTALLATION (E600/M600)	A
1	0100011	AR	Compound, Locking	
2	3900283	2	Screw, Button Head	
3	1001203822	1	Ground Control Panel Assembly (See Items 101-117 for Breakdown)	
	1001203822	Ref	GROUND CONTROL PANEL ASSEMBLY	C
101	3520026	1	Plug, Hole	
102	3520028	2	Plug, Hole	
103	3790012	6	O-Ring	
104	3910804	6	Screw #8 x 1/2	
105	3960447	51 in/1.3m	Seal	
106	4060906	1	Guard, Switch	
107	4360469	1	Keyswitch	
107A	2860030	1	Key, Replacement	
108	4360475	1	Switch, Emergency Stop	
108	7020175	1	Mushroom Head	
108	7020176	1	Block, Contact	
109	4360476	1	Block, Contact	
110	4740397	AR	Spacer, Washer	
111	1001109503	1	Gauge, Indicator	
112	1001151393	1	Shim, Nylon .063	
113	1001155044	6	Nut 15/32 UNS-2B	
114	1001155045	5	Switch, Toggle	
115	1001159256	1	Switch, Toggle	
116	1001188058	1	Plate, Ground Control	
117	1001210689	1	Decal - Control Panel	

SECTION 2 - TURNTABLE

FIGURE 2-27. GROUND CONTROL PANEL INSTALLATION (E600J/M600J)



ART_1001203816

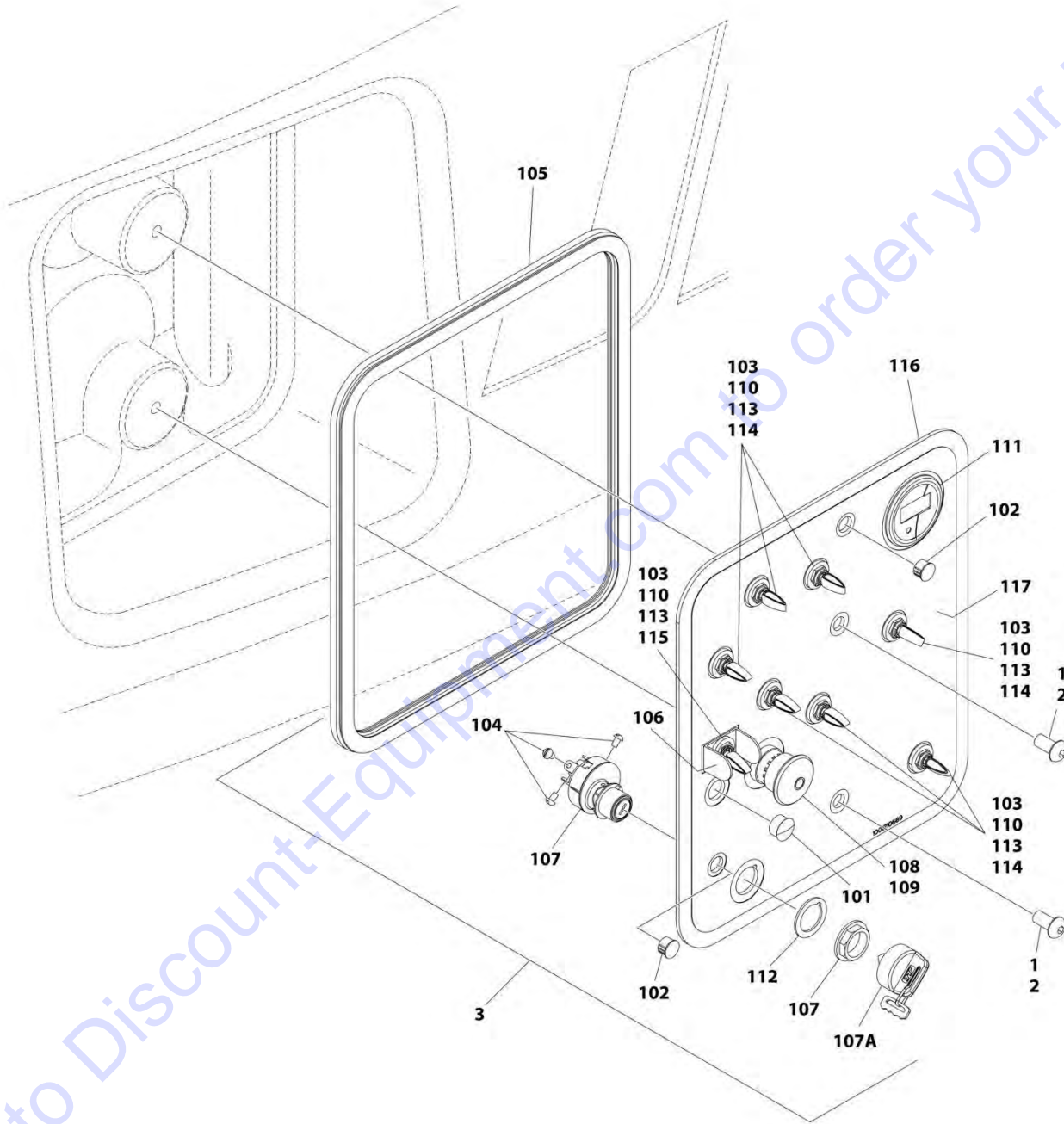
SECTION 2 - TURNTABLE

FIGURE 2-27. GROUND CONTROL PANEL INSTALLATION (E600J/M600J)

ITEM	PART NUMBER	QTY	DESCRIPTION	REV
	1001203816	Ref	GROUND CONTROL PANEL INSTALLATION (E600J/M600J)	A
1	0100011	AR	Compound, Locking	
2	3900283	2	Screw, Button Head	
3	1001203823	1	Ground Control Panel Assembly (See Items 101-117 for Breakdown)	
	1001203823	Ref	GROUND CONTROL PANEL ASSEMBLY	C
101	3520026	1	Plug, Hole	
102	3520028	2	Plug, Hole	
103	3790012	7	O-Ring	
104	3910804	6	Screw #8 x 1/2	
105	3960447	51 in/1.3m	Seal	
106	4060906	1	Guard, Switch	
107	4360469	1	Keyswitch	
107A	2860030	1	Key, Replacement	
108	4360475	1	Switch, Emergency Stop	
108	7020175	1	Mushroom Head	
108	7020176	1	Block, Contact	
109	4360476	1	Block, Contact	
110	4740397	AR	Spacer, Washer	
111	1001109503	1	Gauge, Indicator	
112	1001151393	1	Shim, Nylon .063	
113	1001155044	7	Nut 15/32 UNS-2B	
114	1001155045	6	Switch, Toggle	
115	1001159256	1	Switch, Toggle	
116	1001188058	1	Plate, Ground Control	
117	1001210690	1	Decal - Control Panel	

SECTION 2 - TURNTABLE

FIGURE 2-28. GROUND CONTROL PANEL INSTALLATION (E600JP/M600JP)



ART_1001203815

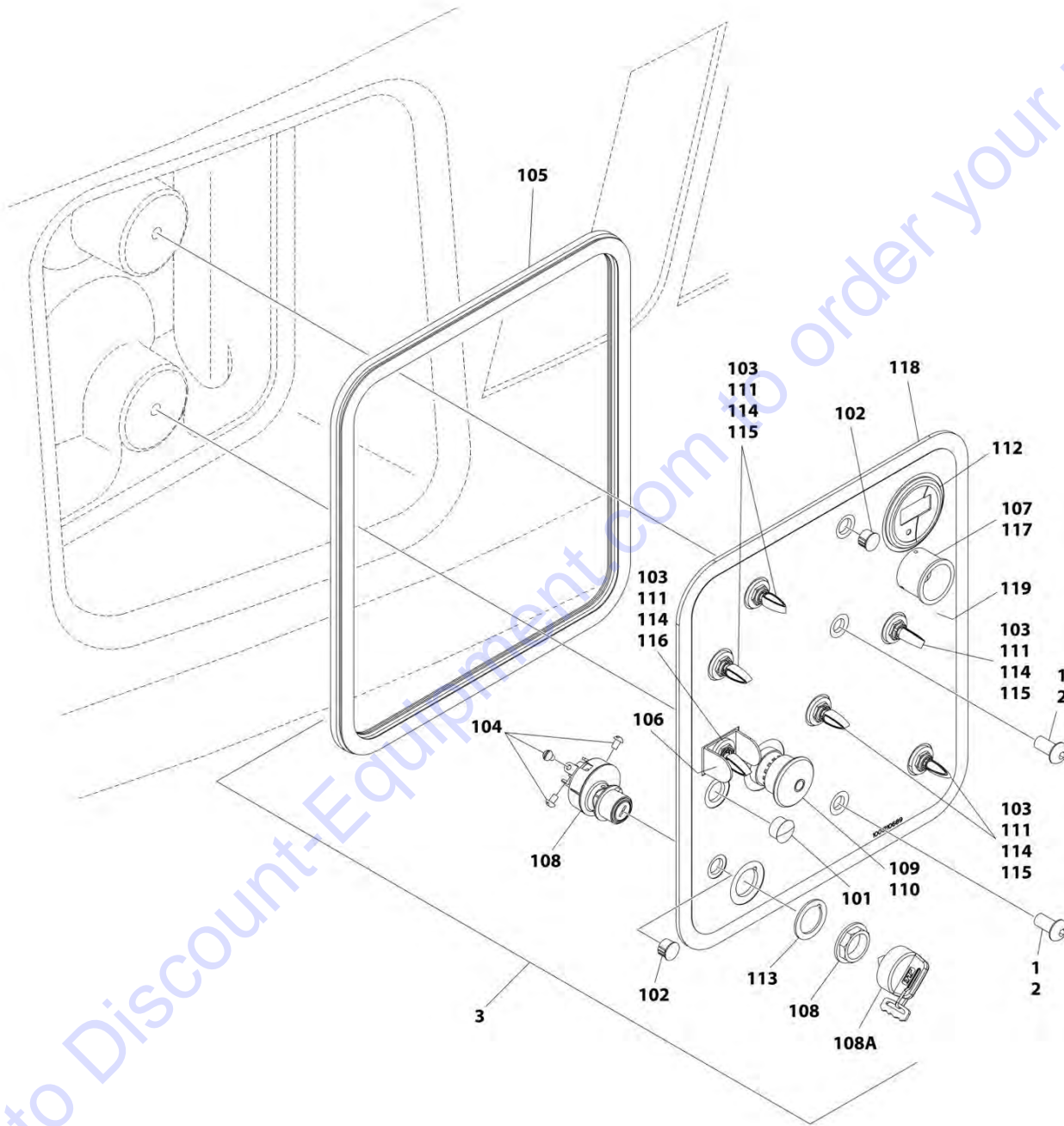
SECTION 2 - TURNTABLE

FIGURE 2-28. GROUND CONTROL PANEL INSTALLATION (E600JP/M600JP)

ITEM	PART NUMBER	QTY	DESCRIPTION	REV
	1001203815	Ref	GROUND CONTROL PANEL INSTALLATION (E600JP/M600JP)	A
1	0100011	AR	Compound, Locking	
2	3900283	2	Screw, Button Head	
3	1001203824	1	Ground Control Panel Assembly (See Items 101-117 for Breakdown)	
	1001203824	Ref	GROUND CONTROL PANEL ASSEMBLY	C
101	3520026	1	Plug, Hole	
102	3520028	2	Plug, Hole	
103	3790012	8	O-Ring	
104	3910804	6	Screw #8 x 1/2	
105	3960447	51 in/1.3m	Seal	
106	4060906	1	Guard, Switch	
107	4360469	1	Keyswitch	
107A	2860030	1	Key, Replacement	
108	4360475	1	Switch, Emergency Stop	
108	7020175	1	Mushroom Head	
108	7020176	1	Block, Contact	
109	4360476	1	Block, Contact	
110	4740397	AR	Spacer, Washer	
111	1001109503	1	Gauge, Indicator	
112	1001151393	1	Shim, Nylon .063	
113	1001155044	8	Nut 15/32 UNS-2B	
114	1001155045	7	Switch, Toggle	
115	1001159256	1	Switch, Toggle	
116	1001188058	1	Plate, Ground Control	
117	1001210691	1	Decal - Control Panel	

SECTION 2 - TURNTABLE

FIGURE 2-29. GROUND CONTROL PANEL INSTALLATION (E600/M600) (CE SPECS)



ART_1001203813

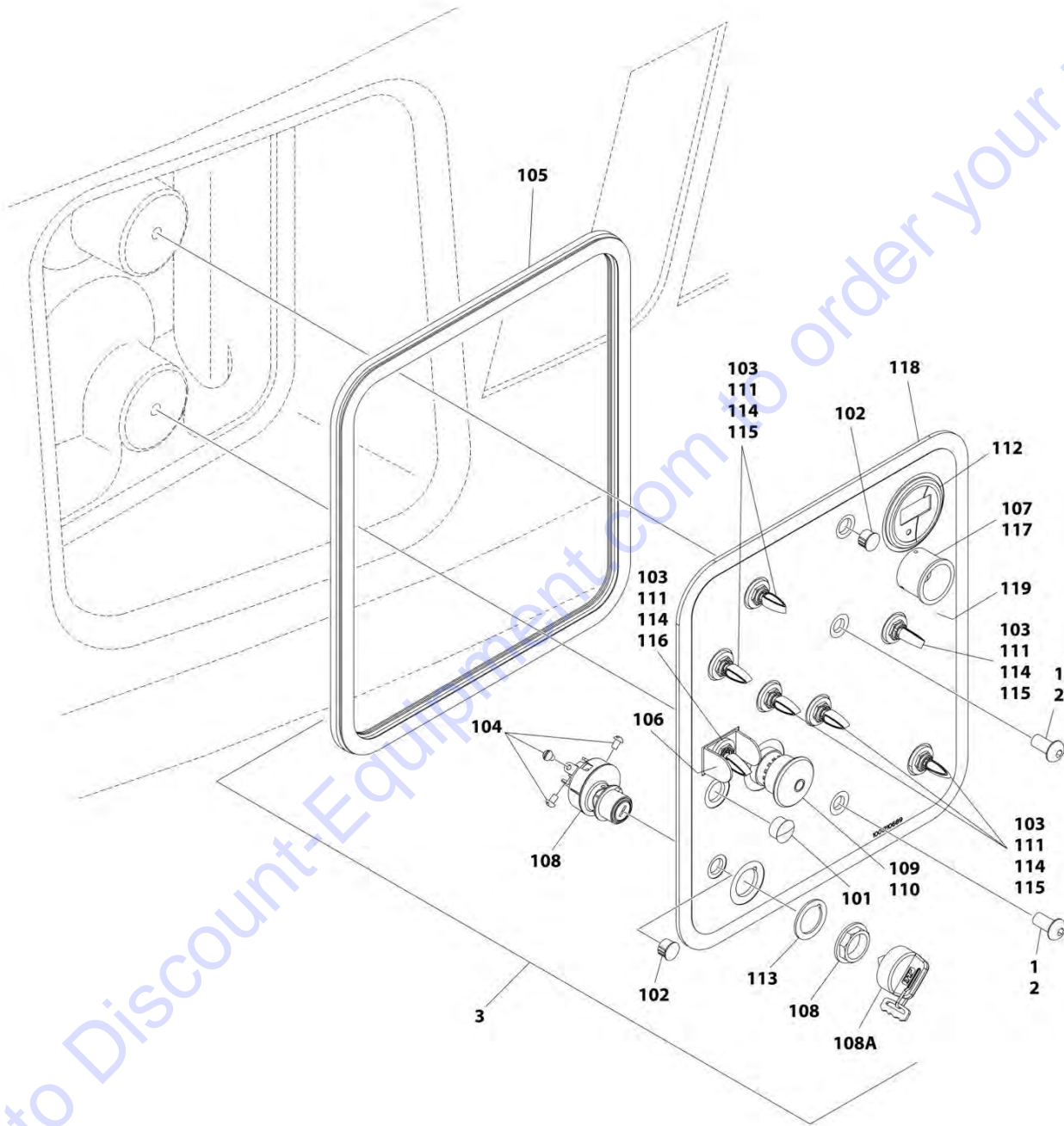
SECTION 2 - TURNTABLE

FIGURE 2-29. GROUND CONTROL PANEL INSTALLATION (E600/M600) (CE SPECS)

ITEM	PART NUMBER	QTY	DESCRIPTION	REV
	1001203813	Ref	GROUND CONTROL PANEL INSTALLATION (E600/M600) (CE SPECS)	A
1	0100011	AR	Compound, Locking	
2	3900283	2	Screw, Button Head	
3	1001203818	1	Ground Control Panel Assembly (See Items 101-119 for Breakdown)	
	1001203818	Ref	GROUND CONTROL PANEL ASSEMBLY	B
101	3520026	1	Plug, Hole	
102	3520028	2	Plug, Hole	
103	3790012	6	O-Ring	
104	3910804	6	Screw #8 x 1/2	
105	3960447	51 in/1.3m	Seal	
106	4060906	1	Guard, Switch	
107	4360387	1	Switch, Push Button	
108	4360469	1	Keyswitch	
108A	2860030	1	Key, Replacement	
109	4360475	1	Switch, Emergency Stop	
109	7020175	1	Mushroom Head	
109	7020176	1	Block, Contact	
110	4360476	1	Block, Contact	
111	4740397	AR	Spacer, Washer	
112	1001109503	1	Gauge, Indicator	
113	1001151393	1	Shim, Nylon .063	
114	1001155044	6	Nut 15/32 UNS-2B	
115	1001155045	5	Switch, Toggle	
116	1001159256	1	Switch, Toggle	
117	1001176469	1	Shroud	
118	1001188058	1	Plate, Ground Control	
119	1001204030	1	Decal - Control Panel	

SECTION 2 - TURNTABLE

FIGURE 2-30. GROUND CONTROL PANEL INSTALLATION (E600J/M600J) (CE SPECS)



ART_1001203814

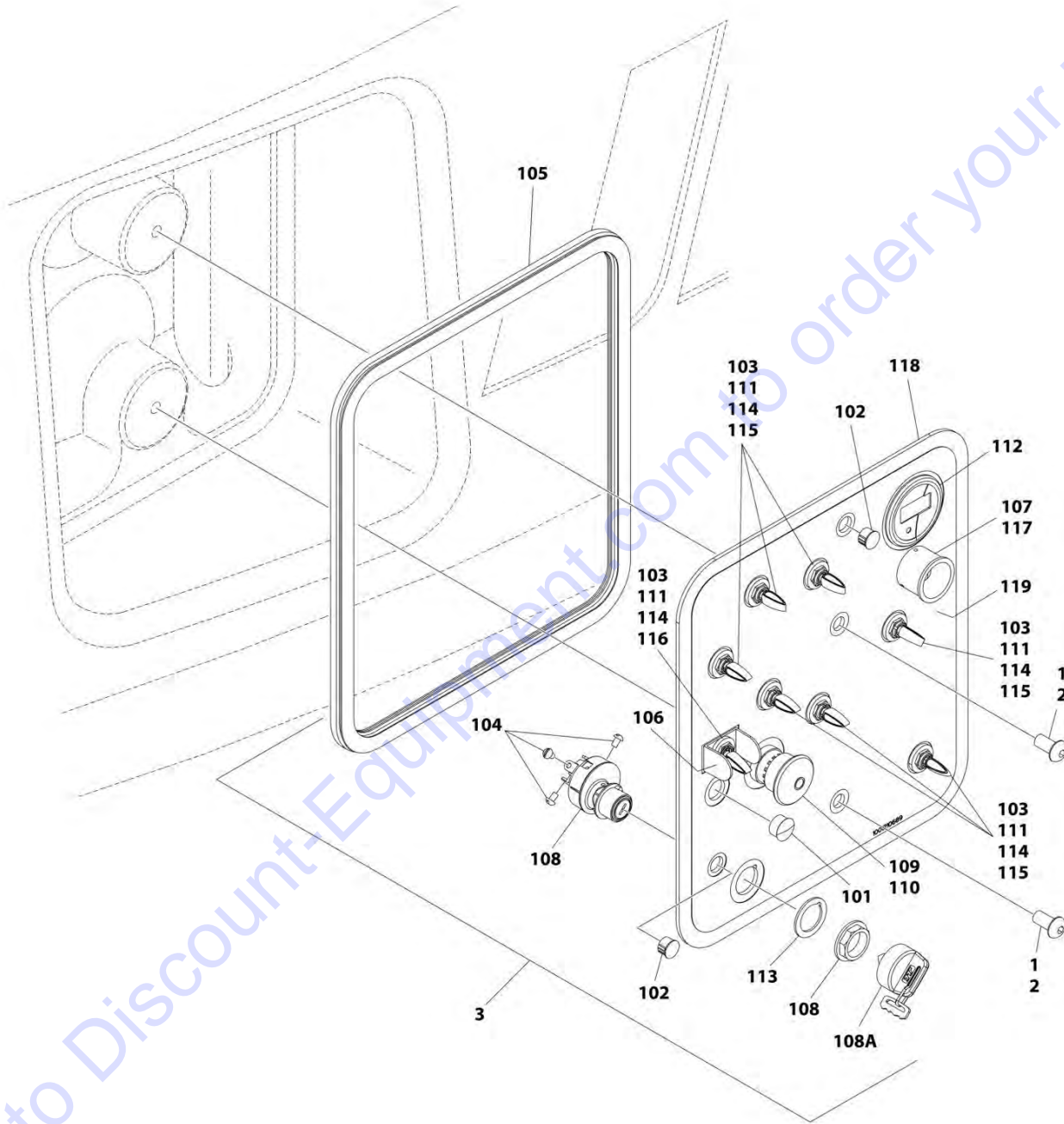
SECTION 2 - TURNTABLE

FIGURE 2-30. GROUND CONTROL PANEL INSTALLATION (E600J/M600J) (CE SPECS)

ITEM	PART NUMBER	QTY	DESCRIPTION	REV
	1001203814	Ref	GROUND CONTROL PANEL INSTALLATION (E600J/M600J) (CE SPECS)	A
1	0100011	AR	Compound, Locking	
2	3900283	2	Screw, Button Head	
3	1001203820	1	Ground Control Panel Assembly (See Items 101-119 for Breakdown)	
	1001203820	Ref	GROUND CONTROL PANEL ASSEMBLY	B
101	3520026	1	Plug, Hole	
102	3520028	2	Plug, Hole	
103	3790012	7	O-Ring	
104	3910804	6	Screw #8 x 1/2	
105	3960447	51 in/1.3m	Seal	
106	4060906	1	Guard, Switch	
107	4360387	1	Switch, Push Button	
108	4360469	1	Keyswitch	
108A	2860030	1	Key, Replacement	
109	4360475	1	Switch, Emergency Stop	
109	7020175	1	Mushroom Head	
109	7020176	1	Block, Contact	
110	4360476	1	Block, Contact	
111	4740397	AR	Spacer, Washer	
112	1001109503	1	Gauge, Indicator	
113	1001151393	1	Shim, Nylon .063	
114	1001155044	7	Nut 15/32 UNS-2B	
115	1001155045	6	Switch, Toggle	
116	1001159256	1	Switch, Toggle	
117	1001176469	1	Shroud	
118	1001188058	1	Plate, Ground Control	
119	1001204038	1	Decal - Control Panel	

SECTION 2 - TURNTABLE

FIGURE 2-31. GROUND CONTROL PANEL INSTALLATION (E600JP/M600JP) (CE SPECS)



ART_1001197207

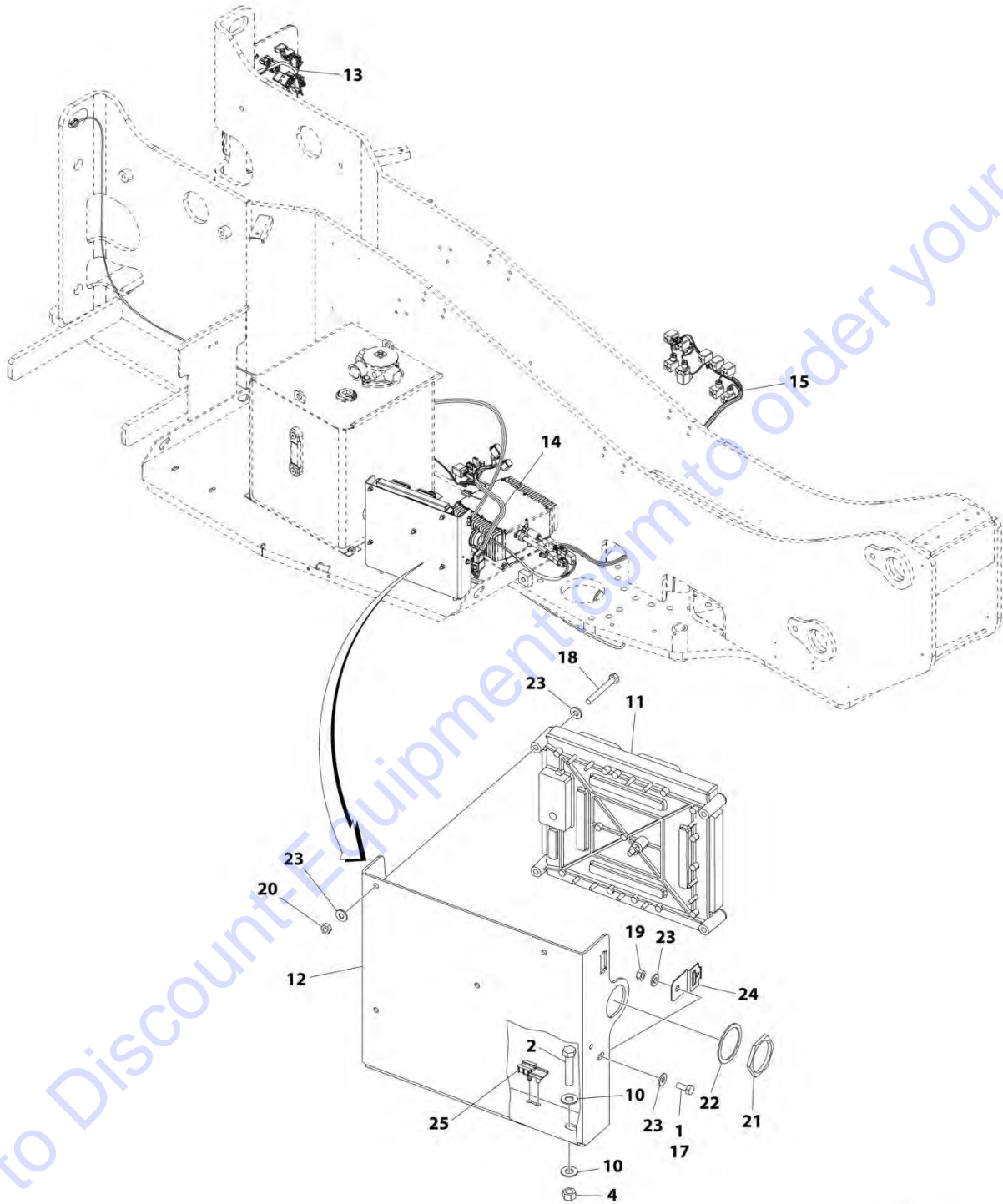
SECTION 2 - TURNTABLE

FIGURE 2-31. GROUND CONTROL PANEL INSTALLATION (E600JP/M600JP) (CE SPECS)

ITEM	PART NUMBER	QTY	DESCRIPTION	REV
	1001197207	Ref	GROUND CONTROL PANEL INSTALLATION (E600JP/M600JP) (CE SPECS)	A
1	0100011	AR	Compound, Locking	
2	3900283	2	Screw, Button Head	
3	1001197206	1	Ground Control Panel Assembly (See Items 101-119 for Breakdown)	
	1001197206	Ref	GROUND CONTROL PANEL ASSEMBLY	B
101	3520026	1	Plug, Hole	
102	3520028	2	Plug, Hole	
103	3790012	8	O-Ring	
104	3910804	6	Screw #8 x 1/2	
105	3960447	51 in/1.3m	Seal	
106	4060906	1	Guard, Switch	
107	4360387	1	Switch, Push Button	
108	4360469	1	Keyswitch	
108A	2860030	1	Key, Replacement	
109	4360475	1	Switch, Emergency Stop	
109	7020175	1	Mushroom Head	
109	7020176	1	Block, Contact	
110	4360476	1	Block, Contact	
111	4740397	AR	Spacer, Washer	
112	1001109503	1	Gauge, Indicator	
113	1001151393	1	Shim, Nylon .063	
114	1001155044	8	Nut 15/32 UNS-2B	
115	1001155045	7	Switch, Toggle	
116	1001159256	1	Switch, Toggle	
117	1001176469	1	Shroud	
118	1001188058	1	Plate, Ground Control	
119	1001204039	1	Decal - Control Panel	

SECTION 2 - TURNTABLE

FIGURE 2-32. GROUND CONTROL ELECTRICAL SYSTEM INSTALLATION



ART_1001180032

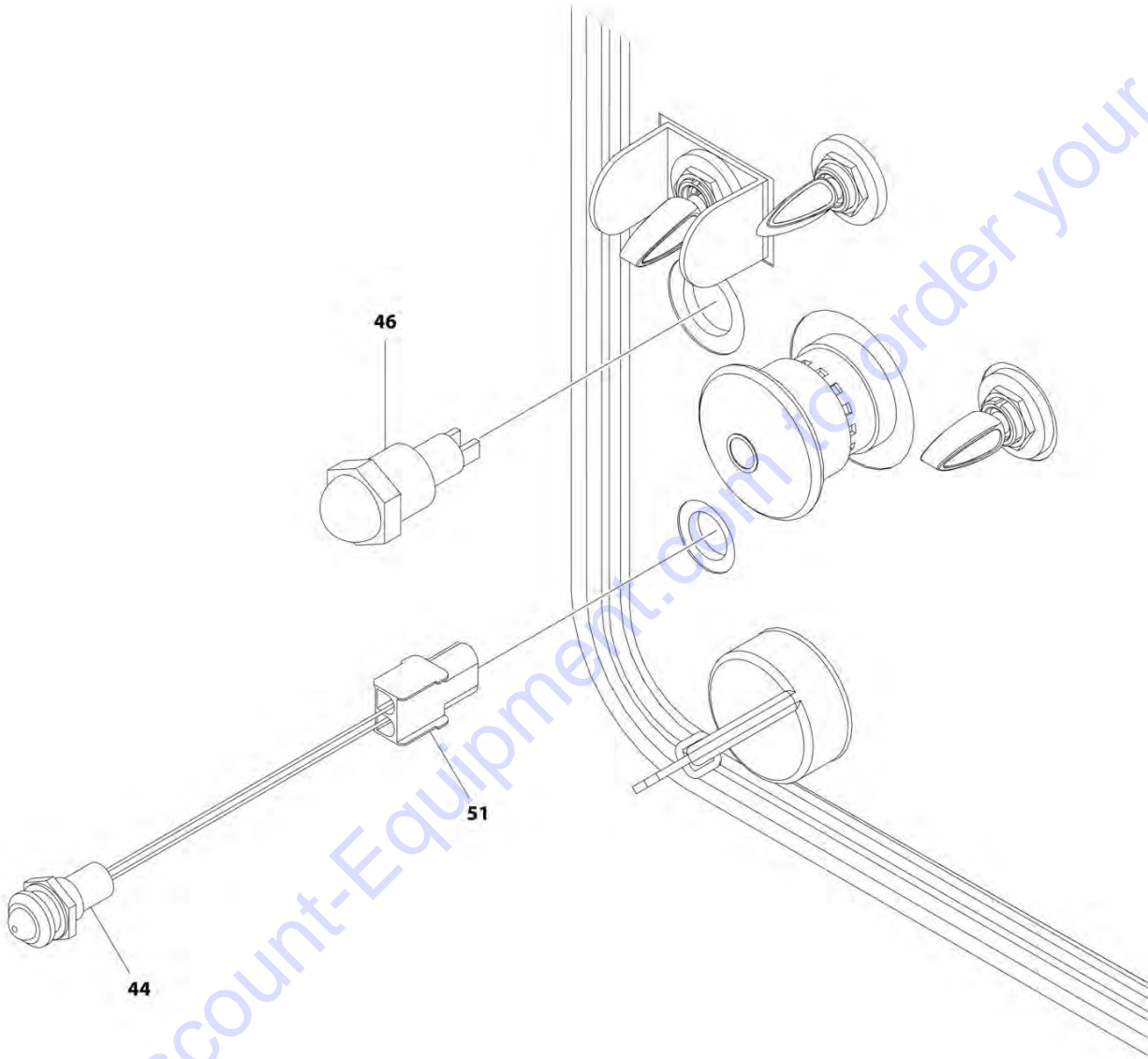
SECTION 2 - TURNTABLE

FIGURE 2-32. GROUND CONTROL ELECTRICAL SYSTEM INSTALLATION

ITEM	PART NUMBER	QTY	DESCRIPTION	REV
	1001180032	Ref	GROUND CONTROL ELECTRICAL SYSTEM INSTALLATION	C
1	0100011	AR	Compound, Locking	
2	0641614	2	Bolt 3/8 x 1-3/4	
4	3311605	2	Nut 3/8	
10	4711600	4	Washer 3/8	
11	1001182700	1	Module, Ground (Note: Re-calibration Required when Replaced)	
12	1001183229	1	Plate, Base	
13	1001182477	1	Harness, Ground Control (See ELECTRICAL SECTION for Breakdown)	
14	1001182479	1	Harness, Turntable (See ELECTRICAL SECTION for Breakdown)	
15	1001182480	1	Harness, Lower Valve (See ELECTRICAL SECTION for Breakdown)	
17	0641405	1	Bolt 1/4 x 5/8	
18	0641418	5	Bolt 1/4 x 2-1/4	
19	3311401	1	Nut 1/4	
20	3311405	5	Nut 1/4	
21	4460470	1	Nut, Terminal	
22	4460471	1	Washer, Terminal	
23	4711400	12	Washer 1/4	
24	1001153749	1	Clip	
25	1001173387	1	Clip, Connector Mount	

SECTION 2 - TURNTABLE

FIGURE 2-33. MOTOR CONTROLS INSTALLATION - STANDARD BATTERIES (M600/M600J/M600JP)



ART_1001199313_20F5

SECTION 2 - TURNTABLE

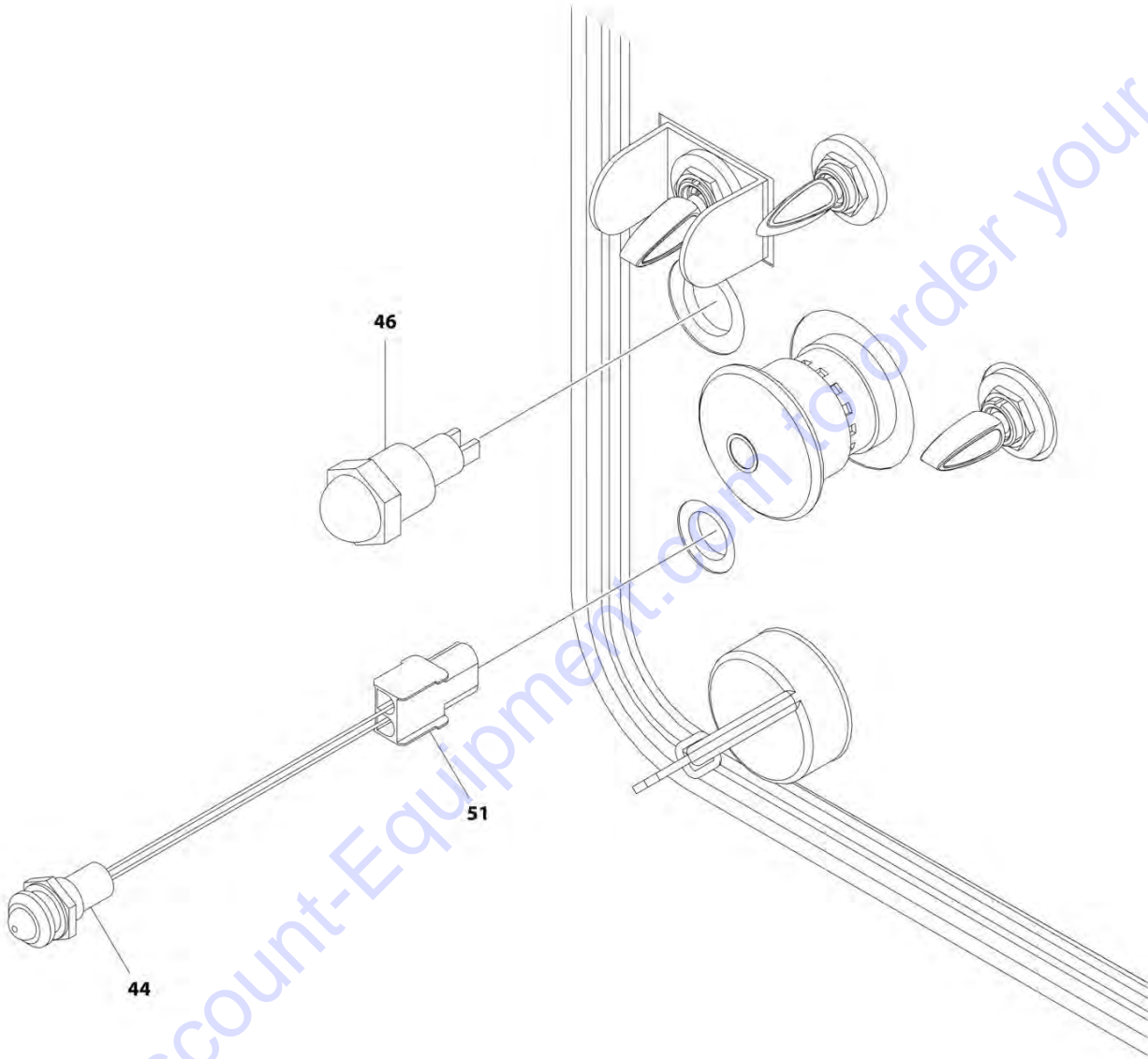
FIGURE 2-33. MOTOR CONTROLS INSTALLATION - STANDARD BATTERIES (M600/M600J/M600JP)

ITEM	PART NUMBER	QTY	DESCRIPTION	REV
	1001199313	Ref	MOTOR CONTROLS INSTALLATION - STANDARD BATTERIES (M600/M600J/M600JP)	F
44	2920151	1	Light	
46	4360274	1	Switch, Push Button	
51	4460424	1	Connector - 2 Position	
51	4460226	2	Socket, Female	

Go to Discount-Equipment.com to order your parts

SECTION 2 - TURNTABLE

FIGURE 2-34. MOTOR CONTROLS INSTALLATION - AGM BATTERIES (M600/M600J/M600JP)



ART_1001207674_20F5

SECTION 2 - TURNTABLE

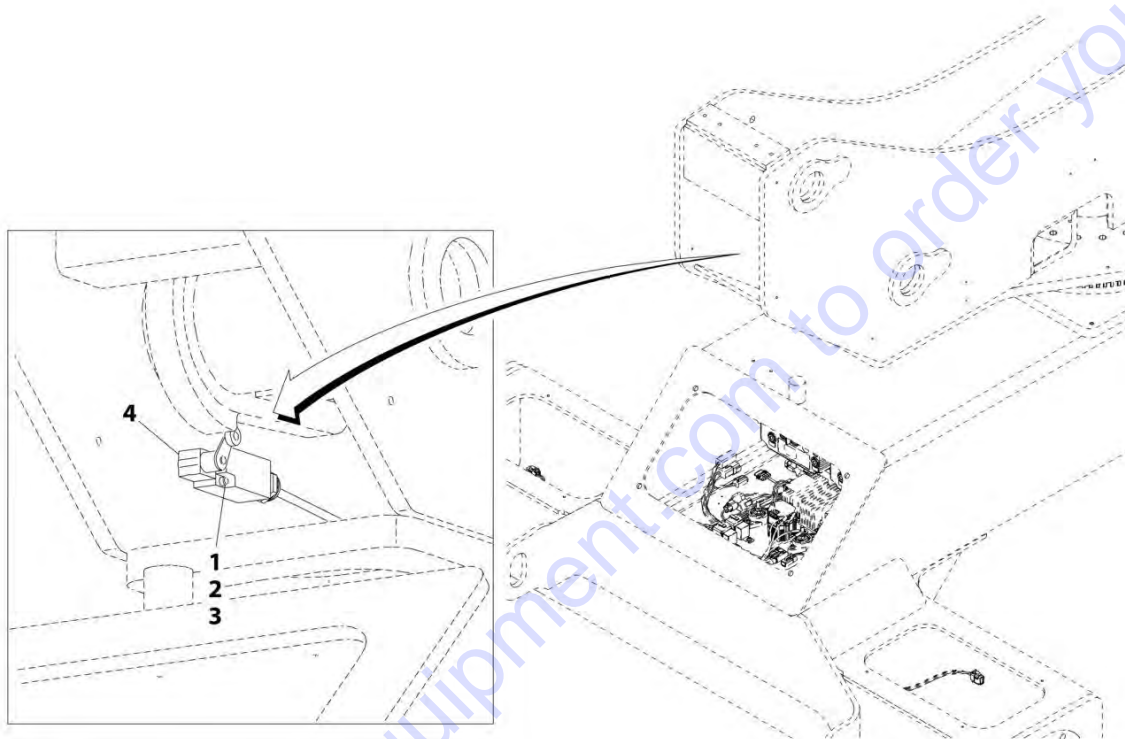
FIGURE 2-34. MOTOR CONTROLS INSTALLATION - AGM BATTERIES (M600/M600J/M600JP)

ITEM	PART NUMBER	QTY	DESCRIPTION	REV
	1001207674	Ref	MOTOR CONTROLS INSTALLATION - AGM BATTERIES (M600/M600J/M600JP)	E
44	2920151	1	Light	
46	4360274	1	Switch, Push Button	
51	4460424	1	Connector - 2 Position	
51	4460226	2	Socket, Female	

Go to Discount-Equipment.com to order your parts

SECTION 2 - TURNTABLE

FIGURE 2-35. LIMIT SWITCH INSTALLATION



ART_1001200254

SECTION 2 - TURNTABLE

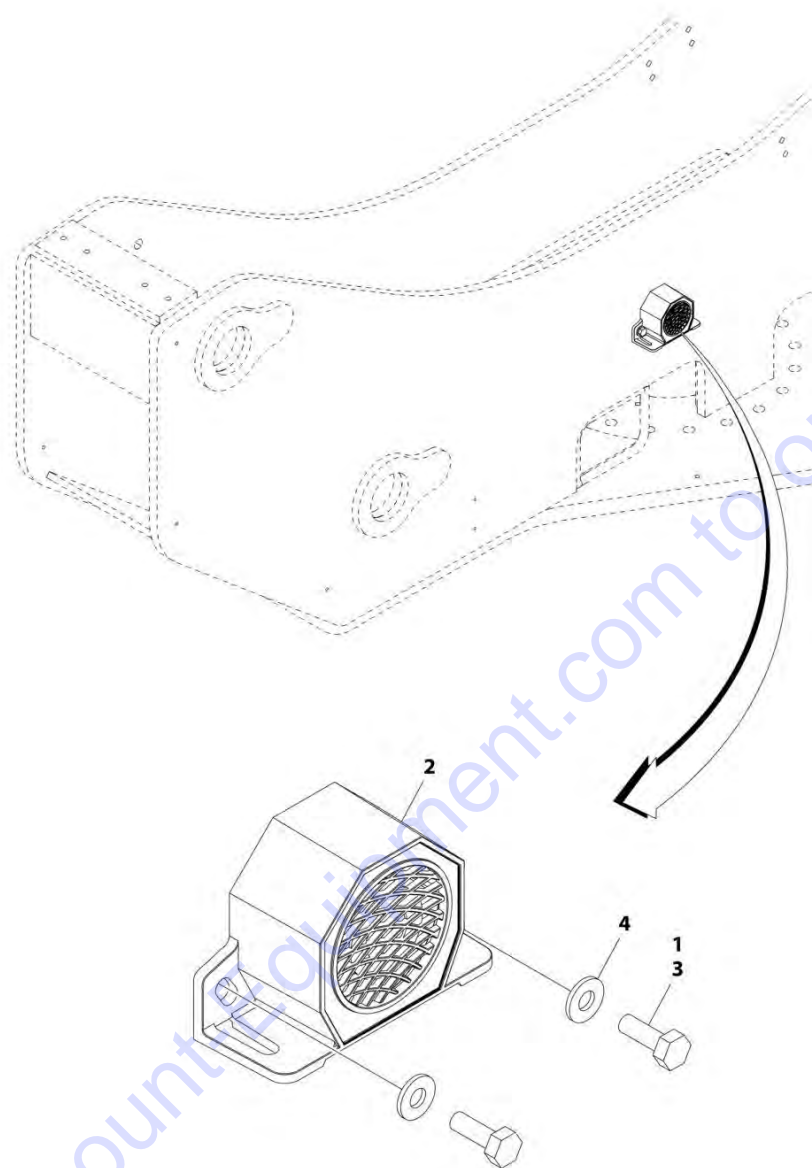
FIGURE 2-35. LIMIT SWITCH INSTALLATION

ITEM	PART NUMBER	QTY	DESCRIPTION	REV
	1001200254	Ref	LIMIT SWITCH INSTALLATION	A
1	3310805	2	Nut #8	
2	3930828	2	Capscrew #8 x 1-3/4	
3	4750800	2	Washer #8	
4	1001200173	1	Switch, Limit (See ELECTRICAL SECTION for Breakdown)	

Go to Discount-Equipment.com to order your parts

SECTION 2 - TURNTABLE

FIGURE 2-36. ALARM INSTALLATION



ART_1001183368

SECTION 2 - TURNTABLE

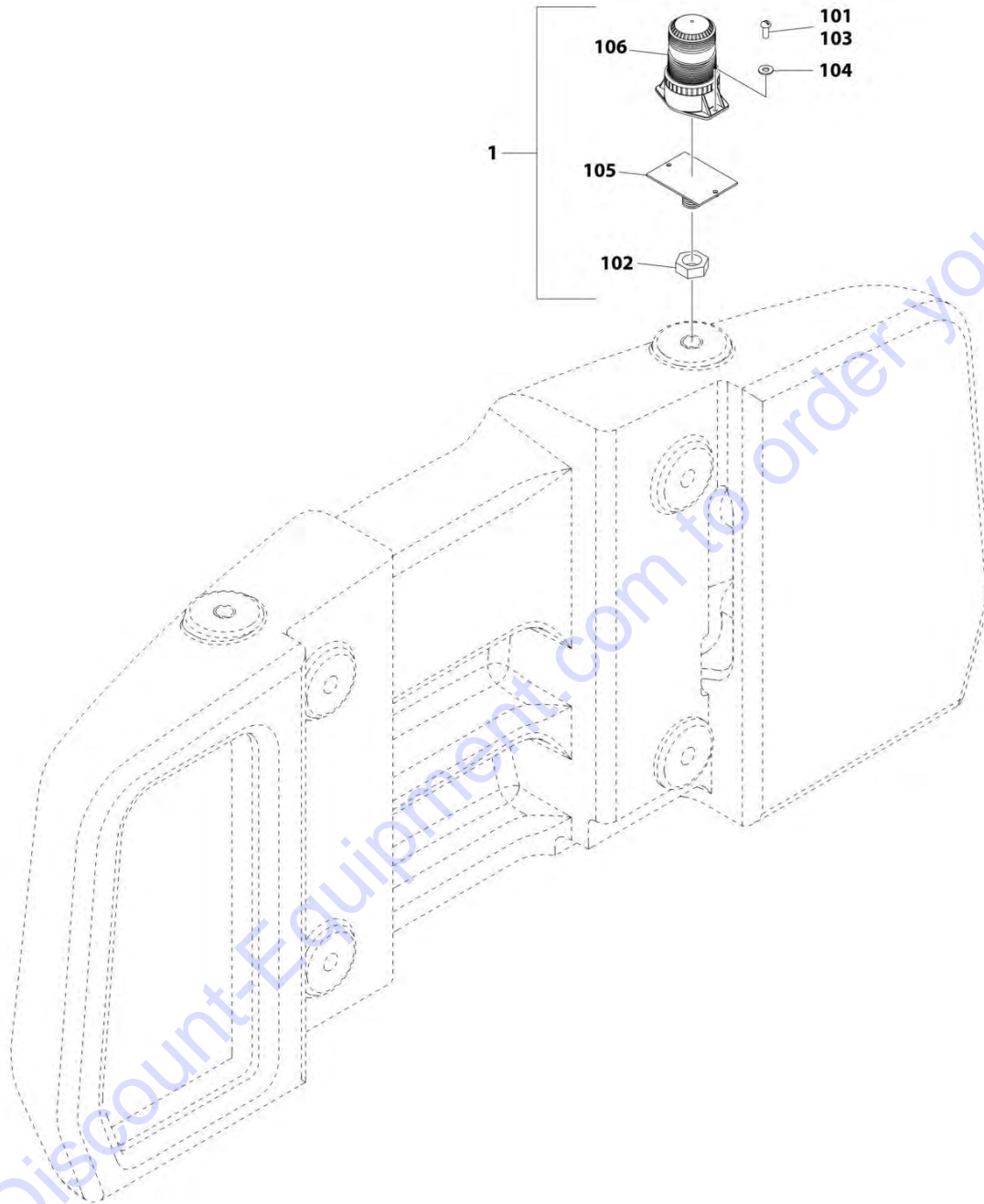
FIGURE 2-36. ALARM INSTALLATION

ITEM	PART NUMBER	QTY	DESCRIPTION	REV
	1001183368	Ref	ALARM INSTALLATION	A
1	0100011	AR	Compound, Locking	
2	0140043	1	Alarm, Motion/Descent/Horn	
3	0641406	2	Bolt 1/4 x 3/4	
4	4711400	2	Washer 1/4	

Go to Discount-Equipment.com to order your parts

SECTION 2 - TURNTABLE

FIGURE 2-37. STROBE LIGHT INSTALLATION (AMBER) (OPTIONAL)



ART_1001214093

SECTION 2 - TURNTABLE

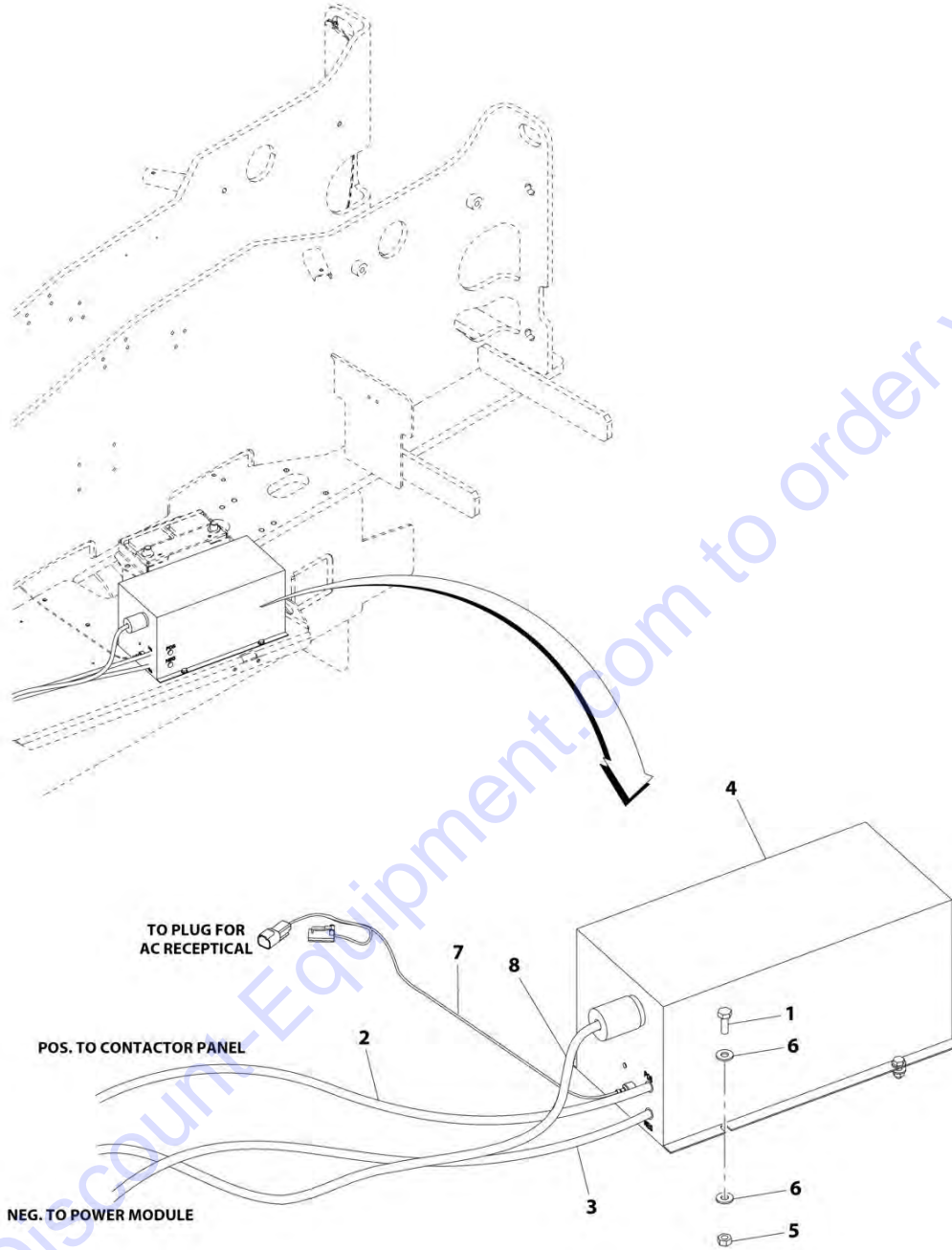
FIGURE 2-37. STROBE LIGHT INSTALLATION (AMBER) (OPTIONAL)

ITEM	PART NUMBER	QTY	DESCRIPTION	REV
	1001214093	Ref	STROBE LIGHT INSTALLATION (AMBER) (OPTIONAL)	A
1	1001191140	1	Strobe Light Assembly (See Items 101-106 for Breakdown)	
2	1001198866	1	Beacon Light Harness (Amber) (Not Shown - See ELECTRICAL SECTION for Breakdown)	
	1001191140	Ref	STROBE LIGHT ASSEMBLY	A
101	0100035	AR	Compound, Locking	
102	3312602	1	Nut 1-8	
103	3900085	2	Screw #10 x 1/2	
104	4751000	2	Washer #10	
105	1001149994	1	Plate, Mounting	
106	1001191139	1	Light, Strobe (Amber)	
106	4460891	1	Connector - 2 Position	
106	4460465	2	Pin, Male	

Go to Discount-Equipment.com to order your parts

SECTION 2 - TURNTABLE

FIGURE 2-38. INVERTER INSTALLATION - 110V (OPTIONAL)



ART_1001196190

SECTION 2 - TURNTABLE

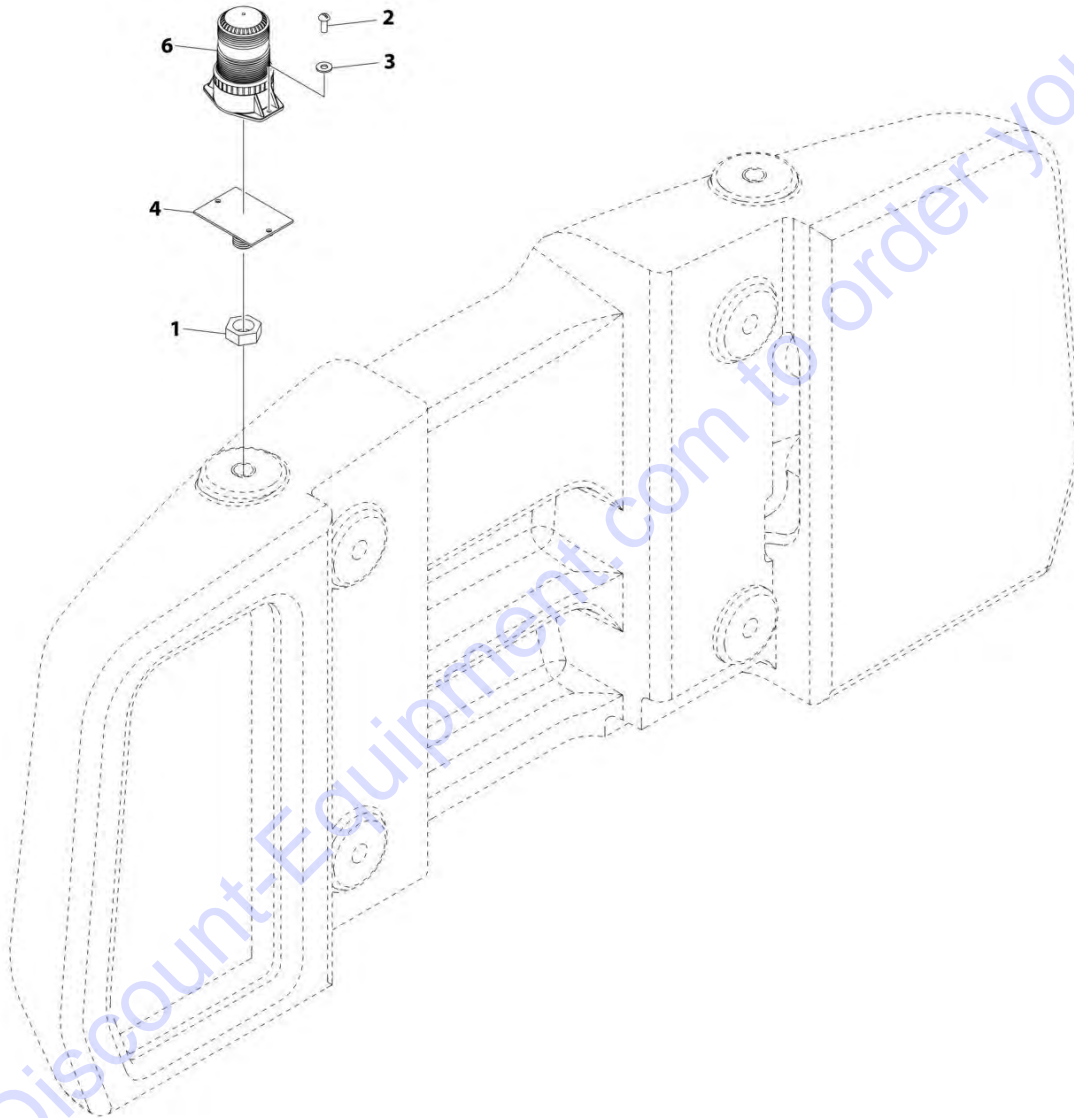
FIGURE 2-38. INVERTER INSTALLATION - 110V (OPTIONAL)

ITEM	PART NUMBER	QTY	DESCRIPTION	REV
	1001196190	Ref	INVERTER INSTALLATION - 110V (OPTIONAL)	B
1	0641406	4	Bolt 1/4 x 3/4	
2	1060827	1	Cable, Electrical (+)	
3	1060828	1	Cable, Electrical (-)	
4	2460037	1	Inverter Assembly	
5	3311405	4	Nut 1/4	
6	4711400	8	Washer 1/4	
7	1001192293	1	Harness, Inverter Ignition (See ELECTRICAL SECTION for Breakdown)	
8	4922390	1	Harness, Inverter (See ELECTRICAL SECTION for Breakdown) (SN 0300224946 to Present)	

Go to Discount-Equipment.com to order your parts

SECTION 2 - TURNTABLE

FIGURE 2-39. BEACON LIGHT INSTALLATION - BLUE (SN 0300219271 through 0300256397)



ART_1001209702

SECTION 2 - TURNTABLE

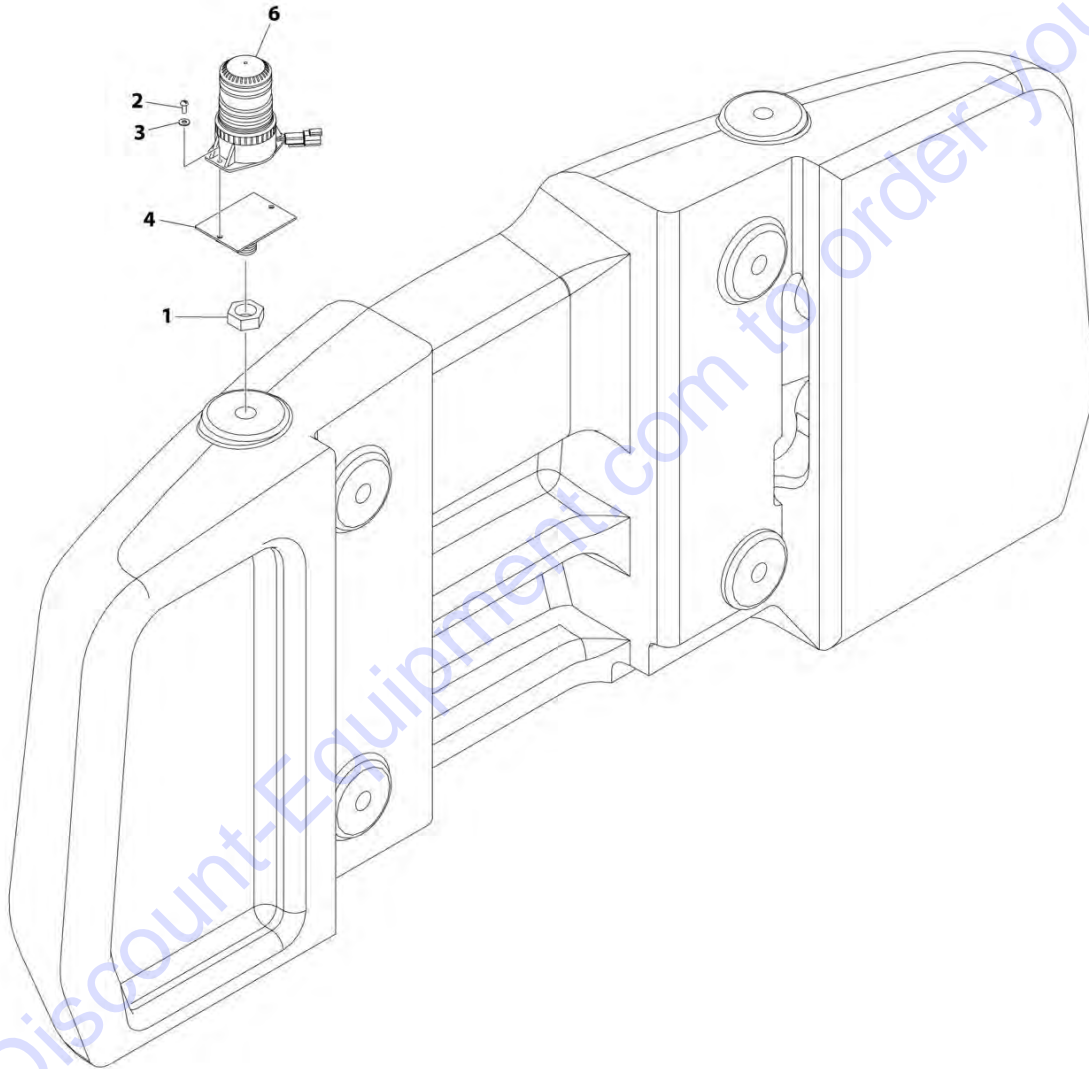
FIGURE 2-39. BEACON LIGHT INSTALLATION - BLUE (SN 0300219271 through 0300256397)

ITEM	PART NUMBER	QTY	DESCRIPTION	REV
	1001209702	Ref	BEACON LIGHT INSTALLATION - BLUE	C
	1001217005	Ref	BEACON LIGHT KIT - BLUE	B
1	3312602	1	Nut 1-8	
2	3900085	2	Screw #10 x 1/2	
3	4751000	2	Washer #10	
4	1001149994	1	Plate, Mounting	
6	1001200910	1	Light, Beacon	
6	4460897	1	Connector - 2 Position	
6	4460943	2	Pin, Male	

Go to Discount-Equipment.com to order your parts

SECTION 2 - TURNTABLE

FIGURE 2-40. BEACON LIGHT INSTALLATION - BLUE (SN 0300256398 to Present)



ART_1001239801

SECTION 2 - TURNTABLE

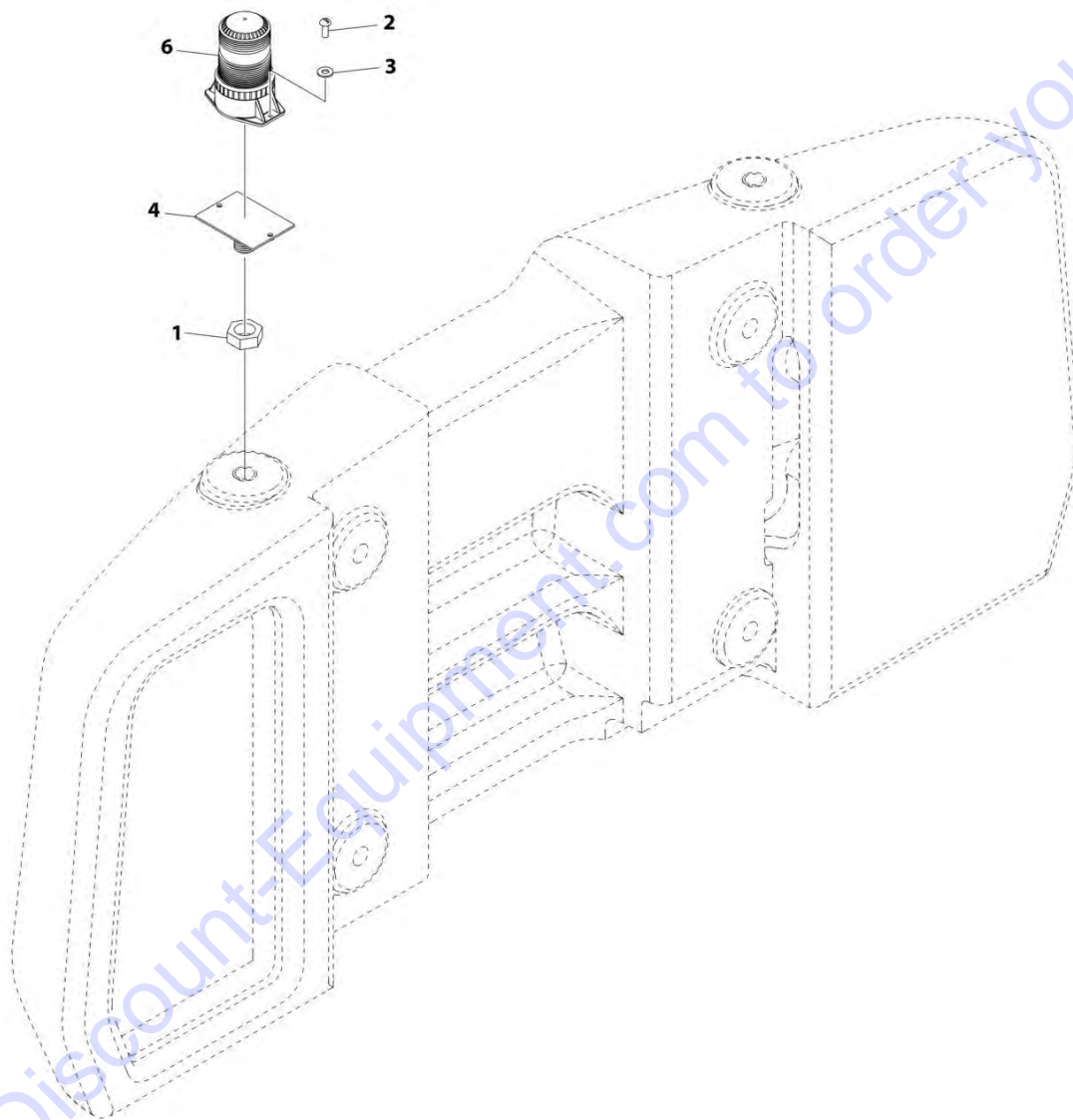
FIGURE 2-40. BEACON LIGHT INSTALLATION - BLUE (SN 0300256398 to Present)

ITEM	PART NUMBER	QTY	DESCRIPTION	REV
	1001239801	Ref	BEACON LIGHT INSTALLATION - BLUE	A
	1001217005	Ref	BEACON LIGHT KIT - BLUE	B
1	3312602	1	Nut 1-8	
2	3900085	2	Screw #10 x 1/2	
3	4751000	2	Washer #10	
4	1001149994	1	Plate, Mounting	
6	1001200910	1	Light, Beacon	
6	4460897	1	Connector - 2 Position	
6	4460943	2	Pin, Male	

Go to Discount-Equipment.com to order your parts

SECTION 2 - TURNTABLE

FIGURE 2-41. BEACON LIGHT INSTALLATION - RED (SN 0300219271 through 0300256397)



ART_1001209701

SECTION 2 - TURNTABLE

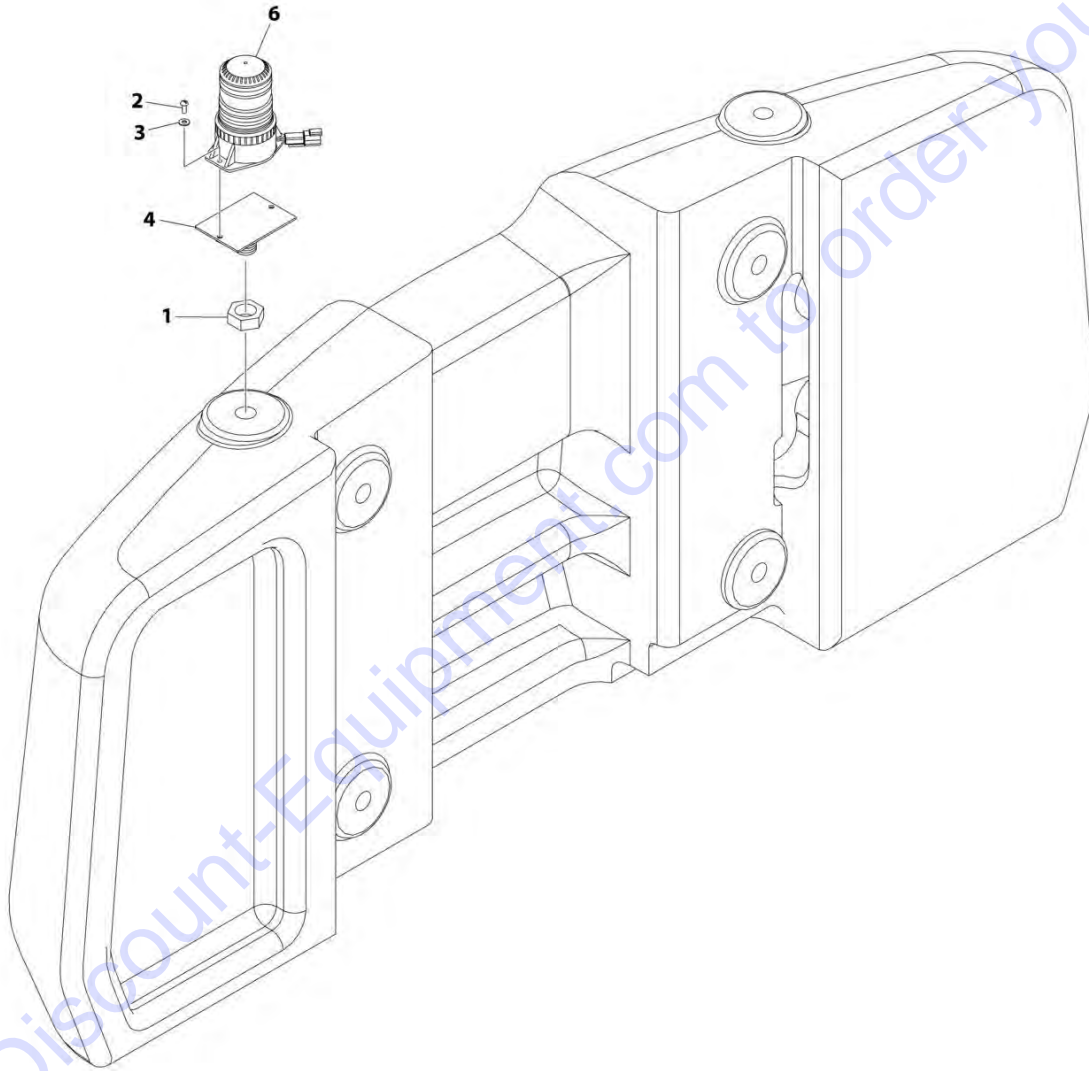
FIGURE 2-41. BEACON LIGHT INSTALLATION - RED (SN 0300219271 through 0300256397)

ITEM	PART NUMBER	QTY	DESCRIPTION	REV
	1001209701	Ref	BEACON LIGHT INSTALLATION - RED	B
1	3312602	1	Nut 1-8	
2	3900085	2	Screw #10 x 1/2	
3	4751000	2	Washer #10	
4	1001149994	1	Plate, Mounting	
6	1001207004	1	Light, Beacon	
6	4460897	1	Receptacle, Female - 2 Position	
6	4460943	2	Pin, Male	

Go to Discount-Equipment.com to order your parts

SECTION 2 - TURNTABLE

FIGURE 2-42. BEACON LIGHT INSTALLATION - RED (SN 0300256398 to Present)



ART_1001239800

SECTION 2 - TURNTABLE

FIGURE 2-42. BEACON LIGHT INSTALLATION - RED (SN 0300256398 to Present)

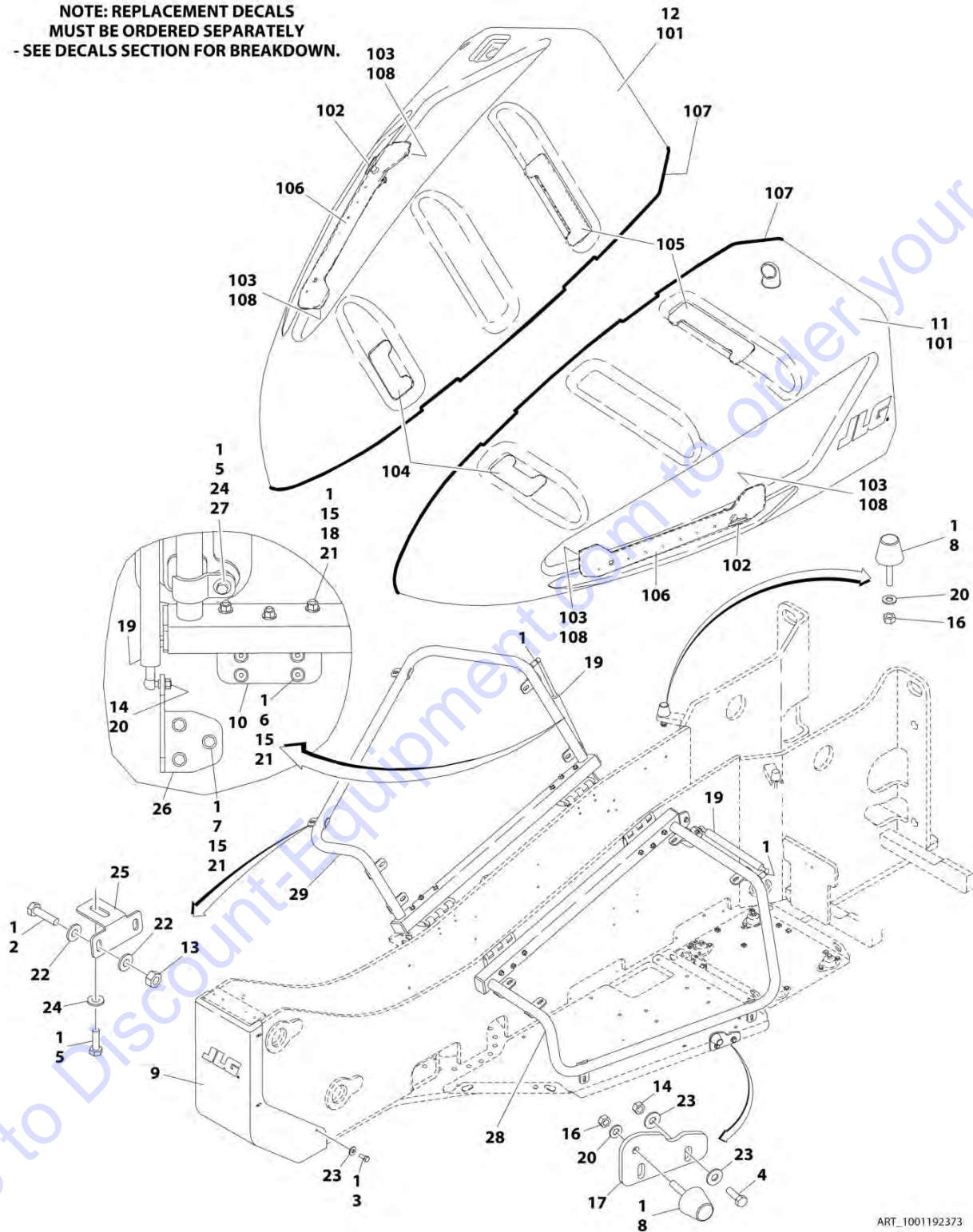
ITEM	PART NUMBER	QTY	DESCRIPTION	REV
	1001239800	Ref	BEACON LIGHT INSTALLATION - RED	A
1	3312602	1	Nut 1-8	
2	3900085	2	Screw #10 x 1/2	
3	4751000	2	Washer #10	
4	1001149994	1	Plate, Mounting	
6	1001207004	1	Light, Beacon	
6	4460897	1	Receptacle, Female - 2 Position	
6	4460943	2	Pin, Male	

Go to Discount-Equipment.com to order your parts

SECTION 2 - TURNTABLE

FIGURE 2-43. HOODS INSTALLATION

NOTE: REPLACEMENT DECALS
MUST BE ORDERED SEPARATELY
- SEE DECALS SECTION FOR BREAKDOWN.



ART_1001192373

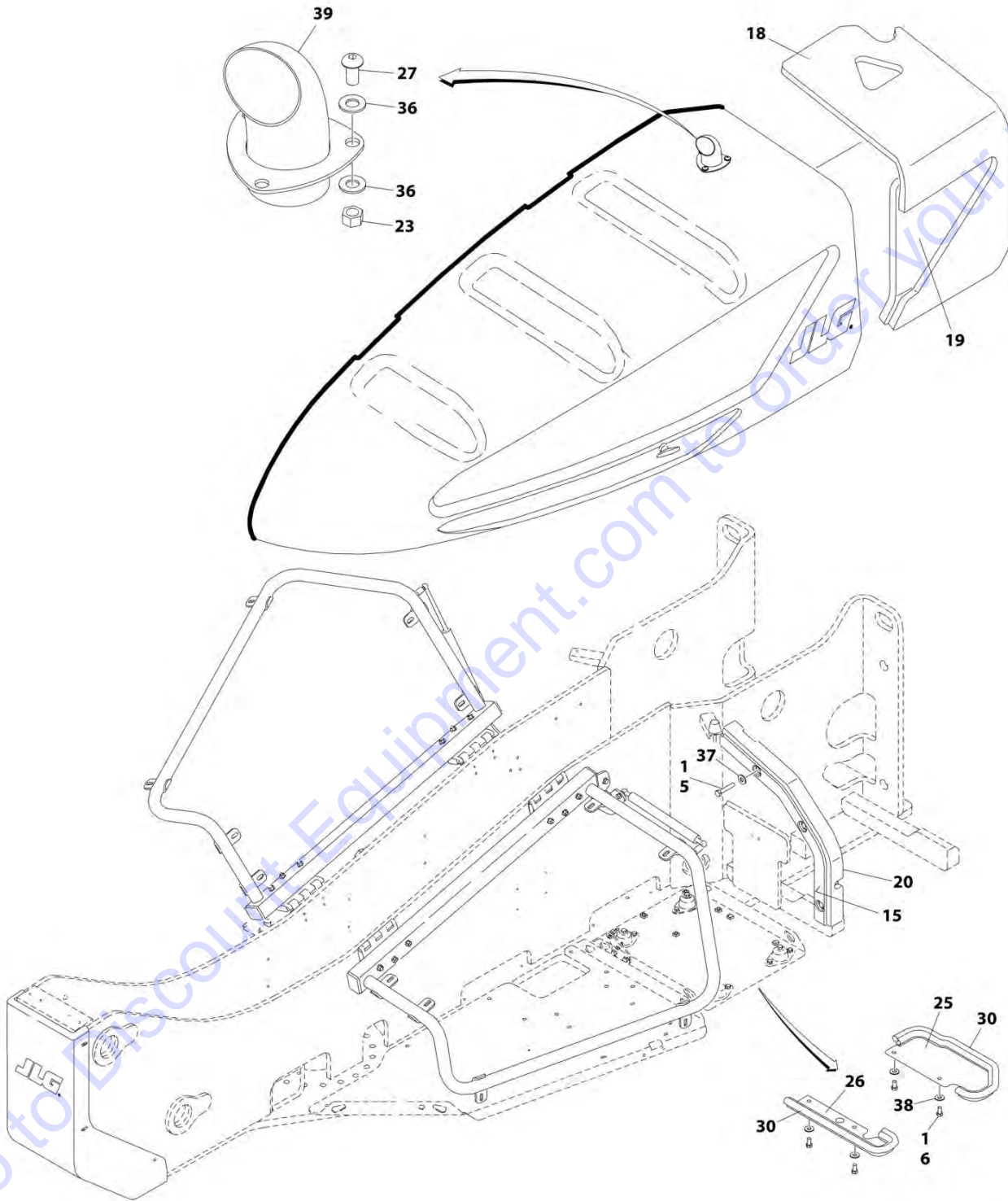
SECTION 2 - TURNTABLE

FIGURE 2-43. HOODS INSTALLATION

ITEM	PART NUMBER	QTY	DESCRIPTION	REV
	1001192373	Ref	HOODS INSTALLATION	A
1	0100011	AR	Compound, Locking	
2	0641407	8	Bolt 1/4 x 7/8	
3	0641506	6	Bolt 5/16 x 3/4	
4	0641508	4	Bolt 5/16 x 1	
5	0641606	12	Bolt 3/8 x 3/4	
6	0641610	16	Bolt 3/8 x 1-1/4	
7	0641612	6	Bolt 3/8 x 1-1/2	
8	0940088	4	Bumper	
9	1670930	1	Cover, End	
10	2600262	4	Hinge, Offset	
11	2680468	1	Hood Assembly - Right Side (See Items 101-108 for Breakdown)	
12	2680477	1	Hood Assembly - Left Side (See Items 101-108 for Breakdown)	
13	3311401	8	Nut 1/4	
14	3311505	6	Nut 5/16	
15	3311601	34	Nut 3/8	
16	3321501	4	Nut 5/16	
17	3572063	2	Plate, Latch	
18	3900232	12	Screw 3/8 x 1-1/4	
19	4160194	2	Spring, Gas	
20	4711500	6	Washer 5/16	
21	4711600	68	Washer 3/8	
22	4751400	16	Washer 1/4	
23	4751500	14	Washer 5/16	
24	4751600	12	Washer 3/8	
25	1001174542	4	Bracket, Clamp	
26	1001175575	2	Plate, Gas Spring	
27	1001175596	8	Clamp	
28	1001191596	1	Support, Hood - Right Side	
29	1001191597	1	Support, Hood - Left Side	
		Ref	HOOD ASSEMBLIES	
	2680468	Ref	Right Side	E
	2680477	Ref	Left Side	E
		Ref	Note: Replacement Decals Must Be Ordered Separately - See DECALS SECTION.	
101	See Note	NSS	Hood, Molded (Note: Purchase Item #11 or #12 as Complete Assembly)	
102		Ref	Latch (1 Per Assembly) Options:	
102	2940124	2	Non-Lockable	
102	7027859	2	Lockable	
103	3340877	12	Pad, Rubber (6 Per Assembly)	
104	3571856	2	Plate, Front Support (1 Per Assembly)	
105	3571857	2	Plate, Rear Support (1 Per Assembly)	
106	3571858	2	Plate, Handle (1 Per Assembly)	
107	3960464	146 ft /44.5m	Seal (73ft/22.5m Per Assembly)	
108	0100081	AR	Loctite #454	

SECTION 2 - TURNTABLE

FIGURE 2-44. NOISE REDUCTION INSTALLATION - WITH STANDARD BATTERIES
(M600/M600J/M600JP ONLY)



ART_1001199313_30F5

SECTION 2 - TURNTABLE

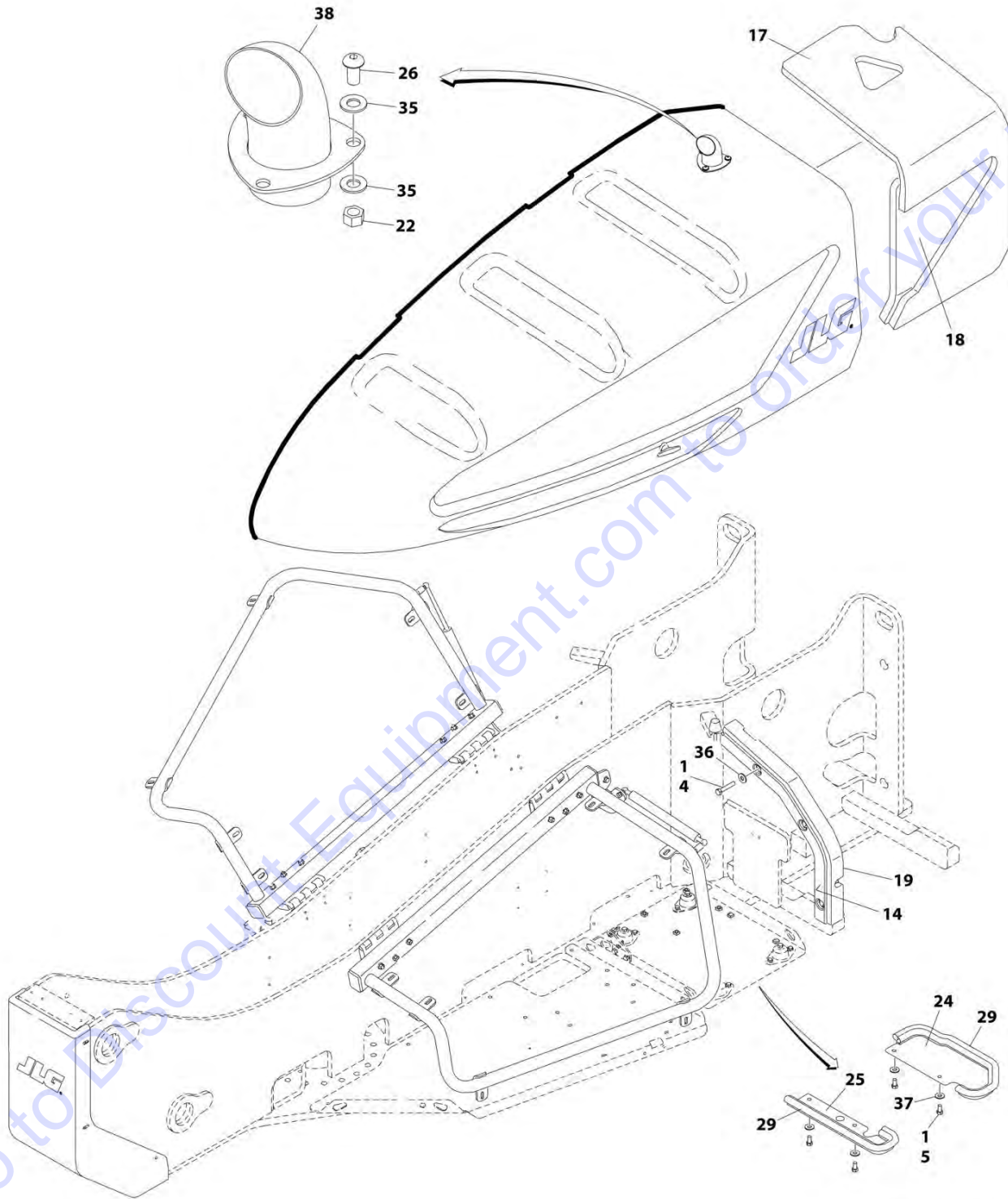
**FIGURE 2-44. NOISE REDUCTION INSTALLATION - WITH STANDARD BATTERIES
(M600/M600J/M600JP ONLY)**

ITEM	PART NUMBER	QTY	DESCRIPTION	REV
	1001199313	Ref	NOISE REDUCTION INSTALLATION - WITH STANDARD BATTERIES (M600/M600J/M600JP ONLY)	F
1	0100011	AR	Compound, Locking	
5	0641514	3	Bolt 5/16 x 1-3/4	
6	0641606	4	Bolt 3/8 x 3/4	
15	2680482	1	Trim, Hood	
18	2820122	1	Insulation	
19	2820123	1	Insulation	
20	2820126	1	Insulator	
23	3311605	3	Nut 3/8	
25	3572348	1	Plate, Cover	
26	3572349	1	Plate, Cover	
27	3900283	3	Screw, Button Head	
30	3960464	4 ft/ 1.2m	Seal	
36	4711600	6	Washer 3/8	
37	4751500	3	Washer 5/16	
38	4751600	4	Washer 3/8	
39	4846210	1	Exhaust Tube Weldment	

Go to Discount-Equipment.com to order your parts

SECTION 2 - TURNTABLE

FIGURE 2-45. NOISE REDUCTION INSTALLATION - WITH AGM BATTERIES (M600/M600J/M600JP ONLY)



ART_1001207674_30F5

SECTION 2 - TURNTABLE

FIGURE 2-45. NOISE REDUCTION INSTALLATION - WITH AGM BATTERIES (M600/M600J/M600JP ONLY)

ITEM	PART NUMBER	QTY	DESCRIPTION	REV
	1001207674	Ref	NOISE REDUCTION INSTALLATION - WITH AGM BATTERIES (M600/M600J/M600JP ONLY)	E
1	0100011	AR	Compound, Locking	
4	0641514	3	Bolt 5/16 x 1-3/4	
5	0641606	4	Bolt 3/8 x 3/4	
14	2680482	1	Trim, Hood	
17	2820122	1	Insulation	
18	2820123	1	Insulation	
19	2820126	1	Insulator	
22	3311605	3	Nut 3/8	
24	3572348	1	Plate, Cover	
25	3572349	1	Plate, Cover	
26	3900283	3	Screw, Button Head	
29	3960464	4 ft/1.2m	Seal	
35	4711600	6	Washer 3/8	
36	4751500	3	Washer 5/16	
37	4751600	4	Washer 3/8	
38	4846210	1	Exhaust Tube Weldment	

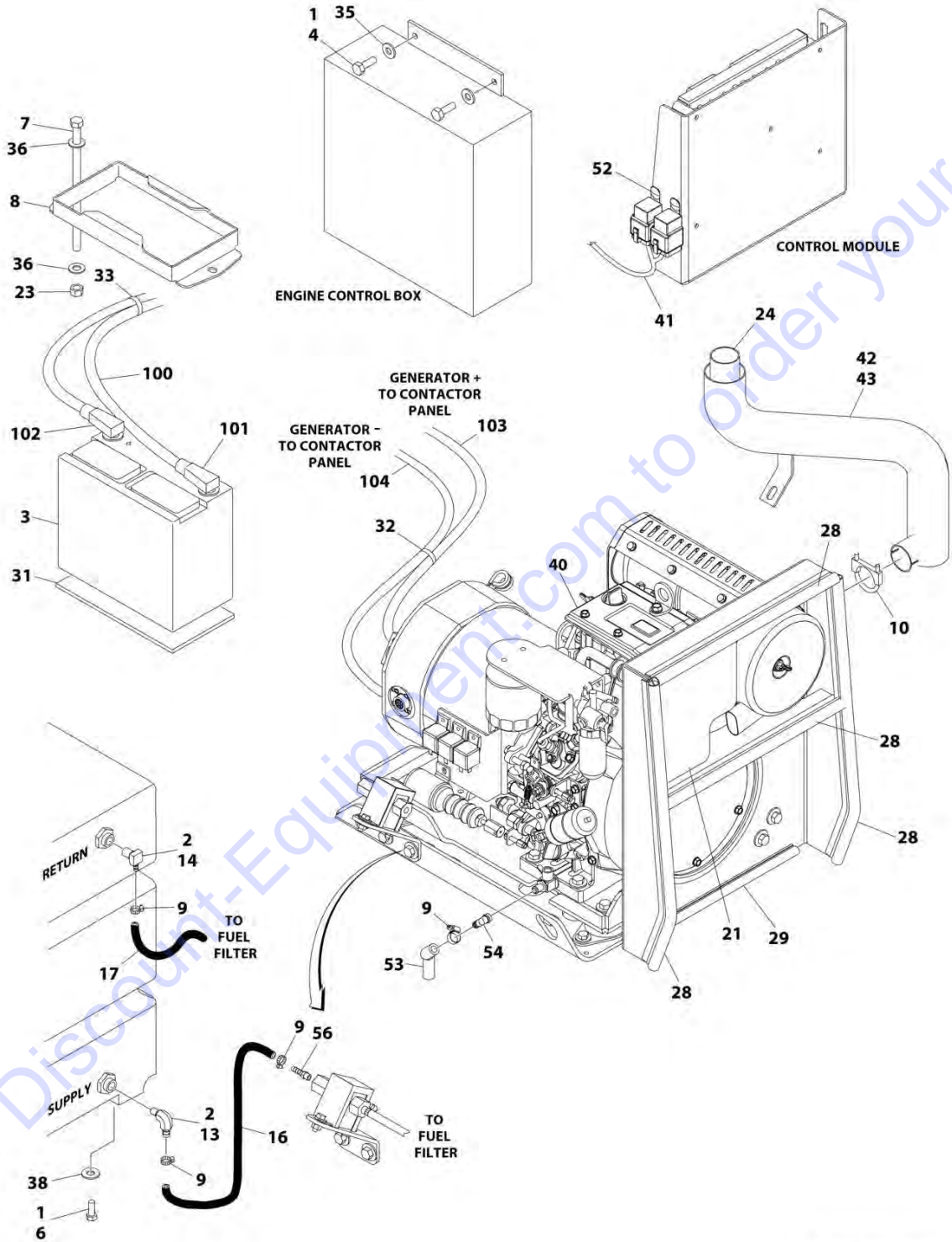
Go to Discount-Equipment.com to order your parts

SECTION 3 - ENGINE

Go to Discount-Equipment.com to order your parts

SECTION 3 - ENGINE

FIGURE 3-1. MOTOR AND GENERATOR INSTALLATION - WITH STANDARD BATTERIES (M600/M600J/M600JP ONLY)



ART_1001199313_40F5

SECTION 3 - ENGINE

**FIGURE 3-1. MOTOR AND GENERATOR INSTALLATION - WITH STANDARD BATTERIES
(M600/M600J/M600JP ONLY)**

ITEM	PART NUMBER	QTY	DESCRIPTION	REV
	1001199313	Ref	MOTOR AND GENERATOR INSTALLATION - WITH STANDARD BATTERIES (M600/M600J/M600JP ONLY)	F
1	0100011	AR	Locking, Compound	
2	0100020	AR	Sealant, Pipe	
3	0400201	1	Battery, Standard	
4	0641406	4	Bolt 1/4 x 3/4	
6	0641606	4	Bolt 3/8 x 3/4	
7	0641660	2	Bolt 3/8 x 7-1/2	
8	0902659	1	Bracket, Battery Hold-Down	
9	1320022	4	Clamp, Hose	
10	1320135	1	Clamp, Muffler	
11	1701505	1	Decal - Diesel Fuel (Not Shown - Located on Hood)	
12	2200222	2	Plug, Pipe (Not Shown - Fuel Tank)	
13	2221046	1	Fitting, Elbow Barbed	
14	2221047	1	Fitting, Elbow Barbed	
16	2720058	3.5 ft/ 1.1m	Hose, Fuel Line	
17	2720271	5.5 ft/ 1.8m	Hose, Fuel Line	
21	2820232	1	Insulation, Noise Reduction	
23	3311605	2	Nut 3/8	
24	3460492	1	Tube, Exhaust	
28	3960389	5.6 ft/ 1.8m	Seal, Rubber	
29	3960418	1.1 ft/ 0.3m	Seal, Rubber	
31	3980035	1	Seat, Battery	
32	4240018	AR	Tie-Strap	
33	4240178	1	Strap, Cable Tie	
35	4711400	4	Washer 1/4	
36	4711600	4	Washer 3/8	
38	4751600	4	Washer 3/8	
40	1001159357	NLA	Engine, Kubota Assembly (Use p/n 1001238784) (See KUBOTA ENGINE ASSEMBLY for Breakdown) (SN 0300219271 through 0300256397)	
40	1001238784	1	Engine, Kubota Assembly (See KUBOTA ENGINE ASSEMBLY for Breakdown) (SN 0300256398 to Present)	
41	1001199409	1	Harness, Generator (See ELECTRICAL SECTION for Breakdown)	
42	1001208628	1	Sleeve	
43	4920385	8.5 in/ 21.6cm	Wire, Safety	
52	1001109786	2	Fastener (SN 0300219271 through 0300224945)	
52	1380158	2	Clip (SN 0300224946 to Present)	
53	1001165035	3.5 in/ 8.89cm	Hose (SN 0300227959 to Present)	
54	1001221386	1	Adapter (SN 0300227959 to Present)	
56	2220794	1	Fitting, Straight Barbed (SN 0300236102 to Present)	
100	1001200381	1	Battery Cable Kit	
101	1060819	1	Cable, Battery (Battery - to Ground)	
102	1060820	1	Cable, Battery (Battery + to Starter)	
103	1001202373	1	Cable, Battery (Generator + to Contactor Panel)	

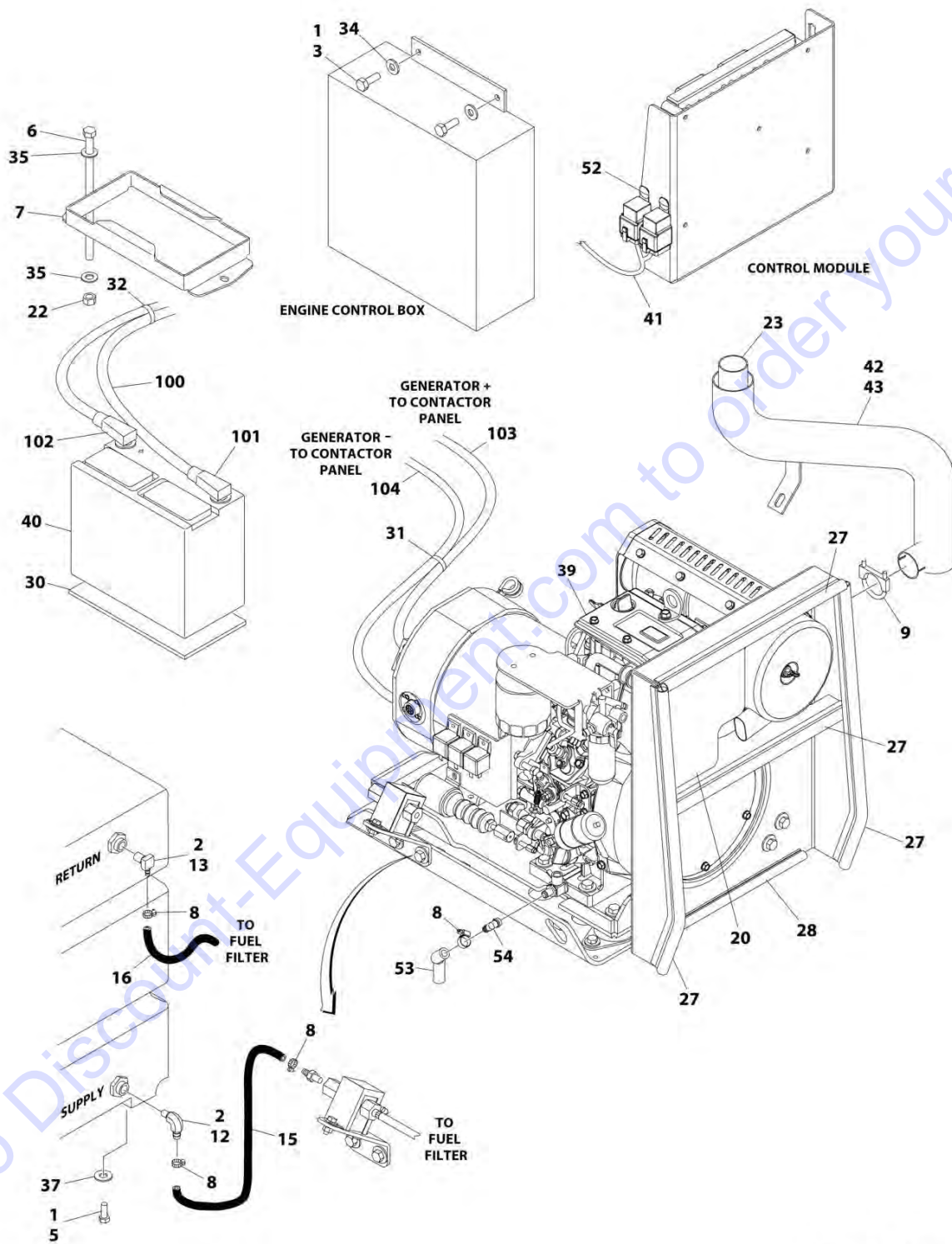
SECTION 3 - ENGINE

ITEM	PART NUMBER	QTY	DESCRIPTION	REV
104	1001202374	1	Cable, Battery (Generator - to Contactor Panel)	

Go to Discount-Equipment.com to order your parts

SECTION 3 - ENGINE

**FIGURE 3-2. MOTOR AND GENERATOR INSTALLATION - WITH AGM BATTERIES
(M600/M600J/M600JP ONLY)**



ART_1001207674_40F5

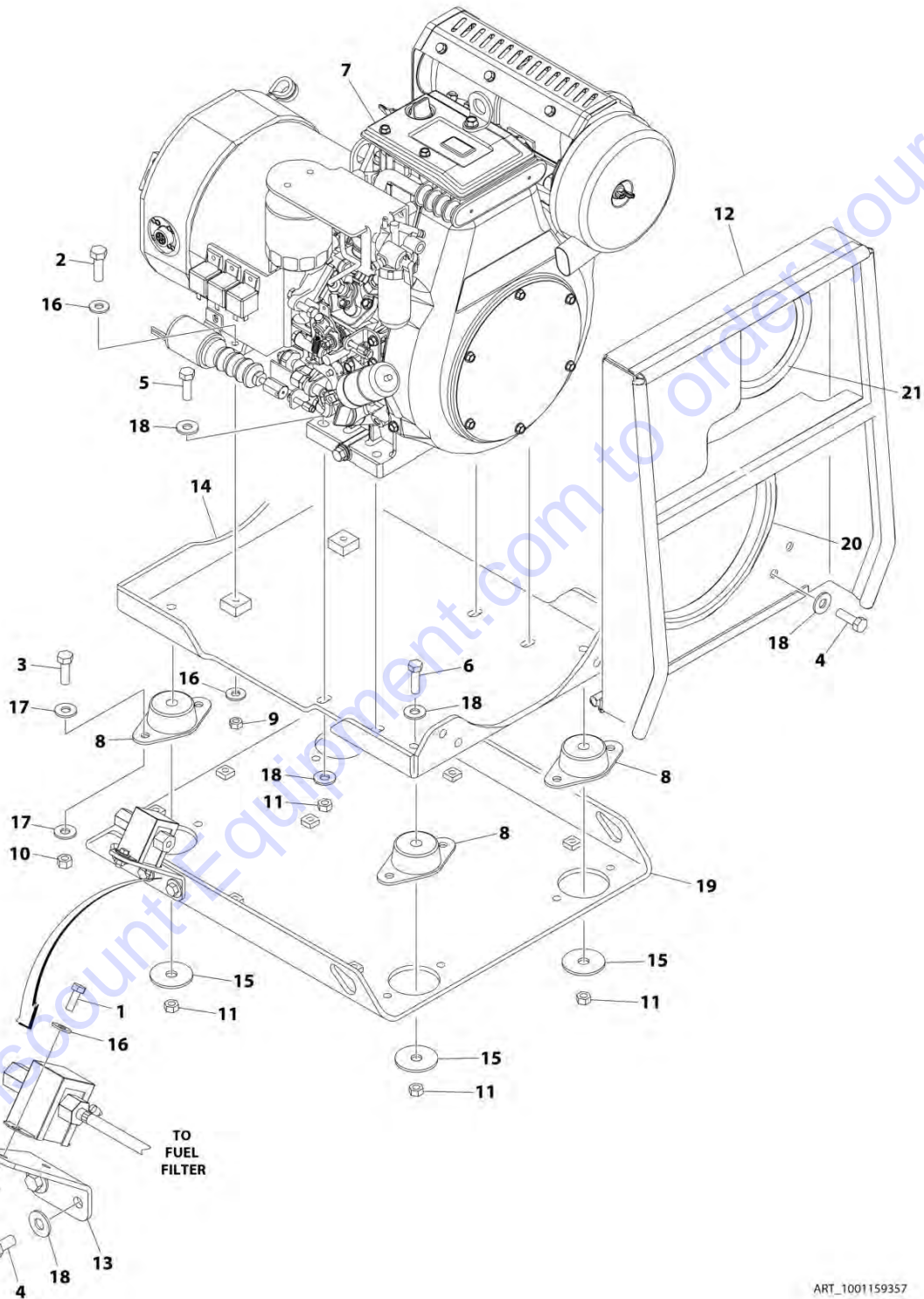
SECTION 3 - ENGINE

**FIGURE 3-2. MOTOR AND GENERATOR INSTALLATION - WITH AGM BATTERIES
(M600/M600J/M600JP ONLY)**

ITEM	PART NUMBER	QTY	DESCRIPTION	REV
	1001207674	Ref	MOTOR AND GENERATOR INSTALLATION - WITH AGM BATTERIES (M600/M600J/M600JP ONLY)	E
1	0100011	AR	Locking, Compound	
2	0100020	AR	Sealant, Pipe	
3	0641406	4	Bolt 1/4 x 3/4	
5	0641606	4	Bolt 3/8 x 3/4	
6	0641660	2	Bolt 3/8 x 7-1/2	
7	0902659	1	Bracket, Battery Hold-Down	
8	1320022	4	Clamp, Hose	
9	1320135	1	Clamp, Muffler	
10	1701505	1	Decal - Diesel Fuel (Not Shown - Located on Hood)	
11	2200222	2	Plug, Pipe (Not Shown - Fuel Tank)	
12	2221046	1	Fitting, Elbow Barbed	
13	2221047	1	Fitting, Elbow Barbed	
15	2720058	3.5 ft/ 1.1m	Hose, Fuel Line	
16	2720271	5.5 ft/ 1.8m	Hose, Fuel Line	
20	2820232	1	Insulation, Noise Reduction	
22	3311605	2	Nut 3/8	
23	3460492	1	Tube, Exhaust	
27	3960389	5.6 ft/ 1.8m	Seal, Rubber	
28	3960418	1.1 ft/ 0.3m	Seal, Rubber	
30	3980035	1	Seat, Battery	
31	4240018	AR	Tie-Strap	
32	4240178	1	Strap, Cable Tie	
34	4711400	4	Washer 1/4	
35	4711600	4	Washer 3/8	
37	4751600	4	Washer 3/8	
39	1001159357	NLA	Engine, Kubota Assembly (Use p/n 1001238784) (See KUBOTA ENGINE ASSEMBLY for Breakdown) (SN 0300219271 through 0300256397)	
39	1001238784	1	Engine, Kubota Assembly (See KUBOTA ENGINE ASSEMBLY for Breakdown) (SN 0300256398 to Present)	
40	1001196117	1	Battery, AGM	
41	1001199409	1	Harness, Generator (See ELECTRICAL SECTION for Breakdown)	
42	1001208628	1	Sleeve	
43	4920385	8.5 in/ 21.6cm	Wire, Safety	
52	1001109786	2	Fastener (SN 0300219271 through 0300224945)	
52	1380158	2	Clip (SN 0300224946 to Present)	
53	1001165035	3.5 in/ 8.89cm	Hose (SN 0300227959 to Present)	
54	1001221386	1	Adapter (SN 0300227959 to Present)	
100	1001200381	1	Battery Cable Kit	
101	1060819	1	Cable, Battery (Battery - to Ground)	
102	1060820	1	Cable, Battery (Battery + to Starter)	
103	1001202373	1	Cable, Battery (Generator + to Contactor Panel)	
104	1001202374	1	Cable, Battery (Generator - to Contactor Panel)	

SECTION 3 - ENGINE

FIGURE 3-3. KUBOTA ENGINE ASSEMBLY (M600/M600J/M600JP ONLY) (SN 0300219271 through 0300256397)



ART_1001159357

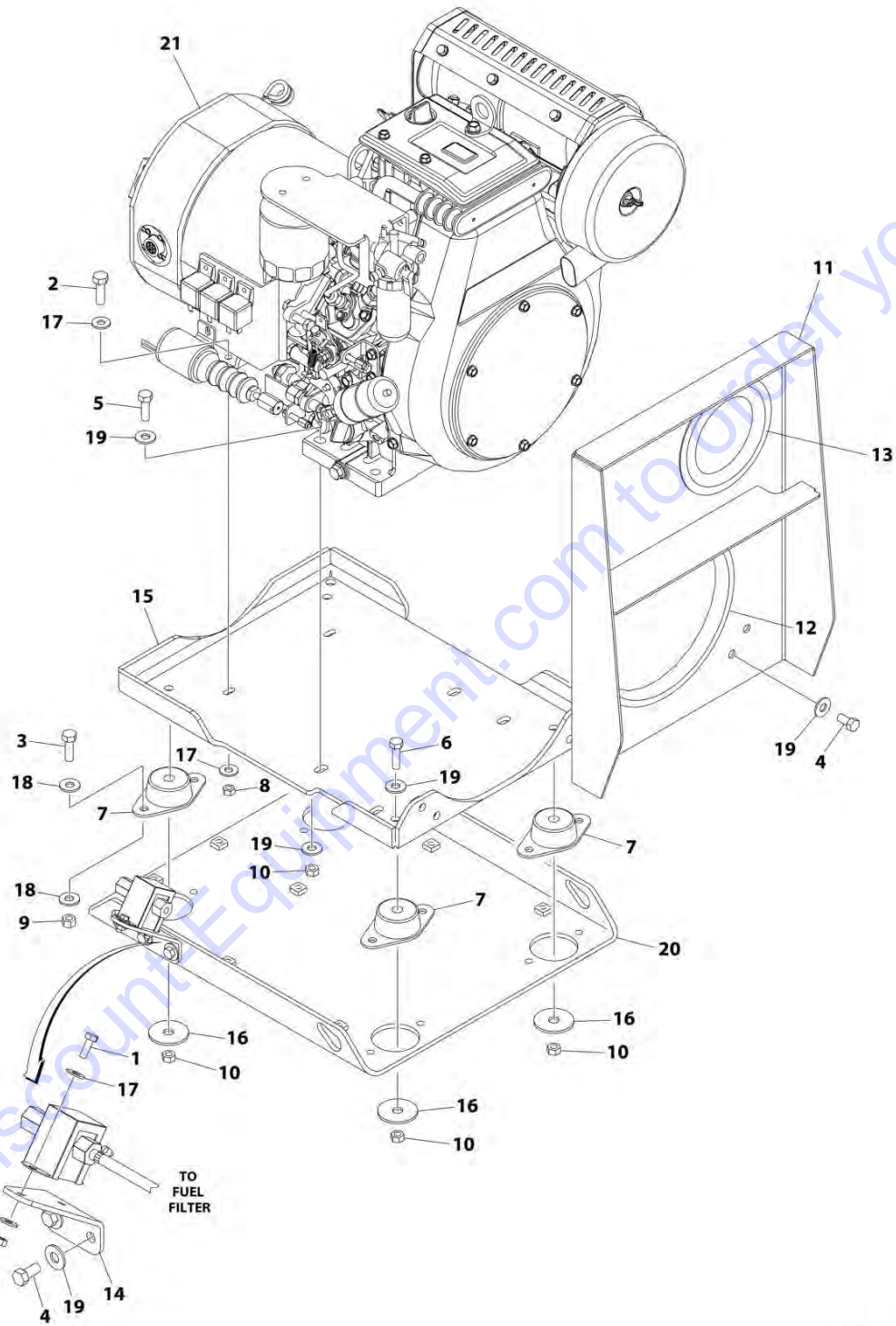
SECTION 3 - ENGINE

FIGURE 3-3. KUBOTA ENGINE ASSEMBLY (M600/M600J/M600JP ONLY) (SN 0300219271 through 0300256397)

ITEM	PART NUMBER	QTY	DESCRIPTION	REV
	1001159357	Ref	KUBOTA ENGINE ASSEMBLY (M600/M600J/M600JP ONLY)	D
1	0641406	2	Bolt 1/4 x 3/4	
2	0641408	2	Bolt 1/4 x 1	
3	0641508	8	Bolt 5/16 x 1	
4	0641606	6	Bolt 3/8 x 3/4	
5	0641614	4	Bolt 3/8 x 1-3/4	
6	0641618	4	Bolt 3/8 x 2-1/4	
7	1001159355	1	Engine, Kubota (See KUBOTA ENGINE COMPONENTS for Breakdown)	
8	3200425	4	Mount, Motor	
9	3311405	4	Nut 1/4	
10	3311505	8	Nut 5/16	
11	3311605	8	Nut 3/8	
12	3380620	1	Engine, Baffle	
13	4341107	1	Plate, Fuel Pump Mounting	
14	4341109	1	Plate, Engine Mounting	
15	4740274	4	Washer, Snubbing	
16	4751400	8	Washer 1/4	
17	4751500	16	Washer 5/16	
18	4751600	18	Washer 3/8	
19	4846188	1	Tray	
20	3960389	18 in /46cm	Seal	
21	3960418	28 in /71cm	Seal	

SECTION 3 - ENGINE

FIGURE 3-4. KUBOTA ENGINE ASSEMBLY (M600/M600J/M600JP ONLY) (SN 0300256398 to Present)



ART_1001238784

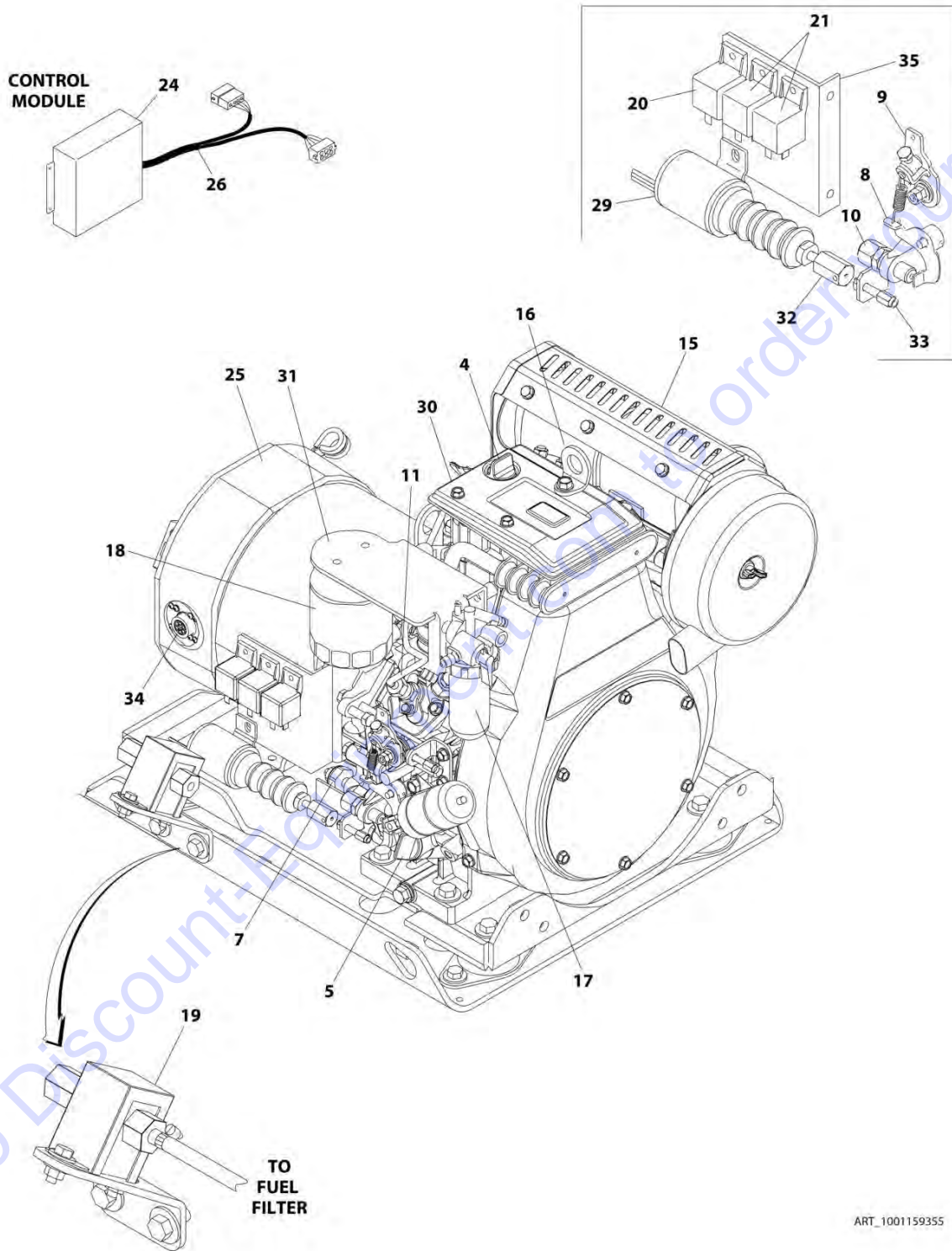
SECTION 3 - ENGINE

FIGURE 3-4. KUBOTA ENGINE ASSEMBLY (M600/M600J/M600JP ONLY) (SN 0300256398 to Present)

ITEM	PART NUMBER	QTY	DESCRIPTION	REV
	1001238784	Ref	KUBOTA ENGINE ASSEMBLY (M600/M600J/M600JP ONLY)	A
1	0641406	2	Bolt 1/4 x 3/4	
2	0641408	2	Bolt 1/4 x 1	
3	0641508	8	Bolt 5/16 x 1	
4	0641606	6	Bolt 3/8 x 3/4	
5	0641614	4	Bolt 3/8 x 1-3/4	
6	0641618	4	Bolt 3/8 x 2-1/4	
7	3200425	4	Mount, Motor	
8	3311405	4	Nut 1/4	
9	3311505	8	Nut 5/16	
10	3311605	8	Nut 3/8	
11	3380620	1	Engine, Baffle	
12	3960389	18 in /46cm	Seal	
13	3960418	28 in /71cm	Seal	
14	4341107	1	Plate, Fuel Pump Mounting	
15	4341109	1	Plate, Engine Mounting	
16	4740274	4	Washer, Snubbing	
17	4751400	8	Washer 1/4	
18	4751500	16	Washer 5/16	
19	4751600	18	Washer 3/8	
20	4846188	1	Tray	
21	1001238782	1	Engine, Kubota (See KUBOTA ENGINE COMPONENTS for Breakdown)	

SECTION 3 - ENGINE

FIGURE 3-5. KUBOTA ENGINE COMPONENTS (M600/M600J/M600JP ONLY) (SN 0300219271 through 0300256397)



ART_1001159355

SECTION 3 - ENGINE

FIGURE 3-5. KUBOTA ENGINE COMPONENTS (M600/M600J/M600JP ONLY) (SN 0300219271 through 0300256397)

ITEM	PART NUMBER	QTY	DESCRIPTION	REV
	1001159355	Ref	KUBOTA ENGINE COMPONENTS (M600/M600J/M600JP ONLY)	B
1	70000289	1	Regulator, Voltage (Not Shown - Located on Opposite Side of Engine)	
2	70000290	1	Glow Plug (Not Shown)	
2	70000291	1	Harness, Glow Plug (Not Shown)	
3	70000292	1	Screen, Oil Sump (Not Shown) (Includes O-Ring)	
4	70002244	1	Cap, Oil Filler (Shown - Top of Engine)	
4	70000293	1	Cap, Oil Filler (Not Shown - Located on Opposite Side of Engine)	
5	70000294	1	Gauge, Oil	
6	70000295	1	Pump, Oil Rotor (Not Shown - Located Beside Item 7)	
6	70000296	1	O-Ring, Oil Rotor Pump (Not Shown)	
7	70000297	1	Switch, Oil	
8	70000298	1	Lever, Governor	
8	70000299	1	Pin, Governor Lever	
8	70000300	1	Spring, Governor Lever	
9	70000301	1	Spring, Idling (Not Shown)	
9	70000304	1	Lever, Spring Control	
9	70000305	1	Spring, Stop (Speed Control Lever)	
10	70000302	1	Valve, Fuel Limit	
10	70000303	1	Gasket, Fuel Limit Valve	
11	70000306	1	Pump, Injection	
11	70000307	1	Kit, Pump Adjustment Shim	
12	70000308	1	Flywheel/Ring Gear Assembly (Not Shown - Located Behind Front Cover)	
12	70000309	1	Ring Gear (Not Shown)	
12	70001121	1	Stator, Starter (Not Shown - Located Behind Flywheel)	
13	70000310	1	Starter (Not Shown - Located on Opposite Side of Engine)	
14	70000311	1	Solenoid, Starter (Not Shown - Located on Opposite Side of Engine)	
15	70000312	1	Air Cleaner Assembly	
15	70000313	1	Element, Air Cleaner	
15	70000314	1	Gasket, Air Cleaner	
16	70000315	1	Muffler Assembly	
16	70000316	1	Gasket, Muffler	
17	70000317	1	Inline Fuel Check Valve Assembly	
17	70000967	1	Fuel Filter Assembly	
17	70000318	1	Element, Fuel Filter	
18	70000319	1	Element, Oil Filter	
18	70001144	1	Head, Oil Filter Element (Note: Does not Include Lube Element)	
19	70000320	1	Pump, Fuel	
20	70000322	1	Relay	
21	70000323	2	Relay	
22	70000324	1	Sensor, Speed (Not Shown - Located Behind Front Cover)	
22	70004265	1	Bracket, Speed Sensor (Not Shown - Located Behind Front Cover)	
23	70000325	1	Sensor, Oil Temperature (Not Shown - Located on Opposite Side of Engine at Base)	
24	70000326	1	Module, Engine Control	
24	70005169	1	Harness, Analyzer	
25	70000327	1	Alternator	
25	70000382	1	Stator, Alternator	

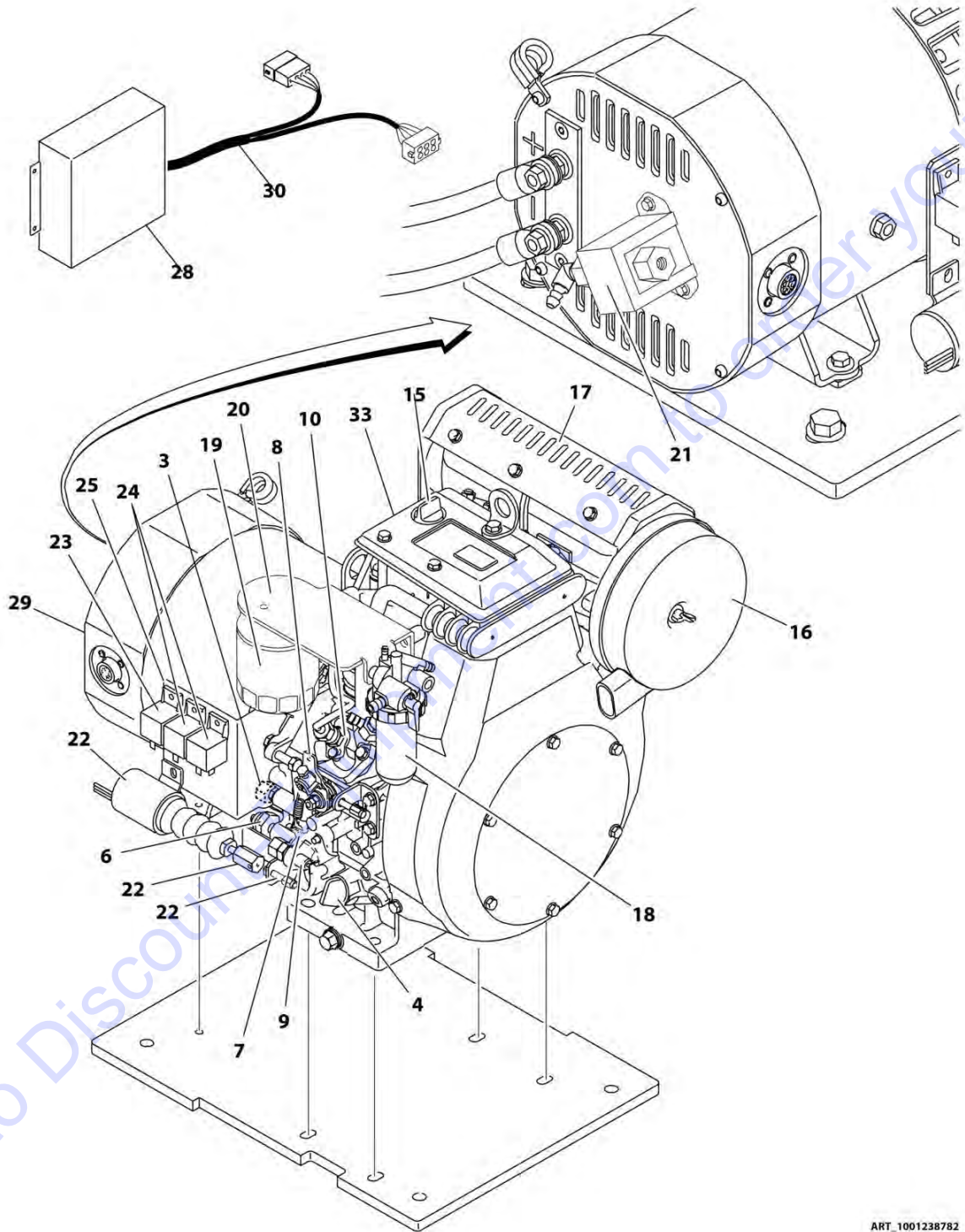
SECTION 3 - ENGINE

ITEM	PART NUMBER	QTY	DESCRIPTION	REV
25	70004954	4	Screw, Countersunk (Attaches Alternator to Engine)	
26	70000328	1	Harness, Engine	
27	70000329	1	Fuse 15Amp (Not Shown)	
28	70000330	1	Fuse 20Amp (Not Shown)	
29	70000321	1	Solenoid, Fuel	
30	70002543	1	Engine (Without Generator)	
31	70002544	1	Bracket, Oil Filter	
32	70003618	1	Adapter, Solenoid Cable	
33	70003619	1	Screw	
34	70005192	1	Receptacle, Female - 7 Position	
34	70005193	7	Socket, Female	
35	70002083	1	Bracket, Relay	

Go to Discount-Equipment.com to order your parts

SECTION 3 - ENGINE

FIGURE 3-6. KUBOTA ENGINE COMPONENTS (M600/M600J/M600JP ONLY) (SN 0300256398 to Present)



ART_1001238782

SECTION 3 - ENGINE

FIGURE 3-6. KUBOTA ENGINE COMPONENTS (M600/M600J/M600JP ONLY) (SN 0300256398 to Present)

ITEM	PART NUMBER	QTY	DESCRIPTION	REV
	1001238782	Ref	KUBOTA MOTOR/GENERATOR COMPONENTS	A
1	70000290	1	Glow Plug (Not Shown)	
1	70000291	1	Harness, Glow Plug (Not Shown)	
2	70000292	1	Screen, Oil Sump (Includes O-Ring)	
3	70000293	1	Cap, Oil Filler (Includes O-Ring)	
4	70000294	1	Dipstick	
5	70000295	1	Pump, Oil Rotor (Not Shown - Located beside Item 6)	
5	70000296	1	O-Ring Oil Rotor Pump (Not Shown)	
6	70000297	1	Switch, Oil	
7	70000298	1	Lever, Governor	
7	70000299	1	Pin, Governor Lever	
7	70000300	1	Spring, Governor Lever	
8	70000301	1	Spring, Idling	
8	70000304	1	Lever, Spring Control	
8	70000305	1	Spring, Stop (Speed Control Lever)	
9	70000302	1	Valve, Fuel Limit (Not Shown)	
9	70000303	1	Gasket, Fuel Limit (Not Shown)	
10	70000306	1	Pump, Injection	
10	70000307	1	Kit, Pump Adjustment Shim	
11	70000308	1	Flywheel/Ring Gear Assembly (Not Shown - Located Behind Front Cover)	
11	70000309	1	Ring Gear (Not Shown)	
11	70001121	1	Stator, Engine (Not Shown - Located Behind Flywheel) (Includes Coil & Grommet)	
12	70003557	1	Regulator, Voltage (Not Shown - Located on Opposite Side of Engine)	
13	70000310	1	Starter (Not Shown - Located on Opposite of Engine)	
14	70000311	1	Solenoid, Starter (Not Shown - Located on Opposite Side of Engine)	
15	70002244	1	Cap, Oil Filler (Includes O-Ring)	
16	70000312	1	Air Filter Assembly	
16	70000313	1	Element, Air Cleaner	
16	70000314	1	Gasket, Air Cleaner	
17	70000315	1	Muffler Assembly	
17	70000316	1	Gasket, Muffler	
18	70000317	1	Inline Fuel Check Valve Assembly	
18	70000967	1	Fuel Filter Assembly	
18	70000318	1	Element, Fuel Filter	
19	70000319	1	Element, Oil Filter	
19	70001144	1	Head, Oil Filter Head (Note: Does Not Include Element)	
20	70002544	1	Bracket, Oil Filter Mount	
21	70000320	1	Pump, Fuel	
22	70000321	1	Solenoid, Fuel	
22	70003618	1	Adapter, Solenoid	
22	70003619	1	Screw	
23	70000322	1	Relay	
24	70000323	2	Relay	
25	70002083	1	Bracket, Solenoid/Relay	
26	70000324	1	Sensor, Speed (Not Shown - Located Inside Front Cover)	
26	70004265	1	Bracket, Speed Sensor (Not Show - Located Inside Front Cover)	

SECTION 3 - ENGINE

ITEM	PART NUMBER	QTY	DESCRIPTION	REV
27	70000325	1	Sensor, Oil Temperature (Not Shown - Located on Opposite Side of Engine Base)	
28	70000326	1	Module, Engine Control	
29	70000327	1	Alternator	
29	70000382	1	Stator, Alternator	
29	70004394	1	Lead, Field Terminal Block Diode	
30	70000328	1	Harness, Generator	
31	70000329	1	Fuse 15Amp (Not Shown)	
32	70000330	1	Fuse 20Amp (Not Shown)	
33	70002543	1	Engine, Kubota (without Generator)	
34	70000289	1	Regulator, Voltage (Not Shown - Located on Opposite Side of Engine)	

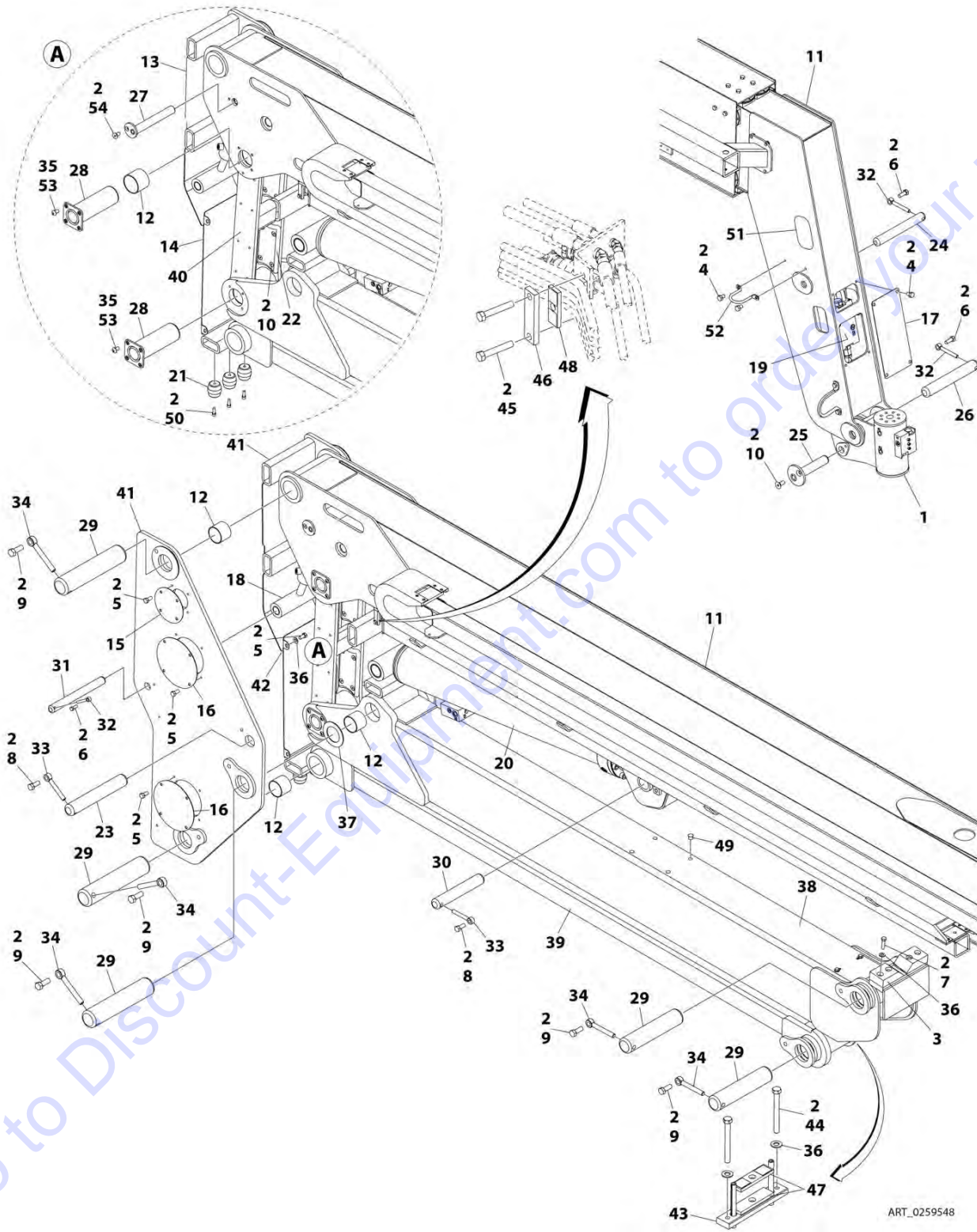
Go to Discount-Equipment.com to order your parts

SECTION 4 - BOOM

Go to Discount-Equipment.com to order your parts

SECTION 4 - BOOM

FIGURE 4-1. BOOM INSTALLATION (E600/M600)



ART_0259548

PARTS FINDER

**Search Website
by Part Number**



**Search Manual
Library For Parts
Manual & Lookup Part
Numbers – Purchase
or Request Quote**

**Can't Find Part or
Manual? Request Help
by Manufacturer,
Model & Description**

Discount-Equipment.com is your online resource for quality parts & equipment.

Florida: **561-964-4949** Outside Florida TOLL FREE: **877-690-3101**

Need parts?

Click on this link: <http://www.discount-equipment.com/category/5443-parts/> and choose one of the options to help get the right parts and equipment you are looking for. Please have the machine model and serial number available in order to help us get you the correct parts. If you don't find the part on the website or on one of the online manuals, please fill out the request form and one of our experienced staff members will get back to you with a quote for the right part that your machine needs.

We sell worldwide for the brands: Genie, Terex, JLG, MultiQuip, Mikasa, Essick, Whiteman, Mayco, Toro Stone, Diamond Products, Generac Magnum, Airman, Haulotte, Barreto, Power Blanket, Nifty Lift, Atlas Copco, Chicago Pneumatic, Allmand, Miller Curber, Skyjack, Lull, Skytrak, Tsurumi, Husquvarna Target, Stow, Wacker, Sakai, Mi-T-M, Sullair, Basic, Dynapac, MBW, Weber, Bartell, Bennar Newman, Haulotte, Ditch Runner, Menegotti, Morrison, Contec, Buddy, Crown, Edco, Wyco, Bomag, Laymor, EZ Trench, Bil-Jax, F.S. Curtis, Gehl Pavers, Heli, Honda, ICS/PowerGrit, IHI, Partner, Imer, Clipper, MMD, Koshin, Rice, CH&E, General Equipment, Amida, Coleman, NAC, Gradall, Square Shooter, Kent, Stanley, Tamco, Toku, Hatz, Kohler, Robin, Wisconsin, Northrock, Oztec, Toker TK, Rol-Air, APT, Wylie, Ingersoll Rand / Doosan, Innovatech, Con X, Ammann, Mecalac, Makinex, Smith Surface Prep, Small Line, Wanco, Yanmar

SECTION 4 - BOOM

FIGURE 4-1. BOOM INSTALLATION (E600/M600)

ITEM	PART NUMBER	QTY	DESCRIPTION	REV
	0259548	Ref	BOOM INSTALLATION (E600/M600)	H
1	0060049	1	Platform Rotator Assembly (See ROTATOR ASSEMBLY (E600/M600) for Breakdown)	
2	0100011	AR	Compound, Locking	
3	0561380	2	Block, Boom Rest	
4	0641604	8	Bolt 3/8 x 1/2	
5	0641606	32	Bolt 3/8 x 3/4	
6	0641608	3	Bolt 3/8 x 1	
7	0641612	4	Bolt 3/8 x 1-1/2	
8	0642012	2	Bolt 5/8 x 1-1/2	
9	0642216	5	Bolt 3/4 x 2	
10	0741607	17	Screw 3/8 x 7/8	
11	0801200	1	Main Boom Assembly (See MAIN BOOM ASSEMBLY (E600/M600) for Breakdown)	
12	0962297	12	Bushing	
13	1670911	1	Cover, Upright Upper	
14	1670912	1	Cover, Upright Lower	
15	1670913	2	Cover, Pin	
16	1670928	4	Cover, Pin	
17	1670960	1	Cover, Fly Nose	
18	1683865	1	Master Cylinder Assembly (See CYLINDER SECTION for Breakdown)	
19	1683867	1	Platform Level Cylinder Assembly (See CYLINDER SECTION for Breakdown)	
20	1683876	NLA	Lift Cylinder Assembly (Use p/n 1001228014) (See CYLINDER SECTION for Breakdown) (Prior to SN 0300239696)	
20	1001228014	1	Lift Cylinder Assembly (See CYLINDER SECTION for Breakdown) (SN 0300239696 to Present)	
21	4160187	3	Spring, Rubber	
22	3340873	4	Pad, Hose Guide	
23	3422568	1	Pin	
24	3422578	1	Pin	
25	3422885	1	Pin	
26	3422582	1	Pin	
27	3422808	1	Pin	
28	3422811	2	Pin	
29	3422830	5	Pin	
30	3422833	1	Pin	
31	3422834	1	Pin	
32	3841143	3	Keeper, Pin 3/8	
33	3841258	2	Keeper, Pin 5/8	
34	3841287	5	Keeper, Pin 3/4	
35	3900280	8	Screw 3/8 x 5/8	
36	4711600	14	Washer 3/8	
37	4740492	2	Thrustwasher	
38	4846066	1	Tower Boom Weldment	
39	4846067	1	Tower Link Weldment	
40	4846074	1	Upright Link Weldment	
41	4846075	1	Upright Weldment	
42	3960418	10 in /25cm	Seal	

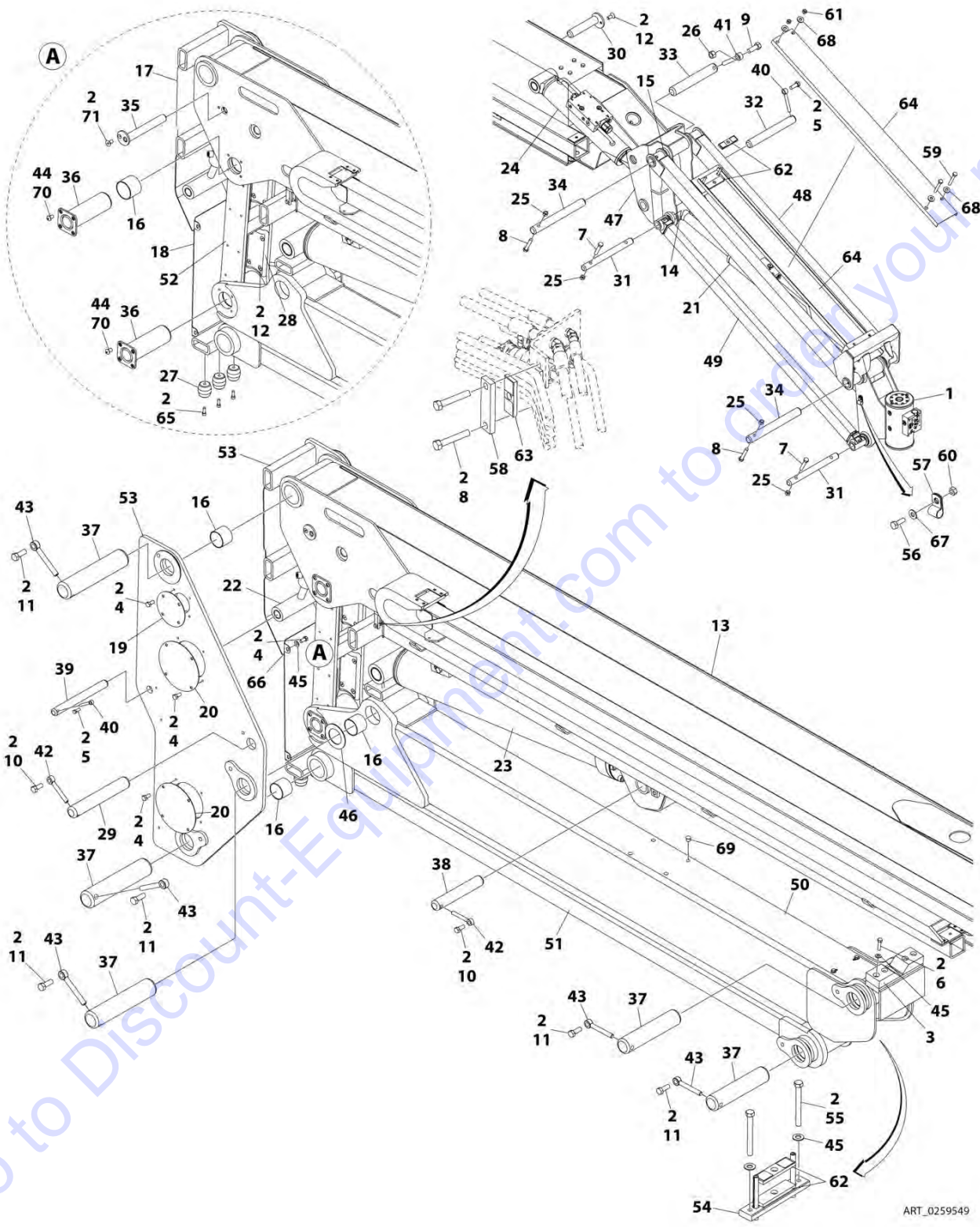
SECTION 4 - BOOM

ITEM	PART NUMBER	QTY	DESCRIPTION	REV
43	0362929	1	Clamp, Bar	
44	0630539	2	Capscrew 3/8 x 2-1/4	
45	0641618	2	Bolt 3/8 x 2-1/4	
46	1320277	1	Clamp, Hose	
47	3340860	2	Pad, Rubber	
48	3340861	2	Pad, Rubber	
49	3520034	4	Plug	
50	3931616	3	Bolt 3/8 x 2	
51	4060805	14 in /36cm	Flex-Trim	
52	3841340	2	Rod, Hose Loop	
53	0100019	AR	Compound, Locking	
54	0741606	1	Bolt 3/8 x 3/4	

Go to Discount-Equipment.com to order your parts

SECTION 4 - BOOM

FIGURE 4-2. BOOM INSTALLATION (E600J/M600J)



SECTION 4 - BOOM

FIGURE 4-2. BOOM INSTALLATION (E600J/M600J)

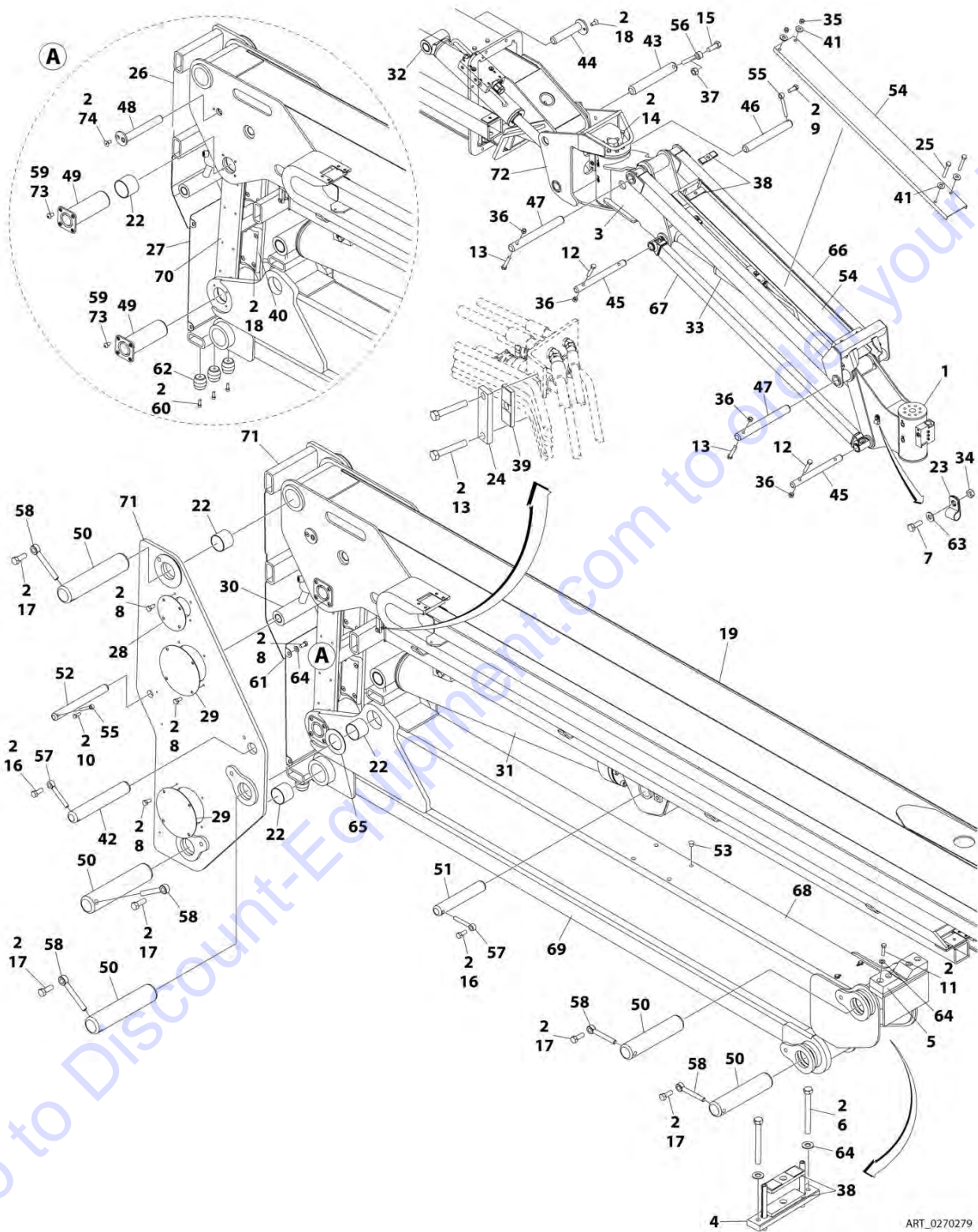
ITEM	PART NUMBER	QTY	DESCRIPTION	REV
	0259549	Ref	BOOM INSTALLATION (E600J/M600J)	N
1	0060096	NLA	Platform Rotator Assembly (See ROTATOR ASSEMBLY (E600J/M600J) for Breakdown) (Use p/n 1001165302) (SN 0300219271 through 0300221080)	
1	1001165302	1	Platform Rotator Assembly (See ROTATOR ASSEMBLY (E600J/M600J) for Breakdown) (SN 0300221081 through 0300232627)	
1	1001217779	1	Platform Rotator Assembly (See ROTATOR ASSEMBLY (E600J/M600J) for Breakdown) (SN 0300232628 to Present)	
2	0100011	AR	Compound, Locking	
3	0561380	2	Block, Boom Rest	
4	0641606	32	Bolt 3/8 x 3/4	
5	0641608	2	Bolt 3/8 x 1	
6	0641612	4	Bolt 3/8 x 1-1/2	
7	0641616	4	Bolt 3/8 x 2	
8	0641618	4	Bolt 3/8 x 2-1/4	
9	0641811	1	Bolt 1/2 x 1-3/8	
10	0642012	2	Bolt 5/8 x 1-1/2	
11	0642216	5	Bolt 3/4 x 2	
12	0741607	17	Screw 3/8 x 7/8	
13	0801207	1	Main Boom Assembly (See MAIN BOOM ASSEMBLY (E600J/M600J) for Breakdown)	
14	0962292	2	Bushing	
15	0961951	2	Bushing	
16	0962297	12	Bushing	
17	1670911	1	Cover, Upright Upper	
18	1670912	1	Cover, Upright Lower	
19	1670913	2	Cover, Pin	
20	1670928	4	Cover, Pin	
21	1001140282	1	Jib Cylinder Assembly (See CYLINDER SECTION for Breakdown)	
22	1683866	1	Master Cylinder Assembly (See CYLINDER SECTION for Breakdown)	
23	1683876	NLA	Lift Cylinder Assembly (Use p/n 1001228014) (See CYLINDER SECTION for Breakdown) (Prior to SN 0300239696)	
23	1001228014	1	Lift Cylinder Assembly (See CYLINDER SECTION for Breakdown) (SN 0300239696 to Present)	
24	1001140596	1	Level Cylinder Assembly (See CYLINDER SECTION for Breakdown)	
25	3311605	6	Nut 3/8	
26	3311805	1	Nut 1/2	
27	4160187	3	Spring, Rubber	
28	3340873	4	Pad, Hose Guide	
29	3422568	1	Pin	
30	3422583	1	Pin	
31	3422791	2	Pin	
32	3422792	1	Pin	
33	3422793	1	Pin	
34	3422794	2	Pin	
35	3422808	1	Pin	
36	3422811	2	Pin	
37	3422830	5	Pin	
38	3422833	1	Pin	

SECTION 4 - BOOM

ITEM	PART NUMBER	QTY	DESCRIPTION	REV
39	3422834	1	Pin	
40	3841143	2	Keeper, Pin 3/8	
41	3841203	1	Keeper, Pin 1/2	
42	3841258	2	Keeper, Pin 5/8	
43	3841287	5	Keeper, Pin 3/4	
44	3900280	8	Screw 3/8 x 5/8	
45	4711600	14	Washer 3/8	
46	4740492	2	Thrustwasher	
47	4845925	1	Pivot Weldment	
48	4846278	1	Link, Jib (Top)	
49	1001094670	2	Link, Jib (Bottom)	
50	4846066	1	Tower Boom Weldment	
51	4846067	1	Tower Link Weldment	
52	4846074	1	Upright Link Weldment	
53	4846075	1	Upright Weldment	
54	0362929	1	Clamp, Bar	
55	0630539	2	Capscrew 3/8 x 2-1/4	
56	0641406	2	Bolt 1/4 x 3/4	
57	1320070	2	Clamp, Cable	
58	1320277	1	Clamp, Hose	
59	0641518	2	Bolt 5/16 x 2-1/4	
60	3311405	2	Nut 1/4	
61	3311501	4	Nut 5/16	
62	3340860	6	Pad, Rubber	
63	3340861	2	Pad, Rubber	
64	3572551	2	Channel, Hose Carrier	
65	3931616	3	Bolt 3/8 x 2	
66	3960418	10 in/ 25cm	Seal	
67	4711400	2	Washer 1/4	
68	4751500	6	Washer 5/16	
69	3520034	4	Plug, Hole	
70	0100019	AR	Compound, Locking	
71	0741606	1	Bolt 3/8 x 3/4	

SECTION 4 - BOOM

FIGURE 4-3. BOOM INSTALLATION (E600JP/M600JP)



SECTION 4 - BOOM

FIGURE 4-3. BOOM INSTALLATION (E600JP/M600JP)

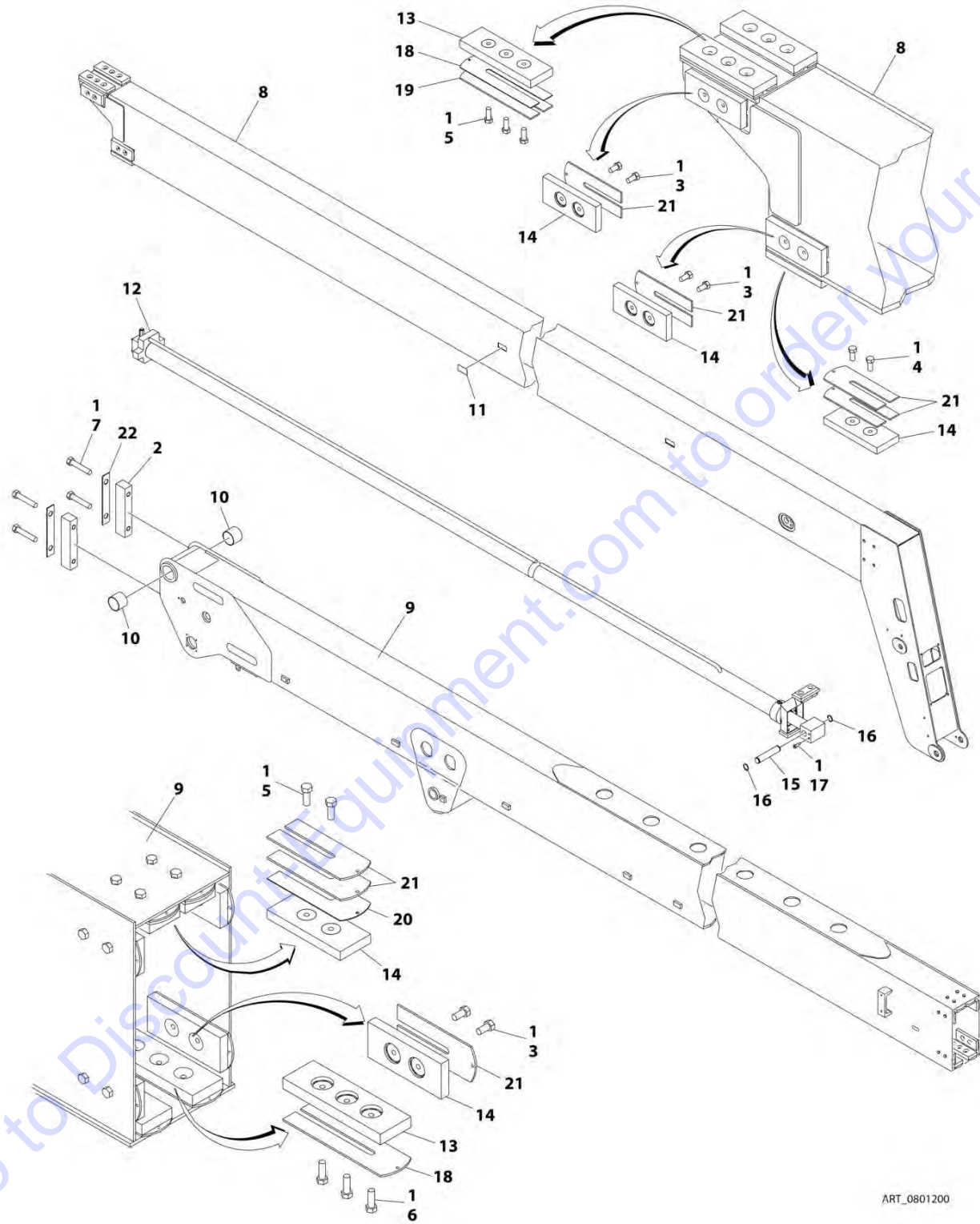
ITEM	PART NUMBER	QTY	DESCRIPTION	REV
	0270279	Ref	BOOM INSTALLATION (E600JP/M600JP)	L
1	0060056	1	Platform Rotator Assembly (See ROTATOR ASSEMBLY - PLATFORM ROTATE (E600JP/M600JP) for Breakdown)	
2	0100011	AR	Compound, Locking	
3	0060057	1	Platform Rotator Assembly (See ROTATOR ASSEMBLY - SIDE SWING ROTATE (E600JP/M600JP) for Breakdown) (Note: Includes Items 20 & 21)	
4	0362929	1	Clamp, Bar	
5	0561380	2	Block, Boom Rest	
6	0630539	2	Capscrew 3/8 x 2-1/4	
7	0641406	2	Bolt 1/4 x 3/4	
8	0641606	32	Bolt 3/8 x 3/4	
9	0641607	1	Bolt 3/8 x 7/8	
10	0641608	1	Bolt 3/8 x 1	
11	0641612	4	Bolt 3/8 x 1-1/2	
12	0641616	4	Bolt 3/8 x 2	
13	0641618	4	Bolt 3/8 x 2-1/4	
14	0641810	8	Bolt 1/2 x 1-1/4	
15	0641812	1	Bolt 1/2 x 1-1/2	
16	0642012	2	Bolt 5/8 x 1-1/2	
17	0642216	5	Bolt 3/4 x 2	
18	0741607	17	Screw 3/8 x 7/8	
19	0801239	1	Main Boom Assembly (See MAIN BOOM ASSEMBLY (E600JP/M600JP) for Breakdown)	
22	0962297	12	Bushing	
23	1320070	2	Clamp, Cable	
24	1320277	1	Clamp, Hose	
25	0641518	2	Bolt 5/16 x 2-1/4	
26	1670911	1	Cover, Upright Upper	
27	1670912	1	Cover, Upright Lower	
28	1670913	2	Cover, Pin	
29	1670928	4	Cover, Pin	
30	1683866	1	Master Cylinder Assembly (See CYLINDER SECTION for Breakdown)	
31	1683876	NLA	Lift Cylinder Assembly (Use p/n 1001228014) (See CYLINDER SECTION for Breakdown) (Prior to SN 0300239696)	
31	1001228014	1	Lift Cylinder Assembly (See CYLINDER SECTION for Breakdown) (SN 0300239696 to Present)	
32	1001140596	1	Level Cylinder Assembly (See CYLINDER SECTION for Breakdown)	
33	1001140282	1	Jib Cylinder Assembly (See CYLINDER SECTION for Breakdown)	
34	3311405	2	Nut 1/4	
35	3311501	4	Nut 5/16	
36	3311605	6	Nut 3/8	
37	3311805	1	Nut 1/2	
38	3340860	6	Pad, Rubber	
39	3340861	2	Pad, Rubber	
40	3340873	4	Pad, Hose Guide	
41	4751500	6	Washer 5/16	
42	3422568	1	Pin	
43	3422576	1	Pin	

SECTION 4 - BOOM

ITEM	PART NUMBER	QTY	DESCRIPTION	REV
44	3422583	1	Pin	
45	3422791	2	Pin	
46	3422792	1	Pin	
47	3422794	2	Pin	
48	3422808	1	Pin	
49	3422811	2	Pin	
50	3422830	5	Pin	
51	3422833	1	Pin	
52	3422834	1	Pin	
53	3520034	4	Plug, Hole	
54	3572551	2	Channel, Hose Carrier	
55	3841143	2	Keeper, Pin 3/8	
56	3841203	1	Keeper, Pin 1/2	
57	3841258	2	Keeper, Pin 5/8	
58	3841287	5	Keeper, Pin 3/4	
59	3900280	8	Screw 3/8 x 5/8	
60	3931616	3	Bolt 3/8 x 2	
61	3960418	10 in /53cm	Seal	
62	4160187	3	Spring, Rubber	
63	4711400	2	Washer 1/4	
64	4711600	14	Washer 3/8	
65	4740492	2	Thrustwasher	
66	4846278	1	Link, Jib (Top)	
67	1001094670	2	Link, Jib (Bottom)	
68	4846066	1	Tower Boom Weldment	
69	4846067	1	Tower Link Weldment	
70	4846074	1	Upright Link Weldment	
71	4846075	1	Upright Weldment	
72	4846258	1	Pivot Weldment	
73	0100019	AR	Compound, Locking	
74	0741606	1	Bolt 3/8 x 3/4	

SECTION 4 - BOOM

FIGURE 4-4. MAIN BOOM ASSEMBLY (E600/M600)



ART_0801200

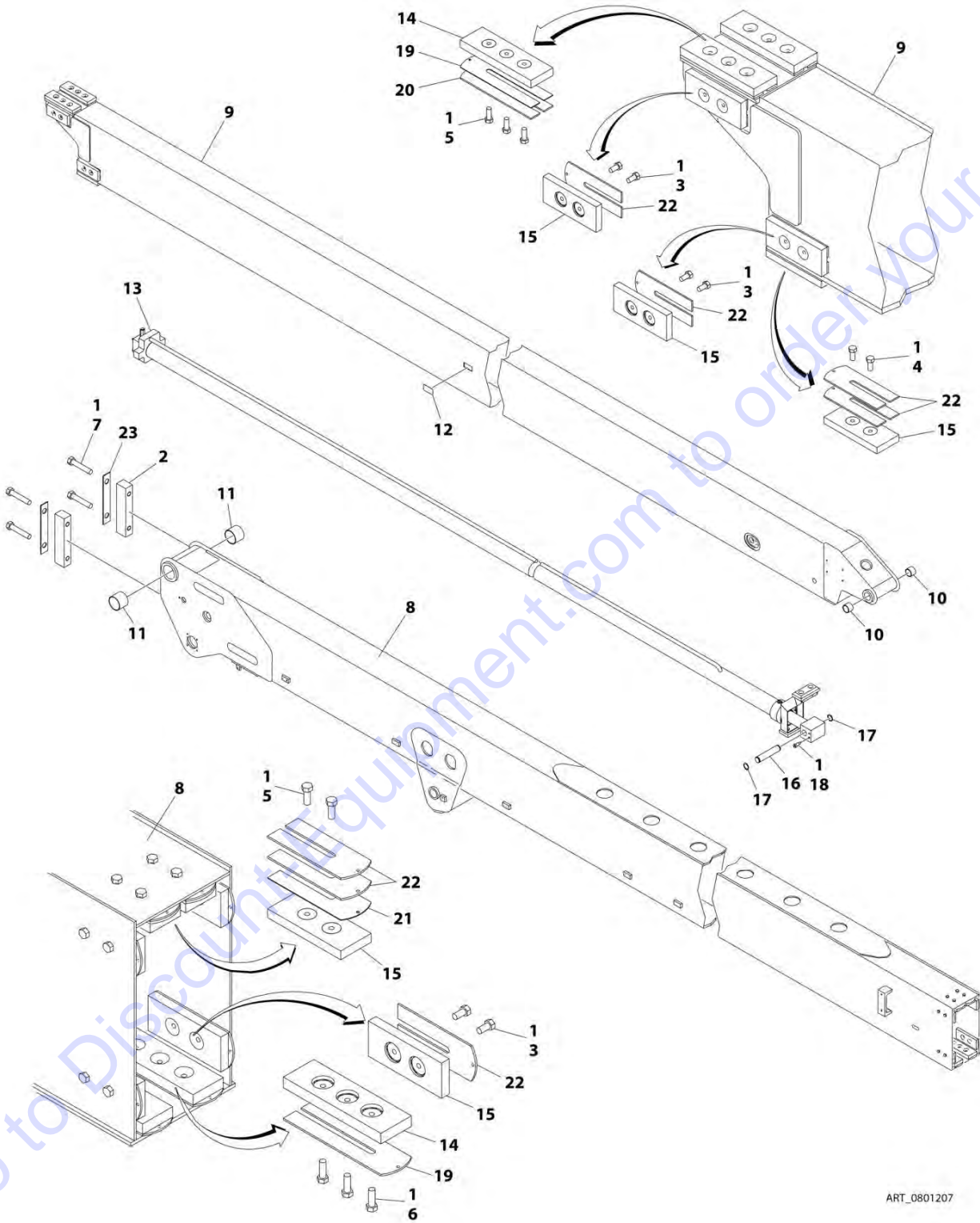
SECTION 4 - BOOM

FIGURE 4-4. MAIN BOOM ASSEMBLY (E600/M600)

ITEM	PART NUMBER	QTY	DESCRIPTION	REV
	0801200	Ref	MAIN BOOM ASSEMBLY (E600/M600)	C
1	0100011	AR	Compound, Locking	
2	0561185	2	Block, Telescope Attach	
3	0641606	16	Bolt 3/8 x 3/4	
4	0641607	4	Bolt 3/8 x 7/8	
5	0641608	10	Bolt 3/8 x 1	
6	0641609	6	Bolt 3/8 x 1-1/8	
7	0641616	4	Bolt 3/8 x 2	
8	0801202	1	Fly Boom Weldment	
9	0801599	1	Base Boom Weldment	
10	0962297	2	Bearing	
11	1670836	6	Cover, Boom	
12	1684009	1	Telescope Cylinder Assembly (See CYLINDER SECTION for Breakdown)	
13	3340871	4	Pad	
14	3340881	12	Pad	
15	3422457	1	Pin	
16	3760133	2	Ring, Retaining	
17	3900259	4	Screw, Shoulder	
18	4070863	4	Shim #11Ga	
19	4070864	2	Shim #18Ga	
20	4070897	2	Shim #18Ga	
21	4070898	16	Shim #11Ga	
22	4070929	2	Shim #16Ga	

SECTION 4 - BOOM

FIGURE 4-5. MAIN BOOM ASSEMBLY (E600J/M600J)



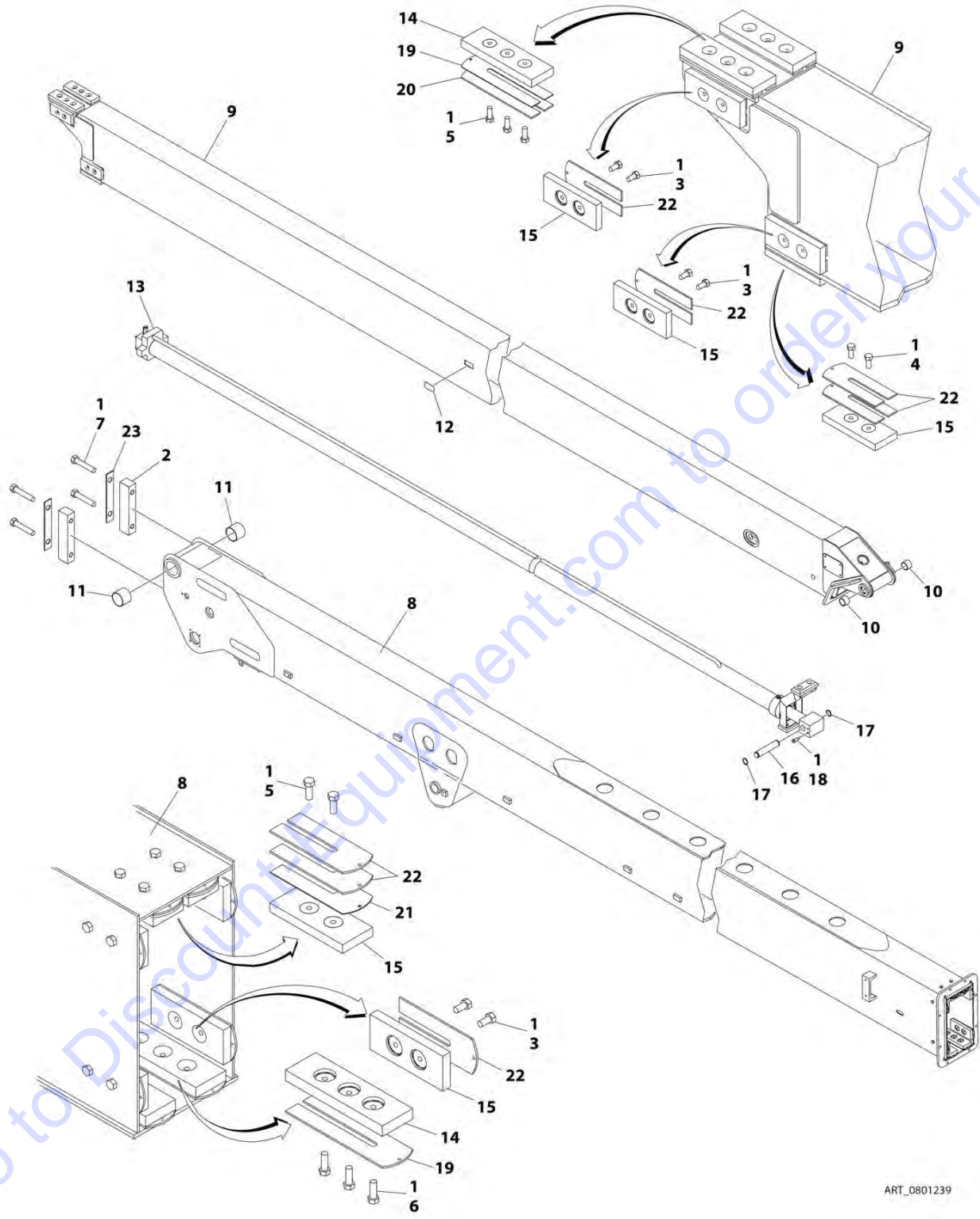
SECTION 4 - BOOM

FIGURE 4-5. MAIN BOOM ASSEMBLY (E600J/M600J)

ITEM	PART NUMBER	QTY	DESCRIPTION	REV
	0801207	Ref	MAIN BOOM ASSEMBLY (E600J/M600J)	F
1	0100011	AR	Compound, Locking	
2	0561185	2	Block, Telescope Attach	
3	0641606	16	Bolt 3/8 x 3/4	
4	0641607	4	Bolt 3/8 x 7/8	
5	0641608	10	Bolt 3/8 x 1	
6	0641609	6	Bolt 3/8 x 1-1/8	
7	0641616	4	Bolt 3/8 x 2	
8	0801606	1	Base Boom Weldment	
9	0801582	1	Fly Boom Weldment	
10	0961948	2	Bearing	
11	0962297	2	Bearing	
12	1670836	6	Cover, Boom	
13	1684010	NLA	Telescope Cylinder Assembly (use p/n 1001228017) (See CYLINDER SECTION for Breakdown)	
13	1001228017	1	Telescope Cylinder Assembly (See CYLINDER SECTION for Breakdown)	
14	3340871	4	Pad	
15	3340881	12	Pad	
16	3422457	1	Pin	
17	3760133	2	Ring, Retaining	
18	3900259	4	Screw, Shoulder	
19	4070863	4	Shim #11Ga	
20	4070864	2	Shim #18Ga	
21	4070897	2	Shim #18Ga	
22	4070898	16	Shim #11Ga	
23	4070929	2	Shim #16Ga	

SECTION 4 - BOOM

FIGURE 4-6. MAIN BOOM ASSEMBLY (E600JP/M600JP)



ART_0801239

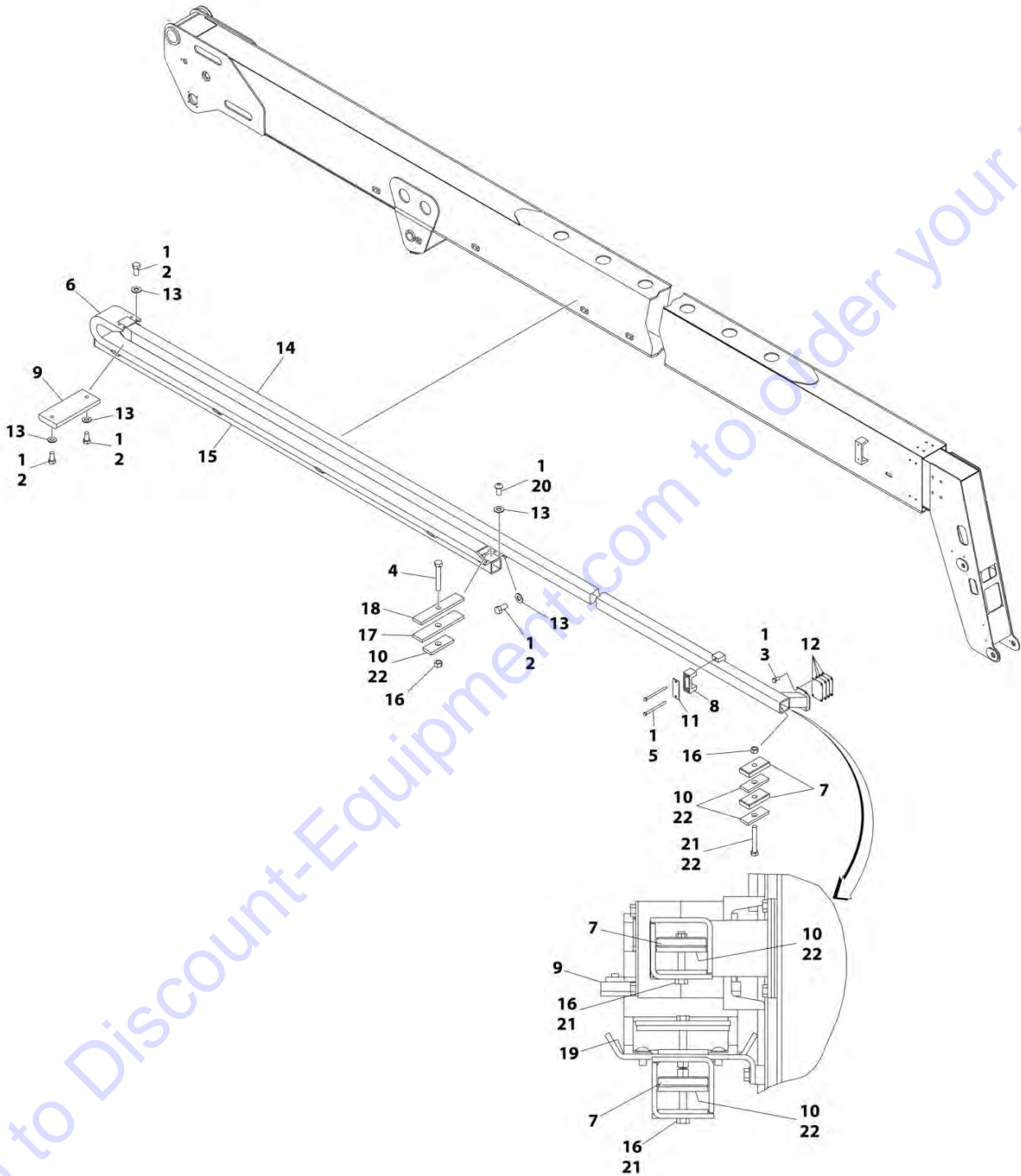
SECTION 4 - BOOM

FIGURE 4-6. MAIN BOOM ASSEMBLY (E600JP/M600JP)

ITEM	PART NUMBER	QTY	DESCRIPTION	REV
	0801239	Ref	MAIN BOOM ASSEMBLY (E600JP/M600JP)	F
1	0100011	AR	Compound, Locking	
2	0561185	2	Block, Telescope Attach	
3	0641606	16	Bolt 3/8 x 3/4	
4	0641607	4	Bolt 3/8 x 7/8	
5	0641608	10	Bolt 3/8 x 1	
6	0641609	6	Bolt 3/8 x 1-1/8	
7	0641616	4	Bolt 3/8 x 2	
8	0801611	1	Base Boom Weldment	
9	0801583	1	Fly Boom Weldment	
10	0961948	2	Bearing	
11	0962297	2	Bearing	
12	1670836	6	Cover, Boom	
13	1684010	NLA	Telescope Cylinder Assembly (use p/n 1001228017) (See CYLINDER SECTION for Breakdown)	
13	1001228017	1	Telescope Cylinder Assembly (See CYLINDER SECTION for Breakdown)	
14	3340871	4	Pad	
15	3340881	12	Pad	
16	3422457	1	Pin	
17	3760133	2	Ring, Retaining	
18	3900259	4	Screw, Shoulder	
19	4070863	4	Shim #11Ga	
20	4070864	2	Shim #18Ga	
21	4070897	2	Shim #18Ga	
22	4070898	16	Shim #11Ga	
23	4070929	2	Shim #16Ga	

SECTION 4 - BOOM

FIGURE 4-7. POWER TRACK ASSEMBLY (E600/M600)



ART_0259838

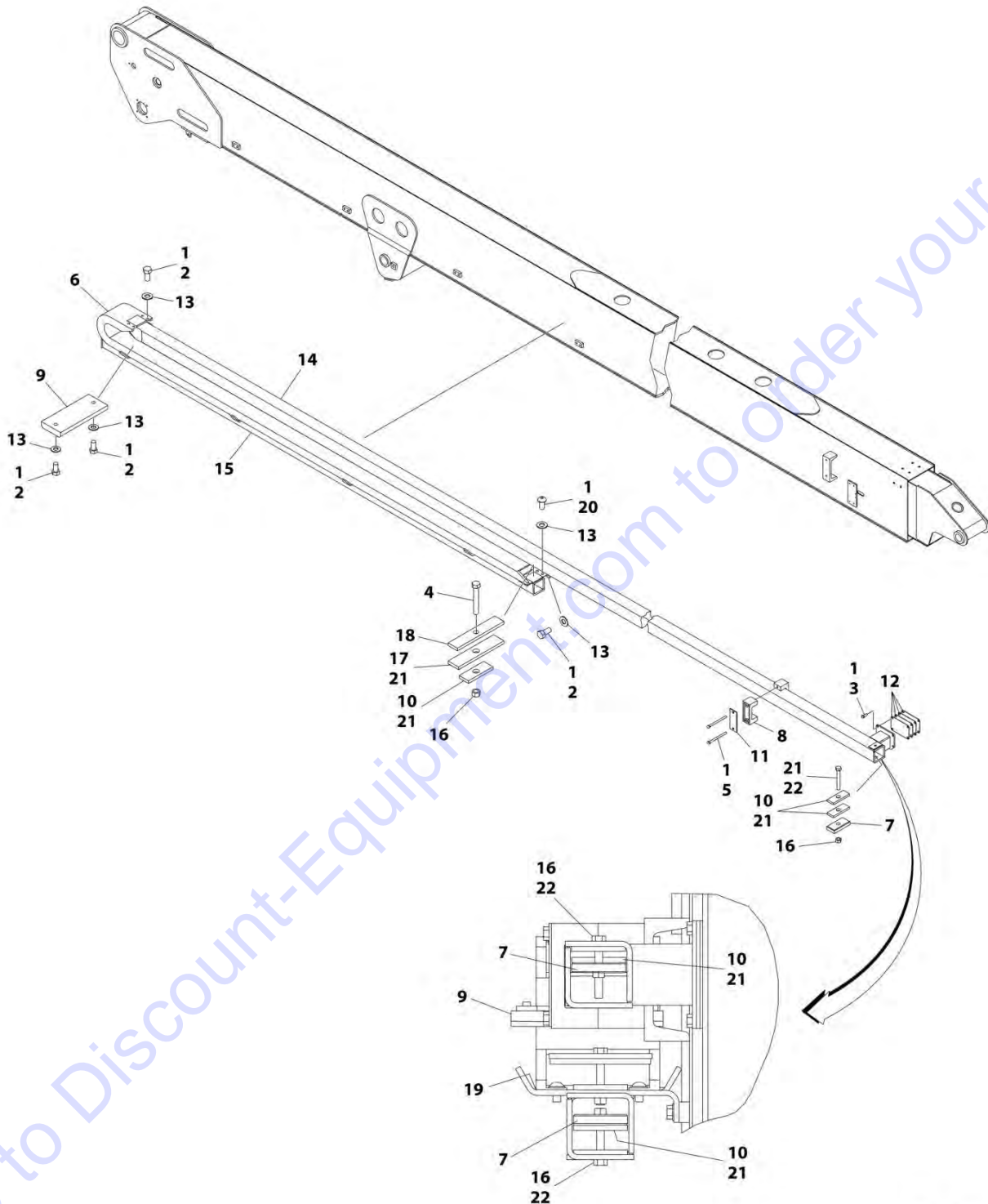
SECTION 4 - BOOM

FIGURE 4-7. POWER TRACK ASSEMBLY (E600/M600)

ITEM	PART NUMBER	QTY	DESCRIPTION	REV
	0259838	Ref	POWER TRACK ASSEMBLY (E600/M600)	E
1	0100011	AR	Compound, Locking	
2	0641606	16	Bolt 3/8 x 3/4	
3	0641611	4	Bolt 3/8 x 1-3/8	
4	0641620	1	Bolt 3/8 x 2-1/2	
5	0641640	2	Bolt 3/8 x 5	
6	1180357	1	Powertrack	
6	7020265	4	Link (Inner)	
6	7020264	12	Link (Outer)	
6	7020262	6	Ring, Retaining	
6	7020260	4	Foot, Mounting	
6	7020261	6	Pin (Center)	
6	7026182	2	Roller, Poly	
6	7026170	2	Bar, Aluminum	
7	1320288	2	Clamp, Hose	
8	3340764	2	Pad, Push Tube	
9	3340787	1	Pad, Wear	
10	3340941	5	Pad, Rubber	
11	3538758	1	Plate, Backing	
12	4070969	AR	Shim	
13	4711600	20	Washer 3/8	
14	4846164	1	Tube, Push	
15	4846166	1	Support	
16	3311605	3	Nut 3/8	
17	3340939	1	Pad, Rubber	
18	3572448	1	Plate, Clamp	
19	3340896	2	Pad, Rubber	
20	3900283	4	Screw, Button Head	
21	0641622	2	Bolt 3/8 x 2-3/4	
22	0100081	AR	Loctite #454	

SECTION 4 - BOOM

FIGURE 4-8. POWER TRACK ASSEMBLY (E600J/E600JP/M600J/M600JP)



ART_0259837

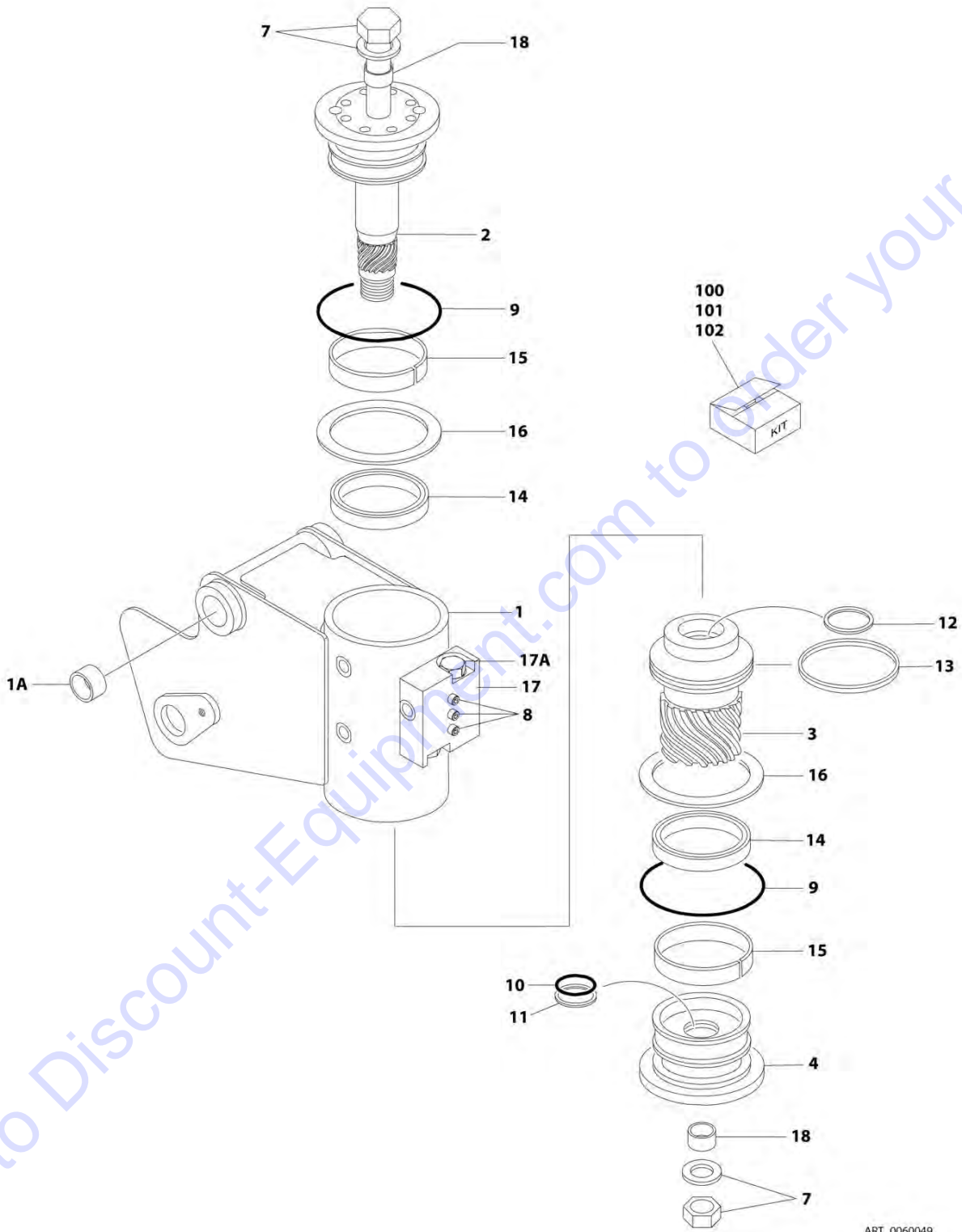
SECTION 4 - BOOM

FIGURE 4-8. POWER TRACK ASSEMBLY (E600J/E600JP/M600J/M600JP)

ITEM	PART NUMBER	QTY	DESCRIPTION	REV
	0259837	Ref	POWER TRACK ASSEMBLY (E600J/E600JP/M600J/M600JP)	G
1	0100011	AR	Compound, Locking	
2	0641606	14	Bolt 3/8 x 3/4	
3	0641608	4	Bolt 3/8 x 1	
4	0641620	1	Bolt 3/8 x 2-1/2	
5	0641640	2	Bolt 3/8 x 5	
6	1180356	1	Powertrack	
6	7020266	4	Bar (Top Plastic)	
6	7020265	4	Link (Inner)	
6	7020264	12	Link (Outer)	
6	7020262	6	Ring, Retaining	
6	7020260	4	Foot, Mounting	
6	7020261	6	Pin (Center)	
6	7026182	2	Roller, Poly	
6	7026170	2	Bar, Aluminum	
7	1320288	2	Clamp, Hose	
8	3340764	2	Pad, Push Tube	
9	3340787	1	Pad, Wear	
10	3340941	5	Pad, Rubber	
11	3538758	1	Plate, Backing	
12	4070969	AR	Shim	
13	4711600	18	Washer 3/8	
14	4846163	1	Tube, Push	
15	4846165	1	Support	
16	3311605	3	Nut 3/8	
17	3340939	1	Pad, Rubber	
18	3572448	1	Plate, Clamp	
19	3340896	2	Pad, Rubber	
20	3900283	4	Screw, Button Head	
21	0100081	AR	Loctite #454	
22	0641622	2	Bolt 3/8 x 2-3/4	

SECTION 4 - BOOM

FIGURE 4-9. ROTATOR ASSEMBLY (E600/M600)



ART_0060049

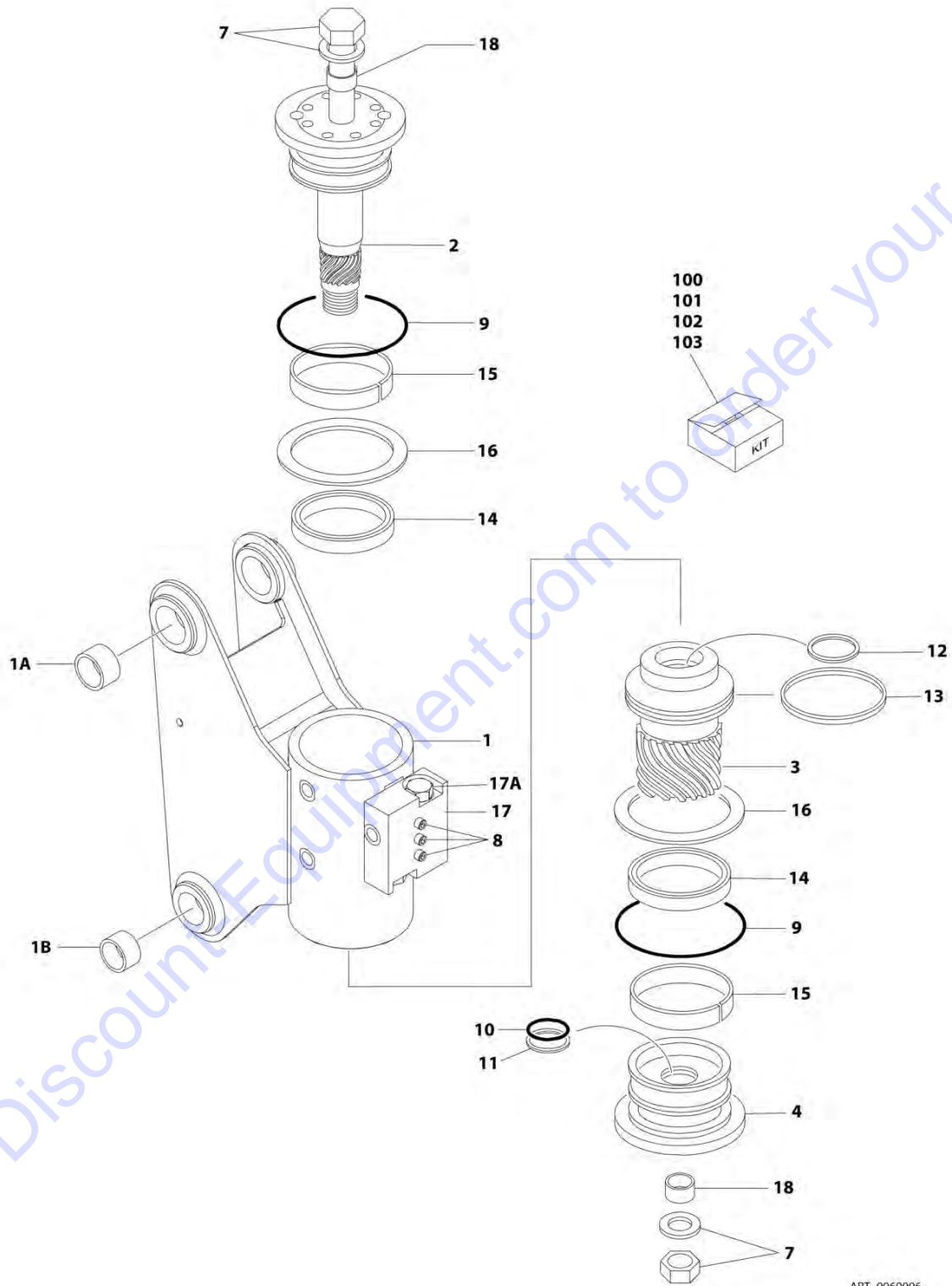
SECTION 4 - BOOM

FIGURE 4-9. ROTATOR ASSEMBLY (E600/M600)

ITEM	PART NUMBER	QTY	DESCRIPTION	REV
	0060049	Ref	ROTATOR ASSEMBLY (E600/M600)	D
1	See Note	NSS	Case/Bracket Weldment (Note: Not Available - Purchase Complete Assembly)	
1A	0961951	2	Bushing (Top)	
2	7017162	1	Shaft	
3	7017163	1	Sleeve, Piston	
4	7017164	1	Cap, End	
7	0642684	1	Bolt 1-8 x 10-1/2	
7	4892600	2	Washer	
7	3272605	1	Nut 1-8	
8	See Note	NSS	Capscrew 1/4 x 1-1/2 Grade 8 (Note: Not Available - Purchase Locally)	
9	See Note	NSS	O-Ring (Note: Use Item 100)	
10	See Note	NSS	O-Ring (Note: Use Item 100)	
11	See Note	NSS	Ring, Back-up Cap (Note: Use Item 100)	
12	See Note	NSS	Seal, Rod (Note: Use Item 100)	
13	See Note	NSS	Seal, Piston (Note: Use Item 100)	
14	See Note	NSS	Seal, Cap (Note: Use Item 100)	
15	See Note	NSS	Guide, Wear (Note: Use Item 101)	
16	See Note	NSS	Thrustwasher (Note: Use Item 101)	
17		Ref	Counterbalance Valve Assembly Options:	
17	7017172	1	Helac p/n 24327 Stamped beside Mounting Screws	
17	7017172	1	Helac p/n 26553 or 26554 Stamped beside Mounting Screws	
17A		Ref	Valve, Cartridge Options:	
17A	7011323	2	Valve, Cartridge for Helac p/n 24327 Valve	
17A	2900770	2	Seal Kit - 7011323 Cartridge (1 Per Assembly)	
17A	7017192	2	Valve, Cartridge Helac p/n 26553 (No Seal Kit Available)	
18	7017195	2	Bushing	
		Ref	KIT OPTIONS:	
100		Ref	Seal Kit Options (Includes Items 9-14)	
100	7017158	1	Standard	
100	70000342	1	Cold Climate	
101	7017159	1	Bearing Kit (Includes Items 15 & 16)	
102	7017160	1	Bushing Kit (Includes Items 1A & 18)	

SECTION 4 - BOOM

FIGURE 4-10. ROTATOR ASSEMBLY (E600J/M600J) (SN 0300219271 through 0300221080)



ART_0060096

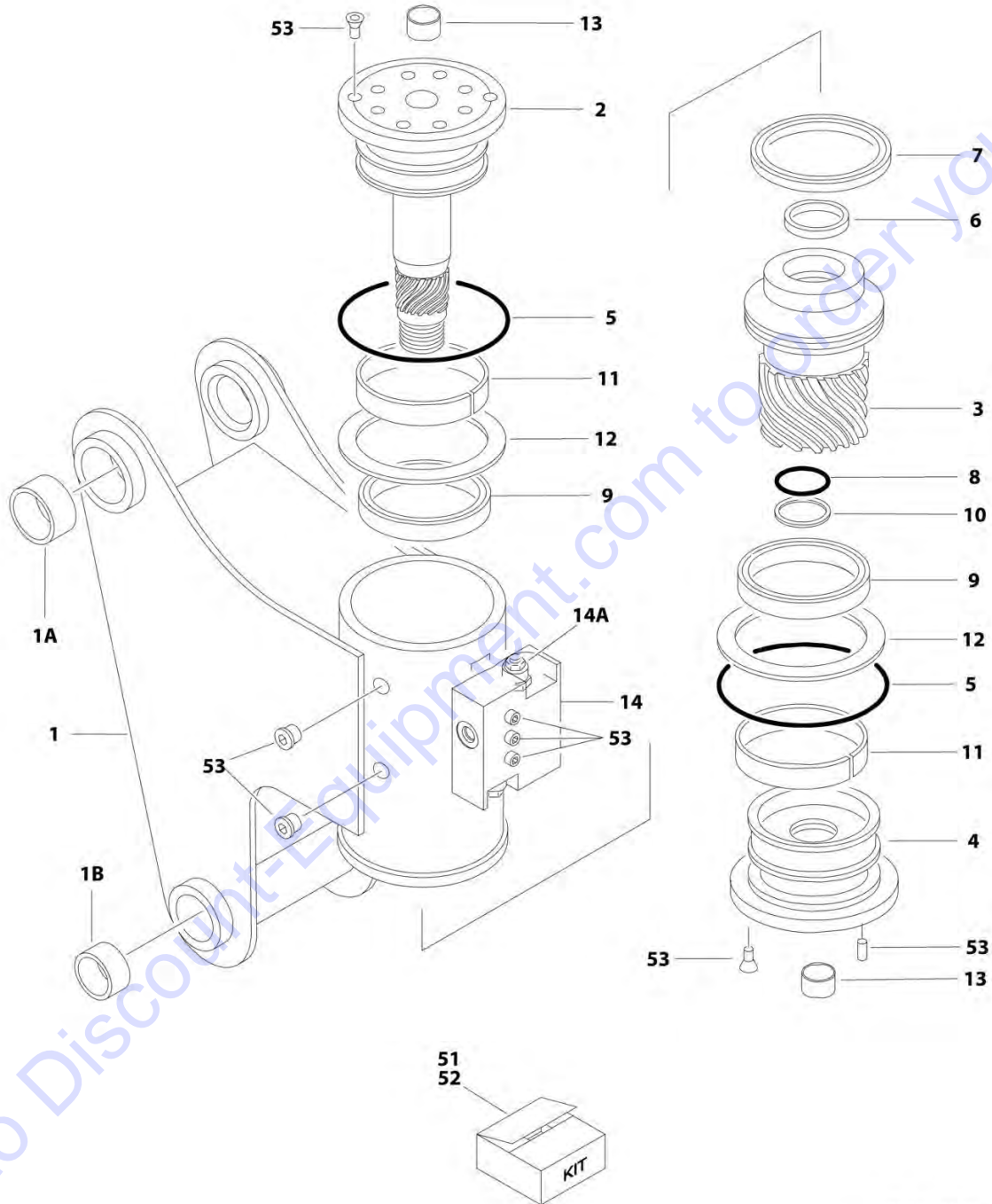
SECTION 4 - BOOM

FIGURE 4-10. ROTATOR ASSEMBLY (E600J/M600J) (SN 0300219271 through 0300221080)

ITEM	PART NUMBER	QTY	DESCRIPTION	REV
	0060096	Ref	ROTATOR ASSEMBLY (E600J/M600J) (SN 0300219271 through 0300221080)	B
1	See Note	NSS	Case/Bracket Weldment (Note: Not Available - Purchase Complete Assembly)	
1A	0962257	2	Bushing (Top)	
1B	0961947	2	Bushing (Bottom)	
2	7017162	1	Shaft	
3	7017163	1	Sleeve, Piston	
4	7017164	1	Cap, End	
7	0642684	1	Bolt 1-8 x 10-1/2	
7	4892600	2	Washer	
7	3272605	1	Nut 1-8	
8	See Note	NSS	Capscrew 1/4 x 1-1/2 Grade 8 (Note: Not Available - Purchase Locally)	
9	See Note	NSS	Seal (Note: Use Item 100)	
10	See Note	NSS	O-Ring (Note: Use Item 100)	
11	See Note	NSS	Ring, Back-up Cap (Note: Use Item 100)	
12	See Note	NSS	Seal, Rod (Note: Use Item 100)	
13	See Note	NSS	Seal, Piston (Note: Use Item 100)	
14	See Note	NSS	Seal, Cap (Note: Use Item 100)	
15	See Note	NSS	Guide, Wear (Note: Use Item 101)	
16	See Note	NSS	Thrustwasher (Note: Use Item 101)	
17		Ref	Counterbalance Valve Assembly Options:	
17	7017172	1	Helac p/n 24327 Stamped beside Mounting Screws	
17	7017172	1	Helac p/n 26553 or 26554 Stamped beside Mounting Screws	
17A		Ref	Valve, Cartridge Options:	
17A	7011323	2	Valve, Cartridge for Helac p/n 24327 Valve	
17A	2900770	2	Seal Kit - 7011323 Cartridge (1 Per Assembly)	
17A	7017192	2	Valve, Cartridge Helac p/n 26553 (No Seal Kit Available)	
18	0962257	2	Bushing	
		Ref	KIT OPTIONS:	
100	70000342	1	Seal Kit (Includes Items 9-14)	
101	7017159	1	Bearing Kit (Includes Items 15 & 16)	
102	7017160	1	Bushing Kit (Includes Items 1A, 1B & 18)	
103	7017142	1	Hardware Kit	

SECTION 4 - BOOM

FIGURE 4-11. ROTATOR ASSEMBLY (E600J/M600J) (SN 0300221081 through 0300232627)



ART_1001165302

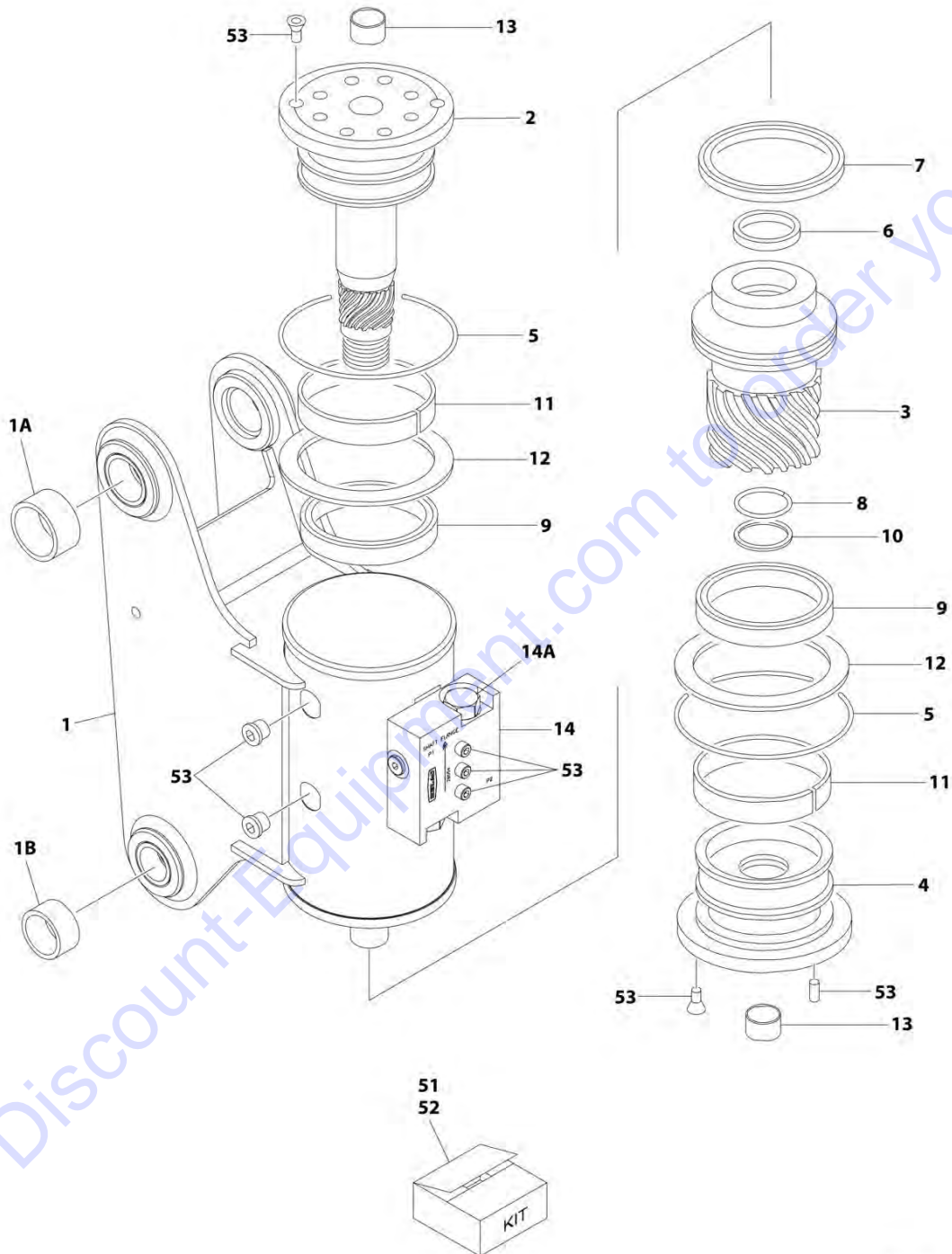
SECTION 4 - BOOM

FIGURE 4-11. ROTATOR ASSEMBLY (E600J/M600J) (SN 0300221081 through 0300232627)

ITEM	PART NUMBER	QTY	DESCRIPTION	REV
	1001165302	Ref	ROTATOR ASSEMBLY (E600J/M600J) (SN 0300221081 through 0300232627)	I
1	See Note	NSS	Housing (Note: Purchase Complete Assembly)	
1A	0962257	2	Bushing	
1B	0961947	2	Bushing	
2	7017162	1	Shaft	
3	7017163	1	Piston	
4	7017164	1	Cap, End	
5	See Note	NSS	O-Ring (Note: Use p/n 70000342)	
6	See Note	NSS	Seal, Rod (Note: Purchase p/n 70000342)	
7	See Note	NSS	Seal, Piston (Note: Purchase p/n 70000342)	
8	See Note	NSS	Seal, Cap (Note: Purchase p/n 70000342)	
9	See Note	NSS	Packing, Bearing (Note: Purchase p/n 70000342)	
10	See Note	NSS	Ring, Back-up (Note: Purchase p/n 70000342)	
11	See Note	NSS	Bearing, Shaft (Note: Purchase p/n 7017159)	
12	See Note	NSS	Washer, Thrust (Note: Purchase p/n 7017159)	
13	7017195	2	Bushing	
14	7017172	1	Counterbalance Valve Assembly	
14A	7017192	2	Valve Cartridge (No Seal Kit Available)	
51	70000342	1	Seal Kit (Includes Items 5-10)	
52	7017159	1	Bearing Kit (Includes Items 11 & 12)	
53	7017142	1	Hardware Kit	

SECTION 4 - BOOM

FIGURE 4-12. ROTATOR ASSEMBLY (E600J/M600J) (SN 0300232628 to Present)



ART_1001217779

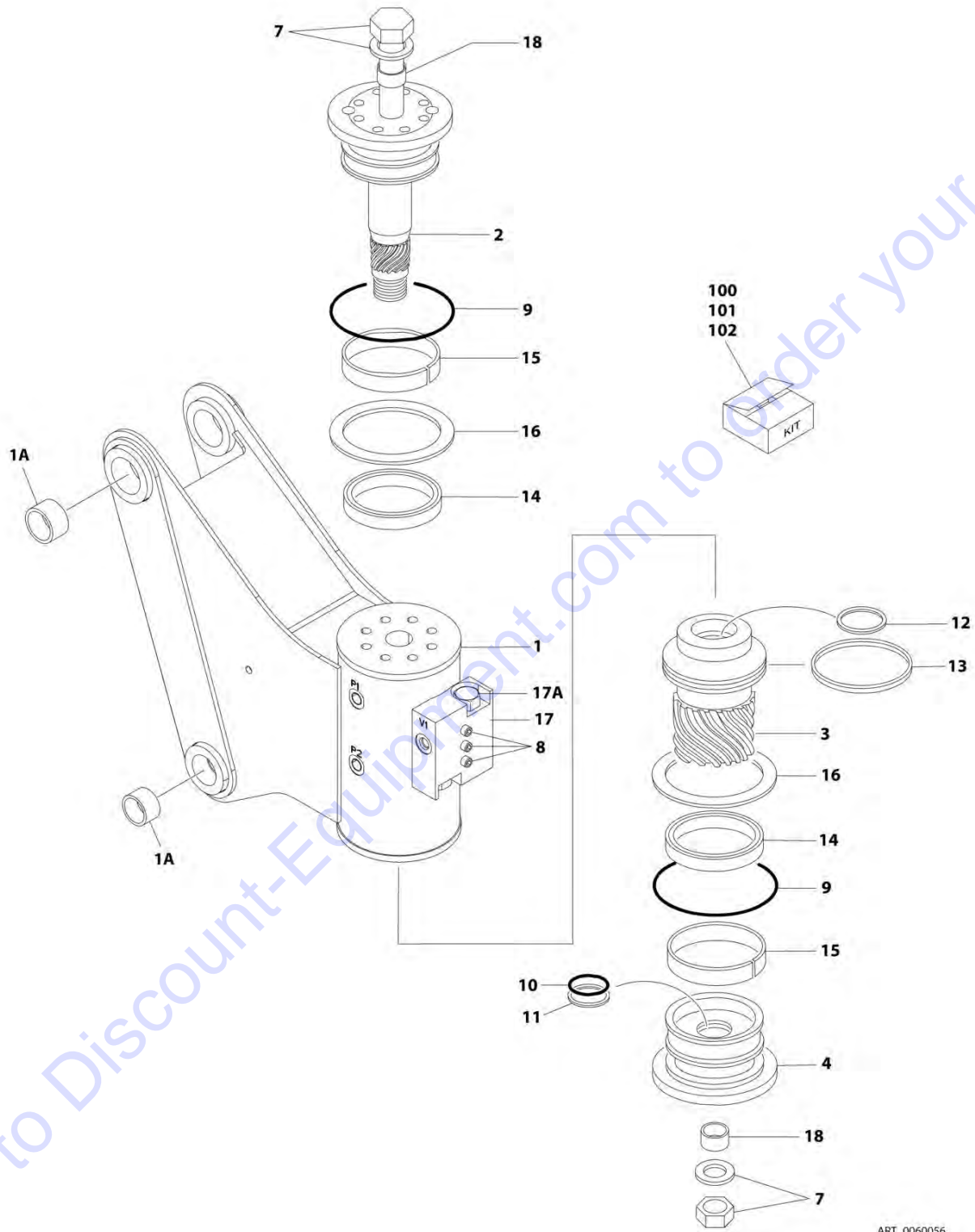
SECTION 4 - BOOM

FIGURE 4-12. ROTATOR ASSEMBLY (E600J/M600J) (SN 0300232628 to Present)

ITEM	PART NUMBER	QTY	DESCRIPTION	REV
	1001217779	Ref	ROTATOR ASSEMBLY (E600J/M600J) (SN 0300232628 to Present)	B
1	See Note	NSS	Housing (Note: Purchase Complete Assembly)	
1A	0962257	2	Bushing	
1B	0961947	2	Bushing	
2	7017162	1	Shaft	
3	7017163	1	Piston	
4	7017164	1	Cap, End	
5	See Note	NSS	O-Ring (Note: Use p/n 70000342)	
6	See Note	NSS	Seal, Rod (Note: Purchase p/n 70000342)	
7	See Note	NSS	Seal, Piston (Note: Purchase p/n 70000342)	
8	See Note	NSS	Seal, Cap (Note: Purchase p/n 70000342)	
9	See Note	NSS	Packing, Bearing (Note: Purchase p/n 70000342)	
10	See Note	NSS	Ring, Back-up (Note: Purchase p/n 70000342)	
11	See Note	NSS	Bearing, Shaft (Note: Purchase p/n 7017159)	
12	See Note	NSS	Washer, Thrust (Note: Purchase p/n 7017159)	
13	7017195	2	Bushing	
14	7017172	1	Counterbalance Valve Assembly	
14A	7017192	2	Valve Cartridge (No Seal Kit Available)	
51	70000342	1	Seal Kit (Includes Items 5-10)	
52	7017159	1	Bearing Kit (Includes Items 11 & 12)	
53	7017142	1	Hardware Kit	

SECTION 4 - BOOM

FIGURE 4-13. ROTATOR ASSEMBLY - PLATFORM ROTATE (E600JP/M600JP)



ART_0060056

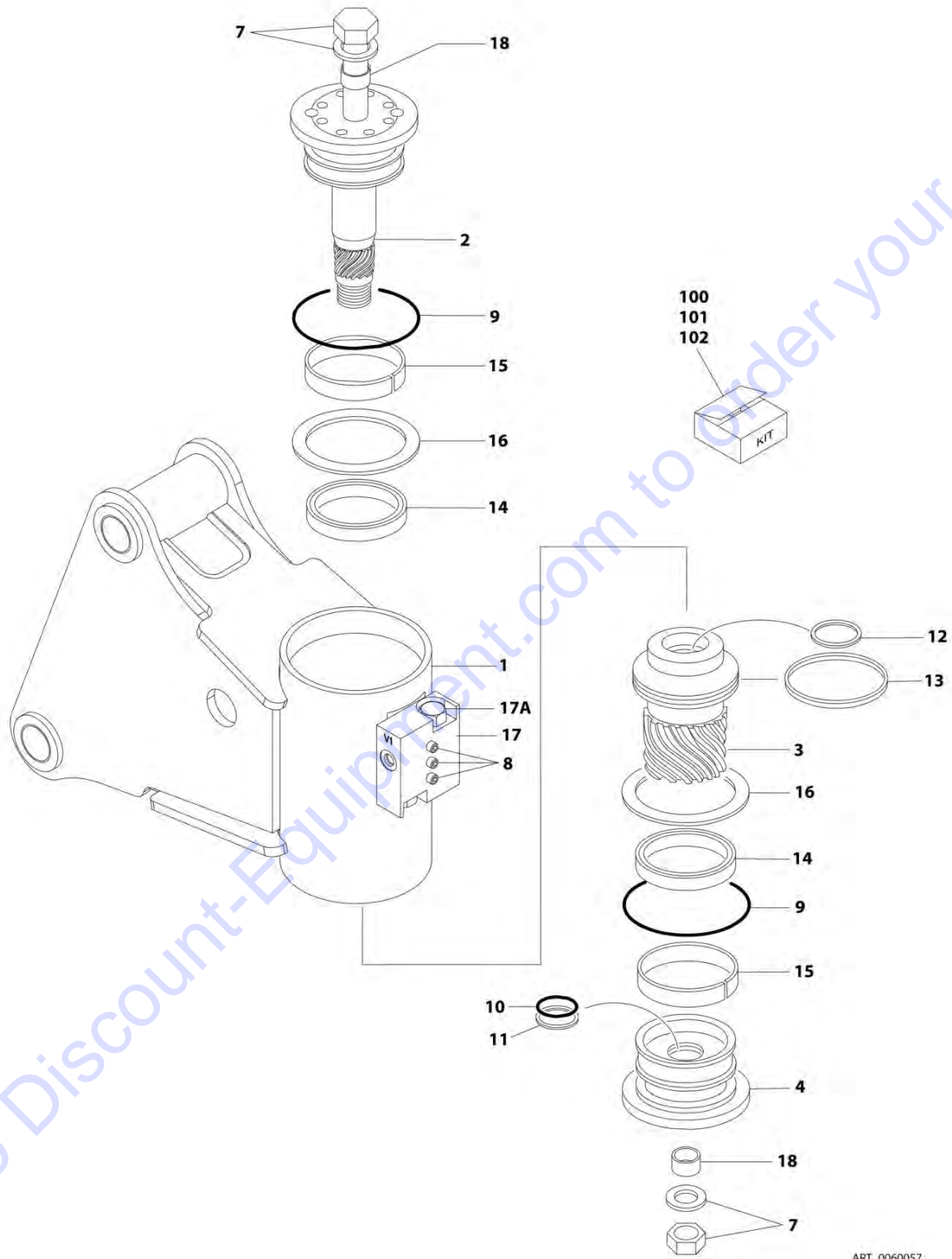
SECTION 4 - BOOM

FIGURE 4-13. ROTATOR ASSEMBLY - PLATFORM ROTATE (E600JP/M600JP)

ITEM	PART NUMBER	QTY	DESCRIPTION	REV
	0060056	Ref	ROTATOR ASSEMBLY - PLATFORM ROTATE (E600JP/M600JP)	B
1	See Note	NSS	Case/Bracket Weldment (Note: Not Available - Purchase Complete Assembly)	
1A	7017170	4	Bushing	
2	7017162	1	Shaft	
3	7017163	1	Sleeve, Piston	
4	7017164	1	Cap, End	
7	0642684	1	Bolt 1-8 x 10-1/2	
7	4892600	2	Washer	
7	3272605	1	Nut 1-8	
8	See Note	NSS	Capscrew 1/4 x 1-1/2 Grade 8 (Note: Not Available - Purchase Locally)	
9	See Note	NSS	Seal (Note: Use Item 100)	
10	See Note	NSS	O-Ring (Note: Use Item 100)	
11	See Note	NSS	Ring, Back-up Cap (Note: Use Item 100)	
12	See Note	NSS	Seal, Rod (Note: Use Item 100)	
13	See Note	NSS	Seal, Piston (Note: Use Item 100)	
14	See Note	NSS	Seal, Cap (Note: Use Item 100)	
15	See Note	NSS	Guide, Wear (Note: Use Item 101)	
16	See Note	NSS	Thrustwasher (Note: Use Item 101)	
17		Ref	Counterbalance Valve Assembly Options:	
17	7017172	1	Helac p/n 24327 Stamped beside Mounting Screws	
17	7017172	1	Helac p/n 26553 or 26554 Stamped beside Mounting Screws	
17A		Ref	Valve, Cartridge Options:	
17A	7011323	2	Valve, Cartridge for Helac p/n 24327 Valve	
17A	2900770	2	Seal Kit - 7011323 Cartridge (1 Per Assembly)	
17A	7017192	2	Valve, Cartridge Helac p/n 26553 (No Seal Kit Available)	
18	7017195	2	Bushing	
		Ref	KIT OPTIONS:	
100		Ref	Seal Kit Options: (Includes Items 9-14)	
100	7017158	1	Standard	
100	70000342	1	Cold Climate	
101	7017159	1	Bearing Kit (Includes Items 15 & 16)	
102	7017160	1	Bushing Kit (Includes Items 1A, 1B & 18)	

SECTION 4 - BOOM

FIGURE 4-14. ROTATOR ASSEMBLY - SIDE SWING ROTATE (E600JP/M600JP)



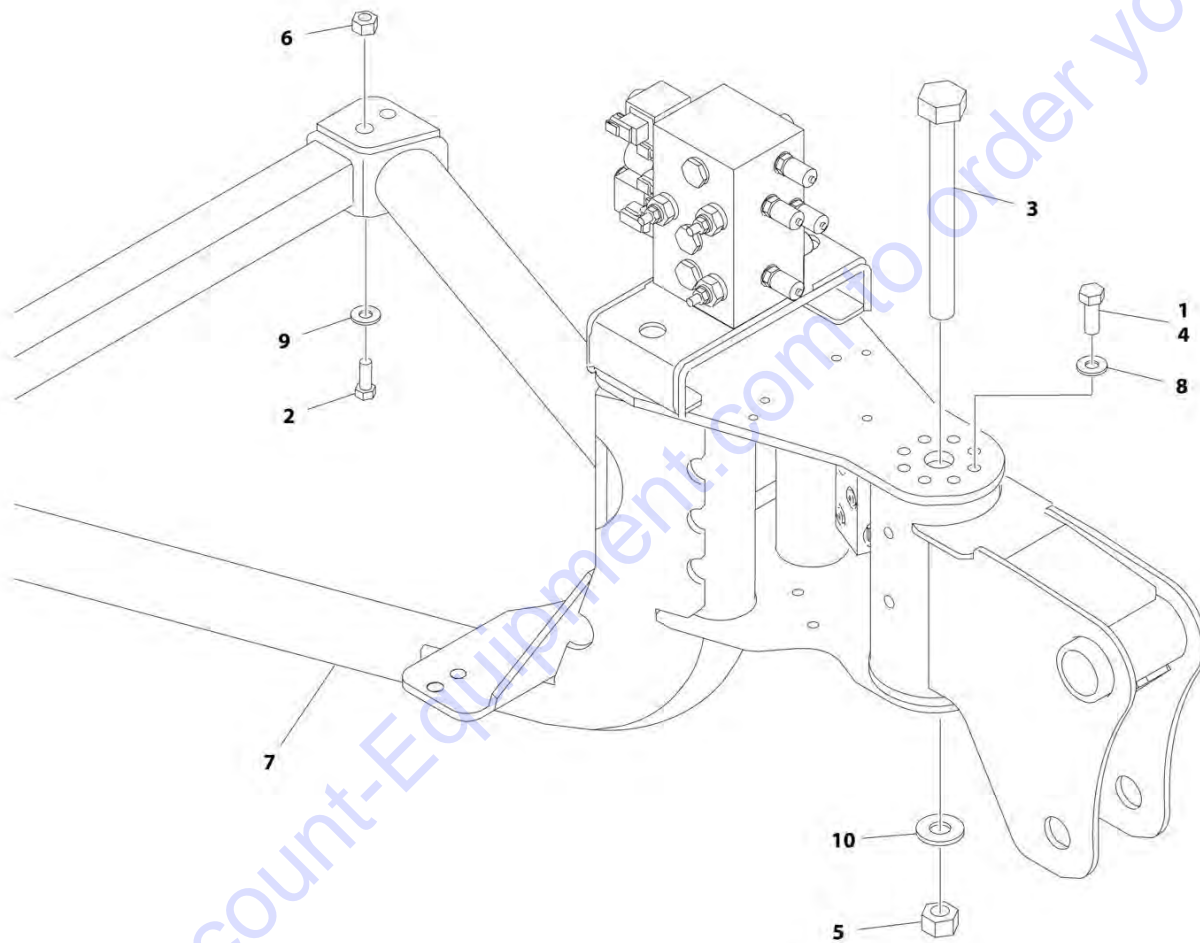
SECTION 4 - BOOM

FIGURE 4-14. ROTATOR ASSEMBLY - SIDE SWING ROTATE (E600JP/M600JP)

ITEM	PART NUMBER	QTY	DESCRIPTION	REV
	0060057	Ref	ROTATOR ASSEMBLY - SIDE SWING ROTATE (E600JP/M600JP)	D
1	See Note	NSS	Case/Bracket Weldment (Note: Not Available - Purchase Complete Assembly)	
2	7017167	1	Shaft	
3	7017168	1	Sleeve, Piston	
4	7017169	1	Cap, End	
7	0642684	1	Bolt 1-8 x 10-1/2	
7	4892600	2	Washer	
7	3272605	1	Nut 1-8	
8	See Note	NSS	Capscrew 1/4 x 1-1/2 Grade 8 (Note: Not Available - Purchase Locally)	
9	See Note	NSS	Seal (Note: Use Item 100)	
10	See Note	NSS	O-Ring (Note: Use Item 100)	
11	See Note	NSS	Ring, Back-up Cap (Note: Use Item 100)	
12	See Note	NSS	Seal, Rod (Note: Use Item 100)	
13	See Note	NSS	Seal, Piston (Note: Use Item 100)	
14	See Note	NSS	Seal, Cap (Note: Use Item 100)	
15	See Note	NSS	Guide, Wear (Note: Use Item 101)	
16	See Note	NSS	Thrustwasher (Note: Use Item 101)	
17		Ref	Counterbalance Valve Assembly Options:	
17	7017172	1	Helac p/n 24327 Stamped beside Mounting Screws	
17	7017172	1	Helac p/n 26553 or 26554 Stamped beside Mounting Screws	
17A		Ref	Valve, Cartridge Options:	
17A	7011323	2	Valve, Cartridge for Helac p/n 24327 Valve	
17A	2900770	2	Seal Kit - 7011323 Cartridge (1 Per Assembly)	
17A	7017192	2	Valve, Cartridge Helac p/n 26553 (No Seal Kit Available)	
18	7017195	2	Bushing	
		Ref	KIT OPTIONS:	
100		Ref	Seal Kit (Includes Items 9-14)	
100	7017165	1	Standard	
100	70000340	1	Cold Climate	
101	7017178	1	Bearing Kit (Includes Items 15 & 16)	
102	7017160	1	Bushing Kit (Includes Item 18)	

SECTION 4 - BOOM

FIGURE 4-15. PLATFORM SUPPORT INSTALLATION - WITHOUT LSS



ART_0272070

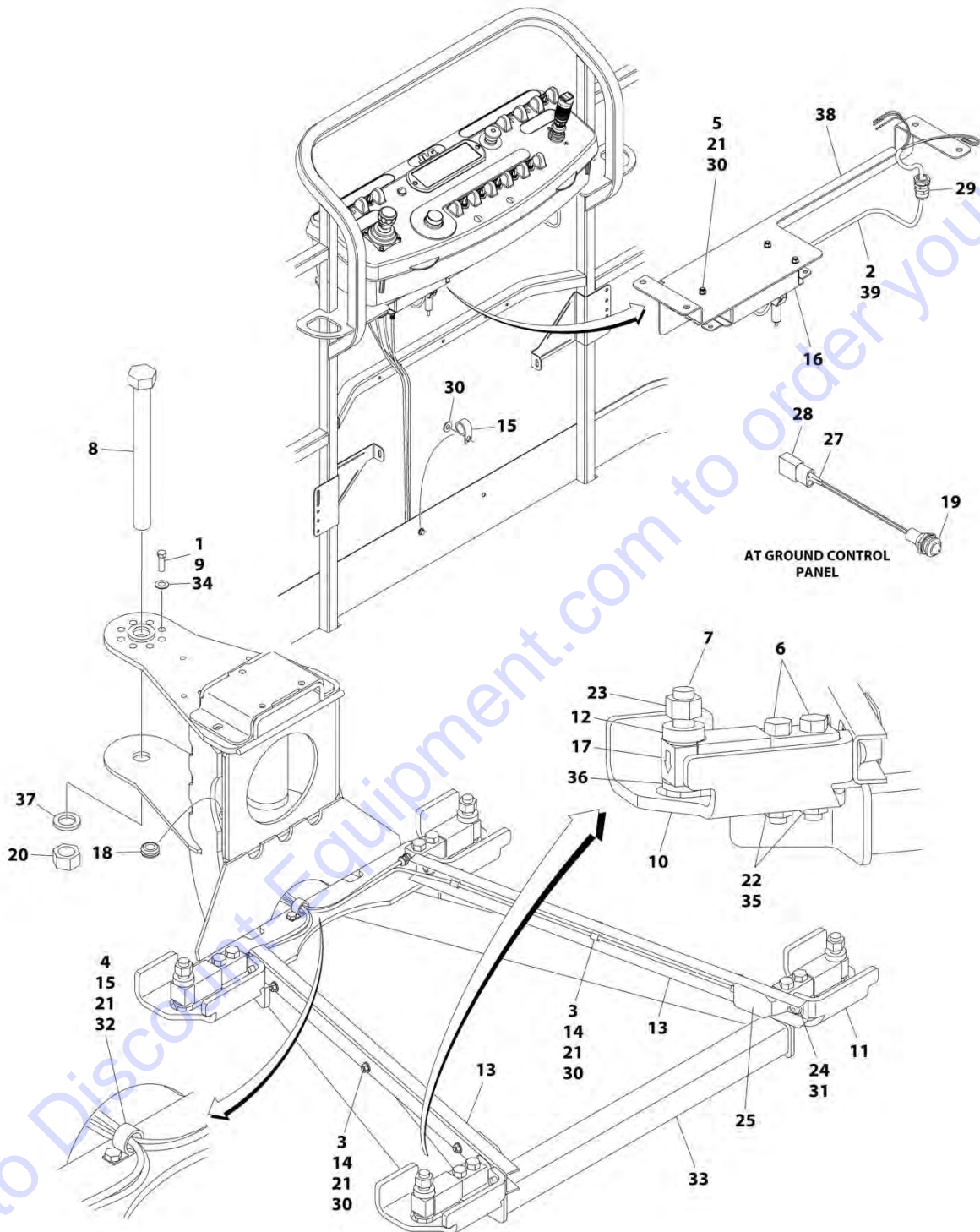
FIGURE 4-15. PLATFORM SUPPORT INSTALLATION - WITHOUT LSS

ITEM	PART NUMBER	QTY	DESCRIPTION	REV
	0272070	Ref	PLATFORM SUPPORT INSTALLATION - WITHOUT LSS	D
1	0100011	AR	Compound, Locking	
2	0641812	8	Bolt 1/2 x 1-1/2	
3	0642684	1	Bolt 1-8 x 10-1/2	
4	0681608	8	Bolt 3/8 x 1	
5	3272605	1	Nut 1-8	
6	3311805	8	Nut 1/2	
7	4846573	1	Support Weldment	
8	4891600	8	Washer 3/8	
9	4891800	8	Washer 1/2	
10	4892600	1	Washer	

Go to Discount-Equipment.com to order your parts

SECTION 4 - BOOM

FIGURE 4-16. PLATFORM SUPPORT INSTALLATION - WITH 4 CELL LSS



ART_1001204272

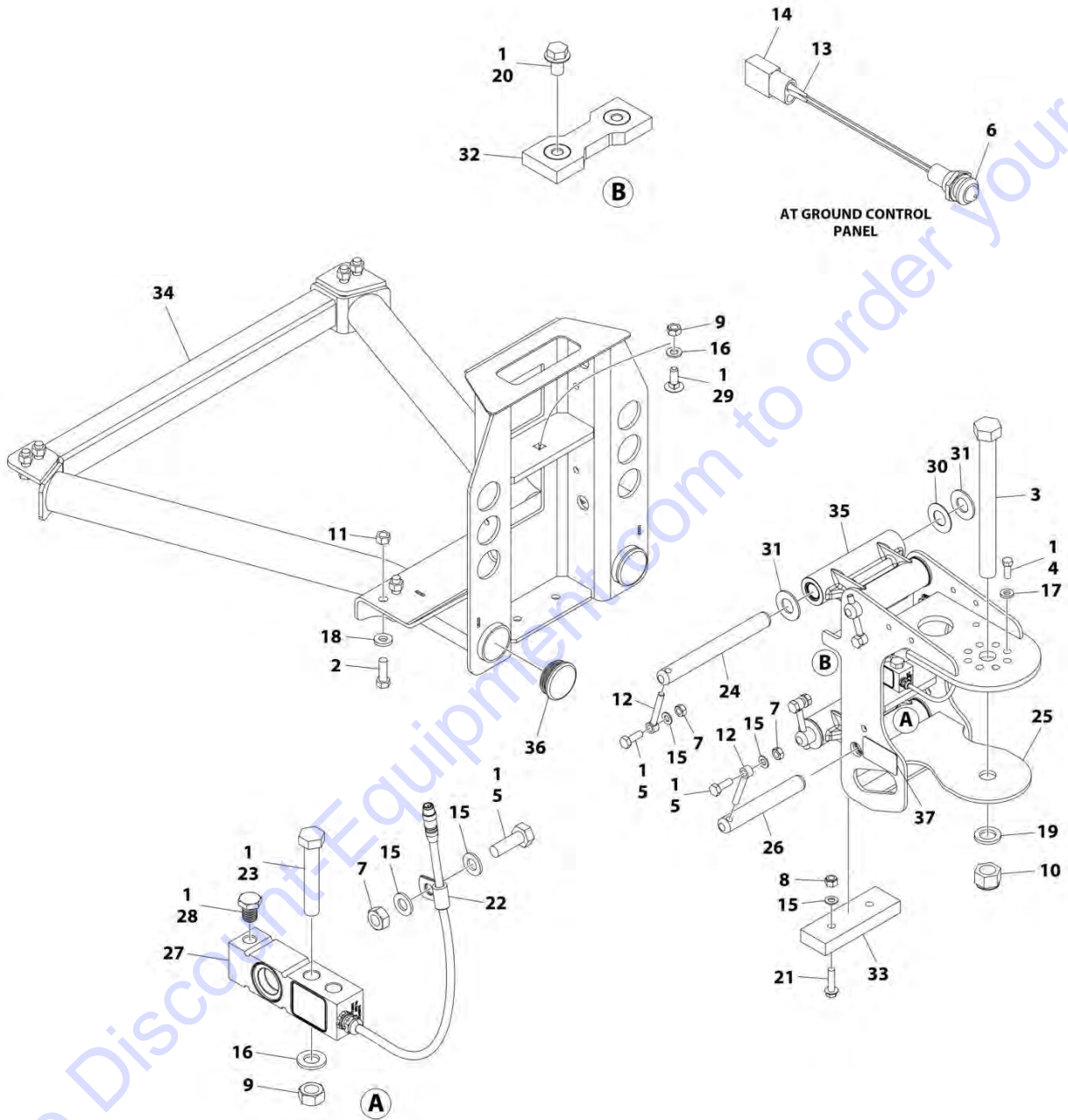
SECTION 4 - BOOM

FIGURE 4-16. PLATFORM SUPPORT INSTALLATION - WITH 4 CELL LSS

ITEM	PART NUMBER	QTY	DESCRIPTION	REV
	1001204272	Ref	PLATFORM SUPPORT INSTALLATION - WITH 4 CELL LSS	C
1	0100011	AR	Compound, Locking	
2	0100048	AR	Grease, Dielectric	
3	0641405	6	Bolt 1/4 x 5/8	
4	0641407	1	Bolt 1/4 x 7/8	
5	0641416	3	Bolt 1/4 x 2	
6	0641822	8	Bolt 1/2 x 2-3/4	
7	0642024	4	Bolt 5/8 x 3	
8	0642684	1	Bolt 1 x 10-1/2	
9	0681608	8	Bolt 3/8 x 1 Grade 8	
10	0902919	2	Bracket, Cell Guard	
11	0902920	2	Bracket, Cell Guard	
12	0962450	4	Bushing, Spacer	
13	1271538	2	Channel	
14	1320136	6	Clamp	
15	1320224	2	Clamp	
16	1600387	1	Module, Control - LSS (Note: Recalibration Required When Replaced)	
17	2420202	4	Cell, Load (Includes Cable)	
18	2540038	1	Grommet	
19	2920151	1	Light	
20	3272605	1	Nut 1 Grade 8	
21	3311405	10	Nut 1/4	
22	3311805	8	Nut 1/2	
23	3312005	4	Nut 5/8	
24	3900283	4	Screw 3/8 x 3/4	
25	4061054	2	Shield	
26	4240033	AR	Tie-Strap (Not Shown)	
27	4460226	2	Socket, Female	
28	4460424	1	Connector - 2 Position	
29	4460428	1	Connector, Strain Relief	
30	4711400	13	Washer 1/4	
31	4711600	4	Washer 3/8	
32	4751400	1	Washer 1/4	
33	4846573	1	Support, Platform	
34	4891600	8	Washer 3/8	
35	4891800	8	Washer 1/2	
36	4892000	4	Washer 5/8	
37	4892600	1	Washer 1	
38	1001113483	1	Bracket, Module Mount	
39	1001192283	1	LSS Harness	
39	4460226	2	Socket, Female	
39	4460227	4	Socket, Female	
39	4460836	1	Connector - 12 Position (Black) (J2)	
39	4460944	2	Socket, Female	
39	4460466	10	Plug, Terminal	
39	4460933	1	Connector - 12 Position (Grey) (J1)	
39	4460465	2	Socket, Female	
39	4460466	10	Plug, Terminal	

SECTION 4 - BOOM

FIGURE 4-17. PLATFORM SUPPORT INSTALLATION - WITH 1 CELL LSS



ART_1001219342

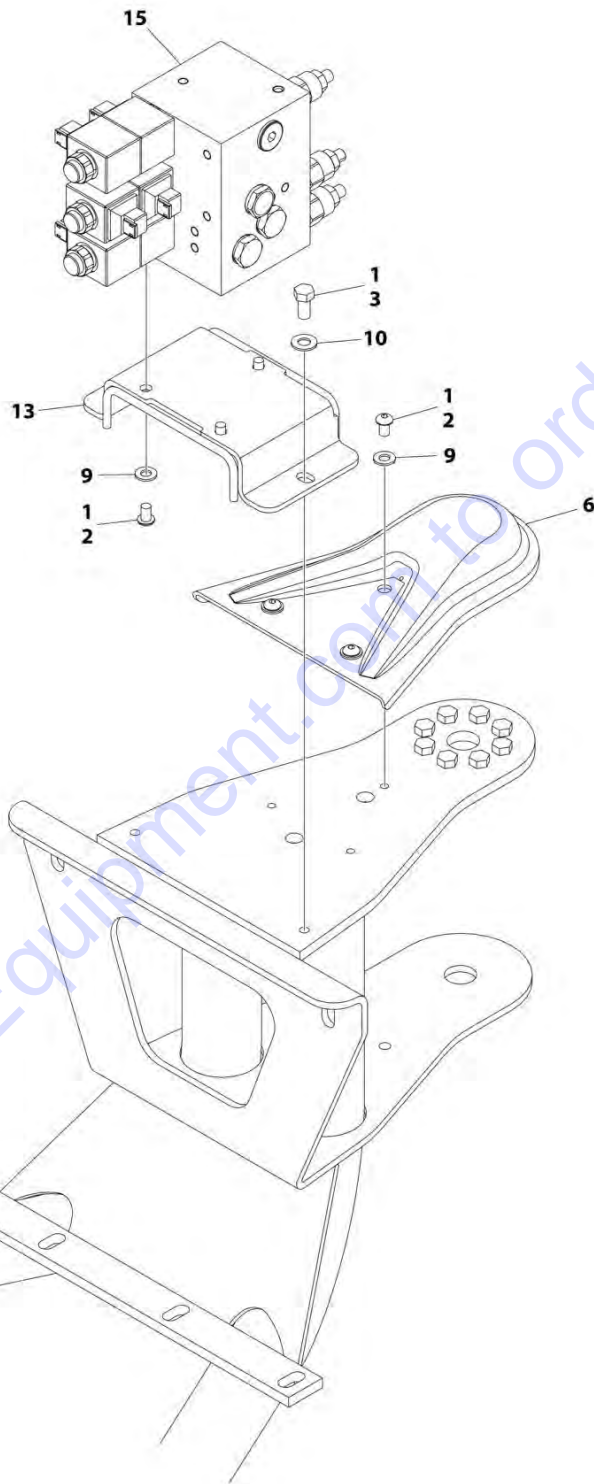
SECTION 4 - BOOM

FIGURE 4-17. PLATFORM SUPPORT INSTALLATION - WITH 1 CELL LSS

ITEM	PART NUMBER	QTY	DESCRIPTION	REV
	1001219342	Ref	PLATFORM SUPPORT INSTALLATION - WITH 1 CELL LSS	C
1	0100011	AR	Compound, Locking	
2	0641812	1	Bolt 1/2 x 1-1/2 (Prior to SN 0300235266)	
2	0761216	8	Bolt M12 x 40 (SN 0300235266 to Present)	
3	0642684	1	Bolt 1 x 10-1/2	
4	0681608	8	Bolt 3/8 x 1	
5	0761014	5	Bolt M10 x 30	
6	2920151	1	Light	
7	3291001	5	Nut M10	
8	3291005	2	Nut M10	
9	3291201	3	Nut M12	
10	3300243	1	Nut 1	
11	3311805	8	Nut 1/2 (Prior to SN 0300235266)	
11	3291205	8	Nut M12 (SN 0300235266 to Present)	
12	3841143	4	Keeper	
13	4460226	2	Socket, Female	
14	4460424	1	Connector - 2 Position	
15	4812000	8	Washer M10	
16	4812100	3	Washer M12	
17	4891600	8	Washer 3/8	
18	4891800	8	Washer 1/2 (Prior to SN 0300235266)	
18	5241200	8	Washer M12 (SN 0300235266 to Present)	
19	4892600	1	Washer 1	
20	5251008	2	Bolt M10 x 16	
21	5251016	2	Bolt M10 x 40	
22	91203039	1	Clamp, Support	
23	1001098828	2	Bolt M12 x 70 Grade 10.9	
24	1001167565	2	Pin	
25	1001167567	1	Platform Support	
26	1001168402	2	Pin	
27	1001172663	1	Gauge, Load Sensing	
28	1001188622	1	Screw M12	
29	1001188844	1	Bolt M12 x 35	
30	1001189001	4	Bearing	
31	1001189002	8	Bearing	
32	1001190985	1	Pad, Wear	
33	1001200491	1	Plate	
34	1001200494	1	Support	
35	1001201351	2	LSS Link Assembly	
35	1001187382	4	Bearing	
35	1001187383	4	Seal	
36	1001204725	2	Plug	
37	1001216630	2	Decal - Tie Down/No Lift	

SECTION 4 - BOOM

FIGURE 4-18. ROTATOR VALVE INSTALLATION - WITHOUT LSS OR WITH 4 CELL LSS
(E600/E600J/M600/M600J)



ART_100117858_2OF2

SECTION 4 - BOOM

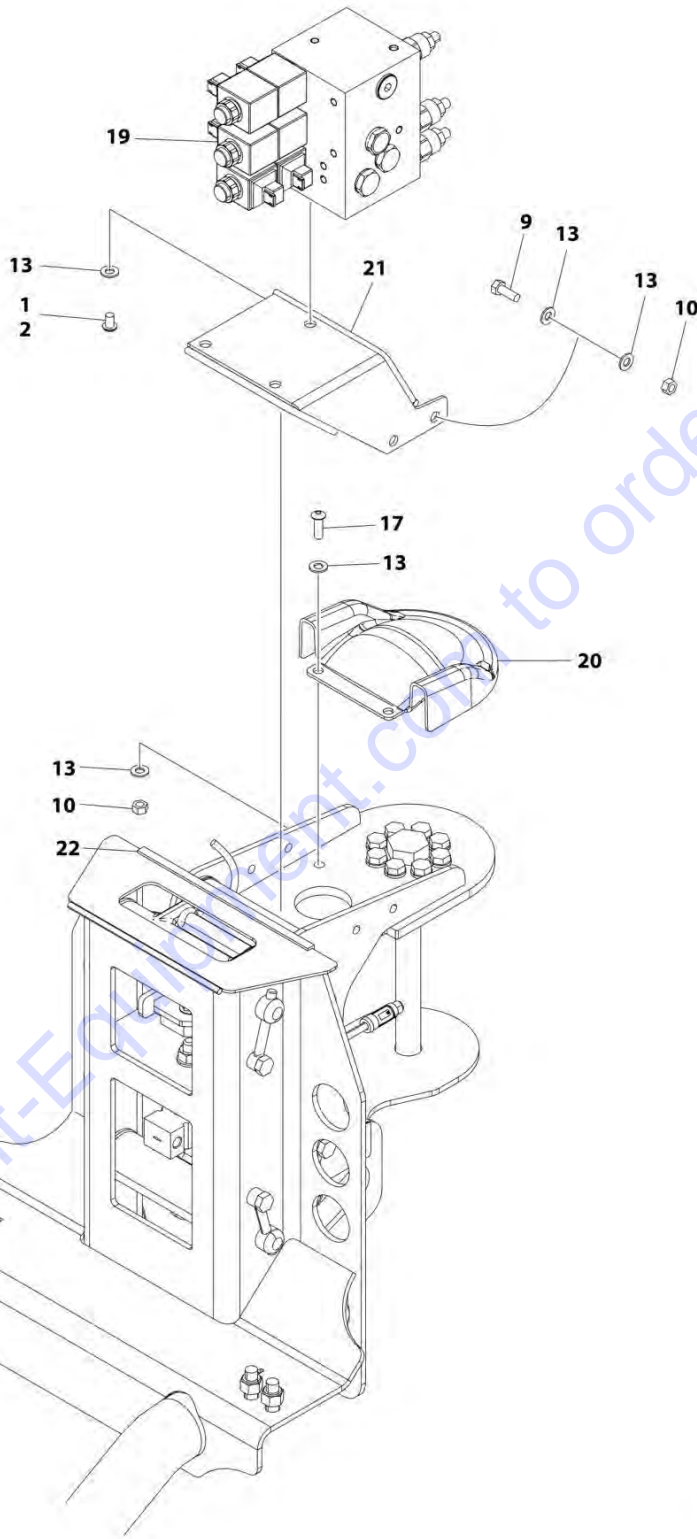
**FIGURE 4-18. ROTATOR VALVE INSTALLATION - WITHOUT LSS OR WITH 4 CELL LSS
(E600/E600J/M600/M600J)**

ITEM	PART NUMBER	QTY	DESCRIPTION	REV
	1001177858	Ref	ROTATOR VALVE INSTALLATION - WITHOUT LSS OR WITH 4 CELL LSS (E600/E600J/M600/M600J)	A
1	0100011	AR	Compound, Locking	
2	0630467	6	Screw, Button Head	
3	0641606	2	Bolt 3/8 x 3/4	
6	1670964	1	Cover, Support	
9	4711500	6	Washer 5/16	
10	4711600	2	Washer 3/8	
13	4846218	1	Valve Mounting Weldment	
15	1001177285	1	Rotator Valve Assembly (See ROTATOR VALVE ASSEMBLY (E600/E600J/M600/M600J) for Breakdown)	

Go to Discount-Equipment.com to order your parts

SECTION 4 - BOOM

FIGURE 4-19. ROTATOR VALVE INSTALLATION - WITH 1 CELL LSS (E600/E600J/M600/M600J)



ART_1001219640_20F2

SECTION 4 - BOOM

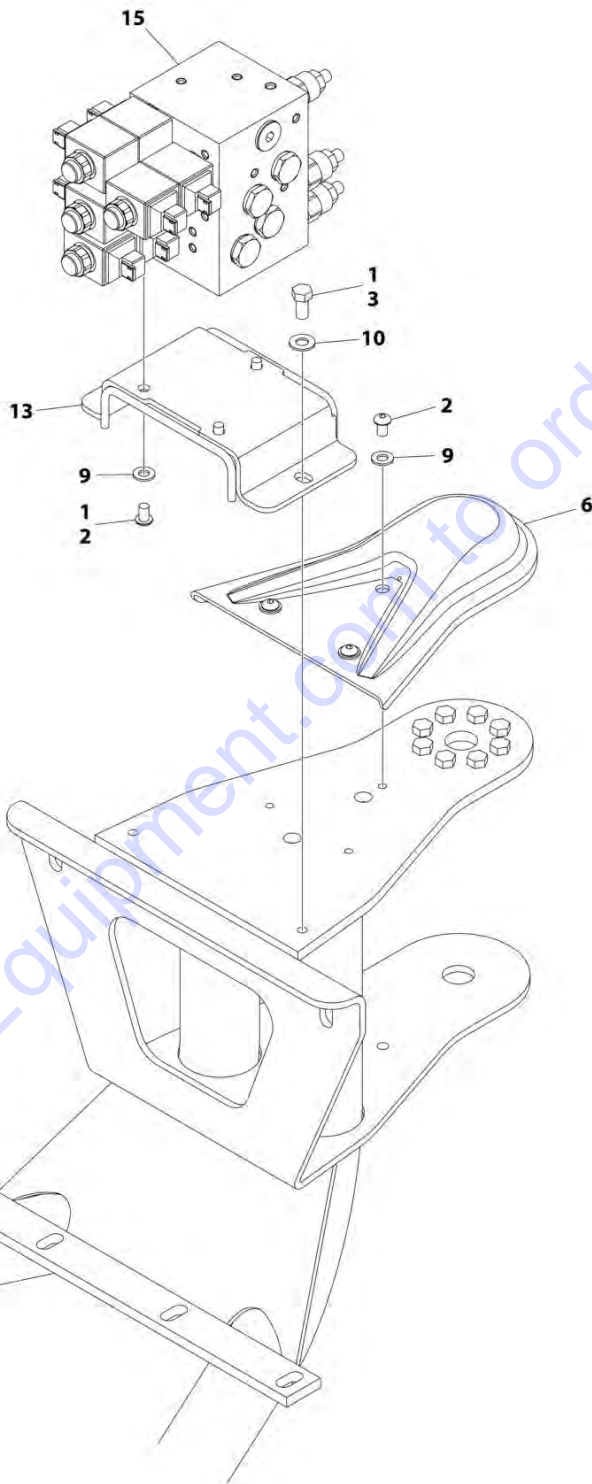
FIGURE 4-19. ROTATOR VALVE INSTALLATION - WITH 1 CELL LSS (E600/E600J/M600/M600J)

ITEM	PART NUMBER	QTY	DESCRIPTION	REV
	1001219640	Ref	ROTATOR VALVE INSTALLATION - WITH 1 CELL LSS (E600/E600J/M600/M600J)	C
1	0100011	AR	Compound, Locking	
2	0630467	3	Screw, Button Head	
9	0641507	4	Bolt 5/16 x 7/8	
10	3271505	6	Nut 5/16	
13	4711500	15	Washer 5/16	
17	88261024	2	Screw 5/16-18 x 1	
19	1001177285	1	Rotator Valve Assembly (See ROTATOR VALVE ASSEMBLY (E600/E600J/M600/M600J) for Breakdown)	
20	1001207969	1	Cover	
21	1001208994	1	Mount, LSS Valve (Prior to SN 0300236104)	
21	1001233259	1	Mount, LSS Valve (SN 0300236105 to Present)	
22	4060803	AR	Shield, Flex Trim (SN 0300236105 to Present)	

Go to Discount-Equipment.com to order your parts

SECTION 4 - BOOM

FIGURE 4-20. ROTATOR VALVE INSTALLATION - WITHOUT LSS OR WITH 4 CELL LSS
(E600JP/M600JP)



ART_100117860_2OF2

SECTION 4 - BOOM

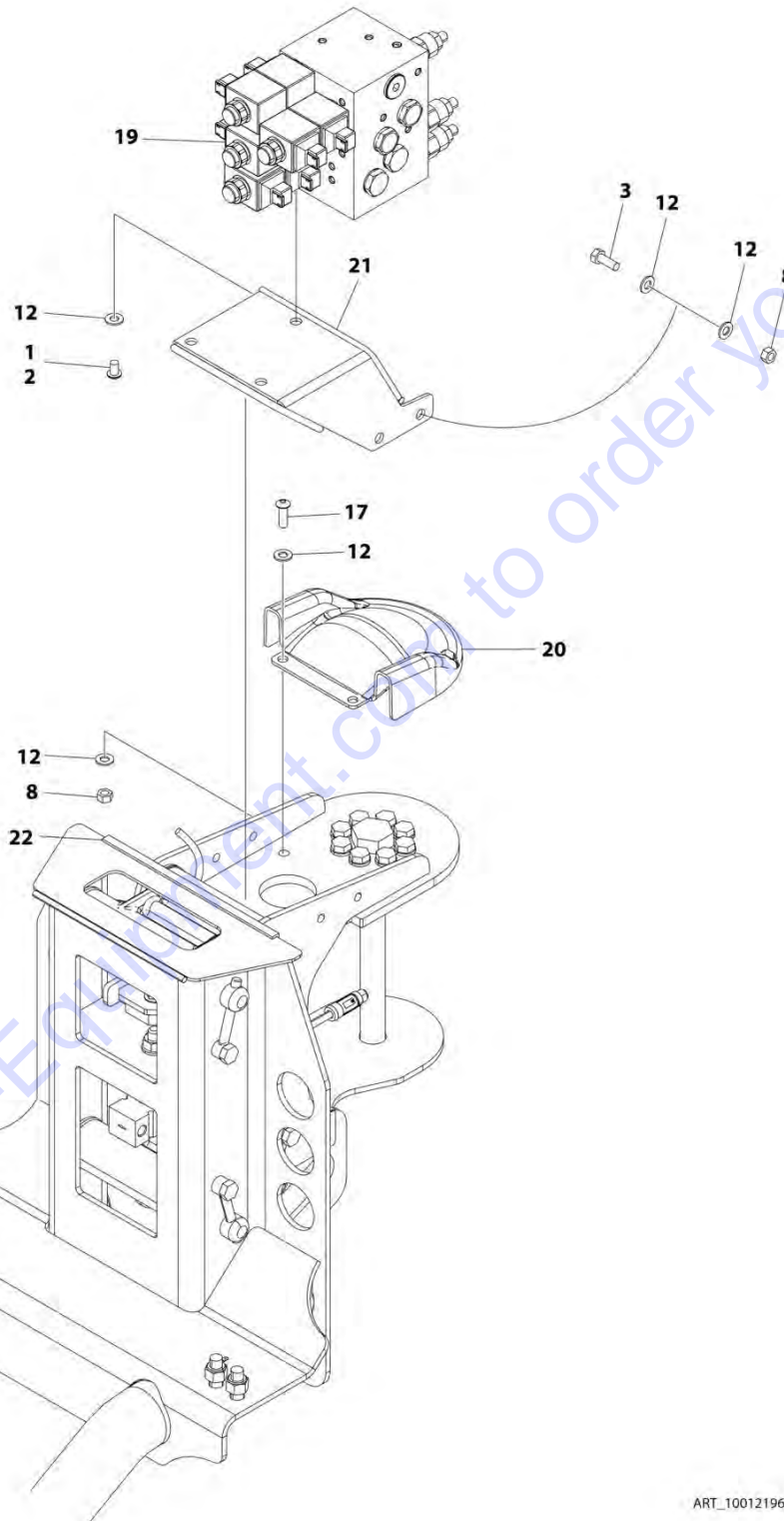
**FIGURE 4-20. ROTATOR VALVE INSTALLATION - WITHOUT LSS OR WITH 4 CELL LSS
(E600JP/M600JP)**

ITEM	PART NUMBER	QTY	DESCRIPTION	REV
	1001177860	Ref	ROTATOR VALVE INSTALLATION - WITHOUT LSS OR WITH 4 CELL LSS (E600JP/M600JP)	A
1	0100011	AR	Compound, Locking	
2	0630467	6	Screw, Button Head	
3	0641606	2	Bolt 3/8 x 3/4	
6	1670964	1	Cover, Support	
9	4711500	6	Washer 5/16	
10	4711600	2	Washer 3/8	
13	4846218	1	Valve Mounting Weldment	
15	1001177297	1	Rotator Valve Assembly (See ROTATOR VALVE ASSEMBLY (E600JP/M600JP) for Breakdown)	

Go to Discount-Equipment.com to order your parts

SECTION 4 - BOOM

FIGURE 4-21. ROTATOR VALVE INSTALLATION - WITH 1 CELL LSS (E600JP/M600JP)



ART_1001219641_20F2

SECTION 4 - BOOM

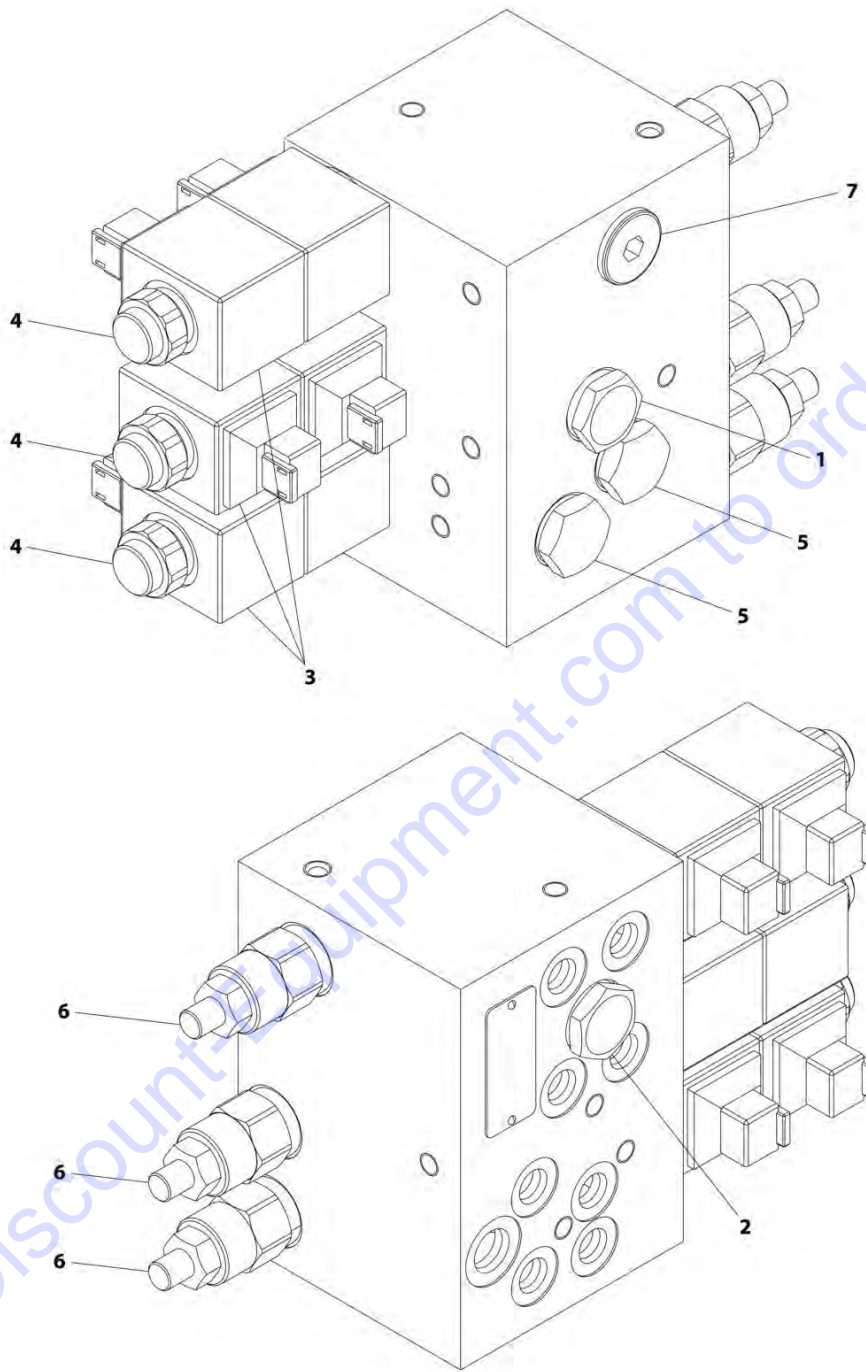
FIGURE 4-21. ROTATOR VALVE INSTALLATION - WITH 1 CELL LSS (E600JP/M600JP)

ITEM	PART NUMBER	QTY	DESCRIPTION	REV
	1001219641	Ref	ROTATOR VALVE INSTALLATION - WITH 1 CELL LSS (E600JP/M600JP)	C
1	0100011	AR	Compound, Locking	
2	0630467	3	Screw, Button Head	
3	0641507	4	Bolt 5/16 x 7/8	
8	3271505	6	Nut 5/16	
12	4711500	15	Washer 5/16	
17	88261024	2	Screw 5/16-18 x 1	
19	1001177297	1	Rotator Valve Assembly (See ROTATOR VALVE ASSEMBLY (E600JP/M600JP) for Breakdown)	
20	1001207969	1	Cover	
21	1001208994	1	Mount, LSS Valve (Prior to SN 0300238601)	
21	1001233259	1	Mount, LSS Valve (SN 0300238601 to Present)	
22	4060803	AR	Shield, Flex Trim (SN 0300238601 to Present)	

Go to Discount-Equipment.com to order your parts

SECTION 4 - BOOM

FIGURE 4-22. ROTATOR VALVE ASSEMBLY (E600/E600J/M600/M600J)



ART_1001177285

SECTION 4 - BOOM

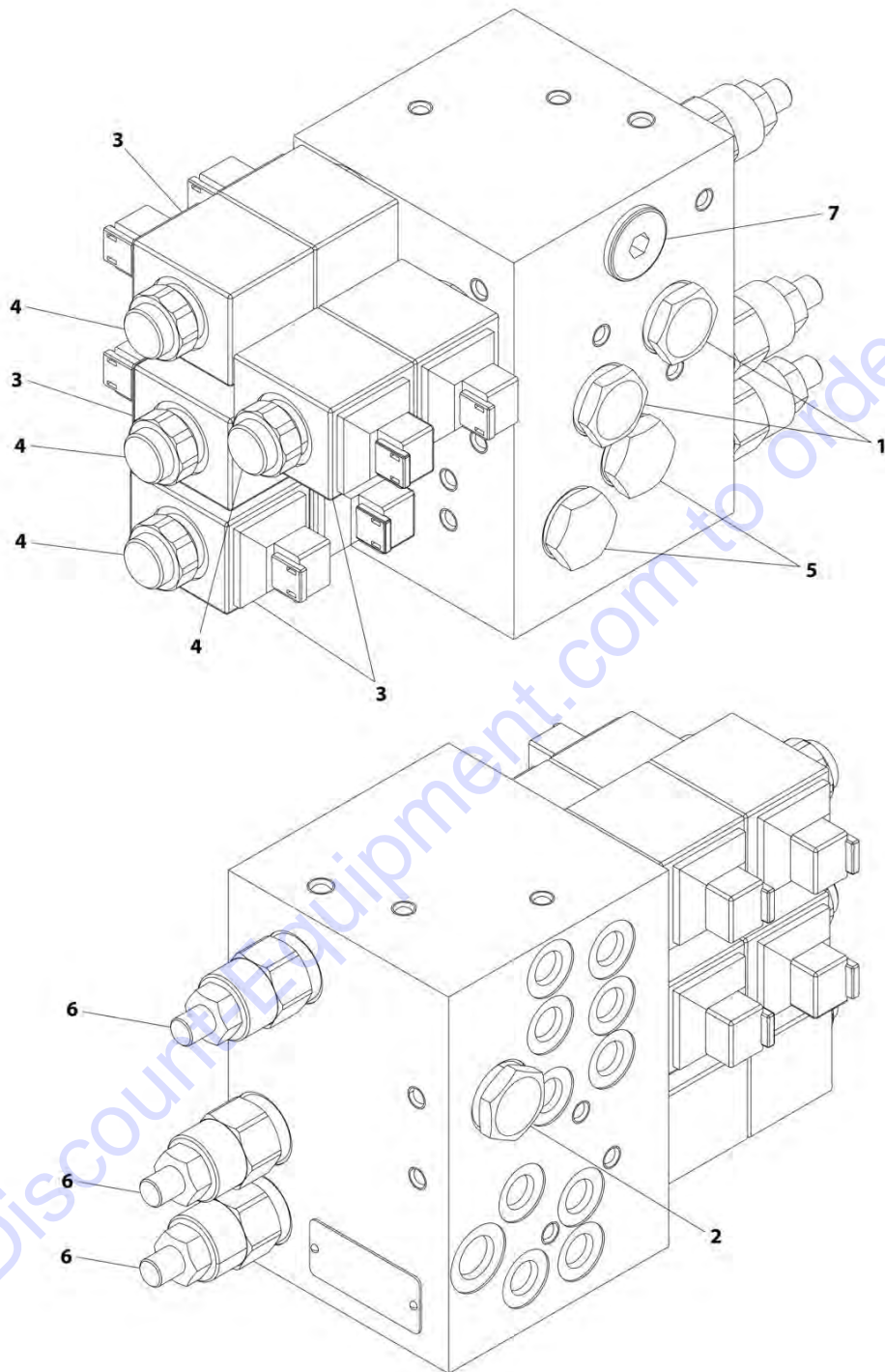
FIGURE 4-22. ROTATOR VALVE ASSEMBLY (E600/E600J/M600/M600J)

ITEM	PART NUMBER	QTY	DESCRIPTION	REV
	1001177285	Ref	ROTATOR VALVE ASSEMBLY (E600/E600J/M600/M600J)	B
1	70003027	1	Cartridge, Flow Control (Rotate)	
1	70004052	1	Seal Kit - 70003027 Cartridge	
2	70003021	1	Cartridge, Flow Control (Jib)	
2	70004052	1	Seal Kit - 70003021 Cartridge	
3	70005627	3	Cartridge, Directional Control Valve (Platform Level, Rotate and Jib)	
3	70004053	3	Seal Kit - 70005627 Cartridge	
4	70004588	6	Coil	
4	70005628	6	Coil Nut Kit	
5	70005629	2	Cartridge, Check (Platform Level)	
5	70023860	2	Seal Kit - 70005629 Cartridge	
6	70003019	3	Cartridge, Relief (Platform Level and Jib)	
6	70004052	3	Seal Kit - 70003019 Cartridge	
7	70023859	1	Cartridge, Shuttle Valve Regulator (Jib)	
7	70023860	1	Seal Kit - 70023859 Cartridge	

Go to Discount-Equipment.com to order your parts

SECTION 4 - BOOM

FIGURE 4-23. ROTATOR VALVE ASSEMBLY (E600JP/M600JP)



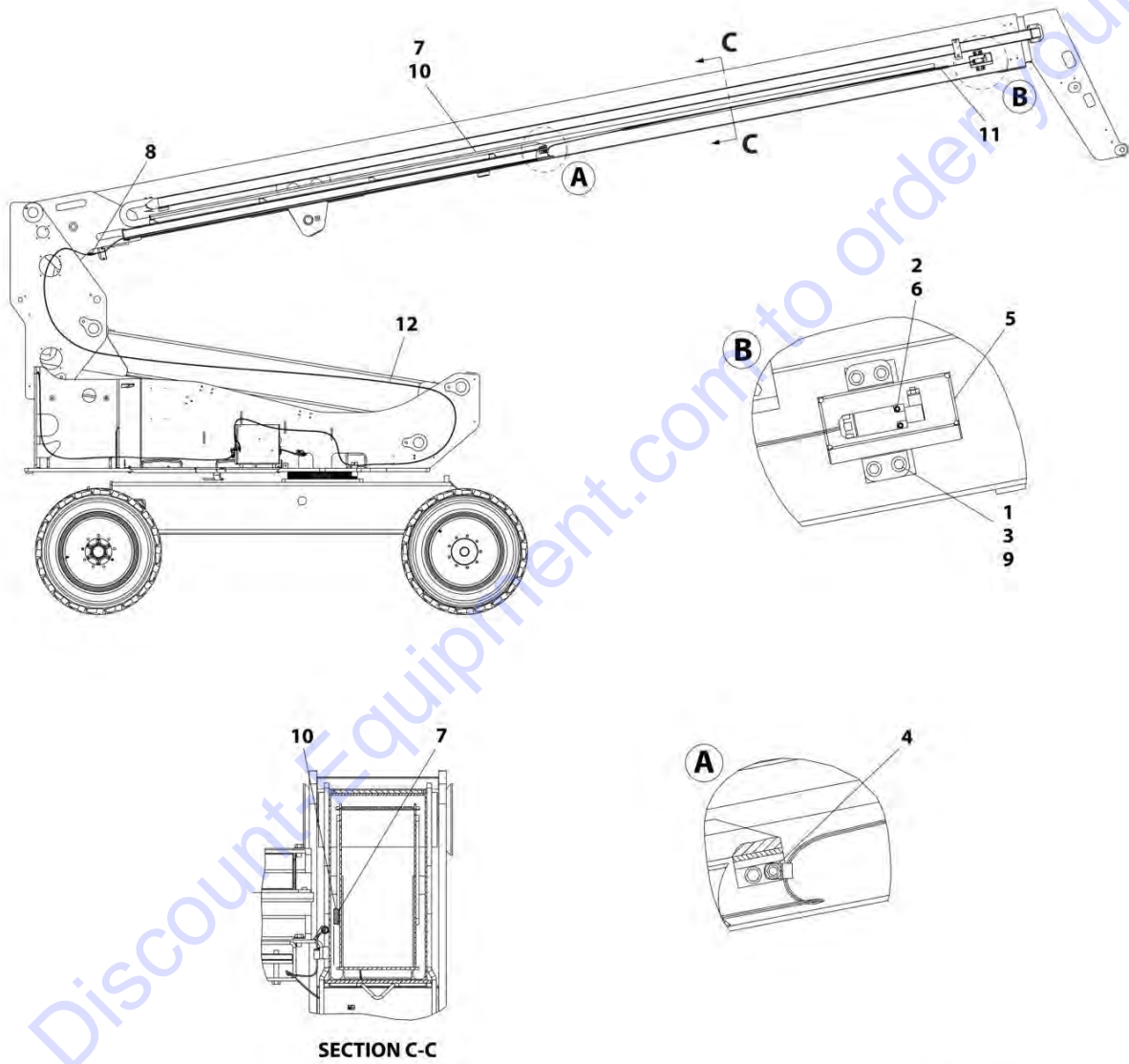
ART_1001177297

FIGURE 4-23. ROTATOR VALVE ASSEMBLY (E600JP/M600JP)

ITEM	PART NUMBER	QTY	DESCRIPTION	REV
	1001177297	Ref	ROTATOR VALVE ASSEMBLY (E600JP/M600JP)	A
1	70003027	2	Cartridge, Flow Control (Rotate and Jib)	
1	70004052	2	Seal Kit - 70003027 Cartridge	
2	70003021	1	Cartridge, Flow Control (Jib)	
2	70004052	1	Seal Kit - 70003021 Cartridge	
3	70005627	4	Cartridge, Directional Control Valve (Platform Level, Rotate, Jib and Jib Plus)	
3	70004053	4	Seal Kit - 70005627 Cartridge	
4	70004588	8	Coil	
4	70005628	8	Coil Nut Kit	
5	70005629	2	Cartridge, Check (Platform Level)	
5	70023860	2	Seal Kit - 70005629 Cartridge	
6	70003019	3	Cartridge, Relief (Platform Level and Jib)	
6	70004052	3	Seal Kit - 70003019 Cartridge	
7	70023859	1	Cartridge, Shuttle Valve Regulator (Jib)	
7	70023860	1	Seal Kit - 70023859 Cartridge	

SECTION 4 - BOOM

FIGURE 4-24. BOOM LIMIT SWITCH INSTALLATION (E600/M600) (CE SPEC ONLY)



ART_1001201364

SECTION 4 - BOOM

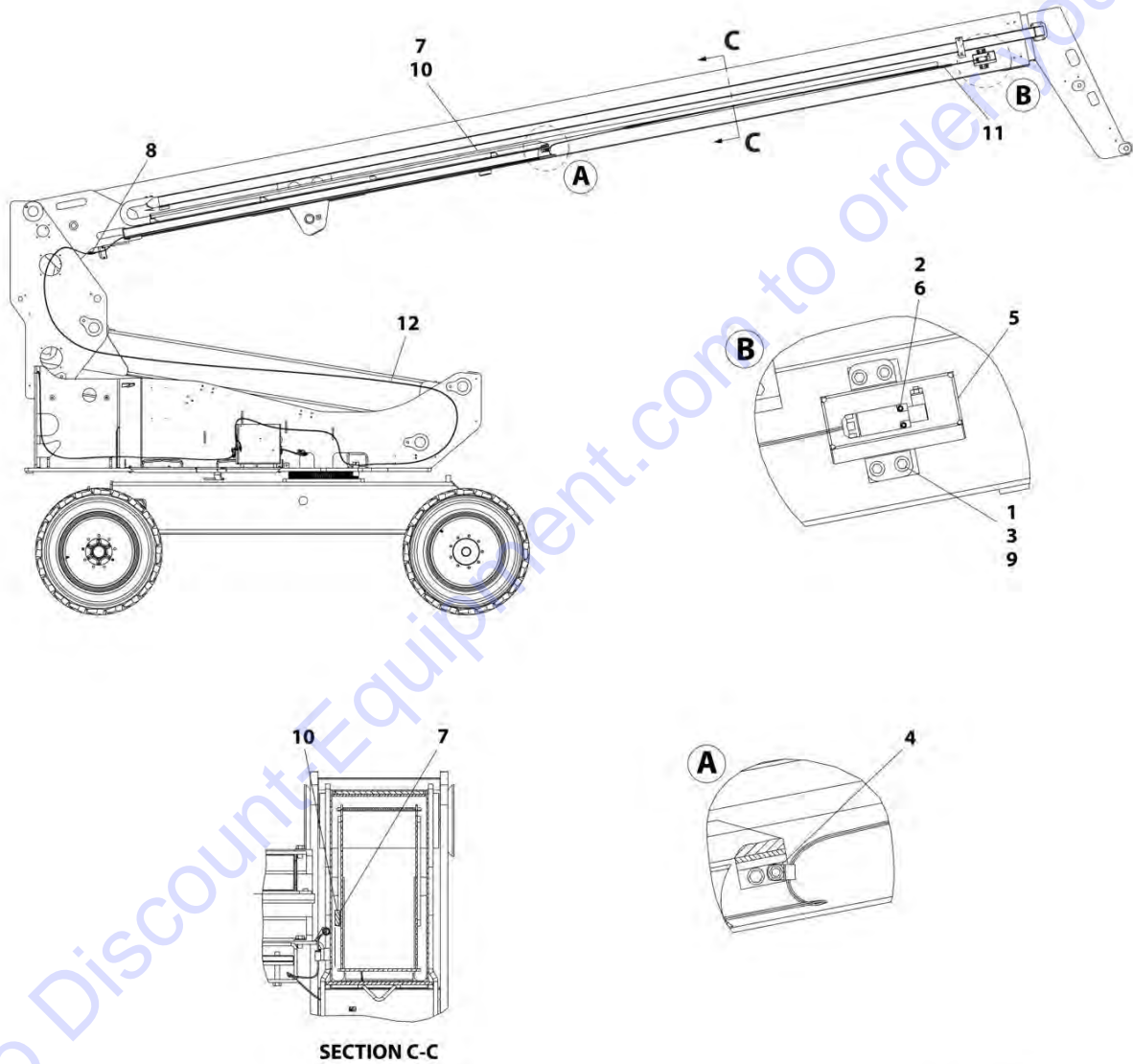
FIGURE 4-24. BOOM LIMIT SWITCH INSTALLATION (E600/M600) (CE SPEC ONLY)

ITEM	PART NUMBER	QTY	DESCRIPTION	REV
	1001201364	Ref	BOOM LIMIT SWITCH INSTALLATION (E600/M600) (CE SPEC ONLY)	A
1	0100011	AR	Compound, Locking	
2	0100035	AR	Compound, Locking	
3	0641403	4	Bolt 1/4 x 3/8	
4	1320263	1	Clamp, Cable	
5	1670824	1	Cover, Switch	
6	3930816	2	Bolt #8 x 1	
7	4420060	20 ft/6.1m	Tape, Double Sided	
8	4460897	1	Connector - 2 Position	
9	4751400	4	Washer 1/4	
10	1001106477	1	Bar, PVC	
11	1001201247	1	Harness	
11	4460464	2	Pin, Male	
12	1001201329	1	Harness, Transport Boom (See ELECTRICAL SECTION for Breakdown)	

Go to Discount-Equipment.com to order your parts

SECTION 4 - BOOM

FIGURE 4-25. BOOM LIMIT SWITCH INSTALLATION (E600J/E600JP/M600J/M600JP) (CE SPEC ONLY)



ART_1001201365

SECTION 4 - BOOM

FIGURE 4-25. BOOM LIMIT SWITCH INSTALLATION (E600J/E600JP/M600J/M600JP) (CE SPEC ONLY)

ITEM	PART NUMBER	QTY	DESCRIPTION	REV
	1001201365	Ref	BOOM LIMIT SWITCH INSTALLATION (E600J/E600JP/M600J/M600JP) (CE SPEC ONLY)	A
1	0100011	AR	Compound, Locking	
2	0100035	AR	Compound, Locking	
3	0641403	4	Bolt 1/4 x 3/8	
4	1320263	1	Clamp, Cable	
5	1670824	1	Cover, Switch	
6	3930816	2	Bolt #8 x 1	
7	4420060	20 ft/6.1m	Tape, Double Sided	
8	4460897	1	Connector - 2 Position	
9	4751400	4	Washer 1/4	
10	1001106481	1	Bar, PVC	
11	1001201247	1	Harness	
11	4460464	2	Pin, Male	
12	1001201329	1	Harness, Transport Boom (See ELECTRICAL SECTION for Breakdown)	

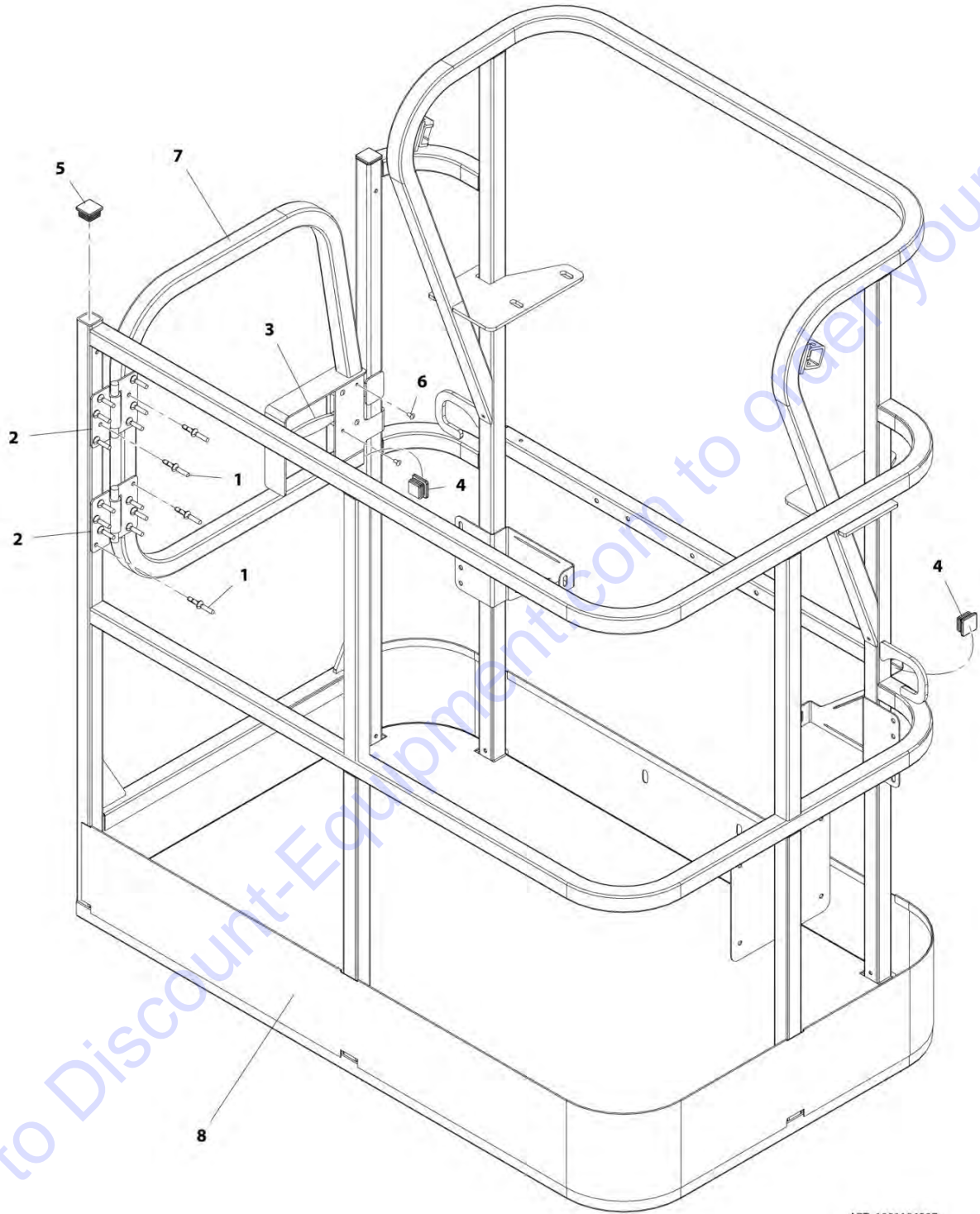
Go to Discount-Equipment.com to order your parts

SECTION 5 - PLATFORM

Go to Discount-Equipment.com to order your parts

SECTION 5 - PLATFORM

FIGURE 5-1. PLATFORM ASSEMBLY - 30IN X 4FT (76CM X 1.22M) - SIDE GATE ENTRY



ART_1001186387

SECTION 5 - PLATFORM

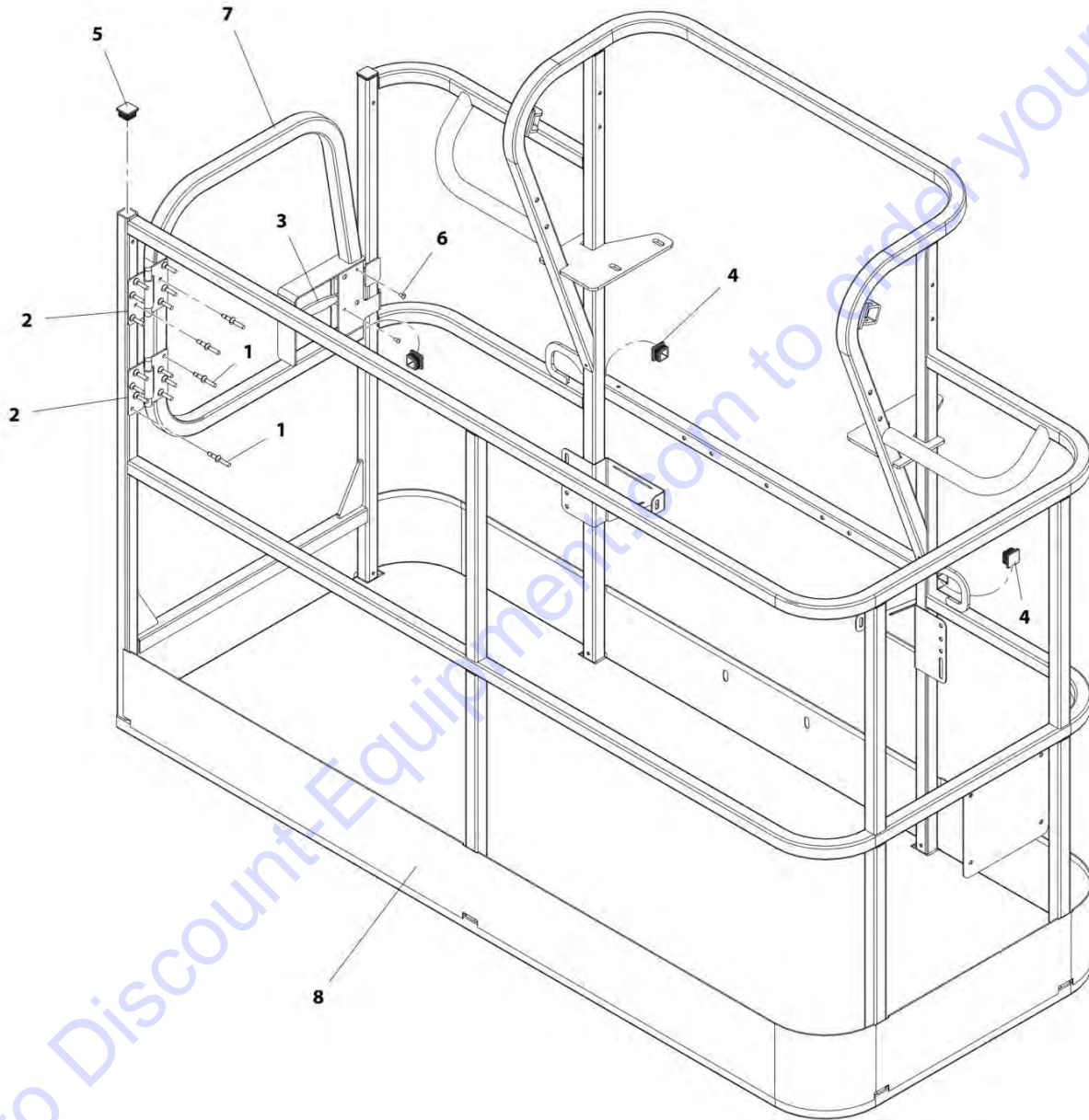
FIGURE 5-1. PLATFORM ASSEMBLY - 30IN X 4FT (76CM X 1.22M) - SIDE GATE ENTRY

ITEM	PART NUMBER	QTY	DESCRIPTION	REV
	1001186387	Ref	PLATFORM ASSEMBLY - 30IN X 4FT (76CM X 1.22M) - SIDE GATE ENTRY	C
	See Note	Ref	Note: Platform and Mesh must be ordered separately for Platforms with Mesh. See SPECIAL OPTIONS SECTION for Mesh Installations.	
	See Note	Ref	Note: Replacement Decals Must be Ordered Separately - See DECALS SECTION.	
1	2080040	16	Fastener, Huck	
2	2600281	2	Hinge, Self-Closing	
3	2940074	1	Latch	
4	3520072	3	Cap, Plug	
5	3520198	2	Cap, Plug	
6	3820020	4	Rivet	
7	1001144629	1	Gate, Weldment	
8	See Note	1	Platform, Weldment (Note: Not Available - Purchase Platform Assembly)	

Go to Discount-Equipment.com to order your parts

SECTION 5 - PLATFORM

FIGURE 5-2. PLATFORM ASSEMBLY - 30IN X 6FT (76CM X 1.83M) - SIDE GATE ENTRY



ART_1001186385

SECTION 5 - PLATFORM

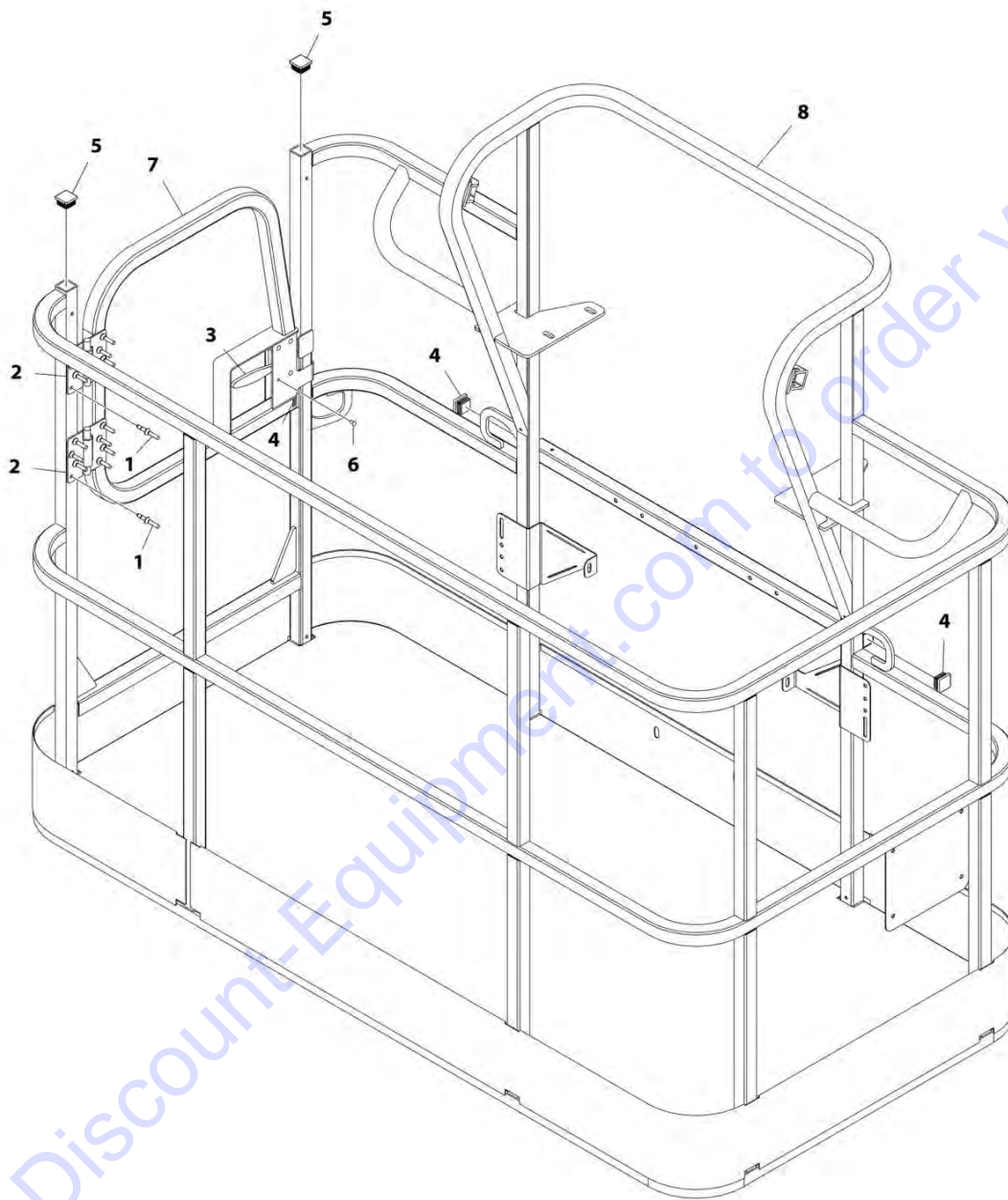
FIGURE 5-2. PLATFORM ASSEMBLY - 30IN X 6FT (76CM X 1.83M) - SIDE GATE ENTRY

ITEM	PART NUMBER	QTY	DESCRIPTION	REV
	1001186385	Ref	PLATFORM ASSEMBLY - 30IN X 6FT (76CM X 1.83M) - SIDE GATE ENTRY	D
	See Note	Ref	Note: Platform and Mesh must be ordered separately for Platforms with Mesh. See SPECIAL OPTIONS SECTION for Mesh Installations.	
	See Note	Ref	Note: Replacement Decals Must be Ordered Separately - See DECALS SECTION.	
1	2080040	16	Fastener, Huck	
2	2600281	2	Hinge, Self-Closing	
3	2940074	1	Latch	
4	3520072	3	Cap, Plug	
5	3520198	2	Cap, Plug	
6	3820020	4	Rivet	
7	1001144629	1	Gate, Weldment	
8	See Note	1	Platform, Weldment (Note: Not Available - Purchase Platform Assembly)	

Go to Discount-Equipment.com to order your parts

SECTION 5 - PLATFORM

FIGURE 5-3. PLATFORM ASSEMBLY - 36IN X 6FT (91.5CM X 1.83M) WITH SWING GATE



ART_1001186384

SECTION 5 - PLATFORM

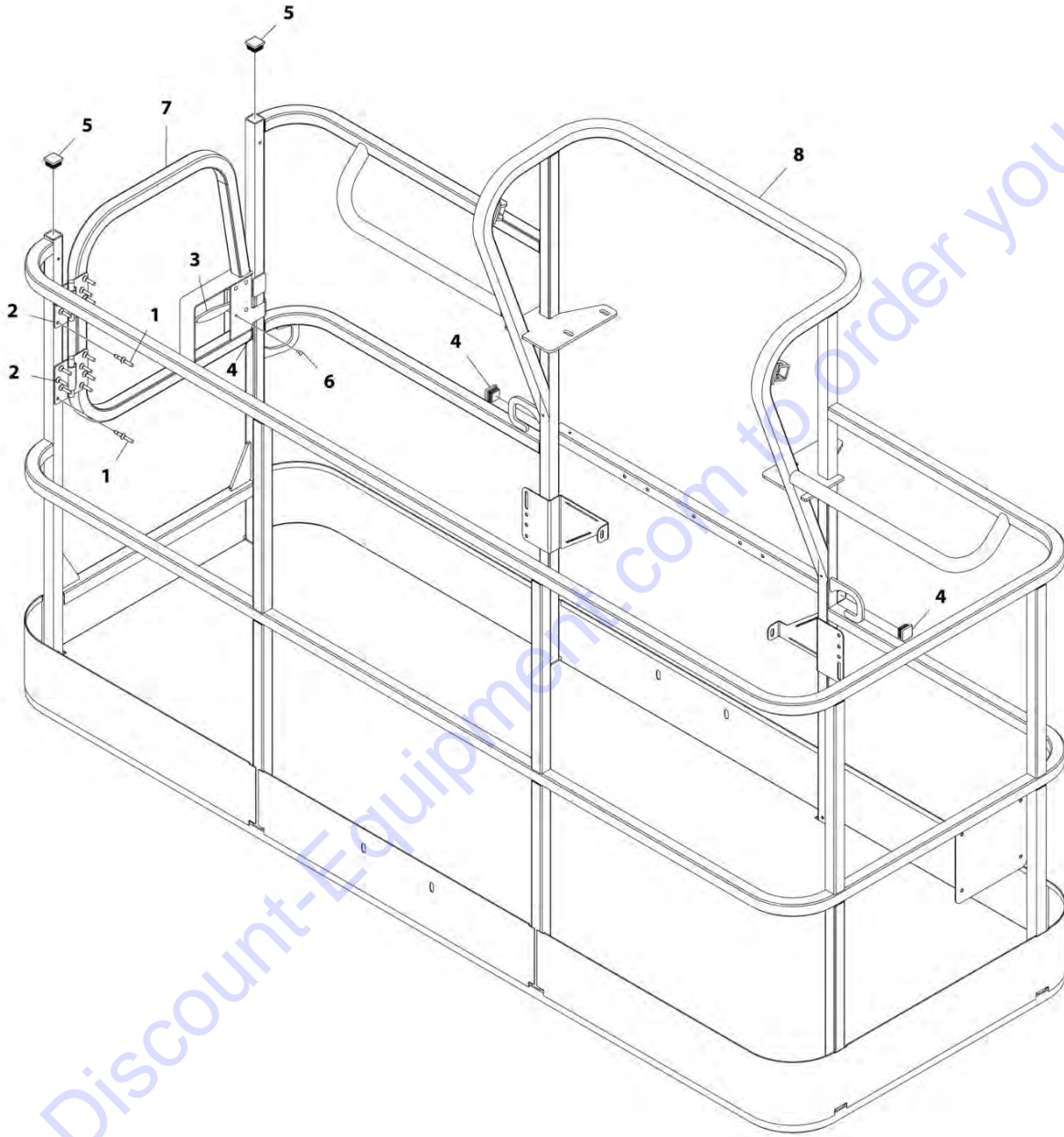
FIGURE 5-3. PLATFORM ASSEMBLY - 36IN X 6FT (91.5CM X 1.83M) WITH SWING GATE

ITEM	PART NUMBER	QTY	DESCRIPTION	REV
	1001186384	Ref	PLATFORM ASSEMBLY - 36IN X 6FT (91.5CM X 1.83M) WITH SWING GATE	C
	See Note	Ref	Note: Platform and Mesh must be ordered separately for Platforms with Mesh. See SPECIAL OPTIONS SECTION for Mesh Installations.	
	See Note	Ref	Note: Replacement Decals Must be Ordered Separately - See DECALS SECTION.	
1	2080040	16	Fastener, Huck	
2	2600281	2	Hinge	
3	2940074	1	Latch	
4	3520072	3	Plug	
5	3520198	2	Plug	
6	3820020	4	Rivet	
7	1001144629	1	Gate	
8	See Note	1	Platform (Note: Not Available - Purchase Platform Assembly)	

Go to Discount-Equipment.com to order your parts

SECTION 5 - PLATFORM

FIGURE 5-4. PLATFORM ASSEMBLY - 36IN X 8FT (91.5CM X 2.44M) WITH SWING GATE



ART_1001186383

SECTION 5 - PLATFORM

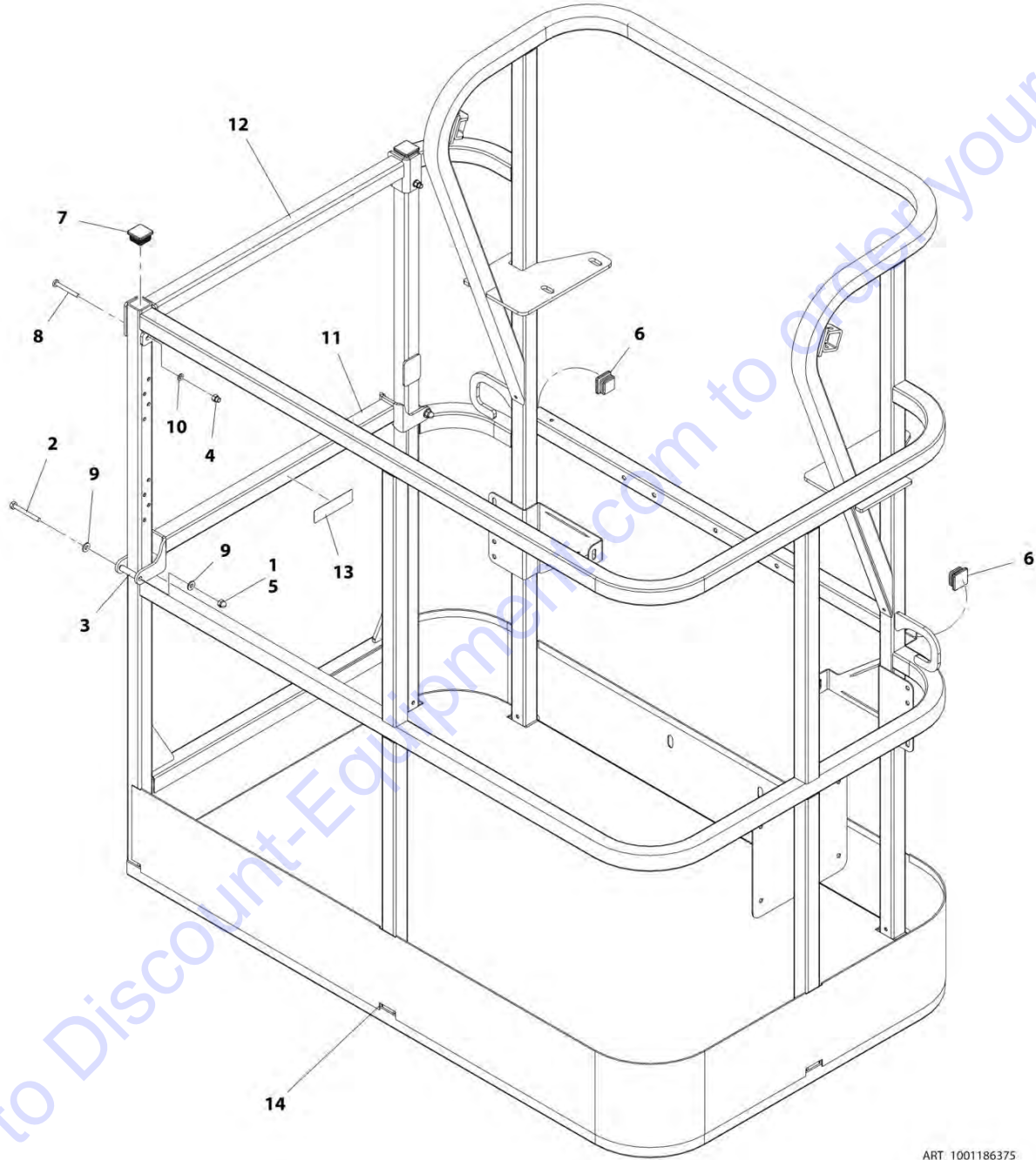
FIGURE 5-4. PLATFORM ASSEMBLY - 36IN X 8FT (91.5CM X 2.44M) WITH SWING GATE

ITEM	PART NUMBER	QTY	DESCRIPTION	REV
	1001186383	Ref	PLATFORM ASSEMBLY - 36IN X 8FT (91.5CM X 2.44M) WITH SWING GATE	D
	See Note	Ref	Note: Platform and Mesh must be ordered separately for Platforms with Mesh. See SPECIAL OPTIONS SECTION for Mesh Installations.	
	See Note	Ref	Note: Replacement Decals Must be Ordered Separately - See DECALS SECTION.	
1	2080040	16	Fastener, Huck	
2	2600281	2	Hinge, Self-Closing	
3	2940074	1	Latch	
4	3520072	3	Cap, Plug	
5	3520198	2	Cap, Plug	
6	3820020	4	Rivet	
7	1001144629	1	Gate, Weldment	
8	See Note	1	Platform (Note: Not Available - Purchase Platform Assembly)	

Go to Discount-Equipment.com to order your parts

SECTION 5 - PLATFORM

FIGURE 5-5. PLATFORM ASSEMBLY - 30IN X 4FT (76CM X 1.22M) - WITH DROP BAR



ART_1001186375

Go to Discount-Equipment.com to order your parts

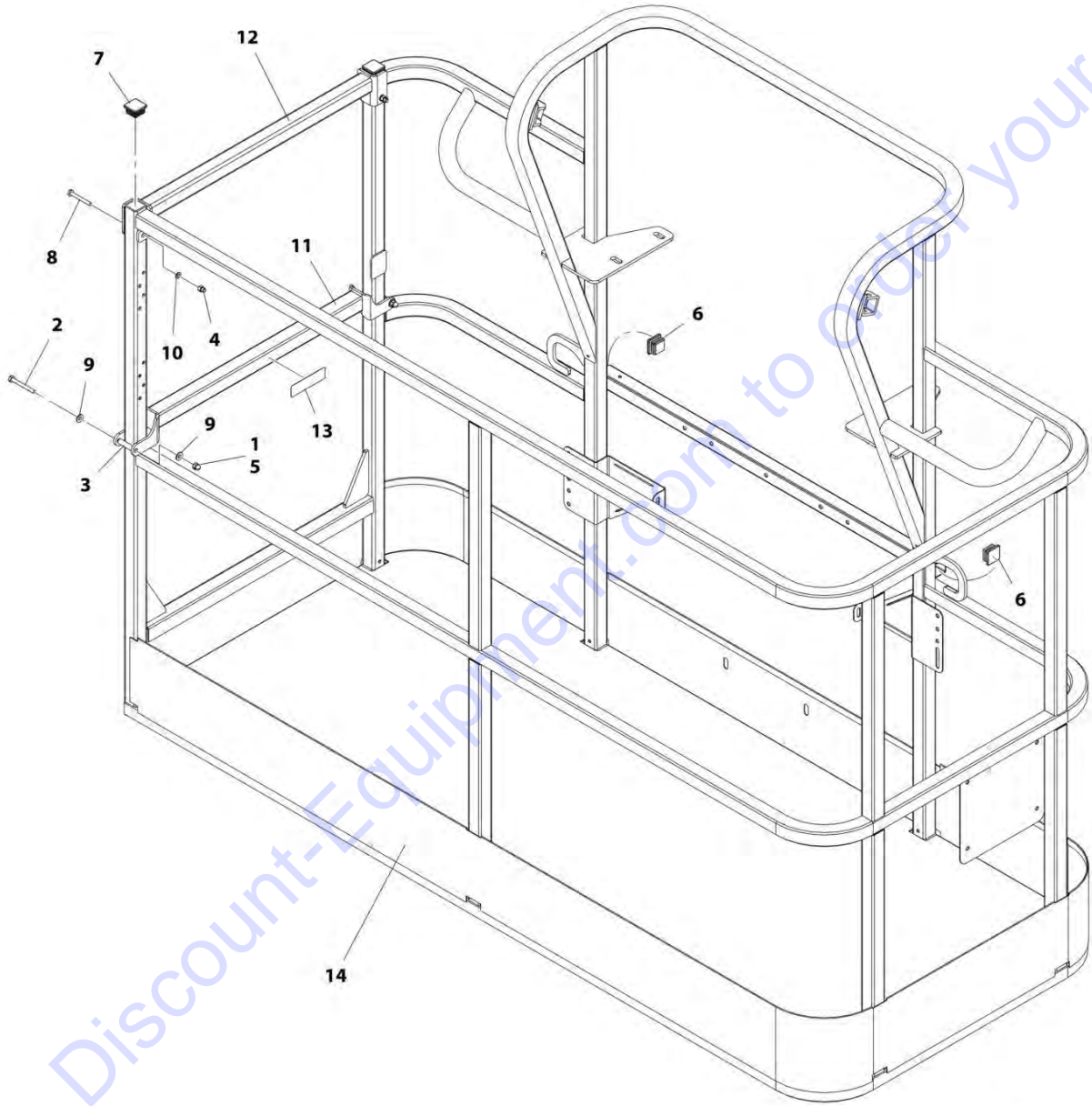
SECTION 5 - PLATFORM

FIGURE 5-5. PLATFORM ASSEMBLY - 30IN X 4FT (76CM X 1.22M) - WITH DROP BAR

ITEM	PART NUMBER	QTY	DESCRIPTION	REV
	1001186375	Ref	PLATFORM ASSEMBLY - 30IN X 4FT (76CM X 1.22M) - WITH DROP BAR	B
	See Note	Ref	Note: Platform and Mesh must be ordered separately for Platforms with Mesh. See SPECIAL OPTIONS SECTION for Mesh Installations.	
	See Note	Ref	Note: Replacement Decals Must be Ordered Separately - See DECALS SECTION.	
1	0100011	AR	Compound, Locking	
2	0641418	2	Bolt 1/4 x 2-1/4	
3	0961845	2	Bushing	
4	3290606	2	Nut M6 x 1	
5	3300151	2	Nut 1/4	
6	3520072	2	Cap, Plug	
7	3520198	2	Cap, Plug	
8	4010618	2	Screw M6 x 50	
9	4711400	4	Washer 1/4	
10	4811700	2	Washer M6	
11	1001138494	1	Bar, Drop	
12	1001138514	1	Rail (Top)	
13	1001140429	1	Decal - Drop Bar	
14	See Note	1	Platform, Weldment (Note: Not Available - Purchase Platform Assembly)	

SECTION 5 - PLATFORM

FIGURE 5-6. PLATFORM ASSEMBLY - 30IN X 6FT (76CM X 1.83M) - WITH DROP BAR



ART_1001186378

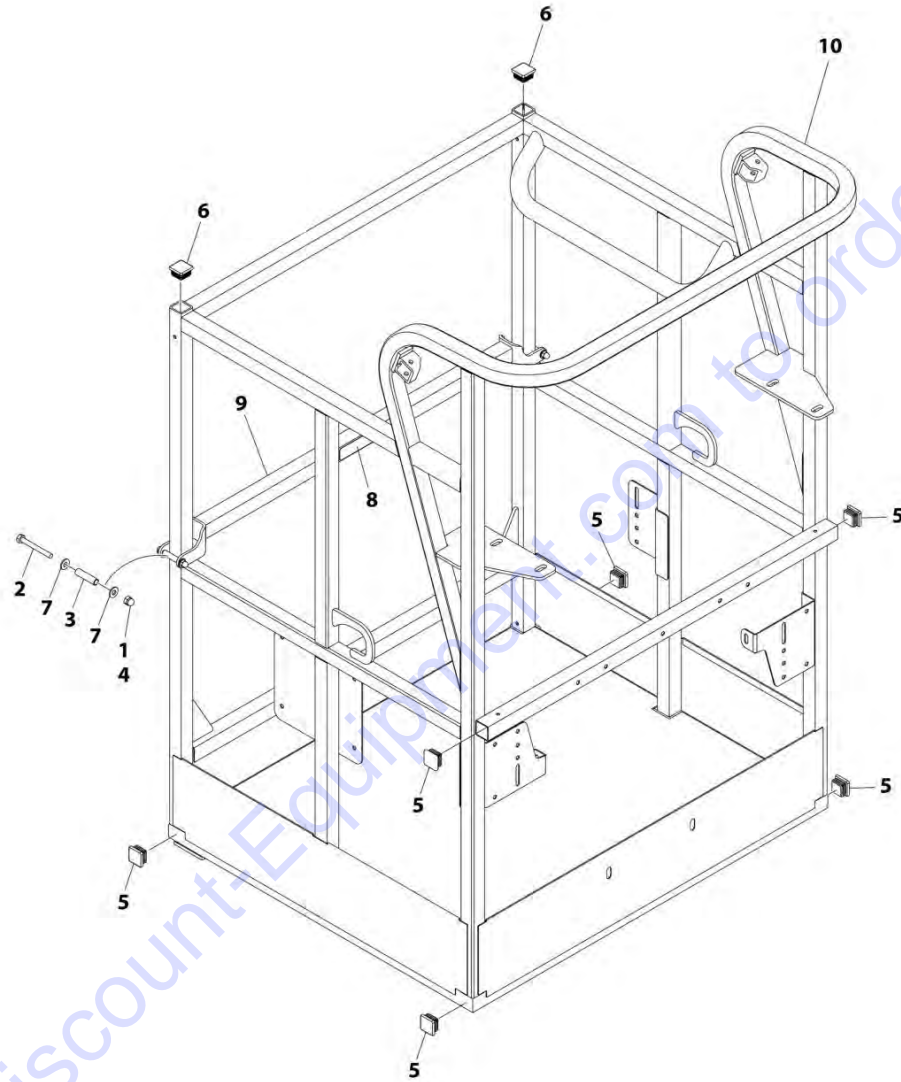
SECTION 5 - PLATFORM

FIGURE 5-6. PLATFORM ASSEMBLY - 30IN X 6FT (76CM X 1.83M) - WITH DROP BAR

ITEM	PART NUMBER	QTY	DESCRIPTION	REV
	1001186378	Ref	PLATFORM ASSEMBLY - 30IN X 6FT (76CM X 1.83M) - WITH DROP BAR	B
	See Note	Ref	Note: Platform and Mesh must be ordered separately for Platforms with Mesh. See SPECIAL OPTIONS SECTION for Mesh Installations.	
	See Note	Ref	Note: Replacement Decals Must be Ordered Separately - See DECALS SECTION.	
1	0100011	AR	Compound, Locking	
2	0641418	2	Bolt 1/4 x 2-1/4	
3	0961845	2	Bushing	
4	3290606	2	Nut M6 x 1	
5	3300151	2	Nut 1/4	
6	3520072	2	Cap, Plug	
7	3520198	2	Cap, Plug	
8	4010618	2	Screw M6 x 50	
9	4711400	4	Washer 1/4	
10	4811700	2	Washer M6	
11	1001138494	1	Bar, Drop	
12	1001138514	1	Rail (Top)	
13	1001140429	1	Decal - Drop Bar	
14	See Note	1	Platform, Weldment (Note: Not Available - Purchase Platform Assembly)	

SECTION 5 - PLATFORM

FIGURE 5-7. PLATFORM ASSEMBLY - 30IN X 3FT (76CM X 91.5CM) - WITH DROP BAR (SN 0300247115 to Present)



Go to Discount-Equipment.com to order your parts

ART_1001228215

SECTION 5 - PLATFORM

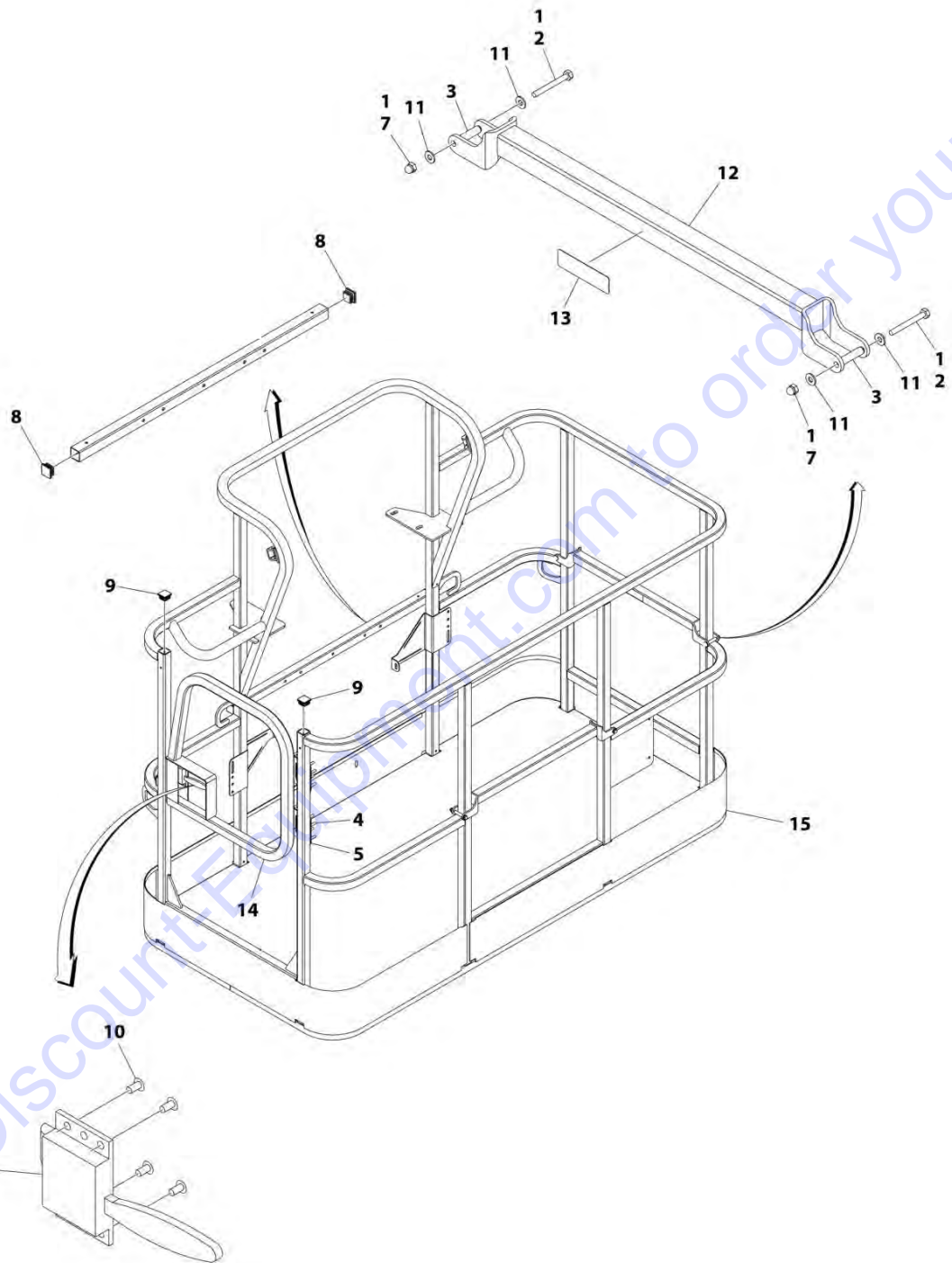
FIGURE 5-7. PLATFORM ASSEMBLY - 30IN X 3FT (76CM X 91.5CM) - WITH DROP BAR (SN 0300247115 to Present)

ITEM	PART NUMBER	QTY	DESCRIPTION	REV
	1001228215	Ref	PLATFORM ASSEMBLY - 30IN X 3FT (76CM X 91.5CM) - WITH DROP BAR (SN 0300247115 to Present)	A
1	0100011	AR	Compound, Locking	
2	0641418	2	Bolt 1/4 x 2-1/4	
3	0961845	2	Bushing	
4	3300151	2	Nut 1/4	
5	3520072	6	Cap, Plug	
6	3520198	2	Cap, Plug	
7	4711400	4	Washer 1/4	
8	1001140429	1	Decal - Drop Bar	
9	1001226872	1	Bar, Drop	
10	See Note	1	Platform, Weldment (Note: Not Available - Purchase Platform Assembly)	

Go to Discount-Equipment.com to order your parts

SECTION 5 - PLATFORM

FIGURE 5-8. PLATFORM ASSEMBLY - 3F X 6FT (91.5CM X 1.83M) - TRI-ENTRY - SWING GATE (SN 0300243800 to Present)



ART_1001228376

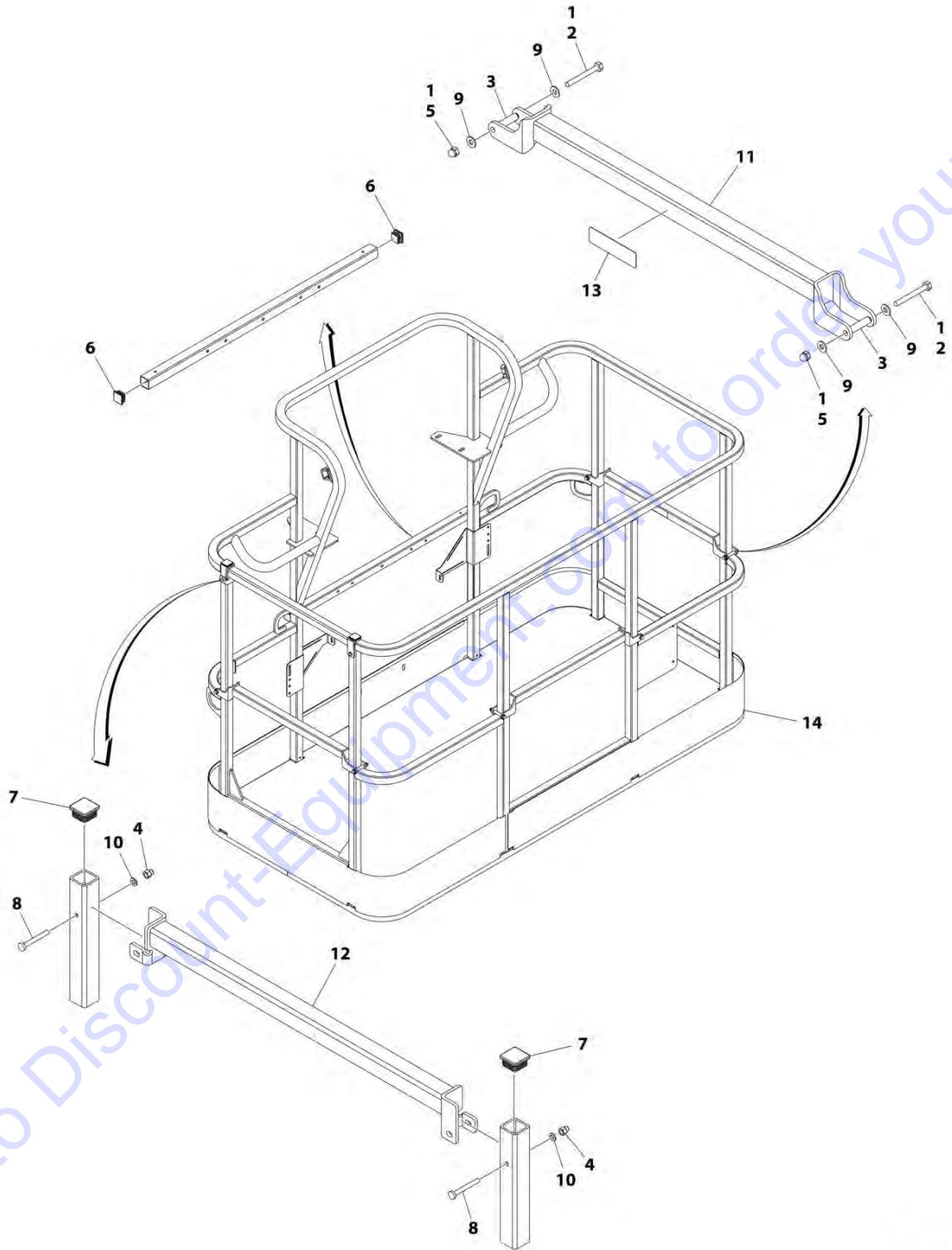
SECTION 5 - PLATFORM

FIGURE 5-8. PLATFORM ASSEMBLY - 3F X 6FT (91.5CM X 1.83M) - TRI-ENTRY - SWING GATE (SN 0300243800 to Present)

ITEM	PART NUMBER	QTY	DESCRIPTION	REV
	1001228376	Ref	PLATFORM ASSEMBLY - 3F X 6FT (91.5CM X 1.83M) - TRI-ENTRY - SWING GATE (SN 0300243800 to Present)	A
1	0100011	AR	Compound, Locking	
2	0641418	4	Bolt 1/4 x 2-1/4	
3	0961845	4	Bushing	
4	2080040	16	Fastener, Huck	
5	2600281	2	Hinge, Self-Closing	
6	2940074	1	Latch	
7	3300151	4	Nut 1/4	
8	3520072	3	Cap, Plug	
9	3520198	2	Cap, Plug	
10	3820020	4	Rivet	
11	4711400	8	Washer 1/4	
12	1001138494	2	Bar, Drop	
13	1001140429	2	Decal - Drop Bar	
14	1001144629	1	Gate, Weldment	
15	See Note	1	Platform, Weldment (Note: Not Available - Purchase Platform Assembly)	

SECTION 5 - PLATFORM

FIGURE 5-9. PLATFORM ASSEMBLY - 3F X 6FT (91.5CM X 1.83M) - TRI-ENTRY - DROP BAR (SN 0300243800 to Present)



ART_1001228377

SECTION 5 - PLATFORM

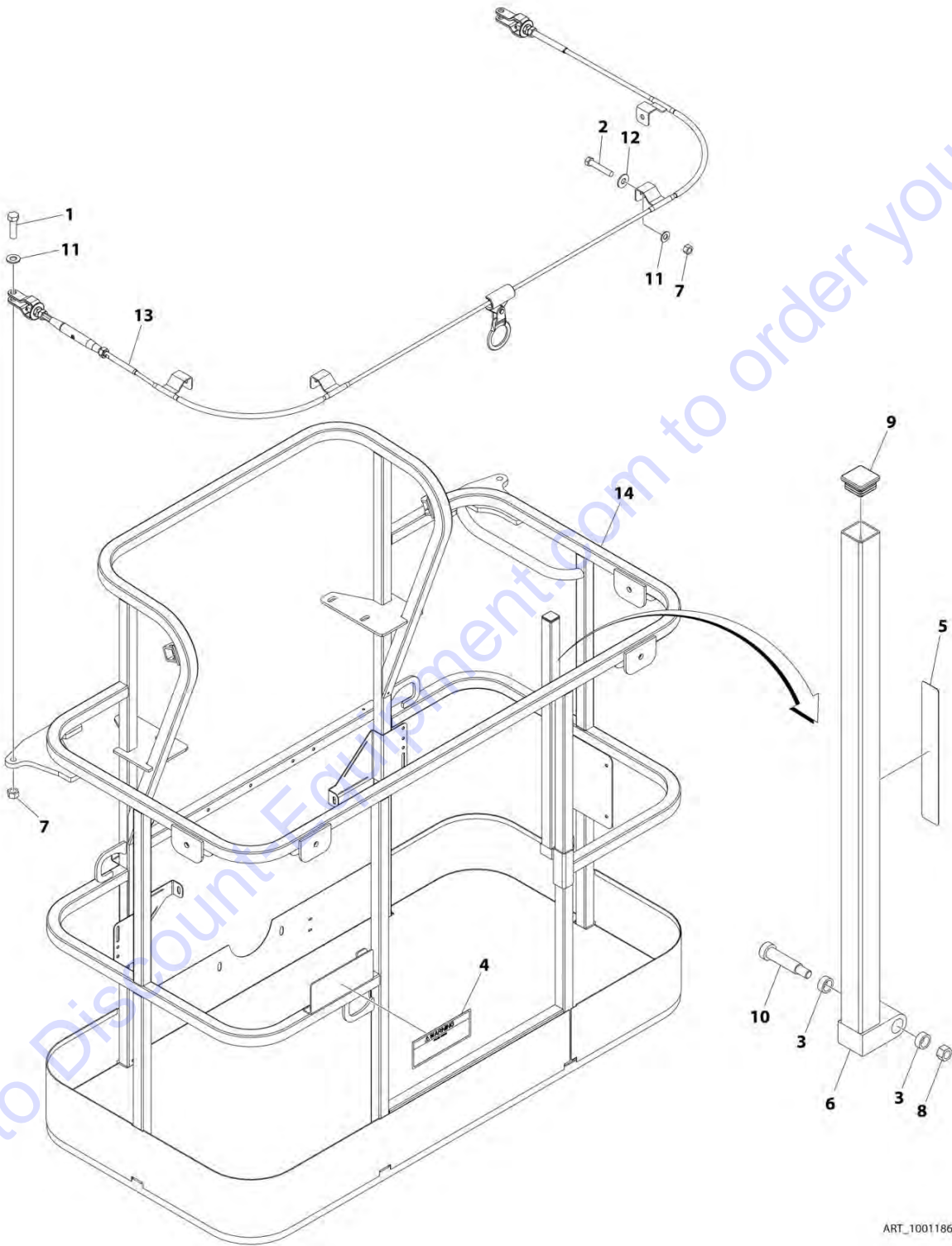
FIGURE 5-9. PLATFORM ASSEMBLY - 3F X 6FT (91.5CM X 1.83M) - TRI-ENTRY - DROP BAR (SN 0300243800 to Present)

ITEM	PART NUMBER	QTY	DESCRIPTION	REV
	1001228377	Ref	PLATFORM ASSEMBLY - 3F X 6FT (91.5CM X 1.83M) - TRI-ENTRY - DROP BAR (SN 0300243800 to Present)	A
1	0100011	AR	Compound, Locking	
2	0641418	6	Bolt 1/4 x 2-1/4	
3	0961845	6	Bushing	
4	3290606	2	Nut M6 x 1	
5	3300151	6	Nut 1/4	
6	3520072	2	Cap, Plug	
7	3520198	2	Cap, Plug	
8	4010618	2	Screw M6 x 50	
9	4711400	12	Washer 1/4	
10	4811700	2	Washer M6	
11	1001138494	3	Bar, Drop	
12	1001138514	1	Rail (Top)	
13	1001140429	3	Decal - Drop Bar	
14	See Note	1	Platform, Weldment (Note: Not Available - Purchase Platform Assembly)	

Go to Discount-Equipment.com to order your parts

SECTION 5 - PLATFORM

FIGURE 5-10. PLATFORM COMPONENTS INSTALLATION - 30IN X 6FT (0.9M X 1.83M) (FALL ARREST PLATFORM)



SECTION 5 - PLATFORM

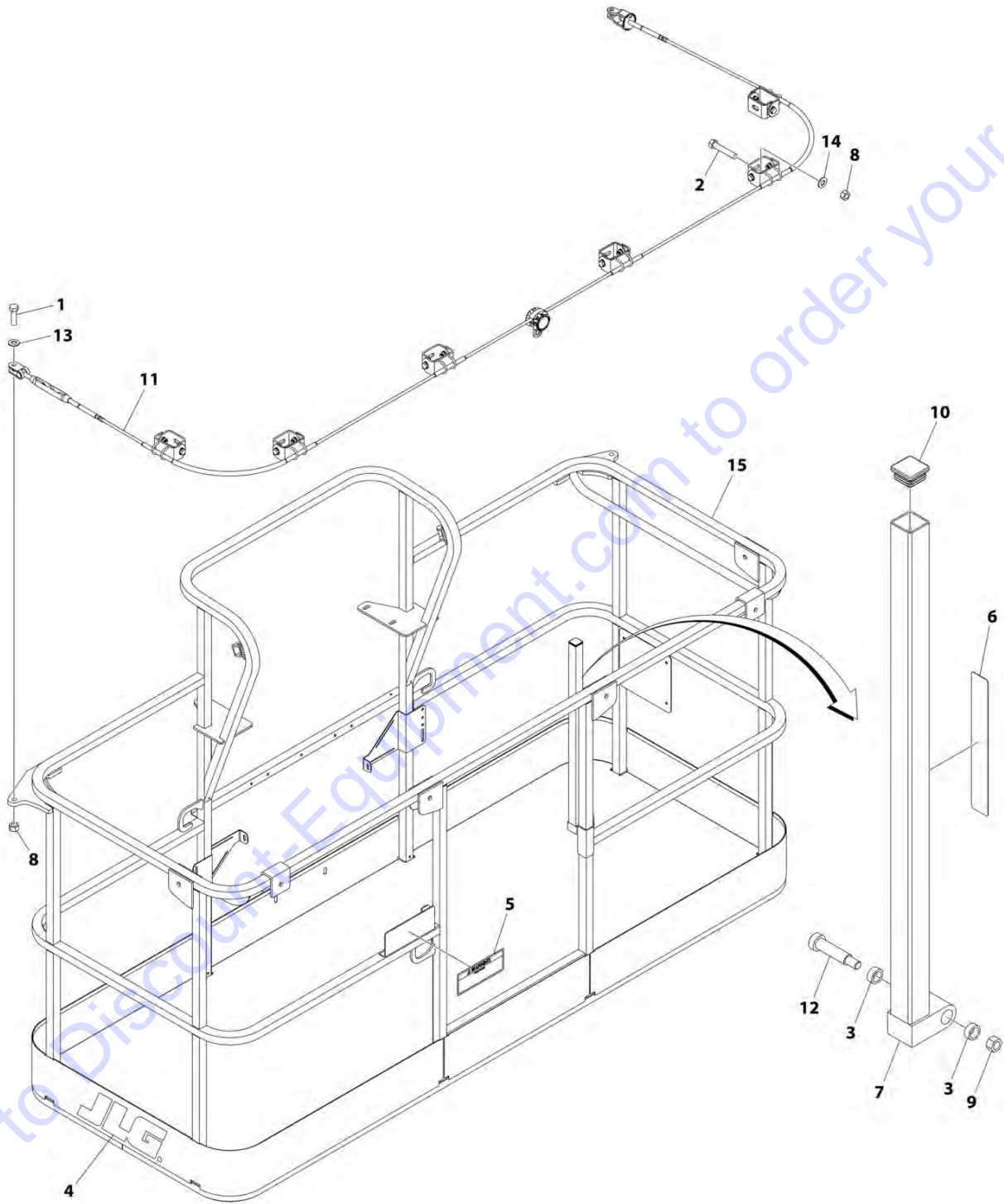
FIGURE 5-10. PLATFORM COMPONENTS INSTALLATION - 30IN X 6FT (0.9M X 1.83M) (FALL ARREST PLATFORM)

ITEM	PART NUMBER	QTY	DESCRIPTION	REV
	1001186388	Ref	PLATFORM COMPONENTS INSTALLATION - 30IN X 6FT (0.9M X 1.83M) (FALL ARREST PLATFORM)	C
		Ref	Note: Not Available on CE Specs.	
		Ref	Note: Replacement Decals Must Be Purchased Separately - See DECALS SECTION.	
1	0681814	2	Bolt 1/2 x 1-3/4 Grade 8	
2	0681822	4	Bolt 1/2 x 2-3/4 Grade 8	
3	0962270	2	Bearing	
4	1705014	1	Decal - Safety	
5	1706385	1	Decal - Drop Bar	
6	2410014	1	Gate Weldment	
7	3271805	6	Nut 1/2 Grade 8	
8	3311605	1	Nut 3/8	
9	3520072	1	Cap-Plug	
10	3900054	1	Bolt 1/2 x 1 3/4	
11	4711800	6	Washer 1/2	
12	4751800	4	Washer 1/2	
13	1001203654	1	Cable, Fall Arrest	
14	See Note	NSS	Platform Weldment (Note: Purchase Platform Assembly)	

Go to Discount-Equipment.com to order your parts

SECTION 5 - PLATFORM

FIGURE 5-11. PLATFORM COMPONENTS INSTALLATION - 30IN X 8FT (0.9M X 2.44M) (FALL ARREST PLATFORM)



ART_1001186334

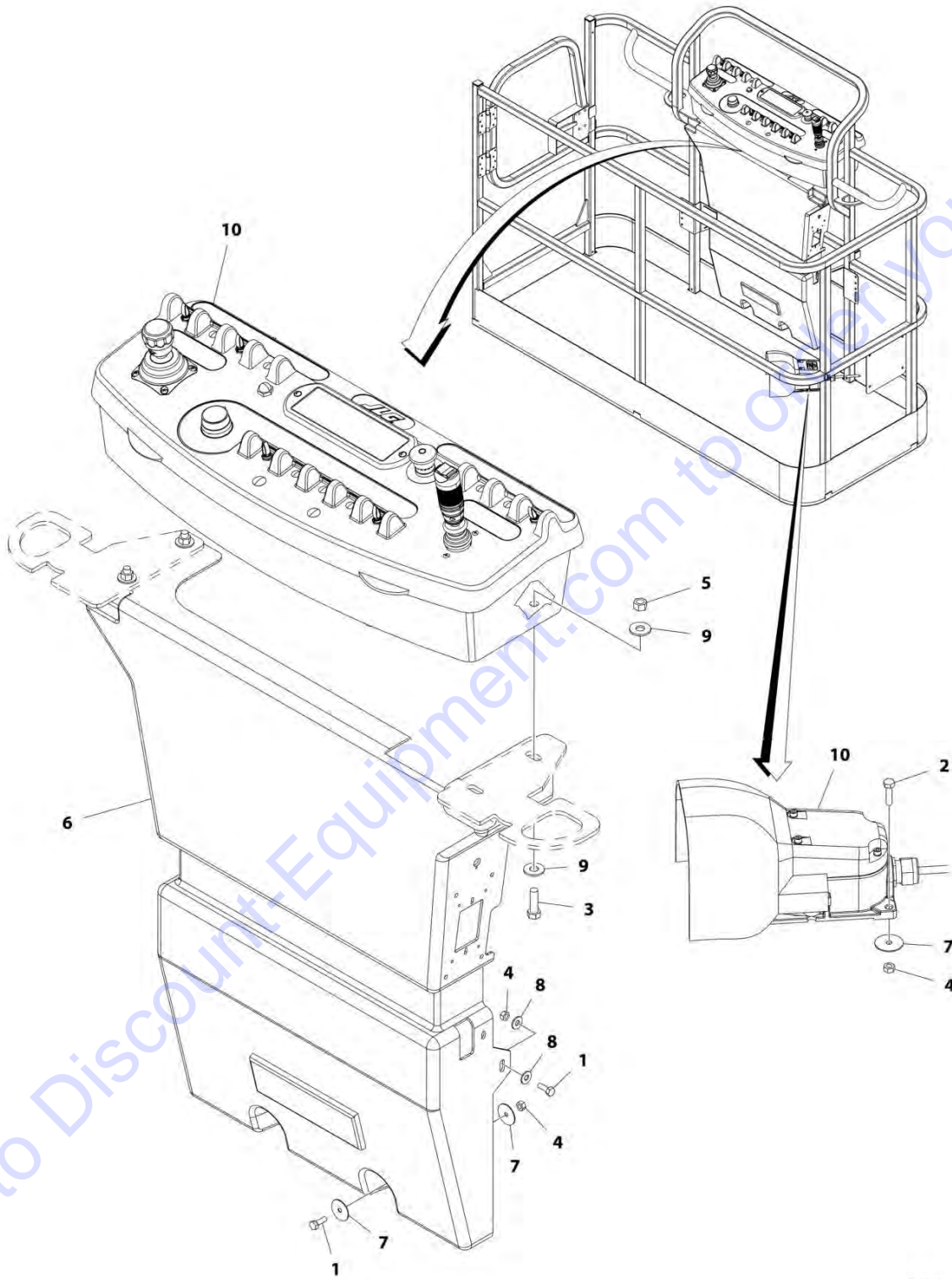
SECTION 5 - PLATFORM

FIGURE 5-11. PLATFORM COMPONENTS INSTALLATION - 30IN X 8FT (0.9M X 2.44M) (FALL ARREST PLATFORM)

ITEM	PART NUMBER	QTY	DESCRIPTION	REV
	1001186334	Ref	PLATFORM COMPONENTS INSTALLATION - 30IN X 8FT (0.9M X 2.44M) (FALL ARREST PLATFORM)	C
		Ref	Note: Not Available on CE Specs.	
		Ref	Note: Replacement Decals Must Be Purchased Separately - See DECALS SECTION.	
1	0681814	2	Bolt 1/2 x 1-3/4 Grade 8	
2	0681822	6	Bolt 1/2 x 2-3/4 Grade 8	
3	0962270	2	Bearing	
4	1702773	1	Decal - JLG	
5	1705014	1	Decal - Safety	
6	1706385	1	Decal - Drop Bar	
7	2410014	1	Gate Weldment	
8	3271805	8	Nut 1/2 Grade 8	
9	3311605	1	Nut 3/8	
10	3520072	1	Cap-Plug	
11	3890040	1	Cable, Fall Arrest	
12	3900054	1	Bolt 1/2 x 1 3/4	
13	4711800	2	Washer 1/2	
14	4751800	6	Washer 1/2	
15	See Note	NSS	Platform Weldment (Note: Purchase Platform Assembly)	

SECTION 5 - PLATFORM

FIGURE 5-12. 2WD PLATFORM CONSOLE BOX INSTALLATION - WITHOUT LSS OR WITH 4 CELL LSS - WITHOUT SKYGUARD (E600/M600)



ART_1001183532

SECTION 5 - PLATFORM

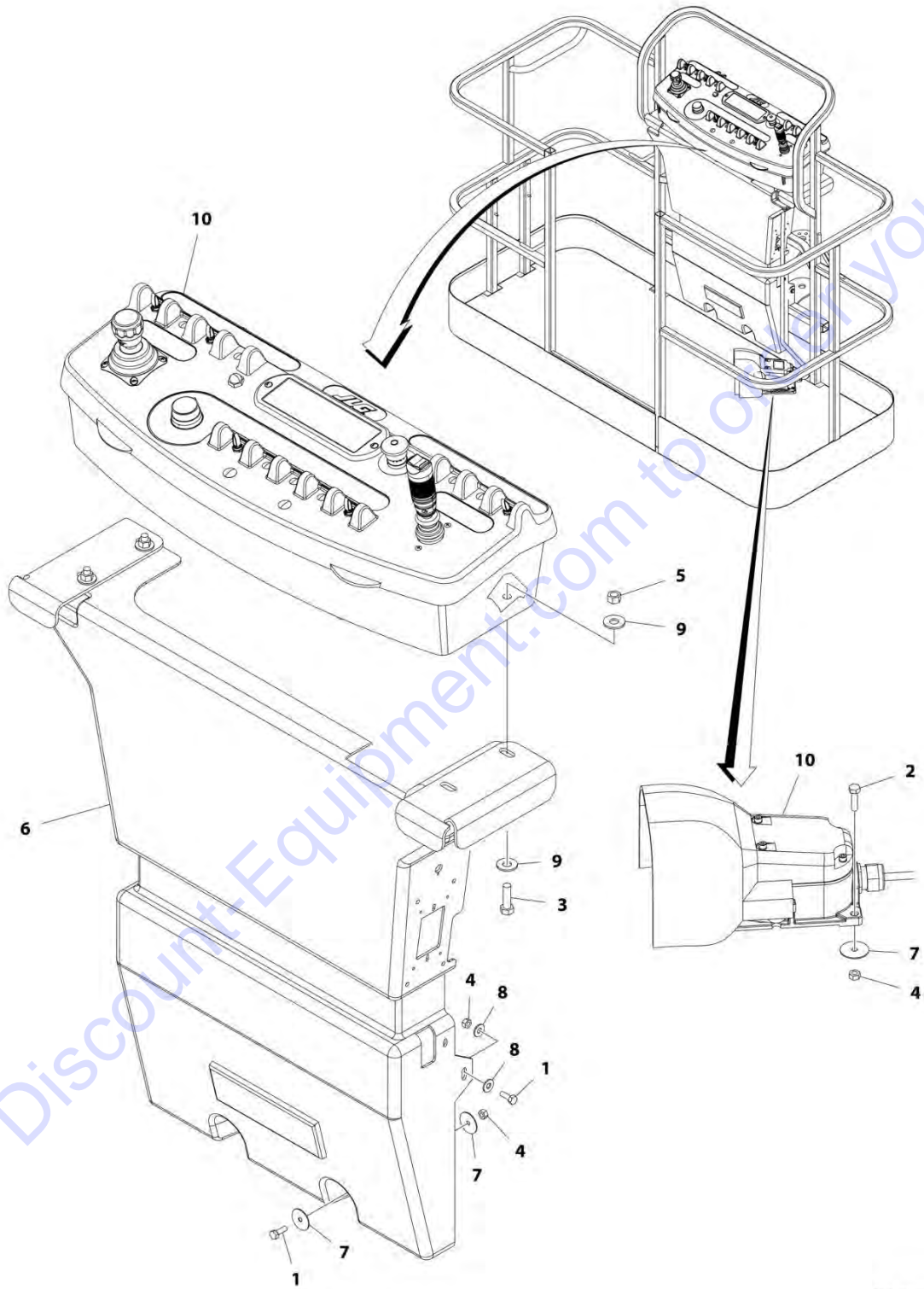
FIGURE 5-12. 2WD PLATFORM CONSOLE BOX INSTALLATION - WITHOUT LSS OR WITH 4 CELL LSS - WITHOUT SKYGUARD (E600/M600)

ITEM	PART NUMBER	QTY	DESCRIPTION	REV
	1001183532	Ref	2WD PLATFORM CONSOLE BOX INSTALLATION - WITHOUT LSS OR WITH 4 CELL LSS - WITHOUT SKYGUARD (E600/M600)	B
1	0641406	4	Bolt 1/4 x 3/4	
2	0641408	3	Bolt 1/4 x 1	
3	0641610	4	Bolt 3/8 x 1-1/4	
4	3311405	7	Nut 1/4	
5	3311605	4	Nut 3/8	
6	3380434	1	Panel, Decal Mount	
7	4740362	7	Washer 1/4	
8	4751400	4	Washer 1/4	
9	4751600	8	Washer 3/8	
10	1001183724	1	Console Box Assembly (See 2WD PLATFORM CONSOLE BOX ASSEMBLY - WITHOUT LSS OR WITH 4 CELL LSS - WITHOUT SKYGUARD (E600/M600) for Breakdown)	

Go to Discount-Equipment.com to order your parts

SECTION 5 - PLATFORM

FIGURE 5-13. 2WD PLATFORM CONSOLE BOX INSTALLATION - WITHOUT LSS OR WITH 4 CELL LSS - WITHOUT SKYGUARD (UL SPECS) (E600)



ART_1001216150

SECTION 5 - PLATFORM

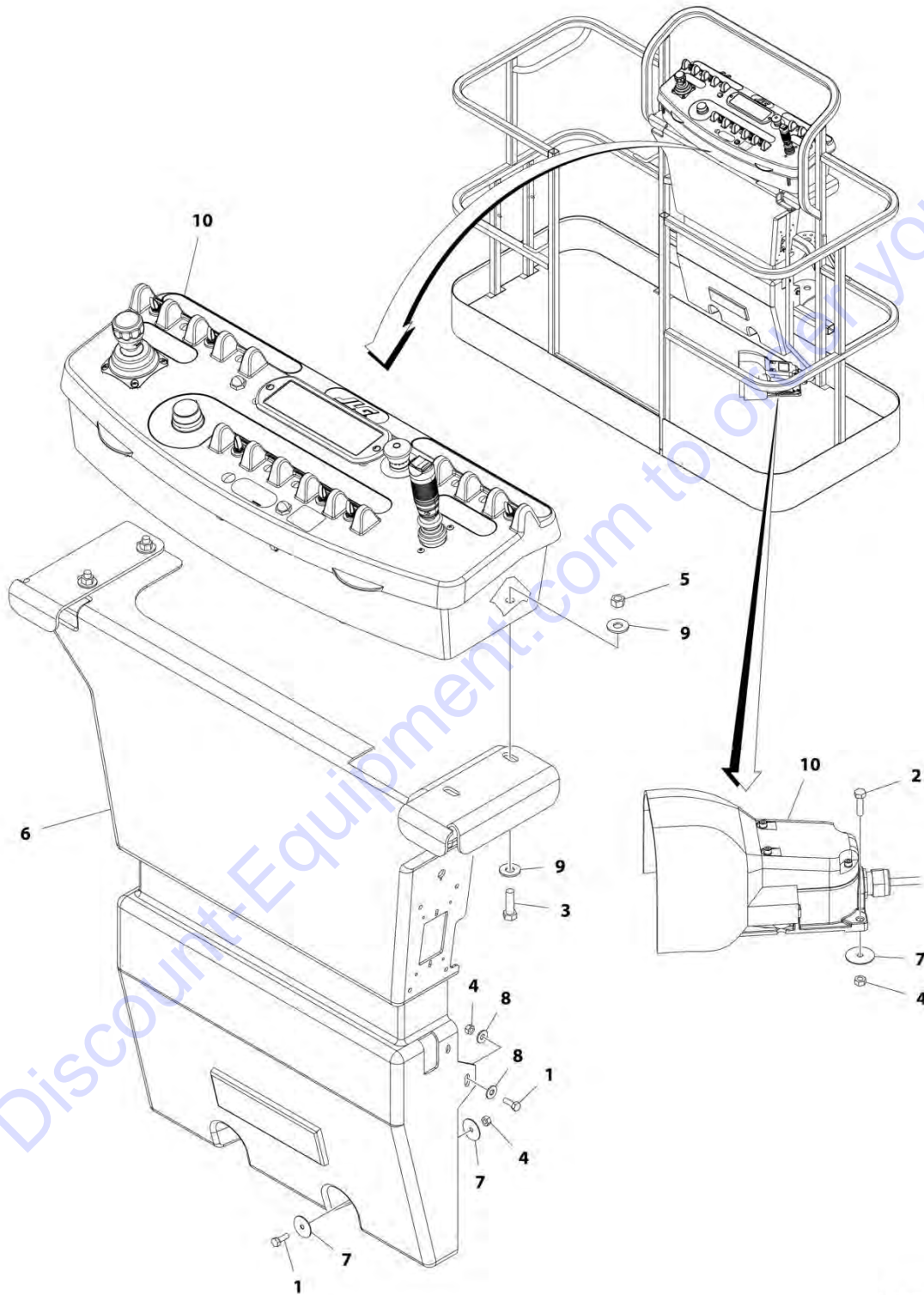
FIGURE 5-13. 2WD PLATFORM CONSOLE BOX INSTALLATION - WITHOUT LSS OR WITH 4 CELL LSS - WITHOUT SKYGUARD (UL SPECS) (E600)

ITEM	PART NUMBER	QTY	DESCRIPTION	REV
	1001216150	Ref	2WD PLATFORM CONSOLE BOX INSTALLATION - WITHOUT LSS OR WITH 4 CELL LSS - WITHOUT SKYGUARD (UL SPECS) (E600)	A
1	0641406	4	Bolt 1/4 x 3/4	
2	0641408	3	Bolt 1/4 x 1	
3	0641610	4	Bolt 3/8 x 1-1/4	
4	3311405	7	Nut 1/4	
5	3311605	4	Nut 3/8	
6	3380434	1	Panel, Decal Mount	
7	4740362	7	Washer 1/4	
8	4751400	4	Washer 1/4	
9	4751600	8	Washer 3/8	
10	1001216156	1	Console Box Assembly (See 2WD PLATFORM CONSOLE BOX ASSEMBLY - WITHOUT LSS OR WITH 4 CELL LSS - WITHOUT SKYGUARD (UL SPECS) (E600) for Breakdown)	

Go to Discount-Equipment.com to Order your parts

SECTION 5 - PLATFORM

FIGURE 5-14. 2WD PLATFORM CONSOLE BOX INSTALLATION - WITHOUT LSS OR WITH 4 CELL LSS - WITH SKYGUARD (UL SPECS) (E600J/E600JP) (SN 0300219271 through 0300256397)



ART_1001216149

SECTION 5 - PLATFORM

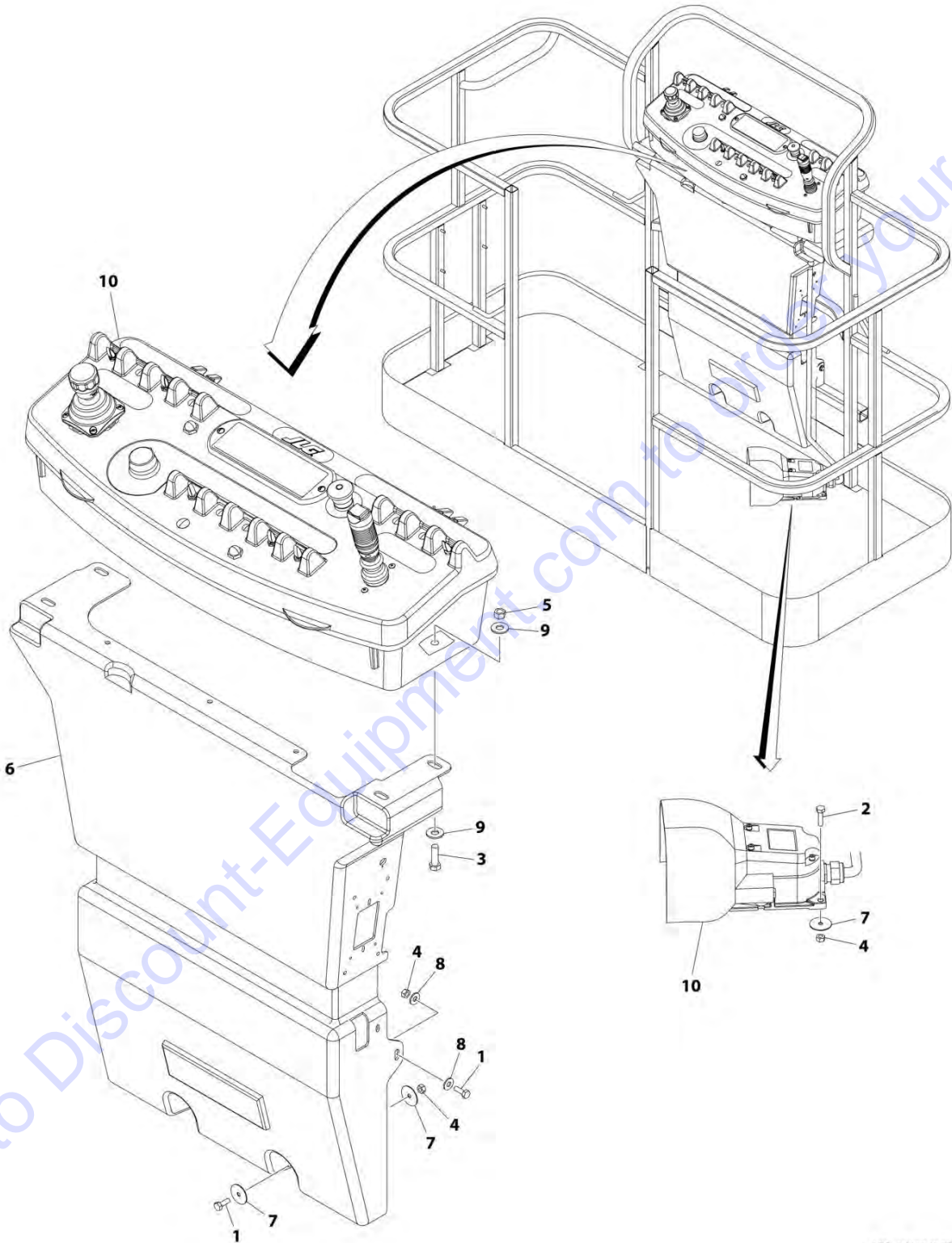
FIGURE 5-14. 2WD PLATFORM CONSOLE BOX INSTALLATION - WITHOUT LSS OR WITH 4 CELL LSS - WITH SKYGUARD (UL SPECS) (E600J/E600JP) (SN 0300219271 through 0300256397)

ITEM	PART NUMBER	QTY	DESCRIPTION	REV
	1001216149	Ref	2WD PLATFORM CONSOLE BOX INSTALLATION - WITHOUT LSS OR WITH 4 CELL LSS - WITH SKYGUARD (UL SPECS) (E600J/E600JP)	B
1	0641406	4	Bolt 1/4 x 3/4	
2	0641408	3	Bolt 1/4 x 1	
3	0641610	4	Bolt 3/8 x 1-1/4	
4	3311405	7	Nut 1/4	
5	3311605	4	Nut 3/8	
6	3380434	1	Panel, Decal Mount	
7	4740362	7	Washer 1/4	
8	4751400	4	Washer 1/4	
9	4751600	8	Washer 3/8	
10	1001216158	1	Console Box Assembly (See 2WD PLATFORM CONSOLE BOX ASSEMBLY - WITHOUT LSS OR WITH 4 CELL LSS - WITH SKYGUARD (UL SPECS) (E600J/E600JP) for Breakdown)	

Go to Discount-Equipment.com to order your parts

SECTION 5 - PLATFORM

FIGURE 5-15. 2WD PLATFORM CONSOLE BOX INSTALLATION - WITHOUT LSS OR WITH 1 CELL LSS (UL SPECS) (E600J/E600JP) (SN 0300256398 to Present)



ART_1001239795

SECTION 5 - PLATFORM

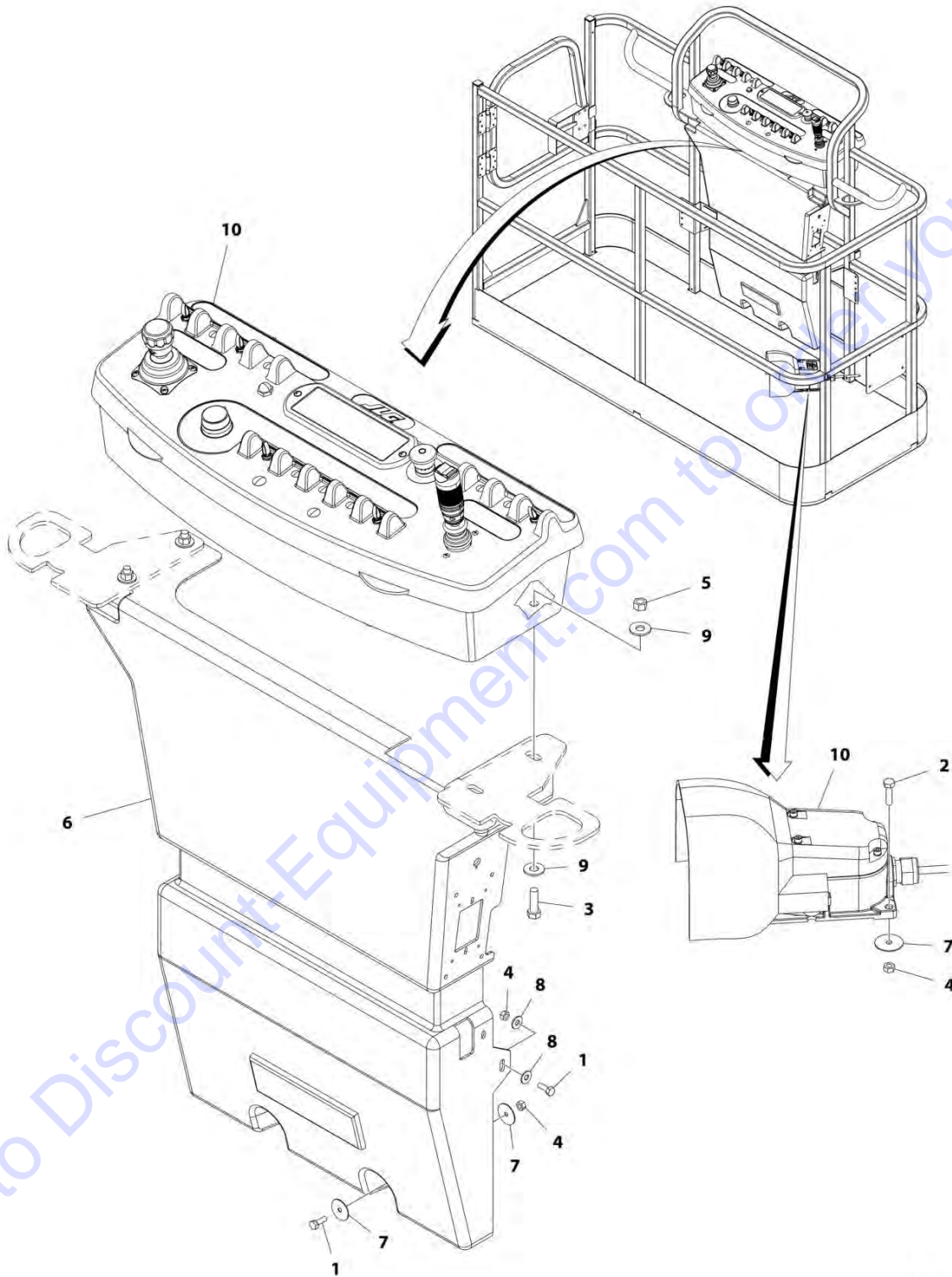
FIGURE 5-15. 2WD PLATFORM CONSOLE BOX INSTALLATION - WITHOUT LSS OR WITH 1 CELL LSS (UL SPECS) (E600J/E600JP) (SN 0300256398 to Present)

ITEM	PART NUMBER	QTY	DESCRIPTION	REV
	1001239795	1	2WD PLATFORM CONSOLE BOX INSTALLATION - WITHOUT LSS OR WITH 1 CELL LSS (UL SPECS) (E600J/E600JP)	A
1	0641406	4	Bolt 1/4 x 3/4	
2	0641408	3	Bolt 1/4 x 1	
3	0641610	4	Bolt 3/8 x 1-1/4	
4	3311405	7	Nut 1/4	
5	3311605	4	Nut 3/8	
6	3380434	1	Panel, Decal Mount	
7	4740362	7	Washer 1/4	
8	4751400	4	Washer 1/4	
9	4751600	8	Washer 3/8	
10	1001239797	1	Console Box Assembly (See 2WD PLATFORM CONSOLE BOX ASSEMBLY - WITHOUT LSS OR WITH 1 CELL LSS (UL SPECS) (E600J/E600JP) for Breakdown)	

Go to Discount-Equipment.com to order your parts

SECTION 5 - PLATFORM

FIGURE 5-16. 4WD PLATFORM CONSOLE BOX INSTALLATION - WITHOUT LSS OR WITH 4 CELL LSS - WITHOUT SKYGUARD (NON UL SPECS) (E600/M600)



ART_1001212280

SECTION 5 - PLATFORM

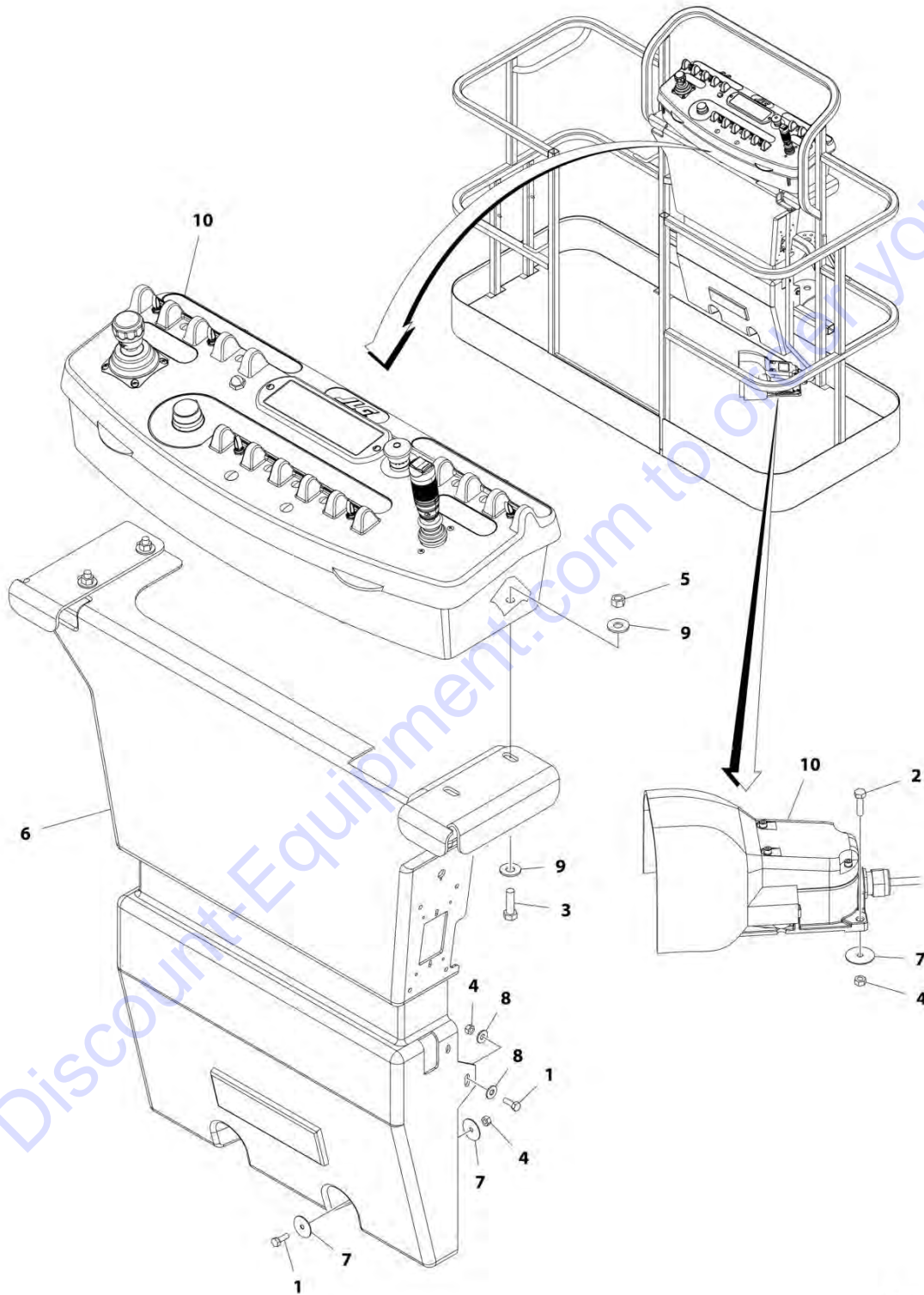
FIGURE 5-16. 4WD PLATFORM CONSOLE BOX INSTALLATION - WITHOUT LSS OR WITH 4 CELL LSS - WITHOUT SKYGUARD (NON UL SPECS) (E600/M600)

ITEM	PART NUMBER	QTY	DESCRIPTION	REV
	1001212280	Ref	4WD PLATFORM CONSOLE BOX INSTALLATION - WITHOUT LSS OR WITH 4 CELL LSS - WITHOUT SKYGUARD (NON UL SPECS) (E600/M600)	A
1	0641406	4	Bolt 1/4 x 3/4	
2	0641408	3	Bolt 1/4 x 1	
3	0641610	4	Bolt 3/8 x 1-1/4	
4	3311405	7	Nut 1/4	
5	3311605	4	Nut 3/8	
6	3380434	1	Panel, Decal Mount	
7	4740362	7	Washer 1/4	
8	4751400	4	Washer 1/4	
9	4751600	8	Washer 3/8	
10	1001212275	1	Console Box Assembly (See 4WD PLATFORM CONSOLE BOX ASSEMBLY - WITHOUT LSS OR WITH 4 CELL LSS - WITHOUT SKYGUARD (NON UL SPECS) (E600/M600) for Breakdown)	

Go to Discount-Equipment.com to order your parts

SECTION 5 - PLATFORM

FIGURE 5-17. 4WD PLATFORM CONSOLE BOX INSTALLATION - WITHOUT LSS OR WITH 4 CELL LSS - WITHOUT SKYGUARD (UL SPECS) (E600)



ART_1001218956

SECTION 5 - PLATFORM

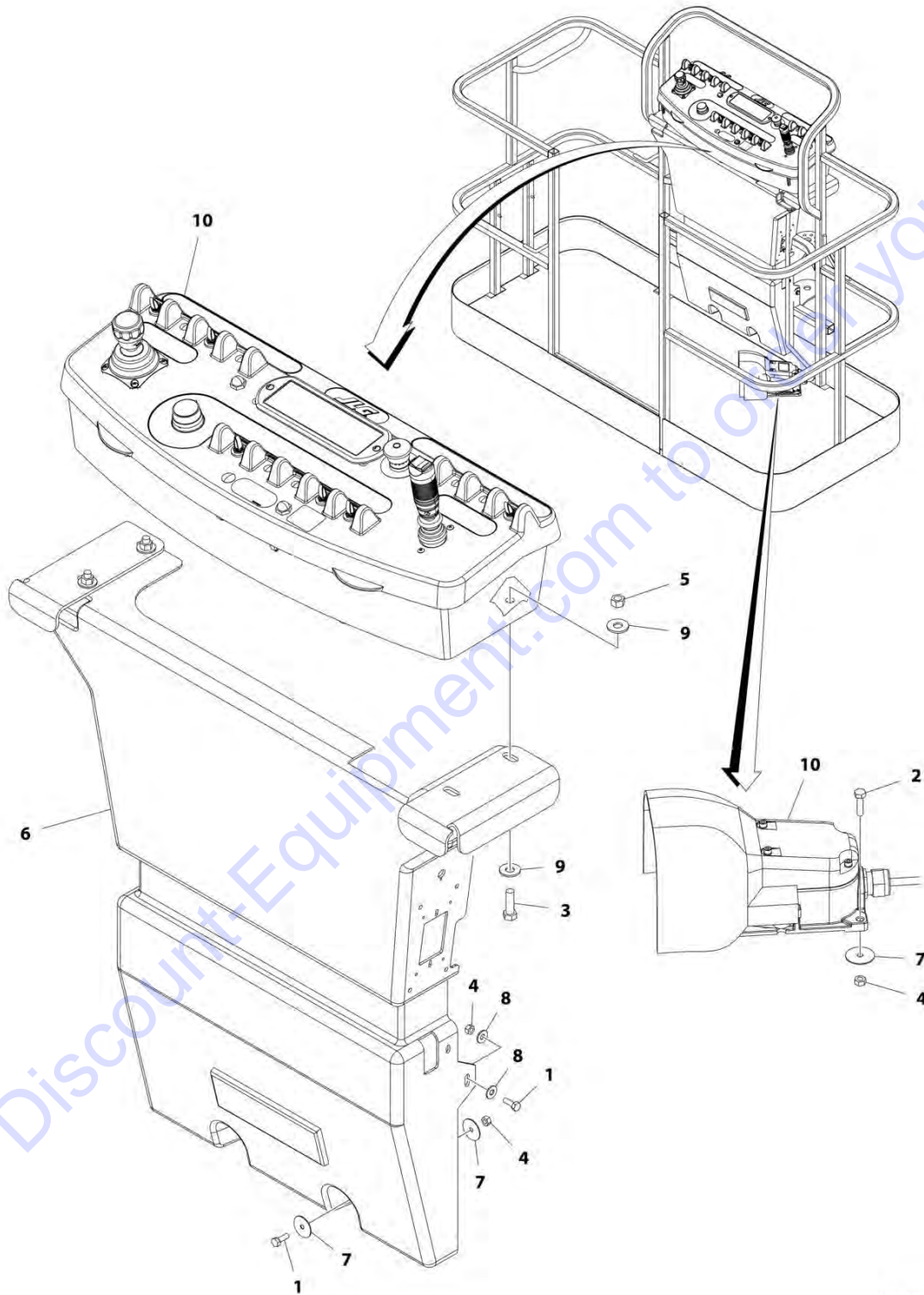
FIGURE 5-17. 4WD PLATFORM CONSOLE BOX INSTALLATION - WITHOUT LSS OR WITH 4 CELL LSS - WITHOUT SKYGUARD (UL SPECS) (E600)

ITEM	PART NUMBER	QTY	DESCRIPTION	REV
	1001218956	Ref	4WD PLATFORM CONSOLE BOX INSTALLATION - WITHOUT LSS OR WITH 4 CELL LSS - WITHOUT SKYGUARD (UL SPECS) (E600)	A
1	0641406	4	Bolt 1/4 x 3/4	
2	0641408	3	Bolt 1/4 x 1	
3	0641610	4	Bolt 3/8 x 1-1/4	
4	3311405	7	Nut 1/4	
5	3311605	4	Nut 3/8	
6	3380434	1	Panel, Decal Mount	
7	4740362	7	Washer 1/4	
8	4751400	4	Washer 1/4	
9	4751600	8	Washer 3/8	
10	1001218959	1	Console Box Assembly (See 4WD PLATFORM CONSOLE BOX ASSEMBLY - WITHOUT LSS OR WITH 4 CELL LSS - WITHOUT SKYGUARD (UL SPECS) (E600) for Breakdown)	

Go to Discount-Equipment.com to Order your parts

SECTION 5 - PLATFORM

FIGURE 5-18. 4WD PLATFORM CONSOLE BOX INSTALLATION - WITHOUT LSS OR WITH 4 CELL LSS - WITH SKYGUARD (UL SPECS) (E600J/E600JP) (SN 0300219271 through 0300256397)



ART_1001218955

SECTION 5 - PLATFORM

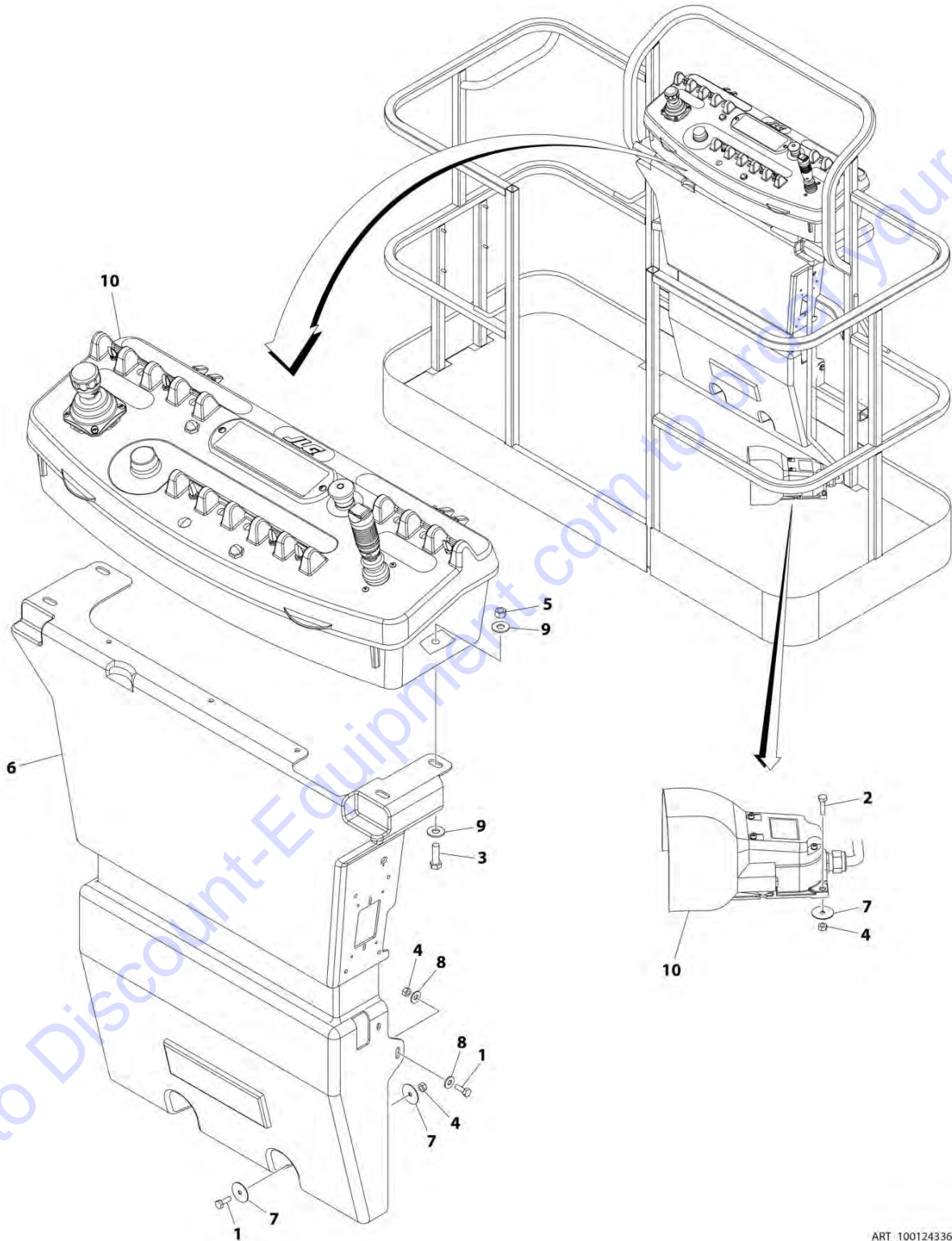
FIGURE 5-18. 4WD PLATFORM CONSOLE BOX INSTALLATION - WITHOUT LSS OR WITH 4 CELL LSS - WITH SKYGUARD (UL SPECS) (E600J/E600JP) (SN 0300219271 through 0300256397)

ITEM	PART NUMBER	QTY	DESCRIPTION	REV
	1001218955	Ref	4WD PLATFORM CONSOLE BOX INSTALLATION - WITHOUT LSS OR WITH 4 CELL LSS - WITH SKYGUARD (UL SPECS) (E600J/E600JP)	B
1	0641406	4	Bolt 1/4 x 3/4	
2	0641408	3	Bolt 1/4 x 1	
3	0641610	4	Bolt 3/8 x 1-1/4	
4	3311405	7	Nut 1/4	
5	3311605	4	Nut 3/8	
6	3380434	1	Panel, Decal Mount	
7	4740362	7	Washer 1/4	
8	4751400	4	Washer 1/4	
9	4751600	8	Washer 3/8	
10	1001218958	1	Console Box Assembly (See 4WD PLATFORM CONSOLE BOX ASSEMBLY - WITHOUT LSS OR WITH 4 CELL LSS - WITH SKYGUARD (UL SPECS) (E600J/E600JP) for Breakdown)	

Go to Discount-Equipment.com to order your parts

SECTION 5 - PLATFORM

FIGURE 5-19. 4WD PLATFORM CONSOLE BOX INSTALLATION - WITHOUT LSS OR WITH 1 CELL LSS (UL SPECS) (E600J/E600JP) (SN 0300256398 to Present)



ART_1001243361

SECTION 5 - PLATFORM

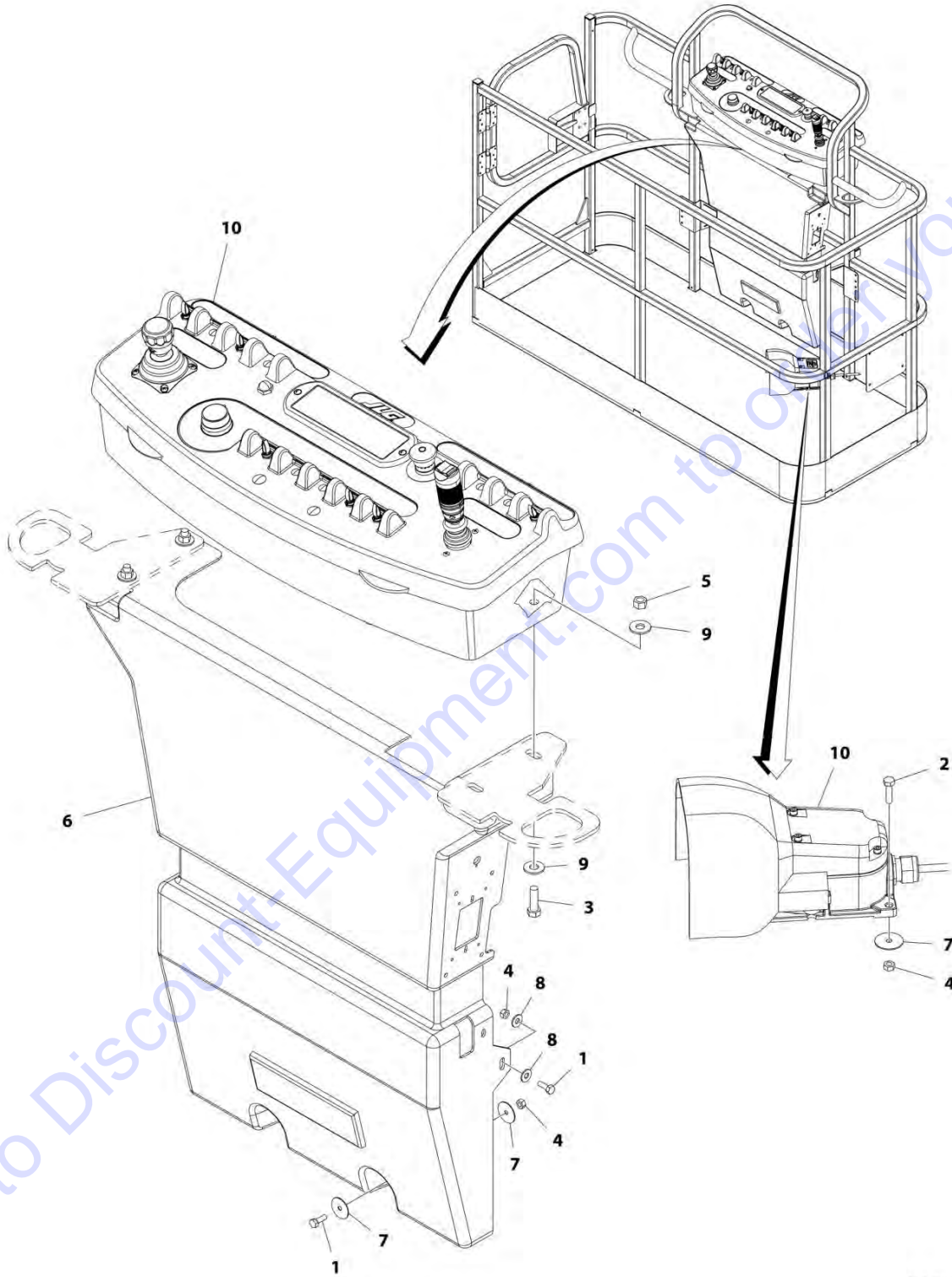
FIGURE 5-19. 4WD PLATFORM CONSOLE BOX INSTALLATION - WITHOUT LSS OR WITH 1 CELL LSS (UL SPECS) (E600J/E600JP) (SN 0300256398 to Present)

ITEM	PART NUMBER	QTY	DESCRIPTION	REV
	1001243361	Ref	4WD PLATFORM CONSOLE BOX INSTALLATION - WITHOUT LSS OR WITH 1 CELL LSS (UL SPECS) (E600J/E600JP)	A
1	0641406	4	Bolt 1/4 x 3/4	
2	0641408	3	Bolt 1/4 x 1	
3	0641610	4	Bolt 3/8 x 1-1/4	
4	3311405	7	Nut 1/4	
5	3311605	4	Nut 3/8	
6	3380434	1	Panel, Decal Mount	
7	4740362	7	Washer 1/4	
8	4751400	4	Washer 1/4	
9	4751600	8	Washer 3/8	
10	1001243363	1	Console Box Assembly (See 4WD PLATFORM CONSOLE BOX ASSEMBLY - WITHOUT LSS OR WITH 1 CELL LSS (UL SPECS) (E600J/E600JP) for Breakdown)	

Go to Discount-Equipment.com to order your parts

SECTION 5 - PLATFORM

FIGURE 5-20. 2WD PLATFORM CONSOLE BOX INSTALLATION - WITHOUT LSS OR WITH 4 CELL LSS - WITHOUT SKYGUARD (NON UL SPECS) (E600J/E600JP/M600J/M600JP)



ART_1001183530

SECTION 5 - PLATFORM

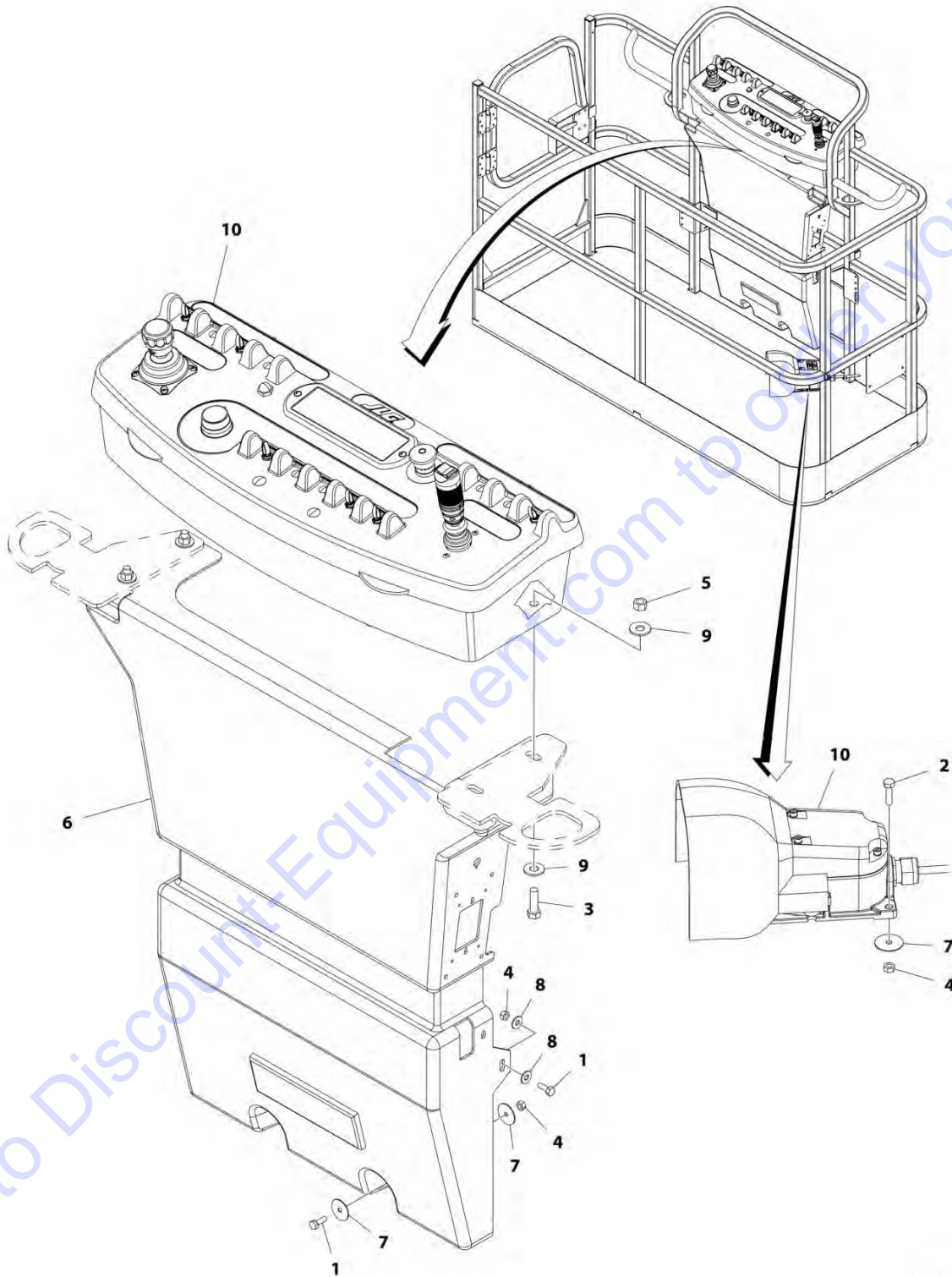
FIGURE 5-20. 2WD PLATFORM CONSOLE BOX INSTALLATION - WITHOUT LSS OR WITH 4 CELL LSS - WITHOUT SKYGUARD (NON UL SPECS) (E600J/E600JP/M600J/M600JP)

ITEM	PART NUMBER	QTY	DESCRIPTION	REV
	1001183530	Ref	2WD PLATFORM CONSOLE BOX INSTALLATION - WITHOUT LSS OR WITH 4 CELL LSS - WITHOUT SKYGUARD (NON UL SPECS) (E600J/E600JP/M600J/M600JP)	B
1	0641406	4	Bolt 1/4 x 3/4	
2	0641408	3	Bolt 1/4 x 1	
3	0641610	4	Bolt 3/8 x 1-1/4	
4	3311405	7	Nut 1/4	
5	3311605	4	Nut 3/8	
6	3380434	1	Panel, Decal Mount	
7	4740362	7	Washer 1/4	
8	4751400	4	Washer 1/4	
9	4751600	8	Washer 3/8	
10	1001183722	1	Console Box Assembly (See 2WD PLATFORM CONSOLE BOX ASSEMBLY - WITHOUT LSS OR WITH 4 CELL LSS - WITHOUT SKYGUARD (NON UL SPECS) (E600J/E600JP/M600J/M600JP) for Breakdown)	

Go to Discount-Equipment.com to order your parts

SECTION 5 - PLATFORM

FIGURE 5-21. 4WD PLATFORM CONSOLE BOX INSTALLATION - WITHOUT LSS OR WITH 4 CELL LSS - WITHOUT SKYGUARD (NON UL SPECS) (E600J/E600JP/M600J/M600JP)



ART_1001212279

SECTION 5 - PLATFORM

FIGURE 5-21. 4WD PLATFORM CONSOLE BOX INSTALLATION - WITHOUT LSS OR WITH 4 CELL LSS - WITHOUT SKYGUARD (NON UL SPECS) (E600J/E600JP/M600J/M600JP)

ITEM	PART NUMBER	QTY	DESCRIPTION	REV
	1001212279	Ref	4WD PLATFORM CONSOLE BOX INSTALLATION - WITHOUT LSS OR WITH 4 CELL LSS - WITHOUT SKYGUARD (NON UL SPECS) (E600J/E600JP/M600J/M600JP)	A
1	0641406	4	Bolt 1/4 x 3/4	
2	0641408	3	Bolt 1/4 x 1	
3	0641610	4	Bolt 3/8 x 1-1/4	
4	3311405	5	Nut 1/4	
5	3311605	4	Nut 3/8	
6	3380434	1	Panel, Decal Mount	
7	4740362	7	Washer 1/4	
8	4751400	4	Washer 1/4	
9	4751600	8	Washer 3/8	
10	1001212274	1	Console Box Assembly (See 4WD PLATFORM CONSOLE BOX ASSEMBLY - WITHOUT LSS OR WITH 4 CELL LSS - WITHOUT SKYGUARD (NON UL SPECS) (E600J/E600JP/M600J/M600JP) for Breakdown)	

Go to Discount-Equipment.com to order your parts

PARTS FINDER

**Search Website
by Part Number**



**Search Manual
Library For Parts
Manual & Lookup Part
Numbers – Purchase
or Request Quote**

A screenshot of the "Search Manuals" form. The form has a title "Search Manuals" and a subtitle "Please enter the model number or part number to search for a part". It includes fields for "Find" (with a dropdown menu), "Serial Number" (with a dropdown menu), "Year" (with a dropdown menu), "Make" (with a dropdown menu), "Part Number" (with a dropdown menu), "Part Name" (with a dropdown menu), and "Category" (with a dropdown menu). There is a "Search" button at the bottom of the form.

**Can't Find Part or
Manual? Request Help
by Manufacturer,
Model & Description**

A screenshot of the "Parts Order Form". The form has a title "Parts Order Form" and a subtitle "Please fill out the form below to request help finding a part or manual". It includes fields for "Manufacturer", "Model", "Description", "Part Number", "Part Name", "Part Description", "Part Quantity", "Part Price", "Part Location", "Part Status", "Part Notes", and "Part Comments". There is a "Submit" button at the bottom of the form.

Discount-Equipment.com is your online resource for quality parts & equipment.

Florida: **561-964-4949** Outside Florida TOLL FREE: **877-690-3101**

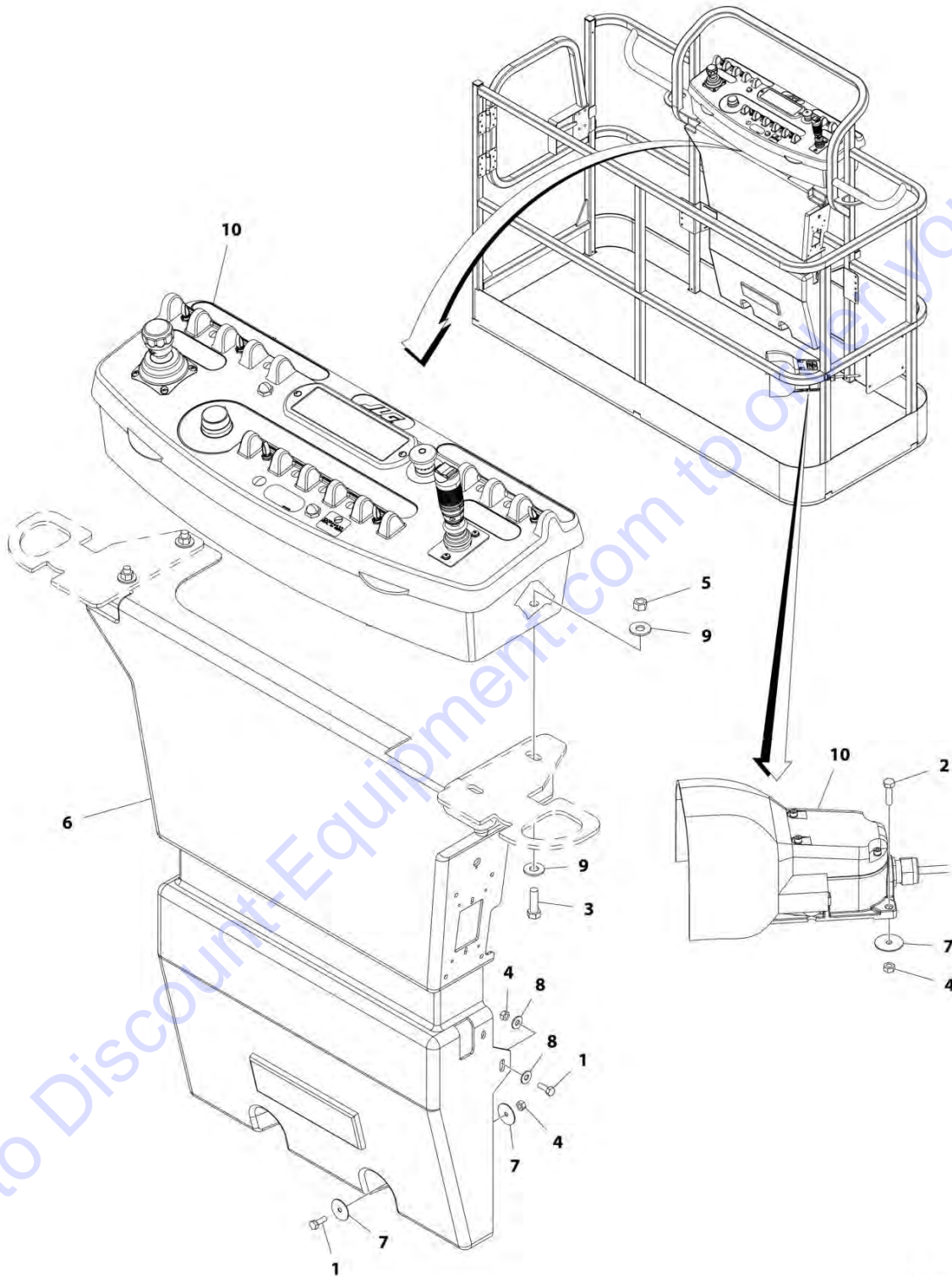
Need parts?

Click on this link: <http://www.discount-equipment.com/category/5443-parts/> and choose one of the options to help get the right parts and equipment you are looking for. Please have the machine model and serial number available in order to help us get you the correct parts. If you don't find the part on the website or on one of the online manuals, please fill out the request form and one of our experienced staff members will get back to you with a quote for the right part that your machine needs.

We sell worldwide for the brands: Genie, Terex, JLG, MultiQuip, Mikasa, Essick, Whiteman, Mayco, Toro Stone, Diamond Products, Generac Magnum, Airman, Haulotte, Barreto, Power Blanket, Nifty Lift, Atlas Copco, Chicago Pneumatic, Allmand, Miller Curber, Skyjack, Lull, Skytrak, Tsurumi, Husquvarna Target, Stow, Wacker, Sakai, Mi-T-M, Sullair, Basic, Dynapac, MBW, Weber, Bartell, Bennar Newman, Haulotte, Ditch Runner, Menegotti, Morrison, Contec, Buddy, Crown, Edco, Wyco, Bomag, Laymor, EZ Trench, Bil-Jax, F.S. Curtis, Gehl Pavers, Heli, Honda, ICS/PowerGrit, IHI, Partner, Imer, Clipper, MMD, Koshin, Rice, CH&E, General Equipment, Amida, Coleman, NAC, Gradall, Square Shooter, Kent, Stanley, Tamco, Toku, Hatz, Kohler, Robin, Wisconsin, Northrock, Oztec, Toker TK, Rol-Air, APT, Wylie, Ingersoll Rand / Doosan, Innovatech, Con X, Ammann, Mecalac, Makinex, Smith Surface Prep, Small Line, Wanco, Yanmar

SECTION 5 - PLATFORM

FIGURE 5-22. 2WD PLATFORM CONSOLE BOX INSTALLATION - WITHOUT LSS OR WITH 4 CELL LSS - WITH SKYGUARD (NON UL SPECS) (E600/M600)



ART_1001199911

SECTION 5 - PLATFORM

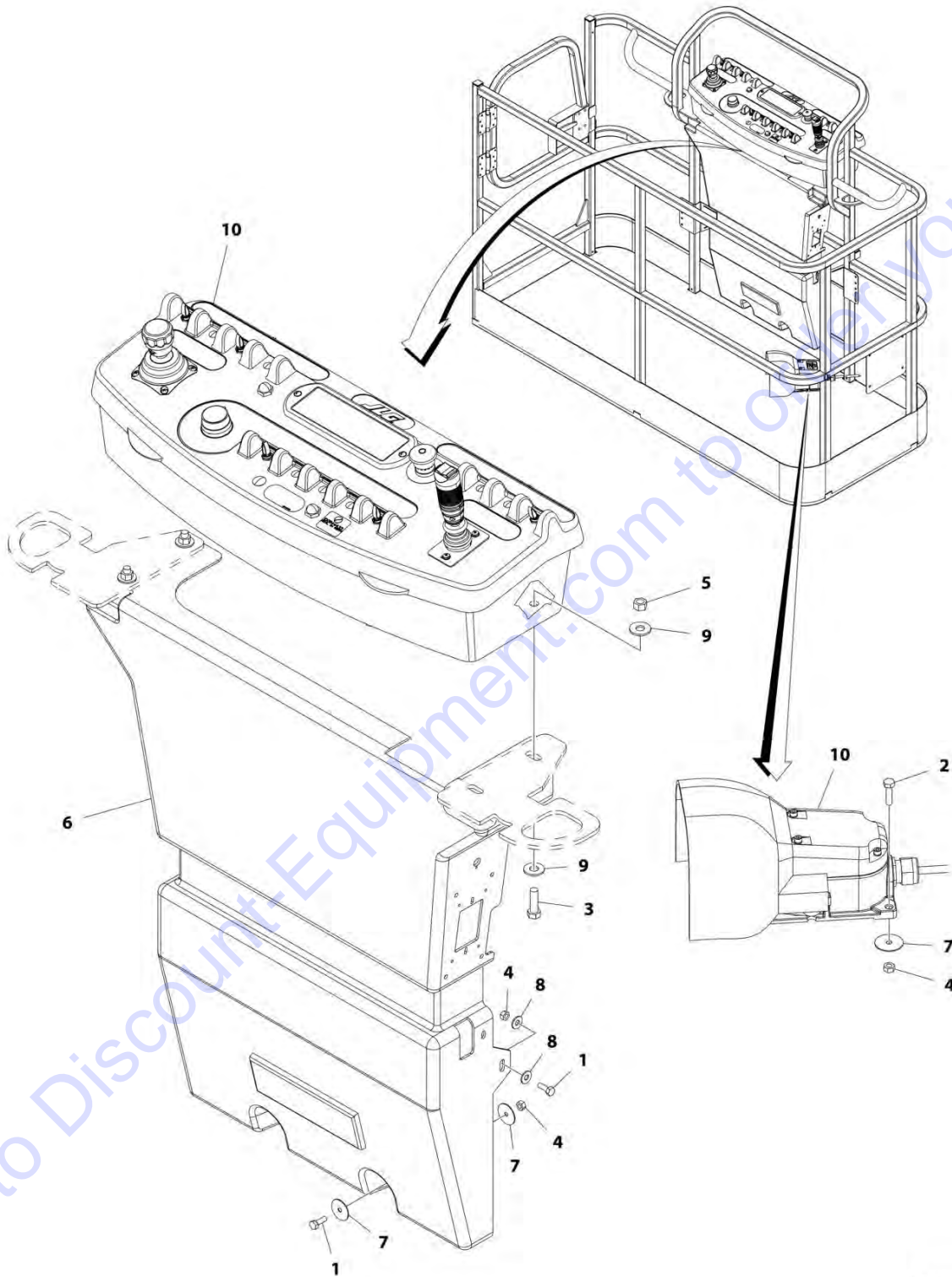
FIGURE 5-22. 2WD PLATFORM CONSOLE BOX INSTALLATION - WITHOUT LSS OR WITH 4 CELL LSS - WITH SKYGUARD (NON UL SPECS) (E600/M600)

ITEM	PART NUMBER	QTY	DESCRIPTION	REV
	1001199911	Ref	2WD PLATFORM CONSOLE BOX INSTALLATION - WITHOUT LSS OR WITH 4 CELL LSS - WITH SKYGUARD (NON UL SPECS) (E600/M600)	A
1	0641406	4	Bolt 1/4 x 3/4	
2	0641408	3	Bolt 1/4 x 1	
3	0641610	4	Bolt 3/8 x 1-1/4	
4	3311405	7	Nut 1/4	
5	3311605	4	Nut 3/8	
6	3380434	1	Panel, Decal Mount	
7	4740362	7	Washer 1/4	
8	4751400	4	Washer 1/4	
9	4751600	8	Washer 3/8	
10	1001199910	1	Console Box Assembly (See 2WD PLATFORM CONSOLE BOX ASSEMBLY - WITHOUT LSS OR WITH 4 CELL LSS - WITH SKYGUARD (NON UL SPECS) (E600/M600) for Breakdown)	

Go to Discount-Equipment.com to order your parts

SECTION 5 - PLATFORM

FIGURE 5-23. 4WD PLATFORM CONSOLE BOX INSTALLATION - WITHOUT LSS OR WITH 4 CELL LSS - WITH SKYGUARD (NON UL SPECS) (E600/M600)



ART_1001212282

SECTION 5 - PLATFORM

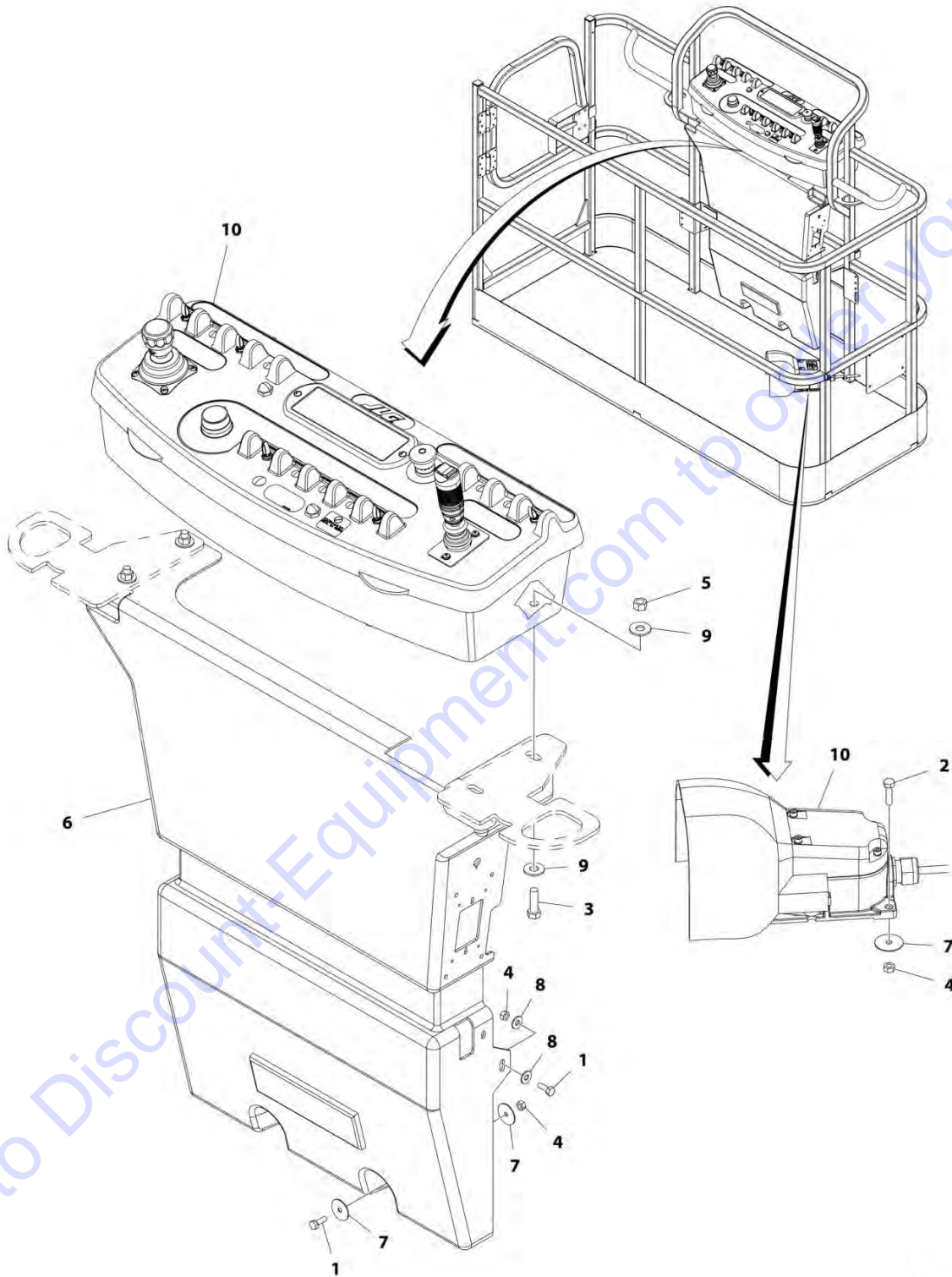
FIGURE 5-23. 4WD PLATFORM CONSOLE BOX INSTALLATION - WITHOUT LSS OR WITH 4 CELL LSS - WITH SKYGUARD (NON UL SPECS) (E600/M600)

ITEM	PART NUMBER	QTY	DESCRIPTION	REV
	1001212282	Ref	4WD PLATFORM CONSOLE BOX INSTALLATION - WITHOUT LSS OR WITH 4 CELL LSS - WITH SKYGUARD (NON UL SPECS) (E600/M600)	A
1	0641406	4	Bolt 1/4 x 3/4	
2	0641408	3	Bolt 1/4 x 1	
3	0641610	4	Bolt 3/8 x 1-1/4	
4	3311405	7	Nut 1/4	
5	3311605	4	Nut 3/8	
6	3380434	1	Panel, Decal Mount	
7	4740362	7	Washer 1/4	
8	4751400	4	Washer 1/4	
9	4751600	8	Washer 3/8	
10	1001212278	1	Console Box Assembly (See 4WD PLATFORM CONSOLE BOX ASSEMBLY - WITHOUT LSS OR WITH 4 CELL LSS - WITH SKYGUARD (NON UL SPECS) (E600/M600) for Breakdown)	

Go to Discount-Equipment.com to order your parts

SECTION 5 - PLATFORM

FIGURE 5-24. 2WD PLATFORM CONSOLE BOX INSTALLATION - WITHOUT LSS OR WITH 4 CELL LSS - WITH SKYGUARD (NON UL SPECS) (E600J/E600JP/M600J/M600JP)



ART_1001199905

SECTION 5 - PLATFORM

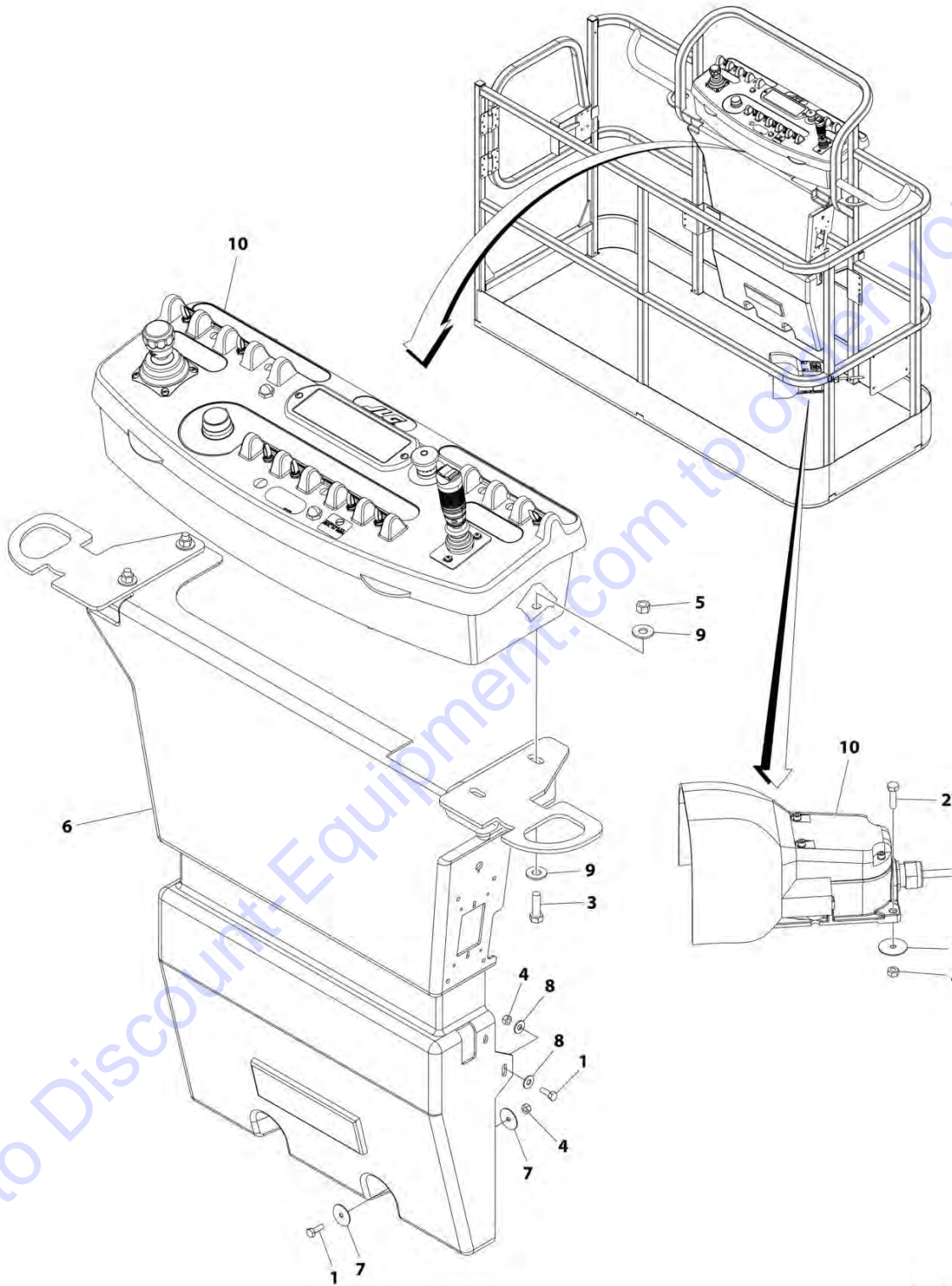
FIGURE 5-24. 2WD PLATFORM CONSOLE BOX INSTALLATION - WITHOUT LSS OR WITH 4 CELL LSS - WITH SKYGUARD (NON UL SPECS) (E600J/E600JP/M600J/M600JP)

ITEM	PART NUMBER	QTY	DESCRIPTION	REV
	1001199905	Ref	2WD PLATFORM CONSOLE BOX INSTALLATION - WITHOUT LSS OR WITH 4 CELL LSS - WITH SKYGUARD (NON UL SPECS) (E600J/E600JP/M600J/M600JP)	C
1	0641406	4	Bolt 1/4 x 3/4	
2	0641408	3	Bolt 1/4 x 1	
3	0641610	4	Bolt 3/8 x 1-1/4	
4	3311405	7	Nut 1/4	
5	3311605	4	Nut 3/8	
6	3380434	1	Panel, Decal Mount	
7	4740362	7	Washer 1/4	
8	4751400	4	Washer 1/4	
9	4751600	8	Washer 3/8	
10	1001199906	1	Console Box Assembly (See 2WD PLATFORM CONSOLE BOX ASSEMBLY - WITHOUT LSS OR WITH 4 CELL LSS - WITH SKYGUARD (NON UL SPECS) (E600J/E600JP/M600J/M600JP) for Breakdown)	

Go to Discount-Equipment.com to order your parts

SECTION 5 - PLATFORM

FIGURE 5-25. 2WD PLATFORM CONSOLE BOX INSTALLATION - WITH 1 CELL LSS - WITH SKYGUARD (NON UL SPECS) (E600J/E600JP/M600J/M600JP) (SN 0300219271 through 0300256397)



ART_1001220661

SECTION 5 - PLATFORM

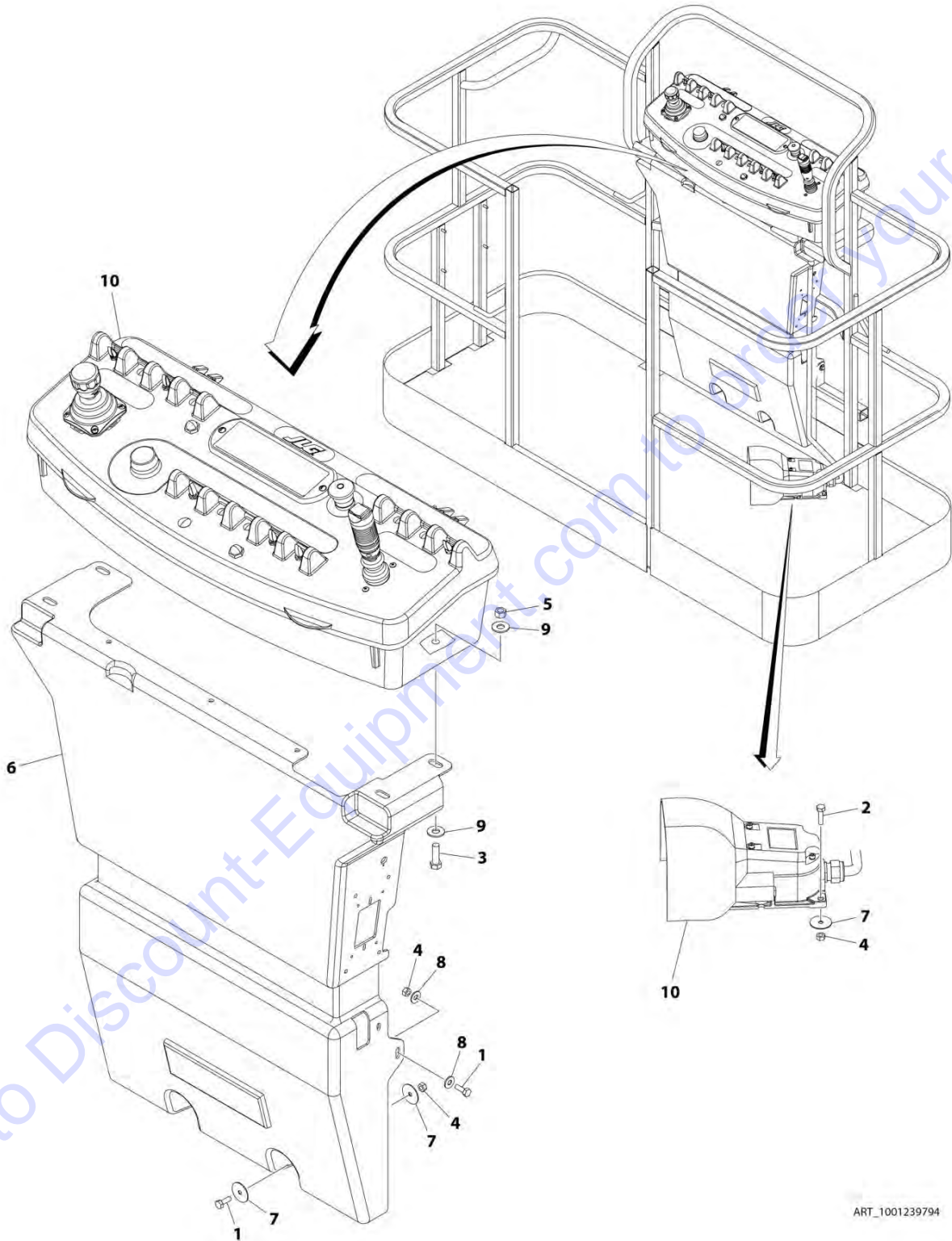
FIGURE 5-25. 2WD PLATFORM CONSOLE BOX INSTALLATION - WITH 1 CELL LSS - WITH SKYGUARD (NON UL SPECS) (E600J/E600JP/M600J/M600JP) (SN 0300219271 through 0300256397)

ITEM	PART NUMBER	QTY	DESCRIPTION	REV
	1001220661	Ref	2WD PLATFORM CONSOLE BOX INSTALLATION - WITH 1 CELL LSS - WITH SKYGUARD (NON UL SPECS) (E600J/E600JP/M600J/M600JP)	B
1	0641406	4	Bolt 1/4 x 3/4	
2	0641408	3	Bolt 1/4 x 1	
3	0641610	4	Bolt 3/8 x 1-1/4	
4	3311405	7	Nut 1/4	
5	3311605	4	Nut 3/8	
6	3380434	1	Panel, Decal Mount	
7	4740362	7	Washer 1/4	
8	4751400	4	Washer 1/4	
9	4751600	8	Washer 3/8	
10	1001219398	1	Console Box Assembly (See 2WD PLATFORM CONSOLE BOX ASSEMBLY - WITH SKYGUARD (NON UL SPECS) (E600J/E600JP/M600J/M600JP) for Breakdown)	

Go to Discount-Equipment.com to order your parts

SECTION 5 - PLATFORM

FIGURE 5-26. 2WD PLATFORM CONSOLE BOX INSTALLATION - WITH 1 CELL LSS - WITH SKYGUARD (NON UL SPECS) (E600J/E600JP/M600J/M600JP) (SN 0300256398 to Present)



SECTION 5 - PLATFORM

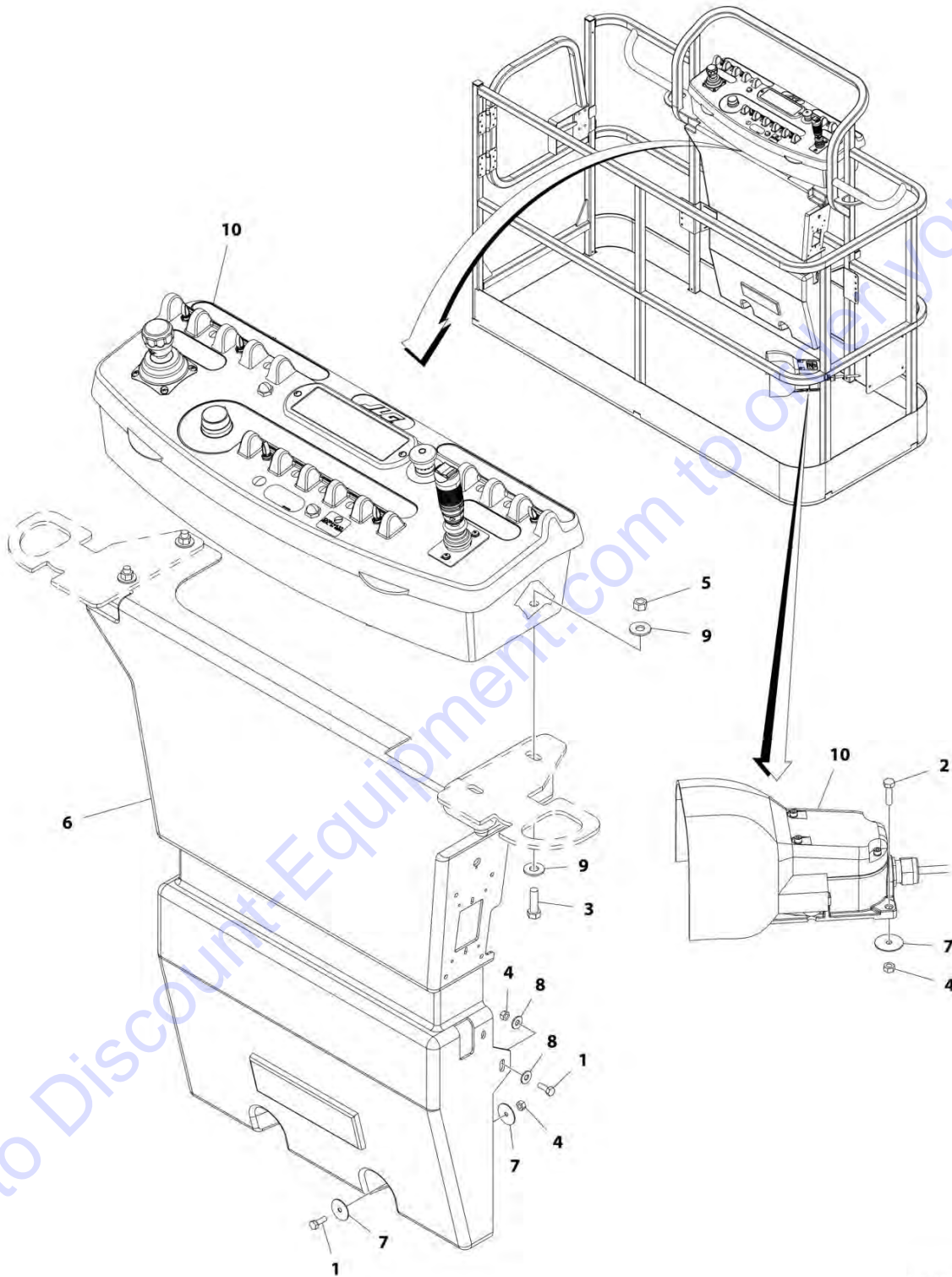
FIGURE 5-26. 2WD PLATFORM CONSOLE BOX INSTALLATION - WITH 1 CELL LSS - WITH SKYGUARD (NON UL SPECS) (E600J/E600JP/M600J/M600JP) (SN 0300256398 to Present)

ITEM	PART NUMBER	QTY	DESCRIPTION	REV
	1001239794	Ref	2WD PLATFORM CONSOLE BOX INSTALLATION - WITH 1 CELL LSS - WITH SKYGUARD (NON UL SPECS) (E600J/E600JP/M600J/M600JP)	A
1	0641406	4	Bolt 1/4 x 3/4	
2	0641408	3	Bolt 1/4 x 1	
3	0641610	4	Bolt 3/8 x 1-1/4	
4	3311405	7	Nut 1/4	
5	3311605	4	Nut 3/8	
6	3380434	1	Panel, Decal Mount	
7	4740362	7	Washer 1/4	
8	4751400	4	Washer 1/4	
9	4751600	8	Washer 3/8	
10	1001239796	1	Console Box Assembly (See 2WD PLATFORM CONSOLE BOX ASSEMBLY - WITH SKYGUARD (NON UL SPECS) (E600J/E600JP/M600J/M600JP) for Breakdown)	

Go to Discount-Equipment.com to order your parts

SECTION 5 - PLATFORM

FIGURE 5-27. 4WD PLATFORM CONSOLE BOX INSTALLATION - WITHOUT LSS OR WITH 4 CELL LSS - WITH SKYGUARD (NON UL SPECS) (E600J/E600JP/M600J/M600JP)



ART_1001212281

SECTION 5 - PLATFORM

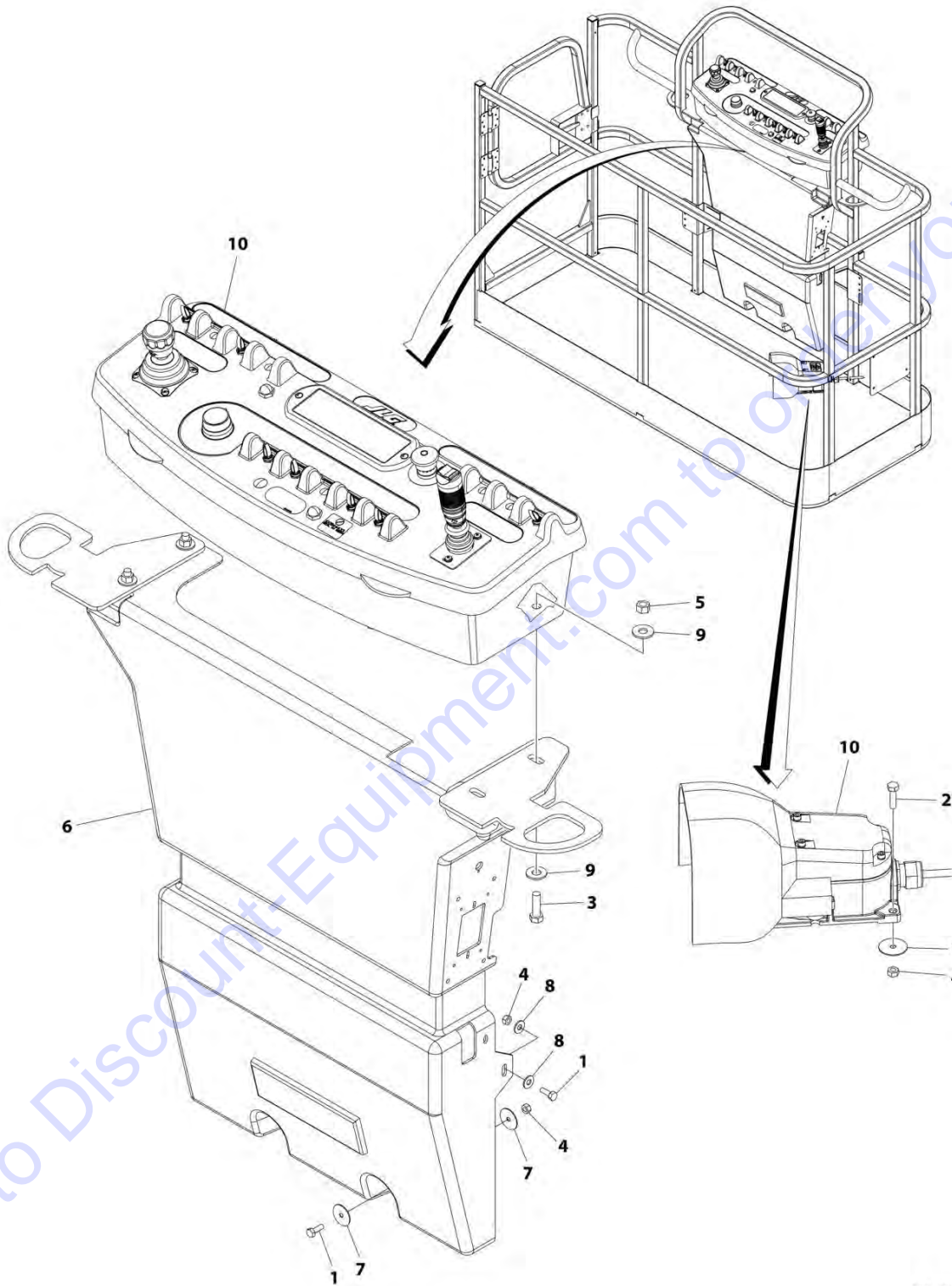
FIGURE 5-27. 4WD PLATFORM CONSOLE BOX INSTALLATION - WITHOUT LSS OR WITH 4 CELL LSS - WITH SKYGUARD (NON UL SPECS) (E600J/E600JP/M600J/M600JP)

ITEM	PART NUMBER	QTY	DESCRIPTION	REV
	1001212281	Ref	4WD PLATFORM CONSOLE BOX INSTALLATION - WITHOUT LSS OR WITH 4 CELL LSS - WITH SKYGUARD (NON UL SPECS) (E600J/E600JP/M600J/M600JP)	B
1	0641406	4	Bolt 1/4 x 3/4	
2	0641408	3	Bolt 1/4 x 1	
3	0641610	4	Bolt 3/8 x 1-1/4	
4	3311405	7	Nut 1/4	
5	3311605	4	Nut 3/8	
6	3380434	1	Panel, Decal Mount	
7	4740362	7	Washer 1/4	
8	4751400	4	Washer 1/4	
9	4751600	8	Washer 3/8	
10	1001212276	1	Console Box Assembly (See 4WD PLATFORM CONSOLE BOX ASSEMBLY - WITHOUT LSS OR WITH 4 CELL LSS - WITH SKYGUARD (NON UL SPECS) (E600J/E600JP/M600J/M600JP) for Breakdown)	

Go to Discount-Equipment.com to order your parts

SECTION 5 - PLATFORM

FIGURE 5-28. 4WD PLATFORM CONSOLE BOX INSTALLATION - WITH 1 CELL LSS - WITH SKYGUARD (NON UL SPECS) (E600J/E600JP/M600J/M600JP) (SN 0300219271 through 0300256397)



ART_1001220663

SECTION 5 - PLATFORM

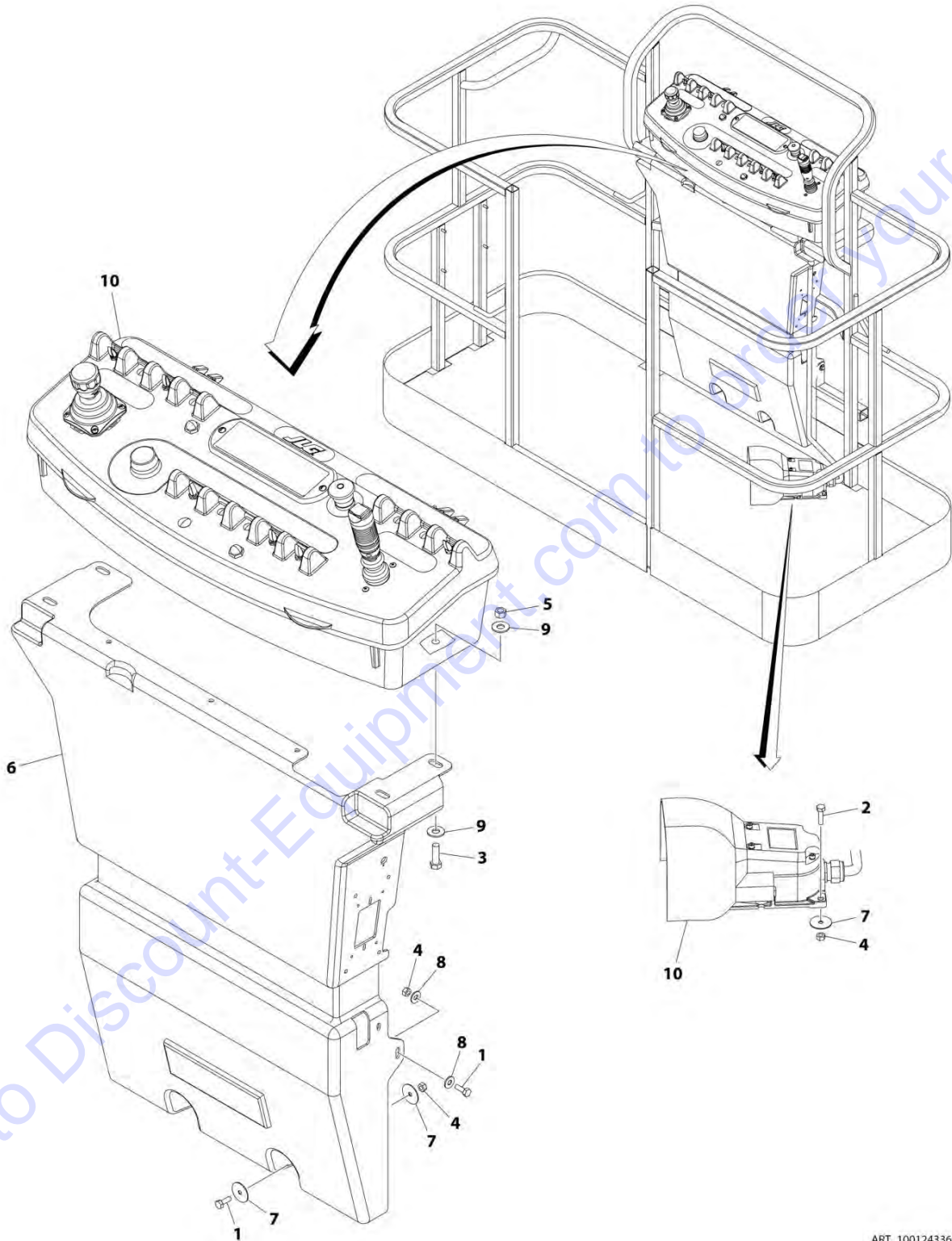
FIGURE 5-28. 4WD PLATFORM CONSOLE BOX INSTALLATION - WITH 1 CELL LSS - WITH SKYGUARD (NON UL SPECS) (E600J/E600JP/M600J/M600JP) (SN 0300219271 through 0300256397)

ITEM	PART NUMBER	QTY	DESCRIPTION	REV
	1001220663	Ref	4WD PLATFORM CONSOLE BOX INSTALLATION - WITH 1 CELL LSS - WITH SKYGUARD (NON UL SPECS) (E600J/E600JP/M600J/M600JP)	B
1	0641406	4	Bolt 1/4 x 3/4	
2	0641408	3	Bolt 1/4 x 1	
3	0641610	4	Bolt 3/8 x 1-1/4	
4	3311405	7	Nut 1/4	
5	3311605	4	Nut 3/8	
6	3380434	1	Panel, Decal Mount	
7	4740362	7	Washer 1/4	
8	4751400	4	Washer 1/4	
9	4751600	8	Washer 3/8	
10	1001219407	1	Console Box Assembly (See 4WD PLATFORM CONSOLE BOX ASSEMBLY - WITH SKYGUARD (NON UL SPECS) (E600J/E600JP/M600J/M600JP) for Breakdown)	

Go to Discount-Equipment.com to order your parts

SECTION 5 - PLATFORM

FIGURE 5-29. 4WD PLATFORM CONSOLE BOX INSTALLATION - WITH 1 CELL LSS - WITH SKYGUARD (NON UL SPECS) (E600J/E600JP/M600J/M600JP) (SN 0300256398 to Present)



ART_1001243360

SECTION 5 - PLATFORM

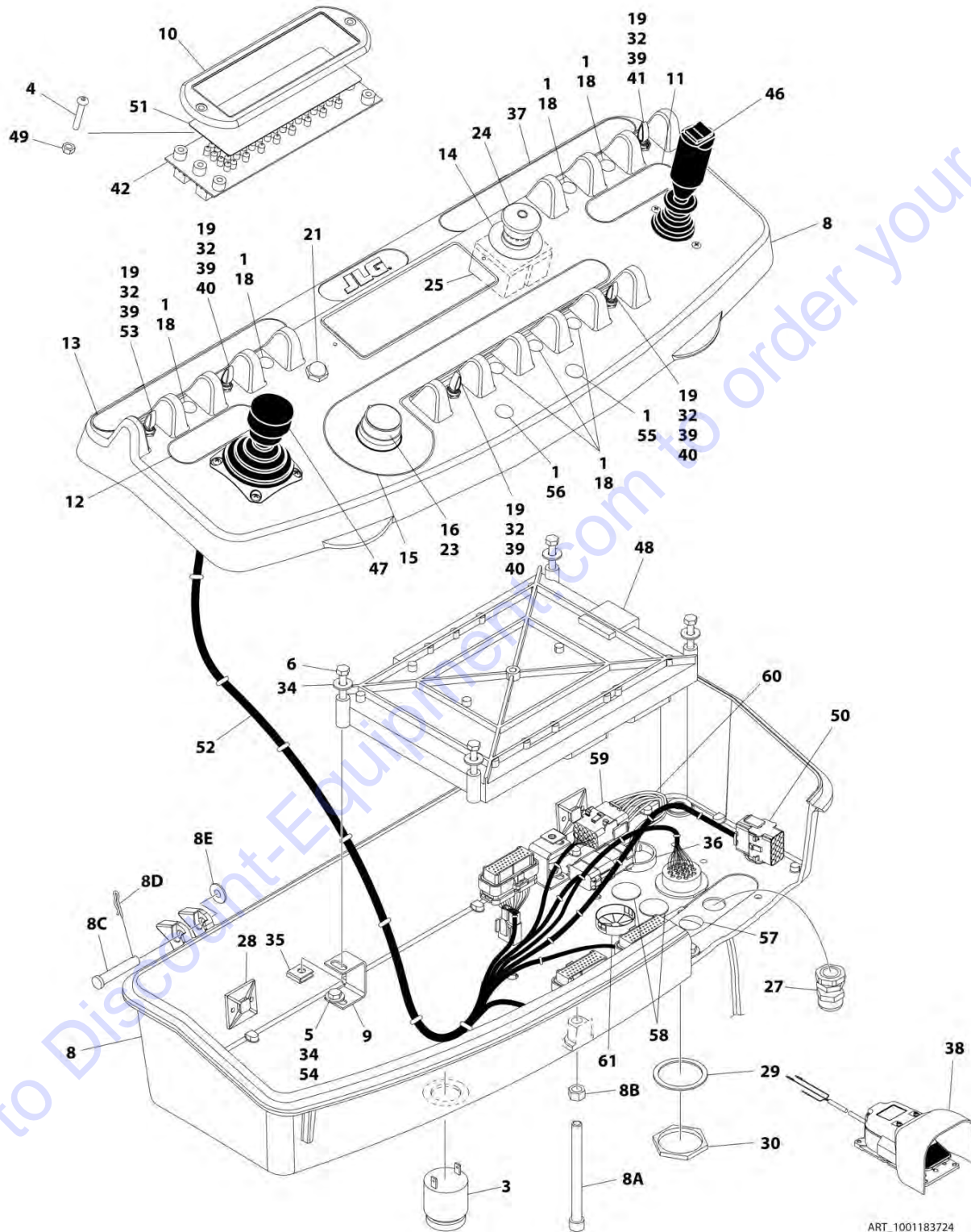
FIGURE 5-29. 4WD PLATFORM CONSOLE BOX INSTALLATION - WITH 1 CELL LSS - WITH SKYGUARD (NON UL SPECS) (E600J/E600JP/M600J/M600JP) (SN 0300256398 to Present)

ITEM	PART NUMBER	QTY	DESCRIPTION	REV
	1001243360	Ref	4WD PLATFORM CONSOLE BOX INSTALLATION - WITH 1 CELL LSS (NON UL SPECS) (E600J/E600JP/M600J/M600JP)	A
1	0641406	4	Bolt 1/4 x 3/4	
2	0641408	3	Bolt 1/4 x 1	
3	0641610	4	Bolt 3/8 x 1-1/4	
4	3311405	7	Nut 1/4	
5	3311605	4	Nut 3/8	
6	3380434	1	Panel, Decal Mount	
7	4740362	7	Washer 1/4	
8	4751400	4	Washer 1/4	
9	4751600	8	Washer 3/8	
10	1001243362	1	Console Box Assembly (See 4WD PLATFORM CONSOLE BOX ASSEMBLY (NON UL SPECS) (E600J/E600JP/M600J/M600JP) for Breakdown)	

Go to Discount-Equipment.com to order your parts

SECTION 5 - PLATFORM

FIGURE 5-30. 2WD PLATFORM CONSOLE BOX ASSEMBLY - WITHOUT LSS OR WITH 4 CELL LSS - WITHOUT SKYGUARD (NON UL SPECS) (E600/M600)



SECTION 5 - PLATFORM

FIGURE 5-30. 2WD PLATFORM CONSOLE BOX ASSEMBLY - WITHOUT LSS OR WITH 4 CELL LSS - WITHOUT SKYGUARD (NON UL SPECS) (E600/M600)

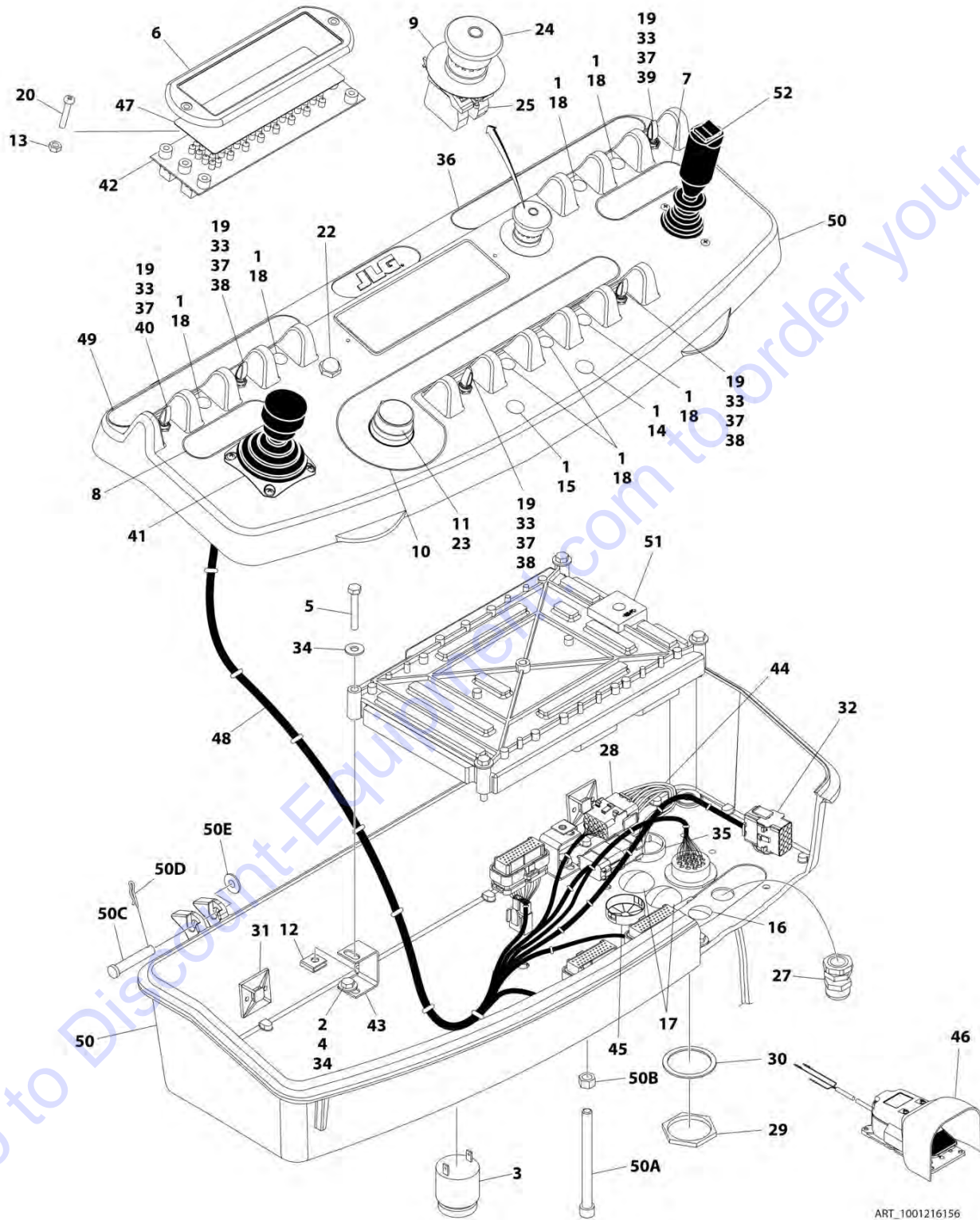
ITEM	PART NUMBER	QTY	DESCRIPTION	REV
	1001183724	Ref	2WD PLATFORM CONSOLE BOX ASSEMBLY - WITHOUT LSS OR WITH 4 CELL LSS - WITHOUT SKYGUARD (NON UL SPECS) (E600/M600)	E
1	0100009	AR	Adhesive, Silicone	
3	0140011	1	Alarm	
4	3911018	2	Screw #10 x 1-1/8	
5	0641404	4	Bolt 1/4 x 1/2	
6	0641414	4	Bolt 1/4 x 1-3/4	
8	1001201887	1	Box, Console Assembly	B
8A	0630568	1	Capscrew 3/8 x 4-1/2	
8B	3311601	1	Nut 3/8	
8C	3430616	2	Pin	
8D	3470003	2	Hairpin	
8E	4711600	2	Washer 3/8	
9	1001172760	4	Bracket	
10	1671176	1	Bezel	
11	1702565	1	Decal - Drive and Steer	
12	1702566	1	Decal - Lift and Swing	
13	1001193987	1	Decal - Stop and Drive Select	
14	1704260	1	Decal - Emergency Stop Switch	
15	1704422	1	Decal - Function Speed	
16	2560136	1	Knob, Speed Control	
18	3520054	7	Plug, Hole	
19	3790012	5	O-Ring	
20	4240032	AR	Tie-Strap (Not Shown)	
21	4360387	1	Switch, Push Button	
23	4360407	1	Switch, Potentiometer	
24	4360475	1	Switch, Emergency Stop	
24	7020175	1	Cap, Mushroom with Sealing Ring	
24	7020176	1	Block, Contact	
25	4360476	1	Block, Contact	
26	4460234	4	Mount, Tie-Strap (Not Shown)	
27	4460428	1	Connector, Strain Relief	
28	4460488	2	Mount, Tie-Strap	
29	4460471	1	Washer, Terminal	
30	4460470	1	Nut, Terminal	
32	4740397	5	Spacer, Washer	
34	4751400	8	Washer 1/4	
35	3300353	4	Nut, Tinnerman	
36	1001110434	1	Plug	
37	1001132175	1	Decal - Stop, Generator	
38	1001189039	1	Footswitch Assembly (See FOOTSWITCH ASSEMBLY for Breakdown)	
39	1001155044	5	Nut 15/32	
40	1001155045	3	Switch, Toggle	
41	1001159256	1	Switch, Toggle	
42	1001170838	1	Gauge, Led Panel	
46	1001166538	NLA	Controller Assembly - Drive and Steer (Use p/n 1001212415) (See CONTROLLER ASSEMBLY - DRIVE AND STEER for Breakdown)	
47	1001166539	NLA	Controller Assembly - Lift and Swing (See CONTROLLER	

SECTION 5 - PLATFORM

ITEM	PART NUMBER	QTY	DESCRIPTION	REV
			ASSEMBLY - LIFT AND SWING for Breakdown) (Note: Use p/n 1001129555 as Replacement)	
48	1001196520	1	Module, Platform (Note: Re-calibration Required when Replaced)	
49	3300408	2	Nut	
50	4460708	1	Connector - 15 Position	
51	1001190797	1	Display - Light Panel	
52	1001191318	1	Platform Console Harness (See ELECTRICAL SECTION for Breakdown)	
53	1001161710	1	Switch, Toggle	
54	0100075	AR	Loctite #545	
55	3520026	1	Plug, Hole	
56	3520027	1	Plug	
57	3520030	1	Hole, Plug	
58	3520033	2	Plug	
59	4460434	1	Connector - 15 Position	
60	1001183276	1	Upper Valve Harness (See ELECTRICAL SECTION for Breakdown)	
61	1001185281	1	Plug	

SECTION 5 - PLATFORM

FIGURE 5-31. 2WD PLATFORM CONSOLE BOX ASSEMBLY - WITHOUT LSS OR WITH 4 CELL LSS - WITHOUT SKYGUARD (UL SPECS) (E600)



SECTION 5 - PLATFORM

FIGURE 5-31. 2WD PLATFORM CONSOLE BOX ASSEMBLY - WITHOUT LSS OR WITH 4 CELL LSS - WITHOUT SKYGUARD (UL SPECS) (E600)

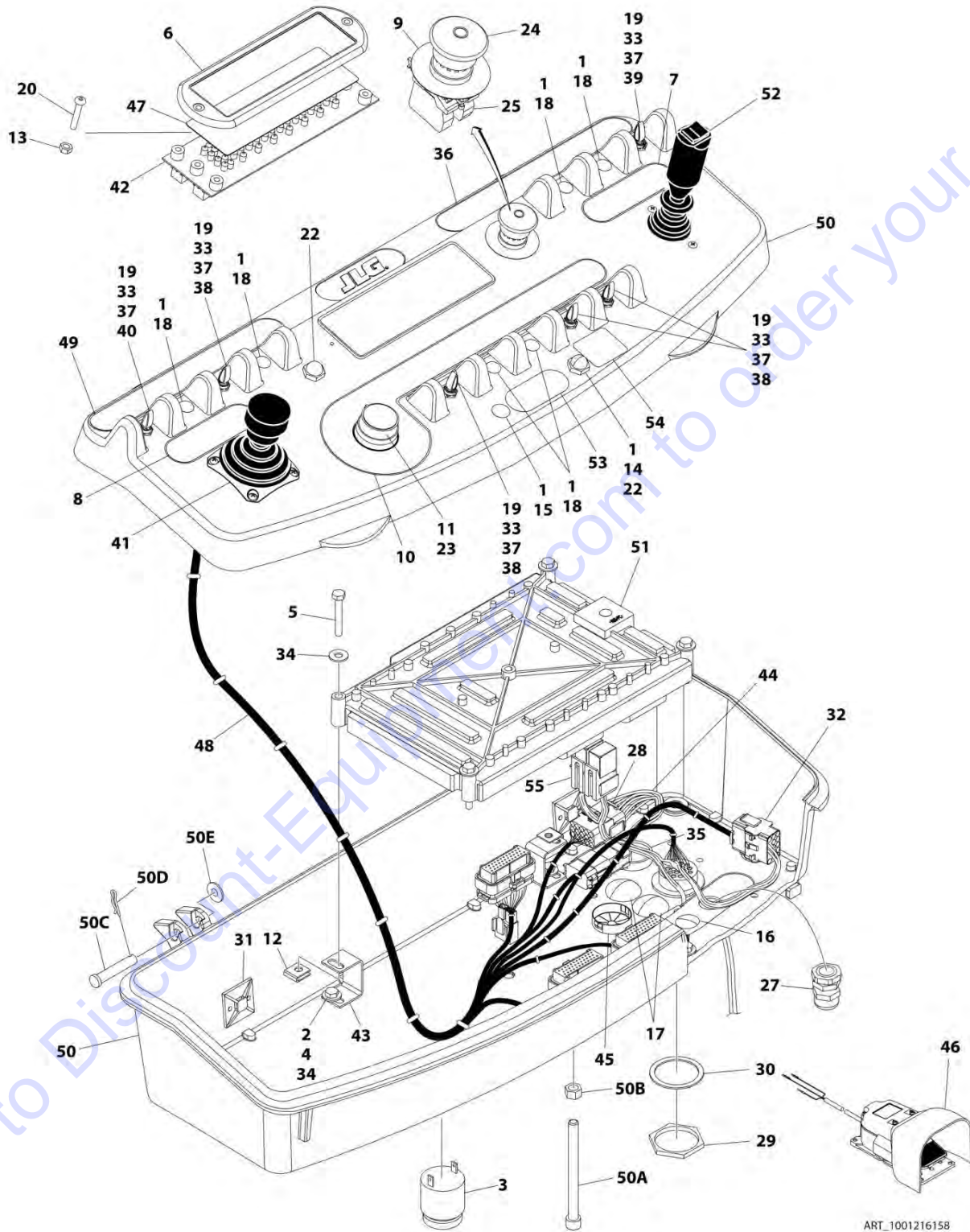
ITEM	PART NUMBER	QTY	DESCRIPTION	REV
	1001216156	Ref	2WD PLATFORM CONSOLE BOX ASSEMBLY - WITHOUT LSS OR WITH 4 CELL LSS - WITHOUT SKYGUARD (UL SPECS) (E600)	B
1	0100009	AR	Adhesive, Silicone	
2	0100075	AR	Loctite #545	
3	0140011	1	Alarm	
4	0641404	4	Bolt 1/4 x 1/2	
5	0641414	4	Bolt 1/4 x 1-3/4	
6	1671176	1	Bezel	
7	1702565	1	Decal - Drive and Steer	
8	1702566	1	Decal - Lift and Swing	
9	1704260	1	Decal - Emergency Stop Switch	
10	1704422	1	Decal - Function Speed	
11	2560136	1	Knob, Speed Control	
12	3300353	4	Nut, Tinnerman	
13	3300408	2	Nut	
14	3520026	1	Plug, Hole	
15	3520027	1	Plug	
16	3520030	1	Hole, Plug	
17	3520033	2	Plug (SN 0300219271 through 0300226266)	
17	1001220486	2	Plug (SN 0300226267 to Present)	
18	3520054	7	Plug, Hole	
19	3790012	5	O-Ring	
20	3911018	2	Screw #10 x 1-1/8	
21	4240032	AR	Tie-Strap (Not Shown)	
22	4360387	1	Switch, Push Button	
23	4360407	1	Switch, Potentiometer	
24	4360475	1	Switch, Emergency Stop	
24	7020175	1	Cap, Mushroom with Sealing Ring	
24	7020176	1	Block, Contact	
25	4360476	1	Block, Contact	
26	4460234	4	Mount, Tie-Strap (Not Shown)	
27	4460428	1	Connector, Strain Relief	
28	4460434	1	Connector - 15 Position	
29	4460470	1	Nut, Terminal	
30	4460471	1	Washer, Terminal	
31	4460488	2	Mount, Tie-Strap	
32	4460708	1	Connector - 15 Position	
33	4740397	5	Spacer, Washer	
34	4751400	8	Washer 1/4	
35	1001110434	1	Plug	
36	1001132175	1	Decal - Stop, Generator	
37	1001155044	5	Nut 15/32	
38	1001155045	3	Switch, Toggle	
39	1001159256	1	Switch, Toggle	
40	1001161710	1	Switch, Toggle	
41	1001166539	NLA	Controller Assembly - Lift and Swing (See CONTROLLER ASSEMBLY - LIFT AND SWING for Breakdown) (Note: Use p/n 1001129555 as Replacement)	
42	1001170838	1	Gauge, Led Panel	

SECTION 5 - PLATFORM

ITEM	PART NUMBER	QTY	DESCRIPTION	REV
43	1001172760	4	Bracket	
44	1001183276	1	Upper Valve Harness (See ELECTRICAL SECTION for Breakdown)	
45	1001185281	1	Plug	
46	1001189039	1	Footswitch Assembly (See FOOTSWITCH ASSEMBLY for Breakdown)	
47	1001190797	1	Display - Light Panel	
48	1001191318	1	Platform Console Harness (See ELECTRICAL SECTION for Breakdown)	
49	1001193987	1	Decal - Stop and Drive Select	
50	1001201887	1	Box, Console Assembly	B
50A	0630568	1	Capscrew 3/8 x 4-1/2	
50B	3311601	1	Nut 3/8	
50C	3430616	2	Pin	
50D	3470003	2	Hairpin	
50E	4711600	2	Washer 3/8	
51	1001215835	1	Module, Platform (Note: Re-calibration Required when Replaced)	
52	1001166538	NLA	Controller Assembly - Drive and Steer (Use p/n 1001212415) (See CONTROLLER ASSEMBLY - DRIVE AND STEER for Breakdown)	

SECTION 5 - PLATFORM

FIGURE 5-32. 2WD PLATFORM CONSOLE BOX ASSEMBLY - WITHOUT LSS OR WITH 4 CELL LSS - WITH SKYGUARD (UL SPECS) (E600J/E600JP) (SN 0300219271 through 0300256397)



ART_1001216158

SECTION 5 - PLATFORM

FIGURE 5-32. 2WD PLATFORM CONSOLE BOX ASSEMBLY - WITHOUT LSS OR WITH 4 CELL LSS - WITH SKYGUARD (UL SPECS) (E600J/E600JP) (SN 0300219271 through 0300256397)

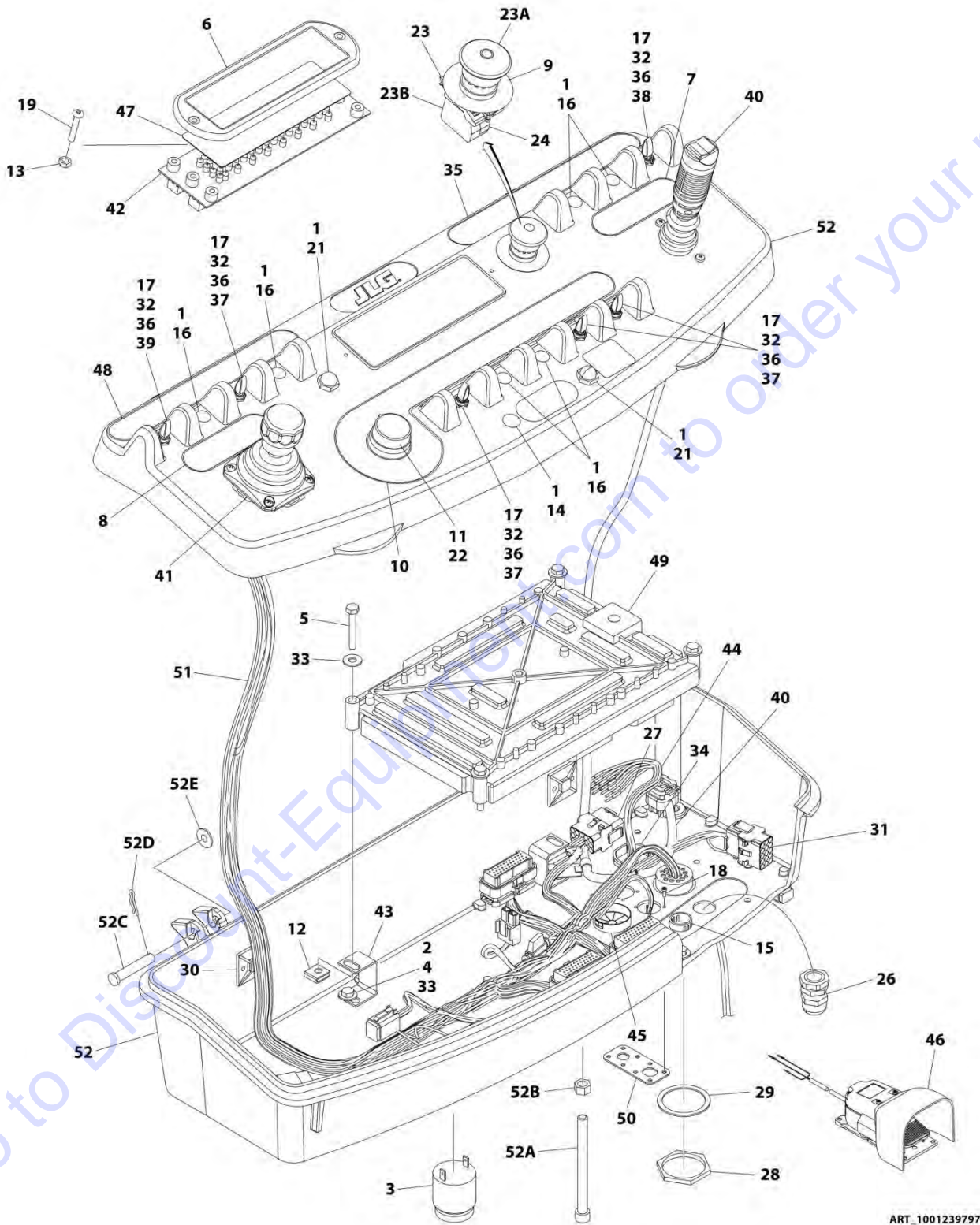
ITEM	PART NUMBER	QTY	DESCRIPTION	REV
	1001216158	Ref	2WD PLATFORM CONSOLE BOX ASSEMBLY - WITHOUT LSS OR WITH 4 CELL LSS - WITH SKYGUARD (UL SPECS) (E600J/E600JP)	D
1	0100009	AR	Adhesive, Silicone	
2	0100075	AR	Loctite #545	
3	0140011	1	Alarm	
4	0641404	4	Bolt 1/4 x 1/2	
5	0641414	4	Bolt 1/4 x 1-3/4	
6	1671176	1	Bezel	
7	1702565	1	Decal - Drive and Steer	
8	1702566	1	Decal - Lift and Swing	
9	1704260	1	Decal - Emergency Stop Switch	
10	1704422	1	Decal - Function Speed	
11	2560136	1	Knob, Speed Control	
12	3300353	4	Nut, Tinnerman	
13	3300408	2	Nut	
14	3520026	1	Plug, Hole (SN 0300219271 through 0300227392)	
15	3520027	1	Plug	
16	3520030	1	Hole, Plug	
17	3520033	2	Plug (SN 0300219271 through 0300226266)	
17	1001220486	2	Plug (SN 0300226267 through 0300256397)	
18	3520054	6	Plug, Hole	
19	3790012	6	O-Ring	
20	3911018	2	Screw #10 x 1-1/8	
21	4240032	AR	Tie-Strap (Not Shown)	
22	4360387	AR	Switch, Push Button	
23	4360407	1	Switch, Potentiometer	
24	4360475	1	Switch, Emergency Stop	
24	7020175	1	Cap, Mushroom with Sealing Ring	
24	7020176	1	Block, Contact	
25	4360476	1	Block, Contact	
26	4460234	4	Mount, Tie-Strap (Not Shown)	
27	4460428	1	Connector, Strain Relief	
28	4460434	1	Connector - 15 Position	
29	4460470	1	Nut, Terminal	
30	4460471	1	Washer, Terminal	
31	4460488	2	Mount, Tie-Strap	
32	4460708	1	Connector - 15 Position	
33	4740397	6	Spacer, Washer	
34	4751400	8	Washer 1/4	
35	1001110434	1	Plug	
36	1001132175	1	Decal - Stop, Generator	
37	1001155044	6	Nut 15/32	
38	1001155045	4	Switch, Toggle	
39	1001159256	1	Switch, Toggle	
40	1001161710	1	Switch, Toggle	
41	1001166539	NLA	Controller Assembly - Lift and Swing (See CONTROLLER ASSEMBLY - LIFT AND SWING for Breakdown) (Note: Use p/n 1001129555 as Replacement)	
42	1001170838	1	Gauge, Led Panel	

SECTION 5 - PLATFORM

ITEM	PART NUMBER	QTY	DESCRIPTION	REV
43	1001172760	4	Bracket	
44	1001183276	1	Upper Valve Harness (See ELECTRICAL SECTION for Breakdown)	
45	1001185281	1	Plug	
46	1001189039	1	Footswitch Assembly (See FOOTSWITCH ASSEMBLY for Breakdown)	
47	1001190797	1	Display - Light Panel	
48	1001191318	1	Platform Console Harness (See ELECTRICAL SECTION for Breakdown)	
49	1001193987	1	Decal - Stop and Drive Select	
50	1001201887	1	Box, Console Assembly	B
50A	0630568	1	Capscrew 3/8 x 4-1/2	
50B	3311601	1	Nut 3/8	
50C	3430616	2	Pin	
50D	3470003	2	Hairpin	
50E	4711600	2	Washer 3/8	
51	1001215835	1	Module, Platform (Note: Re-calibration Required when Replaced)	
52	1001166538	NLA	Controller Assembly - Drive and Steer (Use p/n 1001212415) (See CONTROLLER ASSEMBLY - DRIVE AND STEER for Breakdown)	
53	1001141300	1	Decal Platform Sensor Override (SN 0300227392 through 0300256397)	
54	1001144433	1	Decal No Weight (SN 0300227392 through 0300256397)	
55	1001192292	1	Harness, SkyGuard (See ELECTRICAL SECTION for Breakdown) (SN 0300227392 through 0300256397)	

SECTION 5 - PLATFORM

FIGURE 5-33. 2WD PLATFORM CONSOLE BOX ASSEMBLY - WITHOUT LSS OR WITH 1 CELL LSS (UL SPECS) (E600J/E600JP) (SN 0300256398 to Present)



SECTION 5 - PLATFORM

**FIGURE 5-33. 2WD PLATFORM CONSOLE BOX ASSEMBLY - WITHOUT LSS OR WITH 1 CELL LSS
(UL SPECS) (E600J/E600JP) (SN 0300256398 to Present)**

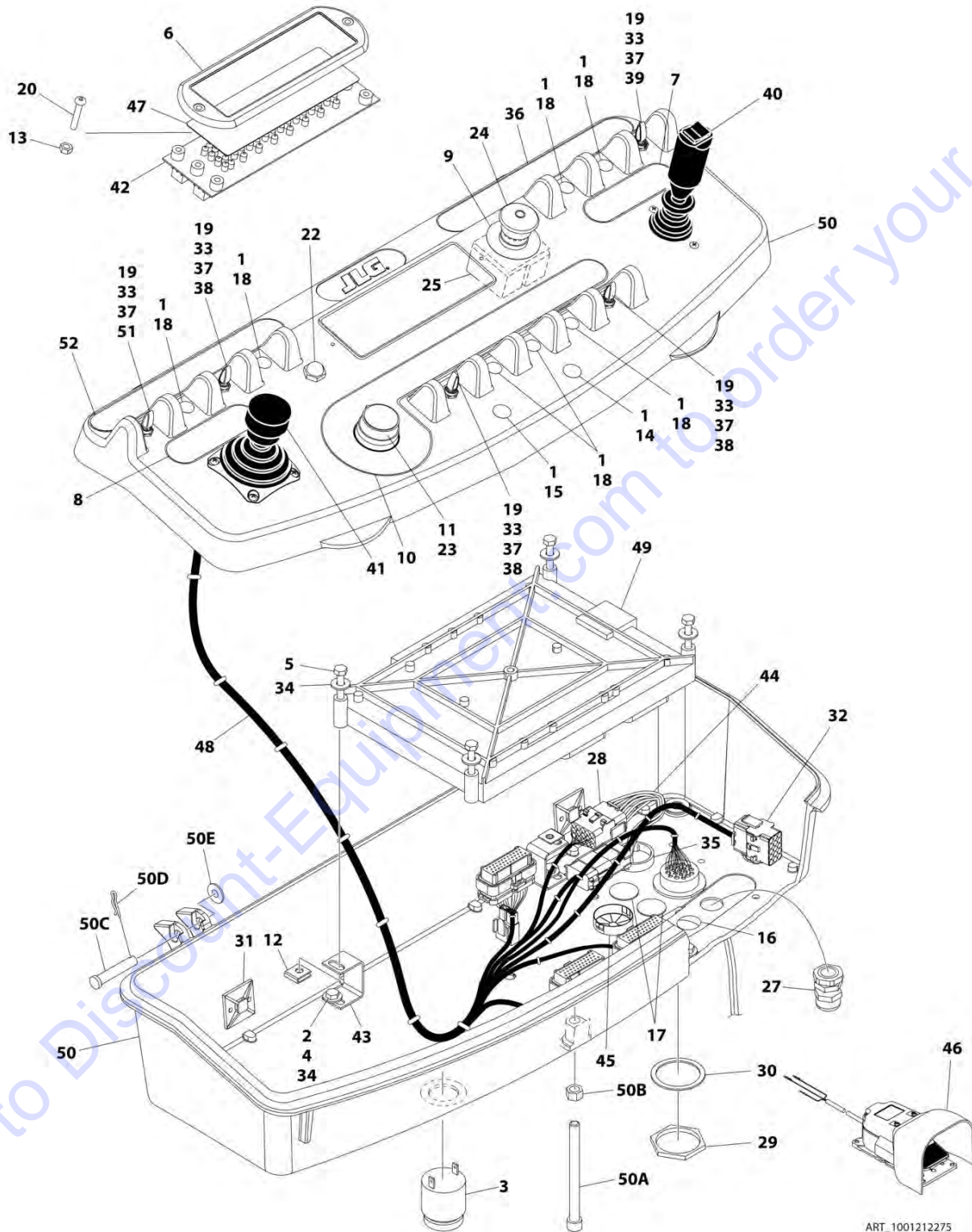
ITEM	PART NUMBER	QTY	DESCRIPTION	REV
	1001239797	Ref	2WD PLATFORM CONSOLE BOX ASSEMBLY - WITHOUT LSS OR WITH 1 CELL LSS (UL SPECS) (E600J/E600JP)	B
1	0100009	AR	Adhesive, Silicone	
2	0100035	AR	Loctite #222	
3	0140011	1	Alarm	
4	0641404	4	Bolt 1/4 x 1/2	
5	0641414	4	Bolt 1/4 x 1-3/4	
6	1671176	1	Bezel	
7	1702565	1	Decal - Drive and Steer	
8	1702566	1	Decal - Lift and Swing	
9	1704260	1	Decal - Emergency Stop Switch	
10	1704422	1	Decal - Function Speed	
11	2560136	1	Knob, Speed Control	
12	3300353	4	Nut, Tinnerman	
13	3300408	2	Nut	
14	3520027	1	Plug	
15	3520030	1	Hole, Plug	
16	3520054	7	Plug, Hole	
17	3790012	6	O-Ring	
18	3900349	8	Screw M2.5	
19	3911018	2	Screw #10 x 1-1/8	
20	4240032	AR	Tie-Strap (Not Shown)	
21	4360387	2	Switch, Push Button	
22	4360407	1	Switch, Potentiometer	
23	4360475	1	Switch, Emergency Stop	
23A	7020175	1	Cap, Mushroom with Sealing Ring	
23B	7020176	1	Block, Contact	
24	4360476	1	Block, Contact	
25	4460234	4	Mount, Tie-Strap (Not Shown)	
26	4460428	1	Connector, Strain Relief	
27	4460434	1	Connector - 15 Position	
28	4460470	1	Nut, Terminal	
29	4460471	1	Washer, Terminal	
30	4460488	2	Mount, Tie-Strap	
31	4460708	1	Connector - 15 Position	
32	4740397	6	Spacer, Washer	
33	4751400	8	Washer 1/4	
34	1001110434	1	Plug	
35	1001132175	1	Decal - Stop, Generator	
36	1001155044	6	Nut 15/32	
37	1001155045	4	Switch, Toggle	
38	1001159256	1	Switch, Toggle	
39	1001161710	1	Switch, Toggle	
40	1001166538	NLA	Controller Assembly - Drive and Steer (Use p/n 1001212415) (See CONTROLLER ASSEMBLY - DRIVE AND STEER for Breakdown)	
41	1001166539	NLA	Controller Assembly - Lift and Swing (See CONTROLLER ASSEMBLY - LIFT AND SWING for Breakdown) (Note: Use p/n 1001129555 as Replacement)	
42	1001170838	1	Gauge, Led Panel	
43	1001172760	4	Bracket	

SECTION 5 - PLATFORM

ITEM	PART NUMBER	QTY	DESCRIPTION	REV
44	1001183276	1	Upper Valve Harness (See ELECTRICAL SECTION for Breakdown)	
45	1001185281	1	Plug	
46	1001189039	1	Footswitch Assembly (See FOOTSWITCH ASSEMBLY for Breakdown)	
47	1001190797	1	Display - Light Panel	
48	1001193987	1	Decal - Stop and Drive Select	
49	1001215835	1	Module, Platform (Note: Re-calibration Required when Replaced)	
50	1001213882	1	Mount, Connector	
51	1001191318	1	Platform Console Harness (See ELECTRICAL SECTION for Breakdown) (SN 0300219271 through 0300256397)	
51	1001217621	1	Platform Console Harness (See ELECTRICAL SECTION for Breakdown) (SN 0300256398 to Present)	
52	1001218068	1	Box, Console Assembly	
52A	0630568	1	Capscrew 3/8 x 4-1/2	
52B	3311601	1	Nut 3/8	
52C	3430616	2	Pin	
52D	3470003	2	Hairpin	
52E	4711600	2	Washer 3/8	

SECTION 5 - PLATFORM

FIGURE 5-34. 4WD PLATFORM CONSOLE BOX ASSEMBLY - WITHOUT LSS OR WITH 4 CELL LSS - WITHOUT SKYGUARD (NON UL SPECS) (E600/M600)



ART_1001212275

SECTION 5 - PLATFORM

FIGURE 5-34. 4WD PLATFORM CONSOLE BOX ASSEMBLY - WITHOUT LSS OR WITH 4 CELL LSS - WITHOUT SKYGUARD (NON UL SPECS) (E600/M600)

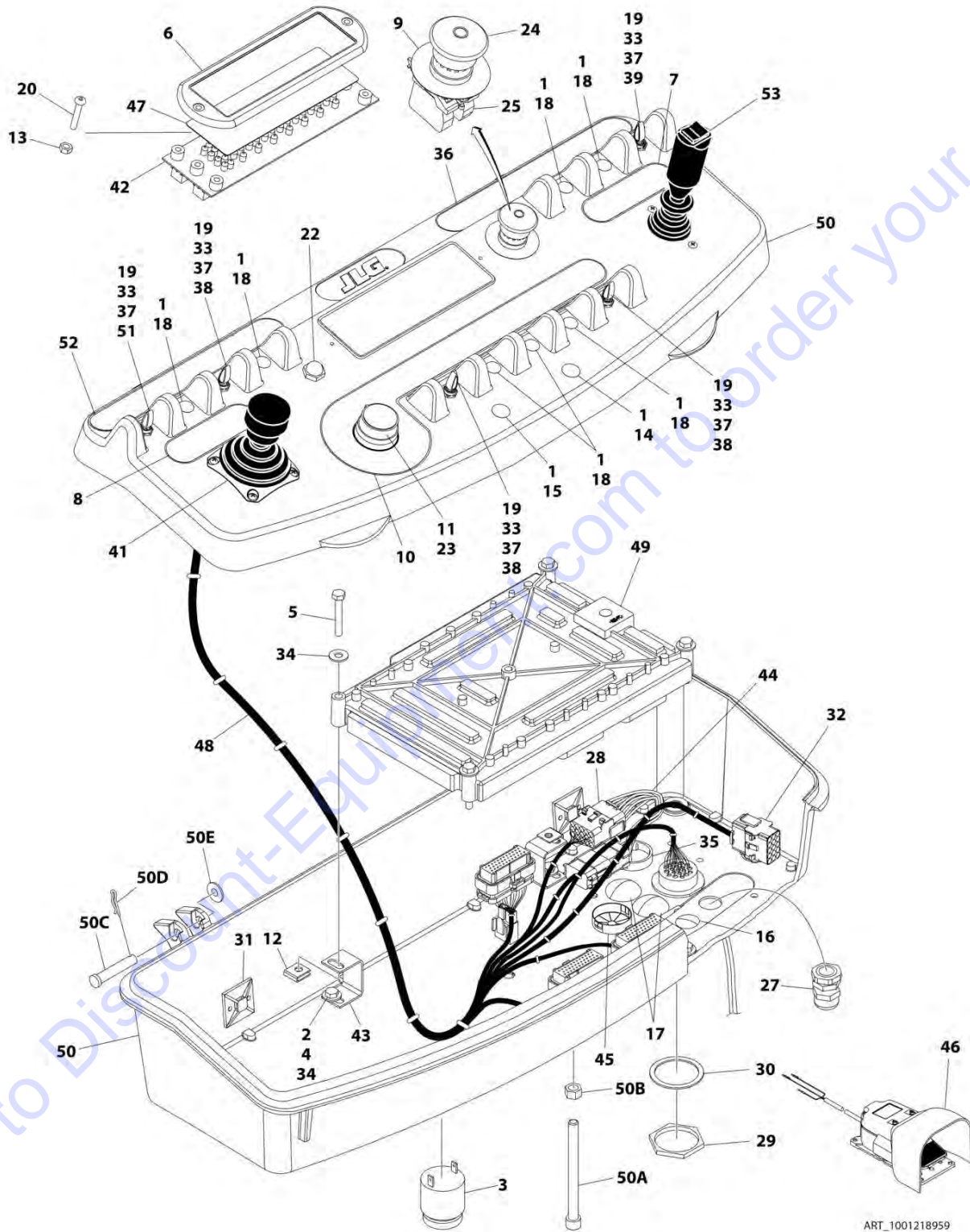
ITEM	PART NUMBER	QTY	DESCRIPTION	REV
	1001212275	Ref	4WD PLATFORM CONSOLE BOX ASSEMBLY - WITHOUT LSS OR WITH 4 CELL LSS - WITHOUT SKYGUARD (NON UL SPECS) (E600/M600)	A
1	0100009	AR	Adhesive, Silicone	
2	0100075	AR	Loctite #545	
3	0140011	1	Alarm	
4	0641404	4	Bolt 1/4 x 1/2	
5	0641414	4	Bolt 1/4 x 1-3/4	
6	1671176	1	Bezel	
7	1702565	1	Decal - Drive and Steer	
8	1702566	1	Decal - Lift and Swing	
9	1704260	1	Decal - Emergency Stop Switch	
10	1704422	1	Decal - Function Speed	
11	2560136	1	Knob, Speed Control	
12	3300353	4	Nut, Tinnerman	
13	3300408	2	Nut	
14	3520026	1	Plug, Hole	
15	3520027	1	Plug	
16	3520030	1	Hole, Plug	
17	3520033	2	Plug	
18	3520054	7	Plug, Hole	
19	3790012	5	O-Ring	
20	3911018	2	Screw #10 x 1-1/8	
21	4240032	AR	Tie-Strap (Not Shown)	
22	4360387	1	Switch, Push Button	
23	4360407	1	Switch, Potentiometer	
24	4360475	1	Switch, Emergency Stop	
24	7020175	1	Cap, Mushroom with Sealing Ring	
24	7020176	1	Block, Contact	
25	4360476	1	Block, Contact	
26	4460234	4	Mount, Tie-Strap (Not Shown)	
27	4460428	1	Connector, Strain Relief	
28	4460434	1	Connector - 15 Position	
29	4460470	1	Nut, Terminal	
30	4460471	1	Washer, Terminal	
31	4460488	2	Mount, Tie-Strap	
32	4460708	1	Connector - 15 Position	
33	4740397	5	Spacer, Washer	
34	4751400	8	Washer 1/4	
35	1001110434	1	Plug	
36	1001132175	1	Decal - Stop, Generator	
37	1001155044	5	Nut 15/32	
38	1001155045	3	Switch, Toggle	
39	1001159256	1	Switch, Toggle	
40	1001166538	NLA	Controller Assembly - Drive and Steer (Use p/n 1001212415) (See CONTROLLER ASSEMBLY - DRIVE AND STEER for Breakdown)	
41	1001166539	NLA	Controller Assembly - Lift and Swing (See CONTROLLER ASSEMBLY - LIFT AND SWING for Breakdown) (Note: Use p/n 1001129555 as Replacement)	
42	1001170838	1	Gauge, Led Panel	

SECTION 5 - PLATFORM

ITEM	PART NUMBER	QTY	DESCRIPTION	REV
43	1001172760	4	Bracket	
44	1001183276	1	Upper Valve Harness (See ELECTRICAL SECTION for Breakdown)	
45	1001185281	1	Plug	
46	1001189039	1	Footswitch Assembly (See FOOTSWITCH ASSEMBLY for Breakdown)	
47	1001190797	1	Display - Light Panel	
48	1001191318	1	Platform Console Harness (See ELECTRICAL SECTION for Breakdown)	
49	1001196520	1	Module, Platform (Note: Re-calibration Required when Replaced)	
50	1001201887	1	Box, Console Assembly	B
50A	0630568	1	Capscrew 3/8 x 4-1/2	
50B	3311601	1	Nut 3/8	
50C	3430616	2	Pin	
50D	3470003	2	Hairpin	
50E	4711600	2	Washer 3/8	
51	1001211363	1	Switch, Toggle	
52	1001212277	1	Decal - Horn and Drive Select	

SECTION 5 - PLATFORM

FIGURE 5-35. 4WD PLATFORM CONSOLE BOX ASSEMBLY - WITHOUT LSS OR WITH 4 CELL LSS - WITHOUT SKYGUARD (UL SPECS) (E600)



ART_1001218959

SECTION 5 - PLATFORM

FIGURE 5-35. 4WD PLATFORM CONSOLE BOX ASSEMBLY - WITHOUT LSS OR WITH 4 CELL LSS - WITHOUT SKYGUARD (UL SPECS) (E600)

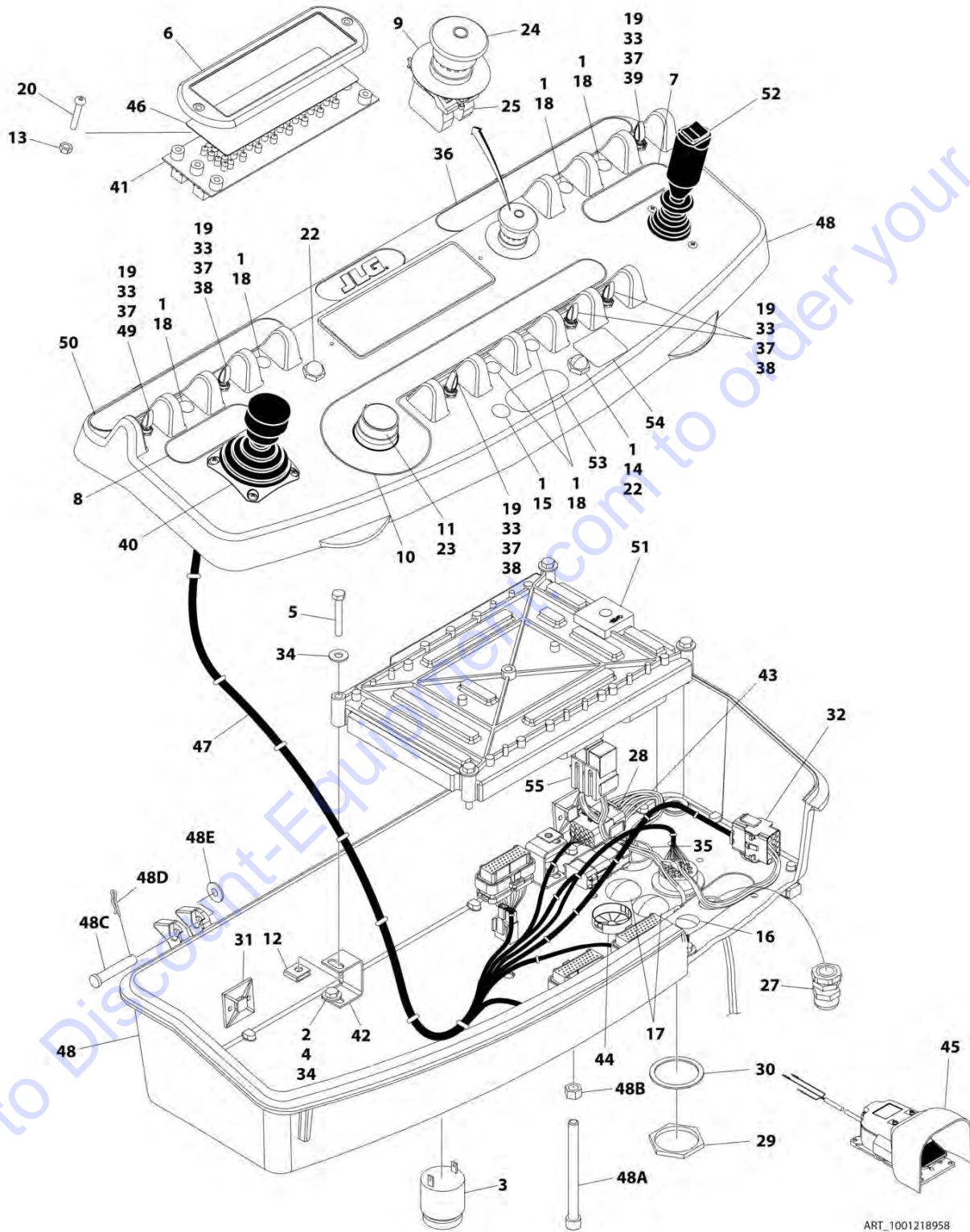
ITEM	PART NUMBER	QTY	DESCRIPTION	REV
	1001218959	Ref	4WD PLATFORM CONSOLE BOX ASSEMBLY - WITHOUT LSS OR WITH 4 CELL LSS - WITHOUT SKYGUARD (UL SPECS) (E600)	B
1	0100009	AR	Adhesive, Silicone	
2	0100075	AR	Loctite #545	
3	0140011	1	Alarm	
4	0641404	4	Bolt 1/4 x 1/2	
5	0641414	4	Bolt 1/4 x 1-3/4	
6	1671176	1	Bezel	
7	1702565	1	Decal - Drive and Steer	
8	1702566	1	Decal - Lift and Swing	
9	1704260	1	Decal - Emergency Stop Switch	
10	1704422	1	Decal - Function Speed	
11	2560136	1	Knob, Speed Control	
12	3300353	4	Nut, Tinnerman	
13	3300408	2	Nut	
14	3520026	1	Plug, Hole	
15	3520027	1	Plug	
16	3520030	1	Hole, Plug	
17	3520033	2	Plug (SN 0300219271 through 0300226266)	
17	1001220486	2	Plug (SN 0300226267 to Present)	
18	3520054	7	Plug, Hole	
19	3790012	5	O-Ring	
20	3911018	2	Screw #10 x 1-1/8	
21	4240032	AR	Tie-Strap (Not Shown)	
22	4360387	1	Switch, Push Button	
23	4360407	1	Switch, Potentiometer	
24	4360475	1	Switch, Emergency Stop	
24	7020175	1	Cap, Mushroom with Sealing Ring	
24	7020176	1	Block, Contact	
25	4360476	1	Block, Contact	
26	4460234	4	Mount, Tie-Strap (Not Shown)	
27	4460428	1	Connector, Strain Relief	
28	4460434	1	Connector - 15 Position	
29	4460470	1	Nut, Terminal	
30	4460471	1	Washer, Terminal	
31	4460488	2	Mount, Tie-Strap	
32	4460708	1	Connector - 15 Position	
33	4740397	5	Spacer, Washer	
34	4751400	8	Washer 1/4	
35	1001110434	1	Plug	
36	1001132175	1	Decal - Stop, Generator	
37	1001155044	5	Nut 15/32	
38	1001155045	3	Switch, Toggle	
39	1001159256	1	Switch, Toggle	
41	1001166539	NLA	Controller Assembly - Lift and Swing (See CONTROLLER ASSEMBLY - LIFT AND SWING for Breakdown) (Note: Use p/n 1001129555 as Replacement)	
42	1001170838	1	Gauge, Led Panel	
43	1001172760	4	Bracket	

SECTION 5 - PLATFORM

ITEM	PART NUMBER	QTY	DESCRIPTION	REV
44	1001183276	1	Upper Valve Harness (See ELECTRICAL SECTION for Breakdown)	
45	1001185281	1	Plug	
46	1001189039	1	Footswitch Assembly (See FOOTSWITCH ASSEMBLY for Breakdown)	
47	1001190797	1	Display - Light Panel	
48	1001191318	1	Platform Console Harness (See ELECTRICAL SECTION for Breakdown)	
49	1001215835	1	Module, Platform (Note: Re-calibration Required when Replaced)	
50	1001201887	1	Box, Console Assembly	B
50A	0630568	1	Capscrew 3/8 x 4-1/2	
50B	3311601	1	Nut 3/8	
50C	3430616	2	Pin	
50D	3470003	2	Hairpin	
50E	4711600	2	Washer 3/8	
51	1001211363	1	Switch, Toggle	
52	1001212277	1	Decal - Horn and Drive Select	
53	1001166538	NLA	Controller Assembly - Drive and Steer (Use p/n 1001212415) (See CONTROLLER ASSEMBLY - DRIVE AND STEER for Breakdown)	

SECTION 5 - PLATFORM

FIGURE 5-36. 4WD PLATFORM CONSOLE BOX ASSEMBLY - WITHOUT LSS OR WITH 4 CELL LSS - WITH SKYGUARD (UL SPECS) (E600J/E600JP) (SN 0300219271 through 0300256397)



ART_1001218958

SECTION 5 - PLATFORM

FIGURE 5-36. 4WD PLATFORM CONSOLE BOX ASSEMBLY - WITHOUT LSS OR WITH 4 CELL LSS - WITH SKYGUARD (UL SPECS) (E600J/E600JP) (SN 0300219271 through 0300256397)

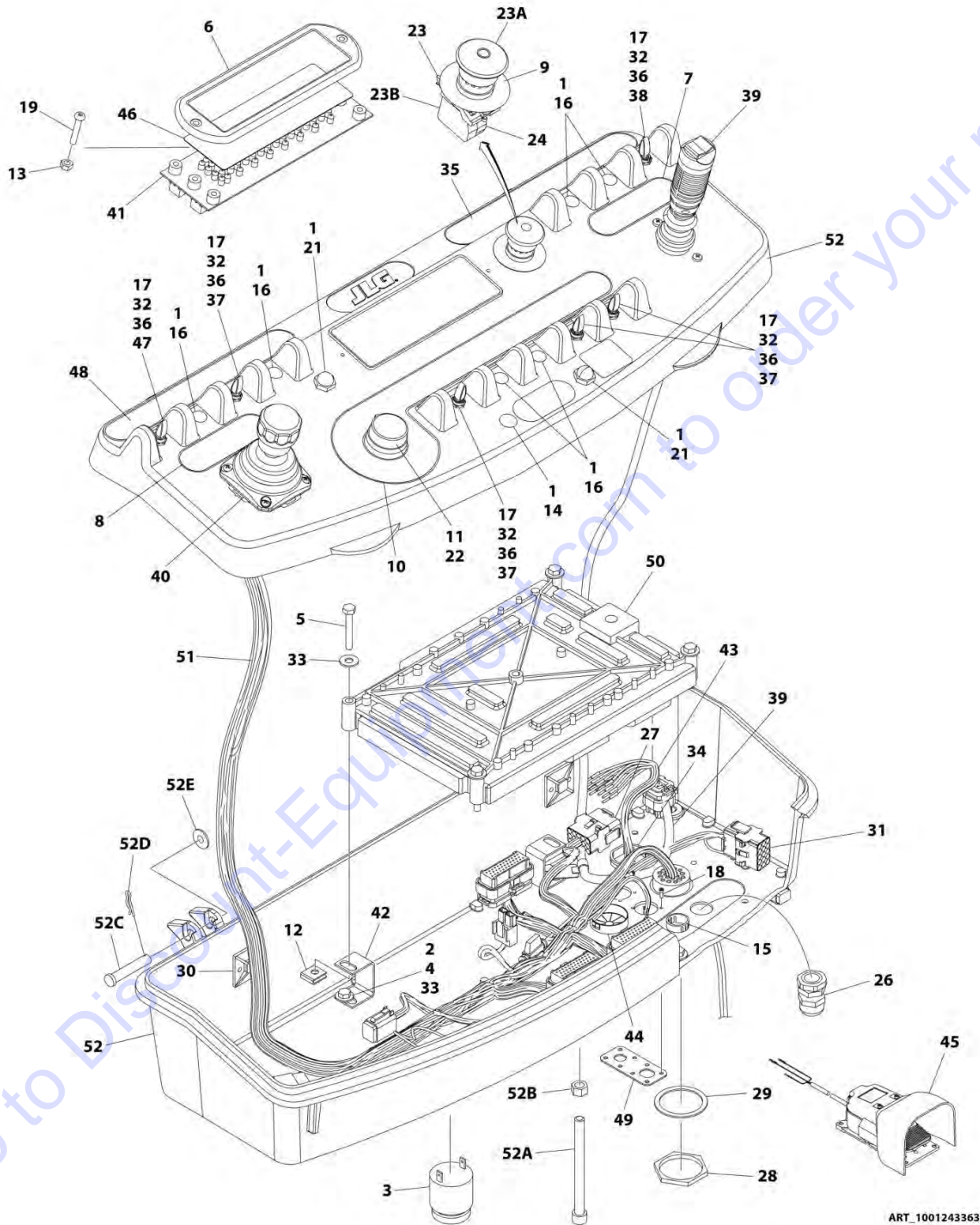
ITEM	PART NUMBER	QTY	DESCRIPTION	REV
	1001218958	Ref	4WD PLATFORM CONSOLE BOX ASSEMBLY - WITHOUT LSS OR WITH 4 CELL LSS - WITH SKYGUARD (UL SPECS) (E600J/E600JP)	E
1	0100009	AR	Adhesive, Silicone	
2	0100075	AR	Loctite #545	
3	0140011	1	Alarm	
4	0641404	4	Bolt 1/4 x 1/2	
5	0641414	4	Bolt 1/4 x 1-3/4	
6	1671176	1	Bezel	
7	1702565	1	Decal - Drive and Steer	
8	1702566	1	Decal - Lift and Swing	
9	1704260	1	Decal - Emergency Stop Switch	
10	1704422	1	Decal - Function Speed	
11	2560136	1	Knob, Speed Control	
12	3300353	4	Nut, Tinnerman	
13	3300408	2	Nut	
14	3520026	1	Plug, Hole (SN 0300219271 through 0300227392)	
15	3520027	1	Plug	
16	3520030	1	Hole, Plug	
17	3520033	2	Plug (SN 0300219271 through 0300226266)	
17	1001220486	2	Plug (SN 0300226267 through 0300256397)	
18	3520054	6	Plug, Hole	
19	3790012	6	O-Ring	
20	3911018	2	Screw #10 x 1-1/8	
21	4240032	AR	Tie-Strap (Not Shown)	
22	4360387	AR	Switch, Push Button	
23	4360407	1	Switch, Potentiometer	
24	4360475	1	Switch, Emergency Stop	
24	7020175	1	Cap, Mushroom with Sealing Ring	
24	7020176	1	Block, Contact	
25	4360476	1	Block, Contact	
26	4460234	4	Mount, Tie-Strap (Not Shown)	
27	4460428	1	Connector, Strain Relief	
28	4460434	1	Connector - 15 Position	
29	4460470	1	Nut, Terminal	
30	4460471	1	Washer, Terminal	
31	4460488	2	Mount, Tie-Strap	
32	4460708	1	Connector - 15 Position	
33	4740397	6	Spacer, Washer	
34	4751400	8	Washer 1/4	
35	1001110434	1	Plug	
36	1001132175	1	Decal - Stop, Generator	
37	1001155044	6	Nut 15/32	
38	1001155045	4	Switch, Toggle	
39	1001159256	1	Switch, Toggle	
40	1001166539	NLA	Controller Assembly - Lift and Swing (See CONTROLLER ASSEMBLY - LIFT AND SWING for Breakdown) (Note: Use p/n 1001129555 as Replacement)	
41	1001170838	1	Gauge, Led Panel	
42	1001172760	4	Bracket	

SECTION 5 - PLATFORM

ITEM	PART NUMBER	QTY	DESCRIPTION	REV
43	1001183276	1	Upper Valve Harness (See ELECTRICAL SECTION for Breakdown)	
44	1001185281	1	Plug	
45	1001189039	1	Footswitch Assembly (See FOOTSWITCH ASSEMBLY for Breakdown)	
46	1001190797	1	Display - Light Panel	
47	1001191318	1	Platform Console Harness (See ELECTRICAL SECTION for Breakdown)	
48	1001201887	1	Box, Console Assembly	B
48A	0630568	1	Capscrew 3/8 x 4-1/2	
48B	3311601	1	Nut 3/8	
48C	3430616	2	Pin	
48D	3470003	2	Hairpin	
48E	4711600	2	Washer 3/8	
49	1001211363	1	Switch, Toggle	
50	1001212277	1	Decal - Horn and Drive Select	
51	1001215835	1	Module, Platform (Note: Re-calibration Required when Replaced)	
52	1001166538	NLA	Controller Assembly - Drive and Steer (Use p/n 1001212415) (See CONTROLLER ASSEMBLY - DRIVE AND STEER for Breakdown)	
53	1001141300	1	Decal Platform Sensor Override (SN 0300227392 through 0300240330)	
54	1001144433	1	Decal No Weight (SN 0300227392 through 0300256397)	
55	1001192292	1	Harness, SkyGuard (See ELECTRICAL SECTION for Breakdown) (SN 0300227392 through 0300256397)	

SECTION 5 - PLATFORM

FIGURE 5-37. 4WD PLATFORM CONSOLE BOX ASSEMBLY - WITHOUT LSS OR WITH 1 CELL LSS (UL SPECS) (E600J/E600JP) (SN 0300256398 to Present)



SECTION 5 - PLATFORM

**FIGURE 5-37. 4WD PLATFORM CONSOLE BOX ASSEMBLY - WITHOUT LSS OR WITH 1 CELL LSS
(UL SPECS) (E600J/E600JP) (SN 0300256398 to Present)**

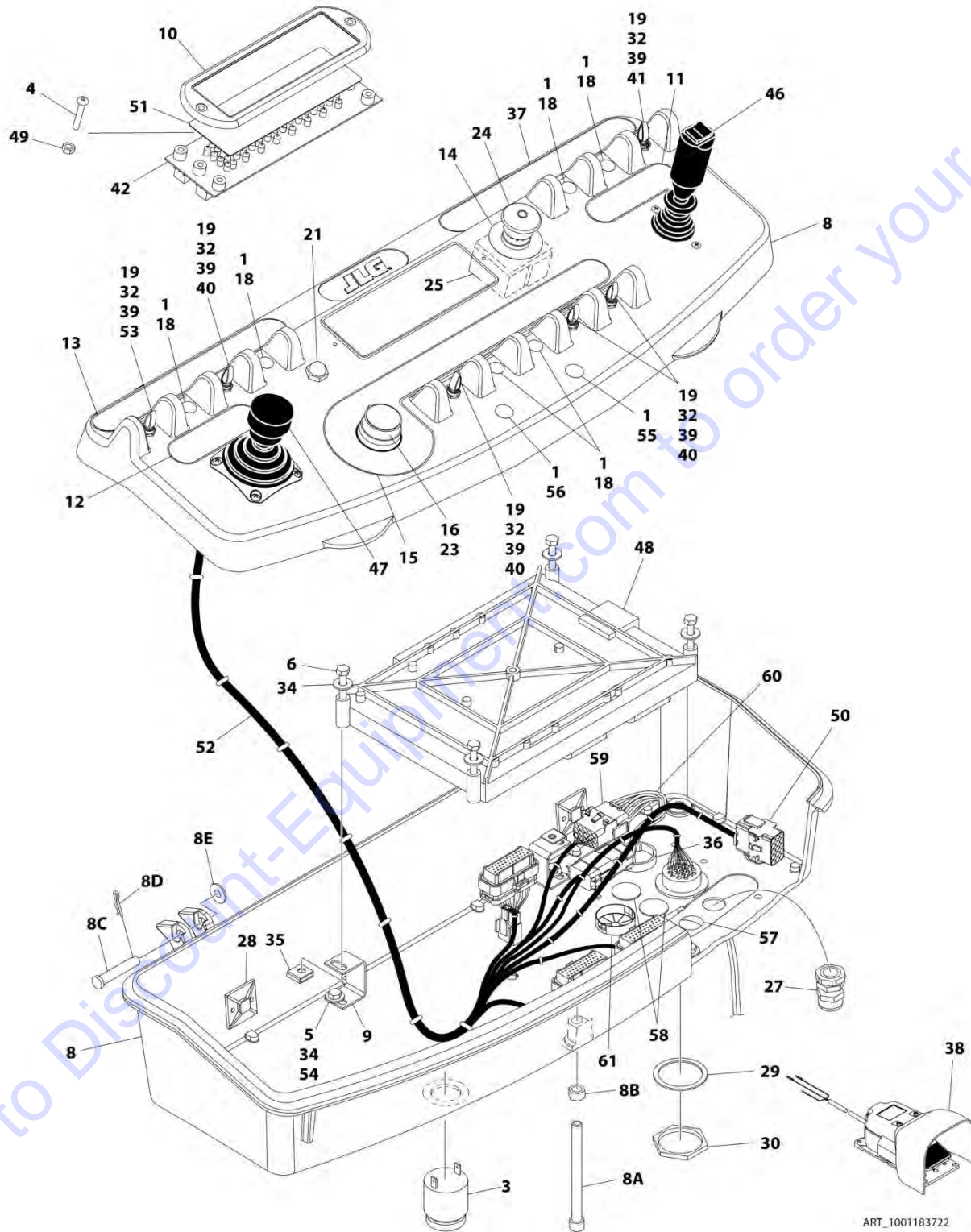
ITEM	PART NUMBER	QTY	DESCRIPTION	REV
	1001243363	Ref	4WD PLATFORM CONSOLE BOX ASSEMBLY - WITHOUT LSS OR WITH 1 CELL LSS (UL SPECS) (E600J/E600JP)	A
1	0100009	AR	Adhesive, Silicone	
2	0100075	AR	Loctite #545	
3	0140011	1	Alarm	
4	0641404	4	Bolt 1/4 x 1/2	
5	0641414	4	Bolt 1/4 x 1-3/4	
6	1671176	1	Bezel	
7	1702565	1	Decal - Drive and Steer	
8	1702566	1	Decal - Lift and Swing	
9	1704260	1	Decal - Emergency Stop Switch	
10	1704422	1	Decal - Function Speed	
11	2560136	1	Knob, Speed Control	
12	3300353	4	Nut, Tinnerman	
13	3300408	2	Nut	
14	3520027	1	Plug	
15	3520030	1	Hole, Plug	
16	3520054	7	Plug, Hole	
17	3790012	6	O-Ring	
18	3900349	8	SCREW,M2.5 SOCKET HEAD CAP	
19	3911018	2	Screw #10 x 1-1/8	
20	4240032	AR	Tie-Strap (Not Shown)	
21	4360387	AR	Switch, Push Button	
22	4360407	1	Switch, Potentiometer	
23	4360475	1	Switch, Emergency Stop	
23A	7020175	1	Cap, Mushroom with Sealing Ring	
23B	7020176	1	Block, Contact	
24	4360476	1	Block, Contact	
25	4460234	4	Mount, Tie-Strap (Not Shown)	
26	4460428	1	Connector, Strain Relief	
27	4460434	1	Connector - 15 Position	
28	4460470	1	Nut, Terminal	
29	4460471	1	Washer, Terminal	
30	4460488	2	Mount, Tie-Strap	
31	4460708	1	Connector - 15 Position	
32	4740397	6	Spacer, Washer	
33	4751400	8	Washer 1/4	
34	1001110434	1	Plug	
35	1001132175	1	Decal - Stop, Generator	
36	1001155044	6	Nut 15/32	
37	1001155045	4	Switch, Toggle	
38	1001159256	1	Switch, Toggle	
39	1001166538	NLA	Controller Assembly - Drive and Steer (Use p/n 1001212415) (See CONTROLLER ASSEMBLY - DRIVE AND STEER for Breakdown)	
40	1001166539	NLA	Controller Assembly - Lift and Swing (See CONTROLLER ASSEMBLY - LIFT AND SWING for Breakdown) (Note: Use p/n 1001129555 as Replacement)	
41	1001170838	1	Gauge, Led Panel	
42	1001172760	4	Bracket	
43	1001183276	1	Upper Valve Harness (See ELECTRICAL SECTION for	

SECTION 5 - PLATFORM

ITEM	PART NUMBER	QTY	DESCRIPTION	REV
			Breakdown)	
44	1001185281	1	Plug	
45	1001189039	1	Footswitch Assembly (See FOOTSWITCH ASSEMBLY for Breakdown)	
46	1001190797	1	Display - Light Panel	
47	1001211363	1	Switch, Toggle	
48	1001212277	1	Decal - Horn and Drive Select	
49	1001213882	1	Mount, Connector	
50	1001215835	1	Module, Platform (Note: Re-calibration Required when Replaced)	
51	1001217621	1	Platform Console Harness (See ELECTRICAL SECTION for Breakdown)	
52	1001218068	1	Box, Console Assembly	
52A	0630568	1	Capscrew 3/8 x 4-1/2	
52B	3311601	1	Nut 3/8	
52C	3430616	2	Pin	
52D	3470003	2	Hairpin	
52E	4711600	2	Washer 3/8	

SECTION 5 - PLATFORM

FIGURE 5-38. 2WD PLATFORM CONSOLE BOX ASSEMBLY - WITHOUT LSS OR WITH 4 CELL LSS - WITHOUT SKYGUARD (NON UL SPECS) (E600J/E600JP/M600J/M600JP)



ART_1001183722

SECTION 5 - PLATFORM

FIGURE 5-38. 2WD PLATFORM CONSOLE BOX ASSEMBLY - WITHOUT LSS OR WITH 4 CELL LSS - WITHOUT SKYGUARD (NON UL SPECS) (E600J/E600JP/M600J/M600JP)

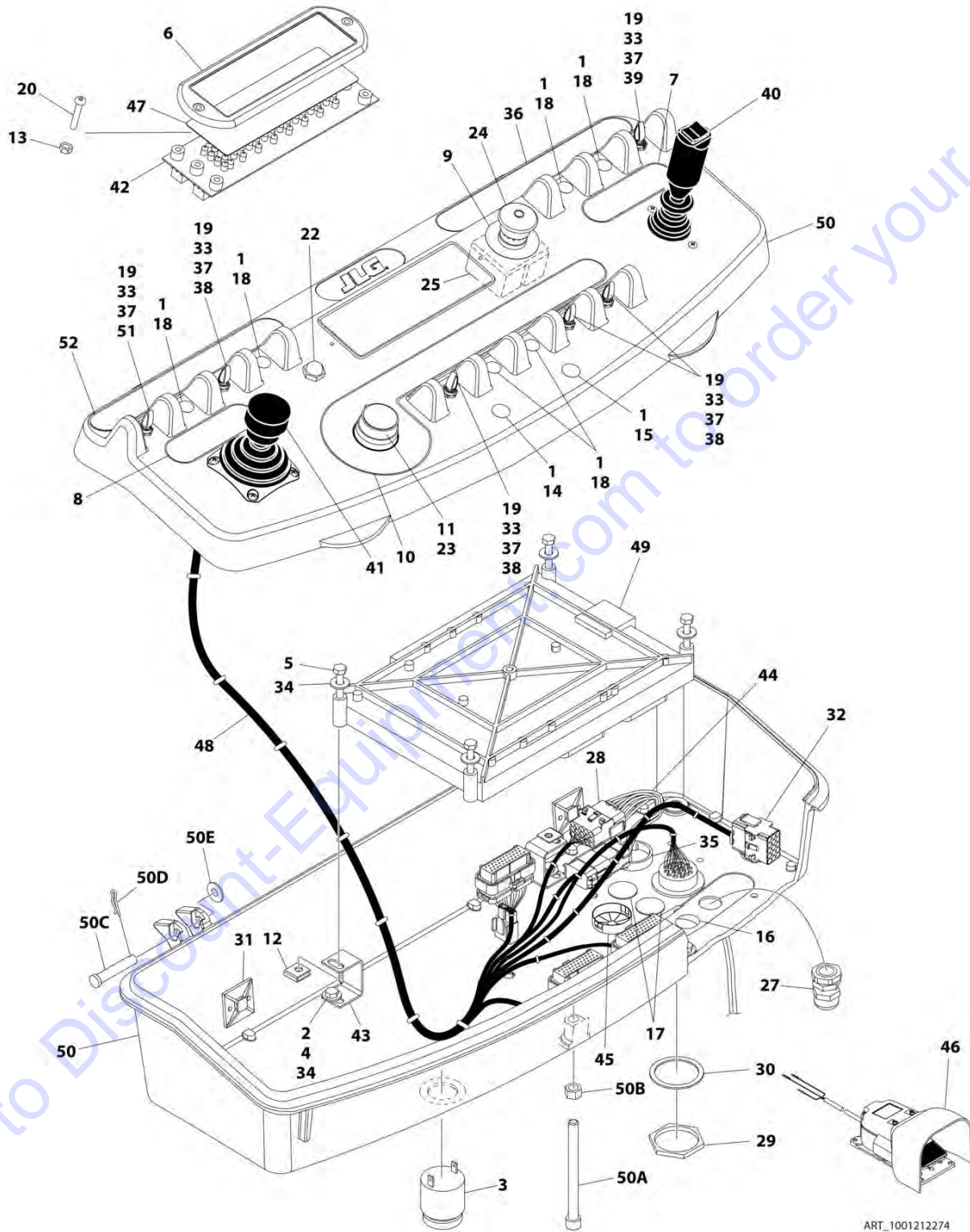
ITEM	PART NUMBER	QTY	DESCRIPTION	REV
	1001183722	Ref	2WD PLATFORM CONSOLE BOX ASSEMBLY - WITHOUT LSS OR WITH 4 CELL LSS - WITHOUT SKYGUARD (NON UL SPECS) (E600J/E600JP/M600J/M600JP)	E
1	0100009	AR	Adhesive, Silicone	
3	0140011	1	Alarm	
4	3911018	2	Screw #10 x 1-1/8	
5	0641404	4	Bolt 1/4 x 1/2	
6	0641414	4	Bolt 1/4 x 1-3/4	
8	1001201887	1	Box, Console Assembly	B
8A	0630568	1	Capscrew 3/8 x 4-1/2	
8B	3311601	1	Nut 3/8	
8C	3430616	2	Pin	
8D	3470003	2	Hairpin	
8E	4711600	2	Washer 3/8	
9	1001172760	4	Bracket	
10	1671176	1	Bezel	
11	1702565	1	Decal - Drive and Steer	
12	1702566	1	Decal - Lift and Swing	
13	1001193987	1	Decal - Stop and Drive Select	
14	1704260	1	Decal - Emergency Stop Switch	
15	1704422	1	Decal - Function Speed	
16	2560136	1	Knob, Speed Control	
18	3520054	6	Plug, Hole	
19	3790012	6	O-Ring	
20	4240032	AR	Tie-Strap (Not Shown)	
21	4360387	1	Switch, Push Button	
23	4360407	1	Switch, Potentiometer	
24	4360475	1	Switch, Emergency Stop	
24	7020175	1	Cap, Mushroom with Sealing Ring	
24	7020176	1	Block, Contact	
25	4360476	1	Block, Contact	
26	4460234	4	Mount, Tie-Strap (Not Shown)	
27	4460428	1	Connector, Strain Relief	
28	4460488	2	Mount, Tie-Strap	
29	4460471	1	Washer, Terminal	
30	4460470	1	Nut, Terminal	
32	4740397	6	Spacer, Washer	
34	4751400	8	Washer 1/4	
35	3300353	4	Nut, Tinnerman	
36	1001110434	1	Plug	
37	1001132175	1	Decal - Stop, Generator	
38	1001189039	1	Footswitch Assembly (See FOOTSWITCH ASSEMBLY for Breakdown)	
39	1001155044	6	Nut 15/32	
40	1001155045	4	Switch, Toggle	
41	1001159256	1	Switch, Toggle	
42	1001170838	1	Gauge, Led Panel	
46	1001166538	NLA	Controller Assembly - Drive and Steer (Use p/n 1001212415) (See CONTROLLER ASSEMBLY - DRIVE AND STEER for Breakdown)	
47	1001166539	NLA	Controller Assembly - Lift and Swing (See CONTROLLER	

SECTION 5 - PLATFORM

ITEM	PART NUMBER	QTY	DESCRIPTION	REV
			ASSEMBLY - LIFT AND SWING for Breakdown) (Note: Use p/n 1001129555 as Replacement)	
48	1001196520	1	Module, Platform (Note: Re-calibration Required when Replaced)	
49	3300408	2	Nut	
50	4460708	1	Connector - 15 Position	
51	1001190797	1	Display - Light Panel	
52	1001191318	1	Platform Console Harness (See ELECTRICAL SECTION for Breakdown)	
53	1001161710	1	Switch, Toggle	
54	0100075	AR	Loctite #545	
55	3520027	1	Plug	
56	3520026	1	Plug, Hole	
57	3520030	1	Hole, Plug	
58	3520033	2	Plug	
59	4460434	1	Connector - 15 Position	
60	1001183276	1	Upper Valve Harness (See ELECTRICAL SECTION for Breakdown)	
61	1001185281	1	Plug	

SECTION 5 - PLATFORM

FIGURE 5-39. 4WD PLATFORM CONSOLE BOX ASSEMBLY - WITHOUT LSS OR WITH 4 CELL LSS - WITHOUT SKYGUARD (NON UL SPECS) (E600J/E600JP/M600J/M600JP)



ART_1001212274

SECTION 5 - PLATFORM

FIGURE 5-39. 4WD PLATFORM CONSOLE BOX ASSEMBLY - WITHOUT LSS OR WITH 4 CELL LSS - WITHOUT SKYGUARD (NON UL SPECS) (E600J/E600JP/M600J/M600JP)

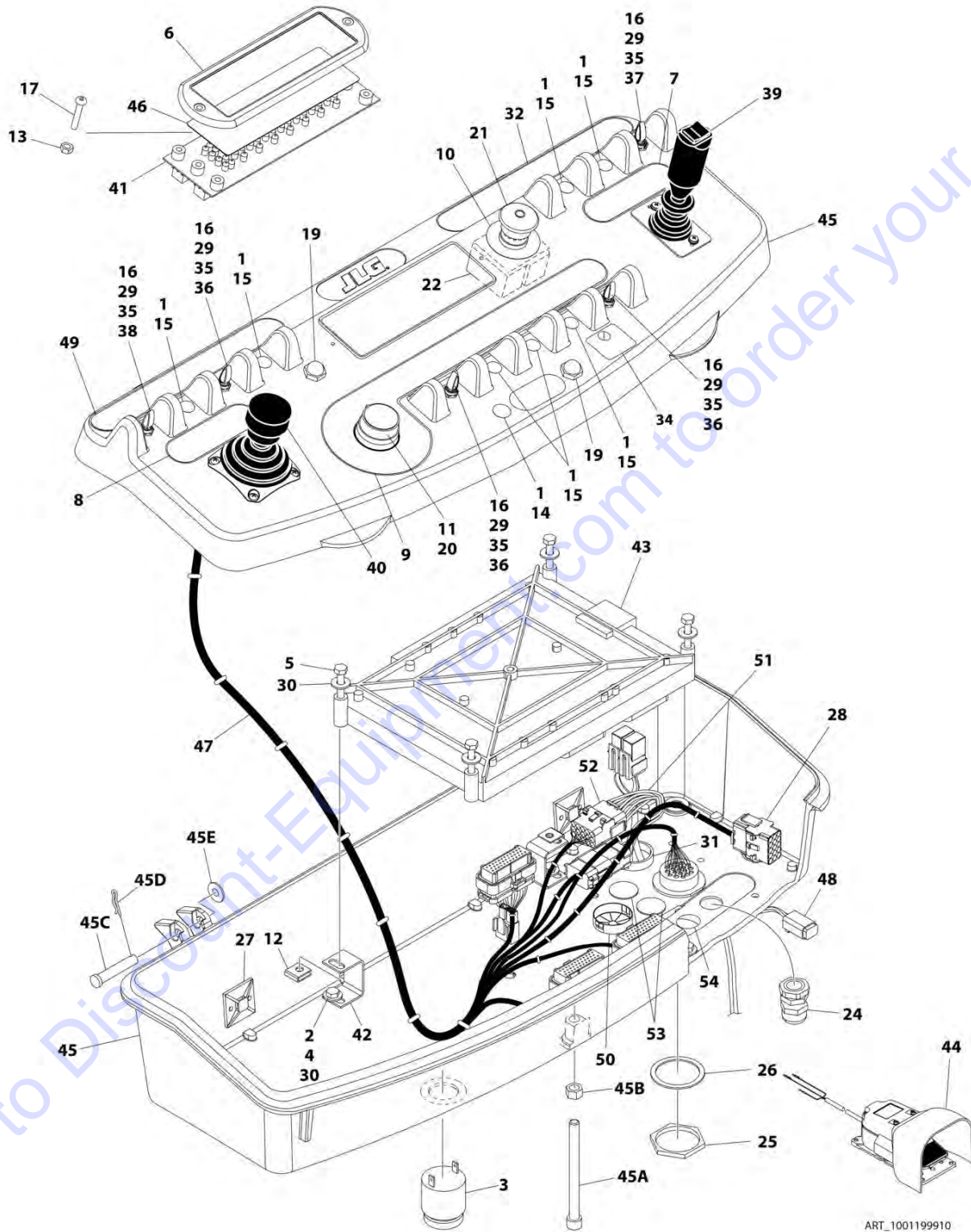
ITEM	PART NUMBER	QTY	DESCRIPTION	REV
	1001212274	Ref	4WD PLATFORM CONSOLE BOX ASSEMBLY - WITHOUT LSS OR WITH 4 CELL LSS - WITHOUT SKYGUARD (NON UL SPECS) (E600J/E600JP/M600J/M600JP)	A
1	0100009	AR	Adhesive, Silicone	
2	0100075	AR	Loctite #545	
3	0140011	1	Alarm	
4	0641404	4	Bolt 1/4 x 1/2	
5	0641414	4	Bolt 1/4 x 1-3/4	
6	1671176	1	Bezel	
7	1702565	1	Decal - Drive and Steer	
8	1702566	1	Decal - Lift and Swing	
9	1704260	1	Decal - Emergency Stop Switch	
10	1704422	1	Decal - Function Speed	
11	2560136	1	Knob, Speed Control	
12	3300353	4	Nut, Tinnerman	
13	3300408	2	Nut	
14	3520026	1	Plug, Hole	
15	3520027	1	Plug	
16	3520030	1	Hole, Plug	
17	3520033	2	Plug	
18	3520054	6	Plug, Hole	
19	3790012	6	O-Ring	
20	3911018	2	Screw #10 x 1-1/8	
21	4240032	AR	Tie-Strap (Not Shown)	
22	4360387	1	Switch, Push Button	
23	4360407	1	Switch, Potentiometer	
24	4360475	1	Switch, Emergency Stop	
24	7020175	1	Cap, Mushroom with Sealing Ring	
24	7020176	1	Block, Contact	
25	4360476	1	Block, Contact	
26	4460234	4	Mount, Tie-Strap (Not Shown)	
27	4460428	1	Connector, Strain Relief	
28	4460434	1	Connector - 15 Position	
29	4460470	1	Nut, Terminal	
30	4460471	1	Washer, Terminal	
31	4460488	2	Mount, Tie-Strap	
32	4460708	1	Connector - 15 Position	
33	4740397	6	Spacer, Washer	
34	4751400	8	Washer 1/4	
35	1001110434	1	Plug	
36	1001132175	1	Decal - Stop, Generator	
37	1001155044	6	Nut 15/32	
38	1001155045	4	Switch, Toggle	
39	1001159256	1	Switch, Toggle	
40	1001166538	NLA	Controller Assembly - Drive and Steer (Use p/n 1001212415) (See CONTROLLER ASSEMBLY - DRIVE AND STEER for Breakdown)	
41	1001166539	NLA	Controller Assembly - Lift and Swing (See CONTROLLER ASSEMBLY - LIFT AND SWING for Breakdown) (Note: Use p/n 1001129555 as Replacement)	
42	1001170838	1	Gauge, Led Panel	

SECTION 5 - PLATFORM

ITEM	PART NUMBER	QTY	DESCRIPTION	REV
43	1001172760	4	Bracket	
44	1001183276	1	Upper Valve Harness (See ELECTRICAL SECTION for Breakdown)	
45	1001185281	1	Plug	
46	1001189039	1	Footswitch Assembly (See FOOTSWITCH ASSEMBLY for Breakdown)	
47	1001190797	1	Display - Light Panel	
48	1001191318	1	Platform Console Harness (See ELECTRICAL SECTION for Breakdown)	
49	1001196520	1	Module, Platform (Note: Re-calibration Required when Replaced)	
50	1001201887	1	Box, Console Assembly	B
50A	0630568	1	Capscrew 3/8 x 4-1/2	
50B	3311601	1	Nut 3/8	
50C	3430616	2	Pin	
50D	3470003	2	Hairpin	
50E	4711600	2	Washer 3/8	
51	1001211363	1	Switch, Toggle	
52	1001212277	1	Decal - Horn and Drive Select	

SECTION 5 - PLATFORM

FIGURE 5-40. 2WD PLATFORM CONSOLE BOX ASSEMBLY - WITHOUT LSS OR WITH 4 CELL LSS - WITH SKYGUARD (NON UL SPECS) (E600/M600)



SECTION 5 - PLATFORM

FIGURE 5-40. 2WD PLATFORM CONSOLE BOX ASSEMBLY - WITHOUT LSS OR WITH 4 CELL LSS - WITH SKYGUARD (NON UL SPECS) (E600/M600)

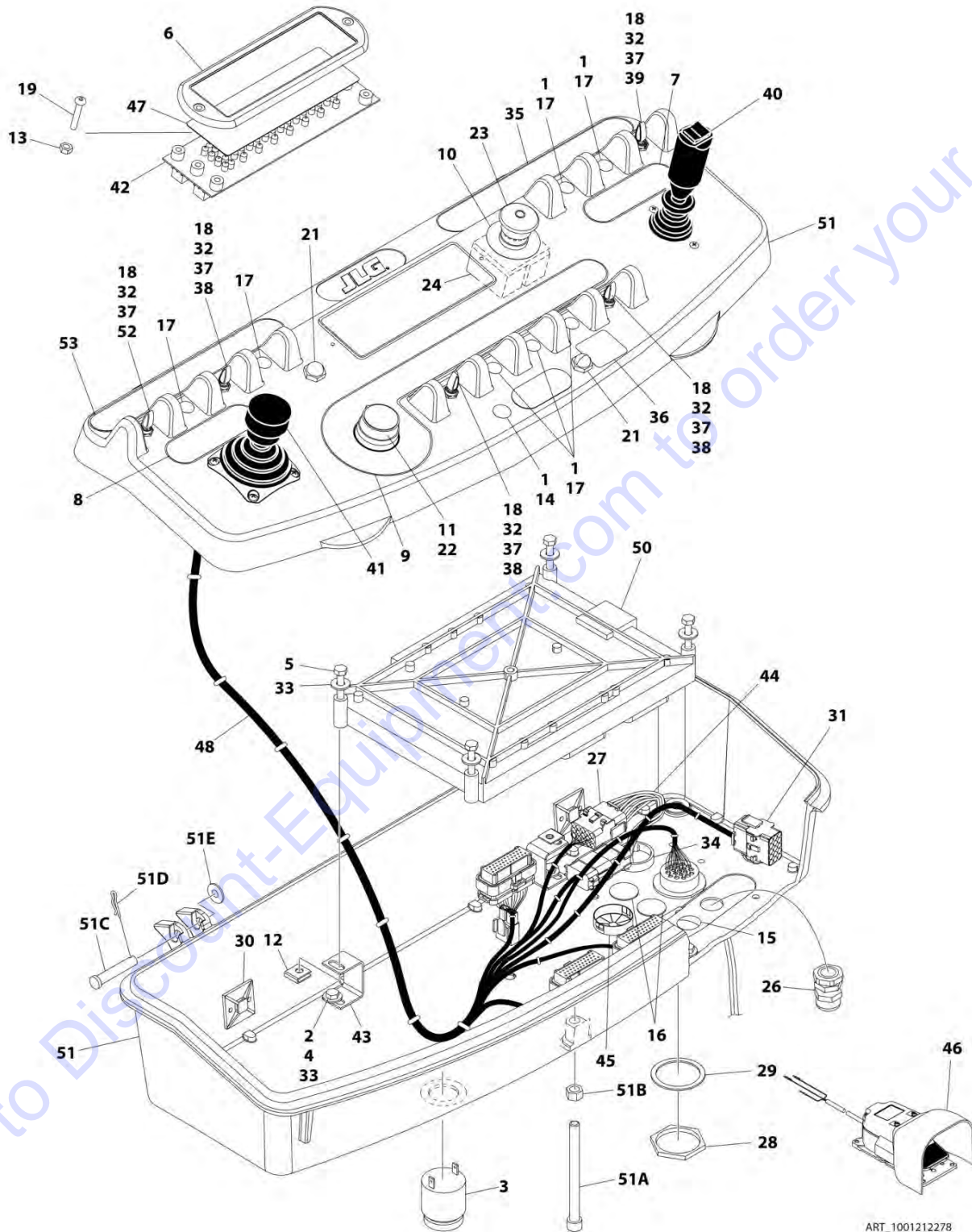
ITEM	PART NUMBER	QTY	DESCRIPTION	REV
	1001199910	Ref	2WD PLATFORM CONSOLE BOX ASSEMBLY - WITHOUT LSS OR WITH 4 CELL LSS - WITH SKYGUARD (NON UL SPECS) (E600/M600)	D
1	0100009	AR	Adhesive, Silicone	
2	0100075	AR	Loctite #545	
3	0140011	1	Alarm	
4	0641404	4	Bolt 1/4 x 1/2	
5	0641414	4	Bolt 1/4 x 1-3/4	
6	1671176	1	Bezel	
7	1702565	1	Decal - Drive and Steer	
8	1702566	1	Decal - Lift and Swing	
9	1702567	1	Decal - Function Speed	
10	1704260	1	Decal - EMS	
11	2560136	1	Knob, Speed Control	
12	3300353	4	Nut, Tinnerman	
13	3300408	2	Nut	
14	3520027	1	Plug	
15	3520054	7	Plug, Hole	
16	3790012	5	O-Ring	
17	3911018	2	Screw #10 x 1-1/8	
18	4240032	AR	Tie-Strap (Not Shown)	
19	4360387	2	Switch, Push Button	
20	4360407	1	Switch, Potentiometer	
21	4360475	1	Switch, Emergency Stop	
21	7020175	1	Cap, Mushroom with Sealing Ring	
21	7020176	1	Block, Contact	
22	4360476	1	Block, Contact	
23	4460234	4	Mount, Tie-Strap (Not Shown)	
24	4460428	1	Connector, Strain Relief	
25	4460470	1	Nut, Terminal	
26	4460471	1	Washer, Terminal	
27	4460488	2	Mount, Tie-Strap	
28	4460708	1	Connector - 15 Position	
29	4740397	5	Spacer, Washer	
30	4751400	8	Washer 1/4	
31	1001110434	1	Plug	
32	1001132175	1	Decal - Stop, Generator	
34	1001144433	1	Decal - No Weight SkyGuard	
35	1001155044	5	Nut 15/32	
36	1001155045	3	Switch, Toggle	
37	1001159256	1	Switch, Toggle	
38	1001161710	1	Switch, Toggle	
39	1001166538	NLA	Controller Assembly - Drive and Steer (Use p/n 1001212415) (See CONTROLLER ASSEMBLY - DRIVE AND STEER for Breakdown)	
40	1001166539	NLA	Controller Assembly - Lift and Swing (See CONTROLLER ASSEMBLY - LIFT AND SWING for Breakdown) (Note: Use p/n 1001129555 as Replacement)	
41	1001170838	1	Gauge, Led Panel	
42	1001172760	4	Bracket	
43	1001196520	1	Module, Platform (Note: Re-calibration Required when Replaced)	

SECTION 5 - PLATFORM

ITEM	PART NUMBER	QTY	DESCRIPTION	REV
44	1001189039	1	Footswitch Assembly (See FOOTSWITCH ASSEMBLY for Breakdown)	B
45	1001201887	1	Box, Console Assembly	
45A	0630568	1	Capscrew 3/8 x 4-1/2	
45B	3311601	1	Nut 3/8	
45C	3430616	2	Pin	
45D	3470003	2	Hairpin	
45E	4711600	2	Washer 3/8	
46	1001190797	1	Display - Light Panel	
47	1001191318	1	Platform Console Harness (See ELECTRICAL SECTION for Breakdown)	
48	1001192292	1	SkyGuard Harness (See ELECTRICAL SECTION for Breakdown)	
49	1001193987	1	Decal - Stop and Drive Select	
50	1001185281	1	Plug	
51	1001183276	1	Upper Valve Harness (See ELECTRICAL SECTION for Breakdown)	
52	4460434	1	Connector - 15 Position	
53	3520033	2	Plug (SN 0300219271 through 0300226266)	
53	1001220486	2	Plug (SN 0300226267 to Present)	
54	3520030	1	Hole, Plug	

SECTION 5 - PLATFORM

FIGURE 5-41. 4WD PLATFORM CONSOLE BOX ASSEMBLY - WITHOUT LSS OR WITH 4 CELL LSS - WITH SKYGUARD (NON UL SPECS) (E600/M600)



SECTION 5 - PLATFORM

FIGURE 5-41. 4WD PLATFORM CONSOLE BOX ASSEMBLY - WITHOUT LSS OR WITH 4 CELL LSS - WITH SKYGUARD (NON UL SPECS) (E600/M600)

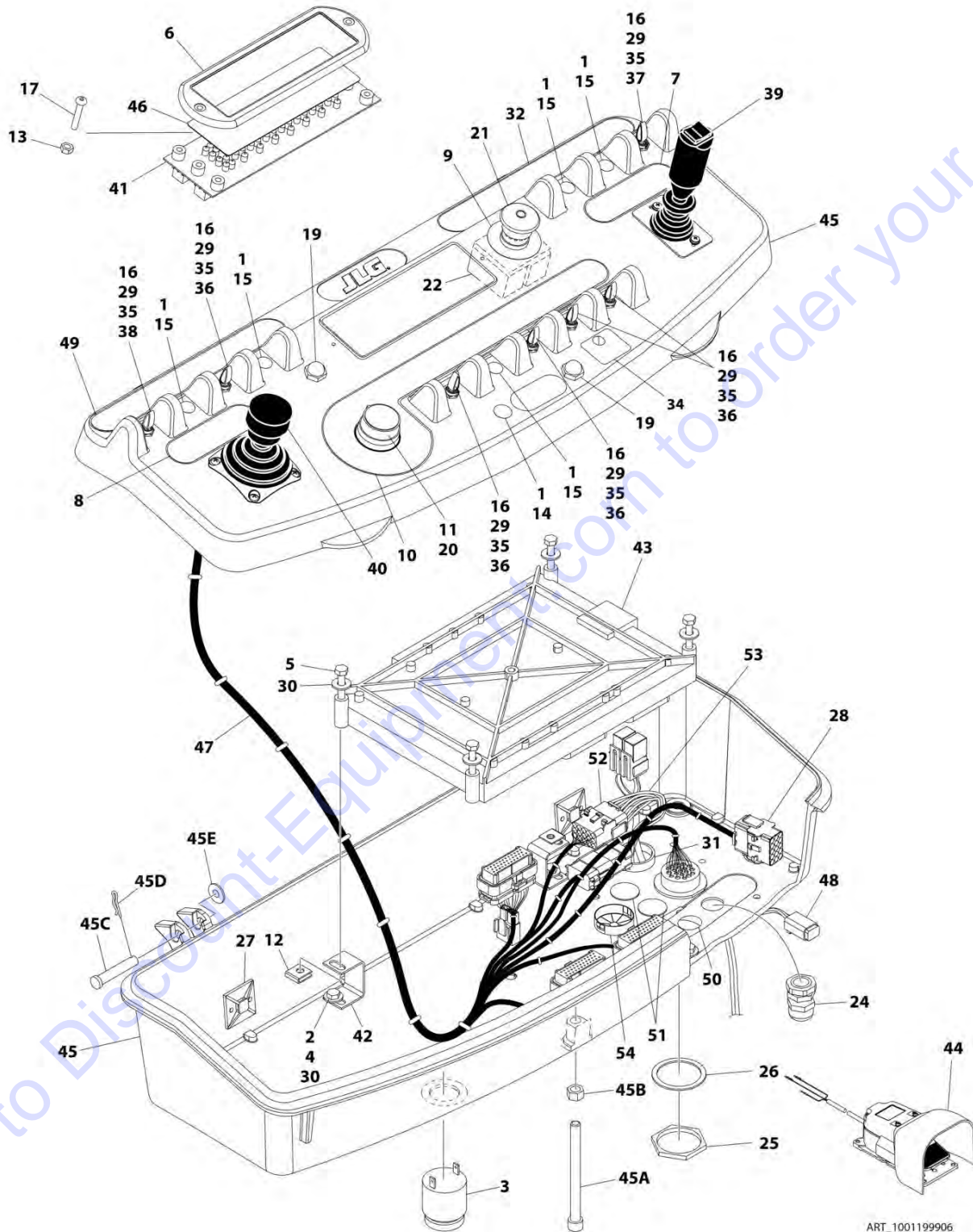
ITEM	PART NUMBER	QTY	DESCRIPTION	REV
	1001212278	Ref	4WD PLATFORM CONSOLE BOX ASSEMBLY - WITHOUT LSS OR WITH 4 CELL LSS - WITH SKYGUARD (NON UL SPECS) (E600/M600)	B
1	0100009	AR	Adhesive, Silicone	
2	0100075	AR	Loctite #545	
3	0140011	1	Alarm	
4	0641404	4	Bolt 1/4 x 1/2	
5	0641414	4	Bolt 1/4 x 1-3/4	
6	1671176	1	Bezel	
7	1702565	1	Decal - Drive and Steer	
8	1702566	1	Decal - Lift and Swing	
9	1702567	1	Decal - Function Speed	
10	1704260	1	Decal - Emergency Stop Switch	
11	2560136	1	Knob, Speed Control	
12	3300353	4	Nut, Tinnerman	
13	3300408	2	Nut	
14	3520027	1	Plug	
15	3520030	1	Hole, Plug	
16	3520033	2	Plug (SN 0300219271 through 0300226266)	
16	1001220486	2	Plug (SN 0300226267 to Present)	
17	3520054	7	Plug, Hole	
18	3790012	5	O-Ring	
19	3911018	2	Screw #10 x 1-1/8	
20	4240032	AR	Tie-Strap (Not Shown)	
21	4360387	1	Switch, Push Button	
22	4360407	1	Switch, Potentiometer	
23	4360475	1	Switch, Emergency Stop	
23	7020175	1	Cap, Mushroom with Sealing Ring	
23	7020176	1	Block, Contact	
24	4360476	1	Block, Contact	
25	4460234	4	Mount, Tie-Strap (Not Shown)	
26	4460428	1	Connector, Strain Relief	
27	4460434	1	Connector - 15 Position	
28	4460470	1	Nut, Terminal	
29	4460471	1	Washer, Terminal	
30	4460488	2	Mount, Tie-Strap	
31	4460708	1	Connector - 15 Position	
32	4740397	5	Spacer, Washer	
33	4751400	8	Washer 1/4	
34	1001110434	1	Plug	
35	1001132175	1	Decal - Stop, Generator	
36	1001144433	1	Decal - No Weight SkyGuard	
37	1001155044	5	Nut 15/32	
38	1001155045	3	Switch, Toggle	
39	1001159256	1	Switch, Toggle	
40	1001166538	NLA	Controller Assembly - Drive and Steer (Use p/n 1001212415) (See CONTROLLER ASSEMBLY - DRIVE AND STEER for Breakdown)	
41	1001166539	NLA	Controller Assembly - Lift and Swing (See CONTROLLER ASSEMBLY - LIFT AND SWING for Breakdown) (Note: Use p/n 1001129555 as Replacement)	

SECTION 5 - PLATFORM

ITEM	PART NUMBER	QTY	DESCRIPTION	REV
42	1001170838	1	Gauge, Led Panel	
43	1001172760	4	Bracket	
44	1001183276	1	Upper Valve Harness (See ELECTRICAL SECTION for Breakdown)	
45	1001185281	1	Plug	
46	1001189039	1	Footswitch Assembly (See FOOTSWITCH ASSEMBLY for Breakdown)	
47	1001190797	1	Display - Light Panel	
48	1001191318	1	Platform Console Harness (Not Shown - See ELECTRICAL SECTION for Breakdown)	
49	1001192292	1	SkyGuard Harness (Not Shown - See ELECTRICAL SECTION for Breakdown)	
50	1001196520	1	Module, Platform (Note: Re-calibration Required when Replaced)	
51	1001201887	1	Box, Console Assembly	B
51A	0630568	1	Capscrew 3/8 x 4-1/2	
51B	3311601	1	Nut 3/8	
51C	3430616	2	Pin	
51D	3470003	2	Hairpin	
51E	4711600	2	Washer 3/8	
52	1001211363	1	Switch, Toggle	
53	1001212277	1	Decal - Horn and Drive Select	

SECTION 5 - PLATFORM

FIGURE 5-42. 2WD PLATFORM CONSOLE BOX ASSEMBLY - WITHOUT LSS OR WITH 4 CELL LSS - WITH SKYGUARD (NON UL SPECS) (E600J/E600JP/M600J/M600JP)



ART_1001199906

SECTION 5 - PLATFORM

FIGURE 5-42. 2WD PLATFORM CONSOLE BOX ASSEMBLY - WITHOUT LSS OR WITH 4 CELL LSS - WITH SKYGUARD (NON UL SPECS) (E600J/E600JP/M600J/M600JP)

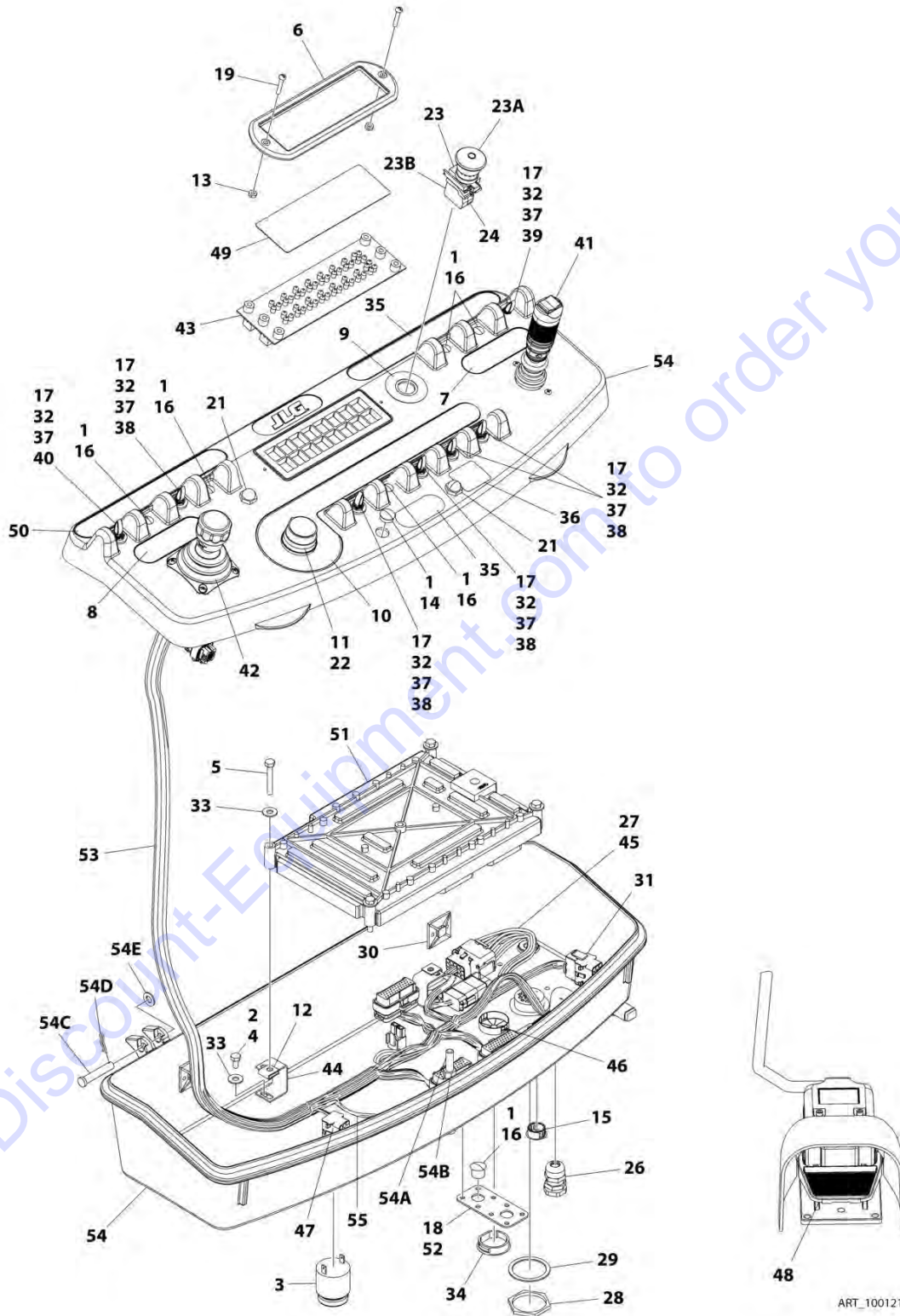
ITEM	PART NUMBER	QTY	DESCRIPTION	REV
	1001199906	Ref	2WD PLATFORM CONSOLE BOX ASSEMBLY - WITHOUT LSS OR WITH 4 CELL LSS - WITH SKYGUARD (NON UL SPECS) (E600J/E600JP/M600J/M600JP)	E
1	0100009	AR	Adhesive, Silicone	
2	0100035	AR	Loctite #222	
3	0140011	1	Alarm	
4	0641404	4	Bolt 1/4 x 1/2	
5	0641414	4	Bolt 1/4 x 1-3/4	
6	1671176	1	Bezel	
7	1702565	1	Decal - Drive and Steer	
8	1702566	1	Decal - Lift and Swing	
9	1704260	1	Decal - EMS	
10	1704422	1	Decal - Function Speed	
11	2560136	1	Knob, Speed Control	
12	3300353	4	Nut, Tinnerman	
13	3300408	2	Nut	
14	3520027	1	Plug	
15	3520054	5	Plug, Hole	
16	3790012	7	O-Ring	
17	3911018	2	Screw #10 x 1-1/8	
18	4240032	AR	Tie-Strap (Not Shown)	
19	4360387	2	Switch, Push Button	
20	4360407	1	Switch, Potentiometer	
21	4360475	1	Switch, Emergency Stop	
21	7020175	1	Cap, Mushroom with Sealing Ring	
21	7020176	1	Block, Contact	
22	4360476	1	Block, Contact	
23	4460234	4	Mount, Tie-Strap (Not Shown)	
24	4460428	1	Connector, Strain Relief	
25	4460470	1	Nut, Terminal	
26	4460471	1	Washer, Terminal	
27	4460488	2	Mount, Tie-Strap	
28	4460708	1	Connector - 15 Position	
29	4740397	7	Spacer, Washer	
30	4751400	8	Washer 1/4	
31	1001110434	1	Plug	
32	1001132175	1	Decal - Stop, Generator	
34	1001144433	1	Decal - No Weight SkyGuard	
35	1001155044	7	Nut 15/32	
36	1001155045	5	Switch, Toggle	
37	1001159256	1	Switch, Toggle	
38	1001161710	1	Switch, Toggle	
39	1001166538	NLA	Controller Assembly - Drive and Steer (Use p/n 1001212415) (See CONTROLLER ASSEMBLY - DRIVE AND STEER for Breakdown)	
40	1001166539	NLA	Controller Assembly - Lift and Swing (See CONTROLLER ASSEMBLY - LIFT AND SWING for Breakdown) (Note: Use p/n 1001129555 as Replacement)	
41	1001170838	1	Gauge, Led Panel	
42	1001172760	4	Bracket	
43	1001196520	1	Module, Platform (Note: Re-calibration Required when Replaced)	

SECTION 5 - PLATFORM

ITEM	PART NUMBER	QTY	DESCRIPTION	REV
44	1001189039	1	Footswitch Assembly (See FOOTSWITCH ASSEMBLY for Breakdown)	B
45	1001201887	1	Box, Console Assembly	
45A	0630568	1	Capscrew 3/8 x 4-1/2	
45B	3311601	1	Nut 3/8	
45C	3430616	2	Pin	
45D	3470003	2	Hairpin	
45E	4711600	2	Washer 3/8	
46	1001190797	1	Display - Light Panel	
47	1001191318	1	Platform Console Harness (See ELECTRICAL SECTION for Breakdown)	
48	1001192292	1	SkyGuard Harness (See ELECTRICAL SECTION for Breakdown)	
49	1001193987	1	Decal - Stop and Drive Select	
50	3520030	1	Hole, Plug	
51	3520033	2	Plug (SN 0300219271 through 0300226266)	
51	1001220486	2	Plug (SN 0300226267 to Present)	
52	4460434	1	Connector - 15 Position	
53	1001183276	1	Upper Valve Harness (See ELECTRICAL SECTION for Breakdown)	
54	1001185281	1	Plug	

SECTION 5 - PLATFORM

FIGURE 5-43. 2WD PLATFORM CONSOLE BOX ASSEMBLY - WITH 1 CELL LSS - WITH SKYGUARD
(NON UL SPECS) (E600J/E600JP/M600J/M600JP) (SN 0300219271 through 0300256397)



ART_1001219398

SECTION 5 - PLATFORM

FIGURE 5-43. 2WD PLATFORM CONSOLE BOX ASSEMBLY - WITH 1 CELL LSS - WITH SKYGUARD (NON UL SPECS) (E600J/E600JP/M600J/M600JP) (SN 0300219271 through 0300256397)

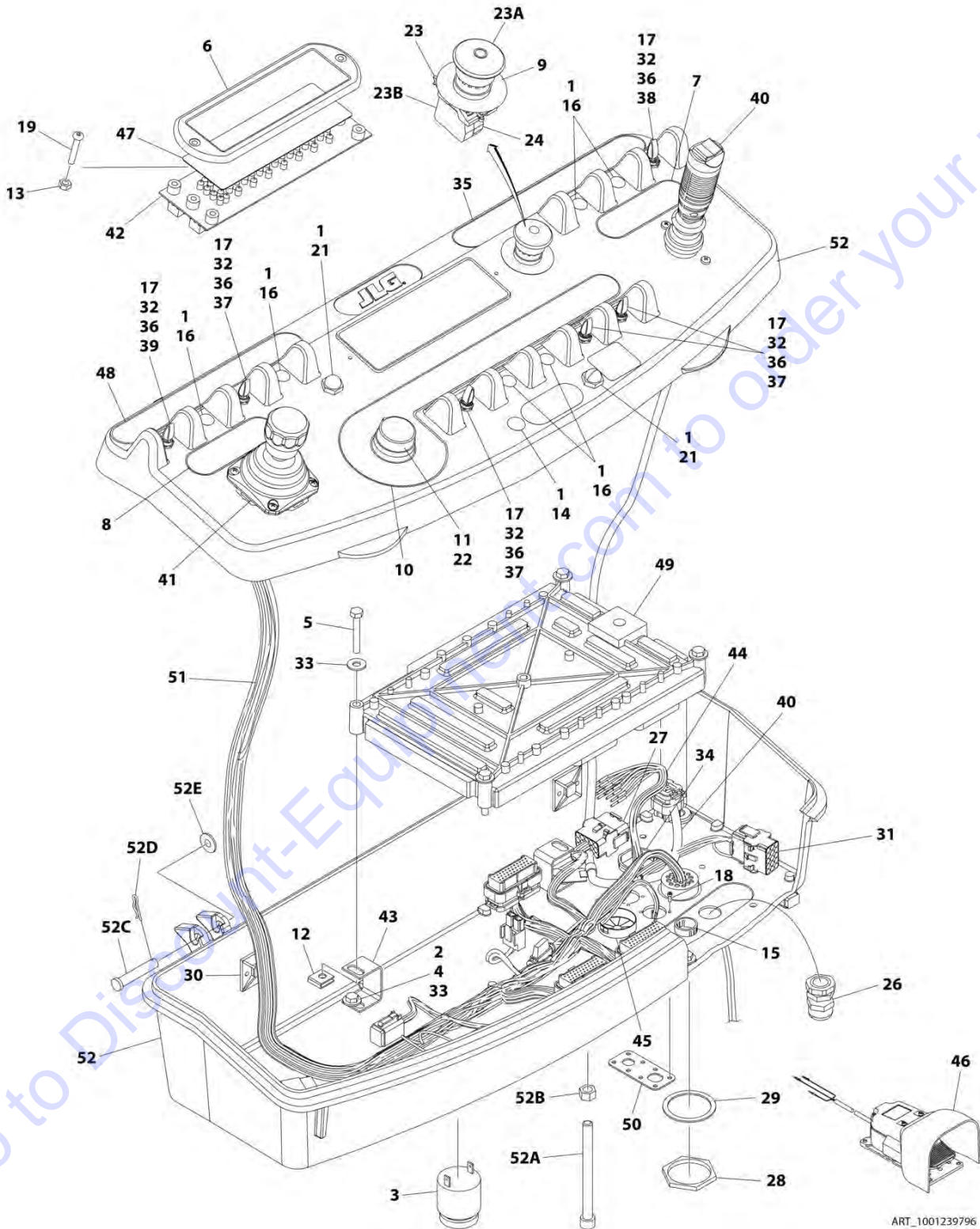
ITEM	PART NUMBER	QTY	DESCRIPTION	REV
	1001219398	Ref	2WD PLATFORM CONSOLE BOX ASSEMBLY - WITH 1 CELL LSS - WITH SKYGUARD (NON UL SPECS) (E600J/E600JP/M600J/M600JP)	D
1	0100009	AR	Adhesive, Silicone	
2	0100035	AR	Compound, Locking	
3	0140011	1	Alarm	
4	0641404	4	Bolt 1/4 x 1/2	
5	0641414	4	Bolt 1/4 x 1-3/4	
6	1671176	1	Bezel	
7	1702565	1	Decal - Drive and Steer	
8	1702566	1	Decal - Lift and Swing	
9	1704260	1	Decal - EMS	
10	1704422	1	Decal - Function Speed	
11	2560136	1	Knob, Speed Control	
12	3300353	4	Nut, Tinnerman	
13	3300408	2	Nut	
14	3520027	1	Plug	
15	3520030	1	Plug, Hole	
16	3520054	6	Plug, Hole	
17	3790012	7	O-Ring	
18	3900349	8	Screw M2.5	
19	3911018	2	Screw #10 x 1-1/8	
20	4240032	AR	Tie-Strap (Not Shown)	
21	4360387	2	Switch, Push Button	
22	4360407	1	Switch, Potentiometer	
23	4360475	1	Switch, Emergency Stop	
23A	7020175	1	Cap, Mushroom with Sealing Ring	
23B	7020176	1	Block, Contact	
24	4360476	1	Block, Contact	
25	4460234	4	Mount, Tie-Strap (Not Shown)	
26	4460428	1	Connector, Strain Relief	
27	4460434	1	Connector - 15 Position	
28	4460470	1	Nut, Terminal	
29	4460471	1	Washer, Terminal	
30	4460488	3	Mount, Tie-Strap	
31	4460708	1	Connector - 15 Position	
32	4740397	7	Spacer, Washer	
33	4751400	8	Washer 1/4	
34	1001110434	1	Plug	
35	1001132175	1	Decal - Stop, Generator	
36	1001144433	1	Decal - No Weight SkyGuard	
37	1001155044	7	Nut 15/32	
38	1001155045	5	Switch, Toggle	
39	1001159256	1	Switch, Toggle	
40	1001161710	1	Switch, Toggle	
41	1001166538	NLA	Controller Assembly - Drive and Steer (Use p/n 1001212415) (See CONTROLLER ASSEMBLY - DRIVE AND STEER for Breakdown)	
42	1001166539	NLA	Controller Assembly - Lift and Swing (See CONTROLLER ASSEMBLY - LIFT AND SWING for Breakdown) (Note: Use p/n 1001129555 as Replacement)	

SECTION 5 - PLATFORM

ITEM	PART NUMBER	QTY	DESCRIPTION	REV
43	1001170838	1	Gauge, Led Panel	
44	1001172760	4	Bracket	
45	1001183276	1	Upper Valve Harness (See ELECTRICAL SECTION for Breakdown)	
46	1001185281	1	Plug	
47	1001186431	2	Relay	
48	1001189039	1	Footswitch Assembly (See FOOTSWITCH ASSEMBLY for Breakdown)	
49	1001190797	1	Display - Light Panel	
50	1001193987	1	Decal - Stop and Drive Select	
51	1001196520	1	Module, Platform (Note: Re-calibration Required when Replaced)	
52	1001213882	1	Mount, Connector	
53	1001217621	1	Harness, Platform Console Box (With 1 Cell LSS) (See ELECTRICAL SECTION for Breakdown)	
54	1001218068	1	Box, Console Assembly	C
54A	0630568	1	Capscrew 3/8 x 4-1/2	
54B	3311601	1	Nut 3/8	
54C	3430616	2	Pin	
54D	3470003	2	Hairpin	
54E	4711600	2	Washer 3/8	
55	1001225580	1	Harness, SkyGuard (See ELECTRICAL SECTION for Breakdown)	

SECTION 5 - PLATFORM

FIGURE 5-44. 2WD PLATFORM CONSOLE BOX ASSEMBLY - WITH 1 CELL LSS - WITH SKYGUARD
(NON UL SPECS) (E600J/E600JP/M600J/M600JP) (SN 0300256398 to Present)



SECTION 5 - PLATFORM

FIGURE 5-44. 2WD PLATFORM CONSOLE BOX ASSEMBLY - WITH 1 CELL LSS - WITH SKYGUARD (NON UL SPECS) (E600J/E600JP/M600J/M600JP) (SN 0300256398 to Present)

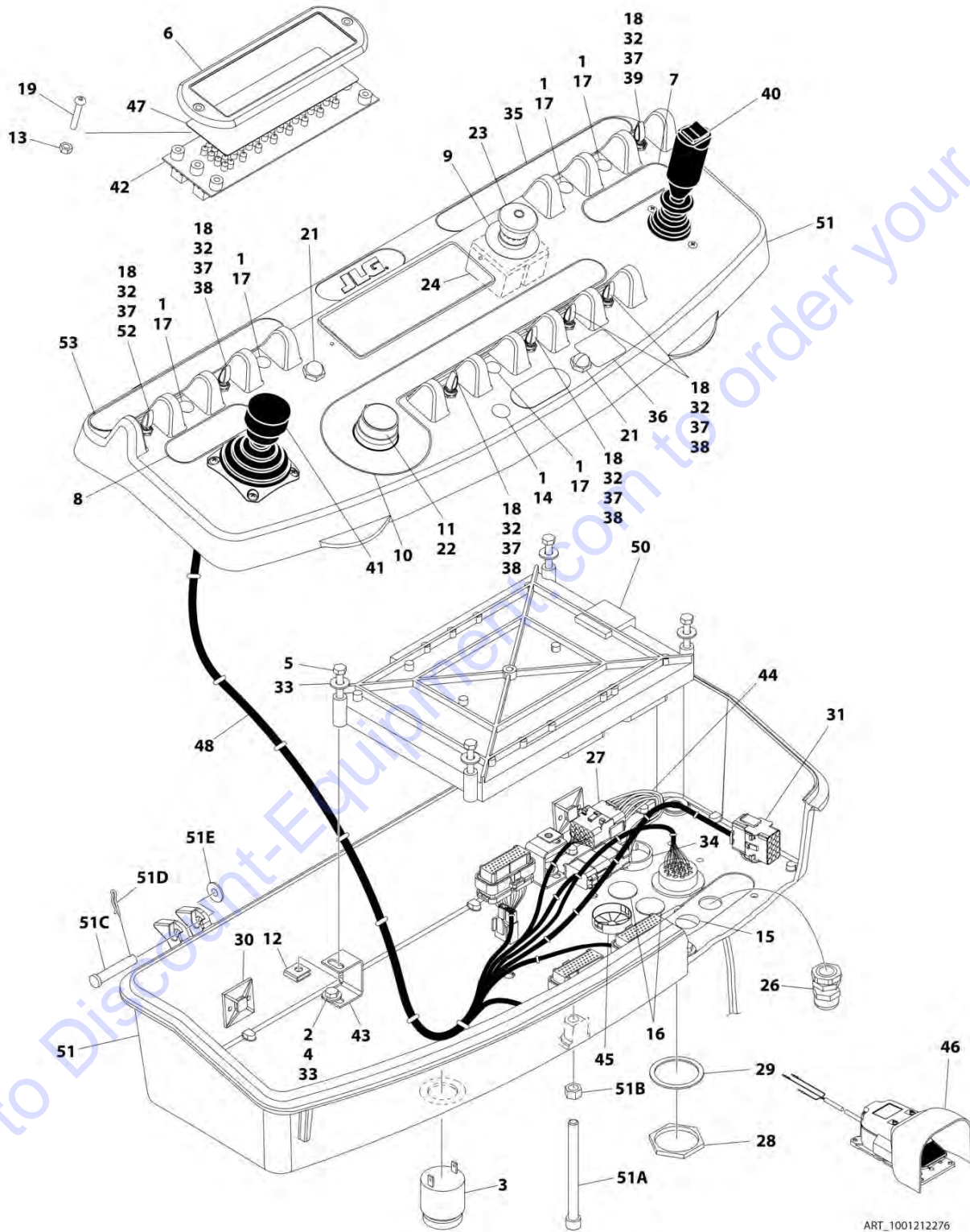
ITEM	PART NUMBER	QTY	DESCRIPTION	REV
	1001239796	Ref	2WD PLATFORM CONSOLE BOX ASSEMBLY - WITH 1 CELL LSS - WITH SKYGUARD (NON UL SPECS) (E600J/E600JP/M600J/M600JP)	A
1	0100009	AR	Adhesive, Silicone	
2	0100035	AR	Compound, Locking	
3	0140011	1	Alarm	
4	0641404	4	Bolt 1/4 x 1/2	
5	0641414	4	Bolt 1/4 x 1-3/4	
6	1671176	1	Bezel	
7	1702565	1	Decal - Drive and Steer	
8	1702566	1	Decal - Lift and Swing	
9	1704260	1	Decal - EMS	
10	1704422	1	Decal - Function Speed	
11	2560136	1	Knob, Speed Control	
12	3300353	4	Nut, Tinnerman	
13	3300408	2	Nut	
14	3520027	1	Plug	
15	3520030	1	Plug, Hole	
16	3520054	6	Plug, Hole	
17	3790012	7	O-Ring	
18	3900349	8	Screw M2.5	
19	3911018	2	Screw #10 x 1-1/8	
20	4240032	AR	Tie-Strap (Not Shown)	
21	4360387	2	Switch, Push Button	
22	4360407	1	Switch, Potentiometer	
23	4360475	1	Switch, Emergency Stop	
23A	7020175	1	Cap, Mushroom with Sealing Ring	
23B	7020176	1	Block, Contact	
24	4360476	1	Block, Contact	
25	4460234	4	Mount, Tie-Strap (Not Shown)	
26	4460428	1	Connector, Strain Relief	
27	4460434	1	Connector - 15 Position	
28	4460470	1	Nut, Terminal	
29	4460471	1	Washer, Terminal	
30	4460488	2	Mount, Tie-Strap	
31	4460708	1	Connector - 15 Position	
32	4740397	7	Spacer, Washer	
33	4751400	8	Washer 1/4	
34	1001110434	1	Plug	
35	1001132175	1	Decal - Stop, Generator	
36	1001155044	7	Nut 15/32	
37	1001155045	5	Switch, Toggle	
38	1001159256	1	Switch, Toggle	
39	1001161710	1	Switch, Toggle	
40	1001166538	NLA	Controller Assembly - Drive and Steer (Use p/n 1001212415) (See CONTROLLER ASSEMBLY - DRIVE AND STEER for Breakdown)	
41	1001166539	NLA	Controller Assembly - Lift and Swing (See CONTROLLER ASSEMBLY - LIFT AND SWING for Breakdown) (Note: Use p/n 1001129555 as Replacement)	
42	1001170838	1	Gauge, Led Panel	

SECTION 5 - PLATFORM

ITEM	PART NUMBER	QTY	DESCRIPTION	REV
43	1001172760	4	Bracket	
44	1001183276	1	Upper Valve Harness (See ELECTRICAL SECTION for Breakdown)	
45	1001185281	1	Plug	
46	1001189039	1	Footswitch Assembly (See FOOTSWITCH ASSEMBLY for Breakdown)	
47	1001190797	1	Display - Light Panel	
48	1001193987	1	Decal - Stop and Drive Select	
49	1001196520	1	Module, Platform (Note: Re-calibration Required when Replaced)	
50	1001213882	1	Mount, Connector	
51	1001217621	1	Harness, Platform Console Box (With 1 Cell LSS) (See ELECTRICAL SECTION for Breakdown)	
52	1001218068	1	Box, Console Assembly	C
52A	0630568	1	Capscrew 3/8 x 4-1/2	
52B	3311601	1	Nut 3/8	
52C	3430616	2	Pin	
52D	3470003	2	Hairpin	
52E	4711600	2	Washer 3/8	

SECTION 5 - PLATFORM

FIGURE 5-45. 4WD PLATFORM CONSOLE BOX ASSEMBLY - WITHOUT LSS OR WITH 4 CELL LSS - WITH SKYGUARD (NON UL SPECS) (E600J/E600JP/M600J/M600JP)



ART_1001212276

SECTION 5 - PLATFORM

FIGURE 5-45. 4WD PLATFORM CONSOLE BOX ASSEMBLY - WITHOUT LSS OR WITH 4 CELL LSS - WITH SKYGUARD (NON UL SPECS) (E600J/E600JP/M600J/M600JP)

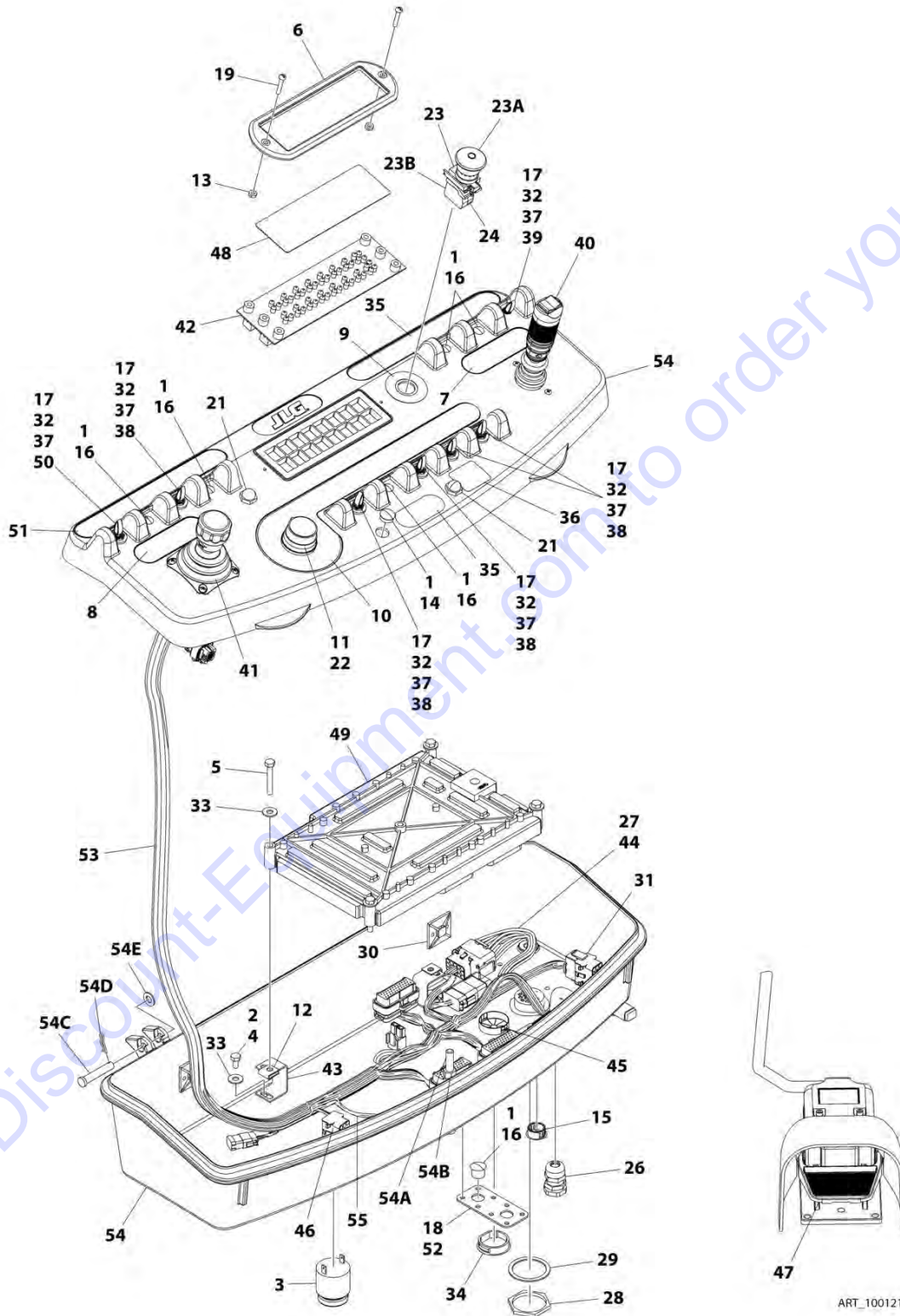
ITEM	PART NUMBER	QTY	DESCRIPTION	REV
	1001212276	Ref	4WD PLATFORM CONSOLE BOX ASSEMBLY - WITHOUT LSS OR WITH 4 CELL LSS - WITH SKYGUARD (NON UL SPECS) (E600J/E600JP/M600J/M600JP)	C
1	0100009	AR	Adhesive, Silicone	
2	0100035	AR	Loctite #222	
3	0140011	1	Alarm	
4	0641404	4	Bolt 1/4 x 1/2	
5	0641414	4	Bolt 1/4 x 1-3/4	
6	1671176	1	Bezel	
7	1702565	1	Decal - Drive and Steer	
8	1702566	1	Decal - Lift and Swing	
9	1704260	1	Decal - Emergency Stop Switch	
10	1704422	1	Decal - Function Speed	
11	2560136	1	Knob, Speed Control	
12	3300353	4	Nut, Tinnerman	
13	3300408	2	Nut	
14	3520027	1	Plug	
15	3520030	1	Hole, Plug	
16	3520033	2	Plug (SN 0300219271 through 0300226266)	
16	1001220486	2	Plug (SN 0300226267 to Present)	
17	3520054	5	Plug, Hole	
18	3790012	7	O-Ring	
19	3911018	2	Screw #10 x 1-1/8	
20	4240032	AR	Tie-Strap (Not Shown)	
21	4360387	1	Switch, Push Button	
22	4360407	1	Switch, Potentiometer	
23	4360475	1	Switch, Emergency Stop	
23	7020175	1	Cap, Mushroom with Sealing Ring	
23	7020176	1	Block, Contact	
24	4360476	1	Block, Contact	
25	4460234	4	Mount, Tie-Strap (Not Shown)	
26	4460428	1	Connector, Strain Relief	
27	4460434	1	Connector - 15 Position	
28	4460470	1	Nut, Terminal	
29	4460471	1	Washer, Terminal	
30	4460488	2	Mount, Tie-Strap	
31	4460708	1	Connector - 15 Position	
32	4740397	7	Spacer, Washer	
33	4751400	8	Washer 1/4	
34	1001110434	1	Plug	
35	1001132175	1	Decal - Stop, Generator	
36	1001144433	1	Decal - No Weight SkyGuard	
37	1001155044	7	Nut 15/32	
38	1001155045	5	Switch, Toggle	
39	1001159256	1	Switch, Toggle	
40	1001166538	NLA	Controller Assembly - Drive and Steer (Use p/n 1001212415) (See CONTROLLER ASSEMBLY - DRIVE AND STEER for Breakdown)	
41	1001166539	NLA	Controller Assembly - Lift and Swing (See CONTROLLER ASSEMBLY - LIFT AND SWING for Breakdown) (Note: Use p/n 1001129555 as Replacement)	

SECTION 5 - PLATFORM

ITEM	PART NUMBER	QTY	DESCRIPTION	REV
42	1001170838	1	Gauge, Led Panel	
43	1001172760	4	Bracket	
44	1001183276	1	Upper Valve Harness (See ELECTRICAL SECTION for Breakdown)	
45	1001185281	1	Plug	
46	1001189039	1	Footswitch Assembly (See FOOTSWITCH ASSEMBLY for Breakdown)	
47	1001190797	1	Display - Light Panel	
48	1001191318	1	Platform Console Harness (Not Shown - See ELECTRICAL SECTION for Breakdown)	
49	1001192292	1	SkyGuard Harness (Not Shown - See ELECTRICAL SECTION for Breakdown)	
50	1001196520	1	Module, Platform (Note: Re-calibration Required when Replaced)	
51	1001201887	1	Box, Console Assembly	B
51A	0630568	1	Capscrew 3/8 x 4-1/2	
51B	3311601	1	Nut 3/8	
51C	3430616	2	Pin	
51D	3470003	2	Hairpin	
51E	4711600	2	Washer 3/8	
52	1001211363	1	Switch, Toggle	
53	1001212277	1	Decal - Horn and Drive Select	

SECTION 5 - PLATFORM

FIGURE 5-46. 4WD PLATFORM CONSOLE BOX ASSEMBLY - WITH 1 CELL LSS - WITH SKYGUARD
(NON UL SPECS) (E600J/E600JP/M600J/M600JP) (SN 0300219271 through 0300256397)



SECTION 5 - PLATFORM

FIGURE 5-46. 4WD PLATFORM CONSOLE BOX ASSEMBLY - WITH 1 CELL LSS - WITH SKYGUARD (NON UL SPECS) (E600J/E600JP/M600J/M600JP) (SN 0300219271 through 0300256397)

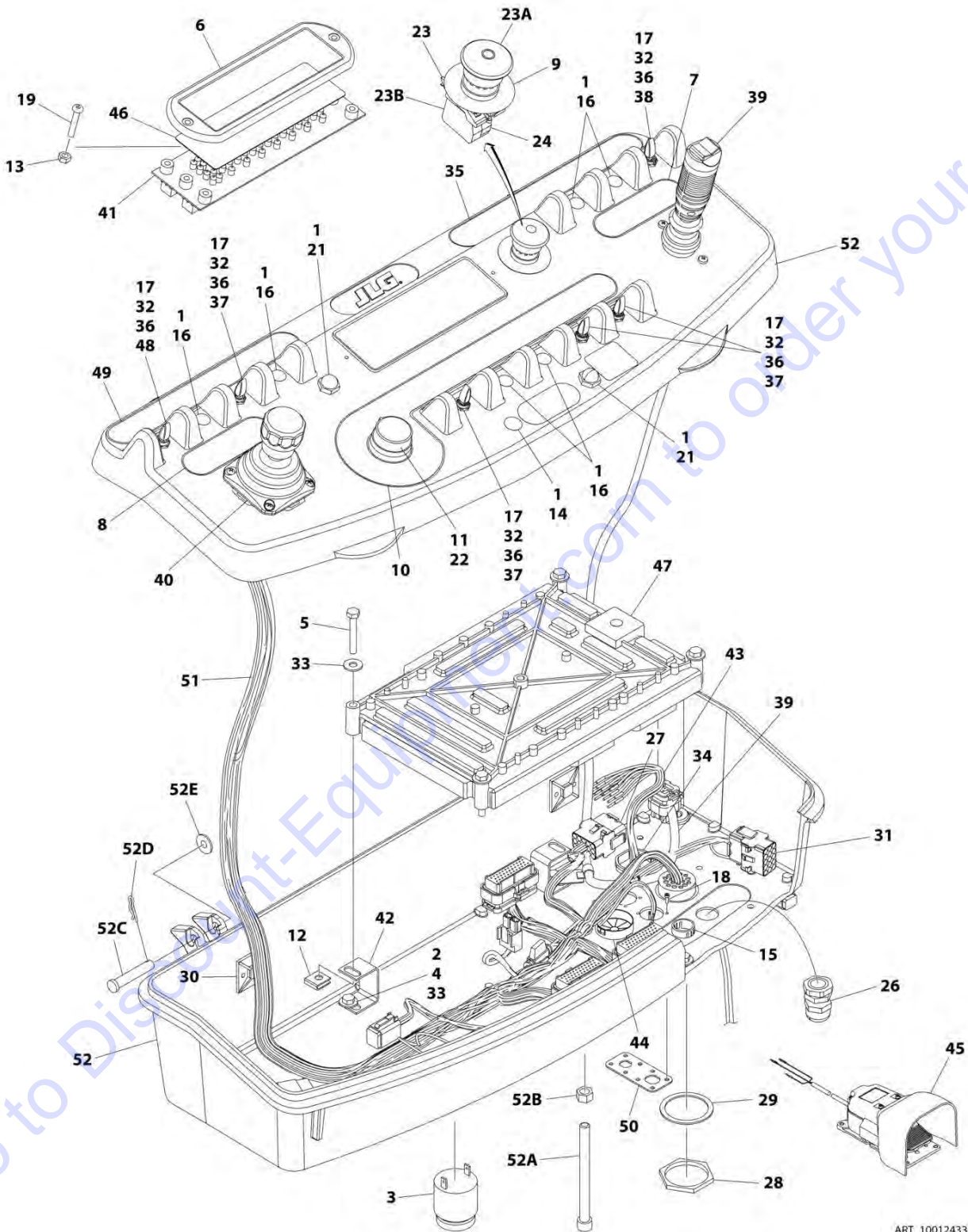
ITEM	PART NUMBER	QTY	DESCRIPTION	REV
	1001219407	Ref	4WD PLATFORM CONSOLE BOX ASSEMBLY - WITH 1 CELL LSS - WITH SKYGUARD (NON UL SPECS) (E600J/E600JP/M600J/M600JP)	D
1	0100009	AR	Adhesive, Silicone	
2	0100035	AR	Compound, Locking	
3	0140011	1	Alarm	
4	0641404	4	Bolt 1/4 x 1/2	
5	0641414	4	Bolt 1/4 x 1-3/4	
6	1671176	1	Bezel	
7	1702565	1	Decal - Drive and Steer	
8	1702566	1	Decal - Lift and Swing	
9	1704260	1	Decal - Emergency Stop Switch	
10	1704422	1	Decal - Function Speed	
11	2560136	1	Knob, Speed Control	
12	3300353	4	Nut, Tinnerman	
13	3300408	2	Nut	
14	3520027	1	Plug	
15	3520030	1	Plug, Hole	
16	3520054	6	Plug, Hole	
17	3790012	7	O-Ring	
18	3900349	8	Screw M2.5	
19	3911018	2	Screw #10 x 1-1/8	
20	4240032	AR	Tie-Strap (Not Shown)	
21	4360387	2	Switch, Push Button	
22	4360407	1	Switch, Potentiometer	
23A	4360475	1	Switch, Emergency Stop	
23B	7020175	1	Cap, Mushroom with Sealing Ring	
23	7020176	1	Block, Contact	
24	4360476	1	Block, Contact	
25	4460234	4	Mount, Tie-Strap (Not Shown)	
26	4460428	1	Connector, Strain Relief	
27	4460434	1	Connector - 15 Position	
28	4460470	1	Nut, Terminal	
29	4460471	1	Washer, Terminal	
30	4460488	3	Mount, Tie-Strap	
31	4460708	1	Connector - 15 Position	
32	4740397	7	Spacer, Washer	
33	4751400	8	Washer 1/4	
34	1001110434	1	Plug	
35	1001132175	1	Decal - Stop, Generator	
36	1001144433	1	Decal - No Weight SkyGuard	
37	1001155044	7	Nut 15/32	
38	1001155045	5	Switch, Toggle	
39	1001159256	1	Switch, Toggle	
40	1001166538	NLA	Controller Assembly - Drive and Steer (Use p/n 1001212415) (See CONTROLLER ASSEMBLY - DRIVE AND STEER for Breakdown)	
41	1001166539	NLA	Controller Assembly - Lift and Swing (See CONTROLLER ASSEMBLY - LIFT AND SWING for Breakdown) (Note: Use p/n 1001129555 as Replacement)	
42	1001170838	1	Gauge, Led Panel	

SECTION 5 - PLATFORM

ITEM	PART NUMBER	QTY	DESCRIPTION	REV
43	1001172760	4	Bracket	
44	1001183276	1	Upper Valve Harness (See ELECTRICAL SECTION for Breakdown)	
45	1001185281	1	Plug	
46	1001186431	2	Relay	
47	1001189039	1	Footswitch Assembly (See FOOTSWITCH ASSEMBLY for Breakdown)	
48	1001190797	1	Display - Light Panel	
49	1001196520	1	Module, Platform (Note: Re-calibration Required when Replaced)	
50	1001211363	1	Switch, Toggle	
51	1001212277	1	Decal - Horn and Drive Select	
52	1001213882	1	Mount, Connector	
53	1001217621	1	Harness, Platform Console Box (With 1 Cell LSS) (See ELECTRICAL SECTION for Breakdown)	
54	1001218068	1	Box, Console Assembly	C
54A	0630568	1	Capscrew 3/8 x 4-1/2	
54B	3311601	1	Nut 3/8	
54C	3430616	2	Pin	
54D	3470003	2	Hairpin	
54E	4711600	2	Washer 3/8	
55	1001225580	1	Harness, SkyGuard (See ELECTRICAL SECTION for Breakdown)	

SECTION 5 - PLATFORM

FIGURE 5-47. 4WD PLATFORM CONSOLE BOX ASSEMBLY - WITH 1 CELL LSS (NON UL SPECS)
(E600J/E600JP/M600J/M600JP) (SN 0300256398 to Present)



ART_1001243362

SECTION 5 - PLATFORM

**FIGURE 5-47. 4WD PLATFORM CONSOLE BOX ASSEMBLY - WITH 1 CELL LSS (NON UL SPECS)
(E600J/E600JP/M600J/M600JP) (SN 0300256398 to Present)**

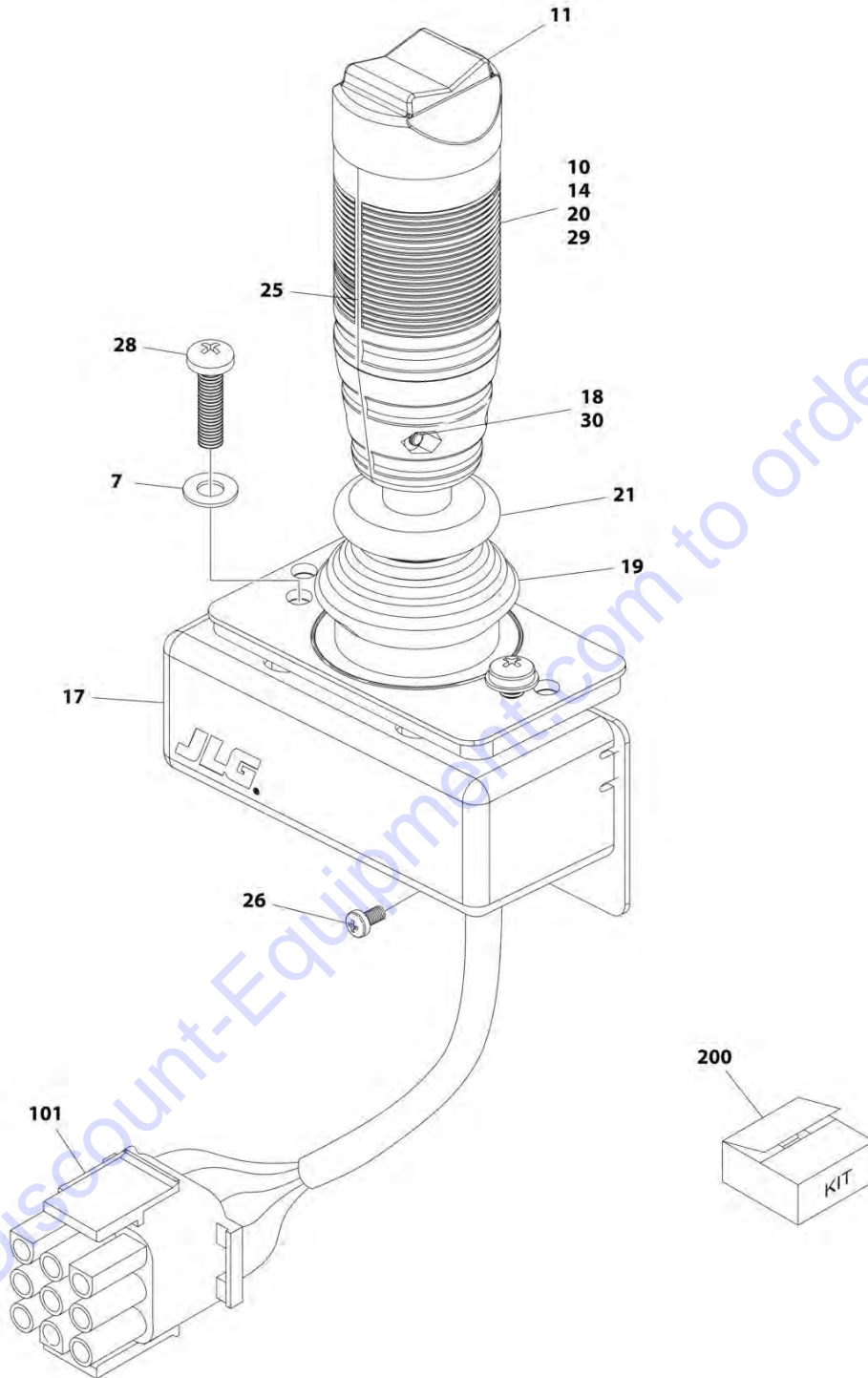
ITEM	PART NUMBER	QTY	DESCRIPTION	REV
	1001243362	Ref	4WD PLATFORM CONSOLE BOX ASSEMBLY - WITH 1 CELL LSS (NON UL SPECS) (E600J/E600JP/M600J/M600JP)	A
1	0100009	AR	Adhesive, Silicone	
2	0100035	AR	Compound, Locking	
3	0140011	1	Alarm	
4	0641404	4	Bolt 1/4 x 1/2	
5	0641414	4	Bolt 1/4 x 1-3/4	
6	1671176	1	Bezel	
7	1702565	1	Decal - Drive and Steer	
8	1702566	1	Decal - Lift and Swing	
9	1704260	1	Decal - Emergency Stop Switch	
10	1704422	1	Decal - Function Speed	
11	2560136	1	Knob, Speed Control	
12	3300353	4	Nut, Tinnerman	
13	3300408	2	Nut	
14	3520027	1	Plug	
15	3520030	1	Plug, Hole	
16	3520054	6	Plug, Hole	
17	3790012	7	O-Ring	
18	3900349	8	Screw M2.5	
19	3911018	2	Screw #10 x 1-1/8	
20	4240032	AR	Tie-Strap (Not Shown)	
21	4360387	2	Switch, Push Button	
22	4360407	1	Switch, Potentiometer	
23	4360475	1	Switch, Emergency Stop	
23A	7020175	1	Cap, Mushroom with Sealing Ring	
23B	7020176	1	Block, Contact	
24	4360476	1	Block, Contact	
25	4460234	4	Mount, Tie-Strap (Not Shown)	
26	4460428	1	Connector, Strain Relief	
27	4460434	1	Connector - 15 Position	
28	4460470	1	Nut, Terminal	
29	4460471	1	Washer, Terminal	
30	4460488	3	Mount, Tie-Strap	
31	4460708	1	Connector - 15 Position	
32	4740397	7	Spacer, Washer	
33	4751400	8	Washer 1/4	
34	1001110434	1	Plug	
35	1001132175	1	Decal - Stop, Generator	
36	1001155044	7	Nut 15/32	
37	1001155045	5	Switch, Toggle	
38	1001159256	1	Switch, Toggle	
39	1001166538	NLA	Controller Assembly - Drive and Steer (Use p/n 1001212415) (See CONTROLLER ASSEMBLY - DRIVE AND STEER for Breakdown)	
40	1001166539	NLA	Controller Assembly - Lift and Swing (See CONTROLLER ASSEMBLY - LIFT AND SWING for Breakdown) (Note: Use p/n 1001129555 as Replacement)	
41	1001170838	1	Gauge, Led Panel	
42	1001172760	4	Bracket	
43	1001183276	1	Upper Valve Harness (See ELECTRICAL SECTION for	

SECTION 5 - PLATFORM

ITEM	PART NUMBER	QTY	DESCRIPTION	REV
44	1001185281	1	Breakdown) Plug	
45	1001189039	1	Footswitch Assembly (See FOOTSWITCH ASSEMBLY for Breakdown)	
46	1001190797	1	Display - Light Panel	
47	1001196520	1	Module, Platform (Note: Re-calibration Required when Replaced)	
48	1001211363	1	Switch, Toggle	
49	1001212277	1	Decal - Horn and Drive Select	
50	1001213882	1	Mount, Connector	
51	1001217621	1	Harness, Platform Console Box (With 1 Cell LSS) (See ELECTRICAL SECTION for Breakdown)	
52	1001218068	1	Box, Console Assembly	C
52A	0630568	1	Capscrew 3/8 x 4-1/2	
52B	3311601	1	Nut 3/8	
52C	3430616	2	Pin	
52D	3470003	2	Hairpin	
52E	4711600	2	Washer 3/8	

SECTION 5 - PLATFORM

FIGURE 5-48. CONTROLLER ASSEMBLY - DRIVE AND STEER



ART_1001166538

SECTION 5 - PLATFORM

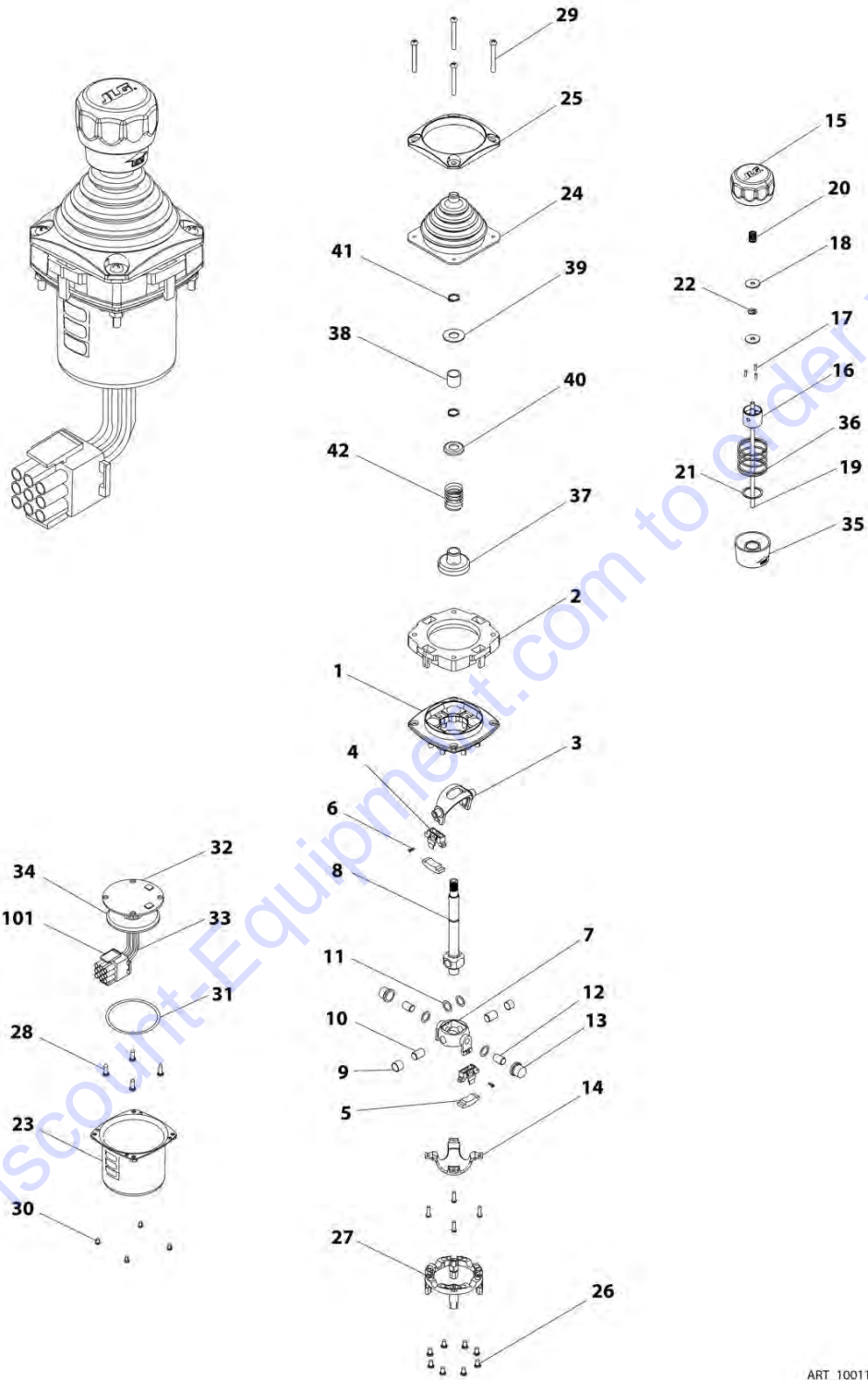
FIGURE 5-48. CONTROLLER ASSEMBLY - DRIVE AND STEER

ITEM	PART NUMBER	QTY	DESCRIPTION	REV
	1001166538	Ref	CONTROLLER ASSEMBLY - DRIVE AND STEER	E
		Ref	Note: Use p/n 1001212415 for Replacement.	
7	70004738	2	Washer	
10	70004739	1	Roller	
11	70004740	1	Boot, Switch	
14	70004741	2	Half, Handle	
17	70004742	1	Enclosure	
18	70004743	4	Nut	
19	70004744	NLA	Boot, Controller (Use Item 200)	
20	70004745	NLA	Tube, Locking (Use Item 200)	
21	70004746	NLA	Disc, Locking (Use Item 200)	
25	70004747	2	Seal, Rope	
26	70004748	1	Screw M3 x 6	
28	70004749	2	Screw M5 x 20	
29	70004750	1	Pin, Dowel	
30	70004751	4	Screw M3 x 16	
101	4460265	1	Connector - 9 Position	
101	4460226	7	Socket, Female	
200	70005230	1	Boot Kit (Includes Items 19-21)	

Go to Discount-Equipment.com to order your parts

SECTION 5 - PLATFORM

FIGURE 5-49. CONTROLLER ASSEMBLY - LIFT AND SWING



ART_1001166539

SECTION 5 - PLATFORM

FIGURE 5-49. CONTROLLER ASSEMBLY - LIFT AND SWING

ITEM	PART NUMBER	QTY	DESCRIPTION	REV
	1001166539	Ref	CONTROLLER ASSEMBLY - LIFT AND SWING	D
	See Note	Ref	Note: Use p/n 1001129555 as Replacement	
1	See Note	1	Main Cast Body (Note: Not Available - Purchase Complete Assembly)	
2	70004752	1	Adapter	
3	See Note	NSS	Pivot Arm, Plastic (Note: Not Available - Purchase Complete Assembly)	
4	See Note	NSS	Holder, Magnet (Note: Not Available - Purchase Complete Assembly)	
5	See Note	NSS	Arc, Magnet (Note: Not Available - Purchase Complete Assembly)	
6	See Note	NSS	Screw (Note: Not Available for Purchase)	
7	See Note	NSS	Pivot Arm, Cast (Note: Not Available - Purchase Complete Assembly)	
8	See Note	NSS	Shaft, Main (Note: Not Available - Purchase Complete Assembly)	
9	See Note	NSS	Bearing (Note: Not Available - Purchase Complete Assembly)	
10	See Note	NSS	Pin (Note: Not Available - Purchase Complete Assembly)	
11	See Note	NSS	Shim (Note: Not Available - Purchase Complete Assembly)	
12	See Note	NSS	Pin (Note: Not Available - Purchase Complete Assembly)	
13	See Note	NSS	Bearing (Note: Not Available - Purchase Complete Assembly)	
14	See Note	NSS	Dome, Centering (Note: Not Available - Purchase Complete Assembly)	
15	70004753	1	Cap	
16	70004754	1	Insert, Cap	
17	70004755	3	Pin	
18	70004756	2	Washer	
19	70004757	1	Pin, Centering	
20	70004758	1	Spring	
21	70004759	1	Ring, Retaining	
22	70004760	1	E-Ring	
23	70004761	1	Can, Enclosure	
24	70004762	1	Boot	
25	70004763	1	Bezel	
26	See Note	NSS	Screw (Note: Not Available for Purchase)	
27	See Note	NSS	Base Mounting (Note: Not Available - Purchase Complete Assembly)	
28	See Note	NSS	Screw (Note: Not Available for Purchase)	
29	70004764	4	Screw	
30	70004765	4	Screw	
31	70004766	1	O-Ring	
32	See Note	NSS	Plate (Note: Not Available - Purchase Complete Assembly)	
33	See Note	NSS	Harness (Note: Not Available - Purchase Complete Assembly)	
34	70004767	1	Grommet, Rubber	
35	70004768	1	Housing	
36	70004769	1	Spring	
37	70004770	1	Stopper	
38	70004771	1	Spacer	
39	70004772	1	Washer	
40	70004773	1	Disc	
41	70004774	2	Ring, Retaining	
42	70004775	1	Spring	

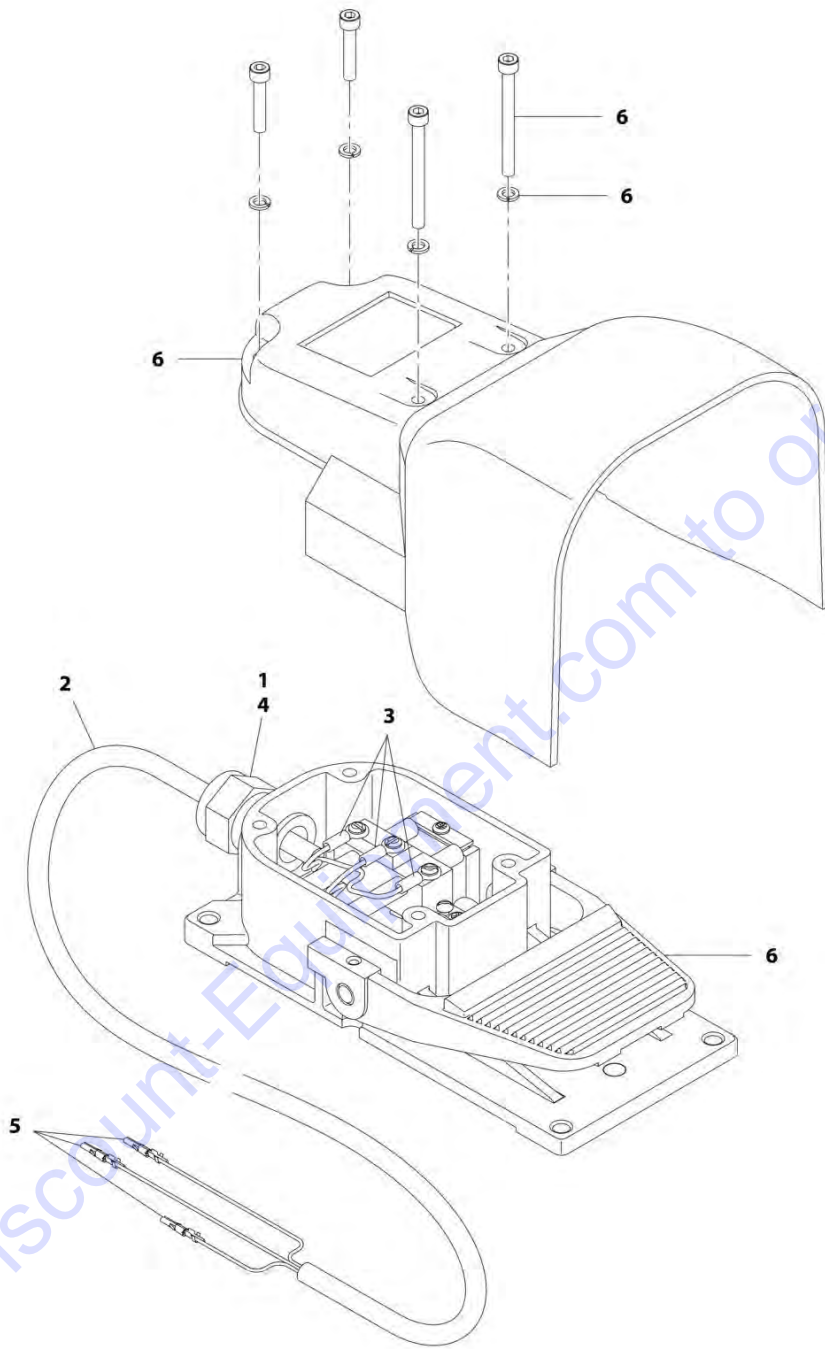
SECTION 5 - PLATFORM

ITEM	PART NUMBER	QTY	DESCRIPTION	REV
101	4460265	1	Connector - 9 Position	
101	4460226	6	Socket, Female	

Go to Discount-Equipment.com to order your parts

SECTION 5 - PLATFORM

FIGURE 5-50. FOOTSWITCH ASSEMBLY



ART_1001189039

SECTION 5 - PLATFORM

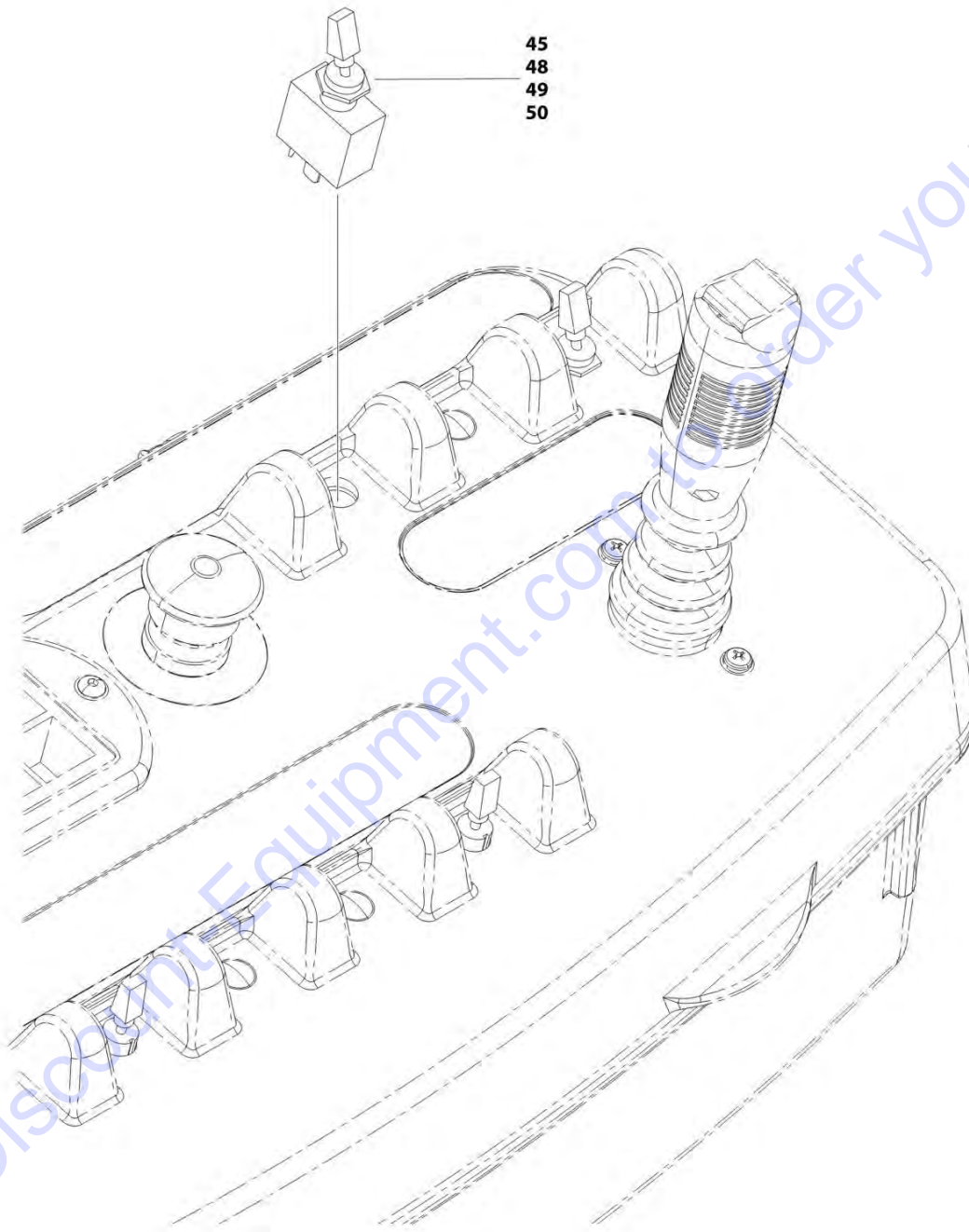
FIGURE 5-50. FOOTSWITCH ASSEMBLY

ITEM	PART NUMBER	QTY	DESCRIPTION	REV
	1001189039	Ref	FOOTSWITCH ASSEMBLY	A
1	0100020	AR	Sealant	
2	1060330	6 ft/1.8m	Cable, Electrical - 16/3	
3	4460042	3	Terminal	
4	4460071	1	Connector, Strain Relief	
5	4460226	3	Socket, Female	
6	1001117172	1	Footswitch	
6	70002902	1	Switch, 20Amp	
6	70002903	1	Gasket	
6	70002905	1	Cover	
6	70002904	1	Kit, Replacement Bolt	

Go to Discount-Equipment.com to order your parts

SECTION 5 - PLATFORM

FIGURE 5-51. MOTOR CONTROLS INSTALLATION - STANDARD BATTERIES (M600/M600J/M600JP)



ART_1001199313_50F5

SECTION 5 - PLATFORM

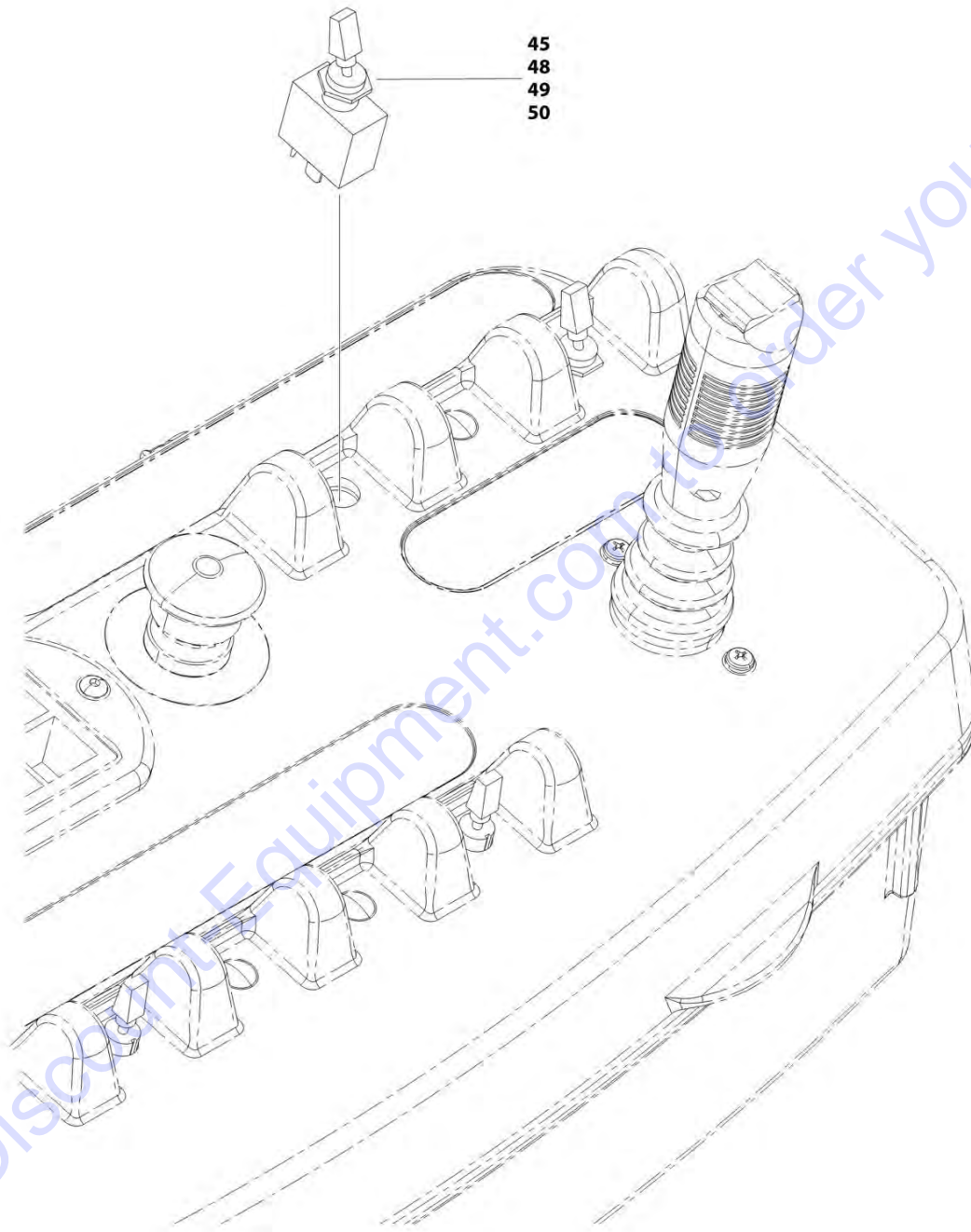
FIGURE 5-51. MOTOR CONTROLS INSTALLATION - STANDARD BATTERIES (M600/M600J/M600JP)

ITEM	PART NUMBER	QTY	DESCRIPTION	REV
	1001199313	Ref	MOTOR CONTROLS INSTALLATION - STANDARD BATTERIES (M600/M600J/M600JP)	F
45	3790012	1	O-Ring	
48	4740397	1	Spacer	
49	1001155044	1	Nut	
50	1001161710	1	Switch, Toggle	

Go to Discount-Equipment.com to order your parts

SECTION 5 - PLATFORM

FIGURE 5-52. MOTOR CONTROLS INSTALLATION - AGM BATTERIES (M600/M600J/M600JP)



ART_1001207674_50F5

PARTS FINDER

**Search Website
by Part Number**



**Search Manual
Library For Parts
Manual & Lookup Part
Numbers – Purchase
or Request Quote**

A screenshot of the "Search Manuals" form. It includes a title "Search Manuals" and a subtitle "Please enter the model number and serial number of the machine you are looking for." Below this are several input fields: "Find" (with a dropdown menu), "Serial Number" (with a dropdown menu), "Year" (with a dropdown menu), "Make" (with a dropdown menu), "Part Number" (with a dropdown menu), "Part Name" (with a dropdown menu), and "Category" (with a dropdown menu). A "Search" button is located at the bottom of the form.

**Can't Find Part or
Manual? Request Help
by Manufacturer,
Model & Description**

A screenshot of the "Parts Order Form". It has a title "Parts Order Form" and a subtitle "Please fill out the form below." Below the subtitle is a form with several input fields: "Manufacturer", "Model", "Year", "Part Number", "Part Name", "Quantity", "Description", "Part Number", "Part Name", "Quantity", "Description", "Part Number", "Part Name", "Quantity", "Description". A "Submit" button is located at the bottom of the form.

Discount-Equipment.com is your online resource for quality parts & equipment.

Florida: **561-964-4949** Outside Florida TOLL FREE: **877-690-3101**

Need parts?

Click on this link: <http://www.discount-equipment.com/category/5443-parts/> and choose one of the options to help get the right parts and equipment you are looking for. Please have the machine model and serial number available in order to help us get you the correct parts. If you don't find the part on the website or on one of the online manuals, please fill out the request form and one of our experienced staff members will get back to you with a quote for the right part that your machine needs.

We sell worldwide for the brands: Genie, Terex, JLG, MultiQuip, Mikasa, Essick, Whiteman, Mayco, Toro Stone, Diamond Products, Generac Magnum, Airman, Haulotte, Barreto, Power Blanket, Nifty Lift, Atlas Copco, Chicago Pneumatic, Allmand, Miller Curber, Skyjack, Lull, Skytrak, Tsurumi, Husquvarna Target, Stow, Wacker, Sakai, Mi-T-M, Sullair, Basic, Dynapac, MBW, Weber, Bartell, Bennar Newman, Haulotte, Ditch Runner, Menegotti, Morrison, Contec, Buddy, Crown, Edco, Wyco, Bomag, Laymor, EZ Trench, Bil-Jax, F.S. Curtis, Gehl Pavers, Heli, Honda, ICS/PowerGrit, IHI, Partner, Imer, Clipper, MMD, Koshin, Rice, CH&E, General Equipment, Amida, Coleman, NAC, Gradall, Square Shooter, Kent, Stanley, Tamco, Toku, Hatz, Kohler, Robin, Wisconsin, Northrock, Oztec, Toker TK, Rol-Air, APT, Wylie, Ingersoll Rand / Doosan, Innovatech, Con X, Ammann, Mecalac, Makinex, Smith Surface Prep, Small Line, Wanco, Yanmar

SECTION 5 - PLATFORM

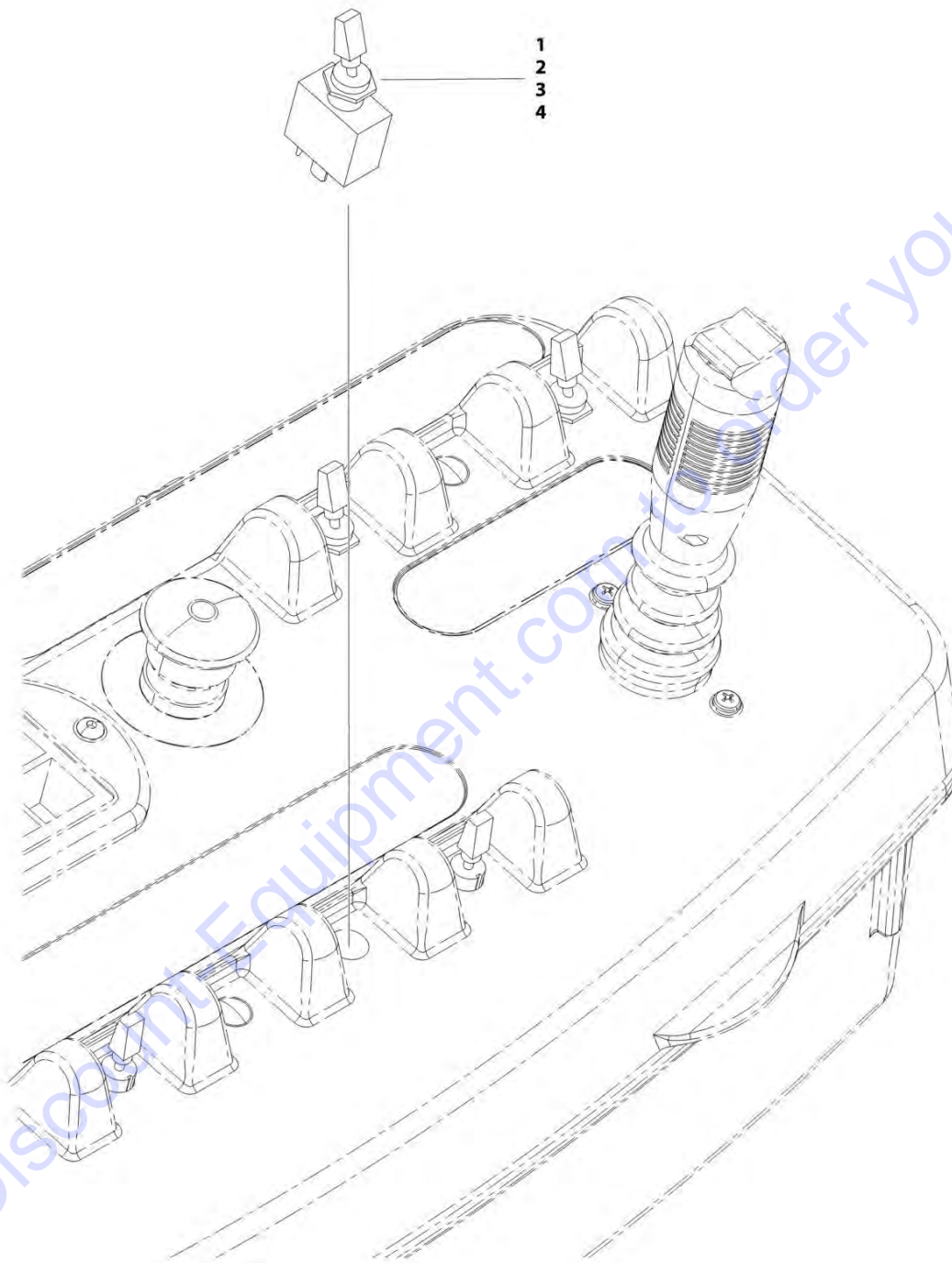
FIGURE 5-52. MOTOR CONTROLS INSTALLATION - AGM BATTERIES (M600/M600J/M600JP)

ITEM	PART NUMBER	QTY	DESCRIPTION	REV
	1001207674	Ref	MOTOR CONTROLS INSTALLATION - AGM BATTERIES (M600/M600J/M600JP)	E
45	3790012	1	O-Ring	
48	4740397	1	Spacer	
49	1001155044	1	Nut	
50	1001161710	1	Switch, Toggle	

Go to Discount-Equipment.com to order your parts

SECTION 5 - PLATFORM

FIGURE 5-53. JIB ROTATE SWITCH (E600JP/M600JP)



ART_1001192053

SECTION 5 - PLATFORM

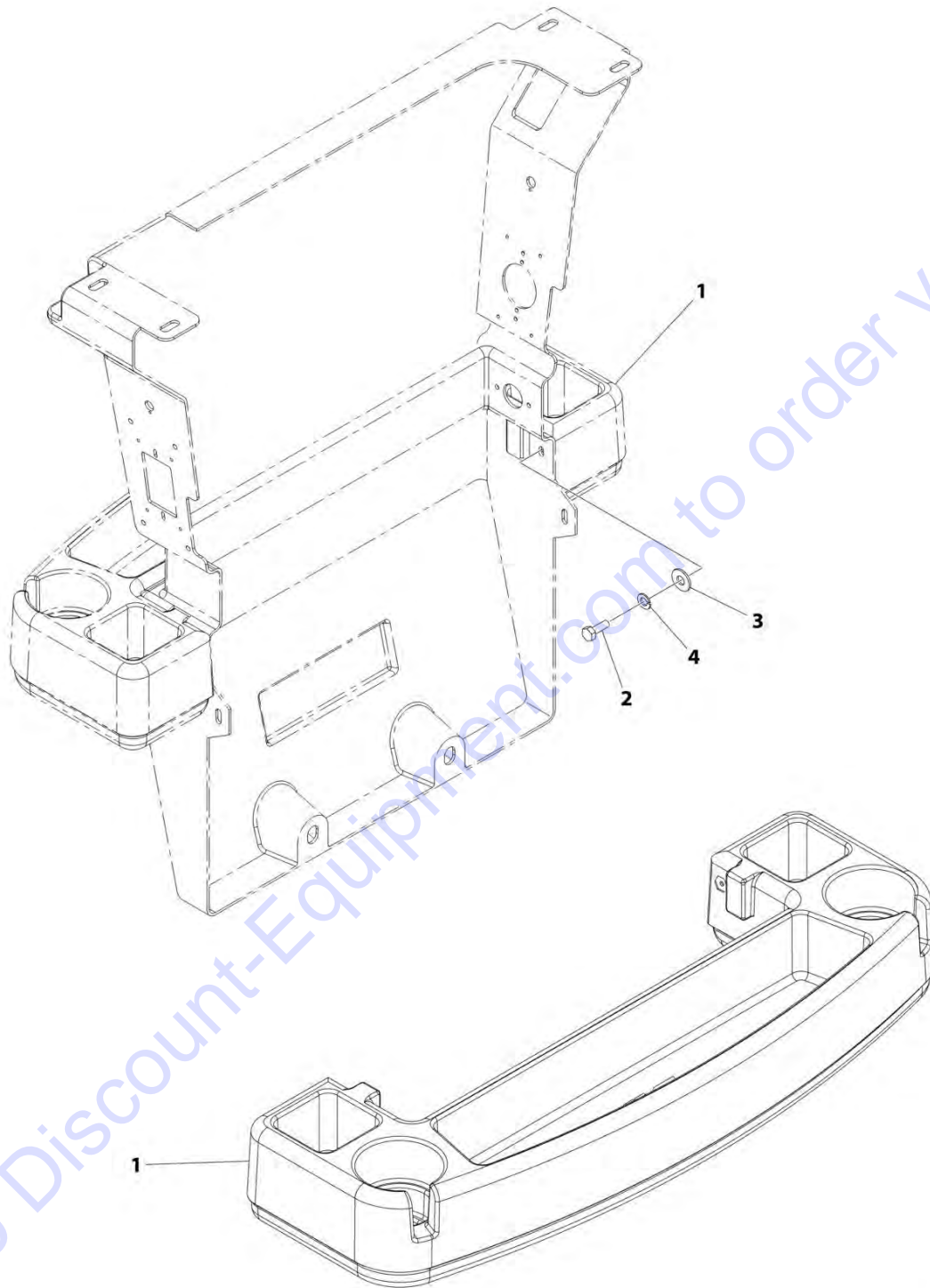
FIGURE 5-53. JIB ROTATE SWITCH (E600JP/M600JP)

ITEM	PART NUMBER	QTY	DESCRIPTION	REV
	1001192053	Ref	JIB ROTATE SWITCH (E600JP/M600JP)	A
1	3790012	1	O-Ring	
2	4740397	1	Spacer, Washer	
3	1001155044	1	Nut 15/32	
4	1001155045	1	Switch, Toggle	

Go to Discount-Equipment.com to order your parts

SECTION 5 - PLATFORM

FIGURE 5-54. TRAY ASSEMBLY



ART_1580012

SECTION 5 - PLATFORM

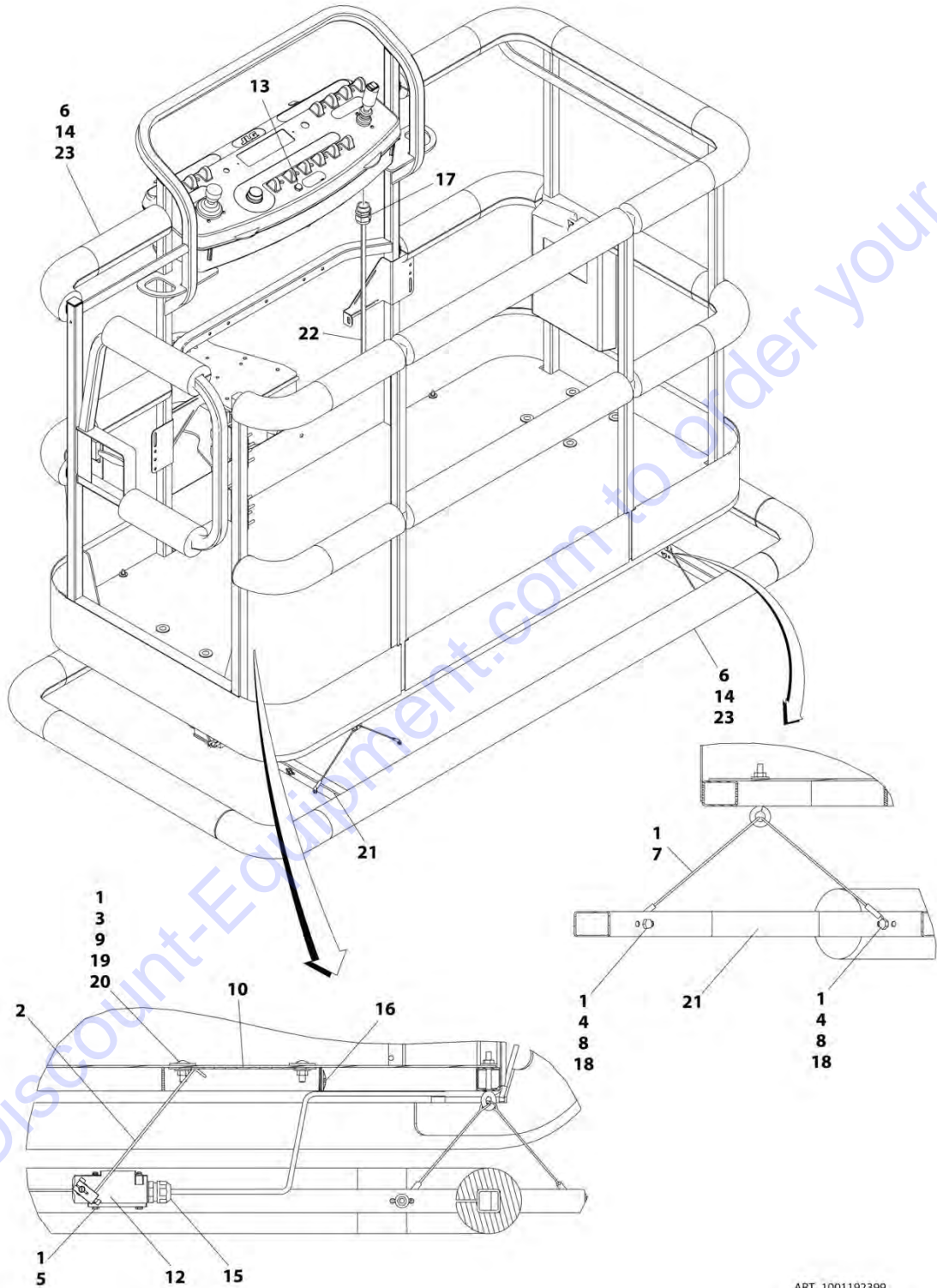
FIGURE 5-54. TRAY ASSEMBLY

ITEM	PART NUMBER	QTY	DESCRIPTION	REV
	1580012	Ref	TRAY ASSEMBLY	C
1	See Note	1	Tray, Storage - Center (Note: Purchase p/n 1580012)	
2	0641406	2	Bolt 1/4 x 3/4	
3	4751400	2	Washer 1/4	
4	4761400	2	Washer 1/4	

Go to Discount-Equipment.com to order your parts

SECTION 5 - PLATFORM

FIGURE 5-55. SOFT TOUCH INSTALLATION (SIDE ENTRY PLATFORM) (OPTIONAL)



ART_1001192399

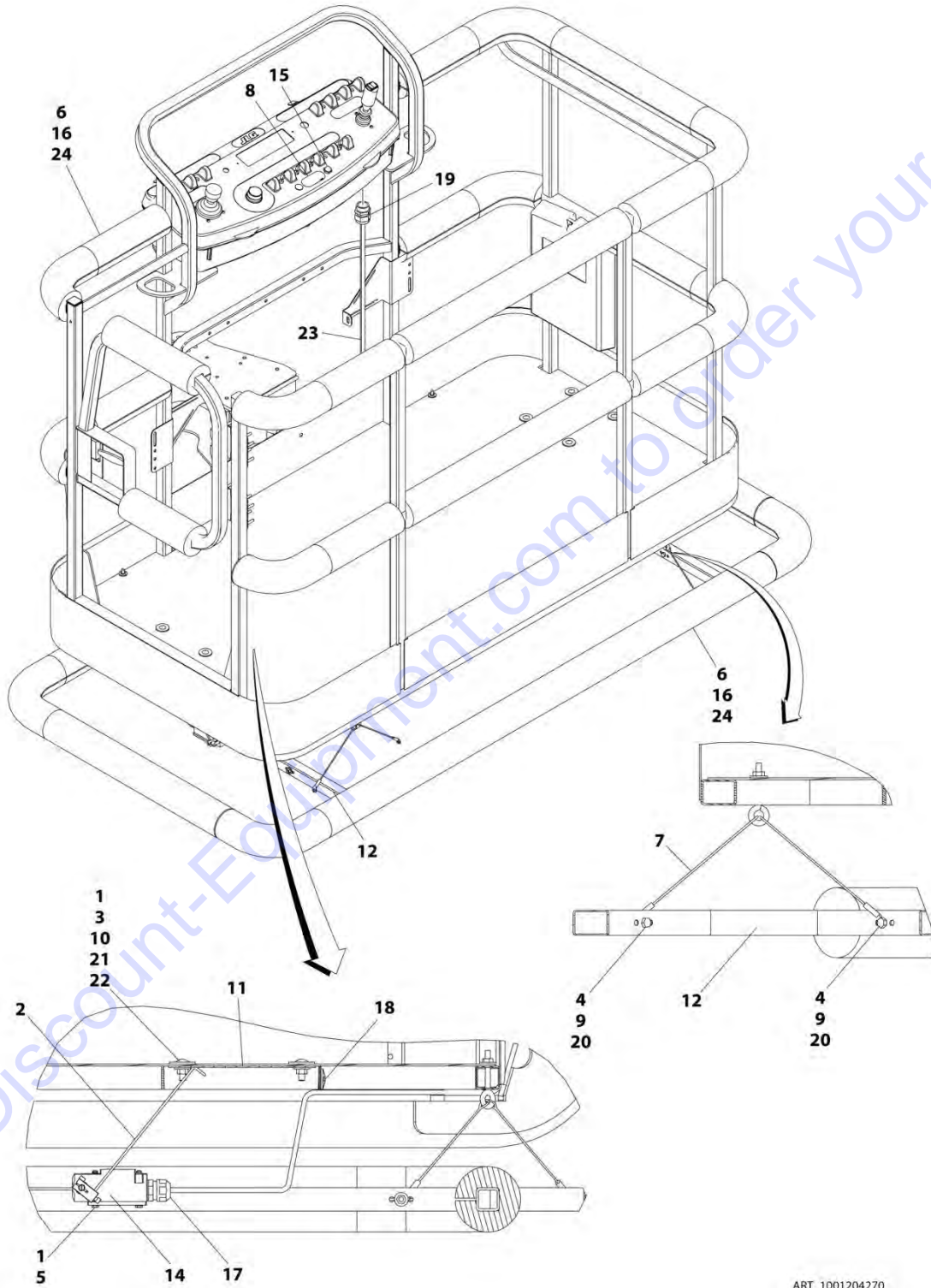
SECTION 5 - PLATFORM

FIGURE 5-55. SOFT TOUCH INSTALLATION (SIDE ENTRY PLATFORM) (OPTIONAL)

ITEM	PART NUMBER	QTY	DESCRIPTION	REV
	1001192399	Ref	SOFT TOUCH INSTALLATION (SIDE ENTRY PLATFORM) (OPTIONAL)	C
1	0100011	AR	Compound, Locking	
2	0200048	2	Arm, Switch Activator	
3	0630462	8	Bolt, Carriage	
4	0641414	8	Bolt 1/4 x 1-3/4	
5	0721005	4	Screw #10 x 5/8	
6	0940167	1	Bumper, Kit	
6	0940092	10	Bumper (Corner)	
6	0940094	AR	Bumper (28ft Length)	
7	1060903	4	Wire Rope and Eyebolt Assembly	
8	3311401	8	Nut 1/4	
9	3311501	8	Nut 5/16	
10	3575705	2	Plate, Switch Strike	
11	4240099	AR	Tie, Wire (Not Shown)	
12	4360057	2	Switch, Limit	
13	4360387	1	Switch, Push Button	
14	4420068	1	Tape, Yellow Adhesive (Prior to SN 0300239198)	
15	4460049	2	Connector, Strain Relief	
16	4460234	2	Terminal, Mount	
17	4460425	1	Connector, Strain Relief	
18	4751400	16	Washer 1/4	
19	4751500	8	Washer 5/16	
20	4751800	8	Washer 1/2	
21	4846370	1	Soft Touch Rail	
22	1001193419	1	Soft Touch Harness	
22	4460226	4	Socket, Female	
23	1001197017	AR	Strap, Cable Tie (Yellow) (SN 0300239198 to Present)	

SECTION 5 - PLATFORM

FIGURE 5-56. SOFT TOUCH INSTALLATION - WITH FALL ARREST (SIDE ENTRY PLATFORM) (OPTIONAL)



ART_1001204270

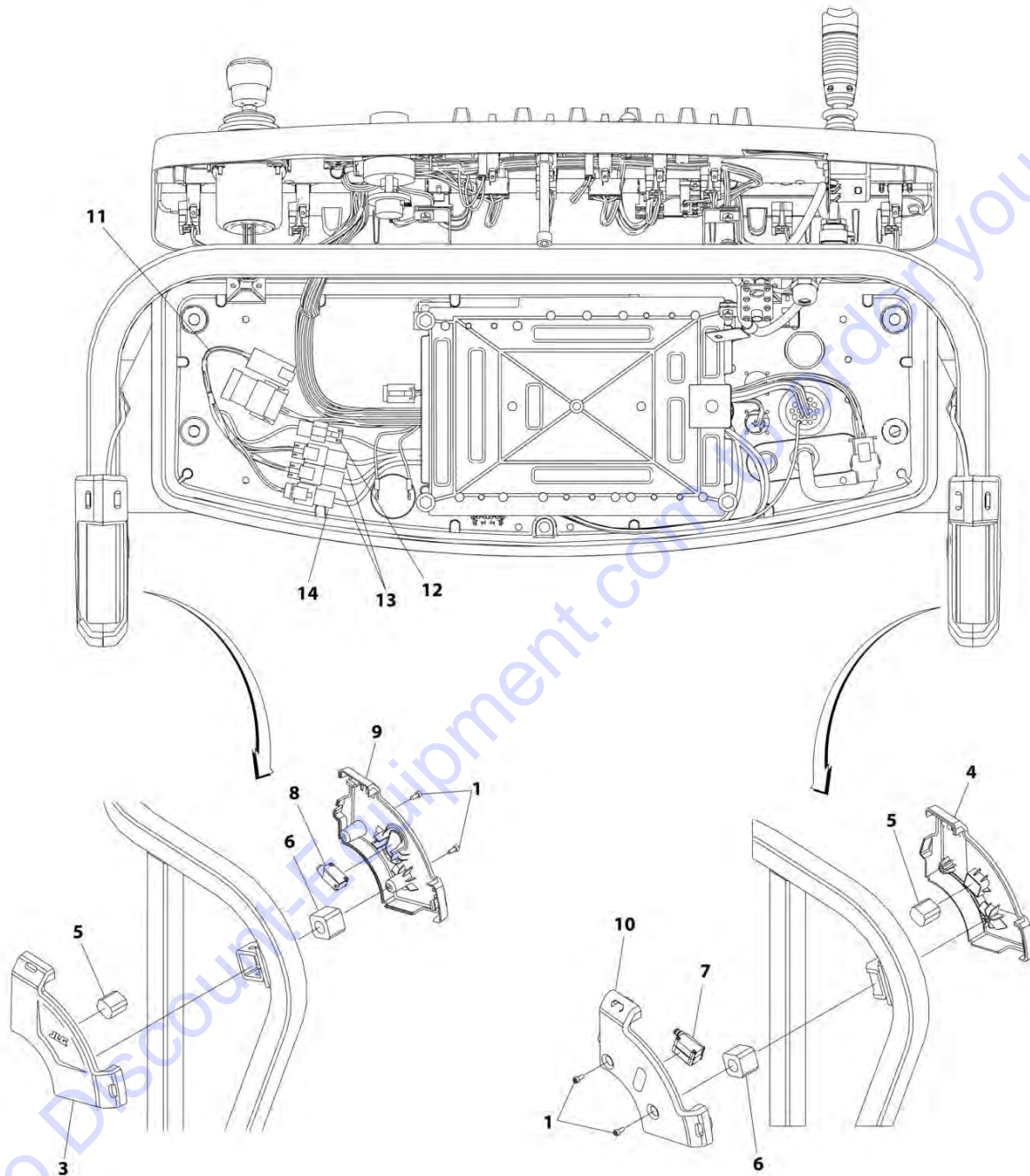
SECTION 5 - PLATFORM

**FIGURE 5-56. SOFT TOUCH INSTALLATION - WITH FALL ARREST (SIDE ENTRY PLATFORM)
(OPTIONAL)**

ITEM	PART NUMBER	QTY	DESCRIPTION	REV
	1001204270	Ref	SOFT TOUCH INSTALLATION - WITH FALL ARREST (SIDE ENTRY PLATFORM) (OPTIONAL)	B
1	0100011	AR	Compound, Locking	
2	0200048	2	Arm, Switch Activator	
3	0630462	8	Bolt, Carriage	
4	0641414	8	Bolt 1/4 x 1-3/4	
5	0731005	4	Screw #10 x 5/8	
6	0940177	1	Bumper, Kit	
6	0940092	8	Bumper (Corner)	
6	0940094	AR	Bumper (28ft Length)	
7	1060903	4	Wire Rope and Eyebolt Assembly	
8	1702938	1	Decal - Soft Touch Override	
9	3311401	8	Nut 1/4	
10	3311501	8	Nut 5/16	
11	3575359	2	Plate, Switch Strike	
12	3641569	1	Soft Touch Rail	
13	4240099	7	Tie, Wire (Not Shown)	
14	4360057	2	Switch, Limit	
15	4360387	1	Switch, Push Button	
16	4420068	AR	Tape, Yellow Adhesive (Prior to SN 0300239198)	
17	4460049	2	Connector, Strain Relief	
18	4460234	7	Terminal, Mount	
19	4460425	1	Connector, Strain Relief	
20	4751400	8	Washer 1/4	
21	4751500	8	Washer 5/16	
22	4751800	8	Washer 1/2	
23	1001193419	1	Soft Touch Harness	
23	4460226	4	Socket, Female	
24	1001197017	AR	Strap, Cable Tie (Yellow) (SN 0300239198 to Present)	

SECTION 5 - PLATFORM

FIGURE 5-57. SKYEYE INSTALLATION



ART_1001229341

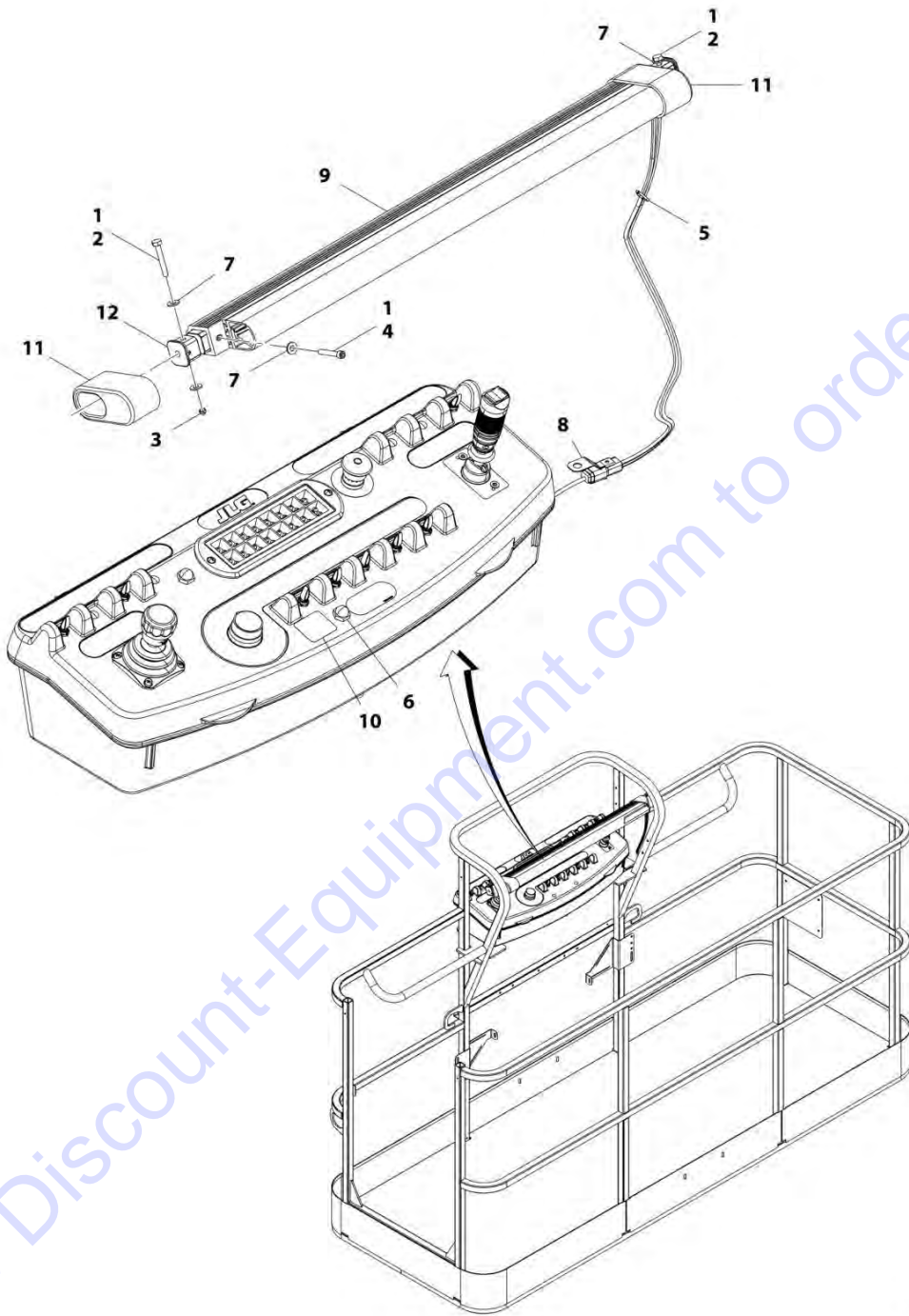
SECTION 5 - PLATFORM

FIGURE 5-57. SKYEYE INSTALLATION

ITEM	PART NUMBER	QTY	DESCRIPTION	REV
	1001229341	Ref	SKYEYE INSTALLATION	A
1	4031505	4	Bolt M4 x 10	
2	4240033	AR	Tie-Strap (Not Shown)	
3	1001227633	1	Housing, LH Outer	
4	1001227634	1	Housing, RH Outer	
5	1001227985	2	Shim	
6	1001227987	2	Shim	
7	1001228224	2	Sensor, Receiver	
8	1001228225	1	Sensor, Emitter	
9	1001232164	1	Housing, LH Inner	
10	1001232165	1	Housing, RH Inner	
11	1001237865	1	Harness, Skyeye Intermediate (See Separate Breakdown in ELECTRICAL SECTION)	
12	1001238319	1	Harness, Skyeye Drain Jumper	
12	1001187674	1	Plug, Male - 2 Position	
12	4460942	1	Terminal	
12	4460466	1	Plug, Terminal	
12	4460508	1	Pin, Male	
13	1001237863	2	Harness, Skyeye Receiver (See Separate Breakdown in ELECTRICAL SECTION)	
14	1001237864	1	Harness, Skyeye Emitter (See Separate Breakdown in ELECTRICAL SECTION)	

SECTION 5 - PLATFORM

FIGURE 5-58. SKYGUARD SYSTEM INSTALLATION (SN 0300219271 through 0300256397)



ART_1001192387

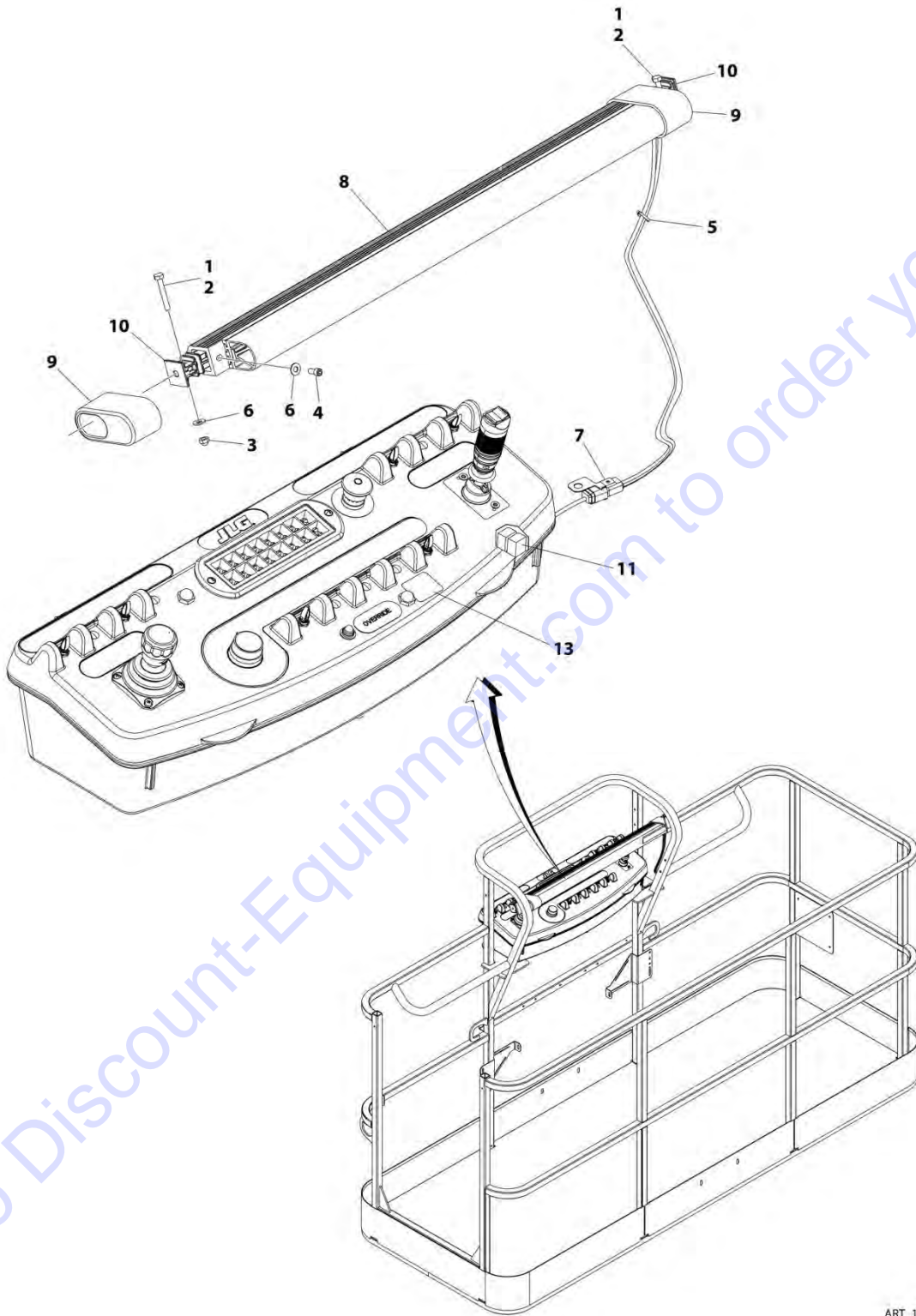
SECTION 5 - PLATFORM

FIGURE 5-58. SKYGUARD SYSTEM INSTALLATION (SN 0300219271 through 0300256397)

ITEM	PART NUMBER	QTY	DESCRIPTION	REV
	1001192387	Ref	SKYGUARD SYSTEM INSTALLATION	C
1	0100011	AR	Compound, Locking	
2	0641414	2	Bolt 1/4 x 1-3/4	
3	3300430	2	Nut 1/4	
4	3931424	2	Capscrew 1/4 x 1-1/2 (Prior to SN 0300244412)	
4	3931408	2	Capscrew, 1/4 x 1/2 (SN 0300244412 through 0300256397)	
5	4240033	8	Tie-Strap	
6	4360387	1	Switch, Push Button (Prior to SN 0300206099)	
7	4711400	6	Washer 1/4	
8	1001120328	1	Mount	
9	1001137673	1	Switch, SkyGuard Assembly	
10	1001144433	1	Decal - No Weight SkyGuard (Prior to SN 0300206099)	
11	1001186517	2	Cover, Platform Sensor	
12	1001188889	2	Support, Block (Prior to SN 0300244412)	
12	1001209664	2	Support, Block (SN 0300244412 through 0300256397)	
13	1001192292	1	SkyGuard Harness (Not Shown - See ELECTRICAL SECTION for Breakdown) (Prior to SN 0300206099)	

SECTION 5 - PLATFORM

FIGURE 5-59. SKYGUARD BAR INSTALLATION (SN 0300256398 to Present)



ART_1001238495

SECTION 5 - PLATFORM

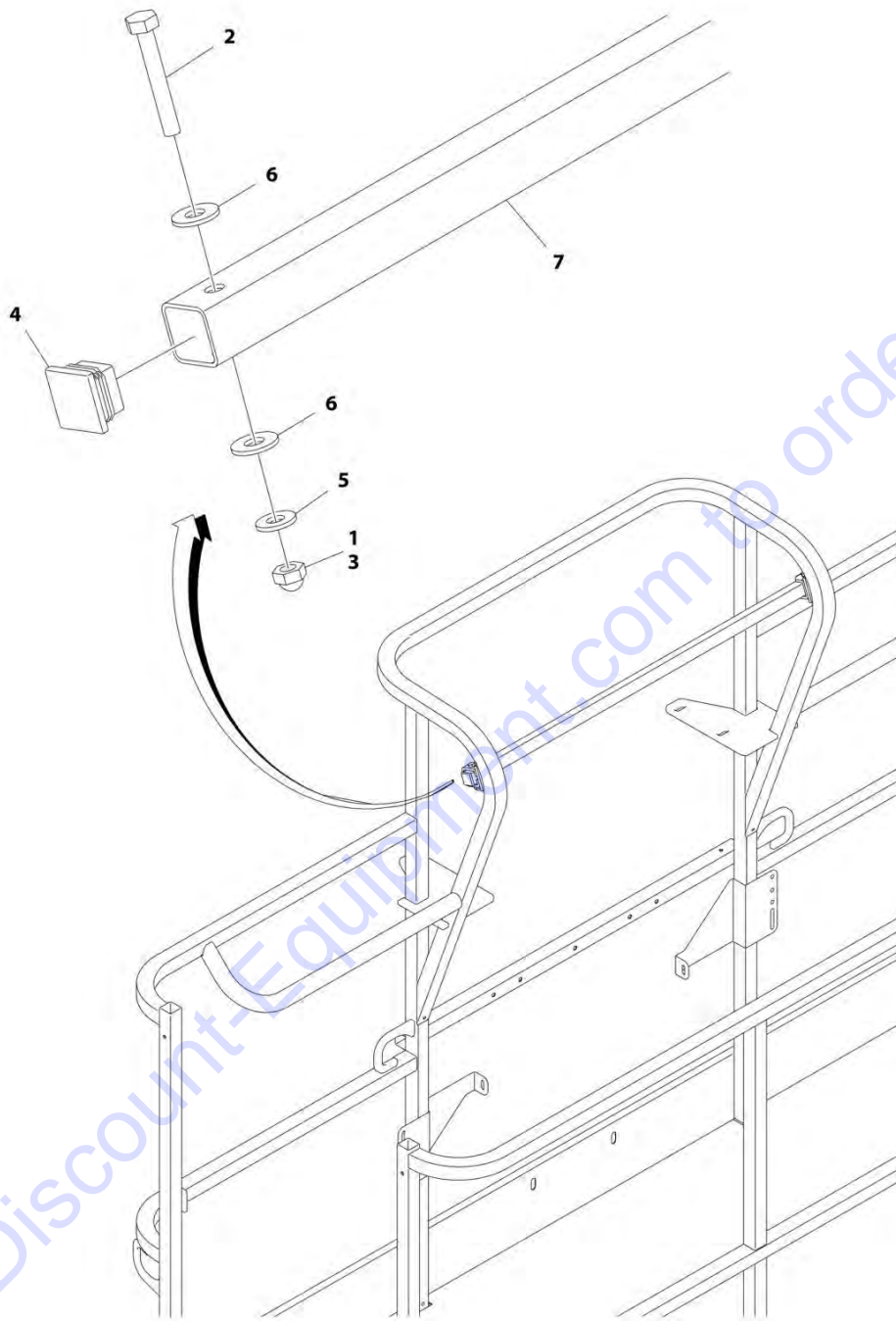
FIGURE 5-59. SKYGUARD BAR INSTALLATION (SN 0300256398 to Present)

ITEM	PART NUMBER	QTY	DESCRIPTION	REV
	1001238495	Ref	SKYGUARD BAR INSTALLATION	A
1	0100011	AR	Compound, Locking	
2	0641414	2	Bolt 1/4 x 1-3/4	
3	3300430	2	Nut 1/4	
4	3931408	2	Capscrew 1/4 x 1/2	
5	4240033	8	Tie-Strap	
6	4711400	6	Washer 1/4	
7	1001120328	1	Mount	
8	1001137673	1	SkyGuard Switch Assembly	
9	1001186517	2	Cover, Platform Sensor	
10	1001209664	2	Support, Block	
11	1001186431	2	Relay	
12	1001225580	1	Interface Harness Assembly (Not Shown - Located Inside Console Box) (See ELECTRICAL SECTION for Breakdown)	
13	1001144433	1	Decal - No Weight SkyGuard	

Go to Discount-Equipment.com to order your parts

SECTION 5 - PLATFORM

FIGURE 5-60. CROSS RAIL INSTALLATION



ART_1001182138

SECTION 5 - PLATFORM

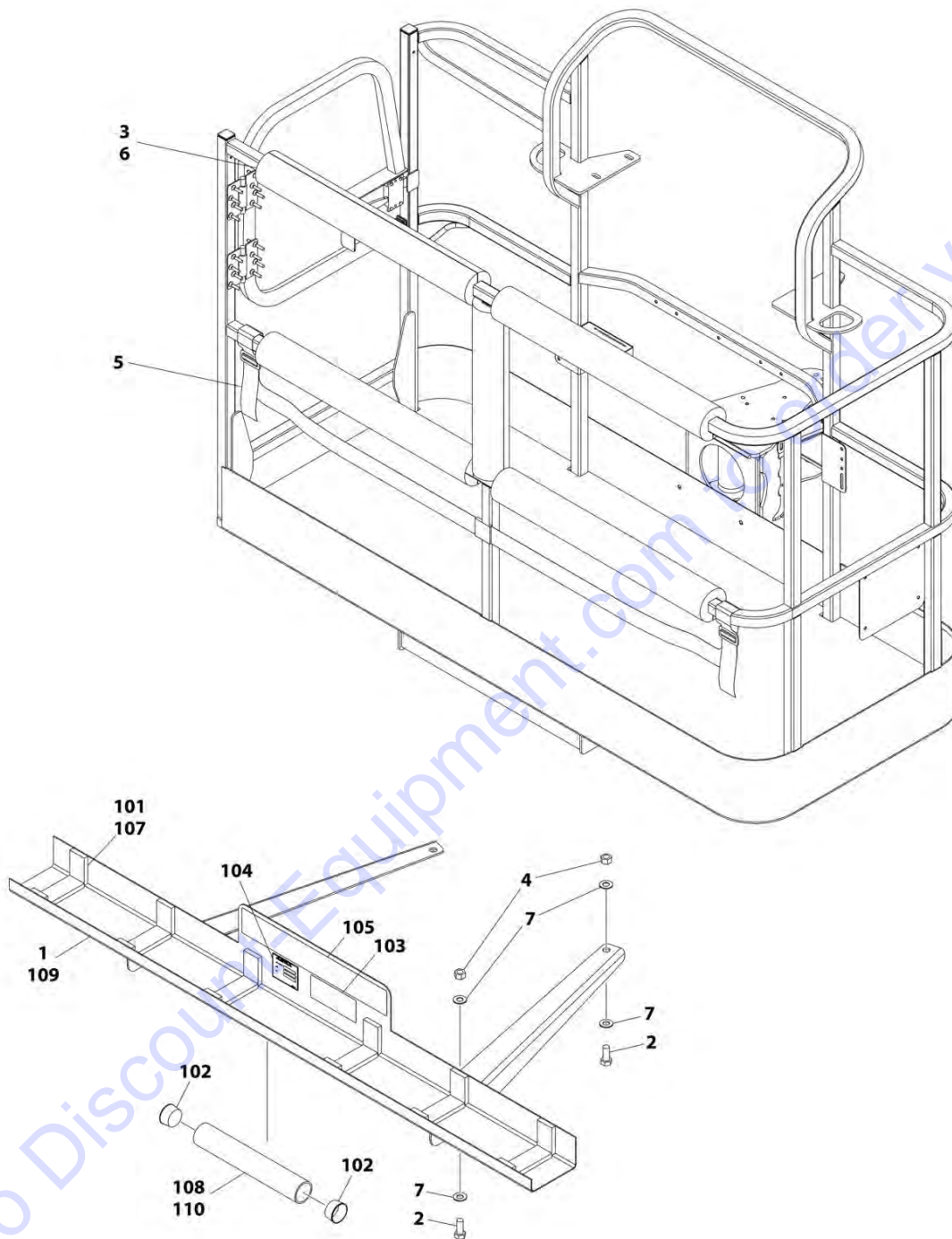
FIGURE 5-60. CROSS RAIL INSTALLATION

ITEM	PART NUMBER	QTY	DESCRIPTION	REV
	1001182138	Ref	CROSS RAIL INSTALLATION	A
1	0100071	AR	Compound, Locking	
2	0641414	2	Bolt 1/4 x 1-3/4	
3	3300430	2	Nut 1/4	
4	3520182	2	Plug	
5	4711400	2	Washer 1/4	
6	4751400	4	Washer 1/4	
7	1001191708	1	Bar	

Go to Discount-Equipment.com to order your parts

SECTION 5 - PLATFORM

FIGURE 5-61. SKYGLAZIER INSTALLATION (ANSI AND CSA SPECS)



ART_0275945

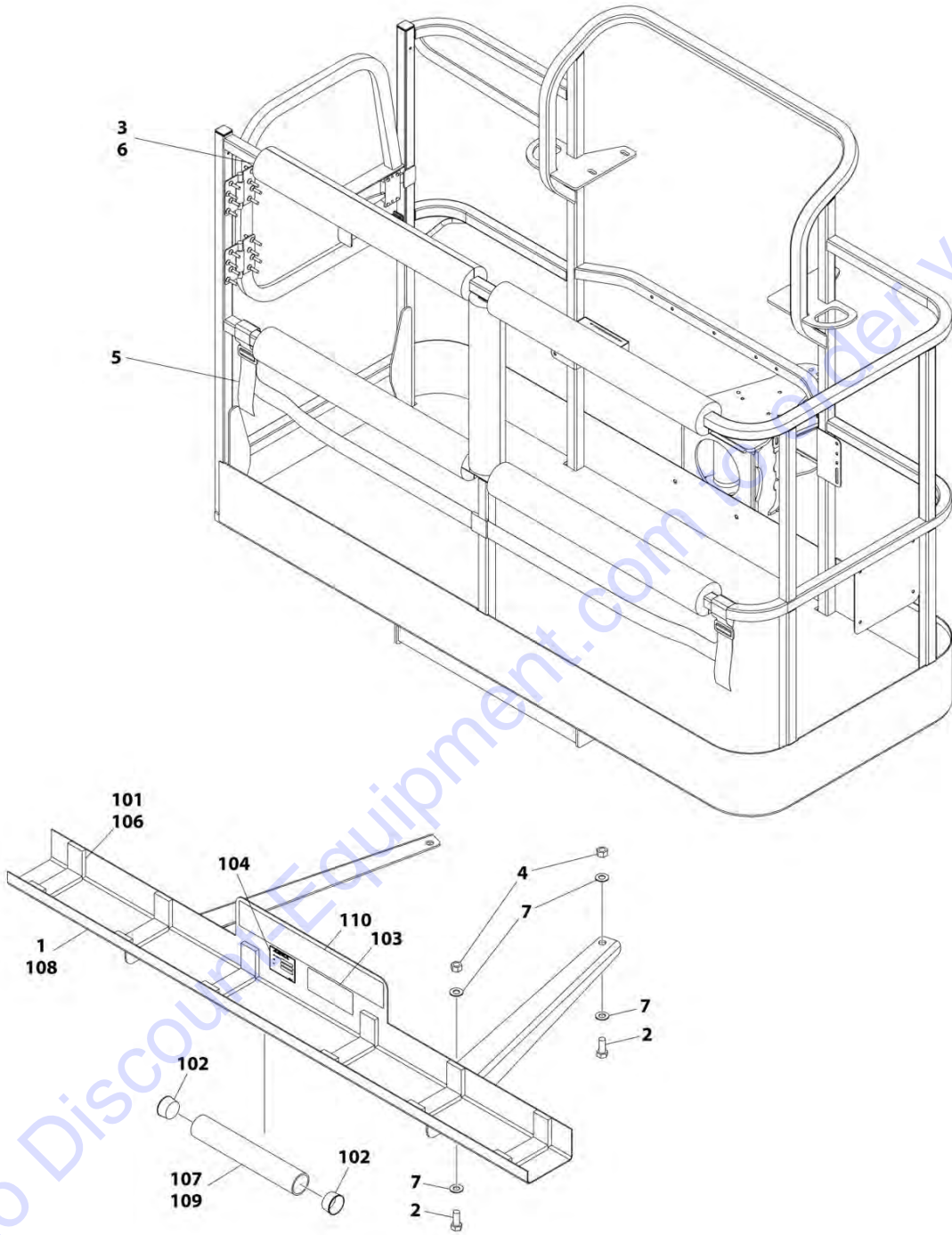
SECTION 5 - PLATFORM

FIGURE 5-61. SKYGLAZIER INSTALLATION (ANSI AND CSA SPECS)

ITEM	PART NUMBER	QTY	DESCRIPTION	REV
	0275945	Ref	SKYGLAZIER INSTALLATION (ANSI AND CSA SPECS)	B
1	0275928	1	SkyGlazier Assembly (See Items 101-110 for Breakdown)	
2	0642012	4	Bolt 5/8 x 1-1/2	
3	0940199	1	Bumper Kit	
4	3312005	4	Nut 5/8	
5	4240149	1	Strap Kit	
6	4420014	AR	Tape, Plastic	
7	4712000	8	Washer 5/8	
	0275928	Ref	SKYGLAZIER ASSEMBLY	A
101	0100081	AR	Loctite #454	
102	1120555	2	Cap, Manual Storage Tube	
103	1701509	1	Decal - Manual	
104	See Note	NSS	Nameplate (Note: Not Available for Purchase)	
105	1707192	1	Decal - Capacity	
107	3340956	1	Pad, Glazier Tray	
108	3460334	1	Tube, Manual Storage	
109	See Note	NSS	Tray (Note: Use Item 1)	
110	4420066	AR	Tape, Double Sided	

SECTION 5 - PLATFORM

FIGURE 5-62. SKYGLAZIER INSTALLATION (ANSI EXPORT SPECS) (SPANISH/PORTUGUESE)



ART_1001091433

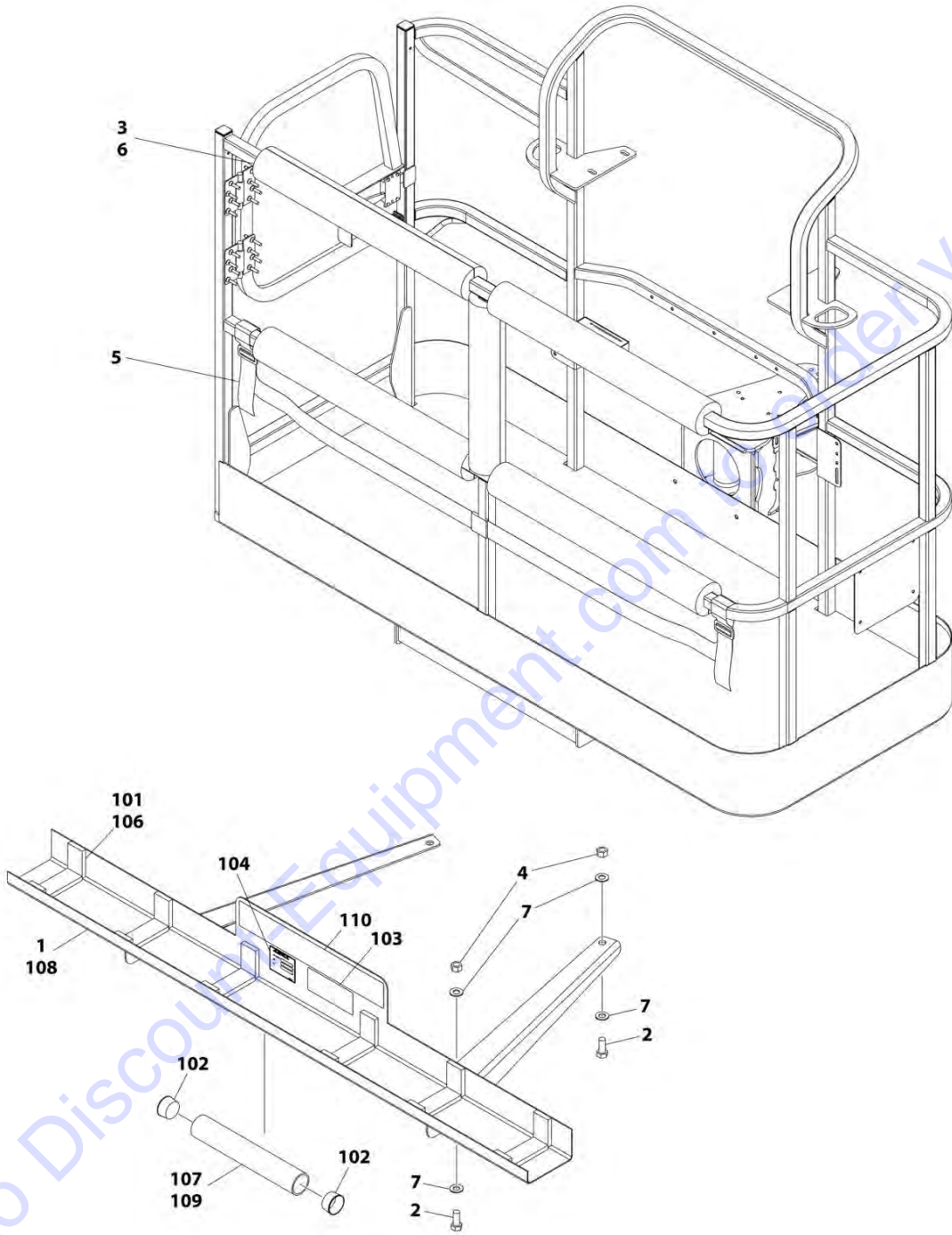
SECTION 5 - PLATFORM

FIGURE 5-62. SKYGLAZIER INSTALLATION (ANSI EXPORT SPECS) (SPANISH/PORTUGUESE)

ITEM	PART NUMBER	QTY	DESCRIPTION	REV
	1001091433	Ref	SKYGLAZIER INSTALLATION (ANSI EXPORT SPECS) (SPANISH/PORTUGUESE)	B
1	1001091431	1	SkyGlazier Assembly (See Items 101-110 for Breakdown)	
2	0642012	4	Bolt 5/8 x 1-1/2	
3	0940199	1	Bumper Kit	
4	3312005	4	Nut 5/8	
5	4240149	1	Strap Kit	
6	4420014	AR	Tape, Plastic	
7	4712000	8	Washer 5/8	
	1001091431	Ref	SKYGLAZIER ASSEMBLY	A
101	0100081	AR	Loctite #454	
102	1120555	2	Cap, Manual Storage Tube	
103	1701509	1	Decal - Manual	
104	See Note	NSS	Nameplate (Note: Not Available for Purchase)	
106	3340956	1	Pad, Glazier Tray	
107	3460334	1	Tube, Manual Storage	
108	See Note	NSS	Tray (Note: Use Item 1)	
109	4420066	AR	Tape, Double Sided	
110	1001091429	1	Decal - Capacity	

SECTION 5 - PLATFORM

FIGURE 5-63. SKYGLAZIER INSTALLATION (ANSI EXPORT SPECS) (ENGLISH/SPANISH)



ART_1001091434

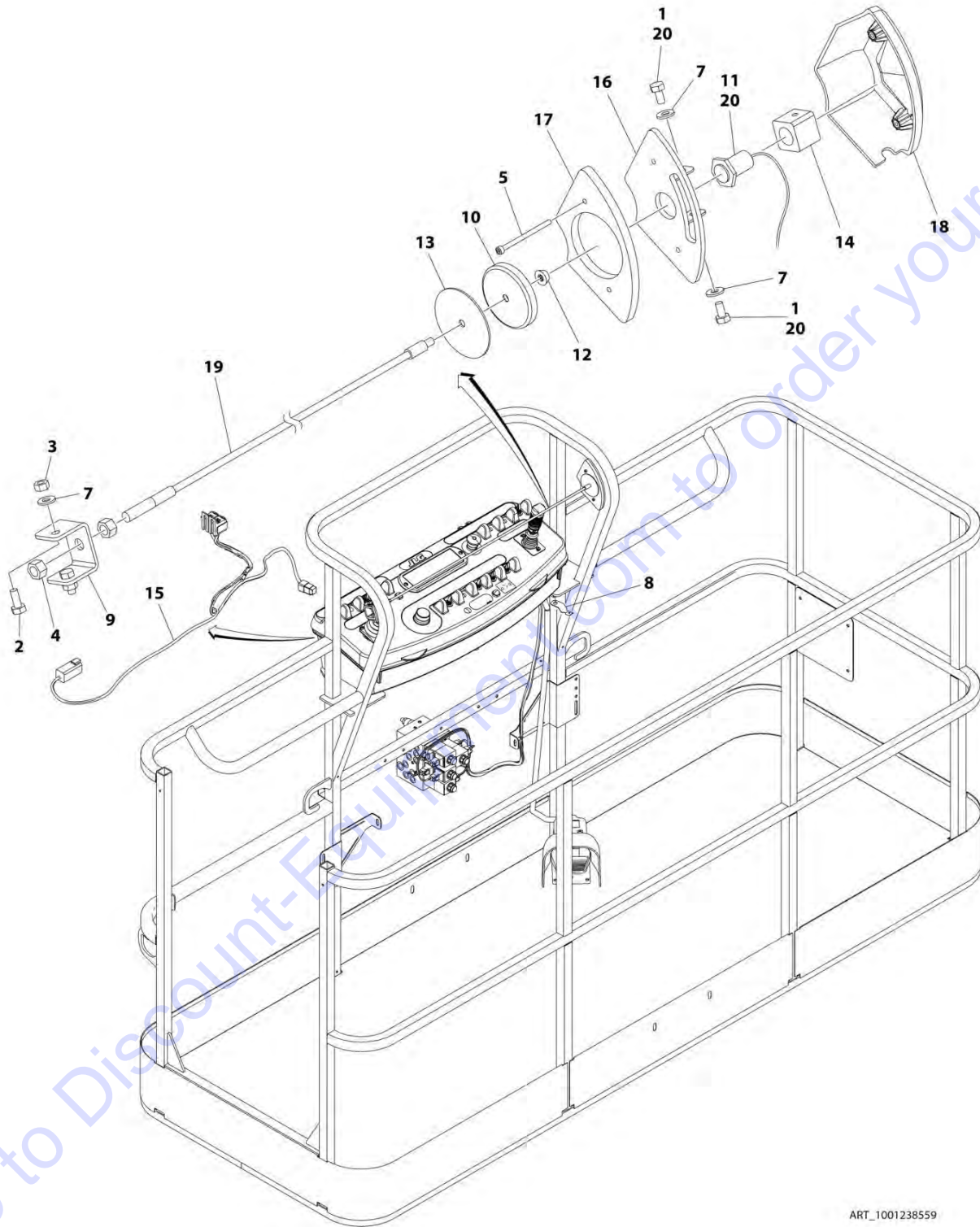
SECTION 5 - PLATFORM

FIGURE 5-63. SKYGLAZIER INSTALLATION (ANSI EXPORT SPECS) (ENGLISH/SPANISH)

ITEM	PART NUMBER	QTY	DESCRIPTION	REV
	1001091434	Ref	SKYGLAZIER INSTALLATION (ANSI EXPORT SPECS) (ENGLISH/SPANISH)	B
1	1001091432	1	SkyGlazier Assembly (See Items 101-110 for Breakdown)	
2	0642012	4	Bolt 5/8 x 1-1/2	
3	0940199	1	Bumper Kit	
4	3312005	4	Nut 5/8	
5	4240149	1	Strap Kit	
6	4420014	AR	Tape, Plastic	
7	4712000	8	Washer 5/8	
	1001091432	Ref	SKYGLAZIER ASSEMBLY	A
101	0100081	AR	Loctite #454	
102	1120555	2	Cap, Manual Storage Tube	
103	1701509	1	Decal - Manual	
104	See Note	NSS	Nameplate (Note: Not Available for Purchase)	
106	3340956	1	Pad, Glazier Tray	
107	3460334	1	Tube, Manual Storage	
108	See Note	NSS	Tray (Note: Use Item 1)	
109	4420066	AR	Tape, Double Sided	
110	1001091430	1	Decal - Capacity	

SECTION 5 - PLATFORM

FIGURE 5-64. SKYLINE INSTALLATION



ART_1001238559

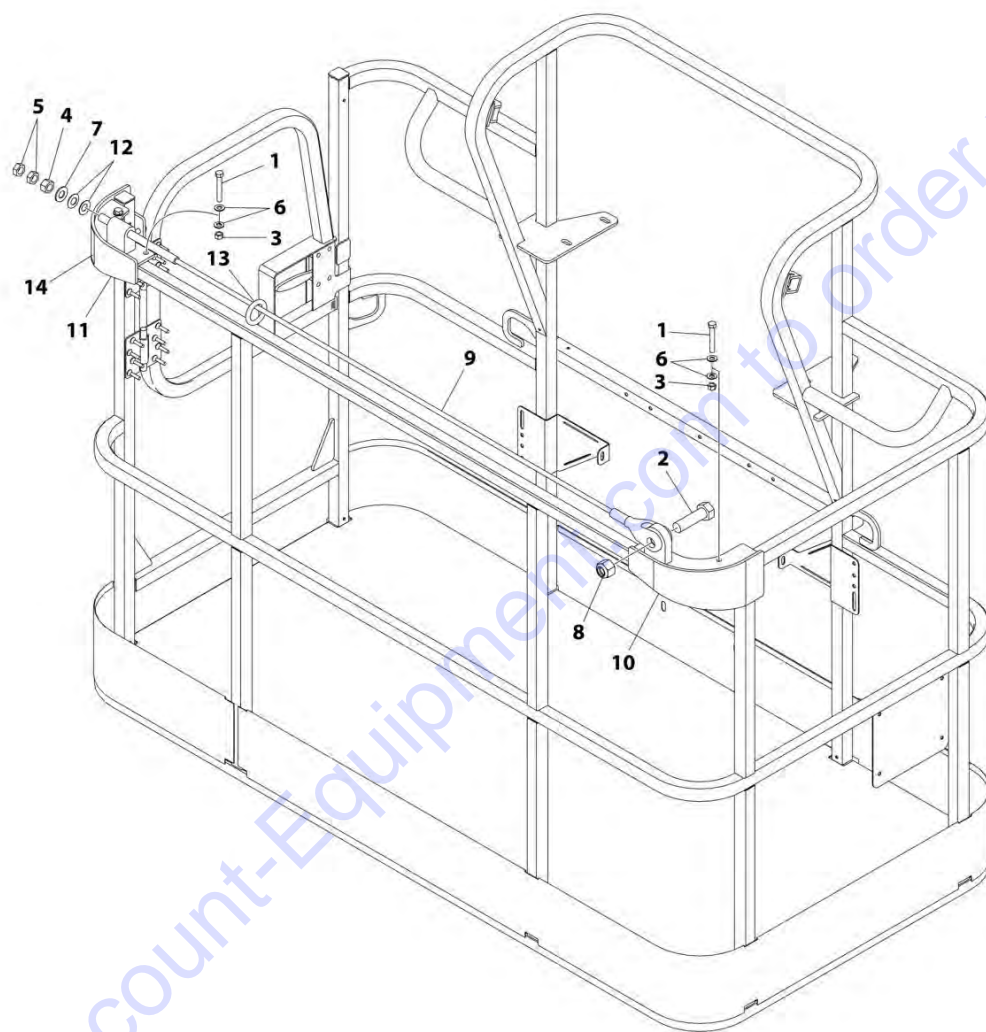
SECTION 5 - PLATFORM

FIGURE 5-64. SKYLINE INSTALLATION

ITEM	PART NUMBER	QTY	DESCRIPTION	REV
	1001238559	Ref	SKYLINE INSTALLATION	B
1	0641404	2	Bolt 1/4 x 1/2	
2	0641405	2	Bolt 1/4 x 5/8	
3	3311405	2	Nut 1/4	
4	3311601	2	Nut 3/8	
5	4031516	2	Capscrew M4 x 60	
6	4240033	AR	Tie-Strap (Not Shown)	
7	4711400	4	Washer 1/4	
8	1001120328	1	Mount	
9	1001232642	1	Bracket	
10	1001232650	1	Magnet	
11	1001232667	1	Sensor, Proximity	
12	1001235011	1	Nut	
13	1001235013	1	Washer	
14	1001236552	1	Block	
15	1001238418	1	Harness, Skyline (See Separate Breakdown in ELECTRICAL SECTION)	
16	1001238472	1	Mount	
17	1001238477	1	Housing, LH	
18	1001241965	1	Housing, RH	
19	1001238824	1	Rope	
20	0100011	AR	Compound, Locking	

SECTION 5 - PLATFORM

FIGURE 5-65. FALL ARREST INSTALLATION (BOLT-ON EXTERNAL) (6FT/1.82M PLATFORM)



ART_1001236747

SECTION 5 - PLATFORM

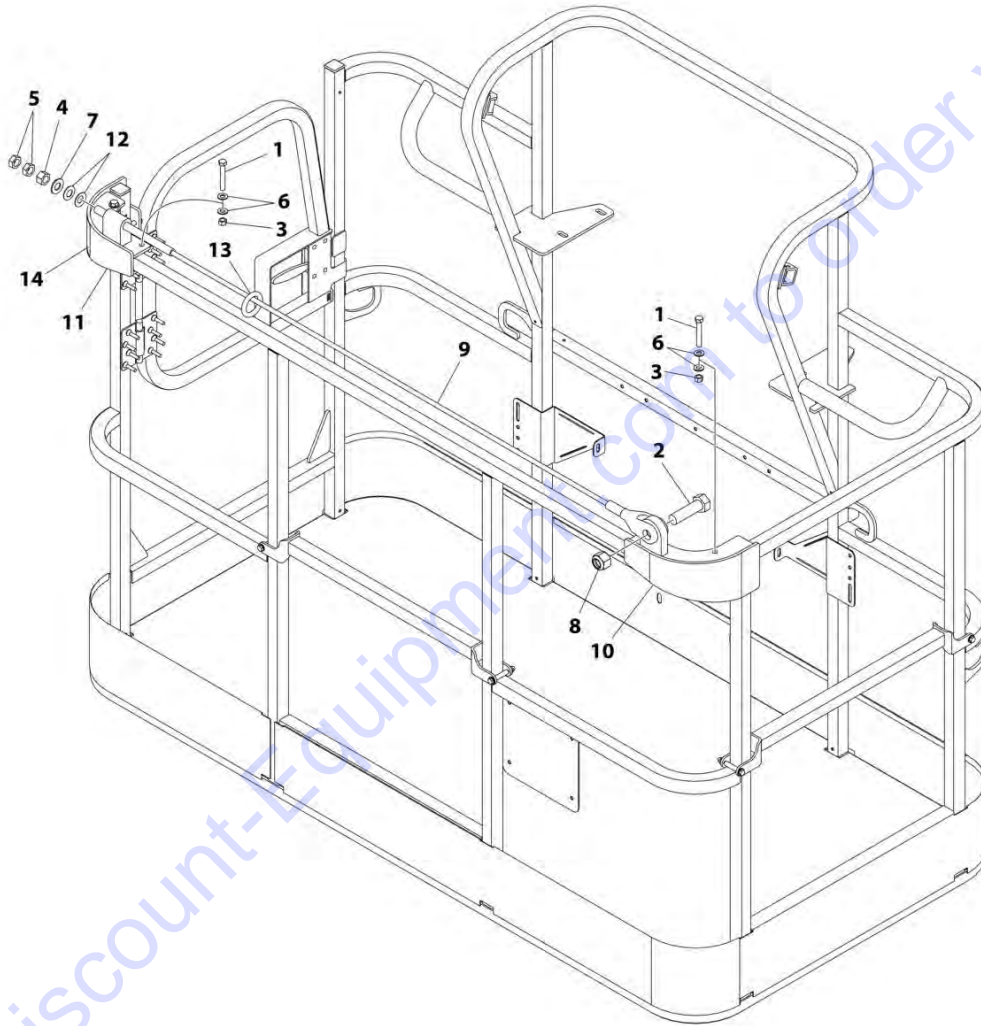
FIGURE 5-65. FALL ARREST INSTALLATION (BOLT-ON EXTERNAL) (6FT/1.82M PLATFORM)

ITEM	PART NUMBER	QTY	DESCRIPTION	REV
	1001236747	Ref	FALL ARREST INSTALLATION (BOLT - ON) 6FT/1.82M PLATFORM	A
1	0681620	6	Bolt 3/8 x 2-1/2	
2	0682424	1	Bolt 7/8 x 3	
3	3271605	6	Nut 3/8	
4	3272001	1	Nut 5/8	
5	3312002	2	Nut 5/8	
6	4711600	12	Washer 3/8	
7	4712000	1	Washer 5/8	
8	88521214	1	Nut 7/8	
9	1001231950	1	Rope	
10	1001232010	1	Bracket (RH)	
11	1001232011	1	Bracket (LH)	
12	1001236891	2	Washer	
13	1001236895	1	Ring	
14	1001238263	1	Decal - Warning Falling Hazard	

Go to Discount-Equipment.com to order your parts

SECTION 5 - PLATFORM

FIGURE 5-66. FALL ARREST INSTALLATION (BOLT-ON EXTERNAL) (6FT/1.82M TRI-ENTRY PLATFORM)



ART_1001238463

SECTION 5 - PLATFORM

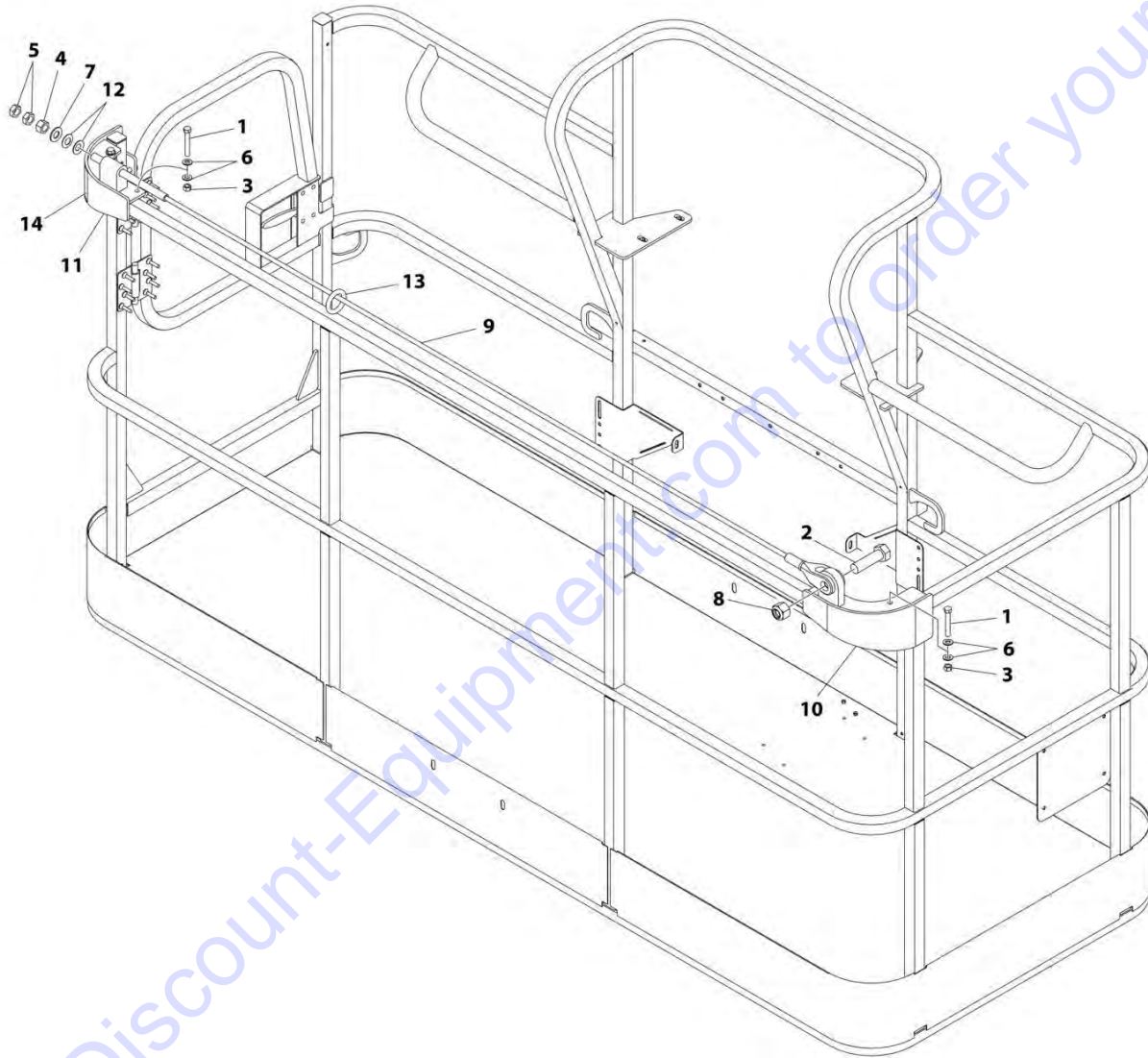
FIGURE 5-66. FALL ARREST INSTALLATION (BOLT-ON EXTERNAL) (6FT/1.82M TRI-ENTRY PLATFORM)

ITEM	PART NUMBER	QTY	DESCRIPTION	REV
	1001238463	Ref	FALL ARREST INSTALLATION (BOLT - ON) 6FT/1.82M PLATFORM	B
1	0681620	6	Bolt 3/8 x 2-1/2	
2	0682424	1	Bolt 7/8 x 3	
3	3271605	6	Nut 3/8	
4	3272001	1	Nut 5/8	
5	3312002	2	Nut 5/8	
6	4711600	12	Washer 3/8	
7	4712000	1	Washer 5/8	
8	88521214	1	Nut 7/8	
9	1001231950	1	Rope	
10	1001232010	1	Bracket (RH)	
11	1001232011	1	Bracket (LH)	
12	1001236891	2	Washer	
13	1001236895	1	Ring	
14	1001238263	1	Decal - Warning Falling Hazard	

Go to Discount-Equipment.com to order your parts

SECTION 5 - PLATFORM

FIGURE 5-67. FALL ARREST INSTALLATION (BOLT-ON EXTERNAL) (8FT/2.4M PLATFORM)



ART_1001236746

SECTION 5 - PLATFORM

FIGURE 5-67. FALL ARREST INSTALLATION (BOLT-ON EXTERNAL) (8FT/2.4M PLATFORM)

ITEM	PART NUMBER	QTY	DESCRIPTION	REV
	1001236746	Ref	FALL ARREST INSTALLATION (BOLT - ON) 8FT/2.4M PLATFORM	A
1	0681620	6	Bolt 3/8 x 2-1/2	
2	0682424	1	Bolt 7/8 x 3	
3	3271605	6	Nut 3/8	
4	3272001	1	Nut 5/8	
5	3312002	2	Nut 5/8	
6	4711600	12	Washer 3/8	
7	4712000	1	Washer 5/8	
8	88521214	1	Nut 7/8	
9	1001231949	1	Rope	
10	1001232010	1	Bracket (RH)	
11	1001232011	1	Bracket (LH)	
12	1001236891	2	Washer	
13	1001236895	1	Ring	
14	1001238263	1	Decal - Warning Falling Hazard	

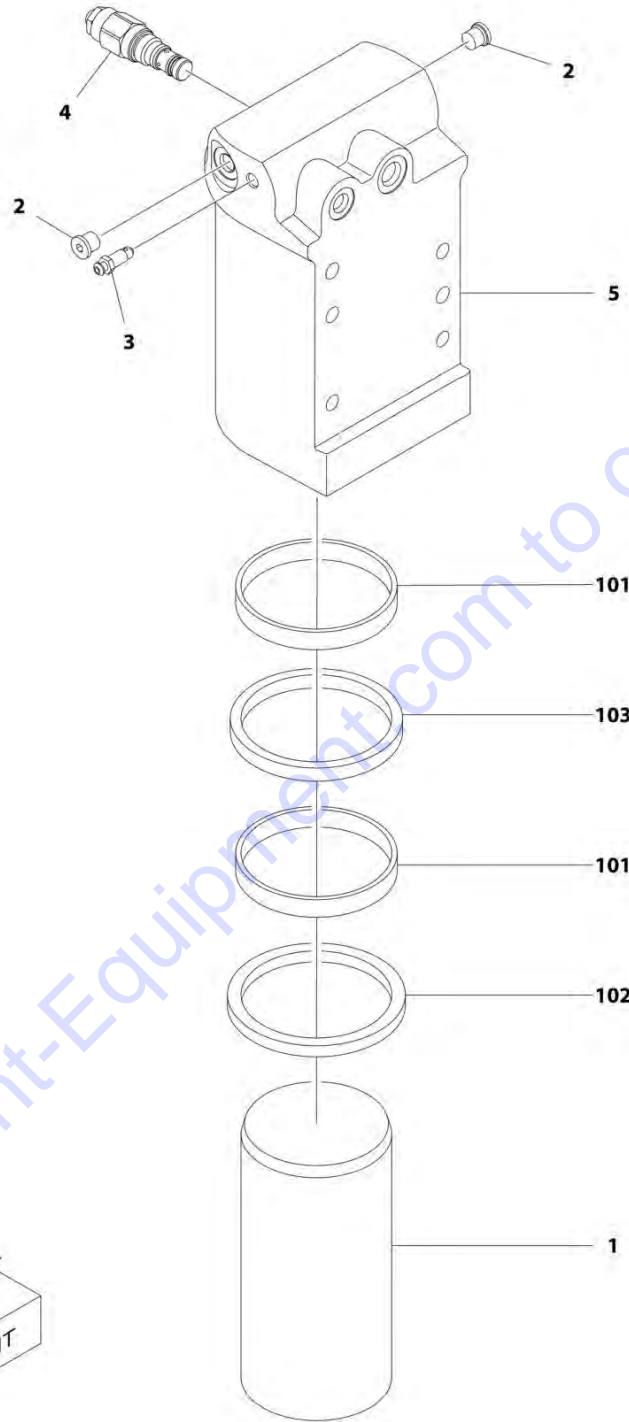
Go to Discount-Equipment.com to order your parts

SECTION 6 - CYLINDERS

Go to Discount-Equipment.com to order your parts

SECTION 6 - CYLINDERS

FIGURE 6-1. AXLE LOCKOUT CYLINDER ASSEMBLY



ART_1001163580

SECTION 6 - CYLINDERS

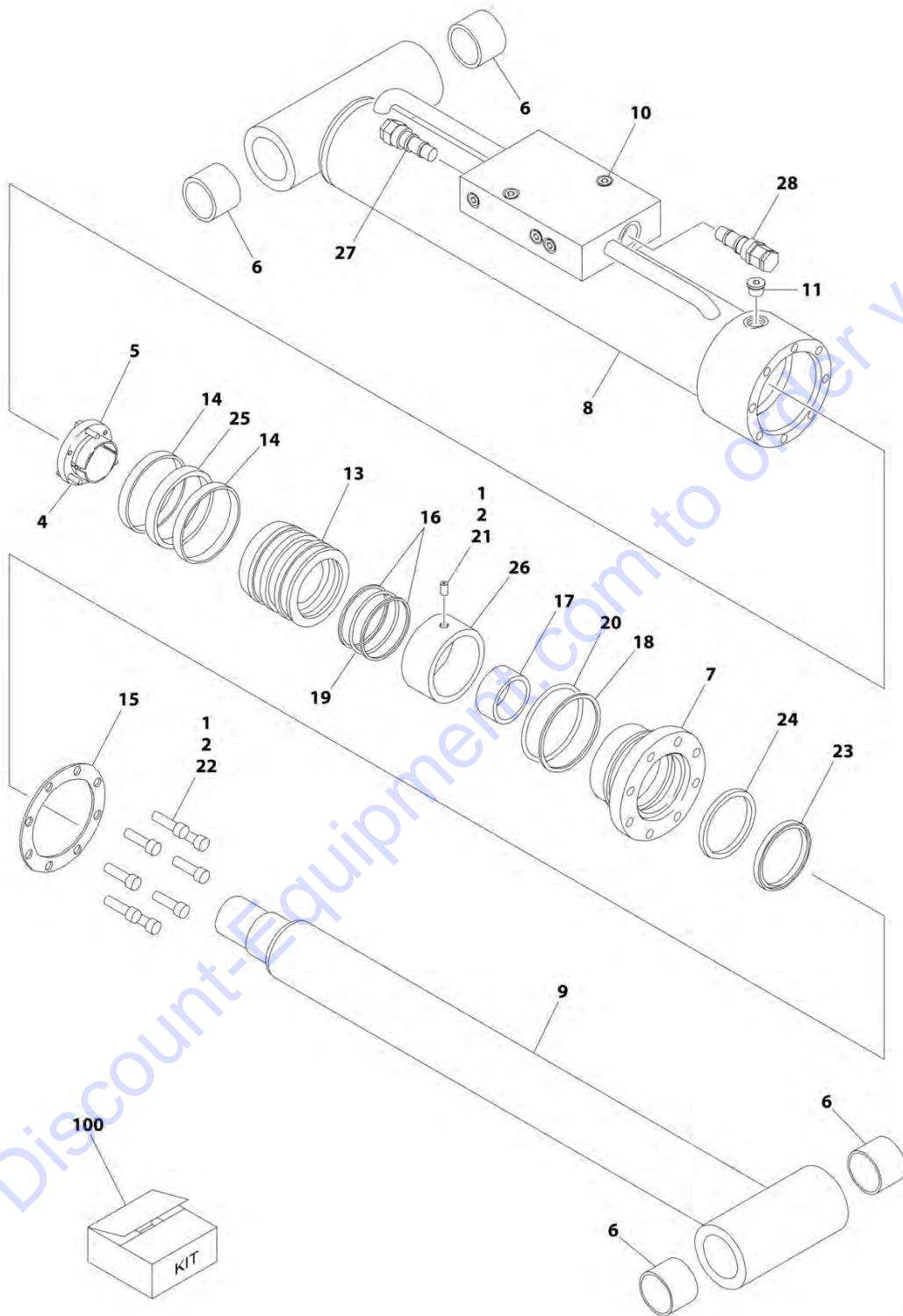
FIGURE 6-1. AXLE LOCKOUT CYLINDER ASSEMBLY

ITEM	PART NUMBER	QTY	DESCRIPTION	REV
	1001163580	Ref	AXLE LOCKOUT CYLINDER ASSEMBLY	G
1	1684290	1	Rod Weldment	
2	2220883	2	Plug, O-Ring	
3	4640858	1	Valve, Bleeder	
4	1001117372	1	Cartridge, Valve (Counterbalance)	
4	70002842	1	Seal Kit - 1001117372 Valve	
5	1001164817	1	Barrel Weldment	
100	2902266	1	Seal Kit (Includes Items 101-103)	
101	See Note	NSS	Ring, Wear (Note: Use Item 100)	
102	See Note	NSS	Seal, Wiper (Note: Use Item 100)	
103	See Note	NSS	Seal, Rod (Note: Use Item 100)	

Go to Discount-Equipment.com to order your parts

SECTION 6 - CYLINDERS

FIGURE 6-2. LEVEL (PLATFORM SLAVE) CYLINDER ASSEMBLY (E600/M600)



ART_1683867

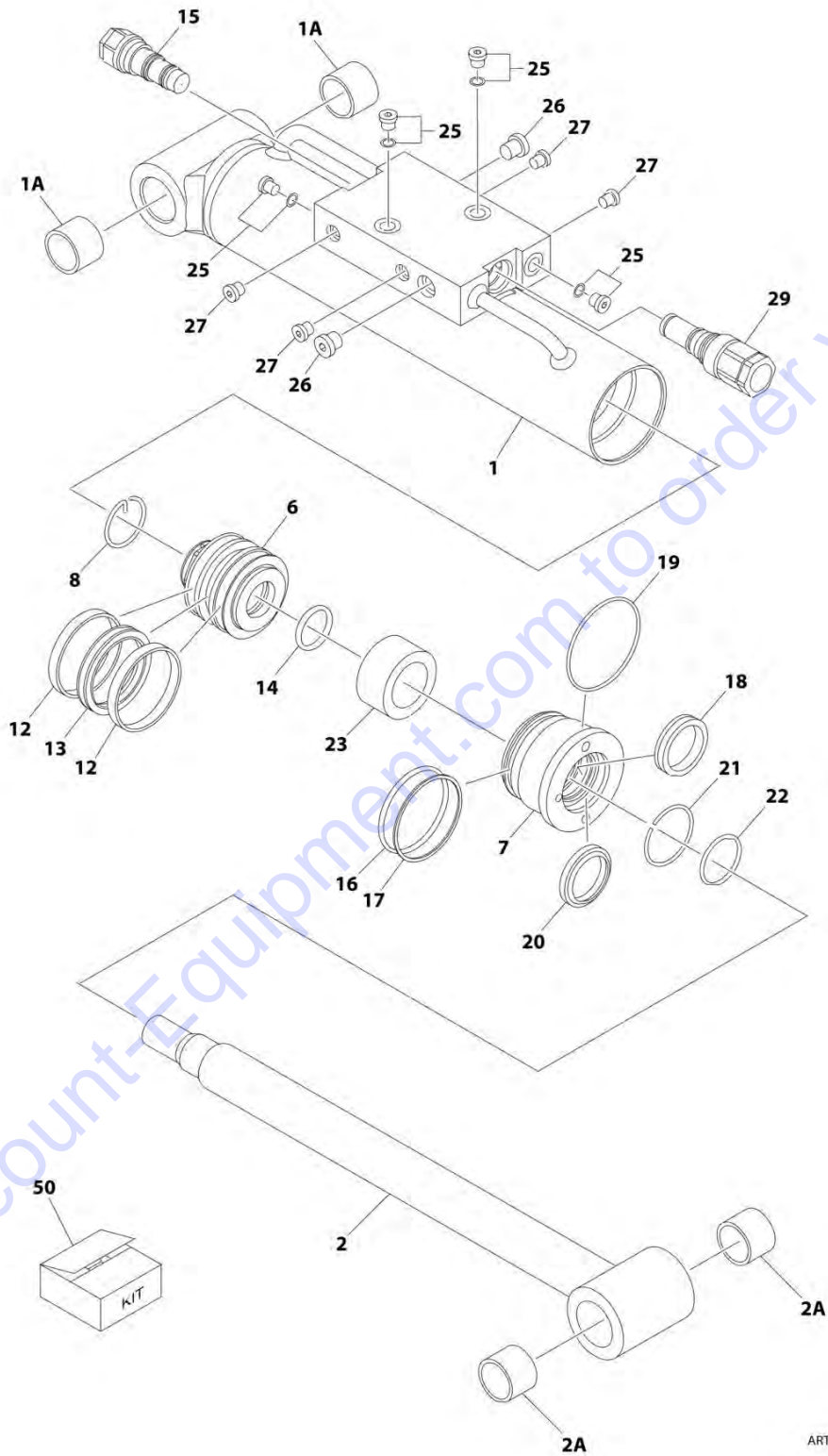
SECTION 6 - CYLINDERS

FIGURE 6-2. LEVEL (PLATFORM SLAVE) CYLINDER ASSEMBLY (E600/M600)

ITEM	PART NUMBER	QTY	DESCRIPTION	REV
	1683867	Ref	LEVEL (PLATFORM SLAVE) CYLINDER ASSEMBLY (E600/M600)	E
1	0100011	AR	Locking, Compound	
2	0100038	AR	Primer, Locking	
4	0630534	3	Bolt #10 x 1	
5	0962185	1	Bushing, Tapered	
6	0961947	4	Bushing	
7	1683050	1	Head	
8	1683868	1	Barrel	
9	1683870	1	Rod	
10	2220883	8	Plug, O-Ring	
11	2220885	1	Plug, O-Ring	
13	3480232	1	Piston	
14	See Note	NSS	Ring, Wear (Note: Use Item 100)	
15	3760367	1	Washer, Ring	
16	See Note	NSS	Ring, Back-up (Note: Use Item 100)	
17	See Note	NSS	Ring, Wear (Note: Use Item 100)	
18	See Note	NSS	Ring, Back-up (Note: Use Item 100)	
19	See Note	NSS	O-Ring (Note: Use Item 100)	
20	See Note	NSS	O-Ring (Note: Use Item 100)	
21	3900139	1	Setscrew 1/4 x 1/2	
22	3931516	8	Bolt 5/16 x 2	
23	See Note	NSS	Wiper (Note: Use Item 100)	
24	See Note	NSS	Seal (Note: Use Item 100)	
25	See Note	NSS	T-Seal Seal (Note: Use Item 100)	
26	4568068	1	Spacer, Tube	
27	4640509	1	Cartridge, Valve (Counterbalance Non-Vented)	
27	2900792	1	Seal Kit - 4640509 Valve	
28	4640932	1	Cartridge, Valve (Counterbalance Vented)	
28	7011112	1	Seal Kit - 4640932 Valve	
100	2901549	1	Seal Kit (Includes Items 14, 16-20 & 23-25)	

SECTION 6 - CYLINDERS

FIGURE 6-3. LEVEL (PLATFORM SLAVE) CYLINDER ASSEMBLY (E600J/E600JP/M600J/M600JP)



ART_1001140596

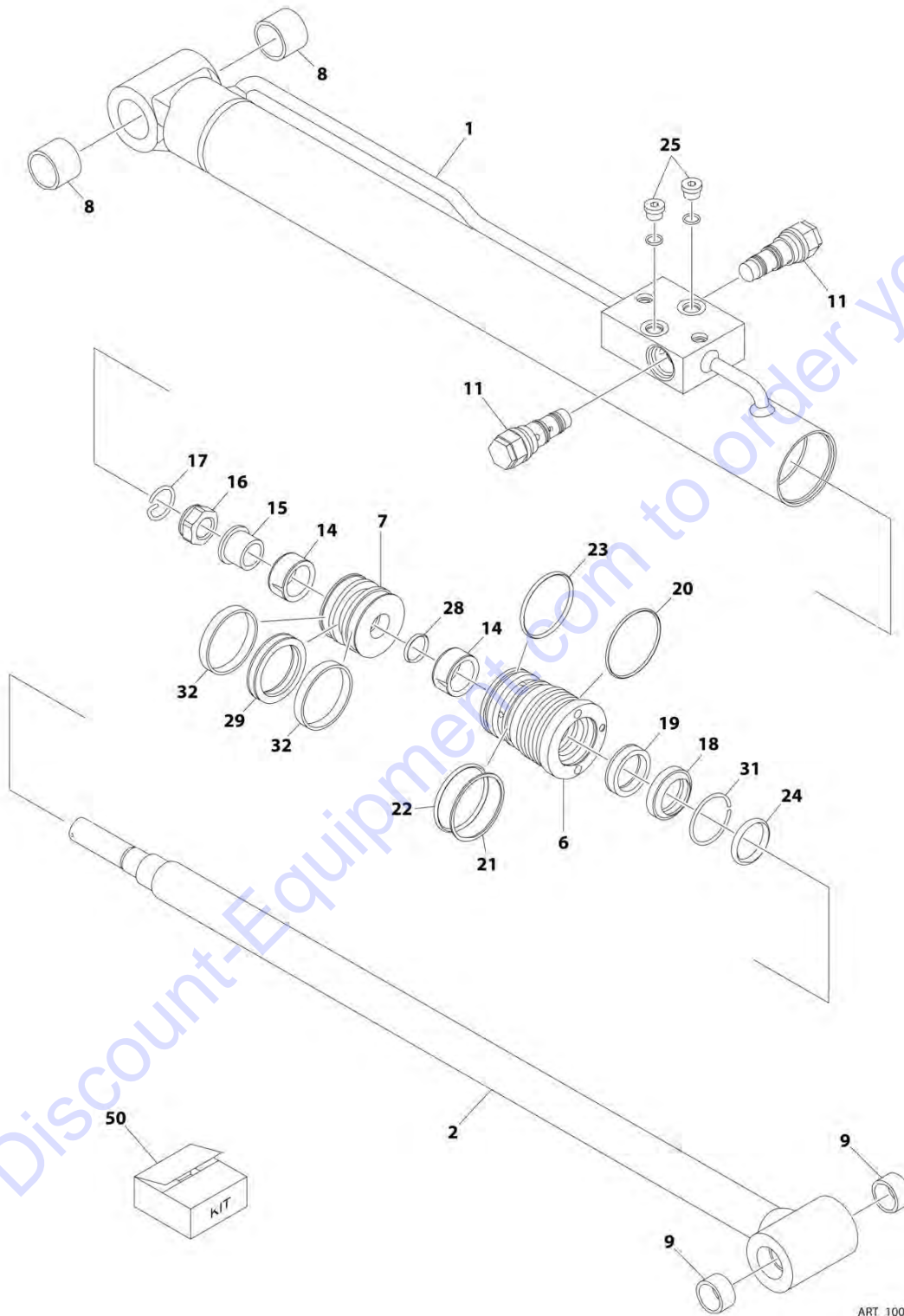
SECTION 6 - CYLINDERS

FIGURE 6-3. LEVEL (PLATFORM SLAVE) CYLINDER ASSEMBLY (E600J/E600JP/M600J/M600JP)

ITEM	PART NUMBER	QTY	DESCRIPTION	REV
	1001140596	Ref	LEVEL (PLATFORM SLAVE) CYLINDER ASSEMBLY (E600J/E600JP/M600J/M600JP)	A
1	70003840	1	Barrel	
1A	0961951	2	Bushing	
2	70003841	1	Rod	
2A	0961951	2	Bushing	
6	70003819	1	Head	
7	70003837	1	Piston	
8	70002216	1	Retainer	
12	See Note	NSS	Ring, Wear (Note: Use Item 50)	
13	See Note	NSS	Seal (Note: Use Item 50)	
14	See Note	NSS	O-Ring (Note: Use Item 50)	
15	4640509	1	Cartridge, Counterbalance Valve	
15	2900792	1	Seal Kit - 4640509 Valve	
16	See Note	NSS	O-Ring (Note: Use Item 50)	
17	See Note	NSS	Ring, Back-up (Note: Use Item 50)	
18	See Note	NSS	Seal (Note: Use Item 50)	
19	See Note	NSS	O-Ring (Note: Use Item 50)	
20	See Note	NSS	Wiper (Note: Use Item 50)	
21	70003838	1	Ring, Retaining	
22	7026084	1	O-Ring	
23	70003839	1	Spacer	
25	7017406	4	Plug	
26	See Note	2	Plug (Note: Not Available for Purchase)	
27	See Note	4	Plug (Note: Not Available for Purchase)	
29	4640932	1	Cartridge, Counterbalance Valve	
29	7011112	1	Seal Kit - 4640932 Valve	
50	70003842	1	Seal Kit - 1001140596 Cylinder (Includes Items 12-14 & 16-20)	

SECTION 6 - CYLINDERS

FIGURE 6-4. LIFT CYLINDER ASSEMBLY - JIB (E600J/E600JP/M600J/M600JP)



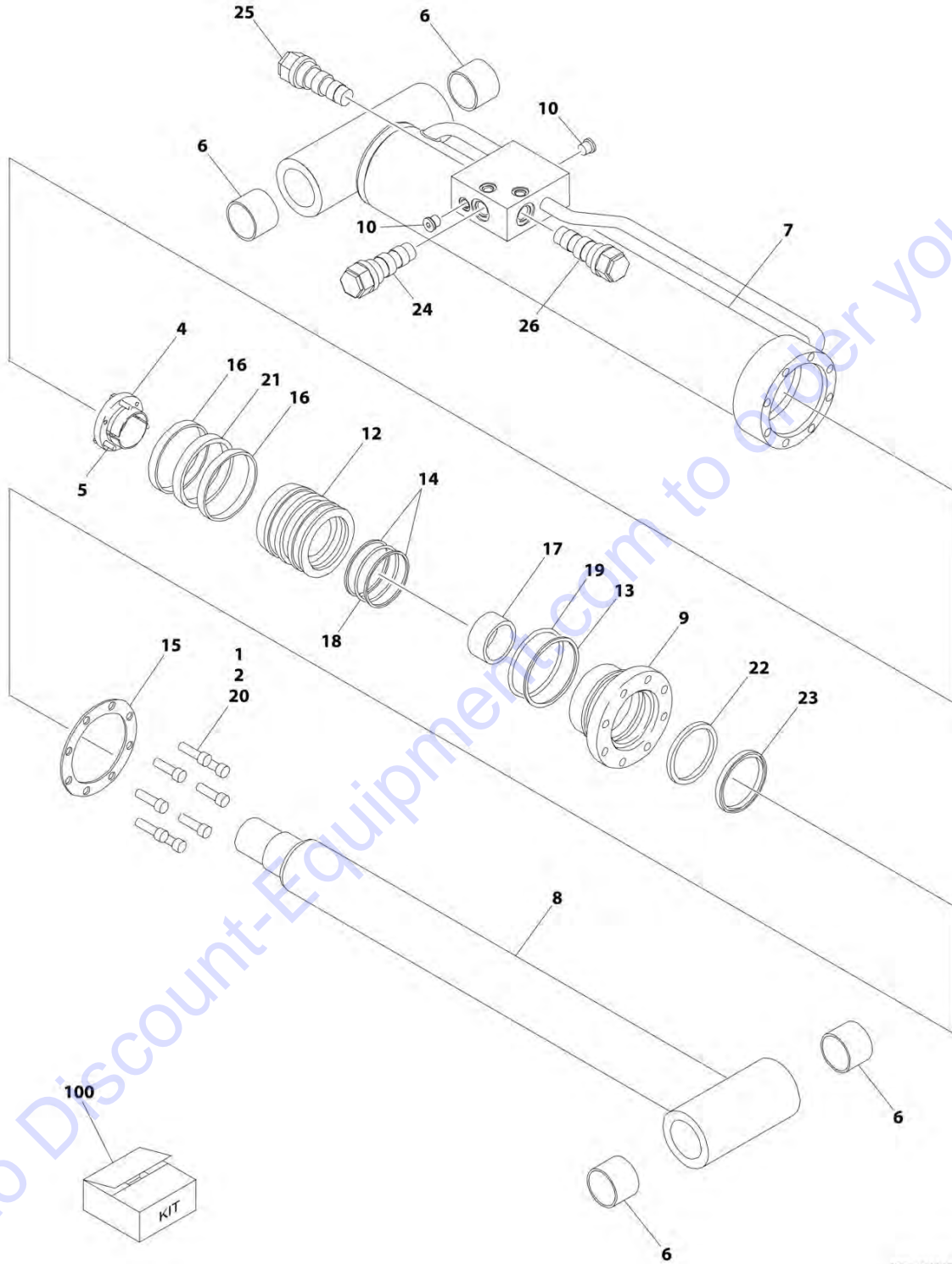
SECTION 6 - CYLINDERS

FIGURE 6-4. LIFT CYLINDER ASSEMBLY - JIB (E600J/E600JP/M600J/M600JP)

ITEM	PART NUMBER	QTY	DESCRIPTION	REV
	1001140282	Ref	LIFT CYLINDER ASSEMBLY - JIB (E600J/E600JP/M600J/M600JP)	A
1	70003834	1	Barrel	
2	70003835	1	Rod	
6	7026088	1	Head	
7	70003833	1	Piston	
8	0961951	2	Bushing	
9	0961947	2	Bushing	
11	4640509	2	Cartridge, Counterbalance Valve	
11	2900792	2	Seal Kit - 4640509 Valve	
14	7026090	2	Bushing	
15	7026091	1	Sleeve	
16	7026092	1	Nut	
17	70002223	1	Retainer	
18	See Note	NSS	Wiper (Note: Use Item 50)	
19	See Note	NSS	Seal (Note: Use Item 50)	
20	See Note	NSS	O-Ring (Note: Use Item 50)	
21	See Note	NSS	Ring, Back-up (Note: Use Item 50)	
22	See Note	NSS	O-Ring (Note: Use Item 50)	
23	See Note	NSS	O-Ring (Note: Use Item 50)	
24	7026068	1	O-Ring	
25	7024844	2	Plug	
28	See Note	NSS	O-Ring (Note: Use Item 50)	
29	See Note	NSS	Seal (Note: Use Item 50)	
31	70002220	1	Ring, Retaining	
32	See Note	NSS	Ring, Wear (Note: Use Item 50)	
50	70003836	1	Seal Kit - 1001140282 Cylinder (Includes Items 18-23, 28, 29 & 32)	

SECTION 6 - CYLINDERS

FIGURE 6-5. LIFT CYLINDER ASSEMBLY - MAIN (Prior to SN 0300239696)



ART_1683876

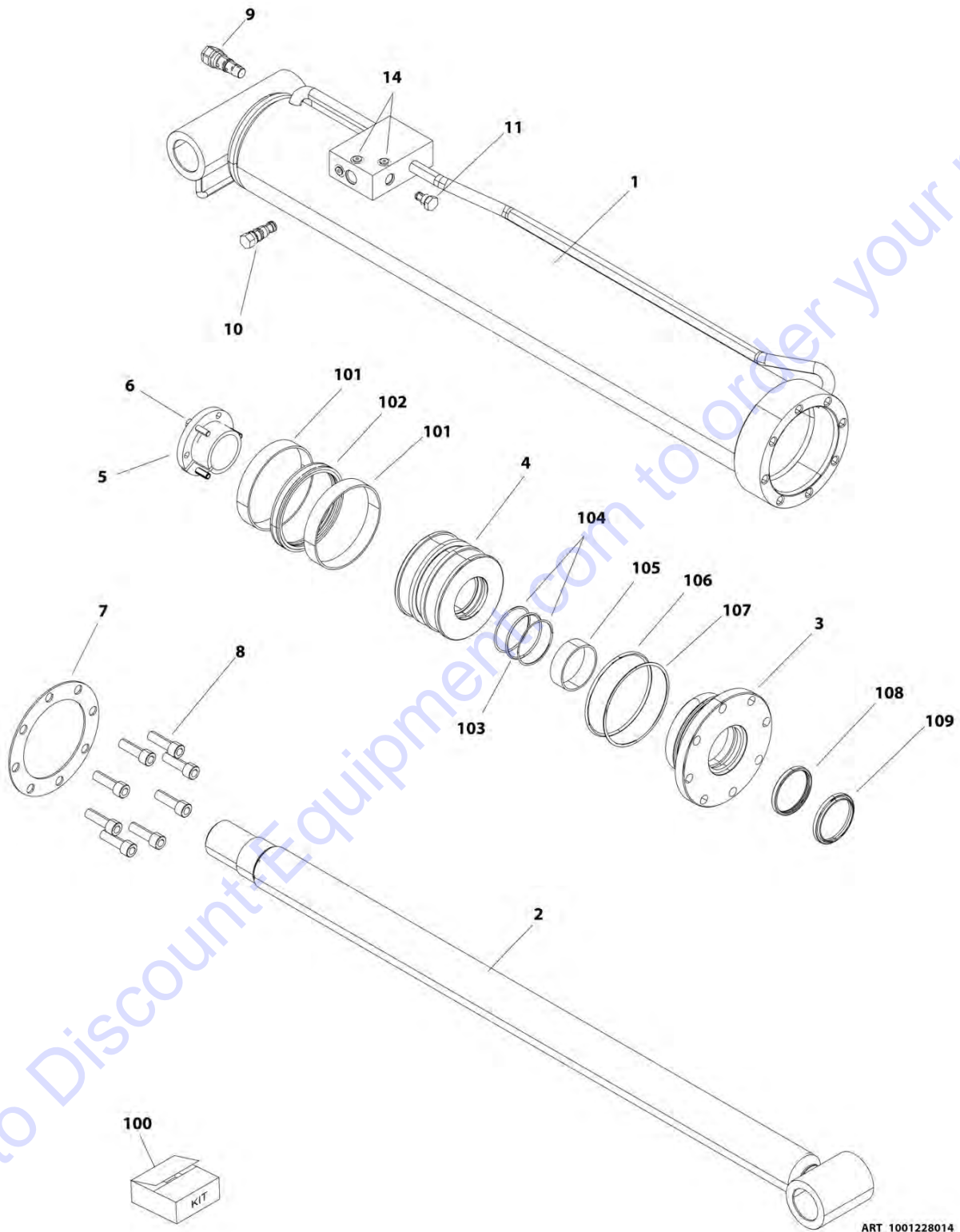
SECTION 6 - CYLINDERS

FIGURE 6-5. LIFT CYLINDER ASSEMBLY - MAIN (Prior to SN 0300239696)

ITEM	PART NUMBER	QTY	DESCRIPTION	REV
	1683876	Ref	LIFT CYLINDER ASSEMBLY - MAIN (Prior to SN 0300239696)	G
1	0100011	AR	Locking, Compound	
2	0100038	AR	Primer, Locking	
4	0630536	3	Bolt #10 x 1-1/4	
5	0961898	1	Bushing, Tapered	
6	0961950	4	Bushing	
7	1683877	1	Barrel Weldment	
8	1683879	1	Rod Weldment	
9	1683910	1	Head	
10	2220883	2	Plug, O-Ring	
12	3480258	1	Piston	
13	See Note	NSS	Ring, Back-up (Note: Use Item 100)	
14	See Note	NSS	Ring, Back-up (Note: Use Item 100)	
15	3760372	1	Ring, Washer	
16	See Note	NSS	Ring, Wear (Note: Use Item 100)	
17	See Note	NSS	Ring, Wear (Note: Use Item 100)	
18	See Note	NSS	O-Ring (Note: Use Item 100)	
19	See Note	NSS	O-Ring (Note: Use Item 100)	
20	3932032	8	Capscrew 5/8 x 2	
21	See Note	NSS	Seal (Note: Use Item 100)	
22	See Note	NSS	Seal, Rod (Note: Use Item 100)	
23	See Note	NSS	Wiper (Note: Use Item 100)	
24	4640438	1	Valve, Check	
24	2900770	1	Seal Kit - 4640438	
25	4640509	1	Valve, Counterbalance	
25	2900792	1	Seal Kit - 4640509	
26	4641129	1	Valve, Check	
26	7012967	1	Seal Kit - 4641129 Valve	
100	2901886	1	Seal Kit (Includes Items 13-14, 16-19 & 21-23)	

SECTION 6 - CYLINDERS

FIGURE 6-6. LIFT CYLINDER ASSEMBLY - MAIN (SN 0300239696 to Present)



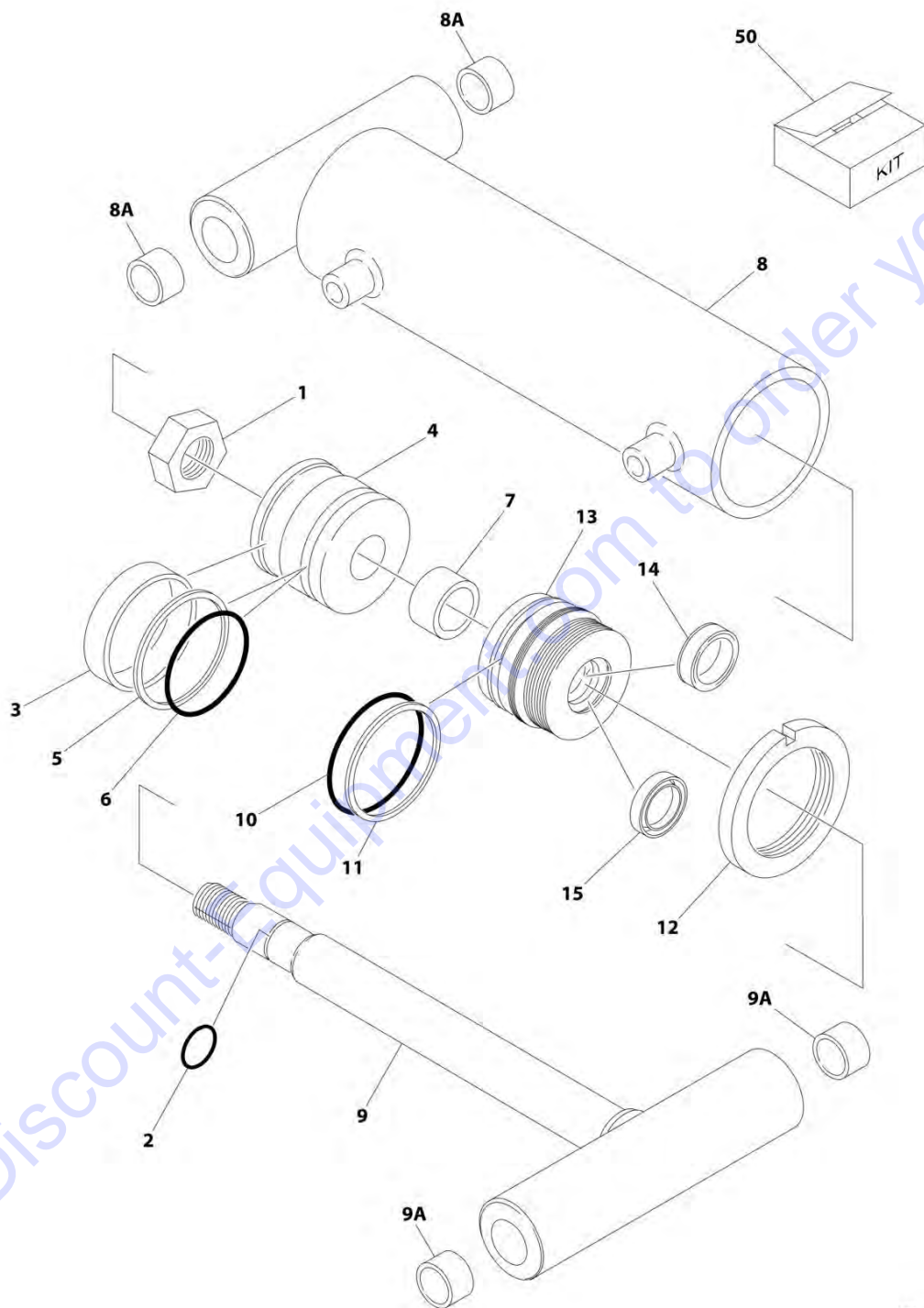
SECTION 6 - CYLINDERS

FIGURE 6-6. LIFT CYLINDER ASSEMBLY - MAIN (SN 0300239696 to Present)

ITEM	PART NUMBER	QTY	DESCRIPTION	REV
	1001228014	Ref	LIFT CYLINDER ASSEMBLY - MAIN (SN 0300239696 to Present)	C
1	See Note	NSS	Barrel Weldment (Note: Not Available for Purchase)	
2	70006368	1	Rod Weldment	
3	70006367	1	Head	
4	70006366	1	Piston	
5	70006365	1	Bushing, Tapered	
6	0630536	1	Screw	
7	70006364	1	Washer	
8	3932032	8	Capscrew	
9	4640509	1	Valve, Counterbalance	
10	4640438	1	Cartridge, Check Valve	
11	4641129	1	Cartridge, Check Valve	
12	See Note	NSS	Plug (Not Shown)	
13	See Note	NSS	Plug	
14	2220883	4	Plug	
100	2901886	1	Seal Kit (Includes Items 101-109)	
101	See Note	NSS	Ring, Wear (Note: Use Item 100)	
102	See Note	NSS	Seal, Piston (Note: Use Item 100)	
103	See Note	NSS	O-Ring (Note: Use Item 100)	
104	See Note	NSS	Ring, Back-up (Note: Use Item 100)	
105	See Note	NSS	Ring, Wear (Note: Use Item 100)	
106	See Note	NSS	O-Ring (Note: Use Item 100)	
107	See Note	NSS	Ring, Back-up (Note: Use Item 100)	
108	See Note	NSS	Seal, Rod (Note: Use Item 100)	
109	See Note	NSS	Wiper, Rod (Note: Use Item 100)	

SECTION 6 - CYLINDERS

FIGURE 6-7. MASTER CYLINDER ASSEMBLY (E600/M600)



ART_1683865

SECTION 6 - CYLINDERS

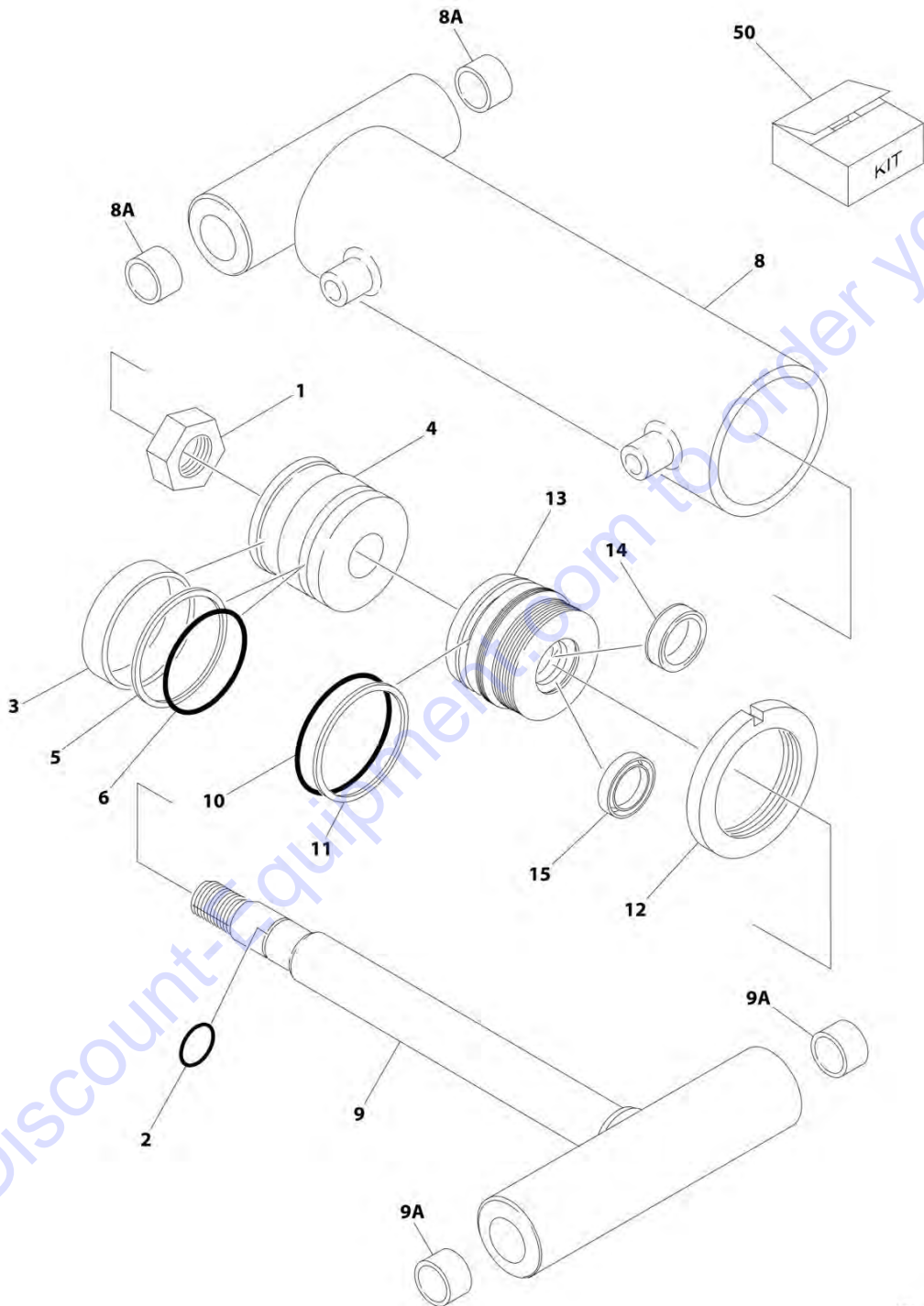
FIGURE 6-7. MASTER CYLINDER ASSEMBLY (E600/M600)

ITEM	PART NUMBER	QTY	DESCRIPTION	REV
	1683865	Ref	MASTER CYLINDER ASSEMBLY (E600/M600)	C
1	7001084	1	Nut	
2	See Note	NSS	O-Ring (Note: Use Item 50)	
3	See Note	NSS	Ring, Wear (Note: Use Item 50)	
4	7017285	1	Piston	
5	See Note	NSS	Seal, Piston (Note: Use Item 50)	
6	See Note	NSS	O-Ring (Note: Use Item 50)	
7	7017286	1	Spacer	
8	7017287	1	Barrel Assembly	
8A	0961951	2	Bushing	
9	7017288	1	Rod Assembly	
9A	0961951	2	Bushing	
10	See Note	NSS	O-Ring (Note: Use Item 50)	
11	See Note	NSS	Ring, Back-up (Note: Use Item 50)	
12	7017283	1	Setscrew 1/4 x 3/8	
13	7017289	1	Guide	
14	See Note	NSS	Seal (Note: Use Item 50)	
15	See Note	NSS	Wiper (Note: Use Item 50)	
50	7017284	1	Seal Kit (Includes Items 2, 3, 5, 6, 10, 11, 14 & 15)	

Go to Discount-Equipment.com to order your parts

SECTION 6 - CYLINDERS

FIGURE 6-8. MASTER CYLINDER ASSEMBLY (E600J/E600JP/M600J/M600JP)



ART_1683866

SECTION 6 - CYLINDERS

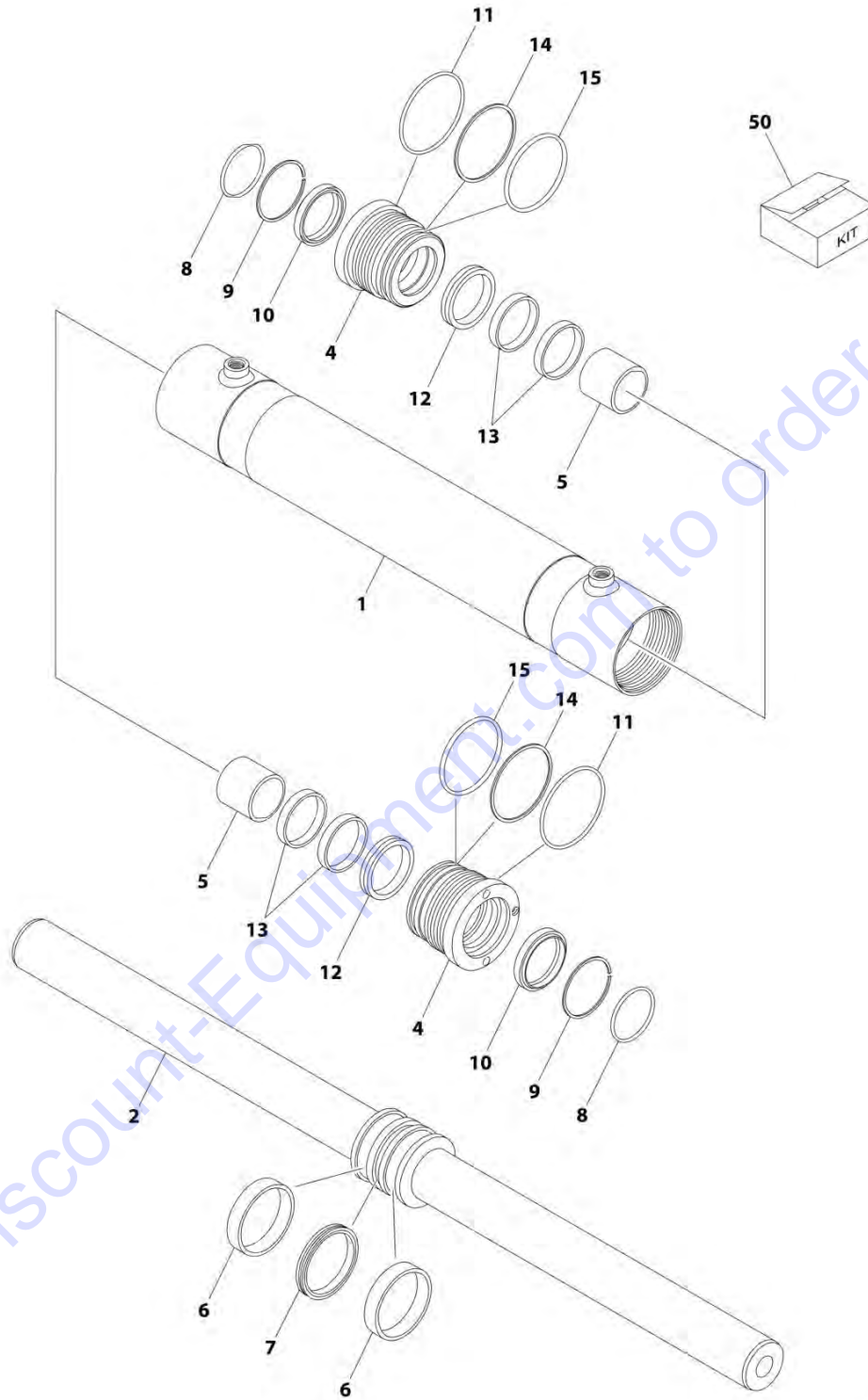
FIGURE 6-8. MASTER CYLINDER ASSEMBLY (E600J/E600JP/M600J/M600JP)

ITEM	PART NUMBER	QTY	DESCRIPTION	REV
	1683866	Ref	MASTER CYLINDER ASSEMBLY (E600J/E600JP/M600J/M600JP)	D
1	7017278	1	Nut	
2	See Note	NSS	O-Ring (Note: Use Item 50)	
3	See Note	NSS	Ring, Wear (Note: Use Item 50)	
4	7017279	1	Piston	
5	See Note	NSS	Seal, Piston (Note: Use Item 50)	
6	See Note	NSS	O-Ring (Note: Use Item 50)	
8	7017280	1	Barrel Assembly	
8A	0961951	2	Bushing	
9	7017281	1	Rod Assembly	
9A	0961951	2	Bushing	
10	See Note	NSS	O-Ring (Note: Use Item 50)	
11	See Note	NSS	Ring, Back-up (Note: Use Item 50)	
12	7017283	1	Setscrew 1/4 x 3/8	
13	7017282	1	Guide	
14	See Note	NSS	Seal (Note: Use Item 50)	
15	See Note	NSS	Wiper (Note: Use Item 50)	
50	7017277	1	Seal Kit (Includes Items 2, 3, 5, 6, 10, 11, 14 & 15)	

Go to Discount-Equipment.com to order your parts

SECTION 6 - CYLINDERS

FIGURE 6-9. STEER CYLINDER ASSEMBLY



ART_1001140281

SECTION 6 - CYLINDERS

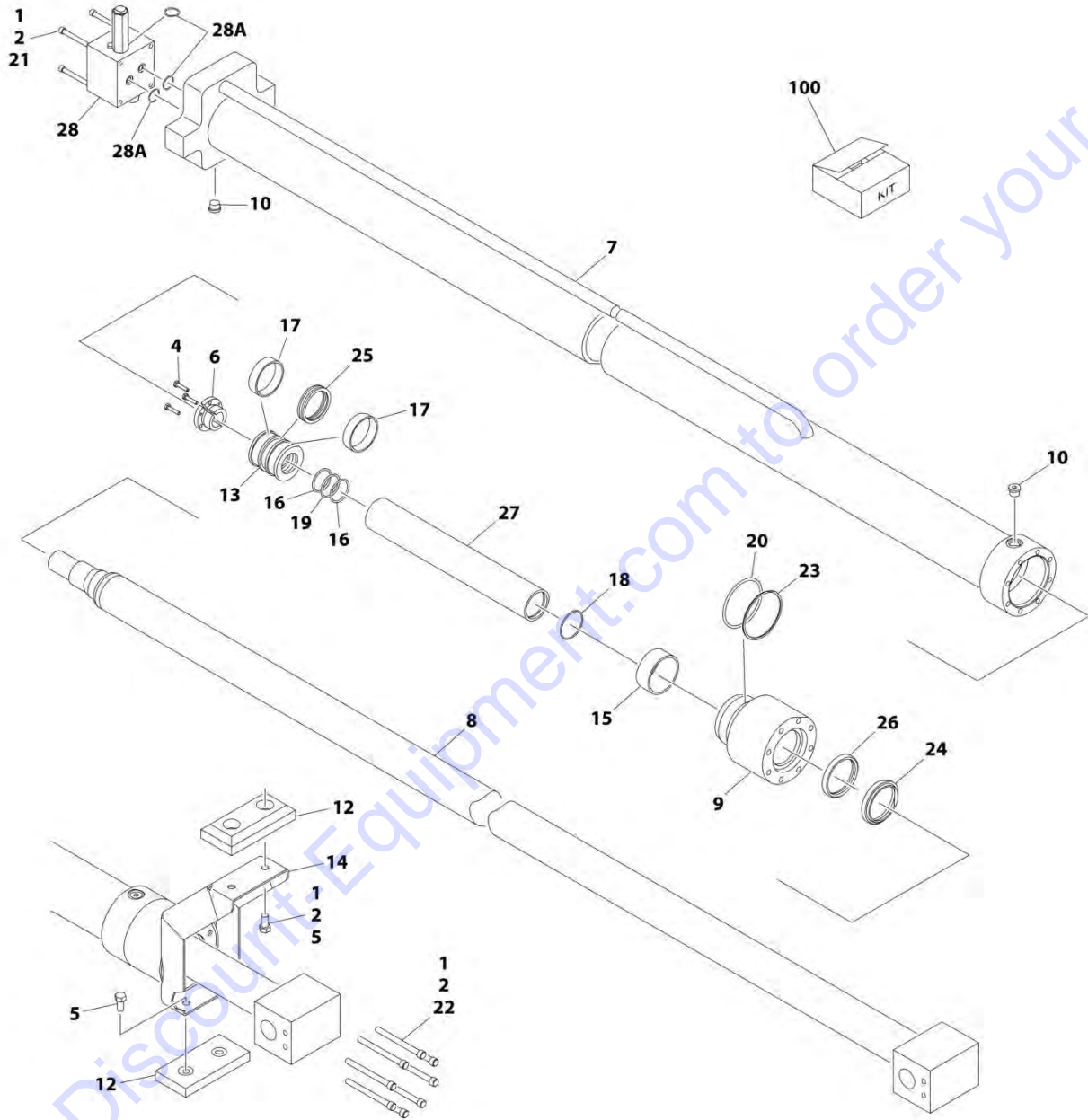
FIGURE 6-9. STEER CYLINDER ASSEMBLY

ITEM	PART NUMBER	QTY	DESCRIPTION	REV
	1001140281	Ref	STEER CYLINDER ASSEMBLY	A
1	70004134	1	Barrel	
2	70004135	1	Rod	
4	70004132	2	Head	
5	70004133	2	Spacer	
6	See Note	NSS	Ring, Wear (Note: Use Item 50)	
7	See Note	NSS	T-Seal (Note: Use Item 50)	
8	70003820	2	O-Ring	
9	70002219	2	Retainer	
10	See Note	NSS	Wiper (Note: Use Item 50)	
11	See Note	NSS	O-Ring (Note: Use Item 50)	
12	See Note	NSS	Seal (Note: Use Item 50)	
13	See Note	NSS	Ring, Wear (Note: Use Item 50)	
14	See Note	NSS	Ring, Back-up (Note: Use Item 50)	
15	See Note	NSS	O-Ring (Note: Use Item 50)	
50	70004127	1	Seal Kit - 1001140281 Cylinder (Includes Items 6-7 & 10-15)	

Go to Discount-Equipment.com to order your parts

SECTION 6 - CYLINDERS

FIGURE 6-10. TELESCOPE CYLINDER ASSEMBLY (E600/M600)



ART_1684009

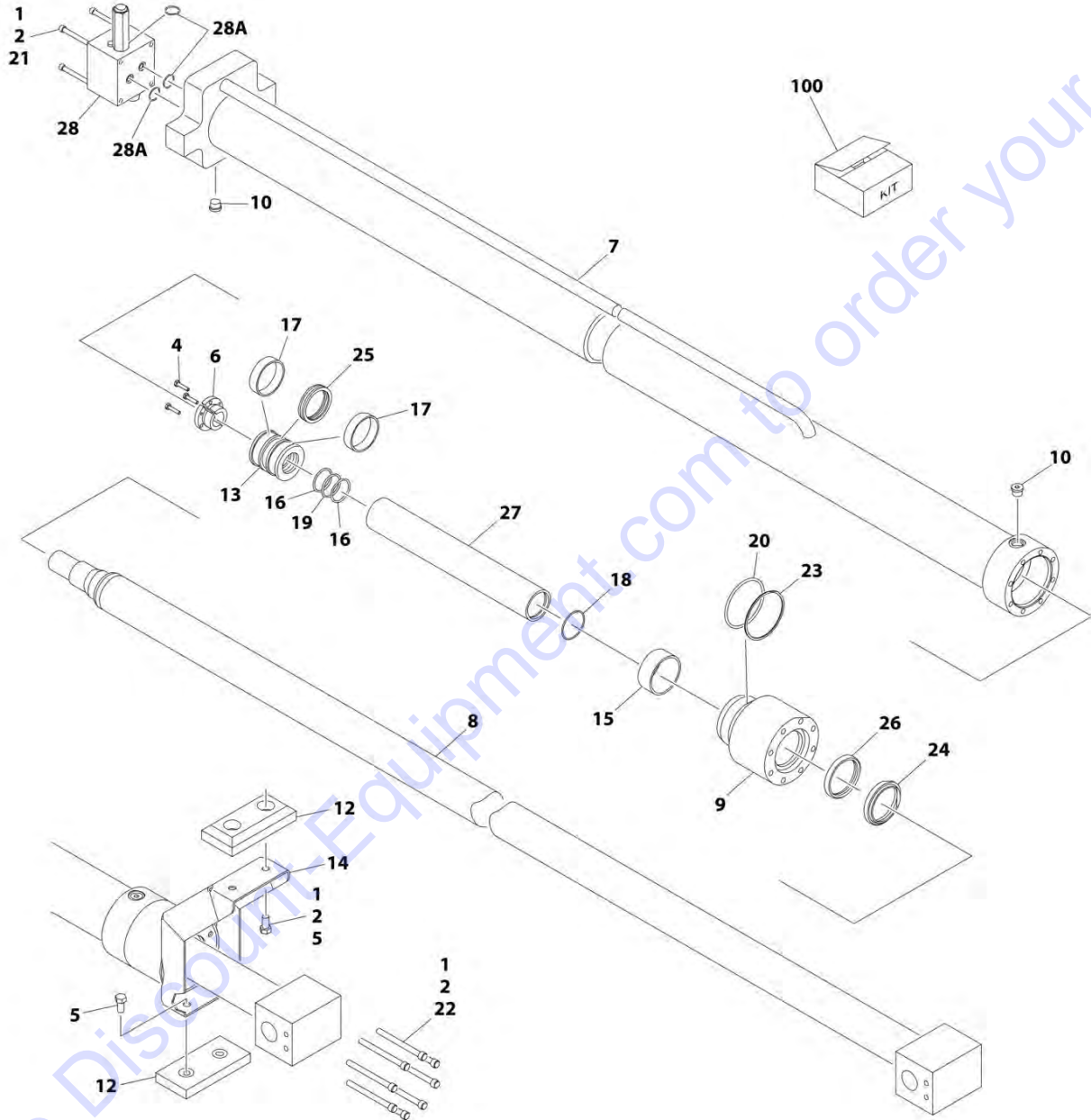
SECTION 6 - CYLINDERS

FIGURE 6-10. TELESCOPE CYLINDER ASSEMBLY (E600/M600)

ITEM	PART NUMBER	QTY	DESCRIPTION	REV
	1684009	Ref	TELESCOPE CYLINDER ASSEMBLY (E600/M600)	D
1	0100011	AR	Locking, Compound	
2	0100038	AR	Primer, Locking	
4	0630535	3	Bolt 1/4 x 1-1/8	
5	0641606	4	Bolt 3/8 x 3/4	
6	0961902	1	Bushing, Tapered	
7	1683905	1	Barrel	
8	1683907	1	Rod	
9	1684008	1	Head	
10	2220885	2	Plug, O-Ring	
12	3340880	2	Pad, Support	
13	3480257	1	Piston	
14	3572040	1	Plate, Support	
15	See Note	NSS	Ring, Wear (Note: Use Item 100)	
16	See Note	NSS	Ring, Back-up (Note: Use Item 100)	
17	See Note	NSS	Ring, Wear (Note: Use Item 100)	
18	See Note	NSS	O-Ring (Note: Use Item 100)	
19	See Note	NSS	O-Ring (Note: Use Item 100)	
20	See Note	NSS	O-Ring (Note: Use Item 100)	
21	3931448	4	Capscrew 1/4 x 3	
22	3931528	8	Bolt 5/16 x 1-3/4	
23	See Note	NSS	Ring, Back-up (Note: Use Item 100)	
24	See Note	NSS	Wiper (Note: Use Item 100)	
25	See Note	NSS	Seal (Note: Use Item 100)	
26	See Note	NSS	Seal, Rod (Note: Use Item 100)	
27	4568030	1	Spacer	
28	4641179	1	Valve Assembly (Note: No Serviceable Parts - Purchase Complete Valve)	
28A	7026616	1	Seal Kit - 4641179 Valve	
100	2902019	1	Seal Kit (Includes Items 15-20 & 23-26)	

SECTION 6 - CYLINDERS

FIGURE 6-11. TELESCOPE CYLINDER ASSEMBLY (E600J/E600JP/M600J/M600JP) (Prior to SN 0300244725)



ART_1684010

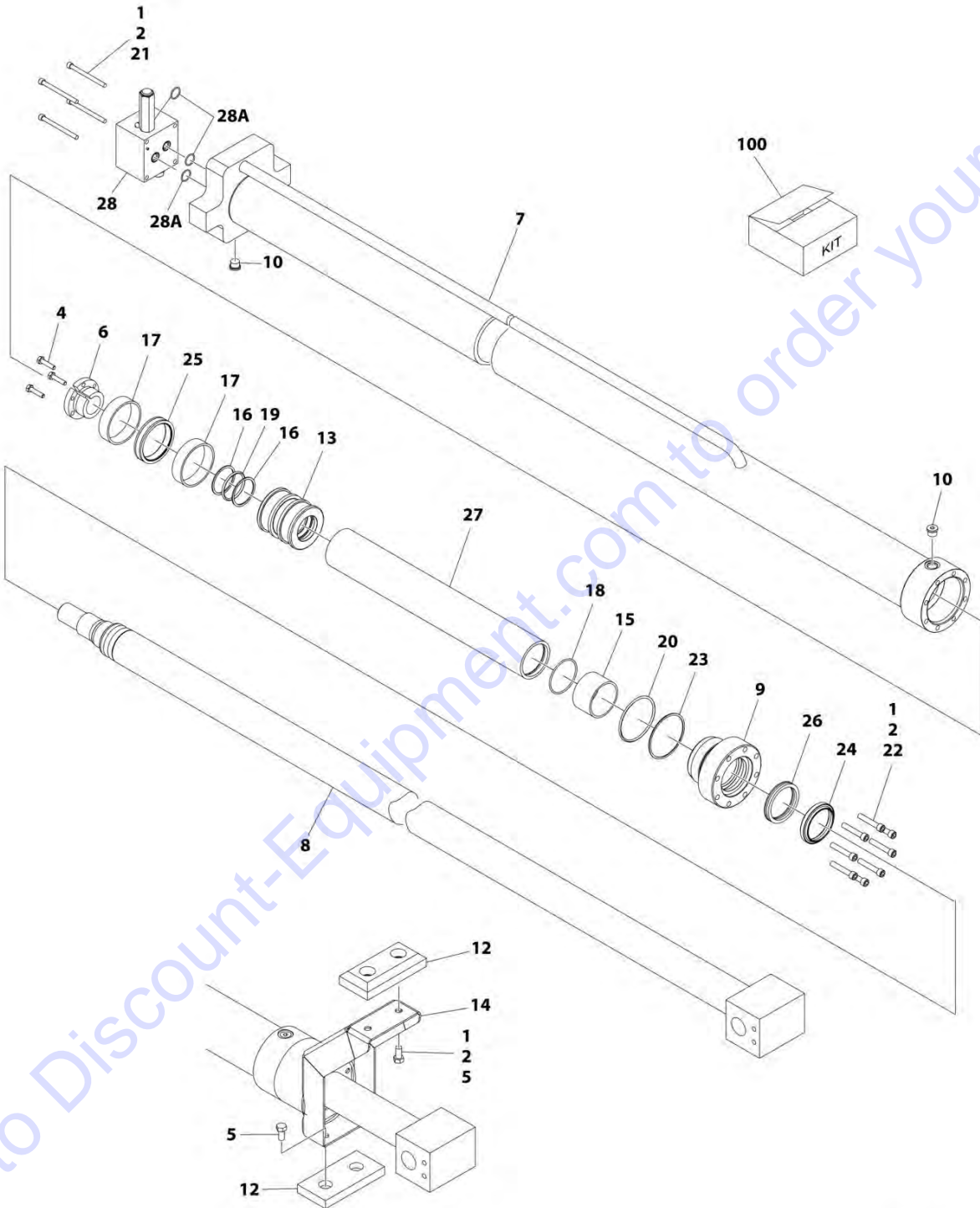
SECTION 6 - CYLINDERS

FIGURE 6-11. TELESCOPE CYLINDER ASSEMBLY (E600J/E600JP/M600J/M600JP) (Prior to SN 0300244725)

ITEM	PART NUMBER	QTY	DESCRIPTION	REV
	1684010	Ref	TELESCOPE CYLINDER ASSEMBLY (E600J/E600JP/M600J/M600JP) (Prior to SN 0300244725)	F
1	0100011	AR	Locking, Compound	
2	0100038	AR	Primer, Locking	
4	0630535	3	Bolt 1/4 x 1-1/8	
5	0641606	4	Bolt 3/8 x 3/4	
6	0961902	1	Bushing, Tapered	
7	1683900	1	Barrel	
8	1683902	1	Rod	
9	1684008	1	Head	
10	2220885	2	Plug, O-Ring	
12	3340880	2	Pad, Support	
13	3480257	1	Piston	
14	3572040	1	Plate, Support	
15	See Note	NSS	Ring, Wear (Note: Use Item 100)	
16	See Note	NSS	Ring, Back-up (Note: Use Item 100)	
17	See Note	NSS	Ring, Wear (Note: Use Item 100)	
18	See Note	NSS	O-Ring (Note: Use Item 100)	
19	See Note	NSS	O-Ring (Note: Use Item 100)	
20	See Note	NSS	O-Ring (Note: Use Item 100)	
21	3931448	4	Capscrew 1/4 x 3	
22	3931528	8	Bolt 5/16 x 1-3/4	
23	See Note	NSS	Ring, Back-up (Note: Use Item 100)	
24	See Note	NSS	Wiper (Note: Use Item 100)	
25	See Note	NSS	Seal (Note: Use Item 100)	
26	See Note	NSS	Seal, Rod (Note: Use Item 100)	
27	4568030	1	Spacer	
28	4641179	1	Valve Assembly (Note: No Serviceable Parts - Purchase Complete Valve)	
28A	7026616	1	Seal Kit - 4641179 Valve	
100	2902019	1	Seal Kit (Includes Items 15-20 & 23-26)	

SECTION 6 - CYLINDERS

FIGURE 6-12. TELESCOPE CYLINDER ASSEMBLY (E600J/E600JP/M600J/M600JP) (SN 0300244725 to Present)



ART_1001228017

SECTION 6 - CYLINDERS

FIGURE 6-12. TELESCOPE CYLINDER ASSEMBLY (E600J/E600JP/M600J/M600JP) (SN 0300244725 to Present)

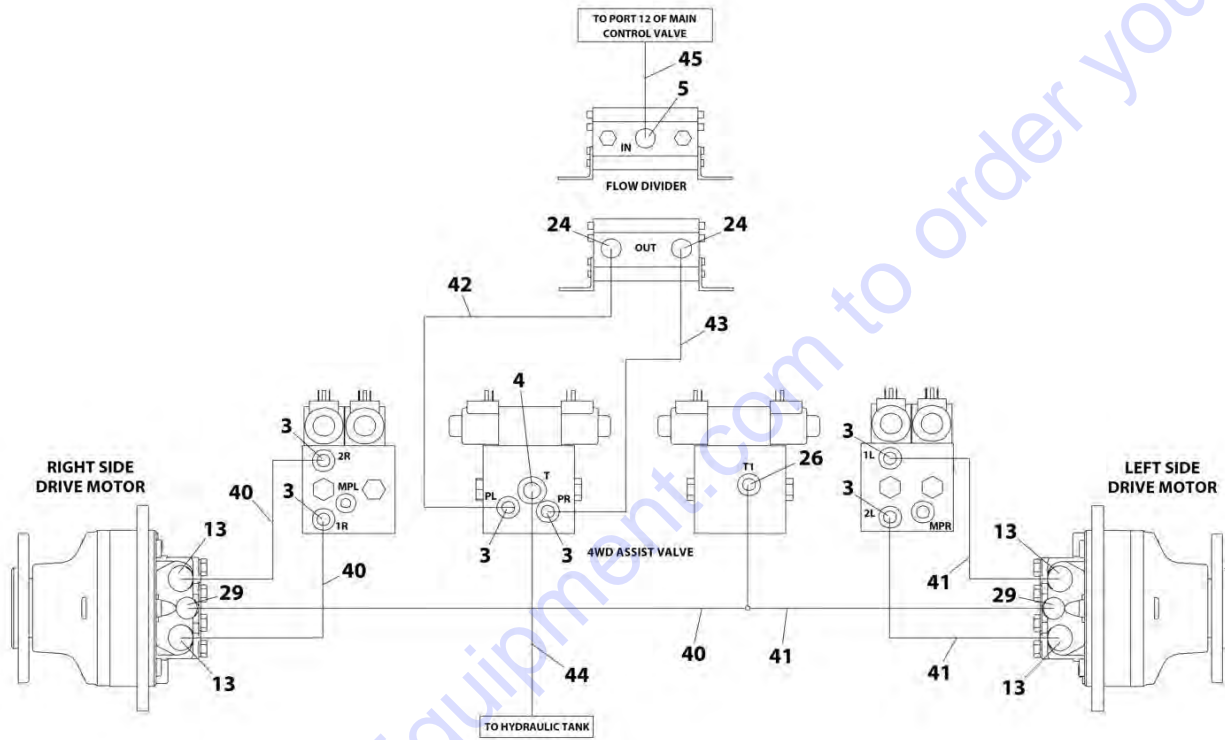
ITEM	PART NUMBER	QTY	DESCRIPTION	REV
	1001228017	Ref	TELESCOPE CYLINDER ASSEMBLY (E600J/E600JP/M600J/M600JP) (SN 0300244725 to Present)	A
1	0100011	AR	Locking, Compound	
2	0100038	AR	Primer, Locking	
4	0630535	3	Bolt 1/4 x 1-1/8	
5	0641606	4	Bolt 3/8 x 3/4	
6	0961902	1	Bushing, Tapered	
7	See Note	NSS	Barrel (Note: Use Item 100)	
8	70006709	1	Rod	
9	70006710	1	Head	
10	2220885	2	Plug, O-Ring	
12	3340880	2	Pad, Support	
13	70006711	1	Piston	
14	3572040	1	Plate, Support	
15	See Note	NSS	Ring, Wear (Note: Use Item 100)	
16	See Note	NSS	Ring, Back-up (Note: Use Item 100)	
17	See Note	NSS	Ring, Wear (Note: Use Item 100)	
18	See Note	NSS	O-Ring (Note: Use Item 100)	
19	See Note	NSS	O-Ring (Note: Use Item 100)	
20	See Note	NSS	O-Ring (Note: Use Item 100)	
21	3931448	4	Capscrew 1/4 x 3	
22	3931528	8	Bolt 5/16 x 1-3/4	
23	See Note	NSS	Ring, Back-up (Note: Use Item 100)	
24	See Note	NSS	Wiper (Note: Use Item 100)	
25	See Note	NSS	Seal (Note: Use Item 100)	
26	See Note	NSS	Seal, Rod (Note: Use Item 100)	
27	70006712	1	Spacer	
28	4641179	1	Valve Assembly (Note: No Serviceable Parts - Purchase Complete Valve)	
28A	7026616	1	Seal Kit - 4641179 Valve	
100	2902019	1	Seal Kit (Includes Items 7, 15-20 & 23-26)	

SECTION 7 - HYDRAULIC

Go to Discount-Equipment.com to order your parts

SECTION 7 - HYDRAULIC

FIGURE 7-1. 4WD HYDRAULIC DIAGRAM



ART_2792423

SECTION 7 - HYDRAULIC

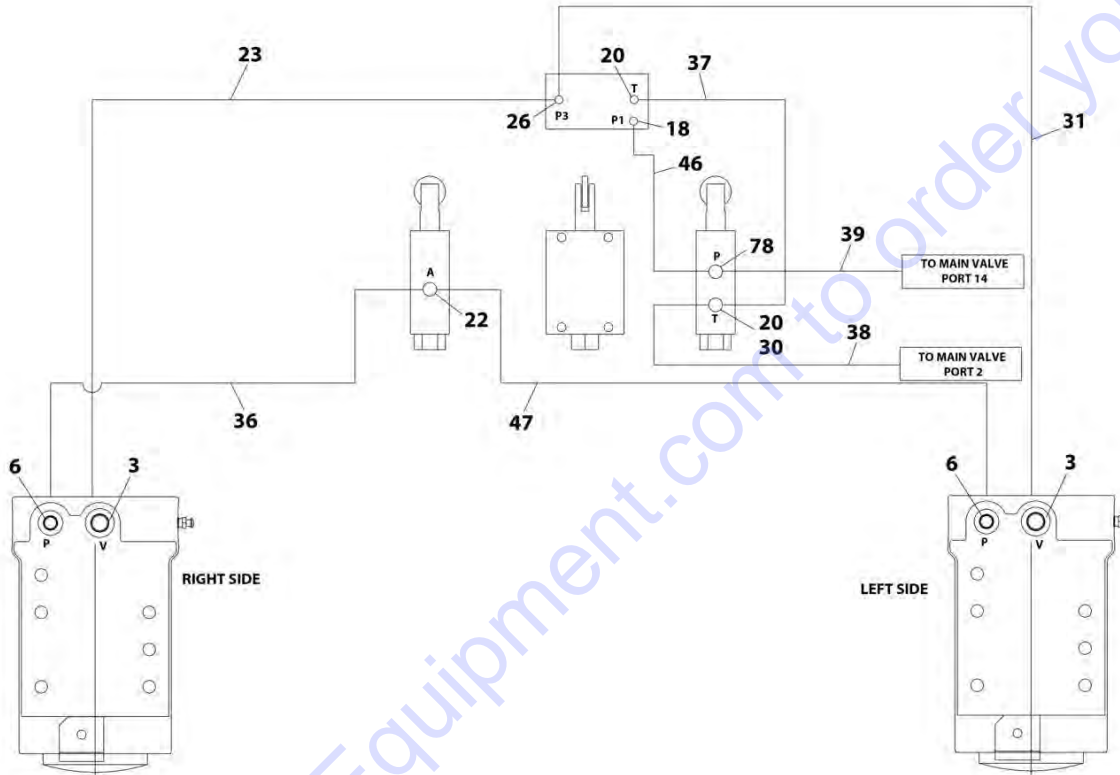
FIGURE 7-1. 4WD HYDRAULIC DIAGRAM

ITEM	PART NUMBER	QTY	DESCRIPTION	REV
	2792423	Ref	4WD HYDRAULIC DIAGRAM	1
3	2220371	6	Fitting, Straight ORB-FL	
4	2220373	1	Fitting, Straight ORB-FL	
5	2220374	1	Fitting, Straight ORB-FL	
13	2220497	4	Fitting, Straight ORB-FL	
24	2220828	2	Fitting, 90 ORB-FL	
26	2220899	1	Fitting, Tee ORB-FL-FL	
29	2220998	2	Fitting, Straight ORB-FL	
40	2753459	3	Hose	
41	2753460	3	Hose	
42	2753118	1	Hose	
43	2752648	1	Hose	
44	2753452	1	Hose	
45	2753461	1	Hose	

Go to Discount-Equipment.com to order your parts

SECTION 7 - HYDRAULIC

FIGURE 7-2. OSCILLATING AXLE HYDRAULIC DIAGRAM (ALL SPECS EXCEPT CE SPECS)



ART_1001202440

SECTION 7 - HYDRAULIC

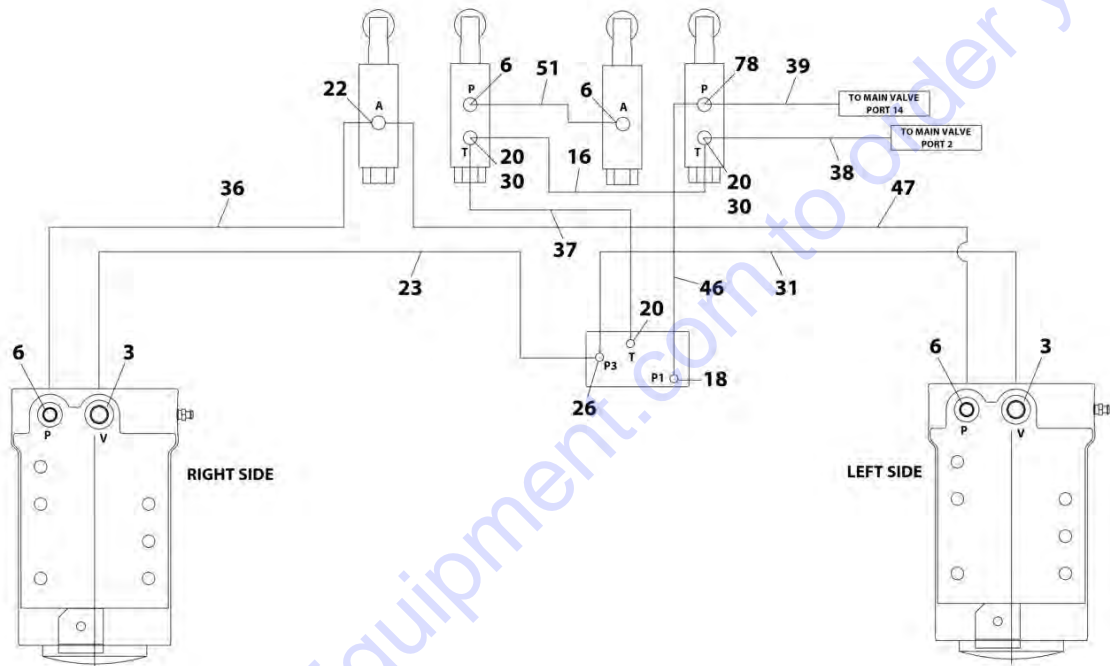
FIGURE 7-2. OSCILLATING AXLE HYDRAULIC DIAGRAM (ALL SPECS EXCEPT CE SPECS)

ITEM	PART NUMBER	QTY	DESCRIPTION	REV
	1001202440	Ref	OSCILLATING AXLE HYDRAULIC DIAGRAM (ALL SPECS EXCEPT CE SPECS)	C
3	2220371	2	Fitting, Straight ORB-FL	
6	2220415	2	Fitting, Straight ORB-FL	
18	2220582	1	Fitting, Straight ORB-FL	
20	2220603	2	Fitting, Straight ORB-FL	
22	2220711	1	Fitting, Tee ORB-FL-FL	
23	2752463	1	Hose (SN 0300219271 through 0300224945)	
23	2753397	1	Hose (SN 0300224946 to Present)	
26	2220899	1	Fitting, Tee ORB-FL-FL	
30	2220579	1	Fitting, Tee JIC/FSJIC/JIC (SN 0300219271 through 0300224945)	
30	2220635	1	Fitting, Tee JIC/FSJIC/JIC (SN 0300224946 to Present)	
31	1001200622	1	Hose	
36	2753002	1	Hose	
37	2752471	1	Hose	
38	2752631	1	Hose	
39	2753420	1	Hose	
46	1001200620	1	Hose	
47	1001200621	1	Hose	
78	2221034	1	Fitting, Tee ORB-FL-FL	

Go to Discount-Equipment.com to order your parts

SECTION 7 - HYDRAULIC

FIGURE 7-3. OSCILLATING AXLE HYDRAULIC DIAGRAM (CE SPECS)



ART_1001202444

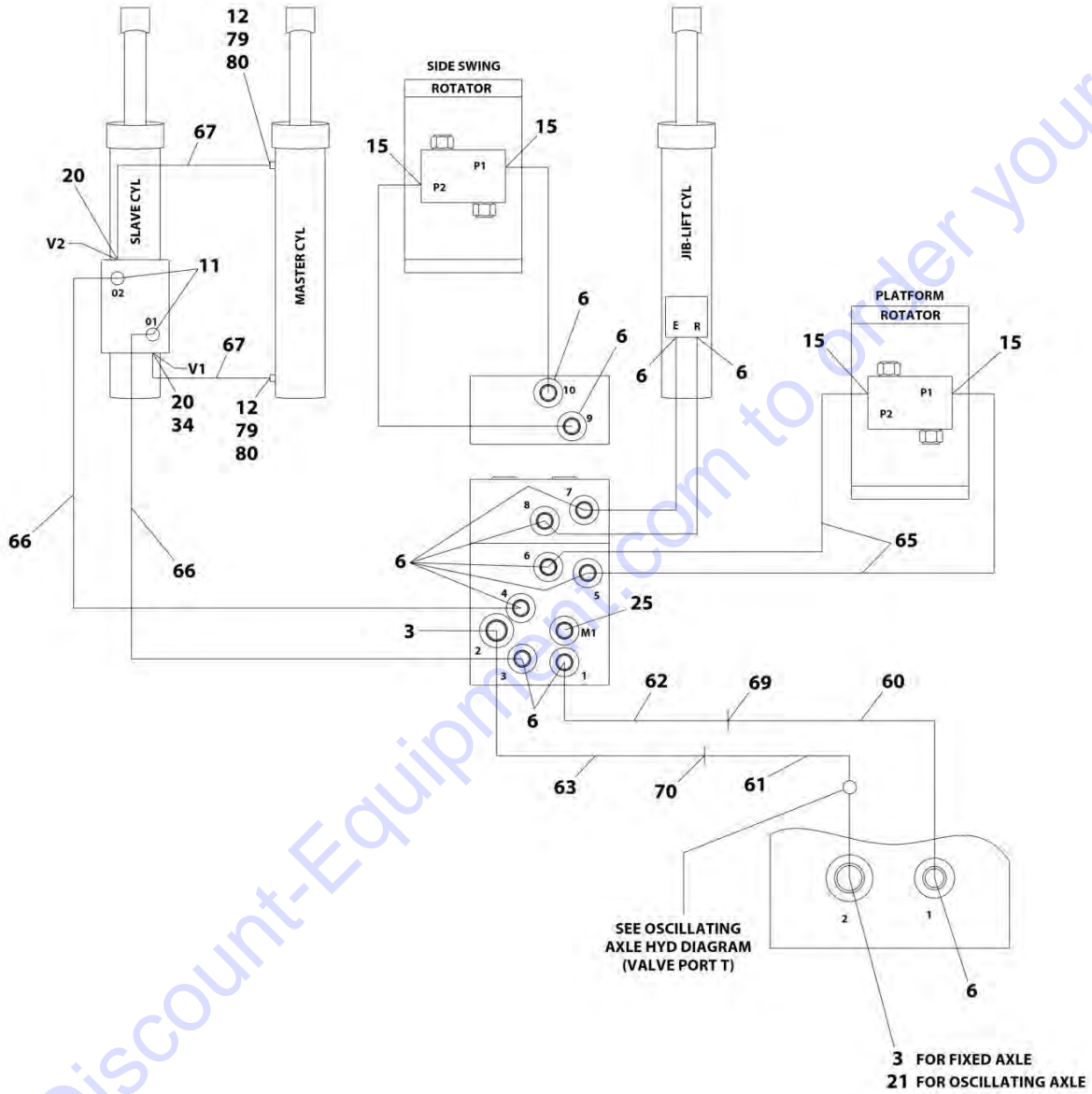
SECTION 7 - HYDRAULIC

FIGURE 7-3. OSCILLATING AXLE HYDRAULIC DIAGRAM (CE SPECS)

ITEM	PART NUMBER	QTY	DESCRIPTION	REV
	1001202444	Ref	OSCILLATING AXLE HYDRAULIC DIAGRAM (CE SPECS)	C
3	2220371	2	Fitting, Straight ORB-FL	
6	2220415	4	Fitting, Straight ORB-FL	
16	2752463	1	Hose	
18	2220582	1	Fitting, Straight ORB-FL	
20	2220603	3	Fitting, Straight ORB-FL	
22	2220711	1	Fitting, Tee ORB-FL-FL	
23	2752463	1	Hose (SN 0300219271 through 0300224945)	
23	2753397	1	Hose (SN 0300224946 to Present)	
26	2220899	1	Fitting, Tee ORB-FL-FL	
30	2220579	2	Fitting, Tee JIC/FSJIC/JIC (SN 0300219271 through 0300224945)	
30	2220635	2	Fitting, Tee JIC/FSJIC/JIC (SN 0300224946 to Present)	
31	1001200622	1	Hose	
36	2753002	1	Hose	
37	2752471	1	Hose	
38	2752631	1	Hose	
39	2753420	1	Hose	
46	1001200620	1	Hose	
47	1001200621	1	Hose	
51	2752588	1	Hose	
78	2221034	1	Fitting, Tee ORB-FL-FL	

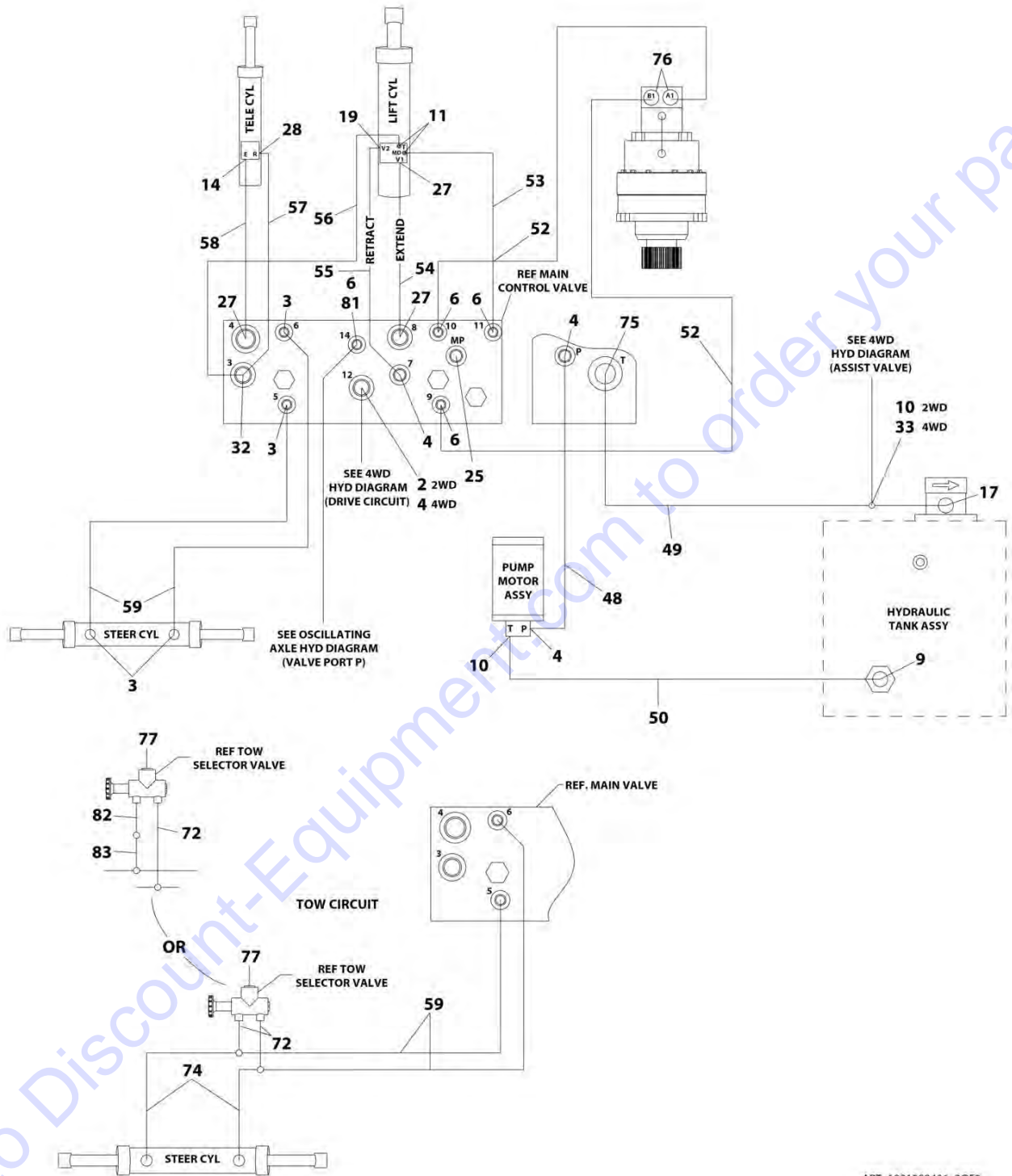
SECTION 7 - HYDRAULIC

FIGURE 7-4. STANDARD HYDRAULIC DIAGRAM (E600/M600)



ART_1001202436_10F2

SECTION 7 - HYDRAULIC



ART_1001202436_20F2

SECTION 7 - HYDRAULIC

FIGURE 7-4. STANDARD HYDRAULIC DIAGRAM (E600/M600)

ITEM	PART NUMBER	QTY	DESCRIPTION	REV
	1001202436	Ref	STANDARD HYDRAULIC DIAGRAM (E600/M600)	B
	2792427	Ref	2WD HYDRAULIC DIAGRAM	1
	1001202441	Ref	TOW HYDRAULIC DIAGRAM	C
2	2220238	1	Fitting, Plug ORB	
3	2220371	5	Fitting, Straight JIC/ORB	
4	2220373	4	Fitting, Straight JIC/ORB	
6	2220415	11	Fitting, Straight JIC/ORB	
9	2220435	1	Fitting, Straight JIC/ORB	
10	2220451	2	Fitting, Straight JIC/ORB	
11	2220466	4	Fitting, 90 JIC/ORB	
12	2220934	2	Fitting, Tee JIC/ORB/FNPTF	
14	2220500	1	Fitting, 45 JIC/ORB	
15	2220502	2	Fitting, 45 JIC/ORB	
17	2220550	1	Fitting Straight FORB/ORB	
19	2220596	1	Fitting, 90 JIC/ORB	
20	2220603	2	Fitting Straight JIC/ORB	
21	2220606	1	Fitting, Tee JIC/ORB/JIC	
25	2221086	2	Fitting, Diagnostic Test Port	
27	2220947	3	Fitting, Straight JIC/ORB	
28	2220950	1	Fitting, 45 JIC/ORB	
32	2221061	1	Fitting, Tee JIC/ORB/JIC	
33	2221063	1	Fitting, Tee JIC/ORB/JIC	
34	4567139	1	Tube	
48	2752498	1	Hose	
49	2753441	1	Hose	
50	2753440	1	Hose	
52	2753458	2	Hose	
53	2753444	1	Hose	
54	2753456	1	Hose	
55	2753454	1	Hose	
56	2753443	1	Hose	
57	2753453	1	Hose	
58	2753455	1	Hose	
59	2753451	2	Hose	
60	2753445	1	Hose	
61	2753447	1	Hose	
62	2753463	1	Hose	
63	2753464	1	Hose	
65	2753469	2	Hose	
66	2753470	2	Hose	
67	2753450	2	Hose	
69	2230031	1	Fitting, 45 JIC/JIC	
70	8770189	1	Fitting, 45 JIC/JIC	
72	2221052	AR	Fitting, Tee ORB-FL-FL	
74	2753327	2	Hose	
75	2220578	1	Fitting, 90 JIC/ORB	
76	2221033	2	Fitting, Straight JIC/ORB	
77	2220240	1	Fitting, Plug ORB	
79	4640861	2	Fitting, Bleeder	
80	0100020	AR	Loctite, #567 Pipe Sealant	

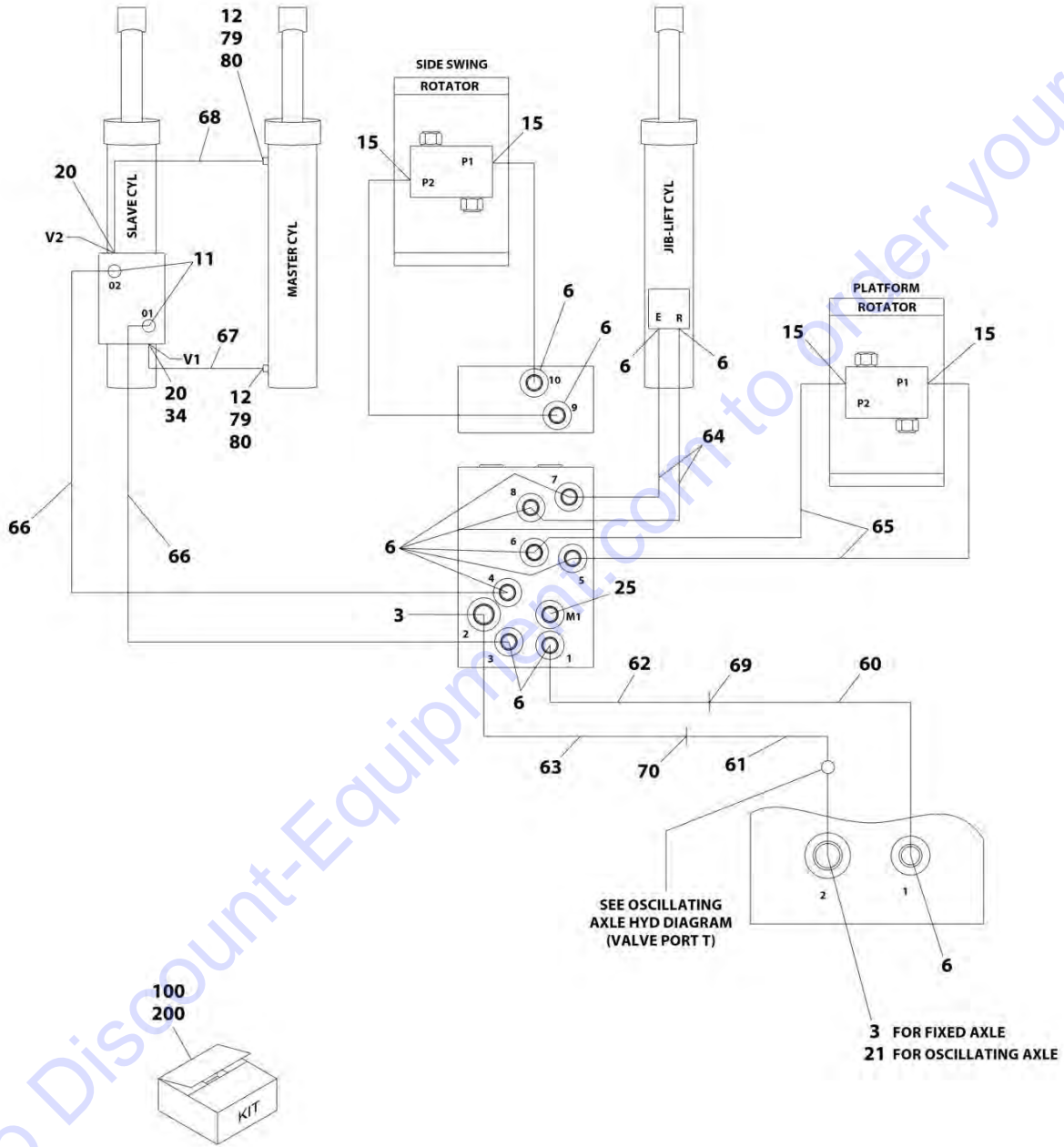
SECTION 7 - HYDRAULIC

ITEM	PART NUMBER	QTY	DESCRIPTION	REV
81	2220235	1	Plug	
82	2220372	1	Fitting, Straight JIC/ORB (SN 0300226267 to Present)	
83	2220579	1	Fitting, Tee JIC/FSJIC/JIC (SN 0300226267 to Present)	

Go to Discount-Equipment.com to order your parts

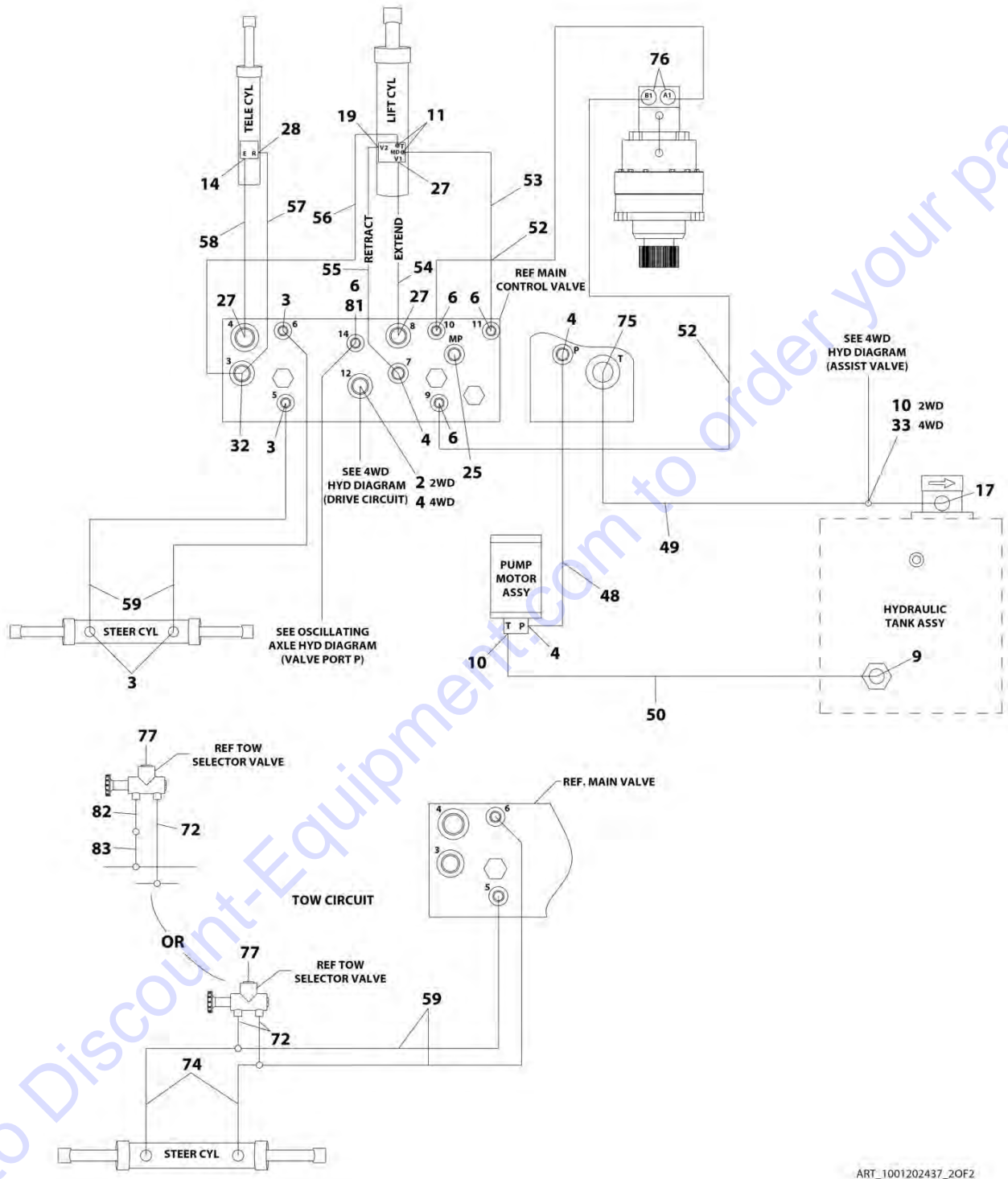
SECTION 7 - HYDRAULIC

FIGURE 7-5. STANDARD HYDRAULIC DIAGRAM (E600J/M600J)



ART_1001202437_10F2

SECTION 7 - HYDRAULIC



ART_1001202437_20F2

SECTION 7 - HYDRAULIC

FIGURE 7-5. STANDARD HYDRAULIC DIAGRAM (E600J/M600J)

ITEM	PART NUMBER	QTY	DESCRIPTION	REV
	1001202437	Ref	STANDARD HYDRAULIC DIAGRAM (E600J/M600J)	C
	2792427	Ref	2WD HYDRAULIC DIAGRAM	1
	1001202441	Ref	TOW HYDRAULIC DIAGRAM	C
2	2220238	1	Fitting, Plug ORB	
3	2220371	5	Fitting, Straight JIC/ORB	
4	2220373	4	Fitting, Straight JIC/ORB	
6	2220415	14	Fitting, Straight JIC/ORB	
9	2220435	1	Fitting, Straight JIC/ORB	
10	2220451	2	Fitting, Straight JIC/ORB	
11	2220466	4	Fitting, 90 JIC/ORB	
12	2220934	2	Fitting, Tee JIC/ORB/FNPTF	
14	2220500	1	Fitting, 45 JIC/ORB	
15	2220502	2	Fitting, 45 JIC/ORB	
17	2220550	1	Fitting Straight FORB/ORB	
19	2220596	1	Fitting, 90 JIC/ORB	
20	2220603	2	Fitting Straight JIC/ORB	
21	2220606	1	Fitting, Tee JIC/ORB/JIC	
25	2221086	2	Fitting, Diagnostic Test Port	
27	2220947	3	Fitting, Straight JIC/ORB	
28	2220950	1	Fitting, 45 JIC/ORB	
32	2221061	1	Fitting, Tee JIC/ORB/JIC	
33	2221063	1	Fitting, Tee JIC/ORB/JIC	
34	4567139	1	Tube	
48	2752498	1	Hose	
49	2753441	1	Hose	
50	2753440	1	Hose	
52	2753458	2	Hose	
53	2753444	1	Hose	
54	2753456	1	Hose	
55	2753454	1	Hose	
56	2753443	1	Hose	
57	2753453	1	Hose	
58	2753455	1	Hose	
59	2753451	2	Hose	
60	2753445	1	Hose	
61	2753447	1	Hose	
62	2753446	1	Hose (Prior to SN 0300236102)	
63	2753450	1	Hose (Prior to SN 0300236102)	
64	2753457	2	Hose (Prior to SN 0300236102)	
65	2753458	2	Hose (Prior to SN 0300236102)	
66	2753442	2	Hose (Prior to SN 0300236102)	
67	2753448	1	Hose (Prior to SN 0300236102)	
68	2753449	1	Hose (Prior to SN 0300236102)	
69	2230031	1	Fitting, 45 JIC/JIC	
70	8770189	1	Fitting, 45 JIC/JIC	
72	2221052	AR	Fitting, Tee ORB-FL-FL	
74	2753327	2	Hose	
75	2220578	1	Fitting, 90 JIC/ORB	
76	2221033	2	Fitting, Straight JIC/ORB	
77	2220240	1	Fitting, Plug ORB	

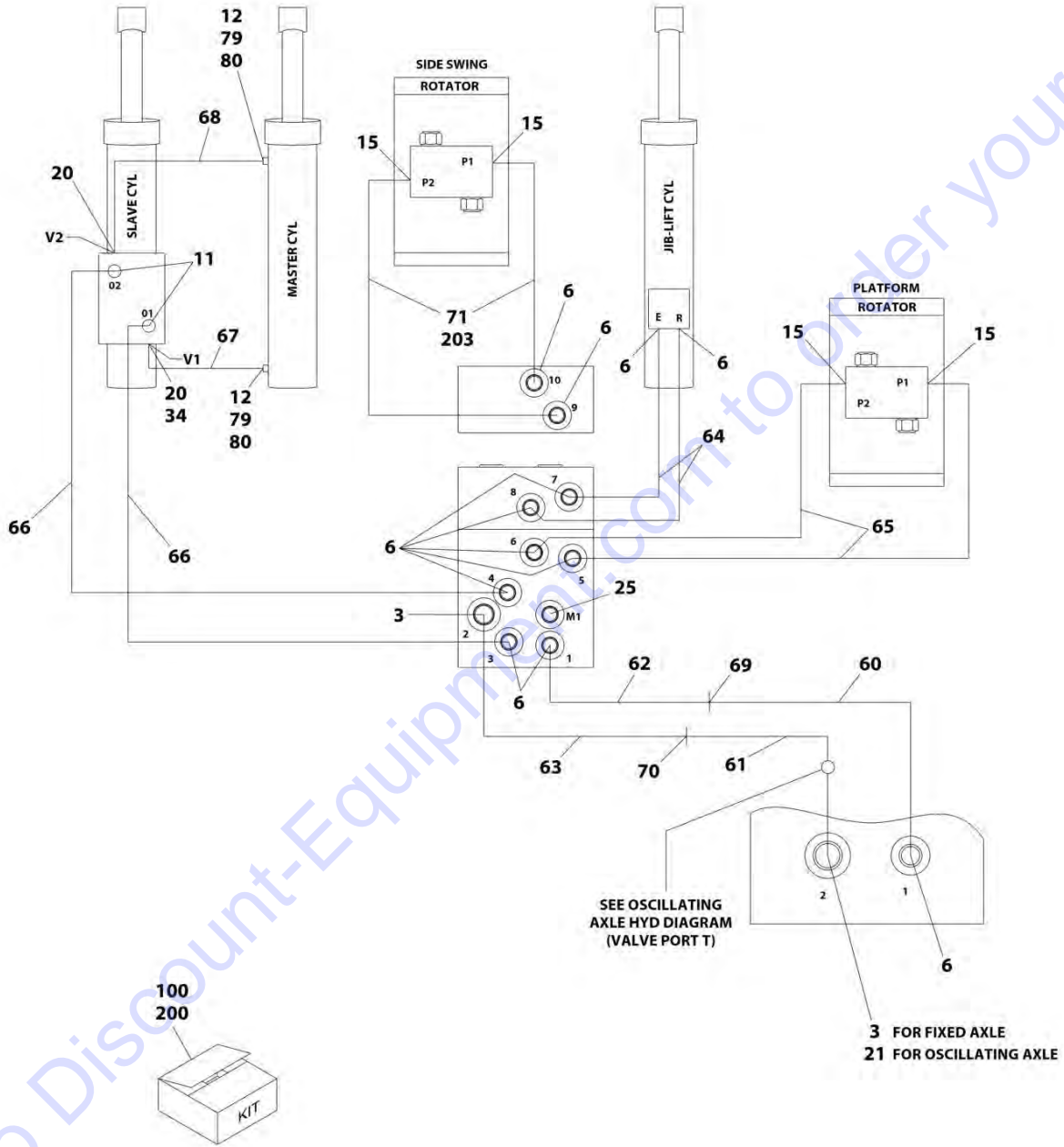
SECTION 7 - HYDRAULIC

ITEM	PART NUMBER	QTY	DESCRIPTION	REV
79	4640861	2	Fitting, Bleeder	
80	0100020	AR	Loctite, #567 Pipe Sealant	
81	2220235	1	Plug	
82	2220372	1	Fitting, Straight JIC/ORB (SN 0300226267 to Present)	
83	2220579	1	Fitting, Tee JIC/FSJIC/JIC (SN 0300226267 to Present)	
100	1001231808	Ref	Hose Assembly, Upper Boom Kit (SN 0300236102 to Present)	A
101	See Note	2	Hose (Note: Use p/n 1001231808)	
102	See Note	1	Hose (Note: Use p/n 1001231808)	
103	See Note	1	Hose (Note: Use p/n 1001231808)	
104	See Note	1	Hose (Note: Use p/n 1001231808)	
105	See Note	1	Hose (Note: Use p/n 1001231808)	
200	1001231809	Ref	Hose Assembly, Jib Kit (SN 0300236102 to Present)	A
201	See Note	2	Hose (Note: Use p/n 1001231809)	
202	See Note	2	Hose (Note: Use p/n 1001231809)	

Go to Discount-Equipment.com to order your parts

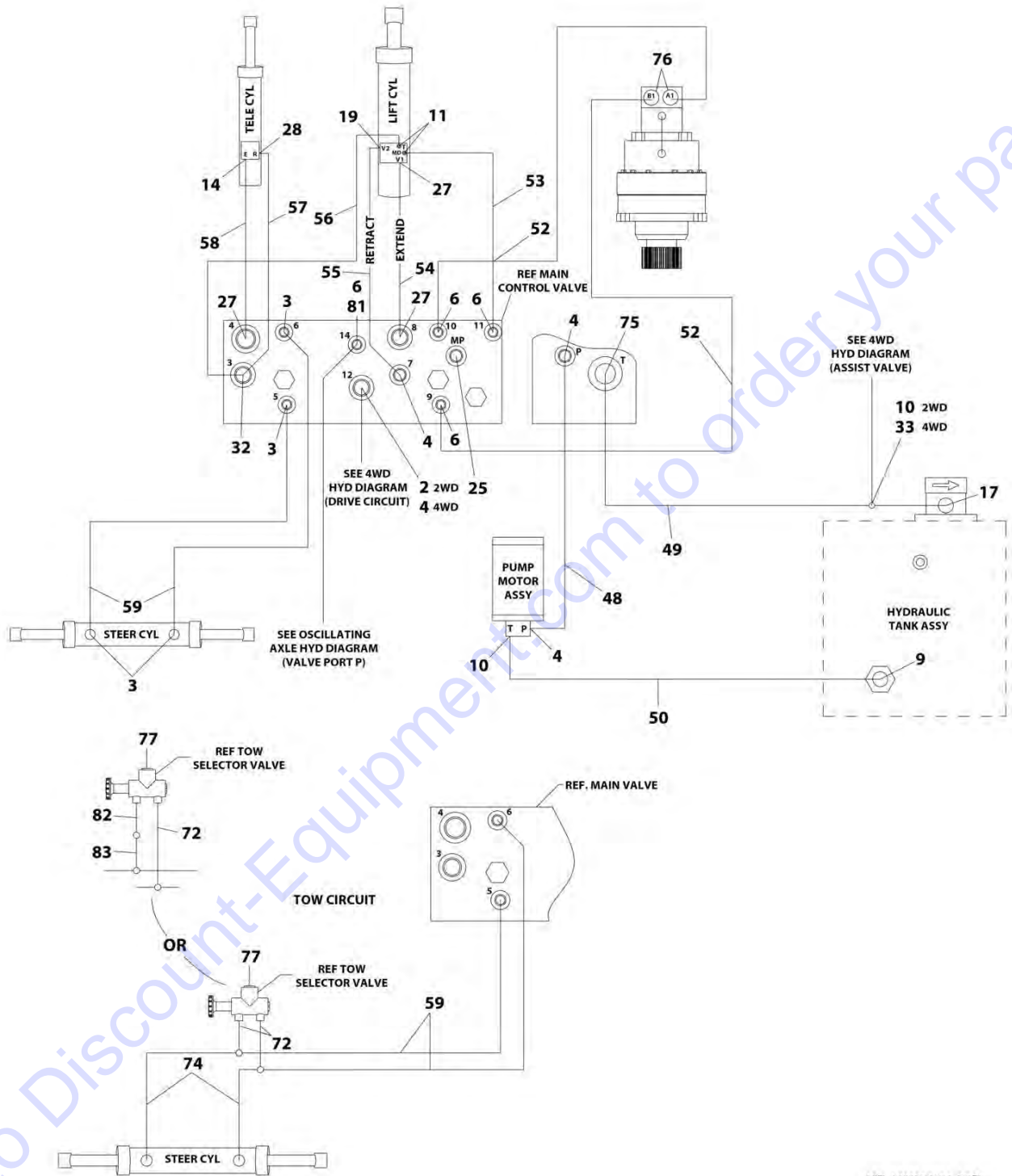
SECTION 7 - HYDRAULIC

FIGURE 7-6. STANDARD HYDRAULIC DIAGRAM (E600JP/M600JP)



ART_1001202438_10F2

SECTION 7 - HYDRAULIC



ART_1001202438_20F2

SECTION 7 - HYDRAULIC

FIGURE 7-6. STANDARD HYDRAULIC DIAGRAM (E600JP/M600JP)

ITEM	PART NUMBER	QTY	DESCRIPTION	REV
	1001202438	Ref	STANDARD HYDRAULIC DIAGRAM (E600JP/M600JP)	D
	2792427	Ref	2WD HYDRAULIC DIAGRAM	1
	1001202441	Ref	TOW HYDRAULIC DIAGRAM	C
2	2220238	1	Fitting, Plug ORB	
3	2220371	5	Fitting, Straight JIC/ORB	
4	2220373	4	Fitting, Straight JIC/ORB	
6	2220415	16	Fitting, Straight JIC/ORB	
9	2220435	1	Fitting, Straight JIC/ORB	
10	2220451	2	Fitting, Straight JIC/ORB	
11	2220466	4	Fitting, 90 JIC/ORB	
12	2220934	2	Fitting, Tee JIC/ORB/FNPTF	
14	2220500	1	Fitting, 45 JIC/ORB	
15	2220502	4	Fitting, 45 JIC/ORB	
17	2220550	1	Fitting Straight FORB/ORB	
19	2220596	1	Fitting, 90 JIC/ORB	
20	2220603	2	Fitting Straight JIC/ORB	
21	2220606	1	Fitting, Tee JIC/ORB/JIC	
25	2221086	1	Fitting, Diagnostic Test Port	
27	2220947	3	Fitting, Straight JIC/ORB	
28	2220950	1	Fitting, 45 JIC/ORB	
32	2221061	1	Fitting, Tee JIC/ORB/JIC	
33	2221063	1	Fitting, Tee JIC/ORB/JIC	
34	4567139	1	Tube	
48	2752498	1	Hose	
49	2753441	1	Hose	
50	2753440	1	Hose	
52	2753458	2	Hose	
53	2753444	1	Hose	
54	2753456	1	Hose	
55	2753454	1	Hose	
56	2753443	1	Hose	
57	2753453	1	Hose	
58	2753455	1	Hose	
59	2753451	2	Hose	
60	2753445	1	Hose	
61	2753447	1	Hose	
62	2753493	1	Hose (Prior to SN 0300236102)	
63	2753494	1	Hose (Prior to SN 0300236102)	
64	2753390	2	Hose (Prior to SN 0300236102)	
65	2753458	2	Hose (Prior to SN 0300236102)	
66	2753492	2	Hose (Prior to SN 0300236102)	
67	2753448	1	Hose (Prior to SN 0300236102)	
68	2753449	1	Hose (Prior to SN 0300236102)	
69	2230031	1	Fitting, 45 JIC/JIC	
70	8770189	1	Fitting, 45 JIC/JIC	
71	2753491	2	Hose (Prior to SN 0300238042)	
72	2221052	AR	Fitting, Tee ORB-FL-FL	
74	2753327	2	Hose	
75	2220578	1	Fitting, 90 JIC/ORB	
76	2221033	2	Fitting, Straight JIC/ORB	

SECTION 7 - HYDRAULIC

ITEM	PART NUMBER	QTY	DESCRIPTION	REV
77	2220240	1	Fitting, Plug ORB	
79	4640861	2	Fitting, Bleeder	
80	0100020	AR	Loctite, #567 Pipe Sealant	
81	2220235	1	Plug	
82	2220372	1	Fitting, Straight JIC/ORB (SN 0300226267 to Present)	
83	2220579	1	Fitting, Tee JIC/FSJIC/JIC (SN 0300226267 to Present)	
100	1001231810	Ref	Hose Assembly, Upper Boom Kit (SN 0300236102 to Present)	A
101	See Note	2	Hose (Note: Use p/n 1001231810)	
102	See Note	1	Hose (Note: Use p/n 1001231810)	
103	See Note	1	Hose (Note: Use p/n 1001231810)	
104	See Note	1	Hose (Note: Use p/n 1001231810)	
105	See Note	1	Hose (Note: Use p/n 1001231810)	
200	1001231811	Ref	Hose Assembly, Jib Kit (SN 0300236102 to Present)	B
201	See Note	2	Hose (Note: Use p/n 1001231811)	
202	See Note	2	Hose (Note: Use p/n 1001231811)	
203	2753491	2	Hose (Note: Use p/n 1001231811) (SN 0300238042 to Present)	

Go to Discount-Equipment.com to order your parts

SECTION 7 - HYDRAULIC

FIGURE 7-7. HYDRAULIC DIAGRAM LIST

ITEM	PART NUMBER	QTY	DESCRIPTION	REV
		Ref	Note: Diagrams are available from Discount-equipment.com.	
		Ref	HYDRAULIC DIAGRAM LIST	
		Ref	Drive Hydraulic Diagram Options:	
	1001202435	Ref	Standard Diagram	
	2792427	Ref	Drive Hydraulic Diagram 2WD	
	2792423	Ref	Drive Hydraulic Diagram 4WD	
		Ref	Axle Hydraulic Diagram Options:	
	1001202435	Ref	Standard Diagram	
	1001202439	Ref	Fixed Axle	
	1001202440	Ref	Oscillating Axle (All Specs Except CE Specs)	
	1001202444	Ref	Oscillating Axle (CE Specs)	
		Ref	Standard Hydraulic Diagram Options:	
	1001202435	Ref	Standard Diagram	
	1001202436	Ref	Standard Diagram E600 & M600	
	1001202437	Ref	Standard Diagram E600J & M600J	
	1001202438	Ref	Standard Diagram E600JP & M600JP	
	1001183486	Ref	Standard Hydraulic Schematic	
	1001202441	Ref	Tow Hydraulic Diagram	

SECTION 8 - ELECTRICAL

Go to Discount-Equipment.com to order your parts

SECTION 8 - ELECTRICAL

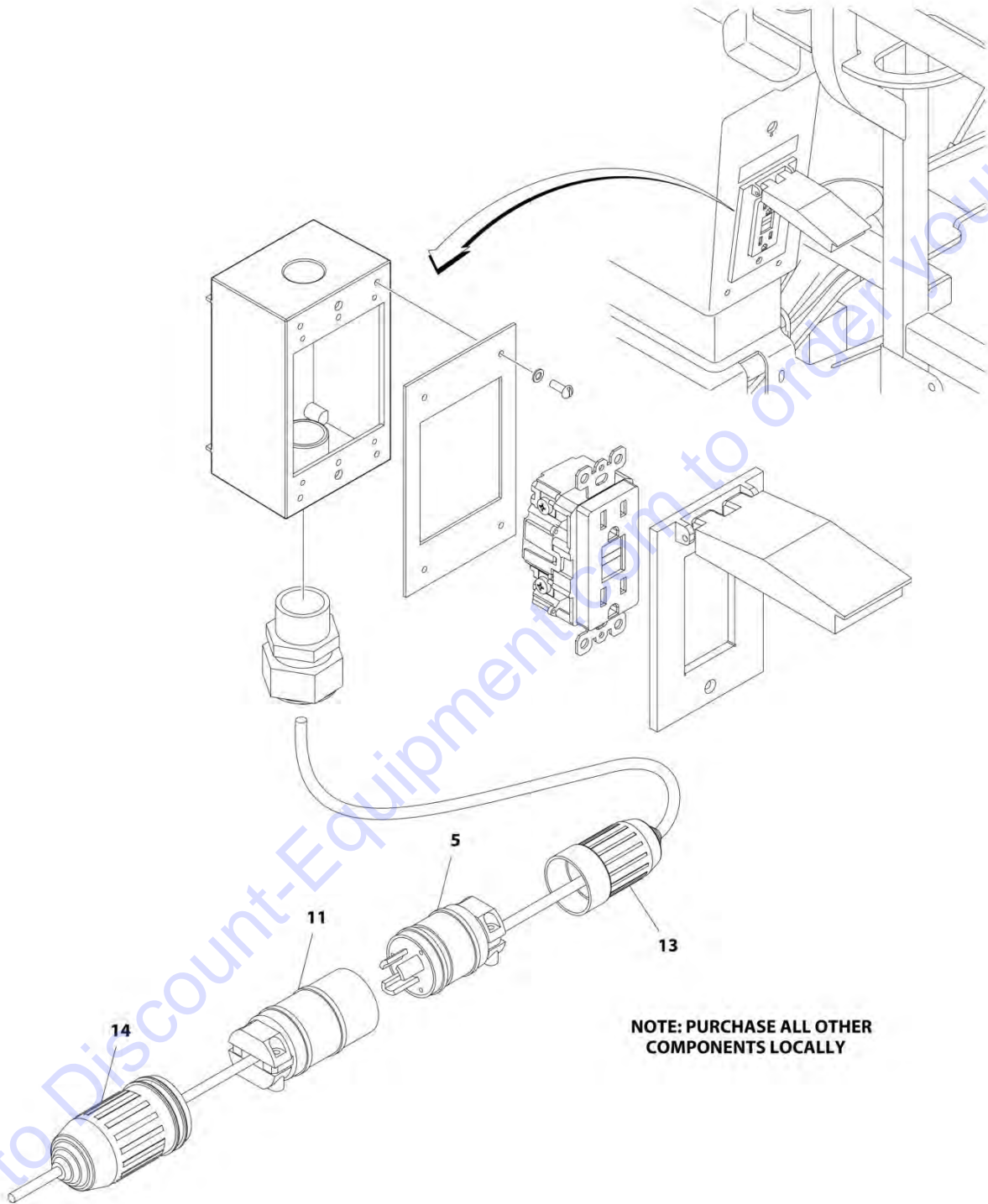
FIGURE 8-1. ELECTRICAL DIAGRAM LIST

ITEM	PART NUMBER	QTY	DESCRIPTION	REV
		Ref	Note: Diagrams are available from Discount-equipment.com. See Service and Maintenance Manual for schematics.	
	1001179395	Ref	ELECTRICAL DIAGRAM LIST	
		Ref	Standard Electrical Schematic	

Go to Discount-Equipment.com to order your parts

SECTION 8 - ELECTRICAL

FIGURE 8-2. AC BOX AT PLATFORM - LOCALLY SUPPLIED COMPONENTS



ART_0258304

SECTION 8 - ELECTRICAL

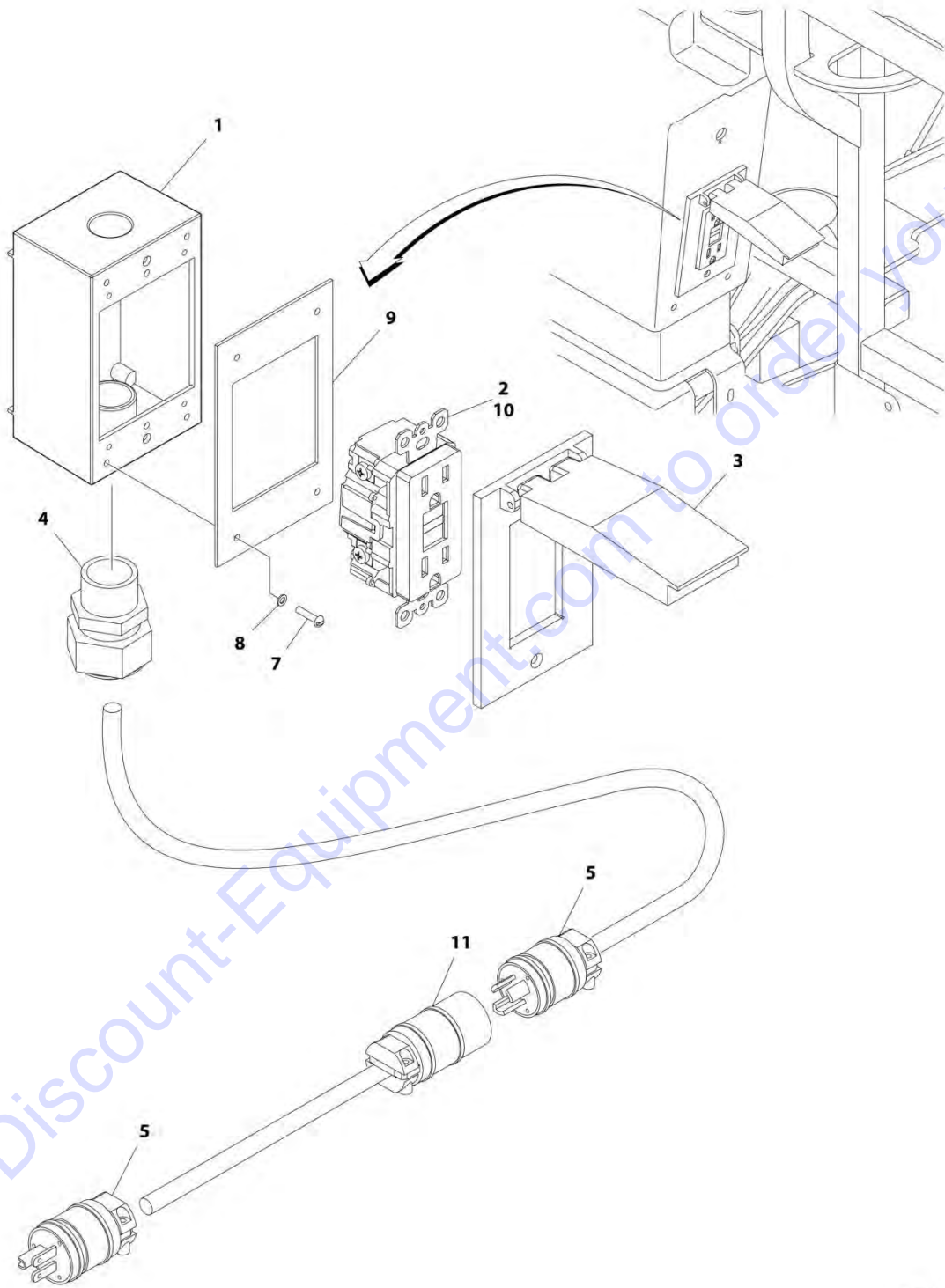
FIGURE 8-2. AC BOX AT PLATFORM - LOCALLY SUPPLIED COMPONENTS

ITEM	PART NUMBER	QTY	DESCRIPTION	REV
	0258304	Ref	AC BOX AT PLATFORM - LOCALLY SUPPLIED COMPONENTS	C
5	4460709	1	Plug	
11	4460710	1	Receptacle	
13	1001156351	1	Cover, Female Connector	
14	1001156352	1	Cover, Male Connector	

Go to Discount-Equipment.com to order your parts

SECTION 8 - ELECTRICAL

FIGURE 8-3. AC BOX AT PLATFORM INSTALLATION - 110V - ANSI, ANSI EXPORT AND CSA SPECS



ART_0258303

SECTION 8 - ELECTRICAL

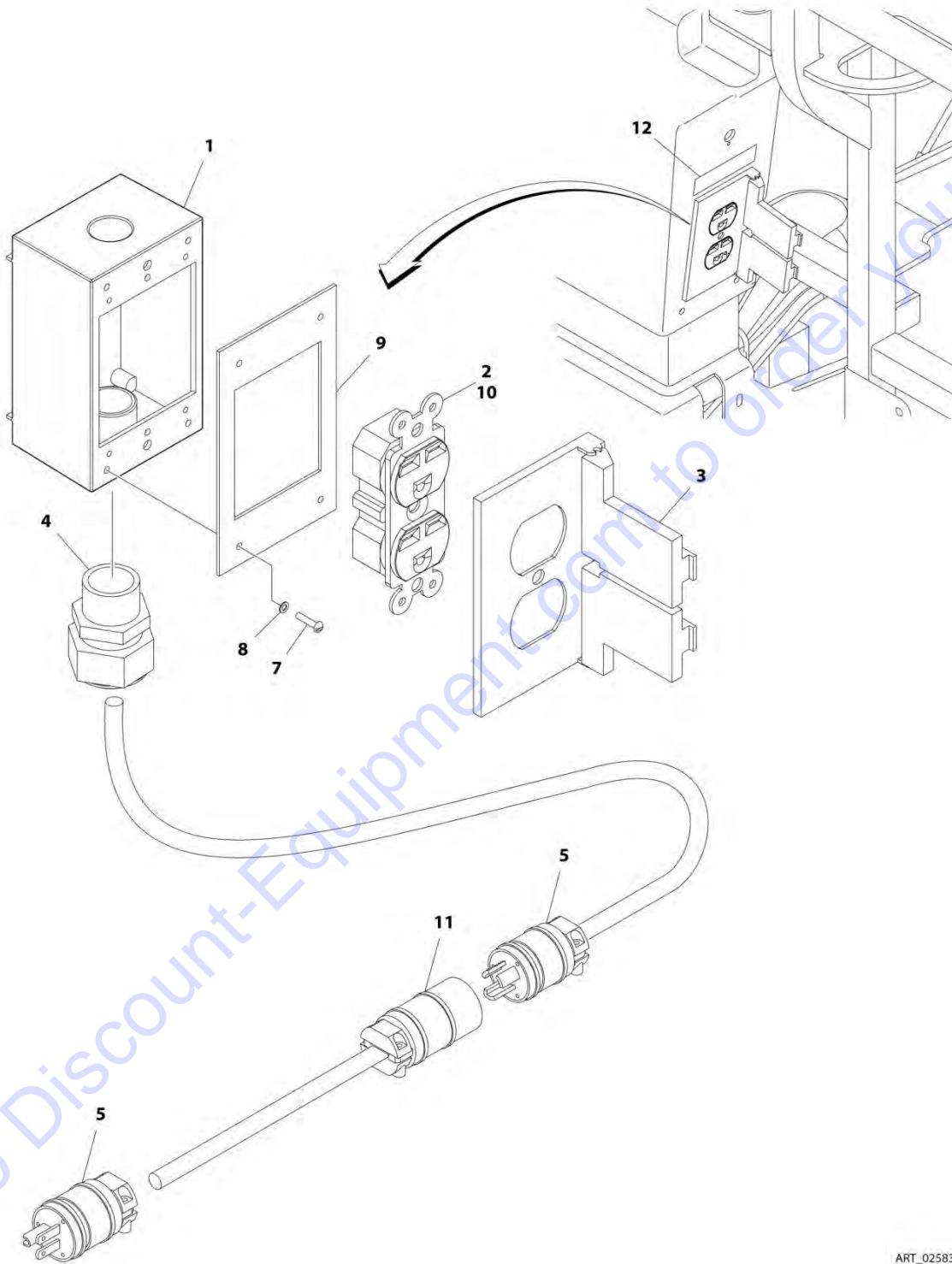
FIGURE 8-3. AC BOX AT PLATFORM INSTALLATION - 110V - ANSI, ANSI EXPORT AND CSA SPECS

ITEM	PART NUMBER	QTY	DESCRIPTION	REV
	0258303	Ref	AC BOX AT PLATFORM INSTALLATION - 110V - ANSI, ANSI EXPORT AND CSA SPECS	6
1	0860038	1	Box, Switch	
2	4460346	1	Receptacle	
3	1001110873	1	Shield, Cover	
4	4460071	1	Connector, Strain Relief	
5	4460205	2	Plug, Male	
7	3910610	4	Screw #6 x 5/8	
8	4760600	4	Washer #6	
9	3960422	1	Gasket	
10	4460315	1	Terminal, Spade	
11	4460134	1	Receptacle, Female	

Go to Discount-Equipment.com to order your parts

SECTION 8 - ELECTRICAL

FIGURE 8-4. AC BOX AT PLATFORM INSTALLATION - 220V - ANSI, ANSI EXPORT AND CSA SPECS



ART_0258305

SECTION 8 - ELECTRICAL

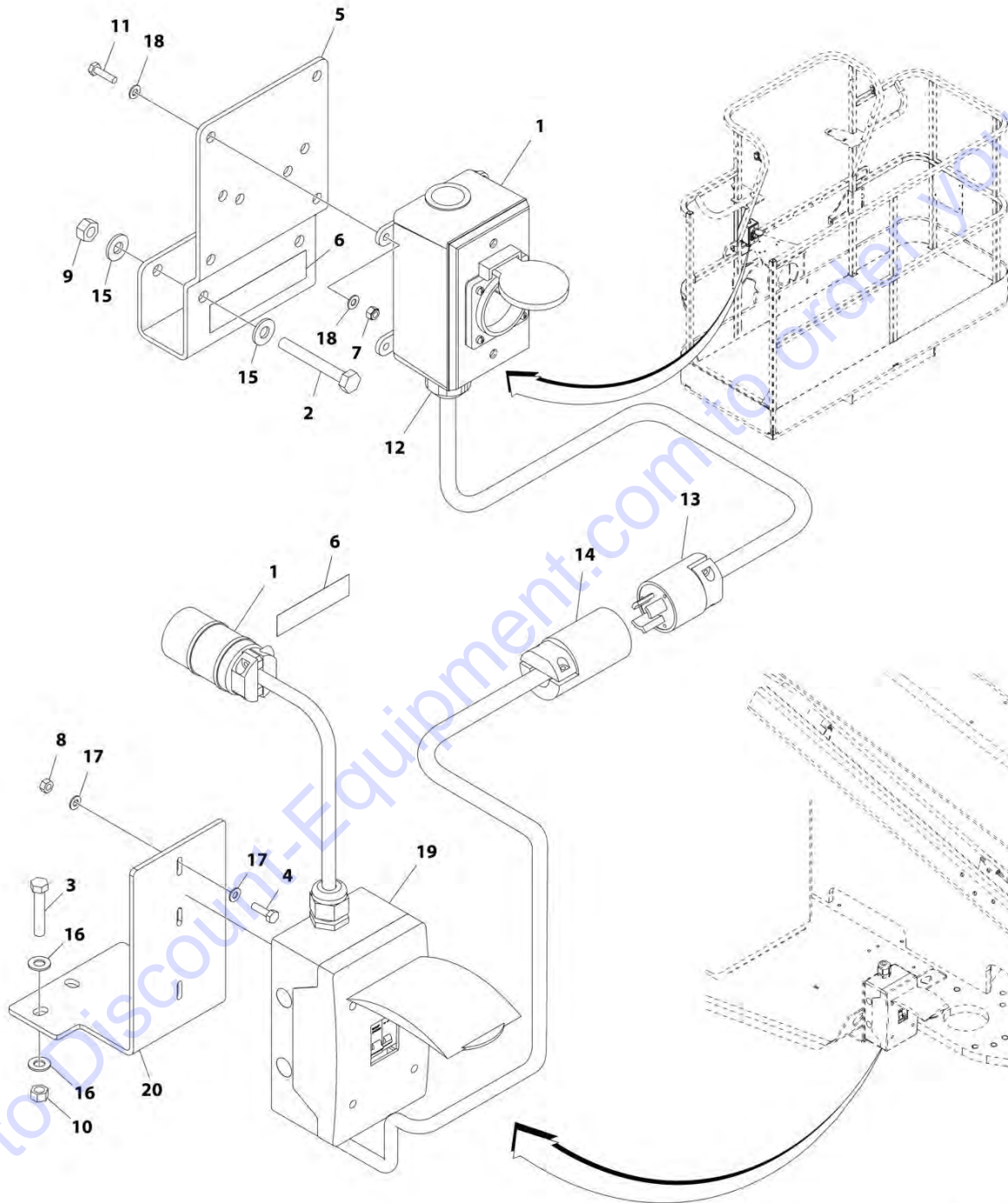
FIGURE 8-4. AC BOX AT PLATFORM INSTALLATION - 220V - ANSI, ANSI EXPORT AND CSA SPECS

ITEM	PART NUMBER	QTY	DESCRIPTION	REV
	0258305	Ref	AC BOX AT PLATFORM INSTALLATION - 220V - ANSI, ANSI EXPORT AND CSA SPECS	B
1	0860038	1	Box, Switch	
2	4460125	1	Receptacle	
3	4060092	1	Shield	
4	4460071	1	Connector, Strain Relief	
5	4460233	2	Plug, Male	
7	3910610	4	Screw #6 x 5/8	
8	4760600	4	Washer #6	
9	3960422	1	Gasket	
10	4460315	1	Terminal, Spade	
11	4460701	1	Receptacle, Female	
12	3252507	1	Decal - Voltage	

Go to Discount-Equipment.com to order your parts

SECTION 8 - ELECTRICAL

FIGURE 8-5. AC BOX AT PLATFORM INSTALLATION - 220V CEE7 POST GROUND WITH 2IN X 4IN BOX (CE SPEC) (SN 0300219271 through 0300223838)



ART_1001176360

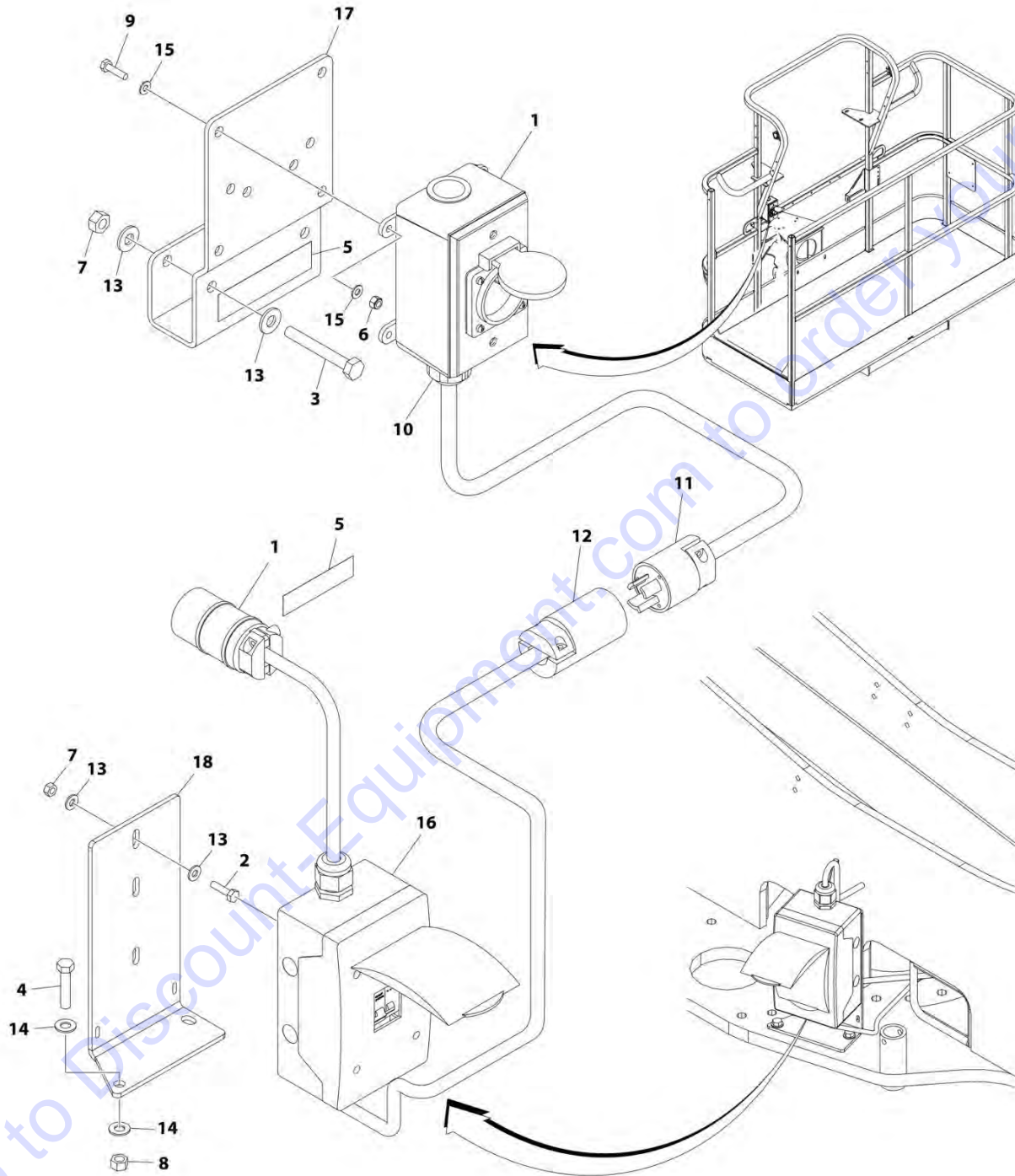
SECTION 8 - ELECTRICAL

FIGURE 8-5. AC BOX AT PLATFORM INSTALLATION - 220V CEE7 POST GROUND WITH 2IN X 4IN BOX (CE SPEC) (SN 0300219271 through 0300223838)

ITEM	PART NUMBER	QTY	DESCRIPTION	REV
	1001176360	Ref	AC BOX AT PLATFORM INSTALLATION - 220V CEE7 POST GROUND WITH 2IN X 4IN BOX (CE SPEC) (SN 0300219271 through 0300223838)	C
1	0275452	1	Receptacle Box Kit (See RECEPTACLE BOX KIT - 220V CEE7 POST GROUND WITH 2IN X 4IN BOX (CE SPEC) for Breakdown)	
2	0641416	2	Bolt 1/4 x 2	
3	0641616	2	Bolt 3/8 x 2	
4	0721006	2	Bolt #10 x 3/4	
5	1001193018	1	Bracket	
6	3252507	2	Decal - Voltage	
7	3290405	4	Nut M4	
8	3311005	2	Nut #10	
9	3311405	2	Nut 1/4	
10	3311605	2	Nut 3/8	
11	4010408	4	Screw M4 x 16	
12	4460662	1	Connector, Strain Relief	
13	4460709	1	Plug, Male	
14	4460710	1	Receptacle, Female	
15	4711400	4	Washer 1/4	
16	4711600	4	Washer 3/8	
17	4751000	4	Washer #10	
18	4811400	8	Washer M4	
19	1001152486	1	Breaker Box Kit - CE Spec (See BREAKER BOX KIT WITH TWO BREAKERS - CE SPEC for Breakdown)	
20	1001153736	1	Bracket	

SECTION 8 - ELECTRICAL

FIGURE 8-6. AC BOX AT PLATFORM INSTALLATION - 220V CEE7 POST GROUND WITH 2IN X 4IN BOX (CE SPEC) (SN 0300223839 to Present)



ART_1001221185

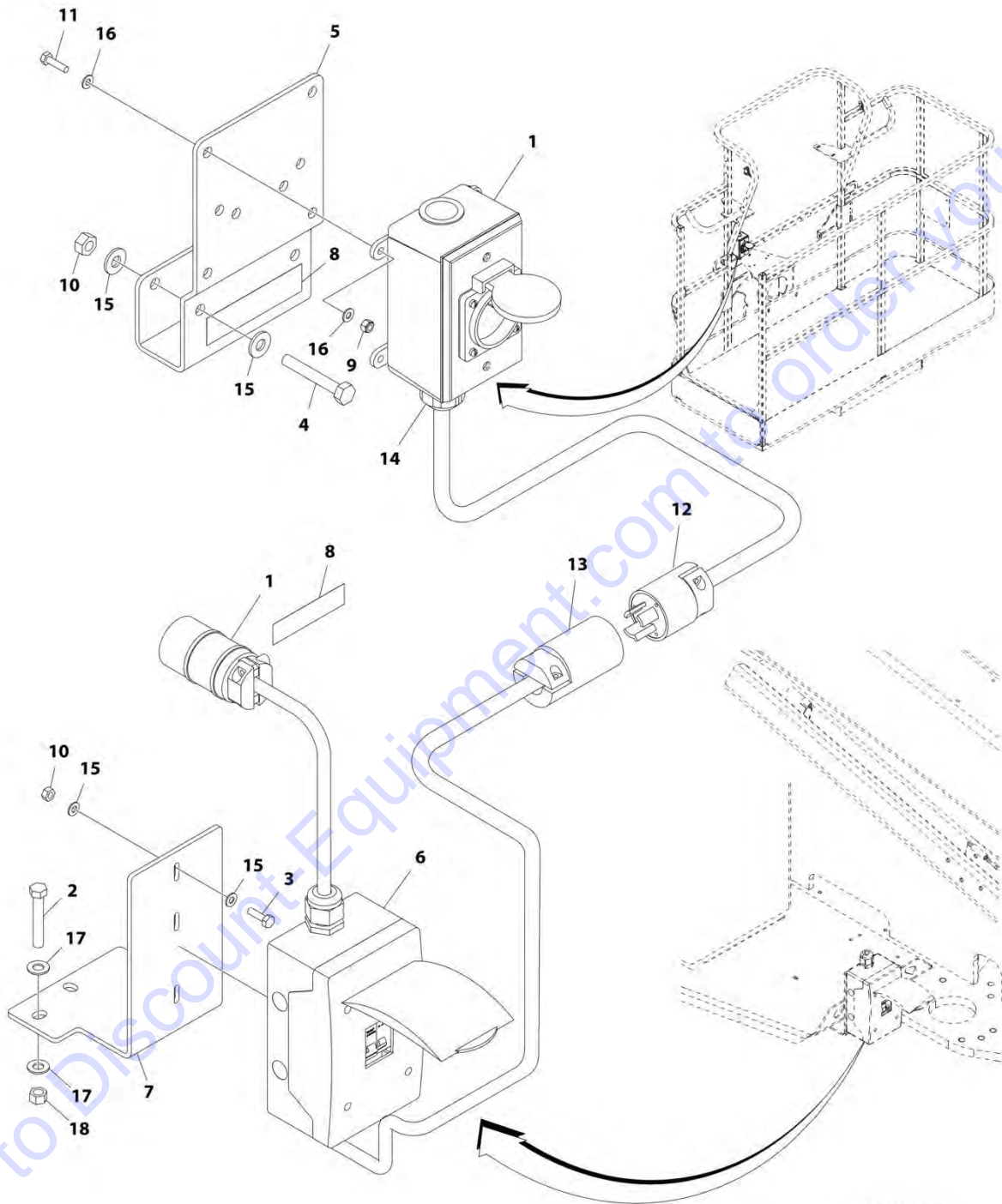
SECTION 8 - ELECTRICAL

FIGURE 8-6. AC BOX AT PLATFORM INSTALLATION - 220V CEE7 POST GROUND WITH 2IN X 4IN BOX (CE SPEC) (SN 0300223839 to Present)

ITEM	PART NUMBER	QTY	DESCRIPTION	REV
	1001221185	Ref	AC BOX AT PLATFORM INSTALLATION - 220V CEE7 POST GROUND WITH 2IN X 4IN BOX (CE SPEC) (SN 0300223839 to Present)	A
1	0275452	1	Receptacle Box Kit (See RECEPTACLE BOX KIT - 220V CEE7 POST GROUND WITH 2IN X 4IN BOX (CE SPEC) for Breakdown)	
2	0641408	2	Bolt 1/4 x 1	
3	0641416	2	Bolt 1/4 x 2	
4	0641614	2	Bolt 3/8 x 1-3/4	
5	3252507	2	Decal - Voltage	
6	3290405	4	Nut M4	
7	3311405	4	Nut 1/4	
8	3311605	2	Nut 3/8	
9	4010408	4	Screw M4 x 16	
10	4460662	1	Connector, Strain Relief	
11	4460709	1	Plug, Male	
12	4460710	1	Receptacle, Female	
13	4711400	8	Washer 1/4	
14	4711600	4	Washer 3/8	
15	4811400	8	Washer M4	
16	1001152486	1	Breaker Box Kit - CE Spec (See BREAKER BOX KIT WITH TWO BREAKERS - CE SPEC for Breakdown)	
17	1001193018	1	Bracket	
18	1001221130	1	Bracket	

SECTION 8 - ELECTRICAL

FIGURE 8-7. AC BOX AT PLATFORM INSTALLATION - 220V CEE7 SIDE GROUND WITH 2IN X 4IN BOX (CE SPEC) (SN 0300219271 through 0300223838)



ART_1001153731

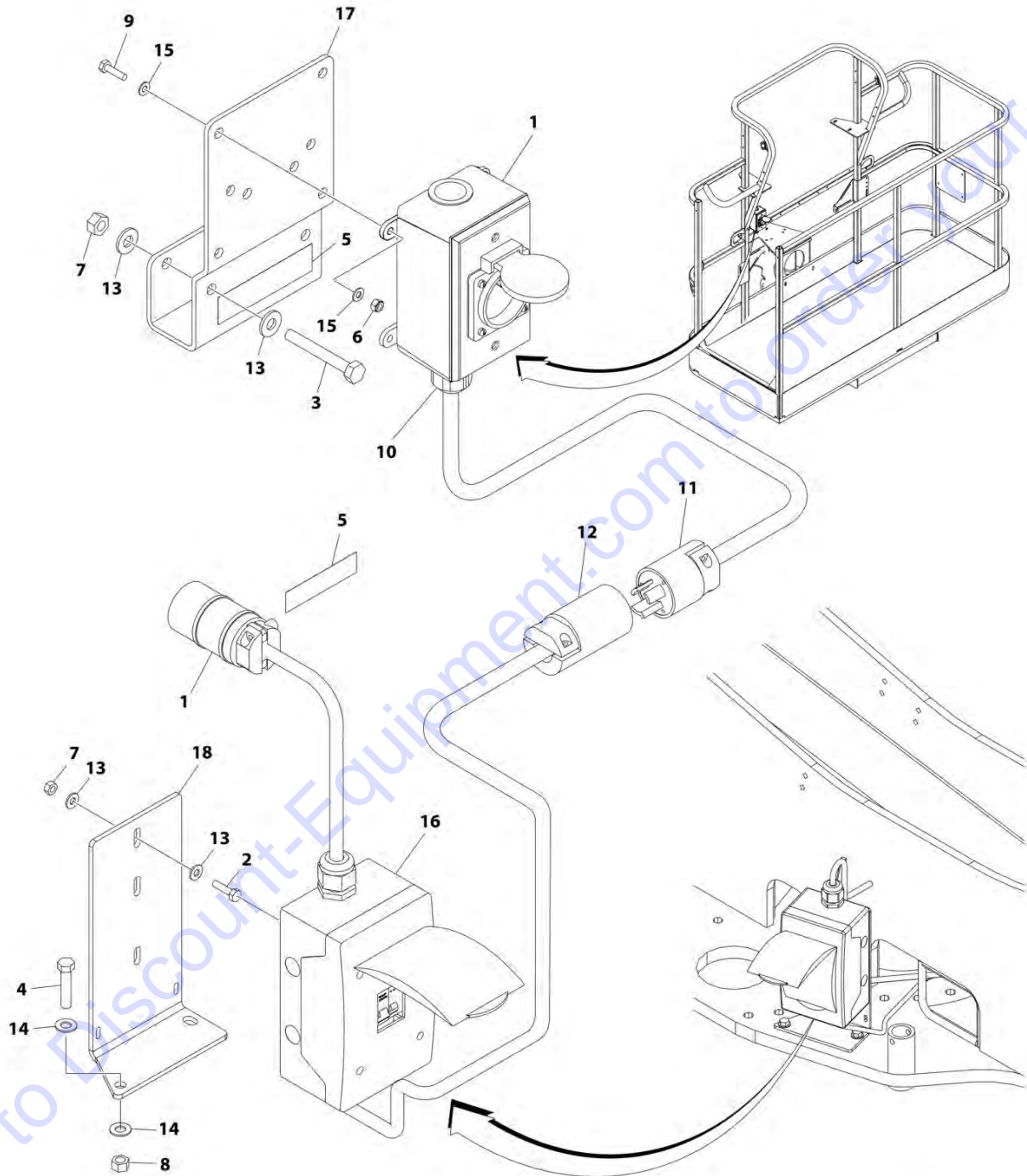
SECTION 8 - ELECTRICAL

FIGURE 8-7. AC BOX AT PLATFORM INSTALLATION - 220V CEE7 SIDE GROUND WITH 2IN X 4IN BOX (CE SPEC) (SN 0300219271 through 0300223838)

ITEM	PART NUMBER	QTY	DESCRIPTION	REV
	1001153731	Ref	AC BOX AT PLATFORM INSTALLATION - 220V CEE7 SIDE GROUND WITH 2IN X 4IN BOX (CE SPEC) (SN 0300219271 through 0300223838)	D
1	0275453	1	Receptacle Box Kit (See RECEPTACLE BOX KIT - 220V CEE7 SIDE GROUND WITH 2IN X 4IN BOX (CE SPEC) for Breakdown)	
2	0641616	2	Bolt 3/8 x 2	
3	0641408	2	Bolt 1/4 x 1	
4	0641416	2	Bolt 1/4 x 2	
5	1001193018	1	Bracket	
6	1001152486	1	Breaker Box Kit - CE Spec (See BREAKER BOX KIT WITH TWO BREAKERS - CE SPEC for Breakdown)	
7	1001153736	1	Bracket	
8	3252507	2	Decal - Voltage	
9	3290405	4	Nut M4	
10	3311405	4	Nut 1/4	
11	4010408	4	Screw M4 x 16	
12	4460709	1	Plug, Male	
13	4460710	1	Receptacle, Female	
14	4460662	1	Connector, Strain Relief	
15	4711400	8	Washer 1/4	
16	4811400	8	Washer M4	
17	4711600	4	Washer 3/8	
18	3311605	2	Nut 3/8	

SECTION 8 - ELECTRICAL

FIGURE 8-8. AC BOX AT PLATFORM INSTALLATION - 220V CEE7 SIDE GROUND WITH 2IN X 4IN BOX (CE SPEC) (SN 0300223839 to Present)



ART_1001221187

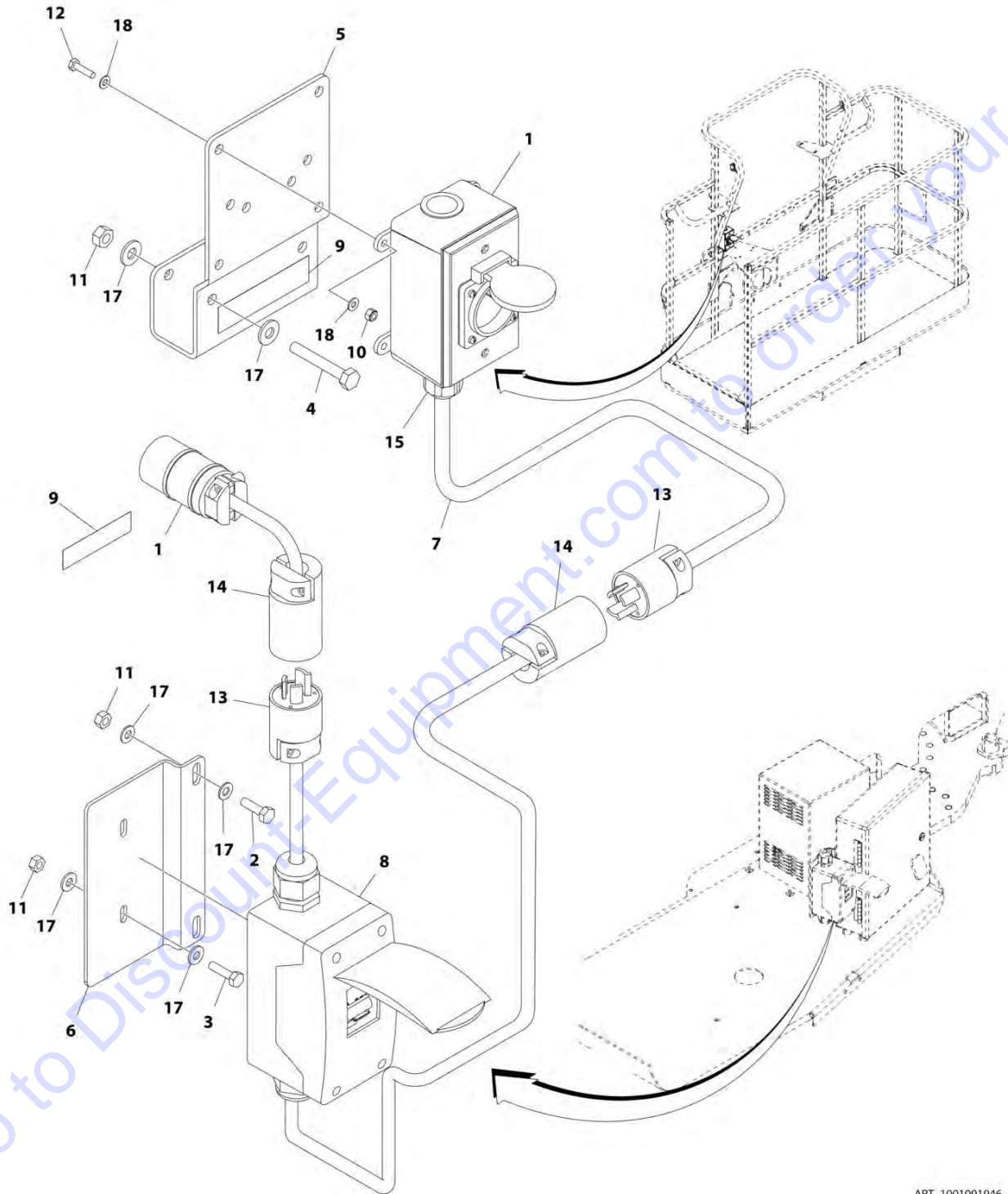
SECTION 8 - ELECTRICAL

FIGURE 8-8. AC BOX AT PLATFORM INSTALLATION - 220V CEE7 SIDE GROUND WITH 2IN X 4IN BOX (CE SPEC) (SN 0300223839 to Present)

ITEM	PART NUMBER	QTY	DESCRIPTION	REV
	1001221187	Ref	AC BOX AT PLATFORM INSTALLATION - 220V CEE7 SIDE GROUND WITH 2IN X 4IN BOX (CE SPEC) (SN 0300223839 to Present)	A
1	0275453	1	Receptacle Box Kit (See RECEPTACLE BOX KIT - 220V CEE7 SIDE GROUND WITH 2IN X 4IN BOX (CE SPEC) for Breakdown)	
2	0641408	2	Bolt 1/4 x 1	
3	0641416	2	Bolt 1/4 x 2	
4	0641614	2	Bolt 3/8 x 1-3/4	
5	3252507	2	Decal - Voltage	
6	3290405	4	Nut M4	
7	3311405	4	Nut 1/4	
8	3311605	2	Nut 3/8	
9	4010408	4	Screw M4 x 16	
10	4460662	1	Connector, Strain Relief	
11	4460709	1	Plug, Male	
12	4460710	1	Receptacle, Female	
13	4711400	8	Washer 1/4	
14	4711600	4	Washer 3/8	
15	4811400	8	Washer M4	
16	1001152486	1	Breaker Box Kit - CE Spec (See BREAKER BOX KIT WITH TWO BREAKERS - CE SPEC for Breakdown)	
17	1001193018	1	Bracket	
18	1001221130	1	Bracket	

SECTION 8 - ELECTRICAL

FIGURE 8-9. AC BOX AT PLATFORM INSTALLATION - 220V AFSINT 107 KEYED GROUND WITH 2IN X 4IN BOX (CE SPEC) (SN 0300219271 through 0300223838)



ART_1001091946

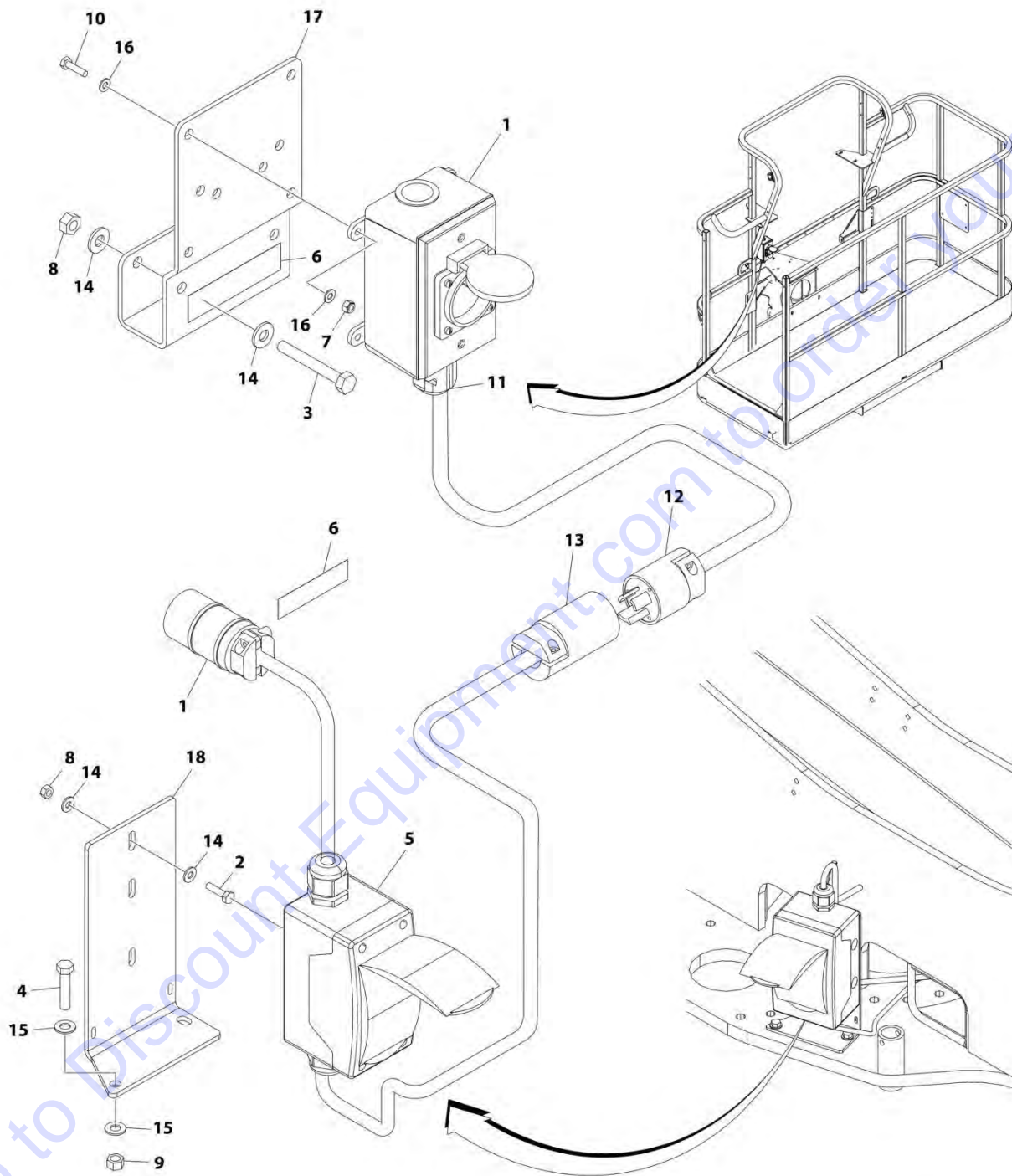
SECTION 8 - ELECTRICAL

FIGURE 8-9. AC BOX AT PLATFORM INSTALLATION - 220V AFSINT 107 KEYED GROUND WITH 2IN X 4IN BOX (CE SPEC) (SN 0300219271 through 0300223838)

ITEM	PART NUMBER	QTY	DESCRIPTION	REV
	1001091946	Ref	AC BOX AT PLATFORM INSTALLATION - 220V AFSINT 107 KEYED GROUND WITH 2IN X 4IN BOX (CE SPEC) (SN 0300219271 through 0300223838)	D
1	0275454	1	Receptacle Box Kit (See RECEPTACLE BOX KIT - 220V AFSINT 107 KEYED GROUND WITH 2IN X 4IN BOX (CE SPEC) for Breakdown)	
2	0641406	2	Bolt 1/4 x 3/4	
3	0641408	2	Bolt 1/4 x 1	
4	0641416	2	Bolt 1/4 x 2	
5	1001193018	1	Bracket	
6	0903611	1	Bracket	
7	1060461	8.5 ft /2.6m	Cable, 12/3	
8	2902549	1	Breaker Box Kit - CE Spec (See BREAKER BOX KIT WITH ONE BREAKER - CE SPEC for Breakdown)	
9	3252507	2	Decal - Voltage	
10	3290405	4	Nut M4	
11	3311405	6	Nut 1/4	
12	4010408	4	Screw M4 x 16	
13	4460709	2	Plug, Male	
14	4460710	2	Receptacle, Female	
15	4460662	1	Connector, Strain Relief	
17	4711400	12	Washer 1/4	
18	4811400	8	Washer M4	

SECTION 8 - ELECTRICAL

FIGURE 8-10. AC BOX AT PLATFORM INSTALLATION - 220V AFSINT 107 KEYED GROUND WITH 2IN X 4IN BOX (SN 0300223839 to Present)



ART_1001221188

SECTION 8 - ELECTRICAL

FIGURE 8-10. AC BOX AT PLATFORM INSTALLATION - 220V AFSINT 107 KEYED GROUND WITH 2IN X 4IN BOX (SN 0300223839 to Present)

ITEM	PART NUMBER	QTY	DESCRIPTION	REV
	1001221188	Ref	AC BOX AT PLATFORM INSTALLATION - 220V AFSINT 107 KEYED GROUND WITH 2IN X 4IN BOX (CE SPEC) (SN 0300223839 to Present)	A
1	0275454	1	Receptacle Box Kit (See RECEPTACLE BOX KIT - 220V AFSINT 107 KEYED GROUND WITH 2IN X 4IN BOX (CE SPEC) for Breakdown)	
2	0641408	2	Bolt 1/4 x 1	
3	0641416	2	Bolt 1/4 x 2	
4	0641614	2	Bolt 3/8 x 1-3/4	
5	2902549	1	Breaker Box Kit - CE Spec (See BREAKER BOX KIT WITH ONE BREAKER - CE SPEC for Breakdown)	
6	3252507	2	Decal - Voltage	
7	3290405	4	Nut M4	
8	3311405	4	Nut 1/4	
9	3311605	2	Nut 3/8	
10	4010408	4	Screw M4 x 16	
11	4460662	1	Connector, Strain Relief	
12	4460709	1	Plug, Male	
13	4460710	1	Receptacle, Female	
14	4711400	8	Washer 1/4	
15	4711600	4	Washer 3/8	
16	4811400	8	Washer M4	
17	1001193018	1	Bracket	
18	1001221130	1	Bracket	

PARTS FINDER

**Search Website
by Part Number**



**Search Manual
Library For Parts
Manual & Lookup Part
Numbers – Purchase
or Request Quote**

**Can't Find Part or
Manual? Request Help
by Manufacturer,
Model & Description**

Discount-Equipment.com is your online resource for quality parts & equipment.

Florida: **561-964-4949** Outside Florida TOLL FREE: **877-690-3101**

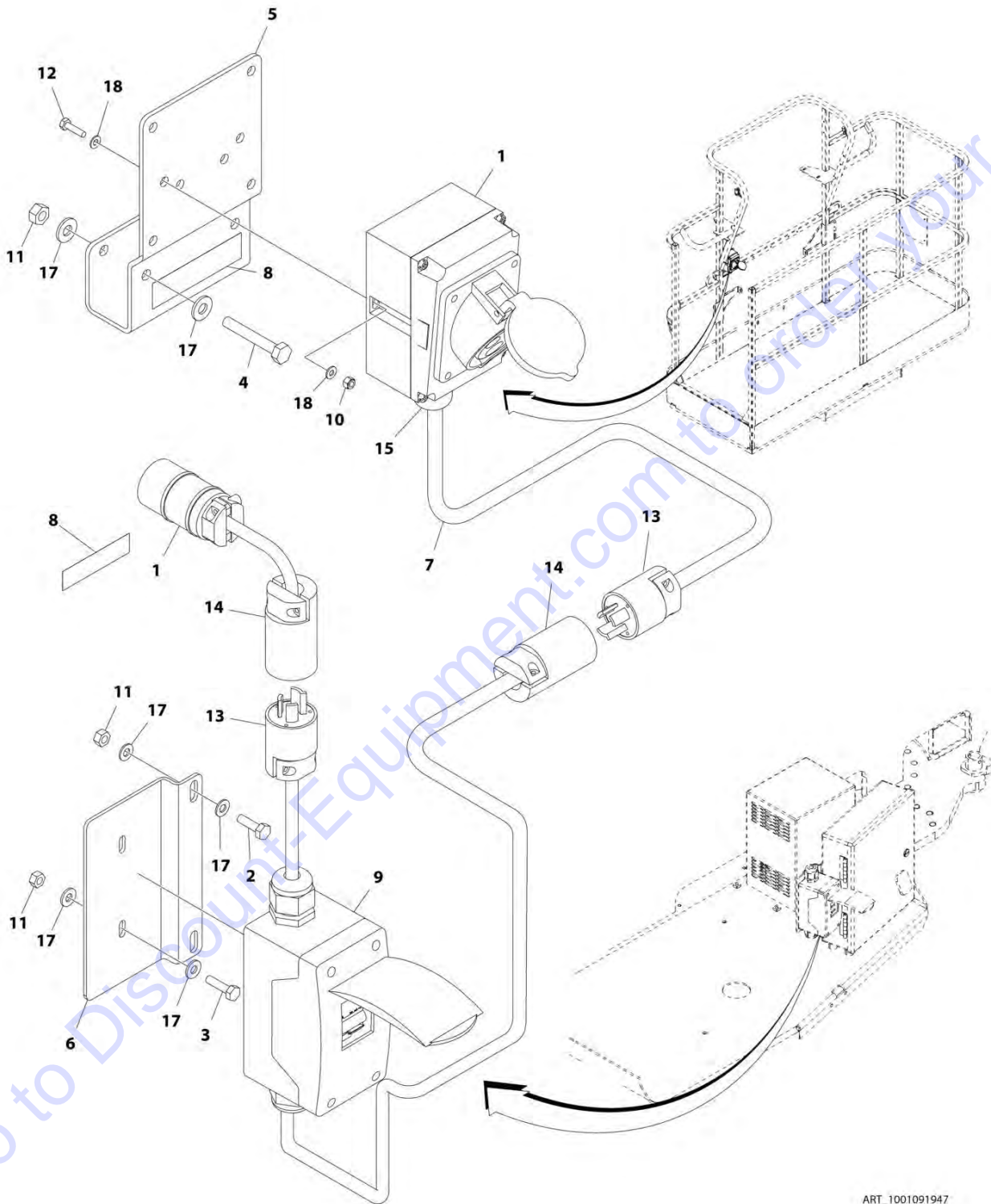
Need parts?

Click on this link: <http://www.discount-equipment.com/category/5443-parts/> and choose one of the options to help get the right parts and equipment you are looking for. Please have the machine model and serial number available in order to help us get you the correct parts. If you don't find the part on the website or on one of the online manuals, please fill out the request form and one of our experienced staff members will get back to you with a quote for the right part that your machine needs.

We sell worldwide for the brands: Genie, Terex, JLG, MultiQuip, Mikasa, Essick, Whiteman, Mayco, Toro Stone, Diamond Products, Generac Magnum, Airman, Haulotte, Barreto, Power Blanket, Nifty Lift, Atlas Copco, Chicago Pneumatic, Allmand, Miller Curber, Skyjack, Lull, Skytrak, Tsurumi, Husquvarna Target, Stow, Wacker, Sakai, Mi-T-M, Sullair, Basic, Dynapac, MBW, Weber, Bartell, Bennar Newman, Haulotte, Ditch Runner, Menegotti, Morrison, Contec, Buddy, Crown, Edco, Wyco, Bomag, Laymor, EZ Trench, Bil-Jax, F.S. Curtis, Gehl Pavers, Heli, Honda, ICS/PowerGrit, IHI, Partner, Imer, Clipper, MMD, Koshin, Rice, CH&E, General Equipment, Amida, Coleman, NAC, Gradall, Square Shooter, Kent, Stanley, Tamco, Toku, Hatz, Kohler, Robin, Wisconsin, Northrock, Oztec, Toker TK, Rol-Air, APT, Wylie, Ingersoll Rand / Doosan, Innovatech, Con X, Ammann, Mecalac, Makinex, Smith Surface Prep, Small Line, Wanco, Yanmar

SECTION 8 - ELECTRICAL

FIGURE 8-11. AC BOX AT PLATFORM INSTALLATION - 110V IEC YELLOW (CE SPEC) (SN 0300219271 through 0300223838)



ART_1001091947

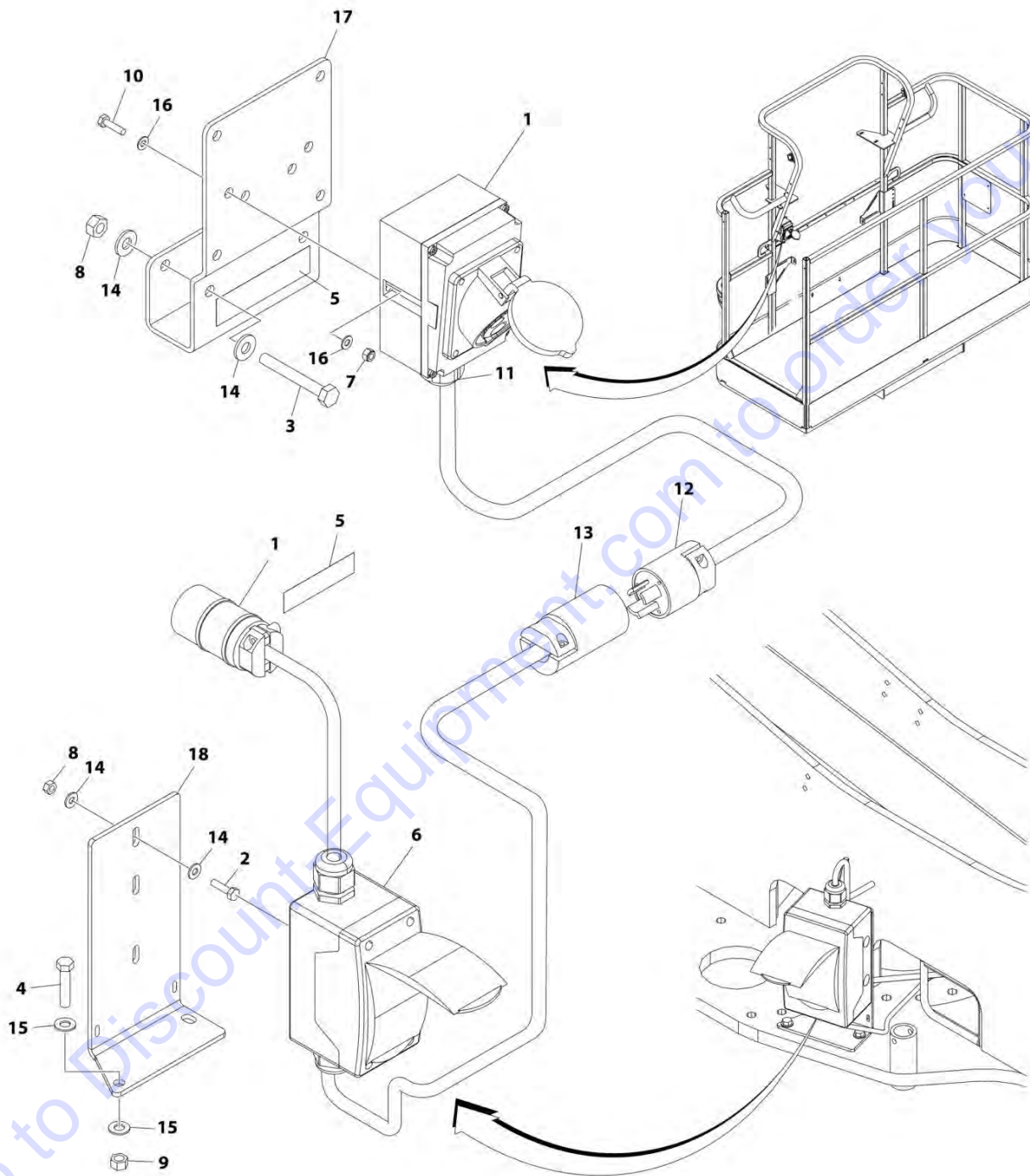
SECTION 8 - ELECTRICAL

FIGURE 8-11. AC BOX AT PLATFORM INSTALLATION - 110V IEC YELLOW (CE SPEC) (SN 0300219271 through 0300223838)

ITEM	PART NUMBER	QTY	DESCRIPTION	REV
	1001091947	Ref	AC BOX AT PLATFORM INSTALLATION - 110V IEC YELLOW (CE SPEC) (SN 0300219271 through 0300223838)	D
1	0275216	1	Receptacle Box Kit (See RECEPTACLE BOX KIT - 110V IEC YELLOW (CE SPEC) for Breakdown)	
2	0641406	2	Bolt 1/4 x 3/4	
3	0641408	2	Bolt 1/4 x 1	
4	0641416	2	Bolt 1/4 x 2	
5	1001193018	1	Bracket	
6	0903611	1	Bracket	
7	1060461	8.5 ft /2.6m	Cable, 12/3	
8	1705325	2	Decal - 120V-50Hz	
9	2902549	1	Breaker Box Kit - CE Spec (See BREAKER BOX KIT WITH ONE BREAKER - CE SPEC for Breakdown)	
10	3290405	2	Nut M4	
11	3311405	6	Nut 1/4	
12	4010408	2	Screw M4 x 16	
13	4460709	2	Plug, Male	
14	4460710	2	Receptacle, Female	
15	4460968	1	Connector, Strain Relief	
17	4711400	12	Washer 1/4	
18	4811400	4	Washer M4	

SECTION 8 - ELECTRICAL

FIGURE 8-12. AC BOX AT PLATFORM INSTALLATION - 110V IEC YELLOW (CE SPEC) (SN 0300223839 to Present)



ART_1001221189

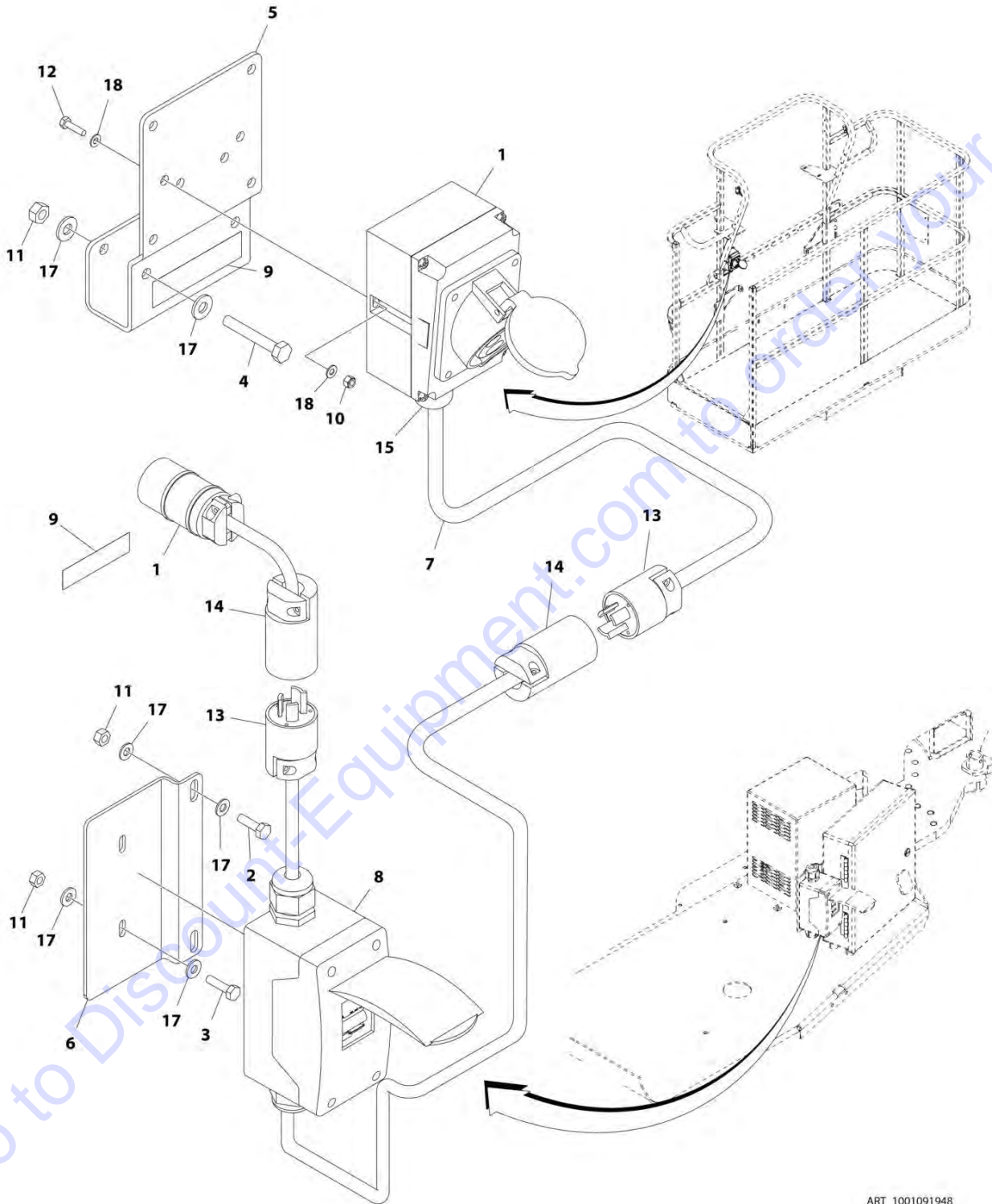
SECTION 8 - ELECTRICAL

FIGURE 8-12. AC BOX AT PLATFORM INSTALLATION - 110V IEC YELLOW (CE SPEC) (SN 0300223839 to Present)

ITEM	PART NUMBER	QTY	DESCRIPTION	REV
	1001221189	Ref	AC BOX AT PLATFORM INSTALLATION - 110V IEC YELLOW (CE SPEC) (SN 0300223839 to Present)	A
1	0275216	1	Receptacle Box Kit (See RECEPTACLE BOX KIT - 110V IEC YELLOW (CE SPEC) for Breakdown)	
2	0641408	2	Bolt 1/4 x 1	
3	0641416	2	Bolt 1/4 x 2	
4	0641614	2	Bolt 3/8 x 1-3/4	
5	1705325	2	Decal - 120V-50Hz	
6	2902549	1	Breaker Box Kit - CE Spec (See BREAKER BOX KIT WITH ONE BREAKER - CE SPEC for Breakdown)	
7	3290405	2	Nut M4	
8	3311405	4	Nut 1/4	
9	3311605	2	Nut 3/8	
10	4010408	2	Screw M4 x 16	
11	4460662	1	Connector, Strain Relief	
12	4460709	1	Plug, Male	
13	4460710	1	Receptacle, Female	
14	4711400	8	Washer 1/4	
15	4711600	4	Washer 3/8	
16	4811400	4	Washer M4	
17	1001193018	1	Bracket	
18	1001221130	1	Bracket	

SECTION 8 - ELECTRICAL

FIGURE 8-13. AC BOX AT PLATFORM INSTALLATION - 220V IEC BLUE (CE SPEC) (SN 0300219271 through 0300223838)



ART_1001091948

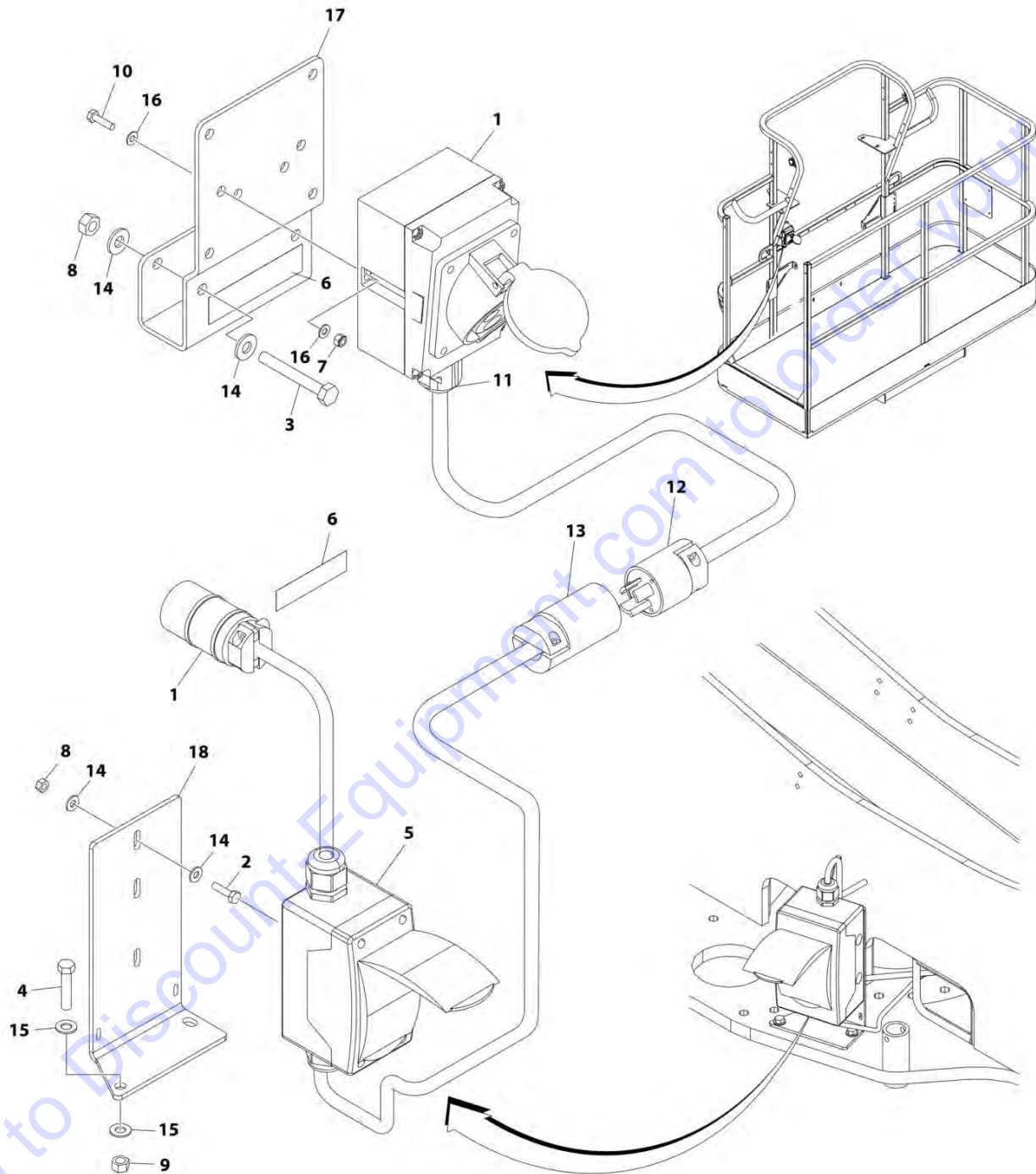
SECTION 8 - ELECTRICAL

FIGURE 8-13. AC BOX AT PLATFORM INSTALLATION - 220V IEC BLUE (CE SPEC) (SN 0300219271 through 0300223838)

ITEM	PART NUMBER	QTY	DESCRIPTION	REV
	1001091948	Ref	AC BOX AT PLATFORM INSTALLATION - 220V IEC BLUE (CE SPEC) (SN 0300219271 through 0300223838)	D
1	0275217	1	Receptacle Box Kit (See RECEPTACLE BOX KIT - 220V IEC BLUE (CE SPEC) for Breakdown)	
2	0641406	2	Bolt 1/4 x 3/4	
3	0641408	2	Bolt 1/4 x 1	
4	0641416	2	Bolt 1/4 x 2	
5	1001193018	1	Bracket	
6	0903611	1	Bracket	
7	1060461	8.5 ft /2.6m	Cable, 12/3	
8	2902549	1	Breaker Box Kit - CE Spec (See BREAKER BOX KIT WITH ONE BREAKER - CE SPEC for Breakdown)	
9	3252507	2	Decal - 220V-50Hz	
10	3290405	2	Nut M4	
11	3311405	6	Nut 1/4	
12	4010408	2	Screw M4 x 16	
13	4460709	2	Plug, Male	
14	4460710	2	Receptacle, Female	
15	4460968	1	Connector, Strain Relief	
17	4711400	12	Washer 1/4	
18	4811400	4	Washer M4	

SECTION 8 - ELECTRICAL

FIGURE 8-14. AC BOX AT PLATFORM INSTALLATION - 220V IEC BLUE (CE SPEC) (SN 0300223839 to Present)



ART_1001221190

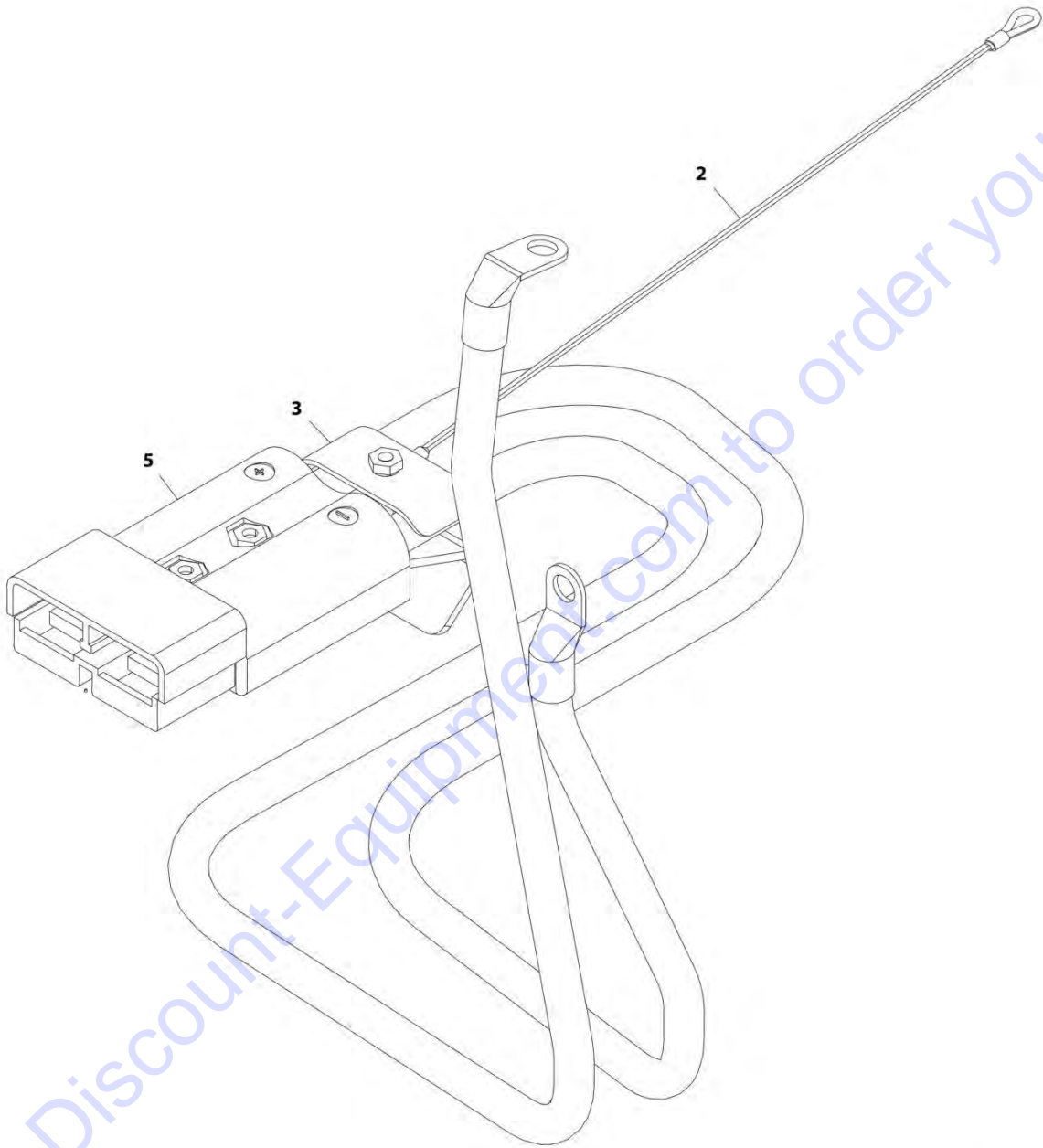
SECTION 8 - ELECTRICAL

FIGURE 8-14. AC BOX AT PLATFORM INSTALLATION - 220V IEC BLUE (CE SPEC) (SN 0300223839 to Present)

ITEM	PART NUMBER	QTY	DESCRIPTION	REV
	1001221190	Ref	AC BOX AT PLATFORM INSTALLATION - 220V IEC BLUE (CE SPEC) (SN 0300223839 to Present)	A
1	0275217	1	Receptacle Box Kit (See RECEPTACLE BOX KIT - 220V IEC BLUE (CE SPEC) for Breakdown)	
2	0641408	2	Bolt 1/4 x 1	
3	0641416	2	Bolt 1/4 x 2	
4	0641614	2	Bolt 3/8 x 1-3/4	
5	2902549	1	Breaker Box Kit - CE Spec (See BREAKER BOX KIT WITH ONE BREAKER - CE SPEC for Breakdown)	
6	3252507	2	Decal - 220V-50Hz	
7	3290405	2	Nut M4	
8	3311405	4	Nut 1/4	
9	3311605	2	Nut 3/8	
10	4010408	2	Screw M4 x 16	
11	4460662	1	Connector, Strain Relief	
12	4460709	1	Plug, Male	
13	4460710	1	Receptacle, Female	
14	4711400	8	Washer 1/4	
15	4711600	4	Washer 3/8	
16	4811400	4	Washer M4	
17	1001193018	1	Bracket	
18	1001221130	1	Bracket	

SECTION 8 - ELECTRICAL

FIGURE 8-15. BATTERY BOX CABLE ASSEMBLY (RH SIDE BOX) (STANDARD BATTERIES)



ART_1060803

SECTION 8 - ELECTRICAL

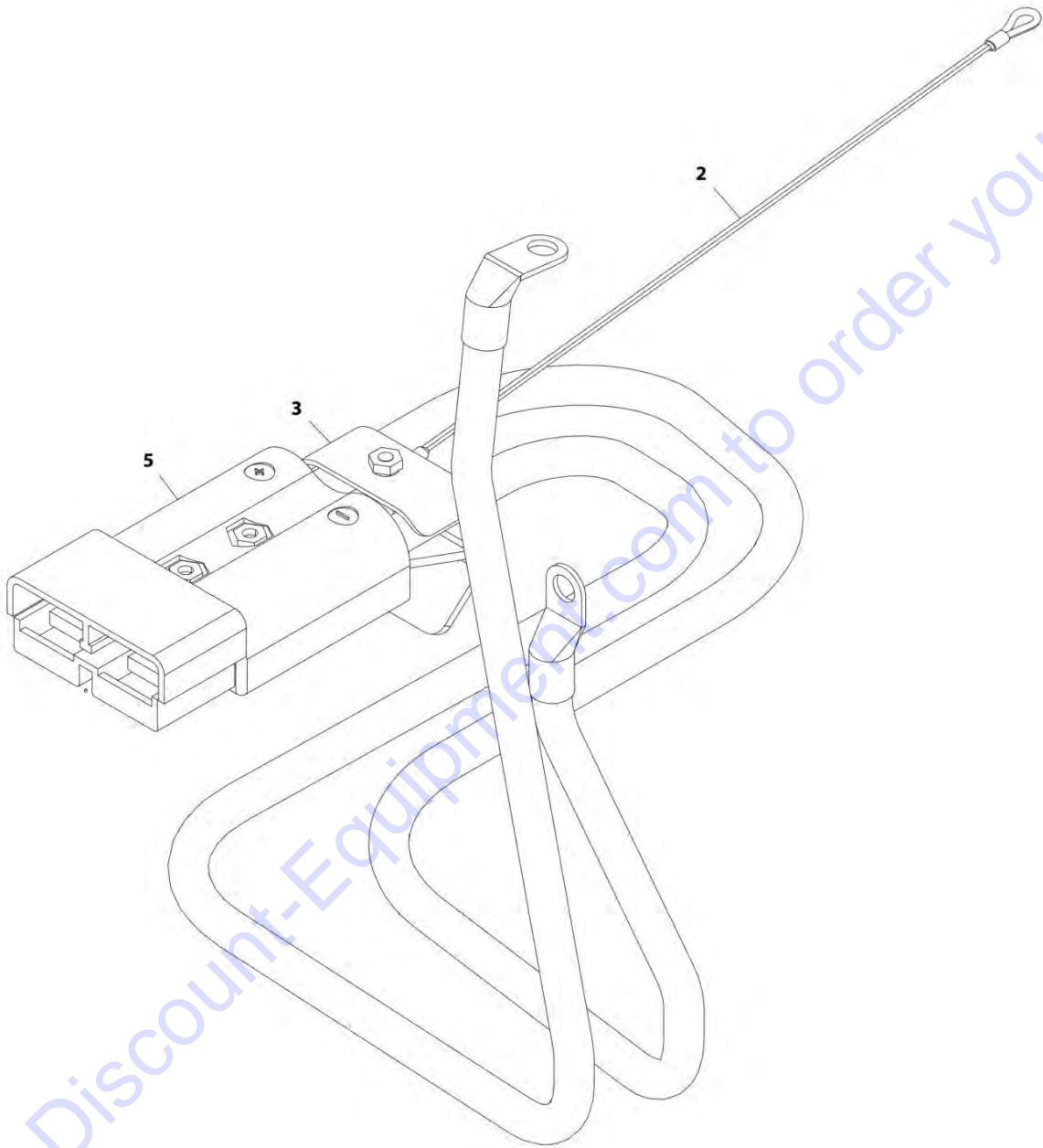
FIGURE 8-15. BATTERY BOX CABLE ASSEMBLY (RH SIDE BOX) (STANDARD BATTERIES)

ITEM	PART NUMBER	QTY	DESCRIPTION	REV
	1060803	Ref	BATTERY BOX CABLE ASSEMBLY (RH SIDE BOX) (STANDARD BATTERIES)	D
2	1060799	1	Lanyard	
3	1320172	1	Handle, Pull	
5	4460025	1	Connector	

Go to Discount-Equipment.com to order your parts

SECTION 8 - ELECTRICAL

FIGURE 8-16. BATTERY BOX CABLE ASSEMBLY (LH SIDE BOX) (STANDARD BATTERIES)



ART_1001194037

SECTION 8 - ELECTRICAL

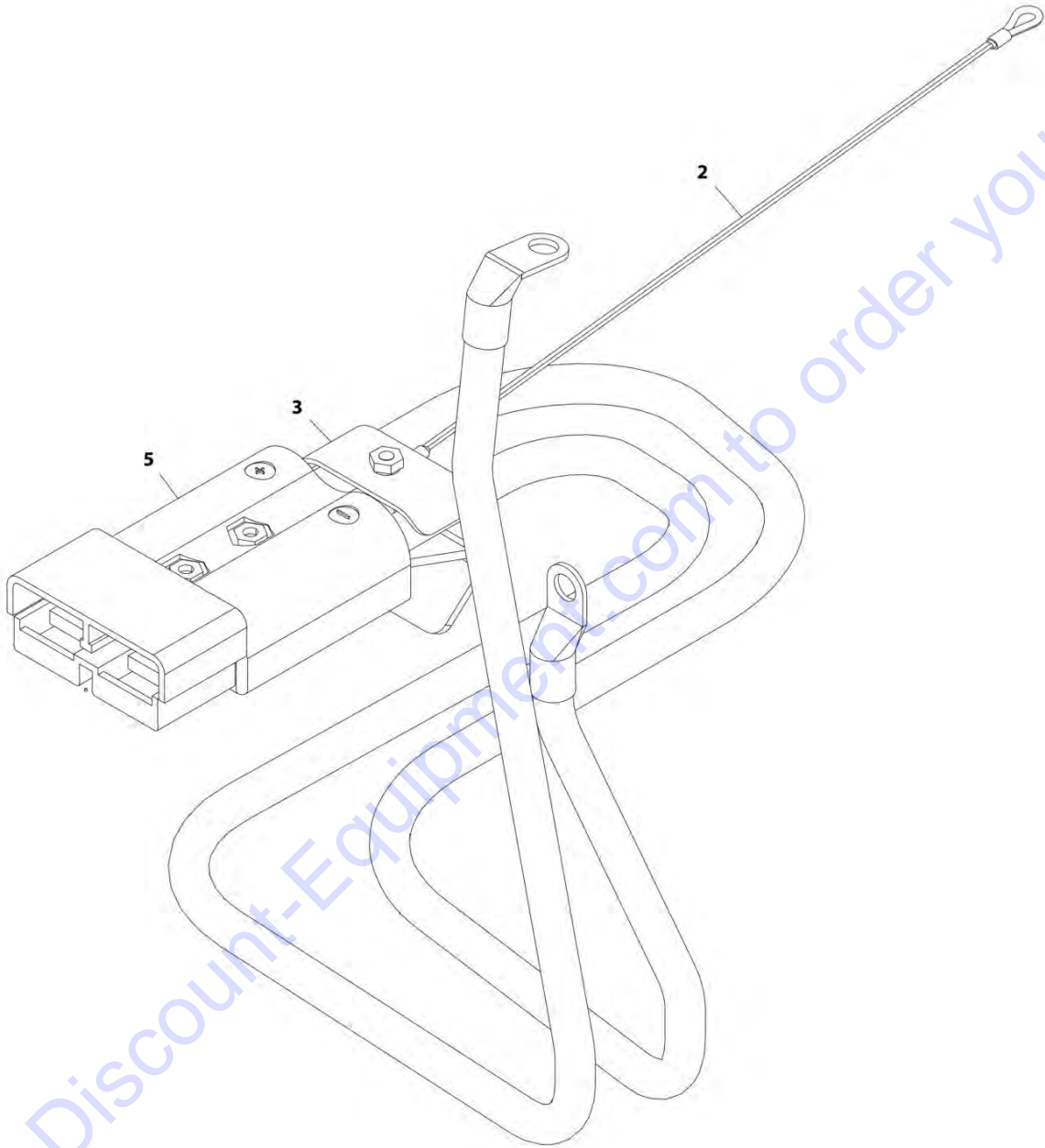
FIGURE 8-16. BATTERY BOX CABLE ASSEMBLY (LH SIDE BOX) (STANDARD BATTERIES)

ITEM	PART NUMBER	QTY	DESCRIPTION	REV
	1001194037	Ref	BATTERY BOX CABLE ASSEMBLY (LH SIDE BOX) (STANDARD BATTERIES)	B
2	1060799	1	Lanyard	
3	1320172	1	Handle, Pull	
5	4460025	1	Connector	

Go to Discount-Equipment.com to order your parts

SECTION 8 - ELECTRICAL

FIGURE 8-17. BATTERY BOX CABLE ASSEMBLY (AGM BATTERIES)



ART_1001194212

SECTION 8 - ELECTRICAL

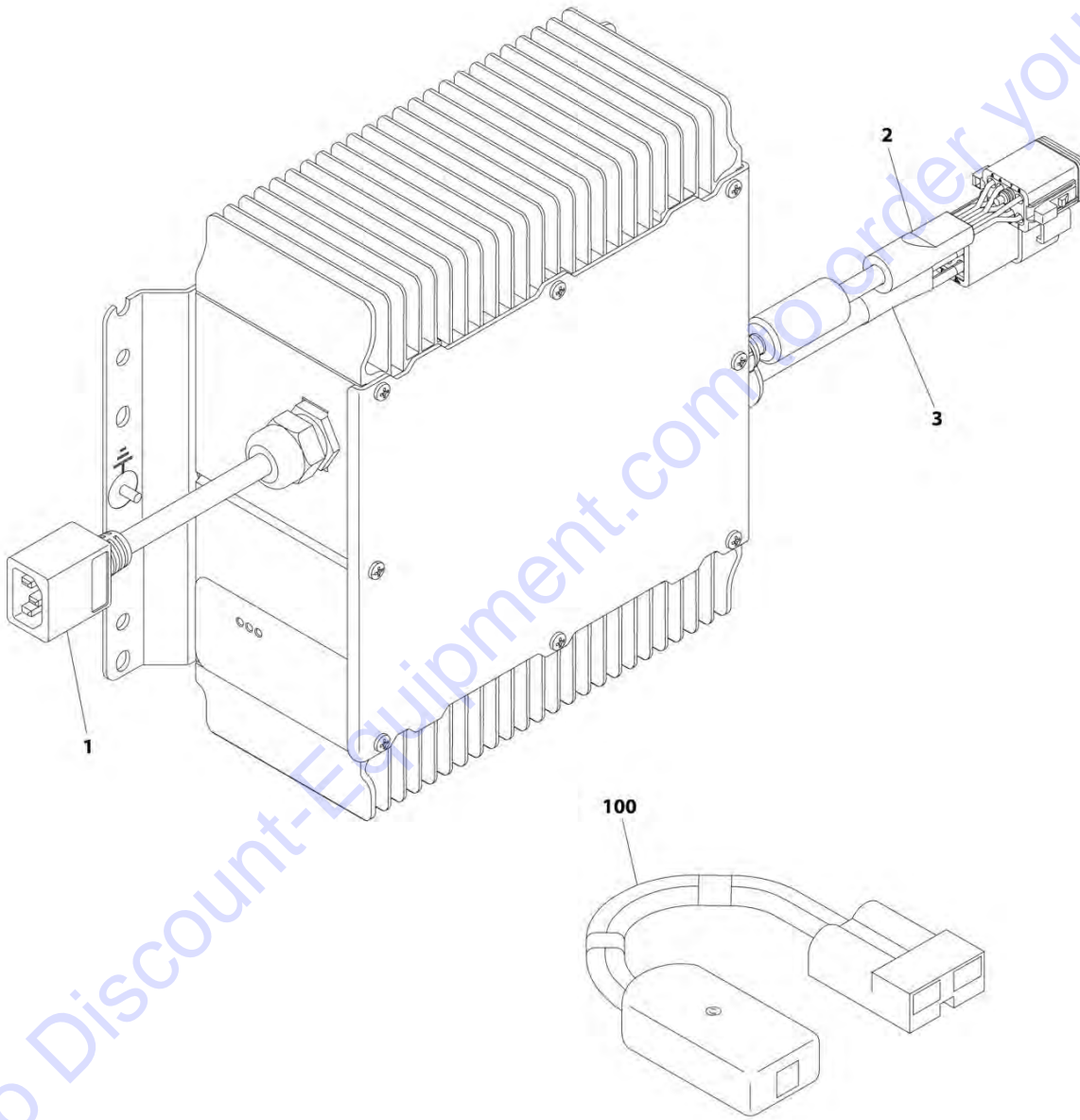
FIGURE 8-17. BATTERY BOX CABLE ASSEMBLY (AGM BATTERIES)

ITEM	PART NUMBER	QTY	DESCRIPTION	REV
	1001194212	Ref	BATTERY BOX CABLE ASSEMBLY (AGM BATTERIES)	A
2	1060799	1	Lanyard	
3	1320172	1	Handle, Pull	
5	4460025	1	Connector	

Go to Discount-Equipment.com to order your parts

SECTION 8 - ELECTRICAL

FIGURE 8-18. BATTERY CHARGER ASSEMBLY



ART_1001103105

SECTION 8 - ELECTRICAL

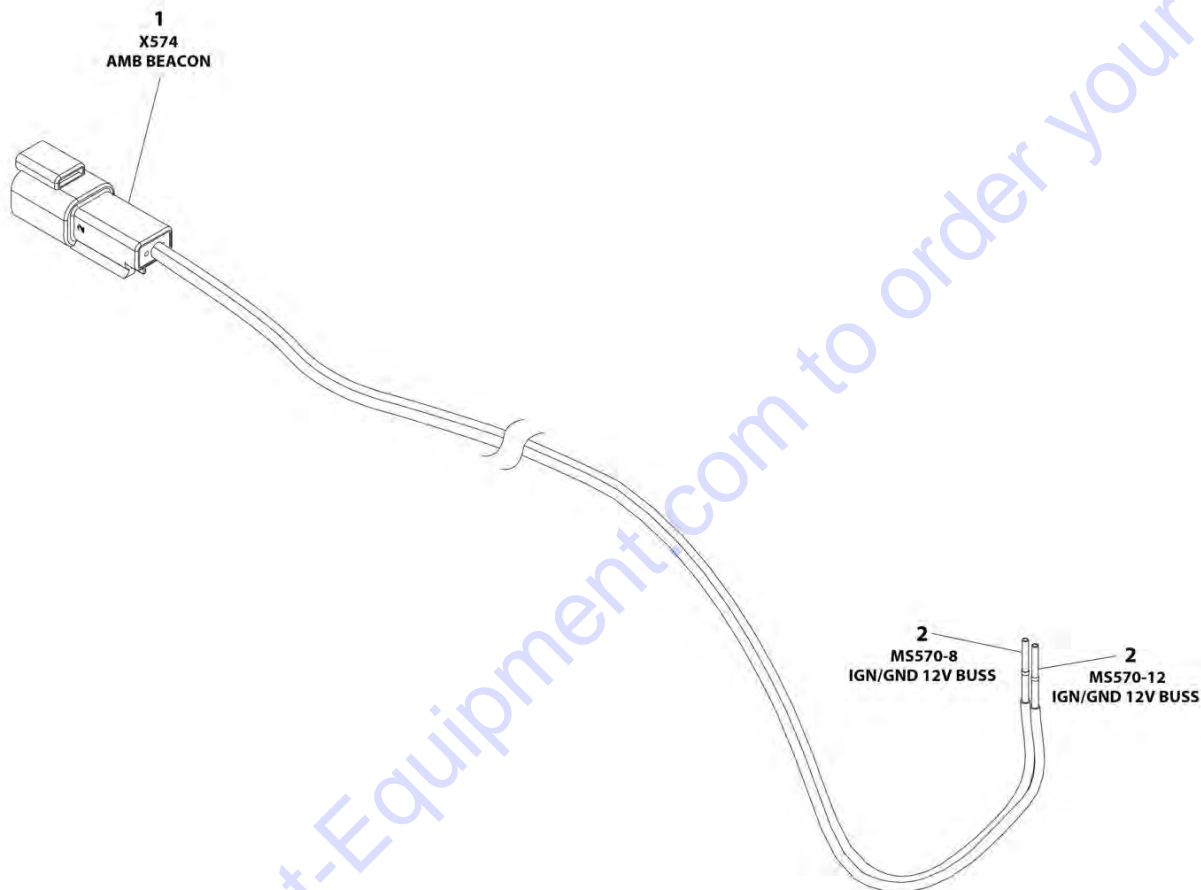
FIGURE 8-18. BATTERY CHARGER ASSEMBLY

ITEM	PART NUMBER	QTY	DESCRIPTION	REV
	1001103105	Ref	BATTERY CHARGER ASSEMBLY	D
1	See Note	1	Harness, Battery Charger AC Plug (Note: Not Available for Purchase)	
1	See Note	1	Connector, Plug (Note: Not Available for Purchase)	
2	See Note	1	Harness, Battery Charger Signal (Note: Not Available for Purchase)	
2	4460930	1	Connector - 8 Position	
2	4460464	7	Pin, Male	
3	See Note	1	Harness, Battery Charger Power (Note: Not Available - Purchase Complete Charger)	
3	1001116811	1	Connector - 4 Position	
3	4460508	4	Pin, Male	
100	2915230	1	BATTERY CHARGER REPROGRAM CONTROLLER KIT (Includes Controller, Software and Instructions)	

Go to Discount-Equipment.com to order your parts

SECTION 8 - ELECTRICAL

FIGURE 8-19. BEACON LIGHT HARNESS (AMBER BEACON ONLY)



ART_1001198866

SECTION 8 - ELECTRICAL

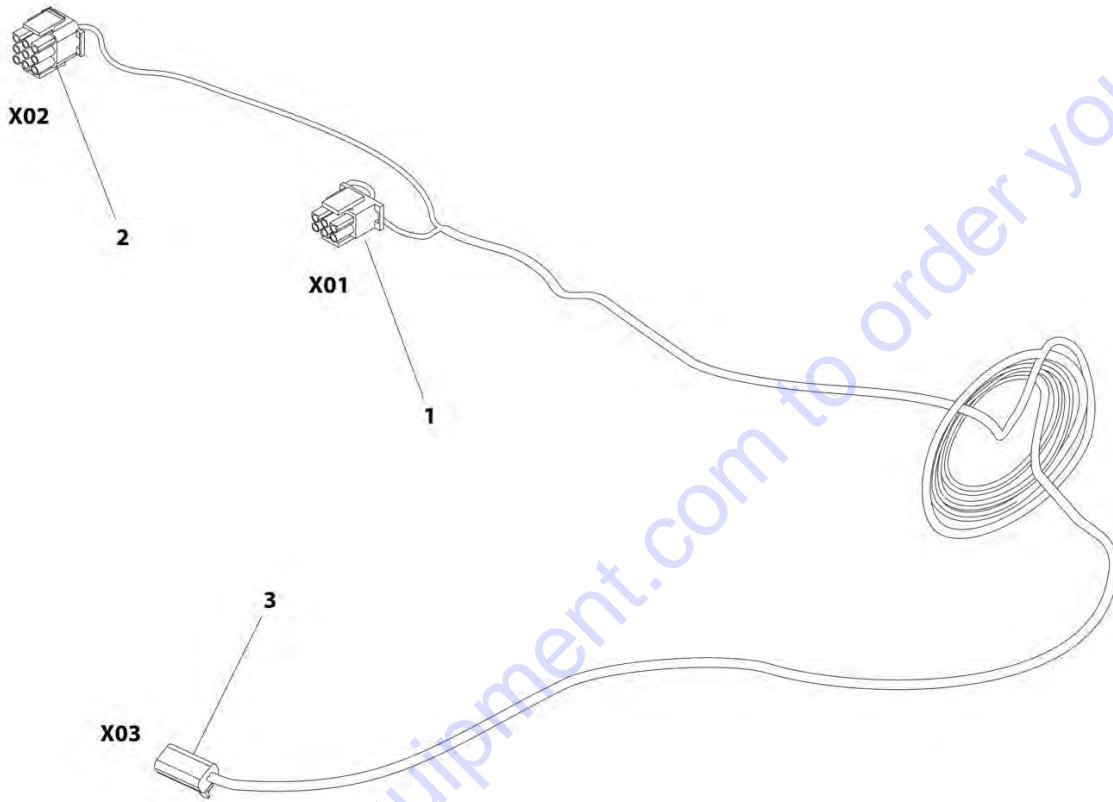
FIGURE 8-19. BEACON LIGHT HARNESS (AMBER BEACON ONLY)

ITEM	PART NUMBER	QTY	DESCRIPTION	REV
	1001198866	Ref	BEACON LIGHT HARNESS (AMBER BEACON ONLY)	D
1	4460897	1	Connector - 2 Position	
1	4460464	2	Socket, Female	
2	4460464	2	Socket, Female	

Go to Discount-Equipment.com to order your parts

SECTION 8 - ELECTRICAL

FIGURE 8-20. BEACON LIGHT HARNESS (BLUE BEACON ONLY)



ART_1001149570

SECTION 8 - ELECTRICAL

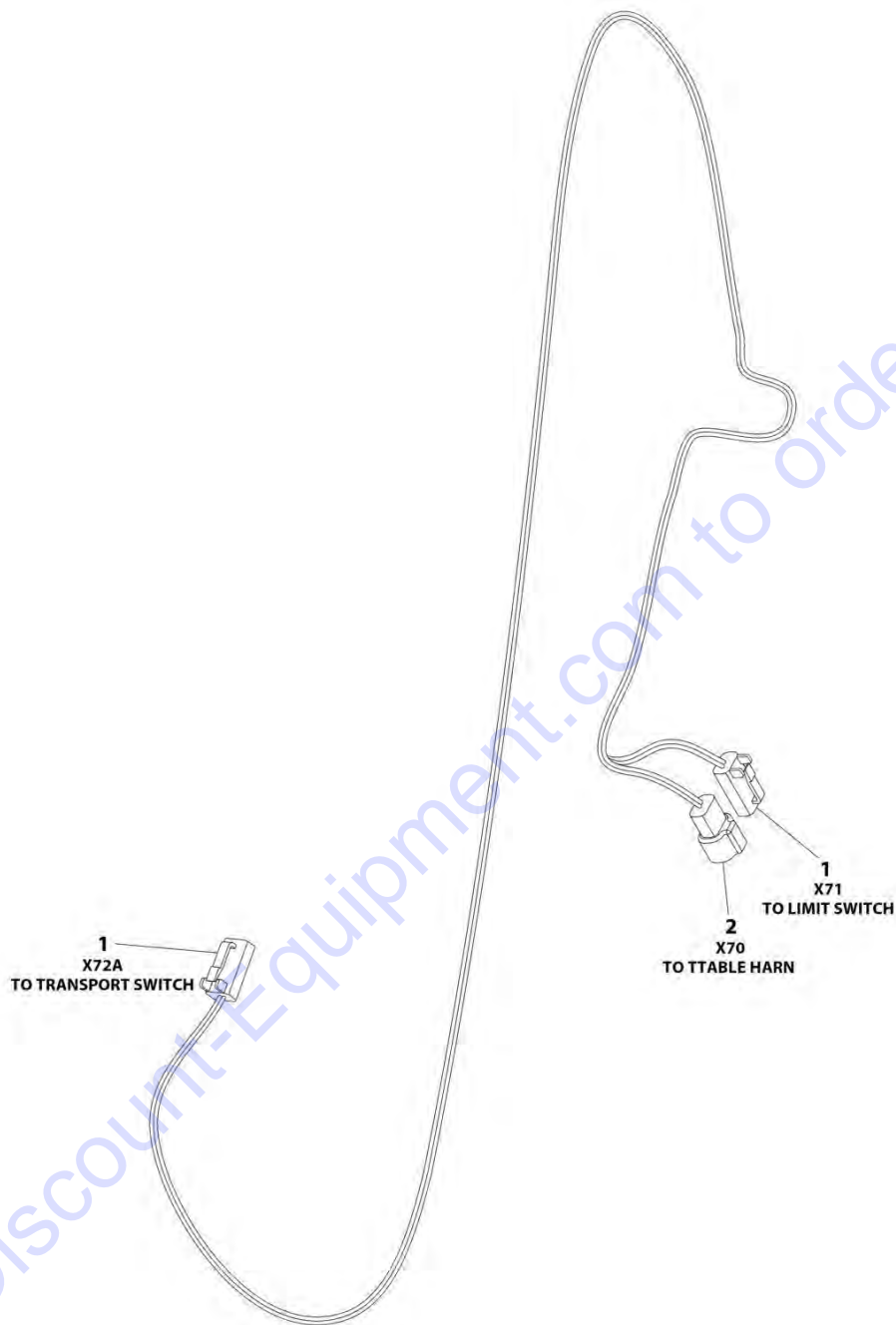
FIGURE 8-20. BEACON LIGHT HARNESS (BLUE BEACON ONLY)

ITEM	PART NUMBER	QTY	DESCRIPTION	REV
	1001149570	Ref	BEACON LIGHT HARNESS (BLUE BEACON ONLY)	C
1	4460225	1	Plug, Male - 6 Position	
1	4460267	1	Pin, Male	
2	4460265	1	Plug, Male - 9 Position	
2	4460268	1	Socket, Female (SN 0300217271 through 0300226100)	
2	4460267	1	Pin, Male (SN 0300226101 to Present)	
3	4460891	1	Plug, Male - 2 Position	
3	4460465	2	Socket, Female	

Go to Discount-Equipment.com to order your parts

SECTION 8 - ELECTRICAL

FIGURE 8-21. BOOM TRANSPORT HARNESS (CE SPECS ONLY)



ART_1001201329

SECTION 8 - ELECTRICAL

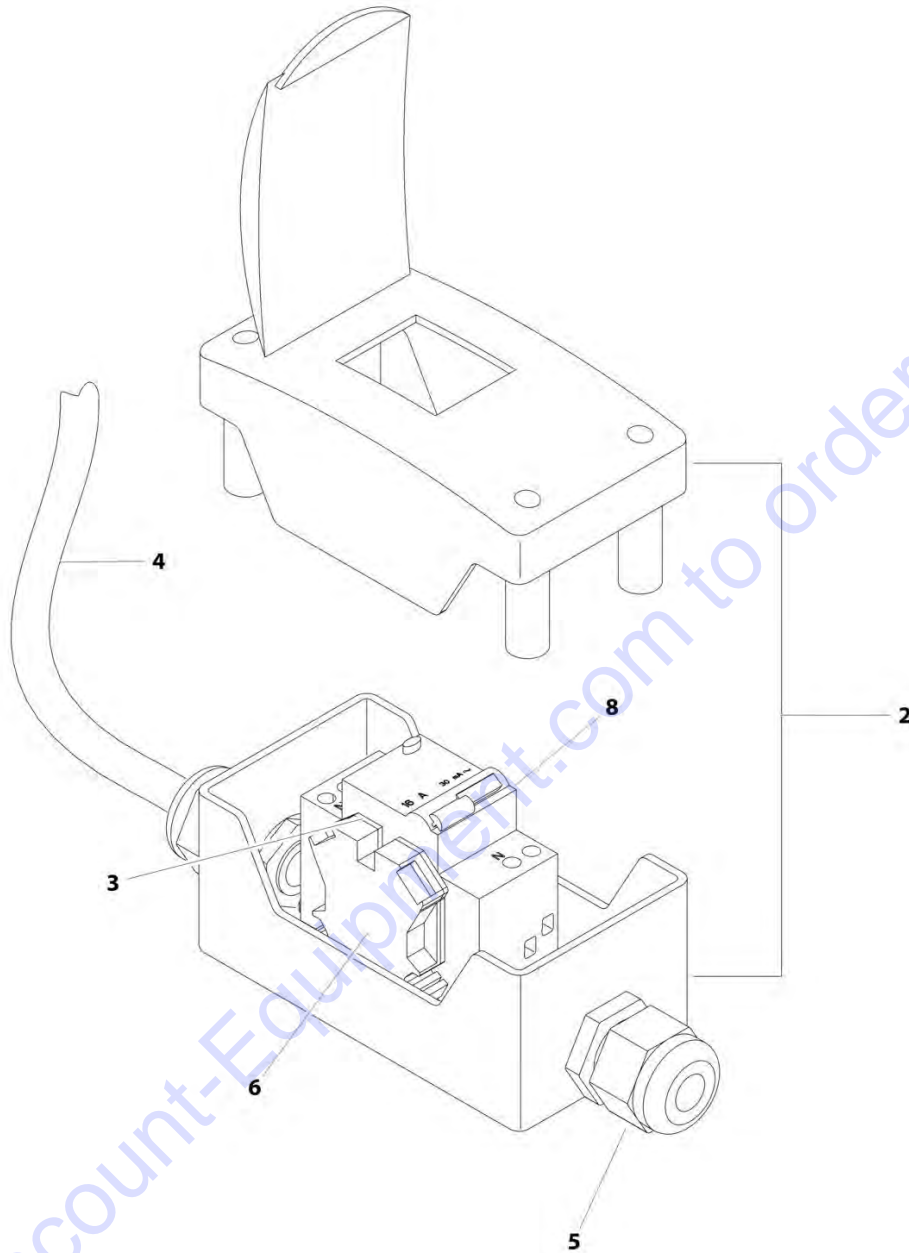
FIGURE 8-21. BOOM TRANSPORT HARNESS (CE SPECS ONLY)

ITEM	PART NUMBER	QTY	DESCRIPTION	REV
	1001201329	Ref	BOOM TRANSPORT HARNESS (CE SPECS ONLY)	D
1	4460891	2	Connector - 2 Position	
1	4460465	4	Socket, Female	
2	1001187681	1	Connector - 2 Position	
2	4460464	2	Pin, Male	

Go to Discount-Equipment.com to order your parts

SECTION 8 - ELECTRICAL

FIGURE 8-22. BREAKER BOX KIT WITH ONE BREAKER - CE SPEC



ART_2902549

SECTION 8 - ELECTRICAL

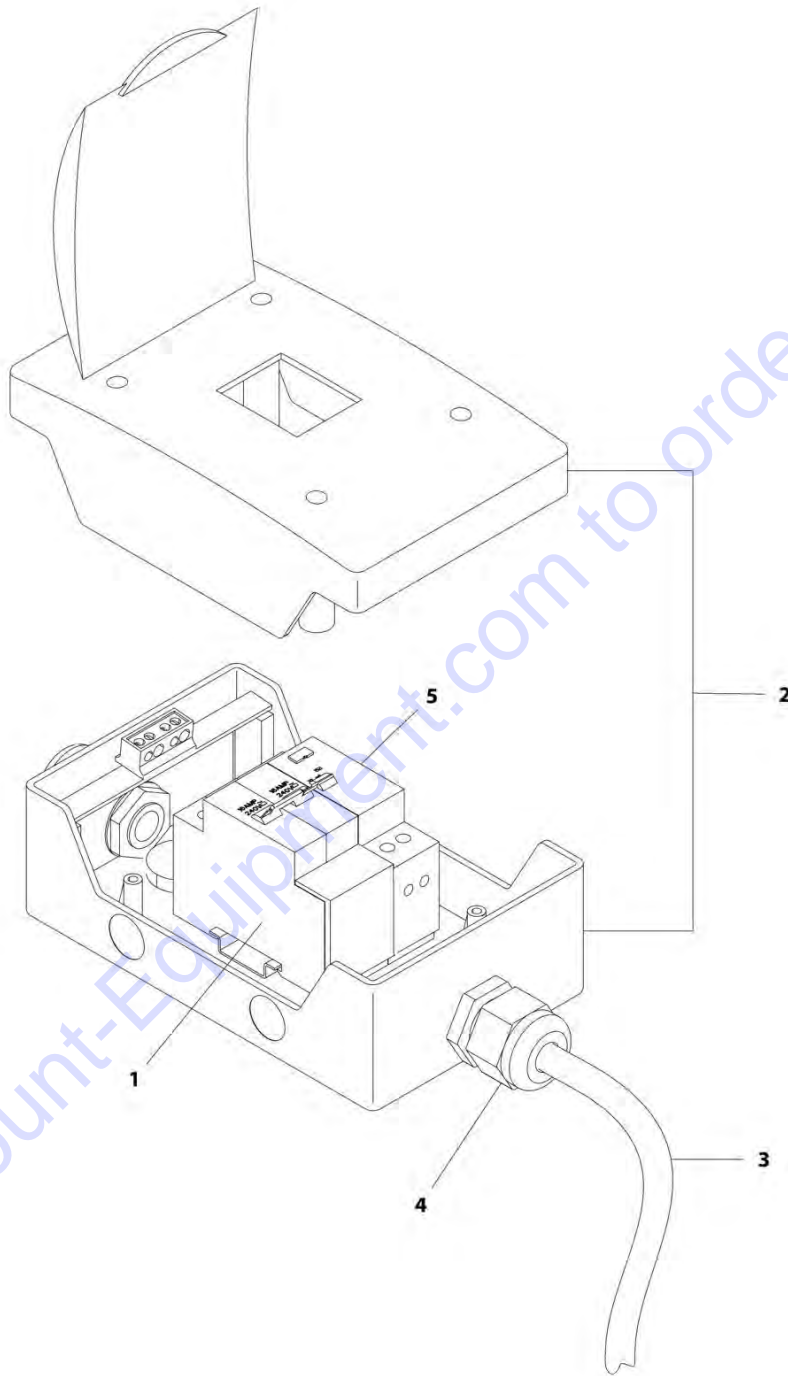
FIGURE 8-22. BREAKER BOX KIT WITH ONE BREAKER - CE SPEC

ITEM	PART NUMBER	QTY	DESCRIPTION	REV
	2902549	Ref	BREAKER BOX KIT WITH ONE BREAKER - CE SPEC	F
2	0861880	1	Box	
3	4460956	1	Barrier, Terminal	
4	1060908	6 ft/1.8m	Cable, 12/3	
5	1001097150	2	Connector, Strain Relief	
6	4460957	1	Block, Terminal	
8	1001181045	1	Breaker, Circuit 30mA/16Amp	

Go to Discount-Equipment.com to order your parts

SECTION 8 - ELECTRICAL

FIGURE 8-23. BREAKER BOX KIT WITH TWO BREAKERS - CE SPEC



ART_1001152486

SECTION 8 - ELECTRICAL

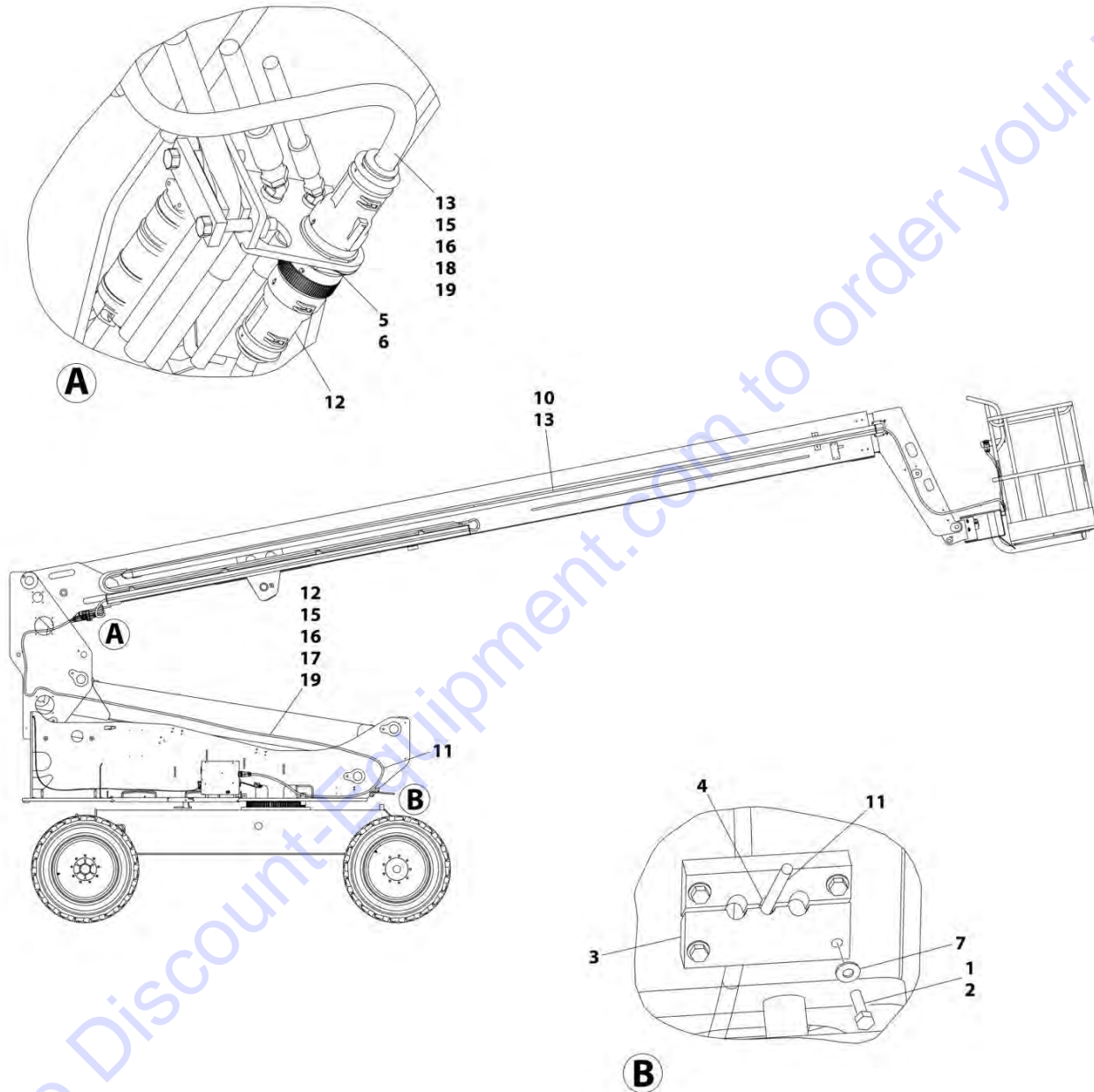
FIGURE 8-23. BREAKER BOX KIT WITH TWO BREAKERS - CE SPEC

ITEM	PART NUMBER	QTY	DESCRIPTION	REV
	1001152486	Ref	BREAKER BOX KIT WITH TWO BREAKERS - CE SPEC	B
1	1001189172	1	Breaker, 16 Amp, (Double)	
2	1001152483	1	Box	
3	1060908	12 ft /3.7m	Cable, 12/3	
4	1001097150	2	Connector, Strain Relief	
5	1001189171	1	Breaker, 30mA	

Go to Discount-Equipment.com to order your parts

SECTION 8 - ELECTRICAL

FIGURE 8-24. CABLES AND CLAMPS INSTALLATION (E600/M600) (ALL SPECS EXCEPT AUSTRALIAN AND CE SPECS)



ART_1001183534

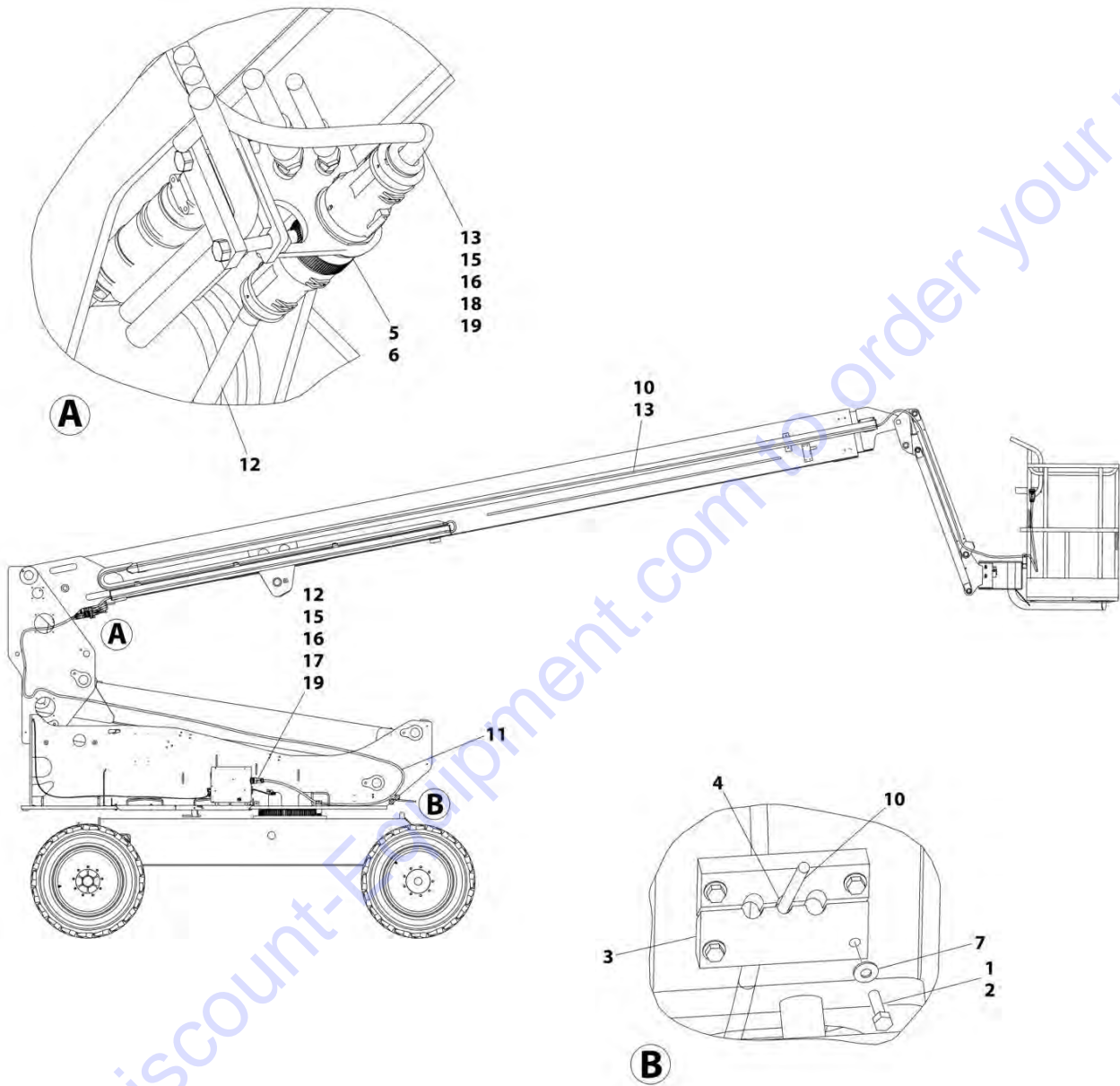
SECTION 8 - ELECTRICAL

FIGURE 8-24. CABLES AND CLAMPS INSTALLATION (E600/M600) (ALL SPECS EXCEPT AUSTRALIAN AND CE SPECS)

ITEM	PART NUMBER	QTY	DESCRIPTION	REV
	1001183534	Ref	CABLES AND CLAMPS INSTALLATION (E600/M600) (ALL SPECS EXCEPT AUSTRALIAN AND CE SPECS)	D
1	0100011	AR	Locking, Compound	
2	0641612	4	Bolt 3/8 x 1-1/2	
3	1320256	1	Clamp, Block	
4	2820029	1	Insulator, Heat Shrink (SN 0300219271 through 0300224945)	
5	1001205044	1	Washer	
6	1001205043	1	Nut	
7	4711600	4	Washer 3/8	
10	4922937	1	Cable, 12/3	
11	4922938	1	Cable, 12/3	
12	1001183882	1	Lower Boom Cable (See LOWER BOOM CABLE for Breakdown)	
13	1001183883	1	Upper Boom Cable (See UPPER BOOM CABLE for Breakdown)	
14	4240033	AR	Tie-Strap (Not Shown)	
15	4460466	AR	Plug, Seal	
16	1001188291	AR	Connector, Backshell	
17	1001188292	1	Connector - 19 Position (SN 0300219271 through 0300224945)	
18	1001188293	1	Connector - 19 Position	
19	1001188354	AR	Grommet	

SECTION 8 - ELECTRICAL

FIGURE 8-25. CABLES AND CLAMPS INSTALLATION (E600J/M600J) (ALL SPECS EXCEPT AUSTRALIAN AND CE SPECS)



ART_1001183535

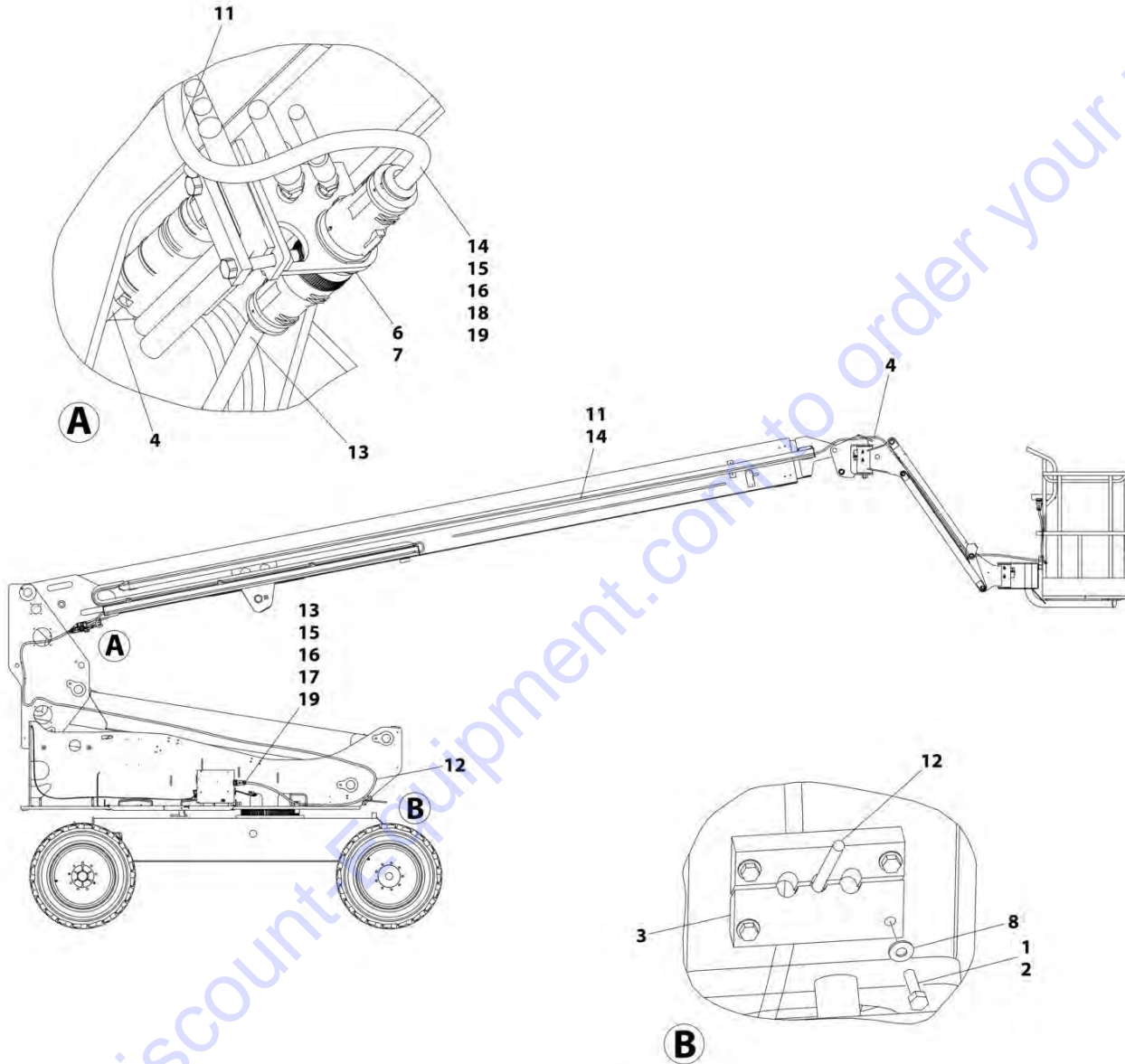
SECTION 8 - ELECTRICAL

FIGURE 8-25. CABLES AND CLAMPS INSTALLATION (E600J/M600J) (ALL SPECS EXCEPT AUSTRALIAN AND CE SPECS)

ITEM	PART NUMBER	QTY	DESCRIPTION	REV
	1001183535	Ref	CABLES AND CLAMPS INSTALLATION (E600J/M600J) (ALL SPECS EXCEPT AUSTRALIAN AND CE SPECS)	D
1	0100011	AR	Locking, Compound	
2	0641612	4	Bolt 3/8 x 1-1/2	
3	1320256	1	Clamp, Block	
4	2820029	1	Insulator, Heat Shrink (SN 0300219271 through 0300224945)	
5	1001205044	1	Washer	
6	1001205043	1	Nut	
7	4711600	4	Washer 3/8	
10	4922937	1	Cable, 12/3	
11	4922938	1	Cable, 12/3	
12	1001183882	1	Lower Boom Cable (See LOWER BOOM CABLE for Breakdown)	
13	1001183885	1	Upper Boom Cable (See UPPER BOOM CABLE for Breakdown)	
14	4240033	AR	Tie-Strap (Not Shown)	
15	4460466	AR	Plug, Seal	
16	1001188291	AR	Connector, Backshell	
17	1001188292	1	Connector - 19 Position (SN 0300219271 through 0300224945)	
18	1001188293	1	Connector - 19 Position	
19	1001188354	AR	Grommet	

SECTION 8 - ELECTRICAL

FIGURE 8-26. CABLES AND CLAMPS INSTALLATION (E600JP/M600JP) (ALL SPECS EXCEPT AUSTRALIAN AND CE SPECS)



ART_1001183536

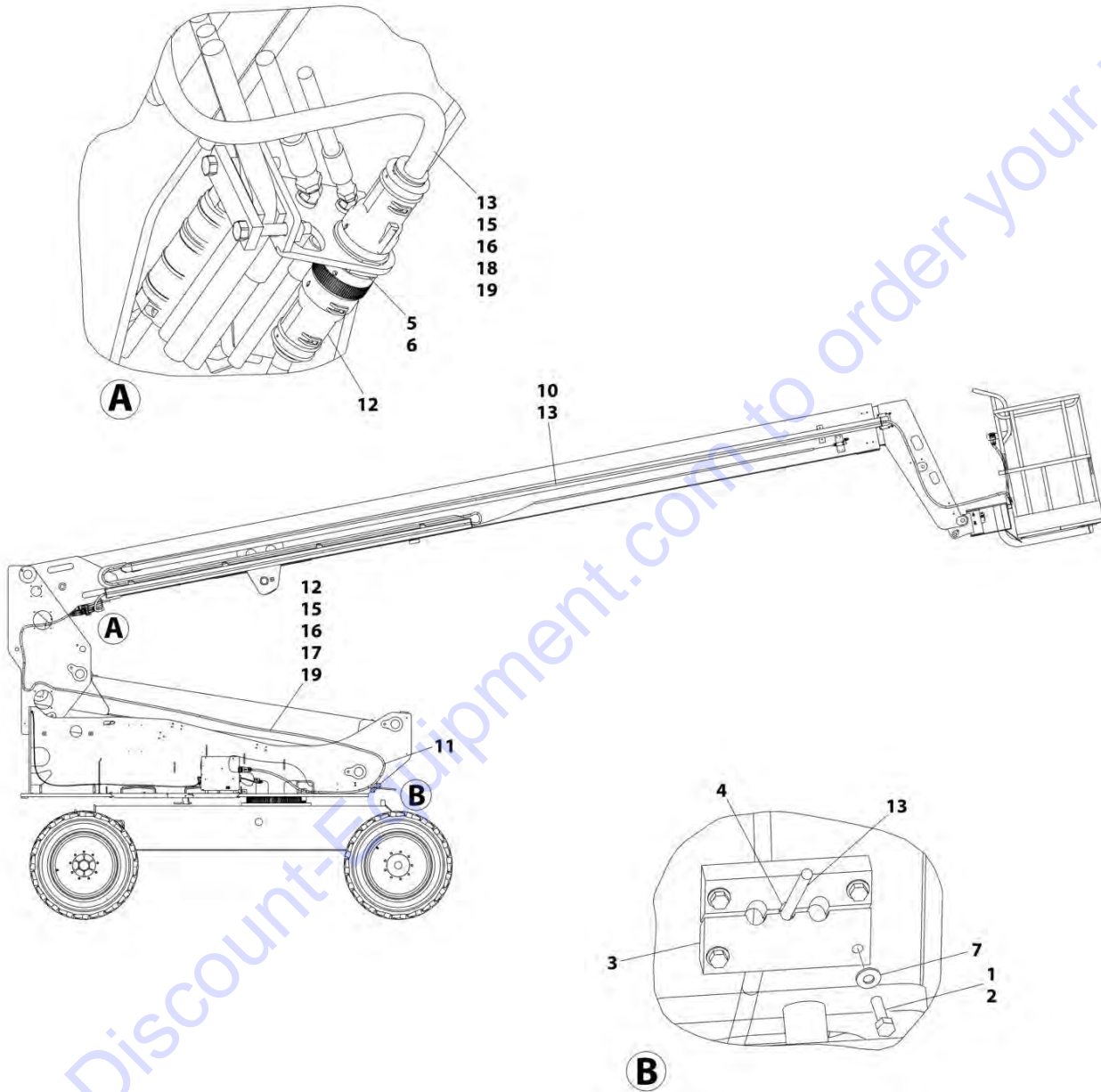
SECTION 8 - ELECTRICAL

FIGURE 8-26. CABLES AND CLAMPS INSTALLATION (E600JP/M600JP) (ALL SPECS EXCEPT AUSTRALIAN AND CE SPECS)

ITEM	PART NUMBER	QTY	DESCRIPTION	REV
	1001183536	Ref	CABLES AND CLAMPS INSTALLATION (E600JP/M600JP) (ALL SPECS EXCEPT AUSTRALIAN AND CE SPECS)	C
1	0100011	AR	Locking, Compound	
2	0641612	4	Bolt 3/8 x 1-1/2	
3	1320256	1	Clamp, Block	
4	4100026	1	Sleeve, Hose Protector	
5	4240033	AR	Tie-Strap (Not Shown)	
6	1001205044	1	Washer	
7	1001205043	1	Nut	
8	4711600	4	Washer 3/8	
11	4922937	1	Cable, 12/3	
12	4922938	1	Cable, 12/3	
13	1001183882	1	Lower Boom Cable (See LOWER BOOM CABLE for Breakdown)	
14	1001183884	1	Upper Boom Cable (See UPPER BOOM CABLE for Breakdown)	
15	4460466	AR	Plug, Seal	
16	1001188291	AR	Connector, Backshell	
17	1001188292	1	Connector - 19 Position (SN 0300219271 through 0300224945)	
18	1001188293	1	Connector - 19 Position	
19	1001188354	AR	Grommet	

SECTION 8 - ELECTRICAL

FIGURE 8-27. CABLES AND CLAMPS INSTALLATION (E600/M600) (AUSTRALIAN SPECS AND CE SPECS)



ART_1001183537

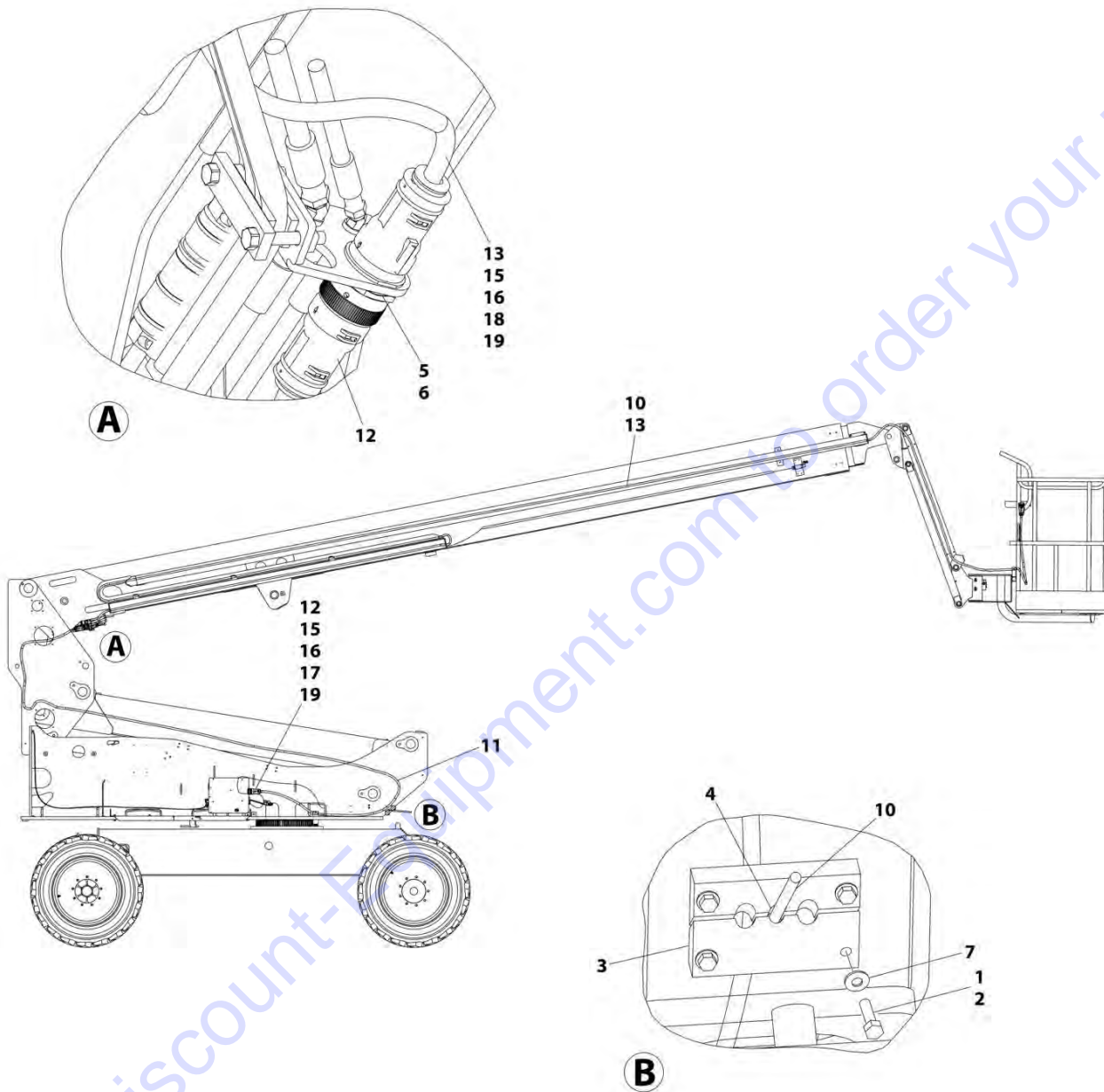
SECTION 8 - ELECTRICAL

FIGURE 8-27. CABLES AND CLAMPS INSTALLATION (E600/M600) (AUSTRALIAN SPECS AND CE SPECS)

ITEM	PART NUMBER	QTY	DESCRIPTION	REV
	1001183537	Ref	CABLES AND CLAMPS INSTALLATION (E600/M600) (AUSTRALIAN SPECS AND CE SPECS)	D
1	0100011	AR	Locking, Compound	
2	0641612	4	Bolt 3/8 x 1-1/2	
3	1320256	1	Clamp, Block	
4	2820029	1	Insulator, Heat Shrink (SN 0300219271 through 0300224945)	
5	1001205044	1	Washer	
6	1001205043	1	Nut	
7	4711600	4	Washer 3/8	
10	4922939	1	Cable, 12/3	
11	4922940	1	Cable, 12/3	
12	1001183882	1	Lower Boom Cable (See LOWER BOOM CABLE for Breakdown)	
13	1001183883	1	Upper Boom Cable (See UPPER BOOM CABLE for Breakdown)	
14	4240033	AR	Tie-Strap (Not Shown)	
15	4460466	AR	Plug, Seal	
16	1001188291	AR	Connector, Backshell	
17	1001188292	1	Connector - 19 Position (SN 0300219271 through 0300224945)	
18	1001188293	1	Connector - 19 Position	
19	1001188354	AR	Grommet	

SECTION 8 - ELECTRICAL

FIGURE 8-28. CABLES AND CLAMPS INSTALLATION (E600J/M600J) (AUSTRALIAN SPECS AND CE SPECS)



ART_1001183538

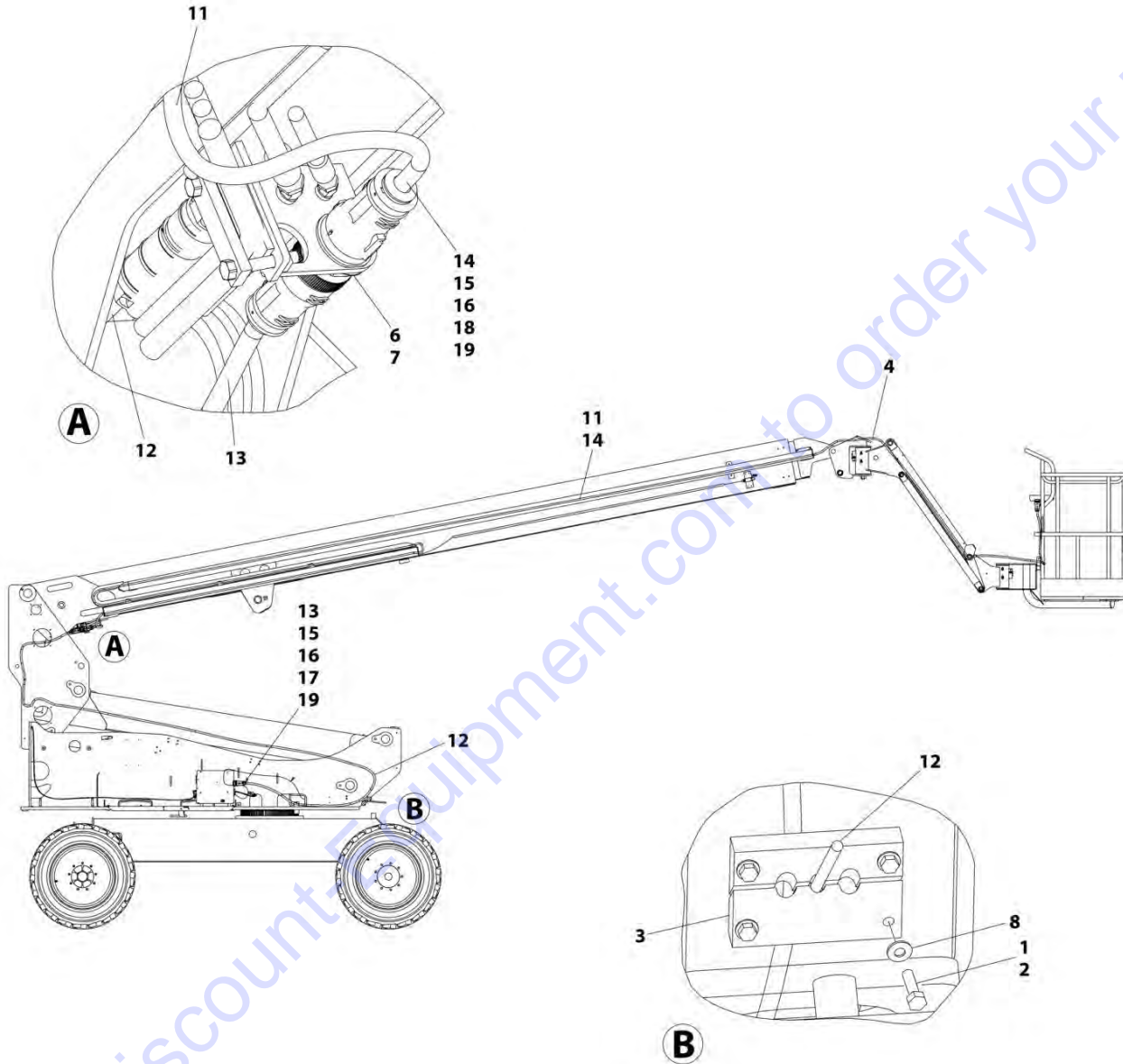
SECTION 8 - ELECTRICAL

FIGURE 8-28. CABLES AND CLAMPS INSTALLATION (E600J/M600J) (AUSTRALIAN SPECS AND CE SPECS)

ITEM	PART NUMBER	QTY	DESCRIPTION	REV
	1001183538	Ref	CABLES AND CLAMPS INSTALLATION (E600J/M600J) (AUSTRALIAN SPECS AND CE SPECS)	D
1	0100011	AR	Locking, Compound	
2	0641612	4	Bolt 3/8 x 1-1/2	
3	1320256	1	Clamp, Block	
4	2820029	1	Insulator, Heat Shrink (SN 0300219271 through 0300224945)	
5	1001205044	1	Washer	
6	1001205043	1	Nut	
7	4711600	4	Washer 3/8	
10	4922939	1	Cable, 12/3	
11	4922940	1	Cable, 12/3	
12	1001183882	1	Lower Boom Cable (See LOWER BOOM CABLE for Breakdown)	
13	1001183885	1	Upper Boom Cable (See UPPER BOOM CABLE for Breakdown)	
14	4240033	AR	Tie-Strap (Not Shown)	
15	4460466	AR	Plug, Seal	
16	1001188291	AR	Connector, Backshell	
17	1001188292	1	Connector - 19 Position (SN 0300219271 through 0300224945)	
18	1001188293	1	Connector - 19 Position	
19	1001188354	AR	Grommet	

SECTION 8 - ELECTRICAL

FIGURE 8-29. CABLES AND CLAMPS INSTALLATION (E600JP/M600JP) (AUSTRALIAN SPECS AND CE SPECS)



ART_1001183539

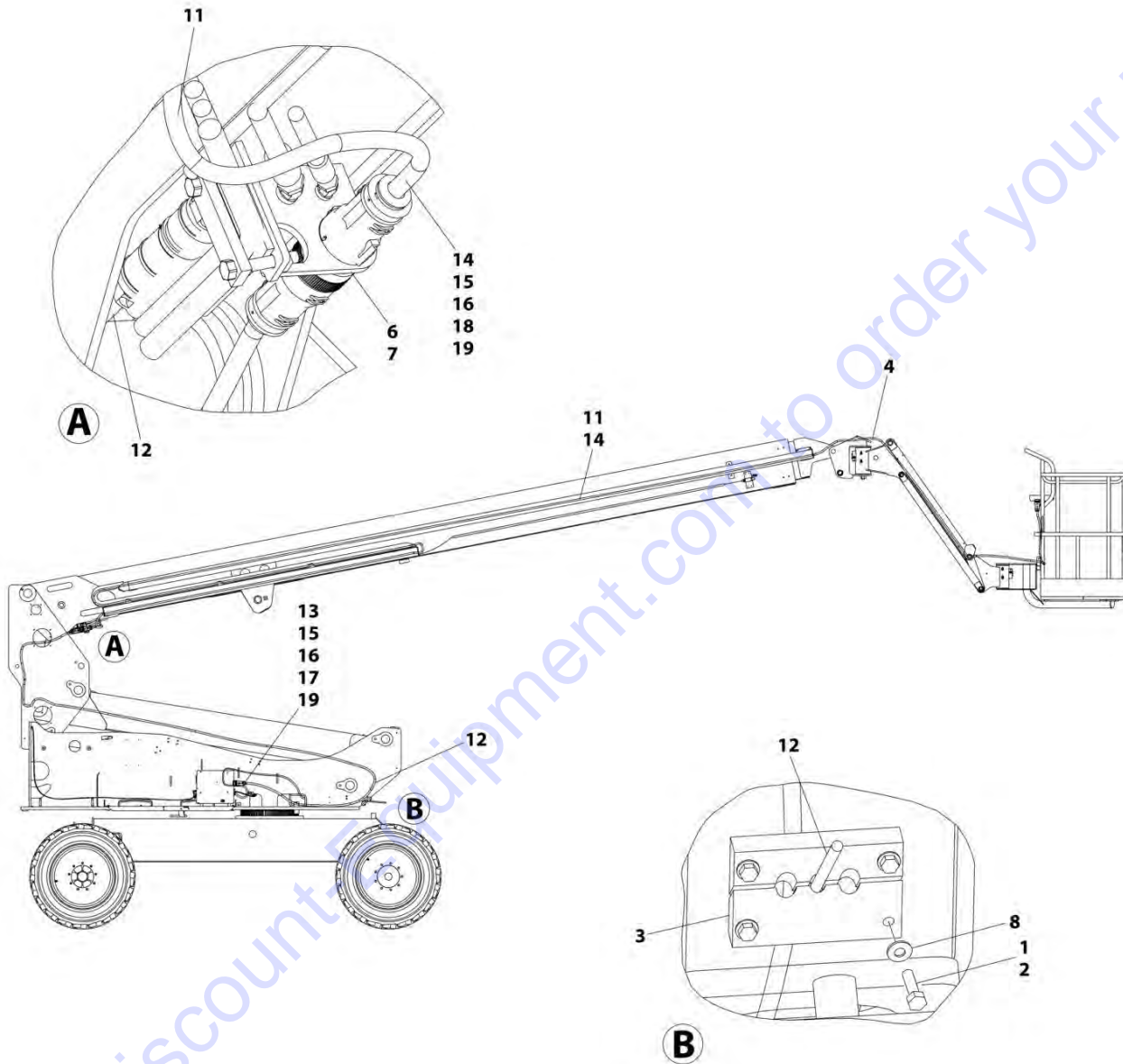
SECTION 8 - ELECTRICAL

FIGURE 8-29. CABLES AND CLAMPS INSTALLATION (E600JP/M600JP) (AUSTRALIAN SPECS AND CE SPECS)

ITEM	PART NUMBER	QTY	DESCRIPTION	REV
	1001183539	Ref	CABLES AND CLAMPS INSTALLATION (E600JP/M600JP) (AUSTRALIAN SPECS AND CE SPECS)	C
1	0100011	AR	Locking, Compound	
2	0641612	4	Bolt 3/8 x 1-1/2	
3	1320256	1	Clamp, Block	
4	4100026	1	Sleeve, Hose Protector	
5	4240033	AR	Tie-Strap (Not Shown)	
6	1001205044	1	Washer	
7	1001205043	1	Nut	
8	4711600	4	Washer 3/8	
11	4922939	1	Cable, 12/3	
12	4922940	1	Cable, 12/3	
13	1001183882	1	Lower Boom Cable (See LOWER BOOM CABLE for Breakdown)	
14	1001183884	1	Upper Boom Cable (See UPPER BOOM CABLE for Breakdown)	
15	4460466	AR	Plug, Seal	
16	1001188291	AR	Connector, Backshell	
17	1001188292	1	Connector - 19 Position (SN 0300219271 through 0300224945)	
18	1001188293	1	Connector - 19 Position	
19	1001188354	AR	Grommet	

SECTION 8 - ELECTRICAL

FIGURE 8-30. CABLES AND CLAMPS INSTALLATION (E600JP/M600JP) (AUSTRALIAN SPECS AND CE SPECS)



ART_1001183540

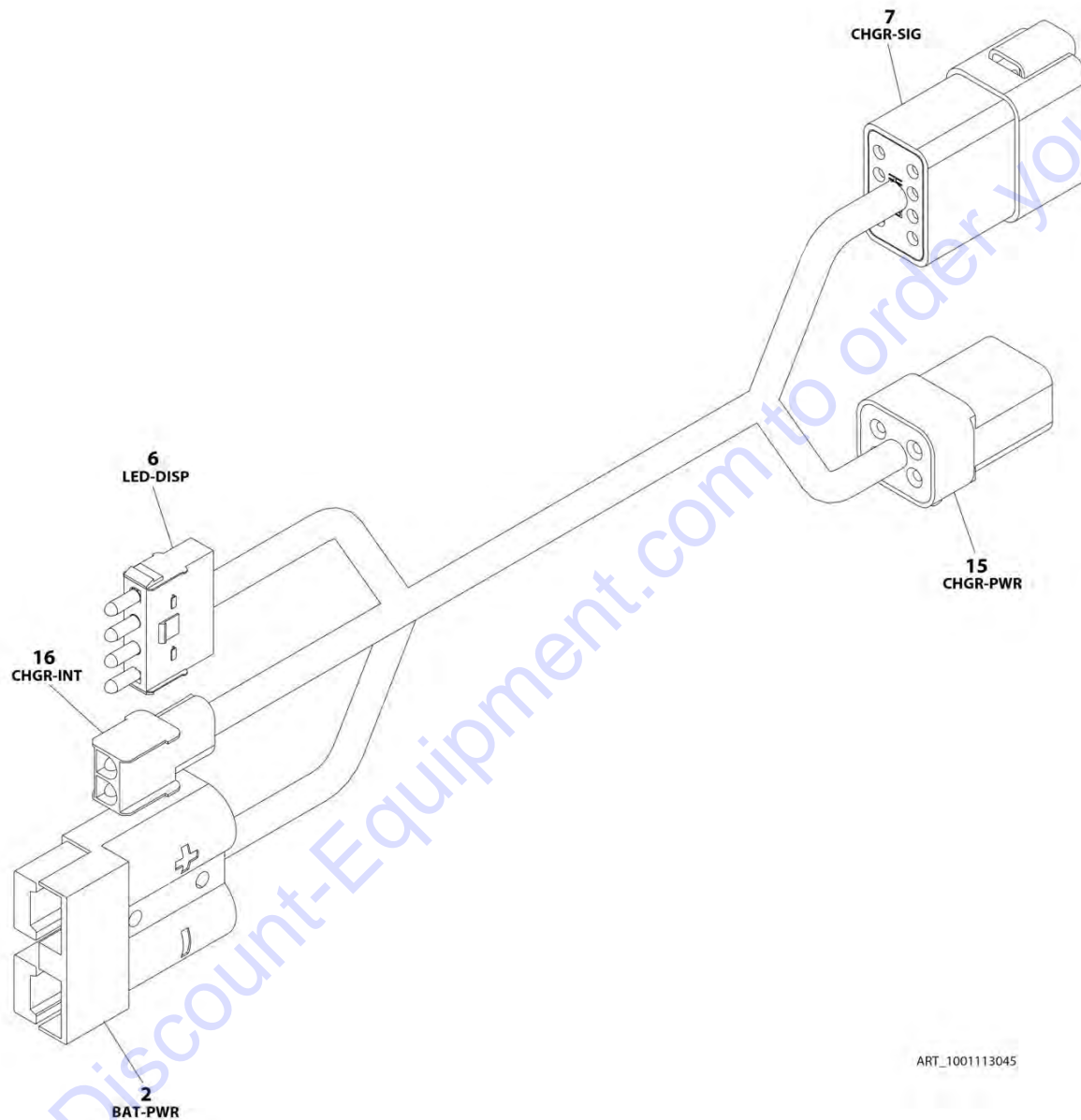
SECTION 8 - ELECTRICAL

FIGURE 8-30. CABLES AND CLAMPS INSTALLATION (E600JP/M600JP) (AUSTRALIAN SPECS AND CE SPECS)

ITEM	PART NUMBER	QTY	DESCRIPTION	REV
	1001183540	Ref	CABLES AND CLAMPS INSTALLATION (E600JP/M600JP) (AUSTRALIAN SPECS AND CE SPECS)	C
1	0100011	AR	Locking, Compound	
2	0641612	4	Bolt 3/8 x 1-1/2	
3	1320256	1	Clamp, Block	
4	4100026	1	Sleeve, Hose Protector	
5	4240033	AR	Tie-Strap (Not Shown)	
6	1001205044	1	Washer	
7	1001205043	1	Nut	
8	4711600	4	Washer 3/8	
11	4922939	2	Cable, 12/3	
12	4922940	2	Cable, 12/3	
13	1001183882	1	Lower Boom Cable (See LOWER BOOM CABLE for Breakdown)	
14	1001183884	1	Upper Boom Cable (See UPPER BOOM CABLE for Breakdown)	
15	4460466	AR	Plug, Seal	
16	1001188291	AR	Connector, Backshell	
17	1001188292	1	Connector - 19 Position (SN 0300219271 through 0300224945)	
18	1001188293	1	Connector - 19 Position	
19	1001188354	AR	Grommet	

SECTION 8 - ELECTRICAL

FIGURE 8-31. CHARGER CONNECT HARNESS



ART_100113045

SECTION 8 - ELECTRICAL

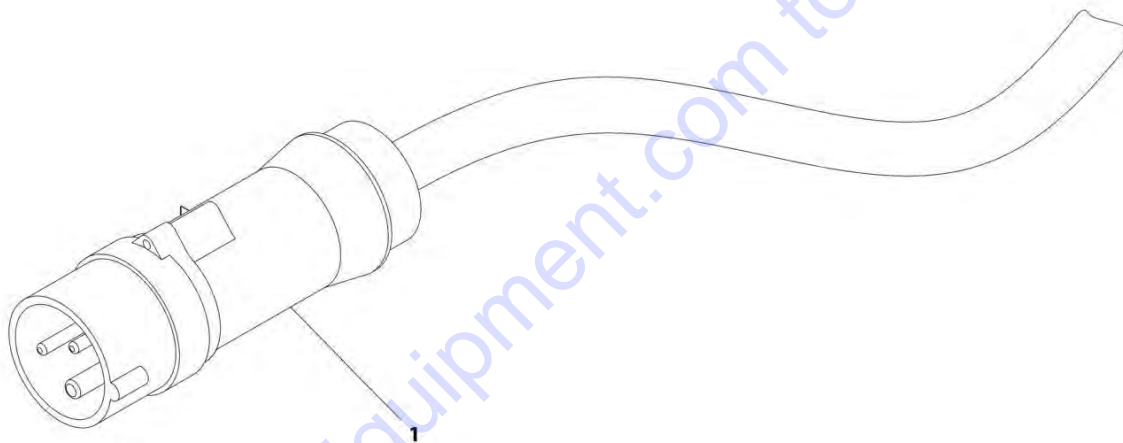
FIGURE 8-31. CHARGER CONNECT HARNESS

ITEM	PART NUMBER	QTY	DESCRIPTION	REV
	1001113045	Ref	CHARGER CONNECT HARNESS	C
2	4460444	1	Connector, Anderson	
6	4460761	1	Connector, Female - 4 Position	
6	4460227	4	Socket, Female	
7	4460931	1	Connector - 8 Position	
7	4460464	6	Pin, Male	
7	4460466	2	Plug, Seal	
15	1001096188	1	Connector - 4 Position	
15	4460466	2	Plug, Seal	
15	4460509	2	Socket, Female	
16	4460424	1	Connector - 2 Position	
16	4460227	2	Socket, Female	

Go to Discount-Equipment.com to order your parts

SECTION 8 - ELECTRICAL

FIGURE 8-32. CHARGER CORD PLUG INSTALLATION - 110V - IEC 60309 - YELLOW (CE SPEC)



ART_0275666

SECTION 8 - ELECTRICAL

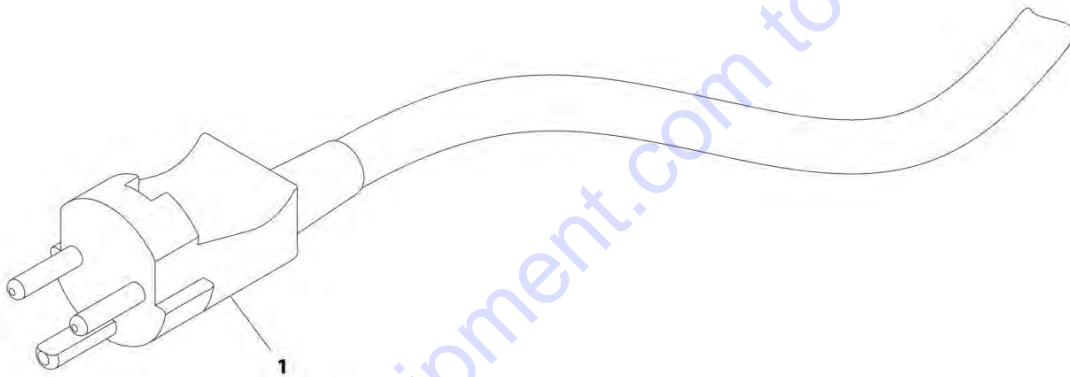
FIGURE 8-32. CHARGER CORD PLUG INSTALLATION - 110V - IEC 60309 - YELLOW (CE SPEC)

ITEM	PART NUMBER	QTY	DESCRIPTION	REV
	0275666	Ref	CHARGER CORD PLUG INSTALLATION - 110V - IEC 60309 - YELLOW (CE SPEC)	A
1	4461196	1	Plug	

Go to Discount-Equipment.com to order your parts

SECTION 8 - ELECTRICAL

FIGURE 8-33. CHARGER CORD PLUG INSTALLATION - 220V - AFSINT 107 KEYED GROUND (CE SPEC)



ART_0275665

SECTION 8 - ELECTRICAL

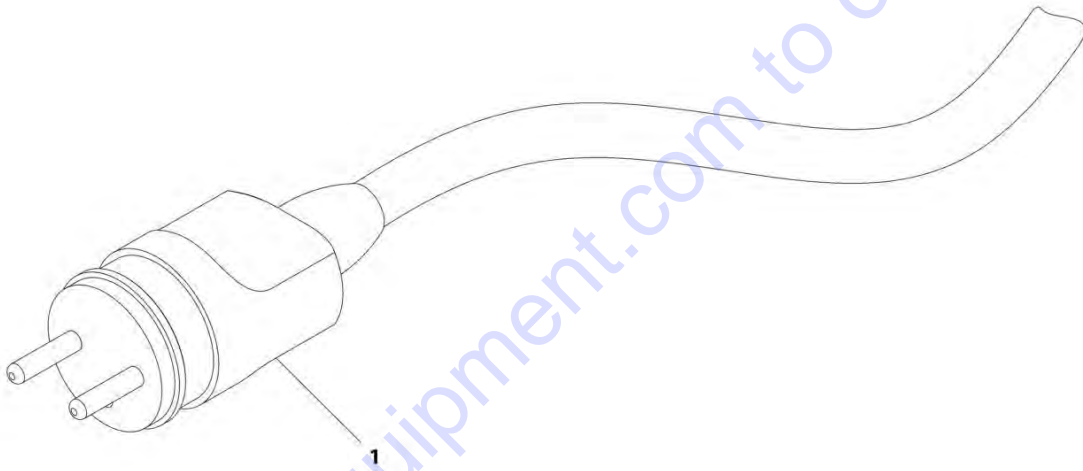
FIGURE 8-33. CHARGER CORD PLUG INSTALLATION - 220V - AFSINT 107 KEYED GROUND (CE SPEC)

ITEM	PART NUMBER	QTY	DESCRIPTION	REV
	0275665	Ref	CHARGER CORD PLUG INSTALLATION - 220V - AFSINT 107 KEYED GROUND (CE SPEC)	A
1	4461249	1	Plug	

Go to Discount-Equipment.com to order your parts

SECTION 8 - ELECTRICAL

FIGURE 8-34. CHARGER CORD PLUG INSTALLATION - 220V - CEE7 POST GROUND (CE SPEC)



ART_0275663

SECTION 8 - ELECTRICAL

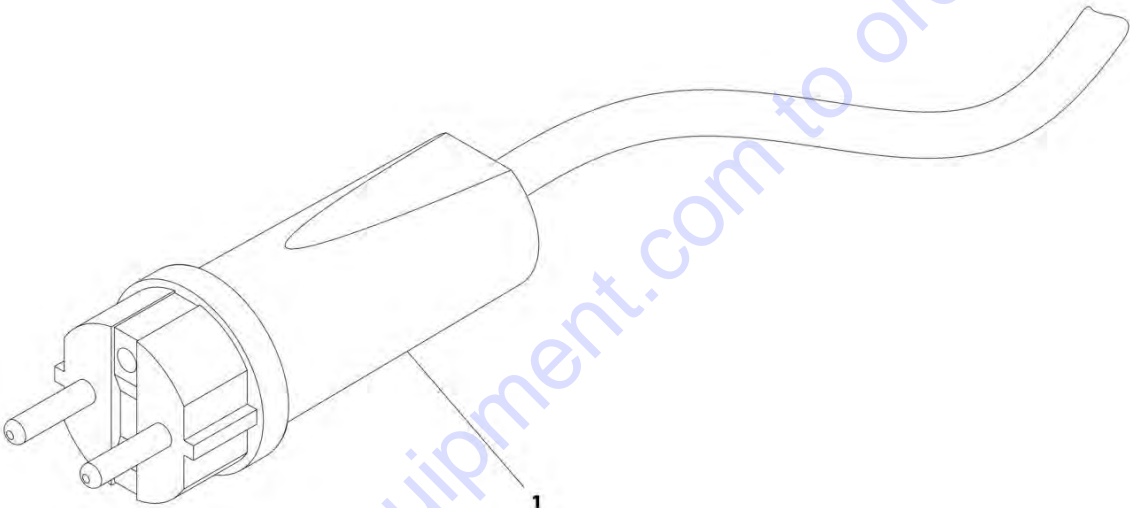
FIGURE 8-34. CHARGER CORD PLUG INSTALLATION - 220V - CEE7 POST GROUND (CE SPEC)

ITEM	PART NUMBER	QTY	DESCRIPTION	REV
	0275663	Ref	CHARGER CORD PLUG INSTALLATION - 220V - CEE7 POST GROUND (CE SPEC)	A
1	4461202	1	Plug	

Go to Discount-Equipment.com to order your parts

SECTION 8 - ELECTRICAL

FIGURE 8-35. CHARGER CORD PLUG INSTALLATION - 220V - CEE7 SIDE GROUND (CE SPEC)



ART_0275664

SECTION 8 - ELECTRICAL

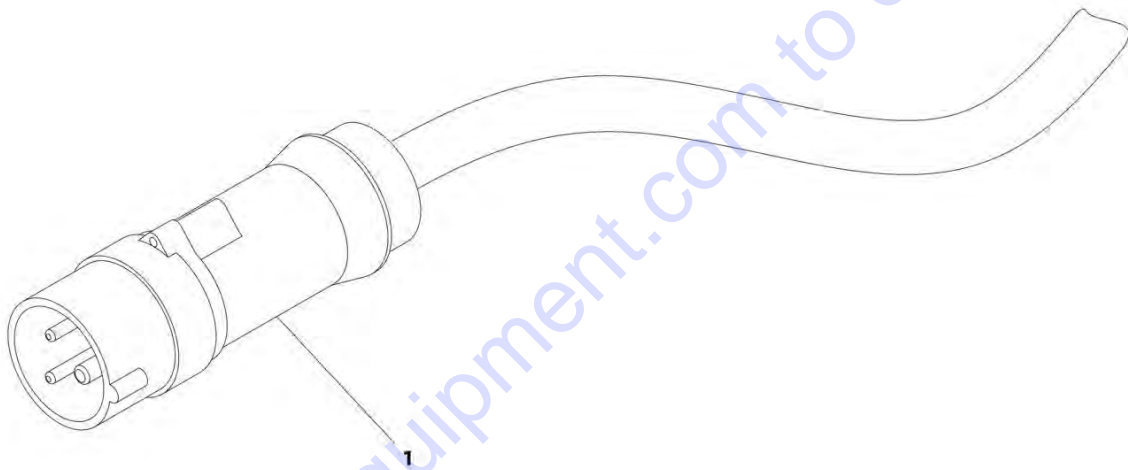
FIGURE 8-35. CHARGER CORD PLUG INSTALLATION - 220V - CEE7 SIDE GROUND (CE SPEC)

ITEM	PART NUMBER	QTY	DESCRIPTION	REV
	0275664	Ref	CHARGER CORD PLUG INSTALLATION - 220V - CEE7 SIDE GROUND (CE SPEC)	A
1	4461205	1	Plug	

Go to Discount-Equipment.com to order your parts

SECTION 8 - ELECTRICAL

FIGURE 8-36. CHARGER CORD PLUG INSTALLATION - 220V - IEC 60309 - BLUE (CE SPEC)



ART_0275667

SECTION 8 - ELECTRICAL

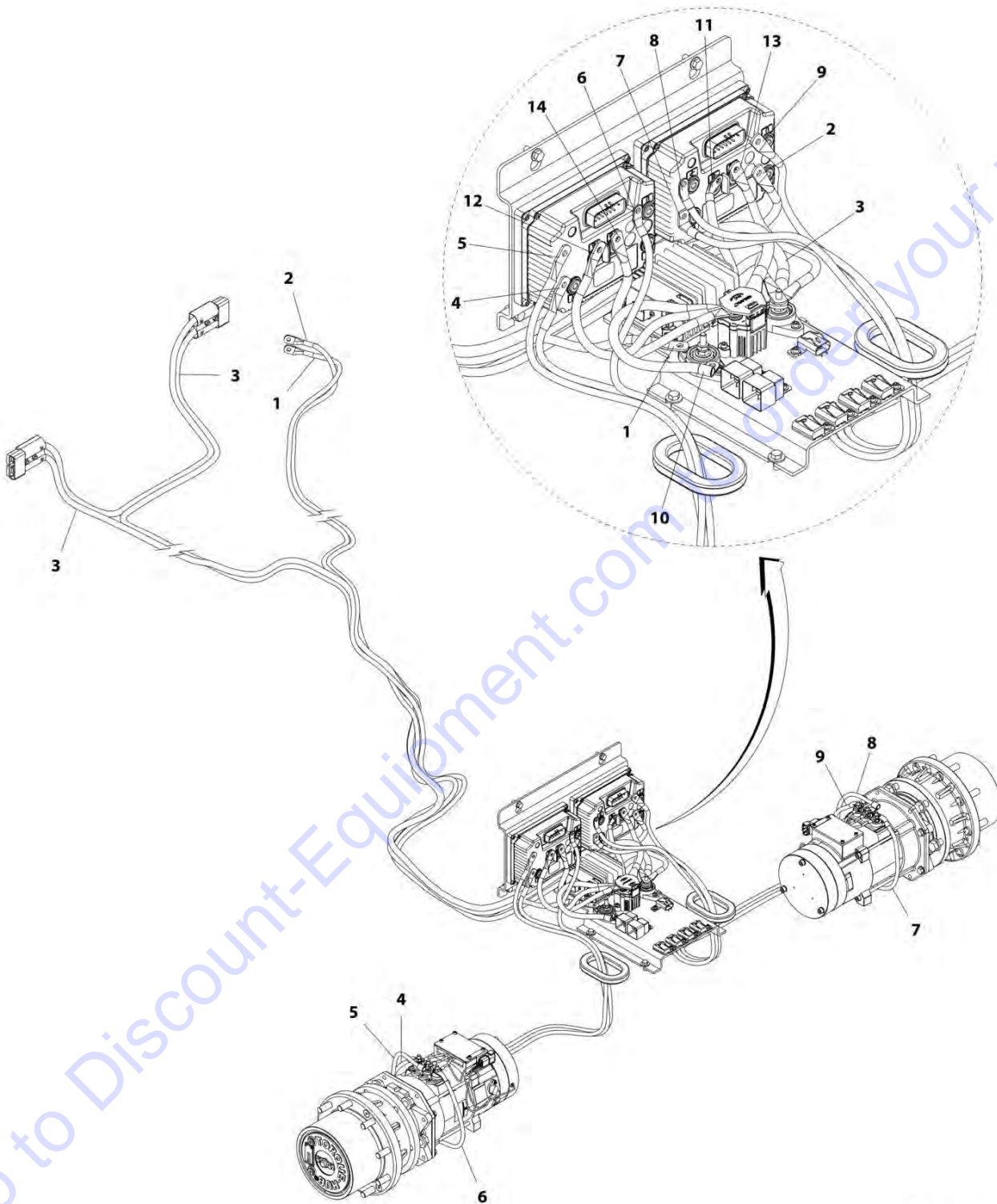
FIGURE 8-36. CHARGER CORD PLUG INSTALLATION - 220V - IEC 60309 - BLUE (CE SPEC)

ITEM	PART NUMBER	QTY	DESCRIPTION	REV
	0275667	Ref	CHARGER CORD PLUG INSTALLATION - 220V - IEC 60309 - BLUE (CE SPEC)	A
1	4461199	1	Plug	

Go to Discount-Equipment.com to order your parts

SECTION 8 - ELECTRICAL

FIGURE 8-37. DRIVE CABLE KIT (NON UL SPECS)



ART_1001196485

SECTION 8 - ELECTRICAL

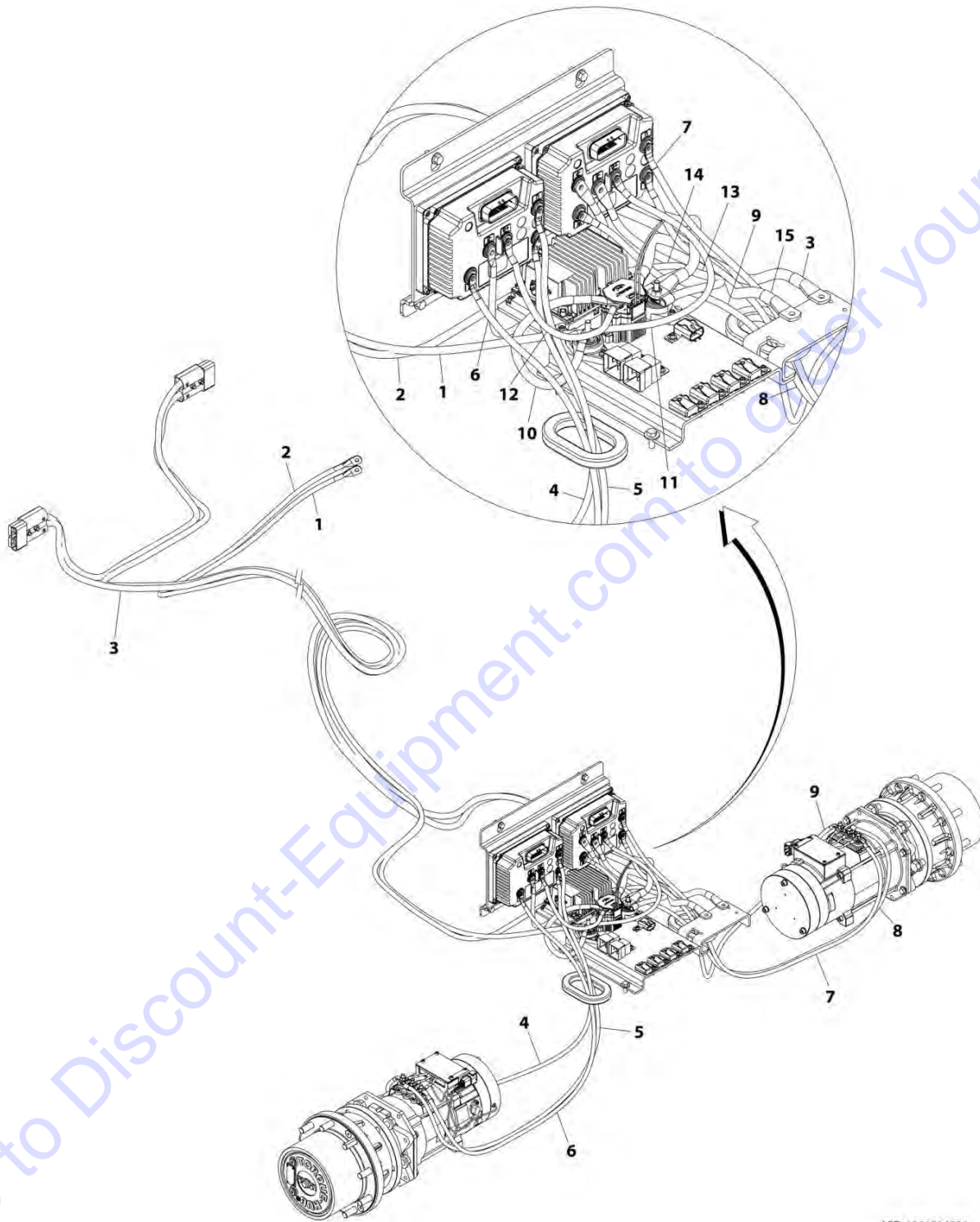
FIGURE 8-37. DRIVE CABLE KIT (NON UL SPECS)

ITEM	PART NUMBER	QTY	DESCRIPTION	REV
	1001196485	Ref	DRIVE CABLE KIT (NON UL SPECS)	D
1	1001179499	1	Cable - Pump Motor + to Fuse	
2	1001179500	1	Cable - Pump Motor - to LH Module P	
3	1001182996	1	Cable - Battery	
4	1001196061	1	Cable - LH Motor U	
5	1001196062	1	Cable - LH Motor V	
6	1001196063	1	Cable - LH Motor W	
7	1001196065	1	Cable - RH Motor U	
8	1001196066	1	Cable - RH Motor V	
9	1001196067	1	Cable - RH Motor W	
10	1001196237	1	Cable - Contactor to Fuse	
11	1001196238	1	Cable - RH Zapi +	
12	1001196239	1	Cable - LH Zapi +	
13	1001196240	1	Cable - RH Zapi -	
14	1001196241	1	Cable - LH Zapi -	

Go to Discount-Equipment.com to order your parts

SECTION 8 - ELECTRICAL

FIGURE 8-38. DRIVE CABLE KIT (UL SPECS)



ART_1001214800

SECTION 8 - ELECTRICAL

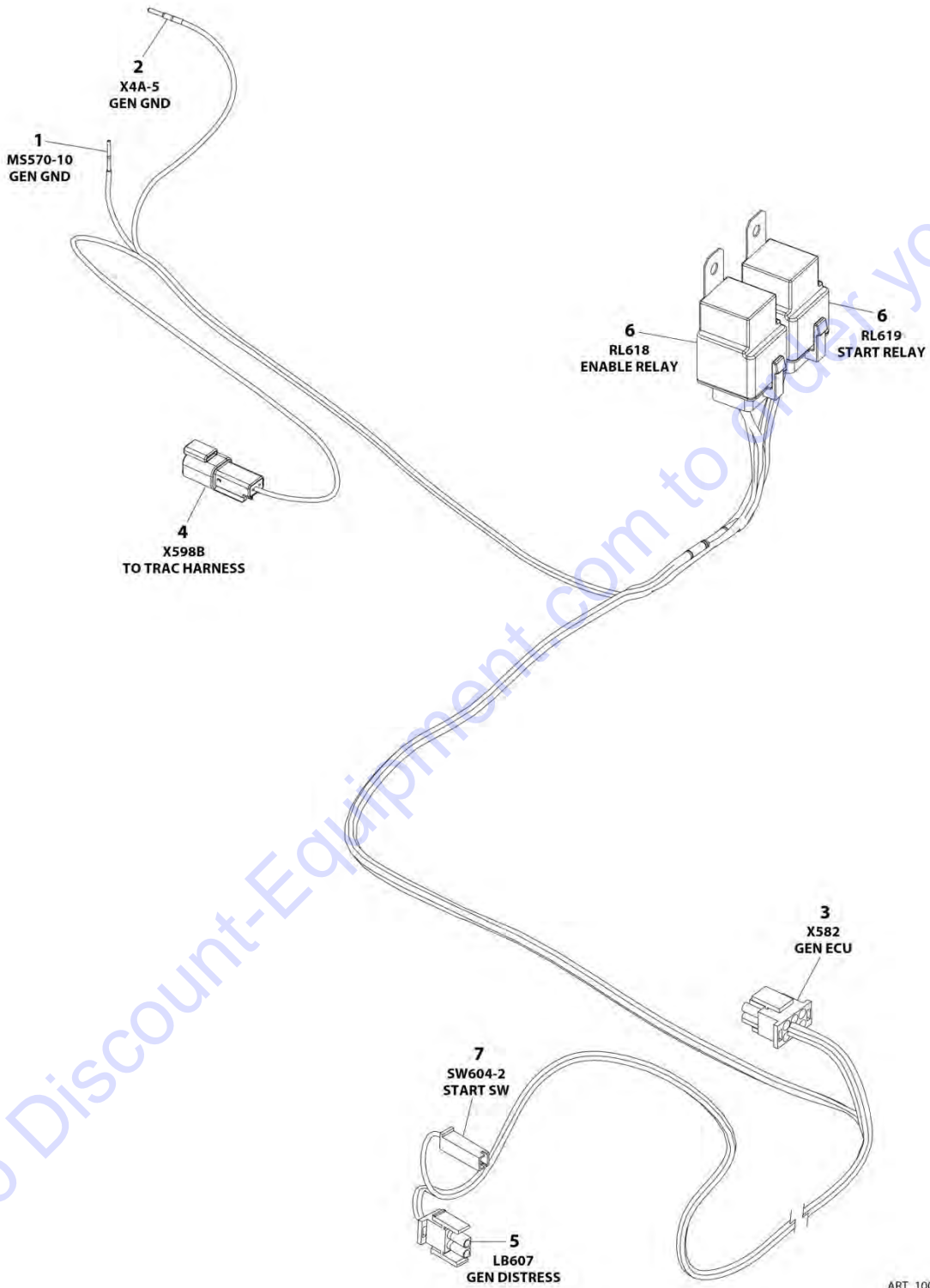
FIGURE 8-38. DRIVE CABLE KIT (UL SPECS)

ITEM	PART NUMBER	QTY	DESCRIPTION	REV
	1001214800	Ref	DRIVE CABLE KIT (UL SPECS)	C
1	1001179499	1	Cable - Pump Motor + to Fuse	
2	1001179500	1	Cable - Pump Motor - to LH Module P	
3	1001182996	1	Cable - Battery	
4	1001196061	1	Cable - LH Motor U	
5	1001196062	1	Cable - LH Motor V	
6	1001196063	1	Cable - LH Motor W	
7	1001196065	1	Cable - RH Motor U	
8	1001196066	1	Cable - RH Motor V	
9	1001196067	1	Cable - RH Motor W	
10	1001196237	1	Cable - Contactor to Fuse	
11	1001196238	1	Cable - RH Zapi +	
12	1001196239	1	Cable - LH Zapi +	
13	1001196240	1	Cable - RH Zapi -	
14	1001196241	1	Cable - LH Zapi -	
15	1001214801	1	Cable - Drive Jumper	

Go to Discount-Equipment.com to order your parts

SECTION 8 - ELECTRICAL

FIGURE 8-39. GENERATOR HARNESS



ART_1001199409

SECTION 8 - ELECTRICAL

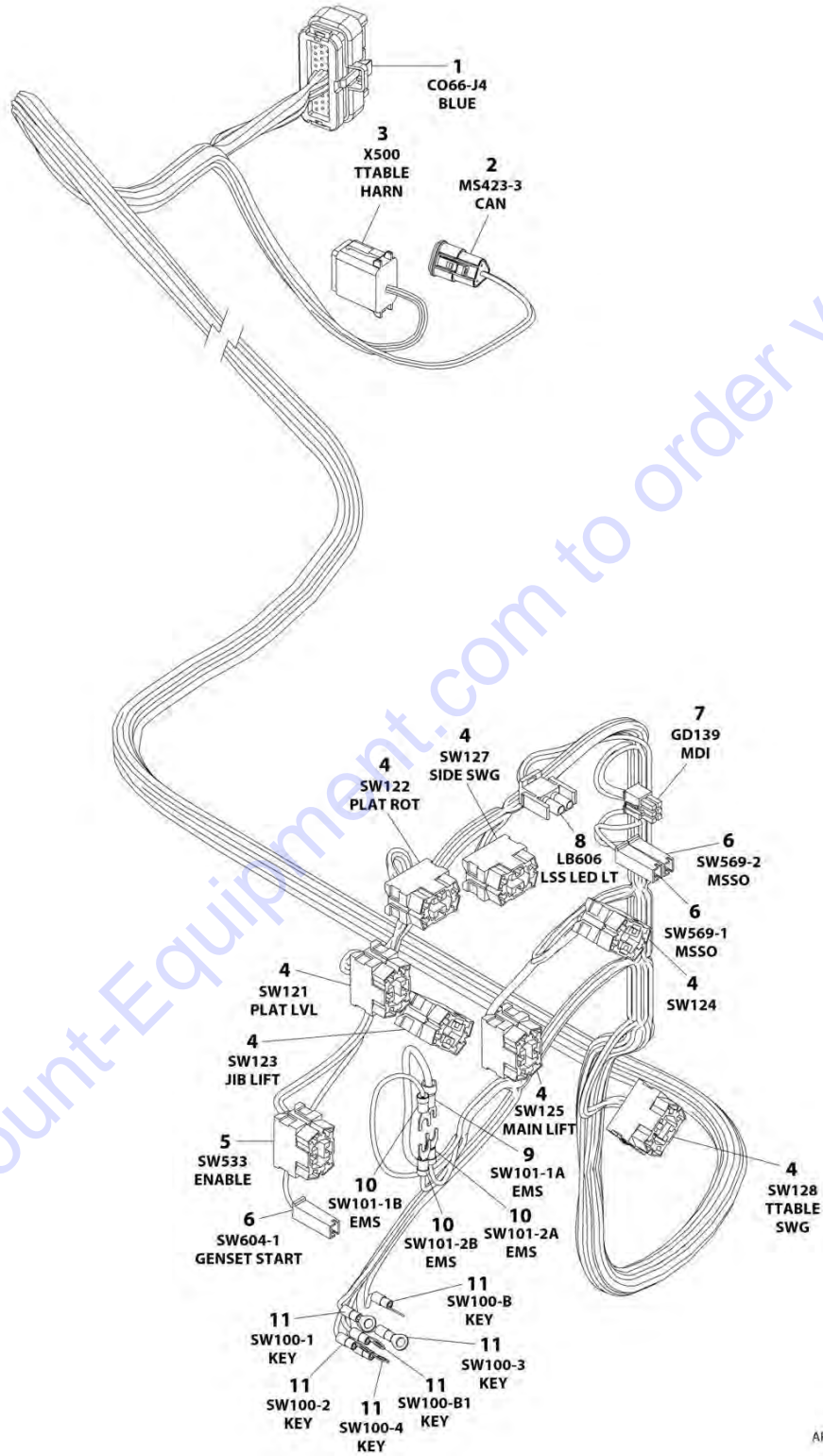
FIGURE 8-39. GENERATOR HARNESS

ITEM	PART NUMBER	QTY	DESCRIPTION	REV
	1001199409	Ref	GENERATOR HARNESS	C
1	4460465	1	Socket, Female	
2	4460464	1	Pin, Male	
3	4460225	1	Plug, Male - 6 Position	
3	4460267	5	Pin, Male	
4	4460897	1	Connector - 2 Position	
4	4460464	1	Pin, Male	
4	4460466	1	Plug, Seal	
5	4460320	1	Connector - 2 Position	
5	4460227	2	Pin, Male	
6	3740080	2	Relay	
6	1001203734	2	Plug, Relay	
6	1001116733	4	Terminal	
6	1001116732	4	Terminal	
7	4460260	1	Housing, Terminal	
7	4460259	1	Terminal	

Go to Discount-Equipment.com to order your parts

SECTION 8 - ELECTRICAL

FIGURE 8-40. GROUND CONTROL HARNESS



ART_1001182477

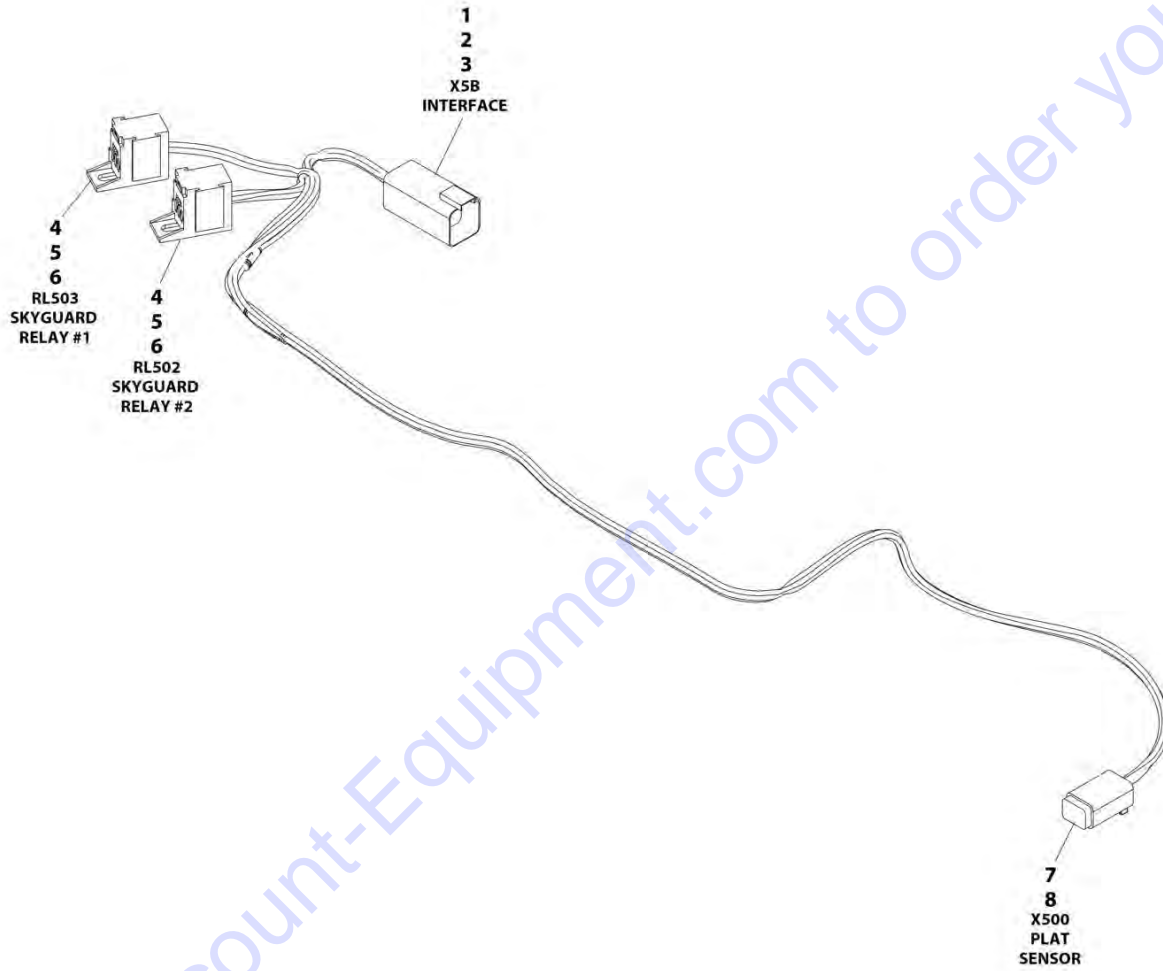
SECTION 8 - ELECTRICAL

FIGURE 8-40. GROUND CONTROL HARNESS

ITEM	PART NUMBER	QTY	DESCRIPTION	REV
	1001182477	Ref	GROUND CONTROL HARNESS	E
1	4460876	1	Connector - 35 Position	
1	4460871	20	Socket, Female	
1	4460905	15	Plug, Terminal	
2	1001116812	1	Connector - 3 Position	
2	4460944	2	Socket, Female	
2	4460466	1	Plug, Seal	
3	4460930	1	Connector - 8 Position	
3	1001116692	7	Socket, Female	
3	4460466	1	Plug, Seal	
4	4460418	7	Connector - 6 Position	
4	4460419	14	Terminal	
4	1001159186	14	Terminal	
5	4460418	1	Connector - 6 Position	
5	4460419	2	Terminal	
5	1001159186	1	Terminal	
6	4460260	3	Housing, Terminal	
6	4460259	3	Terminal	
7	4460868	1	Connector - 6 Position	
7	4460877	4	Socket, Female	
8	4460320	1	Connector - 2 Position	
8	4460227	1	Pin, Male	
8	4460267	2	Pin, Male	
9	4460806	1	Terminal, Fork	
10	4460183	3	Terminal, Fork	
11	4460313	6	Terminal, Ring	

SECTION 8 - ELECTRICAL

FIGURE 8-41. INTERFACE HARNESS - WITH 1 CELL LSS



ART_1001225580

SECTION 8 - ELECTRICAL

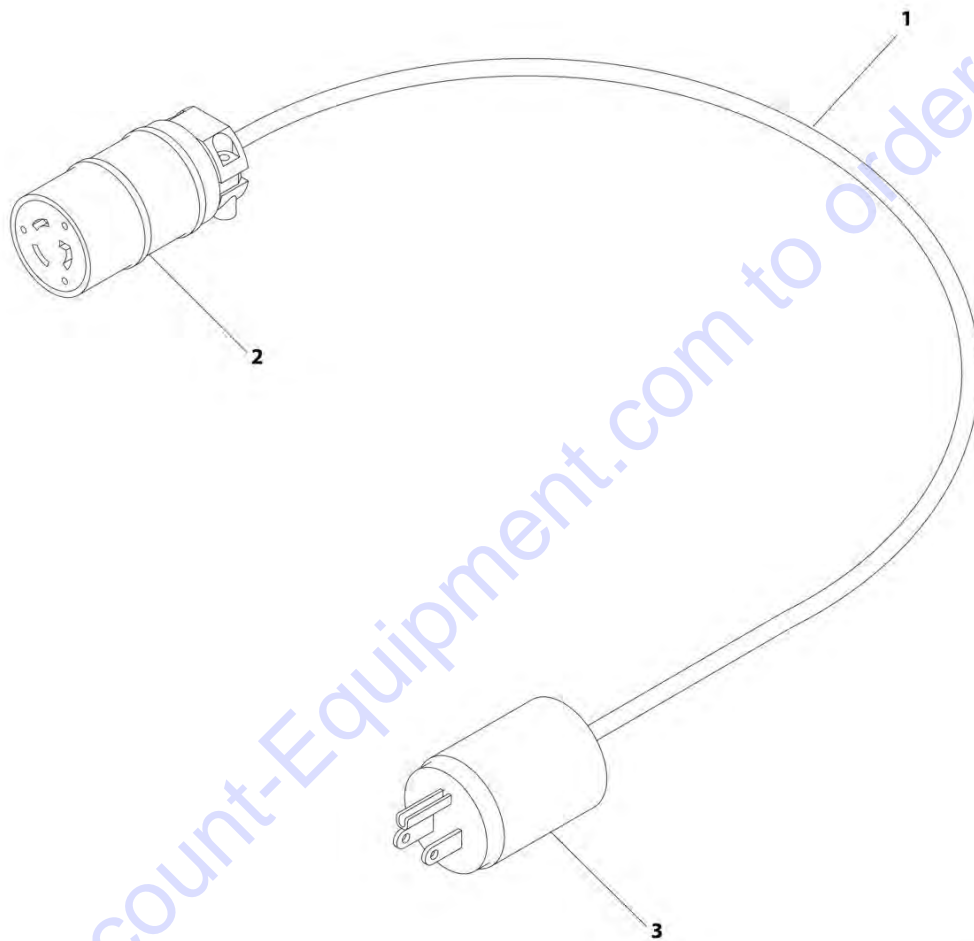
FIGURE 8-41. INTERFACE HARNESS - WITH 1 CELL LSS

ITEM	PART NUMBER	QTY	DESCRIPTION	REV
	1001225580	Ref	INTERFACE HARNESS - WITH 1 CELL LSS	D
1	4460899	1	Connector	
2	4460464	4	Terminal	
3	4460466	2	Plug	
4	1001186432	2	Connector	
5	1001116720	4	Terminal	
6	1001118388	4	Terminal	
7	4460844	1	Connector	
8	4460465	4	Terminal	

Go to Discount-Equipment.com to order your parts

SECTION 8 - ELECTRICAL

FIGURE 8-42. INVERTER HARNESS



ART_4922390

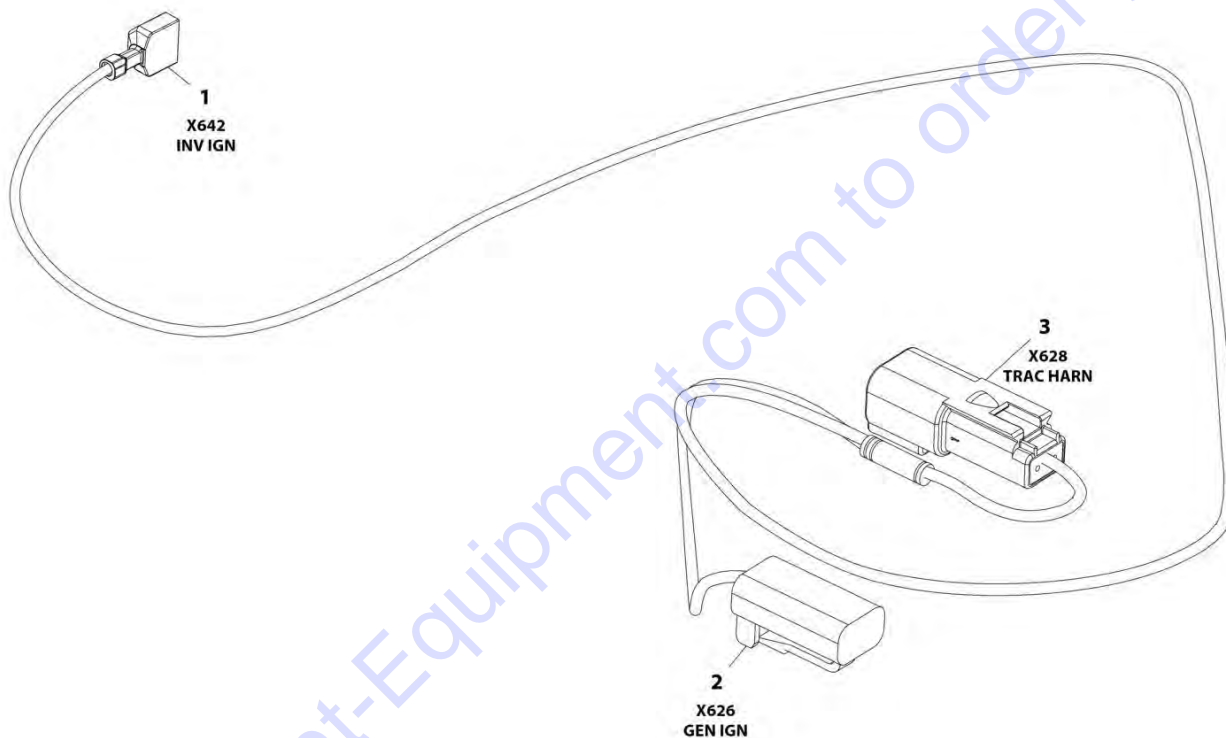
FIGURE 8-42. INVERTER HARNESS

ITEM	PART NUMBER	QTY	DESCRIPTION	REV
1	4922390 1060494	Ref 75 in/ 190.5cm	INVERTER HARNESS Cable 12/3	C
2	4460134	1	Receptacle, Female	
3	4460138	1	Plug, Connector	

Go to Discount-Equipment.com to order your parts

SECTION 8 - ELECTRICAL

FIGURE 8-43. INVERTER IGNITION HARNESS



ART_T001192293

SECTION 8 - ELECTRICAL

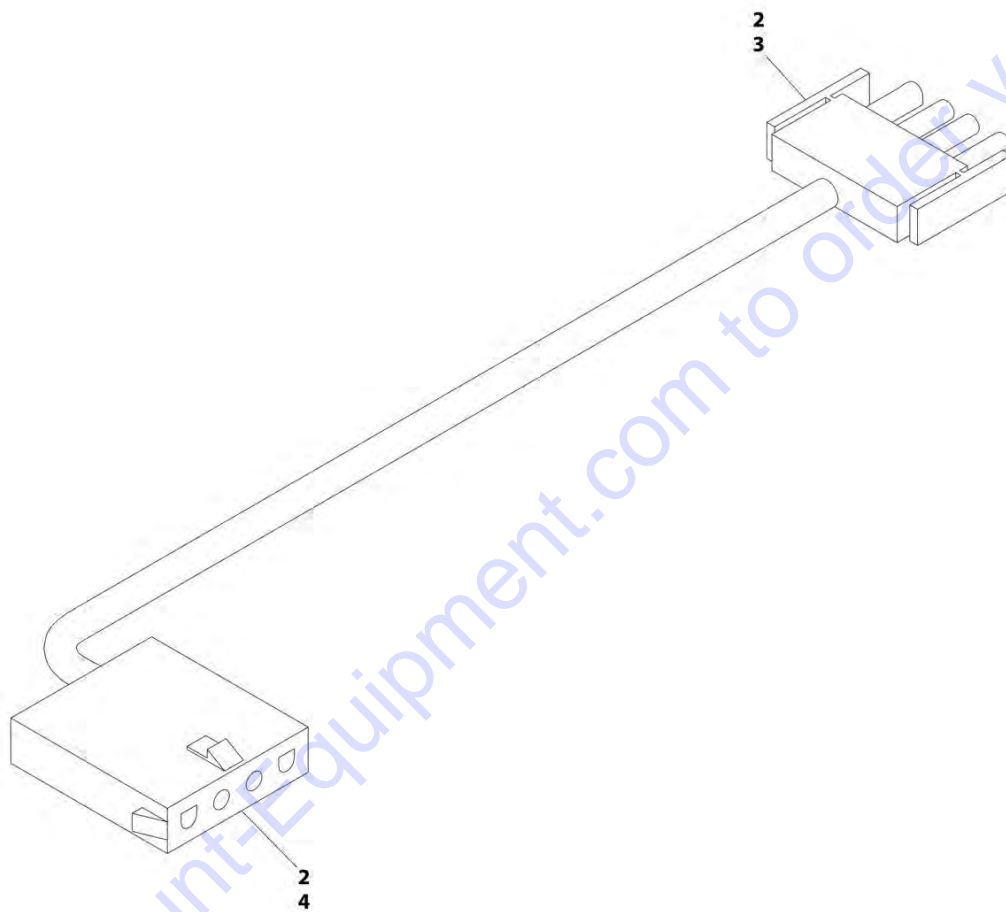
FIGURE 8-43. INVERTER IGNITION HARNESS

ITEM	PART NUMBER	QTY	DESCRIPTION	REV
	1001192293	Ref	INVERTER IGNITION HARNESS	B
1	1001193545	1	Terminal	
2	4460891	1	Connector - 2 Position	
2	4460465	1	Pin, Male	
2	4460466	1	Plug, Seal	
3	4460897	1	Connector - 2 Position	
3	4460464	1	Pin, Male	
3	4460466	1	Plug, Seal	

Go to Discount-Equipment.com to order your parts

SECTION 8 - ELECTRICAL

FIGURE 8-44. LED REMOTE HARNESS



ART_1060813

SECTION 8 - ELECTRICAL

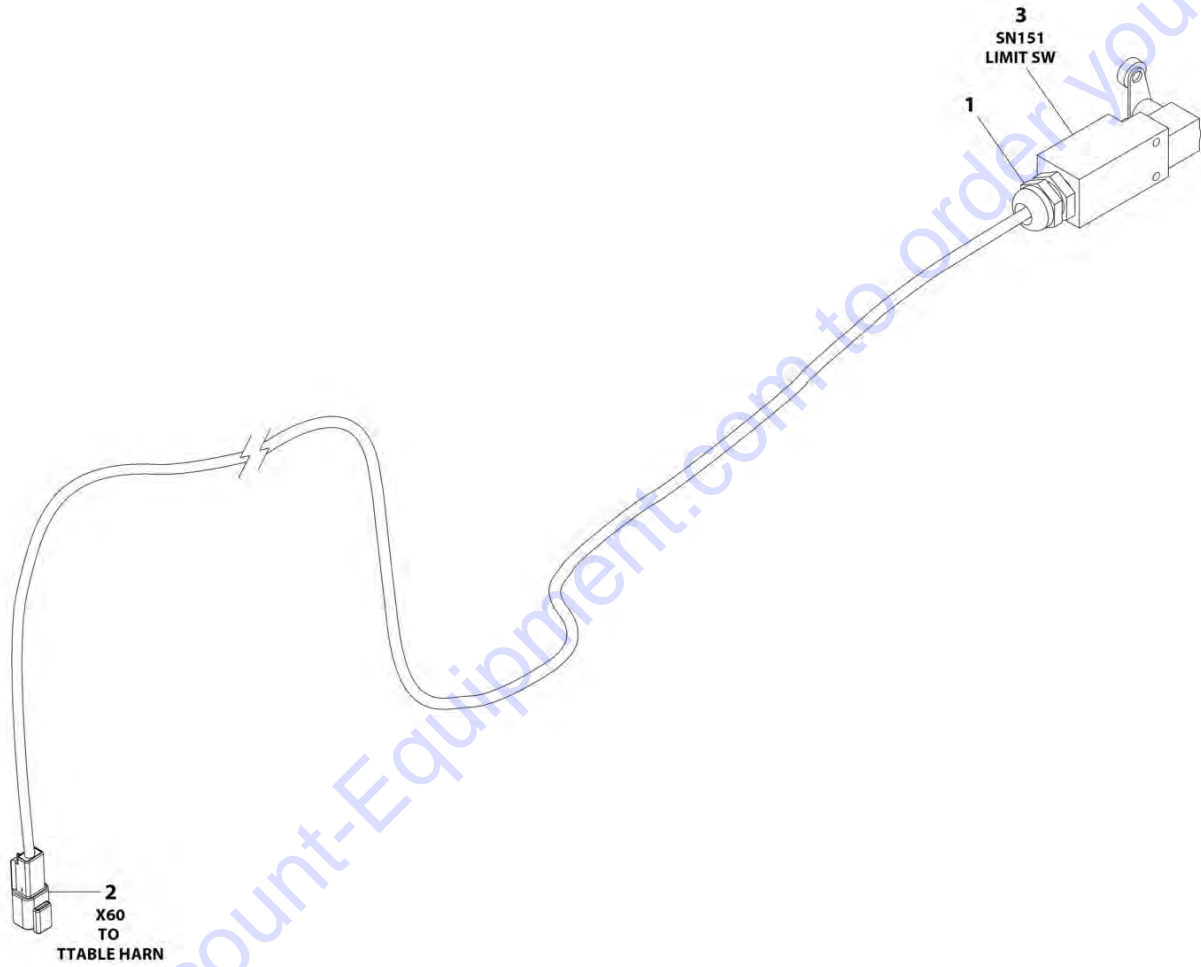
FIGURE 8-44. LED REMOTE HARNESS

ITEM	PART NUMBER	QTY	DESCRIPTION	REV
	1060813	Ref	LED REMOTE HARNESS	A
2	4460226	8	Socket, Female	
3	4460321	1	Connector - 4 Position	
4	4460761	1	Connector, Female - 4 Position	

Go to Discount-Equipment.com to order your parts

SECTION 8 - ELECTRICAL

FIGURE 8-45. LIMIT SWITCH CABLE



ART_1001200173

SECTION 8 - ELECTRICAL

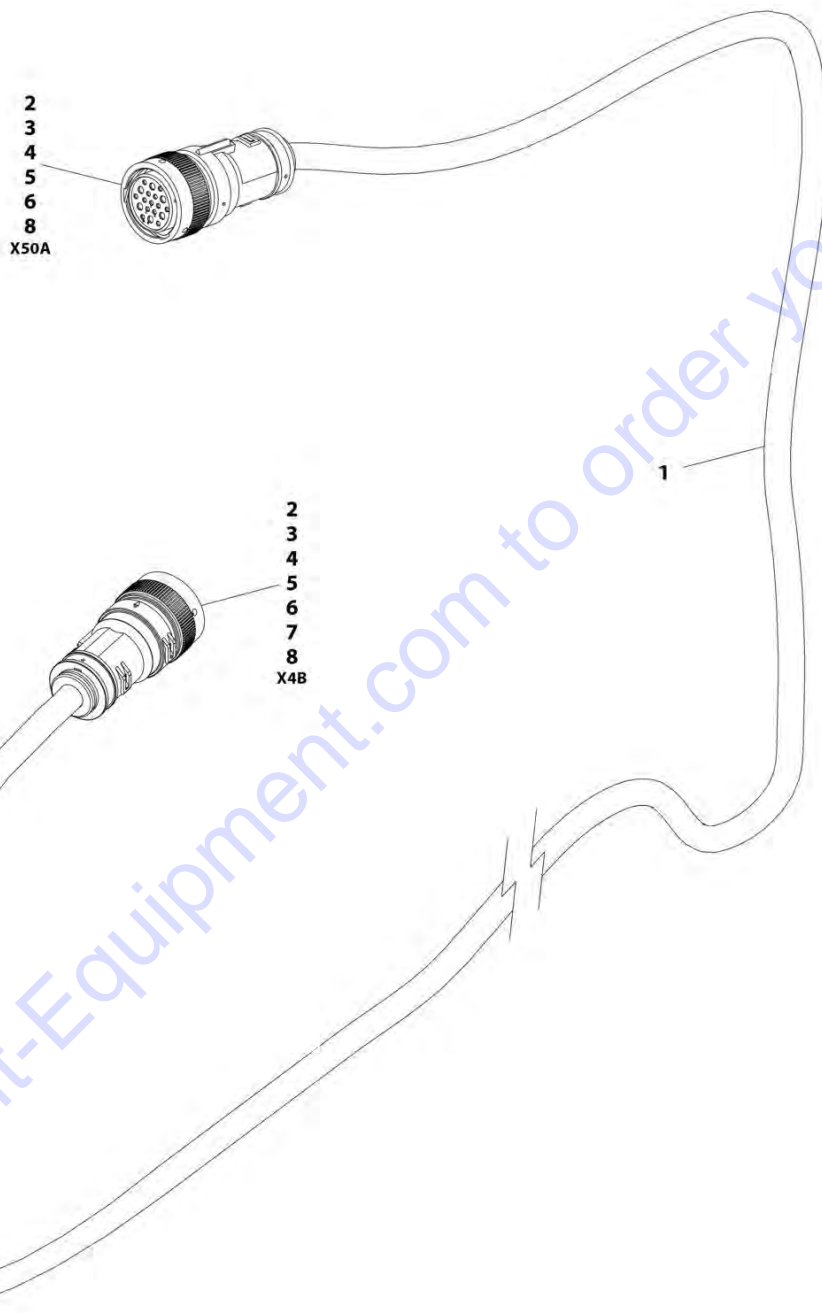
FIGURE 8-45. LIMIT SWITCH CABLE

ITEM	PART NUMBER	QTY	DESCRIPTION	REV
	1001200173	Ref	LIMIT SWITCH CABLE	C
1	4460968	1	Connector, Strain Relief	
2	4460897	1	Connector - 2 Position	
2	4460464	2	Pin, Male	
3	4360578	1	Switch, Limit	

Go to Discount-Equipment.com to order your parts

SECTION 8 - ELECTRICAL

FIGURE 8-46. LOWER BOOM CABLE



ART_1001183882

SECTION 8 - ELECTRICAL

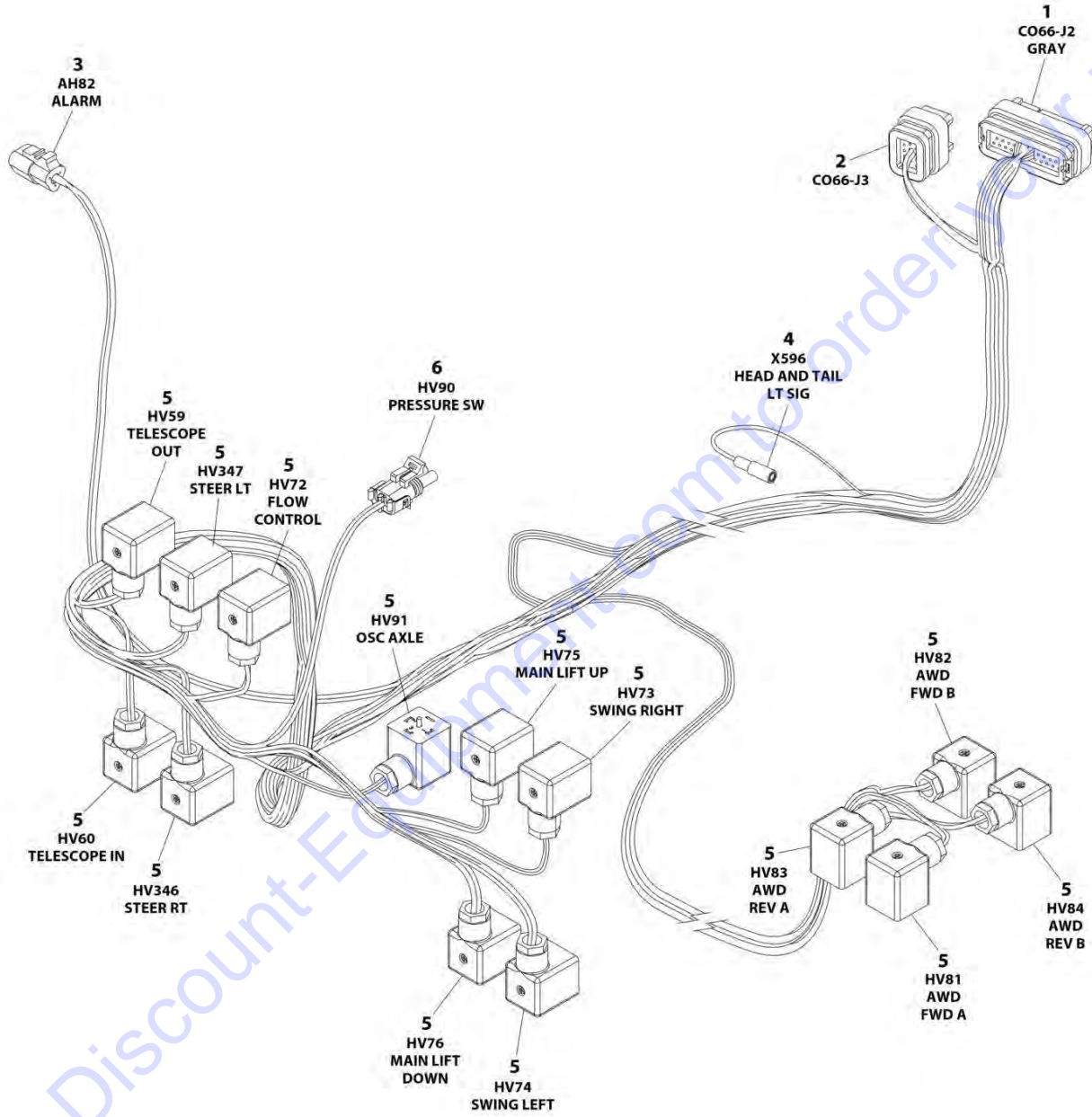
FIGURE 8-46. LOWER BOOM CABLE

ITEM	PART NUMBER	QTY	DESCRIPTION	REV
	1001183882	Ref	LOWER BOOM CABLE	C
1	1060896	20 ft/6.1m	Cable, Electrical	
2	1001188292	AR	Connector - 19 Position	
3	1001188291	AR	Connector, Backshell	
4	4460465	22	Socket, Female	
5	4460509	8	Socket, Female	
6	4460466	AR	Plug, Seal	
7	2820118	6 in/ 15.3cm	Heat Shrink	
8	1001188354	AR	Grommet	
9	4240033	AR	Tie-Strap (Not Shown)	

Go to Discount-Equipment.com to order your parts

SECTION 8 - ELECTRICAL

FIGURE 8-47. LOWER VALVE HARNESS



ART_1001182480

SECTION 8 - ELECTRICAL

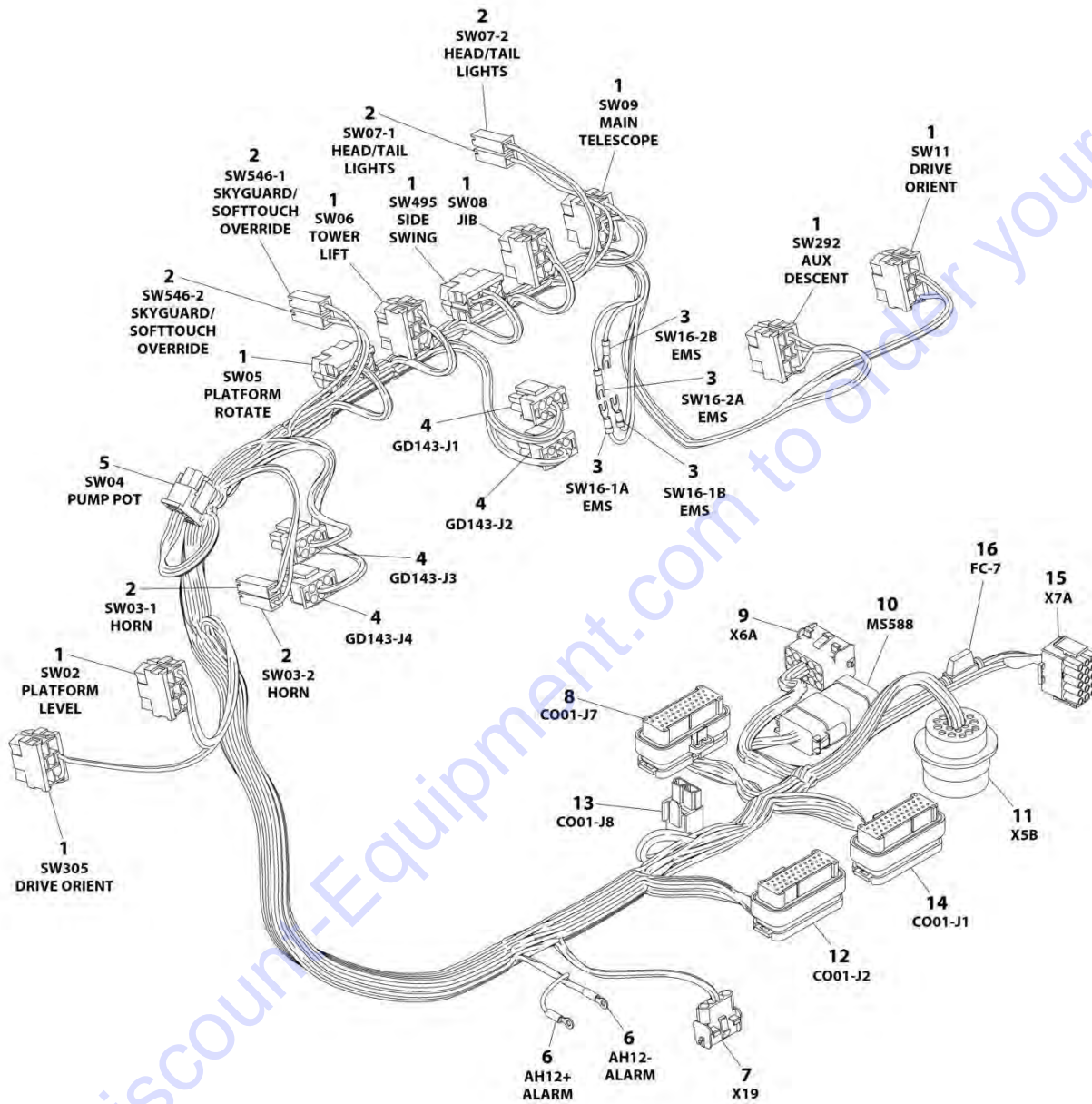
FIGURE 8-47. LOWER VALVE HARNESS

ITEM	PART NUMBER	QTY	DESCRIPTION	REV
	1001182480	Ref	LOWER VALVE HARNESS	D
1	4460875	1	Connector - 35 Position (Gray)	
1	4460871	23	Socket, Female	
1	4460905	12	Plug, Terminal	
2	4460872	1	Connector - 14 Position	
2	4460871	4	Socket, Female	
2	4460905	10	Plug, Terminal	
3	4460539	1	Terminal, Deutsch - 3 Position Female	
3	4460465	3	Socket, Female	
4	8220068	1	Terminal, Snap Plug	
5	4460449	14	DIN Connector without Diode	
6	4460742	1	Connector - 2 Position	
6	4460743	2	Terminal, Female	
6	4460458	2	Seal, Cable	

Go to Discount-Equipment.com to order your parts

SECTION 8 - ELECTRICAL

FIGURE 8-48. PLATFORM CONSOLE HARNESS - WITHOUT LSS OR WITH 4 CELL LSS



ART_1001191318

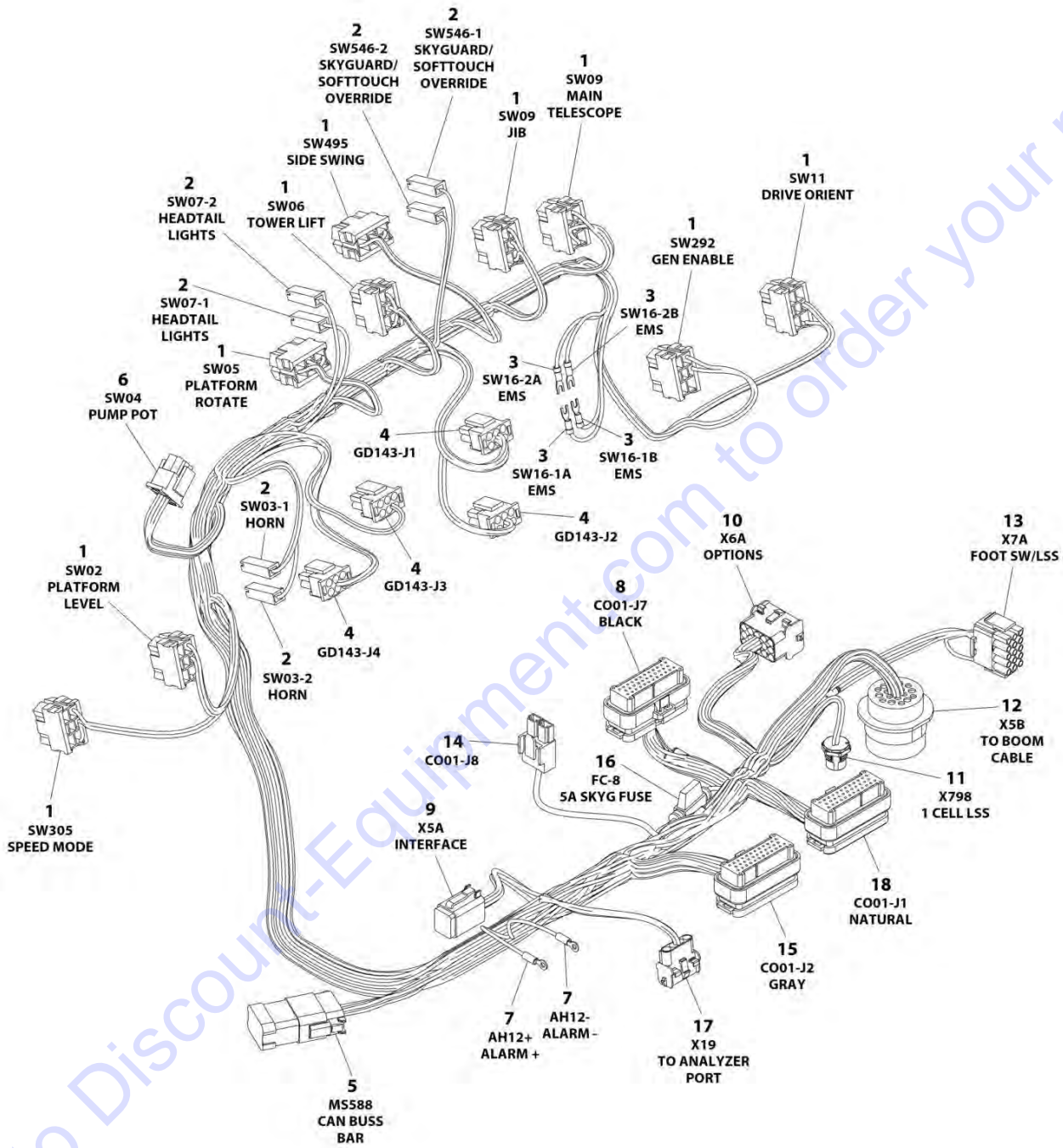
SECTION 8 - ELECTRICAL

FIGURE 8-48. PLATFORM CONSOLE HARNESS - WITHOUT LSS OR WITH 4 CELL LSS

ITEM	PART NUMBER	QTY	DESCRIPTION	REV
	1001191318	Ref	PLATFORM CONSOLE HARNESS - WITHOUT LSS OR WITH 4 CELL LSS	I
1	4460418	9	Connector - 6 Position	
1	4460419	14	Terminal	
1	1001159186	19	Terminal	
2	4460260	6	Housing, Terminal	
2	4460259	9	Terminal	
3	4460888	4	Terminal, Fork	
4	4460225	4	Plug, Male - 6 Position	
4	4460226	15	Socket, Female	
5	4460225	1	Plug, Male - 6 Position	
5	4460267	6	Pin, Male	
6	1001098122	2	Terminal, Eyelet	
7	4460761	1	Connector, Female - 4 Position	
7	4460227	4	Pin, Male	
8	4460873	1	Connector - 35 Position	
8	4460871	21	Socket, Female	
8	4460905	14	Plug, Terminal	
9	4460708	1	Connector - 15 Position	
9	4460226	13	Socket, Female	
10	4460984	1	Connector - 8 Position	
10	4460465	6	Socket, Female	
10	4460466	2	Plug, Seal	
10	4460930	1	Connector - 8 Position	
11	4460866	1	Connector - 19 Pin	
11	4460464	8	Pin, Male	
11	4460508	2	Pin, Male	
11	4460466	9	Plug, Seal	
12	4460875	1	Connector - 35 Position (Gray)	
12	4460871	23	Socket, Female	
12	4460905	12	Plug, Terminal	
13	4460879	1	Connector - 2 Position	
13	4460887	2	Terminal	
14	4460874	1	Connector - 35 Position (Natural)	
14	4460871	26	Socket, Female	
14	4460905	9	Plug, Terminal	
15	4460434	1	Connector - 15 Position	
15	4460227	13	Pin, Male	
16	2400060	1	Fuse Holder with Cover (SN 0300227392 to Present)	
16	8229242	1	Fuse 5 Amp (SN 0300227392 to Present)	

SECTION 8 - ELECTRICAL

FIGURE 8-49. PLATFORM CONSOLE HARNESS - WITH 1 CELL LSS



ART_1001217621

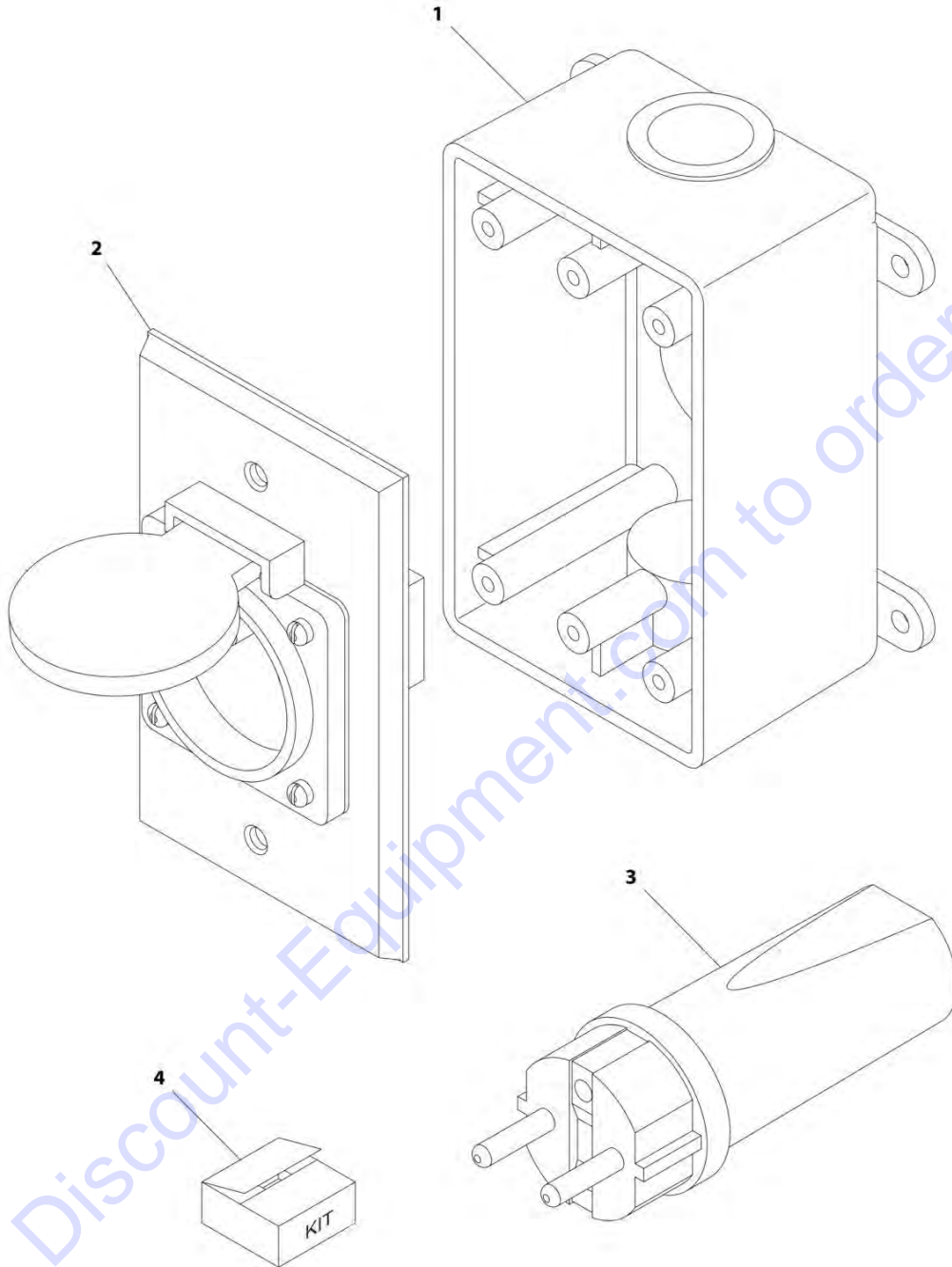
SECTION 8 - ELECTRICAL

FIGURE 8-49. PLATFORM CONSOLE HARNESS - WITH 1 CELL LSS

ITEM	PART NUMBER	QTY	DESCRIPTION	REV
	1001217621	Ref	PLATFORM CONSOLE HARNESS - WITH 1 CELL LSS	D
1	4460418	9	Connector - 6 Position	
1	4460419	15	Terminal	
1	1001159186	17	Terminal	
2	4460260	6	Housing, Terminal	
2	4460259	8	Terminal	
3	4460888	4	Terminal, Fork	
4	4460225	4	Connector - 6 Position	
4	4460226	15	Socket, Female	
5	4460930	1	Plug, Male - 8 Position	
5	4460465	6	Socket, Female	
5	4460466	2	Plug, Terminal	
6	4460224	1	Plug, Male - 6 Position	
6	4460267	1	Pin, Male	
7	1001098122	2	Terminal, Ring	
8	4460873	1	Connector - 35 Position	
8	4460871	23	Socket, Female	
8	4460905	13	Plug, Terminal	
9	4460894	1	Plug, Male - 6 Position	
9	4460465	6	Socket, Female	
10	4460708	1	Connector - 15 Position	
10	4460226	12	Socket, Female	
11	1001213447	1	Connector, Female - 5 Position	
12	4460866	1	Connector - 19 Position	
12	4460466	7	Plug, Terminal	
12	4460464	10	Pin, Male	
12	4460508	2	Pin, Male	
13	4460434	1	Plug, Male - 15 Position	
13	4460227	9	Pin, Male	
14	4460879	1	Plug, Male - 2 Position	
14	4460887	2	Terminal	
15	4460875	1	Connector - 35 Position	
15	4460905	13	Plug, Terminal	
15	4460871	22	Socket, Female	
16	2400060	1	Fuseholder with Cover	
16	8229242	1	Fuse - 5Amp	
17	4460761	1	Receptacle, Female - 4 Position	
17	4460227	4	Pin, Male	
18	4460874	1	Connector - 35 Position	
18	4460871	24	Socket, Female	
18	4460905	11	Plug, Terminal	

SECTION 8 - ELECTRICAL

FIGURE 8-50. RECEPTACLE BOX KIT - 220V CEE7 POST GROUND 2IN X 4IN BOX (CE SPEC)



ART_0275452

SECTION 8 - ELECTRICAL

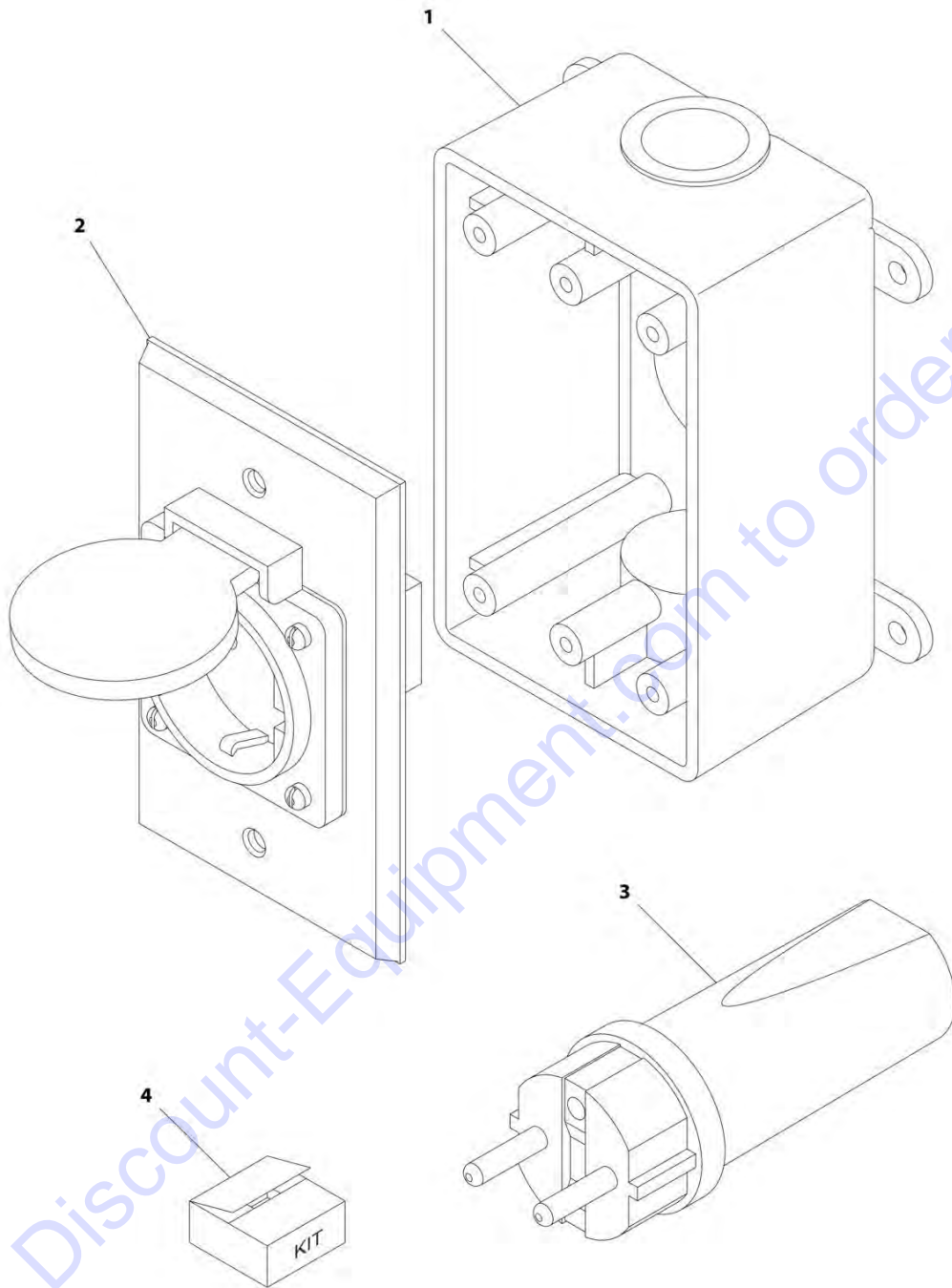
FIGURE 8-50. RECEPTACLE BOX KIT - 220V CEE7 POST GROUND 2IN X 4IN BOX (CE SPEC)

ITEM	PART NUMBER	QTY	DESCRIPTION	REV
	0275452	Ref	RECEPTACLE BOX KIT - 220V CEE7 POST GROUND 2IN X 4IN BOX (CE SPEC)	C
1	0861731	1	Box, Switch	
2	4461244	1	Receptacle	
3	4461202	1	Plug, Male	
4	1001100345	1	Plug and Socket Kit (Includes Items 1-3 and Female Plug p/n 4461206)	

Go to Discount-Equipment.com to order your parts

SECTION 8 - ELECTRICAL

FIGURE 8-51. RECEPTACLE BOX KIT - 220V CEE7 SIDE GROUND 2IN X 4IN BOX (CE SPEC)



ART_0275453

SECTION 8 - ELECTRICAL

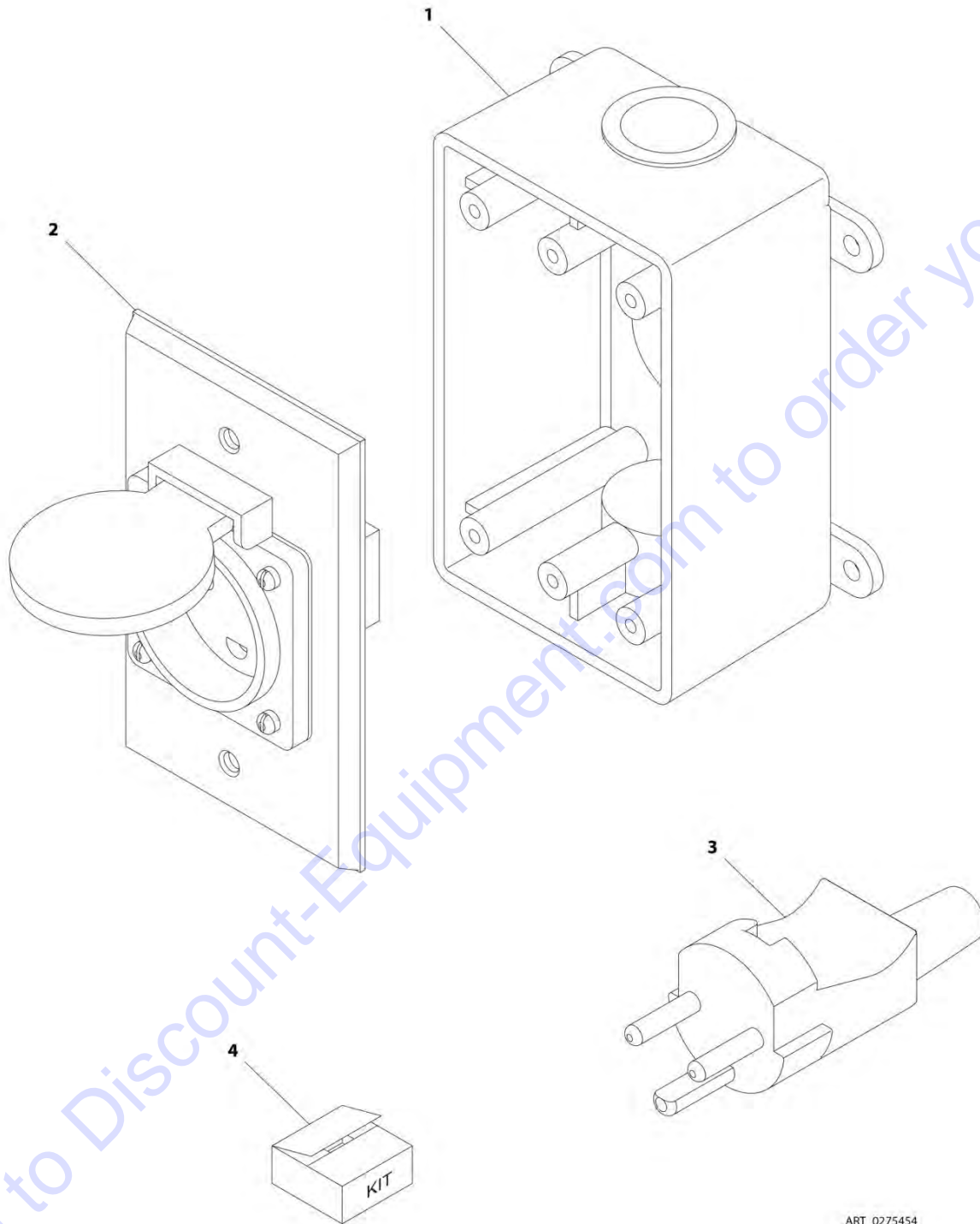
FIGURE 8-51. RECEPTACLE BOX KIT - 220V CEE7 SIDE GROUND 2IN X 4IN BOX (CE SPEC)

ITEM	PART NUMBER	QTY	DESCRIPTION	REV
	0275453	Ref	RECEPTACLE BOX KIT - 220V CEE7 SIDE GROUND 2IN X 4IN BOX (CE SPEC)	B
1	0861731	1	Box, Switch	
2	4461245	1	Receptacle	
3	4461205	1	Plug, Male	
4	1001100347	1	Plug and Socket Kit (Includes Items 1-3 and Female Plug p/n 4461206)	

Go to Discount-Equipment.com to order your parts

SECTION 8 - ELECTRICAL

FIGURE 8-52. RECEPTACLE BOX KIT - 220V AFSINT 107 (CE SPEC)



ART_0275454

SECTION 8 - ELECTRICAL

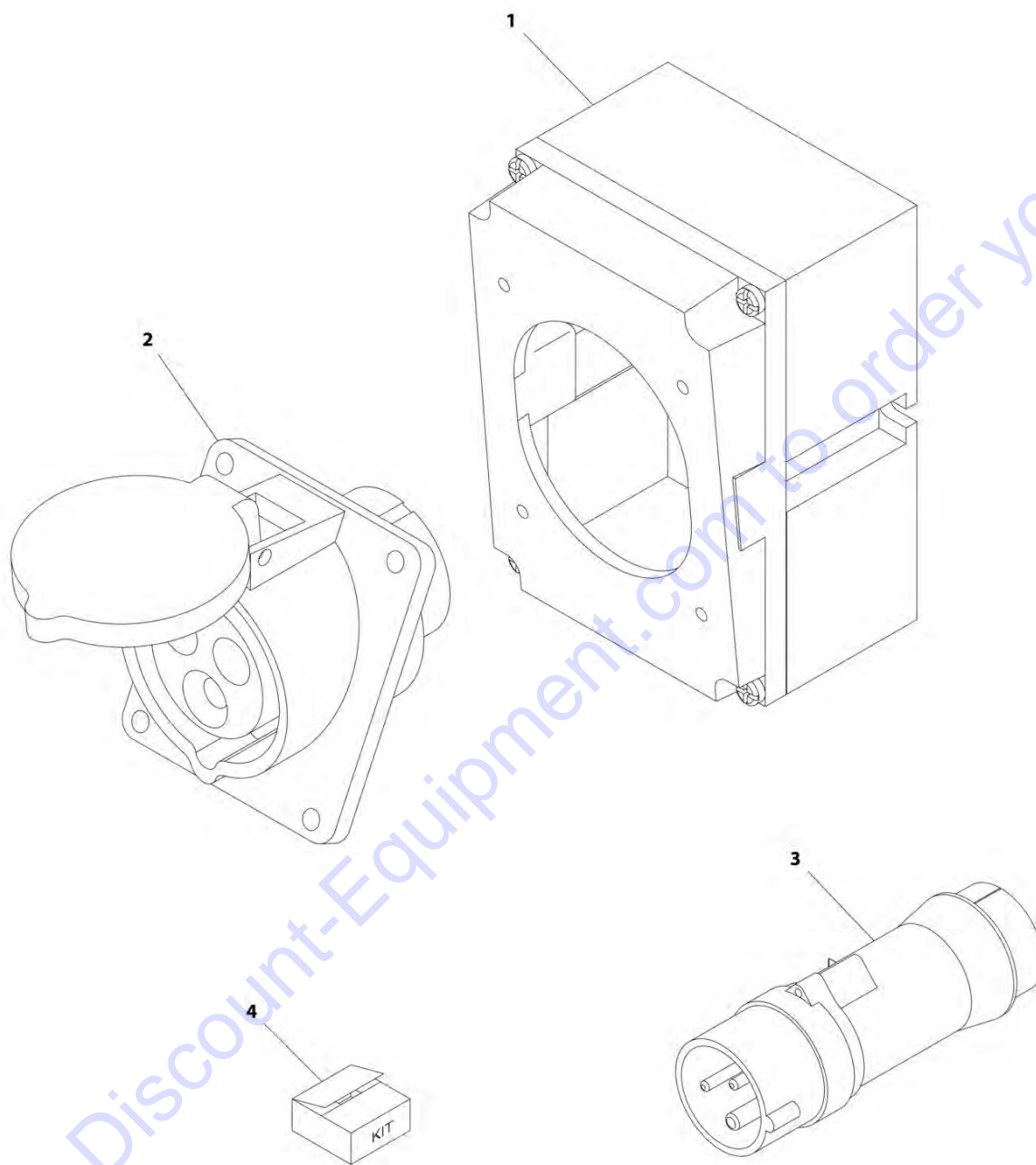
FIGURE 8-52. RECEPTACLE BOX KIT - 220V AFSINT 107 (CE SPEC)

ITEM	PART NUMBER	QTY	DESCRIPTION	REV
	0275454	Ref	RECEPTACLE BOX KIT - 220V AFSINT 107 (CE SPEC)	B
1	0861731	1	Box, Switch	
2	4461246	1	Receptacle	
3	4461249	1	Plug, Male	
4	1001100346	1	Plug and Socket Kit (Includes Items 1-3 and Female Plug p/n 4461250)	

Go to Discount-Equipment.com to order your parts

SECTION 8 - ELECTRICAL

FIGURE 8-53. RECEPTACLE BOX KIT - 110V IEC YELLOW (CE SPEC)



ART_0275216

SECTION 8 - ELECTRICAL

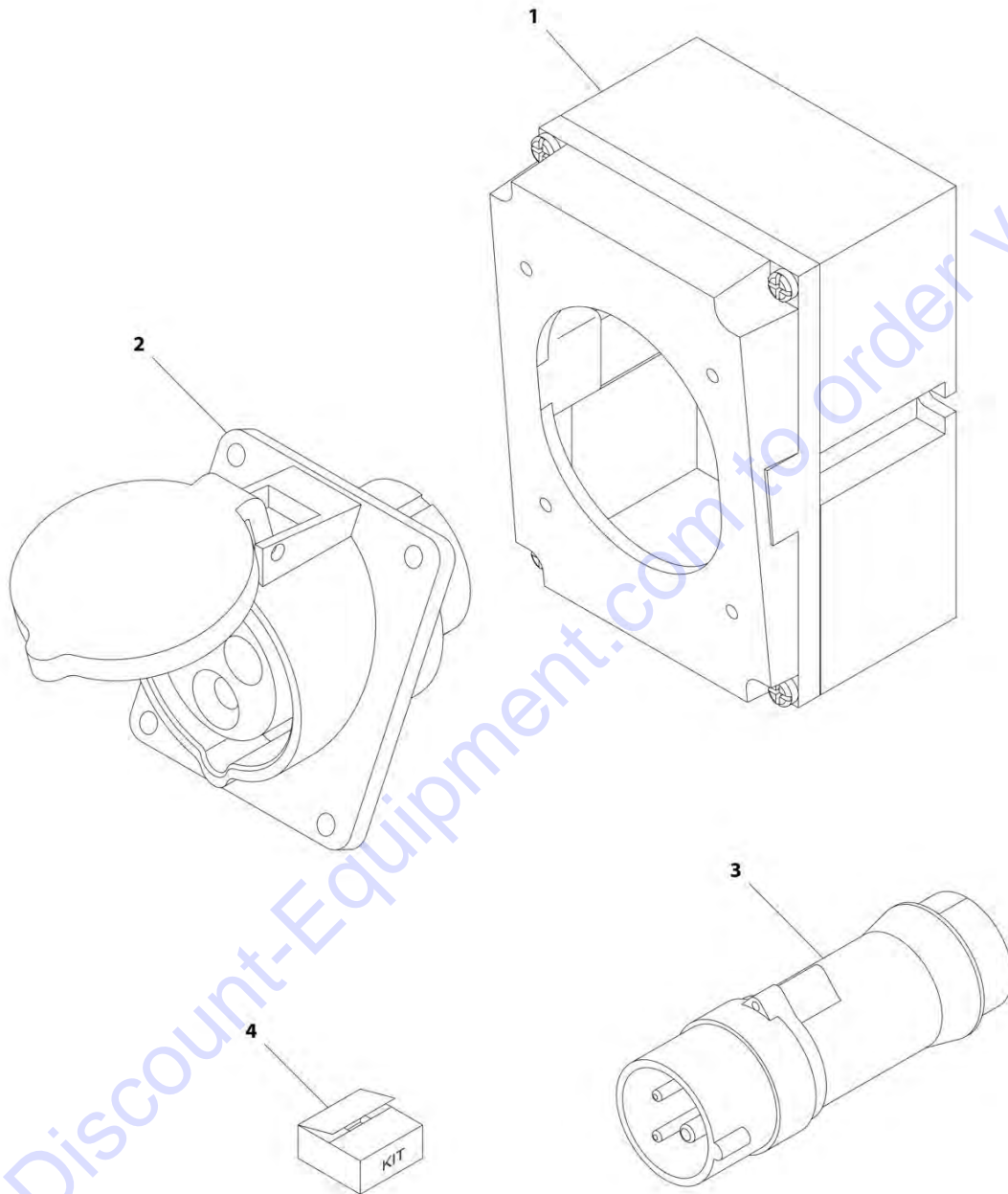
FIGURE 8-53. RECEPTACLE BOX KIT - 110V IEC YELLOW (CE SPEC)

ITEM	PART NUMBER	QTY	DESCRIPTION	REV
	0275216	Ref	RECEPTACLE BOX KIT - 110V IEC YELLOW (CE SPEC)	B
1	0861781	1	Box, Switch	
2	4461198	1	Receptacle	
3	4461196	1	Plug, Male	
4	1001100341	1	Plug and Socket Kit (Includes Items 1-3 and Female Plug p/n 4461197)	

Go to Discount-Equipment.com to order your parts

SECTION 8 - ELECTRICAL

FIGURE 8-54. RECEPTACLE BOX KIT - 220V IEC BLUE (CE SPEC)



ART_0275217

SECTION 8 - ELECTRICAL

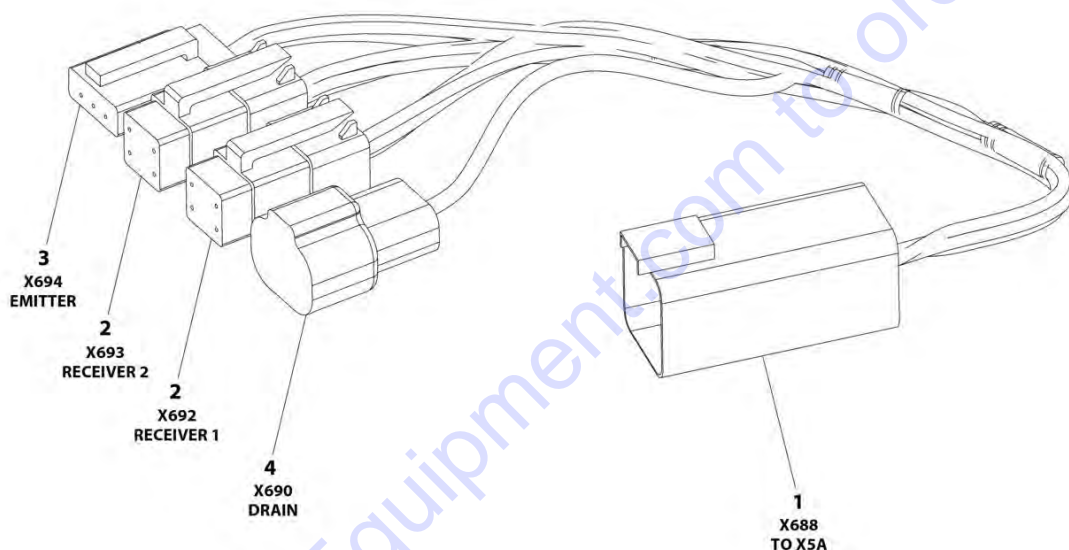
FIGURE 8-54. RECEPTACLE BOX KIT - 220V IEC BLUE (CE SPEC)

ITEM	PART NUMBER	QTY	DESCRIPTION	REV
	0275217	Ref	RECEPTACLE BOX KIT - 220V IEC BLUE (CE SPEC)	B
1	0861781	1	Box, Switch	
2	4461201	1	Receptacle	
3	4461199	1	Plug, Male	
4	1001100342	1	Plug and Socket Kit (Includes Items 1-3 and Female Plug p/n 4461200)	

Go to Discount-Equipment.com to order your parts

SECTION 8 - ELECTRICAL

FIGURE 8-55. SKYEYE INTERMEDIATE HARNESS



ART_1001237865

SECTION 8 - ELECTRICAL

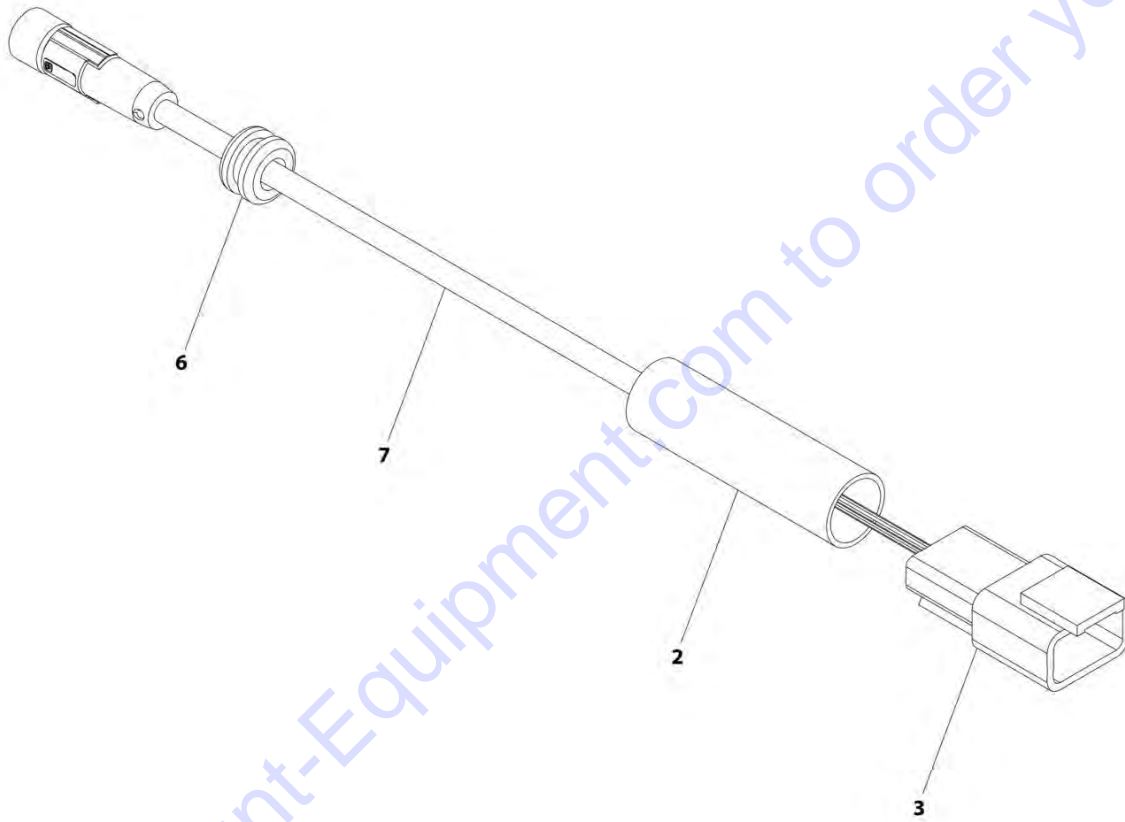
FIGURE 8-55. SKYEYE INTERMEDIATE HARNESS

ITEM	PART NUMBER	QTY	DESCRIPTION	REV
	1001237865	Ref	SKYEYE INTERMEDIATE HARNESS	A
1	4460899	1	Connector - 6 Position	
1	4460943	4	Pin, Male	
1	4460466	2	Plug, Terminal	
2	4461077	2	Connector - 4 Position	
2	1001119619	8	Socket, Female	
3	4460911	1	Connector - 3 Position	
3	1001119619	3	Socket, Female	
4	1001187681	1	Connector - 2 Position	
4	4460941	1	Pin, Male	
4	4460466	1	Plug, Terminal	

Go to Discount-Equipment.com to order your parts

SECTION 8 - ELECTRICAL

FIGURE 8-56. SKYEYE EMITTER HARNESS



ART_1001237864

SECTION 8 - ELECTRICAL

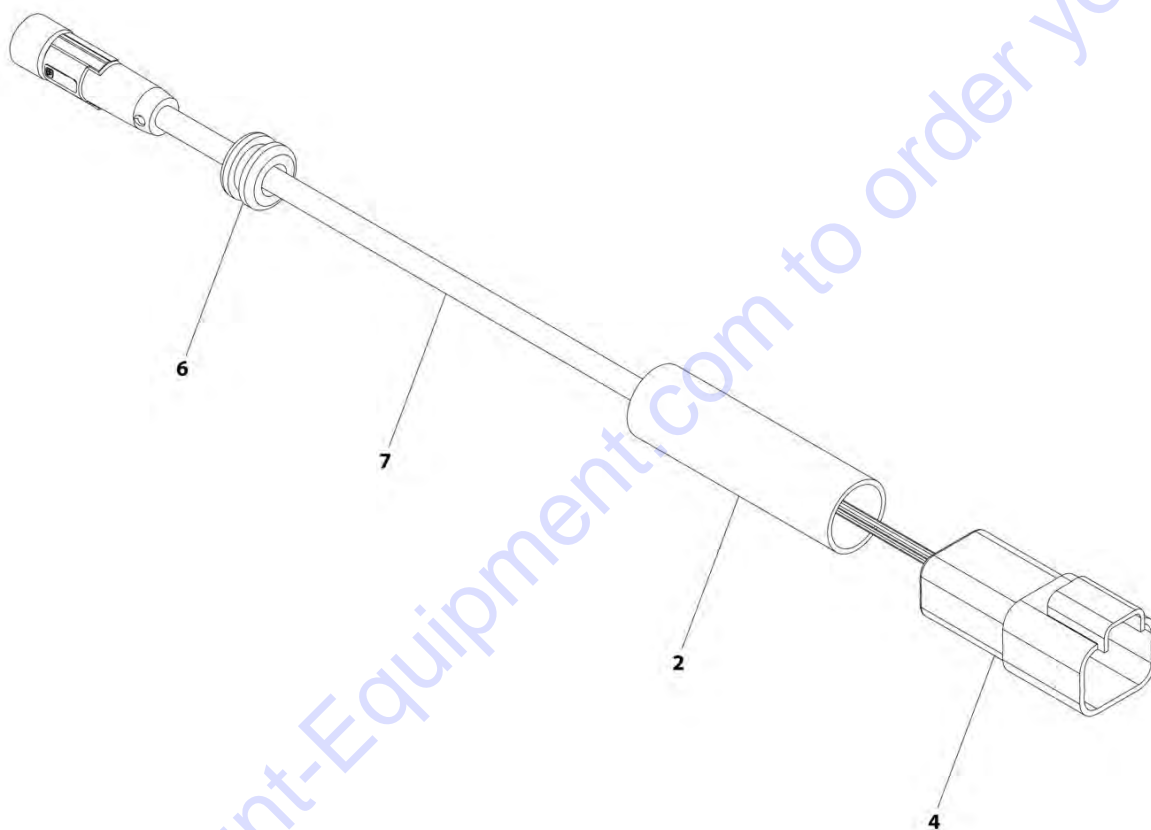
FIGURE 8-56. SKYEYE EMITTER HARNESS

ITEM	PART NUMBER	QTY	DESCRIPTION	REV
	1001237864	Ref	SKYEYE EMITTER HARNESS	A
2	2820247	AR	Tubing, Heat Shrink	
3	4460910	1	Connector - 3 Position	
3	1001119620	3	Pin, Male	
6	1001227996	1	Grommet	
7	1001237862	1	Cable, M8 Female Cordset	

Go to Discount-Equipment.com to order your parts

SECTION 8 - ELECTRICAL

FIGURE 8-57. SKYEYE RECEIVER HARNESS



ART_1001237863

SECTION 8 - ELECTRICAL

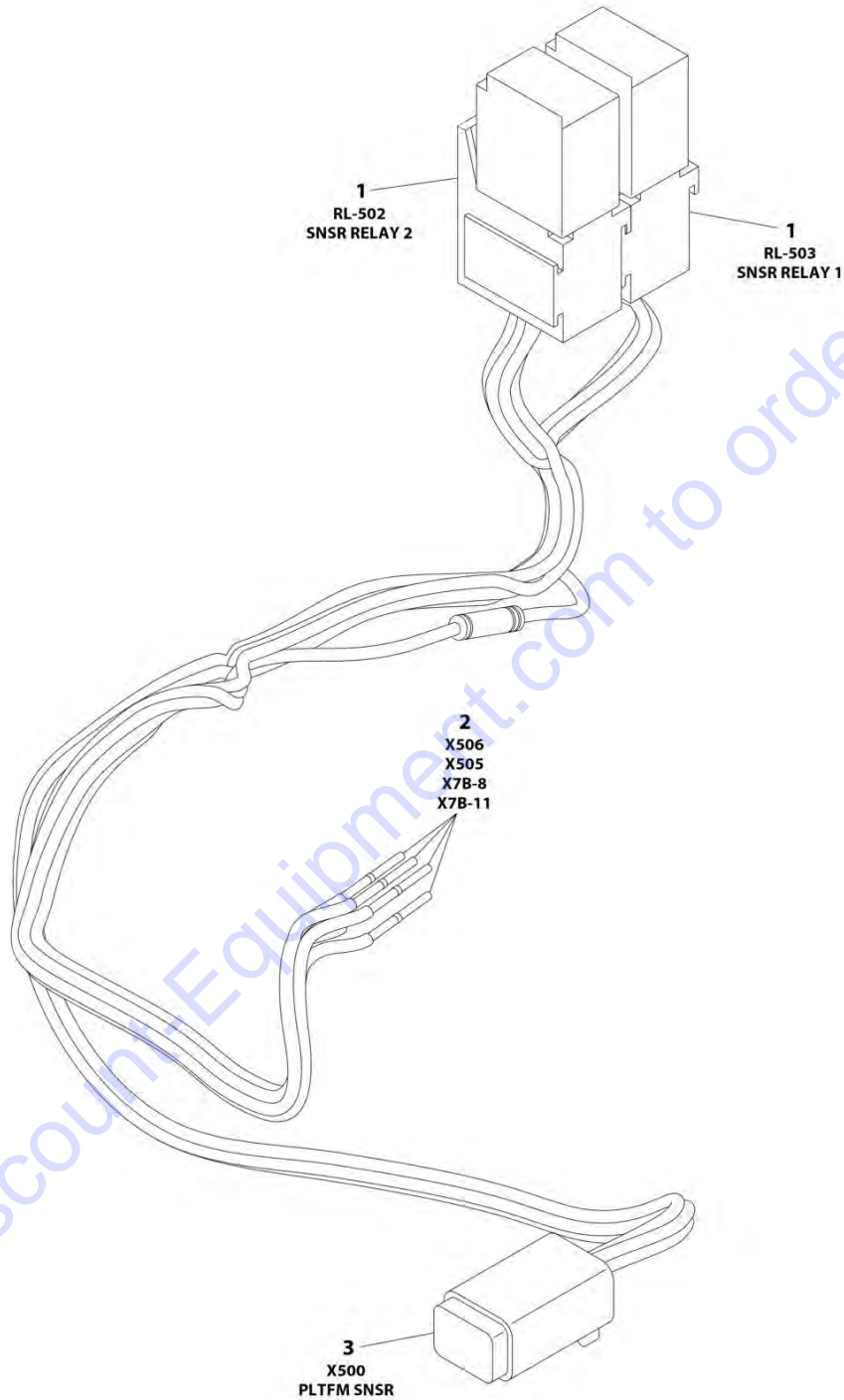
FIGURE 8-57. SKYEYE RECEIVER HARNESS

ITEM	PART NUMBER	QTY	DESCRIPTION	REV
	1001237863	Ref	SKYEYE RECEIVER HARNESS	A
2	2820247	AR	Tubing, Heat Shrink	
4	1001097051	1	Connector - 4 Position	
4	1001119620	4	Pin, Male	
6	1001227996	1	Grommet	
7	1001237862	1	Cable, M8 Female Cordset	

Go to Discount-Equipment.com to order your parts

SECTION 8 - ELECTRICAL

FIGURE 8-58. SKYGUARD HARNESS - WITHOUT LSS OR WITH 4 CELL LSS



ART_1001192292

SECTION 8 - ELECTRICAL

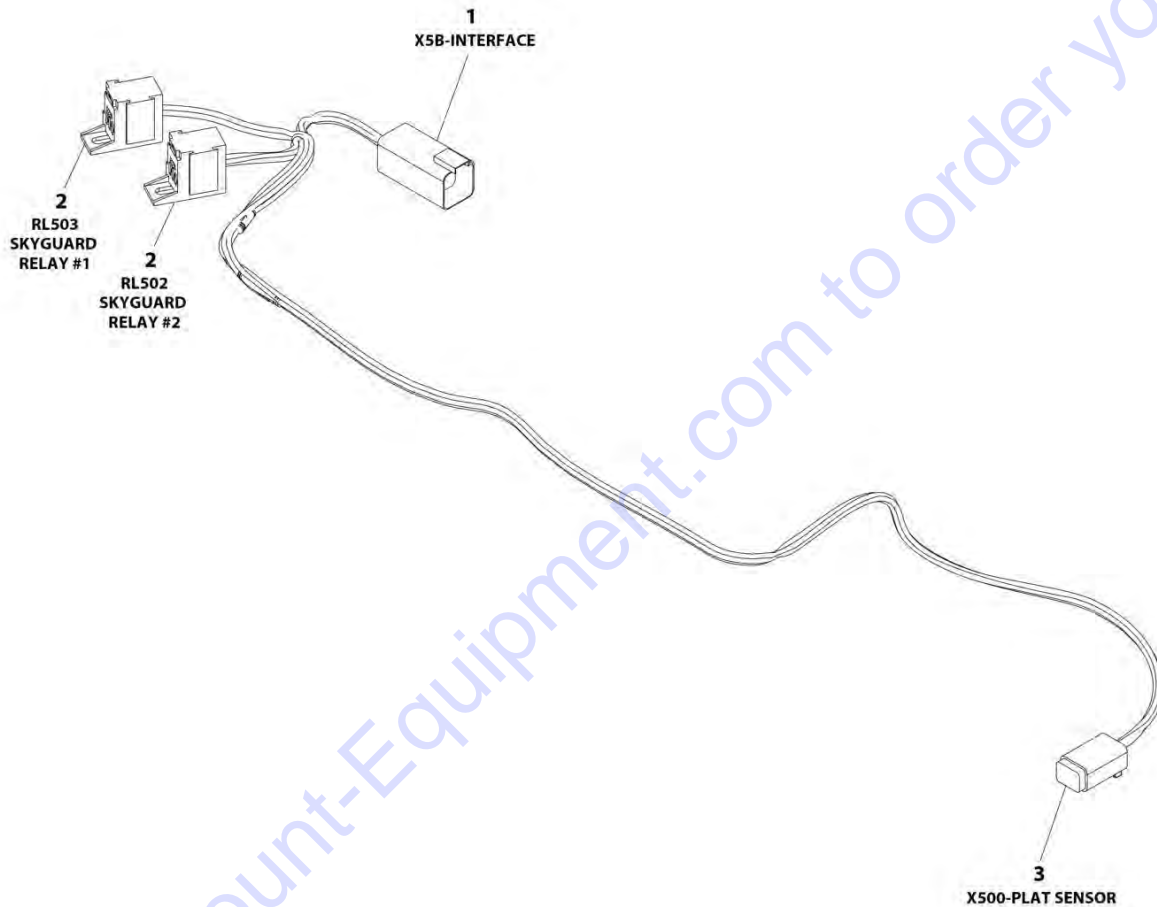
FIGURE 8-58. SKYGUARD HARNESS - WITHOUT LSS OR WITH 4 CELL LSS

ITEM	PART NUMBER	QTY	DESCRIPTION	REV
	1001192292	Ref	SKYGUARD HARNESS - WITHOUT LSS OR WITH 4 CELL LSS	B
1	1001186432	2	Holder, Relay	
1	1001116720	11	Terminal	
1	1001186431	2	Relay 35Amp	
2	4460226	4	Socket, Female	
3	4460884	1	Connector - 4 Position	
3	4460465	4	Socket, Female	

Go to Discount-Equipment.com to order your parts

SECTION 8 - ELECTRICAL

FIGURE 8-59. SKYGUARD HARNESS - WITH 1 CELL LSS



ART_1001225580

SECTION 8 - ELECTRICAL

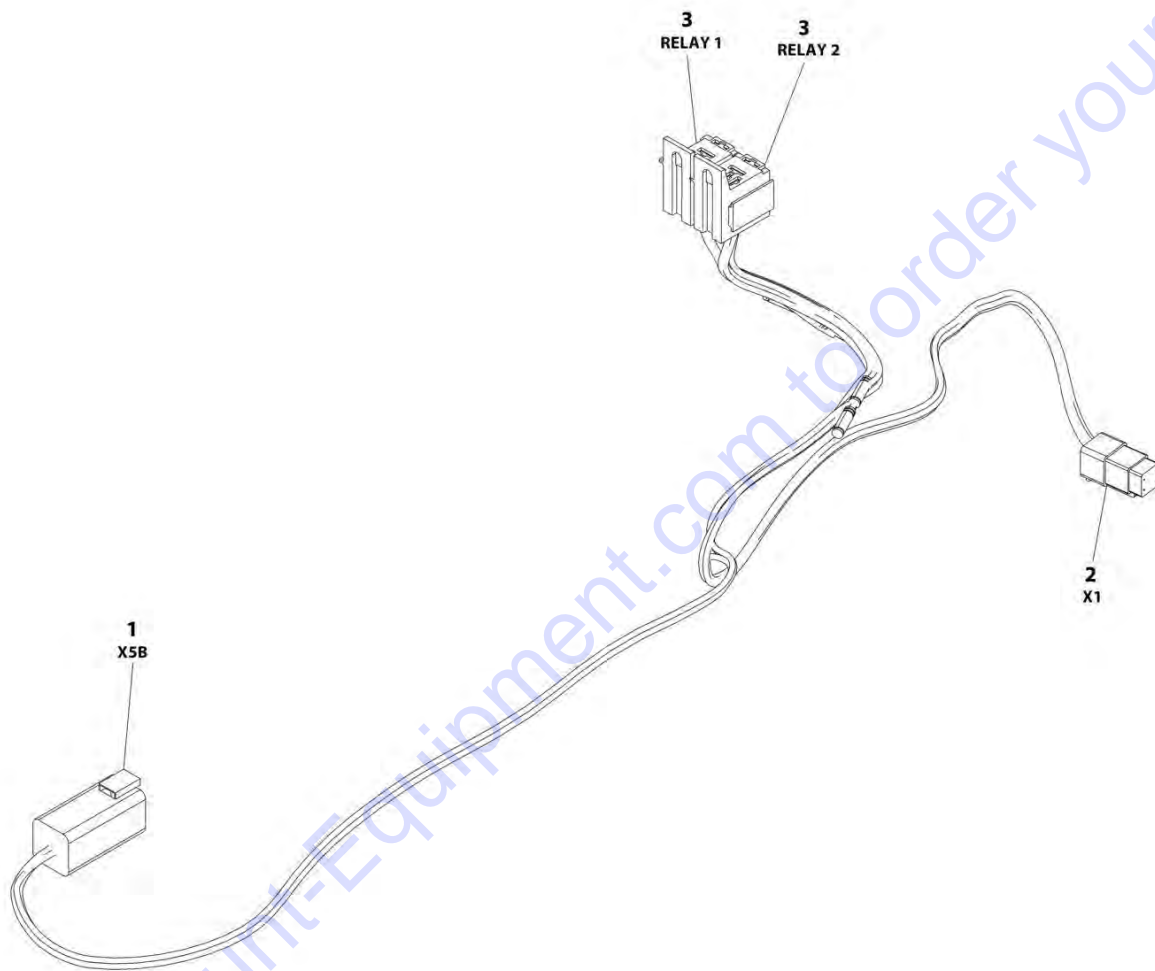
FIGURE 8-59. SKYGUARD HARNESS - WITH 1 CELL LSS

ITEM	PART NUMBER	QTY	DESCRIPTION	REV
	1001225580	Ref	SKYGUARD HARNESS - WITH 1 CELL LSS	C
1	4460899	1	Receptacle, Female - 6 Position	
1	4460464	4	Pin, Male	
1	4460466	2	Plug, Terminal	
2	1001186432	1	Holder, Relay	
2	1001186431	1	Relay, 35Amp	
2	1001116720	4	Terminal	
2	1001118388	4	Terminal	
3	4460884	1	Connector - 4 Position	
3	4460465	4	Socket, Female	

Go to Discount-Equipment.com to order your parts

SECTION 8 - ELECTRICAL

FIGURE 8-60. SKYLINE HARNESS



ART_1001238418

PARTS FINDER

**Search Website
by Part Number**



**Search Manual
Library For Parts
Manual & Lookup Part
Numbers – Purchase
or Request Quote**

**Can't Find Part or
Manual? Request Help
by Manufacturer,
Model & Description**

Discount-Equipment.com is your online resource for quality parts & equipment.

Florida: **561-964-4949** Outside Florida TOLL FREE: **877-690-3101**

Need parts?

Click on this link: <http://www.discount-equipment.com/category/5443-parts/> and choose one of the options to help get the right parts and equipment you are looking for. Please have the machine model and serial number available in order to help us get you the correct parts. If you don't find the part on the website or on one of the online manuals, please fill out the request form and one of our experienced staff members will get back to you with a quote for the right part that your machine needs.

We sell worldwide for the brands: Genie, Terex, JLG, MultiQuip, Mikasa, Essick, Whiteman, Mayco, Toro Stone, Diamond Products, Generac Magnum, Airman, Haulotte, Barreto, Power Blanket, Nifty Lift, Atlas Copco, Chicago Pneumatic, Allmand, Miller Curber, Skyjack, Lull, Skytrak, Tsurumi, Husquvarna Target, Stow, Wacker, Sakai, Mi-T-M, Sullair, Basic, Dynapac, MBW, Weber, Bartell, Bennar Newman, Haulotte, Ditch Runner, Menegotti, Morrison, Contec, Buddy, Crown, Edco, Wyco, Bomag, Laymor, EZ Trench, Bil-Jax, F.S. Curtis, Gehl Pavers, Heli, Honda, ICS/PowerGrit, IHI, Partner, Imer, Clipper, MMD, Koshin, Rice, CH&E, General Equipment, Amida, Coleman, NAC, Gradall, Square Shooter, Kent, Stanley, Tamco, Toku, Hatz, Kohler, Robin, Wisconsin, Northrock, Oztec, Toker TK, Rol-Air, APT, Wylie, Ingersoll Rand / Doosan, Innovatech, Con X, Ammann, Mecalac, Makinex, Smith Surface Prep, Small Line, Wanco, Yanmar

SECTION 8 - ELECTRICAL

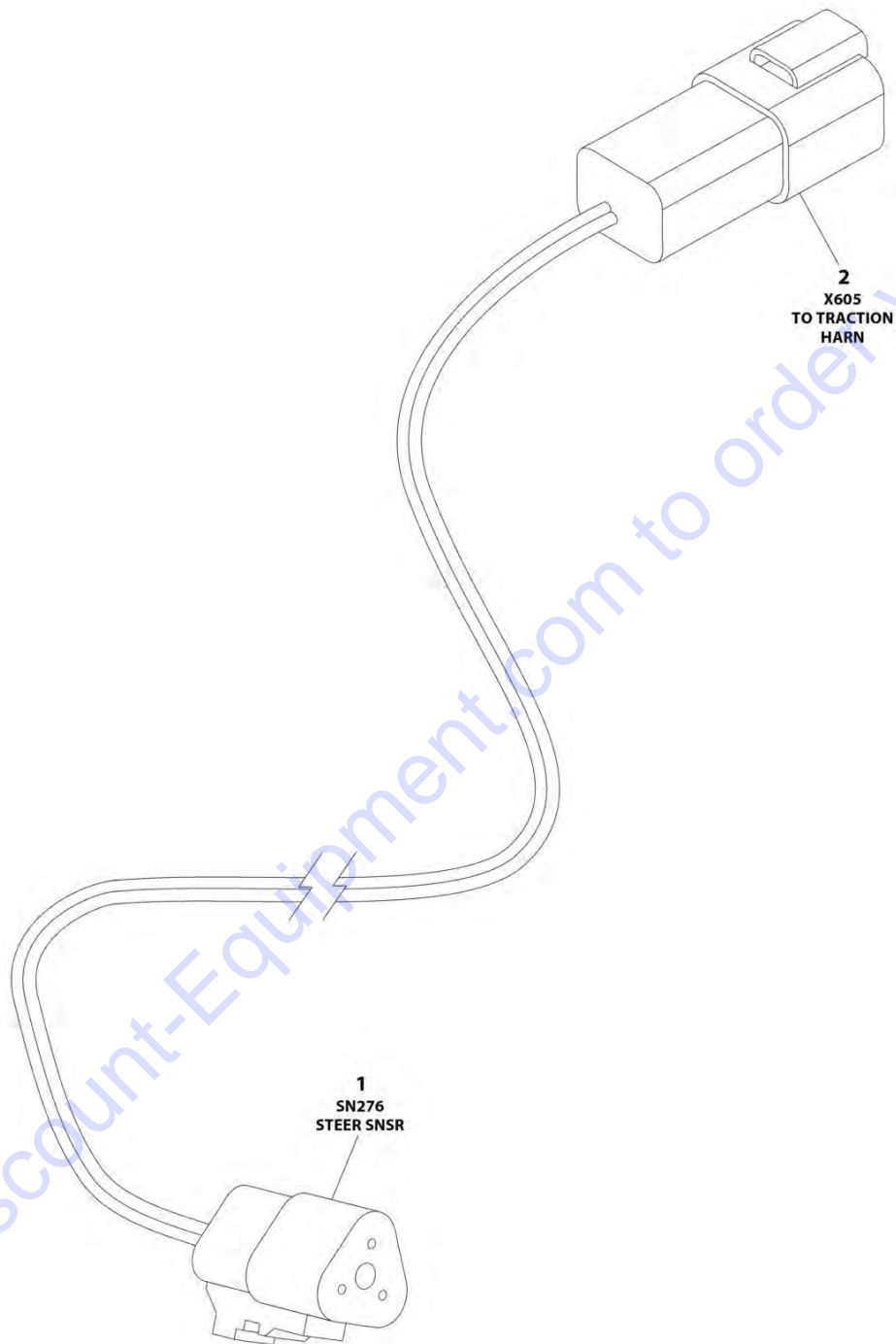
FIGURE 8-60. SKYLINE HARNESS

ITEM	PART NUMBER	QTY	DESCRIPTION	REV
	1001238418	Ref	SKYLINE HARNESS	A
1	4460899	1	Connector - 6 Position	
1	4460464	4	Pin, Male	
1	4460466	2	Plug, Terminal	
2	4461077	1	Connector - 4 Position	
2	1001126009	4	Socket, Female	
3	1001186432	2	Plug, Relay	
3	1001118388	5	Terminal	
3	1001118384	3	Terminal	
3	3740086	2	Relay	
3	3990013	2	Diode	

Go to Discount-Equipment.com to order your parts

SECTION 8 - ELECTRICAL

FIGURE 8-61. STEERING SENSOR HARNESS



Go to Discount-Equipment.com to order your parts

ART_1001195835

SECTION 8 - ELECTRICAL

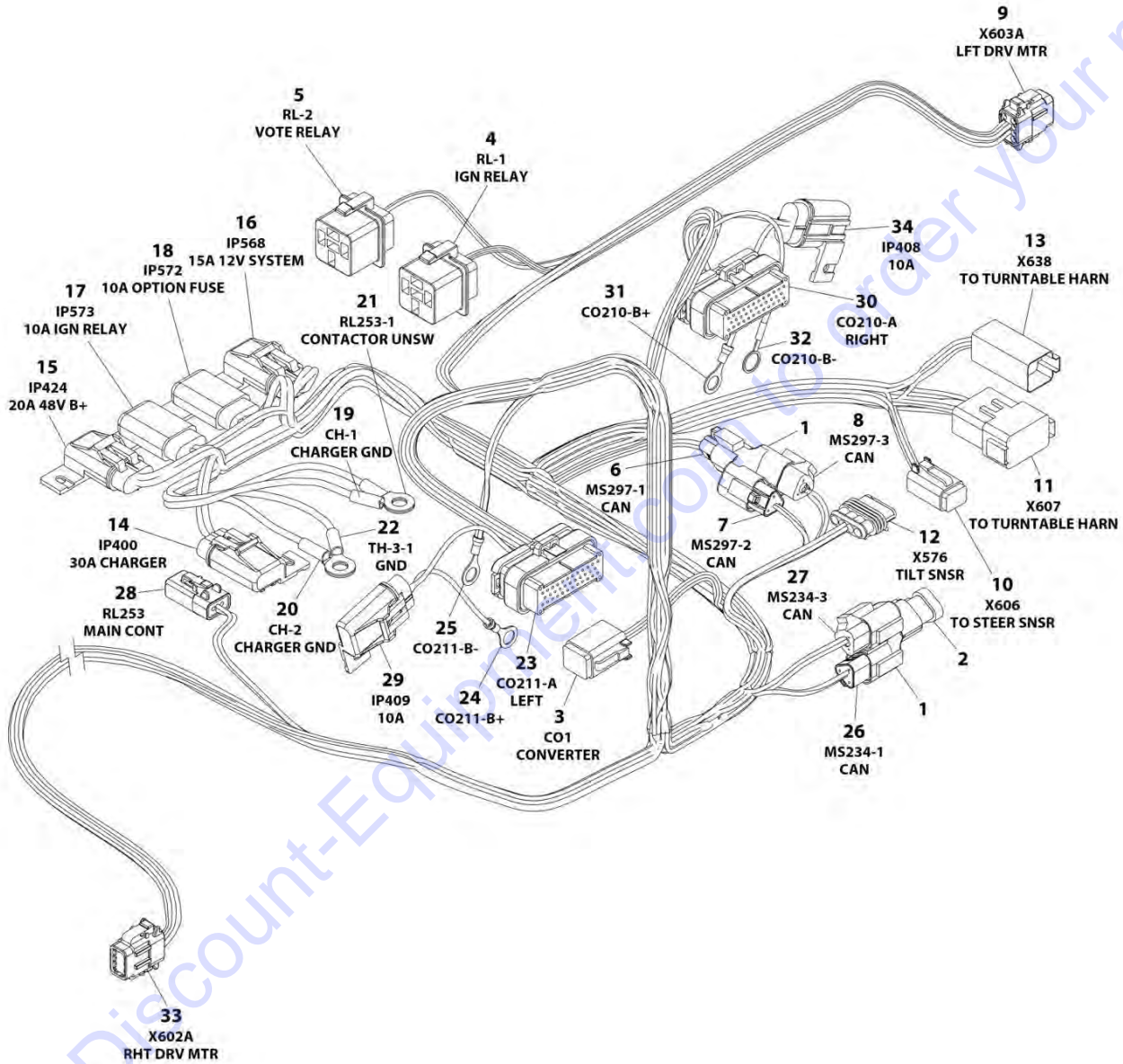
FIGURE 8-61. STEERING SENSOR HARNESS

ITEM	PART NUMBER	QTY	DESCRIPTION	REV
	1001195835	Ref	STEERING SENSOR HARNESS	B
1	4460539	1	Connector - 4 Position	
1	4460944	3	Socket, Female	
2	4460932	1	Connector - 4 Position	
2	4460464	4	Pin, Male	

Go to Discount-Equipment.com to order your parts

SECTION 8 - ELECTRICAL

FIGURE 8-62. TRACTION HARNESS



ART_1001195867

SECTION 8 - ELECTRICAL

FIGURE 8-62. TRACTION HARNESS

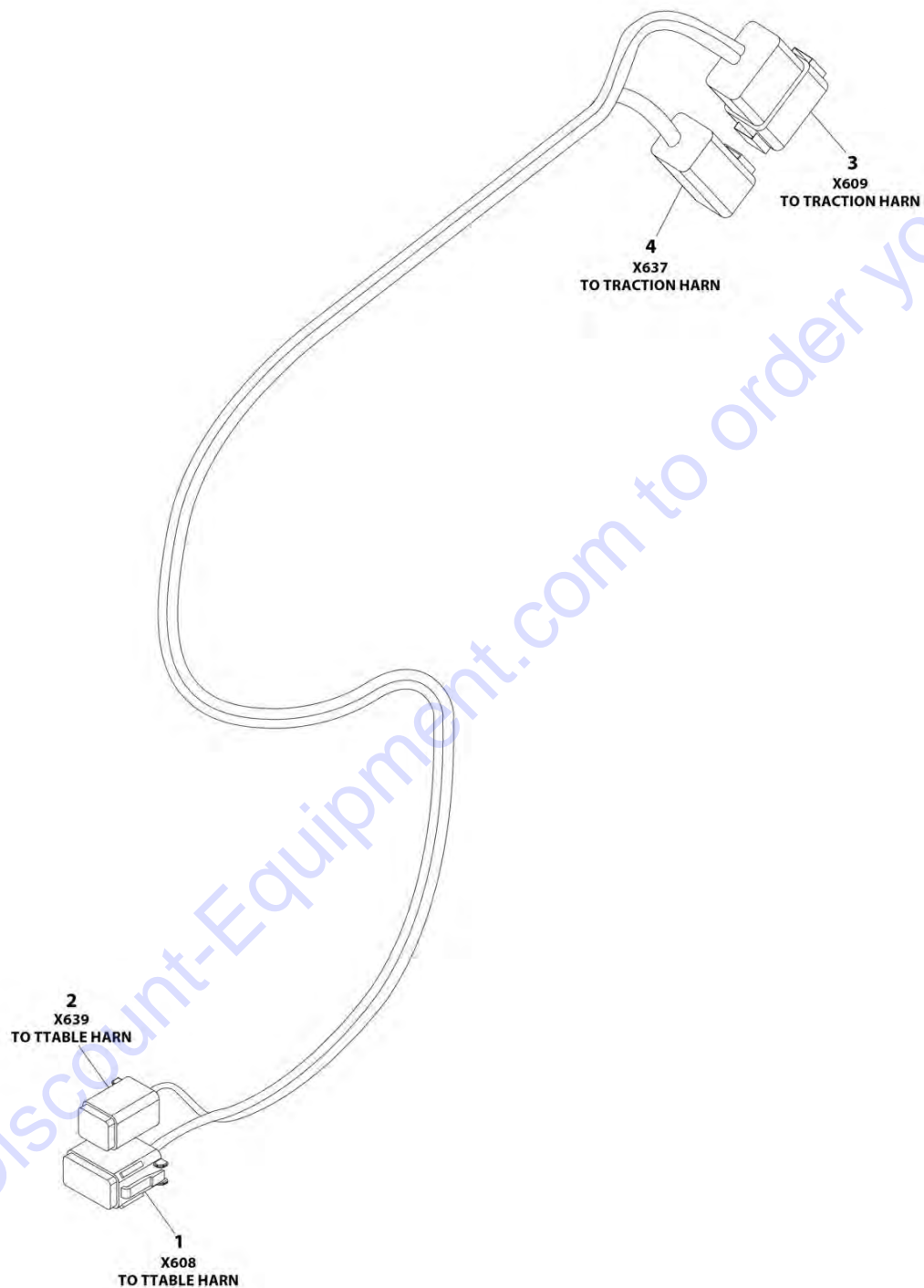
ITEM	PART NUMBER	QTY	DESCRIPTION	REV
	1001195867	Ref	TRACTION HARNESS	F
1	4460945	2	Connector, 3 Way	
2	1001116815	1	Resistor Assembly	
3	4460894	1	Connector - 6 Position	
3	1001157890	5	Socket, Female	
3	1001116692	1	Socket, Female	
4	4460374	1	Plug, Relay	
4	1001116732	4	Terminal	
4	1001116763	2	Seal, Terminal	
5	4460374	1	Plug, Relay	
5	1001116732	2	Terminal	
5	1001116733	2	Terminal	
5	1001116763	2	Seal, Terminal	
6	1001116812	1	Connector - 3 Position	
6	4460944	2	Socket, Female	
6	4460466	1	Plug, Seal	
7	4460539	1	Connector - 3 Position	
7	4460944	2	Socket, Female	
7	4460466	1	Plug, Seal	
8	1001116812	1	Connector - 3 Position	
8	4460944	2	Socket, Female	
8	4460466	1	Plug, Seal	
9	1001190577	1	Connector - 8	
9	1001126008	8	Socket, Female	
10	4460884	1	Connector - 4 Position	
10	4460465	4	Socket, Female	
11	4460950	1	Connector - 12 Position	
11	1001157891	5	Pin, Male	
11	4460464	5	Pin, Male	
11	4460943	2	Pin, Male	
12	1001103012	1	Connector - 4 Position	
12	1001107854	4	Terminal	
12	1001104498	4	Seal	
13	4460899	1	Connector - 6 Position	
13	4460943	2	Pin, Male	
13	1001157891	2	Pin, Male	
13	4460464	2	Pin, Male	
14	1001117070	1	Connector - 2 Position (SN 0300219271 through 0300226266)	
14	1001217844	1	Fuse Holder (SN 0300226267 to Present)	
14	1001217842	1	Fuse, Cap Cover (SN 0300226267 to Present)	
14	8229236	1	Fuse, 30Amp (SN 0300226267 to Present)	
14	1001116734	2	Terminal	
15	1001117069	1	Connector - 2 Position (SN 0300219271 through 0300226266)	
15	1001217844	1	Fuse Holder (SN 0300226267 to Present)	
15	1001217842	1	Fuse, Cap Cover (SN 0300226267 to Present)	
15	8229235	1	Fuse, 20Amp (SN 0300226267 to Present)	
15	1001116734	2	Terminal	
16	1001117024	1	Connector - 2 Position (SN 0300219271 through 0300226266)	
16	1001217844	1	Fuse Holder (SN 0300226267 to Present)	
16	1001217842	1	Fuse, Cap Cover (SN 0300226267 to Present)	

SECTION 8 - ELECTRICAL

ITEM	PART NUMBER	QTY	DESCRIPTION	REV
16	8229237	1	Fuse, 15Amp (SN 0300226267 to Present)	
16	1001116734	2	Terminal	
17	1001117023	1	Connector - 2 Position (SN 0300219271 through 0300226266)	
17	1001217844	1	Fuse Holder (SN 0300226267 to Present)	
17	1001217842	1	Fuse, Cap Cover (SN 0300226267 to Present)	
17	8229235	1	Fuse, 20Amp (SN 0300226267 to Present)	
17	1001116734	2	Terminal	
18	1001117023	1	Connector - 2 Position (SN 0300219271 through 0300226266)	
18	1001217844	1	Fuse Holder (SN 0300226267 to Present)	
18	1001217842	1	Fuse, Cap Cover (SN 0300226267 to Present)	
18	8229261	1	Fuse, 5Amp (SN 0300226267 to Present)	
18	1001116734	1	Terminal	
18	1001116733	1	Terminal	
19	8220045	1	Terminal, Ring	
20	8220045	1	Terminal, Ring	
21	8220045	1	Terminal, Ring	
22	8220045	1	Terminal, Ring	
23	4460873	1	Connector - 35 Position	
23	4460871	15	Socket, Female	
23	4460905	20	Plug, Terminal	
24	4460670	1	Terminal, Ring	
25	4460670	1	Terminal, Ring	
26	1001116812	1	Connector - 3 Position	
26	4460944	2	Socket, Female	
26	4460466	1	Plug, Seal	
27	4460539	1	Connector - 3 Position	
27	4460944	2	Socket, Female	
27	4460466	1	Plug, Seal	
28	1001126245	1	Connector - 2 Position	
28	1001126008	2	Socket, Female	
29	1001201642	1	Connector - 2 Position (SN 0300219271 through 0300226266)	
29	1001217843	1	Fuse Holder (SN 0300226267 to Present)	
29	1001217842	1	Fuse, Cap Cover (SN 0300226267 to Present)	
29	8229234	1	Fuse, 10Amp (SN 0300226267 to Present)	
29	1001116733	2	Terminal	
30	4460873	1	Connector - 35 Position	
30	4460871	12	Socket, Female	
30	4460905	23	Plug, Terminal	
31	4460670	1	Terminal, Ring	
32	4460703	1	Terminal, Ring	
33	1001190577	1	Connector - 8 Position	
33	1001126008	8	Socket, Female	
34	1001201642	1	Connector - 2 Position (SN 0300219271 through 0300226266)	
34	1001217843	1	Fuse Holder (SN 0300226267 to Present)	
34	1001217842	1	Fuse, Cap Cover (SN 0300226267 to Present)	
34	8229234	1	Fuse, 10Amp (SN 0300226267 to Present)	
34	1001116733	2	Terminal	

SECTION 8 - ELECTRICAL

FIGURE 8-63. TRACTION TO TURNTABLE HARNESS



ART_1001195836

SECTION 8 - ELECTRICAL

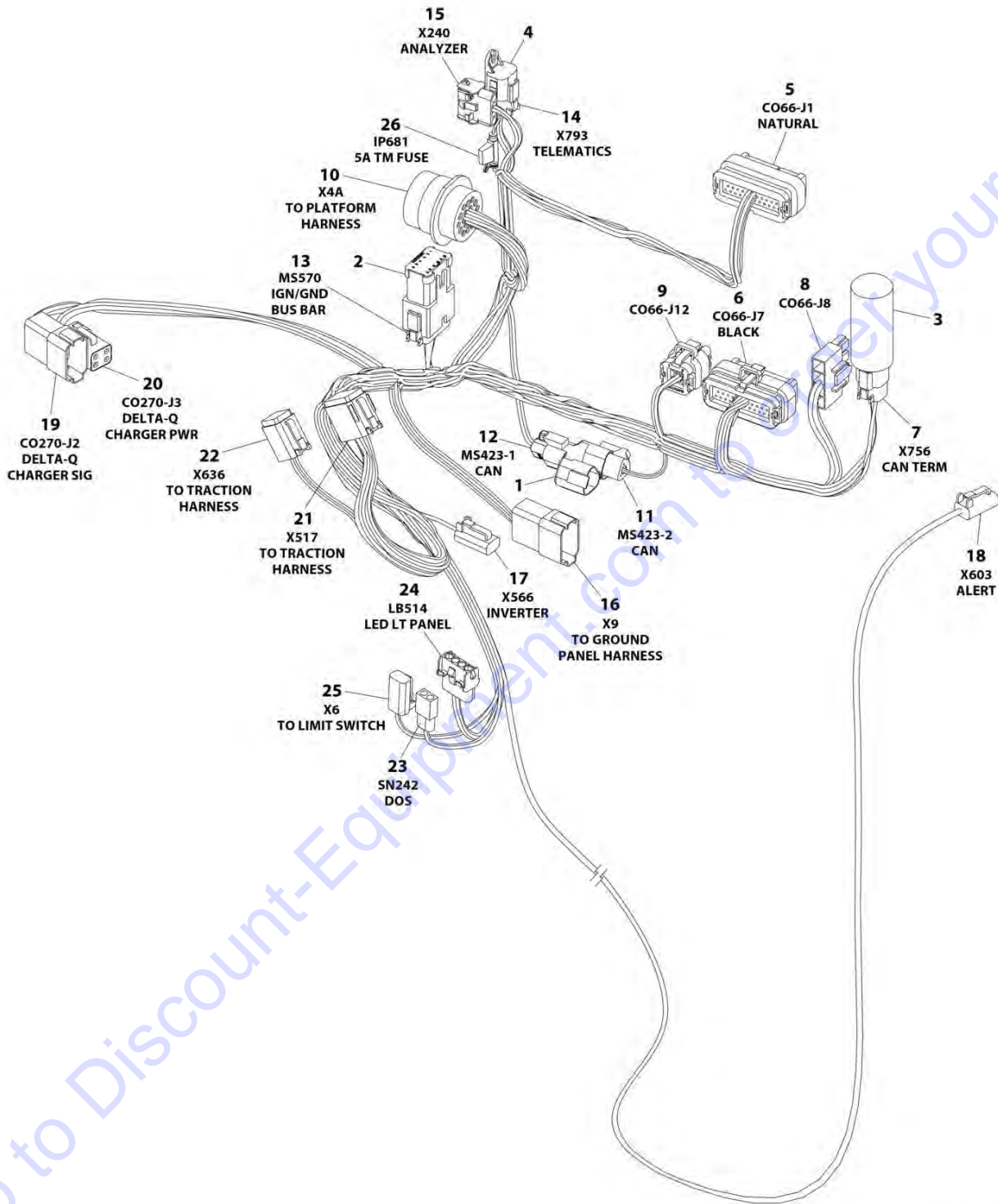
FIGURE 8-63. TRACTION TO TURNTABLE HARNESS

ITEM	PART NUMBER	QTY	DESCRIPTION	REV
	1001195836	Ref	TRACTION TO TURNTABLE HARNESS	D
1	4460950	1	Connector - 12 Position	
1	1001157891	5	Pin, Male	
1	4460464	5	Pin, Male	
1	4460943	2	Pin, Male	
2	4460899	1	Connector - 6 Position	
2	1001157891	2	Pin, Male	
2	4460464	2	Pin, Male	
2	4460943	2	Pin, Male	
3	4460836	1	Connector - 12 Position	
3	1001157890	5	Socket, Female	
3	4460465	5	Socket, Female	
3	4460944	2	Socket, Female	
4	4460894	1	Connector - 6 Position	
4	1001157890	2	Socket, Female	
4	4460465	2	Socket, Female	
4	4460944	2	Socket, Female	

Go to Discount-Equipment.com to order your parts

SECTION 8 - ELECTRICAL

FIGURE 8-64. TURNTABLE HARNESS



ART_1001182479

SECTION 8 - ELECTRICAL

FIGURE 8-64. TURNTABLE HARNESS

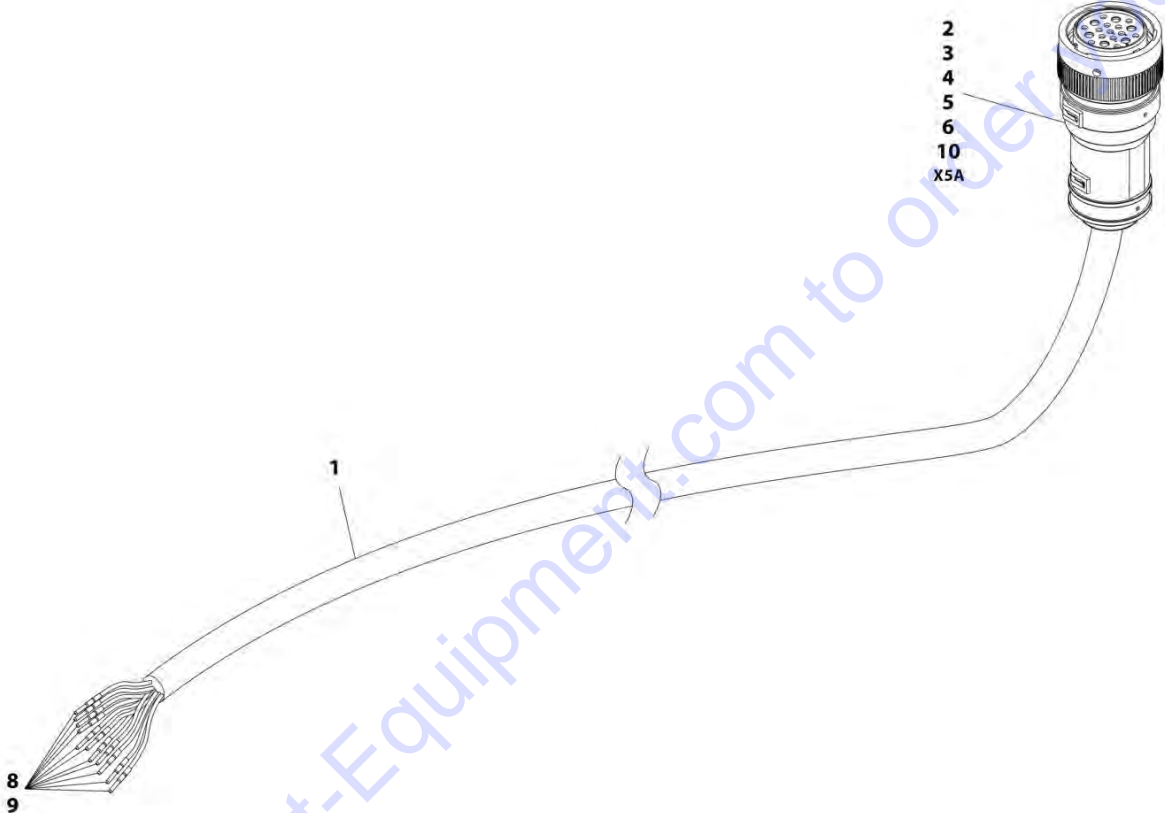
ITEM	PART NUMBER	QTY	DESCRIPTION	REV
	1001182479	Ref	TURNTABLE HARNESS	D
1	4460945	1	Connector, 3 Way	
2	1001125677	1	Connector, Buss Bar - 12 Position	
3	1001186231	1	Connector, Can Terminal	
4	1001192401	1	Connector, Dust Cap	
5	4460874	1	Connector - 35 Position (Natural)	
5	4460871	8	Socket, Female	
5	4460905	27	Plug, Terminal	
6	4460873	1	Connector - 35 Position	
6	4460871	15	Socket, Female	
6	4460905	20	Plug, Terminal	
7	4460884	1	Connector - 4 Position	
7	4460465	4	Socket, Female	
8	4460878	1	Connector - 4 Position	
8	4460887	4	Terminal	
9	1001113961	1	Connector - 8 Position	
9	4460871	3	Socket, Female	
9	4460905	5	Plug, Sealing	
10	4460866	1	Connector - 19 Pin	
10	4460464	7	Pin, Male	
10	4460508	4	Pin, Male	
10	4460943	2	Pin, Male	
10	4460466	6	Plug, Seal	
11	4460539	1	Terminal, Deutsch - 3 Position Female	
11	4460944	2	Socket, Female	
11	4460466	1	Plug, Seal	
12	1001116812	1	Connector - 3 Position	
12	4460944	2	Socket, Female	
12	4460466	1	Plug, Seal	
13	4460933	1	Connector - 12 Position (Gray)	
13	4460465	2	Socket, Female	
13	4460942	3	Socket, Female 14-16 Ga	
13	4460466	6	Plug, Seal	
13	4460509	1	Socket, Female	
14	4460884	1	Connector - 4 Position	
14	4460465	4	Socket, Female	
15	4460761	1	Connector, Female - 4 Position	
15	4460227	4	Socket, Female	
16	4460931	1	Connector - 8 Position	
16	1001157891	2	Pin, Male	
16	1001116693	5	Pin, Male	
16	4460466	1	Plug, Seal	
17	4460891	1	Connector - 2 Position	
17	4460465	1	Pin, Male	
17	4460466	1	Plug, Seal	
18	4460891	1	Connector - 2 Position	
18	4460465	2	Pin, Male	
19	4460931	1	Connector - 8 Position	
19	4460464	6	Pin, Male	
19	4460466	2	Plug, Seal	

SECTION 8 - ELECTRICAL

ITEM	PART NUMBER	QTY	DESCRIPTION	REV
20	1001116810	1	Connector – 4 Position	
20	4460509	2	Socket, Female	
20	4460466	2	Plug, Seal	
21	4460836	1	Connector - 12 Position	
21	1001157890	5	Socket, Female	
21	4460465	5	Socket, Female	
21	4460944	2	Socket, Female	
22	4460894	1	Connector - 6 Position	
22	1001157890	2	Socket, Female	
22	4460465	2	Socket, Female	
22	4460944	2	Socket, Female	
23	4460424	1	Connector - 2 Position	
23	4460226	2	Socket, Female	
24	4460761	1	Connector, Female - 4 Position	
24	4460227	4	Socket, Female	
25	4460891	1	Connector - 2 Position	
25	4460465	2	Pin, Male	
26	2400060	1	Fuse Holder with Cover (SN 0300226267 to Present)	
26	8229242	1	Fuse 5 Amp (SN 0300226267 to Present)	

SECTION 8 - ELECTRICAL

FIGURE 8-65. UPPER BOOM CABLE (E600/M600)



Go to Discount-Equipment.com to order your parts

ART_1001183883

SECTION 8 - ELECTRICAL

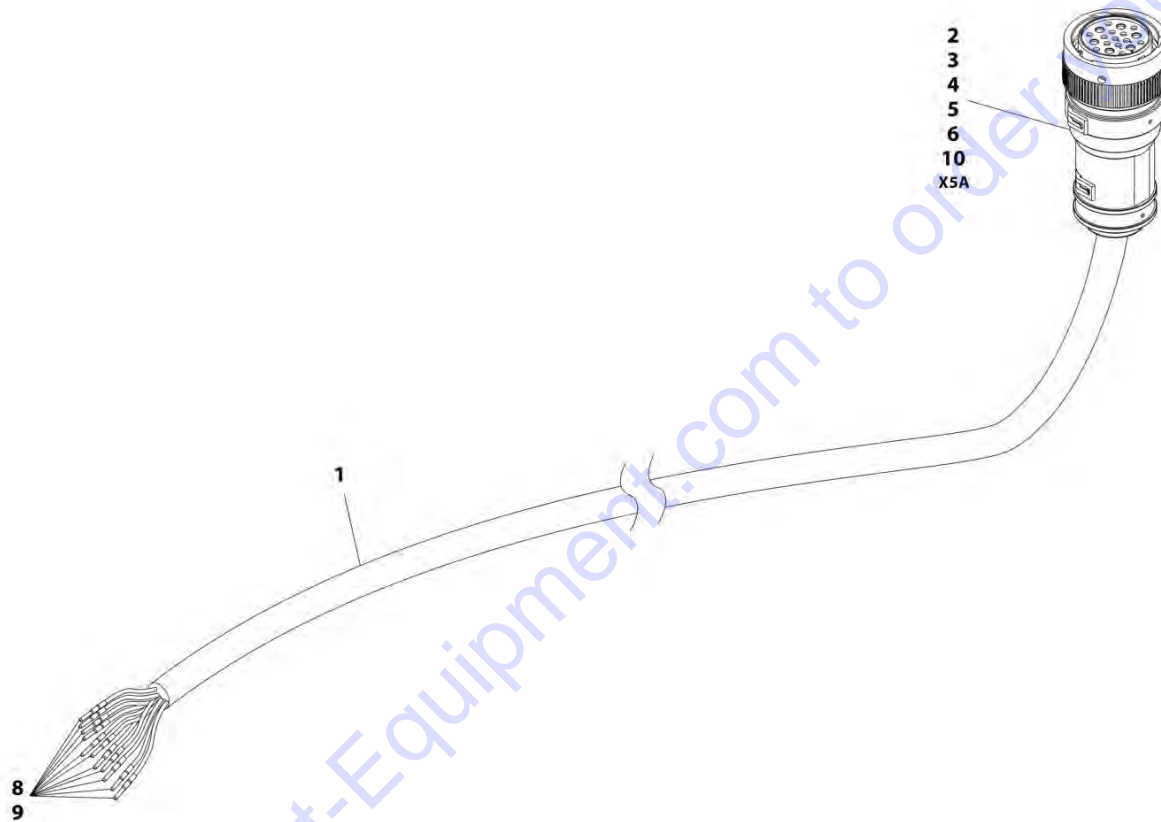
FIGURE 8-65. UPPER BOOM CABLE (E600/M600)

ITEM	PART NUMBER	QTY	DESCRIPTION	REV
	1001183883	Ref	UPPER BOOM CABLE (E600/M600)	B
1	1060896	55 ft /16.8m	Cable, Electrical	
2	1001188292	1	Connector - 19 Position	
3	1001188291	1	Connector, Backshell	
4	4460465	11	Socket, Female	
5	4460509	4	Socket, Female	
6	4460466	4	Plug, Seal	
8	4460464	11	Pin, Male	
9	4460508	4	Pin, Male	
10	1001188354	1	Grommet	
11	4240033	2	Tie-Strap (Not Shown)	

Go to Discount-Equipment.com to order your parts

SECTION 8 - ELECTRICAL

FIGURE 8-66. UPPER BOOM CABLE (E600J/M600J)



Go to Discount-Equipment.com to order your parts

ART_1001183885

SECTION 8 - ELECTRICAL

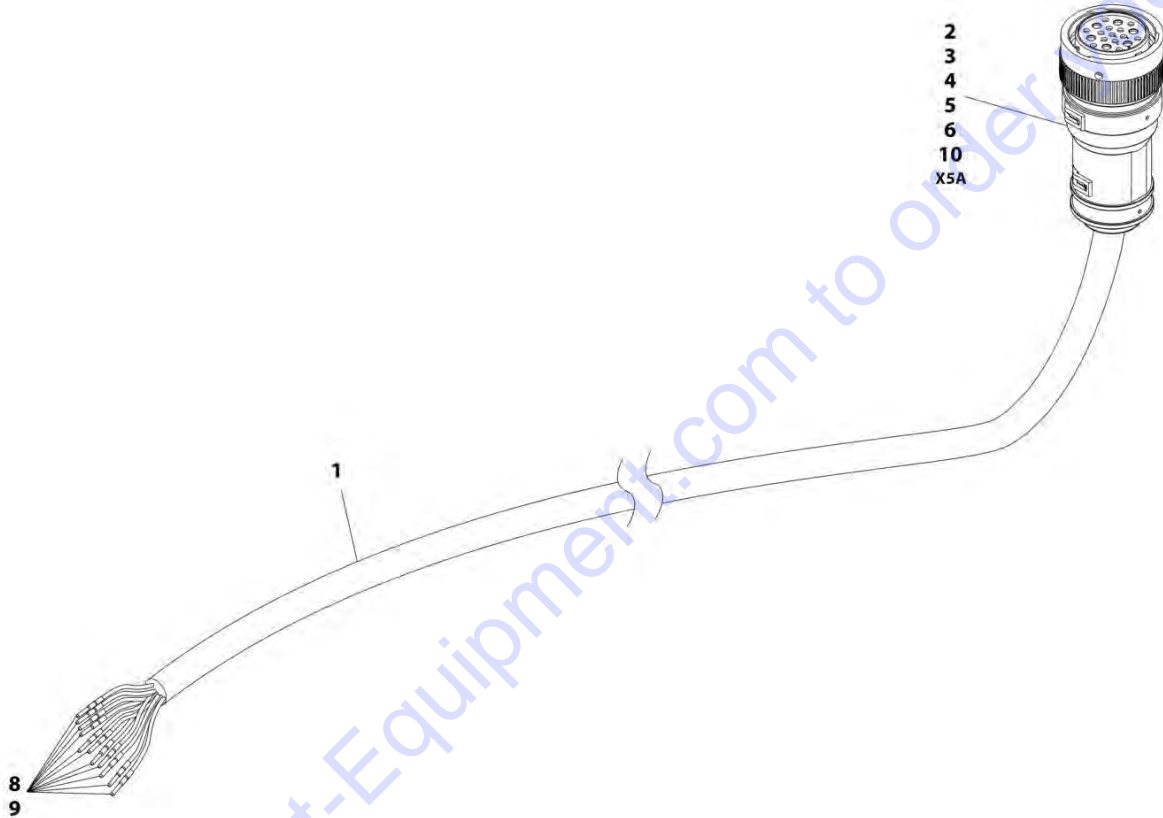
FIGURE 8-66. UPPER BOOM CABLE (E600J/M600J)

ITEM	PART NUMBER	QTY	DESCRIPTION	REV
	1001183885	Ref	UPPER BOOM CABLE (E600J/M600J)	B
1	1060896	53.5 ft /16.3m	Cable, Electrical	
2	1001188292	1	Connector - 19 Position	
3	1001188291	1	Connector, Backshell	
4	4460465	11	Socket, Female	
5	4460509	4	Socket, Female	
6	4460466	4	Plug, Seal	
8	4460464	11	Pin, Male	
9	4460508	4	Pin, Male	
10	1001188354	1	Grommet	
11	4240033	2	Tie-Strap (Not Shown)	

Go to Discount-Equipment.com to order your parts

SECTION 8 - ELECTRICAL

FIGURE 8-67. UPPER BOOM CABLE (E600JP/M600JP)



ART_1001183884

SECTION 8 - ELECTRICAL

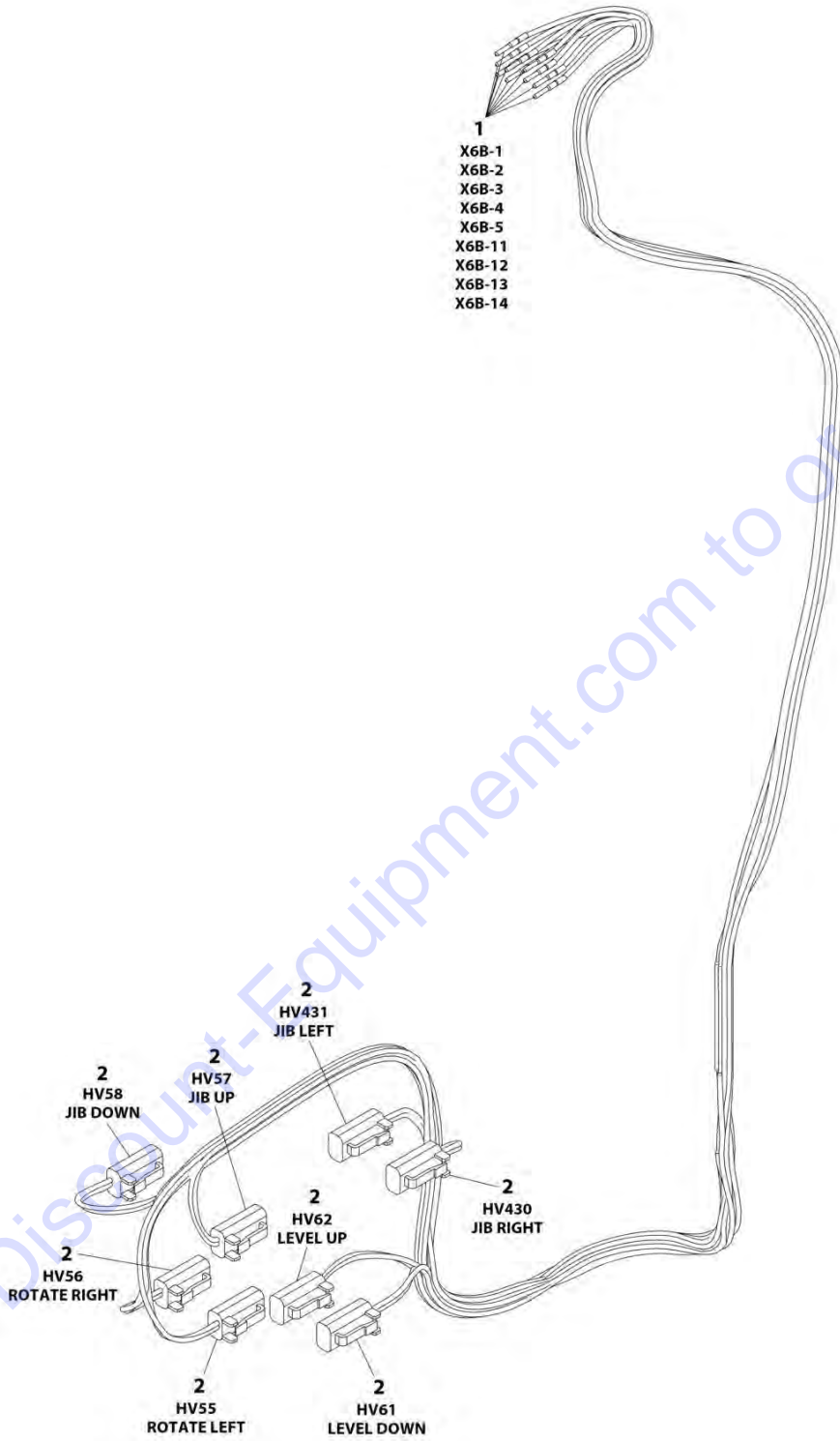
FIGURE 8-67. UPPER BOOM CABLE (E600JP/M600JP)

ITEM	PART NUMBER	QTY	DESCRIPTION	REV
	1001183884	Ref	UPPER BOOM CABLE (E600JP/M600JP)	B
1	1060896	54.5 ft /16.6m	Cable, Electrical	
2	1001188292	1	Connector - 19 Position	
3	1001188291	1	Connector, Backshell	
4	4460465	11	Socket, Female	
5	4460509	4	Socket, Female	
6	4460466	4	Plug, Seal	
8	4460464	11	Pin, Male	
9	4460508	4	Pin, Male	
10	1001188354	1	Grommet	
11	4240033	2	Tie-Strap (Not Shown)	

Go to Discount-Equipment.com to order your parts

SECTION 8 - ELECTRICAL

FIGURE 8-68. UPPER VALVE HARNESS



ART_1001183276

SECTION 8 - ELECTRICAL

FIGURE 8-68. UPPER VALVE HARNESS

ITEM	PART NUMBER	QTY	DESCRIPTION	REV
	1001183276	Ref	UPPER VALVE HARNESS	D
1	4460227	9	Pin, Male	
2	4460891	8	Plug, Male - 2 Position	
2	4460465	16	Socket, Female	

Go to Discount-Equipment.com to order your parts

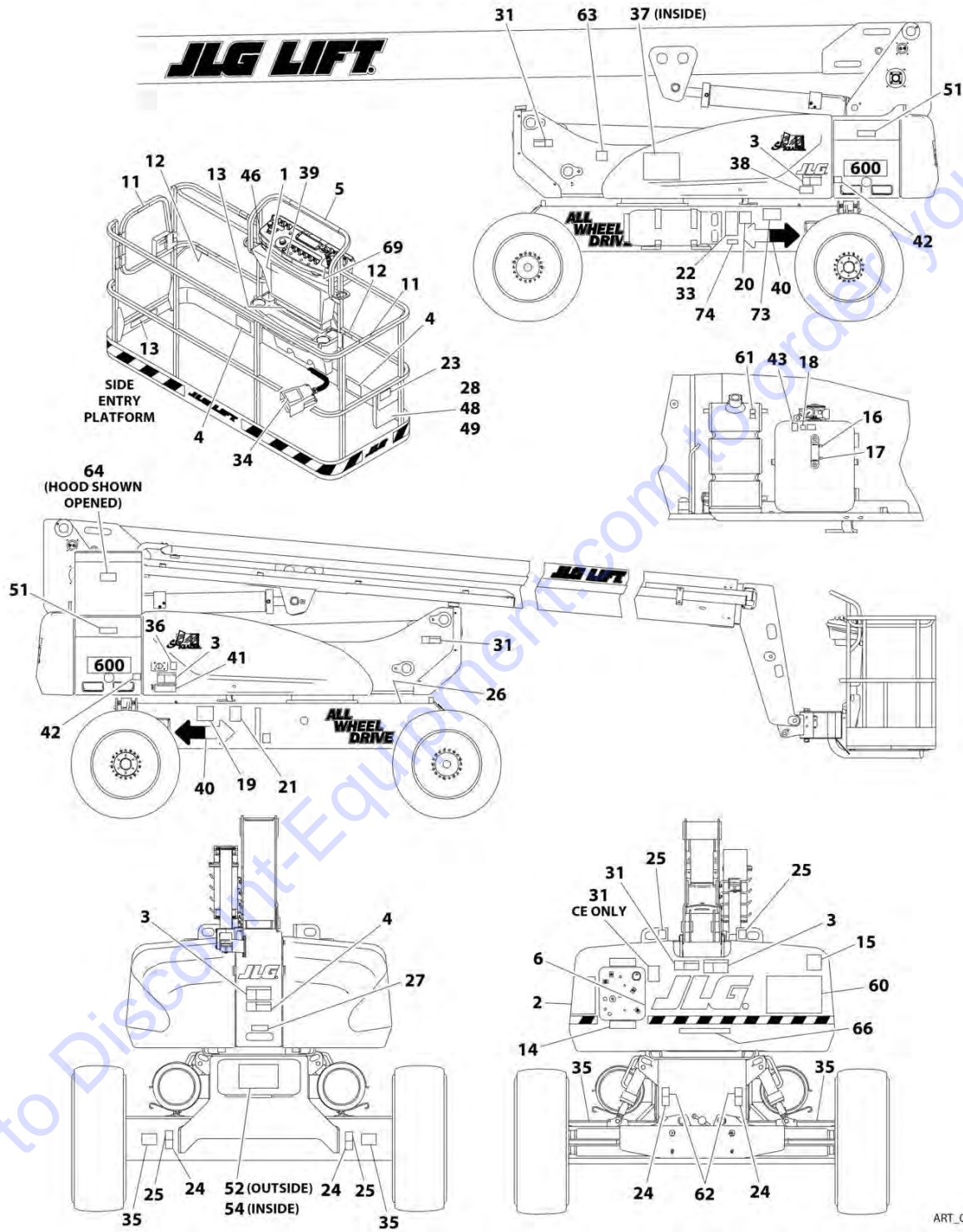
SECTION 9 - DECALS

Go to Discount-Equipment.com to order your parts

SECTION 9 - DECALS

FIGURE 9-1. DECAL INSTALLATION - ANSI AND ANSI EXPORT SPECS

NOTE: ITEMS SHOWN MAY NOT BE REQUIRED FOR ALL SPECS. REFER TO PARTS LISTS FOR USAGE.



ART_0270129

SECTION 9 - DECALS

FIGURE 9-1. DECAL INSTALLATION - ANSI AND ANSI EXPORT SPECS

ITEM	PART NUMBER	QTY	DESCRIPTION	REV
	1283118	Ref	DECAL INSTALLATION - REFERENCE CHART	AC
	0270129	Ref	DECAL INSTALLATION - ANSI AND ANSI EXPORT SPECS	J
1	1703797	1	Decal - Danger/Warning (Platform)	
2	1704575	1	Decal - Danger/Warning (MTB)	
3	1703805	4	Decal - Electrocution	
4	1703804	3	Decal - Crushing	
5	1001196811	1	Decal - Legend (Platform)	
6	1707035	1	Decal - Legend (Ground Control)	
11	1702868	2	Decal - No Hands	
12	1704277	3	Decal - Attach Lanyard	
13	1001121801	2	Decal - 500 LBS Max Capacity (Platform)	
14	1001121814	1	Decal - 500 LBS Max Capacity (Ground)	
16	1701502	1	Decal - Hydraulic Oil Level High	
17	1701503	1	Decal - Hydraulic Oil Level Low	
18	1701504	1	Decal - Hydraulic Oil	
20	See Note	NSS	Decal - Barcode (Note: Not Available for Purchase)	
21	1001131269	1	Decal - Patent	
22	See Note	NSS	Nameplate - Serial Number (Note: Not Available for Purchase)	
23	1701509	1	Decal - Manual	
24	1702300	4	Decal - Tie Down	
25	1701500	4	Decal - Lift	
26	1701529	2	Decal - Arrow	
27	3251243	1	Nameplate	
28	0860520	1	Box, Manual Storage	
31	1703953	3	Decal - Warning/Crushing	
33	3820001	2	Rivet	
34	3252347	1	Nameplate - Footswitch	
35	1704708	4	Decal - Max Tire Load	
36	1701644	1	Decal - Charger	
37	1704705	1	Decal - Manual Descent	
38	1702901	1	Decal - Instructions Inside	
39	1705514	1	Decal - CSA (SN 0300222690 to Present)	
40	1701501	2	Decal - Arrow	
41	1704248	1	Decal - Battery Charger Instructions	
42	1702155	2	Decal - Battery Disconnect	
43	1704412	1	Decal - Oil Chart	
46	1001231801	1	Decal - Prop 65 (SN 0300256398 to Present)	
48	3311405	4	Nut 1/4	
49	4751400	4	Washer 1/4	
51	1703813	2	Decal - Warning Battery Ventilation	
52	3252673	NLA	Decal - Lift Diagram (Use p/n 1706377) (SN 0300219271 through 0300226741)	
52	1706377	1	Decal - Lift Diagram (SN 0300226742 to Present)	
54	1001209679	1	Decal - Cable Routing	
61	1701505	1	Decal - Fuel M600/M600J/M600JP	
62	1701499	2	Decal - No Lift	
63	1702391	2	Decal - Warning Hand Crushing	
64	1704725	2	Decal - Tip Over (Battery Weight)	
66	1704885	1	Decal - Website	
67	0641406	4	Bolt 1/4 x 3/4 (Not Shown)	

SECTION 9 - DECALS

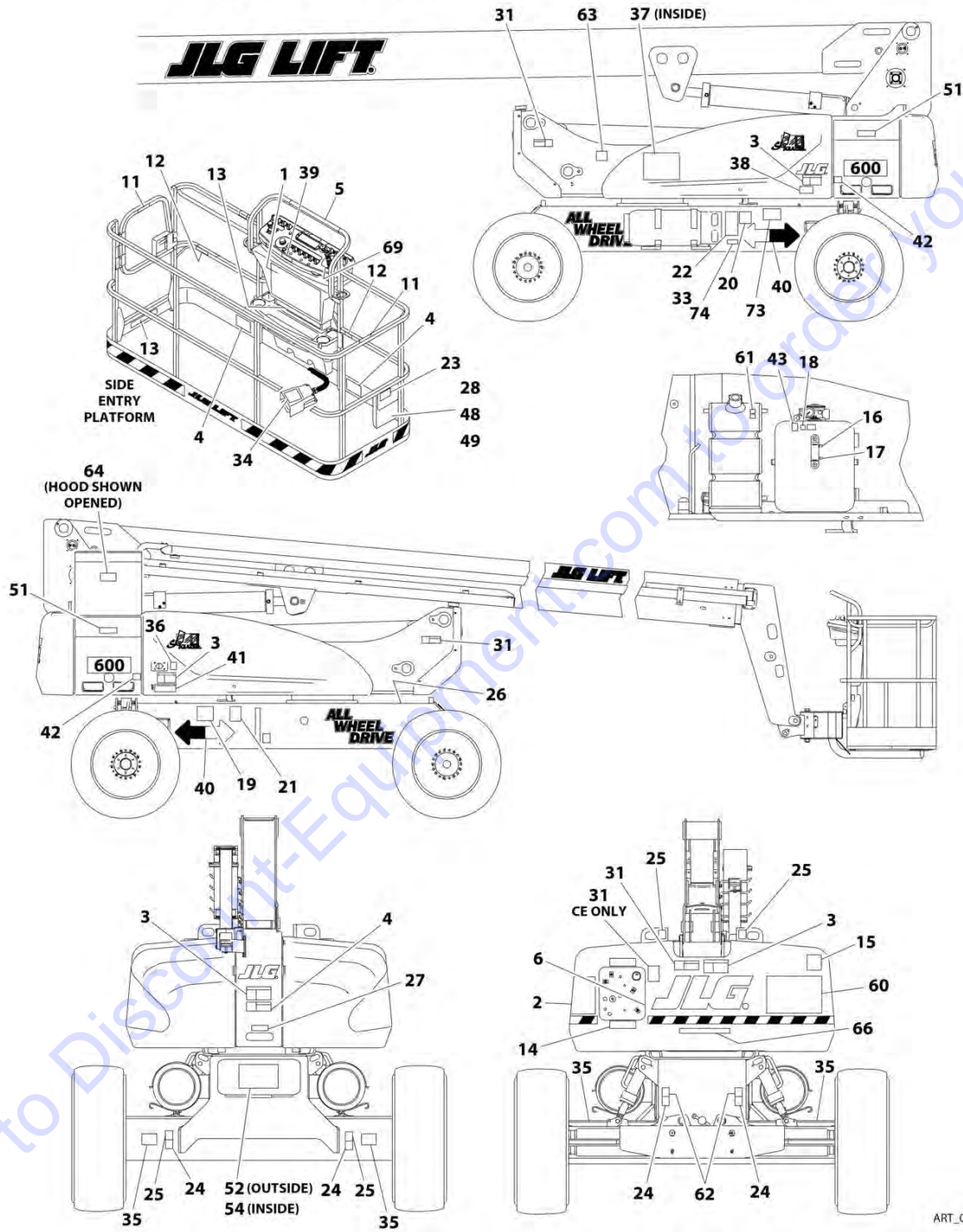
ITEM	PART NUMBER	QTY	DESCRIPTION	REV
69	1705351	1	Decal - Drive/Steer Instructions (Machines with Drive Orientation Only)	
73	1001223055	1	Decal - Yearly Inspection (SN 0300233752 to Present)	
74	1001228370	1	Decal - ICES (Canada Spec)	

Go to Discount-Equipment.com to order your parts

SECTION 9 - DECALS

FIGURE 9-2. DECAL INSTALLATION - AUSTRALIAN AND CE SPECS

NOTE: ITEMS SHOWN MAY NOT BE REQUIRED FOR ALL SPECS. REFER TO PARTS LISTS FOR USAGE.



ART_0275062

SECTION 9 - DECALS

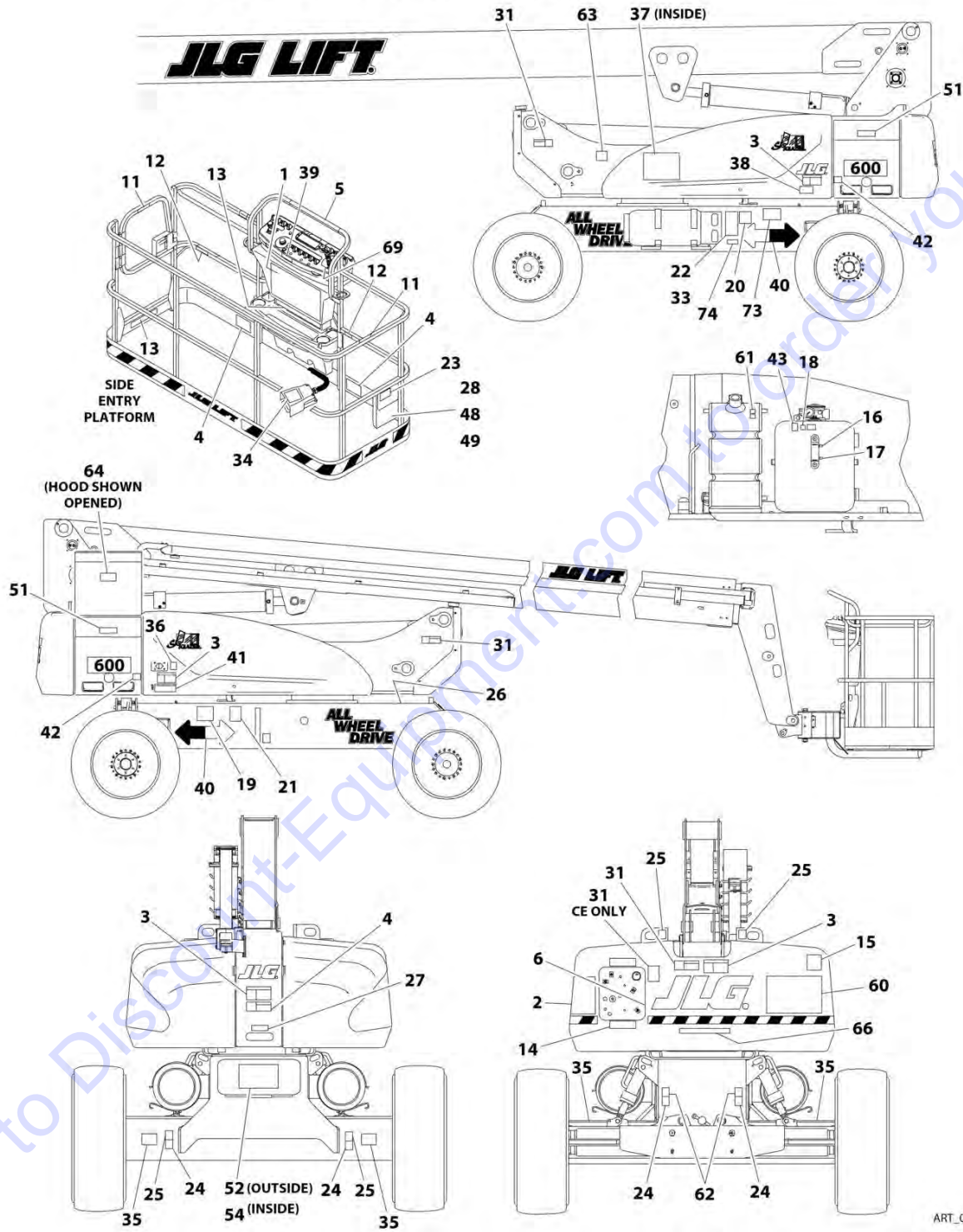
FIGURE 9-2. DECAL INSTALLATION - AUSTRALIAN AND CE SPECS

ITEM	PART NUMBER	QTY	DESCRIPTION	REV
	1283118	Ref	DECAL INSTALLATION - REFERENCE CHART	AC
	0275062	Ref	DECAL INSTALLATION - AUSTRALIAN AND CE SPECS	F
1	1705921	1	Decal - Danger/Caution (Platform)	
2	1705822	1	Decal - Danger/Caution (MTB)	
4	1701518	3	Decal - Crushing	
12	1704277	3	Decal - Attach Lanyard	
13	1705978	1	Decal - 500 LBS Max Capacity (Platform)	
14	1705978	1	Decal - 500 LBS Max Capacity (Ground)	
15	1705084	1	Decal - Sound Power Level	
16	1701502	1	Decal - Hydraulic Oil Level High	
17	1701503	1	Decal - Hydraulic Oil Level Low	
18	1701504	1	Decal - Hydraulic Oil	
20	See Note	NSS	Decal - Bar Code (Note: Not Available for Purchase)	
23	1701509	1	Decal - Manual	
24	1702300	4	Decal - Tie Down	
25	1701500	4	Decal - Lift	
26	1701529	2	Decal - Arrow	
28	0860520	1	Box, Manual Storage	
31	1701518	3	Decal - Warning/Crushing	
33	3820001	4	Rivet	
34	1705828	1	Nameplate - Footswitch	
35	1704708	4	Decal - Maximum Tire Load	
36	1701644	1	Decal - Charger	
37	1704705	1	Decal - Manual Descent	
38	1706392	1	Decal - Instructions Inside	
40	1701501	2	Decal - Arrow	
41	1706378	1	Decal - Battery Charger Instructions	
42	1702155	2	Decal - Battery Disconnect	
43	1704412	1	Decal - Oil Chart	
48	3311405	4	Nut 1/4	
49	4751400	4	Washer 1/4	
51	1705670	2	Decal - Warning Battery Ventilation	
52	1706377	1	Decal - Lift Diagram	
54	1001209679	1	Decal - Cable Routing	
61	1701505	1	Decal - Fuel M600/M600J/M600JP	
62	1701499	2	Decal - No Lift	
63	1701517	2	Decal - Warning Hand Crushing	
64	1704728	2	Decal - Tip Over (Battery Weight)	
66	1704885	1	Decal - Website	

SECTION 9 - DECALS

FIGURE 9-3. DECAL INSTALLATION - CHINESE/ENGLISH SPECS

NOTE: ITEMS SHOWN MAY NOT BE REQUIRED FOR ALL SPECS. REFER TO PARTS LISTS FOR USAGE.



ART_0270154

SECTION 9 - DECALS

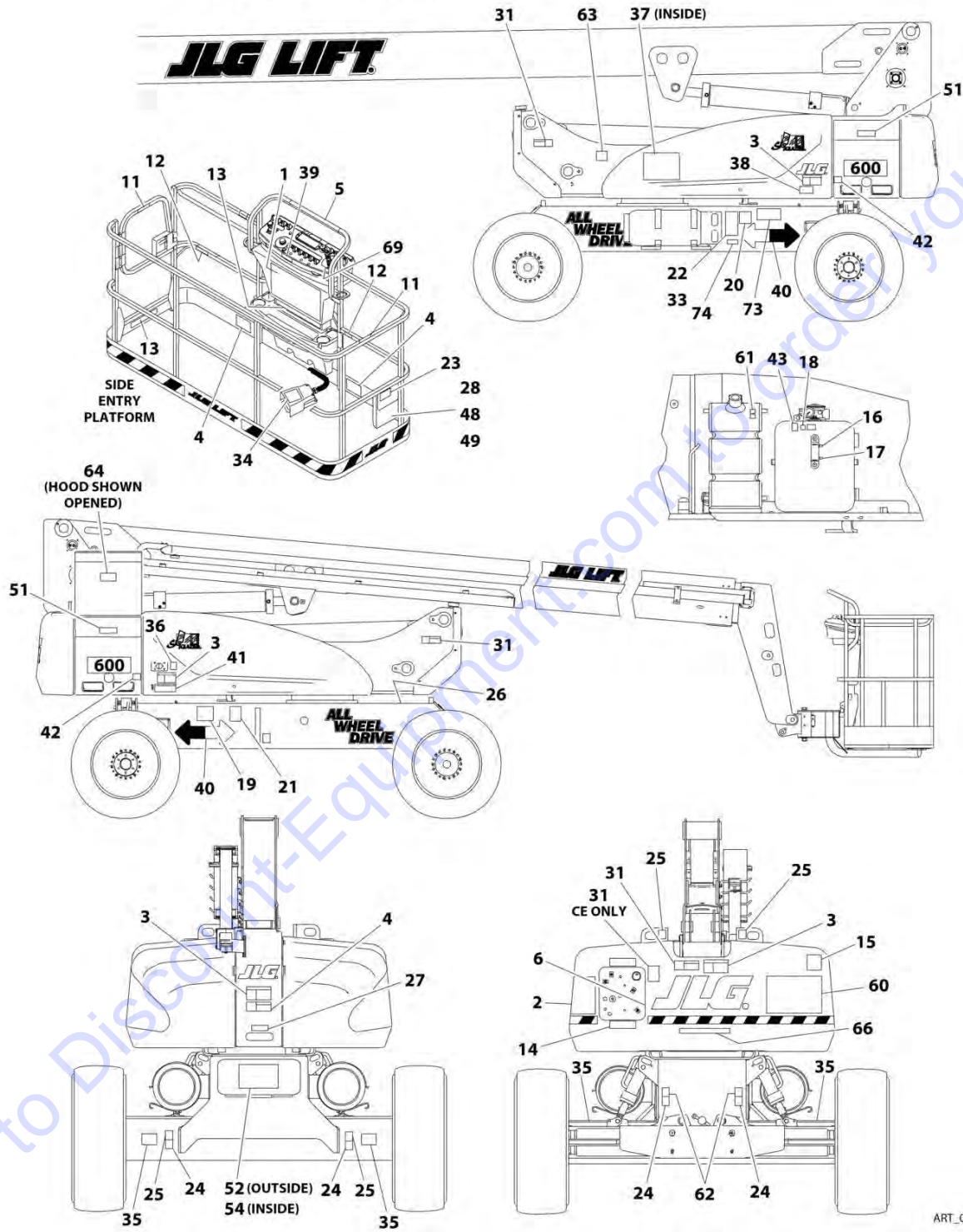
FIGURE 9-3. DECAL INSTALLATION - CHINESE/ENGLISH SPECS

ITEM	PART NUMBER	QTY	DESCRIPTION	REV
	1283118	Ref	DECAL INSTALLATION - REFERENCE CHART	AC
	0270154	Ref	DECAL INSTALLATION - CHINESE/ENGLISH SPECS	G
1	1703925	1	Decal - Danger/Warning (Platform)	
3	1703937	4	Decal - Electrocutation	
4	1703949	3	Decal - Crushing	
11	1001116846	2	Decal - No Hands	
12	1704277	3	Decal - Attach Lanyard	
13	1001121810	2	Decal - 500 LBS Max Capacity (Platform)	
14	1001121823	1	Decal - 500 LBS Max Capacity (Ground)	
16	1701502	1	Decal - Hydraulic Oil Level High	
17	1701503	1	Decal - Hydraulic Oil Level Low	
18	1701504	1	Decal - Hydraulic Oil	
20	See Note	NSS	Decal - Bar Code (Note: Not Available for Purchase)	
22	See Note	NSS	Nameplate - Serial Number (Note: Not Available for Purchase)	
23	1701509	1	Decal - Manual	
24	1702300	4	Decal - Tie Down	
25	1701500	4	Decal - Lift	
26	1701529	2	Decal - Arrow	
28	0860520	1	Box, Manual Storage	
31	1703943	3	Decal - Warning/Crushing	
33	3820001	2	Rivet	
34	1703982	1	Nameplate - Footswitch	
35	1704708	4	Decal - Maximum Tire Load	
36	1701644	1	Decal - Charger	
37	1704705	1	Decal - Manual Descent	
38	1704121	1	Decal - Instructions Inside	
40	1701501	2	Decal - Arrow	
41	1704333	1	Decal - Battery Charger Instructions	
42	1702155	2	Decal - Battery Disconnect	
43	1704412	1	Decal - Oil Chart	
48	3311405	4	Nut 1/4	
49	4751400	4	Washer 1/4	
51	1704344	2	Decal - Warning Battery Ventilation	
52	3252741	NLA	Decal - Lift Diagram (Use p/n 1706377) (SN 0300219271 through 0300226741)	
52	1706377	1	Decal - Lift Diagram (SN 0300226742 to Present)	
54	1001209679	1	Decal - Cable Routing	
60	1703931	1	Decal - Danger/Caution	
61	1701505	1	Decal - Fuel M600/M600J/M600JP	
62	1701499	2	Decal - No Lift	
63	1701517	2	Decal - Warning Hand Crushing	
64	1704731	2	Decal - Tip Over (Battery Weight)	
66	1704885	1	Decal - Website	
67	0641406	4	Bolt 1/4 x 3/4 (Not Shown)	
69	1705430	1	Decal - Drive/Steer Instructions (Machines with Drive Orientation Only)	
73	1001224050	1	Decal - Yearly Inspection (SN 0300233752 to Present)	

SECTION 9 - DECALS

FIGURE 9-4. DECAL INSTALLATION - FRENCH/ENGLISH SPECS

NOTE: ITEMS SHOWN MAY NOT BE REQUIRED FOR ALL SPECS. REFER TO PARTS LISTS FOR USAGE.



ART_0270152

SECTION 9 - DECALS

FIGURE 9-4. DECAL INSTALLATION - FRENCH/ENGLISH SPECS

ITEM	PART NUMBER	QTY	DESCRIPTION	REV
	1283118	Ref	DECAL INSTALLATION - REFERENCE CHART	AC
	0270152	Ref	DECAL INSTALLATION - FRENCH/ENGLISH SPECS	H
1	1703924	1	Decal - Danger/Warning (Platform)	
3	1703936	4	Decal - Electrocution	
4	1703948	3	Decal - Crushing	
5	1001196811	1	Decal - Legend (Platform)	
6	1707035	1	Decal - Legend (Ground Control)	
11	1704000	2	Decal - No Hands	
12	1704277	3	Decal - Attach Lanyard	
13	1001121803	2	Decal - 500 LBS Max Capacity (Platform)	
14	1001121816	1	Decal - 500 LBS Max Capacity (Ground)	
16	1701502	1	Decal - Hydraulic Oil Level High	
17	1701503	1	Decal - Hydraulic Oil Level Low	
18	1701504	1	Decal - Hydraulic Oil	
20	See Note	NSS	Decal - Bar Code (Note: Not Available for Purchase)	
21	1001131269	1	Decal - Patent	
22	See Note	NSS	Nameplate - Serial Number (Note: Not Available for Purchase)	
23	1701509	1	Decal - Manual	
24	1702300	4	Decal - Tie Down	
25	1701500	4	Decal - Lift	
26	1701529	4	Decal - Arrow	
27	3251243	1	Nameplate 120V/60Hz	
28	0860520	1	Box, Manual Storage	
31	1703942	3	Decal - Warning/Crushing	
33	3820001	2	Rivet	
34	1703984	1	Nameplate - Footswitch	
35	1704708	4	Decal - Maximum Tire Load	
36	1701644	1	Decal - Charger	
37	1704705	1	Decal - Manual Descent	
38	1704116	1	Decal - Instructions Inside	
39	1705514	1	Decal - CSA	
40	1701501	2	Decal - Arrow	
41	1704329	1	Decal - Battery Charger Instructions	
42	1702155	2	Decal - Battery Disconnect	
43	1704412	1	Decal - Oil Chart	
48	3311405	4	Nut 1/4	
49	4751400	4	Washer 1/4	
51	1704340	2	Decal - Warning Battery Ventilation	
52	3252743	NLA	Decal - Lift Diagram (Use p/n 1706377) (SN 0300219271 through 0300226741)	
52	1706377	1	Decal - Lift Diagram (SN 0300226742 to Present)	
54	1001209679	1	Decal - Cable Routing	
60	1703930	1	Decal - Danger/Caution	
61	1701505	1	Decal - Fuel M600/M600J/M600JP	
62	1701499	2	Decal - No Lift	
63	1701517	2	Decal - Warning Hand Crushing	
64	1704733	2	Decal - Tip Over (Battery Weight)	
66	1704885	1	Decal - Website	
67	0641406	4	Bolt 1/4 x 3/4 (Not Shown)	
69	1705429	1	Decal - Drive/Steer Instructions (Machines with Drive Orientation)	

SECTION 9 - DECALS

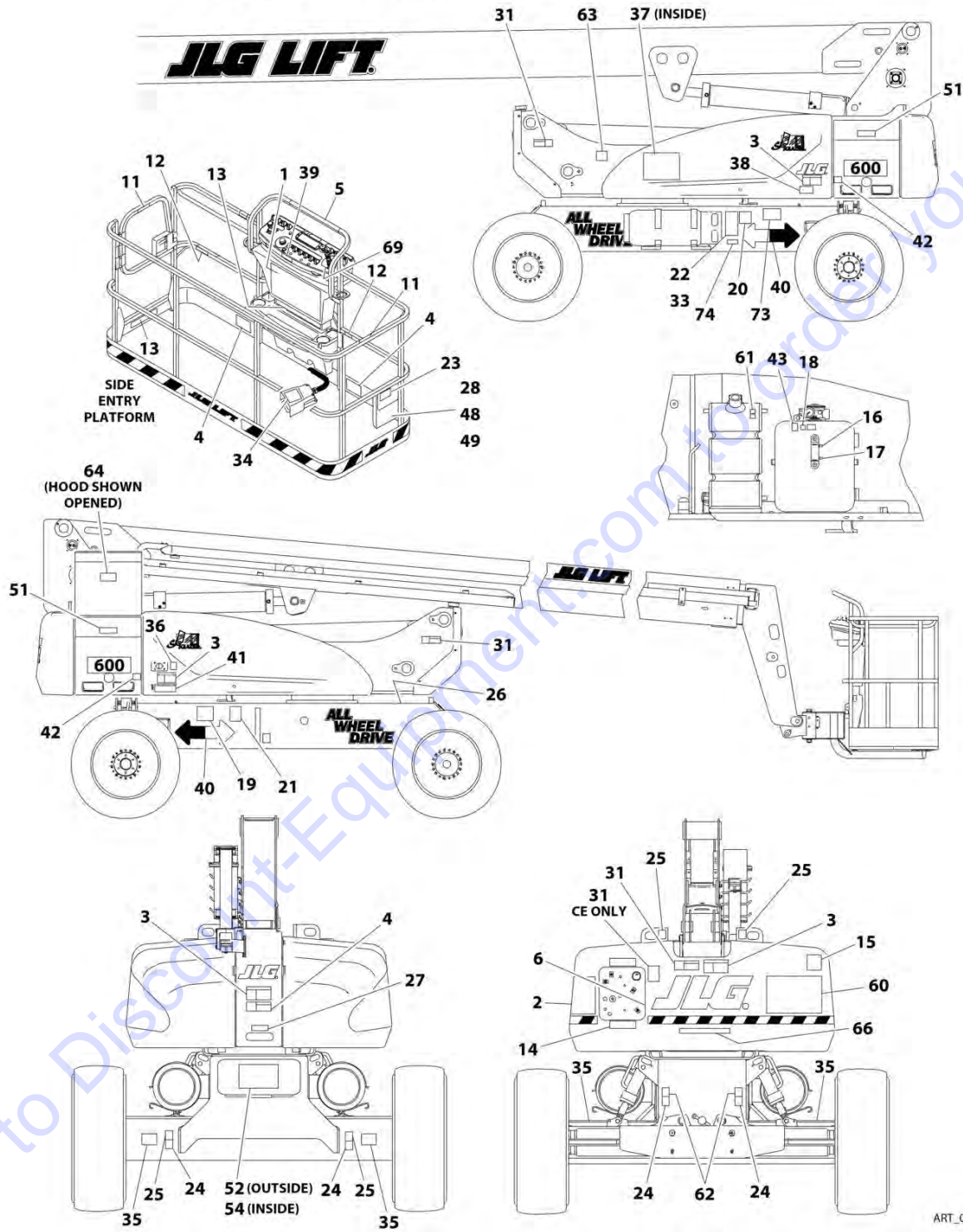
ITEM	PART NUMBER	QTY	DESCRIPTION	REV
73	1001223971	1	Only) Decal - Yearly Inspection (SN 0300233752 to Present)	
74	1001228370	1	Decal - ICES (Canada Spec)	

Go to Discount-Equipment.com to order your parts

SECTION 9 - DECALS

FIGURE 9-5. DECAL INSTALLATION - JAPANESE SPECS

NOTE: ITEMS SHOWN MAY NOT BE REQUIRED FOR ALL SPECS. REFER TO PARTS LISTS FOR USAGE.



ART_0270146

SECTION 9 - DECALS

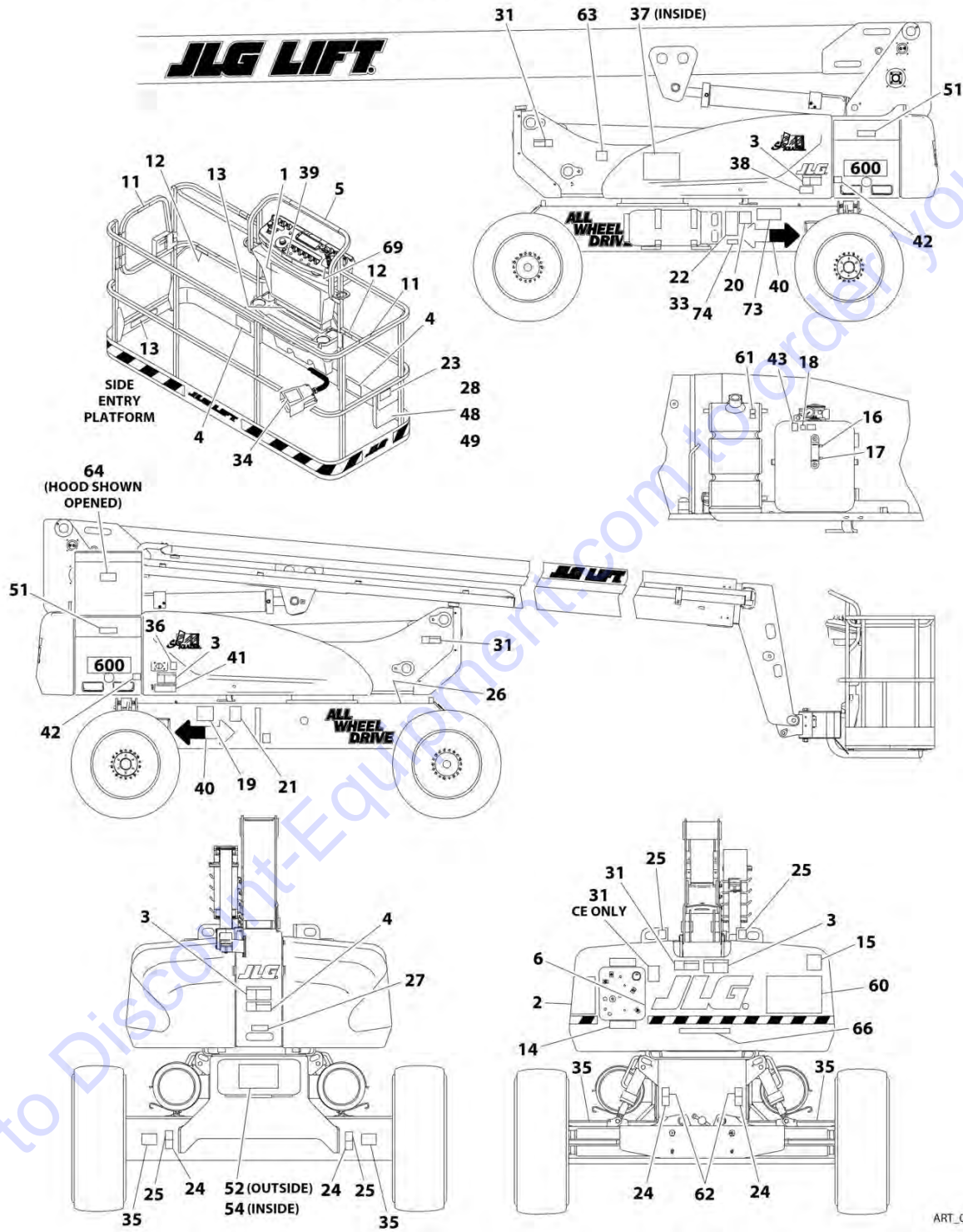
FIGURE 9-5. DECAL INSTALLATION - JAPANESE SPECS

ITEM	PART NUMBER	QTY	DESCRIPTION	REV
	1283118	Ref	DECAL INSTALLATION - REFERENCE CHART	AC
	0270146	Ref	DECAL INSTALLATION - JAPANESE SPECS	G
1	1703926	1	Decal - Danger/Warning (Platform)	
2	1704667	1	Decal - Danger/Warning (MTB)	
3	1703938	4	Decal - Electrocution	
4	1703950	3	Decal - Crushing	
12	1704277	3	Decal - Attach Lanyard	
13	1001121808	2	Decal - 500 LBS Max Capacity (Platform)	
14	1001121821	1	Decal - 500 LBS Max Capacity (Ground)	
16	1701502	1	Decal - Hydraulic Oil Level High	
17	1701503	1	Decal - Hydraulic Oil Level Low	
18	1701504	1	Decal - Hydraulic Oil	
20	See Note	NSS	Decal - Bar Code (Note: Not Available for Purchase)	
22	See Note	NSS	Nameplate - Serial Number (Note: Not Available for Purchase)	
23	1701509	1	Decal - Manual	
24	1702300	4	Decal - Tie Down	
25	1701500	4	Decal - Lift	
26	1701529	2	Decal - Arrow	
28	0860520	1	Box, Manual Storage	
31	1703944	3	Decal - Warning/Crushing	
33	3820001	2	Rivet	
34	1703980	1	Nameplate - Footswitch	
35	1704708	4	Decal - Maximum Tire Load	
36	1701644	1	Decal - Charger	
37	1704705	1	Decal - Manual Descent	
38	1704119	1	Decal - Instructions Inside	
40	1701501	2	Decal - Arrow	
41	1704331	1	Decal - Battery Charger Instructions	
42	1702155	2	Decal - Battery Disconnect	
43	1704412	1	Decal - Oil Chart	
48	3311405	4	Nut 1/4	
49	4751400	4	Washer 1/4	
51	1704342	2	Decal - Warning Battery Ventilation	
52	3252738	NLA	Decal - Lift Diagram (Use p/n 1706377) (SN 0300219271 through 0300226741)	
52	1706377	1	Decal - Lift Diagram (SN 0300226742 to Present)	
54	1001209679	1	Decal - Cable Routing	
61	1701505	1	Decal - Fuel M600/M600J/M600JP	
62	1701499	2	Decal - No Lift	
63	1701517	2	Decal - Warning Hand Crushing	
64	1704671	2	Decal - Tip Over (Battery Weight)	
66	1704885	1	Decal - Website	
67	0641406	4	Bolt 1/4 x 3/4 (Not Shown)	
69	1705426	1	Decal - Drive/Steer Instructions (Machines with Drive Orientation Only)	
73	1001224053	1	Decal - Yearly Inspection (SN 0300233752 to Present)	

SECTION 9 - DECALS

FIGURE 9-6. DECAL INSTALLATION - KOREAN SPECS

NOTE: ITEMS SHOWN MAY NOT BE REQUIRED FOR ALL SPECS. REFER TO PARTS LISTS FOR USAGE.



ART_0270148

SECTION 9 - DECALS

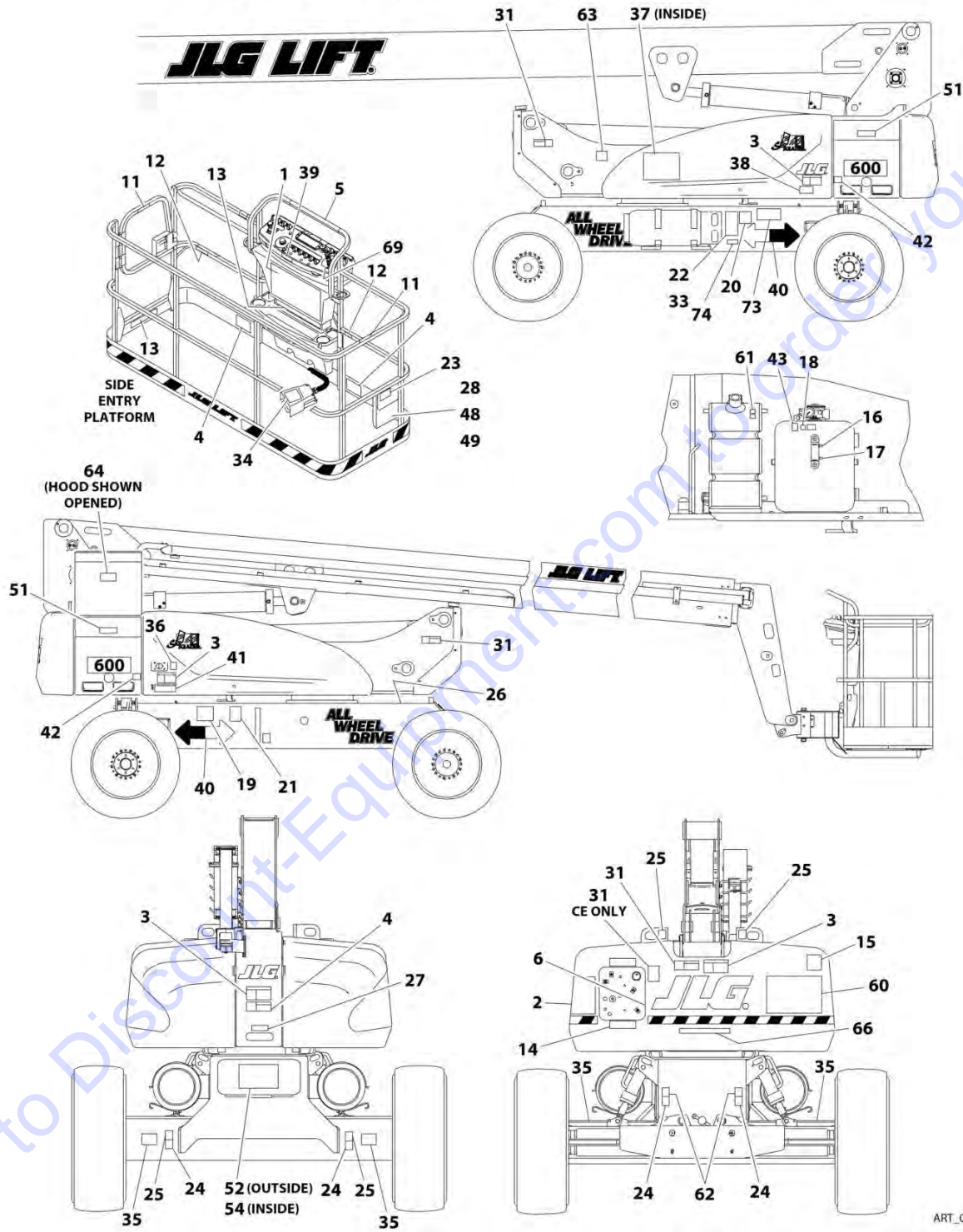
FIGURE 9-6. DECAL INSTALLATION - KOREAN SPECS

ITEM	PART NUMBER	QTY	DESCRIPTION	REV
	1283118	Ref	DECAL INSTALLATION - REFERENCE CHART	AC
	0270148	Ref	DECAL INSTALLATION - KOREAN SPECS	G
1	1703927	1	Decal - Danger/Warning (Platform)	
2	1704668	1	Decal - Danger/Warning (MTB)	
3	1703939	4	Decal - Electrocution	
4	1703951	3	Decal - Crushing	
12	1704277	3	Decal - Attach Lanyard	
13	1001121918	2	Decal - 500 LBS Max Capacity (Platform)	
14	1001121921	1	Decal - 500 LBS Max Capacity (Ground)	
16	1701502	1	Decal - Hydraulic Oil Level High	
17	1701503	1	Decal - Hydraulic Oil Level Low	
18	1701504	1	Decal - Hydraulic Oil	
20	See Note	NSS	Decal - Bar Code (Note: Not Available for Purchase)	
22	See Note	NSS	Nameplate - Serial Number (Note: Not Available for Purchase)	
23	1701509	1	Decal - Manual	
24	1702300	4	Decal - Tie Down	
25	1701500	4	Decal - Lift	
26	1701529	2	Decal - Arrow	
28	0860520	1	Box, Manual Storage	
31	1703945	3	Decal - Warning/Crushing	
33	3820001	2	Rivet	
34	1703981	1	Nameplate - Footswitch	
35	1704708	4	Decal - Maximum Tire Load	
36	1701644	1	Decal - Charger	
37	1704705	1	Decal - Manual Descent	
38	1704120	1	Decal - Instructions Inside	
40	1701501	2	Decal - Arrow	
41	1704332	1	Decal - Battery Charger Instructions	
42	1702155	2	Decal - Battery Disconnect	
43	1704412	1	Decal - Oil Chart	
48	3311405	4	Nut 1/4	
49	4751400	4	Washer 1/4	
51	1704343	2	Decal - Warning Battery Ventilation	
52	3252739	1	Decal - Lift Diagram (Use p/n 1706377) (SN 0300219271 through 0300226741)	
52	1706377	1	Decal - Lift Diagram (SN 0300226742 to Present)	
54	1001209679	1	Decal - Cable Routing	
61	1701505	1	Decal - Fuel M600/M600J/M600JP	
62	1701499	2	Decal - No Lift	
63	1701517	2	Decal - Warning Hand Crushing	
64	1704670	2	Decal - Tip Over (Battery Weight)	
66	1704885	1	Decal - Website	
67	0641406	4	Bolt 1/4 x 3/4 (Not Shown)	
69	1705427	1	Decal - Drive/Steer Instructions (Machines with Drive Orientation Only)	
73	1001224048	1	Decal - Yearly Inspection (SN 0300233752 to Present)	

SECTION 9 - DECALS

FIGURE 9-7. DECAL INSTALLATION - SPANISH/ENGLISH SPECS

NOTE: ITEMS SHOWN MAY NOT BE REQUIRED FOR ALL SPECS. REFER TO PARTS LISTS FOR USAGE.



ART_0270150

SECTION 9 - DECALS

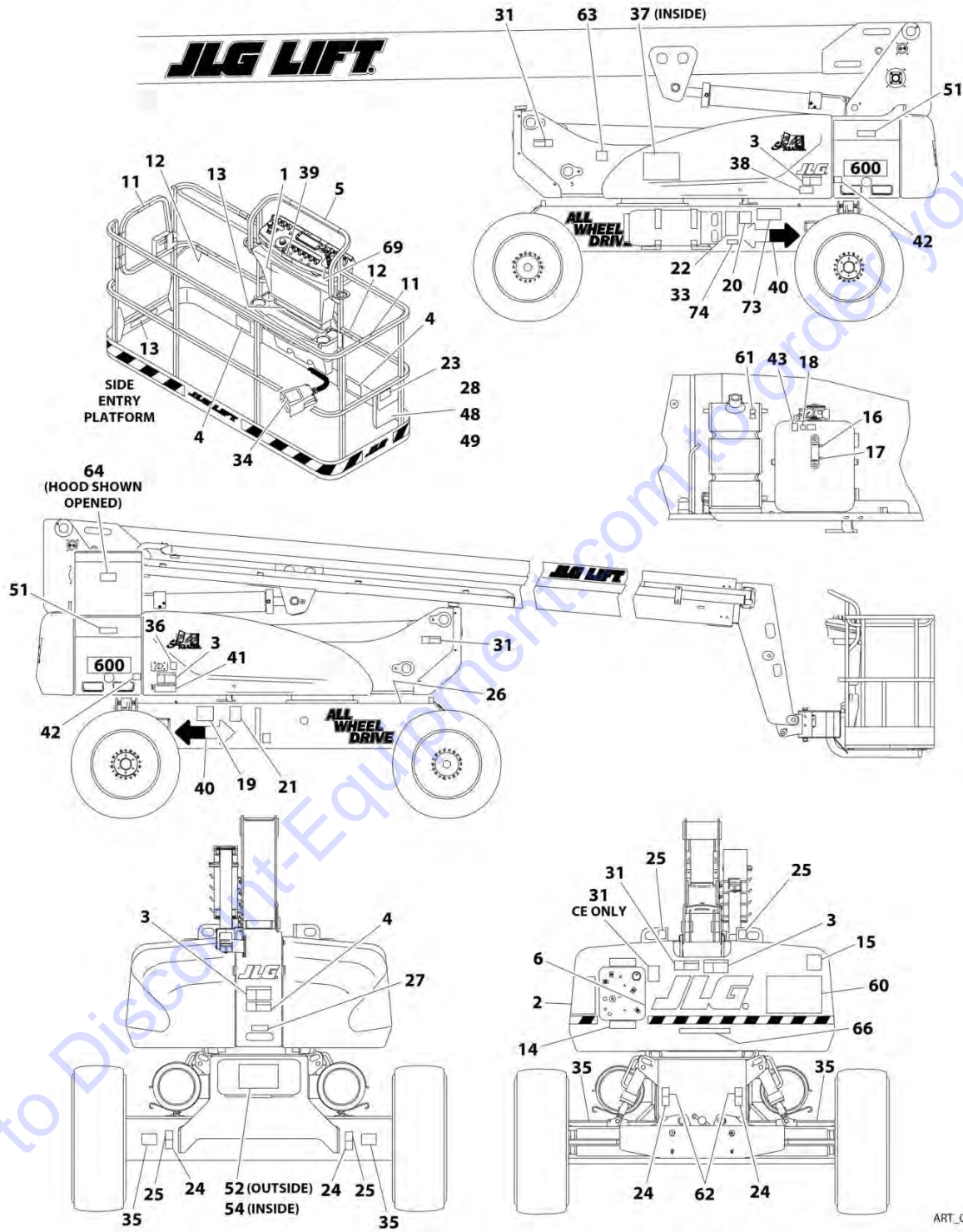
FIGURE 9-7. DECAL INSTALLATION - SPANISH/ENGLISH SPECS

ITEM	PART NUMBER	QTY	DESCRIPTION	REV
	1283118	Ref	DECAL INSTALLATION - REFERENCE CHART	AC
	0270150	Ref	DECAL INSTALLATION - SPANISH/ENGLISH SPECS	G
1	1703923	1	Decal - Danger/Warning (Platform)	
3	1703935	4	Decal - Electrocutation	
4	1703947	3	Decal - Crushing	
5	1001196811	1	Decal - Legend (Platform)	
6	1707035	1	Decal - Legend (Ground Control)	
11	1704001	2	Decal - No Hands	
12	1704277	3	Decal - Attach Lanyard	
13	1001121805	2	Decal - 500 LBS Max Capacity (Platform)	
14	1001121818	1	Decal - 500 LBS Max Capacity (Ground)	
16	1701502	1	Decal - Hydraulic Oil Level High	
17	1701503	1	Decal - Hydraulic Oil Level Low	
18	1701504	1	Decal - Hydraulic Oil	
20	See Note	NSS	Decal - Bar Code (Note: Not Available for Purchase)	
22	See Note	NSS	Nameplate - Serial Number (Note: Not Available for Purchase)	
23	1701509	1	Decal - Manual	
24	1702300	4	Decal - Tie Down	
25	1701500	4	Decal - Lift	
26	1701529	2	Decal - Arrow	
27	3251243	1	Nameplate 120V/60Hz	
28	0860520	1	Box, Manual Storage	
31	1703941	3	Decal - Warning/Crushing	
33	3820001	2	Rivet	
34	1703983	1	Nameplate - Footswitch	
35	1704708	4	Decal - Maximum Tire Load	
36	1701644	1	Decal - Charger	
37	1704705	1	Decal - Manual Descent	
38	1704117	1	Decal - Instructions Inside	
40	1701501	2	Decal - Arrow	
41	1704328	1	Decal - Battery Charger Instructions	
42	1702155	2	Decal - Battery Disconnect	
43	1704412	1	Decal - Oil Chart	
48	3311405	4	Nut 1/4	
49	4751400	4	Washer 1/4	
51	1704339	2	Decal - Warning Battery Ventilation	
52	3252740	NLA	Decal - Lift Diagram (Use p/n 1706377) (SN 0300219271 through 0300226741)	
52	1706377	1	Decal - Lift Diagram (SN 0300226742 to Present)	
54	1001209679	1	Decal - Cable Routing	
60	1703929	1	Decal - Danger/Caution	
61	1701505	1	Decal - Fuel M600/M600J/M600JP	
62	1701499	2	Decal - No Lift	
63	1701517	2	Decal - Warning Hand Crushing	
64	1704732	2	Decal - Tip Over (Battery Weight)	
66	1704885	1	Decal - Website	
67	0641406	4	Bolt 1/4 x 3/4 (Not Shown)	
69	1705910	1	Decal - Drive/Steer Instructions (Machines with Drive Orientation Only)	
73	1001224049	1	Decal - Yearly Inspection (SN 0300233752 to Present)	

SECTION 9 - DECALS

FIGURE 9-8. DECAL INSTALLATION - SPANISH/PORTUGUESE SPECS

NOTE: ITEMS SHOWN MAY NOT BE REQUIRED FOR ALL SPECS. REFER TO PARTS LISTS FOR USAGE.



ART_0270156

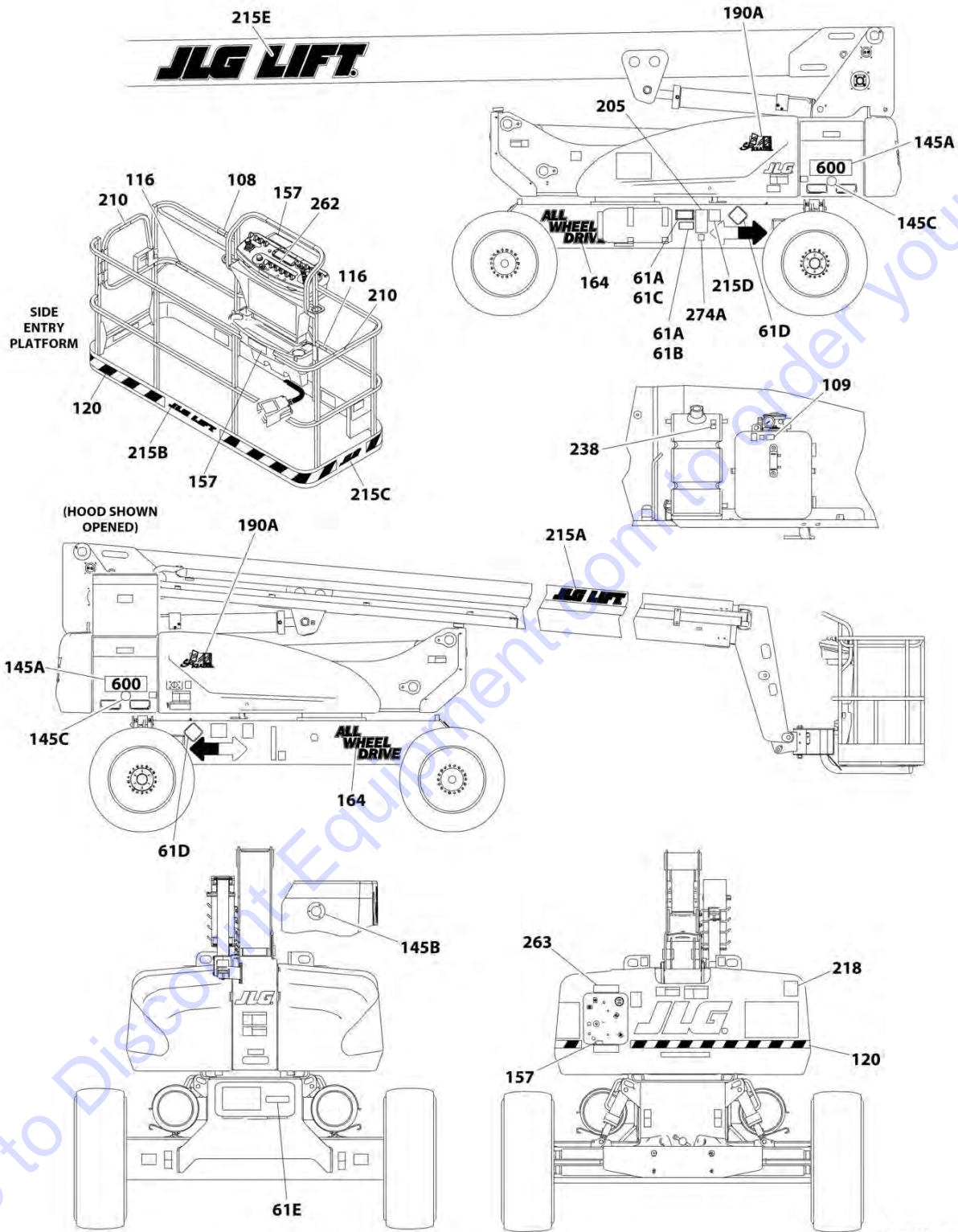
SECTION 9 - DECALS

FIGURE 9-8. DECAL INSTALLATION - SPANISH/PORTUGUESE SPECS

ITEM	PART NUMBER	QTY	DESCRIPTION	REV
	1283118	Ref	DECAL INSTALLATION - REFERENCE CHART	AC
	0270156	Ref	DECAL INSTALLATION - SPANISH/PORTUGUESE SPECS	G
1	1703928	1	Decal - Danger/Warning (Platform)	
3	1703940	4	Decal - Electrocution	
4	1703952	3	Decal - Crushing	
11	1704002	2	Decal - No Hands	
12	1704277	3	Decal - Attach Lanyard	
13	1001121920	2	Decal - 500 LBS Max Capacity (Platform)	
14	1001121923	1	Decal - 500 LBS Max Capacity (Ground)	
16	1701502	1	Decal - Hydraulic Oil Level High	
17	1701503	1	Decal - Hydraulic Oil Level Low	
18	1701504	1	Decal - Hydraulic Oil	
19	1704008	1	Decal - Inspection	
20	See Note	NSS	Decal - Bar Code (Note: Not Available for Purchase)	
22	See Note	NSS	Nameplate - Serial Number (Note: Not Available for Purchase)	
23	1701509	1	Decal - Manual	
24	1702300	4	Decal - Tie Down	
25	1701500	4	Decal - Lift	
26	1701529	2	Decal - Arrow	
27	3251243	1	Nameplate 120V/60Hz	
28	0860520	1	Box, Manual Storage	
31	1703946	3	Decal - Warning/Crushing	
33	3820001	2	Rivet	
34	1703985	1	Nameplate - Footswitch	
35	1704708	4	Decal - Maximum Tire Load	
36	1701644	1	Decal - Charger	
37	1704705	1	Decal - Manual Descent	
38	1704118	1	Decal - Instructions Inside	
40	1701501	2	Decal - Arrow	
41	1704330	1	Decal - Battery Charger Instructions	
42	1702155	2	Decal - Battery Disconnect	
43	1704412	1	Decal - Oil Chart	
48	3311405	4	Nut 1/4	
49	4751400	4	Washer 1/4	
51	1704341	2	Decal - Warning Battery Ventilation	
52	3252742	NLA	Decal - Lift Diagram (Use p/n 1706377) (SN 0300219271 through 0300226741)	
52	1706377	1	Decal - Lift Diagram (SN 0300226742 to Present)	
54	1001209679	1	Decal - Cable Routing	
60	1703934	1	Decal - Danger/Caution	
61	1701505	1	Decal - Fuel M600/M600J/M600JP	
62	1701499	2	Decal - No Lift	
63	1701517	2	Decal - Warning Hand Crushing	
64	1704618	2	Decal - Tip Over (Battery Weight)	
66	1704885	1	Decal - Website	
67	0641406	4	Bolt 1/4 x 3/4 (Not Shown)	
69	1001113680	1	Decal - Drive/Steer Instructions (Machines with Drive Orientation Only)	
73	1001224052	1	Decal - Yearly Inspection (SN 0300233752 to Present)	

SECTION 9 - DECALS

FIGURE 9-9. DECAL INSTALLATION - OPTIONS



ART_DECAL OPTIONS

SECTION 9 - DECALS

FIGURE 9-9. DECAL INSTALLATION - OPTIONS

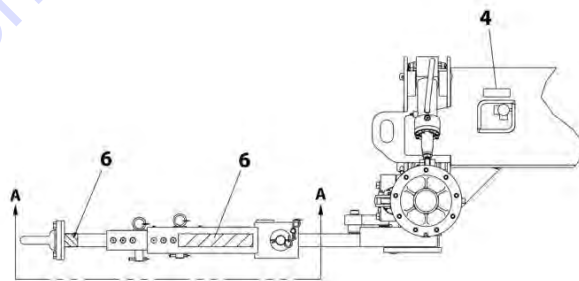
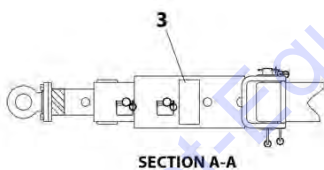
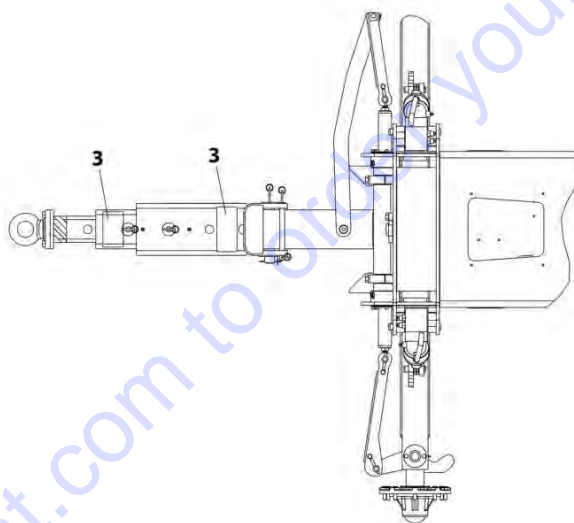
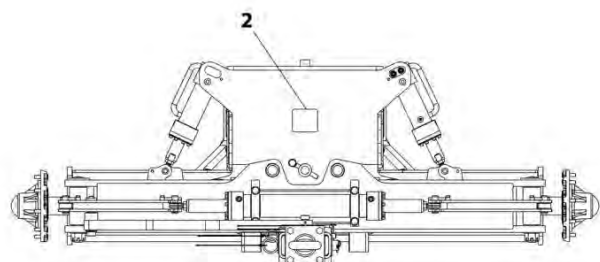
ITEM	PART NUMBER	QTY	DESCRIPTION	REV
	1283118	Ref	DECAL INSTALLATION - REFERENCE CHART	AC
	0010564	Ref	DECAL INSTALLATION - OPTIONS	AN
61	0270430	Ref	Decal Installation - UL Tags	B
61A	3820001	8	Pop Rivet	
61B	3252331	1	Nameplate - Battery Info	
61C	3252780	1	Nameplate - UL Certification Tag	
61D	1702251	2	Nameplate - EE	
61E	1001213625	1	Decal - Replacement Fuse 400 Amp	
108	1702962	1	Decal - Prop 65 (Diesel) M600/M600J/M600JP (ANSI Specs) (SN 0300219271 through 0300256397)	
108	1702961	1	Decal - Prop 65 (Gas) M600/M600J/M600JP (ANSI Specs) (SN 0300219271 through 0300256397)	
109	1704174	1	Decal - Biodegradable (Synthetic) Hydraulic Fluid (All Specs except German Spec)	
109	1704175	1	Decal - Biodegradable (Synthetic) Hydraulic Fluid (German Spec Only)	
116	1703175	3	Decal - Lanyard Attach (GM K-1 Spec)	
120	4420051	15.5 ft/ 4.7m	Decal - Warning Stripes	
145	0270031	Ref	Model Designation Installation (E600)	2
145	0270033	Ref	Model Designation Installation (E600J)	2
145	0270036	Ref	Model Designation Installation (E600JP)	2
145	0270032	Ref	Model Designation Installation (M600)	4
145	0270034	Ref	Model Designation Installation (M600J)	4
145	0270035	Ref	Model Designation Installation (M600JP)	4
145A	1704490	2	Decal - Model Designation E600	
145A	1704492	2	Decal - Model Designation E600J	
145A	1704495	2	Decal - Model Designation E600JP	
145A	1704491	2	Decal - Model Designation M600	
145A	1704493	2	Decal - Model Designation M600J	
145A	1704494	2	Decal - Model Designation M600JP	
145B	1670954	1	Cover, Exhaust Hole (E600/E600J/E600JP)	
145C	1001121510	2	Decal - Hybrid (M600/M600J/M600JP)	
157	1704286	2	Decal - Generator Danger (M600/M600J/M600JP) (ANSI and ANSI Export Specs)	
157	1001093687	2	Decal - Generator Danger (M600/M600J/M600JP) (Australian and CE Specs)	
157	1704372	2	Decal - Generator Danger (M600/M600J/M600JP) (Chinese/English Specs)	
157	1704368	2	Decal - Generator Danger (M600/M600J/M600JP) (French/English Specs)	
157	1704369	2	Decal - Generator Danger (M600/M600J/M600JP) (Japanese/English Specs)	
157	1704370	2	Decal - Generator Danger (M600/M600J/M600JP) (Korean/English Specs)	
157	1704373	2	Decal - Generator Danger (M600/M600J/M600JP) (Portuguese/Spanish Specs)	
157	1704371	2	Decal - Generator Danger (M600/M600J/M600JP) (Spanish/English Specs)	
164	1704724	2	Decal - All Wheel Drive 4WD	
190	0272418	Ref	Decal - SkyGlazier	4
190A	1705358	2	Decal - SkyGlazier	

SECTION 9 - DECALS

ITEM	PART NUMBER	QTY	DESCRIPTION	REV
205	See Note	NSS	Nameplate - Serial Number (CE Specs) (Note: Not Available for Purchase)	
205	See Note	NSS	Nameplate - Serial Number (Australian Specs) (Note: Not Available for Purchase)	
210	1702868	2	Decal - No Hands (ANSI Specs)	
210	1001116846	2	Decal - No Hands (Chinese/English Specs)	
210	1001246659	2	Decal - No Hands (Danish/English Specs)	
210	1704000	2	Decal - No Hands (French/English Specs)	
215	0259937	Ref	Decal Logo Installation (E600/E600J/M600/M600J)	C
215	0270869	Ref	Decal Logo Installation (E600JP/ M600JP)	1
215A	1702860	1	Decal - JLG Lift	
215B	1702774	1	Decal - JLG Lift	
215C	1702773	2	Decal - JLG (E600/E600J/M600/M600J)	
215C	1704200	2	Decal - Jib Plus (E600JP/ M600JP)	
215D	See Note	NSS	Decal - Bar Code (Note: Not Available for Purchase)	
215E	1702861	1	Decal - JLG Lift (E600/E600J/M600/M600J)	
215E	1702862	1	Decal - JLG Lift (E600JP/ M600JP)	
218	3251813	1	Decal - USA (M600/M600J/M600JP)	
238	1001108923	1	Decal - EPA/Carb Fuel Spec Only	
262	1001141300	1	Decal - SkyGuard Override	
262	1001141302	1	Decal - SkyGuard/Soft Touch Override	
263	1001189882	1	Decal - MSSO (CE Specs)	
274	1001214029	1	Decal - EAC Installation (CIS and Russia Specs)	
274A	1001173703	1	Decal - EAC	

SECTION 9 - DECALS

FIGURE 9-10. TOW BAR DECAL INSTALLATION (ANSI SPECS)



ART_0270629

SECTION 9 - DECALS

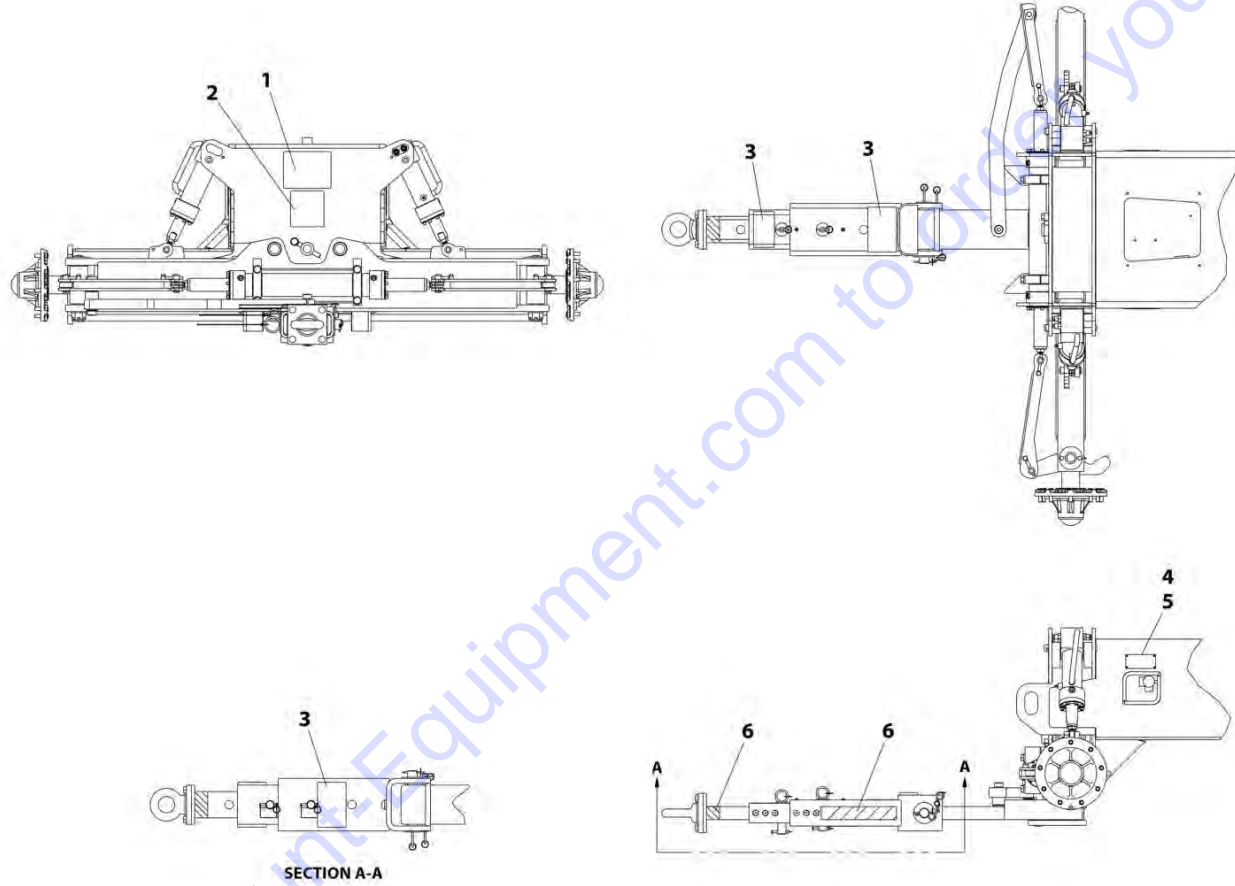
FIGURE 9-10. TOW BAR DECAL INSTALLATION (ANSI SPECS)

ITEM	PART NUMBER	QTY	DESCRIPTION	REV
	0270629	Ref	TOW BAR DECAL INSTALLATION (ANSI SPECS)	C
2	1001196121	1	Decal - Tow Instructions	
3	1704578	3	Decal - Crushing	
4	1001196122	1	Nameplate - Steer/Tow Select	
6	1001195754	35 in /89cm	Tape, Safety	

Go to Discount-Equipment.com to order your parts

SECTION 9 - DECALS

FIGURE 9-11. TOW BAR DECAL INSTALLATION (SPANISH/ENGLISH SPECS)



ART_0270631

SECTION 9 - DECALS

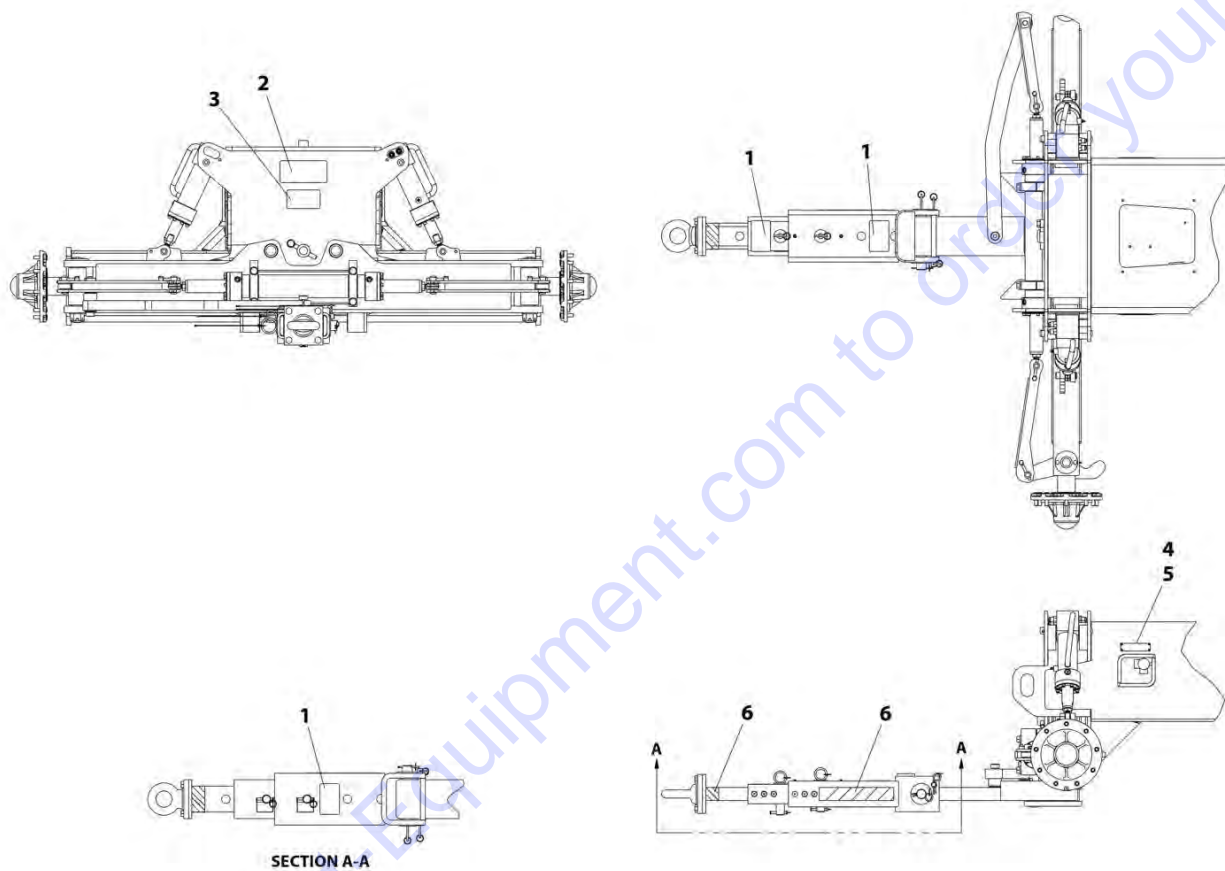
FIGURE 9-11. TOW BAR DECAL INSTALLATION (SPANISH/ENGLISH SPECS)

ITEM	PART NUMBER	QTY	DESCRIPTION	REV
	0270631	Ref	TOW BAR DECAL INSTALLATION (SPANISH/ENGLISH SPECS)	B
1	1704457	1	Decal - Tow Instructions	
2	1704576	1	Decal - Warning	
3	1704577	3	Decal - Crushing	
4	3252693	1	Nameplate - Steer/Tow Select	
5	3820001	4	Rivet	
6	4420051	35 in /89cm	Tape, Safety	

Go to Discount-Equipment.com to order your parts

SECTION 9 - DECALS

FIGURE 9-12. TOW BAR DECAL INSTALLATION (SPANISH/ENGLISH SPECS)



ART_0270630

SECTION 9 - DECALS

FIGURE 9-12. TOW BAR DECAL INSTALLATION (SPANISH/ENGLISH SPECS)

ITEM	PART NUMBER	QTY	DESCRIPTION	REV
	0270630	Ref	TOW BAR DECAL INSTALLATION (SPANISH/ENGLISH SPECS)	B
1	1701518	3	Decal - Crushing	
2	1704455	1	Decal - Tow Instructions	
3	1704456	1	Decal - Warning	
4	3252692	1	Nameplate - Steer/Tow Select	
5	3820001	4	Rivet	
6	4420051	35 in /89cm	Tape, Safety	

Go to Discount-Equipment.com to order your parts

SECTION 10 - RECOMMENDED SERVICE PARTS STOCK

SECTION 10 - RECOMMENDED SERVICE PARTS STOCK

Go to Discount-Equipment.com to order your parts

SECTION 10 - RECOMMENDED SERVICE PARTS STOCK

FIGURE 10-1. RECOMMENDED SERVICE PARTS STOCK

ITEM	PART NUMBER	QTY	DESCRIPTION	REV
		Ref	Note: The following list will service one machine (built to current production per date on the front cover) with emergency repair parts which can be installed in the field. Parts from the list should be replaced when inventory is depleted to keep service parts stock supplied. For further information, go to Discount-equipment.com.	
		Ref	STANDARD PARTS	
	7012944	1	Coil	
	7018991	1	Coil	
	70002947	1	Coil	
	70004588	1	Coil	
	1001129555	1	Controller (Lift and Swing)	
	1001212415	1	Controller (Drive and Steer)	
	7023224	12	Element, Hydraulic Filter	
	7023269	1	Element, Hydraulic Breather	
	8229242	1	Fuse, 5Amp	
	8229261	1	Fuse, 5Amp	
	8229234	1	Fuse, 10Amp	
	8229237	1	Fuse, 15Amp	
	8229235	1	Fuse, 20Amp	
	8229236	1	Fuse, 30Amp	
	1001170365	1	Fuse, 400Amp	
	2940074	1	Latch	
	3710080	1	Relay	
	1001170367	1	Relay	
	1001155045	1	Switch, Toggle	
	4360475	1	Switch, Mushroom	
	4360469	1	Switch, Key	
	2860030	1	Key, Replacement (Set of 2)	
	1001159256	1	Switch, Toggle	
	1001161710	1	Switch, Toggle	
	1001211363	1	Switch, Toggle	
	4360407	1	Switch, Potentiometer	
	4360387	1	Switch, Push Button	
		Ref	VARIABLE PARTS	
	1001189172	1	Breaker, 16Amp	
	1001189171	1	Breaker, 30mA	
	1001181045	1	Breaker, 30mA/16Amp	
	70002947	1	Coil (4WD Only)	
	7012944	1	Coil (M600/M600J/M600JP Only)	
	70000313	12	Element, Air Cleaner (M600/M600J/M600JP Only)	
	70000318	12	Element, Fuel Filter (M600/M600J/M600JP Only)	
	70000317	1	Filter, Fuel (M600/M600J/M600JP Only)	
	70000319	1 doz	Filter, Oil (M600/M600J/M600JP Only)	
	70000329	1	Fuse, 10Amp (M600/M600J/M600JP Only)	
	70000330	1	Fuse, 20Amp (M600/M600J/M600JP Only)	
	70000326	1	Module, Control (M600/M600J/M600JP Only)	
	1001178339	1	Module, Drive (ZAPI)	
	1001192212	1	Module, Drive (ACEO)	

SECTION 10 - RECOMMENDED SERVICE PARTS STOCK

ITEM	PART NUMBER	QTY	DESCRIPTION	REV
	1001182700	1	Module, Ground Control	
	1001196520	1	Module, Platform (NON UL SPECS)	
	1001215835	1	Module, Platform (UL SPECS)	
	70000289	1	Regulator, Voltage (M600/M600J/M600JP Only)	
	70000322	1	Relay, Bosch (M600/M600J/M600JP Only)	
	70000323	1	Relay, Bosch (M600/M600J/M600JP Only)	
	1001186431	1	Relay, 35Amp (SkyGuard System)	
	70000321	1	Solenoid, Throttle (M600/M600J/M600JP Only)	
	4360578	1	Switch, Limit	
	1001200173	1	Switch, Limit	
	4360057	1	Switch, Limit (Soft Touch)	
	4360387	1	Switch, Push Button (Soft Touch)	
	1001155045	1	Switch, Toggle (Jib Rotate) (E600JP/M600JP Only)	
	4360274	1	Switch, Push Button (Motor Controls) (M600/M600J/M600JP Only)	
	4360387	1	Switch, Toggle (SkyGuard System)	

SECTION 11 - SPECIAL OPTIONS

Go to Discount-Equipment.com to order your parts

SECTION 11 - SPECIAL OPTIONS

FIGURE 11-1. SPECIAL OPTIONS LIST

ITEM	PART NUMBER	QTY	DESCRIPTION	REV
		Ref	MISCELLANEOUS SPECIAL OPTIONS:	
		Ref	Airline Installations - 1/2in	
	0270315	Ref	Airline Installations E600 & M600	
	0270437	Ref	Airline Installations E600J & M600J	
	0270447	Ref	Airline Installations E600JP & M600JP	
	1001210041	NLA	Alert Beacon Kit (Red) (Use p/n 1001218503)	
	1001218503	Ref	Alert Beacon Kit (Red)	
	1001210041	Ref	Alert Beacon Kit (Red)	
	1001148971	Ref	Bolt-on Lanyard Kit (Platform)	
		Ref	Boom Hose Kit Options:	
	1001198663	Ref	Boom Hose Kit - E/M600	
	1001198662	Ref	Boom Hose Kit - E/M600J	
	1001198661	Ref	Boom Hose Kit - E/M600JP	
		Ref	Boom Wipers Installations	
	0270364	Ref	Boom Wipers Installations E600 & M600	
	0270413	Ref	Boom Wipers Installations E600J/E600JP & M600J/M600JP	
		Ref	ClearSky Telematics Installation (Dealer Installed)	
	1001236405	Ref	ClearSky Telematics Installation - Canbus Connection (ANSI Specs)	
	1001237110	Ref	ClearSky Telematics Installation - Canbus Connection (ANSI Export & CE Specs)	
	1001230504	Ref	ClearSky Telematics Installation - 3 Wire Connection (ANSI Specs)	
	1001234102	Ref	ClearSky Telematics Installation - 3 Wire Connection (ANSI Export & CE Specs)	
		Ref	ClearSky (Telematics) Installations (Factory Installed)	
	1001233237	Ref	ClearSky Installation 3-Wire Connection (ANSI Export and CE Specs)	
	1001229107	Ref	ClearSky Telematics 3-Wire Connection (ANSI and CSA Specs)	
	1001236535	Ref	ClearSky Installation Canbus Connection (ANSI Export and CE Specs)	
	1001235649	Ref	ClearSky Installation Canbus Connection (ANSI and CSA Specs)	
	1001246541	Ref	ClearSky Installation Canbus Connection (Australian Specs)	
	1001246542	Ref	ClearSky Installation Canbus Connection (China Specs)	
	0270374	Ref	Cold Weather Package Installation (M600/M600J/M600JP Only)	
	1060626	1	Cord, Electrical - 3 Way	
	1001188972	1	Heater, Immersion (Hydraulic Oil)	
	2580024	1	Heater, Battery	
	2580030	1	Heater, Pad	
	1702944	1	Decal - Heater Cord	
	1702941	1	Decal - Battery Heater	
	1702943	1	Decal - Hydraulic Tank Heater	
	1702942	1	Decal - Engine Block Heater	
	0273172	Ref	Container Shipment Preparation (Wheel Installation)	
		Ref	Cylinder Bellows Installations	
	1001188098	Ref	Fixed Axle	
	1001188320	Ref	Oscillating Axle	
	0270340	Ref	Cylinder Bellows Installations E600 & M600	
	0270314	Ref	Cylinder Bellows Installations E600J/E600JP & M600J/M600JP	
	1704174	Ref	Decal - Biodegradable (Synthetic) Hydraulic Fluid (All Specs)	

SECTION 11 - SPECIAL OPTIONS

ITEM	PART NUMBER	QTY	DESCRIPTION	REV
			except German Spec)	
		Ref	Decal Installations Options:	
	1704174	Ref	Decal - Biodegradable (Synthetic) Hydraulic Fluid (All Specs except German Spec)	
	1704175	Ref	Decal - Biodegradable (Synthetic) Hydraulic Fluid (German Spec Only)	
	1001229692	Ref	Decal - ClearSky Installation (ANSI and CSA Specs)	
	1001223824	Ref	Decal - Kit - Platform	
		Ref	Electrical Connector Kits	
	1001148902	Ref	Amp Connector Kit	
	1001148903	Ref	Deutsch DT Connector Kit	
	1001148904	Ref	Deutsch HD Connector Kit	
	1001148905	Ref	Packard Connector Kit	
	1001148906	Ref	Various Connector Kit	
	1001162453	Ref	Dual AC Boxes at Platform Installation - 220V (CEE7 Side Ground) (CE Specs Only) (SN 0300219271 through 0300223838)	
	1001221191	Ref	Dual AC Boxes at Platform Installation - 220V (CEE7 Side Ground) (CE Specs Only) (SN 0300223839 to Present)	
	1001237883	Ref	Fall Arrest (Bolt-on) Add-on Kit (6ft/1.82m Platform (ANSI, ANSI Export, China, CSA & Japanese Specs Only) (Fits Platform p/n 1001228376)	
	1001237882	Ref	Fall Arrest (Bolt-on) Add-on Kit (8ft/2.4m Platform (ANSI, ANSI Export, China, CSA & Japanese Specs Only) (Fits Platform p/n 1001186383)	
		Ref	Filter Kits:	
	1001111003	1	Combined Filter Kit (Hydraulic/Air and Fuel/Engine Oil)	
	1001109701	1	Hydraulic/Air Filter	
	1001110141	Ref	Fuel/Engine Oil Filter	
	0272111	Ref	"EE" Tight Fitting Enclosures (E600J/JP Models Only)	
	4060959	Ref	Footswitch Shield (Note: Move Decal to Shield)	
	1001191395	Ref	Fuel Cap Cover (Lockable) (Green)	
	1001202749	Ref	Fuel Cap Cover (Lockable) (Black)	
	1001199312	Ref	Headlight and Taillight Installation	
		Ref	Hydraulic Fluids Options:	
	2300016	Ref	Mobil DTE 10 Excel 32	
		Ref	Mobil DTE 10 Excel 15 Options:	
	2300028	Ref	Bulk	
	70010346	Ref	One Gallon Container	
	2300029	Ref	Mobil EAL ISO 46 Bio	
	2300042	Ref	Mobil EAL H 32 (Machines with Biodegradeable Oil)	
	1001195304	Ref	Platform Console Cover	
	1001205175	Ref	Platform Console Cover Add-on Kit	
	1580013	Ref	Platform Corner Storage Tray	
	0270822	Ref	Platform Decal Panel Installation (Aluminum) (ANSI Export, China and CSA Specs) (M600/M600J/M600JP Only)	
	0270823	Ref	Platform Decal Panel Installation (ABS) (ANSI Export, China and CSA Specs) (M600/M600J/M600JP Only)	
		Ref	Platform Entry Kit	
	1001142504	Ref	Kit, Replace Swing Gate with Drop Bar	
	1001142505	Ref	Kit, Replace Drop Bar with Swing Gate	
	1001144020	Ref	Kit, Side Entry, Drop Bar - 30in x 6ft (76cm x 1.83m)	
	1001144018	Ref	Kit, Side Entry, Drop Bar - 30in x 4ft (76cm x 1.22m)	
		Ref	Platform Mesh Installations (Side Entry Platforms)	
	0273148	Ref	30in x 6ft (76cm x 1.83m) (To Top-Rail)	

SECTION 11 - SPECIAL OPTIONS

ITEM	PART NUMBER	QTY	DESCRIPTION	REV
	0273147	Ref	30in x 4ft (76cm x 1.22m) (To Top-Rail)	
	1001145985	Ref	30in x 6ft (76cm x 1.83m) (To Mid-Rail)	
	1001140318	Ref	30in x 4ft (76cm x 1.22m) (To Mid-Rail)	
		Ref	Platform Padding Installations (Side Entry Platforms)	
	0273381	Ref	30in x 4ft (76cm x 1.22m)	
	0274382	Ref	30in x 6ft (76cm x 1.83m)	
		Ref	Platform Rail Extension Installations (Side Entry Platforms)	
	0274691	Ref	30in x 6ft (76cm x 1.83m)	
	1001103617	Ref	30in x 4ft (76cm x 1.22m)	
	1001120466	Ref	Platform Worklights	
	1001190897	Ref	Service Kits	
	1001247073	Ref	SkyEye Retrofit Kit	
		Ref	SkyGuard Component Options:	
	1001201620	Ref	SkyGuard Complete Add-on Kit	
	1001218502	Ref	SkyGuard With Beacon (Blue)	
	1001137672	Ref	SkyGuard Platform Sensor Kit	
	1001143256	Ref	SkyGuard Blue Beacon Kit	
	1001218499	Ref	SkyGuard Kit (Without Beacon)	
	1001176372	Ref	SkyGuard Kit, Plug, Removal	
	1001232643	Ref	SkyLine Add-on Kit	
	1001246867	Ref	SkySense/Enhanced Detection System - Level 1 Boom	
	1001246860	Ref	SkySense/Enhanced Detection System - Level 2 Boom	
		Ref	Strobe Light Installations (Amber)	
	1001191144	Ref	Platform Mounted	
	1001214094	Ref	Platform/Ground Mounted	
	1001243575	1	Telematcis Access Control Add-on Kit(CE Specs)	
	1001243183	1	Telematcis Single Canbus Add-on Kit (ANSI & CSA Specs)	
	1001243184	1	Telematcis Single Canbus Add-on Kit (CE Specs)	
		Ref	Tools for Service	
	7002828	1	Wire Stripper	
	7002821	1	Wire Crimper (To Install Wire Ends to Wires)	
	7002823	1	Pin/Socket Extractor - Universal (To Remove Pins/Sockets from Connectors)	
	4460467	1	Extractor - 16-18 Gauge (For Removal of Pins/Sockets for Deutsch Connectors)	
	4460510	1	Extractor - 12-14 Gauge (For Removal of Pins/Sockets for Deutsch Connectors)	
	7002840	1	Anti Pin Removal Tool - (Required to Disassemble Valve 4641143 to Install Seal Kit)	
	7002822	1	Screwdriver, Potentiometer (To Adjust Drive Controllers)	
	7016654	1	Screwdriver, Magnetic	
	7004275	1	Seal Installation Tool - 1in	
	7004276	1	Seal Installation Tool - 1-1/2in	
	7002826	1	Seal Installation Tool - 2in	
	2901443	1	Analyzer, Machine	
	1001137005	1	Software Cable Kit	
	1001200913	Ref	Trickle Charger Installation	
	1001227293	Ref	Voltage Guard Installation (120-240V, 50/60Hz)	
		Ref	Weld Leads Installations	
	0270363	Ref	Weld Leads Installations E600 & M600	
	0270436	Ref	Weld Leads Installations E600J & M600J	
	0270448	Ref	Weld Leads Installations E600JP & M600JP	

SECTION 11 - SPECIAL OPTIONS

ITEM	PART NUMBER	QTY	DESCRIPTION	REV
	1001231980	Ref	White Noise Alarm	
	1001231990	Ref	White Noise Ambient Alarm	
	1001235853	Ref	White Noise Ambient Alarm Service Kit	

Go to Discount-Equipment.com to order your parts

PART NUMBER INDEX

Go to Discount-Equipment.com to order your parts

PART NUMBER INDEX

0010564.....639	0259549.....203	0275928.....415	0641418....151, 265, 267, 269, 271, 273
0060049.....199, 221	0259837.....219	0275945.....415	0641424.....21, 25, 29
0060056.....207, 229	0259838.....217	0340049.....111	0641504....35, 39, 79, 81
0060057.....207, 231	0259849.....103	0362910.....79	0641505.....77
0060096.....203, 223	0259937.....640	0362929 ...200, 204, 207	0641506....51, 133, 135, 137, 173
0080233.....35, 39	0270031.....639	0400201.....181	0641507.....53, 241, 245
0100009....315, 319, 323, 327, 331, 335, 339, 343, 347, 351, 355, 359, 363, 367, 371, 375, 379, 383	0270032.....639	0400202.....133, 137	0641508....173, 187, 189
0100011....15, 17, 19, 21, 23, 25, 27, 29, 31, 33, 35, 39, 51, 53, 77, 79, 81, 85, 87, 89, 91, 97, 103, 107, 109, 111, 113, 115, 121, 123, 125, 127, 129, 131, 133, 135, 137, 139, 141, 143, 145, 147, 149, 151, 159, 173, 175, 177, 181, 185, 199, 203, 207, 211, 213, 215, 217, 219, 233, 235, 237, 239, 241, 243, 245, 251, 253, 265, 267, 269, 271, 273, 403, 405, 409, 411, 421, 433, 439, 449, 451, 453, 523, 525, 527, 529, 531, 533, 535	0270033.....639	0440161.....35, 39	0641510....133, 135, 137
0100019....33, 35, 39, 51, 53, 97, 103, 200, 204, 208	0270034.....639	0440162.....31, 33	0641511.....109, 111
010002051, 53, 113, 115, 181, 185, 393, 464, 469, 473	0270035.....639	0440240.....103	0641514.....175, 177
0100035..71, 73, 75, 161, 251, 253, 327, 363, 367, 371, 375, 379, 383	0270036.....639	0561185 ...211, 213, 215	0641518.....204, 207
0100038....19, 21, 23, 25, 27, 29, 433, 439, 449, 451, 453	0270129.....619	0561380 ...199, 203, 207	0641528....19, 21, 23, 25, 27, 29
0100048....133, 135, 137, 235	0270146.....631	0610131 ...121, 123, 125, 127, 129, 131	0641604....31, 33, 51, 53, 199
0100051....133, 135, 137	0270148.....633	0630462.....403, 405	0641606....31, 33, 35, 39, 85, 87, 89, 91, 107, 109, 111, 113, 115, 173, 175, 177, 181, 185, 187, 189, 199, 203, 207, 211, 213, 215, 217, 219, 239, 243, 449, 451, 453
0100071.....413	0270150.....635	0630467 ...239, 241, 243, 245	0641607....31, 33, 35, 39, 207, 211, 213, 215
0100075....316, 319, 323, 331, 335, 339, 343, 348, 351, 355, 359	0270152.....627	0630534.....433	0641608.....33, 199, 203, 207, 211, 213, 215, 219
0100081....173, 217, 219, 415, 417, 419	0270154.....625	0630535 ...449, 451, 453	0641609....211, 213, 215
0100083.....75	0270156.....637	0630536.....439, 441	0641610....15, 17, 19, 21, 23, 25, 27, 29, 51, 53, 173, 279, 281, 283, 285, 287, 289, 291, 293, 295, 297, 299, 301, 303, 305, 307, 309, 311, 313
0140011....315, 319, 323, 327, 331, 335, 339, 343, 347, 351, 355, 359, 363, 367, 371, 375, 379, 383	0270279.....207	0630539 ...200, 204, 207	0641611.....217
0140043.....159	0270314.....654	0630568 ...315, 320, 324, 328, 332, 336, 340, 344, 347, 352, 356, 360, 364, 368, 372, 376, 380, 384	0641612....173, 199, 203, 207, 523, 525, 527, 529, 531, 533, 535
0200048.....403, 405	0270315.....654	0641403251, 253	0641614....109, 111, 151, 187, 189, 487, 491, 495, 499, 503
0239585.....105	0270340.....654	064140435, 39, 315, 319, 323, 327, 331, 335, 339, 343, 347, 351, 355, 359, 363, 367, 371, 375, 379, 383, 421	0641616....203, 207, 211, 213, 215, 485, 489
0258303.....481	0270363.....656	0641405151, 235, 421	0641618....187, 189, 200, 203, 207
0258304.....479	0270364.....654	0641406 ...113, 115, 121, 123, 125, 127, 129, 131, 159, 163, 181, 185, 187, 189, 204, 207, 279, 281, 283, 285, 287, 289, 291, 293, 295, 297, 299, 301, 303, 305, 307, 309, 311, 313, 401, 493, 497, 501, 619, 625, 627, 631, 633, 635, 637	0641620.....217, 219
0258305.....483	0270374.....654	0641407173, 235	0641622.....217, 219
0259548.....199	0270413.....654	064140851, 53, 187, 189, 279, 281, 283, 285, 287, 289, 291, 293, 295, 297, 299, 301, 303, 305, 307, 309, 311, 313, 487, 489, 491, 493, 495, 497, 499, 501, 503	0641640.....217, 219
	0270430.....639	064140936, 39	0641660.....181, 185
	0270436.....656	0641414 .19, 23, 27, 315, 319, 323, 327, 331, 335, 339, 343, 347, 351, 355, 359, 363, 367, 371, 375, 379, 383, 403, 405, 409, 411, 413	0641810.....207
	0270437.....654	064141651, 53, 235, 485, 487, 489, 491, 493, 495, 497, 499, 501, 503	0641811.....203
	0270447.....654		0641812....19, 21, 23, 25, 27, 29, 207, 233, 237
	0270448.....656		0641814.....51, 53
	0270527.....79		0641818.....15, 17
	0270528.....79		0641820....133, 135, 137
	0270629.....643		0641822.....235
	0270630.....647		0642010....15, 17, 19, 21, 23, 25, 27, 29, 79
	0270631.....645		0642012....199, 203, 207, 415, 417, 419
	0270752.....97		0642024.....235
	0270822.....655		0642030....31, 33, 35, 39
	0270823.....655		
	0270869.....640		
	0272070.....233		
	0272111.....655		
	0272418.....639		
	0272690.....57		
	0272691.....57		
	0272692.....59		
	0272693.....59		
	0272694.....59		
	0272695.....57		
	0273147.....656		
	0273148.....655		
	0273172.....654		
	0273381.....656		
	0274382.....656		
	0274691.....656		
	0275062.....623		
	0275216497, 499, 581		
	0275217501, 503, 583		
	0275452485, 487, 575		
	0275453489, 491, 577		
	0275454493, 495, 579		
	0275663.....543		
	0275664.....545		
	0275665.....541		
	0275666.....539		
	0275667.....547		

PART NUMBER INDEX

0642216 199, 203, 207	096195143, 45, 203, 221, 435, 437, 443, 445	1001116693..... 605	1001140281 ... 31, 33, 35, 39, 447
0642684 ... 221, 223, 229, 231, 233, 235, 237	0962185 433	1001116720..... 557, 591, 593	1001140282 203, 207, 437
0681608 233, 235, 237	0962257 223, 225, 227	1001116732..... 553, 599	1001140318 656
0681620 423, 425, 427	0962270 275, 277	1001116733..... 553, 599, 600	1001140429 265, 267, 269, 271, 273
0681812 35, 39	0962292 ... 33, 35, 39, 43, 45, 203	1001116734..... 599, 600	1001140596 203, 207, 435
0681814 275, 277	0962297 ... 199, 203, 207, 211, 213, 215	1001116763..... 599	1001141300 324, 340, 640
0681818 15, 17	0962348 33	1001116810..... 606	1001141302 640
0681822 275, 277	0962450 235	1001116811..... 511	1001141581 36, 40
0682012 51, 53	1001091429..... 417	1001116812..... 555, 599, 600, 605	1001142504 655
0682026 103	1001091430..... 419	1001116815..... 599	1001142505 655
0682212 81	1001091431..... 417	1001116846..... 625, 640	1001143256 656
0682424 423, 425, 427	1001091432..... 419	1001117023..... 600	1001144018 655
0700812 109, 111	1001091433..... 417	1001117024..... 599	1001144020 655
0701217 ... 19, 21, 23, 25, 27, 29	1001091434..... 419	1001117069..... 599	1001144433 324, 340, 355, 359, 363, 367, 375, 379, 409, 411
0721004 79, 81	1001091946..... 493	1001117070..... 599	1001144629 257, 259, 261, 263, 271
0721005 53, 403	1001091947..... 497	1001117172..... 393	1001145985 656
0721006 485	1001091948..... 501	1001117372..... 431	1001148902 655
0731005 405	1001092566..... 85, 87, 89, 91, 93	1001118384..... 595	1001148903 655
0741005 85, 87, 89, 91	1001092586..... 35, 39, 49	1001118388..... 557, 593, 595	1001148904 655
0741606 200, 204, 208	1001093687..... 639	1001119619..... 585	1001148905 655
0741607 79, 81, 199, 203, 207	1001094670..... 204, 208	1001119620..... 587, 589	1001148906 655
0761014 237	1001096148..... 133, 135, 137	1001120328..... 409, 411, 421	1001148907 654
0761216 237	1001096188..... 537	1001120466..... 656	1001149570 515
0791410 77	1001097051..... 589	1001121801..... 619	1001149994 161, 165, 167, 169, 171
0791506 51, 53	1001097150..... 519, 521	1001121803..... 627	1001151393 139, 141, 143, 145, 147, 149
0801200 199, 211	1001098122..... 571, 573	1001121805..... 635	1001151395 31, 33
0801202 211	1001098828..... 237	1001121808..... 631	1001151428 31, 33
0801207 203, 213	1001100341..... 581	1001121810..... 625	1001152483 521
0801239 207, 215	1001100342..... 583	1001121814..... 619	1001152486 485, 487, 489, 491, 521
0801582 213	1001100345..... 575	1001121816..... 627	1001153731 489
0801583 215	1001100346..... 579	1001121818..... 635	1001153736 485, 489
0801599 211	1001100347..... 577	1001121821..... 631	1001153749 151
0801606 213	1001102534..... 135	1001121823..... 625	1001155044 139, 141, 143, 145, 147, 149,
0801611 215	1001103012..... 599	1001121918..... 633	315, 319, 323, 327, 331, 335, 339, 343, 347, 351, 355, 359, 363, 367, 371, 375, 379, 383, 395, 397, 399
0840031 133, 137	1001103105..... 121, 123, 125, 127, 129, 131, 511	1001121920..... 637	1001155045 139, 141, 143, 145, 147, 149,
0840032 133, 137	1001103617..... 656	1001121921..... 633	315, 319, 323, 327, 331, 335, 339, 343, 347, 351, 355, 359, 363, 367, 371, 375, 379, 383, 399, 650, 651
0840048 135	1001104498..... 599	1001121923..... 637	1001156351 479
0840049 135	1001106477..... 251	1001125677..... 605	1001156352 479
0860038 481, 483	1001106481..... 253	1001125778..... 127	1001156428 35
0860520 ... 619, 623, 625, 627, 631, 633, 635, 637	1001107854..... 599	1001125779..... 123	1001156429 35, 39
0861375 53	1001108923..... 640	1001125780..... 121, 129	1001156430 35, 39
0861731 575, 577, 579	1001109503..... 139, 141, 143, 145, 147, 149	1001125781..... 125	1001157890 599, 603, 606
0861781 581, 583	1001109701..... 655	1001126008..... 599, 600	1001157891 599, 603, 605
0861880 519	1001109786..... 181, 185	1001126009..... 595	
0902659 181, 185	1001110141..... 655	1001126185..... 121, 123, 125, 127, 129, 131	
0902919 235	1001110434..... 315, 319, 323, 327, 331, 335,	1001126245..... 600	
0902920 235	339, 343, 347, 351, 355, 359, 363, 367, 371, 375, 379, 383	1001129555..... 650	
0903611 493, 497, 501	1001110873..... 481	1001131269..... 619, 627	
0940088 173	1001111003..... 655	1001132175..... 315, 319, 323, 327, 331, 335, 339, 343, 347, 351, 355, 359, 363, 367, 371, 375, 379, 383	
0940092 403, 405	1001111003..... 655	1001137005..... 656	
0940094 403, 405	1001111003..... 655	1001137672..... 656	
0940167 403	1001111003..... 655	1001137673..... 409, 411	
0940177 405	1001111003..... 655	1001138494 265, 267, 271, 273	
0940199 415, 417, 419	1001111003..... 655	1001138514..... 265, 267, 273	
0961845 ... 265, 267, 269, 271, 273	1001111003..... 655		
0961898 439	1001111003..... 655		
0961902 449, 451, 453	1001111003..... 655		
0961947 ... 223, 225, 227, 433, 437	1001111003..... 655		
0961948 35, 39, 213, 215	1001111003..... 655		
0961950 ... 15, 17, 19, 21, 23, 25, 27, 29, 439	1001111003..... 655		

PART NUMBER INDEX

1001159186.....555, 571, 573	1001174524..... 23	1001183276 316, 320, 324, 328, 332, 336, 340, 343, 348, 352, 356, 360, 364, 368, 372, 376, 380, 383, 615	1001188293..... 523, 525, 527, 529, 531, 533, 535
1001159256..... 139, 141, 143, 145, 147, 149, 315, 319, 323, 327, 331, 335, 339, 343, 347, 351, 355, 359, 363, 367, 371, 375, 379, 383, 650	1001174525..... 21	1001183368 159	1001188320..... 654
1001159355..... 187, 191	1001174527..... 29	1001183373 133	1001188354..... 523, 525, 527, 529, 531, 533, 535, 567, 609, 611, 613
1001159357..... 181, 185, 187	1001174528..... 25	1001183374 137	1001188622..... 237
1001161117..... 31, 33, 35, 39	1001174542..... 173	1001183375 135	1001188844..... 237
1001161710..... 316, 319, 323, 327, 348, 355, 363, 367, 371, 395, 397, 650	1001174792..... 17, 27, 29	1001183486 474	1001188889..... 409
1001162453..... 655	1001174891..... 109	1001183503 295	1001188972..... 654
1001162843..... 131	1001175087..... 103	1001183532 279	1001189001..... 237
1001163580..... 19, 21, 23, 25, 27, 29, 431	1001175088..... 103	1001183534 523	1001189002..... 237
1001164817..... 431	1001175158..... 15, 17, 19, 21, 23, 25, 27, 29	1001183535 525	1001189039..... 315, 320, 324, 328, 332, 336, 340, 344, 347, 352, 356, 360, 364, 368, 372, 376, 380, 384, 393
1001165035..... 181, 185	1001175539..... 111	1001183536 527	1001189171..... 521, 650
1001165302..... 203, 225	1001175575..... 173	1001183537 529	1001189172..... 521, 650
1001166538..... 315, 320, 324, 327, 331, 336, 340, 343, 347, 351, 355, 359, 363, 367, 371, 375, 379, 383, 387	1001175596..... 173	1001183538 531	1001189882..... 640
1001166539..... 315, 319, 323, 327, 331, 335, 339, 343, 347, 351, 355, 359, 363, 367, 371, 375, 379, 383, 389	1001176360..... 485	1001183539 533	1001190577..... 599, 600
1001167565..... 237	1001176372..... 656	1001183540 535	1001190797..... 316, 320, 324, 328, 332, 336, 340, 344, 348, 352, 356, 360, 364, 368, 372, 376, 380, 384
1001167567..... 237	1001176469..... 145, 147, 149	1001183584 39	1001190897..... 656
1001168402..... 237	1001176711..... 133, 135, 137	1001183722 295, 347	1001190985..... 237
1001169423..... 31, 33, 35, 39	1001177285..... 239, 241, 247	1001183724 279, 315	1001191139..... 161
1001169582..... 105	1001177297..... 243, 245, 249	1001183882 523, 525, 527, 529, 531, 533, 535, 567	1001191140..... 161
1001170365..... 53, 650	1001177858..... 85, 239	1001183883 523, 529, 609	1001191144..... 656
1001170367..... 71, 73, 650	1001177860..... 89, 243	1001183884 527, 533, 535, 613	1001191318..... 316, 320, 324, 328, 332, 336, 340, 348, 352, 356, 360, 364, 376, 571
1001170838..... 315, 319, 323, 327, 331, 335, 339, 343, 347, 351, 355, 360, 363, 368, 371, 376, 379, 383	1001178339..... 75, 650	1001183885 525, 531, 611	1001191395..... 655
1001172260..... 133, 135, 137	1001178921..... 51	1001184206 51, 53, 61	1001191463..... 81
1001172293..... 77	1001179395..... 476	1001184853 51, 53	1001191469..... 81
1001172663..... 237	1001179499..... 549, 551	1001184855 51, 53	1001191471..... 81
1001172760..... 315, 320, 324, 327, 332, 335, 339, 343, 347, 352, 355, 360, 363, 368, 372, 376, 380, 383	1001179500..... 549, 551	1001185281 316, 320, 324, 328, 332, 336, 340, 344, 348, 352, 356, 360, 364, 368, 372, 376, 380, 384	1001191489..... 81
1001172876..... 133, 135, 137	1001179842..... 133, 135, 137	1001186231 605	1001191493..... 81
1001173384..... 19	1001180032..... 151	1001186334 277	1001191596..... 173
1001173387..... 151	1001180652..... 77	1001186375 265	1001191597..... 173
1001173703..... 640	1001180653..... 71, 73	1001186378 267	1001191708..... 413
1001174447..... 71, 73	1001180654..... 51, 71	1001186383 263	1001192053..... 399
1001174461..... 15, 19, 21	1001180779..... 75	1001186384 261	1001192212..... 75, 650
1001174492..... 27	1001180780..... 51, 53, 75	1001186385 259	1001192283..... 235
1001174522..... 15	1001180902..... 35	1001186387 257	1001192292..... 324, 340, 356, 360, 364, 376, 409, 591
1001174523..... 17	1001180904..... 35, 39	1001186388 275	1001192293..... 163, 561
	1001180908..... 31, 33	1001186431 368, 380, 411, 591, 593, 651	1001192373..... 173
	1001180912..... 31, 33, 45	1001186432 557, 591, 593, 595	1001192387..... 409
	1001180934..... 31	1001186517 409, 411	1001192399..... 403
	1001180935..... 35	1001186860 71, 73	1001192401..... 605
	1001180936..... 33	1001187382 237	1001193018..... 485, 487, 489, 491, 493, 495, 497, 499, 501, 503
	1001180937..... 39	1001187383 237	1001193419..... 403, 405
	1001181045..... 519, 650	1001187674 407	1001193545..... 561
	1001181065..... 77	1001187681 517, 585	1001193987..... 315, 320, 324, 328, 347, 356, 364, 368, 372
	1001181066..... 51	1001188058 139, 141, 143, 145, 147, 149	1001194037..... 133, 137, 507
	1001181067..... 53	1001188098 654	1001194212..... 135, 509
	1001181325..... 51, 53	1001188291 523, 525, 527, 529, 531, 533, 535, 567, 609, 611, 613	1001194312..... 77
	1001181924..... 77	1001188292 523, 525, 527, 529, 531, 533, 535, 567, 609, 611, 613	
	1001182136..... 19, 21, 23, 25, 27, 29, 47		
	1001182138..... 413		
	1001182477..... 151, 555		
	1001182479..... 151, 605		
	1001182480..... 151, 569		
	1001182494..... 51, 53, 63		
	1001182700..... 151, 651		
	1001182707..... 23, 25		
	1001182959..... 51		
	1001182960..... 51, 53		
	1001182996..... 549, 551		
	1001183229..... 151		

PART NUMBER INDEX

1001195304	655	347, 352, 356, 360,	1001212281.....	309	1001224049	635
1001195754	643	364, 376	1001212282.....	301	1001224050	625
1001195835 ...	31, 33, 35,	1001202373.....	1001212359.....	71, 73	1001224052	637
39, 597		1001202374.....	1001212415.....	650	1001224053	631
1001195836 ..	51, 53, 603	1001202435.....	1001212450.....	73	1001225580	368, 380,
1001195867 ..	51, 53, 599	1001202436.....	1001213447.....	573	411, 557, 593	
1001196061	549, 551	1001202437.....	1001213625.....	639	1001226872	269
1001196062	549, 551	1001202438.....	1001213626.....	53	1001227293	656
1001196063	549, 551	1001202439.....	1001213882.....	328, 344,	1001227633	407
1001196065	549, 551	1001202440.....	368, 372, 380, 384		1001227634	407
1001196066	549, 551	1001202441.....	1001214029.....	640	1001227985	407
1001196067	549, 551	472, 474	1001214093.....	161	1001227987	407
1001196117	185	1001202444.....	1001214094.....	656	1001227996	587, 589
1001196121	643	461, 474	1001214667.....	73	1001228014	199, 203,
1001196122	643	1001202749.....	1001214669.....	53, 73	207, 441	
1001196190	163	1001203654.....	1001214800.....	54, 551	1001228017	213, 215,
1001196237	549, 551	1001203734.....	1001214801.....	551	453	
1001196238	549, 551	1001203813.....	1001214804.....	54	1001228215	269
1001196239	549, 551	1001203814.....	1001215835.....	320, 324,	1001228224	407
1001196240	549, 551	1001203815.....	328, 336, 340, 344, 651		1001228225	407
1001196241	549, 551	1001203816.....	1001216149.....	283	1001228232 ...	35, 39, 69
1001196485	51, 549	1001203817.....	1001216150.....	281	1001228370	620, 628
1001196520	316, 332,	1001203818.....	1001216156.....	281, 319	1001228376	271
348, 352, 355, 360,		1001203820.....	1001216158.....	283, 323	1001228377	273
363, 368, 372, 376,		1001203822.....	1001216630.....	237	1001228392	135
380, 384, 651		1001203823.....	1001217005.....	165, 167	1001228395	135
1001196811	619, 627,	1001203824.....	1001217005.....	165, 167	1001228857	135
635		1001204030.....	1001217621.....	328, 344,	1001228858	135
1001197017	403, 405	1001204038.....	368, 372, 380, 384, 573		1001229107	654
1001197206	149	1001204039.....	1001217779.....	203, 227	1001229341	407
1001197207	149	1001204270.....	1001217842.....	599, 600	1001229692	655
1001198661	654	1001204272.....	1001217843.....	600	1001230504	654
1001198662	654	1001204725.....	1001217844.....	599, 600	1001231801	619
1001198663	654	1001205043.....	1001218068.....	328, 344,	1001231808	469
1001198866	161, 513	527, 529, 531, 533, 535	368, 372, 380, 384		1001231809	469
1001199312	655	1001205044.....	1001218499.....	656	1001231810	473
1001199313	113, 153,	527, 529, 531, 533, 535	1001218502.....	656	1001231811	473
175, 181, 395		1001205056.....	1001218503.....	654	1001231949	427
1001199409	181, 185,	1001205067.....	1001218955.....	291	1001231950	423, 425
553		1001205175.....	1001218956.....	289	1001231980	657
1001199905	303	1001207004.....	1001218958.....	291, 339	1001231990	657
1001199906	303, 363	1001207674.....	1001218959.....	289, 335	1001232010	423, 425,
1001199910	299, 355	115, 155,	1001219342.....	237	427	
1001199911	299	177, 185, 397	1001219398.....	305, 367	1001232011	423, 425,
1001200173	157, 565,	1001207969.....	1001219407.....	311, 379	427	
651		1001208628.....	1001219601.....	51, 53	1001232164	407
1001200254	157	1001208994.....	1001219640.....	87, 241	1001232165	407
1001200255	107	1001209664.....	1001219641.....	91, 245	1001232642	421
1001200381	181, 185	1001209679.....	1001219722.....	51, 54	1001232643	656
1001200491	237	619, 623,	1001220271.....	51, 54	1001232650	421
1001200494	237	625, 627, 631, 633,	1001220486.....	319, 323,	1001232667	421
1001200620	459, 461	635, 637	335, 339, 356, 359,		1001233237	654
1001200621	459, 461	1001209701.....	364, 375		1001233259	241, 245
1001200622	459, 461	1001209702.....	1001220661.....	305	1001233560	133, 135,
1001200910	165, 167	1001210041.....	1001220663.....	311	137	
1001200913	656	1001210689.....	1001221130.....	487, 491,	1001234102	654
1001201247	251, 253	1001210690.....	495, 499, 503		1001235011	421
1001201329	251, 253,	1001210691.....	1001221185.....	487	1001235013	421
517		1001211363.....	1001221187.....	491	1001235649	654
1001201351	237	332, 336,	1001221188.....	495	1001235853	657
1001201364	251	340, 344, 352, 360,	1001221189.....	499	1001236405	654
1001201365	253	376, 380, 384, 650	1001221190.....	503	1001236535	654
1001201620	656	1001212274.....	1001221191.....	655	1001236552	421
1001201642	600	297, 351	1001221386.....	181, 185	1001236746	427
1001201887	315, 320,	1001212275.....	1001223055.....	620	1001236747	423
324, 332, 336, 340,		1001212276.....	1001223824.....	655	1001236891	423, 425,
		1001212277.....	1001223971.....	628	427	
		340, 344, 352, 360,	1001224048.....	633		
		376, 380, 384				
		1001212278.....				
		301, 359				
		1001212279.....				
		297				
		1001212280.....				
		287				

PART NUMBER INDEX

1001236895.....423, 425, 427	1120487 113, 115	1701500 ... 619, 623, 625, 627, 631, 633, 635, 637	1703930..... 627
1001237110.....654	1120555 415, 417, 419	1701501 ... 619, 623, 625, 627, 631, 633, 635, 637	1703931..... 625
1001237862.....587, 589	1180356 219	1701502 ... 619, 623, 625, 627, 631, 633, 635, 637	1703934..... 637
1001237863.....407, 589	1180357 217	1701503 ... 619, 623, 625, 627, 631, 633, 635, 637	1703935..... 635
1001237864.....407, 587	1260017 105	1701504 ... 619, 623, 625, 627, 631, 633, 635, 637	1703936..... 627
1001237865.....407, 585	1271538 235	1701505 ... 181, 185, 619, 623, 625, 627, 631, 633, 635, 637	1703937..... 625
1001237882.....655	1283118 ... 619, 623, 625, 627, 631, 633, 635, 637, 639	1701509 ... 415, 417, 419, 619, 623, 625, 627, 631, 633, 635, 637	1703938..... 631
1001237883.....655	1320022 ... 113, 115, 181, 185	1701517 ... 623, 625, 627, 631, 633, 635, 637	1703939..... 633
1001238263.....423, 425, 427	1320041 31, 33	1701518 623, 647	1703940..... 637
1001238319.....407	1320043 31, 33	1701529 ... 619, 623, 625, 627, 631, 633, 635, 637	1703941..... 635
1001238418.....421, 595	1320070 204, 207	1701644 ... 619, 623, 625, 627, 631, 633, 635, 637	1703942..... 627
1001238463.....425	1320135 181, 185	1702251 639	1703943..... 625
1001238472.....421	1320136 235	1702300 ... 619, 623, 625, 627, 631, 633, 635, 637	1703944..... 631
1001238477.....421	1320159 ... 133, 135, 137	1702391 619	1703945..... 633
1001238495.....411	1320172 ... 505, 507, 509	1702565 ... 315, 319, 323, 327, 331, 335, 339, 343, 347, 351, 355, 359, 363, 367, 371, 375, 379, 383	1703946..... 637
1001238559.....421	1320224 235	1702567 355, 359	1703947..... 635
1001238782.....189, 195	1320256 ... 523, 525, 527, 529, 531, 533, 535	1702698 57, 59	1703948..... 627
1001238784.....181, 185, 189	1320263 .31, 33, 251, 253	1702773 277, 640	1703949..... 625
1001238824.....421	1320271 103	1702774 640	1703950..... 631
1001239794.....307	1320277 ... 200, 204, 207	1702860 640	1703951..... 633
1001239795.....285	1320288 217, 219	1702861 640	1703952..... 637
1001239796.....307, 371	1380136 ... 85, 87, 89, 91	1702862 640	1703953..... 619
1001239797.....285, 327	1380158 181, 185	1702868 619, 640	1703954..... 631
1001239800.....171	1580012 401	1702901 619	1703955..... 633
1001239801.....167	1580013 655	1702938 405	1703956..... 625
1001241965.....421	1600387 235	1702941 654	1703957..... 635
1001243183.....656	1670824 251, 253	1702942 654	1703958..... 627
1001243184.....656	1670836 ... 211, 213, 215	1702943 654	1703959..... 637
1001243360.....313	1670911 ... 199, 203, 207	1702944 654	1703960..... 631
1001243361.....293	1670912 ... 199, 203, 207	1702961 639	1703961..... 633
1001243362.....313, 383	1670913 ... 199, 203, 207	1702962 639	1703962..... 625
1001243363.....293, 343	1670913 ... 199, 203, 207	1703175 639	1703963..... 635
1001243575.....656	1670928 ... 199, 203, 207	1703797 619	1703964..... 627
1001246541.....654	1670930 173	1703804 619	1703965..... 637
1001246542.....654	1670954 639	1703805 619	1703966..... 631
1001246659.....640	1670960 199	1703813 619	1703967..... 633
1001246860.....656	1670964 239, 243	1703923 635	1703968..... 625
1001246867.....656	1671176 ... 315, 319, 323, 327, 331, 335, 339, 343, 347, 351, 355, 359, 363, 367, 371, 375, 379, 383	1703924 627	1703969..... 639
1001247073.....656	1683050 433	1703925 625	1703970..... 639
1060330.....393	1683865 199, 443	1703926 631	1703971..... 639
1060461.....493, 497, 501	1683866 ... 203, 207, 445	1703927 633	1703972..... 639
1060494.....559	1683867 199, 433	1703928 637	1703973..... 635
1060584.....79, 81	1683868 433	1703929 635	
1060626.....654	1683870 433		
1060794.....109, 111	1683876 ... 199, 203, 207, 439		
1060795.....109, 111	1683877 439		
1060799.....505, 507, 509	1683879 439		
1060803.....133, 137, 505	1683900 451		
1060813.....121, 123, 125, 127, 129, 131, 563	1683902 451		
1060819.....181, 185	1683905 449		
1060820.....181, 185	1683907 449		
1060827.....163	1683910 439		
1060828.....163	1684008 449, 451		
1060848.....133, 137	1684009 211, 449		
1060884.....135	1684010 ... 213, 215, 451		
1060896.....567, 609, 611, 613	1684290 431		
1060903.....403, 405	1701499 ... 619, 623, 625, 627, 631, 633, 635, 637		
1060908.....519, 521			
10837580.....93			
1100120.....19, 23, 27			
1100124.....21, 25, 29			
1120484.....113, 115			

PART NUMBER INDEX

1704373	639	2220235	465, 469, 473	359, 363, 367, 371,	2820232	181, 185
1704412 ...	619, 623, 625,	2220238	464, 468, 472	375, 379, 383	2820247	587, 589
627, 631, 633, 635, 637		2220240	464, 468, 473	2580024	2860030 ...	139, 141, 143,
1704422 ...	315, 319, 323,	2220273	103	2580030	145, 147, 149, 650	
327, 331, 335, 339,		2220371 ...	457, 459, 461,	2600262	2900770 ...	221, 223, 229,
343, 347, 351, 363,		464, 468, 472		2600281	231, 439	
367, 371, 375, 379, 383		2220372	465, 469, 473	263, 271	2900792 ...	433, 435, 437,
1704455	647	2220373 ...	457, 464, 468,	2680468	439	
1704456	647	472		2680477	2901443	656
1704457	645	2220374	457	2680482	2901549	433
1704490	639	2220415 ...	459, 461, 464,	2720058	2901886	439, 441
1704491	639	468, 472		185	2902019 ...	449, 451, 453
1704492	639	2220435	464, 468, 472	2720271	2902266	431
1704493	639	2220451	464, 468, 472	185	2902549 ...	493, 495, 497,
1704494	639	2220466	464, 468, 472	2751095	499, 501, 503, 519	
1704495	639	2220497	457	2752463	2915230	511
1704575	619	2220500	464, 468, 472	2752471	2920151 ...	153, 155, 235,
1704576	645	2220502	464, 468, 472	2752498	237	
1704577	645	2220550	464, 468, 472	2752588	2940074 ...	257, 259, 261,
1704578	643	2220578	464, 468, 472	2752631	263, 271, 650	
1704618	637	2220579 ...	459, 461, 465,	2752648	2940095	133, 135
1704667	631	469, 473		2752648	2940124	173
1704668	633	2220582	459, 461	2753002	2940130	137
1704670	633	2220596	464, 468, 472	2753118	3000014 ...	133, 135, 137
1704671	631	2220603 ...	459, 461, 464,	2753327	3020008	51, 53
1704705 ...	619, 623, 625,	468, 472		2753390	3020037 .51, 53, 109, 111	
627, 631, 633, 635, 637		2220606	464, 468, 472	2753397	3160251	35, 39, 67
1704708 ...	619, 623, 625,	2220635	459, 461	2753420	3160252	109, 111, 119
627, 631, 633, 635, 637		2220711	459, 461	2753440	3160257	97, 100
1704724	639	2220794	181	2753441	3200425	187, 189
1704725	619	2220828	457	2753442	3251243 ...	619, 627, 635,
1704728	623	2220883	47, 431, 433,	2753443	637	
1704731	625	439, 441		2753444	3251813	640
1704732	635	2220885 ...	433, 449, 451,	2753445	3252331	639
1704733	627	453		2753446	3252347	619
1704885 ...	619, 623, 625,	2220899	457, 459, 461	2753447	3252507 ...	483, 485, 487,
627, 631, 633, 635, 637		2220934	464, 468, 472	2753448	489, 491, 493, 495,	
1705014	275, 277	2220947 ...	464, 468, 472	2753449	501, 503	
1705084	623	2220950	464, 468, 472	2753450	3252673	619
1705325	497, 499	2220998	457	2753451	3252692	647
1705351	620	2221033	464, 468, 472	2753452	3252693	645
1705358	639	2221034	459, 461	2753453	3252738	631
1705426	631	2221046 ...	113, 115, 181,	2753454	3252739	633
1705427	633	185		2753455	3252740	635
1705429	627	2221047 ...	113, 115, 181,	2753456	3252741	625
1705430	625	185		2753457	3252742	637
1705514	619, 627	2221052	464, 468, 472	2753458	3252743	627
1705670	623	2221061 ...	464, 468, 472	2753459	3252780	639
1705822	623	2221063 ...	464, 468, 472	2753460	3271505	241, 245
1705828	623	2221086	464, 468, 472	2753461	3271605 ...	423, 425, 427
1705910	635	2221086	464, 468, 472	2753463	3271805	275, 277
1705921	623	2230031 ...	464, 468, 472	2753464	3272001 ...	423, 425, 427
1705978	623	2300016	655	2753469	3272605 ...	221, 223, 229,
1706377 ...	619, 623, 625,	2300028	655	2753470	231, 233, 235	
627, 631, 633, 635, 637		2300029	655	2753491	3290405 ...	485, 487, 489,
1706378	623	2300042	655	2753492	491, 493, 495, 497,	
1706385	275, 277	2400044	53	2753493	499, 501, 503	
1706392	623	2400060	571, 573, 606	2753494	3290606 ...	265, 267, 273
1707035	619, 627, 635	2410014	275, 277	2780245	3291001	237
1707192	415	2420202	235	2792423	3291005	237
2080040 ...	257, 259, 261,	2460037	163	2792427 ...	3291201	237
263, 271		2540020	133, 135, 137	474	3291205	237
2160002	103	2540037	53	2820029	3300151 ...	265, 267, 269,
2180344	103	2540038	235	531	271, 273	
2200222 ...	113, 115, 181,	2560136 ...	315, 319, 323,	2820118	3300243	237
185		327, 331, 335, 339,		2820122	3300353 ...	315, 319, 323,
2220063	103	343, 347, 351, 355,		2820123	327, 331, 335, 339,	

PART NUMBER INDEX

343, 347, 351, 355, 359, 363, 367, 371, 375, 379, 383	3340837 ... 15, 17, 19, 21, 23, 25, 27, 29	3520026 ... 139, 141, 143, 145, 147, 149, 316, 319, 323, 331, 335, 339, 348, 351	3760372.....439
3300408....316, 319, 323, 327, 331, 335, 339, 343, 348, 351, 355, 359, 363, 367, 371, 375, 379, 383	3340860 ... 103, 200, 204, 207	3520027 ... 316, 319, 323, 327, 331, 335, 339, 343, 348, 351, 355, 359, 363, 367, 371, 375, 379, 383	3790012....139, 141, 143, 145, 147, 149, 315, 319, 323, 327, 331, 335, 339, 343, 347, 351, 355, 359, 363, 367, 371, 375, 379, 383, 395, 397, 399
3300426.....35, 39, 57, 59	3340861 200, 204, 207	3520028 ... 139, 141, 143, 145, 147, 149	3820001....619, 623, 625, 627, 631, 633, 635, 637, 639, 645, 647
3300430.....409, 411, 413	3340871 211, 213, 215	3520030 ... 316, 319, 323, 327, 331, 335, 339, 343, 348, 351, 356, 359, 364, 367, 371, 375, 379, 383	3820017.....133, 135, 137
3300454.....36, 40	3340873 199, 203, 207	3520031 133, 135, 137	3820020....257, 259, 261, 263, 271
3310805.....157	3340877 173	3520033 ... 316, 319, 323, 331, 335, 339, 348, 351, 356, 359, 364, 375	3841143....31, 33, 35, 39, 199, 204, 208, 237
3311001.....53, 121, 123, 125, 127, 129, 131	3340880 449, 451, 453	3520034 200, 204, 208	3841203.....204, 208
3311005....85, 87, 89, 91, 107, 485	3340881 211, 213, 215	3520054 ... 19, 21, 23, 25, 27, 29, 315, 319, 323, 327, 331, 335, 339, 343, 347, 351, 355, 359, 363, 367, 371, 375, 379, 383	3841258....15, 17, 19, 21, 23, 25, 27, 29, 199, 204, 208
331140151, 53, 151, 173, 403, 405	3340896 217, 219	3520064 77	3841287....199, 204, 208
3311405....151, 163, 187, 189, 204, 207, 235, 279, 281, 283, 285, 287, 289, 291, 293, 295, 297, 299, 301, 303, 305, 307, 309, 311, 313, 421, 485, 487, 489, 491, 493, 495, 497, 499, 501, 503, 619, 623, 625, 627, 631, 633, 635, 637	3340939 217, 219	3520072 ... 257, 259, 261, 263, 265, 267, 269, 271, 273, 275, 277	3841340.....200
3311408....121, 123, 125, 127, 129, 131	3340941 217, 219	3520182 413	3841443....31, 33, 35, 39 3890040.....277
3311501....19, 21, 23, 25, 27, 29, 204, 207, 403, 405	3340956 415, 417, 419	3520188 217, 219	3900054.....275, 277
3311505....109, 111, 133, 135, 137, 173, 187, 189	3380434 ... 279, 281, 283, 285, 287, 289, 291, 293, 295, 297, 299, 301, 303, 305, 307, 309, 311, 313	3520198 ... 257, 259, 261, 263, 265, 267, 269, 271, 273	3900085....161, 165, 167, 169, 171
3311601....173, 315, 320, 324, 328, 332, 336, 340, 344, 347, 352, 356, 360, 364, 368, 372, 376, 380, 384, 421	3420372 79, 81	3538758 217, 219	3900139.....433
3311605....151, 175, 177, 181, 185, 187, 189, 203, 207, 217, 219, 275, 277, 279, 281, 283, 285, 287, 289, 291, 293, 295, 297, 299, 301, 303, 305, 307, 309, 311, 313, 485, 487, 489, 491, 495, 499, 503	3420447 79, 81	3539877 15, 17	3900232.....173
3311801....133, 135, 137	3421565 79, 81, 105	3571584 ... 123, 125, 127, 131	3900259....211, 213, 215
3311805....203, 207, 233, 235, 237	3421627 105	3571856 173	3900295.....33
3312002.....97, 423, 425, 427	3422457 ... 211, 213, 215	3571857 173	3900296.....33
3312005....235, 415, 417, 419	3422568 199, 203, 207	3571858 173	3900349....327, 343, 367, 371, 379, 383
3312602....161, 165, 167, 169, 171	3422576 207	3572009 79, 81	3910610.....481, 483
3321501.....173	3422578 199	3572010 79, 81	3910804....139, 141, 143, 145, 147, 149
3322202....31, 33, 35, 39	3422582 199	3572012 79, 81	3911016....121, 123, 125, 127, 129, 131
3323003.....31, 33	3422583 203, 208	3572040 449, 451, 453	3911018....315, 319, 323, 327, 331, 335, 339, 343, 347, 351, 355, 359, 363, 367, 371, 375, 379, 383
3323403.....35, 39	3422592 ... 15, 17, 19, 21, 23, 25, 27, 29	3572063 173	3930816.....251, 253
3340764.....217, 219	3422692 31, 33	3572328 35, 39	3930828.....157
3340787.....217, 219	3422791 203, 208	3572348 175, 177	3931010.....107
	3422792 203, 208	3572349 175, 177	3931012.....71, 73
	3422793 203	3572448 217, 219	3931016.....75
	3422794 203, 208	3572490 33	3931408....31, 33, 35, 39, 409, 411
	3422808 199, 203, 208	3572506 79, 81	3931424.....409
	3422811 199, 203, 208	3572551 204, 208	3931448....449, 451, 453
	3422817 ... 31, 33, 35, 39	3572628 97	3931516.....433
	3422819 35, 39	3575359 405	3931528....449, 451, 453
	3422830 199, 203, 208	3575705 403	3931616....200, 204, 208
	3422833 199, 203, 208	3600310 109, 111, 117	3931824.....97
	3422834 199, 204, 208	3641569 405	3932032.....439, 441
	3422841 79, 81	3710080 650	3932232.....97
	3422847 79, 81	3740080 71, 553	
	3422848 33	3740086 595	
	3422885 199	3760133 211, 213, 215	
	3430616 ... 315, 320, 324, 328, 332, 336, 340, 344, 347, 352, 356, 360, 364, 368, 372, 376, 380, 384	376017079, 81, 105, 133, 135, 137	
	3441260 103	3760367 433	
	3450406 45		
	3450812 ... 31, 33, 35, 39		
	3460334 415, 417, 419		
	3460492 181, 185		
	3470003 ... 315, 320, 324, 328, 332, 336, 340, 344, 347, 352, 356, 360, 364, 368, 372, 376, 380, 384		
	3480232 433		
	3480257 449, 451		
	3480258 439		

PART NUMBER INDEX

3952020 97	4360274 153, 155, 651	4460260.....553, 555, 571, 573	4460508... 407, 511, 571, 573, 605, 609, 611, 613
3960389 ... 181, 185, 187, 189	4360387 ... 145, 147, 149, 315, 319, 323, 327, 331, 335, 339, 343, 347, 351, 355, 359, 363, 367, 371, 375, 379, 383, 403, 405, 409, 650, 651	4460265.....387, 390, 515	4460509 ... 537, 567, 605, 606, 609, 611, 613
3960418 ... 181, 185, 187, 189, 199, 204, 208	4360407 ... 315, 319, 323, 327, 331, 335, 339, 343, 347, 351, 355, 359, 363, 367, 371, 375, 379, 383, 650	4460267....515, 553, 555, 571, 573	4460510 656
3960422 481, 483	4360469 ... 139, 141, 143, 145, 147, 149, 650	4460268.....515	4460516 61
3960447 ... 139, 141, 143, 145, 147, 149	4360475 ... 139, 141, 143, 145, 147, 149, 315, 319, 323, 327, 331, 335, 339, 343, 347, 351, 355, 359, 363, 367, 371, 375, 379, 383, 650	4460313.....555	4460539... 569, 597, 599, 600, 605
3960464 173, 175, 177	4360476 ... 139, 141, 143, 145, 147, 149, 315, 319, 323, 327, 331, 335, 339, 343, 347, 351, 355, 359, 363, 367, 371, 375, 379, 383, 650	4460315.....481, 483	4460662... 485, 487, 489, 491, 493, 495, 499, 503
3980035 181, 185	4360517 107	4460320.....553, 555	4460670 600
3990013 595	4360578 565, 651	4460321.....563	4460701 483
4010408 ... 485, 487, 489, 491, 493, 495, 497, 499, 501, 503	4400430 113, 115	4460346.....481	4460703 600
4010618 265, 267, 273	4400455 109, 111	4460374.....599	4460708 ... 316, 319, 323, 327, 331, 335, 339, 343, 348, 351, 355, 359, 363, 367, 371, 375, 379, 383, 571, 573
4031505 407	4420014 415, 417, 419	4460418.....555, 571, 573	4460709... 479, 485, 487, 489, 491, 493, 495, 497, 499, 501, 503
4031516 421	4420038 109, 111	4460419.....555, 571, 573	4460710... 479, 485, 487, 489, 491, 493, 495, 497, 499, 501, 503
4031920 51, 53	4420051 639, 645, 647	4460424.... 153, 155, 235, 237, 537, 606	4460742 569
4060092 483	4420060 251, 253	4460425.....403, 405	4460743 569
4060803 241, 245	4420066 415, 417, 419	4460428.... 123, 125, 127, 131, 235, 315, 319, 323, 327, 331, 335, 339, 343, 347, 351, 355, 359, 363, 367, 371, 375, 379, 383	4460761... 537, 563, 571, 573, 605, 606
4060804 77	4420068 403, 405	4460434.... 316, 319, 323, 327, 331, 335, 339, 343, 348, 351, 356, 359, 364, 367, 371, 375, 379, 383, 571, 573	4460802... 121, 123, 125, 129, 131
4060805 200	4460025 505, 507, 509	4460444.....537	4460803 121, 129
4060808 51, 53	4460042 393	4460449.....569	4460805 125
4060906 ... 139, 141, 143, 145, 147, 149	4460049 403, 405	4460458.....569	4460806 555
4060959 655	4460071 ... 393, 481, 483	4460464 251, 253, 511, 513, 517, 537, 553, 557, 561, 565, 571, 573, 593, 595, 597, 599, 603, 605, 609, 611, 613	4460836 235, 603, 606
4061054 235	4460125 483	4460466.... 235, 407, 523, 525, 527, 529, 531, 533, 535, 537, 553, 555, 557, 561, 567, 571, 573, 585, 593, 595, 599, 600, 605, 606, 609, 611, 613	4460844 557
4070863 211, 213, 215	4460134 481, 559	4460467 656	4460866 571, 573, 605
4070864 211, 213, 215	4460138 559	4460470.... 151, 315, 319, 323, 327, 331, 335, 339, 343, 347, 351, 355, 359, 363, 367, 371, 375, 379, 383	4460868 555
4070897 ... 15, 17, 19, 21, 23, 25, 27, 29, 211, 213, 215	4460183 555	4460471.... 151, 315, 319, 323, 327, 331, 335, 339, 343, 347, 351, 355, 359, 363, 367, 371, 375, 379, 383	4460871 ... 555, 569, 571, 573, 600, 605
4070898 ... 15, 17, 19, 21, 23, 25, 27, 29, 211, 213, 215	4460205 481	4460488.... 315, 319, 323, 327, 331, 335, 339, 343, 347, 351, 355, 359, 363, 367, 371, 375, 379, 383	4460872 569
4070929 211, 213, 215	4460224 573		4460873 ... 571, 573, 600, 605
4070944 15, 17	4460225 ... 515, 553, 571, 573		4460874 571, 573, 605
4070945 15, 17	4460226 ... 153, 155, 235, 237, 387, 390, 393, 403, 405, 563, 571, 573, 591, 606		4460875 569, 571, 573
4070969 217, 219	4460227 ... 235, 537, 553, 555, 571, 573, 605, 606, 615		4460876 555
4071009 97	4460233 483		4460877 555
4071010 103	4460234 ... 121, 123, 125, 127, 129, 131, 315, 319, 323, 327, 331, 335, 339, 343, 347, 351, 355, 359, 363, 367, 371, 375, 379, 383, 403, 405		4460878 605
4100026 527, 533, 535	4460259 ... 553, 555, 571, 573		4460879 571, 573
4160185 133, 135, 137			4460884 ... 591, 593, 599, 605
4160187 199, 203, 208			4460887 571, 573, 605
4160194 173			4460888 571, 573
4240018 181, 185			4460891... 161, 515, 517, 561, 605, 606, 615
4240032 31, 33, 121, 123, 125, 127, 129, 131, 315, 319, 323, 327, 331, 335, 339, 343, 347, 351, 355, 359, 363, 367, 371, 375, 379, 383			4460894 ... 573, 599, 603, 606
4240033 36, 40, 121, 123, 125, 127, 129, 131, 235, 407, 409, 411, 421, 523, 525, 527, 529, 531, 533, 535, 567, 609, 611, 613			4460897 ... 165, 167, 169, 171, 251, 253, 513, 553, 561, 565
4240084 51, 53			4460899... 557, 585, 593, 595, 599, 603
4240099 403, 405			4460905... 555, 569, 571, 573, 600, 605
4240149 415, 417, 419			4460910 587
4240178 181, 185			4460911 585
4300145 35, 39			4460930... 511, 555, 571, 573
4341107 187, 189			
4341109 187, 189			
4360057 403, 405, 651			

PART NUMBER INDEX

4460931.....537, 605	217, 219, 235, 239,	4751800 ... 19, 21, 23, 25,	70000294..... 191, 195
4460932.....597	243, 315, 320, 324,	27, 29, 133, 135, 137,	70000295..... 191, 195
4460933.....235, 605	328, 332, 336, 340,	275, 277, 403, 405	70000296..... 191, 195
4460941.....585	344, 347, 352, 356,	4760600 481, 483	70000297..... 191, 195
4460942.....407, 605	360, 364, 368, 372,	4761000 ... 121, 123, 125,	70000298..... 191, 195
4460943.... 165, 167, 169,	376, 380, 384, 423,	127, 129, 131	70000299..... 191, 195
171, 585, 599, 603, 605	425, 427, 485, 487,	4761400 401	70000300..... 191, 195
4460944.... 235, 555, 597,	489, 491, 495, 499,	4811400 ... 485, 487, 489,	70000301..... 191, 195
599, 600, 603, 605, 606	503, 523, 525, 527,	491, 493, 495, 497,	70000302..... 191, 195
4460945.....599, 605	529, 531, 533, 535	499, 501, 503	70000303..... 191, 195
4460950.....599, 603	4711800 .51, 53, 275, 277	4811700 265, 267, 273	70000304..... 191, 195
4460956.....519	4712000 ... 415, 417, 419,	4811900 51, 53	70000305..... 191, 195
4460957.....519	423, 425, 427	4812000 237	70000306..... 191, 195
4460968.... 497, 501, 565	4713000 31, 33, 39	4812100 237	70000307..... 191, 195
4460984.....571	4713400 35	4845925 204	70000308..... 191, 195
4461077.....585, 595	4740036 79, 81	4846066 ... 199, 204, 208	70000309..... 191, 195
4461196.....539, 581	4740111 31, 33, 35, 39	4846067 199, 204, 208	70000310..... 191, 195
4461198.....581	4740155 33	4846074 199, 204, 208	70000311..... 191, 195
4461199.....547, 583	4740158 ... 15, 17, 19, 21,	4846075 199, 204, 208	70000312..... 191, 195
4461201.....583	23, 25, 27, 29	4846076 31, 33	70000313... 191, 195, 650
4461202.....543, 575	4740274 187, 189	4846135 35	70000314..... 191, 195
4461205.....545, 577	4740362 ... 279, 281, 283,	4846141 35, 39	70000315..... 191, 195
4461244.....575	285, 287, 289, 291,	4846163 219	70000316..... 191, 195
4461245.....577	293, 295, 297, 299,	4846164 217	70000317... 191, 195, 650
4461246.....579	301, 303, 305, 307,	4846165 219	70000318... 191, 195, 650
4461249.....541, 579	309, 311, 313	4846166 217	70000319... 191, 195, 650
4520264.....57, 59	4740397 ... 139, 141, 143,	4846178 109, 111	70000320..... 191, 195
4567139.... 464, 468, 472	145, 147, 149, 315,	4846183 85, 87, 89, 91	70000321... 192, 195, 651
4568030.....449, 451	319, 323, 327, 331,	4846188 187, 189	70000322... 191, 195, 651
4568068.....433	335, 339, 343, 347,	4846210 175, 177	70000323... 191, 195, 651
4568133.....79, 81	351, 355, 359, 363,	4846218 239, 243	70000324..... 191, 195
4640113.....57	367, 371, 375, 379,	4846258 208	70000325..... 191, 196
4640261.....79, 81	383, 395, 397, 399	4846278 204, 208	70000326.. 113, 115, 191,
4640438.....439, 441	4740492 199, 204, 208	4846292 33	196, 650
4640509.... 433, 435, 437,	4750800 157	4846294 33	70000327..... 191, 196
439, 441	4751000 ... 53, 79, 81, 85,	4846295 79	70000328.. 113, 115, 192,
4640741.....100	87, 89, 91, 161, 165,	4846296 79	196
4640858.....431	167, 169, 171, 485	4846350 39	70000329... 192, 196, 650
4640861.... 464, 469, 473	4751400 ... 173, 187, 189,	4846370 403	70000330... 192, 196, 650
4640871.... 19, 21, 23, 25,	235, 251, 253, 279,	4846573 233, 235	70000340..... 231
27, 29	281, 283, 285, 287,	4860212 57, 59	70000342.. 221, 223, 225,
4640932.....433, 435	289, 291, 293, 295,	4891500 109, 111	227, 229
4641122.....59	297, 299, 301, 303,	4891600 233, 235, 237	70000382..... 191, 196
4641129.93, 94, 439, 441	305, 307, 309, 311,	4891800 15, 17, 233, 235,	70000435..... 94
4641148.....35, 39	313, 315, 319, 323,	237	70000967..... 191, 195
4641179.... 449, 451, 453	327, 331, 335, 339,	4892000 ... 31, 33, 35, 39,	70001091..... 69
4711000.....71, 73, 107	343, 347, 351, 355,	51, 53, 103, 235	70001119..... 63
4711400.... 19, 21, 23, 25,	359, 363, 367, 371,	4892200 97	70001121..... 191, 195
27, 29, 35, 39, 51, 53,	375, 379, 383, 401,	4892600 ... 221, 223, 229,	70001144..... 191, 195
113, 115, 121, 123,	403, 405, 413, 619,	231, 233, 235, 237	70001342..... 93
125, 127, 129, 131,	623, 625, 627, 631,	4920385 181, 185	70001368..... 63
151, 159, 163, 181,	633, 635, 637	4922390 163, 559	70001422..... 49
185, 204, 208, 235,	4751500 ... 35, 39, 51, 53,	4922937 523, 525, 527	70001440..... 93
265, 267, 269, 271,	77, 109, 111, 133, 135,	4922938 523, 525, 527	7000203..... 100
273, 409, 411, 413,	137, 173, 175, 177,	4922939 ... 529, 531, 533,	70002083..... 192, 195
421, 485, 487, 489,	187, 189, 204, 207,	535	7000216..... 63
491, 493, 495, 497,	403, 405	4922940 ... 529, 531, 533,	70002216..... 435
499, 501, 503	4751600 51, 53, 109, 111,	535	70002219..... 447
4711500.... 19, 21, 23, 25,	113, 115, 173, 175,	5241200 ... 19, 21, 23, 25,	70002220..... 437
27, 29, 35, 39, 79, 81,	177, 181, 185, 187,	27, 29, 237	70002223..... 437
133, 135, 137, 173,	189, 279, 281, 283,	5251008 237	70002244..... 191, 195
239, 241, 243, 245	285, 287, 289, 291,	5251016 237	70002264..... 69
4711600.... 15, 17, 19, 21,	293, 295, 297, 299,	70000289 .. 191, 196, 651	70002434..... 45
23, 25, 27, 29, 85, 87,	301, 303, 305, 307,	70000290 191, 195	70002543..... 192, 196
89, 91, 103, 107, 151,	309, 311, 313	70000291 191, 195	70002544..... 192, 195
173, 175, 177, 181,		70000292 191, 195	7000255..... 100
185, 199, 204, 208,		70000293 191, 195	7000256..... 100

PART NUMBER INDEX

7000257 100	70004759 389	70005687 61	7017027 63
7000258 100	70004760 389	70005688 61	7017069 100
7000263 100	70004761 389	70005689 61	7017071 100
7000281 100	70004762 389	70006364 441	7017072 63, 100
70002842 431	70004763 389	70006365 441	7017073 100
70002902 393	70004764 389	70006366 441	7017074 100
70002903 393	70004765 389	70006367 441	7017075 100
70002904 393	70004766 389	70006368 441	7017076 100
70002905 393	70004767 389	70006709 453	7017077 100
70002947 49, 93, 650	70004768 389	70006710 453	7017078 100
70002983 63	70004769 389	70006711 453	7017079 100
70002996 63	70004770 389	70006712 453	7017080 100
70002997 64	70004771 389	70006747 69	7017082 100
70003000 63	70004772 389	70006752 69	7017083 100
70003019 247, 249	70004773 389	70006753 69	7017084 100
70003021 247, 249	70004774 389	70006756 69	7017085 100
70003027 247, 249	70004775 389	70006757 69	7017086 100
70003525 93	70004809 61	70006759 69	7017087 100
70003526 93	70004811 61	70006762 69	7017088 100, 101
70003557 195	70004820 61	70006763 69	7017093 63
70003618 192, 195	70004954 192	70010346 655	7017095 63
70003619 192, 195	70005169 191	7001084 443	7017142 ... 223, 225, 227
70003819 435	70005192 192	7001908 100	7017158 221, 229
70003820 447	70005193 192	7001913 63, 100	7017159 ... 221, 223, 225, 227, 229
70003833 437	70005230 387	7001922 63	7017160 ... 221, 223, 229, 231
70003834 437	70005337 93	7001926 100	7017162 ... 221, 223, 225, 227, 229
70003835 437	70005374 93	70023859 247, 249	7017163 ... 221, 223, 225, 227, 229
70003836 437	70005385 61	70023860 247, 249	7017164 ... 221, 223, 225, 227, 229
70003837 435	70005387 61	7002821 656	7017165 231
70003838 435	70005388 61	7002822 656	7017167 231
70003839 435	70005389 61	7002823 656	7017168 231
70003840 435	70005390 61	7002826 656	7017169 231
70003841 435	70005391 61	7002828 656	7017170 229
70003842 435	70005392 61	7002840 656	7017172 ... 221, 223, 225, 227, 229, 231
70004052 247, 249	70005393 61	7002840 656	7017178 231
70004053 247, 249	70005394 61	7004035 101	7017192 ... 221, 223, 225, 227, 229, 231
70004127 447	70005395 61	7004043 101	7017195 ... 221, 225, 227, 229, 231
70004132 447	70005396 61	7004044 101	7017277 445
70004133 447	70005397 61	7004275 656	7017278 445
70004134 447	70005400 61	7004276 656	7017279 445
70004135 447	70005401 61	7007633 100	7017280 445
70004265 191, 195	70005402 61	7007637 100	7017281 445
70004388 47	70005403 61	7007640 63	7017282 445
70004394 196	70005404 61	7007642 64	7017283 443, 445
70004461 93	70005405 61	7010474 63	7017284 443
70004588 ... 247, 249, 650	70005406 61	7010543 93	7017285 443
70004738 387	70005407 61	7010795 101	7017286 443
70004739 387	70005408 61	7011112 433, 435	7017287 443
70004740 387	70005408 61	7011323 ... 221, 223, 229, 231	7017288 443
70004740 387	70005410 61	7012540 49	7017289 443
70004741 387	70005412 61	7012545 119	7017406 435
70004742 387	70005604 63	7012548 119	7018900 93
70004743 387	70005605 63	7012549 119	7018904 94
70004744 387	70005606 64	7012773 49, 93	7018942 49, 94
70004745 387	70005607 64	7012799 94	7018945 93
70004746 387	70005608 64	7012912 93, 94	7018991 93, 650
70004747 387	70005609 64	7012944 93, 650	7020035 43
70004748 387	70005610 63	7012955 47	7020036 43, 45
70004749 387	70005611 63	7012967 ... 47, 93, 94, 439	7020037 43, 45
70004750 387	70005612 64	7012969 49	
70004751 387	70005613 63	7012975 93	
70004752 389	70005614 63	7012998 93, 94	
70004753 389	70005627 247, 249	7016649 113, 115	
70004754 389	70005628 247, 249	7016654 656	
70004755 389	70005629 247, 249	7017020 63	
70004756 389	70005649 45	7017022 64	
70004757 389	70005685 61	7017023 100	
70004758 389	70005686 61		

PART NUMBER INDEX

7020038.....43, 45	7020297 119	7024007 67	7024736.....63
7020039.....43, 45	7020298 119	7024022 94	7024738.....63
7020040.....43, 45	7020299 119	7024023 94	7024739.....63
7020041.....43, 45	7021375 49, 93	7024024 94	7024740.....63
7020054.....43, 45	7021619 93	7024056 117	7024741.....63
7020055.....43, 45	7021653 47	7024124 63	7024742.....63
7020137.....43, 45	7022391 93	7024127 63	7024744.....64
7020140.....43	7022521 93	7024129 63	7024844.....437
7020175.... 139, 141, 143, 145, 147, 149, 315, 319, 323, 327, 331, 335, 339, 343, 347, 351, 355, 359, 363, 367, 371, 375, 379, 383	7022586 67, 69	7024134 64	7024991.....93
7020176.... 139, 141, 143, 145, 147, 149, 315, 319, 323, 327, 331, 335, 339, 343, 347, 351, 355, 359, 363, 367, 371, 375, 379, 383	7022587 67, 69	7024135 100	7026068.....437
7020251.....43	7022588 67, 69	7024136 100, 101	7026084.....435
7020257..... 113, 115	7022589 67, 69	7024199 100	7026088.....437
7020260.....217, 219	7022591 67, 69	7024378 101	7026090.....437
7020261.....217, 219	7023200 119	7024379 101	7026091.....437
7020262.....217, 219	7023208 94	7024380 101	7026092.....437
7020264.....217, 219	7023209 94	7024381 101	7026121..... 109, 111
7020265.....217, 219	7023210 94	7024382 101	7026170.....217, 219
7020266.....219	7023224 109, 111, 650	7024383 101	7026182.....217, 219
7020291..... 119	7023268 109, 111	7024384 101	7026616.... 449, 451, 453
7020292..... 119	7023269 109, 111, 650	7024385 101	7027859.....173
7020293..... 119	7023270 109, 111	7024386 101	8220045.....600
7020294..... 119	7023306 109, 111	7024387 101	8220068.....569
7020295..... 119	7023347 109, 111	7024388 101	8229234.....600, 650
7020296..... 119	7023801 67	7024389 101	8229235.... 599, 600, 650
	7023806 67	7024441 109, 111	8229236.....599, 650
	7023807 67	7024446 109, 111	8229237.....600, 650
	7023866 67	7024700 100	8229242.... 571, 573, 606, 650
	7023868 67	7024701 100	8229261.....600, 650
	7023869 67	7024724 63	8580420.....77
	7023870 67, 69	7024726 63	8770189.... 464, 468, 472
	7023871 67, 69	7024730 63	88261024.....241, 245
	7023872 67, 69	7024733 63	88521214... 423, 425, 427
	7023876 67	7024734 63	91203039.....237
	7023976 47	7024735 63	

PARTS FINDER

**Search Website
by Part Number**



**Search Manual
Library For Parts
Manual & Lookup Part
Numbers – Purchase
or Request Quote**

**Can't Find Part or
Manual? Request Help
by Manufacturer,
Model & Description**

Discount-Equipment.com is your online resource for quality parts & equipment.

Florida: **561-964-4949** Outside Florida TOLL FREE: **877-690-3101**

Need parts?

Click on this link: <http://www.discount-equipment.com/category/5443-parts/> and choose one of the options to help get the right parts and equipment you are looking for. Please have the machine model and serial number available in order to help us get you the correct parts. If you don't find the part on the website or on one of the online manuals, please fill out the request form and one of our experienced staff members will get back to you with a quote for the right part that your machine needs.

We sell worldwide for the brands: Genie, Terex, JLG, MultiQuip, Mikasa, Essick, Whiteman, Mayco, Toro Stone, Diamond Products, Generac Magnum, Airman, Haulotte, Barreto, Power Blanket, Nifty Lift, Atlas Copco, Chicago Pneumatic, Allmand, Miller Curber, Skyjack, Lull, Skytrak, Tsurumi, Husquvarna Target, Stow, Wacker, Sakai, Mi-T-M, Sullair, Basic, Dynapac, MBW, Weber, Bartell, Bennar Newman, Haulotte, Ditch Runner, Menegotti, Morrison, Contec, Buddy, Crown, Edco, Wyco, Bomag, Laymor, EZ Trench, Bil-Jax, F.S. Curtis, Gehl Pavers, Heli, Honda, ICS/PowerGrit, IHI, Partner, Imer, Clipper, MMD, Koshin, Rice, CH&E, General Equipment, Amida, Coleman, NAC, Gradall, Square Shooter, Kent, Stanley, Tamco, Toku, Hatz, Kohler, Robin, Wisconsin, Northrock, Oztec, Toker TK, Rol-Air, APT, Wylie, Ingersoll Rand / Doosan, Innovatech, Con X, Ammann, Mecalac, Makinex, Smith Surface Prep, Small Line, Wanco, Yanmar