



---

# Illustrated Parts Manual

**Models**  
**E600/E600J**  
**E600JP**  
**M600/M600J**  
**M600JP**

Prior to SN 0300219271  
Excluding SN 0300218866  
through 0300218868

3121814

June 22, 2018 - Rev AH



---

An Oshkosh Corporation Company

# PARTS FINDER

**Search Website  
by Part Number**



**Search Manual  
Library For Parts  
Manual & Lookup Part  
Numbers – Purchase  
or Request Quote**

A screenshot of the "Search Manuals" form. The form has a title "Search Manuals" and a subtitle "Please enter the part number or description of the part you are looking for." Below the subtitle, there are several input fields: "Part Number", "Description", "Serial Number", "Machine Model", "Manufacturer", "Part Name", and "Part Description". There is also a "Search" button at the bottom of the form.

**Can't Find Part or  
Manual? Request Help  
by Manufacturer,  
Model & Description**

A screenshot of the "Parts Order Form". The form has a title "Parts Order Form" and a subtitle "Please fill out this form if you cannot find the part you need." Below the subtitle, there are several input fields: "Manufacturer", "Model", "Description", "Part Number", "Part Name", "Part Description", "Quantity", "Unit Price", "Total Price", "Tax", "Shipping", and "Comments". There is also a "Submit" button at the bottom of the form.

Discount-Equipment.com is your online resource for quality parts & equipment.

Florida: **561-964-4949** Outside Florida TOLL FREE: **877-690-3101**

**Need parts?**

Click on this link: <http://www.discount-equipment.com/category/5443-parts/> and choose one of the options to help get the right parts and equipment you are looking for. Please have the machine model and serial number available in order to help us get you the correct parts. If you don't find the part on the website or on one of the online manuals, please fill out the request form and one of our experienced staff members will get back to you with a quote for the right part that your machine needs.

We sell worldwide for the brands: Genie, Terex, JLG, MultiQuip, Mikasa, Essick, Whiteman, Mayco, Toro Stone, Diamond Products, Generac Magnum, Airman, Haulotte, Barreto, Power Blanket, Nifty Lift, Atlas Copco, Chicago Pneumatic, Allmand, Miller Curber, Skyjack, Lull, Skytrak, Tsurumi, Husquvarna Target, Stow, Wacker, Sakai, Mi-T-M, Sullair, Basic, Dynapac, MBW, Weber, Bartell, Bennar Newman, Haulotte, Ditch Runner, Menegotti, Morrison, Contec, Buddy, Crown, Edco, Wyco, Bomag, Laymor, EZ Trench, Bil-Jax, F.S. Curtis, Gehl Pavers, Heli, Honda, ICS/PowerGrit, IHI, Partner, Imer, Clipper, MMD, Koshin, Rice, CH&E, General Equipment, Amida, Coleman, NAC, Gradall, Square Shooter, Kent, Stanley, Tamco, Toku, Hatz, Kohler, Robin, Wisconsin, Northrock, Oztec, Toker TK, Rol-Air, APT, Wylie, Ingersoll Rand / Doosan, Innovatech, Con X, Ammann, Mecalac, Makinex, Smith Surface Prep, Small Line, Wanco, Yanmar



## REVISION LOG

July 1, 2000 - A - Original Issue Of Manual  
October 30, 2000 - B - Manual Revised (Revised to B/M 0010564 Revision 3)  
April 1, 2001 - C - Manual Revised (Revised to B/M 0010564 Revision 10)  
June 15, 2001 - D - Manual Revised  
October 1, 2002 - E - Manual Revised (Revised to B/M 0010564 Revision 16)  
March 17, 2003 - F - Manual Revised (Revised to B/M 0010564 Revision 22)  
July 15, 2003 - G - Manual Revised (Revised to B/M 0010564 Revision 26)  
November 15, 2003 - H - Manual Revised (Revised to B/M 0010564 Revision 26)  
April 30, 2004 - I - Manual Revised (Revised to B/M 0010564 Revision 28)  
September 29, 2004 - J - Manual Revised (Revised to B/M 0010564 Revision 29)  
February 1, 2005 - K - Manual Revised (Revised to B/M 0010564 Revision 31)  
June 26, 2006 - L - Manual Revised (Revised to B/M 0010564 Revision 37)  
August 31, 2006 - M - Manual Revised (Revised to B/M 0010564 Revision 38)  
March 29, 2007 - N - Manual Revised (Revised to B/M 0010564 Revision 45)  
September 11, 2007 - O - Manual Revised (Revised to B/M 0010564 Revision 50)  
April 30, 2008 - P - Manual Revised (Revised to B/M 0010564 Revision 51)  
April 15, 2009 - Q - Manual Revised (Revised to B/M 0010564 Revision 55)  
October 11, 2010 - R - Manual Revised (Revised to B/M 0010564 Revision 60)  
March 17, 2011 - S - Manual Revised (Revised to B/M 0010564 Revision 65)  
June 13, 2011 - T - Manual Revised (Revised to B/M 0010564 Revision 65)  
September 23, 2011 - U - Manual Revised (Revised to B/M 0010564 Revision 66)  
December 14, 2011 - V - Manual Revised (Revised to B/M 0010564 Revision 66)  
April 5, 2012 - Manual Revised W - (Revised to B/M 0010564 Revision F)  
July 18, 2012 - X - Manual Revised (Revised to B/M 0010564 Revision G)  
October 23, 2012 - Y - Manual Revised (Revised to B/M 0010564 Revision H)  
March 1, 2013 - Z - Manual Revised (Revised to B/M 0010564 Revision H)  
June 1, 2013 - AA - Manual Revised (Revised to B/M 0010564 Revision L)  
September 1, 2013 - AB - Manual Revised (Revised to B/M 0010564 Revision L)

## REVISION LOG

January 3, 2014 - AC - Manual Revised (Revised to B/M 0010564 Revision N)

November 1, 2014 - AD - Manual Revised (Revised to B/M 0010564 Revision V)

October 30, 2015 - AE - Manual Revised (Revised to B/M 0010564 Revision AI)

January 12, 2016 - AF - Manual Revised (Revised to B/M 0010564 Revision AI)

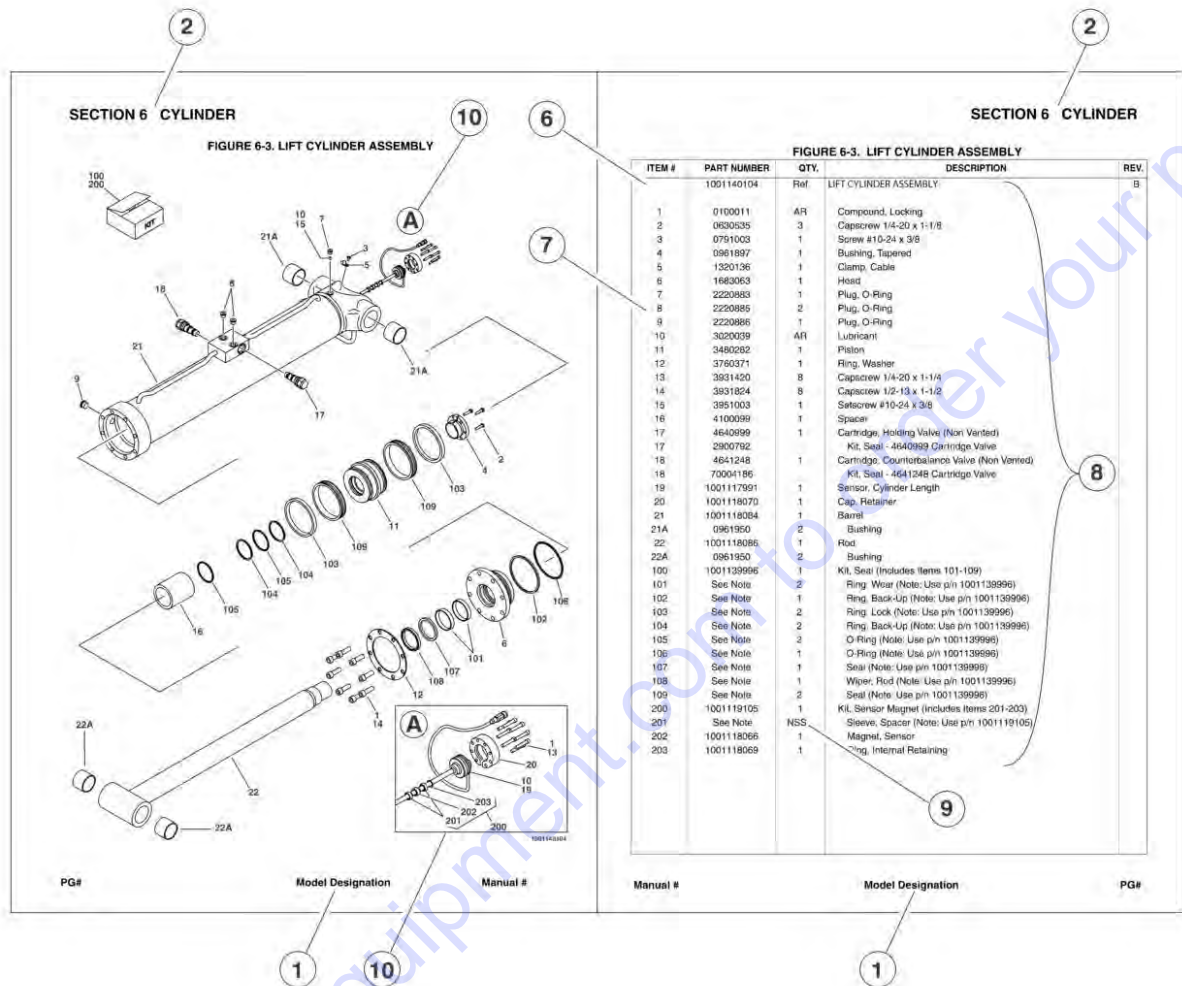
May 12, 2016 - AG - Manual Revised (Revised to B/M 0010564 Revision AI)

June 22, 2018 - AH - Manual Revised (Revised to B/M 0010564 Revision AI)

Go to [Discount-Equipment.com](http://Discount-Equipment.com) to order your parts



## GENERAL INFORMATION



### 1) MACHINE IDENTIFICATION

Machines are identified by model and in some cases a combination of models, serial number (SN) or regional standard (i.e ANSI, CE, CSA). Components may also be identified by SN or manufacturer. Common components that may be identified by these characteristics are engines and hydraulic components.

### 2) PARTS MANUAL ORGANIZATION

Product information in this manual is organized under section titles. Frame, Cylinder, Hydraulic and Electrical are a few examples. Each section is organized by figure and page number. The information within the Figure is then organized by item number, part number, description and corresponding illustration (s).

### 3) TABLE OF CONTENTS

A table of contents is found toward the beginning of the manual. Figure number, description and page number are provided for quick reference to the page containing the related information.

### 4) RECOMMENDED SPARE PARTS

The Recommended Spare Parts, located near the end of the manual, reference most frequently used maintenance parts.

### 5) PART NUMBER INDEX

A numerical index listing all part numbers and the corresponding page number(s) appears at the back of the manual.

## GENERAL INFORMATION

### 6) NON-SERVICED PARTS

In some instances, it is necessary to display non-serviced parts, assemblies or installations. In the case of assemblies and installations there will be a Ref in the Qty column. In case of parts that are not available for service within assemblies or components, there will be a NSS (Not Sold Separately) or NLA (No Longer Available) listed in the Qty. column of the manual.

### 7) PARTS LIST ITEM NUMBERS

Numbers shown in the item# column correspond to numbers used in the associated illustration (s). Item numbers which are missing from the sequence in the parts list are not used on that page

### 8) INDENTED PARTS DESCRIPTION

An indented part description is included in the item under which it is indented.

### 9) ABB REVIATION AND SYMBOLS

AC.....	.. Alternating Current	LCD .....	.. Liquid Crystal Display
ADE.....	..Advanced Design Electronics	LED .....	.. Light Emitting Diodes
ANSI .....	..American National Standards Institute	LH.....	.. Left Hand
AR.....	..As Required	LSS .....	..Load Sensing System
ASSY .....	.. Assembly	M(m).....	.. Metric/Meter
AUX.....	..Auxiliary	MM (mm).....	..Milimeter
AWG.....	..American WireGauge	mA.....	.. Milliamps
B/M.....	.. Bill of Material	NLA.....	..No Longer Available
CE.....	..European Conformity	NPT .....	.. National Pipe Threads
CCW .....	..Counter Clockwise	NSS .....	..Not Sold Separately
cm.....	.. Centimeter	OD.....	..Outside Diameter
CW.....	..Clockwise	ORB.....	.. O-Ring Boss
CSA.....	..Canadian Standards Association	ORFS.....	.. O-Ring Face Seal
CYL.....	..Cylinder	OZ (oz).....	..Ounces
DIA.....	..Diameter	PG .....	..Page
DC.....	..Direct Current	P/N.....	..Part Number
EMS .....	.. Emergency Stop	qt.....	..Quarts
ENG .....	..Engine	QTY.....	..Quantity
FT(ft).....	..Feet	REF .....	..Reference
GA(Ga).....	..Gauge	REV .....	..Revision Level
HYD .....	..Hydraulic	RH.....	.. Right Hand
Hz.....	..Hertz	SAE.....	.. Society of Automotive Engineers
ID.....	..Inside Diameter	SN.....	..Serial Number
in.....	..inches	SPEC(S).....	..Specifications
ISO .....	..International Organization for Standards	T/T.....	..Turntable
JIC.....	..Joint Industry Council	UGM .....	..Universal Ground Module
KG .....	..Kilogram	V.....	.. Volts
L.....	..Liter	W.....	.. Watts
LB .....	..Pounds	#.....	.. Number

### 10) ILLUSTRATION REFERENCE LETTERS

When necessary, illustrations may contain reference letters that are intended to track information (i. e. hoses, harnesses) from one point to another or to track visual enlargement of components to show details that may be located in another area on the illustration.

*Note: Due to continuous product improvements, JLG Industries, Inc. reserves the right to make specification changes without prior notification.*

# TABLE OF CONTENTS

SECTION 1 - FRAME.....	9
FIGURE 1-1. AXLE AND STEER INSTALLATION - 2WD.....	10
FIGURE 1-2. AXLE STEERING INSTALLATION - 4WD.....	14
FIGURE 1-3. TIRE AND WHEEL DRIVE INSTALLATIONS.....	18
FIGURE 1-4. DRIVE BRAKE ASSEMBLY (REAR).....	22
FIGURE 1-5. DRIVE HUB ASSEMBLY (REAR) (Prior to SN 0300112387).....	24
FIGURE 1-6. DRIVE HUB ASSEMBLY (REAR) (SN 0300112387 through 0300219271).....	28
FIGURE 1-7. DRIVE MOTOR ASSEMBLY (4WD FRONT).....	32
FIGURE 1-8. VALVES, ELECTRICAL COMPONENTS AND SHIELDS INSTALLATIONS.....	34
FIGURE 1-9. DRIVE VALVE ASSEMBLY (4WD ONLY).....	38
FIGURE 1-10. TOW PACKAGE INSTALLATION.....	40
SECTION 2 - TURNTABLE.....	45
FIGURE 2-1. VALVE AND HORN INSTALLATIONS.....	46
FIGURE 2-2. MAIN CONTROL VALVE ASSEMBLY.....	48
FIGURE 2-3. TURNTABLE AND SWING DRIVE INSTALLATION.....	52
FIGURE 2-4. SWING MOTOR ASSEMBLY (Prior to SN 0300058845).....	56
FIGURE 2-5. SWING MOTOR ASSEMBLY (SN 0300058845 through 0300219271).....	58
FIGURE 2-6. YANMAR GENERATOR COMPONENTS INSTALLATION (M600/M600J/M600JP ONLY) (Prior to SN 0300088375).....	62
FIGURE 2-7. KUBOTA GENERATOR COMPONENTS INSTALLATION (M600/M600J/M600JP ONLY) (SN 0300088375 through 0300219271).....	66
FIGURE 2-8. PUMP/MOTOR, TANKS AND MODULE INSTALLATION.....	70
FIGURE 2-9. PUMP ASSEMBLY.....	74
FIGURE 2-10. ELECTRIC MOTOR ASSEMBLY.....	76
FIGURE 2-11. BATTERY CHARGER INSTALLATIONS.....	78
FIGURE 2-12. BATTERY CHARGER ASSEMBLY.....	82
FIGURE 2-13. BATTERY BOX INSTALLATIONS (Prior to SN 0300196439).....	84
FIGURE 2-14. BATTERY BOX INSTALLATIONS (SN 0300196439 through 0300219271).....	88
FIGURE 2-15. GROUND CONTROL PANEL ASSEMBLY AND INSTALLATION.....	92
FIGURE 2-16. MAIN TERMINAL BOX ASSEMBLY AND INSTALLATION (Prior to SN 0300196439).....	96
FIGURE 2-17. MAIN TERMINAL BOX ASSEMBLY AND INSTALLATION (SN 0300196439 through 0300219271).....	98
FIGURE 2-18. ELECTRICAL COMPONENT INSTALLATIONS.....	100
FIGURE 2-19. HOODS INSTALLATION.....	104
SECTION 3 - BOOM.....	107
FIGURE 3-1. BOOM INSTALLATION - E600 & M600.....	108
FIGURE 3-2. BOOM INSTALLATION - E600J & M600J.....	112
FIGURE 3-3. BOOM INSTALLATION - E600JP & M600JP.....	116
FIGURE 3-4. MAIN BOOM ASSEMBLY.....	120
FIGURE 3-5. ROTATOR ASSEMBLIES.....	124
FIGURE 3-6. PLATFORM SUPPORT AND ROTATOR VALVE INSTALLATION.....	128
FIGURE 3-7. CABLES, CLAMPS AND LIMIT SWITCHES INSTALLATION.....	132
SECTION 4 - PLATFORM.....	135
FIGURE 4-1. PLATFORM INSTALLATIONS (FRONT ENTRY).....	136
FIGURE 4-2. PLATFORM INSTALLATIONS (SIDE ENTRY).....	140
FIGURE 4-3. PLATFORM CONSOLE ASSEMBLY (WITHOUT SKYGUARD).....	144
FIGURE 4-4. PLATFORM CONSOLE ASSEMBLY (WITH SKYGUARD).....	150
FIGURE 4-5. CONTROLLER ASSEMBLY (SWING AND LIFT) (Prior to SN 0300146804).....	154
FIGURE 4-6. CONTROLLER ASSEMBLY (SWING AND LIFT) (SN 0300146804 through 0300194270).....	156
FIGURE 4-7. CONTROLLER ASSEMBLY (SWING AND LIFT) (SN 0300194271 through 0300219271).....	158
FIGURE 4-8. CONTROLLER ASSEMBLY (DRIVE AND STEER) (Prior to SN 0300146804).....	162
FIGURE 4-9. CONTROLLER ASSEMBLY (DRIVE AND STEER) (SN 0300146804 through 0300194270).....	164
FIGURE 4-10. CONTROLLER ASSEMBLY (DRIVE AND STEER) (SN 0300194271 through 0300219271).....	166
FIGURE 4-11. SOFT TOUCH INSTALLATION (FRONT ENTRY PLATFORM).....	168
FIGURE 4-12. SOFT TOUCH INSTALLATION (SIDE ENTRY PLATFORM).....	170
FIGURE 4-13. PLATFORM PADDING INSTALLATION (SIDE ENTRY PLATFORM).....	172
FIGURE 4-14. SKYGUARD SYSTEM INSTALLATION.....	174
FIGURE 4-15. CROSS RAIL INSTALLATION.....	176
SECTION 5 - CYLINDER.....	179



# TABLE OF CONTENTS

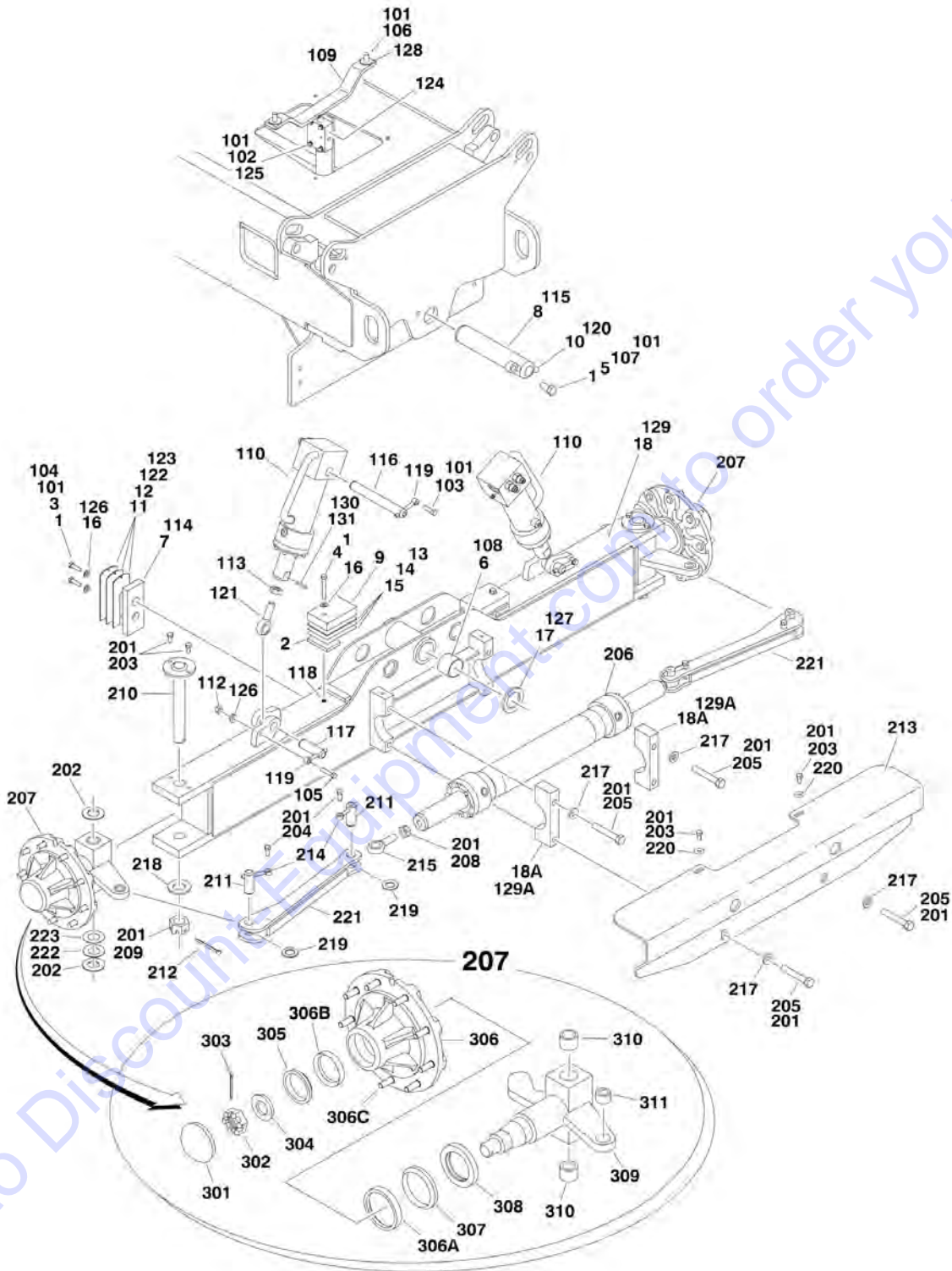
FIGURE 5-1. AXLE LOCKOUT CYLINDER ASSEMBLY .....	180
FIGURE 5-2. LEVEL CYLINDER ASSEMBLY - PLATFORM SLAVE (Prior to SN 0300163480) .....	184
FIGURE 5-3. LEVEL CYLINDER ASSEMBLY - PLATFORM SLAVE (SN 0300163480 through 0300219271) .....	188
FIGURE 5-4. LIFT CYLINDER ASSEMBLY - JIB (E600J, M600J, E600JP & M600JP ONLY) (Prior to SN 0300163480) .....	190
FIGURE 5-5. LIFT CYLINDER ASSEMBLY - JIB (E600J, M600J, E600JP & M600JP ONLY) (SN 0300163480 through 0300219271) .....	192
FIGURE 5-6. LIFT CYLINDER ASSEMBLY - MAIN (ORIGINAL EQUIPMENT) .....	194
FIGURE 5-7. LIFT CYLINDER ASSEMBLY - MAIN (SERVICE REPLACEMENT) .....	196
FIGURE 5-8. MASTER CYLINDER ASSEMBLY .....	198
FIGURE 5-9. STEER CYLINDER ASSEMBLY (Prior to SN 0300165153) .....	200
FIGURE 5-10. STEER CYLINDER ASSEMBLY (SN 0300165153 through 0300219271) .....	202
FIGURE 5-11. TELESCOPE CYLINDER ASSEMBLY .....	204
FIGURE 5-12. TELESCOPE CYLINDER ASSEMBLY (SERVICE REPLACEMENT) .....	206
 SECTION 6 - HYDRAULIC .....	 209
FIGURE 6-1. 4WD HYDRAULIC DIAGRAM .....	210
FIGURE 6-2. OSCILLATING AXLE HYDRAULIC DIAGRAM - CE SPEC .....	212
FIGURE 6-3. OSCILLATING AXLE HYDRAULIC DIAGRAM - AUSTRALIAN SPEC .....	214
FIGURE 6-4. STANDARD HYDRAULIC DIAGRAM .....	216
FIGURE 6-5. HYDRAULIC DIAGRAM LIST .....	220
 SECTION 7 - ELECTRICAL .....	 221
FIGURE 7-1. ELECTRICAL DIAGRAM LIST .....	222
FIGURE 7-2. HARNESS COMPONENTS INSTALLATION (WITH MAC CHARGER) .....	224
FIGURE 7-3. HARNESS COMPONENTS INSTALLATION (WITH DELTA-Q CHARGER) .....	236
 SECTION 8 - DECALS .....	 249
FIGURE 8-1. DECALS INSTALLATION (Prior to SN 0300095686) .....	250
FIGURE 8-2. DECALS INSTALLATION (SN 0300095686 through 0300219271) .....	256
 SECTION 9 - RECOMMENDED SERVICE PARTS STOCK .....	 261
FIGURE 9-1. MODEL E600/J/JP & M600/J/JP STANDARD PARTS .....	262
FIGURE 9-2. MODEL E600/J/JP & M600/J/JP VARIABLE PARTS .....	264
 SECTION 10 - SPECIAL OPTIONS .....	 265
FIGURE 10-1. SPECIAL OPTIONS LIST .....	266
 PART NUMBER INDEX .....	 269

**SECTION 1 - FRAME**

Go to [Discount-Equipment.com](http://Discount-Equipment.com) to order your parts

# SECTION 1 - FRAME

## FIGURE 1-1. AXLE AND STEER INSTALLATION - 2WD



# SECTION 1 - FRAME

## FIGURE 1-1. AXLE AND STEER INSTALLATION - 2WD

ITEM	PART NUMBER	QTY	DESCRIPTION	REV
	0259827	Ref	<b>FIXED AXLE INSTALLATION</b>	D
1	0100011	AR	Locking, Compound	
2	0362763	2	Bar, Stop	
3	0641610	4	Bolt 3/8in-16NC x 1-1/4in	
4	0641622	2	Bolt 3/8in-16NC x 2-3/4in	
5	0642010	1	Bolt 5/8in-11NC x 1-1/4in	
6	0961950	2	Bushing	
7	3340837	2	Pad, Wear	
8	3422592	1	Pin, Axle Pivot	
9		Ref	Plate, Stop Options:	
9	3570901	2	Plate, Stop <b>(Prior to SN 0300079940)</b>	
9	0362954	2	Plate, Stop <b>(SN 0300079940 through 0300219271)</b>	
10	3841258	1	Keeper, Pin	
11	4070897	4	Shim #18Ga	
12	4070898	2	Shim #11Ga	
13	4070972	1	Shim 3/16in	
14	4070973	2	Shim #11Ga	
15	4070974	2	Shim #16Ga	
16	4711600	6	Flatwasher 3/8in Thin	
17	4740158	1	Thrustwasher	
18	4846077	1	Axle Weldment	
18A	0561371	2	Steer Cylinder Mounting Block Assembly	
		Ref	<b>OSCILLATING AXLE INSTALLATION</b>	
	0270720	Ref	<b>CE Spec - Without Tow Package</b>	F
	0270722	Ref	<b>CE Spec - With Tow Package</b>	F
	0259756	Ref	<b>Australian Spec - Without Tow Package</b>	K
	0270525	Ref	<b>Australian Spec - With Tow Package</b>	F
101	0100011	AR	Locking, Compound	
102	0641414	4	Bolt 1/4in-20NC x 1-3/4in (Australian Spec)	
102	0641424	4	Bolt 1/4in-20NC x 3in (CE Spec)	
103	0641608	2	Bolt 3/8in-16NC x 1in	
104	0641610	4	Bolt 3/8in-16NC x 1-1/4in	
105	0641614	2	Bolt 3/8in-16NC x 1-3/4in	
106	0641812	2	Bolt 1/2in-13NC x 1-1/2in	
107	0642010	1	Bolt 5/8in-11NC x 1-1/4in	
108	0961950	2	Bushing	
109		Ref	Lockout Valve Cam Options:	
109	1100120	1	Australian Spec	
109	1100124	1	CE Spec	
110		Ref	Lockout Cylinder Assembly Options: (See CYLINDER SECTION for Breakdown):	
110		Ref	CE Spec - Without Tow Package	
110	1683931	2	Lockout Cylinder Assembly <b>(Prior to SN 0300062044)</b>	
110	1684071	2	Lockout Cylinder Assembly <b>(SN 0300062044 through 0300064015)</b>	
110	1684129	NLA	Lockout Cylinder Assembly (Use p/n 1684419) <b>(SN 0300064016 through 0300077548)</b>	
110	1684419	2	Lockout Cylinder Assembly <b>(SN 0300077549 through 0300219271)</b>	
110		Ref	CE Spec - With Tow Package	



## SECTION 1 - FRAME

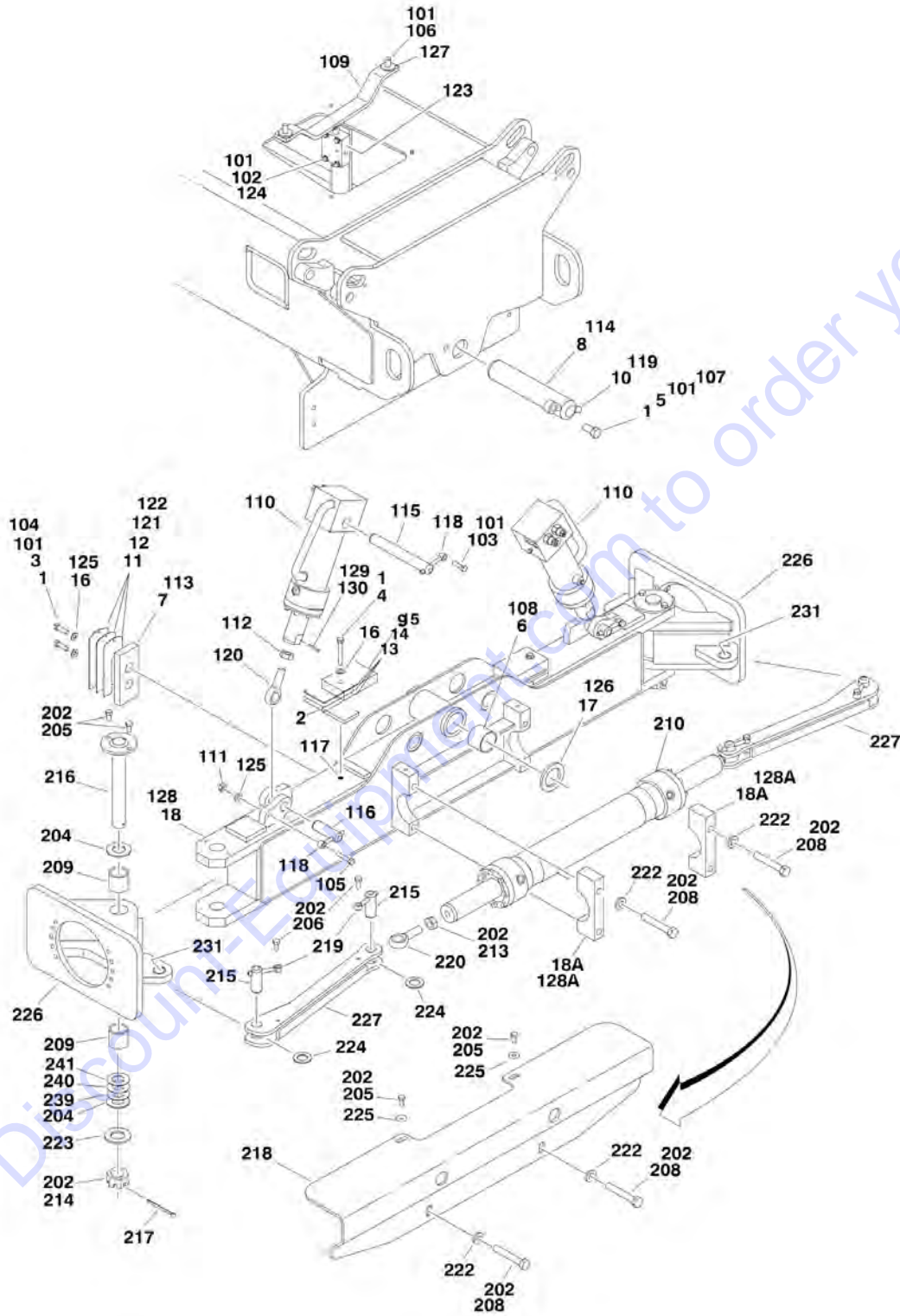
ITEM	PART NUMBER	QTY	DESCRIPTION	REV
110	1683931	2	Lockout Cylinder Assembly (Prior to SN 0300062044)	
110	1684071	2	Lockout Cylinder Assembly (SN 0300062044 through 0300064015)	
110	1684129	NLA	Lockout Cylinder Assembly (Use p/n 1684419) (SN 0300064016 through 0300077548)	
110	1684419	2	Lockout Cylinder Assembly (SN 0300077549 through 0300219271)	
110		Ref	Australian Spec - Without Tow Package	
110	1683575	NLA	Lockout Cylinder Assembly (Use p/n 1684139) (Prior to SN 0300051263)	
110	1683931	2	Lockout Cylinder Assembly (SN 0300051263 through 0300062043)	
110	1684071	2	Lockout Cylinder Assembly (SN 0300062044 through 0300064015)	
110	1684129	NLA	Lockout Cylinder Assembly (Use p/n 1684419) (SN 0300064016 through 0300077548)	
110	1684419	2	Lockout Cylinder Assembly (SN 0300077549 through 0300219271)	
110		Ref	Australian Spec - With Tow Package	
110	1683931	2	Lockout Cylinder Assembly (Prior to SN 0300062044)	
110	1683575	NLA	Lockout Cylinder Assembly (Use p/n 1684139) (SN 0300062044 through 0300219271)	
112	3311605	2	Locknut 3/8in-16NC	
113	3322202	2	Nut, Jam 3/4in-16NF Only (Prior to SN 0300064016)	
114	3340837	2	Pad, Wear	
115	3422592	1	Pin, Axle Pivot	
116	3422578	2	Pin (Top)	
117	3422813	2	Pin (Bottom)	
118	3520034	2	Plug, Hole	
119	3841143	4	Keeper, Pin	
120	3841258	1	Keeper, Pin	
121	3841443	2	Rod-End Only (Prior to SN 0300064016)	
122	4070897	4	Shim #18Ga	
123	4070898	2	Shim #11Ga	
124	4640871	Ref	Lockout Valve Assembly Options:	
124	4640871	1	Australian Spec	
124	4640871	2	CE Spec	
124	7012693	AR	Seal Kit - 4640871 Valve	
124	7002840	1	Anti-Pin Removal Tool	
125	4711400	4	Flatwasher 1/4in Thin	
126	4711600	6	Flatwasher 3/8in Thin	
127	4740158	1	Thrustwasher	
128	4751800	4	Flatwasher 1/2in Regular	
129		Ref	Axle Weldment Options:	
129	4846077	1	Without Tow Package	
129	4846293	1	With Tow Package	
129A	0561371	2	Steer Cylinder Mounting Block Assembly	
130	0100019	AR	Locking, Compound Only (SN 0300062044 through 0300064015)	
131	3440824	2	Pin, Roll Only (SN 0300062044 through 0300064015)	
		Ref	<b>STEERING INSTALLATION</b>	
	0259755	Ref	<b>Without Tow Package</b>	H
	See Note	Ref	<b>With Tow Package (Note: See TOW PACKAGE INSTALLATION for Breakdown)</b>	

## SECTION 1 - FRAME

ITEM	PART NUMBER	QTY	DESCRIPTION	REV
201	0100011	AR	Locking, Compound	
202	0440162	AR	Thrustwasher	
203	0641606	3	Bolt 3/8in-16NC x 3/4in	
204	0641607	4	Bolt 3/8in-16NC x 7/8in	
205	0642030	4	Bolt 5/8in-11NC x 3-3/4in	
206		Ref	Steer Cylinder Assembly (See CYLINDER SECTION for Breakdown)	
206	1683851	NLA	Steer Cylinder Assembly (Use p/n 1001140281) <b>(Prior to SN 0300165153)</b>	
206	1001140281	1	Steer Cylinder Assembly <b>(SN 0300165153 through 0300219271)</b>	
207	2780245	2	Hub/Spindle Assembly (See Items 301-311 for Breakdown)	
208	3322202	2	Nut, Jam 3/4in-16NF	
209	3323003	2	Nut 1-1/4in-12NF	
210	3422692	2	Kingpin	
211	3422817	4	Pin	
212	3450812	2	Pin, Cotter 1/4in x 3in	
213	3571709	1	Plate, Steer Cylinder Cover <b>(Prior to SN 0300187512)</b>	
214	3841143	4	Keeper, Pin	
215	3841443	2	Rod-End	
217	4892000	4	Flatwasher 5/8in Hardened	
218	4713000	2	Flatwasher 1-1/4in Thin	
219	4740111	4	Thrustwasher	
220	4751600	2	Flatwasher 3/8in Regular <b>(Prior to SN 0300187512)</b>	
221	4846076	2	Tie-Rod	
222	1001151395	AR	Shim .048 <b>(SN 0300176747 through 0300219271)</b>	
223	1001151428	AR	Shim .036 <b>(SN 0300176747 through 0300219271)</b>	
	2780245	Ref	<b>HUB ASSEMBLY</b>	C
301	7020137	2	Cap, Dust (1 Per Assembly)	
302	7020054	2	Nut, Castle (1 per Assembly)	
303	7020140	2	Pin, Cotter (1 per Assembly)	
304	7020055	2	Washer, Spindle (1 Per Assembly)	
305	7020039	2	Cone, Bearing - Outer (1 per Assembly)	
306	7020035	2	Hub (1 Per Assembly)	
306A	7020036	2	Cup, Bearing - Inner (1 per Assembly)	
306B	7020038	2	Cup, Bearing - Outer (1 per Assembly)	
306C	7020041	18	Stud, Wheel (9 Per Assembly)	
307	7020037	2	Cone, Bearing - Inner (1 per Assembly)	
308	7020040	2	Seal (1 Per Assembly)	
309	7020251	2	Spindle Assembly (1 Per Assembly)	
310	0961951	4	Bushing (2 Per Assembly)	
311	0962292	2	Bearing (1 Per Assembly)	

# SECTION 1 - FRAME

## FIGURE 1-2. AXLE STEERING INSTALLATION - 4WD



# SECTION 1 - FRAME

## FIGURE 1-2. AXLE STEERING INSTALLATION - 4WD

ITEM	PART NUMBER	QTY	DESCRIPTION	REV
	0270004	Ref	<b>FIXED AXLE INSTALLATION</b>	C
1	0100011	AR	Locking, Compound	
2	0362763	2	Bar, Stop	
3	0641610	4	Bolt 3/8in-16NC x 1-1/4in	
4	0641622	2	Bolt 3/8in-16NC x 2-3/4in	
5	0642010	1	Bolt 5/8in-11NC x 1-1/4in	
6	0961950	2	Bushing	
7	3340837	2	Pad, Wear	
8	3422592	1	Pin, Axle Pivot	
9		Ref	Plate, Stop Options:	
9	3570901	2	Plate, Stop <b>(Prior to SN 0300079940)</b>	
9	0362954	2	Plate, Stop <b>(SN 0300079940 through 0300219271)</b>	
10	3841258	1	Keeper, Pin	
11	4070897	4	Shim #18Ga	
12	4070898	2	Shim #11Ga	
13	4070972	1	Shim 3/16in	
14	4070973	2	Shim #11Ga	
15	4070974	2	Shim #16Ga	
16	4711600	6	Flatwasher 3/8in Thin	
17	4740158	1	Thrustwasher	
18	4846139	1	Axle Weldment	
18A	0561371	2	Steer Cylinder Mounting Block Assembly	
		Ref	<b>OSCILLATING AXLE INSTALLATION</b>	
	0259941	Ref	<b>Australian Spec</b>	J
	0270721	Ref	<b>CE Spec</b>	F
101	0100011	AR	Locking, Compound	
102	0641414	4	Bolt 1/4in-20NC x 1-3/4in (Australian Spec)	
102	0641424	4	Bolt 1/4in-20NC x 3in (CE Spec)	
103	0641608	2	Bolt 3/8in-16NC x 1in	
104	0641610	4	Bolt 3/8in-16NC x 1-1/4in	
105	0641614	2	Bolt 3/8in-16NC x 1-3/4in	
106	0641812	2	Bolt 1/2in-13NC x 1-1/2in	
107	0642010	1	Bolt 5/8in-11NC x 1-1/4in	
108	0961950	2	Bushing	
109		Ref	Lockout Valve Cam Options:	
109	1100120	1	Australian Spec	
109	1100124	1	CE Spec	
110		Ref	Lockout Cylinder Assembly Options: (See CYLINDER SECTION for Breakdown)	
110		Ref	Australian and CE Spec	
110	1683931	2	Lockout Cylinder Assembly <b>(Prior to SN 0300062044)</b>	
110	1684071	2	Lockout Cylinder Assembly <b>(SN 0300062044 through 0300064015)</b>	
110	1684129	NLA	Lockout Cylinder Assembly (Use p/n 1684419) <b>(SN 0300064016 through 0300077548)</b>	
110	1684419	2	Lockout Cylinder Assembly <b>(SN 0300077549 through 0300219271)</b>	
111	3311605	2	Locknut 3/8in-16NC	
112	3322202	2	Nut, Jam 3/4in-16NF Only <b>(Prior to SN 0300064016)</b>	
113	3340837	2	Pad, Wear	



# SECTION 1 - FRAME

ITEM	PART NUMBER	QTY	DESCRIPTION	REV
114	3422592	1	Pin, Axle Pivot	
115	3422578	2	Pin (Top)	
116	3422813	2	Pin (Bottom)	
117	3520034	2	Plug, Hole	
118	3841143	4	Keeper, Pin	
119	3841258	1	Keeper, Pin	
120	3841443	2	Rod-End Only <b>(Prior to SN 0300064016)</b>	
121	4070897	4	Shim #18Ga	
122	4070898	2	Shim #11Ga	
123	4640871	Ref	Lockout Valve Assembly Options:	
123	4640871	1	Australian Spec	
123	4640871	2	CE Spec	
123	7012693	AR	Seal Kit - 4640871 Valve	
123	7002840	1	Anti Pin Removal Tool	
124	4711400	4	Flatwasher 1/4in Thin	
125	4711600	6	Flatwasher 3/8in Thin	
126	4740158	1	Thrustwasher	
127	4751800	4	Flatwasher 1/2in Regular	
128	4846139	1	Axle Weldment	
128A	0561371	2	Steer Cylinder Mounting Block Assembly	
129	0100019	AR	Locking, Compound Only <b>(SN 0300062044 through 0300064015)</b>	
130	3440824	2	Pin, Roll Only <b>(SN 0300062044 through 0300064015)</b>	
		Ref	<b>STEERING AND VALVES INSTALLATION</b>	
	0259942	Ref	<b>Australian Spec</b>	H
	0270857	Ref	<b>CE Spec (E600JP/M600JP)</b>	E
202	0100011	AR	Locking, Compound	
204	0440161	AR	Thrustwasher	
205	0641606	3	Bolt 3/8in-16NC x 3/4in	
206	0641607	4	Bolt 3/8in-16NC x 7/8in	
208	0642030	4	Bolt 5/8in-11NC x 3-3/4in	
209	0961948	4	Bushing	
210		Ref	Steer Cylinder Assembly (See CYLINDER SECTION for Breakdown)	
210	1683851	NLA	Steer Cylinder Assembly (Use p/n 1001140281) <b>(Prior to SN 0300165153)</b>	
210	1001140281	1	Steer Cylinder Assembly <b>(SN 0300165153 through 0300219271)</b>	
213	3322202	2	Nut, Jam 3/4in-16NF	
214	3323403	2	Nut, Slotted Castle 1-1/2in-12NF	
215	3422817	4	Pin	
216	3422819	2	Kingpin	
217	3450812	2	Pin, Cotter 1/4in x 3in	
218	3571709	1	Plate, Steer Cylinder Cover <b>(Prior to SN 0300187512)</b>	
219	3841143	4	Keeper, Pin	
220	3841443	2	Rod-End	
222	4892000	4	Flatwasher, 5/8in Hardened	
223	4713400	2	Flatwasher 1-1/2in Thin	
224	4740111	4	Thrustwasher	
225	4751600	2	Flatwasher 3/8in Regular <b>(Prior to SN 0300187512)</b>	
226		Ref	Spindle Options:	
226	4846135	2	Australian Spec	

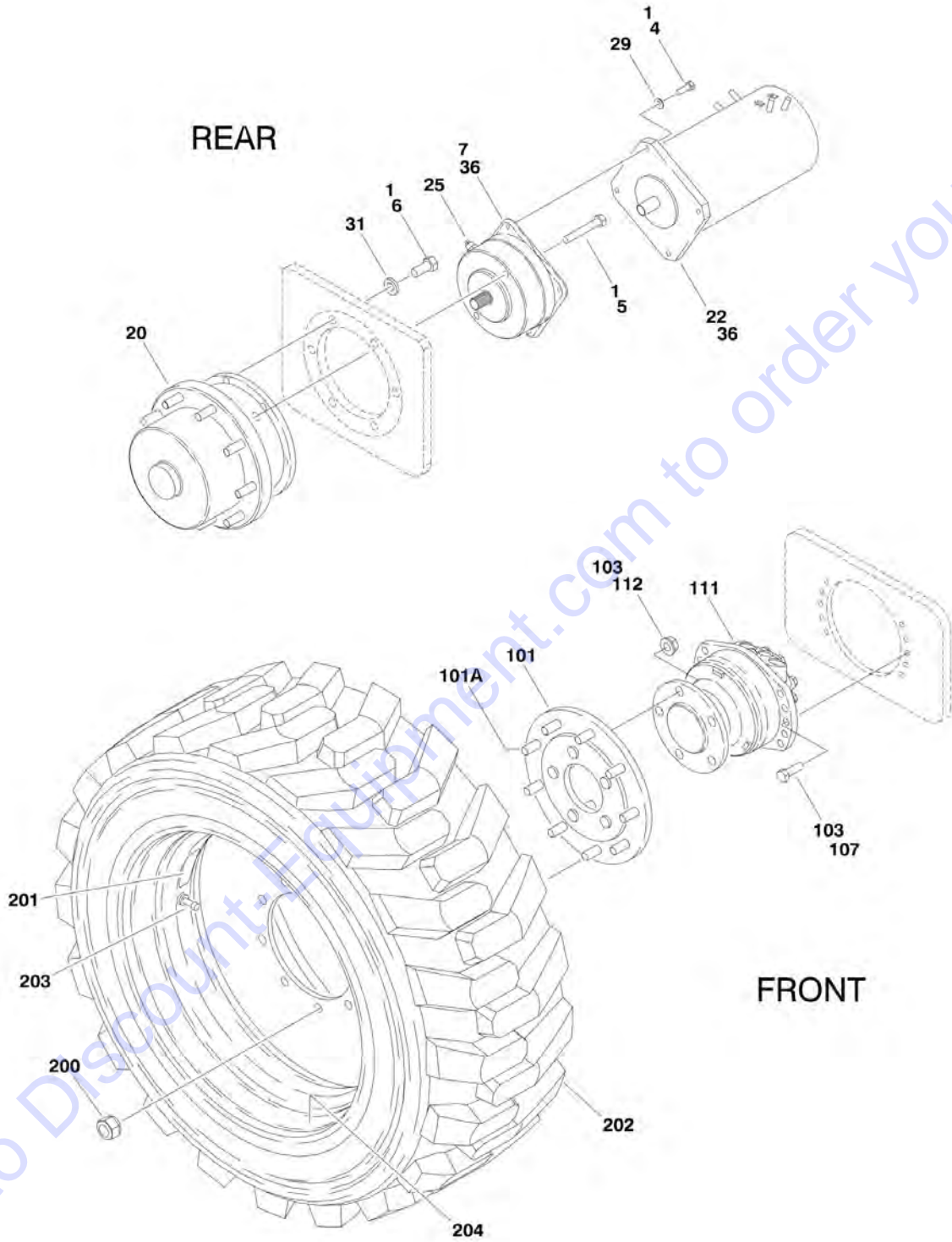
## SECTION 1 - FRAME

ITEM	PART NUMBER	QTY	DESCRIPTION	REV
226	4846350	2	CE Spec	
227	4846141	2	Tie-Rod	
231	0962292	2	Bushing	
239	1001156428	AR	Shim .120 (SN 0300176747 through 0300219271)	
240	1001156429	AR	Shim .060 (SN 0300176747 through 0300219271)	
241	1001156430	AR	Shim .030 (SN 0300176747 through 0300219271)	

Go to Discount-Equipment.com to order your parts

# SECTION 1 - FRAME

## FIGURE 1-3. TIRE AND WHEEL DRIVE INSTALLATIONS



# SECTION 1 - FRAME

## FIGURE 1-3. TIRE AND WHEEL DRIVE INSTALLATIONS

ITEM	PART NUMBER	QTY	DESCRIPTION	REV
		Ref	<b>WHEEL DRIVE INSTALLATION - REAR AXLE (2WD &amp; 4WD)</b>	
	0259741	Ref	Wheel Drive Installation - Rear Axle (2wd & 4wd) (Prior to SN 0300112387)	E
	0274284	Ref	Wheel Drive Installation - Rear Axle (2wd & 4wd) (SN 0300112387 through 0300219271)	D
1	0100019	AR	Locking, Compound	
4	0641609	8	Bolt 3/8in-16NC x 1-1/8in	
5	0641826	4	Bolt 1/2in-13NC x 3-1/4in	
6		Ref	Bolt Options:	
6	0682011	12	Bolt 5/8in-11NC x 1-3/8in (Grade 8) (Prior to SN 0300112387)	
6	0682012	12	Bolt 5/8in-11NC x 1-1/2in (Grade 8) (SN 0300112387 through 0300219271)	
7	0920115	2	Drive Brake Assembly (See DRIVE BRAKE ASSEMBLY (REAR) for Breakdown)	
20		Ref	Drive Hub Assembly Options:	
20	2780236	2	Drive Hub Assembly (See DRIVE HUB ASSEMBLY (REAR) for Breakdown) (Prior to SN 0300112387)	
20	2780282	2	Drive Hub Assembly (See DRIVE HUB ASSEMBLY (REAR) for Breakdown) (SN 0300112387 through 0300219271)	
21	3020008	AR	Lubricant, Mobilube HD 80W-90 (Not Shown)	
22	3160240	2	Drive Motor Assembly	
22	7012545	2	Bearing	
22	7012548	AR	Spring, Brush	
22	7012547	AR	Brush	
25	3990107	2	Sensor, Speed	
29	4711600	8	Flatwasher 3/8in Thin	
31	4892000	12	Flatwasher, 5/8in Hardened	
36	3020037	AR	Lube, Coupling Grease	
		Ref	<b>WHEEL DRIVE INSTALLATION - FRONT AXLE (4WD ONLY)</b>	
	0259942	Ref	<b>Australian Spec</b>	G
	0270857	Ref	<b>CE Spec (E600JP/M600JP)</b>	D
101	0080233	2	Drive Adapter Assembly	
101A	4300145	28	Stud, Wheel (14 Per Assembly)	
103	0100019	AR	Locking, Compound	
107	0681812	20	Bolt 1/2in-13NC x 3-1/4in (Grade 8)	
111	3160251	2	Drive Motor Assembly (See DRIVE MOTOR ASSEMBLY (4WD ONLY) for Breakdown)	
112	3300426	10	Nut, Flanged 5/8in-18NF	
		Ref	<b>TIRE AND WHEEL INSTALLATIONS</b>	
	0270061	Ref	<b>36/14LL x 22.5 Foam-Filled Non-Marking (Prior to SN 0300069399)</b>	A
	0272694	Ref	<b>36/14LL x 22.5 Foam-Filled Non-Marking (SN 0300069399 through 0300219271)</b>	B
	0270060	Ref	<b>36/14LL x 22.5 Pneumatic Non-Marking (Prior to SN 0300069399)</b>	A
	0272695	Ref	<b>36/14LL x 22.5 Pneumatic Non-Marking (SN 0300069399 through 0300219271)</b>	B
200	3300426	36	Nut, Flanged 5/8in-18NF	
	0270057	2	36/14LL x 22.5 Foam-Filled Non-Marking (Left Side) (Prior to SN 0300069399)	C
	0272693	2	36/14LL x 22.5 Foam-Filled Non-Marking (Left Side) (SN 0300069399 through 0300219271)	D



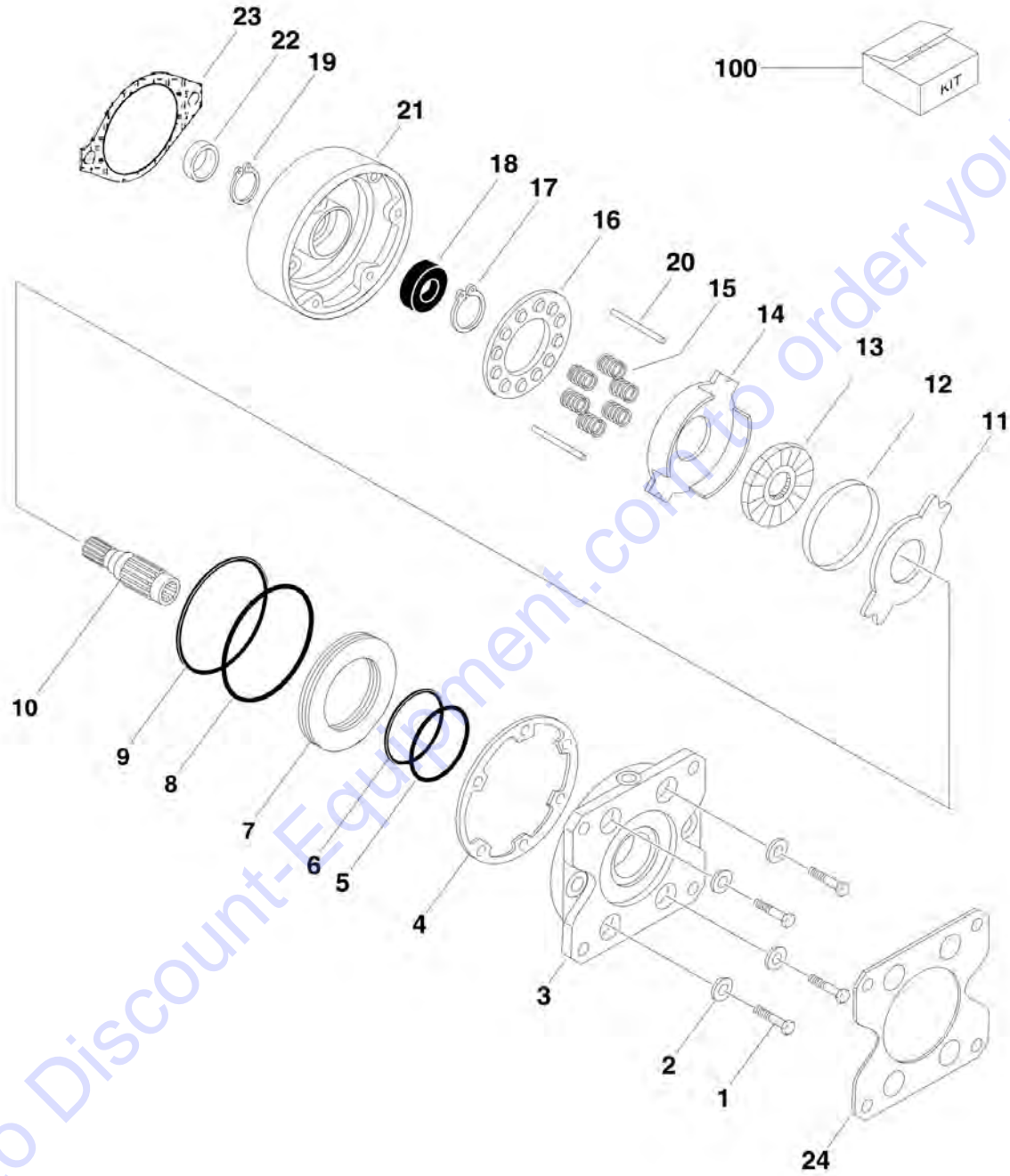
## SECTION 1 - FRAME

ITEM	PART NUMBER	QTY	DESCRIPTION	REV
	0270056	2	36/14LL x 22.5 Foam-Filled Non-Marking (Right Side) <b>(Prior to SN 0300069399)</b>	C
	0272692	2	36/14LL x 22.5 Foam-Filled Non-Marking (Right Side) <b>(SN 0300069399 through 0300219271)</b>	D
		Ref	<b>Note: Assemblies may require ballast/foam filling to manufacturer's specifications prior to installing on a machine. Refer to Operation and Safety or Service and Maintenance Manuals. Purchase individual tire and/or rim only if able to foam fill tire and wheel assembly, otherwise, purchase complete assembly,</b>	
	0270055	2	36/14LL x 22.5 Pneumatic Non-Marking (Left Side) <b>(Prior to SN 0300069399)</b>	C
	0272691	2	36/14LL x 22.5 Pneumatic Non-Marking (Left Side) <b>(SN 0300069399 through 0300219271)</b>	C
	0270054	2	36/14LL x 22.5 Pneumatic Non-Marking (Right Side) <b>(Prior to SN 0300069399)</b>	C
	0272690	2	36/14LL x 22.5 Pneumatic Non-Marking (Right Side) <b>(SN 0300069399 through 0300219271)</b>	C
201	1702698	1	Decal - 55psi/4bar (Pneumatic Only)	
202		Ref	Tire, Replacement Options: (36/14LL x 22.5)	
202	4520236	1	Non-Marking Tire <b>(Prior to SN 0300069399)</b>	
202	4520264	1	Non-Marking Tire <b>(SN 0300069399 through 0300219271)</b>	
203	4640113	1	Valve, Air (Pneumatic Only)	
204	4860212	1	Rim, Wheel (11.75 x 22.5)	



# SECTION 1 - FRAME

## FIGURE 1-4. DRIVE BRAKE ASSEMBLY (REAR)



Go to Discount-Equipment.com to order your parts

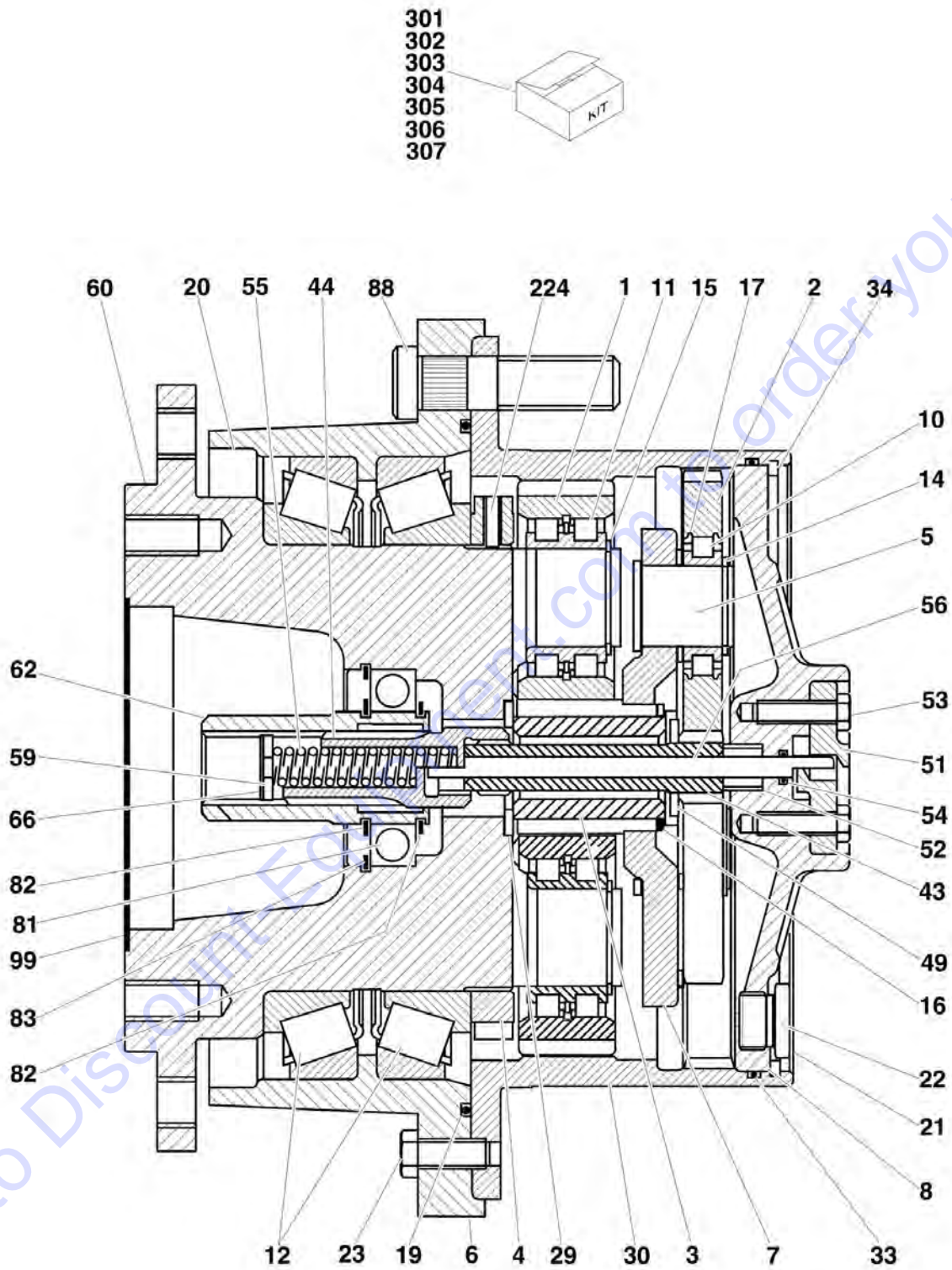
## SECTION 1 - FRAME

**FIGURE 1-4. DRIVE BRAKE ASSEMBLY (REAR)**

ITEM	PART NUMBER	QTY	DESCRIPTION	REV
	0920115	Ref	<b>DRIVE BRAKE ASSEMBLY</b>	C
1	See Note	NSS	Bolt (Note: Not Available - Purchase Locally)	
2	See Note	NSS	Flatwasher (Note: Not Available - Purchase Locally)	
3	See Note	NSS	Plate, Pressure (Note: Use p/n 0920115)	
4	See Note	NSS	Seal, Case (Note: Use Item 100)	
5	See Note	NSS	O-Ring (Note: Use Item 100)	
6	See Note	NSS	Ring, Back-up (Note: Use Item 100)	
7	See Note	NSS	Piston (Note: Use p/n 0920115)	
8	See Note	NSS	O-Ring (Note: Use Item 100)	
9	See Note	NSS	Ring, Back-up (Note: Use Item 100)	
10	See Note	NSS	Shaft (Note: Use p/n 0920115)	
11	See Note	NSS	Stator (Note: Use Item 100)	
12	See Note	NSS	Ring, Sensor (Note: Not all models use sensor ring) (was p/n 7027275 which is No Longer Available. Use p/n 0920115)	
13	See Note	NSS	Rotor (Note: Use Item 100)	
14	See Note	NSS	Plate, Return (Note: Use Item 100)	
15	See Note	NSS	Spring (Note: Use Item 100)	
16	See Note	NSS	Guide, Spring (Note: Use p/n 0920115)	
17	See Note	NSS	Ring, Retaining (Note: Use p/n 0920115)	
18	See Note	NSS	Bearing (Note: Use Item 100)	
19	See Note	NSS	Ring, Retainer (Note: Not Available - Purchase Locally)	
20	See Note	NSS	Pin, Dowel (Note: Not Available for Purchase)	
21	See Note	NSS	Cover (Note: Use p/n 0920115)	
22	7007900	1	Seal, Oil	
23	7007933	1	Gasket	
24	70002408	1	Gasket	
100	7011757	1	Seal Kit (Includes Items 4, 5, 6, 8, 9, 11, 13, 14, 15, 18, 22 & 23)	

# SECTION 1 - FRAME

FIGURE 1-5. DRIVE HUB ASSEMBLY (REAR) (Prior to SN 0300112387)





## SECTION 1 - FRAME

**FIGURE 1-5. DRIVE HUB ASSEMBLY (REAR) (Prior to SN 0300112387)**

ITEM	PART NUMBER	QTY	DESCRIPTION	REV
	2780236	Ref	<b>DRIVE HUB ASSEMBLY</b>	D
1	7021323	4	Gear, Planet	
2	7021324	3	Gear, Planet	
3	7021325	1	Gear, Sun	
4	7023803	1	Nut, Shaft	
		Ref	<b>Note: Unless there is capability to torque shaft nut (Item 4) to 625 ft/lbs. (850Nm) Repair beyond this level is NOT advised.</b>	
5	7021326	3	Bolt, Planet	
6	7021327	1	Ring, Support	
7	7021328	1	Carrier, Planet	
8	70003711	1	Cover	
10	70003712	3	Bearing, Roller	
11	70003713	4	Bearing, Roller	
12	70003714	2	Bearing, Roller	
14	70003715	3	Ring, Retaining	
15	70003716	4	Ring, Retaining	
16	7021341	1	Ring, Retaining	
17	70003717	3	Disk, Support	
19	See Note	NSS	O-Ring (Note: Use Item 303 or 307)	
20	See Note	NSS	Seal, Ring (Note: Use Item 303 or 307)	
21	See Note	NSS	Plug (Note: Use Item 304 or 307)	
22	See Note	NSS	Seal, Ring (Note: Use Item 304 or 307)	
23	7021342	3	Bolt	
29	7024049	1	Thrustwasher	
30	7021335	1	Gear, Ring	
33	See Note	NSS	O-Ring (Note: Use Item 303, 304 or 307)	
34	70003718	1	Ring, Retaining	
43	7021336	1	Shaft, Sun Gear	
44	7021337	1	Shaft, Input	
49	7024051	1	Thrustwasher	
51	70003719	1	Cover	
52	70003720	1	Disk	
53	70003721	2	Bolt (Note: Use Item 304, 305 or 306)	
54	See Note	NSS	O-Ring (Note: Use Item 304, 305, 306 or 307)	
55	7024053	1	Spring, Pressure	
56	70003722	1	Rod, Shaft (Note: Use Item 305 or 306)	
59	70003723	1	Disk, Rotor	
60	7021339	1	Spindle	
62	7021340	1	Coupler	
66	70003724	1	Ring, Retaining	
81	7024983	1	Bearing, Ball	
82	7021341	2	Ring, Retaining	
83	7024931	1	Ring, Retaining	
88	7021344	9	Stud, Wheel (was p/n 7024984)	
99	7024985	1	Plug	
224		Ref	Component Options:	
224	See Note	NLA	Ball (Note: No Longer Available - Use Item 303 or p/n 70003725) <b>(Prior to SN 0300089408)</b>	
224	See Note	NLA	Expander (Note: No Longer Available - Use Item 303 or p/n 70003725) <b>(Prior to SN 0300089408)</b>	

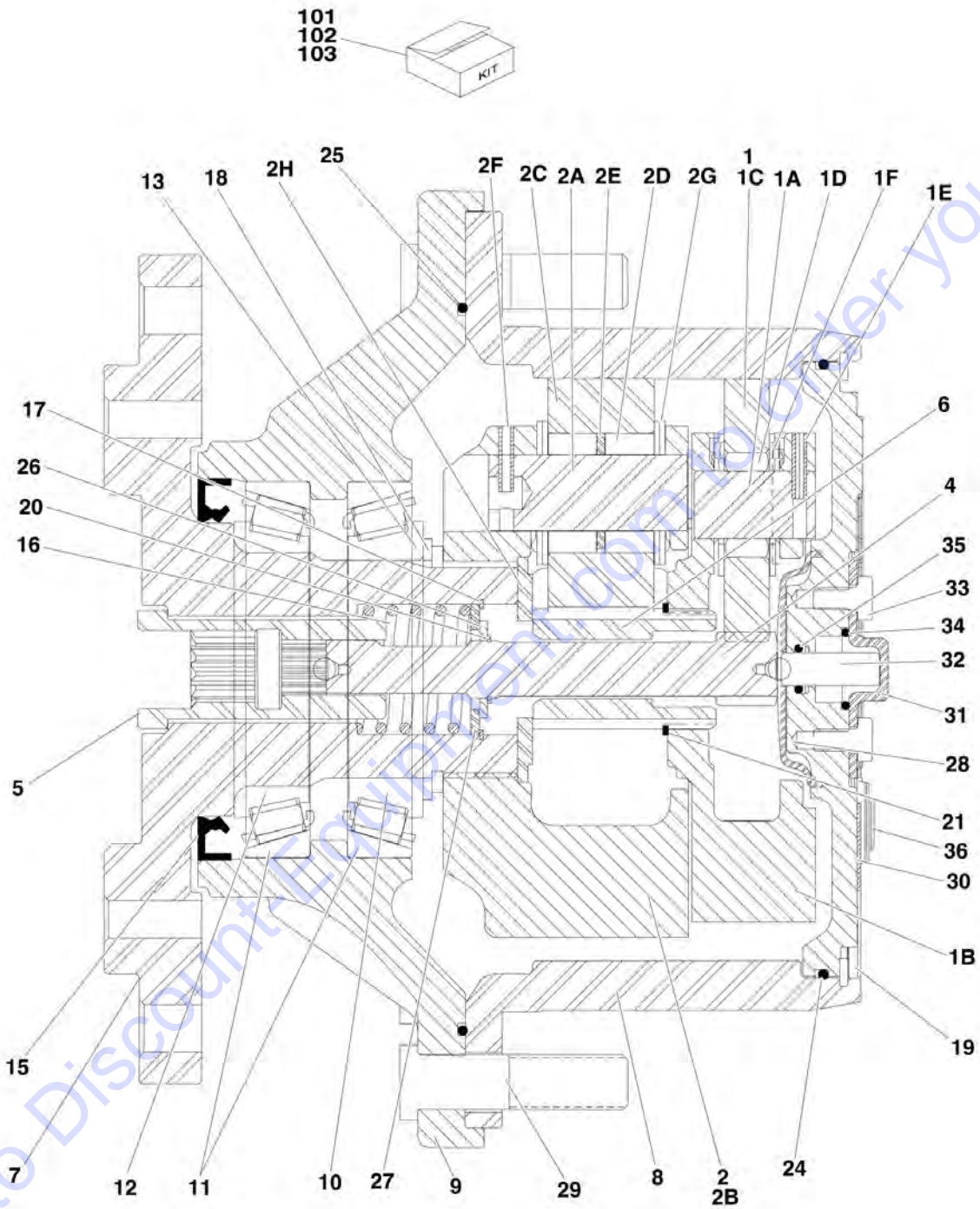
## SECTION 1 - FRAME

ITEM	PART NUMBER	QTY	DESCRIPTION	REV
224	See Note	NLA	Plug (Note: No Longer Available - Use Item 303 or p/n 70003725) <b>(Prior to SN 0300089408)</b>	
224	70003725	2	Pin, Slotted <b>(SN 0300089408 through 0300219271)</b>	
		Ref	Kit Options:	
301	7024981	1	Planet Gear Kit 1 (Includes Items 1, 11 & 15)	
302	7024986	1	Planet Gear Kit 2 (Includes Items 2, 10, 14 & 17)	
303	7024047	1	Bearing Kit (Includes Items 4, 12, 19, 20, 23, 33 & 224)	
		Ref	<b>Note: Unless there is capability to torque shaft nut (item 4) to 625 ft/lbs. (850Nm) Repair beyond this level is NOT advised.</b>	
304	7021329	1	Cover Kit (Includes Items 8, 21, 22, 33, 34 & 51-54)	
305	7021338	1	Mechanical Disconnect Kit 1 (Includes Items 54-56, 59 & 66)	
306	7024054	1	Mechanical Disconnect Kit 2 (Includes Items 51, 53, 54 & 56)	
307	7021333	1	Seal Kit (Includes Items 19-22, 33 & 54)	



# SECTION 1 - FRAME

FIGURE 1-6. DRIVE HUB ASSEMBLY (REAR) (SN 0300112387 through 0300219271)



## SECTION 1 - FRAME

**FIGURE 1-6. DRIVE HUB ASSEMBLY (REAR) (SN 0300112387 through 0300219271)**

ITEM	PART NUMBER	QTY	DESCRIPTION	REV
	2780282	Ref	<b>DRIVE HUB ASSEMBLY</b>	B
1	70001366	1	Carrier, Sub Assembly	
1A	See Note	NSS	Shaft, Planet (Note: Use Item 1)	
1B	See Note	NSS	Carrier (Note: Use Item 1)	
1C	See Note	NSS	Gear, Planet (Note: Use Item 1)	
1D	See Note	NSS	Bearing, Needle (Note: Use Item 1)	
1E	See Note	NSS	Pin, Roll (Note: Use Item 1)	
1F	See Note	NSS	Thrustwasher (Note: Use Item 1)	
2	70001367	1	Carrier, Input	
2A	See Note	NSS	Shaft, Planet (Note: Use Item 2)	
2B	See Note	NSS	Carrier (Note: Use Item 2)	
2C	See Note	NSS	Gear, Planet (Note: Use Item 2)	
2D	See Note	NSS	Bearing, Needle (Note: Use Item 2)	
2E	See Note	NSS	Spacer, Thrust (Note: Use Item 2)	
2F	See Note	NSS	Pin, Roll (Note: Use Item 2)	
2G	See Note	NSS	Thrustwasher (Note: Use Item 2)	
2H	See Note	NSS	Thrustwasher (Note: Use Item 2)	
4	70001369	1	Shaft, Input	
5	70001370	1	Coupling	
6	70001371	1	Shaft, Sun Gear	
7	70001372	1	Spindle	
8	70001373	1	Gear, Ring	
9	2780282	1	Housing (Note: Not Available for Purchase)	
10	See Note	NSS	Bearing, Tapered-Cone (Note: Use Item 101)	
11	See Note	NSS	Bearing, Tapered-Cup (Note: Use Item 101)	
12	See Note	NSS	Bearing, Tapered-Cone (Note: Use Item 101)	
13	7017009	1	Thrustwasher	
15	See Note	NSS	Seal, Lip (Note: Use Item 102)	
16	70001374	1	Spring	
17	70001375	1	Ring, Retaining (Internal)	
18	See Note	NSS	Ring, Retaining (External) (Note: Use Item 102)	
19	7024738	1	Ring, Retaining (Internal)	
20	70001376	1	Ring, Retaining (External)	
21	70001377	1	Ring, Retaining (External)	
22	7000281	4	Screw (Not Shown - ID plate screws)	
23	7017022	3	Bolt, Flathead (Not Shown - Located on front of hub)	
24	See Note	NSS	O-Ring (Note: Use Item 102)	
25	See Note	NSS	O-Ring (Note: Use Item 102)	
26	70001378	1	Spacer, Thrust	
27	70001379	1	Thrustwasher	
28	7024741	1	Spacer, Thrust	
29	7007640	9	Stud, Wheel	
30	See Note	NSS	Flange, Plate/Cover (Note: Use Item 103)	
31	See Note	NSS	Cap, Disengage (Note: Use Item 103)	
32	See Note	NSS	Pin, Dowel (Note: Use Item 103)	
33	See Note	NSS	Bolt (Note: Use Item 103)	
34	See Note	NSS	O-Ring (Note: Use Item 103)	
35	See Note	NSS	O-Ring (Note: Use Item 103)	
36	See Note	NSS	Plug (Note: Use Item 103)	
		Ref	Kit Options:	



## SECTION 1 - FRAME

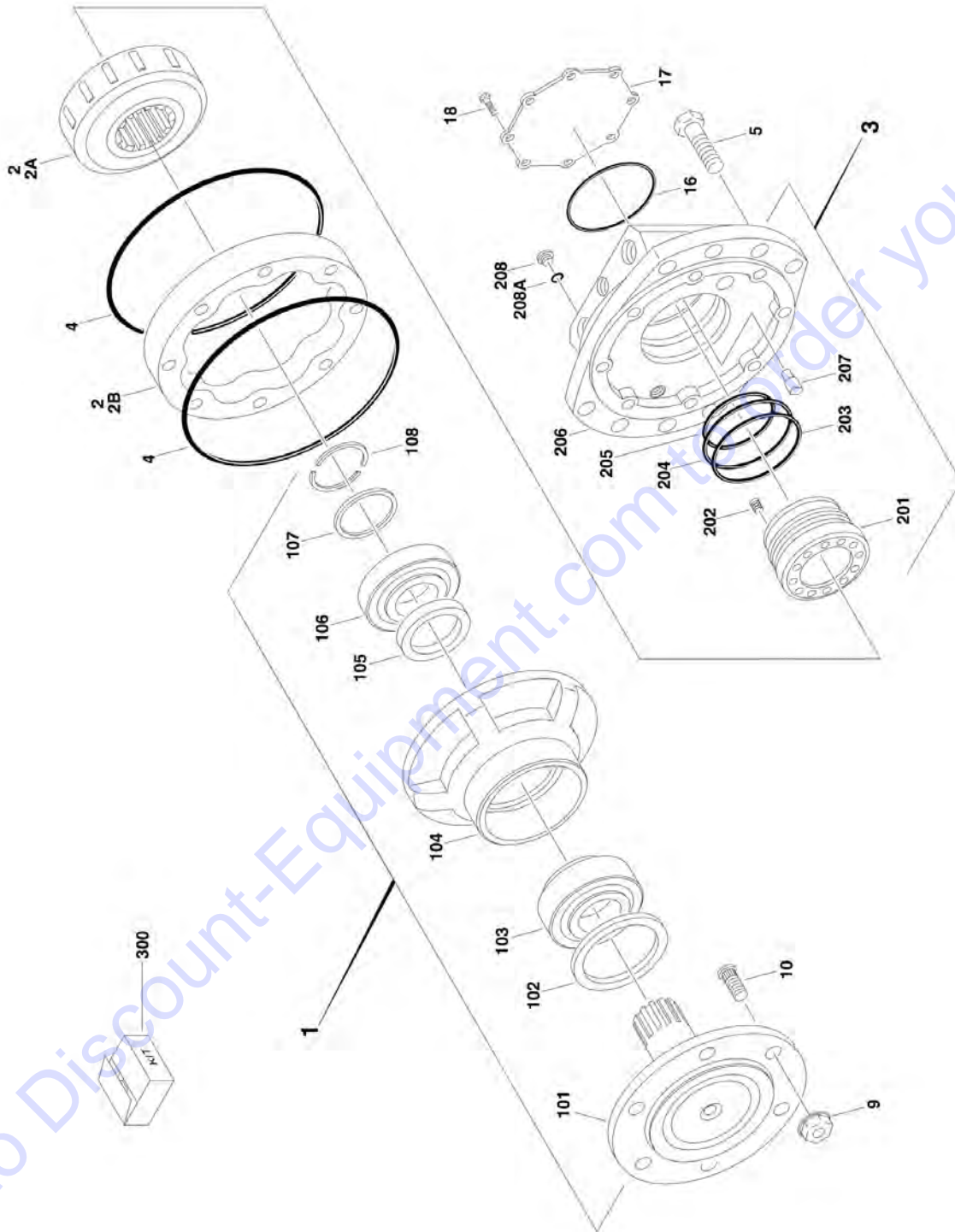
ITEM	PART NUMBER	QTY	DESCRIPTION	REV
101	7017007	1	Planet Gear Kit 1 (Includes Items 10-12)	
102	70001380	1	Planet Gear Kit 2 (Includes Items 15, 18, 24 & 25)	
103	70001368	1	Bearing Kit (Includes Items 30-36)	

Go to [Discount-Equipment.com](http://Discount-Equipment.com) to order your parts



# SECTION 1 - FRAME

## FIGURE 1-7. DRIVE MOTOR ASSEMBLY (4WD FRONT)



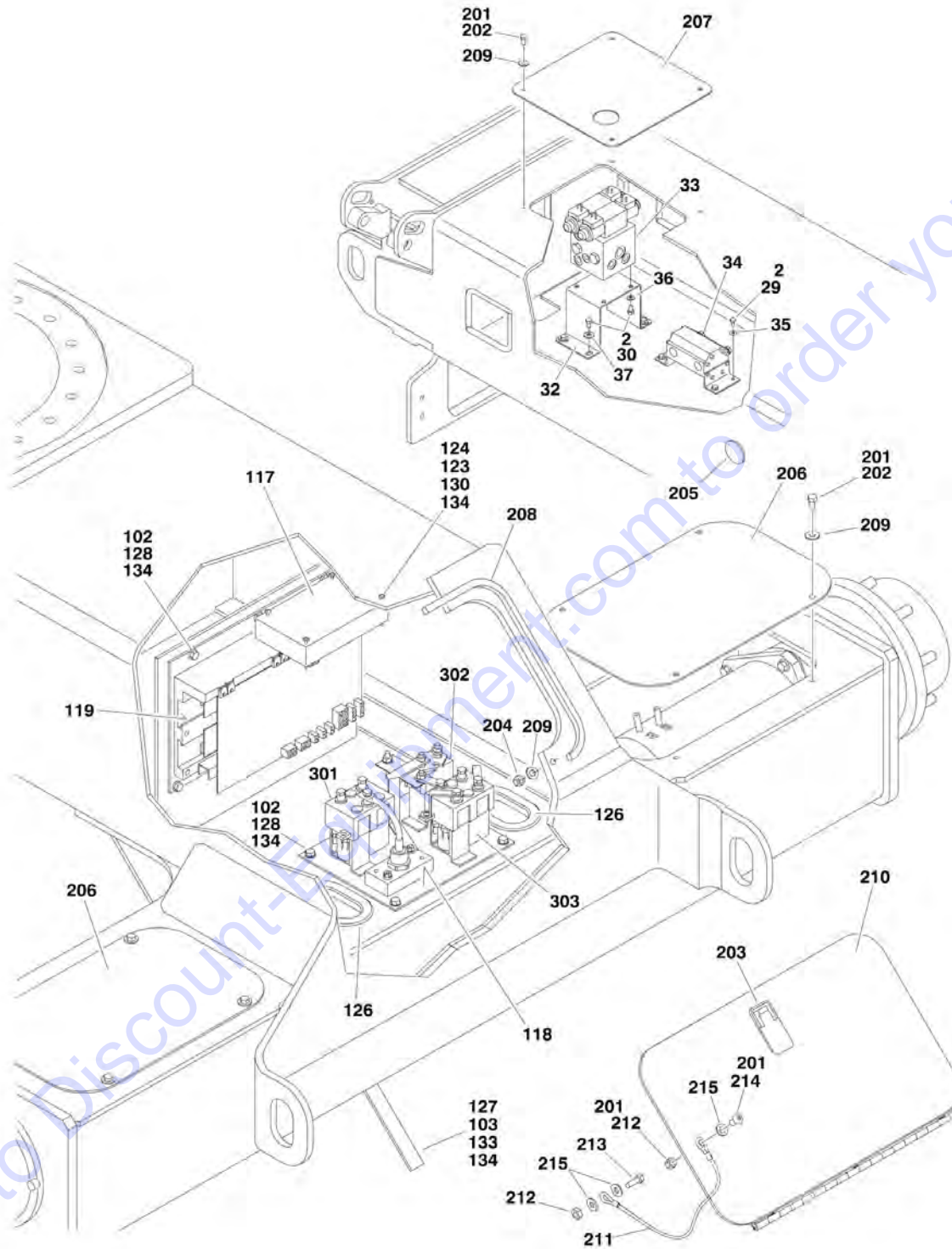
## SECTION 1 - FRAME

**FIGURE 1-7. DRIVE MOTOR ASSEMBLY (4WD FRONT)**

ITEM	PART NUMBER	QTY	DESCRIPTION	REV
	3160251	Ref	<b>DRIVE MOTOR ASSEMBLY</b>	B
1	See Note	NSS	Housing Assembly (Front) (Note: Not Available - Use p/n 3160251 for complete replacement. See 101-108 for available components)	
2	7023866	1	Rotary Group Assembly	
2A	7023869	1	Rotary Group HD without Cam	
2B	7023870	1	Cam	
3	See Note	NSS	Housing Assembly (Rear) (Note: Not Available - Use p/n 3160251 for complete replacement. See 201-208A for available components)	
4	See Note	NSS	Seal, Square (Note: Use Item 300)	
5	7023876	6	Screw, Cap	
9	7023806	5	Lugnut	
10	7023807	5	Stud	
16	See Note	NSS	Seal, Square (Note: Use Item 300)	
17	7024007	1	Plate, Rear Cover	
18	7023868	8	Screw, Cap	
		Ref	<b>HOUSING ASSEMBLY (FRONT)</b>	
101	7022586	1	Shaft	
102	See Note	NSS	Seal, Face (Note: Use Item 300)	
103	7022587	1	Bearing, Front	
104	See Note	NSS	Casting, Front (Note: Use p/n 3160251)	
105	See Note	NSS	Seal, Shaft (Note: Use Item 300)	
106	7022588	1	Bearing, Rear	
107		Ref	Washer Options:	
107	See Note	NSS	Washer (1.50mm) (Note: Not Available for Purchase)	
107	See Note	NSS	Washer (1.65mm) (Note: Not Available for Purchase)	
107	See Note	NSS	Washer (1.85mm) (Note: Not Available for Purchase)	
107	See Note	NSS	Washer (2.00mm) (Note: Not Available for Purchase)	
107	See Note	NSS	Washer (2.15mm) (Note: Not Available for Purchase)	
107	See Note	NSS	Washer (2.35mm) (Note: Not Available for Purchase)	
108	7022589	1	Ring, Split	
		Ref	<b>HOUSING ASSEMBLY (REAR)</b>	
201	7023871	1	Ring, Distributor	
202	7023872	9	Spring	
203	See Note	NSS	Seal (Note: Use Item 300)	
204	See Note	NSS	Seal (Note: Use Item 300)	
205	See Note	NSS	Seal (Note: Use Item 300)	
206	See Note	NSS	Housing, Rear (Note: Use p/n 3160251)	
207	See Note	NSS	Pin, Stop (Note: Not Available for Purchase)	
208	7022591	1	Plug	
208A	See Note	NSS	O-Ring (Note: Not Available - Purchase Locally)	
		Ref	<b>KIT OPTIONS:</b>	
300	7023801	1	Seal Kit (Includes Items 4, 16, 102, 105 & 203-205)	

# SECTION 1 - FRAME

## FIGURE 1-8. VALVES, ELECTRICAL COMPONENTS AND SHIELDS INSTALLATIONS





## SECTION 1 - FRAME

### FIGURE 1-8. VALVES, ELECTRICAL COMPONENTS AND SHIELDS INSTALLATIONS

ITEM	PART NUMBER	QTY	DESCRIPTION	REV
		Ref	<b>4WD VALVES INSTALLATIONS</b>	
	0259942	Ref	<b>Australian Spec</b>	G
	0270857	Ref	<b>CE Spec (E600JP/M600JP)</b>	D
		Ref	<b>Note: See AXLE AND STEER INSTALLATION - 2WD AND AXLE AND STEER INSTALLATION - 4WD for Oscillating Axle Lockout Valve.</b>	
2	0100011	AR	Locking, Compound	
29	0641404	4	Bolt 1/4in-20NC x 1/2in	
30	0641504	8	Bolt 5/16in-18NC x 1/2in	
32	3572328	1	Plate, Mounting	
33		Ref	Valve Assembly - Drive (See DRIVE VALVE ASSEMBLY for Breakdown)	
33	4641127	NLA	Valve Assembly - Drive (Use p/n 1001092586) <b>(Prior to SN 0300102660)</b>	
33	1001092586	1	Valve Assembly - Drive <b>(SN 0300102660 through 0300219271)</b>	
34	4641148	1	Flow Divider Assembly	
34	See Note	NSS	Seal Kit - 4641148 Valve (Note: Not Available for Purchase)	
35	4711400	4	Flatwasher 1/4in Thin	
36	4711500	4	Flatwasher 5/16in Thin	
37	4751500	4	Flatwasher 5/16in	
38	4922323	1	Harness, 4WD (Not Shown - See ELECTRICAL SECTION for Breakdown)	
		Ref	<b>ELECTRICAL COMPONENTS INSTALLATION</b>	
	0259741	Ref	<b>ANSI Spec (Prior to SN 0300112387)</b>	E
	0274284	Ref	<b>ANSI Spec (SN 0300112387 through 0300219271)</b>	D
102	0641504	10	Bolt 5/16in-18NC x 3/4in	
103	0641604	1	Bolt 3/8in-16NC x 1/2in	
117	1600293	1	Module, Positrac/Tilt (Note: Re-calibration Required when Replaced)	
118	1600294	1	Contactor Panel Assembly (See Items 301-303 for Breakdown)	
119	1600302	1	Controller, Power Module	
123	3310601	4	Nut 5/16in-18NC	
124	3910636	4	Bolt #6-32NCx 2-1/4in	
126	4060808	15 in /37cm	Flex-Trim	
127	4240084	1	Strap, Static	
128	4711500	10	Flatwasher 5/16in Thin	
130	4750600	4	Flatwasher #6 Regular	
133	4751600	1	Flatwasher 3/8in Regular	
134	0100011	AR	Locking, Compound	
	0259836	Ref	<b>FRAME SHIELDS INSTALLATION</b>	F
201	0100011	AR	Locking, Compound	
202	0641505	12	Bolt 5/16in-18NC x 5/8in	
203	2940042	1	Latch	
204	3311501	3	Nut 5/16in-18NC	
205	3520064	2	Plug	
206	3571797	2	Cover, Axle	
207	3572055	1	Cover, Front Frame	
208	3960447	4 ft/1.2m	Seal, Self-Gripping	
209	4751500	15	Flatwasher 5/16in Regular	

## SECTION 1 - FRAME

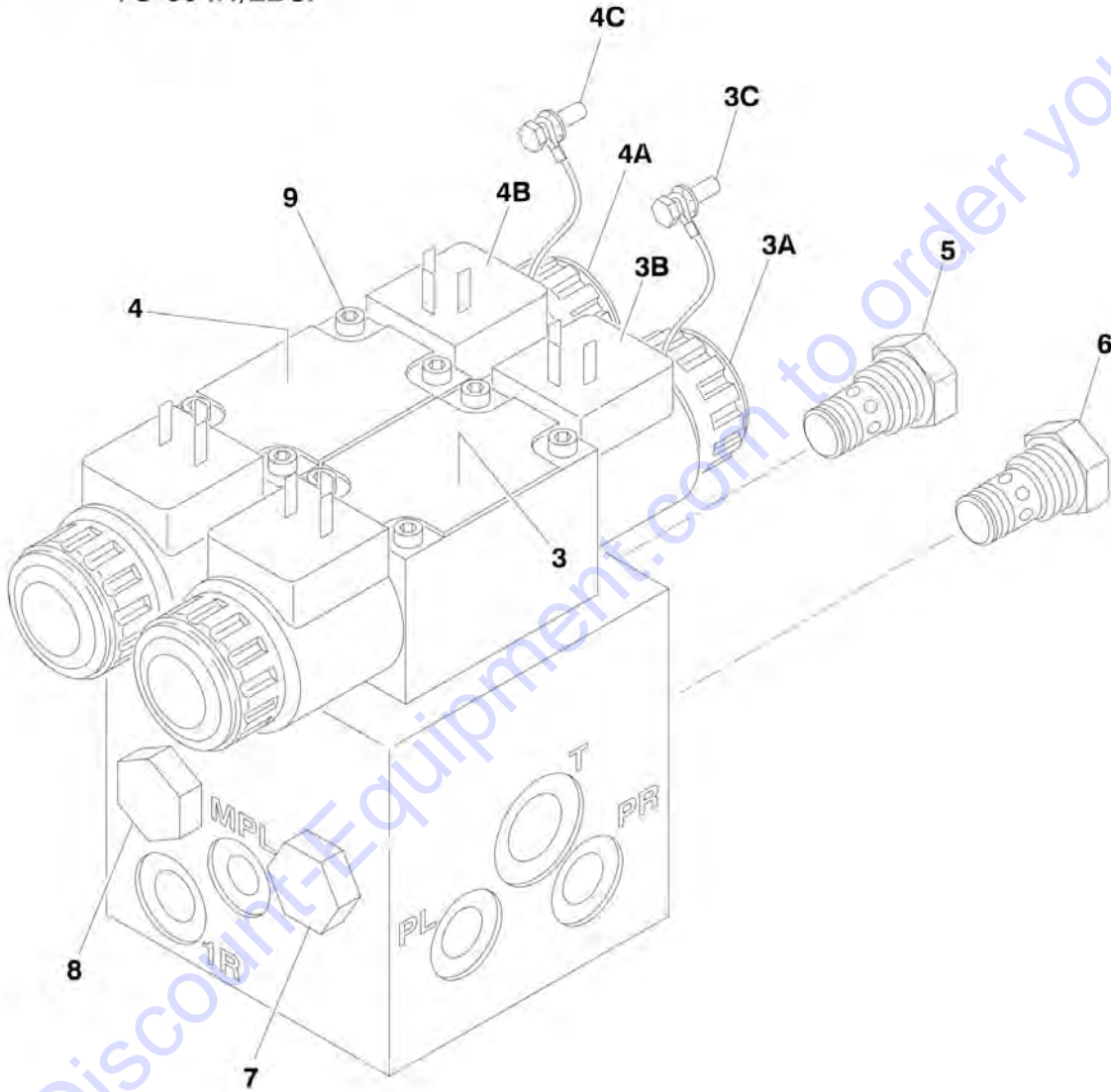
ITEM	PART NUMBER	QTY	DESCRIPTION	REV
210	4846161	1	Door Weldment	
211	1060799	1	Cable, Lanyard	
212	3311601	2	Nut 3/8in-16NC	
213	0641608	1	Bolt 3/8in-16NC x 1in	
214	3900283	1	Screw, Button Head 1/4in x 3/4in	
215	4711400	3	Flatwasher 1/4in Thin	
	1600294	Ref	<b>CONTACTOR PLATE ASSEMBLY</b>	E
		Ref	<b>Note: Torque Bolts to 80in lbs replacing components.</b>	
	7022003	1	Harness, Contactor (See ELECTRICAL SECTION for Breakdown)	
	7022004	1	Harness, Posi-Track Contactor (See ELECTRICAL SECTION for Breakdown)	
	7022005	1	Harness, Shunt (See ELECTRICAL SECTION for Breakdown)	
301	7022002	1	Contactor, Fwd/Rev	
302	7022001	1	Contactor, Main	
303	7022000	1	Contactor, Posi-Track	



# SECTION 1 - FRAME

## FIGURE 1-9. DRIVE VALVE ASSEMBLY (4WD ONLY)

NOTE: TORQUE ITEM #9  
TO 60 IN/LBS.



## SECTION 1 - FRAME

**FIGURE 1-9. DRIVE VALVE ASSEMBLY (4WD ONLY)**

ITEM	PART NUMBER	QTY	DESCRIPTION	REV
		Ref	<b>DRIVE VALVE ASSEMBLY</b>	
	4641127	Ref	<b>Drive Valve Assembly (Prior to SN 0300102660)</b>	D
	1001092586	Ref	<b>Drive Valve Assembly (SN 0300102660 through 0300219271)</b>	A
3		Ref	Control Valve Assembly Options:	
3	7024011	1	4641127 Valve	
3	70001422	1	1001092586 Valve	
3	7012773	1	Seal Kit - 4641127 & 1001092586 Valve	
3A	7021375	2	Nut	
3B		Ref	Coil Options:	
3B	7024013	2	4641127 Valve	
3B	70002947	2	1001092586 Valve	
3C	7012799	1	Lanyard (4641127 Valve) <b>(Prior to SN 0300058444)</b>	
4		Ref	Control Valve Assembly Options:	
4	7024011	1	4641127 Valve	
4	70001422	1	1001092586 Valve	
4	7012773	1	Seal Kit - 4641127 & 1001092586 Valve	
4A	7021375	2	Nut	
4B		Ref	Coil Options:	
4B	7024013	2	4641127 Valve	
4B	70002947	2	1001092586 Valve	
4C	7012799	1	Lanyard (4641127 Valve) <b>(Prior to SN 0300058444)</b>	
5	7012969	1	Cartridge, Check	
5	7012540	1	Seal Kit - 7012969 Valve	
6	7012969	1	Cartridge, Check	
6	7012540	1	Seal Kit - 7012969 Valve	
7	7012969	1	Cartridge, Check	
7	7012540	1	Seal Kit - 7012969 Valve	
8	7012969	1	Cartridge, Check	
8	7012540	1	Seal Kit - 7012969 Valve	
9	7018942	8	Capscrew #10-24NC x 2in	





# SECTION 1 - FRAME

## FIGURE 1-10. TOW PACKAGE INSTALLATION

ITEM	PART NUMBER	QTY	DESCRIPTION	REV
		Ref	<b>Note: For UK MOD Machines, refer to Parts Manual p/n 3121695.</b>	
	0270527	Ref	<b>TOW PACKAGE INSTALLATION</b>	A
1	0100011	AR	Locking, Compound	
2	0270528	1	Tow Bar Assembly (See Items 101-121 for Breakdown)	
3	0641504	2	Bolt 5/16in-18NC x 1/2in	
4	3572506	1	Plate, Valve Mounting	
5	4640261	1	Valve, Tow	
6	4711500	2	Flatwasher 5/16in Thin	
	0270528	Ref	<b>TOW BAR ASSEMBLY</b>	A
101	0100011	AR	Locking, Compound	
102	0362910	1	Pintle, Draw Eye	
103	0642010	4	Bolt 5/8in-11NC x 1-1/4in	
104	0721004	2	Screw, Hex Machine	
105	0741607	24	Screw, Countersunk 3/8in-16NC x 7/8in	
106	1060584	6	Cable, Lanyard	
107	3420372	2	Pin, Cotter	
108	3420447	1	Pin, Towing	
109	3421565	2	Pin, Snap	
110	3422841	2	Pin	
111	3422847	1	Pin	
112	3572009	2	Plate, Slide Stop	
113	3572010	2	Plate, Slide Stop	
114	3572011	2	Plate, Slide Stop	
115	3572012	2	Plate, Slide Stop	
116	3760170	8	Ring, Split	
117	4568133	1	Tube, Tow Bar	
118	4740036	1	Flatwasher, Special	
119	4751000	2	Flatwasher #10 Regular	
120	4846295	1	Tow Bar Attach Weldment	
121	4846296	1	Pintle Attach Weldment	
	0270526	Ref	<b>STEERING WITH TOW PACKAGE INSTALLATION (2WD)</b>	E
201	0100011	AR	Locking, Compound	
202	0100019	AR	Locking, Compound	
203	0440162	AR	Thrustwasher	
204	0641606	3	Bolt 3/8in-16NC x 3/4in	
205	0641607	4	Bolt 3/8in-16NC x 7/8in	
206	0641608	1	Bolt 3/8in-16NC x 1in	
207	0642030	4	Bolt 5/8in-11NC x 3-3/4in	
208	0962292	4	Bushing	
209	0962348	1	Bushing	
210		Ref	Steer Cylinder Assembly (See CYLINDER SECTION for Breakdown)	
210	1683851	NLA	Steer Cylinder Assembly (Use p/n 1001140281) <b>(Prior to SN 0300165153)</b>	
210	1001140281	1	Steer Cylinder Assembly <b>(SN 0300165153 through 0300219271)</b>	
211	2780245	2	Hub/Spindle Assembly (See 301 to 311 for Breakdown)	
212	3322202	2	Nut, Jam 3/4in-16NF	
213	3323003	2	Nut 1-1/4in-12NF	

## SECTION 1 - FRAME

ITEM	PART NUMBER	QTY	DESCRIPTION	REV
214	3422692	2	Kingpin	
215	3422817	4	Pin	
216	3422848	1	Pin, Hitch	
217	3450812	2	Pin, Cotter 1/4in x 3in	
218	3571709	1	Plate, Steer Cylinder Cover <b>(Prior to SN 0300187512)</b>	
219	3572490	1	Plate, Tow Bar Pivot	
220	3841143	5	Keeper, Pin	
221	3841443	2	Rod-End	
222	3900295	1	Bolt, Shoulder 1in x 3in	
223	3900296	1	Bolt, Shoulder 1in x 4-1/2in	
225	4713000	2	Flatwasher 1-1/4in Thin	
226	4740111	9	Thrustwasher	
227	4740155	2	Thrustwasher	
228	4751600	2	Flatwasher 3/8in Regular <b>(Prior to SN 0300187512)</b>	
229	4846076	1	Tie-Rod (Left Side)	
230	4846294	1	Tie-Rod (Right Side)	
231	4846294	1	Link, Tow Bar	
232	4892000	4	Flatwasher, 5/8in Hardened	
233	1001151395	AR	Shim .048 <b>(SN 0300176747 through 0300219271)</b>	
234	1001151428	AR	Shim .036 <b>(SN 0300176747 through 0300219271)</b>	
	2780245	Ref	<b>HUB ASSEMBLY</b>	C
301	7020137	2	Cap, Dust (1 Per Assembly)	
302	7020054	2	Nut, Castle (1 per Assembly)	
303	7020140	2	Pin, Cotter (1 per Assembly)	
304	7020055	2	Washer, Spindle (1 Per Assembly)	
305	7020039	2	Cone, Bearing - Outer (1 per Assembly)	
306	7020035	2	Hub (1 Per Assembly)	
306A	7020036	2	Cup, Bearing - Inner(1 per Assembly)	
306B	7020038	2	Cup, Bearing - Outer (1 per Assembly)	
306C	7020041	18	Stud, Wheel (9 Per Assembly)	
307	7020037	2	Cone, Bearing - Inner (1 per Assembly)	
308	7020040	2	Seal (1 Per Assembly)	
309	7020251	2	Spindle Assembly (1 Per Assembly)	
310	0961951	4	Bushing (2 Per Assembly)	
311	0962292	2	Bearing (1 Per Assembly)	
		Ref	<b>TOW DECALS INSTALLATION</b>	
	0270629	Ref	<b>English Language</b>	A
	0270630	Ref	<b>Spanish</b>	A
401		Ref	Decal - Warning Options:	
401	1703450	1	English Language	
401	1704456	1	Spanish	
402		Ref	Decal - Tow Instructions Options:	
402	1704482	1	English Language	
402	1704455	1	Spanish	
403		Ref	Decal - Crushing Options:	
403	1704578	3	English Language	
403	1701518	3	Spanish	
404		Ref	Nameplate - Steer/Tow Select Options:	
404	3250872	1	English Language	
404	3252692	1	Spanish	
405	3820001	4	Rivet	

**SECTION 1 - FRAME**

ITEM	PART NUMBER	QTY	DESCRIPTION	REV
406	4420051	35 in /89cm	Tape, Safety	

Go to Discount-Equipment.com to order your parts



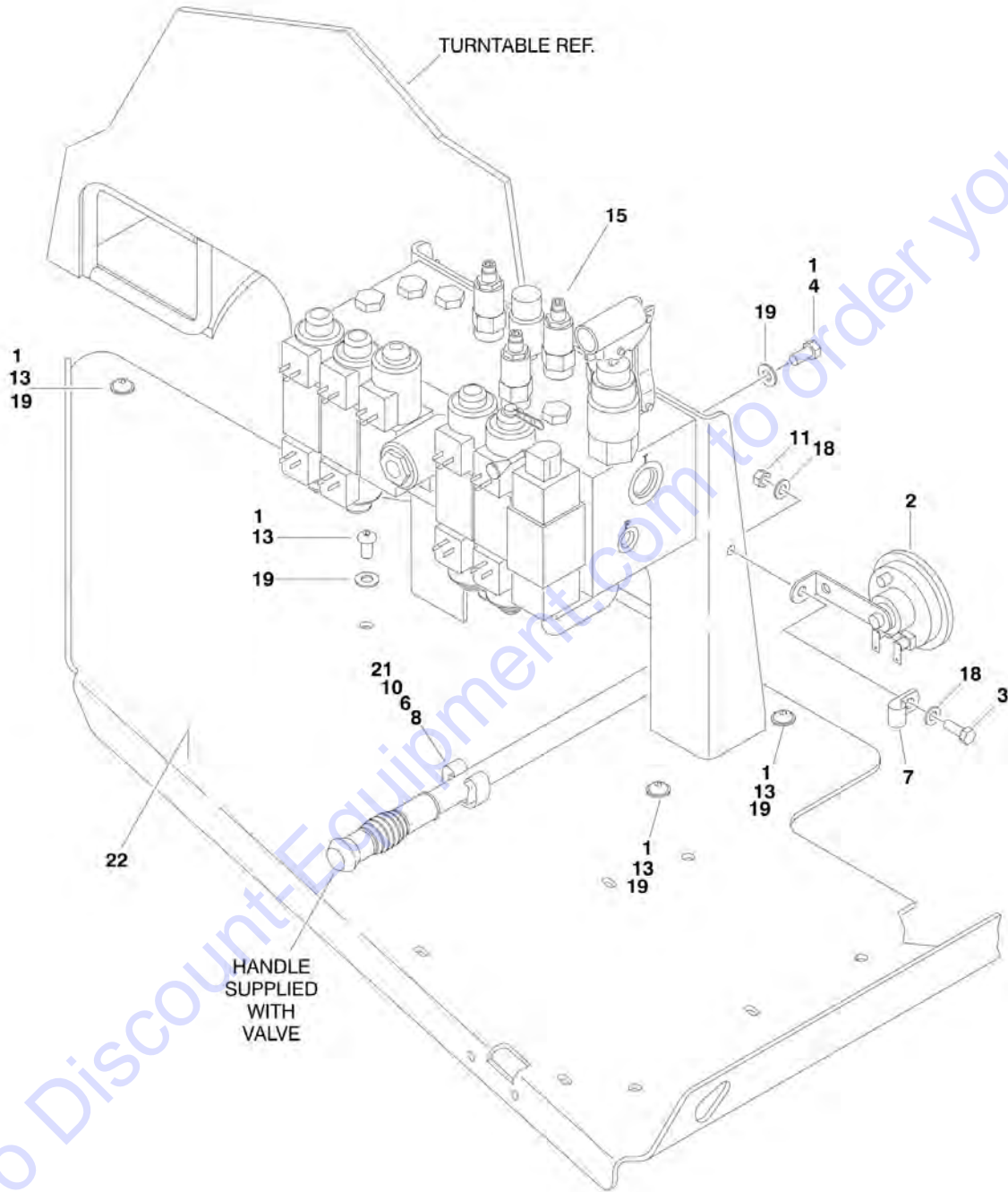
**SECTION 2 - TURNTABLE**

Go to Discount-Equipment.com to order your parts



## SECTION 2 - TURNTABLE

FIGURE 2-1. VALVE AND HORN INSTALLATIONS



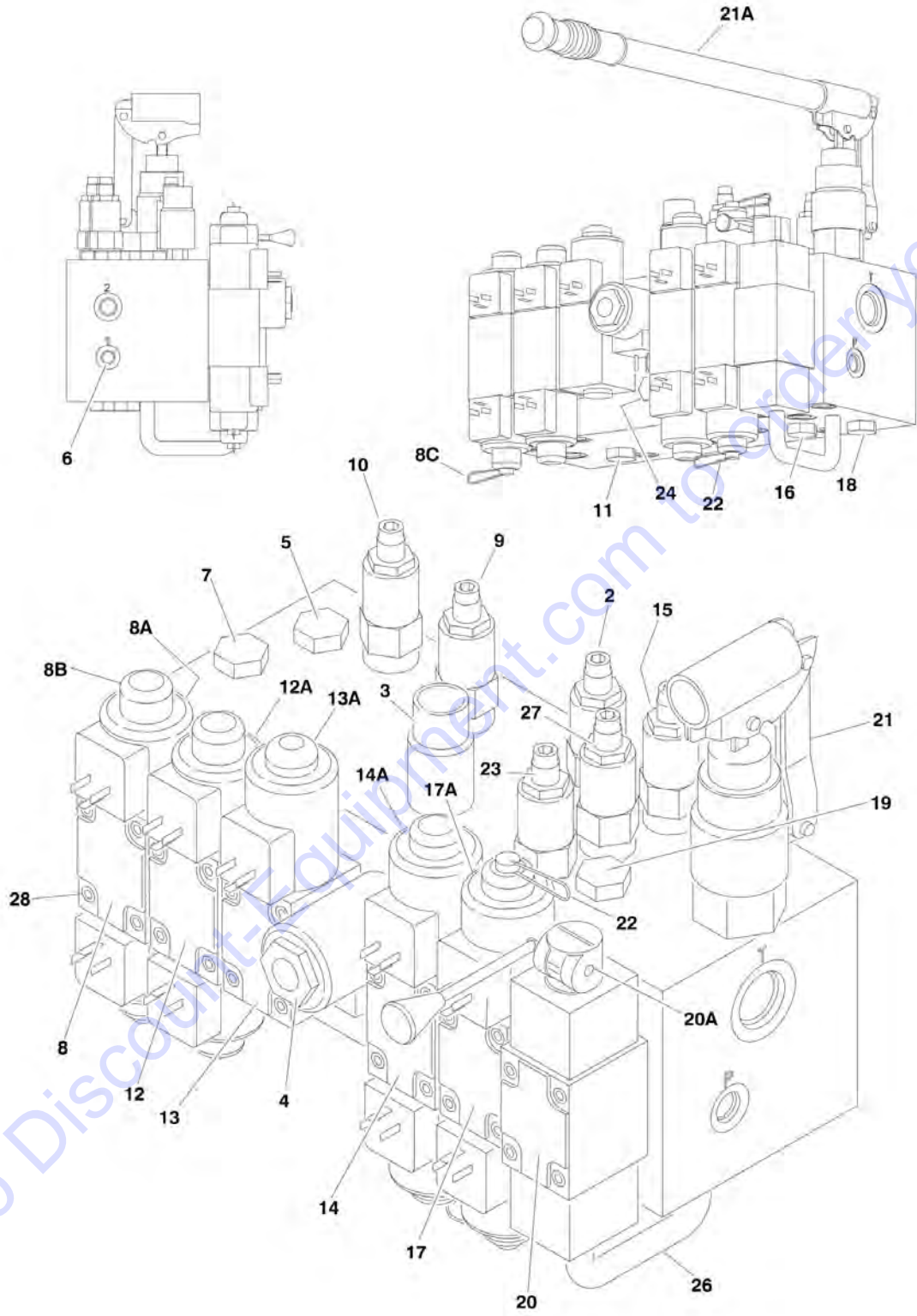
**SECTION 2 - TURNTABLE**

**FIGURE 2-1. VALVE AND HORN INSTALLATIONS**

ITEM	PART NUMBER	QTY	DESCRIPTION	REV
		Ref	<b>VALVE AND HORN INSTALLATIONS</b>	
	0270096	Ref	<b>Valve and Horn Installations E600 &amp; M600</b>	H
	0270097	Ref	<b>Valve and Horn Installations E600J &amp; M600J</b>	H
	0270098	Ref	<b>Valve and Horn Installations E600JP &amp; M600JP</b>	H
1	0100011	AR	Locking, Compound	
2	0140028	1	Horn	
3	0641507	1	Bolt 5/16in-18NC x 7/8in	
4	0641606	6	Bolt 3/8in-16NC x 3/4in	
6	0741005	2	Bolt #10-24NC x 5/8in	
7	1320070	1	Clamp <b>(Prior to SN 0300196439)</b>	
8	1380136	2	Clip	
10	3311005	2	Locknut #10-24NC	
11	3311505	1	Locknut 5/16in-18NC	
13	3900283	7	Screw, Button Head	
15	4641123	NLA	Main Control Valve Assembly (Use p/n 1001092566) (See MAIN CONTROL VALVE ASSEMBLY for Breakdown) <b>(Prior to SN 0300065648)</b>	
15	4641235	NLA	Main Control Valve Assembly (Use p/n 1001092566) (See MAIN CONTROL VALVE ASSEMBLY for Breakdown) <b>(SN 0300065648 through 0300102659)</b>	
15	1001092566	1	Main Control Valve Assembly (See MAIN CONTROL VALVE ASSEMBLY for Breakdown) <b>(SN 0300102660 through 0300219271)</b>	
18	4711500	8	Flatwasher 5/16in Thin	
19	4711600	13	Flatwasher 3/8in Thin	
21	4751000	4	Flatwasher #10 Regular	
22	4846183	1	Tray Weldment	

# SECTION 2 - TURNTABLE

## FIGURE 2-2. MAIN CONTROL VALVE ASSEMBLY



**SECTION 2 - TURNTABLE**

**FIGURE 2-2. MAIN CONTROL VALVE ASSEMBLY**

ITEM	PART NUMBER	QTY	DESCRIPTION	REV
		Ref	<b>MAIN CONTROL VALVE ASSEMBLY</b>	
	4641123	Ref	<b>Main Control Valve Assembly (Prior to SN 0300065648)</b>	C
	4641235	Ref	<b>Main Control Valve Assembly (SN 0300065648 through 0300102659)</b>	B
	1001092566	Ref	<b>Main Control Valve Assembly (SN 0300102660 through 0300219271)</b>	G
2	7012912	1	Cartridge, Relief (Main)	
2	7012998	1	Seal Kit - 7012912 Cartridge	
3	7021619	1	Cartridge, Pressure Switch (Brake)	
4		Ref	Cartridge without Coil Options: (Brake)	
4	7017455	1	Cartridge without Coil <b>(Prior to SN 0300058444)</b>	
4	7012941	1	Cartridge without Coil <b>(SN 0300058444 through 0300102659)</b>	
4	70005337	1	Cartridge without Coil <b>(SN 0300102660 through 0300219271)</b>	
4		Ref	Seal Kit Options:	
4	7017463	1	Seal Kit (7017455 Cartridge) <b>(Prior to SN 0300058444)</b>	
4	7010543	1	Seal Kit (7012941 & 70005337 Cartridge) <b>(SN 0300058444 through 0300219271)</b>	
4		Ref	Coil Options:	
4	7012943	1	Coil (7017455 Cartridge) <b>(Prior to SN 0300058444)</b>	
4	7012944	1	Coil (7012941 & 70005337 Cartridge) <b>(SN 0300058444 through 0300219271)</b>	
5	7012975	1	Cartridge, Check (Telescope Out)	
5	7012967	1	Seal Kit - 7012975 Cartridge	
6	7018900	1	Orifice	
7		Ref	Cartridge, Check Options: (Telescope In)	
7	7012969	1	Cartridge, Check <b>(Prior to SN 0300058444)</b>	
7	7017412	1	Cartridge, Check <b>(SN 0300058444 through 0300065647)</b>	
7	7022391	1	Cartridge, Check <b>(SN 0300065648 through 0300219271)</b>	
7	7012967	1	Seal Kit - 7012969, 7017412 & 7022391 Cartridge	
8		Ref	Control Valve Assembly (Telescope)	
8	7024018	1	Control Valve Assembly <b>(Prior to SN 0300102660)</b>	
8	70001440	1	Control Valve Assembly <b>(SN 0300102660 through 0300219271)</b>	
8	7012773	1	Seal Kit	
8A		Ref	Coil Options:	
8A	7024013	2	Coil <b>(Prior to SN 0300102660)</b>	
8A	70002947	2	Coil <b>(SN 0300102660 through 0300219271)</b>	
8B		Ref	Nut Options:	
8B	7021375	2	Nut <b>(Prior to SN 0300102660)</b>	
8B	7021375	1	Nut <b>(SN 0300102660 through 0300219271)</b>	
8B	70003525	1	Nut <b>(SN 0300102660 through 0300219271)</b>	
8C		Ref	Lanyard Options:	
8C	7012799	1	Lanyard <b>(Prior to SN 0300102660)</b>	
8C	70003526	1	Lanyard <b>(SN 0300102660 through 0300219271)</b>	
9	7012912	1	Cartridge, Relief (Flow Control)	
9	7012998	1	Seal Kit - 7012912 Cartridge	
10	7012912	1	Cartridge, Relief (Steer)	
10	7012998	1	Seal Kit - 7012912 Cartridge	
11		Ref	Cartridge, Load Shuttle (Steer) Options:	
11	7010542	1	Cartridge, Load Shuttle <b>(Prior to SN 0300102660)</b>	
11	10837580	1	Cartridge, Load Shuttle <b>(SN 0300102660 through</b>	

# PARTS FINDER

**Search Website  
by Part Number**



**Search Manual  
Library For Parts  
Manual & Lookup Part  
Numbers – Purchase  
or Request Quote**

A screenshot of the "Search Manuals" form. The form is titled "Search Manuals" and includes a search bar, a "Search" button, and a "Reset" button. Below the search bar, there are several input fields for "Find", "Serial Number", "Year", "Make", "Model", "Part Number", "Part Name", and "Part Description". A "Submit" button is located at the bottom of the form.

**Can't Find Part or  
Manual? Request Help  
by Manufacturer,  
Model & Description**

A screenshot of the "Parts Order Form". The form is titled "Parts Order Form" and includes a "Submit" button. Below the submit button, there are several input fields for "Manufacturer", "Model", "Description", "Part Number", "Part Name", "Part Description", "Quantity", "Unit Price", "Total Price", "Tax", "Shipping", and "Comments".

Discount-Equipment.com is your online resource for quality parts & equipment.

Florida: **561-964-4949** Outside Florida TOLL FREE: **877-690-3101**

**Need parts?**

Click on this link: <http://www.discount-equipment.com/category/5443-parts/> and choose one of the options to help get the right parts and equipment you are looking for. Please have the machine model and serial number available in order to help us get you the correct parts. If you don't find the part on the website or on one of the online manuals, please fill out the request form and one of our experienced staff members will get back to you with a quote for the right part that your machine needs.

We sell worldwide for the brands: Genie, Terex, JLG, MultiQuip, Mikasa, Essick, Whiteman, Mayco, Toro Stone, Diamond Products, Generac Magnum, Airman, Haulotte, Barreto, Power Blanket, Nifty Lift, Atlas Copco, Chicago Pneumatic, Allmand, Miller Curber, Skyjack, Lull, Skytrak, Tsurumi, Husquvarna Target, Stow, Wacker, Sakai, Mi-T-M, Sullair, Basic, Dynapac, MBW, Weber, Bartell, Bennar Newman, Haulotte, Ditch Runner, Menegotti, Morrison, Contec, Buddy, Crown, Edco, Wyco, Bomag, Laymor, EZ Trench, Bil-Jax, F.S. Curtis, Gehl Pavers, Heli, Honda, ICS/PowerGrit, IHI, Partner, Imer, Clipper, MMD, Koshin, Rice, CH&E, General Equipment, Amida, Coleman, NAC, Gradall, Square Shooter, Kent, Stanley, Tamco, Toku, Hatz, Kohler, Robin, Wisconsin, Northrock, Oztec, Toker TK, Rol-Air, APT, Wylie, Ingersoll Rand / Doosan, Innovatech, Con X, Ammann, Mecalac, Makinex, Smith Surface Prep, Small Line, Wanco, Yanmar



## SECTION 2 - TURNTABLE

ITEM	PART NUMBER	QTY	DESCRIPTION	REV
			<b>0300219271)</b>	
11	7010543	1	Seal Kit - 7010542 & 10837580 Cartridge	
12		Ref	Control Valve Assembly (Steer) Options:	
12	7021365	1	Control Valve Assembly ( <b>Prior to SN 0300058444</b> )	
12	7024019	NLA	Control Valve Assembly (Note: Use p/n 70001342) ( <b>SN 0300058444 through 0300102659</b> )	
12	70001342	1	Control Valve Assembly ( <b>SN 0300102660 through 0300219271</b> )	
12	7012773	1	Seal Kit	
12A		Ref	Coil Options:	
12A	7021376	2	Coil ( <b>Prior to SN 0300058444</b> )	
12A	7024013	2	Coil ( <b>SN 0300058444 through 0300102659</b> )	
12A	70002947	2	Coil ( <b>SN 0300102660 through 0300219271</b> )	
12A	7021375	2	Nut	
13	7022521	1	Control Valve Assembly (Flow Control)	
13	7012773	1	Seal Kit	
13A	7018991	1	Coil	
13A	7021375	1	Nut	
14		Ref	Control Valve Assembly Options: (Lift)	
14	7012775	1	Control Valve Assembly ( <b>Prior to SN 0300065648</b> )	
14	7024991	1	Control Valve Assembly ( <b>SN 0300065648 through 0300219271</b> )	
14	7012773	1	Seal Kit	
14A	7018991	2	Coil	
14A	7018912	2	Nut ( <b>Prior to SN 0300065648</b> )	
14A	7021375	2	Nut ( <b>SN 0300064648 through 0300219271</b> )	
15	7012912	1	Cartridge, Relief (Swing)	
15	7012998	1	Seal Kit - 7012912 Cartridge	
16		Ref	Cartridge, Load Shuttle (Swing) Options:	
16	7010542	1	Cartridge, Load Shuttle ( <b>Prior to SN 0300102660</b> )	
16	10837580	1	Cartridge, Load Shuttle ( <b>SN 0300120660 through 0300219271</b> )	
16	7010543	1	Seal Kit - 7010542 & 10837580 Cartridge	
17		Ref	Control Valve Assembly (Swing)	
17	See Note	NSS	Control Valve Assembly (Note: Not Available for Purchase) ( <b>Prior to SN 0300058444</b> )	
17	7024020	1	Control Valve Assembly ( <b>SN 0300058444 through 0300159839</b> )	
17	70005374	1	Control Valve Assembly ( <b>SN 0300159840 through 0300219271</b> )	
17		Ref	Seal Kit Options:	
17	See Note	NSS	Seal Kit (Note: Not Available for Purchase) ( <b>Prior to SN 0300058444</b> )	
17	7024021	1	Seal Kit ( <b>SN 0300058444 through 0300159839</b> )	
17	See Note	NSS	Seal Kit (Note: Use p/ns 70004461 - Qty 2 & 7018945 Qty 4) ( <b>SN 0300159840 through 0300219271</b> )	
17A		Ref	Coil Options:	
17A	See Note	NSS	Coil (Note: Not Available for Purchase) ( <b>Prior to SN 0300058444</b> )	
17A	7018991	2	Coil ( <b>SN 0300058444 through 0300219271</b> )	
17A	7021375	2	Nut ( <b>Prior to SN 0300159840</b> )	
17A	70003525	2	Nut ( <b>SN 0300159840 through 0300219271</b> )	
17A	7012799	2	Lanyard ( <b>Prior to SN 0300159840</b> )	
17A	70003526	2	Lanyard ( <b>SN 0300159840 through 0300219271</b> )	

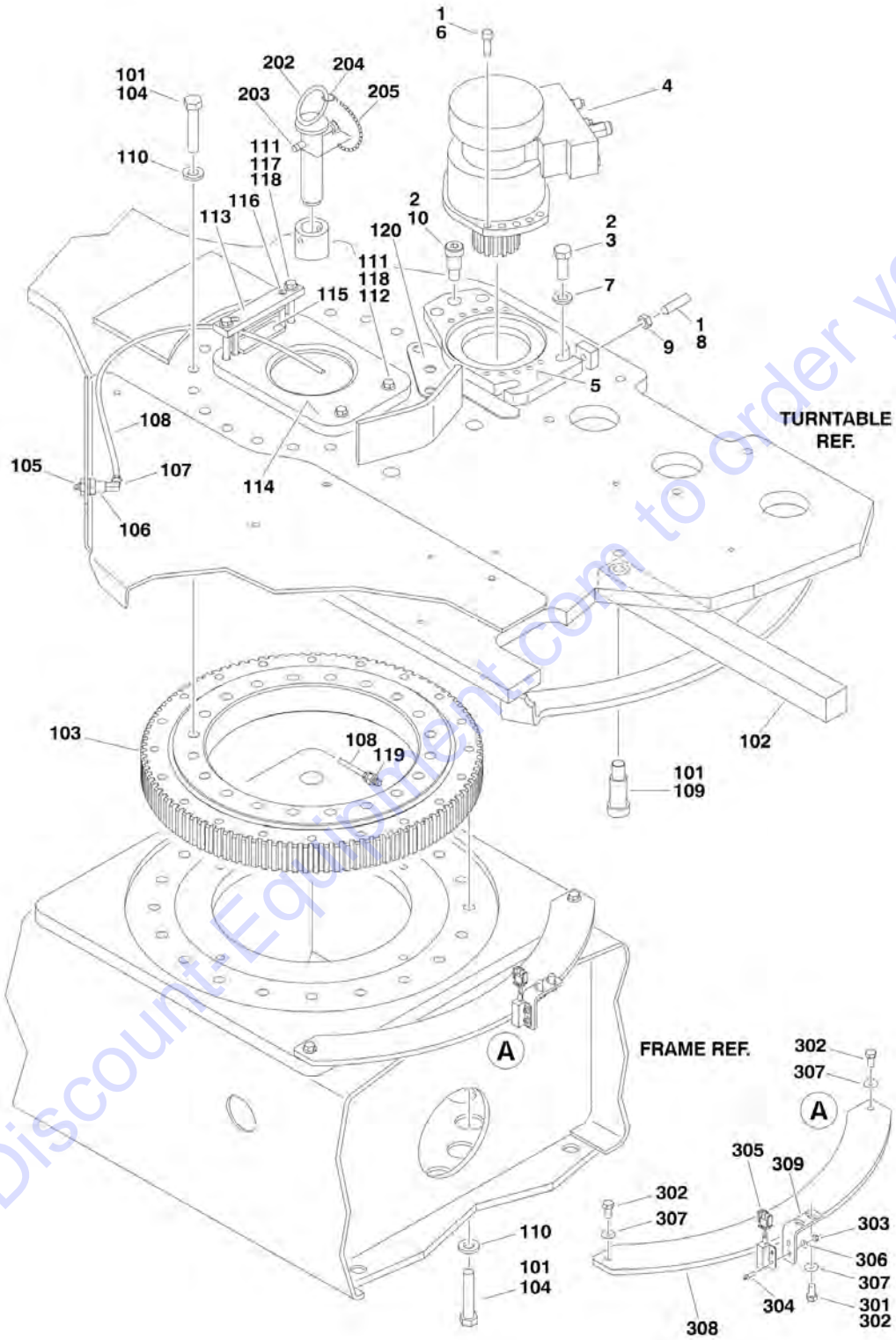


**SECTION 2 - TURNTABLE**

ITEM	PART NUMBER	QTY	DESCRIPTION	REV
18	4641129	1	Cartridge, Check (Swing)	
18	7012967	1	Seal Kit - 4641129 Cartridge	
19	4641129	1	Cartridge, Check (Swing)	
19	7012967	1	Seal Kit - 4641129 Cartridge	
20		Ref	Control Valve Assembly (Manual Descent) Options:	
20	7018901	1	Control Valve Assembly (Manual Descent) ( <b>Prior to SN 0300058444</b> )	
20	7024022	1	Control Valve Assembly (Manual Descent) ( <b>SN 0300058444 through 0300219271</b> )	
20		Ref	Seal Kit Options:	
20	7022531	1	Seal Kit ( <b>Prior to SN 0300058444</b> )	
20	7024024	1	Seal Kit ( <b>SN 0300058444 through 0300219271</b> )	
20A		Ref	Handle Options:	
20A	See Note	NSS	Handle (Note: Use p/n 7018901) ( <b>Prior to SN 0300058444</b> )	
20A	7024023	1	Handle ( <b>SN 0300058444 through 0300219271</b> )	
21	7023208	1	Pump Assembly	
21	7023209	1	Seal Kit	
21A	7023210	1	Handle, Pump with Grip	
22	7012799	3	Lanyard	
23	7012912	1	Cartridge, Relief (Lift Down)	
23	7012998	1	Seal Kit - 7012912 Cartridge	
24	4641129	1	Cartridge, Check (Brake)	
24	7012967	1	Seal Kit - 4641129 Cartridge	
26		Ref	Hose Options:	
26	See Note	NSS	Hose, (Note: Not Available for Purchase) ( <b>Prior to SN 0300102660</b> )	
26	70000435	1	Hose ( <b>SN 0300102660 through 0300219271</b> )	
26	7018904	1	Fitting, Elbow	
27	7012912	1	Cartridge, Relief (Lift Up) ( <b>SN 0300058444 through 0300219271</b> )	
27	7012998	1	Seal Kit - 7012912 Cartridge	
28	7018942	24	Capscrew #10 x 2	

## SECTION 2 - TURNTABLE

FIGURE 2-3. TURNTABLE AND SWING DRIVE INSTALLATION



## SECTION 2 - TURNTABLE

**FIGURE 2-3. TURNTABLE AND SWING DRIVE INSTALLATION**

ITEM	PART NUMBER	QTY	DESCRIPTION	REV
		Ref	<b>SWING DRIVE INSTALLATION OPTIONS:</b>	
	0259862	Ref	<b>Swing Drive Installation (Prior to SN 0300058845)</b>	C
	0270752	Ref	<b>Swing Drive Installation (SN 0300058845 through 0300219271)</b>	C
1	0100011	AR	Locking, Compound	
2	0100019	AR	Locking, Compound	
3		Ref	Bolt Options:	
3	0682216	2	Bolt 3/4in-10NC x 2in (Grade 8) <b>(Prior to SN 0300058845)</b>	
3	3932232	2	Bolt 3/4in-10NC x 2in (Grade 8) <b>(SN 0300058845 through 0300219271)</b>	
4		Ref	Swing Motor Assembly Options:	
4	3160246	1	Swing Motor Assembly (See SWING MOTOR ASSEMBLY for Breakdown) <b>(Prior to SN 0300058845)</b>	
4	3160257	1	Swing Motor Assembly (See SWING MOTOR ASSEMBLY for Breakdown) <b>(SN 0300058845 through 0300219271)</b>	
5		Ref	Plate, Mounting Options:	
5	3572064	1	Plate, Mounting <b>(Prior to SN 0300058845)</b>	
5	3572628	1	Plate, Mounting <b>(SN 0300058845 through 0300219271)</b>	
6	3931824	10	Capscrew 1/2in-13NC x 1-1/2in (Grade 8)	
7	4892200	4	Flatwasher 3/4in Hardened	
8	3952020	1	Setscrew 5/8in-11NC x 2-1/2in	
9	3312002	1	Nut, Jam 5/8in-11NC	
10	3900293	1	Screw, Shoulder	
11	4071009	1	Shim (Not Shown - Used on setting gear backlash) <b>(SN 0300058845 through 0300219271)</b>	
	0259854	Ref	<b>TURNTABLE BEARING, STOP AND LUBE INSTALLATION (Prior to SN 0300196439)</b>	F
	1001175087	Ref	<b>TURNTABLE BEARING, STOP AND LUBE INSTALLATION (SN 0300196439 through 0300219271)</b>	B
101	0100019	AR	Locking, Compound	
102	0259849	1	Stop, Turntable	
103	0440240	1	Bearing, Turntable	
104	0682026	40	Bolt 5/8in-11NC x 3-1/4in (Grade 8)	
105	2160002	1	Fitting, Grease	
106	2180344	1	Fitting, Bulkhead	
107	2220063	1	Fitting, Adapter	
108	2751095	1	Hose	
109	3900284	1	Screw, Shoulder	
110	4892000	40	Flatwasher, 5/8in Hardened	
111	0100011	AR	Locking, Compound	
112	0641612	2	Bolt 3/8in-16NC x 1-1/2in	
113	1320271	1	Bar, Clamp	
114	1320272	1	Clamp, Hose Protector <b>(Prior to SN 0300196439)</b>	
114	1001175088	1	Clamp, Hose Protector <b>(SN 0300196439 through 0300219271)</b>	
115	3340860	2	Pad, Rubber	
116	3441260	2	Rollpin	
117	3900262	2	Capscrew 3/8in-16NC x 4-3/4in	
118	4711600	4	Flatwasher 3/8in Thin	
119	2220273	1	Fitting, Reducer	
120	4071010	1	Shim <b>(SN 0300058845 through 0300219271)</b>	
	0239585	Ref	<b>TURNTABLE LOCK INSTALLATION</b>	C
202	3421627	1	Pin Weldment	

## SECTION 2 - TURNTABLE

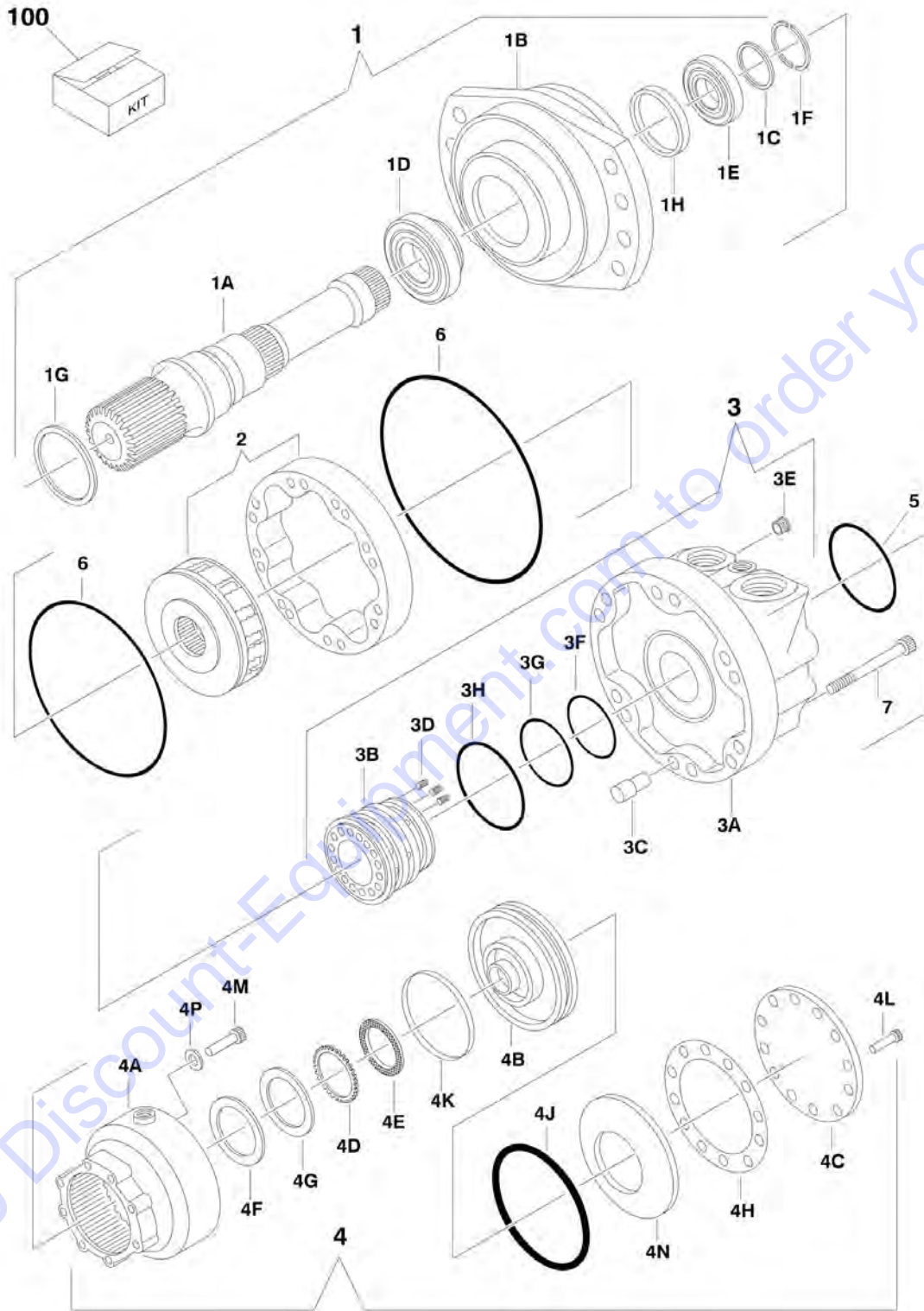
ITEM	PART NUMBER	QTY	DESCRIPTION	REV
203	3421565	1	Pin, Snap	B
204	3760170	1	Ring, Quick Release	
205	1260017	9 in/23cm	Chain	
	1001116136	Ref	<b>DRIVE ORIENTATION INSTALLATION</b>	
301	0100011	AR	Compound, Locking	
302	0641606	4	Bolt 3/8in-161NC x 3/4in	
303	3311005	2	Locknut #10-24NC	
304	3931010	2	Capscrew #10-24NC x 5/8in	
305	4360517	1	Switch, Proximity	
306	4711000	2	Flatwasher #10 Thin	
307	4711600	4	Flatwasher 3/8in Thin	
308	1001116031	1	Cam	
309	1001116106	1	Bracket, Switch Mounting	

Go to Discount-Equipment.com to order your parts



# SECTION 2 - TURNTABLE

FIGURE 2-4. SWING MOTOR ASSEMBLY (Prior to SN 0300058845)





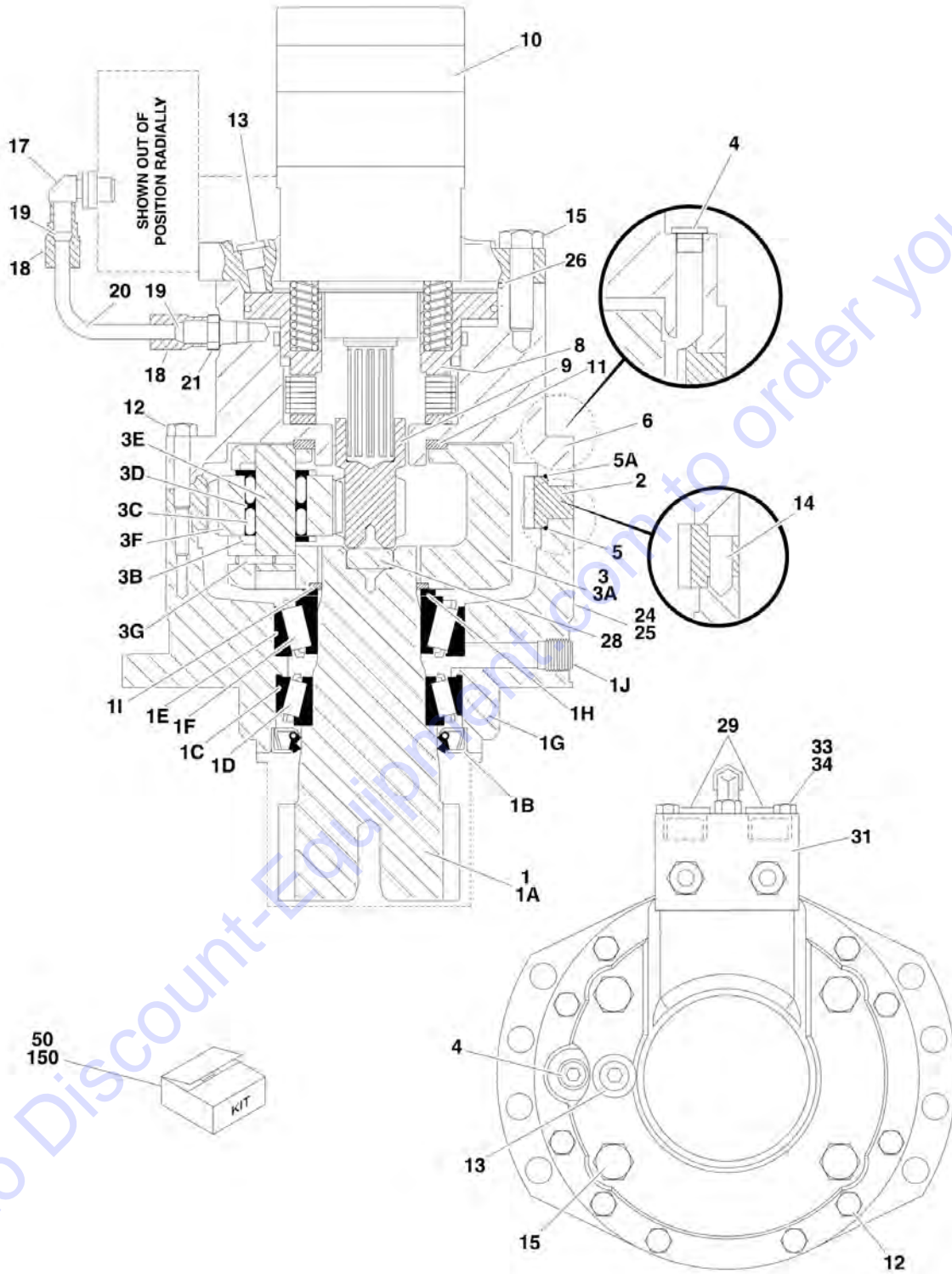
## SECTION 2 - TURNTABLE

**FIGURE 2-4. SWING MOTOR ASSEMBLY (Prior to SN 0300058845)**

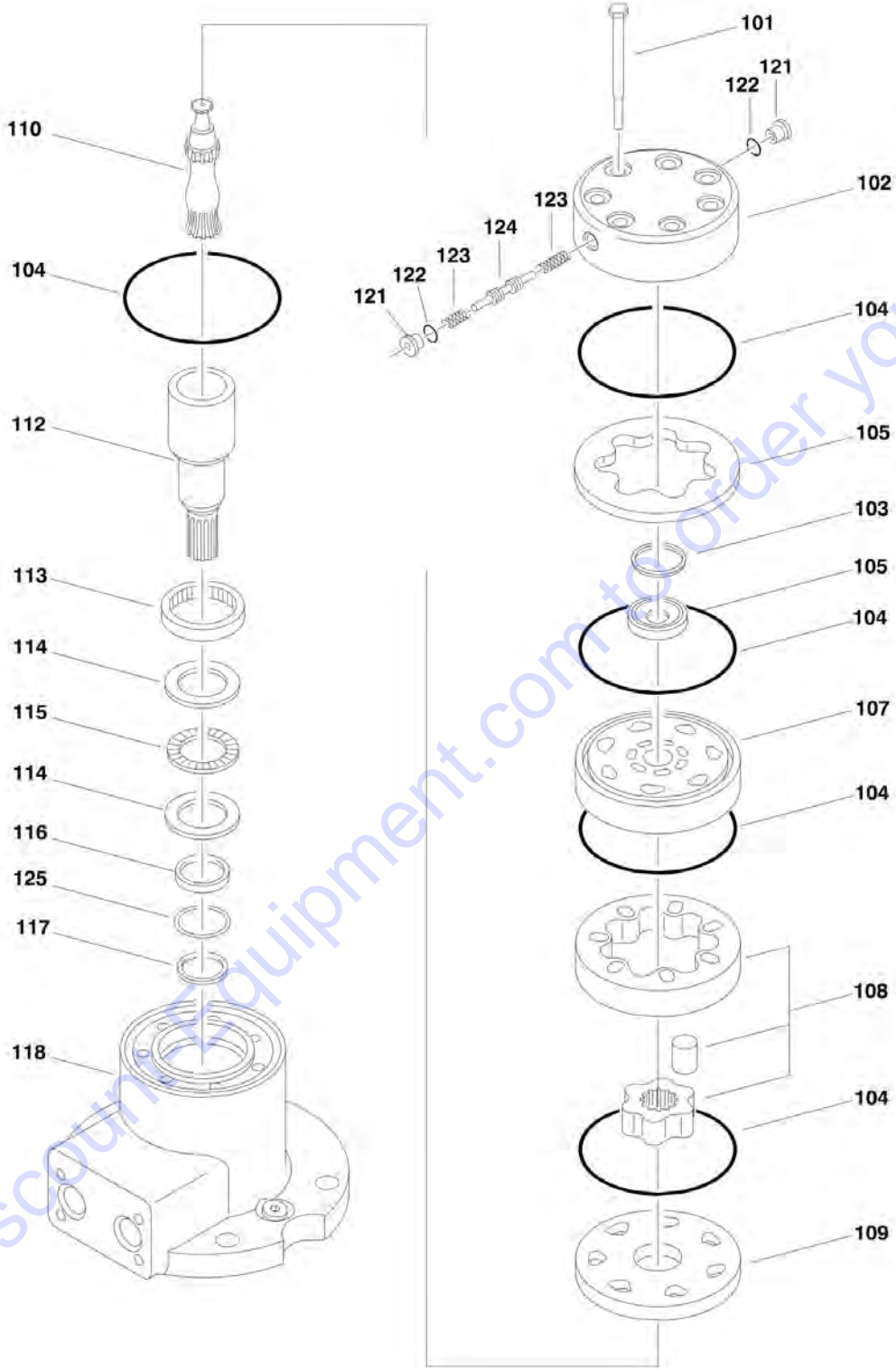
ITEM	PART NUMBER	QTY	DESCRIPTION	REV
	3160246	Ref	<b>SWING MOTOR ASSEMBLY</b>	D
1	See Note	NSS	Front Case Assembly (Note: Use p/n 3160246)	
1A	70001093	1	Shaft, Output	
1B	See Note	NSS	Case, Front (Note: Use p/n 3160246)	
1C	See Note	NSS	Washer (Note: Not Available for Purchase)	
1D	70001094	1	Bearing, Front	
1E	7022588	1	Bearing, Rear	
1F	See Note	NSS	Ring, Split (Note: Not Available for Purchase)	
1G	See Note	NSS	Seal, Face (Note: Use Item 100)	
1H	See Note	NSS	Seal, Shaft (Note: Use Item 100)	
2	70001088	1	Rotary Group	
3	70001089	1	Rear Case Assembly	
3A	See Note	NSS	Case, Rear (Note: Use Item 3)	
3B	See Note	NSS	Distributor (Note: Use Item 3)	
3C	See Note	NSS	Pin, Stop (Note: Use Item 3)	
3D	See Note	NSS	Spring (Note: Use Item 3)	
3E	See Note	NSS	Plug (Note: Use Item 3)	
3F	See Note	NSS	Seal, Rod (Two Piece) 70mm (Note: Use Item 100)	
3G	See Note	NSS	Seal, Rod (Two Piece) 77mm (Note: Use Item 100)	
3H	See Note	NSS	Seal, Rod (Two Piece) 84mm (Note: Use Item 100)	
4	70001090	1	Brake Assembly	
4A	See Note	NSS	Housing (Note: Use Item 4)	
4B	70001095	1	Piston	
4C	See Note	NSS	Cover, End (Note: Use Item 4)	
4D	7022595	15	Plate, Outer	
4E	7022596	13	Plate, Inner	
4F	7022593	1	Shim	
4G	7022594	2	Shim	
4H	See Note	NSS	Gasket (Note: Use Item 100)	
4J	See Note	NSS	O-Ring (Square) (Note: Use Item 100)	
4K	70001096	1	Seal, Outer	
4L	4031707	12	Bolt M6 x 16	
4M	4032011	8	Bolt M10 x 35	
4N	70001097	1	Spring, Disk	
4P	See Note	NSS	Washer (Note: Not Available for Purchase)	
5	See Note	NSS	O-Ring (Square) (Note: Use Item 100)	
6	See Note	NSS	O-Ring (Square) (Note: Use Item 100)	
7	70001091	6	Bolt M12 x 55-12.9	
100	70001092	1	Seal Kit (Includes Items 1G, 1H, 3F, 3G, 3H, 4H, 4J, 5 & 6)	

# SECTION 2 - TURNTABLE

FIGURE 2-5. SWING MOTOR ASSEMBLY (SN 0300058845 through 0300219271)



SECTION 2 - TURNTABLE



Go to Discount Equipment.com to order your parts

## SECTION 2 - TURNTABLE

FIGURE 2-5. SWING MOTOR ASSEMBLY (SN 0300058845 through 0300219271)

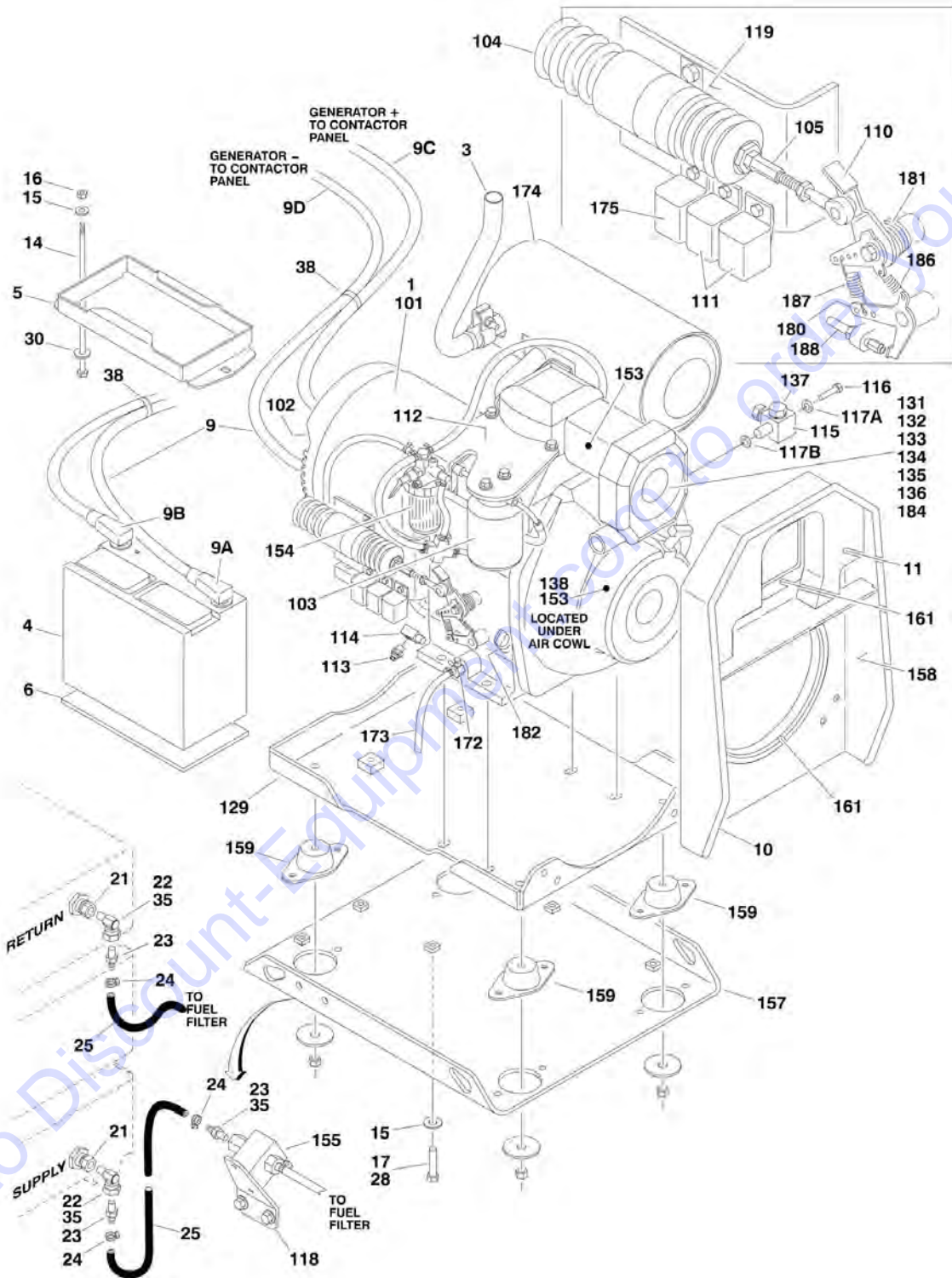
ITEM	PART NUMBER	QTY	DESCRIPTION	REV
	3160257	Ref	<b>SWING MOTOR ASSEMBLY</b>	C
1	See Note	NSS	Housing Assembly (Note: Use p/n 3160257)	
1A	7017069	1	Shaft, Output	
1B	See Note	NSS	Seal, Lip (Note: Use Item 50)	
1C	7000255	1	Bearing, Tapered-Cup	
1D	7000256	1	Bearing, Tapered-Cone	
1E	7000257	1	Bearing, Tapered-Cup	
1F	7000258	1	Bearing, Tapered-Cone	
1G	7017071	1	Housing	
1H	7007633	1	Thrustwasher	
1I	See Note	NSS	Ring, Retaining (Note: Use Item 50)	
1J	7017072	1	Plug, Pipe (With O-Ring)	
2	7000203	1	Gear, Ring	
3	See Note	NSS	Carrier Assembly (Note: Not Available - Purchase Individual Components)	
3A	7017074	1	Carrier	
3B	7001908	6	Thrustwasher -Tanged	
3C	7007637	96	Bearing, Needle	
3D	7000263	3	Spacer, Thrust	
3E	7017073	3	Shaft, Planet	
3F	7017075	3	Gear, Planet	
3G	7001913	3	Pin, Roll	
4	7017023	1	Plug, Pipe (With O-Ring)	
5	See Note	NSS	O-Ring (Special) (Note: Use Item 50)	
5A	See Note	NSS	O-Ring (White) (Note: Use Item 50)	
6	7017077	1	Hub, Brake	
8	7017079	1	Brake, Input	
8	7024199	1	Friction Disc Kit	
8	7024700	1	Spring Kit	
8	7024701	1	Brake Seal Kit	
9	7017076	1	Gear, Sun	
10	7017088	1	Motor, Hydraulic	
11	See Note	NSS	Thrustwasher (Note: Use Item 50)	
12	See Note	NSS	Bolt (Note: Use Item 50)	
13	7017082	1	Plug, Pipe (With O-Ring)	
14	7017080	4	Pin, Dowel	
15	7024136	4	Bolt	
17	7017085	1	Elbow	
18	7017083	2	Nut, Tube	
19	7017084	2	Tube, Female	
20	7017087	1	Tubing	
21	7017086	1	Connector, Straight	
24	See Note	NSS	Plate, ID (Note: Not Available for Purchase)	
25	7000281	2	Screw, Drive	
26	See Note	NSS	O-Ring (Note: Use Item 50)	
28	7017078	1	Spacer, Input	
29	7001926	2	Plug, Pipe (With O-Ring)	
31	4640741	1	Valve, Motor Control	
33	See Note	NSS	Washer, Flat (Note: Use Item 50)	
34	7024135	4	Bolt	

## SECTION 2 - TURNTABLE

ITEM	PART NUMBER	QTY	DESCRIPTION	REV
50	7024136	1	Seal Kit (Includes Items 1B, 11, 5, 5A, 11, 12, 15, 26 & 33)	B
	7017088	Ref	<b>HYDRAULIC MOTOR ASSEMBLY</b>	
101	7024382	7	Bolt	
102	7004035	1	Cover, End	
103	See Note	NSS	Seal, Commutator (Note: Use Item 150)	
104	See Note	NSS	Seal, Ring (Note: Use Item 150)	
105	7024378	1	Commutator and Ring Assembly	
107	7024379	1	Manifold	
108	7024383	1	Rotor Set	
108	See Note	NSS	Rotor (Note: Use p/n 7024383)	
108	See Note	NSS	Stator (Note: Use p/n 7024383)	
108	See Note	NSS	Vane (Note: Use p/n 7024383)	
109	7024380	1	Plate, Wear	
110	7024384	1	Link, Drive	
112	7024386	1	Shaft, Coupling	
113	7024381	1	Bushing, Bronze	
114	7004043	2	Thrustwasher	
115	7004044	1	Bearing, Thrust	
116	See Note	NSS	Seal, Inner (Note: Use Item 150)	
117	See Note	NSS	Washer, Back-up (Note: Use Item 150)	
118	7024385	1	Housing	
118A	See Note	NSS	O-Ring (Note: Use Item 150)	
121	7010795	2	Plug	
122	7024387	2	O-Ring	
123	7024388	2	Spring	
124	7017088	1	Valve (Note: Not Available for Purchase)	
125	See Note	NSS	Washer, Back-up (Note: Use Item 150)	
150	7024389	1	Seal Kit (Includes Items 103, 104, 116, 117, 118A & 125)	

## SECTION 2 - TURNTABLE

FIGURE 2-6. YANMAR GENERATOR COMPONENTS INSTALLATION (M600/M600J/M600JP ONLY)  
(Prior to SN 0300088375)





## SECTION 2 - TURNTABLE

**FIGURE 2-6. YANMAR GENERATOR COMPONENTS INSTALLATION (M600/M600J/M600JP ONLY)  
(Prior to SN 0300088375)**

ITEM	PART NUMBER	QTY	DESCRIPTION	REV
		Ref	<b>MOTOR/GENERATOR INSTALLATION OPTIONS:</b>	
	0259958	Ref	<b>Yanmar (Diesel/Non-Catalytic)</b>	6/D
	0270867	Ref	<b>Yanmar (Diesel/Catalytic)</b>	2/A
1		Ref	Motor/Generator Assembly Options: (See Items 101-187 for Breakdown)	
1	0270118	1	Non-Catalytic Machines <b>(Prior to SN 0300061331)</b>	
1	0271642	1	Non-Catalytic Machines <b>(SN 0300061331 through 0300088375)</b>	
1	0270866	1	Catalytic Machines <b>(Prior to SN 0300061331)</b>	
1	0271643	1	Catalytic Machines <b>(SN 0300061331 through 0300088375)</b>	
3	4568100	1	Tube, Exhaust	
3	7023497	1	Clamp	
4	0400201	1	Battery	
5	0902659	1	Bracket, Battery Hold-Down	
6	3980035	1	Seat, Battery	
9	2901913	1	Battery Cable Kit	2
9A	1060819	1	Cable, Battery (Battery - to Ground)	
9B	1060820	1	Cable, Battery (Battery + to Starter)	
9C	1060821	1	Cable, Battery (Generator + to Contactor Panel)	
9D	1060822	1	Cable, Battery (Generator - to Contactor Panel)	
10	3960389	5 ft/1.5m	Seal, Rubber	
11	2820124	1	Insulation, Noise Reduction	
14	0641660	2	Bolt 3/8in-16NC x 7-1/2in	
15	4751600	16	Flatwasher 3/8in Regular	
16	3311605	5	Locknut 3/8in-16NC	
17	0641614	6	Bolt 3/8in-16NC x 1-3/4in	
21	2220273	2	Fitting, Reducer	
22	2220063	2	Fitting, Elbow	
23	2220315	3	Fitting, Straight Barbed	
24	1320022	4	Clamp, Hose	
25	2720058	9 ft/2.75m	Hose, Fuel Line	
27	2200222	2	Plug, Pipe	
28	0100011	AR	Locking, Compound	
30	4711600	8	Flatwasher 3/8in Thin	
35	0100020	AR	Sealant, Pipe	
38	4240018	8	Tie-Strap	
39	1701505	1	Decal - Diesel Fuel (Not Shown - Located on Hood)	
	2902423	1	Service Kit - Mechron (Adds Separate Fuse for Engine Control)	
	2400080	1	Fuse 1Amp	
		Ref	<b>MOTOR/GENERATOR COMPONENT OPTIONS:</b>	
	0270118	Ref	<b>Non-Catalytic Machines (Prior to SN 0300061331)</b>	1/B
	0271642	Ref	<b>Non-Catalytic Machines (SN 0300061331 through 0300088375)</b>	D
	0270866	Ref	<b>Catalytic Machines (Prior to SN 0300061331)</b>	1/A
	0271643	Ref	<b>Catalytic Machines (SN 0300061331 through 0300088375)</b>	B
101		Ref	Motor, Yanmar Options:	
101	7018126	1	All except Non-Catalytic <b>(SN 0300074824 through 0300088375)</b>	
101	7026198	1	Non-Catalytic <b>(SN 0300074824 through 0300088375)</b>	
102		Ref	Alternator	

## SECTION 2 - TURNTABLE

ITEM	PART NUMBER	QTY	DESCRIPTION	REV
102	7020203	1	Alternator (Prior to SN 0300061331)	
102	7026662	1	Voltage/Amp Sensor (Prior to SN 0300061331)	
102	7023485	1	Alternator (SN 0300061331 through 0300088375)	
103	7020215	1	Filter, Oil	
104	7020167	1	Solenoid, Throttle	
105	7020166	1	Swivel, In-line	
110	7018125	1	Handle, Regulator	
111	70000323	2	Relay, Bosch (was p/n 7020207)	
112	0902640	1	Plate, Oil Filter Mounting	
113	7018127	1	Switch, Pressure	
114	7020164	1	Fitting, Adapter	
115	7020163	1	Adapter, Oil Drain	
116		Ref	Bolt, Banjo Options:	
116	7020162	1	All except Non-Catalytic (SN 0300074824 through 0300088375)	
116	See Note	NSS	Non-Catalytic (Note: Not Available for Purchase) (SN 0300074824 through 0300088375)	
117		Ref	Washer, Sealing Options:	
117A	7023494	1	Fits Between Banjo Bolt and Fitting	
117B	7024303	1	Fits Between Fitting and Engine Block	
118	3572403	1	Plate, Fuel Pump Mounting	
119	7020161	1	Bracket	
129	4846190	1	Baseplate	
131		Ref	Flange, Air Intake Options:	
131	7020160	1	All except Non-Catalytic (SN 0300074824 through 0300088375)	
131	See Note	NSS	Non-Catalytic (Note: Not Available for Purchase) (SN 0300074824 through 0300088375)	
132	7020159	1	Flange, Air Intake	
133	7020165	1	Heater, Air	
134	7018123	2	Gasket, Air Cleaner	
135	7018122	2	Gasket, Air Adapter	
136	7018124	1	Cover, Air Filter	
137	7020158	1	Probe, Temperature	
138	7020157	1	Bracket, Magnetic Pick-Up	
153	7020206	1	Sensor, Hall Effect Zero Speed	
154	7018141	1	Filter, Fuel	
154	7018143	1	Element, Fuel Filter	
155	7023218	1	Pump, Fuel	
157	4846188	1	Tray Weldment	
158	4846273	1	Tray Weldment	
159	70003042	4	Mount, Engine	
161		Ref	Seal Options:	
161	3960389	4 ft/1.2m	All except Non-Catalytic (SN 0300074824 through 0300088375)	
161	See Note	NSS	Non-Catalytic (Note: Not Available for Purchase) (SN 0300074824 through 0300088375)	
172	7023211	1	Valve, Oil Drain Line	
173	See Note	6 in/15cm	Hose (Note: Not Available for Purchase)	
174		Ref	Muffler Options:	
174	3220120	1	Non-Catalytic	
174	3220123	1	Catalytic	
175		Ref	Relay Options:	

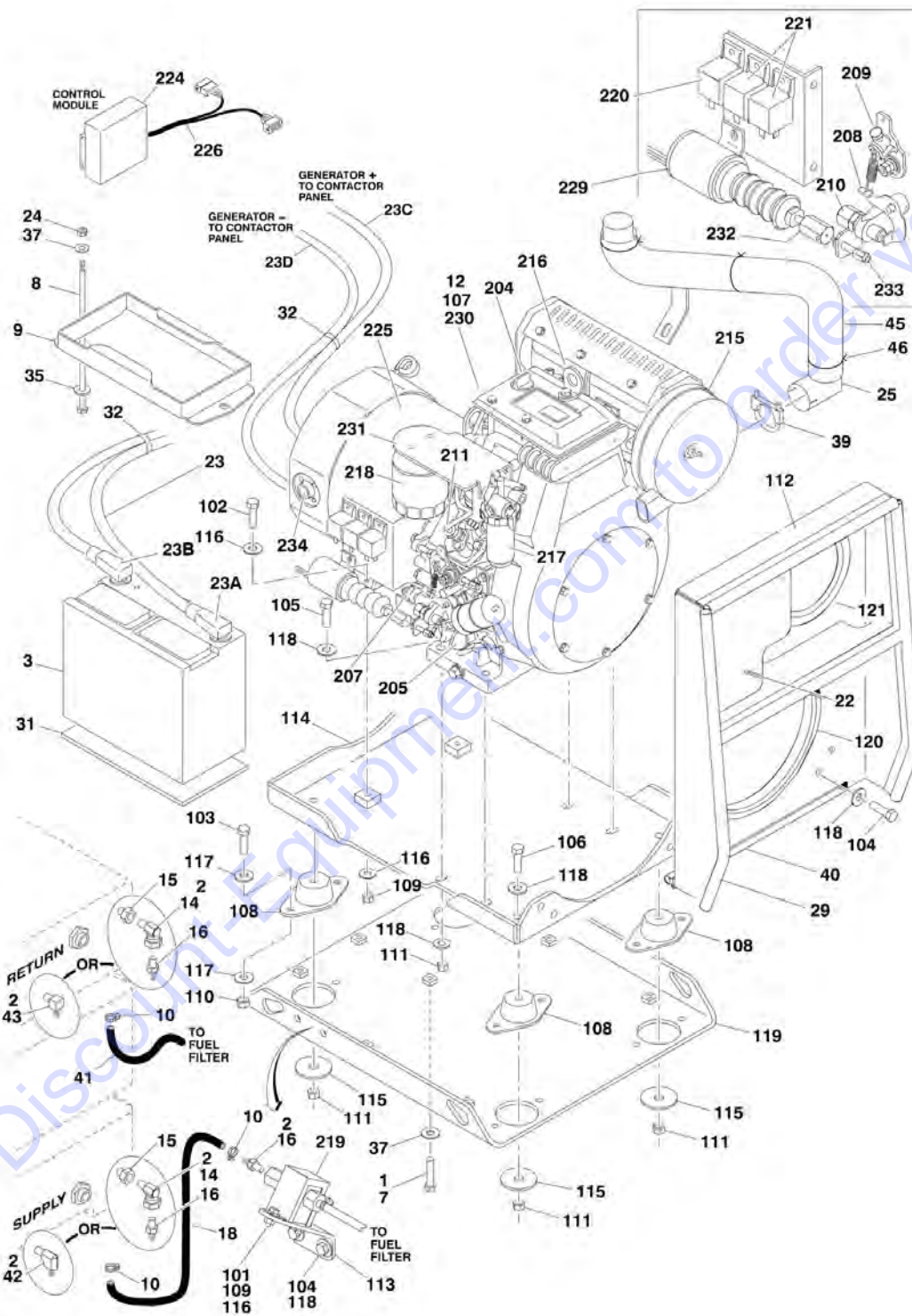
**SECTION 2 - TURNTABLE**

ITEM	PART NUMBER	QTY	DESCRIPTION	REV
175	7020207	1	All except Non-Catalytic (SN 0300074824 through 0300088375)	
175	7023274	1	Non-Catalytic (SN 0300074824 through 0300088375)	
180	7020197	1	Lever	
181	7020198	1	Spring	
182	7020199	1	Dipstick	
183	7020202	1	Starter (Not Shown - Located Below Muffler)	
184	7020217	1	Element, Air Filter	
185	7020200	1	Regulator, Voltage (Not Shown)	
186	7026670	1	Spring, Return	
187	7026669	1	Spring, Governor	
188	70003925	1	Screw	

Go to Discount-Equipment.com to order your parts

# SECTION 2 - TURNTABLE

FIGURE 2-7. KUBOTA GENERATOR COMPONENTS INSTALLATION (M600/M600J/M600JP ONLY)  
(SN 0300088375 through 0300219271)



## SECTION 2 - TURNTABLE

**FIGURE 2-7. KUBOTA GENERATOR COMPONENTS INSTALLATION (M600/M600J/M600JP ONLY)  
(SN 0300088375 through 0300219271)**

ITEM	PART NUMBER	QTY	DESCRIPTION	REV
		Ref	<b>Note: For UK MOD machines, refer to Parts Manuals p/n 3121695.</b>	
		Ref	<b>MOTOR/GENERATOR INSTALLATION</b>	
	0274707	Ref	<b>Motor/Generator Installation with Standard Battery (Use p/n 1001159359) (SN 0300088375 through 0300182862)</b>	F
	1001159359	Ref	<b>Motor/Generator Installation with Standard Battery (SN 0300182863 through 0300219271)</b>	F
	1001196512	Ref	<b>Motor/Generator Installation with AGM Battery</b>	B
1	0100011	AR	Locking, Compound	
2	0100020	AR	Sealant, Pipe	
3	0400201	1	Battery, Standard	
3	1001196117	1	Battery, AGM	
7	0641614	6	Bolt 3/8in-16NC x 1-3/4in	
8	0641660	2	Bolt 3/8in-16NC x 7-1/2in	
9	0902659	1	Bracket, Battery Hold-Down	
10	1320022	4	Clamp, Hose	
11	1701505	1	Decal - Diesel Fuel (Not Shown - Located on Hood)	
12		Ref	Engine, Kubota Options:	
12	2000330	NLA	Engine, Kubota (Use p/n 1001159357) <b>(Prior to SN 0300182863)</b>	
12	1001159357	1	Engine, Kubota <b>(SN 0300182863 through 0300219271)</b>	
13	2200222	2	Plug, Pipe (Not Shown - Fuel Tank)	
14	2220063	2	Fitting, Elbow Only <b>(Prior to SN 0300098980)</b>	
15	2220273	2	Fitting, Reducer Only <b>(Prior to SN 0300098980)</b>	
16		Ref	Fitting, Straight Barbed Options:	
16	2220315	AR	Fitting, Straight Barbed <b>(Prior to SN 0300196754)</b>	
16	2220794	AR	Fitting, Straight Barbed <b>(SN 0300196754 through 0300219271)</b>	
18	2720058	3.5 ft /1.07m	Hose, Fuel Line	
22	2820232	1	Insulation, Noise Reduction	
23	2901913	1	Battery Cable Kit	2
23A	1060819	1	Cable, Battery (Battery - to Ground)	
23B	1060820	1	Cable, Battery (Battery + to Starter)	
23C	1060821	1	Cable, Battery (Generator + to Contactor Panel)	
23D	1060822	1	Cable, Battery (Generator - to Contactor Panel)	
24	3311605	2	Locknut 3/8in-16NC	
25	3460492	1	Tube, Exhaust	
29	3960389	5.6 ft /1.8m	Seal, Rubber <b>(Prior to SN 0300213968)</b>	
31	3980035	1	Seat, Battery	
32	4240018	AR	Tie-Strap	
35	4711600	2	Flatwasher 3/8in Thin	
37	4751600	16	Flatwasher 3/8in Regular	
39	1320135	1	Clamp, Muffler	
40	3960418	1.1 ft /0.34m	Seal, Rubber	
41	2720271	5.5 ft /1.8m	Hose, Fuel Line	
42	2221046	1	Fitting, Elbow Barbed <b>(SN 0300098980 through 0300219271)</b>	
43	2221047	1	Fitting, Elbow Barbed <b>(SN 0300098980 through 0300219271)</b>	

## SECTION 2 - TURNTABLE

ITEM	PART NUMBER	QTY	DESCRIPTION	REV
44	4240178	AR	Strap, Cable Tie	
45	1001208628	1	Sleeve (SN 0300213968 through 0300219271)	
46	4920385	8 in /20.42cm	Wire, Safety (SN 0300213968 through 0300219271)	
		Ref	<b>GENERATOR ASSEMBLY</b>	
	2000330	Ref	<b>Generator Assembly (Use p/n 1001159357) (Prior to SN 0300182863)</b>	G
	1001159357	Ref	<b>Generator Assembly (SN 0300182863 through 0300219271)</b>	C
101	0641406	2	Bolt 1/4in-20NC x 3/4in	
102	0641408	2	Bolt 1/4in-20NC x 1in	
103	0641508	8	Bolt 5/16in-18NC x 1in	
104	0641606	6	Bolt 3/8in-16NC x 3/4in	
105	0641614	4	Bolt 3/8in-16NC x 1-3/4in	
106	0641618	4	Bolt 3/8in-16NC x 2-1/4in	
107		Ref	Engine, Kubota Options:	
107	2000333	NLA	Engine, Kubota (Use p/n 1001159355) (Prior to SN 0300182863)	
107	1001159355	1	Engine, Kubota (SN 0300182863 through 0300219271)	
108	3200425	4	Mount, Motor	
109	3311405	4	Locknut 1/4in-20NC	
110	3311505	8	Locknut 5/16in-18NC	
111	3311605	8	Locknut 3/8in-16NC	
112	3380620	1	Engine, Baffle	
113	4341107	1	Plate, Fuel Pump Mounting	
114	4341109	1	Plate, Engine Mounting	
115	4740274	4	Washer, Snubbing	
116	4751400	8	Flatwasher 1/4in Regular	
117	4751500	16	Flatwasher 5/16in Regular	
118	4751600	18	Flatwasher 3/8in Regular	
119	4846188	1	Tray	
120	3960389	18 in /46cm	Seal	
121	3960418	28 in /71cm	Seal	
		Ref	<b>KUBOTA ENGINE COMPONENTS</b>	
	2000333	Ref	<b>Kubota Engine Components (Use p/n 1001159355) (Prior to SN 0300182863)</b>	C
	1001159355	Ref	<b>Kubota Engine Components (SN 0300182863 through 0300219271)</b>	A
201	70000289	1	Regulator, Voltage (Not Shown - Located on Opposite Side of Engine)	
202	70000290	1	Glow Plug (Not Shown)	
202	70000291	1	Harness, Glow Plug (Not Shown)	
203	70000292	1	Screen, Oil Sump (Not Shown) (Includes O-Ring)	
204	70002244	1	Cap, Oil Filler (Shown - Top of Engine)	
204	70000293	1	Cap, Oil Filler (Not Shown - Located on Opposite Side of Engine)	
205	70000294	1	Gauge, Oil	
206	70000295	1	Pump, Oil Rotor (Not Shown - Located Beside Item 207)	
206	70000296	1	O-Ring, Oil Rotor Pump (Not Shown)	
207	70000297	1	Switch, Oil	
208	70000298	1	Lever, Governor	
208	70000299	1	Pin, Governor Lever	
208	70000300	1	Spring, Governor Lever	

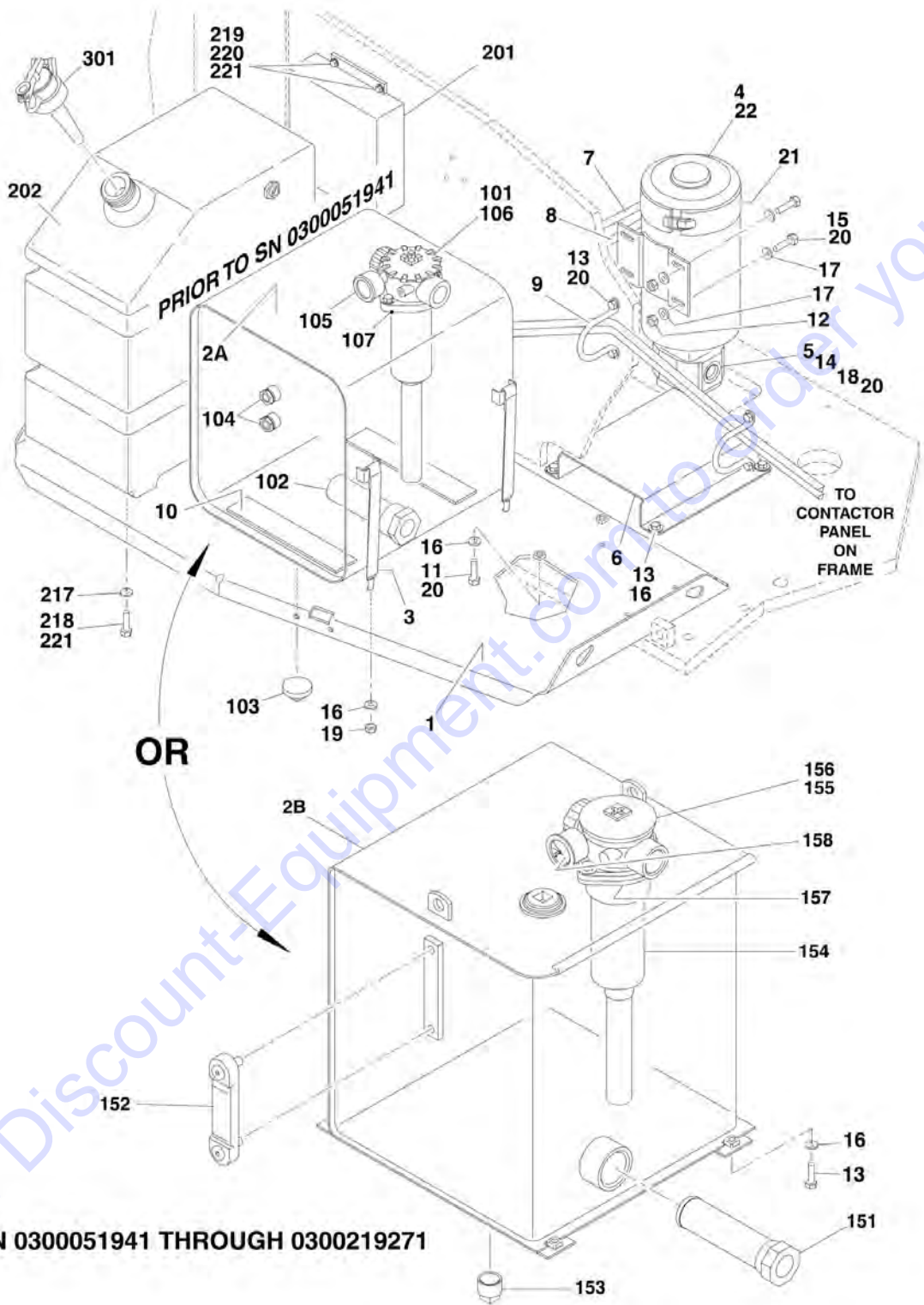


## SECTION 2 - TURNTABLE

ITEM	PART NUMBER	QTY	DESCRIPTION	REV
209	70000301	1	Spring, Idling (Not Shown)	
209	70000304	1	Lever, Spring Control	
209	70000305	1	Spring, Stop (Speed Control Lever)	
210	70000302	1	Valve, Fuel Limit	
210	70000303	1	Gasket, Fuel Limit Valve	
211	70000306	1	Pump, Injection	
211	70000307	1	Kit, Pump Adjustment Shim	
212	70000308	1	Flywheel/Ring Gear Assembly (Not Shown - Located Behind Front Cover)	
212	70000309	1	Ring Gear (Not Shown)	
212	70001121	1	Stator, Starter (Not Shown - Located Behind Flywheel)	
213	70000310	1	Starter (Not Shown - Located on Opposite Side of Engine)	
214	70000311	1	Solenoid, Starter (Not Shown - Located on Opposite Side of Engine)	
215	70000312	1	Air Cleaner Assembly	
215	70000313	1	Element, Air Cleaner	
215	70000314	1	Gasket, Air Cleaner	
216	70000315	1	Muffler Assembly	
216	70000316	1	Gasket, Muffler	
217	70000317	1	Inline Fuel Check Valve Assembly (Not Shown)	
217	70000967	1	Fuel Filter Assembly	
217	70000318	1	Element, Fuel Filter	
218	70000319	1	Element, Oil Filter	
218	70001144	1	Head, Oil Filter Element (Note: Does no Include Lube Element)	
219	70000320	1	Pump, Fuel	
220	70000322	1	Relay	
221	70000323	2	Relay	
222	70000324	1	Sensor, Speed (Not Shown - Located Behind Front Cover)	
222	70004265	1	Bracket, Speed Sensor (Not Shown - Located Behind Front Cover)	
223	70000325	1	Sensor, Oil Temperature (Not Shown - Located on Opposite Side of Engine at Base)	
224	70000326	1	Module, Engine Control	
224	70005169	1	Harness, Analyzer	
225	70000327	1	Alternator	
225	70000382	1	Stator, Alternator	
225	70004954	4	Screw, Countersunk (Attaches Alternator to Engine)	
226	70000328	1	Harness, Engine	
227	70000329	1	Fuse 15Amp (Not Shown)	
228	70000330	1	Fuse 20Amp (Not Shown)	
229	70000321	1	Solenoid, Fuel	
230	70002543	1	Engine (Without Generator)	
231	70002544	1	Bracket, Oil Filter	
232	70003618	1	Adapter, Solenoid Cable	
233	70003619	1	Screw	
234	70005192	1	Receptacle, Female - 7 Position	
234	70005193	7	Socket, Female	

# SECTION 2 - TURNTABLE

## FIGURE 2-8. PUMP/MOTOR, TANKS AND MODULE INSTALLATION



## SECTION 2 - TURNTABLE

**FIGURE 2-8. PUMP/MOTOR, TANKS AND MODULE INSTALLATION**

ITEM	PART NUMBER	QTY	DESCRIPTION	REV
	0259944	Ref	<b>HYDRAULIC TANK AND PUMP/MOTOR INSTALLATION (Prior to SN 0300196439)</b>	G
	1001174891	Ref	<b>HYDRAULIC TANK AND PUMP/MOTOR INSTALLATION (SN 0300196439 through 0300219271)</b>	D
1	4846178	1	Tray Weldment	
2		Ref	Tank Assembly - Hydraulic Options:	
		Ref	<b>Note: Tank p/n 4400455 may be used as replacement when replacing complete Tank Assembly</b>	
2A	4400424	1	Tank Assembly - Hydraulic (See Items 101-107 for Breakdown) <b>(Prior to SN 0300051941)</b>	
2B	4400455	1	Tank Assembly - Hydraulic (See Items 151-158 for Breakdown) <b>(SN 0300051941 through 0300219271)</b>	
3	4240112	4	Strap, Tank <b>(Prior to SN 0300051941)</b>	
4	3160252	1	Electricity Motor Assembly (See ELECTRICAL MOTOR ASSEMBLY for Breakdown)	A
5	3600310	1	Pump Assembly (See PUMP ASSEMBLY for Breakdown)	
6	4846185	AR	Channel <b>(Prior to SN 0300196439)</b>	
7	1060794	1	Cable, Electrical	
8	1060795	1	Cable, Electrical	
9	3841340	4	Loop, Rod Only <b>(Prior to SN 0300167052)</b>	
10	4420038	30 in /76cm	Tape, Rubber	
11	0641614	7	Bolt 3/8in-16NC x 1-3/4in	
12	3311505	4	Locknut 5/16in-18NC	
13	0641606	AR	Bolt 3/8in-16NC x 3/4in	
14	0700812	2	Bolt M8 x 25mm	
15	0641507	4	Bolt 5/16in-18NC x 7/8in	
15	0641511	4	Bolt 5/16in-18NC x 1-3/8	
16	4751600	AR	Flatwasher 3/8in Regular	
17	4751500	AR	Flatwasher 5/16in Regular	
18	4891500	2	Flatwasher 5/16in Hardened	
19	3311601	4	Nut 3/8in-16NC	
20	0100011	AR	Locking, Compound	
22	3020037	AR	Grease, Coupling	
	4400424	Ref	<b>HYDRAULIC TANK ASSEMBLY (Prior to SN 0300051941)</b>	E
101	7023268	1	Filter with Pressure Switch (Also Includes Items 105-107)	
101	7023224	1	Element, Filter	
101	7023268	1	Breather with Pressure Switch (was p/n 7020254)	
101	7023269	1	Element, Breather	
102	7020253	1	Strainer, Suction	
103	7014813	1	Plug, Magnetic	
104	7020255	2	Bulb, Sight	
105	7023270	1	Gauge, Indicator	
106	7023306	1	Seal, Cover Plate	
107	7023347	1	Gasket	
	4400455	Ref	<b>HYDRAULIC TANK ASSEMBLY (SN 0300051941 through 0300219271)</b>	E
151	7026121	1	Strainer, Suction	
152	7024441	1	Gauge, Level Indicator	
153	7024446	1	Plug, Magnetic	
154	7023268	1	Filter with Pressure Switch	

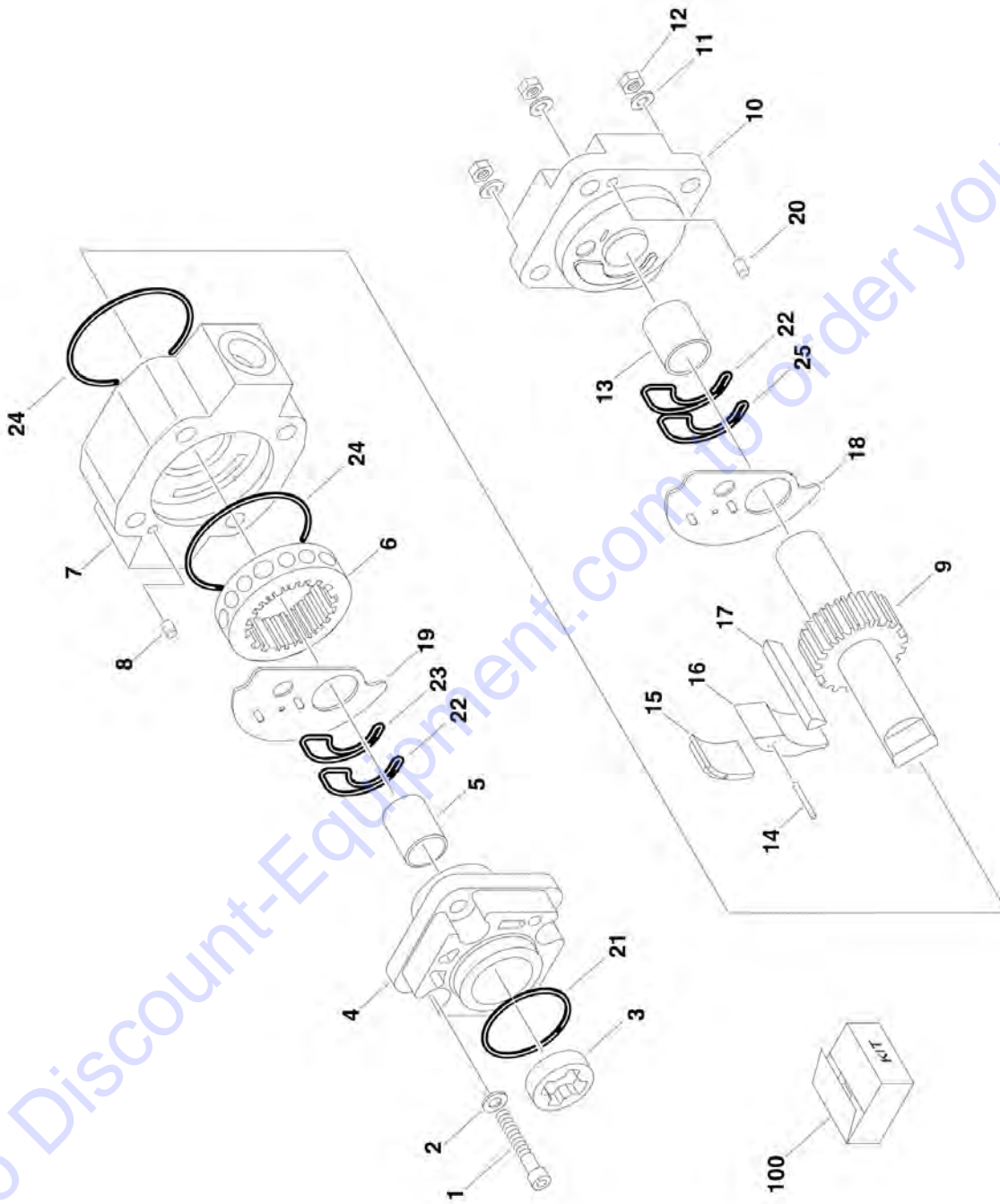
## SECTION 2 - TURNTABLE

ITEM	PART NUMBER	QTY	DESCRIPTION	REV
154	7023224	1	Element, Filter	
155	7023268	1	Breather with Pressure Switch (was p/n 7020254)	
155	7023269	1	Element, Breather	
156	7023306	1	Seal, Cover Plate	
157	7023347	1	Gasket	
158	7023270	1	Gauge, Indicator	
		Ref	<b>FUEL TANK AND CONTROL MODULE INSTALLATION (M600/M600J/M600JP ONLY) OPTIONS:</b>	
	0259958	Ref	<b>Yanmar Engine (Diesel/Non-Catalytic) (Prior to SN 0300088375)</b>	6/D
	0270867	Ref	<b>Yanmar Engine (Diesel/Catalytic) (Prior to SN 0300088375)</b>	2/A
	0274707	Ref	<b>Kubota Engine with Standard Battery (SN 0300088375 through 0300182862)</b>	F
	1001159359	Ref	<b>Kubota Engine with Standard Battery (SN 0300182863 through 0300219271)</b>	F
	1001196512	Ref	<b>Kubota Engine with AGM Battery</b>	B
201		Ref	Module, Contactor Options:	
201	7020156	1	Yanmar Engine	
201	7020155	1	Harness, Module (Not Shown)	
201	70000326	1	Kubota Engine	
201	70000328	1	Harness, Module (Not Shown)	
202	4400430	1	Tank, Molded (Includes Non-Locking Cap - See Item 301)	
217	4751600	4	Flatwasher 3/8in Regular	
218	0641606	4	Bolt 3/8in-16NC x 3/4in	
219	0641406	4	Bolt 1/4in-20NC x 3/4in	
220	4711400	4	Flatwasher 1/4in Thin	
221	0100011	AR	Locking, Compound	
		Ref	<b>FUEL TANK CAP OPTIONS: (M600/M600J/M600JP ONLY)</b>	
301		Ref	Cap Options:	
301	7020257	1	Non-Locking Cap (Supplied with Tank)	
301	7016649	1	Seal, Cap	
301	1120487	1	Locking Cap - Diesel Machines (Supplied with Tank)	



# SECTION 2 - TURNTABLE

## FIGURE 2-9. PUMP ASSEMBLY





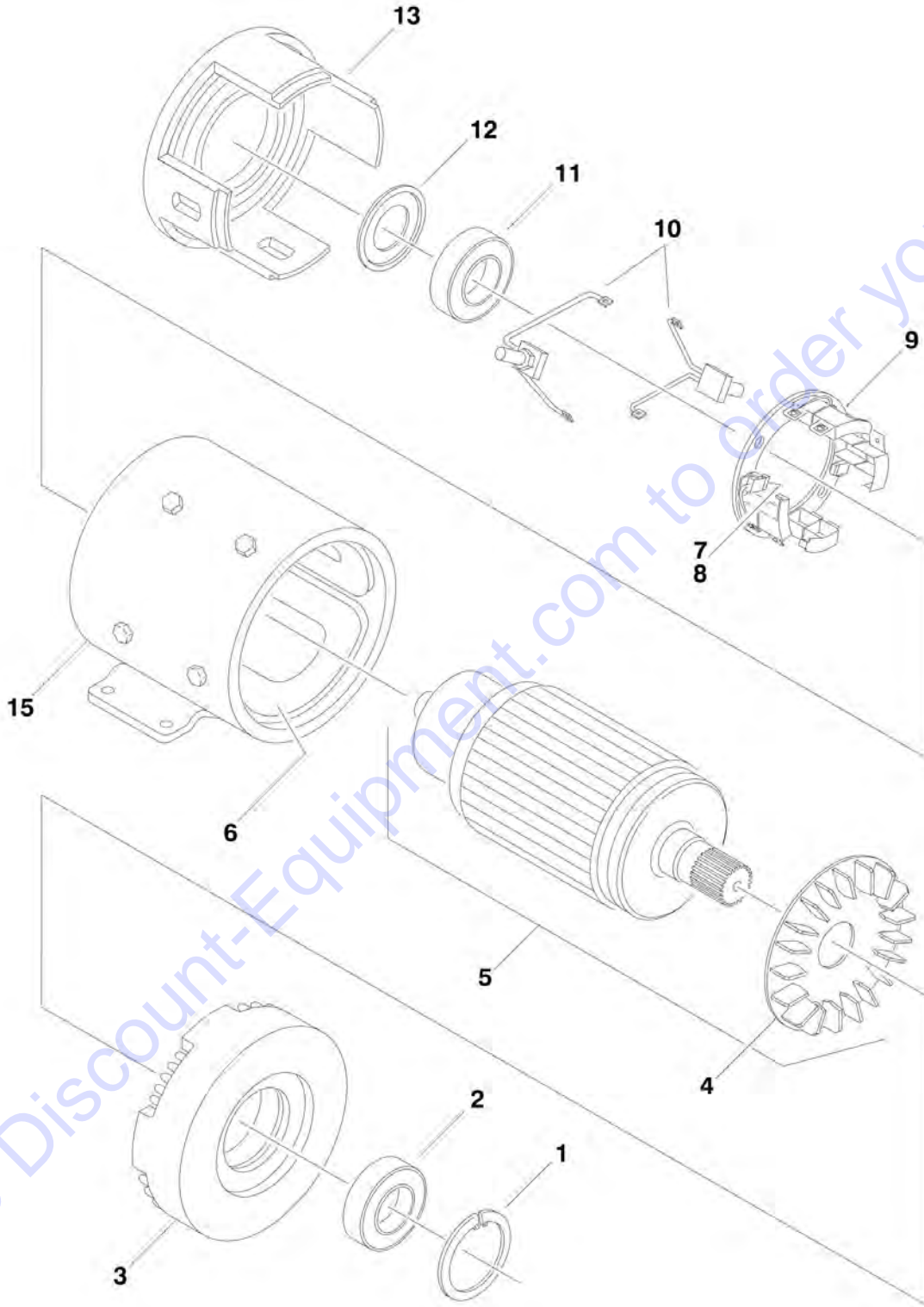
**SECTION 2 - TURNTABLE**

**FIGURE 2-9. PUMP ASSEMBLY**

ITEM	PART NUMBER	QTY	DESCRIPTION	REV
	3600310	Ref	<b>PUMP ASSEMBLY</b>	
1	See Note	NSS	Bolt (Note: Use p/n 3600310)	
2	See Note	NSS	Flatwasher (Note: Use p/n 3600310)	
3	See Note	NSS	Coupling (Note: Use p/n 3600310)	
4	See Note	NSS	Cap, End (Note: Use p/n 3600310)	
5	See Note	NSS	Spacer (Note: Use p/n 3600310)	
6	See Note	NSS	Gear (Note: Use p/n 3600310)	
7	See Note	NSS	Housing (Note: Use p/n 3600310)	
8	See Note	NSS	Pin, Dowel (Note: Use p/n 3600310)	
9	See Note	NSS	Shaft (Note: Use p/n 3600310)	
10	See Note	NSS	Head (Note: Use p/n 3600310)	
11	See Note	NSS	Flatwasher (Note: Use p/n 3600310)	
12	See Note	NSS	Nut (Note: Use p/n 3600310)	
13	See Note	NSS	Spacer (Note: Use p/n 3600310)	
14	See Note	NSS	Pin (Note: Use p/n 3600310)	
15	See Note	NSS	Pad, Wear (Note: Use p/n 3600310)	
16	See Note	NSS	Cam (Note: Use p/n 3600310)	
17	See Note	NSS	Bar (Note: Use p/n 3600310)	
18	See Note	NSS	Plate (Note: Use p/n 3600310)	
19	See Note	NSS	Plate (Note: Use p/n 3600310)	
20	See Note	NSS	Pin, Dowel (Note: Use p/n 3600310)	
21	See Note	NSS	O-Ring (Note: Use Item 100)	
22	See Note	NSS	Ring, Thrust (Note: Use Item 100)	
23	See Note	NSS	Seal (Note: Use Item 100)	
24	See Note	NSS	O-Ring (Note: Use Item 100)	
25	See Note	NSS	Seal (Note: Use Item 100)	
100	7024056	1	Seal Kit (Includes Items 21-25)	

## SECTION 2 - TURNTABLE

FIGURE 2-10. ELECTRIC MOTOR ASSEMBLY



**SECTION 2 - TURNTABLE**

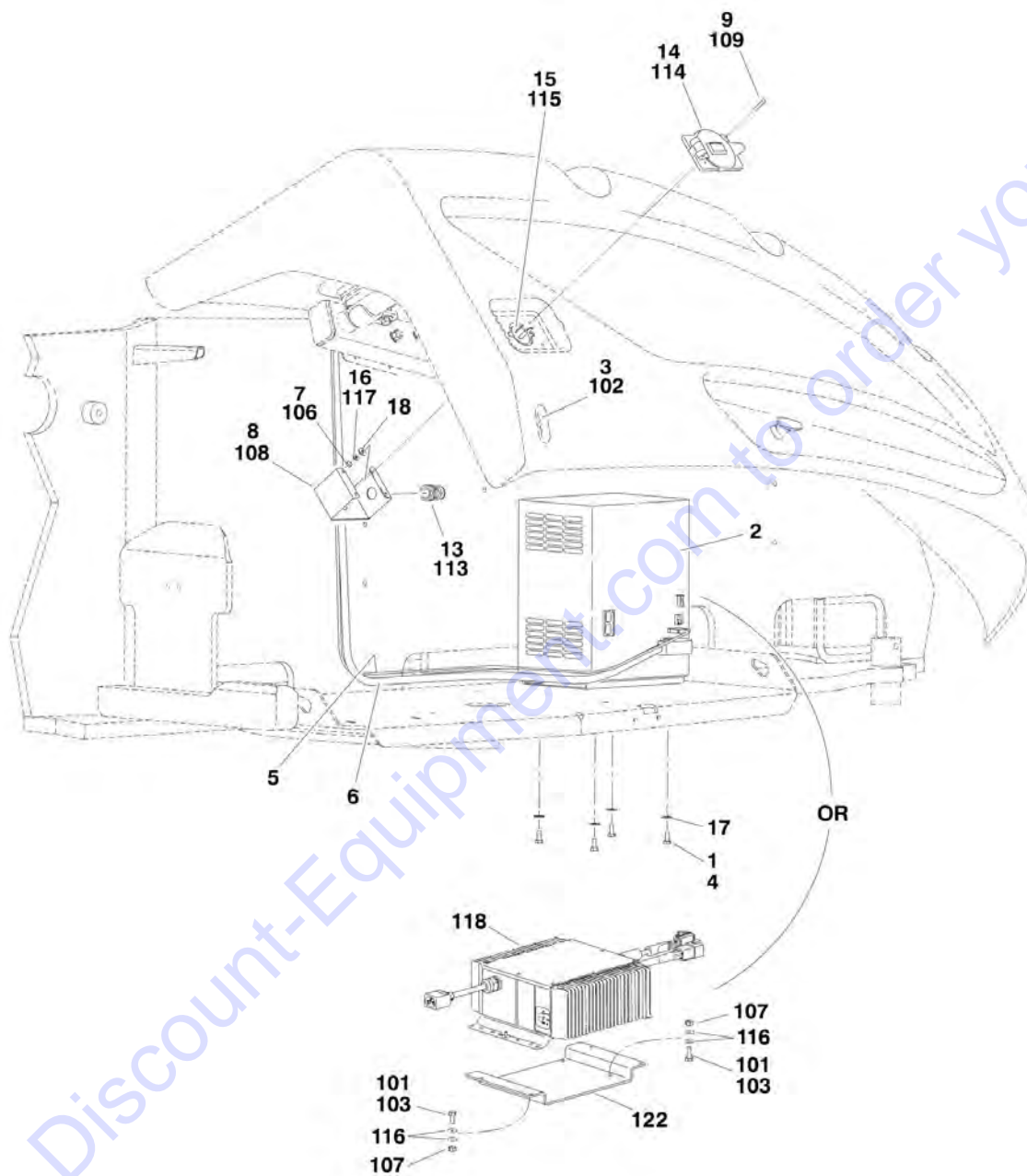
**FIGURE 2-10. ELECTRIC MOTOR ASSEMBLY**

ITEM	PART NUMBER	QTY	DESCRIPTION	REV
	3160252	Ref	<b>ELECTRIC MOTOR ASSEMBLY</b>	A
1	7020291	1	Ring, Retaining	
2	7020292	1	Bearing (Front Endhead)	
3	7020293	1	Endhead, Front	
4	7020294	1	Fan (Part of Item 5)	
5	7020295	1	Armature and Fan Assembly (Includes Item 4)	
6	7020296	1	Field Coil Kit	
7	7012548	4	Spring, Brush	
8	7020297	4	Brush	
9	7020298	1	Holder, Brush	
10	7020299	1	Brush Lead Kit	
11	7012545	1	Bearing (Rear Endhead)	
12	7012549	1	Washer, Wavy	
13	7023200	1	Endhead, Rear	
15	See Note	NSS	Housing (Note: Use p/n 3160252)	

Go to Discount-Equipment.com to order your parts

## SECTION 2 - TURNTABLE

FIGURE 2-11. BATTERY CHARGER INSTALLATIONS



## SECTION 2 - TURNTABLE

### FIGURE 2-11. BATTERY CHARGER INSTALLATIONS

ITEM	PART NUMBER	QTY	DESCRIPTION	REV
		Ref	<b>MAC BATTERY CHARGER INSTALLATIONS</b>	
	0270043	Ref	<b>120-240V/50-60Hz (CE Spec) (Prior to SN 0300104494)</b>	D
	1001092206	Ref	<b>120-240V/50-60Hz (CE Spec) (SN 0300104494 through 0300219271)</b>	B
	0270042	Ref	<b>250V/50Hz (Australian Spec)</b>	D
1	0100011	AR	Locking, Compound	
2		Ref	Battery Charger Assembly Options (See BATTERY CHARGER ASSEMBLY for Breakdown):	
2	0400190	1	120-240V/50-60Hz (CE Spec)	
2	0400191	1	250V/50Hz (Australian Spec)	
3	0610131	1	LED Light Assembly	
4	0641405	4	Bolt 1/4in-20NC x 5/8in	
5	1060813	1	Cable, Remote LED Light (See ELECTRICAL SECTION for Breakdown)	
6		Ref	Cable, Battery Options (See ELECTRICAL SECTION for Breakdown):	
6	1060814	1	120-240V/50-60Hz (CE Spec)	
6	1060814	1	250V/50Hz (Australian Spec)	
7	3311001	4	Nut #10-24NC	
8	3571584	1	Plate, Mounting	
9	3911016	4	Screw #10-24NC x 1in	
10	4240032	AR	Tie, Wire (Not Shown)	
11	4240033	AR	Tie, Wire (Not Shown)	
12	4460234	2	Tie, Wire (Not Shown)	
13	4460428	1	Connector, Strain Relief	
14		Ref	Cover, Terminal Options:	
14	4460802	1	120-240V/50-60Hz (CE Spec) <b>(Prior to SN 0300104494)</b>	
14	See Note	NSS	120-240V/50-60Hz (CE Spec) (Note: Not Available for Purchase) <b>(SN 0300104494 through 0300219271)</b>	
14	4460802	1	250V/50Hz (Australian Spec)	
15		Ref	Plug Options:	
15	See Note	NSS	120-240V/50-60Hz (CE Spec) (Note: Not Available - Purchase Locally)	
15	4460805	1	250V/50Hz (Australian Spec)	
16	4761000	4	Lockwasher #10	
17	4751400	4	Flatwasher 1/4in Regular	
18	4751000	8	Flatwasher #10 Regular (Used on Installation p/n 1001092206 Only)	
	1001162843	Ref	<b>DELTA-Q BATTERY CHARGER INSTALLATION</b>	A
	1001125781	Ref	<b>250V/50Hz (Australian Spec)</b>	E
	1001125778	Ref	<b>120-240V/50-60Hz (CE Spec)</b>	E
	1001162843	Ref	<b>120-230V/45Hz-65Hz (48Volt) (All Specs)</b>	E
101	0100011	AR	Locking, Compound	
102	0610131	1	Charger LED Assembly	
103	0641405	4	Bolt 1/4in-20NC x 5/8in	
103	0641406	4	Bolt 1/4in-20NC x 3/4in	
105	1060813	1	Cable, LED (Not Shown - See ELECTRICAL SECTION for Breakdown)	
106	3311001	4	Nut #10-24NC	
107	3311408	AR	Nut 1/4in-20NC	
108	3571584	1	Plate	

## SECTION 2 - TURNTABLE

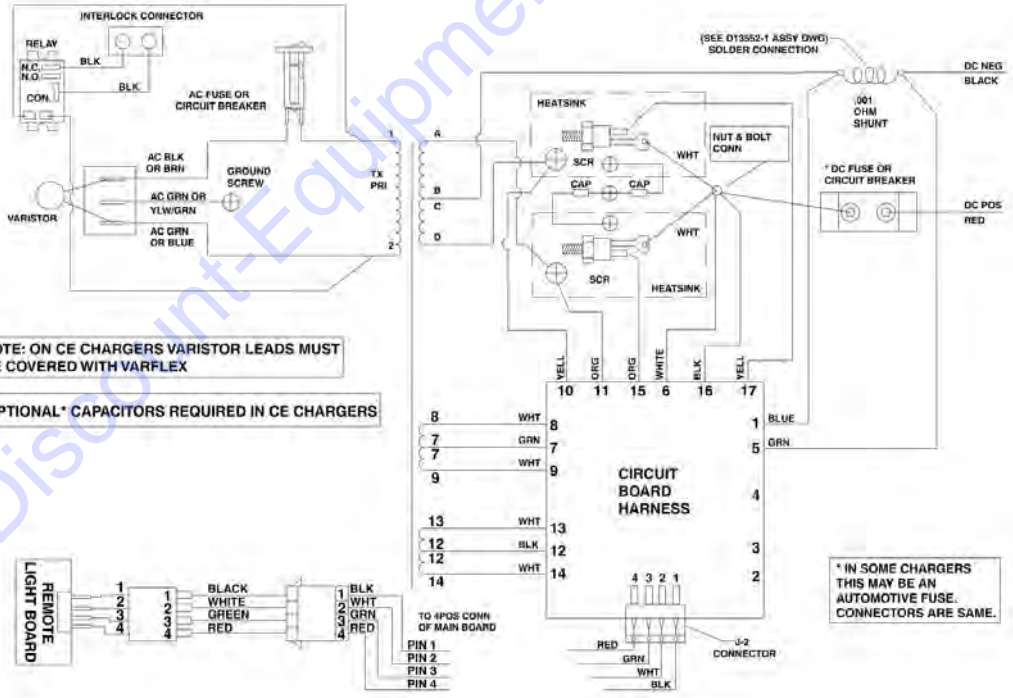
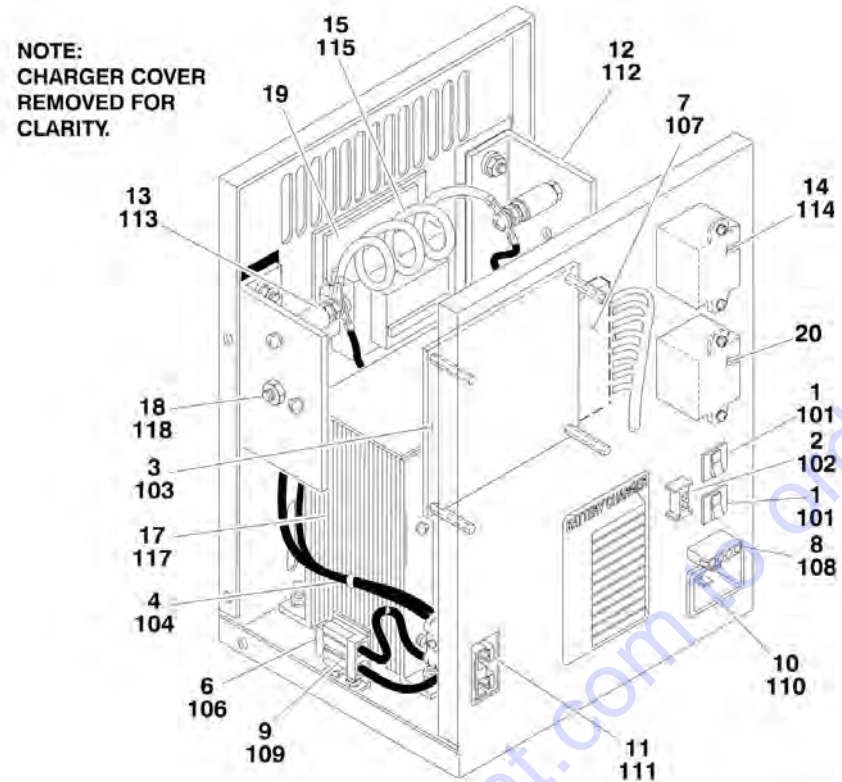
ITEM	PART NUMBER	QTY	DESCRIPTION	REV
109	3911016	4	Screw #10-24NC x 1in	
110	4240032	2	Tie - Strap (Not Shown)	
111	4240033	AR	Tie - Strap (Not Shown)	
112	4460234	2	Mount, Tie - Strap (Not Shown)	
113	4460428	1	Connector, Strain Relief	
114	4460802	1	Cover, Terminal (1001125781 & 1001162843 Installations)	
114	See Note	1	Cover, Terminal (1001125778 Installation) (Note: See ELECTRICAL SECTION for Callout)	
115		Ref	Plug Options:	
115	See Note	NSS	120-240V/50-60Hz (CE Spec) (Note: Not Available - Purchase Locally)	
115	4460805	1	250V/50Hz (Australian Spec)	
116	4711400	16	Flatwasher 1/4in Thin	
117	4761000	4	Lockwasher #10	
118	1001103105	1	Battery Charger Assembly (See ELECTRICAL SECTION for Breakdown)	
119	1001113045	1	Battery Charger Harness (Not Shown - See ELECTRICAL SECTION for Breakdown)	
121	1001126185	1	AC Cord Cable (Not Shown - See ELECTRICAL SECTION for Breakdown)	
122	1001125430	1	Plate, Battery Charger Mounting <b>(Prior to SN 0300196439)</b>	





# SECTION 2 - TURNTABLE

## FIGURE 2-12. BATTERY CHARGER ASSEMBLY



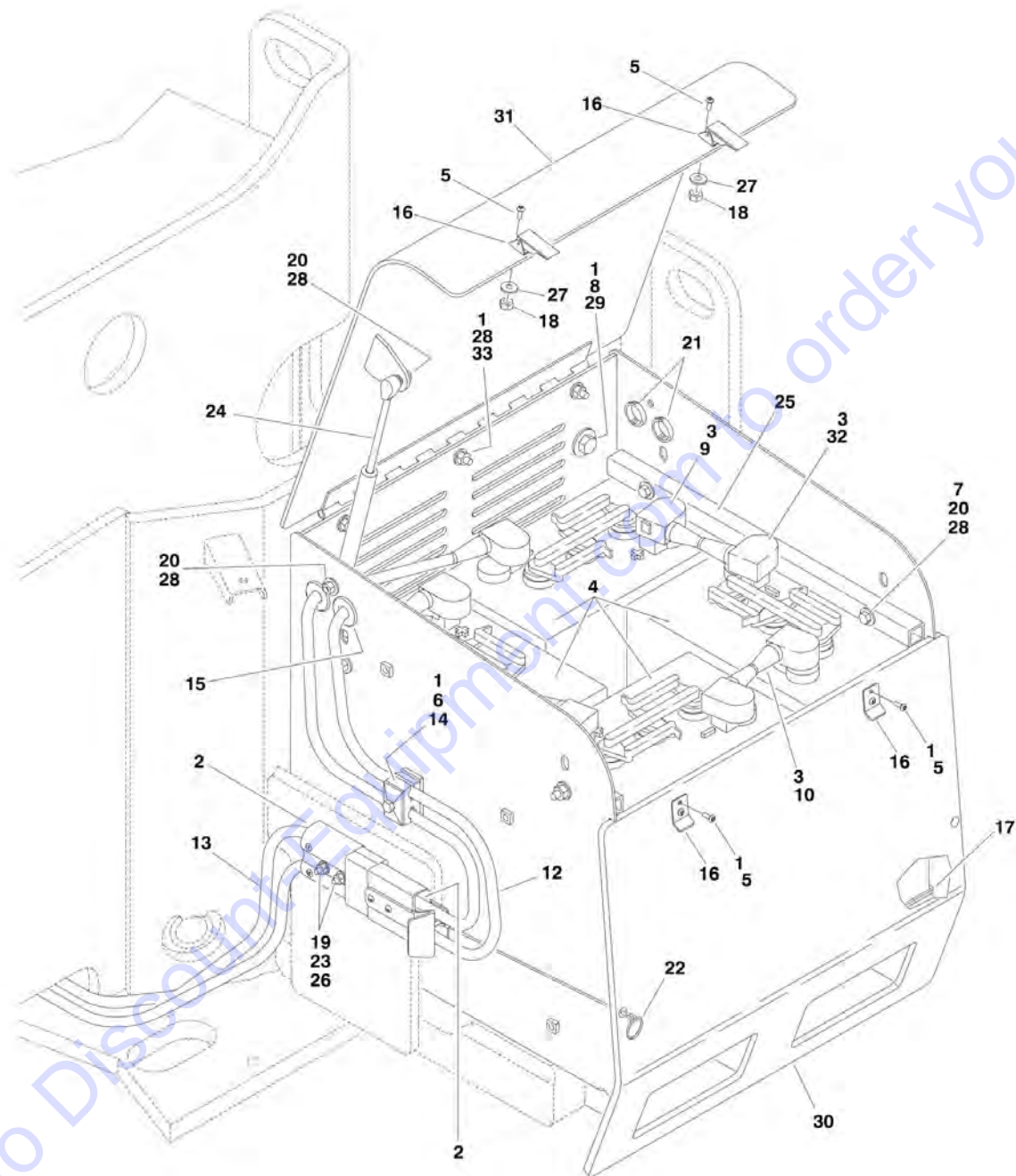
**SECTION 2 - TURNTABLE**

**FIGURE 2-12. BATTERY CHARGER ASSEMBLY**

ITEM	PART NUMBER	QTY	DESCRIPTION	REV
		Ref	<b>BATTERY CHARGER ASSEMBLIES</b>	
	0400190	Ref	<b>110-230V/50-60Hz (CE Spec)</b>	B
1	7020653	2	Breaker, Circuit - 10Amp	
2	7011621	1	Connector - 2 Position	
3	7022924	1	PC Board (Was p/n 7020643)	
4	7020644	1	Cord, DC	
5	7018571	1	Holder, Fuse (Not Shown)	
6	7018570	1	Fuse - 80 DC Amp	
7	7020645	1	Harness - 17 Position	
8	7020646	1	Harness - 4 Position	
9	7018571	1	Holder, Fuse	
10	7020648	1	Plug, AC Inlet	
11	7011590	1	Plug, DC	
12	7020649	2	Rectifier, Replacement	
13	7020650	2	SCR, Replacement	
14	7020654	1	Relay	
15	7020651	1	Shunt Assembly	
16	7011529	2	Connector, Strain Relief (Not Shown)	
17	7020662	1	Transformer	
18	7018537	1	Varistor	
19	7020640	1	Controller - AC	
20	7018564	1	Relay	
	0400191	Ref	<b>250V/50Hz (Australian Spec)</b>	C
101	7020653	2	Breaker, Circuit - 10Amp	
102	7011621	1	Connector - 2 Position	
103	7020643	1	PC Board	
104	7020644	1	Cord, DC	
105	7018571	1	Holder, Fuse (Not Shown)	
106	7018570	1	Fuse - 80 DC Amp	
107	7020645	1	Harness - 17 Position	
108	7020646	1	Harness - 4 Position	
109	7018571	1	Holder, DC Fuse	
110	7020648	1	Plug, AC Inlet	
111	7011590	1	Plug, DC	
112	7020649	2	Rectifier, Replacement	
113	7020650	2	SCR, Replacement	
114	7018535	1	Relay	
115	7020651	1	Shunt Assembly	
116	7011529	2	Connector, Strain Relief (Not Shown)	
117	7020683	1	Transformer	
118	7018537	1	Varistor	
119 to 120	Not Required	0	Not Required	

## SECTION 2 - TURNTABLE

FIGURE 2-13. BATTERY BOX INSTALLATIONS (Prior to SN 0300196439)



**SECTION 2 - TURNTABLE**

**FIGURE 2-13. BATTERY BOX INSTALLATIONS (Prior to SN 0300196439)**

ITEM	PART NUMBER	QTY	DESCRIPTION	REV
		Ref	<b>BATTERY BOX INSTALLATIONS (Prior to SN 0300196439)</b>	
	0259742	Ref	<b>Standard Batteries</b>	K
	1001162846	Ref	<b>AGM Batteries</b>	E
1	0100011	AR	Locking, Compound	
2	0100048	AR	Grease, Dielectric	
3	0100051	AR	Grease, Battery Terminal	
4		Ref	Battery Options:	
4	0400202	8	Standard Batteries	
4	1001102534	8	AGM Batteries	
5	0630464	16	Screw, Button Head	
6	0641510	8	Bolt 5/16in-18NC x 1-1/4in	
7	0641522	4	Bolt 5/16in-18NC x 2-3/4in	
8	0641808	8	Bolt 1/2in-13NC x 1in	
9		Ref	Boot, Terminal (d Shaped) Options:	
9	0840031	8	Standard Batteries	
9	0840048	8	AGM Batteries	
10		Ref	Cable, Battery (Terminal to Terminal) Options:	
10	1060848	6	Standard Batteries	
10	1060884	6	AGM Batteries	
12		Ref	Cable Assembly - Battery Box Internal (See ELECTRICAL SECTION for Breakdown)	
12	1060803	2	Standard Batteries	
12	1001172285	2	AGM Batteries	
13	1060804	1	Cable Assembly - Battery Box to Battery Box to Contactor (See ELECTRICAL SECTION for Breakdown)	
14	1320159	2	Clamp	
15	2540020	4	Grommet	
16	2940129	4	Latch	
17	3000014	2	Liner, Battery Box	
18	3311005	8	Locknut #10-24NC	
19	3311405	4	Locknut 1/4in-20NC	
19	3311401	4	Nut 1/4in-20NC	
20	3311505	12	Locknut 5/16in-18NC	
21	3520031	4	Plug, Hole	
22	3760170	2	Ring, Split	
23	3911436	4	Screw 1/4in-20NC x 2-1/4in	
24	4160185	2	Spring, Gas	
25		Ref	Tube, Hold-Down Options:	
25	4567996	4	Tube, Hold-Down <b>(Prior to SN 0300061778)</b>	
25	4568220	4	Tube, Hold-Down <b>(SN 0300061778 through 0300196438)</b>	
26	4711400	8	Flatwasher 1/4in Thin	
27	4751000	8	Flatwasher #10 Regular	
28	4751500	26	Flatwasher 5/16in Regular	
29	4751800	4	Flatwasher 1/2in Regular	
30	4846134	2	Box, Battery	
31	4846140	2	Lid, Battery Box	
32		Ref	Boot, Terminal Insulator Options:	
32	0840032	8	Standard Batteries	
32	0840049	8	AGM Batteries	
33	3311501	6	Nut 5/16in-18NC	

## SECTION 2 - TURNTABLE

ITEM	PART NUMBER	QTY	DESCRIPTION	REV
34	1001176711	1	Sensor, Temperature (Not Shown - Located in LH Side Battery Box)	

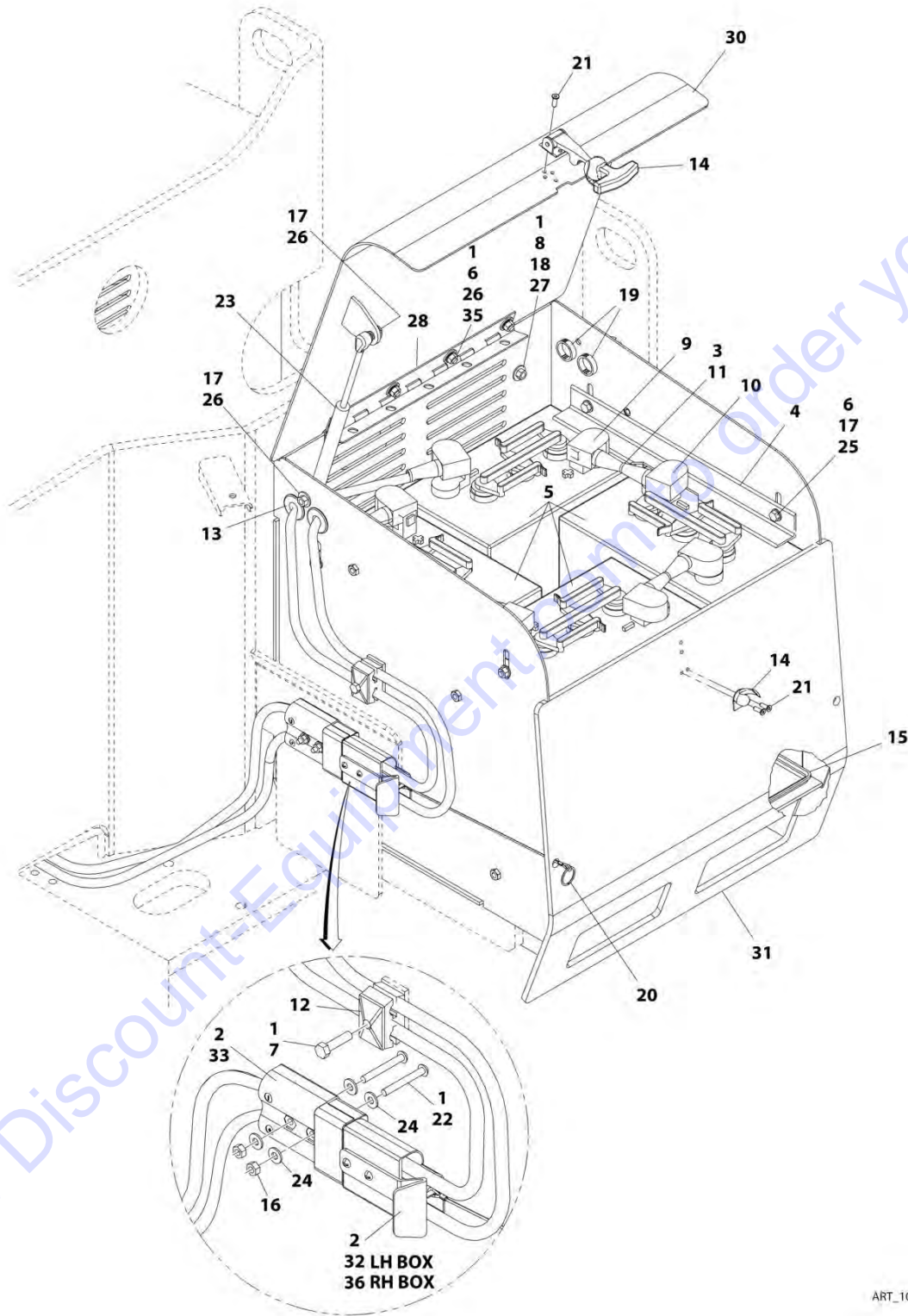
Go to Discount-Equipment.com to order your parts





## SECTION 2 - TURNTABLE

FIGURE 2-14. BATTERY BOX INSTALLATIONS (SN 0300196439 through 0300219271)



ART\_1001173337

## SECTION 2 - TURNTABLE

**FIGURE 2-14. BATTERY BOX INSTALLATIONS (SN 0300196439 through 0300219271)**

ITEM	PART NUMBER	QTY	DESCRIPTION	REV
		Ref	<b>BATTERY BOX INSTALLATIONS (SN 0300196439 through 0300219271)</b>	
	1001173337	Ref	<b>All Specs (Standard Batteries)</b>	F
	1001174392	Ref	<b>All Specs (AGM Batteries)</b>	G
1	0100011	AR	Locking, Compound	
2	0100048	AR	Grease, Dielectric	
3	0100051	AR	Grease, Battery Terminal	
4	1001179842	4	Angle, Hold-Down	
5		Ref	Battery Options:	
5	0400202	8	Standard Batteries	
5	1001102534	8	AGM Batteries	
6	0641506	26	Bolt 5/16 x 3/4	
7	0641510	2	Bolt 5/16 x 1-1/4	
8	0641820	4	Bolt 1/2 x 2-1/2	
9		Ref	Boot, Terminal (d Shaped) Options:	
9	0840031	8	Standard Batteries	
9	0840048	8	AGM Batteries	
10		Ref	Boot, Terminal (b Shaped) Options:	
10	0840032	8	Standard Batteries	
10	0840049	8	AGM Batteries	
11		Ref	Cable, Battery (Terminal to Terminal) Options:	
11	1060848	6	Standard Batteries	
11	1060884	6	AGM Batteries	
12	1320159	2	Clamp	
13	2540020	4	Grommet	
14	2940095	2	Latch	
15	3000014	2	Liner, Battery Box	
16	3311401	4	Nut 1/4	
17	3311505	12	Nut 5/16	
18	3310801	4	Nut #8	
19	3520031	4	Plug, Hole	
20	3760170	2	Ring, Split	
21	3820017	8	Rivet	
22	3911432	4	Screw 1/4 x 2	
23	4160185	2	Spring, Gas	
24	4711400	8	Washer 1/4	
25	4711500	16	Washer 5/16	
26	4751500	40	Washer 5/16	
27	4751800	2	Washer 1/2	
28	1001096148	2	Hinge	
29	1001176711	1	Sensor, Temperature (Not Shown - Located in LH Side Battery Box)	
30	1001172260	2	Lid, Battery Box	
31	1001172876	2	Box, Battery	
32		Ref	Cable Assembly - Battery Box Internal (LH Side) (See ELECTRICAL SECTION for Breakdown)	
32	1060803	1	Standard Batteries	
32	1001172285	1	AGM Batteries <b>(SN 0300196439 through 0300203800)</b>	
32	1001194212	1	AGM Batteries <b>(SN 0300203801 through 0300219271)</b>	
33	1060804	1	Cable Assembly - Battery Box to Contactor (See ELECTRICAL	

## SECTION 2 - TURNTABLE

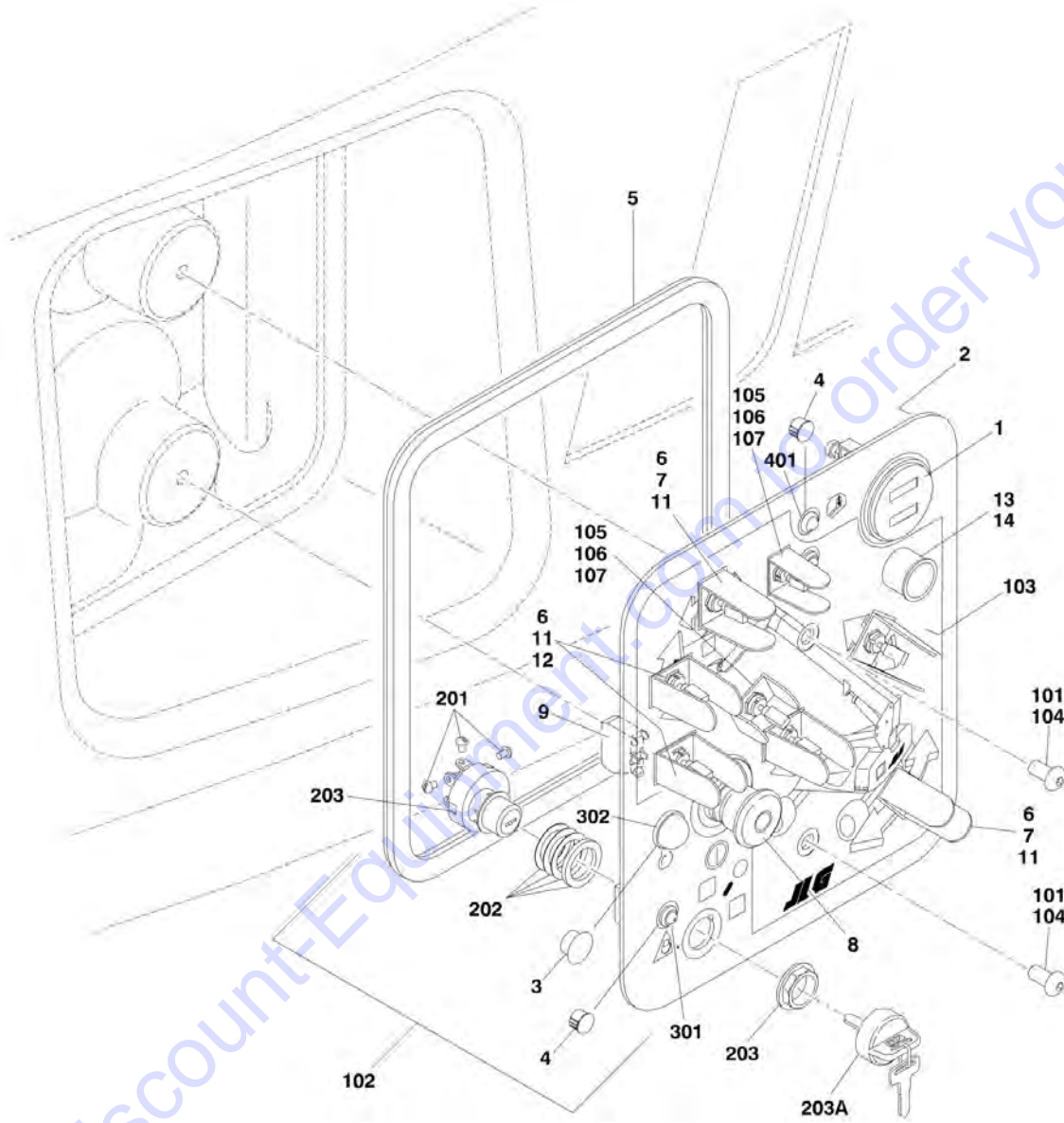
ITEM	PART NUMBER	QTY	DESCRIPTION	REV
35	3311508	18	SECTION for Breakdown) Nut 5/16	
36		Ref	Cable Assembly - Battery Box Internal (RH Side) (See ELECTRICAL SECTION for Breakdown)	
36	1060803	1	Cable (All Specs with Standard Batteries) <b>(SN 0300196439 through 0300200809)</b>	
36	1001194037	1	Cable (All Specs with Standard Batteries) <b>(SN 0300200810 through 0300219271)</b>	
36	1001172285	1	Cable (All Specs with AGM Batteries) <b>(SN 0300196439 through 0300203800)</b>	
36	1001194238	1	Cable (All Specs with AGM Batteries) <b>(SN 0300203801 through 0300219271)</b>	

Go to Discount-Equipment.com to order your parts



## SECTION 2 - TURNTABLE

FIGURE 2-15. GROUND CONTROL PANEL ASSEMBLY AND INSTALLATION





**SECTION 2 - TURNTABLE**

**FIGURE 2-15. GROUND CONTROL PANEL ASSEMBLY AND INSTALLATION**

ITEM	PART NUMBER	QTY	DESCRIPTION	REV
		Ref	<b>GROUND CONTROL PANEL ASSEMBLY</b>	
	0861316	Ref	Ground Control Panel Assembly (Prior to SN 0300099756)	C
	1810133	Ref	Ground Control Panel Assembly (SN 0300099756 through 0300200809)	A
	1810133	Ref	Ground Control Panel Assembly (Australian Spec) (SN 0300200810 through 0300219271)	A
	1001188037	Ref	Ground Control Panel Assembly (CE Spec) (SN 0300200810 through 0300219271)	B
1		Ref	Gauge Options:	
1	2420106	1	Gauge (Australian Spec)	
1	2420106	1	Gauge (CE Spec) (Prior to SN 0300200810)	
1	1001109503	1	Gauge (CE Spec) (SN 0300200810 through 0300219271)	
2		Ref	Plate, Ground Controls Options:	
2	3252663	1	Plate (Australian Spec)	
2	3252663	1	Plate (CE Spec) (Prior to SN 0300200810)	
2	1001188058	1	Plate (CE Spec) (SN 0300200810 through 0300219271)	
3	3520026	1	Plug, Hole	
4	3520028	2	Plug, Hole	
5	3960447	51 in/1.3m	Seal	
6	4060906	5	Guard, Switch	
7	4360328	5	Switch, Toggle	
8	4360475	1	Switch, Emergency Stop	
8	7020175	1	Mushroom Head	
8	7020176	1	Block, Contact	
9	4360476	1	Block, Contact	
11	3790012	5	O-Ring	
12	4360330	1	Switch, Toggle Only (SN 0300099756 through 0300219271)	
13	1001176469	1	Shroud (CE Spec) (SN 0300200810 through 0300219271)	
14	4360387	1	Switch, Push Button (CE Spec) (SN 0300200810 through 0300219271)	
		Ref	<b>GROUND CONTROL PANEL INSTALLATION</b>	
	0259672	Ref	Ground Control Panel Assembly E600 & M600 (Prior to SN 0300073737)	B
	0273099	Ref	Ground Control Panel Assembly E600 & M600 (SN 0300073737 through 0300200809)	C
	0273099	Ref	Ground Control Panel Assembly E600 & M600 Australian Spec (SN 0300200810 through 0300219271)	C
	1001188025	Ref	Ground Control Panel Assembly E600 & M600 CE Spec (SN 0300200810 through 0300219271)	B
	0259668	Ref	Ground Control Panel Assembly E600J & M600J (Prior to SN 0300073737)	B
	0273098	Ref	Ground Control Panel Assembly E600J & M600J (SN 0300073737 through 0300200809)	C
	0273098	Ref	Ground Control Panel Assembly E600J & M600J Australian Spec (SN 0300200810 through 0300219271)	C
	1001188026	Ref	Ground Control Panel Assembly E600J & M600J CE Spec (SN 0300200810 through 0300219271)	B
	0259669	Ref	Ground Control Panel Assembly E600JP & M600JP (Prior to SN 0300073737)	B
	0273097	Ref	Ground Control Panel Assembly E600JP & M600JP (SN 0300073737 through 0300200809)	C
	0273097	Ref	Ground Control Panel Assembly E600JP & M600JP Australian Spec (SN 0300200810 through 0300219271)	C

## SECTION 2 - TURNTABLE

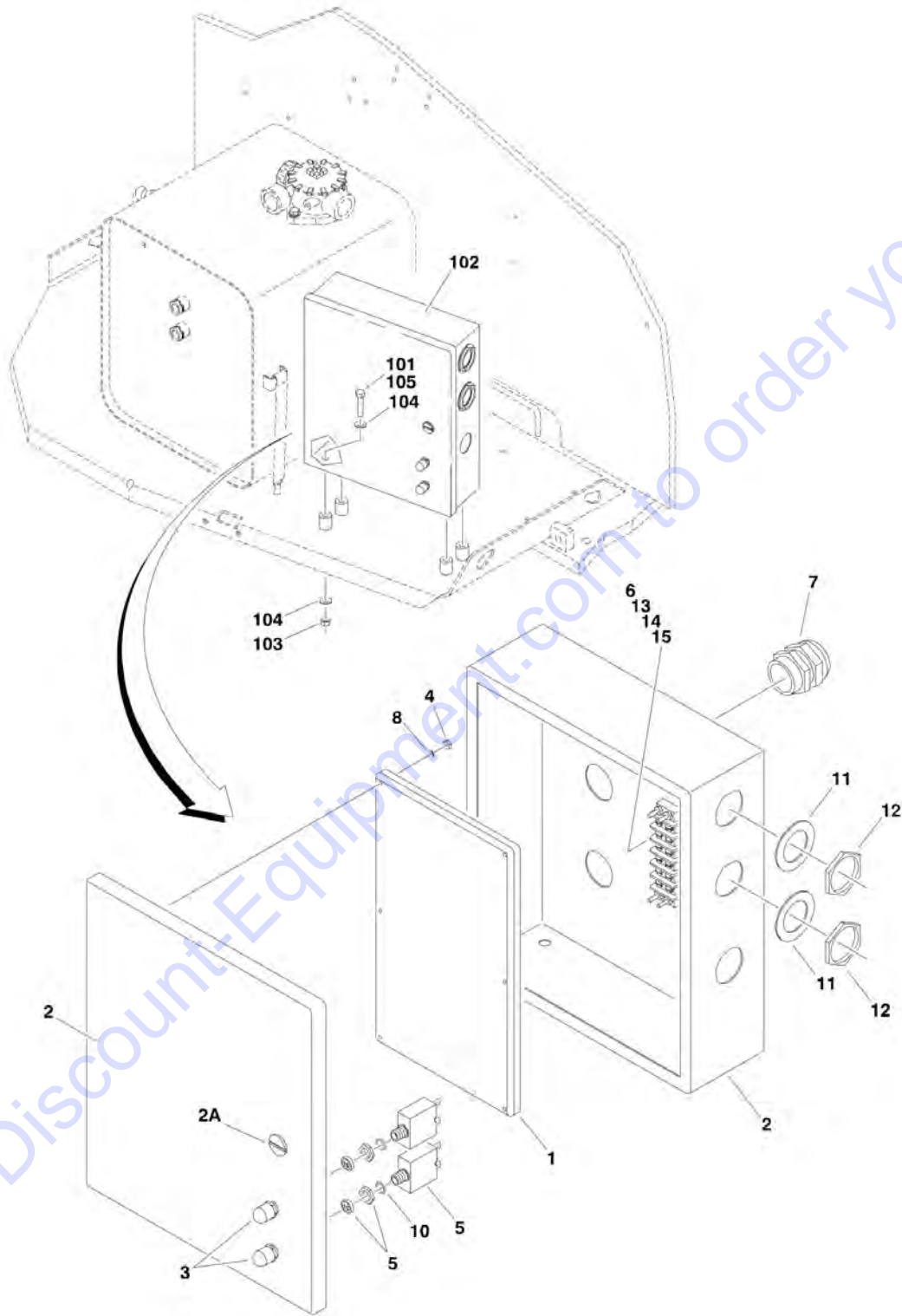
ITEM	PART NUMBER	QTY	DESCRIPTION	REV
	1001188027	Ref	<b>Ground Control Panel Assembly E600JP &amp; M600JP CE Spec (SN 0300200810 through 0300219271)</b>	B
101	0100011	AR	Locking, Compound	
102		Ref	Ground Control Panel Assembly (See Items 1-14 for Breakdown)	
102	0861316	1	Ground Control Panel Assembly ( <b>Prior to SN 0300099756</b> )	
102	1810133	1	Ground Control Panel Assembly ( <b>SN 0300099756 through 0300200809</b> )	
102	1810133	1	Ground Control Panel Assembly (Australian Spec) ( <b>SN 0300200810 through 0300219271</b> )	
102	1001188037	1	Ground Control Panel Assembly (CE Spec) ( <b>SN 0300200810 through 0300219271</b> )	
103		Ref	Decal - Control Panel Options:	
103	1704442	1	Decal - Control Panel E600 & M600 ( <b>Prior to SN 0300073737</b> )	
103	1705735	1	Decal - Control Panel E600 & M600 ( <b>SN 0300073737 through 0300099755</b> )	
103	1706935	1	Decal - Control Panel E600 & M600 ( <b>SN 0300099756 through 0300200809</b> )	
103	1706935	1	Decal - Control Panel E600 & M600 (Australian Spec) ( <b>SN 0300200810 through 0300219271</b> )	
103	1001182701	1	Decal - Control Panel E600 & M600 (CE Spec) ( <b>SN 0300200810 through 0300202136</b> )	
103	1001196783	1	Decal - Control Panel E600 & M600 (CE Spec) ( <b>SN 0300202137 through 0300219271</b> )	
103	1704443	1	Decal - Control Panel E600J & M600J ( <b>Prior to SN 0300073737</b> )	
103	1705734	1	Decal - Control Panel E600J & M600J ( <b>SN 0300073737 through 0300099755</b> )	
103	1706936	1	Decal - Control Panel E600J & M600J ( <b>SN 0300099756 through 0300200809</b> )	
103	1706936	1	Decal - Control Panel E600J & M600J (Australian Spec) ( <b>SN 0300200810 through 0300219271</b> )	
103	1001182702	1	Decal - Control Panel E600J & M600J (CE Spec) ( <b>SN 0300200810 through 0300202136</b> )	
103	1001196784	1	Decal - Control Panel E600J & M600J (CE Spec) ( <b>SN 0300202137 through 0300219271</b> )	
103	1704428	1	Decal - Control Panel E600JP & M600JP ( <b>Prior to SN 0300073737</b> )	
103	1705733	1	Decal - Control Panel E600JP & M600JP ( <b>SN 0300073737 through 0300099755</b> )	
103	1706937	1	Decal - Control Panel E600JP & M600JP ( <b>SN 0300099756 through 0300200809</b> )	
103	1706937	1	Decal - Control Panel E600JP & M600JP (Australian Spec) ( <b>SN 0300200810 through 0300219271</b> )	
103	1001182703	1	Decal - Control Panel E600JP & M600JP (CE Spec) ( <b>SN 0300200810 through 0300202136</b> )	
103	1001196785	1	Decal - Control Panel E600JP & M600JP (CE Spec) ( <b>SN 0300202137 through 0300219271</b> )	
104	3900283	2	Screw, Button Head	
105	4060906	Ref	Guard, Switch Options:	
105	4060906	1	Guard, Switch E600 & M600	
105	4060906	1	Guard, Switch E600J & M600J	
105	4060906	2	Guard, Switch E600JP & M600JP	
106	4360328	Ref	Switch, Toggle Options:	
106	4360328	1	Switch, Toggle E600 & M600	
106	4360328	1	Switch, Toggle E600J & M600J	
106	4360328	2	Switch, Toggle E600JP & M600JP	

## SECTION 2 - TURNTABLE

ITEM	PART NUMBER	QTY	DESCRIPTION	REV
107	3790012	Ref	O-Ring Options:	
107	3790012	1	O-Ring E600 & M600	
107	3790012	1	O-Ring E600J & M600J	
107	3790012	2	O-Ring E600JP & M600JP	
		Ref	<b>KEYSWITCH INSTALLATION</b>	
	0259667	Ref	<b>Australian Spec (Prior to SN 0300149032)</b>	B
	0259666	Ref	<b>Australian Spec (SN 0300149032 through 0300219271)</b>	B
	0259667	Ref	<b>CE Spec (Prior to SN 0300200810)</b>	B
	0259666	Ref	<b>CE Spec (SN 0300200810 through 0300219271)</b>	B
201	3910804	6	Screw #8-20NC x 1/2in	
202		Ref	Shim Options:	
202	4070987	2	Shim, .015 <b>(Prior to SN 0300175752)</b>	
202	1001151393	1	Shim, Nylon .063 <b>(SN 0300175752 through 0300219271)</b>	
203		Ref	Keyswitch	
203	4360470	1	Australian Spec <b>(Prior to SN 0300149032)</b>	
203	4360469	1	Australian Spec <b>(SN 0300149032 through 0300219271)</b>	
203	4360470	1	CE Spec <b>(Prior to SN 0300200810)</b>	
203	4360469	1	CE Spec <b>(SN 0300200810 through 0300219271)</b>	
203A	2860030	1	Key, Replacement	
	0259670	Ref	<b>MOTOR CONTROL SWITCH INSTALLATION (M600/M600J/M600JP ONLY)</b>	A
301	2920151	1	Light, LED	
301	4460226	2	Socket, Female	
301	4460424	1	Connector - 2 Position	
302	4360274	1	Switch, Push Button	
	0273096	Ref	<b>INDICATOR LIGHT INSTALLATION</b>	A
401	2920151	1	Light, LED	

## SECTION 2 - TURNTABLE

FIGURE 2-16. MAIN TERMINAL BOX ASSEMBLY AND INSTALLATION (Prior to SN 0300196439)



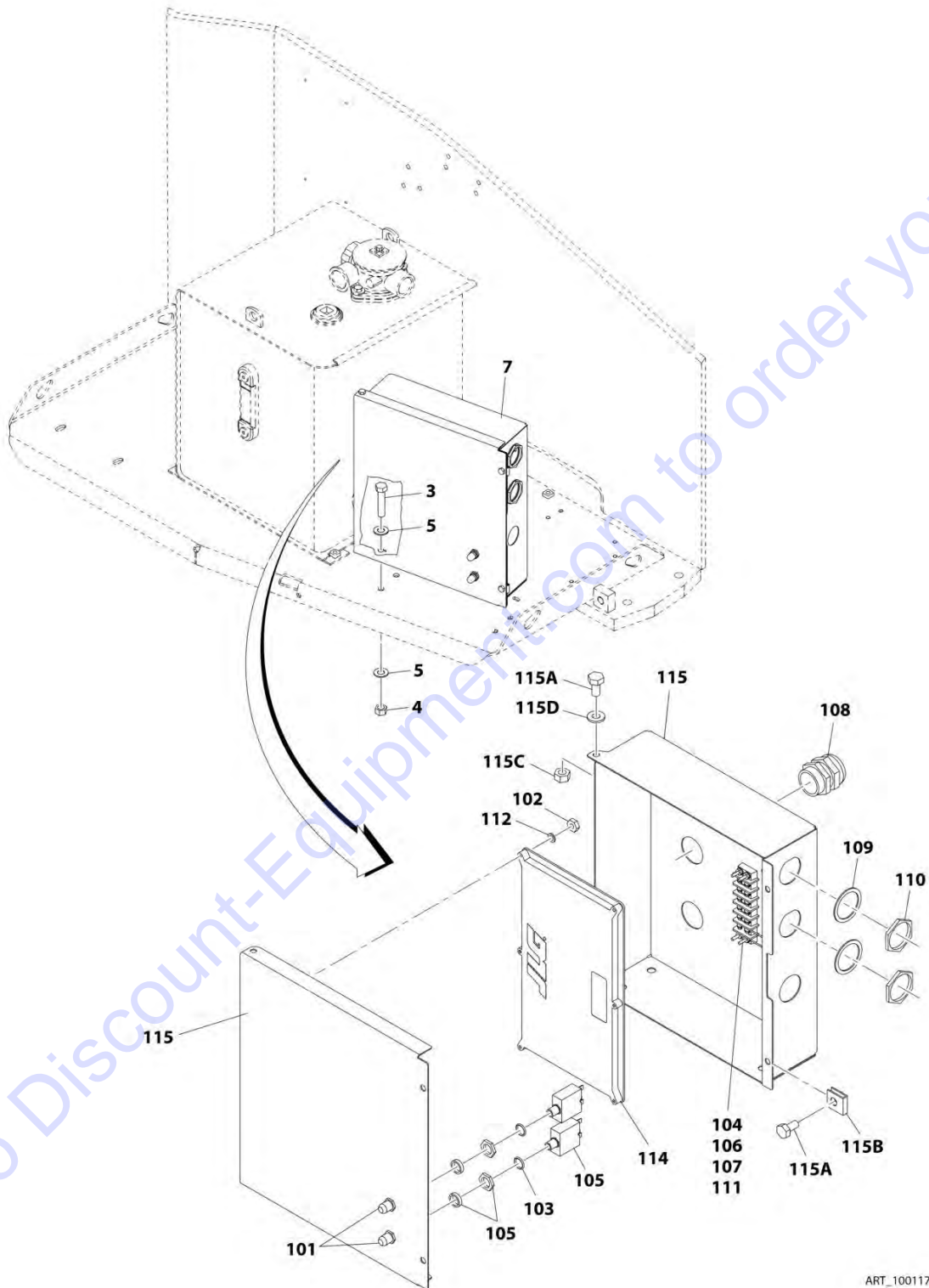
## SECTION 2 - TURNTABLE

**FIGURE 2-16. MAIN TERMINAL BOX ASSEMBLY AND INSTALLATION (Prior to SN 0300196439)**

ITEM	PART NUMBER	QTY	DESCRIPTION	REV
	0861336	Ref	<b>MAIN TERMINAL BOX ASSEMBLY (Prior to SN 0300196439)</b>	G
1		Ref	Module Options:	
1		Ref	Note: Re-calibration Required when Replaced.	
1	0610139	NLA	Module (Use p/n 1001109497) <b>(Prior to SN 0300072457)</b>	
1	0610166	NLA	Module (Use p/n 1001109497) <b>(SN 0300072457 through 0300141893)</b>	
1	1001109497	1	Module <b>(SN 0300141894 through 0300219271)</b>	
2	0861317	1	Box Assembly	
2A	See Note	NSS	Latch (Note: Not Available for Purchase)	
3	3300396	2	Cover, Fuse	
4	3310601	10	Nut #6-32NC	
5	4360070	2	Breaker, Circuit - 15Amp	
6	4460007	1	Bar, Buss	
7	4460426	1	Connector, Strain Relief	
8	4760600	10	Lockwasher #6	
10	3790012	2	O-Ring	
11	4460496	2	Lockwasher, Terminal	
12	4460497	2	Nut, Terminal	
13	3990106	1	Limiter, Inrush Current	
14	4460264	2	Jumper, Ground Bus Bar	
15	4750600	4	Flatwasher #6 Regular	
	0259961	Ref	<b>MAIN TERMINAL BOX INSTALLATION (Prior to SN 0300196439)</b>	C
101	0641614	4	Bolt 3/8in-16NC x 1-3/4in	
102	0861336	1	Main Terminal Box Assembly (See Items 1-15 for Breakdown)	
103	3311605	4	Locknut 3/8in-16NC	
104	4711600	8	Flatwasher 3/8in Thin	
105	0100011	AR	Locking, Compound	

## SECTION 2 - TURNTABLE

FIGURE 2-17. MAIN TERMINAL BOX ASSEMBLY AND INSTALLATION (SN 0300196439 through 0300219271)



ART\_1001175431



# PARTS FINDER

**Search Website  
by Part Number**



**Search Manual  
Library For Parts  
Manual & Lookup Part  
Numbers – Purchase  
or Request Quote**

**Can't Find Part or  
Manual? Request Help  
by Manufacturer,  
Model & Description**

Discount-Equipment.com is your online resource for quality parts & equipment.

Florida: **561-964-4949** Outside Florida TOLL FREE: **877-690-3101**

## Need parts?

Click on this link: <http://www.discount-equipment.com/category/5443-parts/> and choose one of the options to help get the right parts and equipment you are looking for. Please have the machine model and serial number available in order to help us get you the correct parts. If you don't find the part on the website or on one of the online manuals, please fill out the request form and one of our experienced staff members will get back to you with a quote for the right part that your machine needs.

We sell worldwide for the brands: Genie, Terex, JLG, MultiQuip, Mikasa, Essick, Whiteman, Mayco, Toro Stone, Diamond Products, Generac Magnum, Airman, Haulotte, Barreto, Power Blanket, Nifty Lift, Atlas Copco, Chicago Pneumatic, Allmand, Miller Curber, Skyjack, Lull, Skytrak, Tsurumi, Husquvarna Target, Stow, Wacker, Sakai, Mi-T-M, Sullair, Basic, Dynapac, MBW, Weber, Bartell, Bennar Newman, Haulotte, Ditch Runner, Menegotti, Morrison, Contec, Buddy, Crown, Edco, Wyco, Bomag, Laymor, EZ Trench, Bil-Jax, F.S. Curtis, Gehl Pavers, Heli, Honda, ICS/PowerGrit, IHI, Partner, Imer, Clipper, MMD, Koshin, Rice, CH&E, General Equipment, Amida, Coleman, NAC, Gradall, Square Shooter, Kent, Stanley, Tamco, Toku, Hatz, Kohler, Robin, Wisconsin, Northrock, Oztec, Toker TK, Rol-Air, APT, Wylie, Ingersoll Rand / Doosan, Innovatech, Con X, Ammann, Mecalac, Makinex, Smith Surface Prep, Small Line, Wanco, Yanmar



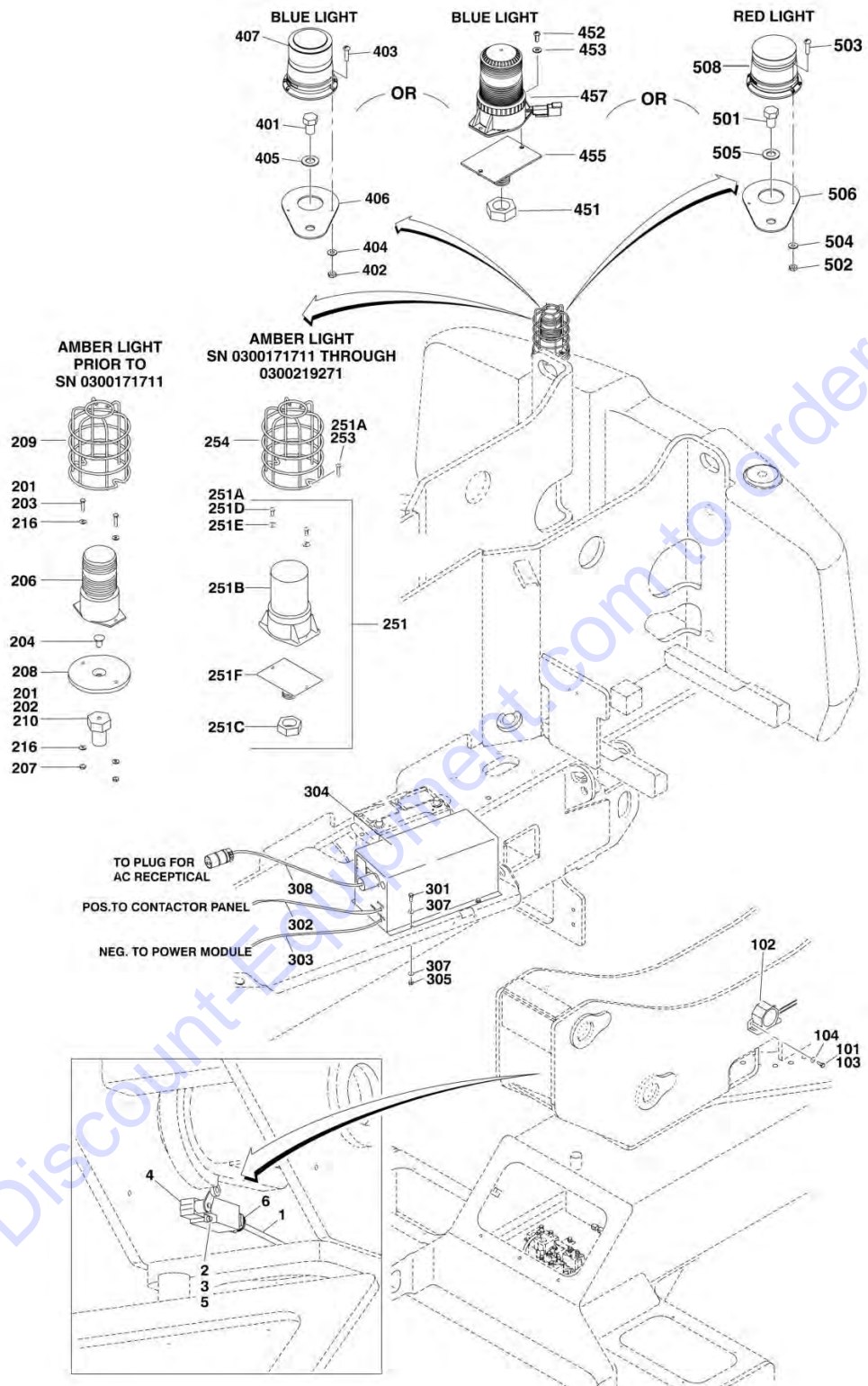
## SECTION 2 - TURNTABLE

**FIGURE 2-17. MAIN TERMINAL BOX ASSEMBLY AND INSTALLATION (SN 0300196439 through 0300219271)**

ITEM	PART NUMBER	QTY	DESCRIPTION	REV
	1001174888	Ref	<b>MAIN TERMINAL BOX INSTALLATION (SN 0300196439 through 0300219271)</b>	C
3	0641614	4	Bolt 3/8 x 1-3/4	
4	3311605	4	Nut 3/8	
5	4711600	8	Washer 3/8	
7	1001175431	1	Main Terminal Box Assembly (See Items 101-115 for Breakdown)	
	1001175431	Ref	<b>MAIN TERMINAL BOX ASSEMBLY (SN 0300196439 through 0300219271)</b>	B
101	3300396	2	Cover, Fuse	
102	3310601	10	Nut #6-32NC	
103	3790012	2	O-Ring	
104	3990106	1	Limiter, Inrush Current	
105	4360070	2	Breaker, Circuit - 15Amp	
106	4460007	1	Bar, Buss	
107	4460264	2	Jumper, Ground Bus Bar	
108	4460426	1	Connector, Strain Relief	
109	4460496	2	Lockwasher, Terminal	
110	4460497	2	Nut, Terminal	
111	4750600	4	Flatwasher #6 Regular	
112	4760600	10	Lockwasher #6	
114	1001109497	1	Module, Ground (Note: Re-calibration Required when Replaced)	
115	1001175273	1	Box Assembly	
115A	0641404	4	Bolt 1/4 x 1/2	
115B	3300353	2	Nut, Tinnerman	
115C	3311405	2	Nut 1/4	
115D	4740518	2	Washer	

# SECTION 2 - TURNTABLE

## FIGURE 2-18. ELECTRICAL COMPONENT INSTALLATIONS



## SECTION 2 - TURNTABLE

### FIGURE 2-18. ELECTRICAL COMPONENT INSTALLATIONS

ITEM	PART NUMBER	QTY	DESCRIPTION	REV
	0270114	Ref	<b>LIMIT SWITCH INSTALLATION</b>	E
1	1060341	NLA	Harness, Limit Switch (Use p/n 4923033)	A
1	1060341	9 ft/2.7m	Cable, Electrical - 16/2	
2	3310805	2	Nut #8-32NC	
3	3930828	2	Capscrew, Socket Head #8-32 x 1-3/4in	
4		Ref	Switch, Limit Options:	
4	4360322	NLA	Switch, Limit (Use p/n 4360578) <b>(Prior to SN 0300074606)</b>	
4	4360549	NLA	Switch, Limit (Use p/n 4360578) <b>(SN 0300074606 through 0300080973)</b>	
4	4360578	1	Switch, Limit <b>(SN 0300080974 through 0300219271)</b>	
5	4750800	2	Flatwasher #8 Regular	
6	4460968	1	Connector, Strain Relief <b>(SN 0300074606 through 0300219271)</b>	
	0270081	Ref	<b>ALARM INSTALLATIONS (OPTIONAL)</b>	A
101	0100011	AR	Locking, Compound	
102	0140031	1	Alarm, Motion (Remove ground strap before installation)	
103	0641406	2	Bolt 1/4in-20NC x 3/4in	
104	4711400	2	Flatwasher 1/4in Thin	
	0270072	Ref	<b>STROBE LIGHT INSTALLATION (AMBER) (OPTIONAL) (Prior to SN 0300171711)</b>	C
201	0100011	AR	Locking, Compound	
202	0630491	1	Bolt, Special	
203		Ref	Hardware Options:	
203	0721008	2	Bolt #10-24NC x 1in <b>(Prior to SN 0300069724)</b>	
203	3911014	2	Screw <b>(SN 0300069724 through 0300219271)</b>	
204	0741606	1	Screw, Flathead Countersunk 3/8in-16NC x 3/4in	
205	2820035	5 in/13cm	Loom (Not Shown)	
206	2920146	NLA	Light, Strobe (Amber) (Note: Use Item 219)	
206	7016319	1	Bulb, Light	
206	7016372	1	Amber Lens	
207		Ref	Nut Options:	
207	3311005	2	Locknut #10-24NC <b>(Prior to SN 0300069724)</b>	
207	3311001	2	Nut #10-24NC <b>(SN 0300069724 through 0300219271)</b>	
208		Ref	Plate, Mounting Options:	
208	3537903	1	Plate, Mounting <b>(Prior to SN 0300069724)</b>	
208	4846698	1	Plate, Mounting <b>(SN 0300069724 through 0300219271)</b>	
209	4060865	1	Guard, Light	
210	4220162	1	Spacer	
216	4751000	4	Flatwasher #10 Regular	
217	4460465	2	Pin, Male (Not Shown) <b>(SN 0300069724 through 0300219271)</b>	
218	4460891	1	Plug, Male, 2 Position (Not Shown) <b>(SN 0300069724 through 0300219271)</b>	
219	0272529	1	Kit Light, Strobe Assembly (Includes Items 201, 203, 205, 206, 207, 208, 209, 210, 216, 217 & 218) <b>(SN 0300069724 through 0300219271)</b>	B
		Ref	<b>STROBE LIGHT INSTALLATION (AMBER) (OPTIONAL)</b>	
	1001149955	Ref	<b>Standard Spec (SN 0300171711 through 0300219271)</b>	A
	1001158612	Ref	<b>UL Spec (SN 0300176432 through 0300219271)</b>	A
		Ref	<b>Note: If machine is equipped with BLUE Strobe Light, see SPECIAL OPTIONS SECTION SkyGuard Kit.</b>	
251	1001150406	1	Strobe Light Assembly	
251A	0100035	AR	Compound, Locking	

## SECTION 2 - TURNTABLE

ITEM	PART NUMBER	QTY	DESCRIPTION	REV
251B	2920161	1	Light, Strobe (Amber)	
251B	7016319	1	Bulb, Light	
251B	7016372	1	Amber Lens	
251C	3312602	1	Nut, Jam 1in-8NC	
251D	3900085	2	Screw #10-32NC X 1/2in	
251E	4751000	2	Flatwasher #10 (Wide)	
251F	1001149994	1	Plate, Mounting	
252	1001149818	1	Harness, Strobe Light (Not Shown - See ELECTRICAL SECTION for Breakdown)	
253	3900128	2	Screw #10-24NC x 7/8in (UL Spec Machines Only)	
254	4060865	1	Guard, Light (UL Spec Machines Only)	
	0270203	Ref	<b>INVERTER INSTALLATION - 110V (OPTIONAL)</b>	D
301	0641406	4	Bolt 1/4in-20NC x 3/4in	
302	1060827	1	Cable, Electrical (+)	
303	1060828	1	Cable, Electrical (-)	
304		Ref	Inverter Assembly Options:	
304	2460023	1	Inverter Installation ( <b>Prior to SN 0300064040</b> )	
304	2460037	1	Inverter Installation ( <b>SN 0300064040 through 0300219271</b> )	
305	3311405	4	Locknut 1/4in-20NC	
306	4460248	1	Terminal (Not Shown)	
307	4711400	8	Flatwasher 1/4in Thin	
308	4922390	1	Harness, Wiring (See ELECTRICAL SECTION or Breakdown)	
	1001189196	Ref	<b>BEACON LIGHT INSTALLATION - BLUE (SN 0300200810 through 0300217798)</b>	B
		Ref	<b>Note: For machine Prior to SN 0300200810 equipped with BLUE Strobe Light, see SPECIAL OPTIONS SECTION SkyGuard Kit.</b>	
401	0642612	1	Bolt 1 x 1-1/2	
402	3311005	3	Nut #10	
403	3911012	3	Screw #10 x 3/4	
404	4711000	3	Washer #10	
405	4712600	1	Washer 1	
406	1001142694	1	Bracket, Mounting	
407	1001143431	1	Light, Beacon	
407	4460897	1	Receptacle, Female - 2 Position	
407	4460943	2	Pin, Male	
408	1001149570	1	Beacon Harness (Not Shown - See ELECTRICAL SECTION for Breakdown)	
	1001206700	Ref	<b>BEACON LIGHT INSTALLATION - BLUE (SN 0300217799 through 0300219271)</b>	B
451	3312602	1	Nut, Jam 1	
452	3900085	2	Screw #10 X 1/2	
453	4751000	2	Washer #10	
454	1001149570	1	Beacon Harness (Not Shown - See ELECTRICAL SECTION for Breakdown)	
455	1001149994	1	Plate, Mounting	
457	1001200910	1	Light, Beacon	
457	4460897	1	Receptacle, Female - 2 Position	
457	4460464	2	Pin, Male	
	1001207317	Ref	<b>BEACON LIGHT INSTALLATION - RED</b>	A
501	0642612	1	Bolt 1 x 1-1/2	
502	3311005	3	Nut #10	
503	3911012	3	Screw #10 x 3/4	

**SECTION 2 - TURNTABLE**

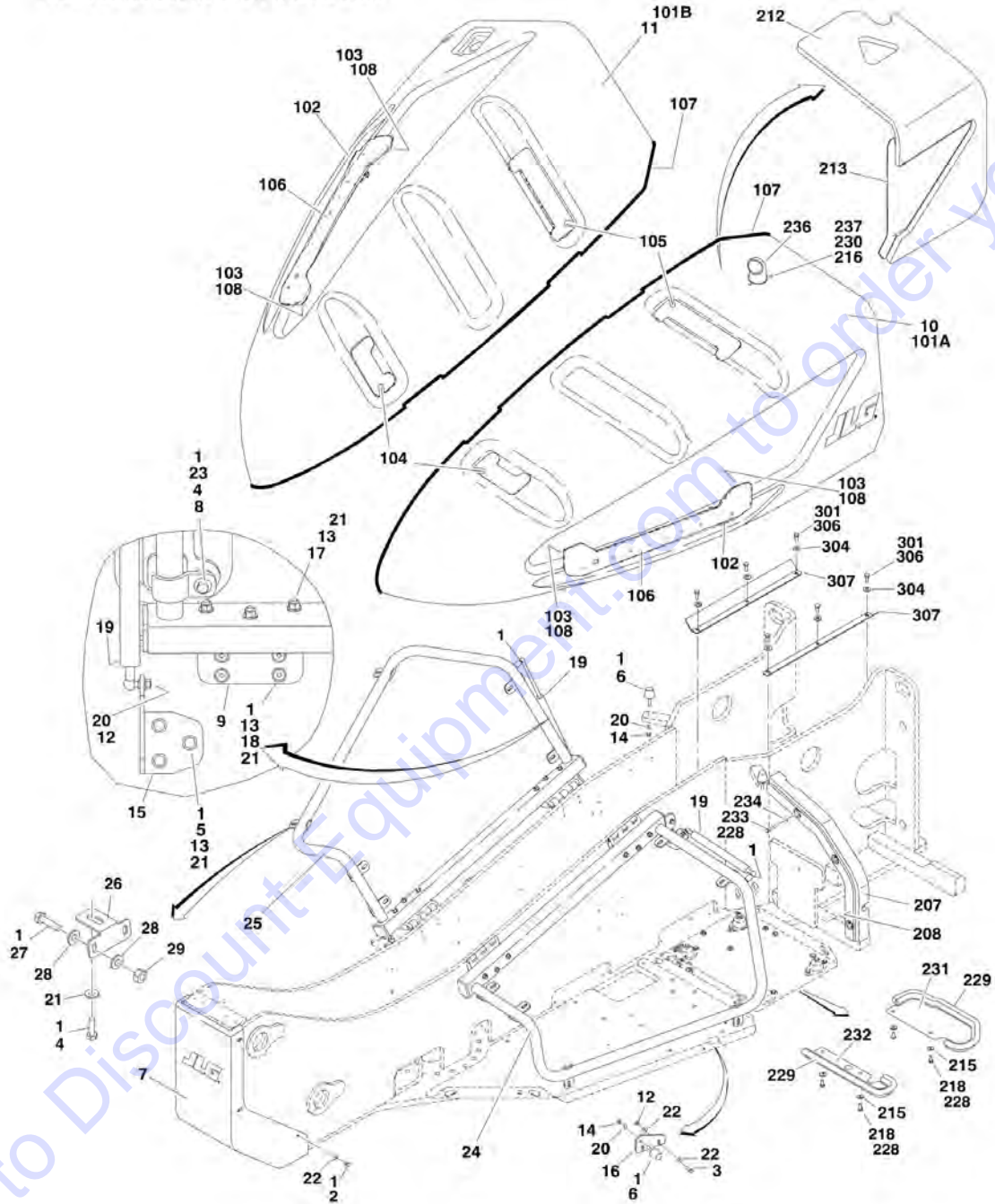
ITEM	PART NUMBER	QTY	DESCRIPTION	REV
504	4711000	3	Washer #10	
505	4712600	1	Washer 1	
506	1001142694	1	Plate, Mounting	
507	1001149570	1	Beacon Harness (Not Shown - See ELECTRICAL SECTION for Breakdown)	
508	1001197067	1	Light, Beacon	
508	4460897	1	Receptacle, Female - 2 Position	
508	4460464	1	Pin, Male	

Go to Discount-Equipment.com to order your parts

# SECTION 2 - TURNTABLE

## FIGURE 2-19. HOODS INSTALLATION

NOTE: REPLACEMENT DECALS  
MUST BE ORDERED SEPARATELY  
- SEE DECALS SECTION FOR BREAKDOWN.





## SECTION 2 - TURNTABLE

### FIGURE 2-19. HOODS INSTALLATION

ITEM	PART NUMBER	QTY	DESCRIPTION	REV
	0259830	Ref	<b>HOODS INSTALLATION (Prior to SN 0300196439)</b>	D
	1001175521	Ref	<b>HOODS INSTALLATION (SN 0300196436 through 0300206692)</b>	G
	1001192373	Ref	<b>HOODS INSTALLATION (SN 0300206693 through 0300219271)</b>	A
1	0100011	AR	Locking, Compound	
2	0641506	6	Bolt 5/16in-18NC x 3/4in	
3	0641508	4	Bolt 5/16in-18NC x 1in	
4	0641606	AR	Bolt 3/8in-16NC x 3/4in	
5		Ref	Bolt 3/8in-16NC Options:	
5	0641607	AR	Bolt 3/8in-16NC x 7/8in	
5	0641612	AR	Bolt 3/8in-16NC x 1-1/2in	
6	0940088	4	Bumper	
7	1670930	1	Cover, End	
8	2080051	12	Clamp <b>(Prior to SN 0300196439)</b>	
8	1001175596	8	Clamp <b>(SN 0300196439 through 0300219271)</b>	
9	2600262	4	Hinge, Offset	
10	2680468	1	Hood Assembly - Right Side (See Items 101-108 for Breakdown)	
11	2680477	1	Hood Assembly - Left Side (See Items 101-108 for Breakdown)	
12	3311505	6	Locknut 5/16in-18NC	
13	3311605	AR	Locknut 3/8in-16NC <b>(Prior to SN 0300196439)</b>	
13	3311601	AR	Nut 3/8in-16NC <b>(SN 0300196439 through 0300219271)</b>	
14	3321501	4	Locknut 5/16in-24NF	
15	3571974	2	Plate, Gas Spring <b>(Prior to SN 0300206693)</b>	
15	1001175575	2	Plate, Gas Spring <b>(SN 0300206693 through 0300219271)</b>	
16	3572063	2	Plate, Latch	
17	3900282	12	Screw, Button 3/8in-16NC x 2-3/4in	
17	3900232	12	Screw, Button 3/8in-16NC x 1-1/4in	
18		Ref	Hardware Options:	
18	3900283	16	Screw, Button 3/8in-16NC x 3/4in	
18	0641610	16	Bolt 3/8in-16NC x 1-1/4in	
19	4160184	2	Spring, Gas <b>(Prior to SN 0300206693)</b>	
19	4160194	2	Spring, Gas <b>(SN 0300206693 through 0300219271)</b>	
20	4711500	6	Flatwasher 5/16in Thin	
21	4711600	AR	Flatwasher 3/8in Thin	
22	4751500	14	Flatwasher 5/16in Regular	
23	4751600	12	Flatwasher 3/8in Regular	
24	4846132	1	Support, Hood - Right Side <b>(Prior to SN 0300196439)</b>	
24	1001173547	1	Support, Hood - Right Side <b>(SN 0300196439 through 0300206692)</b>	
24	1001191596	1	Support, Hood - Right Side <b>(SN 0300206693 through 0300219271)</b>	
25	4846142	1	Support, Hood - Left Side <b>(Prior to SN 0300196439)</b>	
25	1001173548	1	Support, Hood - Left Side <b>(SN 0300196439 through 0300206692)</b>	
25	1001191597	1	Support, Hood - Left Side <b>(SN 0300206693 through 0300219271)</b>	
26	1001174542	4	Bracket, Clamp <b>(SN 0300196439 through 0300219271)</b>	
27	0641407	8	Bolt 1/4in-20NC x 7/8in <b>(SN 0300196439 through 0300219271)</b>	
28	4751400	16	Flatwasher 1/4 <b>(SN 0300196439 through 0300219271)</b>	
29	3311401	8	Nut 1/4in-20NC <b>(SN 0300196439 through 0300219271)</b>	
		Ref	<b>HOOD ASSEMBLIES</b>	
	2680468	Ref	<b>Right Side</b>	E
	2680477	Ref	<b>Left Side</b>	E



## SECTION 2 - TURNTABLE

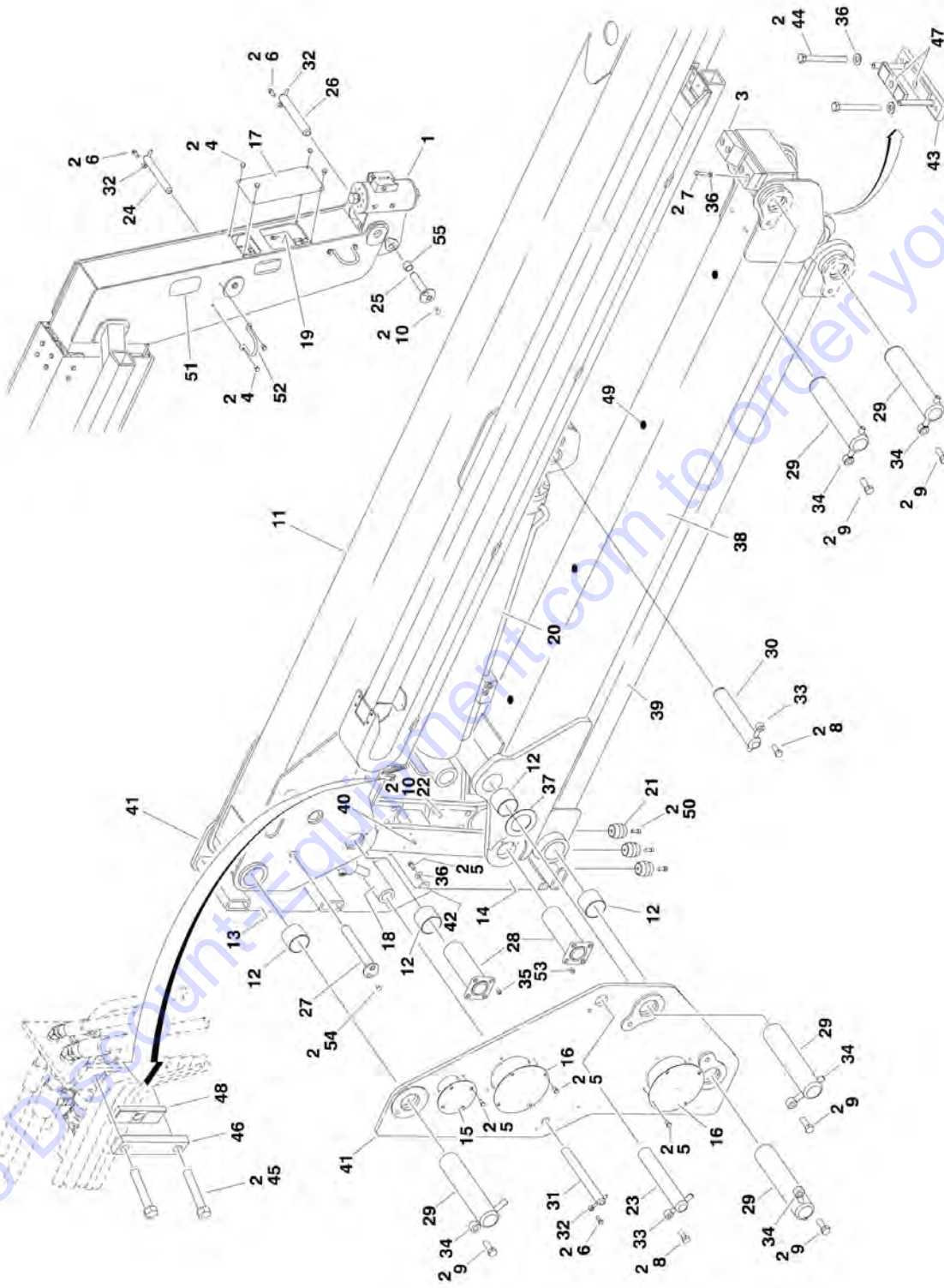
ITEM	PART NUMBER	QTY	DESCRIPTION	REV
		Ref	<b>Note: Replacement Decals Must Be Ordered Separately - See DECALS SECTION.</b>	
101	See Note	NSS	Hood, Molded (Note: Purchase Item #10 or #11 as Complete Assembly)	
102		Ref	Latch (1 Per Assembly) Options:	
102	2940124	2	Non-Lockable	
102	7027859	2	Lockable	
103	3340877	12	Pad, Rubber (6 Per Assembly)	
104	3571856	2	Plate, Front Support (1 Per Assembly)	
105	3571857	2	Plate, Rear Support (1 Per Assembly)	
106	3571858	2	Plate, Handle (1 Per Assembly)	
107	3960464	146 ft /44.5m	Seal (73ft/22.5m Per Assembly)	
108	0100081	AR	Loctite #454	
		Ref	<b>NOISE REDUCTION INSTALLATION (M600/M600J/M600JP ONLY)</b>	
	0259958	Ref	<b>Yanmar Engine (Prior to SN 0300088375)</b>	6/D
	0274707	Ref	<b>Kubota Engine with Standard Battery (SN 0300088375 through 0300182862)</b>	F
	1001159359	Ref	<b>Kubota Engine with Standard Battery (SN 0300182863 through 0300219271)</b>	F
	1001196512	Ref	<b>Kubota Engine with AGM Battery</b>	B
207	2680482	1	Trim, Hood	
208	2820126	1	Insulator	
212	2820122	1	Insulation	
213	2820123	1	Insulation	
215	4751600	4	Flatwasher 3/8in Regular	
216	3311605	3	Locknut 3/8in-16NC	
218	0641606	4	Bolt 3/8in-16NC x 3/4in	
228	0100011	AR	Locking, Compound	
229	3960464	4 ft/1.2m	Seal	
230	4711600	6	Flatwasher 3/8in Thin	
231	3572348	1	Plate, Cover	
232	3572349	1	Plate, Cover	
233	0641514	3	Bolt 5/16in-18NC x 1-3/4in	
234	4751500	3	Flatwasher 5/16in Regular	
236	4846210	1	Exhaust Tube Weldment	
237	3900283	3	Screw, Button Head	
	0259961	Ref	<b>WIRING COVER PLATE INSTALLATION - RIGHT SIDE (Prior to SN 0300196439)</b>	C
	0270072	Ref	<b>WIRING COVER PLATE INSTALLATION - LEFT SIDE (OPTIONAL - USED WITH STROBE LIGHT OPTION ONLY)</b>	C
301	0100011	AR	Locking, Compound	
304	4711600	6	Flatwasher 3/8in Thin (3 per Side)	
306	0641606	6	Bolt 3/8in-16NC x 3/4in (3 per Side)	
307	3572179	2	Plate, Cover(1 per Side)	

**SECTION 3 - BOOM**

Go to Discount-Equipment.com to order your parts

# SECTION 3 - BOOM

## FIGURE 3-1. BOOM INSTALLATION - E600 & M600



## SECTION 3 - BOOM

**FIGURE 3-1. BOOM INSTALLATION - E600 & M600**

ITEM	PART NUMBER	QTY	DESCRIPTION	REV
	0259548	Ref	<b>BOOM INSTALLATION - E600 &amp; M600</b>	G
1	0060049	1	Platform Rotator Assembly (See ROTATOR ASSEMBLIES for Breakdown)	
2	0100011	AR	Locking, Compound	
3	0561380	2	Block, Boom Rest	
4	0641604	8	Bolt 3/8in-16NC x 1/2in	
5	0641606	32	Bolt 3/8in-16NC x 3/4in	
6	0641608	3	Bolt 3/8in-16NC x 1in	
7	0641612	4	Bolt 3/8in-16NC x 1-1/2in	
8	0642012	2	Bolt 5/8in-11NC x 1-1/2in	
9	0642216	5	Bolt 3/4in-10NC x 2in	
10	0741607	17	Screw, Countersunk 3/8in-16NC x 7/8in	
11	0801200	1	Main Boom Assembly (See MAIN BOOM ASSEMBLY for Breakdown)	
12	0962297	12	Bushing	
13	1670911	1	Cover, Upright Upper	
14	1670912	1	Cover, Upright Lower	
15	1670913	2	Cover, Pin	
16	1670928	4	Cover, Pin	
17	1670960	1	Cover, Fly Nose	
18	1683865	1	Master Cylinder Assembly (See CYLINDER SECTION for Breakdown)	
19	1683867	1	Platform Level Cylinder Assembly (See CYLINDER SECTION for Breakdown)	
20	1683876	NLA	Lift Cylinder Assembly (Use p/n 1001228014) (Original Equipment) (See CYLINDER SECTION for Breakdown)	
20	1001228014	1	Lift Cylinder Assembly (Service Replacement) (See CYLINDER SECTION for Breakdown)	
21	4160187	3	Spring, Rubber	
22	3340873	4	Pad, Hose Guide	
23	3422568	1	Pin	
24	3422578	1	Pin	
25	3422885	1	Pin	
26	3422582	1	Pin	
27	3422808	1	Pin	
28	3422811	2	Pin	
29	3422830	5	Pin	
30	3422833	1	Pin	
31	3422834	1	Pin	
32	3841143	3	Keeper, Pin 3/8in	
33	3841258	2	Keeper, Pin 5/8in	
34	3841287	5	Keeper, Pin 3/4in	
35	3900280	8	Screw, Torx 3/8in-16NC x 5/8in	
36	4711600	14	Flatwasher, 3/8in Thin	
37	4740492	2	Thrustwasher	
38	4846066	1	Tower Boom Weldment	
39	4846067	1	Tower Link Weldment	
40	4846074	1	Upright Link Weldment	
41	4846075	1	Upright Weldment	
42	3960418	10 in /25cm	Seal	

## SECTION 3 - BOOM

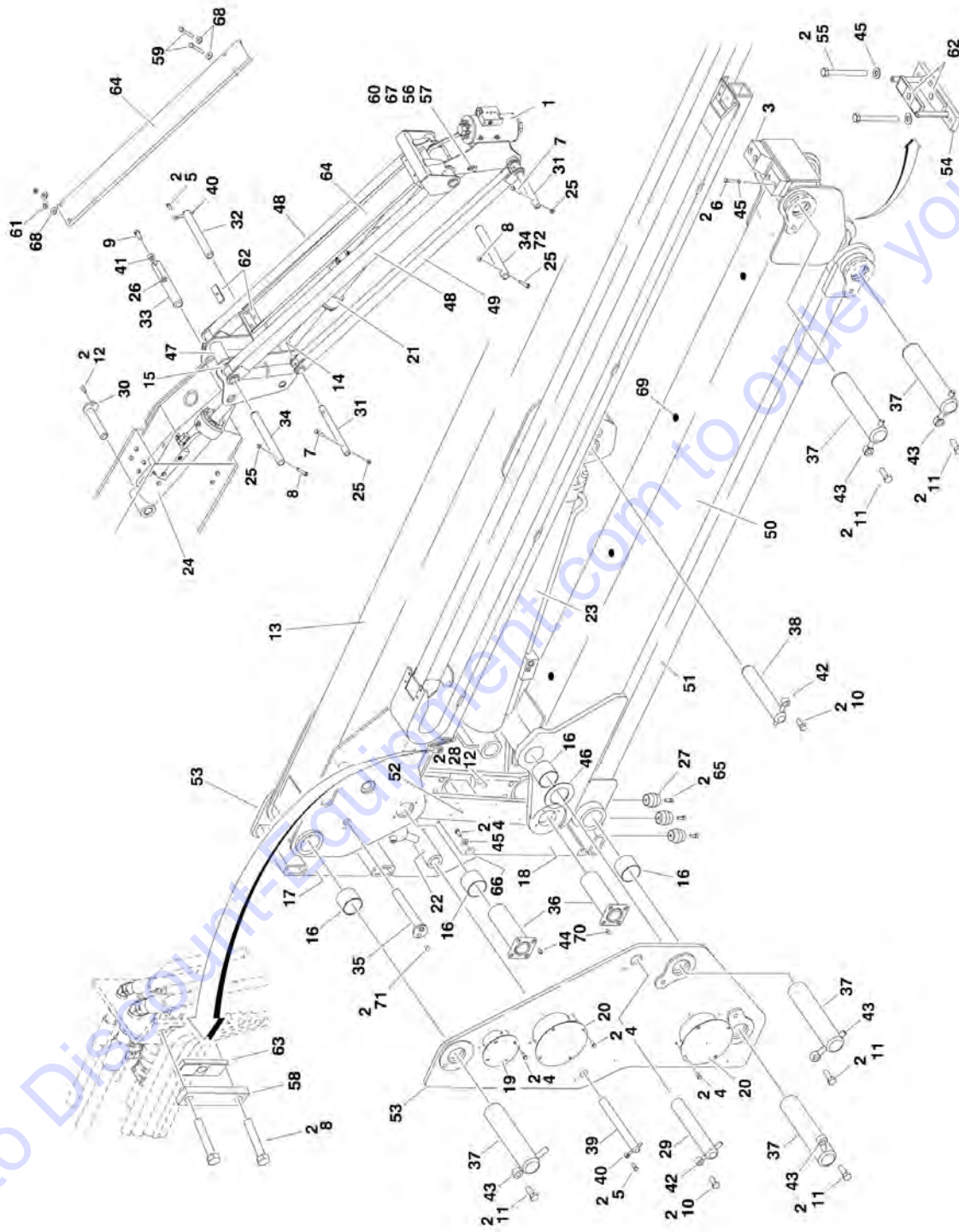
ITEM	PART NUMBER	QTY	DESCRIPTION	REV
43	0362929	1	Clamp, Bar	
44	0630539	2	Capscrew 3/8in-16NC x 2-1/4in	
45	0641618	2	Bolt 3/8in-16NC x 2-1/4in	
46	1320277	1	Clamp, Hose	
47	3340860	2	Pad, Rubber	
48	3340861	2	Pad, Rubber	
49	3520034	4	Plug	
50	3931616	3	Bolt, Socket Head 3/8in-16NC x 2in	
51	4060805	14 in /36cm	Flex-Trim	
52	3841340	2	Rod, Hose Loop	
53	0100019	AR	Locking, Compound	
54	0741606	1	Bolt 3/8in-16NC x 3/4in	
55	0961951	2	Bushing	

Go to Discount-Equipment.com to order your parts



# SECTION 3 - BOOM

## FIGURE 3-2. BOOM INSTALLATION - E600J & M600J



Go to [DiscountParts.com](http://DiscountParts.com) to order your parts



## SECTION 3 - BOOM

**FIGURE 3-2. BOOM INSTALLATION - E600J & M600J**

ITEM	PART NUMBER	QTY	DESCRIPTION	REV
	0259549	Ref	<b>BOOM INSTALLATION - E600J &amp; M600J</b>	K
1	0060050	1	Platform Rotator Assembly (See ROTATOR ASSEMBLIES for Breakdown) <b>(Prior to SN 0300201804)</b>	
1	0060096	1	Platform Rotator Assembly (See ROTATOR ASSEMBLIES for Breakdown) <b>(SN 0300201804 through 0300219271)</b>	
2	0100011	AR	Locking, Compound	
3	0561380	2	Block, Boom Rest	
4	0641606	32	Bolt 3/8in-16NC x 3/4in	
5	0641608	2	Bolt 3/8in-16NC x 1in	
6	0641612	4	Bolt 3/8in-16NC x 1-1/2in	
7	0641616	4	Bolt 3/8in-16NC x 2in	
8	0641618	4	Bolt 3/8in-16NC x 2-1/4in	
9	0641811	1	Bolt 1/2in-13NC x 1-3/8in	
10	0642012	2	Bolt 5/8in-11NC x 1-1/2in	
11	0642216	5	Bolt 3/4in-10NC x 2in	
12	0741607	18	Screw, Countersunk 3/8in-16NC x 7/8in	
13	0801207	1	Main Boom Assembly (See MAIN BOOM ASSEMBLY for Breakdown)	
14		Ref	Bushing Options:	
14	0961947	AR	Bushing <b>(Prior to SN 0300144013)</b>	
14	0962292	AR	Bushing <b>(SN 0300144013 through 0300219271)</b>	
15	0961951	2	Bushing	
16	0962297	12	Bushing	
17	1670911	1	Cover, Upright Upper	
18	1670912	1	Cover, Upright Lower	
19	1670913	2	Cover, Pin	
20	1670928	4	Cover, Pin	
21		Ref	Jib Cylinder Assembly Options (See CYLINDER SECTION for Breakdown):	
21	1683959	NLA	Jib Cylinder Assembly (Use p/n 1001140282) <b>(Prior to SN 0300163480)</b>	
21	1001140282	1	Jib Cylinder Assembly <b>(SN 0300163480 through 0300219271)</b>	
22	1683866	1	Master Cylinder Assembly (See CYLINDER SECTION for Breakdown)	
23	1683876	NLA	Lift Cylinder Assembly (Use p/n 1001228014) (Original Equipment) (See CYLINDER SECTION for Breakdown)	
23	1001228014	1	Lift Cylinder Assembly (Service Replacement) (See CYLINDER SECTION for Breakdown)	
24		Ref	Level Cylinder Assembly Options (See CYLINDER SECTION for Breakdown):	
24	1683926	NLA	Level Cylinder Assembly (Use p/n 1001140596) <b>(Prior to SN 0300163480)</b>	
24	1001140596	1	Level Cylinder Assembly <b>(SN 0300163480 through 0300219271)</b>	
25	3311605	6	Locknut 3/8in-16NC	
26	3311805	1	Locknut 1/2in-13NC	
27	4160187	3	Spring, Rubber	
28	3340873	4	Pad, Hose Guide	
29	3422568	1	Pin	
30	3422583	1	Pin	
31	3422791	2	Pin	
32	3422792	1	Pin	

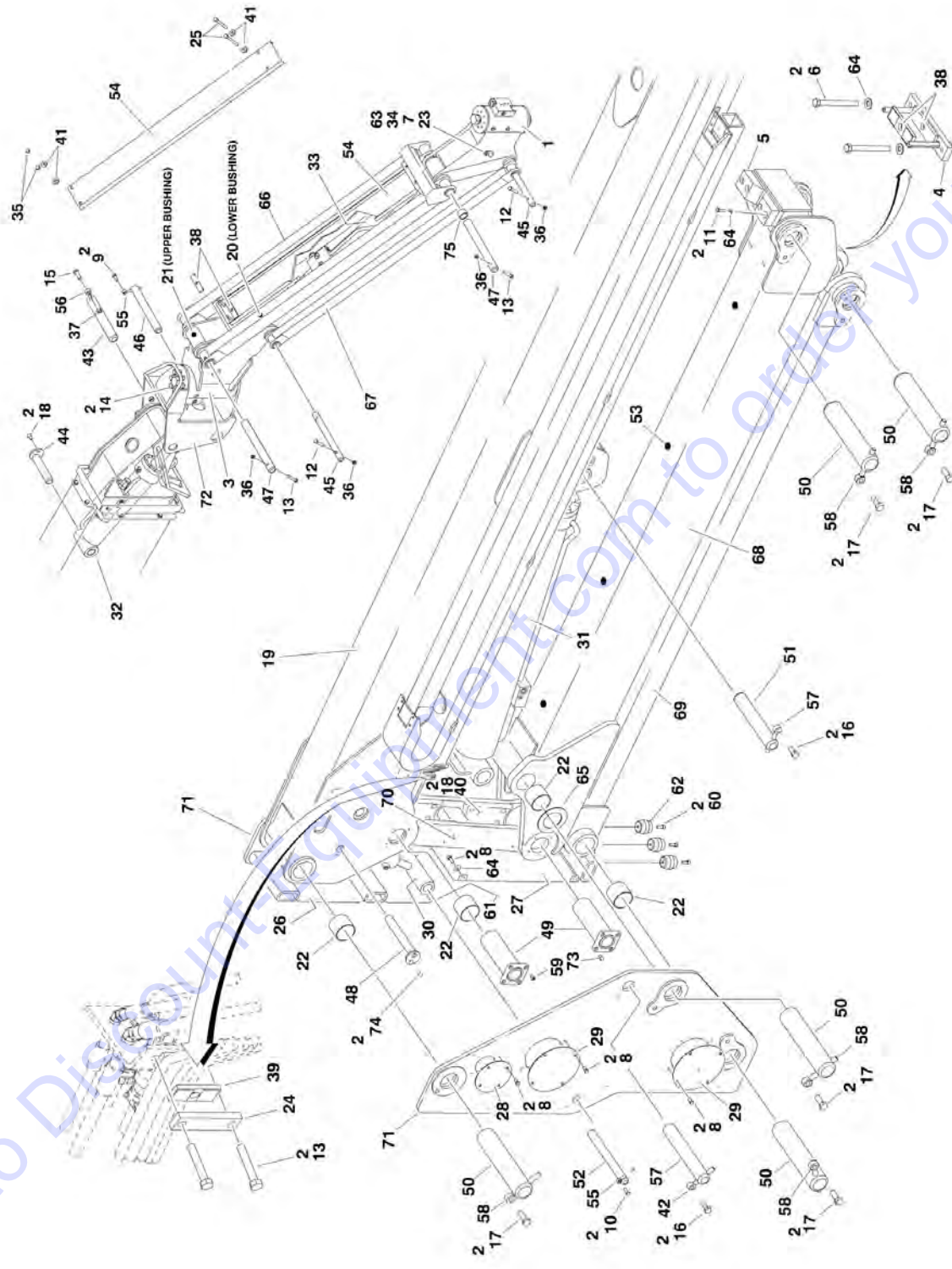
## SECTION 3 - BOOM

ITEM	PART NUMBER	QTY	DESCRIPTION	REV
33	3422793	1	Pin	
34	3422794	2	Pin	
35	3422808	1	Pin	
36	3422811	2	Pin	
37	3422830	5	Pin	
38	3422833	1	Pin	
39	3422834	1	Pin	
40	3841143	2	Keeper, Pin 3/8in	
41	3841203	1	Keeper, Pin 1/2in	
42	3841258	2	Keeper, Pin 5/8in	
43	3841287	5	Keeper, Pin 3/4in	
44	3900280	8	Screw, Torx 3/8in-16NC x 5/8in	
45	4711600	14	Flatwasher, 3/8in Thin	
46	4740492	2	Thrustwasher	
47	4845925	1	Pivot Weldment	
48	4846278	1	Link, Jib (Top)	
49		Ref	Link, Jib (Bottom) Options:	
49	4845927	NLA	Link, Jib (Bottom) (Use p/n 1001094670) <b>(Prior to SN 0300132103)</b>	
49	1001094670	2	Link, Jib (Bottom) <b>(SN 0300132103 through 0300219271)</b>	
50	4846066	1	Tower Boom Weldment	
51	4846067	1	Tower Link Weldment	
52	4846074	1	Upright Link Weldment	
53	4846075	1	Upright Weldment	
54	0362929	1	Clamp, Bar	
55	0630539	2	Capscrew 3/8in-16NC x 2-1/4in	
56	0641406	2	Bolt 1/4in-20NC x 3/4in	
57	1320070	2	Clamp, Cable	
58	1320277	1	Clamp, Hose	
59	0641518	2	Bolt 5/16in-18NC x 2-1/4in	
60	3311405	2	Locknut 1/4in-20NC	
61	3311501	8	Nut, 5/16in-18NC	
62	3340860	6	Pad, Rubber	
63	3340861	2	Pad, Rubber	
64	3572551	2	Channel, Hose Carrier	
65	3931616	3	Bolt, Socket Head 3/8in-16NC x 2in	
66	3960418	10 in /25cm	Seal	
67	4711400	2	Flatwasher 1/4in Thin	
68	4751500	6	Flatwasher 5/16in Regular	
69	3520034	4	Plug, Hole	
70	0100019	AR	Locking, Compound	
71	0741606	1	Bolt 3/8in-16NC x 3/4in	
72	0962257	2	Bushing	



# SECTION 3 - BOOM

## FIGURE 3-3. BOOM INSTALLATION - E600JP & M600JP



## SECTION 3 - BOOM

### FIGURE 3-3. BOOM INSTALLATION - E600JP & M600JP

ITEM	PART NUMBER	QTY	DESCRIPTION	REV
	0270279	Ref	<b>BOOM INSTALLATION - E600JP &amp; M600JP</b>	K
1	0060056	1	Platform Rotator Assembly (See ROTATOR ASSEMBLIES for Breakdown)	
2	0100011	AR	Locking, Compound	
3	0060057	1	Platform Rotator Assembly (See ROTATOR ASSEMBLIES for Breakdown) (Includes Items 20 & 21)	
4	0362929	1	Clamp, Bar	
5	0561380	2	Block, Boom Rest	
6	0630539	2	Capscrew 3/8in-16NC x 2-1/4in	
7	0641406	2	Bolt 1/4in-20NC x 3/4in	
8	0641606	32	Bolt 3/8in-16NC x 3/4in	
9	0641607	1	Bolt 3/8in-16NC x 7/8in	
10	0641608	1	Bolt 3/8in-16NC x 1in	
11	0641612	4	Bolt 3/8in-16NC x 1-1/2in	
12	0641616	4	Bolt 3/8in-16NC x 2in	
13	0641618	4	Bolt 3/8in-16NC x 2-1/4in	
14	0641810	8	Bolt 1/2in-13NC x 1-1/4in	
15	0641812	1	Bolt 1/2in-13NC x 1-1/2in	
16	0642012	2	Bolt 5/8in-11NC x 1-1/2in	
17	0642216	5	Bolt 3/4in-10NC x 2in	
18	0741607	17	Screw, Countersunk 3/8in-16NC x 7/8in	
19	0801239	1	Main Boom Assembly (See MAIN BOOM ASSEMBLY for Breakdown)	
20		Ref	Bushing Options: (Note: Part of Item 3)	
20	0961947	AR	Bushing ( <b>Prior to SN 0300144013</b> )	
20	0962292	AR	Bushing ( <b>SN 0300144013 through 0300219271</b> )	
21	0961951	2	Bushing (Note: Part of Item 3)	
22	0962297	12	Bushing	
23	1320070	2	Clamp, Cable	
24	1320277	1	Clamp, Hose	
25	0641518	2	Bolt 5/16in-18NC x 2-1/4in	
26	1670911	1	Cover, Upright Upper	
27	1670912	1	Cover, Upright Lower	
28	1670913	2	Cover, Pin	
29	1670928	4	Cover, Pin	
30	1683866	1	Master Cylinder Assembly (See CYLINDER SECTION for Breakdown)	
31	1683876	NLA	Lift Cylinder Assembly (Use p/n 1001228014) (Original Equipment) (See CYLINDER SECTION for Breakdown)	
31	1001228014	1	Lift Cylinder Assembly (Service Replacement) (See CYLINDER SECTION for Breakdown)	
32		Ref	Level Cylinder Assembly Options (See CYLINDER SECTION for Breakdown):	
32	1683926	NLA	Level Cylinder Assembly (Use p/n 1001140596) ( <b>Prior to SN 0300163480</b> )	
32	1001140596	1	Level Cylinder Assembly ( <b>SN 0300163480 through 0300219271</b> )	
33		Ref	Jib Cylinder Assembly Options (See CYLINDER SECTION for Breakdown):	
33	1683959	NLA	Jib Cylinder Assembly (Use p/n 1001140282) ( <b>Prior to SN 0300163480</b> )	
33	1001140282	1	Jib Cylinder Assembly ( <b>SN 0300163480 through 0300219271</b> )	

## SECTION 3 - BOOM

ITEM	PART NUMBER	QTY	DESCRIPTION	REV
34	3311405	2	Locknut 1/4in-20NC	
35	3311501	4	Nut, 5/16in-18NC	
36	3311605	6	Locknut 3/8in-16NC	
37	3311805	1	Locknut 1/2in-13NC	
38	3340860	6	Pad, Rubber	
39	3340861	2	Pad, Rubber	
40	3340873	4	Pad, Hose Guide	
41	4751500	6	Flatwasher 5/16in Regular	
42	3422568	1	Pin	
43	3422576	1	Pin	
44	3422583	1	Pin	
45	3422791	2	Pin	
46	3422792	1	Pin	
47	3422794	2	Pin	
48	3422808	1	Pin	
49	3422811	2	Pin	
50	3422830	5	Pin	
51	3422833	1	Pin	
52	3422834	1	Pin	
53	3520034	4	Plug, Hole	
54	3572551	2	Channel, Hose Carrier	
55	3841143	2	Keeper, Pin 3/8in	
56	3841203	1	Keeper, Pin 1/2in	
57	3841258	2	Keeper, Pin 5/8in	
58	3841287	5	Keeper, Pin 3/4in	
59	3900280	8	Screw, Torx 3/8in-16NC x 5/8in	
60	3931616	3	Bolt, Socket Head 3/8in-16NC x 2in	
61	3960418	10 in /25cm	Seal	
62	4160187	3	Spring, Rubber	
63	4711400	2	Flatwasher 1/4in Thin	
64	4711600	14	Flatwasher 3/8in Thin	
65	4740492	2	Thrustwasher	
66	4846278	1	Link, Jib (Top)	
67		Ref	Link, Jib (Bottom) Options:	
67	4845927	NLA	Link, Jib (Bottom) (Use p/n 1001094670) <b>(Prior to SN 0300132103)</b>	
67	1001094670	2	Link, Jib (Bottom) <b>(SN 0300132103 through 0300219271)</b>	
68	4846066	1	Tower Boom Weldment	
69	4846067	1	Tower Link Weldment	
70	4846074	1	Upright Link Weldment	
71	4846075	1	Upright Weldment	
72	4846258	1	Pivot Weldment	
73	0100019	AR	Locking, Compound	
74	0741606	1	Bolt 3/8in-16NC x 3/4in	
75	0962257	2	Bushing	





# SECTION 3 - BOOM

## FIGURE 3-4. MAIN BOOM ASSEMBLY

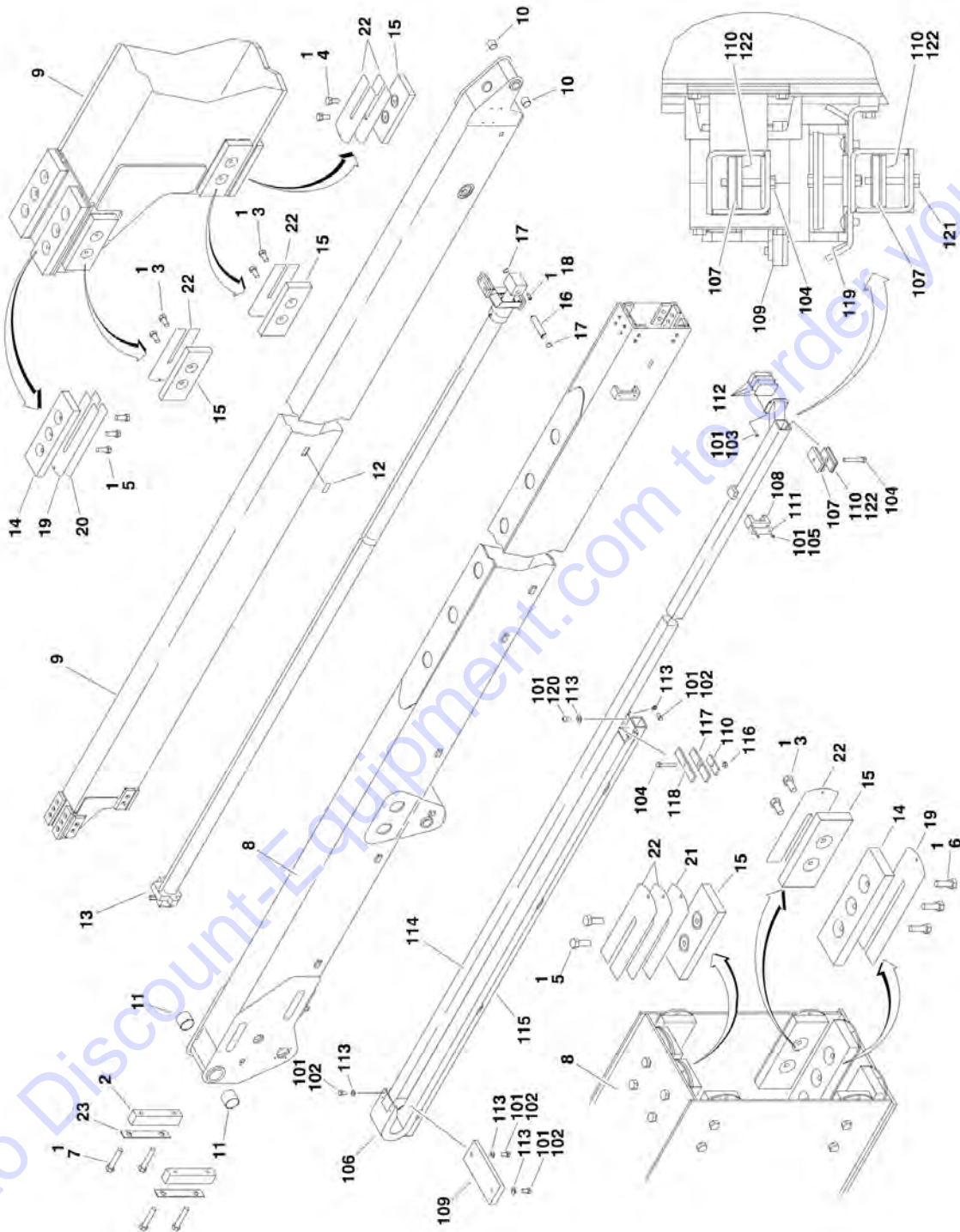


FIGURE 3-4. MAIN BOOM ASSEMBLY

ITEM	PART NUMBER	QTY	DESCRIPTION	REV
		Ref	<b>MAIN BOOM ASSEMBLY</b>	
	0801200	Ref	<b>Main Boom Assembly E600/M600</b>	C
	0801207	Ref	<b>Main Boom Assembly E600J/M600J</b>	E
	0801239	Ref	<b>Main Boom Assembly E600JP/M600JP</b>	E
1	0100011	AR	Locking, Compound	
2	0561185	2	Block, Telescope Attach	
3	0641606	16	Bolt 3/8in-16NC x 3/4in	
4	0641607	4	Bolt 3/8in-16NC x 7/8in	
5	0641608	10	Bolt 3/8in-16NC x 1in	
6	0641609	6	Bolt 3/8in-16NC x 1-1/8in	
7	0641616	4	Bolt 3/8in-16NC x 2in	
8		Ref	Base Boom Weldment Options:	
8		Ref	Base Boom Weldment E600 & M600	
8	0801201	NLA	Base Boom Weldment (Use p/n 0801599) <b>(Prior to SN 0300137278)</b>	
8	0801599	1	Base Boom Weldment <b>(SN 0300137278 through 0300219271)</b>	
8	0801208	1	Base Boom Weldment E600J & M600J	
8	0801208	NLA	Base Boom Weldment (Use p/n 0801606) <b>(Prior to SN 0300137278)</b>	
8	0801606	1	Base Boom Weldment <b>(SN 0300137278 through 0300219271)</b>	
8	0801237	1	Base Boom Weldment E600JP & M600JP	
8	0801237	NLA	Base Boom Weldment (Use p/n 0801611) <b>(Prior to SN 0300137278)</b>	
8	0801611	1	Base Boom Weldment <b>(SN 0300137278 through 0300219271)</b>	
9		Ref	Fly Boom Weldment Options:	
9	0801202	1	Fly Boom Weldment E600 & M600	
9		Ref	Fly Boom Weldment E600J & M600J	
9	0801209	NLA	Fly Boom Weldment (Use p/n 0801582) <b>(Prior to SN 0300099584)</b>	
9	0801582	1	Fly Boom Weldment <b>(SN 0300099584 through 0300219271)</b>	
9		Ref	Fly Boom Weldment E600JP & M600JP	
9	0801238	NLA	Fly Boom Weldment (Use p/n 0801583) <b>(Prior to SN 0300099584)</b>	
9	0801583	1	Fly Boom Weldment <b>(SN 0300099584 through 0300219271)</b>	
10		Ref	Bearing Options:	
10	Not Required	0	Bearing E600 & M600	
10	0961948	2	Bearing E600J & M600J	
10	0961948	2	Bearing E600JP & M600JP	
11	0962297	2	Bearing	
12	1670836	1	Cover, Boom	
13		Ref	Telescope Cylinder Assembly Options (See CYLINDER SECTION for Breakdown):	
13	1684009	1	Telescope Cylinder Assembly E600 & M600	
13	1684010	NLA	Telescope Cylinder Assembly E600J & M600J (Use p/n 1001228017) (Original Equipment)	
13	1001228017	1	Telescope Cylinder Assembly E600J & M600J (Service Replacement)	
13	1684010	NLA	Telescope Cylinder Assembly E600JP & M600JP (Use p/n 1001228017) (Original Equipment)	

## SECTION 3 - BOOM

ITEM	PART NUMBER	QTY	DESCRIPTION	REV
13	1001228017	1	Telescope Cylinder Assembly E600JP & M600JP (Service Replacement)	
14	3340871	4	Pad	
15	3340881	12	Pad	
16	3422457	1	Pin	
17	3760133	2	Ring, Retaining	
18	3900259	4	Screw, Shoulder	
19	4070863	AR	Shim #11Ga	
20	4070864	AR	Shim #18Ga	
21	4070897	AR	Shim #18Ga	
22	4070898	AR	Shim #11Ga	
23	4070929	AR	Shim #16Ga	
		Ref	<b>POWER TRACK ASSEMBLY</b>	
	0259838	Ref	<b>Power Track Assembly E600/M600</b>	E
	0259837	Ref	<b>Power Track Assembly E600J/E600JP/M600J/M600JP</b>	G
101	0100011	AR	Locking, Compound	
102	0641606	14	Bolt 3/8in-16NC x 3/4in	
103		Ref	Bolt Options:	
103	0641608	4	Bolt 3/8in-16NC x 1in E600/M600	
103	0641611	4	Bolt 3/8in-16NC x 1-3/8in E600J/E600JP/M600J/M600JP	
104	0641620	AR	Bolt 3/8in-16NC x 2-1/2in	
105	0641640	2	Bolt 3/8in-16NC x 5in	
106		Ref	Powertrack Options:	
106	1180357	1	Powertrack E600/M600	
106	1180356	1	Powertrack E600J/E600JP/M600J/M600JP	
106	7020266	4	Bar (Top Plastic)	
106	7020265	4	Link (Inner)	
106	7020264	12	Link (Outer)	
106	7020262	6	Ring, Retaining	
106	7020260	4	Foot, Mounting	
106	7020261	6	Pin (Center)	
106	7026182	2	Roller, Poly	
106	7026170	2	Bar, Aluminum	
107		Ref	Clamp, Hose Options:	
107	1320249	2	Clamp, Hose ( <b>Prior to SN 0300068185</b> )	
107	1320288	2	Clamp, Hose ( <b>SN 0300068185 through 0300219271</b> )	
108	3340764	2	Pad, Push Tube	
109	3340787	1	Pad, Wear	
110		Ref	Pad, Rubber Options:	
110	3340861	5	Pad, Rubber ( <b>Prior to SN 0300068185</b> )	
110	3340941	5	Pad, Rubber ( <b>SN 0300068185 through 0300219271</b> )	
111	3538758	1	Plate, Backing	
112	4070969	AR	Shim	
113	4711600	20	Flatwasher 3/8in Thin	
114		Ref	Tube, Push Options:	
114	4846164	1	Tube, Push E600/M600	
114	4846163	1	Tube, Push E600J/E600JP/M600J/M600JP	
115		Ref	Support Options:	
115	4846166	1	Support E600/M600	
115	4846165	1	Support E600J/E600JP/M600J/M600JP	
116	3311605	1	Locknut 3/8in-16NC	
117		Ref	Pad, Rubber Options:	

## SECTION 3 - BOOM

ITEM	PART NUMBER	QTY	DESCRIPTION	REV
117	3340901	1	Pad, Rubber <b>(Prior to SN 0300068185)</b>	
117	3340939	1	Pad, Rubber <b>(SN 0300068185 through 0300219271)</b>	
118	3572448	1	Plate, Clamp	
119	3340896	1	Pad, Rubber	
120	3900283	4	Screw, Button Head	
121	0641622	2	Bolt 3/8in-16NC x 2-3/4in	
122	0100081	AR	Loctite #454	

Go to Discount-Equipment.com to order your parts

# SECTION 3 - BOOM

## FIGURE 3-5. ROTATOR ASSEMBLIES

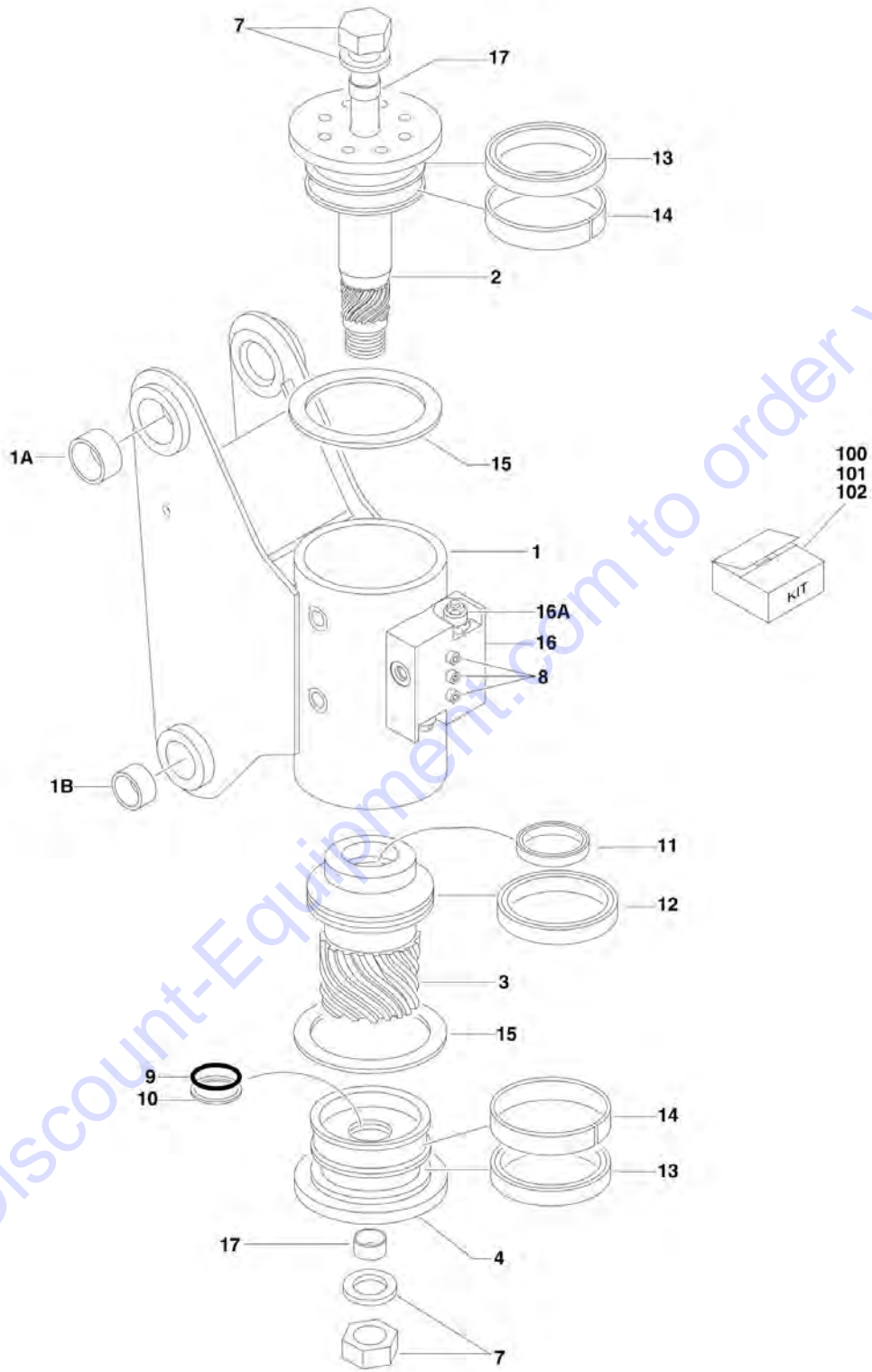


FIGURE 3-5. ROTATOR ASSEMBLIES

ITEM	PART NUMBER	QTY	DESCRIPTION	REV
		Ref	<b>ROTATOR ASSEMBLIES</b>	
	0060049	Ref	<b>Rotator Assemblies E600/M600 Platform Rotate</b>	E
	0060050	Ref	<b>Rotator Assemblies E600J/M600J Platform Rotate (Prior to SN 0300201804)</b>	G
	0060096	Ref	<b>Rotator Assemblies E600J/M600J Platform Rotate (SN 0300201804 through 0300219271)</b>	B
	0060056	Ref	<b>Rotator Assemblies E600JP/M600JP Platform Rotate</b>	C
	0060057	Ref	<b>Rotator Assemblies E600JP/M600JP Side Swing Rotate</b>	C
1	See Note	NSS	Case/Bracket Weldment (Note: Not Available - Purchase Complete Assembly)	
1A		Ref	Bushing Options: (Top)	
1A	0961951	2	0060049 Rotator	
1A	7017150	2	0060050 Rotator	
1A	0962257	2	0060096 Rotator	
1A	7017170	2	0060056 Rotator	
1A	See Note	NSS	0060057 Rotator (Note: Use Item 102)	
1B		Ref	Bushing Options: (Bottom)	
1B	Not Required	0	0060049 Rotator	
1B	7017151	2	0060050 Rotator	
1B	0961947	2	0060096 Rotator	
1B	7017170	2	0060056 Rotator	
1B	See Note	NSS	0060057 Rotator (Note: Use Item 102)	
2		Ref	Shaft Options:	
2	7017162	1	0060049/0060050/0060056/0060096 Rotators	
2	7017167	1	0060057 Rotator	
3		Ref	Sleeve, Piston Options:	
3	7017163	1	0060049/0060050/0060056/0060096 Rotators	
3	7017168	1	0060057 Rotator	
4		Ref	Cap, End Options:	
4	7017164	1	0060049/0060050/0060056/0060096 Rotators	
4	7017169	1	0060057 Rotator	
7		Ref	Tie Rod Assembly Options:	
7		Ref	0060049/0060050/0060056/0060096 Rotators (was p/n 7017143)	
7	0642684	1	Bolt 1in-8NC x 10-1/2in	
7	4892600	2	Flatwasher 1in Hardened	
7	3272605	3	Locknut 1in-8NC	
7	7017173	1	0060057 Rotator	
8	See Note	NSS	Capscrew 1/4in-20NC x 1-1/2in (Grade 8) (Note: Not Available - Purchase Locally)	
9	See Note	NSS	O-Ring (Note: Use Item 100)	
10	See Note	NSS	Ring, Back-up Cap (Note: Use Item 100)	
11	See Note	NSS	Seal, Rod (Note: Use Item 100)	
12	See Note	NSS	Seal, Piston (Note: Use Item 100)	
13	See Note	NSS	Seal, Cap (Note: Use Item 100)	
14	See Note	NSS	Guide, Wear (Note: Use Item 101)	
15	See Note	NSS	Thrustwasher (Note: Use Item 101)	
16		Ref	Counterbalance Valve Assembly Options:	
16	7017172	1	Helac p/n 24327 Stamped beside Mounting Screws (was p/n 7017125)	
16	7017172	1	Helac p/n 26553 or 26554 Stamped beside Mounting Screws	

## SECTION 3 - BOOM

ITEM	PART NUMBER	QTY	DESCRIPTION	REV
16A		Ref	Valve, Cartridge Options:	
16A	7011323	2	Valve, Cartridge for Helac p/n 24327 Valve	
16A	2900770	2	Seal Kit - 7011323 Cartridge (1 Per Assembly)	
16A	7017192	2	Valve, Cartridge Helac p/n 26553 (No Seal Kit Available)	
17	7017195	2	Bushing	
		Ref	<b>KIT OPTIONS:</b>	
100		Ref	Seal Kit Options: (Includes Items 9-13)	
100	7017158	1	Standard (0060049/0060050/0060056 Rotators)	
100	70000342	1	Cold Climate (0060049/0060050/0060096 Rotators)	
100	7017165	1	Standard (0060057 Rotator)	
100	70000340	1	Cold Climate (0060057 Rotator)	
101		Ref	Bearing Kit Options: (Includes Items 14-15)	
101	7017159	1	0060049/0060050/0060056/0060096 Rotators	
101	7017178	1	0060057 Rotator	
102	7017160	1	Bushing Kit Options: (Includes Items 1A, 1B, & 17)	





# SECTION 3 - BOOM

## FIGURE 3-6. PLATFORM SUPPORT AND ROTATOR VALVE INSTALLATION

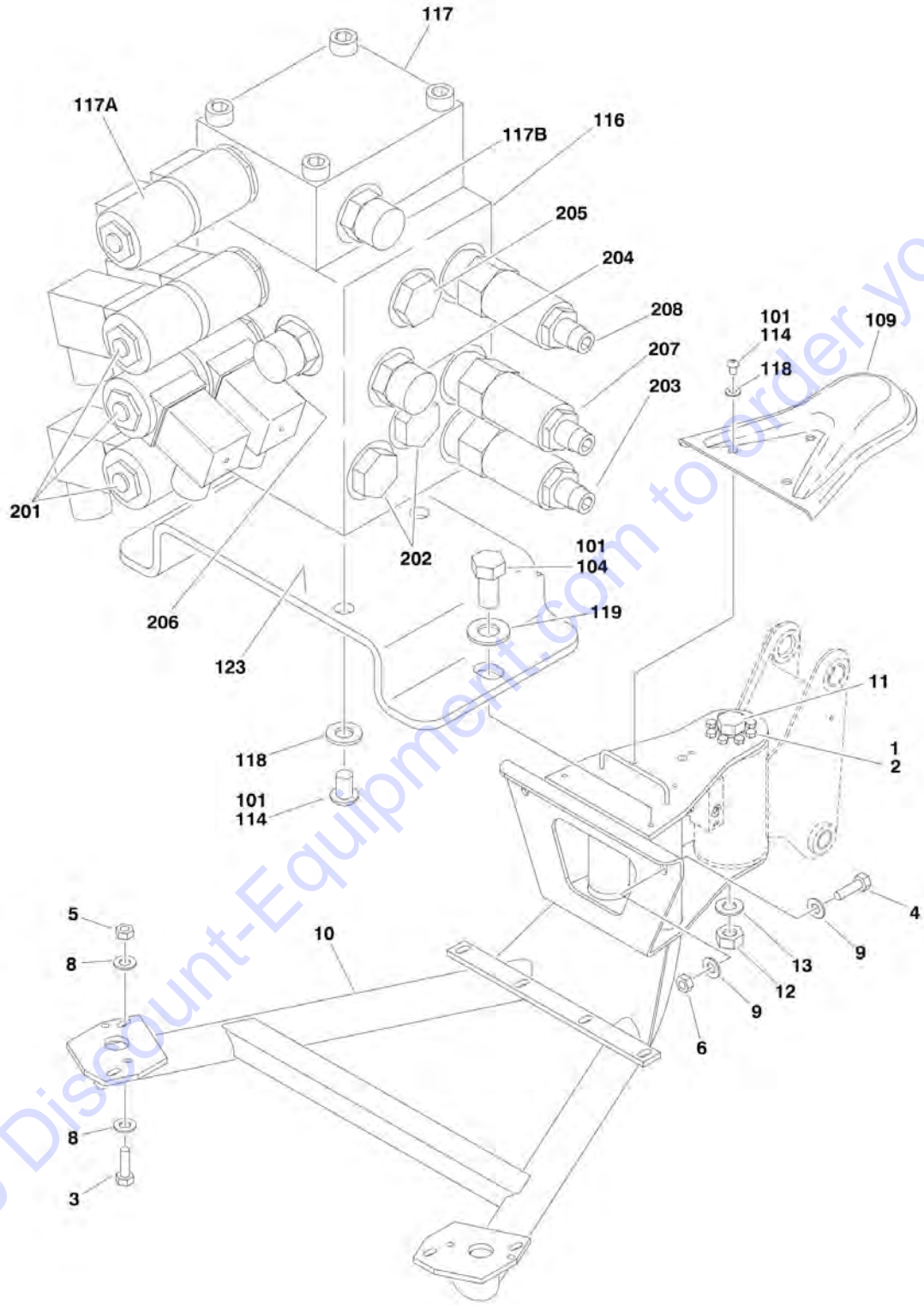


FIGURE 3-6. PLATFORM SUPPORT AND ROTATOR VALVE INSTALLATION

ITEM	PART NUMBER	QTY	DESCRIPTION	REV
		Ref	<b>PLATFORM SUPPORT INSTALLATION</b>	
	0270015	Ref	<b>Machines (Australian Spec) without Load Sensing and without SkyGlazier (Front Entry Platform)</b>	C
	0270532	Ref	<b>Machines (CE Spec) without Load Sensing and without SkyGlazier (Front Entry Platform)</b>	B
	0272070	Ref	<b>Machines without Load Sensing and without SkyGlazier (Side Entry Platform)</b>	D
	See Note	Ref	<b>Machines without Load Sensing and with SkyGlazier (Side Entry Platform) (Note: For Replacement Parts, Contact Discount-equipment and Request Manual p/n 3124242)</b>	
	See Note	Ref	<b>Machines with Load Sensing and without SkyGlazier (Side Entry Platform) (Note: For Replacement Parts, Contact Discount-equipment and Request Manual p/n 3124287)</b>	
	See Note	Ref	<b>Machines with Load Sensing and with SkyGlazier (Side Entry Platform) (Note: For Replacement Parts, Contact Discount-equipment and Request Manual p/n 3124287)</b>	
1	0100011	AR	Locking, Compound	
2		Ref	Hardware Options:	
2	0641606	8	Bolt 3/8in-16NC x 3/4in (Front Entry Platform)	
2	0681606	8	Bolt 3/8in-16NC x 3/4in (Grade 8) (Side Entry Platform)	
3		Ref	Hardware Options:	
3	0681610	AR	Bolt 3/8in-16NC x 1-1/4in (Grade 8) (Front Entry Platform)	
3	0641812	AR	Bolt 1/2in-13NC x 1-1/2in (Side Entry Platform)	
4	0641820	2	Bolt 1/2in-13NC x 2-1/2in	
5		Ref	Hardware Options:	
5	3311605	6	Locknut 3/8in-16NC (Front Entry Platform)	
5	3311805	6	Locknut 1/2in-13NC (Side Entry Platform)	
6	3311805	2	Locknut 1/2in-13NC	
8		Ref	Hardware Options:	
8	4891600	12	Flatwasher 3/8in Hardened (Front Entry Platform)	
8	4891800	12	Flatwasher 1/2in Hardened (Side Entry Platform)	
9	4751800	4	Flatwasher 1/2in Regular	
10		Ref	Support Weldment Options:	
10	4846158	1	Australian Spec (Front Entry Platform)	
10	4846573	1	Australian Spec (Side Entry Platform)	
10	4846298	1	CE Spec (Front Entry Platform)	
10	See Note Above	1	CE Spec (Side Entry Platform)	
11		Ref	Bolt Options (Australian Spec) (Side Entry Platform Only):	
11	0642682	1	Bolt 1in-8NC x 10-1/4in ( <b>Prior to SN 0300070882</b> )	
11	0642684	1	Bolt 1in-8NC x 10-1/2in ( <b>SN 0300070882 through 0300219271</b> )	
12	3272605	1	Locknut 1in-8NC (Australian Spec) (Side Entry Platform Only)	
13	4892600	1	Flatwasher 1in Hardened (Australian Spec) (Side Entry Platform Only)	
		Ref	<b>ROTATOR VALVE INSTALLATIONS</b>	
	0270096	Ref	<b>Rotator Valve Installations E600 &amp; M600</b>	H
	0270097	Ref	<b>Rotator Valve Installations E600J &amp; M600J</b>	H
	0270098	Ref	<b>Rotator Valve Installations E600JP &amp; M600JP</b>	H
101	0100011	AR	Locking, Compound	
104	0641606	2	Bolt 3/8in-16NC x 3/4in	
109	1670964	1	Cover, Support	
114	0630467	6	Screw, Button Head	

## SECTION 3 - BOOM

ITEM	PART NUMBER	QTY	DESCRIPTION	REV
116		Ref	Rotator Valve Assembly Options (See Items 201-208 for Breakdown):	
116	4641140	1	Rotator Valve Assembly E600 & M600	
116	4641141	1	Rotator Valve Assembly E600J, M600J, E600JP & M600JP	
117		Ref	Sideswing Rotator Valve Assembly Options:	
117	Not Required	0	Sideswing Rotator Valve Assembly E600, M600, E600J & M600J	
117	4641142	1	Sideswing Rotator Valve Assembly E600JP & M600JP	D
117A	7017452	1	Cartridge without Coil	
117A	7017402	1	Seal Kit - 7017452 Cartridge	
117A		Ref	Coil Options:	
117A	7021609	2	Coil <b>(Prior to SN 0300058444)</b>	
117A	7012944	2	Coil <b>(SN 0300058444 through 0300219271)</b>	
117B	7012989	1	Cartridge	
117B	7012953	1	Seal Kit - 7012989 Cartridges	
118	4711500	6	Flatwasher 5/16in Thin	
119	4711600	2	Flatwasher 3/8in Thin	
123	4846218	1	Valve Mounting Weldment	
		Ref	<b>ROTATOR VALVE ASSEMBLY</b>	
	4641140	Ref	<b>Rotator Valve Assembly E600 &amp; M600</b>	E
201	7017452	2	Cartridge without Coils (Platform Level and Rotate)	
201	7017402	2	Seal Kit - 7017452 Cartridge	
201	7012944	4	Coil	
202	7012914	2	Cartridge, Check (Platform Level)	
202	7012918	2	Seal Kit - 7012914 Cartridge	
203	7023906	2	Cartridge, Relief (Platform Level)	
203	7021651	2	Seal Kit	
204	7012989	1	Cartridge, Regulator (Rotate)	
204	7012953	1	Seal Kit - 7012989 Cartridge	
205 to 208	Not Required	0	Not Required	
	4641141	Ref	<b>Rotator Valve Assembly E600J, M600J, E600JP &amp; M600JP</b>	F
201	7017452	3	Cartridge without Coils (Platform Level and Rotate and Jib)	
201	7017402	3	Seal Kit - 7017452 Cartridge	
201	7012944	6	Coil	
202	7012914	2	Cartridge, Check (Platform Level)	
202	7012918	2	Seal Kit - 7012914 Cartridge	
203		Ref	Cartridge, Relief (Platform Level and Jib)	
203	7023905	1	Cartridge, Relief (Platform Level and Jib) <b>(Prior to SN 0300064130)</b>	
203	7023968	1	Cartridge, Relief (Platform Level and Jib) <b>(SN 0300064130 through 0300219271)</b>	
203	7021651	3	Seal Kit - 7023905/7023968 Cartridges	
204	7012989	1	Cartridge, Regulator (Rotate)	
204	7012953	1	Seal Kit - 7012989 Cartridge	
205	7010542	1	Cartridge, Load Shuttle (Jib)	
205	7010543	1	Seal Kit - 7010542 Cartridge	
206	7012965	1	Cartridge, Regulator (Jib)	
206	7012953	1	Seal Kit - 7012965 Cartridge	
207		Ref	Cartridge, Relief (Platform Level and Jib)	
207	7023905	1	Cartridge, Relief (Platform Level and Jib) <b>(Prior to SN 0300064130)</b>	
207	7023968	1	Cartridge, Relief (Platform Level and Jib) <b>(SN 0300064130 through 0300219271)</b>	

## SECTION 3 - BOOM

ITEM	PART NUMBER	QTY	DESCRIPTION	REV
207	7021651	1	Seal Kit - 7023905/7023968 Cartridges	
208		Ref	Cartridge, Relief (Platform Level and Jib)	
208	7023905	1	Cartridge, Relief (Platform Level and Jib) <b>(Prior to SN 0300064130)</b>	
208	7023968	1	Cartridge, Relief (Platform Level and Jib) <b>(SN 0300064130 through 0300219271)</b>	
208	7021651	1	Seal Kit - 7023905/7023968 Cartridges	

Go to Discount-Equipment.com to order your parts

# SECTION 3 - BOOM

## FIGURE 3-7. CABLES, CLAMPS AND LIMIT SWITCHES INSTALLATION

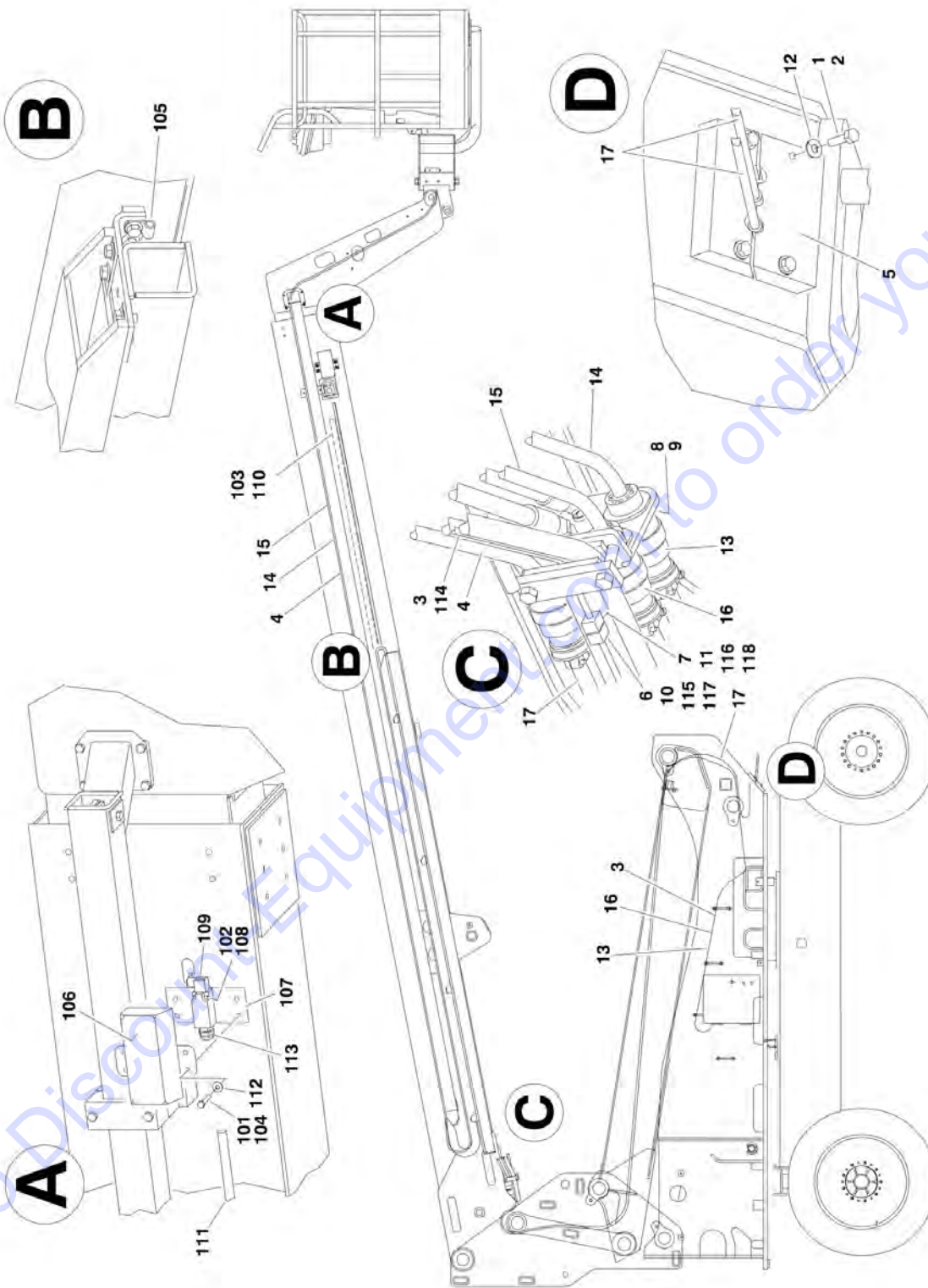


FIGURE 3-7. CABLES, CLAMPS AND LIMIT SWITCHES INSTALLATION

ITEM	PART NUMBER	QTY	DESCRIPTION	REV
		Ref	<b>CABLE AND CLAMP INSTALLATIONS</b>	
	0259955	Ref	<b>Cable and Clamp Installations E600 &amp; M600</b>	F
	0259956	Ref	<b>Cable and Clamp Installations E600J &amp; M600J</b>	F
	0259957	Ref	<b>Cable and Clamp Installations E600JP &amp; M600JP</b>	G
	1001096619	Ref	<b>Cable and Clamp Installations E600JP &amp; M600JP (Dual AC Cables)</b>	A
1	0100011	AR	Locking, Compound	
2	0641612	4	Bolt 3/8in-16NC x 1-1/2in	
3	1060341	NLA	Cable, Electrical -18/2 (Use p/n 1061026) <b>(Prior to SN 0300089612)</b>	
4		Ref	Cable, Electrical -12/3 Options:	
4	4922939	1	Standard AC	
4	4922939	2	Dual AC	
5	1320256	1	Clamp, Block	
6	4460464	2	Pin, Male <b>(Prior to SN 0300089612)</b>	
7	4460465	2	Socket, Female <b>(Prior to SN 0300089612)</b>	
8	4460496	2	Lockwasher, Terminal	
9	4460497	2	Nut, Terminal	
10	4460536	1	Terminal, Deutsch - 3 Position Male <b>(Prior to SN 0300089612)</b>	
11	4460539	1	Terminal, Deutsch - 3 Position Female <b>(Prior to SN 0300089612)</b>	
12	4711600	4	Flatwasher 3/8in Thin	
13	4922355	1	Harness, Boom - Lower #18-11/1STP (See ELECTRICAL SECTION for Breakdown)	
14		Ref	Harness, Boom - Upper #18-11/1STP Options (See ELECTRICAL SECTION for Breakdown):	
14	4922356	1	Harness, Boom - Upper #18-11/1STP E600 & M600	
14	4922358	1	Harness, Boom - Upper #18-11/1STP E600J & M600J	
14	4922360	NLA	Harness, Boom - Upper #18-11/1STP E600JP & M600JP (Use p/n 4922356) <b>(Prior to SN 0300100004)</b>	
14	4922356	1	Harness, Boom - Upper #18-11/1STP E600JP & M600JP <b>(SN 0300100004 through 0300219271)</b>	
15		Ref	Harness, Rotator Valve - Upper Options (See ELECTRICAL SECTION for Breakdown):	
15	4922359	1	Harness, Rotator Valve - Upper E600 & M600	
15	4922362	1	Harness, Rotator Valve - Upper E600J & M600J	
15	4922357	1	Harness, Rotator Valve - Upper E600JP & M600JP	
16	4922361	1	Harness, Rotator Valve - Lower (See ELECTRICAL SECTION for Breakdown)	
17		Ref	Cable, Electrical - 12/3 Options:	
17	4922940	1	Standard AC	
17	4922940	2	Dual AC	
		Ref	<b>BOOM LIMIT SWITCH INSTALLATION (CE SPEC ONLY)</b>	
	0270045	Ref	<b>Boom Limit Switch Installation E600 &amp; M600</b>	F
	0270005	Ref	<b>Boom Limit Switch Installation E600J, M600J, E600JP &amp; M600JP</b>	F
101	0100011	AR	Locking, Compound	
102	0100035	AR	Locking, Compound	
103		Ref	Bar Options:	
103		Ref	Bar E600 & M600	
103	0362772	1	Fiberglass <b>(Prior to SN 0300138701)</b>	
103	1001106477	1	PVC <b>(SN 0300138701 through 0300219271)</b>	



## SECTION 3 - BOOM

ITEM	PART NUMBER	QTY	DESCRIPTION	REV
103		Ref	Bar E600J, M600J, E600JP & M600JP	
103	0362609	1	Fiberglass <b>(Prior to SN 0300138701)</b>	
103	1001106481	1	PVC <b>(SN 0300138701 through 0300219271)</b>	
104	0641403	4	Bolt 1/4in-20NC x 3/8in	
105	1320263	1	Clamp, Cable	
106	1670824	1	Cover, Switch	
107	3539055	1	Plate, Mounting Only <b>(Prior to SN 0300065905)</b>	
108	3930816	2	Bolt #8-32NC x 1in	
109		Ref	Switch, Limit Options:	
109	4360322	NLA	Switch, Limit (Use p/n 4360578) <b>(Prior to SN 0300074606)</b>	
109	4360549	NLA	Switch, Limit (Use p/n 4360578) <b>(SN 0300074606 through 0300080973)</b>	
109	4360578	1	Switch, Limit <b>(SN 0300080974 through 0300219271)</b>	
110	4420060	17 ft/5.2m	Tape, Double Sided	
111	4567518	1	Tube, Wire Only <b>(Prior to SN 0300065905)</b>	
112	4751400	4	Flatwasher 1/4in Regular	
113	4460968	1	Connector, Strain Relief <b>(SN 0300074606 through 0300219271)</b>	
114	1061026	2	Cable, Electrical -18/2 SJO <b>(SN 0300089612 through 0300219271)</b>	
115	4460464	2	Pin, Male <b>(SN 0300089612 through 0300219271)</b>	
116	4460465	2	Socket, Female <b>(SN 0300089612 through 0300219271)</b>	
117	4460536	1	Terminal, Deutsch - 3 Position Male <b>(SN 0300089612 through 0300219271)</b>	
118	4460539	1	Terminal, Deutsch - 3 Position Female <b>(SN 0300089612 through 0300219271)</b>	

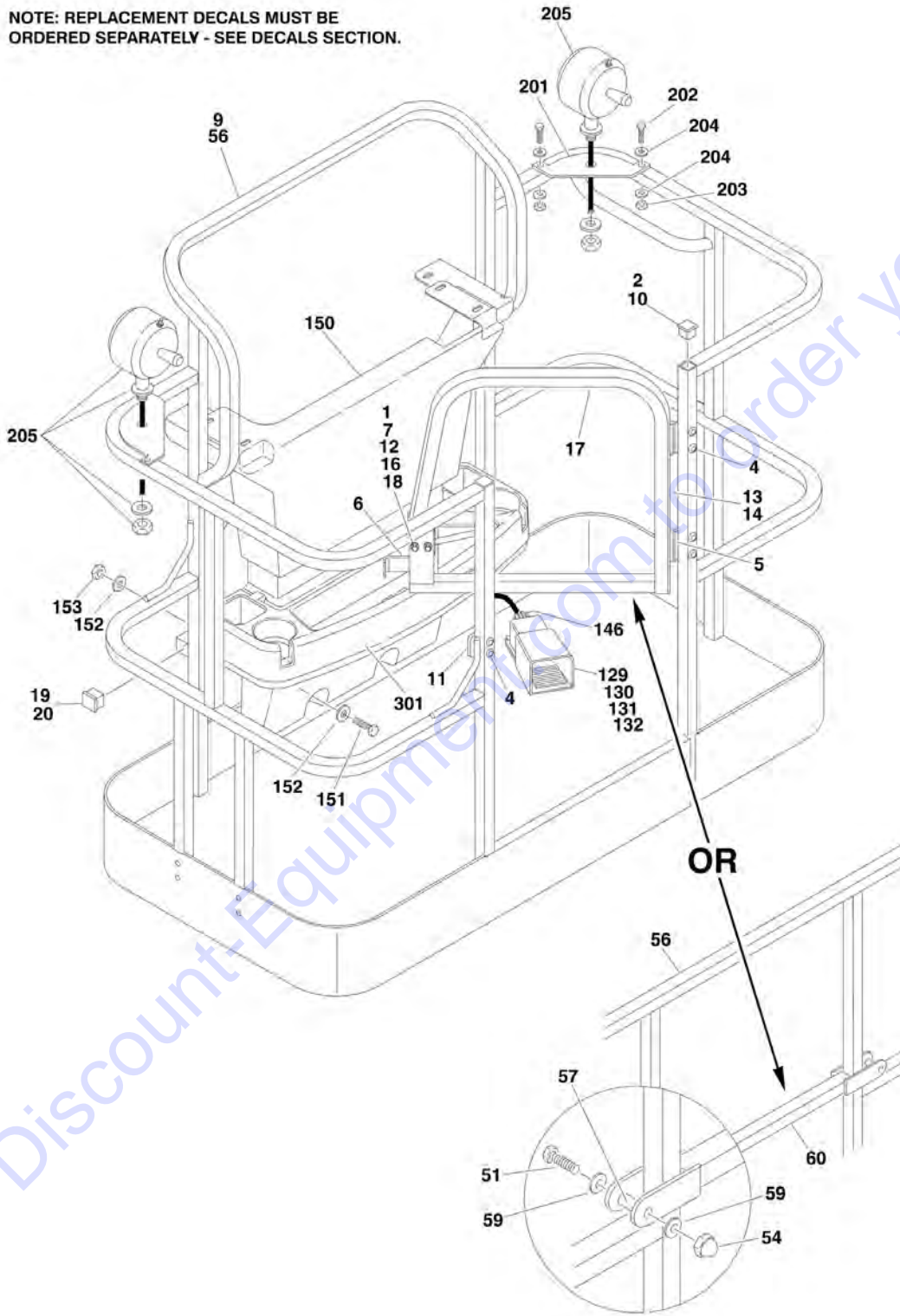
**SECTION 4 - PLATFORM**

Go to Discount-Equipment.com to order your parts

# SECTION 4 - PLATFORM

## FIGURE 4-1. PLATFORM INSTALLATIONS (FRONT ENTRY)

NOTE: REPLACEMENT DECALS MUST BE ORDERED SEPARATELY - SEE DECALS SECTION.



## SECTION 4 - PLATFORM

### FIGURE 4-1. PLATFORM INSTALLATIONS (FRONT ENTRY)

ITEM	PART NUMBER	QTY	DESCRIPTION	REV
		Ref	<b>PLATFORM ASSEMBLIES (WITH GATE)</b>	
	3510742	Ref	<b>6ft (1.83m) with No Mesh (Australian Specs)</b>	D
	3510749	Ref	<b>8ft (2.44m) with No Mesh (Australian Specs)</b>	D
		Ref	<b>Note: Replacement Decals Must be Ordered Separately - See DECALS SECTION.</b>	
1	0100011	AR	Locking, Compound	
2	0100040	AR	Sealant, RTV Silicone	
4	2080040	13	Fastener, Huck	
5	2600219	2	Hinge	
6	2940074	1	Latch	
7	3311001	4	Nut #10-24NC	
9	See Note	NSS	Platform Weldment (Note: Not Available - Purchase Platform Assembly)	
10	3520072	3	Cap-Plug	
11	3539685	1	Plate, Latch	
12	3911008	4	Screw #10-24NC x 1in	
13	4060803	6 in/15cm	Trim	
14	4220165	1	Stop, Gate	
16	4751000	8	Flatwasher #10 Regular	
17	4845426	1	Gate Weldment	
18	4761000	4	Lockwasher #10	
19	3520172	2	Plug	
20	0100010	AR	Adhesive	
		Ref	<b>PLATFORM ASSEMBLIES (WITH LIFT BAR)</b>	
	3510716	Ref	<b>6ft (1.83m) (CE Specs)</b>	B
	3510717	Ref	<b>8ft (2.44m) (CE Specs)</b>	B
		Ref	<b>Note: Replacement Decals Must be Ordered Separately - See DECALS SECTION.</b>	
51	0641418	2	Bolt 1/4in-20NC x 2-1/4in	
53	0961845	2	Bushing	
54	3300151	2	Nut, Acorn 1/4in-20NC	
56	See Note	NSS	Platform Weldment (Note: Not Available - Purchase Platform Assembly)	
57	4420055	4	Tape	
59	4740411	4	Washer, Nylon	
60	4845288	1	Weldment, Slidebar	
		Ref	<b>FOOTSWITCH AND COVERS INSTALLATION</b>	
129		Ref	Footswitch Kit Options: (Includes Footswitch, 16/3 Cable, Terminals and Connector Item 146)	
129	0272971	1	Footswitch Kit <b>(Prior to SN 0300193234)</b>	
129	1001136889	1	Footswitch Kit <b>(SN 0300193234 through 0300219271)</b>	
129		Ref	Footswitch Options:	
129	4360031	1	Footswitch <b>(Prior to SN 0300193234)</b>	
129	1001117172	1	Footswitch <b>(SN 0300193234 through 0300219271)</b>	
129	7000625	2	Block, Contact (4360031 Footswitch)	
130	0641408	3	Bolt 1/4in-20NC x 1in	
131	3311401	3	Nut 1/4in-20NC	
132	4751400	7	Flatwasher 1/4in Regular	
146	4460071	1	Terminal, Strain Relief	
150	3380434	1	Panel, Poly	
151	0641406	4	Bolt 1/4in-20NC x 3/4in	

## SECTION 4 - PLATFORM

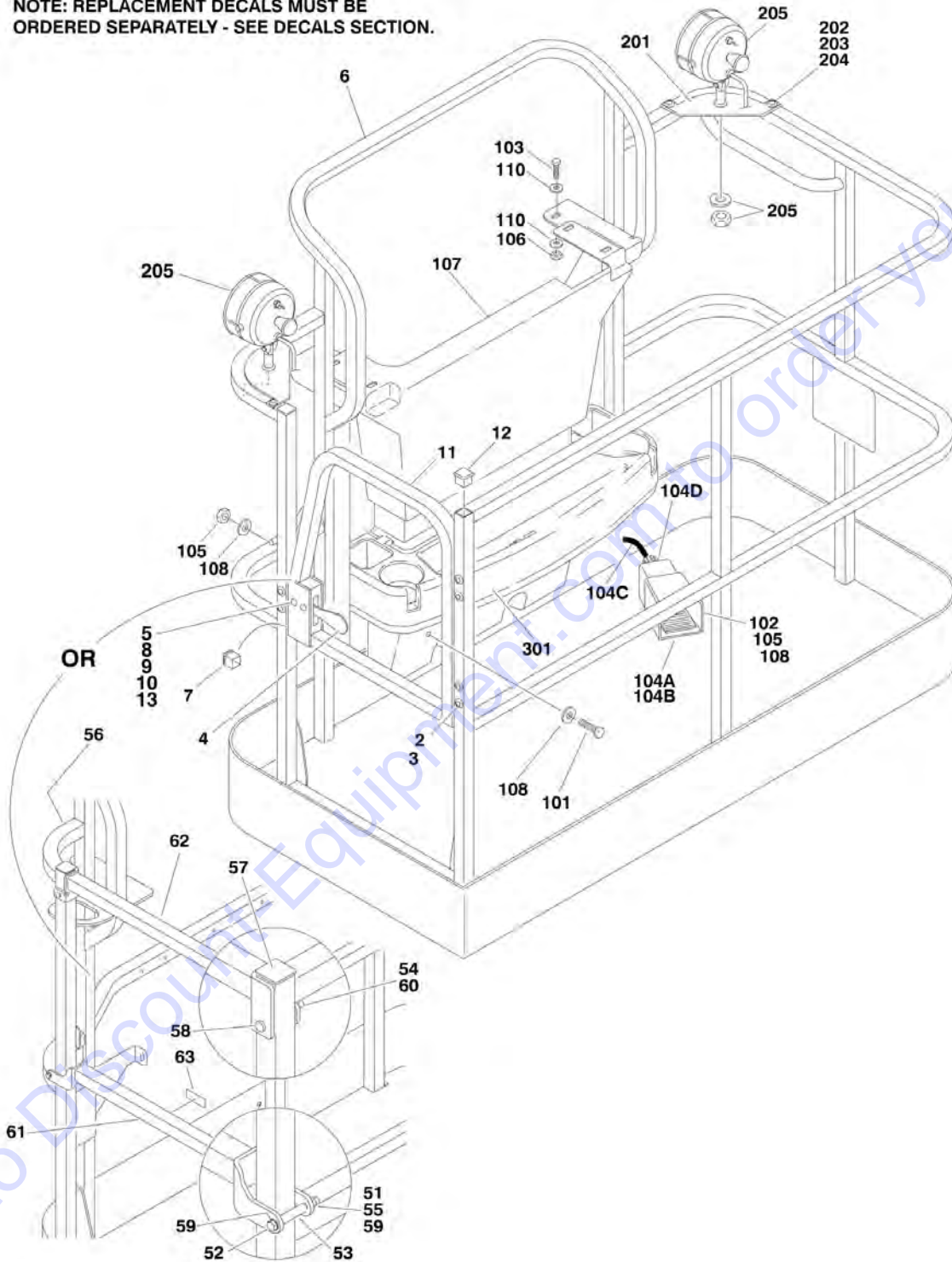
ITEM	PART NUMBER	QTY	DESCRIPTION	REV
152	4740362	4	Washer, Fender	
153	3311405	3	Locknut 1/4in-20NC	
	0259338	Ref	<b>WORKLIGHTS INSTALLATION (OPTIONAL)</b>	C
201	3536089	2	Plate, Mounting	
202	0641414	4	Bolt 1/4in-20NC x 1-3/4in	
203	3311405	4	Locknut 1/4in-20NC	
204	4711400	8	Flatwasher 1/4in Thin	
205	2920095	2	Worklight Assembly	
205	7016356	2	Bulb, Replacement (1 Per Assembly)	
206	4240099	10	Tie-Strap (Not Shown)	
207	2820035	9 ft/2.75m	Loom, Vinyl (Not Shown)	
209	4460428	1	Connector, Strain Relief (Not Shown - Located at Console Box)	
210	4923061	1	Harness, Platform Worklights (Not Shown) <b>(SN 0300077549 through 0300219271)</b>	
		Ref	<b>TRAY INSTALLATIONS (OPTIONAL)</b>	
301	1580012	1	Tray, Storage (Center)	
302	1580013	1	Tray, Storage (Rail Mounted - Not Shown)	



# SECTION 4 - PLATFORM

## FIGURE 4-2. PLATFORM INSTALLATIONS (SIDE ENTRY)

NOTE: REPLACEMENT DECALS MUST BE ORDERED SEPARATELY - SEE DECALS SECTION.





## SECTION 4 - PLATFORM

**FIGURE 4-2. PLATFORM INSTALLATIONS (SIDE ENTRY)**

ITEM	PART NUMBER	QTY	DESCRIPTION	REV
		Ref	<b>PLATFORM INSTALLATION WITH GATE</b>	
	3510832	Ref	6ft (1.83m) with No Mesh (Use p/n 1001186385 as Replacement) (Prior to SN 0300164588)	L
	1001144025	Ref	6ft (1.83m) with No Mesh (Use p/n 1001186385 as Replacement) (SN 0300164588 through 0300200809)	D
	1001186385	Ref	6ft (1.83m) with No Mesh (SN 0300200810 through 0300219271)	C
	3510830	Ref	4ft (1.44m) with No Mesh (Use p/n 1001186387 as Replacement) (Prior to SN 0300164588)	M
	1001144027	Ref	4ft (1.44m) with No Mesh (Use p/n 1001186387 as Replacement) (SN 0300164588 through 0300200809)	D
	1001186387	Ref	4ft (1.44m) with No Mesh (SN 0300200810 through 0300219271)	C
		Ref	<b>Note: Platform and Mesh must be ordered separately for Platforms with Mesh. See SPECIAL OPTIONS SECTION for Mesh Installations.</b>	
		Ref	<b>Note: Replacement Decals Must be Ordered Separately - See DECALS SECTION.</b>	
2	2080040	16	Fastener, Huck	
3	2600281	2	Hinge, Self Closing	
4	2940074	1	Latch	
5	3311001	4	Nut #10-24NC (Prior to SN 0300077423)	
6	See Note	NSS	Platform Weldment (Note: Purchase Platform Assembly)	
7	3520072	1	Plug	
8		Ref	Hardware Options:	
8	3900205	4	Screw (Prior to SN 0300077423)	
8	3820020	4	Rivet, Pop (SN 0300077423 through 0300219271)	
9	4751000	4	Flatwasher #10 Regular (Prior to SN 0300077423)	
10	4761000	4	Lockwasher #10 (Prior to SN 0300077423)	
11		Ref	Gate Weldment Options:	
11	4846452	1	Gate for Platform p/ns 3510830 & 3510832	
11	1001144629	1	Gate for Platform p/ns 1001144025, 1001144027, 1001186385 & 1001186387	
12	3520198	2	Plug	
13	0100011	AR	Locking, Compound (Prior to SN 0300077423)	
		Ref	<b>PLATFORM ASSEMBLY WITH DROP-BAR</b>	
	1001138431	Ref	6ft (1.83m) with No Mesh (Use p/n 1001186375 as Replacement) (Prior to SN 0300164588)	B
	1001144018	Ref	6ft (1.83m) with No Mesh (Use p/n 1001186375 as Replacement) (SN 0300164588 through 0300200809)	D
	1001186375	Ref	6ft (1.83m) with No Mesh (SN 0300200810 through 0300219271)	B
	1001138433	Ref	4ft (1.44m) with No Mesh (Use p/n 1001186387 as Replacement) (Prior to SN 0300164588)	M
	1001144020	Ref	4ft (1.44m) with No Mesh (Use p/n 1001186387 as Replacement) (SN 0300164588 through 0300200809)	D
	1001186378	Ref	4ft (1.44m) with No Mesh (SN 0300200810 through 0300219271)	B
51	0100011	AR	Compound, Locking	
52	0641418	2	Bolt 1/4in-20NC x 2-1/4in	
53	0961845	2	Bushing	
54	3290606	2	Nut M6	
55	3300151	2	Nut, Acorn	

## SECTION 4 - PLATFORM

ITEM	PART NUMBER	QTY	DESCRIPTION	REV
56	See Note	NSS	Platform Weldment (Note: Purchase Platform Assembly)	
57	3520198	2	Plug	
58	4010618	2	Screw M6 x 50mm	
59	4711400	4	Flatwasher 1/4in	
60	4811700	2	Flatwasher M6	
61	1001138494	1	Bar, Drop	
62	1001138514	1	Rail (Top)	
63	1001140429	1	Decal - Drop-Bar	
		Ref	<b>FOOTSWITCH AND COVERS INSTALLATION</b>	
		Ref	<b>Footswitch and Covers Installation E600J/M600J/E600JP/M600JP</b>	
	0272154	Ref	<b>Footswitch and Covers Installation (Without SkyGuard) (Prior to SN 0300157026)</b>	A
	1001141057	Ref	<b>Footswitch and Covers Installation (Without SkyGuard) (SN 0300157026 through 0300219271)</b>	B
	1001189725	Ref	<b>Footswitch and Covers Installation (With SkyGuard)</b>	A
		Ref	<b>Footswitch and Covers Installation E600/M600</b>	
	0272154	Ref	<b>Footswitch and Covers Installation (Without SkyGuard) (Prior to SN 0300157026)</b>	A
	1001141057	Ref	<b>Footswitch and Covers Installation (Without SkyGuard) (SN 0300157026 through 0300172557)</b>	A
	1001154131	Ref	<b>Footswitch and Covers Installation (Without SkyGuard) (SN 0300172558 through 0300219271)</b>	A
	1001189726	Ref	<b>Footswitch and Covers Installation (With SkyGuard)</b>	A
101	0641406	4	Bolt 1/4in-20NC x 3/4in	
102	0641410	3	Bolt 1/4in-20NC x 1-1/4in	
103	0641610	4	Bolt 3/8in-16NC x 1-1/4in	
104		Ref	Console Box Assembly (Not Shown - See Platform Console Assembly for Breakdown)	
104A	0272971	1	Footswitch Kit (Includes Items 104C-104F) <b>(Prior to SN 0300157026)</b>	
104A		Ref	Footswitch Options:	
104A	4360031	1	Footswitch <b>(Prior to SN 0300143953)</b>	
104A	7000625	2	Block, Contact (4360031 Footswitch)	
104A	1001117320	1	Footswitch <b>(SN 0300143953 through 0300157025)</b>	
104A	70003483	1	Block, Contact (1001117320 Footswitch)	
104B	1001136889	1	Footswitch Kit (Includes Items 104C-104F) <b>(SN 0300157026 through 0300219271)</b>	
104B	1001117172	1	Footswitch	
104B	70002902	1	Switch	
104B	70002903	1	Gasket, Neoprene	
104B	70002904	1	Cover Bolt Kit	
104B	70002905	1	Cover	
104C	1060330	7 ft /5.2.3m	Cable, Electrical - 16/3	
104D	4460071	1	Connector, Strain Relief	
104E	4460464	1	Pin, Male (Not Shown)	
104F	4460226	1	Socket, Female (Not Shown)	
105	3311405	7	Locknut 1/4in-20NC	
106	3311605	4	Locknut 3/8in-16NC	
107	3380434	1	Panel, Poly	
108	4740362	7	Washer, Fender 1/4in	
109	4751400	4	Flatwasher 1/4in Regular	
110	4751600	8	Flatwasher 3/8in Regular	

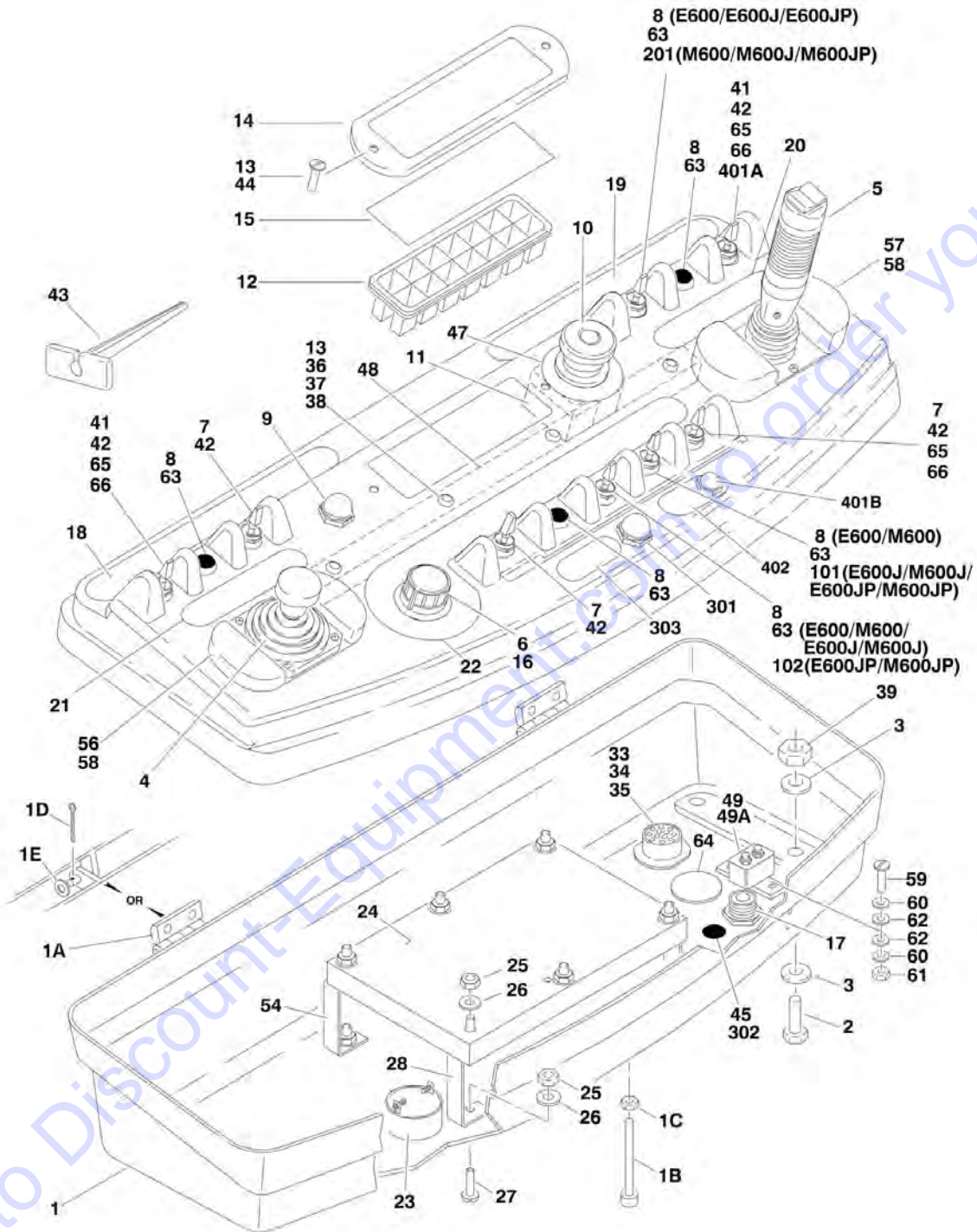
## SECTION 4 - PLATFORM

ITEM	PART NUMBER	QTY	DESCRIPTION	REV
	0259338	Ref	<b>WORKLIGHTS INSTALLATION (OPTIONAL)</b>	C
201	3536089	2	Plate, Mounting	
202	0641414	4	Bolt 1/4in-20NC x 1 3/4in	
203	3311405	4	Locknut 1/4in-20NC	
204	4711400	8	Flatwasher 1/4in Thin	
205	2920095	2	Worklight Assembly	
205	7016356	2	Bulb, Replacement (1 Per Assembly)	
206	4240099	10	Tie-Strap (Not Shown)	
207	2820035	9 ft/2.75m	Loom, Vinyl (Not Shown)	
209	4460428	1	Connector, Strain Relief (Not Shown - Located at Console Box)	
210	4923061	1	Harness, Platform Work Lights (Not Shown) <b>(SN 0300077549 through 0300219271)</b>	
		Ref	<b>TRAY INSTALLATIONS (OPTIONAL)</b>	
301	1580012	1	Tray, Storage (Center)	
302	1580013	1	Tray, Storage (Rail Mounted - Not Shown)	

Go to Discount-Equipment.com to order your parts

# SECTION 4 - PLATFORM

FIGURE 4-3. PLATFORM CONSOLE ASSEMBLY (WITHOUT SKYGUARD)



Go to Discount-Equipment.com to order your parts

## SECTION 4 - PLATFORM

**FIGURE 4-3. PLATFORM CONSOLE ASSEMBLY (WITHOUT SKYGUARD)**

ITEM	PART NUMBER	QTY	DESCRIPTION	REV
		Ref	<b>CONSOLE BOX ASSEMBLY (WITHOUT SKYGUARD)</b>	
		Ref	<b>Console Box Assembly E600J/M600J/E600JP/M600JP</b>	
	0861318	Ref	<b>PVC Box (Prior to SN 0300067706)</b>	2/A
	0861319	Ref	<b>Aluminum Box (Prior to SN 0300067706)</b>	4/C
	0861533	Ref	<b>Aluminum Box (SN 0300067706 through 0300157025)</b>	K
	1001141053	Ref	<b>Aluminum Box (SN 0300157026 through 0300194270)</b>	C
	1001175625	Ref	<b>Aluminum Box (SN 0300194271 through 0300219271)</b>	B
		Ref	<b>Console Box Assembly E600/M600</b>	
	0861318	Ref	<b>PVC Box (Prior to SN 0300067706)</b>	2/A
	0861319	Ref	<b>Aluminum Box (Prior to SN 0300067706)</b>	4/C
	0861533	Ref	<b>Aluminum Box (SN 0300067706 through 0300157025)</b>	K
	1001141053	Ref	<b>Aluminum Box (SN 0300157026 through 0300172557)</b>	C
	1001154133	Ref	<b>Aluminum Box (SN 0300172558 through 0300194270)</b>	B
	1001175627	Ref	<b>Aluminum Box (SN 0300194271 through 0300219271)</b>	B
	0273089	Ref	<b>Light Panel Installation</b>	B
1		Ref	Box, Console Options:	2/B
1	0861215	1	PVC Box (Not Shown)	
1	0861326	1	Aluminum Box <b>(Prior to SN 0300067706)</b>	
1	0861537	1	Aluminum Box <b>(SN 0300067706 through 0300219271)</b>	G
1A	2600211	2	Hinge (Aluminum Box Only) <b>(Prior to SN 0300067706)</b>	
1A	3900224	8	Screw, Countersunk (Aluminum Box Only) <b>(Prior to SN 0300067706)</b>	
1B	3931672	1	Capscrew 3/8in-16NC x 4 1/2in	
1C	3311601	1	Nut 3/8in-16NC	
1D		Ref	Pin, Cotter Options:	
1D	3450304	2	Pin, Cotter <b>(Prior to SN 0300073775)</b>	
1D	3420156	2	Pin, Cotter <b>(SN 0300073775 through 0300087666)</b>	
1D	3470003	2	Pin, Cotter <b>(SN 0300087667 through 0300219271)</b>	
1E	4711500	2	Flatwasher 5/16in Thin	
2	0641610	4	Bolt 3/8in-16NC x 1-1/4in	
3	4751600	8	Flatwasher 3/8in Regular	
4		Ref	Controller Assembly (Swing and Lift) Options (See CONTROLLER ASSEMBLY (SWING AND LIFT) for Breakdown):	
4	1600274	NLA	Controller Assembly (Use p/n 1001178139) <b>(Prior to SN 0300146804)</b>	
4	100118419	NLA	Controller Assembly (Use p/n 1001178139) <b>(SN 0300146804 through 0300194270)</b>	
4	1001178139	1	Controller Assembly <b>(SN 0300194271 through 0300219271)</b>	
5		Ref	Controller Assembly (Drive and Steer) Options (See CONTROLLER ASSEMBLY (DRIVE AND STEER) for Breakdown):	
5	1600273	NLA	Controller Assembly (Use p/n 1001178132) <b>(Prior to SN 0300146804)</b>	
5	100118418	NLA	Controller Assembly (Use p/n 1001178132) <b>(SN 0300146804 through 0300194270)</b>	
5	1001178132	1	Controller Assembly <b>(SN 0300194271 through 0300219271)</b>	
6	4360462	1	Switch, Potentiometer	
7		Ref	Switch, Toggle Options:	
7	4360328	3	Switch, Toggle <b>(Prior to SN 0300194271)</b>	
7	1001155045	3	Switch, Toggle <b>(SN 0300194271 through 0300219271)</b>	
8		Ref	Plug, Hole Options:	

## SECTION 4 - PLATFORM

ITEM	PART NUMBER	QTY	DESCRIPTION	REV
8	3520028	6	Plug, Hole <b>(Prior to SN 0300079711)</b>	
8	3520054	6	Plug, Hole <b>(SN 0300079711 through 0300219271)</b>	
9	4360387	1	Switch, Push Button	
10	4360475	1	Switch, Emergency Stop	
10	7020175	1	Cap, Mushroom with Sealing Ring	
10	7020176	1	Block, Contact	
11	4360476	1	Block, Contact	
12	2760105	1	Housing, Display Light	
13	0630464	AR	Screw, Button Head #10-24NC x 1/2in	
14	1670829	1	Bezel	
15		Ref	Display - Light Panel Options:	
15	1704239	1	Display - Light Panel <b>(Prior to SN 0300141894)</b>	
15	1001110226	1	Display - Light Panel <b>(SN 0300141894 through 0300219271)</b>	
16	2560136	1	Knob, Speed Control	
17	4460428	1	Connector, Strain Relief	
18	1704240	1	Decal - Horn	
19		Ref	Decal - Stop Options:	
19	1704192	1	Decal - Stop <b>(Prior to SN 0300139903)</b>	
19	1001107677	NLA	Decal - Stop (Use p/n 1001132175) <b>(SN 0300139903 through 0300150102)</b>	
19	1001132175	1	Decal - Stop <b>(SN 0300150103 through 0300219271)</b>	
20	1702565	1	Decal - Drive and Steer	
21	1702566	1	Decal - Lift and Swing	
22	1704422	1	Decal - Function Speed	
23	0140011	1	Alarm	
24		Ref	Module, Platform Options:	
24		Ref	Note: Re-calibration Required When Replaced.	
24	0610128	NLA	Module (Use p/n 1001109498) <b>(Prior to SN 0300139903)</b>	
24	1001109498	1	Module <b>(SN 0300139903 through 0300219271)</b>	
25	3310601	AR	Nut #6-32NC	
26	4750600	AR	Flatwasher #6 Regular	
26	4750800	AR	Flatwasher #8 Regular	
27		Ref	Hardware Options:	
27	3910612	AR	Screw #8-32NC x 3/4in	
27	0720804	AR	Screw #10-24NC x 1/2in	
28	0902575	1	Bracket - Front <b>(Prior to SN 0300194271)</b>	
33	4460752	1	Receptacle	
34	4460497	1	Nut, Receptacle	
35	4460496	1	Lockwasher, Receptacle	
36	4240032	AR	Tie-Strap (Not Shown)	
36	4460488	AR	Base, Tie-Strap Mounting (Not Shown)	
37	4740120	4	Washer, Nylon (PVC Box Only)	
38	3311005	4	Locknut, #10-24NC (PVC Box Only)	
39	3311605	4	Locknut 3/8in-16NC	
41		Ref	Switch, Toggle Options:	
41	4360330	3	Switch, Toggle <b>(Prior to SN 0300194271)</b>	
41	1001159256	3	Switch, Toggle <b>(SN 0300194271 through 0300219271)</b>	
42	3790012	5	O-Ring	
43	4460467	1	Tool, Extraction	
44	0100035	AR	Locking, Compound	
45	3520030	AR	Hole, Plug	
47	1704260	1	Decal - Emergency Stop Switch	



## SECTION 4 - PLATFORM

ITEM	PART NUMBER	QTY	DESCRIPTION	REV
48		Ref	Plate, Relay Mounting Options:	
48	3571222	1	PVC Box	
48	Not Required	0	Aluminum Box	
49	4360448	1	Breaker, Circuit - 10Amp	
54		Ref	Bracket, Support Platform Module Options:	
54	0902588	1	Bracket, Support Platform (Prior to SN 0300194271)	
54	1001175997	2	Bracket, Support Platform (SN 0300194271 through 0300219271)	
56		Ref	Support, Hand (Left Side) Options:	
56	Not Required	0	PVC Box	
56	4340678	1	Aluminum Box Only (Prior to SN 0300067706)	
57		Ref	Support, Hand (Right Side) Options:	
57	Not Required	0	PVC Box	
57	4340684	1	Aluminum Box (Prior to SN 0300067706)	
58	0641404	8	Bolt 1/4in-20NC x 1/2in	
59	0721006	2	Screw, Machine #10-24NC x 3/4in	
60	4751000	4	Flatwasher #10 Regular	
61	3311005	2	Locknut #10-24NC	
62	4740455	4	Washer, Nylon	
63	0100009	AR	Adhesive, Silicone	
64	1671037	NLA	Cover (Use p/n 1001110435) (SN 0300067706 through 0300219271)	
65	4740397	5	Spacer, Washer (SN 0300194271 through 0300219271)	
66	1001155044	5	Nut 15/32-32 UNS-2B (SN 0300194271 through 0300219271)	
		Ref	<b>JIB CONSOLE SWITCH (J &amp; JP ONLY)</b>	
	0270018	Ref	<b>JIB CONSOLE SWITCH E600J &amp; M600J</b>	1/B
	0270019	Ref	<b>JIB CONSOLE SWITCH E600JP &amp; M600JP</b>	1/B
101	4360328	1	Switch, Toggle	
101	3790012	1	O-Ring	
101	4922307	1	Harness, Jib Function (See ELECTRICAL SECTION for Breakdown)	
102		Ref	Switch, Toggle Options:	
102	Not Required	0	Switch, Toggle E600J & M600J	
102	4360328	1	Switch, Toggle E600JP & M600JP	
102	3790012	1	O-Ring	
	0259671	Ref	<b>MOTOR CONTROLS INSTALLATION (M600, M600J &amp; M600JP ONLY)</b>	1/A
201	4360336	1	Switch, Toggle	
201	3790012	1	O-Ring	
201	4922222	1	Harness (See ELECTRICAL SECTION for Breakdown)	
201	4922223	1	Harness (See ELECTRICAL SECTION for Breakdown)	
		Ref	<b>SOFT TOUCH COMPONENTS</b>	
	0270516	Ref	<b>6ft (1.83m) Platform</b>	A
	0270405	Ref	<b>8ft (2.44m) Platform</b>	A
	4933145	Ref	<b>Electrical Components</b>	2/B
301	4360387	1	Switch, Push Button	
302	4460428	1	Connector, Strain Relief	
303	1702938	1	Decal - Soft Touch Override	
	0259338	Ref	<b>WORKLIGHTS INSTALLATION (OPTIONAL)</b>	C
401		Ref	Switch Options:	
401A	4360336	1	Switch, Toggle (Prior to SN 0300161820)	
401B	4360522	1	Switch, Push Button (SN 0300161820 through 0300219271)	



# PARTS FINDER

**Search Website  
by Part Number**



**Search Manual  
Library For Parts  
Manual & Lookup Part  
Numbers – Purchase  
or Request Quote**

**Can't Find Part or  
Manual? Request Help  
by Manufacturer,  
Model & Description**

Discount-Equipment.com is your online resource for quality parts & equipment.

Florida: **561-964-4949** Outside Florida TOLL FREE: **877-690-3101**

## Need parts?

Click on this link: <http://www.discount-equipment.com/category/5443-parts/> and choose one of the options to help get the right parts and equipment you are looking for. Please have the machine model and serial number available in order to help us get you the correct parts. If you don't find the part on the website or on one of the online manuals, please fill out the request form and one of our experienced staff members will get back to you with a quote for the right part that your machine needs.

We sell worldwide for the brands: Genie, Terex, JLG, MultiQuip, Mikasa, Essick, Whiteman, Mayco, Toro Stone, Diamond Products, Generac Magnum, Airman, Haulotte, Barreto, Power Blanket, Nifty Lift, Atlas Copco, Chicago Pneumatic, Allmand, Miller Curber, Skyjack, Lull, Skytrak, Tsurumi, Husquvarna Target, Stow, Wacker, Sakai, Mi-T-M, Sullair, Basic, Dynapac, MBW, Weber, Bartell, Bennar Newman, Haulotte, Ditch Runner, Menegotti, Morrison, Contec, Buddy, Crown, Edco, Wyco, Bomag, Laymor, EZ Trench, Bil-Jax, F.S. Curtis, Gehl Pavers, Heli, Honda, ICS/PowerGrit, IHI, Partner, Imer, Clipper, MMD, Koshin, Rice, CH&E, General Equipment, Amida, Coleman, NAC, Gradall, Square Shooter, Kent, Stanley, Tamco, Toku, Hatz, Kohler, Robin, Wisconsin, Northrock, Oztec, Toker TK, Rol-Air, APT, Wylie, Ingersoll Rand / Doosan, Innovatech, Con X, Ammann, Mecalac, Makinex, Smith Surface Prep, Small Line, Wanco, Yanmar

## SECTION 4 - PLATFORM

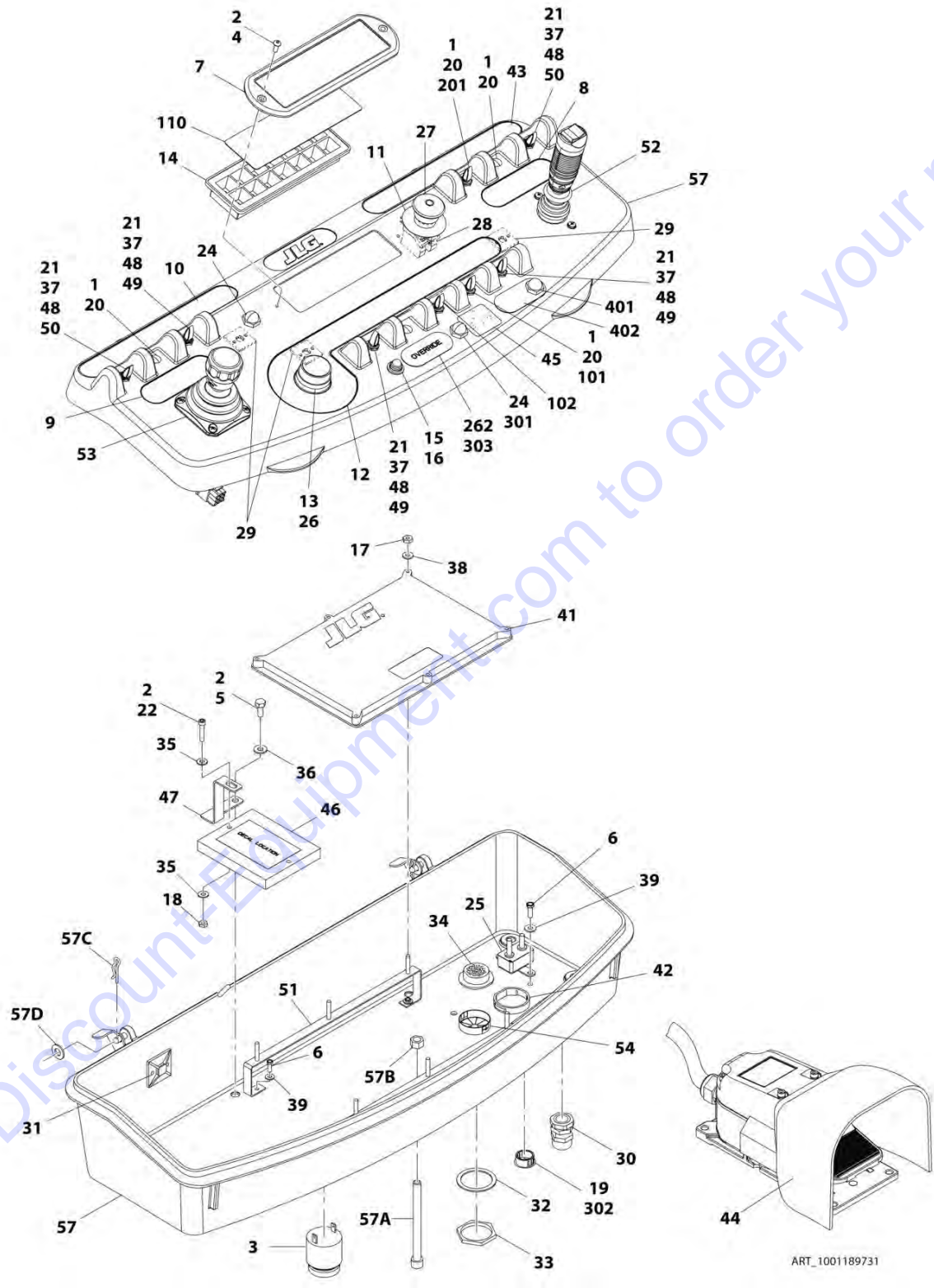
ITEM	PART NUMBER	QTY	DESCRIPTION	REV
402	1705170	1	Decal, Lights (SN 0300161820 through 0300219271)	

Go to Discount-Equipment.com to order your parts



# SECTION 4 - PLATFORM

## FIGURE 4-4. PLATFORM CONSOLE ASSEMBLY (WITH SKYGUARD)



ART\_1001189731

## SECTION 4 - PLATFORM

**FIGURE 4-4. PLATFORM CONSOLE ASSEMBLY (WITH SKYGUARD)**

ITEM	PART NUMBER	QTY	DESCRIPTION	REV
	1001189732	Ref	<b>PLATFORM CONSOLE ASSEMBLY (WITH SKYGUARD) (M/E600)</b>	A
	1001189731	Ref	<b>PLATFORM CONSOLE ASSEMBLY (WITH SKYGUARD) (M/E600J/M/E600JP)</b>	A
1	0100009	AR	Sealant	
2	0100035	AR	Compound, Locking	
3	0140011	1	Alarm	
4	0630464	2	Screw #10 x 1/2	
5	0641405	2	Bolt 1/4 x 5/8	
6	0720804	6	Screw #8 x 1/2	
7	1670829	1	Bezel	
8	1702565	1	Decal - Drive and Steer	
9	1702566	1	Decal - Lift and Swing	
10	1704240	1	Decal - Horn	
11	1704260	1	Decal - Emergency Stop	
12	1704422	1	Decal - Function Speed	
13	2560136	1	Knob	
14	2760105	1	Fixture, Light	
15	2920028	1	Light, Indicator	
16	2920029	1	Lamp, Bulb	
17	3310601	6	Nut #6	
18	3311005	2	Nut #10	
19	3520030	1	Plug, Hole	
20	3520054	6	Plug, Hole	
21	3790012	5	O-Ring	
22	3931016	2	Capscrew #10 x 1	
23	4240032	AR	Tie-Strap (Not Shown)	
24	4360387	2	Switch, Push Button	
25	4360448	1	Breaker, Circuit 10Amp	
26	4360462	1	Switch, Flow Control	
27	4360475	1	Switch, Emergency Stop	
27	7020175	1	Cap	
27	7020176	1	Block, Contact	
28	4360476	1	Switch, Contact	
29	4460234	3	Mount, Tie-Strap	
30	4460428	1	Connector, Strain Relief	
31	4460488	1	Mount, Tie-Strap	
32	4460496	1	Terminal, Washer	
33	4460497	1	Terminal, Nut	
34	4460752	1	Connector - 14 Position	
35	4711000	4	Washer #10	
36	4711400	2	Washer 1/4	
37	4740397	5	Spacer, Washer	
38	4750600	6	Washer #6	
39	4750800	6	Washer #8	
41	1001109498	1	Module, Control (Note: Re-calibration Required when Replaced)	
42	1001110435	1	Plug, Hole	
43	1001132175	1	Decal - Stop	
44	1001136889	1	Footswitch Assembly (See PLATFORM INSTALLATION for Breakdown)	

## SECTION 4 - PLATFORM

ITEM	PART NUMBER	QTY	DESCRIPTION	REV
45	1001144433	1	Decal - No Weight SkyGuard	
46	1001149571	1	Module, Control - SkyGuard	
47	1001151817	2	Bracket	
48	1001155044	5	Nut 15/32	
49	1001155045	6	Switch, Toggle	
50	1001159256	1	Switch, Toggle	
51	1001175597	2	Bracket	
52	1001178132	1	Controller Drive/Steer (See CONTROLLER ASSEMBLY (DRIVE AND STEER) for Breakdown)	
53	1001178139	1	Controller Lift/Swing (See CONTROLLER ASSEMBLY (SWING AND LIFT) for Breakdown)	
54	1001185281	1	Plug	
55	1001189074	1	SkyGuard Harness (Not Shown - See ELECTRICAL SECTION for Breakdown)	
56	1001189075	1	SkyGuard Can Harness (Not Shown - See ELECTRICAL SECTION for Breakdown)	
57	1001189116	1	Console Box Assembly	
57A	0630568	1	Capscrew 3/8 x 4-1/2	
57B	3311601	1	Nut 3/8	
57C	3470003	1	Hairpin	
57D	4711500	1	Washer 5/16	
		Ref	<b>JIB CONSOLE SWITCH (J &amp; JP ONLY)</b>	
	0270018	Ref	<b>Jib Console Switch E600J &amp; M600J</b>	1-B
	0270019	Ref	<b>Jib Console Switch E600JP &amp; M600JP</b>	1-B
101	4360328	1	Switch, Toggle	
101	3790012	1	O-Ring	
101	4922307	1	Harness, Jib Function (See ELECTRICAL SECTION for Breakdown)	
102		Ref	Switch, Toggle Options:	
102	Not Required	0	Switch, Toggle E600J & M600J	
102	4360328	1	Switch, Toggle E600JP & M600JP	
102	3790012	1	O-Ring	
		Ref	<b>LIGHT PANEL INSTALLATION</b>	B
110	1001110226	1	Display - Light Panel	
	0259671	Ref	<b>MOTOR CONTROLS INSTALLATION (M600, M600J &amp; M600JP ONLY)</b>	1-A
201	4360336	1	Switch, Toggle	
201	3790012	1	O-Ring	
201	4922222	1	Harness (See ELECTRICAL SECTION for Breakdown)	
201	4922223	1	Harness (See ELECTRICAL SECTION for Breakdown)	
		Ref	<b>SKYGUARD DECAL INSTALLATION</b>	
262	1001141300	1	Decal - SkyGuard Override	
262	1001141302	1	Decal - SkyGuard/Soft Touch Override	
		Ref	<b>SOFT TOUCH COMPONENTS</b>	
	0270516	Ref	<b>6ft (1.83m) Platform</b>	
	0270405	Ref	<b>8ft (2.44m) Platform</b>	
	4933145	Ref	<b>Electrical Components</b>	2-B
301	4360387	1	Switch, Push Button	
302	4460428	1	Connector, Strain Relief	
303	1702938	1	Decal - Soft Touch Override	
	0259338	Ref	<b>WORKLIGHTS INSTALLATION (OPTIONAL)</b>	C
401	4360522	1	Switch, Push Button	
402	1705170	1	Decal - Lights	

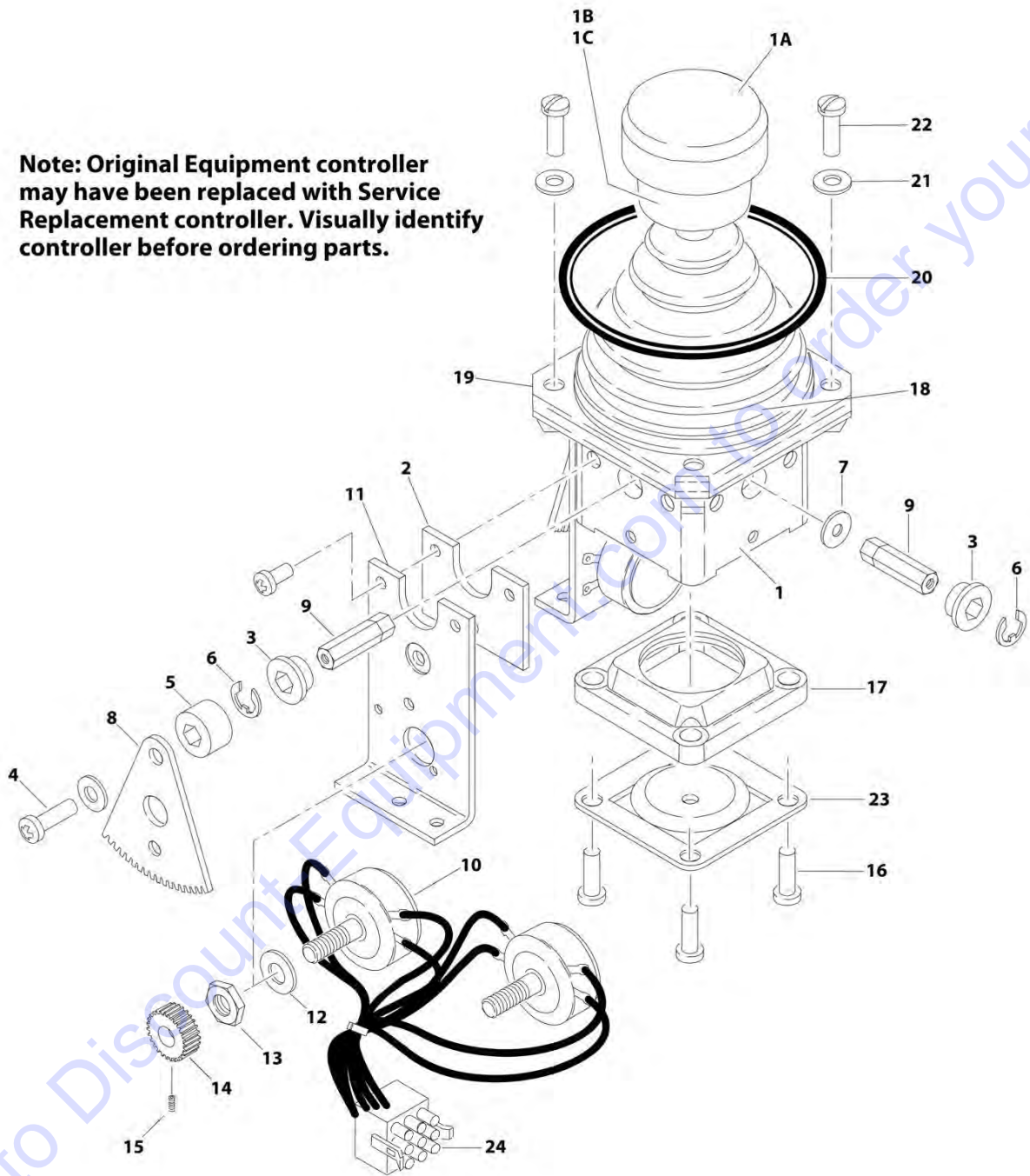




# SECTION 4 - PLATFORM

FIGURE 4-5. CONTROLLER ASSEMBLY (SWING AND LIFT) (Prior to SN 0300146804)

**Note: Original Equipment controller may have been replaced with Service Replacement controller. Visually identify controller before ordering parts.**



ART\_1600274

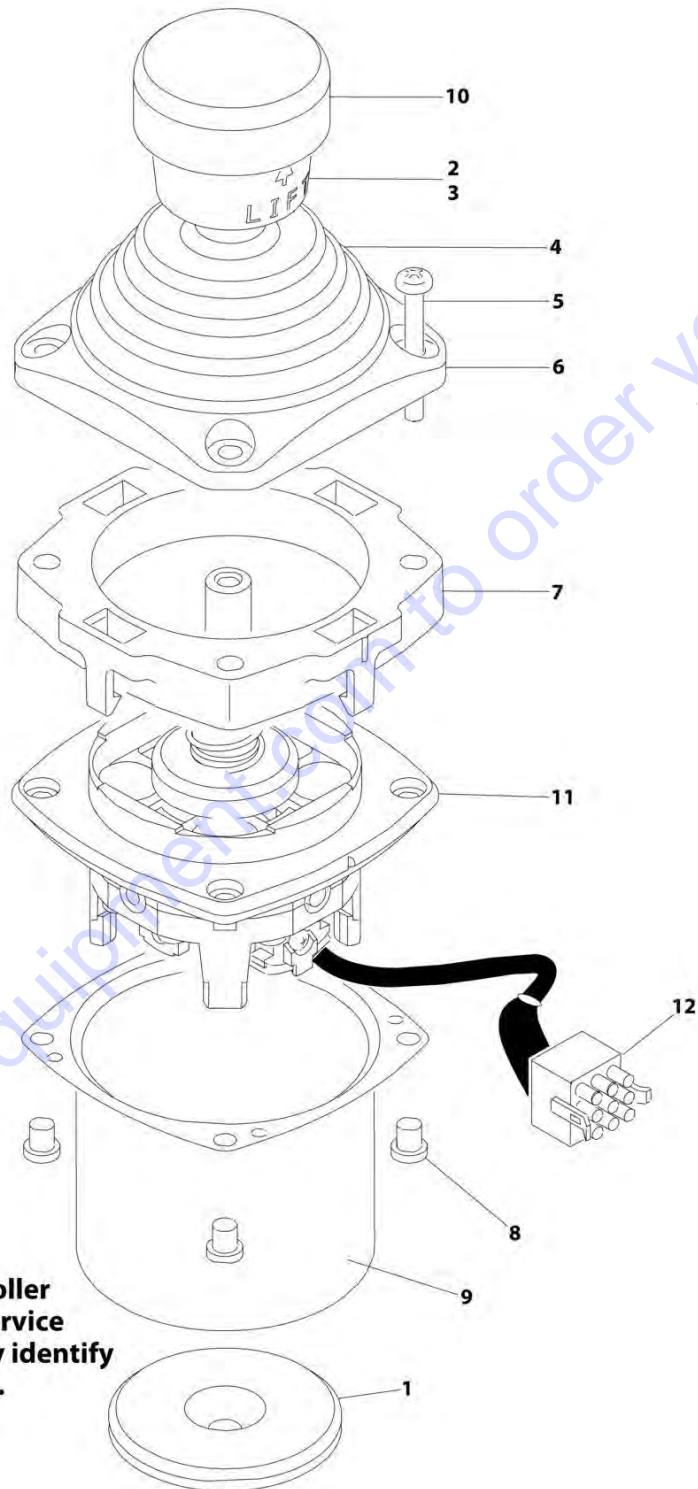
## SECTION 4 - PLATFORM

**FIGURE 4-5. CONTROLLER ASSEMBLY (SWING AND LIFT) (Prior to SN 0300146804)**

ITEM	PART NUMBER	QTY	DESCRIPTION	REV
		Ref	<b>Note: Original Equipment controller may have been replaced with Service Replacement controller. Visually identify controller before ordering parts.</b>	
	1600274	Ref	<b>CONTROLLER ASSEMBLY (Prior to SN 0300146804)</b>	F
		Ref	<b>Note: Use p/n 1001178139 as Service Replacement.</b>	
1	7019141	1	Mechanical Assembly (Includes Base, Handle Stem and Items 1A, 1B, 1C & 18)	
1A	7019197	1	Handle Cap and Rod	
1B	7003928	1	Spring	
1C	7022808	1	Cap, Lift	
2	7019142	2	Plate	
3	7019111	4	Bearing, Gear	
4	7019143	2	Screw	
5	7019144	2	Spacer	
6	7019145	4	E-Clip	
7	7019174	2	Spacer, Cam	
8	7003977	2	Gear, Drive	
9	7019147	4	Shaft	
10	7019195	2	Potentiometer Assembly	
10	7003974	1	Potentiometer	
11	7019142	2	Plate	
12	7003992	2	Washer	
13	7003993	2	Nut	
14	7003976	2	Gear, Slave	
15	7019149	2	Setscrew	
16	7003952	4	Screw	
17	7019150	1	Gate	
18	7022813	1	Boot (was p/n 7003955)	
19	7022813	1	Plate, Plastic (was p/n 7003954)	
20	7003956	1	O-Ring	
21	7003953	4	Washer	
22	7019137	4	Screw	
23	7019170	1	Center, Detent	
24	4460265	1	Plug, Male - 9 Position	
24	4460226	8	Socket, Female	

## SECTION 4 - PLATFORM

FIGURE 4-6. CONTROLLER ASSEMBLY (SWING AND LIFT) (SN 0300146804 through 0300194270)



**Note: Original Equipment controller may have been replaced with Service Replacement controller. Visually identify controller before ordering parts.**

ART\_1001118419

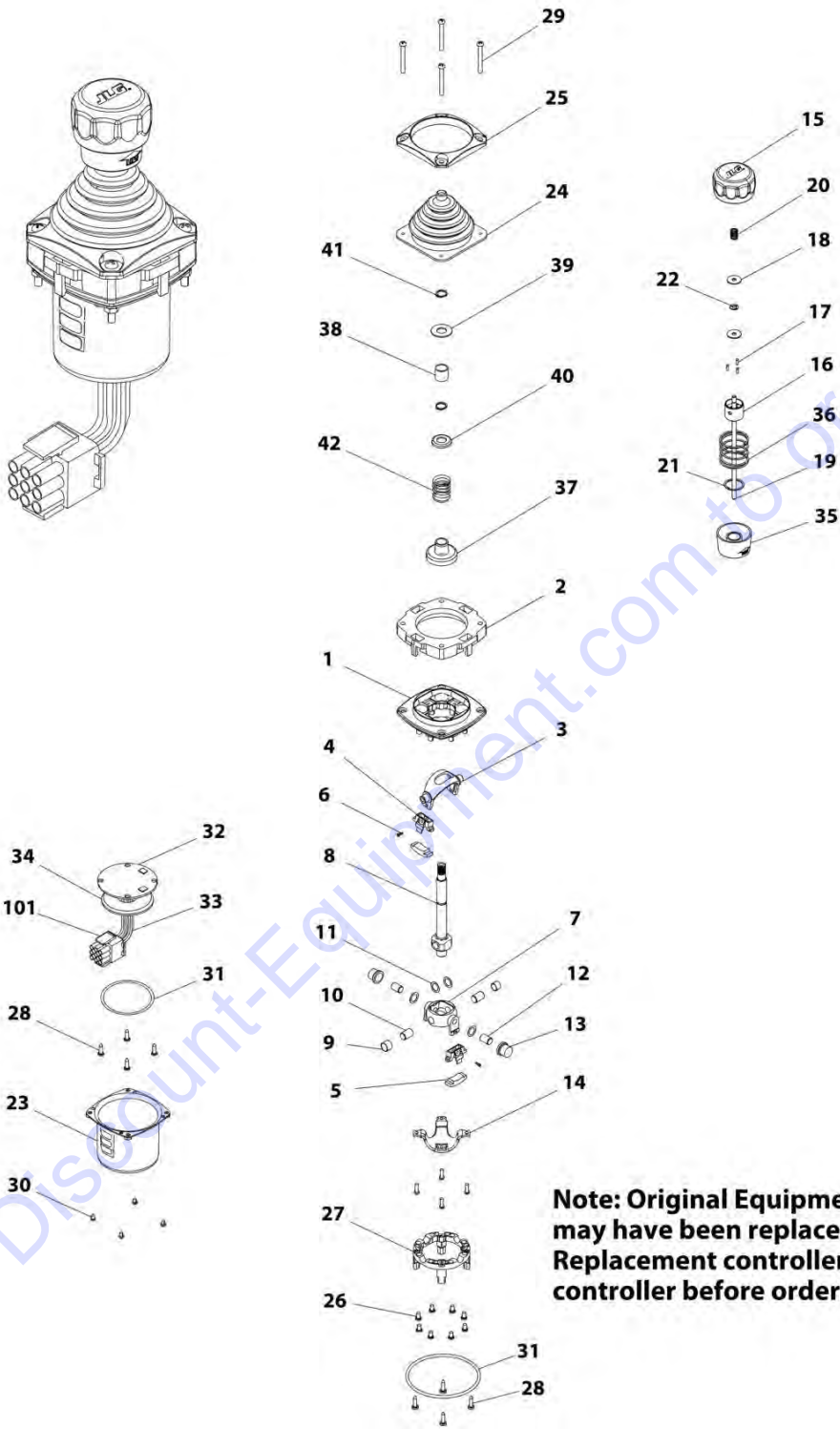
## SECTION 4 - PLATFORM

**FIGURE 4-6. CONTROLLER ASSEMBLY (SWING AND LIFT) (SN 0300146804 through 0300194270)**

ITEM	PART NUMBER	QTY	DESCRIPTION	REV
		Ref	<b>Note: Original Equipment controller may have been replaced with Service Replacement controller. Visually identify controller before ordering parts.</b>	
	1001118419	Ref	<b>CONTROLLER ASSEMBLY (SN 0300146804 through 0300194270)</b>	D
		Ref	<b>Note: Use p/n 1001178139 as Service Replacement.</b>	
1	70002730	1	Gasket	
2	7003928	1	Spring	
3	7022808	1	Cap, Lift	
4	70002731	1	Boot	
5	70002732	4	Screw	
6	7022815	1	Bezel	
7	70002733	1	Adapter	
8	70002734	4	Screw	
9	70002735	1	Can, Enclosure	
10	1001118419	NSS	Cap (Note: Use p/n 1001178139)	
11	1001118419	NSS	Mechanical Assembly (Note: Use p/n 1001178139)	
12	4460265	1	Plug, Male - 9 Position	
12	4460266	8	Socket, Female	

# SECTION 4 - PLATFORM

FIGURE 4-7. CONTROLLER ASSEMBLY (SWING AND LIFT) (SN 0300194271 through 0300219271)



**Note: Original Equipment controller may have been replaced with Service Replacement controller. Visually identify controller before ordering parts.**

ART\_1001178139

## SECTION 4 - PLATFORM

**FIGURE 4-7. CONTROLLER ASSEMBLY (SWING AND LIFT) (SN 0300194271 through 0300219271)**

ITEM	PART NUMBER	QTY	DESCRIPTION	REV
		Ref	<b>Note: Original Equipment controller may have been replaced with Service Replacement controller. Visually identify controller before ordering parts.</b>	
	1001178139	Ref	<b>CONTROLLER ASSEMBLY (SN 0300194271 through 0300219271)</b>	D
1	See Note	NSS	Main Cast Body (Note: Not Available - Purchase Complete Assembly)	
2	70004752	1	Adapter	
3	See Note	NSS	Pivot Arm, Plastic (Note: Not Available - Purchase Complete Assembly)	
4	See Note	NSS	Holder, Magnet (Note: Not Available - Purchase Complete Assembly)	
5	See Note	NSS	Arc, Magnet (Note: Not Available - Purchase Complete Assembly)	
6	See Note	NSS	Screw (Note: Not Available for Purchase)	
7	See Note	NSS	Pivot Arm, Cast (Note: Not Available - Purchase Complete Assembly)	
8	See Note	NSS	Shaft, Main (Note: Not Available - Purchase Complete Assembly)	
9	See Note	NSS	Bearing (Note: Not Available - Purchase Complete Assembly)	
10	See Note	NSS	Pin (Note: Not Available - Purchase Complete Assembly)	
11	See Note	NSS	Shim (Note: Not Available - Purchase Complete Assembly)	
12	See Note	NSS	Pin (Note: Not Available - Purchase Complete Assembly)	
13	See Note	NSS	Bearing (Note: Not Available - Purchase Complete Assembly)	
14	See Note	NSS	Dome, Centering (Note: Not Available - Purchase Complete Assembly)	
15	70004753	1	Cap	
16	70004754	1	Insert, Cap	
17	70004755	3	Pin	
18	70004756	2	Washer	
19	70004757	1	Pin, Centering	
20	70004758	1	Spring	
21	70004759	1	Ring, Retaining	
22	70004760	1	E-Ring	
23	70004761	1	Can, Enclosure	
24	70004762	1	Boot	
25	70004763	1	Bezel	
26	See Note	NSS	Screw (Note: Not Available for Purchase)	
27	See Note	NSS	Base Mounting (Note: Not Available - Purchase Complete Assembly)	
28	See Note	NSS	Screw (Note: Not Available for Purchase)	
29	70004764	4	Screw	
30	70004765	4	Screw	
31	70004766	1	O-Ring	
32	See Note	NSS	Plate (Note: Not Available - Purchase Complete Assembly)	
33	See Note	NSS	Harness (Note: Not Available - Purchase Complete Assembly)	
34	70004767	1	Grommet, Rubber	
35	70004768	1	Housing	
36	70004769	1	Spring	
37	70004770	1	Stopper	
38	70004771	1	Spacer	
39	70004772	1	Washer	
40	70004773	1	Disc	
41	70004774	2	Ring, Retaining	

## SECTION 4 - PLATFORM

ITEM	PART NUMBER	QTY	DESCRIPTION	REV
42	70004775	1	Spring	
101	4460265	1	Connector - 9 Position	
101	4460226	6	Socket, Female	

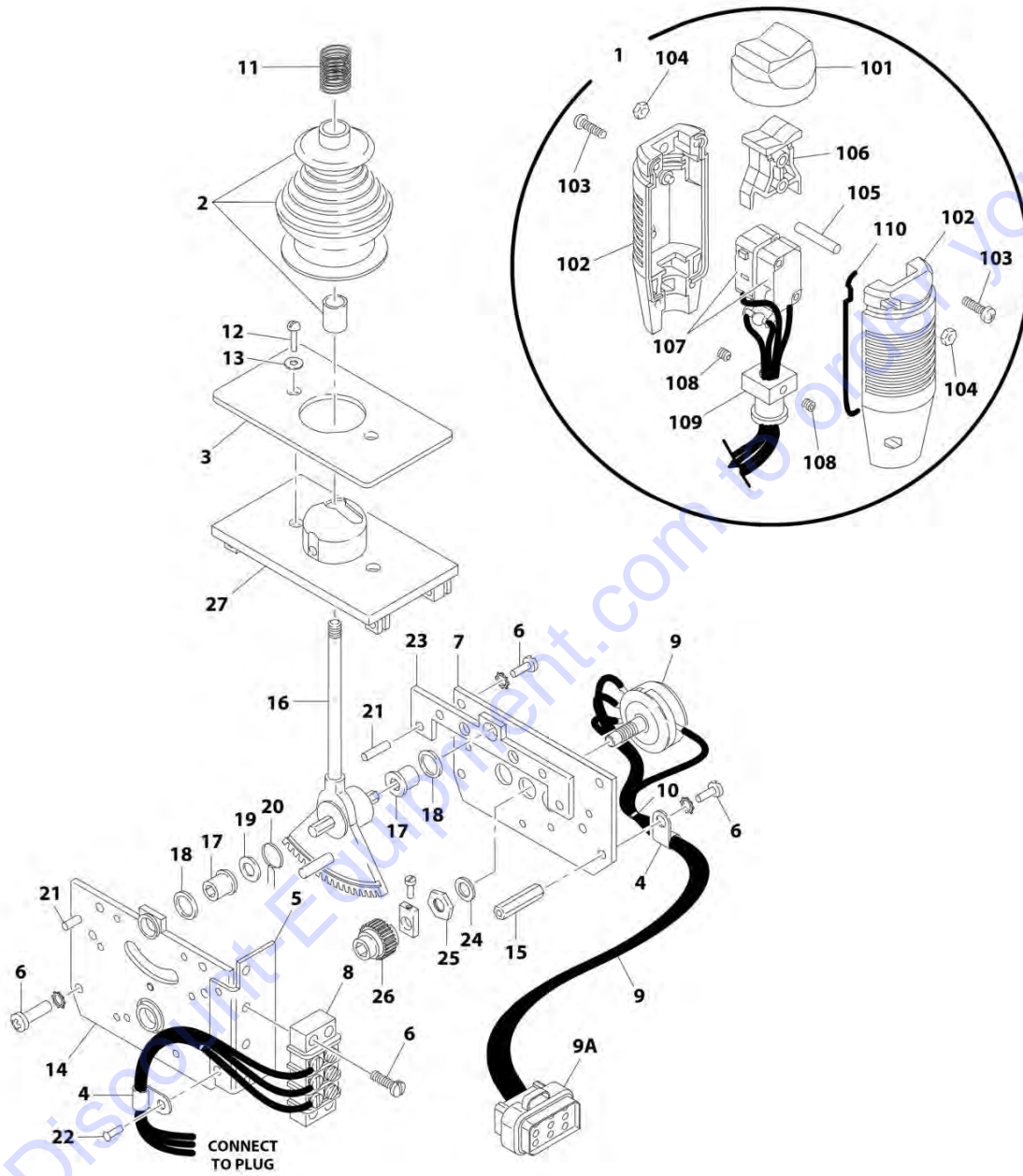
Go to [Discount-Equipment.com](http://Discount-Equipment.com) to order your parts





## SECTION 4 - PLATFORM

FIGURE 4-8. CONTROLLER ASSEMBLY (DRIVE AND STEER) (Prior to SN 0300146804)



**Note: Original Equipment controller may have been replaced with Service Replacement controller. Visually identify controller before ordering parts.**

ART\_1600273

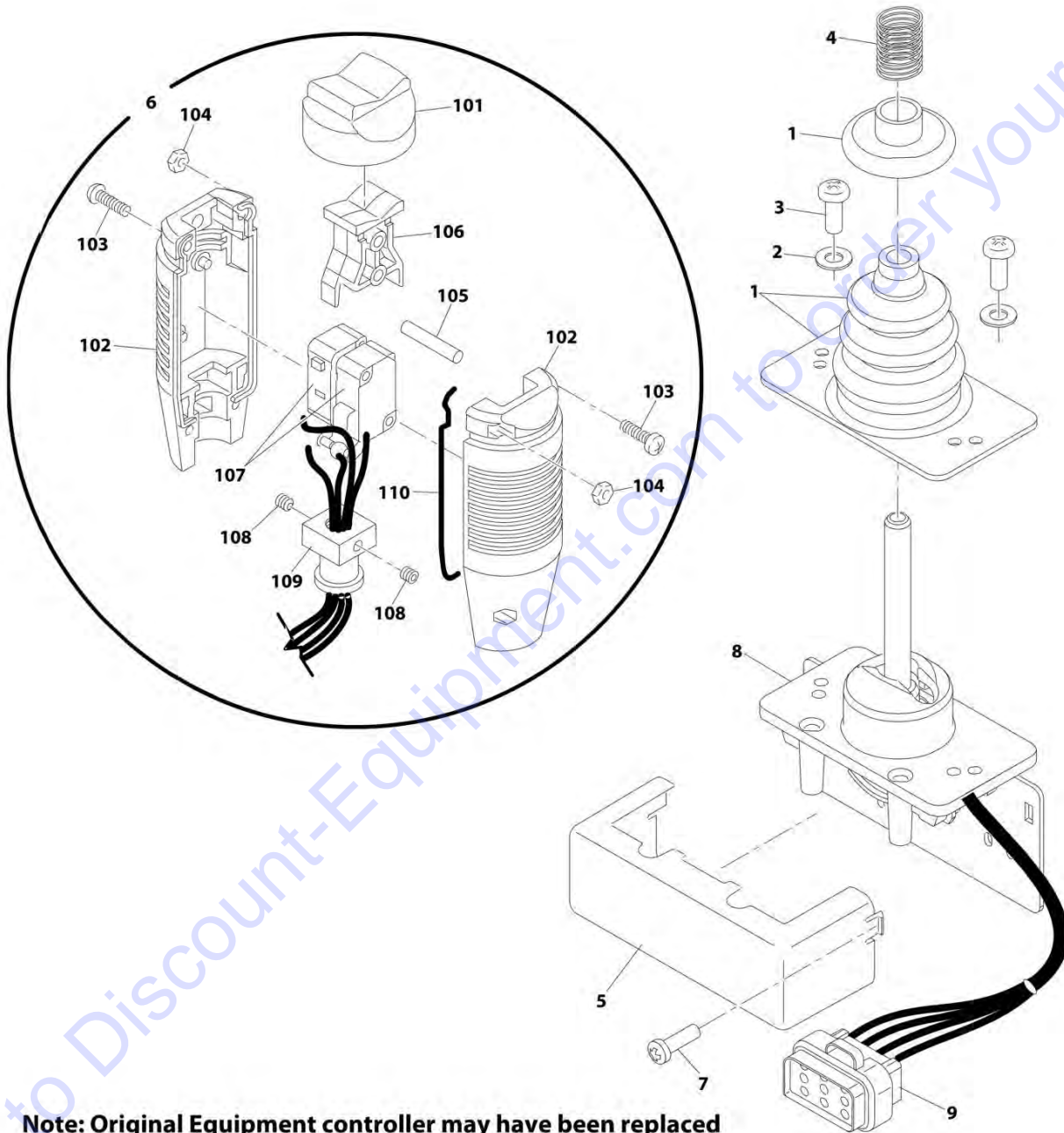
## SECTION 4 - PLATFORM

**FIGURE 4-8. CONTROLLER ASSEMBLY (DRIVE AND STEER) (Prior to SN 0300146804)**

ITEM	PART NUMBER	QTY	DESCRIPTION	REV
		Ref	<b>Note: Original Equipment controller may have been replaced with Service Replacement controller. Visually identify controller before ordering parts.</b>	
	1600273	Ref	<b>CONTROLLER ASSEMBLY (Prior to SN 0300146804)</b>	G
		Ref	<b>Note: Use p/n 1001178132 as Service Replacement.</b>	
1	7022812	1	Handle Assembly (See Items 101-110 for Breakdown)	
2	7019161	1	Boot and Sleeve	
3	7003933	1	Gasket	
4	7019154	2	Clamp, Wire	
5	7019159	1	Bracket, Mounting	
6	7003994	10	Screw	
7	7019157	1	Plate, Pot Mounting	
8	7003986	1	Strip, Terminal - 3 Position	
9	7019191	1	Electric Assembly	
9	7003974	1	Potentiometer	
9A	4460265	1	Plug, Male - 9 Position	
9A	4460226	7	Socket, Female	
10	7019151	AR	Tie-Strap	
11	7019162	1	Spring	
12	7003940	2	Screw (was p/n 7003969)	
13	7003941	2	Washer	
14	7019158	1	Plate, Mounting (Left Side)	
15	7019115	2	Stand-Off	
16	100118418	NLA	Shaft 8mm (Note: Use p/n 1001178132)	
17	7019111	2	Bearing	
18	7019110	2	Spacer, Head Gear	
19	7019112	1	Washer	
20	7003946	1	Spring, Return	
21	7019103	4	Pin	
22	See Note	NSS	Rivet (Note: Not Available - Purchase Locally)	
23	7019168	1	Plate, Mounting (Right Side)	
24	7003992	1	Washer	
25	7003993	1	Nut	
26	7003935	1	Gear, Slave	
27	7019160	1	Base	
	7022812	Ref	<b>HANDLE ASSEMBLY</b>	
101	7003972	1	Boot, Switch	
102	7003973	2	Half, Handle	
103	7003980	4	Screw	
104	7019167	4	Nut	
105	7019164	1	Axle	
106	7019165	1	Rocker	
107	7019196	1	Wiring Assembly	
107	7003982	2	Switch, Micro	
108	7003983	2	Setscrew	
109	7019194	1	Coupling	
110	7003989	2	Gasket	

## SECTION 4 - PLATFORM

FIGURE 4-9. CONTROLLER ASSEMBLY (DRIVE AND STEER) (SN 0300146804 through 0300194270)



ART\_1001118418

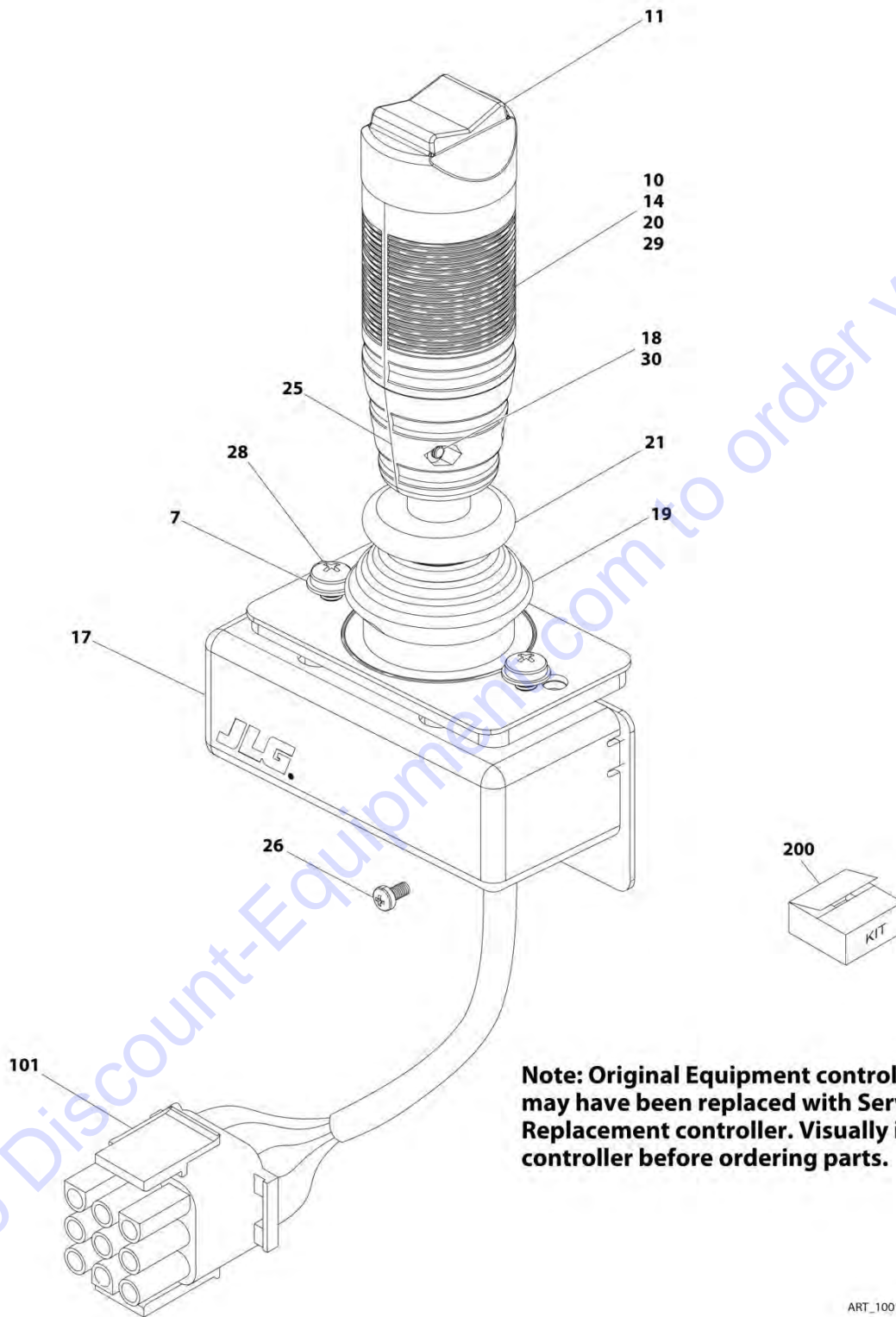
## SECTION 4 - PLATFORM

**FIGURE 4-9. CONTROLLER ASSEMBLY (DRIVE AND STEER) (SN 0300146804 through 0300194270)**

ITEM	PART NUMBER	QTY	DESCRIPTION	REV
		Ref	<b>Note: Original Equipment controller may have been replaced with Service Replacement controller. Visually identify controller before ordering parts.</b>	
	1001118418	Ref	<b>CONTROLLER ASSEMBLY (SN 0300146804 through 0300194270)</b>	D
		Ref	<b>Note: Use p/n 1001178132 as Service Replacement.</b>	
1	70002724	1	Boot and Control Lock Assembly	
2	7003941	2	Washer	
3	70002725	2	Screw	
4	7019162	1	Spring	
5	70002726	1	Enclosure	
6	70002736	1	Handle Assembly (See Items 101-110 for Breakdown)	
7	70002728	1	Screw	
8	1001118418	NLA	Mechanical Assembly (Note: Use p/n 1001178132)	
9	4460265	1	Plug, Male - 9 Position	
9	4460226	7	Socket, Female	
	70002736	Ref	<b>HANDLE ASSEMBLY</b>	
101	7003972	1	Boot, Switch	
102	7003973	2	Half, Handle	
103	7003980	4	Screw	
104	7019167	4	Nut	
105	7019164	1	Axle	
106	7019165	1	Rocker	
107	70002737	1	Wiring Assembly	
107	7003982	2	Switch, Micro	
108	7003983	2	Setscrew	
109	7019194	1	Coupling	
110	7003989	2	Gasket	

## SECTION 4 - PLATFORM

FIGURE 4-10. CONTROLLER ASSEMBLY (DRIVE AND STEER) (SN 0300194271 through 0300219271)



**Note: Original Equipment controller may have been replaced with Service Replacement controller. Visually identify controller before ordering parts.**

ART\_1001178132

## SECTION 4 - PLATFORM

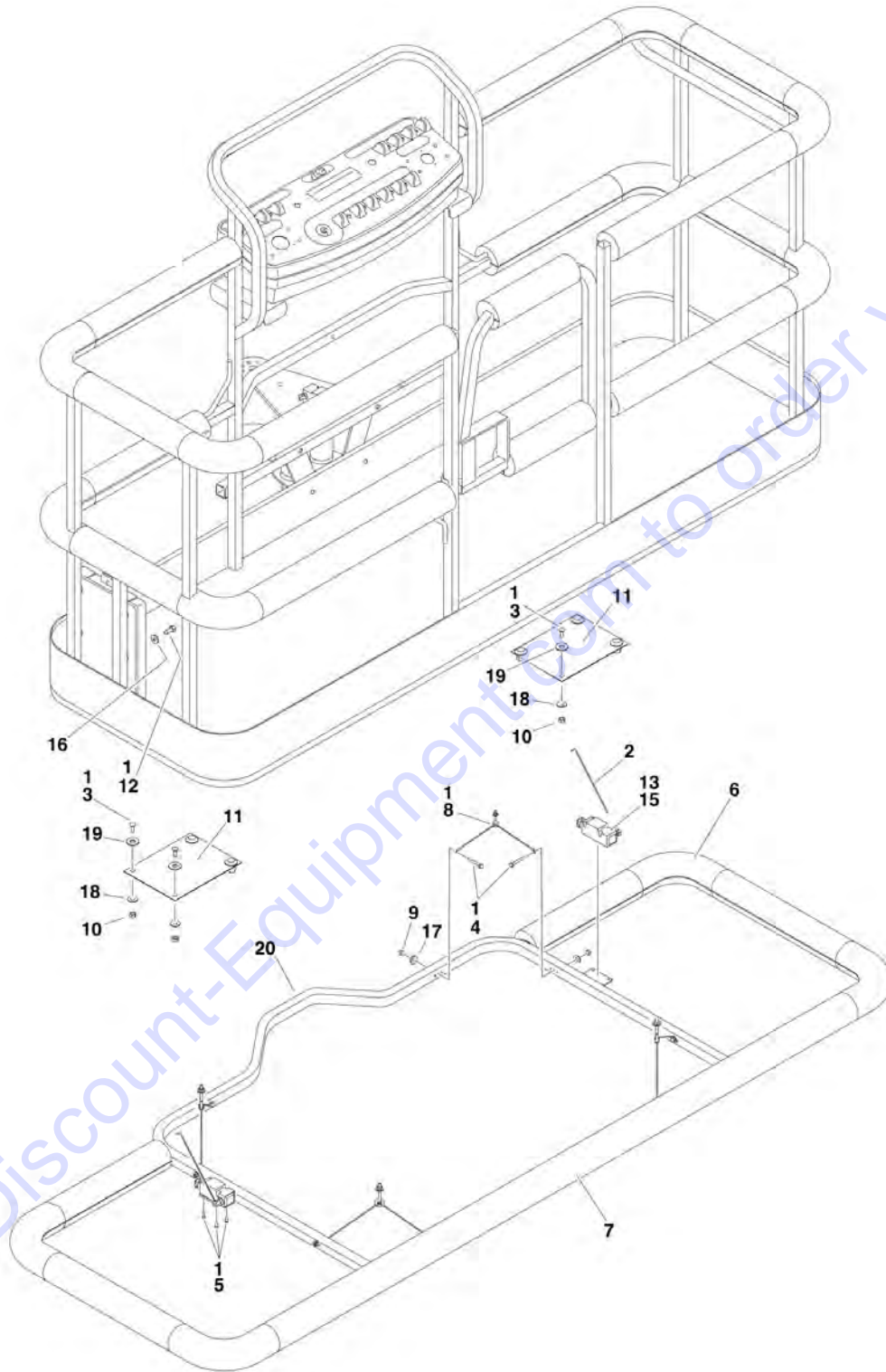
**FIGURE 4-10. CONTROLLER ASSEMBLY (DRIVE AND STEER) (SN 0300194271 through 0300219271)**

ITEM	PART NUMBER	QTY	DESCRIPTION	REV
		Ref	<b>Note: Original Equipment controller may have been replaced with Service Replacement controller. Visually identify controller before ordering parts.</b>	
	1001178132	Ref	<b>CONTROLLER ASSEMBLY (SN 0300194271 through 0300219271)</b>	E
7	70004738	2	Washer	
10	70004739	1	Roller	
11	70004740	1	Boot, Switch	
14	70004741	2	Half, Handle	
17	70004742	1	Enclosure	
18	70004743	4	Nut	
19	70004744	NLA	Boot, Controller (Use Item 200)	
20	70004745	NLA	Tube, Locking (Use Item 200)	
21	70004746	NLA	Disc, Locking (Use Item 200)	
25	70004747	2	Seal, Rope	
26	70004748	1	Screw, M3 x 6mm	
28	70004749	2	Screw, M5 x 20mm	
29	70004750	1	Pin, Dowel	
30	70004751	4	Screw, M3 x 16mm	
101	4460265	1	Connector - 9 Position	
101	4460226	7	Socket, Female	
200	70005230	1	Boot Kit (Includes Items 19-21)	



# SECTION 4 - PLATFORM

## FIGURE 4-11. SOFT TOUCH INSTALLATION (FRONT ENTRY PLATFORM)



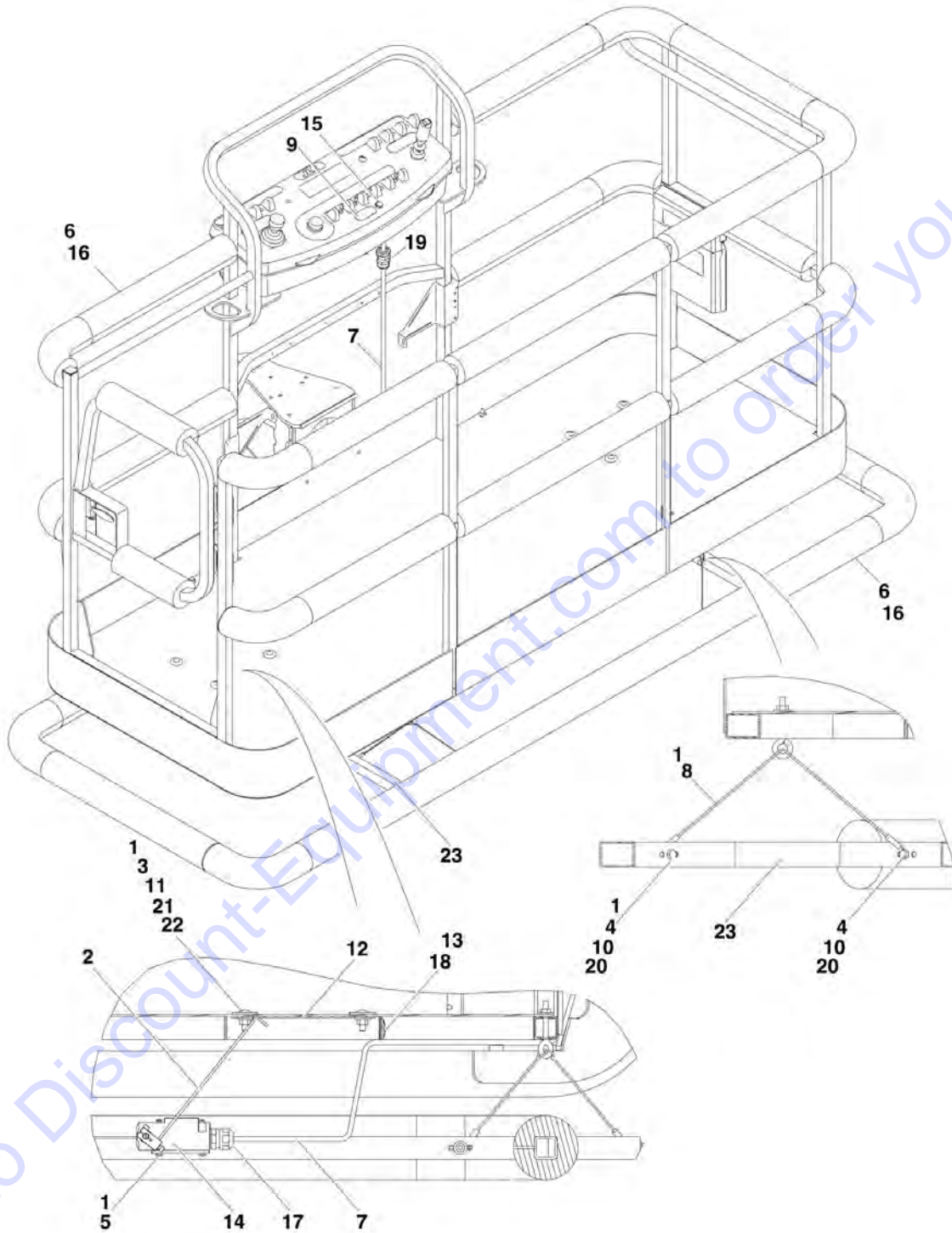
## SECTION 4 - PLATFORM

**FIGURE 4-11. SOFT TOUCH INSTALLATION (FRONT ENTRY PLATFORM)**

ITEM	PART NUMBER	QTY	DESCRIPTION	REV
		Ref	<b>SOFT TOUCH INSTALLATION</b>	
	0270516	Ref	<b>6ft (1.83m) Platform</b>	A
	0270405	Ref	<b>8ft (2.44m) Platform</b>	A
1	0100011	AR	Locking, Compound	
2	0200048	2	Arm, Switch Activator	
3	0630462	8	Bolt, Carriage	
4	0641414	8	Bolt 1/4in-20NC x 1 3/4in	
5	0731005	4	Screw #10-32NF x 5/8in	
6	0940092	12	Bumper, Corner	
7	0940094	2	Bumper, Center	
8	1060903	4	Wire Rope and Eyebolt Assembly	
9	3311401	10	Nut 1/4in-20NC	
10	3311501	8	Nut 5/16in-18NC	
11	3539719	2	Plate, Switch Strike	
12	3941405	2	Screw 1/4in-20NC x 5/8in	
13	4360057	2	Switch, Limit	
14	4420068	AR	Tape, Yellow Adhesive (Not Shown)	
15	4460049	2	Connector, Strain Relief	
16	4711400	AR	Flatwasher 1/4in (Narrow)	
17	4751400	AR	Flatwasher 1/4in (Wide)	
18	4751500	12	Flatwasher 5/16in (Wide)	
19	4751800	8	Flatwasher 1/2in (Wide)	
20		Ref	Soft Touch Rail Options:	
20	4846370	1	6ft (1.83m) Platform	
20	4846277	1	8ft (2.44m) Platform	

# SECTION 4 - PLATFORM

## FIGURE 4-12. SOFT TOUCH INSTALLATION (SIDE ENTRY PLATFORM)



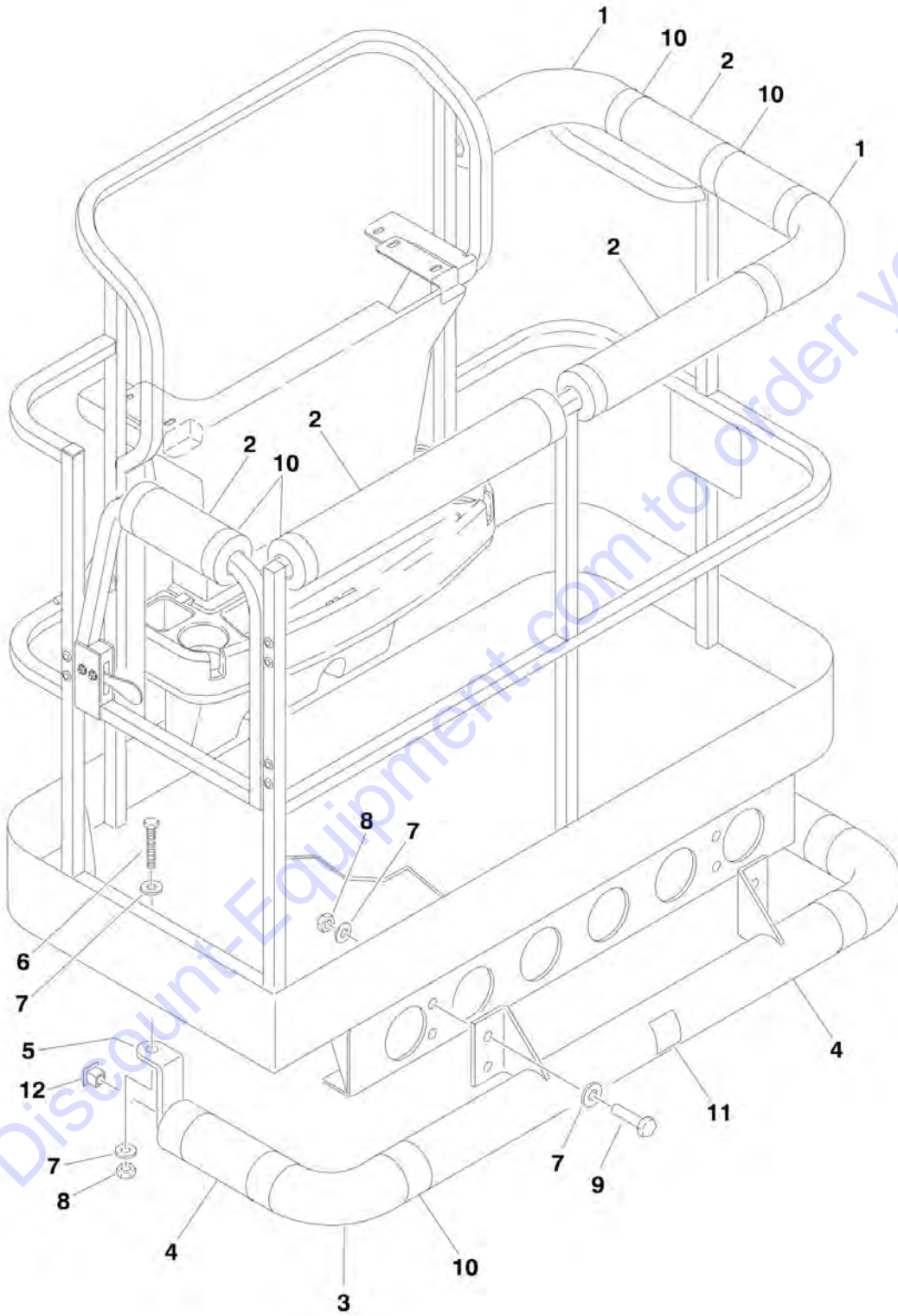
## SECTION 4 - PLATFORM

**FIGURE 4-12. SOFT TOUCH INSTALLATION (SIDE ENTRY PLATFORM)**

ITEM	PART NUMBER	QTY	DESCRIPTION	REV
		Ref	<b>SOFT TOUCH INSTALLATION</b>	
	0274323	Ref	<b>6ft (1.83m) Platform</b>	B
1	0100011	AR	Locking, Compound	
2	0200048	2	Arm, Switch Activator	
3	0630462	8	Bolt, Carriage	
4	0641414	8	Bolt 1/4in-20NC x 1 3/4in	
5	0731005	4	Screw #10-32NF x 5/8in	
6	0940167	1	Bumper, Kit	
6	0940092	10	Bumper (Corner)	
6	0940094	AR	Bumper (28ft Length)	
7	1060494	15 ft/4.6m	Cable, Electrical 12/3	
8	1060903	4	Wire Rope and Eyebolt Assembly	
9	1702938	1	Decal - Soft Touch Override	
10	3311401	8	Nut 1/4in-20NC	
11	3311501	8	Nut 5/16in-18NC	
12	3575705	2	Plate, Switch Strike	
13	4240099	1	Tie, Wire (Not Shown)	
14	4360057	2	Switch, Limit	
15	4360387	1	Switch, Push Button	
16	4420068	1	Tape, Yellow Adhesive	
16	1001197017	AR	Tie-Strap (Yellow)	
17	4460049	2	Connector, Strain Relief	
18	4460234	2	Terminal, Mount	
19	4460425	1	Connector, Strain Relief	
20	4751400	16	Flatwasher 1/4in (Wide)	
21	4751500	8	Flatwasher 5/16in (Wide)	
22	4751800	8	Flatwasher 1/2in (Wide)	
23	4846370	1	Soft Touch Rail	

# SECTION 4 - PLATFORM

FIGURE 4-13. PLATFORM PADDING INSTALLATION (SIDE ENTRY PLATFORM)



## SECTION 4 - PLATFORM

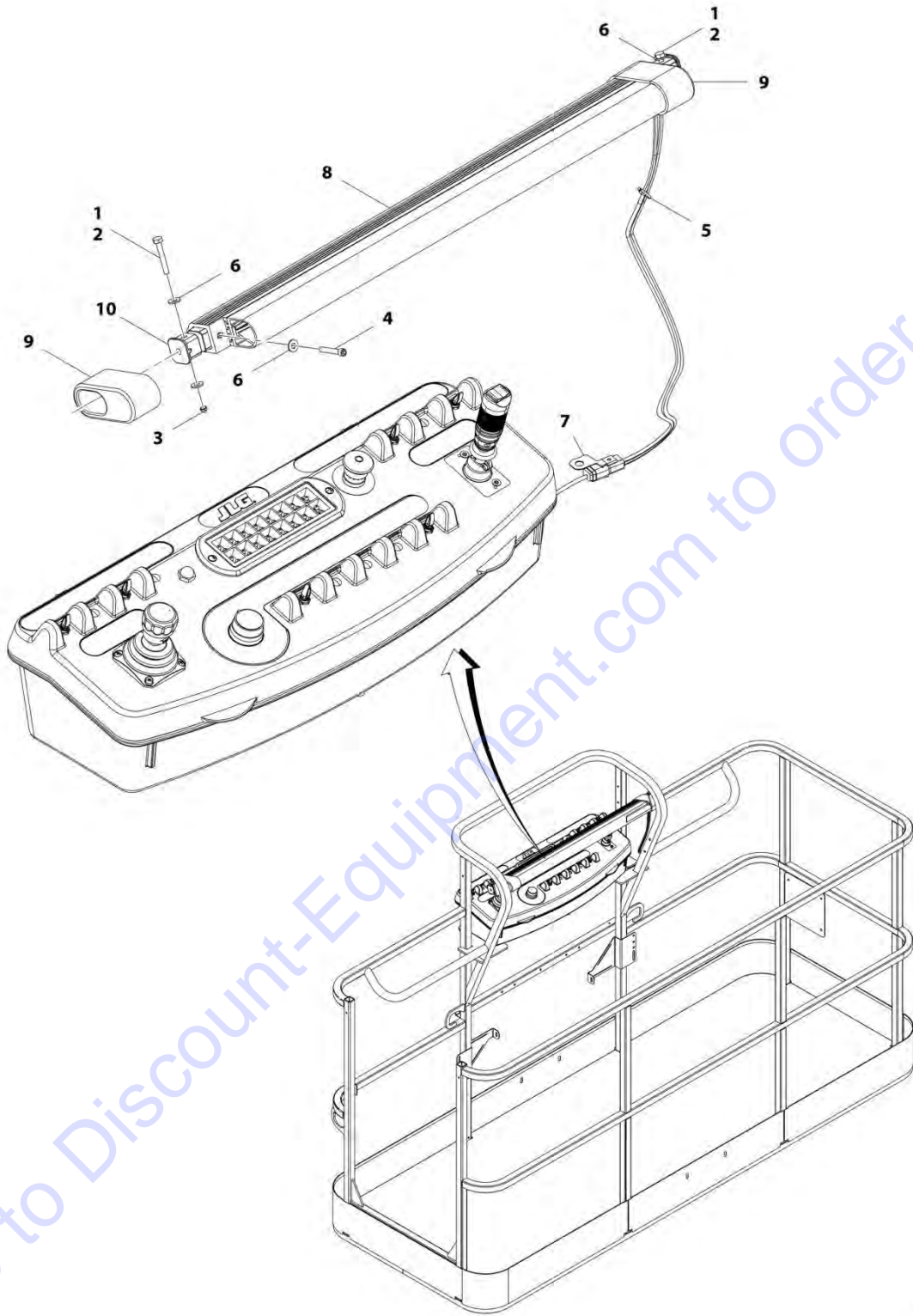
**FIGURE 4-13. PLATFORM PADDING INSTALLATION (SIDE ENTRY PLATFORM)**

ITEM	PART NUMBER	QTY	DESCRIPTION	REV
		Ref	<b>PLATFORM PADDING INSTALLATION</b>	
	0273381	Ref	<b>30in x 48in Platform</b>	2-A
	0274382	Ref	<b>30in x 72in Platform</b>	A
1	0940092	2	Pad, Corner Bumper	
2	0940094	Ref	Pad, Bumper Options:	
2	0940094	63 in /1.6m	30in x 48in Platform	
2	0940094	76.25 in /1.94m	30in x 72in Platform (Not Used on Gate)	
3		Ref	Pad, Corner Bumper Options:	
3	0940091	2	30in x 48in Platform	
3	0940092	2	30in x 72in Platform	
4		Ref	Pad, Bumper Options:	
4	0940093	51 in /1.3m	30in x 48in Platform	
4	0940094	64 in /1.6m	30in x 72in Platform	
5		Ref	Rail, Bumper Options:	
5	4846936	1	30in x 48in Platform	
5	3641586	1	30in x 72in Platform (Not Shown)	
6		Ref	Bolt Options:	
6	0641516	2	30in x 48in Platform (5/16in-18NC x 2in)	
6	0641616	2	30in x 72in Platform (3/8in-16NC x 2in)	
7		Ref	Flatwasher Options:	
7	4751500	6	30in x 48in Platform (5/16in Regular)	
7	4751600	2	30in x 72in Platform (3/8in Regular)	
8		Ref	Locknut Options:	
8	3311505	6	30in x 48in Platform (5/16in-18NC)	
8	3311605	2	30in x 72in Platform (3/8in-16NC)	
8	3311805	4	30in x 72in Platform (1/2in-13NC)	
9		Ref	Bolt 5/16in-18NC x 3/4in	
9	0641506	4	30in x 48in Platform (5/16in-18NC x 3/4in)	
9	0641812	4	30in x 72in Platform (1/2in-13NC x 1-1/2in)	
10	4420068		Tape, Yellow Safety Options:	
10	4420068	30 ft /9.1m	Tape, Yellow Safety 30in x 48in Platform	
10	4420068	AR	Tape, Yellow Safety 30in x 72in Platform	
11		Ref	Decal - No Step	
11	Not Required	0	30in x 48in Platform	
11	1701691	1	30in x 72in Platform	
12		Ref	Plug, Cap	
12	Not Required	0	30in x 48in Platform	
12	3520072	2	30in x 72in Platform	
		Ref	Bumper Padding Kit Options:	
	See Note	AR	30in x 48in Platform (Note: Not Available for Purchase Individual Pieces)	
	0940169	1	30in x 72in Platform (Includes Items 1-4)	



# SECTION 4 - PLATFORM

## FIGURE 4-14. SKYGUARD SYSTEM INSTALLATION



Go to Discount-Equipment.com to order your parts

ART\_1001187508



## SECTION 4 - PLATFORM

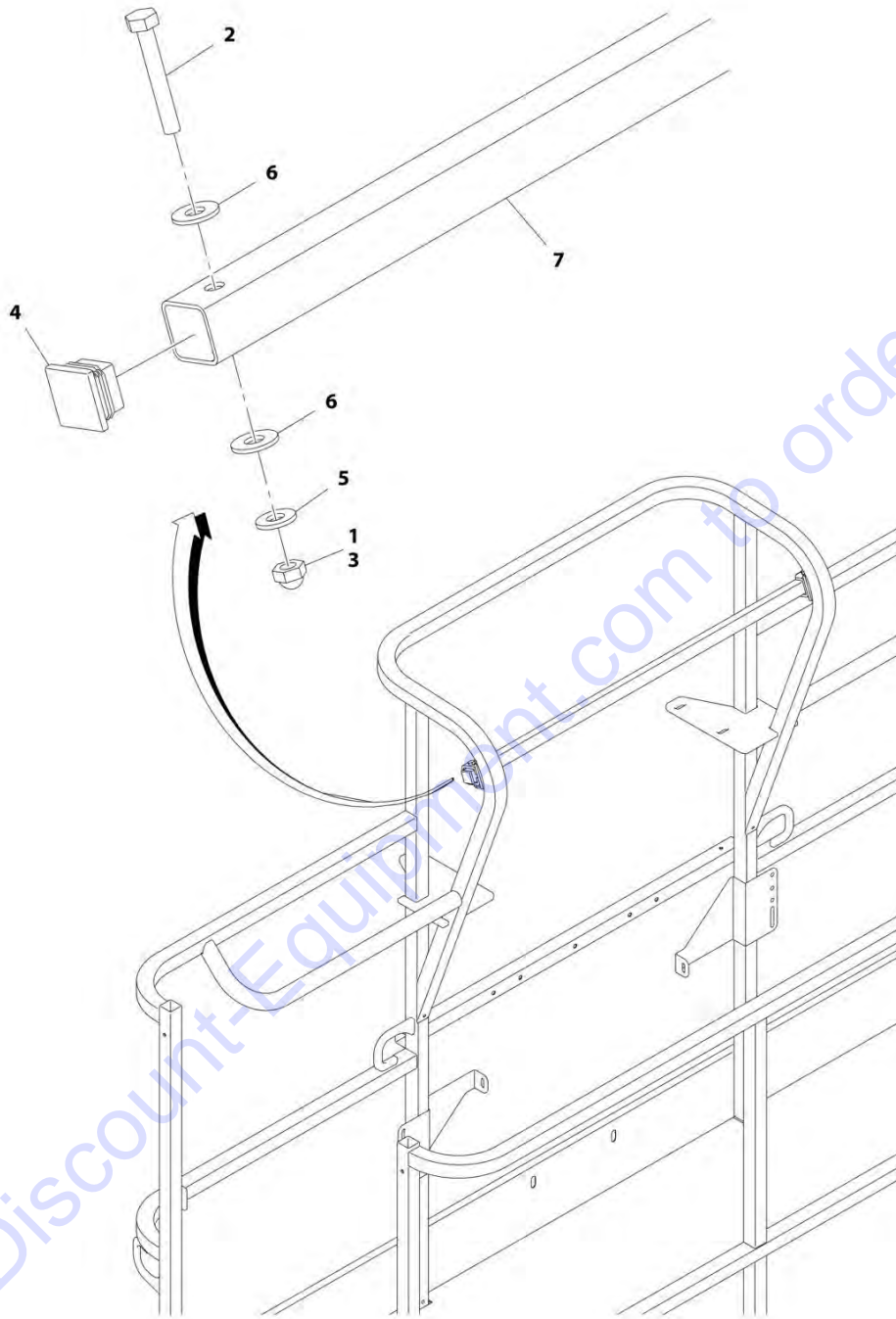
**FIGURE 4-14. SKYGUARD SYSTEM INSTALLATION**

ITEM	PART NUMBER	QTY	DESCRIPTION	REV
	1001187508	Ref	<b>SKYGUARD SYSTEM INSTALLATION (SN 0300200810 through 0300219271)</b> <b>Note: For Machines Prior to SN 0300200810 refer to SPECIAL OPTIONS Section.</b>	A
		Ref		
1	0100011	AR	Compound, Locking	
2	0641414	2	Bolt, 1/4-20 x 1-3/4	
3	3300430	2	Nut, Acorn 1/4-20	
4	3931424	2	Capscrew, 1/4-20 x 1-1/2	
5	4240033	1	Tie-Strap	
6	4711400	6	Washer 1/4	
7	1001120328	1	Mount	
8	1001137673	1	Switch, SkyGuard Assembly	
9	1001186517	2	Cover, Platform Sensor	
10	1001188889	2	Support, Block	

Go to Discount-Equipment.com to order your parts

# SECTION 4 - PLATFORM

## FIGURE 4-15. CROSS RAIL INSTALLATION



ART\_1001182138

## SECTION 4 - PLATFORM

### FIGURE 4-15. CROSS RAIL INSTALLATION

ITEM	PART NUMBER	QTY	DESCRIPTION	REV
	1001182138	Ref	<b>CROSS RAIL INSTALLATION</b>	A
1	0100071	AR	Compound, Locking	
2	0641414	2	Bolt 1/4 x 1-3/4	
3	3300430	2	Nut 1/4	
4	3520182	2	Plug	
5	4711400	2	Washer 1/4	
6	4751400	4	Washer 1/4	
7	1001191708	1	Bar	

Go to Discount-Equipment.com to order your parts

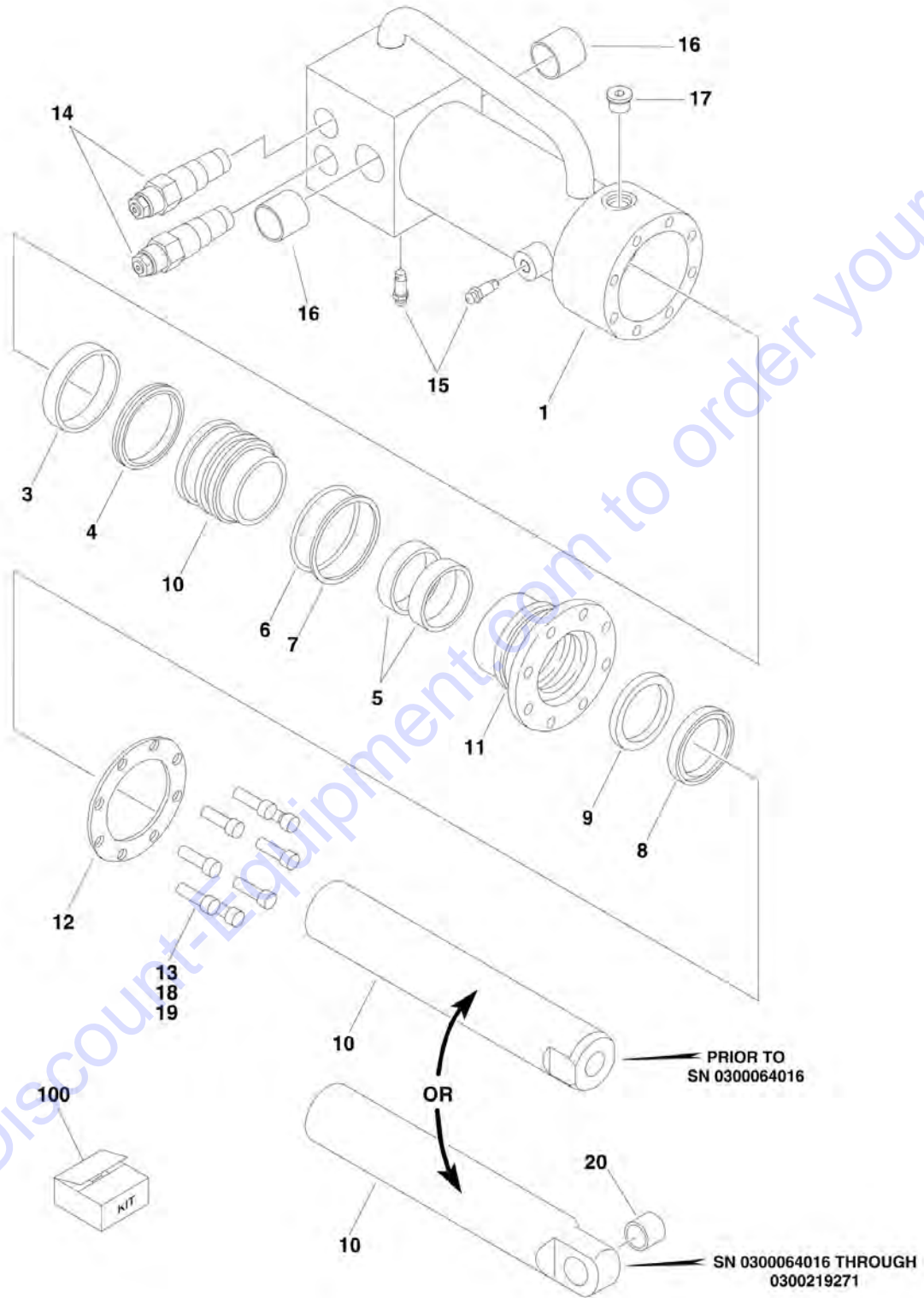


**SECTION 5 - CYLINDER**

Go to [Discount-Equipment.com](http://Discount-Equipment.com) to order your parts

# SECTION 5 - CYLINDER

## FIGURE 5-1. AXLE LOCKOUT CYLINDER ASSEMBLY



## SECTION 5 - CYLINDER

### FIGURE 5-1. AXLE LOCKOUT CYLINDER ASSEMBLY

ITEM	PART NUMBER	QTY	DESCRIPTION	REV
		Ref	<b>AXLE LOCKOUT CYLINDER ASSEMBLY OPTIONS:</b>	
		Ref	<b>Axle Lockout Cylinder Assembly</b>	
	1683931	Ref	Axle Lockout Cylinder Assembly ( <b>Prior to SN 0300062044</b> )	C
	1684071	Ref	Axle Lockout Cylinder Assembly ( <b>SN 0300062044 through 0300064015</b> )	B
	1684129	Ref	Axle Lockout Cylinder Assembly ( <b>SN 0300064016 through 0300077548</b> )	C
	1684419	Ref	Axle Lockout Cylinder Assembly ( <b>SN 0300077549 through 0300219271</b> )	E
		Ref	<b>2WD - CE Spec with Tow Package</b>	
	1683931	Ref	Axle Lockout Cylinder Assembly ( <b>Prior to SN 0300062044</b> )	C
	1684071	Ref	Axle Lockout Cylinder Assembly ( <b>SN 0300062044 through 0300064015</b> )	B
	1684129	Ref	Axle Lockout Cylinder Assembly ( <b>SN 0300064016 through 0300077548</b> )	C
	1684419	Ref	Axle Lockout Cylinder Assembly ( <b>SN 0300077549 through 0300219271</b> )	E
		Ref	<b>2WD - Australian Spec without Tow Package</b>	
	1683575	Ref	Axle Lockout Cylinder Assembly (Original Equipment) ( <b>Prior to SN 0300051263</b> )	C
	1684139	Ref	Axle Lockout Cylinder Assembly (Service Replacement)	D
	1683931	Ref	Axle Lockout Cylinder Assembly ( <b>SN 0300051263 through 0300062043</b> )	C
	1684071	Ref	Axle Lockout Cylinder Assembly ( <b>SN 0300062044 through 0300064015</b> )	B
	1684129	Ref	Axle Lockout Cylinder Assembly ( <b>SN 0300064016 through 0300077548</b> )	C
	1684419	Ref	Axle Lockout Cylinder Assembly ( <b>SN 0300077549 through 0300219271</b> )	E
		Ref	<b>2WD - Australian Spec with Tow Package</b>	
	1683931	Ref	Axle Lockout Cylinder Assembly ( <b>Prior to SN 0300062044</b> )	C
	1683575	Ref	Axle Lockout Cylinder Assembly (Original Equipment) ( <b>SN 0300062044 through 0300219271</b> )	D
	1684139	Ref	Axle Lockout Cylinder Assembly (Service Replacement)	D
		Ref	<b>4WD - CE and Australian Spec</b>	
	1683931	Ref	Axle Lockout Cylinder Assembly ( <b>Prior to SN 0300062044</b> )	C
	1684071	Ref	Axle Lockout Cylinder Assembly ( <b>SN 0300062044 through 0300064015</b> )	B
	1684129	Ref	Axle Lockout Cylinder Assembly ( <b>SN 0300064016 through 0300077548</b> )	C
	1684419	Ref	Axle Lockout Cylinder Assembly ( <b>SN 0300077549 through 0300219271</b> )	E
1	1683572	1	Barrel Weldment	
3	See Note	NSS	Ring, Wear (Note: Use Item 100)	
4	See Note	NSS	T-Seal (Note: Use Item 100)	
5	See Note	NSS	Ring, Wear (Note: Use Item 100)	
6	See Note	NSS	O-Ring (Note: Use Item 100)	
7	See Note	NSS	Ring, Back-up (Note: Use Item 100)	
8	See Note	NSS	Wiper (Note: Use Item 100)	
9	See Note	NSS	Seal (Note: Use Item 100)	
10		Ref	Rod Weldment Options:	
10		Ref	2WD Machines without Tow Package	
10	1683574	1	Rod Weldment ( <b>Prior to SN 0300062044</b> )	



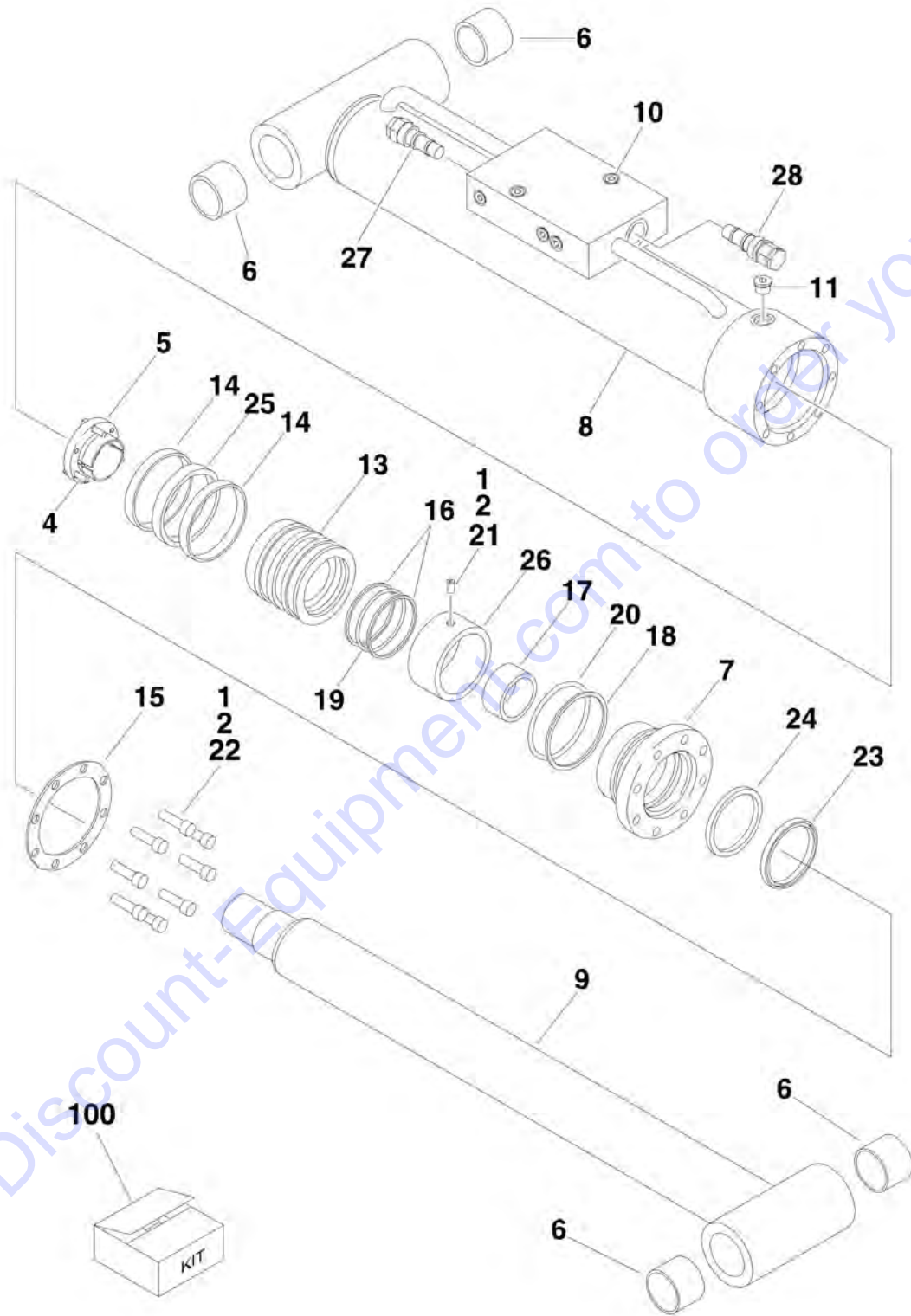
## SECTION 5 - CYLINDER

ITEM	PART NUMBER	QTY	DESCRIPTION	REV
10	1684138	1	2WD Machines without Tow Package Only (Service Replacement Cylinder 1684139)	
10	1684072	1	Rod Weldment ( <b>SN 0300062044 through 0300064015</b> )	
10	1684130	1	Rod Weldment ( <b>SN 0300064016 through 0300219271</b> )	
10	1683574	1	All 2WD Machines with Tow Package	
10	1684138	1	All 2WD Machines with Tow Package (Service Replacement Cylinder 1684139)	
10		Ref	4WD Machines	
10	1683574	1	Rod Weldment ( <b>Prior to SN 0300062044</b> )	
10	1684072	1	Rod Weldment ( <b>SN 0300062044 through 0300064015</b> )	
10	1684130	1	Rod Weldment ( <b>SN 0300064016 through 0300219271</b> )	
11	1683076	1	Cap	
12	3760367	1	Ring, Washer	
13	3931516	8	Bolt, Socket Head 5/16in-18NC x 2in	
14		Ref	Cartridge, Valve (Counterbalance) Options:	
14	4641162	2	Cartridge, Valve (Counterbalance) ( <b>Prior to SN 0300077549</b> )	
14	4641162	1	Cartridge, Valve (Counterbalance) (Service Replacement Cylinder 1684139)	
14	4640936	2	Cartridge, Valve (Counterbalance) ( <b>SN 0300077549 through 0300219271</b> )	
14	2900770	2	Seal Kit - 4641162 Valve (1 Per Assembly)	
15	4640858	2	Valve, Bleeder	
16		Ref	Bushing Options:	
16	0961890	2	Bushing ( <b>Prior to SN 0300069092</b> )	
16	0962474	2	Bushing ( <b>SN 0300069092 through 0300219271</b> )	
17	2220885	1	Plug, O-Ring	
18	0100011	AR	Locking, Compound	
19	0100038	AR	Primer, Locking	
20		Ref	Bushing Options:	
20	0962140	1	Bushing (Service Replacement Cylinder 1684139)	
20	0962395	1	Bushing ( <b>SN 0300064016 through 0300069091</b> )	
20	0962466	1	Bushing ( <b>SN 0300069092 through 0300219271</b> )	
100	2901548	1	Seal Kit (Includes Items 3-9)	



# SECTION 5 - CYLINDER

FIGURE 5-2. LEVEL CYLINDER ASSEMBLY - PLATFORM SLAVE (Prior to SN 0300163480)



## SECTION 5 - CYLINDER

**FIGURE 5-2. LEVEL CYLINDER ASSEMBLY - PLATFORM SLAVE (Prior to SN 0300163480)**

ITEM	PART NUMBER	QTY	DESCRIPTION	REV
		Ref	<b>LEVEL CYLINDER ASSEMBLY - PLATFORM SLAVE (Prior to SN 0300163480)</b>	
	1683867	Ref	<b>Level Cylinder Assembly E600 &amp; M600</b>	D
	1683926	Ref	<b>Level Cylinder Assembly E600J, M600J, E600JP &amp; M600JP</b>	F
		Ref	<b>Note: Original Equipment components may have been replaced with Service Replacement components part. Identify p/n stamped on cylinder before ordering parts.</b>	
1	0100011	AR	Locking, Compound	
2	0100038	AR	Primer, Locking	
4	0630534	3	Bolt #10-24NC x 1in	
5		Ref	Bushing, Tapered Options:	
5	0962185	1	Bushing, Tapered E600 & M600	
5	0961893	1	Bushing, Tapered E600J, M600J, E600JP & M600JP	
6		Ref	Bushing Options:	
6	0961947	4	Bushing E600 & M600	
6	0961951	4	Bushing E600J, M600J, E600JP & M600JP	
7		Ref	Head Options:	
7	1683050	1	Head E600 & M600	
7	1683053	1	Head E600J, M600J, E600JP & M600JP	
8		Ref	Barrel Options:	
8	1683868	1	Barrel E600 & M600	
8	1683927	1	Barrel E600J, M600J, E600JP & M600JP	
9		Ref	Rod Options:	
9	1683870	1	Rod E600 & M600	
9	1683929	1	Rod E600J, M600J, E600JP & M600JP	
10	2220883	8	Plug, O-Ring	
11	2220885	1	Plug, O-Ring	
13		Ref	Piston Options:	
13	3480232	1	Piston E600 & M600	
13	3480260	1	Piston E600J, M600J, E600JP & M600JP	
14	See Note	NSS	Ring, Wear (Note: Use Item 100)	
15		Ref	Washer, Ring	
15	3760367	1	Piston E600 & M600	
15	3760368	1	Piston E600J, M600J, E600JP & M600JP	
16	See Note	NSS	Ring, Back-up (Note: Use Item 100)	
17	See Note	NSS	Ring, Wear (Note: Use Item 100)	
18	See Note	NSS	Ring, Back-up (Note: Use Item 100)	
19	See Note	NSS	O-Ring (Note: Use Item 100)	
20	See Note	NSS	O-Ring (Note: Use Item 100)	
21		Ref	Setscrew 1/4in-20NC x 1/2in Options:	
21	3900139	1	Setscrew 1/4in-20NC x 1/2in E600 & M600	
21	Not Required	0	Setscrew 1/4in-20NC x 1/2in E600J, M600J, E600JP & M600JP	
22	3931516	8	Bolt, Socket Head 5/16in-18NC x 2in	
23	See Note	NSS	Wiper (Note: Use Item 100)	
24	See Note	NSS	Seal (Note: Use Item 100)	
25	See Note	NSS	T-Seal Seal (Note: Use Item 100)	
26		Ref	Spacer, Tube Options:	
26	4568068	1	Spacer, Tube E600 & M600	
26	4566468	1	Spacer, Tube E600J, M600J, E600JP & M600JP	

## SECTION 5 - CYLINDER

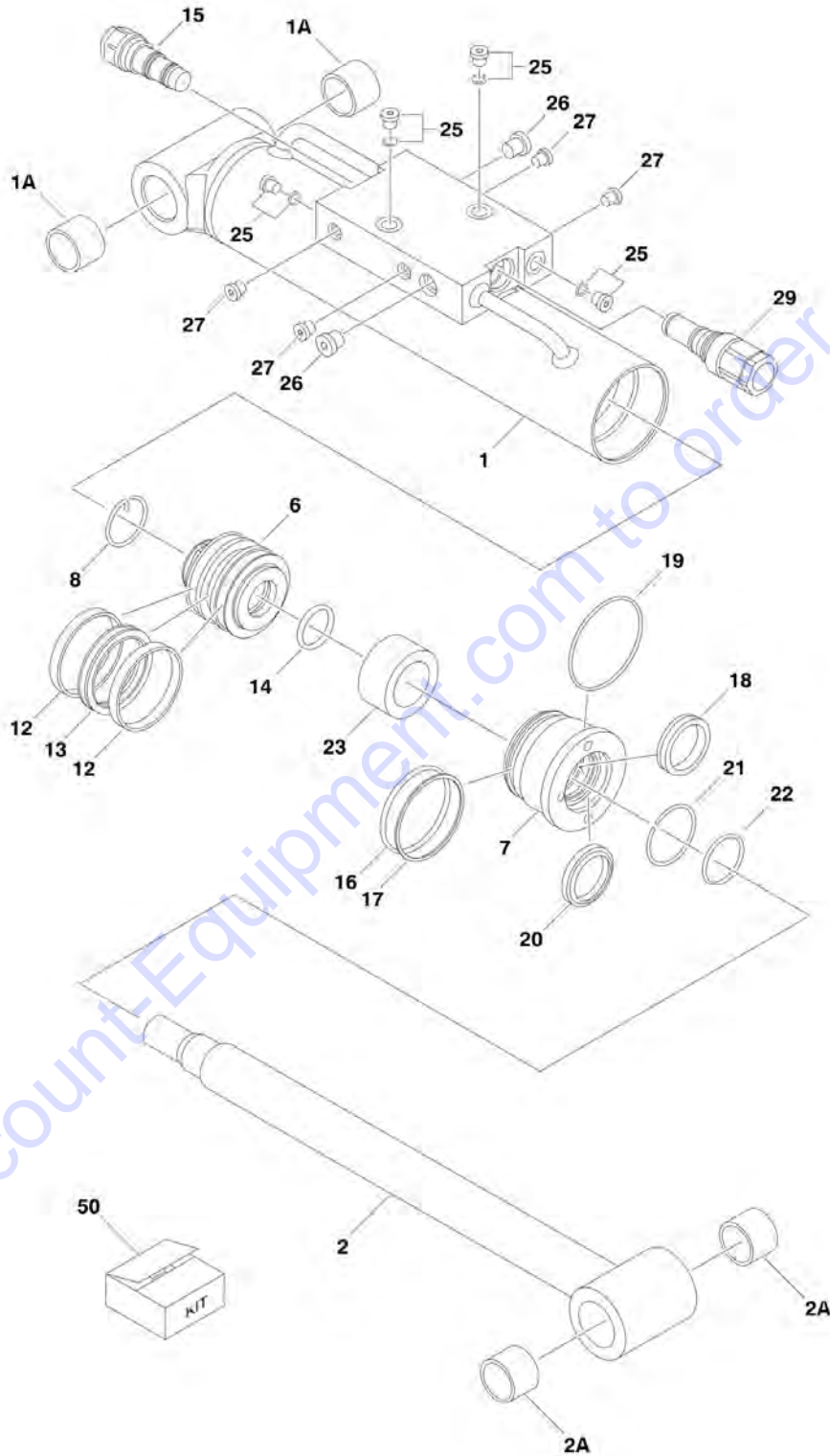
ITEM	PART NUMBER	QTY	DESCRIPTION	REV
27	4640509	1	Cartridge, Valve (Counterbalance Non-Vented)	
27	2900792	1	Seal Kit - 4640509 Valve	
28	4640932	1	Cartridge, Valve (Counterbalance Vented)	
28	7011112	1	Seal Kit - 4640932 Valve	
100		Ref	Seal Kit Options (Includes Items 14, 16-20 & 23-25)	
100	2901549	1	Seal Kit E600 & M600	
100	2901901	1	Seal Kit E600J, M600J, E600JP & M600JP	

Go to Discount-Equipment.com to order your parts



# SECTION 5 - CYLINDER

FIGURE 5-3. LEVEL CYLINDER ASSEMBLY - PLATFORM SLAVE (SN 0300163480 through 0300219271)





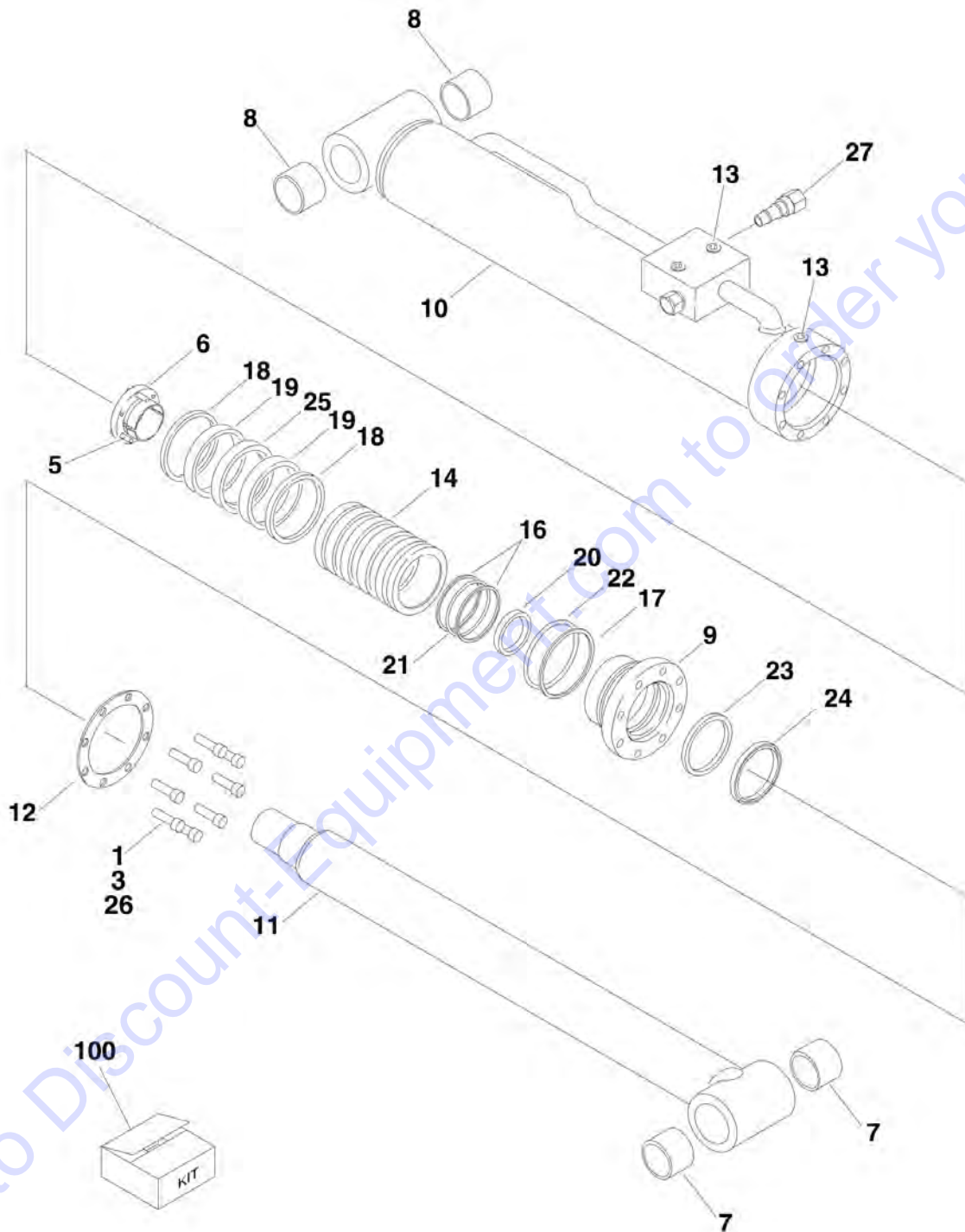
## SECTION 5 - CYLINDER

**FIGURE 5-3. LEVEL CYLINDER ASSEMBLY - PLATFORM SLAVE (SN 0300163480 through 0300219271)**

ITEM	PART NUMBER	QTY	DESCRIPTION	REV
	1001140596	Ref	<b>LEVEL CYLINDER ASSEMBLY - PLATFORM SLAVE (SN 0300163480 through 0300219271)</b>	A
		Ref	<b>Note: Original Equipment components may have been replaced with Service Replacement components part. Identify p/n stamped on cylinder before ordering parts.</b>	
1	70003840	1	Barrel	
1A	0961951	2	Bushing	
2	70003841	1	Rod	
2A	0961951	2	Bushing	
6	70003819	1	Head	
7	70003837	1	Piston	
8	70002216	1	Retainer	
12	See Note	NSS	Ring, Wear (Note: Use Item 50)	
13	See Note	NSS	Seal (Note: Use Item 50)	
14	See Note	NSS	O-Ring (Note: Use Item 50)	
15	4640509	1	Cartridge, Counterbalance Valve	
15	2900792	1	Seal Kit - 4640509 Valve	
16	See Note	NSS	O-Ring (Note: Use Item 50)	
17	See Note	NSS	Ring, Back-up (Note: Use Item 50)	
18	See Note	NSS	Seal (Note: Use Item 50)	
19	See Note	NSS	O-Ring (Note: Use Item 50)	
20	See Note	NSS	Wiper (Note: Use Item 50)	
21	70003838	1	Ring, Retaining	
22	7026084	1	O-Ring	
23	70003839	1	Spacer	
25	7017406	4	Plug	
26	See Note	NSS	Plug (Note: Not Available for Purchase)	
27	See Note	NSS	Plug (Note: Not Available for Purchase)	
29	4640932	1	Cartridge, Counterbalance Valve	
29	7011112	1	Seal Kit - 4640932 Valve	
50	70003842	1	Seal Kit - 1001140596 Cylinder (Includes Items 12-14 & 16-20)	

## SECTION 5 - CYLINDER

FIGURE 5-4. LIFT CYLINDER ASSEMBLY - JIB (E600J, M600J, E600JP & M600JP ONLY) (Prior to SN 0300163480)



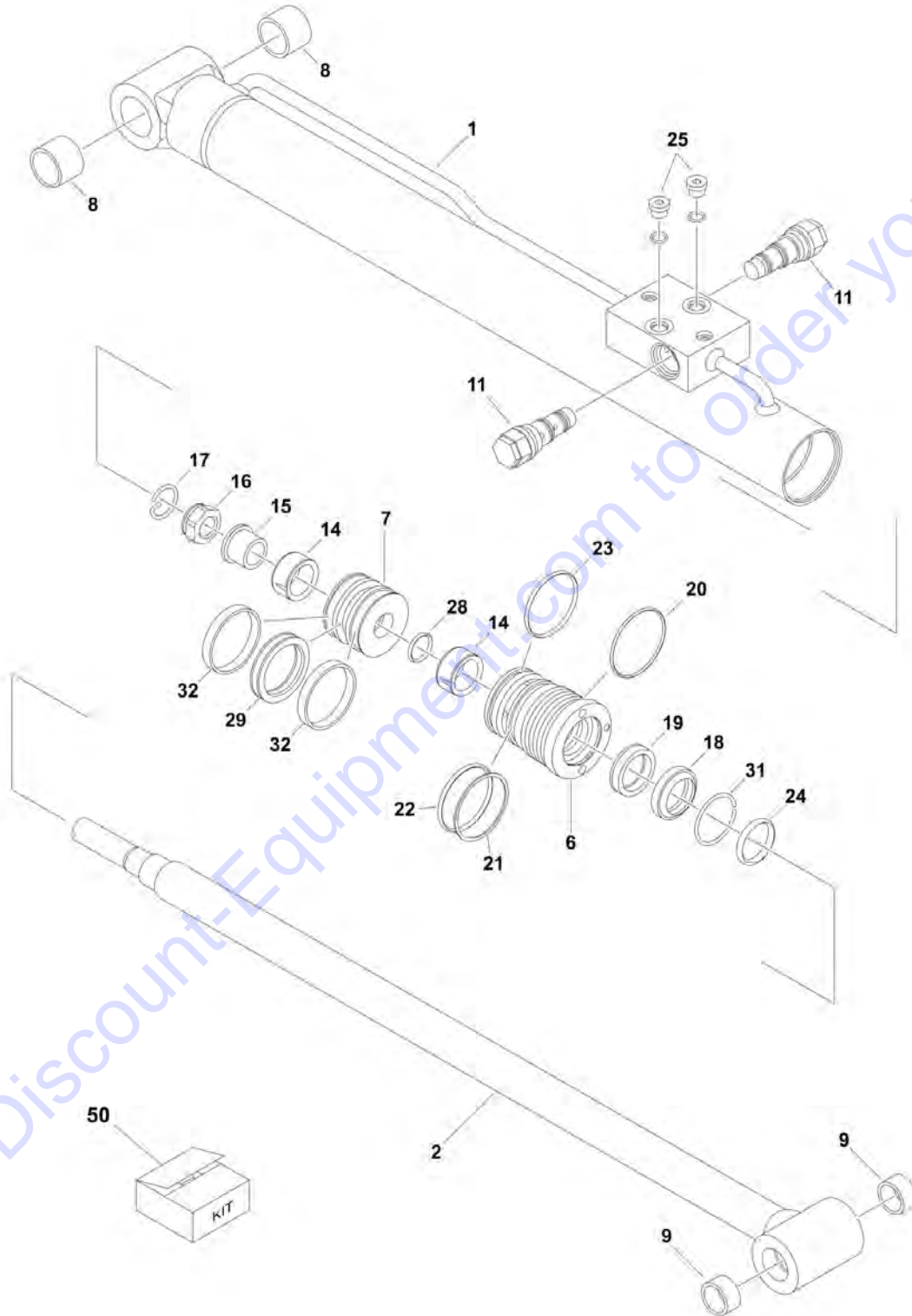
## SECTION 5 - CYLINDER

**FIGURE 5-4. LIFT CYLINDER ASSEMBLY - JIB (E600J, M600J, E600JP & M600JP ONLY) (Prior to SN 0300163480)**

ITEM	PART NUMBER	QTY	DESCRIPTION	REV
	1683959	Ref	<b>JIB LIFT CYLINDER ASSEMBLY (E600J, M600J, E600JP &amp; M600JP ONLY)</b>  <b>Note: Original Equipment components may have been replaced with Service Replacement components part. Identify p/n stamped on cylinder before ordering parts.</b>	E
		Ref		
1	0100011	AR	Locking, Compound	
3	0100038	AR	Primer, Locking	
5	0630534	3	Bolt #10-24NC x 1in	
6	0961893	1	Bushing, Tapered	
7	0961947	2	Bushing	
8	0961951	2	Bushing	
9	1683051	1	Head	
10	1683960	1	Barrel Weldment	
11	1683961	1	Rod Weldment	
12	3760367	1	Washer, Ring	
13	2220885	3	Plug, O-Ring	
14	3480249	1	Piston	
16	See Note	NSS	Ring, Back-up (Note: Use Item 100)	
17	See Note	NSS	Ring, Back-up (Note: Use Item 100)	
18	See Note	NSS	Seal (Note: Use Item 100)	
19	See Note	NSS	Ring, Wear (Note: Use Item 100)	
20	See Note	NSS	Ring, Wear (Note: Use Item 100)	
21	See Note	NSS	O-Ring (Note: Use Item 100)	
22	See Note	NSS	O-Ring (Note: Use Item 100)	
23	See Note	NSS	Seal (Note: Use Item 100)	
24	See Note	NSS	Wiper (Note: Use Item 100)	
25	See Note	NSS	T-Seal (Note: Use Item 100)	
26	3931516	8	Bolt, Socket Head 5/16in-18NC x 1in	
27	4640509	2	Cartridge, Valve (Counterbalance Non-Vented)	
27	2900792	2	Seal Kit - 4640509 Valve	
100	2901810	1	Seal Kit (Includes Items 16-25)	

## SECTION 5 - CYLINDER

FIGURE 5-5. LIFT CYLINDER ASSEMBLY - JIB (E600J, M600J, E600JP & M600JP ONLY) (SN 0300163480 through 0300219271)



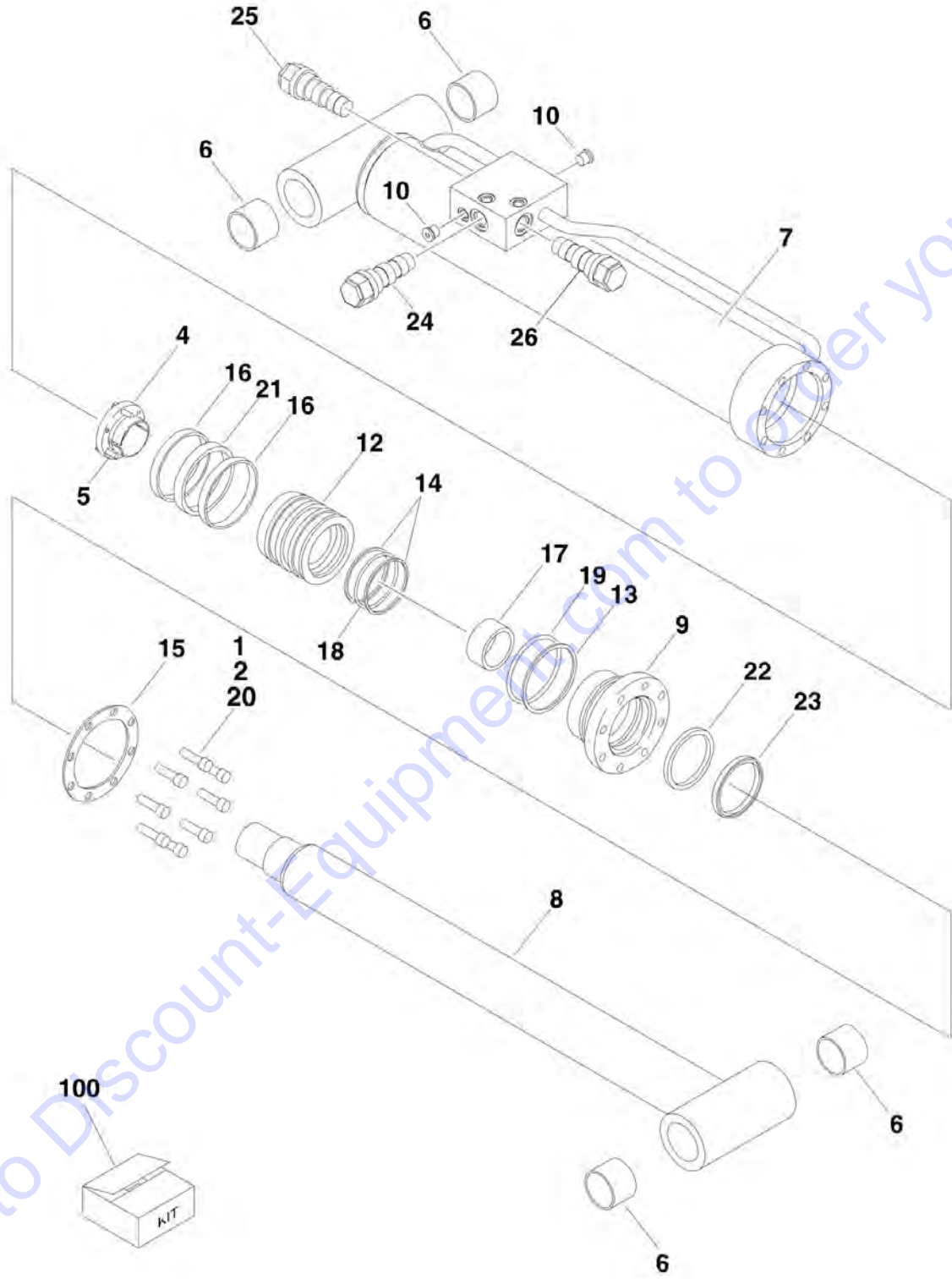
## SECTION 5 - CYLINDER

**FIGURE 5-5. LIFT CYLINDER ASSEMBLY - JIB (E600J, M600J, E600JP & M600JP ONLY) (SN 0300163480 through 0300219271)**

ITEM	PART NUMBER	QTY	DESCRIPTION	REV
	1001140282	Ref	<b>JIB LIFT CYLINDER ASSEMBLY (E600J, M600J, E600JP &amp; M600JP ONLY)</b> <b>Note: Original Equipment components may have been replaced with Service Replacement components part. Identify p/n stamped on cylinder before ordering parts.</b>	A
		Ref		
1	70003834	1	Barrel	
2	70003835	1	Rod	
6	7026088	1	Head	
7	70003833	1	Piston	
8	0961951	2	Bushing	
9	0961947	2	Bushing	
11	4640509	2	Cartridge, Counterbalance Valve	
11	2900792	2	Seal Kit - 4640509 Valve	
14	7026090	2	Bushing	
15	7026091	1	Sleeve	
16	7026092	1	Nut	
17	70002223	1	Retainer	
18	See Note	NSS	Wiper (Note: Use Item 50)	
19	See Note	NSS	Seal (Note: Use Item 50)	
20	See Note	NSS	O-Ring (Note: Use Item 50)	
21	See Note	NSS	Ring, Back-up (Note: Use Item 50)	
22	See Note	NSS	O-Ring (Note: Use Item 50)	
23	See Note	NSS	O-Ring (Note: Use Item 50)	
24	7026068	1	O-Ring	
25	7024844	2	Plug	
28	See Note	NSS	O-Ring (Note: Use Item 50)	
29	See Note	NSS	Seal (Note: Use Item 50)	
31	70002220	1	Ring, Retaining	
32	See Note	NSS	Ring, Wear (Note: Use Item 50)	
50	70003836	1	Seal Kit - 1001140282 Cylinder (Includes Items 18-23, 28, 29 & 32)	

# SECTION 5 - CYLINDER

FIGURE 5-6. LIFT CYLINDER ASSEMBLY - MAIN (ORIGINAL EQUIPMENT)



## SECTION 5 - CYLINDER

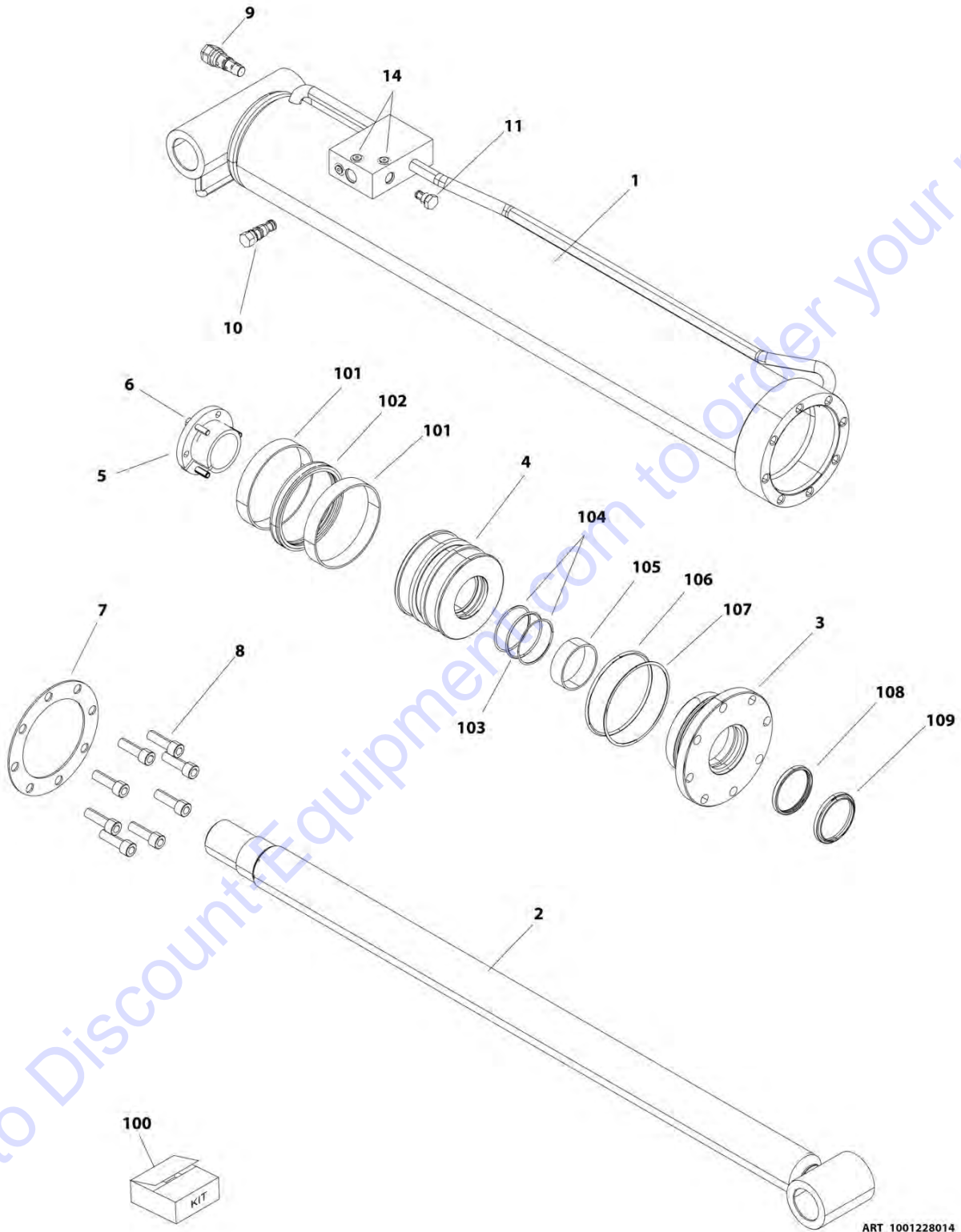
**FIGURE 5-6. LIFT CYLINDER ASSEMBLY - MAIN (ORIGINAL EQUIPMENT)**

ITEM	PART NUMBER	QTY	DESCRIPTION	REV
	1683876	Ref	<b>LIFT CYLINDER ASSEMBLY (ORIGINAL EQUIPMENT)</b> <b>Note: Original Equipment components may have been replaced with Service Replacement components part. Identify p/n stamped on cylinder before ordering parts.</b>	G
		Ref		
1	0100011	AR	Locking, Compound	
2	0100038	AR	Primer, Locking	
4	0630536	3	Bolt, Socket Head #10-24NC x 1-1/4in	
5	0961898	1	Bushing, Tapered	
6		Ref	Bushing Options:	
6	0962224	4	Bushing ( <b>Prior to SN 0300065314</b> )	
6	0961950	4	Bushing ( <b>SN 0300065314 through 0300219271</b> )	
7	1683877	1	Barrel Weldment	
8	1683879	1	Rod Weldment	
9	1683910	1	Head	
10	2220883	2	Plug, O-Ring #4	
12	3480258	1	Piston	
13	See Note	NSS	Ring, Back-up (Note: Use Item 100)	
14	See Note	NSS	Ring, Back-up (Note: Use Item 100)	
15	3760372	1	Ring, Washer	
16	See Note	NSS	Ring, Wear (Note: Use Item 100)	
17	See Note	NSS	Ring, Wear (Note: Use Item 100)	
18	See Note	NSS	O-Ring (Note: Use Item 100)	
19	See Note	NSS	O-Ring (Note: Use Item 100)	
20	3932032	8	Capscrew 5/8in-11NC x 2in	
21	See Note	NSS	Seal (Note: Use Item 100)	
22	See Note	NSS	Seal, Rod (Note: Use Item 100)	
23	See Note	NSS	Wiper (Note: Use Item 100)	
24	4640438	1	Valve, Check	
24	2900770	1	Seal Kit - 4640438	
25	4640509	1	Valve, Counterbalance	
25	2900792	1	Seal Kit - 4640509	
26	4641129	1	Valve, Check	
26	7012967	1	Seal Kit - 4641129 Valve	
100	2901886	1	Seal Kit (Includes Items 13-14, 16-19 & 21-23)	



# SECTION 5 - CYLINDER

## FIGURE 5-7. LIFT CYLINDER ASSEMBLY - MAIN (SERVICE REPLACEMENT)



ART\_1001228014

# PARTS FINDER

**Search Website  
by Part Number**



**Search Manual  
Library For Parts  
Manual & Lookup Part  
Numbers – Purchase  
or Request Quote**

**Can't Find Part or  
Manual? Request Help  
by Manufacturer,  
Model & Description**

Discount-Equipment.com is your online resource for quality parts & equipment.

Florida: **561-964-4949** Outside Florida TOLL FREE: **877-690-3101**

## Need parts?

Click on this link: <http://www.discount-equipment.com/category/5443-parts/> and choose one of the options to help get the right parts and equipment you are looking for. Please have the machine model and serial number available in order to help us get you the correct parts. If you don't find the part on the website or on one of the online manuals, please fill out the request form and one of our experienced staff members will get back to you with a quote for the right part that your machine needs.

We sell worldwide for the brands: Genie, Terex, JLG, MultiQuip, Mikasa, Essick, Whiteman, Mayco, Toro Stone, Diamond Products, Generac Magnum, Airman, Haulotte, Barreto, Power Blanket, Nifty Lift, Atlas Copco, Chicago Pneumatic, Allmand, Miller Curber, Skyjack, Lull, Skytrak, Tsurumi, Husquvarna Target, Stow, Wacker, Sakai, Mi-T-M, Sullair, Basic, Dynapac, MBW, Weber, Bartell, Bennar Newman, Haulotte, Ditch Runner, Menegotti, Morrison, Contec, Buddy, Crown, Edco, Wyco, Bomag, Laymor, EZ Trench, Bil-Jax, F.S. Curtis, Gehl Pavers, Heli, Honda, ICS/PowerGrit, IHI, Partner, Imer, Clipper, MMD, Koshin, Rice, CH&E, General Equipment, Amida, Coleman, NAC, Gradall, Square Shooter, Kent, Stanley, Tamco, Toku, Hatz, Kohler, Robin, Wisconsin, Northrock, Oztec, Toker TK, Rol-Air, APT, Wylie, Ingersoll Rand / Doosan, Innovatech, Con X, Ammann, Mecalac, Makinex, Smith Surface Prep, Small Line, Wanco, Yanmar

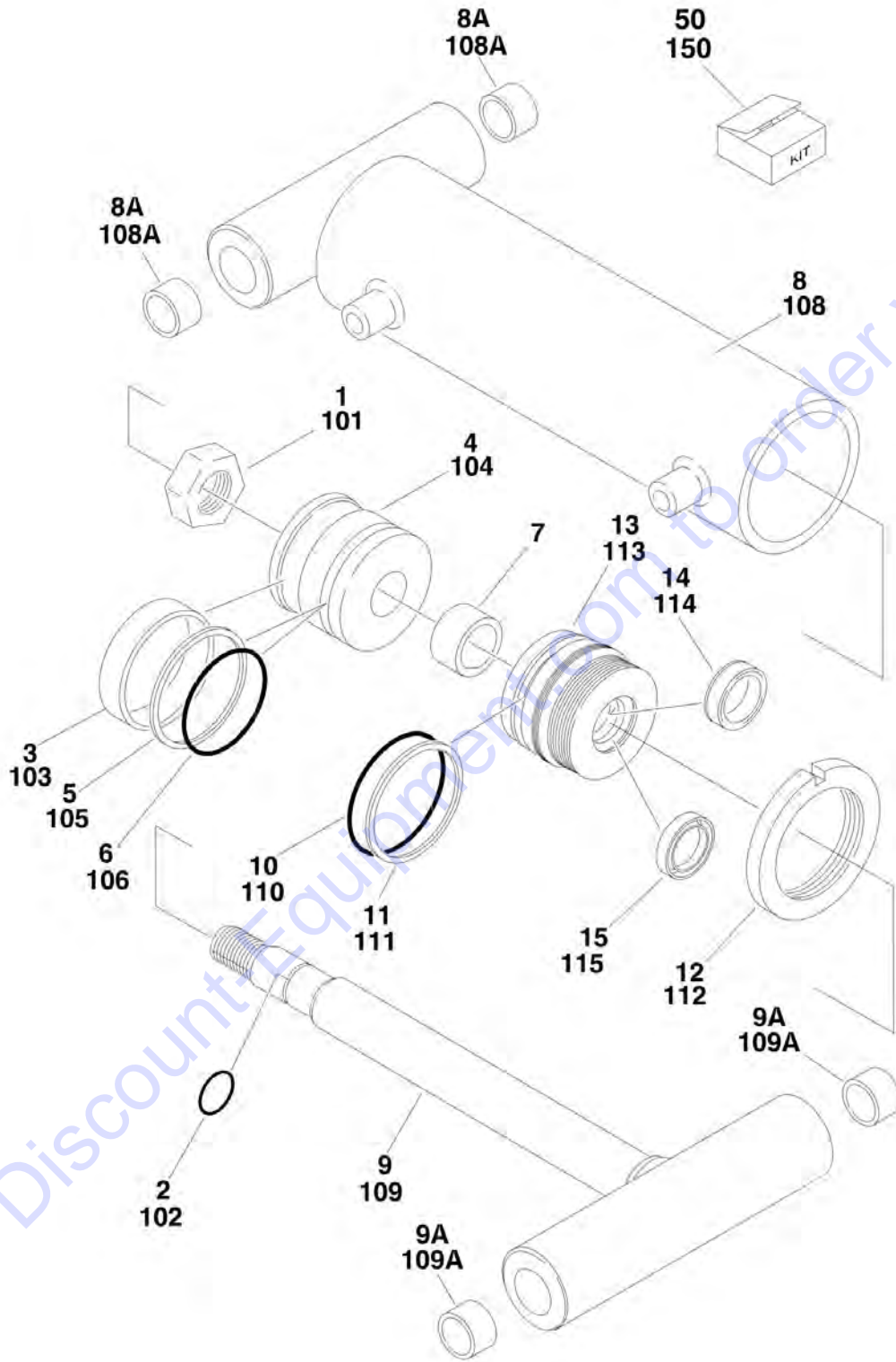
## SECTION 5 - CYLINDER

**FIGURE 5-7. LIFT CYLINDER ASSEMBLY - MAIN (SERVICE REPLACEMENT)**

ITEM	PART NUMBER	QTY	DESCRIPTION	REV
	1001228014	Ref	LIFT CYLINDER ASSEMBLY - MAIN (SERVICE REPLACEMENT)	A
		Ref	Note: Original Equipment components may have been replaced with Service Replacement components part. Identify p/n stamped on cylinder before ordering parts.	
1	See Note	NSS	Barrel Weldment (Note: Not Available for Purchase)	
2	70006368	1	Rod Weldment	
3	70006367	1	Head	
4	70006366	1	Piston	
5	70006365	1	Bushing, Tapered	
6	0630536	1	Screw	
7	70006364	1	Washer	
8	3932032	8	Capscrew	
9	4640509	1	Valve, Counterbalance	
10	4640438	1	Cartridge, Check Valve	
11	4641129	1	Cartridge, Check Valve	
12	See Note	NSS	Plug (Not Shown)	
13	See Note	NSS	Plug	
14	2220883	4	Plug	
100	2901886	1	Seal Kit (Includes Items 101-109)	
101	See Note	NSS	Ring, Wear (Note: Use Item 100)	
102	See Note	NSS	Seal, Piston (Note: Use Item 100)	
103	See Note	NSS	O-Ring (Note: Use Item 100)	
104	See Note	NSS	Ring, Back-up (Note: Use Item 100)	
105	See Note	NSS	Ring, Wear (Note: Use Item 100)	
106	See Note	NSS	O-Ring (Note: Use Item 100)	
107	See Note	NSS	Ring, Back-up (Note: Use Item 100)	
108	See Note	NSS	Seal, Rod (Note: Use Item 100)	
109	See Note	NSS	Wiper, Rod (Note: Use Item 100)	

# SECTION 5 - CYLINDER

## FIGURE 5-8. MASTER CYLINDER ASSEMBLY



## SECTION 5 - CYLINDER

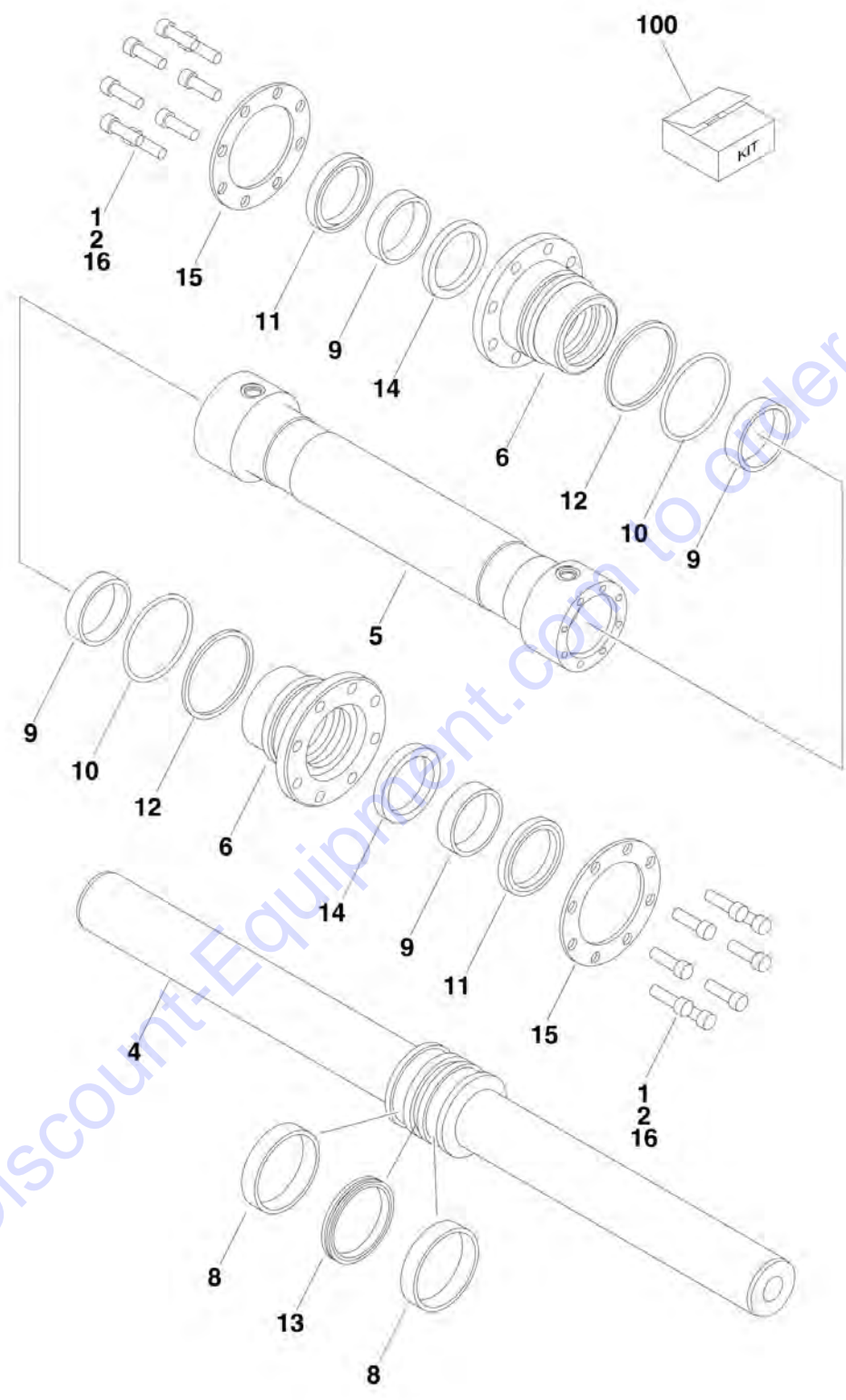
### FIGURE 5-8. MASTER CYLINDER ASSEMBLY

ITEM	PART NUMBER	QTY	DESCRIPTION	REV
		Ref	<b>MASTER CYLINDER ASSEMBLY</b>	
	1683865	Ref	<b>Master Cylinder Assembly M600</b>	C
1	7001084	1	Locknut	
2	See Note	NSS	O-Ring (Note: Use Item 50)	
3	See Note	NSS	Ring, Wear (Note: Use Item 50)	
4	7017285	1	Piston	
5	See Note	NSS	Seal, Piston (Note: Use Item 50)	
6	See Note	NSS	O-Ring (Note: Use Item 50)	
7	7017286	1	Spacer	
8	7017287	1	Barrel Assembly	
8A	0961951	2	Bushing	
9	7017288	1	Rod Assembly	
9A	0961951	2	Bushing	
10	See Note	NSS	O-Ring (Note: Use Item 50)	
11	See Note	NSS	Ring, Back-up (Note: Use Item 50)	
12	7017283	1	Setscrew 1/4in-20NC x 3/8in	
13	7017289	1	Guide	
14	See Note	NSS	Seal (Note: Use Item 50)	
15	See Note	NSS	Wiper (Note: Use Item 50)	
50	7017284	1	Seal Kit (Includes Items 2, 3, 5, 6, 10, 11, 14 & 15)	
	1683866	Ref	<b>Master Cylinder Assembly M600J &amp; M600JP</b>	D
101	7017278	1	Locknut	
102	See Note	NSS	O-Ring (Note: Use Item 150)	
103	See Note	NSS	Ring, Wear (Note: Use Item 150)	
104	7017279	1	Piston	
105	See Note	NSS	Seal, Piston (Note: Use Item 150)	
106	See Note	NSS	O-Ring (Note: Use Item 150)	
108	7017280	1	Barrel Assembly	
108A	0961951	2	Bushing	
109	7017281	1	Rod Assembly	
109A	0961951	2	Bushing	
110	See Note	NSS	O-Ring (Note: Use Item 150)	
111	See Note	NSS	Ring, Back-up (Note: Use Item 150)	
112	7017283	1	Setscrew 1/4in-20NC x 3/8in	
113	7017282	1	Guide	
114	See Note	NSS	Seal (Note: Use Item 150)	
115	See Note	NSS	Wiper (Note: Use Item 150)	
150	7017277	1	Seal Kit (Includes Items 102, 103, 105, 106, 110, 111, 114 & 115)	



# SECTION 5 - CYLINDER

FIGURE 5-9. STEER CYLINDER ASSEMBLY (Prior to SN 0300165153)



Go to Discount-Equipment.com to order your parts

## SECTION 5 - CYLINDER

**FIGURE 5-9. STEER CYLINDER ASSEMBLY (Prior to SN 0300165153)**

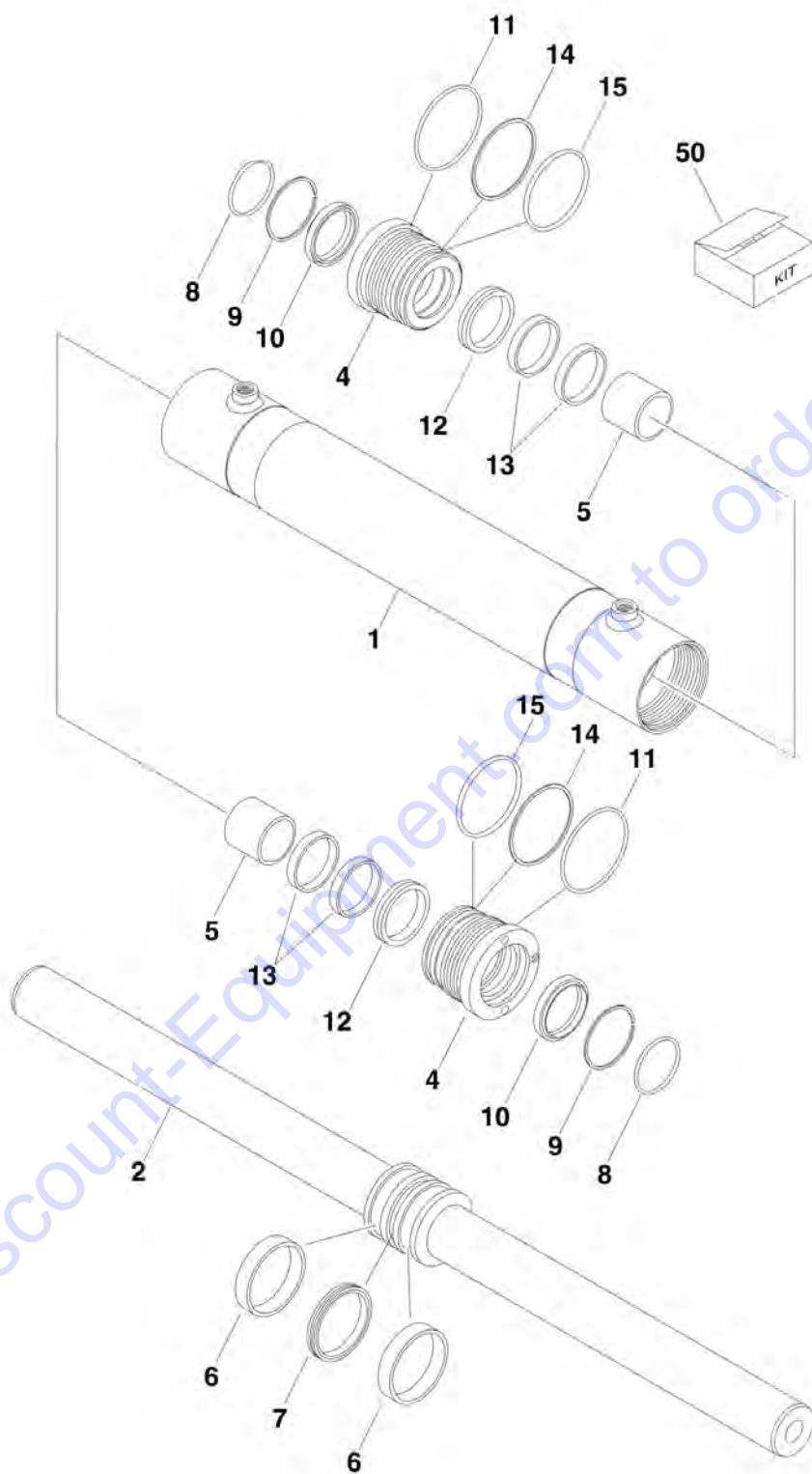
ITEM	PART NUMBER	QTY	DESCRIPTION	REV
	1683851	Ref	<b>STEER CYLINDER ASSEMBLY</b>	D
		Ref		
1	0100011	AR	Locking, Compound	
2	0100038	AR	Primer, Locking	
4	1683848	1	Rod Weldment	
5	1683850	1	Barrel Weldment	
6	1683898	2	Head	
8	See Note	NSS	Ring, Wear (Note: Use Item 100)	
9	See Note	NSS	Ring, Wear (Note: Use Item 100)	
10	See Note	NSS	O-Ring (Note: Use Item 100)	
11	See Note	NSS	Wiper (Note: Use Item 100)	
12	See Note	NSS	Ring, Back-up (Note: Use Item 100)	
13	See Note	NSS	T-Seal (Note: Use Item 100)	
14	See Note	NSS	Seal (Note: Use Item 100)	
15	3760368	2	Washer, Ring	
16	3931516	16	Bolt, Socket Head 5/16in-18NC x 2in	
100	2901875	1	Seal Kit (Includes Items 8-14)	

Go to Discount-Equipment.com to order your parts



## SECTION 5 - CYLINDER

FIGURE 5-10. STEER CYLINDER ASSEMBLY (SN 0300165153 through 0300219271)



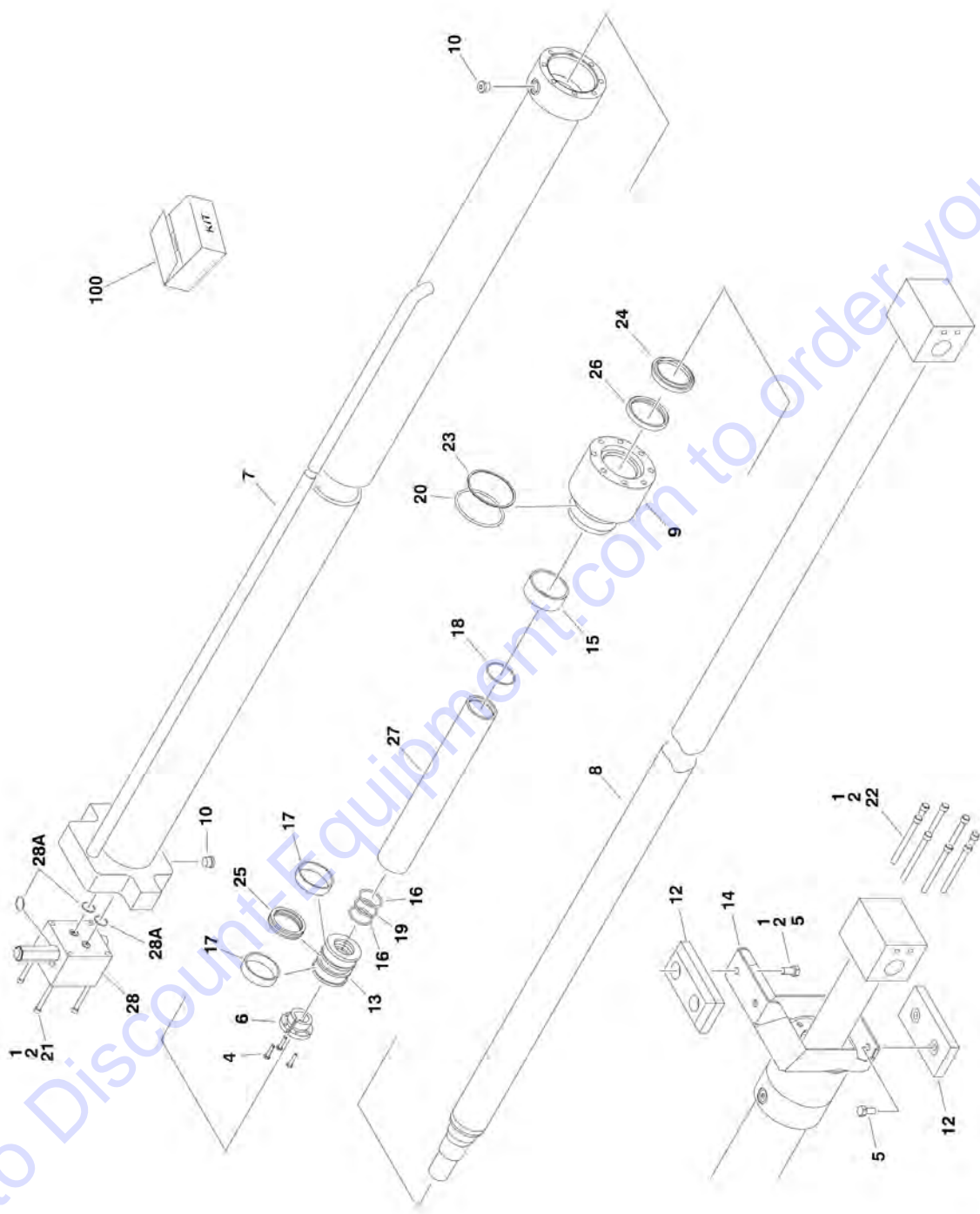
## SECTION 5 - CYLINDER

**FIGURE 5-10. STEER CYLINDER ASSEMBLY (SN 0300165153 through 0300219271)**

ITEM	PART NUMBER	QTY	DESCRIPTION	REV
	1001140281	Ref	<b>STEER CYLINDER ASSEMBLY</b>	A
		Ref		
1	70004134	1	Barrel	
2	70004135	1	Rod	
4	70004132	2	Head	
5	70004133	2	Spacer	
6	See Note	NSS	Ring, Wear (Note: Use Item 50)	
7	See Note	NSS	T-Seal (Note: Use Item 50)	
8	70003820	2	O-Ring	
9	70002219	2	Retainer	
10	See Note	NSS	Wiper (Note: Use Item 50)	
11	See Note	NSS	O-Ring (Note: Use Item 50)	
12	See Note	NSS	Seal (Note: Use Item 50)	
13	See Note	NSS	Ring, Wear (Note: Use Item 50)	
14	See Note	NSS	Ring, Back-up (Note: Use Item 50)	
15	See Note	NSS	O-Ring (Note: Use Item 50)	
50	70004127	1	Seal Kit - 1001140281 Cylinder (Includes Items 6-7 & 10-15)	

# SECTION 5 - CYLINDER

## FIGURE 5-11. TELESCOPE CYLINDER ASSEMBLY



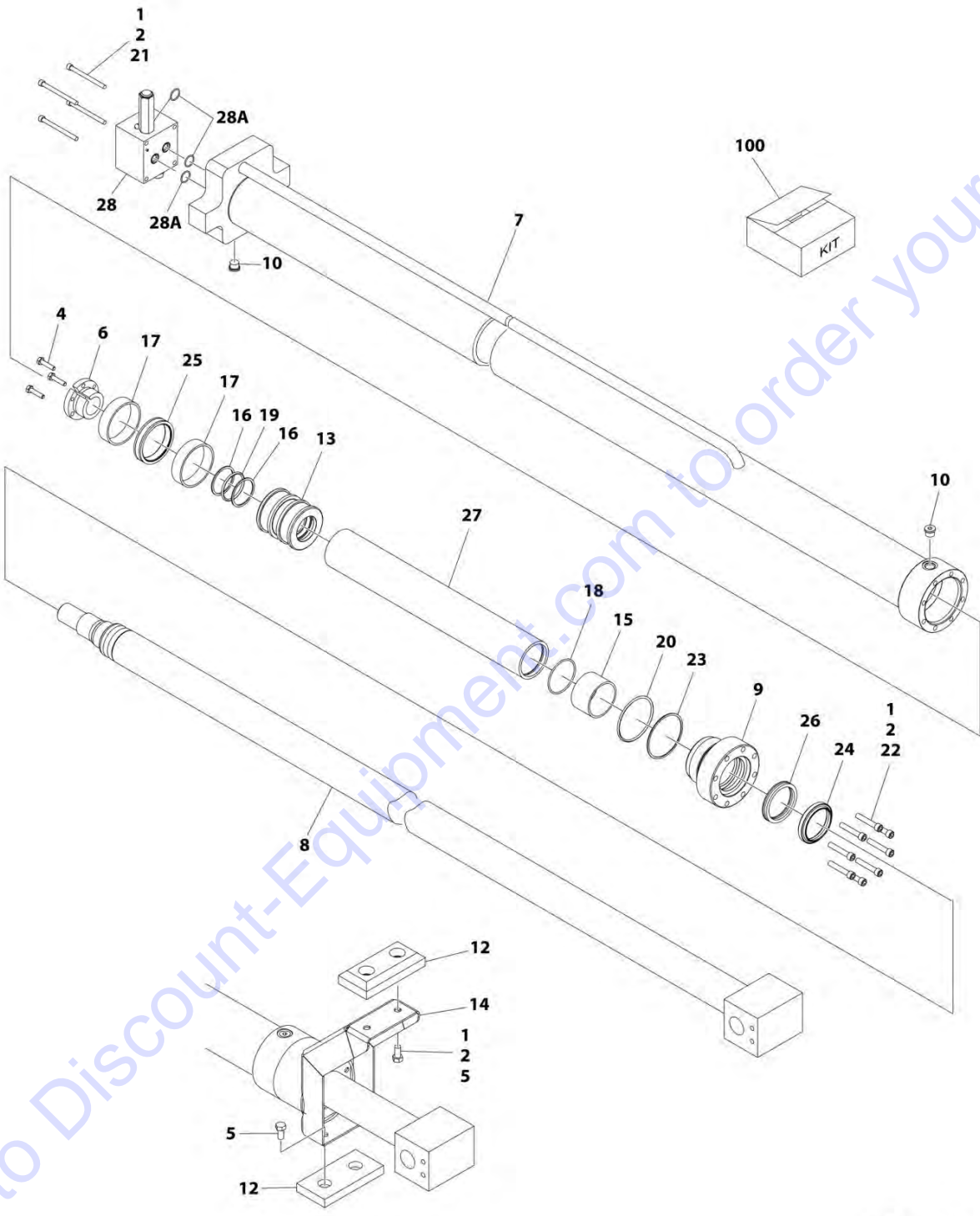
## SECTION 5 - CYLINDER

**FIGURE 5-11. TELESCOPE CYLINDER ASSEMBLY**

ITEM	PART NUMBER	QTY	DESCRIPTION	REV
		Ref	<b>TELESCOPE CYLINDER ASSEMBLY</b>	
	1684009	Ref	<b>Telescope Cylinder Assembly E600/M600</b>	D
	1684010	Ref	<b>Telescope Cylinder Assembly E600J/M600J/E600JP/M600JP (Original Equipment)</b>	D
1	0100011	AR	Locking, Compound	
2	0100038	AR	Primer, Locking	
4	0630535	3	Bolt 1/4in-20NC x 1-1/8in	
5	0641606	4	Bolt 3/8in-16NC x 3/4in	
6	0961902	1	Bushing, Tapered	
7		Ref	Barrel Options:	
7	1683905	1	Barrel E600/M600	
7	1683900	1	Barrel E600J/M600J/E600JP/M600JP	
8		Ref	Rod Options:	
8	1683907	1	Rod E600/M600	
8	1683902	1	Rod E600J/M600J/E600JP/M600JP	
9	1684008	1	Head	
10	2220885	2	Plug, O-Ring	
12	3340880	2	Pad, Support	
13	3480257	1	Piston	
14	3572040	1	Plate, Support	
15	See Note	NSS	Ring, Wear (Note: Use Item 100)	
16	See Note	NSS	Ring, Back-up (Note: Use Item 100)	
17	See Note	NSS	Ring, Wear (Note: Use Item 100)	
18	See Note	NSS	O-Ring (Note: Use Item 100)	
19	See Note	NSS	O-Ring (Note: Use Item 100)	
20	See Note	NSS	O-Ring (Note: Use Item 100)	
21	3931448	4	Capscrew, Socket Head 1/4in-20NC x 3in	
22	3931528	8	Bolt, Socket Head 5/16in-18NC x 1-3/4in	
23	See Note	NSS	Ring, Back-up (Note: Use Item 100)	
24	See Note	NSS	Wiper (Note: Use Item 100)	
25	See Note	NSS	Seal (Note: Use Item 100)	
26	See Note	NSS	Seal, Rod (Note: Use Item 100)	
27	4568030	1	Spacer	
28	4641179	1	Valve Assembly (Note: No Serviceable Parts - Purchase Complete Valve)	
28A	7026616	1	Seal Kit - 4641179 Valve	
100	2902019	1	Seal Kit (Includes Items 15-20 & 23-26)	

# SECTION 5 - CYLINDER

## FIGURE 5-12. TELESCOPE CYLINDER ASSEMBLY (SERVICE REPLACEMENT)



ART\_1001228017

## SECTION 5 - CYLINDER

**FIGURE 5-12. TELESCOPE CYLINDER ASSEMBLY (SERVICE REPLACEMENT)**

ITEM	PART NUMBER	QTY	DESCRIPTION	REV
	1001228017	Ref	TELESCOPE CYLINDER ASSEMBLY (E600J/E600JP/M600J/M600JP) (SERVICE REPLACEMENT)	A
1	0100011	AR	Locking, Compound	
2	0100038	AR	Primer, Locking	
4	0630535	3	Bolt 1/4 x 1-1/8	
5	0641606	4	Bolt 3/8 x 3/4	
6	0961902	1	Bushing, Tapered	
7	See Note	NSS	Barrel (Note: Use Item 100)	
8	70006709	1	Rod	
9	70006710	1	Head	
10	2220885	2	Plug, O-Ring	
12	3340880	2	Pad, Support	
13	70006711	1	Piston	
14	3572040	1	Plate, Support	
15	See Note	NSS	Ring, Wear (Note: Use Item 100)	
16	See Note	NSS	Ring, Back-up (Note: Use Item 100)	
17	See Note	NSS	Ring, Wear (Note: Use Item 100)	
18	See Note	NSS	O-Ring (Note: Use Item 100)	
19	See Note	NSS	O-Ring (Note: Use Item 100)	
20	See Note	NSS	O-Ring (Note: Use Item 100)	
21	3931448	4	Capscrew 1/4 x 3	
22	3931528	8	Bolt 5/16 x 1-3/4	
23	See Note	NSS	Ring, Back-up (Note: Use Item 100)	
24	See Note	NSS	Wiper (Note: Use Item 100)	
25	See Note	NSS	Seal (Note: Use Item 100)	
26	See Note	NSS	Seal, Rod (Note: Use Item 100)	
27	70006712	1	Spacer	
28	4641179	1	Valve Assembly (Note: No Serviceable Parts - Purchase Complete Valve)	
28A	7026616	1	Seal Kit - 4641179 Valve	
100	2902019	1	Seal Kit (Includes Items 7, 15-20 & 23-26)	





**SECTION 6 - HYDRAULIC**

Go to [Discount-Equipment.com](http://Discount-Equipment.com) to order your parts



## SECTION 6 - HYDRAULIC

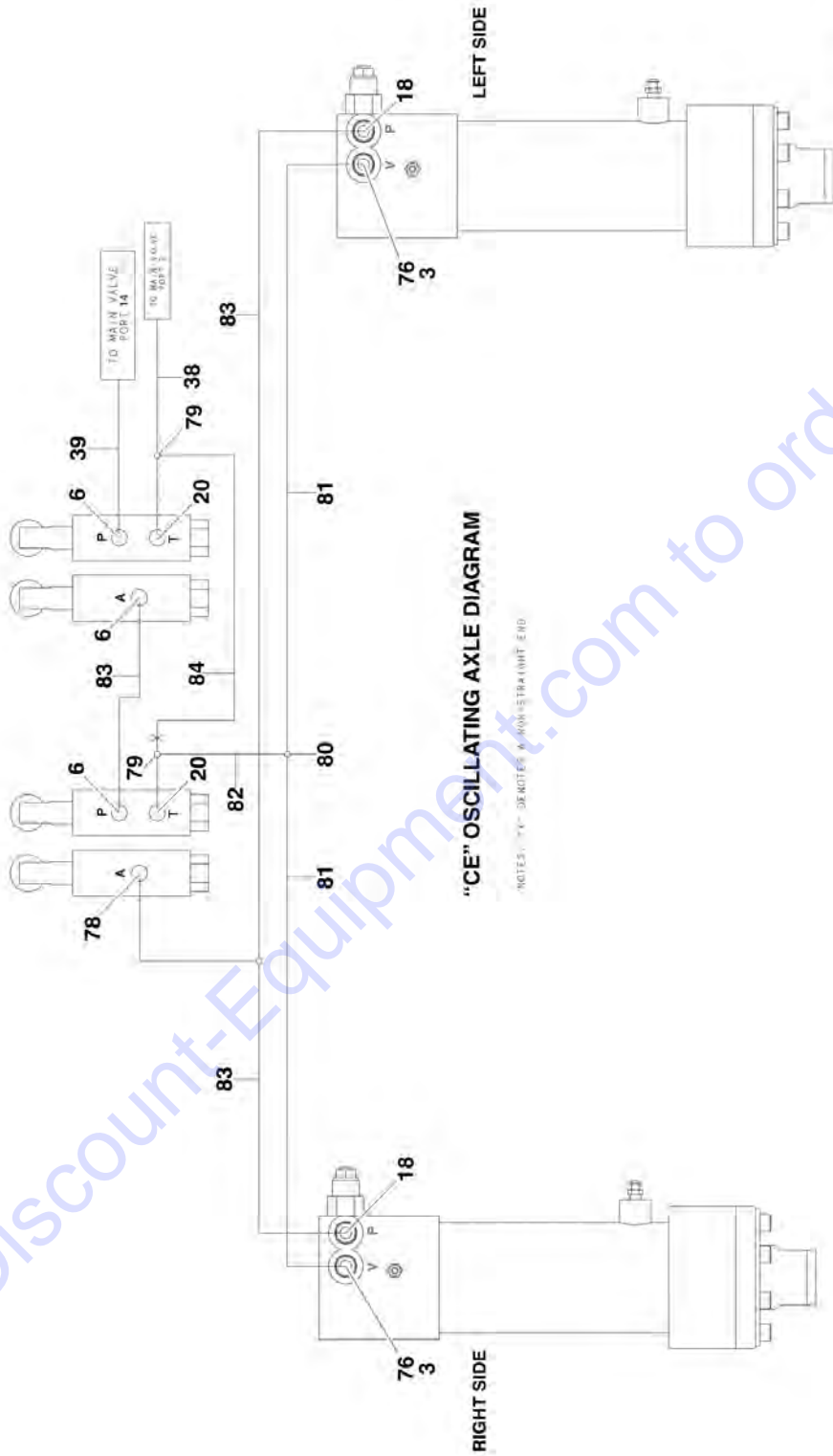
**FIGURE 6-1. 4WD HYDRAULIC DIAGRAM**

ITEM	PART NUMBER	QTY	DESCRIPTION	REV
	2792423	Ref	<b>DRIVE HYDRAULIC DIAGRAM - 4WD</b>	1
3	2220371	6	Fitting, Straight	
4	2220373	1	Fitting, Straight	
5	2220374	1	Fitting, Straight	
13	2220497	4	Fitting, Straight	
14	2220828	2	Fitting, Elbow	
16	2220899	1	Fitting, Tee	
19	2220998	2	Fitting, Straight	
40	2753459	3	Hose	
41	2753460	3	Hose	
42	2753118	1	Hose	
43	2752648	1	Hose	
44	2753452	1	Hose	
45	2753461	1	Hose	

Go to Discount-Equipment.com to order your parts

# SECTION 6 - HYDRAULIC

## FIGURE 6-2. OSCILLATING AXLE HYDRAULIC DIAGRAM - CE SPEC



1283240\_B

Go to Discount-Equipment.com to order your parts

## SECTION 6 - HYDRAULIC

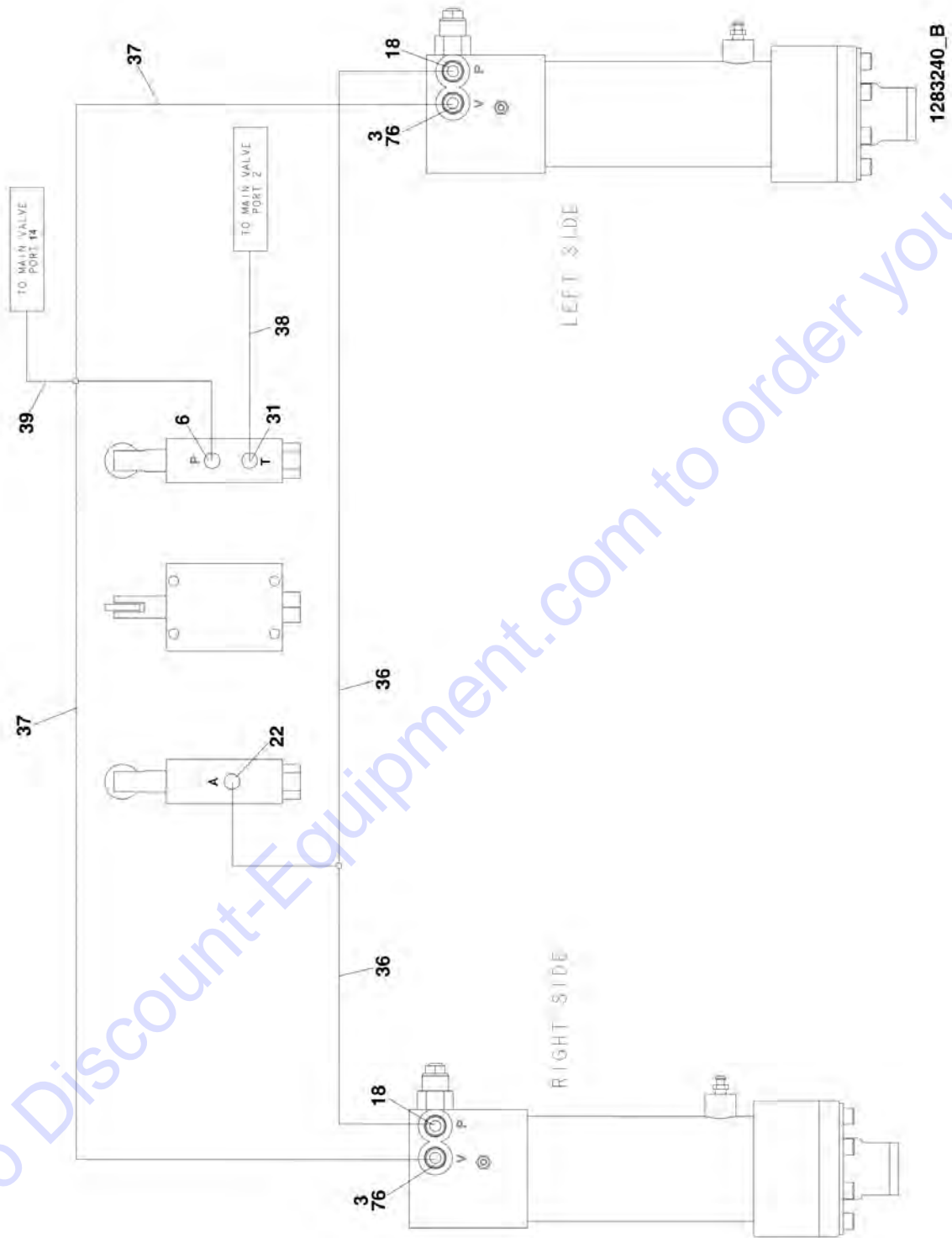
**FIGURE 6-2. OSCILLATING AXLE HYDRAULIC DIAGRAM - CE SPEC**

ITEM	PART NUMBER	QTY	DESCRIPTION	REV
	2792456	Ref	<b>OSCILLATING AXLE HYDRAULIC DIAGRAM (CE SPEC)</b>	1
3	2220371	2	Fitting, Straight	
6	2220415	1	Fitting, Straight	
18	2220582	2	Fitting, Straight	
20	2220603	2	Fitting, Straight	
38	2752631	1	Hose	
39	2752977	1	Hose	
76	2221074	2	Fitting, Straight Orifice	
78	2221034	1	Fitting, Tee	
79	2220635	2	Fitting, Tee	
80	2220490	1	Fitting, Tee	
81	2752479	2	Hose	
82	2752649	1	Hose	
83	2752588	3	Hose	
84	2752463	1	Hose	

Go to Discount-Equipment.com to order your parts

# SECTION 6 - HYDRAULIC

## FIGURE 6-3. OSCILLATING AXLE HYDRAULIC DIAGRAM - AUSTRALIAN SPEC



## SECTION 6 - HYDRAULIC

**FIGURE 6-3. OSCILLATING AXLE HYDRAULIC DIAGRAM - AUSTRALIAN SPEC**

ITEM	PART NUMBER	QTY	DESCRIPTION	REV
	2792404	Ref	<b>OSCILLATING AXLE HYDRAULIC DIAGRAM (AUSTRALIAN SPEC)</b>	3
3	2220371	2	Fitting, Straight	
6	2220415	1	Fitting, Straight	
18	2220582	2	Fitting, Straight	
22	2220711	1	Fitting, Tee	
31	2221043	1	Fitting, Tee	
36	2753002	1	Hose	
37	2752471	1	Hose	
38	2752631	1	Hose	
39	2752977	1	Hose	
76	2221074	2	Fitting, Straight Orifice	

Go to Discount-Equipment.com to order your parts





## SECTION 6 - HYDRAULIC

**FIGURE 6-4. STANDARD HYDRAULIC DIAGRAM**

ITEM	PART NUMBER	QTY	DESCRIPTION	REV
		Ref	<b>STANDARD HYDRAULIC DIAGRAM</b>	
	2792460	Ref	<b>Standard Hydraulic Diagram E600 &amp; M600</b>	B
	2792461	Ref	<b>Standard Hydraulic Diagram E600J &amp; M600J</b>	B
	2792462	Ref	<b>Standard Hydraulic Diagram E600JP &amp; M600JP</b>	C
	2792427	Ref	<b>2WD</b>	1
	2792428	Ref	<b>Fixed Axle</b>	1
1	2220414	1	Fitting, Straight	
2	2220238	1	Fitting, Plug (2WD Only)	
3	2220371	AR	Fitting, Straight	
4	2220373	4	Fitting, Straight	
6	2220415	AR	Fitting, Straight	
7	2220428	2	Fitting, Quick Disconnect	
8	2220429	2	Cap, Dust	
9	2220435	1	Fitting, Straight	
10	2220451	1	Fitting, Straight	
11	2220466	4	Fitting, Elbow	
12	2220934	2	Fitting, Elbow	
14	2220500	1	Fitting, Elbow	
15	2220502	5	Fitting, Elbow	
16	2220504	1	Fitting, Tee (Fixed Axle Only)	
17	2220550	1	Fitting, Reducer	
19	2220596	1	Fitting, Elbow	
20		Ref	Fitting Options:	
20	2220603	2	Fitting E/M600 & E/M600J	
20	2220602	2	Fitting E/M600JP (Prior to SN 0300079940)	
20	2220603	2	Fitting E/M600JP (SN 0300079940 through 0300219271)	
21	2220606	1	Fitting, Tee	
23	2220739	1	Fitting, Tee	
25	2220873	1	Fitting, Straight	
27	2220947	3	Fitting, Straight	
28	2220950	1	Fitting, Elbow	
32	2221061	1	Fitting, Tee	
33	2221063	1	Fitting, Tee	
34	4567139	1	Tube	
35	2752444	1	Hose	
46	2753462	1	Hose	
47	2753010	2	Hose	
48	2752498	1	Hose	
49	2753441	1	Hose	
50	2753440	1	Hose	
52	2753458	2	Hose	
53	2753444	1	Hose	
54	2753456	1	Hose	
55	2753454	1	Hose	
56	2753443	1	Hose	
57	2753453	1	Hose	
58	2753455	1	Hose	
59	2753451	2	Hose	
60	2753445	1	Hose	
61	2753447	1	Hose	

## SECTION 6 - HYDRAULIC

ITEM	PART NUMBER	QTY	DESCRIPTION	REV
62		Ref	Hose Options:	
62	2753463	1	Hose E600 & M600	
62	2753446	1	Hose E600J & M600J	
62	2753493	1	Hose E600JP & M600JP	
63		Ref	Hose Options:	
63	2753464	1	Hose E600 & M600	
63	2753450	1	Hose E600J & M600J	
63	2753494	AR	Hose E600JP & M600JP	
64		Ref	Hose Options:	
64	Not Required	0	Hose E600 & M600	
64	2753457	2	Hose E600J & M600J	
64	2753390	AR	Hose E600JP & M600JP	
65		Ref	Hose Options:	
65	2753469	2	Hose E600 & M600	
65	2753458	2	Hose E600J & M600J	
65	2753458	2	Hose E600JP & M600JP	
66		Ref	Hose Options:	
66	2753470	2	Hose E600 & M600	
66	2753442	2	Hose E600J & M600J	
66	2753492	2	Hose E600JP & M600JP	
67		Ref	Hose Options:	
67	2753450	2	Hose E600 & M600	
67	2753448	1	Hose E600J & M600J	
67	2753448	1	Hose E600JP & M600JP	
68		Ref	Hose Options:	
68	Not Required	0	Hose E600 & M600	
68	2753449	1	Hose E600J & M600J	
68	2753449	AR	Hose E600JP & M600JP	
69	2230031	1	Fitting, Elbow	
70	2230033	NLA	Fitting, Elbow (Use p/n 8770189)	
71		Ref	Hose Options:	
71	Not Required	0	Hose E600 & M600	
71	Not Required	0	Hose E600J & M600J	
71	2753491	2	Hose E600JP & M600JP	
75	2220578	1	Fitting, Elbow	
85	4640861	2	Fitting, Bleeder	
86	0100020	AR	Loctite, #567 Pipe Sealant (Not Shown)	
87	2221033	2	Fitting, Straight	



## SECTION 6 - HYDRAULIC

FIGURE 6-5. HYDRAULIC DIAGRAM LIST

ITEM	PART NUMBER	QTY	DESCRIPTION	REV
		Ref	<b>Note: Diagrams not shown are available from Discount-equipment.com</b>	
		Ref	<b>Drive Hydraulic Diagram Options:</b>	
	1283102	Ref	Standard Diagram (Prior to SN 0300058845)	
	1283240	Ref	Standard Diagram (SN 0300058845 through 0300219271)	
	2792427	Ref	Drive Hydraulic Diagram 2WD	
	2792423	Ref	Drive Hydraulic Diagram 4WD	
		Ref	<b>Axle Hydraulic Diagram Options:</b>	
	1283102	Ref	Standard Diagram (Prior to SN 0300058845)	
	1283240	Ref	Standard Diagram (SN 0300058845 through 0300219271)	
	2792428	Ref	Fixed Axle	
	2792404	Ref	Oscillating Axle (Australian Spec)	
	2792456	Ref	Oscillating Axle (CE Spec)	
		Ref	<b>Standard Hydraulic Diagram Options:</b>	
	1283102	Ref	Standard Diagram (Prior to SN 0300058845)	
	2792424	Ref	Standard Hydraulic Diagram E600 & M600	
	2792425	Ref	Standard Hydraulic Diagram E600J & M600J	
	2792426	Ref	Standard Hydraulic Diagram E600JP & M600JP	
	1283240	Ref	Standard Diagram (SN 0300058845 through 0300219271)	
	2792460	Ref	Standard Diagram E600 & M600	
	2792461	Ref	Standard Diagram E600J & M600J	
	2792462	Ref	Standard Diagram E600JP & M600JP	
		Ref	<b>Standard Hydraulic Schematic Options:</b>	
	2792422	Ref	Standard Hydraulic Schematic (Prior to SN 0300058845)	
	2792459	Ref	Standard Hydraulic Schematic (SN 0300058845 through 0300219271)	
		Ref	<b>Tow Hydraulic Diagram Options:</b>	
	1283102	Ref	Standard Diagram (Prior to SN 0300058845)	
	2792451	Ref	Tow Hydraulic Diagram E600 & M600	
	2792452	Ref	Tow Hydraulic Diagram E600J & M600J	
	2792453	Ref	Tow Hydraulic Diagram E600JP & M600JP	
	1283240	Ref	Standard Diagram (SN 0300058845 through 0300219271)	
	2792476	Ref	Standard Diagram E600 & M600	
	2792477	Ref	Standard Diagram E600J & M600J	
	2792478	Ref	Standard Diagram E600JP & M600JP	

**SECTION 7 - ELECTRICAL**

Go to Discount-Equipment.com to order your parts

## SECTION 7 - ELECTRICAL

FIGURE 7-1. ELECTRICAL DIAGRAM LIST

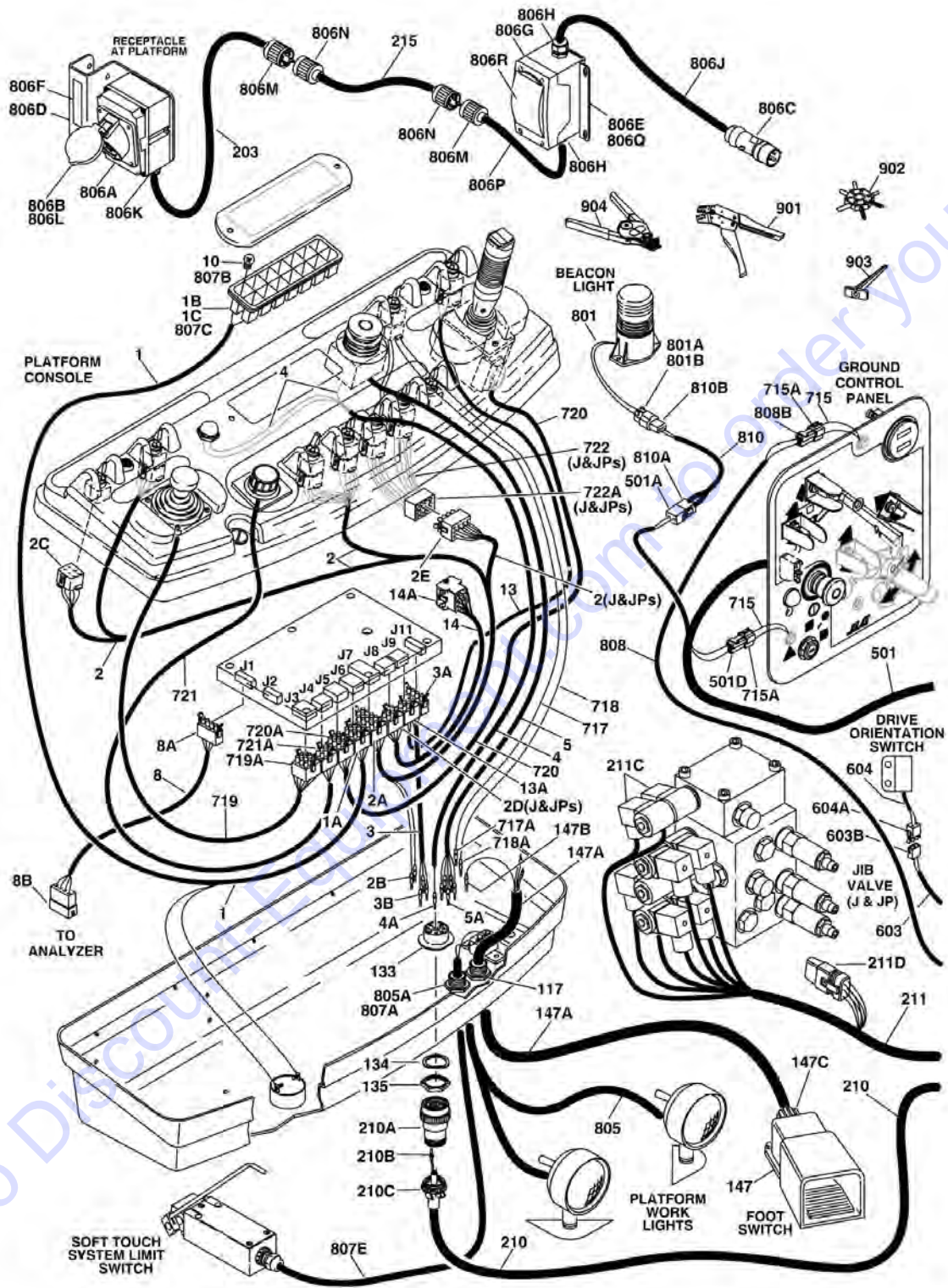
ITEM	PART NUMBER	QTY	DESCRIPTION	REV
		Ref	<b>Note: Diagrams not shown are available from Discount-equipment.com. Schematics shown in the Service and Maintenance Manual.</b>	
	4933111	Ref	<b>DRIVE ELECTRICAL DIAGRAM</b>	
		Ref	<b>GROUND CONTROL PANEL ELECTRICAL DIAGRAM</b>	
	4933110	Ref	<b>Ground Control Panel Electrical Diagram (Prior to SN 0300099756)</b>	
	4933387	Ref	<b>Ground Control Panel Electrical Diagram (SN 0300099756 through 0300200809)</b>	
	4933387	Ref	<b>Ground Control Panel Electrical Diagram (Australian Spec) (SN 0300200810 through 0300219271)</b>	
	1001191536	Ref	<b>Ground Control Panel Electrical Diagram (CE Spec) (SN 0300200810 through 0300219271)</b>	
	0270203	Ref	<b>INVERTER ELECTRICAL DIAGRAM</b>	
	4933272	Ref	<b>PLATFORM CAPACITY SYSTEM DIAGRAM (Optional)</b>	
	4933112	Ref	<b>PLATFORM ELECTRICAL DIAGRAM</b>	
	4933132	Ref	<b>MAIN TERMINAL BOX ELECTRICAL DIAGRAM</b>	
	4933145	Ref	<b>SOFT TOUCH ELECTRICAL DIAGRAM (Front Entry Platform)</b>	
	4933317	Ref	<b>SOFT TOUCH ELECTRICAL DIAGRAM (Side Entry Platform)</b>	
		Ref	<b>STANDARD ELECTRICAL SCHEMATIC</b>	
	1870109	Ref	<b>Standard Electrical Schematic (Prior to SN 0300099756)</b>	
	1870226	Ref	<b>Standard Electrical Schematic (SN 0300099756 through 0300219271)</b>	





# SECTION 7 - ELECTRICAL

FIGURE 7-2. HARNESS COMPONENTS INSTALLATION (WITH MAC CHARGER)







## SECTION 7 - ELECTRICAL

FIGURE 7-2. HARNESS COMPONENTS INSTALLATION (WITH MAC CHARGER)

ITEM	PART NUMBER	QTY	DESCRIPTION	REV
		Ref	<b>HARNESS COMPONENTS INSTALLATION</b>	
		Ref	<b>PLATFORM BOX ELECTRICAL DIAGRAM</b>	
		Ref	<b>Platform Box Electrical Diagram E600J/M600J/E600JP/M600JP</b>	
	4933112	Ref	<b>ANSI Spec</b>	G-G
	4933112	Ref	<b>Platform Box Electrical Diagram E600/M600 ANSI Spec (Prior to SN 0300172558)</b>	4-F
	1001154137	Ref	<b>ANSI Spec (SN 0300172558 through 0300219271)</b>	A
1		Ref	Harness, Indicator Lamp Options:	
1	4922074	1	Harness, Indicator Lamp <b>(Prior to SN 0300141894)</b>	5-H
1	1001109860	1	Harness, Indicator Lamp <b>(SN 0300141894 through 0300219271)</b>	B
1A	4460265	1	Connector - 9 Position	
1A	4460227	8	Pin, Male	
1B	4120035	AR	Socket, Lamp	
1C	4460634	AR	Socket (Single Wire)	
1C	4460635	AR	Socket (Two Wire)	
2		Ref	Harness, Function Switch Options:	
2	4922303	1	Harness, Function Switch E600J/M600J/E600JP/M600JP	5-D
2	4922303	1	Harness, Function Switch E600/M600 <b>(Prior to SN 0300172558)</b>	5-D
2	4922060	1	Harness, Function Switch E600/M600 <b>(SN 0300172558 through 0300219271)</b>	2-C
2A	4460434	1	Connector - 15 Position	
2A	4460226	12	Pin, Male	
2B	4460464	2	Pin, Male	
2C	4460418	4	Connector, Female	
2C	4460419	12	Terminal	
2D	4460225	1	Connector - 6 Position (Used with Harness p/n 4922303 Only)	
2D	4460227	5	Socket, Female	
2E	4460343	1	Connector - 12 Position (Used with Harness p/n 4922303 Only)	
2E	4460227	5	Socket, Female	
3	4922071	1	Harness, Can Bus	2-B
3A	4460321	1	Connector - 4 Position	
3A	4460227	2	Pin, Male	
3A	4460267	1	Pin, Male	
3B	4460464	3	Pin, Male	
4	4922118	1	Harness, Box Horn	2-B
4A	4460464	1	Pin, Male	
5	4922157	1	Harness, Miscellaneous	4-D
5A	4460464	AR	Pin, Male	
8	4922160	1	Harness, Analyzer	3-C
8A	4460321	1	Connector - 4 Position	
8A	4460226	4	Socket, Female	
8B	4460761	1	Connector, Female - 4 Position	
8B	4460227	4	Pin, Male	
10	2920129	3	Bulb, Light	
13	1001116368	1	Harness, Drive Orientation Enable	
13A	4460225	1	Connector - 6 Position	

## SECTION 7 - ELECTRICAL

ITEM	PART NUMBER	QTY	DESCRIPTION	REV
13A	4460227	2	Socket, Female	
14	4922307	1	Harness, Jumper <b>(SN 0300181752 through 0300219271)</b>	
14A	4460367	1	Connector, Female - 12 Position	
14A	4460226	5	Socket, Female	
		Ref	<b>PLATFORM BOX ASSEMBLY COMPONENTS</b>	
117	4460428	1	Connector, Strain Relief	
133	4460752	1	Connector, 14 Position	
134	4460497	1	Nut, Conduit	
135	4460496	1	Lockwasher, Conduit	
147		Ref	Footswitch Assembly Options:	
147	0272971	1	Footswitch Assembly <b>(Prior to SN 0300193234)</b>	C
147	1001136889	1	Footswitch Assembly <b>(SN 0300193234 through 0300219271)</b>	A
147A	1060330	7 ft/2.2m	Cable, Electrical - 16/3	
147B	4460464	AR	Pin, Male	
147C	4460071	2	Connector, Strain Relief	
		Ref	<b>BOOM CABLES INSTALLATION</b>	
	0259955	Ref	<b>Boom Cables Installation E600 &amp; M600</b>	F
	0259956	Ref	<b>Boom Cables Installation E600J &amp; M600J</b>	F
	0259957	Ref	<b>Boom Cables Installation E600JP &amp; M600JP</b>	G
	1001096619	Ref	<b>Boom Cables Installation E600JP &amp; M600JP (Dual AC Cables)</b>	A
202	1060341	NLA	Cable, Electrical -18/2 SJO (Use p/n 1061026)	
203	1060461	NLA	Cable, Electrical -12/3 (Use p/n 4922939)	
206	4460496	2	Lockwasher, Terminal	
207	4460497	2	Nut, Terminal	
209	4922355	1	Harness, Boom - Lower #18-11/1STP	1
209	1060677	22 ft/6.7m	Cable, Electrical - 18/11	
209A	4460754	2	Connector, Female - 14 Position	
209B	4460465	28	Socket, Female	
209C	4460492	2	Clamp, Cable	
210		Ref	Harness, Boom - Upper #18-11/1STP Options:	
210	4922356	1	Harness, Boom - Upper #18-11/1STP E600 & M600	3
210	4922358	1	Harness, Boom - Upper #18-11/1STP E600J & M600J	1
210		Ref	Harness, Boom - Upper #18-11/1STP E600JP & M600JP	
210	4922360	NLA	Harness, Boom - Upper #18-11/1STP (Use p/n 4922356) <b>(Prior to SN 0300100004)</b>	3
210	4922356	1	Harness, Boom - Upper #18-11/1STP <b>(SN 0300100004 through 0300219271)</b>	3
210		Ref	Cable, Electrical Options:	
210	1060677	55 ft /16.8m	Cable, Electrical E600 & M600 (18/11)	
210	1060677	52 ft /15.9m	Cable, Electrical E600J & M600J (18/11)	
210		Ref	Cable, Electrical E600JP & M600JP (18/6)	
210	1060780	55 ft /16.8m	Cable, Electrical (18/6) <b>(Prior to SN 0300100004)</b>	
210	1060781	55 ft /16.8m	Cable, Electrical (18/5) <b>(Prior to SN 0300100004)</b>	
210	1060677	55 ft /16.8m	Cable, Electrical (18/11) <b>(SN 0300100004 through 0300219271)</b>	
210A	4460754	1	Connector - 14 Position	
210B	4460465	14	Socket, Female	
210C	4460492	1	Clamp, Cable (Not Used on 4922360 Harness)	

## SECTION 7 - ELECTRICAL

ITEM	PART NUMBER	QTY	DESCRIPTION	REV
210D	4460752	1	Connector - 14 Position	
210E	4460464	14	Pin, Male	
211		Ref	Harness, Rotator Valve - Upper Options:	
211	4922359	1	Harness, Rotator Valve - Upper E600 & M600	3
211	4922362	1	Harness, Rotator Valve - Upper E600J & M600J	2
211	4922357	1	Harness, Rotator Valve - Upper E600JP & M600JP	2
211	1060800	Ref	Cable, Electrical (18/9)Options:	
211	1060800	54 ft /16.5m	Cable, Electrical (18/9) E600 & M600	
211	1060800	52 ft /15.9m	Cable, Electrical (18/9) E600J & M600J	
211	1060800	53 ft /16.2m	Cable, Electrical (18/9) E600JP & M600JP	
211A	4460752	1	Connector - 14 Position	
211B	4460464	9	Pin, Male	
211C	4460449	4	DIN Connector without Diode	
211D	4460836	1	Connector - 12 Position	1
211D	4460837	1	Housing, Connector - 12 Position	
211D	4460465	5	Socket, Female	
212	4922361	1	Harness, Rotator Valve - Lower	
212	1060800	22 ft/6.7m	Cable, Electrical - 18/9	
212A	4460754	2	Connector, Female - 14 Position	
212B	4460465	18	Socket, Female	
212C	4460492	2	Clamp, Cable	
213	4460536	1	Terminal, Deutsch - 3 Position Male	
213	4460464	2	Pin, Male	
214	4460539	1	Terminal, Deutsch - 3 Position Female	
214	4460465	2	Socket, Female	
215		Ref	Cable, Electrical - 12/3	
215	4922940	1	Standard AC	
215	4922940	2	Dual AC	
	4933132	Ref	<b>MAIN TERMINAL BOX DIAGRAM</b>	3-F
301	4922325	1	Harness Assembly - Main Terminal Box	2-B
301A	4460321	1	Connector - 4 Position	
301A	4460227	3	Pin, Male	
301B	4460225	1	Connector - 6 Position	
301B	4460226	2	Socket, Female	
301C	4460265	1	Connector - 9 Position	
301C	4460226	5	Socket, Female	
301D	4460434	1	Connector - 15 Position	
301D	4460227	4	Pin, Male	
301E	4460752	2	Connector - 14 Position	
301E	4460464	16	Pin, Male	
302	4922322	1	Harness Assembly - Main Valve	3-C
302A	4460836	1	Connector - 12 Position	
302A	4460837	1	Housing, Connector - 12 Position	
302A	4460465	8	Socket, Female	
302B	4460449	6	DIN Connector without Diode	
302C	4460426	1	Connector, Strain Relief	
302D	4460227	6	Pin, Male	
302E	4460226	2	Socket, Female	
303	4922326	1	Harness Assembly - Frame and Turntable	4-D

## SECTION 7 - ELECTRICAL

ITEM	PART NUMBER	QTY	DESCRIPTION	REV
303A	4460326	1	Connector - 3 Position	
303A	4460227	3	Pin, Male	
303B	4460321	4	Connector - 4 Position	
303B	4460227	12	Pin, Male	
303C	4460343	2	Connector - 12 Position	
303C	4460227	18	Pin, Male	
303D	4460434	1	Connector - 15 Position	
303D	4460226	12	Socket, Female	
303E	4460444	1	Connector, Anderson	
303F	4460426	1	Connector, Strain Relief	
303G	4460449	4	DIN Connector without Diode	
303H	4460836	1	Connector - 12 Position	
303H	4460837	1	Housing, Connector - 12 Position	
303H	4460465	9	Socket, Female	
303J	4460320	1	Connector, 2 Position	
303J	4460227	2	Pin, Male	
303K	4460320	2	Connector, 2 Position	
303K	4460226	4	Socket, Female	
303L	4460464	2	Pin, Deutsch	
303M	4460742	1	Connector - 2 Position	
303M	4460743	2	Terminal, Female	
303M	4460458	2	Seal, Cable	
303N	4460226	12	Socket, Female	
312	1001116528	1	Harness, Drive Orientation Enable	
312	4460227	2	Pin, Male	
	0861336	Ref	<b>MAIN TERMINAL BOX COMPONENTS</b>	C
407	4460426	1	Connector, Strain Relief	
411	4460496	2	Lockwasher, Terminal	
412	4460497	2	Nut, Terminal	
		Ref	<b>GROUND CONTROL BOX DIAGRAM</b>	
	4933110	Ref	<b>Ground Control Box Diagram (Prior to SN 0300099756)</b>	2-F
	4933387	Ref	<b>Ground Control Box Diagram (SN 0300099756 through 0300219271)</b>	1-A
501		Ref	<b>GROUND CONTROL HARNESS ASSEMBLY</b>	
501	4922350	Ref	Ground Control Harness Assembly ( <b>Prior to SN 0300099756</b> )	6-G
501	4923627	Ref	Ground Control Harness Assembly ( <b>SN 0300099756 through 0300219271</b> )	2-E
501A	4460424	1	Connector, 2 Position	
501A	4460268	2	Socket, Female	
501B	4460464	4	Pin, Deutsch	
501C	4460225	1	Connector - 6 Position	
501C	4460227	5	Pin, Male	
501D	4460320	AR	Connector, Female - 2 Position	
501D	4460227	AR	Pin, Male	
501E	4460265	1	Connector - 9 Position	
501E	4460227	3	Pin, Male	
501F	4460434	1	Connector - 15 Position	
501F	4460226	13	Socket, Female	
		Ref	<b>DRIVE CABLES INSTALLATIONS</b>	
	0259741	Ref	<b>ANSI Spec (Prior to SN 0300112387)</b>	E
	0274284	Ref	<b>ANSI Spec (SN 0300112387 through 0300219271)</b>	D
603	1001116521	1	Drive Orientation Harness	



## SECTION 7 - ELECTRICAL

ITEM	PART NUMBER	QTY	DESCRIPTION	REV
603A	4460320	1	Plug, Male - 2 Position	
603A	4460227	2	Pin, Male	
603B	4460424	1	Connector, Female - 2 Position	
603B	4460226	2	Socket, Female	
604	4360517		Proximity Switch Harness (Includes Switch)	
604A	4460320	1	Plug, Male - 2 Position	
604A	4460227	2	Pin, Male	
608	1060782	1	Cable, Electrical (B Motor A1 to Contactor MB2)	
609	1060783	1	Cable, Electrical (A Motor A1 to Contactor MA1)	
610	1060784	1	Cable, Electrical (A Motor A2 to Contactor MA2)	
611	1060785	1	Cable, Electrical (B Motor S1 to Contactor SB1)	
612	1060786	1	Cable, Electrical (A Motor S2 to Contactor SA1)	
613	1060787	1	Cable, Electrical (B Motor S2 to A Motor S1)	
614	1060791	1	Cable, Electrical (A Motor S2 to Contactor SA1)	
615	1060792	1	Cable, Electrical (Contactor A to Power Module A)	
616	1060793	1	Cable, Electrical (Contactor B+ to Power Module B+)	
618	1600294	1	Contactor Plate Assembly	E
618A	7022003	1	Contactor Harness	
618B	4460225	1	Connector - 6 Position	
618B	4460226	6	Socket, Female	
618C	7022004	1	Posi-Track Harness	
618D	4460326	1	Connector - 3 Position	
618D	4460227	3	Pin, Male	
618E	7022005	1	Shunt Harness	
618F	4460321	1	Connector - 4 Position	
618F	4460227	4	Pin, Male	
618G	7022012	1	Cable, Electrical	
	2901883	1	Kit, Drive System Cable (Includes Items 608-616)	
		Ref	<b>STANDARD HARNESS COMPONENTS</b>	
701	See Note	NSS	Speed Sensor Harness (Note: Not Available - Purchase Complete Sensor p/n 3990107)	A
701A	4460225	1	Connector - 6 Position	
701A	4460226	4	Socket, Female	
702	4922323	1	4WD Assist Valve Harness Assembly (4WD Only)	
702A	4460449	4	Connector, DIN without Diode	
702B	4460367	1	Connector, Female - 12 Position	
702B	4460226	8	Socket, Female	
703	1060794	1	Cable, Electrical - Pump	
704	1060795	1	Cable, Electrical - Pump	
705	2901913	1	Battery Cable Kit	
705A	1060819	1	Cable, Battery (Generator Start Battery - to Ground) (Not Shown - M600 Only)	
705B	1060820	1	Cable, Battery (Battery + to Generator Starter) (Not Shown - M600 Only)	
705C	1060821	1	Cable, Battery (Generator + to Contactor Panel) (M600 Only)	
705D	1060822	1	Cable, Battery (Generator - to Power Module) (M600 Only)	
706		Ref	Generator Harness Options: (M600 Only)	
706	7020155	1	Generator Harness (Yanmar Generator) <b>(Prior to SN 0300061331)</b>	
706	7023486	1	Generator Harness (Yanmar Generator) <b>(SN 0300061331 through 0300088374)</b>	
706	70000328	1	Generator Harness (Kubota Generator) <b>(SN 0300088375 through 0300219271)</b>	

## SECTION 7 - ELECTRICAL

ITEM	PART NUMBER	QTY	DESCRIPTION	REV
706A	4460224	1	Connector, Female - 6 Position <b>(Prior to SN 0300061331)</b>	
706A	4460226	5	Socket, Female <b>(Prior to SN 0300061331)</b>	
706B	4460761	1	Connector, Female - 4 Position <b>(SN 0300061331 through 0300219271)</b>	
706B	4460227	4	Pin, Male <b>(SN 0300061331 through 0300219271)</b>	
706C	70005169	1	Analyzer Harness (Kubota Generator) (Not Shown)	
707	See Note	NSS	LED Light Harness Assembly - Battery Condition (Note: Not Available - Purchase Complete p/n 0610131)	
707A	4460321	1	Connector - 4 Position	
707A	4460227	4	Pin, Male	
708	1060813		Cable, Remote LED Light	
708A	4460761	1	Connector, Female - 4 Position	
708A	4460226	4	Socket, Female	
708B	4460321	1	Connector - 4 Position	
708B	4460226	4	Socket, Female	
709		Ref	Cable, Battery Options:	
709	1060814		120-240V/50-60Hz (Australian Spec)	
709	1060814		250V/50Hz (CE Spec)	
710	7022910	1	Harness, Internal Charger DC	
710	7011590	1	Plug, DC	
711	7020645	1	Harness, Internal Charger PC Board - 17 Position	
711	7011621	1	Connector - 2 Position	
712	7020646	1	Harness, Internal Charger LED - 4 Position	
713	1060803	2	Battery Box Cable Assembly	
713A	1060799	2	Lanyard (1 Per Assembly)	
713B	1320172	2	Handle, Pull (1 Per Assembly)	
713C	4460025	2	Connector (1 Per Assembly)	
714	1060804	1	Battery Box Cable Assembly	
714A	4460025	2	Connector	
715	See Note	NSS	Harness, LED Light (Note: Not Available for Purchase)	
715A	4460424	2	Connector - 2 Position	
715A	4460226	4	Socket, Female	
716	1060341	8 ft/2.43m	Cable, Electrical - 16/2 (To Boom Limit Switch)	
717	4922222	1	Generator Enable Harness (Yellow/Red) (M600/J/JP Only)	B
717A	4460464	1	Pin, Male	
718	4922223	1	Generator Enable Harness (White/Yellow) (M600/J/JP Only)	A
718A	4460464	1	Pin, Male	
719	See Note	NSS	Controller Harness Assembly (Lift and Swing) (Note: Not Available - Purchase Complete Controller)	
719A	4460265	1	Connector - 9 Position	
719A	4460226	8	Socket, Female	
720	See Note	NSS	Controller Harness/Circuit Board Assembly (Drive and Steer) (Note: Not Available - Purchase Complete Controller)	
720A	4460265	1	Connector - 9 Position	
720A	4460226	7	Socket, Female	
721	See Note	NSS	Controller Harness Assembly (Speed) (Note: Not Available - Purchase Complete Controller)	
721A	4460225	1	Connector - 6 Position	
721A	4460226	4	Socket, Female	
722	4922307	1	Harness, Jib Harness Function (J/JP Models Only)	
722A	4460367	1	Connector, Female - 12 Position	
722A	4460226	5	Socket, Female	

## SECTION 7 - ELECTRICAL

ITEM	PART NUMBER	QTY	DESCRIPTION	REV
		Ref	<b>OPTIONAL HARNESS COMPONENTS</b>	
801	See Note	NSS	Harness, Beacon Light (Note: Not Available - Purchase Complete Beacon Light)	
801A	4460320	1	Plug, Male - 2 Position <b>(Prior to SN 0300169430)</b>	
801A	4460268	2	Socket, Female	
801B	4460891	1	Plug, Male - 2 Position <b>(SN 0300169430 through 0300219271)</b>	
801B	4460465	2	Socket, Female	
805	2920095	2	Platform Worklights Harness (Includes Light and Wire Only)	
805A	4460428	1	Connector, Strain Relief	
806		Ref	AC to Platform Receptacle Components Options:	
806	0258304	Ref	110V GFI Receptacle (ANSI Export Specs)	C
806	1001091947	Ref	110V with IEC Yellow Receptacle and Plug and Circuit Breaker	C
806	1001091944	NLA	220V with CEE 7 Post Ground Receptacle and Plug and Circuit Breaker (2x4 Box) (Use p/n 1001176360) <b>(Prior to SN 0300191372)</b>	C
806	1001176360	Ref	220V with CEE 7 Post Ground Receptacle and Plug and Circuit Breaker (2x4 Box) <b>(SN 0300191372 through 0300219271)</b>	B
806	1001091945	NLA	220V with CEE 7 Side Ground Receptacle and Plug and Circuit Breaker (2x4 Box) (Use p/n 1001153731) <b>(Prior to SN 0300181926)</b>	C
806	1001153731	Ref	220V with CEE 7 Side Ground Receptacle and Plug and Circuit Breaker (2x4 Box) <b>(SN 0300181926 through 0300219271)</b>	C
806	1001091949	NLA	220V with CEE 7 Post Ground Receptacle and Plug and Circuit Breaker (70mm x 70mm Box) (Use p/n 1001176360)	B
806	1001091950	NLA	220V with CEE 7 Side Ground Receptacle and Plug and Circuit Breaker (70mm x 70mm Box) (Use p/n 1001153732) <b>(Prior to SN 0300181926)</b>	C
806	1001153732	Ref	220V with CEE 7 Side Ground Receptacle and Plug and Circuit Breaker (70mm x 70mm Box) <b>(SN 0300181926 through 0300219271)</b>	A
806	1001091946	Ref	220V with AFSINT 107 Keyed Ground Receptacle and Plug and Circuit Breaker (2x4 Box)	C
806	1001091948	Ref	220V with IEC Blue Receptacle and Plug and Circuit Breaker	C
806	1001096618	NLA	220V with CEE 7 Side Ground Receptacle and Plug and Circuit Breaker (2x4 Box) (Dual AC) (Not Shown) (Use p/n 1001162453) <b>(Prior to SN 0300191372)</b>	B
806	1001162453	Ref	220V with CEE 7 Side Ground Receptacle and Plug and circuit Breaker (2x4 Box) (Dual AC) (Not Shown) <b>(SN 0300191372 through 0300219271)</b>	A
806		Ref	Box/Receptacle/Plug Kit Options:	
806	See Note	NLA	0258304 Installation (Note: Not Available - Purchase Locally)	
806	0275216	AR	1001091947 Installation	A
806	0275452	AR	1001091944/1001176360 Installations	A
806	0275453	AR	1001091945/1001096618/1001153731 Installations	A
806	0275454	AR	1001091946 Installation	A
806	0275217	AR	1001091948 Installation	A
806	0275218	NLA	1001091949 Installation (Use p/n 1001100343)	B-B
806	0275219	NLA	1001091950/1001153732 Installations (Use p/n 1001100344)	A-C-B
806A		Ref	Box Options:	
806A	See Note	NLA	0258304 Installation (Note: Not Available - Purchase Locally)	
806A	0861781	AR	1001091947/1001091948 Installations	
806A	0861731	AR	1001091944/1001091945/1001091946/1001096618/1001153731/1001176360 Installations	
806A	See Note	AR	1001091949/1001091950 Installations (Note: Was p/n 0861782 which is no longer available. Use p/n 1001100344)	

## SECTION 7 - ELECTRICAL

ITEM	PART NUMBER	QTY	DESCRIPTION	REV
806A	1001141967	AR	CEE 7 Side Ground Service Kit or p/n 1001100343 CEE 7 Post Ground Service Kit. Kit Include Box p/n 1001141967 and Items 806B, 806C & 806L)	
806B		Ref	1001100343, 1001100344, 1001141970 & 1001141971 Kits	
806B	See Note	AR	Receptacle Options: 0258304 Installation (Note: Not Available - Purchase Locally)	
806B	4461198	AR	1001091947 Installation	
806B	4461244	AR	1001091944/1001176360 Installations	
806B	4461245	AR	1001091945/1001096618/1001153731 Installations	
806B	4461204	NLA	1001091949 Installation (Use p/n 1001100343)	
806B	4461207	NLA	1001091950/1001153732 Installations (Use p/n 1001100344)	
806B	4461246	AR	1001091946 Installation	
806B	4461201	AR	1001091948 Installation	
806B	1001141968	AR	1001100343 & 1001141971 Kits	
806B	1001141969	AR	1001100344 & 1001141970 Kits	
806C		Ref	Plug Options:	
806C	See Note	AR	0258304 Installation (Note: Not Available - Purchase Locally)	
806C	4461196	AR	1001091947 Installation	
806C	4461202	AR	1001091944/1001091949/1001176360 Installations and 1001100343 & 1001141971 Kits	
806C	4461205	AR	1001091945/1001091950/1001096618/1001153731/1001153732 Installations and 1001100344 & 1001141970 Kits	
806C	4461249	AR	1001091946 Installation	
806C	4461199	AR	1001091948 Installation	
806D	0903484	AR	Bracket (All Installations except 0258304 Installation) <b>(Prior to SN 0300200810)</b>	
806D	1001193018	AR	Bracket (All Installations except 0258304 Installation) <b>(SN 0300200810 through 0300219271)</b>	
806E	0903611	1	Bracket (All Installations except 0258304 Installation)	
806F		Ref	Decal Options:	
806F	1705325	1	110V	
806F	3252507	1	220V	
806F	1001096926	1	220V (Dual AC)	
806G	2902549	AR	Circuit Breaker Kit (All Installations except 0258304 Installation)	E
806G	2400093	NLA	Breaker, Circuit 16Amp/30mAmp Combination (Use p/n 1001181045) <b>(Prior to SN 0300136424)</b>	
806G	1001109475	NLA	Breaker, Circuit 16Amp (Use p/n 1001181045) <b>(SN 0300136424 through 0300204655)</b>	
806G	1001109482	NLA	Breaker, Circuit 30Amp (Use p/n 1001181045) <b>(SN 0300136424 through 0300204655)</b>	
806G	1001181045	1	Breaker, Circuit 16Amp/30mAmp Combination <b>(SN 0300204656 through 0300219271)</b>	
806G	0861880	AR	Box, Breaker	
806G	4460956	AR	Barrier, Terminal Block End	
806G	4460957	AR	Block, Terminal	
806H		Ref	Connector, Strain Relief Options:	
806H	4460633	AR	Connector, Strain Relief <b>(Prior to SN 0300117555)</b>	
806H	1001097150	AR	Connector, Strain Relief <b>(SN 0300117555 through 0300219271)</b>	
806J	1060908	AR	Cable, Electrical 12/3	

## SECTION 7 - ELECTRICAL

ITEM	PART NUMBER	QTY	DESCRIPTION	REV
806K		Ref	Connector, Strain Relief	
806K	4460662	AR	All Installations except 0258304 Installation	
806K	See Note	AR	0258304 Installation (Note: Not Available - Purchase Locally)	
806L		Ref	Shield, Cover	
806L	See Note	AR	All Installations except 0258304 Installation (Note: Part of Item 806A)	
806L	See Note	NLA	0258304 Installation (Note: Not Available - Purchase Locally)	
806M	4460709	AR	Plug, Male	
806M	1671093	AR	Cover <b>(Prior to SN 0300203801)</b>	
806M	1001156352	AR	Cover <b>(SN 0300203801 through 0300219271)</b>	
806N	4460710	AR	Connector, Female	
806N	1671092	AR	Cover <b>(Prior to SN 0300203801)</b>	
806N	1001156351	AR	Cover <b>(SN 0300203801 through 0300219271)</b>	
806P	1060461	Ref	Cable, Electrical 12/3 Options:	
806P	1060461	8.5 ft /2.6m	All Installations except 1001096618 Installation	
806P	1060461	24 ft/7.3m	1001096618 Installation	
806Q	1001096626	1	Bracket (1001096618 Installation Only)	
806R	1001096926	2	Decal - 220V (1001096618 Installation Only) (Note: 1 Located on Rear of Turntable, Centered Over Corresponding Circuit Numbers)	
	0275216	1	Receptacle Box Kit (110V IEC Yellow) (Includes Items 806A, 806B, 806C & 806L) (1001091947 Installation)	1
	0275452	1	Receptacle Box Kit (220V CEE 7 Post Ground) (Includes Items 806A, 806B, 806C & 806L) (1001091944/1001176360 Installations)	1
	0275453	1	Receptacle Box Kit (220V CEE 7 Side Ground) (Includes Items 806A, 806B, 806C & 806L) (1001091945/1001096618/1001153731 Installations)	1
	0275218	NLA	Receptacle Box Kit (220V CEE 7 Post Ground) (Includes Items 806A, 806B, 806C & 806L) (1001091949 Installation) (Use p/n 1001100343)	B-B
	0275219	NLA	Receptacle Box Kit (220V CEE 7 Side Ground) (Includes Items 806A, 806B, 806C & 806L) (1001091950/1001153732 Installations) (Use p/n 1001100344)	A-C-B
	0275454	1	Receptacle Box Kit (220V AFSINT 107 Keyed Ground) (Includes Items 806A, 806B, 806C & 806L) (1001091946 Installation)	1
	0275217	1	Receptacle Box Kit (220V IEC Blue) (Includes Items 806A, 806B, 806C & 806L) (1001091948 Installation)	1
807	4933145	Ref	Soft Touch Electrical Components (Front Entry Platform)	2-B
807	4933317	Ref	Soft Touch Electrical Components (Side Entry Platform)	1-A
807A		Ref	Connector, Strain Relief Options:	
807A	4460428	1	Front Entry Platform	
807A	4460425	1	Side Entry Platform	
807B	2920129	1	Bulb, Light	
807C	4120035	1	Holder, Lamp	
807D	4922324	1	Harness, Soft Touch Enable Switch to PC Board (Not Shown)	
807E	1060494	Ref	Cable, Electrical - 16/3 Options:	
807E	1060494	28 ft/8.5m	Front Entry Platform	
807E	1060494	15 ft/4.6m	Side Entry Platform	
808	4922932	1	Lamp Harness (CE Spec Only)	
808A	4460226	1	Socket, Female	

## SECTION 7 - ELECTRICAL

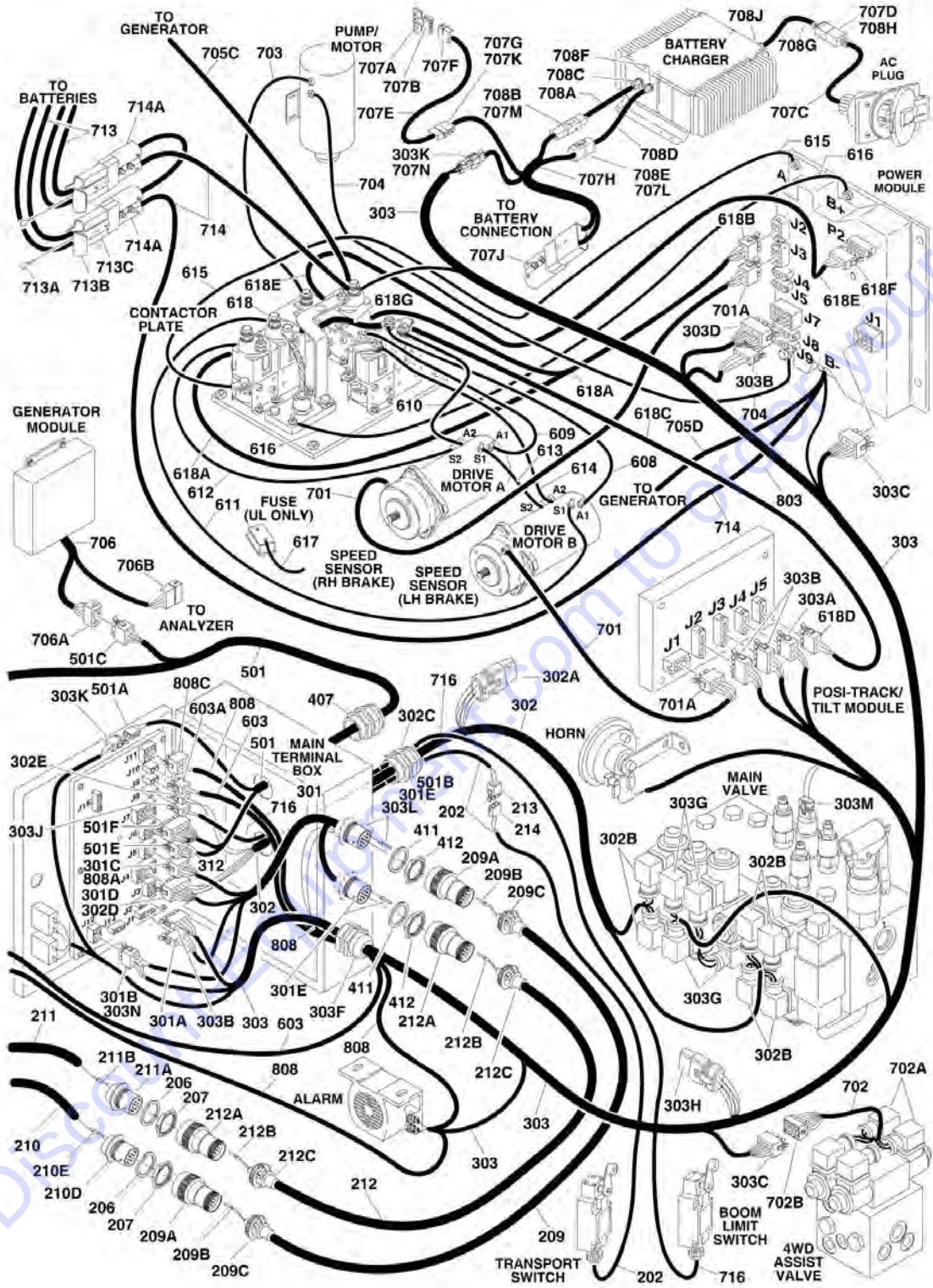
ITEM	PART NUMBER	QTY	DESCRIPTION	REV
808B	4460320	2	Connector, 2 Position	
808B	4460227	2	Pin, Male	
808C	4460265	1	Connector - 9 Position	
808C	4460226	2	Socket, Female	
809		Ref	Plug, Charger Installation Options:	
809	0275663	Ref	220V with CEE 7 Post Ground Plug	
809	4461202	1	220V Male Plug	
809	0275664	Ref	220V with CEE 7 Side Ground Plug	
809	4461205	1	220V Male Plug	
809	0275665	Ref	220V with AFSINT 107 Keyed Ground Plug	
809	4461249	1	220V Male Plug	
809	0275666	Ref	110V with IEC Yellow Plug	
809	4461196	1	110V Male Plug	
809	0275667	Ref	220V with IEC Blue Plug	
809	4461199	1	220V Male Plug	
810	1001149818	1	Strobe Light Harness (SN 0300169430 through 0300219271)	B
810A	4460320	1	Connector, Female - 2 Position	
810A	4460267	2	Pin, Male	
810B	4460897	1	Connector, Female - 2 Position	
810B	4460464	2	Pin, Male	
		Ref	<b>TOOLS</b>	
901	7002821	1	Crimper (For Wire to Pin/Socket Connections)	
902	7002823	1	Extractor (For Removal of Pin/Socket from Connectors)	
903	4460467	1	Extractor, Pin (Blue 16-18 Gauge) (For Removal of Pin/Socket from Connectors)	
903	4460510	1	Extractor, Pin (Yellow 12-14 Gauge) (For Removal of Pin/Socket from Connectors)	
904	7002828	1	Stripper, Wire	
905	2901443	1	Analyzer, Machine (Not Shown)	
906	1001137005	1	Software Cable Kit (Not Shown)	







SECTION 7 - ELECTRICAL



Go to DieselParts.com

## SECTION 7 - ELECTRICAL

FIGURE 7-3. HARNESS COMPONENTS INSTALLATION (WITH DELTA-Q CHARGER)

ITEM	PART NUMBER	QTY	DESCRIPTION	REV
		Ref	<b>HARNESS COMPONENTS INSTALLATION</b>	
		Ref	<b>PLATFORM BOX ELECTRICAL DIAGRAM</b>	
		Ref	<b>Harness Components Installation E600J/M600J/E600JP/M600JP</b>	
	4933112	Ref	<b>ANSI Spec</b>	G-G
	4933112	Ref	<b>Harness Components Installation E600/M600 ANSI Spec (Prior to SN 0300172558)</b>	4-J
	1001154137	Ref	<b>ANSI Spec (SN 0300172558 through 0300219271)</b>	B
1		Ref	Harness, Indicator Lamp Options:	
1	4922074	1	Harness, Indicator Lamp <b>(Prior to SN 0300141894)</b>	5-H
1	1001109860	1	Harness, Indicator Lamp <b>(SN 0300141894 through 0300219271)</b>	B
1A	4460265	1	Connector - 9 Position	
1A	4460227	8	Pin, Male	
1B	4120035	AR	Socket, Lamp	
1C	4460634	AR	Socket (Single Wire)	
1C	4460635	AR	Socket (Two Wire)	
2		Ref	Harness, Function Switch Options:	
2	4922303	1	Harness, Function Switch E600J/M600J/E600JP/M600JP	E
2	4922303	1	Harness, Function Switch E600/M600 <b>(Prior to SN 0300172558)</b>	E
2	4922060	1	Harness, Function Switch E600/M600 <b>(SN 0300172558 through 0300219271)</b>	D
2A	4460434	1	Connector - 15 Position	
2A	4460226	12	Pin, Male	
2B	4460464	2	Pin, Male	
2C	4460418	4	Connector, Female	
2C	4460419	12	Terminal	
2D	4460225	1	Connector - 6 Position (Used with Harness p/n 4922303 Only)	
2D	4460227	5	Socket, Female	
2E	4460343	1	Connector - 12 Position (Used with Harness p/n 4922303 Only)	
2E	4460227	5	Socket, Female	
3	4922071	1	Harness, Can Bus	2-B
3A	4460321	1	Connector - 4 Position	
3A	4460227	2	Pin, Male	
3A	4460267	1	Pin, Male	
3B	4460464	3	Pin, Male	
4	4922118	1	Harness, Box Horn	2-B
4A	4460464	1	Pin, Male	
5	4922157	1	Harness, Miscellaneous	4-D
5A	4460464	AR	Pin, Male	
8	4922160	1	Harness, Analyzer	3-C
8A	4460321	1	Connector - 4 Position	
8A	4460226	4	Socket, Female	
8B	4460761	1	Connector, Female - 4 Position	
8B	4460227	4	Pin, Male	
10	2920129	3	Bulb, Light	
13	1001116368	1	Harness, Drive Orientation Enable	
13A	4460225	1	Connector - 6 Position	

## SECTION 7 - ELECTRICAL

ITEM	PART NUMBER	QTY	DESCRIPTION	REV
13A	4460227	2	Socket, Female	
14	4922307	1	Harness, Jumper (SN 0300181752 through 0300219271)	
14A	4460367	1	Connector, Female - 12 Position	
14A	4460226	5	Socket, Female	
		Ref	<b>PLATFORM BOX ASSEMBLY COMPONENTS</b>	
117	4460428	1	Connector, Strain Relief	
133	4460752	1	Connector, 14 Position	
134	4460497	1	Nut, Conduit	
135	4460496	1	Lockwasher, Conduit	
147		Ref	Footswitch Assembly Options:	
147	0272971	1	Footswitch Assembly (Prior to SN 0300193234)	C
147	1001136889	1	Footswitch Assembly (SN 0300193234 through 0300219271)	A
147A	1060330	7 ft/2.2m	Cable, Electrical - 16/3	
147B	4460464	AR	Pin, Male	
147C	4460071	2	Connector, Strain Relief	
155	1001189074	1	SkyGuard Harness (Not Shown)	
156	1001189075	1	SkyGuard Can Harness (Not Shown)	
		Ref	<b>BOOM CABLES INSTALLATION</b>	
	0259955	Ref	<b>Boom Cables Installation E600 &amp; M600</b>	F
	0259956	Ref	<b>Boom Cables Installation E600J &amp; M600J</b>	F
	0259957	Ref	<b>Boom Cables Installation E600JP &amp; M600JP</b>	G
	1001096619	Ref	<b>Boom Cables Installation E600JP &amp; M600JP (Dual AC Cables)</b>	A
202	1060341	NLA	Cable, Electrical - 18/2 SJO (Use p/n 1061026)	
203	1060461	NLA	Cable, Electrical - 12/3 (Use p/n 4922939)	
206	4460496	2	Lockwasher, Terminal	
207	4460497	2	Nut, Terminal	
209	4922355	1	Harness, Boom - Lower #18-11/1STP	1
209	1060677	22 ft/6.7m	Cable, Electrical - 18/11	
209A	4460754	2	Connector, Female - 14 Position	
209B	4460465	28	Socket, Female	
209C	4460492	2	Clamp, Cable	
210		Ref	Harness, Boom - Upper #18-11/1STP Options:	
210	4922356	1	Harness, Boom E600 & M600	3
210	4922358	1	Harness, Boom E600J & M600J	1
210		Ref	Harness, Boom E600JP & M600JP	
210	4922360	NLA	Harness, Boom (Use p/n 4922356) (Prior to SN 0300100004)	3
210	4922356	1	Harness, Boom (SN 0300100004 through 0300219271)	3
210		Ref	Cable, Electrical Options:	
210	1060677	55 ft /16.8m	Cable, Electrical E600 & M600 (18/11)	
210	1060677	52 ft /15.9m	Cable, Electrical E600J & M600J (18/11)	
210		Ref	Cable, Electrical E600JP & M600JP (18/6)	
210	1060780	55 ft /16.8m	Cable, Electrical (18/6) (Prior to SN 0300100004)	
210	1060781	55 ft /16.8m	Cable, Electrical (18/5) (Prior to SN 0300100004)	
210	1060677	55 ft /16.8m	Cable, Electrical (18/11) (SN 0300100004 through 0300219271)	
210A	4460754	1	Connector - 14 Position	
210B	4460465	14	Socket, Female	

## SECTION 7 - ELECTRICAL

ITEM	PART NUMBER	QTY	DESCRIPTION	REV
210C	4460492	1	Clamp, Cable (Not Used on 4922360 Harness)	
210D	4460752	1	Connector - 14 Position	
210E	4460464	14	Pin, Male	
211		Ref	Harness, Rotator Valve - Upper Options:	
211	4922359	1	Harness, Rotator Valve - Upper E600 & M600	3
211	4922362	1	Harness, Rotator Valve - Upper E600J & M600J	2
211	4922357	1	Harness, Rotator Valve - Upper E600JP & M600JP	2
211	1060800	Ref	Cable, Electrical (18/9)Options:	
211	1060800	54 ft /16.5m	Cable, Electrical E600 & M600	
211	1060800	52 ft /15.9m	Cable, Electrical E600J & M600J	
211	1060800	53 ft /16.2m	Cable, Electrical E600JP & M600JP	
211A	4460752	1	Connector - 14 Position	
211B	4460464	9	Pin, Male	
211C	4460449	4	DIN Connector without Diode	
211D	4460836	1	Connector - 12 Position	1
211D	4460837	1	Housing, Connector - 12 Position	
211D	4460465	5	Socket, Female	
212	4922361	1	Harness, Rotator Valve - Lower	
212	1060800	22 ft/6.7m	Cable, Electrical - 18/9	
212A	4460754	2	Connector, Female - 14 Position	
212B	4460465	18	Socket, Female	
212C	4460492	2	Clamp, Cable	
213	4460536	1	Terminal, Deutsch - 3 Position Male	
213	4460464	2	Pin, Male	
214	4460539	1	Terminal, Deutsch - 3 Position Female	
214	4460465	2	Socket, Female	
215	1060641	AR	Cable, Electrical - 12/3 (Use p/n 4922940)	
215	4922940	1	Standard AC	
215	4922940	2	Dual AC	
	4933132	Ref	<b>MAIN TERMINAL BOX DIAGRAM</b>	3-F
301	4922325	1	Harness Assembly - Main Terminal Box	2-B
301A	4460321	1	Connector - 4 Position	
301A	4460227	3	Pin, Male	
301B	4460225	1	Connector - 6 Position	
301B	4460226	2	Socket, Female	
301C	4460265	1	Connector - 9 Position	
301C	4460226	5	Socket, Female	
301D	4460434	1	Connector - 15 Position	
301D	4460227	4	Pin, Male	
301E	4460752	2	Connector - 14 Position	
301E	4460464	16	Pin, Male	
302	4922322	1	Harness Assembly - Main Valve	3-C
302A	4460836	1	Connector - 12 Position	
302A	4460837	1	Housing, Connector - 12 Position	
302A	4460465	8	Socket, Female	
302B	4460449	6	DIN Connector without Diode	
302C	4460426	1	Connector, Strain Relief	
302D	4460227	6	Pin, Male	
302E	4460226	2	Socket, Female	



## SECTION 7 - ELECTRICAL

ITEM	PART NUMBER	QTY	DESCRIPTION	REV
303	4922326	1	Harness Assembly - Frame and Turntable	4-D
303A	4460326	1	Connector - 3 Position	
303A	4460227	3	Pin, Male	
303B	4460321	4	Connector - 4 Position	
303B	4460227	12	Pin, Male	
303C	4460343	2	Connector - 12 Position	
303C	4460227	18	Pin, Male	
303D	4460434	1	Connector - 15 Position	
303D	4460226	12	Socket, Female	
303F	4460426	1	Connector, Strain Relief	
303G	4460449	4	DIN Connector without Diode	
303H	4460836	1	Connector - 12 Position	
303H	4460837	1	Housing, Connector - 12 Position	
303H	4460465	9	Socket, Female	
303J	4460320	1	Connector, 2 Position	
303J	4460227	2	Pin, Male	
303K	4460320	2	Connector, 2 Position	
303K	4460226	4	Socket, Female	
303L	4460464	2	Pin, Deutsch	
303M	4460742	1	Connector - 2 Position	
303M	4460743	2	Terminal, Female	
303M	4460458	2	Seal, Cable	
303N	4460226	12	Socket, Female	
312	1001116528	1	Harness, Drive Orientation Enable	
312	4460227	2	Pin, Male	
	0861336	Ref	<b>MAIN TERMINAL BOX COMPONENTS</b>	C
407	4460426	1	Connector, Strain Relief	
411	4460496	2	Lockwasher, Terminal	
412	4460497	2	Nut, Terminal	
		Ref	<b>GROUND CONTROL BOX DIAGRAM</b>	
	4933110	Ref	<b>Ground Control Box Diagram (Prior to SN 0300099756)</b>	2-F
	4933387	Ref	<b>Ground Control Box Diagram (SN 0300099756 through 0300200809)</b>	1-A
	4393387	Ref	<b>Ground Control Box Diagram (Australian Spec) (SN 0300200810 through 0300219271)</b>	1-A
	1001191536	Ref	<b>Ground Control Box Diagram (CE Spec) (SN 0300200810 through 0300219271)</b>	D
501		Ref	Ground Control Harness Assembly	
501	4922350	Ref	Ground Control Harness Assembly ( <b>Prior to SN 0300099756</b> )	6-G
501	4923627	Ref	Ground Control Harness Assembly ( <b>SN 0300099756 through 0300200809</b> )	E
501	4923627	Ref	Ground Control Harness Assembly (Australian Spec) ( <b>SN 0300200810 through 0300219271</b> )	F
501	1001187420	Ref	Ground Control Harness Assembly (CE Spec) ( <b>SN 0300200810 through 0300219271</b> )	E
501A	4460424	1	Connector, 2 Position	
501A	4460268	2	Socket, Female	
501B	4460464	4	Pin, Deutsch	
501C	4460225	1	Connector - 6 Position	
501C	4460227	5	Pin, Male	
501D	4460320	AR	Connector, Female - 2 Position	
501D	4460227	AR	Pin, Male	
501E	4460265	1	Connector - 9 Position	

## SECTION 7 - ELECTRICAL

ITEM	PART NUMBER	QTY	DESCRIPTION	REV
501E	4460227	3	Pin, Male	
501F	4460434	1	Connector - 15 Position	
501F	4460226	13	Socket, Female	
501G	4460418	8	Connector, Toggle Switch (Not Shown)	
501G	4460419	23	Terminal (Not Shown)	
501H	4460945	1	Connector, 3 Way (With SkyGuard) (Not Shown - Can Tee)	
501H	4460939	1	Plug, Male - 3 Position (With SkyGuard) (Not Shown - AG at Can Tee)	
501H	4460944	2	Socket, Female (With SkyGuard) (Not Shown - AG at Can Tee)	
501H	1001116812	2	Plug, Male - 3 Position (With SkyGuard) (Not Shown - AE & AF at Can Tee)	
501H	4460944	4	Socket, Female (With SkyGuard) (Not Shown - AE & AF at Can Tee)	
501J	4460868	1	Plug, Male - 6 Position (With SkyGuard) (Not Shown - MDI)	
501J	4460877	6	Socket, Female (With SkyGuard) (Not Shown - MDI)	
501K	4460884	AR	Connector - 4 Position	
501K	4460465	AR	Socket, Female	
501L	1001192401	1	Connector, Dust Cap (SN 0300214501 through 0300219271)	
501M	2400060	1	Fuse, Holder (Not Shown) (SN 0300214501 through 0300219271)	
501N	8229242	1	Fuse, 5Amp (Not Shown) (SN 0300214501 through 0300219271)	
		Ref	<b>DRIVE CABLES INSTALLATIONS</b>	
	0259741	Ref	<b>ANSI Spec (Prior to SN 0300112387)</b>	E
	0274284	Ref	<b>ANSI Spec (SN 0300112387 through 0300219271)</b>	D
603	1001116521	1	Drive Orientation Harness	
603A	4460320	1	Plug, Male - 2 Position	
603A	4460227	2	Pin, Male	
603B	4460424	1	Connector, Female - 2 Position	
603B	4460226	2	Socket, Female	
604	4360517		Proximity Switch Harness (Includes Switch)	
604A	4460320	1	Plug, Male - 2 Position	
604A	4460227	2	Pin, Male	
608	1060782	1	Cable, Electrical (B Motor A1 to Contactor MB2)	
609	1060783	1	Cable, Electrical (A Motor A1 to Contactor MA1)	
610	1060784	1	Cable, Electrical (A Motor A2 to Contactor MA2)	
611	1060785	1	Cable, Electrical (B Motor S1 to Contactor SB1)	
612	1060786	1	Cable, Electrical (A Motor S2 to Contactor SA1)	
613	1060787	1	Cable, Electrical (B Motor S2 to A Motor S1)	
614	1060791	1	Cable, Electrical (A Motor S2 to Contactor SA1)	
615	1060792	1	Cable, Electrical (Contactor A to Power Module A)	
616	1060793	1	Cable, Electrical (Contactor B+ to Power Module B+)	
618	1600294	1	Contactor Plate Assembly	E
618A	7022003	1	Contactor Harness	
618B	4460225	1	Connector - 6 Position	
618B	4460226	6	Socket, Female	
618C	7022004	1	Posi-Track Harness	
618D	4460326	1	Connector - 3 Position	
618D	4460227	3	Pin, Male	
618E	7022005	1	Shunt Harness	
618F	4460321	1	Connector - 4 Position	

## SECTION 7 - ELECTRICAL

ITEM	PART NUMBER	QTY	DESCRIPTION	REV
618F	4460227	4	Pin, Male	
618G	7022012	1	Cable, Electrical	
	2901883	1	Kit, Drive System Cable (Includes Items 608-616)	
		Ref	<b>STANDARD HARNESS COMPONENTS</b>	
701	See Note	NSS	Speed Sensor Harness (Note: Not Available - Purchase Complete Sensor p/n 3990107)	A
701A	4460225	1	Connector - 6 Position	
701A	4460226	4	Socket, Female	
702	4922323	1	4WD Assist Valve Harness Assembly (4WD Only)	
702A	4460449	4	Connector, DIN without Diode	
702B	4460367	1	Connector, Female - 12 Position	
702B	4460226	8	Socket, Female	
703	1060794	1	Cable, Electrical - Pump	
704	1060795	1	Cable, Electrical - Pump	
705	2901913	1	Battery Cable Kit	
705A	1060819	1	Cable, Battery (Generator Start Battery - to Ground) (Not Shown - M600 Only)	
705B	1060820	1	Cable, Battery (Battery + to Generator Starter) (Not Shown - M600 Only)	
705C	1060821	1	Cable, Battery (Generator + to Contactor Panel) (M600 Only)	
705D	1060822	1	Cable, Battery (Generator - to Power Module) (M600 Only)	
706		Ref	Generator Harness Options: (M600 Only)	
706	7020155	1	Generator Harness (Yanmar Generator) <b>(Prior to SN 0300061331)</b>	
706	7023486	1	Generator Harness (Yanmar Generator) <b>(SN 0300061331 through 0300088374)</b>	
706	70000328	1	Generator Harness (Kubota Generator) <b>(SN 0300088375 through 0300219271)</b>	
706A	4460224	1	Connector, Female - 6 Position <b>(Prior to SN 0300061331)</b>	
706A	4460226	5	Socket, Female <b>(Prior to SN 0300061331)</b>	
706B	4460761	1	Connector, Female - 4 Position <b>(SN 0300061331 through 0300219271)</b>	
706B	4460227	4	Pin, Male <b>(SN 0300061331 through 0300219271)</b>	
706C	70005169	1	Analyzer Harness (Kubota Generator) (Not Shown)	
707	1001162843	1	Battery Charger Installation Components	A
707A	0610131	1	LED Assembly (Not Supplied with Charger)	
707B	4460321	1	Connector - 4 Position	
707B	4460227	4	Pin, Male	
707C	1001126185	1	Cable, AC Cord	
707D	1001126185	1	End, Plug (Note: Not Available for Purchase)	
707E	1060813	1	LED Remote Harness	
707F	4460321	1	Connector - 4 Position	
707F	4460226	4	Socket, Female	
707G	4460761	1	Connector, Female - 4 Position	
707G	4460226	4	Socket, Female	
707H	1001113045	1	Harness, Connecting (Mac to Delta-Q)	
707J	4460444	1	Connector, Anderson	
707K	4460761	1	Connector - 4 Position	
707K	4460226	4	Socket, Female	
707L	4460931	1	Connector - 8 Position	
707L	4460464	4	Socket, Female	
707M	1001096188	1	Connector - 4 Position	
707M	4460509	2	Socket, Female	



## SECTION 7 - ELECTRICAL

ITEM	PART NUMBER	QTY	DESCRIPTION	REV
707M	4460466	2	Plug, Seal	
707N	4460424	1	Connector - 2 Position	
707N	4460227	2	Pin, Male	
708		Ref	Battery Charger Components	
708A	See Note	NSS	Harness, Battery Charger Power (Note: Not Available - Purchase Complete Charger)	
708B	1001116811	1	Connector - 4 Position	
708C	See Note	NSS	Connector, Strain Relief (Note: Not Available for Purchase)	
708D	See Note	NSS	Harness, Battery Charger Signal (Note: Not Available for Purchase)	
708E	4460930	1	Connector - 8 Position	
708E	4460464	4	Socket, Female	
708F	See Note	NSS	Connector, Strain Relief (Note: Not Available for Purchase)	
708G	See Note	NSS	Harness, Battery Charger AC Plug (Note: Not Available for Purchase)	
708H	See Note	NSS	Connector, Plug (Note: Not Available for Purchase)	
708J	See Note	NSS	Connector, Strain Relief (Note: Not Available for Purchase)	
713		Ref	Cable Assembly - Battery Box Internal Options:	
713	1060803	1	Cable Assembly (LH Side Box) (Standard Batteries)	
713	1060803	1	Cable Assembly (RH Side Box) (Standard Batteries) <b>(Prior to SN 0300200809)</b>	
713	1001194037	1	Cable Assembly (RH Side Box) (Standard Batteries) <b>(SN 0300200809 through 0300219271)</b>	
713	1001172285	1	Cable Assembly (LH Side Box) (AGM Batteries) <b>(Prior to SN 0300203801)</b>	
713	1001194212	1	Cable Assembly (LH Side Box) (AGM Batteries) <b>(SN 0300203801 through 0300219271)</b>	
713	1001194238	1	Cable Assembly (RH Side Box) (AGM Batteries) <b>(Prior to SN 0300200809)</b>	
713	1060803	1	Cable Assembly (RH Side Box) (AGM Batteries) <b>(SN 0300200809 through 0300219271)</b>	
713A	1060799	2	Lanyard (1 Per Assembly)	
713B	1320172	2	Handle, Pull (1 Per Assembly)	
713C	4460025	2	Connector (1 Per Assembly)	
714	1060804	1	Battery Box Cable Assembly	
714A	4460025	2	Connector	
715	See Note	NSS	Harness, LED Light (Note: Not Available for Purchase)	
715A	4460424	2	Connector - 2 Position	
715A	4460226	4	Socket, Female	
716	1060341	8 ft/2.43m	Cable, Electrical - 16/2 (To Boom Limit Switch)	
717	4922222	1	Generator Enable Harness (Yellow/Red) (M600/J/JP Only)	B
717A	4460464	1	Pin, Male	
718	4922223	1	Generator Enable Harness (White/Yellow) (M600/J/JP Only)	A
718A	4460464	1	Pin, Male	
719	See Note	NSS	Controller Harness Assembly (Lift and Swing) (Note: Not Available - Refer to Section 4 for Parts Breakdown)	
719A	4460265	1	Connector - 9 Position	
719A	4460226	8	Socket, Female	
720	See Note	NSS	Controller Harness/Circuit Board Assembly (Drive and Steer) (Note: Not Available - Refer to Section 4 for Parts Breakdown)	
720A	4460265	1	Connector - 9 Position	
720A	4460226	7	Socket, Female	
721	See Note	NSS	Controller Harness Assembly (Speed) (Note: Not Available - Refer to Section 4 for Parts Breakdown)	

## SECTION 7 - ELECTRICAL

ITEM	PART NUMBER	QTY	DESCRIPTION	REV
721A	4460225	1	Connector - 6 Position	
721A	4460226	4	Socket, Female	
722	4922307	1	Harness, Jib Harness Function (J/JP Models Only)	
722A	4460367	1	Connector, Female - 12 Position	
722A	4460226	5	Socket, Female	
		Ref	<b>OPTIONAL HARNESS COMPONENTS</b>	
801	See Note	NSS	Harness, Beacon Light (Note: Not Available - Purchase Complete Beacon Light)	
801A	4460320	1	Plug, Male - 2 Position (Amber Light) <b>(Prior to SN 0300169430)</b>	
801A	4460268	2	Socket, Female	
801B	4460891	1	Plug, Male - 2 Position (Amber Light) <b>(SN 0300169430 through 0300219271)</b>	
801B	4460465	2	Socket, Female	
801C	4460897	1	Receptacle, Female - 2 Position (Blue/Red Light)	
801C	4460464	2	Pin, Male	
805	2920095	2	Platform Worklights Harness (Includes Light and Wire Only)	
805A	4460428	1	Connector, Strain Relief	
806		Ref	AC to Platform Receptacle Components Options:	
806	0258304	Ref	110V GFI Receptacle (ANSI Export Specs)	C
806	1001091947	Ref	110V with IEC Yellow Receptacle and Plug and Circuit Breaker	C
806	1001091944	NLA	220V with CEE 7 Post Ground Receptacle and Plug and Circuit Breaker (2x4 Box) (Use p/n 1001176360) <b>(Prior to SN 0300191372)</b>	C
806	1001176360	Ref	220V with CEE 7 Post Ground Receptacle and Plug and Circuit Breaker (2x4 Box) <b>(SN 0300191372 through 0300219271)</b>	B
806	1001091945	NLA	220V with CEE 7 Side Ground Receptacle and Plug and Circuit Breaker (2x4 Box) (Use p/n 1001153731) <b>(Prior to SN 0300181926)</b>	C
806	1001153731	Ref	220V with CEE 7 Side Ground Receptacle and Plug and Circuit Breaker (2x4 Box) <b>(SN 0300181926 through 0300219271)</b>	C
806	1001091949	NLA	220V with CEE 7 Post Ground Receptacle and Plug and Circuit Breaker (70mm x 70mm Box) (Use p/n 1001176360)	B
806	1001091950	NLA	220V with CEE 7 Side Ground Receptacle and Plug and Circuit Breaker (70mm x 70mm Box) (Use p/n 1001153732) <b>(Prior to SN 0300181926)</b>	C
806	1001153732	Ref	220V with CEE 7 Side Ground Receptacle and Plug and Circuit Breaker (70mm x 70mm Box) <b>(SN 0300181926 through 0300219271)</b>	A
806	1001091946	Ref	220V with AFSINT 107 Keyed Ground Receptacle and Plug and Circuit Breaker (2x4 Box)	C
806	1001091948	Ref	220V with IEC Blue Receptacle and Plug and Circuit Breaker	C
806	1001096618	NLA	220V with CEE 7 Side Ground Receptacle and Plug and Circuit Breaker (2x4 Box) (Dual AC) (Not Shown) (Use p/n 1001162453) <b>(Prior to SN 0300191372)</b>	B
806	1001162453	Ref	220V with CEE 7 Side Ground Receptacle and Plug and Circuit Breaker (2x4 Box) (Dual AC) (Not Shown) <b>(SN 0300191372 through 0300219271)</b>	A
806		Ref	Box/Receptacle/Plug Kit Options:	
806	See Note	NLA	0258304 Installation (Note: Not Available - Purchase Locally)	
806	0275216	AR	1001091947 Installation	A
806	0275452	AR	1001091944/1001176360 Installations	A
806	0275453	AR	1001091945/1001096618/1001153731 Installations	A
806	0275454	AR	1001091946 Installation	A
806	0275217	AR	1001091948 Installation	A

# PARTS FINDER

**Search Website  
by Part Number**



**Search Manual  
Library For Parts  
Manual & Lookup Part  
Numbers – Purchase  
or Request Quote**

**Can't Find Part or  
Manual? Request Help  
by Manufacturer,  
Model & Description**

Discount-Equipment.com is your online resource for quality parts & equipment.

Florida: **561-964-4949** Outside Florida TOLL FREE: **877-690-3101**

**Need parts?**

Click on this link: <http://www.discount-equipment.com/category/5443-parts/> and choose one of the options to help get the right parts and equipment you are looking for. Please have the machine model and serial number available in order to help us get you the correct parts. If you don't find the part on the website or on one of the online manuals, please fill out the request form and one of our experienced staff members will get back to you with a quote for the right part that your machine needs.

We sell worldwide for the brands: Genie, Terex, JLG, MultiQuip, Mikasa, Essick, Whiteman, Mayco, Toro Stone, Diamond Products, Generac Magnum, Airman, Haulotte, Barreto, Power Blanket, Nifty Lift, Atlas Copco, Chicago Pneumatic, Allmand, Miller Curber, Skyjack, Lull, Skytrak, Tsurumi, Husquvarna Target, Stow, Wacker, Sakai, Mi-T-M, Sullair, Basic, Dynapac, MBW, Weber, Bartell, Bennar Newman, Haulotte, Ditch Runner, Menegotti, Morrison, Contec, Buddy, Crown, Edco, Wyco, Bomag, Laymor, EZ Trench, Bil-Jax, F.S. Curtis, Gehl Pavers, Heli, Honda, ICS/PowerGrit, IHI, Partner, Imer, Clipper, MMD, Koshin, Rice, CH&E, General Equipment, Amida, Coleman, NAC, Gradall, Square Shooter, Kent, Stanley, Tamco, Toku, Hatz, Kohler, Robin, Wisconsin, Northrock, Oztec, Toker TK, Rol-Air, APT, Wylie, Ingersoll Rand / Doosan, Innovatech, Con X, Ammann, Mecalac, Makinex, Smith Surface Prep, Small Line, Wanco, Yanmar

## SECTION 7 - ELECTRICAL

ITEM	PART NUMBER	QTY	DESCRIPTION	REV
806	0275218	NLA	1001091949 Installation (Use p/n 1001100343)	B-B
806	0275219	NLA	1001091950/1001153732 Installations (Use p/n 1001100344)	A-C-B
806A		Ref	Box Options:	
806A	See Note	NSS	0258304 Installation (Note: Not Available - Purchase Locally)	
806A	0861781	AR	1001091947/1001091948 Installations	
806A	0861731	AR	1001091944/1001091945/1001091946/1001096618/1001153731/1001176360 Installations	
806A	See Note	AR	1001091949/1001091950 Installations (Note: Was p/n 0861782 which is no longer available. Use p/n 1001100344 CEE 7 Side Ground Service Kit or p/n 1001100343 CEE 7 Post Ground Service Kit. Kit Include Box p/n 1001141967 and Items 806B, 806C & 806L)	
806A	1001141967	AR	1001100343, 1001100344, 1001141970 & 1001141971 Kits	
806B		Ref	Receptacle Options:	
806B	See Note	AR	0258304 Installation (Note: Not Available - Purchase Locally)	
806B	4461198	AR	1001091947 Installation	
806B	4461244	AR	1001091944/1001176360 Installations	
806B	4461245	AR	1001091945/ 1001096618/ 1001153731 Installations	
806B	4461204	NLA	1001091949 Installation (Use p/n 1001100343)	
806B	4461207	NLA	1001091950/1001153732 Installations (Use p/n 1001100344)	
806B	4461246	AR	1001091946 Installation	
806B	4461201	AR	1001091948 Installation	
806B	1001141968	AR	1001100343 & 1001141971 Kits	
806B	1001141969	AR	1001100344 & 1001141970 Kits	
806C		Ref	Plug Options:	
806C	See Note	AR	0258304 Installation (Note: Not Available - Purchase Locally)	
806C	4461196	AR	1001091947 Installation	
806C	4461202	AR	1001091944/1001091949/1001176360 Installations and 1001100343 & 1001141971 Kits	
806C	4461205	AR	1001091945/ 1001091950/ 1001096618/ 1001153731/ 1001153732 Installations and 1001100344 & 1001141970 Kits	
806C	4461249	AR	1001091946 Installation	
806C	4461199	AR	1001091948 Installation	
806D	0903484	AR	Bracket (All Installations except 0258304 Installation) ( <b>Prior to SN 0300200810</b> )	
806D	1001193018	AR	Bracket (All Installations except 0258304 Installation) ( <b>SN 0300200810 through 0300219271</b> )	
806E	0903611	1	Bracket (All Installations except 0258304 Installation)	
806F		Ref	Decal Options:	
806F	1705325	1	110V	
806F	3252507	1	220V	
806F	1001096926	1	220V (Dual AC)	
806G	2902549	AR	Circuit Breaker Kit (All Installations except 0258304 Installation)	E
806G	2400093	NLA	Breaker, Circuit 16Amp/30mAmp Combination (Use p/n 1001181045) ( <b>Prior to SN 0300136424</b> )	
806G	1001109475	NLA	Breaker, Circuit 16Amp (Use p/n 1001181045) ( <b>SN 0300136424 through 0300204655</b> )	
806G	1001109482	NLA	Breaker, Circuit 30Amp (Use p/n 1001181045) ( <b>SN</b>	

## SECTION 7 - ELECTRICAL

ITEM	PART NUMBER	QTY	DESCRIPTION	REV
806G	1001181045	1	<b>0300136424 through 0300204655)</b> Breaker, Circuit 16Amp/30mAmp Combination ( <b>SN 0300204656 through 0300219271)</b>	
806G	0861880	AR	Box, Breaker	
806G	4460956	AR	Barrier, Terminal Block End	
806G	4460957	AR	Block, Terminal	
806H		Ref	Connector, Strain Relief Options:	
806H	4460633	AR	Connector, Strain Relief ( <b>Prior to SN 0300117555)</b> )	
806H	1001097150	AR	Connector, Strain Relief ( <b>SN 0300117555 through 0300219271)</b> )	
806J	1060908	AR	Cable, Electrical 12/3	
806K		Ref	Connector, Strain Relief	
806K	4460662	AR	All Installations except 0258304 Installation	
806K	See Note	NLA	0258304 Installation (Note: Not Available - Purchase Locally)	
806L		Ref	Shield, Cover	
806L	See Note	AR	All Installations except 0258304 Installation (Note: Part of Item 806A)	
806L	See Note	NLA	0258304 Installation (Note: Not Available - Purchase Locally)	
806M	4460709	AR	Plug, Male	
806M	1671093	AR	Cover ( <b>Prior to SN 0300203801)</b> )	
806M	1001156352	AR	Cover ( <b>SN 0300203801 through 0300219271)</b> )	
806N	4460710	AR	Connector, Female	
806N	1671092	AR	Cover ( <b>Prior to SN 0300203801)</b> )	
806N	1001156351	AR	Cover ( <b>SN 0300203801 through 0300219271)</b> )	
806P	1060461	Ref	Cable, Electrical 12/3 Options:	
806P	1060461	8.5 ft /2.6m	All Installations except 1001096618 Installation	
806P	1060461	24 ft/7.3m	1001096618 Installation	
806Q	1001096626	1	Bracket (1001096618 Installation Only)	
806R	1001096926	2	Decal - 220V (1001096618 Installation Only) (Note: 1 Located on Rear of Turntable, Centered Over Corresponding Circuit Numbers)	
	0275216	1	Receptacle Box Kit (110V IEC Yellow) (Includes Items 806A, 806B, 806C & 806L) (1001091947 Installation)	1
	0275452	1	Receptacle Box Kit (220V CEE 7 Post Ground) (Includes Items 806A, 806B, 806C & 806L) (1001091944/1001176360 Installations)	1
	0275453	1	Receptacle Box Kit (220V CEE 7 Side Ground) (Includes Items 806A, 806B, 806C & 806L) (1001091945/1001096618/1001153731 Installations)	1
	0275218	NLA	Receptacle Box Kit (220V CEE 7 Post Ground) (Includes Items 806A, 806B, 806C & 806L) (1001091949 Installation) (Use p/n 1001100343)	B-B
	0275219	NLA	Receptacle Box Kit (220V CEE 7 Side Ground) (Includes Items 806A, 806B, 806C & 806L) (1001091950/1001153732 Installations) (Use p/n 1001100344)	A-C-B
	0275454	1	Receptacle Box Kit (220V AFSINT 107 Keyed Ground) (Includes Items 806A, 806B, 806C & 806L) (1001091946 Installation)	1
	0275217	1	Receptacle Box Kit (220V IEC Blue) (Includes Items 806A, 806B, 806C & 806L) (1001091948 Installation)	1
807	4933145	Ref	Soft Touch Electrical Components (Front Entry Platform)	2-B
807	4933317	Ref	Soft Touch Electrical Components (Side Entry Platform)	1-A
807A		Ref	Connector, Strain Relief Options:	



## SECTION 7 - ELECTRICAL

ITEM	PART NUMBER	QTY	DESCRIPTION	REV
807A	4460428	1	Front Entry Platform	
807A	4460425	1	Side Entry Platform	
807B	2920129	1	Bulb, Light	
807C	4120035	1	Holder, Lamp	
807D	4922324	1	Harness, Soft Touch Enable Switch to PC Board (Not Shown)	
807E	1060494	Ref	Cable, Electrical - 16/3 Options:	
807E	1060494	28 ft/8.5m	Front Entry Platform	
807E	1060494	15 ft/4.6m	Side Entry Platform	
808	4922932	1	Lamp Harness (CE Spec Only)	
808A	4460226	1	Socket, Female	
808B	4460320	2	Connector, 2 Position	
808B	4460227	2	Pin, Male	
808C	4460265	1	Connector - 9 Position	
809	1001149818	1	Strobe Light Harness - Amber Light <b>(SN 0300169430 through 0300219271)</b>	B
809	1001149570	1	Strobe Light Harness - Blue Light	B
809A	4460320	1	Receptacle, Female - 2 Position (Amber Light)	
809A	4460267	2	Pin, Male (Amber Light)	
809A	4460265	1	Plug, Male - 6 Position (Blue Light)	
809A	4460268	1	Terminal (Blue Light)	
809B	4460897	1	Receptacle, Female - 2 Position (Amber Light)	
809B	4460464	2	Pin, Male (Amber Light)	
809B	4460891	1	Plug, Male - 2 Position (Blue Light)	
809B	4460465	2	Socket, Female (Blue Light)	
809C	4460225	1	Plug, Male - 6 Position (Blue Light) (Not Shown - To Module)	
809C	4460267	1	Socket, Female (Blue Light) (Not Shown - To Module)	
		Ref	<b>TOOLS</b>	
901	7002821	1	Crimper (For Wire to Pin/Socket Connections)	
902	7002823	1	Extractor (For Removal of Pin/Socket from Connectors)	
903	4460467	1	Extractor, Pin (Blue 16-18 Gauge) (For Removal of Pin/Socket from Connectors)	
903	4460510	1	Extractor, Pin (Yellow 12-14 Gauge) (For Removal of Pin/Socket from Connectors)	
904	7002828	1	Stripper, Wire	
905	2901443	1	Analyzer, Machine (Not Shown)	
906	1001137005	1	Software Cable Kit (Not Shown)	

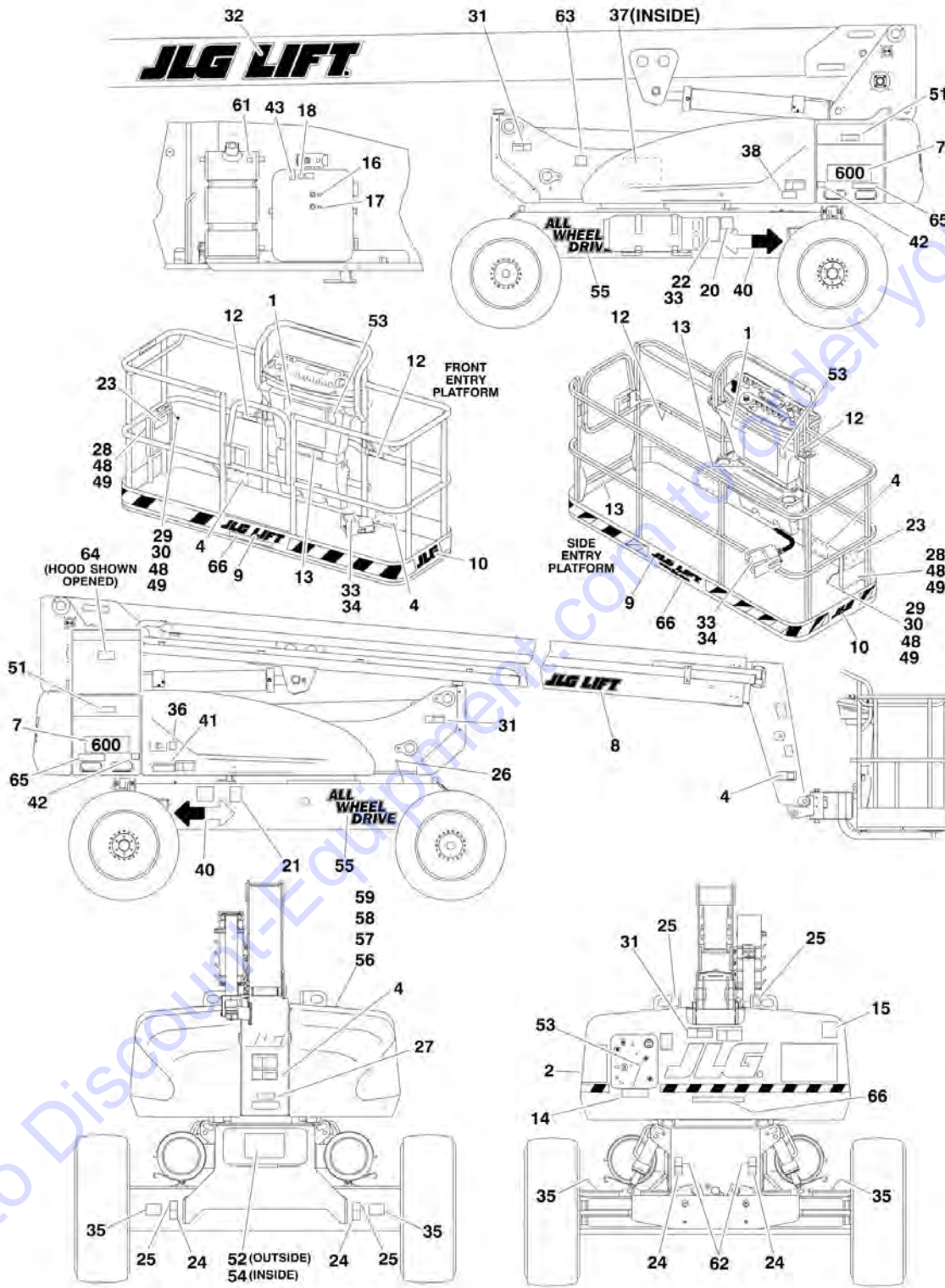
**SECTION 8 - DECALS**

Go to Discount-Equipment.com to order your parts



# SECTION 8 - DECALS

FIGURE 8-1. DECALS INSTALLATION (Prior to SN 0300095686)



## SECTION 8 - DECALS

**FIGURE 8-1. DECALS INSTALLATION (Prior to SN 0300095686)**

ITEM	PART NUMBER	QTY	DESCRIPTION	REV
		Ref	<b>DECAL INSTALLATION</b>	
	0270031	Ref	<b>Standard Decal Installations E600</b>	2
	0270033	Ref	<b>Standard Decal Installations E600J</b>	2
	0270036	Ref	<b>Standard Decal Installations E600JP</b>	2
	0270032	Ref	<b>Standard Decal Installations M600</b>	4
	0270034	Ref	<b>Standard Decal Installations M600J</b>	4
	0270035	Ref	<b>Standard Decal Installations M600JP</b>	4
	0259937	Ref	<b>JLG Decals (E/M600 &amp; E/M600J)</b>	1
	0270869	Ref	<b>JLG Decals (E/M600JP)</b>	1
	0270132	Ref	<b>Australian Spec (E/M600 &amp; E/M600J)</b>	7
	0270865	Ref	<b>Australian Spec (E/M600JP)</b>	5
	0270138	Ref	<b>Dutch Spec (E/M600 &amp; E/M600J)</b>	9
	0270708	Ref	<b>Dutch Spec (E/M600JP)</b>	6
	0270142	Ref	<b>French Spec (E/M600 &amp; E/M600J)</b>	8
	0270710	Ref	<b>French Spec (E/M600JP)</b>	6
	0270136	Ref	<b>German Spec (E/M600 &amp; E/M600J)</b>	8
	0270706	Ref	<b>German Spec (E/M600JP)</b>	6
	0270140	Ref	<b>Italian Spec (E/M600 &amp; E/M600J)</b>	8
	0270709	Ref	<b>Italian Spec (E/M600JP)</b>	6
	0273207	Ref	<b>Norwegian Spec (E/M600 &amp; E/M600J)</b>	4
	0273206	Ref	<b>Norwegian Spec (E/M600JP)</b>	4
	0270144	Ref	<b>Spanish Spec (E/M600 &amp; E/M600J)</b>	8
	0270711	Ref	<b>Spanish Spec (E/M600JP)</b>	6
	0274412	Ref	<b>Swedish Spec (E/M600 &amp; E/M600J)</b>	2
	See Note	Ref	<b>Swedish Spec (E/M600JP) (Note: Not Available)</b>	
	0270134	Ref	<b>UK English Spec (E/M600 &amp; E/M600J)</b>	8
	0270707	Ref	<b>UK English Spec (E/M600JP)</b>	6
1		Ref	Decal - Danger/Warning (Platform)	
1		Ref	Decal - Danger/Warning (Platform) E/M600 & E/M600J Specs	
1	1703992	1	Australian Spec	
1	1704809	1	Dutch Spec	
1	1704811	1	French Spec	
1	1704767	1	German Spec	
1	1704810	1	Italian Spec	
1	1705270	1	Norwegian Spec	
1	1704812	1	Spanish Spec	
1	1705921	1	Swedish Spec	
1	1704808	1	UK English Spec	
1		Ref	Decal - Danger/Warning (Platform) E/M600JP Spec	
1	1703992	1	Australian Spec	
1	1703913	1	Dutch Spec	
1	1703917	1	French Spec	
1	1703799	1	German Spec	
1	1703915	1	Italian Spec	
1	1705270	1	Norwegian Spec	
1	1703919	1	Spanish Spec	
1	See Note	NSS	Swedish Spec (Note: Not Available for Purchase)	
1	1703806	1	UK English Spec	
2		Ref	Decal - Danger/Warning (MTB)	
2		Ref	Decal - Danger/Warning (MTB) E/M600 & E/M600J Specs	

## SECTION 8 - DECALS

ITEM	PART NUMBER	QTY	DESCRIPTION	REV
2	1704662	1	Australian Spec	
2		Ref	Dutch Spec Options:	
2	1704665	NLA	Dutch Spec (Use p/n 1705410)	
2	1705410	1	Dutch Spec ( <b>SN 0300071169 through 0300095686</b> )	
2	1704666	1	French Spec	
2	1704663	1	German Spec	
2	1704669	1	Italian Spec	
2	1705268	1	Norwegian Spec	
2	1704664	1	Spanish Spec	
2	1705822	1	Swedish Spec	
2	1704662	1	UK English Spec	
2		Ref	Decal - Danger/Warning (MTB) E/M600JP Spec	
2	1704814	1	Australian Spec	
2	1704815	1	Dutch Spec	
2	1704817	1	French Spec	
2	1704813	1	German Spec	
2	1704816	1	Italian Spec	
2	1705271	1	Norwegian Spec	
2	1704818	1	Spanish Spec	
2	See Note	NSS	Swedish Spec (Note: Not Available for Purchase)	
2	1704814	1	UK English Spec	
4	1701518	3	Decal - Crushing	
7		Ref	Decal - Model Designation Options:	
7	1704490	2	Decal - Model Designation E600	
7	1704492	2	Decal - Model Designation E600J	
7	1704495	2	Decal - Model Designation E600JP	
7	1704491	2	Decal - Model Designation M600	
7	1704493	2	Decal - Model Designation M600J	
7	1704494	2	Decal - Model Designation M600JP	
8	1702860	1	Decal - JLG Lift (5in)	
9	1702774	1	Decal - JLG Lift (3-1/2in)	
10		Ref	Decal - JLG	
10	1702773	2	Decal - JLG E/M600 & E/M600J	
10	1704200	2	Decal - JLG E/M600JP (Jib Plus)	
12		Ref	Decal - Attach Lanyard Options:	
12	1702612	3	Decal - Attach Lanyard ( <b>Prior to SN 0300061063</b> )	
12	1704277	3	Decal - Attach Lanyard ( <b>SN 0300061063 through 0300095686</b> )	
13		Ref	Decal - 500lbs Max Capacity (Platform)	
13	1701645	1	Australian Spec	
13	1705978	1	Swedish Spec	
13	Not Required	0	All Other Specs	
14		Ref	Decal - 500lbs Max Capacity (Ground)	
14	1702688	1	Australian Spec	
14	Not Required	0	All Other Specs	
15		Ref	Decal - Sound Power Level	
15	Not Required	0	Australian Spec	
15	1705084	1	All Other Specs	
16	1701502	1	Decal - Hydraulic Oil Level High	
17	1701503	1	Decal - Hydraulic Oil Level Low	
18	1701504	1	Decal - Hydraulic Oil	
20	See Note	NSS	Decal - Bar Code (Note: Not Available for Purchase)	

## SECTION 8 - DECALS

ITEM	PART NUMBER	QTY	DESCRIPTION	REV
21	1700584	1	Decal - Patent	
22	See Note	NSS	Nameplate - Serial Number (Note: Not Available for Purchase)	
23	1701509	1	Decal - Manual	
24	1702300	4	Decal - Tie Down	
25	1701500	4	Decal - Lift	
26	1701529	2	Decal - Arrow	
27		Ref	Nameplate Options:	
27	1701242	1	Australian Spec (240V-50Hz)	
27	Not Required	0	All Other Specs	
28	0860520	1	Box, Manual Storage	
29	1060279	1	Lanyard	
30	0641408	1	Bolt 1/4in-20NC x 1in	
31	1701518	3	Decal - Warning/Crushing	
32	1702862	1	Decal - JLG Lift (12in)	
33	3820001	AR	Rivet	
34		Ref	Nameplate - Footswitch Options:	
34	3252347	1	Australian Spec	
34	1703518	1	Dutch Spec	
34	1693292	1	French Spec	
34	1693294	1	German Spec	
34	1701600	1	Italian Spec	
34	1705275	1	Norwegian Spec	
34	1701791	1	Spanish Spec	
34	1705928	1	Swedish Spec	
34	3252347	1	UK English Spec	
35	1704708	4	Decal - Maximum Tire Load	
36	1701644	1	Decal - Charger	
37	1704705	1	Decal - Manual Descent	
38		Ref	Decal - Instructions Inside	
38	1702901	1	Australian Spec	
38	1702996	1	Dutch Spec	
38	1702984	1	French Spec	
38	1702988	1	German Spec	
38	1702992	1	Italian Spec	
38	1705246	1	Norwegian Spec	
38	1703000	1	Spanish Spec	
38	1706392	1	Swedish Spec	
38	1702901	1	UK English Spec	
40	1701501	2	Decal - Arrow	
41		Ref	Decal - Battery Charger Instructions	
41	1704248	1	Australian Spec	
41	1704324	1	Dutch Spec	
41	1704326	1	French Spec	
41	1704323	1	German Spec	
41	1704325	1	Italian Spec	
41	1705259	1	Norwegian Spec	
41	1704327	1	Spanish Spec	
41	1706378	1	Swedish Spec	
41	1704248	1	UK English Spec	
42	1702155	2	Decal - Battery Disconnect	
43	1704412	1	Decal - Oil Chart	

## SECTION 8 - DECALS

ITEM	PART NUMBER	QTY	DESCRIPTION	REV
48	3311405	5	Locknut 1/4in-20NC	
49	4751400	6	Flatwasher	
51		Ref	Decal - Warning Battery Ventilation	
51	1703813	2	Australian Spec	
51	1704335	2	Dutch Spec	
51	1704337	2	French Spec	
51	1704334	2	German Spec	
51	1704336	2	Italian Spec	
51	1705256	2	Norwegian Spec	
51	1704338	2	Spanish Spec	
51	1705670	2	Swedish Spec	
51	1703813	2	UK English Spec	
52		Ref	Decal - Lift Diagram	
52	3252673	1	Australian Spec	
52	3252734	1	Dutch Spec	
52	3252736	1	French Spec	
52	3252733	1	German Spec	
52	3252735	1	Italian Spec	
52	1705277	1	Norwegian Spec	
52	3252737	1	Spanish Spec	
52	1706377	1	Swedish Spec	
52	3252673	1	UK English Spec	
53		Ref	Decal - Generator Danger Options:	
53	Not Required	0	Decal - Generator Danger E600, E600J & E600JP	
53		Ref	Decal - Generator Danger M600, M600J & M600JP	
53	1704286	1	Australian Spec	
53	1706899	1	Danish Spec	
53	1704360	NLA	Dutch Spec (Use p/n 1001093687)	
53	1704358	NLA	French Spec (Use p/n 1001093687)	
53	1704361	NLA	German Spec (Use p/n 1001093687)	
53	1704359	NLA	Italian Spec (Use p/n 1001093687)	
53	1704286	1	Norwegian Spec	
53	1704362	NLA	Spanish Spec (Use p/n 1001093687)	
53	See Note	NSS	Swedish Spec (Note: Not Available for Purchase)	
53	1704286	1	UK English Spec	
54	1704254	1	Decal - Cable Routing	
55		Ref	Decal - All Wheel Drive Options:	
55	Not Required	0	Decal - All Wheel Drive 2WD	
55	1704724	2	Decal - All Wheel Drive 4WD	
56		Ref	Cover, Exhaust Hole Options:	
56	1670954	1	Cover, Exhaust Hole E600, E600J & E600JP	
56	Not Required	0	Cover, Exhaust Hole M600, M600J & M600JP	
57	3900283	AR	Screw, Button Head	
58	4711600	AR	Flatwasher 3/8in Thin	
59	3311605	AR	Locknut 3/8in-16NC	
61		Ref	Decal - Fuel Options	
61	Not Required	0	Decal - Fuel E600, E600J & E600JP	
61	1701505	1	Decal - Fuel M600, M600J & M600JP	
62	1701499	2	Decal - No Lift	
63		Ref	Decal - Warning Hand Crushing Options:	
63	1702391	2	UK English Spec	

## SECTION 8 - DECALS

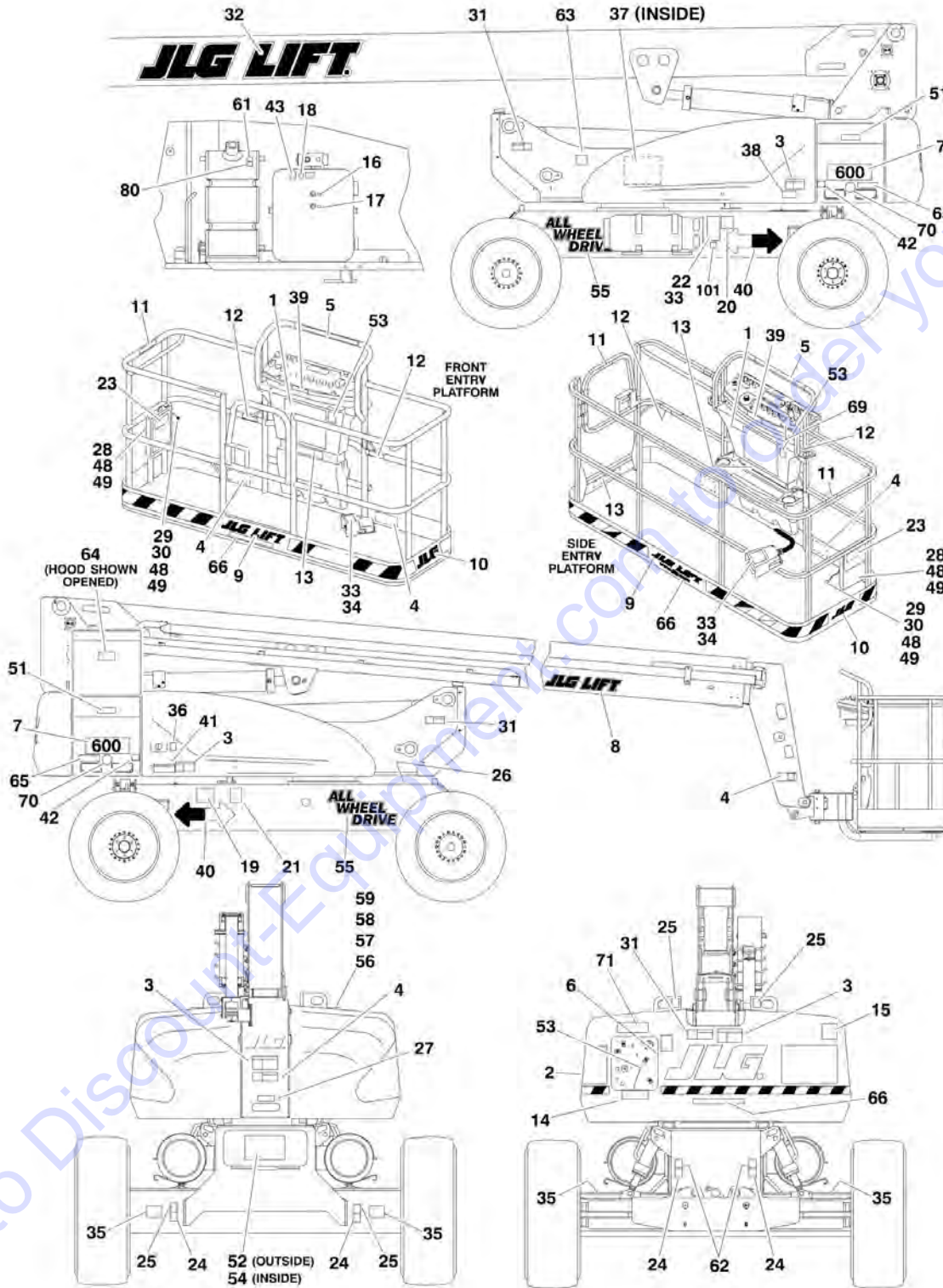
ITEM	PART NUMBER	QTY	DESCRIPTION	REV
63	1701517	2	All Other Specs	
64	1704728	2	Decal - Tip Over (Battery Weight)	
65	1704723	2	Decal - Patents Pending	
66	1704885	2	Decal - Website	

Go to Discount-Equipment.com to order your parts



# SECTION 8 - DECALS

FIGURE 8-2. DECALS INSTALLATION (SN 0300095686 through 0300219271)





## SECTION 8 - DECALS

**FIGURE 8-2. DECALS INSTALLATION (SN 0300095686 through 0300219271)**

ITEM	PART NUMBER	QTY	DESCRIPTION	REV
		Ref	<b>DECAL INSTALLATION</b>	
	0270031	Ref	<b>Standard Decal Installations E600</b>	2
	0270033	Ref	<b>Standard Decal Installations E600J</b>	2
	0270036	Ref	<b>Standard Decal Installations E600JP</b>	2
	0270032	Ref	<b>Standard Decal Installations M600</b>	4
	0270034	Ref	<b>Standard Decal Installations M600J</b>	4
	0270035	Ref	<b>Standard Decal Installations M600JP</b>	4
	0259937	Ref	<b>JLG Decals (E/M600 &amp; E/M600J)</b>	C
	0270869	Ref	<b>JLG Decals (E/M600JP)</b>	1
	0275062	Ref	<b>CE Spec and Australian Spec</b>	C
1	1705921	1	Decal - Danger/Caution (Platform)	
2	1705822	1	Decal - Danger/Caution (MTB)	
4	1701518	3	Decal - Crushing	
7		Ref	Decal - Model Designation Options:	
7	1704490	2	Decal - Model Designation E600	
7	1704492	2	Decal - Model Designation E600J	
7	1704495	2	Decal - Model Designation E600JP	
7	1704491	2	Decal - Model Designation M600	
7	1704493	2	Decal - Model Designation M600J	
7	1704494	2	Decal - Model Designation M600JP	
8	1702860	1	Decal - JLG Lift (5in)	
9	1702774	1	Decal - JLG Lift (3-1/2in)	
10		Ref	Decal - JLG Options:	
10	1702773	2	Decal - JLG E/M600 & E/M600J	
10	1704200	2	Decal - JLG E/M600JP (Jib Plus)	
12	1704277	3	Decal - Attach Lanyard	
13	1705978	1	Decal - 500lbs Max Capacity (Platform)	
14	1705978	1	Decal - 500lbs Max Capacity (Ground) <b>(SN 0300102556 through 0300219271)</b>	
15	1705084	1	Decal - Sound Power Level	
16	1701502	1	Decal - Hydraulic Oil Level High	
17	1701503	1	Decal - Hydraulic Oil Level Low	
18	1701504	1	Decal - Hydraulic Oil	
20	See Note	NSS	Decal - Bar Code (Note: Not Available for Purchase)	
21	1700584	1	Decal - Patent <b>(Prior to SN 0300161219)</b>	
22	See Note	NSS	Nameplate - Serial Number (Note: Not Available for Purchase)	
23	1701509	1	Decal - Manual	
24	1702300	4	Decal - Tie Down	
25	1701500	4	Decal - Lift	
26	1701529	2	Decal - Arrow	
28	0860520	1	Box, Manual Storage	
29	1060279	1	Lanyard <b>(SN 0300095686 through 0300208739)</b>	
30	0641408	AR	Bolt 1/4in-20NC x 1in	
31	1701518	3	Decal - Warning/Crushing	
32	1702862	1	Decal - JLG Lift (12in)	
33	3820001	4	Rivet	
34	1705928	1	Nameplate - Footswitch	
35	1704708	4	Decal - Maximum Tire Load	
36	1701644	1	Decal - Charger	
37	1704705	1	Decal - Manual Descent	

## SECTION 8 - DECALS

ITEM	PART NUMBER	QTY	DESCRIPTION	REV
38	1706392	1	Decal - Instructions Inside	
40	1701501	2	Decal - Arrow	
41	1706378	1	Decal - Battery Charger Instructions	
42	1702155	2	Decal - Battery Disconnect	
43	1704412	1	Decal - Oil Chart	
48	3311405	AR	Locknut 1/4in-20NC	
49	4751400	AR	Flatwasher	
51	1705670	2	Decal - Warning Battery Ventilation	
52	1706377	1	Decal - Lift Diagram	
53		Ref	Decal - Generator Danger Options:	
53	Not Required	0	Decal - Generator Danger E600 & E600J & E600JP	
53		Ref	Decal - Generator Danger M600 & M600J & M600JP	
53	1704286	1	Australian Spec <b>(Prior to SN 0300107148)</b>	
53	1001093687	1	Australian Spec <b>(SN 0300107148 through 0300219271)</b>	
53	1706899	1	Danish Spec <b>(Prior to SN 0300107148)</b>	
53	1001093687	1	Danish Spec <b>(SN 0300107148 through 0300219271)</b>	
53	1704360	NLA	Dutch Spec (Use p/n 1001093687)	
53	1704358	NLA	French Spec (Use p/n 1001093687)	
53	1704361	NLA	German Spec (Use p/n 1001093687)	
53	1704359	NLA	Italian Spec (Use p/n 1001093687)	
53	1704286	1	Norwegian Spec <b>(Prior to SN 0300107148)</b>	
53	1001093687	1	Norwegian Spec <b>(SN 0300107148 through 0300219271)</b>	
53	1704362	NLA	Spanish Spec (Use p/n 1001093687)	
53	See Note	NSS	Swedish Spec (Note: Not Available for Purchase)	
53	1704286	1	UK English Spec <b>(Prior to SN 0300107148)</b>	
53	1001093687	1	UK English Spec <b>(SN 0300107148 through 0300219271)</b>	
54	1704254	1	Decal - Cable Routing	
55		Ref	Decal - All Wheel Drive Options:	
55	Not Required	0	Decal - All Wheel Drive 2WD	
55	1704724	2	Decal - All Wheel Drive 4WD	
56		Ref	Cover, Exhaust Hole Options:	
56	1670954	1	Cover, Exhaust Hole E600 & E600J & E600JP	
56	Not Required	0	Cover, Exhaust Hole M600 & M600J & M600JP	
57	3900283	AR	Screw, Button Head	
58	4711600	AR	Flatwasher 3/8in Thin	
59	3311605	AR	Locknut 3/8in-16NC	
61		Ref	Decal - Fuel Options	
61	Not Required	0	Decal - Fuel E600 & E600J & E600JP	
61	1701505	1	Decal - Fuel M600 & M600J & M600JP	
62	1701499	2	Decal - No Lift	
63		Ref	Decal - Warning Hand Crushing Options:	
63	1702391	2	UK English Spec	
63	1701517	2	All Other Specs	
64	1704728	2	Decal - Tip Over (Battery Weight)	
65	1704723	2	Decal - Patents Pending Only <b>(SN 0300095686 through 0300143328)</b>	
66	1704885	Ref	Decal - Website Options:	
66	1704885	2	Decal - Website <b>(Prior to SN 0300176058)</b>	
66	1704885	1	Decal - Website <b>(SN 0300176058 through 0300219271)</b>	
70	1001121510	2	Decal - Hybrid (M600/M600J/M600JP Only) <b>(SN 0300143328 through 0300219271)</b>	
71	1001189882	1	Decal - MSSO (CE Spec) <b>(SN 0300208739 through</b>	

## SECTION 8 - DECALS

ITEM	PART NUMBER	QTY	DESCRIPTION	REV
	1001214029	Ref	<b>0300219271)</b> <b>Decal - EAC Installation (CIS and Russia Specs) (SN</b> <b>0300216507 through 0300219271)</b>	A
101	1001173703	1	Decal - EAC	

Go to Discount-Equipment.com to order your parts



**SECTION 9 - RECOMMENDED SERVICE PARTS STOCK**

**SECTION 9 - RECOMMENDED SERVICE PARTS STOCK**

Go to [Discount-Equipment.com](http://Discount-Equipment.com) to order your parts

## SECTION 9 - RECOMMENDED SERVICE PARTS STOCK

FIGURE 9-1. MODEL E600/J/JP & M600/J/JP STANDARD PARTS

ITEM	PART NUMBER	QTY	DESCRIPTION	REV
	Note	Ref	<b>Note: The following list will service one machine (built to current production per date on the front cover) with emergency repair parts which can be installed in the field. Parts from the list should be replaced when inventory is depleted to keep service parts stock supplied. For further information, go to <a href="http://Discount-equipment.com">Discount-equipment.com</a></b> <b>STANDARD PARTS</b>	
		Ref		
	7024013	1	Coil	
	7012944	1	Coil	
	7018991	1	Coil	
	7023224	12	Element, Hydraulic Filter	
	7023269	1	Element, Hydraulic Breather	
	7018570	2	Fuse, DC-80Amp	
	4360328	1	Switch, Toggle	
	4360475	1	Switch, Mushroom	
	4360330	1	Switch, Toggle	
	4360469	1	Switch, Key (Australian Spec)	
	4360470	1	Switch, Key (CE Spec)	
	2860030	1	Key, Replacement (Set of 2)	
	4360070	1	Breaker, Circuit	
	2940074	1	Latch	
	4360462	1	Controller, Speed	
	4360387	1	Switch, Push Button	
	4360448	1	Breaker, Circuit	
	1001178139	1	Controller (Lift and Swing)	
	1001178132	1	Controller (Drive and Steer)	





## SECTION 9 - RECOMMENDED SERVICE PARTS STOCK

FIGURE 9-2. MODEL E600/J/JP & M600/J/JP VARIABLE PARTS

ITEM	PART NUMBER	QTY	DESCRIPTION	REV
	Note	Ref	<b>Note: The following list will service one machine (built to current production per date on the front cover) with emergency repair parts which can be installed in the field. Parts from the list should be replaced when inventory is depleted to keep service parts stock supplied. For further information, go to <a href="http://Discount-equipment.com">Discount-equipment.com</a></b>	
		Ref	<b>VARIABLE PARTS</b>	
	70002947	1	Coil (4WD only)	
	70000319	1 doz	Filter, Oil (M600/J/JP Only)	
	70000321	1	Solenoid, Throttle (M600/J/JP Only)	
	70000323	1	Relay, Bosch (M600/J/JP Only)	
	70000317	1	Filter, Fuel (M600/J/JP Only)	
	70000318	12	Element, Fuel Filter (M600/J/JP Only)	
	70000289	1	Regulator, Voltage (M600/J/JP Only)	
	70000313	12	Element, Air Cleaner (M600/J/JP Only)	
	70000326	1	Module, Control (M600/J/JP Only)	
	70000329	1	Fuse, 10Amp (M600/J/JP Only)	
	70000330	1	Fuse, 20Amp (M600/J/JP Only)	
	7020654	1	Relay (110-230V/50-60Hz CE Spec)	
	7018535	1	Relay (250V/50Hz Australian Spec)	
	4360274	1	Switch, Push Button (M600/J/JP Only)	
	1001109497	1	Module, Ground Control	
	4360578	1	Switch, Limit	
	7012944	1	Coil (M600J/JP Only)	
	4360336	1	Switch, Toggle (M600J/JP Only)	
	0610128	1	Module, Platform	
	4360387	1	Switch, Push Button (Soft Touch)	
	7014676	1	U.S. Standards Tool Kit	
	2900838	1	U.S. Standards Hardware Kit	

**SECTION 10 - SPECIAL OPTIONS**

Go to Discount-Equipment.com to order your parts

# SECTION 10 - SPECIAL OPTIONS

## FIGURE 10-1. SPECIAL OPTIONS LIST

ITEM	PART NUMBER	QTY	DESCRIPTION	REV
		Ref	<b>MISCELLANEOUS SPECIAL OPTIONS:</b>	
		Ref	<b>Airline Installations - 1/2in</b>	
	0270315	Ref	<b>Airline Installations - 1/2in E600 &amp; M600</b>	
	0270437	Ref	<b>Airline Installations - 1/2in E600J &amp; M600J</b>	
	0270447	Ref	<b>Airline Installations - 1/2in E600JP &amp; M600JP</b>	
	1001125782	Ref	<b>Battery Charger Replacement Kit (Replaces MAC Charger with Delta-Q Charger)</b>	
	1001148971	Ref	<b>Bolt-on Lanyard Kit (Platform)</b>	
		Ref	<b>Boom Hose Kit Options:</b>	
	1001198663	Ref	Boom Hose Kit - E/M600	
	1001198662	Ref	Boom Hose Kit - E/M600J	
	1001198661	Ref	Boom Hose Kit - E/M600JP	
		Ref	<b>Boom Wipers Installations</b>	
	0270364	Ref	<b>Boom Wipers Installations E600 &amp; M600</b>	
	0270413	Ref	<b>Boom Wipers Installations E600J/JP &amp; M600J/JP</b>	
	0256789	Ref	<b>Camera Mounting Installation</b>	
	0270374	Ref	<b>Cold Weather Package Installation (M600/J/JP Only)</b>	
	1060626	1	Cord, Electrical - 3 Way	
	2580050	1	Heater, Immersion (Hydraulic Oil) <b>(Prior to SN 0300208323)</b>	
	1001188972	1	Heater, Immersion (Hydraulic Oil) <b>(SN 0300208323 through 0300219271)</b>	
	2580024	1	Heater, Battery	
	2580030	1	Heater, Pad	
	1702944	1	Decal - Heater Cord	
	1702941	1	Decal - Battery Heater	
	1702943	1	Decal - Hydraulic Tank Heater	
	1702942	1	Decal - Engine Block Heater	
	0258703	Ref	<b>Console Cover</b>	
	0273172	Ref	<b>Container Shipment Preparation (Wheel Installation)</b>	
		Ref	<b>Cylinder Bellows Installations</b>	
	0270014	Ref	<b>Fixed Axle (Prior to SN 0300201804)</b>	
	1001188090	Ref	<b>Fixed Axle (SN 0300201804 through 0300219271)</b>	
	0259995	Ref	<b>Oscillating Axle (Prior to SN 0300201804)</b>	
	1001188320	Ref	<b>Oscillating Axle (SN 0300201804 through 0300219271)</b>	
	0270340	Ref	<b>Cylinder Bellows Installations E600 &amp; M600</b>	
	0270314	Ref	<b>Cylinder Bellows Installations E600J/JP &amp; M600J/JP</b>	
		Ref	<b>Decal Installations Options:</b>	
	1702788	Ref	Decal - Biodegradable Hydraulic Fluid (All except German Spec)	
	1703479	Ref	Decal - Biodegradable Hydraulic Fluid (German Spec Only)	
	1704174	Ref	Decal - Biodegradable (Synthetic) Hydraulic Fluid (All Specs except German Spec)	
	1704175	Ref	Decal - Biodegradable (Synthetic) Hydraulic Fluid (German Spec)	
	1001196701	Ref	Decal - Blueline Rentals	
	1001154506	Ref	Decal - Boels Rentals	
	0274541	Ref	Decal - Head and Engquist Equipment L.L.C. (H & E)	
	1001143072	Ref	Decal - Hewitt the Rental Store (English)	
	1001143507	Ref	Decal - Hewitt the Rental Store (French)	
	1001103341	Ref	Decal - National Equipment Services (NES)	
	1702868	Ref	Decal - No Hands	

## SECTION 10 - SPECIAL OPTIONS

ITEM	PART NUMBER	QTY	DESCRIPTION	REV
	0270687	Ref	Decal - Sunbelt (Prior to SN 0300205726)	
	1001197878	Ref	Decal - Sunbelt (SN 0300205726 through 0300219271)	
	1001151115	Ref	Decal - Titan Rentals	
	1001196123	Ref	Decal - UK MOD Spec	
	0271894	Ref	Decal - United Rentals	
	4420051	Ref	Decal - Warning Strips	
		Ref	<b>Decal Kit Options:</b>	
	2910866	Ref	Decal - Kit - Platform (Prior to SN 0300139882)	
	1001119566	Ref	Decal - Kit - Platform (SN 0300139882 through 0300219271)	
		Ref	<b>Electrical Connector Kits</b>	
	1001148902	Ref	Amp Connector Kit	
	1001148903	Ref	Deutsch DT Connector Kit	
	1001148904	Ref	Deutsch HD Connector Kit	
	1001148905	Ref	Packard Connector Kit	
	1001148906	Ref	Various Connector Kit	
		Ref	<b>Filter Kits:</b>	
		Ref	<b>Combined Filter Kit (Hydraulic/Air and Fuel/Engine Oil)</b>	
	1001111002	1	Yanmar Engine (Prior to SN 0300088375)	
	1001111003	1	Kubota Engine (SN 0300088375 through 0300219271)	
		Ref	<b>Hydraulic/Air Filter</b>	
	1001109699	1	Yanmar Engine (Prior to SN 0300088375)	
	1001109701	1	Kubota Engine (SN 0300088375 through 0300219271)	
	1001110141	Ref	<b>Yanmar/Kubota Engine - Fuel/Engine Oil Filter</b>	
	4060959	Ref	<b>Footswitch Shield (Note: Move Decal to Shield)</b>	
	0272076	Ref	<b>Headlight and Taillight Installation (Prior to SN 0300196439)</b>	
	1001175432	Ref	<b>Headlight and Taillight Installation (SN 0300196439 through 0300219271)</b>	
		Ref	<b>Hydraulic Fluids Options:</b>	
	2300016	Ref	Mobil DTE 10 Excel 32	
		Ref	Mobil DTE 10 Excel 15 Options:	
	2300028	Ref	Bulk	
	70010346	Ref	One Gallon Container	
	2300029	Ref	Mobil EAL ISO 46 Bio	
	1001189164	Ref	<b>Low Temperature Cutout Installation</b>	
		Ref	<b>Platform Console Cover Options:</b>	
	0258703	Ref	Platform Console Cover (Prior to SN 0300200810)	
	See Note	Ref	Platform Console Cover (Note: Not Available) (SN 0300200810 through 0300202589)	
	1001195304	Ref	Platform Console Cover (SN 0300202590 through 0300219271)	
	1001205175	Ref	Platform Console Cover Add-on Kit	
	1001193754	Ref	<b>Platform Console/Ground Control Illumination Light Installation</b>	
	2915227	Ref	<b>Platform Conversion Kit (Changes Front Entry to Side Entry)</b>	
		Ref	<b>Platform Entry Kit</b>	
	1001142504	Ref	<b>Kit, Replace Swing Gate with Drop Bar</b>	
	1001142505	Ref	<b>Kit, Replace Drop Bar with Swing Gate</b>	
	1001144020	Ref	<b>Kit, Side Entry, Drop Bar - 30in x 6ft (76cm x 1.83m)</b>	
	1001144018	Ref	<b>Kit, Side Entry, Drop Bar - 30in x 4ft (76cm x 1.22m)</b>	
		Ref	<b>Platform Load Sensing Installation Options Only (Prior to SN 0300070237)</b>	
	0270515	Ref	Without Lift Down	
	0272023	Ref	With Lift Down	

## SECTION 10 - SPECIAL OPTIONS

ITEM	PART NUMBER	QTY	DESCRIPTION	REV
		Ref	<b>Platform Mesh Installations (Side Entry Platforms)</b>	
	0273148	Ref	<b>30in x 6ft (76cm x 1.83m) (To Top-Rail)</b>	
	0273147	Ref	<b>30in x 4ft (76cm x 1.22m) (To Top-Rail)</b>	
	1001145985	Ref	<b>30in x 6ft (76cm x 1.83m) (To Mid-Rail)</b>	
	1001140318	Ref	<b>30in x 4ft (76cm x 1.22m) (To Mid-Rail)</b>	
		Ref	<b>Platform Rail Extension Installations (Side Entry Platforms)</b>	
	0274691	Ref	<b>30in x 6ft (76cm x 1.83m)</b>	
	1001103617	Ref	<b>30in x 4ft (76cm x 1.22m)</b>	
		Ref	<b>SkyGuard Component Options:</b>	
	1001143669	Ref	SkyGuard Complete Add-on Kit	
	1001201620	Ref	SkyGuard Complete Add-on Kit	
	1001137672	Ref	SkyGuard Platform Sensor Kit	
	1001143256	Ref	SkyGuard Blue Beacon Kit	
	1001176372	Ref	SkyGuard Kit, Plug, Removal	
	1001149561	Ref	SkyGuard Kit (With Beacon)	
	1001149563	Ref	SkyGuard Kit (Without Beacon)	
		Ref	<b>Strobe Light Installations (Amber)</b>	
	1001154231	Ref	<b>Platform/Ground Mounted</b>	
	1001199878	Ref	<b>Telematics Installation (Factory Installed)</b>	
	1001200314	Ref	<b>Telematics Installation (Customer Supplied)</b>	
	1001209282	Ref	<b>Telematics - Loxam</b>	
	1001195610	Ref	<b>Telematics - United Rentals (Prior to SN 0300218567)</b>	
	1001213869	Ref	<b>Telematics - United Rentals (SN 0300218567 through 0300219271)</b>	
		Ref	<b>Tools for Service</b>	
	7002828	1	Wire Stripper	
	7002821	1	Wire Crimper (To install wire ends to wires)	
	7002823	1	Pin/Socket Extractor - Universal (To Remove Pins/Sockets from Connectors)	
	4460467	1	Extractor - 16-18 Gauge (For Removal of Pins/Sockets for Deutsch Connectors)	
	4460510	1	Extractor - 12-14 Gauge (For Removal of Pins/Sockets for Deutsch Connectors)	
	7002840	1	Anti Pin Removal Tool - (Required to Disassemble Valve 4641143 to Install Seal Kit)	
	7002822	1	Screwdriver, Potentiometer (To Adjust Drive Controllers)	
	7016654	1	Screwdriver, Magnetic	
	7004275	1	Seal Installation Tool - 1in	
	7004276	1	Seal Installation Tool - 1-1/2in	
	7002826	1	Seal Installation Tool - 2in	
	2901443	1	Analyzer, Machine	
	1001137005	1	Software Cable Kit	
	1001200913	Ref	<b>Trickle Charger Installation</b>	
	0257728	Ref	<b>Tube Rack Installation</b>	
		Ref	<b>Weld Leads Installations</b>	
	0270363	Ref	Weld Leads Installations E600 & M600	
	0270436	Ref	Weld Leads Installations E600J & M600J	
	0270448	Ref	Weld Leads Installations E600JP & M600JP	

**PART NUMBER INDEX**

Go to [Discount-Equipment.com](http://Discount-Equipment.com) to order your parts

# PART NUMBER INDEX

0060049.....	109, 125	0259956 ....	133, 227, 239	0270708 .....	251	0275667.....	235
0060050.....	113, 125	0259957 ....	133, 227, 239	0270709 .....	251	0362609.....	134
0060056.....	117, 125	0259958 .....	63, 72, 106	0270710 .....	251	0362763.....	11, 15
0060057.....	117, 125	0259961 .....	97, 106	0270711 .....	251	0362772.....	133
0060096.....	113, 125	0259995 .....	266	0270720 .....	11	0362910.....	41
0080233.....	19	0270004 .....	15	0270721 .....	15	0362929.....	110, 114, 117
0100009.....	147, 151	0270005 .....	133	0270722 .....	11	0362954.....	11, 15
0100010.....	137	0270014 .....	266	0270752 .....	53	0400190.....	79, 83
0100011....	11, 13, 15, 16, 35, 41, 47, 53, 54, 63, 67, 71, 72, 79, 85, 89, 94, 97, 101, 105, 106, 109, 113, 117, 121, 122, 129, 133, 137, 141, 169, 171, 175, 182, 185, 191, 195, 201, 205, 207	0270015 .....	129	0270857 .....	16, 19, 35	0400191.....	79, 83
0100019....	12, 16, 19, 41, 53, 110, 114, 118	0270018 .....	147, 152	0270865 .....	251	0400201.....	63, 67
0100020.....	63, 67, 218	0270019 .....	147, 152	0270866 .....	63	0400202.....	85, 89
0100035....	101, 133, 146, 151	0270031 .....	251, 257	0270867 .....	63, 72	0440161.....	16
0100038....	182, 185, 191, 195, 201, 205, 207	0270032 .....	251, 257	0270869 .....	251, 257	0440162.....	13, 41
0100040.....	137	0270033 .....	251, 257	0271642 .....	63	0440240.....	53
0100048.....	85, 89	0270034 .....	251, 257	0271643 .....	63	0561185.....	121
0100051.....	85, 89	0270035 .....	251, 257	0271894 .....	267	0561371....	11, 12, 15, 16
0100071.....	177	0270036 .....	251, 257	0272023 .....	267	0561380....	109, 113, 117
0100081.....	106, 123	0270042 .....	79	0272070 .....	129	0610128.....	146, 264
0140011.....	146, 151	0270043 .....	79	0272076 .....	267	0610131.....	79, 243
0140028.....	47	0270045 .....	133	0272154 .....	142	0610139.....	97
0140031.....	101	0270054 .....	20	0272529 .....	101	0610166.....	97
0200048.....	169, 171	0270055 .....	20	0272690 .....	20	0630462.....	169, 171
0239585.....	53	0270056 .....	20	0272691 .....	20	0630464....	85, 146, 151
0256789.....	266	0270057 .....	19	0272692 .....	20	0630467.....	129
0257728.....	268	0270060 .....	19	0272693 .....	19	0630491.....	101
0258304.....	232, 245	0270061 .....	19	0272694 .....	19	0630534.....	185, 191
0258703.....	266, 267	0270072 .....	101, 106	0272695 .....	19	0630535.....	205, 207
0259338....	138, 143, 147, 152	0270081 .....	101	0272971 ...	137, 142, 227, 239	0630536.....	195, 197
0259548.....	109	0270096 .....	47, 129	0273089 .....	145	0630539....	110, 114, 117
0259549.....	113	0270097 .....	47, 129	0273096 .....	95	0630568.....	152
0259666.....	95	0270098 .....	47, 129	0273097 .....	93	0641403.....	134
0259667.....	95	0270114 .....	101	0273097 .....	93	0641404.....	35, 99, 147
0259668.....	93	0270118 .....	63	0273098 .....	93	0641405.....	79, 151
0259669.....	93	0270132 .....	251	0273099 .....	93	0641406....	68, 72, 79, 101, 102, 114, 117, 137, 142
0259670.....	95	0270134 .....	251	0273147 .....	268	0641407.....	105
0259671.....	147, 152	0270136 .....	251	0273148 .....	268	0641408....	68, 137, 253, 257
0259672.....	93	0270138 .....	251	0273172 .....	266	0641410.....	142
0259741..	19, 35, 229, 242	0270140 .....	251	0273206 .....	251	0641414 11, 15, 138, 143, 169, 171, 175, 177	
0259742.....	85	0270142 .....	251	0273207 .....	251	0641418.....	137, 141
0259755.....	12	0270144 .....	251	0273381 .....	173	0641424.....	11, 15
0259756.....	11	0270203 .....	102, 222	0274284 19, 35, 229, 242		0641504.....	35, 41
0259827.....	11	0270279 .....	117	0274323 .....	171	0641505.....	35
0259830.....	105	0270314 .....	266	0274382 .....	173	0641506....	89, 105, 173
0259836.....	35	0270315 .....	266	0274412 .....	251	0641507.....	47, 71
0259837.....	122	0270340 .....	266	0274541 .....	266	0641508.....	68, 105
0259838.....	122	0270363 .....	268	0274691 .....	268	0641510.....	85, 89
0259849.....	53	0270364 .....	266	0274707 .....	67, 72, 106	0641511.....	71
0259854.....	53	0270374 .....	266	0275062 .....	257	0641514.....	106
0259862.....	53	0270405 ....	147, 152, 169	0275216 ...	232, 234, 245, 247	0641516.....	173
0259937.....	251, 257	0270413 .....	266	0275217 ...	232, 234, 245, 247	0641518.....	114, 117
0259941.....	15	0270436 .....	268	0275218 ...	232, 234, 246, 247	0641522.....	85
0259942.....	16, 19, 35	0270437 .....	266	0275219 ...	232, 234, 246, 247	0641604.....	35, 109
0259944.....	71	0270447 .....	266	0275452 ...	232, 234, 245, 247	0641606....	13, 16, 41, 47, 54, 68, 71, 72, 105, 106, 109, 113, 117, 121, 122, 129, 205, 207
0259955....	133, 227, 239	0270448 .....	268	0275453 ...	232, 234, 245, 247	0641607... 13, 16, 41, 105, 117, 121	
		0270515 .....	267	0275454 ...	232, 234, 245, 247	0641608....	11, 15, 36, 41, 109, 113, 117, 121, 122
		0270525 .....	11	0275663 .....	235	0641609.....	19, 121
		0270526 .....	41	0275664 .....	235	0641610 11, 15, 105, 142, 145	
		0270527 .....	41	0275665 .....	235		
		0270528 .....	41	0275666 .....	235		
		0270532 .....	129				
		0270629 .....	42				
		0270630 .....	42				
		0270687 .....	267				
		0270706 .....	251				
		0270707 .....	251				



## PART NUMBER INDEX

0641611 ..... 122	0861318 ..... 145	1001097150 ..... 233, 247	1001141968 ..... 233, 246
0641612 ..... 53, 105, 109, 113, 117, 133	0861319 ..... 145	1001102534 ..... 85, 89	1001141969 ..... 233, 246
0641614 ... 11, 15, 63, 67, 68, 71, 97, 99	0861326 ..... 145	1001103105 ..... 80	1001142504 ..... 267
0641616 ... 113, 117, 121, 173	0861336 ..... 97, 229, 241	1001103341 ..... 266	1001142505 ..... 267
0641618 ..... 68, 110, 113, 117	0861533 ..... 145	1001103617 ..... 268	1001142694 ..... 102, 103
0641620 ..... 122	0861537 ..... 145	1001106477 ..... 133	1001143072 ..... 266
0641622 ..... 11, 15, 123	0861731 ..... 232, 246	1001106481 ..... 134	1001143256 ..... 268
0641640 ..... 122	0861781 ..... 232, 246	1001107677 ..... 146	1001143431 ..... 102
0641660 ..... 63, 67	0861880 ..... 233, 247	1001109475 ..... 233, 246	1001143507 ..... 266
0641808 ..... 85	0902575 ..... 146	1001109482 ..... 233, 246	1001143669 ..... 268
0641810 ..... 117	0902588 ..... 147	1001109497 ... 97, 99, 264	1001144018 ..... 141, 267
0641811 ..... 113	0902640 ..... 64	1001109498 ..... 146, 151	1001144020 ..... 141, 267
0641812 11, 15, 117, 129, 173	0902659 ..... 63, 67	1001109503 ..... 93	1001144025 ..... 141
0641820 ..... 89, 129	0903484 ..... 233, 246	1001109699 ..... 267	1001144027 ..... 141
0641826 ..... 19	0903611 ..... 233, 246	1001109701 ..... 267	1001144433 ..... 152
0642010 ..... 11, 15, 41	0920115 ..... 19, 23	1001109860 ..... 226, 238	1001144629 ..... 141
0642012 ... 109, 113, 117	0940088 ..... 105	1001110141 ..... 267	1001145985 ..... 268
0642030 ..... 13, 16, 41	0940091 ..... 173	1001110226 ..... 146, 152	1001148902 ..... 267
0642216 ... 109, 113, 117	0940092 ... 169, 171, 173	1001110435 ..... 151	1001148903 ..... 267
0642612 ..... 102	0940093 ..... 173	1001111002 ..... 267	1001148904 ..... 267
0642682 ..... 129	0940094 ... 169, 171, 173	1001111003 ..... 267	1001148905 ..... 267
0642684 ..... 125, 129	0940167 ..... 171	10011113045 ..... 80, 243	1001148906 ..... 267
0681606 ..... 129	0940169 ..... 173	1001116031 ..... 54	1001148971 ..... 266
0681610 ..... 129	0961845 ..... 137, 141	1001116106 ..... 54	1001149561 ..... 268
0681812 ..... 19	0961890 ..... 182	1001116136 ..... 54	1001149563 ..... 268
0682011 ..... 19	0961893 ..... 185, 191	1001116368 ..... 226, 238	1001149570 ..... 102, 103, 248
0682012 ..... 19	0961898 ..... 195	1001116521 ..... 229, 242	1001149571 ..... 152
0682026 ..... 53	0961902 ..... 205, 207	1001116528 ..... 229, 241	1001149818 ..... 102, 235, 248
0682216 ..... 53	0961947 ... 113, 117, 125, 185, 191, 193	1001116811 ..... 244	1001149955 ..... 101
0700812 ..... 71	0961948 ..... 16, 121	1001116812 ..... 242	1001149994 ..... 102
0720804 ..... 146, 151	0961950 ..... 11, 15, 195	1001117172 ..... 137, 142	1001150406 ..... 101
0721004 ..... 41	0961951 13, 42, 110, 113, 117, 125, 185, 189, 191, 193, 199	1001117320 ..... 142	1001151115 ..... 267
0721006 ..... 147	0962140 ..... 182	1001118418 ..... 145, 163, 165	1001151393 ..... 95
0721008 ..... 101	0962185 ..... 185	1001118419 ..... 145, 157	1001151395 ..... 13, 42
0731005 ..... 169, 171	0962224 ..... 195	1001119566 ..... 267	1001151428 ..... 13, 42
0741005 ..... 47	0962257 ... 114, 118, 125	1001120328 ..... 175	1001151817 ..... 152
0741606 ... 101, 110, 114, 118	0962292 ... 13, 17, 41, 42, 113, 117	1001125430 ..... 80	1001151871 ..... 152
0741607 ..... 41, 109, 113, 117	0962297 ... 109, 113, 117, 121	1001125778 ..... 79	1001153731 ..... 232, 245
0801200 ..... 109, 121	0962348 ..... 41	1001125781 ..... 79	1001153732 ..... 232, 245
0801201 ..... 121	0962395 ..... 182	100112582 ..... 266	1001154131 ..... 142
0801202 ..... 121	0962466 ..... 182	1001126185 ..... 80, 243	1001154133 ..... 145
0801207 ..... 113, 121	0962474 ..... 182	1001132175 ..... 146, 151	1001154137 ..... 226, 238
0801208 ..... 121	1001091944 ..... 232, 245	1001136889 ..... 137, 142, 151, 227, 239	1001154231 ..... 268
0801209 ..... 121	1001091945 ..... 232, 245	1001137005 ..... 235, 248, 268	1001154506 ..... 266
0801237 ..... 121	1001091946 ..... 232, 245	1001137672 ..... 268	1001155044 ..... 147, 152
0801238 ..... 121	1001091947 ..... 232, 245	1001137673 ..... 175	1001155045 ..... 145, 152
0801239 ..... 117, 121	1001091948 ..... 232, 245	1001138431 ..... 141	1001156351 ..... 234, 247
0801582 ..... 121	1001091949 ..... 232, 245	1001138433 ..... 141	1001156352 ..... 234, 247
0801583 ..... 121	1001091950 ..... 232, 245	1001138494 ..... 142	1001156428 ..... 17
0801599 ..... 121	1001092206 ..... 79	1001138514 ..... 142	1001156429 ..... 17
0801606 ..... 121	1001092566 ..... 47, 49	1001140281 ... 13, 16, 41, 203	1001156430 ..... 17
0801611 ..... 121	1001092586 ..... 35, 39	1001140282 ..... 113, 117, 193	1001158612 ..... 101
0840031 ..... 85, 89	1001093687 ..... 258	1001140318 ..... 268	1001159256 ..... 146, 152
0840032 ..... 85, 89	1001094670 ..... 114, 118	1001140429 ..... 142	1001159355 ..... 68
0840048 ..... 85, 89	1001096148 ..... 89	1001140596 ..... 113, 117, 189	1001159357 ..... 67, 68
0840049 ..... 85, 89	1001096188 ..... 243	1001141053 ..... 145	1001159359 .. 67, 72, 106
0860520 ..... 253, 257	1001096618 ..... 232, 245	1001141057 ..... 142	1001162453 ..... 232, 245
0861215 ..... 145	1001096619 ..... 133, 227, 239	1001141300 ..... 152	1001162843 ..... 79, 243
0861316 ..... 93, 94	1001096626 ..... 234, 247	1001141302 ..... 152	1001162846 ..... 85
0861317 ..... 97	1001096926 ..... 233, 234, 246, 247	1001141967 ..... 233, 246	1001172260 ..... 89
			1001172285 ... 85, 89, 90, 244
			1001172876 ..... 89
			1001173337 ..... 89
			1001173547 ..... 105
			1001173548 ..... 105

# PART NUMBER INDEX

1001173703.....259	1001194212 ..... 89, 244	1060822 63, 67, 230, 243	1683876.... 109, 113, 117, 195
1001174392.....89	1001194238 ..... 90, 244	1060827 ..... 102	1683877..... 195
1001174542.....105	1001195304 ..... 267	1060828 ..... 102	1683879..... 195
1001174888.....99	1001195610 ..... 268	1060848 ..... 85, 89	1683898..... 201
1001174891.....71	1001196117 ..... 67	1060884 ..... 85, 89	1683900..... 205
1001175087.....53	1001196123 ..... 267	1060903 ..... 169, 171	1683902..... 205
1001175088.....53	1001196512 .. 67, 72, 106	1060908 ..... 233, 247	1683905..... 205
1001175273.....99	1001196701 ..... 266	1061026 ..... 134	1683907..... 205
1001175431.....99	1001196783 ..... 94	10837580 ..... 49, 50	1683910..... 195
1001175432.....267	1001196784 ..... 94	1100120 ..... 11, 15	1683926.... 113, 117, 185
1001175521.....105	1001196785 ..... 94	1100124 ..... 11, 15	1683927..... 185
1001175575.....105	1001197017 ..... 171	1120487 ..... 72	1683929..... 185
1001175596.....105	1001197067 ..... 103	1180356 ..... 122	1683931... 11, 12, 15, 181
1001175597.....152	1001197878 ..... 267	1180357 ..... 122	1683959.... 113, 117, 191
1001175625.....145	1001198661 ..... 266	1260017 ..... 54	1683960..... 191
1001175627.....145	1001198662 ..... 266	1283102 ..... 220	1683961..... 191
1001175997.....147	1001198663 ..... 266	1283240 ..... 220	1684008..... 205
1001176360..... 232, 245	1001199878 ..... 268	1320022 ..... 63, 67	1684009..... 121, 205
1001176372.....268	1001200314 ..... 268	1320070 ..... 47, 114, 117	1684010..... 121, 205
1001176469.....93	1001200910 ..... 102	1320135 ..... 67	1684071... 11, 12, 15, 181
1001176711 ..... 86, 89	1001200913 ..... 268	1320159 ..... 85, 89	1684072..... 182
1001178132..... 145, 152, 167, 262	1001201620 ..... 268	1320172 ..... 231, 244	1684129... 11, 12, 15, 181
1001178139..... 145, 152, 159, 262	1001205175 ..... 267	1320249 ..... 122	1684130..... 182
1001179842.....89	1001206700 ..... 102	1320256 ..... 133	1684138..... 182
1001181045..... 233, 247	1001207317 ..... 102	1320263 ..... 134	1684139..... 181
1001182138..... 177	1001208628 ..... 68	1320271 ..... 53	1684419... 11, 12, 15, 181
1001182701.....94	1001209282 ..... 268	1320272 ..... 53	1693292..... 253
1001182702.....94	1001213869 ..... 268	1320277 .... 110, 114, 117	1693294..... 253
1001182703.....94	1001214029 ..... 259	1320288 ..... 122	1700584..... 253, 257
1001185281 ..... 152	1001228014 .... 109, 113, 117, 197	1380136 ..... 47	1701242..... 253
1001186375..... 141	1001228017 .... 121, 122, 207	1580012 ..... 138, 143	1701499..... 254, 258
1001186378..... 141	1060279 ..... 253, 257	1580013 ..... 138, 143	1701500..... 253, 257
1001186385..... 141	1060330 .... 142, 227, 239	1600273 ..... 145, 163	1701501..... 253, 258
1001186387..... 141	1060341 ... 101, 133, 227, 231, 239, 244	1600274 ..... 145, 155	1701502..... 252, 257
1001186517 ..... 175	1060461 ... 227, 234, 239, 247	1600293 ..... 35	1701503..... 252, 257
1001187420..... 241	1060494 .... 171, 234, 248	1600294 35, 36, 230, 242	1701504..... 252, 257
1001187508..... 175	1060584 ..... 41	1600302 ..... 35	1701505.63, 67, 254, 258
1001188025..... 93	1060626 ..... 266	1670824 ..... 134	1701509..... 253, 257
1001188026..... 93	1060641 ..... 240	1670829 ..... 146, 151	1701517..... 255, 258
1001188027..... 94	1060677 ..... 227, 239	1670836 ..... 121	1701518..... 42, 252, 253, 257
1001188037..... 93, 94	1060780 ..... 227, 239	1670911 .... 109, 113, 117	1701529..... 253, 257
1001188058..... 93	1060781 ..... 227, 239	1670912 .... 109, 113, 117	1701600..... 253
1001188090..... 266	1060782 ..... 230, 242	1670913 .... 109, 113, 117	1701644..... 253, 257
1001188320..... 266	1060783 ..... 230, 242	1670928 .... 109, 113, 117	1701645..... 252
1001188889..... 175	1060784 ..... 230, 242	1670930 ..... 105	1701691..... 173
1001188972..... 266	1060785 ..... 230, 242	1670954 ..... 254, 258	1701791..... 253
1001189074..... 152, 239	1060786 ..... 230, 242	1670960 ..... 109	1702155..... 253, 258
1001189075..... 152, 239	1060787 ..... 230, 242	1670964 ..... 129	1702159..... 253, 257
1001189116..... 152	1060788 ..... 230, 242	1671037 ..... 147	1702157..... 255, 258
1001189164..... 267	1060791 ..... 230, 242	1671092 ..... 234, 247	1702158..... 42, 252, 253, 257
1001189196..... 102	1060792 ..... 230, 242	1671093 ..... 234, 247	1702159..... 253, 257
1001189725..... 142	1060793 ..... 230, 242	1671099 ..... 234, 247	1702160..... 253, 257
1001189726..... 142	1060794 ..... 71, 230, 243	1671099 ..... 234, 247	1702161..... 252
1001189731..... 151	1060795 ..... 71, 230, 243	1683050 ..... 185	1702162..... 252
1001189732..... 151	1060799 ..... 36, 231, 244	1683051 ..... 191	1702168..... 252
1001189882..... 258	1060800 ..... 228, 240	1683053 ..... 185	1702169..... 252
1001191536..... 222, 241	1060803. 85, 89, 90, 231, 244	1683076 ..... 182	1702170..... 252
1001191596..... 105	1060804. 85, 89, 231, 244	1683572 ..... 181	1702171..... 252
1001191597..... 105	1060813 ..... 79, 231, 243	1683574 ..... 181, 182	1702172..... 252, 257
1001191708..... 177	1060814 ..... 79, 231	1683575 ..... 12, 181	1702173..... 252, 257
1001192373..... 105	1060819.63, 67, 230, 243	1683848 ..... 201	1702174..... 252, 257
1001192401..... 242	1060820.63, 67, 230, 243	1683850 ..... 201	1702175..... 252, 257
1001193018..... 233, 246	1060821.63, 67, 230, 243	1683851 .. 13, 16, 41, 201	1702176..... 252, 257
1001193754..... 267		1683855 ..... 109, 199	1702177..... 252, 257
1001194037..... 90, 244		1683865 ..... 109, 199	1702178..... 266
		1683866 .... 113, 117, 199	1702179..... 266
		1683867 ..... 109, 185	1702180..... 266
		1683868 ..... 185	1702181..... 266
		1683870 ..... 185	1702182..... 266

## PART NUMBER INDEX

1702944.....	266	1704724.....	254, 258	2220490.....	213	2752648.....	211
1702984.....	253	1704728.....	255, 258	2220497.....	211	2752649.....	213
1702988.....	253	1704767.....	251	2220500.....	217	2752977.....	213, 215
1702992.....	253	1704808.....	251	2220502.....	217	2753002.....	215
1702996.....	253	1704809.....	251	2220504.....	217	2753010.....	217
1703000.....	253	1704810.....	251	2220550.....	217	2753118.....	211
1703450.....	42	1704811.....	251	2220578.....	218	2753390.....	218
1703479.....	266	1704812.....	251	2220582.....	213, 215	2753440.....	217
1703518.....	253	1704813.....	252	2220596.....	217	2753441.....	217
1703799.....	251	1704814.....	252	2220602.....	217	2753442.....	218
1703806.....	251	1704815.....	252	2220603.....	213, 217	2753443.....	217
1703813.....	254	1704816.....	252	2220606.....	217	2753444.....	217
1703913.....	251	1704817.....	252	2220635.....	213	2753445.....	217
1703915.....	251	1704818.....	252	2220711.....	215	2753446.....	218
1703917.....	251	1704885.....	255, 258	2220739.....	217	2753447.....	217
1703919.....	251	1705084.....	252, 257	2220794.....	67	2753448.....	218
1703992.....	251	1705170.....	148, 152	2220828.....	211	2753449.....	218
1704174.....	266	1705246.....	253	2220873.....	217	2753450.....	218
1704175.....	266	1705256.....	254	2220883.....	185, 195, 197	2753451.....	217
1704192.....	146	1705259.....	253	2220885.....	182, 185, 191, 205, 207	2753452.....	211
1704200.....	252, 257	1705268.....	252	2220899.....	211	2753453.....	217
1704239.....	146	1705270.....	251	2220934.....	217	2753454.....	217
1704240.....	146, 151	1705271.....	252	2220947.....	217	2753455.....	217
1704248.....	253	1705275.....	253	2220950.....	217	2753456.....	217
1704254.....	254, 258	1705277.....	254	2220950.....	217	2753457.....	218
1704260.....	146, 151	1705325.....	233, 246	2220998.....	211	2753458.....	217, 218
1704277.....	252, 257	1705410.....	252	2221033.....	218	2753459.....	211
1704286.....	254, 258	1705670.....	254, 258	2221034.....	213	2753460.....	211
1704323.....	253	1705733.....	94	2221043.....	215	2753461.....	211
1704324.....	253	1705734.....	94	2221046.....	67	2753462.....	217
1704325.....	253	1705735.....	94	2221047.....	67	2753463.....	218
1704326.....	253	1705822.....	252, 257	2221061.....	217	2753464.....	218
1704327.....	253	1705921.....	251, 257	2221063.....	217	2753469.....	218
1704334.....	254	1705928.....	253, 257	2221074.....	213, 215	2753470.....	218
1704335.....	254	1705978.....	252, 257	2230031.....	218	2753491.....	218
1704336.....	254	1706377.....	254, 258	2230033.....	218	2753492.....	218
1704337.....	254	1706378.....	253, 258	2300016.....	267	2753493.....	218
1704338.....	254	1706392.....	253, 258	2300028.....	267	2753494.....	218
1704358.....	254, 258	1706899.....	254, 258	2300029.....	267	2760105.....	146, 151
1704359.....	254, 258	1706935.....	94	2400060.....	242	2780236.....	19, 25
1704360.....	254, 258	1706936.....	94	2400080.....	63	2780245.....	13, 41, 42
1704361.....	254, 258	1706937.....	94	2400093.....	233, 246	2780282.....	19, 29
1704362.....	254, 258	1810133.....	93, 94	2420106.....	93	2792404.....	215, 220
1704412.....	253, 258	1870109.....	222	2460023.....	102	2792422.....	220
1704422.....	146, 151	1870226.....	222	2460037.....	102	2792423.....	211, 220
1704428.....	94	2000330.....	67, 68	2540020.....	85, 89	2792424.....	220
1704442.....	94	2000333.....	68	2560136.....	146, 151	2792425.....	220
1704443.....	94	2080040.....	137, 141	2580024.....	266	2792426.....	220
1704455.....	42	2080051.....	105	2580030.....	266	2792427.....	217, 220
1704456.....	42	2160002.....	53	2580050.....	266	2792428.....	217, 220
1704482.....	42	2180344.....	53	2600211.....	145	2792451.....	220
1704490.....	252, 257	2200222.....	63, 67	2600219.....	137	2792452.....	220
1704491.....	252, 257	2220063.....	53, 63, 67	2600262.....	105	2792453.....	220
1704492.....	252, 257	2220238.....	217	2600281.....	141	2792456.....	213, 220
1704493.....	252, 257	2220273.....	53, 63, 67	2680468.....	105	2792459.....	220
1704494.....	252, 257	2220315.....	63, 67	2680477.....	105	2792460.....	217, 220
1704495.....	252, 257	2220371.....	211, 213, 215, 217	2680482.....	106	2792461.....	217, 220
1704578.....	42	2220373.....	211, 217	2720058.....	63, 67	2792462.....	217, 220
1704662.....	252	2220374.....	211	2720271.....	67	2792476.....	220
1704663.....	252	2220414.....	217	2751095.....	53	2792477.....	220
1704664.....	252	2220415.....	213, 215, 217	2752444.....	217	2792478.....	220
1704665.....	252	2220428.....	217	2752463.....	213	2820035.....	101, 138, 143
1704666.....	252	2220429.....	217	2752471.....	215	2820122.....	106
1704669.....	252	2220435.....	217	2752479.....	213	2820123.....	106
1704705.....	253, 257	2220451.....	217	2752498.....	217	2820124.....	63
1704708.....	253, 257	2220466.....	217	2752588.....	213	2820126.....	106
1704723.....	255, 258			2752631.....	213, 215	2820232.....	67

# PART NUMBER INDEX

2860030.....	95, 262	3311001.....	79, 101, 137, 141	3422813.....	12, 16	3572448.....	123
2900770.....	126, 182, 195	3311005.....	47, 54, 85, 101, 102, 146, 147, 151	3422817.....	13, 16, 42	3572490.....	42
2900792.....	186, 189, 191, 193, 195	3311401.....	85, 89, 105, 137, 169, 171	3422819.....	16	3572506.....	41
2900838.....	264	3311405.....	68, 85, 99, 102, 114, 118, 138, 142, 143, 254, 258	3422830.....	109, 114, 118	3572551.....	114, 118
2901443.....	235, 248, 268	3311408.....	79	3422833.....	109, 114, 118	3572628.....	53
2901548.....	182	3311501.....	35, 85, 114, 118, 169, 171	3422834.....	109, 114, 118	3575705.....	171
2901549.....	186	3311505.....	47, 68, 71, 85, 89, 105, 173	3422841.....	41	3600310.....	71, 75
2901810.....	191	3311508.....	90	3422847.....	41	3641586.....	173
2901875.....	201	3311601.....	36, 71, 105, 145, 152	3422848.....	42	3760133.....	122
2901883.....	230, 243	3311605.....	12, 15, 63, 67, 68, 97, 99, 105, 106, 113, 118, 122, 129, 142, 146, 173, 254, 258	3422885.....	109	3760170.....	41, 54, 85, 89
2901886.....	195, 197	3311805.....	113, 118, 129, 173	3440824.....	12, 16	3760367.....	182, 185, 191
2901901.....	186	3312002.....	53	3441260.....	53	3760368.....	185, 201
2901913.....	63, 67, 230, 243	3321501.....	105	3450304.....	145	3760372.....	195
2902019.....	205, 207	3322202.....	12, 13, 15, 16, 41	3450812.....	13, 16, 42	3790012.....	93, 95, 97, 99, 146, 147, 151, 152
2902423.....	63	3323003.....	13, 41	3460492.....	67	3820001.....	42, 253, 257
2902549.....	233, 246	3323403.....	16	3470003.....	145, 152	3820017.....	89
2910866.....	267	3340764.....	122	3480232.....	185	3820020.....	141
2915227.....	267	3340787.....	122	3480249.....	191	3841143.....	12, 13, 16, 42, 109, 114, 118
2920028.....	151	3340837.....	11, 12, 15	3480257.....	205	3841203.....	114, 118
2920029.....	151	3340860.....	53, 110, 114, 118	3480258.....	195	3841258.....	11, 12, 15, 16, 109, 114, 118
2920095.....	138, 143, 232, 245	3340861.....	110, 114, 118, 122	3480260.....	185	3841287.....	109, 114, 118
2920129.....	226, 234, 238, 248	3340871.....	122	3510716.....	137	3841340.....	71, 110
2920146.....	101	3340873.....	109, 113, 118	3510717.....	137	3841443.....	12, 13, 16, 42
2920151.....	95	3340877.....	106	3510742.....	137	3900085.....	102
2920161.....	102	3340880.....	205, 207	3510749.....	137	3900128.....	102
2940042.....	35	3340881.....	122	3510830.....	141	3900139.....	185
2940074.....	137, 141, 262	3340896.....	123	3510832.....	141	3900205.....	141
2940095.....	89	3340901.....	123	3520026.....	93	3900224.....	145
2940124.....	106	3340939.....	123	3520028.....	93, 146	3900232.....	105
2940129.....	85	3340941.....	122	3520030.....	146, 151	3900259.....	122
3000014.....	85, 89	3380434.....	137, 142	3520031.....	85, 89	3900262.....	53
3020008.....	19	3380620.....	68	3520034.....	12, 16, 110, 114, 118	3900280.....	109, 114, 118
3020037.....	19, 71	3420156.....	145	3520054.....	146, 151	3900282.....	105
3160240.....	19	3420372.....	41	3520064.....	35	3900283.....	36, 47, 94, 105, 106, 123, 254, 258
3160246.....	53, 57	3420447.....	41	3520072.....	137, 141, 173	3900284.....	53
3160251.....	19, 33	3421565.....	41, 54	3520172.....	137	3900293.....	53
3160252.....	71, 77	3421627.....	53	3520182.....	177	3900295.....	42
3160257.....	53, 60	3422457.....	122	3520198.....	141, 142	3900296.....	42
3200425.....	68	3422568.....	109, 113, 118	3536089.....	138, 143	3910612.....	146
3220120.....	64	3422576.....	118	3537903.....	101	3910636.....	35
3220123.....	64	3422578.....	12, 16, 109	3538758.....	122	3910804.....	95
3250872.....	42	3422582.....	109	3539055.....	134	3911008.....	137
3252347.....	253	3422583.....	113, 118	3539685.....	137	3911012.....	102
3252507.....	233, 246	3422592.....	11, 12, 15, 16	3539719.....	169	3911014.....	101
3252663.....	93	3422692.....	13, 42	3570901.....	11, 15	3911016.....	79, 80
3252673.....	254	3422791.....	113, 118	3571222.....	147	3911432.....	89
3252692.....	42	3422792.....	113, 118	3571584.....	79	3911436.....	85
3252733.....	254	3422793.....	114	3571709.....	13, 16, 42	3930816.....	134
3252734.....	254	3422794.....	114, 118	3571797.....	35	3930828.....	101
3252735.....	254	3422808.....	109, 114, 118	3571856.....	106	3931010.....	54
3252736.....	254	3422811.....	109, 114, 118	3571857.....	106	3931016.....	151
3252737.....	254			3571858.....	106	3931424.....	175
3272605.....	125, 129			3571974.....	105	3931448.....	205, 207
3290606.....	141			3572009.....	41	3931516.....	182, 185, 191, 201
3300151.....	137, 141			3572010.....	41	3931528.....	205, 207
3300353.....	99			3572011.....	41	3931616.....	110, 114, 118
3300396.....	97, 99			3572012.....	41	3931672.....	145
3300426.....	19			3572040.....	205, 207	3931824.....	53
3300430.....	175, 177			3572055.....	35	3932032.....	195, 197
3310601.....	35, 97, 99, 146, 151			3572063.....	105	3932232.....	53
3310801.....	89			3572064.....	53	3941405.....	169
3310805.....	101			3572179.....	106	3952020.....	53
				3572328.....	35		
				3572348.....	106		
				3572349.....	106		
				3572403.....	64		

## PART NUMBER INDEX

3960389 .... 63, 64, 67, 68	4360475 .... 93, 146, 151,	227, 232, 234, 239,	4460957 ..... 233, 247
396041867, 68, 109, 114,	262	245, 248	4460968 ..... 101, 134
118	4360476 ..... 93, 146, 151	4460434 .... 226, 228, 229,	4461196 .... 233, 235, 246
3960447 ..... 35, 93	4360517 ..... 54, 230, 242	238, 240, 241, 242	4461198 ..... 233, 246
3960464 ..... 106	4360522 ..... 147, 152	4460444 ..... 229, 243	4461199 .... 233, 235, 246
3980035 ..... 63, 67	4360549 ..... 101, 134	4460449 .... 228, 229, 230,	4461201 ..... 233, 246
3990106 ..... 97, 99	4360578 .... 101, 134, 264	240, 241, 243	4461202 .... 233, 235, 246
3990107 ..... 19	4393387 ..... 241	4460458 ..... 229, 241	4461204 ..... 233, 246
4010618 ..... 142	4400424 ..... 71	4460464 .... 102, 103, 133,	4461205 .... 233, 235, 246
4031707 ..... 57	4400430 ..... 72	134, 142, 226, 227,	4461207 ..... 233, 246
4032011 ..... 57	4400455 ..... 71	228, 229, 231, 235,	4461244 ..... 233, 246
4060803 ..... 137	4420038 ..... 71	238, 239, 240, 241,	4461245 ..... 233, 246
4060805 ..... 110	4420051 ..... 43, 267	243, 244, 245, 248	4461246 ..... 233, 246
4060808 ..... 35	4420055 ..... 137	4460465 .... 101, 133, 134,	4461249 .... 233, 235, 246
4060865 ..... 101, 102	4420060 ..... 134	227, 228, 229, 232,	4520236 ..... 20
4060906 ..... 93, 94	4420068 .... 169, 171, 173	239, 240, 241, 242,	4520264 ..... 20
4060959 ..... 267	4460007 ..... 97, 99	245, 248	4566468 ..... 185
4070863 ..... 122	4460025 ..... 231, 244	4460466 ..... 244	4567139 ..... 217
4070864 ..... 122	4460049 ..... 169, 171	4460467 .... 146, 235, 248,	4567518 ..... 134
4070897 ... 11, 12, 15, 16,	4460071 ... 137, 142, 227,	268	4567996 ..... 85
122	239	4460488 ..... 146, 151	4568030 ..... 205
4070898 ... 11, 12, 15, 16,	4460224 ..... 231, 243	4460492 .... 227, 228, 239,	4568068 ..... 185
122	4460225 ... 226, 228, 229,	240	4568100 ..... 63
4070929 ..... 122	230, 231, 238, 240,	446049697, 99, 133, 146,	4568133 ..... 41
4070969 ..... 122	241, 242, 243, 245, 248	151, 227, 229, 239, 241	4568220 ..... 85
4070972 ..... 11, 15	4460226 .... 95, 142, 155,	446049797, 99, 133, 146,	4640113 ..... 20
4070973 ..... 11, 15	160, 163, 165, 167,	151, 227, 229, 239, 241	4640261 ..... 41
4070974 ..... 11, 15	226, 227, 228, 229,	4460509 ..... 243	4640438 ..... 195, 197
4070987 ..... 95	230, 231, 234, 235,	4460510 ..... 235, 248, 268	4640509 ... 186, 189, 191,
4071009 ..... 53	238, 239, 240, 241,	4460536 .... 133, 134, 228,	193, 195, 197
4071010 ..... 53	242, 243, 244, 245, 248	240	4640741 ..... 60
4120035 ... 226, 234, 238,	4460227 ... 226, 227, 228,	4460539 .... 133, 134, 228,	4640858 ..... 182
248	229, 230, 231, 235,	240	4640861 ..... 218
4160184 ..... 105	238, 239, 240, 241,	4460633 ..... 233, 247	4640871 ..... 12, 16
4160185 ..... 85, 89	242, 243, 244, 248	4460634 ..... 226, 238	4640932 ..... 186, 189
4160187 .... 109, 113, 118	4460234 79, 80, 151, 171	4460635 ..... 226, 238	4640936 ..... 182
4160194 ..... 105	4460248 ..... 102	4460662 ..... 234, 247	4641123 ..... 47, 49
4220162 ..... 101	4460264 ..... 97, 99	4460709 ..... 234, 247	4641127 ..... 35, 39
4220165 ..... 137	4460265 ... 155, 157, 160,	4460710 ..... 234, 247	4641129 ..... 51, 195, 197
4240018 ..... 63, 67	163, 165, 167, 226,	4460742 ..... 229, 241	4641140 ..... 130
4240032 79, 80, 146, 151	228, 229, 231, 235,	4460743 ..... 229, 241	4641141 ..... 130
4240033 ..... 79, 80, 175	238, 240, 241, 244, 248	4460752 .... 146, 151, 227,	4641142 ..... 130
4240084 ..... 35	4460266 ..... 157	228, 239, 240	4641148 ..... 35
4240099 .... 138, 143, 171	4460267 ... 226, 235, 238,	4460754 .... 227, 228, 239,	4641162 ..... 182
4240112 ..... 71	248	240	4641179 ..... 205, 207
4240178 ..... 68	4460268 ... 229, 232, 241,	4460761 .... 226, 231, 238,	4641235 ..... 47, 49
4300145 ..... 19	245, 248	243	4711000 .... 54, 102, 103,
4340678 ..... 147	4460320 ... 229, 230, 232,	4460802 ..... 79, 80	151
4340684 ..... 147	235, 241, 242, 245, 248	4460805 ..... 79, 80	4711400 ... 12, 16, 35, 36,
4341107 ..... 68	4460321 ... 226, 228, 229,	4460836 .... 228, 229, 240,	72, 80, 85, 89, 101,
4341109 ..... 68	230, 231, 238, 240,	241	102, 114, 118, 138,
4360031 ..... 137, 142	241, 242, 243	4460837 .... 228, 229, 240,	142, 143, 151, 169,
4360057 ..... 169, 171	4460326 ... 229, 230, 241,	241	175, 177
4360070 ..... 97, 99, 262	242	4460868 ..... 242	4711500 ... 35, 41, 47, 89,
4360274 ..... 95, 264	4460343 ... 226, 229, 238,	4460877 ..... 242	105, 130, 145, 152
4360322 ..... 101, 134	241	4460884 ..... 242	4711600 ... 11, 12, 15, 16,
4360328 93, 94, 145, 147,	4460367 ... 227, 230, 231,	4460891 .... 101, 232, 245,	19, 47, 53, 54, 63, 67,
152, 262	239, 243, 245	248	97, 99, 105, 106, 109,
4360330 ..... 93, 146, 262	4460418 .... 226, 238, 242	4460897 .... 102, 103, 235,	114, 118, 122, 130,
4360336 .... 147, 152, 264	4460419 .... 226, 238, 242	245, 248	133, 254, 258
4360387 ..... 93, 146, 147,	4460424 .... 95, 229, 230,	4460930 ..... 244	4712600 ..... 102, 103
151, 152, 171, 262, 264	231, 241, 242, 244	4460931 ..... 243	4713000 ..... 13, 42
4360448 .... 147, 151, 262	4460425 .... 171, 234, 248	4460939 ..... 242	4713400 ..... 16
4360462 .... 145, 151, 262	4460426 97, 99, 228, 229,	4460943 ..... 102	4740036 ..... 41
4360469 ..... 95, 262	240, 241	4460944 ..... 242	4740111 ..... 13, 16, 42
4360470 ..... 95, 262	4460428 79, 80, 138, 143,	4460945 ..... 242	4740120 ..... 146
	146, 147, 151, 152,	4460956 ..... 233, 247	4740155 ..... 42



# PART NUMBER INDEX

4740158..... 11, 12, 15, 16	4846370 ..... 169, 171	70000300 ..... 68	7000203..... 60
4740274 ..... 68	4846452 ..... 141	70000301 ..... 69	70002216..... 189
4740362..... 138, 142	4846573 ..... 129	70000302 ..... 69	70002219..... 203
4740397..... 147, 151	4846698 ..... 101	70000303 ..... 69	70002220..... 193
4740411 ..... 137	4846936 ..... 173	70000304 ..... 69	70002223..... 193
4740455 ..... 147	4860212 ..... 20	70000305 ..... 69	70002244..... 68
4740492..... 109, 114, 118	4891500 ..... 71	70000306 ..... 69	70002408..... 23
4740518..... 99	4891600 ..... 129	70000307 ..... 69	70002543..... 69
4750600.. 35, 97, 99, 146, 151	4891800 ..... 129	70000308 ..... 69	70002544..... 69
4750800..... 101, 146, 151	4892000 ... 13, 16, 19, 42, 53	70000309 ..... 69	7000255..... 60
4751000.... 41, 47, 79, 85, 101, 102, 137, 141, 147	4892200 ..... 53	70000310 ..... 69	7000256..... 60
4751400 68, 79, 105, 134, 137, 142, 169, 171, 177, 254, 258	4892600 ..... 125, 129	70000311 ..... 69	7000257..... 60
4751500.... 35, 68, 71, 85, 89, 105, 106, 114, 118, 169, 171, 173	4920385 ..... 68	70000312 ..... 69	7000258..... 60
4751600.... 13, 16, 35, 42, 63, 67, 68, 71, 72, 105, 106, 142, 145, 173	4922060 ..... 226, 238	70000313 ..... 69, 264	7000263..... 60
4751800.... 12, 16, 85, 89, 129, 169, 171	4922071 ..... 226, 238	70000314 ..... 69	70002724..... 165
4760600..... 97, 99	4922074 ..... 226, 238	70000315 ..... 69	70002725..... 165
4761000. 79, 80, 137, 141	4922118 ..... 226, 238	70000316 ..... 69	70002726..... 165
4811700..... 142	4922157 ..... 226, 238	70000317 ..... 69, 264	70002728..... 165
4845288..... 137	4922160 ..... 226, 238	70000318 ..... 69, 264	70002730..... 157
4845426..... 137	4922222 ... 147, 152, 231, 244	70000319 ..... 69, 264	70002731..... 157
4845925..... 114	4922223 ... 147, 152, 231, 244	70000320 ..... 69	70002732..... 157
4845927 ..... 114, 118	4922303 ..... 226, 238	70000321 ..... 69, 264	70002733..... 157
4846066..... 109, 114, 118	4922307 ... 147, 152, 227, 231, 239, 245	70000322 ..... 69	70002734..... 157
4846067 ..... 109, 114, 118	4922322 ..... 228, 240	70000323 ..... 64, 69, 264	70002735..... 157
4846074 ..... 109, 114, 118	4922323 ..... 35, 230, 243	70000324 ..... 69	70002736..... 165
4846075 ..... 109, 114, 118	4922324 ..... 234, 248	70000325 ..... 69	70002737..... 165
4846076..... 13, 42	4922325 ..... 228, 240	70000326 ..... 69, 72, 264	7000281..... 29, 60
4846077 ..... 11, 12	4922326 ..... 228, 241	70000327 ..... 69	70002902..... 142
4846132 ..... 105	4922350 ..... 229, 241	70000328 ..... 69, 72, 230, 243	70002903..... 142
4846134 ..... 85	4922355 ... 133, 227, 239	70000329 ..... 69, 264	70002904..... 142
4846135 ..... 16	4922356 ... 133, 227, 239	70000330 ..... 69, 264	70002905..... 142
4846139 ..... 15, 16	4922357 ... 133, 228, 240	70000340 ..... 126	70002947. 39, 49, 50, 264
4846140 ..... 85	4922358 ... 133, 227, 239	70000342 ..... 126	70003042..... 64
4846141 ..... 17	4922360 ... 133, 227, 239	70000382 ..... 69	70003483..... 142
4846142 ..... 105	4922361 ... 133, 228, 240	70000435 ..... 51	70003525..... 49, 50
4846158 ..... 129	4922362 ... 133, 228, 240	70000967 ..... 69	70003526..... 49, 50
4846161 ..... 36	4922363 ... 133, 228, 240	70001088 ..... 57	70003618..... 69
4846163 ..... 122	4922390 ..... 102	70001089 ..... 57	70003619..... 69
4846164 ..... 122	4922932 ..... 234, 248	70001090 ..... 57	70003711..... 25
4846165 ..... 122	4922939 ..... 133	70001091 ..... 57	70003712..... 25
4846166 ..... 122	4922940 ... 133, 228, 240	70001092 ..... 57	70003713..... 25
4846178 ..... 71	4923061 ..... 138, 143	70001093 ..... 57	70003714..... 25
4846183 ..... 47	4923627 ..... 229, 241	70001094 ..... 57	70003715..... 25
4846185 ..... 71	4933110 ... 222, 229, 241	70001095 ..... 57	70003716..... 25
4846188 ..... 64, 68	4933111 ..... 222	70001096 ..... 57	70003717..... 25
4846190 ..... 64	4933112 ... 222, 226, 238	70001097 ..... 57	70003718..... 25
4846210 ..... 106	4933132 ... 222, 228, 240	70001121 ..... 69	70003719..... 25
4846218 ..... 130	4933145 ... 147, 152, 222, 234, 247	70001144 ..... 69	70003720..... 25
4846258 ..... 118	4933272 ..... 222	70001342 ..... 50	70003721..... 25
4846273 ..... 64	4933317 ... 222, 234, 247	70001366 ..... 29	70003722..... 25
4846277 ..... 169	4933387 ... 222, 229, 241	70001367 ..... 29	70003723..... 25
4846278 ..... 114, 118	70000289 ..... 68, 264	70001368 ..... 30	70003724..... 25
4846293 ..... 12	70000290 ..... 68	70001369 ..... 29	70003725..... 26
4846294 ..... 42	70000291 ..... 68	70001370 ..... 29	70003819..... 189
4846295 ..... 41	70000292 ..... 68	70001371 ..... 29	70003820..... 203
4846296 ..... 41	70000293 ..... 68	70001372 ..... 29	70003833..... 193
4846298 ..... 129	70000294 ..... 68	70001373 ..... 29	70003834..... 193
4846350 ..... 17	70000295 ..... 68	70001374 ..... 29	70003835..... 193
	70000296 ..... 68	70001375 ..... 29	70003836..... 193
	70000297 ..... 68	70001376 ..... 29	70003837..... 189
	70000298 ..... 68	70001377 ..... 29	70003838..... 189
	70000299 ..... 68	70001378 ..... 29	70003839..... 189
		70001379 ..... 29	70003840..... 189
		70001380 ..... 30	70003841..... 189
		70001422 ..... 39	70003842..... 189
		70001440 ..... 49	70003925..... 65
			70004127..... 203

## PART NUMBER INDEX

70004132 ..... 203	7002823 .... 235, 248, 268	7012998..... 49, 50, 51	7018122 ..... 64
70004133 ..... 203	7002826 ..... 268	7014676 ..... 264	7018123 ..... 64
70004134 ..... 203	7002828 .... 235, 248, 268	7014813 ..... 71	7018124 ..... 64
70004135 ..... 203	7002840 ..... 12, 16, 268	7016319 ..... 101, 102	7018125 ..... 64
70004265 ..... 69	7003928 ..... 155, 157	7016356 ..... 138, 143	7018126 ..... 63
70004738 ..... 167	7003933 ..... 163	7016372 ..... 101, 102	7018127 ..... 64
70004739 ..... 167	7003935 ..... 163	7016649 ..... 72	7018141 ..... 64
70004740 ..... 167	7003940 ..... 163	7016654 ..... 268	7018143 ..... 64
70004741 ..... 167	7003941 ..... 163, 165	7017007 ..... 30	7018535 ..... 83, 264
70004742 ..... 167	7003946 ..... 163	7017009 ..... 29	7018537 ..... 83
70004743 ..... 167	7003952 ..... 155	7017022 ..... 29	7018564 ..... 83
70004744 ..... 167	7003953 ..... 155	7017023 ..... 60	7018570 ..... 83, 262
70004745 ..... 167	7003956 ..... 155	7017069 ..... 60	7018571 ..... 83
70004746 ..... 167	7003972 ..... 163, 165	7017071 ..... 60	7018900 ..... 49
70004747 ..... 167	7003973 ..... 163, 165	7017072 ..... 60	7018901 ..... 51
70004748 ..... 167	7003974 ..... 155, 163	7017073 ..... 60	7018904 ..... 51
70004749 ..... 167	7003976 ..... 155	7017074 ..... 60	7018912 ..... 50
70004750 ..... 167	7003977 ..... 155	7017075 ..... 60	7018942 ..... 39, 51
70004751 ..... 167	7003980 ..... 163, 165	7017076 ..... 60	7018991 ..... 50, 262
70004752 ..... 159	7003982 ..... 163, 165	7017077 ..... 60	7019103 ..... 163
70004753 ..... 159	7003983 ..... 163, 165	7017078 ..... 60	7019110 ..... 163
70004754 ..... 159	7003986 ..... 163	7017079 ..... 60	7019111 ..... 155, 163
70004755 ..... 159	7003989 ..... 163, 165	7017080 ..... 60	7019112 ..... 163
70004756 ..... 159	7003992 ..... 155, 163	7017082 ..... 60	7019115 ..... 163
70004757 ..... 159	7003993 ..... 155, 163	7017083 ..... 60	7019137 ..... 155
70004758 ..... 159	7003994 ..... 163	7017084 ..... 60	7019141 ..... 155
70004759 ..... 159	7004035 ..... 61	7017085 ..... 60	7019142 ..... 155
70004760 ..... 159	7004043 ..... 61	7017086 ..... 60	7019143 ..... 155
70004761 ..... 159	7004044 ..... 61	7017087 ..... 60	7019144 ..... 155
70004762 ..... 159	7004275 ..... 268	7017088 ..... 60, 61	7019145 ..... 155
70004763 ..... 159	7004276 ..... 268	7017150 ..... 125	7019147 ..... 155
70004764 ..... 159	7007633 ..... 60	7017151 ..... 125	7019149 ..... 155
70004765 ..... 159	7007637 ..... 60	7017158 ..... 126	7019150 ..... 155
70004766 ..... 159	7007640 ..... 29	7017159 ..... 126	7019151 ..... 163
70004767 ..... 159	7007900 ..... 23	7017160 ..... 126	7019154 ..... 163
70004768 ..... 159	7007933 ..... 23	7017162 ..... 125	7019157 ..... 163
70004769 ..... 159	7010542 ..... 49, 50, 130	7017163 ..... 125	7019158 ..... 163
70004770 ..... 159	7010543 ..... 49, 50, 130	7017164 ..... 125	7019159 ..... 163
70004771 ..... 159	7010795 ..... 61	7017165 ..... 126	7019160 ..... 163
70004772 ..... 159	7011112 ..... 186, 189	7017167 ..... 125	7019161 ..... 163
70004773 ..... 159	7011323 ..... 126	7017168 ..... 125	7019162 ..... 163, 165
70004774 ..... 159	7011529 ..... 83	7017169 ..... 125	7019164 ..... 163, 165
70004775 ..... 160	7011590 ..... 83, 231	7017170 ..... 125	7019165 ..... 163, 165
70004954 ..... 69	7011621 ..... 83, 231	7017172 ..... 125	7019167 ..... 163, 165
70005169 .... 69, 231, 243	7011757 ..... 23	7017173 ..... 125	7019168 ..... 163
70005192 ..... 69	7012540 ..... 39	7017178 ..... 126	7019170 ..... 155
70005193 ..... 69	7012545 ..... 19, 77	7017192 ..... 126	7019174 ..... 155
70005230 ..... 167	7012547 ..... 19	7017195 ..... 126	7019191 ..... 163
70005337 ..... 49	7012548 ..... 19, 77	7017277 ..... 199	7019194 ..... 163, 165
70005374 ..... 50	7012549 ..... 77	7017278 ..... 199	7019195 ..... 155
7000625 ..... 137, 142	7012693 ..... 12, 16	7017279 ..... 199	7019196 ..... 163
70006364 ..... 197	7012773 ..... 39, 49, 50	7017280 ..... 199	7019197 ..... 155
70006365 ..... 197	7012775 ..... 50	7017281 ..... 199	7020035 ..... 13, 42
70006366 ..... 197	7012799 .... 39, 49, 50, 51	7017282 ..... 199	7020036 ..... 13, 42
70006367 ..... 197	7012912 ..... 49, 50, 51	7017283 ..... 199	7020037 ..... 13, 42
70006368 ..... 197	7012914 ..... 130	7017284 ..... 199	7020038 ..... 13, 42
70006709 ..... 207	7012918 ..... 130	7017285 ..... 199	7020039 ..... 13, 42
70006710 ..... 207	7012941 ..... 49	7017286 ..... 199	7020040 ..... 13, 42
70006711 ..... 207	7012943 ..... 49	7017287 ..... 199	7020041 ..... 13, 42
70006712 ..... 207	7012944 ..... 49, 130, 262, 264	7017288 ..... 199	7020054 ..... 13, 42
70010346 ..... 267	7012953 ..... 130	7017289 ..... 199	7020055 ..... 13, 42
7001084 ..... 199	7012965 ..... 130	7017402 ..... 130	7020137 ..... 13, 42
7001908 ..... 60	7012967 ..... 49, 51, 195	7017406 ..... 189	7020140 ..... 13, 42
7001913 ..... 60	7012969 ..... 39, 49	7017412 ..... 49	7020155 ..... 72, 230, 243
7001926 ..... 60	7012975 ..... 49	7017452 ..... 130	7020156 ..... 72
7002821 .... 235, 248, 268	7012989 ..... 130	7017455 ..... 49	7020157 ..... 64
7002822 ..... 268		7017463 ..... 49	7020158 ..... 64



## PART NUMBER INDEX

7020159.....64	7020653.....83	7022815.....157	7024056.....75
7020160.....64	7020654.....83, 264	7022910.....231	7024135.....60
7020161.....64	7020662.....83	7022924.....83	7024136.....60, 61
7020162.....64	7020683.....83	7023200.....77	7024199.....60
7020163.....64	7021323.....25	7023208.....51	7024303.....64
7020164.....64	7021324.....25	7023209.....51	7024378.....61
7020165.....64	7021325.....25	7023210.....51	7024379.....61
7020166.....64	7021326.....25	7023211.....64	7024380.....61
7020167.....64	7021327.....25	7023218.....64	7024381.....61
7020175.....93, 146, 151	7021328.....25	7023224.....71, 72, 262	7024382.....61
7020176.....93, 146, 151	7021329.....26	7023268.....71, 72	7024383.....61
7020197.....65	7021333.....26	7023269.....71, 72, 262	7024384.....61
7020198.....65	7021335.....25	7023270.....71, 72	7024385.....61
7020199.....65	7021336.....25	7023274.....65	7024386.....61
7020200.....65	7021337.....25	7023306.....71, 72	7024387.....61
7020202.....65	7021338.....26	7023347.....71, 72	7024388.....61
7020203.....64	7021339.....25	7023485.....64	7024389.....61
7020206.....64	7021340.....25	7023486.....230, 243	7024441.....71
7020207.....65	7021341.....25	7023494.....64	7024446.....71
7020215.....64	7021342.....25	7023497.....63	7024700.....60
7020217.....65	7021344.....25	7023801.....33	7024701.....60
7020251.....13, 42	7021365.....50	7023803.....25	7024738.....29
7020253.....71	7021375.....39, 49, 50	7023806.....33	7024741.....29
7020255.....71	7021376.....50	7023807.....33	7024844.....193
7020257.....72	7021609.....130	7023866.....33	7024931.....25
7020260.....122	7021619.....49	7023868.....33	7024981.....26
7020261.....122	7021651.....130, 131	7023869.....33	7024983.....25
7020262.....122	7022000.....36	7023870.....33	7024985.....25
7020264.....122	7022001.....36	7023871.....33	7024986.....26
7020265.....122	7022002.....36	7023872.....33	7024991.....50
7020266.....122	7022003.....36, 230, 242	7023876.....33	7026068.....193
7020291.....77	7022004.....36, 230, 242	7023905.....130, 131	7026084.....189
7020292.....77	7022005.....36, 230, 242	7023906.....130	7026088.....193
7020293.....77	7022012.....230, 243	7023968.....130, 131	7026090.....193
7020294.....77	7022391.....49	7024007.....33	7026091.....193
7020295.....77	7022521.....50	7024011.....39	7026092.....193
7020296.....77	7022531.....51	7024013.....39, 49, 50, 262	7026121.....71
7020297.....77	7022586.....33	7024018.....49	7026170.....122
7020298.....77	7022587.....33	7024019.....50	7026182.....122
7020299.....77	7022588.....33, 57	7024020.....50	7026198.....63
7020640.....83	7022589.....33	7024021.....50	7026616.....205, 207
7020643.....83	7022591.....33	7024022.....51	7026662.....64
7020644.....83	7022593.....57	7024023.....51	7026669.....65
7020645.....83, 231	7022594.....57	7024024.....51	7026670.....65
7020646.....83, 231	7022595.....57	7024047.....26	7027859.....106
7020648.....83	7022596.....57	7024049.....25	8229242.....242
7020649.....83	7022808.....155, 157	7024051.....25	
7020650.....83	7022812.....163	7024053.....25	
7020651.....83	7022813.....155	7024054.....26	

# PARTS FINDER

**Search Website  
by Part Number**



**Search Manual  
Library For Parts  
Manual & Lookup Part  
Numbers – Purchase  
or Request Quote**

**Can't Find Part or  
Manual? Request Help  
by Manufacturer,  
Model & Description**

Discount-Equipment.com is your online resource for quality parts & equipment.

Florida: **561-964-4949** Outside Florida TOLL FREE: **877-690-3101**

## Need parts?

Click on this link: <http://www.discount-equipment.com/category/5443-parts/> and choose one of the options to help get the right parts and equipment you are looking for. Please have the machine model and serial number available in order to help us get you the correct parts. If you don't find the part on the website or on one of the online manuals, please fill out the request form and one of our experienced staff members will get back to you with a quote for the right part that your machine needs.

We sell worldwide for the brands: Genie, Terex, JLG, MultiQuip, Mikasa, Essick, Whiteman, Mayco, Toro Stone, Diamond Products, Generac Magnum, Airman, Haulotte, Barreto, Power Blanket, Nifty Lift, Atlas Copco, Chicago Pneumatic, Allmand, Miller Curber, Skyjack, Lull, Skytrak, Tsurumi, Husquvarna Target, Stow, Wacker, Sakai, Mi-T-M, Sullair, Basic, Dynapac, MBW, Weber, Bartell, Bennar Newman, Haulotte, Ditch Runner, Menegotti, Morrison, Contec, Buddy, Crown, Edco, Wyco, Bomag, Laymor, EZ Trench, Bil-Jax, F.S. Curtis, Gehl Pavers, Heli, Honda, ICS/PowerGrit, IHI, Partner, Imer, Clipper, MMD, Koshin, Rice, CH&E, General Equipment, Amida, Coleman, NAC, Gradall, Square Shooter, Kent, Stanley, Tamco, Toku, Hatz, Kohler, Robin, Wisconsin, Northrock, Oztec, Toker TK, Rol-Air, APT, Wylie, Ingersoll Rand / Doosan, Innovatech, Con X, Ammann, Mecalac, Makinex, Smith Surface Prep, Small Line, Wanco, Yanmar